



A TEREX BRAND



Parts Manual

Serial Number Range

Z-34/22N

Z-34/22N from SN 2227 to 10885

Z-34/22DC

Z-34/22DC from SN 1735 to 9606

Z-34/22

Bi-Energy

Z-34/22BE from SN 1735 to 9606

Part No. 106046

Rev F11

November 2018

Go to Discount-Equipment.com to order your parts

PARTS FINDER

**Search Website
by Part Number**



**Search Manual
Library For Parts
Manual & Lookup Part
Numbers – Purchase
or Request Quote**

Search Manuals

Enter your information to help us find the right parts manual for your machine.

* Brand:

* Model:

* Serial:

* Part Number:

SEARCH

**Can't Find Part or
Manual? Request Help
by Manufacturer,
Model & Description**

Parts Order Form

Please fill in the following information to help us find the right part for your machine.

Manufacturer:	<input type="text"/>
Model:	<input type="text"/>
Description:	<input type="text"/>
Part Number:	<input type="text"/>
Quantity:	<input type="text"/>
Notes:	<input type="text"/>

Discount-Equipment.com is your online resource for quality parts & equipment.

Florida: **561-964-4949** Outside Florida TOLL FREE: **877-690-3101**

Need parts?

Click on this link: <http://www.discount-equipment.com/category/5443-parts/> and choose one of the options to help get the right parts and equipment you are looking for. Please have the machine model and serial number available in order to help us get you the correct parts. If you don't find the part on the website or on one of the online manuals, please fill out the request form and one of our experienced staff members will get back to you with a quote for the right part that your machine needs.

We sell worldwide for the brands: Genie, Terex, JLG, MultiQuip, Mikasa, Essick, Whiteman, Mayco, Toro Stone, Diamond Products, Generac Magnum, Airman, Haulotte, Barreto, Power Blanket, Nifty Lift, Atlas Copco, Chicago Pneumatic, Allmand, Miller Curber, Skyjack, Lull, Skytrak, Tsurumi, Husquvarna Target, Stow, Wacker, Sakai, Mi-T-M, Sullair, Basic, Dynapac, MBW, Weber, Bartell, Bennar Newman, Haulotte, Ditch Runner, Menegotti, Morrison, Contec, Buddy, Crown, Edco, Wyco, Bomag, Laymor, EZ Trench, Bil-Jax, F.S. Curtis, Gehl Pavers, Heli, Honda, ICS/PowerGrit, IHI, Partner, Imer, Clipper, MMD, Koshin, Rice, CH&E, General Equipment, Amida, Coleman, NAC, Gradall, Square Shooter, Kent, Stanley, Tamco, Toku, Hatz, Kohler, Robin, Wisconsin, Northrock, Oztec, Toker TK, Rol-Air, APT, Wylie, Ingersoll Rand / Doosan, Innovatech, Con X, Ammann, Mecalac, Makinex, Smith Surface Prep, Small Line, Wanco, Yanmar

Table of Contents

This manual is updated frequently. For the most up-to-date parts information, visit www.discount-equipment.com

How to Read Your Serial Number.....	3
Parts Stocking List.....	7

Electronic Version

Click on any page number to view the figure.

100 Decals

101.1 Decals (Z-34/22N to SN 4260) (Z-34/22DC to SN 3577).....	10
102.1 Word Decals (Z-34N from SN 4261 to 5504) (Z-34DC from SN 3578 to 4684).....	12
102.2 Word Decals (Z-34N from SN 5505) (Z-34DC from SN 4685).....	14
103.1 Symbol Decals (Z-34N from SN 4260 to 5504) (Z-34DC from SN 3578 to 4684).....	18
103.2 Symbol Decals (Z-34N from SN 5505) (Z-34DC from SN 4685).....	20
104.1 Decals (Z-34BE to SN 3577).....	22
105.1 Word Decals (Z-34BE from SN 3578 to 4684).....	24
105.2 Word Decals (Z-34BE from SN 4685).....	26
106.1 Symbol Decals (Z-34BE from SN 3578 to 4684).....	30
106.2 Symbol Decals (Z-34BE from SN 4685).....	32

200 Drive Chassis Components

201.1 Steer End.....	34
202.1 Battery Charger (to SN Z34N09-8701) (to SN Z3409-7604).....	38
202.2 Battery Charger (from SN Z34N09-8702) (from SN Z3409-7605).....	40
203.1 Battery Packs.....	42
204.1 Non-steer End.....	46
205.1 Power Cables (Z-34N to SN 7355) (Z-34DC to SN 6561).....	52
205.2 Power Cables (Z-34N from SN 7356) (Z-34DC from SN 6562).....	54
206.1 Power Cables (Z-34BE to SN 6561).....	56
206.2 Power Cables (Z-34BE from SN 6562).....	58

300 Turntable Components

301.1 Turntable Rotator.....	60
302.1 Ground Controls Side - Z-34/22N and Z-34/22DC.....	64
303.1 Ground Controls Side, View 1 - Z-34/22 Bi-Energy (to SN 7669).....	68
303.2 Ground Controls Side, View 1 - Z-34/22 Bi-Energy (from SN 7670).....	70
304.1 Ground Controls Side, View 2 - Z-34/22 Bi-Energy.....	72
305.1 Ground Controls (Z-34N to SN 2533) (Z-34DC to SN 1884).....	74
306.1 Ground Controls (Z-34N from SN 2534 to 8050) (Z-34DC from SN 1885 to 7046).....	76
306.2 Ground Controls (Z-34N from SN 8051) (Z-34DC from SN 7047).....	78
307.1 Ground Controls - View 1 (Z-34BE to SN 4799).....	80
307.2 Ground Controls - View 1 (Z-34BE from SN 4800).....	84
308.1 Ground Controls - View 2 (Z-34BE to SN 4799).....	86
308.2 Ground Controls - View 2 (Z-34BE from SN 4800).....	88
309.1 Hydraulic Power Unit Side - Z-34/22N and Z-34/22DC (Z34N to SN 8788)(Z34DC to SN 7669).....	90
309.2 Hydraulic Power Unit Side - Z-34/22N and Z-34/22DC (Z34N from SN 8789)(Z34DC from SN 7670).....	92
310.1 Turntable Covers (Z-34N to SN 7048) (Z-34DC to SN 6195).....	94
310.2 Turntable Covers (Z-34N from SN 7049) (Z-34DC from SN 6196).....	96
311.1 Turntable Covers (Z-34BE to SN 7441).....	98
311.2 Turntable Covers (Z-34BE from SN 7442).....	100
312.1 Wire Harness Diagram - Z-34/22 Bi-Energy (from SN 4800).....	102
313.1 Wire Harness Diagram - (Z-34N from SN 5620) (Z-34DC from SN 4800).....	104

400 Engine Components

401.1 Engine Pivot Plate (to SN 7441).....	106
401.2 Engine Pivot Plate (from SN 7442).....	108
402.1 Kubota Z482-E Diesel Engine, View 1 (from SN 1735 to SN 4473).....	110
403.1 Kubota Z482-E Diesel Engine, View 2 (from SN 1735 to SN 4473).....	112
404.1 Kubota Z482-E Diesel Engine, View 3 (from SN 1735 to SN 4473).....	114
405.1 Kubota Z482 E2B Diesel Engine, View 1 (from SN 4474 to 7909).....	116
406.1 Kubota Z482 E2B Diesel Engine, View 2 (from SN 4474 to 7909).....	118
407.1 Kubota Z482 E2B Diesel Engine, View 3 (from SN 4474 to 7909).....	120
408.1 Kubota Z482 E3B, Diesel Engine, View 1 (from SN 7910 to 9441).....	122

409.1 Kubota Z482 E3B, Diesel Engine, View 2 (from SN 7910 to 9441).....	124
410.1 Kubota Z482 E3B, Diesel Engine, View 3 (from SN 7910 to 9441).....	126
411.1 Kubota Z482 E4B, Diesel Engine, View 1 (from SN 9442).....	128
412.1 Kubota Z482 E4B, Diesel Engine, View 2 (from SN 9442).....	130
413.1 Kubota Z482 E4B, Diesel Engine, View 3 (from SN 9442).....	132

500 Boom Components

501.1 Secondary Boom - View 1.....	134
502.1 Secondary Boom - View 2.....	136
503.1 Upper Pivot.....	138
503.1 Upper Pivot.....	140
504.1 Primary and Extension Booms.....	142
505.1 Cable Track.....	146
506.1 Jib Boom and Platform Rotator.....	148

600 Platform Components

601.1 Platform (Z-34N to SN 2548) (Z-34DC and BE to SN 1891).....	152
602.1 Platform (Z-34N from SN 2548 to 4259) (Z-34DC and BE from SN 1892 to 3576).....	154
603.1 Platform (Z-34N from SN 4260) (Z-34DC and BE from SN 3577).....	156
604.1 Platform Control Box - View 1 (Z-34N to SN 2750) (Z-34DC and BE to SN 1999).....	160
605.1 Platform Controls - View 2 (Z-34N to SN 2750) (Z-34DC and BE to SN 1999).....	162
606.1 Platform Control Box - View 1 (Z-34N from SN 2751 to 5619) (Z-34DC and BE from SN 2000 to 4799).....	164
606.2 Platform Control Box - View 1 (Z-34N from SN 5620) (Z-34DC and BE from SN 4800).....	166
607.1 Platform Controls, View 2 (Z-34N from SN 2751) (Z-34DC and BE from SN 2000).....	168
608.1 Joystick Controller - Drive/Steer Functions (Z-34N to SN 10622) (Z-34DC and BE to SN 9441).....	170
608.2 Joystick Controller - Drive/Steer Functions (Z-34N from SN 10623) (Z-34 DC/BE from SN 9442).....	172
609.1 Rotational Controller - Boom Function Speed.....	174

700 Manifolds and Pumps

701.1 Function Manifold.....	176
702.1 Hydraulic Power Unit and Auxiliary Power Unit.....	180
703.1 Jib Boom and Platform Rotate Manifolds.....	182

800 Hydraulic Hoses and Fittings

801.1 Drive Chassis Hoses (Z-34N to SN 8114) (Z-34DC and BE to SN 7100).....	184
--	-----

801.2 Drive Chassis Hoses (Z-34N from SN 8115) (Z-34DC and BE from SN 7101).....	186
802.1 Turntable Hoses - Z-34N and Z-34DC (Z34N to SN 8788) (Z34DC to SN 7669).....	188
802.2 Turntable Hoses - Z-34N and Z-34DC (Z-34N from SN 8789) (Z-34DC from SN 7670).....	190
803.1 Turntable Hoses - Z-34 Bi-Energy (to SN 7669).....	192
803.2 Turntable Hoses - Z-34 Bi-Energy (from SN 7670).....	194
804.1 Boom Hoses (Z-34N to SN 8114) (Z-34DC and BE to SN 7100).....	196
804.2 Boom Hoses (Z-34N from SN 8115) (Z-34DC and BE from SN 7101).....	198

900 Accessories

901.1 Alarm and Beacon Package (Z-34N to SN 7048) (Z-34DC and BE to SN 6195).....	200
902.1 Air Line to Platform.....	202
903.1 Platform Options (Z-34N to SN 2547) (Z-34DC and BE to SN 1891).....	204
903.2 Platform Options (Z-34N from SN 2548) (Z-34DC/BE from SN 1892).....	206
904.1 Cold Start Package (Z-34 Bi-Energy).....	208
905.1 Platform Overload.....	210
906.1 Inverter Option.....	212
907.1 Drive Light Option.....	214
908.1 Hostile Environment Package (to SN 8857).....	216
909.1 Auxiliary Rail Assembly.....	218
910.1 Aircraft Protection Package (to SN 8583).....	220
910.2 Aircraft Protection Package (from SN 8584).....	222
911.1 Hostile Environment, Primary Boom Wipers (from SN 8858).....	224
912.1 Hostile Environment, Cylinder Bellows (from SN 8858).....	226
913.1 Operators Protection Alarm.....	228

Indices

Part Number Index.....	230
Part Description Index.....	237

Cross References

Fittings Cross Reference.....	248
-------------------------------	-----

Required Parts

The following parts are required to perform maintenance procedures as outlined in the Genie Z-34/22N & Z-34/22 DC and Z-34/22 Bi-Energy Service Manual.

Description	Part No.
Wheel Lug Nuts	54627
Engine Oil Filter	22106
Air Cleaner Element	52867
Fuel Filter Element	52877
V-Belt (Kubota Z-482 Diesel).....	52816
Fan Belt (Kubota Z-482 Diesel).....	56064
Hydraulic Tank Filter Element, Z-34N	
from SN 2227 to 3032	58995
from SN 3033 to 8788	74634
from SN 8789	44788
Hydraulic Tank Filter Element, Z-34 DC	
from SN 1735 to 2265	58995
from SN 2266 to 7669	74634
from SN 7670	44788
Hydraulic Tank Filter Element, Z-34 Bi-energy	
from SN 1735 to 2265	58995
from SN 2266 to 7669	74634
from SN 7670	44788
O-ring Kit (for ORFS Fittings)	49612
Plug and Cap Kit (for ORFS Fittings)	49613
Lithium Based Grease.....(source locally)	
Dielectric Grease	66399
Drive Hub Oil (refer to service manual) ...(source locally)	

Recommended Parts

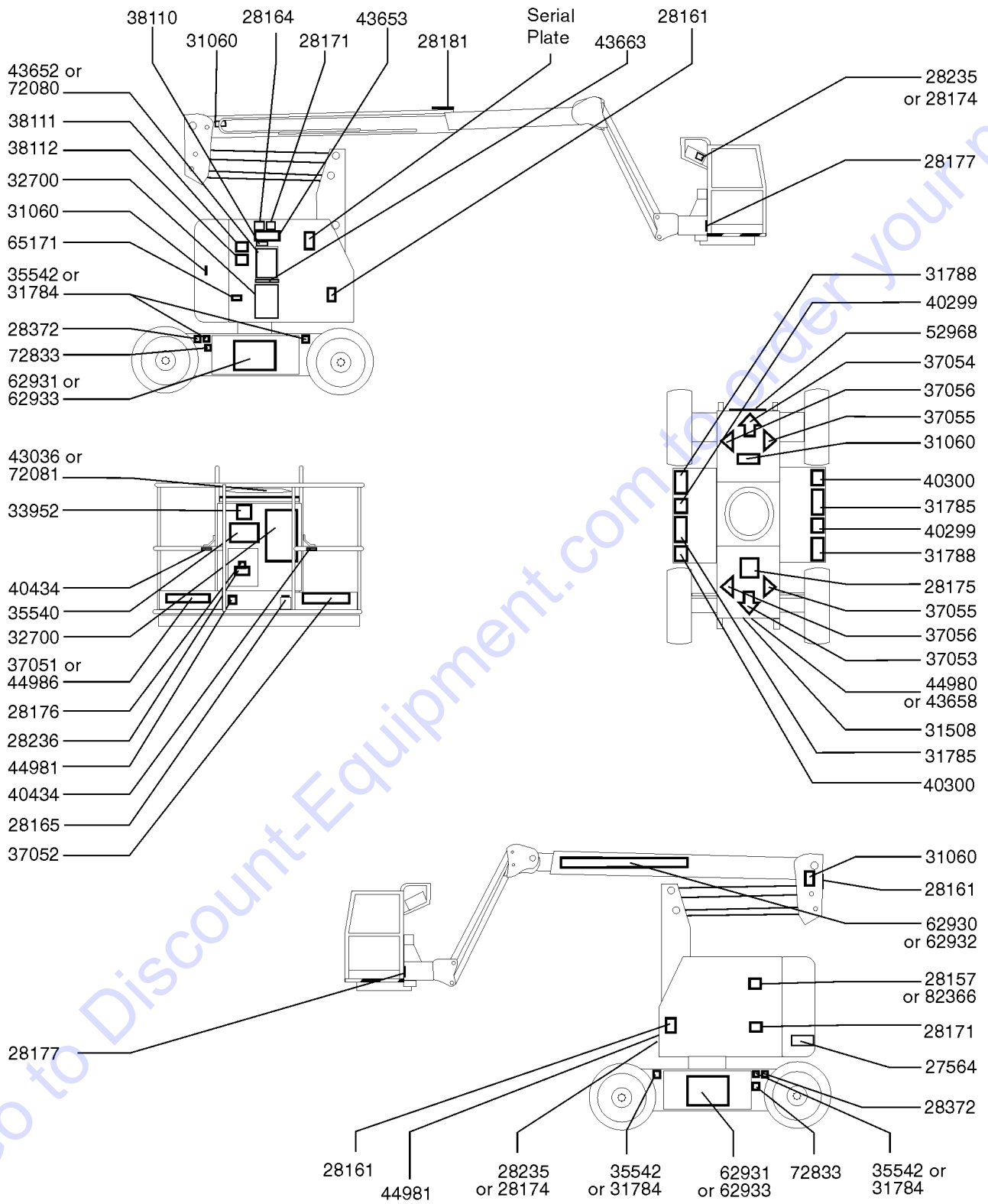
Description	Part No.
Genie Blue Paint, 1 Gallon	32150
Genie Blue Paint, 12 Ounce Aerosol.....	1484
Genie Gray Paint, 1 Gallon.....	32151
Genie Gray Paint, 12 Ounce Aerosol	1268

Manuals

Genie Industries offers the following support documents for these models:

Title	Part No.
EMI Safety Manual	27581
Manual of Responsibilities ANSI A92.5.....	31779

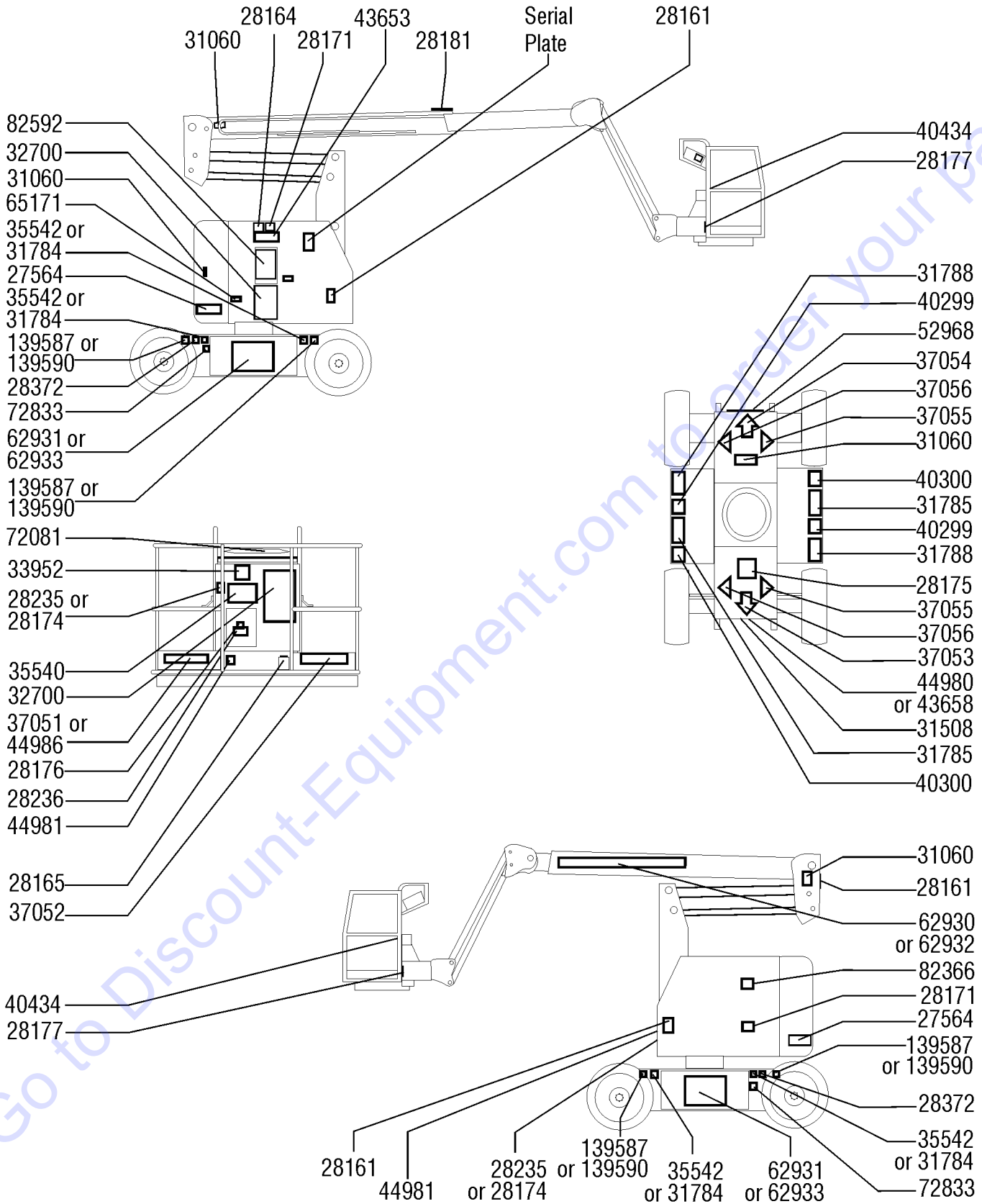
101.1 Decals (Z-34/22N to SN 4260) (Z-34/22DC to SN 3577)



101.1 Decals (Z-34/22N to SN 4260) (Z-34/22DC to SN 3577)

Item	Part No.	Description	Qty.	Item	Part No.	Description	Qty.
--	72978GT	DECAL KIT,INSTRUCT,Z-34 & Z34N <i>includes items 1-11, 13-16, 18-22, 25-35, 38, 49, and 53</i>		31	38111GT	DECAL,WARNING,BRAKE RELEASE***	1
1	27564GT	DECAL,DANGER,ELEC.HAZ.STAY CLR.....	2	32	38112GT	DECAL,CAUTION,BRAKE RELEASE***	1
2	28157GT	DECAL,USE DEXRON***	1	33	40299GT	DECAL,NOTICE,BATT CONNECTION	2
3	28161GT	DECAL,WARN,CRUSH HAZARD HAND.....	3	34	40300GT	DECAL,DANGER,TIP-OVER BATTERY.....	2
4	28164GT	DECAL,NOTICE,HAZARDOUS MAT'LS*	1	35	40434GT	DECAL,LANYARD ANCHORAGE POINT.....	2
5	28165GT	DECAL,INSTRUCT,FOOTSWITCH OPER.....	1	36	43036GT	DECAL, PLATFORM CONTROL PANEL* <i>Z-34N to SN 2901; Z-34DC to SN 2144</i>	1
6	28171GT	DECAL,DANGER,NO SMOKING ***	2	37	43652GT	DECAL,GROUND CONTROL PANEL** <i>Z-34N to SN 2901; Z-34DC to SN 2144</i>	1
7	28174GT	DECAL, POWER TO PLATFORM 230V**	2	38	43653GT	DECAL,NOTICE, GRD OPER INSTRUC.....	1
8	28175GT	DECAL,WARNING-COMPART ACCESS.....	1	39	43658GT	DECAL,LABEL,PWR TO CHARGR 230V.....	1
9	28176GT	DECAL,LABEL,MANUAL NOT HERE	1	40	43663GT	DECAL,NOTICE, FUNCTION ENABLE*	1
10	28177GT	DECAL,WARN,CRUSH HAZARD PLAT.....	2	41	44980GT	DECAL,LABEL,PWR TO CHARGR 115V.....	1
11	28181GT	DECAL,WARN,FALL HAZARD.....	1	42	44981GT	DECAL,LABEL, AIR LINE 110 PSI.....	2
12	28235GT	DECAL,POWER TO PLATFORM 115V	2	43	44986GT	DECAL,INSTR,SIDE FRC/WIND,AUS	1
13	28236GT	DECAL,WARN,IMPROPER OPERATION.....	1	44	52968GT	DECAL,COSMETIC,GENIE BOOM,VERT.....	1
14	28372GT	DECAL,NOTICE,BATTERY CABLES	2	46	62931GT	DECAL,GENIE Z-34/22 DC POWER	2
15	31060GT	DECAL,DANGER DO NOT ALTER SWTC.....	4	47	62932GT	DECAL,COSMETIC,GENIE Z-34/22N	1
16	31508GT	DECAL,DANGER,ELECT HAZARD,PLUG.....	1	48	62933GT	DECAL,COSM,GENIE Z-34/22N(BOX)	2
17	31784GT	DECAL,NOTICE,TIRE SPECS,Z34DC	4	49	65171GT	DECAL,LABEL,CB & STATUS LIGHT	1
18	31785GT	DECAL,NOTICE,CHARGER INSTRUC	2	50	72080GT	DECAL,GROUND CONTROL PANEL <i>Z-34N from SN 2902; Z-34DC from SN 2145</i>	1
19	31788GT	DECAL,DANGER,BATTERY SAFETY***	2	51	72081GT	DECAL,PLATFORM CONTROL PANEL** <i>Z-34N from SN 2902; Z-34DC from SN 2145</i>	1
20	97890GT	DECAL,DANGER,GEN SAFETY RULES.....	2	52	72833GT	DECAL,LABEL,OPEN,LATCH.....	2
21	33952GT	DECAL,DANGER,TILT ALARM.....	1	53	82366GT	DECAL,CHEVRON RANDO HD.....	1
22	35540GT	DECAL,NOTICE,OPER INST PLAT,DC.....	1				
23	35542GT	DECAL,NOTICE,LUG NUT TORQUE***	4				
24	37051GT	DECAL,NOTICE,SIDE FRC 150,ANSI	1				
25	37052GT	DECAL,NOTICE,MAX LOAD 500 LBS	1				
26	37053GT	DECAL,ARROW,BLUE.....	1				
27	37054GT	DECAL,ARROW,YELLOW SM 5-3/8"	1				
28	37055GT	DECAL,TRIANGLE,BLUE.....	2				
29	37056GT	DECAL,TRIANGLE,YELLOW.....	2				
30	38110GT	DECAL,LABEL,TRAVEL ALARM***	1				

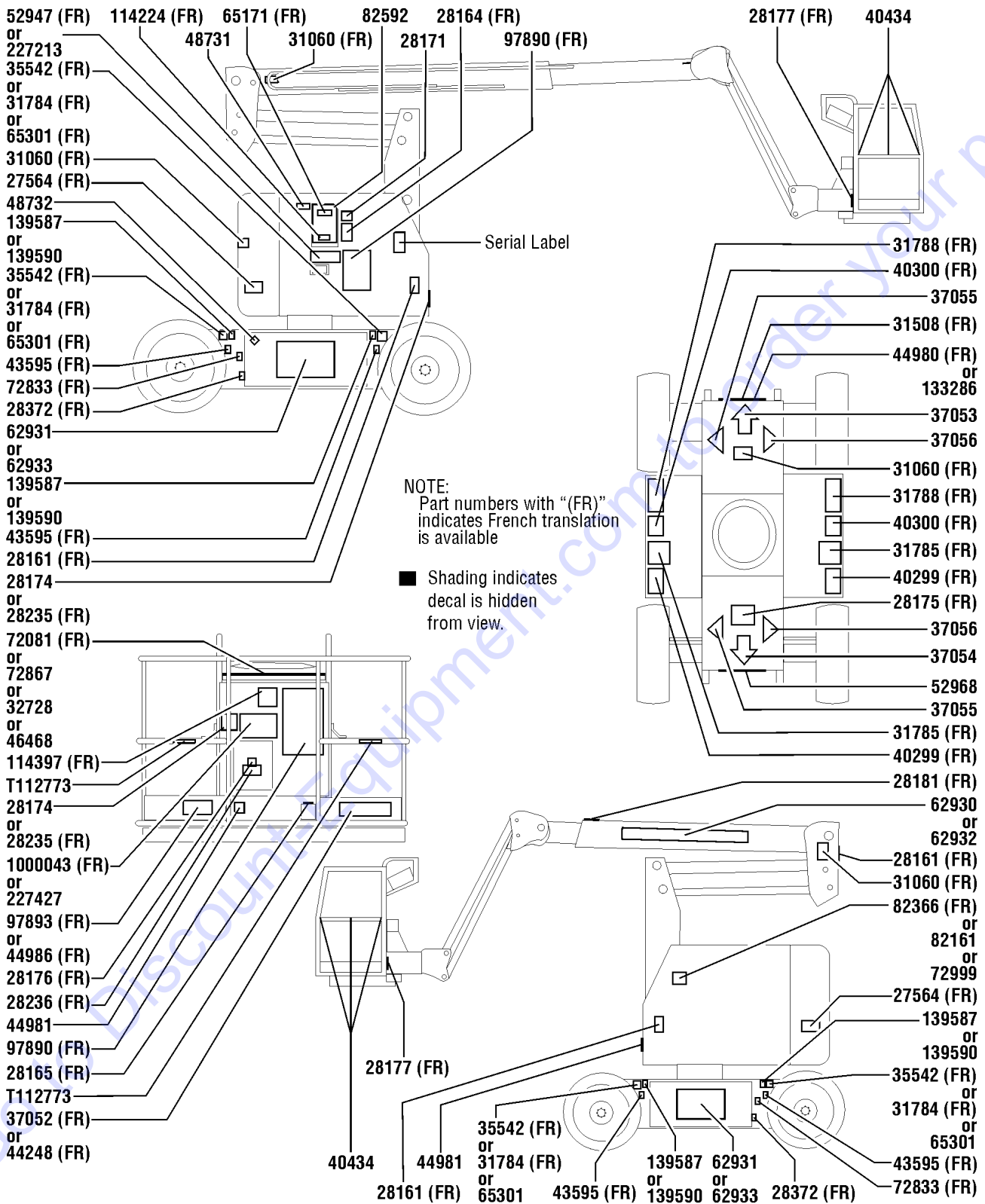
102.1 Word Decals (Z-34N from SN 4261 to 5504) (Z-34DC from SN 3578 to 4684)



102.1 Word Decals (Z-34N from SN 4261 to 5504) (Z-34DC from SN 3578 to 4684)

Item	Part No.	Description	Qty.	Item	Part No.	Description	Qty.
--	106057GT	WORD DECAL KIT,Z34N/Z34DC <i>includes items 1-5, 7-10, 12-14, 17-22, 25-32, 41, 43, 44, 46 and 47</i>		29	40299GT	DECAL,NOTICE,BATT CONNECTION...	2
1	27564GT	DECAL,DANGER,ELEC.HAZ.STAY CLR.....	2	30	40300GT	DECAL,DANGER,TIP-OVER BATTERY.....	2
2	28161GT	DECAL,WARN,CRUSH HAZARD HAND.....	3	31	40434GT	DECAL,LANYARD ANCHORAGE POINT.....	2
3	28164GT	DECAL,NOTICE,HAZARDOUS MAT'LS*.....	1	32	43653GT	DECAL,NOTICE, GRD OPER INSTRUC.....	1
4	28165GT	DECAL,INSTRUCT,FOOTSWITCH OPER.....	1	33	43658GT	DECAL,LABEL,PWR TO CHARGR 230V.....	1
5	28171GT	DECAL,DANGER,NO SMOKING ***.....	2	34	44980GT	DECAL,LABEL,PWR TO CHARGR 115V.....	1
6	28174GT	DECAL, POWER TO PLATFORM 230V**.....	2	35	44981GT	DECAL,LABEL, AIR LINE 110 PSI.....	2
7	28175GT	DECAL,WARNING-COMPART ACCESS.....	1	36	44986GT	DECAL,INSTR,SIDE FRC/WIND,AUS.....	1
8	28176GT	DECAL,LABEL,MANUAL NOT HERE.....	1	37	52968GT	DECAL,COSMETIC,GENIE BOOM,VERT.....	1
9	28177GT	DECAL,WARN,CRUSH HAZARD PLAT.....	2	38	62930GT	DECAL,COSMETIC,GENIE Z-34/22.....	2
10	28181GT	DECAL,WARN,FALL HAZARD.....	1	39	62931GT	DECAL,GENIE Z-34/22 DC POWER.....	1
11	28235GT	DECAL,POWER TO PLATFORM 115V.....	2	39	62932GT	DECAL,COSMETIC,GENIE Z-34/22N.....	1
12	28236GT	DECAL,WARN,IMPROPER OPERATION.....	1	40	62933GT	DECAL,COSM,GENIE Z-34/22N(BOX).....	2
13	28372GT	DECAL,NOTICE,BATTERY CABLES.....	2	41	65171GT	DECAL,LABEL,CB & STATUS LIGHT.....	1
14	31060GT	DECAL,DANGER DO NOT ALTER SWTC.....	4	42	72081GT	DECAL,PLATFORM CONTROL PANEL**.....	1
15	31508GT	DECAL,DANGER,ELECT HAZARD,PLUG.....	1	43	72833GT	DECAL,LABEL,OPEN,LATCH.....	2
16	31784GT	DECAL,NOTICE,TIRE SPECS,Z34DC..... <i>from Z-34/22DC SN 3578 and Z-34/22N SN 4261</i>	4	44	82366GT	DECAL,CHEVRON RANDO HD.....	1
17	31785GT	DECAL,NOTICE,CHARGER INSTRUC.....	2	45	82592GT	DECAL,GROUND CONTROL PANEL***.....	1
18	31788GT	DECAL,DANGER,BATTERY SAFETY***.....	2	46	139587GT	DECAL,LABEL,WHEEL LOAD Z34DC**.....	4
19	32700GT	DECAL,DANGER,GEN SAFETY RULES.....	2	47	139590GT	DECAL,LABEL,WHEEL LOAD Z34N***.....	4
20	33952GT	DECAL,DANGER,TILT ALARM.....	1				
21	35540GT	DECAL,NOTICE,OPER INST PLAT,DC.....	1				
22	35542GT	DECAL,NOTICE,LUG NUT TORQUE***..... <i>from Z-34/22DC SN 3578 and Z-34/22N SN 4261</i>	4				
23	37051GT	DECAL,NOTICE,SIDE FRC 150,ANSI.....	1				
24	37052GT	DECAL,NOTICE,MAX LOAD 500 LBS.....	1				
25	37053GT	DECAL,ARROW,BLUE.....	1				
26	37054GT	DECAL,ARROW,YELLOW SM 5-3/8".....	1				
27	37055GT	DECAL,TRIANGLE,BLUE.....	2				
28	37056GT	DECAL,TRIANGLE,YELLOW.....	2				

102.2 Word Decals (Z-34N from SN 5505) (Z-34DC from SN 4685)



102.2 Word Decals (Z-34N from SN 5505) (Z-34DC from SN 4685)

Item	Part No.	Description	Qty.	Item	Part No.	Description	Qty.
1	27564GT	DECAL,DANGER,ELEC.HAZ.STAY CLR.....	2	31	44980GT	DECAL,LABEL,PWR TO CHARGR 115V.....	1
2	28161GT	DECAL,WARN,CRUSH HAZARD HAND.....	3			<i>EE option</i>	
3	28164GT	DECAL,NOTICE,HAZARDOUS MAT'LS*.....	1	32	44981GT	DECAL,LABEL, AIR LINE 110 PSI.....	2
4	28165GT	DECAL,INSTRUCT,FOOTSWITCH OPER.....	1			<i>option, air line to platform</i>	
5	28171GT	DECAL,DANGER,NO SMOKING ***.....	1	33	44986GT	DECAL,INSTR,SIDE FRC/WIND,AUS.....	1
6	28174GT	DECAL, POWER TO PLATFORM 230V**.....	2			<i>AUS models</i>	
7	28175GT	DECAL,WARNING-COMPART ACCESS.....	1	34	46468GT	DECAL,FUNCTION OVERRIDE.....	1
8	28176GT	DECAL,LABEL,MANUAL NOT HERE.....	1			<i>option, aircraft protection package</i>	
9	28177GT	DECAL,WARN,CRUSH HAZARD PLAT.....	2	37	52947GT	DECAL,OPERATING INSTR,GROUND.....	1
10	28181GT	DECAL,WARN,FALL HAZARD.....	1			<i>ANSI models</i>	
11	28235GT	DECAL,POWER TO PLATFORM 115V...2		38	52968GT	DECAL,COSMETIC,GENIE BOOM,VERT.....	1
12	28236GT	DECAL,WARN,IMPROPER OPERATION.....	1				
13	28372GT	DECAL,NOTICE,BATTERY CABLES.....	2	39	62930GT	DECAL,COSMETIC,GENIE Z-34/22.....	1
14	31060GT	DECAL,DANGER DO NOT ALTER SWTC.....	4			<i>standard chassis</i>	
15	31508GT	DECAL,DANGER,ELECT HAZARD,PLUG.....	1	40	62931GT	DECAL,GENIE Z-34/22 DC POWER.....	2
16	31784GT	DECAL,NOTICE,TIRE SPECS,Z34DC...4					
		<i>Z-34DC, ANSI models</i>		41	62932GT	DECAL,COSMETIC,GENIE Z-34/22N.....	1
17	31785GT	DECAL,NOTICE,CHARGER INSTRUC...2				<i>Z-34/22N</i>	
18	31788GT	DECAL,DANGER,BATTERY SAFETY***.....	2	42	62933GT	DECAL,COSM,GENIE Z-34/22N(BOX)...2	
19	32728GT	DECAL,OPTION GENERATOR***.....	1				
		<i>models with inverter</i>		43	65171GT	DECAL,LABEL,CB & STATUS LIGHT.....	1
20	35542GT	DECAL,NOTICE,LUG NUT TORQUE***.....	4				
		<i>Z-34, Z-34N</i>		44	65301GT	DECAL,NOTICE,FOAM-FILLED TIRES.....	4
21	37052GT	DECAL,NOTICE,MAX LOAD 500 LBS....1				<i>Z-34DC, AUS models</i>	
22	37053GT	DECAL,ARROW,BLUE.....	1	45	72081GT	DECAL,PLATFORM CONTROL PANEL**.....	1
23	37054GT	DECAL,ARROW,YELLOW SM 5-3/8".....1					
24	37055GT	DECAL,TRIANGLE,BLUE.....	2	46	72833GT	DECAL,LABEL,OPEN,LATCH.....	2
25	37056GT	DECAL,TRIANGLE,YELLOW.....	2				
26	40299GT	DECAL,NOTICE,BATT CONNECTION...2		47	72867GT	DECAL,LABEL,LIGHTS***.....	1
27	40300GT	DECAL,DANGER,TIP-OVER BATTERY.....	2			<i>option, work lights</i>	
28	40434GT	DECAL,LANYARD ANCHORAGE POINT.....	6	48	72999GT	DECAL,LABEL,PETRO CANADA***.....	1
29	43595GT	DECAL,DANGER,TIP-OVER, TIRES***...4					
		<i>Z-34DC, AUS models</i>		49	82161GT	DECAL,LABEL,UCON HYDROLUBE.....	1
30	44248GT	DECAL,NOTICE,MAX CAP 440 LBS.....1					
		<i>option, aircraft protection package</i>		50	82366GT	DECAL,CHEVRON RANDO HD.....	1
				51	82592GT	DECAL,GROUND CONTROL PANEL***.....	1
				52	97890GT	DECAL,DANGER,GEN SAFETY RULES.....	2
				53	97893GT	DECAL,NOTICE,SIDE FRC/WINDANSI.....	1
						<i>ANSI models</i>	
				54	114224GT	DECAL,LABEL,RELAYS,Z30N,Z34NDC.1	
						<i>relay</i>	
				55	114397GT	DECAL,DANGER,TILT ALARM.....	1
				56	133286GT	DECAL, POWER TO CHARGER, UNIV.....	1
				57	139587GT	DECAL,LABEL,WHEEL LOAD Z34DC**.....	4
				58	139590GT	DECAL,LABEL,WHEEL LOAD Z34N***...4	
				59	227213GT	DECAL,OPER INST,DC BOOM GND AU.....	1
						<i>AUS models</i>	

102.2 Word Decals (Z-34N from SN 5505) (Z-34DC from SN 4685)
 (continued)

Item	Part No.	Description	Qty.
60	227427GT	DECAL, OPERATING INSTRUCTIONS.....1 <i>AUS models</i>	
61	1000043GT	DECAL, NOTICE, OPER INST PLAT, DC.....1 <i>ANSI models</i>	
62	T112773GT	TAPE, PROTECTIVE MASK.....2	

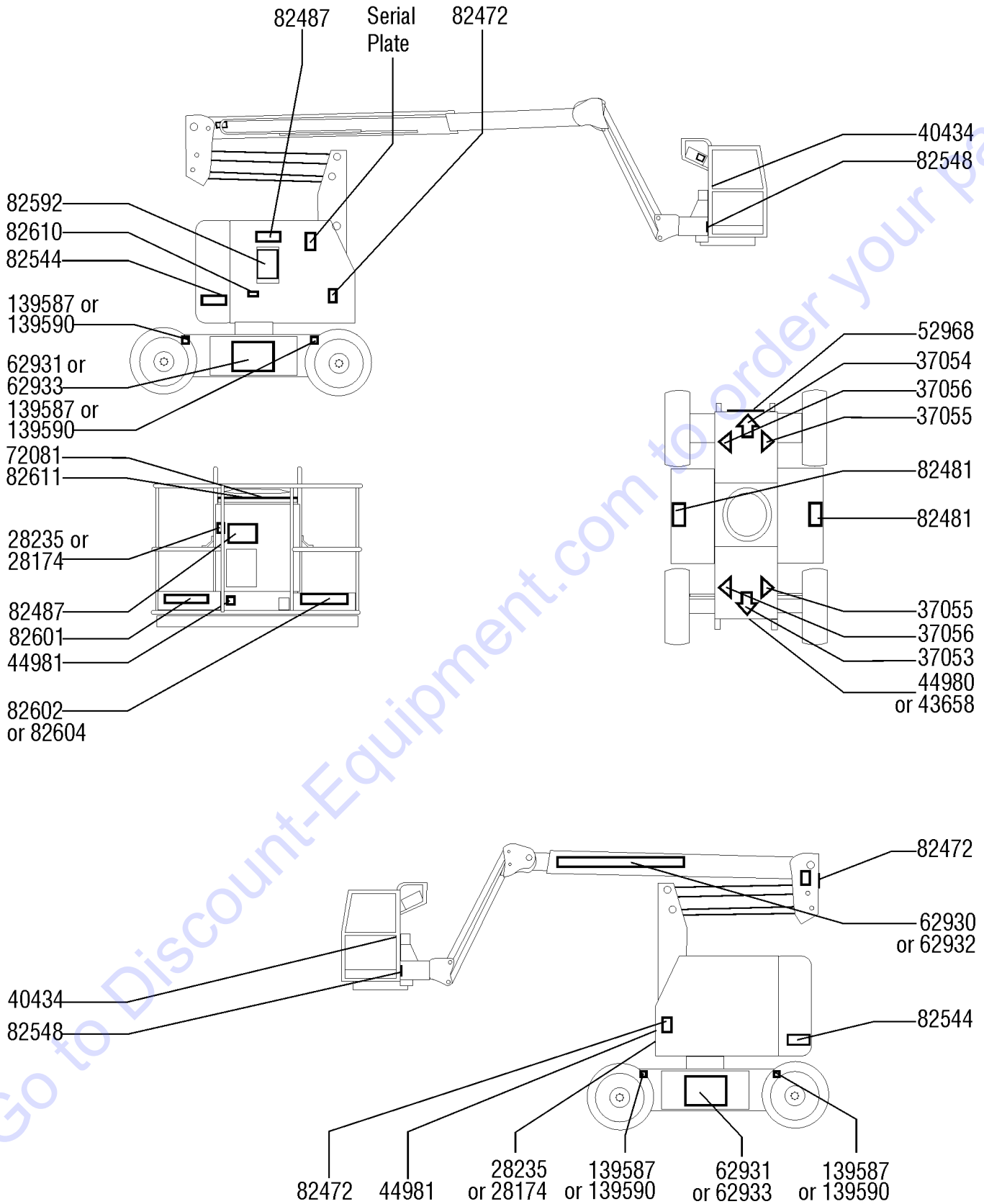
Go to Discount-Equipment.com to order your parts

102.2 Word Decals (Z-34N from SN 5505) (Z-34DC from SN 4685)
(continued)

This Page Intentionally Left Blank

Go to Discount-Equipment.com to order your parts

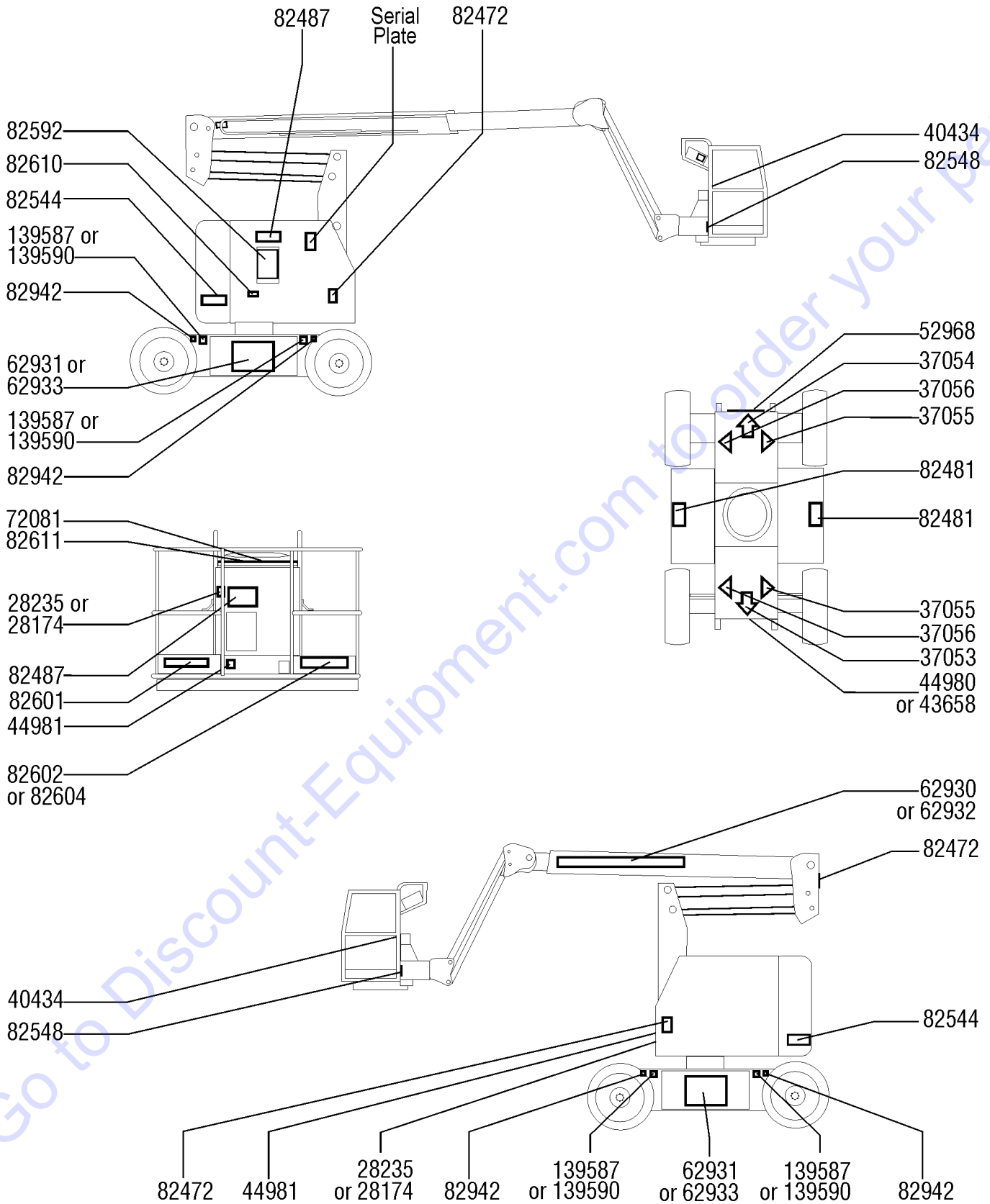
103.1 Symbol Decals (Z-34N from SN 4260 to 5504) (Z-34DC from SN 3578 to 4684)



103.1 Symbol Decals (Z-34N from SN 4260 to 5504) (Z-34DC from SN 3578 to 4684)

Item	Part No.	Description	Qty.
--	106058GT	SYMBOL DECAL KIT,Z34N/Z34DC <i>includes items 3-7, 17-21 and 26-29</i>	
1	28174GT	DECAL, POWER TO PLATFORM 230V**.....	2
2	28235GT	DECAL,POWER TO PLATFORM 115V.....	2
3	37053GT	DECAL,ARROW,BLUE.....	1
4	37054GT	DECAL,ARROW,YELLOW SM 5-3/8".....	1
5	37055GT	DECAL,TRIANGLE,BLUE.....	2
6	37056GT	DECAL,TRIANGLE,YELLOW.....	2
7	40434GT	DECAL,LANYARD ANCHORAGE POINT.....	2
8	43658GT	DECAL,LABEL,PWR TO CHARGR 230V.....	1
9	44980GT	DECAL,LABEL,PWR TO CHARGR 115V.....	1
10	44981GT	DECAL,LABEL, AIR LINE 110 PSI.....	2
11	52968GT	DECAL,COSMETIC,GENIE BOOM,VERT.....	1
12	62930GT	DECAL,COSMETIC,GENIE Z-34/22.....	2
13	62931GT	DECAL,GENIE Z-34/22 DC POWER.....	2
14	62932GT	DECAL,COSMETIC,GENIE Z-34/22N.....	1
15	62933GT	DECAL,COSM,GENIE Z-34/22N(BOX).....	2
16	72081GT	DECAL,PLATFORM CONTROL PANEL**.....	1
17	82472GT	DECAL,WARNING,CRUSHING HAZARD.....	3
18	82481GT	DECAL,SYMBOL-BATTERY SAFETY.....	2
19	82487GT	DECAL, SYMBOL - READ THE MANUAL.....	2
20	82548GT	DECAL,WARN,CRUSH HAZARD PLAT.....	2
21	82544GT	DECAL,DANGER,ELEC.HAZ.STAY CLR.....	2
22	82592GT	DECAL,GROUND CONTROL PANEL***.....	1
23	82601GT	DECAL,LABEL,MAX CAPACITY***.....	1
24	82602GT	DECAL,DANGER,MAX SIDE FRC,667N.....	1
25	82604GT	DECAL,DANGER,SIDE FRC 400N.....	1
26	139587GT	DECAL,LABEL,WHEEL LOAD Z34DC**.....	4
27	139590GT	DECAL,LABEL,WHEEL LOAD Z34N***.....	4
28	82610GT	DECAL,LABEL,CB & STATUS LIGHT.....	1
29	82611GT	DECAL,DRIVE ENABLE PATCH.....	1

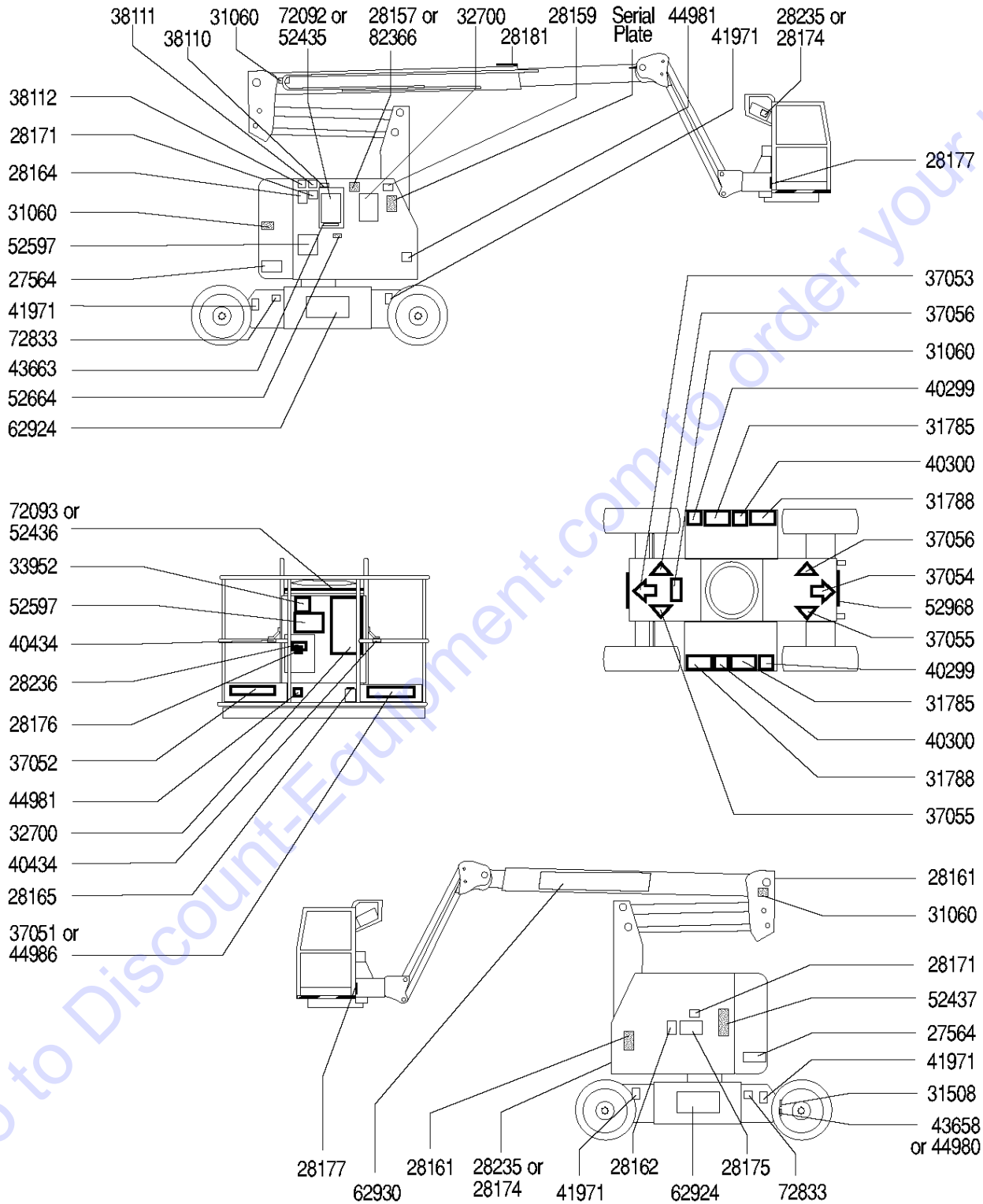
103.2 Symbol Decals (Z-34N from SN 5505) (Z-34DC from SN 4685)



103.2 Symbol Decals (Z-34N from SN 5505) (Z-34DC from SN 4685)

Item	Part No.	Description	Qty.
--	119420GT	SYMBOL DECAL KIT,Z34N/Z34DC <i>includes items 3-7, 17-21 and 26-30</i>	
1	28174GT	DECAL, POWER TO PLATFORM 230V**.....	2
2	28235GT	DECAL,POWER TO PLATFORM 115V.....	2
3	37053GT	DECAL,ARROW,BLUE.....	1
4	37054GT	DECAL,ARROW,YELLOW SM 5-3/8".....	1
5	37055GT	DECAL,TRIANGLE,BLUE.....	2
6	37056GT	DECAL,TRIANGLE,YELLOW.....	2
7	40434GT	DECAL,LANYARD ANCHORAGE POINT.....	2
8	43658GT	DECAL,LABEL,PWR TO CHARGR 230V.....	1
9	44980GT	DECAL,LABEL,PWR TO CHARGR 115V.....	1
10	44981GT	DECAL,LABEL, AIR LINE 110 PSI.....	2
11	52968GT	DECAL,COSMETIC,GENIE BOOM,VERT.....	1
12	62930GT	DECAL,COSMETIC,GENIE Z-34/22.....	2
13	62931GT	DECAL,GENIE Z-34/22 DC POWER.....	2
14	62932GT	DECAL,COSMETIC,GENIE Z-34/22N.....	1
15	62933GT	DECAL,COSM,GENIE Z-34/22N(BOX).....	2
16	72081GT	DECAL,PLATFORM CONTROL PANEL**.....	1
17	82472GT	DECAL,WARNING,CRUSHING HAZARD.....	3
18	82481GT	DECAL,SYMBOL-BATTERY SAFETY.....	2
19	82487GT	DECAL, SYMBOL - READ THE MANUAL.....	2
20	82548GT	DECAL,WARN,CRUSH HAZARD PLAT.....	2
21	82544GT	DECAL,DANGER,ELEC.HAZ.STAY CLR.....	2
22	82592GT	DECAL,GROUND CONTROL PANEL***.....	1
23	82601GT	DECAL,LABEL,MAX CAPACITY***.....	1
24	82602GT	DECAL,DANGER,MAX SIDE FRC,667N.....	1
25	82604GT	DECAL,DANGER,SIDE FRC 400N.....	1
26	139587GT	DECAL,LABEL,WHEEL LOAD Z34DC**.....	4
27	139590GT	DECAL,LABEL,WHEEL LOAD Z34N***.....	4
28	82610GT	DECAL,LABEL,CB & STATUS LIGHT.....	1
29	82611GT	DECAL,DRIVE ENABLE PATCH.....	1
30	82942GT	DECAL,LABEL,TIRE PRESS,Z-34/22.....	4

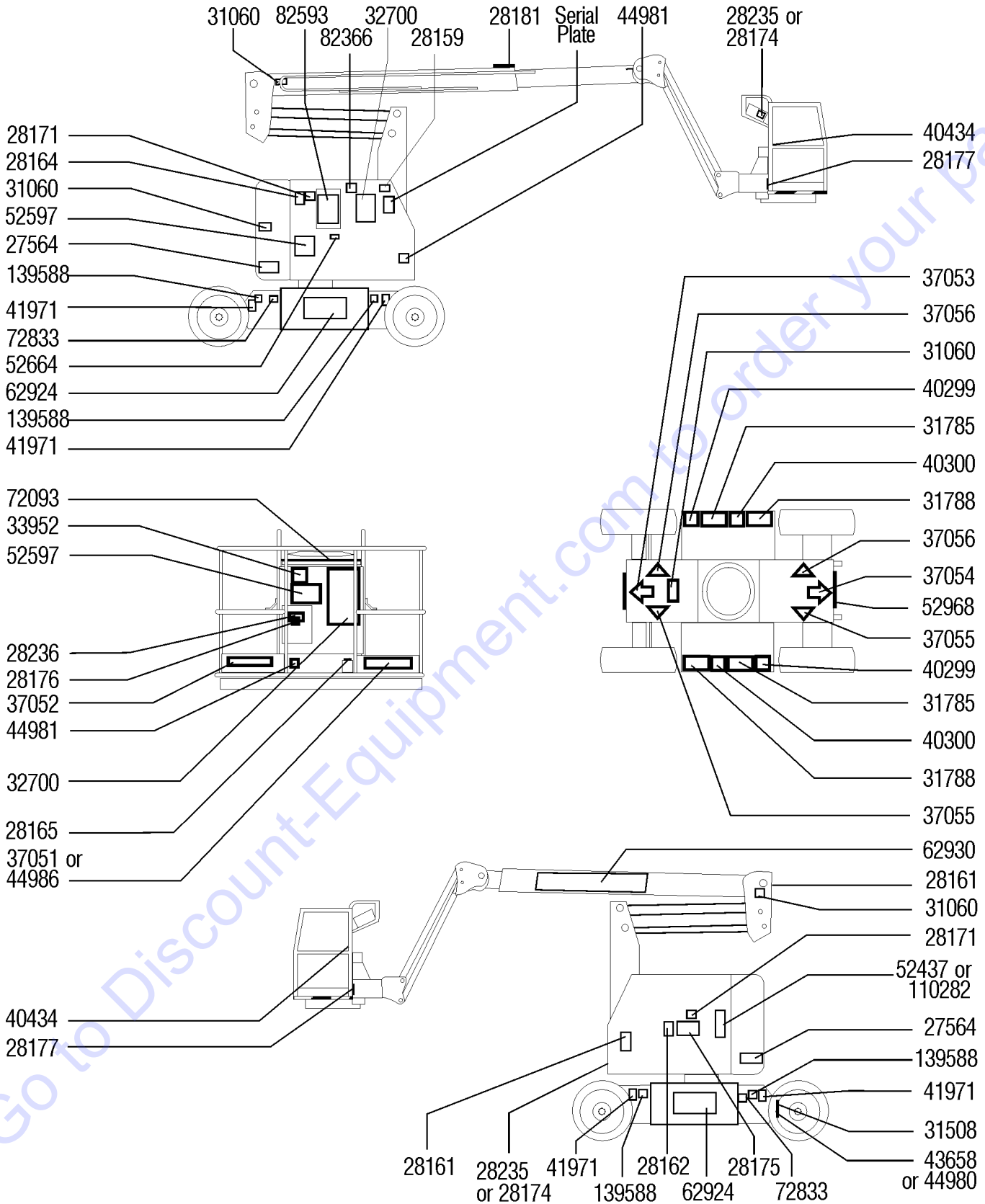
104.1 Decals (Z-34BE to SN 3577)



104.1 Decals (Z-34BE to SN 3577)

Item	Part No.	Description	Qty.	Item	Part No.	Description	Qty.
--	52438GT	DECAL KIT,WORDS,Z34BE <i>includes items 1-8, 10-13, 15-21, 24-27, 31-34, 42-44 and 49-51</i>		32	40300GT	DECAL,DANGER,TIP-OVER BATTERY.....	2
1	27564GT	DECAL,DANGER,ELEC.HAZ.STAY CLR.....	2	33	40434GT	DECAL,LANYARD ANCHORAGE POINT.....	2
2	28157GT	DECAL,USE DEXRON***.....	1	34	41971GT	DECAL,NOTICE,TIRE SPEC,34BI/IC.....	4
3	28159GT	DECAL,DIESEL.....	1	35	43658GT	DECAL,LABEL,PWR TO CHARGR 230V.....	1
4	28161GT	DECAL,WARN,CRUSH HAZARD HAND.....	3	36	43663GT	DECAL,NOTICE, FUNCTION ENABLE*.....	1
5	28162GT	DECAL,WARNING,CRUSHING.....	1	37	44980GT	DECAL,LABEL,PWR TO CHARGR 115V.....	1
6	28164GT	DECAL,NOTICE,HAZARDOUS MAT'LS*.....	1	38	44981GT	DECAL,LABEL, AIR LINE 110 PSI.....	2
7	28165GT	DECAL,INSTRUCT,FOOTSWITCH OPER.....	1	39	44986GT	DECAL,INSTR,SIDE FRC/WIND,AUS.....	1
8	28171GT	DECAL,DANGER,NO SMOKING ***.....	2	40	52435GT	DECAL,GROUND CONTROL PANEL..... <i>to SN 1996</i>	1
9	28174GT	DECAL, POWER TO PLATFORM 230V**.....	2	41	52436GT	DECAL,PLATFORM CONTROL PANEL..... <i>to SN 1996</i>	1
10	28175GT	DECAL,WARNING-COMPART ACCESS.....	1	42	52437GT	DECAL,NOTICE,KUBOTA ENG SPEC.....	1
11	28176GT	DECAL,LABEL,MANUAL NOT HERE.....	1	43	52597GT	DECAL,NOTICE,OPER INST BE.....	2
12	28177GT	DECAL,WARN,CRUSH HAZARD PLAT.....	2	44	52664GT	DECAL,LABEL,CONTRLR STATUS LT.....	1
13	28181GT	DECAL,WARN,FALL HAZARD.....	1	45	52968GT	DECAL,COSMETIC,GENIE BOOM,VERT.....	1
14	28235GT	DECAL,POWER TO PLATFORM 115V.....	2	46	62924GT	DECAL,GENIE Z-34/22 BI-ENERGY.....	2
15	28236GT	DECAL,WARN,IMPROPER OPERATION.....	1	47	62930GT	DECAL,COSMETIC,GENIE Z-34/22.....	1
16	31060GT	DECAL,DANGER DO NOT ALTER SWTC.....	4	48	72092GT	DECAL,GROUND CONTROL PANEL..... <i>from SN 1997</i>	1
17	31508GT	DECAL,DANGER,ELECT HAZARD,PLUG.....	1	49	72093GT	DECAL,PLATFORM CONTROL PANEL..... <i>from SN 1997</i>	1
18	31785GT	DECAL,NOTICE,CHARGER INSTRUC...2		50	72833GT	DECAL,LABEL,OPEN,LATCH.....	2
19	31788GT	DECAL,DANGER,BATTERY SAFETY***.....	2	51	82366GT	DECAL,CHEVRON RANDO HD.....	1
20	97890GT	DECAL,DANGER,GEN SAFETY RULES.....	2				
21	33952GT	DECAL,DANGER,TILT ALARM.....	1				
22	37051GT	DECAL,NOTICE,SIDE FRC 150,ANSI....	1				
23	37052GT	DECAL,NOTICE,MAX LOAD 500 LBS....	1				
24	37053GT	DECAL,ARROW,BLUE.....	1				
25	37054GT	DECAL,ARROW,YELLOW SM 5-3/8".....	1				
26	37055GT	DECAL,TRIANGLE,BLUE.....	2				
27	37056GT	DECAL,TRIANGLE,YELLOW.....	2				
28	38110GT	DECAL,LABEL,TRAVEL ALARM***.....	1				
29	38111GT	DECAL,WARNING,BRAKE RELEASE***.....	1				
30	38112GT	DECAL,CAUTION,BRAKE RELEASE***.....	1				
31	40299GT	DECAL,NOTICE,BATT CONNECTION...2					

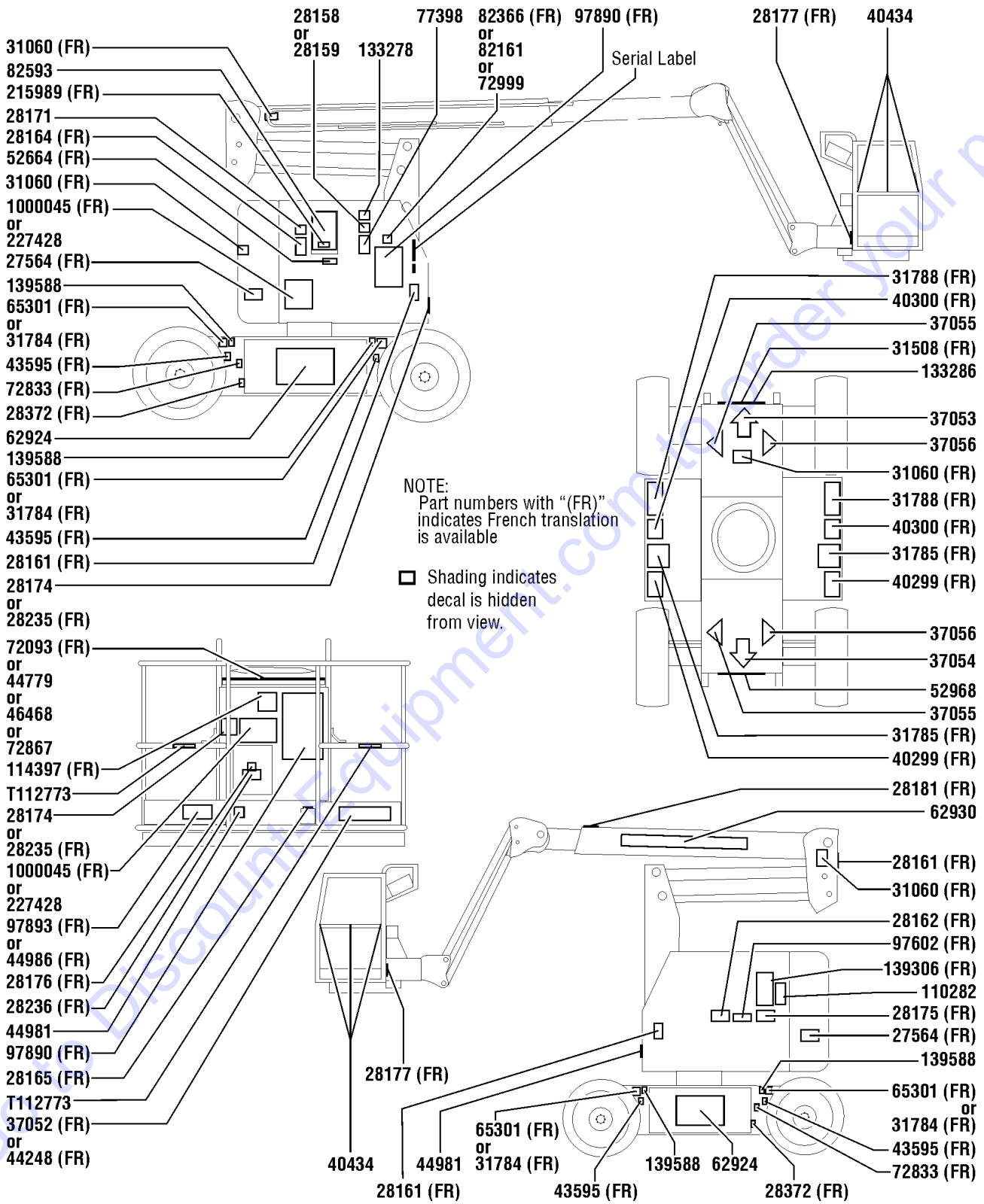
105.1 Word Decals (Z-34BE from SN 3578 to 4684)



105.1 Word Decals (Z-34BE from SN 3578 to 4684)

Item	Part No.	Description	Qty.	Item	Part No.	Description	Qty.
--	106059GT	WORD DECAL KIT,Z34BI <i>includes items 1-12, 14-20, 23-30, 35-37 and 41-45</i>		31	43658GT	DECAL,LABEL,PWR TO CHARGR 230V.....	1
1	27564GT	DECAL,DANGER,ELEC.HAZ.STAY CLR.....	2	32	44980GT	DECAL,LABEL,PWR TO CHARGR 115V.....	1
2	28159GT	DECAL,DIESEL.....	1	33	44981GT	DECAL,LABEL, AIR LINE 110 PSI.....	2
3	28161GT	DECAL,WARN,CRUSH HAZARD HAND.....	3	34	44986GT	DECAL,INSTR,SIDE FRC/WIND,AUS.....	1
4	28162GT	DECAL,WARNING,CRUSHING.....	1	35A	52437GT	DECAL,NOTICE,KUBOTA ENG SPEC.... <i>to SN 4473</i>	1
5	28164GT	DECAL,NOTICE,HAZARDOUS MAT'LS*.....	1	35B	110282GT	DECAL,NOTICE,SPEC,Z482 T2..... <i>from SN 4474 to SN 4684</i>	1
6	28165GT	DECAL,INSTRUCT,FOOTSWITCH OPER.....	1	36	52597GT	DECAL,NOTICE,OPER INST BE.....	2
7	28171GT	DECAL,DANGER,NO SMOKING ***.....	2	37	52664GT	DECAL,LABEL,CONTRLR STATUS LT.....	1
8	28174GT	DECAL, POWER TO PLATFORM 230V**.....	2	38	52968GT	DECAL,COSMETIC,GENIE BOOM,VERT.....	1
9	28175GT	DECAL,WARNING-COMPART ACCESS.....	1	39	62924GT	DECAL,GENIE Z-34/22 BI-ENERGY.....	2
10	28176GT	DECAL,LABEL,MANUAL NOT HERE.....	1	40	62930GT	DECAL,COSMETIC,GENIE Z-34/22.....	1
11	28177GT	DECAL,WARN,CRUSH HAZARD PLAT.....	2	41	72093GT	DECAL,PLATFORM CONTROL PANEL.....	1
12	28181GT	DECAL,WARN,FALL HAZARD.....	1	42	72833GT	DECAL,LABEL,OPEN,LATCH.....	2
13	28235GT	DECAL,POWER TO PLATFORM 115V.....	2	43	82366GT	DECAL,CHEVRON RANDO HD.....	1
14	28236GT	DECAL,WARN,IMPROPER OPERATION.....	1	44	82593GT	DECAL,GROUND CONTROL PANEL ***.....	1
15	31060GT	DECAL,DANGER DO NOT ALTER SWTC.....	4	45	139588GT	DECAL,LABEL,WHEEL LOAD Z34BE**.....	4
16	31508GT	DECAL,DANGER,ELECT HAZARD,PLUG.....	1				
17	31785GT	DECAL,NOTICE,CHARGER INSTRUC...2					
18	31788GT	DECAL,DANGER,BATTERY SAFETY***.....	2				
19	32700GT	DECAL,DANGER,GEN SAFETY RULES.....	2				
20	33952GT	DECAL,DANGER,TILT ALARM.....	1				
21	37051GT	DECAL,NOTICE,SIDE FRC 150,ANSI....1					
22	37052GT	DECAL,NOTICE,MAX LOAD 500 LBS....1					
23	37053GT	DECAL,ARROW,BLUE.....	1				
24	37054GT	DECAL,ARROW,YELLOW SM 5-3/8".....1					
25	37055GT	DECAL,TRIANGLE,BLUE.....	2				
26	37056GT	DECAL,TRIANGLE,YELLOW.....	2				
27	40299GT	DECAL,NOTICE,BATT CONNECTION...2					
28	40300GT	DECAL,DANGER,TIP-OVER BATTERY.....	2				
29	40434GT	DECAL,LANYARD ANCHORAGE POINT.....	2				
30	41971GT	DECAL,NOTICE,TIRE SPEC,34BI/IC....4					

105.2 Word Decals (Z-34BE from SN 4685)



105.2 Word Decals (Z-34BE from SN 4685)

Item	Part No.	Description	Qty.	Item	Part No.	Description	Qty.
--	119421GT	WORD DECAL KIT,Z34BI.....1 <i>includes items 3-8, 10-13, 15, 17, 20, 21, 23-29, 36, 42, 47, 50, 51, 57 and 60</i>	1	31	44248GT	DECAL,NOTICE,MAX CAP 440 LBS.....1 <i>option, aircraft protection package</i>	1
1	27564GT	DECAL,DANGER,ELEC.HAZ.STAY CLR.....2	2	32	44779GT	DECAL,GENERATOR OPTION.....1 <i>option, generator</i>	1
2	28158GT	DECAL,LABEL,UNLEADED GAS ONLY.....1	1	33	44981GT	DECAL,LABEL, AIR LINE 110 PSI.....2 <i>option, air line to platform</i>	2
3	28159GT	DECAL,DIESEL.....1	1	34	44986GT	DECAL,INSTR,SIDE FRC/WIND,AUS.....1 <i>AUS models</i>	1
4	28161GT	DECAL,WARN,CRUSH HAZARD HAND.....3	3	35	46468GT	DECAL,FUNCTION OVERRIDE.....1 <i>option, aircraft protection package</i>	1
5	28162GT	DECAL,WARNING,CRUSHING.....1	1	36	52664GT	DECAL,LABEL,CONTRLR STATUS LT.....1	1
6	28164GT	DECAL,NOTICE,HAZARDOUS MAT'LS*.....1	1	37	52968GT	DECAL,COSMETIC,GENIE BOOM,VERT.....1	1
7	28165GT	DECAL,INSTRUCT,FOOTSWITCH OPER.....1	1	38	62924GT	DECAL,GENIE Z-34/22 BI-ENERGY.....2	2
8	28171GT	DECAL,DANGER,NO SMOKING ***.....1	1	39	62930GT	DECAL,COSMETIC,GENIE Z-34/22.....1	1
9	28174GT	DECAL, POWER TO PLATFORM 230V**.....2	2	40	65301GT	DECAL,NOTICE,FOAM-FILLED TIRES.....4 <i>AUS models</i>	4
10	28175GT	DECAL,WARNING-COMPART ACCESS.....1	1	41	72093GT	DECAL,PLATFORM CONTROL PANEL.....1	1
11	28176GT	DECAL,LABEL,MANUAL NOT HERE.....1	1	42	72833GT	DECAL,LABEL,OPEN,LATCH.....2	2
12	28177GT	DECAL,WARN,CRUSH HAZARD PLAT.....2	2	43	72867GT	DECAL,LABEL,LIGHTS***.....1 <i>option, work lights</i>	1
13	28181GT	DECAL,WARN,FALL HAZARD.....1	1	44	72999GT	DECAL,LABEL,PETRO CANADA***.....1	1
14	28235GT	DECAL,POWER TO PLATFORM 115V.....2	2	45	77398GT	DECAL,TIRE SEALANT,3.25 X 7.5.....1 <i>option</i>	1
15	28236GT	DECAL,WARN,IMPROPER OPERATION.....1	1	46	82161GT	DECAL,LABEL,UCON HYDROLUBE.....1	1
16	28372GT	DECAL,NOTICE,BATTERY CABLES.....2	2	47	82366GT	DECAL,CHEVRON RANDO HD.....1	1
17	31060GT	DECAL,DANGER DO NOT ALTER SWTC.....4	4	48	82593GT	DECAL,GROUND CONTROL PANEL***.....1	1
18	31508GT	DECAL,DANGER,ELECT HAZARD,PLUG.....1	1	49	97602GT	DECAL,EXPLOSION HAZARD.....1 <i>Diesel models only</i>	1
19	31784GT	DECAL,NOTICE,TIRE SPECS,Z34DC.....4 <i>ANSI models</i>	4	50	97890GT	DECAL,DANGER,GEN SAFETY RULES.....2	2
20	31785GT	DECAL,NOTICE,CHARGER INSTRUC.....2	2	51	97893GT	DECAL,NOTICE,SIDE FRC/WINDANSI.....1 <i>ANSI/CSA models</i>	1
21	31788GT	DECAL,DANGER,BATTERY SAFETY***.....2	2	52	110282GT	DECAL,NOTICE,SPEC,Z482 T2.....1 <i>to SN Z3410-7909</i>	1
22	37052GT	DECAL,NOTICE,MAX LOAD 500 LBS.....1	1	53	114397GT	DECAL,DANGER,TILT ALARM.....1	1
23	37053GT	DECAL,ARROW,BLUE.....1	1	54	133278GT	DECAL,LOW/ULTRA LOW SULFR FUEL.....1 <i>Diesel models only</i>	1
24	37054GT	DECAL,ARROW,YELLOW SM 5-3/8".....1	1	55	133286GT	DECAL, POWER TO CHARGER, UNIV.....1	1
25	37055GT	DECAL,TRIANGLE,BLUE.....2	2	56	139306GT	DECAL,NOTICE,SPEC,Z482.....1 <i>from SN Z3410-7910</i>	1
26	37056GT	DECAL,TRIANGLE,YELLOW.....2	2	57	139588GT	DECAL,LABEL,WHEEL LOAD Z34BE**.....4	4
27	40299GT	DECAL,NOTICE,BATT CONNECTION.....2	2				
28	40300GT	DECAL,DANGER,TIP-OVER BATTERY.....2	2				
29	40434GT	DECAL,LANYARD ANCHORAGE POINT.....6	6				
30	43595GT	DECAL,DANGER,TIP-OVER,TIRES***.....4 <i>AUS models</i>	4				

105.2 Word Decals (Z-34BE from SN 4685)
 (continued)

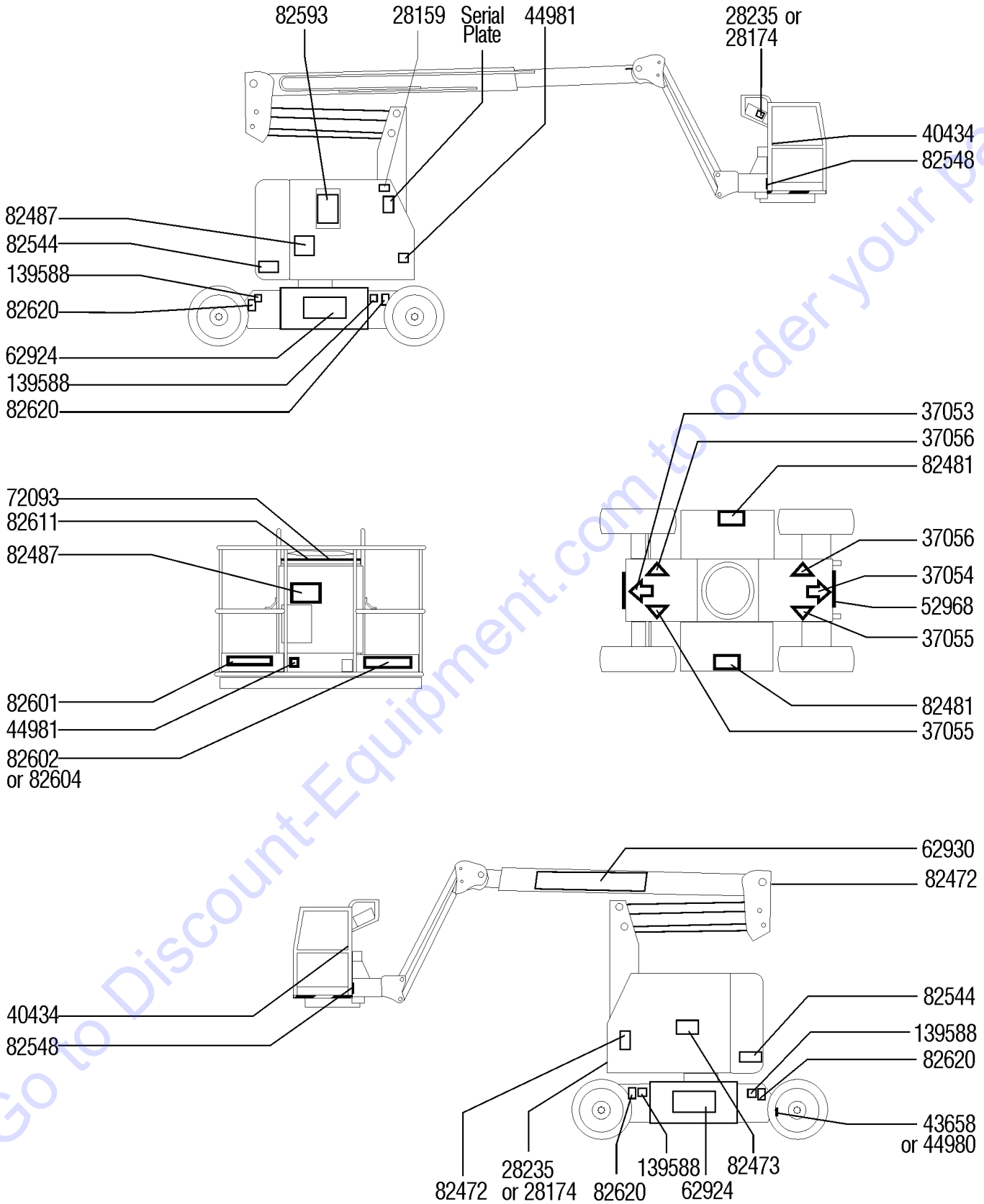
Item	Part No.	Description	Qty.
58A	114223GT	DECAL,LABEL,RELAYS,Z34BE.....1 to SN 9441	1
58B	215989GT	DECAL,RELAY LABEL,Z34BE.....1 from SN 9442	1
59	227428GT	DECAL, OPERATING INSTRUCTIONS.....2 AUS models	2
60	1000045GT	DECAL,NOTICE,OPER INST BE.....2 ANSI models	2
61	T112773GT	TAPE, PROTECTIVE MASK.....2	2

Go to Discount-Equipment.com to order your parts

This Page Intentionally Left Blank

Go to Discount-Equipment.com to order your parts

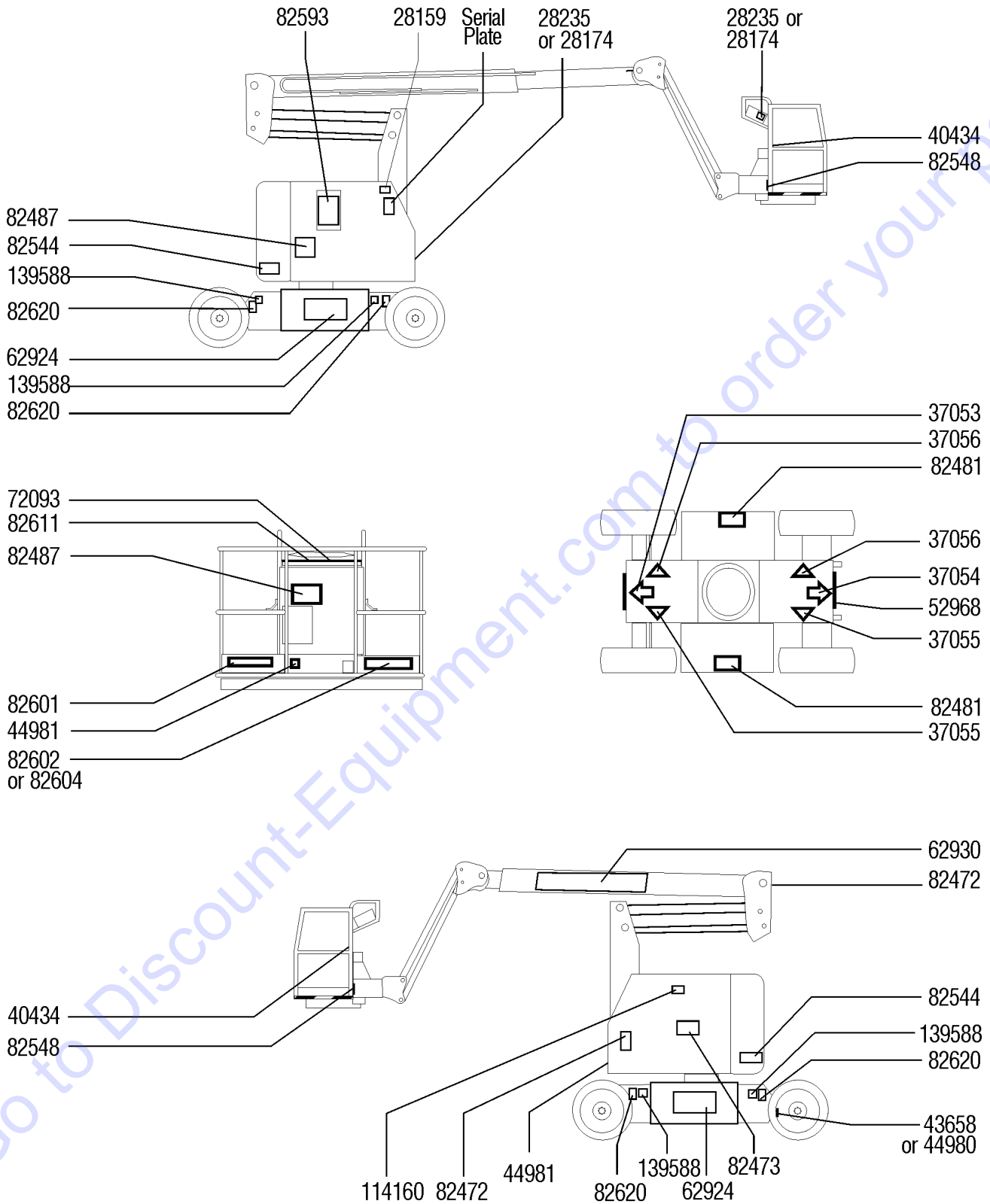
106.1 Symbol Decals (Z-34BE from SN 3578 to 4684)



106.1 Symbol Decals (Z-34BE from SN 3578 to 4684)

Item	Part No.	Description	Qty.
--	106060GT	SYMBOL DECAL KIT,Z34BI <i>includes items 1, 4-8, 16-22 and 26-28</i>	
--	97815GT	DECAL,LABEL,LOWER MIDRAIL.....	1
1	28159GT	DECAL,DIESEL.....	1
2	28174GT	DECAL, POWER TO PLATFORM 230V**.....	2
3	28235GT	DECAL,POWER TO PLATFORM 115V...2	
4	37053GT	DECAL,ARROW,BLUE.....	1
5	37054GT	DECAL,ARROW,YELLOW SM 5-3/8".....	1
6	37055GT	DECAL,TRIANGLE,BLUE.....	2
7	37056GT	DECAL,TRIANGLE,YELLOW.....	2
8	40434GT	DECAL,LANYARD ANCHORAGE POINT.....	2
9	43658GT	DECAL,LABEL,PWR TO CHARGR 230V.....	1
10	44980GT	DECAL,LABEL,PWR TO CHARGR 115V.....	1
11	44981GT	DECAL,LABEL, AIR LINE 110 PSI.....	2
12	52968GT	DECAL,COSMETIC,GENIE BOOM,VERT.....	1
13	62924GT	DECAL,GENIE Z-34/22 BI-ENERGY.....	2
14	62930GT	DECAL,COSMETIC,GENIE Z-34/22.....	1
15	72093GT	DECAL,PLATFORM CONTROL PANEL.....	1
16	82472GT	DECAL,WARNING,CRUSHING HAZARD.....	3
17	82473GT	DECAL,SYMBOL-COMP ACCESS.....	1
18	82481GT	DECAL,SYMBOL-BATTERY SAFETY.....	2
19	82487GT	DECAL, SYMBOL - READ THE MANUAL.....	2
20	82544GT	DECAL,DANGER,ELEC.HAZ.STAY CLR.....	2
21	82548GT	DECAL,WARN,CRUSH HAZARD PLAT.....	2
22	82593GT	DECAL,GROUND CONTROL PANEL***.....	1
23	82601GT	DECAL,LABEL,MAX CAPACITY***.....	1
24	82602GT	DECAL,DANGER,MAX SIDE FRC,667N.....	1
25	82604GT	DECAL,DANGER,SIDE FRC 400N.....	1
26	82611GT	DECAL,DRIVE ENABLE PATCH.....	1
27	139588GT	DECAL,LABEL,WHEEL LOAD Z34BE**.....	4
28	82620GT	DECAL,LABEL,TIRE PRESS,Z-34RT....	4

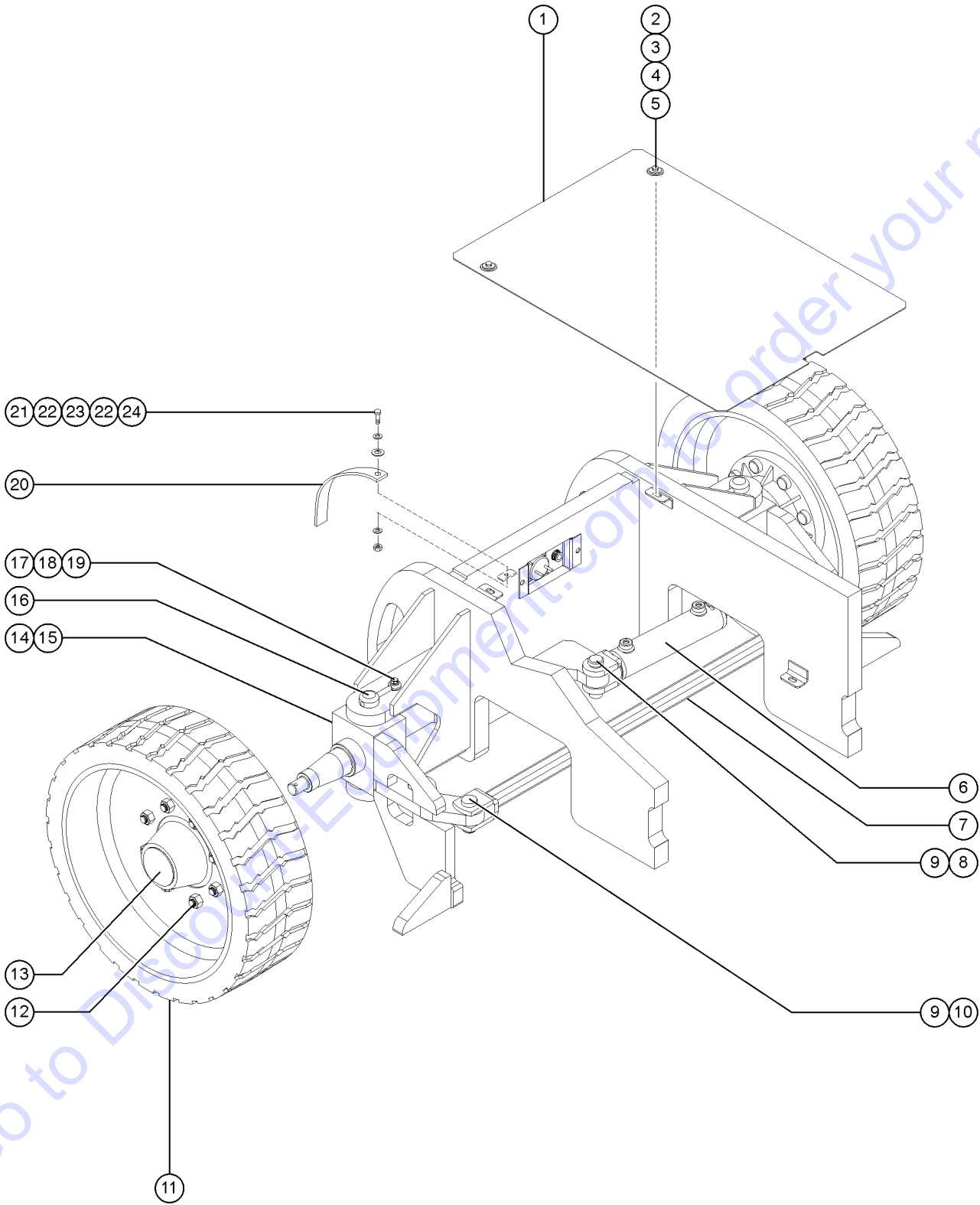
106.2 Symbol Decals (Z-34BE from SN 4685)



106.2 Symbol Decals (Z-34BE from SN 4685)

Item	Part No.	Description	Qty.
--	119422GT	SYMBOL DECAL KIT,Z34BI <i>includes items 1, 4-8, 16-22 and 26-29</i>	
--	97815GT	DECAL,LABEL,LOWER MIDRAIL.....1	1
1	28159GT	DECAL,DIESEL.....1	1
2	28174GT	DECAL, POWER TO PLATFORM 230V**.....2	2
3	28235GT	DECAL,POWER TO PLATFORM 115V...2	2
4	37053GT	DECAL,ARROW,BLUE.....1	1
5	37054GT	DECAL,ARROW,YELLOW SM 5-3/8".....1	1
6	37055GT	DECAL,TRIANGLE,BLUE.....2	2
7	37056GT	DECAL,TRIANGLE,YELLOW.....2	2
8	40434GT	DECAL,LANYARD ANCHORAGE POINT.....2	2
9	43658GT	DECAL,LABEL,PWR TO CHARGR 230V.....1	1
10	44980GT	DECAL,LABEL,PWR TO CHARGR 115V.....1	1
11	44981GT	DECAL,LABEL, AIR LINE 110 PSI.....2	2
12	52968GT	DECAL,COSMETIC,GENIE BOOM,VERT.....1	1
13	62924GT	DECAL,GENIE Z-34/22 BI-ENERGY.....2	2
14	62930GT	DECAL,COSMETIC,GENIE Z-34/22.....1	1
15	72093GT	DECAL,PLATFORM CONTROL PANEL.....1	1
16	82472GT	DECAL,WARNING,CRUSHING HAZARD.....3	3
17	82473GT	DECAL,SYMBOL-COMP ACCESS.....1	1
18	82481GT	DECAL,SYMBOL-BATTERY SAFETY.....2	2
19	82487GT	DECAL, SYMBOL - READ THE MANUAL.....2	2
20	82544GT	DECAL,DANGER,ELEC.HAZ.STAY CLR.....2	2
21	82548GT	DECAL,WARN,CRUSH HAZARD PLAT.....2	2
22	82593GT	DECAL,GROUND CONTROL PANEL***.....1	1
23	82601GT	DECAL,LABEL,MAX CAPACITY***.....1	1
24	82602GT	DECAL,DANGER,MAX SIDE FRC,667N.....1	1
25	82604GT	DECAL,DANGER,SIDE FRC 400N.....1	1
26	82611GT	DECAL,DRIVE ENABLE PATCH.....1	1
27	139588GT	DECAL,LABEL,WHEEL LOAD Z34BE**.....4	4
28	82620GT	DECAL,LABEL,TIRE PRESS,Z-34RT....4	4
29	114160GT	DECAL,LABEL,DECIBEL 102***.....1	1

201.1 Steer End



201.1 Steer End

Item	Part No.	Description	Qty.	Item	Part No.	Description	Qty.
A	1258005GT	KIT,RETROFIT,STEER,Z-34 2WD.....1 <i>to SN 3200</i>	1	11C	40137GT	WHEEL ASSY, INDUSTRIAL, AF NM Z-34DC/BE; Industrial, Air-filled, Non-marking, 8 hole x 8 inch BC	
--	1258006GT	TIE ROD, Z-34, 2WD.....1 <i>part of kit 1258005GT</i>	1	--	45040GT	RIM,Z45,14.5 X 7(8 HOLE ON 8BC <i>for 40137GT</i>	
--	824126GT	PIN,CLEVIS,3/4X3,ZAG.....2 <i>part of kit 1258005GT</i>	2	--	54234GT	TUBELESS TIRE,9-14.5,NON-M 47# <i>for 40137GT</i>	
--	824128GT	RUE RING,3/4,ZAG.....2 <i>part of kit 1258005GT</i>	2	11D	45460GT	WHEEL ASSY, INDUSTRIAL, FF Z-34DC/BE; Industrial, Foam-filled, 8 hole x 8 inch BC	
--	94020GT	YOKE ASSY, Z34 2WD RIGHT.....1 <i>part of kit 1258005GT</i>	1	11E	40837GT	WHEEL ASSY, INDUSTRIAL, FF NM Z-34DC/BE; Industrial, Foam-filled, Non-marking, 8 hole x 8 inch BC	
--	94021GT	YOKE ASSY, Z34 2WD LEFT.....1 <i>part of kit 1258005GT</i>	1	12	54627GT	NUT,LUG,5/8-18 X 90 DEGREE,Z45.....18	
B	96317GT	GROUND STRAP,12"LG***		13	45043GT	HUB ASSEMBLY MODEL#60-8***.....2	
--	96317GT	GROUND STRAP,12"LG***		--	21166GT	LUG BOLT,5/8-18,WHEEL HUB***	
1	40438GT	COVR W/DECALS DR CHAS STR END*.....1	1	--	40145GT	BEARING RACE (LARGE) (45873).....2 <i>inner cone not included</i>	
2	6888GT	SCREW,HHC,1/4-20 X 1		--	40146GT	BEARING RACE (SMALL) (45873).....2 <i>outer cone not included</i>	
3	6356GT	WASHER,LOCK,.25		--	45107GT	INNER CONE - MODEL 60-8 <i>large bearing race not included</i>	
4	6638GT	WASHER,FLAT,USS,1/4"Y		--	45108GT	OUTER CONE - MODEL 60-8 <i>small bearing race not included</i>	
5	56912GT	SPRING CLIP,1/4-20,.025-.15X.54,ZAG		--	45111GT	CAP,DUST,45873 HUB KIT	
6	88337GT	CYLINDER,STEER.....1 <i>check stamp on part prior to ordering seal kit</i>	1	--	45112GT	WASHER,SPINDLE	
--	88338GT	SEAL KIT, 88337 Z-34N from SN 4071; Z-34DC/BE from SN 3423		--	45113GT	NUT,SPINDLE,1-14	
--	48401GT	SEAL KIT,42406,STEER,CYL,TEXAS Z-34N from SN 3950 to 4069; Z-34DC/BE from SN 3296 to 3423		--	45873GT	SEAL/BEARING KIT (45043,54840)	
--	59169GT	SEAL KIT,2" BORE,1" ROD*** Z-34N from SN 2961 to 3949; Z-34DC/BE from SN 2166 to 3295		14A	74312GT	YOKE ASSY,LH,Z30NRJ.....2 <i>left front (shown); Z-34N from SN 4268</i>	
--	59076GT	SEAL KIT,2.0" BORE CYLINDERS** Z-34N to SN 2960; Z-34DC/BE to SN 2165		14B	37109GT	YOKE ASSY.,Z30N,Z34N,LH SIDE <i>left front; Z-34N to SN 4267</i>	
7A	36676GT	TIE ROD,WELDMENT,Z34.....1 Z-34N	1	14D	74313GT	YOKE ASSY,RH,Z30NRJ <i>right front; Z-34N from SN 4268</i>	
7B	42432-SGT	WELDMENT, TIE ROD,Z-34/68.....1 Z-34DC/BE	1	14E	37110GT	YOKE ASSY.,Z30N,Z34N,RH SIDE <i>right front; Z-34N to SN 4267</i>	
8	19440GT	PIN,CLEVIS,1 X 2.5 LG.....2	2	14F	45071GT	BEARING,1.5IDX1.75ODX1.5L <i>for 37109, 37110, 74312, 74313</i>	
9	74389GT	RUE RING,1.00.....1	1	--	25817GT	BEARING,1.00IDX1.25ODX1.00L <i>for 37109, 37110, 74312, 74313</i>	
10	32399GT	PIN,CLEVIS,1 X 3 LG.....2	2	14G	41213GT	YOKE ASSY, Z34 2WD RIGHT.....2 <i>right front; Z-34DC/BE to SN 3200</i>	
11A	94908GT	TIRE & WHEEL ASSY,FRONT N-M.....2 Z-34N; Solid, Non-marking, 8 hole x 8 inch BC	2	14H	94021GT	YOKE ASSY, Z34 2WD LEFT <i>left front (shown); Z-34DC/BE from SN 3201</i>	
11B	45093GT	WHEEL ASSY, INDUSTRIAL, AF.....2 Z-34DC/BE; Industrial, Air-filled, 8 hole x 8 inch BC	2	14J	41212GT	YOKE ASSY, Z34 2WD LEFT <i>left front; Z-34DC/BE to SN 3200</i>	
--	45040GT	RIM,Z45,14.5 X 7(8 HOLE ON 8BC <i>for 45093GT</i>		14K	94020GT	YOKE ASSY, Z34 2WD RIGHT <i>right front; Z-34DC/BE from SN 3201</i>	
--	54140GT	TUBELESS PNEUMATIC TIRE,9-14LT <i>for 45092GT</i>					

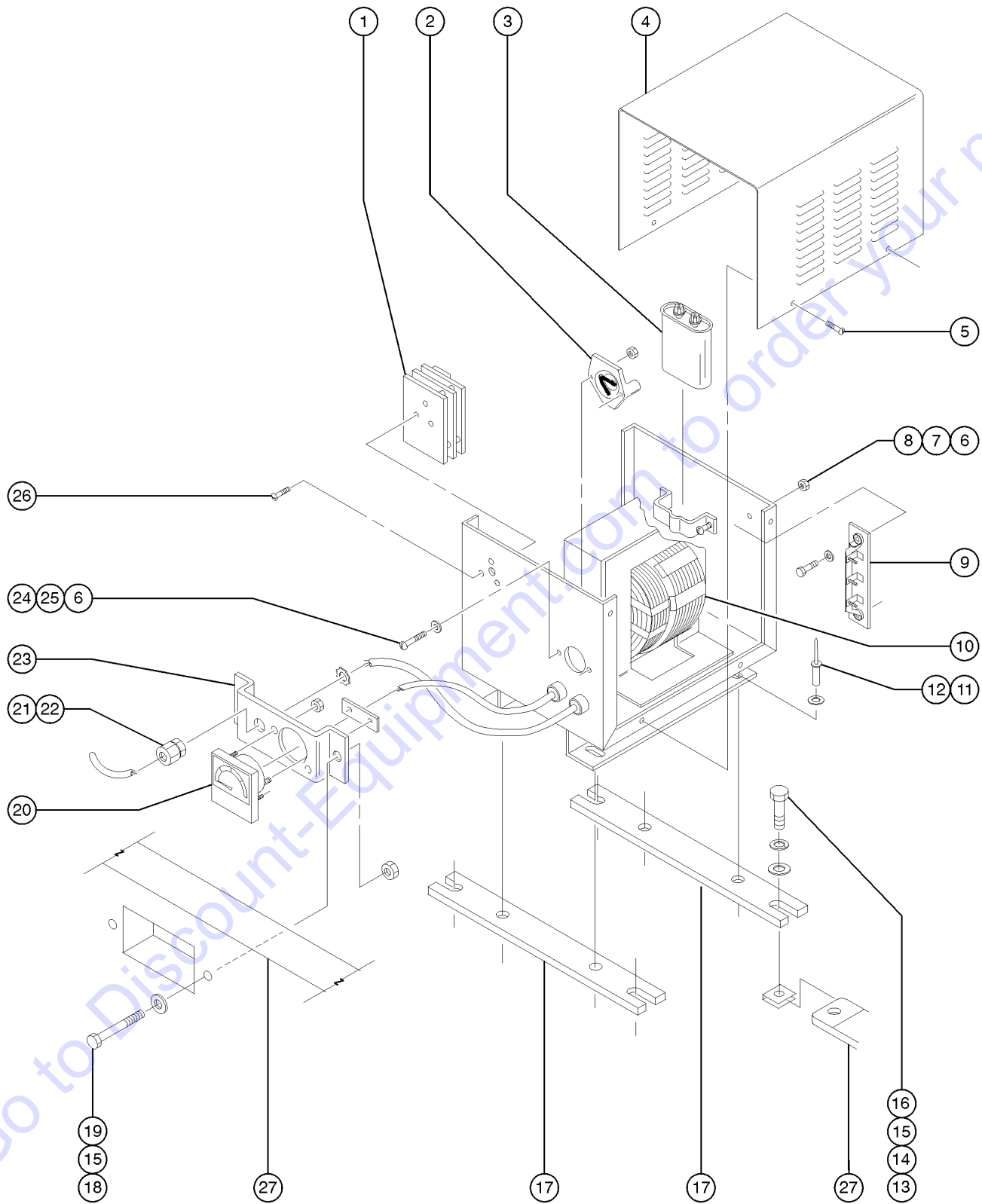
201.1 Steer End
(continued)

Item	Part No.	Description	Qty.
--	18396GT	BEARING,1.5IDX1.75ODX1.0L for 41212GT, 41213GT, 94020GT, 94021GT	
--	25817GT	BEARING,1.00IDX1.25ODX1.00L for 41212GT, 41213GT	
15	45074GT	WASHER,THRUST,1.5 X 3.5 X .187.....4	
16A	36211GT	PIN,1.50DIA X 3.25LG,1HOLE.....4 to SN 3889	
16A	94221GT	PIN,1.50DIA X 3.75LG,1HOLE.....4 from SN 3890	
16B	36211GT	PIN,1.50DIA X 3.25LG,1HOLE.....4 to SN 3889	
16B	94221GT	PIN,1.50DIA X 3.75LG,1HOLE from SN 3890	
17A	1255452GT	ROD END,.375 X 2.25,ZAG.....4 Z-34DC/BE models	
17B	825019GT	ROD END,.375 X 3.69,ZAG.....4 Z-34N	
18	77692GT	SCREW,HHC,3/8-16 X 1 GRD 8	
19	6021GT	WASHER,LOCK,.375	
20	96317GT	GROUND STRAP,12"LG***	
21	6019GT	SCREW,HHC,3/8-16 X 1.25 GRD 5	
22	5397GT	WASHER,FLAT,USS,5/16",Y	
23	6700GT	WASHER,STAR,EXTERNAL,.375	
24	4828GT	NUT,NYLOCK,3/8-16	

This Page Intentionally Left Blank

Go to Discount-Equipment.com to order your parts

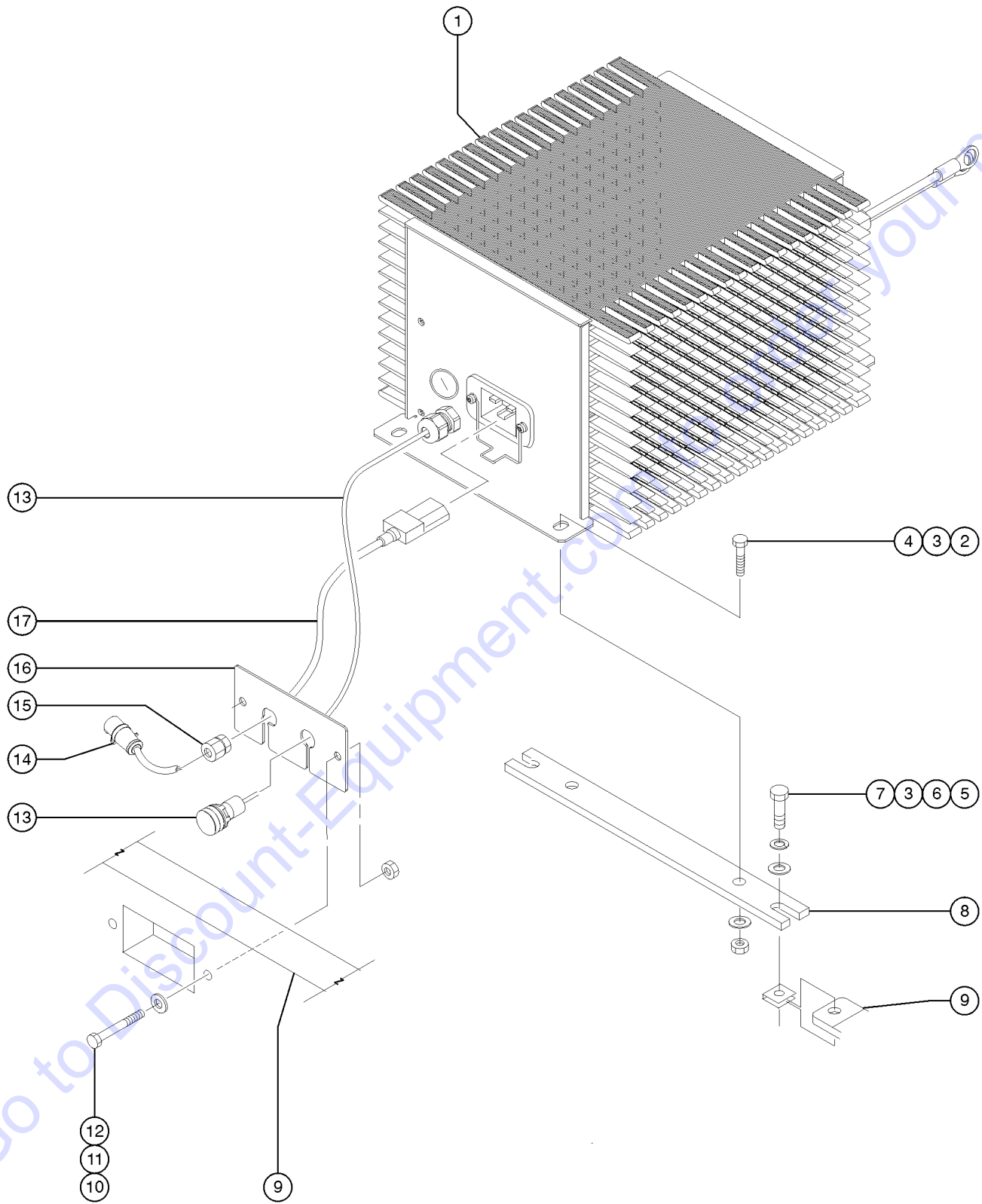
202.1 Battery Charger (to SN Z34N09-8701) (to SN Z3409-7604)



202.1 Battery Charger (to SN Z34N09-8701) (to SN Z3409-7604)

Item	Part No.	Description	Qty.	Item	Part No.	Description	Qty.
--	128993GT	KIT,UNIV CHRGR UPGRADE,SM BOOM <i>refer to 202.2 for charger</i>		27		Ref. Chassis.....	1
--	133286GT	DECAL, POWER TO CHARGER, UNIV					
--	54794GT	CHARGER,48V,110VAC,60H,25A <i>domestic</i>					
--	54795GT	CHARGER,48V,200-250VAC,50H,25A <i>foreign</i>					
--	54796GT	CHARGER,48V,200-250VAC,60H,25A <i>foreign</i>					
--	54797GT	CHARGER,48V,100-125VAC,60H,25A <i>Japan</i>					
--	58494GT	CHARGER,48V,110/60,12A,EERATNG <i>EE rated models</i>					
1	27263GT	TIMER (23442)(41896)(36314).....	1				
--	18078GT	RELAY,CHARGER TIMER**					
1A	27830GT	TIMER(24059,41897,41898,41899).....	1				
--	19533GT	RELAY,CHARGER .TIMER(19531/32)					
2	13008-6GT	FUSE ASSY-BOOM CHARGER.....	1				
3	13008-3GT	CAPACITOR,6 MFD,660VAC-CHARGR*.....	1				
4	40532GT	CASE COVER ONLY 18710/18720.....	1				
5	40537GT	SCREW,CHARGER COVER,#10 X .5					
6	6178GT	NUT,NYLOCK,10-32					
7	6146GT	WASHER,FLAT,MS,#10,Y					
8	40538GT	SCREW,HEATSINK/DIODE ASSY					
9	27262GT	HEATSINK ASSY W/DIODES (23442)....	1				
10A	40398GT	TRNSFRMR(36316 &17)(41898 &99)....	1				
10B	40523GT	TRANSFORMER,CHARGER36314/41896					
10C	40524GT	TRANSFORMER,CHARGER36315/41897					
11	12037GT	RIVET,STL,STL,P,.25 X .5					
12	56660GT	WASHER,RIVETING					
13	6888GT	SCREW,HHC,1/4-20 X 1					
14	6356GT	WASHER,LOCK,.25					
15	6638GT	WASHER,FLAT,USS,1/4"Y					
16	56912GT	SPRING CLIP,1/4-20,.025-.15X.54,ZAG					
17	36673GT	PLATE,CHARGER MOUNT.....	1				
18	36294GT	SCREW,HHC,1/4-20 X 2.75					
19	6091GT	NUT,NYLOCK,1/4-20					
20	13008-5GT	AMMETER-BOOM CHARGER.....	1				
21	7056GT	CONN,SQUEEZE,1/2NPT .38-.50,SM....	1				
22	6935GT	LOCKNUT,ELEC,1/2".....	1				
23	36313GT	BRACKET,CHARGER GAUGE MOUNTING.....	1				
24	40533GT	SCREW,FUSE ASSY,#7 PHMS X .625					
25	40534GT	WASHER,LOCK,#10, CHARGER FUSE					
26	40536GT	SCREW,TIMER,#8 PHMS X.375					

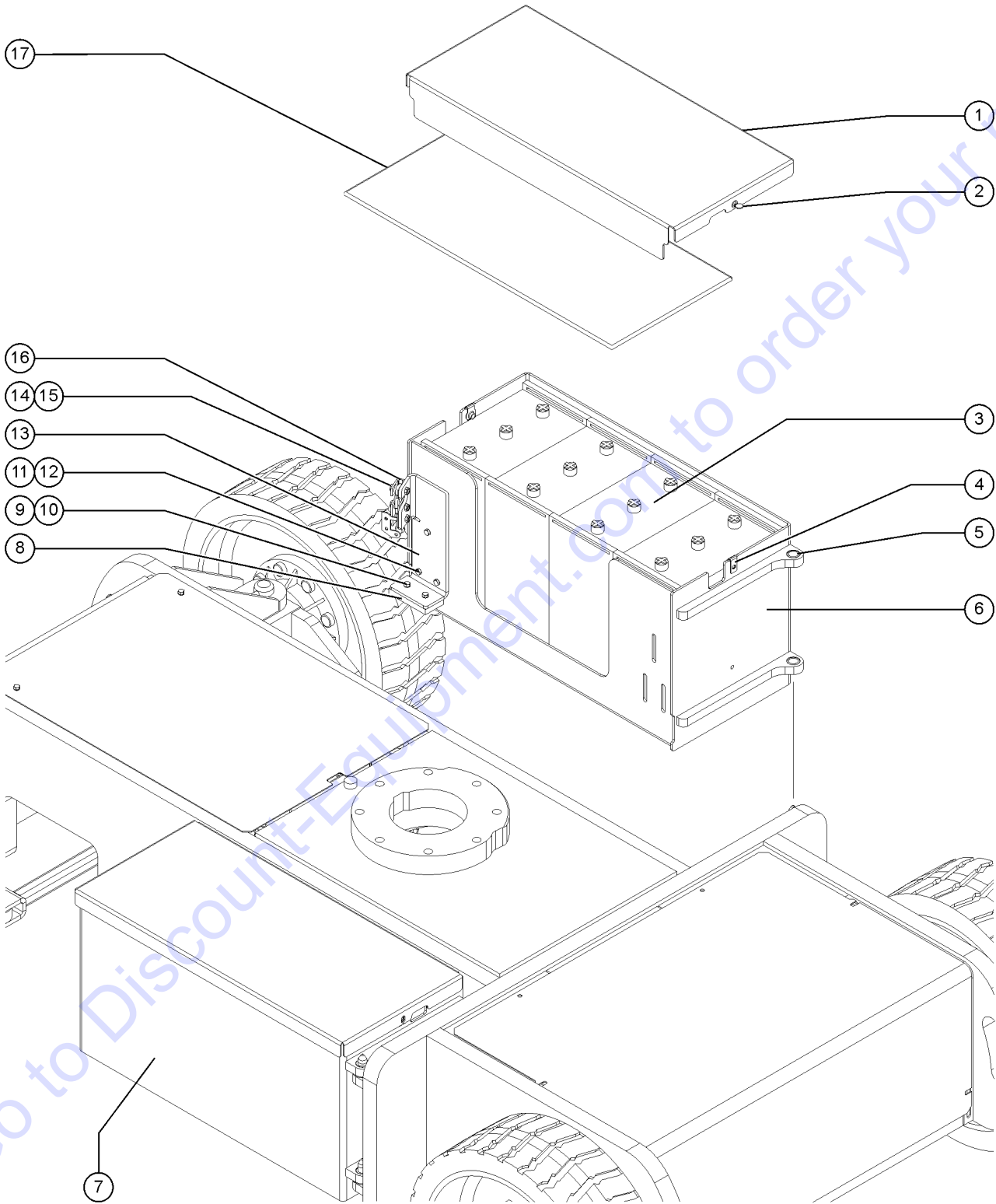
202.2 Battery Charger (from SN Z34N09-8702) (from SN Z3409-7605)



202.2 Battery Charger (from SN Z34N09-8702) (from SN Z3409-7605)

Item	Part No.	Description	Qty.
1	128375GT	CHARGER 48V/30A AUTO AC X-LED...1 <i>includes item 13 (order power cord separately)</i>	1
--	133286GT	DECAL, POWER TO CHARGER, UNIV.....1	1
--	139858GT	HARN.CHARGER INTERLOCK Z34.....1	1
--	228946GT	ASSY,LED,IES CHARGER	
--	228947GT	CLIP,RETAINING,IES CHARGER	
2	6090GT	SCREW,HHC,1/4-20 X .75	
3	6638GT	WASHER,FLAT,USS,1/4"Y	
4	6889GT	NUT,LP NYLOCK,1/4-20	
5	6888GT	SCREW,HHC,1/4-20 X 1	
6	6356GT	WASHER,LOCK,.25	
7	56912GT	SPRING CLIP,1/4-20,.025-.15X.54,ZAG	
8	36673GT	PLATE,CHARGER MOUNT.....2	2
9		Ref. Chassis <i>refer to section 200</i>	
10	6326GT	SCREW,HHC,3/8-16 X 3	
11	6097GT	WASHER,FLAT,USS,3/8",Y	
12	4828GT	NUT,NYLOCK,3/8-16	
13	228973GT	KIT,ASSY,LED,IES CHARGER.....1	1
14A	1280665GT	PLUG, TYPE F, 230A, 50HZ, 16A, IP44.....1 <i>Euro 220V</i>	1
14B	144161GT	PLUG,PWR,UK,16AMP,3PIN,BLK <i>UK 110V</i>	
14C	25388GT	PLUG,FUSED,250V,13AMP,U.K.** <i>UK 220V</i>	
--	65737GT	FUSE,13 AMP,220V PLUG*** <i>(for 25388)</i>	
15A	128118GT	BUSHING,STRAIN RELIEF,.875/.40 <i>domestic</i>	
15B	139318GT	BUSHING,STRAIN RELIEF,.875/.30 <i>UK</i>	
16	128825GT	BRACKET, CHARGER CORD AND LED	
17A	128645GT	CORD AC IEC320-C19 TO 220EU <i>EU 220V</i>	
17B	128377GT	CORD AC IEC320-C19 TO 110US <i>US 110V</i>	
17C	128376GT	CORD EURO AC IEC320-C19PIGTAIL <i>EU 110V</i>	

203.1 Battery Packs



203.1 Battery Packs

Item	Part No.	Description	Qty.	Item	Part No.	Description	Qty.
--	128138GT	CONN HOUSING SBX175, BATT		--	106055GT	BATT BOX ASSY.W/DECAL 34BI LH* Z-34BE; includes items 8-16; from SN 3369	
--	37107GT	BAT.CABLE ASSY,G.C. SIDE,Z34		8	45209GT	WEAR PAD,4X2X.5 W/INSERT***.....	2
--	37108GT	BAT.CABLE ASSY,TANK SIDE,Z34		9	6090GT	SCREW,HHC,1/4-20 X .75	
--	62485GT	PWR CABLE ASSY,G.C.SIDE,Z34		10	6356GT	WASHER,LOCK,.25	
--	62486GT	PWR CABLE ASSY,TANK SIDE,Z34		11	101718GT	BOLT,CARRIAGE,3/8-16 X .75,G2	
1A	40442GT	COVER, BATTERY BOX W/DECALS.....1 14.38 inches x 30.88 inches		11	6888GT	SCREW,HHC,1/4-20 X 1	
1B	106604GT	BOX LID WITH SYMBOL DECALS 14.38 inches x 30.88 inches		12	6638GT	WASHER,FLAT,USS,1/4"Y	
1C	74704PGT	COVER,BATTERY BOX**.....2 13.36 inches x 29.50 inches		12	7713GT	NUT, LP NYLOCK, 3/8-16	
2	36424GT	THUMB SCREW W/SHOULDER 3/8-16.....	4	13	101426GT	FORMING,BATTERY BOX LATCH RH**.....	1
3A	44820GT	BATTERY,DRY,315AH GROUP 4H.....	8	--	101425GT	FORMING,BATTERY BOX LATCH LH**	
--	19520GT	BATTERY CABLE ASSY,9.5"JUMPER		13A	101426GT	FORMING,BATTERY BOX LATCH RH**	
--	8910GT	BOOT,CABLE TERM,MED.RED,4/0		13B	101425GT	FORMING,BATTERY BOX LATCH LH**	
3B	823685GT	BATTERY,AGM,6V/320A,J305 Z-34N after SN 1091; Z-34DC/BE from SN 9619, to be used with universal charger 128375 revision E or later		14	7339GT	SCREW,HHC,1/4-20 X .5 Z-34N to SN 4036; Z-34DC/BE to SN 3368	
4	29868GT	SPRING CLIP,3/8-16,.05-.20X.73,ZAG		--	101719GT	SCREW,HHC,5/16-18 X 1.375 Z-34N from SN 4462; Z-34DC/BE from SN 3708	
5	36369GT	BEARING,0.75IDX1.00ODX0.75L.....	8	--	13000GT	SCREW,HHC,5/16-18 X 1.25 Z-34N from SN 4037 to 4461; Z-34DC/BE from SN 3369 to 3707	
6A	94022GT	BATTERY BOX ASSY. W/DECALS RH....1 Z-34N; includes items 4,5, 8-16		14A	7339GT	SCREW,HHC,1/4-20 X .5 Z-34N to SN 4036; Z-34DC/BE to SN 3368	
6B	62484GT	BAT.BOX ASY W/DEC,HTSIDEZ34DC*.....1 Z-34DC; includes items 8-16; to SN 3368		14B	13000GT	SCREW,HHC,5/16-18 X 1.25 Z-34N from SN 4037 to 4461; Z-34DC/BE from SN 3369 to 3707	
--	45382GT	SHIM,PRIMARY BOOM,.052 THK. Z-34DC		14C	101719GT	SCREW,HHC,5/16-18 X 1.375 Z-34N from SN 4462; Z-34DC/BE from SN 3708	
--	45465GT	SHIM,PRIMARY BOOM,.022 THICK Z-34DC		15	6002GT	NUT,LP NYLOCK,5/16-18	
--	77969GT	BATT. BOX ASSY.RH, Z34DC Z-34DC; includes items 8-16; from SN 3369		16	66901GT	LATCH,ROTARY, W/KNOB,RIGHT.....1 Z-34N from SN 4037; Z-34DC/BE from SN 3369 (installed on LEFT side of chassis)	
6C	52860-SGT	BATTERY BOX W/DECALS, ENG. SIDE.....1 Z-34BE; includes items 8-16; to SN 3368		16A	66901GT	LATCH,ROTARY, W/KNOB,RIGHT Z-34N from SN 4037; Z-34DC/BE from SN 3369 (installed on LEFT side of chassis)	
--	106054GT	BATT BOX ASSY.W/DECAL 34BI RH* Z-34BE; includes items 8-16; from SN 3369		--	66900GT	LATCH,ROTARY, W/KNOB,LEFT.....1 Z-34N from SN 4037; Z-34DC/BE from SN 3369 (shown)(installed on RIGHT side of chassis)	
7A	94023GT	BATTERY BOX ASSY. W/DECALS LH....1 Z-34N; includes items 4, 5, 8-16		16B	66900GT	LATCH,ROTARY, W/KNOB,LEFT Z-34N from SN 4037; Z-34DC/BE from SN 3369 (shown)(installed on RIGHT side of chassis)	
7B	62483GT	BAT.BOX ASY W/DEC,GCSIDEZ34DC*.....1 Z-34DC; includes items 8-16; to SN 3368		--	27126GT	LATCH,DRAW,ADJUSTABLE Z-34N to SN 4036; Z-34DC/BE to SN 3368 (not shown)	
--	45382GT	SHIM,PRIMARY BOOM,.052 THK. Z-34DC		16C	27126GT	LATCH,DRAW,ADJUSTABLE Z-34N to SN 4036; Z-34DC/BE to SN 3368 (not shown)	
--	45465GT	SHIM,PRIMARY BOOM,.022 THICK Z-34DC					
--	77970GT	BATT. BOX ASSY.LH, Z34DC Z-34DC; includes items 8-16; from SN 3369					
7C	52861-SGT	BATTERY BOX W/DECAL, G.C. SIDE.....1 Z-34BE; includes items 8-16; to SN 3368					

203.1 Battery Packs
(continued)

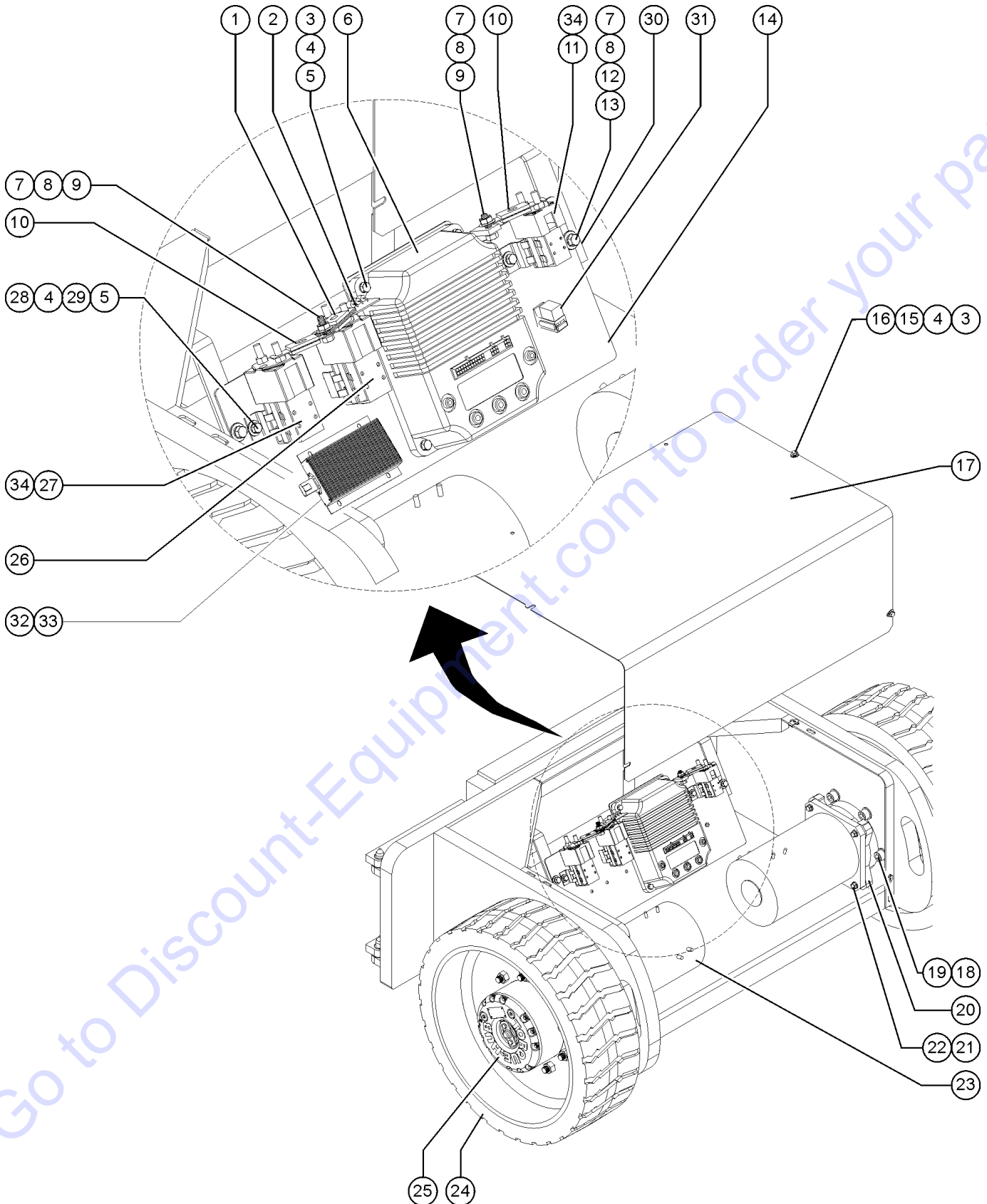
Item	Part No.	Description	Qty.
17	106241GT	INSULATION,48V BATT.BOX LID <i>for models with AGM batteries Z-34N from SN 10901; Z-34DC/BE from SN 9616</i>	

Go to Discount-Equipment.com to order your parts

This Page Intentionally Left Blank

Go to Discount-Equipment.com to order your parts

204.1 Non-steer End



204.1 Non-steer End

Item	Part No.	Description	Qty.	Item	Part No.	Description	Qty.
1	43179GT	FUSE,500 AMP,VERY FAST ACTING.....1		17E	128730GT	COVER, DRIVE CHASSIS,Z34N (Z-34N) (decals not included, refer to section 100) from SN 8213	
2	56930GT	DIODE,PCB DRIVE CONTACTOR**.....1		18A	56900GT	SCREW,SHC,5/8-11 X 2.5 BLK.....12	
3	6888GT	SCREW,HHC,1/4-20 X 1		18B	45495GT	SCREW,SHC,5/8-11 X 3.00,A574.....12	
4	6356GT	WASHER,LOCK, .25		19	56911GT	WASHER,FLAT,.688X1.160X.09.....2	
5	23404GT	NUTSERT,1/4-20,STEEL CAD PLTD		20	139351GT	BRAKE, NEMA, 1200 IN/LB.....2	
6	128335GT	CONTROLLER,SEP-EX,Z34N***		--	139353GT	STACK KIT, AUSCO 1200 IN/LB for 139351GT	
6	128965GT	KIT CONTROL SEPEX UPGRADE 34Bl.....1 includes 128336, wire harness and fasteners		--	139354GT	O-RING KIT, AUSCO 1200 IN/LB for 139351GT	
--	128336GT	CONTROLLER,SEPEX Z34DC/BE.....1		--	139355GT	GASKET KIT, AUSCO 1200 IN/LB for 139351GT	
--	128965GT	KIT CONTROL SEPEX UPGRADE 34Bl.....1		--	52833GT	LINING KIT-AUSCO BRK (56272)** for Ausco brake 54861	
--	56029GT	CONNECTOR,MOLEX 24-WAY**		--	52900GT	BEARING KIT-AUSCO(56272)** for Ausco brake 54861	
--	56030GT	TERMINAL,MOLEX 16 GAUGE***		--	65608GT	BEARING KIT, AUSCO*** for 139351GT	
--	56561GT	TOOL,TERMINAL CRIMPER,MOLEX***		--	65618GT	SEAL KIT,BRAKE*** for 101966GT brake	
--	56562GT	TOOL,TERMINAL EXTRACTOR,MOLEX		--	83022GT	SEAL KIT, 54861 for Ausco brake 54861	
7	13002GT	SCREW,HHC,5/16-18 X 1 GR5		--	94879GT	LINING KIT*** for 101966GT brake	
8	18503GT	NUT,LOCKING-LG.FLANGE,5/16-18		--	94880GT	BEARING KIT for 101966GT brake	
9	6886GT	WASHER,LOCK, .313		20A	52900GT	BEARING KIT-AUSCO(56272)** for Ausco brake 54861	
10	36355GT	FUSE,100 AMP,VERY FAST ACTING.....1		--	52833GT	LINING KIT-AUSCO BRK (56272)** for Ausco brake 54861GT	
11	74268GT	CONTACTOR,AUX PUMP 24V,80A***.....1		--	52900GT	BEARING KIT-AUSCO(56272)** for Ausco brake 54861GT	
--	22262GT	CONTACT,MOVING,19549RELAY*		--	83022GT	SEAL KIT, 54861 for Ausco brake 54861GT	
--	22263GT	CONTACT,STATIONARY,19549RELAY*		21	13918GT	SCREW,HHC,3/8-16 X 1.75,GRD.8.....8	
--	74495GT	SPRING, RETURN (FOR 74268)		22	6021GT	WASHER,LOCK, .375	
11A	74268GT	CONTACTOR,AUX PUMP 24V,80A***.....1		23A	74643GT	MOTOR,DRIVE,SEPEX.....2 Z34N from SN 2227 to 4285; Z34DC/BE from SN 1735 to 3598	
11B	74266GT	CONTACTOR,LIFT PUMP 24V 180A**...1 option, EE models only		--	36658GT	BRUSH HOLDER for 56013GT motor	
12	5397GT	WASHER,FLAT,USS,5/16",Y		--	37189GT	SPRING, BRUSH RETAINER, 36182* for 56013GT motor	
13	36456GT	SPRING CLIP,5/16-18,.025-.15X.		--	44778GT	BEARING,MOTOR,36843,BRUSH END* for 74643GT motor	
14A	74424GT	CONTACTOR PANEL ASSEMBLY.....1 includes item 5; Z34N to SN 10983; Z34 to SN 9685		--	52790GT	BRUSH-DRIVE MOTOR, Z34/22 BE for 56013GT motor	
14B	236665GT	ASSEMBLY, CONTROLLER PLATE Z34N from SN 10984; Z34 from SN 9686					
15	6638GT	WASHER,FLAT,USS,1/4"Y					
16	56912GT	SPRING CLIP,1/4-20,.025-.15X.54,ZAG					
17A	58110GT	COVER W/DECALS DR CHAS NS END.....1 Z-34N to SN 8212					
17B	58111GT	COVER W/D DRIVE CHASS.NS END Z-34DC to SN 8212					
17C	74773GT	COVER W/DECALS,NON-STEER 4X2** Z-34BE to SN 8212					
17D	128730GT	COVER, DRIVE CHASSIS,Z34N Z34N, Z34DC & Z34BE; (decals not included, refer to section 100) from SN 8213					

204.1 Non-steer End
(continued)

Item	Part No.	Description	Qty.	Item	Part No.	Description	Qty.
--	52791GT	TERMINAL LEAD ASSY,MOTORZ34BE* <i>for 56013GT motor</i>		25B	56338GT	TORQUE HUB,47:1 W1 "B" MOUNT**....2 <i>Z-34N from SN 4175 to 4371; Z-34DC/BE from SN 3511 to 3641</i>	
--	65872GT	BRUSH LEAD ASSEMBLY KIT(56831) <i>for 74643GT motor</i>		--	1286606GT	SEAL KIT,TORQUE HUB (20193) <i>for 56338</i>	
--	72078GT	BRUSH BOX ASSY <i>for 74643GT motor</i>		--	21143GT	BEARING KIT (45553) TORQUE HUB <i>for 56338</i>	
--	T108887GT	SPRING, BRUSH <i>for 74643GT motor</i>		--	21144GT	CAP,DISENGAGE-45553 TORQUE HUB <i>for 56338</i>	
23B	T108812GT	KIT,94198 MOTOR REPLACEMENT.....1 <i>(one time replacement) Z34N from SN 4286 to 9241; Z34DC/BI from SN 3599 to 8354</i>		--	21146GT	COVER CAP,TORQUE HUB*** <i>for 56338</i>	
--	94315GT	BRUSH KIT,GE DRIVE MOTOR*** <i>for 94198GT motor</i>		--	21148GT	WASHER, THRUST,TORQUE HUB <i>for 56338</i>	
--	94316GT	BRUSH RETAINING SPRING,DR MTR <i>for 94198GT motor</i>		--	21149GT	LUG,WHEEL STUD,5/8-18,W1/4HB** <i>for 56338</i>	
--	94317GT	BEARING KIT,GE DRIVE MOTOR*** <i>for 94198GT motor</i>		--	37097GT	O-RING, TORQUE HUB <i>for 56338GT torque hub; included in 21142GT</i>	
23C	74643GT	MOTOR,DRIVE,SEPEX.....2 <i>Z34N from SN 9242; Z34DC/BE from SN 8355</i>		--	58438GT	KIT,COVER,TORQUE HUB,45553*** <i>for 56338</i>	
--	44778GT	BEARING,MOTOR,36843,BRUSH END* <i>for 74643GT motor</i>		--	58448GT	KIT,TORQUE HUB COVER (45553)** <i>for 56338</i>	
--	65872GT	BRUSH LEAD ASSEMBLY KIT(56831) <i>for 74643GT motor</i>		--	74099GT	DISCONNECT ROD (56338) <i>for 56338</i>	
--	72078GT	BRUSH BOX ASSY <i>for 74643GT motor</i>		--	74370GT	BOLT,ENDCOVER.313-18X2.25,GR8...12 <i>for 56338</i>	
--	T108887GT	SPRING, BRUSH <i>for 74643GT motor</i>		--	74371GT	BOLT,ENDCOVER.313-18X1.81,GR8.....8 <i>for 56338</i>	
24A	94909GT	TIRE & WHEEL ASSY,REAR N-M.....2 <i>Z-34N; Solid, Non-marking, 9 hole x 9.5 inch BC</i>		25C		WHEEL DRIVE,EW1,48:1"B"MOUNT.....2 <i>Z-34N from SN 2740 to 4174; Z-34DC/BE from SN 1997 to 3510 (refer to item 25E)</i>	
24B	45094GT	WHEEL ASSY, INDUSTRIAL, AF.....2 <i>Z-34DC/BE; Industrial, Air-filled, 9 hole x 9.5 inch BC</i>		25D		WHEEL DRIVE,EW1,48:1"B"MOUNT.....2 <i>Z-34N from SN 4372 to 4673; Z-34DC/BE from SN 3642 to 3831 (refer to item 25E)</i>	
--	54139GT	WHEEL,14.5 X 7 <i>for 45094GT</i>		--	106122GT	CAP,DISENGAGE,4HP/4HB*** <i>for 74097</i>	
--	54140GT	TUBELESS PNEUMATIC TIRE,9-14LT <i>for 45094GT</i>		--	106123GT	O-RING,END COVER,4HP/4HB*** <i>for 74097</i>	
24C	40136GT	WHEEL ASSY, INDUSTRIAL, AF NM <i>Z-34DC/BE; Industrial, Air-filled, Non-marking, 9 hole x 9.5 inch BC</i>		--	1286601GT	BEARING KIT,WHEEL DRIVE (106148/106445/107712) <i>for 74097</i>	
--	54139GT	WHEEL,14.5 X 7 <i>for 40136GT</i>		--	21146GT	COVER CAP,TORQUE HUB*** <i>for 74097</i>	
--	54234GT	TUBELESS TIRE,9-14.5,NON-M 47# <i>for 40136GT</i>		--	21149GT	LUG,WHEEL STUD,5/8-18,W1/4HB** <i>for 74097</i>	
24D	45461GT	WHEEL ASSY, INDUSTRIAL, FF <i>Z-34DC/BE; Industrial, Foam-filled, 9 hole x 9.5 inch BC</i>		--	58237GT	PLUG,TORQUE HUB,DRAIN*** <i>for 74097</i>	
24E	1267845GT	WHEEL ASSY, INDUSTRIAL, FF NM <i>Z-34DC/BE; Industrial, Foam-filled, Non-marking, 9 hole x 9.5 inch BC</i>		--	58246GT	SPACER,THRUST*** <i>for 74097</i>	
25A	56338GT	TORQUE HUB,47:1 W1 "B" MOUNT**....2 <i>Z-34N to SN 2739; Z-34DC/BE to SN 1996</i>		--	58297GT	STUD,WHEEL (EW1 TORQUE HUB)*** <i>for 74097</i>	
				--	58428GT	DISCONNECT ROD (74097) <i>for 74097</i>	

204.1 Non-steer End

Item	Part No.	Description	Qty.	Item	Part No.	Description	Qty.
--	58448GT	KIT,TORQUE HUB COVER (45553)** for 74097		--	128839GT	PIPE PLUG,.563 MAG*** for 106148	
--	72307GT	SEAL KIT, TORQUE HUB(74097)* for 74097		--	146051GT	BEARING NUT*** for 106148	
--	74372GT	BOLT,END COVER.25-20X.675,GR8* for 74097		--	146052GT	SET SCREW*** for 146051	
--	74373GT	COVER-END,TORQUE HUB(74097) for 74097		--	21149GT	LUG,WHEEL STUD,5/8-18,W1/4HB** for 106148	
--	74375GT	WASHER,THRUST,TORQUE HUB,74097 for 74097		--	215777GT	INPUT CARRIER, SUB-ASSEMBLY for 106148	
--	74714GT	BEARING KIT-74097 TORQUE HUB** for 74097 (inventory limited to stock on hand as component is no longer available)		--	232486GT	SNAP RING,WHEEL DRIVE for 106148	
--	83092GT	SNAP RING (74097) for 74097		--	58320GT	KIT,TORQUE HUB COVER(101584)** for 106148	
--	83110GT	COVER END,TORQUE HUB (74097) for 74097		--	74714GT	BEARING KIT-74097 TORQUE HUB** for 106148 (inventory limited to stock on hand as component is no longer available)	
25E	106148GT	WHEEL DRIVE,4HB,48:1***2 Z-34N from SN 4674; Z-34DC/BE from SN 3832		--	9990074GT	COUPLING for 106148 (brake coupler)	
--	106117GT	O-RING,2-010,VITON for 106148 (Mating O-ring for Brake Port)(Extremely small)		25F	218570GT	WHEEL DRIVE, NON-BRAKE, 47.6:1.....2 (verify component before ordering) (Do Not use with 106148)	
--	106120GT	WHEEL STUD, 4HP, 5/8-18*** for 106148		--	139966GT	ROD,DISCONNECT,OMNI*** for 218570	
--	106121GT	ROD,DISCONNECT 4HP/4HB*** for 106148		--	139967GT	CAP,DISENGAGE,OMNI*** for 218570	
--	106122GT	CAP,DISENGAGE,4HP/4HB*** for 106148		--	139968GT	O-RING,END COVER,OMNI*** for 218570	
--	106123GT	O-RING,END COVER,4HP/4HB*** for 106148		--	147034GT	PIPE PLUG KIT,OMNI*** for 218570	
--	106124GT	LINING KIT, BRAKE, 4HP*** for 106148		--	229833GT	BEARING KIT, OMNI for 218570	
--	106125GT	SEAL KIT, BRAKE, 4HP for 106148 (inventory limited to stock on hand as component is no longer available)		--	229834GT	SEAL KIT, OMNI for 218570	
--	106126GT	BEARING KIT,4HP for 106148 (inventory limited to stock on hand as component is no longer available)		--	230849GT	WHEEL STUD,5/8-18X67MM for 218570; replaced 139965	
--	1286600GT	SEAL KIT,WHEEL DRIVE (106148/106445/107712) for 106148 (inventory limited to stock on hand as component is no longer available)		--	58531GT	ORING,568-908 N552-90 NBR,10PK for 218570	
--	1286601GT	BEARING KIT,WHEEL DRIVE (106148/106445/107712) for 106148		26	74267GT	CONTACTOR,DRIVE,24V,180A***1	
--	1286602GT	SEAL KIT,WHEEL DRIVE W/BRAKE (101584/101585) for 106148		--	74282GT	DUST SHIELDS,180A CONTACTOR	
--	1286603GT	BEARING KIT,WHEEL DRIVE W/BRAKE (101584/101585) for 106148		--	74468GT	SPRING, RETURN (FOR 74267)	
				--	74469GT	FIXED CONTACT (FOR 74267)	
				--	74470GT	MOVING CONTACT (FOR PN 74267)	
				27	74266GT	CONTACTOR,LIFT PUMP 24V 180A**	
				--	62695GT	CONTACT,STATIONARY (56434)**	
				--	62696GT	CONTACT-MOVEABLE (56434)**	
				--	74471GT	SPRING,RETURN (74266)	
				28	6090GT	SCREW,HHC,1/4-20 X .75	
				29	6638GT	WASHER,FLAT,USS,1/4"Y	

204.1 Non-steer End (continued)

Item	Part No.	Description	Qty.
30	45454GT	CLAMP,RUB CUSH,0.75,#12 X 3/8*.....1	
31	823226GT	POWER RELAY, 24V COIL.....1 <i>option, drive light</i>	
--	61226GT	RELAY SOCKET,70AMP.....1	
32	79452GT	CONVERTER, DC-DC, 48-26 VOLT**.....1 <i>Z34N from SN 10984; Z34 from SN 9686</i>	
--	822917GT	KIT, DC-DC CONVERTER, DC <i>(field install kit) (Z34 from SN 4800)</i>	
--	822918GT	KIT, DC-DC CONVERTER, BE.....1 <i>field install kit for Z34BE</i>	
33	1251757GT	SCREW,PHPM,10-32X.50,ZAG.....4 <i>Z-34N from SN 10984; Z-34 from SN 9686</i>	
34	74282GT	DUST SHIELDS,180A CONTACTOR.....4 <i>(EE models only) Limited inventory available; this component is no longer available from our supplier</i>	

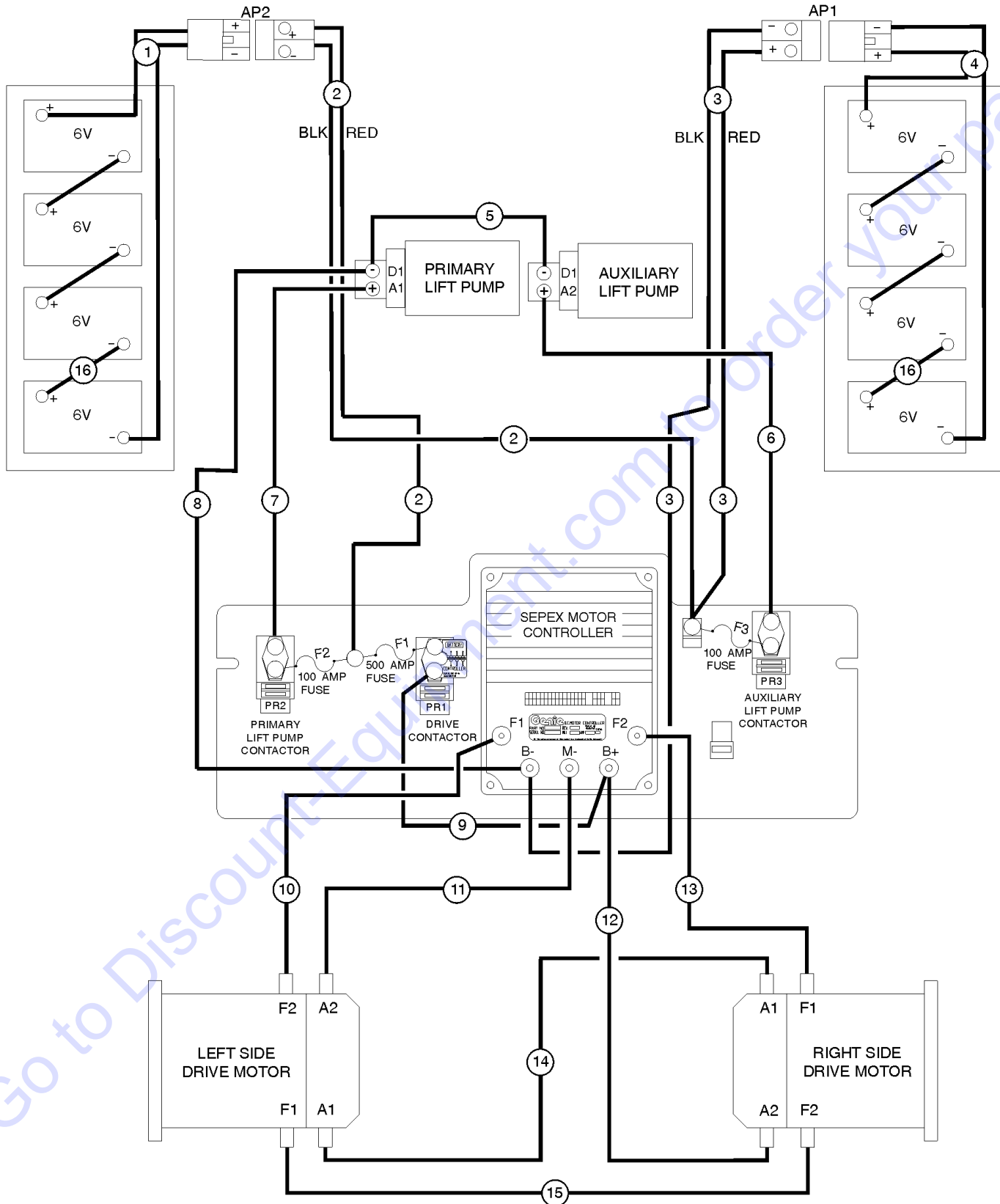
This Page Intentionally Left Blank

Go to Discount-Equipment.com to order your parts

205.1 Power Cables (Z-34N to SN 7355) (Z-34DC to SN 6561)

BATTERY PACK
- GROUND CONTROLS SIDE

BATTERY PACK
- TANK SIDE



205.1 Power Cables (Z-34N to SN 7355) (Z-34DC to SN 6561)

Item	Part No.	Description	Qty.
--	128138GT	CONN HOUSING SBX175, BATT <i>Used on battery harness.</i>	
1	37107GT	BAT.CABLE ASSY,G.C. SIDE,Z34.....1	
2	62485GT	PWR CABLE ASSY,G.C.SIDE,Z34.....1	
3	62486GT	PWR CABLE ASSY,TANK SIDE,Z34.....1	
4	37108GT	BAT.CABLE ASSY,TANK SIDE,Z34.....1	
5	62487GT	CABLE ASSEMBLY,4GA,BLK,9".....1	
6	62488GT	CABLE ASSEMBLY,4GA,RED,63".....1	
7	62489GT	CABLE ASSEMBLY,4GA,RED,60".....1	
8	62490GT	CABLE ASSEMBLY,4GA,BLK,66".....1	
9	62491GT	CABLE ASSEMBLY,2GA,BLK,20".....1	
10A	62493GT	WIRE ASSEMBLY,10GA,RED,19".....1 <i>Z-34N</i>	
10B	62492GT	WIRE ASSEMBLY,10GA,RED,24.5".....1 <i>Z-34DC</i>	
11A	62495GT	CABLE ASSEMBLY,2GA,BLK,19".....1 <i>Z-34N</i>	
11B	62494GT	CABLE ASSEMBLY,2GA,BLK,24".....1 <i>Z-34DC</i>	
12A	74111GT	CABLE ASSY,#2 BLACK, 31".....1 <i>Z-34N</i>	
12B	62496GT	CABLE ASSEMBLY,2GA,BLK,16.5".....1 <i>Z-34DC</i>	
13A	62497GT	WIRE ASSEMBLY,10GA,RED,21".....1 <i>Z-34N</i>	
13B	62492GT	WIRE ASSEMBLY,10GA,RED,24.5".....1 <i>Z-34DC</i>	
14A	62499GT	CABLE ASSEMBLY,2GA,BLK,33".....1 <i>Z-34N</i>	
14B	62498GT	CABLE ASSEMBLY,2GA,BLK,42".....1 <i>Z-34DC</i>	
15A	62501GT	WIRE ASSEMBLY,10GA,RED,29.5".....1 <i>Z-34N</i>	
15B	62500GT	WIRE ASSEMBLY,10GA,RED,39".....1 <i>Z-34DC</i>	
16	19520GT	BATTERY CABLE ASSY,9.5"JUMPER....6	

PARTS FINDER

**Search Website
by Part Number**



**Search Manual
Library For Parts
Manual & Lookup Part
Numbers – Purchase
or Request Quote**

Search Manuals

Enter your information to help us find the right parts manual for your machine.

* Brand:

* Model:

* Serial:

* Part Number:

SEARCH

**Can't Find Part or
Manual? Request Help
by Manufacturer,
Model & Description**

Parts Order Form

Please fill in the following information to help us find the right part for your machine.

Manufacturer:	<input type="text"/>
Model:	<input type="text"/>
Description:	<input type="text"/>
Part Number:	<input type="text"/>
Quantity:	<input type="text"/>
Notes:	<input type="text"/>

Submit

Discount-Equipment.com is your online resource for quality parts & equipment.

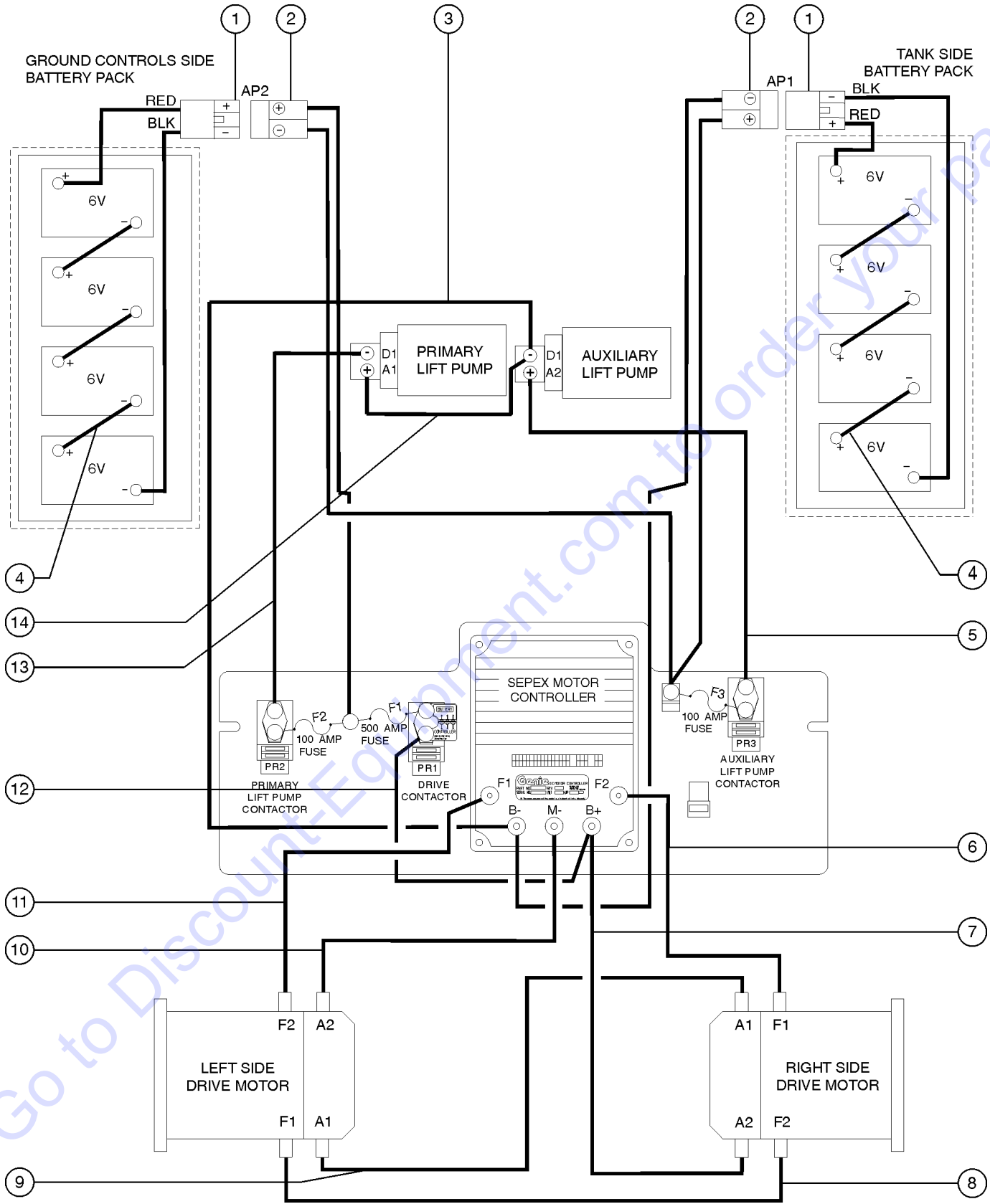
Florida: **561-964-4949** Outside Florida TOLL FREE: **877-690-3101**

Need parts?

Click on this link: <http://www.discount-equipment.com/category/5443-parts/> and choose one of the options to help get the right parts and equipment you are looking for. Please have the machine model and serial number available in order to help us get you the correct parts. If you don't find the part on the website or on one of the online manuals, please fill out the request form and one of our experienced staff members will get back to you with a quote for the right part that your machine needs.

We sell worldwide for the brands: Genie, Terex, JLG, MultiQuip, Mikasa, Essick, Whiteman, Mayco, Toro Stone, Diamond Products, Generac Magnum, Airman, Haulotte, Barreto, Power Blanket, Nifty Lift, Atlas Copco, Chicago Pneumatic, Allmand, Miller Curber, Skyjack, Lull, Skytrak, Tsurumi, Husquvarna Target, Stow, Wacker, Sakai, Mi-T-M, Sullair, Basic, Dynapac, MBW, Weber, Bartell, Bennar Newman, Haulotte, Ditch Runner, Menegotti, Morrison, Contec, Buddy, Crown, Edco, Wyco, Bomag, Laymor, EZ Trench, Bil-Jax, F.S. Curtis, Gehl Pavers, Heli, Honda, ICS/PowerGrit, IHI, Partner, Imer, Clipper, MMD, Koshin, Rice, CH&E, General Equipment, Amida, Coleman, NAC, Gradall, Square Shooter, Kent, Stanley, Tamco, Toku, Hatz, Kohler, Robin, Wisconsin, Northrock, Oztec, Toker TK, Rol-Air, APT, Wylie, Ingersoll Rand / Doosan, Innovatech, Con X, Ammann, Mecalac, Makinex, Smith Surface Prep, Small Line, Wanco, Yanmar

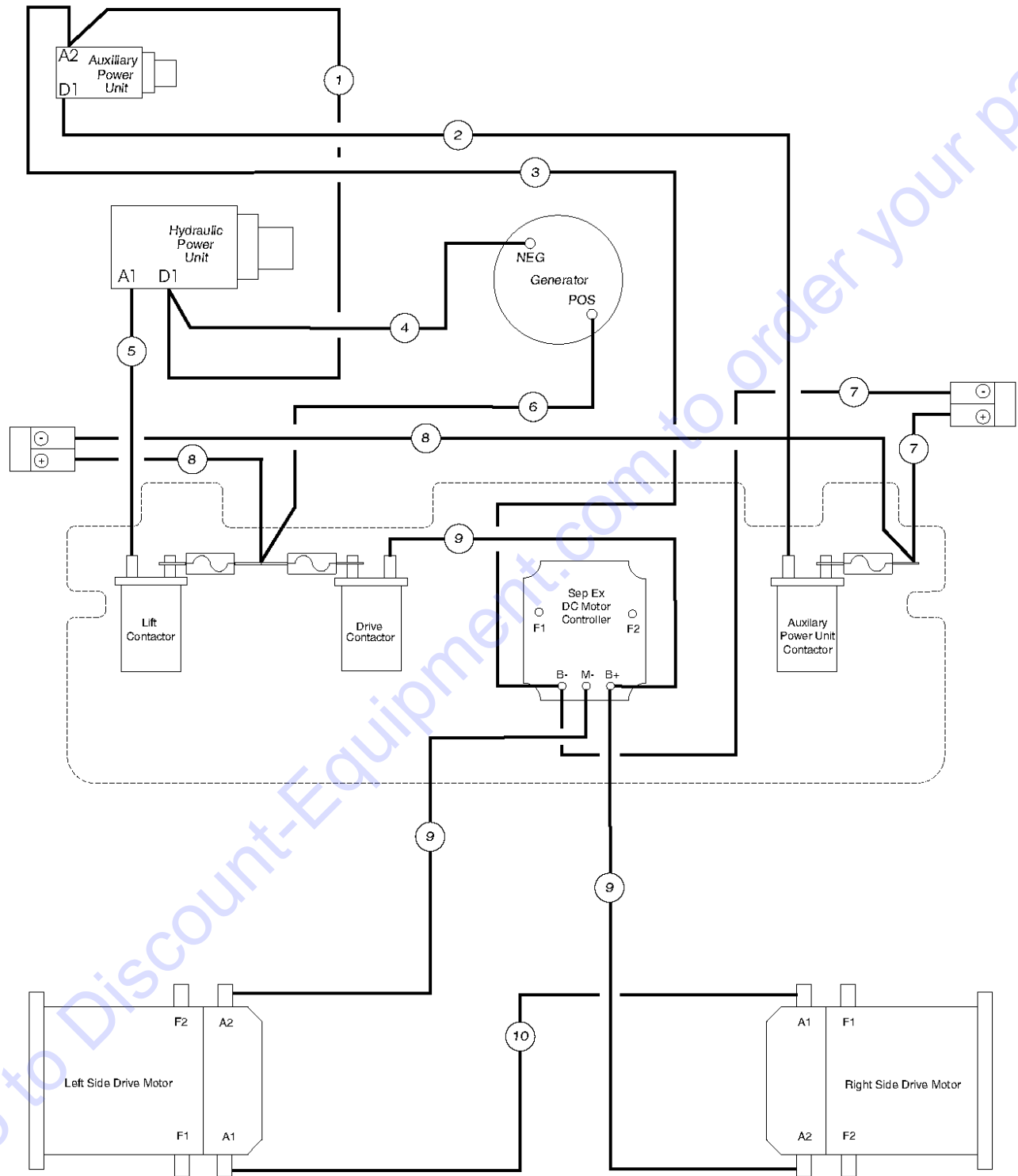
205.2 Power Cables (Z-34N from SN 7356) (Z-34DC from SN 6562)



205.2 Power Cables (Z-34N from SN 7356) (Z-34DC from SN 6562)

Item	Part No.	Description	Qty.	Item	Part No.	Description	Qty.
--	51147GT	BOOT,CABLE TERMINAL,LG,RED,2/0		14	139028GT	CABLE ASSY #4 BLK LP-D1/AP-D1.....1	
1	139011-SGT	SERV KIT,HARN ASSY,PWR BATT PK.....2					
--	128465GT	CABLE ASSY #2 RED BATT					
--	128466GT	CABLE ASSY #2 BLK AP1/AP2 BATT					
2	139010GT	HARN ASSY, POWER DRIVE CHASS....2					
--	128458GT	CABLE ASSY #2 RED AP1/AP2 DRIV					
--	128459GT	CABLE ASSY #2 BLK AP1/AP2 DRIV					
3A	139037GT	CABLE ASSY #4 BLK B(-)/AP-D1.....1 Z-34N					
3B	139027GT	CABLE ASSY #4 BLK B(-)/AP-D1.....1 Z-34DC					
4	19520GT	BATTERY CABLE ASSY,9.5"JUMPER...2					
5A	139036GT	CABLE ASSY #4 RED PR3/AP-A2.....1 Z-34N					
5B	139017GT	CABLE ASSY #4 RED PR3/AP-A2.....1 Z-34DC					
6A	139021GT	WIRE ASSY #10 RED F2/F1.....1 Z-34N					
6B	139030GT	WIRE ASSY #10 RED F2/F1.....1 Z-34DC					
7A	139023GT	CABLE ASSY #2 BLK B(+)/A2.....1 Z-34N					
7B	139023GT	CABLE ASSY #2 BLK B(+)/A2.....1 Z-34DC					
8A	139038GT	WIRE ASSY #10 RED F1/F2.....1 Z-34N					
8B	139031GT	WIRE ASSY #10 RED F1/F2.....1 Z-34DC					
9A	139015GT	CABLE ASSY #2 BLK A1/A1.....1 Z-34N					
9B	139025GT	CABLE ASSY #2 BLK A1/A1.....1 Z-34DC					
10A	139034GT	CABLE ASSY #2 BLK M(-)/A2.....1 Z-34N					
10B	139024GT	CABLE ASSY #2 BLK M(-)/A2.....1 Z-34DC					
11A	139039GT	WIRE ASSY #10 RED F1/F2.....1 Z-34N					
11B	139029GT	WIRE ASSY #10 RED F1/F2.....1 Z-34DC					
12A	139033GT	CABLE ASSY #2 BLK B(+)/PR1.....1 Z-34N					
12B	139013GT	CABLE ASSY #2 BLK B(+)/PR1.....1 Z-34DC					
13A	139035GT	CABLE ASSY #4 RED PR2/LP-D1.....1 Z-34N					
13B	139026GT	CABLE ASSY #4 RED PR2/LP-D1.....1 Z-34DC					

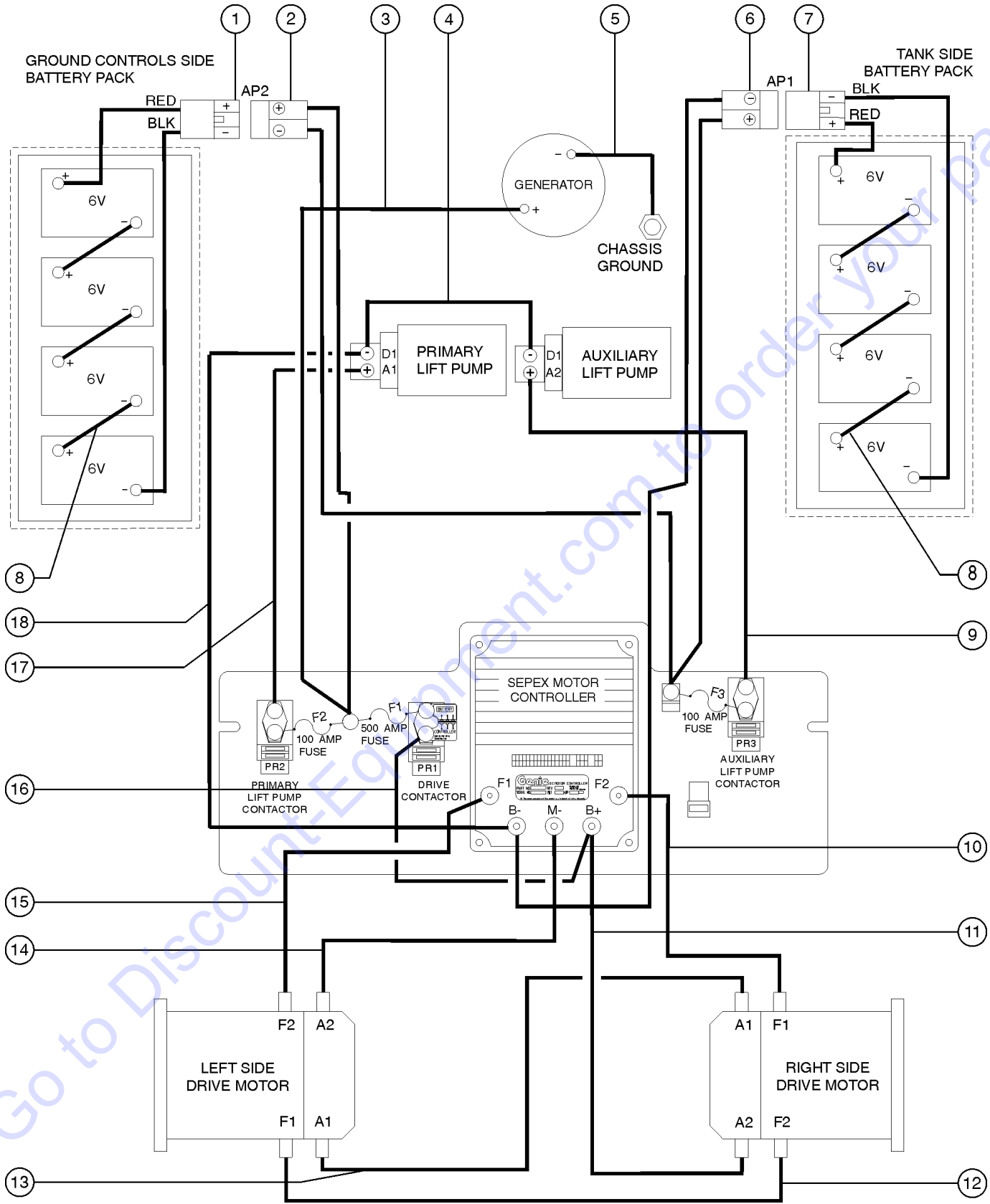
206.1 Power Cables (Z-34BE to SN 6561)



206.1 Power Cables (Z-34BE to SN 6561)

Item	Part No.	Description	Qty.
1	52871GT	CABLE ASSY, BLACK, 13", Z34BIE.....1	1
2	52874GT	CABLE ASSY-RED, 94" Z34 BIE.....1	1
3	52872GT	CABLE ASSY-RED, 97" Z34 BIE.....1	1
4	52870GT	CABLE ASSY, BLACK, 31" Z34BIE.....1	1
5	52873GT	CABLE ASSY-RED, 91", Z34BIE.....1	1
6	52869GT	CABLE ASSY, BLACK, 109",Z34BIE.....1	1
7	52798GT	BATTERY CABLE ASSY. Z34 BIE.....1	1
--	128138GT	CONN HOUSING SBX175, BATT.....1	1
8	52797GT	BATTERY CABLE ASSEMBLY Z34 BIE.....1	1
--	128138GT	CONN HOUSING SBX175, BATT.....1	1
9	52799GT	CABLE ASSY, BLACK, 16", Z34BIE.....3	3
10	52868GT	CABLE ASSY, BLACK, 25" Z34BIE.....1	1

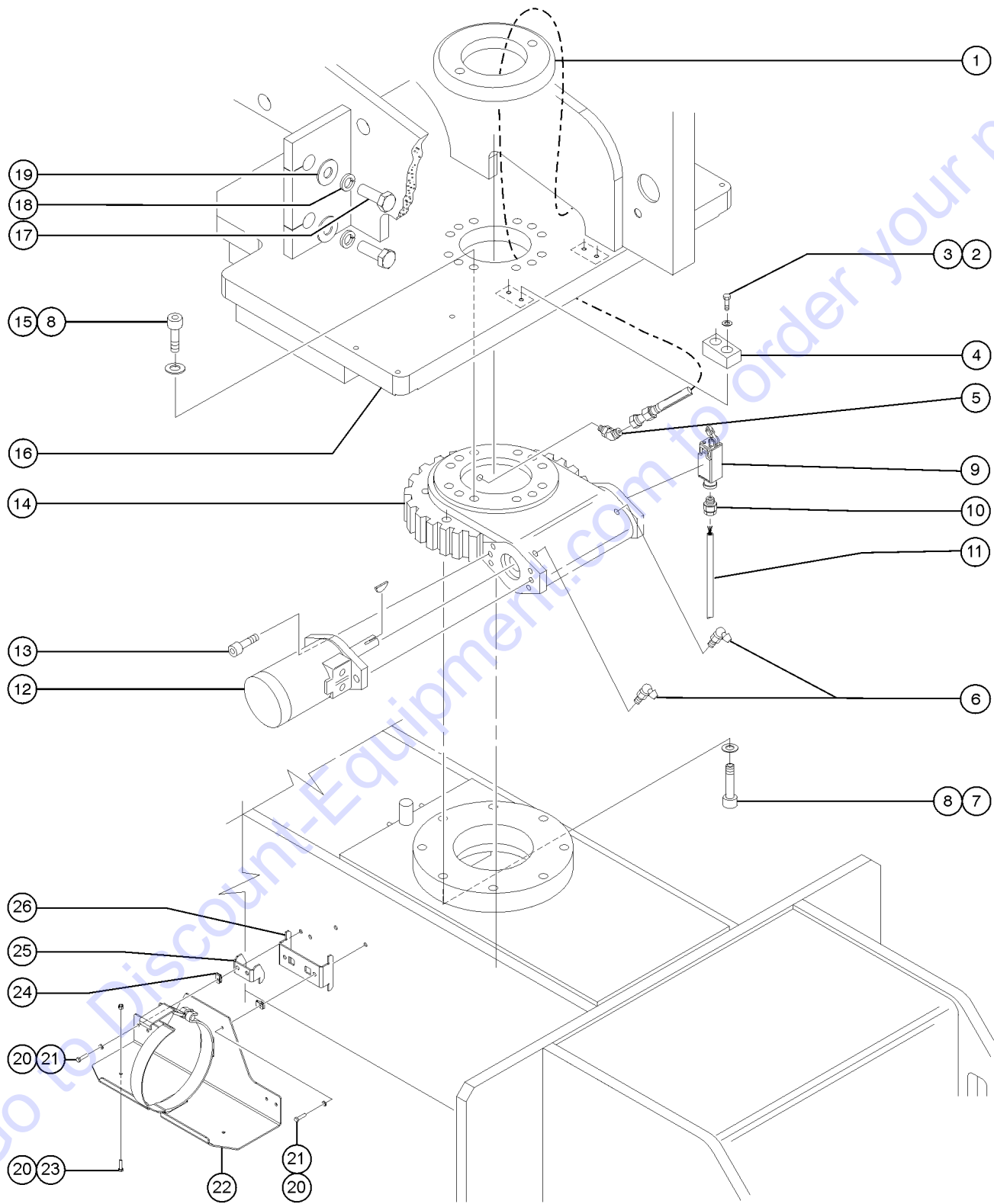
206.2 Power Cables (Z-34BE from SN 6562)



206.2 Power Cables (Z-34BE from SN 6562)

Item	Part No.	Description	Qty.
--	51147GT	BOOT,CABLE TERMINAL,LG,RED,2/0	
1	139041GT	HARN ASSY, POWER PACK AP2.....2	
2	139040GT	HARN ASSY, Z34BE AP2/DRIVE.....2	
3	139045GT	CABLE ASSY #4 RED ALT(+)/F1.....1	
4	139019GT	CABLE ASSY #4 BLK LP-D1/AP-D1.....1	
5	139046GT	CABLE ASSY #4 BLK ALT(-)/B(-).....2	
6	139010GT	HARN ASSY, POWER DRIVE CHASS...2	
--	128458GT	CABLE ASSY #2 RED AP1/AP2 DRIV	
--	128459GT	CABLE ASSY #2 BLK AP1/AP2 DRIV	
7	139011-SGT	SERV KIT,HARN ASSY,PWR BATT PK.....2	
--	128465GT	CABLE ASSY #2 RED BATT	
--	128466GT	CABLE ASSY #2 BLK AP1/AP2 BATT	
8	19520GT	BATTERY CABLE ASSY,9.5"JUMPER...1	
9	139043GT	CABLE ASSY #4 RED PR3/AP-A2.....1	
10	139030GT	WIRE ASSY #10 RED F2/F1.....1	
11	139023GT	CABLE ASSY #2 BLK B(+)/A2.....1	
12	139031GT	WIRE ASSY #10 RED F1/F2.....1	
13	139025GT	CABLE ASSY #2 BLK A1/A1.....1	
14	139024GT	CABLE ASSY #2 BLK M(-)/A2.....1	
15	139029GT	WIRE ASSY #10 RED F1/F2.....1	
16	139013GT	CABLE ASSY #2 BLK B(+)/PR1.....1	
17	139042GT	CABLE ASSY #4 RED PR2/LP-A1.....1	
18	139044GT	CABLE ASSY#4 BLK B(-)/LP-D1.....1	

301.1 Turntable Rotator



301.1 Turntable Rotator

Item	Part No.	Description	Qty.	Item	Part No.	Description	Qty.
1	42363GT	RING,HOSE PROTECTOR.....	1	--	84312GT	SEAL KIT,ROTATE MOTOR	
2	94195GT	SCREW,HHC,3/8-16 X .75,GR 8		--	94018GT	KEY, SQUARE, HYD.ROTATOR	
3	5397GT	WASHER,FLAT,USS,5/16",Y		12C	128453GT	MOTOR,TURNTABLE,125CC***.....1 Z-34N from SN 7276; Z-34DC/BE from from SN 6484	
4A	36959GT	REST PAD,LOWER ARM REST.....2 Z-34DC/BE to SN 2169		--	84312GT	SEAL KIT,ROTATE MOTOR	
4B	74256GT	REST PAD, LOWER REST Z30N Z-34DC/BE from SN 2170		13	56843GT	SCREW,SHC,1/2-13 X 1.50,A574.....15	
4C	36701GT	REST PAD,LOWER ARM REST.....2 Z-34N to SN 2974		14	119111GT	ROTATOR TURNTABLE ASSEMBLY***.....1 consult Discount-equipment prior to ordering components	
4D	74086GT	REST PAD, LOWER ARM REST Z-34N from SN 2975		--	1284189GT	CASE COVER,ROTATOR,Z30/34 (119111) for 119111	
5	31194GT	ELBOW,070302-4-2.....	1	--	128565GT	SHIM KIT,TURNTABLE*** for 119111	
6	22794GT	ZERK,GREASE,1/8 NPT,45DEG.....	2	--	128618GT	SEAL KIT*** for 119111	
7A	36459GT	SCREW,SHC,5/8-11 X 5.5.....	8	--	128619GT	ZERK,GREASE,1/8 NPT,67.5 DEG** for 119111	
7B	139867GT	SCREW,HHC,5/8-11 X 5.50 GR8 BO.....8 Z34N from SN 9807; Z34DC/BE from SN 8820		--	128620GT	ZERK,GREASE,1/8 NPT,45 DEG*** for 119111	
8	13064GT	WASHER,FLAT,.625 HARDENED.....	20	--	128621GT	BEARING,CUP*** for 119111	
9A	88356 11103GT	SWITCH,LIMIT,W/RLR ARM,NO/NC**....1 Z-34N to SN 4743; Z-34DC/BE to SN 3882		--	128622GT	BEARING,CONE*** for 119111	
--	19491GT	CONTACTOR,LIMIT SWITCH		--	128899GT	SHAFT,WORM GEAR*** for 119111	
--	27643GT	ROLLER ARM-LIMIT SWITCH		--	139008GT	SNAP RING,INT,2.88 DIA*** Z-34N from SN 8051; Z-34DC/BE from 7047 OR after gear S/N 01108CG1W	
9B	106088GT	HARNESS,LS,DRIVE ENABLE LS3 Z3...1 Z-34N from SN 4744 to 5619; Z-34DC/BE from SN 3883 to 4799		--	139376GT	SNAP RING,INTERNAL,2.88 DIA*** Z-34N from SN 6327 to 8050; Z-34DC/BE from SN 5459 to 7046 OR before gear S/N 01108CG1X	
--	106427GT	LS ROT.HEAD W/O LEVER (ZCE01)		14A	58360GT	KIT,SEAL (74994).....1 for rotator 74994	
--	119917GT	PLATE, TURNTABLE LS. MT.....1 not shown		--	58296GT	SNAP RING (74994).....1 for rotator 74994	
--	88356 12103GT	SWITCH,LIMIT,W/ROLLER ARM***		--	58330GT	O-RING OR-151 N73038 (74994).....1 for rotator 74994	
--	97128GT	ROLLER ARM,LIMIT SWITCH***		--	58331GT	SEAL 21252875-375BYP2 (74994).....2 for rotator 74994	
9C	110232GT	HARNESS LS3 OP DRIVE ENABLE.....1 Z-34N from SN 5620; Z-34DC/BE SN 4800		--	58332GT	BEARING,CONE LM501349 (74994).....2 for rotator 74994; sold separately	
--	119762GT	CONN PLUG 4 WAY EXTEND DT.....1		--	58333GT	BEARING,CUP LM501310 (74994).....2 for rotator 74994; sold separately	
--	60429GT	LOCK,PLUG 4 WAY,14-18GA.....1		--	58343GT	GASKET,MTR,2A,MAG (74994).....1 for rotator 74994	
--	73714GT	TERM,NI SOC,S&F,16-18GA,REEL.....4		--	58344GT	SEAL,NAT'L. #471818 (74994).....1 for rotator 74994	
--	88356 12103GT	SWITCH,LIMIT,W/ROLLER ARM***.....1		--	58345GT	SCREW,FHS,1/2-13 X 1.25,BLACK.....2 for rotator 74994	
10	7056GT	CONN,SQUEEZE,1/2NPT .38-.50,SM....1					
11	43960GT	WIRE CABLE,16/4 CON.TPE JKT.....102-inches					
12A	27372GT	MOTOR,TURNTABLE O-RING PORTS.....1 Z-34N to SN 3961; Z-34DC/BE to SN 3296					
--	27275GT	SEAL KIT (21172)					
--	32224GT	KEY-WOODRUFF					
12B	74864GT	MOTOR,TURNTABLE,ROLLER STATOR.....1 Z-34N from SN 3962 to 7275; Z-34DC/BE from SN 3297 to 6483					

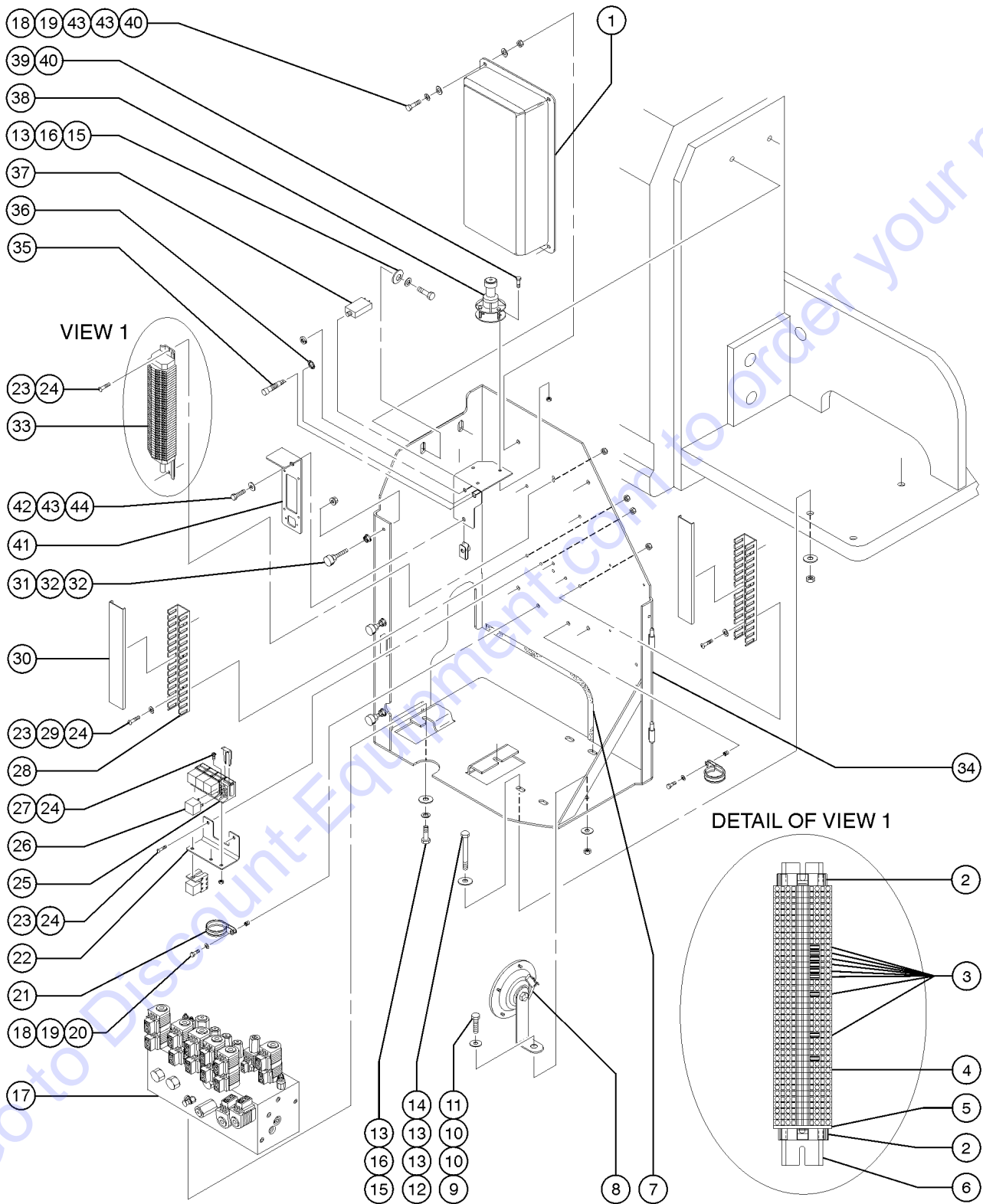
301.1 Turntable Rotator
(continued)

Item	Part No.	Description	Qty.	Item	Part No.	Description	Qty.
--	58346GT	ZERK,ALEMITE #1688 (74494).....2 <i>for rotator 74994</i>		26	147340GT	FORMING,LP TANK MNT. BRACKET.....1	
--	139008GT	SNAP RING,INT,2.88 DIA*** <i>Z-34N from SN 8051; Z-34DC/BE from 7047 OR after gear S/N 01108CG1W</i>					
--	139376GT	SNAP RING,INTERNAL,2.88 DIA*** <i>Z-34N from SN 6327 to 8050; Z-34DC/BE from SN 5459 to 7046 OR before gear S/N 01108CG1X</i>					
--	58296GT	SNAP RING (74994).....1 <i>for rotator 74994; sold separately</i>					
--	58330GT	O-RING OR-151 N73038 (74994).....1 <i>for rotator 74994</i>					
--	58331GT	SEAL 21252875-375BYP2 (74994).....2 <i>for rotator 74994</i>					
--	58332GT	BEARING,CONE LM501349 (74994).....2 <i>for rotator 74994; sold separately</i>					
--	58333GT	BEARING,CUP LM501310 (74994).....2 <i>for rotator 74994; sold separately</i>					
--	58343GT	GASKET,MTR,2A,MAG (74994).....1 <i>for rotator 74994</i>					
--	58344GT	SEAL,NAT'L. #471818 (74994).....1 <i>for rotator 74994</i>					
--	58345GT	SCREW,FHS,1/2-13 X 1.25,BLACK.....2 <i>for rotator 74994; sold separately</i>					
--	58346GT	ZERK,ALEMITE #1688 (74494).....2 <i>for rotator 74994; sold separately</i>					
--	58360GT	KIT,SEAL (74994).....1 <i>for rotator 74994</i>					
15A	25068GT	SCREW,SHC,5/8-11 X 4.5,A574.....12 <i>Z-34N to SN 8569; Z-34DC/BE to SN 7414</i>					
15B	42604GT	SCREW,SHC,5/8-11 X 4.25 BLK.....12 <i>Z-34N from SN 8570 to 9806; Z-34DC/BE from SN 7415 to 8819</i>					
15C	139866GT	SCREW,HHC,5/8-11X4.50GR8 PLAIN.....12 <i>Z-34N from SN 9807; Z-34DC/BE from SN 8820</i>					
16	94220GT	WELDMENT,SWING CHASSIS Z34					
17	42078GT	SCREW,HHC,1-8 X 3 GRD.5					
18	29605GT	WASHER,LOCK,1"					
19	38859GT	WASHER,FLAT,USS,1",Y					
20	8516GT	SCREW, HCC, 3/8-16 X 1.50					
21	6021GT	WASHER,LOCK,.375					
22	147337GT	WELDMENT,LP TANK MOUNT.....1 <i>from SN Z3411-8266; 147829 LP tank mount kit available</i>					
--	49000GT	L.P.TANK LATCH.....1					
23	4828GT	NUT,NYLOCK,3/8-16					
24	29868GT	SPRING CLIP,3/8-16,.05-.20X.73,ZAG					
25	147342GT	FORMING,LP TANK MNT. BRACKET.....1					

This Page Intentionally Left Blank

Go to Discount-Equipment.com to order your parts

302.1 Ground Controls Side - Z-34/22N and Z-34/22DC



302.1 Ground Controls Side - Z-34/22N and Z-34/22DC

Item	Part No.	Description	Qty.	Item	Part No.	Description	Qty.
1A	56846GT	COVER,TERMINAL STRIP.....1 Z-34N to SN 5619; Z-34DC to 4799	1	--	34053GT	ASSY,RELAY SOCKET, AUTO.....8 Z-34N from SN 11787; Z-34DC from SN 10364	8
1B	110626GT	COVER,TERMINAL STRIP, CONN.....1 Z-34N from SN 5620; Z-34DC from 4800	1	26	56302GT	RELAY,24VDC,40/30A,SEALED***.....5 Z-34N from SN 3819 to 11786; Z-34DC from SN 3256 to 10363	5
2	74913GT	END STOP, DIN RAIL,SCREW CLAMP.....2	2	--	56302GT	RELAY,24VDC,40/30A,SEALED***.....8 Z-34N from SN 11787; Z-34DC from SN 10364	8
3A	74911GT	TERMINAL BLOCK, WIELAND***.....43 for 94742	43	27	49819GT	SCREW,PHILLIPS,PHM,10-32 X .5	
3B	216791GT	TERMINAL BLOCK,WIELAND.....26 for 216788	26	28	28298GT	WIRING DUCT, 1.5 X 1.5.....2	2
4	74917GT	JUMPER COMB, 2-WAY,WIELAND for 94742 and 216788		29	6146GT	WASHER,FLAT,MS,#10,Y	
5A	216793GT	TERMINAL BLOCK END PLATE.....1 for 94742	1	30	1262218GT	COVER, DUCT, WIRING.....2 replaced 28299	2
5B	216793GT	TERMINAL BLOCK END PLATE for 216788		31	36388GT	BUMPER,RUBBER,.75 X .50H,STUD.....3	3
5B	217046GT	KIT, TERMINAL BLOCK		32	18504GT	NUT,LOCKING-LG.FLANGE,1/4-20	
5C	217046GT	KIT, TERMINAL BLOCK use if replacing jumpered terminal blocks		--	74917GT	JUMPER COMB, 2-WAY,WIELAND.....3	3
6	56788GT	DIN RAIL, 10.14.....1 to SN 3818	1	--	74918GT	JUMPER COMB, 3-WAY,WIELAND.....1 CE from Z34N15-11787, ANSI from Z34N15-11814, DC from Z3415-10371	1
6	56994GT	DIN RAIL,11.25".....1 for 94742 and 216788	1	33A	94742GT	TERMINAL RAIL ASSY***.....1 1 includes items 2-6; Z-34N to SN 5620; Z-34DC to SN 4800	1
--	56994GT	DIN RAIL,11.25" from SN 3819		33B	216788GT	ASSY,TERMINAL RAIL,Z30/34DC.....1 includes items 2-6; from SN Z-34N 5621 to 11786; Z-34DC from SN 4801 to 10364	1
7	19018GT	TRIMLOCK,BLACK,5/32".....49.5-inches	49.5	34	56784GT	CVR SUPPORT WELDM'T LH.34N/34....1	1
8	81579GT	HORN,24VDC,SPADE TERMINALS***.....1 (use if replacing jumpered terminal blocks)	1	35	824878GT	LIGHT,LED IND. RED 24V NH.....1	1
9	10107GT	SCREW,HHC,5/16-18 X .75		36		LOCKWASHER,LT IND. OD.868/530.....1 included with light	1
10	5397GT	WASHER,FLAT,USS,5/16",Y		37	147093GT	ASSY, CIRCUIT BREAKER 10A.....1	1
11	6782GT	NUT,NYLOCK,5/16-18		37	147094GT	ASSY, CIRCUIT BREAKER 15A.....1	1
12	6326GT	SCREW,HHC,3/8-16 X 3		38A	44586GT	SENSOR,LEVEL 4.5***.....1 ANSI/CE models; Z-34N to SN 4008	1
13	6097GT	WASHER,FLAT,USS,3/8",Y		38B	94077GT	SENSOR,LEVEL,4.5 DEG.....1 ANSI models; Z-34N from SN 4009	1
14	4828GT	NUT,NYLOCK,3/8-16		38C	94077GT	SENSOR,LEVEL,4.5 DEG.....1 CE models; Z-34N from SN 4009 to SN 5758	1
15	77692GT	SCREW,HHC,3/8-16 X 1 GRD 8		38D	110382GT	LEVEL SENSOR,LS60,YL,2.5X4.5.....1 CE models; Z-34N from SN 5759	1
16	6021GT	WASHER,LOCK,.375		38E	42439GT	SENSOR,LEVEL 3 DEG**.....1 AUS models; Z-34N	1
17		Ref. Function Manifold (refer to 701.1)		38F	44586GT	SENSOR,LEVEL 4.5***.....1 Z-34DC models; to SN 3308	1
18	6090GT	SCREW,HHC,1/4-20 X .75		38G	94077GT	SENSOR,LEVEL,4.5 DEG.....1 Z-34DC ANSI/AUS models; from SN 3309	1
19	6356GT	WASHER,LOCK,.25		38H	94077GT	SENSOR,LEVEL,4.5 DEG.....1 Z-34DC CE models; from SN 3309 to 4911	1
20	23404GT	NUTSERT,1/4-20,STEEL CAD PLTD		38J	110382GT	LEVEL SENSOR,LS60,YL,2.5X4.5.....1 Z-34DC CE models; from SN 4912	1
21	21619GT	CLAMP,1.50,#24 X 1/4,RUB CUSH.....2	2				
22	56791GT	ANGLE RELAY MOUNTING.....1	1				
23	49816GT	SCREW,PHILLIPS,PHM,10-32 X .75					
24	6178GT	NUT,NYLOCK,10-32					
25	34053GT	ASSY,RELAY SOCKET, AUTO.....5 Z-34N from SN 3819 to 11786; Z-34DC from SN 3256 to 10363	5				

302.1 Ground Controls Side - Z-34/22N and Z-34/22DC
(continued)

Item	Part No.	Description	Qty.
39	8914GT	SCREW,HHC,1/4-20 X .625	
40	6091GT	NUT,NYLOCK,1/4-20	
41	110574GT	BRACKET FORMING CONN Z30/34DC.....1 Z-34N to SN 6617; Z-34DC to SN 5777	
--	119618GT	FORMING,BRACKET Z-34N from SN 6618; Z-34DC from SN 5778	
42	6888GT	SCREW,HHC,1/4-20 X 1	
43	6638GT	WASHER,FLAT,USS,1/4"Y	
44	56912GT	SPRING CLIP,1/4-20,.025-.15X.54,ZAG	
45	74918GT	JUMPER COMB, 3-WAY,WIELAND.....1 Z-34N from SN 11787; Z-34DC from SN 10364	

Footnotes

1: 56993 74927

Go to Discount-Equipment.com to order your parts

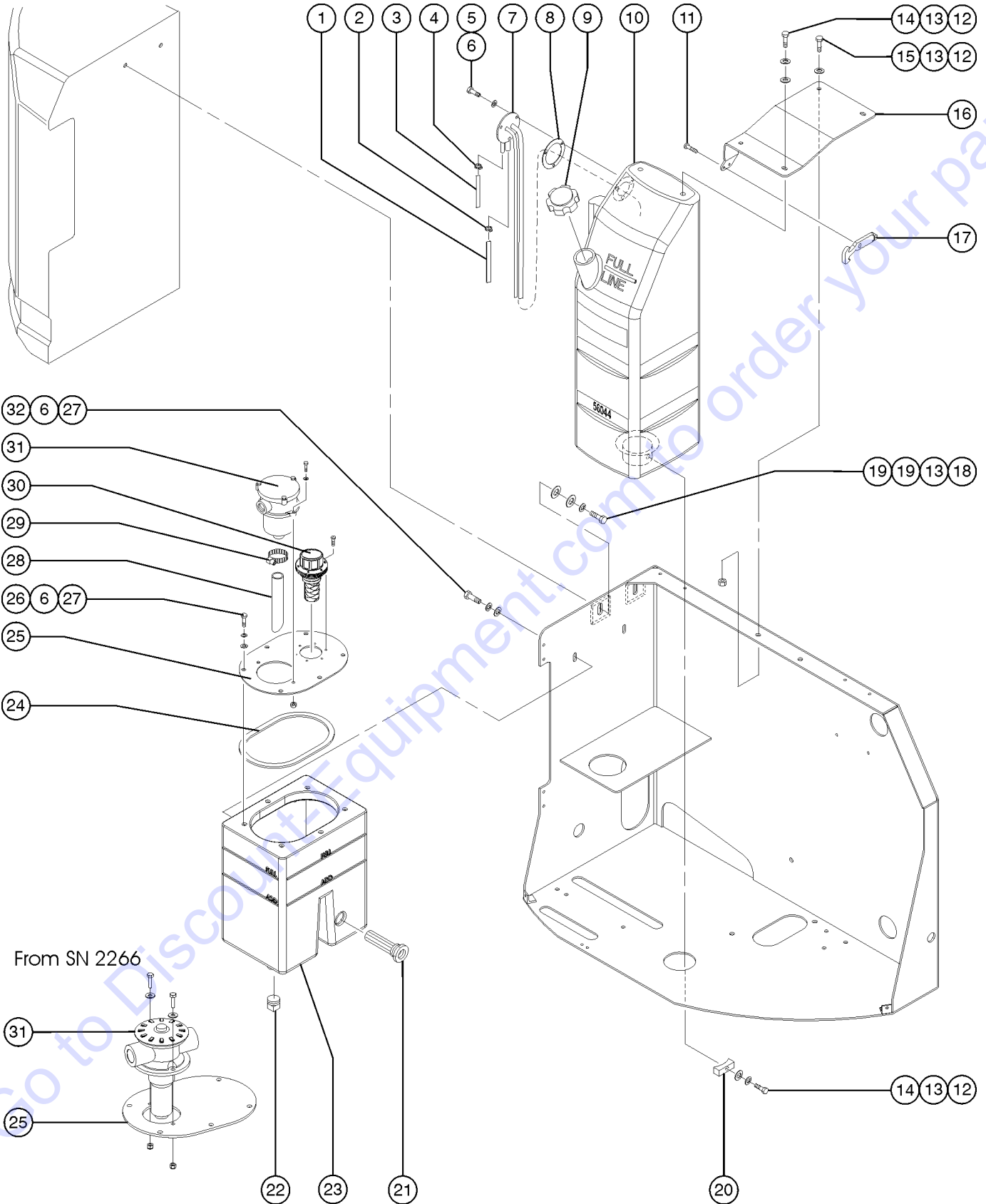
302.1 Ground Controls Side - Z-34/22N and Z-34/22DC
(continued)

This Page Intentionally Left Blank

Go to Discount-Equipment.com to order your parts



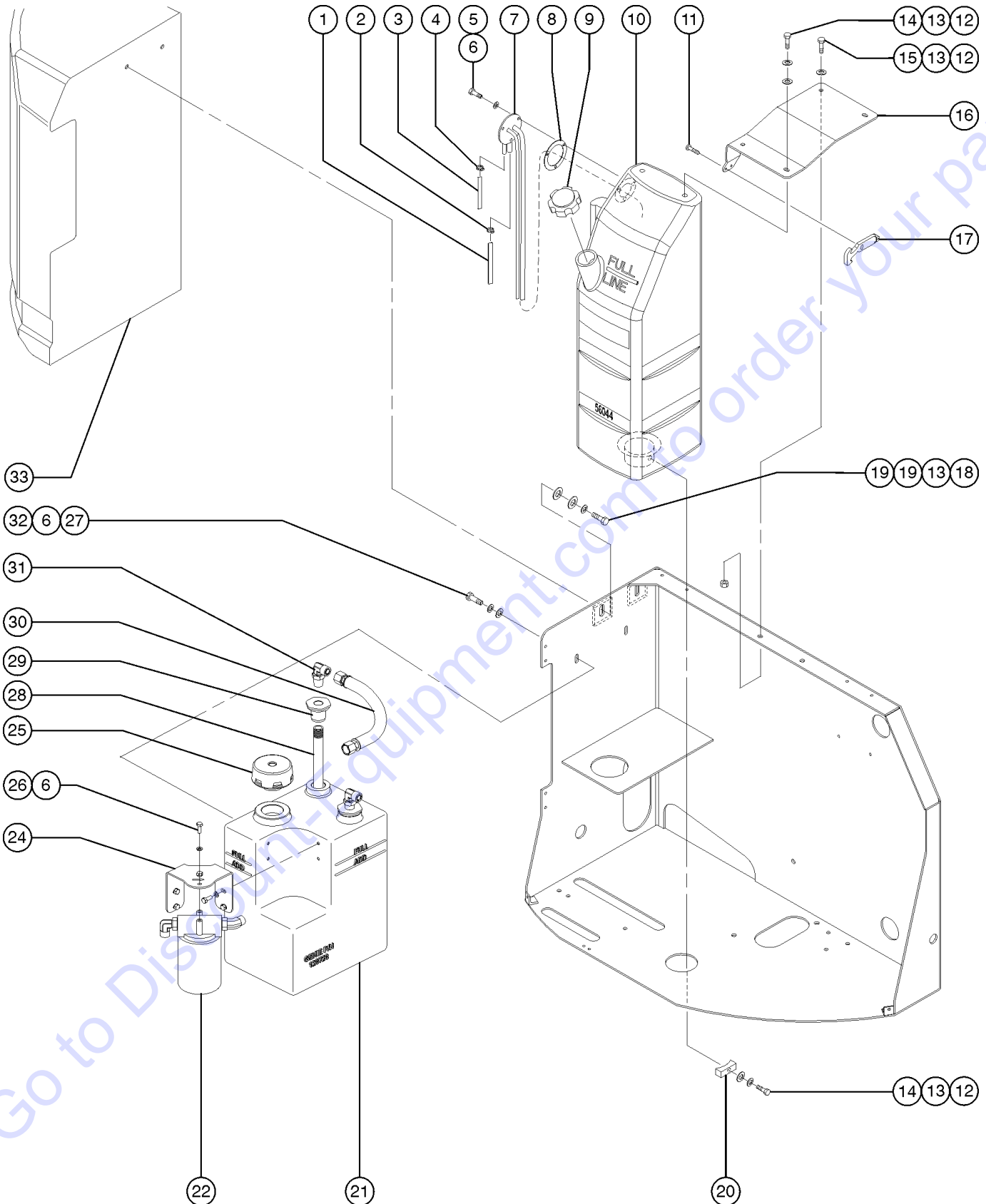
303.1 Ground Controls Side, View 1 - Z-34/22 Bi-Energy (to SN 7669)



303.1 Ground Controls Side, View 1 - Z-34/22 Bi-Energy (to SN 7669)

Item	Part No.	Description	Qty.	Item	Part No.	Description	Qty.
1	27089GT	HOSE,5/16 FUEL,SAE 30R7...100-inches		31B	110947GT	HYDRAULIC FILTER ASSY.....1 <i>from SN 2266.</i>	1
2	21465GT	CLAMP,HOSE,.25" - .63" X .3125.....1		--	128674GT	CAP,HYDRAULIC FILTER ASSY.....1 <i>from SN 2266.</i>	1
3	30490GT	HOSE,1/4 FUEL LINE,SAE 30R7.....101-inches		--	128675GT	SEAL KIT,HYDRAULIC FILTER ASSY....1 <i>from SN 2266.</i>	1
4	44909GT	CLAMP,HOSE,.35"-.86" X .3125".....1		--	226148GT	ELEMENT,RETURN FILTER <i>from SN 2266 to 3110</i>	
5	7339GT	SCREW,HHC,1/4-20 X .5		--	58208GT	O-RING,FILTER,RETURN TANK.....1 <i>from SN 2266.</i>	1
6	6356GT	WASHER,LOCK,.25		--	74634GT	FILTER ELEMENT RFM90.....1 <i>from SN 3111.</i>	1
7	56091GT	FUEL LINES,BULKHEAD.....1		32	8914GT	SCREW,HHC,1/4-20 X .625	
8	56094GT	GASKET.....1					
9	101726GT	CAP,FUEL,DIESEL,1/8"VENT(GRN).....1					
10	230470GT	FUEL TANK ASSY, DIESEL.....1 <i>includes items 5-9 and 12-14</i>					
11	21019GT	SCREW,PHIL,PHM,10-24 X.5,SEMS					
12	77692GT	SCREW,HHC,3/8-16 X 1 GRD 8					
13	6021GT	WASHER,LOCK,.375					
14	6097GT	WASHER,FLAT,USS,3/8",Y					
15	4828GT	NUT,NYLOCK,3/8-16					
16	56052GT	BRACKET,FUEL TANK.....1					
17	56053GT	LATCH,FLEXIBLE DRAW.....1					
18	6019GT	SCREW,HHC,3/8-16 X 1.25 GRD 5					
19	15086GT	WASHER,FLAT,.375 X 1.5 X .125					
20	56056GT	SPACER,PLASTIC.....1					
21	36998GT	STRAINER ASSY 1"NPT TANK MTD.....1					
22	56022GT	PLUG,3/4 MAGNETIC PIPE SQ.DRV.....1					
23		TANK,30N/34 HYDRAULIC.....1 <i>consult Discount-equipment</i>					
23A	128810GT	KIT, HYDRAULIC TANK.....1					
24	42785GT	GASKET,HYDRAULIC TANK.....1					
25A	42922-SGT	PLATE,TANK LID (SERVICE).....1 <i>to SN 2265</i>					
25B	74088GT	PLATE,HYDRALIC TANK LID.....1 <i>from SN 2266</i>					
26	6090GT	SCREW,HHC,1/4-20 X .75					
27	6638GT	WASHER,FLAT,USS,1/4"Y					
28	42929GT	HOSE,RET.FILTER DWN TUBE RUBBE.....7-inches					
29	30348GT	CLAMP,HOSE,1.00.....1					
30	53534GT	FILTER SCREEN,TANK BREATHER.....1 <i>to SN 2265.</i>					
--	53527GT	CAP,FILLER BREATHER,3 MICRON** <i>to SN 2265.</i>					
31A	T109281GT	FILTER ASSY,RETURN.....1 <i>to SN 2265.</i>					
--	58995GT	FILTER ELEMENT,RETURN.....1 <i>to SN 2265.</i>					
--	74096GT	O-RING, FILTER ASSY.....1 <i>to SN 2265.</i>					

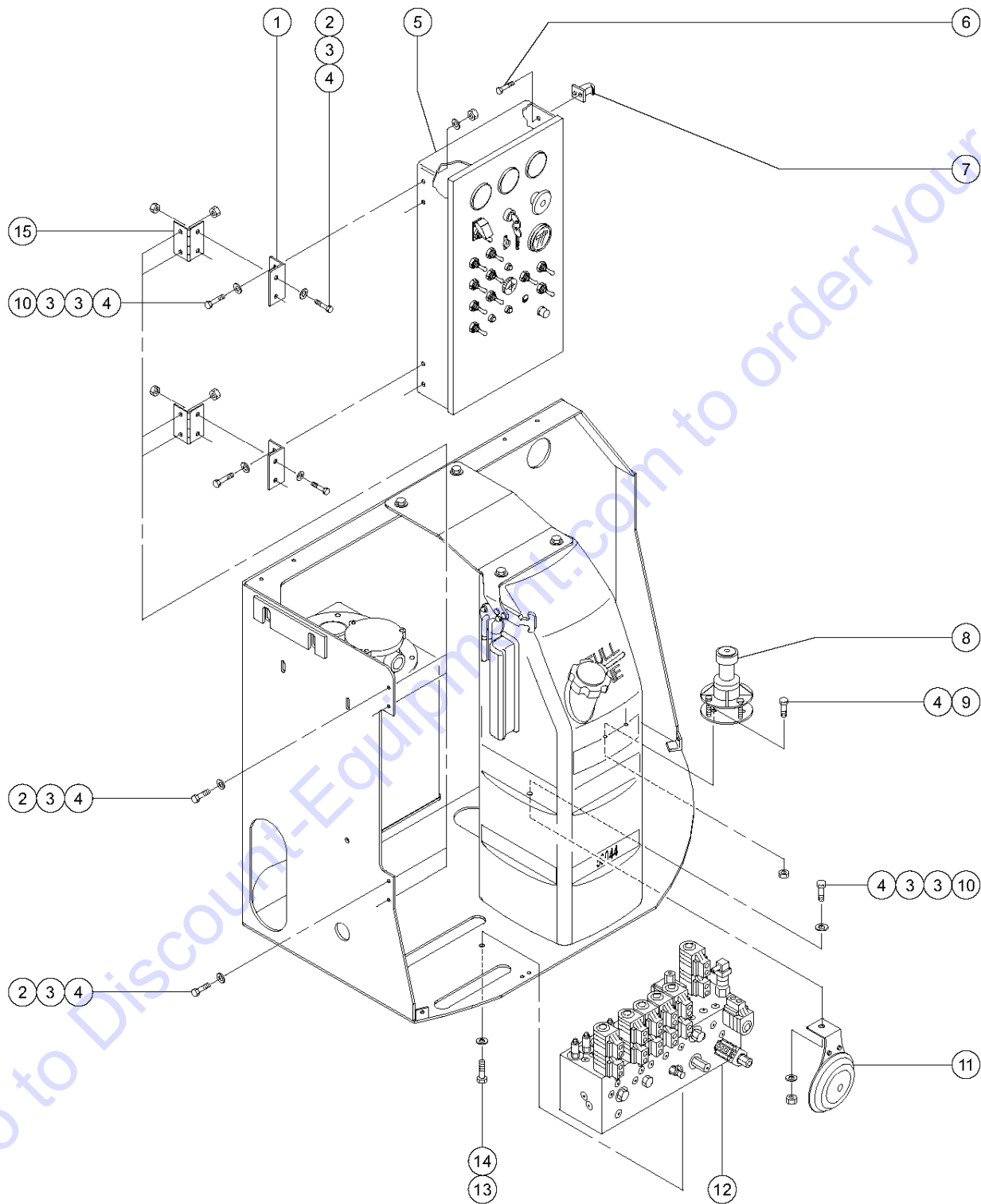
303.2 Ground Controls Side, View 1 - Z-34/22 Bi-Energy (from SN 7670)



303.2 Ground Controls Side, View 1 - Z-34/22 Bi-Energy (from SN 7670)

Item	Part No.	Description	Qty.
1	27089GT	HOSE,5/16 FUEL,SAE 30R7.....80-inches	
2	21465GT	CLAMP,HOSE,.25" - .63" X .3125.....1	
3	35418GT	HOSE,FUEL,3/16,SAE 30R7.....94-inches	
4	44909GT	CLAMP,HOSE,.35"-.86" X .3125".....1	
5	7339GT	SCREW,HHC,1/4-20 X .5	
6	6356GT	WASHER,LOCK,.25	
7	56091GT	FUEL LINES,BULKHEAD.....1	
8	56094GT	GASKET.....1	
9	101726GT	CAP,FUEL,DIESEL,1/8"VENT(GRN).....1	
10	230470GT	FUEL TANK ASSY, DIESEL.....1 <i>includes items 5-9 and 12-14</i>	
11	21019GT	SCREW,PHIL,PHM,10-24 X.5,SEMS	
12	77692GT	SCREW,HHC,3/8-16 X 1 GRD 8	
13	6021GT	WASHER,LOCK,.375	
14	6097GT	WASHER,FLAT,USS,3/8",Y	
15	4828GT	NUT,NYLOCK,3/8-16	
16	56052GT	BRACKET,FUEL TANK.....1	
17	56053GT	LATCH,FLEXIBLE DRAW.....1	
18	6019GT	SCREW,HHC,3/8-16 X 1.25 GRD 5	
19	15086GT	WASHER,FLAT,.375 X 1.5 X .125	
20	56056GT	SPACER,PLASTIC.....1	
21	128728GT	HYDRAULIC TANK,Z30N.....1	
22	78622GT	FILTER ASSY,SAE8,10 MIC,PAPR**.....1	
--	44788GT	FILTER ELEMENT,10MICRON,PAPER*.....1	
23			
24	128808GT	BRACKET, RETURN FILTER.....1	
25	42019GT	TANK BREATHER,NYLON **.....1	
26	6090GT	SCREW,HHC,1/4-20 X .75.....6	
27	6638GT	WASHER,FLAT,USS,1/4"Y	
28	128818GT	TUBE, HYDRAULIC TANK.....1	
29	39223GT	BULKHEAD FITTING,PLASTIC X 8**.....2	
30	128809GT	HOSE ASSY,1/2",12.38".....1	
31	128811GT	ELBOW,90D,520201-8.....2	
32	8914GT	SCREW,HHC,1/4-20 X .625	
33	74532GT	COUNTERWEIGHT,CAST.....1	

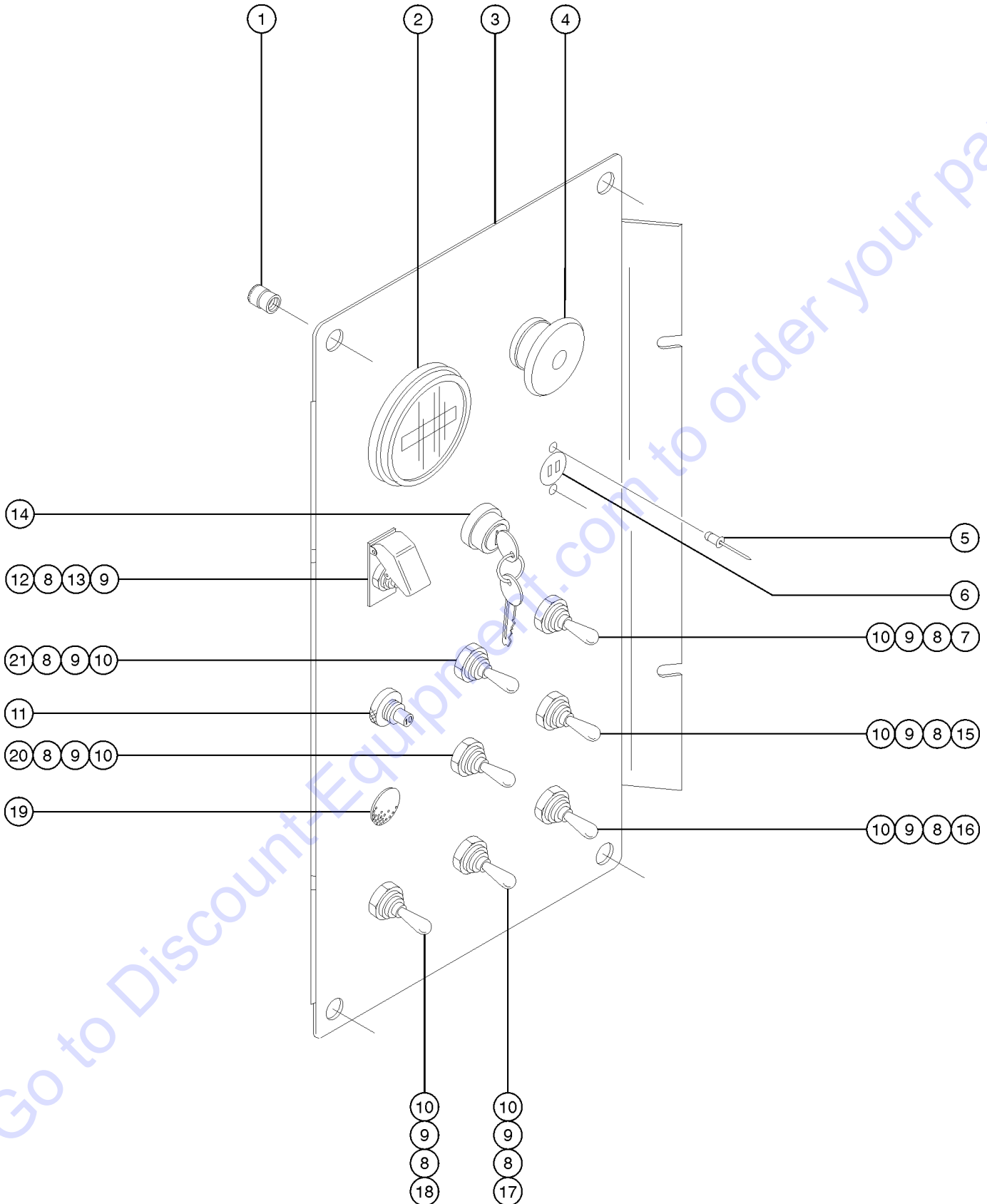
304.1 Ground Controls Side, View 2 - Z-34/22 Bi-Energy



304.1 Ground Controls Side, View 2 - Z-34/22 Bi-Energy

Item	Part No.	Description	Qty.
1	42067PGT	ANGLE,CONTROL BOX MOUNTING.....	2
2	6090GT	SCREW,HHC,1/4-20 X .75	
3	6638GT	WASHER,FLAT,USS,1/4"Y	
4	6091GT	NUT,NYLOCK,1/4-20	
5		Ref. Ground Controls (refer to 307.1)	
6	21019GT	SCREW,PHIL,PHM,10-24 X.5,SEMS	
7	56053GT	LATCH,FLEXIBLE DRAW.....	1
8A	44586GT	SENSOR,LEVEL 4.5***..... to SN 3308	1
8B	94077GT	SENSOR,LEVEL,4.5 DEG..... ANSI and AUS models; from SN 3309	1
8C	94077GT	SENSOR,LEVEL,4.5 DEG CE models; from SN 3309 to 4911	
8D	110382GT	LEVEL SENSOR,LS60,YL,2.5X4.5..... CE models; from SN 4912	1
9	8914GT	SCREW,HHC,1/4-20 X .625	
10	6888GT	SCREW,HHC,1/4-20 X 1	
11	81579GT	HORN,24VDC,SPADE TERMINALS***.....	1
12		Ref. Function Manifold (refer to 701.1)	
13	77692GT	SCREW,HHC,3/8-16 X 1 GRD 8	
14	6021GT	WASHER,LOCK,.375	
15	42077GT	HINGE, 2 X 1.50.....	2

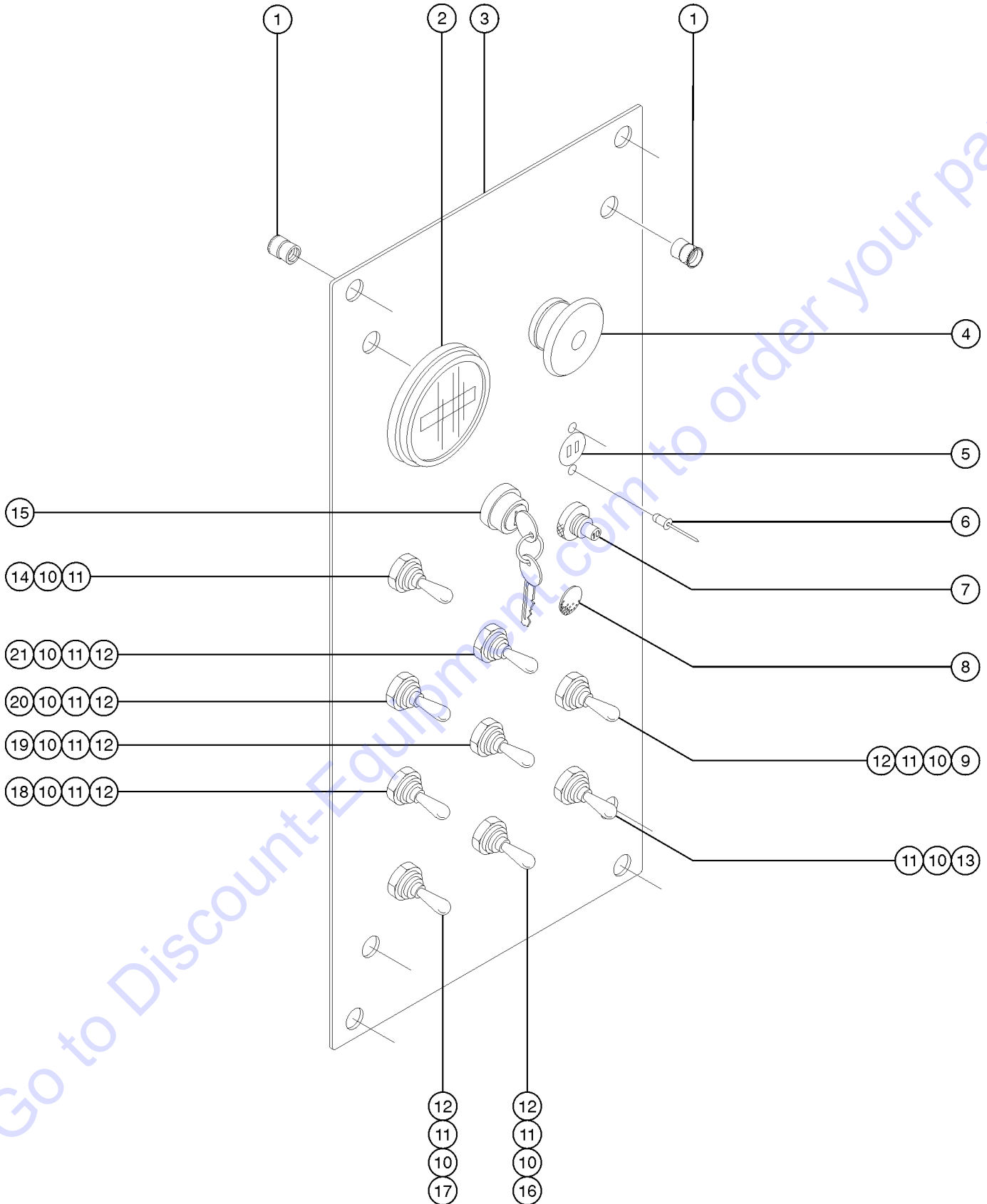
305.1 Ground Controls (Z-34N to SN 2533) (Z-34DC to SN 1884)



305.1 Ground Controls (Z-34N to SN 2533) (Z-34DC to SN 1884)

Item	Part No.	Description	Qty.
1	23404GT	NUTSERT,1/4-20,STEEL CAD PLTD.....	2
2	19506GT	HOUR METER,10-80 VOLTS***.....	1
3	37129GT	PANEL,GROUND CONTROL W/ DECAL.....	1
4	122514GT	KIT,ESTOP SVC BB&SM BOOM.....	1
--	66818GT	CONTACT, N.C.	
--	66821GT	BASE,WITHOUT CONTACTS	
5	6272GT	RIVET,STL,STL,P,.125 X .25	
6	13511GT	RECEPTICAL,SNAP-IN (1450G1)***.....	1
--	13930GT	SWITCH ASSY,REMOTE BRAKE REL.	
7	16397-SGT	SWITCH,TOGGLE,DPDT,3POS MOMEN..... <i>platform rotate</i>	1
8	27246GT	BOOT,TOGGLE SWITCH,SHORT*.....	9
9	54692GT	SPACER,NYLON,.718 X .526 X.219	
10	19268GT	DIODE ASSEMBLY.....	8
11	147094GT	ASSY, CIRCUIT BREAKER 15A.....	1
12	13480-SGT	SWITCH,TOGGLE,DPDT,2POS MOMEN..... <i>auxiliary power</i>	1
13	13471GT	COVER, AUXILIARY POWER SWITCH.....	1
14	122512GT	KIT,KEYSWITCH SVC BB & SM BOOM.....	1
--	21982GT	KEY,SINGLE***	
--	37947GT	KEYS,10 PACK***	
--	66816GT	CONTACT,N.O.***	
--	66821GT	BASE,WITHOUT CONTACTS	
15	16397-SGT	SWITCH,TOGGLE,DPDT,3POS MOMEN..... <i>jib boom up/down</i>	1
16	16397-SGT	SWITCH,TOGGLE,DPDT,3POS MOMEN..... <i>function enable</i>	1
17	16397-SGT	SWITCH,TOGGLE,DPDT,3POS MOMEN..... <i>secondary boom up/down</i>	1
18	16397-SGT	SWITCH,TOGGLE,DPDT,3POS MOMEN..... <i>turntable rotate</i>	1
19	45384GT	PLUG,NYLON .50 BLACK DOMED.....	1
20	16397-SGT	SWITCH,TOGGLE,DPDT,3POS MOMEN..... <i>primary boom up/down</i>	1
21	16397-SGT	SWITCH,TOGGLE,DPDT,3POS MOMEN..... <i>primary boom extend/retract</i>	1

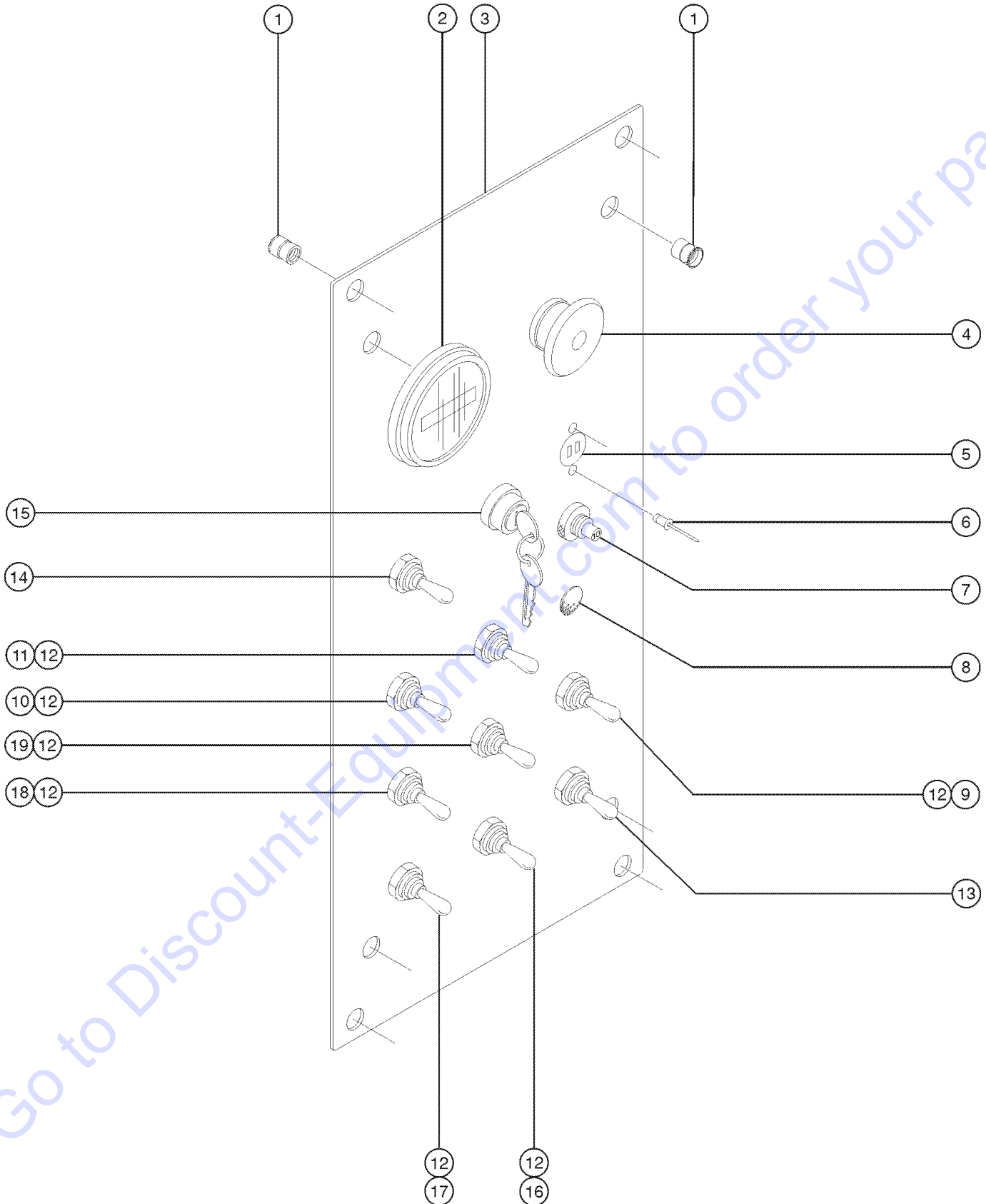
306.1 Ground Controls (Z-34N from SN 2534 to 8050) (Z-34DC from SN 1885 to 7046)



306.1 Ground Controls (Z-34N from SN 2534 to 8050) (Z-34DC from SN 1885 to 7046)

Item	Part No.	Description	Qty.	Item	Part No.	Description	Qty.
1	23404GT	NUTSERT,1/4-20,STEEL CAD PLTD.....	2	17	16397-SGT	SWITCH,TOGGLE,DPDT,3POS MOMEN.....	1
2	19506GT	HOUR METER,10-80 VOLTS***.....	1			<i>turntable rotate</i>	
3	74322GT	ASSEMBLY,CONTROL PANEL <i>includes item 1; shown; Z-34N to SN 4260; Z-34DC to SN 3577</i>		18	16397-SGT	SWITCH,TOGGLE,DPDT,3POS MOMEN.....	1
--	101965GT	GROUND CONTROL PANEL ASSY <i>includes item 1; Z-34N from SN 4261; Z-34DC from SN 3578</i>				<i>platform rotate</i>	
4	122514GT	KIT,ESTOP SVC BB&SM BOOM.....	1	19	16397-SGT	SWITCH,TOGGLE,DPDT,3POS MOMEN.....	1
--	66818GT	CONTACT, N.C. <i>Z-34N to SN 4260; Z-34DC to SN 3577</i>				<i>primary boom up/down</i>	
--	66821GT	BASE,WITHOUT CONTACTS <i>Z-34N to SN 4260; Z-34DC to SN 3577</i>		20	16397-SGT	SWITCH,TOGGLE,DPDT,3POS MOMEN.....	1
4A	66812GT	BUTTON,PUSH,RED MUSHROOM HEAD.....	1			<i>platform level</i>	
--	66817GT	BASE WITH 1 NC CONTACT, E-STOP <i>Z-34N from SN 4261; Z-34DC from SN 3578</i>		21	16397-SGT	SWITCH,TOGGLE,DPDT,3POS MOMEN.....	1
--	66818GT	CONTACT, N.C. <i>Z-34N from SN 4261; Z-34DC from SN 3578</i>				<i>primary boom extend/retract</i>	
5	13511GT	RECEPTICAL,SNAP-IN (1450G1)***.....	1				
--	13930GT	SWITCH ASSY,REMOTE BRAKE REL.					
6	6272GT	RIVET,STL,STL,P,.125 X .25					
7	147094GT	ASSY, CIRCUIT BREAKER 15A.....	1				
8	45384GT	PLUG,NYLON .50 BLACK DOMED.....	1				
9	16397-SGT	SWITCH,TOGGLE,DPDT,3POS MOMEN.....	1				
		<i>jib boom up/down</i>					
10	27246GT	BOOT,TOGGLE SWITCH,SHORT*.....	9				
11	54692GT	SPACER,NYLON,.718 X .526 X.219.....	9				
12	19268GT	DIODE ASSEMBLY.....	7				
13	13037-SGT	SWITCH,TOGGLE,SPDT,3POS MOMEN*.....	1				
		<i>function enable</i>					
14	42730-SGT	SWITCH,TOGGLE SPDT,2POS MOMEN.....	1				
		<i>auxiliary power</i>					
15	96008-SGT	KEYSWITCH,3 POS. W/KEYS***.....	1				
--	37947GT	KEYS,10 PACK***					
--	83093GT	KEY SINGLE***					
--	85239GT	NUT,RETAINER (96008)					
--	88827GT	GASKET,KEYSWITCH,PLASTIC***					
--	96010GT	SCREW,PHILLIPS,PHM,8-32 X.25**					
16	16397-SGT	SWITCH,TOGGLE,DPDT,3POS MOMEN.....	1				
		<i>secondary boom up/down</i>					

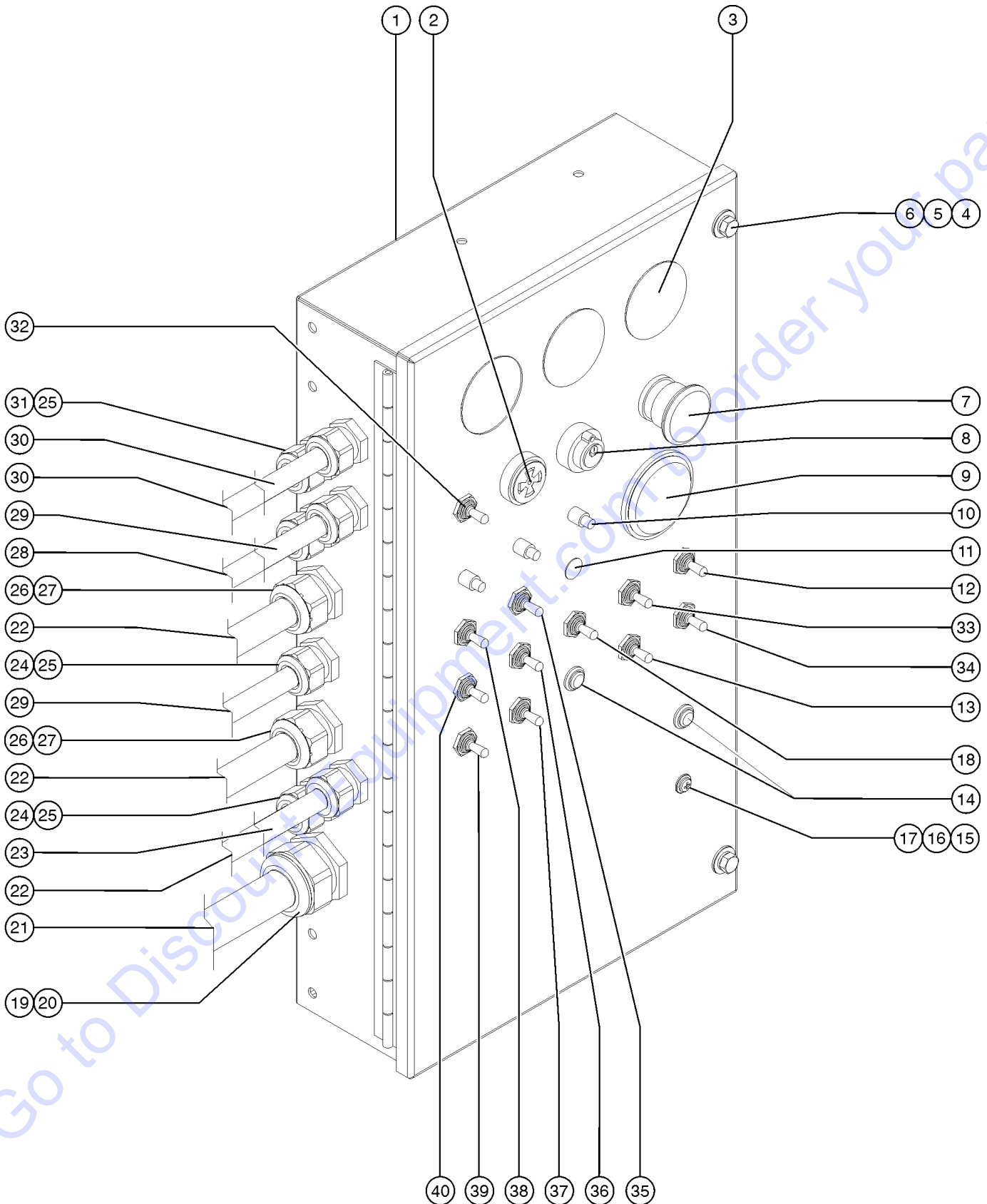
306.2 Ground Controls (Z-34N from SN 8051) (Z-34DC from SN 7047)



306.2 Ground Controls (Z-34N from SN 8051) (Z-34DC from SN 7047)

Item	Part No.	Description	Qty.	Item	Part No.	Description	Qty.
--	45782GT	DIODE,6 AMP,200 PIV,BULK		19	128202GT	SWITCH TOGGLE ASSY DPDT 3P MOM.....1	1
1	23404GT	NUTSERT,1/4-20,STEEL CAD PLTD.....2				<i>primary boom up/down</i>	
2	19506GT	HOUR METER,10-80 VOLTS***.....1					
3	101965GT	GROUND CONTROL PANEL ASSY <i>includes item 1</i>					
4	66812GT	BUTTON,PUSH,RED MUSHROOM HEAD.....1					
--	66817GT	BASE WITH 1 NC CONTACT, E-STOP					
--	66818GT	CONTACT, N.C.					
--	66821GT	BASE,WITHOUT CONTACTS					
5	13511GT	RECEPTICAL,SNAP-IN (1450G1)***.....1					
--	13930GT	SWITCH ASSY,REMOTE BRAKE REL.					
6	6272GT	RIVET,STL,STL,P,.125 X .25					
7	147094GT	ASSY, CIRCUIT BREAKER 15A.....1					
8	229567GT	PLUG,SANTOPRENE .50 BLACK DOME Z-34N from SN 10257; Z-34DC/BE from SN 9142					
8	45384GT	PLUG,NYLON .50 BLACK DOMED.....1 Z-34N to SN 10256; Z-34DC/BE to SN 9141					
9	128202GT	SWITCH TOGGLE ASSY DPDT 3P MOM.....1					
10	128202GT	SWITCH TOGGLE ASSY DPDT 3P MOM.....1 <i>platform level</i>					
11	128202GT	SWITCH TOGGLE ASSY DPDT 3P MOM.....1 <i>primary boom extend/retract</i>					
12	19268GT	DIODE ASSEMBLY.....7					
13	128200GT	SWITCH TOGGLE ASSY SPDT 3P MOM.....1					
14	128203GT	SWITCH TOGGLE ASSY SPDT 2P MOM.....1					
15	37947GT	KEYS,10 PACK***					
15	96008-SGT	KEYSWITCH,3 POS. W/KEYS***.....1					
--	37947GT	KEYS,10 PACK***					
--	83093GT	KEY SINGLE***					
--	85239GT	NUT,RETAINER (96008)					
--	88827GT	GASKET,KEYSWITCH,PLASTIC***					
--	96010GT	SCREW,PHILLIPS,PHM,8-32 X.25**					
16	128202GT	SWITCH TOGGLE ASSY DPDT 3P MOM.....1 <i>secondary boom up/down</i>					
17	128202GT	SWITCH TOGGLE ASSY DPDT 3P MOM.....1 <i>turntable rotate</i>					
18	128202GT	SWITCH TOGGLE ASSY DPDT 3P MOM.....1 <i>platform rotate</i>					

307.1 Ground Controls - View 1 (Z-34BE to SN 4799)



307.1 Ground Controls - View 1 (Z-34BE to SN 4799)

Item	Part No.	Description	Qty.	Item	Part No.	Description	Qty.
1	106056GT	GRND CNTL BOX W/DECAL,Z34BE.....1		16	6146GT	WASHER,FLAT,MS,#10,Y	
2	18963GT	ALARM,INTERMITTENT TONE 6-30V*...1 <i>plastic nut not included</i>		17	6178GT	NUT,NYLOCK,10-32	
--	72326GT	NUT - PLASTIC,RING FOR ALARMS		18	16397-SGT	SWITCH,TOGGLE,DPDT,3POS MOMEN.....1 <i>jib boom up/down</i>	
3	45840GT	PLUG,NYLON 2.00 BLACK DOMED.....3		--	27246GT	BOOT,TOGGLE SWITCH,SHORT*	
4	6090GT	SCREW,HHC,1/4-20 X .75		19	20776GT	CABLE SQUEEZE CONN.....1	
5	6356GT	WASHER,LOCK,.25		20	18665GT	LOCKNUT,ELECTRIC,1" NPT.....1	
6	23404GT	NUTSERT,1/4-20,STEEL CAD PLTD		21		Ref. Engine Wire Harness (Consult Discount-equipment)	
7A	122514GT	KIT,ESTOP SVC BB&SM BOOM.....1 <i>to SN 3577</i>		22	35934GT	WIRE CABLE,18/19 CON.TPRJKT.....618-inches	
--	66818GT	CONTACT, N.C.....2		23	43955GT	WIRE CABLE,12/3 CON.TPE JKT.....82-inches	
--	66821GT	BASE,WITHOUT CONTACTS.....1		24	7057GT	CONN. SQZ,1/2NPT .39-.56 MED.....2	
7B	66812GT	BUTTON,PUSH,RED MUSHROOM HEAD.....1 <i>from SN 3578</i>		25	6935GT	LOCKNUT,ELEC,1/2".....2	
--	66817GT	BASE WITH 1 NC CONTACT, E-STOP...1		26	12960GT	CABLE SQUEEZE CONN.,XTRA LRG...2	
--	66818GT	CONTACT, N.C.....2		27	14041GT	LOCKNUT,ELECTRIC,3/4".....2	
8A	122512GT	KIT,KEYSWITCH SVC BB & SM BOOM.....1 <i>to SN 3577</i>		28	44133GT	WIRE CABLE,16/4 CON.TPE JKT*.....82-inches	
--	122366GT	KEYSWITCH,CONTACTS LOCK		29	44133GT	WIRE CABLE,16/4 CON.TPE JKT*.....264-inches	
--	66811GT	KEYSWITCH,3POS.MNTND.DR WKEY** <i>includes keyswitch and two keys; base not included</i>		30	43958GT	WIRE CABLE,16/2 WHT/BRN.....276-inches	
--	66816GT	CONTACT,N.O.***		31	7056GT	CONN,SQUEEZE,1/2NPT .38-.50,SM...4	
--	66821GT	BASE,WITHOUT CONTACTS		32	13480-SGT	SWITCH,TOGGLE,DPDT,2POS MOMEN.....1 <i>auxiliary power</i>	
8B	96008-SGT	KEYSWITCH,3 POS. W/KEYS***1 <i>from SN 3578</i>		--	27246GT	BOOT,TOGGLE SWITCH,SHORT*	
--	37947GT	KEYS,10 PACK***		33	13037-SGT	SWITCH,TOGGLE,SPDT,3POS MOMEN*.....1 <i>engine start</i>	
--	83093GT	KEY SINGLE***		--	27246GT	BOOT,TOGGLE SWITCH,SHORT*	
--	85239GT	NUT,RETAINER (96008)		34	13037-SGT	SWITCH,TOGGLE,SPDT,3POS MOMEN*.....1 <i>function enable</i>	
--	88827GT	GASKET,KEYSWITCH,PLASTIC***		--	27246GT	BOOT,TOGGLE SWITCH,SHORT*	
9	56100GT	HOUR METER,LCD,9-60 VDC***1 <i>to SN 3217</i>		35	16397-SGT	SWITCH,TOGGLE,DPDT,3POS MOMEN.....1 <i>primary boom extend/retract</i>	
--	19506GT	HOUR METER,10-80 VOLTS*** <i>from SN 3218</i>		--	27246GT	BOOT,TOGGLE SWITCH,SHORT*	
10	147094GT	ASSY, CIRCUIT BREAKER 15A.....1		--	27246GT	BOOT,TOGGLE SWITCH,SHORT*	
11	45384GT	PLUG,NYLON .50 BLACK DOMED.....1		36	16397-SGT	SWITCH,TOGGLE,DPDT,3POS MOMEN.....1 <i>primary boom up/down</i>	
12	13037-SGT	SWITCH,TOGGLE,SPDT,3POS MOMEN*.....1 <i>glow plug</i>		--	27246GT	BOOT,TOGGLE SWITCH,SHORT*	
--	27246GT	BOOT,TOGGLE SWITCH,SHORT*		37	16397-SGT	SWITCH,TOGGLE,DPDT,3POS MOMEN.....1 <i>secondary boom up/down</i>	
13	27378-SGT	SWITCH,TOGGLE,DPDT,2POS MAINT*.....1 <i>engine idle</i>		--	27246GT	BOOT,TOGGLE SWITCH,SHORT*	
--	27246GT	BOOT,TOGGLE SWITCH,SHORT*					
14	824878GT	LIGHT,LED IND. RED 24V NH.....2					
15	49819GT	SCREW,PHILLIPS,PHM,10-32 X .5					

307.1 Ground Controls - View 1 (Z-34BE to SN 4799)
 (continued)

Item	Part No.	Description	Qty.
38	16397-SGT	SWITCH,TOGGLE,DPDT,3POS MOMEN.....1 <i>platform level</i>	1
--	27246GT	BOOT,TOGGLE SWITCH,SHORT*	
39	16397-SGT	SWITCH,TOGGLE,DPDT,3POS MOMEN.....1 <i>turntable rotate</i>	1
--	27246GT	BOOT,TOGGLE SWITCH,SHORT*	
40	16397-SGT	SWITCH,TOGGLE,DPDT,3POS MOMEN.....1 <i>platform rotate</i>	1
--	27246GT	BOOT,TOGGLE SWITCH,SHORT*	

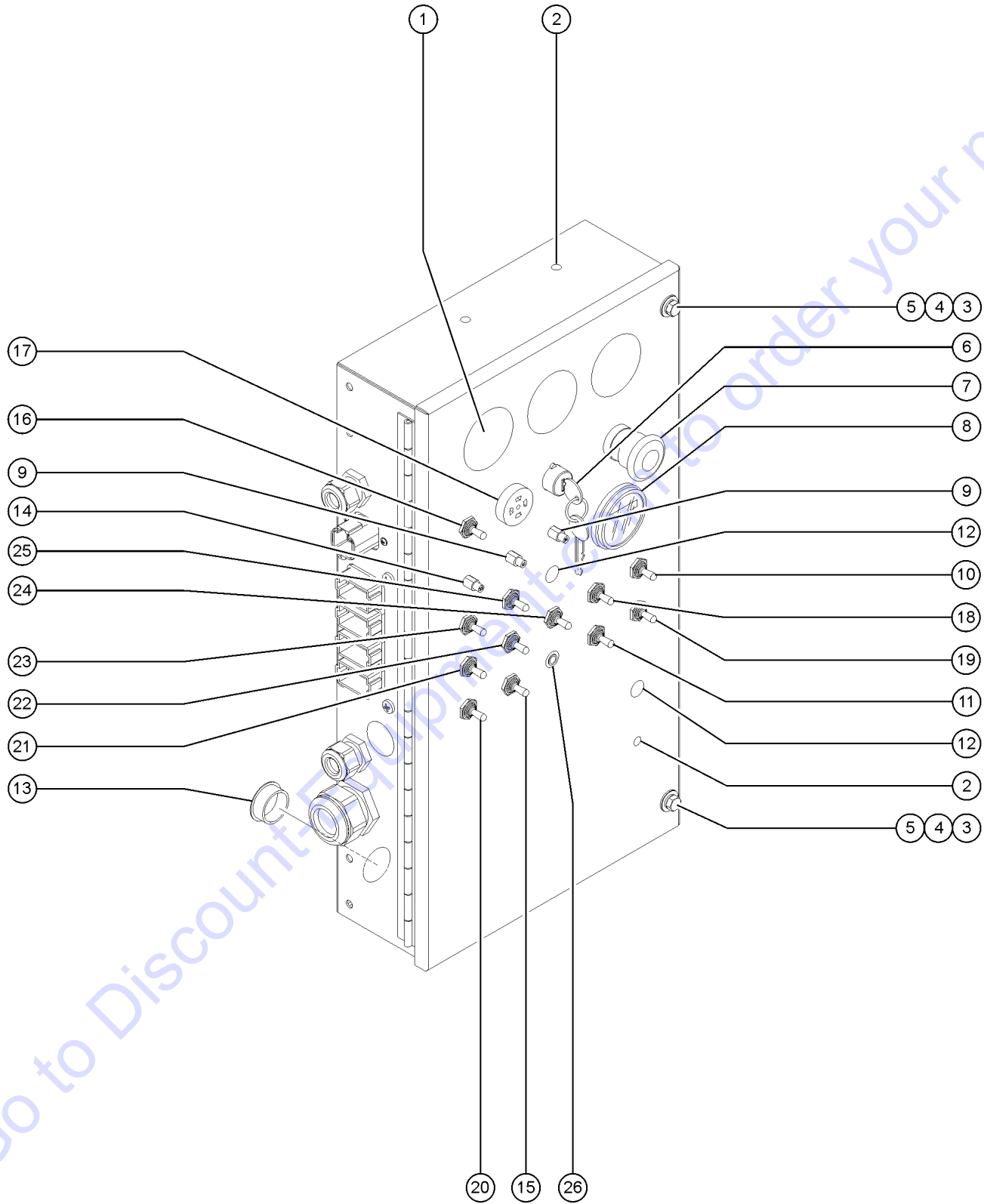
Go to Discount-Equipment.com to order your parts



This Page Intentionally Left Blank

Go to Discount-Equipment.com to order your parts

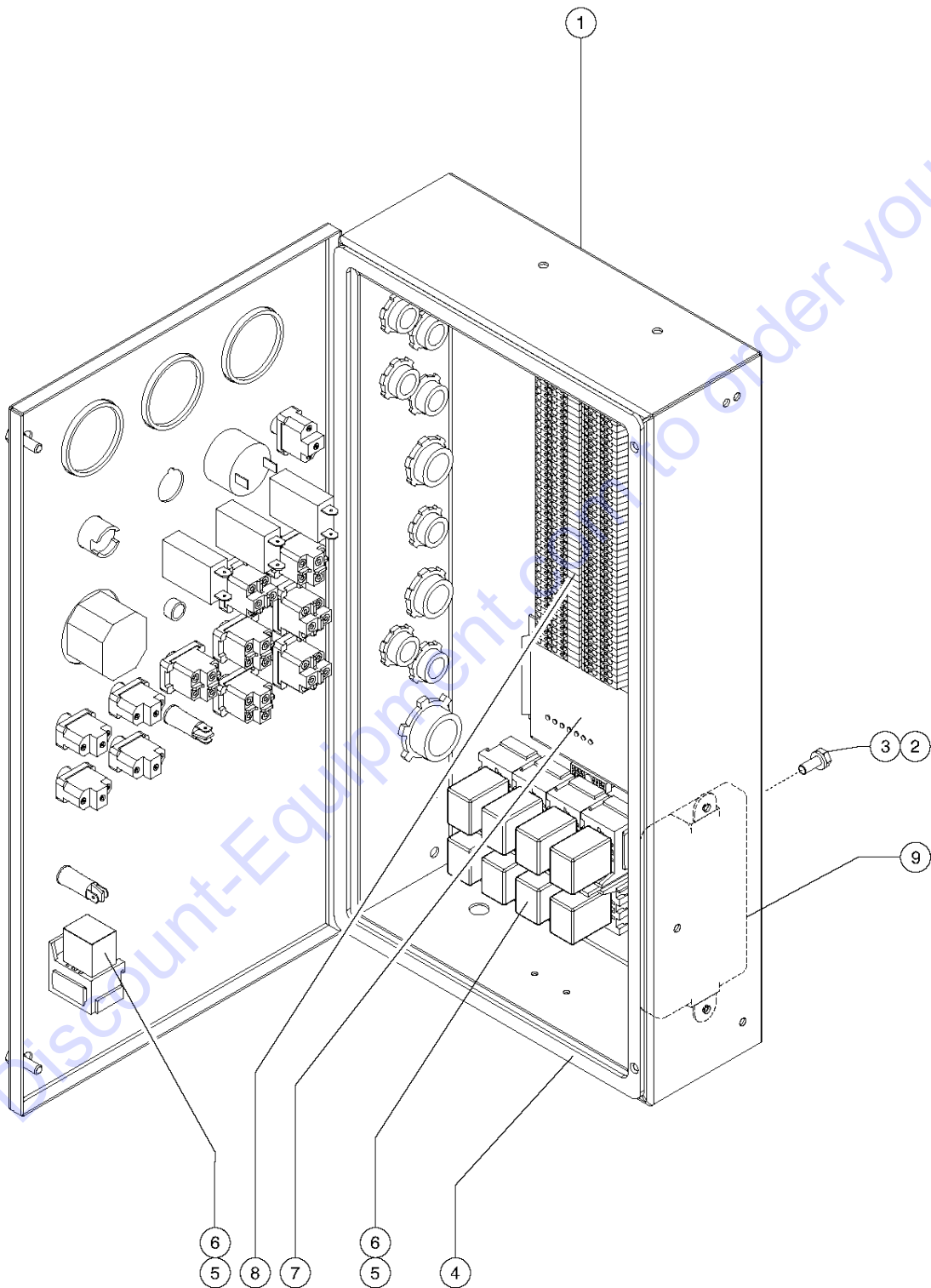
307.2 Ground Controls - View 1 (Z-34BE from SN 4800)



307.2 Ground Controls - View 1 (Z-34BE from SN 4800)

Item	Part No.	Description	Qty.	Item	Part No.	Description	Qty.
--	53758-SGT	GAUGE,OIL PRESSURE W/O SENDER <i>includes mounting bracket and fasteners</i>		18	128200GT	SWITCH TOGGLE ASSY SPDT 3P MOM.....1 <i>engine start</i>	1
--	53759-SGT	GAUGE,WATER TEMP <i>includes mounting bracket and fasteners</i>		19	128200GT	SWITCH TOGGLE ASSY SPDT 3P MOM.....1 <i>function enable</i>	1
--	53761-SGT	GAUGE,VOLTAGE <i>includes mounting bracket and fasteners</i>		20	128202GT	SWITCH TOGGLE ASSY DPDT 3P MOM.....1 <i>turntable rotate</i>	1
1	45840GT	PLUG,NYLON 2.00 BLACK DOMED.....3	3	21	128202GT	SWITCH TOGGLE ASSY DPDT 3P MOM.....1 <i>platform rotate</i>	1
2	42781GT	PLUG, NYLON .250 BLACK DOMED.....3	3	22	128202GT	SWITCH TOGGLE ASSY DPDT 3P MOM.....1 <i>primary boom up/down</i>	1
3	6090GT	SCREW,HHC,1/4-20 X .75		23	128202GT	SWITCH TOGGLE ASSY DPDT 3P MOM.....1 <i>platform level</i>	1
4	6356GT	WASHER,LOCK,.25		24	128202GT	SWITCH TOGGLE ASSY DPDT 3P MOM.....1 <i>jib boom up/down</i>	1
5	6638GT	WASHER,FLAT,USS,1/4"Y		25	128202GT	SWITCH TOGGLE ASSY DPDT 3P MOM.....1 <i>primary boom extend/retract</i>	1
6	96008-SGT	KEYSWITCH,3 POS. W/KEYS***.....1 <i>includes 1 pair of keys</i>	1	26	824878GT	LIGHT,LED IND. RED 24V NH.....1 <i>from SN 7774</i>	1
--	37947GT	KEYS,10 PACK***					
--	83093GT	KEY SINGLE***					
--	85239GT	NUT,RETAINER (96008)					
--	88827GT	GASKET,KEYSWITCH,PLASTIC***					
--	96010GT	SCREW,PHILLIPS,PHM,8-32 X.25**					
7	66812GT	BUTTON,PUSH,RED MUSHROOM HEAD					
--	66818GT	CONTACT, N.C.					
--	73805GT	BASE,W/2 NC CONTACTS*** <i>includes 2 contacts</i>					
8	19506GT	HOUR METER,10-80 VOLTS***.....1 <i>includes mounting bracket</i>	1				
9	147093GT	ASSY, CIRCUIT BREAKER 10A.....2	2				
10	128200GT	SWITCH TOGGLE ASSY SPDT 3P MOM.....1 <i>glow plug</i>	1				
11	56457-SGT	SWITCH,TOGGLE,SPDT,2 POS MAINT.....1 <i>engine idle</i>	1				
--	27246GT	BOOT,TOGGLE SWITCH,SHORT*					
12	229567GT	PLUG,SANTOPRENE .5 BLACK DOME <i>from SN 9142</i>					
12	45384GT	PLUG,NYLON .50 BLACK DOMED.....1 <i>from SN 4800 to 9141</i>	1				
13	45385GT	PLUG,NYLON 1.12 BLACK DOMED.....1	1				
14	147094GT	ASSY, CIRCUIT BREAKER 15A.....1 <i>includes mounting fasteners</i>	1				
15	128202GT	SWITCH TOGGLE ASSY DPDT 3P MOM.....1 <i>secondary boom up/down</i>	1				
16	128203GT	SWITCH TOGGLE ASSY SPDT 2P MOM.....1 <i>auxiliary power</i>	1				
17	18963GT	ALARM,INTERMITTENT TONE 6-30V*...1 <i>Does not include 72326 nut</i>	1				
--	72326GT	NUT - PLASTIC,RING FOR ALARMS					

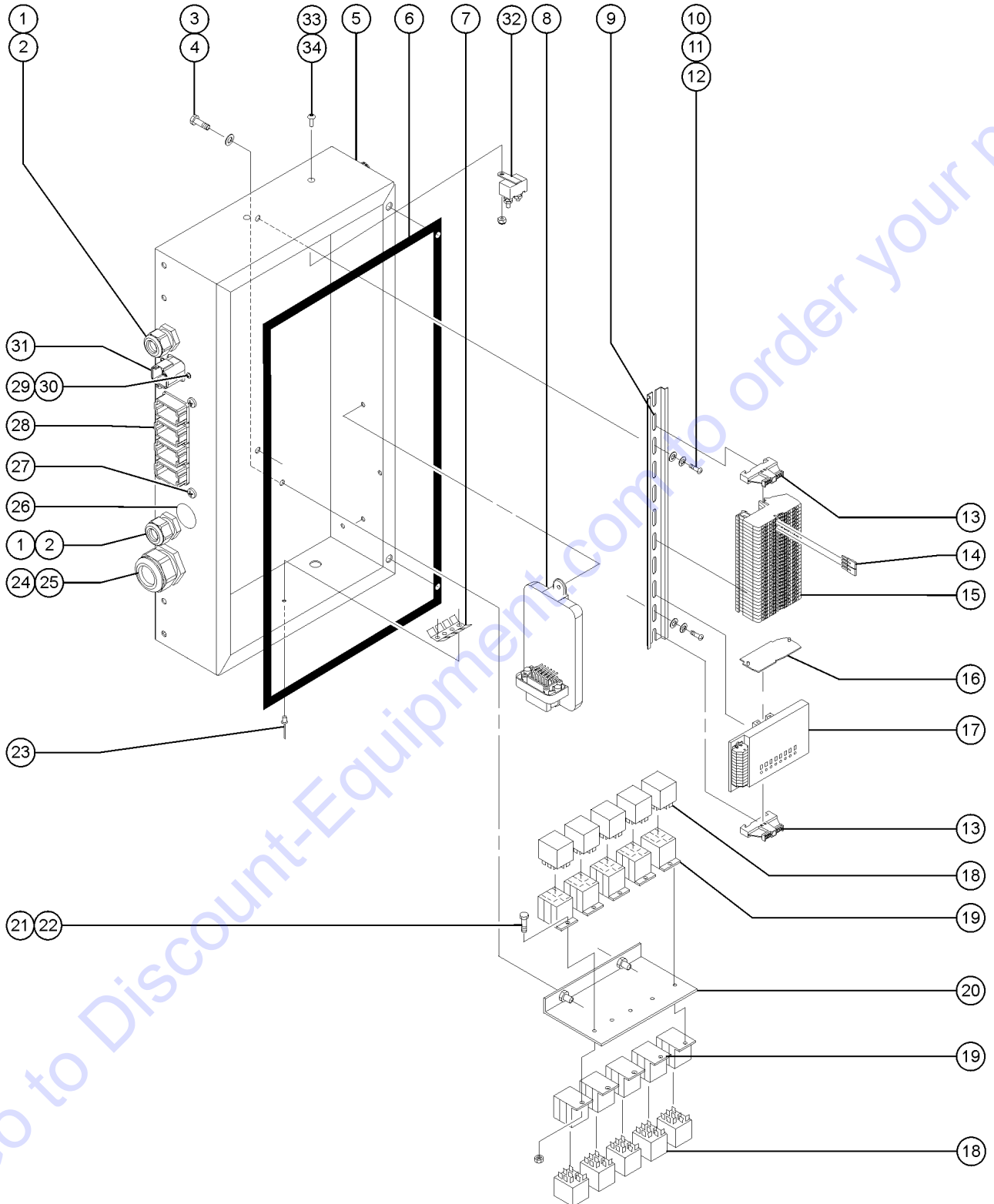
308.1 Ground Controls - View 2 (Z-34BE to SN 4799)



308.1 Ground Controls - View 2 (Z-34BE to SN 4799)

Item	Part No.	Description	Qty.
1	106056GT	GRND CNTL BOX W/DECAL,Z34BE.....1	
2	8914GT	SCREW,HHC,1/4-20 X .625	
3	6356GT	WASHER,LOCK,.25	
4	42065GT	GASKET,GROUND CONTROL BOX.....1	
5	56302GT	RELAY,24VDC,40/30A,SEALED***.....8	
6	34053GT	ASSY,RELAY SOCKET, AUTO.....8	
--		RELAY SOCKET,AUTO,RETAINER*** <i>included with relay</i>	
7	56057GT	MODULE,IGNITION/START,12/24V.....1	
8A	56215GT	TERMINAL RAIL.....1 <i>to SN 3255</i>	
--	25836GT	TERMINAL BLOCK(SINGLE),WAGO***.....40	
--	25837GT	TERMINAL STRIP END PLATE.....1	
--	25974GT	PLASTIC END STOP.....2	
--	36871GT	DIN RAIL,14.75" **	
--	56648GT	TERMINAL BLOCK,WAGO,3-WIRE.....9	
8B	74929GT	ASSEMBLY,TERMINAL RAIL,Z34BE.....1 <i>from SN 3256 to SN 3577</i>	
--	216793GT	TERMINAL BLOCK END PLATE.....1	
--	36871GT	DIN RAIL,14.75" **	
--	74911GT	TERMINAL BLOCK, WIELAND***.....44	
--	74913GT	END STOP, DIN RAIL,SCREW CLAMP.....2	
--	74917GT	JUMPER COMB, 2-WAY,WIELAND.....3	
8C	94744GT	ASSEMBLY,TERMINAL RAIL.....1 <i>from SN 3578</i>	
--	216793GT	TERMINAL BLOCK END PLATE.....1	
--	36871GT	DIN RAIL,14.75" **	
--	74911GT	TERMINAL BLOCK, WIELAND***.....45	
--	74913GT	END STOP, DIN RAIL,SCREW CLAMP.....2	
--	74917GT	JUMPER COMB, 2-WAY,WIELAND.....3	
9	128045GT	MODULE,LOAD SENSE 2007.....1	
--	18605GT	NUT,NYLOCK,8-32	
--	96010GT	SCREW,PHILLIPS,PHM,8-32 X.25**	

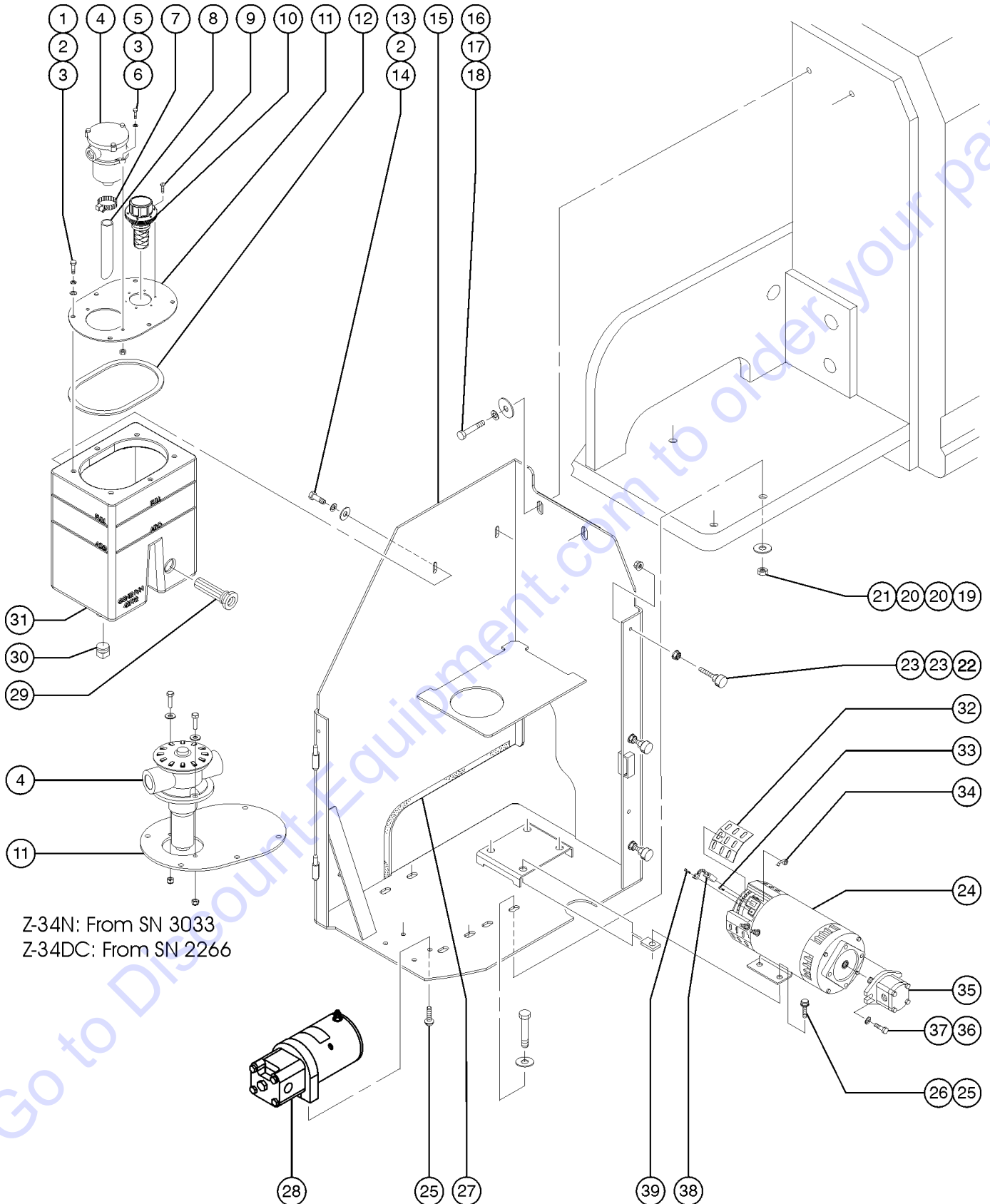
308.2 Ground Controls - View 2 (Z-34BE from SN 4800)



308.2 Ground Controls - View 2 (Z-34BE from SN 4800)

Item	Part No.	Description	Qty.	Item	Part No.	Description	Qty.
A	110259GT	ASSY TERMINAL RAIL Z34BE to SN 9441		27	73803GT	SCREW,SHM,PHP, #12 X .75	
B	216790GT	ASSY,TERMINAL RAIL,Z34BE from SN 9442		28	73736GT	CONN,RECEP 48 WAY,4 X 12.....1	
C	45782GT	DIODE,6 AMP,200 PIV,BULK		--	54255GT	LOCK,RECEP 12 WAY, 14-18GA	
1	7057GT	CONN. SQZ,1/2NPT .39-.56 MED.....2		--	73713GT	TERM,NI PIN,S&F,16-18GA,REEL	
2	6935GT	LOCKNUT,ELEC,1/2".....2		29	49820GT	SCREW,PHILLIPS,PHM,6-32 X .5	
3	8914GT	SCREW,HHC,1/4-20 X .625		30	12344GT	NUT,NYLOCK,6-32	
4	6356GT	WASHER,LOCK,.25		31	73717GT	CONN,RECEP 4 WAY,12-14GA FL***1	
5	110648GT	GROUND CONTROL BOX W/DECAL.....1 includes item 6		--	60526GT	LOCK,RECEP 4 WAY,12-14GA	
--	23404GT	NUTSERT,1/4-20,STEEL CAD PLTD		--	73711GT	TERM,DEUTSCH, PIN #12-14	
6	42065GT	GASKET,GROUND CONTROL BOX.....1		32	128935GT	CIRCUIT BKR 10A TYPE 2 METAL.....1 from SN 7634	
7	56663GT	TERMINAL STRIP.....1		33	54365GT	SCREW,PHIL,PHM,10-32 X .5,SSTL.....1 from SN 7634	
8	128045GT	MODULE,LOAD SENSE 2007.....1 option, platform overload		34	6178GT	NUT,NYLOCK,10-32.....1 from SN 7634	
--	54365GT	SCREW,PHIL,PHM,10-32 X .5,SSTL					
--	6178GT	NUT,NYLOCK,10-32					
9	36871GT	DIN RAIL,14.75" **.....1					
10	49818GT	SCREW,PHILLIPS,PHM,10-32 X .38					
11	6607GT	WASHER,LOCK,#10 PLTD					
12	6146GT	WASHER,FLAT,MS,#10,Y					
13	74913GT	END STOP, DIN RAIL,SCREW CLAMP.....2					
14	74917GT	JUMPER COMB, 2-WAY,WIELAND.....4					
15A	74911GT	TERMINAL BLOCK, WIELAND***34 to SN 9441					
15B	216791GT	TERMINAL BLOCK,WIELAND from SN 9442; new style and will not fit in same rail as original					
16A	216793GT	TERMINAL BLOCK END PLATE.....1 to SN 9441					
16B	216793GT	TERMINAL BLOCK END PLATE from SN 9442					
17	56057GT	MODULE,IGNITION/START,12/24V.....1					
18	56302GT	RELAY,24VDC,40/30A,SEALED***10					
19	34053GT	ASSY,RELAY SOCKET, AUTO.....10 includes 58318GT and 58319GT					
20	T106699GT	BRACKET,RELAY MOUNT W/INSERTS.....1					
21	49819GT	SCREW,PHILLIPS,PHM,10-32 X .5					
22	6178GT	NUT,NYLOCK,10-32					
23	6272GT	RIVET,STL,STL,P,125 X .25					
24	20776GT	CABLE SQUEEZE CONN.....1					
25	18665GT	LOCKNUT,ELECTRIC,1" NPT.....1					
26A	45385GT	PLUG,NYLON 1.12 BLACK DOMED.....1					
26B	15243GT	PLUG,NYLON .875 BLACK DOMED.....1					

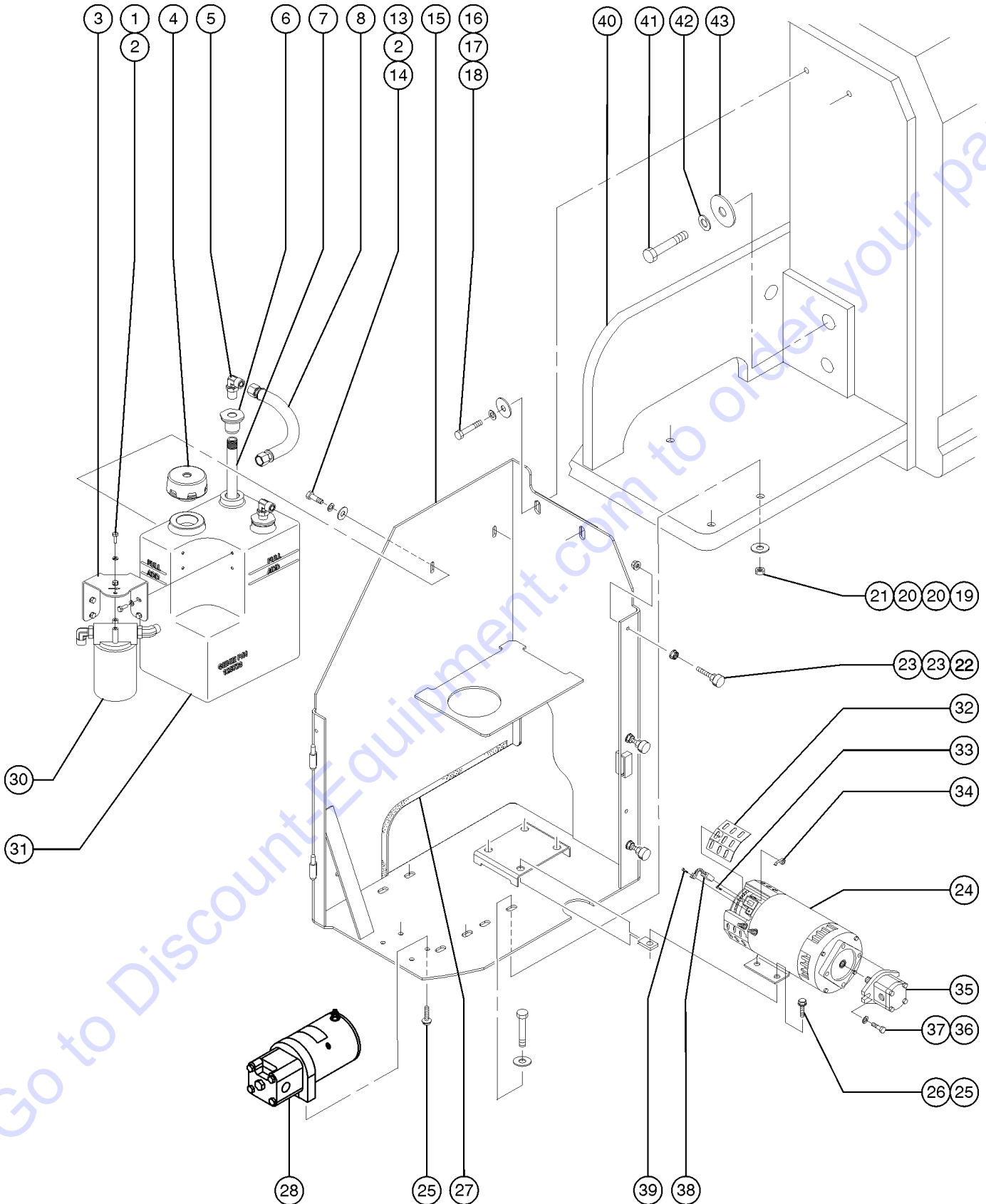
309.1 Hydraulic Power Unit Side - Z-34/22N and Z-34/22DC (Z34N to SN 8788)(Z34DC to SN 7669)



309.1 Hydraulic Power Unit Side - Z-34/22N and Z-34/22DC (Z34N to SN 8788)(Z34DC to SN 7669)

Item	Part No.	Description	Qty.	Item	Part No.	Description	Qty.
1	6090GT	SCREW,HHC,1/4-20 X .75		19	4828GT	NUT,NYLOCK,3/8-16	
2	6356GT	WASHER,LOCK,.25		20	6097GT	WASHER,FLAT,USS,3/8",Y	
3	6638GT	WASHER,FLAT,USS,1/4"Y		21	14033GT	SCREW,HHC,3/8-16 X 2.75	
4A	T109281GT	FILTER ASSY,RETURN.....1 Z-34N to SN 3032; Z-34DC to SN 2265		22	36388GT	BUMPER,RUBBER,.75 X .50H,STUD.....3	
--	58995GT	FILTER ELEMENT,RETURN.....1 Z-34N to SN 3032; Z-34DC to SN 2265		23	18504GT	NUT,LOCKING-LG.FLANGE,1/4-20	
--	74096GT	O-RING, FILTER ASSY.....1 Z-34N to SN 3032; Z-34DC to SN 2265		24		Ref: MOTOR,FUNCTION,48V DC.....1	
4B	110947GT	HYDRAULIC FILTER ASSY.....1 Z-34N from SN 3033; Z-34DC from SN 2266		25	18506GT	SCREW 5/16-18 X .75 LG.FLG.LCK.	
--	128674GT	CAP,HYDRAULIC FILTER ASSY.....1 Z-34N from SN 3033; Z-34DC from SN 2266		26	36456GT	SPRING CLIP,5/16-18,.025-.15X.	
--	128675GT	SEAL KIT,HYDRAULIC FILTER ASSY....1 Z-34N from SN 3033; Z-34DC from SN 2266		27	19018GT	TRIMLOCK,BLACK,5/32".....49.5-inches	
--	58208GT	O-RING,FILTER,RETURN TANK.....1 Z-34N from SN 3033; Z-34DC from SN 2266		28	36179GT	POWER UNIT,AUX PUMP 24VDC.....1	
--	74634GT	FILTER ELEMENT RFM90		--	37184GT	MOTOR, 24V (36179)	
5	6888GT	SCREW,HHC,1/4-20 X 1 Z-34N to SN 3032; Z-34DC to SN 2265		--	37185GT	PUMP ASSEMBLY (36179)	
--	8915GT	SCREW,HHC,1/4-20 X 1.25 Z-34N from SN 3033; Z-34DC from SN 2266		--	37186GT	VALVE,CHECK (36179)	
6	6091GT	NUT,NYLOCK,1/4-20		--	37187GT	SEAL KIT, 37185 PUMP	
7	30348GT	CLAMP,HOSE,1.00.....1		--	37191GT	GASKET, PUMP / MOTOR (36179)	
8	42929GT	HOSE,RET.FILTER DWN TUBE RUBBE.....1		--	37192GT	COUPLER, PUMP / MOTOR (36179)	
9	49819GT	SCREW,PHILLIPS,PHM,10-32 X .5 Z-34N to SN 3032; Z-34DC to SN 2265 (integrated into return filter after these serial breaks)		29	36998GT	STRAINER ASSY 1"NPT TANK MTD.....1	
10	53534GT	FILTER SCREEN,TANK BREATHER.....1		30	56022GT	PLUG,3/4 MAGNETIC PIPE SQ.DRV.....1	
--	53527GT	CAP,FILLER BREATHER,3 MICRON**		31A	128810GT	KIT, HYDRAULIC TANK.....1 Z-34DC from SN 1735 to 7669.	
11A	42922-SGT	PLATE,TANK LID (SERVICE).....1 Z-34N to SN 3032; Z-34DC to SN 2265		31B	128810GT	KIT, HYDRAULIC TANK Z-34N from SN 1735 to 8788.	
11B	74088GT	PLATE,HYDRALIC TANK LID.....1 Z-34N from SN 3033; Z-34DC from SN 2266		32	58936GT	BRUSH COVER -PLATE-(48504)*	
12	42785GT	GASKET,HYDRAULIC TANK.....1		33	52914GT	SCREW,HHTAPTITE THREAD8-32X.38	
13	8914GT	SCREW,HHC,1/4-20 X .625		34	58933GT	BRUSH SPRING SET	
14	12906GT	WASHER,FENDER,.25 X 1.25 X.062		35	77981GT	PUMP,LIFT,3CC,CCW***1	
15	94427GT	WELDMENT,CVR SUPPORT RH***.....1 (replaced PN 42992GT)		--	77990GT	KIT,SEAL,3CC PUMP***	
16	6019GT	SCREW,HHC,3/8-16 X 1.25 GRD 5		36	32317GT	SCREW,HHC,3/8-24 X 1 GR 8 YEL.....2	
17	6021GT	WASHER,LOCK,.375		37	6021GT	WASHER,LOCK,.375	
18	15086GT	WASHER,FLAT,.375 X 1.5 X .125		38	58932GT	BRUSH SET 4 EA	
				39	52913GT	SCREW,HH TAPETITE THRD8-32X.50	

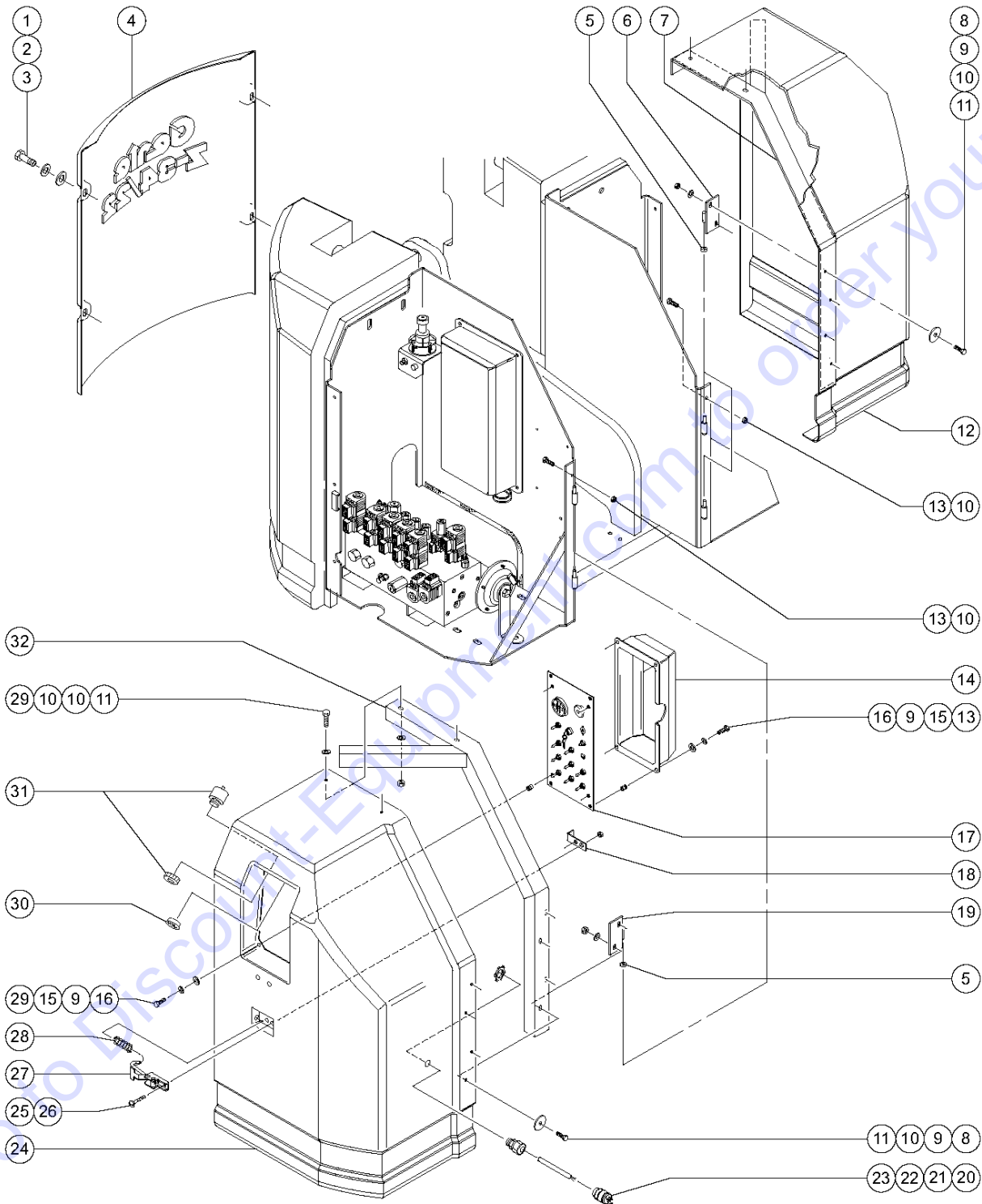
309.2 Hydraulic Power Unit Side - Z-34/22N and Z-34/22DC (Z34N from SN 8789)(Z34DC from SN 7670)



309.2 Hydraulic Power Unit Side - Z-34/22N and Z-34/22DC (Z34N from SN 8789)(Z34DC from SN 7670)

Item	Part No.	Description	Qty.	Item	Part No.	Description	Qty.
1	6090GT	SCREW,HHC,1/4-20 X .75.....	6	--	37192GT	COUPLER, PUMP / MOTOR (36179)	
2	6356GT	WASHER,LOCK,.25.....	6	29			
3	128808GT	BRACKET, RETURN FILTER..... Z-34N from SN 8789; Z-34DC from SN 7670	1	30	78622GT	FILTER ASSY,SAE8,10 MIC,PAPR**..... Z-34N from SN 8789; Z-34DC from SN 7670	1
4	42019GT	TANK BREATHER,NYLON **..... Z-34N from SN 8789; Z-34DC from SN 7670	1	--	44788GT	FILTER ELEMENT,10MICRON,PAPER*..... Z-34N from SN 8789; Z-34DC from SN 7670	1
5	128811GT	ELBOW,90D,520201-8..... Z-34N from SN 8789; Z-34DC from SN 7670	2	31	128728GT	HYDRAULIC TANK,Z30N..... Z-34N from SN 8789; Z-34DC from SN 7670	1
6	39223GT	BULKHEAD FITTING,PLASTIC X 8**..... Z-34N from SN 8789; Z-34DC from SN 7670	2	32	58936GT	BRUSH COVER -PLATE-(48504)*	
7	128818GT	TUBE, HYDRAULIC TANK..... Z-34N from SN 8789; Z-34DC from SN 7670	2	33	52914GT	SCREW,HHTAPTITE THREAD8-32X.38	
8	128809GT	HOSE ASSY,1/2",12.38"..... Z-34N from SN 8789; Z-34DC from SN 7670	1	34	58933GT	BRUSH SPRING SET	
9				35	77981GT	PUMP,LIFT,3CC,CCW***.....	1
10				--	77990GT	KIT,SEAL,3CC PUMP***	
11				36	32317GT	SCREW,HHC,3/8-24 X 1 GR 8 YEL.....	2
12				37	6021GT	WASHER,LOCK,.375	
13	8914GT	SCREW,HHC,1/4-20 X .625		38	58932GT	BRUSH SET 4 EA	
14	12906GT	WASHER,FENDER,.25 X 1.25 X.062		39	52913GT	SCREW,HH TAPETITE THRD8-32X.50	
15	94427GT	WELDMENT,CVR SUPPORT RH***..... (replaced PN 42992GT)	1	40A	94220GT	WELDMENT,SWING CHASSIS Z34	
16	6019GT	SCREW,HHC,3/8-16 X 1.25 GRD 5		40B	94219GT	WELDMENT,SWING CHASSIS Z34N	
17	6021GT	WASHER,LOCK,.375		41	42078GT	SCREW,HHC,1-8 X 3 GRD.5	
18	15086GT	WASHER,FLAT,.375 X 1.5 X .125		42	29605GT	WASHER,LOCK,1"	
19	4828GT	NUT,NYLOCK,3/8-16		43	38859GT	WASHER,FLAT,USS,1",Y	
20	6097GT	WASHER,FLAT,USS,3/8",Y					
21	14033GT	SCREW,HHC,3/8-16 X 2.75					
22	36388GT	BUMPER,RUBBER,.75 X .50H,STUD....	3				
23	18504GT	NUT,LOCKING-LG.FLANGE,1/4-20					
24		Ref: MOTOR,FUNCTION,48V DC..... (refer to 702.1)	1				
25	18506GT	SCREW 5/16-18 X .75 LG.FLG.LCK.					
26	36456GT	SPRING CLIP,5/16-18,.025-.15X.					
27	19018GT	TRIMLOCK,BLACK,5/32".....49.5-inches					
28	36179GT	POWER UNIT,AUX PUMP 24VDC.....	1				
--	37184GT	MOTOR, 24V (36179)					
--	37185GT	PUMP ASSEMBLY (36179)					
--	37186GT	VALVE,CHECK (36179)					
--	37187GT	SEAL KIT, 37185 PUMP					
--	37191GT	GASKET, PUMP / MOTOR (36179)					

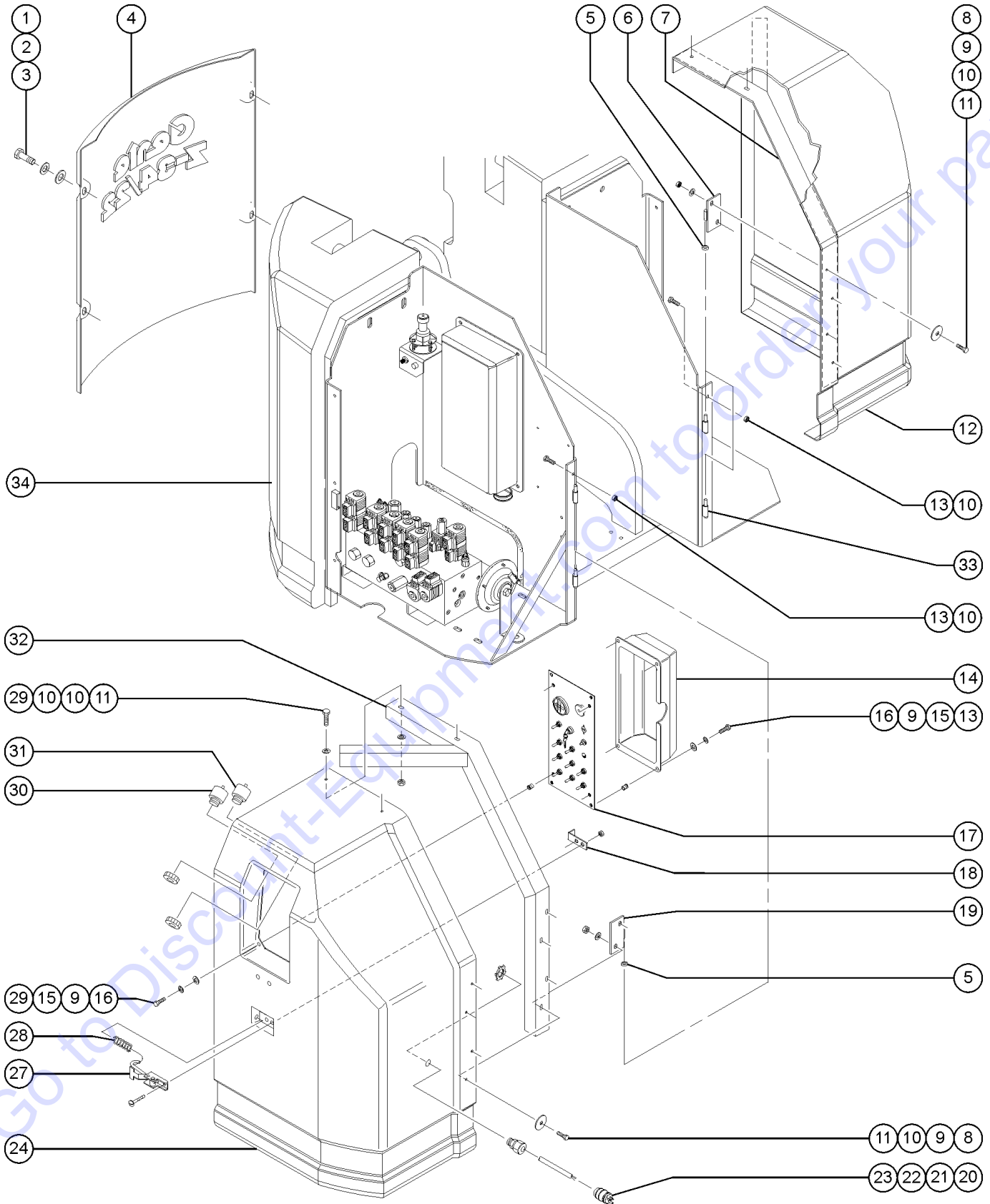
310.1 Turntable Covers (Z-34N to SN 7048) (Z-34DC to SN 6195)



310.1 Turntable Covers (Z-34N to SN 7048) (Z-34DC to SN 6195)

Item	Part No.	Description	Qty.	Item	Part No.	Description	Qty.
1	77692GT	SCREW,HHC,3/8-16 X 1 GRD 8		24D	106216GT	COVER ASSY,W/SYM DEC,GC,34DC** CE; includes items 18, 25-28 and 30; Z-34N from SN 4260; Z-34DC from SN 3577	
2	6021GT	WASHER,LOCK,.375		25	49816GT	SCREW,PHILLIPS,PHM,10-32 X .75	
3	6097GT	WASHER,FLAT,USS,3/8",Y		26	6178GT	NUT,NYLOCK,10-32	
4	139290GT	COVER,COUNTERWEIGHT,Z34.....1		27	36575GT	LATCH,ADJUSTABLE DRAW.....1	
5	36457GT	WASHER,THRUST,.313 X .50 X .10		28	36574GT	SPRING,EXTENSION,.36 X 1.25.....1	
6	36414GT	HINGE,WELD.,COVER,PUMP GRY/BLU.....4		29	6090GT	SCREW,HHC,1/4-20 X .75	
7	36923PGT	WELD,COVER BRACE,RH HINGE,PNTD.....1		30	45385GT	PLUG,NYLON 1.12 BLACK DOMED.....1	
8	6888GT	SCREW,HHC,1/4-20 X 1		31	18963GT	ALARM,INTERMITTENT TONE 6-30V*...1 plastic nut not included	
9	12906GT	WASHER,FENDER,.25 X 1.25 X.062		--	72326GT	NUT - PLASTIC,RING FOR ALARMS	
10	6638GT	WASHER,FLAT,USS,1/4"Y		32	36924PGT	WELD,COVER BRACE,LH HINGE,PNTD.....1	
11	6091GT	NUT,NYLOCK,1/4-20					
12A	40444GT	COVER ASSY W/DECALS,PWR UNIT...1 includes items 6-8, 11, 18 and 25-28; Z-34N to SN 2533; Z-34DC to SN 1883					
12B	62502GT	COVER ASSY W/DECALS HPU** includes items 18 and 25-28; Z-34N from SN 2534; Z-34DC from SN 1884					
13	8914GT	SCREW,HHC,1/4-20 X .625					
14	36257GT	COVER,CONTROL PANEL.....1					
15	6356GT	WASHER,LOCK,.25					
16	23404GT	NUTSERT,1/4-20,STEEL CAD PLTD					
17		Ref. Ground Controls (refer to 306.1)					
18	36570GT	BRACKET,COVER LATCH.....1					
19	36415GT	HINGE,WELD,COVER,CTRLS GRY/BLU.....1					
20	119403GT	CONN,PLUG 120 AC/15A DOMESTIC...1					
--		FUSE,13 AMP,220V PLUG (component no longer available) refer to BS1362 BUSS TDC180-13A					
20A	144161GT	PLUG,PWR,UK,16AMP,3PIN,BLK					
20B	25388GT	PLUG,FUSED,250V,13AMP,U.K.**					
21	43956GT	WIRE CABLE,14/3 CON.TPE JKT*					
22	7056GT	CONN,SQUEEZE,1/2NPT .38-.50,SM....1					
23	6935GT	LOCKNUT,ELEC,1/2".....1					
24A	62503GT	COVER ASSY.W/D G.C.SIDE ANSI**1 ANSI; includes items 18, 25-28 and 30; Z-34N from SN 2533 to SN 4259; Z-34DC from SN 1884 to 3576					
24B	74805GT	COVER ASSY.W/D G.C. SIDE CE*** CE; includes items 18, 25-28 and 30; Z-34N from SN 2533 to SN 4259; Z-34DC from SN 1884 to 3576					
24C	106215GT	CVR ASSY.W/WORD DEC,GC,34N/DC*1 ANSI; includes items 18, 25-28 and 30; Z-34N from SN 4260; Z-34DC from SN 3577					

310.2 Turntable Covers (Z-34N from SN 7049) (Z-34DC from SN 6196)

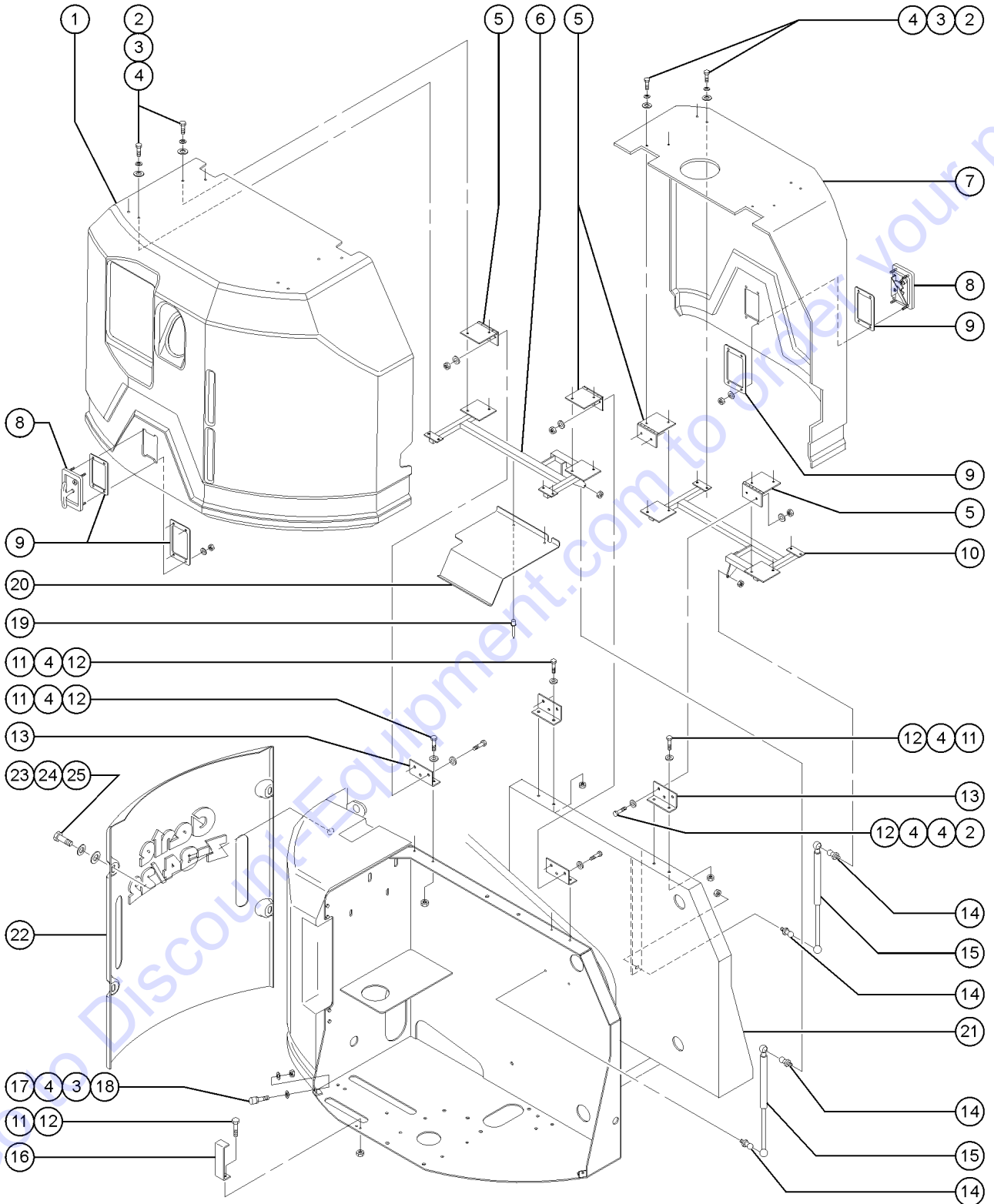


A TEREX BRAND

310.2 Turntable Covers (Z-34N from SN 7049) (Z-34DC from SN 6196)

Item	Part No.	Description	Qty.	Item	Part No.	Description	Qty.
1	77692GT	SCREW,HHC,3/8-16 X 1 GRD 8		--	45385GT	PLUG,NYLON 1.12 BLACK DOMED	
2	6021GT	WASHER,LOCK,.375		--	72326GT	NUT - PLASTIC,RING FOR ALARMS	
3	6097GT	WASHER,FLAT,USS,3/8",Y		31	18963GT	ALARM,INTERMITTENT TONE 6-30V*...1 <i>plastic nut not included</i>	
4	139290GT	COVER,COUNTERWEIGHT,Z34.....1		--	72326GT	NUT - PLASTIC,RING FOR ALARMS	
5	36457GT	WASHER,THRUST,.313 X .50 X .10		32	36924PGT	WELD,COVER BRACE,LH HINGE,PNTD.....1	
6	36414GT	HINGE,WELD.,COVER,PUMP GRY/BLU.....4		33	36421GT	HINGE,WELD ON,MALE.....4	
7	36923PGT	WELD,COVER BRACE,RH HINGE,PNTD.....1		34A	36449GT	COUNTERWEIGHT,CAST,3700 LBS.....1 Z-34N	
8	6888GT	SCREW,HHC,1/4-20 X 1		34B	36680GT	COUNTERWEIGHT,CAST,2460 LBS.....1 Z-34DC	
9	12906GT	WASHER,FENDER,.25 X 1.25 X.062					
10	6638GT	WASHER,FLAT,USS,1/4"Y					
11	6091GT	NUT,NYLOCK,1/4-20					
12A	62502GT	COVER ASSY W/DECALS HPU** ANSI; includes items 18 and 25-28					
12B	106217GT	COVER ASSY,W/SYM DEC,HPU,34DC* CE; includes items 18, 25-28 and 30; replaced 74806					
13	8914GT	SCREW,HHC,1/4-20 X .625					
14	36257GT	COVER,CONTROL PANEL.....1					
15	6356GT	WASHER,LOCK,.25					
16	23404GT	NUTSERT,1/4-20,STEEL CAD PLTD					
17		Ref. Ground Controls (refer to 306.1)					
18	36570GT	BRACKET,COVER LATCH.....1					
19	36415GT	HINGE,WELD,COVER,CTRLS GRY/BLU.....1					
20	119403GT	CONN,PLUG 120 AC/15A DOMESTIC...1					
--		FUSE,13 AMP,220V PLUG (component no longer available) refer to BS1362 BUSS TDC180-13A					
20A	144161GT	PLUG,PWR,UK,16AMP,3PIN,BLK					
20B	25388GT	PLUG,FUSED,250V,13AMP,U.K.**					
21	43956GT	WIRE CABLE,14/3 CON.TPE JKT*					
22	7056GT	CONN,SQUEEZE,1/2NPT .38-.50,SM....1					
23	6935GT	LOCKNUT,ELEC,1/2".....1					
24A	106215GT	CVR ASSY.W/WORD DEC,GC,34N/DC*.....1 <i>includes items 18, 25-28 and 30</i>					
24B	106216GT	COVER ASSY,W/SYM DEC,GC,34DC** <i>includes items 18, 25-28 and 30</i>					
25	49816GT	SCREW,PHILLIPS,PHM,10-32 X .75					
26	6178GT	NUT,NYLOCK,10-32					
27	36575GT	LATCH,ADJUSTABLE DRAW.....1					
28	36574GT	SPRING,EXTENSION,.36 X 1.25.....1					
29	6090GT	SCREW,HHC,1/4-20 X .75					
30	45462GT	ALARM,CHIME TONE 5-25VDC***1 <i>descent alarm</i>					

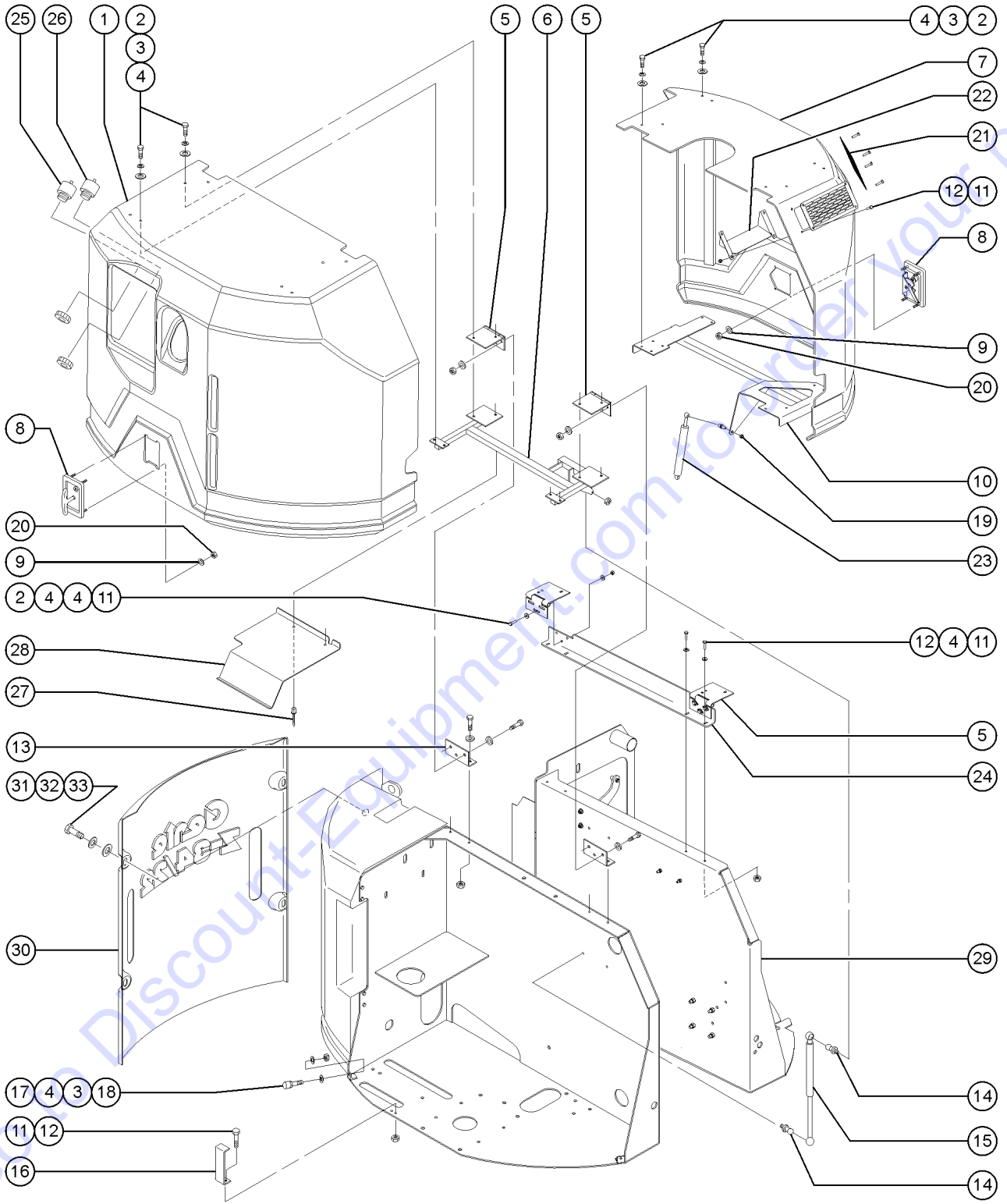
311.1 Turntable Covers (Z-34BE to SN 7441)



311.1 Turntable Covers (Z-34BE to SN 7441)

Item	Part No.	Description	Qty.
1A	52937-SGT	COVER ASSY W/DECALS,G.C. SIDE.....1 <i>includes items 2-6, 8 and 9; to SN 3576</i>	
1B	106218GT	COVER ASSY,W/WORD DEC,GC,34BI* <i>includes items 2-6, 8 and 9; from SN 3577</i>	
1C	106219GT	COVER ASSY,W/SYM DEC,GC,34BI** <i>includes items 2-6, 8 and 9; from SN 3577</i>	
2	8915GT	SCREW,HHC,1/4-20 X 1.25	
3	6356GT	WASHER,LOCK,.25	
4	6638GT	WASHER,FLAT,USS,1/4"Y	
5	75073GT	HINGE,.375X.120THK.,SLOTTED.....4 <i>to SN 3281</i>	
5A	75073GT	HINGE,.375X.120THK.,SLOTTED <i>from SN 3282</i>	
6	56955-SGT	COVER REINFORCEMENT LH***.....1	
7	52697-SGT	COVR,ASSY,W/DCALS,ENG.SIDE,BE...1 <i>includes items 2-5 and 8-10; to SN 3576</i>	
7A	106220GT	COVER ASSY,W/WORD DEC,ENG,34BI <i>includes items 2-5 and 8-10; from SN 3577 to 7441</i>	
7B	106221GT	COVER ASSY,W/SYM DEC,ENG,34BI <i>includes items 2-5 and 8-10; from SN 3577 to 7441</i>	
8	28125GT	LATCH,FLUSH CUP***.....2	
--	29314GT	KEY,LATCH, 1 PAIR (28125)	
--	33510GT	LOCK PLUG ASSY, (28125)	
9	28471GT	PLATE,SWING COVER LATCH.....2	
10	56952GT	WELDMENT,COVER SUPPORT RH.....1	
11	6888GT	SCREW,HHC,1/4-20 X 1	
12	6091GT	NUT,NYLOCK,1/4-20	
13	35949P-SGT	BRACKET,COVER HINGE,BLUE.....4 <i>to SN 3281</i>	
13A	74496PGT	FORMING,HINGE SUPPORT PAINTED <i>from SN 3282</i>	
14	62706GT	BALL STUD,5/16-18 (56295).....4 <i>includes mounting fastener</i>	
15	56295GT	STRUT,GAS***.....2	
16	42064P-SGT	Latch Bracket.....2	
17	36388GT	BUMPER,RUBBER,.75 X .50H,STUD....6	
18	6357GT	NUT,HEX,1/4-20	
19	7264GT	RIVET,STL,STL,P,.125 X .5	
20	56117GT	PLATE,SHIELD FUEL TANK.....1	
21	128291GT	WDMT, ENGINE COMPARTMENT.....1	
22	139290GT	COVER,COUNTERWEIGHT,Z34.....1	
23	77692GT	SCREW,HHC,3/8-16 X 1 GRD 8	
24	6021GT	WASHER,LOCK,.375	
25	6097GT	WASHER,FLAT,USS,3/8",Y	

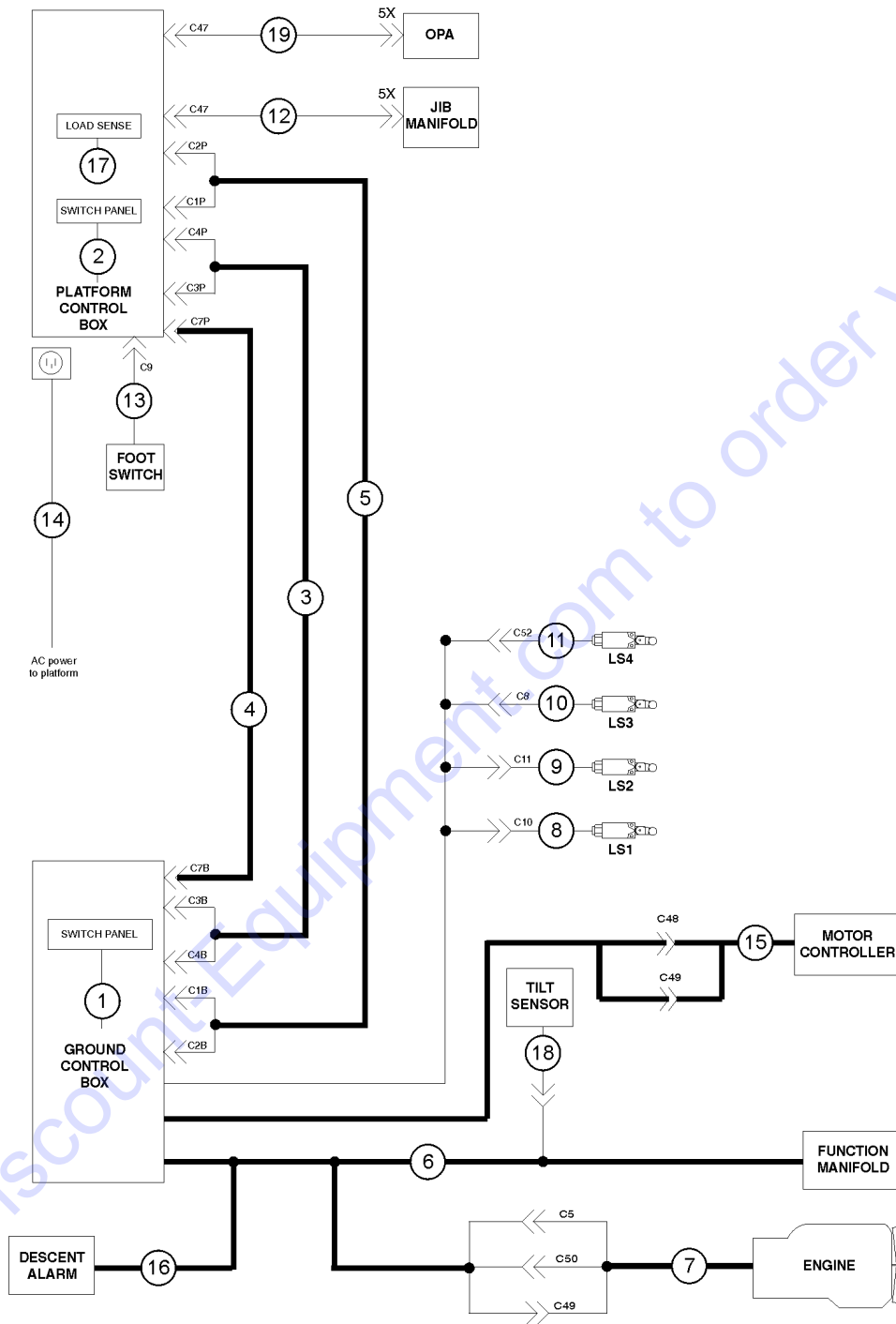
311.2 Turntable Covers (Z-34BE from SN 7442)



311.2 Turntable Covers (Z-34BE from SN 7442)

Item	Part No.	Description	Qty.	Item	Part No.	Description	Qty.
1A	106218GT	COVER ASSY,W/WORD DEC,GC,34BI*.....1 <i>includes items 2-6, 8 and 9; from SN 3577</i>	1	32	6021GT	WASHER,LOCK,.375	
1B	106219GT	COVER ASSY,W/SYM DEC,GC,34BI**...1 <i>includes items 2-6, 8 and 9; from SN 3577</i>	1	33	6097GT	WASHER,FLAT,USS,3/8",Y	
2	8915GT	SCREW,HHC,1/4-20 X 1.25.....22	22				
3	6356GT	WASHER,LOCK,.25.....15	15				
4	6638GT	WASHER,FLAT,USS,1/4"Y					
5	75073GT	HINGE,.375X.120THK.,SLOTTED.....4	4				
6	56955-SGT	COVER REINFORCEMENT LH***.....1	1				
7A	139619GT	COVER ASSY,W/SYM DEC,ENG,34BI...1 <i>includes items 2-5 and 8-10</i>	1				
7B	139620GT	COVER ASSY,W/WORD DEC,ENG,34BI.....1 <i>includes items 2-5 and 8-10</i>	1				
8	28125GT	LATCH,FLUSH CUP***.....2	2				
--	29314GT	KEY,LATCH, 1 PAIR (28125)					
--	33510GT	LOCK PLUG ASSY, (28125)					
9	6146GT	WASHER,FLAT,MS,#10,Y.....4	4				
10	128470GT	WDMT, COVER REINFORC, RH.....1	1				
11	6888GT	SCREW,HHC,1/4-20 X 1.....19	19				
12	6091GT	NUT,NYLOCK,1/4-20.....17	17				
13	74496PGT	FORMING,HINGE SUPPORT PAINTED.....2	2				
14	62706GT	BALL STUD,5/16-18 (56295).....1	1				
15	56295GT	STRUT,GAS***.....1	1				
16	42064GT	BRACKET, LATCH.....2	2				
17	36388GT	BUMPER,RUBBER,.75 X .50H,STUD....1	1				
18	6357GT	NUT,HEX,1/4-20.....1	1				
19	33555GT	BALL STUD**.....1	1				
20	6178GT	NUT,NYLOCK,10-32.....4	4				
21	128467GT	PLATE, COVER, IC VENT.....2	2				
22	139246GT	BAFFLE,ENGINE COVER.....2	2				
23	139241GT	STRUT,GAS,14",200LBS.....1	1				
24	128298GT	FORMING, HING SUPPORT, LONG.....1	1				
25	45462GT	ALARM,CHIME TONE 5-25VDC***1 <i>plastic nut not included</i>	1				
--	72326GT	NUT - PLASTIC,RING FOR ALARMS....1	1				
26	18963GT	ALARM,INTERMITTENT TONE 6-30V*...1 <i>plastic nut not included</i>	1				
--	72326GT	NUT - PLASTIC,RING FOR ALARMS....1	1				
27	7264GT	RIVET,STL,STL,P.125 X .5					
28	56117GT	PLATE,SHIELD FUEL TANK.....1	1				
29	128291GT	WDMT, ENGINE COMPARTMENT.....1	1				
30	139290GT	COVER,COUNTERWEIGHT,Z34.....1	1				
31	77692GT	SCREW,HHC,3/8-16 X 1 GRD 8					

312.1 Wire Harness Diagram - Z-34/22 Bi-Energy (from SN 4800)



PARTS FINDER

**Search Website
by Part Number**



**Search Manual
Library For Parts
Manual & Lookup Part
Numbers – Purchase
or Request Quote**

Search Manuals

Enter your information to help us find the right parts manual for your machine.

* Brand:

* Model:

* Serial:

* Part Number:

SEARCH

**Can't Find Part or
Manual? Request Help
by Manufacturer,
Model & Description**

Parts Order Form

Please fill in the following information to help us find the right part for your machine.

Manufacturer:	<input type="text"/>
Model:	<input type="text"/>
Description:	<input type="text"/>
Part Number:	<input type="text"/>
Quantity:	<input type="text"/>
Notes:	<input type="text"/>

Discount-Equipment.com is your online resource for quality parts & equipment.

Florida: **561-964-4949** Outside Florida TOLL FREE: **877-690-3101**

Need parts?

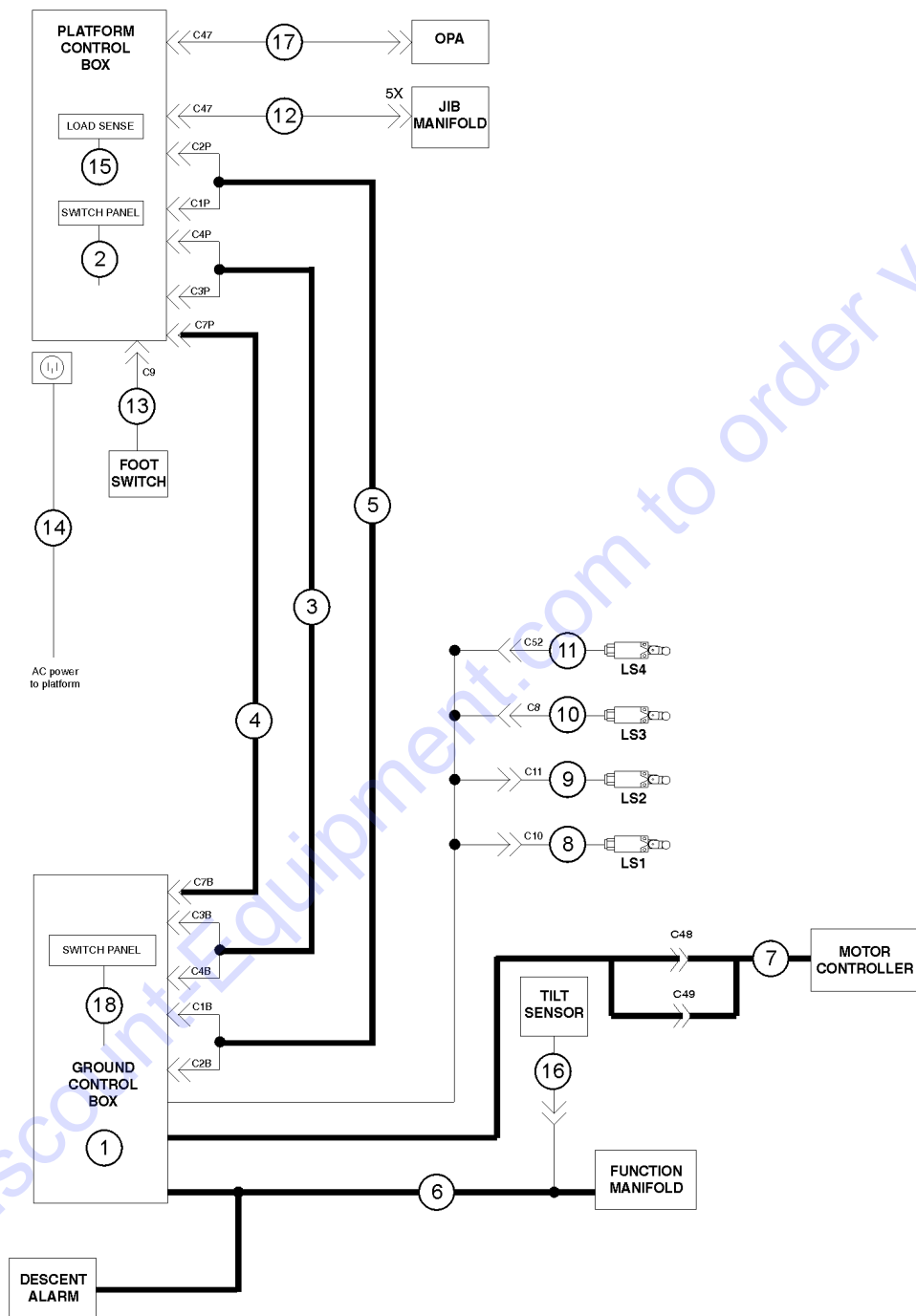
Click on this link: <http://www.discount-equipment.com/category/5443-parts/> and choose one of the options to help get the right parts and equipment you are looking for. Please have the machine model and serial number available in order to help us get you the correct parts. If you don't find the part on the website or on one of the online manuals, please fill out the request form and one of our experienced staff members will get back to you with a quote for the right part that your machine needs.

We sell worldwide for the brands: Genie, Terex, JLG, MultiQuip, Mikasa, Essick, Whiteman, Mayco, Toro Stone, Diamond Products, Generac Magnum, Airman, Haulotte, Barreto, Power Blanket, Nifty Lift, Atlas Copco, Chicago Pneumatic, Allmand, Miller Curber, Skyjack, Lull, Skytrak, Tsurumi, Husquvarna Target, Stow, Wacker, Sakai, Mi-T-M, Sullair, Basic, Dynapac, MBW, Weber, Bartell, Bennar Newman, Haulotte, Ditch Runner, Menegotti, Morrison, Contec, Buddy, Crown, Edco, Wyco, Bomag, Laymor, EZ Trench, Bil-Jax, F.S. Curtis, Gehl Pavers, Heli, Honda, ICS/PowerGrit, IHI, Partner, Imer, Clipper, MMD, Koshin, Rice, CH&E, General Equipment, Amida, Coleman, NAC, Gradall, Square Shooter, Kent, Stanley, Tamco, Toku, Hatz, Kohler, Robin, Wisconsin, Northrock, Oztec, Toker TK, Rol-Air, APT, Wylie, Ingersoll Rand / Doosan, Innovatech, Con X, Ammann, Mecalac, Makinex, Smith Surface Prep, Small Line, Wanco, Yanmar

312.1 Wire Harness Diagram - Z-34/22 Bi-Energy (from SN 4800)

Item	Part No.	Description	Qty.
1A	88832GT	HARNESS,PLUG,NON-LOADWEIGHING	
--	110250GT	HARNESS BASE BOX BI-ENERGY.....1	
1B	237504GT	HARNESS, PBOX JUMPERS, Z34BE <i>from SN Z3413-9442</i>	
1C	237507GT	ASSEMBLY,RELAY,Z34BE <i>from SN Z3413-9442</i>	
2A	110643GT	HARNESS,PLAT BOX,Z34BE.....1 <i>to SN Z3413-9441</i>	
2B	237502GT	HARNESS,PLAT BOX,Z34BE.....1 <i>from SN Z3413-9442</i>	
3	110240GT	HARNESS CABLE1 18/19 COND.....1 <i>green & brown connectors</i>	
4	110233GT	HARNESS CABLE2 12/3 COND.....1	
5	110236GT	HARNESS CABLE3 18/19 COND.....1 <i>gray & black connectors</i>	
6	215986GT	HARNESS,FUNC. MAN.,Z34BE	
7	110352GT	HARNESS, ENGINE.....1	
8	110244GT	HARNESS LS1 OP EXT/RET.....1	
9	110245GT	HARNESS LS2 OP PRIMARY.....1	
10	110232GT	HARNESS LS3 OP DRIVE ENABLE.....1	
11	110246GT	HARNESS LS4 OP SECONDARY.....1	
12	139584GT	HARNESS,JIB MANIFOLD,NON RJ.....1	
13	110255GT	ASSEMBLY FOOT SWITCH.....1	
14	43956GT	WIRE CABLE,14/3 CON.TPE JKT*.....600-inches	
15A	822918GT	KIT, DC-DC CONVERTER, BE.....1 <i>to SN Z3414-9685</i>	
15B	822705GT	HARNESS, DRIVE CHASSIS, BE.....1 <i>from SN Z3414-9686</i>	
16	128048GT	HARNESS,DESCENT ALARM.....1	
17A	147389GT	HARNESS, LOAD SENSE, Z30/34DC....1 <i>CE models only</i>	
17B	218602GT	HARNESS,LOAD SENSE RECOVERY...1 <i>AUS models only</i>	
18A	1260219GT	HARNESS,TILT ALARM,24V,CSA.....1 <i>DC/BE CSA models only; to Z3415-10370</i>	
18B	1261845GT	HARNESS,TILT 24V,CSA PROD.....1 <i>DC/BE CSA models only; from Z3415-10371</i>	
19A	1255858GT	HARN,PBOX,OPA,HW,24V.....1	
19B	1255030GT	PLUG,BLANKING.....1	

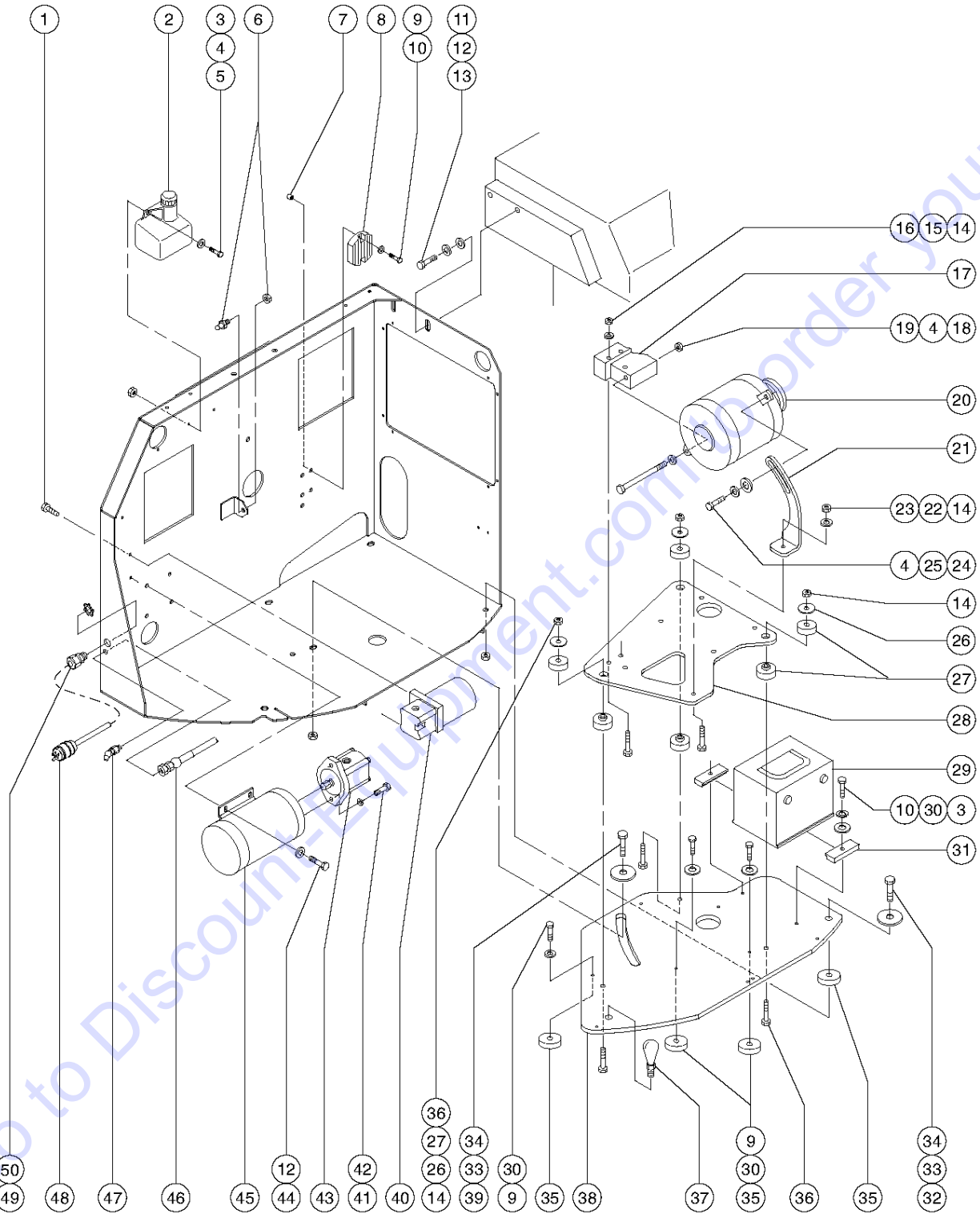
313.1 Wire Harness Diagram - (Z-34N from SN 5620) (Z-34DC from SN 4800)



313.1 Wire Harness Diagram - (Z-34N from SN 5620) (Z-34DC from SN 4800)

Item	Part No.	Description	Qty.	Item	Part No.	Description	Qty.
A	110234GT	HARNESS,PBOX JUMPER,Z30/34DC....1 <i>Z-34N to SN 10622; Z-34 to SN 9441</i>	1	16B	1261845GT	HARNESS,TILT 24V,CSA PROD.....1 <i>Z-34DC/BE CSA models only; from Z3415-10371</i>	1
B	822872GT	HARNESS,PBOX JUMPER,Z30/34DC....1 <i>Z-34N from SN 10623; Z-34 from SN 9442</i>	1	17A	1255858GT	HARN,PBOX,OPA,HW,24V.....1	1
1A	110251GT	HARNESS,BASE CONTROL,Z30/34DC.....1 <i>Z-34N to SN 10622; Z-34 to SN 9441</i>	1	17B	1255030GT	PLUG,BLANKING.....1	1
1B	237527GT	HARNESS,BASE CONTROL,Z30/34DC.....1 <i>Z-34N from SN 10623; Z-34 from SN 9442</i>	1	18A	110251GT	HARNESS,BASE CONTROL,Z30/34DC.....1 <i>Z-34N to SN 10622; Z-34 to SN 9441</i>	1
--	88832GT	HARNESS,PLUG,NON-LOAD WEIGHING		18B	237527GT	HARNESS,BASE CONTROL,Z30/34DC.....1 <i>Z-34N from SN 10623; Z-34 from SN 9442</i>	1
--	88832GT	HARNESS,PLUG,NON-LOAD WEIGHING					
2A	110644GT	HARNESS,PLAT BOX,Z30/34DC.....1 <i>Z-34N to SN 10622; Z-34 to SN 9441</i>	1				
2B	237503GT	HARNESS,PLAT BOX,Z30/34DC <i>Z-34N from SN 10623; Z-34 from SN 9442</i>	1				
3	110240GT	HARNESS CABLE1 18/19 COND.....1 <i>green & brown connectors</i>	1				
4	110233GT	HARNESS CABLE2 12/3 COND.....1	1				
5	110236GT	HARNESS CABLE3 18/19 COND.....1 <i>gray & black connectors</i>	1				
6	110249GT	HARNESS,FUNC. MAN.,Z30/34DC.....1	1				
7A	128975GT	HARNESS DRIVE CHASSIS Z30/34DC.....1 <i>(replaced 110231) (Z-34N SN 5620 to 10983; Z-34 SN 4800 to 9685)</i>	1				
7B	822704GT	HARNESS, DRIVE CHASSIS, DC.....1 <i>Z-34N from SN 10984; Z-34 from SN 9686</i>	1				
8	110244GT	HARNESS LS1 OP EXT/RET.....1	1				
9	110245GT	HARNESS LS2 OP PRIMARY.....1	1				
10	110232GT	HARNESS LS3 OP DRIVE ENABLE.....1	1				
11	110246GT	HARNESS LS4 OP SECONDARY.....1	1				
12A	110256GT	HARNESS JIB CABLE SMB.....1 <i>Z-34N to SN 8837; Z-34 DC to SN 7720</i>	1				
12B	139584GT	HARNESS,JIB MANIFOLD,NON RJ.....1 <i>for non rotating jib models; Z-34N from SN 8838; Z-34DC from SN 7720</i>	1				
12C	139585GT	HARNESS, JIB MANIFOLD, RJ.....1 <i>for rotating jib models; Z-34N from SN 8838; Z-34DC from SN 7720</i>	1				
13	110255GT	ASSEMBLY FOOT SWITCH.....1	1				
14	43956GT	WIRE CABLE,14/3 CON.TPE JKT*.....600-inches	1				
15A	147389GT	HARNESS, LOAD SENSE, Z30/34DC....1 <i>CE models only</i>	1				
15B	218602GT	HARNESS,LOAD SENSE RECOVERY...1 <i>AUS models only</i>	1				
16A	1260219GT	HARNESS,TILT ALARM,24V,CSA.....1 <i>Z-34DC/BE CSA models only; to Z3415-10370</i>	1				

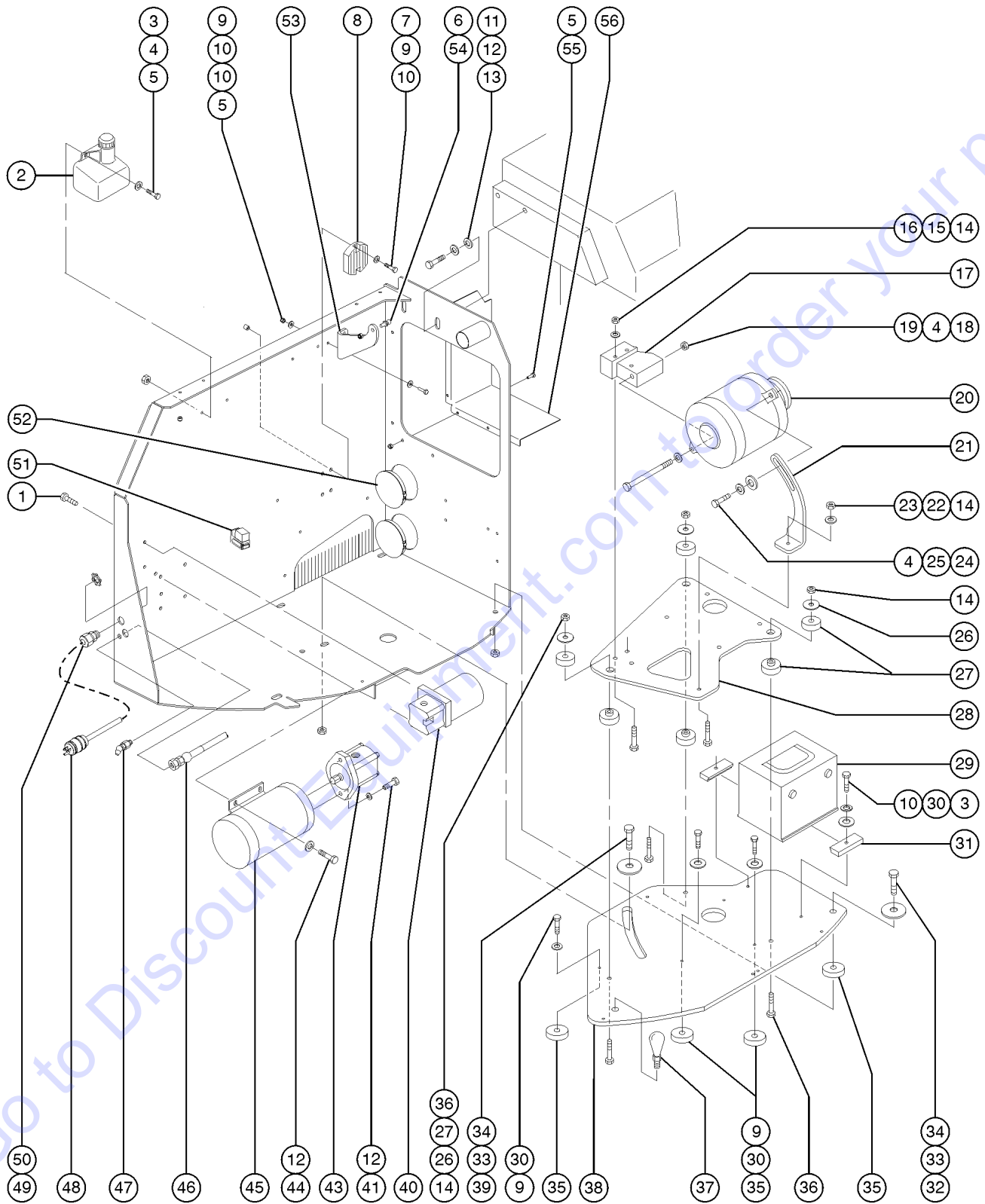
401.1 Engine Pivot Plate (to SN 7441)



401.1 Engine Pivot Plate (to SN 7441)

Item	Part No.	Description	Qty.	Item	Part No.	Description	Qty.
1	18506GT	SCREW 5/16-18 X .75 LG.FLG.LCK.		35	56093GT	WEAR PAD ROUND.....	4
2	42662GT	COOLANT RECOVERY BOTTLE1.5 QT*.....	1	36	14033GT	SCREW,HHC,3/8-16 X 2.75	
3	7339GT	SCREW,HHC,1/4-20 X .5		37	44160GT	LOCK PIN ASSY,3.00".....	1
4	6095GT	WASHER,FLAT,USS,1/2",Y		--	39469GT	SPRING,COMPRESSION.485 X1.75**	
5	6091GT	NUT,NYLOCK,1/4-20		--	39470GT	PIN, LOCK	
6	62706GT	BALL STUD,5/16-18 (56295).....	1	--	40835GT	KNOB,OVAL TAPERED	
7	23404GT	NUTSERT,1/4-20,STEEL CAD PLTD		--	41630GT	HOUSING, LOCK PIN	
8	62085GT	REGULATOR-VOLTAGE(Z482-E).....	1	38	56092GT	PLATE,ENGINE SWING-OUT.....	1
9	6888GT	SCREW,HHC,1/4-20 X 1		39	56124GT	BOLT,SHOULDER.....	1
10	6638GT	WASHER,FLAT,USS,1/4"Y		40	36179GT	POWER UNIT,AUX PUMP 24VDC.....	1
11	6019GT	SCREW,HHC,3/8-16 X 1.25 GRD 5		--	37184GT	MOTOR, 24V (36179)	
12	6021GT	WASHER,LOCK,.375		--	37185GT	PUMP ASSEMBLY (36179)	
13	15086GT	WASHER,FLAT,.375 X 1.5 X .125		--	37186GT	VALVE,CHECK (36179)	
14	4828GT	NUT,NYLOCK,3/8-16		--	37187GT	SEAL KIT, 37185 PUMP	
15	5397GT	WASHER,FLAT,USS,5/16",Y		--	37191GT	GASKET, PUMP / MOTOR (36179)	
16	21604GT	SCREW,HHC,3/8-16 X 3.25		--	37192GT	COUPLER, PUMP / MOTOR (36179)	
17	56007GT	BRACKET,ALTERNATOR MOUNT.....	1	--	49878GT	NYLON WASHER,(36179)	
18	6198GT	NUT,NYLOCK,1/2-13		41	32317GT	SCREW,HHC,3/8-24 X 1 GR 8 YEL	
19	13005GT	SCREW,HHC,1/2-13 X 6,GRD.8		42	32317GT	SCREW,HHC,3/8-24 X 1 GR 8 YEL	
20	54463-SGT	ALTRNTR,48VDC 100A,SERV VERS**	1	43	77981GT	PUMP,LIFT,3CC,CCW***.....	1
--	45782GT	DIODE,6 AMP,200 PIV,BULK		--	43685GT	SEAL KIT,LIFT PUMP,BARNES**	
--	54446GT	REGULATOR,48 VOLTAGE,BI ENERGY		44	77692GT	SCREW,HHC,3/8-16 X 1 GRD 8	
--	56283GT	PULLEY,3.15 OD		45		Ref: MOTOR,FUNCTION,48V DC..... <i>refer to 702.1</i>	1
--	56290GT	NUT,LOCK,5/8-18		46	56120GT	HOSE ASSY-GREASE POINT TO APU.....	1
--	56291GT	WASHER,HARDENED,5/8		47	22794GT	ZERK,GREASE,1/8 NPT,45DEG.....	1
--	56292GT	KEY,WOODRUFF,5/32X3/4 KEY #506		48	119403GT	CONN,PLUG 120 AC/15A DOMESTIC...1	
21	56033GT	BRACKET,ALTERNATOR ADJUSTMENT.....	1	--	1280665GT	PLUG, TYPE F, 230A, 50HZ, 16A, IP44	
22	6097GT	WASHER,FLAT,USS,3/8",Y		49	7056GT	CONN,SQUEEZE,1/2NPT .38-.50,SM....1	
23	8516GT	SCREW, HCC, 3/8-16 X 1.50		50	6935GT	LOCKNUT,ELEC,1/2".....	1
24	8177GT	SCREW,HHC,1/2-13 X 1.5					
25	6033GT	WASHER,LOCK,0.5"					
26	24040GT	WASHER, 1/2 PLATE (1/2 X 2.25 X 3/16)					
27	24038GT	SHOCK MOUNT,SMALL.....	6				
28	56089GT	PLATE,ENGINE GENERATOR MOUNT.....	1				
29	56050GT	BATTERY,450 CCA***	1				
30	6356GT	WASHER,LOCK,.25					
31	60078GT	BATTERY HOLD DOWN.....	2				
32	42124GT	SCREW,SHS,1/2-13 X 1.25					
33	6035GT	WASHER,FLAT,USS,5/8",Y					
34	6086GT	NUT,LP NYLOCK,1/2-13					

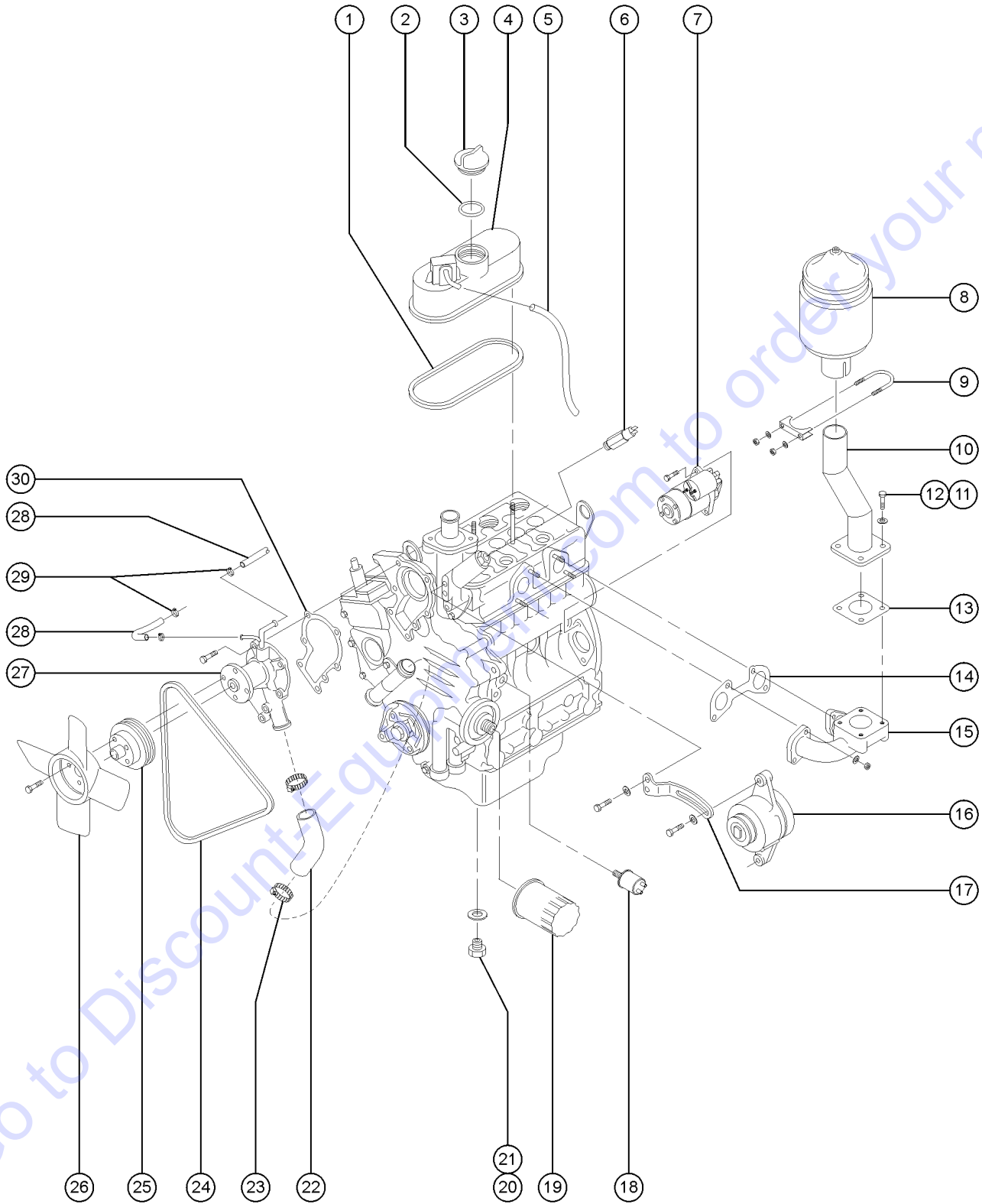
401.2 Engine Pivot Plate (from SN 7442)



401.2 Engine Pivot Plate (from SN 7442)

Item	Part No.	Description	Qty.	Item	Part No.	Description	Qty.
1	18506GT	SCREW 5/16-18 X .75 LG.FLG.LCK.....1		35	56093GT	WEAR PAD ROUND.....4	
2	42662GT	COOLANT RECOVERY BOTTLE1.5 QT*.....1		36	14033GT	SCREW,HHC,3/8-16 X 2.75	
3	7339GT	SCREW,HHC,1/4-20 X .5.....1		37	44160GT	LOCK PIN ASSY,3.00".....1	
4	6095GT	WASHER,FLAT,USS,1/2",Y.....1		--	39469GT	SPRING,COMPRESSION.485 X1.75**	
5	6091GT	NUT,NYLOCK,1/4-20.....1		--	39470GT	PIN, LOCK	
6	33555GT	BALL STUD**.....1		--	40835GT	KNOB,OVAL TAPERED	
7	23404GT	NUTSERT,1/4-20,STEEL CAD PLTD.....1		--	41630GT	HOUSING, LOCK PIN	
8	62085GT	REGULATOR-VOLTAGE(Z482-E).....1		38	139235GT	PLATE, ENGINE SWING-OUT.....1	
9	6888GT	SCREW,HHC,1/4-20 X 1.....1		39	56124GT	BOLT,SHOULDER.....1	
10	6638GT	WASHER,FLAT,USS,1/4"Y.....6		40	36179GT	POWER UNIT,AUX PUMP 24VDC.....1	
11	6019GT	SCREW,HHC,3/8-16 X 1.25 GRD 5.....2		--	37184GT	MOTOR, 24V (36179)	
12	6021GT	WASHER,LOCK,.375.....6		--	37185GT	PUMP ASSEMBLY (36179)	
13	15086GT	WASHER,FLAT,.375 X 1.5 X .125.....1		--	37186GT	VALVE,CHECK (36179)	
14	4828GT	NUT,NYLOCK,3/8-16.....1		--	37187GT	SEAL KIT, 37185 PUMP	
15	5397GT	WASHER,FLAT,USS,5/16",Y.....1		--	37191GT	GASKET, PUMP / MOTOR (36179)	
16	21604GT	SCREW,HHC,3/8-16 X 3.25.....1		--	37192GT	COUPLER, PUMP / MOTOR (36179)	
17	56007GT	BRACKET,ALTERNATOR MOUNT.....1		--	49878GT	NYLON WASHER,(36179)	
18	6198GT	NUT,NYLOCK,1/2-13.....1		41	32317GT	SCREW,HHC,3/8-24 X 1 GR 8 YEL	
19	13005GT	SCREW,HHC,1/2-13 X 6,GRD.8.....1		43	43685GT	SEAL KIT,LIFT PUMP,BARNES**	
20	54463-SGT	ALTRNTR,48VDC 100A,SERV VERS**.....1		43	77981GT	PUMP,LIFT,3CC,CCW***.....1	
--	45782GT	DIODE,6 AMP,200 PIV,BULK		44	77692GT	SCREW,HHC,3/8-16 X 1 GRD 8	
--	54446GT	REGULATOR,48 VOLTAGE,BI ENERGY		45		Ref: MOTOR,FUNCTION,48V DC.....1 <i>refer to 702.1</i>	
--	56283GT	PULLEY,3.15 OD		46	56120GT	HOSE ASSY-GREASE POINT TO APU.....1	
--	56290GT	NUT,LOCK,5/8-18		47	22794GT	ZERK,GREASE,1/8 NPT,45DEG.....1	
--	56291GT	WASHER,HARDENED,5/8		48	119403GT	CONN,PLUG 120 AC/15A DOMESTIC...1	
--	56292GT	KEY,WOODRUFF,5/32X3/4 KEY #506		48	1280665GT	PLUG, TYPE F, 230A, 50HZ, 16A, IP44	
21	56033GT	BRACKET,ALTERNATOR ADJUSTMENT.....1		49	7056GT	CONN,SQUEEZE,1/2NPT .38-.50,SM...1	
22	6097GT	WASHER,FLAT,USS,3/8",Y		50	6935GT	LOCKNUT,ELEC,1/2".....1	
23	8516GT	SCREW, HCC, 3/8-16 X 1.50		51	823226GT	POWER RELAY, 24V COIL.....1 <i>option, light package option (CR16 alternator relay)</i>	
24	8177GT	SCREW,HHC,1/2-13 X 1.5		52	80229GT	CAP, PLASTIC, 4".....2	
25	6033GT	WASHER,LOCK,0.5"		53	128902GT	BRACKET,ANCHOR,GAS STRUT.....1	
26	24040GT	WASHER, 1/2 PLATE (1/2 X 2.25 X 3/16)		54	6782GT	NUT,NYLOCK,5/16-18.....1	
27	24038GT	SHOCK MOUNT,SMALL.....6		55	6090GT	SCREW,HHC,1/4-20 X .75.....4	
28	56089GT	PLATE,ENGINE GENERATOR MOUNT.....1		56	128331GT	BAFFLE, RADIATOR.....1	
29	56050GT	BATTERY,450 CCA***.....1					
30	6356GT	WASHER,LOCK,.25					
31	60078GT	BATTERY HOLD DOWN.....2					
32	42124GT	SCREW,SHS,1/2-13 X 1.25					
33	6035GT	WASHER,FLAT,USS,5/8",Y					
34	6086GT	NUT,LP NYLOCK,1/2-13					

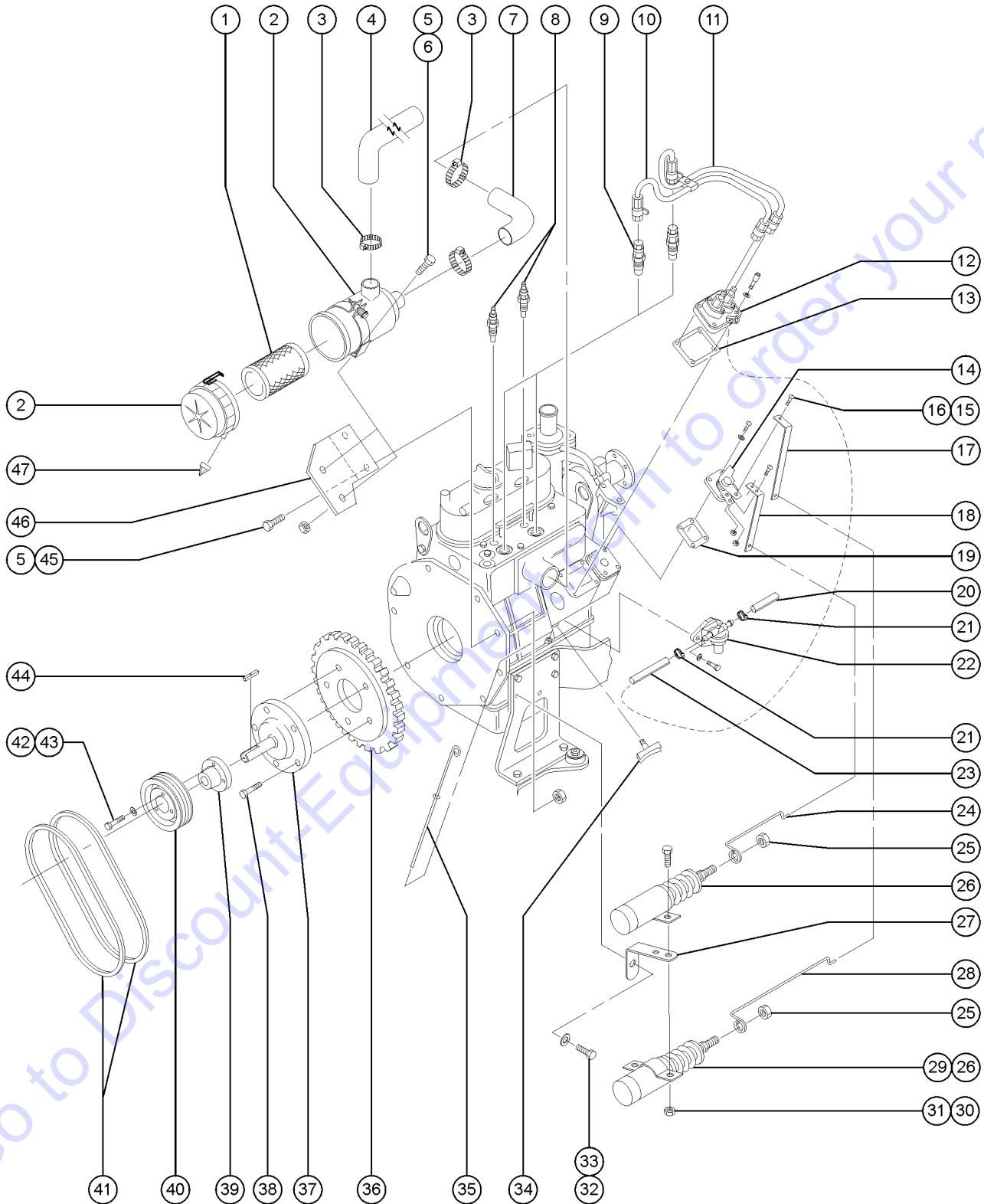
402.1 Kubota Z482-E Diesel Engine, View 1 (from SN 1735 to SN 4473)



402.1 Kubota Z482-E Diesel Engine, View 1 (from SN 1735 to SN 4473)

Item	Part No.	Description	Qty.
1	52806GT	GASKET-VALVE COVER Z482-E.....1	1
2	22903GT	O-RING,OIL FILLER PLUG,KUBOTA*.....1	1
3	52808GT	PLUG,OIL FILLER Z482,Z34/22BE*.....1	1
4	52807GT	COVER-VALVE Z482, Z34/22BE.....1	1
5	52809GT	PIPE-BREATHER Z482, Z34/22BE.....1	1
6	56085GT	SENDING UNIT,WATER TEMP***.....1	1
7	23457GT	SOLENOID,STARTER,WG750B	
7	52810GT	STARTER MOTOR Z482, Z34/22BE.....1	1
8	22046GT	MUFFLER,SUPERTRAPP.....1	1
9	32064GT	CLAMP,MUFFLER,1.75 INCH.....1	1
10	56062GT	WELDMENT,EXHAUST EXTENSION.....1	1
11	25929GT	SCREW,HHC,M8 X 30MM,GRD 8.8	
12	6886GT	WASHER,LOCK,.313	
13	832128GT	GASKET,MUFFLER,KUBOTA D905/11.....1	1
14	52812GT	GASKET-EXHAUST MANIFOLD Z482....1	1
15	52813GT	EXHAUST MANIFOLD, Z482-E.....1	1
16	84043GT	ALTERNATOR,30 A***.....1	1
17	44184GT	ALTERNATOR STAY,WG750***.....1	1
18	52815GT	SENDING UNIT-OIL PRES. Z482-E.....1	1
19	866400GT	KUBOTA OIL FILTER.....1	1
20	56107GT	VALVE,OIL DRAIN,22MMO.....1	1
21	52517GT	GASKET-OIL DRAIN, DF750.....1	1
22	32067GT	HOSE,WATER PUMP,KUBOTA**.....1	1
23	32066GT	CLAMP,HOSE,KUBOTA WG750.....2	2
24	52816GT	BELT,FAN,KUBOTA DF972/Z482-E.....1	1
25	23469GT	PULLEY,FAN,WG750B***.....1	1
26	52818GT	FAN, KUBOTA Z482-E.....1	1
27	52819GT	PUMP-WATER, KUBOTA Z482-E.....1	1
28	32200GT	HOSE,WATER PUMP RETURN,D905....1	1
29	32069GT	CLAMP,HOSE,KUBOTA WG750.....4	4
30	23472GT	GASKET,WATER PUMPWG750B/Z482-E.....1	1

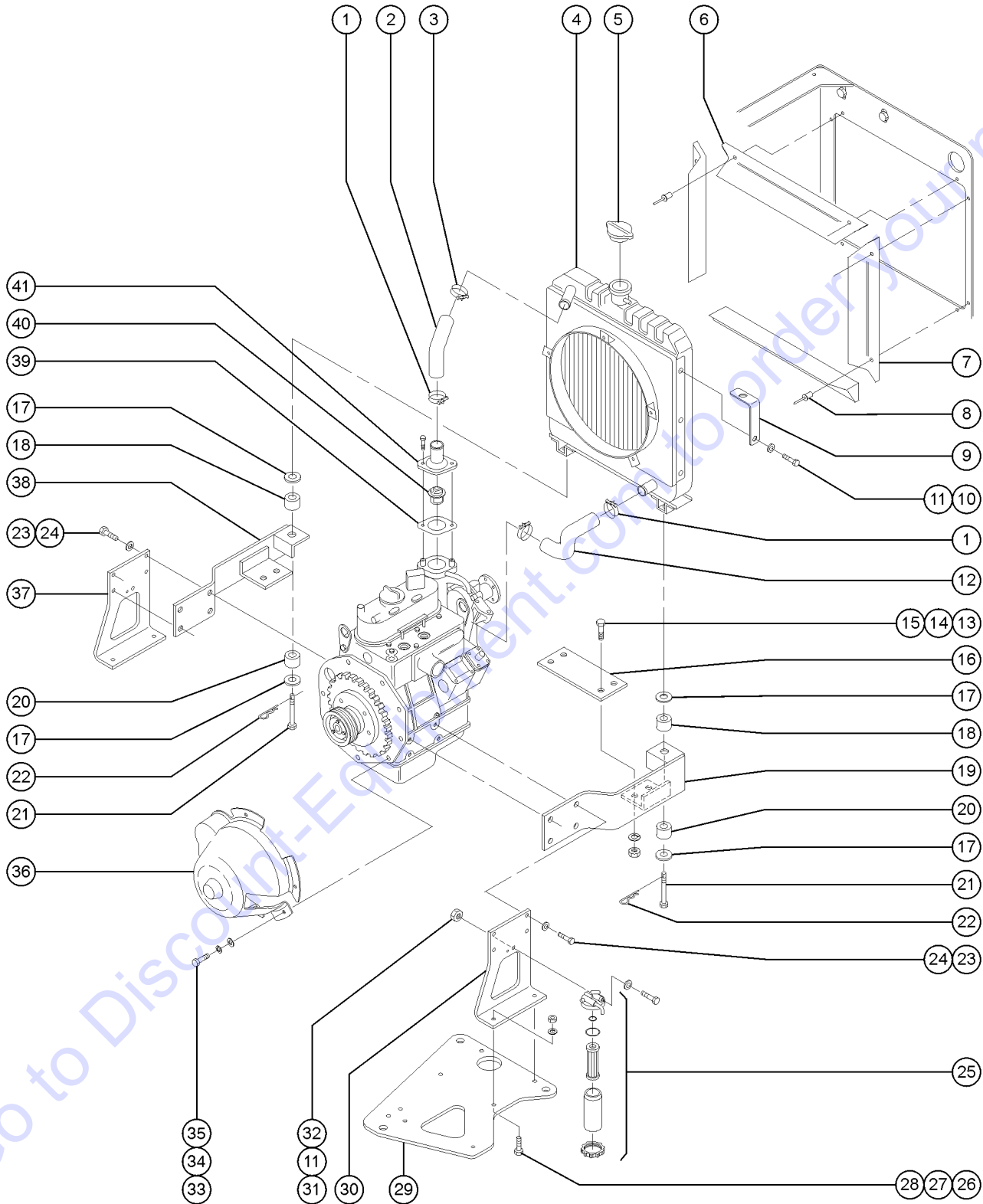
403.1 Kubota Z482-E Diesel Engine, View 2 (from SN 1735 to SN 4473)



403.1 Kubota Z482-E Diesel Engine, View 2 (from SN 1735 to SN 4473)

Item	Part No.	Description	Qty.	Item	Part No.	Description	Qty.
1	52867GT	FILTER,AIR***.....	1	42	8915GT	SCREW,HHC,1/4-20 X 1.25	
2	119684GT	AIRCLEANER ASSEMBLY..... <i>includes items 1, 3 -7 and 47</i>	1	43	6356GT	WASHER,LOCK,.25	
3	22672GT	CLAMP,HOSE,1.75.....	1	44	56086GT	KEY,1/4 X 1.25.....	1
4	56059GT	HOSE,ELBOW AIR CLEANER IN.....	1	45	6782GT	NUT,NYLOCK,5/16-18	
5	18506GT	SCREW 5/16-18 X .75 LG.FLG.LCK.		46	119685GT	BRACKET, AIRCLEANER MT.....	1
6	6782GT	NUT,NYLOCK,5/16-18		47	52866GT	EVACUATOR VALVE-AIR CLEANER.....	1
7	56060GT	HOSE,INTAKE AIR,ELBOW.....	1				
8	839119GT	KUBOTA GLOW PLUG.....	2				
9	52822GT	INJECTOR,KUBOTA Z482-E.....	2				
10	52824GT	PIPE, INJECTOR 2 KUBOTA Z482-E.....	1				
11	52823GT	PIPE, INJECTOR 1 KUBOTA Z482-E.....	1				
12	52825GT	PUMP-INJECTION, KUBOTA Z482-E.....	1				
13	52826GT	GASKET-INJECTION PUMP, Z482-E.....	1				
14	52949GT	SPEED CONTROL ASSEMBLY**.....	1				
15	49819GT	SCREW,PHILLIPS,PHM,10-32 X .5					
16	6178GT	NUT,NYLOCK,10-32					
17	56101GT	BRACKET,STOP LEVER.....	1				
18	56102GT	BRACKET,IDLE LEVER.....	1				
19	52832GT	GASKET-SPEED CONTROL ASSEMBLY.....	1				
20	27089GT	HOSE,5/16 FUEL,SAE 30R7					
21	52834GT	CLAMP-HOSE, .375, FUEL PUMP.....	4				
22	52835GT	PUMP ASSY-FUEL, KUBOTA Z482-E.....	1				
23	27089GT	HOSE,5/16 FUEL,SAE 30R7					
24	56110GT	ROD,ENGINE IDLE & STOP.....	1				
25	21496GT	NUT,HEX,1/4-28					
26	20780GT	SOLENOID,2 SPEED TROMBETTA***.....	2				
--	52514GT	BOOT,THROTTLE SOLENOID					
27	56098GT	BRACKET,SOLENOID MOUNT.....	1				
28	22956GT	ROD,CHOKE (KUBOTA)****.....	1				
29	22446GT	SPRING,COMPRESSION .835 X 2.....	1				
30	6091GT	NUT,NYLOCK,1/4-20					
31	6090GT	SCREW,HHC,1/4-20 X .75					
32	22676GT	SCREW,HHC,M10 X 1.25 X 30MM**					
33	22700GT	WASHER,LOCK,M10					
34	32077GT	PETCOCK,DRAIN,KUBOTA WG750B.....	1				
35	52836GT	DIPSTICK, KUBOTA Z482-E.....	1				
36	52837GT	RING GEAR,KUBOTA Z482-E.....	1				
37	52838GT	ADAPTER FLANGE-PULLEY,Z482-E.....	1				
38	23057GT	SCREW,HHC,M8 X 20MM					
39	56068GT	BUSHING,SH 1-1/8.....	1				
40	56067GT	BALANCER,HARMONIC,2-3V-500-SH...1					
41	56064GT	BELT,3VX-280.....	2				

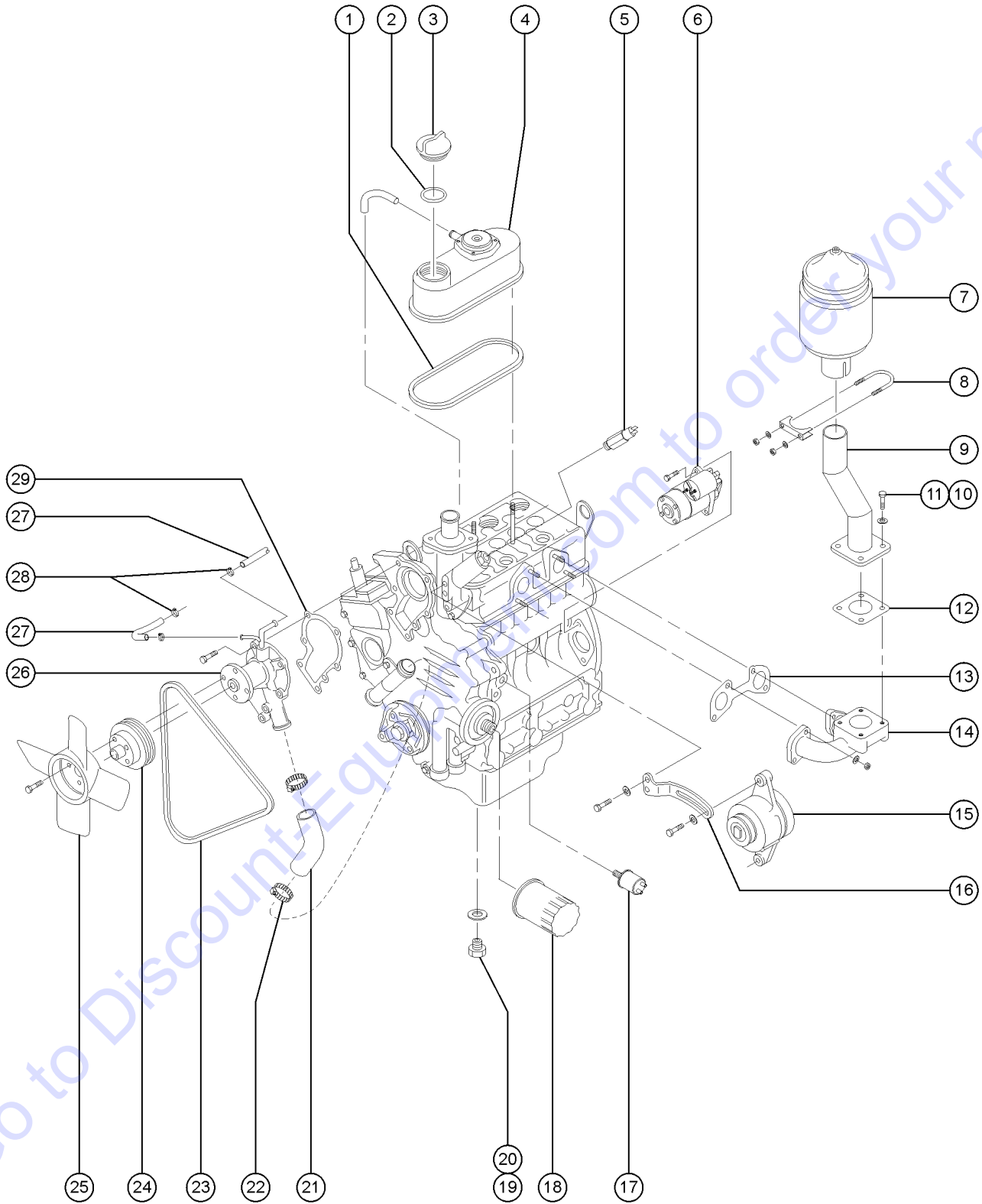
404.1 Kubota Z482-E Diesel Engine, View 3 (from SN 1735 to SN 4473)



404.1 Kubota Z482-E Diesel Engine, View 3 (from SN 1735 to SN 4473)

Item	Part No.	Description	Qty.	Item	Part No.	Description	Qty.
1	32066GT	CLAMP,HOSE,KUBOTA WG750.....	2	33	23057GT	SCREW,HHC,M8 X 20MM	
2	52841GT	HOSE-RADIATOR,UPPER Z482-E.....	1	34	49408GT	WASHER,LOCK,M8	
3	32087GT	CLAMP,HOSE,KUBOTA WG750.....	2	35	33277GT	WASHER,FLAT,M8,YELLOW ZINC	
4	119242GT	RADIATOR ASSY,KUBOTA Z482E AL.....	1	36	56106GT	COVER,BELLHOUSING.....	1
5	110523GT	CAP,RADIATOR,AL,KUBOTA DF-752.....	1	37	42958GT	BRACKET,ENGINE MNT,KUBOTA 13HP.....	1
6	56186GT	SEAL,AIR RADIATOR,HORZ.....	2	38	52851GT	BRACKET-RADIATOR SUPRT,INBOARD.....	1
7	56185GT	SEAL,AIR RADIATOR,VERT.....	1	39	866397GT	KUBOTA GASKET,THERMOSTAT.....	1
8	7265GT	RIVET,STEEL,P. .25 X .375		40	23473GT	THERMOSTAT ASSY, WG750B.....	1
9	56108GT	BRACKET SUPPORT,INTAKE HOSE.....	1	41	27367GT	THERMOSTAT COVER,KUBOTA GAS.....	1
9	56361GT	CABLE TIE,BUTTON,BLACK,14.75LG					
10	7339GT	SCREW,HHC,1/4-20 X .5					
11	6638GT	WASHER,FLAT,USS,1/4"Y					
12	32090GT	HOSE,LWR RADIATOR,KUBOTA WG750.....	1				
13	6090GT	SCREW,HHC,1/4-20 X .75					
14	6356GT	WASHER,LOCK,.25					
15	6091GT	NUT,NYLOCK,1/4-20					
16	28963GT	RADIATOR STAY, KUBOTA 1702.....	1				
17	52539GT	WASHER,RADIATOR CUSHION,KUBOTA.....	4				
18	865260GT	KUBOTA 15263-12370CUSHION.....	2				
19	52847GT	BRACKET-RADIATOR SUPRT,OUTBRD.....	1				
20	28156GT	CUSHION,RADIATOR,KUBOTA 1702**.....	2				
21	52540GT	SCREW,RADIATOR MOUNT, KUBOTA.....	2				
22	52541GT	CLIP,RADIATOR MOUNT, KUBOTA.....	2				
23	22676GT	SCREW,HHC,M10 X 1.25 X 30MM**					
24	22700GT	WASHER,LOCK,M10					
25	147205GT	ASSEMBLY, FUEL FILTER, Z482.....	1				
--	52875GT	O-RING,FUEL FILTER,UPPER Z482E					
--	52876GT	O-RING,FILTER,LOWER Z482-E					
--	52877GT	FILTER,FUEL FILTER Z482-E					
--	52880GT	RING-RETAINING,FUEL FILTER					
--	52886GT	HOUSING,FUEL FILTER ELEMENT					
26	6019GT	SCREW,HHC,3/8-16 X 1.25 GRD 5					
27	6097GT	WASHER,FLAT,USS,3/8",Y					
28	4828GT	NUT,NYLOCK,3/8-16					
29	56089GT	PLATE,ENGINE GENERATOR MOUNT.....	1				
30	42958GT	BRACKET,ENGINE MNT,KUBOTA 13HP.....	2				
31	6782GT	NUT,NYLOCK,5/16-18					
32	37218GT	SCREW,HHC,5/16-18 X 3.00					

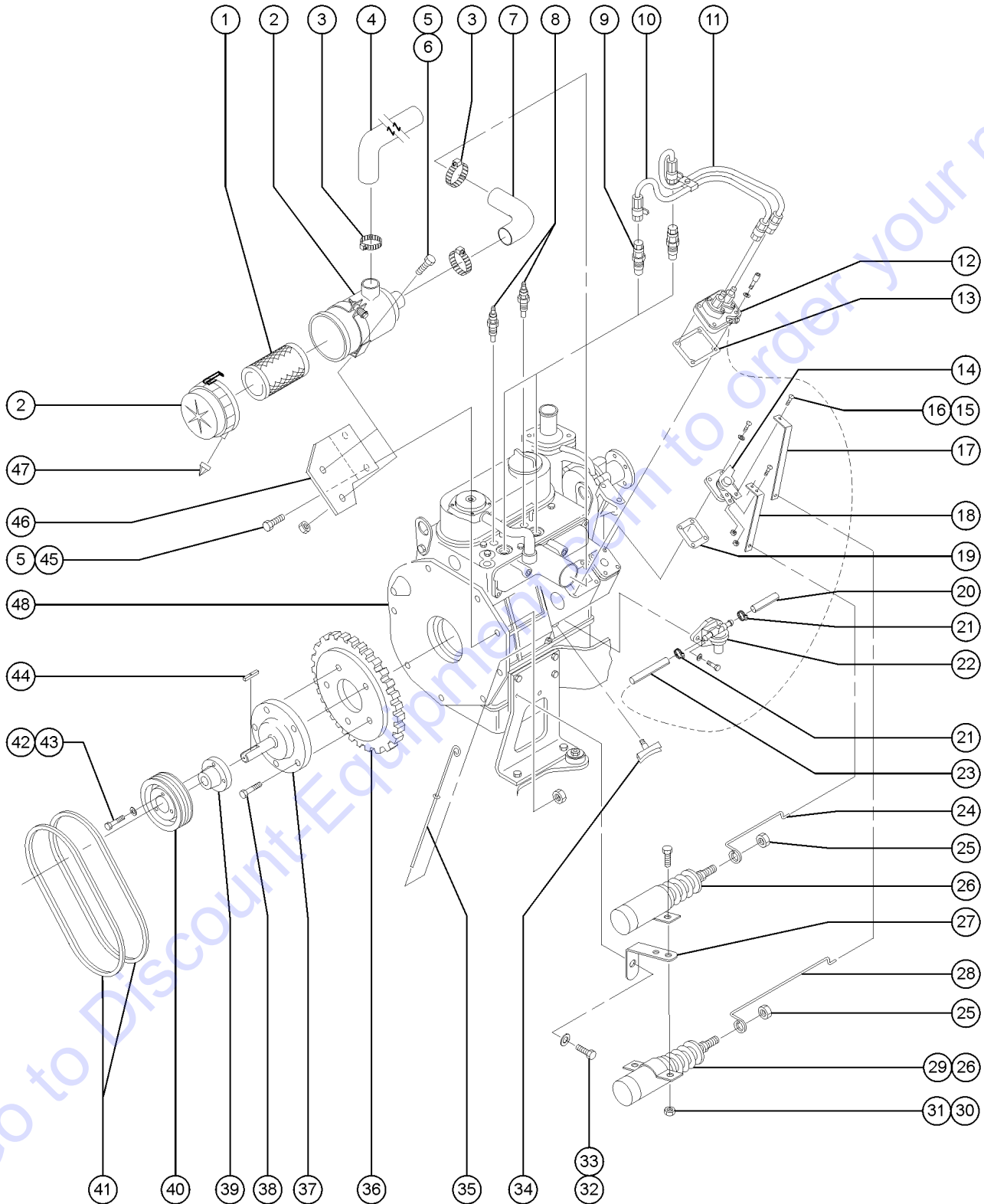
405.1 Kubota Z482 E2B Diesel Engine, View 1 (from SN 4474 to 7909)



405.1 Kubota Z482 E2B Diesel Engine, View 1 (from SN 4474 to 7909)

Item	Part No.	Description	Qty.
--	139292GT	ENGINE KIT, KUBOTA Z482 T4	
--	52956GT	MANUAL,WORKSHOP,KUBOTA Z482***	
--	52958GT	MANUAL,OPERATORS,KUBOTA Z482**	
--	58259GT	MANUAL,PARTS,KUBOTA Z482**	
1	52806GT	GASKET-VALVE COVER Z482-E.....1	1
2	22903GT	O-RING,OIL FILLER PLUG,KUBOTA*.....1	1
3	52808GT	PLUG,OIL FILLER Z482,Z34/22BE*.....1	1
4	52807GT	COVER-VALVE Z482, Z34/22BE.....1	1
5	54332GT	SWITCH,WATER TEMP.....1	1
6	52810GT	STARTER MOTOR Z482, Z34/22BE.....1	1
--	23457GT	SOLENOID,STARTER,WG750B	
7	52407GT	MUFFLER,KUBOTA,GS68,DF750,D905.1	
8	32064GT	CLAMP,MUFFLER,1.75 INCH.....1	1
9	56062GT	WELDMENT,EXHAUST EXTENSION.....1	1
10	25929GT	SCREW,HHC,M8 X 30MM,GRD 8.8	
11	6886GT	WASHER,LOCK,.313	
12	832128GT	GASKET,MUFFLER,KUBOTA D905/11.....1	1
13	52812GT	GASKET-EXHAUST MANIFOLD Z482....1	1
14	52813GT	EXHAUST MANIFOLD, Z482-E.....1	1
15A	110286GT	ALTERNATOR,KUBOTA,Z482.....1	1
15B	139423GT	ALTERNATOR GUARD,Z482 <i>not shown</i>	
16	84044GT	STAY,ALTERNATOR***.....1	1
17	22934GT	SWITCH,OIL,PRESSURE,KUBOTA.....1	1
18	866400GT	KUBOTA OIL FILTER.....1	1
19	56107GT	VALVE,OIL DRAIN,22MMO.....1	1
20	52517GT	GASKET-OIL DRAIN, DF750.....1	1
21	32067GT	HOSE,WATER PUMP,KUBOTA**.....1	1
22	32066GT	CLAMP,HOSE,KUBOTA WG750.....2	2
23	52816GT	BELT,FAN,KUBOTA DF972/Z482-E.....1	1
24	23469GT	PULLEY,FAN,WG750B***.....1	1
25	52818GT	FAN, KUBOTA Z482-E.....1	1
26	52819GT	PUMP-WATER, KUBOTA Z482-E.....1	1
27	32200GT	HOSE,WATER PUMP RETURN,D905....1	1
28	32069GT	CLAMP,HOSE,KUBOTA WG750.....4	4
29	23472GT	GASKET,WATER PUMPWG750B/Z482-E.....1	1

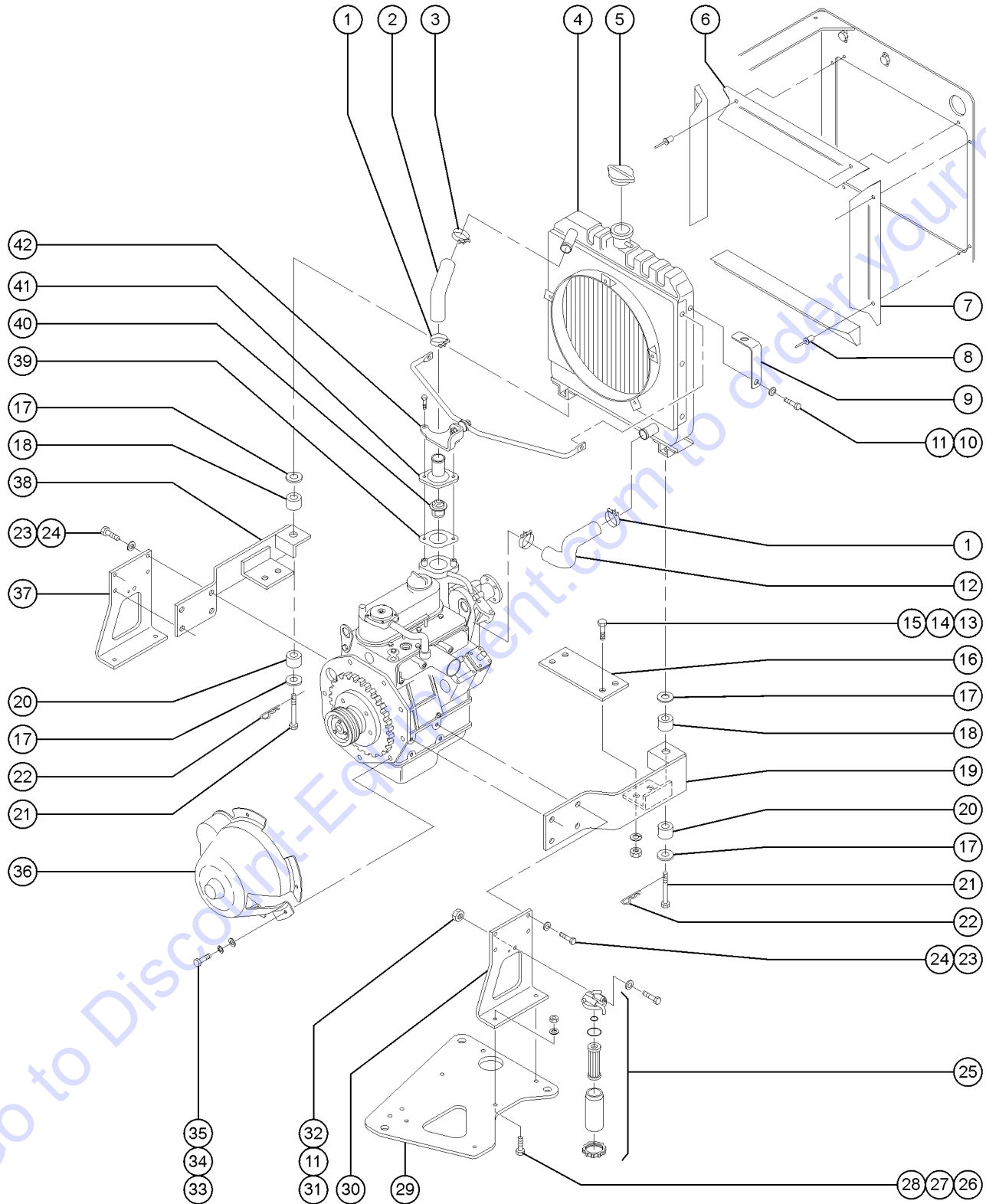
406.1 Kubota Z482 E2B Diesel Engine, View 2 (from SN 4474 to 7909)



406.1 Kubota Z482 E2B Diesel Engine, View 2 (from SN 4474 to 7909)

Item	Part No.	Description	Qty.	Item	Part No.	Description	Qty.
1	52867GT	FILTER,AIR***.....	1	39	56068GT	BUSHING,SH 1-1/8.....	1
2	119684GT	AIRCLEANER ASSEMBLY..... <i>includes items 1, 3 -7 and 47</i>	1	40	52840GT	PULLEY,FAN DRIVE,Z482/DF750**.....	1
3	22672GT	CLAMP,HOSE,1.75.....	1	41	56064GT	BELT,3VX-280.....	2
4	56059GT	HOSE,ELBOW AIR CLEANER IN..... <i>to SN 7441</i>	1	42	8915GT	SCREW,HHC,1/4-20 X 1.25	
--	139237GT	HOSE, BI-ENERGY AIR INTAKE..... <i>from SN 7442</i>	1	43	6356GT	WASHER,LOCK,.25	
5	18506GT	SCREW 5/16-18 X .75 LG.FLG.LCK.		44	56086GT	KEY,1/4 X 1.25.....	1
6	6782GT	NUT,NYLOCK,5/16-18		45	6782GT	NUT,NYLOCK,5/16-18	
7	56060GT	HOSE,INTAKE AIR,ELBOW.....	1	46	119685GT	BRACKET, AIRCLEANER MT.....	1
8	839119GT	KUBOTA GLOW PLUG.....	2	47	52866GT	EVACUATOR VALVE-AIR CLEANER.....	1
9	52822GT	INJECTOR,KUBOTA Z482-E.....	2	48	139434GT	REAR END PLATE, Z482.....	1
10	52824GT	PIPE, INJECTOR 2 KUBOTA Z482-E.....	1				
11	52823GT	PIPE, INJECTOR 1 KUBOTA Z482-E.....	1				
12	52825GT	PUMP-INJECTION, KUBOTA Z482-E.....	1				
13	52826GT	GASKET-INJECTION PUMP, Z482-E.....	1				
14	52949GT	SPEED CONTROL ASSEMBLY**.....	1				
15	49819GT	SCREW,PHILLIPS,PHM,10-32 X .5					
16	6178GT	NUT,NYLOCK,10-32					
17	56101GT	BRACKET,STOP LEVER.....	1				
18	56102GT	BRACKET,IDLE LEVER.....	1				
19	52832GT	GASKET-SPEED CONTROL ASSEMBLY.....	1				
20	27089GT	HOSE,5/16 FUEL,SAE 30R7.....80-inches					
21	52834GT	CLAMP-HOSE, .375, FUEL PUMP.....	4				
22	52835GT	PUMP ASSY-FUEL, KUBOTA Z482-E.....	1				
23	27089GT	HOSE,5/16 FUEL,SAE 30R7.....12-inches					
24	56110GT	ROD,ENGINE IDLE & STOP.....	1				
25	21496GT	NUT,HEX,1/4-28					
26	20780GT	SOLENOID,2 SPEED TROMBETTA***.....	2				
26	52514GT	BOOT,THROTTLE SOLENOID					
27	56098GT	BRACKET,SOLENOID MOUNT.....	1				
28	22956GT	ROD,CHOKE (KUBOTA)****.....	1				
29	22446GT	SPRING,COMPRESSION .835 X 2.....	1				
30	6091GT	NUT,NYLOCK,1/4-20					
31	6090GT	SCREW,HHC,1/4-20 X .75					
32	22676GT	SCREW,HHC,M10 X 1.25 X 30MM**					
33	22700GT	WASHER,LOCK,M10					
34	32077GT	PETCOCK,DRAIN,KUBOTA WG750B.....	1				
35	52836GT	DIPSTICK, KUBOTA Z482-E.....	1				
36	52837GT	RING GEAR,KUBOTA Z482-E.....	1				
37	52838GT	ADAPTER FLANGE-PULLEY,Z482-E.....	1				
38	23057GT	SCREW,HHC,M8 X 20MM					

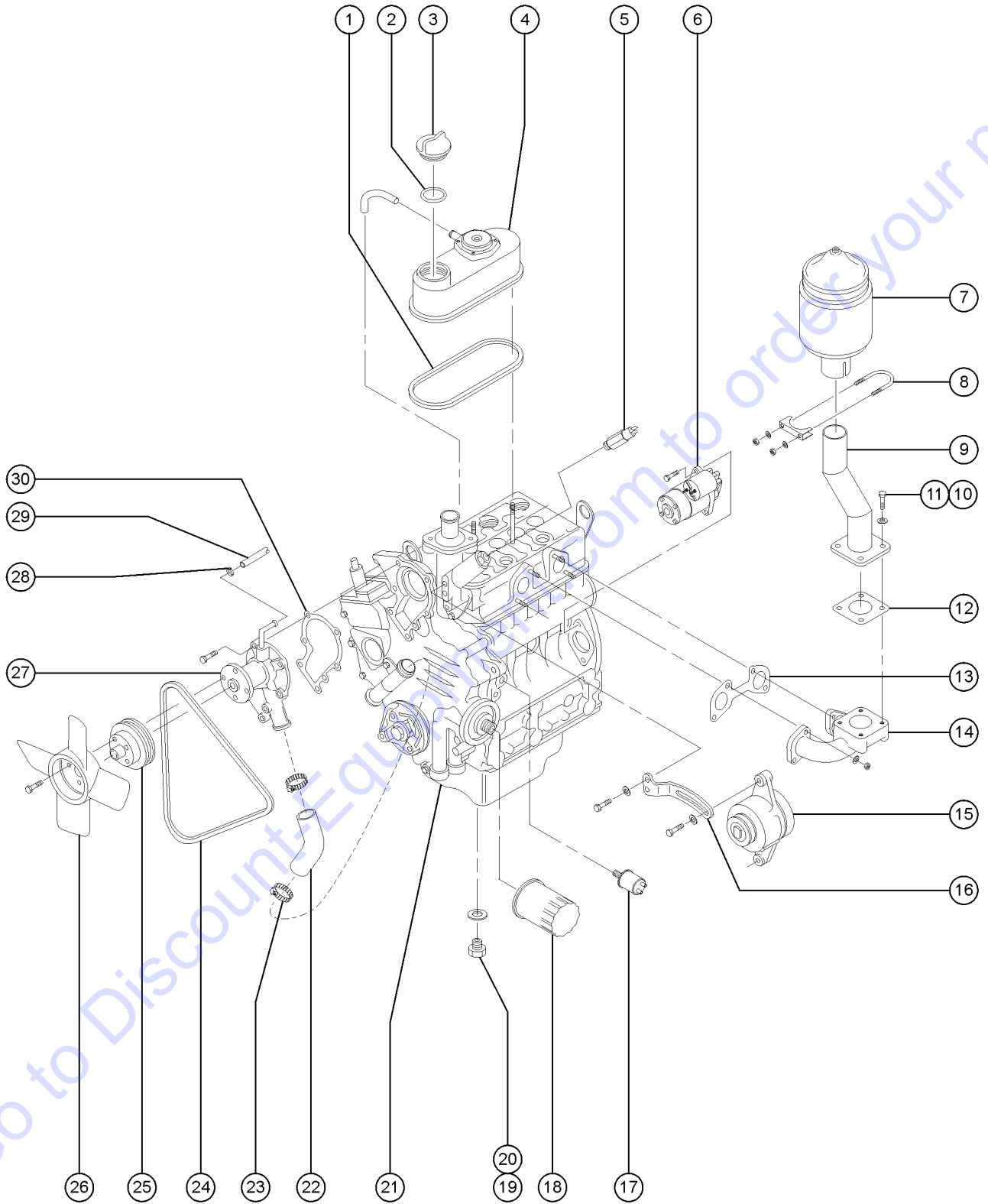
407.1 Kubota Z482 E2B Diesel Engine, View 3 (from SN 4474 to 7909)



407.1 Kubota Z482 E2B Diesel Engine, View 3 (from SN 4474 to 7909)

Item	Part No.	Description	Qty.	Item	Part No.	Description	Qty.
1	32066GT	CLAMP,HOSE,KUBOTA WG750.....	2	33	23057GT	SCREW,HHC,M8 X 20MM	
2	52841GT	HOSE-RADIATOR,UPPER Z482-E.....	1	34	49408GT	WASHER,LOCK,M8	
3	32087GT	CLAMP,HOSE,KUBOTA WG750.....	2	35	33277GT	WASHER,FLAT,M8,YELLOW ZINC	
4	119242GT	RADIATOR ASSY,KUBOTA Z482E AL.....	1	36	56106GT	COVER,BELLHOUSING.....	1
5	110523GT	CAP,RADIATOR,AL,KUBOTA DF-752.....	1	37	42958GT	BRACKET,ENGINE MNT,KUBOTA 13HP.....	1
6	56186GT	SEAL,AIR RADIATOR,HORZ.....	2	38	52851GT	BRACKET-RADIATOR SUPRT,INBOARD.....	1
7	56185GT	SEAL,AIR RADIATOR,VERT.....	1	39	866397GT	KUBOTA GASKET,THERMOSTAT.....	1
8	7265GT	RIVET,STEEL,P. .25 X .375		40	23473GT	THERMOSTAT ASSY, WG750B.....	1
9	56108GT	BRACKET SUPPORT,INTAKE HOSE.....	1	41	27367GT	THERMOSTAT COVER,KUBOTA GAS.....	1
10	7339GT	SCREW,HHC,1/4-20 X .5		42	119507GT	KIT,Z482 RAD SUPPORT.....	1
11	6638GT	WASHER,FLAT,USS,1/4"Y					
12	32090GT	HOSE,LWR RADIATOR,KUBOTA WG750.....	1				
13	6090GT	SCREW,HHC,1/4-20 X .75					
14	6356GT	WASHER,LOCK,.25					
15	6091GT	NUT,NYLOCK,1/4-20					
16	28963GT	RADIATOR STAY, KUBOTA 1702.....	1				
17	52539GT	WASHER,RADIATOR CUSHION,KUBOTA.....	4				
18	865260GT	KUBOTA 15263-12370CUSHION.....	2				
19	52847GT	BRACKET-RADIATOR SUPRT,OUTBRD.....	1				
20	28156GT	CUSHION,RADIATOR,KUBOTA 1702**.....	2				
21	52540GT	SCREW,RADIATOR MOUNT, KUBOTA.....	2				
22	52541GT	CLIP,RADIATOR MOUNT, KUBOTA.....	2				
23	22676GT	SCREW,HHC,M10 X 1.25 X 30MM**					
24	22700GT	WASHER,LOCK,M10					
25	147205GT	ASSEMBLY, FUEL FILTER, Z482.....	1				
--		RETAINING RING, FUEL FILTER <i>for illustration only; component not available</i>)					
--	139428GT	HOUSING, FUEL FILTER, Z482					
--	139429GT	ELEMENT, FUEL FILTER, Z482					
--	147206GT	CUP ASSY, FUEL FILTER, Z482					
--	147208GT	O-RING, FUEL FILTER, Z482					
26	6019GT	SCREW,HHC,3/8-16 X 1.25 GRD 5					
27	6097GT	WASHER,FLAT,USS,3/8",Y					
28	4828GT	NUT,NYLOCK,3/8-16					
29	56089GT	PLATE,ENGINE GENERATOR MOUNT.....	1				
30	42958GT	BRACKET,ENGINE MNT,KUBOTA 13HP.....	2				
31	6782GT	NUT,NYLOCK,5/16-18					
32	37218GT	SCREW,HHC,5/16-18 X 3.00					

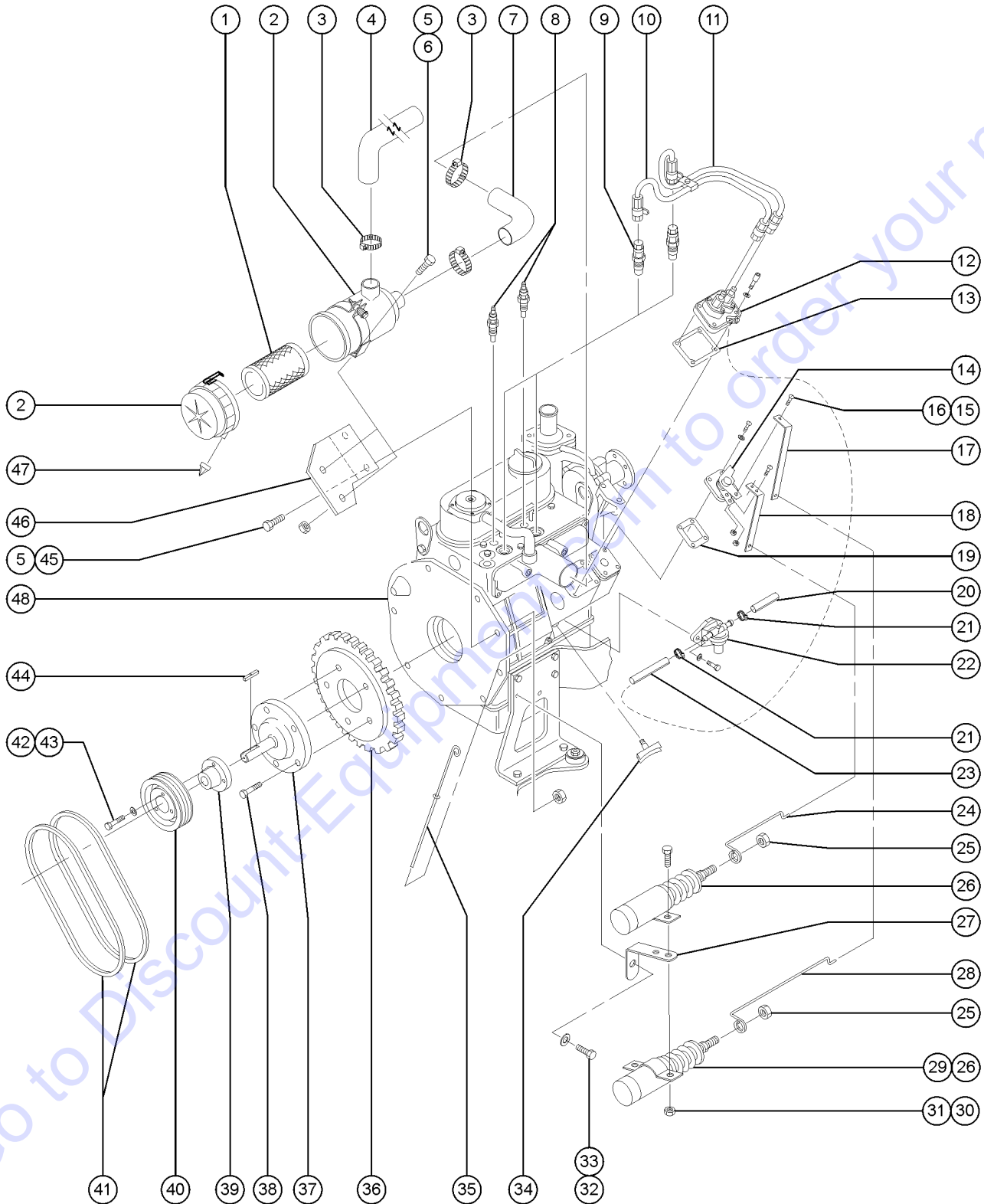
408.1 Kubota Z482 E3B, Diesel Engine, View 1 (from SN 7910 to 9441)



408.1 Kubota Z482 E3B, Diesel Engine, View 1 (from SN 7910 to 9441)

Item	Part No.	Description	Qty.
1	52806GT	GASKET-VALVE COVER Z482-E.....1	1
2	22903GT	O-RING,OIL FILLER PLUG,KUBOTA*.....1	1
3	52808GT	PLUG,OIL FILLER Z482,Z34/22BE*.....1	1
4	139427GT	CYLINDER HEAD COVER, Z482.....1	1
5	54332GT	SWITCH,WATER TEMP.....1	1
6	52810GT	STARTER MOTOR Z482, Z34/22BE.....1	1
--	23457GT	SOLENOID,STARTER,WG750B.....1	1
7	22046GT	MUFFLER,SUPERTRAPP.....1	1
8	32064GT	CLAMP,MUFFLER,1.75 INCH.....1	1
9	56062GT	WELDMENT,EXHAUST EXTENSION.....1	1
10	25929GT	SCREW,HHC,M8 X 30MM,GRD 8.8	
11	6886GT	WASHER,LOCK, .313	
12	832128GT	GASKET,MUFFLER,KUBOTA D905/11.....1	1
13	52812GT	GASKET-EXHAUST MANIFOLD Z482.....1	1
14	52813GT	EXHAUST MANIFOLD, Z482-E.....1	1
15A	110286GT	ALTERNATOR,KUBOTA,Z482.....1	1
15B	139423GT	ALTERNATOR GUARD,Z482 <i>not shown</i>	
16	84044GT	STAY,ALTERNATOR***.....1	1
17	22934GT	SWITCH,OIL,PRESSURE,KUBOTA.....1	1
18	866400GT	KUBOTA OIL FILTER.....1	1
19	52532GT	PLUG,ENGINE OIL DRAIN,D-905***.....1	1
20	52533GT	GASKET (52532) OIL DRAIN, D905.....1	1
21	139432GT	OIL PAN, Z482	
22	32067GT	HOSE,WATER PUMP,KUBOTA**.....1	1
23	32066GT	CLAMP,HOSE,KUBOTA WG750.....2	2
24	52816GT	BELT,FAN,KUBOTA DF972/Z482-E.....1	1
25	23469GT	PULLEY,FAN,WG750B***.....1	1
26	52818GT	FAN, KUBOTA Z482-E.....1	1
27	139421GT	WATER PUMP, Z482 T4.....1	1
28	32069GT	CLAMP,HOSE,KUBOTA WG750.....4	4
29	62129GT	HOSE,WATER PUMP RETURN (Z482).....1	1
30	23472GT	GASKET,WATER PUMPWG750B/Z482-E.....1	1

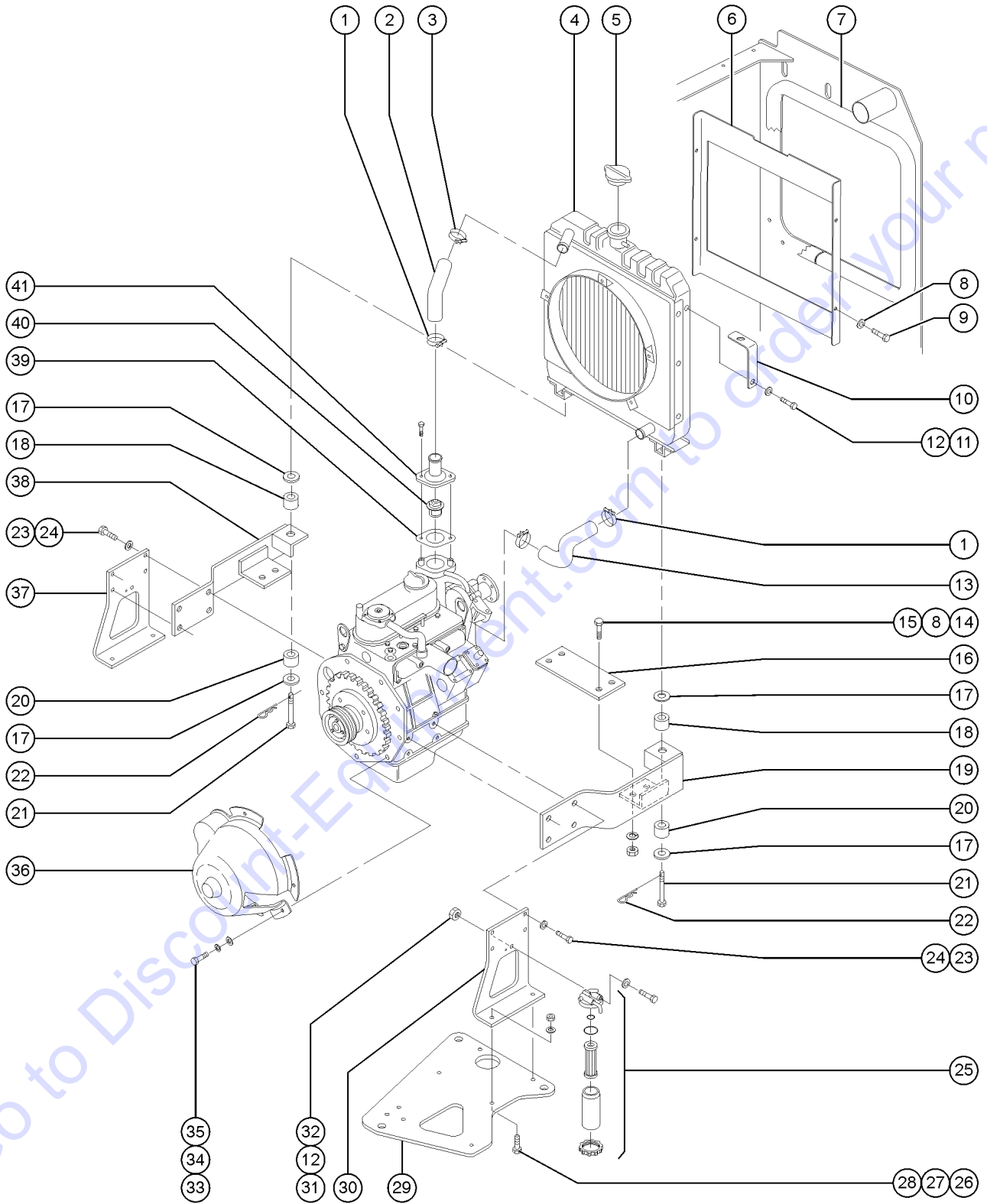
409.1 Kubota Z482 E3B, Diesel Engine, View 2 (from SN 7910 to 9441)



409.1 Kubota Z482 E3B, Diesel Engine, View 2 (from SN 7910 to 9441)

Item	Part No.	Description	Qty.	Item	Part No.	Description	Qty.
--	139420GT	OPERATOR MANUAL, Z482		40	52840GT	PULLEY,FAN DRIVE,Z482/DF750**.....1	1
1	52867GT	FILTER,AIR***.....1	1	41	56064GT	BELT,3VX-280.....2	2
2	119684GT	AIRCLEANER ASSEMBLY.....1 <i>includes items 1, 3-7 and 47</i>	1	42	8915GT	SCREW,HHC,1/4-20 X 1.25	
3	22672GT	CLAMP,HOSE,1.75.....1	1	43	6356GT	WASHER,LOCK,.25	
4	56059GT	HOSE,ELBOW AIR CLEANER IN.....1	1	44	56086GT	KEY,1/4 X 1.25.....1	1
5	18506GT	SCREW 5/16-18 X .75 LG.FLG.LCK.		45	6782GT	NUT,NYLOCK,5/16-18	
6	6782GT	NUT,NYLOCK,5/16-18		46	119685GT	BRACKET, AIRCLEANER MT.....1	1
7	56060GT	HOSE,INTAKE AIR,ELBOW.....1	1	47	52866GT	EVACUATOR VALVE-AIR CLEANER.....1	1
8	839119GT	KUBOTA GLOW PLUG.....2	2	48	139434GT	REAR END PLATE, Z482.....1	1
9	139436GT	INJECTOR, Z482 T4.....2	2				
--	139656GT	SERVICE KIT, INJECTOR, Z482					
10	52824GT	PIPE, INJECTOR 2 KUBOTA Z482-E.....1	1				
11	62044GT	PIPE ASSY-OVERFLOW (Z482-E).....1	1				
12	52825GT	PUMP-INJECTION, KUBOTA Z482-E.....1	1				
13	52826GT	GASKET-INJECTION PUMP, Z482-E.....1	1				
14	52949GT	SPEED CONTROL ASSEMBLY**.....1	1				
15	5094GT	SCREW,RHM,10-32 X .5					
16	6178GT	NUT,NYLOCK,10-32					
17	56101GT	BRACKET,STOP LEVER.....1	1				
18	56102GT	BRACKET,IDLE LEVER.....1	1				
19	52832GT	GASKET-SPEED CONTROL ASSEMBLY.....1	1				
20	27089GT	HOSE,5/16 FUEL,SAE 30R7					
21	52834GT	CLAMP-HOSE, .375, FUEL PUMP.....4	4				
22	52835GT	PUMP ASSY-FUEL, KUBOTA Z482-E.....1	1				
23	27089GT	HOSE,5/16 FUEL,SAE 30R7					
24	56110GT	ROD,ENGINE IDLE & STOP.....1	1				
25	21496GT	NUT,HEX,1/4-28					
26	20780GT	SOLENOID,2 SPEED TROMBETTA***.....2	2				
--	52514GT	BOOT,THROTTLE SOLENOID					
27	56098GT	BRACKET,SOLENOID MOUNT.....1	1				
28	22956GT	ROD,CHOKE (KUBOTA)****.....1	1				
29	22446GT	SPRING,COMPRESSION .835 X 2.....1	1				
30	6091GT	NUT,NYLOCK,1/4-20					
31	6090GT	SCREW,HHC,1/4-20 X .75					
32	22676GT	SCREW,HHC,M10 X 1.25 X 30MM**					
33	22700GT	WASHER,LOCK,M10					
34	32077GT	PETCOCK,DRAIN,KUBOTA WG750B.....1	1				
35	52836GT	DIPSTICK, KUBOTA Z482-E.....1	1				
36	139422GT	RING GEAR, Z482 T4.....1	1				
37	52838GT	ADAPTER FLANGE-PULLEY,Z482-E.....1	1				
38	23057GT	SCREW,HHC,M8 X 20MM					
39	56068GT	BUSHING,SH 1-1/8.....1	1				

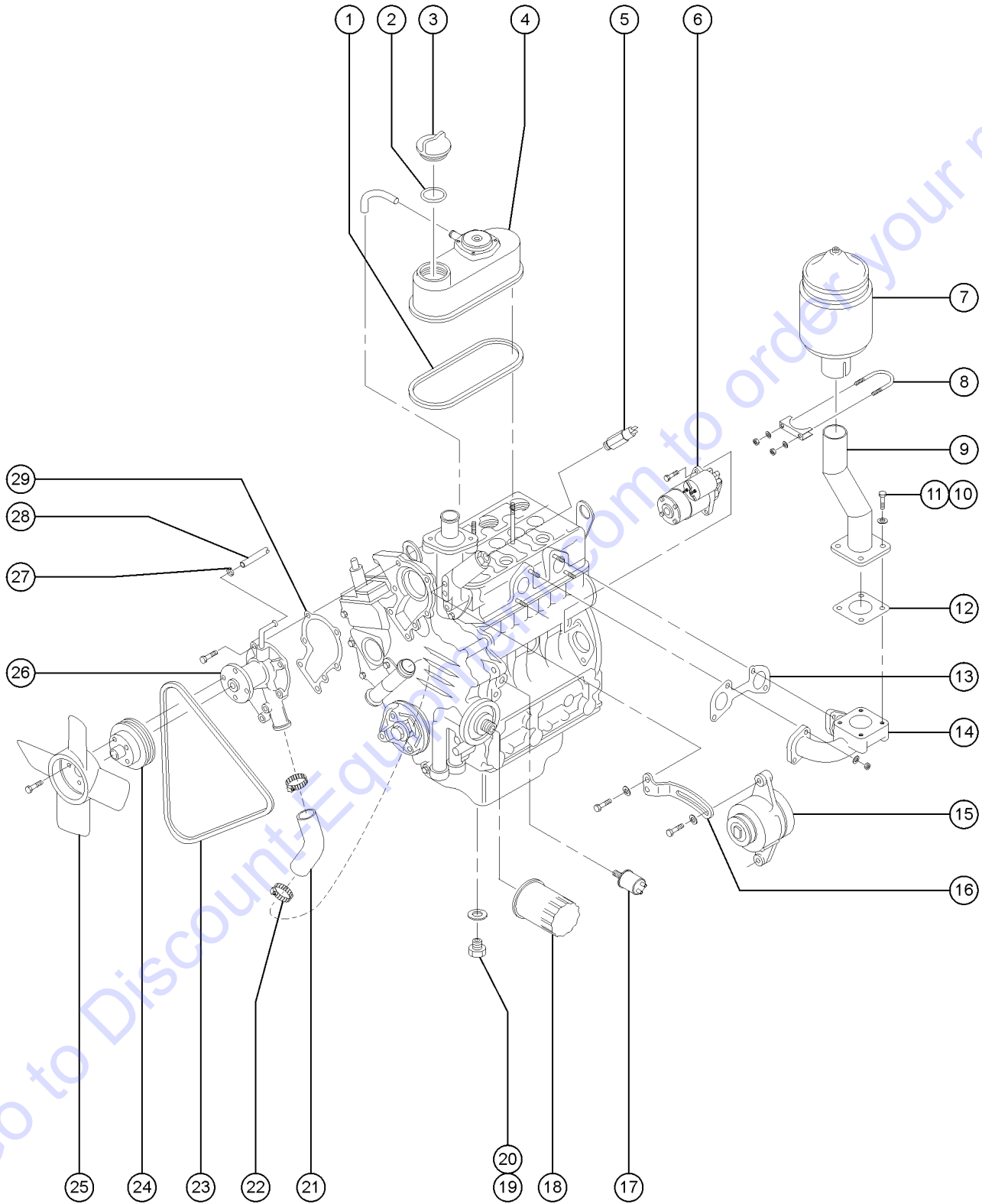
410.1 Kubota Z482 E3B, Diesel Engine, View 3 (from SN 7910 to 9441)



410.1 Kubota Z482 E3B, Diesel Engine, View 3 (from SN 7910 to 9441)

Item	Part No.	Description	Qty.	Item	Part No.	Description	Qty.
1	32066GT	CLAMP,HOSE,KUBOTA WG750.....	2	34	49408GT	WASHER,LOCK,M8	
2	52841GT	HOSE-RADIATOR,UPPER Z482-E.....	1	35	33277GT	WASHER,FLAT,M8,YELLOW ZINC	
3	32087GT	CLAMP,HOSE,KUBOTA WG750.....	2	36	56106GT	COVER,BELLHOUSING.....	1
4	119242GT	RADIATOR ASSY,KUBOTA Z482E AL.....	1	37	42958GT	BRACKET,ENGINE MNT,KUBOTA 13HP.....	1
5	110523GT	CAP,RADIATOR,AL,KUBOTA DF-752.....	1	38	52851GT	BRACKET-RADIATOR SUPRT,INBOARD.....	1
6	139236GT	FORMING, BI-ENERGY SHROUD.....	1	39	52852GT	GASKET,THERMOSTAT,Z482-E***.....	1
7	60875GT	TRIM MOLDING.....	1	40	23473GT	THERMOSTAT ASSY, WG750B.....	1
8	49375GT	SCREW,HHC,M6 X 16.....	4	41	27367GT	THERMOSTAT COVER,KUBOTA GAS.....	1
9	56108GT	BRACKET SUPPORT,INTAKE HOSE.....	1				
10	7339GT	SCREW,HHC,1/4-20 X .5					
11	6638GT	WASHER,FLAT,USS,1/4"Y					
12	32090GT	HOSE,LWR RADIATOR,KUBOTA WG750.....	1				
13	6090GT	SCREW,HHC,1/4-20 X .75					
14	6356GT	WASHER,LOCK,.25					
15	6091GT	NUT,NYLOCK,1/4-20					
16	28963GT	RADIATOR STAY, KUBOTA 1702.....	1				
17	52845GT	WASHER,SPRING***.....	4				
18	52846GT	CUSHION,RADIATOR,UPPER***.....	2				
19	52847GT	BRACKET-RADIATOR SUPRT,OUTBRD.....	1				
20	52848GT	CUSHION,RADIATOR,LOWER***.....	2				
21	52540GT	SCREW,RADIATOR MOUNT, KUBOTA.....	2				
22	52541GT	CLIP,RADIATOR MOUNT, KUBOTA.....	2				
23	22676GT	SCREW,HHC,M10 X 1.25 X 30MM**					
24	22700GT	WASHER,LOCK,M10					
25	147205GT	ASSEMBLY, FUEL FILTER, Z482.....	1				
--		RETAINING RING, FUEL FILTER <i>for illustration only; component not available</i>					
--	139428GT	HOUSING, FUEL FILTER, Z482					
--	139429GT	ELEMENT, FUEL FILTER, Z482					
--	147206GT	CUP ASSY, FUEL FILTER, Z482					
--	147208GT	O-RING, FUEL FILTER, Z482					
26	6019GT	SCREW,HHC,3/8-16 X 1.25 GRD 5					
27	6097GT	WASHER,FLAT,USS,3/8",Y					
28	4828GT	NUT,NYLOCK,3/8-16					
29	56089GT	PLATE,ENGINE GENERATOR MOUNT.....	1				
30	42958GT	BRACKET,ENGINE MNT,KUBOTA 13HP.....	1				
31	6782GT	NUT,NYLOCK,5/16-18					
32	37218GT	SCREW,HHC,5/16-18 X 3.00					
33	23057GT	SCREW,HHC,M8 X 20MM					

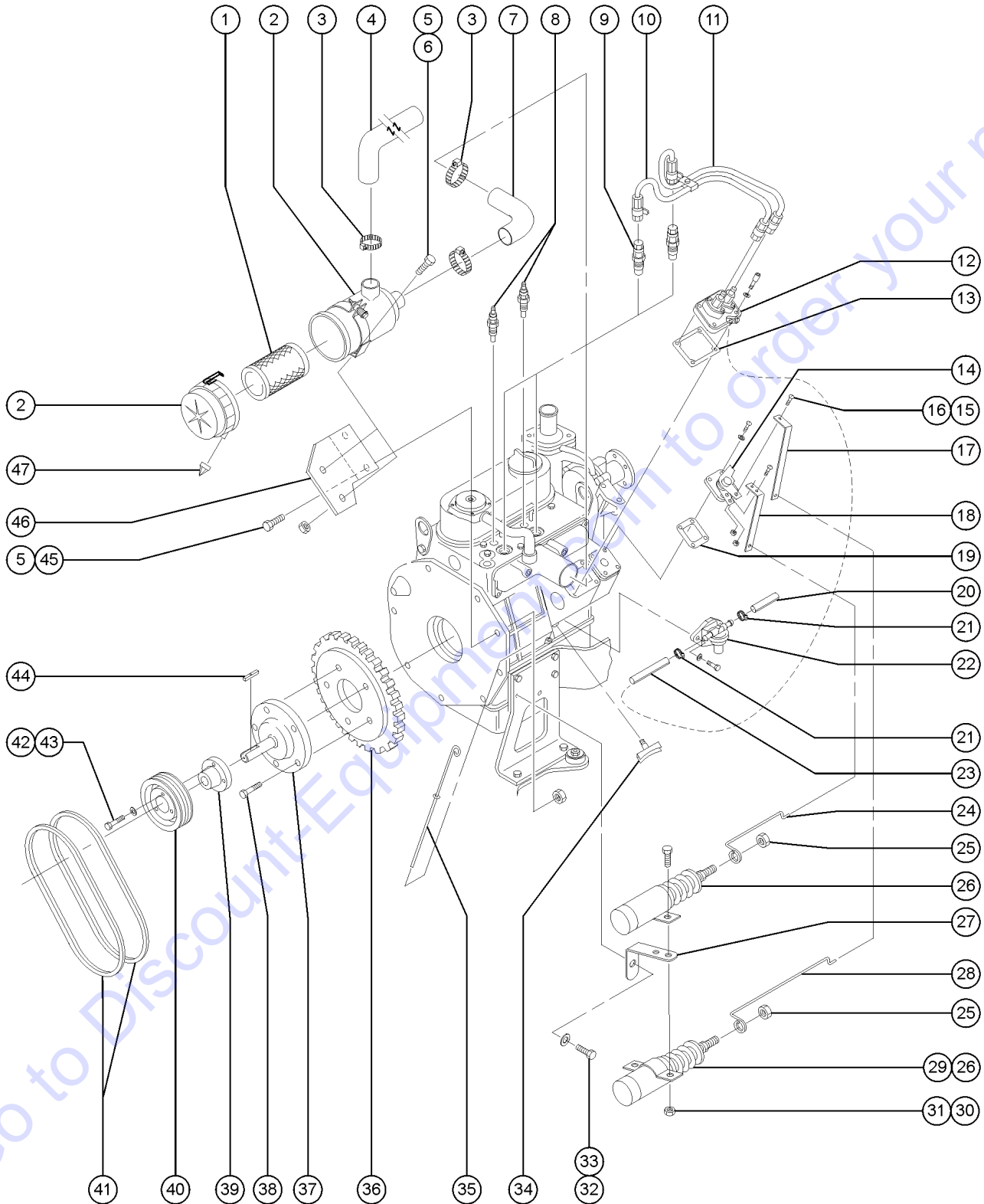
411.1 Kubota Z482 E4B, Diesel Engine, View 1 (from SN 9442)



411.1 Kubota Z482 E4B, Diesel Engine, View 1 (from SN 9442)

Item	Part No.	Description	Qty.
--	139420GT	OPERATOR MANUAL, Z482	
1	52806GT	GASKET-VALVE COVER Z482-E.....1	1
2	22903GT	O-RING,OIL FILLER PLUG,KUBOTA*1	1
3	52808GT	PLUG,OIL FILLER Z482,Z34/22BE*1	1
4	1251796GT	CYLINDER HEAD COVER, Z482.....1	1
5	54332GT	SWITCH,WATER TEMP.....1	1
6	52810GT	STARTER MOTOR Z482, Z34/22BE.....1	1
--	23457GT	SOLENOID,STARTER,WG750B.....1	1
7	22046GT	MUFFLER,SUPERTRAPP.....1	1
8	32064GT	CLAMP,MUFFLER,1.75 INCH.....1	1
9	56062GT	WELDMENT,EXHAUST EXTENSION.....1	1
10	25929GT	SCREW,HHC,M8 X 30MM,GRD 8.8	
11	6886GT	WASHER,LOCK,.313	
12	832128GT	GASKET,MUFFLER,KUBOTA D905/11.....1	1
13	58212GT	TERM,MOLEX,SOC,GP,18-24GA BULK.....1	1
14	52813GT	EXHAUST MANIFOLD, Z482-E.....1	1
15A	110286GT	ALTERNATOR,KUBOTA,Z482.....1	1
15B	139423GT	ALTERNATOR GUARD,Z482 <i>not shown</i>	
16	84044GT	STAY,ALTERNATOR***1	1
17	22934GT	SWITCH,OIL,PRESSURE,KUBOTA.....1	1
18	866400GT	KUBOTA OIL FILTER.....1	1
19	52533GT	GASKET (52532) OIL DRAIN, D905.....1	1
20	52532GT	PLUG,ENGINE OIL DRAIN,D-905***1	1
21	32067GT	HOSE,WATER PUMP,KUBOTA**.....1	1
22	32066GT	CLAMP,HOSE,KUBOTA WG750.....2	2
23	52816GT	BELT,FAN,KUBOTA DF972/Z482-E.....1	1
24	23469GT	PULLEY,FAN,WG750B***1	1
25	52818GT	FAN, KUBOTA Z482-E.....1	1
26	139421GT	WATER PUMP, Z482 T4.....1	1
27	32069GT	CLAMP,HOSE,KUBOTA WG750.....4	4
28	62129GT	HOSE,WATER PUMP RETURN (Z482).....1	1
29	23472GT	GASKET,WATER PUMPWG750B/Z482-E.....1	1

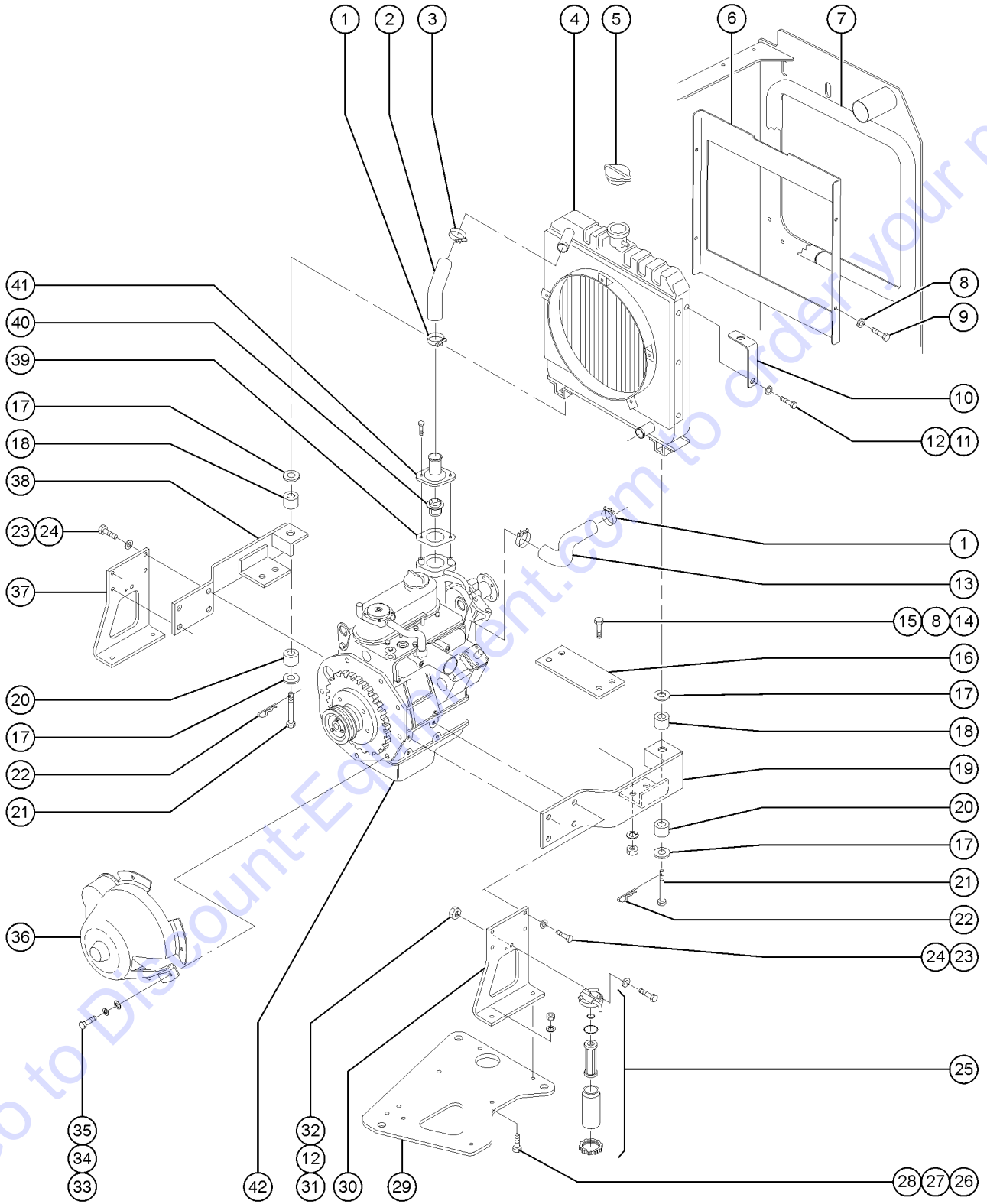
412.1 Kubota Z482 E4B, Diesel Engine, View 2 (from SN 9442)



412.1 Kubota Z482 E4B, Diesel Engine, View 2 (from SN 9442)

Item	Part No.	Description	Qty.	Item	Part No.	Description	Qty.
1	52867GT	FILTER,AIR***.....	1	40	52840GT	PULLEY,FAN DRIVE,Z482/DF750**.....	1
2	119684GT	AIRCLEANER ASSEMBLY..... <i>includes items 1, 3 -7 and 47</i>	1	41	56064GT	BELT,3VX-280.....	2
3	32084GT	CLAMP,AIR CLEANER HOSE,WG750**.....	1	42	8915GT	SCREW,HHC,1/4-20 X 1.25	
4	56059GT	HOSE,ELBOW AIR CLEANER IN.....	1	43	6356GT	WASHER,LOCK,.25	
5	18506GT	SCREW 5/16-18 X .75 LG.FLG.LCK.		44	56086GT	KEY,1/4 X 1.25.....	1
6	6782GT	NUT,NYLOCK,5/16-18		45	6782GT	NUT,NYLOCK,5/16-18	
7	56060GT	HOSE,INTAKE AIR,ELBOW.....	1	46	119685GT	BRACKET, AIRCLEANER MT.....	1
8	1251793GT	GLOW PLUG, KUBOTA Z482.....	2	47	52866GT	EVACUATOR VALVE-AIR CLEANER.....	1
9	1251794GT	INJECTOR, Z482 T4.....	2				
--	139656GT	SERVICE KIT, INJECTOR, Z482					
10	52824GT	PIPE, INJECTOR 2 KUBOTA Z482-E.....	1				
11	52823GT	PIPE, INJECTOR 1 KUBOTA Z482-E.....	1				
12	52825GT	PUMP-INJECTION, KUBOTA Z482-E.....	1				
13	52826GT	GASKET-INJECTION PUMP, Z482-E.....	1				
14	52949GT	SPEED CONTROL ASSEMBLY**.....	1				
15	49819GT	SCREW,PHILLIPS,PHM,10-32 X .5					
16	6178GT	NUT,NYLOCK,10-32					
17	56101GT	BRACKET,STOP LEVER.....	1				
18	56102GT	BRACKET,IDLE LEVER.....	1				
19	52832GT	GASKET-SPEED CONTROL ASSEMBLY.....	1				
20	27089GT	HOSE,5/16 FUEL,SAE 30R7.....80-inches					
21	52834GT	CLAMP-HOSE, .375, FUEL PUMP.....	4				
22	52835GT	PUMP ASSY-FUEL, KUBOTA Z482-E.....	1				
23	27089GT	HOSE,5/16 FUEL,SAE 30R7.....12-inches					
24	56110GT	ROD,ENGINE IDLE & STOP.....	1				
25	21496GT	NUT,HEX,1/4-28					
26	20780GT	SOLENOID,2 SPEED TROMBETTA***.....	2				
--	52514GT	BOOT,THROTTLE SOLENOID					
27	56098GT	BRACKET,SOLENOID MOUNT.....	1				
28	22956GT	ROD,CHOKE (KUBOTA)****.....	1				
29	22446GT	SPRING,COMPRESSION .835 X 2.....	1				
30	6091GT	NUT,NYLOCK,1/4-20					
31	6090GT	SCREW,HHC,1/4-20 X .75					
32	22676GT	SCREW,HHC,M10 X 1.25 X 30MM**					
33	22700GT	WASHER,LOCK,M10					
34	32077GT	PETCOCK,DRAIN,KUBOTA WG750B.....	1				
35	52836GT	DIPSTICK, KUBOTA Z482-E.....	1				
36	1251795GT	RING GEAR, Z482 T4.....	1				
37	52838GT	ADAPTER FLANGE-PULLEY,Z482-E.....	1				
38	23057GT	SCREW,HHC,M8 X 20MM					
39	56068GT	BUSHING,SH 1-1/8.....	1				

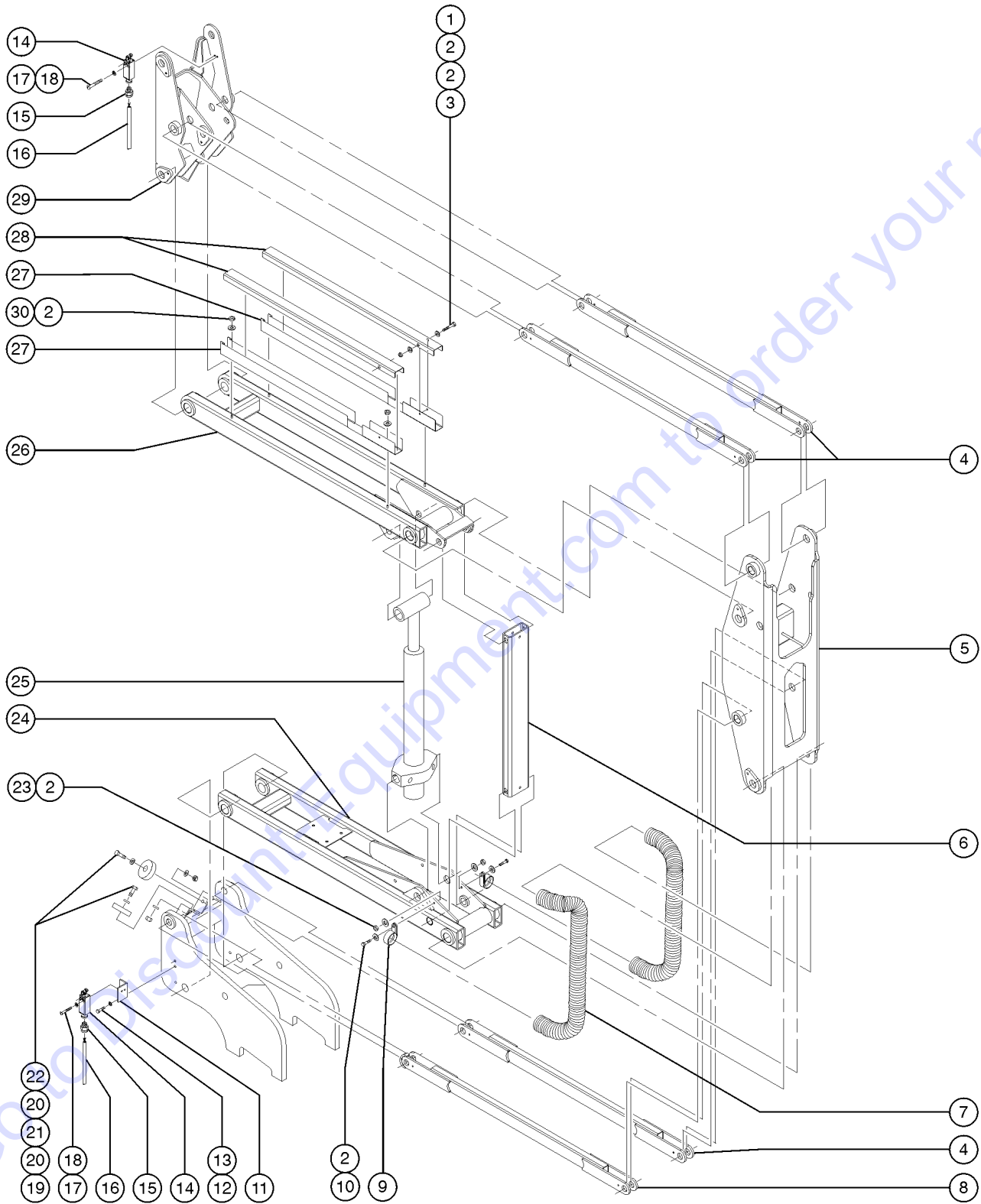
413.1 Kubota Z482 E4B, Diesel Engine, View 3 (from SN 9442)



413.1 Kubota Z482 E4B, Diesel Engine, View 3 (from SN 9442)

Item	Part No.	Description	Qty.	Item	Part No.	Description	Qty.
1	32066GT	CLAMP,HOSE,KUBOTA WG750.....	2	33	23057GT	SCREW,HHC,M8 X 20MM	
2	52841GT	HOSE-RADIATOR,UPPER Z482-E.....	1	34	49408GT	WASHER,LOCK,M8	
3	32087GT	CLAMP,HOSE,KUBOTA WG750.....	2	35	33277GT	WASHER,FLAT,M8,YELLOW ZINC	
4	119242GT	RADIATOR ASSY,KUBOTA Z482E AL.....	1	36	56106GT	COVER,BELLHOUSING.....	1
5	110523GT	CAP,RADIATOR,AL,KUBOTA DF-752.....	1	37	42958GT	BRACKET,ENGINE MNT,KUBOTA 13HP.....	1
6	139236GT	FORMING, BI-ENERGY SHROUD.....	1	38	52851GT	BRACKET-RADIATOR SUPRT,INBOARD.....	1
7	60875GT	TRIM MOLDING.....	1	39	866397GT	KUBOTA GASKET,THERMOSTAT.....	1
8	6356GT	WASHER,LOCK,.25		40	23473GT	THERMOSTAT ASSY, WG750B.....	1
9	49375GT	SCREW,HHC,M6 X 16.....	4	41	27367GT	THERMOSTAT COVER,KUBOTA GAS.....	1
10	56108GT	BRACKET SUPPORT,INTAKE HOSE.....	1	42	139432GT	OIL PAN, Z482.....	1
11	7339GT	SCREW,HHC,1/4-20 X .5					
12	6638GT	WASHER,FLAT,USS,1/4"Y					
13	32090GT	HOSE,LWR RADIATOR,KUBOTA WG750.....	1				
14	6090GT	SCREW,HHC,1/4-20 X .75					
15	6091GT	NUT,NYLOCK,1/4-20					
16	28963GT	RADIATOR STAY, KUBOTA 1702.....	1				
17	52539GT	WASHER,RADIATOR CUSHION,KUBOTA.....	4				
18	865260GT	KUBOTA 15263-12370CUSHION.....	2				
19	52847GT	BRACKET-RADIATOR SUPRT,OUTBRD.....	1				
20	28156GT	CUSHION,RADIATOR,KUBOTA 1702**.....	2				
21	52540GT	SCREW,RADIATOR MOUNT, KUBOTA.....	2				
22	52541GT	CLIP,RADIATOR MOUNT, KUBOTA.....	2				
23	22676GT	SCREW,HHC,M10 X 1.25 X 30MM**					
24	22700GT	WASHER,LOCK,M10					
25	147205GT	ASSEMBLY, FUEL FILTER, Z482.....	1				
--		RETAINING RING, FUEL FILTER <i>for illustration only; component not available</i>					
--	139428GT	HOUSING, FUEL FILTER, Z482					
--	139429GT	ELEMENT, FUEL FILTER, Z482					
--	147206GT	CUP ASSY, FUEL FILTER, Z482					
--	147208GT	O-RING, FUEL FILTER, Z482					
26	6019GT	SCREW,HHC,3/8-16 X 1.25 GRD 5					
27	6097GT	WASHER,FLAT,USS,3/8",Y					
28	4828GT	NUT,NYLOCK,3/8-16					
29	56089GT	PLATE,ENGINE GENERATOR MOUNT.....	1				
30	42958GT	BRACKET,ENGINE MNT,KUBOTA 13HP.....	1				
31	6782GT	NUT,NYLOCK,5/16-18					
32	37218GT	SCREW,HHC,5/16-18 X 3.00					

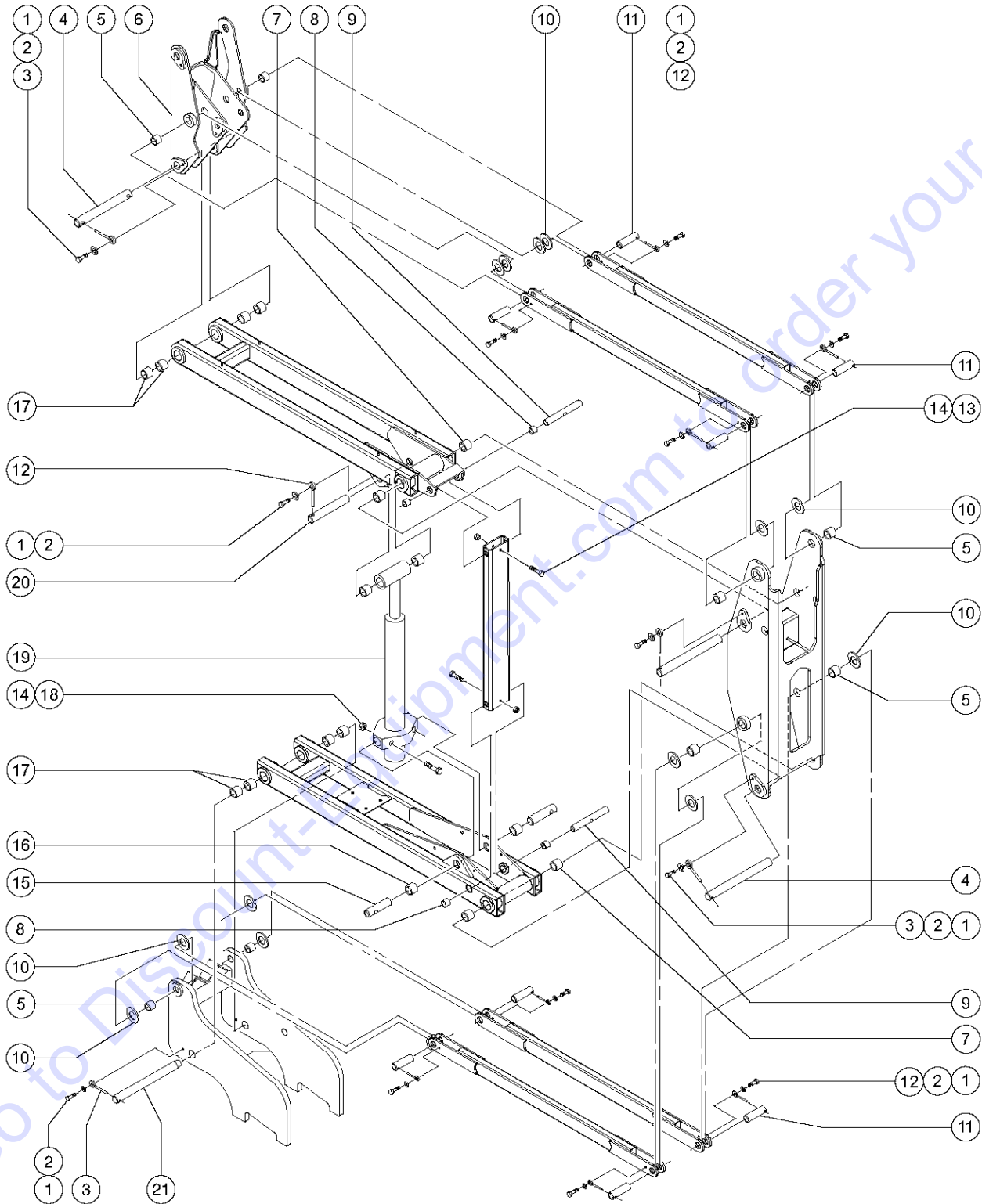
501.1 Secondary Boom - View 1



501.1 Secondary Boom - View 1

Item	Part No.	Description	Qty.	Item	Part No.	Description	Qty.
1	6884GT	SCREW,HHC,1/4-20 X 2.5		--	74085GT	REST PAD,UPPER PIVOT Z30N Z-34N from SN 2975; Z-34DC/BE from SN 2170	
2	6638GT	WASHER,FLAT,USS,1/4"Y		22	4828GT	NUT,NYLOCK,3/8-16 Z-34N from SN 2975; Z-34DC/BE from SN 2170	
3	6889GT	NUT,LP NYLOCK,1/4-20		23	6091GT	NUT,NYLOCK,1/4-20	
4	74946GT	COMPRESSION ARM WELDMENT 56.50.....	2	24	40449GT	LOWER SECONDARY ARM ASSY,Z34.....	1
5	40446GT	LOWER MIDPIVOT ASSY,Z34 &Z34N*.....	1	25	94210GT	CYLINDER,ELEVATE, Z34.....	1
6A	36664GT	CONNECTING LINK,MACHINED***..... Z-34N to SN 2955; Z-34DC/BE to SN 2151	1	--	25683GT	BEARING,POLYGON,20DU12	
6B	74232GT	CONNECTING LINK Z30N & Z34***..... Z-34N from SN 2956; Z-34DC/BE from SN 2152	1	--	31106GT	VALVE,CNTERBAL,CBBB-LHN@3000**	
7	42939GT	WIRE LOOM,1.88 DIA..... 2 pieces @ 65 inches long each	2	--	48404GT	SEAL KIT,42409 ELEV. CYL.TEXAS Z-34N to SN 3685; Z-34DC/BE to SN 3154	
8	128633GT	KIT, SERVICE, Z34 LWR COMP ARM.... Z-34N to SN 8111; Z-34DC/BE to SN 7090	2	--	56756GT	SEAL KIT 42409 ELEVATE** Z-34N from SN 3686 to 4119; Z-34DC/BE from SN 3155 to SN 3461	
--	128635GT	WELDMENT, LWR COMPRESION ARM Z-34N from SN 8112; Z-34DC/BE from SN 7091		--	94253GT	SEAL KIT, 94210 Z-34N from SN 4120; Z-34DC/BE from SN 3462	
9	27497GT	CLAMP,RUBBER CUSHIONED-2 5/32....	2	26	74379GT	UPPER SECONDARY ARM ASSY,Z34.....	1
10	6888GT	SCREW,HHC,1/4-20 X 1		27	42612-SGT	HOSE TRACK,UPPER ARM-SERV.....	2
11	42413GT	ANGLE,SWITCH MOUNT***.....	1	28	42613-SGT	HOSETRACK COVER,UPPER ARM-SERV.....	2
12	8914GT	SCREW,HHC,1/4-20 X .625		29	40447GT	UPPER MIDPIVOT ASSY,Z34 & Z34N....	1
13	6356GT	WASHER,LOCK,.25		30	45444GT	NUT,ACORN 3/8-16 PLATED.....	4
14A	88366-116R3 GT	SWITCH,LIMIT,W/ROLLER ARM***..... Z-34N to SN 4743; Z-34DC/BE to SN 3882	1				
--	19491GT	CONTACTOR,LIMIT SWITCH					
--	27643GT	ROLLER ARM-LIMIT SWITCH					
14B	88366-116R3 GT	SWITCH,LIMIT,W/ROLLER ARM***..... Z-34N from SN 4744; Z-34DC/BE from SN 3883	1				
--	106427GT	LS ROT.HEAD W/O LEVER (ZCE01)					
--	97128GT	ROLLER ARM,LIMIT SWITCH***					
15	7056GT	CONN,SQUEEZE,1/2NPT .38-.50,SM....	1				
16	43958GT	WIRE CABLE,16/2 WHT/BRN					
16	56051GT	WIRE CABLE,16/2,WHT/BLK,SJEOW					
17	49821GT	SCREW,PHILLIPS,PHM,8-32 X 1.25					
18	6607GT	WASHER,LOCK,#10 PLTD					
19	45425GT	SCREW,FHS,3/8-16 X .75 Z-34N to SN 2974; Z-34DC/BE to SN 2169					
--	8516GT	SCREW, HCC, 3/8-16 X 1.50 Z-34N from SN 2975; Z-34DC/BE from SN 2170					
20	5397GT	WASHER,FLAT,USS,5/16",Y Z-34N from SN 2975; Z-34DC/BE from SN 2170					
21	36366GT	PAD,UPPER PIVOT REST..... Z-34N to SN 2974; Z-34DC/BE to SN 2169	1				

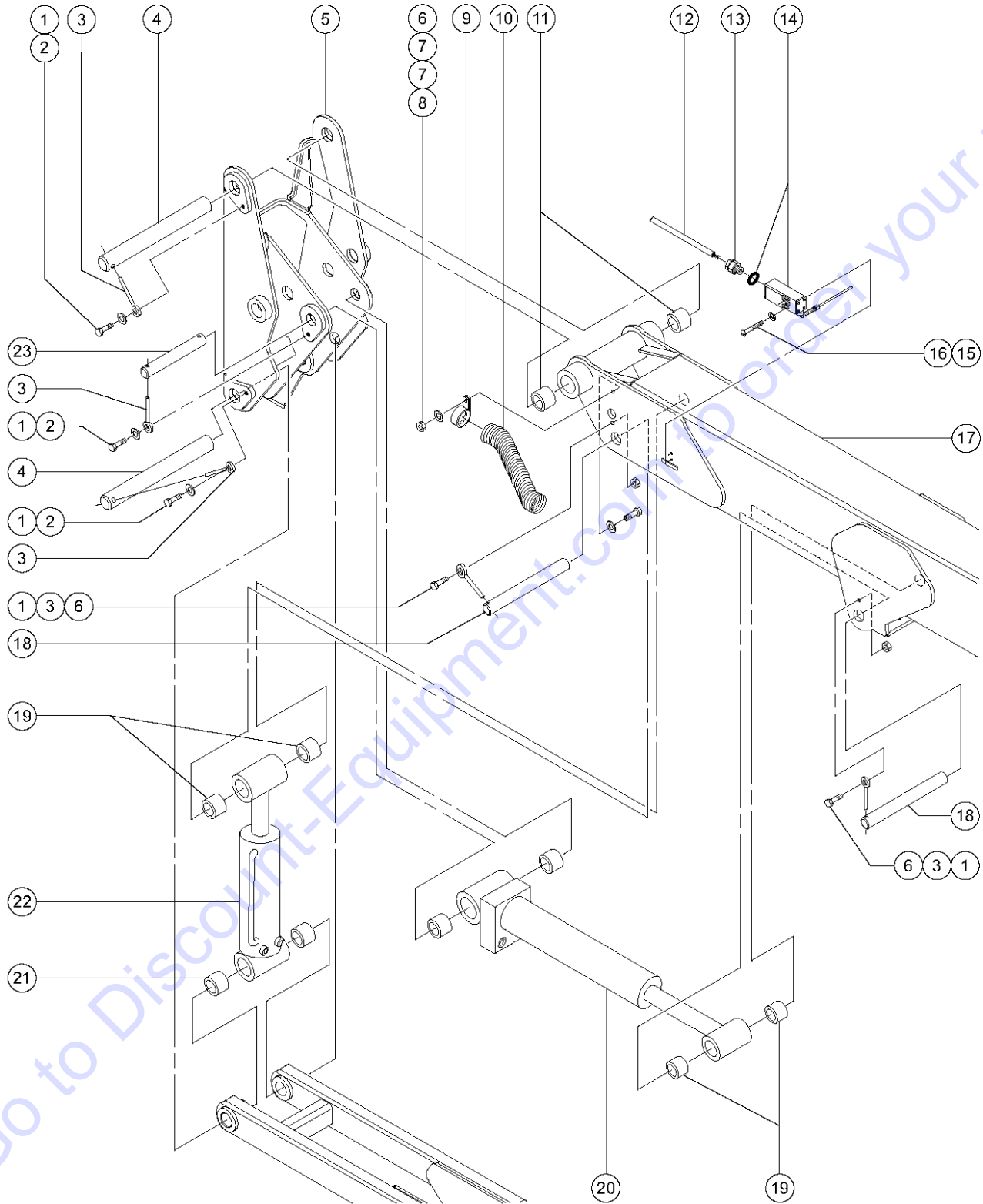
502.1 Secondary Boom - View 2



502.1 Secondary Boom - View 2

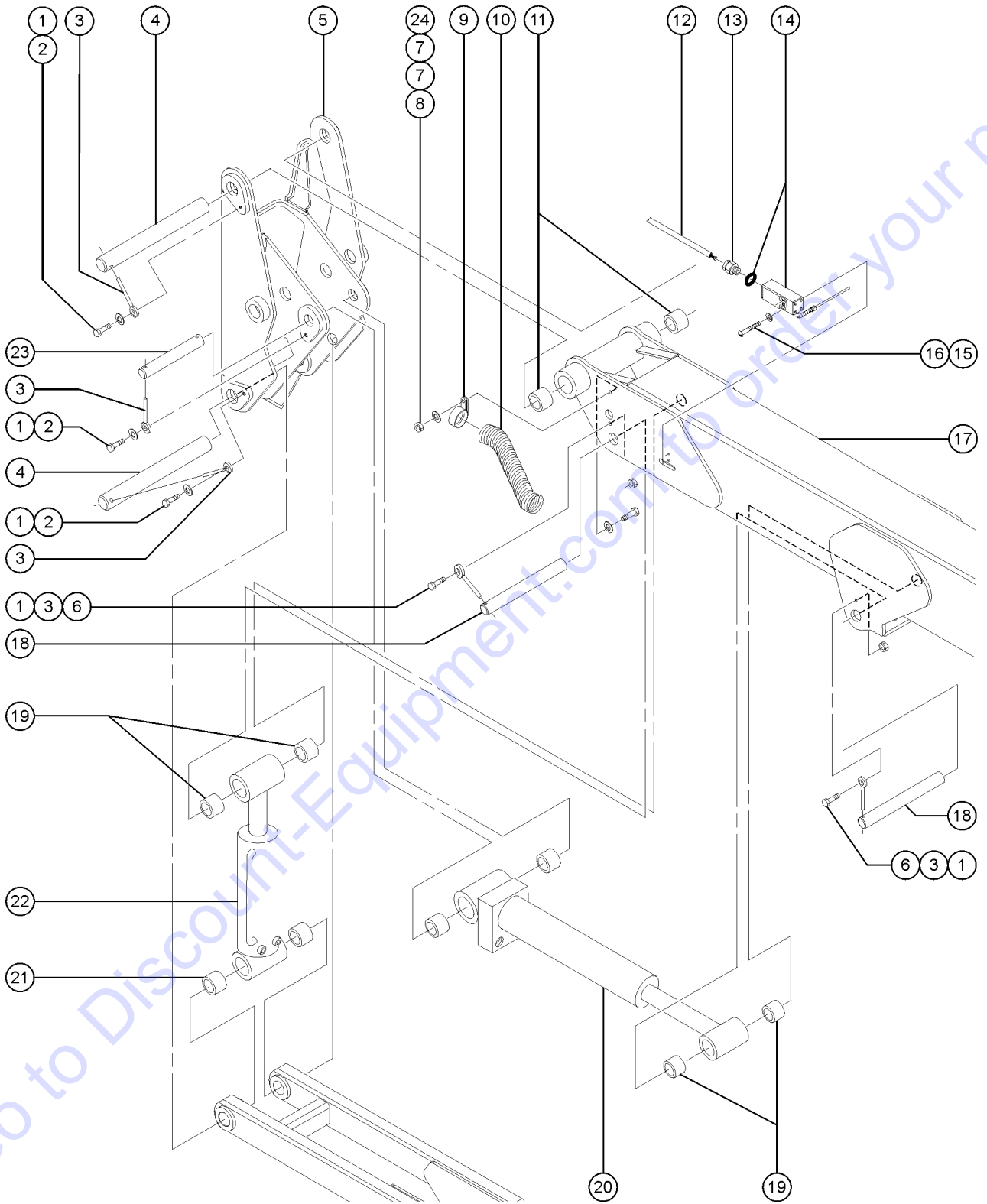
Item	Part No.	Description	Qty.
1	77692GT	SCREW,HHC,3/8-16 X 1 GRD 8	
2	6021GT	WASHER,LOCK,.375	
3	825019GT	ROD END,.375X3.69,ZAG.....	4
4	36194GT	PIN,1.50DIAX15.13LG,1HOLE.....	3
5	34245GT	BEARING,1.25IDX1.50X1.25L.....	8
6	40447GT	UPPER MIDPIVOT ASSY,Z34 & Z34N.... <i>includes item 5</i>	1
7	45071GT	BEARING,1.5IDX1.75ODX1.5L.....	4
8	36245GT	BEARING,FL,1.00IDX1.25ODX0.84L....	4
9	36202GT	PIN,1.00DIAX7.25LG,1HOLE.....	2
10	30255GT	WASHER,SHIM,1.27 X 2.13 X .062	
11	36390GT	PIN,1.25DIAX3.63LG,THREADED.....	8
12	1255452GT	ROD END,.375 X 2.25,ZAG.....	9
13	36874GT	SCREW,BHHS,3/8-16 X 2.5	
14	4828GT	NUT,NYLOCK,3/8-16	
15	36205GT	PIN,1.25DIAX3.00LG,THREADED.....	2
16	36246GT	BEARING,FL,1.25IDX1.50ODX1.09L....	2
17	18396GT	BEARING,1.5IDX1.75ODX1.0L.....	8
18	14033GT	SCREW,HHC,3/8-16 X 2.75	
19		Ref. Secondary Boom Lift Cylinder (refer to 501.1)	
20	74089GT	PIN,1.25DIAX9.63LG,1HOLE.....	1
21	36389GT	PIN,1.50DIAX16.13LG,1HOLE.....	1

503.1 Upper Pivot



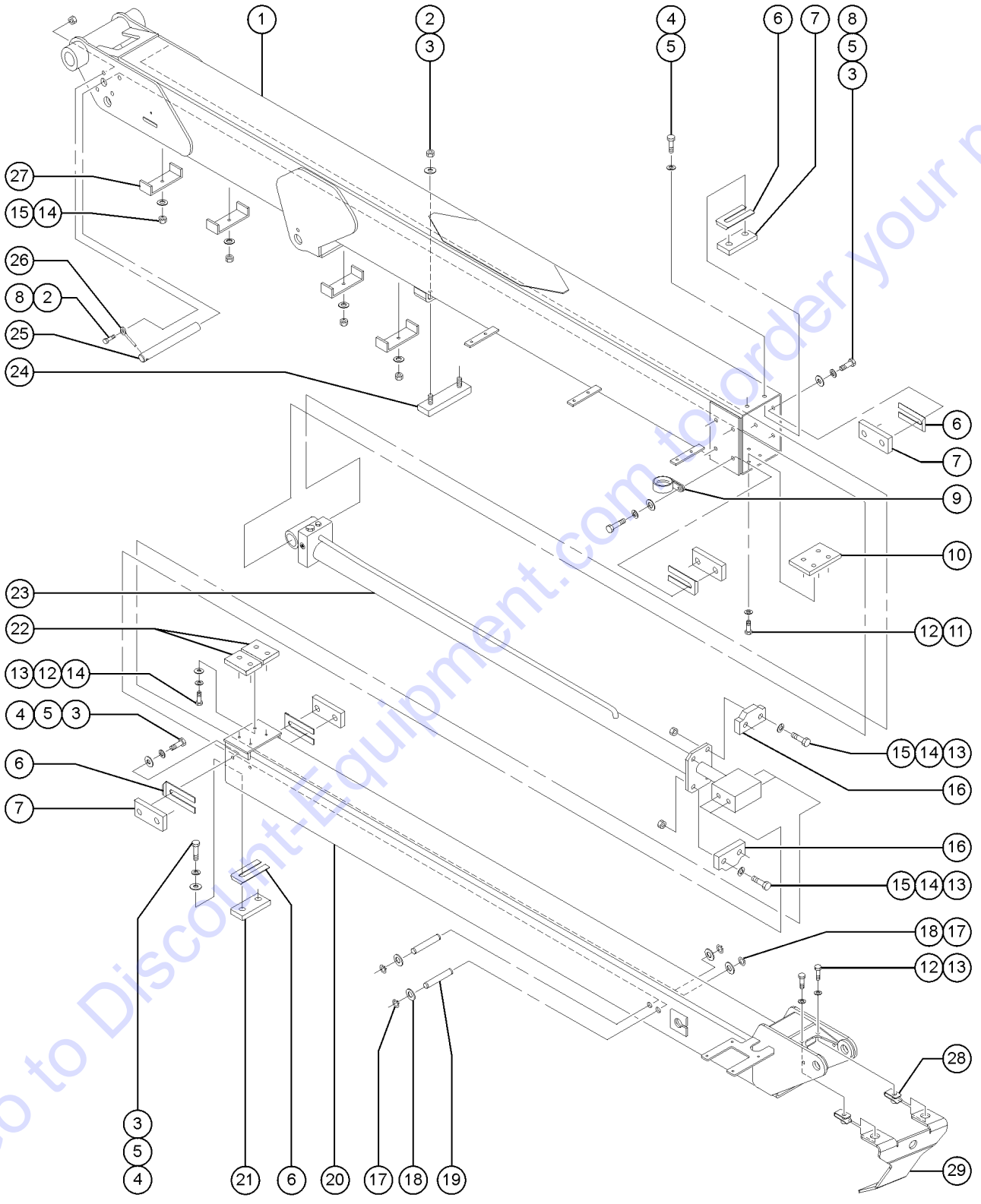
Item	Part No.	Description	Qty.	Item	Part No.	Description	Qty.
1	6019GT	SCREW,HHC,3/8-16 X 1.25 GRD 5		--	94259GT	SEAL KIT, 94216 Z-34N from SN 4135; Z-34DC/BE from SN 3466; check stamp on cylinder prior to ordering	
2	6021GT	WASHER,LOCK, .375					
3	825019GT	ROD END,.375X3.69,ZAG.....	4				
4	36194GT	PIN,1.50DIAX15.13LG,1HOLE.....	2	23	36198GT	PIN,1.25DIAX8.12LG,1HOLE.....	1
5	40447GT	UPPER MIDPIVOT ASSY,Z34 & Z34N....	1				
--	34245GT	BEARING,1.25IDX1.50X1.25L					
6	7713GT	NUT, LP NYLOCK, 3/8-16					
7	5397GT	WASHER,FLAT,USS,5/16",Y					
8	77692GT	SCREW,HHC,3/8-16 X 1 GRD 8					
9	27497GT	CLAMP,RUBBER CUSHIONED-2 5/32....	1				
10	42939-3200GT	WIRE LOOM,1.88 DIA.....	1				
--	28443GT	CABLE TIE,11.5" BLACK					
11	45071GT	BEARING,1.5IDX1.75ODX1.5L.....	2				
12	44133GT	WIRE CABLE,16/4 CON.TPE JKT*.....	264-inches				
13	7056GT	CONN,SQUEEZE,1/2NPT .38-.50,SM....	1				
14A	88356-127J5GT	SWITCH,LIMIT,W/6.25"SPRING ARM Z-34N to SN 4743; Z-34DC/BE to SN 3882					
--	19491GT	CONTACTOR,LIMIT SWITCH					
--	22359GT	SPRING ARM,LIMIT SWITCH,6.25"					
14B	106433GT	LS SPRING WAND (ZCY91)					
14B	88356-127J5GT	SWITCH,LIMIT,W/6.25"SPRING ARM Z-34N from SN 4744; Z-34DC/BE from SN 3883					
15	16486GT	SCREW,RHM,10-32 X 1.75					
16	6607GT	WASHER,LOCK,#10 PLTD					
17		Ref. Primary Boom (refer to 504.1)					
18	74091GT	PIN,1.25DIAX9.13LG,1HOLE.....	2				
19	47377GT	BEARING,1.25 ID X 1.5 OD X .75.....	6				
20	94215GT	CYLINDER,PRIMARY LIFT.....	1				
--	43937GT	VALVE,CB.CBBC-LHN@3200***					
--	48402GT	SEAL KIT,42407,42559 CYL,TEXAS Z-34N to SN 3700; Z-34DC/BE to SN 3175					
--	83085GT	SEAL KIT (74588) Z-34N from SN 3701 to SN 4078; Z-34DC/BE from SN 3176 to 3430					
--	94258GT	SEAL KIT, 94215, 94430 Z-34N from SN 4079; Z-34DC/BE from SN 3431					
21	88280GT	BEARING,1.5IDX1.75ODX0.75L.....	2				
22	94216GT	CYLINDER,MASTER.....	1				
--	48400GT	SEAL KIT,42405 CYL.TEXAS Z-34N to SN 3598; Z-34DC/BE to SN 3002					
--	52620GT	SEAL KIT-EXT CYL & SLAVE CYL.* Z-34N from SN 3599 to SN 4134; Z-34DC/BE from SN 3003 to 3465; check stamp on cylinder prior to ordering					

503.1 Upper Pivot



Item	Part No.	Description	Qty.	Item	Part No.	Description	Qty.
1	6019GT	SCREW,HHC,3/8-16 X 1.25 GRD 5		--	52620GT	SEAL KIT-EXT CYL & SLAVE CYL.* Z-34N from SN 3599 to SN 4134; Z-34DC/BE from SN 3003 to 3465; check stamp on cylinder prior to ordering	
2	6021GT	WASHER,LOCK, .375		--	94259GT	SEAL KIT, 94216 Z-34N from SN 4135; Z-34DC/BE from SN 3466; check stamp on cylinder prior to ordering	
3	825019GT	ROD END,.375X3.69,ZAG.....4	4	23	36198GT	PIN,1.25DIAX8.12LG,1HOLE.....1	1
4	36194GT	PIN,1.50DIAX15.13LG,1HOLE.....2	2	24	824029GT	NUT,TL FLG,3/8-16,G,ZAG.....1	1
5	40447GT	UPPER MIDPIVOT ASSY,Z34 & Z34N....1	1				
--	34245GT	BEARING,1.25IDX1.50X1.25L					
6	7713GT	NUT, LP NYLOCK, 3/8-16					
7	1255758GT	WASHER,FLAT,3/8,USS,ZAG.....2	2				
8	1264315GT	BOLT,HEX TAP,3/8-16X2.25,8,ZAG.....1	1				
9	27497GT	CLAMP,RUBBER CUSHIONED-2 5/32....1	1				
10	42939-3200GT	WIRE LOOM,1.88 DIA.....1	1				
--	28443GT	CABLE TIE,11.5" BLACK					
11	45071GT	BEARING,1.5IDX1.75ODX1.5L.....2	2				
12	44133GT	WIRE CABLE,16/4 CON.TPE JKT*.....264-inches					
13	7056GT	CONN,SQUEEZE,1/2NPT .38-.50,SM....1	1				
14	88356-127J5GT	SWITCH,LIMIT,W/6.25"SPRING ARM....1	1				
--	106433GT	LS SPRING WAND (ZCY91)					
--	19491GT	CONTACTOR,LIMIT SWITCH					
15	16486GT	SCREW,RHM,10-32 X 1.75					
16	6607GT	WASHER,LOCK,#10 PLTD					
17		Ref. PRIMARY BOOM refer to 504.1					
18	74091GT	PIN,1.25DIAX9.13LG,1HOLE.....2	2				
19	47377GT	BEARING,1.25 ID X 1.5 OD X .75.....6 measure cylinder before ordering	6				
--	25683GT	BEARING,POLYGON,20DU12 measure cylinder before ordering					
20	94215GT	CYLINDER,PRIMARY LIFT.....1	1				
--	43937GT	VALVE,CB.CBBC-LHN@3200***					
--	48402GT	SEAL KIT,42407,42559 CYL,TEXAS Z-34N to SN 3700; Z-34DC/BE to SN 3175					
--	83085GT	SEAL KIT (74588) Z-34N from SN 3701 to SN 4078; Z-34DC/BE from SN 3176 to 3430					
--	94258GT	SEAL KIT, 94215, 94430 Z-34N from SN 4079; Z-34DC/BE from SN 3431					
21	88280GT	BEARING,1.5IDX1.75ODX0.75L.....2 measure cylinder before ordering	2				
--	52625GT	BEARING,1.50 X 1.66 X 1.5 measure cylinder before ordering					
22	94216GT	CYLINDER,MASTER.....1	1				
--	48400GT	SEAL KIT,42405 CYL,TEXAS Z-34N to SN 3598; Z-34DC/BE to SN 3002; check stamp on cylinder prior to ordering					

504.1 Primary and Extension Booms



504.1 Primary and Extension Booms

Item	Part No.	Description	Qty.	Item	Part No.	Description	Qty.
--	42356GT	FLATBAR,PINCH GUARD <i>CE models</i>		22	45745GT	WEAR PAD,4 X 2 X .50 THK.BLACK.....	2
--	56934GT	PAD,REST,1"THICK,FLANGED <i>CE models</i>		23A	48406GT	SEAL KIT,42411 & 42408..... <i>for 42408GT (Z-34N to SN 4017; Z-34DC/BE to SN 3327)</i>	1
--	74263GT	ANGLE,PINCH GUARD <i>CE models</i>		23B	83086GT	SEAL KIT,74998..... <i>for 74998GT (Z-34N from SN 4018 to 4077; Z-34DC/BE from SN 3328 to 3428)</i>	1
1	40450GT	PRIMARY BOOM TUBE ASSEMBLY.....1 <i>Z-34N to SN 2795; Z-34CD/BE to SN 2005</i>		23C		CYLINDER,EXTENSION..... <i>no longer available; check supplier Z032-A0001 for seal kit; replaced by 94212</i>	1
--	62504GT	PRIMARY BOOM TUBE ASSY Z34DC...1 <i>Z-34N from SN 2796; Z-34DC/BE from SN 2006</i>		--	147143GT	SEAL KIT,147138 & 147139..... <i>for 147138GT</i>	1
--	62505GT	PRIMARY BOOM TUBE ASSY Z34N.....1 <i>Z-34N from SN 2796 to 4017; Z-34DC/BE from SN 2006 to 3345</i>		--	36648GT	VALVE,COUNTERBALANCE 2500 PSI*..... <i>for 147138GT (top)</i>	1
--	77728GT	PRIMARY BOOM TUBE ASSY Z34IC** <i>Z34N from SN 4018; Z-34DC/BE from SN 3346</i>		--	74508GT	VALVE,CHECK,COBA-X*N 200PSI PO..... <i>for 147138GT (bottom)</i>	1
2	7713GT	NUT, LP NYLOCK, 3/8-16		--	74509GT	VALVE,CHECK,CXAD-XCN,30PSI..... <i>for 147138GT (side)</i>	1
3	5397GT	WASHER,FLAT,USS,5/16",Y		23D	94212GT	CYLINDER,EXTENSION..... <i>check supplier 83E163-A for seal kit</i>	1
4	77692GT	SCREW,HHC,3/8-16 X 1 GRD 8		--	36648GT	VALVE,COUNTERBALANCE 2500 PSI*..... <i>for 94212GT</i>	1
5	6021GT	WASHER,LOCK,.375		--	74508GT	VALVE,CHECK,COBA-X*N 200PSI PO..... <i>for 94212GT</i>	1
6	42502GT	SHIM,SIDE PAD 22GA.....	2	--	74509GT	VALVE,CHECK,CXAD-XCN,30PSI..... <i>for 94212GT</i>	1
--	29080GT	SHIM,WEAR PAD,5X 1.5 16GA		--	94255GT	SEAL KIT,94212 <i>for 94212GT</i>	
7	34125GT	WEAR PAD,5 X 1.5 X .75 W/NUTS.....	2	24	36413GT	REST PAD,PRIMARY BOOM..... <i>Z-34N to SN 2768; Z-34DC/BE to SN 2005</i>	1
8	6019GT	SCREW,HHC,3/8-16 X 1.25 GRD 5		--	56849GT	PAD,REST,1"THICK,W/STUDS* <i>Z-34N from SN 2796 to 3346; Z-34DC/BE from SN 2006 to 2402</i>	
9	27497GT	CLAMP,RUBBER CUSHIONED-2 5/32....	1	24A	36413GT	REST PAD,PRIMARY BOOM <i>Z-34N to SN 2768; Z-34DC/BE to SN 2005</i>	
10	42621GT	WEAR PAD,4 X 4 X .75 W/NUTS.....	1	24B	56849GT	PAD,REST,1"THICK,W/STUDS* <i>Z-34N from SN 2796 to 3346; Z-34DC/BE from SN 2006 to 2402</i>	
--	36221GT	WEAR PAD,PRIMARY BOOM <i>Use on older wear pads that has holes every 2 inch in a square shape, if not then use 42621</i>		24C	56849GT	PAD,REST,1"THICK,W/STUDS* <i>Z-34N from SN 3347; Z-34DC/BE from SN 2403</i>	
11	6090GT	SCREW,HHC,1/4-20 X .75		25	101557GT	PIN,1.00DIA X 9.01LG,THREADED.....	1
12	6356GT	WASHER,LOCK,.25		26	825019GT	ROD END,.375X3.69,ZAG.....	1
13	6888GT	SCREW,HHC,1/4-20 X 1		27	54530GT	CLAMP,HOSE,ALUMINUM.....	4
14	6638GT	WASHER,FLAT,USS,1/4"Y		28	56912GT	SPRING CLIP,1/4-20,.025-.15X.54,ZAG.....	2
15	6091GT	NUT,NYLOCK,1/4-20		29	147079GT	BRACKET, HOSE ROUTING..... <i>from SN Z34N10-8858</i>	1
16	74066GT	WEAR PAD,EXT CYL***.....	2				
17	10262GT	SNAP RING,EXTERNAL,.75 DIA.....	4				
18	6563GT	WASHER,SHIM,.75 X 1.125 X .030.....	6				
19	36192GT	PIN,0.75DIA X 5.51LG,2RING.....	2				
20A	36492-SGT	WELDMENT,EXTENSION BOOM..... <i>Z-34N to SN 3075; Z-34DC/BE to SN 2308</i>	1				
20B	139842GT	EXT BOOM ASSY,Z34 RETROFIT <i>Z-34N from SN 3076 to SN 8683; Z-34DC/BE from SN 2309 to SN 7773</i>					
20C	147489GT	WELDMENT, EXT BOOM, Z34..... <i>Z-34N from SN 8684; Z-34DC/BE from SN 7774</i>	1				
21	30138GT	WEAR PAD,5 X 1.5 X .625 W/NUTS.....	6				

504.1 Primary and Extension Booms
(continued)

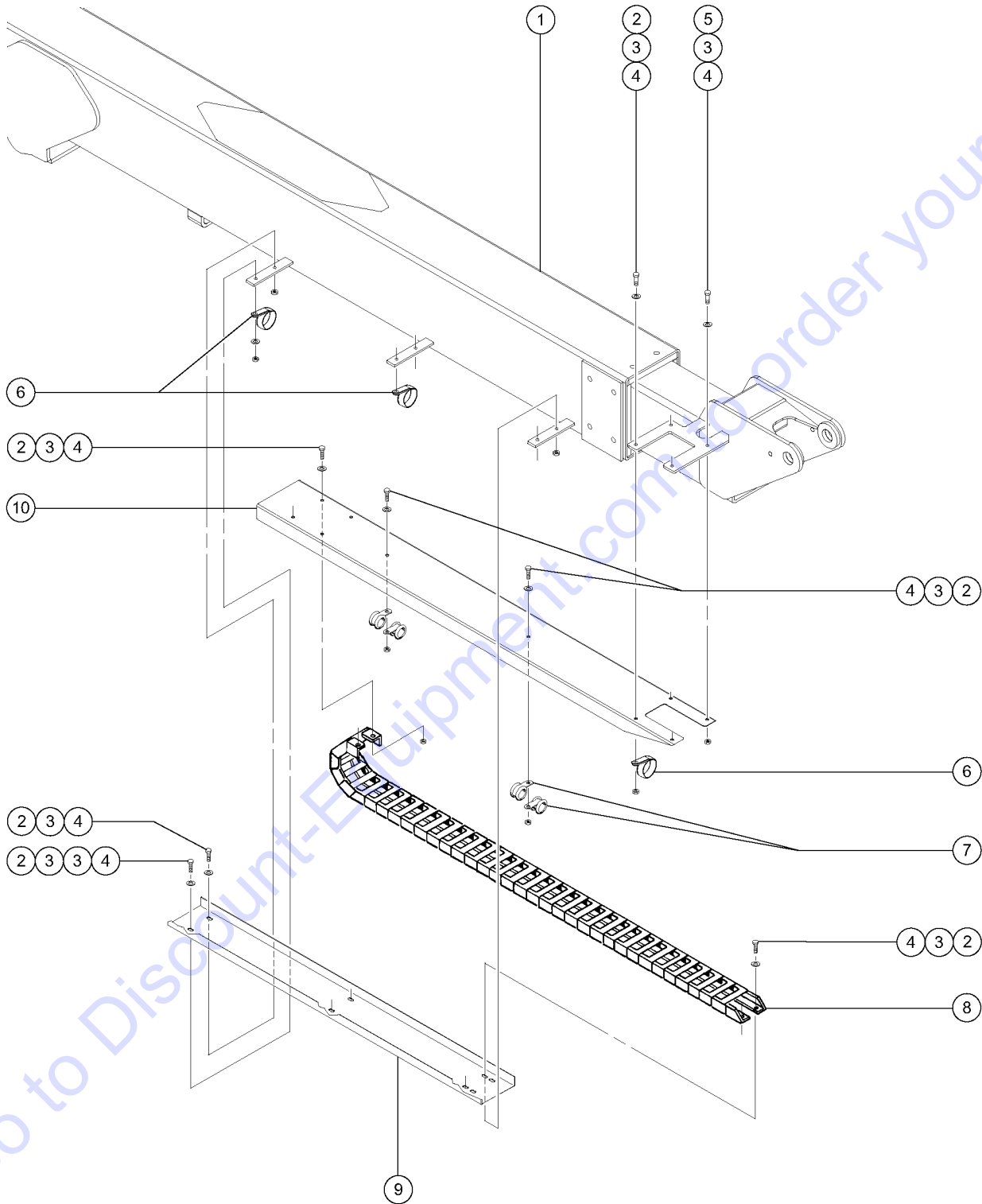
Item	Part No.	Description	Qty.
--	56361GT	CABLE TIE,BUTTON,BLACK,14.75LG	

Go to Discount-Equipment.com to order your parts

This Page Intentionally Left Blank

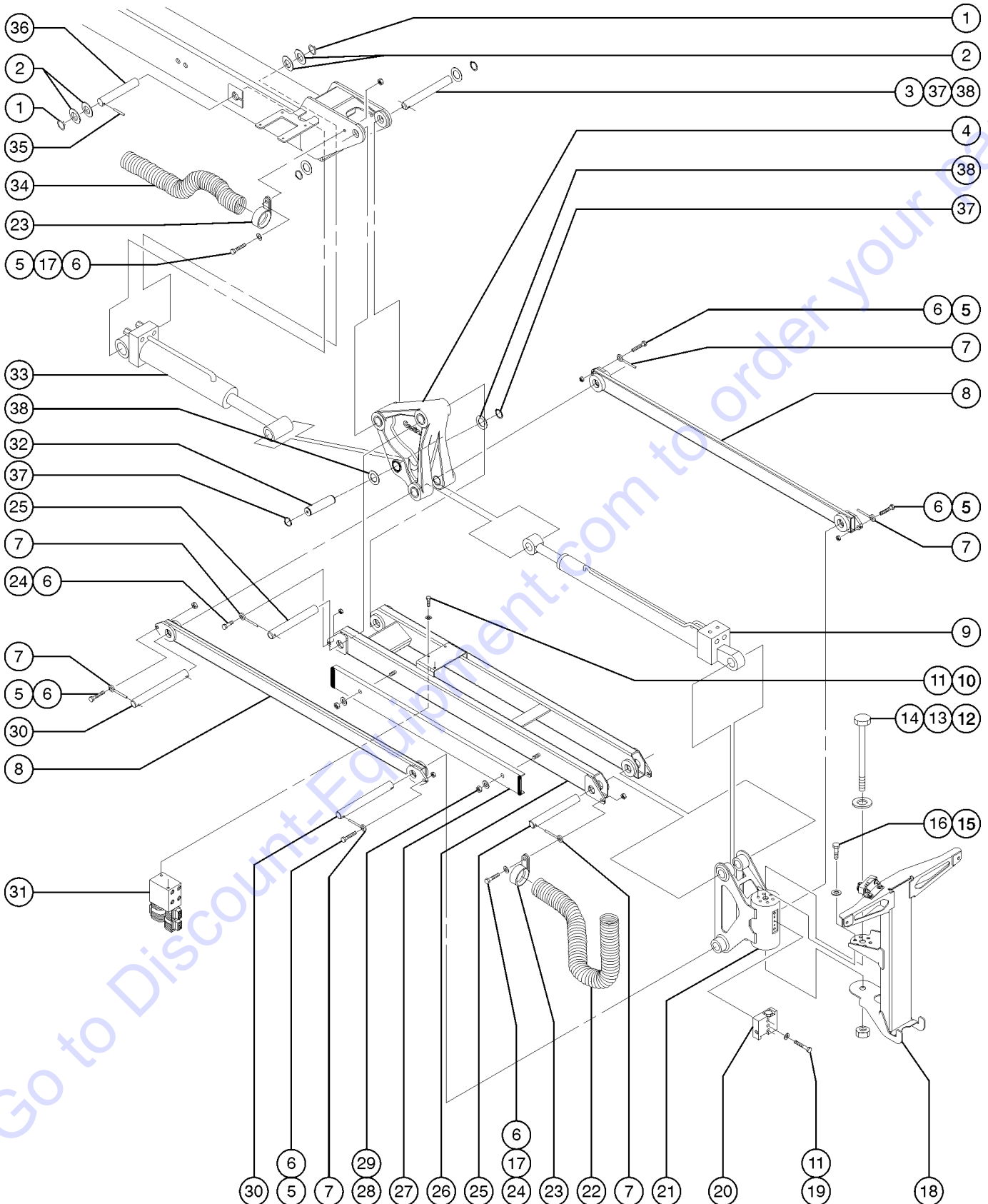
Go to Discount-Equipment.com to order your parts

505.1 Cable Track



Item	Part No.	Description	Qty.
1		Ref. Primary and Extension Booms (refer to 504.1)	
2	6888GT	SCREW,HHC,1/4-20 X 1	
3	6638GT	WASHER,FLAT,USS,1/4"Y	
4	6091GT	NUT,NYLOCK,1/4-20	
5	6090GT	SCREW,HHC,1/4-20 X .75	
6	27497GT	CLAMP,RUBBER CUSHIONED-2 5/32....3	
7	6833GT	CLAMP,0.50,#8 X 1/4,RUB CUSH.....4	
8A	42763GT	TRACK,PLASTIC CABLE,25 LINK 4".....1 Z-34N to SN 8741; Z-34DC/BE to SN 7635	
--	58919GT	REPAIR LINK,7 LINKS*** for 42763GT	
--	58920GT	REPAIR LINK END SET (42763)* for 42763GT	
--	58927GT	LINK,NYLATRAC KS6-5.4*** for 42763GT	
8B	139537GT	CABLE TRACK,NYLATRAC,26 LINK.....1 Z-34N from SN 8742; Z-34DC/BE from SN 7636	
--	139540GT	REPAIR LINK,NYLATRAC,7 LINKS for 139537GT	
--	139541GT	BRACKET SET,NYLATRAC,KS400 for 139537GT	
--	139542GT	LINK,NYLATRAC,KS400 for 139537GT	
9A	42694PGT	CHANNEL,LWR, TRACK PAINTED**.....1 Z-34N to SN 2761; Z-34DC/BE to SN 2005	
--	27258GT	TRIM,RUBBER EDGE,5/8 (BY INCH)	
9B	56983PGT	CHANNEL,LWR TRAY PLASTIC TK **....1 Z-34N from SN 2762; Z-34DC/BE from SN 2006	
--	27258GT	TRIM,RUBBER EDGE,5/8 (BY INCH) order as needed	
--	56983PGT	CHANNEL,LWR TRAY PLASTIC TK **....1 Z-34N from SN 2762; Z-34DC/BE from SN 2006	
10	42693P-SGT	CHANNEL,UPR, TRACK PAINTED.....1 Z-34N to SN 3075; Z-34DC/BE to SN 2307	
--	74119PGT	CHANNEL, CABLE TRACK, UPPER Z-34N from SN 3076; Z-34DC/BE from SN 2308	
10A	42693P-SGT	CHANNEL,UPR, TRACK PAINTED Z-34N to SN 3075; Z-34DC/BE to SN 2307	
10B	74119PGT	CHANNEL, CABLE TRACK, UPPER Z-34N from SN 3076; Z-34DC/BE from SN 2308	

506.1 Jib Boom and Platform Rotator



506.1 Jib Boom and Platform Rotator

Item	Part No.	Description	Qty.	Item	Part No.	Description	Qty.
1	74019GT	SNAP RING,EXTERNAL.....	2	--	33278GT	WASHER,FLAT,.75 HARDENED Z-34N from SN 2548; Z-34DC/BE from SN 1892	
2	30255GT	WASHER,SHIM,1.27 X 2.13 X .062.....	2	14	33265GT	NUT,HEX,1-8 Z-34N to SN 2547; Z-34DC/BE to SN 1891	
3A	T107884GT	PIN,1.25DIAX7.00LG,1HOLE.....	1	--	77051GT	NUT,NYLOCK,3/4-10,GRD.8 Z-34N from SN 2548; Z-34DC/BE from SN 1892	
		Z-34N to SN 8683; Z-34DC/BE to SN 7564					
3B	128550GT	PIN,1.25DIAX7.64LG,2RING.....	1	15	10597GT	SCREW,HHC,1/2-13 X 1.25 GR5 Z-34N to SN 2547; Z-34DC/BE to SN 1891	
		Z-34N from SN 8684; Z-34DC/BE from SN 7565		--	94195GT	SCREW,HHC,3/8-16 X .75,GR 8 Z-34N from SN 2548; Z-34DC/BE from SN 1892	
4	37128GT	BELLCRANK ASSEMBLY, Z30N,Z34**...1 Z-34N to SN 3295; Z-34DC/BE to SN 2053		16	6033GT	WASHER,LOCK,0.5" Z-34N to SN 2547; Z-34DC/BE to SN 1891	
--	74728GT	BEARING,FL,1.25IDX1.5ODX2.50		--	6097GT	WASHER,FLAT,USS,3/8",Y Z-34N from SN 2548; Z-34DC/BE from SN 1892	
--	74865GT	BEARING,FL,1.25IDX1.5ODX1.25L		17	5397GT	WASHER,FLAT,USS,5/16",Y	
--	74866GT	BEARING,1.25IDX1.5ODX1.25L		18	36249-SGT	PLATFORM SUPPORT WELD,Z30N,Z34.....1 Z-34N to SN 2547; Z-34DC/BE to SN 1891	
4A	74587GT	BELLCRANK ASSEMBLY, Z30N,Z34**...1 Z-34N from SN 3296; Z-34DC/BE from SN 2054		--	56500-SGT	WELDMENT,PLATFORM SUPPORT*** Z-34N from SN 2548; Z-34DC/BE from SN 1892	
5	8516GT	SCREW, HCC, 3/8-16 X 1.50		19	6145GT	SCREW,HHC,1/4-20 X 1.5	
6	4828GT	NUT,NYLOCK,3/8-16		20		Ref. Platform Rotator Manifold refer to 703.1	
7	825019GT	ROD END,.375X3.69,ZAG.....	8	21		ROTATOR,HELICAL,PLATFORM***.....1 Z-34N to SN 2547; Z-34DC/BE to SN 1891 (component no longer available)	
8	36054-SGT	COMPRESSION MEMBER (BORED)***.....	2	--	13852GT	VALVE ASSY,BLEED***	
9A	94218GT	CYLINDER,JIB.....1 Z-34N from SN 4117; Z-34DC/BE from SN 3459		--	31498GT	BEARING KIT,ROTATOR,9K***	
--	31106GT	VALVE,CNTERBAL,CBBB-LHN@3000** for 94218		--	65842GT	SEAL KIT,UNIVERSAL,9K ROTATOR*	
--	47377GT	BEARING,1.25 ID X 1.5 OD X .75		21A	147369GT	SEAL AND BRG KIT,4.5K ROTATOR* for 94404GT	
--	94261GT	SEAL KIT,94218 Z-34N from SN 4117; Z-34DC/BE from SN 3459 (Identify part number on cylinder before ordering. For cylinder 147142, order 147147)		21A	36062GT	ROTATOR,HELICAL,PLATFORM***.....1 Z-34N to SN 2547; Z-34DC/BE to SN 1891 (component no longer available)	
9B	147147GT	SEAL KIT,147142 for cylinder 147142GT, Z-34N from SN 4117; Z-34DC/BE from SN 3459 (Identify part number on cylinder before ordering. For cylinder 94218, order 94261)		--	31498GT	BEARING KIT,ROTATOR,9K***	
9C	83087GT	SEAL KIT (74593) Z-34N from SN 3972 to SN 4116; Z-34DC/BE from SN 3298 to 3458		--	65842GT	SEAL KIT,UNIVERSAL,9K ROTATOR*	
9D	48405GT	SEAL KIT,CYLINDER*** Z-34N to SN 3971; Z-34DC/BE to SN 3297		21B	233717GT	ROTATOR,PLAT,Z30/34/Z40.....1 Z-34N from SN 2548; Z-34DC/BE from SN 1892	
10	6090GT	SCREW,HHC,1/4-20 X .75		--	13852GT	VALVE ASSY,BLEED***	
11	6356GT	WASHER,LOCK,.25		--	147369GT	SEAL AND BRG KIT,4.5K ROTATOR* (for 94401 & 94404 PLATFORM ROTATOR) (Z-34N from SN 4762; Z-34DC/BE from 3892)	
12	73928GT	SCREW,HHC,1-8 X 11,GRD 5*** Z-34N to SN 2547; Z-34DC/BE to SN 1891		--	233745GT	SEAL AND BRG KIT,4.5K ROTATOR for 233717GT	
--	56925GT	SCREW,HHC,3/4-10 X 9.5 GR 8 YE Z-34N from SN 2548; Z-34DC/BE from SN 1892					
13	29605GT	WASHER,LOCK,1" Z-34N to SN 2547; Z-34DC/BE to SN 1891					

506.1 Jib Boom and Platform Rotator
(continued)

Item	Part No.	Description	Qty.	Item	Part No.	Description	Qty.
--	30222GT	BEARING,FL,1.25IDX1.41ODX1.50L		34	42939GT	WIRE LOOM,1.88 DIA.....45-inches	
--	62509GT	SEAL KIT,ROTATOR*** (for 56591 PLATFORM ROTATOR) (Z-34N from SN 2548)		35	10665GT	PIN,ROLL,,25 X 1.5***	1
--	62510GT	BEARING KIT-PLATFORM ROTATOR** (for 56591 PLATFORM ROTATOR) (Z-34N from SN 2548)		36A	36190GT	PIN,SLAVE CYL,1.25 X 6.06***.....1 Z-34N to SN 4017; Z-34DC/BE to SN 3345	
22	42939GT	WIRE LOOM,1.88 DIA.....41-inches		36B	94153GT	PIN,1.25DIA X 5.70LG,2RING Z-34N from SN 4018 to 8857; Z-34DC/BE from SN 3346 to 7773	
23	27497GT	CLAMP,RUBBER CUSHIONED-2 5/32		36C	50546GT	PIN,1.25DIA X 6.36LG,2RING Z-34N from SN 8858; Z-34DC/BE from SN 7774	
24	6019GT	SCREW,HHC,3/8-16 X 1.25 GRD 5		37	30217GT	SNAP RING,EXTERNAL,1.25 DIA.**.....4 Z-34N from SN 8737; Z-34DC/BE from SN 7635	
25	36199GT	PIN,1.25DIA.X10.38LG,1HOLE.....2		38	30255GT	WASHER,SHIM,1.27 X 2.13 X .062 Z-34N from SN 8737; Z-34DC/BE from SN 7635	
26	36279-SGT	JIB BOOM MACHINED.....1 Z-34N to SN 2771; Z-34DC/BE to SN 2005					
--	56976-SGT	JIB BOOM MACH*** Z-34N from SN 2772; Z-34DC/BE from SN 2006					
27	36561-SGT	HOSE COVER,JIB BOOM**	1				
28	6091GT	NUT,NYLOCK,1/4-20					
29	6638GT	WASHER,FLAT,USS,1/4"Y					
30	42797GT	PIN,1.25DIA X 12.50LG,2HOLE.....2					
31		Ref. Jib Boom Manifold refer to 703.1					
32	36189GT	PIN,SLAVE CYL,1.25 X 4.38.....1 Z-34N to SN 2775; Z-34DC/BE to SN 1986					
--	56749GT	PIN,SLAVE CYLINDER.....1 Z-34N from SN 2776 to 8736; Z-34DC/BE from SN 1987 to 7634					
--	139655GT	PIN,SLAVE CYLINDER.....1 Z-34N from SN 8737; Z-34DC/BE from SN 7635					
33	94217GT	CYLINDER,SLAVE,DONGYANG.....1					
--	147146GT	SEAL KIT,147141 cylinder 94217GT (Dongyang) or 147141 (Shin Hung) may be installed, check stamp on cylinder before ordering					
--	25683GT	BEARING,POLYGON,20DU12					
--	35088GT	BEARING,FL,1.25IDX1.41ODX.89L rod end, 94217GT and 147141GT					
--	40665GT	VALVE,COUNTERBALANCE (36078)** for 94217GT and 147141GT					
--	47377GT	BEARING,1.25 ID X 1.5 OD X .75 barrel end, 94217GT and 147141GT					
--	52620GT	SEAL KIT-EXT CYL & SLAVE CYL.* for cylinder 74968GT, 74589GT, 74454GT and 42404GT; check stamp on cylinder prior to ordering					
--	74614GT	BUSHING, FLANGED					
--	74735GT	VALVE,COUNTERBALANCE for 94217GT					
--	94260GT	SEAL KIT, 94217 for cylinder 94217GT; check stamp on cylinder prior to ordering					

This Page Intentionally Left Blank

Go to Discount-Equipment.com to order your parts

PARTS FINDER

**Search Website
by Part Number**



**Search Manual
Library For Parts
Manual & Lookup Part
Numbers – Purchase
or Request Quote**

Search Manuals

Enter your information to help us find the right parts manual for your machine.

* Brand:

* Model:

* Serial:

* Part Number:

SEARCH

**Can't Find Part or
Manual? Request Help
by Manufacturer,
Model & Description**

Parts Order Form

Please fill in the following information to help us find the right part for your machine.

Manufacturer:	<input type="text"/>
Model:	<input type="text"/>
Description:	<input type="text"/>
Part Number:	<input type="text"/>
Quantity:	<input type="text"/>
Notes:	<input type="text"/>

Submit

Discount-Equipment.com is your online resource for quality parts & equipment.

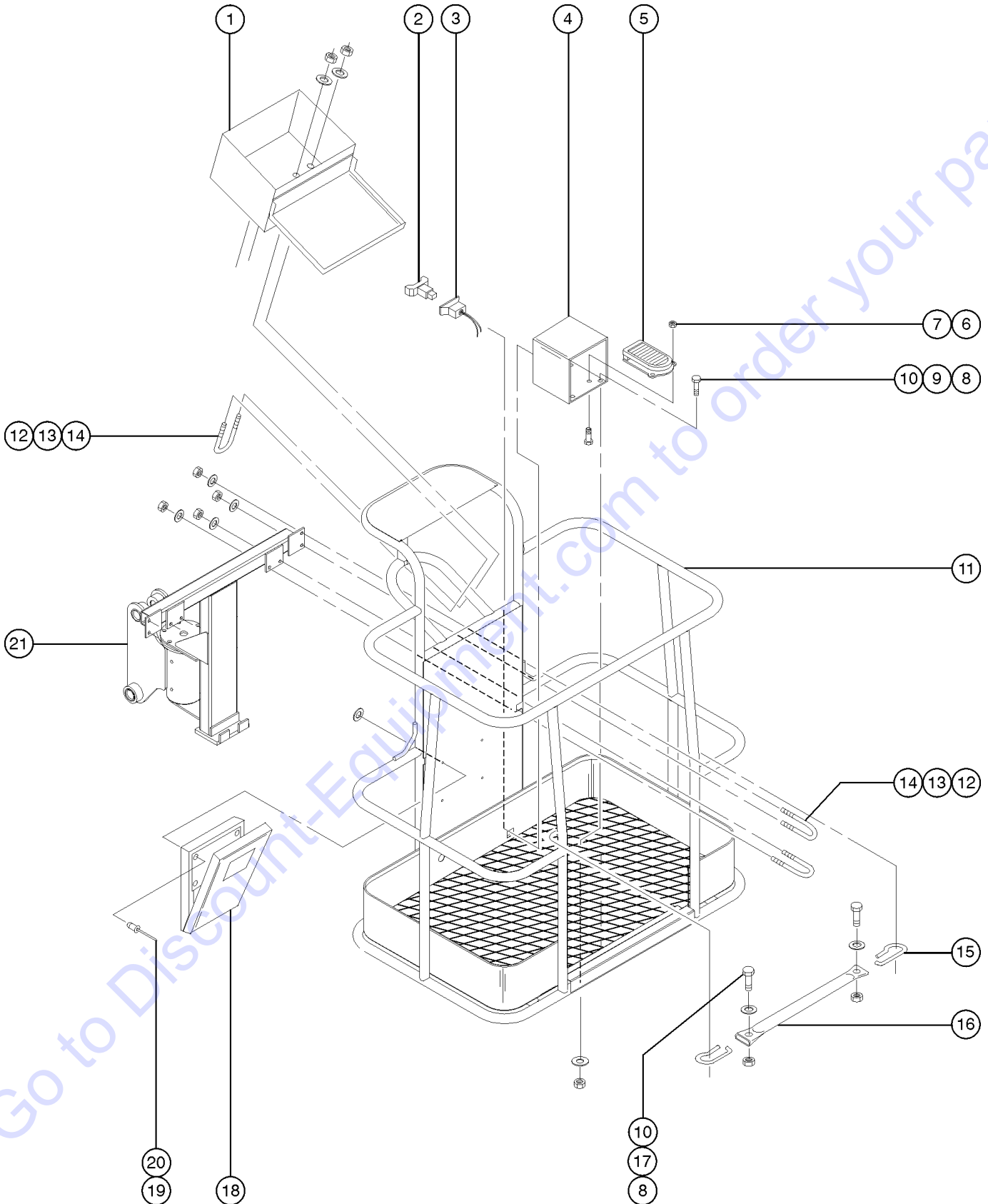
Florida: **561-964-4949** Outside Florida TOLL FREE: **877-690-3101**

Need parts?

Click on this link: <http://www.discount-equipment.com/category/5443-parts/> and choose one of the options to help get the right parts and equipment you are looking for. Please have the machine model and serial number available in order to help us get you the correct parts. If you don't find the part on the website or on one of the online manuals, please fill out the request form and one of our experienced staff members will get back to you with a quote for the right part that your machine needs.

We sell worldwide for the brands: Genie, Terex, JLG, MultiQuip, Mikasa, Essick, Whiteman, Mayco, Toro Stone, Diamond Products, Generac Magnum, Airman, Haulotte, Barreto, Power Blanket, Nifty Lift, Atlas Copco, Chicago Pneumatic, Allmand, Miller Curber, Skyjack, Lull, Skytrak, Tsurumi, Husquvarna Target, Stow, Wacker, Sakai, Mi-T-M, Sullair, Basic, Dynapac, MBW, Weber, Bartell, Bennar Newman, Haulotte, Ditch Runner, Menegotti, Morrison, Contec, Buddy, Crown, Edco, Wyco, Bomag, Laymor, EZ Trench, Bil-Jax, F.S. Curtis, Gehl Pavers, Heli, Honda, ICS/PowerGrit, IHI, Partner, Imer, Clipper, MMD, Koshin, Rice, CH&E, General Equipment, Amida, Coleman, NAC, Gradall, Square Shooter, Kent, Stanley, Tamco, Toku, Hatz, Kohler, Robin, Wisconsin, Northrock, Oztec, Toker TK, Rol-Air, APT, Wylie, Ingersoll Rand / Doosan, Innovatech, Con X, Ammann, Mecalac, Makinex, Smith Surface Prep, Small Line, Wanco, Yanmar

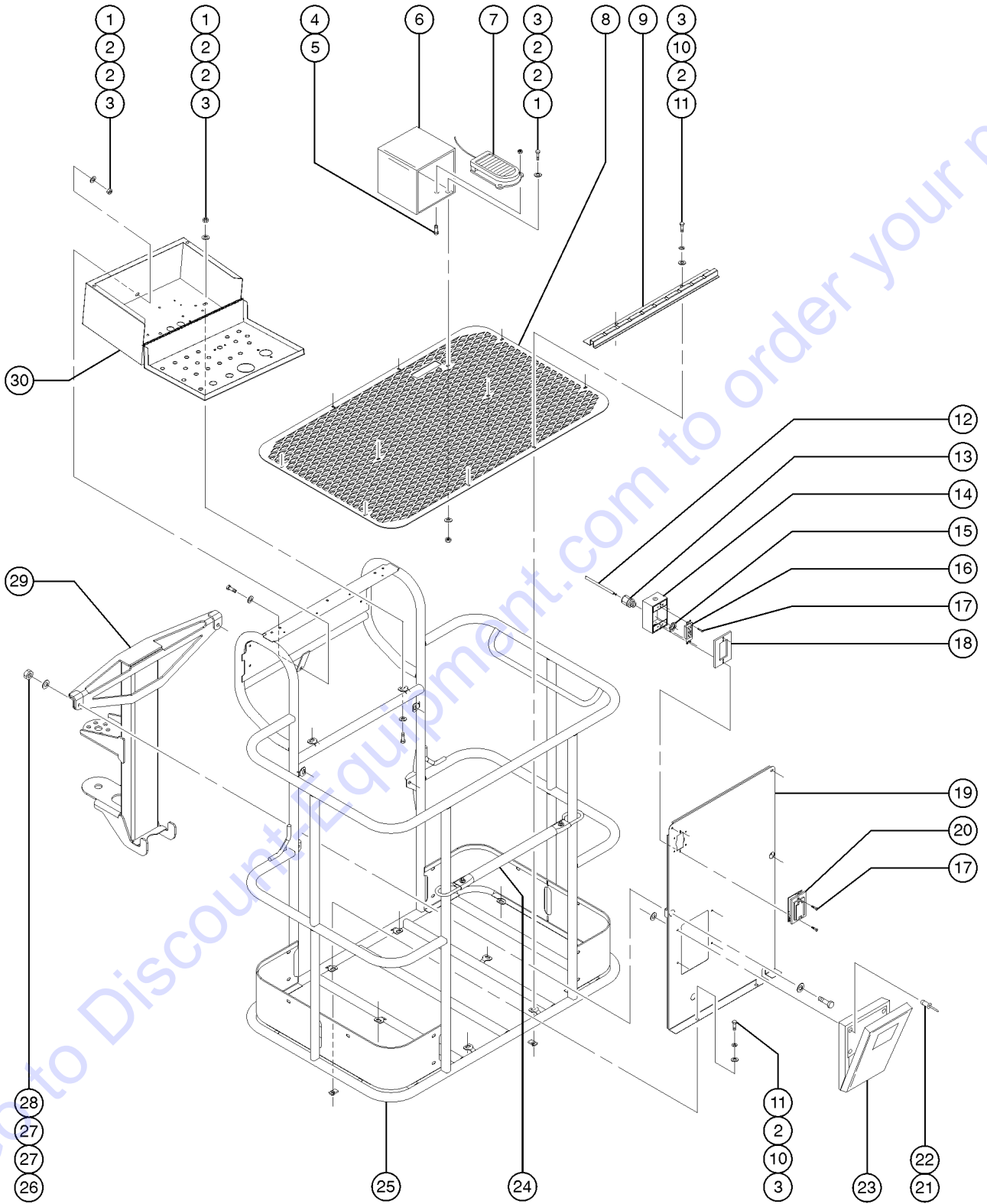
601.1 Platform (Z-34N to SN 2548) (Z-34DC and BE to SN 1891)



601.1 Platform (Z-34N to SN 2548) (Z-34DC and BE to SN 1891)

Item	Part No.	Description	Qty.	Item	Part No.	Description	Qty.
1		Ref. Platform Control Box (refer to 604.1)		--	13482GT	FOOT SWITCH*** for PN 74298GT	
2	36600GT	FOOT SWITCH WIRE ASSY W/CONN.....1 Z-34N and Z-34DC		--	20262GT	MICROSWITCH,13482 FOOTSWITCH for PN 74298GT	
--	22431GT	TERMINAL,ANDERSON,30A 12-16 GA		--	56051GT	WIRE CABLE,16/2,WHT/BLK,SJEOW.82-inches for PN 74298GT	
--	22432GT	ANDERSON HOUSING,15-45 AMP BLK		5B	228469GT	KIT, FOOTSWITCH, Z30/Z34 WORD (upgrade kit) ANSI models	
--	22433GT	ANDERSON HOUSING,15-45,AMP,WHT		--	227620GT	ASSEMBLY,FOOT SWITCH for PN 228469GT	
--	22434GT	ANDERSON HOUSING,15-45 AMP RED		5C	228470GT	KIT, FOOTSWITCH, Z30/Z34 SYM (upgrade kit) CE models	
--	22435GT	ANDERSON HOUSING,15-45 AMP GRN		--	227620GT	ASSEMBLY,FOOT SWITCH for PN 228470GT	
--	29350GT	TERMINAL,ANDERSON,15A 16-20GA		6	6178GT	NUT,NYLOCK,10-32	
--	43960GT	WIRE CABLE,16/4 CON.TPE JKT		7	17626GT	SCREW,FHM,10-32 X .75	
--	45200GT	SPACER,SHORT ANDERSON		8	6888GT	SCREW,HHC,1/4-20 X 1	
--	45201GT	SPACER,LONG ANDERSON		9	12906GT	WASHER,FENDER,.25 X 1.25 X.062	
--	45202GT	PIN,ROLL,.094 X .875		10	6091GT	NUT,NYLOCK,1/4-20	
--	45313GT	PLUG,W/LATCH,4 POLE,ANDERSON		11	74782GT	PLAT/SUP.UPGRADE KIT 4FT ANSI*.....1 ANSI and CSA models	
--	52974GT	FOOTSWITCH WIRE ASSY W/RECPT Z-34BE only		--	74381GT	PLAT.ASSY.W/DECAL4'Z30/34,CE CE models	
3	29431GT	CONNECTOR ASSEMBLY,FOOTSWITCH Z-34N and Z-34DC		--	74383GT	PLAT.ASSY.W/DECAL5'Z34N&DC,CE* CE models	
--	22431GT	TERMINAL,ANDERSON,30A 12-16 GA		--	74792GT	PLAT/SUP.UPGRADE KIT 5FT ANSI*.....1 ANSI and CSA models	
--	22432GT	ANDERSON HOUSING,15-45 AMP BLK		--	94745PGT	TOEBOARD,ENTRY EUROPEAN PNTD** CE models	
--	22433GT	ANDERSON HOUSING,15-45,AMP,WHT		12	6550GT	U-BOLT,3/8 X 1 YZ.....6	
--	22434GT	ANDERSON HOUSING,15-45 AMP RED		13	6097GT	WASHER,FLAT,USS,3/8",Y	
--	22435GT	ANDERSON HOUSING,15-45 AMP GRN		14	4828GT	NUT,NYLOCK,3/8-16	
--	29350GT	TERMINAL,ANDERSON,15A 16-20GA		15	12443GT	MIDRAIL GUIDE (HOOK).....2	
--	41020GT	TERMINAL,#10 RING,BLUE AMP		16	102992GT	SLIDING MIDRAIL KIT,PTD.....1	
--	43960GT	WIRE CABLE,16/4 CON.TPE JKT.....82-inches		--	102992GT	SLIDING MIDRAIL KIT,PTD	
--	45200GT	SPACER,SHORT ANDERSON		--	12443GT	MIDRAIL GUIDE (HOOK)	
--	45201GT	SPACER,LONG ANDERSON		--	20973GT	WIRE LOOM,3/8 POLY SLIT	
--	45202GT	PIN,ROLL,.094 X .875		--	21121GT	CABLE TIE,4" BLK,HEAT RESISTNT	
--	45313GT	PLUG,W/LATCH,4 POLE,ANDERSON		17	6638GT	WASHER,FLAT,USS,1/4"Y	
--	52973GT	FOOT SWITCH WIRE ASSY W/CONN.* Z-34BE only		18	44743GT	MANUAL BOX W/DECALS***.....1	
4	32710GT	GUARD,FOOTSWITCH,W/DECAL STEEL.....1		19	12037GT	RIVET,STL,STL,P,.25 X .5	
4A	32710GT	GUARD,FOOTSWITCH,W/DECAL STEEL.....1 for PN 74298GT		20	56660GT	WASHER,RIVETING	
4B	30807P-SGT	FOOTSWITCH HOUSING,PAINTED for upgrade kits 228469GT & 228470GT		21	36249-SGT	PLATFORM SUPPORT WELD.Z30N,Z34.....1	
5	74298GT	FOOTSWITCH ASSEMBLY 30N.....1					
--	13482GT	FOOT SWITCH***					
--	20262GT	MICROSWITCH,13482 FOOTSWITCH					
--	56051GT	WIRE CABLE,16/2,WHT/BLK,SJEOW.82-inches					
5A	74298GT	FOOTSWITCH ASSEMBLY 30N.....1					

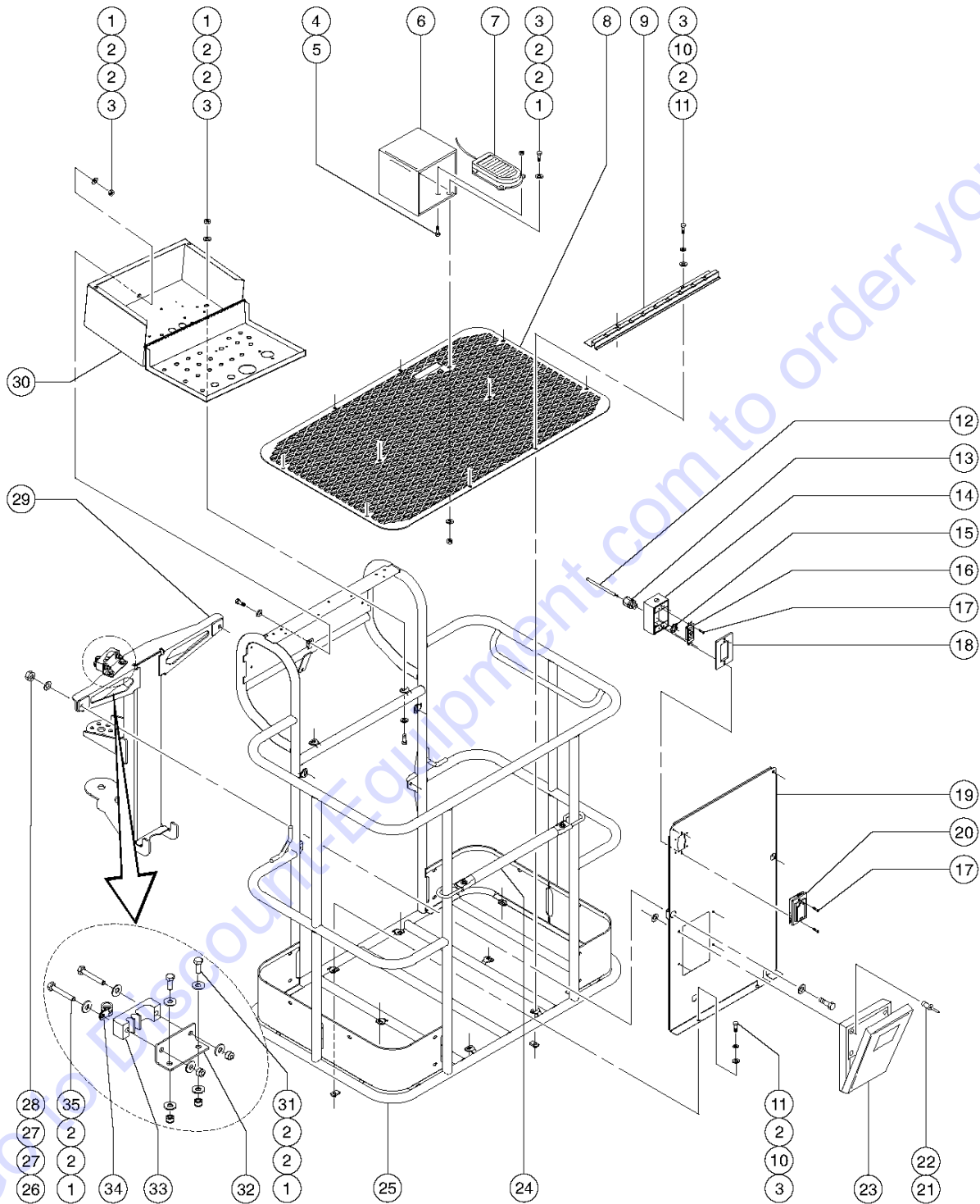
602.1 Platform (Z-34N from SN 2548 to 4259) (Z-34DC and BE from SN 1892 to 3576)



602.1 Platform (Z-34N from SN 2548 to 4259) (Z-34DC and BE from SN 1892 to 3576)

Item	Part No.	Description	Qty.	Item	Part No.	Description	Qty.
--	74380GT	PLAT.ASSY.W/DECAL4'Z30/34ANSI ANSI and CSA models; includes items 1-3, 8-11, 19, and 21-23; Complete		12	43956GT	WIRE CABLE,14/3 CON.TPE JKT*.....600 i n c h e s	
--	74381GT	PLAT.ASSY.W/DECAL4'Z30/34,CE CE models; includes items 1-3, 8-11, 19, and 21-23; Complete		13	7056GT	CONN,SQUEEZE,1/2NPT .38-.50,SM....1	
--	74382GT	PLAT.ASY.W/DECL5'Z34N&DC,ANSI* ANSI and CSA models; includes items 1-3, 8-11, 19, and 21-23; Complete		14	10775GT	T-BOX,2.75 X 4.5 X 2.0.....1	
--	74383GT	PLAT.ASSY.W/DECAL5'Z34N&DC,CE* CE models; includes items 1-3, 8-11, 19, and 21-23; Complete		15	6935GT	LOCKNUT,ELEC,1/2".....1	
--	74448GT	INSTRUCTIONS,CONTROL BX MOUNT		16	13585GT	OUTLET, 110V.....1 includes mounting fasteners; North America	
1	6091GT	NUT,NYLOCK,1/4-20		16A	T112563GT	SVC KIT,UK RECEPT.REPLACEMENT British	
2	6638GT	WASHER,FLAT,USS,1/4"Y		--	33629GT	PLATE,UK POWER TO PLATFORM	
3	6090GT	SCREW,HHC,1/4-20 X .75		17	49820GT	SCREW,PHILLIPS,PHM,6-32 X .5	
4	17626GT	SCREW,FHM,10-32 X .75		18	74052GT	GASKET,COVER,GFCI,WEATHERPROOF.1	
5	6178GT	NUT,NYLOCK,10-32		19	62508GT	DECAL PLATE W/D,PLAT,Z30/34**.....1 ANSI and CSA models; includes items 21-23	
6	32710GT	GUARD,FOOTSWITCH,W/DECAL STEEL.....1		--	62516GT	DECAL PLATE W/D,PLAT,Z30/34** CE models; includes items 21-23	
6A	32710GT	GUARD,FOOTSWITCH,W/DECAL STEEL.....1 for PN 74298GT		20	45437GT	COVER,GFCI,WEATHERPROOF.....1 ANSI and CSA models	
6B	30807P-SGT	FOOTSWITCH HOUSING,PAINTED for upgrade kits 228469GT & 228470GT		--	10777GT	COVER,BLANK	
7	74298GT	FOOTSWITCH ASSEMBLY 30N.....1		21	12037GT	RIVET,STL,STL,P,.25 X .5	
--	13482GT	FOOT SWITCH***		22A	56660GT	WASHER,RIVETING.....4	
--	20262GT	MICROSWITCH,13482 FOOTSWITCH		22B	6638GT	WASHER,FLAT,USS,1/4"Y.....4	
--	56051GT	WIRE CABLE,16/2,WHT/BLK,SJEOW		23	44743GT	MANUAL BOX W/DECALS***.....1	
7A	74298GT	FOOTSWITCH ASSEMBLY 30N.....1		24	102992GT	SLIDING MIDRAIL KIT,PTD.....1	
--	13482GT	FOOT SWITCH*** for PN 74298GT		--	12443GT	MIDRAIL GUIDE (HOOK)	
--	20262GT	MICROSWITCH,13482 FOOTSWITCH for PN 74298GT		--	20973GT	WIRE LOOM,3/8 POLY SLIT	
--	56051GT	WIRE CABLE,16/2,WHT/BLK,SJEOW for PN 74298GT		--	21121GT	CABLE TIE,4" BLK,HEAT RESISTNT	
7B	228469GT	KIT, FOOTSWITCH, Z30/Z34 WORD (upgrade kit) ANSI models		--	94745PGT	TOEBOARD,ENTRY EUROPEAN PNTD** CE Platform	
--	227620GT	ASSEMBLY,FOOT SWITCH for PN 228469GT		25A	101981GT	PLAT RAIL ASSY 4'ANSI/CSA.....1 4' Platform ANSI and CSA models	
7C	228470GT	KIT, FOOTSWITCH, Z30/Z34 SYM (upgrade kit) CE models		25B	101982GT	PLAT RAIL ASSY, 4' CE 4' Platform CE models	
--	227620GT	ASSEMBLY,FOOT SWITCH for PN 228470GT		25C	101983GT	PLAT RAIL ASSY 4' AUS 4' Platform AUS models	
8	56465PGT	FLOORING,PLATFORM 46X30,PAINT...1		25D	101984GT	PLAT RAIL ASSY 4' ASIA/S.AMER.....1 4' Platform Asia/S. American models	
--	56576PGT	FLOORING,PLATFORM,56X30,PNTD		25E	106634GT	WELDMENT,PLATFORM 56X30 5' Platform (no decals)	
9	56656PGT	PLATFORM STEP * PAINTED.....1		26	4828GT	NUT,NYLOCK,3/8-16	
10	6356GT	WASHER,LOCK,.25		27	5397GT	WASHER,FLAT,USS,5/16",Y	
11	56912GT	SPRING CLIP,1/4-20,.025-.15X.54,ZAG		28	13000GT	SCREW,HHC,5/16-18 X 1.25	
				29	56500-SGT	WELDMENT,PLATFORM SUPPORT***.....1	
				30		Ref. Platform Control Box (refer to 605.1)	

603.1 Platform (Z-34N from SN 4260) (Z-34DC and BE from SN 3577)



603.1 Platform (Z-34N from SN 4260) (Z-34DC and BE from SN 3577)

Item	Part No.	Description	Qty.	Item	Part No.	Description	Qty.
1	6091GT	NUT,NYLOCK,1/4-20		16	13585GT	OUTLET, 110V.....1 <i>includes mounting fasteners; ANSI/CSA</i>	1
2	6638GT	WASHER,FLAT,USS,1/4"Y		--	33629GT	PLATE,UK POWER TO PLATFORM.....1	1
3	6888GT	SCREW,HHC,1/4-20 X 1		--	T112563GT	SVC KIT,UK RECEPT.REPLACEMENT <i>British</i>	
4	17626GT	SCREW,FHM,10-32 X .75		17	49820GT	SCREW,PHILLIPS,PHM,6-32 X .5	
5	6178GT	NUT,NYLOCK,10-32		18	74052GT	GASKET,COVER,GFCI,WEATHERPROOF.1	1
6A	73931GT	GUARD,FOOTSWITCH,W/DECAL ALUM.....1 <i>ANSI/CSA/AUS Z-34 to SN 8464 and Z-34N to SN 9442</i>	1	19	106792GT	DECAL PLATE W/DECALS AND BOX....1 <i>ANSI/CSA/AUS to SN 9176</i>	1
--	63766GT	COVER,FOOT SWITCH.....1 <i>CE/Asia/S. America Z-34 to SN 8464 and Z-34N to SN 9442</i>	1	19	62508GT	DECAL PLATE W/D,PLAT,Z30/34**.....1 <i>ANSI/CSA models; AUS to SN 9176</i>	1
6B	30807P-SGT	FOOTSWITCH HOUSING,PAINTED.....1 <i>CE/Asia/S. America Z-34 from SN 8465 and Z-34N from SN 9443</i>	1	--	101980GT	DECAL PLATE ASSY,W/SYM DECALS <i>CE/Asia/S. America models</i>	
6B	32710GT	GUARD,FOOTSWITCH,W/DECAL STEEL.....1	1	--	231205GT	ASSY,DECAL PLATE, Z34DC AUS <i>ANSI/CSA/AUS from SN 9176</i>	
--	30807P-SGT	FOOTSWITCH HOUSING,PAINTED.....1	1	--	231206GT	ASSY,DECAL PLATE, Z34BE AUS <i>in models from SN 9177</i>	
--	32710GT	GUARD,FOOTSWITCH,W/DECAL STEEL.....1 <i>ANSI/CSA/AUS from Z34 from SN 8465 and Z-34N from SN 9443</i>	1	20	45437GT	COVER,GFCI,WEATHERPROOF.....1 <i>includes mounting fasteners; ANSI/CSA</i>	1
7A	74298GT	FOOTSWITCH ASSEMBLY 30N.....1 <i>to SN 8464</i>	1	--	10777GT	COVER,BLANK	
--	13482GT	FOOT SWITCH*** <i>for PN 74298GT</i>		21	12037GT	RIVET,STL,STL,P,.25 X .5	
--	20262GT	MICROSWITCH,13482 FOOTSWITCH <i>for PN 74298GT</i>		22	56660GT	WASHER,RIVETING	
--	56051GT	WIRE CABLE,16/2,WHT/BLK,SJEOW <i>for PN 74298GT</i>		23A	44743GT	MANUAL BOX W/DECALS***.....1 <i>USA/Canada/Australia</i>	1
7B	228469GT	KIT, FOOTSWITCH, Z30/Z34 WORD.....1 <i>(upgrade kit) ANSI/CSA/AUS Z34 from SN 3577 to 8465 and Z-34N from SN 4260 to 9442</i>	1	23B	24514GT	BOX,INSTRUCTION STORAGE <i>Europe/Asia/South America (decals required; refer to Section 100)</i>	
7C	228470GT	KIT, FOOTSWITCH, Z30/Z34 SYM.....1 <i>(upgrade kit) CE/Asia/S. America Z-34 from sn 3577 to SN 8465 and Z-34N from 4260 to 9442</i>	1	24	102992GT	SLIDING MIDRAIL KIT,PTD.....1	1
7D	227620GT	ASSEMBLY,FOOT SWITCH <i>from SN 8465</i>		--	102992GT	SLIDING MIDRAIL KIT,PTD	
8	56465PGT	FLOORING,PLATFORM 46X30,PAINT...1	1	--	12443GT	MIDRAIL GUIDE (HOOK)	
--	56576PGT	FLOORING,PLATFORM,56X30,PNTD		--	20973GT	WIRE LOOM,3/8 POLY SLIT	
9	56656PGT	PLATFORM STEP * PAINTED.....1	1	--	21121GT	CABLE TIE,4" BLK,HEAT RESISTNT	
10	6356GT	WASHER,LOCK,.25		25A	101985GT	PLAT ASSY W/DECAL(US/CANADA)....1 <i>4' Platform ANSI and CSA models</i>	1
11	56912GT	SPRING CLIP,1/4-20,.025-.15X.54,ZAG		25B	74382GT	PLAT.ASY.W/DECLS'Z34N&DC,ANSI* <i>5' Platfrom ANSI and CSA models</i>	
12	43956GT	WIRE CABLE,14/3 CON.TPE JKT*.....600-inches		--	106546GT	4' PLAT RAILING ASSY,AUST.....1 <i>4' Platform AUS models</i>	1
13	7056GT	CONN,SQUEEZE,1/2NPT .38-.50,SM....1	1	25C	106549GT	5' PLAT RAILING ASSY,AUST <i>5' Platfrom AUS models</i>	
14	10775GT	T-BOX,2.75 X 4.5 X 2.0.....1	1	25D	101986GT	PLAT ASSY W/DECAL (CE) <i>4' platform CE models</i>	
15	6935GT	LOCKNUT,ELEC,1/2".....1	1	--	106547GT	4' PLAT RAILING ASSY,CE.....1 <i>CE models</i>	1
				--	106550GT	5' PLAT RAILING ASSY,CE <i>CE models</i>	
				--	94745PGT	TOEBOARD,ENTRY EUROPEAN PNTD** <i>CE models</i>	
				--	106548GT	4' PLAT RAILING ASSY,ASIA.....1 <i>Asia and S. American Models</i>	1

603.1 Platform (Z-34N from SN 4260) (Z-34DC and BE from SN 3577)
(continued)

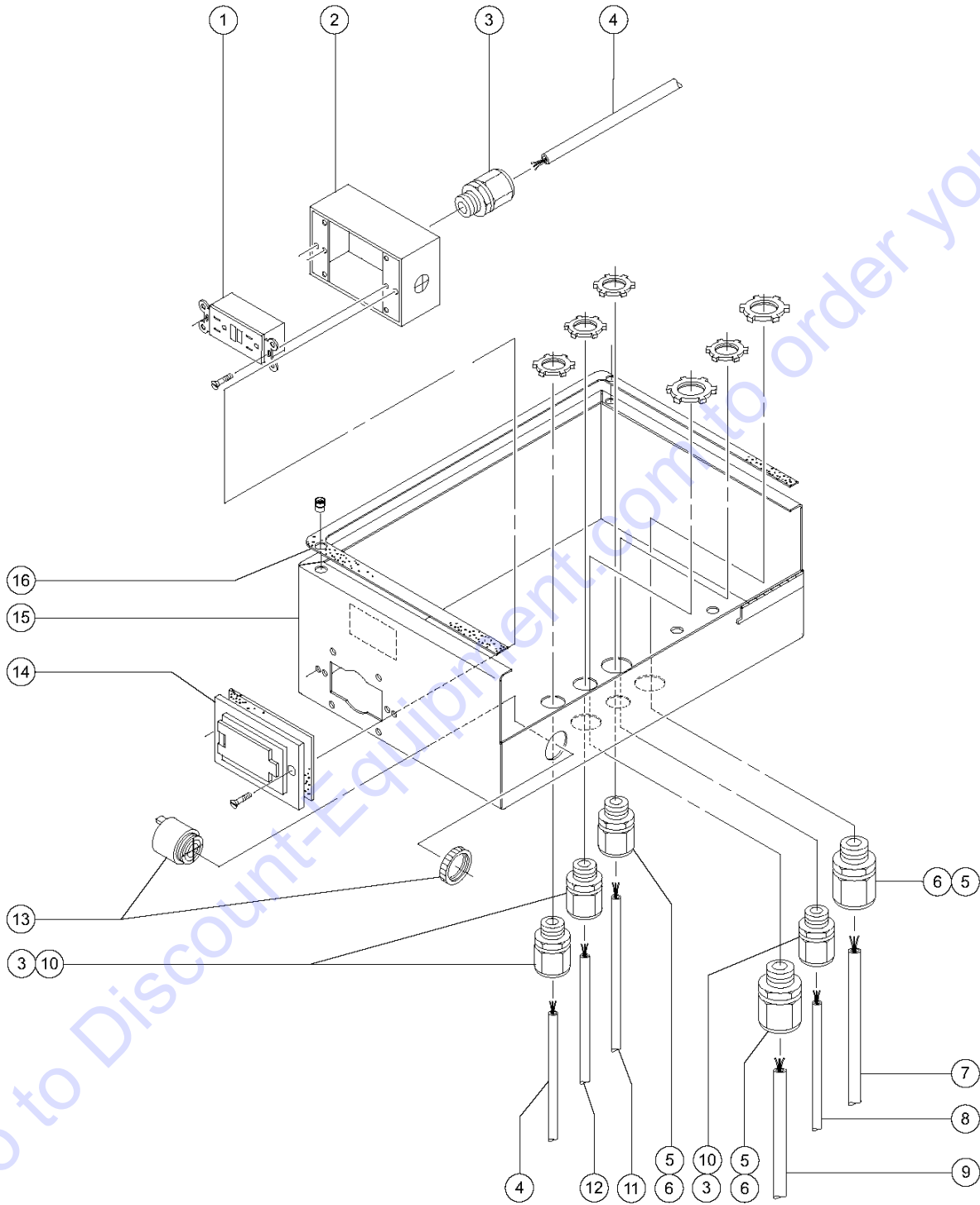
Item	Part No.	Description	Qty.
--	106551GT	5' PLAT RAILING ASSY, ASIA <i>Asia and S. American Models</i>	
--	94745PGT	TOEBOARD,ENTRY EUROPEAN PNTD** <i>CE models</i>	
26	4828GT	NUT,NYLOCK,3/8-16	
27	5397GT	WASHER,FLAT,USS,5/16",Y	
28	13000GT	SCREW,HHC,5/16-18 X 1.25	
29	56500-SGT	WELDMENT,PLATFORM SUPPORT***.....1	
30		Ref. Platform Control Box with Lid and Decal (refer to 605.1)	
31	6090GT	SCREW,HHC,1/4-20 X .75	
32	77993GT	BRACKET, CABLE STRAIN RELIEF.....1 <i>to SN 7769</i>	
--	128667GT	BRACKET, CABLE STRAIN RELIEF <i>from SN 7770</i>	
33	77994GT	CLAMP,CABLE STRAIN RELIEF.....1 <i>to SN 7769</i>	
--	128668GT	CLAMP,CABLE STRAIN RELIEF <i>from SN 7770</i>	
34	6833GT	CLAMP,0.50,#8 X 1/4,RUB CUSH.....1 <i>to SN 7769</i>	
--	128669GT	BACKING PLATE, PLATFORM CLAMP <i>from SN 7770</i>	
35	6637GT	SCREW,HHC,1/4-20 X 1.75	

603.1 Platform (Z-34N from SN 4260) (Z-34DC and BE from SN 3577)
(continued)

This Page Intentionally Left Blank

Go to Discount-Equipment.com to order your parts

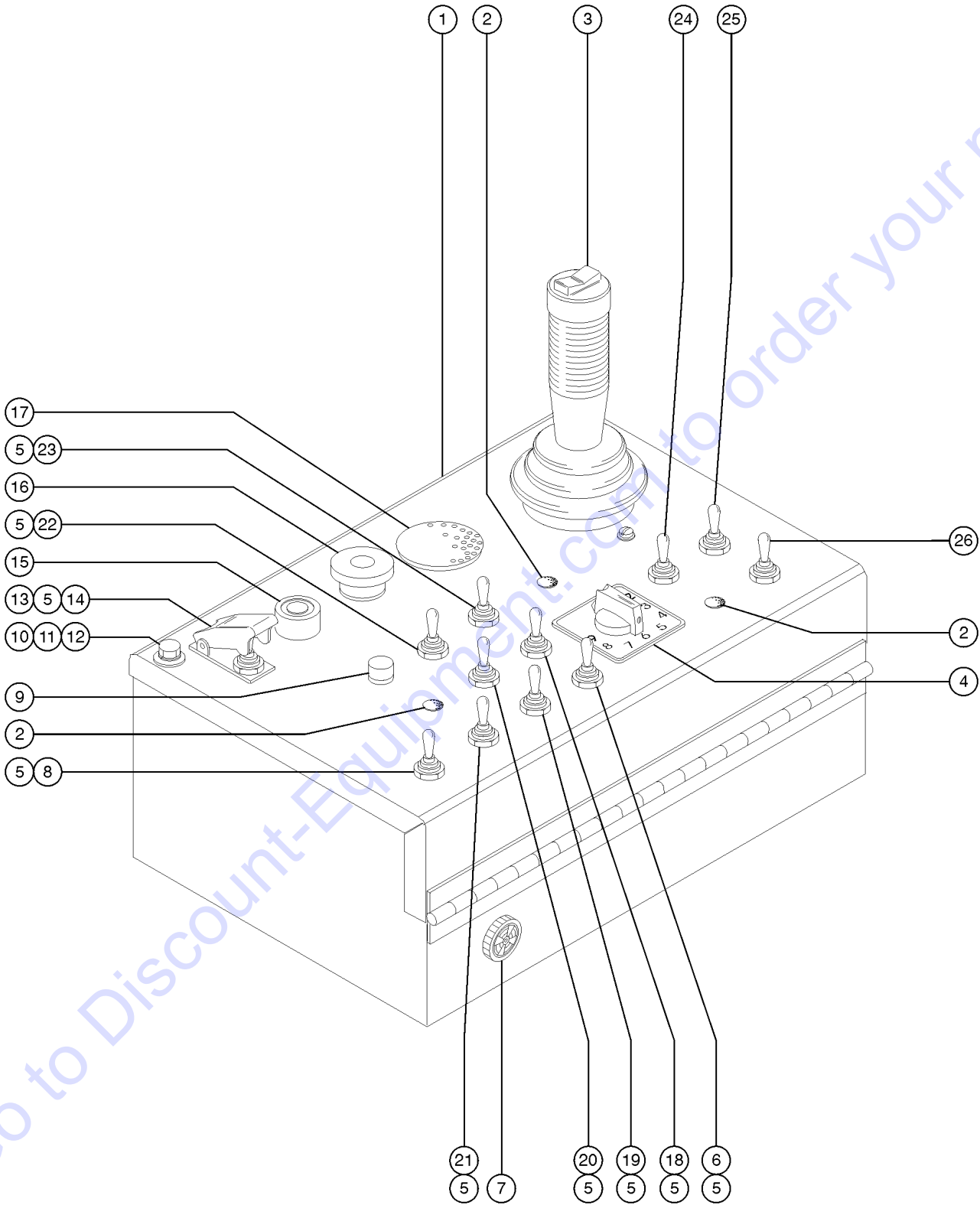
604.1 Platform Control Box - View 1 (Z-34N to SN 2750) (Z-34DC and BE to SN 1999)



604.1 Platform Control Box - View 1 (Z-34N to SN 2750) (Z-34DC and BE to SN 1999)

Item	Part No.	Description	Qty.
1	13585GT	OUTLET, 110V.....1 <i>ANSI/CSA models</i>	1
--	35003GT	RECEPTACLE, BRITISH, 110V <i>British</i>	
2	10775GT	T-BOX,2.75 X 4.5 X 2.0.....1	1
3	7056GT	CONN,SQUEEZE,1/2NPT .38-.50,SM....4	4
4	43956GT	WIRE CABLE,14/3 CON.TPE JKT*.....618-inches	
5	12960GT	CABLE SQUEEZE CONN.,XTRA LRG...3	3
6	14041GT	LOCKNUT,ELECTRIC,3/4".....3	3
7	35934GT	WIRE CABLE,18/19 CON.TPRJKT.....624-inches	
8	43955GT	WIRE CABLE,12/3 CON.TPE JKT.....618-inches	
9	35934GT	WIRE CABLE,18/19 CON.TPRJKT.....128-inches	
10	6935GT	LOCKNUT,ELEC,1/2".....3	3
11	43961GT	WIRE CABLE,16/6 CON.TPE J.....82-inches	
12	52973GT	FOOT SWITCH WIRE ASSY W/CONN.*.....1	1
--	22431GT	TERMINAL,ANDERSON,30A 12-16 GA	
--	22432GT	ANDERSON HOUSING,15-45 AMP BLK	
--	22433GT	ANDERSON HOUSING,15-45,AMP,WHT	
--	22434GT	ANDERSON HOUSING,15-45 AMP RED	
--	22435GT	ANDERSON HOUSING,15-45 AMP GRN	
--	43960GT	WIRE CABLE,16/4 CON.TPE JKT.....82-inches	
--	45202GT	PIN,ROLL,.094 X .875	
--	45313GT	PLUG,W/LATCH,4 POLE,ANDERSON	
13	45383GT	ALARM,WARBLE TONE 5-30 VDC***.....1 <i>plastic nut not included</i>	1
13	72326GT	NUT - PLASTIC,RING FOR ALARMS.....1	1
--	72326GT	NUT - PLASTIC,RING FOR ALARMS.....1	1
14	45437GT	COVER,GFCI,WEATHERPROOF.....1 <i>includes mounting fasteners; ANSI/CSA models</i>	1
15	52683-SGT	PLATFORM CONTROL BOX W/DECAL.....1 <i>includes item 16</i>	1
16	36235GT	GASKET,PLAT.CONTROL BOX.....1	1

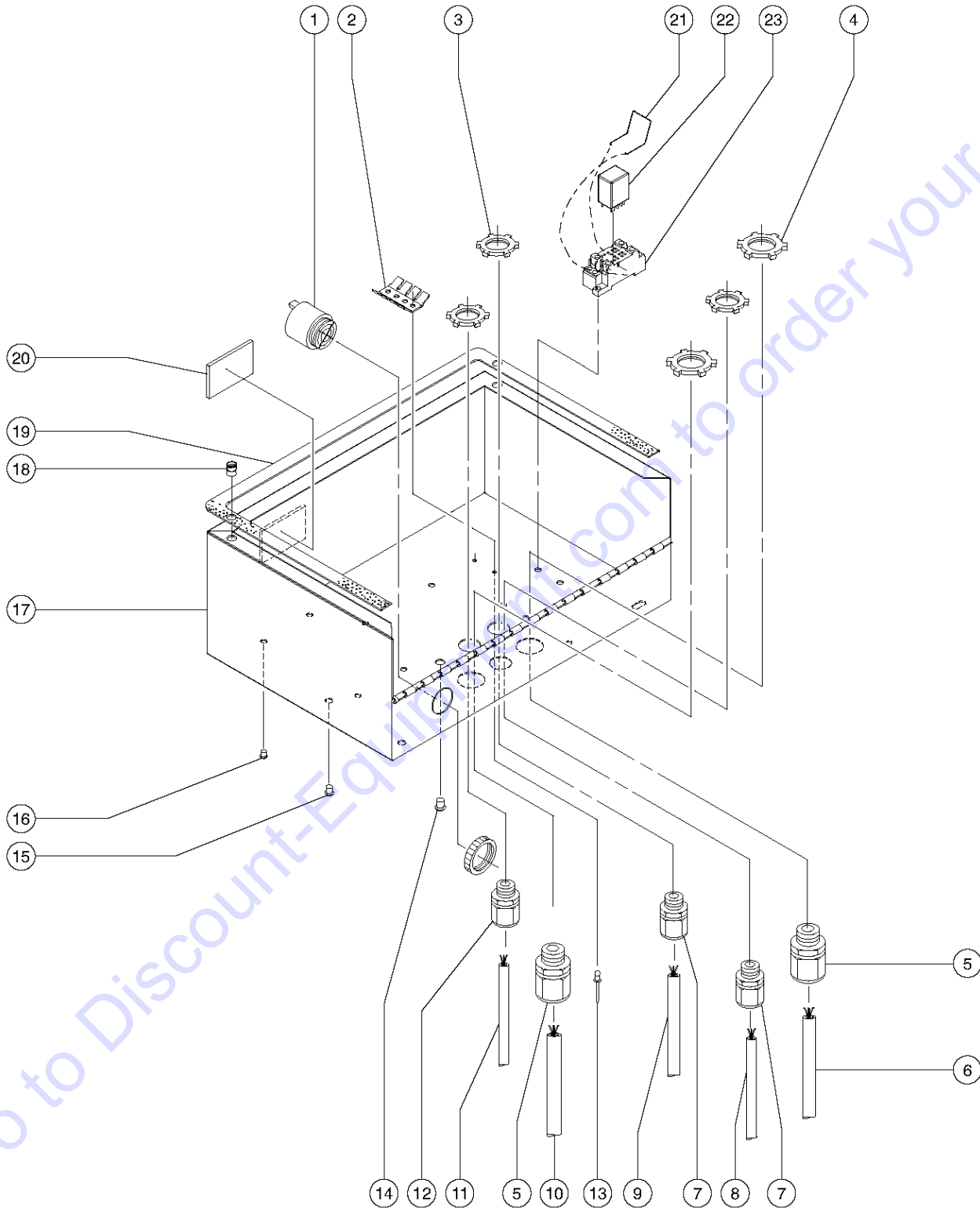
605.1 Platform Controls - View 2 (Z-34N to SN 2750) (Z-34DC and BE to SN 1999)



605.1 Platform Controls - View 2 (Z-34N to SN 2750) (Z-34DC and BE to SN 1999)

Item	Part No.	Description	Qty.	Item	Part No.	Description	Qty.
1	46993GT	CONT.BOX ASSY.PLAT Z30N,Z34DC.....1 <i>box only; contains no internal components</i>	1	22	16397-SGT	SWITCH,TOGGLE,DPDT,3POS MOMEN.....1 <i>primary boom extend/retract</i>	1
1	52683-SGT	PLATFORM CONTROL BOX W/DECAL		23	16397-SGT	SWITCH,TOGGLE,DPDT,3POS MOMEN.....1 <i>platform rotate</i>	1
2	45384GT	PLUG,NYLON .50 BLACK DOMED.....9	9	24	13037-SGT	SWITCH,TOGGLE,SPDT,3POS MOMEN*.....1 <i>engine start</i>	1
3		Ref., JOYSTICK.....1 <i>refer to 608.1</i>	1	24	42384GT	GASKET,GROUND CONTROL PNL,Z20.....1	1
4	56886GT	CONTROLLER,ROTARY 24V W/RAMP.....1	1	25	13037-SGT	SWITCH,TOGGLE,SPDT,3POS MOMEN*.....1 <i>glow plug</i>	1
--	35680GT	LEGEND,PLSTC,"CREEP TO 9"*** <i>for 56886</i>		25	42384GT	GASKET,GROUND CONTROL PNL,Z20.....1	1
5	27246GT	BOOT,TOGGLE SWITCH,SHORT*.....9	9	26	42384GT	GASKET,GROUND CONTROL PNL,Z20.....1	1
6	16397-SGT	SWITCH,TOGGLE,DPDT,3POS MOMEN.....1 <i>jib boom up/down</i>	1	26	56458GT	SWITCH TOGGLE SPDT 3POS MAIN**.....1 <i>engine idle select</i>	1
7	45383GT	ALARM,WARBLE TONE 5-30 VDC***1 <i>plastic nut not included</i>	1				
--	72326GT	NUT - PLASTIC,RING FOR ALARMS					
8	13037-SGT	SWITCH,TOGGLE,SPDT,3POS MOMEN*.....1 <i>drive enable</i>	1				
9	36373GT	LED,RED 24V.....1 <i>drive enable</i>	1				
10	6090GT	SCREW,HHC,1/4-20 X .75					
11	6356GT	WASHER,LOCK,.25					
12	6638GT	WASHER,FLAT,USS,1/4"Y					
13	13471GT	COVER, AUXILIARY POWER SWITCH.....1	1				
14	13480-SGT	SWITCH,TOGGLE,DPDT,2POS MOMEN.....1 <i>auxiliary power</i>	1				
15	122513GT	KIT,HORN SVC BB&SM BOOM.....1	1				
--	66813GT	BUTTON,PUSH,BLACK W/SEAL***					
--	66815GT	BASE, W/1 N.O. CONTACTS***					
16	122514GT	KIT,ESTOP SVC BB&SM BOOM.....1	1				
--	66818GT	CONTACT, N.C.					
--	66821GT	BASE,WITHOUT CONTACTS					
17	45840GT	PLUG,NYLON 2.00 BLACK DOMED.....1	1				
18	16397-SGT	SWITCH,TOGGLE,DPDT,3POS MOMEN.....1 <i>platform level</i>	1				
19	16397-SGT	SWITCH,TOGGLE,DPDT,3POS MOMEN.....1 <i>secondary boom up/down</i>	1				
20	16397-SGT	SWITCH,TOGGLE,DPDT,3POS MOMEN.....1 <i>primary boom up/down</i>	1				
21	16397-SGT	SWITCH,TOGGLE,DPDT,3POS MOMEN.....1 <i>turntable rotate</i>	1				

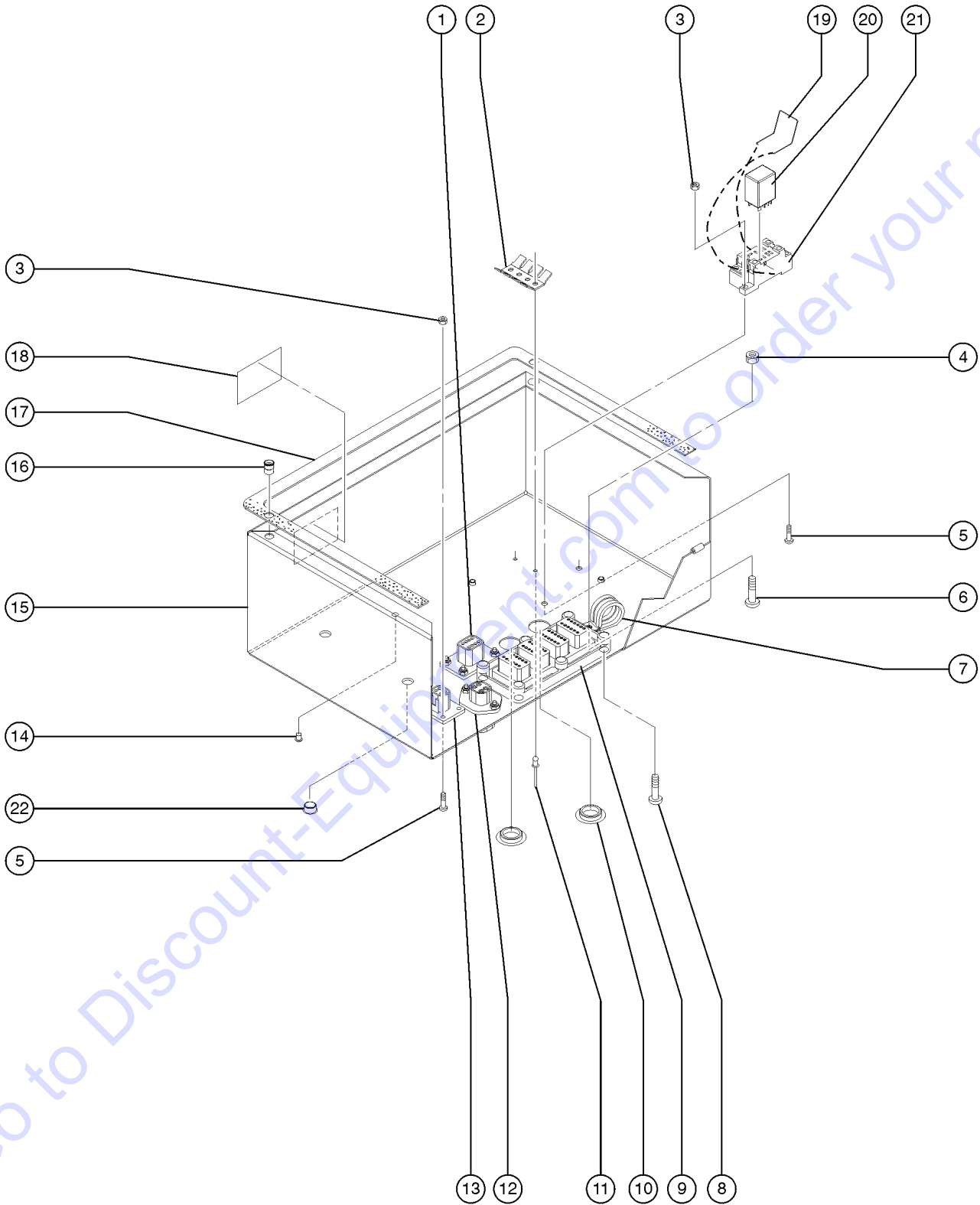
606.1 Platform Control Box - View 1 (Z-34N from SN 2751 to 5619) (Z-34DC and BE from SN 2000 to 4799)



606.1 Platform Control Box - View 1 (Z-34N from SN 2751 to 5619) (Z-34DC and BE from SN 2000 to 4799)

Item	Part No.	Description	Qty.
1	45383GT	ALARM,WARBLE TONE 5-30 VDC***.....1 <i>plastic nut not included</i>	1
--	72326GT	NUT - PLASTIC,RING FOR ALARMS.....1	1
2	56663GT	TERMINAL STRIP.....1	1
3	6935GT	LOCKNUT,ELEC,1/2".....3	3
4	14041GT	LOCKNUT,ELECTRIC,3/4".....2	2
5	12960GT	CABLE SQUEEZE CONN.,XTRA LRG...2	2
6	35934GT	WIRE CABLE,18/19 CON.TPRJKT.....618-inches	1
7	7057GT	CONN. SQZ,1/2NPT .39-.56 MED.....2	2
8	43955GT	WIRE CABLE,12/3 CON.TPE JKT.....624-inches	1
9	35934GT	WIRE CABLE,18/19 CON.TPRJKT.....618-inches	1
10	42587GT	WIRE CABLE,18GA/7CON TPR JKT.....128-inches	1
11	1505GT	WIRE CABLE,16/2 SJO,BULK...82-inches	1
12	7056GT	CONN,SQUEEZE,1/2NPT .38-.50,SM....1	1
13	6272GT	RIVET,STL,STL,P,125 X .25.....4	4
14	21858GT	PLUG,NYLON .38 BLACK DOMED.....1	1
15	30996GT	PLUG,NYLON .313 BLACK DOMED.....1	1
16	42781GT	PLUG, NYLON .250 BLACK DOMED....1	1
17	62517GT	CONT.BOX ASSY.PLAT Z30N,Z34DC.....1 <i>includes items 18, 19 and 20</i>	1
--	74353GT	CONTROL BOX ASSY.Z30/34N/34DC <i>includes items 18, 19 and 20</i>	1
18	23404GT	NUTSERT,1/4-20,STEEL CAD PLTD	1
19	36235GT	GASKET,PLAT.CONTROL BOX.....1	1
20	30997GT	CORROSION INHIBITOR,FOAM.....1	1
21	42617GT	CLIP,SPRING,POTTER BRUMFIELD....1	1
22	42616GT	RELAY,POTTER BRUMFIELD 24V **1	1
23	33608GT	RELAY,SOCKET,OMRON.....1	1

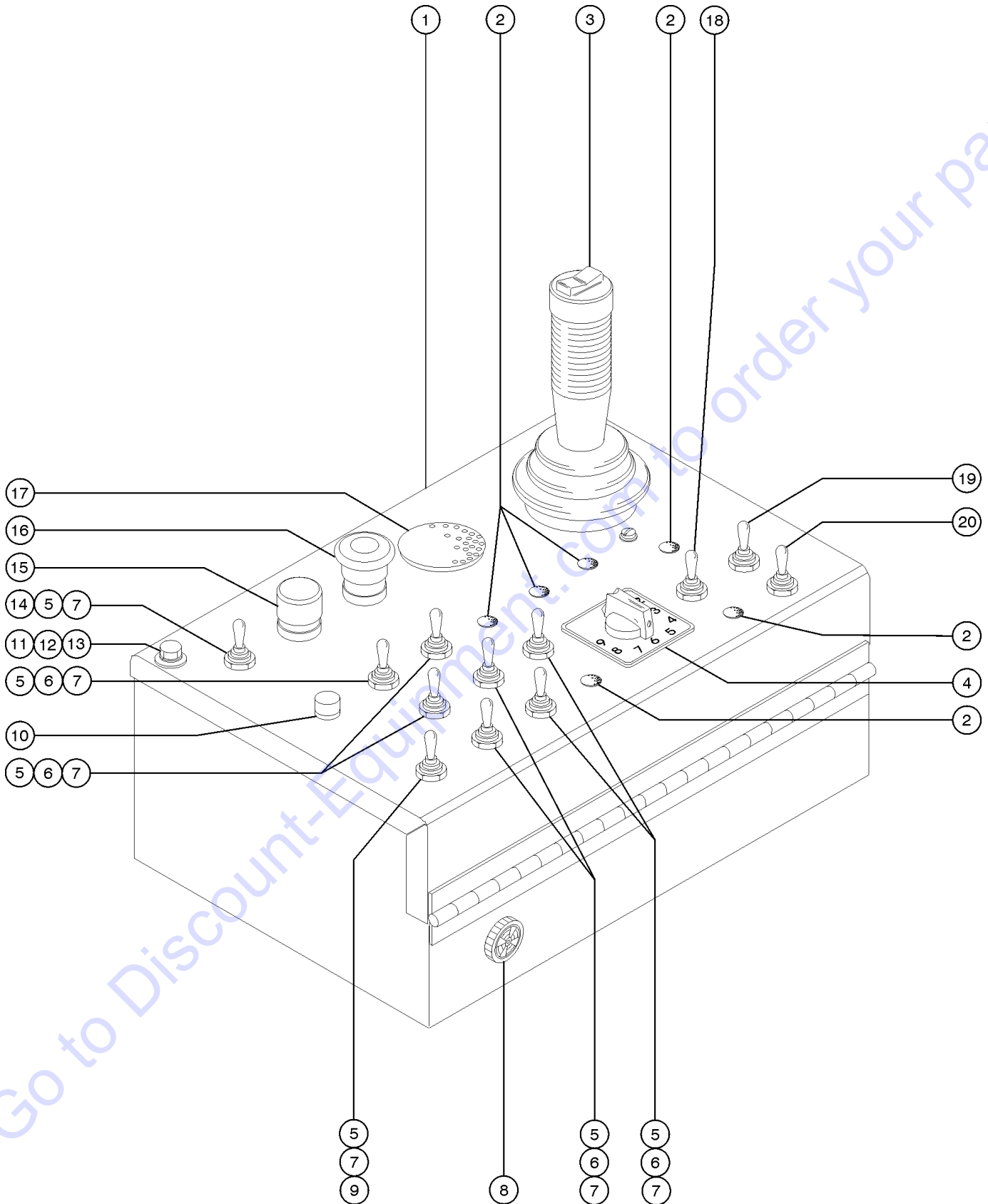
606.2 Platform Control Box - View 1 (Z-34N from SN 5620) (Z-34DC and BE from SN 4800)



606.2 Platform Control Box - View 1 (Z-34N from SN 5620) (Z-34DC and BE from SN 4800)

Item	Part No.	Description	Qty.
--	147253GT	TIME DELAY RELAY,2 SEC,24VDC Z-34N from SN 8858; Z-34DC/BE from SN 7774	
--	147389GT	HARNES, LOAD SENSE, Z30/34DC from SN 8858	
1	87755GT	CONN,RECEP 8 WAY 14-18GA,FL.....1	
2	56663GT	TERMINAL STRIP.....1	
3	12344GT	NUT,NYLOCK,6-32	
4	6178GT	NUT,NYLOCK,10-32	
5	49820GT	SCREW,PHILLIPS,PHM,6-32 X .5	
6	54365GT	SCREW,PHIL,PHM,10-32 X .5,SSTL	
7A	13268GT	CLAMP,0.75,#12 X 1/4,RUB CUSH.....1 to SN 10370	
7B	18666GT	CLAMP,1.00,#16 X 1/4,RUB CUSH.....1 from SN 10371	
8	73803GT	SCREW,SHM,PHP, #12 X .75	
9	73736GT	CONN,RECEP 48 WAY,4 X 12.....1	
--	54255GT	LOCK,RECEP 12 WAY, 14-18GA	
--	73713GT	TERM,NI PIN,S&F,16-18GA,REEL	
10	15243GT	PLUG,NYLON .875 BLACK DOMED.....2	
11	6272GT	RIVET,STL,STL,P.125 X .25.....4	
12	73717GT	CONN,RECEP 4 WAY,12-14GA FL***.....1	
--	60526GT	LOCK,RECEP 4 WAY,12-14GA	
--	73711GT	TERM,DEUTSCH, PIN #12-14	
13	73723GT	CONN RECEP,FLANGED.....1	
--	54259GT	TERM,NI PIN, 14-16GA,BULK	
--	60443GT	LOCK,RECEP 4 WAY,14-18GA	
14	42781GT	PLUG, NYLON .250 BLACK DOMED.....4	
15	110649GT	PLATFORM CONTROL BOX W/DECAL.....1 includes items 16, 17 and 18	
16	23404GT	NUTSERT,1/4-20,STEEL CAD PLTD	
17	36235GT	GASKET,PLAT.CONTROL BOX.....1	
18	30997GT	CORROSION INHIBITOR,FOAM.....1	
19	42617GT	CLIP,SPRING,POTTER BRUMFIELD.....1	
20	823226GT	POWER RELAY, 24V COIL.....1 option, work light option	
21	61226GT	RELAY SOCKET,70AMP.....1	
22	21858GT	PLUG,NYLON .38 BLACK DOMED.....2	

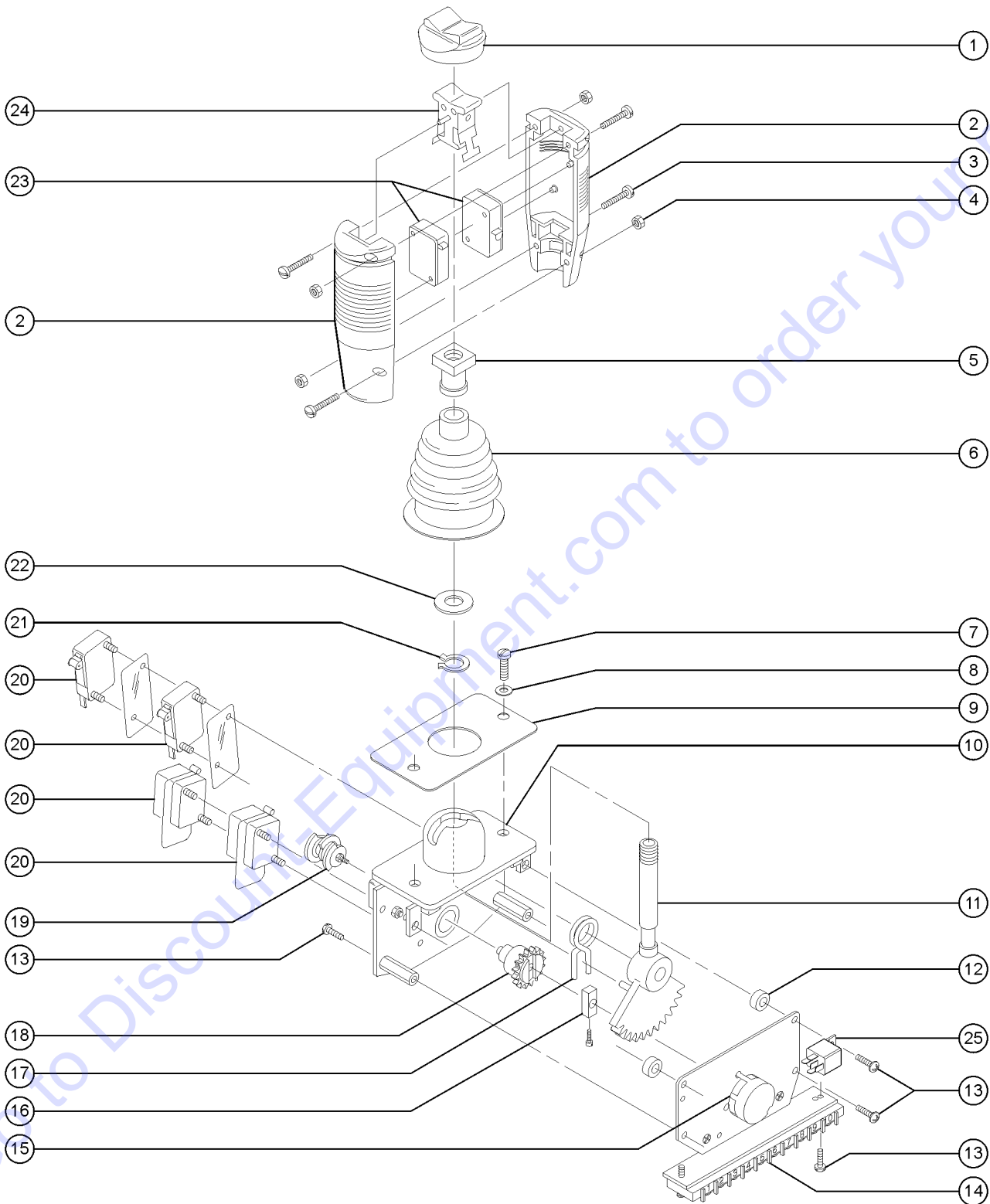
607.1 Platform Controls, View 2 (Z-34N from SN 2751) (Z-34DC and BE from SN 2000)



607.1 Platform Controls, View 2 (Z-34N from SN 2751) (Z-34DC and BE from SN 2000)

Item	Part No.	Description	Qty.	Item	Part No.	Description	Qty.
1	46993GT	CONT.BOX ASSY.PLAT Z30N,Z34DC.....1 <i>box only; contains no internal components</i>		--	66816GT	CONTACT,N.O.*** Z-34N from SN 4261; Z-34DC/BE from SN 3578	
2	229567GT	PLUG,SANTOPRENE .5 BLACK DOME Z-34N from SN 10257; Z-34DC/BE from SN 9142		15B	66813GT	BUTTON,PUSH,BLACK W/SEAL***.....1 Z-34N from SN 4261; Z-34DC/BE from SN 3578	
2	45384GT	PLUG,NYLON .50 BLACK DOMED.....6 Z-34N to SN 10256; Z-34DC/BE to SN 9141		--	66815GT	BASE, W/1 N.O. CONTACTS*** Z-34N from SN 4261; Z-34DC/BE from SN 3578	
2A	45384GT	PLUG,NYLON .50 BLACK DOMED.....6 Z-34N to SN 10256; Z-34DC/BE to SN 9141		--	66816GT	CONTACT,N.O.*** Z-34N from SN 4261; Z-34DC/BE from SN 3578	
2B	229567GT	PLUG,SANTOPRENE .5 BLACK DOME Z-34N from SN 10257; Z-34DC/BE from SN 9142		16A	122514GT	KIT,ESTOP SVC BB&SM BOOM.....1 Z-34N to SN 4260; Z-34DC/BE to SN 3577	
3		Ref., JOYSTICK.....1 <i>refer to 608.1</i>		--	146478GT	BOOT(BELLOWS),E-STOP,BLACK Z-34N from SN 9087; Z-34DC/BE from SN 8146	
4	56886GT	CONTROLLER,ROTARY 24V W/RAMP.....1		--	66818GT	CONTACT, N.C.....1 Z-34N to SN 4260; Z-34DC/BE to SN 3577	
--	35680GT	LEGEND,PLSTC,"CREEP TO 9"*** <i>for 56886</i>		--	66821GT	BASE,WITHOUT CONTACTS.....1 Z-34N to SN 4260; Z-34DC/BE to SN 3577	
5	27246GT	BOOT,TOGGLE SWITCH,SHORT*.....9		16B	66812GT	BUTTON,PUSH,RED MUSHROOM HEAD.....1 Z-34N from SN 4261; Z-34DC/BE from SN 3578	
6	16397-SGT	SWITCH,TOGGLE,DPDT,3POS MOMEN.....7		--	66818GT	CONTACT, N.C. Z-34N from SN 4261; Z-34DC/BE from SN 3578	
7	54692GT	SPACER,NYLON,.718 X .526 X.219.....9		--	94506GT	BASE,W/3 NC CONTACTS Z-34N from SN 4261; Z-34DC/BE from SN 3578	
8	45383GT	ALARM,WARBLE TONE 5-30 VDC***.....1 <i>plastic nut not included</i>		17	45840GT	PLUG,NYLON 2.00 BLACK DOMED.....1	
--	72326GT	NUT - PLASTIC,RING FOR ALARMS		18	13037-SGT	SWITCH,TOGGLE,SPDT,3POS MOMEN*.....1 <i>engine start</i>	
9	13037-SGT	SWITCH,TOGGLE,SPDT,3POS MOMEN*.....1		19	13037-SGT	SWITCH,TOGGLE,SPDT,3POS MOMEN*.....1 <i>glow plug</i>	
10	824878GT	LIGHT,LED IND. RED 24V NH.....1		20	56458GT	SWITCH TOGGLE SPDT 3POS MAIN**.....1 <i>engine idle select</i>	
11	6090GT	SCREW,HHC,1/4-20 X .75		21	45105GT	GUARD,TOGGLE SWITCH.....1 <i>secondary boom up/down switch</i>	
12	6356GT	WASHER,LOCK,.25					
13	6638GT	WASHER,FLAT,USS,1/4"Y					
14	42730-SGT	SWITCH,TOGGLE SPDT,2POS MOMEN.....1					
15	122513GT	KIT,HORN SVC BB&SM BOOM.....1 Z-34N to SN 4260; Z-34DC/BE to SN 3577					
--	66813GT	BUTTON,PUSH,BLACK W/SEAL***.....1 Z-34N to SN 4260; Z-34DC/BE to SN 3577					
--	66815GT	BASE, W/1 N.O. CONTACTS***.....1 Z-34N to SN 4260; Z-34DC/BE to SN 3577					
15A	122513GT	KIT,HORN SVC BB&SM BOOM.....1 Z-34N to SN 4260; Z-34DC/BE to SN 3577					
15A	66813GT	BUTTON,PUSH,BLACK W/SEAL***.....1 Z-34N from SN 4261; Z-34DC/BE from SN 3578					
--	66813GT	BUTTON,PUSH,BLACK W/SEAL***.....1 Z-34N to SN 4260; Z-34DC/BE to SN 3577					
--	66815GT	BASE, W/1 N.O. CONTACTS*** Z-34N from SN 4261; Z-34DC/BE from SN 3578					

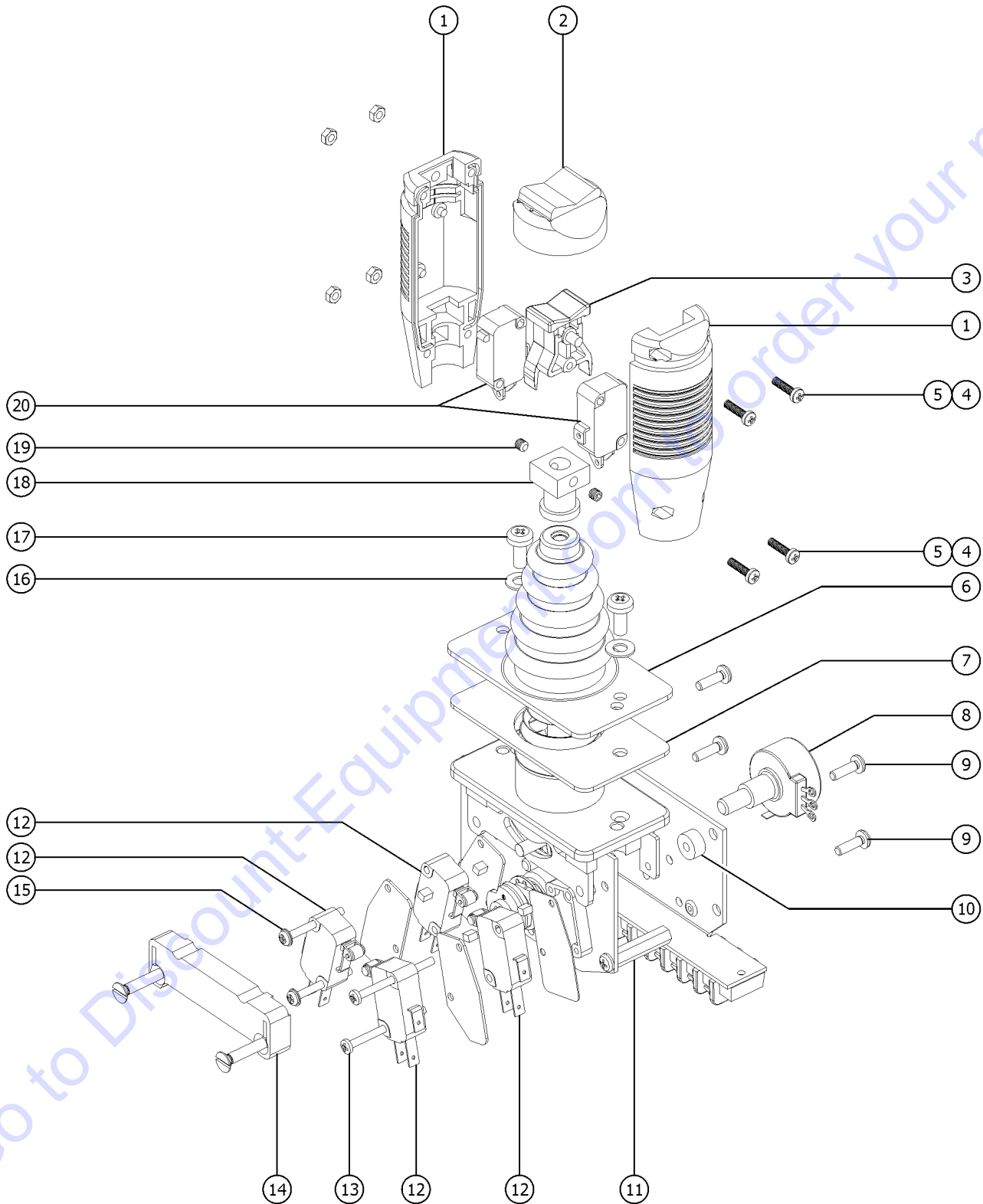
608.1 Joystick Controller - Drive/Steer Functions (Z-34N to SN 10622) (Z-34DC and BE to SN 9441)



608.1 Joystick Controller - Drive/Steer Functions (Z-34N to SN 10622) (Z-34DC and BE to SN 9441)

Item	Part No.	Description	Qty.
A	56773GT	JOYSTICK,5K-0 OHM (10-pin connector) Z-34N to SN 10622; Z-34DC/BE to SN 9441	
B	54831GT	KIT,UPGRADE JOYSTICK,DC/BI	
1	43038GT	BOOT-THUMB ROCKER** BLACK.....1	
2	52887GT	HANDLE HALF (56274)	
3	52895GT	SCREW,PHM,M3 X .5 X 12MM	
4	52928GT	NUT-HEX,3M X 0.5MM	
5	43040GT	NUT,JS,36867/42032/44988/40612.....1	
6	21427GT	BOOT,CONTROLLER**.....1	
7	49816GT	SCREW,PHILLIPS,PHM,10-32 X .75	
8	74362GT	WASHER,NYLON, JOYSTICK	
9	43042GT	GASKET,JOYSTK.SHAFT36867/42032..1	
10	58987GT	CASTING 42032.....1	
11	46227GT	SHAFT ASSY, JOYSTICK***1 <i>includes gear</i>	
12	74368GT	SPACER-POT.PLATE,JOYSTICK56773..1	
13	65546GT	SCREW,PHM,M3.5 X 12MM (57890)	
14	74367GT	TERM.BUSS,10POLE,JOYSTICK56773.1	
15	72298GT	POTENTIOMETER (56773).....1	
16	65529GT	COUPLING-POT,JOYSTICK (56579).....1	
17	21434GT	SPRING & BUSHING KIT,RETURN***1	
18	19731GT	GEAR, SLAVE, MS4,45048.....1	
19	74364GT	CAM ASSEMBLY, JOYSTICK(42032).....1	
20	19712GT	MICROSWITCH,V3L-139-D8.....1	
21	74365GT	C-CLIP, SHAFT, JOYSTICK.....1	
22	74366GT	WASHER, FLAT, SHAFT, JOYSTICK	
23	19722GT	MICROSWITCH-V319M***2	
24	58986GT	ROCKER ASSY (42032)***	

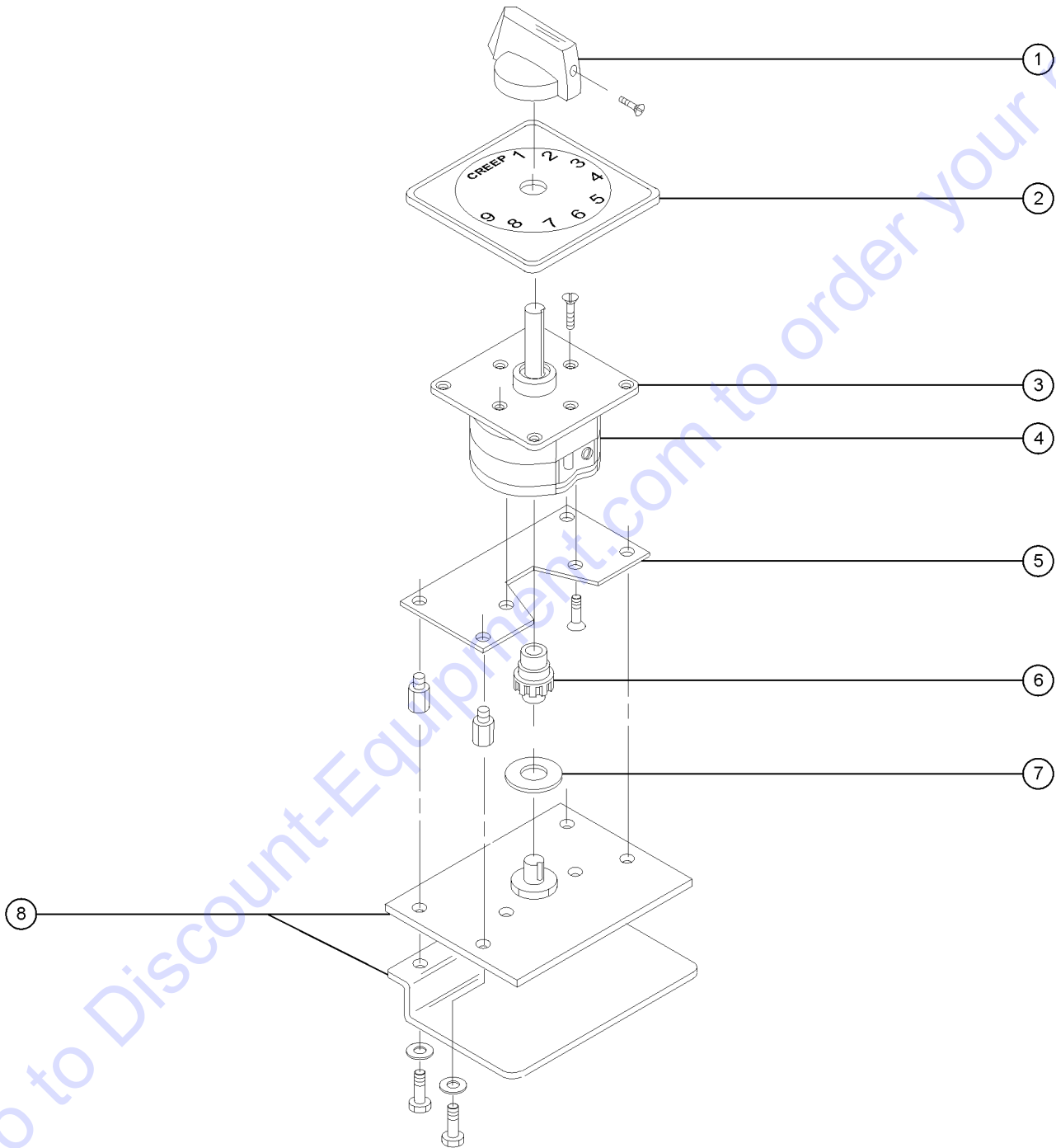
608.2 Joystick Controller - Drive/Steer Functions (Z-34N from SN 10623) (Z-34 DC/BE from SN 9442)



608.2 Joystick Controller - Drive/Steer Functions (Z-34N from SN 10623) (Z-34 DC/BE from SN 9442)

Item	Part No.	Description	Qty.
A	234923GT	JOYSTICK,5K-0 OHM,W/RELAY.....	1
1	52887GT	HANDLE HALF (56274).....	2
2	43038GT	BOOT-THUMB ROCKER** BLACK.....	1
3	65178GT	ROCKER ASSY W/ROLLPIN***.....	1
4	52895GT	SCREW,PHM,M3 X .5 X 12MM.....	4
5	52928GT	NUT-HEX,3M X 0.5MM.....	4
6	21427GT	BOOT,CONTROLLER**.....	1
7	43042GT	GASKET,JOYSTK.SHAFT36867/42032..	1
8	72298GT	POTENTIOMETER (56773).....	1
9	65546GT	SCREW,PHM,M3.5 X 12MM (57890)....	6
10	74368GT	SPACER-POT.PLATE,JOYSTICK56773..	2
11	19721GT	MICROSWITCH SPACER,45049.....	1
12	19712GT	MICROSWITCH,V3L-139-D8.....	4
13	52892GT	SCREW,PHS,4-40 X 1.5.....	2
14	19713GT	SPRING RETURN,HEAVY DUTY,45049.....	1
15		Ref. SCREW, 4-40 x 1/18" <i>illustration purpose only</i>	2
16	74362GT	WASHER,NYLON, JOYSTICK.....	2
17	226383GT	SCREW.....	2
18	43040GT	NUT,JS,36867/42032/44988/40612..... <i>coupling</i>	1
19	58985GT	SCREW,HANDLE42032,40612,36867....	2
20	19722GT	MICROSWITCH-V319M***.....	2

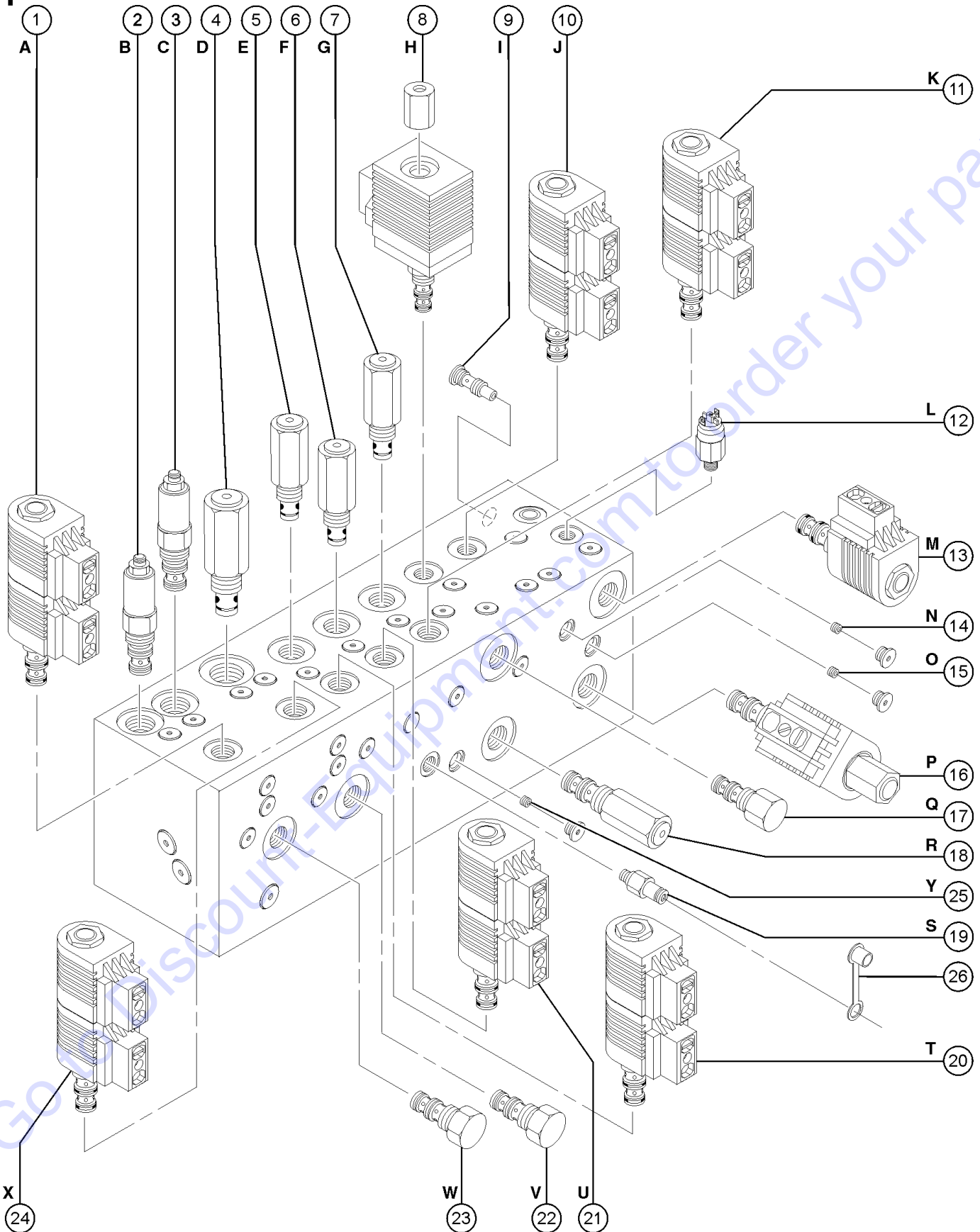
609.1 Rotational Controller - Boom Function Speed



609.1 Rotational Controller - Boom Function Speed

Item	Part No.	Description	Qty.
--	56886GT	CONTROLLER,ROTARY 24V W/RAMP	
1	35679GT	KNOB, 45048 CONTROLLER.....1	1
2	35680GT	LEGEND,PLSTC,"CREEP TO 9"***1	1
3	35678GT	MOUNTING PLATE, 45048.....1	1
4	74356GT	SWITCH ASSEMBLY (56886).....1	1
5	74357GT	PLATE,ROTARY CNTRL (56886).....1	1
6	74358GT	COUPLING,POT SHAFT (56886).....1	1
7	74359GT	GASKET-ROTARY CNTRL 56886.....1	1
8	74384GT	PRINTED CIRCUIT BOARD 56886.....1	1

701.1 Function Manifold



701.1 Function Manifold

Item	Part No.	Description	Qty.	Item	Part No.	Description	Qty.
--	128444GT	MANIFOLD,FUNC,Z30N/Z34DC/BE.....1 Z-34N from SN 7276; Z-34DC/BE from SN 6484		--	110200GT	SEAL KIT, VALVE, #4	
--	28750GT	O-RING KIT,FIELD SVC,ALL PROD*		10	52885GT	VALVE,SOLENOID,3POS 4WAY.....1 J, steer lift/right	
--	33994GT	PLUG AND CAP KIT-SERVICE,37 **		--	40413GT	COIL,SOLND,W/D,20V SGL SPADE	
--	49612GT	O-RING KIT (ORFS FITTINGS)		--	52943GT	NUT,SOLENOID VALVE COIL	
--	49613GT	PLUG AND CAP KIT-SERVICE,ORFS*		--	72047GT	SEAL KIT, SOLENOID VALVE for 52885	
--	56309GT	MANIFOLD,FUNCT MULTI Z-34BE Z-34N to SN 3517; Z-34DC/BE to SN 2894		11	52599GT	VALVE,SOLENOID,3POS/4WAY*.....1 K, primary boom extend/retract	
--	74512GT	MAN,FUNC,SM BOOM DC MACHINES Z-34N from SN 3518 to 3766; Z-34DC/BE from SN 2894 to SN 3215		--	40413GT	COIL,SOLND,W/D,20V SGL SPADE	
--	74966GT	MANIFOLD,FUNC.Z30N,Z34DC,BE,N* Z-34N from SN 3767 to 7275; Z-34DC/BE from SN 3216 to 6483		--	52943GT	NUT,SOLENOID VALVE COIL	
1	52599GT	VALVE,SOLENOID,3POS/4WAY*.....1 A, platform level up/down		--	72047GT	SEAL KIT, SOLENOID VALVE	
--	40413GT	COIL,SOLND,W/D,20V SGL SPADE		12	1287986GT	SWITCH,PRESS,#6SAE,600 PSI.....1 L, brake circuit	
--	52943GT	NUT,SOLENOID VALVE COIL		13	45544GT	VALVE SOLENOID.....1 M, brake circuit	
--	72047GT	SEAL KIT, SOLENOID VALVE		--	52339GT	COIL,SOLND,W/D,20V DUAL SPADE	
2	52604GT	VALVE,COUNTERBALANCE, 3000PSI.....1 B, platform level down		--	52943GT	NUT,SOLENOID VALVE COIL	
--	58994GT	SEAL KIT,VALVE (48647)		--	74902GT	SEAL KIT for 45544	
3	52604GT	VALVE,COUNTERBALANCE, 3000PSI.....1 C, platform level up		14	19789GT	PLUG,ORIFICE-.045.....1 N, steer circuit	
--	58994GT	SEAL KIT,VALVE (48647)		15	19789GT	PLUG,ORIFICE-.045.....1 O, brake circuit	
4	52603GT	VALVE,RELIEF,1100PSI***.....1 D, turntable rotate left/right		16	44956GT	VALVE,SOLENOID 20V W/DIODE.....1 P, brake circuit	
--	110199GT	SEAL KIT, VALVE, #10		--	40413GT	COIL,SOLND,W/D,20V SGL SPADE	
5	52601GT	VALVE,RELIEF,1600 PSI.....1 E, secondary boom down		--	45921GT	RETAINER-N.C.PROPOR.SOLENOID	
--	74902GT	SEAL KIT		--	74902GT	SEAL KIT	
6	52601GT	VALVE,RELIEF,1600 PSI.....1 F, primary boom down		17	74425GT	VALVE,DIFF.SENSE***.....1 Q, differential sensing circuit	
--	74902GT	SEAL KIT		--	110197GT	SEAL KIT, VALVE, #10	
7	31527GT	VALVE,RELIEF 1800 PSI.....1 G, primary boom extend; Z-34N to SN 3766; Z-34DC/BE to SN 3215		18	52715GT	VALVE,RELIEF 3200 PSI.....1 R, system relief	
--	74902GT	SEAL KIT Z-34N to SN 3766; Z-34DC/BE to SN 3215		--	74902GT	SEAL KIT	
8	40410GT	VALVE,PROPORTIONAL**.....1 H, system flow regulating unit		19	48997GT	NIPPLE,DIAGNOSTIC,#4.....1 S, testing	
--	29032GT	COIL,24V SOLENOID VALVE		--	20224GT	DIAGNOSTIC FEMALE Q-DSCNT	
--	45921GT	RETAINER-N.C.PROPOR.SOLENOID		20	52599GT	VALVE,SOLENOID,3POS/4WAY*.....1 T, secondary boom up/down	
--	89310GT	SEAL KIT, SOLENOID VALVE		--	40413GT	COIL,SOLND,W/D,20V SGL SPADE	
9	43599GT	VALVE,CHECK.....1 I, brake circuit		--	52943GT	NUT,SOLENOID VALVE COIL	
				--	72047GT	SEAL KIT, SOLENOID VALVE	
				21	52599GT	VALVE,SOLENOID,3POS/4WAY*.....1 U, primary boom up/down	
				--	40413GT	COIL,SOLND,W/D,20V SGL SPADE	
				--	52943GT	NUT,SOLENOID VALVE COIL	

701.1 Function Manifold
(continued)

Item	Part No.	Description	Qty.
--	72047GT	SEAL KIT, SOLENOID VALVE	
22	19470GT	VALVE,FLOW REGULATOR.....1 <i>V, turntable rotate circuit</i>	
--	74902GT	SEAL KIT	
23	52598GT	VALVE,FLOW REGULATOR .8 GPM.....1 <i>W, jib boom/platform rotate circuit</i>	
--	74902GT	SEAL KIT	
24	52885GT	VALVE,SOLENOID,3POS 4WAY.....1 <i>X, turntable rotate left/right</i>	
--	40413GT	COIL,SOLND,W/D,20V SGL SPADE	
--	52943GT	NUT,SOLENOID VALVE COIL	
--	72047GT	SEAL KIT, SOLENOID VALVE	
25	94019GT	ORIFICE, 0.035" (74512,74966).....1 <i>Y, jib boom/platform rotate circuit</i>	
26	48880GT	CAP,DIAGNOSTIC NIPPLE.....1	

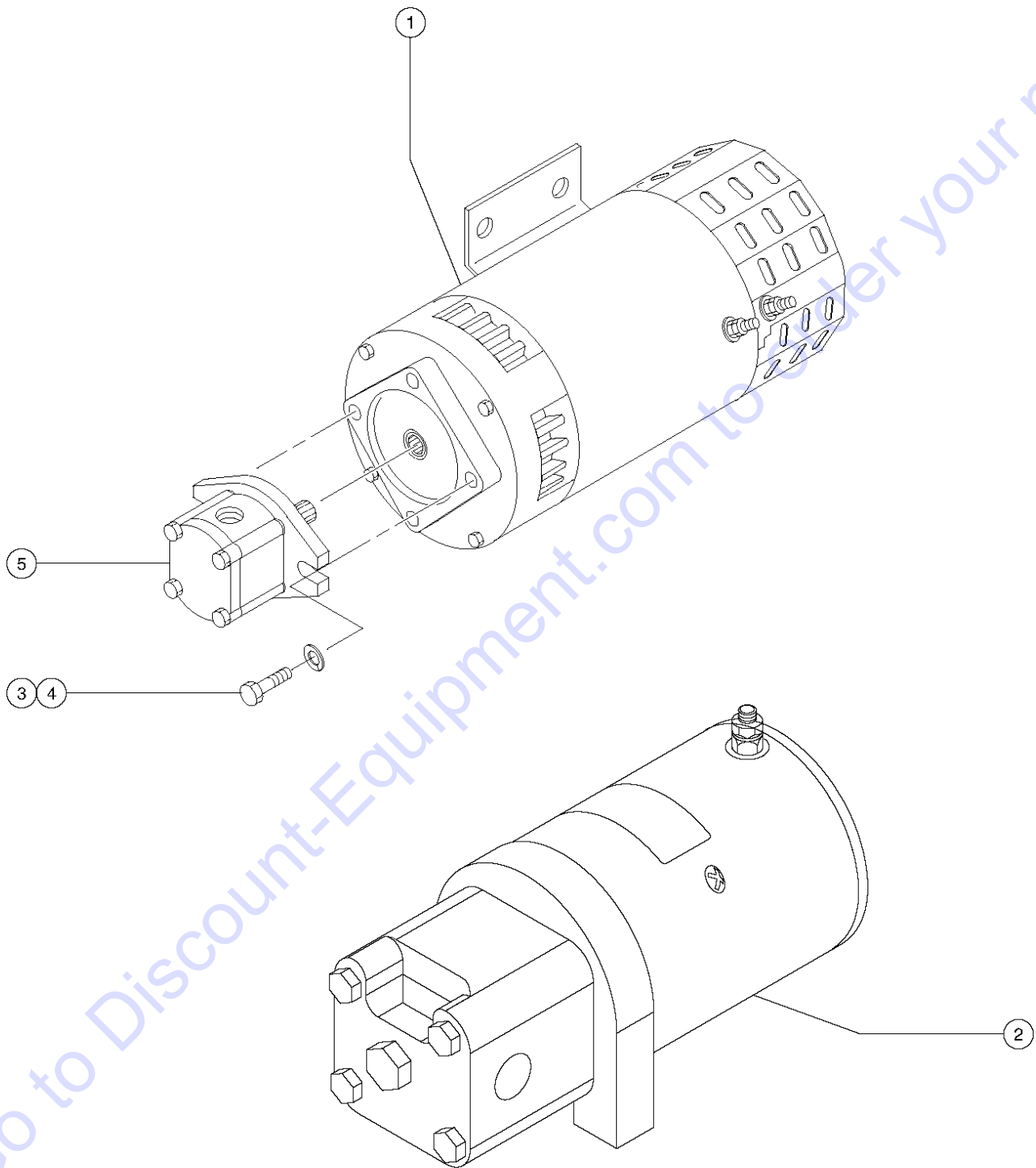
Go to Discount-Equipment.com to order your parts



This Page Intentionally Left Blank

Go to Discount-Equipment.com to order your parts

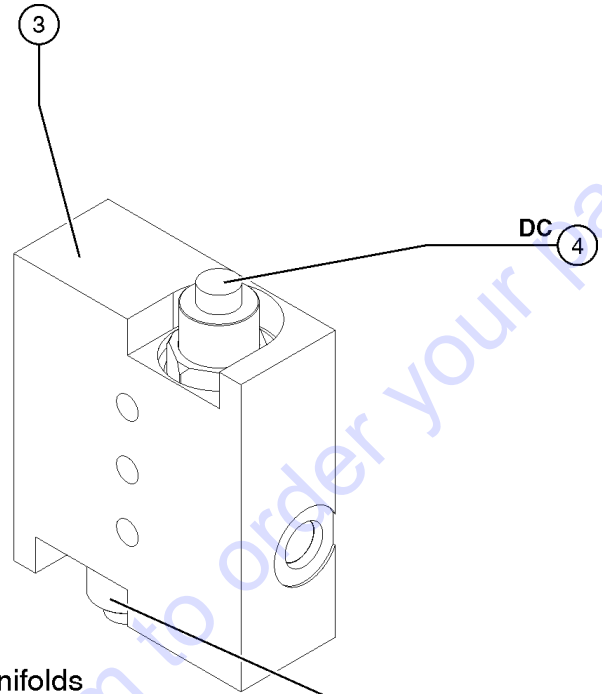
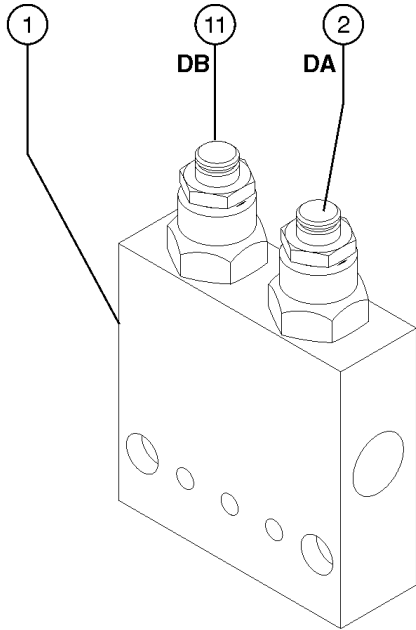
702.1 Hydraulic Power Unit and Auxiliary Power Unit



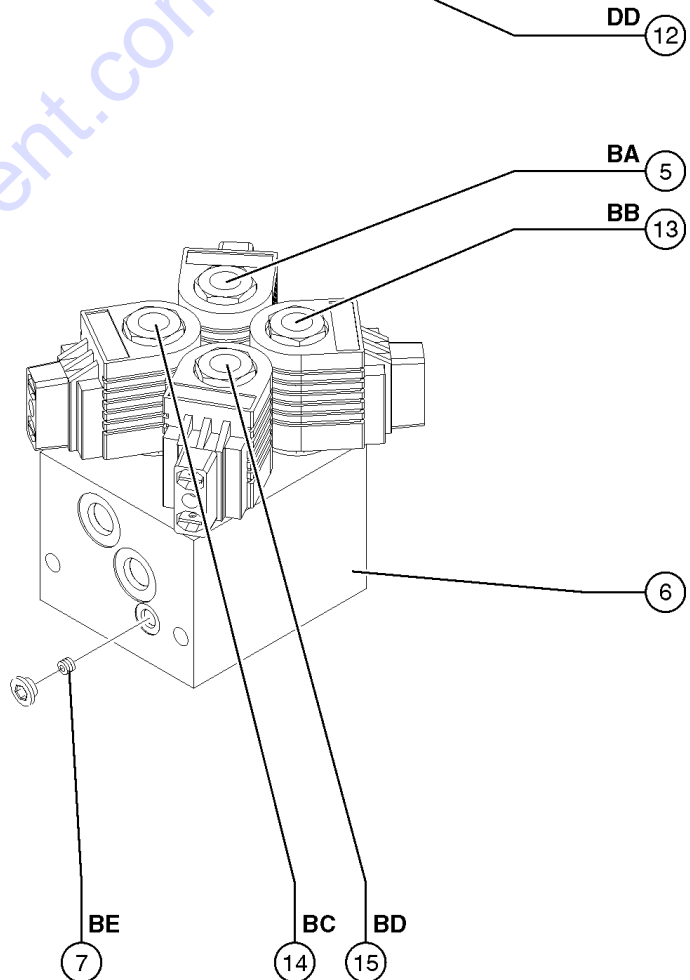
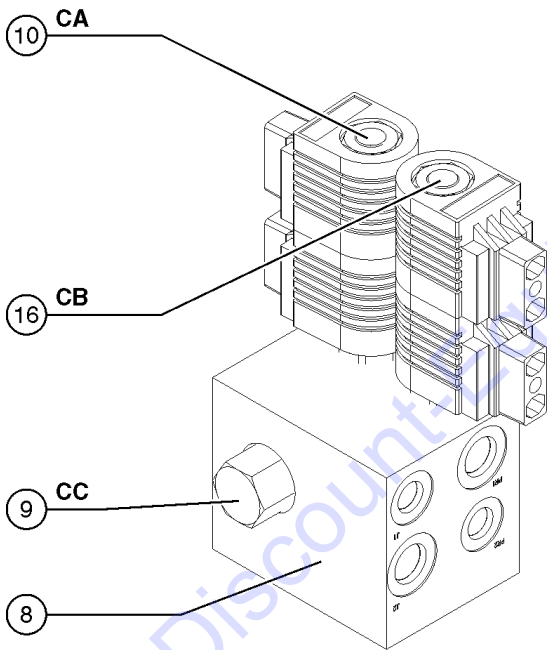
702.1 Hydraulic Power Unit and Auxiliary Power Unit

Item	Part No.	Description	Qty.
1	48504GT	MOTOR,FUNCTION,48V DC.....1	1
2	36179GT	POWER UNIT,AUX PUMP 24VDC.....1	1
--	37184GT	MOTOR, 24V (36179)	
--	37185GT	PUMP ASSEMBLY (36179)	
--	37186GT	VALVE,CHECK (36179)	
--	37187GT	SEAL KIT, 37185 PUMP	
--	37191GT	GASKET, PUMP / MOTOR (36179)	
--	37192GT	COUPLER, PUMP / MOTOR (36179)	
--	49878GT	NYLON WASHER,(36179)	
3	32317GT	SCREW,HHC,3/8-24 X 1 GR 8 YEL.....2	2
4	6021GT	WASHER,LOCK,.375	
5	77981GT	PUMP,LIFT,3CC,CCW***.....1	1
--	77990GT	KIT,SEAL,3CC PUMP***	

703.1 Jib Boom and Platform Rotate Manifolds



Platform Rotate Manifolds

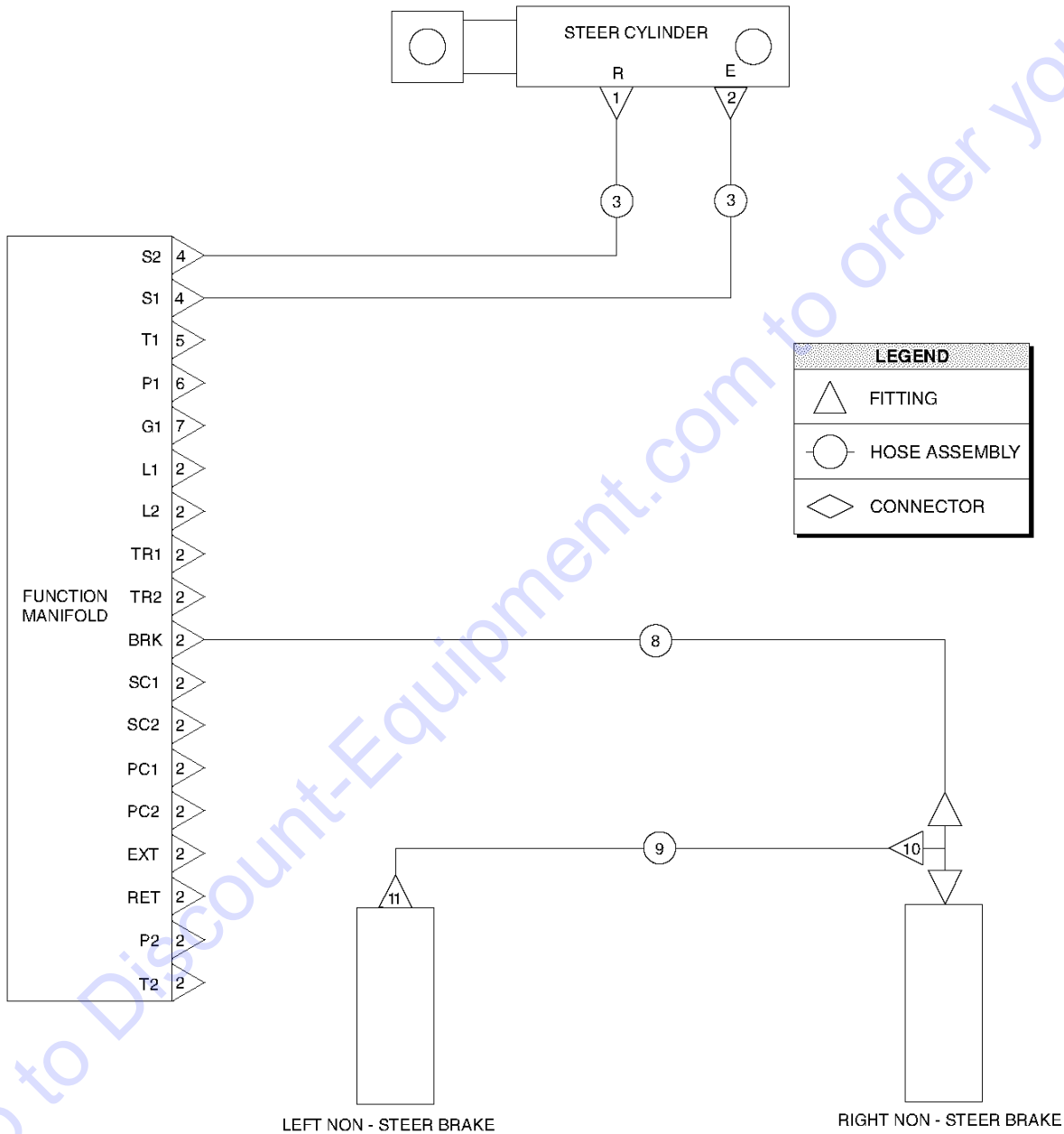


Jib Boom Manifolds

703.1 Jib Boom and Platform Rotate Manifolds

Item	Part No.	Description	Qty.	Item	Part No.	Description	Qty.
--	28750GT	O-RING KIT,FIELD SVC,ALL PROD*		--	74902GT	SEAL KIT	
--	33994GT	PLUG AND CAP KIT-SERVICE,37 **		10	52599GT	VALVE,SOLENOID,3POS/4WAY*.....2 CA, jib boom circuit; Z-34N from SN 2772 to 8837; Z-34DC/BE from SN 2006 to 7719	
--	49612GT	O-RING KIT (ORFS FITTINGS)		--	72047GT	SEAL KIT, SOLENOID VALVE	
--	49613GT	PLUG AND CAP KIT-SERVICE,ORFS*		11	39345GT	VALVE,COUNTERBAL.CBCA-LHN@3000.1 DB, platform rotate left; Z-34N to SN 2771; Z-34DC/BE to SN 2005	
1	43166GT	MANIFOLD,ASSY DUAL CNTRBAL.....1 Z-34N to SN 2771; Z-34DC/BE to SN 2005		--	43018GT	SEAL KIT (39345)	
2	39345GT	VALVE,COUNTERBAL.CBCA-LHN@3000.1 DA, platform rotate right; Z-34N to SN 2771; Z-34DC/BE to SN 2005		12	62506GT	VALVE - COUNTERBALANCE**.....1 DD, platform rotate left; Z-34N from SN 2772; Z-34DC/BE from SN 2006	
--	43018GT	SEAL KIT (39345)		--	43018GT	SEAL KIT (39345)	
3	56929GT	MANIFOLD,ROTATOR,180 DEG.***.....1 Z-34N from SN 2772; Z-34DC/BE from SN 2006		13	44954GT	VALVE,SOLENOID,20V W/ DIODE **.....1 BB, platform rotate left; Z-34N to SN 2771; Z-34DC/BE to SN 2005	
--	62507GT	O-RING, ROTATOR MANIFOLD		--	72043GT	SEAL KIT,SOLENOID VALVE	
4	62506GT	VALVE - COUNTERBALANCE**.....2 DC, platform rotate right; Z-34N from SN 2772; Z-34DC/BE from SN 2006		14	44954GT	VALVE,SOLENOID,20V W/ DIODE **.....1 BC, platform rotate right; Z-34N to SN 2771; Z-34DC/BE to SN 2005	
--	43018GT	SEAL KIT (39345)		--	72043GT	SEAL KIT,SOLENOID VALVE	
5	44954GT	VALVE,SOLENOID,20V W/ DIODE **.....4 BA, jib boom down; Z-34N to SN 2771; Z-34DC/BE to SN 2005		15	44954GT	VALVE,SOLENOID,20V W/ DIODE **.....1 BD, jib boom up; Z-34N to SN 2771; Z-34DC/BE to SN 2005	
--	72043GT	SEAL KIT,SOLENOID VALVE		--	72043GT	SEAL KIT,SOLENOID VALVE	
6	74014GT	MANIFOLD,JIB ROTATE***.....1 Z-34N to SN 2771; Z-34DC/BE to SN 2005		16	52599GT	VALVE,SOLENOID,3POS/4WAY*.....1 CB, jib boom circuit; Z-34N from SN 2772 to 8837; Z-34DC/BE from SN 2006 to 7719	
7	62511GT	ORIFICE 0.025 (74014).....1 BE, platform rotate circuit		--	72047GT	SEAL KIT, SOLENOID VALVE	
8A	74124GT	MANIFOLD,JIB Z30N,Z34N,BE,DC.....1 Z-34N from SN 2772 to 8837; Z-34DC/BE from SN 2006 to 7719					
8B	139462GT	MANIFOLD,JIB, 24V NON RJ*** Z-34N from SN 8838; Z-34DC/BE from SN 7720					
--	139560GT	SOLENOID VALVE W/NUT*** (not shown) part of Jib Manifold 139462; Z-34N from SN 8838; Z-34DC/BE from SN 7720					
--	139561GT	COIL, SOLENOID VALVE, 24V*** (not shown) part of Jib Manifold 139462; Z-34N from SN 8838; Z-34DC/BE from SN 7720					
--	139563GT	VALVE, FLOW CTRL, PRES COMP*** (not shown) part of Jib Manifold 139462; Z-34N from SN 8838; Z-34DC/BE from SN 7720					
--	139564GT	SEAL KIT, JIB MANIFOLD, NON RJ (not shown) part of Jib Manifold 139462; Z-34N from SN 8838; Z-34DC/BE from SN 7720					
9	31099GT	VALVE,FLOW REGULATOR.....1 CC, platform rotate circuit; Z-34N from SN 2772 to 8837; Z-34DC/BE from SN 2006 to 7719					

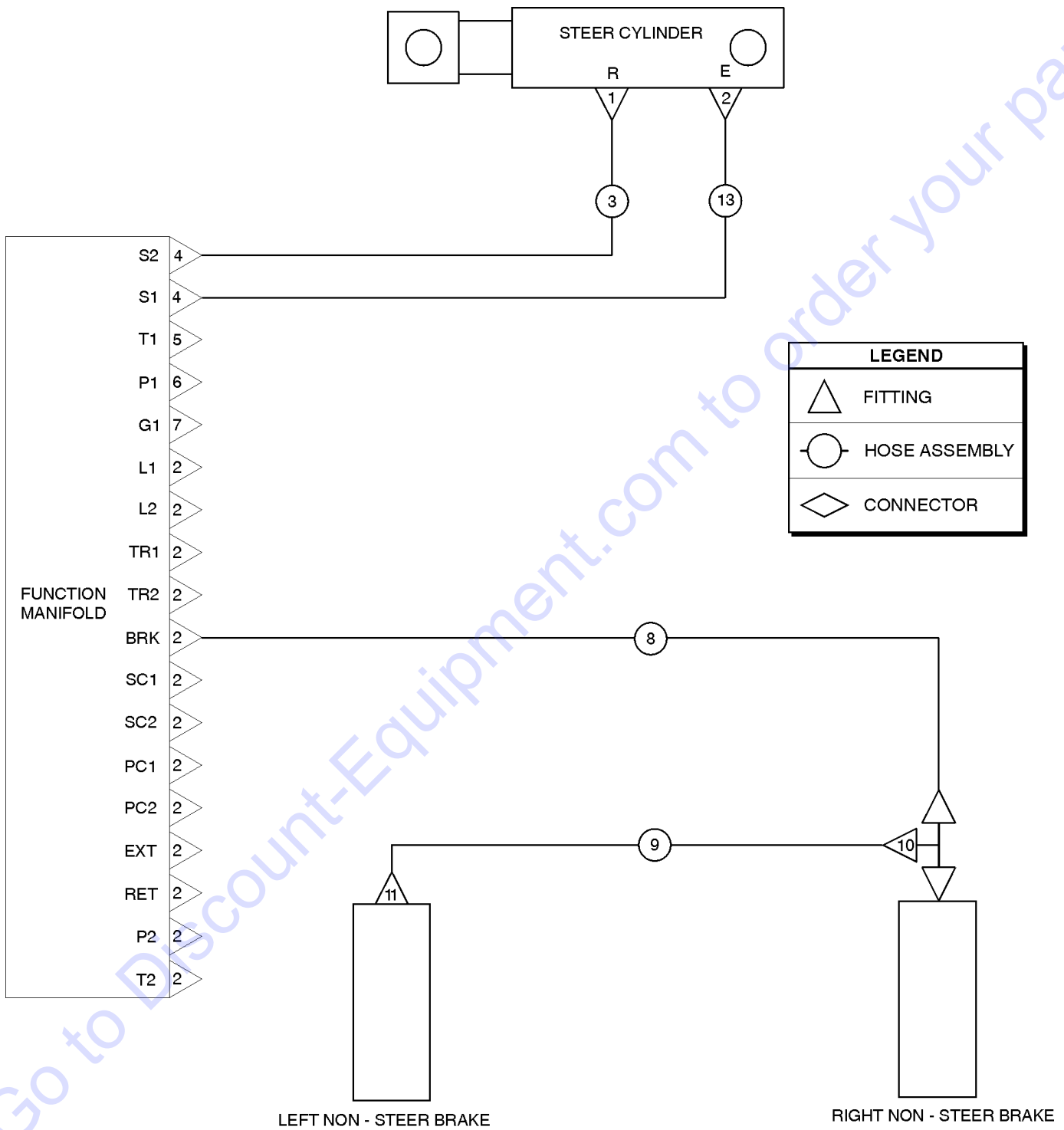
801.1 Drive Chassis Hoses (Z-34N to SN 8114) (Z-34DC and BE to SN 7100)



801.1 Drive Chassis Hoses (Z-34N to SN 8114) (Z-34DC and BE to SN 7100)

Item	Part No.	Description	Qty.
1	48911GT	ELBOW,90D,520220-4-6***.....	1
2	48912GT	CONN,520120-4-6***.....	14
3	56782GT	HOSE ASSY,1/4",73.00.....	2
4	49418GT	FITTING,ELBOW,45D,520320-4-6**.....	2
5	48938GT	FITTING,TEE,RUN,SWIVEL520432-8.....	1
6	48916GT	CONN, 520120-6.....	1
7	48997GT	NIPPLE,DIAGNOSTIC,#4.....	1
--	20224GT	DIAGNOSTIC FEMALE Q-DSCNT	
8	56781GT	HOSE ASSY,1/4",81.00.....	1
9	42744GT	HOSE ASSY,1/4",33.50.....	1
10	42848-SGT	HOSE ASSY,JUMPER HOSE RGT-LFT.....	1
11	48908GT	FITTING,TEE,RUN,SWIVEL520432-4.....	1
12	48904GT	ELBOW,90D,520220-4-4.....	1

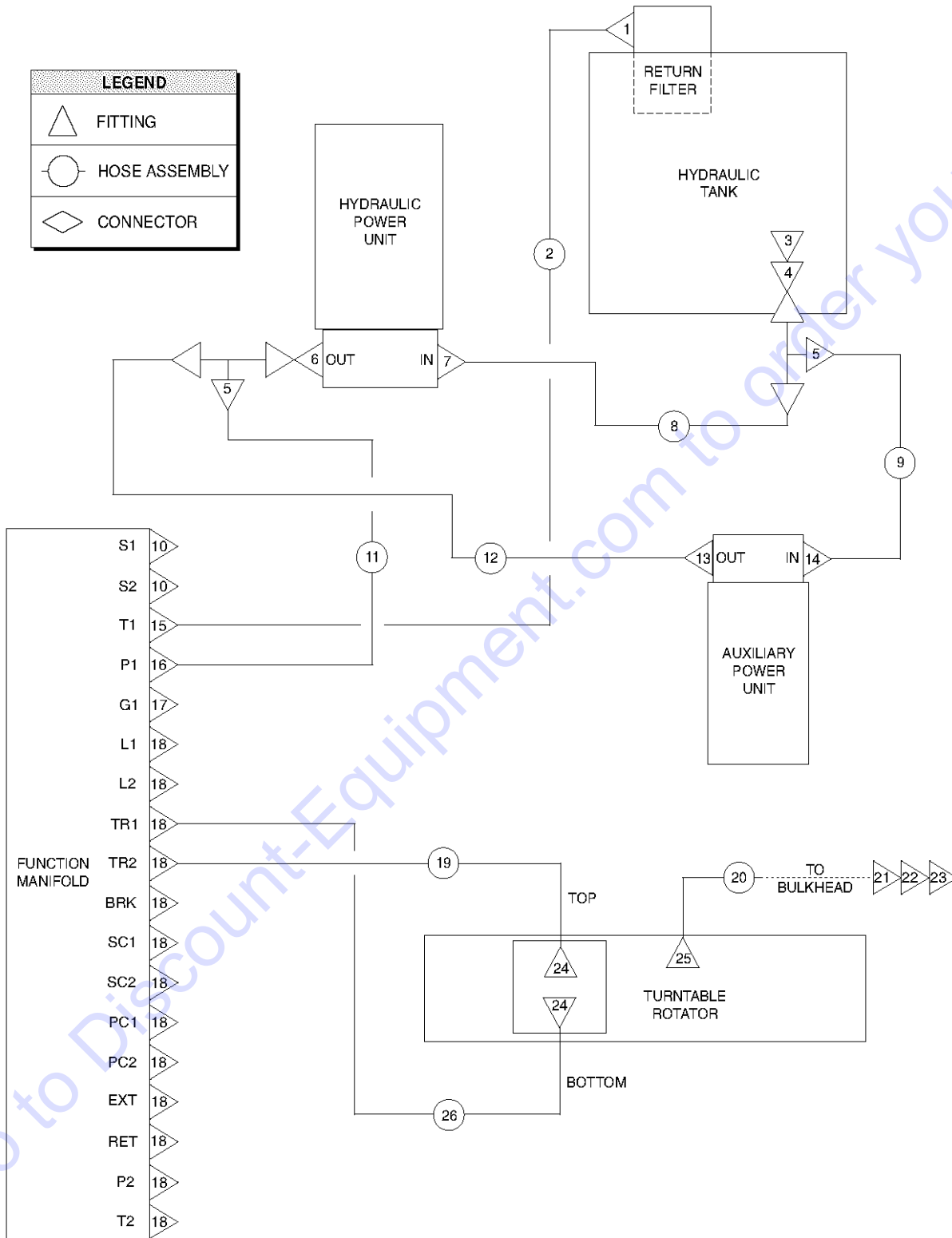
801.2 Drive Chassis Hoses (Z-34N from SN 8115) (Z-34DC and BE from SN 7101)



801.2 Drive Chassis Hoses (Z-34N from SN 8115) (Z-34DC and BE from SN 7101)

Item	Part No.	Description	Qty.
1	48911GT	ELBOW,90D,520220-4-6***.....	1
2	48912GT	CONN,520120-4-6***.....	14
3	56782GT	HOSE ASSY,1/4",73.00.....	1
4	49418GT	FITTING,ELBOW,45D,520320-4-6**.....	2
5	48938GT	FITTING,TEE,RUN,SWIVEL520432-8.....	1
6	48916GT	CONN, 520120-6.....	1
7	48997GT	NIPPLE,DIAGNOSTIC,#4.....	1
--	20224GT	DIAGNOSTIC FEMALE Q-DSCNT	
8	56781GT	HOSE ASSY,1/4",81.00.....	1
9	42744GT	HOSE ASSY,1/4",33.50.....	1
10	48908GT	FITTING,TEE,RUN,SWIVEL520432-4.....	1
11	48904GT	ELBOW,90D,520220-4-4.....	1
13	139081GT	HOSE ASSY,1/4",66.00.....	1

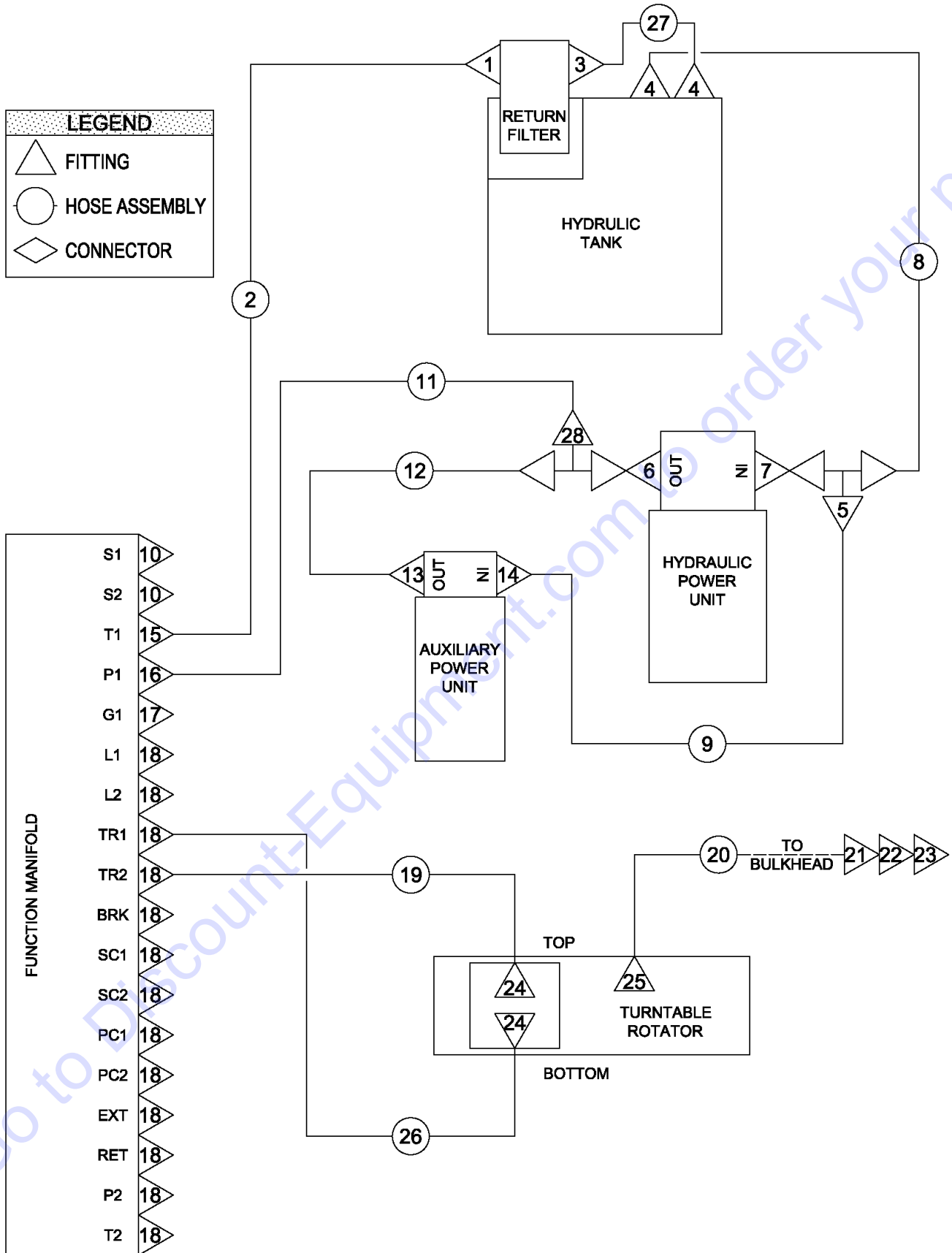
802.1 Turntable Hoses - Z-34N and Z-34DC (Z34N to SN 8788) (Z34DC to SN 7669)



802.1 Turntable Hoses - Z-34N and Z-34DC (Z34N to SN 8788) (Z34DC to SN 7669)

Item	Part No.	Description	Qty.
--	28750GT	O-RING KIT,FIELD SVC,ALL PROD*	
--	33994GT	PLUG AND CAP KIT-SERVICE,37 **	
--	49612GT	O-RING KIT (ORFS FITTINGS)	
--	49613GT	PLUG AND CAP KIT-SERVICE,ORFS*	
1	48947GT	ELBOW,90D,520220-8-12.....	1
2	56844GT	HOSE ASSY, 1/2", 54.00.....	1
3	42920GT	VALVE,BALL,90DEG.-8NPTF/-8NPTM...	1
4	48944GT	CONN,520102-8-8.....	1
5	48938GT	FITTING,TEE,RUN,SWIVEL520432-8.....	2
6	48999GT	VALVE,CHK,#8PORT-#8MALEORFS.....	1
7	48946GT	CONN,520120-8-10.....	1
8	42935GT	HOSE ASSY,25".....	1
9	42866GT	HOSE ASSY,39.5".....	1
10	49418GT	FITTING,ELBOW,45D,520320-4-6*.....	2
11	42854GT	HOSE ASSY P1 TO HYD PORT "P"..... <i>Z-34N to SN 8114; Z-34DC to SN 7100</i>	1
11A	74147GT	HOSE ASSY,3/8",39.50..... <i>Z-34N from SN 8115; Z-34DC from SN 7101</i>	1
12	56845GT	HOSE ASSY,3/8",17.00.....	1
13	48915GT	ELBOW,90D,520220-6.....	1
14	56003GT	ELBOW,90D,LONG,521520-6.....	1
15	48933GT	CONN,520120-8***.....	2
16	48916GT	CONN, 520120-6.....	1
17	48997GT	NIPPLE,DIAGNOSTIC,#4.....	1
--	20224GT	DIAGNOSTIC FEMALE Q-DSCNT	
18	48912GT	CONN,520120-4-6***.....	13
19	42856GT	HOSE ASSY,1/4",27.50.....	1
20	42805GT	HOSE ASSY,1/4", 23.25.....	1
21	45415GT	ELBOW,070221-4-4.....	1
22	48885GT	CONNECTOR,BULKHEAD,FEMALE-4...	1
23	22794GT	ZERK,GREASE,1/8 NPT,45DEG.....	1
24	48931GT	CONN,520120-6-10.....	2
25	31194GT	ELBOW,070302-4-2.....	1
26	42855GT	HOSE ASSY,1/4",31.50.....	1

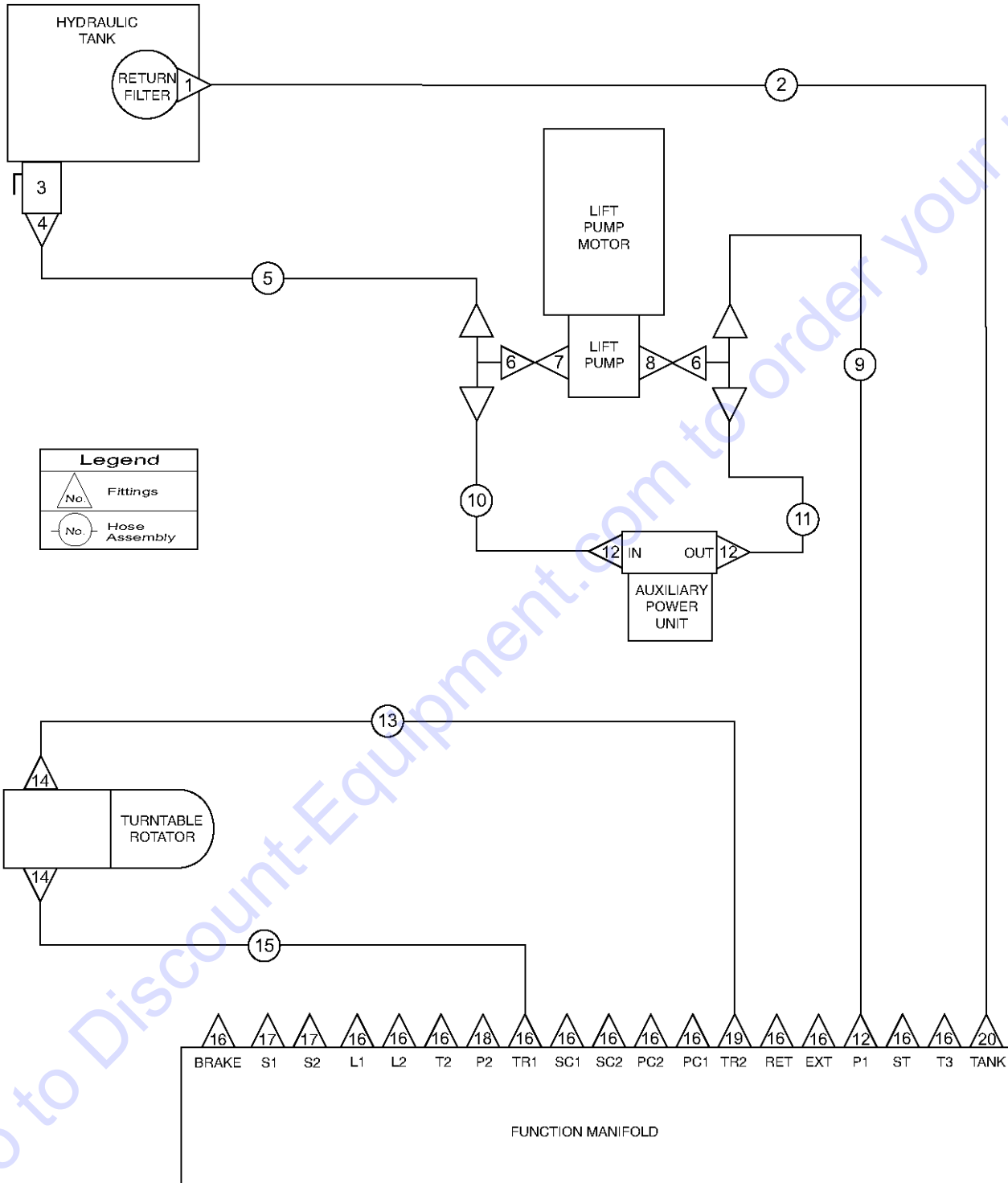
802.2 Turntable Hoses - Z-34N and Z-34DC (Z-34N from SN 8789) (Z-34DC from SN 7670)



802.2 Turntable Hoses - Z-34N and Z-34DC (Z-34N from SN 8789) (Z-34DC from SN 7670)

Item	Part No.	Description	Qty.
--	28750GT	O-RING KIT,FIELD SVC,ALL PROD*	
--	33994GT	PLUG AND CAP KIT-SERVICE,37 **	
--	49612GT	O-RING KIT (ORFS FITTINGS)	
--	49613GT	PLUG AND CAP KIT-SERVICE,ORFS*	
1	48932GT	FITTING,ELBOW,90D,520220-8***.....1	1
2	56844GT	HOSE ASSY, 1/2", 54.00.....1	1
3	48937GT	ELBOW,45D,520320-8.....1	1
4	128811GT	ELBOW,90D,520201-8.....2	2
5	48938GT	FITTING,TEE,RUN,SWIVEL520432-8.....1	1
6	74136GT	VALVE,CHK,#8PORT-#6MALEORFS***..1	1
7	139877GT	ELBOW,90D,520220-8-10.....1	1
8	139879GT	HOSE ASSY,1/2",24.87".....1	1
9	139880GT	HOSE,ASSY,3/8",20.00".....1	1
10	49418GT	FITTING,ELBOW,45D,520320-4-6*.....2	2
11	74147GT	HOSE ASSY,3/8",39.50.....1	1
12	56845GT	HOSE ASSY,3/8",17.00.....1	1
13	48915GT	ELBOW,90D,520220-6.....1	1
14	56003GT	ELBOW,90D,LONG,521520-6.....1	1
15	48933GT	CONN,520120-8***.....2	2
16	48916GT	CONN, 520120-6.....1	1
17	48997GT	NIPPLE,DIAGNOSTIC,#4.....1	1
--	20224GT	DIAGNOSTIC FEMALE Q-DSCNT	
18	48912GT	CONN,520120-4-6***.....13	13
19	42856GT	HOSE ASSY,1/4",27.50.....1	1
20	42805GT	HOSE ASSY,1/4", 23.25.....1	1
21	45415GT	ELBOW,070221-4-4.....1	1
22	48885GT	CONNECTOR,BULKHEAD,FEMALE-4...1	1
23	22794GT	ZERK,GREASE,1/8 NPT,45DEG.....1	1
24	48931GT	CONN,520120-6-10.....2	2
25	31194GT	ELBOW,070302-4-2.....1	1
26	42855GT	HOSE ASSY,1/4",31.50.....1	1
27	128809GT	HOSE ASSY,1/2",12.38".....1	1
28	48875GT	TEE,RUN,SWIVEL,520432-6.....1	1

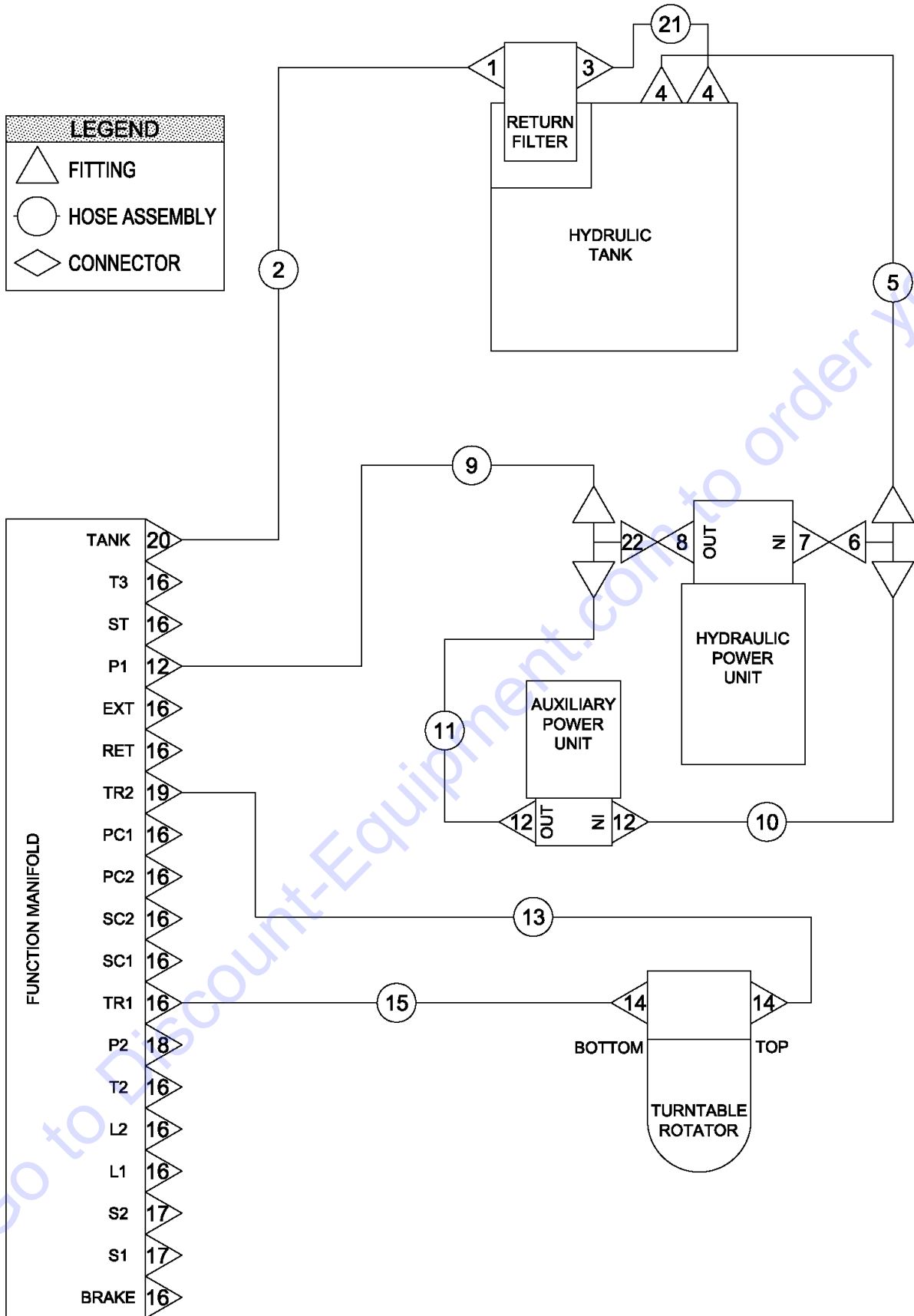
803.1 Turntable Hoses - Z-34 Bi-Energy (to SN 7669)



803.1 Turntable Hoses - Z-34 Bi-Energy (to SN 7669)

Item	Part No.	Description	Qty.
--	28750GT	O-RING KIT,FIELD SVC,ALL PROD*	
--	33994GT	PLUG AND CAP KIT-SERVICE,37 **	
--	49612GT	O-RING KIT (ORFS FITTINGS)	
--	49613GT	PLUG AND CAP KIT-SERVICE,ORFS*	
1	48947GT	ELBOW,90D,520220-8-12.....	1
2	56048-SGT	HOSE ASSY,'T1'TO RET.FILTER..... <i>to SN 2572</i>	1
2	74736GT	HOSE ASSY, 1/2", 35.00 <i>from SN 2573 to SN 7669</i>	
3	42920GT	VALVE,BALL,90DEG.-8NPTF/-8NPTM...	1
4	48944GT	CONN,520102-8-8.....	1
5	56115-SGT	HOSE ASSY,HYD TANK TO 'TEE'.....	1
6	48939GT	TEE,BRANCH,520433-8.....	2
7	48946GT	CONN,520120-8-10.....	1
8	48999GT	VALVE,CHK,#8PORT-#8MALEORFS.....	1
9	56049-SGT	HOSE ASSY,'P1'TO HYD PWR PORT.... <i>to SN 2069</i>	1
9A	74156GT	HOSE ASSY,3/8",49.00 <i>from SN 2070 to SN 7669</i>	
10	56116-SGT	HOSE ASSY,APU INLET TO 'TEE'.....	1
11	56114-SGT	HOSE ASSY,AUX PWR TO HYD PWR.... <i>to SN 2069</i>	1
11A	74155GT	HOSE ASSY, 3/8", 25.50 <i>from SN 2070 to SN 7669</i>	
12	48916GT	CONN, 520120-6.....	2
13	42892GT	HOSE ASSY,1/4",34.00.....	1
14	48931GT	CONN,520120-6-10.....	2
15	42895GT	HOSE ASSY,1/4",38.50.....	1
16	48912GT	CONN,520120-4-6***.....	13
17	49418GT	FITTING,ELBOW,45D,520320-4-6**.....	2
18	48905GT	CONN,520120-4***.....	1
19	48900GT	CONN,520120-4-6,.035,ORI.....	1
20	48933GT	CONN,520120-8***.....	1

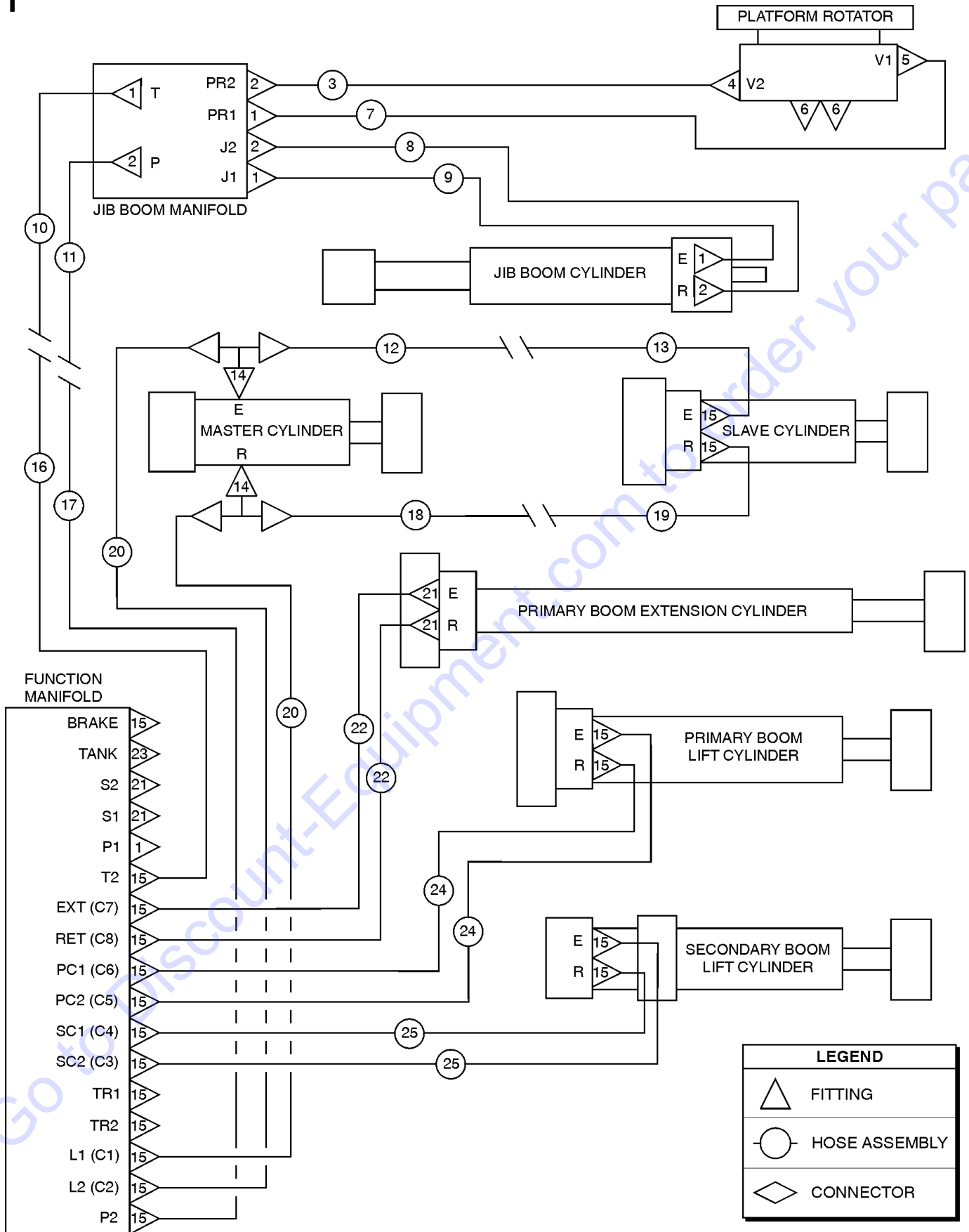
803.2 Turntable Hoses - Z-34 Bi-Energy (from SN 7670)



803.2 Turntable Hoses - Z-34 Bi-Energy (from SN 7670)

Item	Part No.	Description	Qty.
--	28750GT	O-RING KIT,FIELD SVC,ALL PROD*	
--	33994GT	PLUG AND CAP KIT-SERVICE,37 **	
--	49612GT	O-RING KIT (ORFS FITTINGS)	
--	49613GT	PLUG AND CAP KIT-SERVICE,ORFS*	
1	48932GT	FITTING,ELBOW,90D,520220-8***.....1	1
2	74736GT	HOSE ASSY, 1/2", 35.00.....1	1
3	48937GT	ELBOW,45D,520320-8.....1	1
4	128811GT	ELBOW,90D,520201-8.....2	2
5	139639GT	HOSE ASSY,1/2",65.75".....1	1
6	48939GT	TEE,BRANCH,520433-8.....1	1
7	48946GT	CONN,520120-8-10.....1	1
8	48999GT	VALVE,CHK,#8PORT-#8MALEORFS.....1	1
9	74156GT	HOSE ASSY,3/8",49.00.....1	1
10	56116GT	HOSE ASSY, 3/8", 18.50.....1	1
11	74155GT	HOSE ASSY, 3/8", 25.50.....1	1
12	48916GT	CONN, 520120-6.....2	2
13	42892GT	HOSE ASSY,1/4",34.00.....1	1
14	48931GT	CONN,520120-6-10.....2	2
15	42895GT	HOSE ASSY,1/4",38.50.....1	1
16	48912GT	CONN,520120-4-6***.....13	13
17	49418GT	FITTING,ELBOW,45D,520320-4-6**.....2	2
18	48905GT	CONN,520120-4***.....1	1
19	48900GT	CONN,520120-4-6,.035,ORI.....1	1
20	48933GT	CONN,520120-8***.....1	1
21	128809GT	HOSE ASSY,1/2",12.38".....1	1
22	53980GT	TEE,BRANCH,520433-6.....1	1

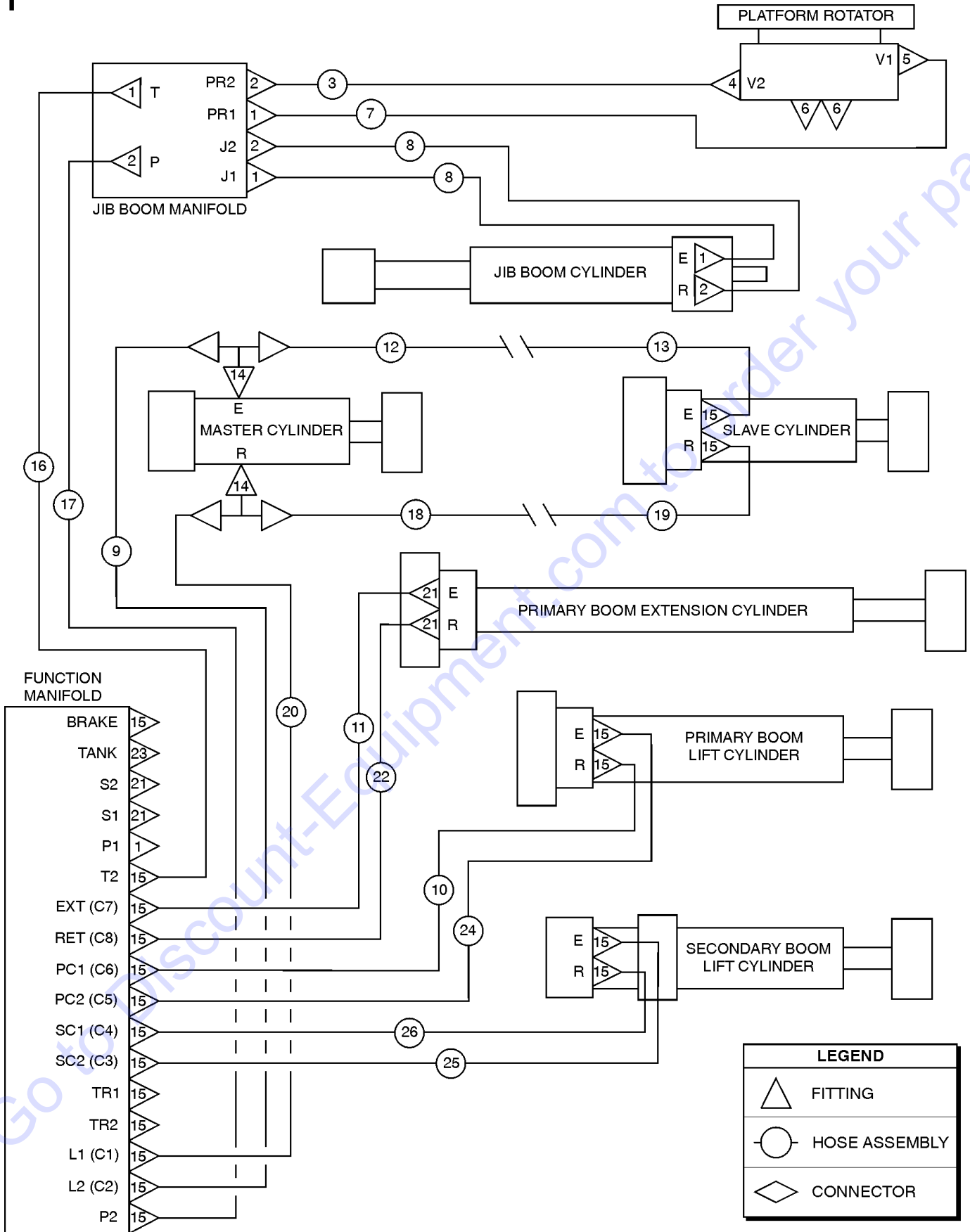
804.1 Boom Hoses (Z-34N to SN 8114) (Z-34DC and BE to SN 7100)



804.1 Boom Hoses (Z-34N to SN 8114) (Z-34DC and BE to SN 7100)

Item	Part No.	Description	Qty.	Item	Part No.	Description	Qty.
1	48916GT	CONN, 520120-6.....	4	17B	94103GT	HOSE ASSY,1/4",481.5 Z-34DC/BE from SN 3348	
2	48905GT	CONN,520120-4***.....	4	18	42863-SGT	HOSE ASSY-MASTER CYL-SLAVE CYL.....	1
3	42820-SGT	HOSE ASSY-'PR1'TO PLAT ROT'V1'..... Z-34N to SN 2547; Z-34DC/BE to SN 1891	1	19	42817GT	HOSE ASSY, 1/4", 31.50.....	1
3A	74020-SGT	HOSE ASSY,PR2 TO PLAT ROT V2 Z-34N from SN 2548 to 2771; Z-34DC/BE from SN 1892 to SN 2005		20	42894-SGT	HOSE ASSY-C2/C1 TO MAST CYL.....	1
3B	74308GT	HOSE ASSY, 1/4", 46.50 Z-34N from SN 2772; Z-34DC/BE from SN 2006		21	49418GT	FITTING,ELBOW,45D,520320-4-6**.....	4
4	48904GT	ELBOW,90D,520220-4-4..... Z-34N from SN 2227 to 2771; Z-34DC/BE from SN 1735 to SN 1891	1	22	42859GT	HOSE ASSY,1/4",236.00.....	2
4A	48905GT	CONN,520120-4*** Z-34N from SN 2772; Z-34DC/BE from SN 1892		23	48933GT	CONN,520120-8***.....	1
5	48926GT	FITTING,ELBOW,90D,520220-6-4..... Z-34N from SN 2227 to 2771; Z-34DC/BE from SN 1735 to SN 1891	1	24	42860-SGT	HOSE ASSY,'PC1"PC2'TO LIFT CY..... Z-34N to SN 3700; Z-34DC/BE to SN 3178	2
5A	48927GT	CONN,520120-6-4 Z-34N from SN 2772; Z-34DC/BE from SN 1892		24A	74840GT	HOSE ASSY,1/4",213.00 Z-34N from SN 3701; Z-34DC/BE from SN 3179	
6	13852GT	VALVE ASSY,BLEED***.....	2	25	42861GT	HOSE ASSY,1/4",83.00.....	2
7	74309GT	HOSE ASSY, 1/4", 46.50.....	1				
8	42818-SGT	HOSE ASSY-'JI'TO JIB CYL CAP.....	1				
9	56180-SGT	HOSE ASSY,JIB J1 TO CYL EXT..... Z-34N to 2771; Z-34DC/BE to SN 2005	1				
9A	74983GT	HOSE ASSY, 1/4", 19.00 Z-34N from SN 2772; Z-34DC/BE from SN 2006					
10	56209GT	HOSE ASSY,JUNC TO JIB MAN 'T'..... refer to item 16 for later models; Z-34N to SN 4017; Z-34CD/BE to SN 3347	1				
11	42862-SGT	HOSE ASSY-JUNCTION-JIB MANIFOL..... refer to item 17 for later models; Z-34N to SN 4017; Z-34DC/BE to SN 3347	1				
12	56946-SGT	HOSE ASSY-MASTER CYL-SLAVE C....	1				
13	56945GT	HOSE ASSY, 1/4", 31.00.....	1				
14	48890GT	FITTING,TEE,BRANCH,520429-4***.....	2				
15	48912GT	CONN,520120-4-6***.....	18				
16	56244-SGT	HOSE ASSY,T2 TO JIB JUNCTION..... Z-34N to SN 4017; Z-34DC/BE to SN 3347	1				
16A	94101GT	HOSE ASSY,1/4",474.00 Z-34N from SN 4018					
16B	94103GT	HOSE ASSY,1/4",481.5 Z-34DC/BE from SN 3348					
17	42857-SGT	HOSE ASSY;'P2'/T2'TO JIB BOOM..... Z-34N to SN 4017; Z-34DC/BE to SN 3347	1				
17A	94101GT	HOSE ASSY,1/4",474.00 Z-34N from SN 4018					

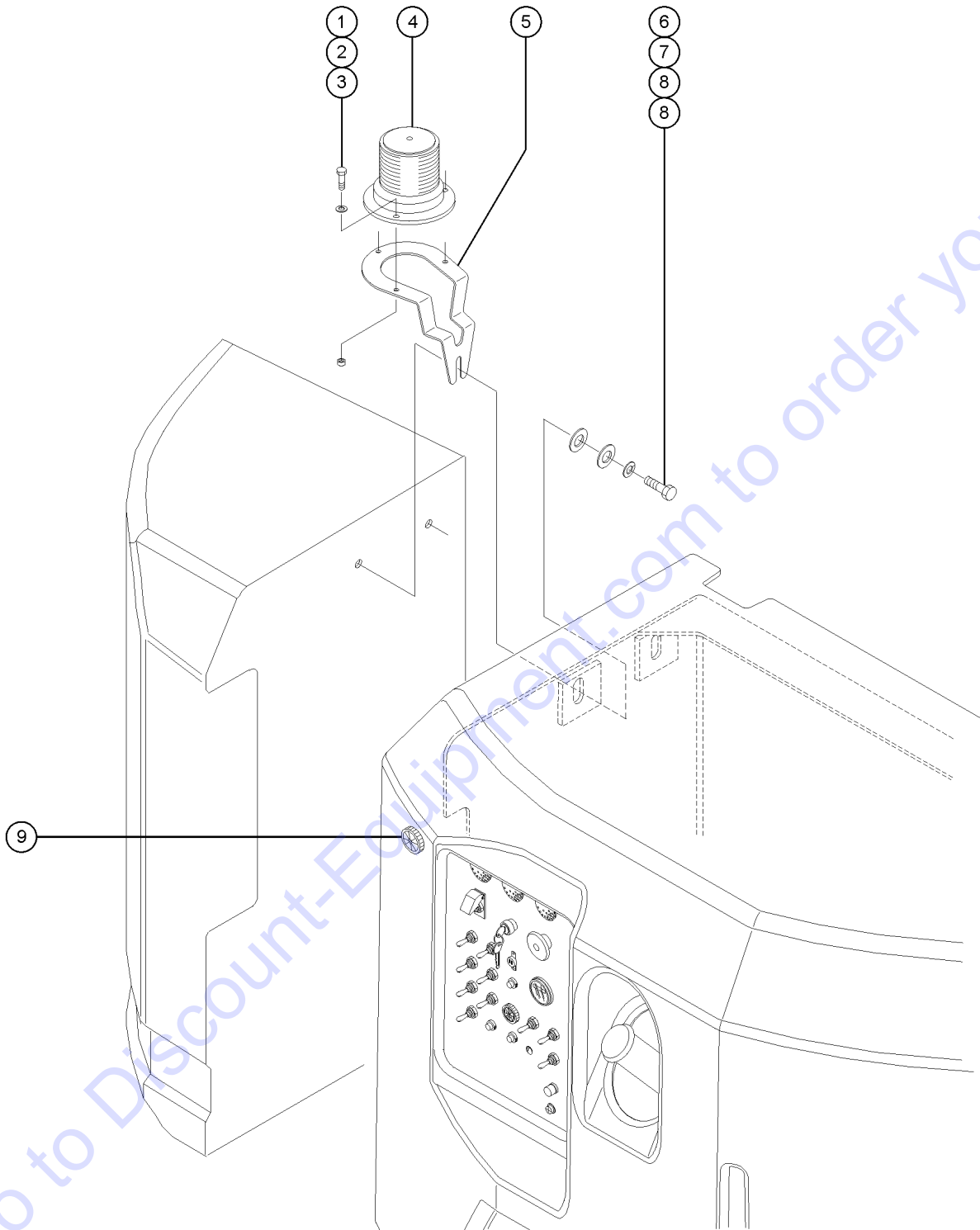
804.2 Boom Hoses (Z-34N from SN 8115) (Z-34DC and BE from SN 7101)



804.2 Boom Hoses (Z-34N from SN 8115) (Z-34DC and BE from SN 7101)

Item	Part No.	Description	Qty.
1	48916GT	CONN, 520120-6.....	4
2	48905GT	CONN,520120-4***.....	4
3	74308GT	HOSE ASSY, 1/4", 46.50.....	1
4	48905GT	CONN,520120-4***.....	1
5	48927GT	CONN,520120-6-4.....	1
6	13852GT	VALVE ASSY,BLEED***.....	2
7	74309GT	HOSE ASSY, 1/4", 46.50.....	1
8	74983GT	HOSE ASSY, 1/4", 19.00.....	2
9	139079GT	HOSE ASSY,1/4",202.00.....	1
10	139083GT	HOSE ASSY,1/4",213.00.....	1
11	139128GT	HOSE ASSY,1/4",236.00.....	1
12	74480GT	HOSE ASSY, 1/4", 239.0.....	1
13	56945GT	HOSE ASSY, 1/4", 31.00.....	1
14	48890GT	FITTING,TEE,BRANCH,520429-4***.....	2
15	48912GT	CONN,520120-4-6***.....	18
16	94103GT	HOSE ASSY,1/4",481.5.....	1
17	94104GT	HOSE ASSY,1/4",481.5.....	1
18	74481GT	HOSE ASSY,1/4",239.0.....	1
19	42817GT	HOSE ASSY, 1/4", 31.50.....	1
20	42894-SGT	HOSE ASSY-C2/C1 TO MAST CYL.....	1
21	49418GT	FITTING,ELBOW,45D,520320-4-6**.....	4
22	42859GT	HOSE ASSY,1/4",236.00.....	1
23	48933GT	CONN,520120-8***.....	1
24	74840GT	HOSE ASSY,1/4",213.00.....	1
25	74845GT	HOSE ASSY,1/4",88.50.....	1
26	139085GT	HOSE ASSY,1/4",88.50.....	1

901.1 Alarm and Beacon Package (Z-34N to SN 7048) (Z-34DC and BE to SN 6195)



PARTS FINDER

**Search Website
by Part Number**



**Search Manual
Library For Parts
Manual & Lookup Part
Numbers – Purchase
or Request Quote**

Search Manuals

Enter your information to help us find the right parts manual for your machine.

* Brand:

* Model:

* Serial:

* Part Number:

SEARCH

**Can't Find Part or
Manual? Request Help
by Manufacturer,
Model & Description**

Parts Order Form

Please fill in the following information to help us find the right part for your machine.

Manufacturer:	<input type="text"/>
Model:	<input type="text"/>
Description:	<input type="text"/>
Part Number:	<input type="text"/>
Quantity:	<input type="text"/>
Notes:	<input type="text"/>

Discount-Equipment.com is your online resource for quality parts & equipment.

Florida: **561-964-4949** Outside Florida TOLL FREE: **877-690-3101**

Need parts?

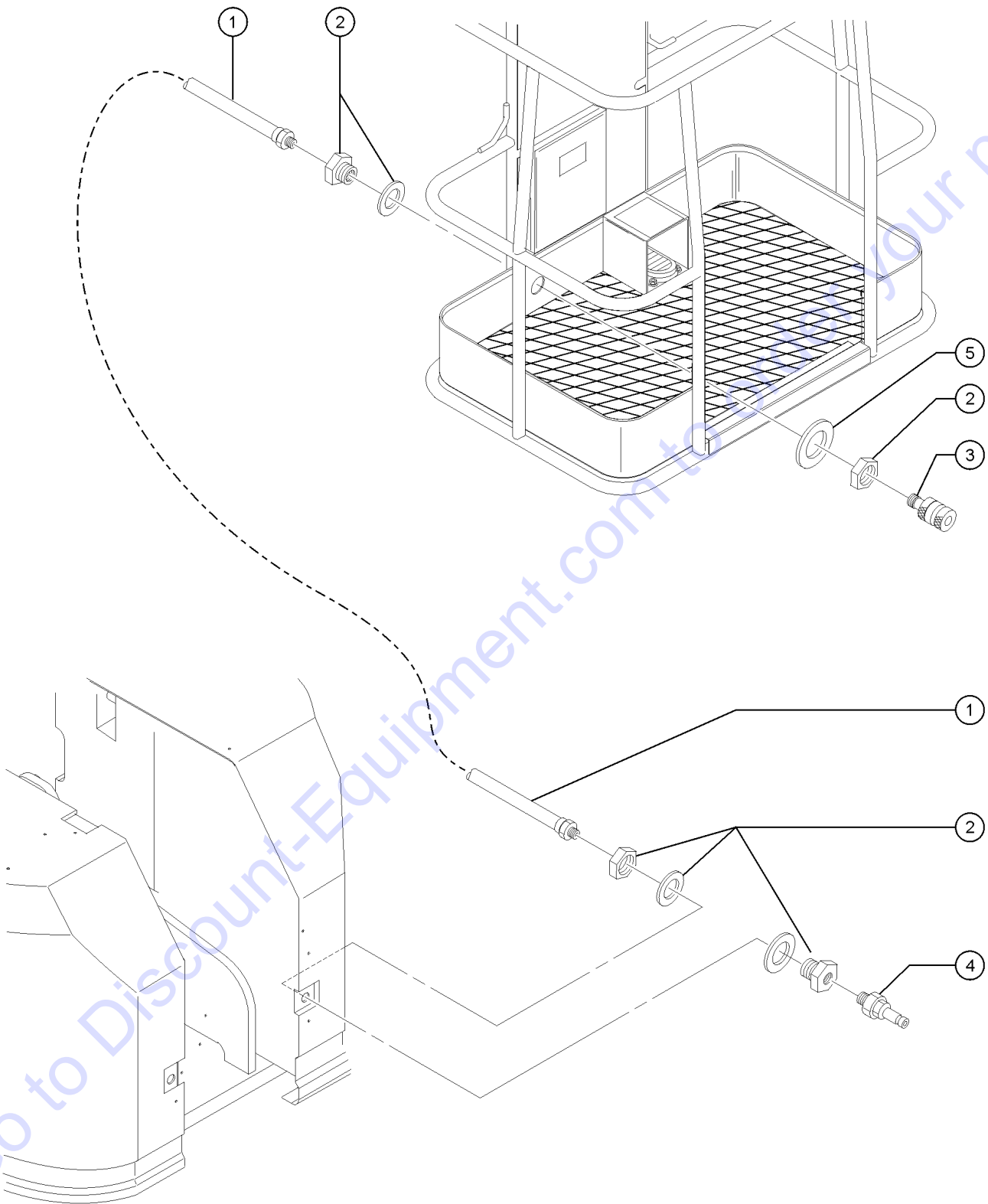
Click on this link: <http://www.discount-equipment.com/category/5443-parts/> and choose one of the options to help get the right parts and equipment you are looking for. Please have the machine model and serial number available in order to help us get you the correct parts. If you don't find the part on the website or on one of the online manuals, please fill out the request form and one of our experienced staff members will get back to you with a quote for the right part that your machine needs.

We sell worldwide for the brands: Genie, Terex, JLG, MultiQuip, Mikasa, Essick, Whiteman, Mayco, Toro Stone, Diamond Products, Generac Magnum, Airman, Haulotte, Barreto, Power Blanket, Nifty Lift, Atlas Copco, Chicago Pneumatic, Allmand, Miller Curber, Skyjack, Lull, Skytrak, Tsurumi, Husquvarna Target, Stow, Wacker, Sakai, Mi-T-M, Sullair, Basic, Dynapac, MBW, Weber, Bartell, Bennar Newman, Haulotte, Ditch Runner, Menegotti, Morrison, Contec, Buddy, Crown, Edco, Wyco, Bomag, Laymor, EZ Trench, Bil-Jax, F.S. Curtis, Gehl Pavers, Heli, Honda, ICS/PowerGrit, IHI, Partner, Imer, Clipper, MMD, Koshin, Rice, CH&E, General Equipment, Amida, Coleman, NAC, Gradall, Square Shooter, Kent, Stanley, Tamco, Toku, Hatz, Kohler, Robin, Wisconsin, Northrock, Oztec, Toker TK, Rol-Air, APT, Wylie, Ingersoll Rand / Doosan, Innovatech, Con X, Ammann, Mecalac, Makinex, Smith Surface Prep, Small Line, Wanco, Yanmar

901.1 Alarm and Beacon Package (Z-34N to SN 7048) (Z-34DC and BE to SN 6195)

Item	Part No.	Description	Qty.
1	49826GT	SCREW,PHILLIPS,PHM,10-32 X.625.....3	
2	6607GT	WASHER,LOCK,#10 PLTD.....3	
3	23405GT	NUTSERT,10-32 STEEL CAD PLTD.....3	
4	56704GT	STROBE,FIREBOLT,12-80VDC,AMB**...1	
--	122019GT	FLASHTUBE,U SHAPED,360DEG,BULB	
--	226393GT	FLASHTUBE,STRAIGHT,360DEG,BULB	
--	72282GT	LENS,AMBER,STROBE,FIREBOLT	
5	62694GT	BEACON MOUNT ASSY.Z34/BE.....1 <i>includes item 3</i>	
6	6019GT	SCREW,HHC,3/8-16 X 1.25 GRD 5.....2	
7	6021GT	WASHER,LOCK,.375.....2	
8	15086GT	WASHER,FLAT,.375 X 1.5 X .125.....4	
9	45462GT	ALARM,CHIME TONE 5-25VDC***1 <i>plastic nut not included</i>	
--	72326GT	NUT - PLASTIC,RING FOR ALARMS	

902.1 Air Line to Platform

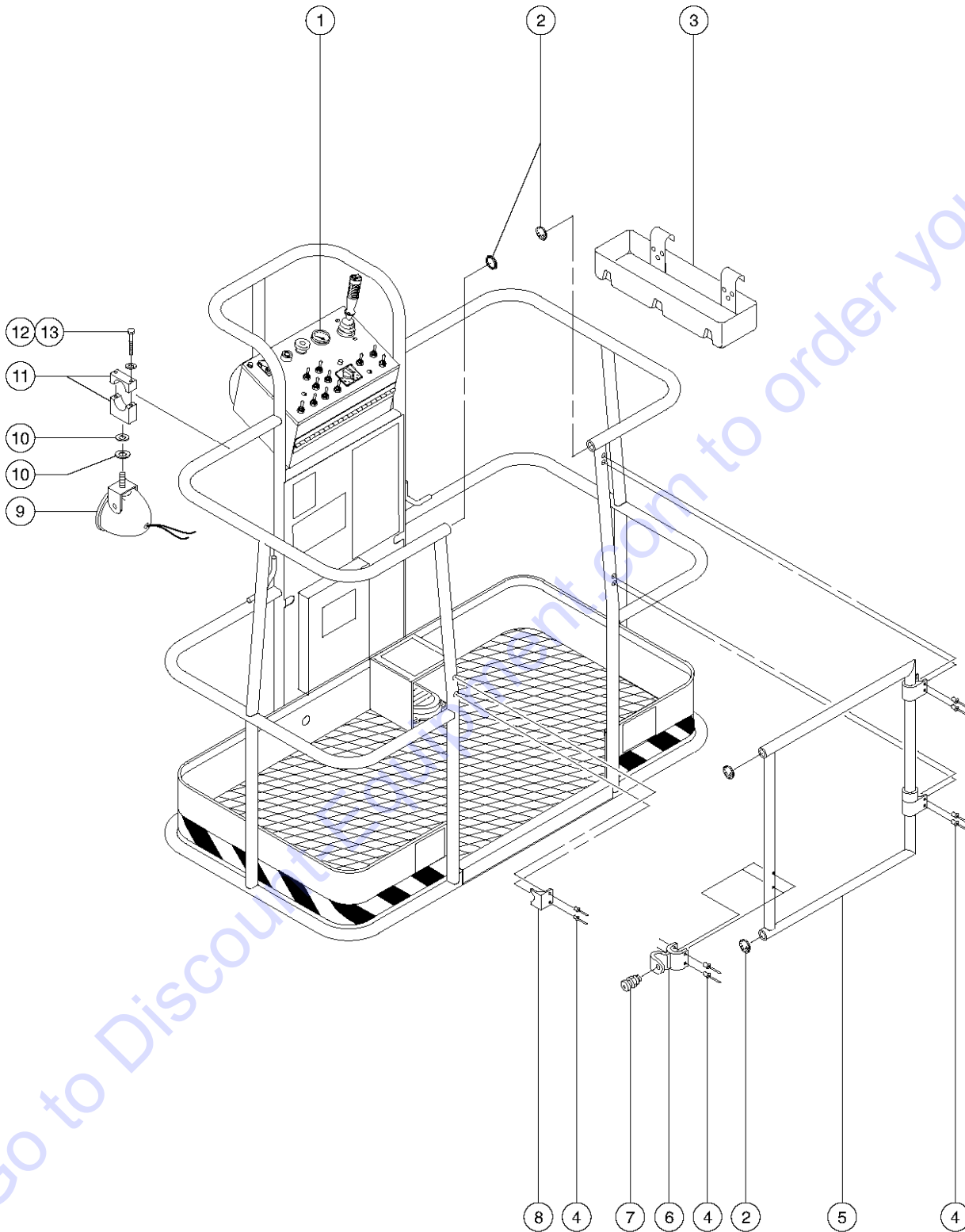


902.1 Air Line to Platform

Item	Part No.	Description	Qty.
1	52960GT	AIRLINE ASSY W/FITTINGS, Z34BE.....1	
2	27900GT	BULKHEAD,FEMALE X 6 X 6.....2	
3	27895GT	COUPLER,1/4"SERIES 3/8 MPT.....1	
4	27894GT	PLUG,1/4"SERIES,3/8 MPT.....1	
5	13775GT	WASHER,FLAT,1.063 X 2 X .134	

Go to Discount-Equipment.com to order your parts

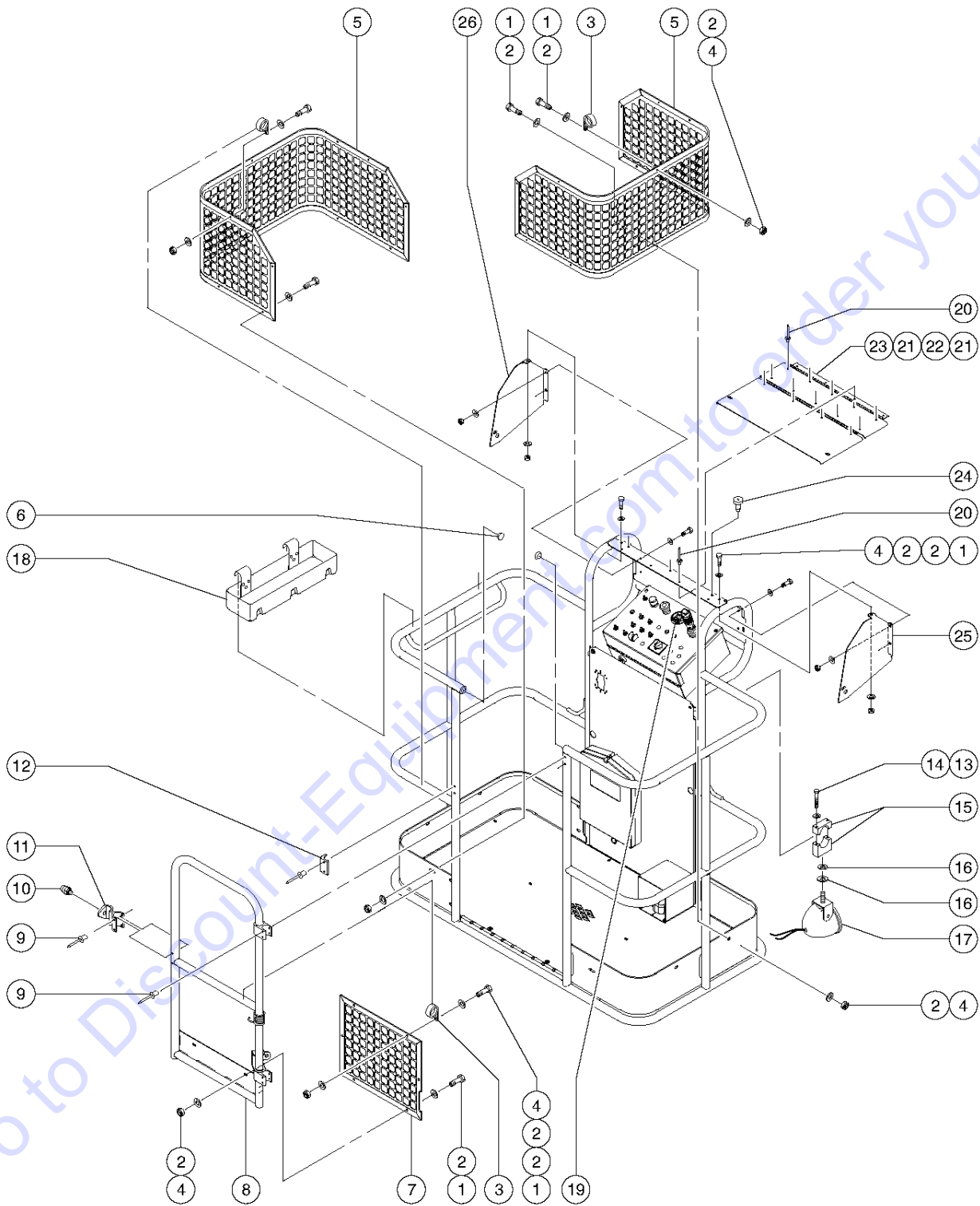
903.1 Platform Options (Z-34N to SN 2547) (Z-34DC and BE to SN 1891)



903.1 Platform Options (Z-34N to SN 2547) (Z-34DC and BE to SN 1891)

Item	Part No.	Description	Qty.
--		KIT,HALF SWING GATE*** <i>(component no longer available)</i>	
--	119129GT	HARN RETRO LVI/BCI ENGAGE II <i>field install kit</i>	
--	119133GT	HARN LVI/BCI ENGAGE II Z34DC	
--	119147GT	ACC.RETRO KIT LVI/BCI ENGAG II <i>complete; used with factory installed LVI/BCI option</i>	
--	T112779GT	KIT, AUX. RAIL, 4' PLATFORM <i>auxiliary rail (pinch guard) kit for 4' platform (not shown)</i>	
--	T112780GT	KIT, AUX. RAIL, 5' PLATFORM <i>auxiliary rail (pinch guard) kit for 5' platform (not shown)</i>	
1	110651GT	LVI/BCI 36/48 VOLT ENGAGE II.....	1
--	110652GT	GASKET LVI/BCI ENGAGE II	
2	55753GT	BUMPER, PLASTIC, 1.25 O.D.....	4
3	9599-SGT	TOOL TRAY ACCESSORY***.....	1
4	7265GT	RIVET,STEEL,P, .25 X .375.....	8
5	128374GT	WELDMENT,SWING GATE,ALUMINUM.....	1
--	9596GT	HINGE CASTING <i>Special welding requirements for installation of this component. Strongly suggest ordering 128374 OR contact Discount-equipment for welding requirements.</i>	
6	1487GT	GATE LATCH CASTING--DRILLED.....	1
7	63311GT	SNAP PIN.....	1
8	1488GT	RAILING CATCH CASTING--DRILLED...	1
9	35959GT	LAMP,PAR 36 48 VOLT (35958)***.....	1
10	6036GT	WASHER,LOCK,,625 PLTD	
11	35956GT	BRACKET,WORK LIGHT MOUNT 5/16".....	1
12	6145GT	SCREW,HHC,1/4-20 X 1.5	
13	6356GT	WASHER,LOCK,,25	

903.2 Platform Options (Z-34N from SN 2548) (Z-34DC/BE from SN 1892)

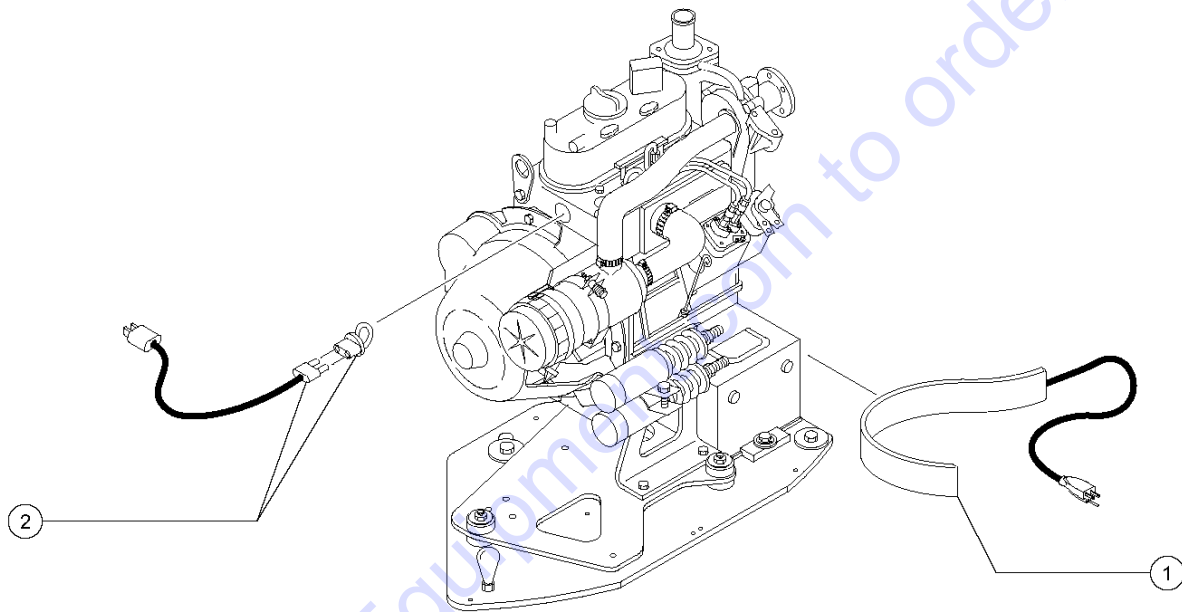


903.2 Platform Options (Z-34N from SN 2548) (Z-34DC/BE from SN 1892)

Item	Part No.	Description	Qty.	Item	Part No.	Description	Qty.
--	119129GT	HARN RETRO LVI/BCI ENGAGE II <i>field install kit</i>		14	6356GT	WASHER,LOCK,.25	
--	119133GT	HARN LVI/BCI ENGAGE II Z34DC		15	35956GT	BRACKET,WORK LIGHT MOUNT 5/16".....	2
--	119147GT	ACC.RETRO KIT LVI/BCI ENGAG II <i>complete; used with factory installed LVI/BCI option</i>		16	6036GT	WASHER,LOCK,.625 PLTD	
--	139362GT	POWER TO PLAT, DOMESTIC		17	107858GT	WORKLIGHT,48 VOLT.....	2
--	139363GT	POWER TO PLAT, UK		--	823226GT	POWER RELAY, 24V COIL	
--	139364GT	POWER TO PLAT, NO PLUG		18	9599-SGT	TOOL TRAY ACCESSORY***.....	1
--	139365GT	POWER TO PLAT,EURO PLUG220/50		19	110651GT	LVI/BCI 36/48 VOLT ENGAGE II.....	1
--	44273GT	C.E. OPTION,Z34N DC/BE		--	110652GT	GASKET LVI/BCI ENGAGE II	
--	56486-SGT	ACCESSORY,WORKLIGHT,48 VOLT		--	110653GT	BRACKET ENGAGE II	
--	T112779GT	KIT, AUX. RAIL, 4' PLATFORM <i>auxiliary rail (pinch guard) kit for 4' platform (not shown)</i>		20	87085GT	RIVET,ALUM,P,.188 X .25	
--	T112780GT	KIT, AUX. RAIL, 5' PLATFORM <i>auxiliary rail (pinch guard) kit for 5' platform (not shown)</i>		21	77860GT	HINGE,CONTROL BOX..... <i>component of 101649GT</i>	2
1	8914GT	SCREW,HHC,1/4-20 X .625		22	101678GT	LID,CONTROL BOX COVER..... <i>component of 101649GT</i>	1
2	6638GT	WASHER,FLAT,USS,1/4"Y		23	101679GT	LID,CONTROL BOX COVER..... <i>component of 101649GT</i>	1
3	56424GT	CLAMP,1.25X.5 RUBBER-CUSHION		24	34619GT	BUMPER,RUBBER***.....	6
4	6091GT	NUT,NYLOCK,1/4-20		25	101676GT	CONTROL BOX COVER, RH..... <i>component of 101649GT</i>	1
5	74009GT	MESH,HALF HEIGHT RH,4'***.....	1	26	101677GT	CONTROL BOX COVER, LH..... <i>component of 101649GT</i>	1
--	74007GT	MESH,HALF HEIGHT,5'***					
6	55753GT	BUMPER, PLASTIC, 1.25 O.D.....	2				
7	54457GT	MESH,HALF,SWING GATE***.....	1				
8	128368GT	KIT,SWING GATE W/SPRING..... <i>does not include items 10-12</i>	1				
--	128374GT	WELDMENT,SWING GATE,ALUMINUM					
--	42104GT	SPRING,SHORT PLATFORM GATE					
--	43392GT	BUMPER,BATTERY BOX & RAILS					
--	9596GT	HINGE CASTING <i>Special welding requirements for installation of this component. Strongly suggest ordering 128368 OR contact Discount-equipment for welding requirements.</i>					
8A	119950GT	KIT,FIELD INSTALL,SWING GATE <i>includes 128368GT, 1487GT, 1488GT, and 33674GT</i>					
--	9596GT	HINGE CASTING <i>Special welding requirements for installation of this component. Strongly suggest ordering 119950 OR contact Discount-equipment for welding requirements.</i>					
		RIVET,STEEL,P, .25 X .375					
9	7265GT						
10	33674GT	PIN,LOCK,SHORT***.....	1				
11	1487GT	GATE LATCH CASTING--DRILLED.....	1				
12	1488GT	RAILING CATCH CASTING--DRILLED...	1				
13	6145GT	SCREW,HHC,1/4-20 X 1.5					



904.1 Cold Start Package (Z-34 Bi-Energy)

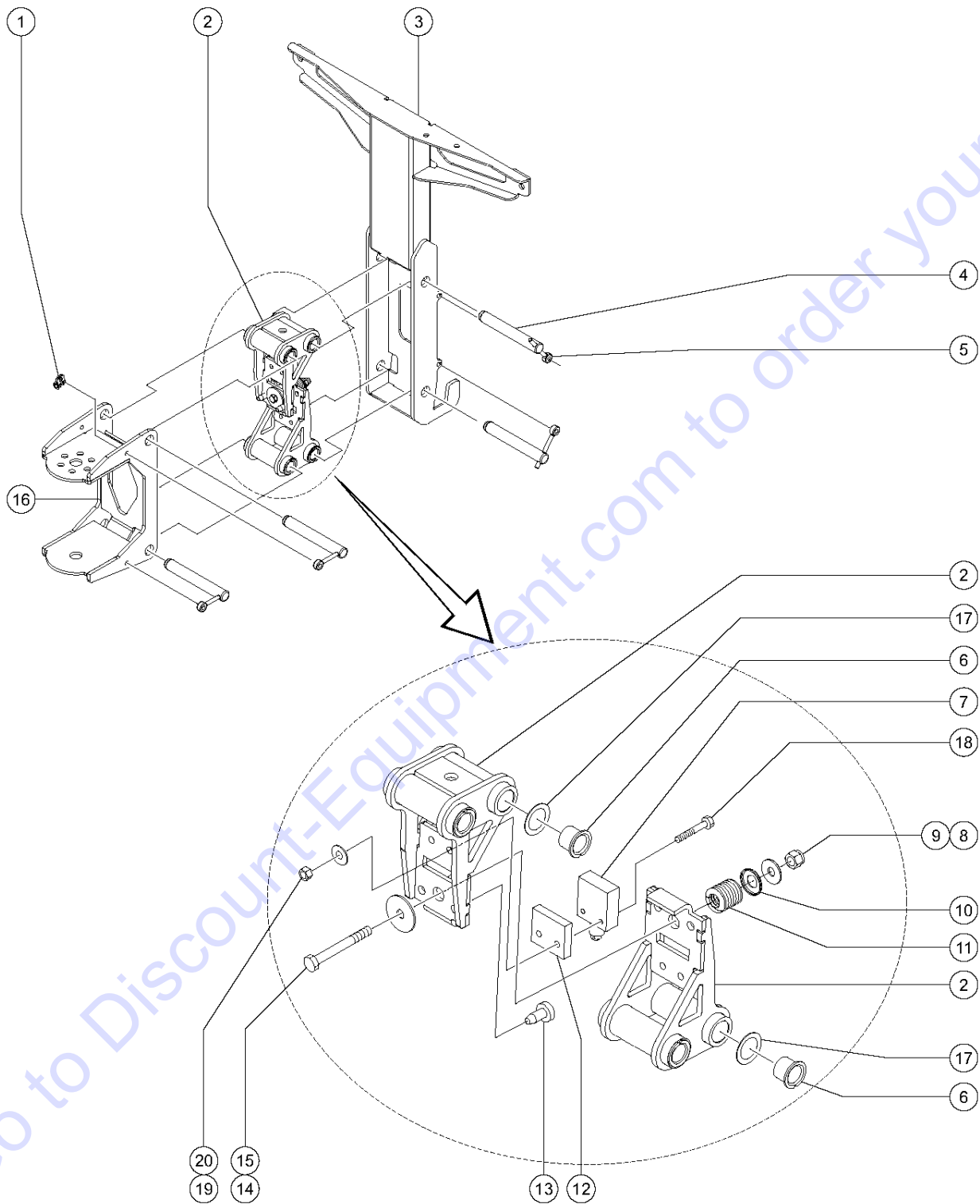


904.1 Cold Start Package (Z-34 Bi-Energy)

Item	Part No.	Description	Qty.
--	42536GT	OPTION,COLD START,Z34GAS/BE to SN 4473	
--	70707GT	COLD START PKG,120V BI-ENERGY from SN 4474	
1	28853GT	BLANKET,BATTERY.....	1
2	42537GT	FREEZE PLUG HEATER,WG750,Z34.... to SN 4473	1
--	70683GT	FREEZE PLUG HEATER,Z45 from SN 4474	

Go to Discount-Equipment.com to order your parts

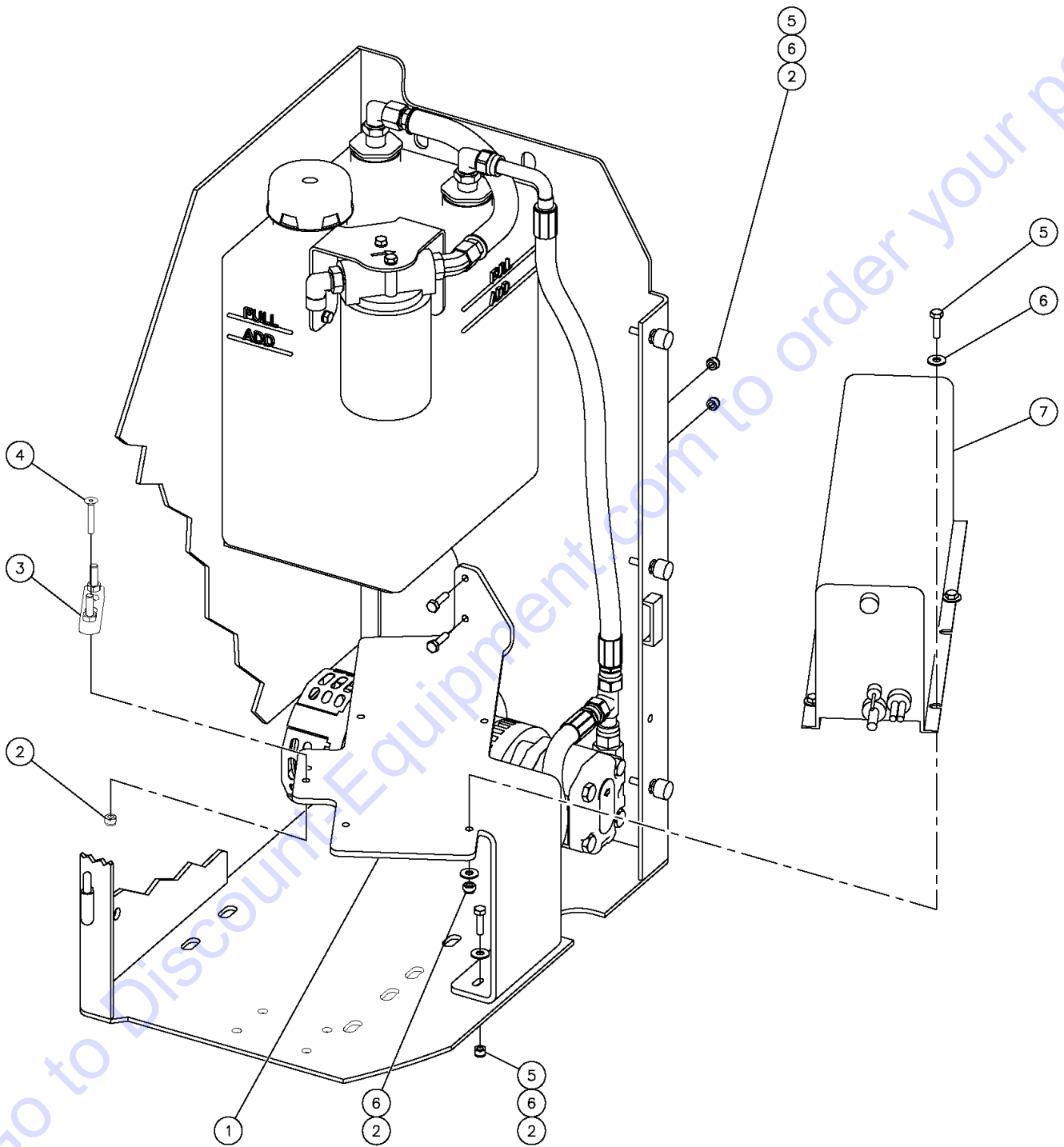
905.1 Platform Overload



905.1 Platform Overload

Item	Part No.	Description	Qty.
--	121848GT	ASSY,LS,LOAD SENSE,38.5 IN Z-34N from SN 8858 and Z-34DC/BE from SN 7774	
--	45383GT	ALARM,WARBLE TONE 5-30 VDC*** Z-34N from SN 8858 and Z-34DC/BE from SN 7774	
--	94395-SGT	OPTION,PLATFORM LOADSENSE Z-34N from SN 8858 and Z-34DC/BE from SN 7774	
1	45470GT	CLAMP,0.31,#5 X 1/4,RUB CUSH.....1	
2	94191GT	WELDMENT,LOAD SUPPORT.....2	
3	94176GT	WELDMENT,PLATFORM SUPPORT.....1	
4	61726GT	PIN,0.75DIA X 5.75LG,CHAMFER.....4	
5	45748GT	ROD END,.250 X 2.75 LG.....4	
--	6091GT	NUT,NYLOCK,1/4-20	
--	8915GT	SCREW,HHC,1/4-20 X 1.25	
6	25685GT	BEARING,GARLOCK,12FDU12.....8	
7	61973GT	SWITCH,ROLLER PLUNGER LIMIT.....1	
8	4828GT	NUT,NYLOCK,3/8-16	
9	6097GT	WASHER,FLAT,USS,3/8",Y	
10	61975GT	RETAINER,SPRING,1.21 X .375.....1	
11	61974GT	SPRING,COMP,1" OD,232 LB/IN.....1	
12	61972GT	MOUNT,SWITCH.....1	
13	34619GT	BUMPER,RUBBER***.....2	
14	21604GT	SCREW,HHC,3/8-16 X 3.25	
15	80605GT	WASHER,FLAT,3/8X1.5X.06	
16	94170GT	WELDMENT,ROTATOR SUPPORT.....1	
17	110789GT	WASHER,SHIM .0151 THK.	
18	73634GT	SCREW,PHIL,PHM,10-24X1.5 ZINC	
19	5365GT	NUT,NYLOCK,10-24	
20	6146GT	WASHER,FLAT,MS,#10,Y	

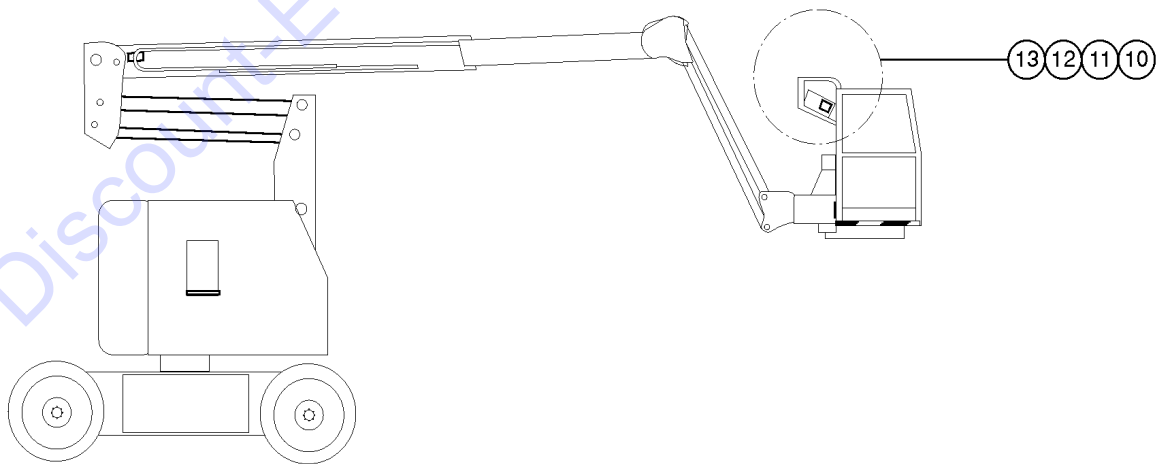
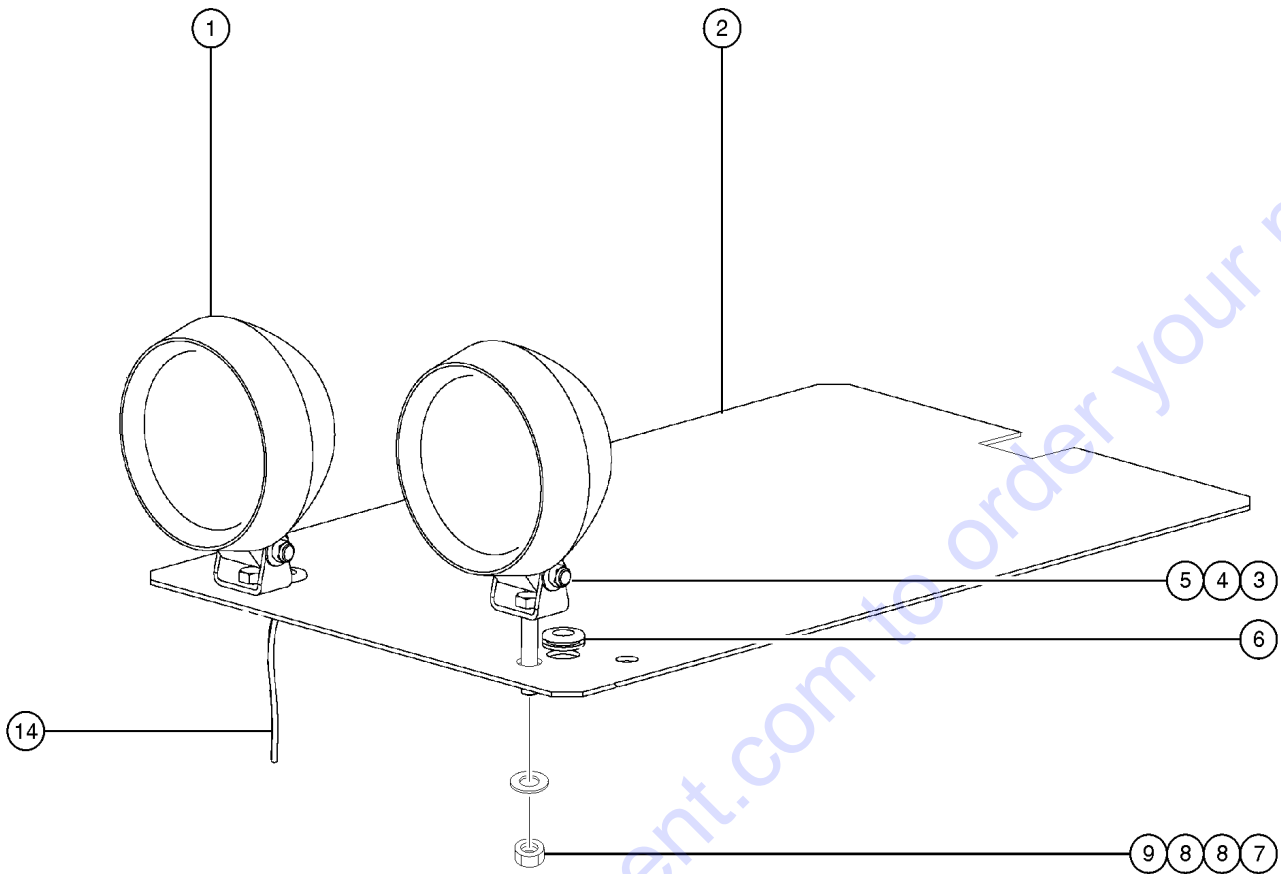
906.1 Inverter Option



Item	Part No.	Description	Qty.
1	128102GT	FORMING, INVERTER MT.....	1
2	6091GT	NUT,NYLOCK,1/4-20.....	10
3	66717GT	FUSE BLOCK, ANN & ANL FUSE.....	1
4	14740GT	SCREW,FHS,1/4-20 X 1.5.....	2
5	6638GT	WASHER,FLAT,USS,1/4"Y.....	8
6	6888GT	SCREW,HHC,1/4-20 X 1.....	8
7	150026GT	INVERTER,48VDC,120VAC/60HZ.....	1

Go to Discount-Equipment.com to order your parts

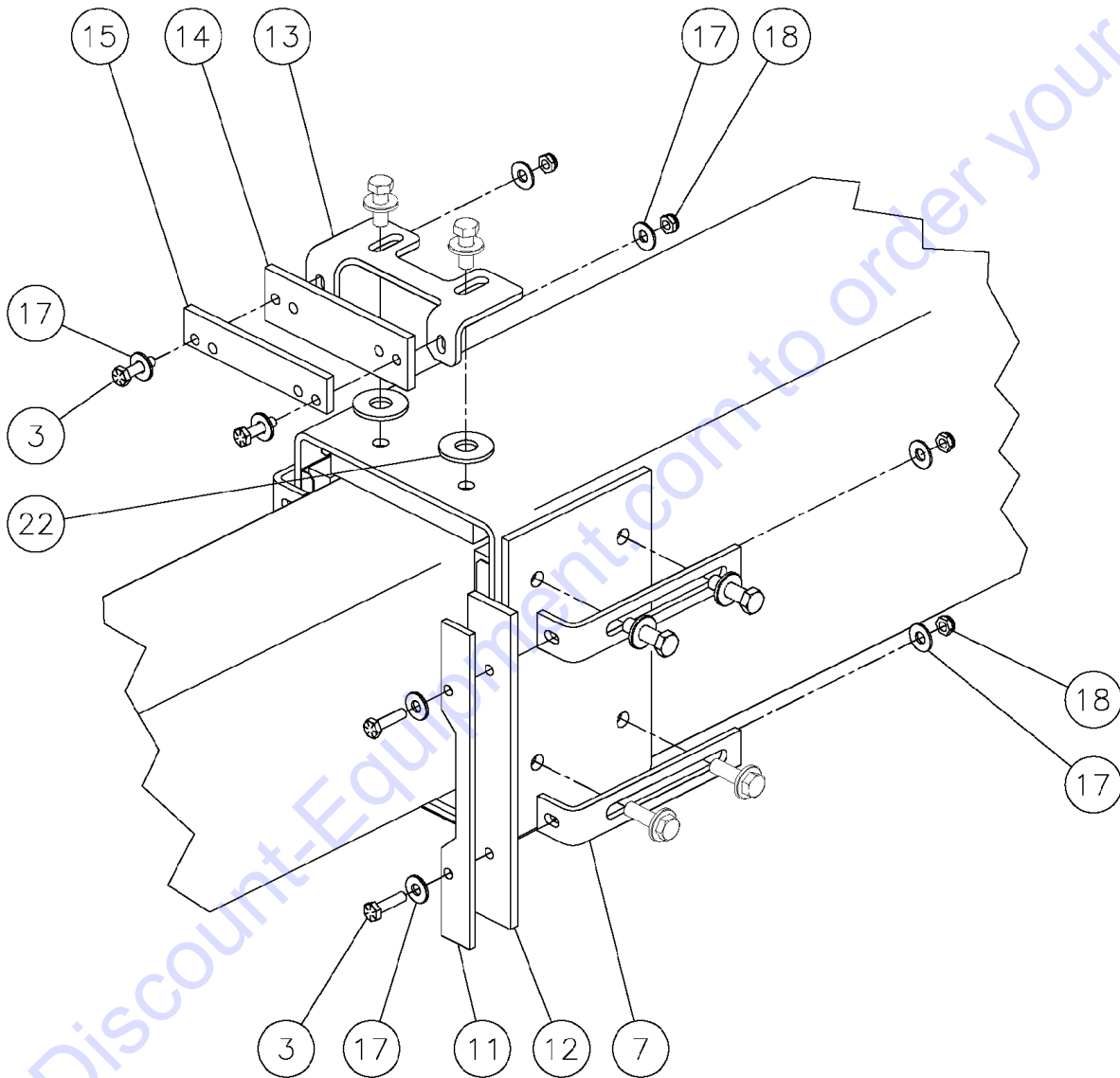
907.1 Drive Light Option



907.1 Drive Light Option

Item	Part No.	Description	Qty.
--	823945GT	OPTION,DRIVE LIGHTS,Z34BE.....1 <i>Z-34 BE from SN 9444</i>	1
1	107858GT	WORKLIGHT,48 VOLT.....2 <i>includes items 3-5 and 7-9</i>	2
2	128968GT	COVER, DR LIGHT OPTION.....1	1
3	10107GT	SCREW,HHC,5/16-18 X .75.....2	2
4	5397GT	WASHER,FLAT,USS,5/16",Y.....2	2
5	6782GT	NUT,NYLOCK,5/16-18.....2	2
6	53517GT	GROMMET,RUBBER .5 X .014 X .75.....2	2
7	6782GT	NUT,NYLOCK,5/16-18	
8	5397GT	WASHER,FLAT,USS,5/16",Y	
9	18506GT	SCREW 5/16-18 X .75 LG.FLG.LCK.	
10	78098GT	RELAY,24VDC,40/30A,SLD W/BRKT*.....1	1
--	54365GT	SCREW,PHIL,PHM,10-32 X .5,SSTL	
--	6146GT	WASHER,FLAT,MS,#10,Y	
--	6178GT	NUT,NYLOCK,10-32	
11	72867GT	DECAL,LABEL,LIGHTS***.....1	1
12	128205GT	SWITCH TOGGLE ASSY DPDT 2P MNT.....1	1
--	27246GT	BOOT,TOGGLE SWITCH,SHORT*.....1	1
13	6578GT	CABLE TIE,7 3/8".....2	2
14A	128271GT	HARNESS, DRIVE LIGHTS, 48V.....1 <i>Z-34DC to SN 7774 and Z-34N to SN 8858</i>	1
14A	128821GT	HARNESS, DRIVE LIGHTS, 48V.....1 <i>Z-34 BE to SN 7774; Z-34N to SN 8858)</i>	1
14B	128821GT	HARNESS, DRIVE LIGHTS, 48V.....1 <i>Z-34BE to SN 7774 and Z-34N to SN 8858</i>	1
14B	823948GT	HARNESS, DRIVE LIGHTS, 48V.....1 <i>from SN Z3413-9444 and Z34N13-10744</i>	1
--	107858GT	WORKLIGHT,48 VOLT.....2	2
--	23083-SGT	FUSE HOLDER,WATERPROOF.....1	1
--	27489GT	FUSE,7 AMP.....1	1
--	823226GT	POWER RELAY, 24V COIL.....1	1
14C	823948GT	HARNESS, DRIVE LIGHTS, 48V.....1 <i>replaced 147496 from SN Z3413-9444 and Z34N13-10744</i>	1
--	107858GT	WORKLIGHT,48 VOLT.....2	2
--	23083-SGT	FUSE HOLDER,WATERPROOF.....1	1
--	27489GT	FUSE,7 AMP.....1	1
--	823226GT	POWER RELAY, 24V COIL.....1	1

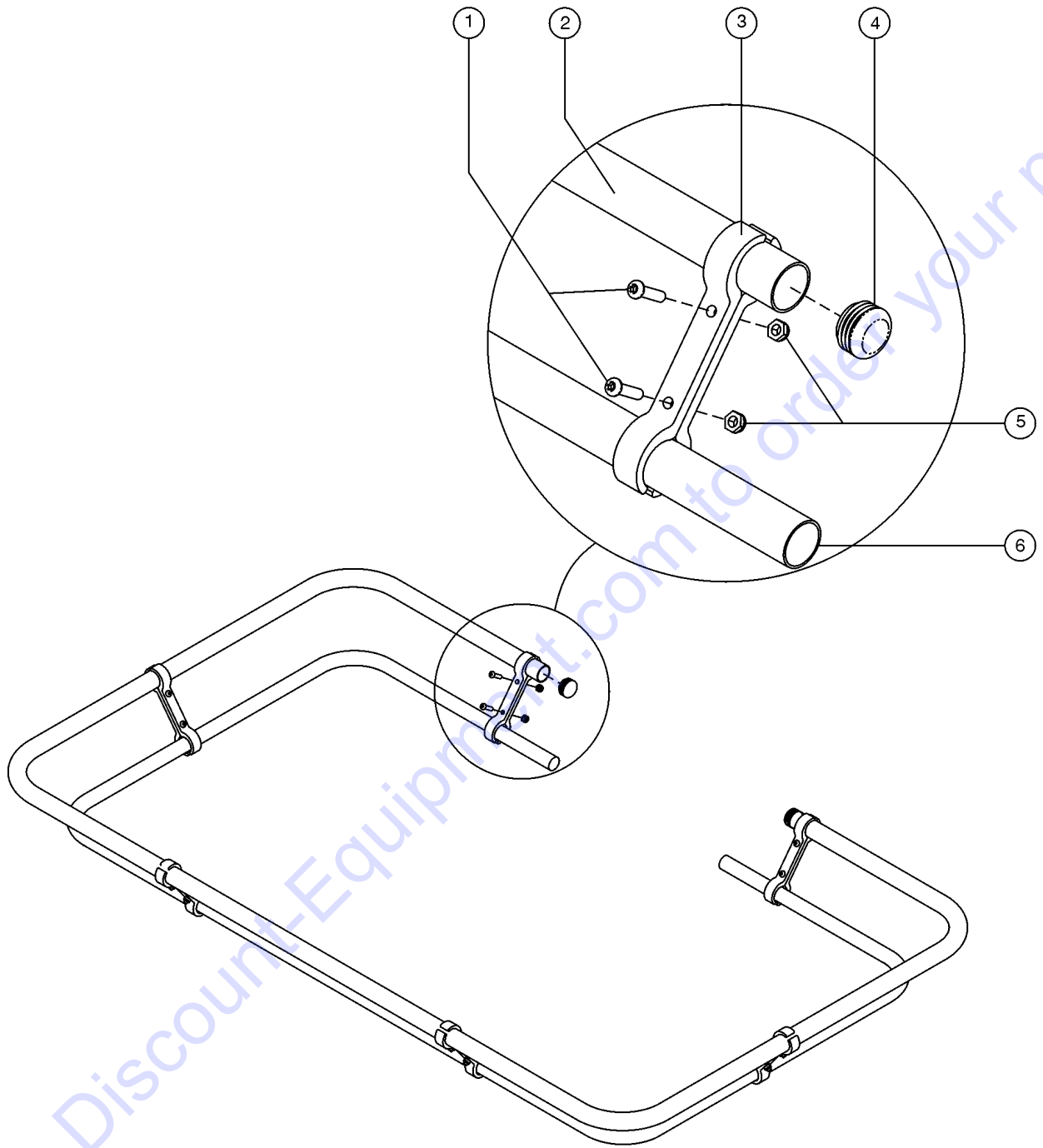
908.1 Hostile Environment Package (to SN 8857)



908.1 Hostile Environment Package (to SN 8857)

Item	Part No.	Description	Qty.
1		Ref. OPTION,CONTROL BOX COVER...1 <i>refer to 903.2</i>	
2	128329GT	SCREW,HHC,1/4-20 X 1, GR8.....4 <i>not shown</i>	
3	128330GT	SCREW,HHC,1/4-20 X 1, GR8.....6	
4	30489GT	CLAMP,HOSE,3.50.....5 <i>not shown</i>	
5	30577GT	COVER,PROTECTIVE,MASTER/SLAVE.1 <i>not shown</i>	
6	30971GT	CLAMP,HOSE,3.00".....1 <i>not shown</i>	
7	34510GT	BRACKET,ADJ.WIPER MOUNT.....4	
8	35434GT	CLAMP,HOSE,2.00***.....6 <i>not shown</i>	
9	5365GT	NUT,NYLOCK,10-24.....2 <i>not shown</i>	
10	54989GT	BELLOWS,STEERING CYLINDER.....1 <i>not shown</i>	
11	56667GT	PLATE,WIPER SIDE.....2	
12	56668GT	RUBBER,WIPER,SIDE.....2	
13	139763GT	BRACKET,WIPER TOP.....1	
14	56671GT	3106170WIPER, TOP.....1	
15	56672GT	PLATE,WIPER TOP.....1	
16	56742GT	WEAR PAD,HEK.....1 <i>not shown</i>	
17	6638GT	WASHER,FLAT,USS,1/4"Y.....10	
18	6889GT	NUT,LP NYLOCK,1/4-20.....10	
19	94461GT	BELLOWS,PRIMARY/ELEV CYLINDER.....2 <i>not shown</i>	
20	94462GT	BELLOWS,JIB CYLINDER.....1 <i>not shown</i>	
21	94463GT	BELLOWS,MASTER CYLINDER.....1 <i>not shown</i>	
22	6097GT	WASHER,FLAT,USS,3/8",Y.....2	

909.1 Auxiliary Rail Assembly

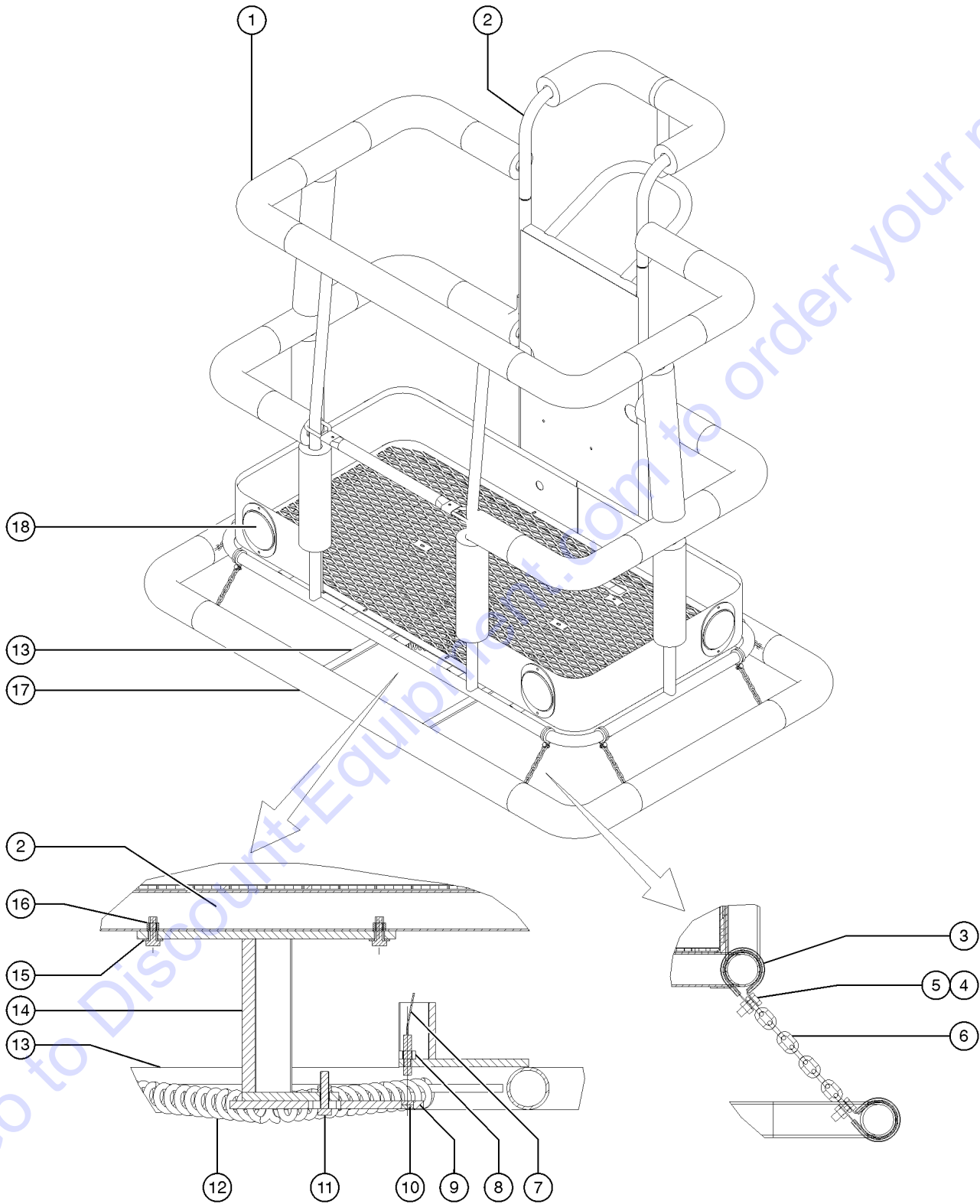


909.1 Auxiliary Rail Assembly

Item	Part No.	Description	Qty.
1	122231GT	SCREW,BHSC,1/4-20 X 1.....	12
2A	T112779GT	KIT, AUX. RAIL, 4' PLATFORM..... <i>include items 1, 3, 4 and 5</i>	1
2B	T112780GT	KIT, AUX. RAIL, 5' PLATFORM..... <i>include items 1, 3, 4 and 5</i>	1
3	122073GT	SUPPORT, RAILING.....	12
4	55753GT	BUMPER, PLASTIC, 1.25 O.D.....	2
5	6889GT	NUT,LP NYLOCK,1/4-20.....	12
6		Ref. PLAT RAIL ASSY <i>refer to 603.1</i>	

Go to Discount-Equipment.com to order your parts

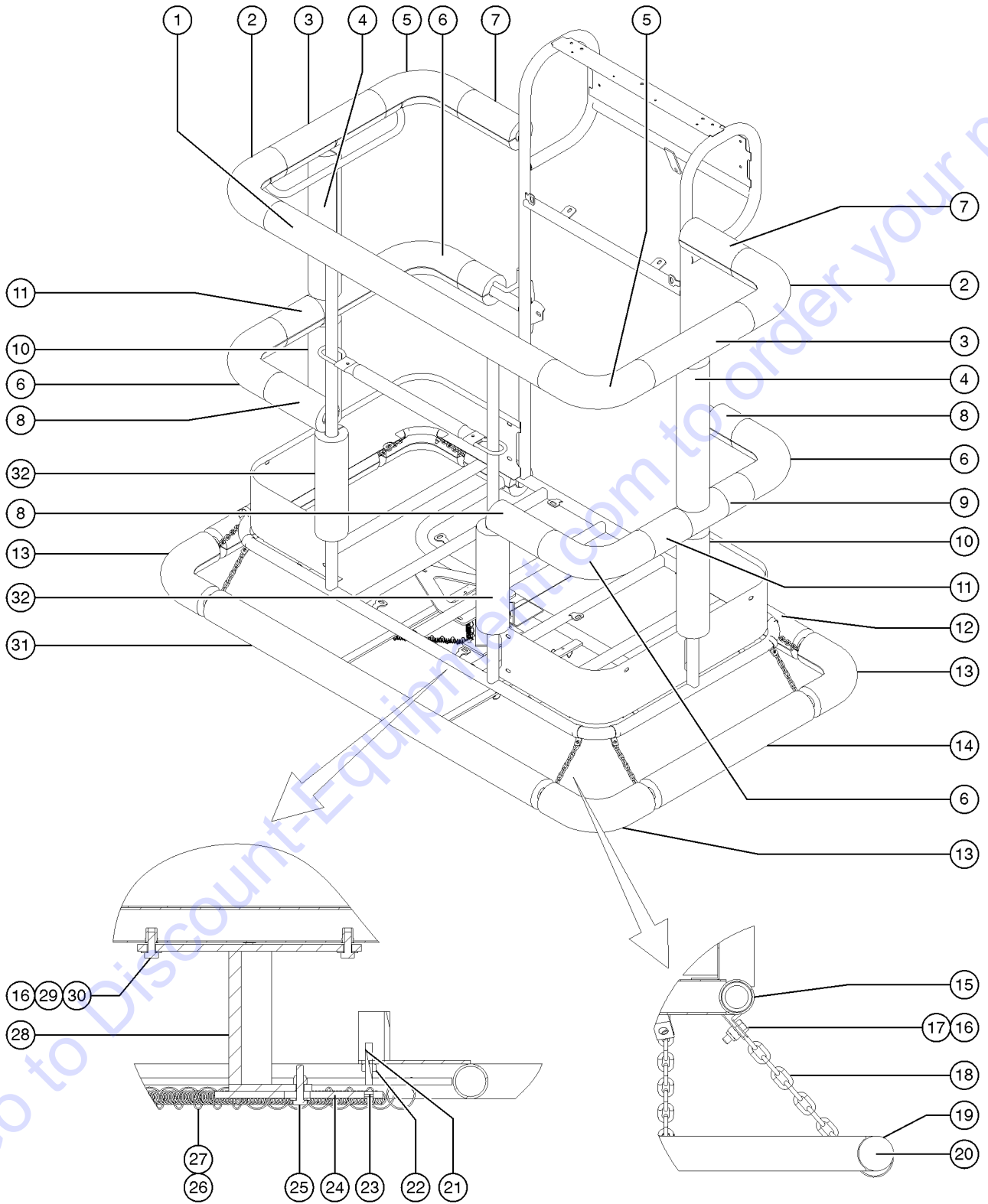
910.1 Aircraft Protection Package (to SN 8583)



910.1 Aircraft Protection Package (to SN 8583)

Item	Part No.	Description	Qty.
--		<i>Items B - F not shown, refer to control box, 306.2</i>	
B	128200GT	SWITCH TOGGLE ASSY SPDT 3P MOM.....	1
C	27246GT	BOOT,TOGGLE SWITCH,SHORT*.....	1
D	34052GT	RELAY,SPDT,12V(AUTO) PLUG IN**.....	1
E	34053GT	ASSY,RELAY SOCKET, AUTO.....	1
F	56302GT	RELAY,24VDC,40/30A,SEALED***.....	1
1	56418GT	BUMPER,90 DEG ELBOW.....	14
2		Ref. PLATFORM WELDMNT,STL,56 X 30 <i>refer to 601.1, 602.1, or 603.1</i>	
3	56424GT	CLAMP,1.25X.5 RUBBER-CUSHION....	16
4	42377GT	SCREW,SHS,1/4-20 X .75,ZINCPLT.....	19
5	6091GT	NUT,NYLOCK,1/4-20.....	17
6	56426GT	CHAIN,NO.2.....	8
7	81532GT	HARNES,PROX.KILL..... <i>includes proximity sensor</i>	1
--	27391GT	PROXIMITY SENSOR***	
8	22571GT	NUT,HEX,M8 X 1.25.....	1
9	56330GT	PLATE,MAGNET MOUNT.....	1
10	29261GT	MAGNET,NEODYMIUM,.375 X .100.....	2
11	8915GT	SCREW,HHC,1/4-20 X 1.25.....	1
12	56425GT	SPRING,EXTENSION,.75X4.5.....	4
13	56351GT	WELDMNT,FLOATING BUMPER.....	1
14	56328GT	WELDMNT,SENSOR BRACKET.....	1
15	6356GT	WASHER,LOCK,.25.....	3
16	23404GT	NUTSERT,1/4-20,STEEL CAD PLTD.....	3
17	56417GT	BUMPER,3.50 DIA.STRAIGHT.....	5
18	56427GT	REFLECTORS,3"DIA,AMBER.....	6

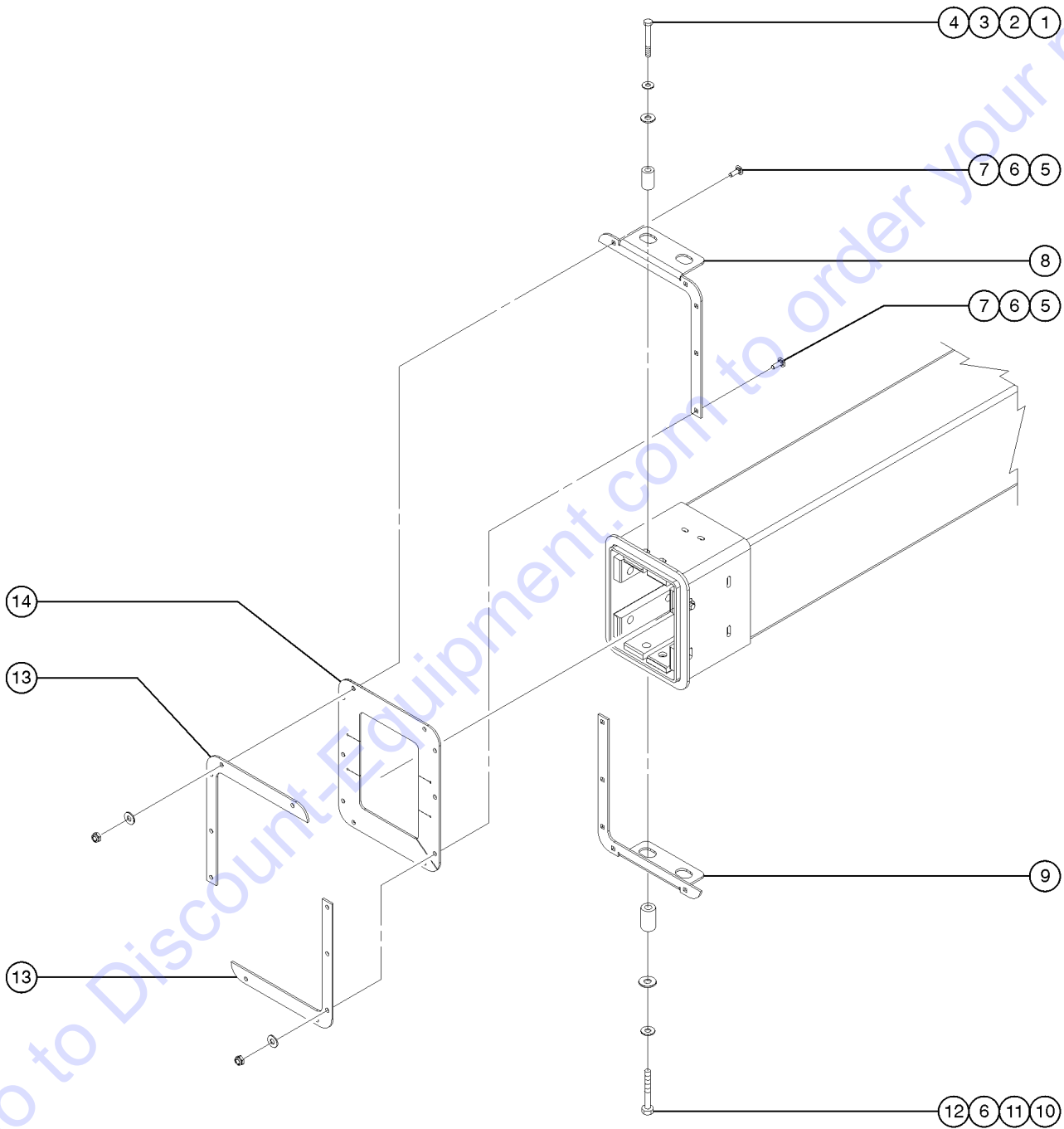
910.2 Aircraft Protection Package (from SN 8584)



910.2 Aircraft Protection Package (from SN 8584)

Item	Part No.	Description	Qty.	Item	Part No.	Description	Qty.
A	128200GT	SWITCH TOGGLE ASSY SPDT 3P MOM.....1 <i>toggle switch not shown, refer to 306.2</i>	1	31B	825210GT	BUMPER,3.5OD X 1.5ID X 48.70 <i>5-ft platform</i>	
1A	1251590GT	BUMPER,3.5OD X 1.5ID X 30.75.....1 <i>4-ft platform</i>	1	32	1252011GT	BUMPER,3.5OD X 1.5 ID X 9.75	
1B	825211GT	BUMPER,3.5OD X 1.5ID X 40.75.....1 <i>5-ft platform</i>	1				
2	147000GT	PADDING, FOAM 90 DEG.....2	2				
3	825207GT	BUMPER,3.5OD X 1.5ID X 14.75.....2	2				
4	825213GT	BUMPER,3.5OD X 1.5ID X 15.65.....2	2				
5	147001GT	PADDING, FOAM 90 DEG.....2	2				
6A	1252013GT	BUMPER,3.5OD X 1.5 ID 90 DEG.....4 <i>4-ft platform</i>	4				
6B	56418GT	BUMPER,90 DEG ELBOW.....4 <i>5-ft platform</i>	4				
7A	1251592GT	BUMPER,3.5OD X 1.5ID X 2.75.....2 <i>4-ft platform</i>	2				
7B	825216GT	BUMPER,3.5OD X 1.5ID X 7.75.....2 <i>5-ft platform</i>	2				
8	825215GT	BUMPER,3.5OD X 1.5ID X 3.80.....8	8				
9	1252012GT	BUMPER,3.5OD X 1.5 ID X 6.75.....2	2				
10	825212GT	BUMPER,3.5OD X 1.5ID X 12.75.....2	2				
11	1251592GT	BUMPER,3.5OD X 1.5ID X 2.75.....2	2				
12	825209GT	BUMPER,3.5OD X 1.5ID X 6.75.....2	2				
13	56418GT	BUMPER,90 DEG ELBOW.....4	4				
14	825214GT	BUMPER,3.5OD X 1.5ID X 22.70.....2	2				
15	56424GT	CLAMP,1.25X.5 RUBBER-CUSHION....16	16				
16	6090GT	SCREW,HHC,1/4-20 X .75					
17	6091GT	NUT,NYLOCK,1/4-20					
18	56426-576GT	CHAIN,NO.2 (9LINKS).....8	8				
19	56351GT	WELDMENT,FLOATING BUMPER.....1	1				
20	45385GT	PLUG,NYLON 1.12 BLACK DOMED.....2	2				
21	139643GT	HARNES, PROX. KILL.....1 <i>includes proximity sensor</i>	1				
--	27391GT	PROXIMITY SENSOR***					
22	88390GT	NUT,HEX,M8,PLASTIC.....1	1				
23	29261GT	MAGNET,NEODYMIUM,.375 X .100.....2	2				
24	56330GT	PLATE,MAGNET MOUNT.....1	1				
25	8915GT	SCREW,HHC,1/4-20 X 1.25					
26	88385GT	SPRING, SS, 1/2-EO500-49-4500.....4	4				
27	56425GT	SPRING,EXTENSION,.75X4.5.....4	4				
28	56328GT	WELDMENT,SENSOR BRACKET.....1	1				
29	6638GT	WASHER,FLAT,USS,1/4"Y					
30	23404GT	NUTSERT,1/4-20,STEEL CAD PLTD.....1	1				
31A	1251591GT	BUMPER,3.5OD X 1.5ID X 38.75 <i>4-ft platform</i>					

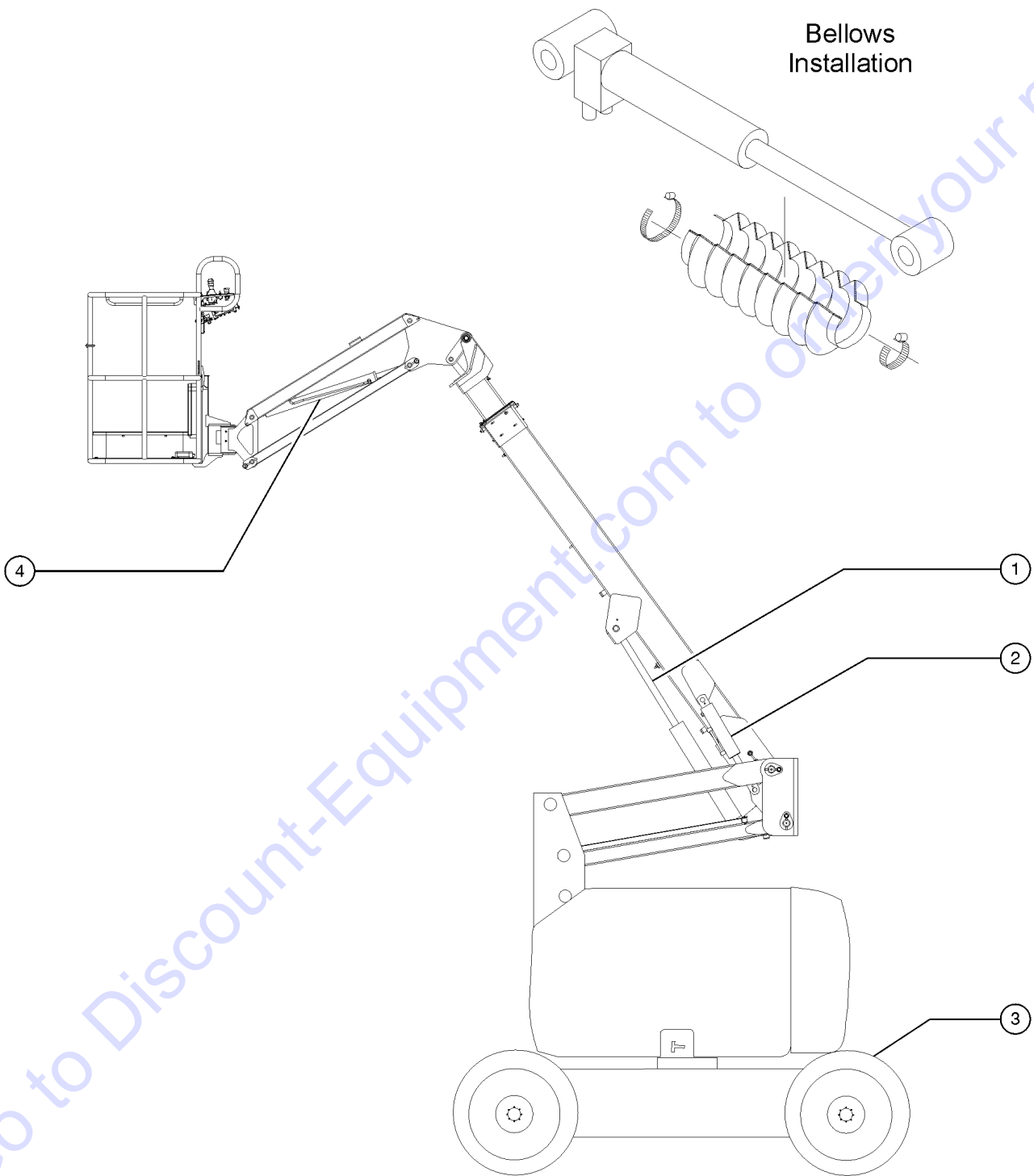
911.1 Hostile Environment, Primary Boom Wipers (from SN 8858)



911.1 Hostile Environment, Primary Boom Wipers (from SN 8858)

Item	Part No.	Description	Qty.
1	6708GT	SCREW,HHC,3/8-16 X 2.25.....	2
2	6021GT	WASHER,LOCK,.375.....	2
3	6097GT	WASHER,FLAT,USS,3/8",Y.....	2
4	128852GT	TUBE,RD,STL,DOM,.75X.438X1.25.....	2
5	6878GT	BOLT,CARRIAGE,1/4-20 X .75,G2.....	10
6	6638GT	WASHER,FLAT,USS,1/4"Y.....	12
7	6889GT	NUT,LP NYLOCK,1/4-20.....	10
8	128681GT	FORMING, WIPER MOUNT.....	1
9	128682GT	FORMING, WIPER MOUNT.....	1
10	8179GT	SCREW,HHC,1/4-20 X 2.25.....	2
11	6356GT	WASHER,LOCK,.25.....	2
12	119077GT	TUBE,RD,STL,DOM,.75OD X .375ID....	2
13	128973GT	PLATE,WIPER BACKING.....	2
14	147181GT	WIPER,PRIMARY BOOM.....	1

912.1 Hostile Environment, Cylinder Bellows (from SN 8858)

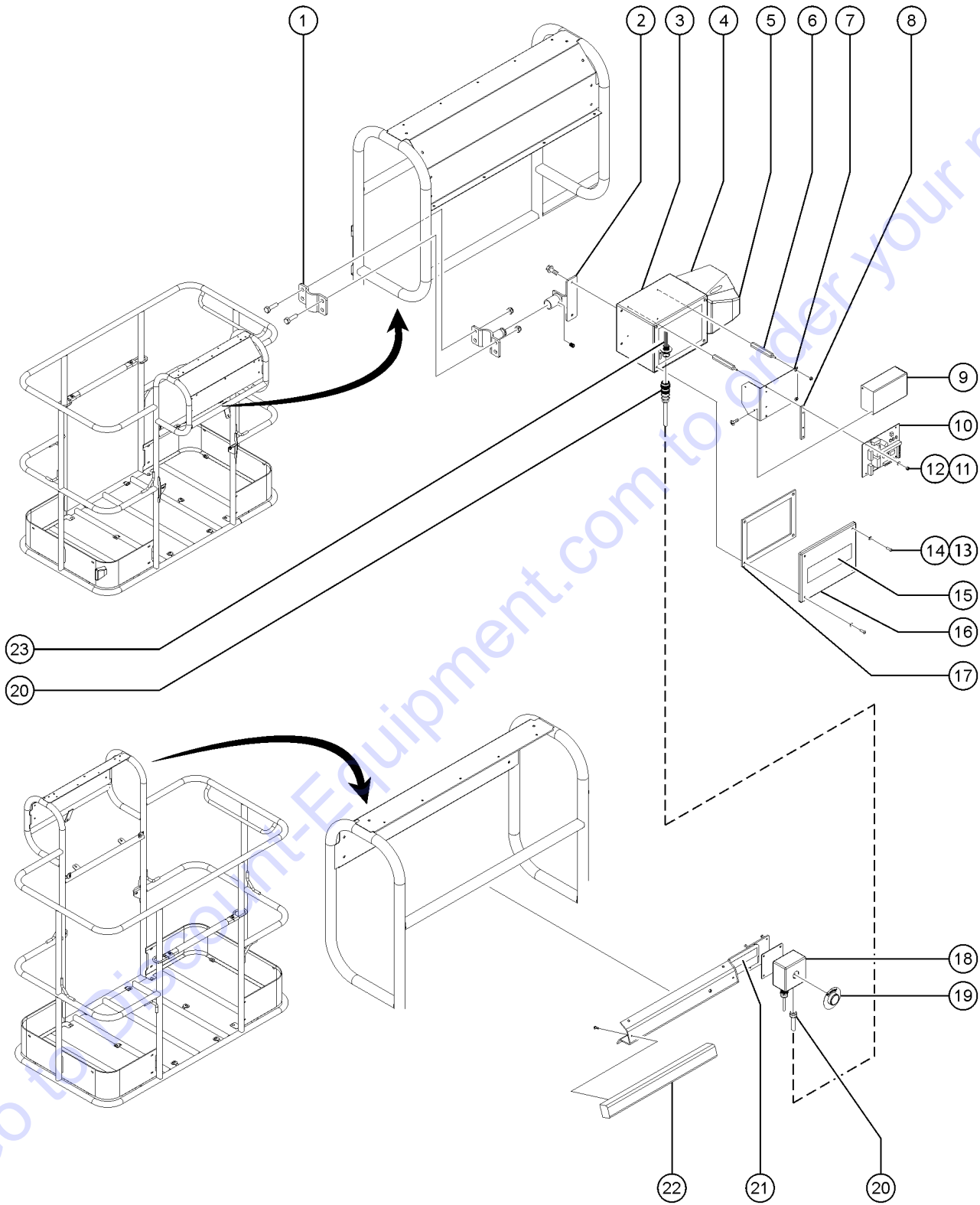


Go to Discount-Equipment.com to order your parts

912.1 Hostile Environment, Cylinder Bellows (from SN 8858)

Item	Part No.	Description	Qty.
--	128838GT	KIT, CYLINDER BELLOWS	
1	94461GT	BELLOWS,PRIMARY/ELEV CYLINDER.....	2
2	94463GT	BELLOWS,MASTER CYLINDER.....	1
3	54989GT	BELLOWS,STEERING CYLINDER..... <i>not shown</i>	1
4	94462GT	BELLOWS,JIB CYLINDER.....	1
5	30577GT	COVER,PROTECTIVE,MASTER/SLAVE. <i>not shown</i>	1
6	30489GT	CLAMP,HOSE,3.50.....	5
		<i>not shown</i>	
7	30971GT	CLAMP,HOSE,3.00".....	1
		<i>not shown</i>	
8	35434GT	CLAMP,HOSE,2.00***.....	6
		<i>not shown</i>	

913.1 Operators Protection Alarm



913.1 Operators Protection Alarm

Item	Part No.	Description	Qty.
A	1255567GT	KIT,OPA,HW,24V,SB.....	1
--	1255030GT	PLUG,BLANKING	
--	1255471GT	ASSEMBLY,OPA,4'-5' PLAT	
--	1255858GT	HARN,PBOX,OPA,HW,24V	
1	1256149GT	CLAMP,HAND RAIL,OPA,4'-5'..... <i>includes fasteners</i>	1
2	1255026GT	ASSY,BRKT,CNTRL BOX W/FASTNRS.....	1
3	1255018GT	BASE ENCLOSURE,RED,OPA.....	1
4	1255021GT	SOUNDER,MIDI,OPA.....	1
5A	1255037GT	SOUNDER LENS, OPA, BLUE..... <i>(standard lens fitted to OPA)</i>	1
5B	1270116GT	SOUNDER LENS, OPA, RED.....	1
5C	1270117GT	SOUNDER LENS, OPA, AMBER.....	1
5D	1270118GT	SOUNDER LENS, OPA, CLEAR.....	1
6	1255028GT	STAND OFF,CONTROL UNIT.....	4
7	1255024GT	BRACKET,CONTROL UNIT.....	1
8	1255025GT	SPACER,HEAT SINK.....	1
9	1255023GT	ASSY,MODULE,CONTROL UNIT,OPA....	1
10	1255022GT	MODULE,CONTROL UNIT,PCB,OPA....	1
11	1255067GT	NUT,M4 NYLOCK.....	4
12	1255066GT	WASHER,M4 NYLON.....	4
13	1255038GT	SCREW,M5X16 BHD.....	4
14	1255027GT	WASHER,M5 NYLON.....	4
15	1255890GT	DECAL,COSMETIC,GENIE.....	1
16	1255020GT	LID ENCLOSURE,RED,OPA.....	1
17	1255019GT	GASKET,ENCLOSURE.....	1
18	1255488GT	ASSEMBLY,TAPESWITCH..... <i>4-ft and 5-ft platforms (includes j-box and fasteners)</i>	1
19	1255036GT	ASSEMBLY RESET SWITCH.....	1
20	1255035GT	ASSEMBLY,CABLE,TAPESWITCH.....	1
21	1255889GT	DECAL,SYMBOL-READ THE MANUAL.....	1
22	1255489GT	SENSOR,RUBBER EDGE..... <i>4-ft and 5-ft platforms</i>	1
23	1255033GT	HARN,PIGTAIL,TAPESWITCH,OPA.....	1

Part Number Index

The Part Number Index is a numeric index of all part numbers included in this manual. The index shows what page(s) the part is used on.

Part Number	Page	Part Number	Page	Part Number	Page	Part Number	Page
1000043GT	16	110245GT	103, 105	1255019GT	229	128621GT	61-62
1000045GT	28	110246GT	103, 105	1255020GT	229	128622GT	61-62
10107GT	65-66, 215	110249GT	105	1255021GT	229	128633GT	135
101425GT	43-44	110250GT	103	1255022GT	229	128635GT	135
101426GT	43-44	110251GT	105	1255023GT	229	128645GT	41
101557GT	143-144	110255GT	103, 105	1255024GT	229	1286600GT	49-50
101676GT	207	110256GT	105	1255025GT	229	1286601GT	48-50
101677GT	207	110259GT	89	1255026GT	229	1286602GT	49-50
101678GT	207	110282GT	25, 27-28	1255027GT	229	1286603GT	49-50
101679GT	207	110286GT	117, 123, 129	1255028GT	229	1286606GT	48-50
101718GT	43-44	110352GT	103	1255030GT	103, 105, 229	128667GT	158
101719GT	43-44	110382GT	65-66, 73	1255033GT	229	128668GT	158
101726GT	69, 71	110523GT	115, 121, 127,	1255035GT	229	128669GT	158
101965GT	77, 79		133	1255036GT	229	128674GT	69, 91
101980GT	157-158	110574GT	66	1255037GT	229	128675GT	69, 91
101981GT	155	110626GT	65-66	1255038GT	229	128681GT	225
101982GT	155	110643GT	103	1255066GT	229	128682GT	225
101983GT	155	110644GT	105	1255067GT	229	128728GT	71, 93
101984GT	155	110648GT	89	1255452GT	36, 137	128730GT	47-50
101985GT	157-158	110649GT	167	1255471GT	229	1287986GT	177-178
101986GT	157-158	110651GT	205, 207	1255488GT	229	128808GT	71, 93
10262GT	143-144	110652GT	205, 207	1255489GT	229	128809GT	71, 93, 191, 195
102992GT	153, 155, 157-158	110653GT	207	1255567GT	229	128810GT	69, 91
10597GT	149-150	110789GT	211	1255758GT	141	128811GT	71, 93, 191, 195
106054GT	43-44	110947GT	69, 91	1255858GT	103, 105, 229	128818GT	71, 93
106055GT	43-44	114160GT	33	1255889GT	229	128821GT	215
106056GT	81-82, 87	114223GT	28	1255890GT	229	128825GT	41
106057GT	13	114224GT	15-16	1256149GT	229	128838GT	227
106058GT	19	114397GT	15-16, 27-28	1258005GT	35-36	128839GT	49-50
106059GT	25	119077GT	225	1258006GT	35-36	128852GT	225
106060GT	31	119111GT	61-62	1260219GT	103, 105	128899GT	61-62
106088GT	61-62	119129GT	205, 207	1261845GT	103, 105	128902GT	109
106117GT	49-50	119133GT	205, 207	1262218GT	65-66	128935GT	89
106120GT	49-50	119147GT	205, 207	1264315GT	141	128965GT	47-50
106121GT	49-50	119242GT	115, 121, 127,	1267845GT	48-50	128968GT	215
106122GT	48-50		133	1270116GT	229	128973GT	225
106123GT	48-50	119403GT	95, 97, 107, 109	1270117GT	229	128975GT	105
106124GT	49-50	119420GT	21	1270118GT	229	128993GT	39
106125GT	49-50	119421GT	27-28	128045GT	87, 89	12906GT	91, 93, 95, 97, 153
106126GT	49-50	119422GT	33	128048GT	103	12960GT	81-82, 161, 165
106148GT	49-50	119507GT	121	1280665GT	41, 107, 109	13000GT	43-44, 155, 158
106215GT	95, 97	119618GT	66	128102GT	213	13002GT	47-50
106216GT	95, 97	119684GT	113, 119, 125,	128118GT	41	13005GT	107, 109
106217GT	97		131	128138GT	43-44, 53, 57	13008-3GT	39
106218GT	99, 101	119685GT	113, 119, 125,	128200GT	79, 85, 221, 223	13008-5GT	39
106219GT	99, 101		131	128202GT	79, 85	13008-6GT	39
106220GT	99	119762GT	61-62	128203GT	79, 85	13037-SGT	77, 81-82, 163, 169
106221GT	99	119917GT	61-62	128205GT	215	13064GT	61-62
106221GT	99	119950GT	207	128271GT	215	13268GT	167
106241GT	44	12037GT	39, 153, 155,	128291GT	99, 101	133278GT	27-28
106427GT	61-62, 135		157-158	128298GT	101	133286GT	15-16, 27-28, 39, 41
106433GT	139, 141	121848GT	211	128329GT	217	13471GT	75, 163
106546GT	157-158	122019GT	201	128330GT	217	13480-SGT	75, 81-82, 163
106547GT	157-158	122073GT	219	128331GT	109	13482GT	153, 155, 157-158
106548GT	157-158	122231GT	219	128335GT	47-50		
106549GT	157-158	122366GT	81-82	128336GT	47-50		
106550GT	157-158	122512GT	75, 81-82	128368GT	207		
106551GT	158	122513GT	163, 169	128374GT	205, 207		
106604GT	43-44	122514GT	75, 77, 81-82,	128375GT	41	13511GT	75, 77, 79
106634GT	155		163, 169	128376GT	41	13585GT	155, 157-158, 161
10665GT	150	12344GT	89, 167	128377GT	41		
106792GT	157-158	12443GT	153, 155, 157-158	1284189GT	61-62	13775GT	203
10775GT	155, 157-158,		158	128444GT	177-178	13852GT	149-150, 197, 199
	161	1251590GT	223	128453GT	61-62		
10777GT	155, 157-158	1251591GT	223	128458GT	55, 59	139008GT	61-62
107858GT	207, 215	1251592GT	223	128459GT	55, 59	139010GT	55, 59
110197GT	177-178	1251757GT	50	128465GT	55, 59	139011-SGT	55, 59
110199GT	177-178	1251793GT	131	128466GT	55, 59	139013GT	55, 59
110200GT	177-178	1251794GT	131	128467GT	101	139015GT	55
110232GT	61-62, 103, 105	1251795GT	131	128470GT	101	139017GT	55
110233GT	103, 105	1251796GT	129	128550GT	149-150	139019GT	59
110234GT	105	1252011GT	223	128565GT	61-62	139021GT	55
110236GT	103, 105	1252012GT	223	128618GT	61-62	139023GT	55, 59
110240GT	103, 105	1252013GT	223	128619GT	61-62	139024GT	55, 59
110244GT	103, 105	1255018GT	229	128620GT	61-62	139025GT	55, 59

Part Number Index (continued)

Part Number	Page	Part Number	Page	Part Number	Page	Part Number	Page
139026GT	55	139842GT	143-144	19721GT	173	228973GT	41
139027GT	55	139858GT	41	19722GT	171, 173	22903GT	111, 117, 123,
139028GT	55	139866GT	62	19731GT	171		129
139029GT	55, 59	139867GT	61-62	19789GT	177-178	22934GT	117, 123, 129
139030GT	55, 59	139877GT	191	20224GT	177-178, 185,	229567GT	79, 85, 169
139031GT	55, 59	139879GT	191		187, 189, 191	22956GT	113, 119, 125,
139033GT	55	139880GT	191	20262GT	153, 155, 157-		131
139034GT	55	139966GT	49-50		158	229833GT	49-50
139035GT	55	139967GT	49-50	20776GT	81-82, 89	229834GT	49-50
139036GT	55	139968GT	49-50	20780GT	113, 119, 125,	230470GT	69, 71
139037GT	55	14033GT	91, 93, 107, 109,		131	23057GT	113, 115, 119,
139038GT	55		137	20973GT	153, 155, 157-		121, 125, 127,
139039GT	55	14041GT	81-82, 161, 165		158		131, 133
139040GT	59	144161GT	41, 95, 97	21019GT	69, 71, 73	23083-SGT	215
139041GT	59	146051GT	49-50	21121GT	153, 155, 157-	230849GT	49-50
139042GT	59	146052GT	49-50		158	231205GT	157-158
139043GT	59	146478GT	169	21143GT	48-50	231206GT	157-158
139044GT	59	147000GT	223	21144GT	48-50	232486GT	49-50
139045GT	59	147001GT	223	21146GT	48-50	233717GT	149-150
139046GT	59	147034GT	49-50	21148GT	48-50	233745GT	149-150
139079GT	199	147079GT	143-144	21149GT	48-50	23404GT	47-50, 65-66,
139081GT	187	147093GT	65-66, 85	21166GT	35-36		75, 77, 79, 81-
139083GT	199	147094GT	65-66, 75, 77,	21427GT	171, 173		82, 89, 95, 97,
139085GT	199		79, 81-82, 85	21434GT	171		107, 109, 165,
139128GT	199	147143GT	143-144	21465GT	69, 71		167, 221, 223
13918GT	47-50	147146GT	150	21496GT	113, 119, 125,	23405GT	201
139235GT	109	147147GT	149-150		131	23457GT	111, 117, 123,
139236GT	127, 133	147181GT	225	215777GT	49-50		129
139237GT	119	147205GT	115, 121, 127,	215986GT	103	23469GT	111, 117, 123,
139241GT	101		133	215989GT	28		129
139246GT	101	147206GT	121, 127, 133	21604GT	107, 109, 211	23472GT	111, 117, 123,
139290GT	95, 97, 99, 101	147208GT	121, 127, 133	21619GT	65-66		129
139292GT	117	147253GT	167	216788GT	65-66	23473GT	115, 121, 127,
139306GT	27-28	147337GT	62	216790GT	89		133
13930GT	75, 77, 79	147340GT	62	216791GT	65-66, 89	234923GT	173
139318GT	41	147342GT	62	216793GT	65-66, 87, 89	236665GT	47-50
139351GT	47-50	147369GT	149-150	217046GT	65-66	237502GT	103
139353GT	47-50	147389GT	103, 105, 167	218570GT	49-50	237503GT	105
139354GT	47-50	14740GT	213	21858GT	165, 167	237504GT	103
139355GT	47-50	147489GT	143-144	218602GT	103, 105	237507GT	103
139362GT	207	1487GT	205, 207	21982GT	75	237527GT	105
139363GT	207	1488GT	205, 207	22046GT	111, 123, 129	24038GT	107, 109
139364GT	207	150026GT	213	22262GT	47-50	24040GT	107, 109
139365GT	207	1505GT	165	22263GT	47-50	24514GT	157-158
139376GT	61-62	15086GT	69, 71, 91, 93,	22359GT	139	25068GT	62
139420GT	125, 129		107, 109, 201	22431GT	153, 161	25388GT	41, 95, 97
139421GT	123, 129	15243GT	89, 167	22432GT	153, 161	25683GT	135, 141, 150
139422GT	125	16397-SGT	75, 77, 81-82,	22433GT	153, 161	25685GT	211
139423GT	117, 123, 129		163, 169	22434GT	153, 161	25817GT	35-36
139427GT	123	16486GT	139, 141	22435GT	153, 161	25836GT	87
139428GT	121, 127, 133	17626GT	153, 155, 157-	22446GT	113, 119, 125,	25837GT	87
139429GT	121, 127, 133		158		131	25929GT	111, 117, 123,
139432GT	123, 133	18078GT	39	22571GT	221		129
139434GT	119, 125	18396GT	36, 137	226148GT	69	25974GT	87
139436GT	125	18503GT	47-50	226383GT	173	27089GT	69, 71, 113, 119,
139462GT	183	18504GT	65-66, 91, 93	226393GT	201		125, 131
139537GT	147	18506GT	91, 93, 107, 109,	22672GT	113, 119, 125	27126GT	43-44
139540GT	147		113, 119, 125,	22676GT	113, 115, 119,	27246GT	75, 77, 81-82,
139541GT	147		131, 215		121, 125, 127,		85, 163, 169,
139542GT	147	18605GT	87		131, 133		215, 221
139560GT	183	18665GT	81-82, 89	22700GT	113, 115, 119,	27258GT	147
139561GT	183	18666GT	167		121, 125, 127,	27262GT	39
139563GT	183	18963GT	81-82, 85, 95,		131, 133	27263GT	39
139564GT	183		97, 101	227213GT	15-16	27275GT	61-62
139584GT	103, 105	19018GT	65-66, 91, 93	227427GT	16	27367GT	115, 121, 127,
139585GT	105	19268GT	75, 77, 79	227428GT	28		133
139587GT	13, 15-16, 19, 21	19440GT	35-36	227620GT	153, 155, 157-	27372GT	61-62
139588GT	25, 27-28, 31, 33	19470GT	178		158	27378-SGT	81-82
139590GT	13, 15-16, 19, 21	19491GT	61-62, 135, 139,	22794GT	61-62, 107, 109,	27391GT	221, 223
139619GT	101		141		189, 191	27489GT	215
139620GT	101	19506GT	75, 77, 79, 81-	228469GT	153, 155, 157-	27497GT	135, 139, 141,
139639GT	195		82, 85		158		143-144, 147,
139643GT	223	19520GT	43-44, 53, 55, 59	228470GT	153, 155, 157-		150
139655GT	150	19533GT	39		158	27564GT	11, 13, 15-16,
139656GT	125, 131	19712GT	171, 173	228946GT	41		23, 25, 27-28
139763GT	217	19713GT	173	228947GT	41	27643GT	61-62, 135

Part Number Index (continued)

Part Number	Page	Part Number	Page	Part Number	Page	Part Number	Page
27830GT	39	31784GT	11, 13, 15-16, 27-28	36211GT	36	37189GT	47-50
27894GT	203			36221GT	143-144	37191GT	91, 93, 107, 109, 181
27895GT	203	31785GT	11, 13, 15-16, 23, 25, 27-28	36235GT	161, 165, 167		
27900GT	203			36245GT	137	37192GT	91, 93, 107, 109, 181
28125GT	99, 101	31788GT	11, 13, 15-16, 23, 25, 27-28	36246GT	137		
28156GT	115, 121, 133			36249-SGT	149-150, 153	37218GT	115, 121, 127, 133
28157GT	11, 23	32064GT	111, 117, 123, 129	36257GT	95, 97		
28158GT	27-28			36279-SGT	150	37947GT	75, 77, 79, 81-82, 85
28159GT	23, 25, 27-28, 31, 33	32066GT	111, 115, 117, 121, 123, 127, 129, 133	36294GT	39		
28161GT	11, 13, 15-16, 23, 25, 27-28			36313GT	39	38110GT	11, 23
28162GT	23, 25, 27-28	32067GT	111, 117, 123, 129	36355GT	47-50	38111GT	11, 23
28164GT	11, 13, 15-16, 23, 25, 27-28			36366GT	135	38112GT	11, 23
28165GT	11, 13, 15-16, 23, 25, 27-28	32069GT	111, 117, 123, 129	36369GT	43-44	38859GT	62, 93
28171GT	11, 13, 15-16, 23, 25, 27-28	32077GT	113, 119, 125, 131	36373GT	163	39223GT	71, 93
28174GT	11, 13, 15-16, 19, 21, 23, 25, 27-28, 31, 33			36388GT	65-66, 91, 93, 99, 101	39345GT	183
28175GT	11, 13, 15-16, 23, 25, 27-28	32200GT	111, 117	36389GT	137	39469GT	107, 109
28176GT	11, 13, 15-16, 23, 25, 27-28	32224GT	61-62	36390GT	137	39470GT	107, 109
28177GT	11, 13, 15-16, 23, 25, 27-28	32317GT	91, 93, 107, 109, 181	36413GT	143-144	40136GT	48-50
28181GT	11, 13, 15-16, 23, 25, 27-28			36414GT	95, 97	40137GT	35-36
28235GT	11, 13, 15-16, 19, 21, 23, 25, 27-28, 31, 33	32399GT	35-36	36415GT	95, 97	40145GT	35-36
28236GT	11, 13, 15-16, 23, 25, 27-28	32700GT	13, 25	36421GT	97	40146GT	35-36
28298GT	65-66	32710GT	153, 155, 157-158	36424GT	43-44	40299GT	11, 13, 15-16, 23, 25, 27-28
28372GT	11, 13, 15-16, 27-28			36449GT	97	40300GT	11, 13, 15-16, 23, 25, 27-28
28443GT	139, 141	32728GT	15-16	36456GT	47-50, 91, 93		
28471GT	99	33265GT	149-150	36457GT	95, 97	40398GT	39
28750GT	177-178, 183, 189, 191, 193, 195	33277GT	115, 121, 127, 133	36459GT	61-62	40410GT	177-178
28853GT	209			36492-SGT	143-144	40413GT	177-178
28963GT	115, 121, 127, 133	33278GT	149-150	36561-SGT	150	40434GT	11, 13, 15-16, 19, 21, 23, 25, 27-28, 31, 33
29032GT	177-178	33510GT	99, 101	36570GT	95, 97		
29080GT	143-144	33555GT	101, 109	36574GT	95, 97	40438GT	35-36
29261GT	221, 223	33608GT	165	36575GT	95, 97	40442GT	43-44
29314GT	99, 101	33629GT	155, 157-158	36600GT	153	40444GT	95
29350GT	153	33674GT	207	36648GT	143-144	40446GT	135
29431GT	153	33952GT	11, 13, 23, 25	36658GT	47-50	40447GT	135, 137, 139, 141
29605GT	62, 93, 149-150	33994GT	177-178, 183, 189, 191, 193, 195	36664GT	135	40449GT	135
29868GT	43-44, 62			36673GT	39, 41	40450GT	143-144
30138GT	143-144	34052GT	221	36676GT	35-36	40523GT	39
30217GT	150	34053GT	65-66, 87, 89, 221	36680GT	97	40524GT	39
30222GT	150			36701GT	61-62	40532GT	39
30255GT	137, 149-150	34125GT	143-144	36871GT	87, 89	40533GT	39
30348GT	69, 91	34245GT	137, 139, 141	36874GT	137	40534GT	39
30489GT	217, 227	34510GT	217	36923PGT	95, 97	40536GT	39
30490GT	69	34619GT	207, 211	36924PGT	95, 97	40537GT	39
30577GT	217, 227	35003GT	161	36959GT	61-62	40538GT	39
30807P-SGT	153, 155, 157-158	35088GT	150	36998GT	69, 91	40665GT	150
		35418GT	71	37051GT	11, 13, 23, 25	40835GT	107, 109
30971GT	217, 227	35434GT	217, 227	37052GT	11, 13, 15-16, 23, 25, 27-28	40837GT	35-36
30996GT	165	35540GT	11, 13	37053GT	11, 13, 15-16, 19, 21, 23, 25, 27-28, 31, 33	41020GT	153
30997GT	165, 167	35542GT	11, 13, 15-16			41212GT	35-36
31060GT	11, 13, 15-16, 23, 25, 27-28	35678GT	175	37054GT	11, 13, 15-16, 19, 21, 23, 25, 27-28, 31, 33	41213GT	35-36
31099GT	183	35679GT	175	37055GT	11, 13, 15-16, 19, 21, 23, 25, 27-28, 31, 33	41630GT	107, 109
31106GT	135, 149-150	35680GT	163, 169, 175			41971GT	23, 25
31194GT	61-62, 189, 191	35934GT	81-82, 161, 165	37056GT	11, 13, 15-16, 19, 21, 23, 25, 27-28, 31, 33	42019GT	71, 93
31498GT	149-150	35949P-SGT	99			42064GT	101
31508GT	11, 13, 15-16, 23, 25, 27-28	35956GT	205, 207	37097GT	48-50	42064P-SGT	99
31527GT	177-178	35959GT	205	37107GT	43-44, 53	42065GT	87, 89
		36054-SGT	149-150	37108GT	43-44, 53	42067PGT	73
		36062GT	149-150	37109GT	35-36	42077GT	73
		36179GT	91, 93, 107, 109, 181	37110GT	35-36	42078GT	62, 93
				37128GT	149-150	42104GT	207
		36189GT	150	37129GT	75	42124GT	107, 109
		36190GT	150	37184GT	91, 93, 107, 109, 181	42356GT	143-144
		36192GT	143-144			42363GT	61-62
		36194GT	137, 139, 141	37185GT	91, 93, 107, 109, 181	42377GT	221
		36198GT	139, 141			42384GT	163
		36199GT	150	37186GT	91, 93, 107, 109, 181	42413GT	135
		36202GT	137			42432-SGT	35-36
		36205GT	137	37187GT	91, 93, 107, 109, 181	42439GT	65-66
						42502GT	143-144
						42536GT	209
						42537GT	209
						42587GT	165
						42604GT	62

Part Number Index (continued)

Part Number	Page	Part Number	Page	Part Number	Page	Part Number	Page
42612-SGT	135	44909GT	69, 71	48880GT	178	52597GT	23, 25
42613-SGT	135	44954GT	183	48885GT	189, 191	52598GT	178
42616GT	165	44956GT	177-178	48890GT	197, 199	52599GT	177-178, 183
42617GT	165, 167	44980GT	11, 13, 15-16, 19, 21, 23, 25, 31, 33	48900GT	193, 195	52601GT	177-178
42621GT	143-144			48904GT	185, 187, 197	52603GT	177-178
42662GT	107, 109			48905GT	193, 195, 197, 199	52604GT	177-178
42693P-SGT	147	44981GT	11, 13, 15-16, 19, 21, 23, 25, 27-28, 31, 33	48908GT	185, 187	52620GT	139, 141, 150
42694PGT	147			48911GT	185, 187	52625GT	141
42730-SGT	77, 169	44986GT	11, 13, 15-16, 23, 25, 27-28	48912GT	185, 187, 189, 191, 193, 195, 197, 199	52664GT	23, 25, 27-28
42744GT	185, 187			48915GT	189, 191	52683-SGT	161, 163
42763GT	147	45040GT	35-36	48916GT	185, 187, 189, 191, 193, 195, 197, 199	52697-SGT	99
42781GT	85, 165, 167	45043GT	35-36	48926GT	197	52715GT	177-178
42785GT	69, 91	45071GT	35-36, 137, 139, 141	48927GT	197, 199	52790GT	47-50
42797GT	150			48931GT	189, 191, 193, 195	52791GT	48-50
42805GT	189, 191	45074GT	36	48932GT	191, 195	52797GT	57
42817GT	197, 199	45093GT	35-36	48933GT	189, 191, 193, 195, 197, 199	52798GT	57
42818-SGT	197	45094GT	48-50	48937GT	191, 195	52799GT	57
42820-SGT	197	45105GT	169	48938GT	185, 187, 189, 191	52806GT	111, 117, 123, 129
42848-SGT	185	45107GT	35-36	48939GT	193, 195	52807GT	111, 117
42854GT	189	45108GT	35-36	48944GT	189, 193	52808GT	111, 117, 123, 129
42855GT	189, 191	45111GT	35-36	48946GT	189, 193, 195	52809GT	111
42856GT	189, 191	45112GT	35-36	48947GT	189, 193	52810GT	111, 117, 123, 129
42857-SGT	197	45113GT	35-36	48997GT	177-178, 185, 187, 189, 191	52812GT	111, 117, 123
42859GT	197, 199	45200GT	153	48999GT	189, 193, 195	52813GT	111, 117, 123, 129
42860-SGT	197	45201GT	153	49000GT	62	52815GT	111
42861GT	197	45202GT	153, 161	49375GT	127, 133	52816GT	111, 117, 123, 129
42862-SGT	197	45209GT	43-44	49408GT	115, 121, 127, 133	52818GT	111, 117, 123, 129
42863-SGT	197	45313GT	153, 161	49418GT	185, 187, 189, 191, 193, 195, 197, 199	52819GT	111, 117
42866GT	189	45382GT	43-44	49481GT	177-178, 183, 189, 191, 193, 195	52822GT	113, 119
42892GT	193, 195	45383GT	161, 163, 165, 169, 211	49816GT	65-66, 95, 97, 171	52823GT	113, 119, 131
42894-SGT	197, 199	45384GT	75, 77, 79, 81- 82, 85, 163, 169	49818GT	89	52824GT	113, 119, 125, 131
42895GT	193, 195	45385GT	85, 89, 95, 97, 223	49819GT	65-66, 81-82, 89, 91, 113, 119, 131	52825GT	113, 119, 125, 131
42920GT	189, 193	45415GT	189, 191	49820GT	89, 155, 157- 158, 167	52826GT	113, 119, 125, 131
42922-SGT	69, 91	45425GT	135	49821GT	135	52832GT	113, 119, 125, 131
42929GT	69, 91	45437GT	155, 157-158, 161	49826GT	201	52833GT	47-50
42935GT	189	45444GT	135	49878GT	107, 109, 181	52834GT	113, 119, 125, 131
42939-3200GT	139, 141	45454GT	50	50546GT	150	52835GT	113, 119, 125, 131
42939GT	135, 150	45460GT	35-36	5094GT	125	52836GT	113, 119, 125, 131
42958GT	115, 121, 127, 133	45461GT	48-50	51147GT	55, 59	52837GT	113, 119
43018GT	183	45462GT	97, 101, 201	52339GT	177-178	52838GT	113, 119, 125, 131
43036GT	11	45465GT	43-44	52407GT	117	52840GT	119, 125, 131
43038GT	171, 173	45470GT	211	52435GT	23	52841GT	115, 121, 127, 133
43040GT	171, 173	45495GT	47-50	52436GT	23	52845GT	127
43042GT	171, 173	45544GT	177-178	52437GT	23, 25	52846GT	127
43166GT	183	45745GT	143-144	52438GT	23	52847GT	115, 121, 127, 133
43179GT	47-50	45748GT	211	52514GT	113, 119, 125, 131	52848GT	127
43392GT	207	45782GT	79, 89, 107, 109	52517GT	111, 117	52851GT	115, 121, 127, 133
43595GT	15-16, 27-28	45840GT	81-82, 85, 163, 169	52532GT	123, 129	52852GT	127
43599GT	177-178	45873GT	35-36	52533GT	123, 129	52860-SGT	43-44
43652GT	11	45921GT	177-178	52539GT	115, 121, 133	52861-SGT	43-44
43653GT	11, 13	46227GT	171	52540GT	115, 121, 127, 133	52866GT	113, 119, 125, 131
43658GT	11, 13, 19, 21, 23, 25, 31, 33	46468GT	15-16, 27-28	52541GT	115, 121, 127, 133	52867GT	113, 119, 125, 131
43663GT	11, 23	46993GT	163, 169			52868GT	57
43685GT	107, 109	47377GT	139, 141, 149- 150			52869GT	57
43937GT	139, 141	4828GT	36, 41, 62, 65- 66, 69, 71, 91, 93, 107, 109, 115, 121, 127, 133, 135, 137, 149-150, 153, 155, 158, 211			52870GT	57
43955GT	81-82, 161, 165					52871GT	57
43956GT	95, 97, 103, 105, 155, 157-158, 161					52872GT	57
43958GT	81-82, 135						
43960GT	61-62, 153, 161						
43961GT	161						
44133GT	81-82, 139, 141						
44160GT	107, 109						
44184GT	111						
44248GT	15-16, 27-28						
44273GT	207						
44586GT	65-66, 73						
44743GT	153, 155, 157- 158						
44778GT	47-50						
44779GT	27-28						
44788GT	71, 93						
44820GT	43-44						

Part Number Index (continued)

Part Number	Page	Part Number	Page	Part Number	Page	Part Number	Page
52873GT	57	56057GT	87, 89	56576PGT	155, 157-158	58994GT	177-178
52874GT	57	56059GT	113, 119, 125,	56648GT	87	58995GT	69, 91
52875GT	115		131	56656PGT	155, 157-158	59076GT	35-36
52876GT	115	56060GT	113, 119, 125,	56660GT	39, 153, 155,	59169GT	35-36
52877GT	115		131		157-158	6002GT	43-44
52880GT	115	56062GT	111, 117, 123,	56663GT	89, 165, 167	60078GT	107, 109
52885GT	177-178		129	56667GT	217	6019GT	36, 69, 71, 91,
52886GT	115	56064GT	113, 119, 125,	56668GT	217		93, 107, 109,
52887GT	171, 173		131	56671GT	217		115, 121, 127,
52892GT	173	56067GT	113	56672GT	217		133, 139, 141,
52895GT	171, 173	56068GT	113, 119, 125,	56704GT	201		143-144, 150,
52900GT	47-50		131	56742GT	217		201
52913GT	91, 93	56085GT	111	56749GT	150	6021GT	36, 47-50, 62,
52914GT	91, 93	56086GT	113, 119, 125,	56756GT	135		65-66, 69, 71,
52928GT	171, 173		131	56773GT	171		73, 91, 93, 95,
52937-SGT	99	56089GT	107, 109, 115,	56781GT	185, 187		97, 99, 101, 107,
52943GT	177-178		121, 127, 133	56782GT	185, 187		109, 137, 139,
52947GT	15-16	56091GT	69, 71	56784GT	65-66		141, 143-144,
52949GT	113, 119, 125,	56092GT	107	56788GT	65-66		181, 201, 225
	131	56093GT	107, 109	56791GT	65-66	6033GT	107, 109, 149-
52956GT	117	56094GT	69, 71	56843GT	61-62		150
52958GT	117	56098GT	113, 119, 125,	56844GT	189, 191	6035GT	107, 109
52960GT	203		131	56845GT	189, 191	6036GT	205, 207
52968GT	11, 13, 15-16,	56100GT	81-82	56846GT	65-66	60429GT	61-62
	19, 21, 23, 25,	56101GT	113, 119, 125,	56849GT	143-144	60443GT	167
	27-28, 31, 33		131	56886GT	163, 169, 175	60526GT	89, 167
52973GT	153, 161	56102GT	113, 119, 125,	56900GT	47-50	6086GT	107, 109
52974GT	153		131	56911GT	47-50	60875GT	127, 133
53517GT	215	56106GT	115, 121, 127,	56912GT	35-36, 39, 41,	6090GT	41, 43-44, 49-
53527GT	69, 91		133		47-50, 66, 143-		50, 65-66, 69,
53534GT	69, 91	56107GT	111, 117		144, 155, 157-		71, 73, 81-82,
5365GT	211, 217	56108GT	115, 121, 127,		158		85, 91, 93, 95,
53758-SGT	85		133	56925GT	149-150		97, 109, 113,
53759-SGT	85	56110GT	113, 119, 125,	56929GT	183		115, 119, 121,
53761-SGT	85		131	56930GT	47-50		125, 127, 131,
5397GT	36, 47-50, 61-	56114-SGT	193	56934GT	143-144		133, 143-144,
	62, 65-66, 107,	56115-SGT	193	56945GT	197, 199		147, 149-150,
	109, 135, 139,	56116-SGT	193	56946-SGT	197		155, 158, 163,
	143-144, 149-	56116GT	195	56952GT	99		169, 223
	150, 155, 158,	56117GT	99, 101	56955-SGT	99, 101	6091GT	39, 66, 73, 91,
	215	56120GT	107, 109	56976-SGT	150		95, 97, 99, 101,
53980GT	195	56124GT	107, 109	56983PGT	147		107, 109, 113,
54139GT	48-50	56180-SGT	197	56994GT	65-66		115, 119, 121,
54140GT	35-36, 48-50	56185GT	115, 121	58110GT	47-50		125, 127, 131,
54234GT	35-36, 48-50	56186GT	115, 121	58111GT	47-50		133, 135, 143-
54255GT	89, 167	56209GT	197	58208GT	69, 91		144, 147, 150,
54259GT	167	56215GT	87	58212GT	129		153, 155, 157-
54332GT	117, 123, 129	56244-SGT	197	58237GT	48-50		158, 207, 211,
54365GT	89, 167, 215	56283GT	107, 109	58246GT	48-50		213, 221, 223
54446GT	107, 109	56290GT	107, 109	58259GT	117	6095GT	107, 109
54457GT	207	56291GT	107, 109	58296GT	61-62	6097GT	41, 65-66, 69,
54463-SGT	107, 109	56292GT	107, 109	58297GT	48-50		71, 91, 93, 95,
54530GT	143-144	56295GT	99, 101	58320GT	49-50		97, 99, 101, 107,
54627GT	35-36	56302GT	65-66, 87, 89,	58330GT	61-62		109, 115, 121,
54692GT	75, 77, 169		221	58331GT	61-62		127, 133, 149-
54794GT	39	56309GT	177-178	58332GT	61-62		150, 153, 211,
54795GT	39	56328GT	221, 223	58333GT	61-62		217, 225
54796GT	39	56330GT	221, 223	58343GT	61-62	61226GT	50, 167
54797GT	39	56338GT	48-50	58344GT	61-62	6145GT	149-150, 205,
54831GT	171	56351GT	221, 223	58345GT	61-62		207
54989GT	217, 227	56361GT	115, 144	58346GT	62	6146GT	39, 65-66, 81-
55753GT	205, 207, 219	56417GT	221	58360GT	61-62		82, 89, 101, 211,
56003GT	189, 191	56418GT	221, 223	58428GT	48-50		215
56007GT	107, 109	56424GT	207, 221, 223	58438GT	48-50	61726GT	211
56022GT	69, 91	56425GT	221, 223	58448GT	48-50	6178GT	39, 65-66, 81-
56029GT	47-50	56426-576GT	223	58494GT	39		82, 89, 95, 97,
56030GT	47-50		221	58531GT	49-50		101, 113, 119,
56033GT	107, 109	56427GT	221	58919GT	147		125, 131, 153,
56048-SGT	193	56457-SGT	85	58920GT	147		155, 157-158,
56049-SGT	193	56458GT	163, 169	58927GT	147		167, 215
56050GT	107, 109	56465PGT	155, 157-158	58932GT	91, 93	61972GT	211
56051GT	135, 153, 155,	56486-SGT	207	58933GT	91, 93	61973GT	211
	157-158	56500-SGT	149-150, 155,	58936GT	91, 93	61974GT	211
	69, 71		158	58985GT	173	61975GT	211
56053GT	69, 71, 73	56561GT	47-50	58986GT	171	6198GT	107, 109
56056GT	69, 71	56562GT	47-50	58987GT	171	62044GT	125

Part Number	Page	Part Number	Page	Part Number	Page	Part Number	Page
62085GT	107, 109	6563GT	143-144	72298GT	171, 173	74371GT	48-50
62129GT	123, 129	65737GT	41	72307GT	49-50	74372GT	49-50
62483GT	43-44	6578GT	215	72326GT	81-82, 85, 95,	74373GT	49-50
62484GT	43-44	65842GT	149-150		97, 101, 161,	74375GT	49-50
62485GT	43-44, 53	65872GT	48-50		163, 165, 169,	74379GT	135
62486GT	43-44, 53	6607GT	89, 135, 139,		201	74380GT	155
62487GT	53		141, 201	7264GT	99, 101	74381GT	153, 155
62488GT	53	6637GT	158	7265GT	115, 121, 205,	74382GT	155, 157-158
62489GT	53	6638GT	35-36, 39, 41,		207	74383GT	153, 155
62490GT	53		43-44, 47-50,	72833GT	11, 13, 15-16,	74384GT	175
62491GT	53		66, 69, 71, 73,		23, 25, 27-28	74389GT	35-36
62492GT	53		85, 91, 95, 97,	72867GT	15-16, 27-28,	74424GT	47-50
62493GT	53		99, 101, 107,		215	74425GT	177-178
62494GT	53		109, 115, 121,	72978GT	11	74448GT	155
62495GT	53		127, 133, 135,	72999GT	15-16, 27-28	74468GT	49-50
62496GT	53		143-144, 147,	7339GT	43-44, 69, 71,	74469GT	49-50
62497GT	53		150, 153, 155,		107, 109, 115,	74470GT	49-50
62498GT	53		157-158, 163,		121, 127, 133	74471GT	49-50
62499GT	53		169, 207, 213,	73634GT	211	74480GT	199
62500GT	53		217, 223, 225	73711GT	89, 167	74481GT	199
62501GT	53	66717GT	213	73713GT	89, 167	74495GT	47-50
62502GT	95, 97	66811GT	81-82	73714GT	61-62	74496PGT	99, 101
62503GT	95	66812GT	77, 79, 81-82,	73717GT	89, 167	74508GT	143-144
62504GT	143-144		85, 169	73723GT	167	74509GT	143-144
62505GT	143-144	66813GT	163, 169	73736GT	89, 167	74512GT	177-178
62506GT	183	66815GT	163, 169	73803GT	89, 167	74532GT	71
62507GT	183	66816GT	75, 81-82, 169	73805GT	85	74587GT	149-150
62508GT	155, 157-158	66817GT	77, 79, 81-82	73928GT	149-150	74614GT	150
62509GT	150	66818GT	75, 77, 79, 81-	73931GT	157-158	74634GT	69, 91
62510GT	150		82, 85, 163, 169	74007GT	207	74643GT	47-50
62511GT	183	66821GT	75, 77, 79, 81-	74009GT	207	74704PGT	43-44
62516GT	155		82, 163, 169	74014GT	183	74714GT	49-50
62517GT	165	66900GT	43-44	74019GT	149-150	74728GT	149-150
62694GT	201	66901GT	43-44	74020-SGT	197	74735GT	150
62695GT	49-50	6700GT	36	74052GT	155, 157-158	74736GT	193, 195
62696GT	49-50	6708GT	225	74066GT	143-144	74773GT	47-50
62706GT	99, 101, 107	6782GT	65-66, 109, 113,	74085GT	135	74782GT	153
6272GT	75, 77, 79, 89,		115, 119, 121,	74086GT	61-62	74792GT	153
	165, 167		125, 127, 131,	74088GT	69, 91	74805GT	95
62924GT	23, 25, 27-28,		133, 215	74089GT	137	74840GT	197, 199
	31, 33	6833GT	147, 158	74091GT	139, 141	74845GT	199
62930GT	13, 15-16, 19,	6878GT	225	74096GT	69, 91	74864GT	61-62
	21, 23, 25, 27-	6884GT	135	74099GT	48-50	74865GT	149-150
	28, 31, 33	6886GT	47-50, 111, 117,	74111GT	53	74866GT	149-150
62931GT	11, 13, 15-16,		123, 129	74119PGT	147	74902GT	177-178, 183
	19, 21	6888GT	35-36, 39, 41,	74124GT	183	74911GT	65-66, 87, 89
62932GT	11, 13, 15-16,		43-44, 47-50,	74136GT	191	74913GT	65-66, 87, 89
	19, 21		66, 73, 91, 95,	74147GT	189, 191	74917GT	65-66, 87, 89
62933GT	11, 13, 15-16,		97, 99, 101, 107,	74155GT	193, 195	74918GT	65-66
	19, 21		109, 135, 143-	74156GT	193, 195	74929GT	87
6326GT	41, 65-66		144, 147, 153,	74232GT	135	74946GT	135
63311GT	205		157-158, 213	74256GT	61-62	74966GT	177-178
6356GT	35-36, 39, 41,	6889GT	41, 135, 217,	74263GT	143-144	74983GT	197, 199
	43-44, 47-50,		219, 225	74266GT	47-50	75073GT	99, 101
	65-66, 69, 71,	6935GT	39, 81-82, 89,	74267GT	49-50	77051GT	149-150
	81-82, 85, 87,		95, 97, 107, 109,	74268GT	47-50	7713GT	43-44, 139, 141,
	89, 91, 93, 95,		155, 157-158,	74282GT	49-50		143-144
	97, 99, 101, 107,		161, 165	74298GT	153, 155, 157-	77398GT	27-28
	109, 113, 115,	7056GT	39, 61-62, 81-		158	77692GT	36, 65-66, 69,
	119, 121, 125,		82, 95, 97, 107,	74308GT	197, 199		71, 73, 95, 97,
	127, 131, 133,		109, 135, 139,	74309GT	197, 199		99, 101, 107,
	135, 143-144,		141, 155, 157-	74312GT	35-36		109, 137, 139,
	149-150, 155,		158, 161, 165	74313GT	35-36		143-144
	157-158, 163,	7057GT	81-82, 89, 165	74322GT	77	77728GT	143-144
	169, 205, 207,	70683GT	209	74353GT	165	77860GT	207
	221, 225	70707GT	209	74356GT	175	77969GT	43-44
6357GT	99, 101	72043GT	183	74357GT	175	77970GT	43-44
63766GT	157-158	72047GT	177-178, 183	74358GT	175	77981GT	91, 93, 107, 109,
65171GT	11, 13, 15-16	72078GT	48-50	74359GT	175		181
65178GT	173	72080GT	11	74362GT	171, 173	77990GT	91, 93, 181
65301GT	15-16, 27-28	72081GT	11, 13, 15-16,	74364GT	171	77993GT	158
6550GT	153		19, 21	74365GT	171	77994GT	158
65529GT	171	72092GT	23	74366GT	171	78098GT	215
65546GT	171, 173	72093GT	23, 25, 27-28,	74367GT	171	78622GT	71, 93
65608GT	47-50		31, 33	74368GT	171, 173	79452GT	50
65618GT	47-50	72282GT	201	74370GT	48-50	80229GT	109

Part Number Index (continued)

Part Number	Page	Part Number	Page	Part Number	Page
80605GT	211	88356-116R3GT	135	T108812GT	48-50
81532GT	221	88356-12103GT	61-62	T108887GT	48-50
81579GT	65-66, 73	88356-127J5GT	139, 141	T109281GT	69, 91
8177GT	107, 109	88385GT	223	T112563GT	155, 157-158
8179GT	225	88390GT	223	T112773GT	16, 28
82161GT	15-16, 27-28	88827GT	77, 79, 81-82, 85	T112779GT	205, 207, 219
822704GT	105	88832GT	103, 105	T112780GT	205, 207, 219
822705GT	103	8910GT	43-44		
822872GT	105	8914GT	66, 69, 71, 73, 87, 89, 91, 93, 95, 97, 135, 207		
822917GT	50	8915GT	91, 99, 101, 113, 119, 125, 131, 211, 221, 223		
822918GT	50, 103				
823226GT	50, 109, 167, 207, 215	89310GT	177-178		
82366GT	11, 13, 15-16, 23, 25, 27-28	94018GT	61-62		
823685GT	43-44	94019GT	178		
823945GT	215	94020GT	35-36		
823948GT	215	94021GT	35-36		
824029GT	141	94022GT	43-44		
824126GT	35-36	94023GT	43-44		
824128GT	35-36	94077GT	65-66, 73		
82472GT	19, 21, 31, 33	94101GT	197		
82473GT	31, 33	94103GT	197, 199		
82481GT	19, 21, 31, 33	94104GT	199		
824878GT	65-66, 81-82, 85, 169	94153GT	150		
82487GT	19, 21, 31, 33	94170GT	211		
825019GT	36, 137, 139, 141, 143-144, 149-150	94176GT	211		
825207GT	223	94191GT	211		
825209GT	223	94195GT	61-62, 149-150		
825210GT	223	94210GT	135		
825211GT	223	94212GT	143-144		
825212GT	223	94215GT	139, 141		
825213GT	223	94216GT	139, 141		
825214GT	223	94217GT	150		
825215GT	223	94218GT	149-150		
825216GT	223	94219GT	93		
82544GT	19, 21, 31, 33	94220GT	62, 93		
82548GT	19, 21, 31, 33	94221GT	36		
82592GT	13, 15-16, 19, 21	94253GT	135		
82593GT	25, 27-28, 31, 33	94255GT	143-144		
82601GT	19, 21, 31, 33	94258GT	139, 141		
82602GT	19, 21, 31, 33	94259GT	139, 141		
82604GT	19, 21, 31, 33	94260GT	150		
82610GT	19, 21	94261GT	149-150		
82611GT	19, 21, 31, 33	94315GT	48-50		
82620GT	31, 33	94316GT	48-50		
82942GT	21	94317GT	48-50		
83022GT	47-50	94395-SGT	211		
83085GT	139, 141	94427GT	91, 93		
83086GT	143-144	94461GT	217, 227		
83087GT	149-150	94462GT	217, 227		
83092GT	49-50	94463GT	217, 227		
83093GT	77, 79, 81-82, 85	94506GT	169		
83110GT	49-50	94742GT	65-66		
832128GT	111, 117, 123, 129	94744GT	87		
839119GT	113, 119, 125	94745PGT	153, 155, 157- 158		
84043GT	111	94879GT	47-50		
84044GT	117, 123, 129	94880GT	47-50		
84312GT	61-62	94908GT	35-36		
8516GT	62, 107, 109, 135, 149-150	94909GT	48-50		
85239GT	77, 79, 81-82, 85	9596GT	205, 207		
865260GT	115, 121, 133	9599-SGT	205, 207		
866397GT	115, 121, 133	96008-SGT	77, 79, 81-82, 85		
866400GT	111, 117, 123, 129	96010GT	77, 79, 85, 87		
87085GT	207	96317GT	35-36		
87755GT	167	97128GT	61-62, 135		
88280GT	139, 141	97602GT	27-28		
88337GT	35-36	97815GT	31, 33		
88338GT	35-36	97890GT	11, 15-16, 23, 27-28		
88356-11103GT	61-62	97893GT	15-16, 27-28		
		9990074GT	49-50		
		T106699GT	89		
		T107884GT	149-150		

The Part Description Index is an alphabetical index of all part descriptions included in this manual. The index shows what page(s) the part is used on.

3
3106170WIPER, TOP.....217

4
4' PLAT RAILING ASSY, ASIA.....157-158
4' PLAT RAILING ASSY, AUST.....157-158
4' PLAT RAILING ASSY, CE.....157-158

5
5' PLAT RAILING ASSY, ASIA.....158
5' PLAT RAILING ASSY, AUST.....157-158
5' PLAT RAILING ASSY, CE.....157-158

A
ACC. RETRO KIT LVI/BCI ENGAG II...205, 207
ACCESSORY, WORKLIGHT, 48 VOLT.....207
ADAPTER FLANGE-PULLEY, Z482-E.....113, 119, 125, 131
AIRCLEANER ASSEMBLY.....113, 119, 125, 131
AIRLINE ASSY W/FITTINGS, Z34BE.....203
ALARM, CHIME TONE 5-25VDC***.....97, 101, 201
ALARM, INTERMITTENT TONE 6-30V*.....81-82, 85, 95, 97, 101
ALARM, WARBLE TONE 5-30 VDC***.....161, 163, 165, 169, 211
ALTERNATOR GUARD, Z482.....117, 123, 129
ALTERNATOR STAY, WG750***.....111
ALTERNATOR, 30 A***.....111
ALTERNATOR, KUBOTA, Z482.....117, 123, 129
ALTRNTR, 48VDC 100A, SERV VERS**.....107, 109
AMMETER-BOOM CHARGER.....39
ANDERSON HOUSING, 15-45 AMP BLK...153, 161
ANDERSON HOUSING, 15-45 AMP GRN.....153, 161
ANDERSON HOUSING, 15-45 AMP RED.....153, 161
A N D E R S O N
HOUSING, 15-45, AMP, WHT.....153, 161
ANGLE RELAY MOUNTING.....65-66
ANGLE, CONTROL BOX MOUNTING.....73
ANGLE, PINCH GUARD.....143-144
ANGLE, SWITCH MOUNT***.....135
ASSEMBLY FOOT SWITCH.....103, 105
ASSEMBLY RESET SWITCH.....229
ASSEMBLY, CONTROLLER PLATE.....47-50
ASSEMBLY, FUEL FILTER, Z482.....115, 121, 127, 133
ASSEMBLY, CABLE, TAPESWITCH.....229
ASSEMBLY, CONTROL PANEL.....77
ASSEMBLY, FOOT SWITCH.....153, 155, 157-158
ASSEMBLY, OPA, 4'-5' PLAT.....229
ASSEMBLY, RELAY, Z34BE.....103
ASSEMBLY, TAPESWITCH.....229
ASSEMBLY, TERMINAL RAIL.....87
ASSEMBLY, TERMINAL RAIL, Z34BE.....87
ASSY TERMINAL RAIL Z34BE.....89
ASSY, CIRCUIT BREAKER 10A.....65-66, 85
ASSY, CIRCUIT BREAKER 15A.....65-66, 75, 77, 79, 81-82, 85

ASSY, BRKT, CNTRL BOX W/FASTNRS.....229
ASSY, DECAL PLATE, Z34BE AUS.....157-158
ASSY, DECAL PLATE, Z34DC AUS.....157-158
ASSY, LED, IES CHARGER.....41
ASSY, LS, LOAD SENSE, 38.5 IN.....211
ASSY, MODULE, CONTROL UNIT, OPA.....229
ASSY, RELAY SOCKET, AUTO.....65-66, 87, 89, 221
ASSY, TERMINAL RAIL, Z30/34DC.....65-66
ASSY, TERMINAL RAIL, Z34BE.....89

B
BACKING PLATE, PLATFORM CLAMP.....158
BAFFLE, RADIATOR.....109
BAFFLE, ENGINE COVER.....101
BALANCER, HARMONIC, 2-3V-500-SH.....113
BALL STUD**.....101, 109
BALL STUD, 5/16-18 (56295).....99, 101, 107
BASE ENCLOSURE, RED, OPA.....229
BASE WITH 1 NC CONTACT, E-STOP.....77, 79, 81-82
BASE, W/1 N.O. CONTACTS***.....163, 169
BASE, W/2 NC CONTACTS***.....85
BASE, W/3 NC CONTACTS.....169
BASE, WITHOUT CONTACTS...75, 77, 79, 81-82, 163, 169
BAT. BOX ASY W/DEC, GCSIDE Z34DC*.....43-44
BAT. BOX ASY W/DEC, HTSIDE Z34DC*.....43-44
BAT. CABLE ASSY, G.C. SIDE, Z34.....43-44, 53
BAT. CABLE ASSY, TANK SIDE, Z34.....43-44, 53
BATT BOX ASSY, W/DECAL 34BI LH*.....43-44
BATT BOX ASSY, W/DECAL 34BI RH*.....43-44
BATT. BOX ASSY, LH, Z34DC.....43-44
BATT. BOX ASSY, RH, Z34DC.....43-44
BATTERY BOX ASSY. W/DECALS LH.....43-44
BATTERY BOX ASSY. W/DECALS RH.....43-44
BATTERY BOX W/DECAL, G.C. SIDE.....43-44
BATTERY BOX W/DECALS, ENG. SIDE.....43-44
BATTERY CABLE ASSEMBLY Z34 BIE.....57
BATTERY CABLE ASSY, 9.5" JUMPER.....43-44, 53, 55, 59
BATTERY CABLE ASSY. Z34 BIE.....57
BATTERY HOLD DOWN.....107, 109
BATTERY, 450 CCA***.....107, 109
BATTERY, AGM, 6V/320A, J305.....43-44
BATTERY, DRY, 315AH GROUP 4H.....43-44
BEACON MOUNT ASSY, Z34/BE.....201
BEARING KIT.....47-50
BEARING KIT (45553) TORQUE HUB.....48-50
BEARING KIT, AUSCO***.....47-50
BEARING KIT, OMNI.....49-50
BEARING KIT, 4HP.....49-50
BEARING KIT, GE DRIVE MOTOR***.....48-50
BEARING KIT, ROTATOR, 9K***.....149-150
BEARING KIT, WHEEL DRIVE (106148/106445/107712).....48-50

BEARING KIT, WHEEL DRIVE W/BRAKE (101584/101585).....49-50
BEARING KIT-74097 TORQUE HUB**.....49-50
BEARING KIT-AUSCO(56272)***.....47-50
BEARING KIT-PLATFORM ROTATOR**.....150
BEARING NUT***.....49-50
BEARING RACE (LARGE) (45873).....35-36
BEARING RACE (SMALL) (45873).....35-36
BEARING, 0.75IDX1.00ODX0.75L.....43-44
BEARING, 1.00IDX1.25ODX1.00L.....35-36
BEARING, 1.25 ID X 1.5 OD X .75.....139, 141, 149-150
BEARING, 1.25IDX1.50ODX1.25L.....149-150
BEARING, 1.25IDX1.50X1.25L.....137, 139, 141
BEARING, 1.50 X 1.66 X 1.5.....141
BEARING, 1.5IDX1.75ODX0.75L.....139, 141
BEARING, 1.5IDX1.75ODX1.0L.....36, 137
BEARING, 1.5IDX1.75ODX1.5L.....35-36, 137, 139, 141
BEARING, CONE LM501349 (74994).....61-62
BEARING, CONE***.....61-62
BEARING, CUP LM501310 (74994).....61-62
BEARING, CUP***.....61-62
BEARING, FL, 1.00IDX1.25ODX0.84L.....137
BEARING, FL, 1.25IDX1.41ODX.89L.....150
BEARING, FL, 1.25IDX1.41ODX1.50L.....150
BEARING, FL, 1.25IDX1.50ODX1.09L.....137
BEARING, FL, 1.25IDX1.50ODX1.25L.....149-150
BEARING, FL, 1.25IDX1.50DX2.50.....149-150
BEARING, GARLOCK, 12FDU12.....211
BEARING, MOTOR, 36843, BRUSH END*.....47-50
BEARING, POLYGON, 20DU12.....135, 141, 150
BELLCRANK ASSEMBLY, Z30N, Z34**.....149-150
BELLOWS, JIB CYLINDER.....217, 227
BELLOWS, MASTER CYLINDER.....217, 227
BELLOWS, PRIMARY/ELEV CYLINDER...217, 227
BELLOWS, STEERING CYLINDER.....217, 227
BELT, 3VX-280.....113, 119, 125, 131
BELT, FAN, KUBOTA DF972/Z482-E.....111, 117, 123, 129
BLANKET, BATTERY.....209
BOLT, CARRIAGE, 1/4-20 X .75, G2.....225
BOLT, CARRIAGE, 3/8-16 X .75, G2.....43-44
BOLT, END COVER.25-20X.675, GR8*.....49-50
BOLT, ENDCOVER.313-18X1.81, GR8.....48-50
BOLT, ENDCOVER.313-18X2.25, GR8.....48-50
BOLT, HEX TAP, 3/8-16X2.25, 8, ZAG.....141
BOLT, SHOULDER.....107, 109
BOOT(BELLOWS), E-STOP, BLACK.....169
BOOT, CABLE TERM, MED. RED, 4/0.....43-44
BOOT, CABLE TERMINAL, LG, RED, 2/0.....55, 59
BOOT, CONTROLLER**.....171, 173
BOOT, THROTTLE SOLENOID.....113, 119, 125, 131
BOOT, TOGGLE SWITCH, SHORT*.....75, 77, 81-82, 85, 163, 169, 215, 221
BOOT-THUMB ROCKER** BLACK.....171, 173
BOX LID WITH SYMBOL DECALS.....43-44
BOX, INSTRUCTION STORAGE.....157-158
BRACKET ENGAGE II.....207
BRACKET FORMING CONN Z30/34DC.....66

Part Description Index (continued)

BRACKET SET,NYLATRAC,KS400.....147	BUMPER,RUBBER***.....207, 211	CAP,FILLER BREATHER,3 MICRON**.....69, 91
BRACKET SUPPORT,INTAKE HOSE.....115, 121, 127, 133	BUMPER,RUBBER,.75 X .50H,STUD....65-66, 91, 93, 99, 101	CAP,FUEL,DIESEL,1/8"VENT(GRN).....69, 71
BRACKET, AIRCLEANER MT.....113, 119, 125, 131	BUSHING, FLANGED.....150	CAP,HYDRAULIC FILTER ASSY.....69, 91
BRACKET, CABLE STRAIN RELEIF.....158	BUSHING,SH 1-1/8.....113, 119, 125, 131	CAP,RADIATOR,AL,KUBOTA DF-752.....115, 121, 127, 133
BRACKET, CABLE STRAIN RELIEF.....158	BUSHING,STRAIN RELIEF,.875/.30.....41	CAPACITOR,6 MFD,660VAC-CHARGR*.....39
BRACKET, CHARGER CORD AND LED.....41	BUSHING,STRAIN RELIEF,.875/.40.....41	CASE COVER ONLY 18710/18720.....39
BRACKET, HOSE ROUTING.....143-144	BUTTON,PUSH,BLACKW/SEAL***.....163, 169	CASE COVER,ROTATOR,Z30/34 (119111).....61-62
BRACKET, LATCH.....101	BUTTON,PUSH,RED MUSHROOM HEAD.....77, 79, 81-82, 85, 169	CASTING 42032.....171
BRACKET, RETURN FILTER.....71, 93		CHAIN,NO.2.....221
BRACKET,ADJ.WIPER MOUNT.....217		CHAIN,NO.2 (9LINKS).....223
B R A C K E T , A L T E R N A T O R	C	CHANNEL, CABLE TRACK, UPPER.....147
ADJUSTMENT.....107, 109	C-CLIP, SHAFT, JOYSTICK.....171	CHANNEL,LWR TRAY PLASTIC TK **.....147
BRACKET,ALTERNATOR MOUNT.....107, 109	C.E. OPTION,Z34N DC/BE.....207	CHANNEL,LWR, TRACK PAINTED**.....147
BRACKET,ANCHOR,GAS STRUT.....109	COVER W/D DRIVE CHASS.NS END.....47-50	CHANNEL,UPR, TRACK PAINTED.....147
BRACKET,CHARGER GAUGE MOUNTING.....39	CABLE ASSEMBLY,2GA,BLK,16.5".....53	CHARGER 48V/30A AUTO AC X-LED.....41
BRACKET,CONTROL UNIT.....229	CABLE ASSEMBLY,2GA,BLK,19".....53	CHARGER,48V,100-125VAC,60H,25A.....39
BRACKET,COVER HINGE,BLUE.....99	CABLE ASSEMBLY,2GA,BLK,20".....53	CHARGER,48V,110/60,12A,EERATNG.....39
BRACKET,COVER LATCH.....95, 97	CABLE ASSEMBLY,2GA,BLK,24".....53	CHARGER,48V,110VAC,60H,25A.....39
BRACKET,ENGINE MNT,KUBOTA 13HP.....115, 121, 127, 133	CABLE ASSEMBLY,2GA,BLK,33".....53	CHARGER,48V,200-250VAC,50H,25A.....39
BRACKET,FUEL TANK.....69, 71	CABLE ASSEMBLY,2GA,BLK,42".....53	CIRCUIT BKR 10A TYPE 2 METAL.....89
BRACKET,IDLE LEVER.....113, 119, 125, 131	CABLE ASSEMBLY,4GA,BLK,66".....53	CLAMP,0.31,#5 X 1/4,RUB CUSH.....219
BRACKET,RELAY MOUNT W/INSERTS.....89	CABLE ASSEMBLY,4GA,BLK,9".....53	CLAMP,0.50,#8 X 1/4,RUB CUSH.....147, 158
BRACKET,SOLENOID MOUNT.....113, 119, 125, 131	CABLE ASSEMBLY,4GA,RED,60".....53	CLAMP,0.75,#12 X 1/4,RUB CUSH.....167
BRACKET,STOP LEVER.....113, 119, 125, 131	CABLE ASSEMBLY,4GA,RED,63".....53	CLAMP,1.00,#16 X 1/4,RUB CUSH.....167
BRACKET,WIPER TOP.....217	CABLE ASSY #2 BLK A1/A1.....55	CLAMP,1.25X.5 RUBBER-CUSHION.....207, 221, 223
BRACKET,WORK LIGHT MOUNT 5/16".....205, 207	CABLE ASSY #2 BLK A1/A1.....55, 59	CLAMP,1.50,#24 X 1/4,RUB CUSH.....65-66
B R A C K E T - R A D I A T O R	CABLE ASSY #2 BLK AP1/AP2 BATT.....55, 59	CLAMP,AIR CLEANER HOSE,WG750**.....131
SUPRT,INBOARD.....115, 121, 127, 133	CABLE ASSY #2 BLK AP1/AP2 DRIV.....55, 59	CLAMP,CABLE STRAIN RELIEF.....158
B R A C K E T - R A D I A T O R	CABLE ASSY #2 BLK B(+)/A2.....55, 59	CLAMP,HAND RAIL,OPA,4'-5'.....229
SUPRT,OUTBRD.....115, 121, 127, 133	CABLE ASSY #2 BLK B(+)/PR1.....55, 59	CLAMP,HOSE,.25" - .63" X .3125.....69, 71
BRAKE, NEMA, 1200 IN/LB.....47-50	CABLE ASSY #2 BLK M(-)/A2.....55, 59	CLAMP,HOSE,.35"-.86" X .3125".....69, 71
BRUSH BOX ASSY.....48-50	CABLE ASSY #2 RED AP1/AP2 DRIV.....55, 59	CLAMP,HOSE,1.00.....69, 91
BRUSH COVER -PLATE-(48504)*.....91, 93	CABLE ASSY #2 RED BATT.....55, 59	CLAMP,HOSE,1.75.....113, 119, 125
BRUSH HOLDER.....47-50	CABLE ASSY #4 BLK ALT(-)/B(-).....59	CLAMP,HOSE,2.00***.....217, 227
BRUSH KIT,GE DRIVE MOTOR***.....48-50	CABLE ASSY #4 BLK B(-)/AP-D1.....55	CLAMP,HOSE,3.00".....217, 227
BRUSH LEAD ASSEMBLY KIT(56831).....48-50	CABLE ASSY #4 BLK LP-D1/AP-D1.....55, 59	CLAMP,HOSE,3.50.....217, 227
BRUSH RETAINING SPRING,DR MTR.....48-50	CABLE ASSY #4 RED ALT(+)/F1.....59	CLAMP,HOSE,ALUMINUM.....143-144
BRUSH SET 4 EA.....91, 93	CABLE ASSY #4 RED PR2/LP-A1.....59	CLAMP,HOSE,KUBOTA WG750.....111, 115, 117, 121, 123, 127, 129, 133
BRUSH SPRING SET.....91, 93	CABLE ASSY #4 RED PR2/LP-D1.....55	CLAMP,MUFFLER,1.75 INCH...111, 117, 123, 129
BRUSH-DRIVE MOTOR, Z34/22 BE.....47-50	CABLE ASSY #4 RED PR3/AP-A2.....55, 59	CLAMP,RUB CUSH,0.75,#12 X 3/8*.....50
BULKHEAD FITTING,PLASTIC X 8**.....71, 93	CABLE ASSY#4 BLK B(-)/LP-D1.....59	CLAMP,RUBBER CUSHIONED-2 5/32.....135, 139, 141, 143-144, 147, 150
BULKHEAD,FEMALE X 6 X 6.....203	CABLE ASSY, BLACK, 109",Z34BIE.....57	CLAMP-HOSE, .375, FUEL PUMP...113, 119, 125, 131
BUMPER, PLASTIC, 1.25 O.D.....205, 207, 219	CABLE ASSY, BLACK, 13", Z34BIE.....57	CLIP,RADIATOR MOUNT, KUBOTA.....115, 121, 127, 133
BUMPER,3.50 DIA.STRAIGHT.....221	CABLE ASSY, BLACK, 16", Z34BIE.....57	CLIP,RETAINING,IES CHARGER.....41
BUMPER,3.50D X 1.5 ID 90 DEG.....223	CABLE ASSY, BLACK, 25" Z34BIE.....57	CLIP,SPRING,POTTER BRUMFIELD.....165, 167
BUMPER,3.50D X 1.5 ID X 6.75.....223	CABLE ASSY, BLACK, 31" Z34BIE.....57	COIL, SOLENOID VALVE, 24V***.....183
BUMPER,3.50D X 1.5 ID X 9.75.....223	CABLE ASSY,#2 BLACK, 31".....53	COIL,24V SOLENOID VALVE.....177-178
BUMPER,3.50D X 1.5ID X 12.75.....223	CABLE ASSY-RED, 91", Z34BIE.....57	COIL,SOLND,W/D,20V DUAL SPADE.....177-178
BUMPER,3.50D X 1.5ID X 14.75.....223	CABLE ASSY-RED, 94" Z34 BIE.....57	COIL,SOLND,W/D,20V SGL SPADE.....177-178
BUMPER,3.50D X 1.5ID X 15.65.....223	CABLE ASSY-RED, 97" Z34 BIE.....57	COLD START PKG,120V BI-ENERGY.....209
BUMPER,3.50D X 1.5ID X 2.75.....223	CABLE SQUEEZE CONN.....81-82, 89	COMPRESSION ARM WELDMENT 56.50.....135
BUMPER,3.50D X 1.5ID X 22.70.....223	CABLE SQUEEZE CONN..XTRA LRG.....81-82, 161, 165	COMPRESSION MEMBER (BORED)***...149-150
BUMPER,3.50D X 1.5ID X 3.80.....223	CABLE TIE,11.5" BLACK.....139, 141	CONN HOUSING SBX175, BATT....43-44, 53, 57
BUMPER,3.50D X 1.5ID X 30.75.....223	CABLE TIE,4" BLK,HEAT RESISTNT.....153, 155, 157-158	
BUMPER,3.50D X 1.5ID X 38.75.....223	CABLE TIE,7 3/8".....215	
BUMPER,3.50D X 1.5ID X 40.75.....223	CABLE TIE,BUTTON,BLACK,14.75LG.....115, 144	
BUMPER,3.50D X 1.5ID X 48.70.....223	CABLE TRACK,NYLATRAC,26 LINK.....147	
BUMPER,3.50D X 1.5ID X 6.75.....223	CAM ASSEMBLY, JOYSTICK(42032).....171	
BUMPER,3.50D X 1.5ID X 7.75.....223	CAP, PLASTIC, 4".....109	
BUMPER,90 DEG ELBOW.....221, 223	CAP,DIAGNOSTIC NIPPLE.....178	
BUMPER,BATTERY BOX & RAILS.....207	CAP,DISENGAGE,4HP/4HB***.....48-50	
	CAP,DISENGAGE,OMNI***.....49-50	
	CAP,DISENGAGE-45553 TORQUE HUB.....48-50	
	CAP,DUST,45873 HUB KIT.....35-36	

- CONN PLUG 4 WAY EXTEND DT.....61-62
 CONN RECEPT,FLANGED.....167
 CONN, 520120-6.....185, 187, 189, 191, 193,
 195, 197, 199
 CONN,520102-8-8.....189, 193
 CONN,520120-4***.....193, 195, 197, 199
 CONN,520120-4-6***.....185, 187, 189, 191,
 193, 195, 197, 199
 CONN,520120-4-6,035,ORI.....193, 195
 CONN,520120-6-10.....189, 191, 193, 195
 CONN,520120-6-4.....197, 199
 CONN,520120-8***.....189, 191, 193, 195, 197,
 199
 CONN,520120-8-10.....189, 193, 195
 CONN,PLUG 120 AC/15A DOMESTIC.....95,
 97, 107, 109
 CONN,RECEP 4 WAY,12-14GA FL***.....89,
 167
 CONN,RECEP 48 WAY,4 X 12.....89, 167
 CONN,RECEP 8 WAY 14-18GA,FL.....167
 CONN,SQUEEZE,1/2NPT .38-.50,SM.....39,
 61-62, 81-82, 95, 97, 107, 109, 135, 139, 141,
 155, 157-158, 161, 165
 CONN. SQZ,1/2NPT .39-.56 MED.....81-82,
 89, 165
 CONNECTING LINK Z30N & Z34***.....135
 CONNECTING LINK,MACHINED***.....135
C O N N E C T O R
 ASSEMBLY,FOOTSWITCH.....153
 CONNECTOR,BULKHEAD,FEMALE-4.....189,
 191
 CONNECTOR,MOLEX 24-WAY**.....47-50
 CONT.BOX ASSY.PLAT Z30N,Z34DC.....163,
 165, 169
 CONTACT,N.C.....75, 77, 79, 81-82, 85, 163,
 169
 CONTACT,MOVING,19549RELAY*.....47-50
 CONTACT,N.O***.....75, 81-82, 169
 CONTACT,STATIONARY (56434)**.....49-50
 CONTACT,STATIONARY,19549RELAY*.....47-
 50
 CONTACT-MOVEABLE (56434)**.....49-50
 CONTACTOR PANEL ASSEMBLY.....47-50
 CONTACTOR,AUX PUMP 24V,80A***.....47-
 50
 CONTACTOR,DRIVE,24V,180A***.....49-50
 CONTACTOR,LIFT PUMP 24V 180A**.....47-
 50
 CONTACTOR,LIMIT SWITCH.....61-62, 135,
 139, 141
 CONTROL BOX ASSY.Z30/34N/34DC.....165
 CONTROL BOX COVER, LH.....207
 CONTROL BOX COVER, RH.....207
 CONTROLLER,ROTARY 24V W/RAMP....163,
 169, 175
 CONTROLLER,SEP-EX,Z34N***.....47-50
 CONTROLLER,SEPEX Z34DC/BE.....47-50
 CONVERTER, DC-DC, 48-26 VOLT**.....50
 COOLANT RECOVERY BOTTLE1.5
 QT*.....107, 109
 CORD AC IEC320-C19 TO 110US.....41
 CORD AC IEC320-C19 TO 220EU.....41
 CORD EURO AC IEC320-C19PIGTAIL.....41
 CORROSION INHIBITOR,FOAM.....165, 167
 COUNTERWEIGHT,CAST.....71
 COUNTERWEIGHT,CAST,2460 LBS.....97
 COUNTERWEIGHT,CAST,3700 LBS.....97
 COUPLER, PUMP / MOTOR (36179).....91, 93,
 107, 109, 181
 COUPLER,1/4"SERIES 3/8 MPT.....203
 COUPLING.....49-50
 COUPLING,POT SHAFT (56886).....175
 COUPLING-POT,JOYSTICK (56579).....171
 COVER ASSY W/DECALS HPU**.....95, 97
 COVER ASSY W/DECALS,G.C. SIDE.....99
 COVER ASSY W/DECALS,PWR UNIT.....95
 COVER ASSY,W/SYM DEC,ENG,34BI.....99,
 101
 COVER ASSY,W/SYM DEC,GC,34BI**.....99,
 101
 COVER ASSY,W/SYM DEC,GC,34DC**.....95,
 97
 COVER ASSY,W/SYM DEC,HPU,34DC*.....97
 COVER ASSY,W/WORD DEC,ENG,34BI.....99,
 101
 COVER ASSY,W/WORD DEC,GC,34BI*.....99,
 101
 COVER ASSY.W/D G.C. SIDE CE***.....95
 COVER ASSY.W/D G.C.SIDE ANSI**.....95
 COVER CAP,TORQUE HUB***.....48-50
 COVER END,TORQUE HUB (74097).....49-50
 COVER REINFORCEMENT LH***.....99, 101
 COVER W/DECALS DR CHAS NS END.....47-
 50
 COVER W/DECALS,NON-STEER 4X2**.....47-
 50
 COVER, AUXILIARY POWER SWITCH.....75,
 163
 COVER, BATTERY BOX W/DECALS.....43-44
 COVER, DR LIGHT OPTION.....215
 COVER, DRIVE CHASSIS,Z34N.....47-50
 COVER, DUCT, WIRING.....65-66
 COVER,BATTERY BOX**.....43-44
 COVER,BELLHOUSING.....115, 121, 127, 133
 COVER,BLANK.....155, 157-158
 COVER,CONTROL PANEL.....95, 97
 COVER,COUNTERWEIGHT,Z34.....95, 97, 99,
 101
 COVER,FOOT SWITCH.....157-158
 COVER,GFCI,WEATHERPROOF.....155, 157-
 158, 161
 COVER,PROTECTIVE,MASTER/SLAVE..217,
 227
 COVER,TERMINAL STRIP.....65-66
 COVER,TERMINAL STRIP, CONN.....65-66
 COVER-END,TORQUE HUB(74097).....49-50
 COVER-VALVE Z482, Z34/22BE.....111, 117
 COVR W/DECALS DR CHAS STR END*.....35-
 36
 COVR,ASSY,W/DCALS,ENG.SIDE,BE.....99
 CUP ASSY, FUEL FILTER, Z482.....121, 127,
 133
 CUSHION,RADIATOR,KUBOTA 1702**.....115,
 121, 133
 CUSHION,RADIATOR,LOWER***.....127
 CUSHION,RADIATOR,UPPER***.....127
 CVR ASSY.W/WORD DEC,GC,34N/DC*.....95,
 97
 CVR SUPPORT WELDM'T LH.34N/34.....65-
 66
 CYLINDER HEAD COVER, Z482.....123, 129
 CYLINDER,ELEVATE, Z34.....135
 CYLINDER,EXTENSION.....143-144
 CYLINDER,JIB.....149-150
 CYLINDER,MASTER.....139, 141
 CYLINDER,PRIMARY LIFT.....139, 141
 CYLINDER,SLAVE,DONGYANG.....150
 CYLINDER,STEER.....35-36

D

- DECAL KIT,INSTRUCT,Z-34 & Z34N.....11
 DECAL KIT,WORDS,Z34BE.....23
 DECAL PLATE ASSY,W/SYM DECALS.....157-
 158
 DECAL PLATE W/D,PLAT,Z30/34**.....155,
 157-158
 DECAL PLATE W/DECALS AND BOX.....157-
 158
 DECAL, OPERATING INSTRUCTIONS.....16,
 28
 DECAL, PLATFORM CONTROL PANEL*.....11
 DECAL, POWER TO CHARGER, UNIV.....15-
 16, 27-28, 39, 41
 DECAL, POWER TO PLATFORM 230V**...11,
 13, 15-16, 19, 21, 23, 25, 27-28, 31, 33
 DECAL, SYMBOL - READ THE MANUAL...19,
 21, 31, 33
 DECAL,ARROW,BLUE.....11, 13, 15-16, 19,
 21, 23, 25, 27-28, 31, 33
 DECAL,ARROW,YELLOW SM 5-3/8".....11, 13,
 15-16, 19, 21, 23, 25, 27-28, 31, 33
 DECAL,CAUTION,BRAKE RELEASE***.....11,
 23
 DECAL,CHEVRON RANDO HD.....11, 13, 15-
 16, 23, 25, 27-28
 DECAL,COSM,GENIE Z-34/22N(BOX).....11,
 13, 15-16, 19, 21
 DECAL,COSMETIC,GENIE.....229
 DECAL,COSMETIC,GENIE BOOM,VERT..11,
 13, 15-16, 19, 21, 23, 25, 27-28, 31, 33
 DECAL,COSMETIC,GENIE Z-34/22.....13, 15-
 16, 19, 21, 23, 25, 27-28, 31, 33
 DECAL,COSMETIC,GENIE Z-34/22N...11, 13,
 15-16, 19, 21
 DECAL,DANGER DO NOT ALTER
 SWTC.....11, 13, 15-16, 23, 25, 27-28
 DECAL,DANGER,BATTERY SAFETY***.....11,
 13, 15-16, 23, 25, 27-28
 DECAL,DANGER,ELEC.HAZ.STAY CLR....11,
 13, 15-16, 19, 21, 23, 25, 27-28, 31, 33
 D E C A L , D A N G E R , E L E C T
 HAZARD,PLUG.....11, 13, 15-16, 23, 25, 27-
 28
 DECAL,DANGER,GEN SAFETY RULES.....11,
 13, 15-16, 23, 25, 27-28
 DECAL,DANGER,MAX SIDE FRC,667N.....19,
 21, 31, 33
 DECAL,DANGER,NO SMOKING ***.....11, 13,
 15-16, 23, 25, 27-28
 DECAL,DANGER,SIDE FRC 400N.....19, 21,
 31, 33
 DECAL,DANGER,TILT ALARM.....11, 13, 15-
 16, 23, 25, 27-28
 DECAL,DANGER,TIP-OVER BATTERY.....11,
 13, 15-16, 23, 25, 27-28
 DECAL,DANGER,TIP-OVER,TIRES***.....15-
 16, 27-28
 DECAL,DIESEL.....23, 25, 27-28, 31, 33
 DECAL,DRIVE ENABLE PATCH.....19, 21, 31,
 33
 DECAL,EXPLOSION HAZARD.....27-28
 DECAL,FUNCTION OVERRIDE.....15-16, 27-
 28
 DECAL,GENERATOR OPTION.....27-28
 DECAL,GENIE Z-34/22 BI-ENERGY.....23, 25,
 27-28, 31, 33
 DECAL,GENIE Z-34/22 DC POWER.....11, 13,
 15-16, 19, 21

Part Description Index (continued)

- DECAL,GROUND CONTROL PANEL.....11, 23
 DECAL,GROUND CONTROL PANEL**.....11
 DECAL,GROUND CONTROL PANEL***.....13, 15-16, 19, 21, 25, 27-28, 31, 33
 DECAL,INSTR,SIDE FRC/WIND,AUS.....11, 13, 15-16, 23, 25, 27-28
 DECAL,INSTR,FOOTSWITCH OPER.....11, 13, 15-16, 23, 25, 27-28
 DECAL,LABEL,AIR LINE 110 PSI.....11, 13, 15-16, 19, 21, 23, 25, 27-28, 31, 33
 DECAL,LABEL,CB & STATUS LIGHT.....11, 13, 15-16, 19, 21
 DECAL,LABEL,CONTRLR STATUS LT.....23, 25, 27-28
 DECAL,LABEL,DECIBEL 102***.....33
 DECAL,LABEL,LIGHTS***.....15-16, 27-28, 215
 DECAL,LABEL,LOWER MIDRAIL.....31, 33
 DECAL,LABEL,MANUAL NOT HERE...11, 13, 15-16, 23, 25, 27-28
 DECAL,LABEL,MAX CAPACITY***.....19, 21, 31, 33
 DECAL,LABEL,OPEN,LATCH...11, 13, 15-16, 23, 25, 27-28
 DECAL,LABEL,PETRO CANADA***.....15-16, 27-28
 DECAL,LABEL,PWR TO CHARGR 115V.....11, 13, 15-16, 19, 21, 23, 25, 31, 33
 DECAL,LABEL,PWR TO CHARGR 230V.....11, 13, 19, 21, 23, 25, 31, 33
 DECAL,LABEL,RELAYS,Z30N,Z34NDC.....15-16
 DECAL,LABEL,RELAYS,Z34BE.....28
 DECAL,LABEL,TIRE PRESS,Z-34/22.....21
 DECAL,LABEL,TIRE PRESS,Z-34RT.....31, 33
 DECAL,LABEL,TRAVEL ALARM***.....11, 23
 DECAL,LABEL,UCON HYDROLUBE....15-16, 27-28
 DECAL,LABEL,UNLEADED GAS ONLY.....27-28
 DECAL,LABEL,WHEEL LOAD Z34BE**.....25, 27-28, 31, 33
 DECAL,LABEL,WHEEL LOAD Z34DC**.....13, 15-16, 19, 21
 DECAL,LABEL,WHEEL LOAD Z34N***.....13, 15-16, 19, 21
 DECAL,LANYARD ANCHORAGE POINT...11, 13, 15-16, 19, 21, 23, 25, 27-28, 31, 33
 DECAL,LOW/ULTRA LOW SULFR FUEL...27-28
 DECAL,NOTICE,FUNCTION ENABLE*.....11, 23
 DECAL,NOTICE,GRD OPER INSTRUC.....11, 13
 DECAL,NOTICE,BATT CONNECTION.....11, 13, 15-16, 23, 25, 27-28
 DECAL,NOTICE,BATTERY CABLES.....11, 13, 15-16, 27-28
 DECAL,NOTICE,CHARGER INSTRUC.....11, 13, 15-16, 23, 25, 27-28
 DECAL,NOTICE,FOAM-FILLED TIRES.....15-16, 27-28
 DECAL,NOTICE,HAZARDOUS MAT'LS*.....11, 13, 15-16, 23, 25, 27-28
 DECAL,NOTICE,KUBOTA ENG SPEC.....23, 25
 DECAL,NOTICE,LUG NUT TORQUE***.....11, 13, 15-16
 DECAL,NOTICE,MAX CAP 440 LBS....15-16, 27-28
 DECAL,NOTICE,MAX LOAD 500 LBS.....11, 13, 15-16, 23, 25, 27-28
 DECAL,NOTICE,OPER INST BE.....23, 25, 28
 DECAL,NOTICE,OPER INST PLAT,DC.....11, 13, 16
 DECAL,NOTICE,SIDE FRC 150,ANSI.....11, 13, 23, 25
 DECAL,NOTICE,SIDE FRC/WINDANSI.....15-16, 27-28
 DECAL,NOTICE,SPEC,Z482.....27-28
 DECAL,NOTICE,SPEC,Z482 T2.....25, 27-28
 DECAL,NOTICE,TIRE SPEC,34BI/IC.....23, 25
 DECAL,NOTICE,TIRE SPECS,Z34DC.....11, 13, 15-16, 27-28
 DECAL,OPER INST,DC BOOM GND AU....15-16
 DECAL,OPERATING INSTR,GROUND.....15-16
 DECAL,OPTION GENERATOR***.....15-16
 DECAL,PLATFORM CONTROL PANEL.....23, 25, 27-28, 31, 33
 DECAL,PLATFORM CONTROL PANEL**...11, 13, 15-16, 19, 21
 DECAL,POWER TO PLATFORM 115V.....11, 13, 15-16, 19, 21, 23, 25, 27-28, 31, 33
 DECAL,RELAY LABEL,Z34BE.....28
 DECAL,SYMBOL-BATTERY SAFETY.....19, 21, 31, 33
 DECAL,SYMBOL-COMP ACCESS.....31, 33
 DECAL,SYMBOL-READ THE MANUAL.....229
 DECAL,TIRE SEALANT,3.25 X 7.5.....27-28
 DECAL,TRIANGLE,BLUE...11, 13, 15-16, 19, 21, 23, 25, 27-28, 31, 33
 DECAL,TRIANGLE,YELLOW...11, 13, 15-16, 19, 21, 23, 25, 27-28, 31, 33
 DECAL,USE DEXRON***.....11, 23
 DECAL,WARN,CRUSH HAZARD HAND.....11, 13, 15-16, 23, 25, 27-28
 DECAL,WARN,CRUSH HAZARD PLAT.....11, 13, 15-16, 19, 21, 23, 25, 27-28, 31, 33
 DECAL,WARN,FALL HAZARD.....11, 13, 15-16, 23, 25, 27-28
 DECAL,WARN,IMPROPER OPERATION...11, 13, 15-16, 23, 25, 27-28
 DECAL,WARNING,BRAKE RELEASE***.....11, 23
 DECAL,WARNING,CRUSHING.....23, 25, 27-28
 DECAL,WARNING,CRUSHING HAZARD...19, 21, 31, 33
 DECAL,WARNING-COMPART ACCESS.....11, 13, 15-16, 23, 25, 27-28
 DIAGNOSTIC FEMALE Q-DSCNT....177-178, 185, 187, 189, 191
 DIN RAIL, 10.14.....65-66
 DIN RAIL,11.25".....65-66
 DIN RAIL,14.75" **.....87, 89
 DIODE ASSEMBLY.....75, 77, 79
 DIODE,6 AMP,200 PIV,BULK.....79, 89, 107, 109
 DIODE,PCB DRIVE CONTACTOR**.....47-50
 DIPSTICK, KUBOTA Z482-E.....113, 119, 125, 131
 DISCONNECT ROD (56338).....48-50
 DISCONNECT ROD (74097).....48-50
 DUST SHIELDS,180A CONTACTOR.....49-50
- E**
- ELBOW,070221-4-4.....189, 191
 ELBOW,070302-4-2.....61-62, 189, 191
 ELBOW,45D,520320-8.....191, 195
 ELBOW,90D,520201-8.....71, 93, 191, 195
 ELBOW,90D,520220-4-4.....185, 187, 197
 ELBOW,90D,520220-4-6***.....185, 187
 ELBOW,90D,520220-6.....189, 191
 ELBOW,90D,520220-8-10.....191
 ELBOW,90D,520220-8-12.....189, 193
 ELBOW,90D,LONG,521520-6.....189, 191
 ELEMENT, FUEL FILTER, Z482.....121, 127, 133
 ELEMENT,RETURN FILTER.....69
 END STOP, DIN RAIL,SCREW CLAMP.....65-66, 87, 89
 ENGINE KIT, KUBOTA Z482 T4.....117
 EVACUATOR VALVE-AIR CLEANER.....113, 119, 125, 131
 EXHAUST MANIFOLD, Z482-E.....111, 117, 123, 129
 EXT BOOM ASSY,Z34 RETROFIT.....143-144
- F**
- FAN, KUBOTA Z482-E.....111, 117, 123, 129
 FILTER ASSY,RETURN.....69, 91
 FILTER ASSY,SAE8,10 MIC,PAPR**.....71, 93
 FILTER ELEMENT RFM90.....69, 91
 FILTER ELEMENT,10MICRON,PAPER*.....71, 93
 FILTER ELEMENT,RETURN.....69, 91
 FILTER SCREEN,TANK BREATHER.....69, 91
 FILTER,AIR***.....113, 119, 125, 131
 FILTER,FUEL FILTER Z482-E.....115
 FITTING,ELBOW,45D,520320-4-6**.....185, 187, 189, 191, 193, 195, 197, 199
 FITTING,ELBOW,90D,520220-6-4.....197
 FITTING,ELBOW,90D,520220-8***.....191, 195
 FITTING,TEE,BRANCH,520429-4***.....197, 199
 FITTING,TEE,RUN,SWIVEL520432-4.....185, 187
 FITTING,TEE,RUN,SWIVEL520432-8.....185, 187, 189, 191
 FIXED CONTACT (FOR 74267).....49-50
 FLASHTUBE,STRAIGHT,360DEG,BULB....201
 FLASHTUBE,U SHAPED,360DEG,BULB...201
 FLATBAR,PINCH GUARD.....143-144
 FLOORING,PLATFORM 46X30,PAINT.....155, 157-158
 FLOORING,PLATFORM,56X30,PNTD.....155, 157-158
 FOOT SWITCH WIRE ASSY W/CONN.....153
 FOOT SWITCH WIRE ASSY W/CONN.*.....153, 161
 FOOT SWITCH***.....153, 155, 157-158
 FOOTSWITCH ASSEMBLY 30N.....153, 155, 157-158
 FOOTSWITCH HOUSING,PAINTED.....153, 155, 157-158
 FOOTSWITCH WIRE ASSY W/RECPT.....153
 FORMING, BI-ENERGY SHROUD...127, 133
 FORMING, HING SUPPORT, LONG.....101
 FORMING, INVERTER MT.....213
 FORMING, WIPER MOUNT.....225
 FORMING,BATTERY BOX LATCH LH**.....43-44

Part Description Index (continued)

- HOSE,WATER PUMP RETURN,D905.....111, 117
HOSE,WATER PUMP,KUBOTA**.....111, 117, 123, 129
HOSE-RADIATOR,UPPER Z482-E...115, 121, 127, 133
HOSE TRACK COVER, UPPER ARM-SERV.....135
HOUR METER,10-80 VOLTS***75, 77, 79, 81-82, 85
HOUR METER,LCD,9-60 VDC***81-82
HOUSING, FUEL FILTER, Z482.....121, 127, 133
HOUSING, LOCK PIN.....107, 109
HOUSING,FUEL FILTER ELEMENT.....115
HUB ASSEMBLY MODEL#60-8***.....35-36
HYDRAULIC FILTER ASSY.....69, 91
HYDRAULIC TANK,Z30N.....71, 93
- I**
- INJECTOR, Z482 T4.....125, 131
INJECTOR,KUBOTA Z482-E.....113, 119
INNER CONE - MODEL 60-8.....35-36
INPUT CARRIER, SUB-ASSEMBLY.....49-50
INSTRUCTIONS,CONTROL BX MOUNT.....155
INSULATION,48V BATT.BOX LID.....44
INVERTER,48VDC,120VAC/60HZ.....213
- J**
- JIB BOOM MACH***.....150
JIB BOOM MACHINED.....150
JOYSTICK,5K-0 OHM.....171
JOYSTICK,5K-0 OHM,W/RELAY.....173
JUMPER COMB, 2-WAY,WIELAND.....65-66, 87, 89
JUMPER COMB, 3-WAY,WIELAND.....65-66
- K**
- KEY SINGLE***.....77, 79, 81-82, 85
KEY, SQUARE, HYD.ROTATOR.....61-62
KEY,1/4 X 1.25.....113, 119, 125, 131
KEY,LATCH, 1 PAIR (28125).....99, 101
KEY,SINGLE***.....75
KEY,WOODRUFF,5/32X3/4 KEY #506.....107, 109
KEY-WOODRUFF.....61-62
KEYS,10 PACK***.....75, 77, 79, 81-82, 85
KEYSWITCH,3 POS. W/KEYS***.....77, 79, 81-82, 85
KEYSWITCH,3POS.MNTND.DR WKEY**...81-82
KEYSWITCH,CONTACTS LOCK.....81-82
KIT CONTROL SEPEX UPGRADE 34BI.....47-50
KIT, AUX. RAIL, 4' PLATFORM.....205, 207, 219
KIT, AUX. RAIL, 5' PLATFORM.....205, 207, 219
KIT, CYLINDER BELLOWS.....227
KIT, DC-DC CONVERTER, BE.....50, 103
KIT, DC-DC CONVERTER, DC.....50
KIT, FOOTSWITCH, Z30/Z34 SYM...153, 155, 157-158
KIT, FOOTSWITCH, Z30/Z34 WORD.....153, 155, 157-158
KIT, HYDRAULIC TANK.....69, 91
KIT, SERVICE, Z34 LWR COMP ARM.....135
KIT, TERMINAL BLOCK.....65-66
KIT,94198 MOTOR REPLACEMENT.....48-50
KIT,ASSY,LED,IES CHARGER.....41
- KIT,COVER,TORQUE HUB,45553***.....48-50
KIT,ESTOP SVC BB&SM BOOM.....75, 77, 81-82, 163, 169
KIT,FIELD INSTALL,SWING GATE.....207
KIT,HALF SWING GATE***.....205
KIT,HORN SVC BB&SM BOOM.....163, 169
KIT,KEYSWITCH SVC BB & SM BOOM.....75, 81-82
KIT,OPA,HW,24V,SB.....229
KIT,RETROFIT,STEER,Z-34 2WD.....35-36
KIT,SEAL (74994).....61-62
KIT,SEAL,3CC PUMP***91, 93, 181
KIT,SWING GATE W/SPRING.....207
KIT,TORQUE HUB COVER (45553)**.....48-50
KIT,TORQUE HUB COVER(101584)**.....49-50
KIT,UNIV CHRGR UPGRADE,SM BOOM.....39
KIT,UPGRADE JOYSTICK,DC/BI.....171
KIT,Z482 RAD SUPPORT.....121
KNOB, 45048 CONTROLLER.....175
KNOB,OVAL TAPERED.....107, 109
KUBOTA 15263-12370CUSHION.....115, 121, 133
KUBOTA GASKET,THERMOSTAT115, 121, 133
KUBOTA GLOW PLUG.....113, 119, 125
KUBOTA OIL FILTER.....111, 117, 123, 129
- L**
- L.P.TANK LATCH.....62
LAMP,PAR 36 48 VOLT (35958)***.....205
Latch Bracket.....99
LATCH,ADJUSTABLE DRAW.....95, 97
LATCH,DRAW,ADJUSTABLE.....43-44
LATCH,FLEXIBLE DRAW.....69, 71, 73
LATCH,FLUSH CUP***.....99, 101
LATCH,ROTARY, W/KNOB,LEFT.....43-44
LATCH,ROTARY, W/KNOB,RIGHT.....43-44
LED,RED 24V.....163
LEGEND,PLSTC,"CREEP TO 9"***...163, 169, 175
LENS,AMBER,STROBE,FIREBOLT.....201
LEVEL SENSOR,LS60,YL,2.5X4.5.....65-66, 73
LID ENCLOSURE,RED,OPA.....229
LID,CONTROL BOX COVER.....207
LIGHT,LED IND. RED 24V NH.....65-66, 81-82, 85, 169
LINING KIT***47-50
LINING KIT, BRAKE, 4HP***.....49-50
LINING KIT-AUSCO BRK (56272)**.....47-50
LINK,NYLATRAC KS6-5.4***.....147
LINK,NYLATRAC,KS400.....147
LOCK PIN ASSY,3.00".....107, 109
LOCK PLUG ASSY, (28125).....99, 101
LOCK,PLUG 4 WAY,14-18GA.....61-62
LOCK,RECEP 12 WAY, 14-18GA.....89, 167
LOCK,RECEP 4 WAY,12-14GA.....89, 167
LOCK,RECEP 4 WAY,14-18GA.....167
LOCKNUT,ELEC,1/2".....39, 81-82, 89, 95, 97, 107, 109, 155, 157-158, 161, 165
LOCKNUT,ELECTRIC,1" NPT.....81-82, 89
LOCKNUT,ELECTRIC,3/4".....81-82, 161, 165
LOCKWASHER,LT IND. OD.868/530.....65-66
LOWER MIDPIVOT ASSY,Z34 &Z34N*.....135
LOWER SECONDARY ARM ASSY,Z34.....135
LS ROT.HEAD W/O LEVER (ZCE01).....61-62, 135
LS SPRING WAND (ZCY91).....139, 141
- LUG BOLT,5/8-18,WHEEL HUB***.....35-36
LUG,WHEEL STUD,5/8-18,W1/4HB**.....48-50
LVI/BCI 36/48 VOLT ENGAGE II.....205, 207
- M**
- MAGNET,NEODYMIUM,.375 X .100.....221, 223
MAN,FUNC,SM BOOM DC MACHINES.....177-178
MANIFOLD,ASSY DUAL CNTRBAL.....183
MANIFOLD,FUNC,Z30N/Z34DC/BE.....177-178
MANIFOLD,FUNC.Z30N,Z34DC,BE,N*.....177-178
MANIFOLD,FUNCT MULTI Z-34BE.....177-178
MANIFOLD,JIB ROTATE***183
MANIFOLD,JIB Z30N,Z34N,BE,DC.....183
MANIFOLD,JIB, 24V NON RJ***.....183
MANIFOLD,ROTATOR,180 DEG.***183
MANUAL BOX W/DECALS***153, 155, 157-158
MANUAL,OPERATORS,KUBOTA Z482**.....117
MANUAL,PARTS,KUBOTA Z482**.....117
MANUAL,WORKSHOP,KUBOTA Z482**117
MESH,HALF HEIGHT RH,4***.....207
MESH,HALF HEIGHT,5***207
MESH,HALF,SWING GATE***.....207
MICROSWITCH SPACER,45049.....173
MICROSWITCH,13482 FOOTSWITCH.....153, 155, 157-158
MICROSWITCH,V3L-139-D8.....171, 173
MICROSWITCH-V319M***.....171, 173
MIDRAIL GUIDE (HOOK).....153, 155, 157-158
MODULE,CONTROL UNIT,PCB,OPA.....229
MODULE,IGNITION/START,12/24V.....87, 89
MODULE,LOAD SENSE 2007.....87, 89
MOTOR, 24V (36179).....91, 93, 107, 109, 181
MOTOR,DRIVE,SEPEX.....47-50
MOTOR,FUNCTION,48V DC.....181
MOTOR,TURNTABLE O-RING PORTS.....61-62
MOTOR,TURNTABLE,125CC***.....61-62
MOTOR,TURNTABLE,ROLLER STATOR....61-62
MOUNT,SWITCH.....211
MOUNTING PLATE, 45048.....175
MOVING CONTACT (FOR PN 74267).....49-50
MUFLER,KUBOTA,GS68,DF750,D905.....117
MUFLER,SUPERTRAPP.....111, 123, 129
- N**
- NIPPLE,DIAGNOSTIC,#4.....177-178, 185, 187, 189, 191
NUT - PLASTIC,RING FOR ALARMS...81-82, 85, 95, 97, 101, 161, 163, 165, 169, 201
NUT, LP NYLOCK, 3/8-16.....43-44, 139, 141, 143-144
NUT,ACORN 3/8-16 PLATED.....135
NUT,HEX,1-8.....149-150
NUT,HEX,1/4-20.....99, 101
NUT,HEX,1/4-28.....113, 119, 125, 131
NUT,HEX,M8 X 1.25.....221
NUT,HEX,M8,PLASTIC.....223
NUT,JS,36867/42032/44988/40612.....171, 173
NUT,LOCK,5/8-18.....107, 109
NUT,LOCKING-LG.FLANGE,1/4-20.....65-66, 91, 93
NUT,LOCKING-LG.FLANGE,5/16-18.....47-50
NUT,LP NYLOCK,1/2-13.....107, 109

NUT,LP NYLOCK,1/4-20.....41, 135, 217, 219, 225	PANEL,GROUND CONTROL W/ DECAL.....75	PLATE,UK POWER TO PLATFORM.....155, 157-158
NUT,LP NYLOCK,5/16-18.....43-44	PETCOCK,DRAIN,KUBOTA WG750B.....113, 119, 125, 131	PLATE,WIPER BACKING.....225
NUT,LUG,5/8-18 X 90 DEGREE,Z45.....35-36	PIN, LOCK.....107, 109	PLATE,WIPER SIDE.....217
NUT,M4 NYLOCK.....229	PIN,0.75DIAX5.51LG,2RING.....143-144	PLATE,WIPER TOP.....217
NUT,NYLOCK,1/2-13.....107, 109	PIN,0.75DIAX5.75LG,CHAMFER.....211	PLATFORM CONTROL BOX W/DECAL.....161, 163, 167
NUT,NYLOCK,1/4-20.....39, 66, 73, 91, 95, 97, 99, 101, 107, 109, 113, 115, 119, 121, 125, 127, 131, 133, 135, 143-144, 147, 150, 153, 155, 157-158, 207, 211, 213, 221, 223	PIN,1.00DIAX7.25LG,1HOLE.....137	PLATFORM STEP * PAINTED.....155, 157-158
NUT,NYLOCK,10-24.....211, 217	PIN,1.00DIAX9.01LG,THREADED.....143-144	P L A T F O R M S U P P O R T W E L D,Z30N,Z34.....149-150, 153
NUT,NYLOCK,10-32.....39, 65-66, 81-82, 89, 95, 97, 101, 113, 119, 125, 131, 153, 155, 157-158, 167, 215	PIN,1.25DIA.X10.38LG,1HOLE.....150	PLUG AND CAP KIT-SERVICE,37 **.....177-178, 183, 189, 191, 193, 195
NUT,NYLOCK,3/4-10,GRD.8.....149-150	PIN,1.25DIAX12.50LG,2HOLE.....150	PLUG AND CAP KIT-SERVICE,ORFS*.....177-178, 183, 189, 191, 193, 195
NUT,NYLOCK,3/8-16.....36, 41, 62, 65-66, 69, 71, 91, 93, 107, 109, 115, 121, 127, 133, 135, 137, 149-150, 153, 155, 158, 211	PIN,1.25DIAX3.00LG,THREADED.....137	PLUG, NYLON .250 BLACK DOMED.....85, 165, 167
NUT,NYLOCK,5/16-18...65-66, 109, 113, 115, 119, 121, 125, 127, 131, 133, 215	PIN,1.25DIAX3.63LG,THREADED.....137	PLUG, TYPE F, 230A, 50HZ, 16A, IP44.....41, 107, 109
NUT,NYLOCK,6-32.....89, 167	PIN,1.25DIAX5.70LG,2RING.....150	PLUG,1/4"SERIES,3/8 MPT.....203
NUT,NYLOCK,8-32.....87	PIN,1.25DIAX6.36LG,2RING.....150	PLUG,3/4 MAGNETIC PIPE SQ.DRV.....69, 91
NUT,RETAINER (96008).....77, 79, 81-82, 85	PIN,1.25DIAX7.00LG,1HOLE.....149-150	PLUG,BLANKING.....103, 105, 229
NUT,SOLENOID VALVE COIL.....177-178	PIN,1.25DIAX7.64LG,2RING.....149-150	PLUG,ENGINE OIL DRAIN,D-905***.....123, 129
NUT,SPINDLE,1-14.....35-36	PIN,1.25DIAX8.12LG,1HOLE.....139, 141	PLUG,FUSED,250V,13AMP,U.K.**.....41, 95, 97
NUT,TL FLG,3/8-16,G,ZAG.....141	PIN,1.25DIAX9.13LG,1HOLE.....139, 141	PLUG, NYLON .313 BLACK DOMED.....165
NUT-HEX,3M X 0.5MM.....171, 173	PIN,1.25DIAX9.63LG,1HOLE.....137	PLUG, NYLON .38 BLACK DOMED.....165, 167
NUTSERT,1/4-20,STEEL CAD PLTD....47-50, 65-66, 75, 77, 79, 81-82, 89, 95, 97, 107, 109, 165, 167, 221, 223	PIN,1.50DIAX15.13LG,1HOLE.....137, 139, 141	PLUG, NYLON .50 BLACK DOMED.....75, 77, 79, 81-82, 85, 163, 169
NUTSERT,10-32 STEEL CAD PLTD.....201	PIN,1.50DIAX16.13LG,1HOLE.....137	PLUG, NYLON .875 BLACK DOMED.....89, 167
NYLON WASHER,(36179).....107, 109, 181	PIN,1.50DIAX3.25LG,1HOLE.....36	PLUG, NYLON 1.12 BLACK DOMED.....85, 89, 95, 97, 223
	PIN,1.50DIAX3.75LG,1HOLE.....36	PLUG, NYLON 2.00 BLACK DOMED.....81-82, 85, 163, 169
	PIN,CLEVIS,1 X 2.5 LG.....35-36	PLUG,OIL FILLER Z482,Z34/22BE*.....111, 117, 123, 129
	PIN,CLEVIS,1 X 3 LG.....35-36	PLUG,ORIFICE-.045.....177-178
	PIN,CLEVIS,3/4X3,ZAG.....35-36	PLUG,PWR,UK,16AMP,3PIN,BLK.....41, 95, 97
	PIN,LOCK,SHORT***.....207	PLUG,SANTOPRENE .5 BLACK DOME.....79, 85, 169
	PIN,ROLL,.094 X .875.....153, 161	PLUG,TORQUE HUB,DRAIN***.....48-50
	PIN,ROLL,.25 X 1.5***.....150	PLUG,W/LATCH,4 POLE,ANDERSON.....153, 161
	PIN,SLAVE CYL,1.25 X 4.38.....150	POTENTIOMETER (56773).....171, 173
	PIN,SLAVE CYL,1.25 X 6.06***.....150	POWER RELAY, 24V COIL.....50, 109, 167, 207, 215
	PIN,SLAVE CYLINDER.....150	POWER TO PLAT, DOMESTIC.....207
	PIPE ASSY-OVERFLOW (Z482-E).....125	POWER TO PLAT, NO PLUG.....207
	PIPE PLUG KIT,OMNI***.....49-50	POWER TO PLAT,UK.....207
	PIPE PLUG,.563 MAG***.....49-50	POWER TO PLAT,EURO PLUG220/50.....207
	PIPE, INJECTOR 1 KUBOTA Z482-E.....113, 119, 131	POWER UNIT,AUX PUMP 24VDC.....91, 93, 107, 109, 181
	PIPE, INJECTOR 2 KUBOTA Z482-E.....113, 119, 125, 131	PRIMARY BOOM TUBE ASSEMBLY.....143-144
	PIPE-BREATHER Z482, Z34/22BE.....111	PRIMARY BOOM TUBE ASSY Z34DC.....143-144
	PLASTIC END STOP.....87	PRIMARY BOOM TUBE ASSY Z34IC**.....143-144
	PLAT ASSY W/DECAL (CE).....157-158	PRIMARY BOOM TUBE ASSY Z34N.....143-144
	PLAT ASSY W/DECAL(US/CANADA).....157-158	PRINTED CIRCUIT BOARD 56886.....175
	PLAT RAIL ASSY 4' ASIA/S.AMER.....155	PROXIMITY SENSOR***.....221, 223
	PLAT RAIL ASSY 4' AUS.....155	PULLEY,3.15 OD.....107, 109
	PLAT RAIL ASSY 4'ANSI/CSA.....155	PULLEY,FAN DRIVE,Z482/DF750*.....119, 125, 131
	PLAT RAIL ASSY, 4' CE.....155	PULLEY,FAN,WG750B***.....111, 117, 123, 129
	PLAT.ASSY.W/DECAL4'Z30/34,CE.....153, 155	PUMP ASSEMBLY (36179)...91, 93, 107, 109, 181
	PLAT.ASSY.W/DECAL4'Z30/34ANSI.....155	
	PLAT.ASSY.W/DECAL5'Z34N&DC,CE*.....153, 155	
	PLAT.ASY.W/DECL5'Z34N&DC,ANSI*.....155, 157-158	
	PLAT/SUP.UPGRADE KIT 4FT ANSI*.....153	
	PLAT/SUP.UPGRADE KIT 5FT ANSI*.....153	
	PLATE, COVER, IC VENT.....101	
	PLATE, ENGINE SWING-OUT.....109	
	PLATE, TURNTABLE LS. MT.....61-62	
	PLATE,CHARGER MOUNT.....39, 41	
	PLATE,ENGINE GENERATOR MOUNT....107, 109, 115, 121, 127, 133	
	PLATE,ENGINE SWING-OUT.....107	
	PLATE,HYDRALIC TANK LID.....69, 91	
	PLATE,MAGNET MOUNT.....221, 223	
	PLATE,ROTARY CNTRL (56886).....175	
	PLATE,SHIELD FUEL TANK.....99, 101	
	PLATE,SWING COVER LATCH.....99	
	PLATE,TANK LID (SERVICE).....69, 91	

O

O-RING KIT (ORFS FITTINGS).....177-178, 183, 189, 191, 193, 195
O-RING KIT, AUSCO 1200 IN/LB....47-50
O-RING KIT,FIELD SVC.ALL PROD*.....177-178, 183, 189, 191, 193, 195
O-RING OR-151 N73038 (74994).....61-62
O-RING, FILTER ASSY.....69, 91
O-RING, FUEL FILTER, Z482.....121, 127, 133
O-RING, ROTATOR MANIFOLD.....183
O-RING, TORQUE HUB.....48-50
O-RING,2-010,VITON.....49-50
O-RING,END COVER,4HP/4HB***.....48-50
O-RING,END COVER,OMNI***.....49-50
O-RING,FILTER,LOWER Z482-E.....115
O-RING,FILTER,RETURN TANK.....69, 91
O-RING,FUEL FILTER,UPPER Z482E.....115
O-RING,OIL FILLER PLUG,KUBOTA*.....111, 117, 123, 129
OIL PAN, Z482.....123, 133
OPERATOR MANUAL, Z482.....125, 129
OPTION,COLD START,Z34GAS/BE.....209
OPTION,DRIVE LIGHTS,Z34BE.....215
OPTION,PLATFORM LOADSENSE.....211
ORIFICE 0.025 (74014).....183
ORIFICE, 0.035" (74512,74966).....178
ORING,568-908 N552-90 NBR,10PK.....49-50
OUTER CONE - MODEL 60-8.....35-36
OUTLET, 110V.....155, 157-158, 161

P

PAD,REST,1"THICK,FLANGED.....143-144
PAD,REST,1"THICK,W/STUDS*.....143-144
PAD,UPPER PIVOT REST.....135
PADDING, FOAM 90 DEG.....223

Part Description Index (continued)

- PUMP ASSY-FUEL, KUBOTA Z482-E.....113, 119, 125, 131
PUMP,LIFT,3CC,CCW***.....91, 93, 107, 109, 181
PUMP-INJECTION, KUBOTA Z482-E.....113, 119, 125, 131
PUMP-WATER, KUBOTA Z482-E.....111, 117
PWR CABLE ASSY,G.C.SIDE,Z34.....43-44, 53
PWR CABLE ASSY,TANK SIDE,Z34.....43-44, 53
- R**
- RADIATOR ASSY,KUBOTA Z482E AL.....115, 121, 127, 133
RADIATOR STAY, KUBOTA 1702.....115, 121, 127, 133
RAILING CATCH CASTING--DRILLED.....205, 207
REAR END PLATE, Z482.....119, 125
RECEPTACLE, BRITISH, 110V.....161
RECEPTICAL,SNAP-IN (1450G1)***.....75, 77, 79
Ref: MOTOR,FUNCTION,48V DC.....91, 93, 107, 109
REFLECTORS,3"DIA,AMBER.....221
REGULATOR, 48 VOLTAGE, BI ENERGY.....107, 109
REGULATOR-VOLTAGE(Z482-E).....107, 109
RELAY SOCKET,70AMP.....50, 167
RELAY SOCKET,AUTO,RETAINER***.....87
RELAY,24VDC,40/30A,SEALED***.....65-66, 87, 89, 221
RELAY,24VDC,40/30A,SLD W/BRKT*.....215
RELAY,CHARGER .TIMER(19531/32).....39
RELAY,CHARGER TIMER**.....39
RELAY,POTTER BRUMFIELD 24V **.....165
RELAY,SOCKET,OMRON.....165
RELAY,SPDT,12V(AUTO) PLUG IN**.....221
REPAIR LINK END SET (42763)*.....147
REPAIR LINK,7 LINKS***.....147
REPAIR LINK,NYLATRAC,7 LINKS.....147
REST PAD, LOWER ARM REST.....61-62
REST PAD, LOWER REST Z30N.....61-62
REST PAD,LOWER ARM REST.....61-62
REST PAD,PRIMARY BOOM.....143-144
REST PAD,UPPER PIVOT Z30N.....135
RETAINER,SPRING,1.21 X .375.....211
RETAINER-N.C.PROPOR.SOLENOID.....177-178
RETAINING RING, FUEL FILTER.....121, 127, 133
RIM,Z45,14.5 X 7(8 HOLE ON 8BC).....35-36
RING GEAR, Z482 T4.....125, 131
RING GEAR,KUBOTA Z482-E.....113, 119
RING,HOSE PROTECTOR.....61-62
RING-RETAINING,FUEL FILTER.....115
RIVET,ALUM,P,.188 X .25.....207
RIVET,STEEL,P,.25 X .375.....115, 121, 205, 207
RIVET,STL,STL,P,.125 X .25.....75, 77, 79, 89, 165, 167
RIVET,STL,STL,P,.125 X .5.....99, 101
RIVET,STL,STL,P,.25 X .5.....39, 153, 155, 157-158
ROCKER ASSY (42032)***.....171
ROCKER ASSY W/ROLLPIN***.....173
ROD END,.250 X 2.75 LG.....211
ROD END,.375 X 2.25,ZAG.....36, 137
ROD END,.375X3.69,ZAG...36, 137, 139, 141, 143-144, 149-150
ROD,CHOKE (KUBOTA)****.....113, 119, 125, 131
ROD,DISCONNECT 4HP/4HB***.....49-50
ROD,DISCONNECT,OMNI***.....49-50
ROD,ENGINE IDLE & STOP.....113, 119, 125, 131
ROLLER ARM,LIMIT SWITCH***.....61-62, 135
ROLLER ARM-LIMIT SWITCH.....61-62, 135
ROTATOR TURNTABLE ASSEMBLY****.....61-62
ROTATOR,HELICAL,PLATFORM***.....149-150
ROTATOR,PLAT,Z30/34/Z40.....149-150
RUBBER,WIPER,SIDE.....217
RUE RING,1.00.....35-36
RUE RING,3/4,ZAG.....35-36
- S**
- SCREW.....173
SCREW 5/16-18 X .75 LG.FLG.LCK.....91, 93, 107, 109, 113, 119, 125, 131, 215
SCREW, HCC, 3/8-16 X 1.50.....62, 107, 109, 135, 149-150
SCREW,BHHS,3/8-16 X 2.5.....137
SCREW,BHSC,1/4-20 X 1.....219
SCREW,CHARGER COVER,#10 X .5.....39
SCREW,FHM,10-32 X .75.....153, 155, 157-158
SCREW,FHS,1/2-13 X 1.25,BLACK.....61-62
SCREW,FHS,1/4-20 X 1.5.....213
SCREW,FHS,3/8-16 X .75.....135
SCREW,FUSE ASSY,#7 PHMS X .625.....39
SCREW,HANDLE42032,40612,36867.....173
SCREW,HEATSINK/DIODE ASSY.....39
SCREW,HH TAPITITE THRD8-32X.50.....91, 93
SCREW,HHC,1-8 X 11,GRD 5***.....149-150
SCREW,HHC,1-8 X 3 GRD.5.....62, 93
SCREW,HHC,1/2-13 X 1.25 GR5.....149-150
SCREW,HHC,1/2-13 X 1.5.....107, 109
SCREW,HHC,1/2-13 X 6,GRD.8.....107, 109
SCREW,HHC,1/4-20 X .5.43-44, 69, 71, 107, 109, 115, 121, 127, 133
SCREW,HHC,1/4-20 X .625.....66, 69, 71, 73, 87, 89, 91, 93, 95, 97, 135, 207
SCREW,HHC,1/4-20 X .75.....41, 43-44, 49-50, 65-66, 69, 71, 73, 81-82, 85, 91, 93, 95, 97, 109, 113, 115, 119, 121, 125, 127, 131, 133, 143-144, 147, 149-150, 155, 158, 163, 169, 223
SCREW,HHC,1/4-20 X 1.....35-36, 39, 41, 43-44, 47-50, 66, 73, 91, 95, 97, 99, 101, 107, 109, 135, 143-144, 147, 153, 157-158, 213
SCREW,HHC,1/4-20 X 1, GR8.....217
SCREW,HHC,1/4-20 X 1.25.....91, 99, 101, 113, 119, 125, 131, 211, 221, 223
SCREW,HHC,1/4-20 X 1.5.....149-150, 205, 207
SCREW,HHC,1/4-20 X 1.75.....158
SCREW,HHC,1/4-20 X 2.25.....225
SCREW,HHC,1/4-20 X 2.5.....135
SCREW,HHC,1/4-20 X 2.75.....39
SCREW,HHC,3/4-10 X 9.5 GR 8 YE.....149-150
SCREW,HHC,3/8-16 X .75,GR 8.....61-62, 149-150
SCREW,HHC,3/8-16 X 1 GRD 8.....36, 65-66, 69, 71, 73, 95, 97, 99, 101, 107, 109, 137, 139, 143-144
SCREW,HHC,3/8-16 X 1.25 GRD 5.....36, 69, 71, 91, 93, 107, 109, 115, 121, 127, 133, 139, 141, 143-144, 150, 201
SCREW,HHC,3/8-16 X 1.75,GRD.8.....47-50
SCREW,HHC,3/8-16 X 2.25.....225
SCREW,HHC,3/8-16 X 2.75.....91, 93, 107, 109, 137
SCREW,HHC,3/8-16 X 3.....41, 65-66
SCREW,HHC,3/8-16 X 3.25.....107, 109, 211
SCREW,HHC,3/8-24 X 1 GR 8 YEL.....91, 93, 107, 109, 181
SCREW,HHC,5/16-18 X .75.....65-66, 215
SCREW,HHC,5/16-18 X 1 GR5.....47-50
SCREW,HHC,5/16-18 X 1.25.....43-44, 155, 158
SCREW,HHC,5/16-18 X 1.375.....43-44
SCREW,HHC,5/16-18 X 3.00.....115, 121, 127, 133
SCREW,HHC,5/8-11 X 5.50 GR8 BO.....61-62
SCREW,HHC,5/8-11X4.50GR8 PLAIN.....62
SCREW,HHC,M10 X 1.25 X 30MM**.....113, 115, 119, 121, 125, 127, 131, 133
SCREW,HHC,M6 X 16.....127, 133
SCREW,HHC,M8 X 20MM.....113, 115, 119, 121, 125, 127, 131, 133
SCREW,HHC,M8 X 30MM,GRD 8.8.....111, 117, 123, 129
SCREW,HHTAPTITE THREAD8-32X.38.....91, 93
SCREW,M5X16 BHD.....229
SCREW,PHIL,PHM,10-24 X 5,SEMS.....69, 71, 73
SCREW,PHIL,PHM,10-24X1.5 ZINC.....211
SCREW,PHIL,PHM,10-32 X .5,SSTL.89, 167, 215
SCREW,PHILLIPS,PHM,10-32 X .38.....89
SCREW,PHILLIPS,PHM,10-32 X .5.....65-66, 81-82, 89, 91, 113, 119, 131
SCREW,PHILLIPS,PHM,10-32 X .75.....65-66, 95, 97, 171
SCREW,PHILLIPS,PHM,10-32 X .625.....201
SCREW,PHILLIPS,PHM,6-32 X .5.....89, 155, 157-158, 167
SCREW,PHILLIPS,PHM,8-32 X 1.25.....135
SCREW,PHILLIPS,PHM,8-32 X 2.5**.....77, 79, 85, 87
SCREW,PHM,M3 X .5 X 12MM.....171, 173
SCREW,PHM,M3.5 X 12MM (57890).....171, 173
SCREW,PHPM,10-32X.50,ZAG.....50
SCREW,PHS,4-40 X 1.5.....173
SCREW,RADIATOR MOUNT, KUBOTA.....115, 121, 127, 133
SCREW,RHM,10-32 X .5.....125
SCREW,RHM,10-32 X 1.75.....139, 141
SCREW,SHC,1/2-13 X 1.50,A574.....61-62
SCREW,SHC,5/8-11 X 2.5 BLK.....47-50
SCREW,SHC,5/8-11 X 3.00,A574.....47-50
SCREW,SHC,5/8-11 X 4.25 BLK.....62
SCREW,SHC,5/8-11 X 4.5,A574.....62
SCREW,SHC,5/8-11 X 5.5.....61-62
SCREW,SHM,PHP, #12 X .75.....89, 167
SCREW,SHS,1/2-13 X 1.25.....107, 109
SCREW,SHS,1/4-20 X .75,ZINCPILT.....221
SCREW,TIMER,#8 PHMS X.375.....39
SEAL 21252875-375BYP2 (74994).....61-62
SEAL AND BRG KIT,4.5K ROTATOR.....149-150

SEAL AND BRG KIT,4.5K ROTATOR*.....149-150	SET SCREW***.....49-50	STRAINER ASSY 1"NPT TANK MTD.....69, 91
SEAL KIT.....177-178, 183	SHAFT ASSY, JOYSTICK***.....171	STROBE,FIREBOLT,12-80VDC,AMB**.....201
SEAL KIT (21172).....61-62	SHAFT,WORM GEAR***.....61-62	STRUT,GAS***.....99, 101
SEAL KIT (39345).....183	SHIM KIT,TURNTABLE***.....61-62	STRUT,GAS,14",200LBS.....101
SEAL KIT (74588).....139, 141	SHIM,PRIMARY BOOM,.022 THICK.....43-44	STUD,WHEEL (EW1 TORQUE HUB)***.....48-50
SEAL KIT (74593).....149-150	SHIM,PRIMARY BOOM,.052 THK.....43-44	SUPPORT, RAILING.....219
SEAL KIT 42409 ELEVATE**.....135	SHIM,SIDE PAD 22GA.....143-144	SVC KIT,UK RECEPT.REPLACEMENT.....155, 157-158
SEAL KIT***.....61-62	SHIM,WEAR PAD,5X 1.5 16GA.....143-144	SWITCH ASSEMBLY (56886).....175
SEAL KIT, 37185 PUMP.....91, 93, 107, 109, 181	SHOCK MOUNT,SMALL.....107, 109	SWITCH ASSY,REMOTE BRAKE REL.....75, 77, 79
SEAL KIT, 54861.....47-50	SLIDING MIDRAIL KIT,PTD.....153, 155, 157-158	SWITCH TOGGLE ASSY DPDT 2P MNT...215
SEAL KIT, 88337.....35-36	SNAP PIN.....205	SWITCH TOGGLE ASSY DPDT 3P MOM..79, 85
SEAL KIT, 94210.....135	SNAP RING (74097).....49-50	SWITCH TOGGLE ASSY SPDT 2P MOM...79, 85
SEAL KIT, 94215, 94430.....139, 141	SNAP RING (74994).....61-62	SWITCH TOGGLE ASSY SPDT 3P MOM...79, 85, 221, 223
SEAL KIT, 94216.....139, 141	SNAP RING,EXTERNAL.....149-150	SWITCH TOGGLE SPDT 3POS MAIN**...163, 169
SEAL KIT, 94217.....150	SNAP RING,EXTERNAL,.75 DIA.....143-144	SWITCH,LIMIT,W/6.25"SPRING ARM.....139, 141
SEAL KIT, BRAKE, 4HP.....49-50	SNAP RING,EXTERNAL,1.25 DIA.**.....150	SWITCH,LIMIT,W/RLR ARM,NO/NC**.....61-62
SEAL KIT, JIB MANIFOLD, NON RJ.....183	SNAP RING,INT,2.88 DIA***.....61-62	SWITCH,LIMIT,W/ROLLER ARM***.....61-62, 135
SEAL KIT, OMNI.....49-50	SNAP RING,INTERNAL,2.88 DIA***.....61-62	SWITCH,OIL,PRESSURE,KUBOTA.....117, 123, 129
SEAL KIT, SOLENOID VALVE.....177-178, 183	SNAP RING,WHEEL DRIVE.....49-50	SWITCH,PRESS,#6SAE,600 PSI.....177-178
SEAL KIT, TORQUE HUB(74097)*.....49-50	SOLENOID VALVE W/NUT***.....183	SWITCH,ROLLER PLUNGER LIMIT.....211
SEAL KIT, VALVE, #10.....177-178	SOLENOID,2 SPEED TROMBETTA***.....113, 119, 125, 131	SWITCH,TOGGLE SPDT,2POS MOMEN...77, 169
SEAL KIT, VALVE, #4.....177-178	SOLENOID,STARTER,WG750B.....111, 117, 123, 129	SWITCH,TOGGLE,DPDT,2POS MAINT*.....81-82
SEAL KIT,147138 & 147139.....143-144	SOUNDER LENS, OPA, AMBER.....229	SWITCH,TOGGLE,DPDT,2POS MOMEN...75, 81-82, 163
SEAL KIT,147141.....150	SOUNDER LENS, OPA, BLUE.....229	SWITCH,TOGGLE,DPDT,3POS MOMEN...75, 77, 81-82, 163, 169
SEAL KIT,147142.....149-150	SOUNDER LENS, OPA, CLEAR.....229	SWITCH,TOGGLE,DPDT,3POS MOMEN...75, 77, 81-82, 163, 169
SEAL KIT,2" BORE,1" ROD***.....35-36	SOUNDER LENS, OPA, RED.....229	SWITCH,TOGGLE,DPDT,2POS MOMEN...75, 81-82, 163
SEAL KIT,2.0" BORE CYLINDERS**.....35-36	SOUNDER,MIDI,OPA.....229	SWITCH,TOGGLE,DPDT,2POS MOMEN...75, 81-82, 163, 169
SEAL KIT,42405 CYL.TEXAS.....139, 141	SPACER,HEAT SINK.....229	SWITCH,TOGGLE,DPDT,2POS MOMEN...75, 81-82, 163, 169
SEAL KIT,42406,STEER.CYL,TEXAS.....35-36	SPACER,LONG ANDERSON.....153	SWITCH,WATER TEMP.....117, 123, 129
SEAL KIT,42407,42559 CYL,TEXAS.....139, 141	SPACER,NYLON,.718 X .526 X.219.....75, 77, 169	SYMBOL DECAL KIT,Z34BI.....31, 33
SEAL KIT,42409 ELEV. CYL.TEXAS.....135	SPACER,PLASTIC.....69, 71	SYMBOL DECAL KIT,Z34N/Z34DC.....19, 21
SEAL KIT,42411 & 42408.....143-144	SPACER,SHORT ANDERSON.....153	
SEAL KIT,74998.....143-144	SPACER,THRUST***.....48-50	
SEAL KIT,94212.....143-144	SPACER,POT.PLATE,JOYSTICK56773.....171, 173	
SEAL KIT,94218.....149-150	SPEED CONTROL ASSEMBLY**.....113, 119, 125, 131	
SEAL KIT,BRAKE***.....47-50	SPRING & BUSHING KIT,RETURN***.....171	
SEAL KIT,CYLINDER***.....149-150	SPRING ARM,LIMIT SWITCH,6.25".....139	
SEAL KIT,HYDRAULIC FILTER ASSY.....69, 91	SPRING CLIP,1/4-20,.025-.15X.54,ZAG.....35-36, 39, 41, 47-50, 66, 143-144, 155, 157-158	
SEAL KIT,LIFT PUMP,BARNES**.....107, 109	SPRING CLIP,3/8-16,.05-.20X.73,ZAG.....43-44, 62	
SEAL KIT,ROTATE MOTOR.....61-62	SPRING CLIP,5/16-18,.025-.15X.....47-50, 91, 93	
SEAL KIT,ROTATOR***.....150	SPRING RETURN,HEAVY DUTY,45049.....173	
SEAL KIT,SOLENOID VALVE.....183	SPRING, BRUSH.....48-50	
SEAL KIT,TORQUE HUB (20193).....48-50	SPRING, BRUSH RETAINER, 36182*.....47-50	
SEAL KIT,UNIVERSAL,9K ROTATOR*.....149-150	SPRING, RETURN (FOR 74267).....49-50	
SEAL KIT,VALVE (48647).....177-178	SPRING, RETURN (FOR 74268).....47-50	
SEAL KIT,WHEEL DRIVE (106148/106445/107712).....49-50	SPRING, SS, 1/2-EO500-49-4500.....223	
SEAL KIT,WHEEL DRIVE W/BRAKE (101584/101585).....49-50	SPRING,COMP,1" OD,232 LB/IN.....211	
SEAL KIT-EXT CYL & SLAVE CYL.*.....139, 141, 150	SPRING,COMPRESSION .835 X 2.....113, 119, 125, 131	
SEAL,AIR RADIATOR,HORZ.....115, 121	SPRING,COMPRESSION.485 X1.75**.....107, 109	
SEAL,AIR RADIATOR,VERT.....115, 121	SPRING,EXTENSION,.36 X 1.25.....95, 97	
SEAL,NAT'L. #471818 (74994).....61-62	SPRING,EXTENSION,.75X4.5.....221, 223	
SEAL/BEARING KIT (45043,54840).....35-36	SPRING,RETURN (74266).....49-50	
SENDING UNIT,WATER TEMP***.....111	SPRING,SHORT PLATFORM GATE.....207	
SENDING UNIT-OIL PRES. Z482-E.....111	STACK KIT, AUSCO 1200 IN/LB.....47-50	
SENSOR,LEVEL 3 DEG**.....65-66	STAND OFF,CONTROL UNIT.....229	
SENSOR,LEVEL 4.5***.....65-66, 73	STARTER MOTOR Z482, Z34/22BE.....111, 117, 123, 129	
SENSOR,LEVEL,4.5 DEG.....65-66, 73	STAY,ALTERNATOR***.....117, 123, 129	
SENSOR,RUBBER EDGE.....229		
SERV KIT,HARN ASSY,PWR BATT PK.....55, 59		
SERVICE KIT, INJECTOR, Z482.....125, 131		

T

T-BOX,2.75 X 4.5 X 2.0.....155, 157-158, 161
TANK BREATHER,NYLON **.....71, 93
TANK,30N/34 HYDRAULIC.....69
TAPE, PROTECTIVE MASK.....16, 28
TEE,BRANCH,520433-6.....195
TEE,BRANCH,520433-8.....193, 195
TEE,RUN,SWIVEL,520432-6.....191
TERM,DEUTSCH, PIN #12-14.....89, 167
TERM,MOLEX,SOC,GP,18-24GA BULK.....129
TERM,NI PIN, 14-16GA,BULK.....167
TERM,NI PIN,S&F,16-18GA,REEL.....89, 167
TERM,NI SOC,S&F,16-18GA,REEL.....61-62
TERM,BUSS,10POLE,JOYSTICK56773.....171
TERMINAL BLOCK END PLATE.....65-66, 87, 89
TERMINAL BLOCK(SINGLE),WAGO***.....87
TERMINAL BLOCK, WIELAND***.....65-66, 87, 89
TERMINAL BLOCK,WAGO,3-WIRE.....87
TERMINAL BLOCK,WIELAND.....65-66, 89
TERMINAL LEAD ASSY,MOTORZ34BE*.....48-50

Part Description Index (continued)

TERMINAL RAIL.....87	VALVE,CNTERBAL,CBBB-LHN@3000**..135, 149-150	WASHER,LOCK,.375....36, 47-50, 62, 65-66, 69, 71, 73, 91, 93, 95, 97, 99, 101, 107, 109, 137, 139, 141, 143-144, 181, 201, 225
TERMINAL RAIL ASSY***.....65-66	VALVE,COUNTERBAL.CBCA-LHN@3000.183	WASHER,LOCK,.625 PLTD.....205, 207
TERMINAL STRIP.....89, 165, 167	VALVE,COUNTERBALANCE.....150	WASHER,LOCK,0.5".....107, 109, 149-150
TERMINAL STRIP END PLATE.....87	VALVE,COUNTERBALANCE (36078)**.....150	WASHER,LOCK,1".....62, 93, 149-150
TERMINAL,#10 RING,BLUE AMP.....153	VALVE,COUNTERBALANCE 2500 PSI*...143-144	WASHER,LOCK,M10.....113, 115, 119, 121, 125, 127, 131, 133
TERMINAL,ANDERSON,15A 16-20GA.....153	VALVE,COUNTERBALANCE, 3000PSI.....177-178	WASHER,LOCK,M8.....115, 121, 127, 133
TERMINAL,ANDERSON,30A 12-16 GA...153, 161	VALVE,DIFF.SENSE***.....177-178	WASHER,M4 NYLON.....229
TERMINAL,MOLEX 16 GAUGE***.....47-50	VALVE,FLOW REGULATOR.....178, 183	WASHER,M5 NYLON.....229
THERMOSTAT ASSY, WG750B.....115, 121, 127, 133	VALVE,FLOW REGULATOR .8 GPM.....178	WASHER,NYLON, JOYSTICK.....171, 173
THERMOSTAT COVER,KUBOTA GAS.....115, 121, 127, 133	VALVE,OIL DRAIN,22MMO.....111, 117	W A S H E R , R A D I A T O R
THUMB SCREW W/SHOULDER 3/8-16....43-44	VALVE,PROPORTIONAL**.....177-178	CUSHION,KUBOTA.....115, 121, 133
TIE ROD, Z-34, 2WD.....35-36	VALVE,RELIEF 1800 PSI.....177-178	WASHER,RIVETING.....39, 153, 155, 157-158
TIE ROD,WELDMENT,Z34.....35-36	VALVE,RELIEF 3200 PSI.....177-178	WASHER,SHIM .0151 THK.....211
TIME DELAY RELAY,2 SEC,24VDC.....167	VALVE,RELIEF,1100PSI***.....177-178	WASHER,SHIM,.75 X 1.125 X .030.....143-144
TIMER (23442)(41896)(36314).....39	VALVE,RELIEF,1600 PSI.....177-178	WASHER,SHIM,1.27 X 2.13 X .062...137, 149-150
TIMER(24059,41897,41898,41899).....39	VALVE,SOLENOID 20V W/DIODE.....177-178	WASHER,SPINDLE.....35-36
TIRE & WHEEL ASSY,FRONT N-M.....35-36	VALVE,SOLENOID,20V W/ DIODE **.....183	WASHER,SPRING***.....127
TIRE & WHEEL ASSY,REAR N-M.....48-50	VALVE,SOLENOID,3POS 4WAY.....177-178	WASHER,STAR,EXTERNAL,.375.....36
TOEBOARD,ENTRY EUROPEAN	VALVE,SOLENOID,3POS/4WAY*.....177-178, 183	WASHER,THRUST,313 X .50 X .10.....95, 97
PNTD**.....153, 155, 157-158		WASHER,THRUST,1.5 X 3.5 X .187.....36
TOOL TRAY ACCESSORY***.....205, 207		WASHER,THRUST,TORQUE HUB.....48-50
TOOL,TERMINAL CRIMPER,MOLEX***.....47-50		W A S H E R , T H R U S T , T O R Q U E
TOOL,TERMINAL EXTRACTOR,MOLEX...47-50		HUB,74097.....49-50
TORQUE HUB,47:1 W1 "B" MOUNT**.....48-50		WATER PUMP, Z482 T4.....123, 129
TRACK,PLASTIC CABLE,25 LINK 4".....147		WDMT, COVER REINFORC, RH.....101
TRANSFORMER,CHARGER36314/41896...39		WDMT, ENGINE COMPARTMENT.....99, 101
TRANSFORMER,CHARGER36315/41897...39		WEAR PAD ROUND.....107, 109
TRIM MOLDING.....127, 133		WEAR PAD,4 X 2 X.50 THK.BLACK...143-144
TRIM,RUBBER EDGE,5/8 (BY INCH).....147		WEAR PAD,4 X 4 X .75 W/NUTS.....143-144
TRIMLOCK,BLACK,5/32".....65-66, 91, 93		WEAR PAD,4X2X.5 W/INSERT***.....43-44
TRNSFRMR(36316 & 17)(41898 & 99).....39		WEAR PAD,5 X 1.5 X .625 W/NUTS...143-144
TUBE, HYDRAULIC TANK.....71, 93		WEAR PAD,5 X 1.5 X .75 W/NUTS.....143-144
TUBE,RD,STL,DOM,.75OD X .375ID.....225		WEAR PAD,EXT CYL ***.....143-144
TUBE,RD,STL,DOM,.75X.438X1.25.....225		WEAR PAD,HEK.....217
TUBELESS PNEUMATIC TIRE,9-14LT.....35-36, 48-50		WEAR PAD,PRIMARY BOOM.....143-144
TUBELESS TIRE,9-14.5,NON-M 47#.....35-36, 48-50		WELD,COVER BRACE,LH HINGE,PNTD...95, 97
		WELD,COVER BRACE,RH HINGE,PNTD..95, 97
		WELDMENT, EXT BOOM, Z34.....143-144
		WELDMENT, LWR COMPRESION ARM.....135
		WELDMENT, TIE ROD,Z-34/68.....35-36
		WELDMENT,COVER SUPPORT RH.....99
		WELDMENT,CVR SUPPORT RH***.....91, 93
		WELDMENT,EXHAUST EXTENSION.....111, 117, 123, 129
		WELDMENT,EXTENSION BOOM.....143-144
		WELDMENT,FLOATING BUMPER.....221, 223
		WELDMENT,LOAD SUPPORT.....211
		WELDMENT,LP TANK MOUNT.....62
		WELDMENT,PLATFORM 56X30.....155
		WELDMENT,PLATFORM SUPPORT.....211
		WELDMENT,PLATFORM SUPPORT***.....149-150, 155, 158
		WELDMENT,ROTATOR SUPPORT.....211
		WELDMENT,SENSOR BRACKET.....221, 223
		WELDMENT,SWING CHASSIS Z34.....62, 93
		WELDMENT,SWING CHASSIS Z34N.....93
		WELDMENT,SWING GATE,ALUMINUM...205, 207
		WHEEL ASSY, INDUSTRIAL, AF....35-36, 48-50
		WHEEL ASSY, INDUSTRIAL, AF NM...35-36, 48-50

W

WHEEL ASSY, INDUSTRIAL, FF....35-36, 48-50
 WHEEL ASSY, INDUSTRIAL, FF NM....35-36, 48-50
 WHEEL DRIVE, NON-BRAKE, 47.6:1.....49-50
 WHEEL DRIVE, 4HB, 48:1***.....49-50
 WHEEL DRIVE, EW1, 48:1"B" MOUNT.....48-50
 WHEEL STUD, 4HP, 5/8-18***.....49-50
 WHEEL STUD, 5/8-18X67MM.....49-50
 WHEEL, 14.5 X 7.....48-50
 WIPER, PRIMARY BOOM.....225
 WIRE ASSEMBLY, 10GA, RED, 19".....53
 WIRE ASSEMBLY, 10GA, RED, 21".....53
 WIRE ASSEMBLY, 10GA, RED, 24.5".....53
 WIRE ASSEMBLY, 10GA, RED, 29.5".....53
 WIRE ASSEMBLY, 10GA, RED, 39".....53
 WIRE ASSY #10 RED F1/F2.....55, 59
 WIRE ASSY #10 RED F2/F1.....55, 59
 WIRE CABLE, 12/3 CON.TPE JKT.....81-82, 161, 165
 WIRE CABLE, 14/3 CON.TPE JKT*.....95, 97, 103, 105, 155, 157-158, 161
 WIRE CABLE, 16/2 SJO, BULK.....165
 WIRE CABLE, 16/2 WHT/BRN.....81-82, 135
 WIRE CABLE, 16/2, WHT/BLK, SJEOW.....135, 153, 155, 157-158
 WIRE CABLE, 16/4 CON.TPE JKT.....61-62, 153, 161
 WIRE CABLE, 16/4 CON.TPE JKT*.....81-82, 139, 141
 WIRE CABLE, 16/6 CON.TPE J.....161
 WIRE CABLE, 18/19 CON.TPRJKT.....81-82, 161, 165
 WIRE CABLE, 18GA/7CON TPR JKT.....165
 WIRE LOOM, 1.88 DIA.....135, 139, 141, 150
 WIRE LOOM, 3/8 POLY SLIT.....153, 155, 157-158
 WIRING DUCT, 1.5 X 1.5.....65-66
 WORD DECAL KIT, Z34BI.....25, 27-28
 WORD DECAL KIT, Z34N/Z34DC.....13
 WORKLIGHT, 48 VOLT.....207, 215

Y

YOKE ASSY, Z34 2WD LEFT.....35-36
 YOKE ASSY, Z34 2WD RIGHT.....35-36
 YOKE ASSY, LH, Z30NRJ.....35-36
 YOKE ASSY, RH, Z30NRJ.....35-36
 YOKE ASSY., Z30N, Z34N, LH SIDE.....35-36
 YOKE ASSY., Z30N, Z34N, RH SIDE.....35-36

Z

ZERK, ALEMITE #1688 (74494).....62
 ZERK, GREASE, 1/8 NPT, 45 DEG***.....61-62
 ZERK, GREASE, 1/8 NPT, 45 DEG...61-62, 107, 109, 189, 191
 ZERK, GREASE, 1/8 NPT, 67.5 DEG**.....61-62

Fitting Cross References

Genie PN	Parker PN	Description	Genie PN	Parker PN	Description
12342	6-4 F5OX-S	CONNECTOR,STRAIGHT THREAD TO FLARE TUBE	42794	1 CR-S	ELBOW,90°,MALE PIPE
13757	4 R6X-S	RUN TEE,SWIVEL NUT,ORFS	42795	BV-0839	BALL VALVE
19685	12-10 C5OX-S	ELBOW,90°,STRAIGHT THREAD TO FLARE TUBE	42796	BV-0838	BALL VALVE
22664	12-10 C5OX	ELBOW,90°,STRAIGHT THREAD TO FLARE TUBE	42874	6-8 CLO-S	ELBOW,90°,MALE PIPE TO ORFS
27431	8-12 F5OX-S	CONNECTOR,STRAIGHT THREAD TO FLARE TUBE	42912	13943-6-4	HOSE END,90° FEMALE SWIVEL,JIC
28678	AS-B-33	SLEEVE,NYLON,1.81" ID	42920	BV-0840	BALL VALVE,90°
39871	6 WETX-WLN-S	UNION,90° BULKHEAD W/NUT,FLARE TUBE	42932	AS-B-17	SLEEVE,NYLON,1.22" ID
39872	4 R5OX-S	RUN TEE,STRAIGHT THREAD	42936	10243-2-4	HOSE END,FEMALE PIPE
39873	6 C5OX-S	ELBOW,90°,STRAIGHT THREAD TO FLARE TUBE	42953	1/2 DD-S	ELBOW,90°,FEMALE PIPE
39874	8-6 C5OX-S	ELBOW,90°,STRAIGHT THREAD TO FLARE TUBE	42956	6 WELO-WLNL-S	UNION,90° BULKHEAD W/NUT,ORFS
39875	4-6 C5OX-S	ELBOW,90°,STRAIGHT THREAD TO FLARE TUBE	45349	8 V5OX-S	ELBOW,45°,STRAIGHT THREAD TO FLARE TUBE
39876	6-8 C5OX-S	ELBOW,90°,STRAIGHT THREAD TO FLARE TUBE	45351	4 V5OX-S	ELBOW,45°,STRAIGHT THREAD TO FLARE TUBE
39877	4 F5OX-S	CONNECTOR,STRAIGHT THREAD TO FLARE TUBE	47223	10343-6-6	HOSE END,MALE,JIC
39878	6 F5OX-S	CONNECTOR,STRAIGHT THREAD TO FLARE TUBE	47419	PS690503-6-6	SWIVEL,90°,STRAIGHT THREAD TO 37° FLARE
39879	4-8 F5OX-S	CONNECTOR,STRAIGHT THREAD TO FLARE TUBE	48750	421-4	HOSE,1/4 INCH ID
39880	6-10 F5OX-S	CONNECTOR,STRAIGHT THREAD TO FLARE TUBE	48751	481TC-4	HOSE,1/4 INCH ID
39881	4-6 F5OX-S	CONNECTOR,STRAIGHT THREAD TO FLARE TUBE	48752	482TC-4	HOSE,1/4 INCH ID
39882	4-HP5ON-S	PLUG,STRAIGHT THREAD	48753	451TC-6	HOSE,3/8 INCH ID
39883	8-8 FTX-S	CONNECTOR,MALE PIPE TO FLARE TUBE	48754	482TC-6	HOSE,3/8 INCH ID
39885	269HB 12-12	ELBOW,90°,BEADED HOSE BARB TO MALE PIPE	48755	381-6	HOSE,3/8 INCH ID
39886	431-6	HOSE,3/8 INCH ID	48756	451TC-8	HOSE,1/2 INCH ID
39887	540N-2	HOSE,1/8 INCH ID	48757	482TC-8	HOSE,1/2 INCH ID
39888	801-8	HOSE,1/2 INCH ID	48758	381-8	HOSE,1/2 INCH ID
39889	801-12	HOSE,3/4 INCH ID	48759	381-10	HOSE,5/8 INCH ID
39890	10643-6-6	HOSE END,FEMALE SWIVEL,JIC	48760	451TC-10	HOSE,5/8 INCH ID
39891	13943-6-6	HOSE END,90° FEMALE SWIVEL,JIC	48761	482TC-12	HOSE,3/4 INCH ID
39892	13743-6-6	HOSE END,45° FEMALE SWIVEL,JIC	48762	451TC-12	HOSE,3/4 INCH ID
39894	30682-8-8	HOSE END,FEMALE SWIVEL,JIC	48763	772-12	HOSE,3/4 INCH ID
39895	30682-10-12	HOSE END,FEMALE SWIVEL,JIC	48764	881-16	HOSE,1 INCH ID
42286	8-8 CTX-S	ELBOW,90°,MALE PIPE TO FLARE TUBE	48765	772-16	HOSE,1 INCH ID
42756	8-12 CLO-S	ELBOW,90,MALE PIPE TO ORFS	48766	AS-B-15	SLEEVE,NYLON,1.06" ID
42757	8-12 FLO-S	CONNECTOR,MALE PIPE TO ORFS	48767	AS-B-22	SLEEVE,NYLON,1.42" ID
42758	4 JLO-S	UNION TEE,ORFS	48770	881-8	HOSE,1/2 INCH ID
42759	4-4 FLO-S	CONNECTOR,MALE PIPE TO ORFS			
42760	6-8 FLO-S	CONNECTOR,MALE PIPE TO ORFS			
42761	1J143-6-4	HOSE END,90° FEMALE SWIVEL,SEAL LOK			
42762	1J743-6-4	HOSE END,45° FEMALE SWIVEL,SEAL LOK			
42768	1JO43-4-4	HOSE END,MALE,SEAL LOK			
42776	801-8	HOSE,1/2 INCH ID			
42777	1J743-16-16	HOSE END,45° FEMALE SWIVEL,SEAL LOK			
42786	16 CLO-S	ELBOW,90°,MALE PIPE TO ORFS			
42787	16 R6LO-S	RUN TEE,SWIVEL NUT,ORFS			
42788	16-8 TRLO-BL-S	REDUCER,TUBE END TO SWIVEL,ORFS			
42789	6-6 CLO-S	ELBOW,90°,MALE PIPE TO ORFS			
42790	8-10 V5OLO-S	ELBOW,45°,STRAIGHT THREAD TO ORFS			
42791	3/4 CD-S	ELBOW,90°,MALE TO FEMALE PIPE			
42792	3/4 X 1/2 PTR-S	REDUCER,MALE TO FEMALE PIPE			
42793	1/2 CR-S	ELBOW,90°,MALE PIPE			

Fitting Cross References (Continued)

Genie PN	Parker PN	Description	Genie PN	Parker PN	Description
48771	881-10	HOSE,5/8 INCH ID	48847	13943-12-12	HOSE END,90° FEMALE SWIVEL,JIC
48772	381-4	HOSE,1/4 INCH ID	48848	10543-12-12	HOSE END,MALE,STRAIGHT THREAD
48773	AS-B-13	SLEEVE,NYLON,.86" ID	48849	1JC71-12-12	HOSE END,FEMALE SWIVEL,SEAL LOK
48800	1JC43-4-4	HOSE END,FEMALE SWIVEL,SEAL LOK	48850	1JS71-12-12	HOSE END,FEMALE SWIVEL,SEAL LOK
48801	1J743-4-4	HOSE END,45° FEMALE SWIVEL,SEAL LOK	48851	1J171-12-12	HOSE END,90° FEMALE SWIVEL,SEAL LOK
48802	1J943-4-4	HOSE END,90° FEMALE SWIVEL,SEAL LOK	48852	1J771-12-12	HOSE END,45° FEMALE SWIVEL,SEAL LOK
48804	1JM43-4-4	HOSE END,MALE,SEAL LOK, NO O-RING	48853	1J971-12-12	HOSE END,90° FEMALE SWIVEL,SEAL LOK
48805	10643-4-4	HOSE END,FEMALE SWIVEL,JIC	48854	1JC43-16-16	HOSE END,FEMALE SWIVEL,SEAL LOK
48806	13943-4-4	HOSE END,90° FEMALE SWIVEL,JIC	48855	1J943-16-16	HOSE END,90° FEMALE SWIVEL,SEAL LOK
48807	1JS43-4-4	HOSE END,FEMALE SWIVEL,SEAL LOK	48856	1J171-16-16	HOSE END,90° FEMALE SWIVEL,SEAL LOK
48808	3JC82-8-8	HOSE END,FEMALE SWIVEL,SEAL LOK	48857	1J971-16-16	HOSE END,90° FEMALE SWIVEL,SEAL LOK
48809	3JC82-12-12	HOSE END,FEMALE SWIVEL,SEAL LOK	48859	1JS43-8-4	HOSE END,FEMALE SWIVEL,SEAL LOK
48810	1JC43-6-4	HOSE END,FEMALE SWIVEL,SEAL LOK	48867	PD36BTL	DIAGNOSTIC NIPPLE,SEAL-LOK SWIVEL
48811	1J943-6-4	HOSE END,90° FEMALE SWIVEL,SEAL LOK	48873	6 PNLO-S	PLUG,TUBE END,ORFS
48812	1JC43-6-6	HOSE END,FEMALE SWIVEL,SEAL LOK	48874	6 PNTX-S	PLUG,FLARE TUBE
48813	1J143-6-6	HOSE END,90° FEMALE SWIVEL,SEAL LOK	48875	6 R6LO-S	RUN TEE,SWIVEL NUT,ORFS
48814	1J543-6-6	HOSE END,90° FEMALE SWIVEL,SEAL LOK	48877	4 F5OLO-SW/.025	CONNECTOR,STRAIGHT THREAD TO ORFS, W/.025 ORI
48815	1J743-6-6	HOSE END,45° FEMALE SWIVEL,SEAL LOK	48878	16-12 C5OLO-S	ELBOW,90°,STRAIGHT THREAD TO ORFS
48816	1J943-6-6	HOSE END,90° FEMALE SWIVEL,SEAL LOK	48879	8 C6LO-S	ELBOW,90°,SWIVEL NUT ORFS
48817	1JS43-6-8	HOSE END,FEMALE SWIVEL,SEAL LOK	48880	PD6-285	CAP,DIAGNOSTIC NIPPLE
48818	1J943-8-4	HOSE END,90° FEMALE SWIVEL,SEAL LOK	48881	6 HLO-S	UNION,ORFS
48819	1JC43-8-6	HOSE END,FEMALE SWIVEL,SEAL LOK	48883	8 P5ON-S	PLUG,STRAIGHT THREAD
48820	1J743-8-6	HOSE END,45° FEMALE SWIVEL,SEAL LOK	48884	8M18F87OMLO-S	CONNECTOR,METRIC,STRAIGHT THREAD TO ORFS
48821	1J943-8-6	HOSE END,90° FEMALE SWIVEL,SEAL LOK	48885	4 WGTX-WLN-S	CONNECTOR,BULKHEAD,FEMALE PIPE TO FLARE TUBE
48822	1JC43-8-8	HOSE END,FEMALE SWIVEL,SEAL LOK	48886	4 F5OLO-SW/2MM	CONNECTOR,MACHINED STRAIGHT THREAD TO ORFS
48823	1JS43-8-8	HOSE END,FEMALE SWIVEL,SEAL LOK	48887	4 CTX-S	ELBOW,90°,MALE PIPE TO FLARE TUBE
48824	1J143-8-8	HOSE END,90° FEMALE SWIVEL,SEAL LOK	48888	10-12 V5OLO-S	ELBOW,45°,STRAIGHT THREAD TO ORFS
48825	1J543-8-8	HOSE END,90° FEMALE SWIVEL,SEAL LOK	48890	4 S5OLO-S	BRANCH TEE,STRAIGHT THREAD TO ORFS
48826	1J743-8-8	HOSE END,45° FEMALE SWIVEL,SEAL LOK	48891	4 S6LO-S	BRANCH TEE,SWIVEL NUT TO ORFS
48827	1J943-8-8	HOSE END,90° FEMALE SWIVEL,SEAL LOK			
48828	1JC43-10-8	HOSE END,FEMALE SWIVEL,SEAL LOK			
48829	1JS43-10-8	HOSE END,FEMALE SWIVEL,SEAL LOK			
48830	1J743-10-8	HOSE END,45° FEMALE SWIVEL,SEAL LOK			
48831	1J943-10-8	HOSE END,90° FEMALE SWIVEL,SEAL LOK			
48833	1JC43-10-10	HOSE END,FEMALE SWIVEL,SEAL LOK			
48834	1J943-10-10	HOSE END,90° FEMALE SWIVEL,SEAL LOK			
48835	1JS43-10-12	HOSE END,FEMALE SWIVEL,SEAL LOK			
48836	1JC43-12-8	HOSE END,FEMALE SWIVEL,SEAL LOK			
48837	1JS43-12-8	HOSE END,FEMALE SWIVEL,SEAL LOK			
48838	1J743-12-8	HOSE END,45° FEMALE SWIVEL,SEAL LOK			
48839	1J943-12-8	HOSE END,90° FEMALE SWIVEL,SEAL LOK			
48840	1J943-12-10	HOSE END,90° FEMALE SWIVEL,SEAL LOK			
48841	1JC43-12-12	HOSE END,FEMALE SWIVEL,SEAL LOK			
48842	1JO43-12-12	HOSE END,MALE,SEAL LOK			
48843	1J143-12-12	HOSE END,90° FEMALE SWIVEL,SEAL LOK			
48844	1J543-12-12	HOSE END,90° FEMALE SWIVEL,SEAL LOK			
48845	1J743-12-12	HOSE END,45° FEMALE SWIVEL,SEAL LOK			
48846	1J943-12-12	HOSE END,90° FEMALE SWIVEL,SEAL LOK			

Fitting Cross References (Continued)

Genie PN	Parker PN	Description	Genie PN	Parker PN	Description
48892	6 C6LO-S	ELBOW,90°,SWIVEL NUT ORFS	48938	8 R6LO-S	RUN TEE,SWIVEL NUT,ORFS
48893	6 F5OHAO-S	UNION,STRAIGHT THREAD	48939	8 S6LO-S	BRANCH TEE,SWIVEL NUT TO ORFS
48894	8 WLO-WLNL-S	UNION,BULKHEAD,ORFS	48940	8 WJLO-WLNL-S	RUN TEE, BULKHEAD,ORFS
48895	DT-370-MSMO-5	VALVE,CHECK	48941	8-4 TRLO-S	REDUCER,TUBE END TO SWIVEL,ORFS
48896	6 JLO-S	UNION,TEE,ORFS	48942	8-6 C5OLO-S	ELBOW,90°,STRAIGHT THREAD TO ORFS
48897	DT-750-MSMS-5	VALVE,CHECK	48943	8-6 F5OLO-S	CONNECTOR,STRAIGHT THREAD TO ORFS
48898	DT-750-MOMS-5	VALVE,CHECK	48944	8-8 FLO-S	CONNECTOR,MALE PIPE TO ORFS
48899	DT-620-MOMS-5	VALVE,CHECK	48945	8 FTX-S	CONNECTOR,MALE PIPE TO FLARE TUBE
48900	4-6 F5OLO-SW/.035	CONNECTOR,STRAIGHT THREAD TO ORFS, W/.035 ORI	48946	8-10 F5OLO-S	CONNECTOR,STRAIGHT THREAD TO ORFS
48902	16-1 AOE4G-S	ELBOW,90° LONG,FEMALE PIPE TO STRAIGHT THREAD	48947	8-12 C5OLO-S	ELBOW,90°,STRAIGHT THREAD TO ORFS
48903	1 FF-S	NIPPLE,PIPE	48948	8-12 F5OLO-S	CONNECTOR,STRAIGHT THREAD TO ORFS
48904	4 C5OLO-S	ELBOW,90°,STRAIGHT THREAD TO ORFS	48949	8-16 F5OLO-S	CONNECTOR,STRAIGHT THREAD TO ORFS
48905	4 F5OLO-S	CONNECTOR,STRAIGHT THREAD TO ORFS	48950	10 C5OLO-S	ELBOW,90°,STRAIGHT THREAD TO ORFS
48906	4 R5OLO-S	RUN TEE,STRAIGHT THREAD	48951	10 CC5OLO-S	ELBOW,90° LONG,STRAIGHT THREAD TO ORFS
48907	4 V5OLO-S	ELBOW,45°,STRAIGHT THREAD TO ORFS	48952	10 F5OLO-S	CONNECTOR,STRAIGHT THREAD TO ORFS
48908	4 R6LO-S	RUN TEE,SWIVEL NUT,ORFS	48953	10 R5OLO-S	RUN TEE,STRAIGHT THREAD
48909	4 WJLO-WLNL-S	RUN TEE, BULKHEAD,ORFS	48954	10 S5OLO-S	BRANCH TEE,STRAIGHT THREAD TO ORFS
48910	4 GTX-S W/.030	CONNECTOR,FEMALE PIPE TO FLARE TUBE	48955	10 R6LO-S	RUN TEE,SWIVEL NUT,ORFS
48911	4-6 C5OLO-S	ELBOW,90°,STRAIGHT THREAD TO ORFS	48956	10-4 TRLO-BL-S	REDUCER,TUBE END TO SWIVEL,ORFS
48912	4-6 F5OLO-S	CONNECTOR,STRAIGHT THREAD TO ORFS	48957	10-6 TRLO-BL-S	REDUCER,TUBE END TO SWIVEL,ORFS
48913	4-6 F5OLO-SW/.030	CONNECTOR,STRAIGHT THREAD TO ORFS, W/.030 ORI	48958	10-12 F5OLO-S	CONNECTOR,STRAIGHT THREAD TO ORFS
48914	4-8 F5OLO-S	CONNECTOR,STRAIGHT THREAD TO ORFS	48959	12 C5OLO-S	ELBOW,90°,STRAIGHT THREAD TO ORFS
48915	6 C5OLO-S	ELBOW,90°,STRAIGHT THREAD TO ORFS	48960	12 F5OLO-S	CONNECTOR,STRAIGHT THREAD TO ORFS
48916	6 F5OLO-S	CONNECTOR,STRAIGHT THREAD TO ORFS	48961	12 R5OLO-S	RUN TEE,STRAIGHT THREAD
48917	6 FF5OLO-S	CONNECTOR,LONG,STRAIGHT THREAD TO ORFS	48962	12 S5OLO-S	BRANCH TEE,STRAIGHT THREAD TO ORFS
48918	6 R5OLO-S	RUN TEE,STRAIGHT THREAD	48963	12 V5OLO-S	ELBOW,45°,STRAIGHT THREAD TO ORFS
48919	6 S5OLO-S	BRANCH TEE,STRAIGHT THREAD TO ORFS	48964	12 R6LO-S	RUN TEE,SWIVEL NUT,ORFS
48920	6 V5OLO-S	ELBOW,45°,STRAIGHT THREAD TO ORFS	48965	12 CLO-S	ELBOW,90°,MALE PIPE TO ORFS
48921	6 FLO-S	CONNECTOR,MALE PIPE TO ORFS	48966	12 FLO-S	CONNECTOR,MALE PIPE TO ORFS
48922	6-6 FLO-S	CONNECTOR,MALE PIPE TO ORFS	48967	12 JLO-S	UNION TEE,ORFS
48923	6 P5ON-S	PLUG,STRAIGHT THREAD	48968	12 WLO-WLNL-S	UNION,BULKHEAD,ORFS
48925	6 WELO-S	UNION,90° BULKHEAD,ORFS	48969	12 WJLO-WLNL-S	RUN TEE, BULKHEAD,ORFS
48926	6-4 C5OLO-S	ELBOW,90°,STRAIGHT THREAD TO ORFS	48970	12 WELO-WLNL-S	UNION,90° BULKHEAD W/NUT,ORFS
48927	6-4 F5OLO-S	CONNECTOR,STRAIGHT THREAD TO ORFS			
48928	6-4 V5OLO-S	ELBOW,45°,STRAIGHT THREAD TO ORFS			
48929	6-8 C5OLO-S	ELBOW,90°,STRAIGHT THREAD TO ORFS			
48930	6-8 F5OLO-S	CONNECTOR,STRAIGHT THREAD TO ORFS			
48931	6-10 F5OLO-S	CONNECTOR,STRAIGHT THREAD TO ORFS			
48932	8 C5OLO-S	ELBOW,90°,STRAIGHT THREAD TO ORFS			
48933	8 F5OLO-S	CONNECTOR,STRAIGHT THREAD TO ORFS			
48934	8 FF5OLO-S	CONNECTOR,LONG,STRAIGHT THREAD TO ORFS			
48935	8 R5OLO-S	RUN TEE,STRAIGHT THREAD			
48936	8 S5OLO-S	BRANCH TEE,STRAIGHT THREAD TO ORFS			
48937	8 V5OLO-S	ELBOW,45°,STRAIGHT THREAD TO ORFS			

Fitting Cross References (Continued)

Genie PN	Parker PN	Description	Genie PN	Parker PN	Description
48971	12 G5G5JG5-S	TEE,FEMALE STRAIGHT THREAD	49612	PKT02586	O-RING KIT (ORFS FITTINGS)
48972	12 XHL6-S	ADAPTER, 37° MALE TO SWIVEL ORFS	49613	PKT06276	PLUG AND CAP KIT-SERVICE,ORFS
48973	12-1/2 F5OG-S	ADAPTER,FEMALE PIPE TO STRAIGHT THREAD	49728	10143-12-12	HOSE END, MALE PIPE
48974	12-10 C5OLO-S	ELBOW,90°,STRAIGHT THREAD TO ORFS	49729	16-1 F5OG-S	ADAPTER,FEMALE PIPE TO STRAIGHT THREAD
48975	12-10 F5OLO-S	CONNECTOR,STRAIGHT THREAD TO ORFS	49814	12-8 FLO-S	CONNECTOR,MALE PIPE TO ORFS
48976	12-16 C5OLO-S	ELBOW,90°,STRAIGHT THREAD TO ORFS	49829	DT-500-MOMF-5	VALVE,CHECK
48977	12-16 F5OLO-S	CONNECTOR,STRAIGHT THREAD TO ORFS	49831	881-12	HOSE,3/4 INCH ID
48978	12-16 V5OLO-S	ELBOW,45°,STRAIGHT THREAD TO ORFS	49834	16 JLO-S	UNION TEE,ORFS
48980	12-16 FLO-S	CONNECTOR,MALE PIPE TO ORFS	49838	12-8 TRLO-BL-S	REDUCER,TUBE END TO SWIVEL,ORFS
48983	16 C5OLO-S	ELBOW,90°,STRAIGHT THREAD TO ORFS	49840	8 JLO-S	UNION TEE,ORFS
48984	16 F5OLO-S	CONNECTOR,STRAIGHT THREAD TO ORFS	49844	10-8 TRLO-BL-S	REDUCER,TUBE END TO SWIVEL,ORFS
48985	16 V5OLO-S	ELBOW,45°,STRAIGHT THREAD TO ORFS	49854	8 P5ON-S	PLUG,STRAIGHT THREAD
48986	16 FLO-S	CONNECTOR,MALE PIPE TO ORFS	49855	1JC43-16-12	HOSE END,FEMALE SWIVEL,SEAL LOK
48988	16 CD45-S	ELBOW,45°,MALE TO FEMALE PIPE	49859	4 P5ON-S	PLUG,STRAIGHT THREAD
48989	12 CD45-S	ELBOW,45°,MALE TO FEMALE PIPE	49861	4 FF5OLO-S	CONNECTOR, LONG, STRAIGHT THREAD TO ORFS
48990	8 CD45-S	ELBOW,45°,MALE TO FEMALE PIPE	49867	12-3/4 F5OG-S	ADAPTER,FEMALE PIPE TO STRAIGHT THREAD
48991	16-12 FLO-S	CONNECTOR,MALE PIPE TO ORFS	51152	6 R6X-S	RUN TEE,SWIVEL NUT,ORFS
48992	16-12 V5OLO-S	ELBOW,45°,STRAIGHT THREAD TO ORFS	51153	6-4 TRTX-S	REDUCER,TUBE END TO SWIVEL,ORFS
48993	XV501-12	BALL VALVE	51154	4-4 GTX	CONNECTOR,FEMALE PIPE TO FLARE TUBE
48994	XV501-16	BALL VALVE	51264	881-12	HOSE,3/4 INCH ID
48995	XV510P-12	BALL VALVE	51265	8 JLO-S	UNION TEE,ORFS
48996	XV510P-16	BALL VALVE	51508	6 BTX-S	NUT,FLARE TUBE
48997	PD341	DIAGNOSTIC NIPPLE, STRAIGHT THREAD	51580	12-8 TRLO-BL-S	TUBE END REDUCER,ORFS
48998	PD 361	DIAGNOSTIC NIPPLE, STRAIGHT THREAD	51628	6 R6X-S	RUN TEE,SWIVEL NUT,ORFS
48999	DT-500-MOMS-5	VALVE,CHECK	51735	3/8 HHP	PLUG,PIPE THREAD
49201	10 V5OLO-S	ELBOW,45°,STRAIGHT THREAD TO ORFS	51803	1J943-6-8	HOSE END,90° FEMALE SWIVEL,SEAL LOK
49202	1JC43-12-10	HOSE END,FEMALE SWIVEL,SEAL LOK	53023	125HBL-5-4	FITTING,HOSE BARB TO MALE PIPE
49203	10-8 V5OLO-S	ELBOW,45°,STRAIGHT THREAD TO ORFS	53497	PKT02585	O-RING KIT
49205	6 F5OHAO-S	UNION,STRAIGHT THREAD	53499	1JC71-16-16	HOSE END,FEMALE SWIVEL,SEAL LOK
49207	PD34BTL	DIAGNOSTIC NIPPLE,SEAL-LOK SWIVEL	53500	3-904	O-RING,STRAIGHT THREAD,-4
49209	8M18F870MX-S	CONNECTOR,METRIC,STRAIGHT THREAD TO FLARE TUBE	53501	3-906	O-RING,STRAIGHT THREAD,-6
49212	8 WGTX-WLN-S	CONNECTOR,BULKHEAD,FEMALE PIPE TO FLARE TUBE	53502	3-908	O-RING,STRAIGHT THREAD,-8
49213	30682-8-8	HOSE END,FEMALE SWIVEL,JIC	53503	3-910	O-RING,STRAIGHT THREAD,-10
49216	831-8	HOSE,1/2 INCH ID			
49217	33982-8-8	HOSE END,90° FEMALE SWIVEL,JIC			
49219	PS-B-35	SLEEVE,NYLON,2.19" ID			
49418	4-6 V5OLO-S	ELBOW,45°,STRAIGHT THREAD TO ORFS			
49511	DT370-MOMS-5	VALVE,CHECK			
49512	1 DD-S	ELBOW,90°,FEMALE PIPE			
49513	1 FF-S	NIPPLE,PIPE			
49514	10 HP5ON-S	PLUG,STRAIGHT THREAD			
49515	12-16 CLO-S	ELBOW,90°,MALE PIPE TO ORFS			
49517	6 HP5ON-S	PLUG,STRAIGHT THREAD			
49519	16-12 F5OLO-S	CONNECTOR,STRAIGHT THREAD TO ORFS			
49520	4 VTX-S	ELBOW,45°,MALE PIPE TO FLARE TUBE			
49530	16 C6LO-S	ELBOW,90°,SWIVEL NUT ORFS			

Fitting Cross References (Continued)

Genie PN	Parker PN	Description	Genie PN	Parker PN	Description
53535	3-912	O-RING,STRAIGHT THREAD,-12	61083	24 F5OLO-S	CONNECTOR,STRAIGHT THREAD TO ORFS
53536	4-PNLO-S	PLUG,TUBE END,ORFS	61086	20 R5OLO-S	RUN TEE,STRAIGHT THREAD
53537	6 PNLO-S	PLUG,TUBE END,ORFS	61090	24-20 F5OLO-S	CONNECTOR,STRAIGHT THREAD TO ORFS
53538	8 PNLO-S	PLUG,TUBE END,ORFS	61091	1J943 24-24	HOSE END,90° FEMALE SWIVEL,SEAL LOK
53539	10 PNLO-S	PLUG,TUBE END,ORFS	61093	1J978-12-12	HOSE END,90° FEMALE SWIVEL,JIC
53540	12 PNLO-S	PLUG,TUBE END,ORFS	61095	1JS43-20-16	HOSE END,FEMALE SWIVEL,SEAL LOK
53946	129HB-5-4	FITTING,90° HOSE BARB TO MALE PIPE	61100	811-24	HOSE,11/2 INCH ID
53951	8-1/4F50G-S	ADAPTER,FEMALE PIPE TO STRAIGHT THREAD	61130	1JS43-24-24	HOSE END,FEMALE SWIVEL,SEAL LOK
53980	6 S6LO-S	BRANCH TEE,SWIVEL NUT TO ORFS	61131	1JS78 12-12	HOSE END,FEMALE SWIVEL,SEAL LOK
54132	4 C6LO-S	ELBOW,90°,SWIVEL NUT ORFS	61132	1J778-12-12	HOSE END,45° FEMALE SWIVEL,JIC
54135	11343-16-16	HOSE END,MALE SWIVEL,PIPE	61152	139HB-6-4	ELBOW,45°,BARB TO MALE PIPE
54283	8-10 C5OLO-S	ELBOW,90°,STRAIGHT THREAD TO ORFS	61251	BV-0750	BALL VALVE
54428	8M18C870MLO-S	ELBOW, 90° METRIC, STRAIGHT THREAD TO ORFS	61259	4 CC5OLO-S	ELBOW,90° LONG,STRAIGHT THREAD TO ORFS
54803	FS-F-16-10	SLEEVE,FIRE,.96" ID	61260	20-12 TRLO-BL	REDUCER,TUBE END TO SWIVEL,ORFS
54954	10143-2-4	HOSE END, MALE PIPE	61262	12 C6LO-S	ELBOW,90°,SWIVEL NUT ORFS
55190	3/8 HP-S	PLUG,PIPE THREAD	61263	20 F5OHAO-S	UNION,STRAIGHT THREAD
55448	8 HLO-S	UNION,ORFS	61264	6-10 C5OLO-S	ELBOW,90°,STRAIGHT THREAD TO ORFS
55839	6 F65OX-S	CONNECTOR,STRAIGHT THREAD TO 37° SWIVEL	61265	6 WNLO-WLNL-S	UNION,BULKHEAD 45°,ORFS
55968	10 C5OX-S	ELBOW,90°,STRAIGHT THREAD TO FLARE TUBE	61268	4 WNLO-WLNL-S	UNION,BULKHEAD 45°,ORFS
56003	6 CC5OLO-S	ELBOW,90° LONG,STRAIGHT THREAD TO ORFS	61269	4 WLO-WLNL-S	UNION,BULKHEAD,ORFS
56166	BV-0837	BALL VALVE,90°	61272	12 AOEL6	ELBOW,90°,STRAIGHT THREAD TO ORFS SWIVEL
56188	10143-8-6	HOSE END, MALE PIPE	61316	482TC-16	HOSE,1 INCH ID
56233	2-011	O-RING,ORFS,-4	61321	6 JLO-S	UNION TEE,ORFS
56234	2-012	O-RING,ORFS,-6	61327	782-12	HOSE,3/4 INCH ID
56235	2-014	O-RING,ORFS,-8	61328	881-24	HOSE,11/2 INCH ID
56236	2-016	O-RING,ORFS,-10	61336	11943-20-24	HOSE END,90° FLANGE HEAD
56237	2-018	O-RING,ORFS,-12	61345	12 WJLO-WLNL-S	RUN TEE, BULKHEAD,ORFS
56238	2-021	O-RING,ORFS,-16	61346	8 WNLO-WLNL-S 4	UNION,BULKHEAD 45°,ORFS
56352	6 WLNL-S	LOCKNUT,BULKHEAD	61569	33782-8-8	HOSE END,45° FEMALE SWIVEL,JIC
56353	3J782-12-12	HOSE END,45° FEMALE SWIVEL,SEAL LOK	61610	12 FF5OLO-S	CONNECTOR,LONG,STRAIGHT THREAD TO ORFS
56354	3J982-12-12	HOSE END,90° FEMALE SWIVEL,SEAL LOK	61742	1/8 X 1.5 FFF	NIPPLE,PIPE
56604	10-8 F5OLO-S	CONNECTOR,STRAIGHT THREAD TO ORFS	63426	8 PNTX-S	PLUG,FLARE TUBE
56639	3JC82-10-10	HOSE END,FEMALE SWIVEL,SEAL LOK			
56640	3J982-10-10	HOSE END,90° FEMALE SWIVEL,SEAL LOK			
56655	3JC82-8-10	HOSE END,FEMALE SWIVEL,SEAL LOK			
56676	10-8 C5OLO-S	ELBOW,90°,STRAIGHT THREAD TO ORFS			
56776	471TC-6	HOSE,3/8 INCH ID			
56777	471TC-8	HOSE,1/2 INCH ID			
56789	811-16	HOSE,1 INCH ID			
57884	3/8 FF	NIPPLE,PIPE			
59335	6 FNL-S	CAP,TUBE END			
59342	4 FNL-S	CAP,TUBE END			
59371	8 HP5ON-S	PLUG,STRAIGHT THREAD			
60653	BV-0751	BALL VALVE			
60806	125HB-3-4	FITTING,HOSE BARB TO MALE PIPE			
61064	5-1/4 F50G-S	ADAPTER,FEMALE PIPE TO STRAIGHT THREAD			
61079	4 WELO-WLNL-S	UNION,90° BULKHEAD W/NUT,ORFS			
61080	6 WLO-WLNL-S	UNION,BULKHEAD,ORFS			

Fitting Cross References (Continued)

Genie PN	Parker PN	Description	Genie PN	Parker PN	Description
64271	4 WLO-WLNL-S	UNION,BULKHEAD,ORFS	75631	801-6	HOSE,3/8 INCH ID
64272	6 WLO-WLNL-S	UNION,BULKHEAD,ORFS	75654	20 F5OLO-S	CONNECTOR,STRAIGHT THREAD TO ORFS
65776	8 F65OL-S	CONNECTOR,STRAIGHT THREAD TO ORFS SWIVEL	75655	1J943-20-20	HOSE END,90° FEMALE SWIVEL,SEAL LOK
65880	6001012	O-RING KIT	75656	881-20	HOSE,1-1/4 INCH ID
66154	6 WTX-WLNS	UNION,BULKHEAD,FLARE TUBE	75971	8 F5OHAO-S	UNION,STRAIGHT THREAD
66155	6 WETX-S	UNION,BULKHEAD 90°,FLARE TUBE	77307	1JB43-8-8	HOSE END,BULKHEAD,SEAL LOK
66156	6 WLN-S	BULKHEAD LOCKNUT	77309	8 WLNL-S	BULKHEAD LOCKNUT
66389	6-8 F5OX-S	CONNECTOR,STRAIGHT THREAD TO FLARE TUBE	77379	8M18C87OMX-S	ELBOW,90° METRIC,STRAIGHT THREAD TO FLARE TUBE
66392	6 R5OX-S	RUN TEE,STRAIGHT THREAD	77703	3J982-8-8	HOSE END,90° FEMALE SWIVEL,SEAL LOK
66396	811-12	HOSE,3/4 INCH ID	77711	801-10	HOSE,5/8 INCH ID
66829	H3174PP	CLAMP,TUBE	77758	12 WNLO-WLNL-S	UNION,BULKHEAD 45°,ORFS
67217	4 KLO-S	UNION,CROSS,ORFS	78091	6 C6X-S	ELBOW,90°,SWIVEL NUT TO FLARE TUBE
67339	10-6 F5OX-S	CONNECTOR,STRAIGHT THREAD TO FLARE TUBE	78684	30582-8-8B	HOSE END,PUSH LOK,MALE
67357	13943-8-6	HOSE END,90° FEMALE SWIVEL,JIC	78852	549-2	HOSE,1/8 INCH ID
67358	10 HP5ON-S	PLUG,STRAIGHT THREAD	78855	10657-4-2	HOSE END,FEMALE SWIVEL,JIC
67371	12 S6LO-S	BRANCH TEE,SWIVEL NUT TO ORFS	79138	PS-B-37	SLEEVE,NYLON,2.38" ID
67498	4 FNL-S	CAP, TUBE END	79476	1JS43-6-8	HOSE END,FEMALE SWIVEL,SEAL LOK
67906	DC-370-F0F0-5	VALVE,CHECK	79847	12-3/4 A0EG-S	ELBOW,90°,STRAIGHT THREAD TO FEMALE PIPE
69316	8 FLO-S	CONNECTOR,MALE PIPE TO ORFS	80044	8 CLO-S	ELBOW,90°,MALE PIPE TO ORFS
69333	H3174PP	CLAMP,HYDRAULIC HOSE	80502	8 F5OX-S	CONNECTOR,STRAIGHT THREAD TO FLARE TUBE
69503	4 F65OX-S	CONNECTOR,STRAIGHT THREAD TO 37° SWIVEL	80503	8 C5OX-S	ELBOW,90°,STRAIGHT THREAD TO FLARE TUBE
69775	8 FNL-S	CAP, TUBE END	81010	AS-B-27	SLEEVE,NYLON,1.63" ID
71038	1/4X1/4F3HG-S	ADAPTER,CONVERSION	83052	821-6	HOSE,3/8 INCH ID
71196	12-8 F5OLO-S	CONNECTOR,STRAIGHT THREAD TO ORFS	83053	821-8	HOSE,1/2 INCH ID
71383	1/4 CD45-S	ELBOW,45°,MALE TO FEMALE PIPE	83054	821-12	HOSE,3/4 INCH ID
72270	12FNL-S	CAP, TUBE END	83055	30682-6-6	HOSE END,FEMALE SWIVEL,JIC
73436	60C-4	SLEEVE,COMPRESSION	83056	30682-12-12	HOSE END,FEMALE SWIVEL,JIC
73437	61C-4	NUT,COMPRESSION	83057	33782-6-6	HOSE END,45° FEMALE SWIVEL,JIC
73438	33482-4-4B	HOSE END,PUSH LOK,MALE	83058	33982-6-6	HOSE END,90° FEMALE SWIVEL,JIC
73767	1CD-S	ELBOW,90°,MALE TO FEMALE PIPE	83060	33982-12-12	HOSE END,90° FEMALE SWIVEL,JIC
73768	20-16-F5OG5-S	ADAPTER,FEMALE PIPE TO STRAIGHT THREAD	83063	13743-4-4	HOSE END,45° FEMALE SWIVEL,JIC
73769	16-20 F5OLO-S	CONNECTOR,STRAIGHT THREAD TO ORFS			
74660	6-8 F42EDMLO-S	CONNECTOR,MALE BSPP TO ORFS			
74661	8-8 F42EDMLO-S	CONNECTOR,MALE BSPP TO ORFS			
75007	4 FLO-S	CONNECTOR,MALE PIPE TO ORFS			
75008	1/8 HP-S	PLUG,PIPE THREAD			
75014	1/2 HP-S	PLUG,PIPE THREAD			
75042	8 WELO-WLNL-S	UNION,90° BULKHEAD W/NUT,ORFS			
75043	3/4 FF-S	NIPPLE,PIPE			
75254	24 F5OHAO-S	UNION,STRAIGHT THREAD			
75255	12 F5OHAO-S	UNION,STRAIGHT THREAD			
75256	XV506P-24	BALL VALVE			
75574	4 WLNL-S	BULKHEAD LOCKNUT			
75612	8 WJLO-WLNL-S	RUN TEE, BULKHEAD,ORFS			
75613	12-8 F5OG5-S	ADAPTER,FEMALE PIPE TO STRAIGHT THREAD			
75614	8 CC5OLO-S	ELBOW,90° LONG,STRAIGHT THREAD TO ORFS			
75628	1JB43-4-4	HOSE END,BULKHEAD,SEAL LOK			

Fitting Cross References (Continued)

Genie PN	Parker PN	Description	Genie PN	Parker PN	Description
83064	13743-8-8	HOSE END,45° FEMALE SWIVEL,JIC	89449	6 WJLO-WLNL-S	RUN TEE, BULKHEAD,ORFS
83065	13743-12-12	HOSE END,45° FEMALE SWIVEL,JIC	89489	4 WJMLO-S	BRANCH TEE,BULKHEAD,ORFS
83066	13943-8-8	HOSE END,90° FEMALE SWIVEL,JIC	89551	1JB43-6-6	HOSE END,BULKHEAD,SEAL LOK
83067	14143-6-6	HOSE END,90° FEMALE SWIVEL,JIC	89552	1JB43-8-8	HOSE END,BULKHEAD,SEAL LOK
83068	14143-8-8	HOSE END,90° FEMALE SWIVEL,JIC	89593	20 C5OLO-S	ELBOW,90°,STRAIGHT THREAD TO ORFS
83069	14143-12-12	HOSE END,90° FEMALE SWIVEL,JIC	94161	8-8 CLO-S	ELBOW,90°,MALE PIPE TO ORFS
83070	772-8	HOSE,1/2 INCH ID	94358	351TC-12	HOSE,3/4 INCH ID
83071	10671-8-8	HOSE END,FEMALE SWIVEL,JIC	94418	20 FLO-S	CONNECTOR,MALE PIPE TO ORFS
83072	10671-12-12	HOSE END,FEMALE SWIVEL,JIC	96358	12 TX-S	SLEEVE,FLARE TUBE
83073	13771-8-8	HOSE END,45° FEMALE SWIVEL,JIC	96359	12 BTX-S	NUT,FLARE TUBE
83074	13771-12-12	HOSE END,45° FEMALE SWIVEL,JIC	96397	8 F5OX-S	CONNECTOR,STRAIGHT THREAD TO FLARE TUBE
83075	13971-8-8	HOSE END,90° FEMALE SWIVEL,JIC	96398	12-8 F5OX-S	CONNECTOR,STRAIGHT THREAD TO FLARE TUBE
83076	13971-12-12	HOSE END,90° FEMALE SWIVEL,JIC	96402	10343-6-6	HOSE END,MALE,JIC
83077	14171-8-8	HOSE END,90° FEMALE SWIVEL,JIC	96407	30382-6-6B	HOSE END,MALE,JIC
83078	14171-12-12	HOSE END,90° FEMALE SWIVEL,JIC			
83080	13943-16-16	HOSE END,90° FEMALE SWIVEL,JIC			
83103	10671-16-12	HOSE END,FEMALE SWIVEL,JIC			
83104	10671-10-12	HOSE END,FEMALE SWIVEL,JIC			
83112	1JC71-8-8	HOSE END,FEMALE SWIVEL,SEAL LOK			
83113	1JS71-16-12	HOSE END,FEMALE SWIVEL,SEAL LOK			
83114	1JS71-10-12	HOSE END,FEMALE SWIVEL,SEAL LOK			
83115	1J971-8-8	HOSE END,90° FEMALE SWIVEL,SEAL LOK			
83116	1J171-8-8	HOSE END,90° FEMALE SWIVEL,SEAL LOK			
83117	1J771-8-8	HOSE END,45° FEMALE SWIVEL,SEAL LOK			
83127	1J543-6-8	HOSE END,90° FEMALE SWIVEL,JIC			
83128	1JC43-6-8	HOSE END,FEMALE SWIVEL,SEAL LOK			
87033	12-6 TRLO-S	REDUCER,TUBE END TO SWIVEL,ORFS			
87034	3J782-8-8	HOSE END,45° FEMALE SWIVEL,SEAL LOK			
87172	12 HP5ON-S	PLUG,STRAIGHT THREAD			
87185	8 WNLO-WLNL-S	UNION,BULKHEAD 45°,ORFS			
87246	4 C6X-S	ELBOW,90°,SWIVEL NUT TO FLARE TUBE			
87679	6 LHP-S	FLANGE SEAL FITTING, MALE			
87681	6PLS N0702	BONDED SEAL			
88100	SR88100	ADAPTER,OIL DRAIN,GM 3.0L			
88311	1JS43-20-20	HOSE END,FEMALE SWIVEL,SEAL LOK			
88353	20 V5OLO-S	ELBOW,45°,STRAIGHT THREAD TO ORFS			
88474	10081-20	Crimp Shell, 1.25"			
88475	1988-20-24	HOSE END,90° FLANGE HEAD			
88476	JS88-24-24	HOSE END,FEMALE SWIVEL,SEAL LOK			
88477	1JC88-20-20	HOSE END,FEMALE SWIVEL,SEAL LOK			
88478	811-20	HOSE,11/4 INCH ID			
88936	20-16 F5OLO-S	CONNECTOR,STRAIGHT THREAD TO ORFS			
88937	20-16 FLO-S	CONNECTOR,MALE PIPE TO ORFS			
88938	1JC88-16-16	HOSE END,FEMALE SWIVEL,SEAL LOK			
88939	1J988-16-16	HOSE END,90° FEMALE SWIVEL,ORFS			
88940	811-16	HOSE,1 INCH ID			
88944	1J988-20-20	HOSE END,90° FEMALE SWIVEL,ORFS			
89403	16 VLO-S	ELBOW,45°,MALE PIPE TO ORFS			

California Proposition 65



Operating, servicing and maintaining this equipment can expose you to chemicals including engine exhaust, carbon monoxide, phthalates, and lead, which are known to the State of California to cause cancer and birth defects or other reproductive harm. These chemicals can be emitted from or contained in other various parts and systems, fluids and some component wear by-products. To minimize exposure, avoid breathing exhaust, do not idle the engine except as necessary, service your equipment and vehicle in a well-ventilated area and wear gloves or wash your hands frequently when servicing your equipment or vehicle and after operation. For more information go to www.P65Warnings.ca.gov/passenger-vehicle.

Breathing diesel engine exhaust exposes you to chemicals known to the State of California to cause cancer and birth defects or other reproductive harm.

- Always start and operate the engine in a well-ventilated area.
- If in an enclosed area, vent the exhaust to the outside.
- Do not modify or tamper with the exhaust system.
- Do not idle the engine except as necessary.

For more information go to

www.P65warnings.ca.gov/diesel.

Distributed By:

to order your parts

PARTS FINDER

**Search Website
by Part Number**



**Search Manual
Library For Parts
Manual & Lookup Part
Numbers – Purchase
or Request Quote**

Search Manuals

Enter your information to help us find the right parts manual for your machine.

* Brand:

* Model:

* Serial:

* Part Number:

SEARCH

**Can't Find Part or
Manual? Request Help
by Manufacturer,
Model & Description**

Parts Order Form

Please fill in the following information to help us find the right part for your machine.

Manufacturer:	<input type="text"/>
Model:	<input type="text"/>
Description:	<input type="text"/>
Part Number:	<input type="text"/>
Quantity:	<input type="text"/>
Notes:	<input type="text"/>

Submit

Discount-Equipment.com is your online resource for quality parts & equipment.

Florida: **561-964-4949** Outside Florida TOLL FREE: **877-690-3101**

Need parts?

Click on this link: <http://www.discount-equipment.com/category/5443-parts/> and choose one of the options to help get the right parts and equipment you are looking for. Please have the machine model and serial number available in order to help us get you the correct parts. If you don't find the part on the website or on one of the online manuals, please fill out the request form and one of our experienced staff members will get back to you with a quote for the right part that your machine needs.

We sell worldwide for the brands: Genie, Terex, JLG, MultiQuip, Mikasa, Essick, Whiteman, Mayco, Toro Stone, Diamond Products, Generac Magnum, Airman, Haulotte, Barreto, Power Blanket, Nifty Lift, Atlas Copco, Chicago Pneumatic, Allmand, Miller Curber, Skyjack, Lull, Skytrak, Tsurumi, Husquvarna Target, Stow, Wacker, Sakai, Mi-T-M, Sullair, Basic, Dynapac, MBW, Weber, Bartell, Bennar Newman, Haulotte, Ditch Runner, Menegotti, Morrison, Contec, Buddy, Crown, Edco, Wyco, Bomag, Laymor, EZ Trench, Bil-Jax, F.S. Curtis, Gehl Pavers, Heli, Honda, ICS/PowerGrit, IHI, Partner, Imer, Clipper, MMD, Koshin, Rice, CH&E, General Equipment, Amida, Coleman, NAC, Gradall, Square Shooter, Kent, Stanley, Tamco, Toku, Hatz, Kohler, Robin, Wisconsin, Northrock, Oztec, Toker TK, Rol-Air, APT, Wylie, Ingersoll Rand / Doosan, Innovatech, Con X, Ammann, Mecalac, Makinex, Smith Surface Prep, Small Line, Wanco, Yanmar