



A TEREX BRAND



Parts Manual

Serial Number Range

Z-34/22 IC

from SN Z3413-9607 to
Z3415-10688

from Z3416F-10689 to
Z3416F-11999

Part No. 1269510

Rev B5

November 2018

Go to Discount-Equipment.com to order your parts

PARTS FINDER

**Search Website
by Part Number**



**Search Manual
Library For Parts
Manual & Lookup Part
Numbers – Purchase
or Request Quote**

Search Manuals

Enter your information to help us find the right parts manual for your machine.

* Brand:

* Model:

* Serial:

* Part Number:

SEARCH

**Can't Find Part or
Manual? Request Help
by Manufacturer,
Model & Description**

Parts Order Form

Please fill in the following information to help us find the right part for your machine.

MANUFACTURER:

MODEL:

DESCRIPTION:

SEARCH

Discount-Equipment.com is your online resource for quality parts & equipment.

Florida: **561-964-4949** Outside Florida TOLL FREE: **877-690-3101**

Need parts?

Click on this link: <http://www.discount-equipment.com/category/5443-parts/> and choose one of the options to help get the right parts and equipment you are looking for. Please have the machine model and serial number available in order to help us get you the correct parts. If you don't find the part on the website or on one of the online manuals, please fill out the request form and one of our experienced staff members will get back to you with a quote for the right part that your machine needs.

We sell worldwide for the brands: Genie, Terex, JLG, MultiQuip, Mikasa, Essick, Whiteman, Mayco, Toro Stone, Diamond Products, Generac Magnum, Airman, Haulotte, Barreto, Power Blanket, Nifty Lift, Atlas Copco, Chicago Pneumatic, Allmand, Miller Curber, Skyjack, Lull, Skytrak, Tsurumi, Husquvarna Target, Stow, Wacker, Sakai, Mi-T-M, Sullair, Basic, Dynapac, MBW, Weber, Bartell, Bennar Newman, Haulotte, Ditch Runner, Menegotti, Morrison, Contec, Buddy, Crown, Edco, Wyco, Bomag, Laymor, EZ Trench, Bil-Jax, F.S. Curtis, Gehl Pavers, Heli, Honda, ICS/PowerGrit, IHI, Partner, Imer, Clipper, MMD, Koshin, Rice, CH&E, General Equipment, Amida, Coleman, NAC, Gradall, Square Shooter, Kent, Stanley, Tamco, Toku, Hatz, Kohler, Robin, Wisconsin, Northrock, Oztec, Toker TK, Rol-Air, APT, Wylie, Ingersoll Rand / Doosan, Innovatech, Con X, Ammann, Mecalac, Makinex, Smith Surface Prep, Small Line, Wanco, Yanmar

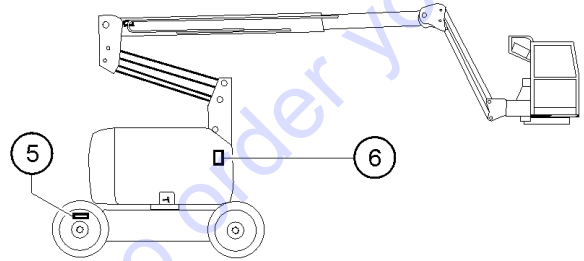
To August 31, 2016

Genie
A TEREX BRAND

Model:
Serial number: Z34N16F-12345
Manufacture date: 1/2/16 **Model year:** 2016
Electrical schematic number:
Machine unladen weight:
Rated work load (including occupants):
Maximum number of platform occupants:
Maximum allowable side force:
Maximum allowable inclination of the chassis:

Z34 16 F - 12345

1 2 3 4



- 1 Model
- 2 Model year
- 3 Facility code

- 4 Sequence number
- 5 Serial number (stamped on chassis)
- 6 Serial label (located under cover)

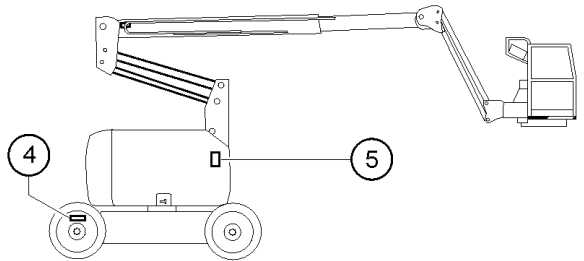
From September 1, 2016

Genie
A TEREX BRAND

Model:
Serial number: Z34F-12345
Year of manufacture: 2016
Electrical schematic number:
Machine unladen weight:
Rated work load (including occupants):
Maximum number of platform occupants:
Maximum allowable side force:
Maximum allowable inclination of the chassis:

Z34 F - 12345

1 2 3



- 1 Model
- 2 Facility code
- 3 Sequence number

- 4 Serial number (stamped on chassis)
- 5 Serial label (located under cover)

Table of Contents

This manual is updated frequently. For the most up-to-date parts information, visit www.discount-equipment.com

How to Read Your Serial Number.....	3
Parts Stocking List.....	7

Electronic Version

Click on any page number to view the figure.

001 Parts Stocking List

001.1 Parts Stocking List.....	10
--------------------------------	----

100 Decals

101.1 Word Decals, ANSI & AUS, Chassis.....	12
102.1 Word Decals, ANSI & AUS, Turntable.....	14
103.1 Word Decals, ANSI & AUS, Boom.....	16
104.1 Word Decals, ANSI & AUS, Platform.....	18
105.1 Symbol Decals, ANSI & CE, Chassis.....	20
106.1 Symbol Decals, ANSI & CE, Turntable.....	22
107.1 Symbol Decals, ANSI & CE, Boom.....	24
108.1 Symbol Decals, ANSI & CE, Platform.....	26

200 Drive Chassis Components

201.1 Steer End (2WD).....	28
202.1 Steer End (4WD).....	30
203.1 Non-Steer End (2WD).....	32
204.1 Non-Steer End (4WD).....	36

300 Turntable Components

301.1 Turntable Rotator.....	38
302.1 Ground Control Side, View 1 (to SN Z3416F-10966).	40
302.2 Ground Control Side, View 1 (from SN Z3416F-10967).....	42
303.1 Ground Control Side, View 2 (to SN Z3416F-10966).	44
303.2 Ground Control Side, View 2 (from SN Z3416F-10967).....	46
304.1 Ground Control Box, External View.....	48
305.1 Ground Control Box, Internal View.....	50
306.1 Turntable Covers (to SN Z3416F-10966).....	52
306.2 Turntable Covers (from SN Z3416F-10967).....	54

307.1 Wire Harness Diagram.....	56
---------------------------------	----

400 Engine Components

401.1 Kubota WG972 (gas), View 1.....	58
402.1 Kubota WG972 (gas), View 2.....	60
403.1 Kubota WG972 (gas), View 3.....	62
404.1 Kubota WG972 (gas), View 4.....	64
405.1 Kubota D-1105 (diesel), View 1.....	66
406.1 Kubota D-1105 (diesel), View 2.....	68
407.1 Kubota D-1105 (diesel), View 3.....	70
408.1 Kubota D-1105 (diesel), View 4.....	72
409.1 Kubota D-1105 (diesel), View 5.....	74
415.1 GM .998L, View 1.....	76
416.1 GM .998L, View 2.....	78
417.1 GM .998L, View 3.....	80
418.1 GM .998L, View 4.....	82

500 Boom Components

500.1 Boom Layout.....	84
501.1 Secondary Boom, View 1.....	86
502.1 Secondary Boom, View 2.....	88
503.1 Upper Pivot.....	90
504.1 Primary and Extension Booms.....	92
505.1 Cable Track.....	94
506.1 Jib Boom and Platform Rotator.....	96

600 Platform Components

601.1 Platform.....	98
602.1 Platform Control Box, External View.....	102
603.1 Platform Control Box, Internal View.....	104
604.1 Joystick Controller, Drive/Steer Functions.....	106
605.1 Rotation Controller, Boom Function Speed.....	108

700 Hydraulic Components

701.1 Traction and Brake/2-speed Manifolds, 2WD.....	110
702.1 Traction and Brake/2-speed Manifolds, 4WD.....	112
703.1 Function Manifold.....	114
704.1 Jib Boom and Platform Rotate Manifold.....	116
705.1 Drive Chassis and Turntable Hoses, 2WD, View 1...118	
706.1 Drive Chassis and Turntable Hoses, 2WD, View 2...120	
707.1 Drive Chassis and Turntable, 4WD Hoses, View 1...122	
708.1 Drive Chassis and Turntable, 4WD Hoses, View 2...124	
709.1 Fuel Hoses.....	126
710.1 Boom Hoses.....	128

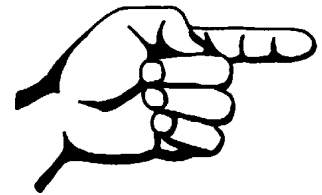
800 Accessories

801.1 Air Line to Platform.....	130
802.1 Aircraft Protection.....	132
803.1 Auxiliary Rail Assembly.....	134

804.1 Flashing Beacon and Alarm.....	136
805.1 Hostile Environment, Wiper.....	138
806.1 Hostile Environment, Cylinder Bellows.....	140
807.1 Cold Start.....	142
808.1 Drive Light.....	144
809.1 Inverter, 120V.....	146
810.1 Platform Control Box Cover, Tool Tray and Work Light.....	148
811.1 Platform Half Mesh, Swing Gate and Pipe Cradle....	150
812.1 Platform Overload, CE and AUS.....	152
813.1 Operators Protection Alarm (to January 2017).....	154
813.2 Lift Guard Contact Alarm (from January 2017).....	156
814.1 2000 Watt Generator.....	158
815.1 2000W Generator, Hoses and Fittings.....	160
Indices	
Part Number Index.....	162
Part Description Index.....	167
Cross References	
Fittings Cross Reference.....	176

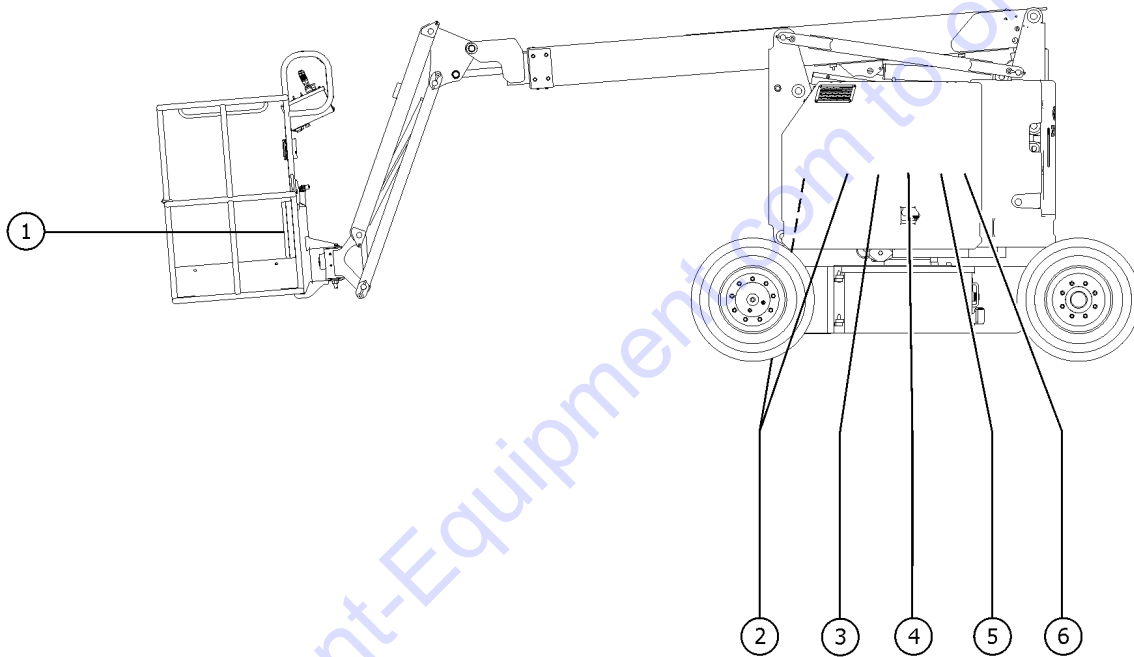
Go to Discount-Equipment.com to order your parts

Please refer to section 001 for the Recommended Spare Parts List.



This page intentionally left blank.

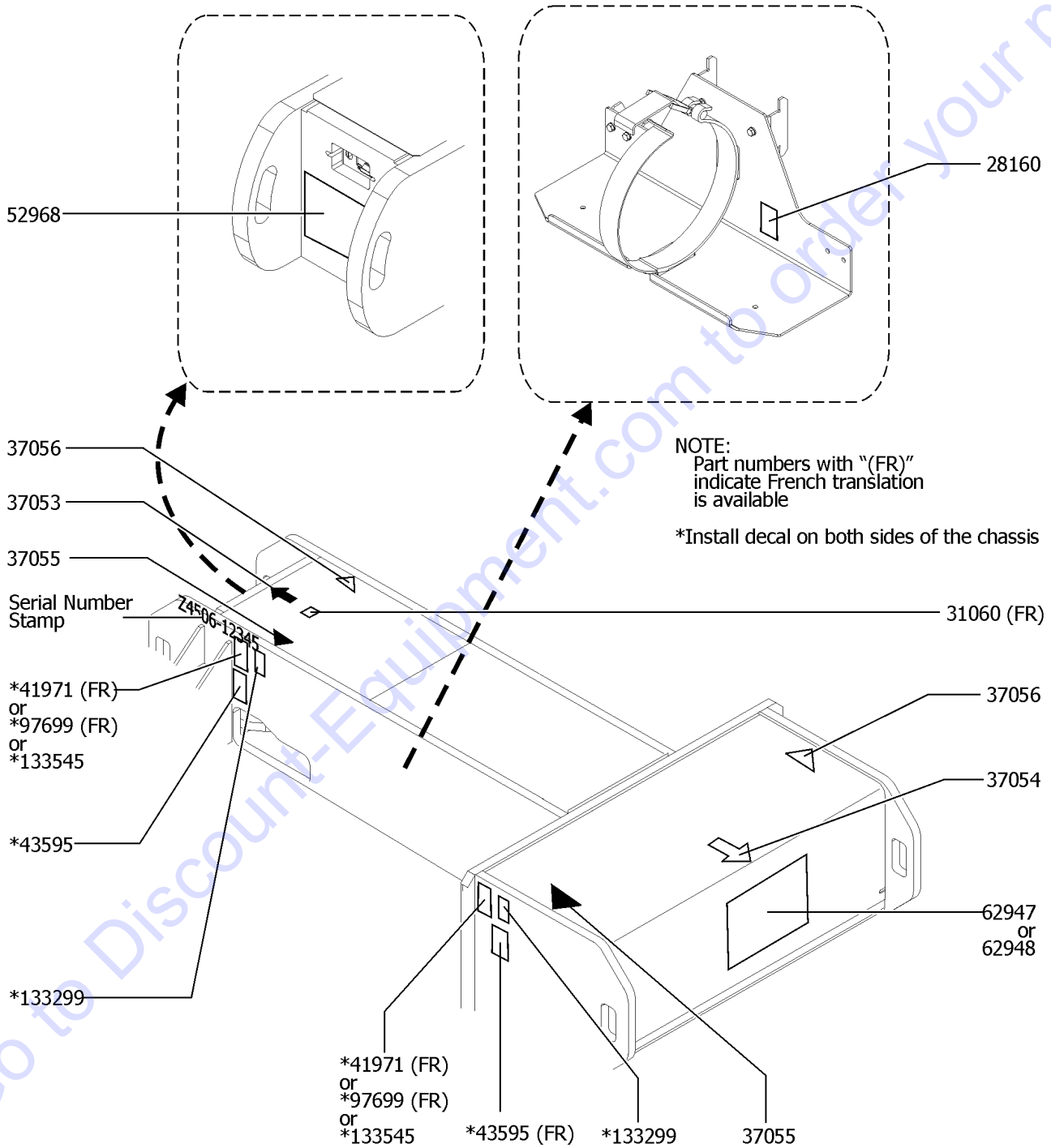
Go to Discount-Equipment.com to order your parts



Go to Discount-Equipment.com to order your parts

Item	Part No.	Description	Qty.	Item	Part No.	Description	Qty.
A		— GENERAL SERVICE PARTS —		--	1272019GT	FILTER, FUEL	
--	1257733GT	PAINT,WET,TRAFFIC BLACK (1 GL)** <i>1-gallon</i>		--	1272828GT	OIL FILTER, GM .998L	
--	1258567GT	PAINT, AEROSOL, TRAFFIC BLACK <i>12-ounce spray paint</i>		--	1272829GT	SPARK PLUG, GM .998L	
--	1268GT	PAINT,AEROSOL,GENIE GRAY*** <i>12-ounce spray paint</i>		--	52867GT	FILTER,AIR***	
--	1283776GT	SEAL MARKER,CROSS CHECK,BLUE,TUBE					
--	1484GT	PAINT,AEROSOL,BRIGHT BLUE*** <i>12-ounce spray paint</i>					
--	28750GT	O-RING KIT,FIELD SVC,ALL PROD* <i>O-ring kit, SAE</i>					
--	32150GT	PAINT,WET,GENIE BLUE (1 GL)** <i>1-gallon</i>					
--	32151GT	PAINT,WET,GENIE GRAY (1 GL)** <i>1-gallon</i>					
--	33994GT	PLUG AND CAP KIT-SERVICE,37 ** <i>Plug and cap kit, SAE</i>					
--	36555GT	CHOCK,CYLINDER (SERVICE TOOL)					
--	49612GT	O-RING KIT (ORFS FITTINGS) <i>O-ring kit, ORFS</i>					
--	49613GT	PLUG AND CAP KIT-SERVICE,ORFS* <i>Plug and cap kit, ORFS</i>					
--	66399GT	GREASE,DIELECTRIC 4 OZ**					
--	93500GT	PARKER DIGITAL PRESSURE GAUGE					
--							
1		— MANUALS —					
--	27581GT	MANUAL,AEM SAFETY					
--	31779GT	MANUAL,RESPON,A92.5 BOOM					
2		— HYD FILTERS —					
--	1268229GT	ELEMENT-5 MIC, PAPER, W/ BYPASS					
--	44207GT	FILTER ELEMENT,BETA(10)=200					
--	60857GT	FILTER,ELEMENT,BETA(5)=1000					
3		— KUBOTA WG972 MODELS —					
--	52816GT	BELT,FAN,KUBOTA DF972/Z482-E					
--	866127GT	ELEMENT,AIR CLEANER,KUBOTA					
--	866400GT	KUBOTA OIL FILTER					
4		— KUBOTA D1105 MODELS —					
--	31745GT	FILTER,AIR,D905					
--	32196GT	BELT,V, KUBOTA D905					
--	42767GT	SEPARATOR/FILTER ELEMENT,FUEL*					
--	866050GT	FILTER,OIL,KUBOTA					
5		— PERKINS 403F-11 MODELS —					
--	1262159GT	BELT,FAN,PERKINS 403					
--	52867GT	FILTER,AIR***					
6		— GM .998L MODELS—					

101.1 Word Decals, ANSI & AUS, Chassis



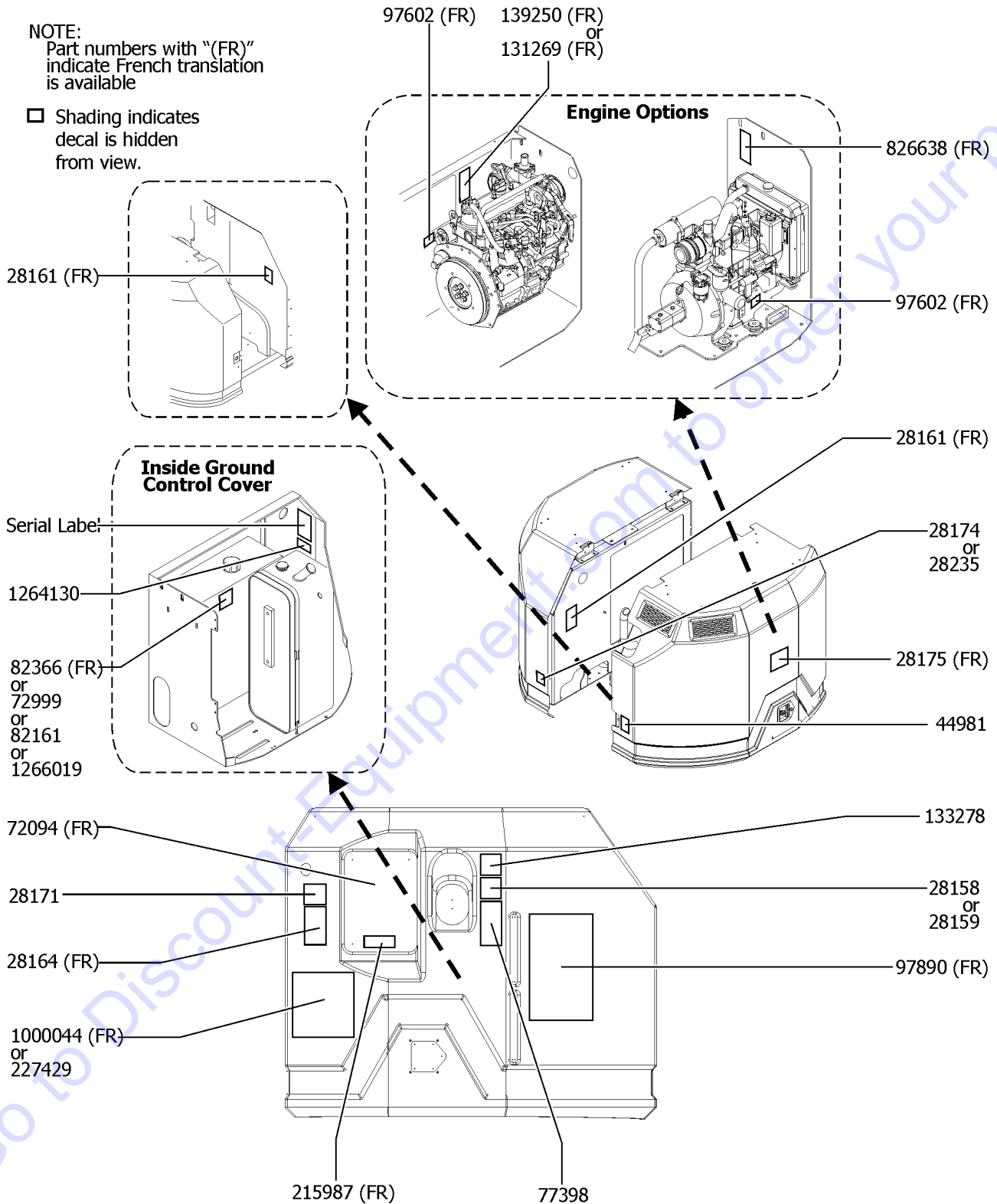
101.1 Word Decals, ANSI & AUS, Chassis

Item	Part No.	Description	Qty.
1	28160GT	DECAL,LABEL,LIQUID PROPANE.....1	1
2	31060GT	DECAL,DANGER DO NOT ALTER SWTC.....1	1
3	37053GT	DECAL,ARROW,BLUE.....1	1
4	37054GT	DECAL,ARROW,YELLOW SM 5-3/8".....1	1
5	37055GT	DECAL,TRIANGLE,BLUE.....2	2
6	37056GT	DECAL,TRIANGLE,YELLOW.....2	2
7	41971GT	DECAL,NOTICE,TIRE SPEC,34BI/IC....4 ANSI	4
8	43595GT	DECAL,DANGER,TIP-OVER,TIRES***...4 AUS	4
9	52968GT	DECAL,COSMETIC,GENIE BOOM,VERT.....1	1
10	62947GT	DECAL,COSMETIC,IC POWER 4 X 2.....1 <i>option, 2WD</i>	1
11	62948GT	DECAL,COSMETIC,IC POWER 4 X 4.....1 <i>option, 4WD</i>	1
12	97699GT	DECAL,NOTICE,HI FLOAT TIRES.....4 ANSI	4
13	133299GT	DECAL,LABEL,WHEEL LOAD Z34IC**...4	4
14	133545GT	DECAL,NOTICE, TIRE SPEC, FF.....4 AUS	4

102.1 Word Decals, ANSI & AUS, Turntable

NOTE:
Part numbers with "(FR)"
indicate French translation
is available

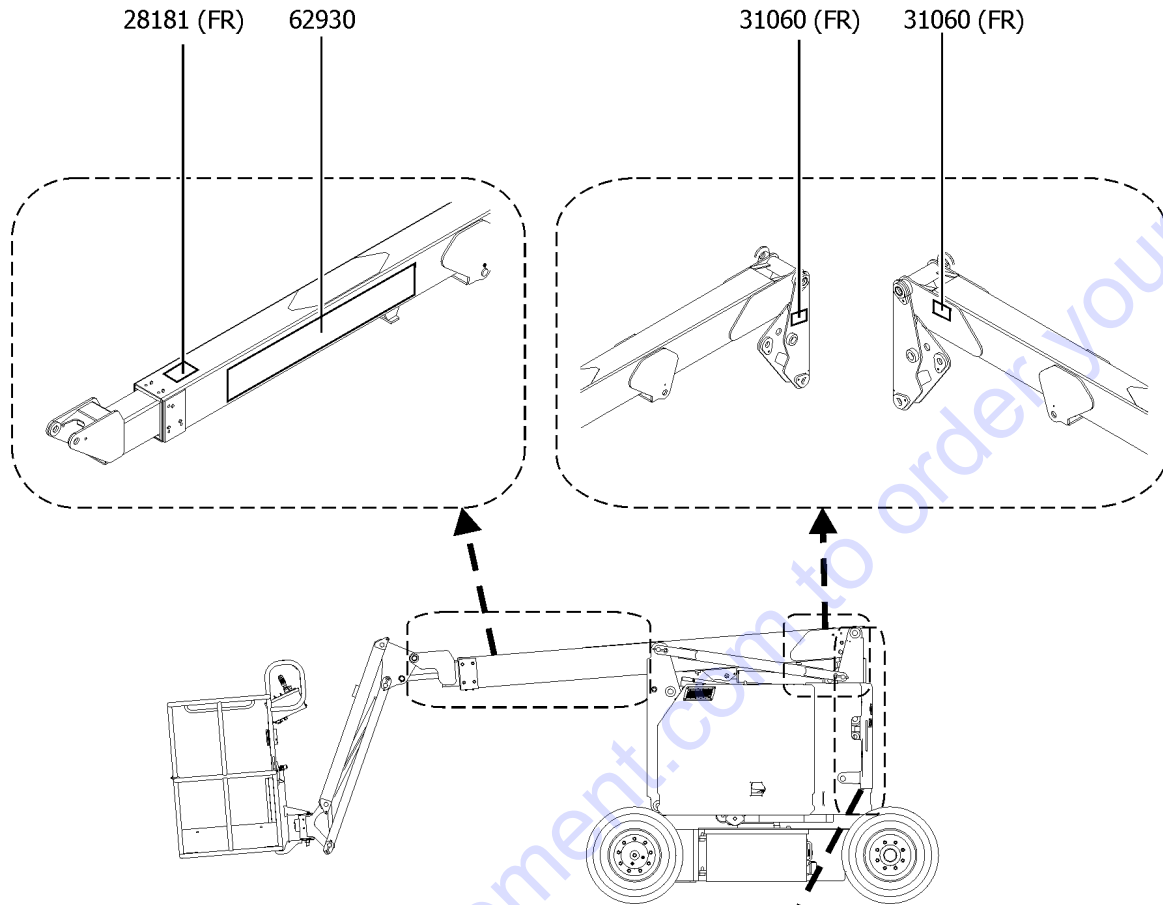
☐ Shading indicates
decal is hidden
from view.



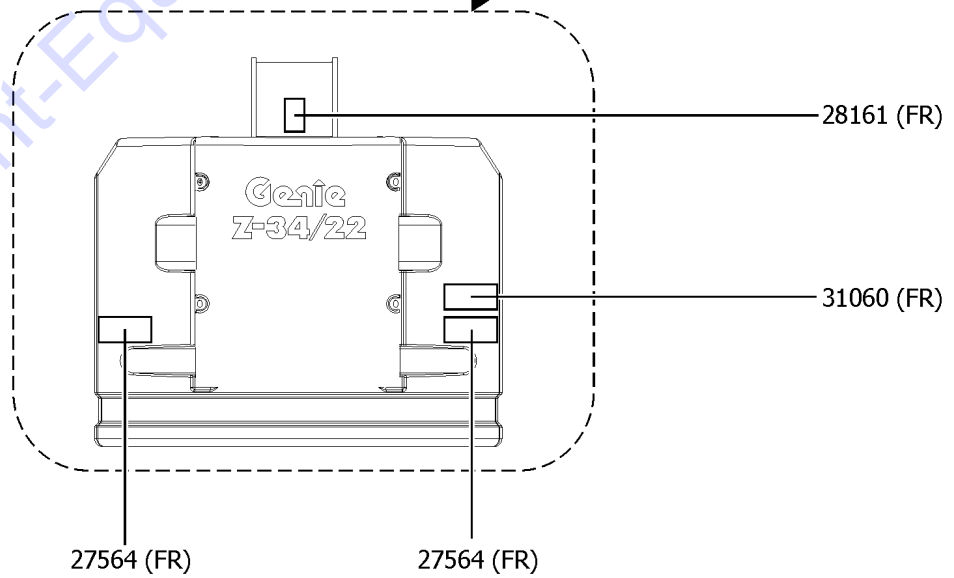
102.1 Word Decals, ANSI & AUS, Turntable

Item	Part No.	Description	Qty.
1	28158GT	DECAL,LABEL,UNLEADED GAS ONLY.....1 <i>option, fuel</i>	1
2	28159GT	DECAL,DIESEL.....1 <i>option, fuel</i>	1
3	28161GT	DECAL,WARN,CRUSH HAZARD HAND.....2	2
4	28164GT	DECAL,NOTICE,HAZARDOUS MAT'LS*.....1	1
5	28171GT	DECAL,DANGER,NO SMOKING ***.....1	1
6	28174GT	DECAL, POWER TO PLATFORM 230V**.....1	1
7	28175GT	DECAL,WARNING-COMPART ACCESS.....1	1
8	28235GT	DECAL,POWER TO PLATFORM 115V...1	1
9	44981GT	DECAL,LABEL, AIR LINE 110 PSI.....1 <i>option, airline to platform</i>	1
10	72094GT	DECAL,GROUND CONTROL PANEL....1	1
11	72999GT	DECAL,LABEL,PETRO CANADA***.....1 <i>option, hydraulic oil</i>	1
12	77398GT	DECAL,TIRE SEALANT,3.25 X 7.5.....1 <i>option, tire sealant</i>	1
13	82161GT	DECAL,LABEL,UCON HYDROLUBE....1 <i>option, hydraulic oil</i>	1
14	82366GT	DECAL,CHEVRON RANDO HD.....1 <i>option, hydraulic oil</i>	1
15	97602GT	DECAL,EXPLOSION HAZARD.....1 <i>diesel engines only</i>	1
16	97890GT	DECAL,DANGER,GEN SAFETY RULES.....1	1
17	131269GT	DECAL,KUBOTA D1105,SPECS.....1 <i>diesel models</i>	1
18	133278GT	DECAL,LOW/ULTRA LOW SULFR FUEL.....1 <i>diesel models</i>	1
19	139250GT	DECAL,KUBOTA WG972/DF972 SPEC.....1 <i>gas models</i>	1
20	215987GT	DECAL,RELAY LABEL,Z34IC.....1	1
21	227429GT	DECAL, OPERATING INSTRUCTIONS.....1 <i>AUS models</i>	1
22	826638GT	DECAL,ENGINE SPEC,PERKINS 403D/F.....1	1
23	1000044GT	DECAL,NOTICE,OPER INST.Z34IC.....1 <i>ANSI models</i>	1
24	1264130GT	DECAL,WG972,CARB,EPA CERT 2015.....1 <i>gas models</i>	1
25	1266019GT	DECAL, LABEL, SHELL TELLUS.....1 <i>option, cold weather</i>	1

103.1 Word Decals, ANSI & AUS, Boom



NOTE:
Part numbers with "(FR)"
indicates French translation
is available

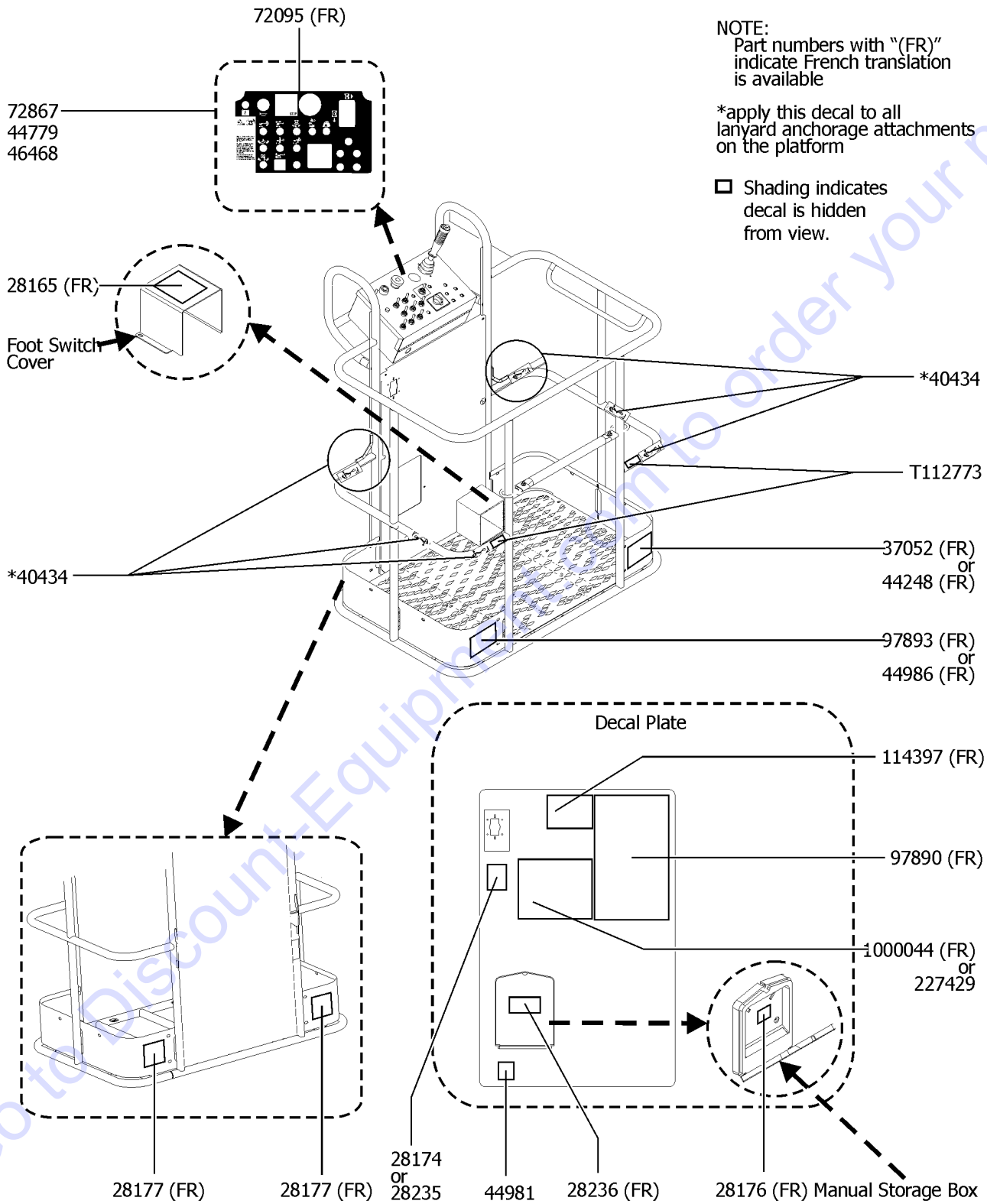


103.1 Word Decals, ANSI & AUS, Boom

Item	Part No.	Description	Qty.
1	27564GT	DECAL,DANGER,ELEC.HAZ.STAY CLR.....	2
2	28161GT	DECAL,WARN,CRUSH HAZARD HAND.....	1
3	28181GT	DECAL,WARN,FALL HAZARD.....	1
4	31060GT	DECAL,DANGER DO NOT ALTER SWTC.....	3
5	62930GT	DECAL,COSMETIC,GENIE Z-34/22.....	1

Go to Discount-Equipment.com to order your parts

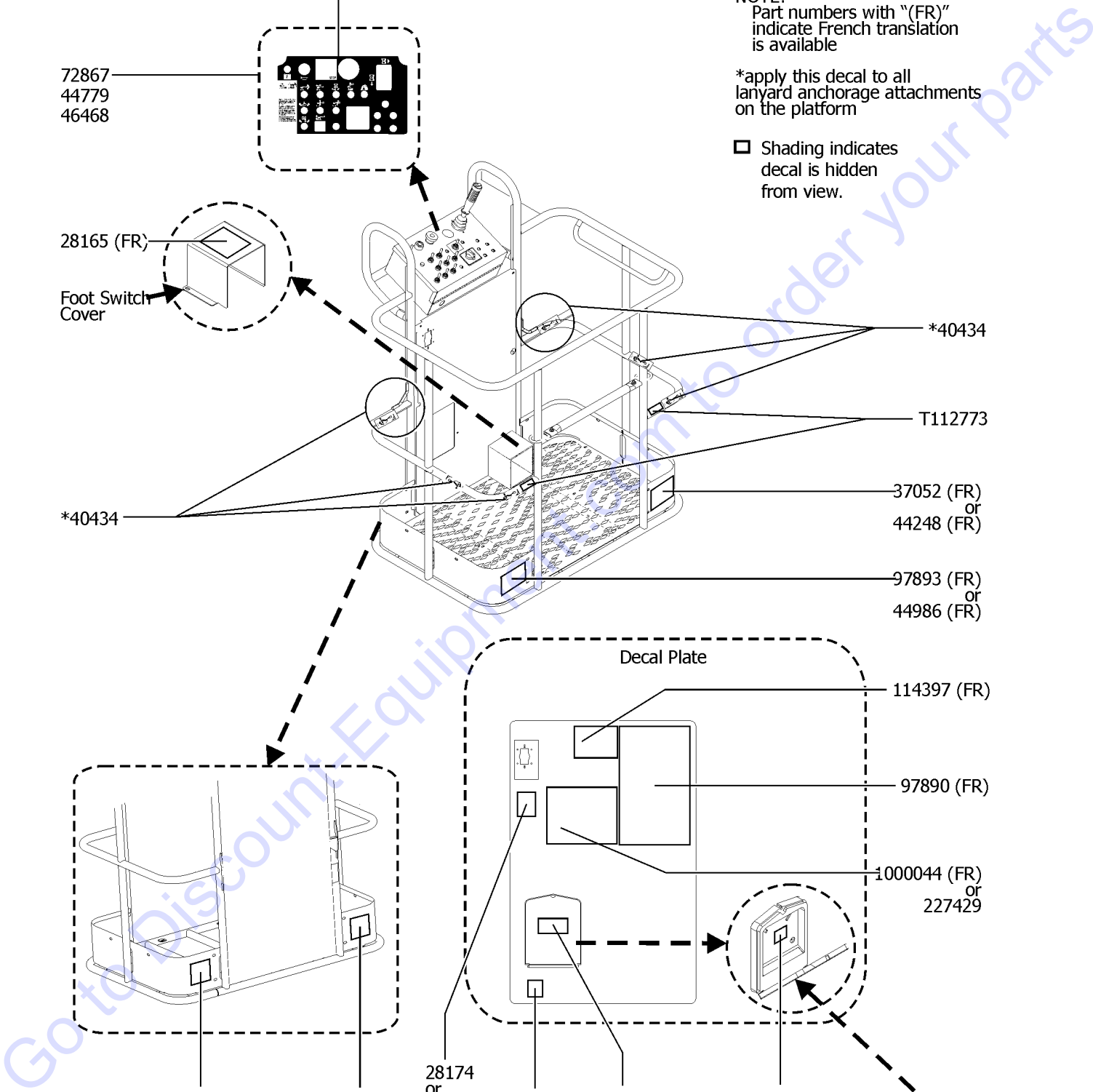
104.1 Word Decals, ANSI & AUS, Platform



NOTE:
Part numbers with "(FR)"
indicate French translation
is available

*apply this decal to all
lanyard anchorage attachments
on the platform

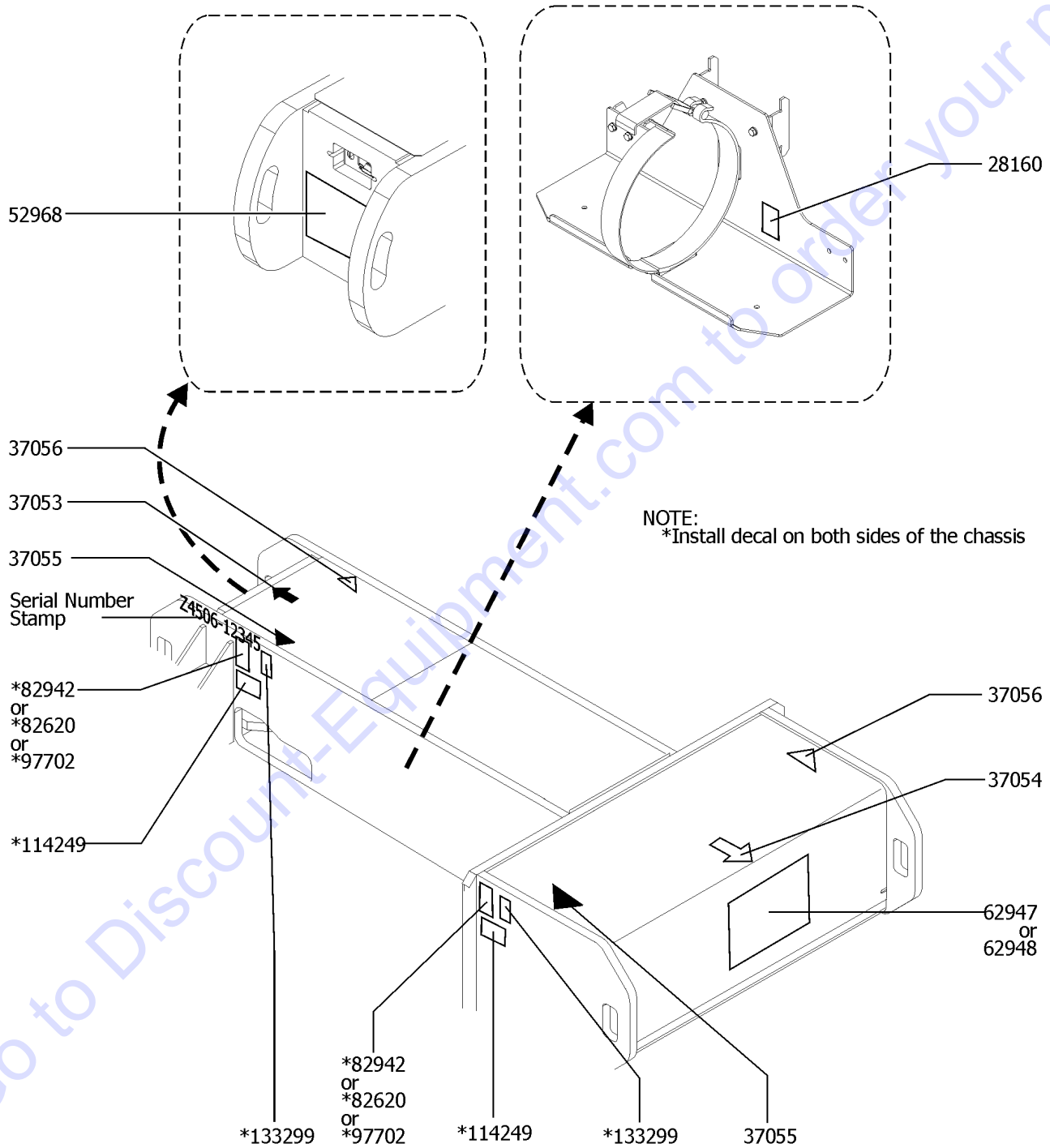
□ Shading indicates
decals is hidden
from view.



104.1 Word Decals, ANSI & AUS, Platform

Item	Part No.	Description	Qty.
1	28165GT	DECAL,INSTRUCT,FOOTSWITCH OPER.....	1
2	28174GT	DECAL, POWER TO PLATFORM 230V**.....	1
3	28176GT	DECAL,LABEL,MANUAL NOT HERE.....	1
4	28177GT	DECAL,WARN,CRUSH HAZARD PLAT.....	2
5	28235GT	DECAL,POWER TO PLATFORM 115V.....	1
6	28236GT	DECAL,WARN,IMPROPER OPERATION.....	1
7	37052GT	DECAL,NOTICE,MAX LOAD 500 LBS.....	1
8	40434GT	DECAL,LANYARD ANCHORAGE POINT.....	6
9	44248GT	DECAL,NOTICE,MAX CAP 440 LBS..... <i>option, aircraft protection</i>	1
10	44779GT	DECAL,GENERATOR OPTION..... <i>option, generator</i>	1
11	44981GT	DECAL,LABEL, AIR LINE 110 PSI..... <i>option, airline to platform</i>	1
12	44986GT	DECAL,INSTR,SIDE FRC/WIND,AUS..... <i>AUS models</i>	1
13	46468GT	DECAL,FUNCTION OVERRIDE..... <i>option, aircraft protection</i>	1
14	72095GT	DECAL,PLATFORM CONTROL PANEL.....	1
15	72867GT	DECAL,LABEL,LIGHTS***..... <i>option, work lights</i>	1
16	97890GT	DECAL,DANGER,GEN SAFETY RULES.....	1
17	97893GT	DECAL,NOTICE,SIDE FRC/WINDANSI..... <i>ANSI models</i>	1
18	114397GT	DECAL,DANGER,TILT ALARM.....	1
19	227429GT	DECAL, OPERATING INSTRUCTIONS..... <i>AUS models</i>	1
20	1000044GT	DECAL,NOTICE,OPER INST.Z34IC..... <i>ANSI models</i>	1
21	T112773GT	TAPE, PROTECTIVE MASK.....	2

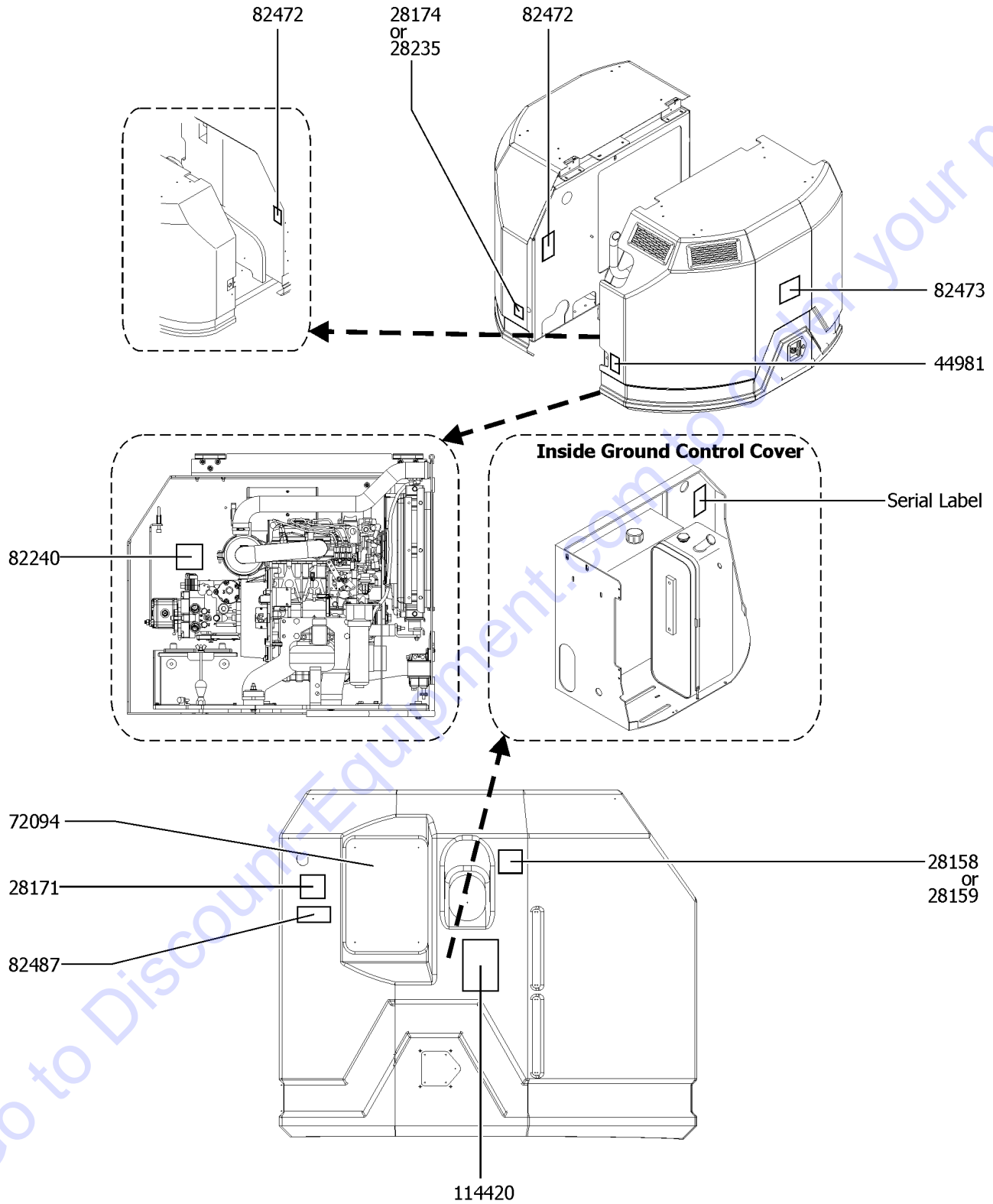
105.1 Symbol Decals, ANSI & CE, Chassis



105.1 Symbol Decals, ANSI & CE, Chassis

Item	Part No.	Description	Qty.
1	28160GT	DECAL,LABEL,LIQUID PROPANE.....1	1
2	37053GT	DECAL,ARROW,BLUE.....1	1
3	37054GT	DECAL,ARROW,YELLOW SM 5-3/8".....1	1
4	37055GT	DECAL,TRIANGLE,BLUE.....2	2
5	37056GT	DECAL,TRIANGLE,YELLOW.....2	2
6	52968GT	DECAL,COSMETIC,GENIE BOOM,VERT.....1	1
7	62947GT	DECAL,COSMETIC,IC POWER 4 X 2.....1 <i>option, drive</i>	1
8	62948GT	DECAL,COSMETIC,IC POWER 4 X 4.....1 <i>option, drive</i>	1
9	82620GT	DECAL,LABEL,TIRE PRESS,Z-34RT.....4 <i>ANSI only</i>	4
10	82942GT	DECAL,LABEL,TIRE PRESS,Z-34/22.....4 <i>ANSI only</i>	4
11	97702GT	DECAL,HIFLOT TIRE PRESS,Z34IC.....4 <i>ANSI only</i>	4
12	114249GT	DECAL,LABEL,TIPOVER,TIRES,SYMB.4 <i>CE only</i>	4
13	133299GT	DECAL,LABEL,WHEEL LOAD Z34IC**...4	4

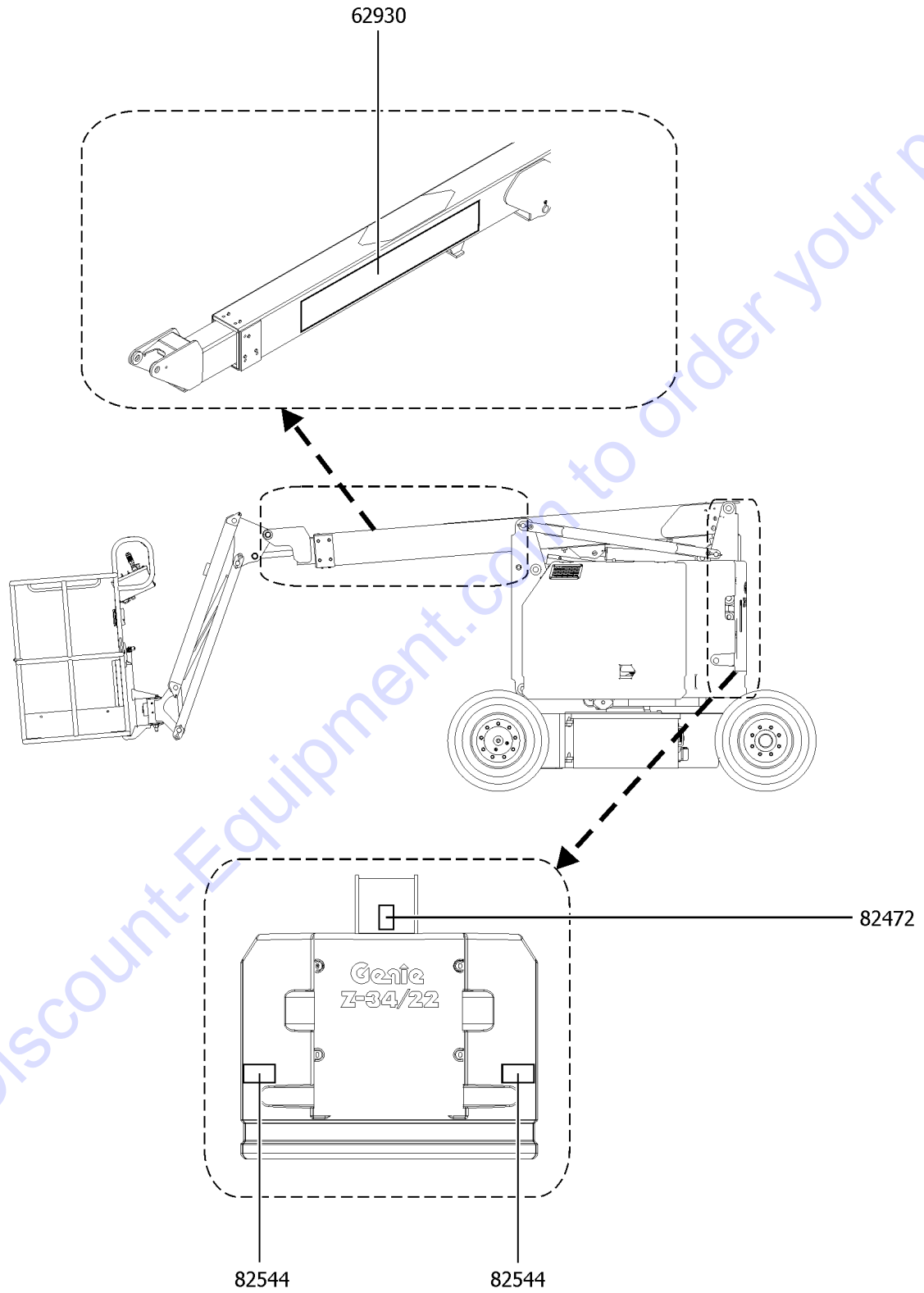
106.1 Symbol Decals, ANSI & CE, Turntable



106.1 Symbol Decals, ANSI & CE, Turntable

Item	Part No.	Description	Qty.
1	28158GT	DECAL,LABEL,UNLEADED GAS ONLY.....1 <i>option, fuel</i>	1
2	28159GT	DECAL,DIESEL.....1 <i>option, fuel</i>	1
3	28171GT	DECAL,DANGER,NO SMOKING ***.....1	1
4	28174GT	DECAL, POWER TO PLATFORM 230V**.....1	1
5	28235GT	DECAL,POWER TO PLATFORM 115V...1	1
6	44981GT	DECAL,LABEL, AIR LINE 110 PSI.....1 <i>option, airline to platform</i>	1
7	72094GT	DECAL,GROUND CONTROL PANEL....1	1
8	82240GT	DECAL,LABEL,105 DB.....1 <i>CE only</i>	1
9	82472GT	DECAL,WARNING,CRUSHING HAZARD.....2	2
10	82473GT	DECAL,SYMBOL-COMP ACCESS.....1	1
11	82487GT	DECAL, SYMBOL - READ THE MANUAL.....1	1
12	114420GT	DECAL,EMERGENCY LOWERING IC....1	1

107.1 Symbol Decals, ANSI & CE, Boom

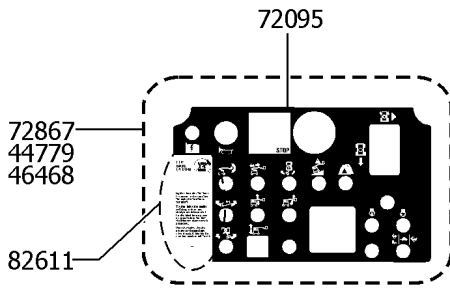


107.1 Symbol Decals, ANSI & CE, Boom

Item	Part No.	Description	Qty.
1	62930GT	DECAL,COSMETIC,GENIE Z-34/22.....1	
2	82472GT	DECAL,WARNING,CRUSHING HAZARD.....1	
3	82544GT	DECAL,DANGER,ELEC.HAZ.STAY CLR.....2	

Go to Discount-Equipment.com to order your parts

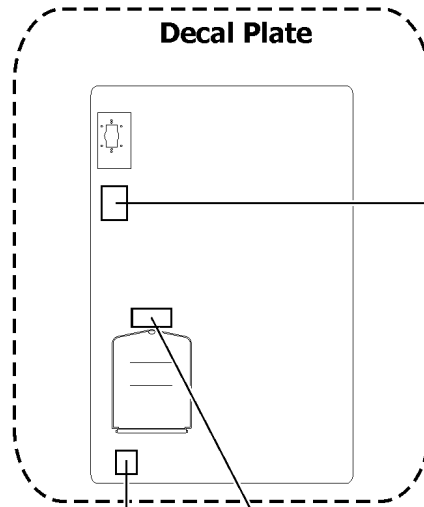
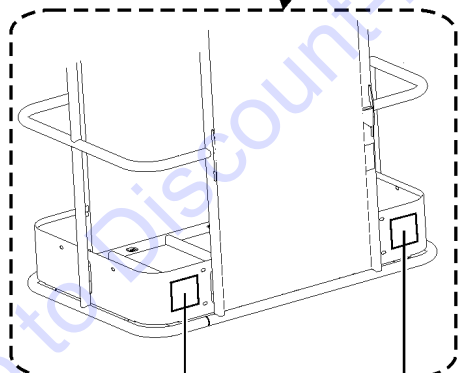
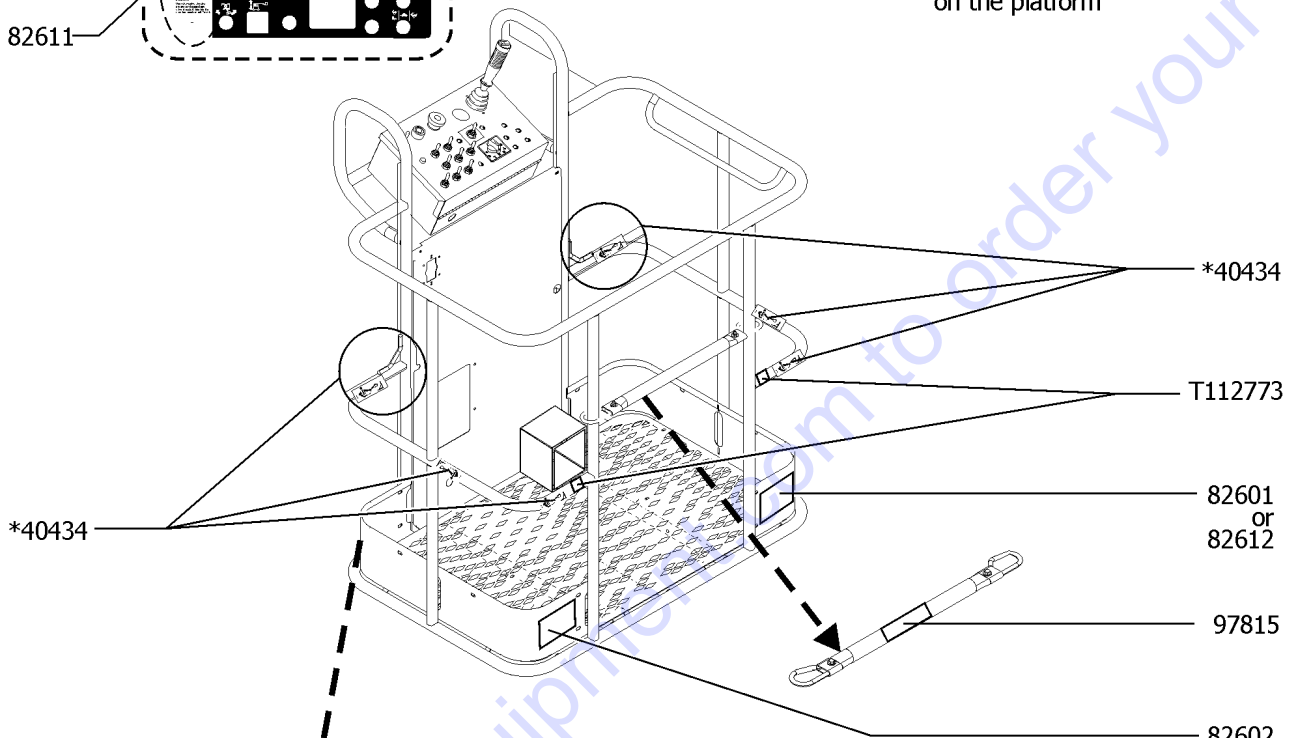
108.1 Symbol Decals, ANSI & CE, Platform



NOTE:

☐ Shading indicates decal is hidden from view.

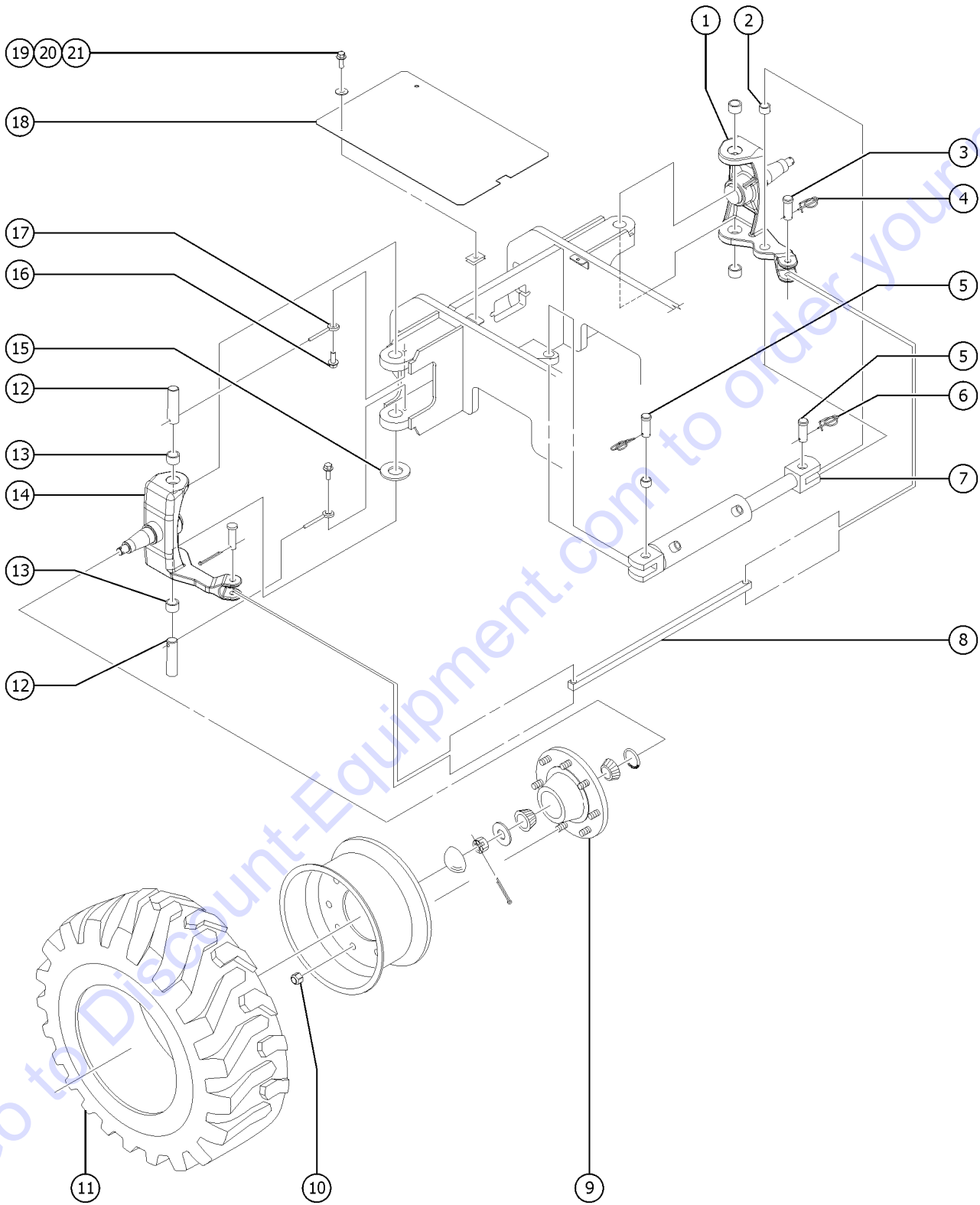
*apply this decal to all lanyard anchorage attachments on the platform



108.1 Symbol Decals, ANSI & CE, Platform

Item	Part No.	Description	Qty.
1	28174GT	DECAL, POWER TO PLATFORM 230V**.....	1
2	28235GT	DECAL,POWER TO PLATFORM 115V...1	1
3	40434GT	DECAL,LANYARD ANCHORAGE POINT.....	6
4	44779GT	DECAL,GENERATOR option..... <i>option, generator</i>	1
5	44981GT	DECAL,LABEL, AIR LINE 110 PSI..... <i>option, airline to platform</i>	1
6	46468GT	DECAL,FUNCTION OVERRIDE..... <i>option, aircraft protection</i>	1
7	72095GT	DECAL,PLATFORM CONTROL PANEL.....	1
8	72867GT	DECAL,LABEL,LIGHTS***..... <i>option, work lights</i>	1
9	82487GT	DECAL, SYMBOL - READ THE MANUAL.....	1
10	82548GT	DECAL,WARN,CRUSH HAZARD PLAT.....	2
11	82601GT	DECAL,LABEL,MAX CAPACITY***.....	1
12	82602GT	DECAL,DANGER,MAX SIDE FRC,667N..... <i>ANSI models</i>	1
13	82604GT	DECAL,DANGER,SIDE FRC 400N..... <i>CE models</i>	1
14	82611GT	DECAL,DRIVE ENABLE PATCH.....	1
15	82612GT	DECAL,DANGER,MAX CAP,200KG..... <i>option, aircraft protection</i>	1
16	97815GT	DECAL,LABEL,LOWER MIDRAIL.....	1
17	T112773GT	TAPE, PROTECTIVE MASK.....	2

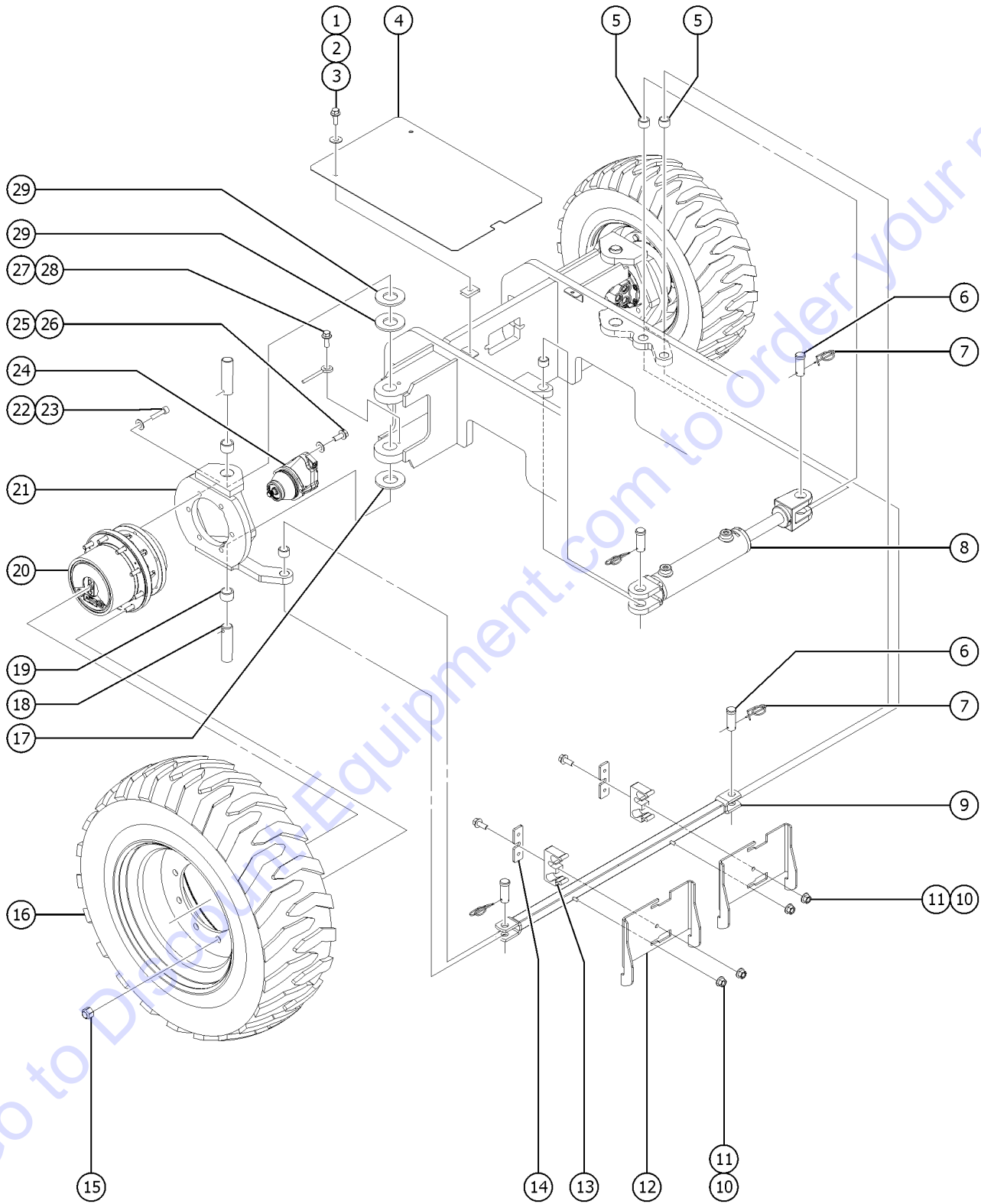
201.1 Steer End (2WD)



201.1 Steer End (2WD)

Item	Part No.	Description	Qty.	Item	Part No.	Description	Qty.
1	94020GT	YOKE ASSY, Z34 2WD RIGHT <i>includes items 2 and 13</i>		--	139411GT	TIRE,SGL,51S3D1-16.5,8 PLY	
2	25817GT	BEARING,1.00IDX1.25ODX1.00L.....1	1	--	42146GT	WHEEL,16.5 X 8.25,8 HOLE/8 BC	
3	824126GT	PIN,CLEVIS,3/4X3,ZAG.....1	1	11G	45460GT	WHEEL ASSY, INDUSTRIAL, FF.....2 <i>foam-filled tire; 8-hole wheel</i>	2
4	824128GT	RUE RING,3/4,ZAG.....1	1	11H	40137GT	WHEEL ASSY, INDUSTRIAL, AF NM.....2 <i>non-marking foam-filled tire; 8-hole wheel</i>	2
5	824127GT	PIN,CLEVIS,1.0X2.41,SAE,ZAG.....4	4	11I	139473GT	ASSY,TIRE&WHEEL,FRONT,FF RH RT.....1 <i>right side foam-filled RT tire; 8-hole wheel</i>	1
6	824129GT	RUE RING,1.0,ZAG.....4	4	11J	139474GT	ASSY,TIRE&WHEEL,FRONT,FF LH RT.....1 <i>left side foam-filled RT tire; 8-hole wheel</i>	1
7	88337GT	CYLINDER,STEER.....1	1	11K	139479GT	ASSY,TIRE&WHL,SEALANT,LF2WD.....1 <i>ANSI/CSA; left front air-filled RT tire with sealant; 8-hole wheel</i>	1
--	88338GT	SEAL KIT, 88337		11L	139480GT	ASSY,TIRE&WHL,SEALANT,RF2WD.....1 <i>ANSI/CSA; right front air-filled RT tire with sealant; 8-hole wheel</i>	1
8	74719GT	ROD-TIE		12	36211GT	PIN,1.50DIA X3.25LG,1HOLE.....4	4
9	45043GT	HUB ASSEMBLY MODEL#60-8***.....2	2	13	18396GT	BEARING,1.5IDX1.75ODX1.0L.....4	4
--	21166GT	LUG BOLT,5/8-18,WHEEL HUB***		14	94021GT	YOKE ASSY, Z34 2WD LEFT <i>includes item 13</i>	
--	40145GT	BEARING RACE (LARGE) (45873).....2 <i>inner cone not included</i>	2	15	45074GT	WASHER,THRUST,1.5 X 3.5 X .187	
--	40146GT	BEARING RACE (SMALL) (45873).....2 <i>outer cone not included</i>	2	16	824090GT	SCREW,HHF,3/8-16X1.8,ZAG.....2	2
--	45107GT	INNER CONE - MODEL 60-8 <i>large bearing race not included</i>		17	825019GT	ROD END,.375X3.69,ZAG.....4	4
--	45108GT	OUTER CONE - MODEL 60-8 <i>small bearing race not included</i>		18	40438GT	COVR W/DECALS DR CHAS STR END*.....1	1
--	45110GT	SEAL-GREASE,MODEL 60-8		19	824078GT	SCREW,HHF,1/4-20X.75,8,ZAG.....2	2
--	45111GT	CAP,DUST,45873 HUB KIT		20	824113GT	WASHER,FLAT,USS,1/4,ZAG.....2	2
--	45112GT	WASHER,SPINDLE		21	56912GT	SPRING CLIP,1/4-20,.025-.15X.54,ZAG.....2	2
--	45113GT	NUT,SPINDLE,1-14					
--	45873GT	SEAL/BEARING KIT (45043,54840)					
10	824042GT	NUT,LUG,5/8-18X90 DEG,ZAG.....16	16				
11A	45093GT	WHEEL ASSY, INDUSTRIAL, AF.....2 <i>ANSI/CSA; air-filled tire; 8-hole wheel</i>	2				
--	45040GT	RIM,Z45,14.5 X 7(8 HOLE ON 8BC					
--	54140GT	TUBELESS PNEUMATIC TIRE,9-14LT					
11B	40137GT	WHEEL ASSY, INDUSTRIAL, AF NM.....2 <i>ANSI/CSA; non-marking air filled tire; 8-hole wheel</i>	2				
--	45040GT	RIM,Z45,14.5 X 7(8 HOLE ON 8BC					
--	54234GT	TUBELESS TIRE,9-14.5,NON-M 47#					
11C	110694GT	WHEEL ASSY, IND.W/SEALANT.....2 <i>ANSI/CSA; air-filled tire with sealant; 8-hole wheel</i>	2				
11D	110706GT	WHEEL ASSY, IND.W/SEALANT NM.....2 <i>ANSI/CSA; non-marking air filled tire with sealant; 8-hole wheel</i>	2				
11E	139471GT	ASSY,TIRE&WHEEL,LF,2WD.....1 <i>ANSI/CSA; left front air filled RT tire; 8-hole wheel</i>	1				
--	139411GT	TIRE,SGL,51S3D1-16.5,8 PLY					
--	42146GT	WHEEL,16.5 X 8.25,8 HOLE/8 BC					
11F	139472GT	ASSY,TIRE&WHEEL,RF,2WD.....1 <i>ANSI/CSA; right front air-filled rough terrain tire; 8-hole wheel</i>	1				

202.1 Steer End (4WD)

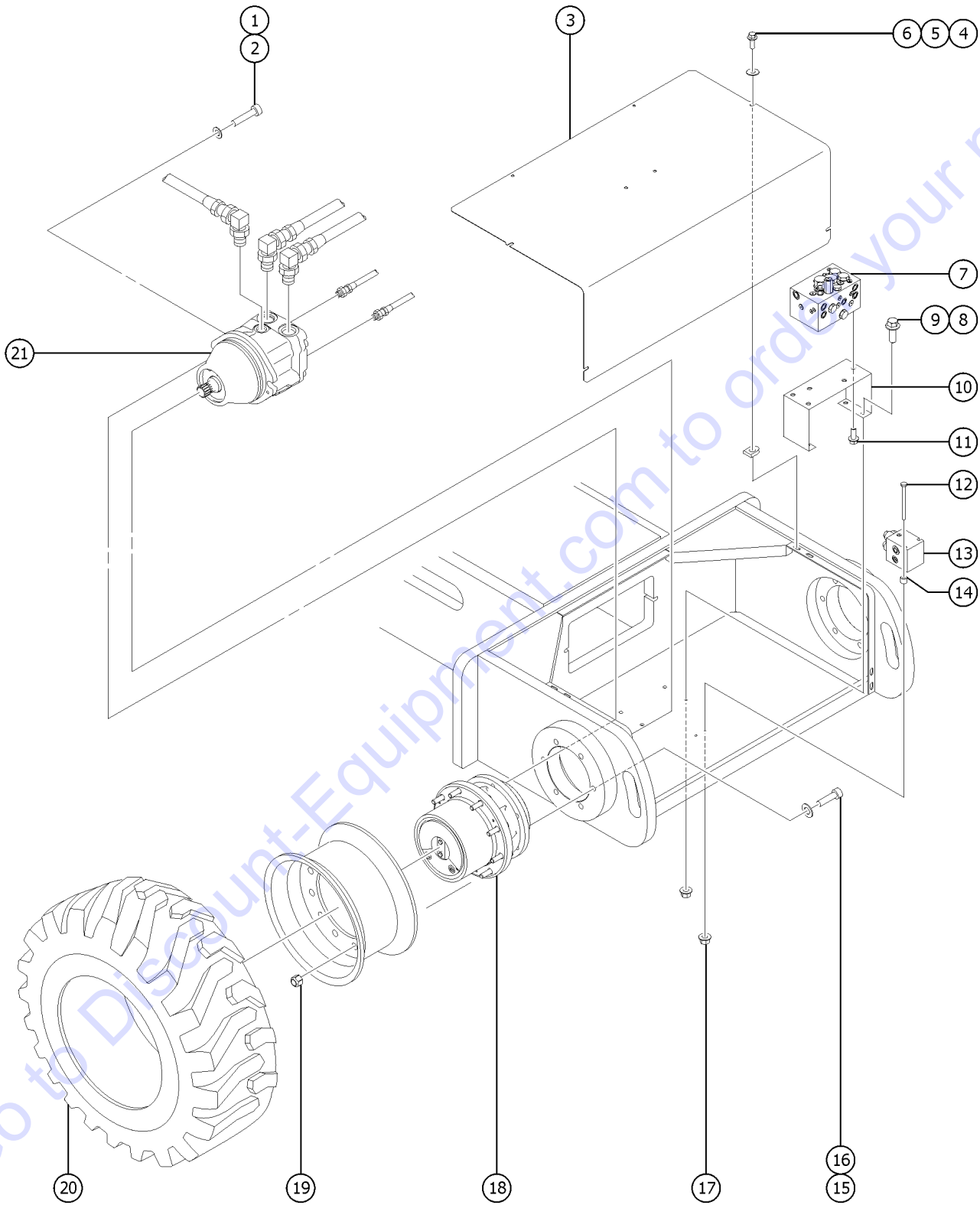


Go to DodgeParts.com to order your parts

202.1 Steer End (4WD)

Item	Part No.	Description	Qty.	Item	Part No.	Description	Qty.
1	824078GT	SCREW,HHF,1/4-20X.75,8,ZAG.....	2	--	106120GT	WHEEL STUD, 4HP, 5/8-18*** for 101585	
2	824113GT	WASHER,FLAT,USS,1/4,ZAG.....	2	--	106121GT	ROD,DISCONNECT 4HP/4HB*** for 101585	
3	56912GT	SPRING CLIP,1/4-20,.025-.15X.54,ZAG.....	2	--	106122GT	CAP,DISENGAGE,4HP/4HB*** for 101585	
4	40438GT	COVR W/DECALS DR CHAS STR END*.....	1	--	106123GT	O-RING,END COVER,4HP/4HB*** for 101585	
5	25817GT	BEARING,1.00IDX1.25ODX1.00L.....	4	--	106124GT	LINING KIT, BRAKE, 4HP*** for 101585	
6	824127GT	PIN,CLEVIS,1.0X2.41,SAE,ZAG.....	4	--	106125GT	SEAL KIT, BRAKE, 4HP for 101585 (inventory limited to stock on hand as component is no longer available)	
7	824129GT	RUE RING,1.0,ZAG.....	4	--	106126GT	BEARING KIT,4HP for 101585 (inventory limited to stock on hand as component is no longer available)	
8	88337GT	CYLINDER,STEER.....	1	--	1286602GT	SEAL KIT,WHEEL DRIVE W/BRAKE (101584/101585) for 101585	
--	88338GT	SEAL KIT, 88337		--	1286603GT	BEARING KIT,WHEEL DRIVE W/BRAKE (101584/101585) for 101585	
9	119854GT	WELDMENT TIE ROD.....	1	--	128839GT	PIPE PLUG,.563 MAG*** for 101585	
10	824027GT	NUT,TL FLG,1/4-20,G,ZAG.....	2	--	232486GT	SNAP RING,WHEEL DRIVE for 101585	
11	824083GT	SCREW,HHF,1/4-20X2.5,8,ZAG.....	2	21A	58029GT	YOKE ASSY,GRD CONT,SIDE PARKER.....	1
12	119854GT	WELDMENT TIE ROD.....	2			includes items 5 and 19	
13	110271GT	CLAMP, DRIVE HOSE.....	2	21B	58090GT	YOKE ASSY,ENGINE SIDE,PARKER.....	1
14	106517PGT	CLAMP TOP,HOSE ROUTING PAINTED.....	2			includes items 5 and 19	
15	824042GT	NUT,LUG,5/8-18X90 DEG,ZAG.....	16	22	824104GT	SCREW,SHC,5/8-11X1.75,A574,ZAG...	12
16A	139465GT	ASSY,TIRE&WHEEL,LF,4WD..... ANSI/CSA; left front air filled RT tire; 9-hole wheel	1	23	824121GT	WASHER,FLAT,.688X1.160X.09,HRD...	12
--	139411GT	TIRE,SGL,51S3D1-16.5,8 PLY		24	101586GT	MOTOR,PISTON,LC25,6.5 DEG,13T.....	2
--	42144GT	WHEEL,16.5 X 8.25,9 HOLE/9.5BC		--	106098GT	SEAL KIT,MOTOR,LC/KC***	
16B	139466GT	ASSY,TIRE&WHEEL,RF,4WD..... ANSI/CSA; right front air filled RT tire; 9-hole wheel	1	--	106118GT	O-RING,2-157,VITON***	
--	139411GT	TIRE,SGL,51S3D1-16.5,8 PLY		25	824072GT	SCREW,HHC,7/16-14X1.25,ZAG.....	2
--	42144GT	WHEEL,16.5 X 8.25,9 HOLE/9.5BC		26	824117GT	WASHER,FLAT,7/16,SAE,HRD,ZAG.....	2
16C	139475GT	ASSY,TIRE&WHL,SEALANT,LF4WD..... ANSI/CSA; left front air filled RT tire with sealant; 9-hole wheel	1	27	824090GT	SCREW,HHF,3/8-16X1.8,ZAG.....	2
16D	139477GT	ASSY,TIRE&WHL,SEALANT,RF4WD..... ANSI/CSA; right front air filled RT tire with sealant; 9-hole wheel	1	28	825019GT	ROD END,.375X3.69,ZAG.....	2
16E	131340GT	ASSY,TIRE&WHEEL,FF,RH..... right side foam-filled RT tire; 9-hole wheel	4	29A	18596GT	WASHER,FLAT,1.56 X 2.5 X .061..... to SN Z34F-12038	4
16F	131341GT	ASSY,TIRE&WHEEL,FF,LH..... left side foam-filled RT tire; 9-hole wheel	4	29B	1251565GT	WASHER,SHIM,1.56X2.5X.061,ZAG..... from SN Z34F-12039	4
17	45074GT	WASHER,THRUST,1.5 X 3.5 X .187.....	2				
18	94221GT	PIN,1.50DIA X 3.75LG,1HOLE.....	4				
19	18396GT	BEARING,1.51DX1.75ODX1.0L.....	4				
20	101585GT	WHEEL DRIVE,4HP 48:1.....	2				
--	106117GT	O-RING,2-010,VITON for 101585 (Mating O-ring for Brake Port)(Extremely small)					
--	106119GT	SEAL KIT, GEARBOX, 4HP for 101585					

203.1 Non-Steer End (2WD)



203.1 Non-Steer End (2WD)

Item	Part No.	Description	Qty.	Item	Part No.	Description	Qty.
1	824072GT	SCREW,HHC,7/16-14X1.25,ZAG.....	4	--	146051GT	BEARING NUT*** for 101584	
2	824117GT	WASHER,FLAT,7/16,SAE,HRD,ZAG.....	4	--	146052GT	SET SCREW*** for 146051	
3	128729GT	COVER, DRIVE CHASSIS, Z34.....	1	--	215777GT	INPUT CARRIER, SUB-ASSEMBLY for 101584	
4	824078GT	SCREW,HHF,1/4-20X.75,8,ZAG.....	2	--	58320GT	KIT,TORQUE HUB COVER(101584)** for 101584	
5	824113GT	WASHER,FLAT,USS,1/4,ZAG.....	2	19	824042GT	NUT,LUG,5/8-18X90 DEG,ZAG.....	18
6	56912GT	SPRING CLIP,1/4-20,.025-.15X.54,ZAG.....	2	20A	45094GT	WHEEL ASSY, INDUSTRIAL, AF.....	2
7		Ref. TRACTION MANIFOLD 2WD refer to 701.1		--	54139GT	WHEEL,14.5 X 7	
8	824091GT	SCREW,HHF,3/8-16X1.25,8,ZAG.....	4	--	54140GT	TUBELESS PNEUMATIC TIRE,9-14LT	
9	824029GT	NUT,TL FLG,3/8-16,G,ZAG.....	4	20B	1267846GT	WHEEL ASSY, INDUSTRIAL, AF.....	2
10	42068GT	BRACKET,MANIFOLD MOUNT.....	1	--	1267397GT	WHEEL, 14.5 X 7	
11	824089GT	SCREW,HHF,3/8-16X.75,8,ZAG.....	2	--	54140GT	TUBELESS PNEUMATIC TIRE,9-14LT	
12	824065GT	SCREW,HHC,1/4-20X4,8,ZAG.....	2	20C	40136GT	WHEEL ASSY, INDUSTRIAL, AF NM.....	2
13		Ref. MANIFOLD,BRAKE/MOTOR SHIFT** refer to 701.1	1	--	54139GT	WHEEL,14.5 X 7	
14	45400GT	SPACER TUBE,.50 LG.....	2	--	54234GT	TUBELESS TIRE,9-14.5,NON-M 47#	
15	824106GT	SCREW,SHC,5/8-11X2.75,A574,ZAG...	12	20D	1267844GT	WHEEL ASSY, INDUSTRIAL, AF NM.....	2
16	824121GT	WASHER,FLAT,.688X1.160X.09,HRD...	12	--	1267397GT	WHEEL, 14.5 X 7	
17	824027GT	NUT,TL FLG,1/4-20,G,ZAG.....	2	--	54234GT	TUBELESS TIRE,9-14.5,NON-M 47#	
18	101584GT	WHEEL DRIVE W/BRAKE 57:1.....	2	20E	139467GT	ASSY,TIRE&WHEEL,LR,2/4WD.....	1
--	106117GT	O-RING,2-010,VITON for 101584 (Mating O-ring for Brake Port)(Extremely small)		--	139411GT	TIRE,SGL,51S3D1-16.5,8 PLY	
--	106119GT	SEAL KIT, GEARBOX, 4HP for 101584		--	42145GT	WHEEL,16.5 X 8.25,9 HOLE/9.5BC	
--	106120GT	WHEEL STUD, 4HP, 5/8-18*** for 101584		20F	139468GT	ASSY,TIRE&WHEEL,RR,2/4WD.....	1
--	106121GT	ROD,DISCONNECT 4HP/4HB*** for 101584		--	139411GT	TIRE,SGL,51S3D1-16.5,8 PLY	
--	106122GT	CAP,DISENGAGE,4HP/4HB*** for 101584		--	42145GT	WHEEL,16.5 X 8.25,9 HOLE/9.5BC	
--	106123GT	O-RING,END COVER,4HP/4HB*** for 101584		20G	110695GT	WHEEL ASSY, IND.W/SEALANT.....	2
--	106124GT	LINING KIT, BRAKE, 4HP*** for 101584		20H	1267842GT	WHEEL ASSY, IND. W/SEALANT.....	2
--	106125GT	SEAL KIT, BRAKE, 4HP for 101584 (inventory limited to stock on hand as component is no longer available)		20J	110705GT	WHEEL ASSY, IND.W/SEALANT NM.....	2
--	106126GT	BEARING KIT,4HP for 101584 (inventory limited to stock on hand as component is no longer available)		20K	1267843GT	WHEEL ASSY, IND. W/SEALANT NM.....	2
--	1286602GT	SEAL KIT,WHEEL DRIVE W/BRAKE (101584/101585) for 101584					
--	1286603GT	BEARING KIT,WHEEL DRIVE W/BRAKE (101584/101585) for 101584					

203.1 Non-Steer End (2WD)
(continued)

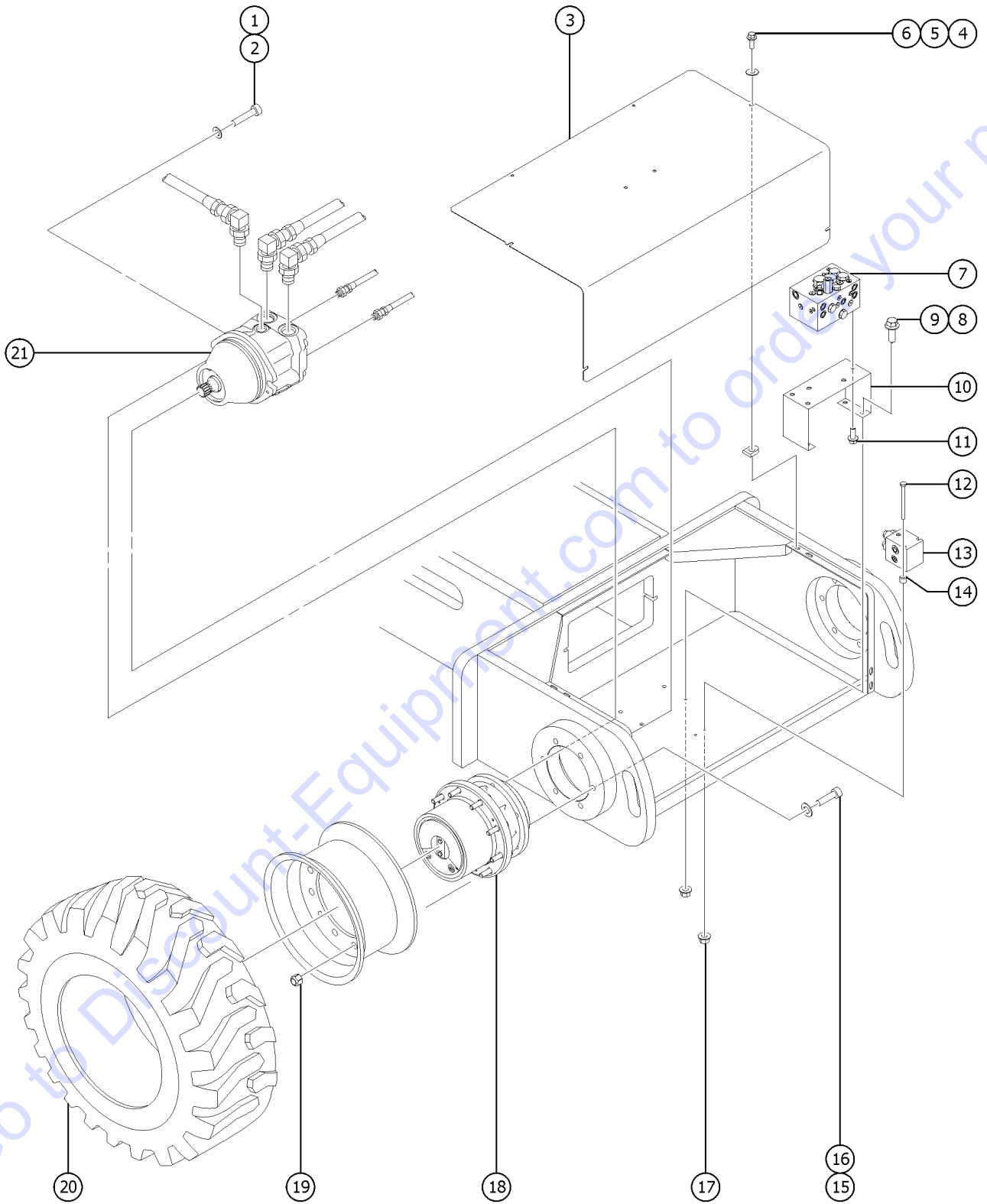
Item	Part No.	Description	Qty.
20L	139476GT	ASSY,TIRE&WHL,SEALANT,LR.....1 <i>ANSI/CSA; left rear air-filled RT tire with sealant; 9-hole wheel</i>	1
20M	139478GT	ASSY,TIRE&WHL,SEALANT,RR.....1 <i>ANSI/CSA; right rear air-filled RT tire with sealant; 9-hole wheel</i>	1
20N	45461GT	WHEEL ASSY, INDUSTRIAL, FF.....2 <i>foam-filled tire; 9-hole wheel; to SN Z3416F-10830</i>	2
20P	1267847GT	WHEEL ASSY, INDUSTRIAL, FF.....2 <i>foam-filled tire; 9-hole wheel; from SN Z3416F-10831</i>	2
20Q	1267845GT	WHEEL ASSY, INDUSTRIAL, FF NM.....2 <i>non-marking foam-filled tire; 9-hole wheel; to SN Z3416F-10830</i>	2
20R	1267845GT	WHEEL ASSY, INDUSTRIAL, FF NM.....2 <i>non-marking foam-filled tire; from SN Z3416F-10831</i>	2
20S	139469GT	ASSY,TIRE&WHEEL,DRIVE,FF RH RT.....1 <i>right rear foam-filled RT tire; 9-hole wheel</i>	1
20T	139470GT	ASSY,TIRE&WHEEL,DRIVE,FF LH RT...1 <i>left rear foam-filled RT tire; 9-hole wheel</i>	1
21	101586GT	MOTOR,PISTON,LC25,6.5 DEG,13T.....2	2
--	106098GT	SEAL KIT,MOTOR,LC/KC***	

Go to Discount-Equipment.com to order your parts

This Page Intentionally Left Blank

Go to Discount-Equipment.com to order your parts

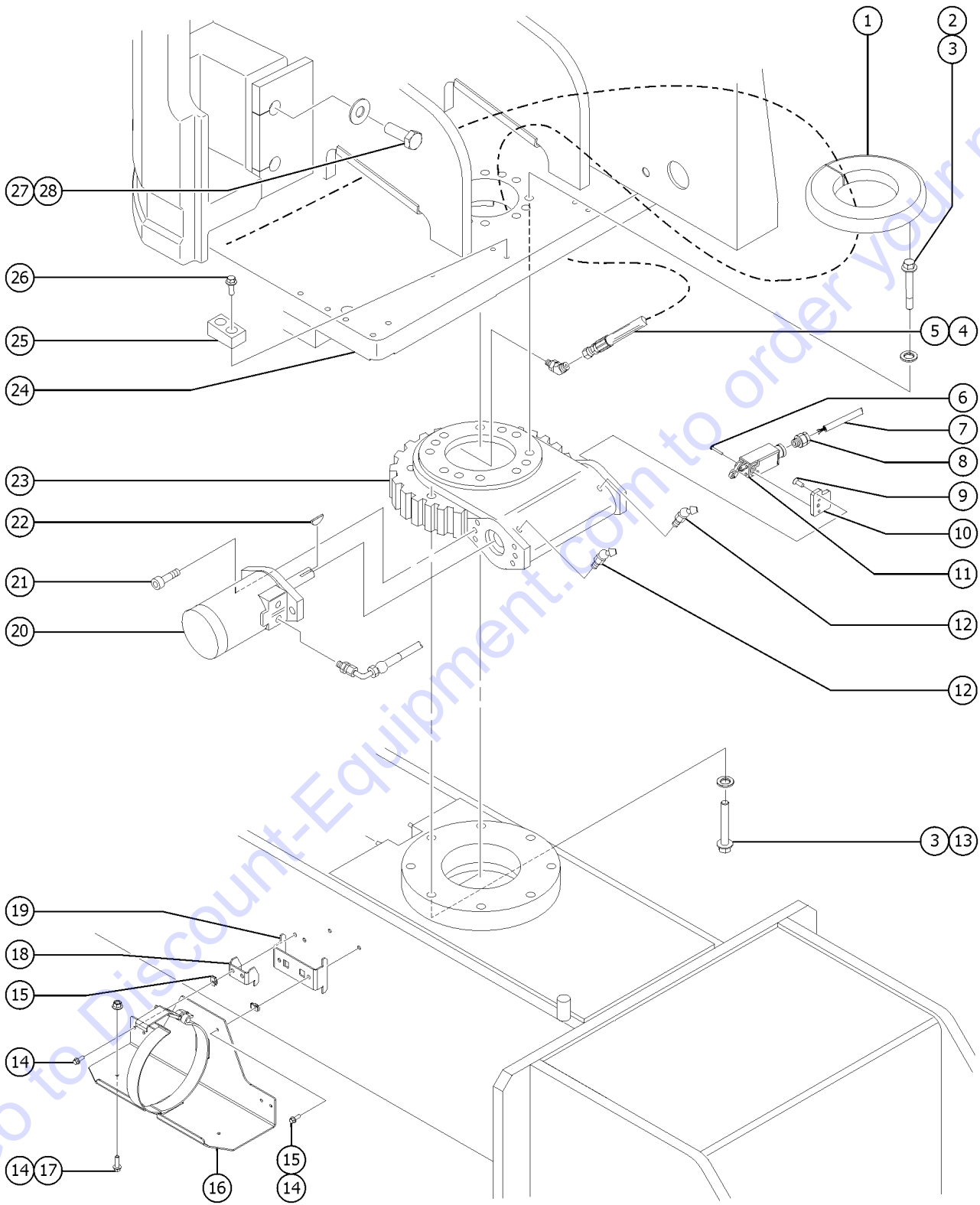
204.1 Non-Steer End (4WD)



204.1 Non-Steer End (4WD)

Item	Part No.	Description	Qty.
1	824072GT	SCREW,HHC,7/16-14X1.25,ZAG.....4	4
2	824117GT	WASHER,FLAT,7/16,SAE,HRD,ZAG.....4	4
3	128729GT	COVER, DRIVE CHASSIS, Z34.....1 <i>decals not included, refer to section 100</i>	1
4	824078GT	SCREW,HHF,1/4-20X.75,8,ZAG.....2	2
5	824113GT	WASHER,FLAT,USS,1/4,ZAG.....2	2
6	56912GT	SPRING CLIP,1/4-20,.025-.15X.54,ZAG.....2	2
7		Ref. TRACTION MANIFOLD 4WD <i>refer to 702.1</i>	
8	824091GT	SCREW,HHF,3/8-16X1.25,8,ZAG.....4	4
9	824029GT	NUT,TL FLG,3/8-16,G,ZAG.....4	4
10	42068GT	BRACKET,MANIFOLD MOUNT.....1	1
11	824089GT	SCREW,HHF,3/8-16X.75,8,ZAG.....2	2
12	824065GT	SCREW,HHC,1/4-20X4,8,ZAG.....2	2
13		Ref. MANIFOLD,BRAKE/MOTOR SHIFT**1 <i>refer to 702.1</i>	1
14	45400GT	SPACER TUBE,.50 LG.....2	2
15	824106GT	SCREW,SHC,5/8-11X2.75,A574,ZAG...12	12
16	824121GT	WASHER,FLAT,.688X1.160X.09,HRD...12	12
17	824027GT	NUT,TL FLG,1/4-20,G,ZAG.....2	2
18		Ref. WHEEL DRIVE,4HP 48:1 <i>refer to 202.1</i>	
19	824042GT	NUT,LUG,5/8-18X90 DEG,ZAG.....18	18
20A	139467GT	ASSY,TIRE&WHEEL,LR,2/4WD.....1 <i>ANSI/CSA; left rear air-filled RT tire; 9-hole wheel</i>	1
--	139411GT	TIRE,SGL,51S3D1-16.5,8 PLY	
--	42145GT	WHEEL,16.5 X 8.25,9 HOLE/9.5BC	
20B	139468GT	ASSY,TIRE&WHEEL,RR,2/4WD.....1 <i>ANSI/CSA; right rear air-filled RT tire; 9-hole wheel</i>	1
--	139411GT	TIRE,SGL,51S3D1-16.5,8 PLY	
--	42145GT	WHEEL,16.5 X 8.25,9 HOLE/9.5BC	
20C	139476GT	ASSY,TIRE&WHL,SEALANT,LR.....1 <i>ANSI/CSA; left rear air-filled tire with sealant; 9-hole wheel</i>	1
20D	139478GT	ASSY,TIRE&WHL,SEALANT,RR.....1 <i>ANSI/CSA; right rear air-filled tire with sealant; 9-hole wheel</i>	1
20E	139469GT	ASSY,TIRE&WHEEL,DRIVE,FF RH RT1 <i>right rear foam-filled RT tire; 9-hole wheel</i>	1
20F	139470GT	ASSY,TIRE&WHEEL,DRIVE,FF LH RT...1 <i>left rear foam-filled RT tire; 9-hole wheel</i>	1
21	101586GT	MOTOR,PISTON,LC25,6.5 DEG,13T.....2	2
--	106098GT	SEAL KIT,MOTOR,LC/KC***	

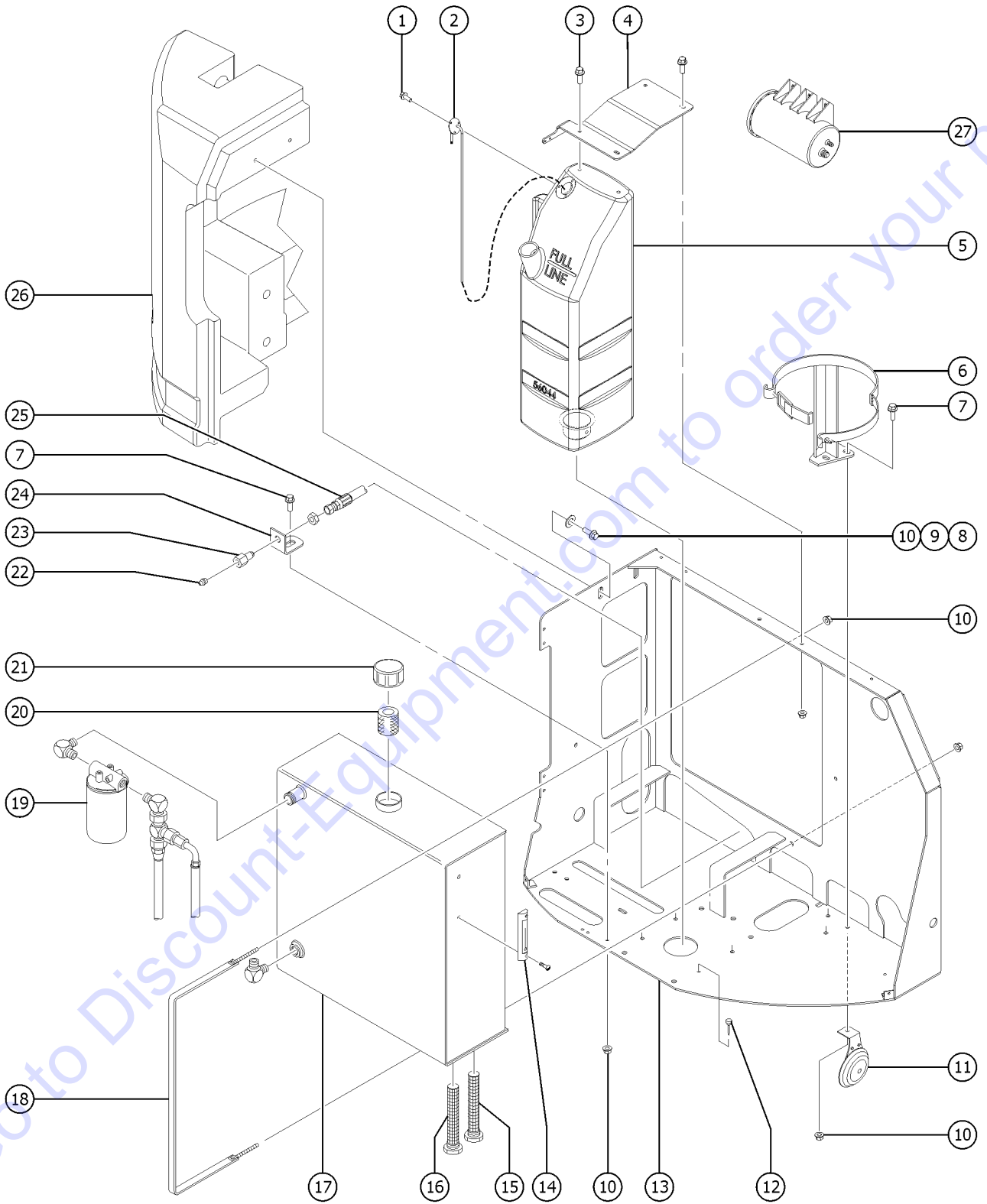
301.1 Turntable Rotator



301.1 Turntable Rotator

Item	Part No.	Description	Qty.	Item	Part No.	Description	Qty.
1	42363GT	RING,HOSE PROTECTOR.....	1	--	128621GT	BEARING,CUP*** for 119111	
2A	139866GT	SCREW,HHC,5/8-11X4.50GR8 PLAIN.....	12	--	128622GT	BEARING,CONE*** for 119111	
		(to SN Z3416F-10791)					
2B	1263142GT	SCREW,HHC,5/8-11,4.5,8,ZAG.....	12	--	128899GT	SHAFT,WORM GEAR*** for 119111	
		(from SN Z3416F-10792)					
3	1256182GT	WASHER,FLAT,5/8,F436,HRD,ZAG.....	20	--	139008GT	SNAP RING,INT,2.88 DIA*** for 119111	
4	139100GT	HOSE ASSY, 1/4", 43.50.....	1	24	94220GT	WELDMENT,SWING CHASSIS Z34.....	1
5	31194GT	ELBOW,070302-4-2.....	1	25	74256GT	REST PAD, LOWER REST Z30N.....	2
6	824223GT	SCREW,PHPM SEMS ET,10-32X1.25,....	2	26	824090GT	SCREW,HHF,3/8-16X1.8,ZAG.....	4
7	43960GT	WIRE CABLE,16/4 CON.TPE JKT.....	71-inches	27	824074GT	SCREW,HHC,1-8X3,8,ZAG.....	2
8		CONNECTOR.....	1	28	824116GT	WASHER, FLAT, F436, 1.0, ZAG.....	2
		included with item 11					
9	824224GT	SCREW,FHPM,10-32X.5,ZAG.....	2				
10	119917GT	PLATE, TURNTABLE LS. MT.					
11	110232GT	HARNESS LS3 OP DRIVE ENABLE.....	1				
		includes item 7					
--	119762GT	CONN PLUG 4 WAY EXTEND DT.....	1				
--	60429GT	LOCK,PLUG 4 WAY,14-18GA.....	1				
--	73714GT	TERM,NI SOC,S&F,16-18GA,REEL.....	4				
--	88356-12103GT	SWITCH,LIMIT,W/ROLLER ARM***	1				
12	30297GT	ZERK,GREASE,1/8 NPT,90DEG.....	2				
13	1263141GT	SCREW,HHC,5/8-11X5.5,8,ZAG.....	8				
14	824092GT	SCREW,HHF,3/8-16X1.5,8,ZAG.....	6				
15	29868GT	SPRING CLIP,3/8-16,.05-.20X.73,ZAG....	4				
16	147337GT	WELDMENT,LP TANK MOUNT.....	1				
17	824029GT	NUT,TL FLG,3/8-16,G,ZAG.....	2				
18	147342GT	FORMING,LP TANK MNT. BRACKET.....	1				
19	147340GT	FORMING,LP TANK MNT. BRACKET.....	1				
20	27372GT	MOTOR,TURNTABLE O-RING PORTS.....	1				
		includes item 22					
--	27275GT	SEAL KIT (21172)					
21	824102GT	SCREW,SHC,1/2-13X1.5,A574,ZAG.....	2				
22	32224GT	KEY-WOODRUFF.....	2				
23	119111GT	ROTATOR TURNTABLE ASSEMBLY***.....	1				
--	1284189GT	CASE COVER,ROTATOR,Z30/34 (119111) for 119111					
--	128565GT	SHIM KIT,TURNTABLE*** for 119111					
--	128618GT	SEAL KIT*** for 119111					
--	128619GT	ZERK,GREASE,1/8 NPT,67.5 DEG** for 119111					
--	128620GT	ZERK,GREASE,1/8 NPT,45 DEG*** for 119111					

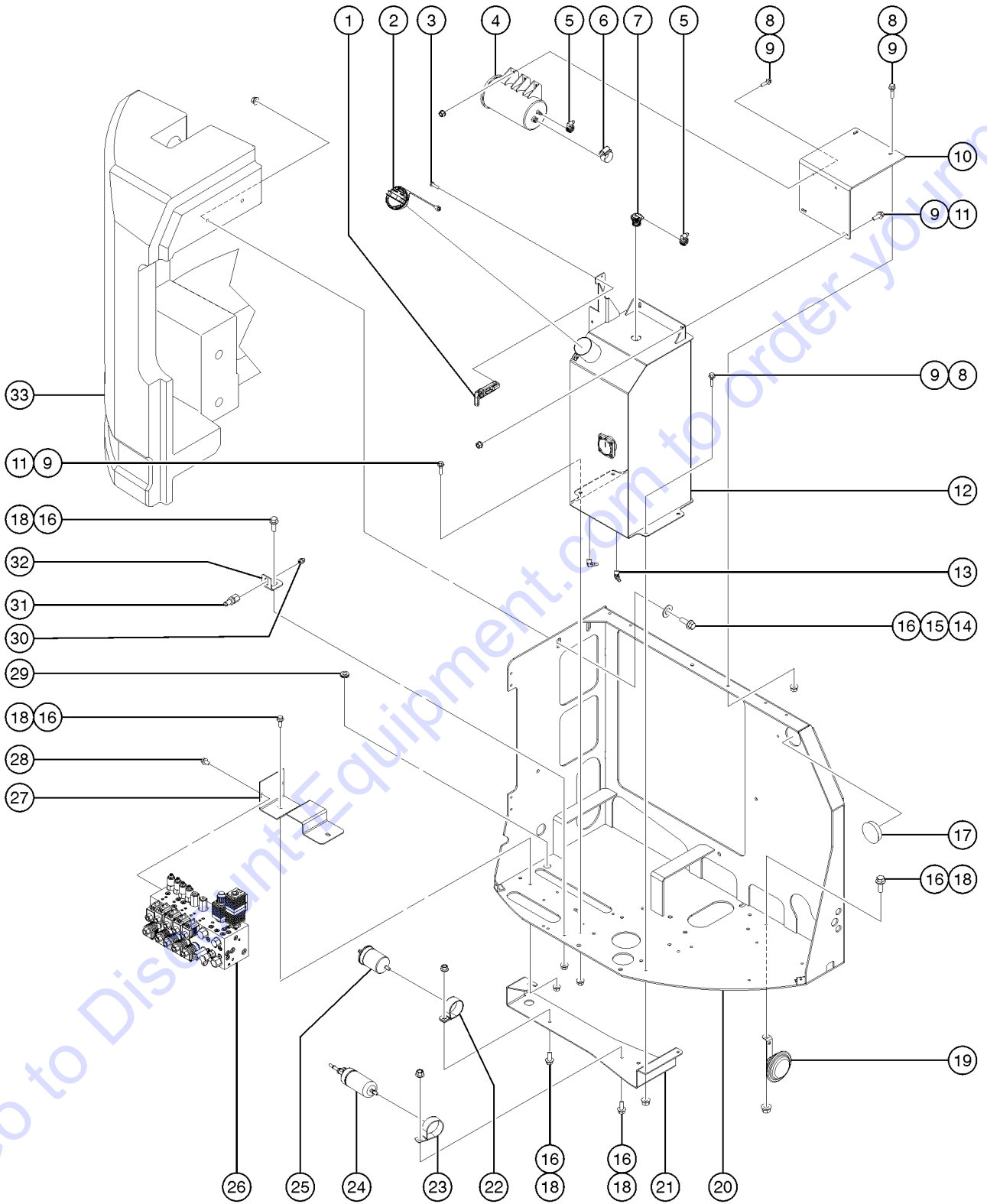
302.1 Ground Control Side, View 1 (to SN Z3416F-10966)



302.1 Ground Control Side, View 1 (to SN Z3416F-10966)

Item	Part No.	Description	Qty.	Item	Part No.	Description	Qty.
1	824077GT	SCREW, HHF, 1/4-20 X .5, 8, ZAG.....	3	17	1274125GT	ASSY, TANK, HYDRAULIC, 19 GAL, Z34.....	1 <i>(includes gauge item 14)</i>
2	128833GT	PICKUP TUBE, FUEL..... <i>(plastic fuel tanks only)</i>	1	--	42053GT	TANK, HYDRAULIC, 19 GALLON.....	1 <i>(gauge not included)</i>
3	824089GT	SCREW, HHF, 3/8-16X.75, 8, ZAG.....	4	18	43674GT	STRAP ASSY. 42053 TANK.....	1
4A	56052GT	BRACKET, FUEL TANK..... <i>(Diesel models) (shown)</i>	1	19	56653GT	FILTER, RETURN, ASSY, BETA 10.....	1
4B	T108323	BRACKET, FUEL TANK..... <i>(gasoline models)</i>	1	--	139788GT	KIT, Z34IC RETURN FILTER	
5A	230470GT	FUEL TANK ASSY, DIESEL..... <i>(plastic fuel tank) (shown)</i>	1	20	31506GT	STRAINER, FILLER NECK.....	1
--	101726GT	CAP, FUEL, DIESEL, 1/8" VENT (GRN).....	1 <i>(not included with tank)</i>	21	53534GT	FILTER SCREEN, TANK BREATHER.....	1 <i>(includes item 20)</i>
--	55067GT	GROMMET, RUBBER 3 X .19 X 3.5.....	1 <i>(under tank)</i>	22	28646GT	ZERK, GREASE, 1/8 NPT.....	1
--	56044GT	TANK, FUEL PLASTIC***.....	1	23	48885GT	CONNECTOR, BULKHEAD, FEMALE-4...1	
--	56056GT	SPACER, PLASTIC.....	1	24	70602GT	BRACKET, ANGLE.....	1
--	56091GT	FUEL LINES, BULKHEAD.....	1	25	139100GT	HOSE ASSY, 1/4", 43.50.....	1
--	56094GT	GASKET.....	1	26	74532GT	COUNTERWEIGHT, CAST.....	1
5B	1262945GT	VALVE, ROLLOVER, 1/4" BARBED.....	1 <i>(not included with tank)</i>	27	1262944GT	CANISTER, CARBON, 1000CC.....	1 <i>(gasoline models) (from SN Z3415-10449)</i>
5B	T110465GT	TANK ASSEMBLY, FUEL..... <i>(black steel fuel tank) (not shown)</i>	1				
--	119918GT	CAP, FUEL, GASOLINE 3.5PSI <i>(not included with tank)</i>					
--	1261278GT	VALVE, 2WAY, 1PSI <i>(not included with tank)</i>					
--	1263435GT	KIT, SERVICE, EVAP EMISS, Z34 <i>first time replacement from SN 9607 to 10448 (includes 1263436 - instructions, T110465, 1262945, 1263243, 21465, 1263227, and 1263228)</i>					
--	T106900GT	GAUGE, FUEL LEVEL					
6		Ref. WELDMENT, LP BOTTLE BRACKET.....	1 <i>(refer to 301.1)</i>				
7		Ref. SCREW, HHF, 3/8-16X1.8, ZAG <i>(refer to 301.1)</i>					
8	824091GT	SCREW, HHF, 3/8-16X1.25, 8, ZAG.....	2				
9	1268468GT	WASHER, FLAT, .406X1.50X.125, ZAG.....	2				
10	824029GT	NUT, TL FLG, 3/8-16, G, ZAG.....	6				
11	81578GT	HORN, 12VDC, SPADE TERMINALS***.....	1				
12	36388GT	BUMPER, RUBBER, .75 X .50H, STUD.....	4				
13	74956GT	WELDMENT, TANK COMPARTMENT IC.....	1				
14	21141GT	GAUGE-SIGHT, LHA-LGTB***..... <i>(includes mounting fasteners)</i>	1				
15	45161GT	STRAINER ASSEMBLY, 1.5" NPT.....	1				
16	45162GT	STRAINER ASSEMBLY, 1.25" NPT***.....	1				

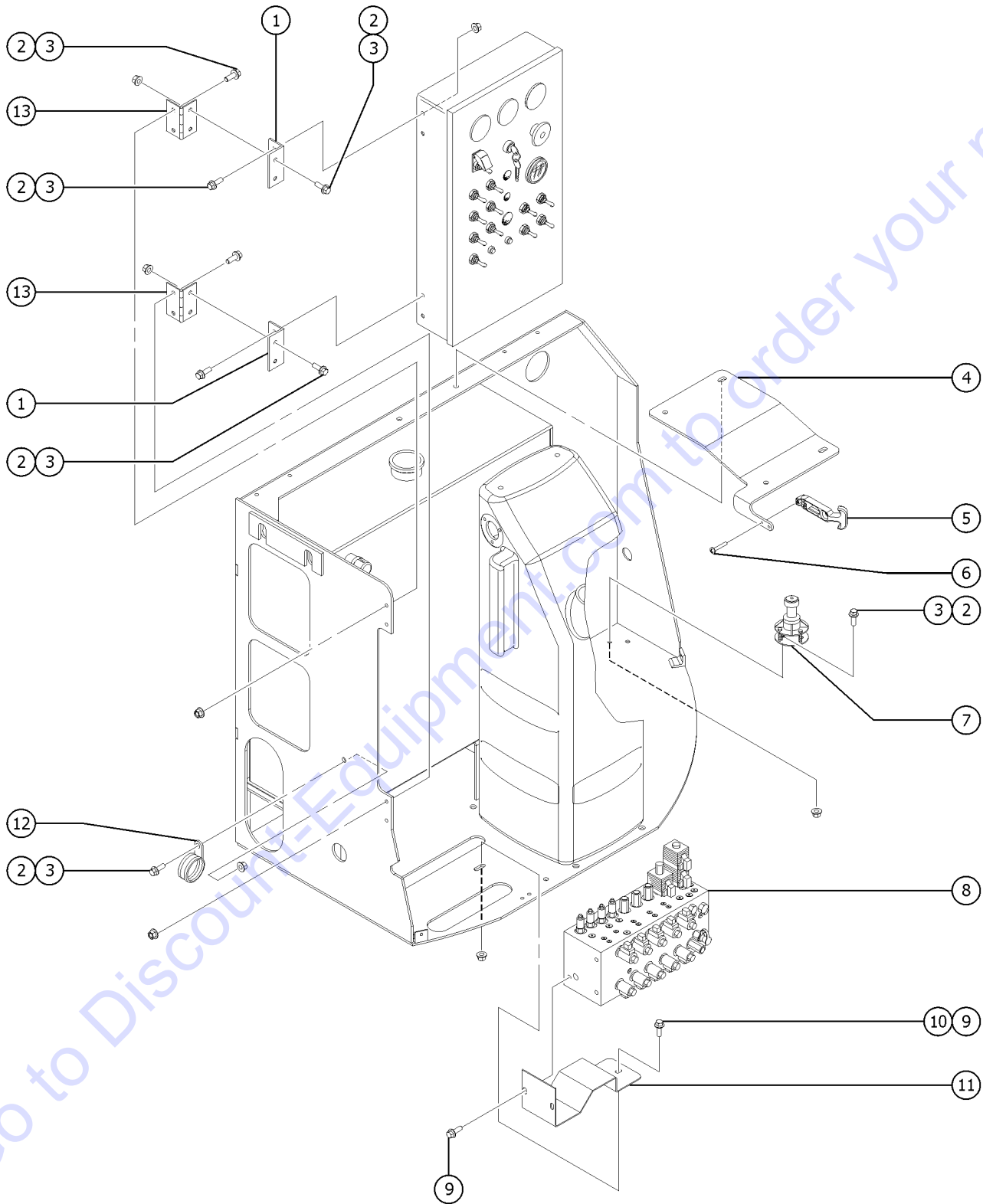
302.2 Ground Control Side, View 1 (from SN Z3416F-10967)



302.2 Ground Control Side, View 1 (from SN Z3416F-10967)

Item	Part No.	Description	Qty.
1	56053GT	LATCH,FLEXIBLE DRAW.....	1
2	119918GT	CAP,FUEL,GASOLINE 3.5PSI.....	1
3	824215GT	SCREW,PHPM,10-32X.75,ZAG.....	2
4	1262944GT	CANISTER, CARBON, 1000CC.....	1
5	21465GT	CLAMP,HOSE,.25" - .63" X .3125.....	3
6	46131GT	CLAMP,HOSE,.63" - 1.0" X .5".....	2
7	1262945GT	VALVE, ROLLOVER, 1/4" BARBED.....	1
8	824079GT	SCREW,HHF,1/4-20X1.8,ZAG.....	6
9	824027GT	NUT,TL FLG,1/4-20,G,ZAG.....	11
10	1268808GT	FORMING,FUEL TANK SPRT,Z34DF....	1
11	824078GT	SCREW,HHF,1/4-20X.75,8,ZAG.....	5
12	1268807GT	ASSY,FUEL TANK,Z34DF.....	1
--	T106900GT	GAUGE, FUEL LEVEL	
13	54205GT	HOSE END,BARB,1/4 MNPTX5/16,90....	2
14	824091GT	SCREW,HHF,3/8-16X1.25,8,ZAG.....	2
15	824120GT	WASHER,FLAT,.375X1.50X.125,ZAG....	2
16	824029GT	NUT,TL FLG,3/8-16,G,ZAG.....	9
17	39640GT	PLUG,NYLON 2.50 BLACK DOMED.....	1
18	824090GT	SCREW,HHF,3/8-16X1.8,ZAG.....	7
19	81578GT	HORN,12VDC,SPADE TERMINALS***....	1
20	74956GT	WELDMENT,TANK COMPARTMENT IC.....	1
21	228721GT	FORMING, FUEL PUMP COVER.....	1
22	27497GT	CLAMP,RUBBER CUSHIONED-2 5/32....	1
23	1272022GT	CLAMP,FUEL COMPONENTS,GM .998L.....	2
24	1272018GT	PUMP, FUEL, GM .998L.....	1
25	1272019GT	FILTER, FUEL.....	1
26		Ref. FUNCTION MANIFOLD..... (refer to 703.1)	1
27	56365GT	MANIFOLD MOUNT BRACKET.....	1
28	824089GT	SCREW,HHF,3/8-16X.75,8,ZAG.....	2
29	231327GT	GROMMET,9/16IDX7/8ODX3/16THK....	1
30	28646GT	ZERK,GREASE,1/8 NPT.....	1
31	48885GT	CONNECTOR,BULKHEAD,FEMALE-4...1	1
32	70602GT	BRACKET, ANGLE.....	1
33	74532GT	COUNTERWEIGHT,CAST.....	1

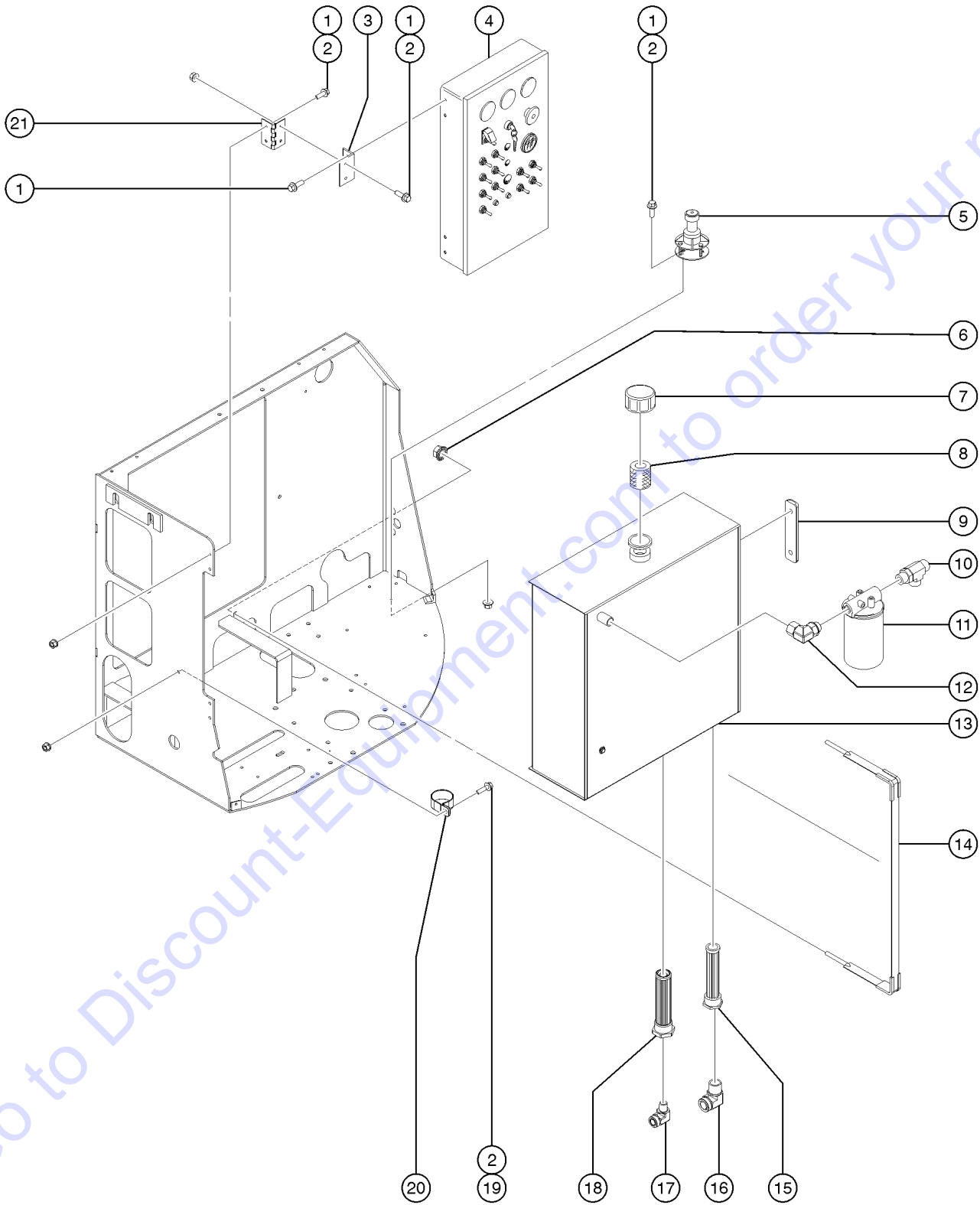
303.1 Ground Control Side, View 2 (to SN Z3416F-10966)



303.1 Ground Control Side, View 2 (to SN Z3416F-10966)

Item	Part No.	Description	Qty.
1	42067GT	ANGLE,CONTROL BOX MOUNTING.....	2
2	824078GT	SCREW,HHF,1/4-20X.75,8,ZAG.....	15
3	824027GT	NUT,TL FLG,1/4-20,G,ZAG.....	15
4		Ref. Fuel Tank Mount Bracket..... <i>refer to 302.1</i>	1
5	56053GT	LATCH,FLEXIBLE DRAW.....	1
6	824215GT	SCREW,PHPM,10-32X.75,ZAG	
7A	94077GT	SENSOR,LEVEL,4.5 DEG..... <i>ANSI/AUS models</i>	1
7B	110382GT	LEVEL SENSOR,LS60,YL,2.5X4.5..... <i>CE models</i>	1
8		Ref. FUNCTION MANIFOLD..... <i>refer to 703.1</i>	1
9	824090GT	SCREW,HHF,3/8-16X1,8,ZAG.....	3
10	824029GT	NUT,TL FLG,3/8-16,G,ZAG.....	3
11	56365GT	MANIFOLD MOUNT BRACKET.....	1
12	21619GT	CLAMP,1.50,#24 X 1/4,RUB CUSH.....	1
13	42077GT	HINGE, 2 X 1.50.....	2

303.2 Ground Control Side, View 2 (from SN Z3416F-10967)

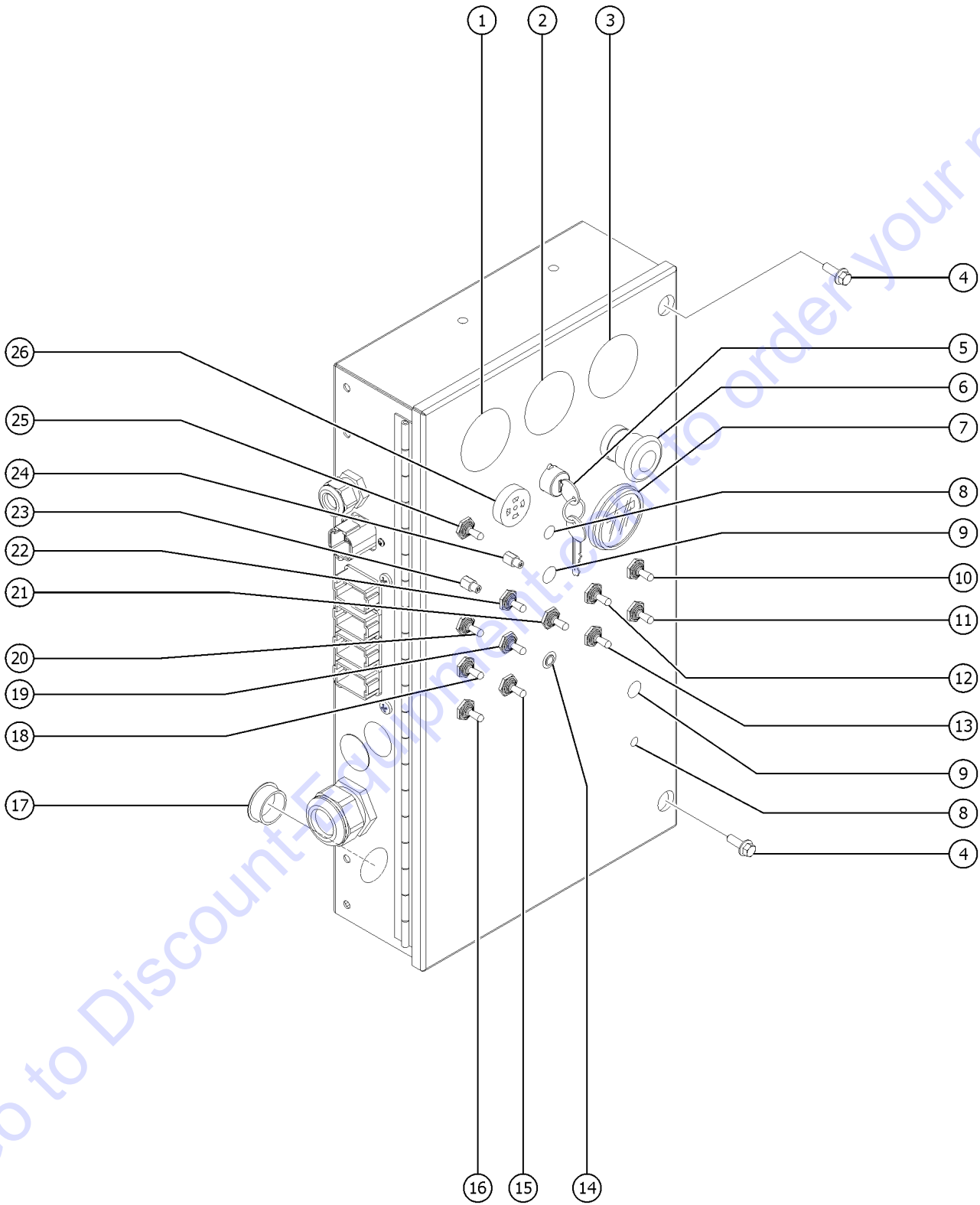


Go to Discount-Equipment.com to order your parts

303.2 Ground Control Side, View 2 (from SN Z3416F-10967)

Item	Part No.	Description	Qty.
1	824078GT	SCREW,HHF,1/4-20X.75,8,ZAG.....	15
2	824027GT	NUT,TL FLG,1/4-20,G,ZAG.....	12
3	42067GT	ANGLE,CONTROL BOX MOUNTING.....	2
4		Ref. GROUND CONTROL BOX..... <i>(refer to 304.1 and 305.1)</i>	1
5A	94077GT	SENSOR,LEVEL,4.5 DEG..... <i>(ANSI/AUS models)</i>	1
5B	110382GT	LEVEL SENSOR,LS60,YL,2.5X4.5..... <i>(CE models)</i>	1
6	1257628GT	NUT,SERRATED,3/8-16,8,ZAG.....	2
7	53534GT	FILTER SCREEN,TANK BREATHER..... <i>(includes item 8)</i>	1
8	31506GT	STRAINER,FILLER NECK.....	1
9	21141GT	GAUGE-SIGHT,LHA-LGTB***..... <i>(includes mounting fasteners)</i>	1
10	48961GT	TEE,RUN,520428-12.....	1
11	56653GT	FILTER,RETURN,ASSY,BETA 10.....	1
--	139788GT	KIT,Z341C RETURN FILTER	
--	44207GT	FILTER ELEMENT,BETA(10)=200	
--	52768GT	GAUGE,MED.PRESSUR FILTER,50530	
12	56673GT	ELBOW, 90D, 12SAE- 3/4NPT.....	1
13	42053GT	TANK,HYDRAULIC,19 GALLON.....	1
--	48922GT	CONN,520102-6-6	
14	42070GT	TANK STRAP,BOLT STYLE,38.5".....	1
15	45161GT	STRAINER ASSEMBLY,1.5" NPT.....	1
16	42786GT	ELBOW,90D,520202-16***.....	1
17	42756GT	ELBOW,90D,520202-8-12.....	1
18	45162GT	STRAINER ASSEMBLY,1.25" NPT***.....	1
19	824079GT	SCREW,HHF,1/4-20X1,8,ZAG.....	1
20	27497GT	CLAMP,RUBBER CUSHIONED-2 5/32....	1
21	42077GT	HINGE, 2 X 1.50.....	2

304.1 Ground Control Box, External View

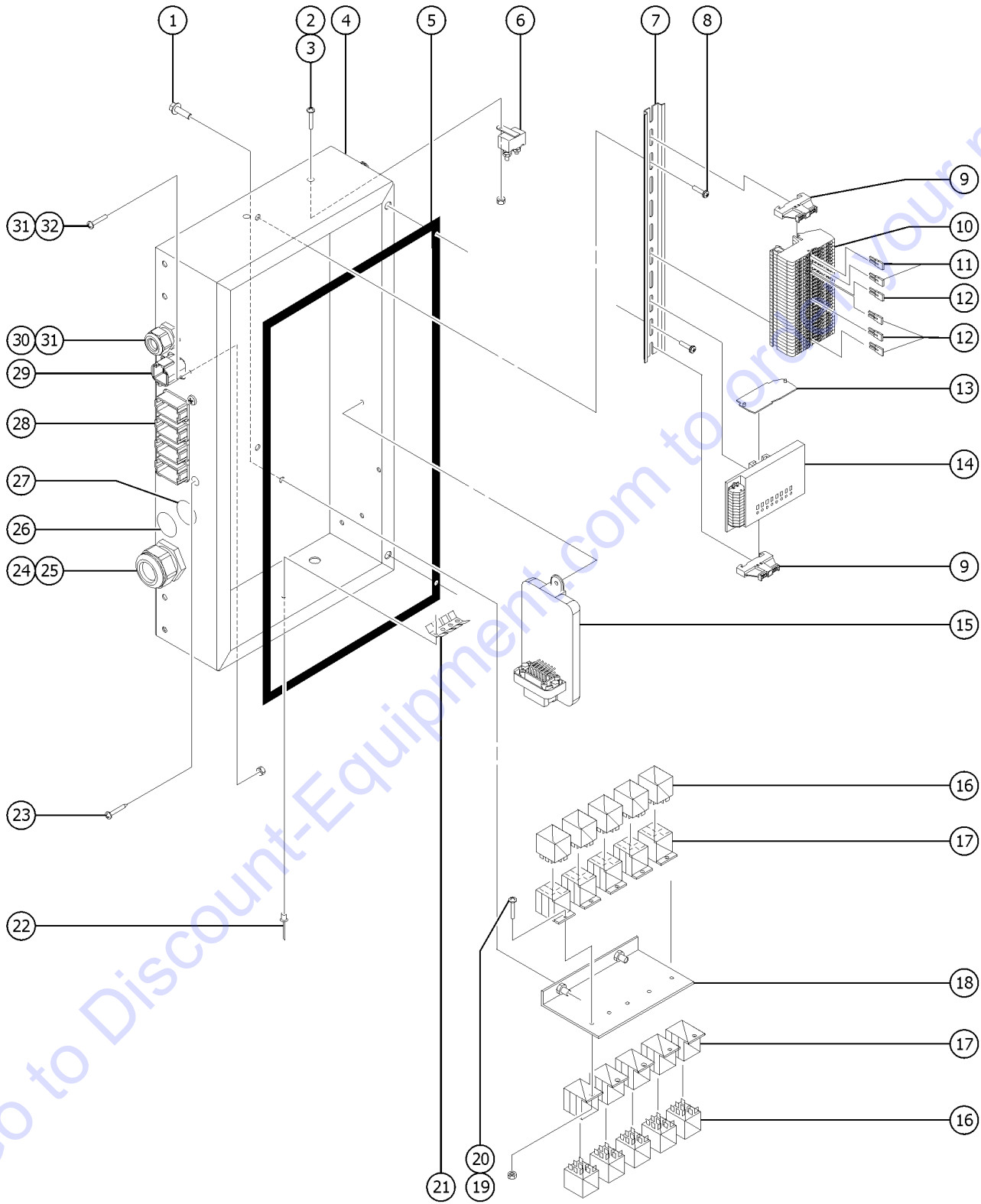


Go to DiscountParts.com to order your parts

304.1 Ground Control Box, External View

Item	Part No.	Description	Qty.	Item	Part No.	Description	Qty.
--	81900GT	PLUG,NYLON 2.093 BLACK DOMED.....	3	18	128582-SGT	SWITCH TOGGLE DPDT 3P MOM SHDR.....	1
1	53759-SGT	GAUGE,WATER TEMP <i>(includes mounting bracket and fasteners)</i>				<i>(primary rotate switch)</i>	
2	53758-SGT	GAUGE,OIL PRESSURE W/O SENDER <i>(includes mounting bracket and fasteners)</i>		19	128582-SGT	SWITCH TOGGLE DPDT 3P MOM SHDR.....	1
3	53761-SGT	GAUGE,VOLTAGE <i>(includes mounting bracket and fasteners)</i>				<i>(primary boom up/down switch)</i>	
4	824077GT	SCREW, HHF, 1/4-20 X .5, 8, ZAG.....	2	20	128582-SGT	SWITCH TOGGLE DPDT 3P MOM SHDR.....	1
5	96008-SGT	KEYSWITCH,3 POS. W/KEYS***.....	1			<i>(platform level switch)</i>	
--	824218GT	SCREW,PHPM SEMS ET,8-32X.25,ZA		21	128582-SGT	SWITCH TOGGLE DPDT 3P MOM SHDR.....	1
--	83093GT	KEY SINGLE*** <i>(with rubber boot)</i>				<i>(jib boom up/down switch)</i>	
--	88827GT	GASKET,KEYSWITCH,PLASTIC***		22	128582-SGT	SWITCH TOGGLE DPDT 3P MOM SHDR.....	1
--	94506GT	BASE,W/3 NC CONTACTS				<i>(primary boom extend/retract switch)</i>	
6	66812GT	BUTTON,PUSH,RED MUSHROOM HEAD.....	1	23	147094GT	ASSY, CIRCUIT BREAKER 15A.....	1
--	66818GT	CONTACT, N.C.				<i>(includes mounting fasteners)</i>	
--	66821GT	BASE,WITHOUT CONTACTS		24	147093GT	ASSY, CIRCUIT BREAKER 10A.....	1
7A	19506GT	HOUR METER,10-80 VOLTS***.....	1			<i>(includes mounting fasteners)</i>	
		<i>for Kubota and Perkins engines (includes mounting bracket)</i>		25	128583-SGT	SWITCH TOGGLE SPDT 2P MOM SHDR	
7B	1271076GT	DISPLAY,DIAGNOSTIC,J1939 <i>for GM .998L engine only</i>		26	45383GT	ALARM,WARBLE TONE 5-30 VDC***.....	1
8	42781GT	PLUG, NYLON .250 BLACK DOMED.....	3	--	72326GT	NUT - PLASTIC,RING FOR ALARMS	
9A	56111GT	PLUG,NYLON .687 BLACK DOMED.....	3				
9B	218167GT	LIGHT,INDICATOR,AMBER 12V ENGINE.....	1				
		<i>(for Pekins 403F engine) (check engine)</i>					
10	128580-SGT	SWITCH TOGGLE SPDT 3P MOM SHDR.....	1				
		<i>(gas/LPG choke switch or diesel glow plug)</i>					
11	128580-SGT	SWITCH TOGGLE SPDT 3P MOM SHDR.....	1				
		<i>(function enable switch)</i>					
12	128580-SGT	SWITCH TOGGLE SPDT 3P MOM SHDR.....	1				
		<i>(engine start switch)</i>					
13	128584-SGT	SWITCH TOGGLE SPDT 2P MNT SHDR.....	1				
		<i>(gas/LPG fuel select switch)</i>					
14	824879GT	LIGHT,LED IND. RED 12V NH.....	1				
		<i>(option, platform overload indicator)</i>					
15	128582-SGT	SWITCH TOGGLE DPDT 3P MOM SHDR.....	1				
		<i>(primary boom extend/retract switch)</i>					
16	128582-SGT	SWITCH TOGGLE DPDT 3P MOM SHDR.....	1				
		<i>(turntable rotate switch)</i>					
17	45385GT	PLUG,NYLON 1.12 BLACK DOMED.....	1				

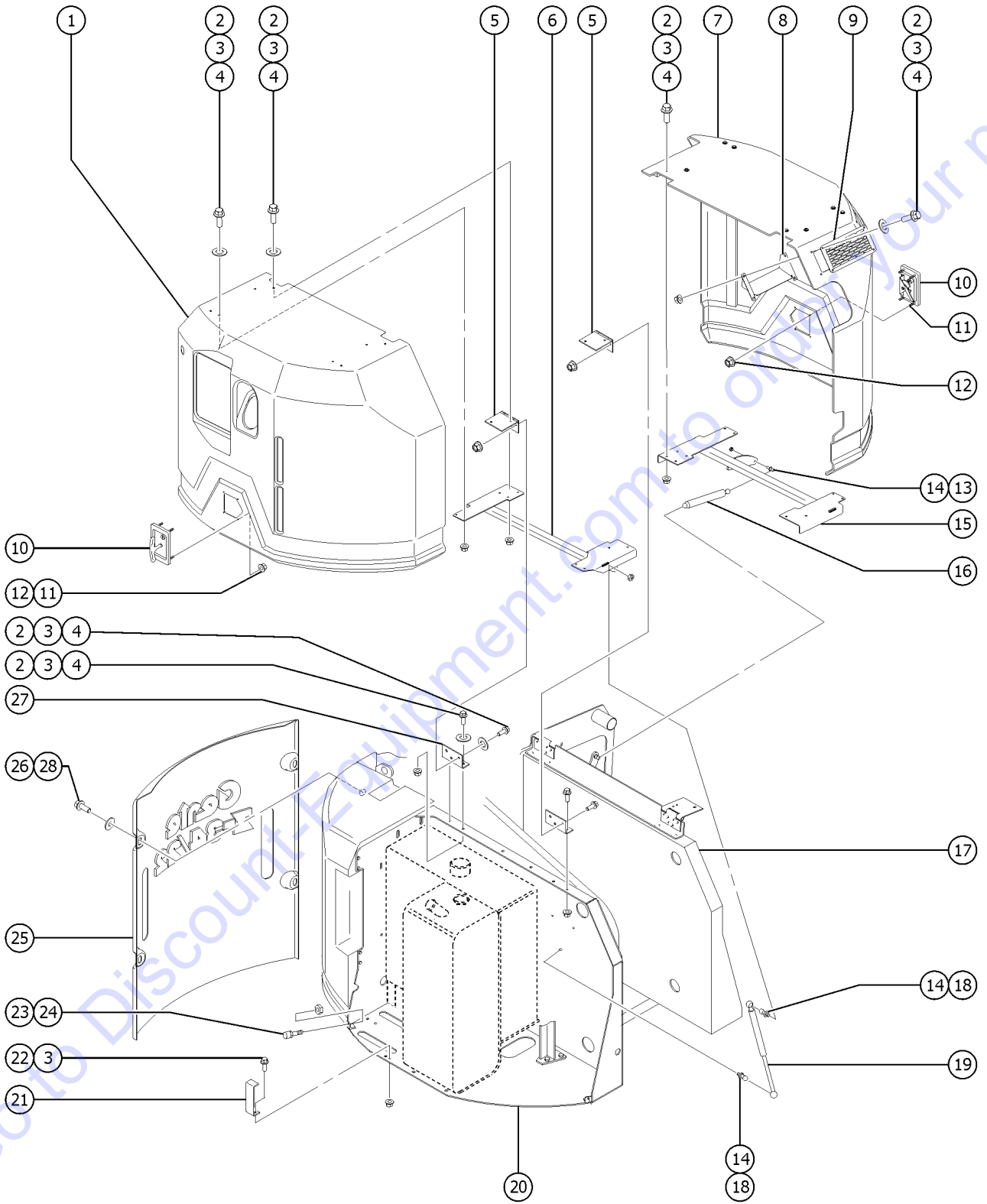
305.1 Ground Control Box, Internal View



305.1 Ground Control Box, Internal View

Item	Part No.	Description	Qty.	Item	Part No.	Description	Qty.
A	216789GT	ASSY,TERMINAL RAIL,Z34IC <i>(all models to SN Z3416F -10966) (includes items 7, 9-12)</i>		--	34054GT	TERM,RELAY N-INSULATED 10-12 G	
B	216789GT	ASSY,TERMINAL RAIL,Z34IC <i>(models with diesel engines from SN Z3416F-10967) (includes items 7, 9-12)</i>		--	34055GT	TERM RELAY,N-INSULATE 14-16 GA	
C	1273281GT	TERMINAL RAIL, ASSY, Z34DF <i>(models with Kubota gasoline engine from SN Z3416F-10967) (includes items 7, 9-12)</i>		--	34056GT	TERM,RELAY,N-INSULATE 18-20 GA	
D	1274207GT	HARNESS, RELAY ASSY, Z34 DF <i>(models with GM gasoline engine from SN Z3416F-10967)</i>		--	58319GT	RELAY SOCKET,AUTO,RETAINER***	
E	121846GT	RELAY,TIME DELAY,2 SEC,10A		16B	34053GT	ASSY,RELAY SOCKET, AUTO.....10 <i>(Kubota gas)</i>	
1	824078GT	SCREW,HHF,1/4-20X.75,8,ZAG.....2		16C	34053GT	ASSY,RELAY SOCKET, AUTO.....8 <i>(Kubota diesel)</i>	
2	824215GT	SCREW,PHPM,10-32X.75,ZAG.....1		17A	T106699GT	BRACKET,RELAY MOUNT W/INSERTS.....1 <i>(mounting holes for 5 relays)</i>	
3	824032GT	NUT,TL FLG,10-32,F,ZAG.....1		17B	54534GT	ANGLE,RELAY MNT,W/NUTSERTS,PNT.....1 <i>(mounting holes for 4 relays)</i>	
4	110648GT	GROUND CONTROL BOX W/DECAL.....1 <i>(includes item 5)</i>		18	49819GT	SCREW,PHILLIPS,PHM,10-32 X .5.....5	
--	23404GT	NUTSERT,1/4-20,STEEL CAD PLTD		19	6178GT	NUT,NYLOCK,10-32.....5	
5	42065GT	GASKET,GROUND CONTROL BOX.....1		20	56663GT	TERMINAL STRIP.....1	
6	128935GT	CIRCUIT BKR 10A TYPE 2 METAL.....1		21	824206GT	RIVET,STL,STL,DOME,1/8X.25,ZAG.....1	
7	36871GT	DIN RAIL,14.75" **.....1		22	824226GT	SCREW,PHPSH,#12-11X.75,ZAG.....4	
8	824222GT	SCREW,PHPM SEMS ET,10-32X.625.....2		23	20776GT	CABLE SQUEEZE CONN.....1	
9	74913GT	END STOP, DIN RAIL,SCREW CLAMP.....2		24	18665GT	LOCKNUT,ELECTRIC,1" NPT.....1	
--	217046GT	KIT, TERMINAL BLOCK <i>(use if replacing a jumpered terminal block)</i>		25	45385GT	PLUG,NYLON 1.12 BLACK DOMED.....1	
10A	216791GT	TERMINAL BLOCK,WIELAND.....38 <i>Dual-fuel models to SN 10961</i>		26	15243GT	PLUG,NYLON .875 BLACK DOMED.....1	
10B	1273821GT	TERMINAL RAIL, ASSY,Z34DF <i>Dual-fuel models from SN 10962</i>		27	73736GT	CONN,RECEP 48 WAY,4 X 12.....1	
11A	74917GT	JUMPER COMB, 2-WAY,WIELAND.....2 <i>(all models to SN Z3416F -10966)</i>		--	54255GT	LOCK,RECEP 12 WAY, 14-18GA	
11B	74917GT	JUMPER COMB, 2-WAY,WIELAND.....2 <i>(models with diesel engines from SN Z3416F-10967)</i>		--	73713GT	TERM,NI PIN,S&F,16-18GA,REEL	
11C	74918GT	JUMPER COMB, 3-WAY,WIELAND.....2 <i>(models with gas engines from SN Z3416F-10967)</i>		28	73717GT	CONN,RECEP 4 WAY,12-14GA FL***.....1	
12	216793GT	TERMINAL BLOCK END PLATE.....1		--	60526GT	LOCK,RECEP 4 WAY,12-14GA	
13	56057GT	MODULE,IGNITION/START,12/24V.....1		--	73711GT	TERM,DEUTSCH, PIN #12-14	
14	128045GT	MODULE,LOAD SENSE 2007.....1		29	7057GT	CONN. SQZ,1/2NPT .39-.56 MED.....1	
--	824032GT	NUT,TL FLG,10-32,F,ZAG		30	6935GT	LOCKNUT,ELEC,1/2".....1	
--	824215GT	SCREW,PHPM,10-32X.75,ZAG		31	824214GT	SCREW,PHPM,6-32X.5,ZAG.....2	
15A	34052GT	RELAY,SPDT,12V(AUTO) PLUG IN**....10 <i>(Kubota gas)</i>		32	824019GT	NUT,TL,6-32,A,ZAG.....2	
15B	34052GT	RELAY,SPDT,12V(AUTO) PLUG IN**....8 <i>(Kubota diesel)</i>					
16A	58318GT	RELAY SOCKET,AUTO.....8					

306.1 Turntable Covers (to SN Z3416F-10966)



306.1 Turntable Covers (to SN Z3416F-10966)

Item	Part No.	Description	Qty.
1A	106380GT	COVER ASSY,W/WORD DEC,GC,34IC.....1 (ANSI/AUS models)	1
1B	106377GT	COVER ASSY,W/SYM DEC,GC,34IC.....1 (CE models)	1
2	824079GT	SCREW,HHF,1/4-20X1,8,ZAG	
3	824027GT	NUT,TL FLG,1/4-20,G,ZAG	
4	824119GT	WASHER,FLAT,.25X1.25X.062,ZAG	
5	75073GT	HINGE,.375X.120THK.,SLOTTED.....2	2
6	56955GT	COVER REINFORCEMENT LH***.....1	1
7A	139814GT	COVER ASSY,W/WORD DECALS.....1 (ANSI/AUS models)	1
7B	139815GT	COVER ASSY,W/SYMBOL DECALS.....1 (CE models)	1
8	139246GT	BAFFLE,ENGINE COVER.....2	2
9	128467GT	PLATE, COVER, IC VENT.....2	2
10	74245GT	LATCH,FLUSH CUP LEFT HAND.....2	2
11	824215GT	SCREW,PHPM,10-32X.75,ZAG	
12	824032GT	NUT,TL FLG,10-32,F,ZAG	
13	33555GT	BALL STUD*.....1	1
14	1252977GT	NUT,TL JAM,5/16-18,A,ZAG	
15A	128470GT	WDMT, COVER REINFORC, RH.....1 (use with 139814GT & 139815GT)	1
15B	56955-SGT	COVER REINFORCEMENT LH***.....1 (use with 106380GT & 106377GT)	1
16	139241GT	STRUT,GAS,14",200LBS.....1	1
17	128291GT	WDMT, ENGINE COMPARTMENT.....1	1
18	62706GT	BALL STUD,5/16-18 (56295).....2	2
19	56295GT	STRUT,GAS***.....1	1
20	74956GT	WELDMENT,TANK COMPARTMENT IC.....1	1
21	42064GT	BRACKET, LATCH.....1	1
22	824078GT	SCREW,HHF,1/4-20X.75,8,ZAG	
23	36388GT	BUMPER,RUBBER,.75 X .50H,STUD....2	2
24	824037GT	NUT,HH JAM,1/4-20,A,ZAG	
25	139290GT	COVER,COUNTERWEIGHT,Z34.....1	1
26	824089GT	SCREW,HHF,3/8-16X.75,8,ZAG	
27	74496PGT	FORMING,HINGE SUPPORT PAINTED.....2	2
28	1255758GT	WASHER,FLAT,3/8,USS,ZAG.....4	4

PARTS FINDER

**Search Website
by Part Number**



**Search Manual
Library For Parts
Manual & Lookup Part
Numbers – Purchase
or Request Quote**

Search Manuals

Enter your information to help us find the right part for your machine.

* Brand:

* Model:

* Serial:

* Part Number:

SEARCH

**Can't Find Part or
Manual? Request Help
by Manufacturer,
Model & Description**

Parts Order Form

Please fill in the following information to help us find the right part for your machine.

Manufacturer:	<input type="text"/>
Model:	<input type="text"/>
Description:	<input type="text"/>
Part Number:	<input type="text"/>
Quantity:	<input type="text"/>
Notes:	<input type="text"/>
Submit	<input type="button" value="Submit"/>

Discount-Equipment.com is your online resource for quality parts & equipment.

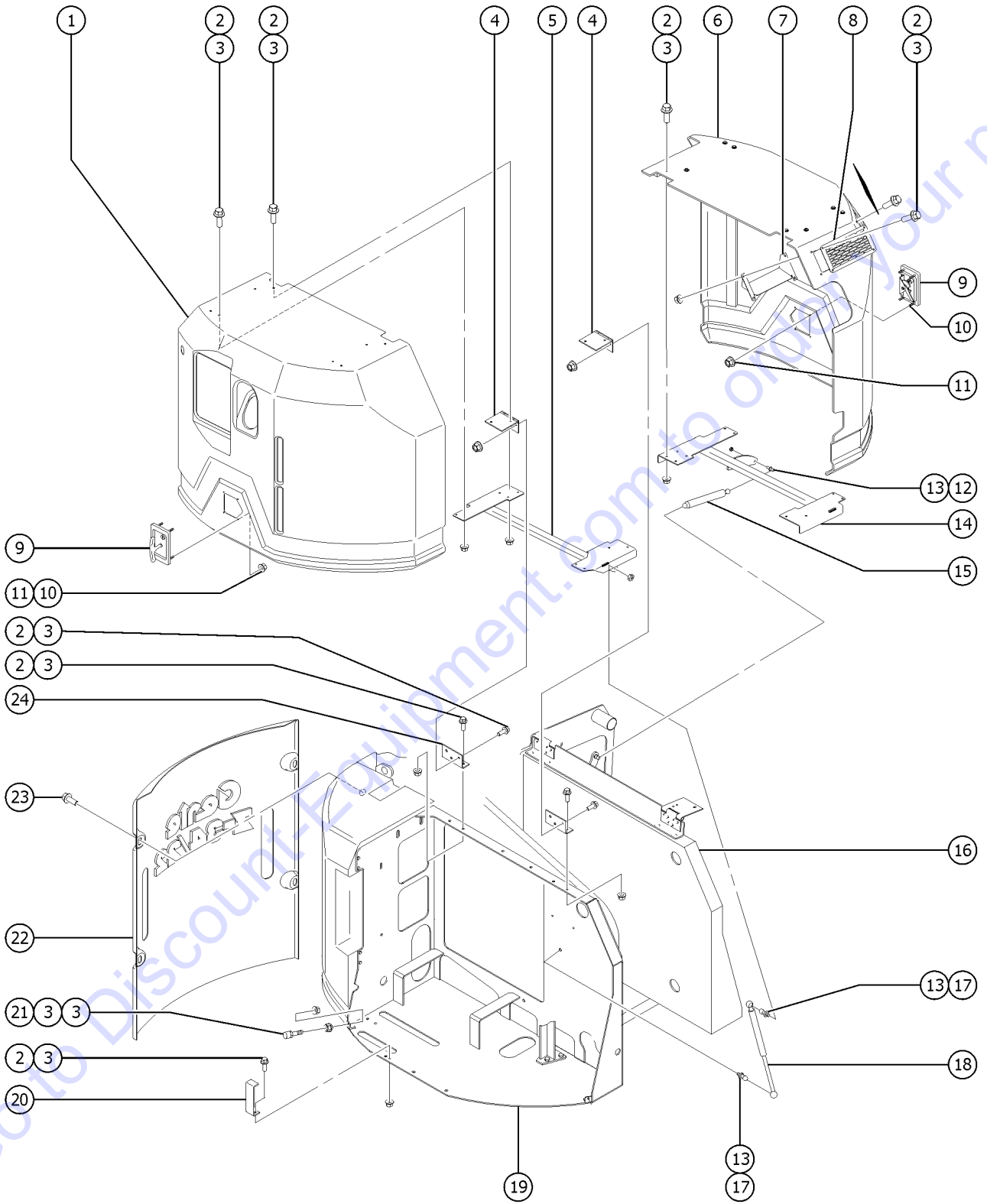
Florida: **561-964-4949** Outside Florida TOLL FREE: **877-690-3101**

Need parts?

Click on this link: <http://www.discount-equipment.com/category/5443-parts/> and choose one of the options to help get the right parts and equipment you are looking for. Please have the machine model and serial number available in order to help us get you the correct parts. If you don't find the part on the website or on one of the online manuals, please fill out the request form and one of our experienced staff members will get back to you with a quote for the right part that your machine needs.

We sell worldwide for the brands: Genie, Terex, JLG, MultiQuip, Mikasa, Essick, Whiteman, Mayco, Toro Stone, Diamond Products, Generac Magnum, Airman, Haulotte, Barreto, Power Blanket, Nifty Lift, Atlas Copco, Chicago Pneumatic, Allmand, Miller Curber, Skyjack, Lull, Skytrak, Tsurumi, Husquvarna Target, Stow, Wacker, Sakai, Mi-T-M, Sullair, Basic, Dynapac, MBW, Weber, Bartell, Bennar Newman, Haulotte, Ditch Runner, Menegotti, Morrison, Contec, Buddy, Crown, Edco, Wyco, Bomag, Laymor, EZ Trench, Bil-Jax, F.S. Curtis, Gehl Pavers, Heli, Honda, ICS/PowerGrit, IHI, Partner, Imer, Clipper, MMD, Koshin, Rice, CH&E, General Equipment, Amida, Coleman, NAC, Gradall, Square Shooter, Kent, Stanley, Tamco, Toku, Hatz, Kohler, Robin, Wisconsin, Northrock, Oztec, Toker TK, Rol-Air, APT, Wylie, Ingersoll Rand / Doosan, Innovatech, Con X, Ammann, Mecalac, Makinex, Smith Surface Prep, Small Line, Wanco, Yanmar

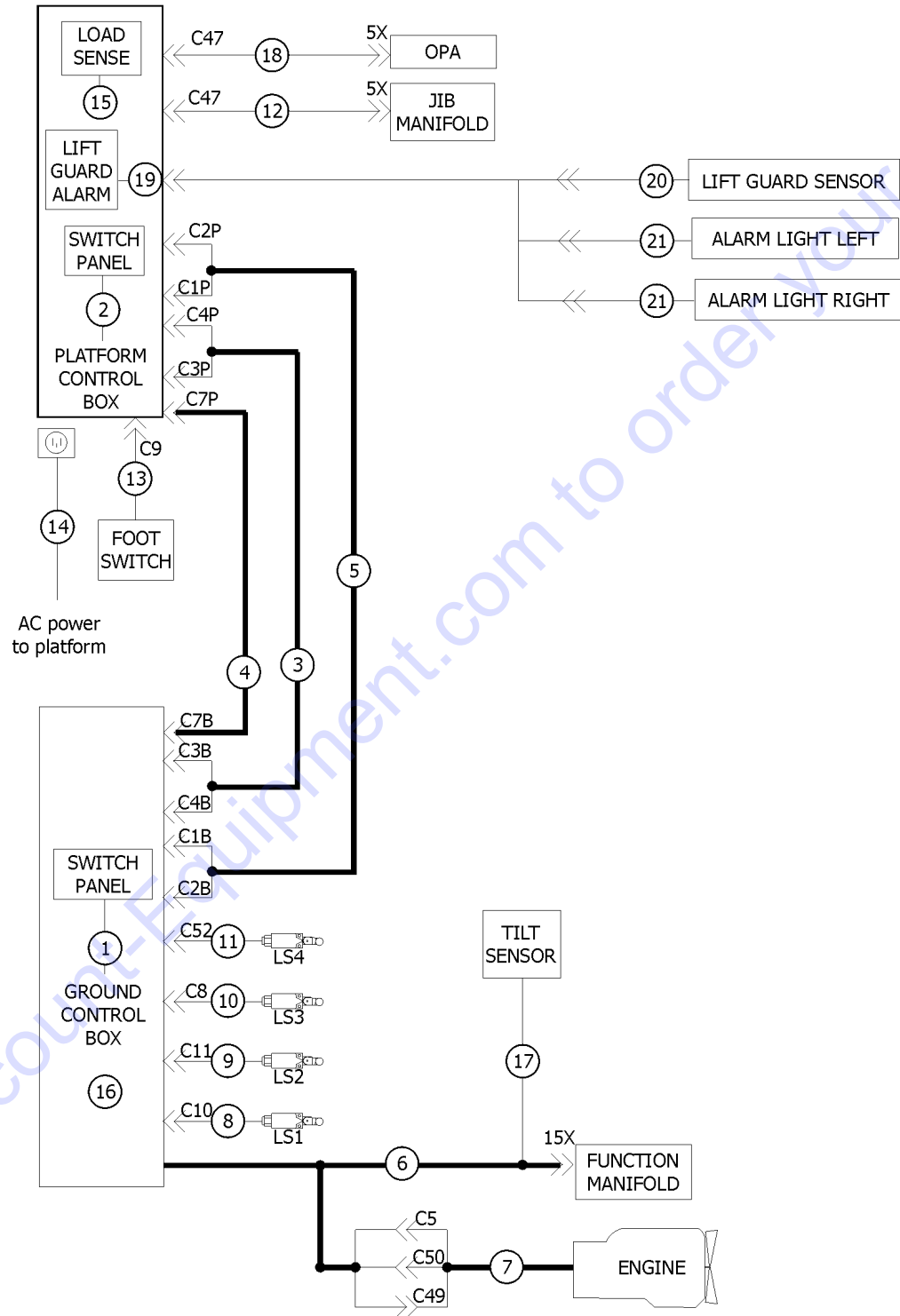
306.2 Turntable Covers (from SN Z3416F-10967)



306.2 Turntable Covers (from SN Z3416F-10967)

Item	Part No.	Description	Qty.
1A	106380GT	COVER ASSY,W/WORD DEC,GC,34IC.....1 (ANSI/AUS models)	1
1B	106377GT	COVER ASSY,W/SYM DEC,GC,34IC.....1 (CE models)	1
2	824079GT	SCREW,HHF,1/4-20X1,8,ZAG.....38	38
3	824027GT	NUT,TL FLG,1/4-20,G,ZAG.....42	42
4	75073GT	HINGE,.375X.120THK.,SLOTTED.....2	2
5	56955GT	COVER REINFORCEMENT LH***.....1	1
6A	139814GT	COVER ASSY,W/WORD DECALS.....1 (ANSI/AUS models)	1
6B	139815GT	COVER ASSY,W/SYMBOL DECALS.....1 (CE models)	1
7	139246GT	BAFFLE,ENGINE COVER.....2	2
8	128467GT	PLATE, COVER, IC VENT.....2	2
9	74245GT	LATCH,FLUSH CUP LEFT HAND.....2	2
10	824215GT	SCREW,PHPM,10-32X.75,ZAG.....4	4
11	824032GT	NUT,TL FLG,10-32,F,ZAG.....4	4
12	33555GT	BALL STUD*.....1	1
13	125297GT	NUT,TL JAM,5/16-18,A,ZAG.....3	3
14A	128470GT	WDMT, COVER REINFORC, RH.....1 (use with 139814GT & 139815GT)	1
14B	56955-SGT	COVER REINFORCEMENT LH***.....1 (use with 106380GT & 106377GT)	1
15	139241GT	STRUT,GAS,14",200LBS.....1	1
16	128291GT	WDMT, ENGINE COMPARTMENT.....1	1
17	62706GT	BALL STUD,5/16-18 (56295).....2	2
18	56295GT	STRUT,GAS***.....1	1
19	74956GT	WELDMNT,TANK COMPARTMENT IC.....1	1
20	42064GT	BRACKET, LATCH.....1	1
21	36388GT	BUMPER,RUBBER,.75 X .50H,STUD.....3	3
22	139290GT	COVER,COUNTERWEIGHT,Z34.....1	1
23	824089GT	SCREW,HHF,3/8-16X.75,8,ZAG.....4	4
24	74496PGT	FORMING,HINGE SUPPORT PAINTED.....2	2

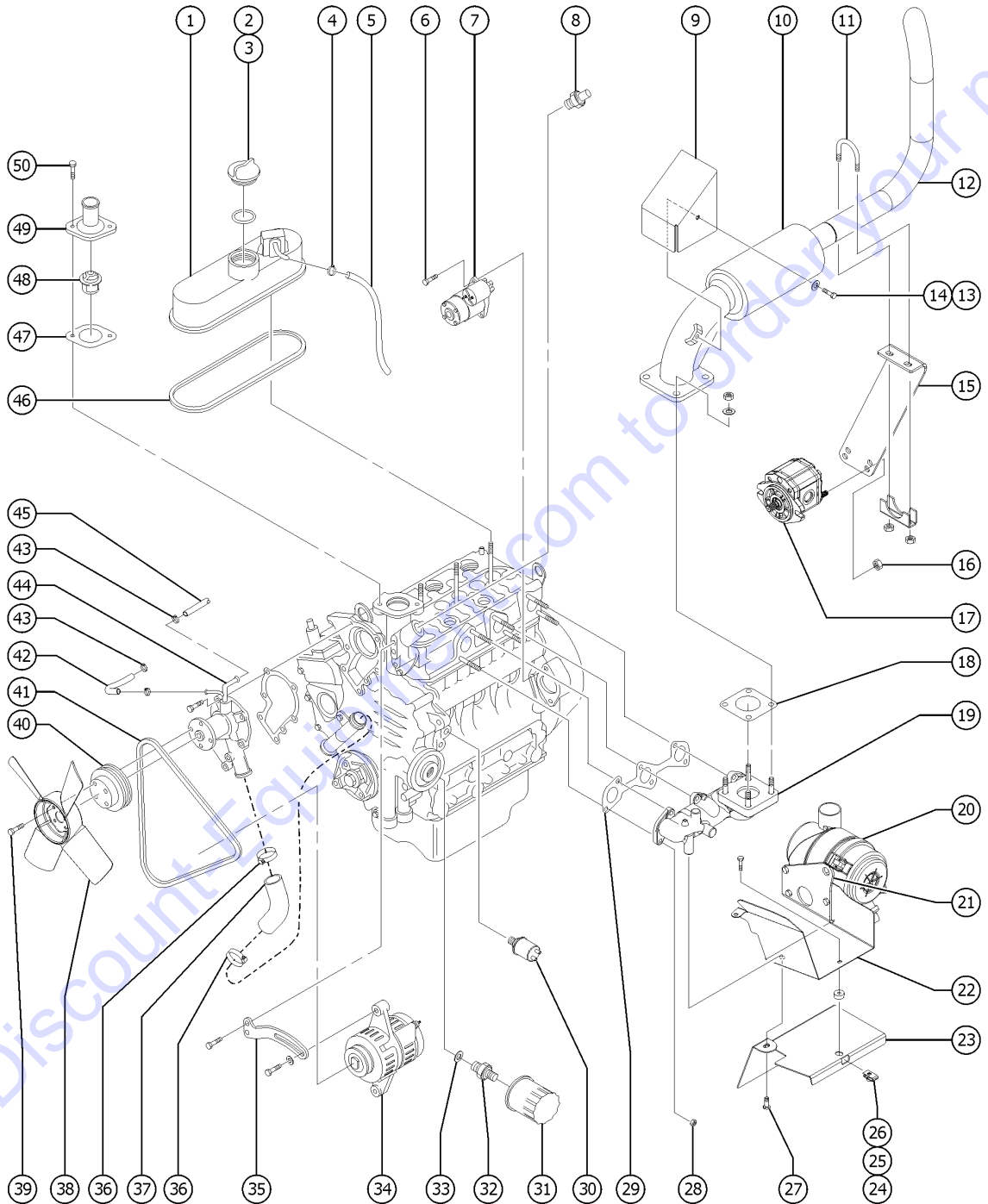
307.1 Wire Harness Diagram



307.1 Wire Harness Diagram

Item	Part No.	Description	Qty.	Item	Part No.	Description	Qty.
A	58253GT	KIT,REPAIR,DEUTSCH PLUG,W/TUBE <i>(small kit)</i>		10	110232GT	HARNESS LS3 OP DRIVE ENABLE.....	1
B	83129GT	KIT,REPAIR,DEUTSH CONNECTORS** <i>(large kit)</i>		11	110246GT	HARNESS LS4 OP SECONDARY.....	1
C	61794GT	CRIMPER,DEUTSCH,LIGHT DUTY*** <i>(tool)</i>		12	110256GT	HARNESS JIB CABLE SMB.....	1
D	1262029GT	CABLE, AUX PUMP, POS.....	1	13	110255GT	ASSEMBLY FOOT SWITCH.....	1
E	1262030GT	CABLE, AUX PUMP, NEG.....	1	14	43956GT	WIRE CABLE,14/3 CON.TPE JKT*.....	600-inches
F	1264822GT	KIT, TRC RETROFIT, STNDRD <i>Telematics (includes 1264834)</i>		15A	147251GT	HARNESS, LOAD SENSE <i>CE models only</i>	
--	1264834GT	INSTRN, TRC RETROFIT, STNDRD		15B	217371GT	HARNESS,LOAD SENSE RECOVERY <i>AUS models only</i>	
--	88832GT	HARNESS,PLUG,NON-LOAD WEIGHING		16A	237505GT	ASSEMBLY,RELAY,Z34IC,GAS/LP.....	1
1A	110640GT	HARNESS BASE BOX IC..... <i>ANSI, AUS; from SN 4800; Kubota (D1105, WG972)</i>	1	--	34052GT	RELAY,SPDT,12V(AUTO) PLUG IN**.....	10
1B	1262180GT	HARNESS,GBOX,PERKINS,ANSI/AUS..1 <i>ANSI, AUS; from SN 10682; Perkins (403F)</i>	1	--	34053GT	ASSY,RELAY SOCKET, AUTO.....	10
1C	110640GT	HARNESS BASE BOX IC..... <i>CE; from SN 4800 to 10383; Kubota (D1105, WG972)</i>	1	--	34054GT	TERM,RELAY N-INSULATED 10-12 G.....	18
1D	1260992GT	HARNESS,GBOX,KUBOTA,CE..... <i>CE; from SN 10384; Kubota (D1105, WG972)</i>	1	--	34055GT	TERM RELAY,N-INSULATE 14-16 GA.....	22
1E	1262181GT	HARNESS,GBOX,PERKINS,CE..... <i>CE; from SN 10682; Perkins (403F)</i>	1	--	45782GT	DIODE,6 AMP,200 PIV,BULK.....	2
1F	1274196GT	HARNESS, G-BOX, Z34DF <i>GM .998</i>		16B	237506GT	ASSEMBLY,RELAY,Z34IC,DIESEL.....	1
2	110645GT	HARNESS, PLAT BOX Z34IC.....	1	--	34052GT	RELAY,SPDT,12V(AUTO) PLUG IN**.....	8
3	110240GT	HARNESS CABLE1 18/19 COND..... <i>green & brown connectors</i>	1	--	34053GT	ASSY,RELAY SOCKET, AUTO.....	8
4	110233GT	HARNESS CABLE2 12/3 COND.....	1	--	34054GT	TERM,RELAY N-INSULATED 10-12 G.....	14
5	110236GT	HARNESS CABLE3 18/19 COND..... <i>gray & black connectors</i>	1	--	34055GT	TERM RELAY,N-INSULATE 14-16 GA.....	17
6	215985GT	HARNESS,FUNC.MANIFOLD,Z34IC.....	1	--	45782GT	DIODE,6 AMP,200 PIV,BULK.....	2
7A	110254GT	HARNESS, ENG. PERKINS 403C-11..... <i>Perkins</i>	1	16C	1274207GT	HARNESS, RELAY ASSY, Z34 DF <i>Gas/LPG from SN 10967</i>	
7B	110253GT	HARN.ENGINE KUB DSL D905/1105..... <i>Kubota D905</i>	1	17A	1260218GT	HARNESS,TILT ALARM,12V..... <i>CSA models only; to Z3415-10370</i>	1
7C	110252GT	HARNESS, ENG.KUBOTA GAS DF752..... <i>Kubota DF752</i>	1	17B	1261844GT	HARNESS, TILT, 12V, CSA PROD..... <i>CSA models only; from Z3415-10371</i>	1
7D	139243GT	HARNESS,ENGINE,DF972..... <i>Kubota DF-972</i>	1	17C	1285811GT	KIT,TILT ALARM,IC MODELS <i>from SN 10370</i>	
7E	230333GT	HARNESS, ENGINE, KUBOTA WG972..... <i>Kubota WG972</i>	1	--	1285689GT	INSTRUCTIONS,INSTALL (LEVEL SENSOR ALARM) <i>for kit 1285811</i>	
7F	1273584GT	HARNESS, DUAL FUEL ENGINE, PSI <i>GM .998L</i>		18A	1255555GT	HARN,PBOX,OPA,HW,12V.....	1
8	110244GT	HARNESS LS1 OP EXT/RET.....	1	18B	1255030GT	PLUG,BLANKING.....	1
9	110245GT	HARNESS LS2 OP PRIMARY.....	1	19	1278451GT	HARNESS, OPA2, Z34IC <i>models with Lift Guard Alarm</i>	
				20	1278119GT	ASSEMBLY, SENSOR, PROX, CONTACT ALARM	
				21	1278111GT	ASSEMBLY, LIGHT, CONTACT ALARM	

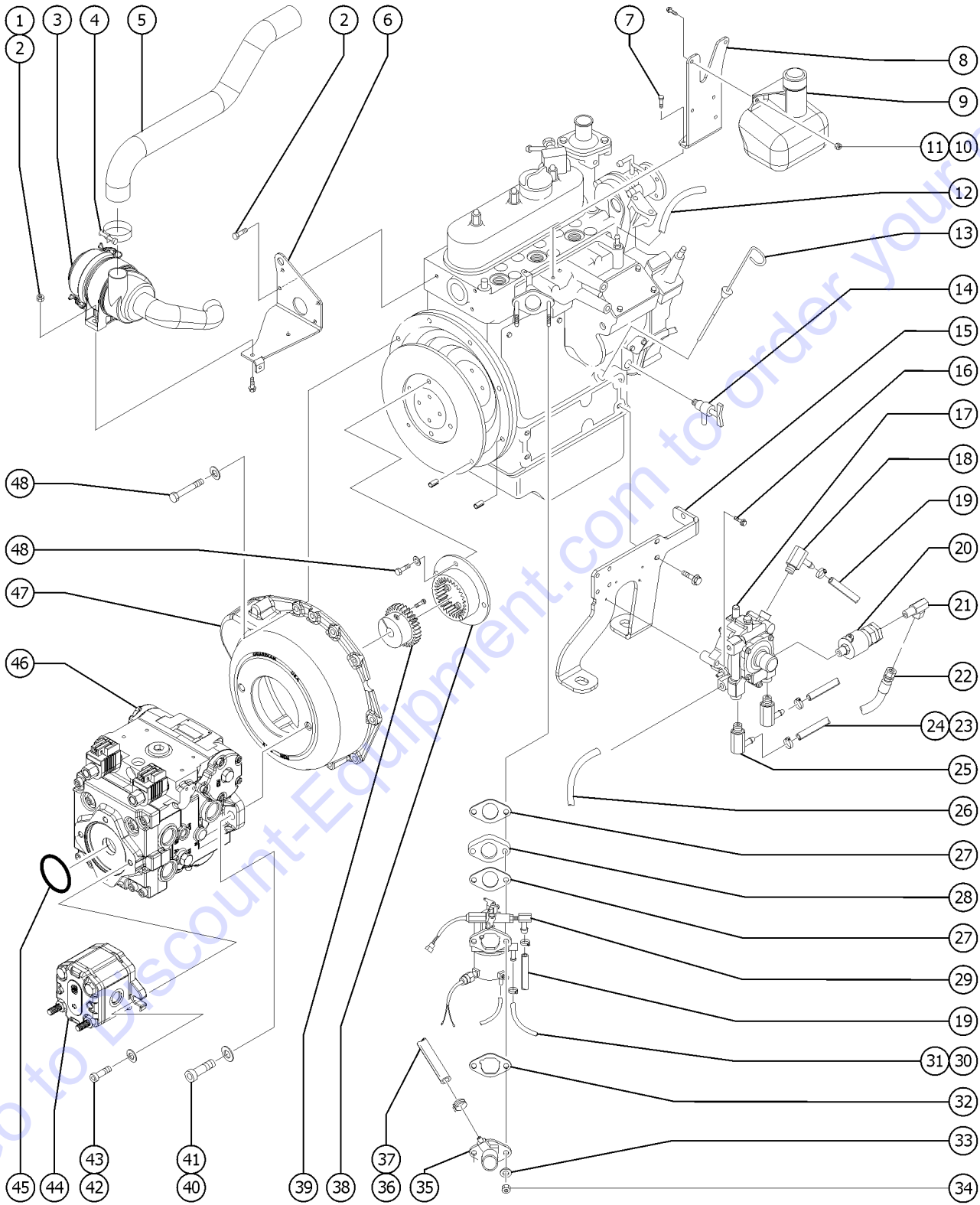
401.1 Kubota WG972 (gas), View 1



401.1 Kubota WG972 (gas), View 1

Item	Part No.	Description	Qty.	Item	Part No.	Description	Qty.
--	230798GT	ENGINE KIT, KUBOTA WG972 3-cylinder; gas/LPG; includes bellhousing kit and LPG regulator		35	44184GT	ALTERNATOR STAY,WG750***.....1	1
1	235499GT	VALVE COVER, WG972.....1	1	36	32092GT	CLAMP,HOSE,KUBOTA WG750	
2	235500GT	ORING, OIL FILLER PLUG, WG972.....1	1	37	32067GT	HOSE,WATER PUMP,KUBOTA**.....1	1
3	52808GT	PLUG,OIL FILLER Z482,Z34/22BE*.....1	1	38	23479GT	FAN,COOLING DF750.....1	1
4	32069GT	CLAMP,HOSE,KUBOTA WG750		39	235509GT	BOLT, FAN, WG972	
5	235501GT	PIPE, BREATHER JOINT, WG972.....1	1	40	23469GT	PULLEY,FAN,WG750B***.....1	1
6	235502GT	BOLT, M8X30MM, KUBOTA		41	52816GT	BELT,FAN,KUBOTA DF972/Z482-E.....1	1
7	139191GT	STARTER MOTOR, KUBOTA, DF972.....1	1	42	27903GT	HOSE,LOW PRESSURE,.375 ID,BLK sold by the inch	
--	139192GT	SOLENOID, KUBOTA,DF972		43	32069GT	CLAMP,HOSE,KUBOTA WG750	
--	72295GT	RING GEAR (51108)-DF750,DF752		44	139196GT	WATER PUMP, DF972.....1	1
8	34058GT	SENDING UNIT,TMP,FRD,GM,PRK704.....1	1	45	32068GT	HOSE,WATER PUMP RETURN,WG750**.....1	1
9	227593GT	COVER,MUFFLER,FLANGE,DF-972.....1	1	46	235512GT	GASKET, VALVE COVER, WG972.....1	1
10	T114655GT	CATALYTIC MUFFLER,DF-972.....1	1	47	28092GT	GASKET,THERMOSTAT-28091.....1	1
11	62160GT	CLAMP,TAILPIPE, 1 1/2"***.....1 includes mounting fasteners	1	48	139278GT	THERMOSTAT.....1	1
12	106602GT	PIPE,EXHAUST,Z34 KUBOTA***.....1	1	49	139200GT	THERMOSTAT HOUSING, DF972.....1	1
13	235503GT	BOLT, MUFFLER COVER, WG972		50	235513GT	BOLT, THERMOSTAT COVER, WG972	
14	235504GT	WASHER, MUFFLER COVER, WG972					
15	110285GT	BRACKET,Z34IC DIESEL TAILPIPE.....1	1				
16	4828GT	NUT,NYLOCK,3/8-16					
17		Ref. PUMP,PIGGYBACK refer to 402.1					
18	832128GT	GASKET,MUFFLER,KUBOTA D905/11.....1	1				
19	139202GT	EXHAUST MANIFOLD, DF972.....1	1				
20		Ref. ASSY,AIR CLEANER,DF-972 refer to 402.1					
21		Ref. BRACKET, AIR CLEANER refer to 402.1					
22	228915GT	FORMING, EXHAUST HEAT SHIELD.....1	1				
23	228916GT	FORMING, STARTER HEAT SHIELD.....1	1				
24	56912GT	SPRING CLIP,1/4-20,.025-.15X.54,ZAG.....1	1				
25	44723GT	SPACER,OUTRIGGER PIN***.....1	1				
26	824080GT	SCREW,HHF,1/4-20X1.25,8,ZAG					
27	824131GT	SCREW,HHF,M6-1.0X16,DIN6921,10.9,ZAB					
28	235506GT	NUT, EXH. MAN., WG972					
29	235552GT	GASKET, EXH. MANIFOLD, WG972.....1	1				
30	30810GT	SENDING UNIT,OIL PRESSURE***.....1	1				
31	866400GT	KUBOTA OIL FILTER.....1	1				
32	84039GT	JOINT-PIPE.....1	1				
33	84040GT	WASHER-PLAIN					
34	139197GT	ALTERNATOR-30AMP, DF972.....1	1				

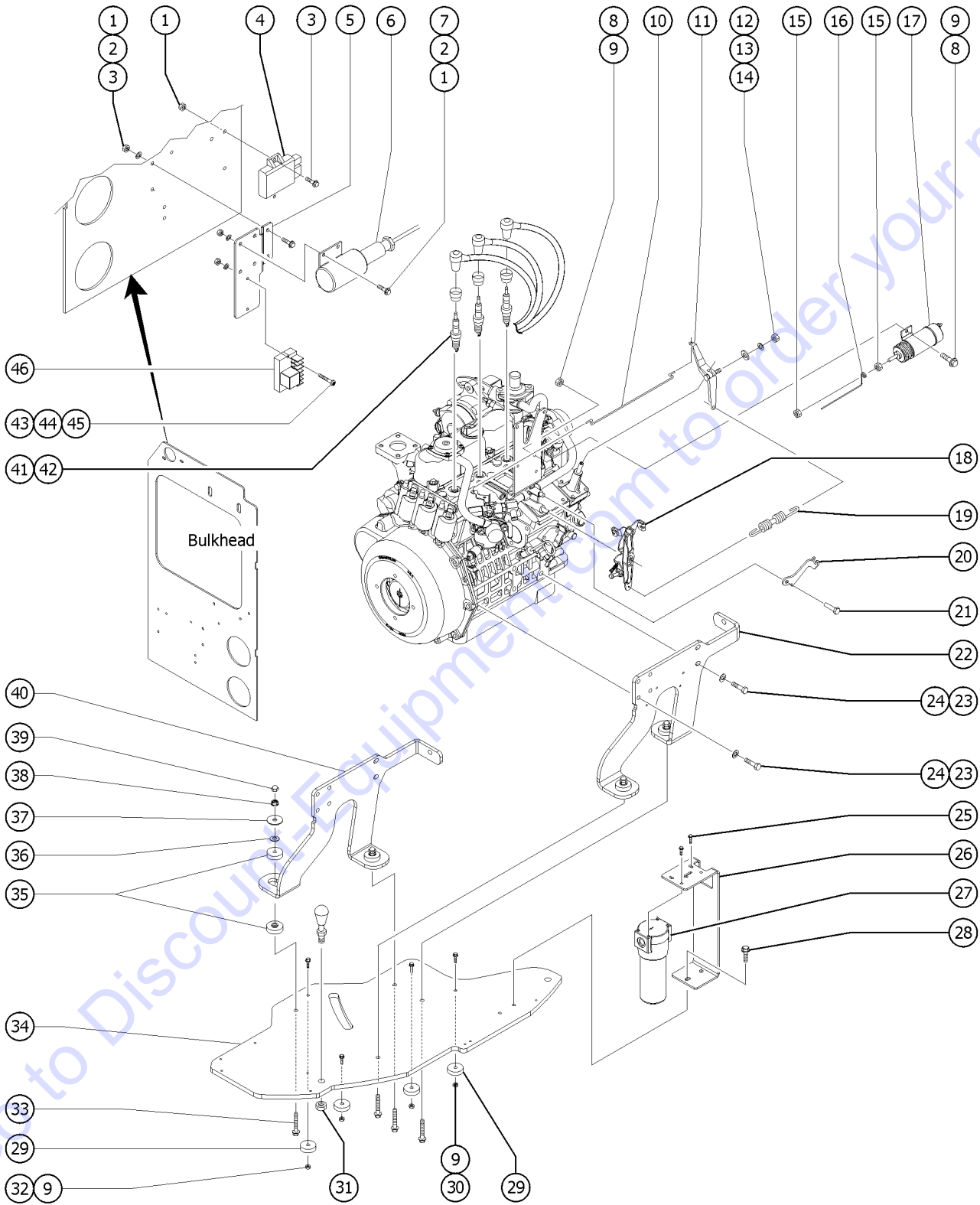
402.1 Kubota WG972 (gas), View 2



402.1 Kubota WG972 (gas), View 2

Item	Part No.	Description	Qty.	Item	Part No.	Description	Qty.
1	824028GT	NUT,TL FLG,5/16-18,G,ZAG		31	46131GT	CLAMP,HOSE,.63" - 1.0" X .5"	
2	824086GT	SCREW,HHF,5/16-18X1,8,ZAG		32	52427GT	GASKET,AIR CLEANER, DF-750.....1	1
3	866127GT	ELEMENT,AIR CLEANER,KUBOTA.....1	1	33	52535GT	WASHER,LOCK,GOV.LEVER,DF750***	
4	22672GT	CLAMP,HOSE,1.75.....1	1	34	52850GT	NUT-SELF LOCKING, M8X1.25MM	
5	139141GT	HOSE,AIR INTAKE,KUBOTA.....1	1	35		Ref. FLANGE, AIR CLEANER.....1 <i>component not available</i>	1
6	128332GT	BRACKET, AIR CLEANER.....1	1	36	235522GT	PIPE, BREATHER JOINT, WG972.....1	1
7	824131GT	SCREW,HHF,M6-1.0X16,DIN6921,10,9,ZAB		37	32069GT	CLAMP,HOSE,KUBOTA WG750	
8	139162GT	FORMING, COOLANT BOTTLE MOUNT.....1	1	38	161193GT	ADAPTER,FLANGE,FLYWHEEL.....1	1
9	42662GT	COOLANT RECOVERY BOTTLE1.5 QT*.....1	1	39	161071GT	HUB, SAE B-B SPLINE, 42 TEETH.....1	1
--	72284GT	CAP,COOLANT RECOV.BOTTLE.....1	1	40	824102GT	SCREW,SHC,1/2-13X1.5,A574,ZAG	
10	824027GT	NUT,TL FLG,1/4-20,G,ZAG		41	825353GT	WASHER,FLAT,1/2,SAE,HRD,ZAG	
11	824078GT	SCREW,HHF,1/4-20X.75,8,ZAG		42	1256350GT	SCREW,SHC,3/8-16X1,A574,ZAG	
12	51495GT	HOSE,1/8" VACUUM <i>sold by the inch</i>		43	89807GT	WASHER,FLAT 3/8 INCH	
13	139193GT	DIP STICK, DF972.....1	1	44A	74492GT	PUMP,PIGGYBACK,SUNSTR,4CC***.....1	1
14	235521GT	PETCOCK, DRAIN, WG972.....1	1	--	77990GT	KIT,SEAL,3CC PUMP***	
15		Ref. BRKT,ENGINE SUPPORT,RH <i>refer to 403.1</i>		44B	74635GT	PUMP,PIGGYBACK,SAUER,6CC 10-8....1 <i>for 230V generator option</i>	1
16	824082GT	SCREW,HHF,1/4-20X1.75,8,ZAG		--	77990GT	KIT,SEAL,3CC PUMP***	
17	97482GT	REGULATOR,LPG,KUBOTA,DF-752***.....1	1	45	43683GT	O-RING,2-042 N674-70***.....1	1
18	31821GT	ELBOW,90DEG.3/8MPT-1/2 BARB.....1	1	46	101238GT	PUMP,DRIVE,42CC W/NFPE CONTR**.....1	1
19	235487GT	HOSE ASSY, LP GAS.....1 <i>LPG regulator to carburetor</i>	1	47	161192GT	KIT,BELLHOUSING,WG972.....1 <i>includes items 38, 39 and 48</i>	1
20	81633GT	VALVE,LP LOCKOUT W/O CONNECTOR.....1	1	--	219239GT	BELL HOUSING,GUARDIAN,WG972	
21	19861GT	ELBOW,010302-6-4.....1	1	48	161366GT	KIT,HARDWARE,WG972.....1 <i>includes item 47</i>	1
22	235487GT	HOSE ASSY, LP GAS.....1 <i>LPG tank to regulator</i>	1				
23A	27089GT	HOSE,5/16 FUEL,SAE 30R7 <i>sold by the inch</i>					
23B	233585GT	HOSE,FUEL.....1	1				
24	21465GT	CLAMP,HOSE,.25" - .63" X .3125.....3	3				
25	31817GT	ELBOW,90DEG.1/4MPT-3/8 BARB.....2	2				
26	51495GT	HOSE,1/8" VACUUM.....1	1				
27	52425GT	GASKET,CARBURETOR,KUBOTA DF750.....2	2				
28	23467GT	FLANGE,CARBURETOR,WG750B***.....1	1				
29A	T114657GT	CARBURATOR ASSY,DF-972.....1	1				
29B	161209GT	JET KIT,KUB,WG972,CARB,1000M					
29C	218604GT	JET KIT,KUB,WG972,CARB,2000M					
30A	233586GT	HOSE,FUEL <i>from carburetor to fuel pump</i>					
30B	231323GT	HOSE,FUEL <i>from fuel pump to filter</i>					
30C	231323GT	HOSE,FUEL <i>from fuel filter to engine</i>					

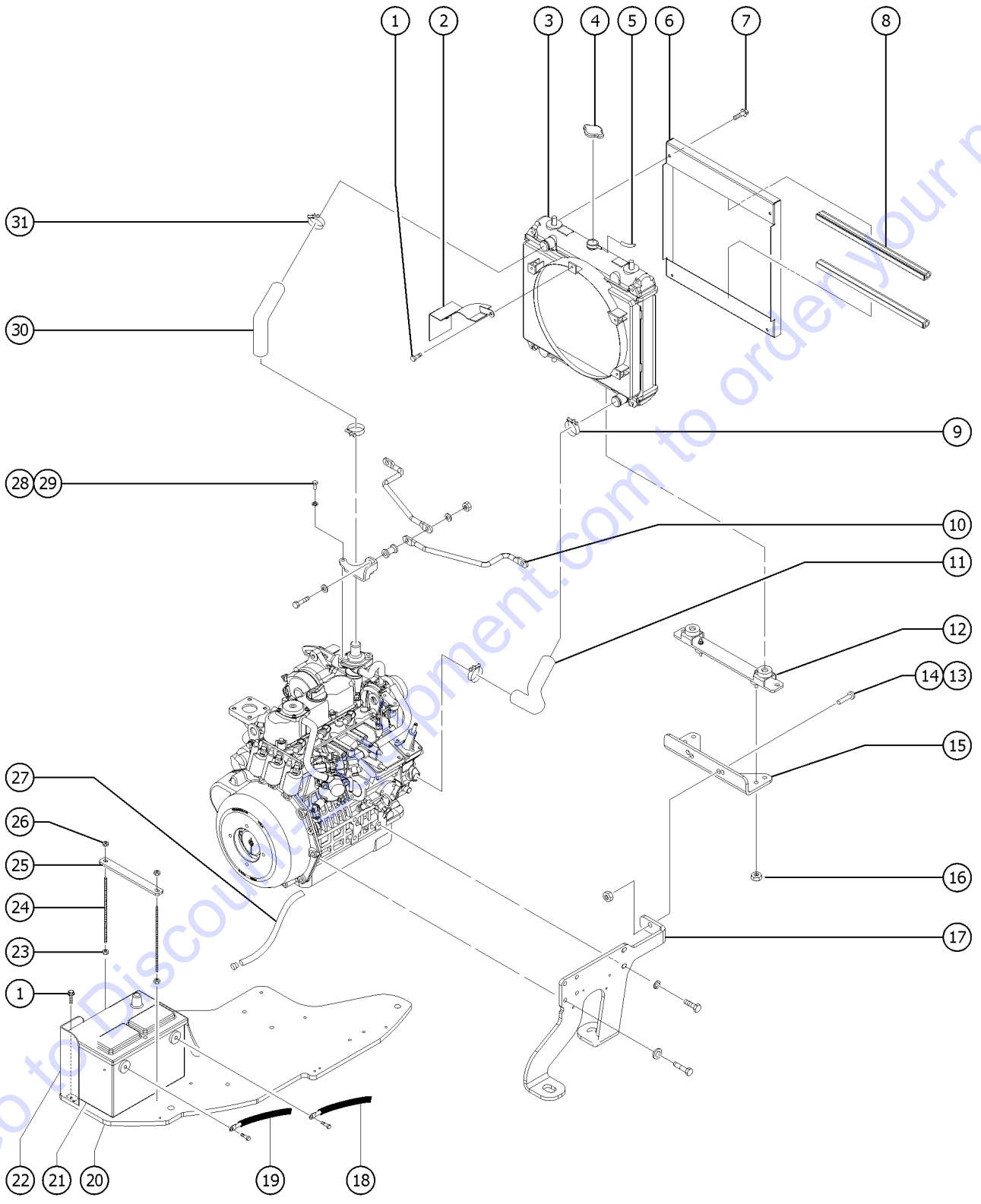
403.1 Kubota WG972 (gas), View 3



403.1 Kubota WG972 (gas), View 3

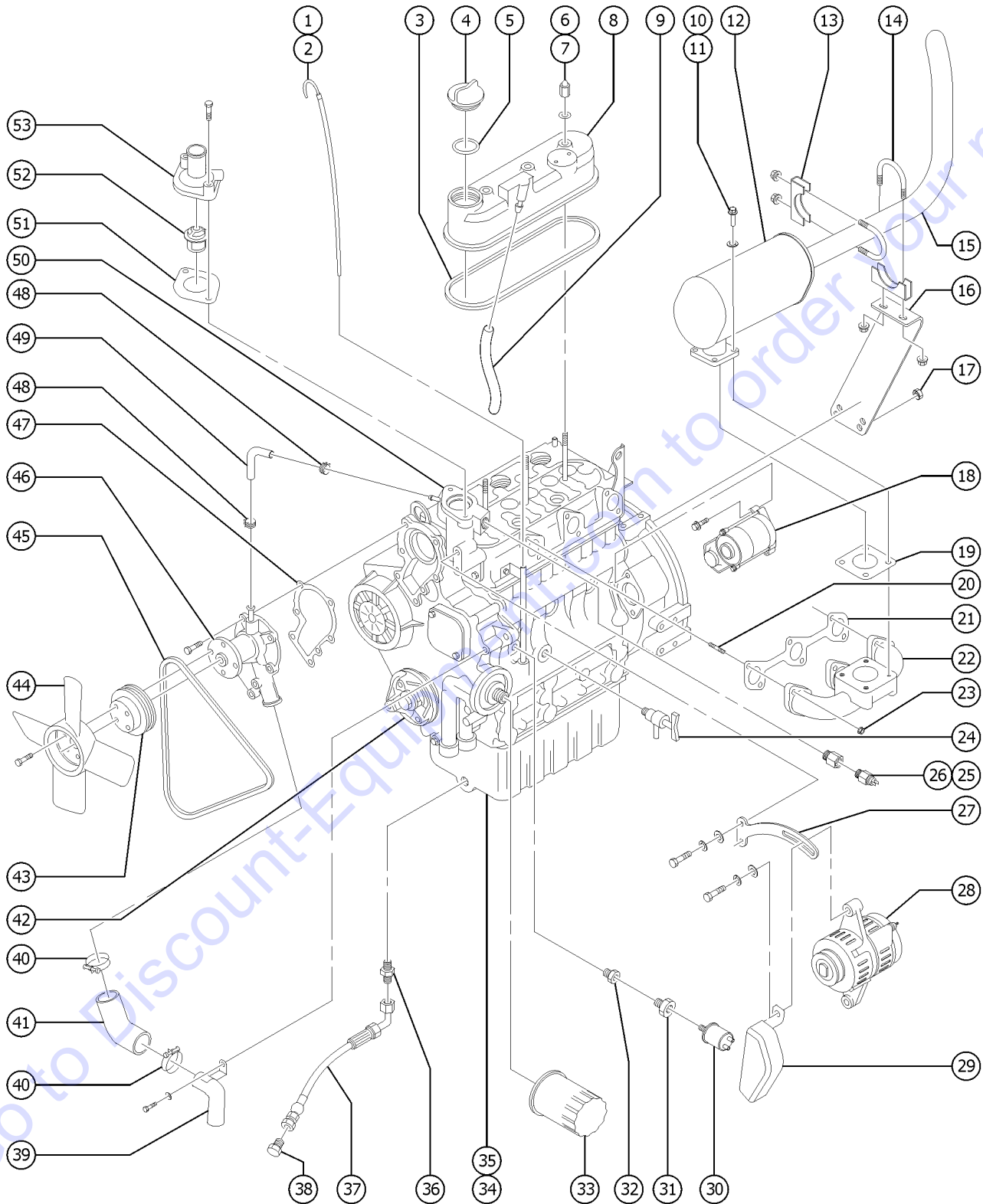
Item	Part No.	Description	Qty.	Item	Part No.	Description	Qty.
1	6091GT	NUT,NYLOCK,1/4-20		36	825358GT	WASHER,FLAT,5/16,USS,ZAG.....	4
2	6638GT	WASHER,FLAT,USS,1/4"Y		37	824123GT	WASHER,FLAT,.625X2.25X.188,ZAG.....	4
3	6888GT	SCREW,HHC,1/4-20 X 1		38	824029GT	NUT,TL FLG,3/8-16,G,ZAG.....	4
4	128350GT	IGNITION MODULE, DF972.....	1	39	824040GT	NUT, ACORN, 3/8-16, ZAG.....	4
5	228914GT	FORMING, THROTTLE SOLENOID MT.....	1	40	128327GT	BRKT,ENGINE SUPPORT,LH.....	1
6	229071GT	SOLENOID,THROTTLE W/CABLE.....	1	41	139203GT	SPARK PLUG, DF972.....	3
7	6090GT	SCREW,HHC,1/4-20 X .75		42	128516GT	CAP, SPARK PLUG.....	3
8	824027GT	NUT,TL FLG,1/4-20,G,ZAG		43	48921GT	CONN,520102-6.....	2
9	824078GT	SCREW,HHF,1/4-20X.75,8,ZAG.....	6	44	35461GT	WASHER,FLAT,MS,#8,Y	
10	235525GT	SPRING, GOVERNOR, WG972.....	1	45	18605GT	NUT,NYLOCK,8-32	
11	84053GT	LEVER,GOVERNOR,DF***.....	1	46	89997GT	RELAY MODULE(89996,89998).....	1
12	52521GT	NUT,TAILPIPE,KUBOTA, 2668					
13	52535GT	WASHER,LOCK,GOV.LEVER,DF750***					
14	52536GT	WASHER,FLAT,GOV.LEVER, DF750					
15	824041GT	NUT,1/4-28,8,ZAG					
16	51510GT	CHOKE LINKAGE GS68.....	1				
17	20780GT	SOLENOID,2 SPEED TROMBETTA***.....	1				
18	235523GT	ASSY, PLATE CONTROL, WG972.....	1				
19	44190GT	SPRING,GOVERNOR,LOWER, WG750**.....	1				
20	229243GT	BRACKET, THROTTLE END RETAINER.....	1				
21	235526GT	BOLT, THROTTLE RET., WG972					
22	128326GT	BRKT,ENGINE SUPPORT,RH.....	1				
23	824138GT	SCREW,HHC,M10-1.25X30,DIN961,1					
24	824145GT	WASHER,FLAT,M10,DIN125,ZAB					
25	824077GT	SCREW, HHF, 1/4-20 X .5, 8, ZAG					
26	56423GT	BRACKET, MEDIUM PRESSURE FILTER.....	1				
27		FILTER ASY,M PRESS,SAE8,WIND* (77139).....	1				
		<i>component no longer available</i>					
--	60857GT	FILTER,ELEMENT,BETA(5)=1000 for 77139					
27A	1267807GT	ASSY, MED. PRESS. FILTER, SAE8					
--	1268229GT	ELEMENT-5 MIC, PAPER, W/ BYPASS for 1267807					
28	824089GT	SCREW,HHF,3/8-16X.75,8,ZAG					
29	56093GT	WEAR PAD ROUND.....	4				
30	18504GT	NUT,LOCKING-LG.FLANGE,1/4-20.....	4				
31	62290GT	LOCK PIN ASSY,3.25".....	1				
32	18504GT	NUT,LOCKING-LG.FLANGE,1/4-20.....	4				
33	824096GT	SCREW,HHF,3/8-16X3.5,8,ZAG.....	4				
34	128295GT	PLATE, ENGINE SWING-OUT.....	1				
35	24037GT	SHOCK MOUNT,LARGE**.....	4				

404.1 Kubota WG972 (gas), View 4



Item	Part No.	Description	Qty.
1	824078GT	SCREW,HHF,1/4-20X.75,8,ZAG	
2	228917GT	FORMING,RAD SHROUD EXTENSION.....1	1
3	227591GT	RADIATOR ASSY,DF-972,STAGE 3.....1	1
4	139215GT	RADIATOR CAP, DF972.....1	1
5	161232GT	HOSE,5/16",PVC CLEAR,BULK.....5	5
6	139173GT	SHROUD, RADIATOR.....1	1
7	824131GT	SCREW,HHF,M6-1.0X16,DIN6921,10.9,ZAB.4	
8	233933GT	SEAL, RUBBER STRAIGHT BULB, 15...4	4
9	235528GT	CLAMP, LWR. RAD. HOSE, WG972.....4	4
10	235529GT	SUPPORT, KIT RADIATOR, WG972.....1	1
11	32090GT	HOSE,LWR RADIATOR,KUBOTA WG750.....1	1
12	139214GT	RADIATOR SUPPORT KIT, DF972.....1	1
13	824091GT	SCREW,HHF,3/8-16X1.25,8,ZAG	
14	824029GT	NUT,TL FLG,3/8-16,G,ZAG	
15	128338GT	FORMING, RADIATOR SUPPORT.....1	1
16	235531GT	NUT, RADIATOR 8MM, WG972	
17		Ref. BRKT,ENGINE SUPPORT,RH <i>refer to 403.1</i>	
18	54252GT	BATTERY CABLE,SIDE MOUNT,NEG....1	1
19	238379GT	BATTERY CABLE,SIDE MOUNT.....1	1
20	128295GT	PLATE, ENGINE SWING-OUT.....1	1
21	36872GT	BATTERY, 12V,900 CCA.....1	1
22	74461GT	HEAT, SHIELD.....1	1
23	824096GT	SCREW,HHF,3/8-16X3.5,8,ZAG.....2	2
24	824209GT	ROD,THREADED,1/4-20X8.5,ZAG.....2	2
25	T107827GT	BATTERY HOLD DOWN.....1	1
26	824027GT	NUT,TL FLG,1/4-20,G,ZAG.....2	2
27	139168GT	HOSE ASSY, 3/8",21.00.....1	1
28	235532GT	SCREW, 8MMX1.25X30MM, WG972	
29	235533GT	WASHER, LOCK, 8MM, WG972	
30	32088GT	HOSE,UPR RADIATOR,KUBOTA WG750.....1	1
31	235527GT	CLAMP, UP. RAD. HOSE, WG972	

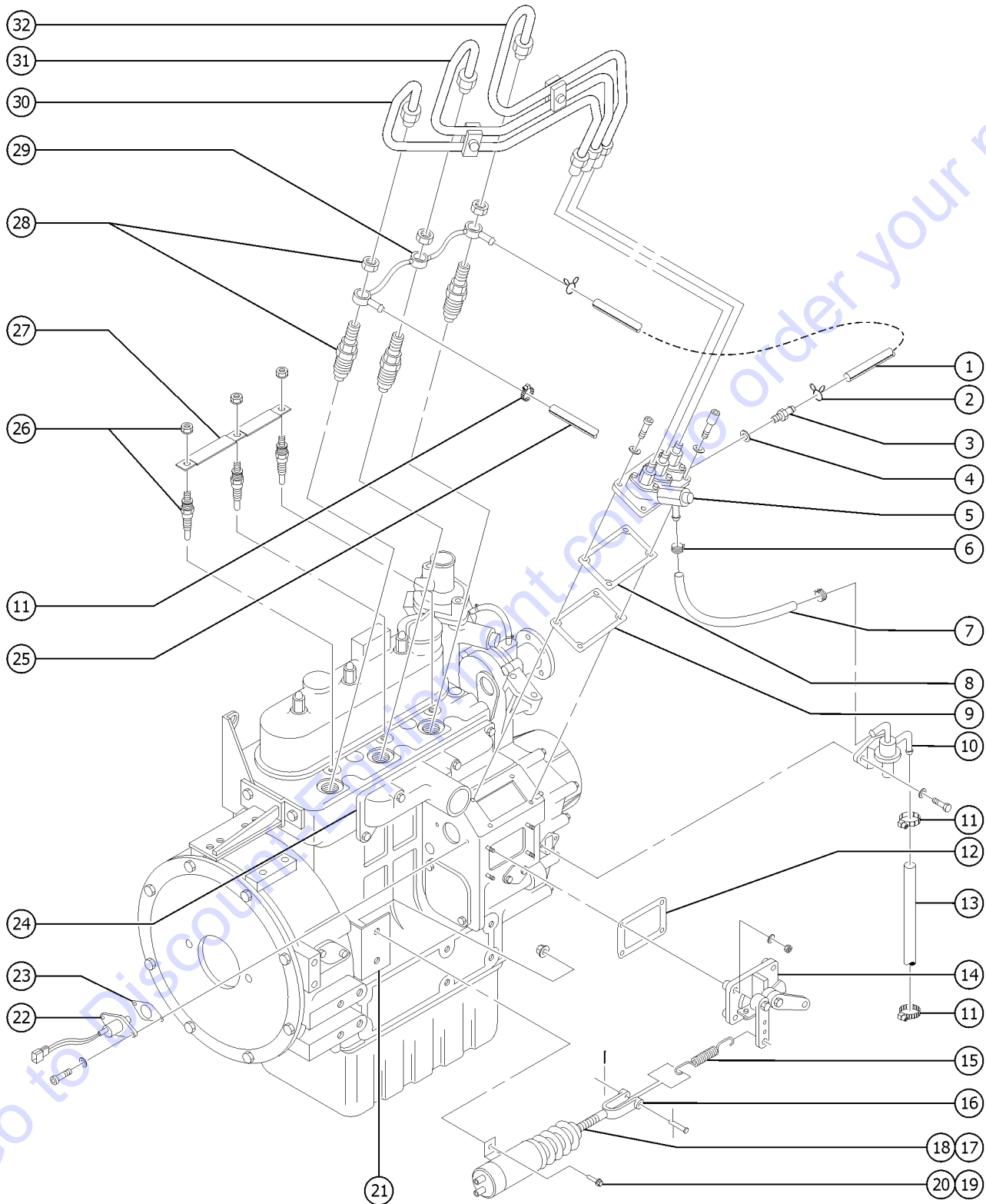
405.1 Kubota D-1105 (diesel), View 1



405.1 Kubota D-1105 (diesel), View 1

Item	Part No.	Description	Qty.	Item	Part No.	Description	Qty.
--	161621GT	KIT,ENGINE,KUBOTA D1105		38	48874GT	FITTING,PLUG,070109-6.....	1
--	131379GT	MANUAL,OPER,KUBOTA DIESEL****		39	32195GT	HOSE,LOWER RADIATOR,DF752.....	1
1	231226GT	DIPSTICK,D-1105.....	1	40	32185GT	CLAMP,HOSE.....	2
2	231227GT	DIPSTICK GUIDE,D-1105..... <i>not shown</i>	1	41	32067GT	HOSE,WATER PUMP,KUBOTA**.....	1
3	32189GT	GASKET,VALVE COVER,KUBOTA D905.....	1	42	101200GT	FAN DRIVE PULLEY,KUBOTA.....	1
4	32190GT	PLUG,OIL FILLER,KUBOTA D905***	1	43	52531GT	PULLEY,FAN,KUBOTA, D-905,GS68.....	1
5	22903GT	O-RING,OIL FILLER PLUG,KUBOTA*	1	44A	139276GT	FAN, COOLING..... <i>4-blades</i>	1
6	44193GT	NUT,VALVE COVER CAP, D905.....	1	44B	231232GT	RAD. FAN,7-BLADE,D-1105 <i>7-blades</i>	
7	44192GT	GASKET,VALVE COVER CAP, D905.....	1	45	32196GT	BELT,V, KUBOTA D905.....	1
8	44191GT	VALVE COVER, D905.....	1	46	101201GT	WATER PUMP ASSY,KUBOTA.....	1
9	44194GT	PIPE,BREATHER JOINT, D905.....	1	47	32199GT	GASKET,WATER PUMP.....	1
10	824136GT	SCREW,HHC,M8-1.25X25,DIN933,10		48	32069GT	CLAMP,HOSE,KUBOTA WG750.....	2
11	824141GT	WASHER,LOCK,M8,ZAB		49	32200GT	HOSE,WATER PUMP RETURN,D905....	1
12	131378GT	MUFFLER ASSEMBLY.....	1	50	139277GT	COMP. WATER FLANGE.....	1
13	62160GT	CLAMP,TAIPIPE, 1 1/2***	1	51	866397GT	KUBOTA GASKET,THERMOSTAT	1
14	32064GT	CLAMP,MUFFLER,1.75 INCH.....	1	52	139278GT	THERMOSTAT.....	1
15	139238GT	EXHAUST PIPE, Z34 D1105.....	1	53	139279GT	THERMOSTAT COVER.....	1
16	110285GT	BRACKET,Z34IC DIESEL TAILPIPE.....	1				
17	232951GT	NUT, TL, M10-1.5,DIN980, ZAB.....	2				
18	65837GT	STARTER,KUBOTA D905 VERS 2***	1				
--	32194GT	SOLENOID,32193 STARTER,D905					
19	832128GT	GASKET,MUFFLER,KUBOTA D905/11.....	1				
20	101208GT	STUD,EXHAUST MANIFOLD.....	6				
21	32191GT	GASKET,EXHAUST MANIFOLD,D905....	1				
22	32192GT	MANIFOLD, EXHAUST, KUBOTA.....	1				
23	101209GT	NUT,EXHAUST MANIFOLD.....	6				
24	32077GT	PETCOCK,DRAIN,KUBOTA WG750B....	1				
25	34058GT	SENDING UNIT,TMP,FRD,GM,PRK704.....	1				
26	28607GT	ADAPTER,140139-8-6.....	1				
27	44195GT	ALTERNATOR STAY, D905.....	1				
28	101203GT	ALTERNATOR,40 AMP,INT REG.....	1				
29	148099GT	COVER,V-BELT,D1105,KUBOTA.....	1				
30	22934GT	SWITCH,OIL,PRESSURE,KUBOTA.....	1				
31	42248GT	ADAPTER,140139-4-2.....	1				
32	42324GT	ADAPTER, NPT-F-BSPT-M 2-2.....	1				
33	866050GT	FILTER,OIL,KUBOTA.....	1				
34	139280GT	OIL PAN.....	1				
35	139282GT	INNER OIL FILTER..... <i>not shown, inside oil pan</i>	1				
36	42278GT	FITTING,CONN,9605-06-12X1.25.....	1				
37	139168GT	HOSE ASSY, 3/8",21.00..... <i>Includes items 36 and 38</i>	1				

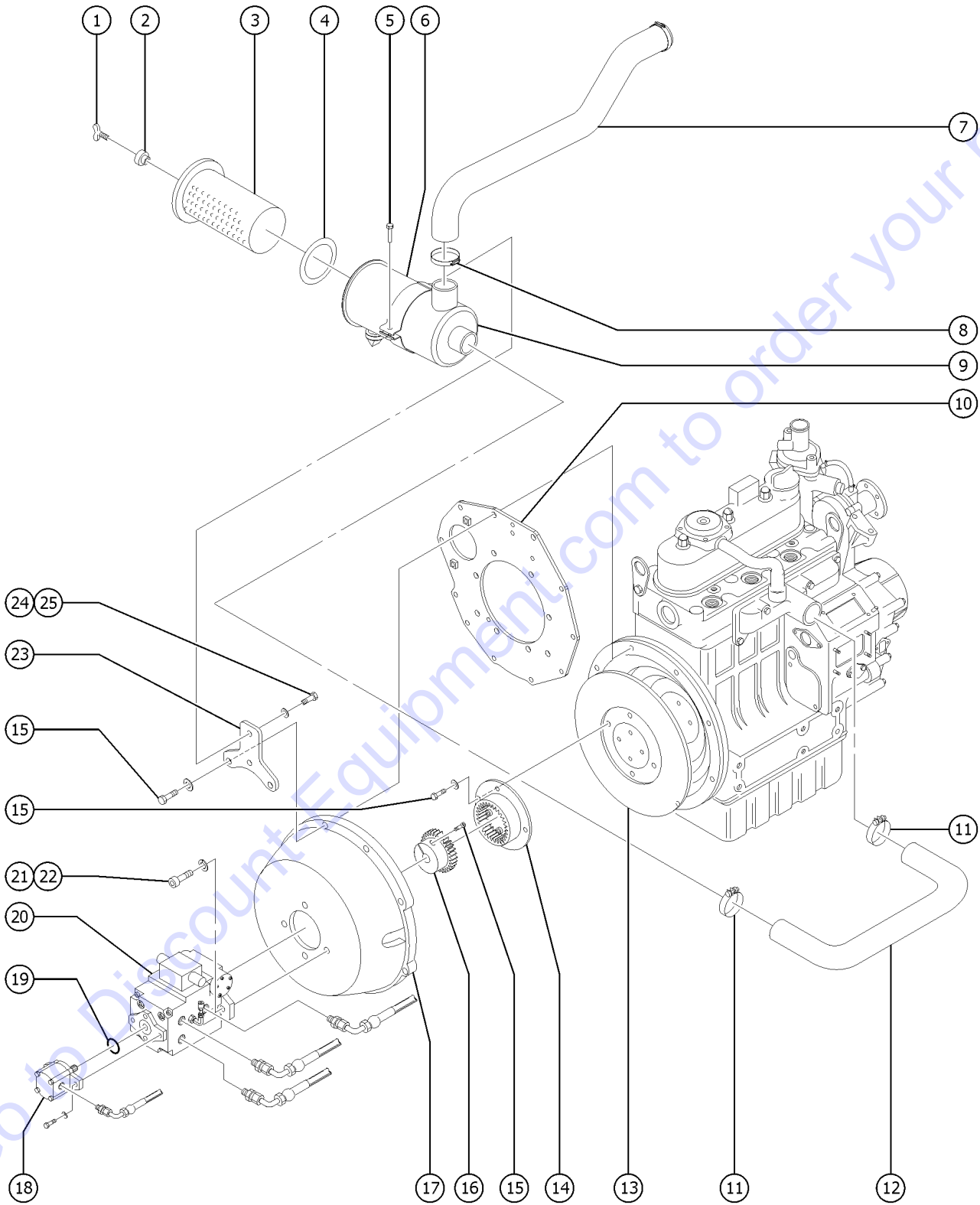
406.1 Kubota D-1105 (diesel), View 2



406.1 Kubota D-1105 (diesel), View 2

Item	Part No.	Description	Qty.
1	62044GT	PIPE ASSY-OVERFLOW (Z482-E).....1	1
2	62043GT	CLAMP-OVERFLOW PIPE(Z482-E).....2	2
3	62119GT	SCREW-AIR BREATHER, D905.....1	1
4	44181GT	GASKET,VALVE COVER CAP, WG750.....1	1
5	839149GT	KUBOTA INJECTOR PUMP, D1105.....1	1
6	52834GT	CLAMP-HOSE, .375, FUEL PUMP.....2	2
7	27089GT	HOSE,5/16 FUEL,SAE 30R7.....3-inches	3
8	32103GT	GASKET,INJECTION PUMP.....1	1
9	32182GT	GASKET,INJECTION PUMP.....1	1
10	866070GT	FUEL PUMP, MECHANICAL.....1	1
--	839233GT	KUBOTA FUEL PUMP GASKET.....1	1
11	44909GT	CLAMP,HOSE,.35"-.86" X .3125".....3	3
12	44202GT	GASKET,SPEED CONTROL ASSY,D905.....1	1
13	27089GT	HOSE,5/16 FUEL,SAE 30R7.....14-inches	14
14	44200GT	SPEED CONTROL ASSY, D905.....1	1
--	44201GT	SPRING,RETURN,SPEED CONTR,D905	
15	31379GT	SPRING,TENSION-1.25 X.438 DIA.....1	1
16	21130GT	CLEVIS YOKE-1/4-28,PLTD W/PIN.....1	1
17	20780GT	SOLENOID,2 SPEED TROMBETTA***.....1	1
--	52514GT	BOOT,THROTTLE SOLENOID	
18	22446GT	SPRING,COMPRESSION .835 X 2.....1	1
19	824078GT	SCREW,HHF,1/4-20X.75,8,ZAG	
20	824027GT	NUT,TL FLG,1/4-20,G,ZAG	
21	31375GT	ANGLE,SOLENOID MOUNT.....1	1
22	99199GT	SOLENOID,KUBOTA D9/1105 SHTDWN	
23	866040GT	GASKET,SOLENOID,KUBOTA.....1	1
24	139273GT	MANIFOLD, INLET.....1	1
25	35418GT	HOSE,FUEL,3/16,SAE 30R7.....94-inches	94
26	839119GT	KUBOTA GLOW PLUG.....3	3
27	62118GT	JUMPER-GLOW PLUG.....1	1
28	62116GT	INJECTOR,FUEL,D905**.....3	3
29	62117GT	PIPE ASSY-OVERFLOW-D905.....1	1
30	44196GT	PIPE,INJECTOR 1,D905,D1105.....1	1
31	44197GT	PIPE,INJECTOR 2,D905,D1105.....1	1
32	44198GT	PIPE,INJECTOR 3,D905,D1105.....1	1

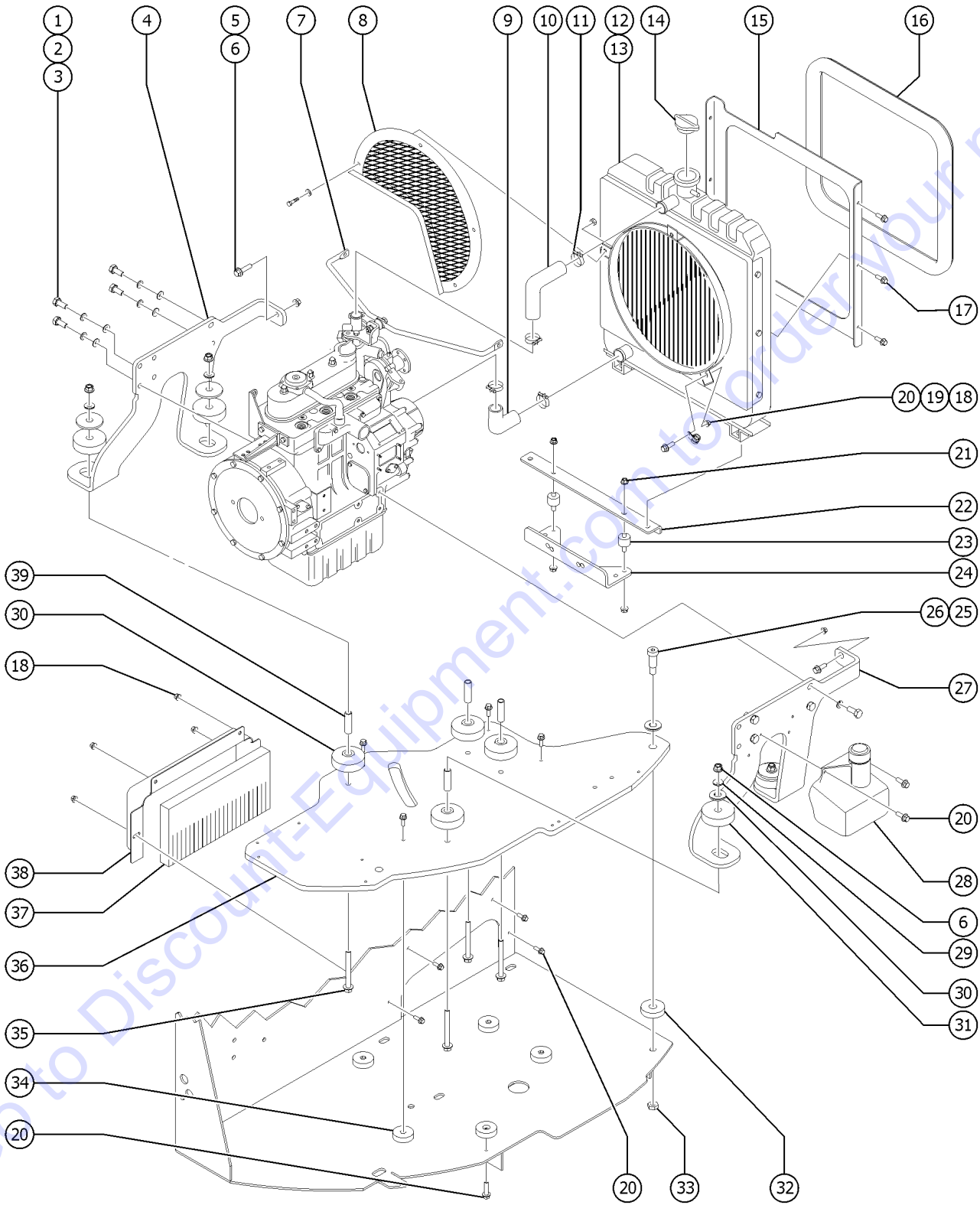
407.1 Kubota D-1105 (diesel), View 3



407.1 Kubota D-1105 (diesel), View 3

Item	Part No.	Description	Qty.
--	161070GT	KIT, BELLHOUSING, D1105 <i>includes items 14B, 15, 16B & 17B</i>	
1	44203GT	BOLT,WING,FILTER ELEMENT, D905....1	
2	44204GT	WASHER ASSY,FILTER ELEMNT,D905.....1	
3	31745GT	FILTER,AIR,D905.....1	
4	839081GT	KUBOTA 15221-11170 GASKET A/C....1	
5	62296GT	SCREW,M8 X 35MM.....1	
6	101204GT	AIR CLEANER STAY.....1	
7	139141GT	HOSE,AIR INTAKE,KUBOTA.....1	
8	22672GT	CLAMP,HOSE,1.75.....1	
9	32184GT	AIR CLEANER KIT,KUBOTA D905.....1	
10	139275GT	REAR END PLATE.....1	
11	62114GT	CLAMP-HOSE, AIR CLEANER.....2	
12	43700GT	PIPE,INLET, D905.....1	
13	139274GT	COMP. FLYWHEEL.....1	
--	99882GT	BOLT,FLYWHEEL,KUBOTA D905	
14A	94688GT	ADAPTER, FLANGE GEAR, 3 HOLE....1 <i>to SN 9679</i>	
14B	94688GT	ADAPTER, FLANGE GEAR, 3 HOLE....1 <i>from SN 9680</i>	
15	104367GT	HARDWARE KIT, BELLHSING KUBOTA.....1	
16A	74387GT	COUPLER,SPLINED,15TOOTH.....1 <i>to SN 9679</i>	
16B	161071GT	HUB, SAE B-B SPLINE, 42 TEETH.....1 <i>from SN 9680</i>	
17A	74385GT	BELLHOUSING & COUPLER KIT D905.....1 <i>to SN 9679</i>	
17B	161069GT	BELLHOUSING, D1105.....1 <i>from SN 9680</i>	
18	74492GT	PUMP,PIGGYBACK,SUNSTR,4CC***.....1	
--	77990GT	KIT,SEAL,3CC PUMP***	
19	43683GT	O-RING,2-042 N674-70***.....1	
20	101237GT	PUMP,M42 W/4CC W/PIGGYBACK.....1	
--	101238GT	PUMP,DRIVE,42CC W/NFPE CONTR**	
--	119025GT	SOLENOID VALVE ASSY,M42 PUMP**.....2	
--	147334GT	SEAL KIT,SHAFT,M42 PUMP***	
--	29436GT	O-RING***	
21	824101GT	SCREW,SHC,1/2-13X1.25,A574,ZAG....2	
22	824111GT	WASHER,LOCK,1/2,ZAG.....2	
23	74544GT	BRKT. AIR CLEANER MOUNT.....1	
24	824135GT	SCREW,HHC,M8-1.25X20,DIN933,10....2	
25	824121GT	WASHER,FLAT,.688X1.160X.09,HRD....2	

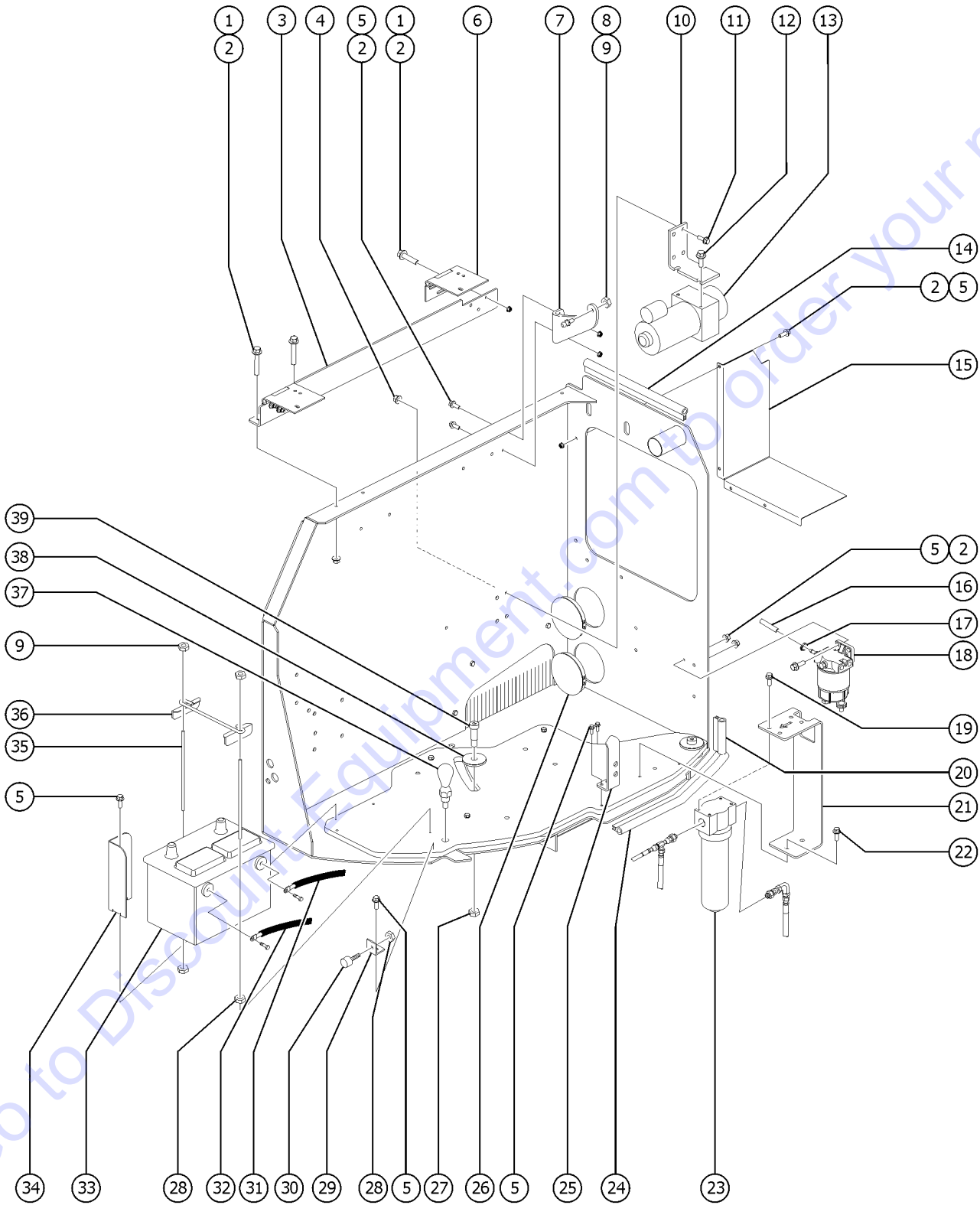
408.1 Kubota D-1105 (diesel), View 4



408.1 Kubota D-1105 (diesel), View 4

Item	Part No.	Description	Qty.
1	824138GT	SCREW,HHC,M10-1.25X30,DIN961,1....8	
2	824142GT	WASHER,LOCK,M10,ZAB.....8	
3	824145GT	WASHER,FLAT,M10,DIN125,ZAB.....8	
4	128327GT	BRKT,ENGINE SUPPORT,LH.....1	
5	824091GT	SCREW,HHF,3/8-16X1.25,8,ZAG.....2	
6	824029GT	NUT,TL FLG,3/8-16,G,ZAG.....6	
7	112500GT	KIT,D-905 RADIATOR SUPPORT.....1	
8	131373GT	COVER, FAN.....1	
9	32195GT	HOSE,LOWER RADIATOR,DF752.....1	
10	32205GT	HOSE,UPPR RADIATOR,KUBOTA D905.....1	
11	32185GT	CLAMP,HOSE.....4	
12	112531GT	RADIATOR ASSY,ALUM.D-905.....1	
13	131581GT	HOSE,RAD.OVERFLOW,KD-1105,50"....1	
14	110523GT	CAP,RADIATOR,AL,KUBOTA DF-752....1	
15	128328GT	BRKT, BAFFLE, RADIATOR.....1	
16	60875GT	TRIM MOLDING.....96-inches	
17	237238GT	SCREW,HHF,M6-1.0X12,DIN6921,10....6	
18	824027GT	NUT,TL FLG,1/4-20,G,ZAG.....8	
19	6833GT	CLAMP,0.50,#8 X 1/4,RUB CUSH.....1	
20	824078GT	SCREW,HHF,1/4-20X.75,8,ZAG	
21	824028GT	NUT,TL FLG,5/16-18,G,ZAG.....4	
22	139129GT	MOUNT, RADIATOR, D1105.....1	
23	219437GT	ISOLATOR, VIBRATION.....2	
24	128338GT	FORMING, RADIATOR SUPPORT.....1	
25	824229GT	BOLT,SSHS,5/8X1.25X1/2-13,ZAG.....2	
26	824115GT	WASHER, FLAT, USS, 5/8, ZAG.....1	
27	128326GT	BRKT,ENGINE SUPPORT,RH.....1	
28	42662GT	COOLANT RECOVERY BOTTLE1.5 QT*.....1	
29	825358GT	WASHER,FLAT,5/16,USS,ZAG.....4	
30	824123GT	WASHER,FLAT,.625X2.25X.188,ZAG....4	
31	24037GT	SHOCK MOUNT,LARGE**.....8	
32	42123GT	WEAR PAD,2" ROUND.....2	
33	824039GT	NUT,TL JAM,1/2-13,A,ZAG.....1	
34	56093GT	WEAR PAD ROUND.....5	
35	824094GT	SCREW,HHF,3/8-16X2.75,8,ZAG.....4	
36	128295GT	PLATE, ENGINE SWING-OUT.....1	
37	139254GT	GASKET,FOAM,HEATSHIELD.....1	
38	128970GT	BAFFLE,BULKHEAD.....1	
39	139230GT	SPACER, SHOCK MOUNT.....4	

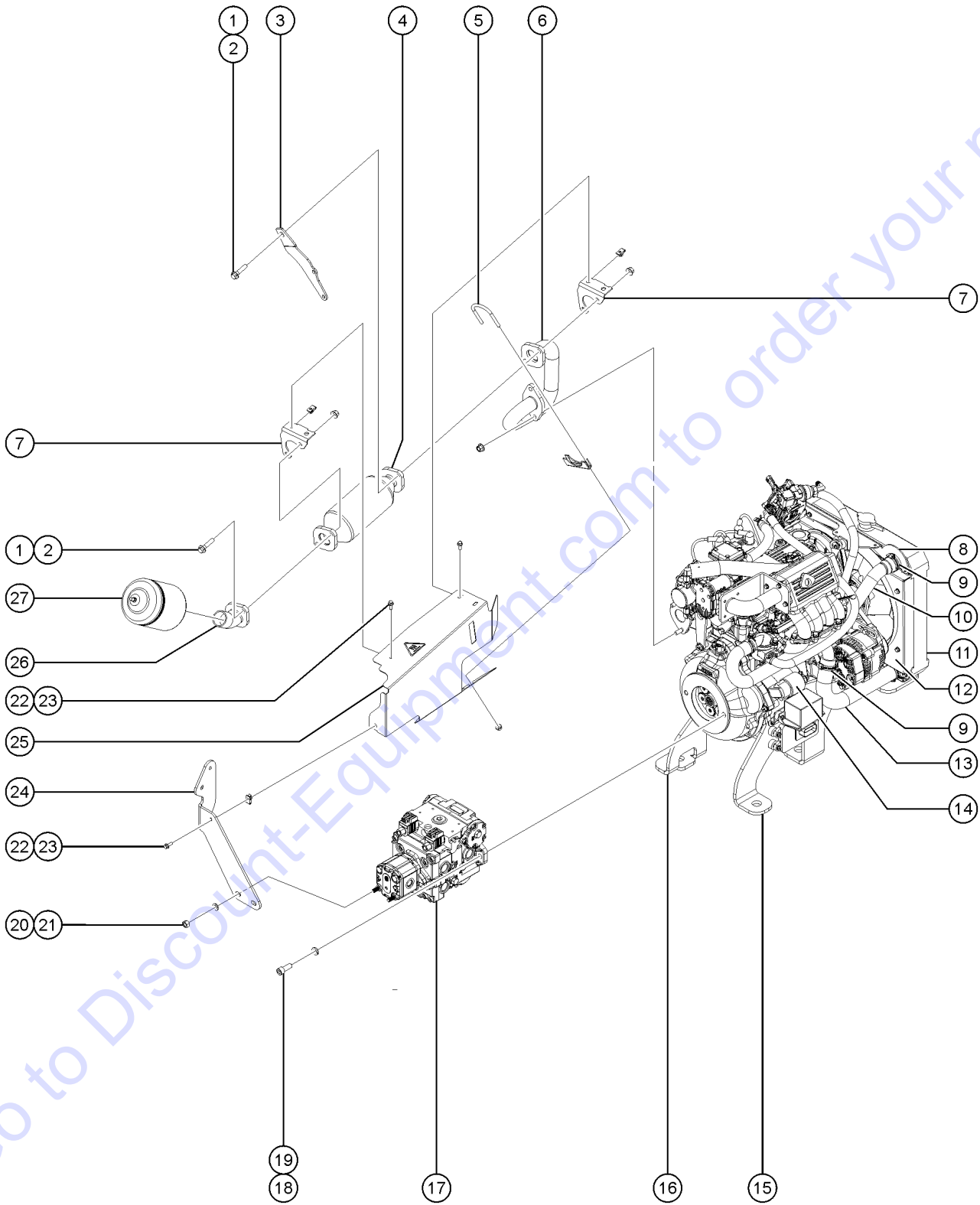
409.1 Kubota D-1105 (diesel), View 5



409.1 Kubota D-1105 (diesel), View 5

Item	Part No.	Description	Qty.	Item	Part No.	Description	Qty.
1	824079GT	SCREW,HHF,1/4-20X1,8,ZAG.....	7	29	42359GT	ANGLE, BUMPER, MOUNT.....	1
2	824027GT	NUT,TL FLG,1/4-20,G,ZAG.....	14	30	36388GT	BUMPER,RUBBER,.75 X .50H,STUD.....	1
3	128298GT	FORMING, HING SUPPORT, LONG.....	1	31	54252GT	BATTERY CABLE,SIDE MOUNT,NEG.....	1
4	824029GT	NUT,TL FLG,3/8-16,G,ZAG.....	4	32	29203GT	BATTERY CABLE,SIDE MOUNT,POS.....	1
5	824078GT	SCREW,HHF,1/4-20X.75,8,ZAG		33	36872GT	BATTERY, 12V,900 CCA.....	1
6	75073GT	HINGE,,375X.120THK.,SLOTTED.....	2	34	74461GT	HEAT, SHIELD.....	1
7	128902GT	BRACKET,ANCHOR,GAS STRUT.....	1	35	824209GT	ROD,THREADED,1/4-20X8.5,ZAG.....	2
8	1252977GT	NUT,TL JAM,5/16-18,A,ZAG.....	1	36	T107827GT	BATTERY HOLD DOWN.....	1
9	33555GT	BALL STUD**.....	1	37	62290GT	LOCK PIN ASSY,3.25".....	1
10	42190GT	BRACKET,AUX.PUMP ATTACHMENT....	1	38	824115GT	WASHER, FLAT, USS, 5/8, ZAG.....	2
11	824090GT	SCREW,HHF,3/8-16X1,8,ZAG.....	7	39	824229GT	BOLT,SSHS,5/8X1.25X1/2-13,ZAG.....	2
12	824085GT	SCREW,HHF,5/16-18X.75,8,ZAG.....	5				
13	112379GT	POWER UNIT,12VDC AUX***.....	1				
--	112308GT	SOLENOID,12V,APU					
--	38156GT	VALVE,RELIEF KIT,MONARCH**					
--	43678GT	COVER ASSY. ENGINE SIDE,ANSI**					
--	43688GT	PUMP ASSY (42185)					
14	139261GT	TRIM,EDGE,3/16X3/4 END BULB.....	13-inches				
15	128331GT	BAFFLE, RADIATOR.....	1				
16	30490GT	HOSE,1/4 FUEL LINE,SAE 30R7.....	14-inches				
17	21465GT	CLAMP,HOSE,.25" - .63" X .3125.....	2				
18A	42766GT	SEPARATOR/FILTER,FUEL DIESEL**....	1				
18B	42767GT	SEPARATOR/FILTER ELEMENT,FUEL*.....	1				
19	824077GT	SCREW, HHF, 1/4-20 X .5, 8, ZAG.....	2				
20	139261GT	TRIM,EDGE,3/16X3/4 END BULB.....	3.5-inches				
21	56423GT	BRACKET, MEDIUM PRESSURE FILTER.....	1				
22	824089GT	SCREW,HHF,3/8-16X.75,8,ZAG.....	2				
23A		FILTER ASY,M PRESS,SAE8,WIND* (77139).....	1				
		<i>component no longer available</i>					
--	60857GT	FILTER,ELEMENT,BETA(5)=1000 for 77139					
23B	1267807GT	ASSY, MED. PRESS. FILTER, SAE8.....	1				
--	1268229GT	ELEMENT-5 MIC, PAPER, W/ BYPASS for 1267807					
24	139261GT	TRIM,EDGE,3/16X3/4 END BULB.....	16.75-inches				
25	42064GT	BRACKET, LATCH.....	1				
26	80229GT	CAP, PLASTIC, 4".....	2				
27	824039GT	NUT,TL JAM,1/2-13,A,ZAG.....	2				
28	824037GT	NUT,HH JAM,1/4-20,A,ZAG.....	3				

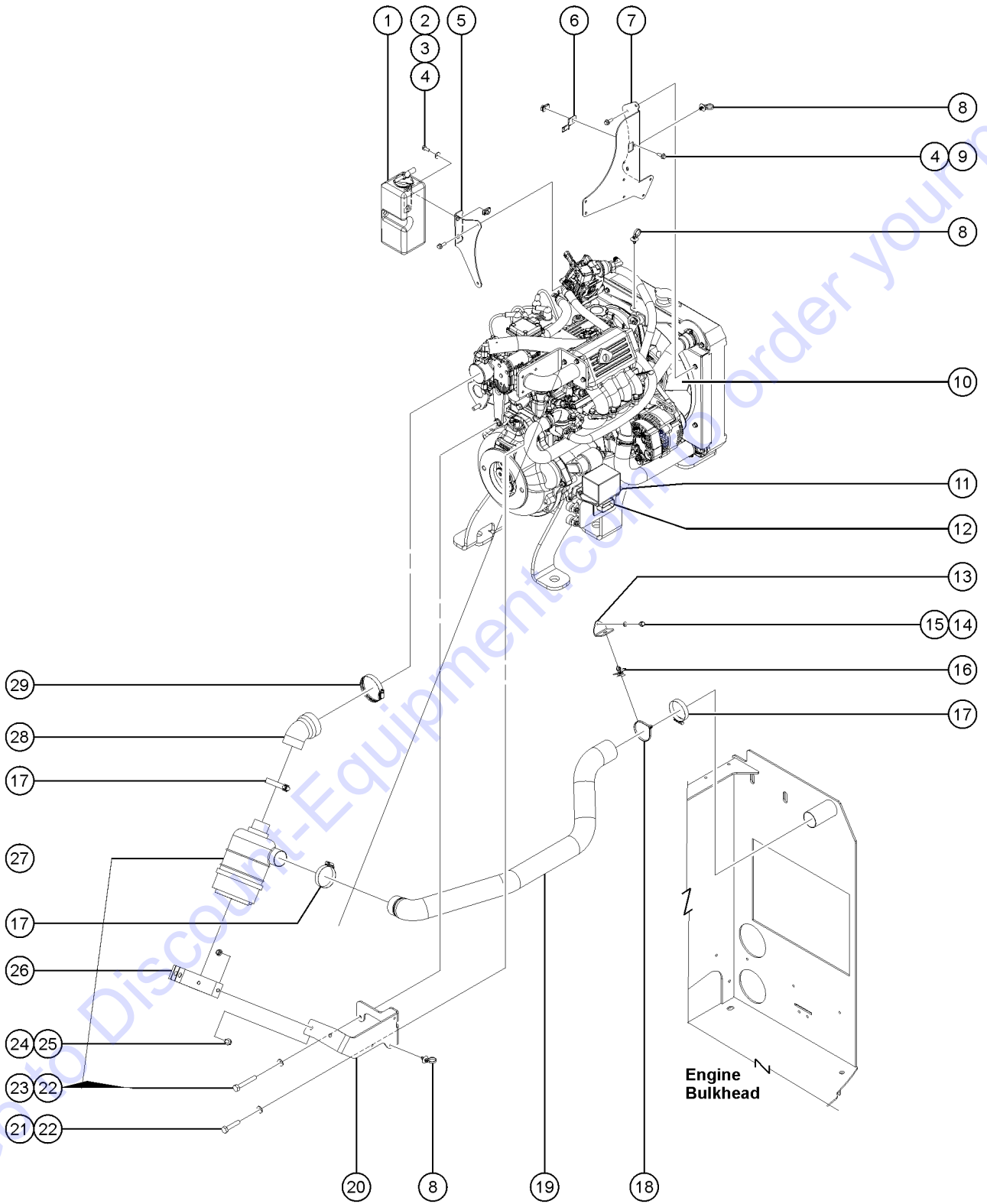
415.1 GM .998L, View 1



Go to Discount-Equipment.com to order your parts

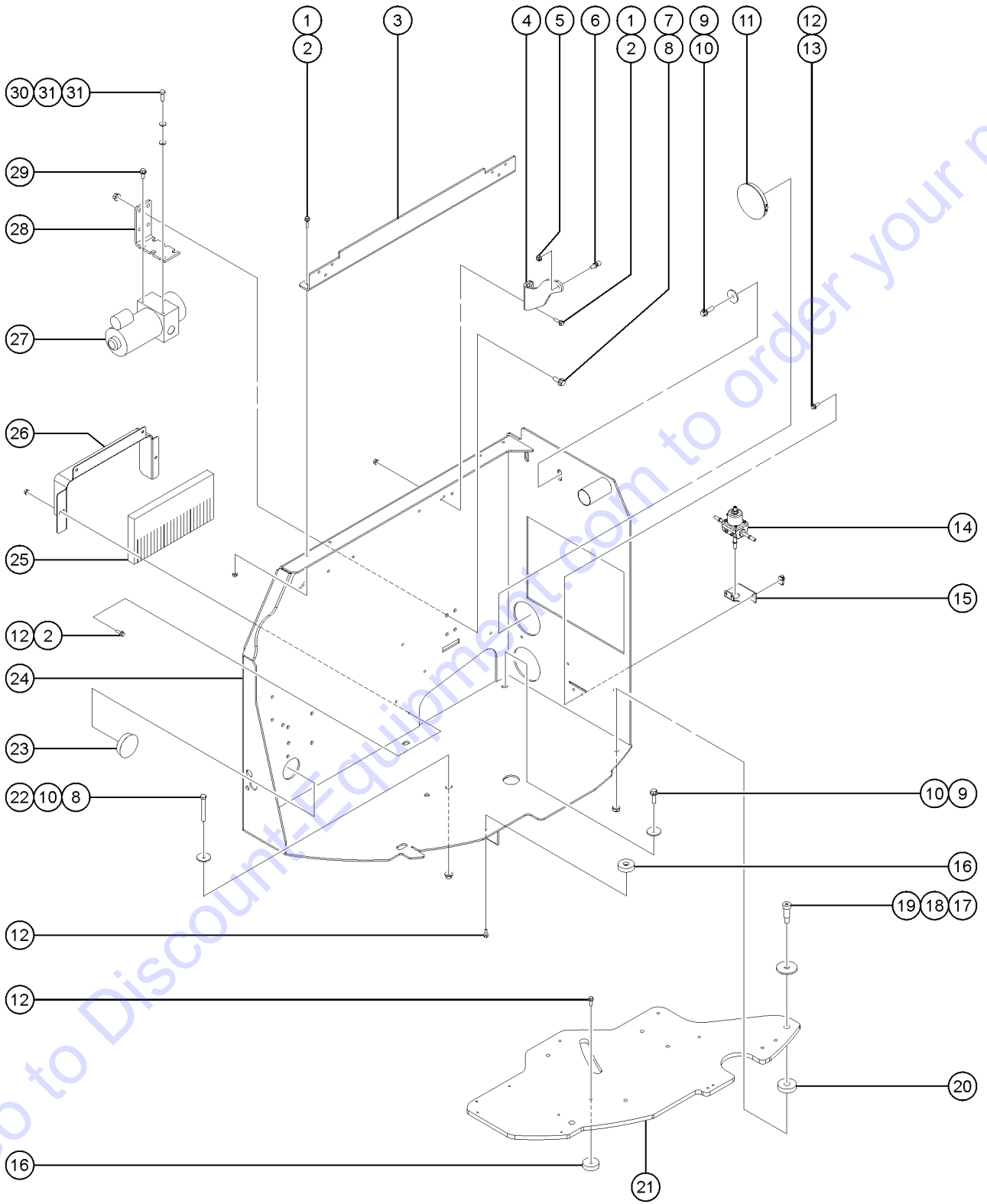
Item	Part No.	Description	Qty.	Item	Part No.	Description	Qty.
A	1273017GT	KIT,ENGINE ASSY,GM .998L,Z34		27	1274877GT	MUFFLER, SPARK ARRESTOR, 3", 7 DISCS.....	1
--	1272019GT	FILTER, FUEL.....	1	27A	32064GT	CLAMP,MUFFLER,1.75 INCH.....	1
--	1272828GT	OIL FILTER, GM .998L.....	1				
--	1272829GT	SPARK PLUG, GM .998L.....	4				
1	215706GT	SCREW,HHF,M10-1.5X45,DIN6921,10.9,ZAB.4					
2	231529GT	NUT,TL FLG,M10-1.5,DIN6927,10,ZAB.....	6				
3	1273594GT	FORMING, CATALYTIC BRACE.....	1				
4	1273604GT	CATALYST, INLINE 2015 & LATER.....	1				
--	1271874GT	GASKET, EXHAUST CATALYST, 3.0					
5	824210GT	CLAMP,SADDLE,1.5,ZAG.....	1				
6	1271252GT	WELDMENT,CAT PIPE,GM .998,Z34.....	1				
--	1271874GT	GASKET, EXHAUST CATALYST, 3.0					
7	1273078GT	FORMING, EXHAUST SHIELD MOUNT.....	2				
8	1269154GT	FORMING,RADIATOR TOP,GM .998L.....	1				
9	1271730GT	CLAMP, HOSE S-20 1 1/2".....	4				
10	1271753GT	HOSE, UPPER RAD .998L.....	1				
11	1271731GT	RADIATOR, GENSET SSI.....	1				
12	1271732GT	SHROUD, SSI RADIATOR .97L.....	1				
13	1271752GT	HOSE, LOWER RAD .998L.....	1				
14	1271878GT	STARTER, .998L.....	1				
15	1272958GT	WELDMENT, ENG LEG RT, GM .998L.....	1				
16	1272959GT	WELDMENT, ENG LEG LT, GM .998L.....	1				
17A	1256356GT	ASSY,DRIVE PUMP W/4CC FUNC.					
--	101237GT	PUMP,M42 W/4CC W/PIGGYBACK..... <i>for 1256356</i>	1				
--	29436GT	O-RING***.....	1				
--	48880GT	CAP,DIAGNOSTIC NIPPLE.....	1				
--	74492GT	PUMP,PIGGYBACK,SUNSTR,4CC***.....	1				
--	74635GT	PUMP,PIGGYBACK,SAUER,6CC 10-8..... <i>(for 230V generator option)</i>	1				
--	77990GT	KIT,SEAL,3CC PUMP***					
17B	101238GT	PUMP,DRIVE,42CC W/NFPE CONTR**					
18	824101GT	SCREW,SHC, 1/2-13X1.25,A574,ZAG.....	2				
19	824111GT	WASHER,LOCK, 1/2,ZAG.....	2				
20	232951GT	NUT, TL, M10-1.5,DIN980, ZAB.....	2				
21	824145GT	WASHER,FLAT,M10,DIN125,ZAB.....	2				
22	824078GT	SCREW,HHF,1/4-20X.75,8,ZAG.....	4				
23	56912GT	SPRING CLIP,1/4-20,.025-.15X.54,ZAG.....	4				
24	1271255GT	FORMING,EXH SPRT,GM .998,Z34.....	1				
25	1269189GT	FORMING,HEAT SHIELD,GM .998L.....	1				
26	1271254GT	WELDMENT, TAILPIPE,GM .998,Z34.....	1				
--	1271874GT	GASKET, EXHAUST CATALYST, 3.0					

416.1 GM .998L, View 2



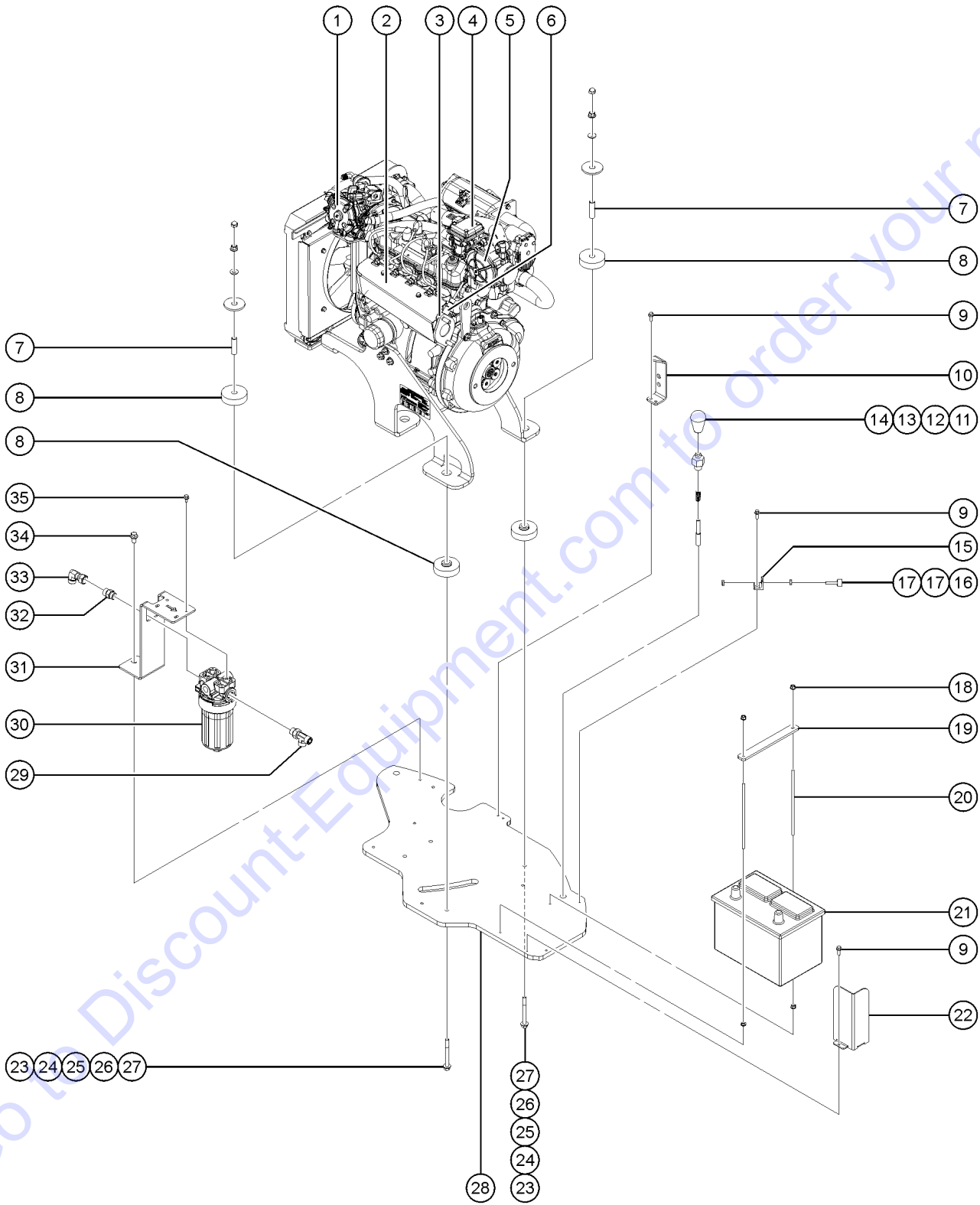
Item	Part No.	Description	Qty.
1	94532GT	BOTTLE,COOLANT RECOVERY,1.4***	1
2	824059GT	SCREW,HHC,1/4-20X.75,8,ZAG.....	2
3	824113GT	WASHER,FLAT,USS,1/4,ZAG.....	2
4	56912GT	SPRING CLIP,1/4-20,.025-.15X.54,ZAG.....	3
5	1272963GT	FORMING, COOLANT BOTTLE MOUNT.....	1
6	99346GT	CLIP, METAL MOUNTING.....	1
7	1272964GT	FORMING, FAN GUARD RIGHT.....	1
8	110149GT	CABLE TIE,DFT MOUNT,BLK,6.5".....	7
9	824078GT	SCREW,HHF,1/4-20X.75,8,ZAG.....	1
10A	1271867GT	FAN, PULLER 12.25" 30 DEG.....	1
10B	1281807GT	ALTERNATOR,GM .998L,PSI,Z34.....	1
11	1271828GT	BRACKET, FUSE BOX .998L.....	1
12	1271825GT	ECM, SSI .79L / .97L.....	1
13	1273080GT	FORMING, INTAKE HOSE GUIDE.....	1
14	826001GT	SCREW,HHF,M6-1.0X10,DIN6921,10.9,ZAB.1	1
15	825355GT	WASHER,FLAT,M6,DIN125,ZAB.....	1
16	105214GT	CABLE TIE MOUNT, WINGED.....	1
17	35434GT	CLAMP,HOSE,2.00***	3
18	28443GT	CABLE TIE,11.5" BLACK.....	1
19	1271540GT	HOSE,RAW AIR,Z34 GM .998L.....	1
20	1269187GT	FORMING,INTAKE SPRT,GM .998L.....	1
21	1272952GT	SCREW, HHC, M10 X 1.25 X 50MM.....	1
22	824145GT	WASHER,FLAT,M10,DIN125,ZAB.....	2
23	1272953GT	SCREW, HHC, M10 X 1.25 X 70MM.....	1
24	824085GT	SCREW,HHF,5/16-18X.75,8,ZAG.....	2
25	1255805GT	NUT,SERRATED,5/16-18,8,ZAG.....	2
26	119685GT	BRACKET, AIRCLEANER MT.....	1
27	119684GT	AIRCLEANER ASSEMBLY.....	1
--	52867GT	FILTER,AIR***	
28	1271541GT	HOSE,AIR IN,Z34 GM .998L.....	1
29	45435GT	CLAMP,HOSE,2.50"***	1

417.1 GM .998L, View 3



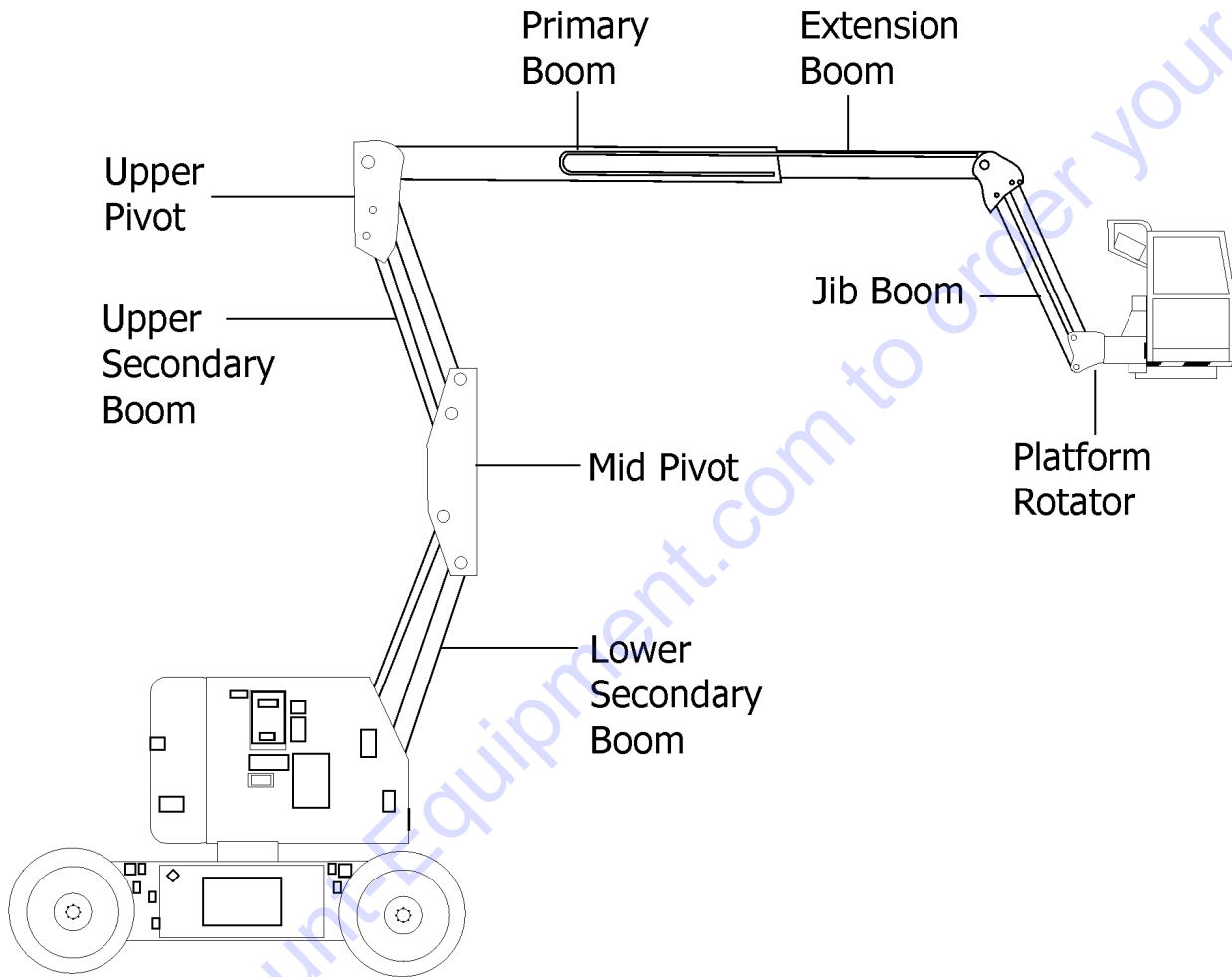
Item	Part No.	Description	Qty.
1	824079GT	SCREW,HHF,1/4-20X1,8,ZAG.....	6
2	824027GT	NUT,TL FLG,1/4-20,G,ZAG.....	10
3	128298GT	FORMING, HING SUPPORT, LONG.....	1
4	128902GT	BRACKET,ANCHOR,GAS STRUT.....	1
5	1255805GT	NUT,SERRATED,5/16-18,8,ZAG.....	1
6	33555GT	BALL STUD**.....	1
7	824090GT	SCREW,HHF,3/8-16X1,8,ZAG.....	4
8	824029GT	NUT,TL FLG,3/8-16,G,ZAG.....	6
9	824091GT	SCREW,HHF,3/8-16X1.25,8,ZAG.....	3
10	1268468GT	WASHER,FLAT,406X1.50X.125,ZAG....	5
11	80229GT	CAP, PLASTIC, 4".....	2
12	824078GT	SCREW,HHF,1/4-20X.75,8,ZAG.....	11
13	56912GT	SPRING CLIP,1/4-20,.025-.15X.54,ZAG.....	2
14	1272020GT	REGULATOR, FUEL, GM .998L.....	1
15	1273326GT	FORMING, FUEL REGULATOR MOUNT.....	1
16	56093GT	WEAR PAD ROUND.....	5
--	18504GT	NUT,LOCKING-LG.FLANGE,1/4-20.....	5
17	824229GT	BOLT,SSHS,5/8X1.25X1/2-13,ZAG.....	2
18	824115GT	WASHER, FLAT, USS, 5/8, ZAG.....	2
19	824039GT	NUT,TL JAM,1/2-13,A,ZAG.....	2
20	42123GT	WEAR PAD,2" ROUND.....	1
21		Ref. PLATE,ENGINE TRAY, SWING OUT..... (refer to 418.1)	1
22	1260940GT	SCREW,HHC,3/8-16X3,8,ZAG.....	2
23	39640GT	PLUG,NYLON 2.50 BLACK DOMED.....	2
24	1269544GT	WELDMENT,ENGINE BULKHEAD,DF....	1
25	139254GT	GASKET,FOAM,HEATSHIELD.....	1
26	128970GT	BAFFLE,BULKHEAD.....	1
27	112379GT	POWER UNIT,12VDC AUX***.....	1
--	112308GT	SOLENOID,12V,APU	
--	13083GT	DIODE, 3 AMP	
--	38156GT	VALVE,RELIEF KIT,MONARCH**	
--	43687GT	MOTOR,12VDC (42185).....	1
--	43688GT	PUMP ASSY (42185).....	1
28	42190GT	BRACKET,AUX.PUMP ATTACHMENT....	1
29	824085GT	SCREW,HHF,5/16-18X.75,8,ZAG.....	2
30	13002GT	SCREW,HHC,5/16-18 X 1 GR5.....	1
31	6638GT	WASHER,FLAT,USS,1/4"Y.....	2

418.1 GM .998L, View 4



Item	Part No.	Description	Qty.
1	1271817GT	REGULATOR, LD DSR LPG.....	1
--	1271809GT	VALVE, LOCK-OFF W/FILTER NO CO....	1
2	1271852GT	SHIELD, EXHAUST .998L.....	1
3	1271849GT	MANIFOLD, EXHAUST .998L.....	1
--	1271851GT	GASKET, EXHAUST MANIFOLD .998L	
4	1271841GT	D19 EPR, MOBILE ENGINE / 2010.....	1
5	1271844GT	MIXER, E100 3.0 LP CERT MOBILE....	1
6	1271824GT	SENSOR, O2 GOLD TERMINALS.....	1
7	139230GT	SPACER, SHOCK MOUNT.....	4
8	24037GT	SHOCK MOUNT,LARGE**.....	8
9	824078GT	SCREW,HHF,1/4-20X.75,8,ZAG.....	5
10	42064GT	BRACKET, LATCH.....	1
11	40835GT	KNOB,OVAL TAPERED.....	1
12	41630GT	HOUSING, LOCK PIN.....	1
13	39469GT	SPRING,COMPRESSION.485 X1.75**....	1
14	56464GT	LOCK PIN.....	1
15	42359GT	ANGLE, BUMPER, MOUNT.....	1
16	36388GT	BUMPER,RUBBER,.75 X .50H,STUD....	1
17	824037GT	NUT,HH JAM,1/4-20,A,ZAG.....	2
18	824027GT	NUT,TL FLG,1/4-20,G,ZAG.....	4
19	T107827GT	BATTERY HOLD DOWN.....	1
20	824209GT	ROD,THREADED,1/4-20X8.5,ZAG.....	2
21	36872GT	BATTERY, 12V,900 CCA.....	1
22	74461GT	HEAT, SHIELD.....	1
23	824096GT	SCREW,HHF,3/8-16X3.5,8,ZAG.....	4
24	824123GT	WASHER,FLAT,.625X2.25X.188,ZAG....	4
25	825358GT	WASHER,FLAT,5/16,USS,ZAG.....	4
26	824029GT	NUT,TL FLG,3/8-16,G,ZAG.....	4
27	824040GT	NUT, ACORN, 3/8-16, ZAG.....	2
28	1269539GT	PLATE, ENGINE TRAY, SWING OUT.....	1
29	48935GT	TEE,RUN,520428-8.....	1
30	1267807GT	ASSY, MED. PRESS. FILTER, SAE8.....	1
--	1268229GT	ELEMENT-5 MIC, PAPER, W/ BYPASS	
31	1269191GT	FORMING, FILTER MOUNT, GM .998L.....	1
32	48933GT	CONN,520120-8***.....	1
33	48879GT	ELBOW,SWIVEL 90D, 520221-8.....	1
34	824089GT	SCREW,HHF,3/8-16X.75,8,ZAG.....	2
35	824077GT	SCREW, HHF, 1/4-20 X .5, 8, ZAG.....	4

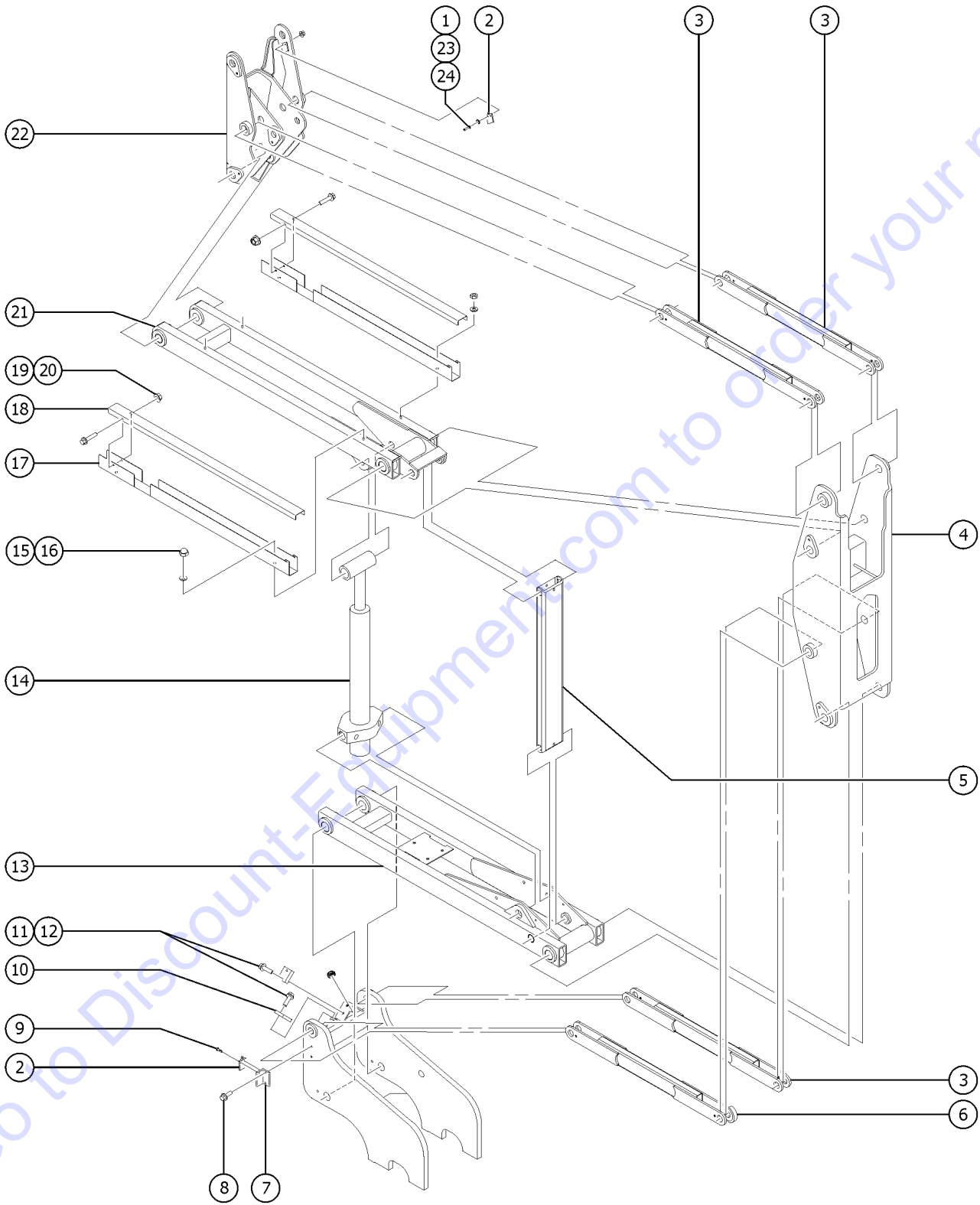
500.1 Boom Layout



Item	Part No.	Description	Qty.
1		Extension Boom <i>refer to 504.1</i>	
2		Jib Boom <i>refer to 506.1</i>	
3		Lower Secondary Boom <i>refer to 501.1 and 502.1</i>	
4		Mid Pivot <i>refer to 501.1 and 502.1</i>	
5		Platform Rotator <i>refer to 506.1</i>	
6		Primary Boom <i>refer to 504.1</i>	
7		Upper Pivot <i>refer to 501.1, 502.1 and 503.1</i>	
8		Upper Secondary Boom <i>refer to 501.1 and 502.1</i>	

Go to Discount-Equipment.com to order your parts

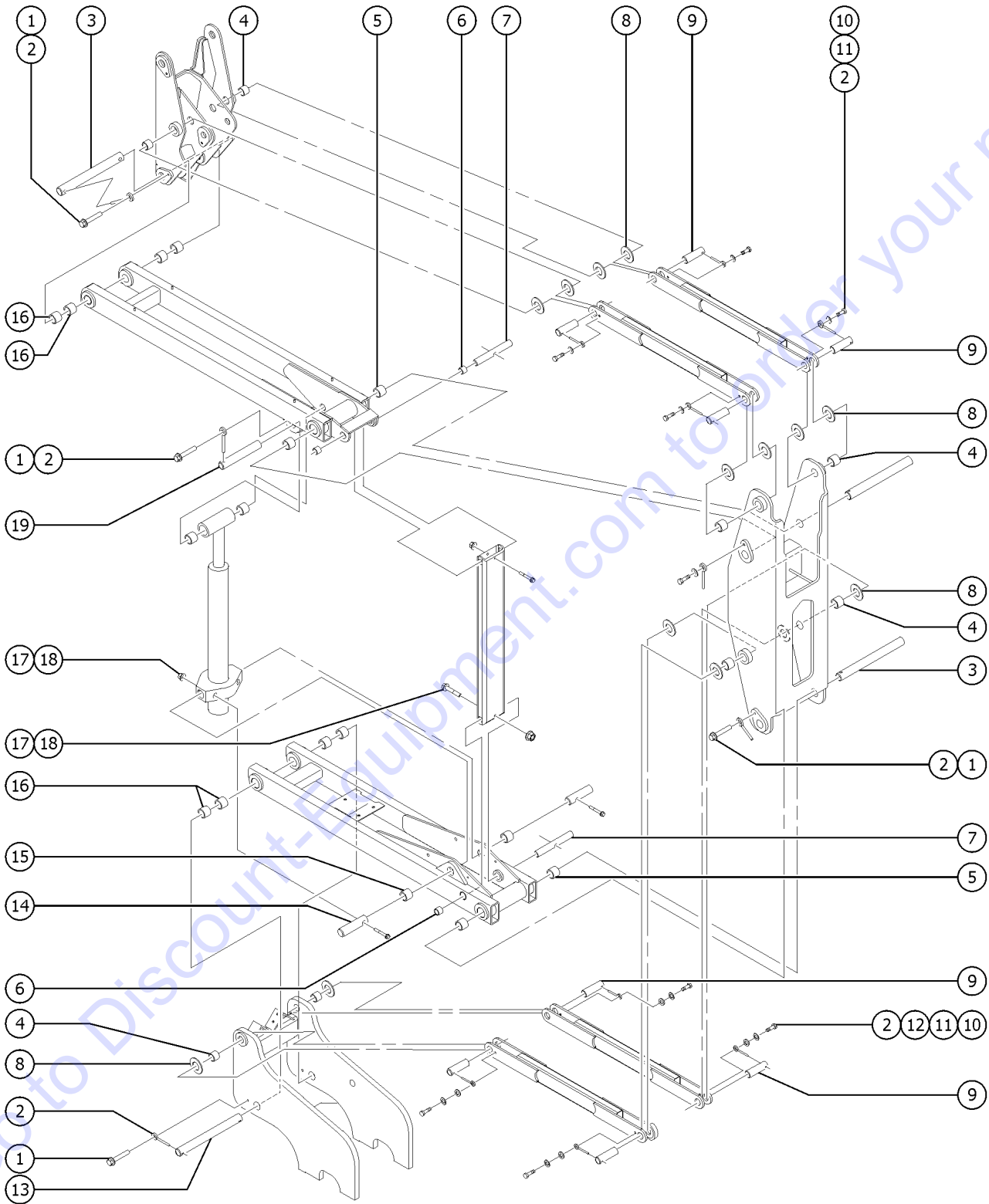
501.1 Secondary Boom, View 1



501.1 Secondary Boom, View 1

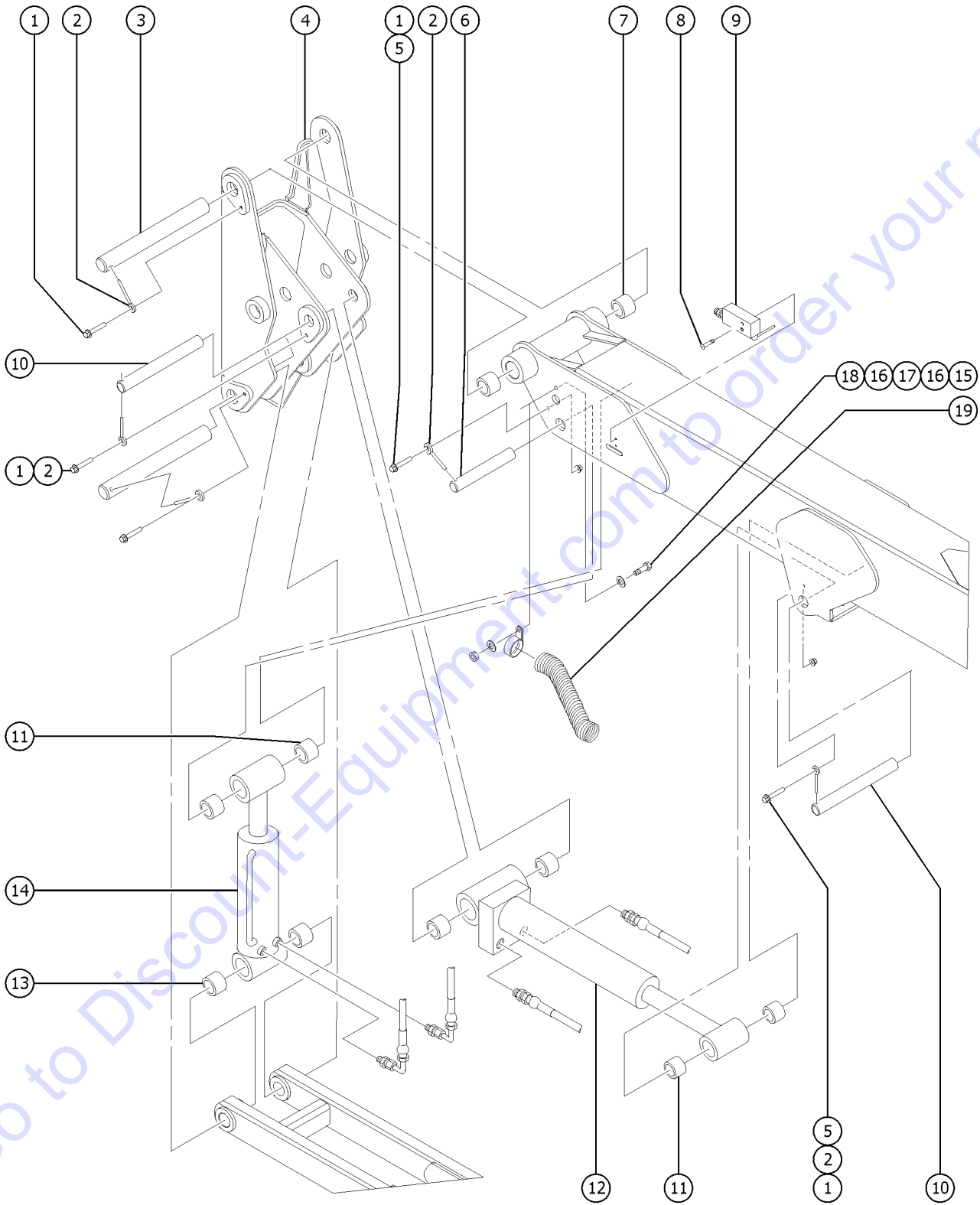
Item	Part No.	Description	Qty.
1A	824219GT	SCREW, PHPM SEMS ET, 8-32 X 1.25, ZAG.....2 to SN Z3416F-10742	2
1B	1261606GT	SCREW,PHPM,8-32X1.75,ZAG.....2 from SN Z3416F-10743	2
1C	1255803GT	NUT,TL FLG,8-32,F,ZAG.....2 from SN Z3416F-10743	2
2	88366-116R3GT	SWITCH,LIMIT,W/ROLLER ARM***.....2	2
--	19491GT	CONTACTOR,LIMIT SWITCH	
3	74946GT	COMPRESSION ARM WELDMENT 56.50.....3	3
4	40446GT	LOWER MIDPIVOT ASSY,Z34 &Z34N*.....1	1
5	74232GT	CONNECTING LINK Z30N & Z34***.....1	1
6	128635GT	WELDMENT, LWR COMPRESION ARM.....1	1
7	42413GT	ANGLE,SWITCH MOUNT***.....1	1
8	824078GT	SCREW,HHF,1/4-20X.75,8,ZAG.....2	2
9	824223GT	SCREW,PHPM SEMS ET,10-32X1.25,....2	2
10	74086GT	REST PAD, LOWER ARM REST.....2	2
11	824091GT	SCREW,HHF,3/8-16X1.25,8,ZAG.....4	4
12	824029GT	NUT,TL FLG,3/8-16,G,ZAG.....4	4
13	40449GT	LOWER SECONDARY ARM ASSY,Z34.....1	1
14	94210GT	CYLINDER,ELEVATE, Z34.....1	1
--	31106GT	VALVE,CNTERBAL,CBBB-LHN@3000**.	1
--	47377GT	BEARING,1.25 ID X 1.5 OD X .75.....2	2
--	94253GT	SEAL KIT, 94210	
15A	824040GT	NUT, ACORN, 3/8-16, ZAG.....4 to SN 12064	4
15B	1274322GT	NUT,NYLOCK FLG,3/8-16,F,ZAG from SN 12065	
16A	824122GT	WASHER,FLAT,.375X1.25X.062,ZAG....4 to SN 12064	4
16B	825353GT	WASHER,FLAT,1/2,SAE,HRD,ZAG from SN 12065	
17	42612-SGT	HOSE TRACK,UPPER ARM-SERV.....2	2
18	42613-SGT	HOSETRACK COVER,UPPER ARM-SERV.....2	2
19	824083GT	SCREW,HHF,1/4-20X2.5,8,ZAG.....4	4
20	824027GT	NUT,TL FLG,1/4-20,G,ZAG.....4	4
21	74379GT	UPPER SECONDARY ARM ASSY,Z34.....1	1
22		Ref. UPPER MIDPIVOT refer to 503.1	
23	1257390GT	WASHER,FLAT,#8,SAE,ZAG.....2 from SN Z3416F-10743	2
24	1271081GT	NUT,NYLOCK,8-32,8,ZAG.....2 from SN Z3416F-10743	2

502.1 Secondary Boom, View 2



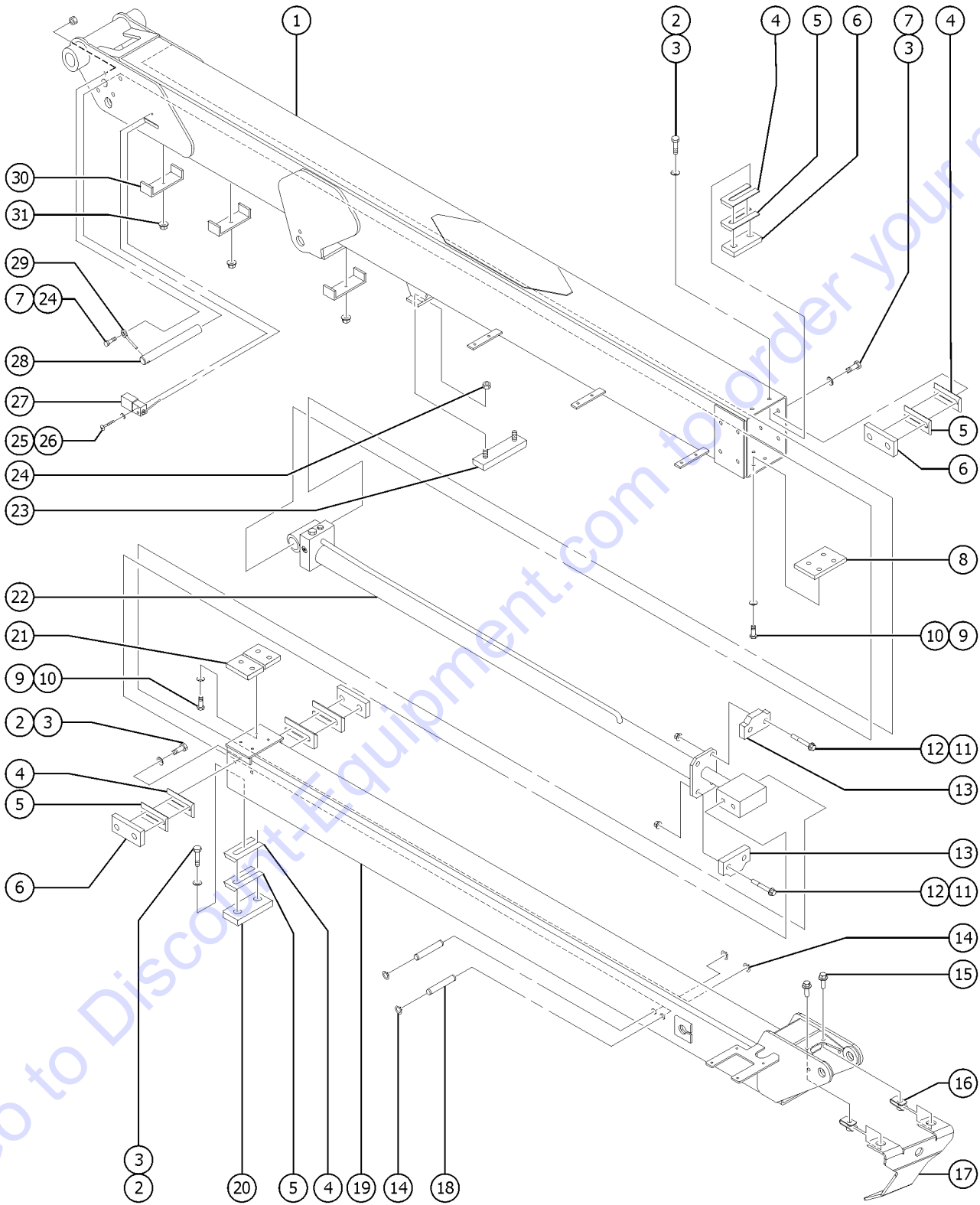
Item	Part No.	Description	Qty.
1	824091GT	SCREW,HHF,3/8-16X1.25,8,ZAG.....	5
2	825019GT	ROD END,.375X3.69,ZAG.....	13
3	36194GT	PIN,1.50DIAX15.13LG,1HOLE.....	3
4	34245GT	BEARING,1.25IDX1.50X1.25L.....	8
5	45071GT	BEARING,1.5IDX1.75ODX1.5L.....	4
6	36245GT	BEARING,FL,1.00IDX1.25ODX0.84L....	4
7	36202GT	PIN,1.00DIAX7.25LG,1HOLE.....	2
8	824151GT	WASHER,SHIM,1.270X2.130X.062,Z...	12
9	36390GT	PIN,1.25DIAX3.63LG,THREADED.....	8
10	824067GT	SCREW,HHC,3/8-16X1,8,ZAG.....	8
11	824110GT	WASHER,LOCK,3/8,ZAG.....	8
12	825358GT	WASHER,FLAT,5/16,USS,ZAG.....	4
13	36389GT	PIN,1.50DIAX16.13LG,1HOLE.....	1
14	36205GT	PIN,1.25DIAX3.00LG,THREADED.....	2
15	36246GT	BEARING,FL,1.25IDX1.50ODX1.09L....	2
16	18396GT	BEARING,1.5IDX1.75ODX1.0L.....	2
17	824094GT	SCREW,HHF,3/8-16X2.75,8,ZAG.....	2
18	824029GT	NUT,TL FLG,3/8-16,G,ZAG.....	2
19	36200GT	PIN,1.25DIAX9.38LG,1HOLE.....	1

503.1 Upper Pivot



Item	Part No.	Description	Qty.
1	824092GT	SCREW,HHF,3/8-16X1.5,8,ZAG.....	4
2	825019GT	ROD END,.375X3.69,ZAG.....	5
3	36194GT	PIN,1.50DIAX15.13LG,1HOLE.....	2
4	40447GT	UPPER MIDPIVOT ASSY,Z34 & Z34N....	1
--	34245GT	BEARING,1.25IDX1.50X1.25L	
5	824029GT	NUT,TL FLG,3/8-16,G,ZAG.....	2
6	74091GT	PIN,1.25DIAX9.13LG,1HOLE.....	2
7	45071GT	BEARING,1.5IDX1.75ODX1.5L.....	2
8	824219GT	SCREW, PHPM SEMS ET, 8-32 X 1.25, ZAG.....	2
9	88356 127J5GT	SWITCH,LIMIT,W/6.25"SPRING ARM....	1
--	106433GT	LS SPRING WAND (ZCY91)	
--	19491GT	CONTACTOR,LIMIT SWITCH	
10	74091GT	PIN,1.25DIAX9.13LG,1HOLE.....	2
11	47377GT	BEARING,1.25 ID X 1.5 OD X .75.....	4
12	94215GT	CYLINDER,PRIMARY LIFT..... <i>includes item 11</i>	1
--	43937GT	VALVE,CB.CBBC-LHN@3200***.....	2
--	94258GT	SEAL KIT, 94215, 94430.....	1
13	88280GT	BEARING,1.5IDX1.75ODX0.75L.....	2
14	94216GT	CYLINDER,MASTER..... <i>includes items 11 and 13</i>	1
--	94259GT	SEAL KIT, 94216	
15	1264315GT	BOLT,HEX TAP,3/8-16X2.25,8,ZAG.....	1
16	27497GT	CLAMP,RUBBER CUSHIONED-2 5/32....	1
17	1255758GT	WASHER,FLAT,3/8,USS,ZAG.....	2
18	824092GT	SCREW,HHF,3/8-16X1.5,8,ZAG.....	1
19	27497GT	CLAMP,RUBBER CUSHIONED-2 5/32....	1

504.1 Primary and Extension Booms

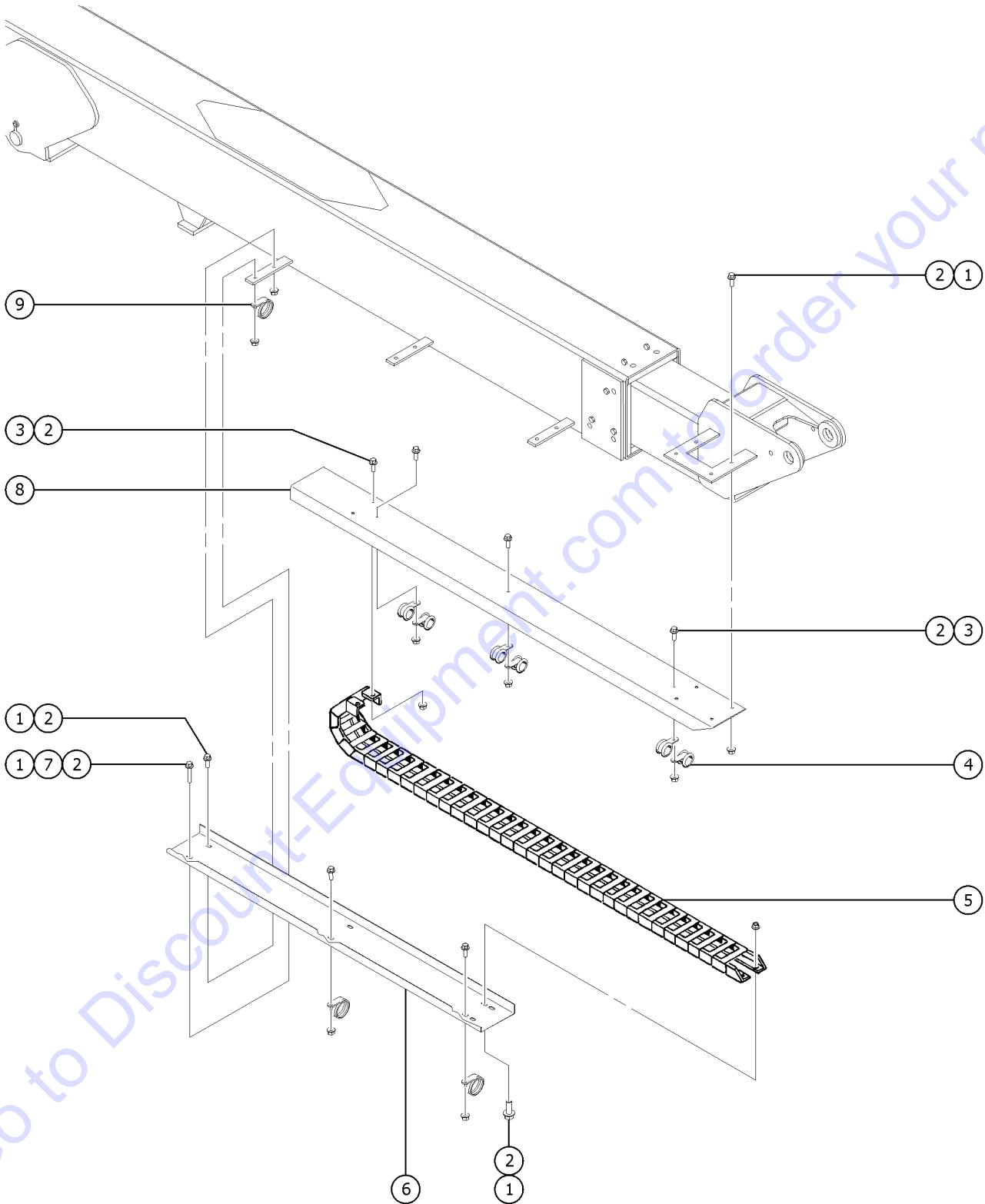


Go to Discount-Equipment.com to order your parts

504.1 Primary and Extension Booms

Item	Part No.	Description	Qty.	Item	Part No.	Description	Qty.
1	77728GT	PRIMARY BOOM TUBE ASSY Z34IC**	1	31A	824029GT	NUT,TL FLG,3/8-16,G,ZAG..... to SN 12080	3
--	45071GT	BEARING,1.5IDX1.75ODX1.5L.....	2	31B	1274322GT	NUT,NYLOCK FLG,3/8-16,F,ZAG..... from SN 12081	3
2	824067GT	SCREW,HHC,3/8-16X1,8,ZAG					
3	824110GT	WASHER,LOCK,3/8,ZAG.....	12				
4	29080GT	SHIM,WEAR PAD,5X 1.5 16GA					
5	42502GT	SHIM,SIDE PAD 22GA (quantity as needed)					
6	1262353GT	WEAR PAD,5 X 1.5 X .75 W/NUTS.....	7				
7	824068GT	SCREW,HHC,3/8-16X1.25,8,ZAG.....	5				
8	1262354GT	WEAR PAD,4 X 4 X .75 W/NUTS.....	1				
9	824060GT	SCREW,HHC,1/4-20X1,8,ZAG.....	9				
10	824109GT	WASHER,LOCK,1/4,ZAG.....	8				
11	824082GT	SCREW,HHF,1/4-20X1.75,8,ZAG					
12A	824029GT	NUT,TL FLG,3/8-16,G,ZAG..... to SN 12080	8				
12B	824029GT	NUT,TL FLG,3/8-16,G,ZAG..... from SN 12081	5				
13	74066GT	WEAR PAD,EXT CYL***	2				
14	824163GT	SNAP RING,EXTERNAL,3/4,ZAG.....	4				
15	824079GT	SCREW,HHF,1/4-20X1,8,ZAG.....	2				
16	56912GT	SPRING CLIP,1/4-20,.025-.15X.54,ZAG					
17	147079GT	BRACKET, HOSE ROUTING.....	1				
--	56361GT	CABLE TIE,BUTTON,BLACK,14.75LG					
18	36192GT	PIN,0.75DIA X 5.51LG,2RING.....	2				
19	147638GT	ASSY, EXT BOOM, Z34.....	1				
--	35675GT	BEARING,FL,1.25IDX1.5ODX1.25L.....	2				
20	30138GT	WEAR PAD,5 X 1.5 X .625 W/NUTS.....	1				
21	1262355GT	WEAR PAD,4 X 2 X .45 W/NUTS.....	2				
22	94212GT	CYLINDER,EXTENSION.....	1				
--	36648GT	VALVE,COUNTERBALANCE 2500 PSI*					
--	74508GT	VALVE,CHECK,COBA-X*N 200PSI PO					
--	74509GT	VALVE,CHECK,CXAD-XCN,30PSI					
--	94255GT	SEAL KIT,94212					
23	56849GT	PAD,REST,1"THICK,W/STUDS*	1				
24	824038GT	NUT, TL JAM, 3/8-16, A, ZAG.....	3				
25	49821GT	SCREW,PHILLIPS,PHM,8-32 X 1.25					
26	6607GT	WASHER,LOCK,#10 PLTD					
27	88356-127.5GT	SWITCH,LIMIT,W/6.25"SPRING ARM.....	1				
--	106433GT	LS SPRING WAND (ZCY91)					
--	19491GT	CONTACTOR,LIMIT SWITCH					
28	101557GT	PIN,1.00DIA X 9.01LG,THREADED.....	1				
29	825019GT	ROD END,.375X3.69,ZAG.....	1				
30	54530GT	CLAMP,HOSE,ALUMINUM.....	3				

505.1 Cable Track

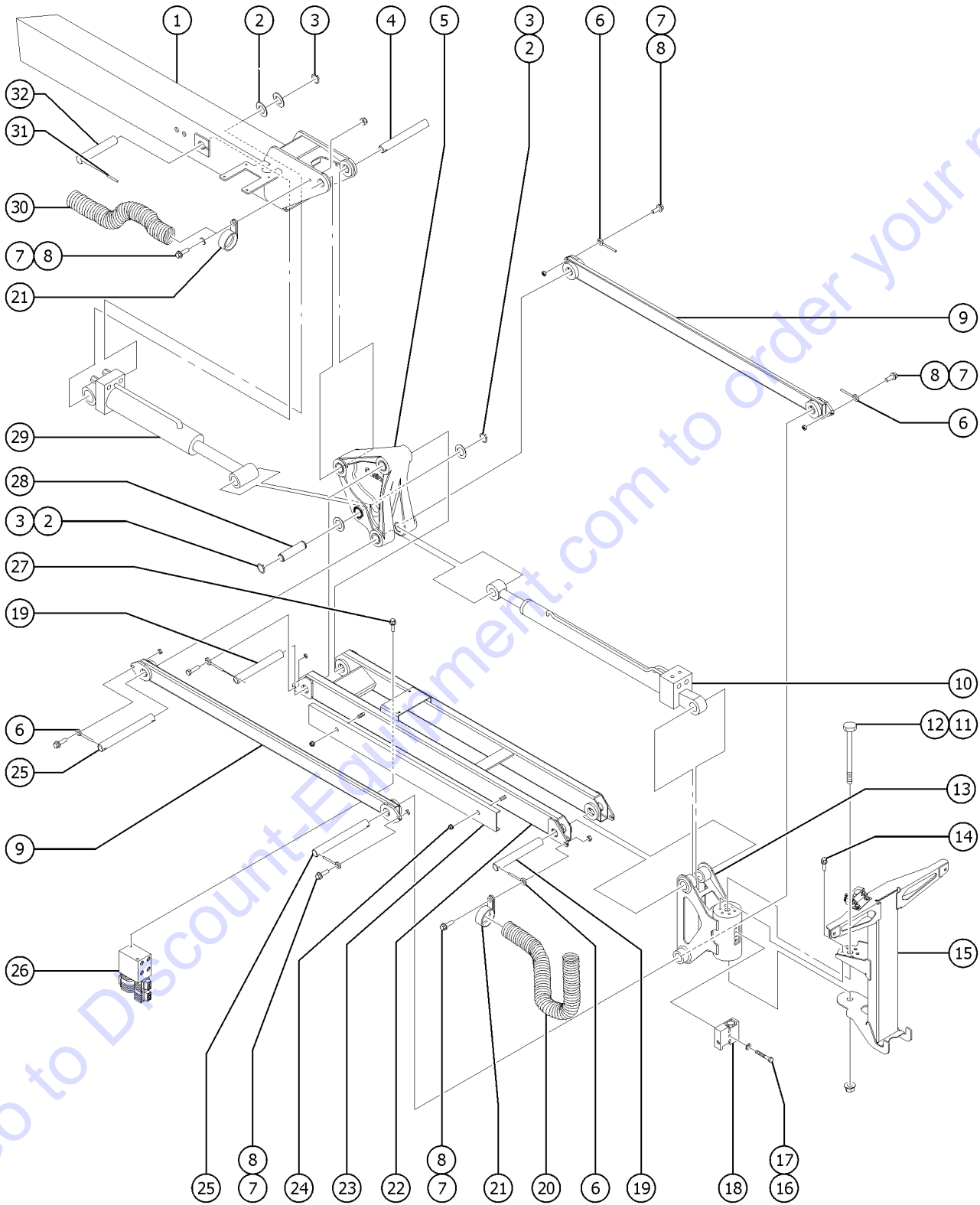


Go to Discount-Equipment.com to order your parts

Item	Part No.	Description	Qty.
1	824078GT	SCREW,HHF,1/4-20X.75,8,ZAG	
2	824027GT	NUT,TL FLG,1/4-20,G,ZAG	
3	824079GT	SCREW,HHF,1/4-20X1,8,ZAG	
4	6833GT	CLAMP,0.50,#8 X 1/4,RUB CUSH.....6	
5	139537GT	CABLE TRACK,NYLATRAC,26 LINK.....1	
--	139540GT	REPAIR LINK,NYLATRAC,7 LINKS	
--	139541GT	BRACKET SET,NYLATRAC,KS400	
--	139542GT	LINK,NYLATRAC,KS400	
6	56983PGT	CHANNEL,LWR TRAY PLASTIC TK **	
7	824113GT	WASHER,FLAT,USS,1/4,ZAG	
8	74119PGT	CHANNEL, CABLE TRACK, UPPER	
9	27497GT	CLAMP,RUBBER CUSHIONED-2 5/32....3	

Go to Discount-Equipment.com to order your parts

506.1 Jib Boom and Platform Rotator

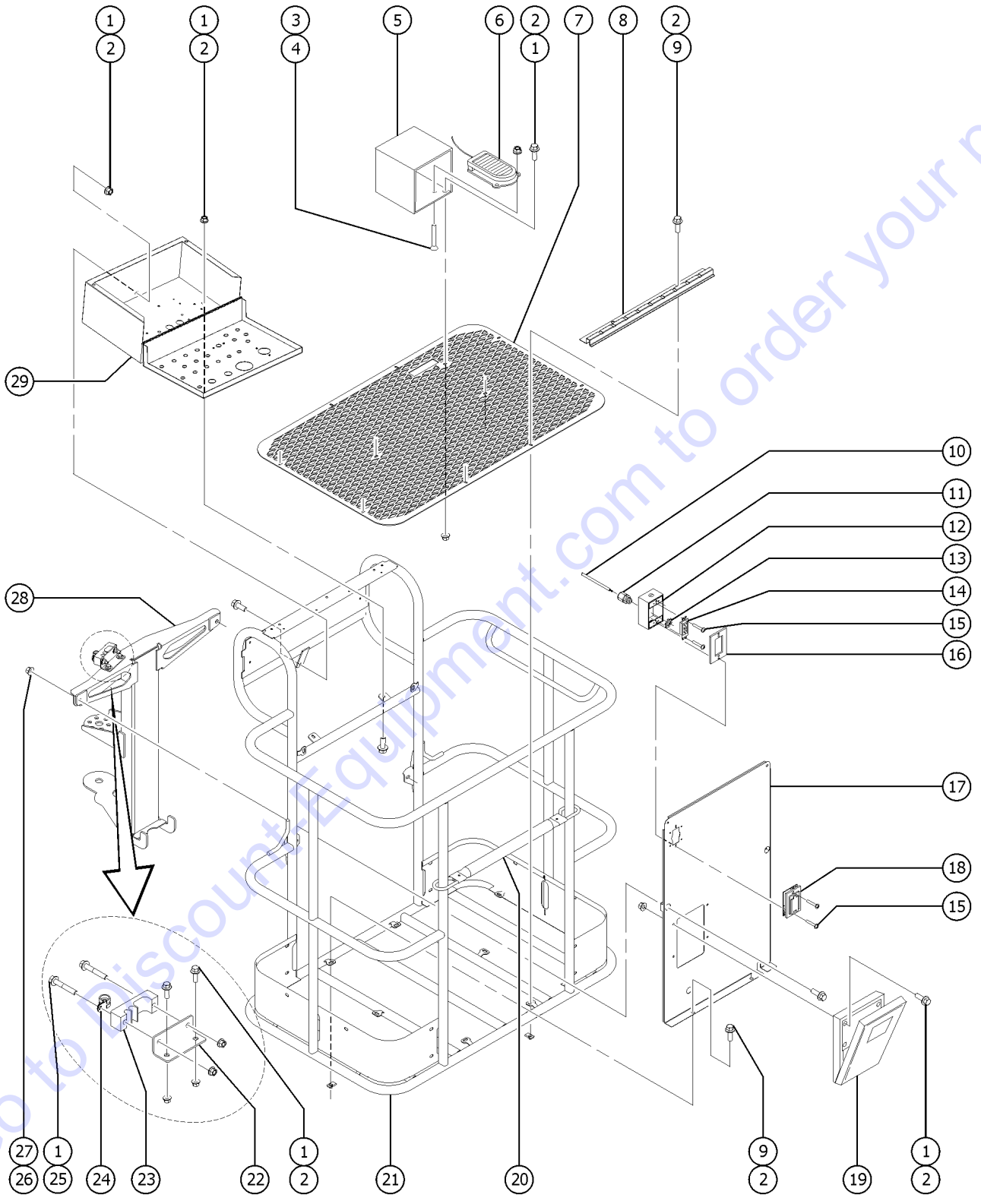


Go to DiscountEquipment.com to order your parts

506.1 Jib Boom and Platform Rotator

Item	Part No.	Description	Qty.	Item	Part No.	Description	Qty.
1		Ref. EXTENSION BOOM <i>refer to 504.1</i>		--	74735GT	VALVE,COUNTERBALANCE.....	2
2	824151GT	WASHER,SHIM,1.270X2.130X.062,Z.....	4	--	94260GT	SEAL KIT, 94217	
3	824164GT	SNAP RING,EXTERNAL,1.25,ZAG.....	2	30	42939-5400GT	WIRE LOOM,1.88 DIA.....	54-inches
4	128550GT	PIN,1.25DIA X 7.64LG,2RING.....	1	31	10665GT	PIN,ROLL,.25 X 1.5***.....	1
5	74587GT	BELLCRANK ASSEMBLY, Z30N,Z34**...	1	32	50546GT	PIN,1.25DIA X 6.36LG,2RING	
--	74865GT	BEARING,FL,1.25IDX1.50ODX1.25L.....	6				
--	74866GT	BEARING,1.25IDX1.50ODX1.25L.....	2				
6	825019GT	ROD END,.375X3.69,ZAG.....	8				
7	824092GT	SCREW,HHF,3/8-16X1.5,8,ZAG					
8	824025GT	NUT,TL,3/8-16,C,ZAG					
9	36054-SGT	COMPRESSION MEMBER (BORED)**.....	2				
10	94218GT	CYLINDER,JIB.....	1				
--	31106GT	VALVE,CNTERBAL,CBBB-LHN@3000** <i>for 94218</i>					
--	47377GT	BEARING,1.25 ID X 1.5 OD X .75					
--	94261GT	SEAL KIT,94218					
11	824073GT	SCREW,HHC,3/4-10X9,8,ZAG.....	1				
12	824038GT	NUT, TL JAM, 3/8-16, A, ZAG.....	1				
13	233717GT	ROTATOR,PLAT,Z30/34/Z40.....	1				
--	233745GT	SEAL AND BRG KIT,4.5K ROTATOR					
--	30222GT	BEARING,FL,1.25IDX1.41ODX1.50L					
14	824089GT	SCREW,HHF,3/8-16X.75,8,ZAG					
15	56500-SGT	WELDMENT,PLATFORM SUPPORT***					
16	824062GT	SCREW,HHC,1/4-20X1.5,8,ZAG					
17	824109GT	WASHER,LOCK,1/4,ZAG					
18		Ref. Platform Rotator Manifold <i>refer to 704.1</i>					
19	36199GT	PIN,1.25DIA.X10.38LG,1HOLE.....	2				
20	42939 -12000GT	WIRE LOOM,1.88 DIA.....	120-inches				
21	27497GT	CLAMP,RUBBER CUSHIONED-2 5/32....	1				
22	56976-SGT	JIB BOOM MACH***					
23	36561-SGT	HOSE COVER,JIB BOOM**					
24	824029GT	NUT,TL FLG,3/8-16,G,ZAG					
25	42797GT	PIN,1.25DIA X 12.50LG,2HOLE.....	2				
26		Ref. Jib Boom Manifold <i>refer to 704.1</i>					
27	824077GT	SCREW, HHF, 1/4-20 X .5, 8, ZAG					
28	139655GT	PIN,SLAVE CYLINDER.....	1				
29	94217GT	CYLINDER,SLAVE,DONGYANG.....	1				
--	35088GT	BEARING,FL,1.25IDX1.41ODX.89L.....	2				
		<i>rod end</i>					
--	47377GT	BEARING,1.25 ID X 1.5 OD X .75.....	2				
		<i>barrel end</i>					

601.1 Platform



601.1 Platform

Item	Part No.	Description	Qty.	Item	Part No.	Description	Qty.
--	107926GT	PLAT ASSY 4'W/WORD DECAL,USA ANSI/CSA models; 4-ft complete platform assembly		14	13585GT	OUTLET, 110V.....1 includes mounting fasteners; North America	1
--	107927GT	PLAT ASSY 4'W/WORD DECAL,AUS AUS models; 4-ft complete platform assembly		--	33629GT	PLATE,UK POWER TO PLATFORM	
--	107928GT	PLAT ASSY 4'W/SYMB DECAL,EURO CE models; 4-ft complete platform assembly		--	T112563GT	SVC KIT,UK RECEPT.REPLACEMENT British	
--	107929GT	PLAT ASSY 4'SYM DECAL,ASIA/SA ASIA/S. America models; 4-ft complete platform assembly		15	824214GT	SCREW,PHPM,6-32X.5,ZAG	
--	62518GT	PLAT.ASSY.W/DECAL 5'Z34,ANSI* ANSI/CSA models; 5-ft complete platform assembly		16	74052GT	GASKET,COVER,GFCI,WEATHERPROOF.1	
--	107930GT	PLAT ASSY 5'W/WORD DECAL,AUS AUS models; 5-ft complete platform assembly		17A	62508GT	DECAL PLATE W/D,PLAT,Z30/34**1 ANSI/CSA models; includes items 19	1
--	107931GT	PLAT ASSY 5'W/SYMB DECAL,EURO CE models; 5-ft platform assembly		17B	231207GT	ASSY,DECAL PLATE, Z34IC AUS.....1 AUS models	1
--	107932GT	PLAT ASSY 5'SYM DECAL,ASIA/SA Asia/S. America models; 5-ft platform assembly		17C	62516GT	DECAL PLATE W/D,PLAT,Z30/34**1 CE models; includes items 19	1
1	824027GT	NUT,TL FLG,1/4-20,G,ZAG		18	45437GT	COVER,GFCI,WEATHERPROOF.....1 includes mounting fasteners; North America	1
2	824078GT	SCREW,HHF,1/4-20X.75,8,ZAG		--	10777GT	COVER,BLANK	
3	824225GT	SCREW,FHPM,10-32X.75,ZAG		19A	44743GT	MANUAL BOX W/DECALS***.....1 USA/Canada/Australia	1
4	824032GT	NUT,TL FLG,10-32,F,ZAG		19B	24514GT	BOX,INSTRUCTION STORAGE Europe/Asia/South America (decal required; refer to Section100)	
5A	32710GT	GUARD,FOOTSWITCH,W/DECAL STEEL.....1 ANSI/CSA models	1	20	102992GT	SLIDING MIDRAIL KIT,PTD.....1	1
5B	30807P-SGT	FOOTSWITCH HOUSING,PAINTED.....1 CE models	1	--	12443GT	MIDRAIL GUIDE (HOOK)	
6	227620GT	ASSEMBLY,FOOT SWITCH.....1	1	--	20973GT	WIRE LOOM,3/8 POLY SLIT	
--	119058GT	CONN PLUG 4 WAY ENDCAP DT.....1	1	--	21121GT	CABLE TIE,4" BLK,HEAT RESISTNT	
--	227564GT	FOOT SWITCH,20A IP65.....1	1	21A	101981GT	PLAT RAIL ASSY 4'ANSI/CSA.....1 ANSI/CSA models	1
--	33576GT	CONN,SQZ,BLK,1/2NPT,.38-.50,SM.....1 gray	1	21B	101983GT	PLAT RAIL ASSY 4' AUS.....1 AUS models	1
--	43960GT	WIRE CABLE,16/4 CON.TPE JKT.....60-inches		21C	101982GT	PLAT RAIL ASSY, 4' CE.....1 CE models	1
--	73739GT	BOOT,PLUG 4 WAY.....1	1	21D	101984GT	PLAT RAIL ASSY 4' ASIA/S.AMER.....1 Asia/S. America models	1
7A	56465PGT	FLOORING,PLATFORM 46X30,PAINT...1	1	21E	74360GT	PLAT.W/DECAL,5FT,Z34N&DC,ANSI*....1 ANSI/CSA models	1
7B	56576PGT	FLOORING,PLATFORM,56X30,PNTD....1	1	21F	106549GT	5' PLAT RAILING ASSY,AUST.....1 AUS models	1
8	56656PGT	PLATFORM STEP * PAINTED.....1	1	21G	106550GT	5' PLAT RAILING ASSY,CE.....1 CE models	1
9	56912GT	SPRING CLIP,1/4-20,.025-.15X.54,ZAG		21H	106551GT	5' PLAT RAILING ASSY, ASIA.....1 Asia/S. America models	1
10	43956GT	WIRE CABLE,14/3 CON.TPE JKT*.....600-inches		22	128667GT	BRACKET, CABLE STRAIN RELIEF.....1	1
11	7056GT	CONN,SQUEEZE,1/2NPT .38-.50,SM....1	1	23	128668GT	CLAMP,CABLE STRAIN RELIEF.....1	1
12	10775GT	T-BOX,2.75 X 4.5 X 2.0.....1	1	24	128669GT	BACKING PLATE, PLATFORM CLAMP.....1	1
13	6935GT	LOCKNUT,ELEC,1/2".....1	1	25	824081GT	SCREW,HHF,1/4-20X1.5,8,ZAG	
				26	824028GT	NUT,TL FLG,5/16-18,G,ZAG	
				27	824087GT	SCREW,HHF,5/16-18X1.25,8,ZAG	

601.1 Platform
(continued)

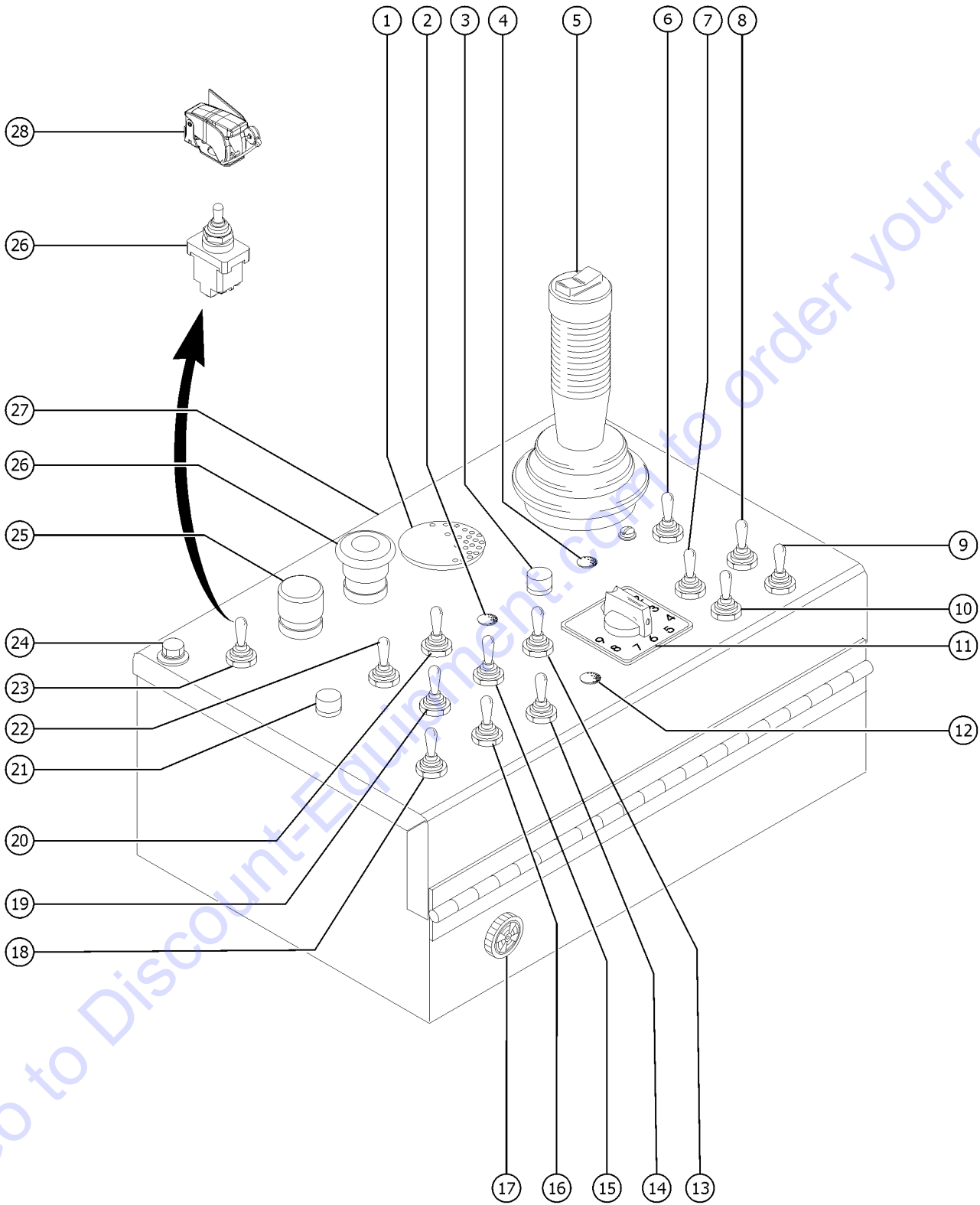
Item	Part No.	Description	Qty.
28	56500-SGT	WELDMENT,PLATFORM SUPPORT***.....1 <i>for models with Platform Overload option, refer to 812.1</i>	
29		Ref. Platform Control Box with Lid and Decal <i>refer to 603.1</i>	

Go to Discount-Equipment.com to order your parts

This Page Intentionally Left Blank

Go to Discount-Equipment.com to order your parts

602.1 Platform Control Box, External View



PARTS FINDER

**Search Website
by Part Number**



**Search Manual
Library For Parts
Manual & Lookup Part
Numbers – Purchase
or Request Quote**

Search Manuals

Enter your information to help us find the right parts manual for your machine.

* Brand:

* Model:

* Serial:

* Part Number:

SEARCH

**Can't Find Part or
Manual? Request Help
by Manufacturer,
Model & Description**

Parts Order Form

Please fill in the following information to help us find the right part for your machine.

Manufacturer:	<input type="text"/>
Model:	<input type="text"/>
Description:	<input type="text"/>
Part Number:	<input type="text"/>
Quantity:	<input type="text"/>
Notes:	<input type="text"/>

Submit

Discount-Equipment.com is your online resource for quality parts & equipment.

Florida: **561-964-4949** Outside Florida TOLL FREE: **877-690-3101**

Need parts?

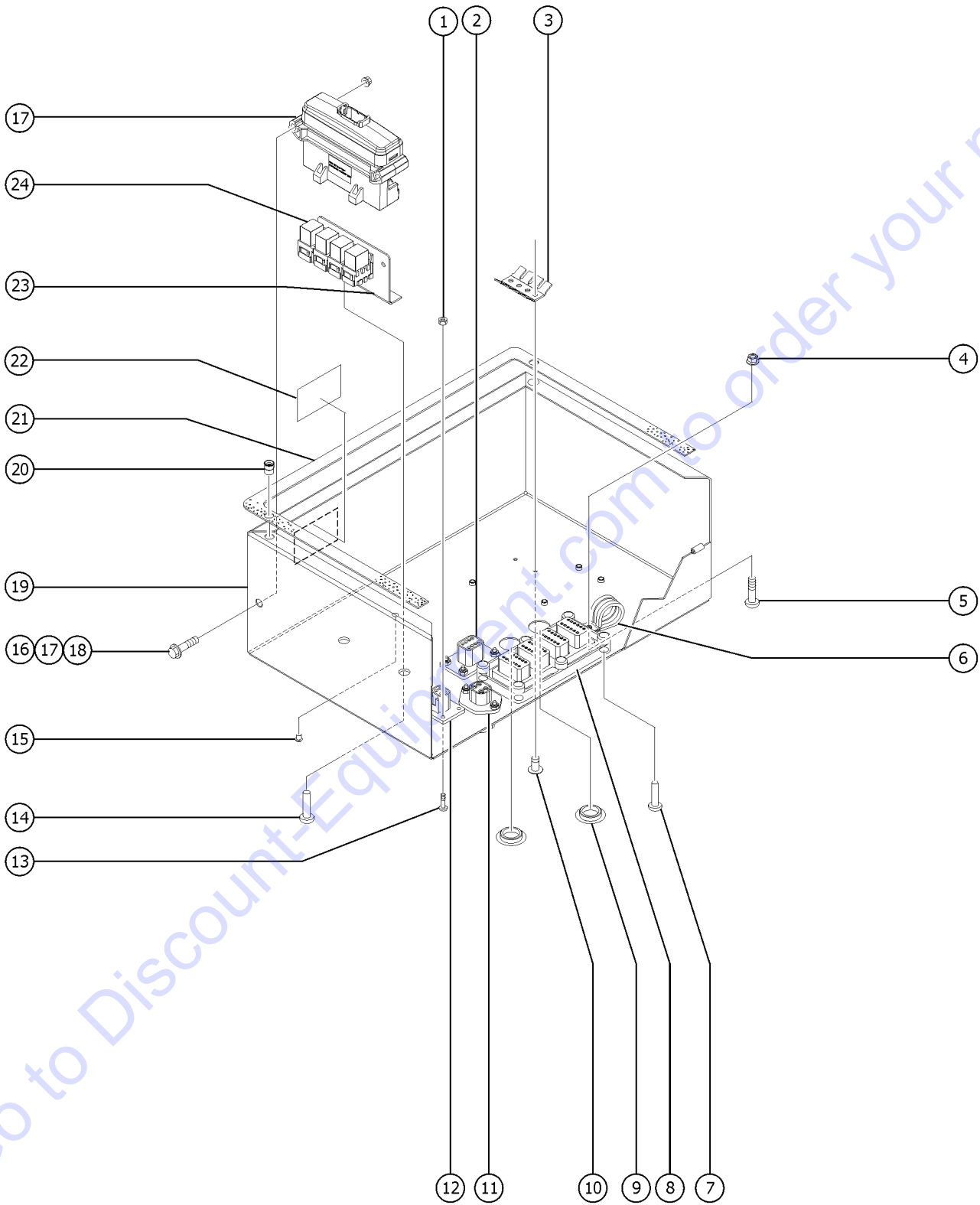
Click on this link: <http://www.discount-equipment.com/category/5443-parts/> and choose one of the options to help get the right parts and equipment you are looking for. Please have the machine model and serial number available in order to help us get you the correct parts. If you don't find the part on the website or on one of the online manuals, please fill out the request form and one of our experienced staff members will get back to you with a quote for the right part that your machine needs.

We sell worldwide for the brands: Genie, Terex, JLG, MultiQuip, Mikasa, Essick, Whiteman, Mayco, Toro Stone, Diamond Products, Generac Magnum, Airman, Haulotte, Barreto, Power Blanket, Nifty Lift, Atlas Copco, Chicago Pneumatic, Allmand, Miller Curber, Skyjack, Lull, Skytrak, Tsurumi, Husquvarna Target, Stow, Wacker, Sakai, Mi-T-M, Sullair, Basic, Dynapac, MBW, Weber, Bartell, Bennar Newman, Haulotte, Ditch Runner, Menegotti, Morrison, Contec, Buddy, Crown, Edco, Wyco, Bomag, Laymor, EZ Trench, Bil-Jax, F.S. Curtis, Gehl Pavers, Heli, Honda, ICS/PowerGrit, IHI, Partner, Imer, Clipper, MMD, Koshin, Rice, CH&E, General Equipment, Amida, Coleman, NAC, Gradall, Square Shooter, Kent, Stanley, Tamco, Toku, Hatz, Kohler, Robin, Wisconsin, Northrock, Oztec, Toker TK, Rol-Air, APT, Wylie, Ingersoll Rand / Doosan, Innovatech, Con X, Ammann, Mecalac, Makinex, Smith Surface Prep, Small Line, Wanco, Yanmar

602.1 Platform Control Box, External View

Item	Part No.	Description	Qty.	Item	Part No.	Description	Qty.
1A	81900GT	PLUG,NYLON 2.093 BLACK DOMED		18	128580-SGT	SWITCH TOGGLE SPDT 3P MOM SHDR.....1	1
1B	110651GT	LVI/BCI 36/48 VOLT ENGAGE II option, battery charge or low voltage indicator				<i>drive enable switch</i>	
--	110652GT	GASKET LVI/BCI ENGAGE II		19	128582-SGT	SWITCH TOGGLE DPDT 3P MOM SHDR.....1	1
--	110653GT	BRACKET ENGAGE II				<i>platform rotate</i>	
1C	237145GT	IND,BAT CHARGE,48V LEAD-ACID option, battery charger indicator		20	128582-SGT	SWITCH TOGGLE DPDT 3P MOM SHDR.....1	1
2	229567GT	PLUG,SANTOPRENE .5 BLACK DOME				<i>primary boom extend/retract</i>	
3	824879GT	LIGHT,LED IND. RED 12V NH option, machine not level indicator		21	824879GT	LIGHT,LED IND. RED 12V NH.....1	1
4	824879GT	LIGHT,LED IND. RED 12V NH option, platform overload indicator				<i>drive enable indicator</i>	
5		Ref. JOYSTICK.....1 refer to 604.1	1	22	128582-SGT	SWITCH TOGGLE DPDT 3P MOM SHDR.....1	1
6	128584-SGT	SWITCH TOGGLE SPDT 2P MNT SHDR.....1	1			<i>platform level</i>	
		<i>drive speed select</i>		23	128581-SGT	SWITCH TOGGLE DPDT 2P MOM SHDR.....1	1
7	128580-SGT	SWITCH TOGGLE SPDT 3P MOM SHDR.....1	1			<i>auxiliary power</i>	
		<i>engine start switch</i>		24	824077GT	SCREW, HHF, 1/4-20 X .5, 8, ZAG.....2	2
8	128580-SGT	SWITCH TOGGLE SPDT 3P MOM SHDR.....1	1	25	122513GT	KIT,HORN SVC BB&SM BOOM.....1	1
		<i>choke switch</i>		--	66813GT	BUTTON,PUSH,BLACK W/SEAL***.....1	1
9	128586-SGT	SWITCH TOGGLE DPDT 3P MNT SHDR engine idle select		--	66815GT	BASE, W/1 N.O. CONTACTS***.....1	1
10	128584-SGT	SWITCH TOGGLE SPDT 2P MNT SHDR.....1	1	26	122514GT	KIT,ESTOP SVC BB&SM BOOM.....1	1
		<i>gas/LPG selector</i>		--	66812GT	BUTTON,PUSH,RED MUSHROOM HEAD.....1	1
11		Ref. CONTROLLER,ROTARY 24V W/RAMP.....1 refer to 605.1	1	--	66818GT	CONTACT, N.C.....1	1
12	229567GT	PLUG,SANTOPRENE .5 BLACK DOME option, function override, aircraft protection		--	66821GT	BASE,WITHOUT CONTACTS.....1	1
13A	128582-SGT	SWITCH TOGGLE DPDT 3P MOM SHDR.....1	1	27		Ref. CONTROL BOX PLATFORM,PAINTED.....1 refer to 603.1	1
		<i>jib boom up/down</i>		28	1261347GT	TOGGLE SWITCH W/GUARD ASSY.....1	1
13B	45105GT	GUARD,TOGGLE SWITCH not shown		--	1261346GT	TOGGLE SWITCH GUARD,RED.....1	1
14	128582-SGT	SWITCH TOGGLE DPDT 3P MOM SHDR.....1	1	--	1261566GT	SECURITY TIE,TOGGLE GUARD.....1	1
		<i>secondary boom up/down</i>					
15	128582-SGT	SWITCH TOGGLE DPDT 3P MOM SHDR.....1	1				
		<i>primary boom up/down</i>					
16	128582-SGT	SWITCH TOGGLE DPDT 3P MOM SHDR.....1	1				
		<i>turntable rotate</i>					
17A	45383GT	ALARM,WARBLE TONE 5-30 VDC***.....1 plastic nut not included	1				
17B	72326GT	NUT - PLASTIC,RING FOR ALARMS.....1	1				

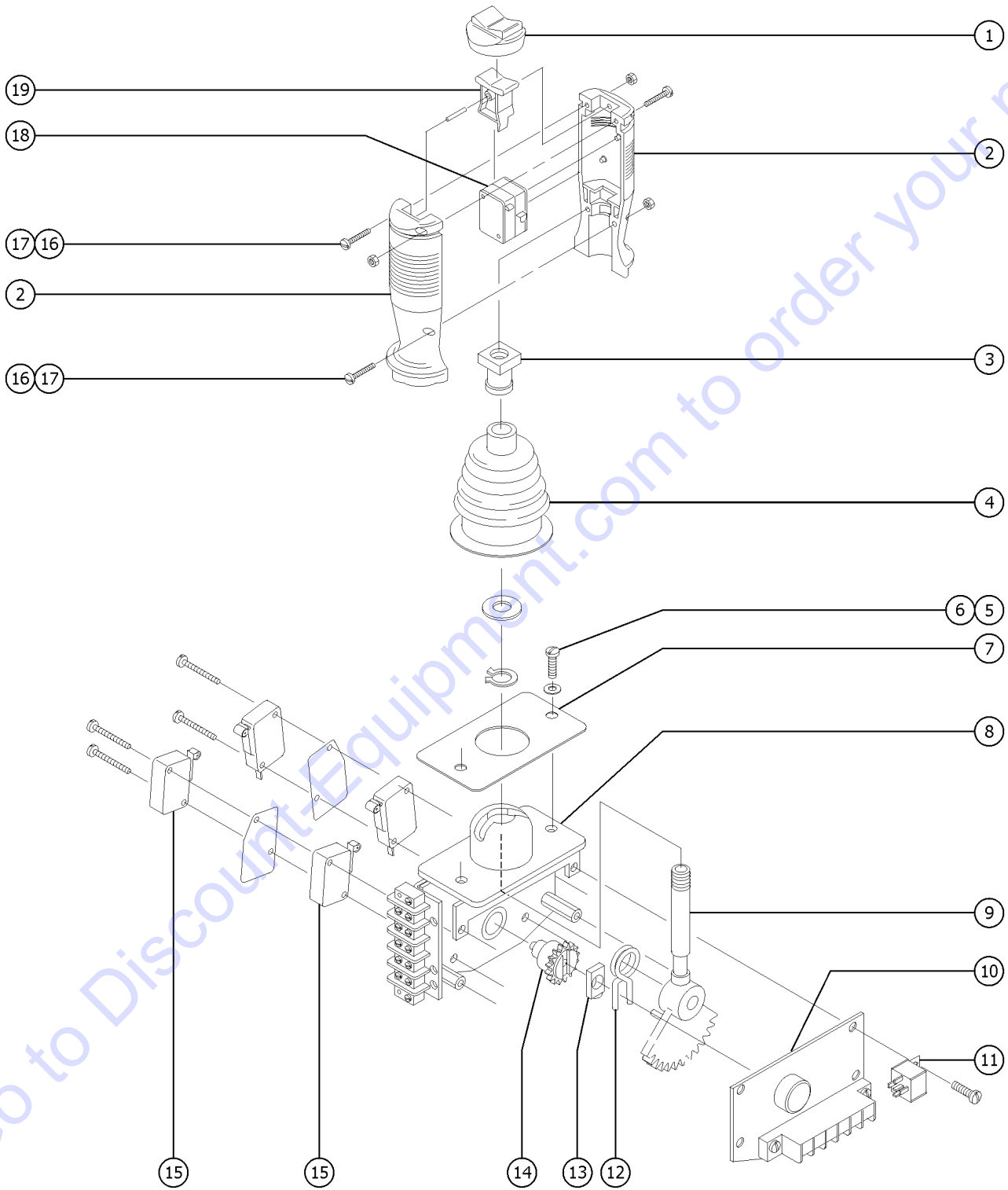
603.1 Platform Control Box, Internal View



603.1 Platform Control Box, Internal View

Item	Part No.	Description	Qty.
--	121847GT	RELAY,TIME DELAY,2 SEC,30A	
--	42781GT	PLUG, NYLON .250 BLACK DOMED.....2	
1	824019GT	NUT,TL,6-32,A,ZAG	
2	87755GT	CONN,RECEP 8 WAY 14-18GA,FL.....1	
3	56663GT	TERMINAL STRIP.....1	
4	824032GT	NUT,TL FLG,10-32,F,ZAG.....1	
5	824215GT	SCREW,PHPM,10-32X.75,ZAG.....1	
6A	13268GT	CLAMP,0.75,#12 X 1/4,RUB CUSH.....1 <i>to SN 10370</i>	
6B	18666GT	CLAMP,1.00,#16 X 1/4,RUB CUSH.....1 <i>from SN 10371</i>	
7	824226GT	SCREW,PHPSH,#12-11X.75,ZAG	
8	73736GT	CONN,RECEP 48 WAY,4 X 12.....1	
--	54255GT	LOCK,RECEP 12 WAY, 14-18GA	
--	73713GT	TERM,NI PIN,S&F,16-18GA,REEL	
9	15243GT	PLUG, NYLON .875 BLACK DOMED.....2	
10	824206GT	RIVET,STL,STL,DOVE,1/8X.25,ZAG.....4	
11	73717GT	CONN,RECEP 4 WAY,12-14GA FL***.....1	
--	60526GT	LOCK,RECEP 4 WAY,12-14GA	
--	73711GT	TERM,DEUTSCH, PIN #12-14	
12	73723GT	CONN RECEP,FLANGED.....1	
--	54259GT	TERM,NI PIN, 14-16GA,BULK	
--	60443GT	LOCK,RECEP 4 WAY,14-18GA	
13	824214GT	SCREW,PHPM,6-32X.5,ZAG	
14	824079GT	SCREW,HHF,1/4-20X1.8,ZAG <i>CE models from SN 10384</i>	
15	42781GT	PLUG, NYLON .250 BLACK DOMED.....4	
16	824083GT	SCREW,HHF,1/4-20X2.5,8,ZAG.....2	
17		Ref. MODULE, PLUS+1, OPA2 <i>refer to 813.2 Lift Guard Contact Alarm</i>	
18	1277924GT	NUT,NYLOCK FLG,1/4-20,F,ZAG.....2	
19	110649GT	PLATFORM CONTROL BOX W/DECAL.....1 <i>Includes items 16, 17 and 18</i>	
20	23404GT	NUTSERT,1/4-20,STEEL CAD PLTD	
21	36235GT	GASKET,PLAT.CONTROL BOX.....1	
22	30997GT	CORROSION INHIBITOR,FOAM.....1	
23	T106699GT	BRACKET,RELAY MOUNT W/INSERTS.....1 <i>CE models from SN 10384; includes nutserts</i>	
24	19274GT	RELAY,SPDT,12V(AUTO)**.....4 <i>CE models from SN 10384</i>	

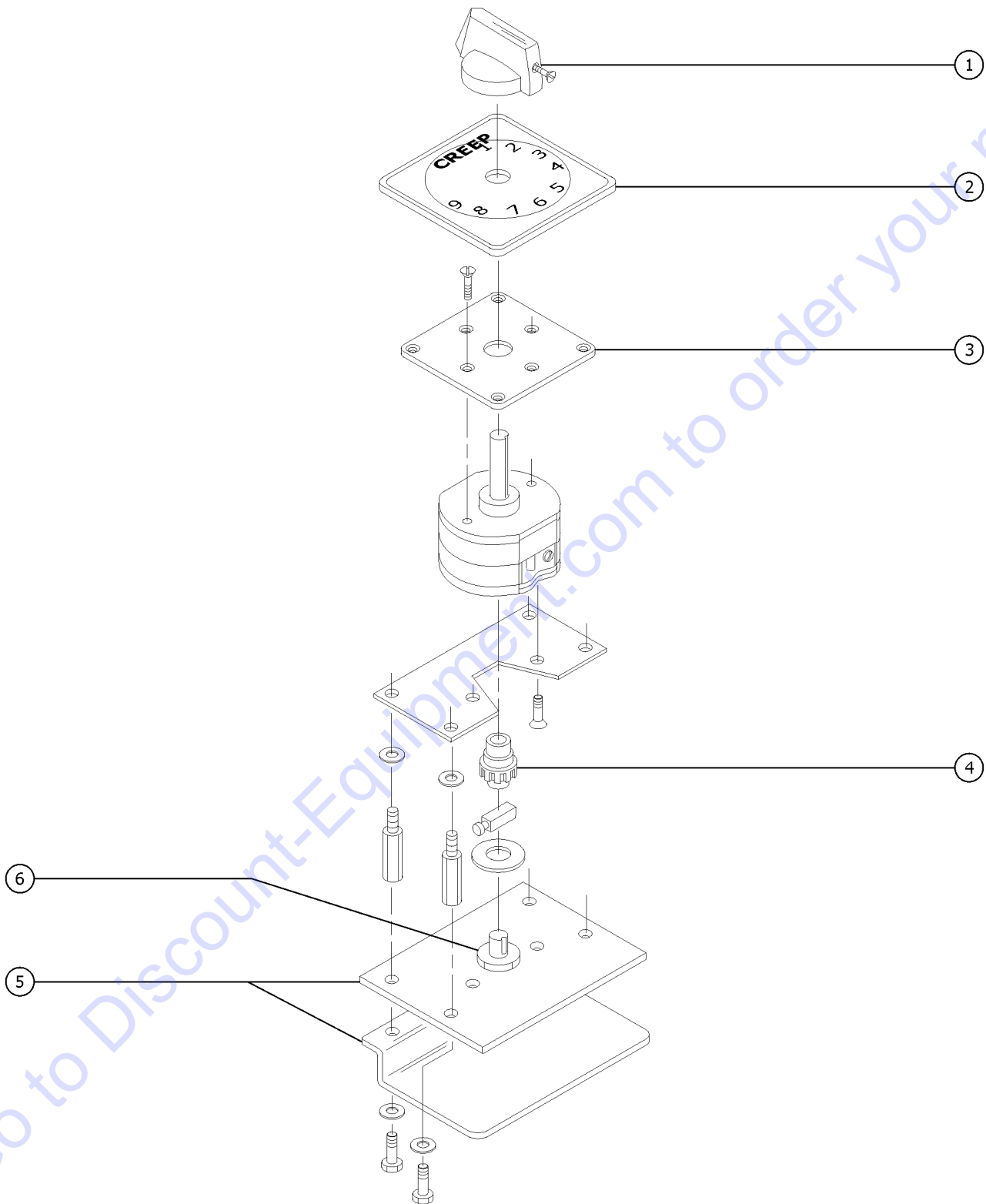
604.1 Joystick Controller, Drive/Steer Functions



604.1 Joystick Controller, Drive/Steer Functions

Item	Part No.	Description	Qty.
--	216135GT	JOYSTICK,DRIVE,NFPE PUMP,W/RLY	
1	43038GT	BOOT-THUMB ROCKER** BLACK.....1	1
2	52887GT	HANDLE HALF (56274).....2	2
3	226382GT	NUT.....1	1
4	21427GT	BOOT,CONTROLLER**.....1	1
5	226383GT	SCREW.....2	2
6	74362GT	WASHER,NYLON, JOYSTICK.....2	2
7	43042GT	GASKET,JOYSTK.SHAFT36867/42032..1	1
8	19720GT	CASTING,45049, 40612.....1	1
--	52524GT	TERMINAL STRIP,10 POLE,JOYSTK	
9	46227GT	SHAFT ASSY, JOYSTICK***1 <i>includes gear</i>	1
10	65527GT	P.C. BOARD-JOYSTICK (56579).....1	1
11	19274GT	RELAY,SPDT,12V(AUTO)**.....1	1
12	226384GT	SPRING.....1	1
13	65529GT	COUPLING-POT,JOYSTICK (56579)....1	1
14	19731GT	GEAR, SLAVE, MS4,45048.....1	1
15	19712GT	MICROSWITCH,V3L-139-D8.....4	4
16	52776GT	SCREW,HEX,M4X0.7X10MM (20424)*	
17		NUT <i>included with kit</i>	
--	226385GT	KIT, SCREW.....1 <i>includes 4 screws and 4 nuts</i>	1
18	226386GT	MICROSWITCH.....1	1
19	58986GT	ROCKER ASSY (42032)***.....1	1

605.1 Rotation Controller, Boom Function Speed

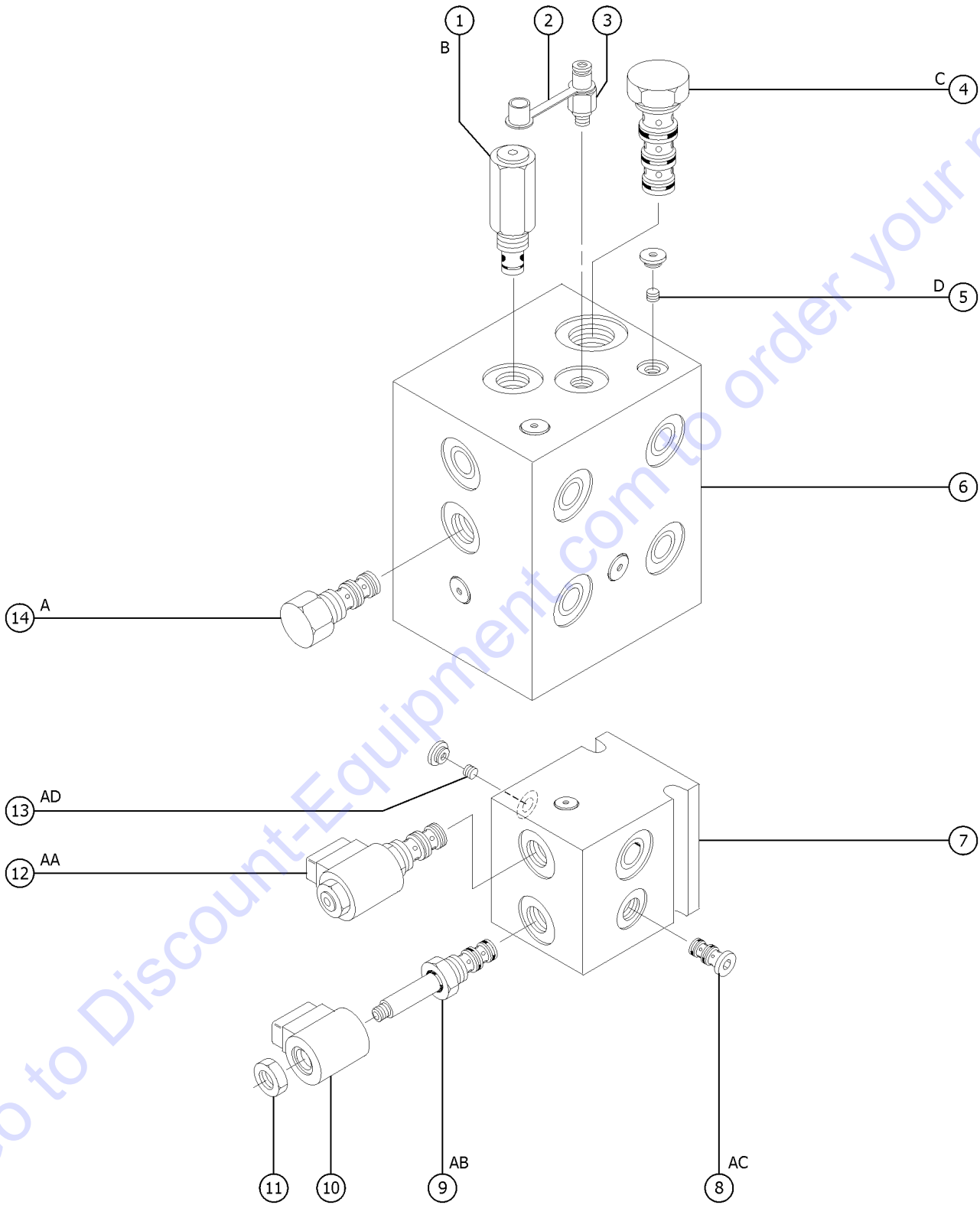


605.1 Rotation Controller, Boom Function Speed

Item	Part No.	Description	Qty.
--	29643GT	ROTATION, CNTRLR, DUAL RNG.....1	
1	35679GT	KNOB, 45048 CONTROLLER.....1	
2	35680GT	LEGEND,PLSTC,"CREEP TO 9"***1	
3	35678GT	MOUNTING PLATE, 45048.....1	
4	19731GT	GEAR, SLAVE, MS4,45048.....1	
5	29943GT	PCB,ASSY,29643 CONTROLLER %%....1	
6	19729GT	POTENTIOMETER,56886.....1	

Go to Discount-Equipment.com to order your parts

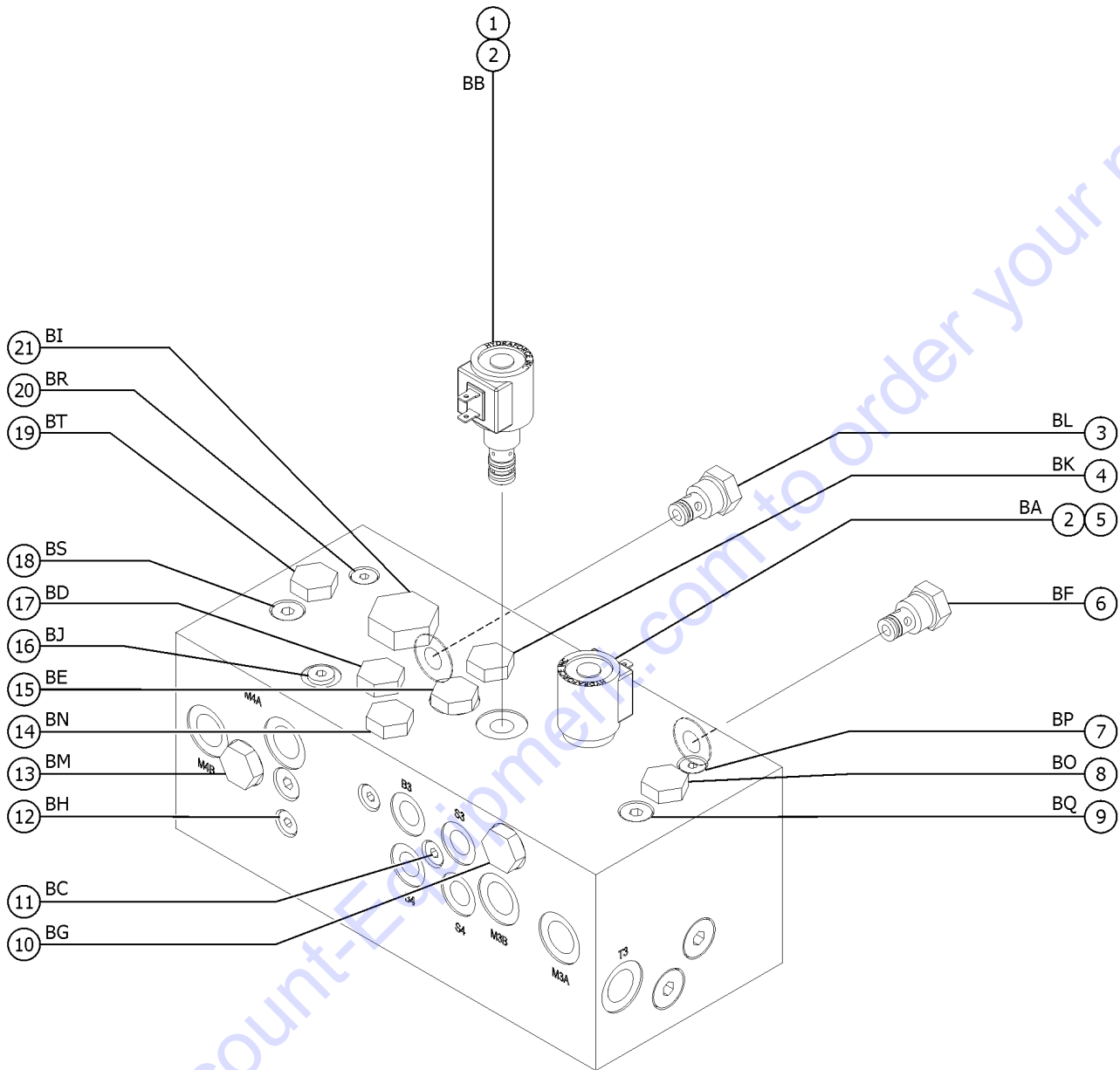
701.1 Traction and Brake/2-speed Manifolds, 2WD



701.1 Traction and Brake/2-speed Manifolds, 2WD

Item	Part No.	Description	Qty.
--	49612GT	O-RING KIT (ORFS FITTINGS)	
--	49613GT	PLUG AND CAP KIT-SERVICE,ORFS*	
--	28750GT	O-RING KIT,FIELD SVC,ALL PROD*	
--	33994GT	PLUG AND CAP KIT-SERVICE,37 **	
1	43597GT	VALVE,RELIEF,210 PSI <i>B, charge pressure circuit</i>	
--	110194GT	SEAL KIT, VALVE, #10	
2	48880GT	CAP,DIAGNOSTIC NIPPLE	
3	48997GT	NIPPLE,DIAGNOSTIC,#4	
--	20224GT	DIAGNOSTIC FEMALE Q-DSCNT	
4	43598GT	VALVE,FLOW DIVIDER/COMBINER <i>C, controls flow to drive motors in forward/reverse</i>	
5	33520GT	PLUG,ORIFICE,0.070 <i>D, drive circuit</i>	
6	56721GT	TRACTION MANIFOLD 2WD <i>includes items 1, 4, 5 and 14</i>	
7	42157GT	MANIFOLD,BRAKE/MOTOR SHIFT <i>includes items 8-13</i>	
8	43599GT	VALVE,CHECK <i>AC, pressure circuit</i>	
--	110200GT	SEAL KIT, VALVE, #4	
9	65766GT	VALVE,SOLENOID,10V W/DIODE*** <i>AB, 2-speed motor shift; includes items 10 and 11</i>	
--	72043GT	SEAL KIT,SOLENOID VALVE	
10	43601GT	COIL,SOLENOID VLV,10V W/ DIODE	
11	45912GT	NUT,SOLENOID VALVE 2P3W	
12	65766GT	VALVE,SOLENOID,10V W/DIODE*** <i>AA, brake circuit; includes items 10 and 11</i>	
--	72043GT	SEAL KIT,SOLENOID VALVE	
13	32669GT	ORIFICE PLUG,.025 (30551) <i>AD, tank return circuit</i>	
14	43596GT	VALVE,SHUTTLE <i>A, charge pressure circuit that gets hot oil out of low pressure side of drive pump and allows low pressure flow path for brake release and 2-speed motor shift</i>	
--	84137GT	SEAL KIT, VALVE 84129	

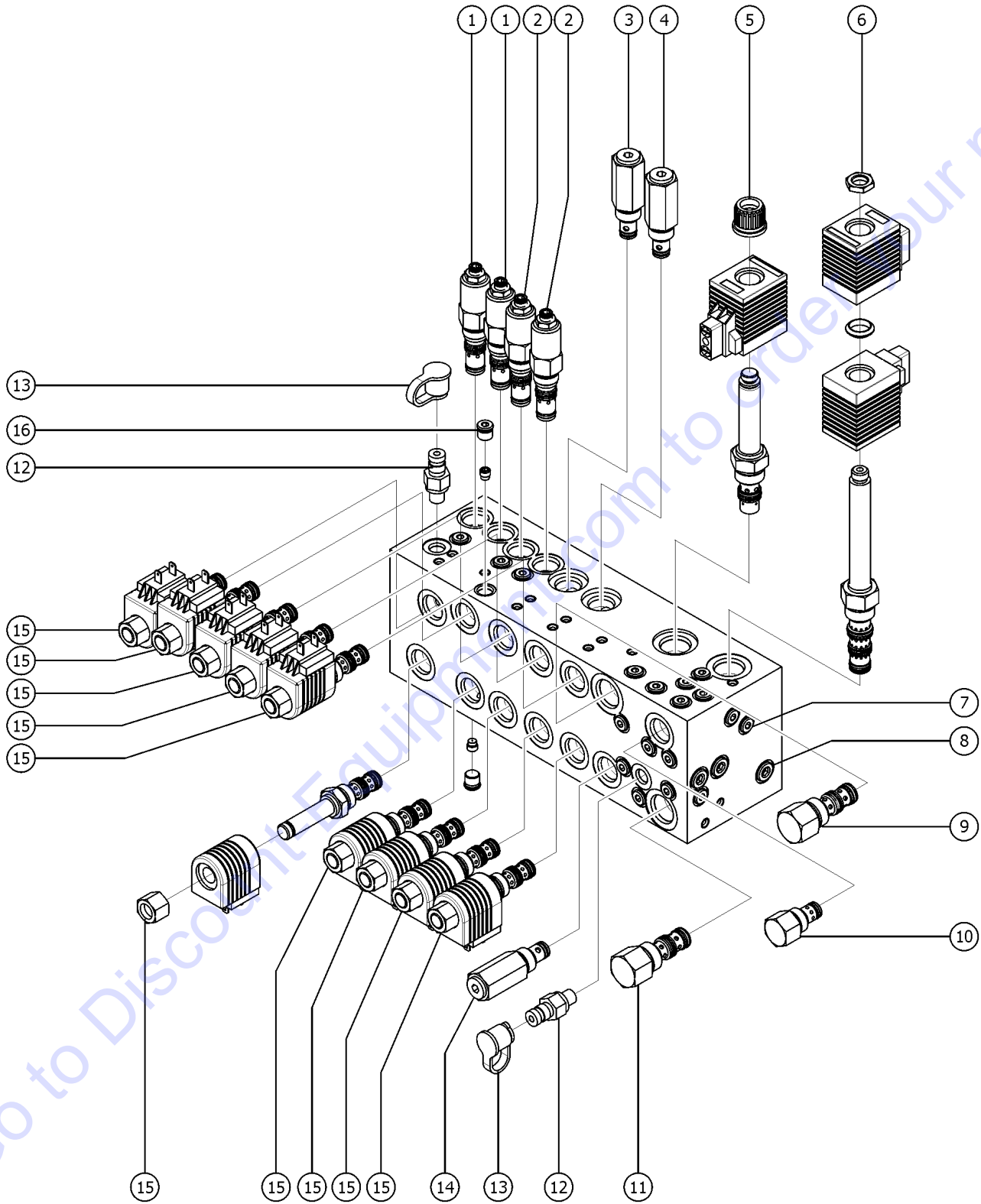
702.1 Traction and Brake/2-speed Manifolds, 4WD



702.1 Traction and Brake/2-speed Manifolds, 4WD

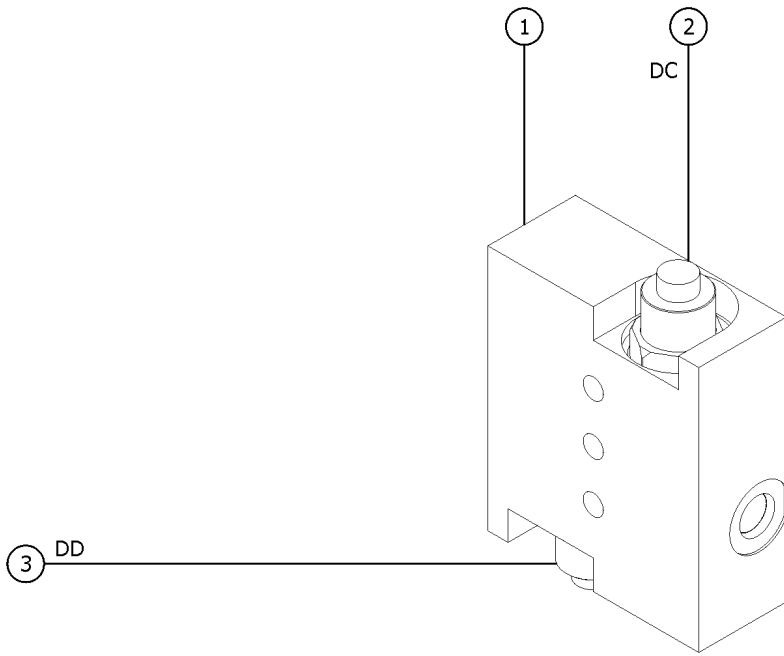
Item	Part No.	Description	Qty.	Item	Part No.	Description	Qty.
--	74665GT	MANIFOLD,DRIVE		--	44228GT	SEAL KIT, VALVE	
--	49612GT	O-RING KIT (ORFS FITTINGS)		15	46216GT	VALVE,CHECK,IWP-S/CWP PWR ASSI BE, drive motor anti-cavitation	
--	49613GT	PLUG AND CAP KIT-SERVICE,ORFS*		--	44228GT	SEAL KIT, VALVE	
--	28750GT	O-RING KIT,FIELD SVC,ALL PROD*		16	77986GT	ORIFICE, 2.0MM (74665 MAN.) BJ, equalizes pressure on both sides of flow divider/combiner valve BI	
--	33994GT	PLUG AND CAP KIT-SERVICE,37 **		17	77987GT	VALVE,RELIEF#8 (74665 MAN.) BD, charge pressure circuit	
1	62815GT	VALVE,SOLENOID,2POS 3 WAY*** BB, brake circuit		18	77985GT	ORIFICE, 1.0MM (74665 MAN.) BS, equalizes pressure on both sides of flow divider/combiner valve BT	
--	44174GT	NUT-COIL SHORT		19	77988GT	FLOW DIVIDER/COMBINER,#10** BT, controls flow to left side drive motors in forward and reverse	
--	44236GT	SPACER-DUAL COIL,#8***		20	77985GT	ORIFICE, 1.0MM (74665 MAN.) BR, equalizes pressure on both sides of flow divider/combiner valve BT	
--	52371GT	SEAL KIT, VALVE		21	77989GT	#12 FLOW DIVIDER/COMBINER ** BI, controls flow to flow divider/ combiner valve BO and BT	
2	69257GT	COIL,12V DC, PSL					
3	46216GT	VALVE,CHECK,IWP-S/CWP PWR ASSI BL, drive motor anti-cavitation					
--	44228GT	SEAL KIT, VALVE					
4	43596GT	VALVE,SHUTTLE BK, charge pressure circuit that directs hot oil out of low pressure side of drive pump and allows low pressure flow path for brake release and 2-speed motor shift					
--	84137GT	SEAL KIT, VALVE 84129					
5	62815GT	VALVE,SOLENOID,2POS 3 WAY*** BA, 2-speed drive motor shift					
--	44174GT	NUT-COIL SHORT					
--	44236GT	SPACER-DUAL COIL,#8***					
--	52371GT	SEAL KIT, VALVE					
6	46216GT	VALVE,CHECK,IWP-S/CWP PWR ASSI BF, drive motor anti-cavitation					
--	44228GT	SEAL KIT, VALVE					
7	77985GT	ORIFICE, 1.0MM (74665 MAN.) BP, equalizes pressure on both sides of flow divider/combiner valve BO					
8	77988GT	FLOW DIVIDER/COMBINER,#10** BO, controls flow to right side drive motors in forward and reverse					
9	77985GT	ORIFICE, 1.0MM (74665 MAN.) BQ, equalizes pressure on both sides of flow divider/combiner valve BO					
10	46216GT	VALVE,CHECK,IWP-S/CWP PWR ASSI BG, drive motor anti-cavitation					
--	44228GT	SEAL KIT, VALVE					
11	77984GT	ORIFICE, 0.8MM (74665 MAN.) BC, brake circuit					
12	77986GT	ORIFICE, 2.0MM (74665 MAN.) BH, equalizes pressure on both sides of flow divider/combiner valve BI					
13	46216GT	VALVE,CHECK,IWP-S/CWP PWR ASSI BM, drive motor anti-cavitation					
--	44228GT	SEAL KIT, VALVE					
14	46216GT	VALVE,CHECK,IWP-S/CWP PWR ASSI BN, drive motor anti-cavitation					

703.1 Function Manifold

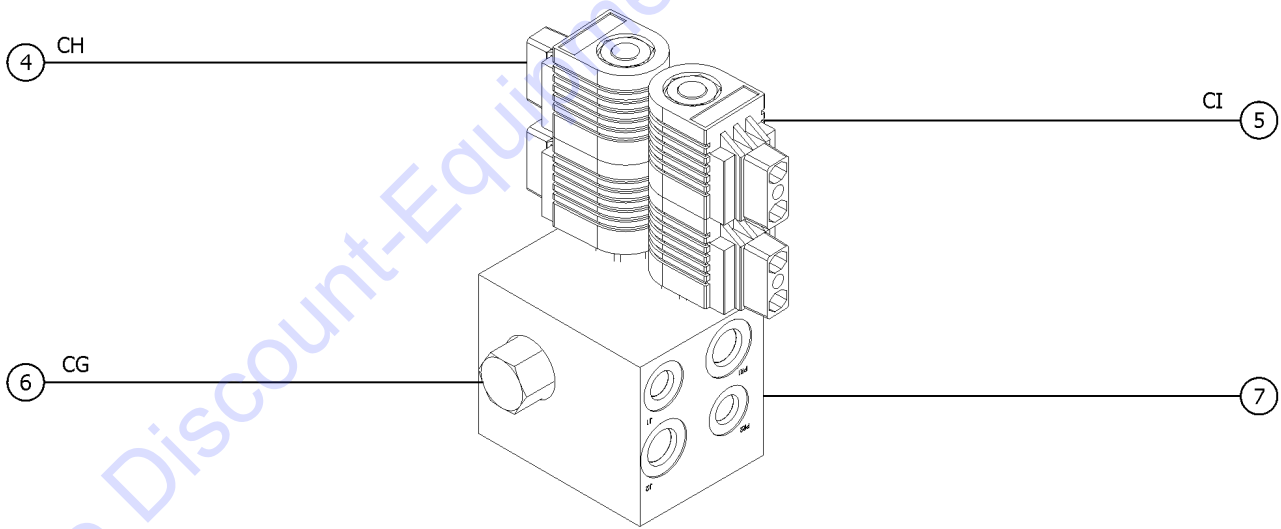


Item	Part No.	Description	Qty.
--	128445GT	MANIFOLD,FUNCTION,Z34 IC.....	1
1	37079GT	VALVE,COUNTERBALANCE 3000 PSI.....	2
2	65522GT	VALVE,COUNTERBALANCE 1500 PSI.....	2
3	31528GT	VALVE,RELIEF 1600 PSI.....	1
4	40412GT	VALVE,RELIEF 1400PSI.....	1
5	43612GT	VALVE,PROPORTIONAL 12V.....	1
--	52710GT	COIL,SOLENOID VALVE, 12V.....	1
--	62276GT	NUT, SOLENOID VALVE COIL.....	1
6	43609GT	VALVE,SOLENOID 3P4W.....	1
--	110196GT	SEAL KIT, VALVE, #10.....	1
--	43610GT	COIL,SOLENOID VLV,10V W/DIODE.....	2
--	52943GT	NUT,SOLENOID VALVE COIL.....	1
--	74907GT	VALVE,SOLENOID 3P4W W/O COIL.....	1
--	89854GT	SPACER,SOLENOID VALVE COIL.....	1
7	69550GT	PLUG,ORB #4.....	26
8	109802GT	PLUG,ORB #6.....	10
9	27050GT	VALVE,DIFFERENTIAL SENSING.....	1
10	32975GT	VALVE,FLOW REGULATOR 0.1 GPM.....	1
11	33452GT	VALVE,FLOW REGULATOR 1.0 GPM.....	1
12	48997GT	NIPPLE,DIAGNOSTIC,#4.....	2
13	48880GT	CAP,DIAGNOSTIC NIPPLE.....	2
14	52715GT	VALVE,RELIEF 3200 PSI.....	1
15	43607GT	VALVE,SOLENOID 2P3W.....	10
--	43601GT	COIL,SOLENOID VLV,10V W/ DIODE	
--	45912GT	NUT,SOLENOID VALVE 2P3W	
--	48342GT	VALVE, SOLENOID 2P3W W/O COIL	
16	89300GT	PLUG, .042 ORIFICE, 1/16 NPT.....	2

704.1 Jib Boom and Platform Rotate Manifold



Platform Rotate Manifolds

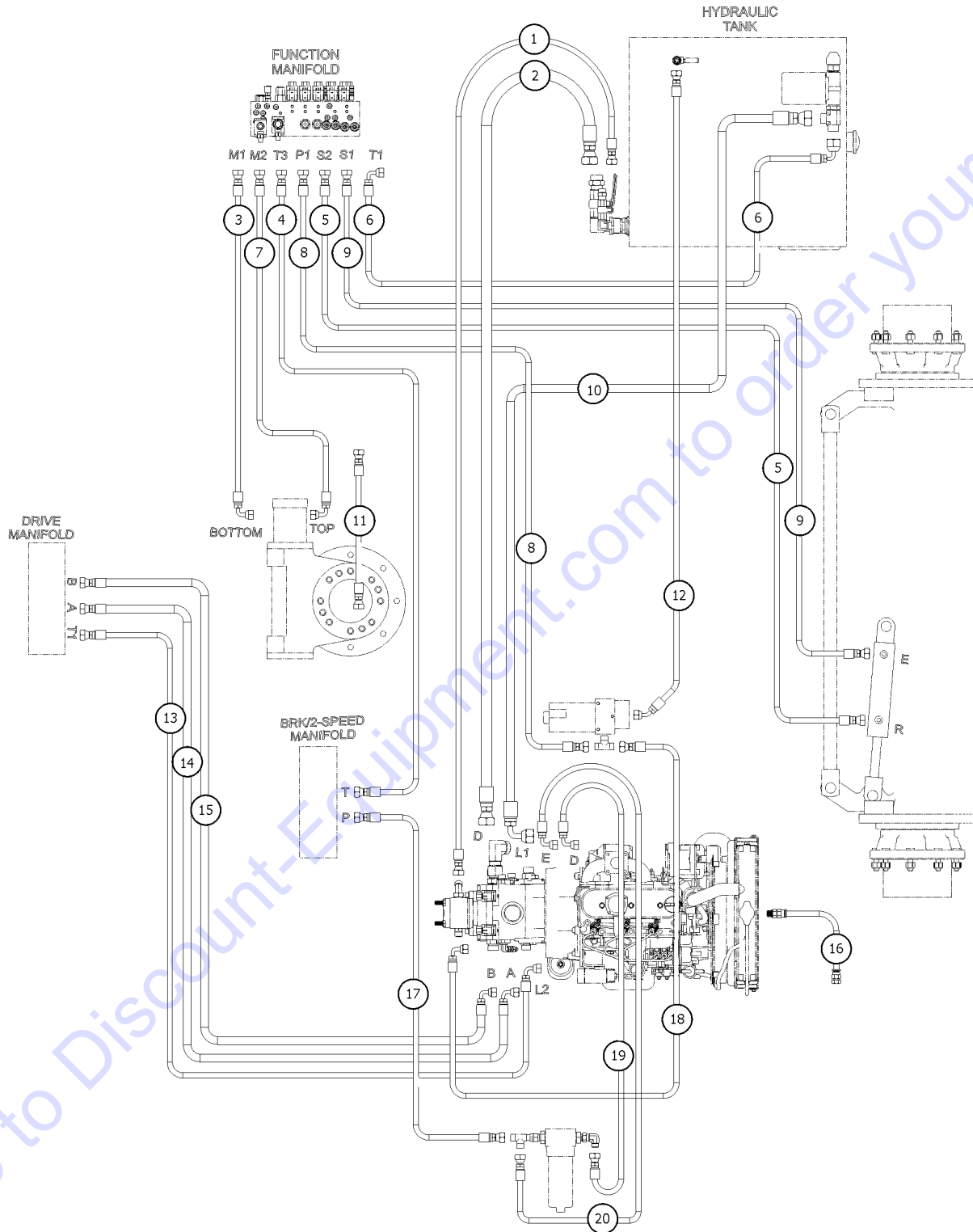


Jib Boom Manifolds

704.1 Jib Boom and Platform Rotate Manifold

Item	Part No.	Description	Qty.
A	49612GT	O-RING KIT (ORFS FITTINGS)	
B	49613GT	PLUG AND CAP KIT-SERVICE,ORFS*	
C	28750GT	O-RING KIT,FIELD SVC,ALL PROD*	
D	33994GT	PLUG AND CAP KIT-SERVICE,37 **	
1	56929GT	MANIFOLD,ROTATOR,180 DEG.***.....1 <i>includes items 2 and 3</i>	
--	62507GT	O-RING, ROTATOR MANIFOLD	
2	62506GT	VALVE - COUNTERBALANCE**.....1 <i>DC, platform rotate right</i>	
--	43018GT	SEAL KIT (39345)	
3	62506GT	VALVE - COUNTERBALANCE**.....1 <i>DD, platform rotate left</i>	
--	43018GT	SEAL KIT (39345)	
4	139560GT	SOLENOID VALVE W/NUT***.....1 <i>CH, jib boom up/down</i>	
--	139562GT	COIL, SOLENOID VALVE, 12V***	
5	139560GT	SOLENOID VALVE W/NUT***.....1 <i>CI, platform rotate left/right (order coil separately)</i>	
--	139562GT	COIL, SOLENOID VALVE, 12V***	
6	139563GT	VALVE, FLOW CTRL, PRES COMP***.....1 <i>CG, platform rotate circuit</i>	
7	139464GT	MANIFOLD,JIB, 12V NON RJ***.....1 <i>includes items 4-6</i>	

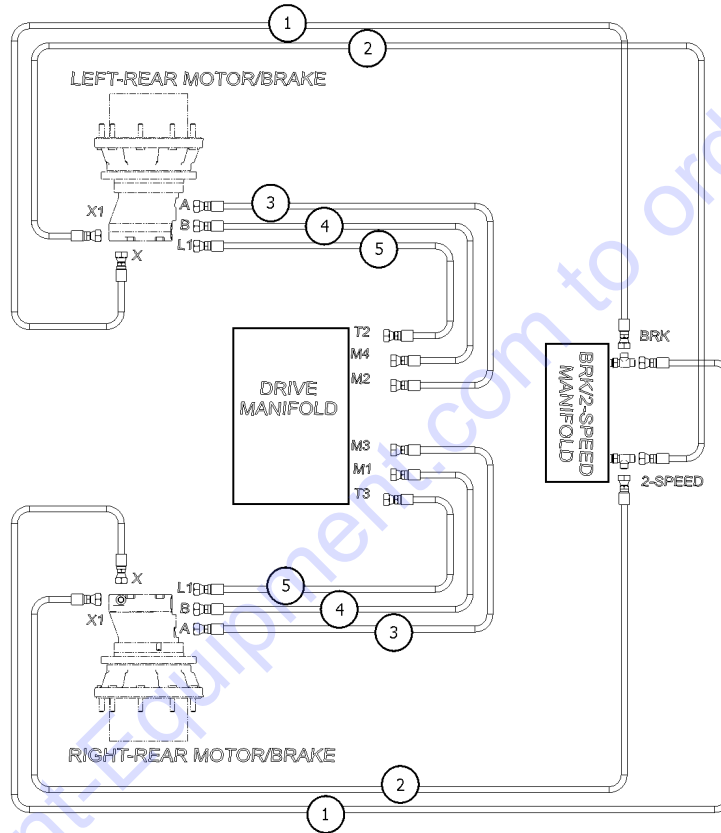
705.1 Drive Chassis and Turntable Hoses, 2WD, View 1



705.1 Drive Chassis and Turntable Hoses, 2WD, View 1

Item	Part No.	Description	Qty.
1	94159GT	HOSE ASSY, 1/2", 67.75.....	1
2	94158GT	HOSE ASSY, 1", 64.00.....	1
3	42895GT	HOSE ASSY,1/4",38.50.....	1
4	42878GT	HOSE ASSY, 1/4", 75.50.....	1
5	139084GT	HOSE ASSY,1/4",86.00.....	1
6	56620GT	HOSE ASSY, 1/2", 25.00.....	1
7	42892GT	HOSE ASSY,1/4",34.00.....	1
8	56723GT	HOSE ASSY,3/8",46.00.....	1
9	42879GT	HOSE ASSY,1/4",86.00.....	1
10	56584GT	HOSE ASSY, 3/4", 79.00.....	1
11	139100GT	HOSE ASSY, 1/4", 43.50.....	1
12	74144GT	HOSE ASSY,3/8",44.00.....	1
13	56581GT	HOSE ASSY, 5/8", 100.00.....	1
14	139103GT	HOSE ASSY, 3/4", 102.00.....	1
15	139087GT	HOSE ASSY,3/4",102.00.....	1
16	139168GT	HOSE ASSY, 3/8",21.00.....	1
17	74666GT	HOSE ASSY, 1/4", 77.50.....	1
18	74148GT	HOSE ASSY,3/8",38.00.....	1
19	74403GT	HOSE ASSY, 1/2", 47.00.....	1
20	74396GT	HOSE ASSY, 1/2", 33.00.....	1

706.1 Drive Chassis and Turntable Hoses, 2WD, View 2

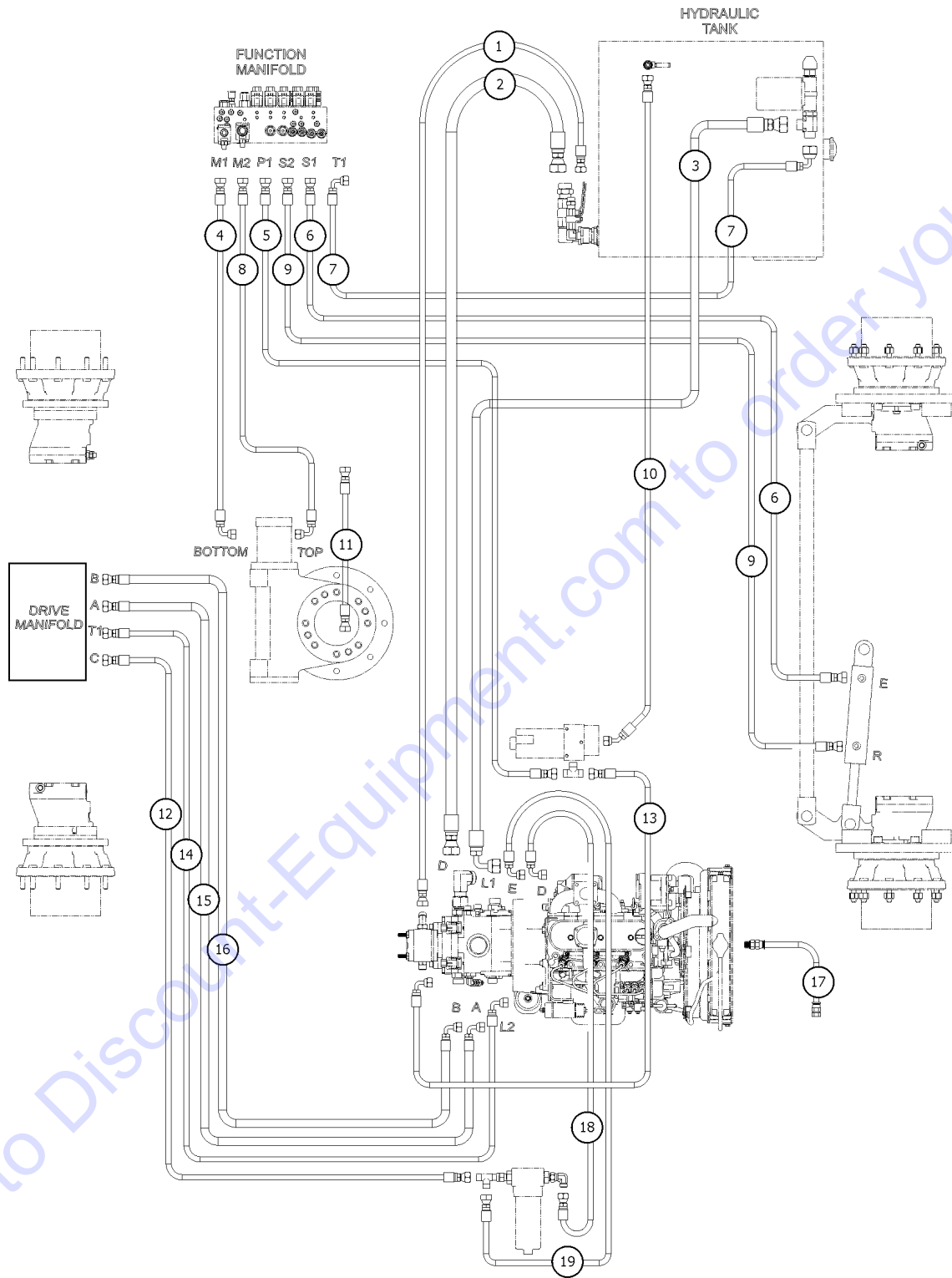


706.1 Drive Chassis and Turntable Hoses, 2WD, View 2

Item	Part No.	Description	Qty.
1	139099GT	HOSE ASSY, 1/4", 22.00.....	2
2	139098GT	HOSE ASSY, 1/4", 17.50.....	2
3	139101GT	HOSE ASSY, 1/2", 27.00.....	2
4	56583GT	HOSE ASSY, 1/2", 23.50.....	2
5	139102GT	HOSE ASSY, 1/2", 24.50.....	2

Go to Discount-Equipment.com to order your parts

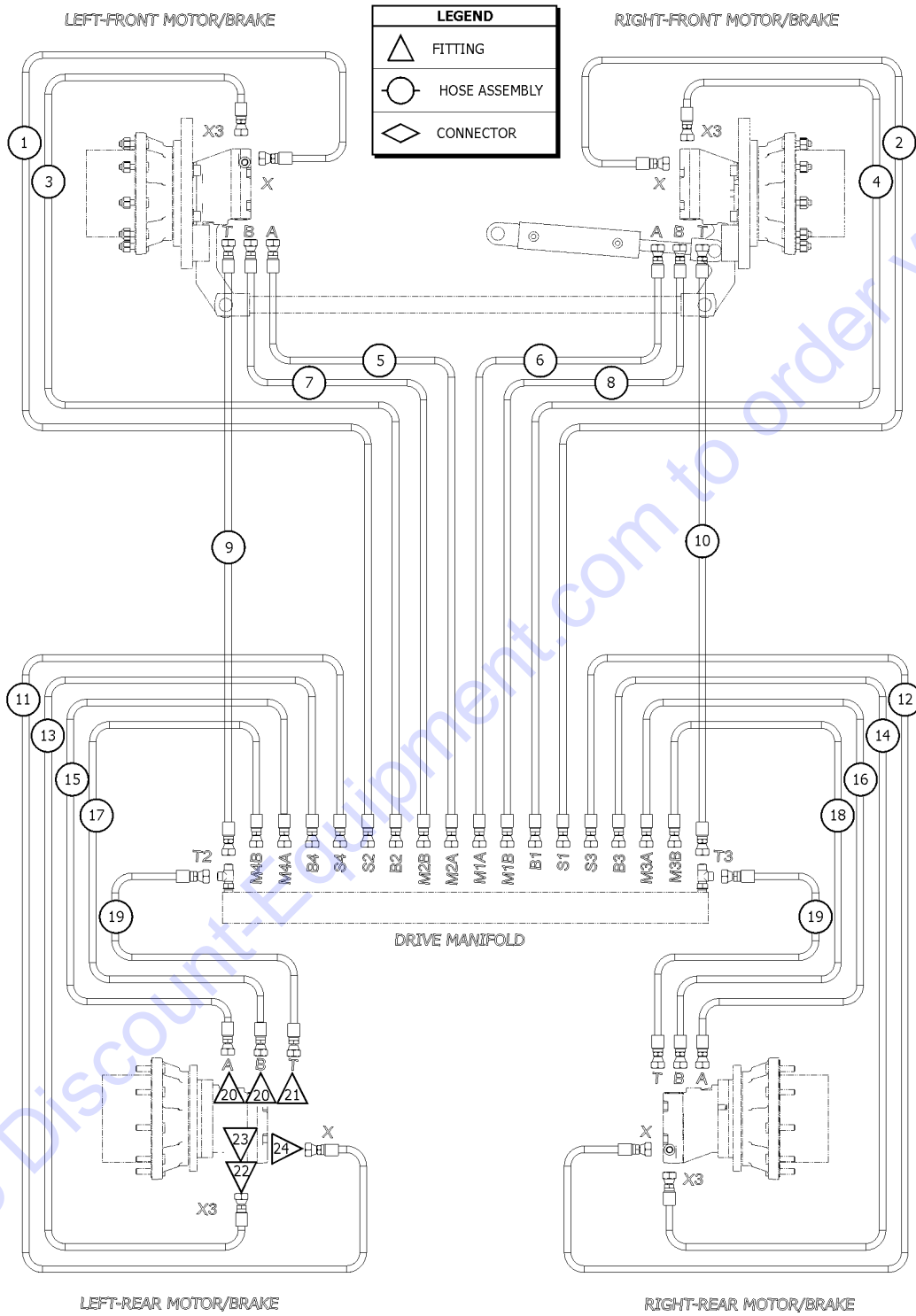
707.1 Drive Chassis and Turntable, 4WD Hoses, View 1



707.1 Drive Chassis and Turntable, 4WD Hoses, View 1

Item	Part No.	Description	Qty.
1	94159GT	HOSE ASSY, 1/2", 67.75.....	1
2	94158GT	HOSE ASSY, 1", 64.00.....	1
3	56584GT	HOSE ASSY, 3/4", 79.00.....	1
4	42895GT	HOSE ASSY,1/4",38.50.....	1
5	56723GT	HOSE ASSY,3/8",46.00.....	1
6	42879GT	HOSE ASSY,1/4",86.00.....	1
7	56620GT	HOSE ASSY, 1/2", 25.00.....	1
8	42892GT	HOSE ASSY,1/4",34.00.....	1
9	139084GT	HOSE ASSY,1/4",86.00.....	1
10	74114GT	CABLE ASSY,#2 BLACK.....	1
11	139100GT	HOSE ASSY, 1/4", 43.50.....	1
12	74666GT	HOSE ASSY, 1/4", 77.50.....	1
13	74148GT	HOSE ASSY,3/8",38.00.....	1
14	56581GT	HOSE ASSY, 5/8", 100.00.....	1
15	139103GT	HOSE ASSY, 3/4", 102.00.....	1
16	139087GT	HOSE ASSY,3/4",102.00.....	1
17	139168GT	HOSE ASSY, 3/8",21.00.....	1
18	74403GT	HOSE ASSY, 1/2", 47.00.....	1
19	74396GT	HOSE ASSY, 1/2", 33.00.....	1

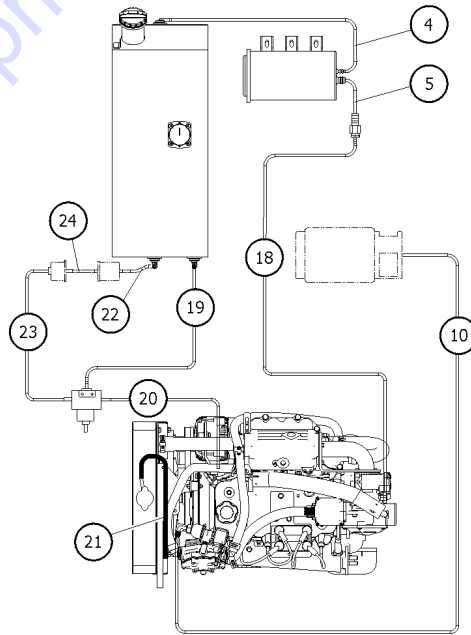
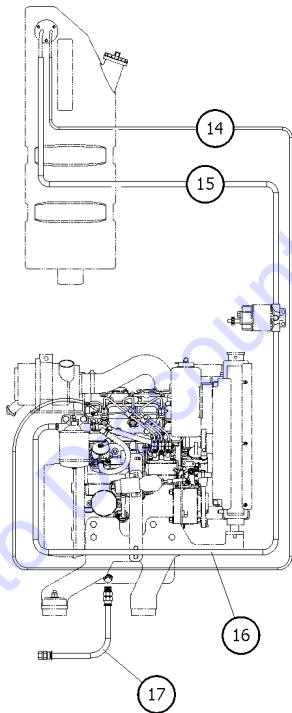
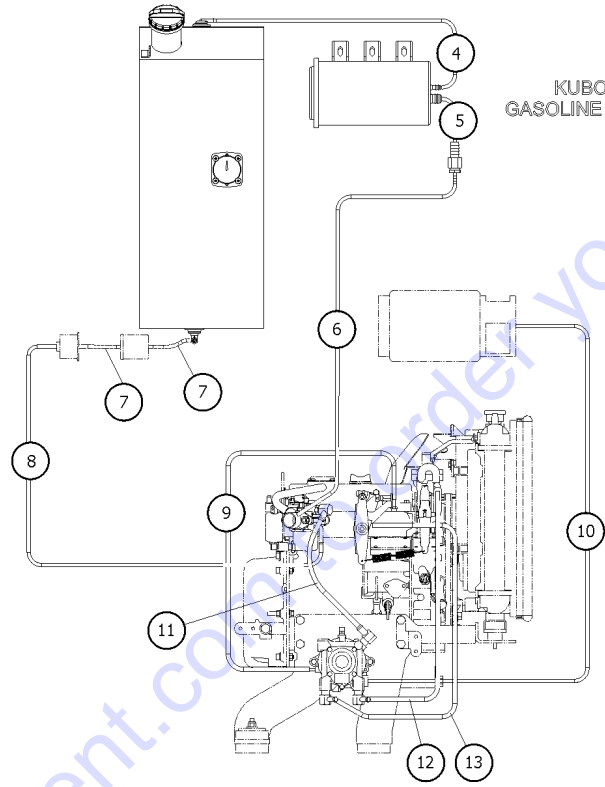
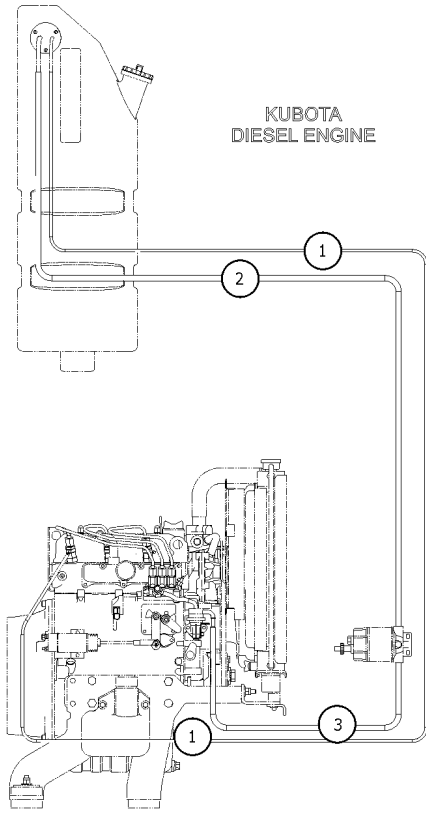
708.1 Drive Chassis and Turntable, 4WD Hoses, View 2



708.1 Drive Chassis and Turntable, 4WD Hoses, View 2

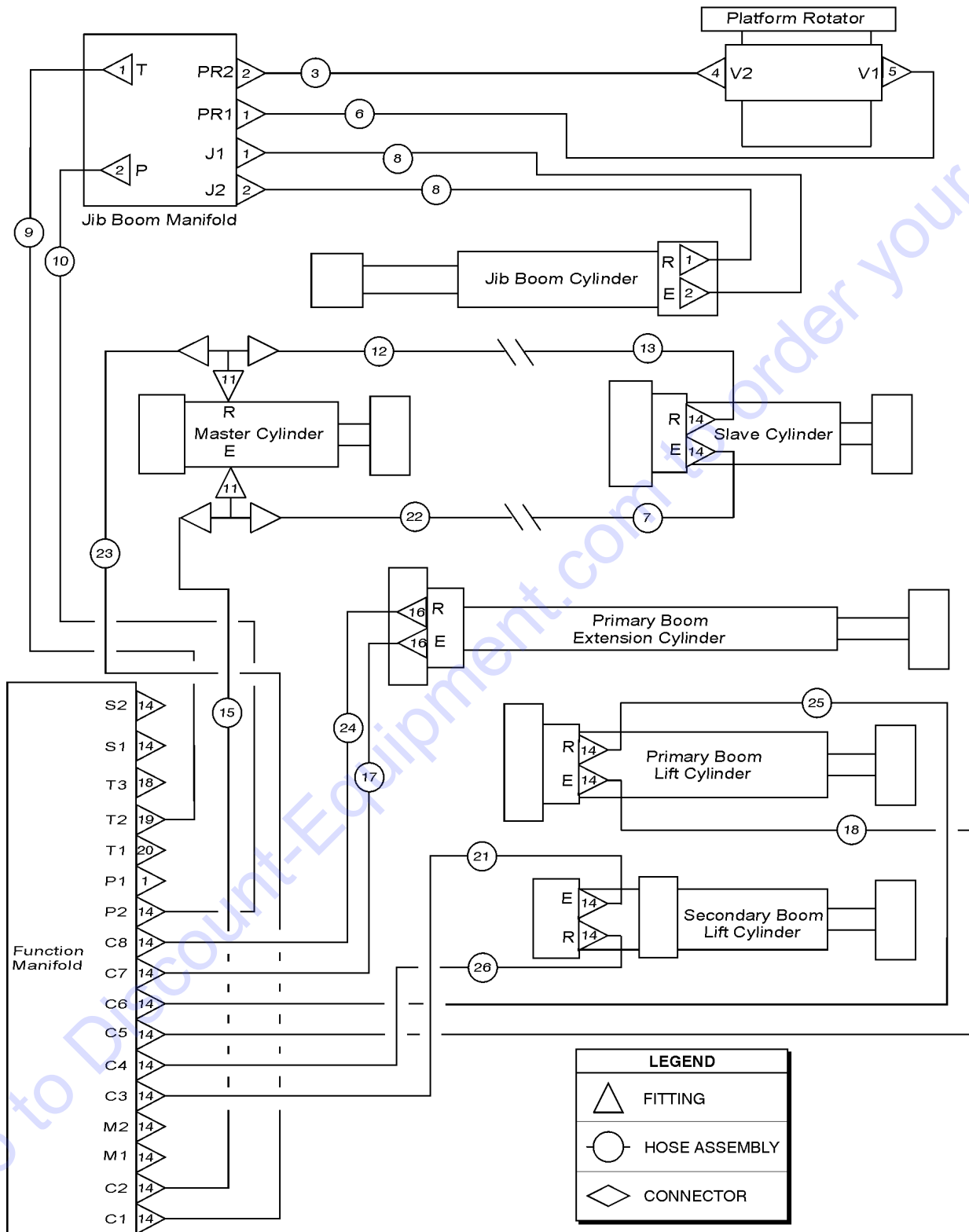
Item	Part No.	Description	Qty.
1	139107GT	HOSE ASSY, 1/4", 89.00.....	1
2	139177GT	HOSE ASSY,1/4",87.00.....	1
3	139106GT	HOSE ASSY, 1/4", 87.00.....	1
4	139176GT	HOSE ASSY,1/4",87.00.....	1
5	139114GT	HOSE ASSY, 1/2", 83.50.....	1
6	139111GT	HOSE ASSY, 1/2", 83.50.....	1
7	139113GT	HOSE ASSY, 1/2", 83.50.....	1
8	139112GT	HOSE ASSY, 1/2", 83.50.....	1
9	139094GT	HOSE ASSY, 1/2", 85.00.....	1
10	139095GT	HOSE ASSY, 1/2", 85.00.....	1
11	139092GT	HOSE ASSY, 1/4", 27.00.....	1
12	139090GT	HOSE ASSY,1/4",27.00.....	1
13	139174GT	HOSE ASSY,1/4",27.00.....	1
14	139093GT	HOSE ASSY, 1/4", 27.00.....	1
15	139108GT	HOSE ASSY, 1/2", 21.50.....	1
16	139110GT	HOSE ASSY, 1/2", 21.50.....	1
17	139096GT	HOSE ASSY, 1/2", 21.50.....	1
18	139109GT	HOSE ASSY, 1/2", 21.50.....	1
19	139118GT	HOSE ASSY, 1/2", 22.00.....	2
20	48948GT	CONN,520120-8-12.....	2
21	48933GT	CONN,520120-8***.....	1
22	49861GT	CONN,LONG,520122-4.....	1
23	54132GT	ELBOW,SWIVEL 90D, 520221-4.....	1
24	48911GT	ELBOW,90D,520220-4-6***.....	1

709.1 Fuel Hoses



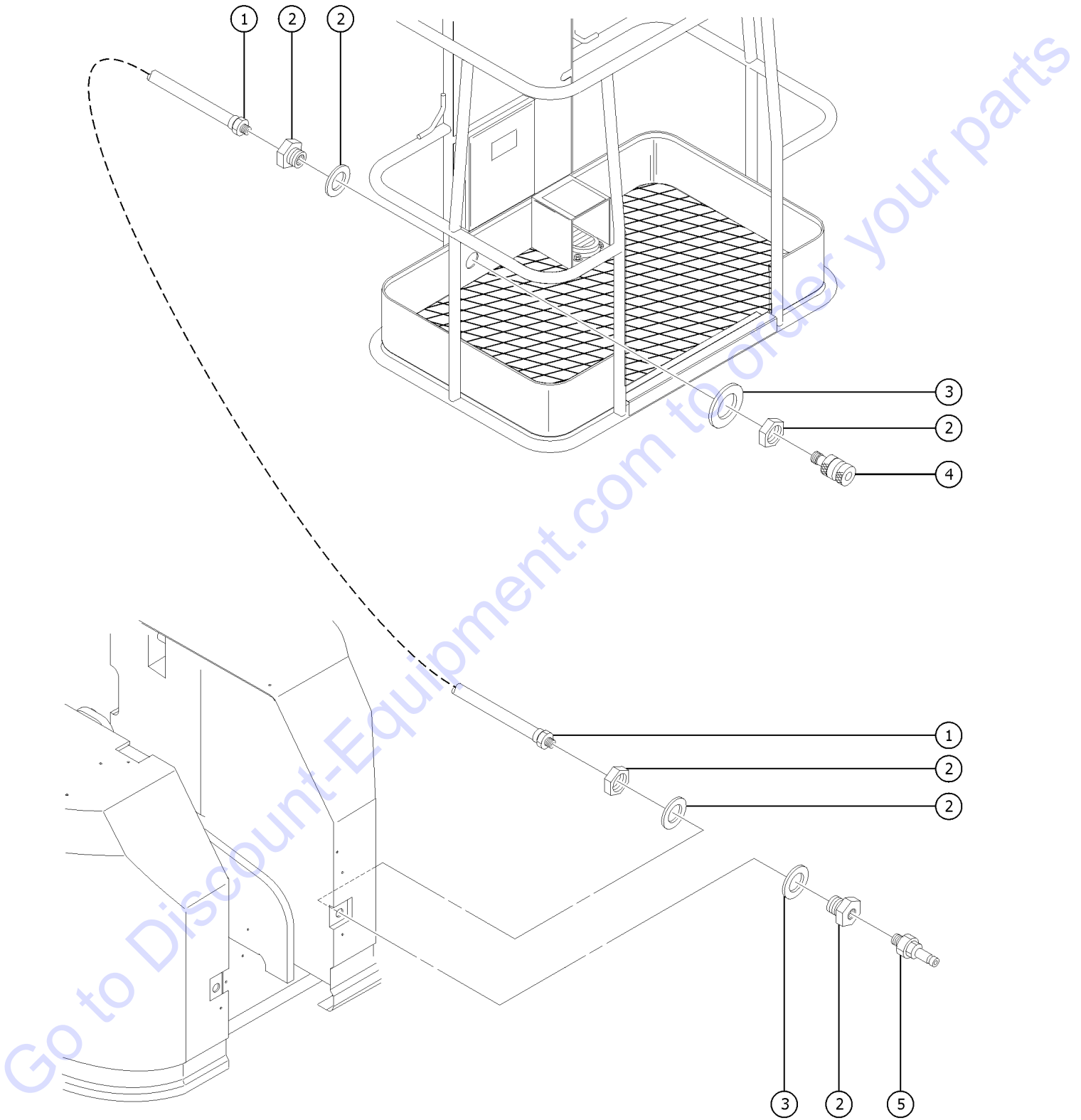
Item	Part No.	Description	Qty.
1	35418GT	HOSE,FUEL,3/16,SAE 30R7.....70-inches (models with Kubota diesel)	
2	27089GT	HOSE,5/16 FUEL,SAE 30R7.....54-inches (models with Kubota diesel)	
3	27089GT	HOSE,5/16 FUEL,SAE 30R7.....16-inches (models with Kubota diesel)	
4	1263243GT	HOSE, FUEL, 1/4" ID, 10.00" LG.....1 (models with Kubota or GM gasoline)	
5	1263242GT	HOSE,FUEL, 1/2"ID, 12.00"LG.....1 (models with Kubota or GM gasoline)	
6	233586GT	HOSE,FUEL.....1 (models with Kubota gasoline)	
7	231323GT	HOSE,FUEL.....2 (models with Kubota gasoline)	
8	233585GT	HOSE,FUEL.....1 (models with Kubota gasoline)	
9	35418GT	HOSE,FUEL,3/16,SAE 30R7.....29 (models with Kubota gasoline)	
10	235487GT	HOSE ASSY, LP GAS.....1 (models with Kubota or GM gasoline)	
11	74514GT	HOSE LPG 1/2" ID X 11.25" LG.....1 (models with Kubota gasoline)	
12	42941GT	HOSE,3/8",FUEL,30R7.....21.5 (models with Kubota gasoline)	
13	42941GT	HOSE,3/8",FUEL,30R7.....26.5 (models with Kubota gasoline)	
14	35418GT	HOSE,FUEL,3/16,SAE 30R7.....70-inches (models with Perkins diesel)	
15	27089GT	HOSE,5/16 FUEL,SAE 30R7.....54-inches (models with Perkins diesel)	
16	27089GT	HOSE,5/16 FUEL,SAE 30R7.....16-inches (models with Perkins diesel)	
17	139169GT	HOSE ASSY, 3/8",21.00.....1 (models with Perkins diesel)	
18	1274015GT	HOSE, FUEL VENT.....1 (models with GM gasoline)	
19	1274014GT	ASSEMBLY,FUEL HOSE,5/16" FI.....62-inches (models with GM gasoline)	
20	1274013GT	ASSEMBLY,FUEL HOSE,5/16" FI.....35-inches (models with GM gasoline)	
21	822606 1800GT	TUBING, VINYL,3/8 CLEAR.....1 (models with GM gasoline)	
22	1274010GT	ASSEMBLY,FUEL HOSE,5/16" FI.....8-inches (models with GM gasoline)	
23	1274012GT	ASSEMBLY,FUEL HOSE,5/16" FI.....47-inches (models with GM gasoline)	
24	1274011GT	ASSEMBLY,FUEL HOSE,5/16" FI.....3-inches (models with GM gasoline)	

710.1 Boom Hoses



Item	Part No.	Description	Qty.
1	48916GT	CONN, 520120-6.....	5
2	48905GT	CONN,520120-4***.....	3
3	74308GT	HOSE ASSY, 1/4", 46.50.....	1
4	48904GT	ELBOW,90D,520220-4-4.....	1
5	48926GT	FITTING,ELBOW,90D,520220-6-4.....	1
6	74309GT	HOSE ASSY, 1/4", 46.50.....	1
7	42818-SGT	HOSE ASSY-'JIT' TO JIB CYL CAP.....	1
--	56945GT	HOSE ASSY, 1/4", 31.00.....	1
--	74983GT	HOSE ASSY, 1/4", 19.00	
8	74983GT	HOSE ASSY, 1/4", 19.00.....	1
--	74983GT	HOSE ASSY, 1/4", 19.00.....	2
9	94101GT	HOSE ASSY,1/4",474.00.....	1
10	94102GT	HOSE ASSY,1/4",474.00.....	1
11	48890GT	FITTING,TEE,BRANCH,520429-4***.....	2
12	42863-SGT	HOSE ASSY-MASTER CYL-SLAVE CYL.....	2
--	74480GT	HOSE ASSY, 1/4", 239.0.....	1
13	42817GT	HOSE ASSY, 1/4", 31.50.....	1
--	56233GT	O-RING,ORFS,-4	
14	48912GT	CONN,520120-4-6***.....	19
15	42894-SGT	HOSE ASSY-C2/C1 TO MAST CYL.....	1
16	49418GT	FITTING,ELBOW,45D,520320-4-6**.....	3
17	42890GT	HOSE ASSY-C8/C7 TO EXT.CYL.....	2
--	42859GT	HOSE ASSY,1/4",236.00.....	1
18	42889-SGT	HOSE ASSY-C6/C5 TO LIFT CYL.....	2
--	74839GT	HOSE ASSY,1/4",218.00.....	1
19	48900GT	CONN,520120-4-6,.035,ORI.....	1
20	48933GT	CONN,520120-8***.....	1
21	42891-SGT	HOSE ASSY-C4/C3 TO SEC LIFT CY.....	2
--	74845GT	HOSE ASSY,1/4",88.50.....	1
22	74481GT	HOSE ASSY,1/4",239.0.....	1
23	139079GT	HOSE ASSY,1/4",202.00.....	1
24	139128GT	HOSE ASSY,1/4",236.00.....	1
25	139078GT	HOSE ASSY,1/4",218.00.....	1
26	139085GT	HOSE ASSY,1/4",88.50.....	1

801.1 Air Line to Platform

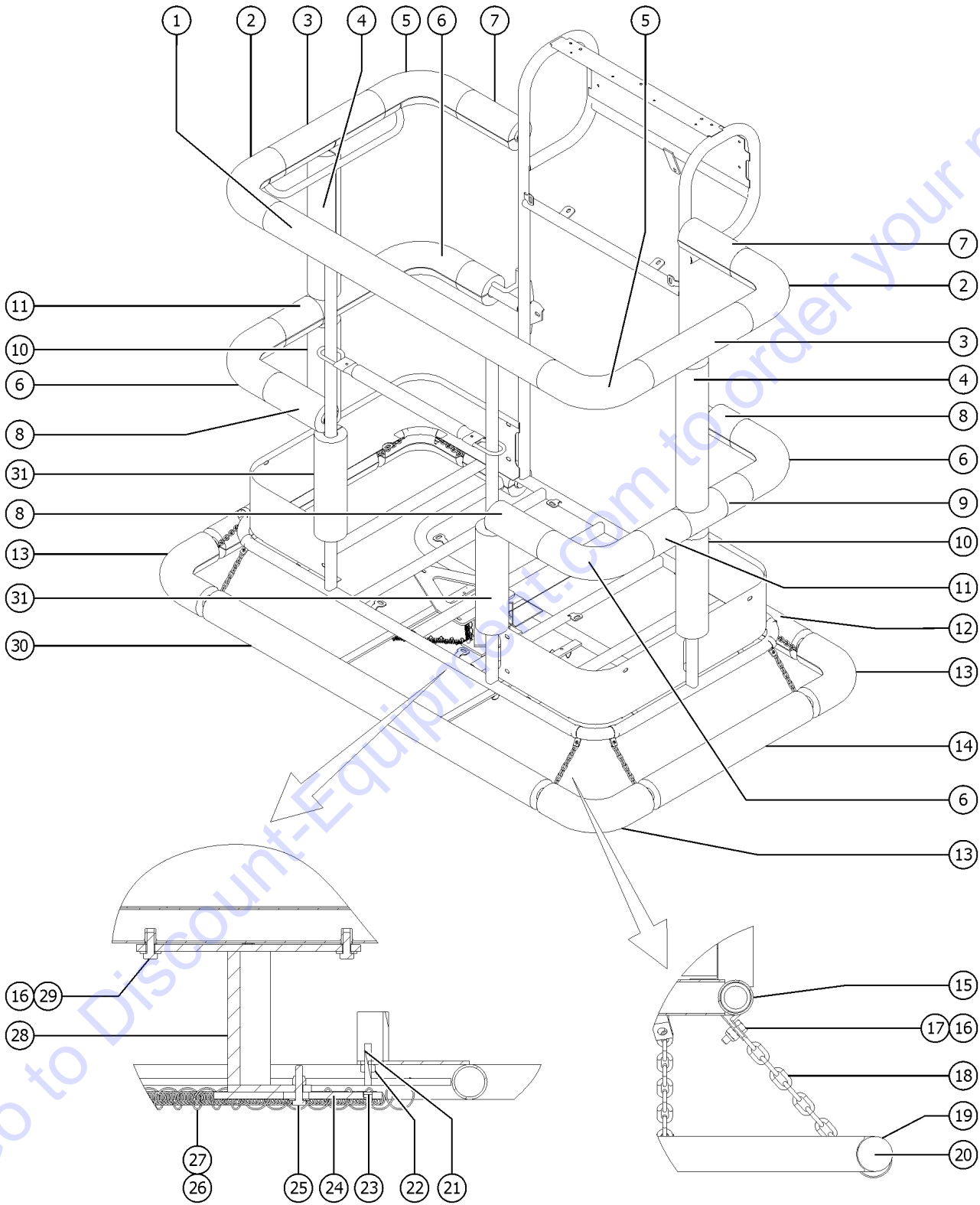


801.1 Air Line to Platform

Item	Part No.	Description	Qty.
1	52960GT	AIRLINE ASSY W/FITTINGS, Z34BE.....	1
2	27900GT	BULKHEAD,FEMALE X 6 X 6.....	2
3	824116GT	WASHER, FLAT, F436, 1.0, ZAG.....	2
4	27895GT	COUPLER,1/4"SERIES 3/8 MPT.....	1
5	27894GT	PLUG,1/4"SERIES,3/8 MPT.....	1

Go to Discount-Equipment.com to order your parts

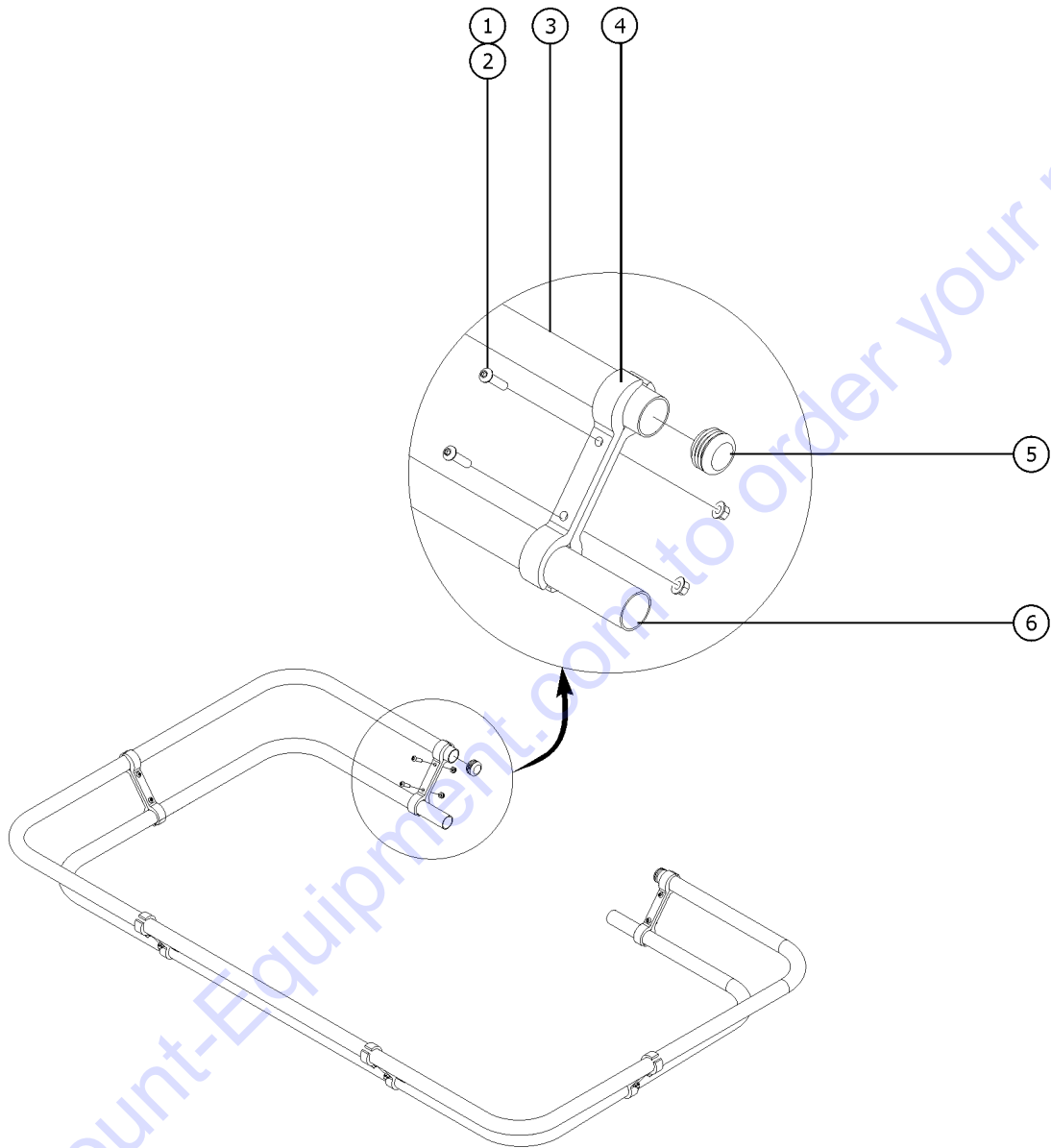
802.1 Aircraft Protection



802.1 Aircraft Protection

Item	Part No.	Description	Qty.	Item	Part No.	Description	Qty.
--	128200GT	SWITCH TOGGLE ASSY SPDT 3P MOM.....1 <i>not shown; refer to 602.1</i>	1	31	1252011GT	BUMPER,3.5OD X 1.5 ID X 9.75.....1	1
1A	1251590GT	BUMPER,3.5OD X 1.5ID X 30.75.....1 <i>4-ft platform</i>	1				
1B	825211GT	BUMPER,3.5OD X 1.5ID X 40.75.....1 <i>5-ft platform</i>	1				
2	147000GT	PADDING, FOAM 90 DEG.....2	2				
3	825207GT	BUMPER,3.5OD X 1.5ID X 14.75.....2	2				
4	825213GT	BUMPER,3.5OD X 1.5ID X 15.65.....2	2				
5	147001GT	PADDING, FOAM 90 DEG.....2	2				
6A	1252013GT	BUMPER,3.5OD X 1.5 ID 90 DEG.....4 <i>4-ft platform</i>	4				
6B	56418GT	BUMPER,90 DEG ELBOW.....4 <i>5-ft platform</i>	4				
7A	1251592GT	BUMPER,3.5OD X 1.5ID X 2.75.....2 <i>4-ft platform</i>	2				
7B	825216GT	BUMPER,3.5OD X 1.5ID X 7.75.....2 <i>5-ft platform</i>	2				
8	825215GT	BUMPER,3.5OD X 1.5ID X 3.80.....8	8				
9	1252012GT	BUMPER,3.5OD X 1.5 ID X 6.75.....2	2				
10	825212GT	BUMPER,3.5OD X 1.5ID X 12.75.....2	2				
11	1251592GT	BUMPER,3.5OD X 1.5ID X 2.75.....2	2				
12	825209GT	BUMPER,3.5OD X 1.5ID X 6.75.....2	2				
13	56418GT	BUMPER,90 DEG ELBOW.....4	4				
14	825214GT	BUMPER,3.5OD X 1.5ID X 22.70.....2	2				
15	56424GT	CLAMP,1.25X.5 RUBBER-CUSHION....16	16				
16	824078GT	SCREW,HHF,1/4-20X.75,8,ZAG.....16	16				
17	824027GT	NUT,TL FLG,1/4-20,G,ZAG.....16	16				
18	56426-576GT	CHAIN,NO.2 (9LINKS).....8	8				
19	56351GT	WELDMENT,FLOATING BUMPER.....1	1				
20	45385GT	PLUG,NYLON 1.12 BLACK DOMED.....2	2				
21	139643GT	HARNES, PROX. KILL.....1	1				
--	27391GT	PROXIMITY SENSOR***.....1	1				
22	88390GT	NUT,HEX,M8,PLASTIC.....1	1				
23	29261GT	MAGNET,NEODYMIUM,.375 X .100.....2	2				
24	56330GT	PLATE,MAGNET MOUNT.....1	1				
25	824080GT	SCREW,HHF,1/4-20X1.25,8,ZAG.....1	1				
26	88385GT	SPRING, SS, 1/2-EO500-49-4500.....4	4				
27	56425GT	SPRING,EXTENSION,.75X4.5.....4	4				
28	56328GT	WELDMENT,SENSOR BRACKET.....1	1				
29	23404GT	NUTSERT,1/4-20,STEEL CAD PLTD.....1	1				
30A	1251591GT	BUMPER,3.5OD X 1.5ID X 38.75.....1 <i>4-ft platform</i>	1				
30B	825210GT	BUMPER,3.5OD X 1.5ID X 48.70.....1 <i>5-ft platform</i>	1				

803.1 Auxiliary Rail Assembly



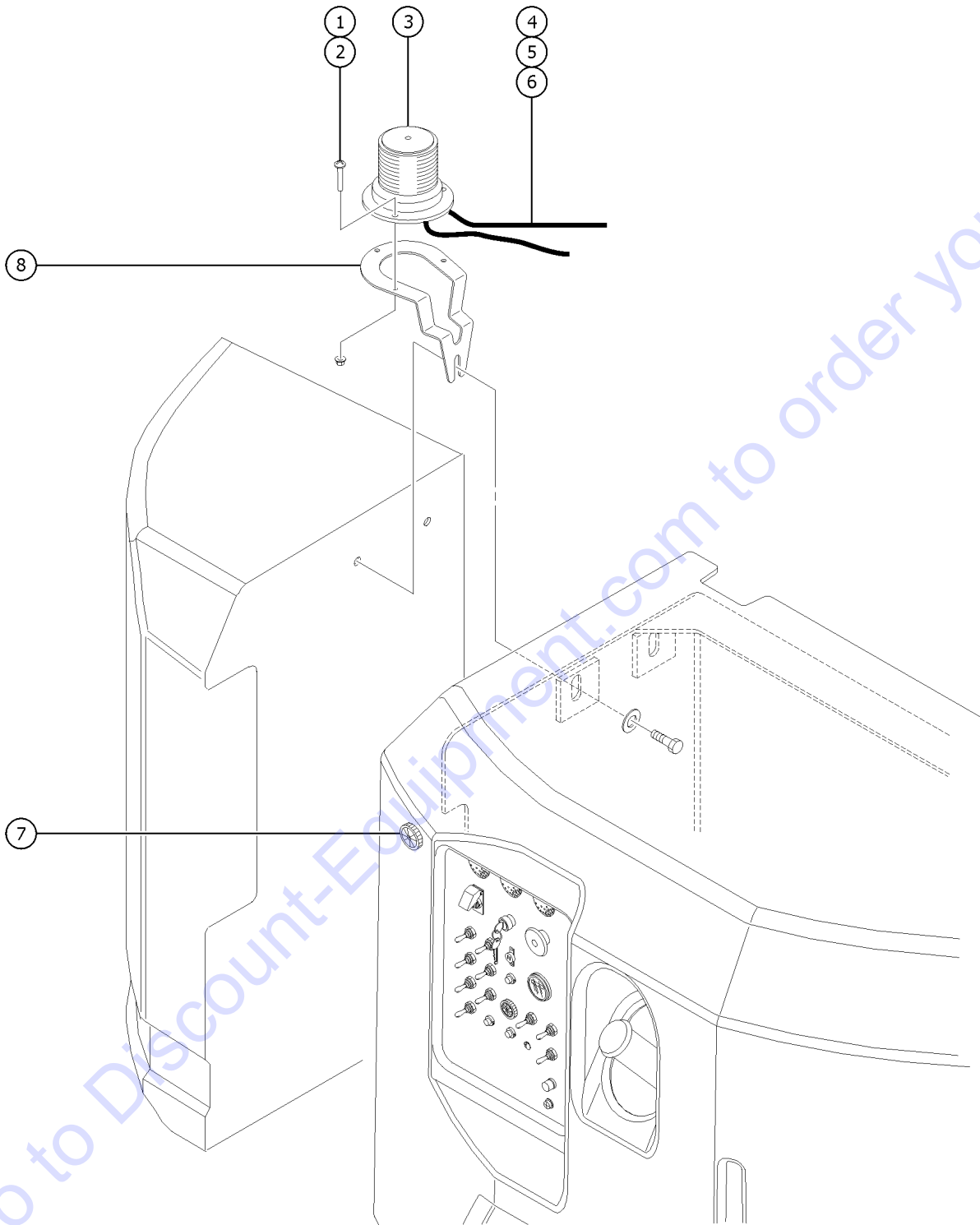
Go to Discount-Equipment.com to order your parts

803.1 Auxiliary Rail Assembly

Item	Part No.	Description	Qty.
1	1259715GT	SCREW,BHTC,1/4-20X1,ZAG.....	12
2	824027GT	NUT,TL FLG,1/4-20,G,ZAG.....	12
3A	T112779GT	KIT, AUX. RAIL, 4' PLATFORM..... <i>includes 1, 2, 4 and 5</i>	1
3B	T112780GT	KIT, AUX. RAIL, 5' PLATFORM..... <i>includes 1, 2, 4 and 5</i>	1
4	122073GT	SUPPORT, RAILING.....	12
5	55753GT	BUMPER, PLASTIC, 1.25 O.D.....	2
6		Ref. PLAT RAIL ASSY <i>refer to 601.1</i>	

Go to Discount-Equipment.com to order your parts

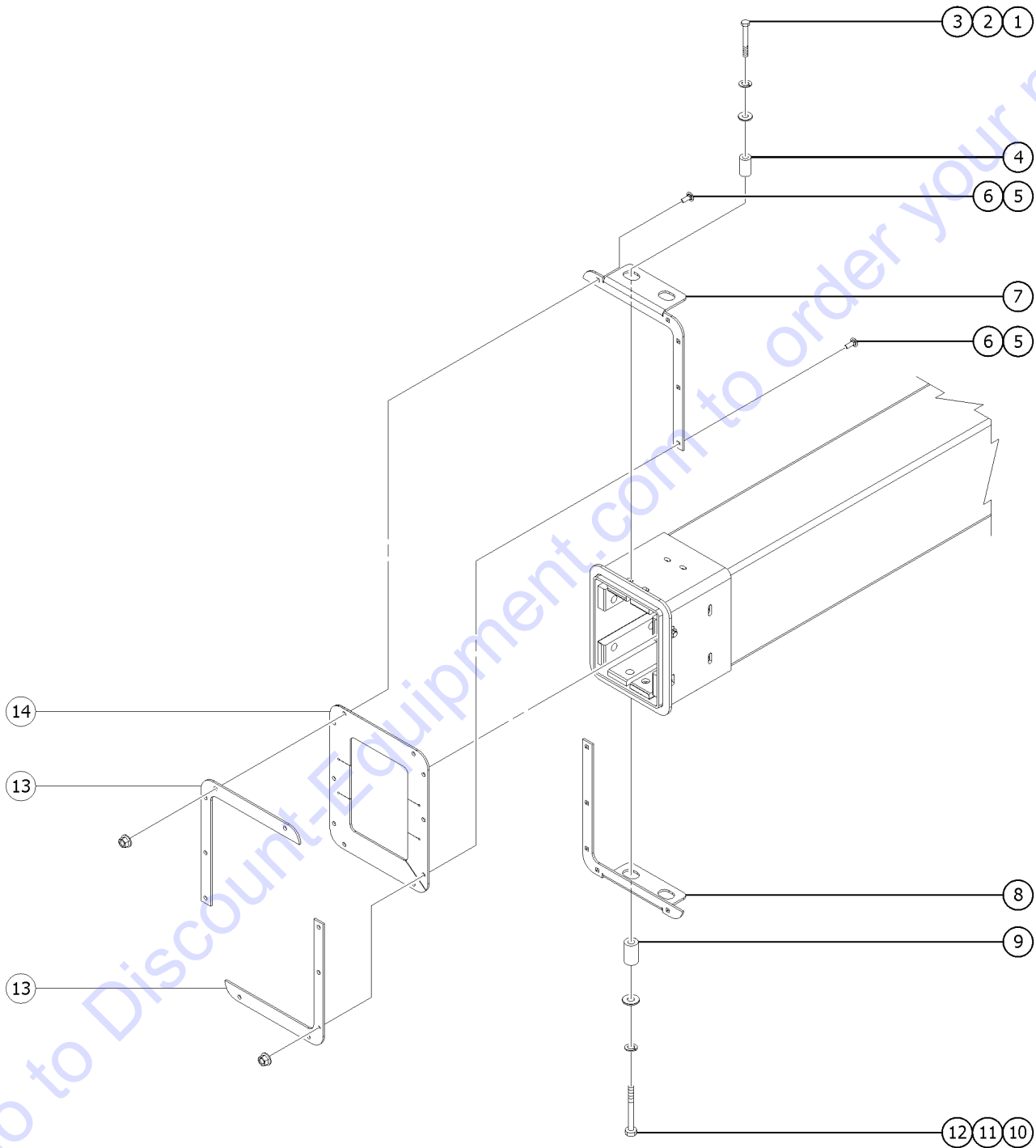
804.1 Flashing Beacon and Alarm



804.1 Flashing Beacon and Alarm

Item	Part No.	Description	Qty.
--	56879-SGT	ACCESS.ALARM PACKAGE Z34BE,IC.....	1
1A	824215GT	SCREW,PHPM,10-32X.75,ZAG..... <i>to SN Z34F-12025</i>	3
1B	826516GT	SCREW, PHPM, 10-32 X 1.0, ZAG..... <i>from SN Z34F-12026</i>	3
2A	824032GT	NUT,TL FLG,10-32,F,ZAG..... <i>to SN Z34F-12025</i>	3
2B	1264261GT	NUT,SERRATED,10-32,ZAG..... <i>from SN Z34F-12026</i>	3
3	56704GT	STROBE,FIREBOLT,12-80VDC,AMB**...	1
--	122019GT	FLASHTUBE,U SHAPED,360DEG,BULB	
--	226393GT	FLASHTUBE,STRAIGHT,360DEG,BULB	
--	72282GT	LENS,AMBER,STROBE,FIREBOLT	
4	56051GT	WIRE CABLE,16/2,WHT/BLK,SJEOW.26-inches	
5	13825GT	TERMINAL,COUPLER,MALE,14-16GA..	1
6	66684GT	TERMINAL FEMALE,1/4 BLUE,14-16....	1
7	18963GT	ALARM,INTERMITTENT TONE 6-30V*... <i>plastic nut not included</i>	1
--	72326GT	NUT - PLASTIC,RING FOR ALARMS	
8	62694GT	BEACON MOUNT ASSY.Z34/BE.....	1

805.1 Hostile Environment, Wiper

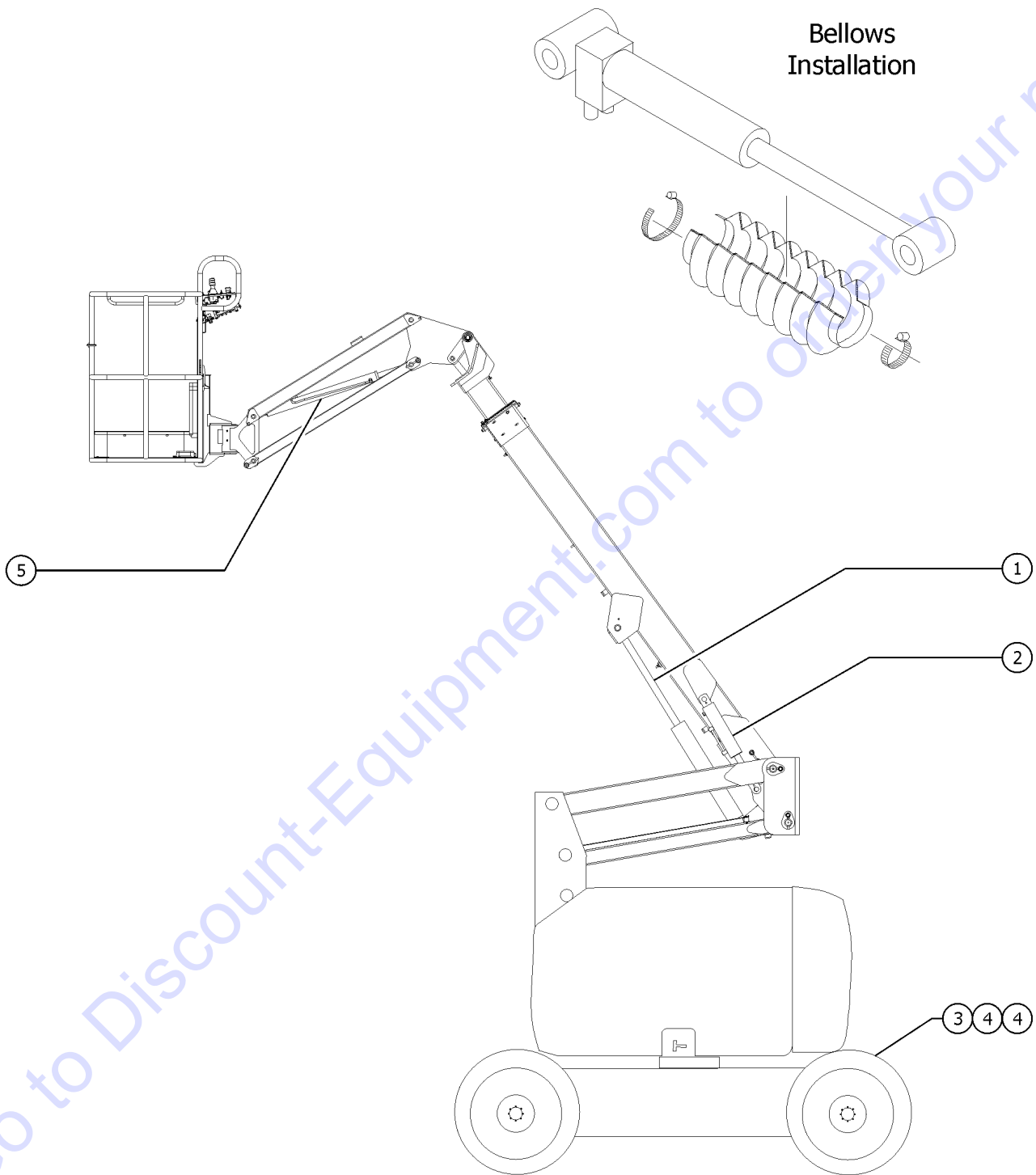


805.1 Hostile Environment, Wiper

Item	Part No.	Description	Qty.
--	128677GT	KIT, WIPER.....	1
1	1252978GT	SCREW,HHC,3/8-16X2.25,8,ZAG.....	2
2	824110GT	WASHER,LOCK,3/8,ZAG.....	2
3	825358GT	WASHER,FLAT,5/16,USS,ZAG.....	2
4	128852GT	TUBE,RD,STL,DOM,,.75X.438X1.25.....	2
5	824124GT	BOLT,CARRIAGE,1/4-20X.75,5,ZAG.....	10
6	824027GT	NUT,TL FLG,1/4-20,G,ZAG.....	10
7	128681GT	FORMING, WIPER MOUNT.....	1
8	128682GT	FORMING, WIPER MOUNT.....	1
9	119077GT	TUBE,RD,STL,DOM,,.75OD X .375ID.....	2
10	824064GT	SCREW,HHC,1/4-20X2.25,8,ZAG.....	2
11	824109GT	WASHER,LOCK,1/4,ZAG.....	2
12	824113GT	WASHER,FLAT,USS,1/4,ZAG.....	2
13	128973GT	PLATE,WIPER BACKING.....	2
14	147181GT	WIPER,PRIMARY BOOM.....	1

Go to Discount-Equipment.com to order your parts

806.1 Hostile Environment, Cylinder Bellows



Go to Discount-Equipment.com to order your parts

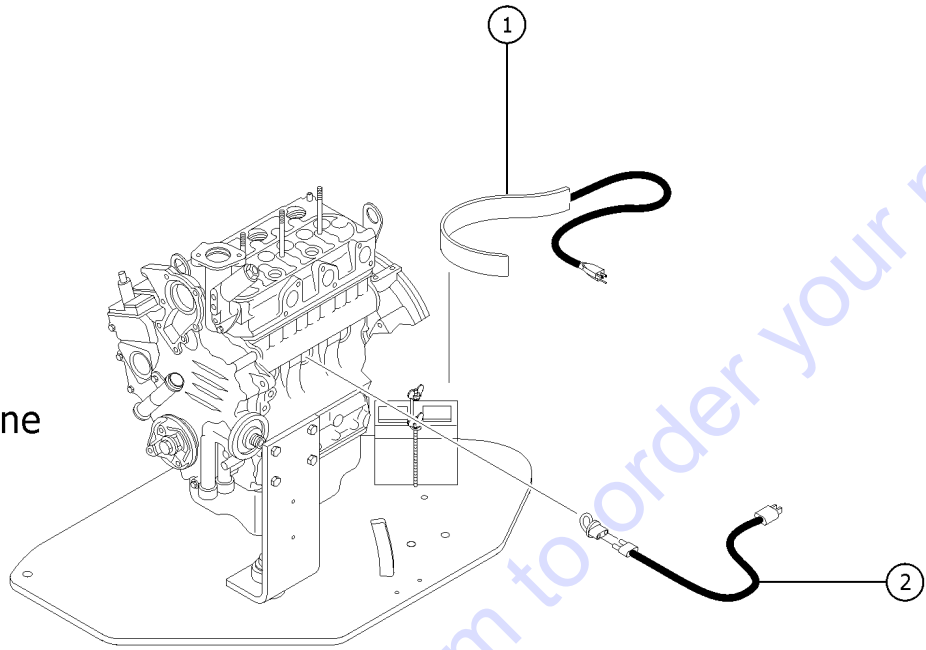
806.1 Hostile Environment, Cylinder Bellows

Item	Part No.	Description	Qty.
A	128838GT	KIT, CYLINDER BELLOWS	
--	30489GT	CLAMP,HOSE,3.50.....5 <i>not shown</i>	
--	30577GT	COVER,PROTECTIVE,MASTER/SLAVE.1 <i>not shown</i>	
--	30971GT	CLAMP,HOSE,3.00".....1 <i>not shown</i>	
--	35434GT	CLAMP,HOSE,2.00***.....6 <i>not shown</i>	
1	94461GT	BELLOWS,PRIMARY/ELEV CYLINDER.....2	
2	94463GT	BELLOWS,MASTER CYLINDER.....1	
3	54989GT	BELLOWS,STEERING CYLINDER.....1 <i>not shown</i>	
4	1263699GT	SCREW,HHC,3/8-16X.5,8,ZAG.....2	
5	94462GT	BELLOWS,JIB CYLINDER.....1	

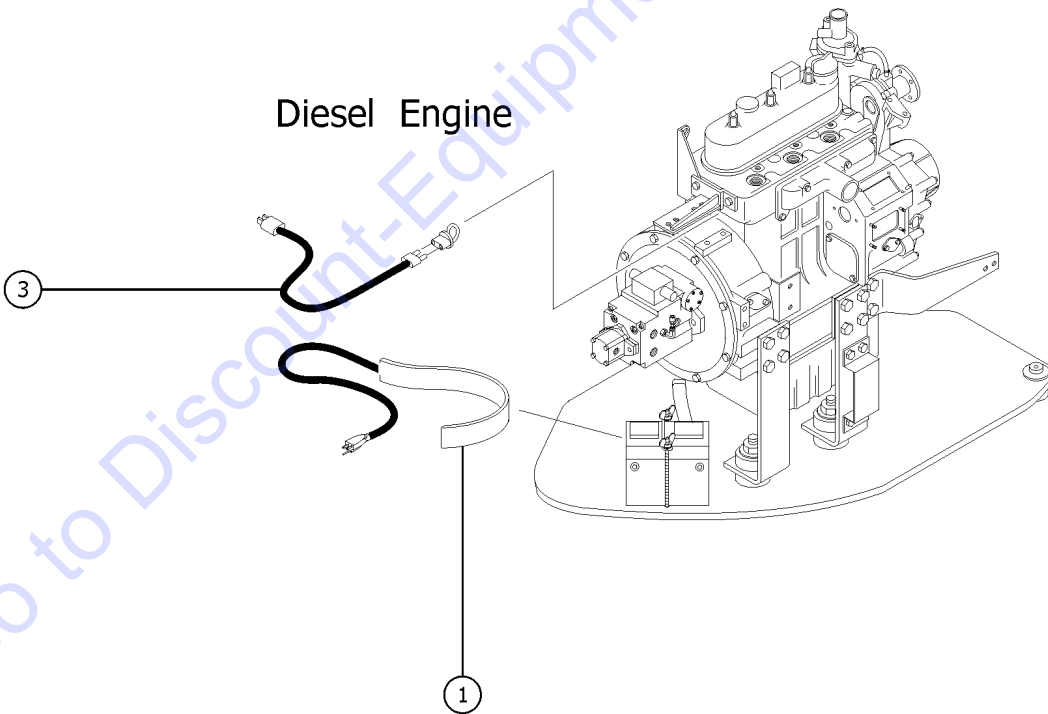
Go to Discount-Equipment.com to order your parts

807.1 Cold Start

Gasoline Engine



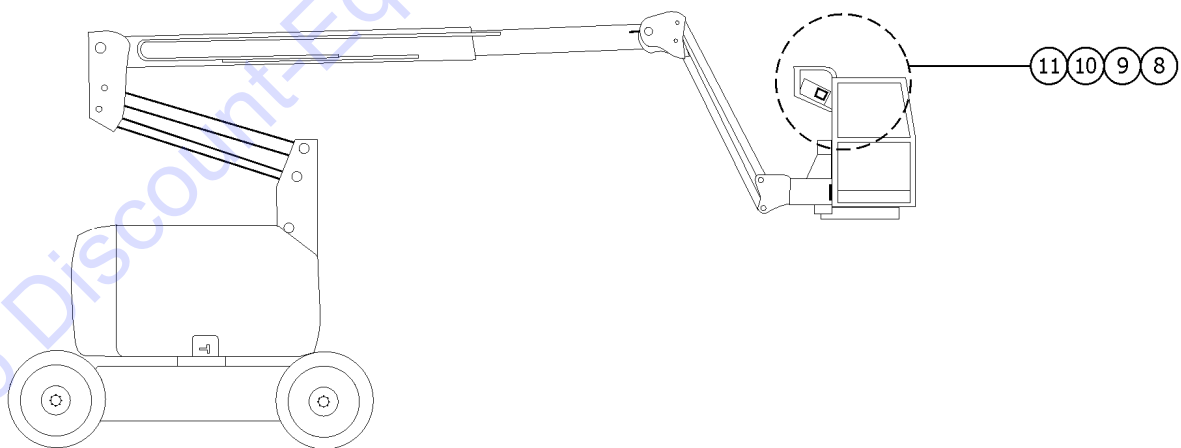
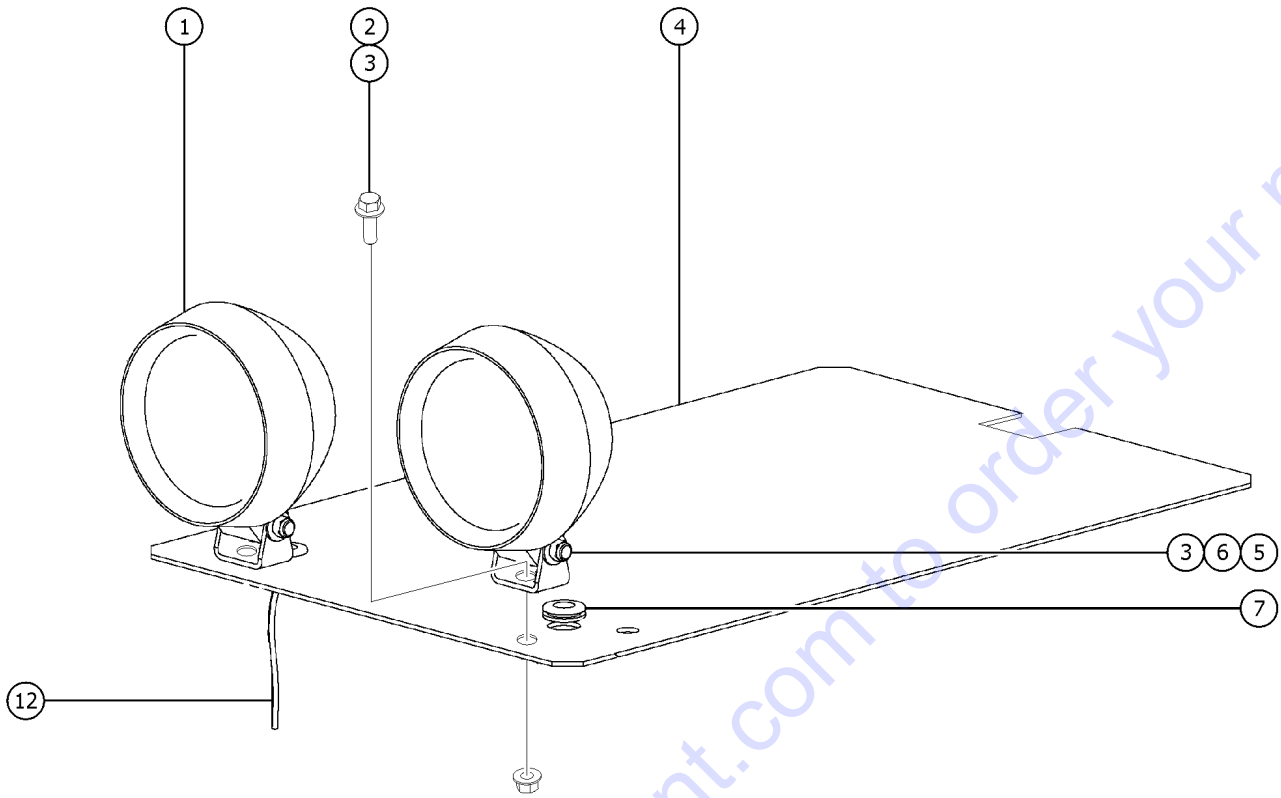
Diesel Engine



Item	Part No.	Description	Qty.
--	128146GT	OIL,ENG 5W-40 SYN***.....	12
1	28853GT	BLANKET,BATTERY.....	1
2	139247GT	FREEZE PLUG HEATER,DF972,Z34..... <i>Kubota Gas</i>	1
3	42489GT	FREEZE PLUG HEATER,Z34IC/BE <i>Kubota Diesel</i>	

Go to Discount-Equipment.com to order your parts

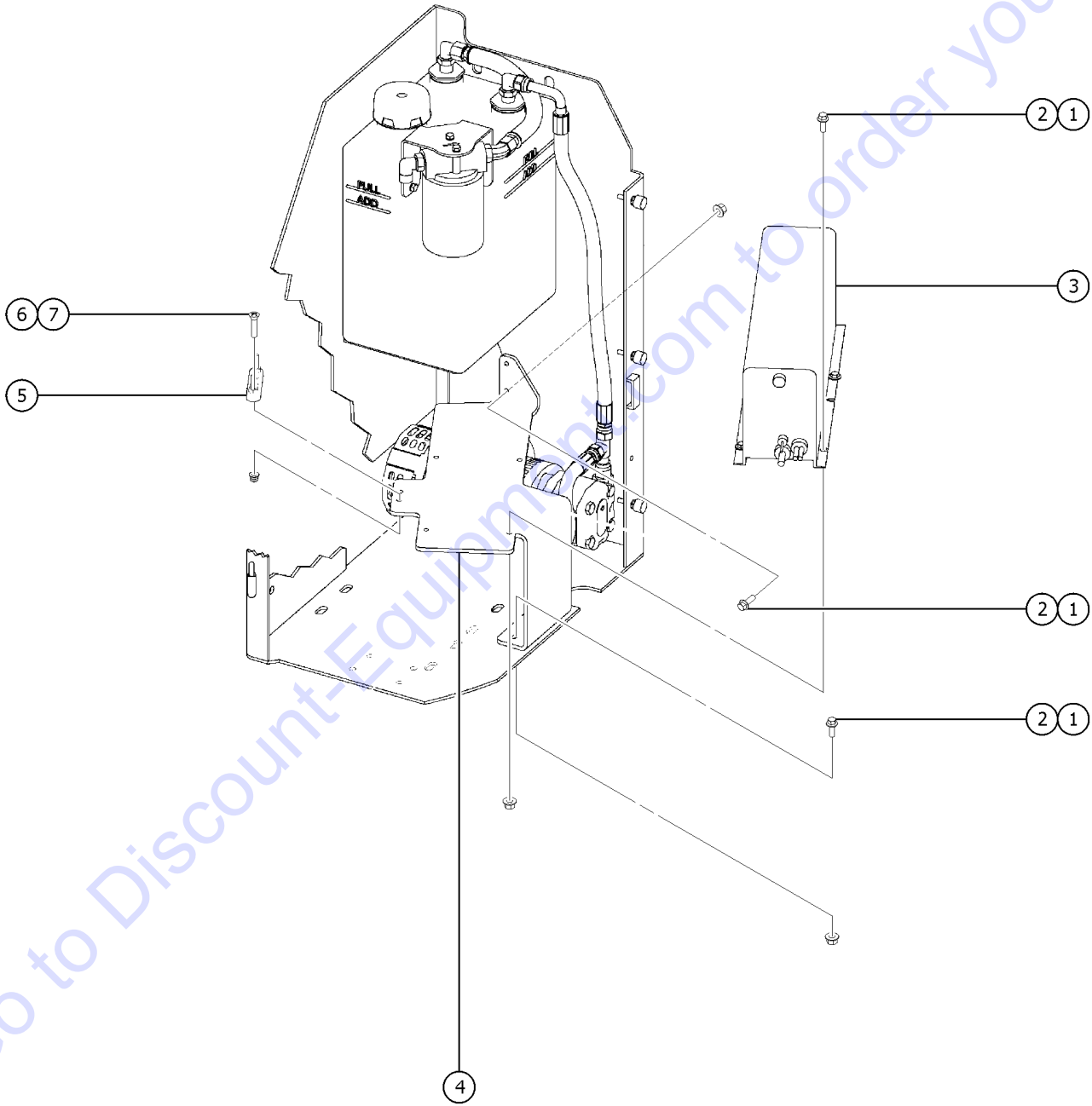
808.1 Drive Light



Item	Part No.	Description	Qty.
--	147492GT	HARNES, DRIVE LIGHTS, 12V	
1	107857GT	LIGHT, 12 VOLT.....2 <i>includes items 2-3 and 5-6</i>	
2	824085GT	SCREW,HHF,5/16-18X.75,8,ZAG.....2	
3	824028GT	NUT,TL FLG,5/16-18,G,ZAG.....4	
4	128968GT	COVER, DR LIGHT OPTION.....1	
5	825674GT	SCREW, HHC, 5/16-18X2,8,ZAG.....2	
6	825358GT	WASHER,FLAT,5/16,USS,ZAG.....2	
7	53517GT	GROMMET,RUBBER .5 X .014 X .75.....2	
8	19274GT	RELAY,SPDT,12V(AUTO)**.....1	
--	54365GT	SCREW,PHIL,PHM,10-32 X .5,SSTL	
--	824032GT	NUT,TL FLG,10-32,F,ZAG	
9	72867GT	DECAL,LABEL,LIGHTS***.....1	
10	128205GT	SWITCH TOGGLE ASSY DPDT 2P MNT.....1	
--	27246GT	BOOT,TOGGLE SWITCH,SHORT*	
11	6578GT	CABLE TIE,7 3/8".....2	
12	128270GT	HARNES, DRIVE LIGHTS, 12V.....1	

Go to Discount-Equipment.com to order your parts

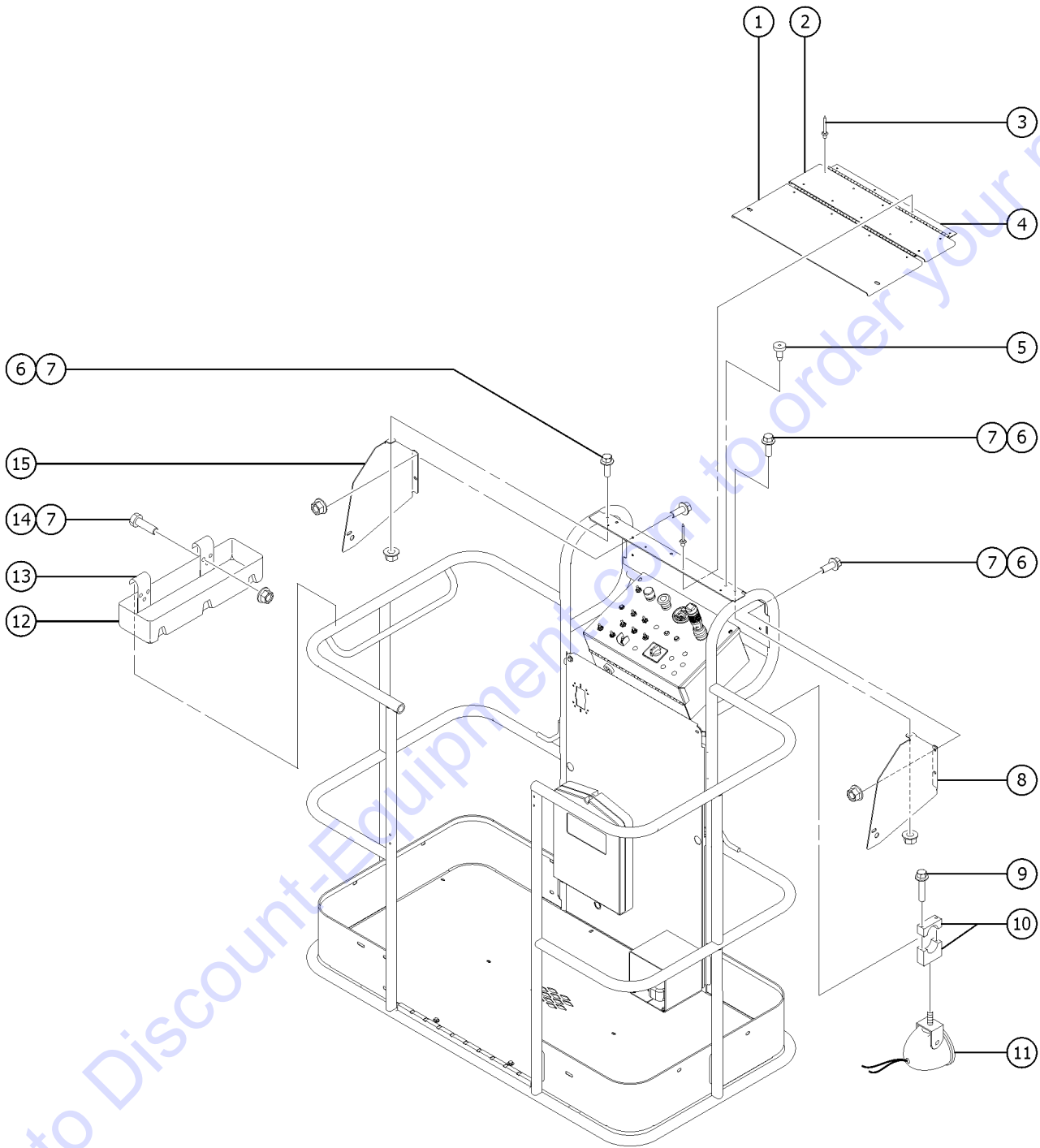
809.1 Inverter, 120V



Item	Part No.	Description	Qty.
--	78098GT	RELAY,24VDC,40/30A,SLD W/BRKT*.....1	
--	32149GT	WELDING CABLE #2 RED.....72-inches	
--	66717GT	FUSE BLOCK, ANN & ANL FUSE.....1	
--	36355GT	FUSE,100 AMP,VERY FAST ACTING.....1	
1	824079GT	SCREW,HHF,1/4-20X1,8,ZAG.....8	
2	824027GT	NUT,TL FLG,1/4-20,G,ZAG.....8	
3	150026GT	INVERTER,48VDC,120VAC/60HZ.....1	
4	128102GT	FORMING, INVERTER MT.....1	
5	66717GT	FUSE BLOCK, ANN & ANL FUSE.....1	
6	824225GT	SCREW,FHPM,10-32X.75,ZAG.....2	
7	23405GT	NUTSERT,10-32 STEEL CAD PLTD.....2	

Go to Discount-Equipment.com to order your parts

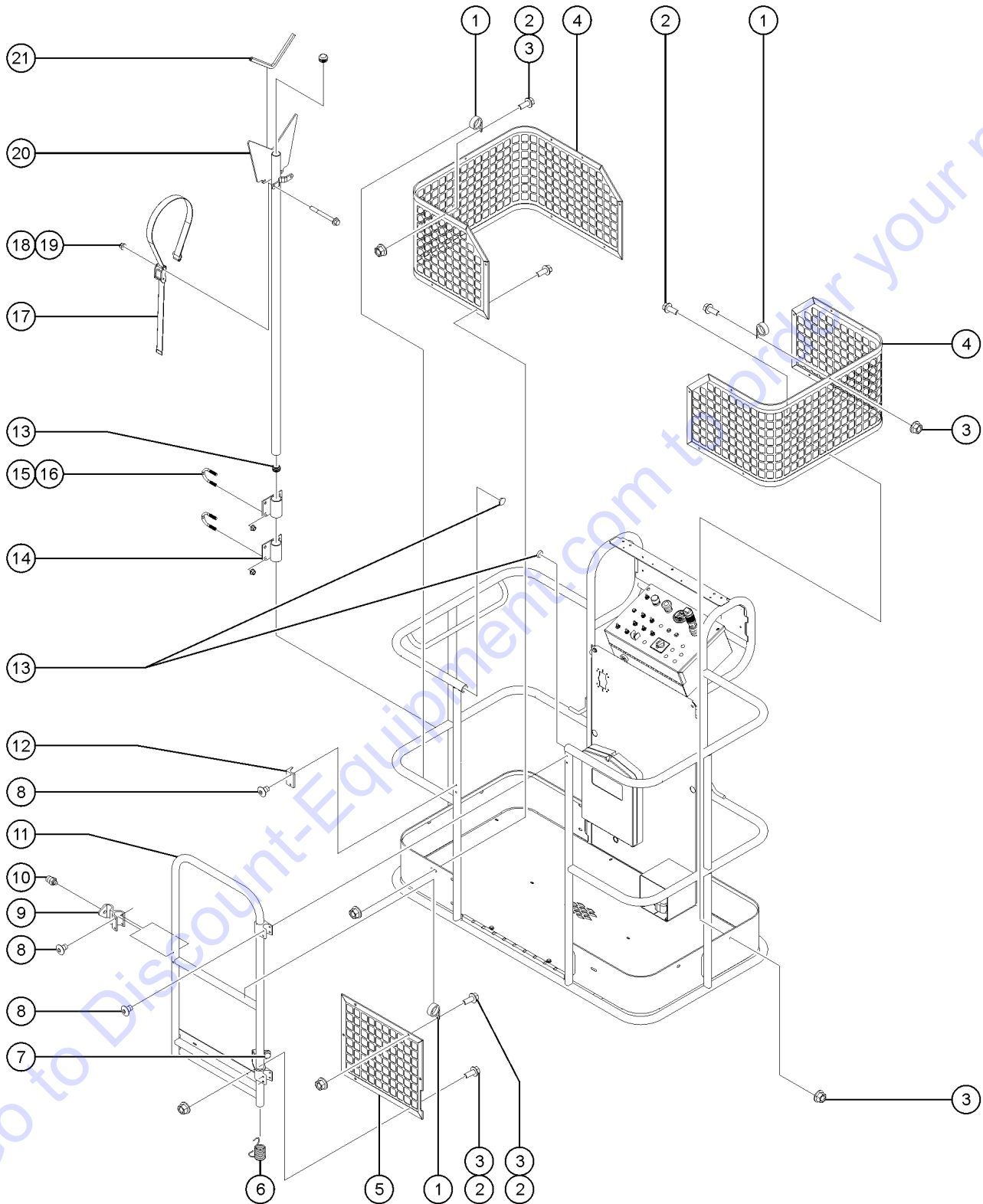
810.1 Platform Control Box Cover, Tool Tray and Work Light



810.1 Platform Control Box Cover, Tool Tray and Work Light

Item	Part No.	Description	Qty.
--	101649GT	OPTION,CONTROL BOX COVER.....1 <i>includes items 1-8, 15</i>	1
--	823942GT	OPTION,WORKLIGHTS,48V.....1 <i>includes items 9-11</i>	1
--	9599-SGT	TOOL TRAY ACCESSORY***.....1 <i>includes items 7, 12-14</i>	1
1	101679GT	LID,CONTROL BOX COVER.....1	1
2	101678GT	LID,CONTROL BOX COVER.....1	1
3	87085GT	RIVET,ALUM,P,.188 X .25.....18	18
4	77860GT	HINGE,CONTROL BOX.....2	2
5	34619GT	BUMPER,RUBBER***.....6	6
6	824078GT	SCREW,HHF,1/4-20X.75,8,ZAG	
7	824027GT	NUT,TL FLG,1/4-20,G,ZAG	
8	101676GT	CONTROL BOX COVER, RH.....1	1
9	824081GT	SCREW,HHF,1/4-20X1.5,8,ZAG.....2	2
10	35956GT	BRACKET,WORK LIGHT MOUNT 5/16".....2	2
11	107858GT	WORKLIGHT,48 VOLT.....2	2
--	823226GT	POWER RELAY, 24V COIL	
12	9599-SGT	TOOL TRAY ACCESSORY***.....1	1
13	7746P-SGT	TOOL TRAY BRCKT, GRAY,SERVICE.....2	2
14	824059GT	SCREW,HHC,1/4-20X.75,8,ZAG.....6	6
15	101677GT	CONTROL BOX COVER, LH.....1	1

811.1 Platform Half Mesh, Swing Gate and Pipe Cradle



811.1 Platform Half Mesh, Swing Gate and Pipe Cradle

Item	Part No.	Description	Qty.
A	85300GT	PIPE CRADLE ASSY. SERV (ONE)** (ANSI & CE only) (This is a single assembly. Qty 2 of 85300GT required to complete a set)	
--	65630GT	INSTRUCTIONS-PIPE CRADLE,BOOMS	
B	119950GT	KIT,FIELD INSTALL,SWING GATE.....1 <i>includes items 6-13</i>	
1	56424GT	CLAMP,1.25X.5 RUBBER-CUSHION....23	
2	824078GT	SCREW,HHF,1/4-20X.75,8,ZAG	
3	824027GT	NUT,TL FLG,1/4-20,G,ZAG	
4A	74009GT	MESH,HALF HEIGHT RH,4***.....2	
4B	74007GT	MESH,HALF HEIGHT,5***.....2	
5	54457GT	MESH,HALF,SWING GATE***.....1	
6	42104GT	SPRING,SHORT PLATFORM GATE.....1	
7	43392GT	BUMPER,BATTERY BOX & RAILS.....1	
8	824207GT	RIVET, STL, STL, DOME, 1/4 X .375, ZAG	
9	1487GT	GATE LATCH CASTING--DRILLED.....1	
10	33674GT	PIN,LOCK,SHORT***.....1	
11	128374GT	WELDMENT,SWING GATE,ALUMINUM.....1	
--	9596GT	HINGE CASTING.....2	
12	1488GT	RAILING CATCH CASTING--DRILLED...1	
13	55753GT	BUMPER, PLASTIC, 1.25 O.D.....6	
14	81368GT	WELDMENT,PIPE CRADLE MOUNT....4	
15	1251600GT	U-BOLT, FLATTENED, 1.5 X 3/8 UNC,ZAG.....8	
16	1274322GT	NUT,NYLOCK FLG,3/8-16,F,ZAG.....16	
17	56570GT	STRAP, CONDUIT HOLDER 60****.....2	
18	1277924GT	NUT,NYLOCK FLG,1/4-20,F,ZAG.....4	
19	824083GT	SCREW,HHF,1/4-20X2.5,8,ZAG.....4	
20	56525GT	WELDMENT, PIPE CRADLE.....2	
21	19018-1100GT	TRIMLOCK,BLACK,5/32".....2	

PARTS FINDER

**Search Website
by Part Number**



**Search Manual
Library For Parts
Manual & Lookup Part
Numbers – Purchase
or Request Quote**

Search Manuals

Enter your information to help us find the right parts manual for your machine.

* Brand:

* Model:

* Serial:

* Part Number:

SEARCH

**Can't Find Part or
Manual? Request Help
by Manufacturer,
Model & Description**

Parts Order Form

Please fill in the following information to help us find the right part for your machine.

Manufacturer:	<input type="text"/>
Model:	<input type="text"/>
Description:	<input type="text"/>
Part Number:	<input type="text"/>
Quantity:	<input type="text"/>
Notes:	<input type="text"/>

Discount-Equipment.com is your online resource for quality parts & equipment.

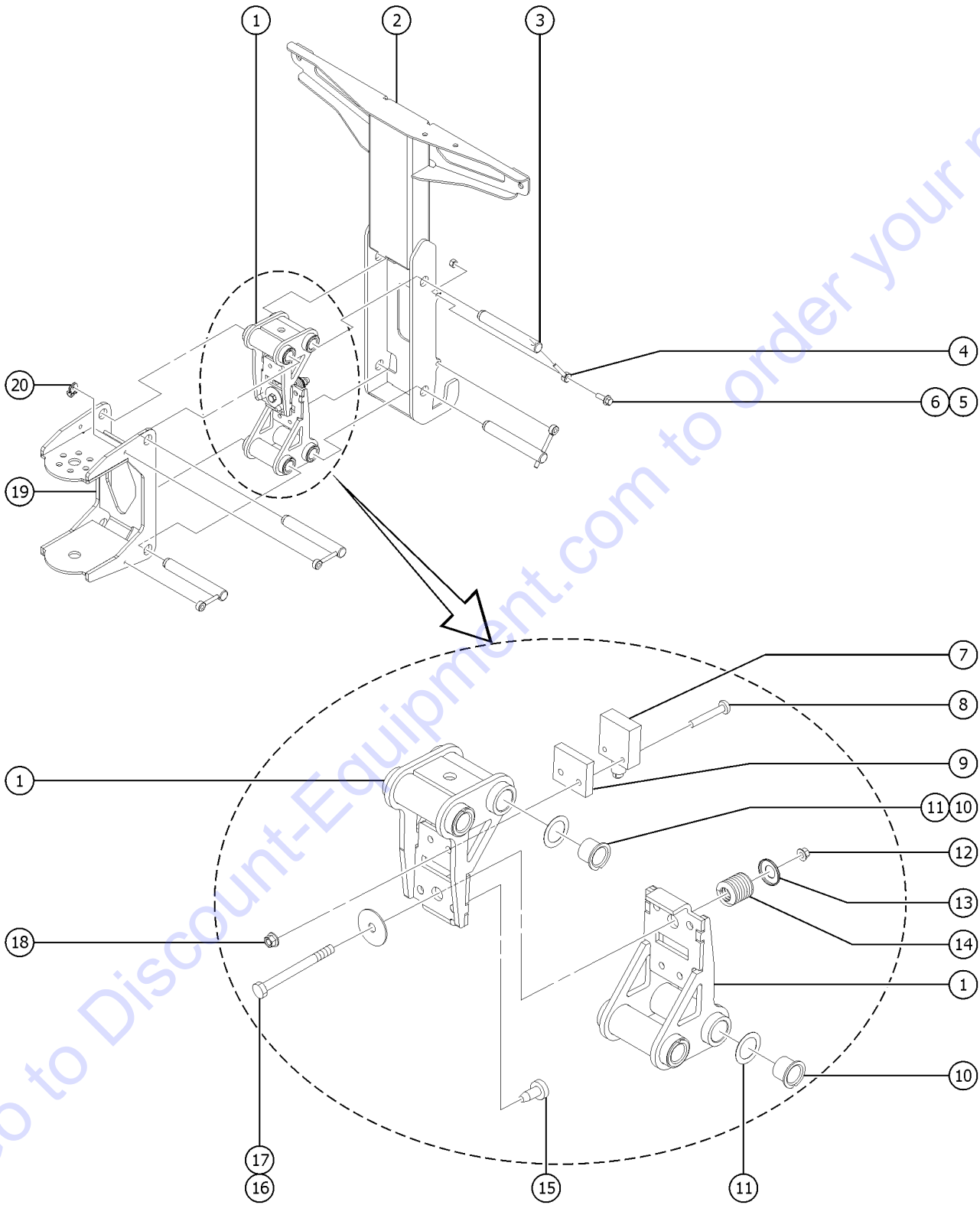
Florida: **561-964-4949** Outside Florida TOLL FREE: **877-690-3101**

Need parts?

Click on this link: <http://www.discount-equipment.com/category/5443-parts/> and choose one of the options to help get the right parts and equipment you are looking for. Please have the machine model and serial number available in order to help us get you the correct parts. If you don't find the part on the website or on one of the online manuals, please fill out the request form and one of our experienced staff members will get back to you with a quote for the right part that your machine needs.

We sell worldwide for the brands: Genie, Terex, JLG, MultiQuip, Mikasa, Essick, Whiteman, Mayco, Toro Stone, Diamond Products, Generac Magnum, Airman, Haulotte, Barreto, Power Blanket, Nifty Lift, Atlas Copco, Chicago Pneumatic, Allmand, Miller Curber, Skyjack, Lull, Skytrak, Tsurumi, Husquvarna Target, Stow, Wacker, Sakai, Mi-T-M, Sullair, Basic, Dynapac, MBW, Weber, Bartell, Bennar Newman, Haulotte, Ditch Runner, Menegotti, Morrison, Contec, Buddy, Crown, Edco, Wyco, Bomag, Laymor, EZ Trench, Bil-Jax, F.S. Curtis, Gehl Pavers, Heli, Honda, ICS/PowerGrit, IHI, Partner, Imer, Clipper, MMD, Koshin, Rice, CH&E, General Equipment, Amida, Coleman, NAC, Gradall, Square Shooter, Kent, Stanley, Tamco, Toku, Hatz, Kohler, Robin, Wisconsin, Northrock, Oztec, Toker TK, Rol-Air, APT, Wylie, Ingersoll Rand / Doosan, Innovatech, Con X, Ammann, Mecalac, Makinex, Smith Surface Prep, Small Line, Wanco, Yanmar

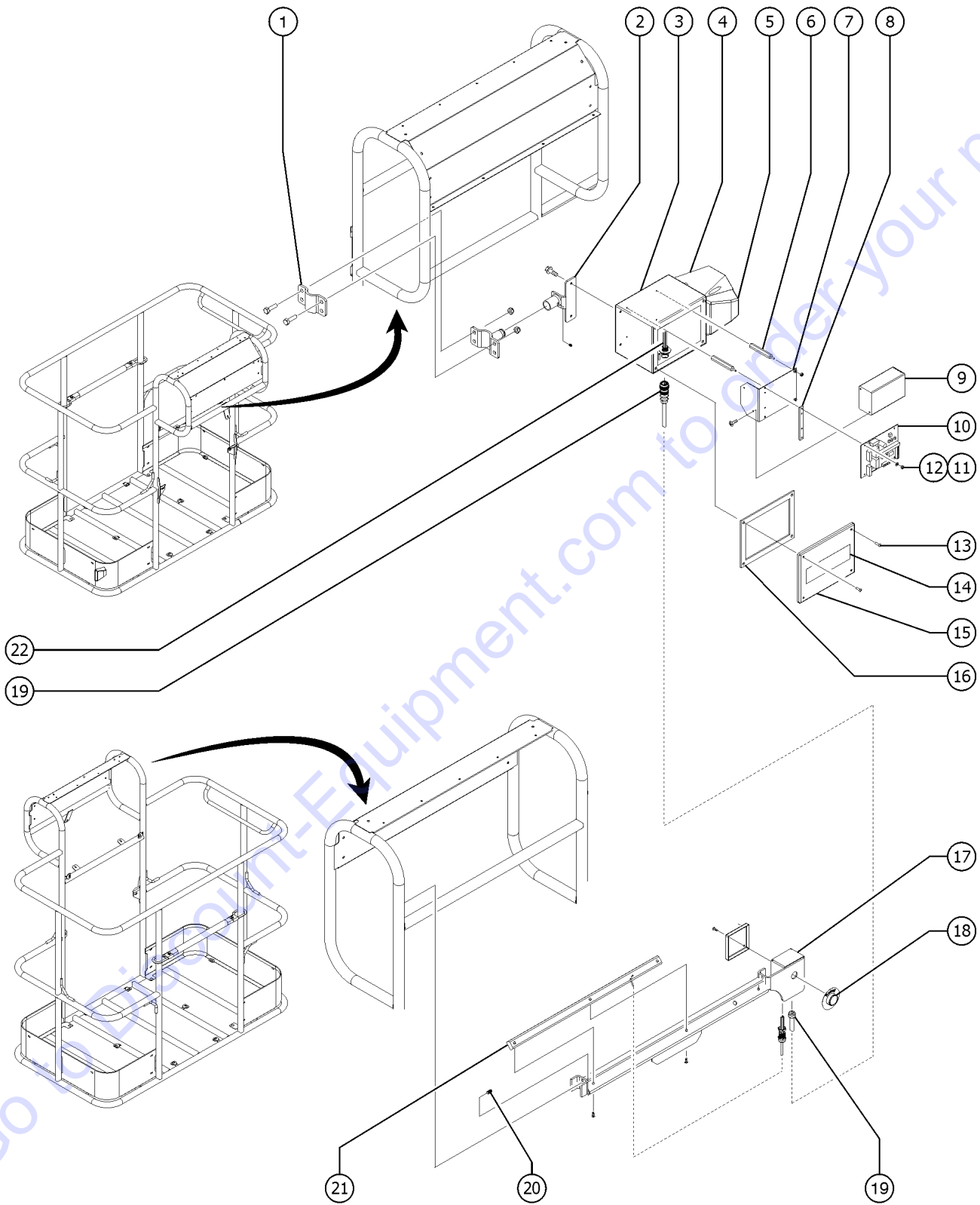
812.1 Platform Overload, CE and AUS



812.1 Platform Overload, CE and AUS

Item	Part No.	Description	Qty.
--	121848GT	ASSY,LS,LOAD SENSE,38.5 IN.....	1
1	94191GT	WELDMENT,LOAD SUPPORT.....	2
2	94176GT	WELDMENT,PLATFORM SUPPORT.....	1
3	61726GT	PIN,0.75DIAX5.75LG,CHAMFER.....	4
4	825020GT	ROD END, .25 X 2.75, ZAG.....	4
5	824079GT	SCREW,HHF,1/4-20X1,8,ZAG.....	4
6	824024GT	NUT,TL,1/4-20,C,ZAG.....	4
7	61973GT	SWITCH,ROLLER PLUNGER LIMIT.....	1
8	824216GT	SCREW,PHPM,10-32X1.5,ZAG.....	2
9	61972GT	MOUNT,SWITCH.....	1
10	25685GT	BEARING,GARLOCK,12FDU12.....	8
11	110789GT	WASHER,SHIM .0151 THK.....	8
12	824029GT	NUT,TL FLG,3/8-16,G,ZAG.....	1
13	824208GT	RETAINER,SPRING,1.21X.375,ZAG.....	1
14	61974GT	SPRING,COMP,1" OD,232 LB/IN.....	1
15	34619GT	BUMPER,RUBBER***.....	2
16	824070GT	SCREW,HHC,3/8-16X3.25,8,ZAG.....	1
17	1268468GT	WASHER,FLAT,.406X1.50X.125,ZAG.....	1
18	824032GT	NUT,TL FLG,10-32,F,ZAG.....	2
19	94170GT	WELDMENT,ROTATOR SUPPORT.....	1
20	45470GT	CLAMP,0.31,#5 X 1/4,RUB CUSH.....	1

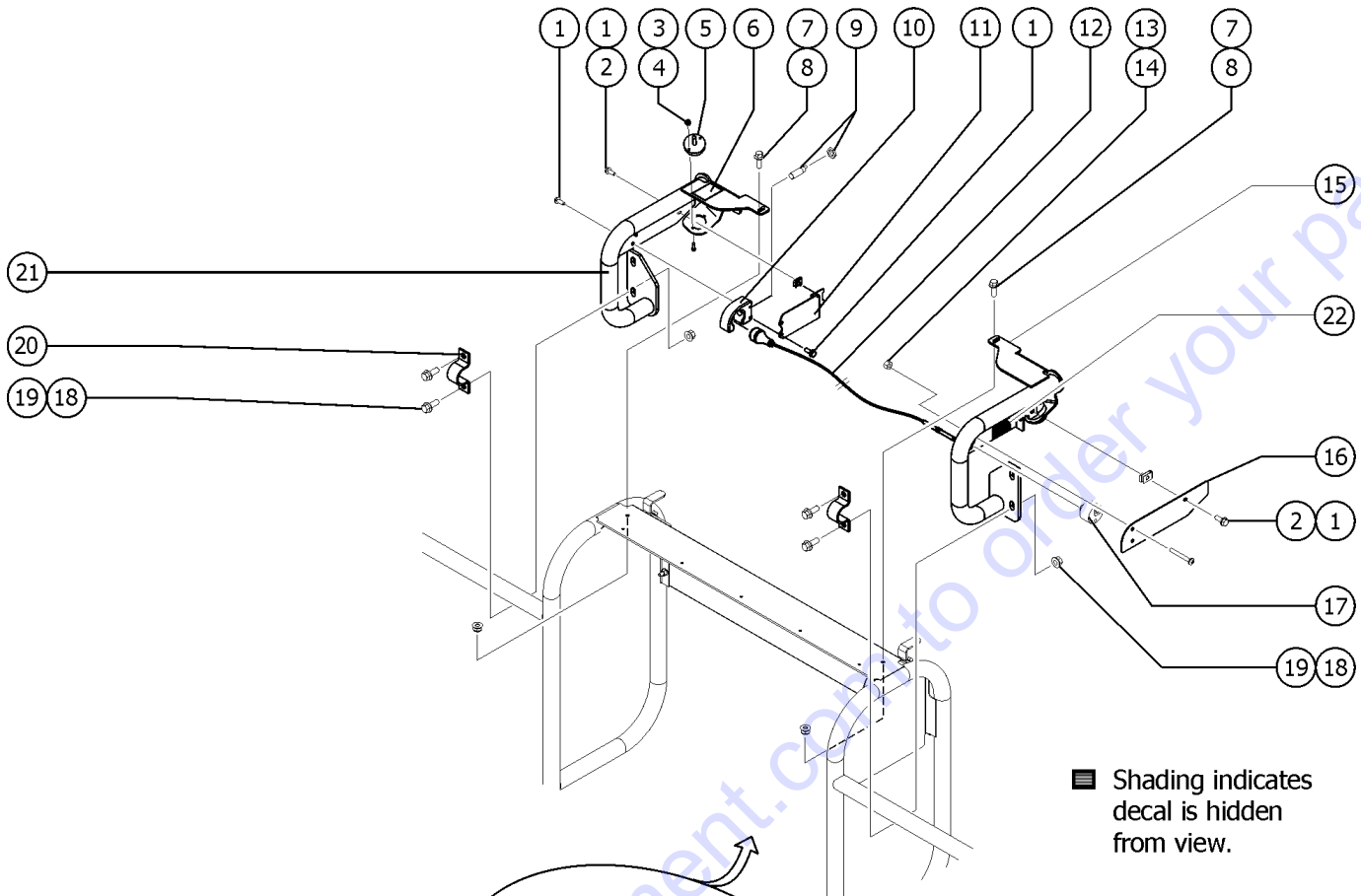
813.1 Operators Protection Alarm (to January 2017)



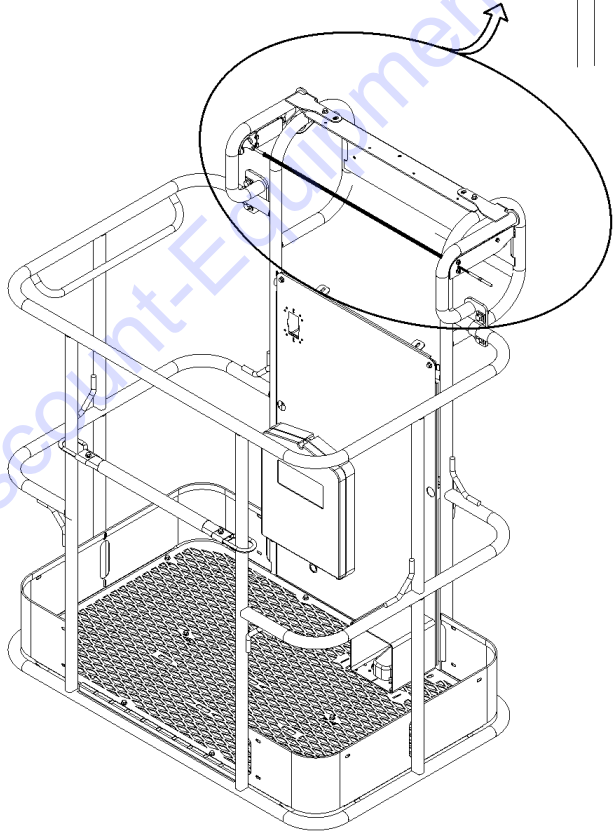
813.1 Operators Protection Alarm (to January 2017)

Item	Part No.	Description	Qty.
1	1256149GT	CLAMP,HAND RAIL,OPA,4'-5'.....1 <i>includes fasteners</i>	1
2	1255026GT	ASSY,BRKT,CNTRL BOX W/FASTNRS.....1	1
3	1255018GT	BASE ENCLOSURE,RED,OPA.....1	1
4	1255021GT	SOUNDER,MIDI,OPA.....1	1
5A	1255037GT	SOUNDER LENS, OPA, BLUE.....1 <i>(standard lens fitted to OPA)</i>	1
5B	1270116GT	SOUNDER LENS, OPA, RED	
5C	1270117GT	SOUNDER LENS, OPA, AMBER	
5D	1270118GT	SOUNDER LENS, OPA, CLEAR	
6	1255028GT	STAND OFF,CONTROL UNIT.....1	1
7	1255024GT	BRACKET,CONTROL UNIT.....1	1
8	1255025GT	SPACER,HEAT SINK.....1	1
9	1255023GT	ASSY,MODULE,CONTROL UNIT,OPA....1	1
10	1255022GT	MODULE,CONTROL UNIT,PCB,OPA....1	1
11	1255067GT	NUT,M4 NYLOCK.....4	4
12	1255066GT	WASHER,M4 NYLON.....4	4
13	1255038GT	SCREW,M5X16 BHD.....4	4
14	1255890GT	DECAL,COSMETIC,GENIE.....1	1
15	1255020GT	LID ENCLOSURE,RED,OPA.....1	1
16	1255019GT	GASKET,ENCLOSURE.....1	1
17	1255488GT	ASSEMBLY,TAPESWITCH.....1 <i>4ft or 5ft platforms; includes j-box and fasteners</i>	1
18	1255036GT	ASSEMBLY RESET SWITCH.....1	1
19	1255035GT	ASSEMBLY,CABLE,TAPESWITCH.....1	1
20	1255068GT	SCREW,M6X8.....2	2
21	1255489GT	SENSOR,RUBBER EDGE.....1 <i>4ft or 5ft platforms</i>	1
22	1255033GT	HARN,PIGTAIL,TAPESWITCH,OPA.....1	1

813.2 Lift Guard Contact Alarm (from January 2017)



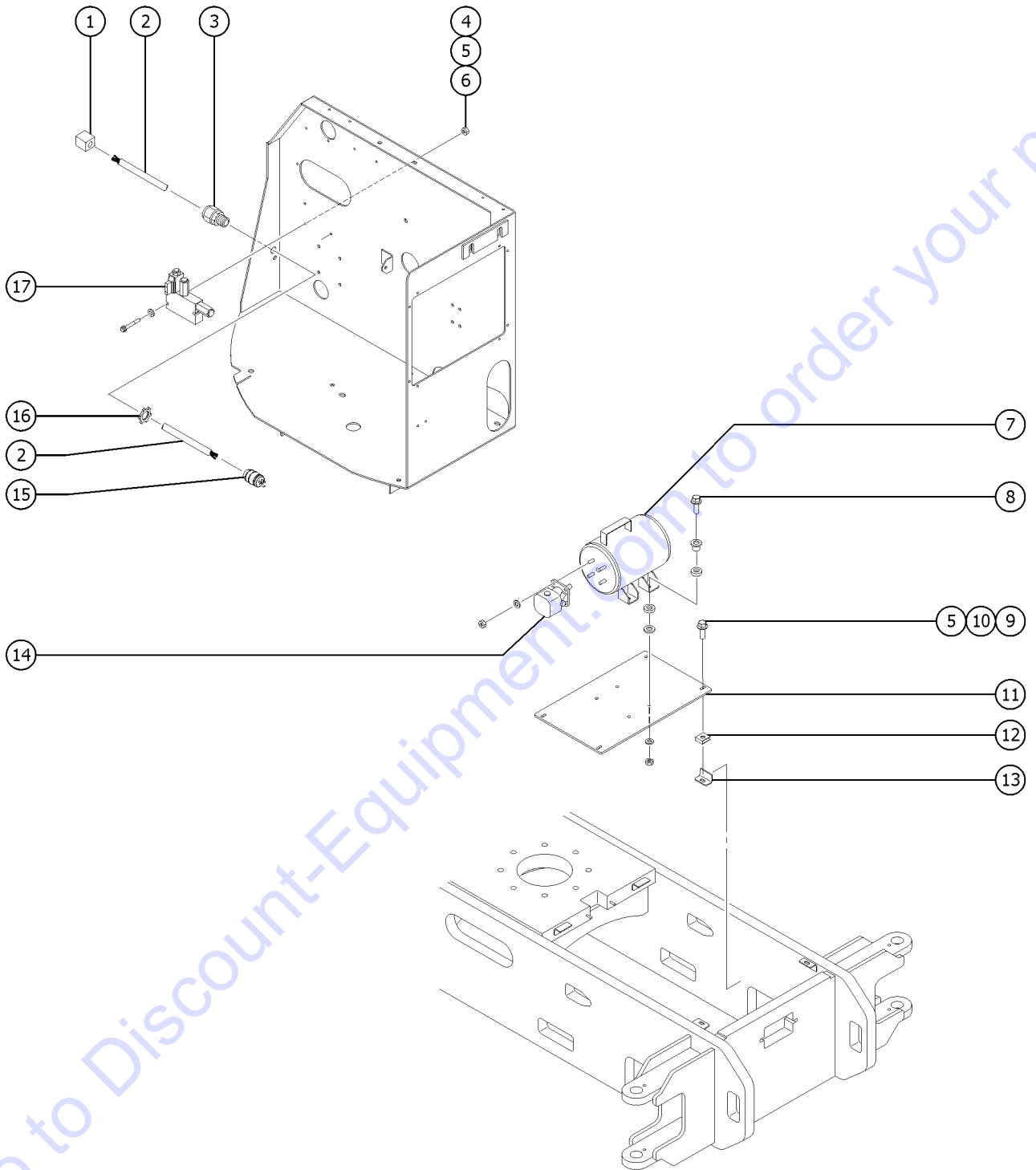
■ Shading indicates decal is hidden from view.



813.2 Lift Guard Contact Alarm (from January 2017)

Item	Part No.	Description	Qty.
--		From January 2017, this option became a standard installation on all models unless the customer specifically request not to have it installed."	
--	1279136GT	KIT,LIFT GUARD CONTACT ALARM,4'-5' PLATFORM	
--	1278451GT	HARNESS, OPA2, Z34IC	
--	19274GT	RELAY,SPDT,12V(AUTO)**	
--	1278121GT	MODULE, PLUS+1, CONTACT ALARM <i>located inside the Platform Control Box</i>	
1	1264934GT	SCREW,HHF,10-24X.5	
2	73575GT	SPRING CLIP,10-24,.025-.125X.468,ZAG	
3	12344GT	NUT,NYLOCK,6-32	
4	1256859GT	SCREW,PHPM,6-32X.875,ZAG	
5	1278111GT	ASSEMBLY, LIGHT, CONTACT ALARM.....	2
6	1278542GT	DECAL, INSTRUCTION, CONTACT ALARM	
7	824078GT	SCREW,HHF,1/4-20X.75,8,ZAG	
8	1277924GT	NUT,NYLOCK FLG,1/4-20,F,ZAG	
9	1278119GT	ASSEMBLY, SENSOR, PROX, CONTACT ALARM.....	1
10	1278433GT	ASSY, SENSOR W/HOUSING <i>(Includes holder item 1277877 and sensor part 1278119)</i>	
--	1277877GT	HOLDER, SENSOR.....	1
11	1277873GT	FORMING, SENSOR HOLDER.....	1
12	1278417GT	ASSEMBLY, OPA CABLE, SMALL.....	1
--	1261184GT	NUT,1/4-20,8,ZAG <i>Part of assembly 1278417</i>	
--	1278124GT	MAGNET, 1/4-20, 15 LB. <i>Part of assembly 1278417</i>	
--	1278368GT	GRIP, CABLE <i>Part of assembly 1278417</i>	
--	1278459GT	OPA WIRE ASSY, SMALL <i>Part of assembly 1278417</i>	
13	825352GT	SCREW,PHPM,10-32X1.25,ZAG	
14	1264261GT	NUT,SERRATED,10-32,ZAG	
15	1278175GT	WELDMENT, RIGHT OPA, SMALL.....	1
16	1277875GT	PLATE, CABLE AND WIRE COVER.....	1
17	1277876GT	GUIDE, CABLE.....	1
18	1274322GT	NUT,NYLOCK FLG,3/8-16,F,ZAG	
19	824090GT	SCREW,HHF,3/8-16X1.8,ZAG	
20	1278363GT	CLAMP, 1.25 INCH TUBE.....	2
21	1278177GT	WELDMENT, LEFT OPA, SMALL.....	1
22	1278982GT	DECAL, INSTRUCTION, ACTUATOR SWITCH SOCKET.....	1

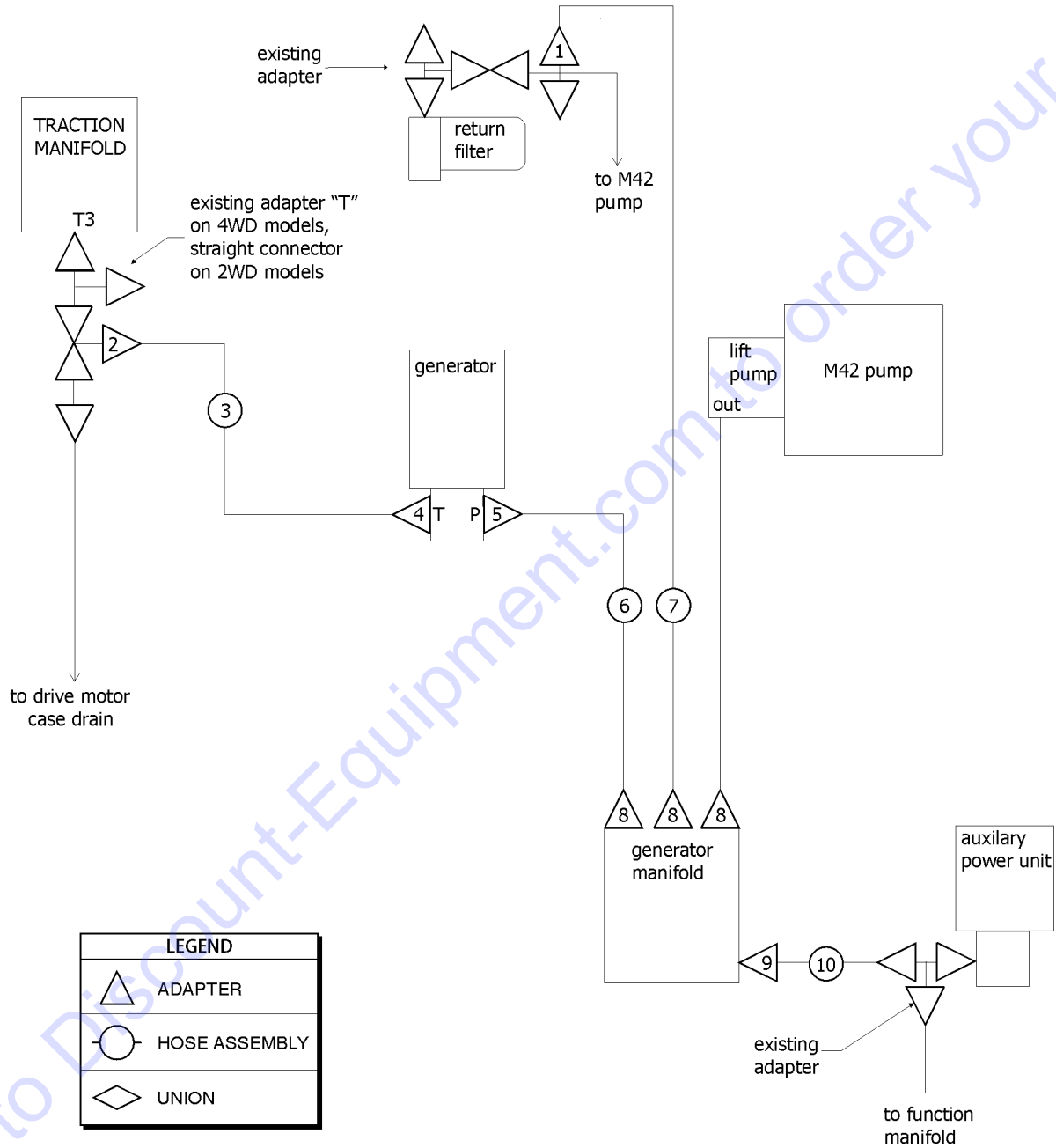
814.1 2000 Watt Generator



814.1 2000 Watt Generator

Item	Part No.	Description	Qty.
1	119404GT	CONN,RECEP 120AC/15A DOMESTIC.....	1
2	43956GT	WIRE CABLE,14/3 CON.TPE JKT*.....	96-inches
--	20973GT	WIRE LOOM,3/8 POLY SLIT.....	12-inches
3	7056GT	CONN,SQUEEZE,1/2NPT .38-.50,SM....	1
4	6091GT	NUT,NYLOCK,1/4-20	
5	6638GT	WASHER,FLAT,USS,1/4"Y	
6	4266GT	SCREW,HHC,1/4-20 X 2	
7	56258GT	GENERATOR,2000W,110VAC,60HZ.....	1
8	13918GT	SCREW,HHC,3/8-16 X 1.75,GRD.8	
9	6888GT	SCREW,HHC,1/4-20 X 1	
10	6356GT	WASHER,LOCK,.25	
11	56164GT	PLATE,GENERATOR MOUNTING.....	1
12	56912GT	SPRING CLIP,1/4-20,.025-.15X.54,ZAG	
13	25847GT	ANGLE,CHASSIS COVER MOUNT.....	4
14	56260GT	MOTOR,.194IN3/REV,BARNES GC.....	4
15	119403GT	CONN,PLUG 120 AC/15A DOMESTIC...	1
16	6935GT	LOCKNUT,ELEC,1/2".....	1
17	56156GT	MANIFOLD,GENERATOR.....	1

815.1 2000W Generator, Hoses and Fittings



815.1 2000W Generator, Hoses and Fittings

Item	Part No.	Description	Qty.
1	48964GT	FITTING, TEE, RUN, SWIVEL52043212....1	1
2	48938GT	FITTING, TEE, RUN, SWIVEL520432-8....1	1
3	56633GT	HOSE ASSY, 1/2", 51.00.....1	1
4	48933GT	CONN, 520120-8***.....1	1
5	48929GT	FITTING, ELBOW, 90D, 520220-6-8.....1	1
6	56634GT	HOSE ASSY, 3/8", 45.00.....1	1
7	56632GT	HOSE ASSY, 1/2", 75.00.....1	1
8	48916GT	CONN, 520120-6.....3	3
9	78915GT	ELBOW, 90D, 520220-6.....1	1
10	56635GT	HOSE ASSY, 3/8", 68.50.....1	1

Go to Discount-Equipment.com to order your parts

Part Number Index

The Part Number Index is a numeric index of all part numbers included in this manual. The index shows what page(s) the part is used on.

Part Number	Page	Part Number	Page	Part Number	Page	Part Number	Page
100044GT	15, 19	110285GT	59, 67	1255555GT	57	1271540GT	79
101200GT	67	110382GT	45, 47	1255758GT	53, 91	1271541GT	79
101201GT	67	110523GT	73	1255803GT	87	1271730GT	77
101203GT	67	110640GT	57	1255805GT	79, 81	1271731GT	77
101204GT	71	110645GT	57	1255890GT	155	1271732GT	77
101208GT	67	110648GT	51	1256149GT	155	1271752GT	77
101209GT	67	110649GT	105	1256182GT	39	1271753GT	77
101237GT	71, 77	110651GT	103	1256350GT	61	1271809GT	83
101238GT	61, 71, 77	110652GT	103	1256356GT	77	1271817GT	83
101557GT	93	110653GT	103	1256859GT	157	1271824GT	83
101584GT	33-34	110694GT	29	1257390GT	87	1271825GT	79
101585GT	31	110695GT	33-34	1257628GT	47	1271828GT	79
101586GT	31, 34, 37	110705GT	33-34	1257733GT	11	1271841GT	83
101649GT	149	110706GT	29	1258567GT	11	1271844GT	83
101676GT	149	110789GT	153	1259715GT	135	1271849GT	83
101677GT	149	112308GT	75, 81	1260218GT	57	1271851GT	83
101678GT	149	112379GT	75, 81	1260940GT	81	1271852GT	83
101679GT	149	112500GT	73	1260992GT	57	1271867GT	79
101726GT	41	112531GT	73	1261184GT	157	1271874GT	77
101981GT	99-100	114249GT	21	1261278GT	41	1271878GT	77
101982GT	99-100	114397GT	19	1261346GT	103	1272018GT	43
101983GT	99-100	114420GT	23	1261347GT	103	1272019GT	11, 43, 77
101984GT	99-100	119025GT	71	1261566GT	103	1272020GT	81
102992GT	99-100	119058GT	99-100	1261606GT	87	1272022GT	43
104367GT	71	119077GT	139	1261844GT	57	1272828GT	11, 77
105214GT	79	119111GT	39	1262029GT	57	1272829GT	11, 77
106098GT	31, 34, 37	119403GT	159	1262030GT	57	1272952GT	79
106117GT	31, 33-34	119404GT	159	1262159GT	11	1272953GT	79
106118GT	31	119684GT	79	1262180GT	57	1272958GT	77
106119GT	31, 33-34	119685GT	79	1262181GT	57	1272959GT	77
106120GT	31, 33-34	119762GT	39	1262353GT	93	1272963GT	79
106121GT	31, 33-34	119854GT	31	1262354GT	93	1272964GT	79
106122GT	31, 33-34	119917GT	39	1262355GT	93	1273017GT	77
106123GT	31, 33-34	119918GT	41, 43	1262944GT	41, 43	1273078GT	77
106124GT	31, 33-34	119950GT	151	1262945GT	41, 43	1273080GT	79
106125GT	31, 33-34	121846GT	51	1263141GT	39	1273281GT	51
106126GT	31, 33-34	121847GT	105	1263142GT	39	1273326GT	81
106377GT	53, 55	121848GT	153	1263242GT	127	1273584GT	57
106380GT	53, 55	122019GT	137	1263243GT	127	1273594GT	77
106433GT	91, 93	122073GT	135	1263435GT	41	1273604GT	77
106517PGT	31	122513GT	103	1263699GT	141	1273821GT	51
106549GT	99-100	122514GT	103	1264130GT	15	1274010GT	127
106550GT	99-100	12344GT	157	1264261GT	137, 157	1274011GT	127
106551GT	99-100	12443GT	99-100	1264315GT	91	1274012GT	127
106602GT	59	1251565GT	31	1264822GT	57	1274013GT	127
10665GT	97	1251590GT	133	1264834GT	57	1274014GT	127
10775GT	99-100	1251591GT	133	1264934GT	157	1274015GT	127
10777GT	99-100	1251592GT	133	1266019GT	15	1274125GT	41
107857GT	145	1251600GT	151	1267397GT	33-34	1274196GT	57
107858GT	149	1252011GT	133	1267807GT	63, 75, 83	1274207GT	51, 57
107926GT	99-100	1252012GT	133	1267842GT	33-34	1274322GT	87, 93, 151, 157
107927GT	99-100	1252013GT	133	1267843GT	33-34	1274877GT	77
107928GT	99-100	1252977GT	53, 55, 75	1267844GT	33-34	1277873GT	157
107929GT	99-100	1252978GT	139	1267845GT	34	1277875GT	157
107930GT	99-100	1255018GT	155	1267846GT	33-34	1277876GT	157
107931GT	99-100	1255019GT	155	1267847GT	34	1277877GT	157
107932GT	99-100	1255020GT	155	1268229GT	11, 63, 75, 83	1277924GT	105, 151, 157
109802GT	115	1255021GT	155	1268468GT	41, 81, 153	1278111GT	57, 157
110149GT	79	1255022GT	155	1268807GT	43	1278119GT	57, 157
110194GT	111	1255023GT	155	1268808GT	43	1278121GT	157
110196GT	115	1255024GT	155	1268GT	11	1278124GT	157
110200GT	111	1255025GT	155	1269154GT	77	1278175GT	157
110232GT	39, 57	1255026GT	155	1269187GT	79	1278177GT	157
110233GT	57	1255028GT	155	1269189GT	77	1278363GT	157
110236GT	57	1255030GT	57	1269191GT	83	1278368GT	157
110240GT	57	1255033GT	155	1269539GT	83	1278417GT	157
110244GT	57	1255035GT	155	1269544GT	81	1278433GT	157
110245GT	57	1255036GT	155	1270116GT	155	1278451GT	57, 157
110246GT	57	1255037GT	155	1270117GT	155	1278459GT	157
110252GT	57	1255038GT	155	1270118GT	155	1278542GT	157
110253GT	57	1255066GT	155	1271076GT	49	1278982GT	157
110254GT	57	1255067GT	155	1271081GT	87	1279136GT	157
110255GT	57	1255068GT	155	1271252GT	77	128045GT	51
110256GT	57	1255488GT	155	1271254GT	77	128102GT	147
110271GT	31	1255489GT	155	1271255GT	77	128146GT	143

Part Number	Page	Part Number	Page	Part Number	Page	Part Number	Page
1281807GT	79	139087GT	119, 123	139476GT	34, 37	215777GT	33-34
128200GT	133	139090GT	125	139477GT	31	215985GT	57
128205GT	145	139092GT	125	139478GT	34, 37	215987GT	15
128270GT	145	139093GT	125	139479GT	29	216135GT	107
128291GT	53, 55	139094GT	125	139480GT	29	21619GT	45
128295GT	63, 65, 73	139095GT	125	139537GT	95	216789GT	51
128298GT	75, 81	139096GT	125	139540GT	95	216791GT	51
128326GT	63, 73	139098GT	121	139541GT	95	216793GT	51
128327GT	63, 73	139099GT	121	139542GT	95	217046GT	51
128328GT	73	139100GT	39, 41, 119, 123	139560GT	117	217371GT	57
128331GT	75	139101GT	121	139562GT	117	218167GT	49
128332GT	61	139102GT	121	139563GT	117	218604GT	61
128338GT	65, 73	139103GT	119, 123	139643GT	133	219239GT	61
128350GT	63	139106GT	125	139655GT	97	219437GT	73
128374GT	151	139107GT	125	139788GT	41, 47	22446GT	69
1283776GT	11	139108GT	125	139814GT	53, 55	226382GT	107
1284189GT	39	139109GT	125	139815GT	53, 55	226383GT	107
128445GT	115	139110GT	125	139866GT	39	226384GT	107
128467GT	53, 55	139111GT	125	146051GT	33-34	226385GT	107
128470GT	53, 55	139112GT	125	146052GT	33-34	226386GT	107
128516GT	63	139113GT	125	147000GT	133	226393GT	137
128550GT	97	139114GT	125	147001GT	133	22672GT	61, 71
128565GT	39	139118GT	125	147079GT	93	227429GT	15, 19
1285689GT	57	139128GT	129	147093GT	49	227564GT	99-100
128580-SGT	49, 103	139129GT	73	147094GT	49	227591GT	65
128581-SGT	103	139141GT	61, 71	147181GT	139	227593GT	59
1285811GT	57	139162GT	61	147251GT	57	227620GT	99-100
128582-SGT	49, 103	139168GT	65, 67, 119, 123	147334GT	71	228721GT	43
128583-SGT	49	139169GT	127	147337GT	39	228914GT	63
128584-SGT	49, 103	139173GT	65	147340GT	39	228915GT	59
128586-SGT	103	139174GT	125	147342GT	39	228916GT	59
128618GT	39	139176GT	125	147492GT	145	228917GT	65
128619GT	39	139177GT	125	147638GT	93	22903GT	67
128620GT	39	13918GT	159	148099GT	67	229071GT	63
128621GT	39	139191GT	59	1484GT	11	229243GT	63
128622GT	39	139192GT	59	1487GT	151	22934GT	67
128635GT	87	139193GT	61	1488GT	151	229567GT	103
1286602GT	31, 33-34	139196GT	59	150026GT	147	230333GT	57
1286603GT	31, 33-34	139197GT	59	15243GT	51, 105	230470GT	41
128667GT	99-100	139200GT	59	161069GT	71	230798GT	59
128668GT	99-100	139202GT	59	161070GT	71	231207GT	99-100
128669GT	99-100	139203GT	63	161071GT	61, 71	231226GT	67
128677GT	139	139214GT	65	161192GT	61	231227GT	67
128681GT	139	139215GT	65	161193GT	61	231232GT	67
128682GT	139	139230GT	73, 83	161209GT	61	231323GT	61, 127
128729GT	33-34, 37	139238GT	67	161232GT	65	231327GT	43
128833GT	41	139241GT	53, 55	161366GT	61	231529GT	77
128838GT	141	139243GT	57	161621GT	67	232486GT	31
128839GT	31	139246GT	53, 55	18396GT	29, 31, 89	232951GT	67, 77
128852GT	139	139247GT	143	18504GT	63, 81	233585GT	61, 127
128899GT	39	139250GT	15	18596GT	31	233586GT	61, 127
128902GT	75, 81	139254GT	73, 81	18605GT	63	233717GT	97
128935GT	51	139261GT	75	18665GT	51	233745GT	97
128968GT	145	139273GT	69	18666GT	105	233933GT	65
128970GT	73, 81	139274GT	71	18963GT	137	23404GT	51, 105, 133
128973GT	139	139275GT	71	19018-1100GT	151	23405GT	147
13002GT	81	139276GT	67	19274GT	105, 107, 145,	23467GT	61
13083GT	81	139277GT	67		157	23469GT	59
131269GT	15	139278GT	59, 67	19491GT	87, 91, 93	23479GT	59
131340GT	31	139279GT	67	19506GT	49	235487GT	61, 127
131341GT	31	139280GT	67	19712GT	107	235499GT	59
131373GT	73	139282GT	67	19720GT	107	235500GT	59
131378GT	67	139290GT	53, 55	19729GT	109	235501GT	59
131379GT	67	139411GT	29, 31, 33-34, 37	19731GT	107, 109	235502GT	59
131581GT	73	139464GT	117	19861GT	61	235503GT	59
13268GT	105	139465GT	31	20224GT	111	235504GT	59
133278GT	15	139466GT	31	20776GT	51	235506GT	59
133299GT	13, 21	139467GT	33-34, 37	20780GT	63, 69	235509GT	59
133545GT	13	139468GT	33-34, 37	20973GT	99-100, 159	235512GT	59
13585GT	99-100	139469GT	34, 37	21121GT	99-100	235513GT	59
13825GT	137	139470GT	34, 37	21130GT	69	235521GT	61
139008GT	39	139471GT	29	21141GT	41, 47	235522GT	61
139078GT	129	139472GT	29	21166GT	29	235523GT	63
139079GT	129	139473GT	29	21427GT	107	235525GT	63
139084GT	119, 123	139474GT	29	21465GT	43, 61, 75	235526GT	63
139085GT	129	139475GT	31	215706GT	77	235527GT	65

Part Number Index (continued)

Part Number	Page	Part Number	Page	Part Number	Page	Part Number	Page
235528GT	65	31821GT	61	37054GT	13, 21	43601GT	111, 115
235529GT	65	32064GT	67, 77	37055GT	13, 21	43607GT	115
235531GT	65	32067GT	59, 67	37056GT	13, 21	43609GT	115
235532GT	65	32068GT	59	37079GT	115	43610GT	115
235533GT	65	32069GT	59, 61, 67	38156GT	75, 81	43612GT	115
235552GT	59	32077GT	67	39469GT	83	43674GT	41
237145GT	103	32088GT	65	39640GT	43, 81	43678GT	75
237238GT	73	32090GT	65	40136GT	33-34	43683GT	61, 71
237505GT	57	32092GT	59	40137GT	29	43687GT	81
237506GT	57	32103GT	69	40145GT	29	43688GT	75, 81
238379GT	65	32149GT	147	40146GT	29	43700GT	71
24037GT	63, 73, 83	32150GT	11	40412GT	115	43937GT	91
24514GT	99-100	32151GT	11	40434GT	19, 27	43956GT	57, 99-100, 159
25685GT	153	32182GT	69	40438GT	29, 31	43960GT	39, 99-100
25817GT	29, 31	32184GT	71	40446GT	87	44174GT	113
25847GT	159	32185GT	67, 73	40447GT	91	44181GT	69
27050GT	115	32189GT	67	40449GT	87	44184GT	59
27089GT	61, 69, 127	32190GT	67	40835GT	83	44190GT	63
27246GT	145	32191GT	67	41630GT	83	44191GT	67
27275GT	39	32192GT	67	41971GT	13	44192GT	67
27372GT	39	32194GT	67	42053GT	41, 47	44193GT	67
27391GT	133	32195GT	67, 73	42064GT	53, 55, 75, 83	44194GT	67
27497GT	43, 47, 91, 95, 97	32196GT	11, 67	42065GT	51	44195GT	67
27564GT	17	32199GT	67	42067GT	45, 47	44196GT	69
27581GT	11	32200GT	67	42068GT	33-34, 37	44197GT	69
27894GT	131	32205GT	73	42070GT	47	44198GT	69
27895GT	131	32224GT	39	42077GT	45, 47	44200GT	69
27900GT	131	32669GT	111	42104GT	151	44201GT	69
27903GT	59	32710GT	99-100	42123GT	73, 81	44202GT	69
28092GT	59	32975GT	115	42144GT	31	44203GT	71
28158GT	15, 23	33452GT	115	42145GT	33-34, 37	44204GT	71
28159GT	15, 23	33520GT	111	42146GT	29	44207GT	11, 47
28160GT	13, 21	33555GT	53, 55, 75, 81	42157GT	111	44228GT	113
28161GT	15, 17	33576GT	99-100	42190GT	75, 81	44236GT	113
28164GT	15	33629GT	99-100	42248GT	67	44248GT	19
28165GT	19	33674GT	151	42278GT	67	44723GT	59
28171GT	15, 23	33994GT	11, 111, 113, 117	42324GT	67	44743GT	99-100
28174GT	15, 19, 23, 27	34052GT	51, 57	42359GT	75, 83	44779GT	19, 27
28175GT	15	34053GT	51, 57	42363GT	39	44909GT	69
28176GT	19	34054GT	51, 57	42413GT	87	44981GT	15, 19, 23, 27
28177GT	19	34055GT	51, 57	42489GT	143	44986GT	19
28181GT	17	34056GT	51	42502GT	93	45040GT	29
28235GT	15, 19, 23, 27	34058GT	59, 67	42612-SGT	87	45043GT	29
28236GT	19	34245GT	89, 91	42613-SGT	87	45071GT	89, 91, 93
28443GT	79	34619GT	149, 153	42662GT	61, 73	45074GT	29, 31
28607GT	67	35088GT	97	42666GT	159	45093GT	29
28646GT	41, 43	35418GT	69, 127	42756GT	47	45094GT	33-34
28750GT	11, 111, 113, 117	35434GT	79, 141	42766GT	75	45105GT	103
28853GT	143	35461GT	63	42767GT	11, 75	45107GT	29
29080GT	93	35675GT	93	42781GT	49, 105	45108GT	29
29203GT	75	35678GT	109	42786GT	47	45110GT	29
29261GT	133	35679GT	109	42797GT	97	45111GT	29
29436GT	71, 77	35680GT	109	42817GT	129	45112GT	29
29643GT	109	35956GT	149	42818-SGT	129	45113GT	29
29868GT	39	36054-SGT	97	42859GT	129	45161GT	41, 47
29943GT	109	36192GT	93	42863-SGT	129	45162GT	41, 47
30138GT	93	36194GT	89, 91	42878GT	119	45383GT	49, 103
30222GT	97	36199GT	97	42879GT	119, 123	45385GT	49, 51, 133
30297GT	39	36200GT	89	42889-SGT	129	45400GT	33-34, 37
30489GT	141	36202GT	89	42890GT	129	45435GT	79
30490GT	75	36205GT	89	42891-SGT	129	45437GT	99-100
30577GT	141	36211GT	29	42892GT	119, 123	45460GT	29
30807P-SGT	99-100	36235GT	105	42894-SGT	129	45461GT	34
30810GT	59	36245GT	89	42895GT	119, 123	45470GT	153
30971GT	141	36246GT	89	42939-12000GT	97	45782GT	57
30997GT	105	36355GT	147	42939-5400GT	97	45873GT	29
31060GT	13, 17	36388GT	41, 53, 55, 75, 83	42941GT	127	45912GT	111, 115
31106GT	87, 97	36389GT	89	43018GT	117	46131GT	43, 61
31194GT	39	36390GT	89	43038GT	107	46216GT	113
31375GT	69	36555GT	11	43042GT	107	46227GT	107
31379GT	69	36561-SGT	97	43392GT	151	46468GT	19, 27
31506GT	41, 47	36648GT	93	43595GT	13	47377GT	87, 91, 97
31528GT	115	36871GT	51	43596GT	111, 113	4828GT	59
31745GT	11, 71	36872GT	65, 75, 83	43597GT	111	48342GT	115
31779GT	11	37052GT	19	43598GT	111	48874GT	67
31817GT	61	37053GT	13, 21	43599GT	111	48879GT	83

Part Number	Page	Part Number	Page	Part Number	Page	Part Number	Page
48880GT	77, 111, 115	56057GT	51	62114GT	71	74308GT	129
48885GT	41, 43	56091GT	41	62116GT	69	74309GT	129
48890GT	129	56093GT	63, 73, 81	62117GT	69	74360GT	99-100
48900GT	129	56094GT	41	62118GT	69	74362GT	107
48904GT	129	56111GT	49	62119GT	69	74379GT	87
48905GT	129	56156GT	159	62160GT	59, 67	74385GT	71
48911GT	125	56164GT	159	62276GT	115	74387GT	71
48912GT	129	56233GT	129	62290GT	63, 75	74396GT	119, 123
48916GT	129, 161	56258GT	159	62296GT	71	74403GT	119, 123
48921GT	63	56260GT	159	62506GT	117	74461GT	65, 75, 83
48922GT	47	56295GT	53, 55	62507GT	117	74480GT	129
48926GT	129	56328GT	133	62508GT	99-100	74481GT	129
48929GT	161	56330GT	133	62516GT	99-100	74492GT	61, 71, 77
48933GT	83, 125, 129, 161	56351GT	133	62518GT	99-100	74496PGT	53, 55
48935GT	83	56361GT	93	62694GT	137	74508GT	93
48938GT	161	56365GT	43, 45	62706GT	53, 55	74509GT	93
48948GT	125	56418GT	133	62815GT	113	74514GT	127
48961GT	47	56423GT	63, 75	62930GT	17, 25	74532GT	41, 43
48964GT	161	56424GT	133, 151	62947GT	13, 21	74544GT	71
48997GT	111, 115	56425GT	133	62948GT	13, 21	74587GT	97
49418GT	129	56426-576GT	133	6356GT	159	74635GT	61, 77
49612GT	11, 111, 113, 117	56464GT	83	65522GT	115	74665GT	113
49613GT	11, 111, 113, 117	56465PGT	99-100	65527GT	107	74666GT	119, 123
49819GT	51	56500-SGT	97, 100	65529GT	107	74719GT	29
49821GT	93	56525GT	151	65630GT	151	74735GT	97
49861GT	125	56570GT	151	65766GT	111	74839GT	129
50546GT	97	56576PGT	99-100	6578GT	145	74845GT	129
51495GT	61	56581GT	119, 123	65837GT	67	74865GT	97
51510GT	63	56583GT	121	6607GT	93	74866GT	97
52371GT	113	56584GT	119, 123	6638GT	63, 81, 159	74907GT	115
52425GT	61	56620GT	119, 123	66399GT	11	74913GT	51
52427GT	61	56632GT	161	66684GT	137	74917GT	51
52514GT	69	56633GT	161	66717GT	147	74918GT	51
52521GT	63	56634GT	161	66812GT	49, 103	74946GT	87
52524GT	107	56635GT	161	66813GT	103	74956GT	41, 43, 53, 55
52531GT	67	56653GT	41, 47	66815GT	103	74983GT	129
52535GT	61, 63	56656PGT	99-100	66818GT	49, 103	75073GT	53, 55, 75
52536GT	63	56663GT	51, 105	66821GT	49, 103	77398GT	15
52710GT	115	56673GT	47	6833GT	73, 95	7746P-SGT	149
52715GT	115	56704GT	137	6888GT	63, 159	77728GT	93
52768GT	47	56721GT	111	69257GT	113	77860GT	149
52776GT	107	56723GT	119, 123	6935GT	51, 99-100, 159	77984GT	113
52808GT	59	56849GT	93	69550GT	115	77985GT	113
52816GT	11, 59	56879-SGT	137	7056GT	99-100, 159	77986GT	113
52834GT	69	56912GT	29, 31, 33-34,	7057GT	51	77987GT	113
52850GT	61		37, 59, 77, 79,	70602GT	41, 43	77988GT	113
52867GT	11, 79		81, 93, 99-100,	72043GT	111	77989GT	113
52887GT	107		159	72094GT	15, 23	77990GT	61, 71, 77
52943GT	115	56929GT	117	72095GT	19, 27	78098GT	147
52960GT	131	56945GT	129	72282GT	137	78915GT	161
52968GT	13, 21	56955-SGT	53, 55	72284GT	61	80229GT	75, 81
53517GT	145	56955GT	53, 55	72295GT	59	81368GT	151
53534GT	41, 47	56976-SGT	97	72326GT	49, 103, 137	81578GT	41, 43
53758-SGT	49	56983PGT	95	72867GT	19, 27, 145	81633GT	61
53759-SGT	49	58029GT	31	72999GT	15	81900GT	49, 103
53761-SGT	49	58090GT	31	73575GT	157	82161GT	15
54132GT	125	58253GT	57	73711GT	51, 105	82240GT	23
54139GT	33-34	58318GT	51	73713GT	51, 105	822606-1800GT	127
54140GT	29, 33-34	58319GT	51	73714GT	39	823226GT	149
54205GT	43	58320GT	33-34	73717GT	51, 105	82366GT	15
54234GT	29, 33-34	58986GT	107	73723GT	105	823942GT	149
54252GT	65, 75	60429GT	39	73736GT	51, 105	824019GT	51, 105
54255GT	51, 105	60443GT	105	73739GT	99-100	824024GT	153
54259GT	105	60526GT	51, 105	74007GT	151	824025GT	97
54365GT	145	60857GT	11, 63, 75	74009GT	151	824027GT	31, 33-34, 37,
54457GT	151	60875GT	73	74052GT	99-100		43, 45, 47, 53,
54530GT	93	6090GT	63	74066GT	93		55, 61, 63, 65,
54534GT	51	6091GT	63, 159	74086GT	87		69, 73, 75, 81,
54989GT	141	61726GT	153	74091GT	91		83, 87, 95, 99-
55067GT	41	6178GT	51	74114GT	123		100, 133, 135,
55753GT	135, 151	61794GT	57	74119PGT	95		139, 147, 149,
56044GT	41	61972GT	153	74144GT	119		151
56051GT	137	61973GT	153	74148GT	119, 123	824028GT	61, 73, 99-100,
56052GT	41	61974GT	153	74232GT	87		145
56053GT	43, 45	62043GT	69	74245GT	53, 55	824029GT	33-34, 37, 39,
56056GT	41	62044GT	69	74256GT	39		41, 43, 45, 63,

Part Number Index (continued)

Part Number	Page	Part Number	Page	Part Number	Page
	65, 73, 75, 81,	824131GT	59, 61, 65	866127GT	11, 61
	83, 87, 89, 91,	824135GT	71	866397GT	67
	93, 97, 153	824136GT	67	866400GT	11, 59
824032GT	51, 53, 55, 99–	824138GT	63, 73	87085GT	149
	100, 105, 137,	824141GT	67	87755GT	105
	145, 153	824142GT	73	88280GT	91
824037GT	53, 75, 83	824145GT	63, 73, 77, 79	88337GT	29, 31
824038GT	93, 97	824151GT	89, 97	88338GT	29, 31
824039GT	73, 75, 81	824163GT	93	88356-116R3GT	87
824040GT	63, 83, 87	824164GT	97	88356-12103GT	39
824041GT	63	824206GT	51, 105	88356-127J5GT	91, 93
824042GT	29, 31, 33–34, 37	824207GT	151	88385GT	133
824059GT	79, 149	824208GT	153	88390GT	133
824060GT	93	824209GT	65, 75, 83	88827GT	49
824062GT	97	824210GT	77	88832GT	57
824064GT	139	824214GT	51, 99–100, 105	89300GT	115
824065GT	33–34, 37	824215GT	43, 45, 51, 53,	89807GT	61
824067GT	89, 93		55, 105, 137	89854GT	115
824068GT	93	824216GT	153	89997GT	63
824070GT	153	824218GT	49	93500GT	11
824072GT	31, 33–34, 37	824219GT	87, 91	94020GT	29
824073GT	97	824222GT	51	94021GT	29
824074GT	39	824223GT	39, 87	94077GT	45, 47
824077GT	41, 49, 63, 75,	824224GT	39	94101GT	129
	83, 97, 103	824225GT	99–100, 147	94102GT	129
824078GT	29, 31, 33–34,	824226GT	51, 105	94158GT	119, 123
	37, 43, 45, 47,	824229GT	73, 75, 81	94159GT	119, 123
	51, 53, 61, 63,	82472GT	23, 25	94170GT	153
	65, 69, 73, 75,	82473GT	23	94176GT	153
	77, 79, 81, 83,	824879GT	49, 103	94191GT	153
	87, 95, 99–100,	82487GT	23, 27	94210GT	87
	133, 149, 151,	825019GT	29, 31, 89, 91,	94212GT	93
	157		93, 97	94215GT	91
824079GT	43, 47, 53, 55,	825020GT	153	94216GT	91
	75, 81, 93, 95,	825207GT	133	94217GT	97
	105, 147, 153	825209GT	133	94218GT	97
824080GT	59, 133	825210GT	133	94220GT	39
824081GT	99–100, 149	825211GT	133	94221GT	31
824082GT	61, 93	825212GT	133	94253GT	87
824083GT	31, 87, 105, 151	825213GT	133	94255GT	93
824085GT	75, 79, 81, 145	825214GT	133	94258GT	91
824086GT	61	825215GT	133	94259GT	91
824087GT	99–100	825216GT	133	94260GT	97
824089GT	33–34, 37, 41,	825352GT	157	94261GT	97
	43, 53, 55, 63,	825353GT	61, 87	94461GT	141
	75, 83, 97	825355GT	79	94462GT	141
824090GT	29, 31, 39, 43,	825358GT	63, 73, 83, 89,	94463GT	141
	45, 75, 81, 157		139, 145	94506GT	49
824091GT	33–34, 37, 41,	82544GT	25	94532GT	79
	43, 65, 73, 81,	82548GT	27	94688GT	71
	87, 89	825674GT	145	9596GT	151
824092GT	39, 91, 97	826001GT	79	9599-SGT	149
824094GT	73, 89	82601GT	27	96008-SGT	49
824096GT	63, 65, 83	82602GT	27	97482GT	61
824101GT	71, 77	82604GT	27	97602GT	15
824102GT	39, 61	82611GT	27	97699GT	13
824104GT	31	82612GT	27	97702GT	21
824106GT	33–34, 37	82620GT	21	97815GT	27
824109GT	93, 97, 139	826516GT	137	97890GT	15, 19
824110GT	89, 93, 139	826638GT	15	97893GT	19
824111GT	71, 77	82942GT	21	99199GT	69
824113GT	29, 31, 33–34,	83093GT	49	99346GT	79
	37, 79, 95, 139	83129GT	57	99882GT	71
824115GT	73, 75, 81	832128GT	59, 67	T106699GT	51, 105
824116GT	39, 131	839081GT	71	T106900GT	41, 43
824117GT	31, 33–34, 37	839119GT	69	T107827GT	65, 75, 83
824119GT	53	839149GT	69	T108323	41
824120GT	43	839233GT	69	T110465GT	41
824121GT	31, 33–34, 37, 71	84039GT	59	T112563GT	99–100
824122GT	87	84040GT	59	T112773GT	19, 27
824123GT	63, 73, 83	84053GT	63	T112779GT	135
824124GT	139	84137GT	111, 113	T112780GT	135
824126GT	29	85300GT	151	T114655GT	59
824127GT	29, 31	866040GT	69	T114657GT	61
824128GT	29	866050GT	11, 67		
824129GT	29, 31	866070GT	69		

The Part Description Index is an alphabetical index of all part descriptions included in this manual. The index shows what page(s) the part is used on.

#
#12 FLOW DIVIDER/COMBINER **.....113

5
5' PLAT RAILING ASSY, ASIA.....99-100
5' PLAT RAILING ASSY,AUST.....99-100
5' PLAT RAILING ASSY,CE.....99-100

A
ACCESS.ALARM PACKAGE Z34BE,IC.....137
ADAPTER, FLANGE GEAR, 3 HOLE.....71
ADAPTER, NPT-F-BSPT-M 2-2.....67
ADAPTER,140139-4-2.....67
ADAPTER,140139-8-6.....67
ADAPTER,FLANGE,FLYWHEEL.....61
AIR CLEANER KIT,KUBOTA D905.....71
AIR CLEANER STAY.....71
AIRCLEANER ASSEMBLY.....79
AIRLINE ASSY W/FITTINGS, Z34BE.....131
ALARM,INTERMITTENT TONE 6-30V*.....137
ALARM,WARBLE TONE 5-30 VDC***.....49, 103
ALTERNATOR STAY, D905.....67
ALTERNATOR STAY,WG750***.....59
ALTERNATOR,40 AMP,INT REG.....67
ALTERNATOR,GM .998L,PSI,Z34.....79
ALTERNATOR-30AMP, DF972.....59
ANGLE, BUMPER, MOUNT.....75, 83
ANGLE,CHASSIS COVER MOUNT.....159
ANGLE,CONTROL BOX MOUNTING.....45, 47
ANGLE,RELAY MNT,W/NUTSERTS,PNT.....51
ANGLE,SOLENOID MOUNT.....69
ANGLE,SWITCH MOUNT***.....87
ASSEMBLY FOOT SWITCH.....57
ASSEMBLY RESET SWITCH.....155
ASSEMBLY, LIGHT, CONTACT ALARM.....57, 157
ASSEMBLY, OPA CABLE, SMALL.....157
ASSEMBLY, SENSOR, PROX, CONTACT ALARM.....57, 157
ASSEMBLY,CABLE,TAPESWITCH.....155
ASSEMBLY,FOOT SWITCH.....99-100
ASSEMBLY,FUEL HOSE,5/16" FL.....127
ASSEMBLY,RELAY,Z34IC,DIESEL.....57
ASSEMBLY,RELAY,Z34IC,GAS/LP.....57
ASSEMBLY,TAPESWITCH.....155
ASSY, CIRCUIT BREAKER 10A.....49
ASSY, CIRCUIT BREAKER 15A.....49
ASSY, EXT BOOM, Z34.....93
ASSY, MED. PRESS. FILTER, SAE8.....63, 75, 83
ASSY, PLATE CONTROL, WG972.....63
ASSY, SENSOR W/HOUSING.....157
ASSY, TANK, HYDRAULIC, 19 GAL, Z34.....41
ASSY,BRKT,CNTRL BOX W/FASTNRS.....155
ASSY,DECAL PLATE, Z34IC AUS.....99-100
ASSY,DRIVE PUMP W/ACC FUNC.....77
ASSY,FUEL TANK,Z34DF.....43
ASSY,LS,LOAD SENSE,38.5 IN.....153
ASSY,MODULE,CONTROL UNIT,OPA.....155
ASSY,RELAY SOCKET, AUTO.....51, 57
ASSY,TERMINAL RAIL,Z34IC.....51
ASSY,TIRE&WHEEL,DRIVE,FF LH RT.....34, 37

ASSY,TIRE&WHEEL,DRIVE,FF RH RT.....34, 37
ASSY,TIRE&WHEEL,FF,LH.....31
ASSY,TIRE&WHEEL,FF,RH.....31
ASSY,TIRE&WHEEL,FRONT,FF LH RT.....29
ASSY,TIRE&WHEEL,FRONT,FF RH RT.....29
ASSY,TIRE&WHEEL,LF,2WD.....29
ASSY,TIRE&WHEEL,LF,4WD.....31
ASSY,TIRE&WHEEL,LR,2/4WD.....33-34, 37
ASSY,TIRE&WHEEL,RF,2WD.....29
ASSY,TIRE&WHEEL,RF,4WD.....31
ASSY,TIRE&WHEEL,RR,2/4WD.....33-34, 37
ASSY,TIRE&WHL,SEALANT,LF2WD.....29
ASSY,TIRE&WHL,SEALANT,LF4WD.....31
ASSY,TIRE&WHL,SEALANT,LR.....34, 37
ASSY,TIRE&WHL,SEALANT,RF2WD.....29
ASSY,TIRE&WHL,SEALANT,RF4WD.....31
ASSY,TIRE&WHL,SEALANT,RR.....34, 37

B
BACKING PLATE, PLATFORM CLAMP.....99-100
BAFFLE, RADIATOR.....75
BAFFLE,BULKHEAD.....73, 81
BAFFLE,ENGINE COVER.....53, 55
BALL STUD**.....53, 55, 75, 81
BALL STUD,5/16-18 (56295).....53, 55
BASE ENCLOSURE,RED,OPA.....155
BASE, W/1 N.O. CONTACTS***.....103
BASE,W/3 NC CONTACTS.....49
BASE,WITHOUT CONTACTS.....49, 103
BATTERY CABLE,SIDE MOUNT.....65
BATTERY CABLE,SIDE MOUNT,NEG.....65, 75
BATTERY CABLE,SIDE MOUNT,POS.....75
BATTERY HOLD DOWN.....65, 75, 83
BATTERY, 12V,900 CCA.....65, 75, 83
BEACON MOUNT ASSY.Z34/BE.....137
BEARING KIT,4HP.....31, 33-34
BEARING KIT,WHEEL DRIVE W/BRAKE (101584/101585).....31, 33-34
BEARING NUT***.....33-34
BEARING RACE (LARGE) (45873).....29
BEARING RACE (SMALL) (45873).....29
BEARING,1.00IDX1.25ODX1.00L.....29, 31
BEARING,1.25 ID X 1.5 OD X .75.....87, 91, 97
BEARING,1.25IDX1.50ODX1.25L.....97
BEARING,1.25IDX1.50X1.25L.....89, 91
BEARING,1.5IDX1.75ODX0.75L.....91
BEARING,1.5IDX1.75ODX1.0L.....29, 31, 89
BEARING,1.5IDX1.75ODX1.5L.....89, 91, 93
BEARING,CONE***.....39
BEARING,CUP***.....39
BEARING,FL,1.00IDX1.25ODX0.84L.....89
BEARING,FL,1.25IDX1.41ODX.89L.....97
BEARING,FL,1.25IDX1.41ODX1.50L.....97
BEARING,FL,1.25IDX1.50ODX1.09L.....89
BEARING,FL,1.25IDX1.50ODX1.25L.....97
BEARING,FL,1.25IDX1.50DX1.25L.....93
BEARING,GARLOCK,12FUD12.....153
BELL HOUSING,GUARDIAN,WG972.....61
BELLCRANK ASSEMBLY, Z30N,Z34**.....97
BELLHOUSING & COUPLER KIT D905.....71
BELLHOUSING, D1105.....71
BELLOWS,JIB CYLINDER.....141
BELLOWS,MASTER CYLINDER.....141

BELLOWS,PRIMARY/ELEV CYLINDER.....141
BELLOWS,STEERING CYLINDER.....141
BELT,FAN,KUBOTA DF972/Z482-E.....11, 59
BELT,FAN,PERKINS 403.....11
BELT,V, KUBOTA D905.....11, 67
BLANKET,BATTERY.....143
BOLT, FAN, WG972.....59
BOLT, M8X30MM, KUBOTA.....59
BOLT, MUFFLER COVER, WG972.....59
BOLT, THERMOSTAT COVER, WG972.....59
BOLT, THROTTLE RET., WG972.....63
BOLT,CARRIAGE,1/4-20X.75,5,ZAG.....139
BOLT,FLYWHEEL,KUBOTA D905.....71
BOLT,HEX TAP,3/8-16X2.25,8,ZAG.....91
BOLT,SSHS,5/8X1.25X1/2-13,ZAG.....73, 75, 81
BOLT,WING,FILTER ELEMENT, D905.....71
BOOT,CONTROLLER**.....107
BOOT,PLUG 4 WAY.....99-100
BOOT,THROTTLE SOLENOID.....69
BOOT,TOGGLE SWITCH,SHORT*.....145
BOOT-THUMB ROCKER** BLACK.....107
BOTTLE,COOLANT RECOVERY,1.4***.....79
BOX,INSTRUCTION STORAGE.....99-100
BRACKET ENGAGE II.....103
BRACKET SET,NYLATRAC,KS400.....95
BRACKET, AIR CLEANER.....61
BRACKET, AIRCLEANER MT.....79
BRACKET, ANGLE.....41, 43
BRACKET, CABLE STRAIN RELIEF.....99-100
BRACKET, FUEL TANK.....41
BRACKET, FUSE BOX .998L.....79
BRACKET, HOSE ROUTING.....93
BRACKET, LATCH.....53, 55, 75, 83
BRACKET, MEDIUM PRESSURE FILTER.....63, 75
BRACKET, THROTTLE END RETAINER.....63
BRACKET,ANCHOR,GAS STRUT.....75, 81
BRACKET,AUX.PUMP ATTACHMENT.....75, 81
BRACKET,CONTROL UNIT.....155
BRACKET,FUEL TANK.....41
BRACKET,MANIFOLD MOUNT.....33-34, 37
BRACKET,RELAY MOUNT W/INSERTS.....51, 105
BRACKET,WORK LIGHT MOUNT 5/16".....149
BRACKET,Z34IC DIESEL TAILPIPE.....59, 67
BRKT, BAFFLE, RADIATOR.....73
BRKT,ENGINE SUPPORT,LH.....63, 73
BRKT,ENGINE SUPPORT,RH.....63, 73
BRKT. AIR CLEANER MOUNT.....71
BULKHEAD,FEMALE X 6 X 6.....131
BUMPER, PLASTIC, 1.25 O.D.....135, 151
BUMPER,3.5OD X 1.5 ID 90 DEG.....133
BUMPER,3.5OD X 1.5 ID X 6.75.....133
BUMPER,3.5OD X 1.5 ID X 9.75.....133
BUMPER,3.5OD X 1.5ID X 12.75.....133
BUMPER,3.5OD X 1.5ID X 14.75.....133
BUMPER,3.5OD X 1.5ID X 15.65.....133
BUMPER,3.5OD X 1.5ID X 2.75.....133
BUMPER,3.5OD X 1.5ID X 22.70.....133
BUMPER,3.5OD X 1.5ID X 3.80.....133
BUMPER,3.5OD X 1.5ID X 30.75.....133
BUMPER,3.5OD X 1.5ID X 38.75.....133
BUMPER,3.5OD X 1.5ID X 40.75.....133
BUMPER,3.5OD X 1.5ID X 48.70.....133
BUMPER,3.5OD X 1.5ID X 6.75.....133

Part Description Index (continued)

BUMPER,3.50D X 1.5ID X 7.75.....133	CLAMP,HOSE,ALUMINUM.....93	COVER,BLANK.....99-100
BUMPER,90 DEG ELBOW.....133	CLAMP,HOSE,KUBOTA WG750.....59, 61, 67	COVER,COUNTERWEIGHT,Z34.....53, 55
BUMPER,BATTERY BOX & RAILS.....151	CLAMP,MUFFLER,1.75 INCH.....67, 77	COVER,GFCI,WEATHERPROOF.....99-100
BUMPER,RUBBER***.....149, 153	CLAMP,RUBBER CUSHIONED-2 5/32.....43, 47, 91, 95, 97	COVER,MUFFLER,FLANGE,DF-972.....59
BUMPER,RUBBER,.75 X .50H,STUD...41, 53, 55, 75, 83	CLAMP,SADDLE,1.5,ZAG.....77	COVER,PROTECTIVE,MASTER/SLAVE....141
BUTTON,PUSH,BLACK W/SEAL***.....103	CLAMP,TAILOPIPE, 1 1/2***.....59, 67	COVER,V-BELT,D1105,KUBOTA.....67
BUTTON,PUSH,RED MUSHROOM HEAD.....49, 103	CLAMP-HOSE, .375, FUEL PUMP.....69	COVR W/DECALS DR CHAS STR END*...29, 31
	CLAMP-HOSE, AIR CLEANER.....71	CRIMPER,DEUTSCH,LIGHT DUTY***.....57
	CLAMP-OVERFLOW PIPE(Z482-E).....69	CYLINDER,ELEVATE, Z34.....87
	CLEVIS YOKE-1/4-28,PLTD W/PIN.....69	CYLINDER,EXTENSION.....93
	CLIP, METAL MOUNTING.....79	CYLINDER,JIB.....97
	COIL, SOLENOID VALVE, 12V***.....117	CYLINDER,MASTER.....91
	COIL,12V DC, PSL.....113	CYLINDER,PRIMARY LIFT.....91
	COIL,SOLENOID VALVE, 12V.....115	CYLINDER,SLAVE,DONGYANG.....97
	COIL,SOLENOID VLV,10V W/ DIODE.....111, 115	CYLINDER,STEER.....29, 31
	COIL,SOLENOID VLV,10V W/DIODE.....115	
	COMP. FLYWHEEL.....71	D
	COMP. WATER FLANGE.....67	D19 EPR, MOBILE ENGINE / 2010.....83
	COMPRESSION ARM WELDMENT 56.50...87	DECAL PLATE W/D,PLAT,Z30/34**.....99-100
	COMPRESSION MEMBER (BORED)***.....97	DECAL, INSTRUCTION, ACTUATOR SWITCH SOCKET.....157
	CONN PLUG 4 WAY ENDCAP DT.....99-100	DECAL, INSTRUCTION, CONTACT ALARM.....157
	CONN PLUG 4 WAY EXTEND DT.....39	DECAL, LABEL, SHELL TELLUS.....15
	CONN RECEPT,FLANGED.....105	DECAL, OPERATING INSTRUCTIONS.....15, 19
	CONN, 520120-6.....129, 161	DECAL, POWER TO PLATFORM 230V**...15, 19, 23, 27
	CONN,520102-6.....63	DECAL, SYMBOL - READ THE MANUAL...23, 27
	CONN,520102-6-6.....47	DECAL,ARROW,BLUE.....13, 21
	CONN,520120-4***.....129	DECAL,ARROW,YELLOW SM 5-3/8".....13, 21
	CONN,520120-4-6***.....129	DECAL,CHEVRON RANDO HD.....15
	CONN,520120-4-6-.035,ORI.....129	DECAL,COSMETIC,GENIE.....155
	CONN,520120-8***.....83, 125, 129, 161	DECAL,COSMETIC,GENIE BOOM,VERT..13, 21
	CONN,520120-8-12.....125	DECAL,COSMETIC,GENIE Z-34/22.....17, 25
	CONN,LONG,520122-4.....125	DECAL,COSMETIC,IC POWER 4 X 2.....13, 21
	CONN,PLUG 120 AC/15A DOMESTIC.....159	DECAL,COSMETIC,IC POWER 4 X 4.....13, 21
	CONN,RECEP 120AC/15A DOMESTIC.....159	DECAL,DANGER DO NOT ALTER SWTC.....13, 17
	CONN,RECEP 4 WAY,12-14GA FL***.....51, 105	DECAL,DANGER,ELEC.HAZ.STAY CLR....17, 25
	CONN,RECEP 48 WAY,4 X 12.....51, 105	DECAL,DANGER,GEN SAFETY RULES....15, 19
	CONN,RECEP 8 WAY 14-18GA,FL.....105	DECAL,DANGER,MAX CAP,200KG.....27
	CONN,SQUEEZE,1/2NPT .38-.50,SM.....99-100, 159	DECAL,DANGER,MAX SIDE FRC,667N.....27
	CONN,SQZ,BLK,1/2NPT,.38-.50,SM.....99-100	DECAL,DANGER,NO SMOKING ***.....15, 23
	CONN. SQZ,1/2NPT .39-.56 MED.....51	DECAL,DANGER,SIDE FRC 400N.....27
	CONNECTING LINK Z30N & Z34***.....87	DECAL,DANGER,TILT ALARM.....19
	CONNECTOR.....39	DECAL,DANGER,TIP-OVER,TIRES***.....13
	CONNECTOR,BULKHEAD,FEMALE-4.....41, 43	DECAL,DIESEL.....15, 23
	CONTACT, N.C.....49, 103	DECAL,DRIVE ENABLE PATCH.....27
	CONTACTOR,LIMIT SWITCH.....87, 91, 93	DECAL,EMERGENCY LOWERING IC.....23
	CONTROL BOX COVER, LH.....149	DECAL,ENGINE SPEC,PERKINS 403D/F....15
	CONTROL BOX COVER, RH.....149	DECAL,EXPLOSION HAZARD.....15
	COOLANT RECOVERY BOTTLE1.5 QT*...61, 73	DECAL,FUNCTION OVERRIDE.....19, 27
	CORROSION INHIBITOR,FOAM.....105	DECAL,GENERATOR OPTION.....19
	COUNTERWEIGHT,CAST.....41, 43	DECAL,GENERATOR option.....27
	COUPLER,1/4"SERIES 3/8 MPT.....131	DECAL,GROUND CONTROL PANEL.....15, 23
	COUPLER,SPLINED,15TOOTH.....71	DECAL,HIFLOT TIRE PRESS,Z34IC.....21
	COUPLING-POT,JOYSTICK (56579).....107	DECAL,INSTR,SIDE FRC/WIND,AUS.....19
	COVER ASSY,W/SYM DEC,GC,34IC.....53, 55	DECAL,INSTRUCT,FOOTSWITCH OPER....19
	COVER ASSY,W/SYMBOL DECALS.....53, 55	DECAL,KUBOTA D1105,SPECS.....15
	COVER ASSY,W/WORD DEC,GC,34IC.....53, 55	DECAL,KUBOTA WG972/DF972 SPEC.....15
	COVER ASSY,W/WORD DECALS.....53, 55	DECAL,LABEL, AIR LINE 110 PSI.....15, 19, 23, 27
	COVER ASSY. ENGINE SIDE,ANSI**.....75	DECAL,LABEL,105 DB.....23
	COVER REINFORCEMENT LH***.....53, 55	
	COVER, DR LIGHT OPTION.....145	
	COVER, DRIVE CHASSIS, Z34.....33-34, 37	
	COVER, FAN.....73	

DECAL,LABEL,LIGHTS***.....19, 27, 145
 DECAL,LABEL,LIQUID PROPANE.....13, 21
 DECAL,LABEL,LOWER MIDRAIL.....27
 DECAL,LABEL,MANUAL NOT HERE.....19
 DECAL,LABEL,MAX CAPACITY***.....27
 DECAL,LABEL,PETRO CANADA***.....15
 DECAL,LABEL,TIPOVER,TIRES,SYMB.....21
 DECAL,LABEL,TIRE PRESS,Z-34/22.....21
 DECAL,LABEL,TIRE PRESS,Z-34RT.....21
 DECAL,LABEL,UCON HYDROLUBE.....15
 DECAL,LABEL,UNLEADED GAS ONLY.....15,
 23
 DECAL,LABEL,WHEEL LOAD Z34IC**.....13,
 21
 DECAL,LANYARD ANCHORAGE POINT...19,
 27
 DECAL,LOW/ULTRA LOW SULFR FUEL.....15
 DECAL,NOTICE,TIRE SPEC, FF.....13
 DECAL,NOTICE,HAZARDOUS MAT'LS*.....15
 DECAL,NOTICE,HI FLOAT TIRES.....13
 DECAL,NOTICE,MAX CAP 440 LBS.....19
 DECAL,NOTICE,MAX LOAD 500 LBS.....19
 DECAL,NOTICE,OPER INST.Z34IC.....15, 19
 DECAL,NOTICE,SIDE FRC/WINDANSI.....19
 DECAL,NOTICE,TIRE SPEC,34BI/C.....13
 DECAL,PLATFORM CONTROL PANEL.....19,
 27
 DECAL,POWER TO PLATFORM 115V.....15,
 19, 23, 27
 DECAL,RELAY LABEL,Z34IC.....15
 DECAL,SYMBOL-COMP ACCESS.....23
 DECAL,TIRE SEALANT,3.25 X 7.5.....15
 DECAL,TRIANGLE,BLUE.....13, 21
 DECAL,TRIANGLE,YELLOW.....13, 21
 DECAL,WARN,CRUSH HAZARD HAND.....15,
 17
 DECAL,WARN,CRUSH HAZARD PLAT.....19,
 27
 DECAL,WARN,FALL HAZARD.....17
 DECAL,WARN,IMPROPER OPERATION.....19
 DECAL,WARNING,CRUSHING HAZARD...23,
 25
 DECAL,WARNING-COMPART ACCESS.....15
 DECAL,WG972,CARB,EPA CERT 2015.....15
 DIAGNOSTIC FEMALE Q-DSCNT.....111
 DIN RAIL,14.75" **.....51
 DIODE, 3 AMP.....81
 DIODE,6 AMP,200 PIV,BULK.....57
 DIP STICK, DF972.....61
 DIPSTICK GUIDE,D-1105.....67
 DIPSTICK,D-1105.....67
 DISPLAY,DIAGNOSTIC,J1939.....49

E

ECM, SSI .79L / .97L.....79
 ELBOW,90D,12SAE-3/4NPT.....47
 ELBOW,010302-6-4.....61
 ELBOW,070302-4-2.....39
 ELBOW,90D,520202-16***.....47
 ELBOW,90D,520202-8-12.....47
 ELBOW,90D,520220-4-4.....129
 ELBOW,90D,520220-4-6***.....125
 ELBOW,90D,520220-6.....161
 ELBOW,90DEG.1/4MPT-3/8 BARB.....61
 ELBOW,90DEG.3/8MPT-1/2 BARB.....61
 ELBOW,SWIVEL 90D, 520221-4.....125
 ELBOW,SWIVEL 90D, 520221-8.....83
 ELEMENT,AIR CLEANER,KUBOTA.....11, 61

ELEMENT-5 MIC, PAPER, W/ BYPASS.....11,
 63, 75, 83
 END STOP, DIN RAIL,SCREW CLAMP.....51
 ENGINE KIT, KUBOTA WG972.....59
 EXHAUST MANIFOLD, DF972.....59
 EXHAUST PIPE, Z34 D1105.....67
 Extension Boom.....85

F

FAN DRIVE PULLEY,KUBOTA.....67
 FAN, COOLING.....67
 FAN, PULLER 12.25" 30 DEG.....79
 FAN,COOLING DF750.....59
 FILTER ASY,M PRESS,SAE8,WOIND*
 (77139).....63, 75
 FILTER ELEMENT,BETA(10)=200.....11, 47
 FILTER SCREEN,TANK BREATHER.....41, 47
 FILTER, FUEL.....11, 43, 77
 FILTER,AIR***.....11, 79
 FILTER,AIR,D905.....11, 71
 FILTER,ELEMENT,BETA(5)=1000.....11, 63, 75
 FILTER,OIL,KUBOTA.....11, 67
 FILTER,RETURN,ASSY,BETA 10.....41, 47
 FITTING,CONN,9605-06-12X1.25.....67
 FITTING,ELBOW,45D,520320-4-6**.....129
 FITTING,ELBOW,90D,520220-6-4.....129
 FITTING,ELBOW,90D,520220-6-8.....161
 FITTING,PLUG,070109-6.....67
 FITTING,TEE,BRANCH,520429-4***.....129
 FITTING,TEE,RUN,SWIVEL520432-8.....161
 FITTING,TEE,RUN,SWIVEL52043212.....161
 FLANGE,CARBURETOR,WG750B***.....61
 FLASHTUBE,STRAIGHT,360DEG,BULB...137
 FLASHTUBE,U SHAPED,360DEG,BULB...137
 FLOORING,PLATFORM 46X30,PAINT.....99-
 100
 FLOORING,PLATFORM,56X30,PNTD.....99-
 100
 FLOW DIVIDER/COMBINER,#10**.....113
 FOOT SWITCH,20A IP65.....99-100
 FOOTSWITCH HOUSING,PAINTED.....99-100
 FORMING, CATALYTIC BRACE.....77
 FORMING, COOLANT BOTTLE MOUNT...61,
 79
 FORMING, EXHAUST HEAT SHIELD.....59
 FORMING, EXHAUST SHIELD MOUNT.....77
 FORMING, FAN GUARD RIGHT.....79
 FORMING, FILTER MOUNT, GM .998L.....83
 FORMING, FUEL PUMP COVER.....43
 FORMING, FUEL REGULATOR MOUNT.....81
 FORMING, HING SUPPORT, LONG.....75, 81
 FORMING, INTAKE HOSE GUIDE.....79
 FORMING, INVERTER MT.....147
 FORMING, RADIATOR SUPPORT.....65, 73
 FORMING, SENSOR HOLDER.....157
 FORMING, STARTER HEAT SHIELD.....59
 FORMING, THROTTLE SOLENOID MT.....63
 FORMING, WIPER MOUNT.....139
 FORMING,EXH SPRT,GM .998,Z34.....77
 FORMING,FUEL TANK SPRT,Z34DF.....43
 FORMING,HEAT SHIELD,GM .998L.....77
 FORMING,HINGE SUPPORT PAINTED.....53,
 55
 FORMING,INTAKE SPRT,GM .998L.....79
 FORMING,LP TANK MNT. BRACKET.....39
 FORMING,RAD SHROUD EXTENSION.....65
 FORMING,RADIATOR TOP,GM .998L.....77
 FREEZE PLUG HEATER,DF972,Z34.....143
 FREEZE PLUG HEATER,Z34IC/BE.....143

From January 2017, this option became a
 standard installation on all models unless the
 customer specifically request not to have it
 installed".....157
 FUEL LINES,BULKHEAD.....41
 FUEL PUMP, MECHANICAL.....69
 FUEL TANK ASSY, DIESEL.....41
 FUSE BLOCK, ANN & ANL FUSE.....147
 FUSE,100 AMP,VERY FAST ACTING.....147

G

GASKET.....41
 GASKET LVI/BCI ENGAGE II.....103
 GASKET, EXH. MANIFOLD, WG972.....59
 GASKET, EXHAUST CATALYST, 3.0.....77
 GASKET, EXHAUST MANIFOLD .998L.....83
 GASKET, VALVE COVER, WG972.....59
 GASKET,AIR CLEANER, DF-750.....61
 GASKET,CARBURETOR,KUBOTA DF750.....61
 GASKET,COVER,GFCl,WEATHERPROOF.99-
 100
 GASKET,ENCLOSURE.....155
 GASKET,EXHAUST MANIFOLD,D905.....67
 GASKET,FOAM,HEATSHIELD.....73, 81
 GASKET,GROUND CONTROL BOX.....51
 GASKET,INJECTION PUMP.....69
 GASKET,JOYSTK.SHAFT36867/42032.....107
 GASKET,KEYSWITCH,PLASTIC***.....49
 GASKET,MUFFLER,KUBOTA D905/11.....59,
 67
 GASKET,PLAT.CONTROL BOX.....105
 GASKET,SOLENOID,KUBOTA.....69
 GASKET,SPEED CONTROL ASSY,D905.....69
 GASKET,THERMOSTAT-28091.....59
 GASKET,VALVE COVER CAP, D905.....67
 GASKET,VALVE COVER CAP, WG750.....69
 GASKET,VALVE COVER,KUBOTA D905.....67
 GASKET,WATER PUMP.....67
 GATE LATCH CASTING--DRILLED.....151
 GAUGE, FUEL LEVEL.....41, 43
 GAUGE,MED.PRESSUR FILTER,50530.....47
 GAUGE,OIL PRESSURE W/O SENDER.....49
 GAUGE,VOLTAGE.....49
 GAUGE,WATER TEMP.....49
 GAUGE-SIGHT,LHA-LGTB***.....41, 47
 GEAR, SLAVE, MS4,45048.....107, 109
 GENERATOR,2000W,110VAC,60HZ.....159
 GREASE,DIELECTRIC 4 OZ**.....11
 GRIP, CABLE.....157
 GROMMET,9/16IDX7/8ODX3/16THK.....43
 GROMMET,RUBBER .5 X .014 X .75.....145
 GROMMET,RUBBER 3 X .19 X 3.5.....41
 GROUND CONTROL BOX W/DECAL.....51
 G U A R D , F O O T S W I T C H , W / D E C A L
 STEEL.....99-100
 GUARD,TOGGLE SWITCH.....103
 GUIDE, CABLE.....157

H

HANDLE HALF (56274).....107
 HARDWARE KIT, BELLHSING KUBOTA.....71
 HARN,PBOX,OPA,HW,12V.....57
 HARN,PIGTAIL,TAPESWITCH,OPA.....155
 HARN.ENGINE KUB DSWL D905/1105.....57
 HARNESS BASE BOX IC.....57
 HARNESS CABLE1 18/19 COND.....57
 HARNESS CABLE2 12/3 COND.....57
 HARNESS CABLE3 18/19 COND.....57

Part Description Index (continued)

HARNESS JIB CABLE SMB.....57	HOSE ASSY,1/4",239.0.....129	J
HARNESS LS1 OP EXT/RET.....57	HOSE ASSY,1/4",27.00.....125	JET KIT,KUB,WG972,CARB,1000M.....61
HARNESS LS2 OP PRIMARY.....57	HOSE ASSY,1/4",34.00.....119, 123	JET KIT,KUB,WG972,CARB,2000M.....61
HARNESS LS3 OP DRIVE ENABLE.....39, 57	HOSE ASSY,1/4",38.50.....119, 123	Jib Boom.....85
HARNESS LS4 OP SECONDARY.....57	HOSE ASSY,1/4",474.00.....129	JIB BOOM MACH***.....97
HARNESS, ENGINE, KUBOTA WG972.....57	HOSE ASSY,1/4",86.00.....119, 123	JOINT-PIPE.....59
HARNESS, DRIVE LIGHTS, 12V.....145	HOSE ASSY,1/4",87.00.....125	JOYSTICK,DRIVE,NFPE PUMP,W/RLY.....107
HARNESS, DUAL FUEL ENGINE, PSI.....57	HOSE ASSY,1/4",88.50.....129	JUMPER COMB, 2-WAY,WIELAND.....51
HARNESS, ENG. PERKINS 403C-11.....57	HOSE ASSY,3/4",102.00.....119, 123	JUMPER COMB, 3-WAY,WIELAND.....51
HARNESS, ENG.KUBOTA GAS DF752.....57	HOSE ASSY,3/8",38.00.....119, 123	JUMPER-GLOW PLUG.....69
HARNESS, G-BOX, Z34DF.....57	HOSE ASSY,3/8",44.00.....119	
HARNESS, LOAD SENSE.....57	HOSE ASSY,3/8",45.00.....161	
HARNESS, OPA2, Z34IC.....57, 157	HOSE ASSY,3/8",46.00.....119, 123	K
HARNESS, PLAT BOX Z34IC.....57	HOSE ASSY,3/8",68.50.....161	KEY SINGLE***.....49
HARNESS, PROX. KILL.....133	HOSE ASSY-JI'TO JIB CYL CAP.....129	KEY-WOODRUFF.....39
HARNESS, RELAY ASSY, Z34 DF.....51, 57	HOSE ASSY-C2/C1 TO MAST CYL.....129	KEYSWITCH,3 POS. W/KEYS***.....49
HARNESS, TILT, 12V, CSA PROD.....57	HOSE ASSY-C4/C3 TO SEC LIFT CY.....129	KIT, AUX. RAIL, 4' PLATFORM.....135
HARNESS,ENGINE,DF972.....57	HOSE ASSY-C6/C5 TO LIFT CYL.....129	KIT, AUX. RAIL, 5' PLATFORM.....135
HARNESS,FUNC.MANIFOLD,Z34IC.....57	HOSE ASSY-C8/C7 TO EXT.CYL.....129	KIT, BELLHOUSING, D1105.....71
HARNESS,GBOX,KUBOTA,CE.....57	HOSE ASSY-MASTER CYL-SLAVE CYL.....129	KIT, CYLINDER BELLOWS.....141
HARNESS,GBOX,PERKINS,ANSI/AUS.....57	HOSE COVER,JIB BOOM**.....97	KIT, SCREW.....107
HARNESS,GBOX,PERKINS,CE.....57	HOSE END,BARB,1/4 MNPTX5/16,90.....43	KIT, SERVICE, EVAP EMISS, Z34.....41
HARNESS,LOAD SENSE RECOVERY.....57	HOSE LPG 1/2" ID X 11.25" LG.....127	KIT, TERMINAL BLOCK.....51
HARNESS,PLUG,NON-LOAD WEIGHING...57	HOSE TRACK,UPPER ARM-SERV.....87	KIT, TRC RETROFIT, STNDRD.....57
HARNESS,TILT ALARM,12V.....57	HOSE, FUEL VENT.....127	KIT, WIPER.....139
HEAT, SHIELD.....65, 75, 83	HOSE, FUEL, 1/4" ID, 10.00" LG.....127	KIT,BELLHOUSING,WG972.....61
HINGE CASTING.....151	HOSE, LOWER RAD .998L.....77	KIT,D-905 RADIATOR SUPPORT.....73
HINGE, 2 X 1.50.....45, 47	HOSE, UPPER RAD .998L.....77	KIT,ENGINE ASSY,GM .998L,Z34.....77
HINGE,.375X.120THK.,SLOTTED.....53, 55, 75	HOSE,1/4 FUEL LINE,SAE 30R7.....75	KIT,ENGINE,KUBOTA D1105.....67
HINGE,CONTROL BOX.....149	HOSE,1/8" VACUUM.....61	KIT,ESTOP SVC BB&SM BOOM.....103
HOLDER, SENSOR.....157	HOSE,3/8",FUEL,30R7.....127	KIT,FIELD INSTALL,SWING GATE.....151
HORN,12VDC,SPADE TERMINALS***.....41, 43	HOSE,5/16 FUEL,SAE 30R7.....61, 69, 127	KIT,HARDWARE,WG972.....61
HOSE ASSY, 1", 64.00.....119, 123	HOSE,5/16",PVC CLEAR,BULK.....65	KIT,HORN SVC BB&SM BOOM.....103
HOSE ASSY, 1/2", 21.50.....125	HOSE,AIR IN,Z34 GM .998L.....79	KIT,LIFT GUARD CONTACT ALARM,4'-5' PLATFORM.....157
HOSE ASSY, 1/2", 22.00.....125	HOSE,AIR INTAKE,KUBOTA.....61, 71	KIT,REPAIR,DEUTSCH PLUG,W/TUBE.....57
HOSE ASSY, 1/2", 23.50.....121	HOSE,FUEL.....61, 127	KIT,REPAIR,DEUTSH CONNECTORS**.....57
HOSE ASSY, 1/2", 24.50.....121	HOSE,FUEL, 1/2"ID, 12.00"LG.....127	KIT,SEAL,3CC PUMP***.....61, 71, 77
HOSE ASSY, 1/2", 25.00.....119, 123	HOSE,FUEL,3/16,SAE 30R7.....69, 127	KIT,TILT ALARM,IC MODELS.....57
HOSE ASSY, 1/2", 27.00.....121	HOSE,LOW PRESSURE,.375 ID,BLK.....59	KIT,TORQUE HUB COVER(101584)**.....33-34
HOSE ASSY, 1/2", 33.00.....119, 123	HOSE,LOWER RADIATOR,DF752.....67, 73	KIT,Z34IC RETURN FILTER.....41, 47
HOSE ASSY, 1/2", 47.00.....119, 123	HOSE,LWR RADIATOR,KUBOTA WG750.....65	KNOB, 45048 CONTROLLER.....109
HOSE ASSY, 1/2", 67.75.....119, 123	HOSE,RAD.OVERFLOW,KD-1105,50".....73	KNOB,OVAL TAPERED.....83
HOSE ASSY, 1/2", 83.50.....125	HOSE,RAW AIR,Z34 GM .998L.....79	KUBOTA 15221-11170 GASKET A/C.....71
HOSE ASSY, 1/2", 85.00.....125	HOSE,UPPR RADIATOR,KUBOTA D905.....73	KUBOTA FUEL PUMP GASKET.....69
HOSE ASSY, 1/4", 17.50.....121	HOSE,UPR RADIATOR,KUBOTA WG750.....65	KUBOTA GASKET,THERMOSTAT.....67
HOSE ASSY, 1/4", 19.00.....129	HOSE,WATER PUMP RETURN,D905.....67	KUBOTA GLOW PLUG.....69
HOSE ASSY, 1/4", 22.00.....121	HOSE,WATER PUMP RETURN,WG750**.....59	KUBOTA INJECTOR PUMP, D1105.....69
HOSE ASSY, 1/4", 23.00.....129	HOSE,WATER PUMP,KUBOTA**.....59, 67	KUBOTA OIL FILTER.....11, 59
HOSE ASSY, 1/4", 239.0.....129	HOSE TRACK COVER,UPPER ARM-SERV.....87	
HOSE ASSY, 1/4", 27.00.....125	HOUR METER,10-80 VOLTS***.....49	L
HOSE ASSY, 1/4", 31.00.....129	HOUSING, LOCK PIN.....83	LATCH,FLEXIBLE DRAW.....43, 45
HOSE ASSY, 1/4", 31.50.....129	HUB ASSEMBLY MODEL#60-8***.....29	LATCH,FLUSH CUP LEFT HAND.....53, 55
HOSE ASSY, 1/4", 43.50.....39, 41, 119, 123	HUB, SAE B-B SPLINE, 42 TEETH.....61, 71	LEGEND,PLSTC,"CREEP TO 9"***.....109
HOSE ASSY, 1/4", 46.50.....129		LENS,AMBER,STROBE,FIREBOLT.....137
HOSE ASSY, 1/4", 75.50.....119	I	LEVEL SENSOR,LS60,YL,2.5X4.5.....45, 47
HOSE ASSY, 1/4", 77.50.....119, 123	IGNITION MODULE, DF972.....63	LEVER,GOVERNOR,DF***.....63
HOSE ASSY, 1/4", 87.00.....125	IND,BAT CHARGE,48V LEAD-ACID.....103	LID ENCLOSURE,RED,OPA.....155
HOSE ASSY, 1/4", 89.00.....125	INJECTOR,FUEL,D905**.....69	LID,CONTROL BOX COVER.....149
HOSE ASSY, 3/4", 102.00.....119, 123	INNER CONE - MODEL 60-8.....29	LIGHT, 12 VOLT.....145
HOSE ASSY, 3/4", 79.00.....119, 123	INNER OIL FILTER.....67	LIGHT,INDICATOR,AMBER 12V ENGINE...49
HOSE ASSY, 3/8",21.00.....65, 67, 119, 123, 127	INPUT CARRIER, SUB-ASSEMBLY.....33-34	LIGHT,LED IND. RED 12V NH.....49, 103
HOSE ASSY, 5/8", 100.00.....119, 123	INSTRN, TRC RETROFIT, STNDRD.....57	LINING KIT, BRAKE, 4HP***.....31, 33-34
HOSE ASSY, LP GAS.....61, 127	INSTRUCTIONS,INSTALL (LEVEL SENSOR ALARM).....57	LINK,NYLATRAC,KS400.....95
HOSE ASSY,1/2",51.00.....161	INSTRUCTIONS-PIPE CRADLE,BOOMS...151	LOCK PIN.....83
HOSE ASSY,1/2",75.00.....161	INVERTER,48VDC,120VAC/60HZ.....147	LOCK PIN ASSY,3.25".....63, 75
HOSE ASSY,1/4",202.00.....129	ISOLATOR, VIBRATION.....73	LOCK,PLUG 4 WAY,14-18GA.....39
HOSE ASSY,1/4",218.00.....129		LOCK,RECEP 12 WAY, 14-18GA.....51, 105
HOSE ASSY,1/4",236.00.....129		

LOCK,RECEP 4 WAY,12-14GA.....51, 105
 LOCK,RECEP 4 WAY,14-18GA.....105
 LOCKNUT,ELEC,1/2".....51, 99-100, 159
 LOCKNUT,ELECTRIC,1" NPT.....51
 LOWER MIDPIVOT ASSY,Z34 &Z34N*.....87
 LOWER SECONDARY ARM ASSY,Z34.....87
 Lower Secondary Boom.....85
 LS SPRING WAND (ZCY91).....91, 93
 LUG BOLT,5/8-18,WHEEL HUB***.....29
 LVI/BCI 36/48 VOLT ENGAGE II.....103

M

MAGNET, 1/4-20, 15 LB.....157
 MAGNET,NEODYMIUM,.375 X .100.....133
 MANIFOLD MOUNT BRACKET.....43, 45
 MANIFOLD, EXHAUST .998L.....83
 MANIFOLD, EXHAUST, KUBOTA.....67
 MANIFOLD, INLET.....69
 MANIFOLD,BRAKE/MOTOR SHIFT.....111
 MANIFOLD,DRIVE.....113
 MANIFOLD,FUNCTION,Z34 IC.....115
 MANIFOLD,GENERATOR.....159
 MANIFOLD,JIB, 12V NON RJ***.....117
 MANIFOLD,ROTATOR,180 DEG.***.....117
 MANUAL BOX W/DECALS***.....99-100
 MANUAL,AEM SAFETY.....11
 MANUAL,OPER,KUBOTA DIESEL****.....67
 MANUAL,RESPON,A92.5 BOOM.....11
 MESH,HALF HEIGHT RH,4***.....151
 MESH,HALF HEIGHT,5***.....151
 MESH,HALF,SWING GATE***.....151
 MICROSWITCH.....107
 MICROSWITCH,V3L-139-D8.....107
 Mid Pivot.....85
 MIDRAIL GUIDE (HOOK).....99-100
 MIXER, E100 3.0 LP CERT MOBILE.....83
 MODULE, PLUS+1, CONTACT ALARM.....157
 MODULE,CONTROL UNIT,PCB,OPA.....155
 MODULE,IGNITION/START,12/24V.....51
 MODULE,LOAD SENSE 2007.....51
 MOTOR,.194IN3/REV,BARNES GC.....159
 MOTOR,12VDC (42185).....81
 MOTOR,PISTON,LC25,6.5 DEG,13T.....31, 34,
 37
 MOTOR,TURNTABLE O-RING PORTS.....39
 MOUNT, RADIATOR, D1105.....73
 MOUNT,SWITCH.....153
 MOUNTING PLATE, 45048.....109
 MUFFLER ASSEMBLY.....67
 MUFFLER, SPARK ARRESTOR, 3", 7
 DISCS.....77

N

NIPPLE,DIAGNOSTIC,#4.....111, 115
 NUT.....107
 NUT - PLASTIC,RING FOR ALARMS.....49,
 103, 137
 NUT, ACORN, 3/8-16, ZAG.....63, 83, 87
 NUT, EXH. MAN., WG972.....59
 NUT, RADIATOR 8MM, WG972.....65
 NUT, SOLENOID VALVE COIL.....115
 NUT, TL JAM, 3/8-16, A, ZAG.....93, 97
 NUT, TL, M10-1.5,DIN980, ZAB.....67, 77
 NUT,1/4-20,8,ZAG.....157
 NUT,1/4-28,8,ZAG.....63
 NUT,EXHAUST MANIFOLD.....67
 NUT,HEX,M8,PLASTIC.....133
 NUT,HH JAM,1/4-20,A,ZAG.....53, 75, 83

NUT,LOCKING-LG.FLANGE,1/4-20.....63, 81
 NUT,LUG,5/8-18X90 DEG,ZAG.....29, 31, 33-
 34, 37
 NUT,M4 NYLOCK.....155
 NUT,NYLOCK FLG,1/4-20,F,ZAG.....105, 151,
 157
 NUT,NYLOCK FLG,3/8-16,F,ZAG.....87, 93,
 151, 157
 NUT,NYLOCK,1/4-20.....63, 159
 NUT,NYLOCK,10-32.....51
 NUT,NYLOCK,3/8-16.....59
 NUT,NYLOCK,6-32.....157
 NUT,NYLOCK,8-32.....63
 NUT,NYLOCK,8-32,8,ZAG.....87
 NUT,SERRATED,10-32,ZAG.....137, 157
 NUT,SERRATED,3/8-16,8,ZAG.....47
 NUT,SERRATED,5/16-18,8,ZAG.....79, 81
 NUT,SOLENOID VALVE 2P3W.....111, 115
 NUT,SOLENOID VALVE COIL.....115
 NUT,SPINDLE,1-14.....29
 NUT,TAILPIPE,KUBOTA, 2668.....63
 NUT,TL FLG,1/4-20,G,ZAG.....31, 33-34, 37,
 43, 45, 47, 53, 55, 61, 63, 65, 69, 73, 75, 81,
 83, 87, 95, 99-100, 133, 135, 139, 147, 149,
 151
 NUT,TL FLG,10-32,F,ZAG.....51, 53, 55, 99-
 100, 105, 137, 145, 153
 NUT,TL FLG,3/8-16,G,ZAG.....33-34, 37, 39,
 41, 43, 45, 63, 65, 73, 75, 81, 83, 87, 89, 91,
 93, 97, 153
 NUT,TL FLG,5/16-18,G,ZAG.....61, 73, 99-100,
 145
 NUT,TL FLG,8-32,F,ZAG.....87
 NUT,TL FLG,M10-1.5,DIN6927,10,ZAB.....77
 NUT,TL JAM,1/2-13,A,ZAG.....73, 75, 81
 NUT,TL JAM,5/16-18,A,ZAG.....53, 55, 75
 NUT,TL,1/4-20,C,ZAG.....153
 NUT,TL,3/8-16,C,ZAG.....97
 NUT,TL,6-32,A,ZAG.....51, 105
 NUT,VALVE COVER CAP, D905.....67
 NUT-COIL SHORT.....113
 NUT-SELF LOCKING, M8X1.25MM.....61
 NUTSERT,1/4-20,STEEL CAD PLTD.....51,
 105, 133
 NUTSERT,10-32 STEEL CAD PLTD.....147

O

O-RING KIT (ORFS FITTINGS)..11, 111, 113,
 117
 O-RING KIT,FIELD SVC,ALL PROD*.....11,
 111, 113, 117
 O-RING***.....71, 77
 O-RING, ROTATOR MANIFOLD.....117
 O-RING,2-010,VITON.....31, 33-34
 O-RING,2-042 N674-70***.....61, 71
 O-RING,2-157,VITON***.....31
 O-RING,END COVER,4HP/4HB***.....31, 33-
 34
 O-RING,OIL FILLER PLUG,KUBOTA*.....67
 O-RING,ORFS,-4.....129
 OIL FILTER, GM .998L.....11, 77
 OIL PAN.....67
 OIL,ENG 5W-40 SYN***.....143
 OPA WIRE ASSY, SMALL.....157
 OPTION,CONTROL BOX COVER.....149
 OPTION,WORKLIGHTS,48V.....149
 ORIFICE PLUG,.025 (30551).....111
 ORIFICE, 0.8MM (74665 MAN.).....113
 ORIFICE, 1.0MM (74665 MAN.).....113

ORIFICE, 2.0MM (74665 MAN.).....113
 ORING, OIL FILLER PLUG, WG972.....59
 OUTER CONE - MODEL 60-8.....29
 OUTLET, 110V.....99-100

P

P.C. BOARD-JOYSTICK (56579).....107
 PAD,REST,1"THICK,W/STUDS*.....93
 PADDING, FOAM 90 DEG.....133
 PAINT, AEROSOL, TRAFFIC BLACK.....11
 PAINT,AEROSOL,BRIGHT BLUE***.....11
 PAINT,AEROSOL,GENIE GRAY***.....11
 PAINT,WET,GENIE BLUE (1 GL)**.....11
 PAINT,WET,GENIE GRAY (1 GL)**.....11
 PAINT,WET,TRAFFIC BLACK (1 GL)**.....11
 PARKER DIGITAL PRESSURE GAUGE.....11
 PCB,ASSY,29643 CONTROLLER %.....109
 PETCOCK, DRAIN, WG972.....61
 PETCOCK,DRAIN,KUBOTA WG750B.....67
 PICKUP TUBE, FUEL.....41
 PIN,0.75DIAx5.51LG,2RING.....93
 PIN,0.75DIAx5.75LG,CHAMFER.....153
 PIN,1.00DIAx7.25LG,1HOLE.....89
 PIN,1.00DIAx9.01LG,THREADED.....93
 PIN,1.25DIA.X10.38LG,1HOLE.....97
 PIN,1.25DIAx12.50LG,2HOLE.....97
 PIN,1.25DIAx3.00LG,THREADED.....89
 PIN,1.25DIAx3.63LG,THREADED.....89
 PIN,1.25DIAx6.36LG,2RING.....97
 PIN,1.25DIAx7.64LG,2RING.....97
 PIN,1.25DIAx9.13LG,1HOLE.....91
 PIN,1.25DIAx9.38LG,1HOLE.....89
 PIN,1.50DIAx15.13LG,1HOLE.....89, 91
 PIN,1.50DIAx16.13LG,1HOLE.....89
 PIN,1.50DIAx3.25LG,1HOLE.....29
 PIN,1.50DIAx3.75LG,1HOLE.....31
 PIN,CLEVIS,1.0X2.41,SAE,ZAG.....29, 31
 PIN,CLEVIS,3/4X3,ZAG.....29
 PIN,LOCK,SHORT***.....151
 PIN,ROLL,.25 X 1.5***.....97
 PIN,SLAVE CYLINDER.....97
 PIPE ASSY-OVERFLOW (Z482-E).....69
 PIPE ASSY-OVERFLOW-D905.....69
 PIPE CRADLE ASSY. SERV (ONE)**.....151
 PIPE PLUG,563 MAG***.....31
 PIPE, BREATHER JOINT, WG972.....59, 61
 PIPE,BREATHER JOINT, D905.....67
 PIPE,EXHAUST,Z34 KUBOTA***.....59
 PIPE,INJECTOR 1,D905,D1105.....69
 PIPE,INJECTOR 2,D905,D1105.....69
 PIPE,INJECTOR 3,D905,D1105.....69
 PIPE,INLET, D905.....71
 PLAT ASSY 4'SYM DECAL,ASIA/SA.....99-100
 PLAT ASSY 4'W/SYMB DECAL,EURO.....99-
 100
 PLAT ASSY 4'W/WORD DECAL,AUS.....99-
 100
 PLAT ASSY 4'W/WORD DECAL,USA.....99-
 100
 PLAT ASSY 5'SYM DECAL,ASIA/SA.....99-100
 PLAT ASSY 5'W/SYMB DECAL,EURO.....99-
 100
 PLAT ASSY 5'W/WORD DECAL,AUS.....99-
 100
 PLAT RAIL ASSY 4' ASIA/S.AMER.....99-100
 PLAT RAIL ASSY 4' AUS.....99-100
 PLAT RAIL ASSY 4'ANSI/CSA.....99-100
 PLAT RAIL ASSY, 4' CE.....99-100
 PLAT.ASSY.W/DECAL 5'Z34,ANSI*.....99-100

Part Description Index (continued)

VALVE,SOLENOID,2POS 3 WAY***.....113

W

WASHER ASSY,FILTER ELEMNT,D905.....71
 WASHER, FLAT, F436, 1.0, ZAG.....39, 131
 WASHER, FLAT, USS, 5/8, ZAG.....73, 75, 81
 WASHER, LOCK, 8MM, WG972.....65
 WASHER, MUFFLER COVER, WG972.....59
 WASHER,FLAT 3/8 INCH.....61
 WASHER,FLAT,#8,SAE,ZAG.....87
 WASHER,FLAT,.25X1.25X.062,ZAG.....53
 WASHER,FLAT,.375X1.25X.062,ZAG.....87
 WASHER,FLAT,.375X1.50X.125,ZAG.....43
 WASHER,FLAT,.406X1.50X.125,ZAG.....41, 81, 153
 WASHER,FLAT,.625X2.25X.188,ZAG.....63, 73, 83
 WASHER,FLAT,.688X1.160X.09,HRD.....31, 33-34, 37, 71
 WASHER,FLAT,1.56 X 2.5 X .061.....31
 WASHER,FLAT,1/2,SAE,HRD,ZAG.....61, 87
 WASHER,FLAT,3/8,USS,ZAG.....53, 91
 WASHER,FLAT,5/16,USS,ZAG.....63, 73, 83, 89, 139, 145
 WASHER,FLAT,5/8,F436,HRD,ZAG.....39
 WASHER,FLAT,7/16,SAE,HRD,ZAG.....31, 33-34, 37
 WASHER,FLAT,GOV.LEVER, DF750.....63
 WASHER,FLAT,M10,DIN125,ZAB.....63, 73, 77, 79
 WASHER,FLAT,M6,DIN125,ZAB.....79
 WASHER,FLAT,MS,#8,Y.....63
 WASHER,FLAT,USS,1/4"Y.....63, 81, 159
 WASHER,FLAT,USS,1/4,ZAG.....29, 31, 33-34, 37, 79, 95, 139
 WASHER,LOCK,#10 PLTD.....93
 WASHER,LOCK,.25.....159
 WASHER,LOCK,1/2,ZAG.....71, 77
 WASHER,LOCK,1/4,ZAG.....93, 97, 139
 WASHER,LOCK,3/8,ZAG.....89, 93, 139
 WASHER,LOCK,GOV.LEVER,DF750***.....61, 63
 WASHER,LOCK,M10,ZAB.....73
 WASHER,LOCK,M8,ZAB.....67
 WASHER,M4 NYLON.....155
 WASHER,NYLON, JOYSTICK.....107
 WASHER,SHIM .0151 THK.....153
 WASHER,SHIM,1.270X2.130X.062,Z.....89, 97
 WASHER,SHIM,1.56X2.5X.061,ZAG.....31
 WASHER,SPINDLE.....29
 WASHER,THRUST,1.5 X 3.5 X .187.....29, 31
 WASHER-PLAIN.....59
 WATER PUMP ASSY,KUBOTA.....67
 WATER PUMP, DF972.....59
 WDMT, COVER REINFORC, RH.....53, 55
 WDMT, ENGINE COMPARTMENT.....53, 55
 WEAR PAD ROUND.....63, 73, 81
 WEAR PAD,2" ROUND.....73, 81
 WEAR PAD,4 X 2 X.45 W/NUTS.....93
 WEAR PAD,4 X 4 X .75 W/NUTS.....93
 WEAR PAD,5 X 1.5 X .625 W/NUTS.....93
 WEAR PAD,5 X 1.5 X .75 W/NUTS.....93
 WEAR PAD,EXT CYL***.....93
 WELDING CABLE #2 RED.....147
 WELDMENT TIE ROD.....31
 WELDMENT, ENG LEG LT, GM .998L.....77
 WELDMENT, ENG LEG RT, GM .998L.....77
 WELDMENT, LEFT OPA, SMALL.....157
 WELDMENT, LWR COMPRESION ARM.....87

WELDMENT, PIPE CRADLE.....151
 WELDMENT, RIGHT OPA, SMALL.....157
 WELDMENT, TAILPIPE, GM .998,Z34.....77
 WELDMENT,CAT PIPE,GM .998,Z34.....77
 WELDMENT,ENGINE BULKHEAD,DF.....81
 WELDMENT,FLOATING BUMPER.....133
 WELDMENT,LOAD SUPPORT.....153
 WELDMENT,LP TANK MOUNT.....39
 WELDMENT,PIPE CRADLE MOUNT.....151
 WELDMENT,PLATFORM SUPPORT.....153
 WELDMENT,PLATFORM SUPPORT***.....97, 100
 WELDMENT,ROTATOR SUPPORT.....153
 WELDMENT,SENSOR BRACKET.....133
 WELDMENT,SWING CHASSIS Z34.....39
 WELDMENT,SWING GATE,ALUMINUM.....151
 WELDMENT,TANK COMPARTMENT IC.....41, 43, 53, 55
 WHEEL ASSY, IND. W/SEALANT.....33-34
 WHEEL ASSY, IND. W/SEALANT NM.....33-34
 WHEEL ASSY, IND.W/SEALANT.....29, 33-34
 WHEEL ASSY, IND.W/SEALANT NM.....29, 33-34
 WHEEL ASSY, INDUSTRIAL, AF.....29, 33-34
 WHEEL ASSY, INDUSTRIAL, AF NM.....29, 33-34
 WHEEL ASSY, INDUSTRIAL, FF.....29, 34
 WHEEL ASSY, INDUSTRIAL, FF NM.....34
 WHEEL DRIVE W/BRAKE 57:1.....33-34
 WHEEL DRIVE,4HP 48:1.....31
 WHEEL STUD, 4HP, 5/8-18***.....31, 33-34
 WHEEL, 14.5 X 7.....33-34
 WHEEL,14.5 X 7.....33-34
 WHEEL,16.5 X 8.25,8 HOLE/8 BC.....29
 WHEEL,16.5 X 8.25,9 HOLE/9.5BC.....31, 33-34, 37
 WIPER,PRIMARY BOOM.....139
 WIRE CABLE,14/3 CON.TPE JKT*.....57, 99-100, 159
 WIRE CABLE,16/2,WHT/BLK,SJEOW.....137
 WIRE CABLE,16/4 CON.TPE JKT.....39, 99-100
 WIRE LOOM,1.88 DIA.....97
 WIRE LOOM,3/8 POLY SLIT.....99-100, 159
 WORKLIGHT,48 VOLT.....149

Y

YOKE ASSY, Z34 2WD LEFT.....29
 YOKE ASSY, Z34 2WD RIGHT.....29
 YOKE ASSY,ENGINE SIDE,PARKER.....31
 YOKE ASSY,GRD CONT,SIDE PARKER.....31

Z

ZERK,GREASE,1/8 NPT.....41, 43
 ZERK,GREASE,1/8 NPT,45 DEG***.....39
 ZERK,GREASE,1/8 NPT,67.5 DEG**.....39
 ZERK,GREASE,1/8 NPT,90DEG.....39

—

— GENERAL SERVICE PARTS —.....11
 — GM .998L MODELS—.....11
 — HYD FILTERS —.....11
 — KUBOTA D1105 MODELS —.....11
 — KUBOTA WG972 MODELS —.....11
 — MANUALS —.....11
 — PERKINS 403F-11 MODELS —.....11

This Page Intentionally Left Blank

Go to Discount-Equipment.com to order your parts

Fitting Cross References

Genie PN	Parker PN	Description	Genie PN	Parker PN	Description
12342	6-4 F5OX-S	CONNECTOR,STRAIGHT THREAD TO FLARE TUBE	42794	1 CR-S	ELBOW,90°,MALE PIPE
13757	4 R6X-S	RUN TEE,SWIVEL NUT,ORFS	42795	BV-0839	BALL VALVE
19685	12-10 C5OX-S	ELBOW,90°,STRAIGHT THREAD TO FLARE TUBE	42796	BV-0838	BALL VALVE
22664	12-10 C5OX	ELBOW,90°,STRAIGHT THREAD TO FLARE TUBE	42874	6-8 CLO-S	ELBOW,90°,MALE PIPE TO ORFS
27431	8-12 F5OX-S	CONNECTOR,STRAIGHT THREAD TO FLARE TUBE	42912	13943-6-4	HOSE END,90° FEMALE SWIVEL,JIC
28678	AS-B-33	SLEEVE,NYLON,1.81" ID	42920	BV-0840	BALL VALVE,90°
39871	6 WETX-WLN-S	UNION,90° BULKHEAD W/NUT,FLARE TUBE	42932	AS-B-17	SLEEVE,NYLON,1.22" ID
39872	4 R5OX-S	RUN TEE,STRAIGHT THREAD	42936	10243-2-4	HOSE END,FEMALE PIPE
39873	6 C5OX-S	ELBOW,90°,STRAIGHT THREAD TO FLARE TUBE	42953	1/2 DD-S	ELBOW,90°,FEMALE PIPE
39874	8-6 C5OX-S	ELBOW,90°,STRAIGHT THREAD TO FLARE TUBE	42956	6 WELO-WLNL-S	UNION,90° BULKHEAD W/NUT,ORFS
39875	4-6 C5OX-S	ELBOW,90°,STRAIGHT THREAD TO FLARE TUBE	45349	8 V5OX-S	ELBOW,45°,STRAIGHT THREAD TO FLARE TUBE
39876	6-8 C5OX-S	ELBOW,90°,STRAIGHT THREAD TO FLARE TUBE	45351	4 V5OX-S	ELBOW,45°,STRAIGHT THREAD TO FLARE TUBE
39877	4 F5OX-S	CONNECTOR,STRAIGHT THREAD TO FLARE TUBE	47223	10343-6-6	HOSE END,MALE,JIC
39878	6 F5OX-S	CONNECTOR,STRAIGHT THREAD TO FLARE TUBE	47419	PS690503-6-6	SWIVEL,90°,STRAIGHT THREAD TO 37° FLARE
39879	4-8 F5OX-S	CONNECTOR,STRAIGHT THREAD TO FLARE TUBE	48750	421-4	HOSE,1/4 INCH ID
39880	6-10 F5OX-S	CONNECTOR,STRAIGHT THREAD TO FLARE TUBE	48751	481TC-4	HOSE,1/4 INCH ID
39881	4-6 F5OX-S	CONNECTOR,STRAIGHT THREAD TO FLARE TUBE	48752	482TC-4	HOSE,1/4 INCH ID
39882	4-HP5ON-S	PLUG,STRAIGHT THREAD	48753	451TC-6	HOSE,3/8 INCH ID
39883	8-8 FTX-S	CONNECTOR,MALE PIPE TO FLARE TUBE	48754	482TC-6	HOSE,3/8 INCH ID
39885	269HB 12-12	ELBOW,90°,BEADED HOSE BARB TO MALE PIPE	48755	381-6	HOSE,3/8 INCH ID
39886	431-6	HOSE,3/8 INCH ID	48756	451TC-8	HOSE,1/2 INCH ID
39887	540N-2	HOSE,1/8 INCH ID	48757	482TC-8	HOSE,1/2 INCH ID
39888	801-8	HOSE,1/2 INCH ID	48758	381-8	HOSE,1/2 INCH ID
39889	801-12	HOSE,3/4 INCH ID	48759	381-10	HOSE,5/8 INCH ID
39890	10643-6-6	HOSE END,FEMALE SWIVEL,JIC	48760	451TC-10	HOSE,5/8 INCH ID
39891	13943-6-6	HOSE END,90° FEMALE SWIVEL,JIC	48761	482TC-12	HOSE,3/4 INCH ID
39892	13743-6-6	HOSE END,45° FEMALE SWIVEL,JIC	48762	451TC-12	HOSE,3/4 INCH ID
39894	30682-8-8	HOSE END,FEMALE SWIVEL,JIC	48763	772-12	HOSE,3/4 INCH ID
39895	30682-10-12	HOSE END,FEMALE SWIVEL,JIC	48764	881-16	HOSE,1 INCH ID
42286	8-8 CTX-S	ELBOW,90°,MALE PIPE TO FLARE TUBE	48765	772-16	HOSE,1 INCH ID
42756	8-12 CLO-S	ELBOW,90,MALE PIPE TO ORFS	48766	AS-B-15	SLEEVE,NYLON,1.06" ID
42757	8-12 FLO-S	CONNECTOR,MALE PIPE TO ORFS	48767	AS-B-22	SLEEVE,NYLON,1.42" ID
42758	4 JLO-S	UNION TEE,ORFS	48770	881-8	HOSE,1/2 INCH ID
42759	4-4 FLO-S	CONNECTOR,MALE PIPE TO ORFS			
42760	6-8 FLO-S	CONNECTOR,MALE PIPE TO ORFS			
42761	1J143-6-4	HOSE END,90° FEMALE SWIVEL,SEAL LOK			
42762	1J743-6-4	HOSE END,45° FEMALE SWIVEL,SEAL LOK			
42768	1JO43-4-4	HOSE END,MALE,SEAL LOK			
42776	801-8	HOSE,1/2 INCH ID			
42777	1J743-16-16	HOSE END,45° FEMALE SWIVEL,SEAL LOK			
42786	16 CLO-S	ELBOW,90°,MALE PIPE TO ORFS			
42787	16 R6LO-S	RUN TEE,SWIVEL NUT,ORFS			
42788	16-8 TRLO-BL-S	REDUCER,TUBE END TO SWIVEL,ORFS			
42789	6-6 CLO-S	ELBOW,90°,MALE PIPE TO ORFS			
42790	8-10 V5OLO-S	ELBOW,45°,STRAIGHT THREAD TO ORFS			
42791	3/4 CD-S	ELBOW,90°,MALE TO FEMALE PIPE			
42792	3/4 X 1/2 PTR-S	REDUCER,MALE TO FEMALE PIPE			
42793	1/2 CR-S	ELBOW,90°,MALE PIPE			

Fitting Cross References (Continued)

Genie PN	Parker PN	Description	Genie PN	Parker PN	Description
48771	881-10	HOSE,5/8 INCH ID	48847	13943-12-12	HOSE END,90° FEMALE SWIVEL,JIC
48772	381-4	HOSE,1/4 INCH ID	48848	10543-12-12	HOSE END,MALE,STRAIGHT THREAD
48773	AS-B-13	SLEEVE,NYLON,.86" ID	48849	1JC71-12-12	HOSE END,FEMALE SWIVEL,SEAL LOK
48800	1JC43-4-4	HOSE END,FEMALE SWIVEL,SEAL LOK	48850	1JS71-12-12	HOSE END,FEMALE SWIVEL,SEAL LOK
48801	1J743-4-4	HOSE END,45° FEMALE SWIVEL,SEAL LOK	48851	1J171-12-12	HOSE END,90° FEMALE SWIVEL,SEAL LOK
48802	1J943-4-4	HOSE END,90° FEMALE SWIVEL,SEAL LOK	48852	1J771-12-12	HOSE END,45° FEMALE SWIVEL,SEAL LOK
48804	1JM43-4-4	HOSE END,MALE,SEAL LOK, NO O-RING	48853	1J971-12-12	HOSE END,90° FEMALE SWIVEL,SEAL LOK
48805	10643-4-4	HOSE END,FEMALE SWIVEL,JIC	48854	1JC43-16-16	HOSE END,FEMALE SWIVEL,SEAL LOK
48806	13943-4-4	HOSE END,90° FEMALE SWIVEL,JIC	48855	1J943-16-16	HOSE END,90° FEMALE SWIVEL,SEAL LOK
48807	1JS43-4-4	HOSE END,FEMALE SWIVEL,SEAL LOK	48856	1J171-16-16	HOSE END,90° FEMALE SWIVEL,SEAL LOK
48808	3JC82-8-8	HOSE END,FEMALE SWIVEL,SEAL LOK	48857	1J971-16-16	HOSE END,90° FEMALE SWIVEL,SEAL LOK
48809	3JC82-12-12	HOSE END,FEMALE SWIVEL,SEAL LOK	48859	1JS43-8-4	HOSE END,FEMALE SWIVEL,SEAL LOK
48810	1JC43-6-4	HOSE END,FEMALE SWIVEL,SEAL LOK	48867	PD36BTL	DIAGNOSTIC NIPPLE,SEAL-LOK SWIVEL
48811	1J943-6-4	HOSE END,90° FEMALE SWIVEL,SEAL LOK	48873	6 PNLO-S	PLUG,TUBE END,ORFS
48812	1JC43-6-6	HOSE END,FEMALE SWIVEL,SEAL LOK	48874	6 PNTX-S	PLUG,FLARE TUBE
48813	1J143-6-6	HOSE END,90° FEMALE SWIVEL,SEAL LOK	48875	6 R6LO-S	RUN TEE,SWIVEL NUT,ORFS
48814	1J543-6-6	HOSE END,90° FEMALE SWIVEL,SEAL LOK	48877	4 F5OLO-SW/.025	CONNECTOR,STRAIGHT THREAD TO ORFS, W/.025 ORI
48815	1J743-6-6	HOSE END,45° FEMALE SWIVEL,SEAL LOK	48878	16-12 C5OLO-S	ELBOW,90°,STRAIGHT THREAD TO ORFS
48816	1J943-6-6	HOSE END,90° FEMALE SWIVEL,SEAL LOK	48879	8 C6LO-S	ELBOW,90°,SWIVEL NUT ORFS
48817	1JS43-6-8	HOSE END,FEMALE SWIVEL,SEAL LOK	48880	PD6-285	CAP,DIAGNOSTIC NIPPLE
48818	1J943-8-4	HOSE END,90° FEMALE SWIVEL,SEAL LOK	48881	6 HLO-S	UNION,ORFS
48819	1JC43-8-6	HOSE END,FEMALE SWIVEL,SEAL LOK	48883	8 P5ON-S	PLUG,STRAIGHT THREAD
48820	1J743-8-6	HOSE END,45° FEMALE SWIVEL,SEAL LOK	48884	8M18F87OMLO-S	CONNECTOR,METRIC,STRAIGHT THREAD TO ORFS
48821	1J943-8-6	HOSE END,90° FEMALE SWIVEL,SEAL LOK	48885	4 WGTX-WLN-S	CONNECTOR,BULKHEAD,FEMALE PIPE TO FLARE TUBE
48822	1JC43-8-8	HOSE END,FEMALE SWIVEL,SEAL LOK	48886	4 F5OLO-SW/2MM	CONNECTOR,MACHINED STRAIGHT THREAD TO ORFS
48823	1JS43-8-8	HOSE END,FEMALE SWIVEL,SEAL LOK	48887	4 CTX-S	ELBOW,90°,MALE PIPE TO FLARE TUBE
48824	1J143-8-8	HOSE END,90° FEMALE SWIVEL,SEAL LOK	48888	10-12 V5OLO-S	ELBOW,45°,STRAIGHT THREAD TO ORFS
48825	1J543-8-8	HOSE END,90° FEMALE SWIVEL,SEAL LOK	48890	4 S5OLO-S	BRANCH TEE,STRAIGHT THREAD TO ORFS
48826	1J743-8-8	HOSE END,45° FEMALE SWIVEL,SEAL LOK	48891	4 S6LO-S	BRANCH TEE,SWIVEL NUT TO ORFS
48827	1J943-8-8	HOSE END,90° FEMALE SWIVEL,SEAL LOK			
48828	1JC43-10-8	HOSE END,FEMALE SWIVEL,SEAL LOK			
48829	1JS43-10-8	HOSE END,FEMALE SWIVEL,SEAL LOK			
48830	1J743-10-8	HOSE END,45° FEMALE SWIVEL,SEAL LOK			
48831	1J943-10-8	HOSE END,90° FEMALE SWIVEL,SEAL LOK			
48833	1JC43-10-10	HOSE END,FEMALE SWIVEL,SEAL LOK			
48834	1J943-10-10	HOSE END,90° FEMALE SWIVEL,SEAL LOK			
48835	1JS43-10-12	HOSE END,FEMALE SWIVEL,SEAL LOK			
48836	1JC43-12-8	HOSE END,FEMALE SWIVEL,SEAL LOK			
48837	1JS43-12-8	HOSE END,FEMALE SWIVEL,SEAL LOK			
48838	1J743-12-8	HOSE END,45° FEMALE SWIVEL,SEAL LOK			
48839	1J943-12-8	HOSE END,90° FEMALE SWIVEL,SEAL LOK			
48840	1J943-12-10	HOSE END,90° FEMALE SWIVEL,SEAL LOK			
48841	1JC43-12-12	HOSE END,FEMALE SWIVEL,SEAL LOK			
48842	1JO43-12-12	HOSE END,MALE,SEAL LOK			
48843	1J143-12-12	HOSE END,90° FEMALE SWIVEL,SEAL LOK			
48844	1J543-12-12	HOSE END,90° FEMALE SWIVEL,SEAL LOK			
48845	1J743-12-12	HOSE END,45° FEMALE SWIVEL,SEAL LOK			
48846	1J943-12-12	HOSE END,90° FEMALE SWIVEL,SEAL LOK			

Fitting Cross References (Continued)

Genie PN	Parker PN	Description	Genie PN	Parker PN	Description
48892	6 C6LO-S	ELBOW,90°,SWIVEL NUT ORFS	48938	8 R6LO-S	RUN TEE,SWIVEL NUT,ORFS
48893	6 F5OHAO-S	UNION,STRAIGHT THREAD	48939	8 S6LO-S	BRANCH TEE,SWIVEL NUT TO ORFS
48894	8 WLO-WLNL-S	UNION,BULKHEAD,ORFS	48940	8 WJLO-WLNL-S	RUN TEE, BULKHEAD,ORFS
48895	DT-370-MSMO-5	VALVE,CHECK	48941	8-4 TRLO-S	REDUCER,TUBE END TO SWIVEL,ORFS
48896	6 JLO-S	UNION,TEE,ORFS	48942	8-6 C5OLO-S	ELBOW,90°,STRAIGHT THREAD TO ORFS
48897	DT-750-MSMS-5	VALVE,CHECK	48943	8-6 F5OLO-S	CONNECTOR,STRAIGHT THREAD TO ORFS
48898	DT-750-MOMS-5	VALVE,CHECK	48944	8-8 FLO-S	CONNECTOR,MALE PIPE TO ORFS
48899	DT-620-MOMS-5	VALVE,CHECK	48945	8 FTX-S	CONNECTOR,MALE PIPE TO FLARE TUBE
48900	4-6 F5OLO-SW/.035	CONNECTOR,STRAIGHT THREAD TO ORFS, W/.035 ORI	48946	8-10 F5OLO-S	CONNECTOR,STRAIGHT THREAD TO ORFS
48902	16-1 AOE4G-S	ELBOW,90° LONG,FEMALE PIPE TO STRAIGHT THREAD	48947	8-12 C5OLO-S	ELBOW,90°,STRAIGHT THREAD TO ORFS
48903	1 FF-S	NIPPLE,PIPE	48948	8-12 F5OLO-S	CONNECTOR,STRAIGHT THREAD TO ORFS
48904	4 C5OLO-S	ELBOW,90°,STRAIGHT THREAD TO ORFS	48949	8-16 F5OLO-S	CONNECTOR,STRAIGHT THREAD TO ORFS
48905	4 F5OLO-S	CONNECTOR,STRAIGHT THREAD TO ORFS	48950	10 C5OLO-S	ELBOW,90°,STRAIGHT THREAD TO ORFS
48906	4 R5OLO-S	RUN TEE,STRAIGHT THREAD	48951	10 CC5OLO-S	ELBOW,90° LONG,STRAIGHT THREAD TO ORFS
48907	4 V5OLO-S	ELBOW,45°,STRAIGHT THREAD TO ORFS	48952	10 F5OLO-S	CONNECTOR,STRAIGHT THREAD TO ORFS
48908	4 R6LO-S	RUN TEE,SWIVEL NUT,ORFS	48953	10 R5OLO-S	RUN TEE,STRAIGHT THREAD
48909	4 WJLO-WLNL-S	RUN TEE, BULKHEAD,ORFS	48954	10 S5OLO-S	BRANCH TEE,STRAIGHT THREAD TO ORFS
48910	4 GTX-S W/.030	CONNECTOR,FEMALE PIPE TO FLARE TUBE	48955	10 R6LO-S	RUN TEE,SWIVEL NUT,ORFS
48911	4-6 C5OLO-S	ELBOW,90°,STRAIGHT THREAD TO ORFS	48956	10-4 TRLO-BL-S	REDUCER,TUBE END TO SWIVEL,ORFS
48912	4-6 F5OLO-S	CONNECTOR,STRAIGHT THREAD TO ORFS	48957	10-6 TRLO-BL-S	REDUCER,TUBE END TO SWIVEL,ORFS
48913	4-6 F5OLO-SW/.030	CONNECTOR,STRAIGHT THREAD TO ORFS, W/.030 ORI	48958	10-12 F5OLO-S	CONNECTOR,STRAIGHT THREAD TO ORFS
48914	4-8 F5OLO-S	CONNECTOR,STRAIGHT THREAD TO ORFS	48959	12 C5OLO-S	ELBOW,90°,STRAIGHT THREAD TO ORFS
48915	6 C5OLO-S	ELBOW,90°,STRAIGHT THREAD TO ORFS	48960	12 F5OLO-S	CONNECTOR,STRAIGHT THREAD TO ORFS
48916	6 F5OLO-S	CONNECTOR,STRAIGHT THREAD TO ORFS	48961	12 R5OLO-S	RUN TEE,STRAIGHT THREAD
48917	6 FF5OLO-S	CONNECTOR,LONG,STRAIGHT THREAD TO ORFS	48962	12 S5OLO-S	BRANCH TEE,STRAIGHT THREAD TO ORFS
48918	6 R5OLO-S	RUN TEE,STRAIGHT THREAD	48963	12 V5OLO-S	ELBOW,45°,STRAIGHT THREAD TO ORFS
48919	6 S5OLO-S	BRANCH TEE,STRAIGHT THREAD TO ORFS	48964	12 R6LO-S	RUN TEE,SWIVEL NUT,ORFS
48920	6 V5OLO-S	ELBOW,45°,STRAIGHT THREAD TO ORFS	48965	12 CLO-S	ELBOW,90°,MALE PIPE TO ORFS
48921	6 FLO-S	CONNECTOR,MALE PIPE TO ORFS	48966	12 FLO-S	CONNECTOR,MALE PIPE TO ORFS
48922	6-6 FLO-S	CONNECTOR,MALE PIPE TO ORFS	48967	12 JLO-S	UNION TEE,ORFS
48923	6 P5ON-S	PLUG,STRAIGHT THREAD	48968	12 WLO-WLNL-S	UNION,BULKHEAD,ORFS
48925	6 WELO-S	UNION,90° BULKHEAD,ORFS	48969	12 WJLO-WLNL-S	RUN TEE, BULKHEAD,ORFS
48926	6-4 C5OLO-S	ELBOW,90°,STRAIGHT THREAD TO ORFS	48970	12 WELO-WLNL-S	UNION,90° BULKHEAD W/NUT,ORFS
48927	6-4 F5OLO-S	CONNECTOR,STRAIGHT THREAD TO ORFS			
48928	6-4 V5OLO-S	ELBOW,45°,STRAIGHT THREAD TO ORFS			
48929	6-8 C5OLO-S	ELBOW,90°,STRAIGHT THREAD TO ORFS			
48930	6-8 F5OLO-S	CONNECTOR,STRAIGHT THREAD TO ORFS			
48931	6-10 F5OLO-S	CONNECTOR,STRAIGHT THREAD TO ORFS			
48932	8 C5OLO-S	ELBOW,90°,STRAIGHT THREAD TO ORFS			
48933	8 F5OLO-S	CONNECTOR,STRAIGHT THREAD TO ORFS			
48934	8 FF5OLO-S	CONNECTOR,LONG,STRAIGHT THREAD TO ORFS			
48935	8 R5OLO-S	RUN TEE,STRAIGHT THREAD			
48936	8 S5OLO-S	BRANCH TEE,STRAIGHT THREAD TO ORFS			
48937	8 V5OLO-S	ELBOW,45°,STRAIGHT THREAD TO ORFS			

Fitting Cross References (Continued)

Genie PN	Parker PN	Description	Genie PN	Parker PN	Description
48971	12 G5G5JG5-S	TEE,FEMALE STRAIGHT THREAD	49612	PKT02586	O-RING KIT (ORFS FITTINGS)
48972	12 XHL6-S	ADAPTER, 37° MALE TO SWIVEL ORFS	49613	PKT06276	PLUG AND CAP KIT-SERVICE,ORFS
48973	12-1/2 F5OG-S	ADAPTER,FEMALE PIPE TO STRAIGHT THREAD	49728	10143-12-12	HOSE END, MALE PIPE
48974	12-10 C5OLO-S	ELBOW,90°,STRAIGHT THREAD TO ORFS	49729	16-1 F5OG-S	ADAPTER,FEMALE PIPE TO STRAIGHT THREAD
48975	12-10 F5OLO-S	CONNECTOR,STRAIGHT THREAD TO ORFS	49814	12-8 FLO-S	CONNECTOR,MALE PIPE TO ORFS
48976	12-16 C5OLO-S	ELBOW,90°,STRAIGHT THREAD TO ORFS	49829	DT-500-MOMF-5	VALVE,CHECK
48977	12-16 F5OLO-S	CONNECTOR,STRAIGHT THREAD TO ORFS	49831	881-12	HOSE,3/4 INCH ID
48978	12-16 V5OLO-S	ELBOW,45°,STRAIGHT THREAD TO ORFS	49834	16 JLO-S	UNION TEE,ORFS
48980	12-16 FLO-S	CONNECTOR,MALE PIPE TO ORFS	49838	12-8 TRLO-BL-S	REDUCER,TUBE END TO SWIVEL,ORFS
48983	16 C5OLO-S	ELBOW,90°,STRAIGHT THREAD TO ORFS	49840	8 JLO-S	UNION TEE,ORFS
48984	16 F5OLO-S	CONNECTOR,STRAIGHT THREAD TO ORFS	49844	10-8 TRLO-BL-S	REDUCER,TUBE END TO SWIVEL,ORFS
48985	16 V5OLO-S	ELBOW,45°,STRAIGHT THREAD TO ORFS	49854	8 P5ON-S	PLUG,STRAIGHT THREAD
48986	16 FLO-S	CONNECTOR,MALE PIPE TO ORFS	49855	1JC43-16-12	HOSE END,FEMALE SWIVEL,SEAL LOK
48988	16 CD45-S	ELBOW,45°,MALE TO FEMALE PIPE	49859	4 P5ON-S	PLUG,STRAIGHT THREAD
48989	12 CD45-S	ELBOW,45°,MALE TO FEMALE PIPE	49861	4 FF5OLO-S	CONNECTOR, LONG, STRAIGHT THREAD TO ORFS
48990	8 CD45-S	ELBOW,45°,MALE TO FEMALE PIPE	49867	12-3/4 F5OG-S	ADAPTER,FEMALE PIPE TO STRAIGHT THREAD
48991	16-12 FLO-S	CONNECTOR,MALE PIPE TO ORFS	51152	6 R6X-S	RUN TEE,SWIVEL NUT,ORFS
48992	16-12 V5OLO-S	ELBOW,45°,STRAIGHT THREAD TO ORFS	51153	6-4 TRTX-S	REDUCER,TUBE END TO SWIVEL,ORFS
48993	XV501-12	BALL VALVE	51154	4-4 GTX	CONNECTOR,FEMALE PIPE TO FLARE TUBE
48994	XV501-16	BALL VALVE	51264	881-12	HOSE,3/4 INCH ID
48995	XV510P-12	BALL VALVE	51265	8 JLO-S	UNION TEE,ORFS
48996	XV510P-16	BALL VALVE	51508	6 BTX-S	NUT,FLARE TUBE
48997	PD341	DIAGNOSTIC NIPPLE, STRAIGHT THREAD	51580	12-8 TRLO-BL-S	TUBE END REDUCER,ORFS
48998	PD 361	DIAGNOSTIC NIPPLE, STRAIGHT THREAD	51628	6 R6X-S	RUN TEE,SWIVEL NUT,ORFS
48999	DT-500-MOMS-5	VALVE,CHECK	51735	3/8 HHP	PLUG,PIPE THREAD
49201	10 V5OLO-S	ELBOW,45°,STRAIGHT THREAD TO ORFS	51803	1J943-6-8	HOSE END,90° FEMALE SWIVEL,SEAL LOK
49202	1JC43-12-10	HOSE END,FEMALE SWIVEL,SEAL LOK	53023	125HBL-5-4	FITTING,HOSE BARB TO MALE PIPE
49203	10-8 V5OLO-S	ELBOW,45°,STRAIGHT THREAD TO ORFS	53497	PKT02585	O-RING KIT
49205	6 F5OHAO-S	UNION,STRAIGHT THREAD	53499	1JC71-16-16	HOSE END,FEMALE SWIVEL,SEAL LOK
49207	PD34BTL	DIAGNOSTIC NIPPLE,SEAL-LOK SWIVEL	53500	3-904	O-RING,STRAIGHT THREAD,-4
49209	8M18F870MX-S	CONNECTOR,METRIC,STRAIGHT THREAD TO FLARE TUBE	53501	3-906	O-RING,STRAIGHT THREAD,-6
49212	8 WGTX-WLN-S	CONNECTOR,BULKHEAD,FEMALE PIPE TO FLARE TUBE	53502	3-908	O-RING,STRAIGHT THREAD,-8
49213	30682-8-8	HOSE END,FEMALE SWIVEL,JIC	53503	3-910	O-RING,STRAIGHT THREAD,-10
49216	831-8	HOSE,1/2 INCH ID			
49217	33982-8-8	HOSE END,90° FEMALE SWIVEL,JIC			
49219	PS-B-35	SLEEVE,NYLON,2.19" ID			
49418	4-6 V5OLO-S	ELBOW,45°,STRAIGHT THREAD TO ORFS			
49511	DT370-MOMS-5	VALVE,CHECK			
49512	1 DD-S	ELBOW,90°,FEMALE PIPE			
49513	1 FF-S	NIPPLE,PIPE			
49514	10 HP5ON-S	PLUG,STRAIGHT THREAD			
49515	12-16 CLO-S	ELBOW,90°,MALE PIPE TO ORFS			
49517	6 HP5ON-S	PLUG,STRAIGHT THREAD			
49519	16-12 F5OLO-S	CONNECTOR,STRAIGHT THREAD TO ORFS			
49520	4 VTX-S	ELBOW,45°,MALE PIPE TO FLARE TUBE			
49530	16 C6LO-S	ELBOW,90°,SWIVEL NUT ORFS			

Fitting Cross References (Continued)

Genie PN	Parker PN	Description	Genie PN	Parker PN	Description
53535	3-912	O-RING,STRAIGHT THREAD,-12	61083	24 F5OLO-S	CONNECTOR,STRAIGHT THREAD TO ORFS
53536	4-PNLO-S	PLUG,TUBE END,ORFS	61086	20 R5OLO-S	RUN TEE,STRAIGHT THREAD
53537	6 PNLO-S	PLUG,TUBE END,ORFS	61090	24-20 F5OLO-S	CONNECTOR,STRAIGHT THREAD TO ORFS
53538	8 PNLO-S	PLUG,TUBE END,ORFS	61091	1J943 24-24	HOSE END,90° FEMALE SWIVEL,SEAL LOK
53539	10 PNLO-S	PLUG,TUBE END,ORFS	61093	1J978-12-12	HOSE END,90° FEMALE SWIVEL,JIC
53540	12 PNLO-S	PLUG,TUBE END,ORFS	61095	1JS43-20-16	HOSE END,FEMALE SWIVEL,SEAL LOK
53946	129HB-5-4	FITTING,90° HOSE BARB TO MALE PIPE	61100	811-24	HOSE,11/2 INCH ID
53951	8-1/4F50G-S	ADAPTER,FEMALE PIPE TO STRAIGHT THREAD	61130	1JS43-24-24	HOSE END,FEMALE SWIVEL,SEAL LOK
53980	6 S6LO-S	BRANCH TEE,SWIVEL NUT TO ORFS	61131	1JS78 12-12	HOSE END,FEMALE SWIVEL,SEAL LOK
54132	4 C6LO-S	ELBOW,90°,SWIVEL NUT ORFS	61132	1J778-12-12	HOSE END,45° FEMALE SWIVEL,JIC
54135	11343-16-16	HOSE END,MALE SWIVEL,PIPE	61152	139HB-6-4	ELBOW,45°,BARB TO MALE PIPE
54283	8-10 C5OLO-S	ELBOW,90°,STRAIGHT THREAD TO ORFS	61251	BV-0750	BALL VALVE
54428	8M18C870MLO-S	ELBOW, 90° METRIC, STRAIGHT THREAD TO ORFS	61259	4 CC5OLO-S	ELBOW,90° LONG,STRAIGHT THREAD TO ORFS
54803	FS-F-16-10	SLEEVE,FIRE,-96" ID	61260	20-12 TRLO-BL	REDUCER,TUBE END TO SWIVEL,ORFS
54954	10143-2-4	HOSE END, MALE PIPE	61262	12 C6LO-S	ELBOW,90°,SWIVEL NUT ORFS
55190	3/8 HP-S	PLUG,PIPE THREAD	61263	20 F5OHAO-S	UNION,STRAIGHT THREAD
55448	8 HLO-S	UNION,ORFS	61264	6-10 C5OLO-S	ELBOW,90°,STRAIGHT THREAD TO ORFS
55839	6 F65OX-S	CONNECTOR,STRAIGHT THREAD TO 37° SWIVEL	61265	6 WNLO-WLNL-S	UNION,BULKHEAD 45°,ORFS
55968	10 C5OX-S	ELBOW,90°,STRAIGHT THREAD TO FLARE TUBE	61268	4 WNLO-WLNL-S	UNION,BULKHEAD 45°,ORFS
56003	6 CC5OLO-S	ELBOW,90° LONG,STRAIGHT THREAD TO ORFS	61269	4 WLO-WLNL-S	UNION,BULKHEAD,ORFS
56166	BV-0837	BALL VALVE,90°	61272	12 AOEL6	ELBOW,90°,STRAIGHT THREAD TO ORFS SWIVEL
56188	10143-8-6	HOSE END, MALE PIPE	61316	482TC-16	HOSE,1 INCH ID
56233	2-011	O-RING,ORFS,-4	61321	6 JLO-S	UNION TEE,ORFS
56234	2-012	O-RING,ORFS,-6	61327	782-12	HOSE,3/4 INCH ID
56235	2-014	O-RING,ORFS,-8	61328	881-24	HOSE,11/2 INCH ID
56236	2-016	O-RING,ORFS,-10	61336	11943-20-24	HOSE END,90° FLANGE HEAD
56237	2-018	O-RING,ORFS,-12	61345	12 WJLO-WLNL-S	RUN TEE, BULKHEAD,ORFS
56238	2-021	O-RING,ORFS,-16	61346	8 WNLO-WLNL-S 4	UNION,BULKHEAD 45°,ORFS
56352	6 WLNL-S	LOCKNUT,BULKHEAD	61569	33782-8-8	HOSE END,45° FEMALE SWIVEL,JIC
56353	3J782-12-12	HOSE END,45° FEMALE SWIVEL,SEAL LOK	61610	12 FF5OLO-S	CONNECTOR,LONG,STRAIGHT THREAD TO ORFS
56354	3J982-12-12	HOSE END,90° FEMALE SWIVEL,SEAL LOK	61742	1/8 X 1.5 FFF	NIPPLE,PIPE
56604	10-8 F5OLO-S	CONNECTOR,STRAIGHT THREAD TO ORFS	63426	8 PNTX-S	PLUG,FLARE TUBE
56639	3JC82-10-10	HOSE END,FEMALE SWIVEL,SEAL LOK			
56640	3J982-10-10	HOSE END,90° FEMALE SWIVEL,SEAL LOK			
56655	3JC82-8-10	HOSE END,FEMALE SWIVEL,SEAL LOK			
56676	10-8 C5OLO-S	ELBOW,90°,STRAIGHT THREAD TO ORFS			
56776	471TC-6	HOSE,3/8 INCH ID			
56777	471TC-8	HOSE,1/2 INCH ID			
56789	811-16	HOSE,1 INCH ID			
57884	3/8 FF	NIPPLE,PIPE			
59335	6 FNL-S	CAP,TUBE END			
59342	4 FNL-S	CAP,TUBE END			
59371	8 HP5ON-S	PLUG,STRAIGHT THREAD			
60653	BV-0751	BALL VALVE			
60806	125HB-3-4	FITTING,HOSE BARB TO MALE PIPE			
61064	5-1/4 F5OG-S	ADAPTER,FEMALE PIPE TO STRAIGHT THREAD			
61079	4 WELO-WLNL-S	UNION,90° BULKHEAD W/NUT,ORFS			
61080	6 WLO-WLNL-S	UNION,BULKHEAD,ORFS			

Fitting Cross References (Continued)

Genie PN	Parker PN	Description	Genie PN	Parker PN	Description
64271	4 WLO-WLNL-S	UNION,BULKHEAD,ORFS	75631	801-6	HOSE,3/8 INCH ID
64272	6 WLO-WLNL-S	UNION,BULKHEAD,ORFS	75654	20 F5OLO-S	CONNECTOR,STRAIGHT THREAD TO ORFS
65776	8 F65OL-S	CONNECTOR,STRAIGHT THREAD TO ORFS SWIVEL	75655	1J943-20-20	HOSE END,90° FEMALE SWIVEL,SEAL LOK
65880	6001012	O-RING KIT	75656	881-20	HOSE,1-1/4 INCH ID
66154	6 WTX-WLNS	UNION,BULKHEAD,FLARE TUBE	75971	8 F5OHAO-S	UNION,STRAIGHT THREAD
66155	6 WETX-S	UNION,BULKHEAD 90°,FLARE TUBE	77307	1JB43-8-8	HOSE END,BULKHEAD,SEAL LOK
66156	6 WLN-S	BULKHEAD LOCKNUT	77309	8 WLNL-S	BULKHEAD LOCKNUT
66389	6-8 F5OX-S	CONNECTOR,STRAIGHT THREAD TO FLARE TUBE	77379	8M18C87OMX-S	ELBOW,90° METRIC,STRAIGHT THREAD TO FLARE TUBE
66392	6 R5OX-S	RUN TEE,STRAIGHT THREAD	77703	3J982-8-8	HOSE END,90° FEMALE SWIVEL,SEAL LOK
66396	811-12	HOSE,3/4 INCH ID	77711	801-10	HOSE,5/8 INCH ID
66829	H3174PP	CLAMP,TUBE	77758	12 WNLO-WLNL-S	UNION,BULKHEAD 45°,ORFS
67217	4 KLO-S	UNION,CROSS,ORFS	78091	6 C6X-S	ELBOW,90°,SWIVEL NUT TO FLARE TUBE
67339	10-6 F5OX-S	CONNECTOR,STRAIGHT THREAD TO FLARE TUBE	78684	30582-8-8B	HOSE END,PUSH LOK,MALE
67357	13943-8-6	HOSE END,90° FEMALE SWIVEL,JIC	78852	549-2	HOSE,1/8 INCH ID
67358	10 HP5ON-S	PLUG,STRAIGHT THREAD	78855	10657-4-2	HOSE END,FEMALE SWIVEL,JIC
67371	12 S6LO-S	BRANCH TEE,SWIVEL NUT TO ORFS	79138	PS-B-37	SLEEVE,NYLON,2.38" ID
67498	4 FNL-S	CAP, TUBE END	79476	1JS43-6-8	HOSE END,FEMALE SWIVEL,SEAL LOK
67906	DC-370-F0F0-5	VALVE,CHECK	79847	12-3/4 A0EG-S	ELBOW,90°,STRAIGHT THREAD TO FEMALE PIPE
69316	8 FLO-S	CONNECTOR,MALE PIPE TO ORFS	80044	8 CLO-S	ELBOW,90°,MALE PIPE TO ORFS
69333	H3174PP	CLAMP,HYDRAULIC HOSE	80502	8 F5OX-S	CONNECTOR,STRAIGHT THREAD TO FLARE TUBE
69503	4 F65OX-S	CONNECTOR,STRAIGHT THREAD TO 37° SWIVEL	80503	8 C5OX-S	ELBOW,90°,STRAIGHT THREAD TO FLARE TUBE
69775	8 FNL-S	CAP, TUBE END	81010	AS-B-27	SLEEVE,NYLON,1.63" ID
71038	1/4X1/4F3HG-S	ADAPTER,CONVERSION	83052	821-6	HOSE,3/8 INCH ID
71196	12-8 F5OLO-S	CONNECTOR,STRAIGHT THREAD TO ORFS	83053	821-8	HOSE,1/2 INCH ID
71383	1/4 CD45-S	ELBOW,45°,MALE TO FEMALE PIPE	83054	821-12	HOSE,3/4 INCH ID
72270	12FNL-S	CAP, TUBE END	83055	30682-6-6	HOSE END,FEMALE SWIVEL,JIC
73436	60C-4	SLEEVE,COMPRESSION	83056	30682-12-12	HOSE END,FEMALE SWIVEL,JIC
73437	61C-4	NUT,COMPRESSION	83057	33782-6-6	HOSE END,45° FEMALE SWIVEL,JIC
73438	33482-4-4B	HOSE END,PUSH LOK,MALE	83058	33982-6-6	HOSE END,90° FEMALE SWIVEL,JIC
73767	1CD-S	ELBOW,90°,MALE TO FEMALE PIPE	83060	33982-12-12	HOSE END,90° FEMALE SWIVEL,JIC
73768	20-16-F5OG5-S	ADAPTER,FEMALE PIPE TO STRAIGHT THREAD	83063	13743-4-4	HOSE END,45° FEMALE SWIVEL,JIC
73769	16-20 F5OLO-S	CONNECTOR,STRAIGHT THREAD TO ORFS			
74660	6-8 F42EDMLO-S	CONNECTOR,MALE BSPP TO ORFS			
74661	8-8 F42EDMLO-S	CONNECTOR,MALE BSPP TO ORFS			
75007	4 FLO-S	CONNECTOR,MALE PIPE TO ORFS			
75008	1/8 HP-S	PLUG,PIPE THREAD			
75014	1/2 HP-S	PLUG,PIPE THREAD			
75042	8 WELO-WLNL-S	UNION,90° BULKHEAD W/NUT,ORFS			
75043	3/4 FF-S	NIPPLE,PIPE			
75254	24 F5OHAO-S	UNION,STRAIGHT THREAD			
75255	12 F5OHAO-S	UNION,STRAIGHT THREAD			
75256	XV506P-24	BALL VALVE			
75574	4 WLNL-S	BULKHEAD LOCKNUT			
75612	8 WJLO-WLNL-S	RUN TEE, BULKHEAD,ORFS			
75613	12-8 F5OG5-S	ADAPTER,FEMALE PIPE TO STRAIGHT THREAD			
75614	8 CC5OLO-S	ELBOW,90° LONG,STRAIGHT THREAD TO ORFS			
75628	1JB43-4-4	HOSE END,BULKHEAD,SEAL LOK			

Fitting Cross References (Continued)

Genie PN	Parker PN	Description	Genie PN	Parker PN	Description
83064	13743-8-8	HOSE END,45° FEMALE SWIVEL,JIC	89449	6 WJLO-WLNL-S	RUN TEE, BULKHEAD,ORFS
83065	13743-12-12	HOSE END,45° FEMALE SWIVEL,JIC	89489	4 WJMLO-S	BRANCH TEE,BULKHEAD,ORFS
83066	13943-8-8	HOSE END,90° FEMALE SWIVEL,JIC	89551	1JB43-6-6	HOSE END,BULKHEAD,SEAL LOK
83067	14143-6-6	HOSE END,90° FEMALE SWIVEL,JIC	89552	1JB43-8-8	HOSE END,BULKHEAD,SEAL LOK
83068	14143-8-8	HOSE END,90° FEMALE SWIVEL,JIC	89593	20 C5OLO-S	ELBOW,90°,STRAIGHT THREAD TO ORFS
83069	14143-12-12	HOSE END,90° FEMALE SWIVEL,JIC	94161	8-8 CLO-S	ELBOW,90°,MALE PIPE TO ORFS
83070	772-8	HOSE,1/2 INCH ID	94358	351TC-12	HOSE,3/4 INCH ID
83071	10671-8-8	HOSE END,FEMALE SWIVEL,JIC	94418	20 FLO-S	CONNECTOR,MALE PIPE TO ORFS
83072	10671-12-12	HOSE END,FEMALE SWIVEL,JIC	96358	12 TX-S	SLEEVE,FLARE TUBE
83073	13771-8-8	HOSE END,45° FEMALE SWIVEL,JIC	96359	12 BTX-S	NUT,FLARE TUBE
83074	13771-12-12	HOSE END,45° FEMALE SWIVEL,JIC	96397	8 F5OX-S	CONNECTOR,STRAIGHT THREAD TO FLARE TUBE
83075	13971-8-8	HOSE END,90° FEMALE SWIVEL,JIC	96398	12-8 F5OX-S	CONNECTOR,STRAIGHT THREAD TO FLARE TUBE
83076	13971-12-12	HOSE END,90° FEMALE SWIVEL,JIC	96402	10343-6-6	HOSE END,MALE,JIC
83077	14171-8-8	HOSE END,90° FEMALE SWIVEL,JIC	96407	30382-6-6B	HOSE END,MALE,JIC
83078	14171-12-12	HOSE END,90° FEMALE SWIVEL,JIC			
83080	13943-16-16	HOSE END,90° FEMALE SWIVEL,JIC			
83103	10671-16-12	HOSE END,FEMALE SWIVEL,JIC			
83104	10671-10-12	HOSE END,FEMALE SWIVEL,JIC			
83112	1JC71-8-8	HOSE END,FEMALE SWIVEL,SEAL LOK			
83113	1JS71-16-12	HOSE END,FEMALE SWIVEL,SEAL LOK			
83114	1JS71-10-12	HOSE END,FEMALE SWIVEL,SEAL LOK			
83115	1J971-8-8	HOSE END,90° FEMALE SWIVEL,SEAL LOK			
83116	1J171-8-8	HOSE END,90° FEMALE SWIVEL,SEAL LOK			
83117	1J771-8-8	HOSE END,45° FEMALE SWIVEL,SEAL LOK			
83127	1J543-6-8	HOSE END,90° FEMALE SWIVEL,JIC			
83128	1JC43-6-8	HOSE END,FEMALE SWIVEL,SEAL LOK			
87033	12-6 TRLO-S	REDUCER,TUBE END TO SWIVEL,ORFS			
87034	3J782-8-8	HOSE END,45° FEMALE SWIVEL,SEAL LOK			
87172	12 HP5ON-S	PLUG,STRAIGHT THREAD			
87185	8 WNLO-WLNL-S	UNION,BULKHEAD 45°,ORFS			
87246	4 C6X-S	ELBOW,90°,SWIVEL NUT TO FLARE TUBE			
87679	6 LHP-S	FLANGE SEAL FITTING, MALE			
87681	6PLS N0702	BONDED SEAL			
88100	SR88100	ADAPTER,OIL DRAIN,GM 3.0L			
88311	1JS43-20-20	HOSE END,FEMALE SWIVEL,SEAL LOK			
88353	20 V5OLO-S	ELBOW,45°,STRAIGHT THREAD TO ORFS			
88474	10081-20	Crimp Shell, 1.25"			
88475	1988-20-24	HOSE END,90° FLANGE HEAD			
88476	JS88-24-24	HOSE END,FEMALE SWIVEL,SEAL LOK			
88477	1JC88-20-20	HOSE END,FEMALE SWIVEL,SEAL LOK			
88478	811-20	HOSE,11/4 INCH ID			
88936	20-16 F5OLO-S	CONNECTOR,STRAIGHT THREAD TO ORFS			
88937	20-16 FLO-S	CONNECTOR,MALE PIPE TO ORFS			
88938	1JC88-16-16	HOSE END,FEMALE SWIVEL,SEAL LOK			
88939	1J988-16-16	HOSE END,90° FEMALE SWIVEL,ORFS			
88940	811-16	HOSE,1 INCH ID			
88944	1J988-20-20	HOSE END,90° FEMALE SWIVEL,ORFS			
89403	16 VLO-S	ELBOW,45°,MALE PIPE TO ORFS			

California Proposition 65



Operating, servicing and maintaining this equipment can expose you to chemicals including engine exhaust, carbon monoxide, phthalates, and lead, which are known to the State of California to cause cancer and birth defects or other reproductive harm. These chemicals can be emitted from or contained in other various parts and systems, fluids and some component wear by-products. To minimize exposure, avoid breathing exhaust, do not idle the engine except as necessary, service your equipment and vehicle in a well-ventilated area and wear gloves or wash your hands frequently when servicing your equipment or vehicle and after operation. For more information go to www.P65Warnings.ca.gov/passenger-vehicle.

Breathing diesel engine exhaust exposes you to chemicals known to the State of California to cause cancer and birth defects or other reproductive harm.

- Always start and operate the engine in a well-ventilated area.
- If in an enclosed area, vent the exhaust to the outside.
- Do not modify or tamper with the exhaust system.
- Do not idle the engine except as necessary.

For more information go to www.P65warnings.ca.gov/diesel.

Distributed By:

to order your parts

PARTS FINDER

**Search Website
by Part Number**



**Search Manual
Library For Parts
Manual & Lookup Part
Numbers – Purchase
or Request Quote**

Search Manuals

Enter your information to search for a manual or to purchase a manual or parts.

* Brand:

* Model:

* Serial:

* Part Number:

SEARCH

**Can't Find Part or
Manual? Request Help
by Manufacturer,
Model & Description**

Parts Order Form

Please fill in the information below to request help finding a part or manual.

Manufacturer:	<input type="text"/>
Model:	<input type="text"/>
Description:	<input type="text"/>
Part Number:	<input type="text"/>
Quantity:	<input type="text"/>
Notes:	<input type="text"/>
Submit:	<input type="button" value="Submit"/>

Discount-Equipment.com is your online resource for quality parts & equipment.

Florida: **561-964-4949** Outside Florida TOLL FREE: **877-690-3101**

Need parts?

Click on this link: <http://www.discount-equipment.com/category/5443-parts/> and choose one of the options to help get the right parts and equipment you are looking for. Please have the machine model and serial number available in order to help us get you the correct parts. If you don't find the part on the website or on one of the online manuals, please fill out the request form and one of our experienced staff members will get back to you with a quote for the right part that your machine needs.

We sell worldwide for the brands: Genie, Terex, JLG, MultiQuip, Mikasa, Essick, Whiteman, Mayco, Toro Stone, Diamond Products, Generac Magnum, Airman, Haulotte, Barreto, Power Blanket, Nifty Lift, Atlas Copco, Chicago Pneumatic, Allmand, Miller Curber, Skyjack, Lull, Skytrak, Tsurumi, Husquvarna Target, Stow, Wacker, Sakai, Mi-T-M, Sullair, Basic, Dynapac, MBW, Weber, Bartell, Bennar Newman, Haulotte, Ditch Runner, Menegotti, Morrison, Contec, Buddy, Crown, Edco, Wyco, Bomag, Laymor, EZ Trench, Bil-Jax, F.S. Curtis, Gehl Pavers, Heli, Honda, ICS/PowerGrit, IHI, Partner, Imer, Clipper, MMD, Koshin, Rice, CH&E, General Equipment, Amida, Coleman, NAC, Gradall, Square Shooter, Kent, Stanley, Tamco, Toku, Hatz, Kohler, Robin, Wisconsin, Northrock, Oztec, Toker TK, Rol-Air, APT, Wylie, Ingersoll Rand / Doosan, Innovatech, Con X, Ammann, Mecalac, Makinex, Smith Surface Prep, Small Line, Wanco, Yanmar