



A TEREX BRAND



Parts Manual

Serial Number Range

Z-34/22 IC

from SN Z34F-12000

Part No. 1283959GT
Rev: B
August 2020

Go to Discount-Equipment.com to order your parts

PARTS FINDER

**Search Website
by Part Number**



**Search Manual
Library For Parts
Manual & Lookup Part
Numbers – Purchase
or Request Quote**

Search Manuals

Enter your information to help us find the right parts manual for your machine.

* Brand:

* Model:

* Serial:

* Part Number:

SEARCH

**Can't Find Part or
Manual? Request Help
by Manufacturer,
Model & Description**

Parts Order Form

Please fill in the following information to help us find the right part for your machine.

Manufacturer:	<input type="text"/>
Model:	<input type="text"/>
Description:	<input type="text"/>
Part Number:	<input type="text"/>
Quantity:	<input type="text"/>
Notes:	<input type="text"/>

Submit

Discount-Equipment.com is your online resource for quality parts & equipment.

Florida: **561-964-4949** Outside Florida TOLL FREE: **877-690-3101**

Need parts?

Click on this link: <http://www.discount-equipment.com/category/5443-parts/> and choose one of the options to help get the right parts and equipment you are looking for. Please have the machine model and serial number available in order to help us get you the correct parts. If you don't find the part on the website or on one of the online manuals, please fill out the request form and one of our experienced staff members will get back to you with a quote for the right part that your machine needs.

We sell worldwide for the brands: Genie, Terex, JLG, MultiQuip, Mikasa, Essick, Whiteman, Mayco, Toro Stone, Diamond Products, Generac Magnum, Airman, Haulotte, Barreto, Power Blanket, Nifty Lift, Atlas Copco, Chicago Pneumatic, Allmand, Miller Curber, Skyjack, Lull, Skytrak, Tsurumi, Husquvarna Target, Stow, Wacker, Sakai, Mi-T-M, Sullair, Basic, Dynapac, MBW, Weber, Bartell, Bennar Newman, Haulotte, Ditch Runner, Menegotti, Morrison, Contec, Buddy, Crown, Edco, Wyco, Bomag, Laymor, EZ Trench, Bil-Jax, F.S. Curtis, Gehl Pavers, Heli, Honda, ICS/PowerGrit, IHI, Partner, Imer, Clipper, MMD, Koshin, Rice, CH&E, General Equipment, Amida, Coleman, NAC, Gradall, Square Shooter, Kent, Stanley, Tamco, Toku, Hatz, Kohler, Robin, Wisconsin, Northrock, Oztec, Toker TK, Rol-Air, APT, Wylie, Ingersoll Rand / Doosan, Innovatech, Con X, Ammann, Mecalac, Makinex, Smith Surface Prep, Small Line, Wanco, Yanmar

Genie®

A TEREX BRAND

Model:

Serial number: Z34F-12345

Year of manufacture: 2017

Electrical schematic number:

Machine unladen weight:

Rated work load (including occupants):

Maximum number of platform occupants:

Maximum allowable side force:

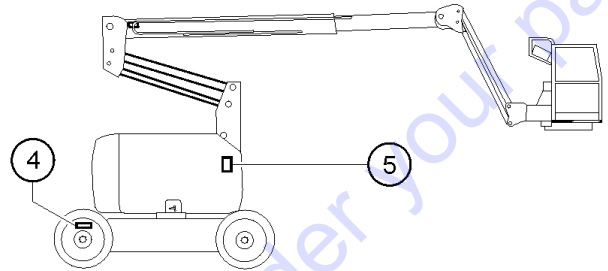
Maximum allowable inclination of the chassis:

Z34 F - 12345

1

2

3



1 Model

2 Facility code

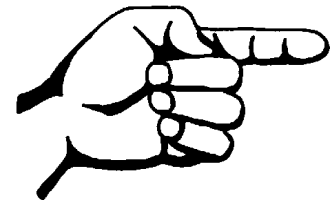
3 Sequence number

4 Serial number (stamped on chassis)

5 Serial label (located under cover)

Go to Discount-Equipment.com to order your parts

Please refer to section 001 for the Recommended Spare Parts List.



This page intentionally left blank.

Go to Discount-Equipment.com to order your parts

Description	Page
001 Parts Stocking List	10
001.1 Parts Stocking List	10
100 Decals	14
101.1 Word Decals, ANSI & AUS, Chassis (to SN Z34F-14000)	14
102.1 Word Decals, ANSI & AUS, Turntable (to SN Z34F-14000)	16
103.1 Word Decals, ANSI & AUS, Boom (to SN Z34F-14000)	18
104.1 Word Decals, ANSI & AUS, Platform (to SN Z34F-14000)	20
105.1 Symbol Decals, ANSI & CE, Chassis (to SN Z34F-14000)	22
106.1 Symbol Decals, ANSI & CE, Turntable (to SN Z34F-14000)	24
107.1 Symbol Decals, ANSI & CE, Boom (to SN Z34F-14000)	26
108.1 Symbol Decals, ANSI & CE, Platform (to SN Z34F-14000)	28
109.1 Word Decals, ANSI & AUS, Chassis (from SN Z34F-14001)	30
110.1 Word Decals, ANSI & AUS, Turntable (from SN Z34F-14001)	32
111.1 Word Decals, ANSI & AUS, Boom (from SN Z34F-14001)	36
112.1 Word Decals, ANSI & AUS, Platform (from SN Z34F-14001)	38
113.1 Symbol Decals, ANSI & CE, Chassis (from SN Z34F-14001)	40
114.1 Symbol Decals, ANSI & CE, Turntable (from SN Z34F-14001)	42
115.1 Symbol Decals, ANSI & CE, Boom (From SN Z34F-14001)	44
116.1 Symbol Decals, ANSI & CE, Platform (from SN Z34F-14001)	46
200 Drive Chassis Components.....	48
201.1 Steer End (2WD)	48
202.1 Steer End (4WD)	52
203.1 Non-Steer End (2WD)	56
204.1 Non-Steer End (4WD)	62
300 Turntable Components.....	66
301.1 Turntable Rotator	66
302.1 Ground Control Side, View 1 (to SN Z34F-12363)	70
302.2 Ground Control Side, View 1 (from SN Z34F-12364)	74
303.1 Ground Control Side, View 2	78
304.1 Ground Control Box, External View	80
305.1 Ground Control Box, Internal View	84
306.1 Turntable Covers	88
307.1 Wire Harness Diagram	90
400 Engine Components	96
401.1 Kubota D-1105 (diesel), View 1	96
402.1 Kubota D-1105 (diesel), View 2	102
403.1 Kubota D-1105 (diesel), View 3	106

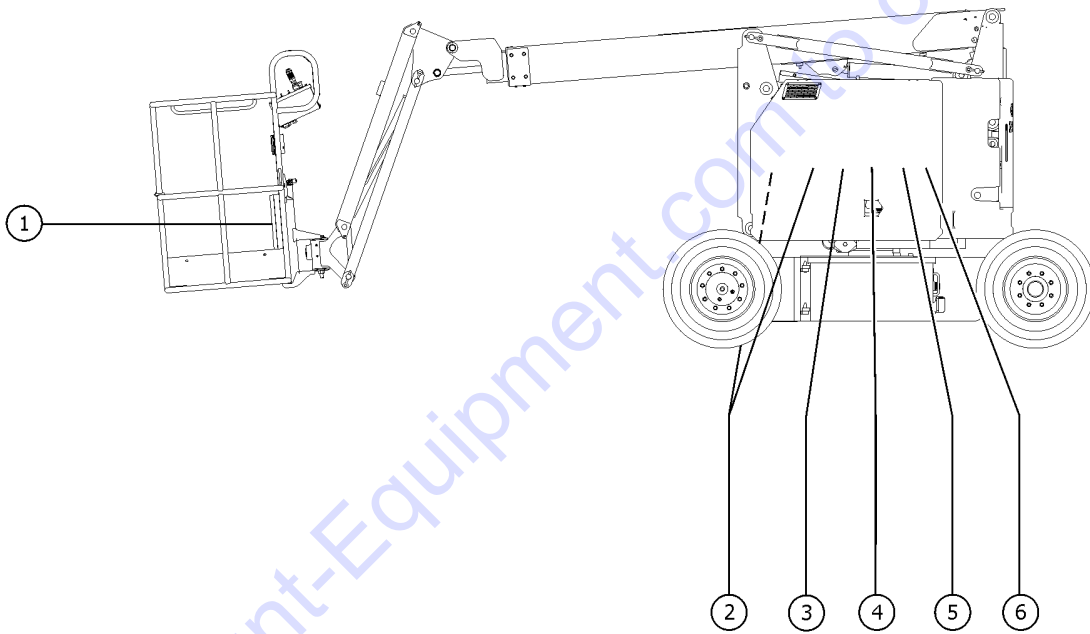
Table of Contents

Description	Page
404.1 Kubota D-1105 (diesel), View 4	110
405.1 Kubota D-1105 (diesel), View 5	114
406.1 GM .998L, View 1	118
407.1 GM .998L, View 2	122
408.1 GM .998L, View 3	126
409.1 GM .998L, View 4	130
410.1 GM .998L, View 5	134
500 Boom Components	142
501.1 Boom Layout	142
502.1 Secondary Boom, View 1	144
503.1 Secondary Boom, View 2	148
504.1 Upper Pivot	150
505.1 Primary and Extension Booms	152
506.1 Cable Track	156
507.1 Jib Boom and Platform Rotator	158
600 Platform Components	162
601.1 Platform	162
601.2 Platform with Swing Gate (from SN Z34F-13116)	168
602.1 Platform Control Box, External View	170
603.1 Platform Control Box, Internal View	174
604.1 Joystick Controller, Drive/Steer Functions	178
605.1 Rotation Controller, Boom Function Speed	180
700 Hydraulic Components	182
701.1 Traction and Brake/2-speed Manifolds, 2WD	182
702.1 Traction and Brake/2-speed Manifolds, 4WD	184
703.1 Function Manifold	188
704.1 Jib Boom and Platform Rotate Manifold	190
705.1 Drive Chassis and Turntable Hoses, 2WD, View 1	192
706.1 Drive Chassis and Turntable Hoses, 2WD, View 2	194
707.1 Drive Chassis and Turntable, 4WD Hoses, View 1	196
708.1 Drive Chassis and Turntable, 4WD Hoses, View 2	198
709.1 Fuel Hoses	200
710.1 Boom Hoses and Fittings	202
800 Accessories	206
801.1 Air Line to Platform	206
802.1 Aircraft Protection	208
803.1 Auxiliary Rail Assembly	212
804.1 Flashing Beacon and Alarm	214

Description	Page
805.1 Hostile Environment, Wiper	216
806.1 Hostile Environment, Cylinder Bellows	218
807.1 Cold Start	220
808.1 Drive Light	222
809.1 Inverter, 120V	224
810.1 Platform Control Box Cover, Tool Tray and Work Light	226
811.1 Platform Half Mesh, Swing Gate and Pipe Cradle (to SN Z34F-13115)	228
811.2 Platform Half Mesh, Swing Gate and Pipe Cradle (from SN Z34F-13116)	230
812.1 Platform Overload, CE and AUS	232
813.1 Lift Guard Contact Alarm	234
814.1 2000 Watt Generator	238
815.1 2000W Generator, Hoses and Fittings	240
816.1 Telematics Option	242
Part Number Index	244

Go to Discount-Equipment.com to order your parts

001.1 Parts Stocking List

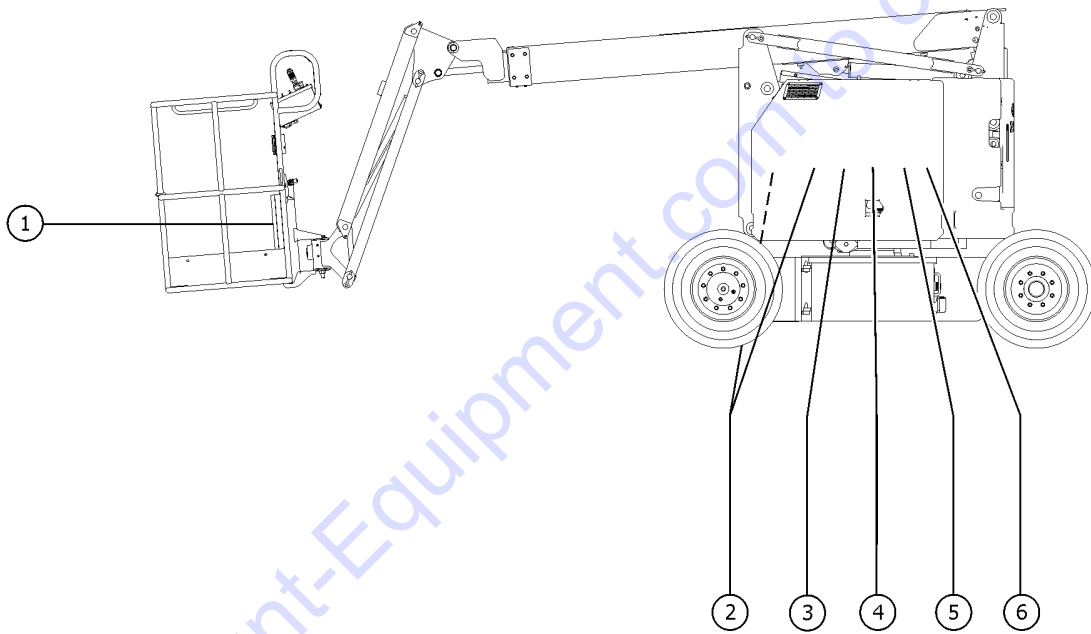


Go to Discount-Equipment.com to order your parts

Item	Part No.	Description	Qty.
A		— GENERAL SERVICE PARTS —	
A-	1484GT	PAINT,AEROSOL,BRIGHT BLUE*** 12-ounce spray paint	
A-	1268GT	PAINT,AEROSOL,GENIE GRAY*** 12-ounce spray paint	
A-	1258567GT	PAINT, AEROSOL, TRAFFIC BLACK 12-ounce spray paint	
A-	32150GT	PAINT,WET,GENIE BLUE (1 GL)** 1-gallon	
A-	32151GT	PAINT,WET,GENIE GRAY (1 GL)** 1-gallon	
A-	1257733GT	PAINT,WET,TRAFFIC BLACK (1 GL)** 1-gallon	
A-	66399GT	GREASE,DIELECTRIC 4 OZ**	
A-	1283776GT	SEAL MARKER,CROSS CHECK,BLUE,TUBE	
A-	93500GT	PARKER DIGITAL PRESSURE GAUGE	
A-	49612GT	O-RING KIT (ORFS FITTINGS) O-ring kit, ORFS	
A-	49613GT	PLUG AND CAP KIT-SERVICE,ORFS* Plug and cap kit, ORFS	
A-	28750GT	O-RING KIT,FIELD SVC,ALL PROD* O-ring kit, SAE	
A-	33994GT	PLUG AND CAP KIT-SERVICE,37 ** Plug and cap kit, SAE	
A-	36555GT	CHOCK,CYLINDER (SERVICE TOOL)	
1		— MANUALS —	
1-	27581GT	MANUAL,AEM SAFETY	
1-	31779GT	MANUAL,RESPON,A92.5 BOOM	
2		— HYD FILTERS —	
2-	44207GT	FILTER ELEMENT,BETA(10)=200 return filter	
2-	60857GT	FILTER,ELEMENT,BETA(5)=1000 for 77139 (which is no longer available) to SN Z3416F-10950, please verify filter assembly before ordering	
2-	1268229GT	ELEMENT-5 MIC, PAPER, W/BYPASS for 1267807, from SN Z3416F-10951, please verify filter assembly before ordering	
3		— KUBOTA WG972 MODELS —	
3-	52816GT	BELT,FAN,KUBOTA DF972/Z482-E	
3-	866400GT	KUBOTA OIL FILTER	



001.1 Parts Stocking List

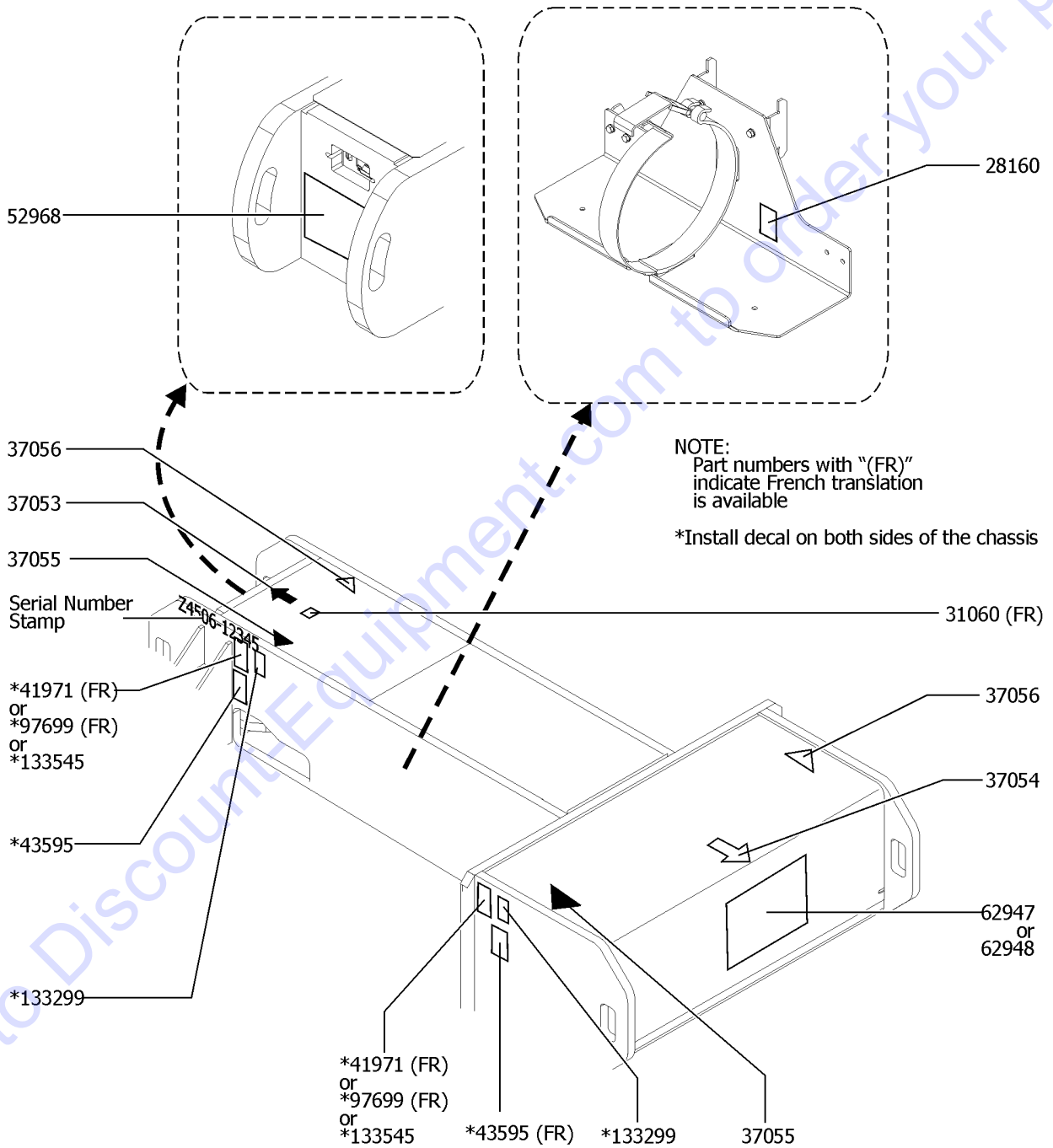


Item	Part No.	Description	Qty.
3-	866127GT	ELEMENT,AIR CLEANER,KUBOTA	
4		— KUBOTA D1105 MODELS —	
4-	42767GT	SEPARATOR/FILTER ELEMENT,FUEL*	
4-	866050GT	FILTER,OIL,KUBOTA	
4-	32196GT	BELT,V, KUBOTA D905	
4-	31745GT	FILTER,AIR,D905	
5		— GM .998L MODELS—	
5-	52867GT	FILTER,AIR***	
5-	1272828GT	OIL FILTER, GM .998L	
5-	1272829GT	SPARK PLUG, GM .998L	
5-	1271652GT	FILTER, FUEL, GM3.0L	

Go to Discount-Equipment.com to order your parts



101.1 Word Decals, ANSI & AUS, Chassis (to SN Z34F-14000)



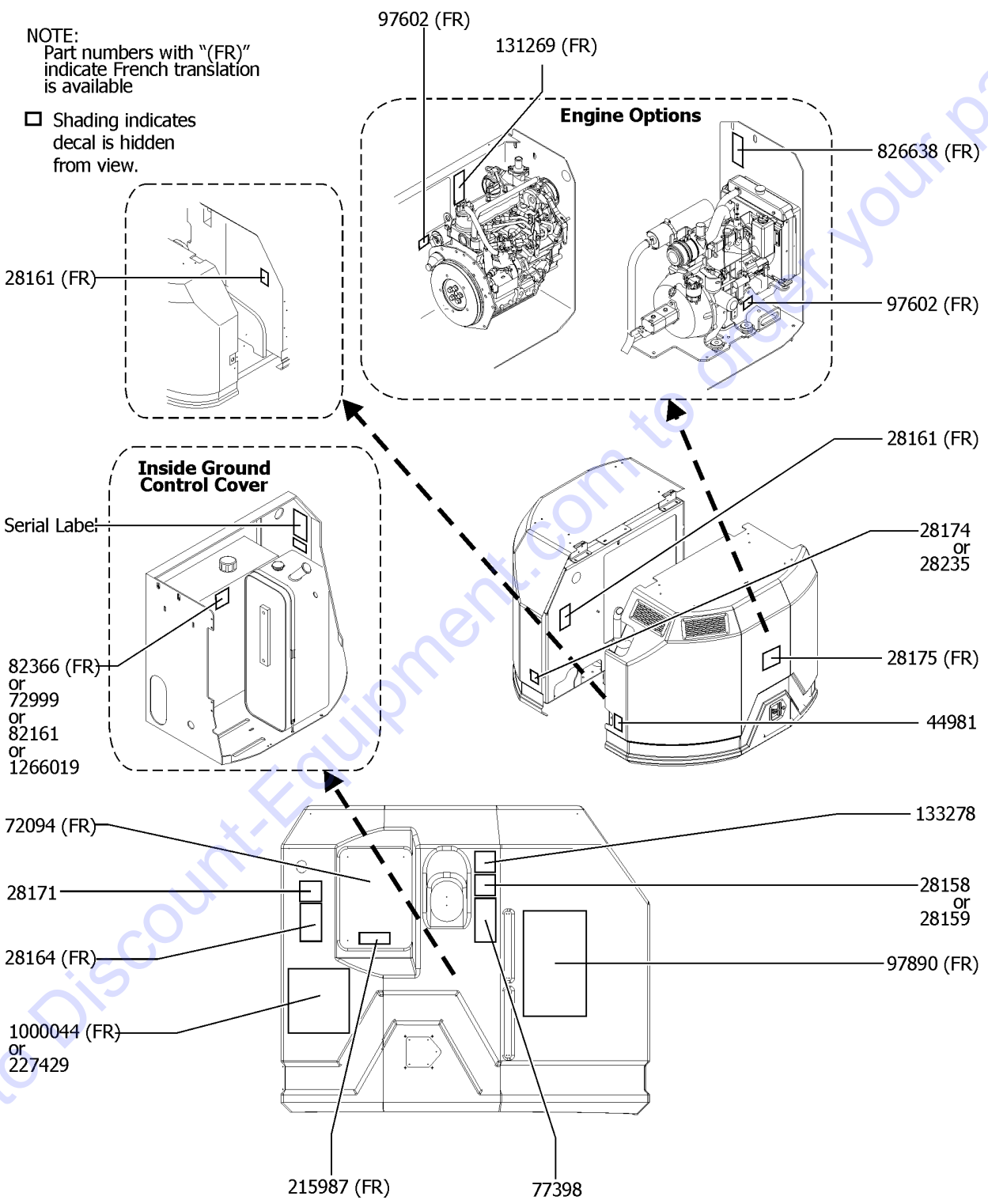
101.1 Word Decals, ANSI & AUS, Chassis (to SN Z34F-14000)

Item	Part No.	Description	Qty.
-	1303699GT	INSTRUCTIONS,INSTALL,COMP,WORD, Z-34 IC	1
-	1303700GT	DECAL KIT, Z-34 IC,COMP,WORD,ANSI & AUS	1
1	28160GT	DECAL,LABEL,LIQUID PROPANE	1
2	31060GT	DECAL,DANGER DO NOT ALTER SWTC	1
3	37053GT	DECAL,ARROW,BLUE	1
4	37054GT	DECAL,ARROW,YELLOW SM 5-3/8"	1
5	37055GT	DECAL,TRIANGLE,BLUE	2
6	37056GT	DECAL,TRIANGLE,YELLOW	2
7	41971GT	DECAL,NOTICE,TIRE SPEC,34BI/IC	4
		ANSI	
8	43595GT	DECAL,DANGER,TIP-OVER,TIRES***	4
		AUS	
9	52968GT	DECAL,COSMETIC,GENIE BOOM,VERT	1
10	62947GT	DECAL,COSMETIC,IC POWER 4 X 2	1
		option, 2WD	
11	62948GT	DECAL,COSMETIC,IC POWER 4 X 4	1
		option, 4WD	
12	97699GT	DECAL,NOTICE,HI FLOAT TIRES	4
		ANSI	
13	133299GT	DECAL,LABEL,WHEEL LOAD Z34IC**	4
14	133545GT	DECAL,NOTICE, TIRE SPEC, FF	4
		AUS	

Go to Discount-Equipment.com to order your parts



102.1 Word Decals, ANSI & AUS, Turntable (to SN Z34F-14000)

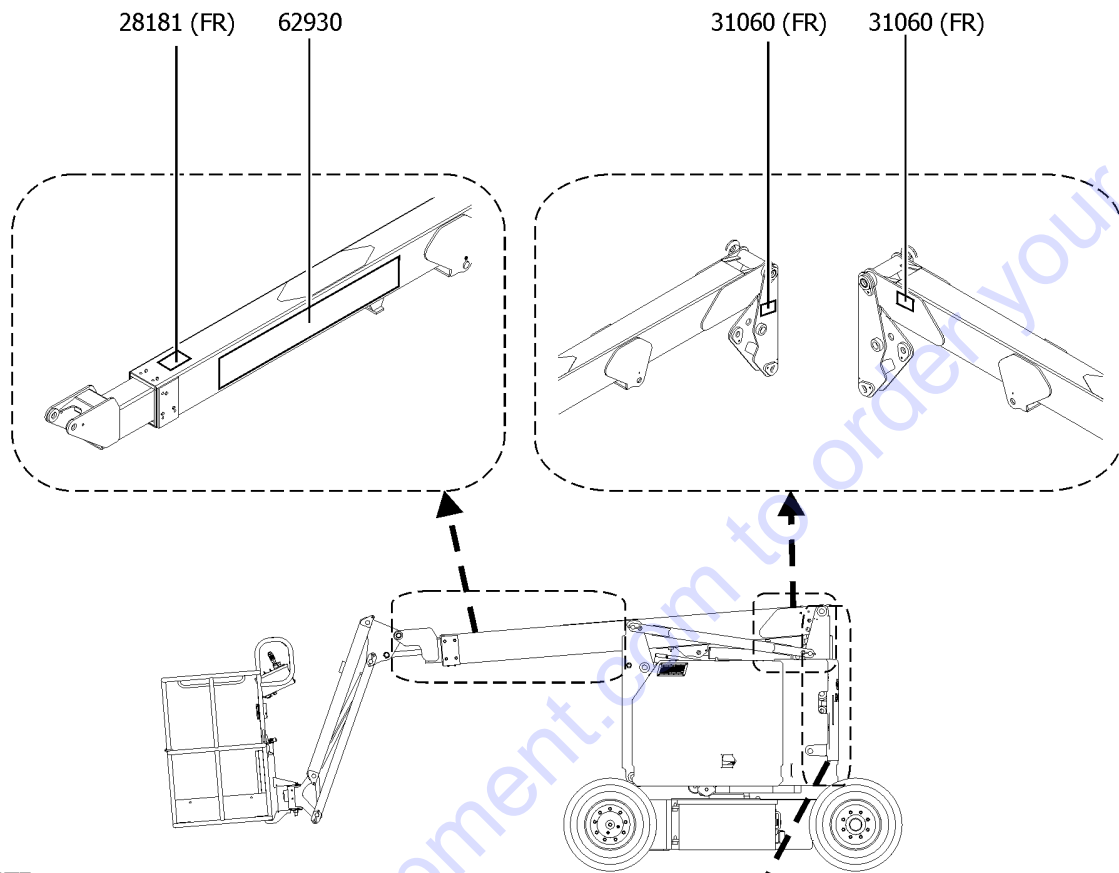


102.1 Word Decals, ANSI & AUS, Turntable (to SN Z34F-14000)

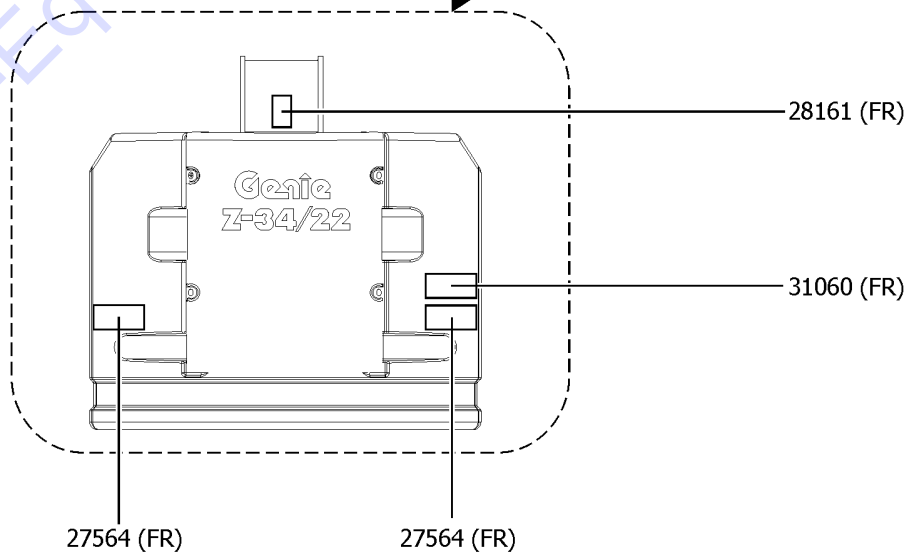
Item	Part No.	Description	Qty.
1	28158GT	DECAL,LABEL,UNLEADED GAS ONLY option, fuel	1
2	28159GT	DECAL,DIESEL option, fuel	1
3	28161GT	DECAL,WARN,CRUSH HAZARD HAND	2
4	28164GT	DECAL,NOTICE,HAZARDOUS MAT'LS*	1
5	28171GT	DECAL,DANGER,NO SMOKING ***	1
6	28174GT	DECAL,POWER TO PLATFORM 230V	1
7	28175GT	DECAL,WARNING-COMPART ACCESS	1
8	28235GT	DECAL,POWER TO PLATFORM 115V	1
9	44981GT	DECAL,LABEL,AIRLINE 110 PSI option, airline to platform	1
10	72094GT	DECAL,GROUND CONTROL PANEL	1
11	72999GT	DECAL,LABEL,PETRO CANADA*** option, hydraulic oil	1
12	77398GT	DECAL,TIRE SEALANT,3.25 X 7.5 option, tire sealant	1
13	82161GT	DECAL,LABEL,UCON HYDROLUBE option, hydraulic oil	1
14	82366GT	DECAL,CHEVRON RANDO HD option, hydraulic oil	1
15	97602GT	DECAL,EXPLOSION HAZARD diesel engines only	1
16	97890GT	DECAL,DANGER,GEN SAFETY RULES	1
17	131269GT	DECAL,KUBOTA D1105,SPECS diesel models	1
18	133278GT	DECAL,LOW/ULTRA LOW SULFR FUEL diesel models	1
19	215987GT	DECAL,RELAY LABEL,Z34IC	1
20	227429GT	DECAL,OPERATING INSTRUCTIONS AUS models	1
21	826638GT	DECAL,ENGINE SPEC,PERKINS 403D/F	1
22	1000044GT	DECAL,NOTICE,OPER INST.Z34IC ANSI models	1
23	1266019GT	DECAL, LABEL, SHELL TELLUS option, cold weather	1



103.1 Word Decals, ANSI & AUS, Boom (to SN Z34F-14000)



NOTE:
Part numbers with "(FR)"
indicates French translation
is available



Go to Discount-Equipment.com to order your parts

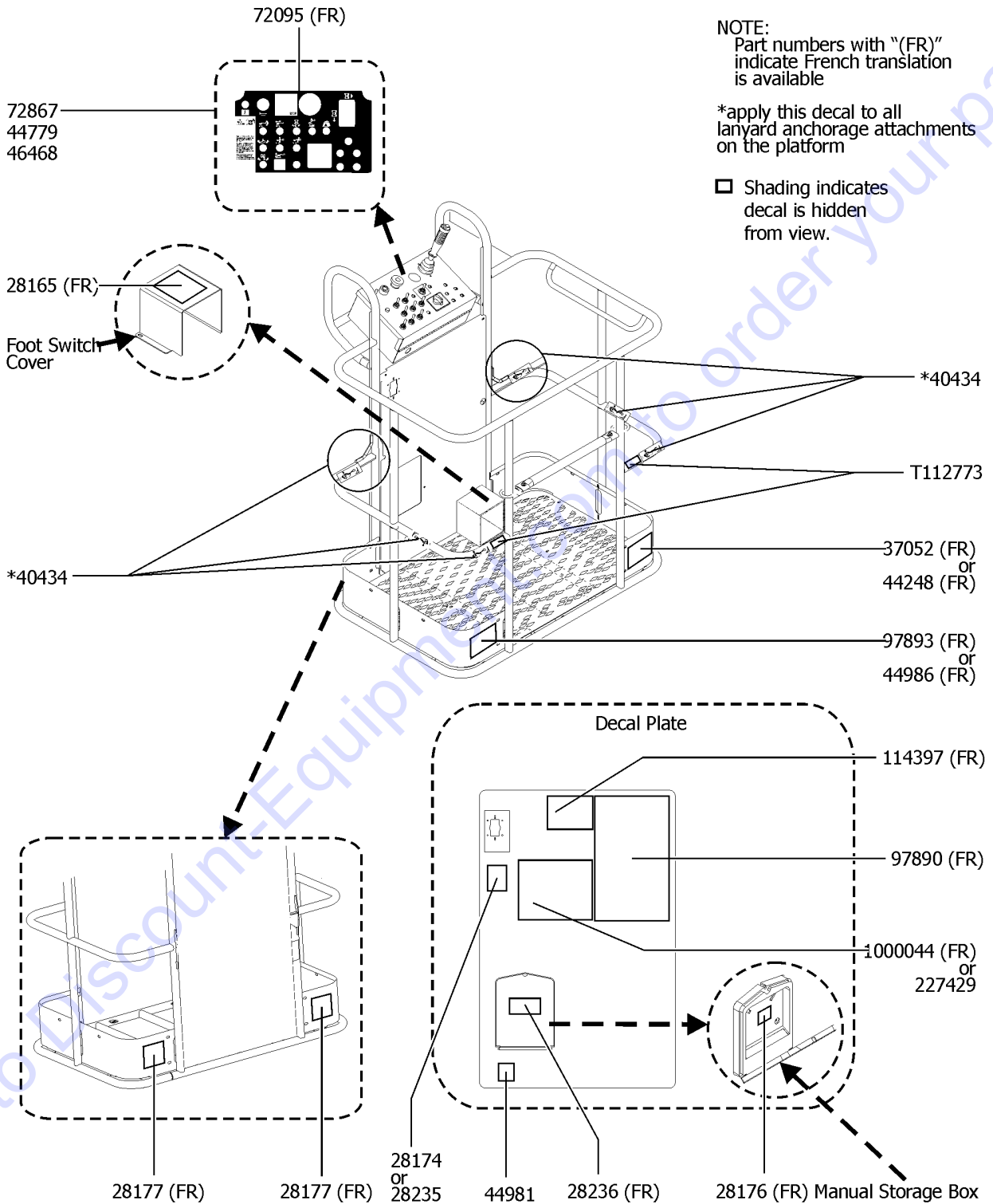
103.1 Word Decals, ANSI & AUS, Boom (to SN Z34F-14000)

<i>Item</i>	<i>Part No.</i>	<i>Description</i>	<i>Qty.</i>
1	27564GT	DECAL,DANGER,ELEC.HAZ.STAY CLR	2
2	28161GT	DECAL,WARN,CRUSH HAZARD HAND	1
3	28181GT	DECAL,WARN,FALL HAZARD	1
4	31060GT	DECAL,DANGER DO NOT ALTER SWTC	3
5	62930GT	DECAL,COSMETIC,GENIE Z-34/22	1

Go to Discount-Equipment.com to order your parts



104.1 Word Decals, ANSI & AUS, Platform (to SN Z34F-14000)



NOTE:
Part numbers with "(FR)"
indicate French translation
is available

*apply this decal to all
lanyard anchorage attachments
on the platform

☐ Shading indicates
decal is hidden
from view.

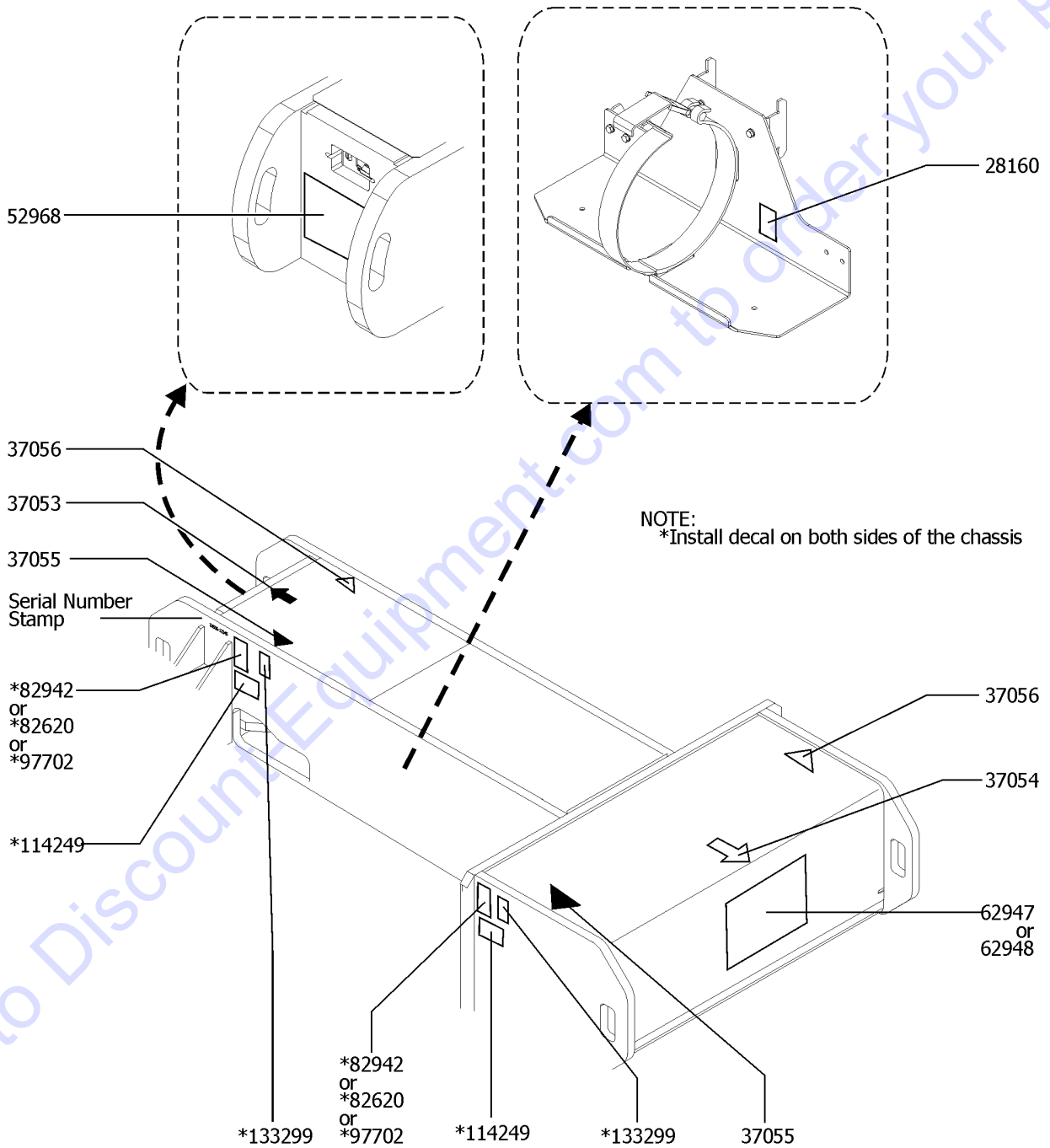
Go to Discount-Equipment.com to order your parts

104.1 Word Decals, ANSI & AUS, Platform (to SN Z34F-14000)

Item	Part No.	Description	Qty.
-	1303701GT	INSTRUCTIONS,INSTALL,PLAT,WORD, Z-34 IC	1
-	1303702GT	DECAL KIT, Z-34 IC,PLAT,WORD,ANSI & AUS	1
1	28165GT	DECAL,INSTRUCT,FOOTSWITCH OPER	1
2	28174GT	DECAL,POWER TO PLATFORM 230V	1
3	28176GT	DECAL,LABEL,MANUAL NOT HERE	1
4	28177GT	DECAL,WARN,CRUSH HAZARD PLAT	2
5	28235GT	DECAL,POWER TO PLATFORM 115V	1
6	28236GT	DECAL,WARN,IMPROPER OPERATION	1
7	37052GT	DECAL,NOTICE,MAX LOAD 500 LBS	1
8	40434GT	DECAL,LANYARD ANCHORAGE POINT	6
9	44248GT	DECAL,NOTICE,MAX CAP 440 LBS option, aircraft protection	1
10	44779GT	DECAL,GENERATOR OPTION option, generator	1
11	44981GT	DECAL,LABEL,AIRLINE 110 PSI option, airline to platform	1
12	44986GT	DECAL,INSTR,SIDE FRC/WIND,AUS AUS models	1
13	46468GT	DECAL,FUNCTION OVERRIDE option, aircraft protection	1
14	72095GT	DECAL,PLATFORM CONTROL PANEL	1
15	72867GT	DECAL,LABEL,LIGHTS*** option, work lights	1
16	97890GT	DECAL,DANGER,GEN SAFETY RULES	1
17	97893GT	DECAL,NOTICE,SIDE FRC/WINDANSI ANSI models	1
18	114397GT	DECAL,DANGER,TILT ALARM	1
19	227429GT	DECAL,OPERATING INSTRUCTIONS AUS models	1
20	1000044GT	DECAL,NOTICE,OPER INST.Z34IC ANSI models	1
21	T112773GT	TAPE, PROTECTIVE MASK	2



105.1 Symbol Decals, ANSI & CE, Chassis (to SN Z34F-14000)



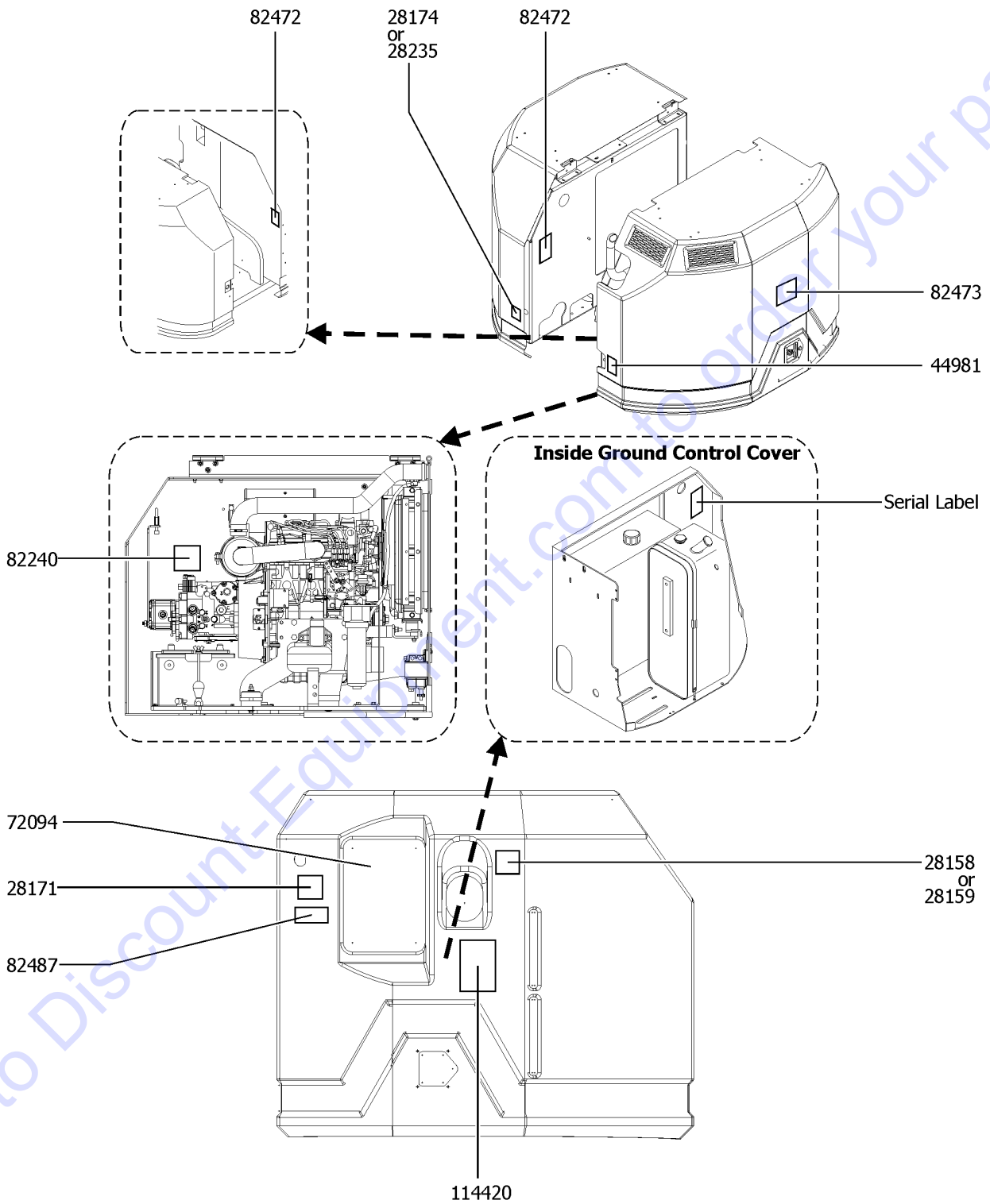
105.1 Symbol Decals, ANSI & CE, Chassis (to SN Z34F-14000)

Item	Part No.	Description	Qty.
-	1303703GT	INSTRUCTIONS,INSTALL,COMP,SYMBOL, Z-34 IC	1
-	1303704GT	DECAL KIT, Z-34 IC,COMP,SYMBOL,ANSI & CE	1
1	28160GT	DECAL,LABEL,LIQUID PROPANE	1
2	37053GT	DECAL,ARROW,BLUE	1
3	37054GT	DECAL,ARROW,YELLOW SM 5-3/8"	1
4	37055GT	DECAL,TRIANGLE,BLUE	2
5	37056GT	DECAL,TRIANGLE,YELLOW	2
6	52968GT	DECAL,COSMETIC,GENIE BOOM,VERT	1
7	62947GT	DECAL,COSMETIC,IC POWER 4 X 2	1
		option, drive	
8	62948GT	DECAL,COSMETIC,IC POWER 4 X 4	1
		option, drive	
9	82620GT	DECAL,LABEL,TIRE PRESS,Z-34RT	4
		ANSI only	
10	82942GT	DECAL,LABEL,TIRE PRESS,Z-34/22	4
		ANSI only	
11	97702GT	DECAL,HIFLOT TIRE PRESS,Z34IC	4
		ANSI only	
12	114249GT	DECAL,LABEL,TIPOVER,TIRES,SYMB	4
		CE only	
13	133299GT	DECAL,LABEL,WHEEL LOAD Z34IC**	4

Go to Discount-Equipment.com to order your parts



106.1 Symbol Decals, ANSI & CE, Turntable (to SN Z34F-14000)



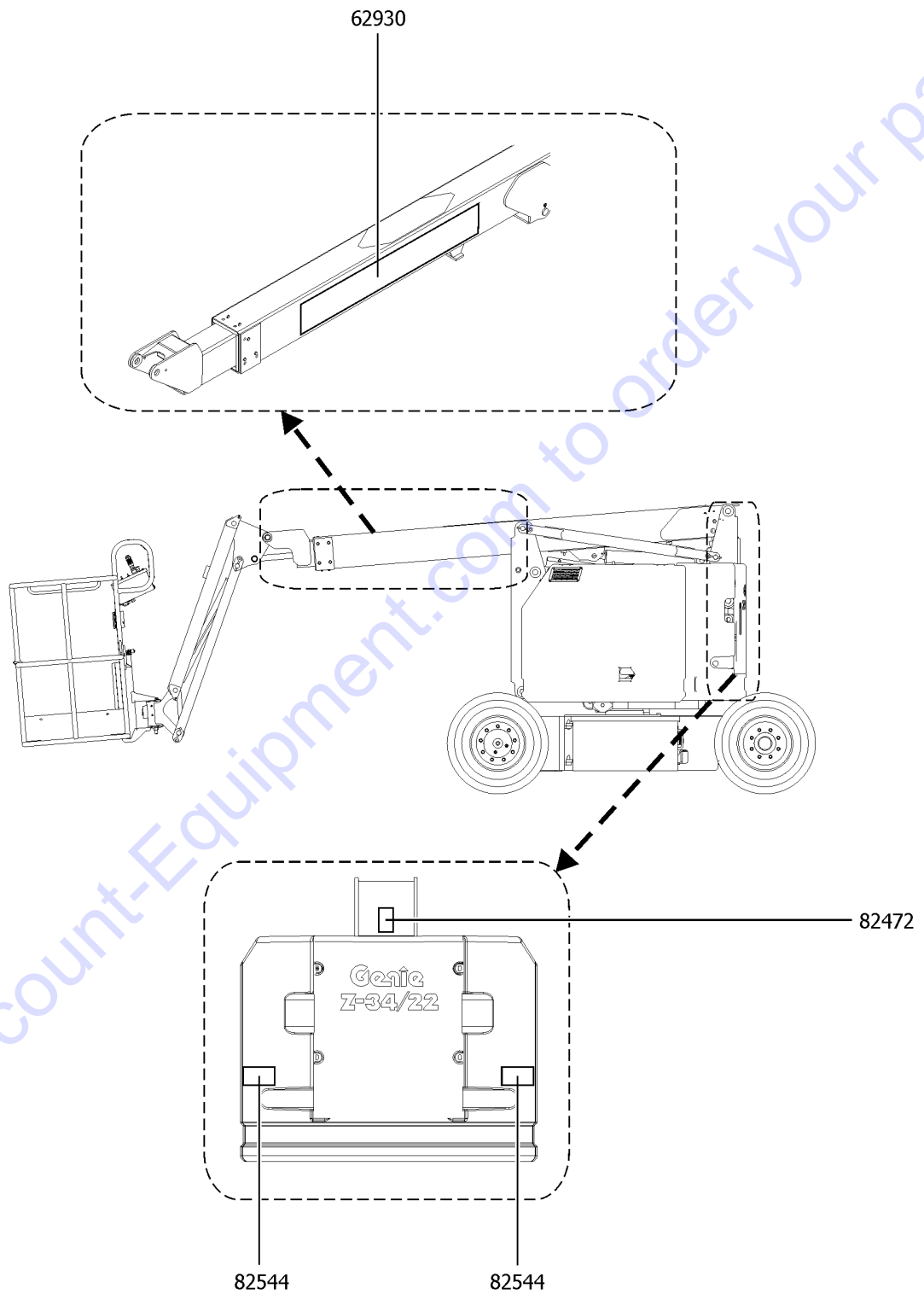
106.1 Symbol Decals, ANSI & CE, Turntable (to SN Z34F-14000)

Item	Part No.	Description	Qty.
1	28158GT	DECAL,LABEL,UNLEADED GAS ONLY option, fuel	1
2	28159GT	DECAL,DIESEL option, fuel	1
3	28171GT	DECAL,DANGER,NO SMOKING ***	1
4	28174GT	DECAL,POWER TO PLATFORM 230V	1
5	28235GT	DECAL,POWER TO PLATFORM 115V	1
6	44981GT	DECAL,LABEL,AIRLINE 110 PSI option, airline to platform	1
7	72094GT	DECAL,GROUND CONTROL PANEL	1
8	82240GT	DECAL,LABEL,105 DB CE only	1
9	82472GT	DECAL,WARNING,CRUSHING HAZARD	2
10	82473GT	DECAL,SYMBOL-COMP ACCESS	1
11	82487GT	DECAL,SYMBOL-READ THE MANUAL	1
12	114420GT	DECAL,EMERGENCY LOWERING IC	1

Go to Discount-Equipment.com to order your parts



107.1 Symbol Decals, ANSI & CE, Boom (to SN Z34F-14000)



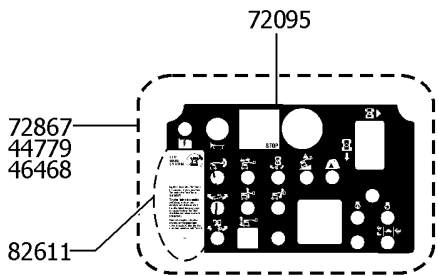
107.1 Symbol Decals, ANSI & CE, Boom (to SN Z34F-14000)

<i>Item</i>	<i>Part No.</i>	<i>Description</i>	<i>Qty.</i>
1	62930GT	DECAL,COSMETIC,GENIE Z-34/22	1
2	82472GT	DECAL,WARNING,CRUSHING HAZARD	1
3	82544GT	DECAL,DANGER,ELEC.HAZ.STAY CLR	2

Go to Discount-Equipment.com to order your parts

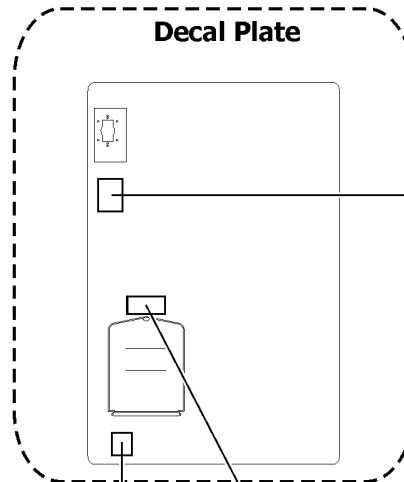
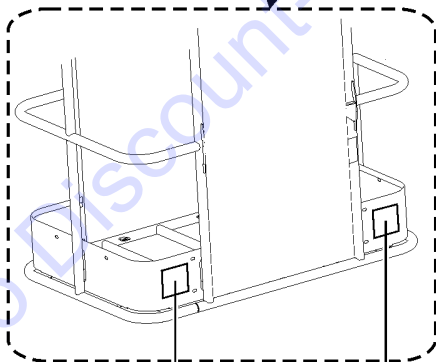
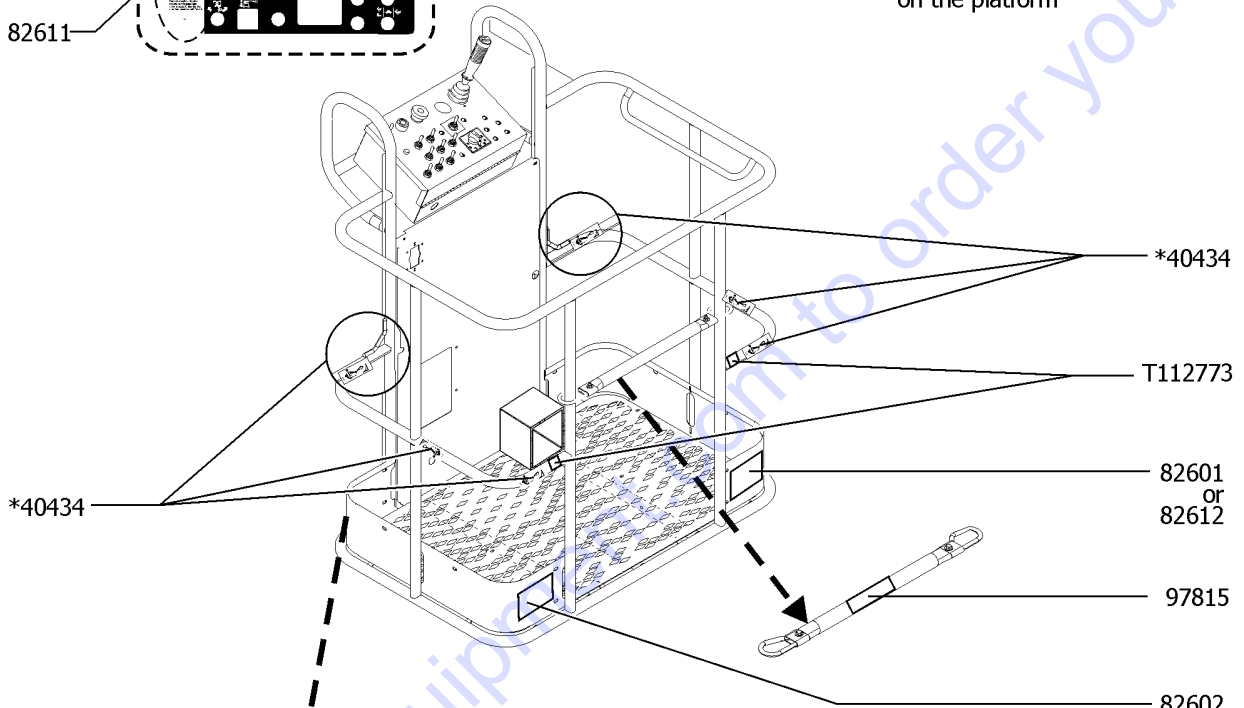


108.1 Symbol Decals, ANSI & CE, Platform (to SN Z34F-14000)



NOTE:
 □ Shading indicates
 decal is hidden
 from view.

*apply this decal to all
 lanyard anchorage attachments
 on the platform



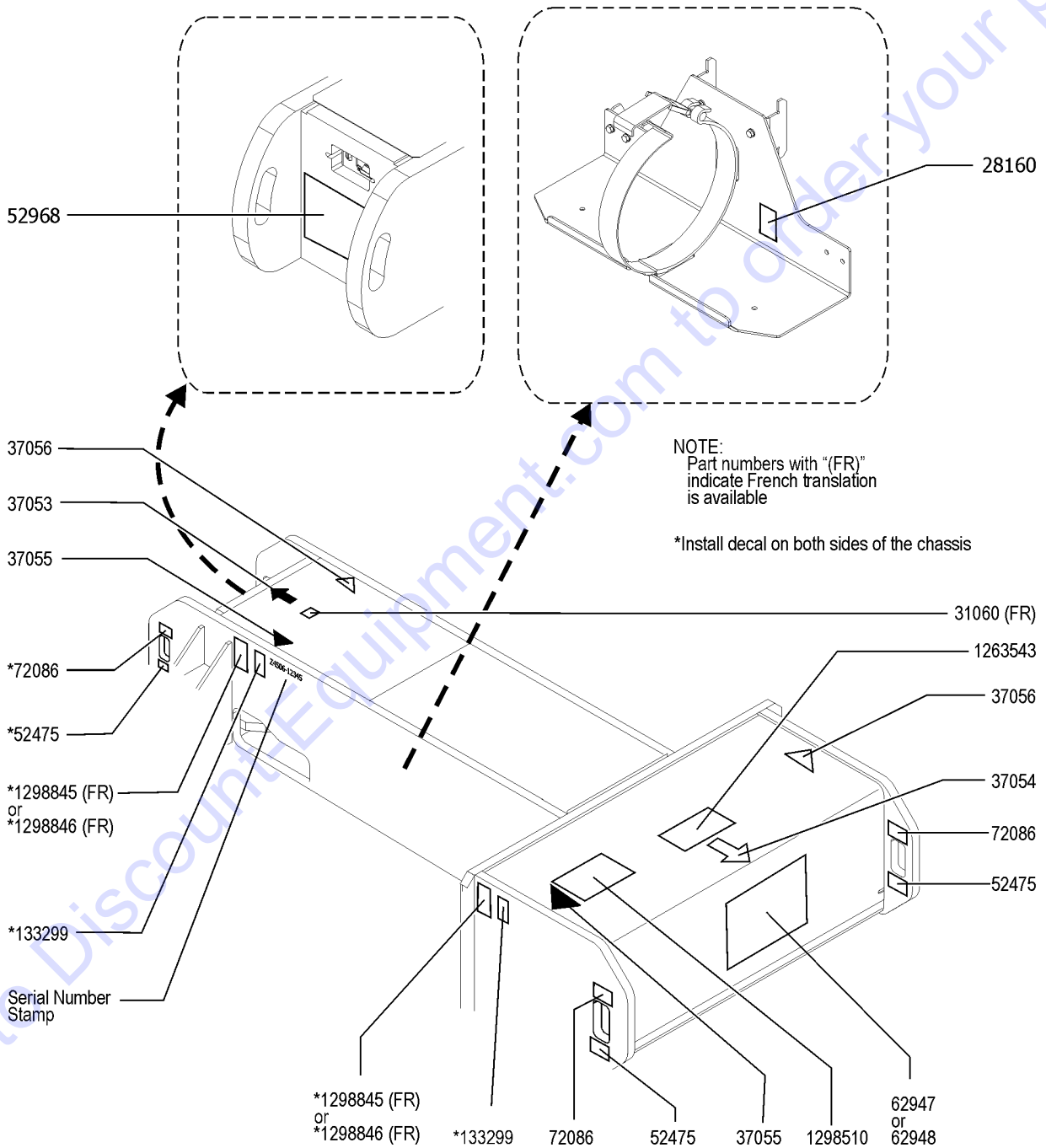
108.1 Symbol Decals, ANSI & CE, Platform (to SN Z34F-14000)

Item	Part No.	Description	Qty.
-	1303705GT	INSTRUCTIONS,INSTALL,PLAT,SYMBOL, Z-34 IC	1
-	1303706GT	DECAL KIT, Z-34 IC,PLAT,SYMBOL,ANSI & CE	1
1	28174GT	DECAL,POWER TO PLATFORM 230V	1
2	28235GT	DECAL,POWER TO PLATFORM 115V	1
3	40434GT	DECAL,LANYARD ANCHORAGE POINT	6
4	44779GT	DECAL,GENERATOR OPTION	1
		option, generator	
5	44981GT	DECAL,LABEL,AIRLINE 110 PSI	1
		option, airline to platform	
6	46468GT	DECAL,FUNCTION OVERRIDE	1
		option, aircraft protection	
7	72095GT	DECAL,PLATFORM CONTROL PANEL	1
8	72867GT	DECAL,LABEL,LIGHTS***	1
		option, work lights	
9	82487GT	DECAL,SYMBOL-READ THE MANUAL	1
10	82548GT	DECAL,WARN,CRUSH HAZARD PLAT	2
11	82601GT	DECAL,LABEL,MAX CAPACITY***	1
12	82602GT	DECAL,DANGER,MAX SIDE FRC,667N	1
		ANSI models	
13	82604GT	DECAL,DANGER,SIDE FRC 400N	1
		CE models	
14	82611GT	DECAL,DRIVE ENABLE PATCH	1
15	82612GT	DECAL,DANGER,MAX CAP,200KG	1
		option, aircraft protection	
16	97815GT	DECAL,LABEL,LOWER MIDRAIL	1
17	T112773GT	TAPE, PROTECTIVE MASK	2

Go to Discount-Equipment.com to order your parts



109.1 Word Decals, ANSI & AUS, Chassis (from SN Z34F-14001)



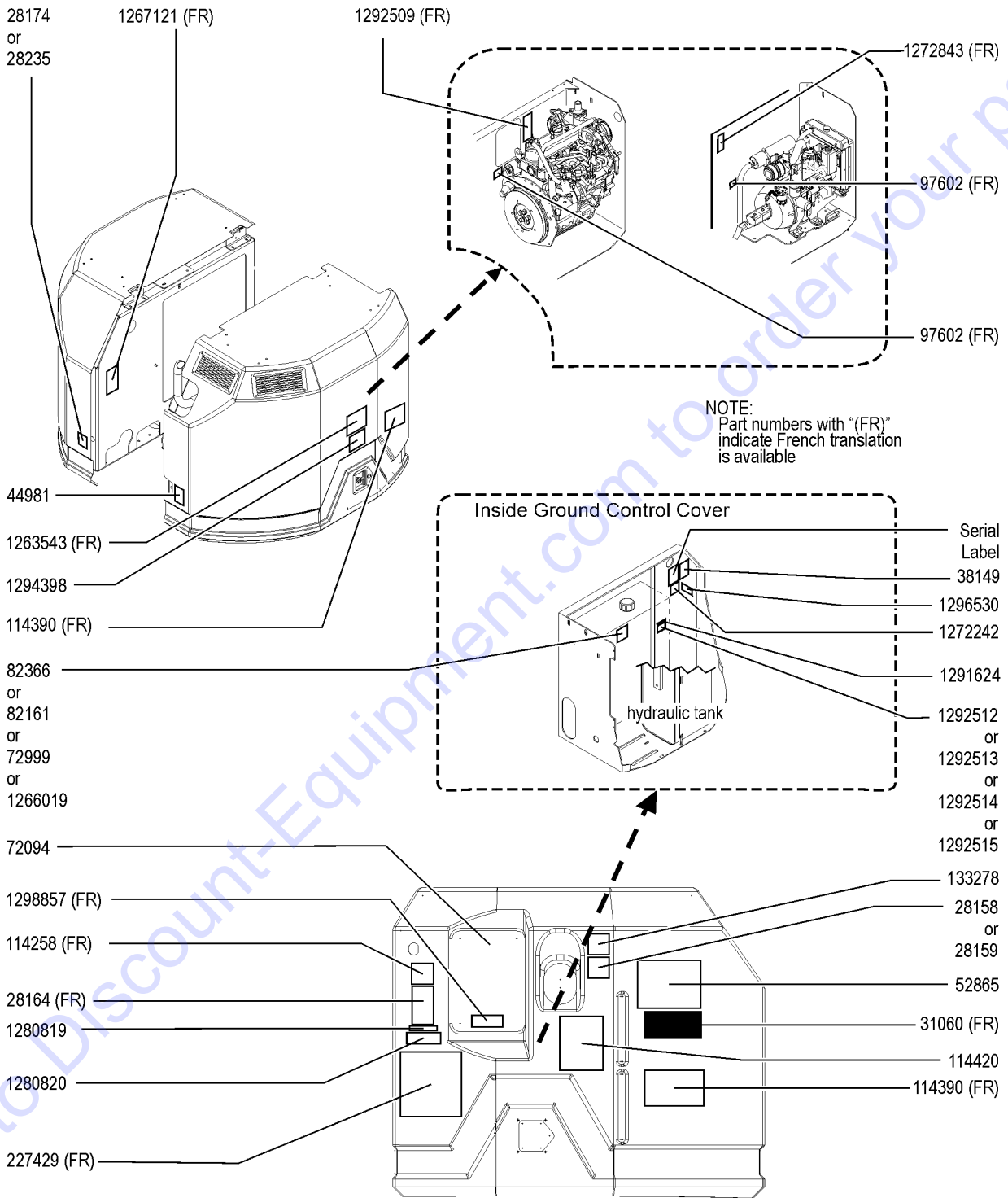
109.1 Word Decals, ANSI & AUS, Chassis (from SN Z34F-14001)

Item	Part No.	Description	Qty.
-	1303602GT	INSTRUCTIONS,INSTALL,COMP,WORD, Z-34 IC	1
-	1303603GT	DECAL KIT, Z-34 IC,COMP,WORD,ANSI & AUS	1
1	28160GT	DECAL,LABEL,LIQUID PROPANE	1
2	31060GT	DECAL,DANGER DO NOT ALTER SWTC	1
3	37053GT	DECAL,ARROW,BLUE	1
4	37054GT	DECAL,ARROW,YELLOW SM 5-3/8"	1
5	37055GT	DECAL,TRIANGLE,BLUE	2
6	37056GT	DECAL,TRIANGLE,YELLOW	2
7	52475GT	DECAL,LABEL,TRANSPORT TIEDOWN*	4
8	52968GT	DECAL,COSMETIC,GENIE BOOM,VERT	1
9	62947GT	DECAL,COSMETIC,IC POWER 4 X 2	1
10	62948GT	DECAL,COSMETIC,IC POWER 4 X 4	1
11	72086GT	DECAL,LABEL,LIFTING EYE	4
12	133299GT	DECAL,LABEL,WHEEL LOAD Z34IC**	4
13	1263543GT	DECAL,COMPARTMENT ACCESS	1
14	1298510GT	DECAL,TRANSPORT/LIFT DIAGRAM, Z-34	1
15	1298845GT	DECAL,DANGER,TIPOVR,TIRES INDF NM, Z34, 2WD,WORD	4
16	1298846GT	DECAL,DANGER,TIPOVR,TIRES RTF, Z34, 4WD,WORD	4

Go to Discount-Equipment.com to order your parts



110.1 Word Decals, ANSI & AUS, Turntable (from SN Z34F-14001)

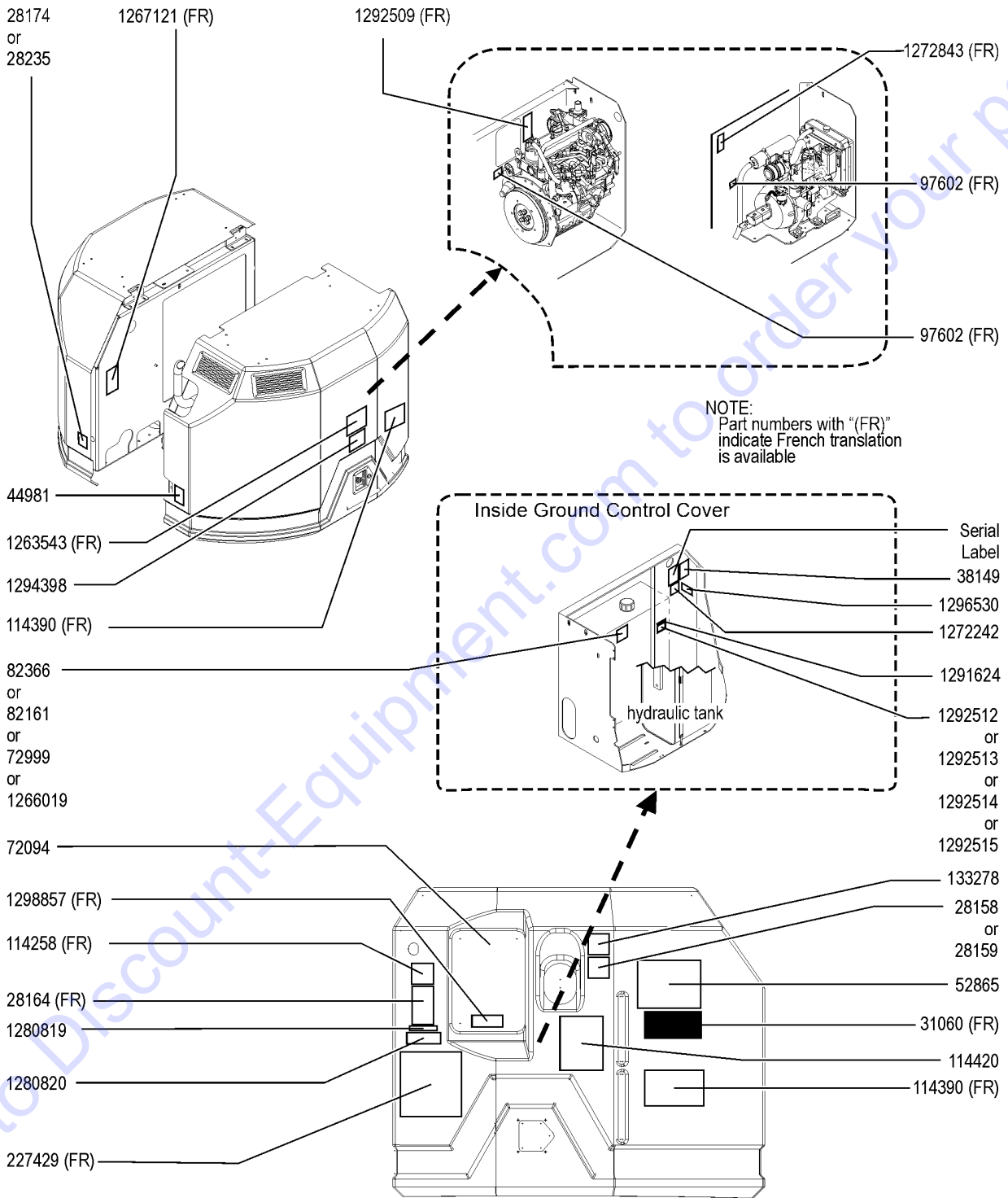


110.1 Word Decals, ANSI & AUS, Turntable (from SN Z34F-14001)

Item	Part No.	Description	Qty.
1	28158GT	DECAL,LABEL,UNLEADED GAS ONLY	1
2	28159GT	DECAL,DIESEL	1
3	28164GT	DECAL,NOTICE,HAZARDOUS MAT'LS*	1
4	28174GT	DECAL,POWER TO PLATFORM 230V	1
5	28235GT	DECAL,POWER TO PLATFORM 115V	1
6	31060GT	DECAL,DANGER DO NOT ALTER SWTC	1
7	38149GT	DECAL,LABEL,PATENTS	1
8	44981GT	DECAL,LABEL,AIRLINE 110 PSI	1
		Option, Air Line to Platfrom	
9	52865GT	DECAL,ANNUAL INSP***	1
10	72094GT	DECAL,GROUND CONTROL PANEL	1
11	72999GT	DECAL,LABEL,PETRO CANADA***	1
		Option, Hydraulic oil	
12	82161GT	DECAL,LABEL,UCON HYDROLUBE	1
		Option, Hydraulic oil	
13	82366GT	DECAL,CHEVRON RANDO HD	1
		Option, Hydraulic oil	
14	97602GT	DECAL,EXPLOSION HAZARD	1
15	114258GT	DECAL,DANGER,NO SMOKING	1
16	114390GT	DECAL,DANGER,ELECT HAZARD***	2
17	114420GT	DECAL,EMERGENCY LOWERING IC	1
18	133278GT	DECAL,LOW/ULTRA LOW SULFR FUEL	1
19	227429GT	DECAL,OPERATING INSTRUCTIONS	1
20	1263543GT	DECAL,COMPARTMENT ACCESS	1
21	1266019GT	DECAL, LABEL, SHELL TELLUS	1
		Option, Hydraulic oil	
22	1267121GT	DECAL,WARNING,CRUSH HAZARD	1
23	1272242GT	DECAL,MACHINE REGISTRATION/OWN	1
24	1272843GT	DECAL,NOTICE,GM .998L SPEC	1
25	1280819GT	DECAL,WARNING,CANCER AND REPRODUCTIVE HARM, PROP 65	1
26	1280820GT	DECAL,FUEL,DIESEL EXHAUST, PROP 65	1
27	1291624GT	DECAL COSM,GENIE LIFT CONNECT,LEXAN COVER	1
28	1292509GT	DECAL,KUBOTA D1105,SPECS	1



110.1 Word Decals, ANSI & AUS, Turntable (from SN Z34F-14001)



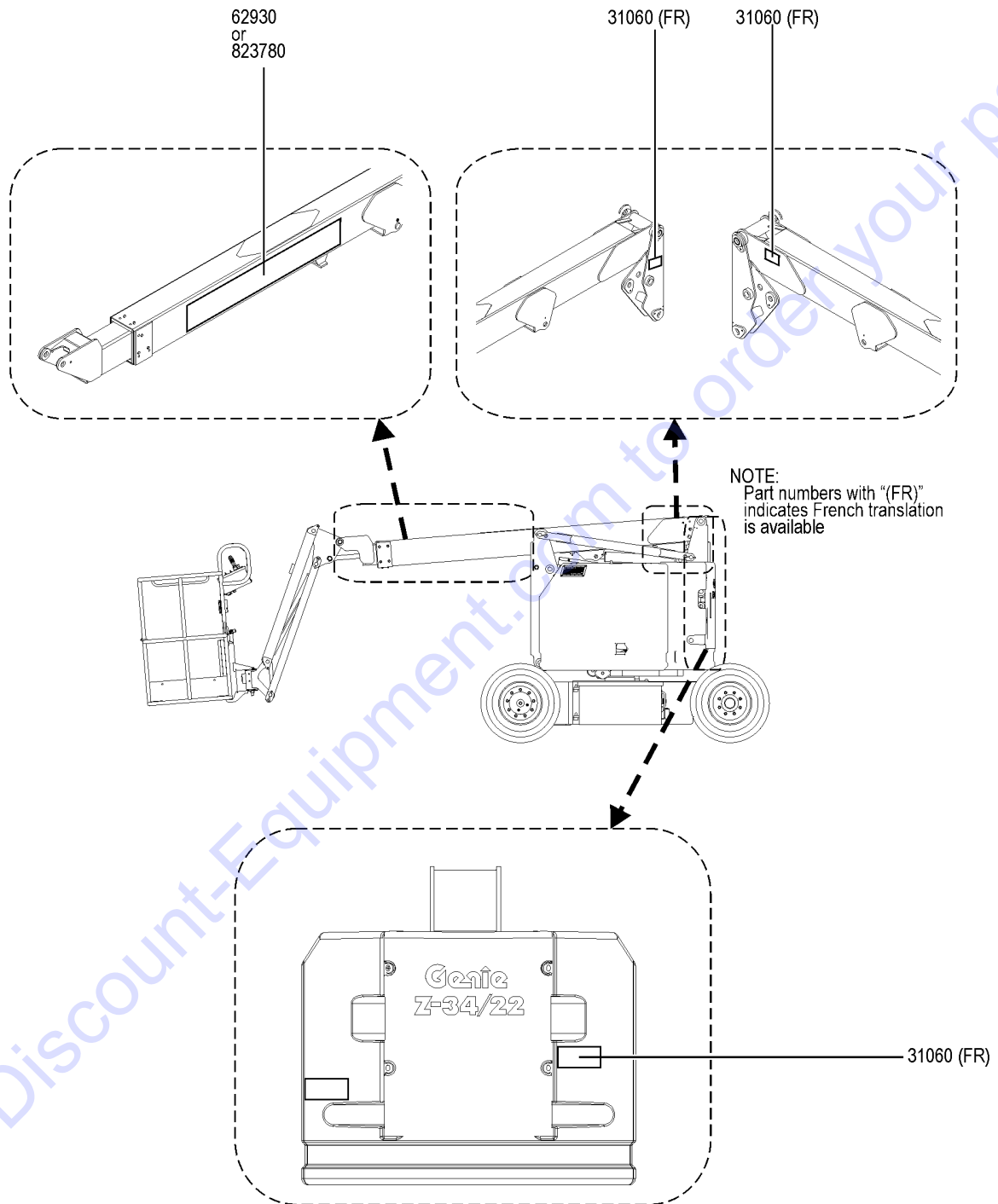
110.1 Word Decals, ANSI & AUS, Turntable (from SN Z34F-14001)

<i>Item</i>	<i>Part No.</i>	<i>Description</i>	<i>Qty.</i>
29	1292512GT	DECAL COSM,GENIE LIFT CONNECT,ESN,SKU4-1	1
30	1292513GT	DECAL COSM,GENIE LIFT CONNECT,ESN,SKU4-2	1
31	1292514GT	DECAL COSM,GENIE LIFT CONNECT,ESN,SKU4-3	1
32	1292515GT	DECAL COSM,GENIE LIFT CONNECT,ESN,SKU4-4	1
33	1294398GT	DECAL, ANSI/CSA COMPLIANT	1
34	1296530GT	DECAL, EPA/CARB EMISSIONS 2019	1
35	1298857GT	DECAL,RELAY LABEL,Z34IC	1

Go to Discount-Equipment.com to order your parts



111.1 Word Decals, ANSI & AUS, Boom (from SN Z34F-14001)



111.1 Word Decals, ANSI & AUS, Boom (from SN Z34F-14001)

<i>Item</i>	<i>Part No.</i>	<i>Description</i>	<i>Qty.</i>
1	31060GT	DECAL,DANGER DO NOT ALTER SWTC	3
2	62930GT	DECAL,COSMETIC,GENIE Z-34/22	1
3	823780GT	DECAL,COSM,GENIE Z34 BLK	1

Go to Discount-Equipment.com to order your parts

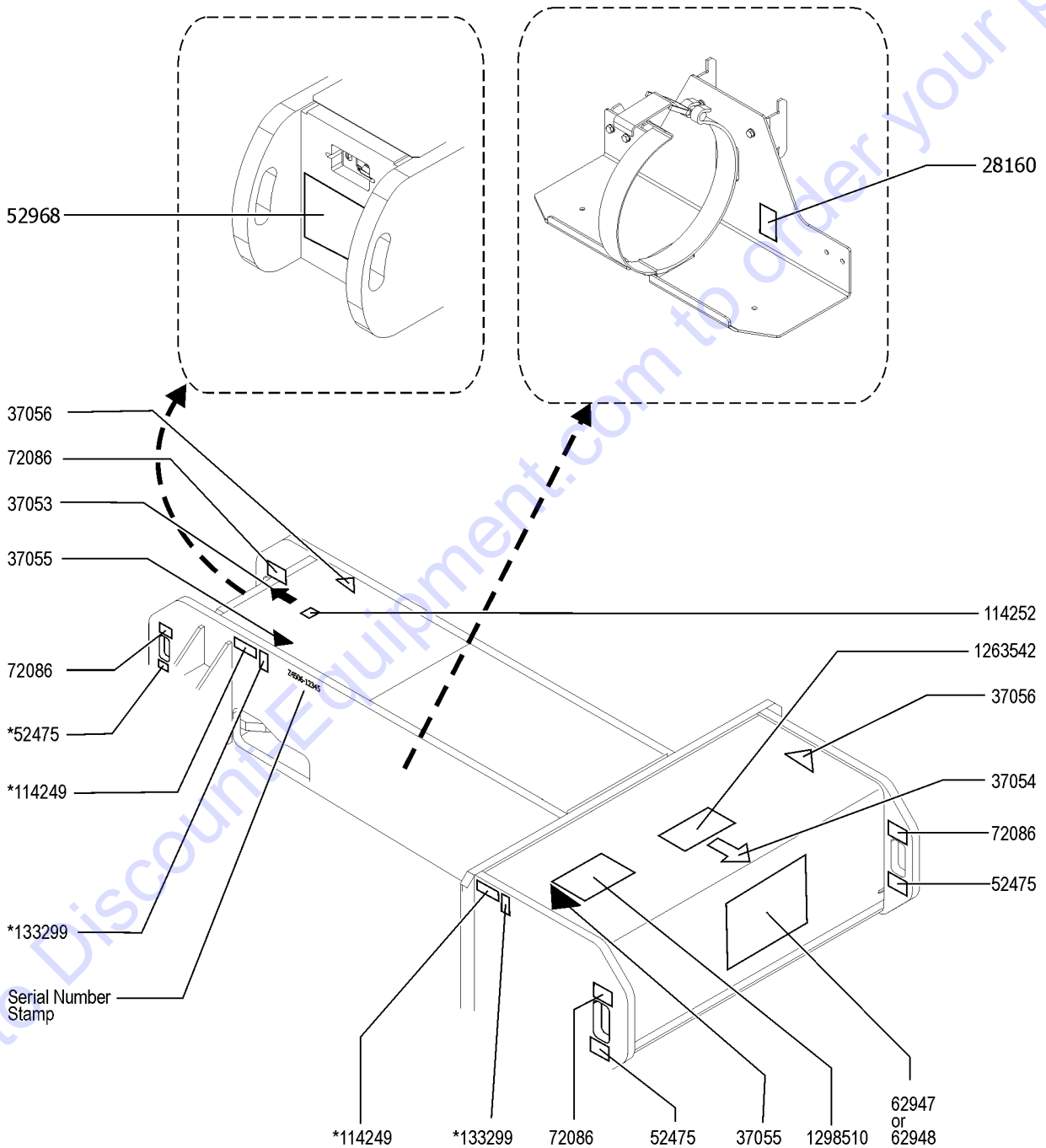


112.1 Word Decals, ANSI & AUS, Platform (from SN Z34F-14001)

Item	Part No.	Description	Qty.
-	1303604GT	INSTRUCTIONS,INSTALL,PLAT,WORD, Z-34 IC	1
-	1303605GT	DECAL KIT,Z-34 IC,PLAT,WORD,ANSI & AUS	1
1	28174GT	DECAL,POWER TO PLATFORM 230V	1
2	28235GT	DECAL,POWER TO PLATFORM 115V	1
3	28236GT	DECAL,WARN,IMPROPER OPERATION	1
4	31060GT	DECAL,DANGER DO NOT ALTER SWTC	1
5	44779GT	DECAL,GENERATOR OPTION	1
		Option, Generator	
6	44981GT	DECAL,LABEL,AIRLINE 110 PSI	1
		Option, Air Line to Platform	
7	46468GT	DECAL,FUNCTION OVERRIDE	1
		Option, Aircraft Protection	
8	72095GT	DECAL,PLATFORM CONTROL PANEL	1
9	72867GT	DECAL,LABEL,LIGHTS***	1
		Option, Work Lights	
10	72875GT	DECAL,WARNING,PIPE CRADLE,BOOM	2
		Option, Pipe Cradle	
11	97815GT	DECAL,LABEL,LOWER MIDRAIL	1
12	114390GT	DECAL,DANGER,ELECT HAZARD***	1
13	114397GT	DECAL,DANGER,TILT ALARM	1
14	218550GT	DECAL,DANGER,CAP,AUS WORD	1
15	218559GT	DECAL,DANGER/WARNING COMBO	1
16	219487GT	DECAL,PLATFORM OVERLOAD	1
17	1278542GT	DECAL, INSTRUCTION, CONTACT ALARM	1
18	1278982GT	DECAL, INSTRUCTION, ACTUATOR SWITCH SOCKET	1
19	1281174GT	DECAL,LANYARD,FALL ARREST/FALL RESTRAINED	6
20	1298839GT	DECAL,WARNING,RUNAWAY MACHINE,Z34IC WORD	1
21	1299791GT	DECAL,DANGER,CAP, AIRCRAFT, WORD	1
		Option, Aircraft Protection	
22	T112773GT	TAPE, PROTECTIVE MASK	2



113.1 Symbol Decals, ANSI & CE, Chassis (from SN Z34F-14001)



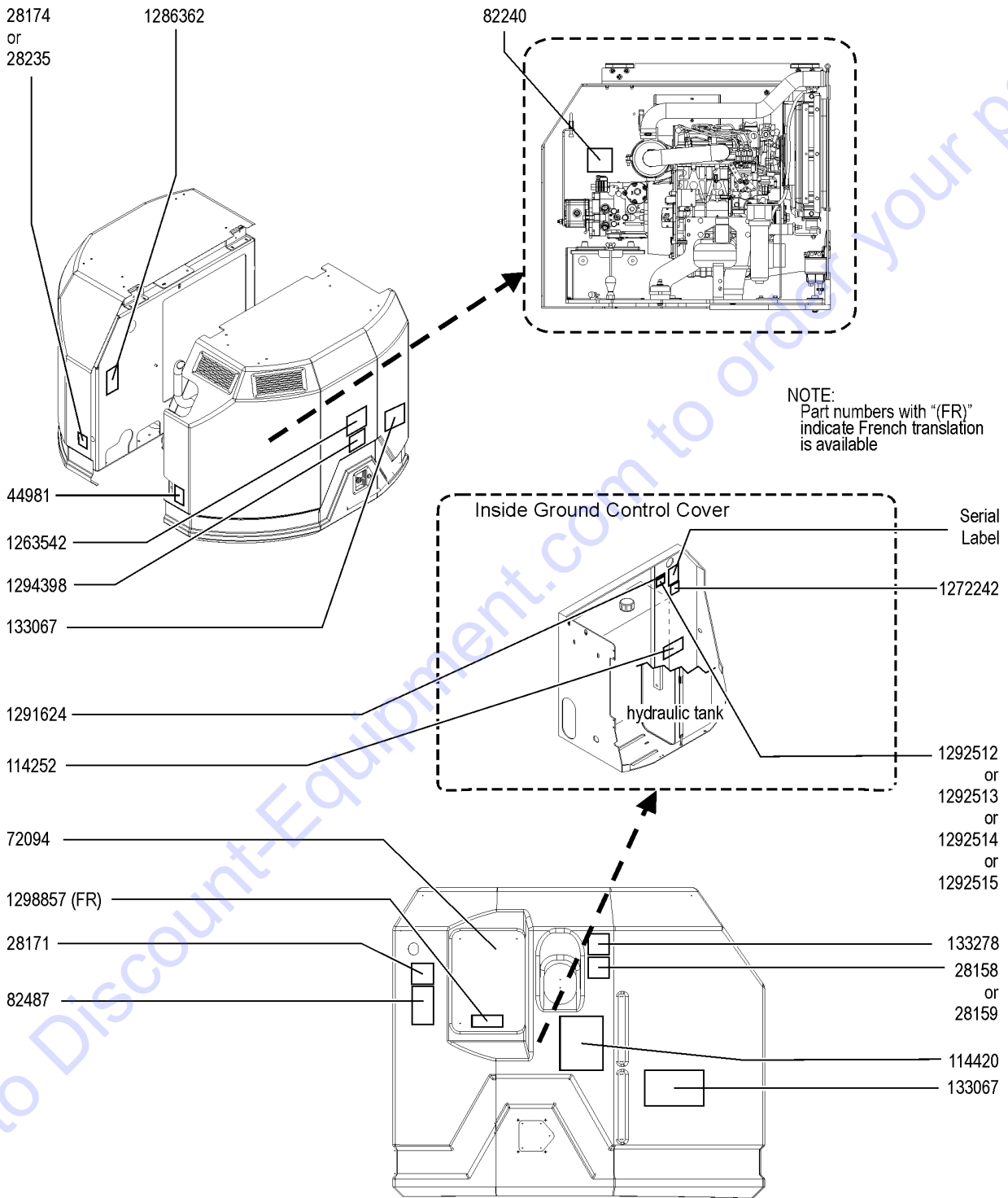
113.1 Symbol Decals, ANSI & CE, Chassis (from SN Z34F-14001)

Item	Part No.	Description	Qty.
-	1303606GT	INSTRUCTIONS,INSTALL,COMP,SYMBOL, Z-34 IC	1
-	1303607GT	DECAL KIT,Z-34 IC,COMP,SYMBOL,ANSI & CE	1
1	28160GT	DECAL,LABEL,LIQUID PROPANE	1
2	37053GT	DECAL,ARROW,BLUE	1
3	37054GT	DECAL,ARROW,YELLOW SM 5-3/8"	1
4	37055GT	DECAL,TRIANGLE,BLUE	2
5	37056GT	DECAL,TRIANGLE,YELLOW	2
6	52475GT	DECAL,LABEL,TRANSPORT TIEDOWN*	4
7	52968GT	DECAL,COSMETIC,GENIE BOOM,VERT	1
8	62947GT	DECAL,COSMETIC,IC POWER 4 X 2	1
9	62948GT	DECAL,COSMETIC,IC POWER 4 X 4	1
10	72086GT	DECAL,LABEL,LIFTING EYE	4
11	114249GT	DECAL,LABEL,TIPOVER,TIRES,SYMB	4
12	114252GT	DECAL,LABEL,TIP OVER LMT SWTCH	1
13	133299GT	DECAL,LABEL,WHEEL LOAD Z34IC**	4
14	1263542GT	DECAL, COMPARTMENT ACCESS	1
15	1298510GT	DECAL,TRANSPORT/LIFT DIAGRAM, Z-34	1

Go to Discount-Equipment.com to order your parts



114.1 Symbol Decals, ANSI & CE, Turntable (from SN Z34F-14001)

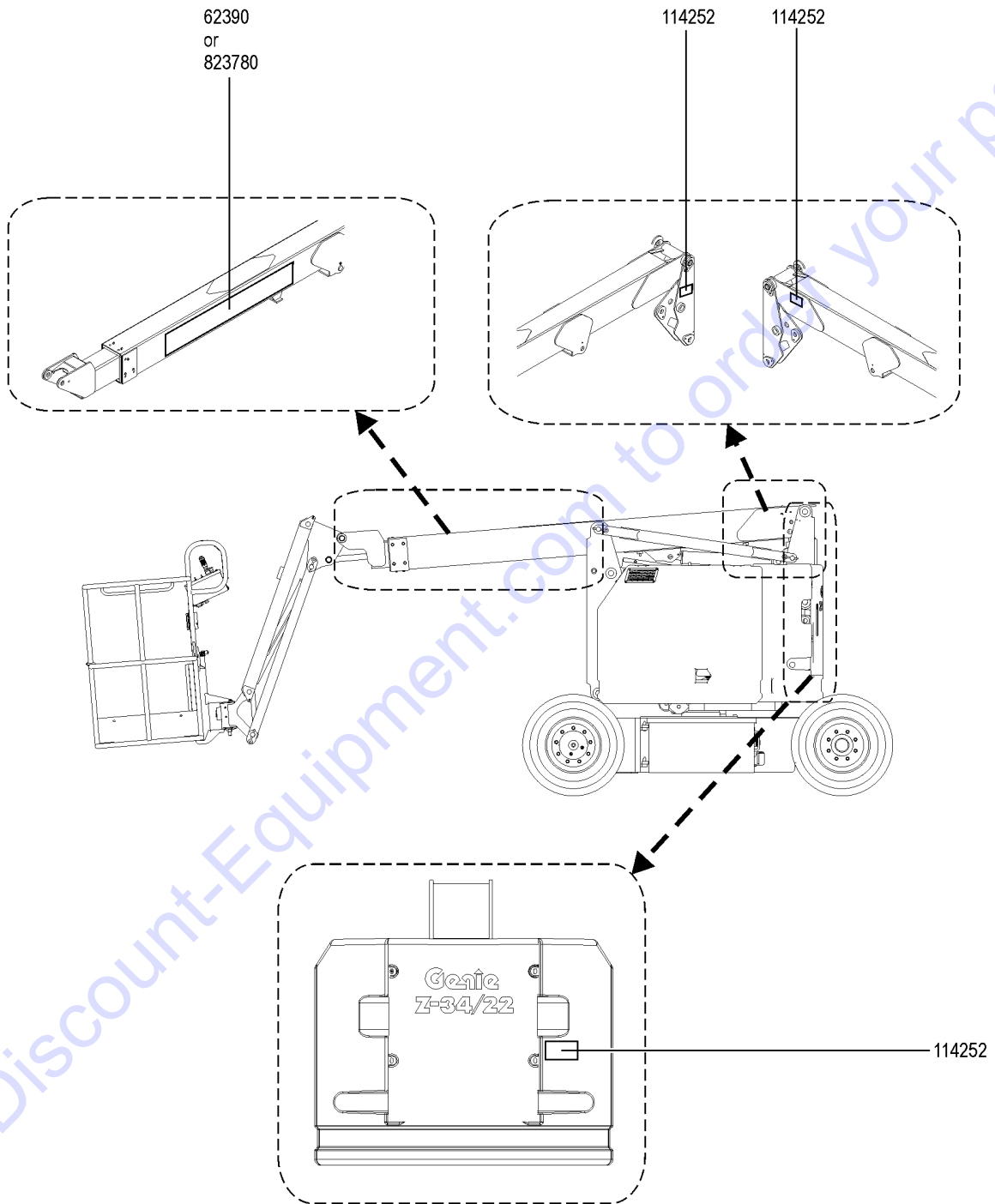


114.1 Symbol Decals, ANSI & CE, Turntable (from SN Z34F-14001)

Item	Part No.	Description	Qty.
1	28158GT	DECAL,LABEL,UNLEADED GAS ONLY	1
2	28159GT	DECAL,DIESEL	1
3	28171GT	DECAL,DANGER,NO SMOKING ***	1
4	28174GT	DECAL,POWER TO PLATFORM 230V	1
5	28235GT	DECAL,POWER TO PLATFORM 115V	1
6	44981GT	DECAL,LABEL,AIRLINE 110 PSI	1
		Option, Air Line to Platform	
7	72094GT	DECAL,GROUND CONTROL PANEL	1
8	82240GT	DECAL,LABEL,105 DB	1
9	82487GT	DECAL,SYMBOL-READ THE MANUAL	1
10	114252GT	DECAL,LABEL,TIP OVER LMT SWTCH	1
11	114420GT	DECAL,EMERGENCY LOWERING IC	1
12	133067GT	DECAL,DANGER,ELEC.HAZ.STAY CLR	2
13	133278GT	DECAL,LOW/ULTRA LOW SULFR FUEL	1
14	1263542GT	DECAL, COMPARTMENT ACCESS	1
15	1272242GT	DECAL,MACHINE REGISTRATION/OWN	1
16	1286362GT	DECAL, BOOM SUPPORT, SYMBOL	1
17	1291624GT	DECAL COSM,GENIE LIFT CONNECT,LEXAN COVER	1
18	1292512GT	DECAL COSM,GENIE LIFT CONNECT,ESN,SKU4-1	1
19	1292513GT	DECAL COSM,GENIE LIFT CONNECT,ESN,SKU4-2	1
20	1292514GT	DECAL COSM,GENIE LIFT CONNECT,ESN,SKU4-3	1
21	1292515GT	DECAL COSM,GENIE LIFT CONNECT,ESN,SKU4-4	1
22	1294398GT	DECAL, ANSI/CSA COMPLIANT	1
23	1298857GT	DECAL,RELAY LABEL,Z34IC	1



115.1 Symbol Decals, ANSI & CE, Boom (From SN Z34F-14001)



Go to Discount-Equipment.com to order your parts

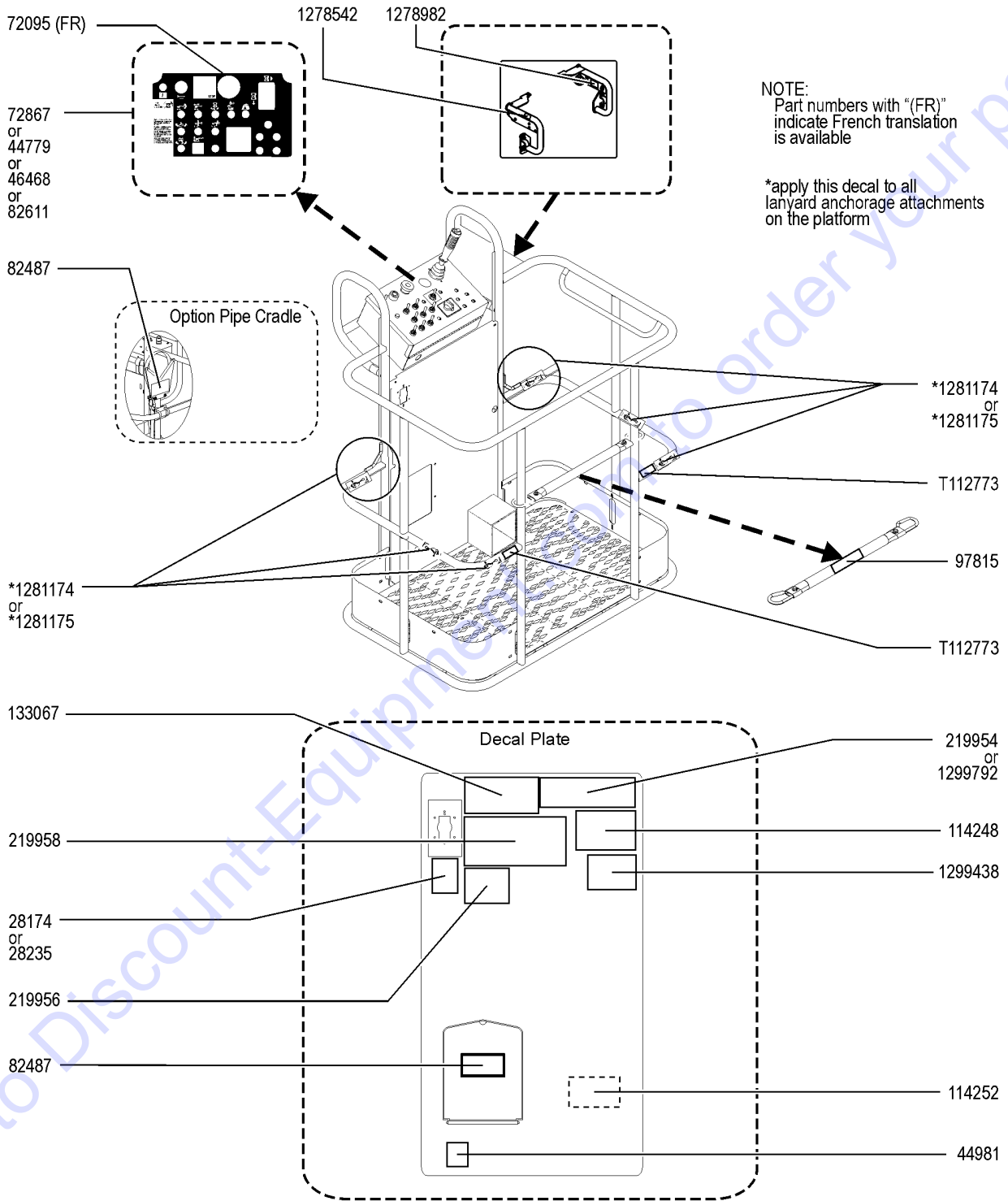
115.1 Symbol Decals, ANSI & CE, Boom (From SN Z34F-14001)

Item	Part No.	Description	Qty.
1	62930GT	DECAL,COSMETIC,GENIE Z-34/22	1
2	114252GT	DECAL,LABEL,TIP OVER LMT SWTCH	3
3	823780GT	DECAL,COSM,GENIE Z34 BLK	1

Go to Discount-Equipment.com to order your parts



116.1 Symbol Decals, ANSI & CE, Platform (from SN Z34F-14001)

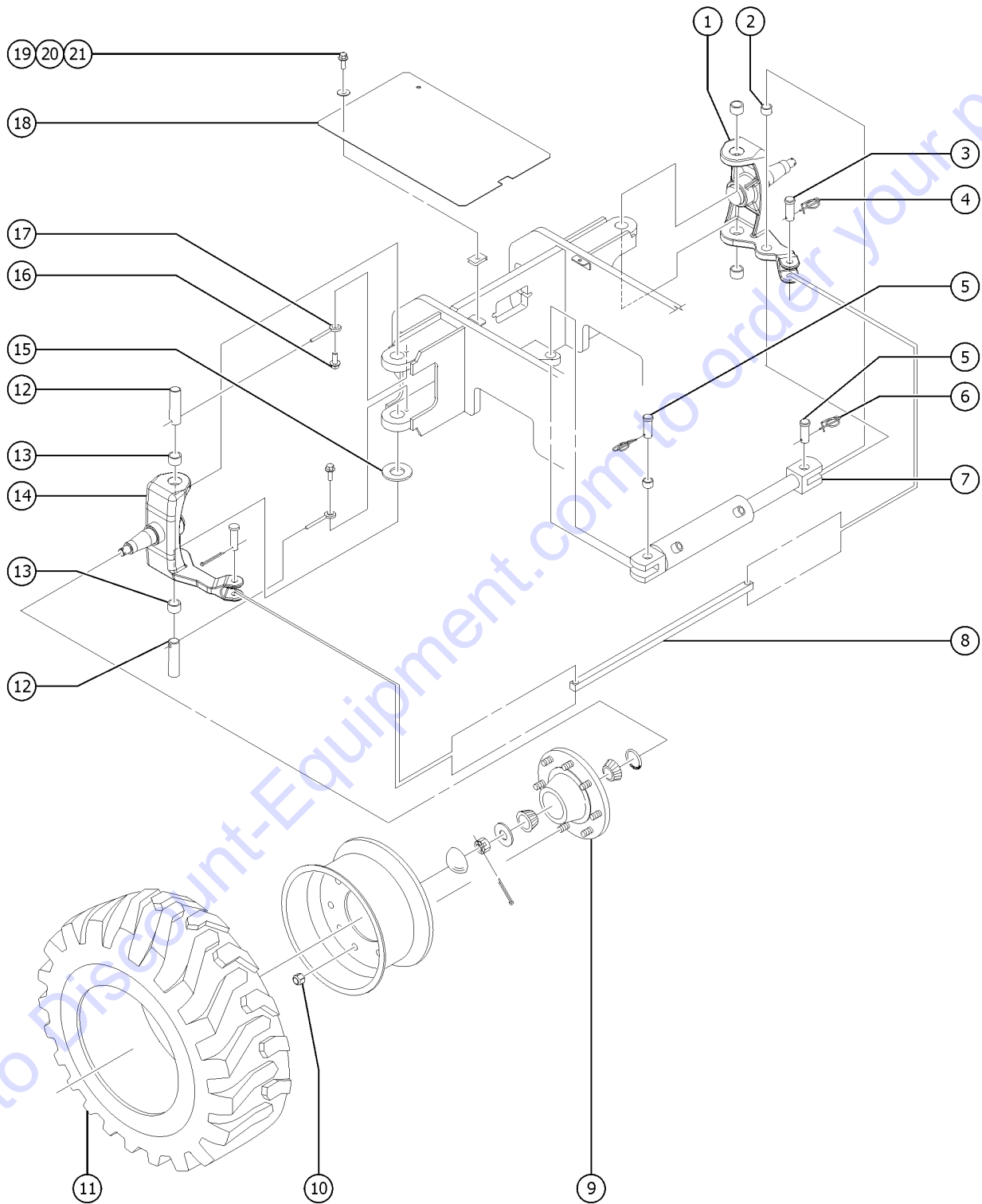


116.1 Symbol Decals, ANSI & CE, Platform (from SN Z34F-14001)

Item	Part No.	Description	Qty.
-	1303608GT	INSTRUCTIONS,INSTALL,PLAT,SYMBOL, Z-34 IC	1
-	1303609GT	DECAL KIT,Z-34 IC,PLAT,SYMBOL,ANSI & CE	1
1	28174GT	DECAL,POWER TO PLATFORM 230V	1
2	28235GT	DECAL,POWER TO PLATFORM 115V	1
3	44779GT	DECAL,GENERATOR OPTION	1
		Option, Generator	
4	44981GT	DECAL,LABEL,AIRLINE 110 PSI	1
5	46468GT	DECAL,FUNCTION OVERRIDE	1
		Option, Aircraft Protection	
6	72095GT	DECAL,PLATFORM CONTROL PANEL	1
7	72867GT	DECAL,LABEL,LIGHTS***	1
		Option, Work Lights	
8	82487GT	DECAL,SYMBOL-READ THE MANUAL	1
9	82611GT	DECAL,DRIVE ENABLE PATCH	1
10	97815GT	DECAL,LABEL,LOWER MIDRAIL	1
11	114248GT	DECAL,LABEL,TIPOVER,TILT AL SY	1
12	114252GT	DECAL,LABEL,TIP OVER LMT SWTCH	1
13	133067GT	DECAL,DANGER,ELEC.HAZ.STAY CLR	1
14	219954GT	DECAL,TIP-OVER HAZARD,CE	1
15	219956GT	DECAL,PLATFORM OVERLOAD	1
16	219958GT	DECAL,TIP-OVER,CRUSH	1
17	1278542GT	DECAL, INSTRUCTION, CONTACT ALARM	1
18	1278982GT	DECAL, INSTRUCTION, ACTUATOR SWITCH SOCKET	1
19	1281174GT	DECAL,LANYARD,FALL ARREST/FALL RESTRAINED	6
20	1281175GT	DECAL,LANYARD,FALL RESTRAINED	6
21	1299438GT	DECAL,SYMBOL,SLOPE RATING,Z34IC	1
22	1299792GT	DECAL,TIP-OVER HAZARD, AIRCRAFT, SYM	1
		Option, Aircraft Protection	
23	T112773GT	TAPE, PROTECTIVE MASK	2



201.1 Steer End (2WD)

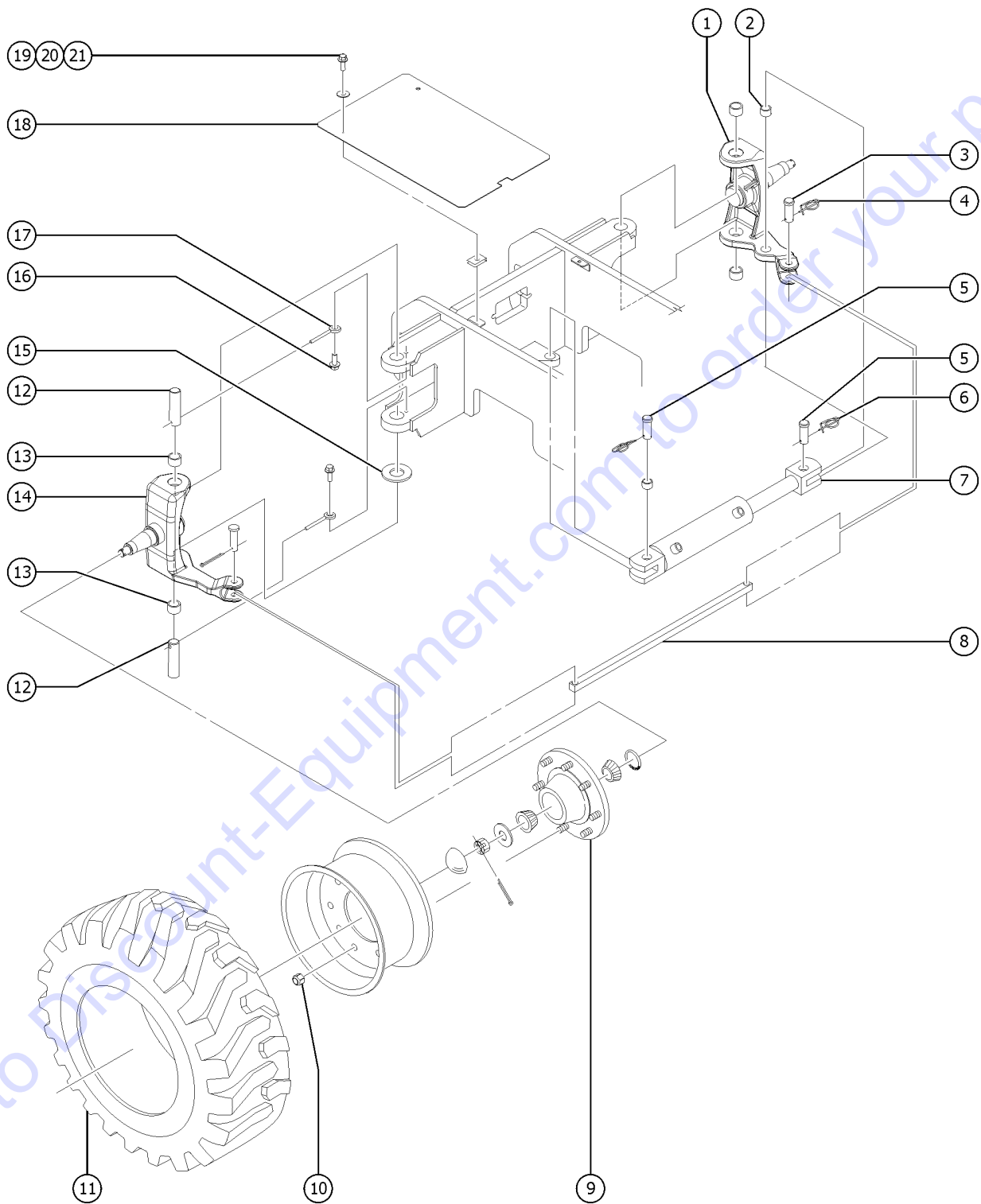


Go to Discount-Equipment.com to order your parts

Item	Part No.	Description	Qty.
1	94020GT	YOKE ASSY, Z34 2WD RIGHT includes items 2 and 13	
2	25817GT	BEARING,1.00IDX1.25ODX1.00L	1
3	824126GT	PIN,CLEVIS,3/4X3,ZAG	1
4	824128GT	RUE RING,3/4,ZAG	1
5	824127GT	PIN,CLEVIS,1.0X2.41,SAE,ZAG	4
6	824129GT	RUE RING,1.0,ZAG	4
7	88337GT	CYLINDER,STEER	1
7-	88338GT	SEAL KIT, 88337	
8	74719GT	ROD-TIE	
9	45043GT	HUB ASSEMBLY MODEL#60-8***	2
9-	21166GT	LUG BOLT,5/8-18,WHEEL HUB***	
9-	45107GT	INNER CONE - MODEL 60-8 large bearing race not included	
9-	45108GT	OUTER CONE - MODEL 60-8 small bearing race not included	
9-	40146GT	BEARING RACE (SMALL) (45873) outer cone not included	2
9-	40145GT	BEARING RACE (LARGE) (45873) inner cone not included	2
9-	45110GT	SEAL-GREASE,MODEL 60-8	
9-	45111GT	CAP,DUST,45873 HUB KIT	
9-	45112GT	WASHER,SPINDLE	
9-	45113GT	NUT,SPINDLE,1-14	
9-	45873GT	SEAL/BEARING KIT (45043,54840)	
10	824042GT	NUT,LUG,5/8-18X90 DEG,ZAG	16
11A	45093GT	WHEEL ASSY, INDUSTRIAL, AF ANSI/CSA; air-filled tire; 8-hole wheel	2
11A-	45040GT	RIM,Z45,14.5 X 7(8 HOLE ON 8BC	
11A-	54140GT	TUBELESS PNEUMATIC TIRE,9-14LT	
11B	40137GT	WHEEL ASSY, INDUSTRIAL, AF NM ANSI/CSA; non-marking air filled tire; 8-hole wheel	2
11B-	45040GT	RIM,Z45,14.5 X 7(8 HOLE ON 8BC	
11B-	54234GT	TUBELESS TIRE,9-14.5,NON-M 47#	
11C	110694GT	WHEEL ASSY, IND.W/SEALANT ANSI/CSA; air-filled tire with sealant; 8-hole wheel	2



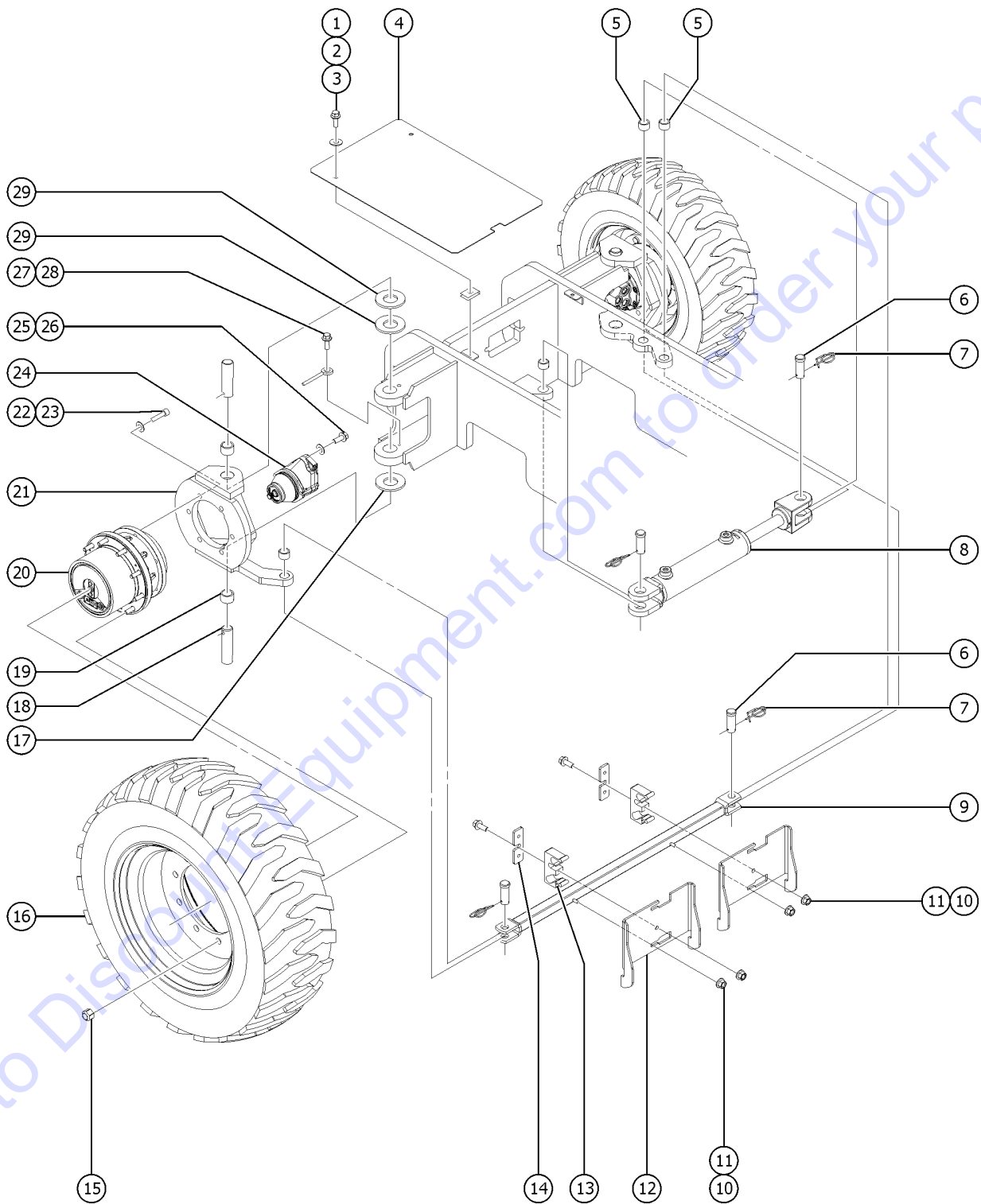
201.1 Steer End (2WD)



Go to Discount-Equipment.com to order your parts

Item	Part No.	Description	Qty.
11D	110706GT	WHEEL ASSY, IND.W/SEALANT NM ANSI/CSA; non-marking air filled tire with sealant; 8-hole wheel	2
11E	139471GT	ASSY,TIRE&WHEEL,LF,2WD ANSI/CSA; left front air filled RT tire; 8-hole wheel	1
11E-	139411GT	TIRE,SGL,51S3D1-16.5,8 PLY	
11E-	42146GT	WHEEL,16.5 X 8.25,8 HOLE/8 BC	
11F	139472GT	ASSY,TIRE&WHEEL,RF,2WD ANSI/CSA; right front air-filled rough terrain tire; 8-hole wheel	1
11F-	139411GT	TIRE,SGL,51S3D1-16.5,8 PLY	
11F-	42146GT	WHEEL,16.5 X 8.25,8 HOLE/8 BC	
11G	45460GT	WHEEL ASSY, INDUSTRIAL, FF foam-filled tire; 8-hole wheel	2
11H	40137GT	WHEEL ASSY, INDUSTRIAL, AF NM non-marking foam-filled tire; 8-hole wheel	2
11I	139473GT	ASSY,TIRE&WHEEL,FRONT,FF RH RT right side foam-filled RT tire; 8-hole wheel	1
11J	139474GT	ASSY,TIRE&WHEEL,FRONT,FF LH RT left side foam-filled RT tire; 8-hole wheel	1
11K	139479GT	ASSY,TIRE&WHL,SEALANT,LF2WD ANSI/CSA; left front air-filled RT tire with sealant; 8-hole wheel	1
11L	139480GT	ASSY,TIRE&WHL,SEALANT,RF2WD ANSI/CSA; right front air-filled RT tire with sealant; 8-hole wheel	1
12	36211GT	PIN,1.50DIA X 3.25LG,1HOLE	4
13	18396GT	BEARING,1.5IDX1.75ODX1.0L	4
14	94021GT	YOKE ASSY, Z34 2WD LEFT includes item 13	
15	45074GT	WASHER,THRUST,1.5 X 3.5 X .187	
16	824090GT	SCREW,HHF,3/8-16X1,8,ZAG	2
17	825019GT	ROD END,.375X3.69,ZAG	4
18	40438GT	COVR W/DECALS DR CHAS STR END*	1
19	824078GT	SCREW,HHF,1/4-20X.75,8,ZAG	2
20	824113GT	WASHER,FLAT,USS,1/4,ZAG	2
21	56912GT	SPRING CLIP,1/4-20,.025-.15X.54,ZAG	2

202.1 Steer End (4WD)



Go to DiscountTireEquipment.com to order your parts

PARTS FINDER

**Search Website
by Part Number**



**Search Manual
Library For Parts
Manual & Lookup Part
Numbers – Purchase
or Request Quote**

Search Manuals

Enter your information to help us find the right parts manual for your machine.

* Brand:

* Model:

* Serial:

* Part Number:

SEARCH

**Can't Find Part or
Manual? Request Help
by Manufacturer,
Model & Description**

Parts Order Form

Please fill in the following information to help us find the right part for your machine.

Manufacturer:	<input type="text"/>
Model:	<input type="text"/>
Description:	<input type="text"/>
Part Number:	<input type="text"/>
Quantity:	<input type="text"/>
Notes:	<input type="text"/>

Submit

Discount-Equipment.com is your online resource for quality parts & equipment.

Florida: **561-964-4949** Outside Florida TOLL FREE: **877-690-3101**

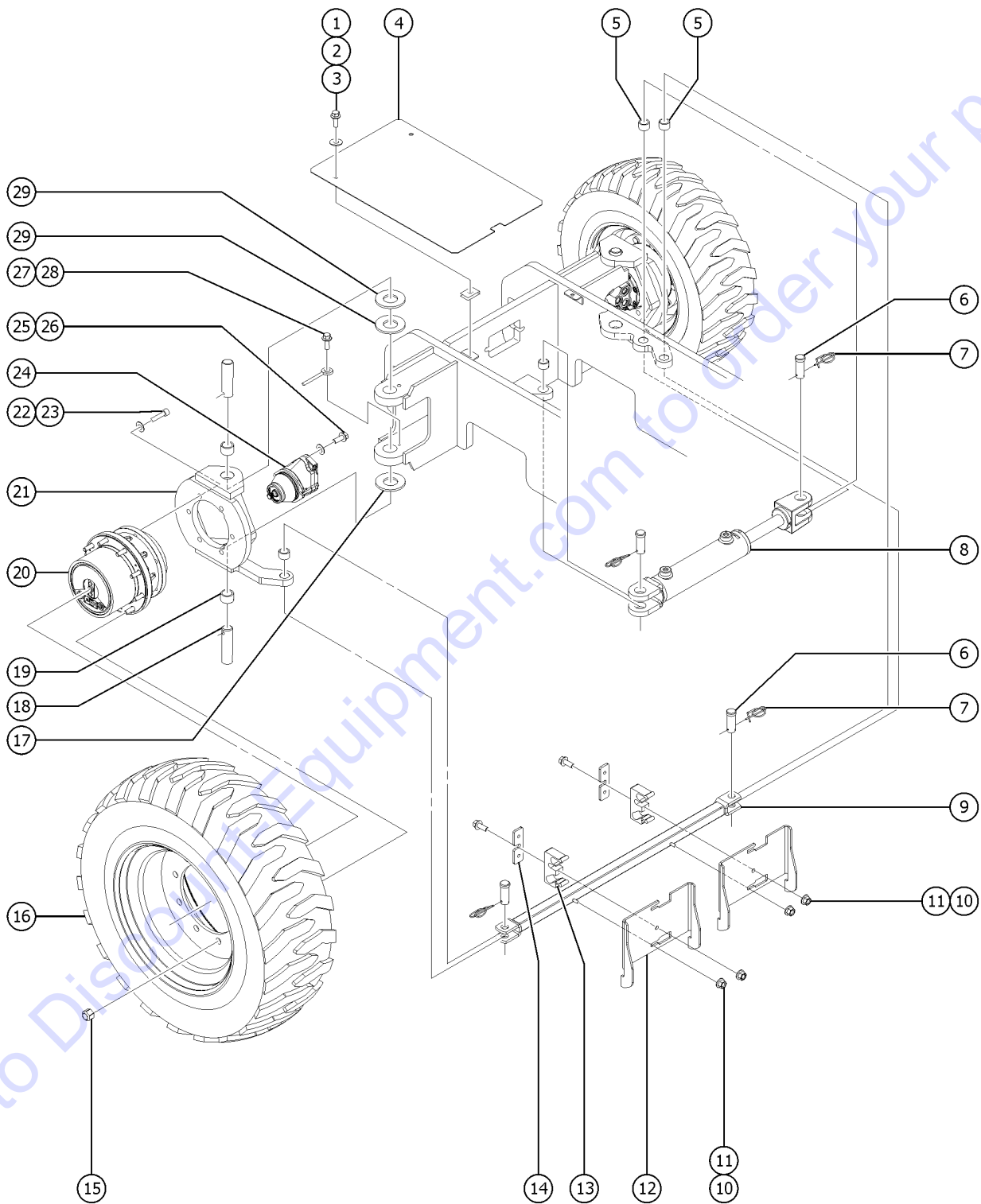
Need parts?

Click on this link: <http://www.discount-equipment.com/category/5443-parts/> and choose one of the options to help get the right parts and equipment you are looking for. Please have the machine model and serial number available in order to help us get you the correct parts. If you don't find the part on the website or on one of the online manuals, please fill out the request form and one of our experienced staff members will get back to you with a quote for the right part that your machine needs.

We sell worldwide for the brands: Genie, Terex, JLG, MultiQuip, Mikasa, Essick, Whiteman, Mayco, Toro Stone, Diamond Products, Generac Magnum, Airman, Haulotte, Barreto, Power Blanket, Nifty Lift, Atlas Copco, Chicago Pneumatic, Allmand, Miller Curber, Skyjack, Lull, Skytrak, Tsurumi, Husquvarna Target, Stow, Wacker, Sakai, Mi-T-M, Sullair, Basic, Dynapac, MBW, Weber, Bartell, Bennar Newman, Haulotte, Ditch Runner, Menegotti, Morrison, Contec, Buddy, Crown, Edco, Wyco, Bomag, Laymor, EZ Trench, Bil-Jax, F.S. Curtis, Gehl Pavers, Heli, Honda, ICS/PowerGrit, IHI, Partner, Imer, Clipper, MMD, Koshin, Rice, CH&E, General Equipment, Amida, Coleman, NAC, Gradall, Square Shooter, Kent, Stanley, Tamco, Toku, Hatz, Kohler, Robin, Wisconsin, Northrock, Oztec, Toker TK, Rol-Air, APT, Wylie, Ingersoll Rand / Doosan, Innovatech, Con X, Ammann, Mecalac, Makinex, Smith Surface Prep, Small Line, Wanco, Yanmar

Item	Part No.	Description	Qty.
1	824078GT	SCREW,HHF,1/4-20X.75,8,ZAG	2
2	824113GT	WASHER,FLAT,USS,1/4,ZAG	2
3	56912GT	SPRING CLIP,1/4-20,.025-.15X.54,ZAG	2
4	40438GT	COVR W/DECALS DR CHAS STR END*	1
5	25817GT	BEARING,1.00IDX1.25ODX1.00L	4
6	824127GT	PIN,CLEVIS,1.0X2.41,SAE,ZAG	4
7	824129GT	RUE RING,1.0,ZAG	4
8	88337GT	CYLINDER,STEER	1
8-	88338GT	SEAL KIT, 88337	
9	119854GT	WELDMENT TIE ROD	1
10	824027GT	NUT,TL FLG,1/4-20,G,ZAG	2
11	824083GT	SCREW,HHF,1/4-20X2.5,8,ZAG	2
12	119854GT	WELDMENT TIE ROD	2
13	110271GT	CLAMP, DRIVE HOSE	2
14	106517PGT	CLAMP TOP,HOSE ROUTING PAINTED	2
15	824042GT	NUT,LUG,5/8-18X90 DEG,ZAG	16
16	139465GT	ASSY,TIRE&WHEEL,LF,4WD ANSI/CSA; left front air filled RT tire; 9-hole wheel (to SN Z34F-14000)	1
16-	139411GT	TIRE,SGL,51S3D1-16.5,8 PLY	
16-	42144GT	WHEEL,16.5 X 8.25,9 HOLE/9.5BC	
16B	139466GT	ASSY,TIRE&WHEEL,RF,4WD ANSI/CSA; right front air filled RT tire; 9-hole wheel (to SN Z34F-14000)	1
16B-	139411GT	TIRE,SGL,51S3D1-16.5,8 PLY	
16B-	42144GT	WHEEL,16.5 X 8.25,9 HOLE/9.5BC	
16C	139475GT	ASSY,TIRE&WHL,SEALANT,LF4WD ANSI/CSA; left front air filled RT tire with sealant; 9-hole wheel (to SN Z34F-14000)	1
16D	139477GT	ASSY,TIRE&WHL,SEALANT,RF4WD ANSI/CSA; right front air filled RT tire with sealant; 9-hole wheel (to SN Z34F-14000)	1
16E	131340GT	ASSY,TIRE&WHEEL,FF,RH right side foam-filled RT tire; 9-hole wheel	4
16F	131341GT	ASSY,TIRE&WHEEL,FF,LH left side foam-filled RT tire; 9-hole wheel	4
17	45074GT	WASHER,THRUST,1.5 X 3.5 X .187	2
18	94221GT	PIN,1.50DIA X 3.75LG,1HOLE	4

202.1 Steer End (4WD)

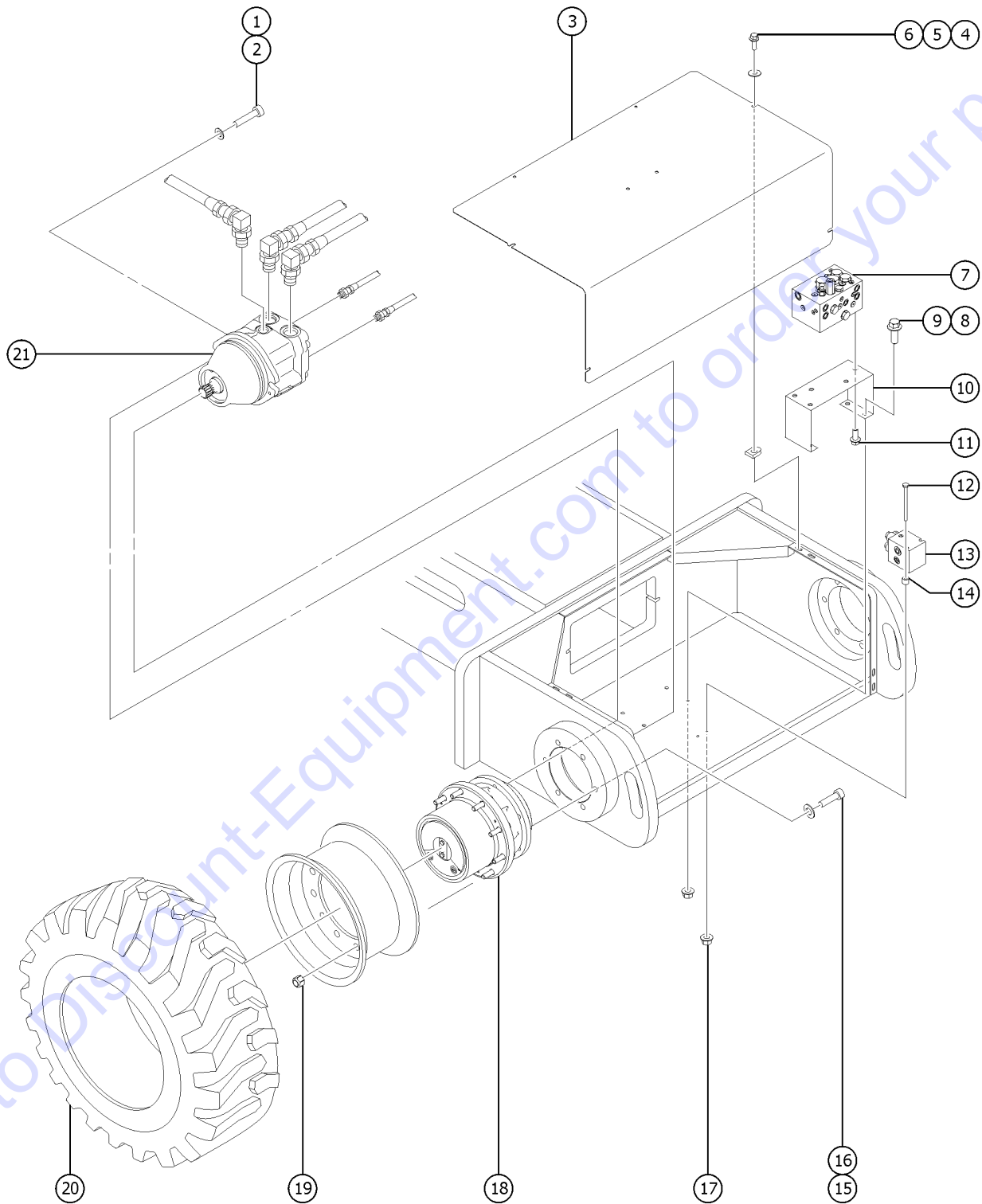


Go to DiscountEquipment.com to order your parts

Item	Part No.	Description	Qty.
19	18396GT	BEARING,1.5IDX1.75ODX1.0L	4
20	101585GT	WHEEL DRIVE,4HP 48:1	2
20-	106117GT	O-RING,2-010,VITON for 101585 (Mating O-ring for Brake Port - small)	
20-	106119GT	SEAL KIT, GEARBOX, 4HP for 101585	
20-	106120GT	WHEEL STUD, 4HP, 5/8-18*** for 101585	
20-	106121GT	ROD,DISCONNECT 4HP/4HB*** for 101585	
20-	106122GT	CAP,DISENGAGE,4HP/4HB*** for 101585	
20-	106123GT	O-RING,END COVER,4HP/4HB*** for 101585	
20-	106124GT	LINING KIT, BRAKE, 4HP*** for 101585	
20-	106125GT	SEAL KIT, BRAKE, 4HP for 101585 (inventory limited to stock on hand as component is no longer available)	
20-	1286602GT	SEAL KIT,WHEEL DRIVE W/BRAKE (101584/101585) for 101585	
20-	106126GT	BEARING KIT,4HP for 101585 (inventory limited to stock on hand as component is no longer available)	
20-	1286603GT	BEARING KIT,WHEEL DRIVE W/BRAKE (101584/101585) for 101585	
20-	232486GT	SNAP RING,WHEEL DRIVE for 101585	
20-	128839GT	PIPE PLUG,.563 MAG*** for 101585	
21A	58029GT	YOKE ASSY,GRD CONT,SIDE PARKER includes items 5 and 19	1
21B	58090GT	YOKE ASSY,ENGINE SIDE,PARKER includes items 5 and 19	1
22	824104GT	SCREW,SHC,5/8-11X1.75,A574,ZAG	12
23	824121GT	WASHER, FLAT, .688 X 1.160 X .09, ZAG	12
24	101586GT	MOTOR,PISTON,LC25,6.5 DEG,13T	2
24-	106098GT	SEAL KIT,MOTOR,LC/KC***	
24-	106118GT	O-RING,2-157,VITON***	
25	824072GT	SCREW, HHC, 7/16-14 X 1.25, ZAG	2
26	824117GT	WASHER, FLAT, SAE HRD, 7/16, ZAG	2
27	824090GT	SCREW,HHF,3/8-16X1,8,ZAG	2
28	825019GT	ROD END,.375X3.69,ZAG	2
29	18596GT	WASHER,FLAT,1.56 X 2.5 X .061 to SN Z34F-12038	4
29B	1251565GT	WASHER,SHIM,1.56X2.5X0.061,ZAG from SN Z34F-12039	4



203.1 Non-Steer End (2WD)

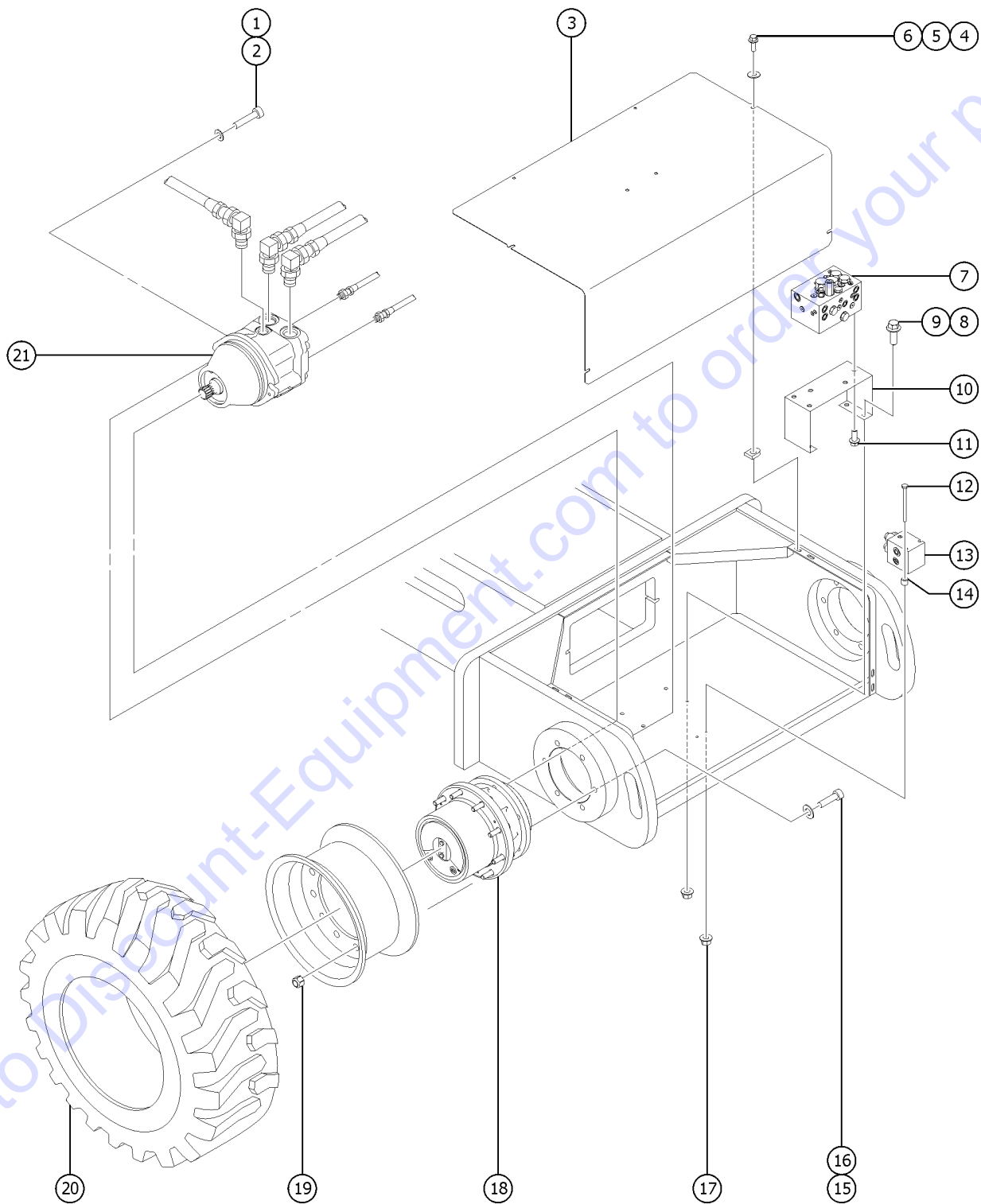


Go to Discount-Equipment.com to order your parts

Item	Part No.	Description	Qty.
-	54436GT	GROUND STRAP,18"LG for non-marking tires only, not shown	1
1	824072GT	SCREW, HHC, 7/16-14 X 1.25, ZAG	4
2	824117GT	WASHER, FLAT, SAE HRD, 7/16, ZAG	4
3	128729GT	COVER, DRIVE CHASSIS, Z34 decals not included, refer to section 100	1
4	824078GT	SCREW,HHF,1/4-20X.75,8,ZAG	2
5	824113GT	WASHER,FLAT,USS,1/4,ZAG	2
6	56912GT	SPRING CLIP,1/4-20,.025-.15X.54,ZAG	2
7		Ref. TRACTION MANIFOLD 2WD refer to 701.1	
8	824091GT	SCREW, HHF, 3/8-16 X 1.25, 8, ZAG	4
9	824029GT	NUT,TL FLG,3/8-16,G,ZAG	4
10	42068GT	BRACKET,MANIFOLD MOUNT	1
11	824089GT	SCREW, HHF, 3/8-16 X .75, 8, ZAG	2
12	824065GT	SCREW,HHC,1/4-20X4,8,ZAG	2
13		Ref. MANIFOLD,BRAKE/MOTOR SHIFT** refer to 701.1	1
14	45400GT	SPACER TUBE,.50 LG	2
15	824106GT	SCREW,SHC,5/8-11X2.75,A574,ZAG	12
16	824121GT	WASHER, FLAT, .688 X 1.160 X .09, ZAG	12
17	824027GT	NUT,TL FLG,1/4-20,G,ZAG	2
18	101584GT	WHEEL DRIVE W/BRAKE 57:1	2
18-	58320GT	KIT,TORQUE HUB COVER(101584)** for 101584	
18-	215777GT	INPUT CARRIER, SUB-ASSEMBLY for 101584	
18-	106117GT	O-RING,2-010,VITON for 101584 (Mating O-ring for Brake Port)(Extremely small)	
18-	106119GT	SEAL KIT, GEARBOX, 4HP for 101584	
18-	106120GT	WHEEL STUD, 4HP, 5/8-18*** for 101584	
18-	106121GT	ROD,DISCONNECT 4HP/4HB*** for 101584	
18-	106122GT	CAP,DISENGAGE,4HP/4HB*** for 101584	
18-	106123GT	O-RING,END COVER,4HP/4HB*** for 101584	
18-	106124GT	LINING KIT, BRAKE, 4HP*** for 101584	



203.1 Non-Steer End (2WD)

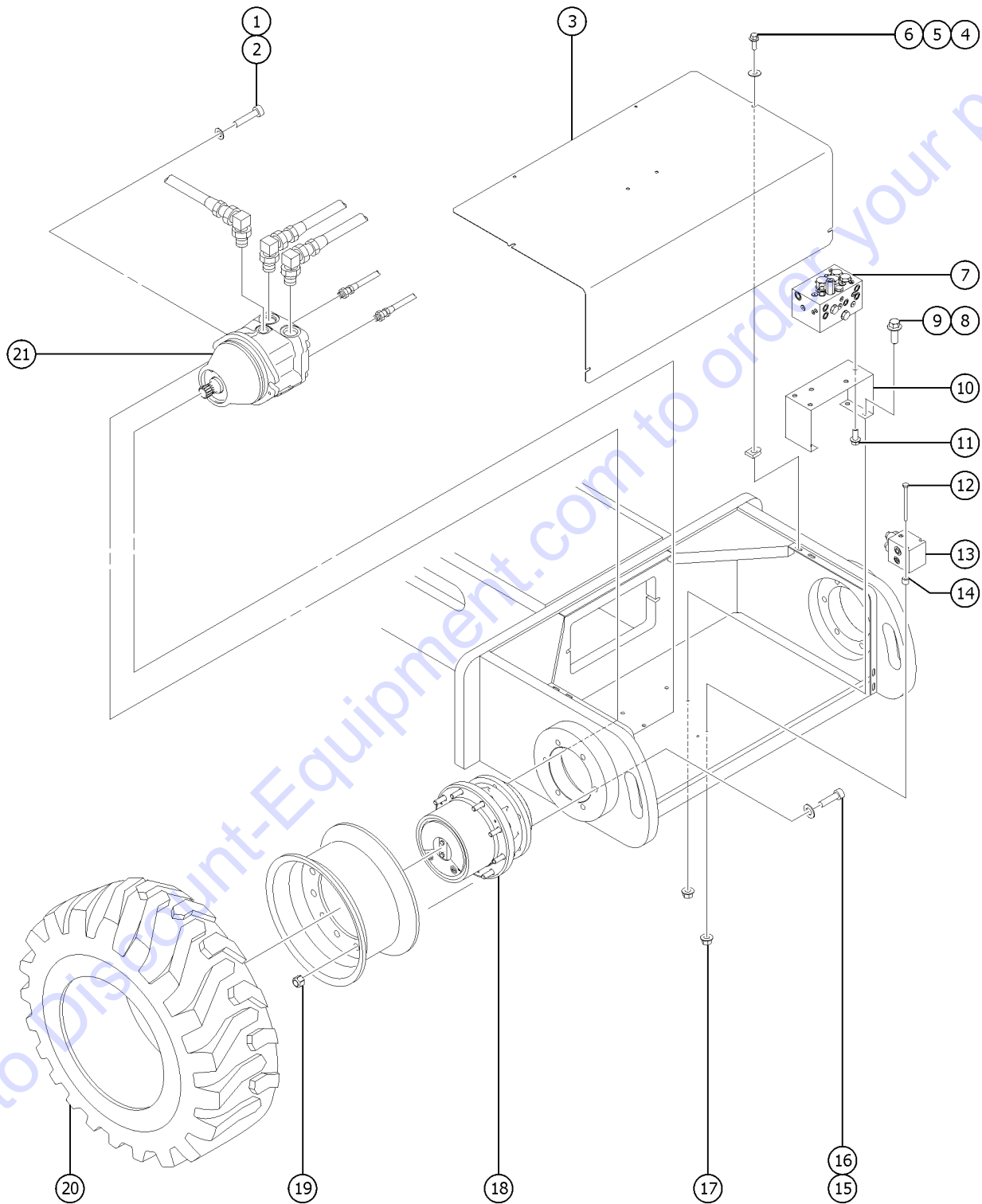


Go to Discount-Equipment.com to order your parts

Item	Part No.	Description	Qty.
18-	106125GT	SEAL KIT, BRAKE, 4HP for 101584 (inventory limited to stock on hand as component is no longer available)
18-	1286602GT	SEAL KIT,WHEEL DRIVE W/BRAKE (101584/101585) for 101584
18-	106126GT	BEARING KIT,4HP for 101584 (inventory limited to stock on hand as component is no longer available)
18-	1286603GT	BEARING KIT,WHEEL DRIVE W/BRAKE (101584/101585) for 101584
18-	146051GT	BEARING NUT*** for 101584
18-	146052GT	SET SCREW*** for 146051
19	824042GT	NUT,LUG,5/8-18X90 DEG,ZAG	18
20	1267846GT	WHEEL ASSY, INDUSTRIAL, AF ANSI/CSA; air-filled tire; 9-hole wheel (to SN Z34F-14000)	2
20-	1267397GT	WHEEL, 14.5 X 7
20-	54140GT	TUBELESS PNEUMATIC TIRE,9-14LT
20B	1267844GT	WHEEL ASSY, INDUSTRIAL, AF NM ANSI/CSA; non-marking air filled tire; 9-hole wheel (to SN Z34F-14000)	2
20B-	1267397GT	WHEEL, 14.5 X 7
20B-	54234GT	TUBELESS TIRE,9-14.5,NON-M 47#
20C	139467GT	ASSY,TIRE&WHEEL,LR,2/4WD ANSI/CSA; left rear air-filled RT tire; 9-hole wheel (to SN Z34F-14000)	1
20C-	139411GT	TIRE,SGL,51S3D1-16.5,8 PLY
20C-	42145GT	WHEEL,16.5 X 8.25,9 HOLE/9.5BC
20D	139468GT	ASSY,TIRE&WHEEL,RR,2/4WD ANSI/CSA; right rear air-filled RT tire; 9-hole wheel (to SN Z34F-14000)	1
20D-	139411GT	TIRE,SGL,51S3D1-16.5,8 PLY
20D-	42145GT	WHEEL,16.5 X 8.25,9 HOLE/9.5BC
20E	1267842GT	WHEEL ASSY, IND. W/SEALANT ANSI/CSA; 14.5 x 7; 9-14.5	2
20F	1267843GT	WHEEL ASSY, IND. W/SEALANT NM ANSI/CSA; 14.5 x 7; 9-14.5	2
20G	139476GT	ASSY,TIRE&WHL,SEALANT,LR ANSI/CSA; left rear air-filled RT tire with sealant; 9-hole wheel (to SN Z34F-14000)	1
20H	139478GT	ASSY,TIRE&WHL,SEALANT,RR ANSI/CSA; right rear air-filled RT tire with sealant; 9-hole wheel (to SN Z34F-14000)	1
20K	1267847GT	WHEEL ASSY, INDUSTRIAL, FF foam-filled tire; 9-hole wheel	2
20L	1267845GT	WHEEL ASSY, INDUSTRIAL, FF NM non-marking foam-filled tire	2
20M	139469GT	ASSY,TIRE&WHEEL,DRIVE,FF RH RT right rear foam-filled RT tire; 9-hole wheel	1
20N	139470GT	ASSY,TIRE&WHEEL,DRIVE,FF LH RT left rear foam-filled RT tire; 9-hole wheel	1
21	101586GT	MOTOR,PISTON,LC25,6.5 DEG,13T	2



203.1 Non-Steer End (2WD)



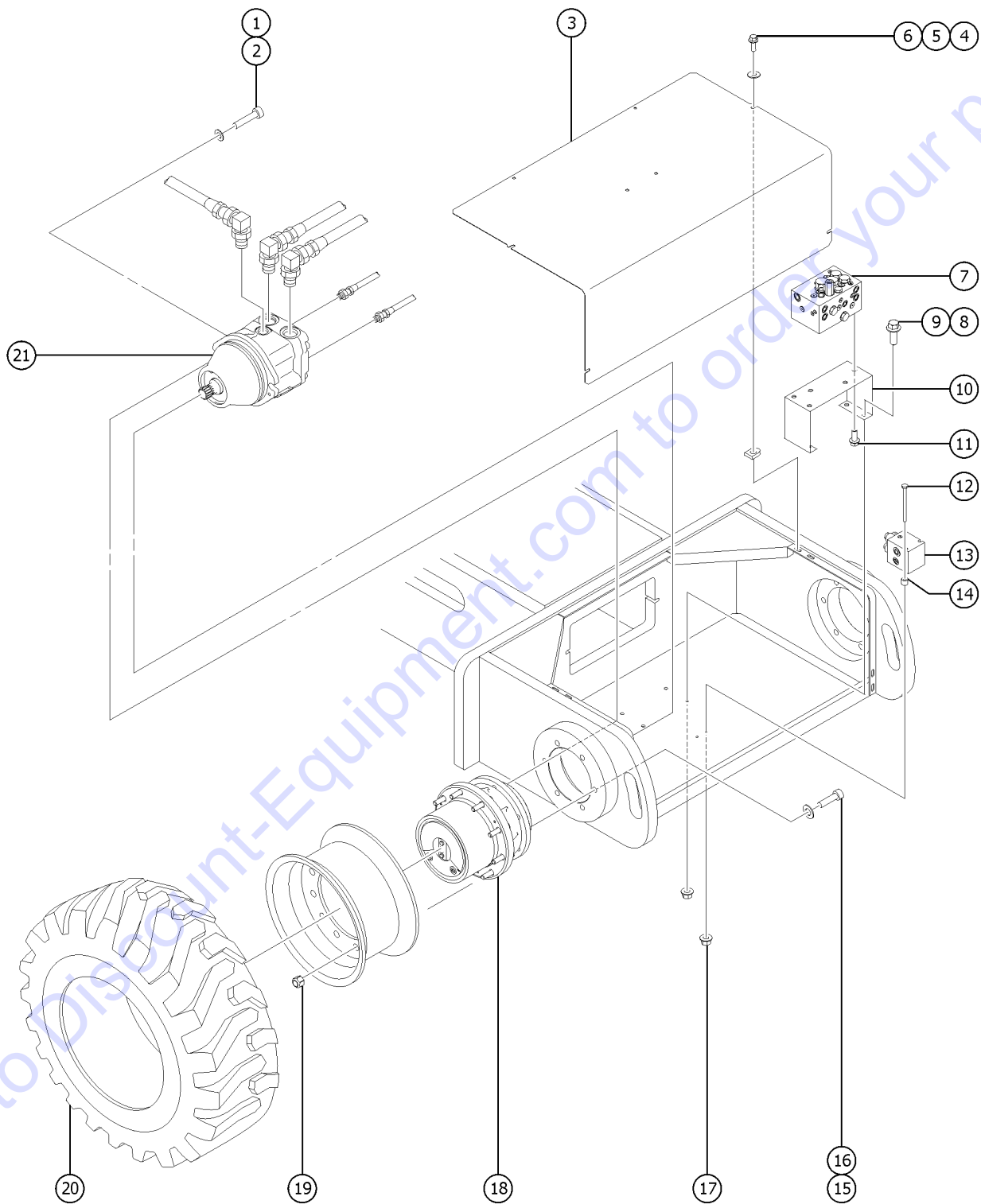
Go to Discount-Equipment.com to order your parts

<i>Item</i>	<i>Part No.</i>	<i>Description</i>	<i>Qty.</i>
21-	106098GT	SEAL KIT,MOTOR,LC/KC***	

Go to Discount-Equipment.com to order your parts



204.1 Non-Steer End (4WD)



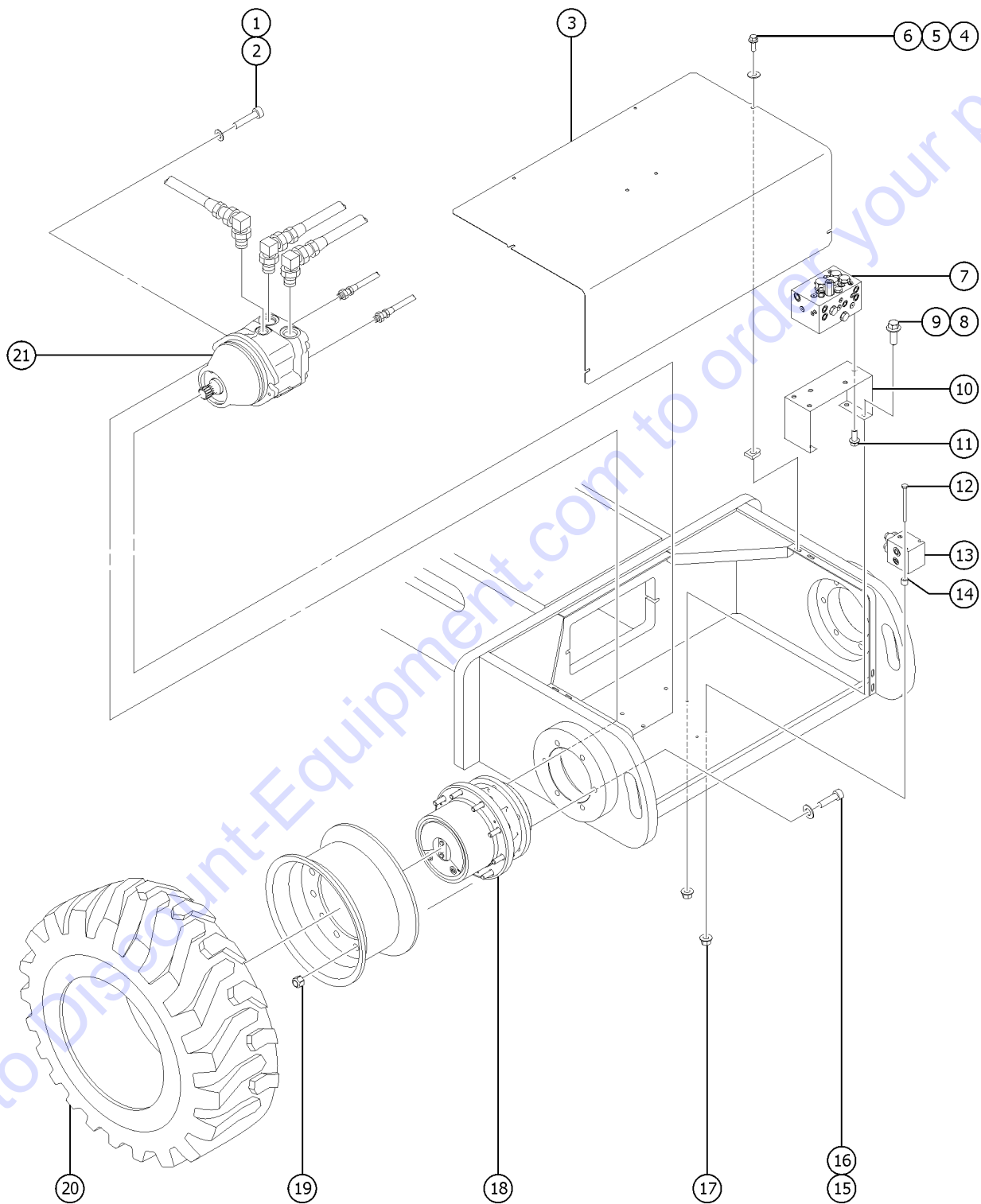
Go to Discount-Equipment.com to order your parts

204.1 Non-Steer End (4WD)

Item	Part No.	Description	Qty.
1	824072GT	SCREW, HHC, 7/16-14 X 1.25, ZAG	4
2	824117GT	WASHER, FLAT, SAE HRD, 7/16, ZAG	4
3	128729GT	COVER, DRIVE CHASSIS, Z34 decals not included, refer to section	1
4	824078GT	SCREW,HHF,1/4-20X.75,8,ZAG	2
5	824113GT	WASHER,FLAT,USS,1/4,ZAG	2
6	56912GT	SPRING CLIP,1/4-20,.025-.15X.54,ZAG	2
7		Ref. TRACTION MANIFOLD 4WD refer to 702.1	
8	824091GT	SCREW, HHF, 3/8-16 X 1.25, 8, ZAG	4
9	824029GT	NUT,TL FLG,3/8-16,G,ZAG	4
10	42068GT	BRACKET,MANIFOLD MOUNT	1
11	824089GT	SCREW, HHF, 3/8-16 X .75, 8, ZAG	2
12	824065GT	SCREW,HHC,1/4-20X4,8,ZAG	2
13		Ref. MANIFOLD,BRAKE/MOTOR SHIFT** refer to 702.1	1
14	45400GT	SPACER TUBE,.50 LG	2
15	824106GT	SCREW,SHC,5/8-11X2.75,A574,ZAG	12
16	824121GT	WASHER, FLAT, .688 X 1.160 X .09, ZAG	12
17	824027GT	NUT,TL FLG,1/4-20,G,ZAG	2
18		Ref. WHEEL DRIVE,4HP 48:1 refer to 202.1	
19	824042GT	NUT,LUG,5/8-18X90 DEG,ZAG	18
20	139467GT	ASSY,TIRE&WHEEL,LR,2/4WD ANSI/CSA; left rear air-filled RT tire; 9-hole wheel (to SN Z34F-14000)	1
20-	139411GT	TIRE,SGL,51S3D1-16.5,8 PLY	
20-	42145GT	WHEEL,16.5 X 8.25,9 HOLE/9.5BC	
20B	139468GT	ASSY,TIRE&WHEEL,RR,2/4WD ANSI/CSA; right rear air-filled RT tire; 9-hole wheel (to SN Z34F-14000)	1
20B-	139411GT	TIRE,SGL,51S3D1-16.5,8 PLY	
20B-	42145GT	WHEEL,16.5 X 8.25,9 HOLE/9.5BC	
20C	139476GT	ASSY,TIRE&WHL,SEALANT,LR ANSI/CSA; left rear air-filled tire with sealant; 9-hole wheel (to SN Z34F-14000)	1
20D	139478GT	ASSY,TIRE&WHL,SEALANT,RR ANSI/CSA; right rear air-filled tire with sealant; 9-hole wheel (to SN Z34F-14000)	1
20E	139469GT	ASSY,TIRE&WHEEL,DRIVE,FF RH RT right rear foam-filled RT tire; 9-hole wheel	1



204.1 Non-Steer End (4WD)



Go to Discount-Equipment.com to order your parts

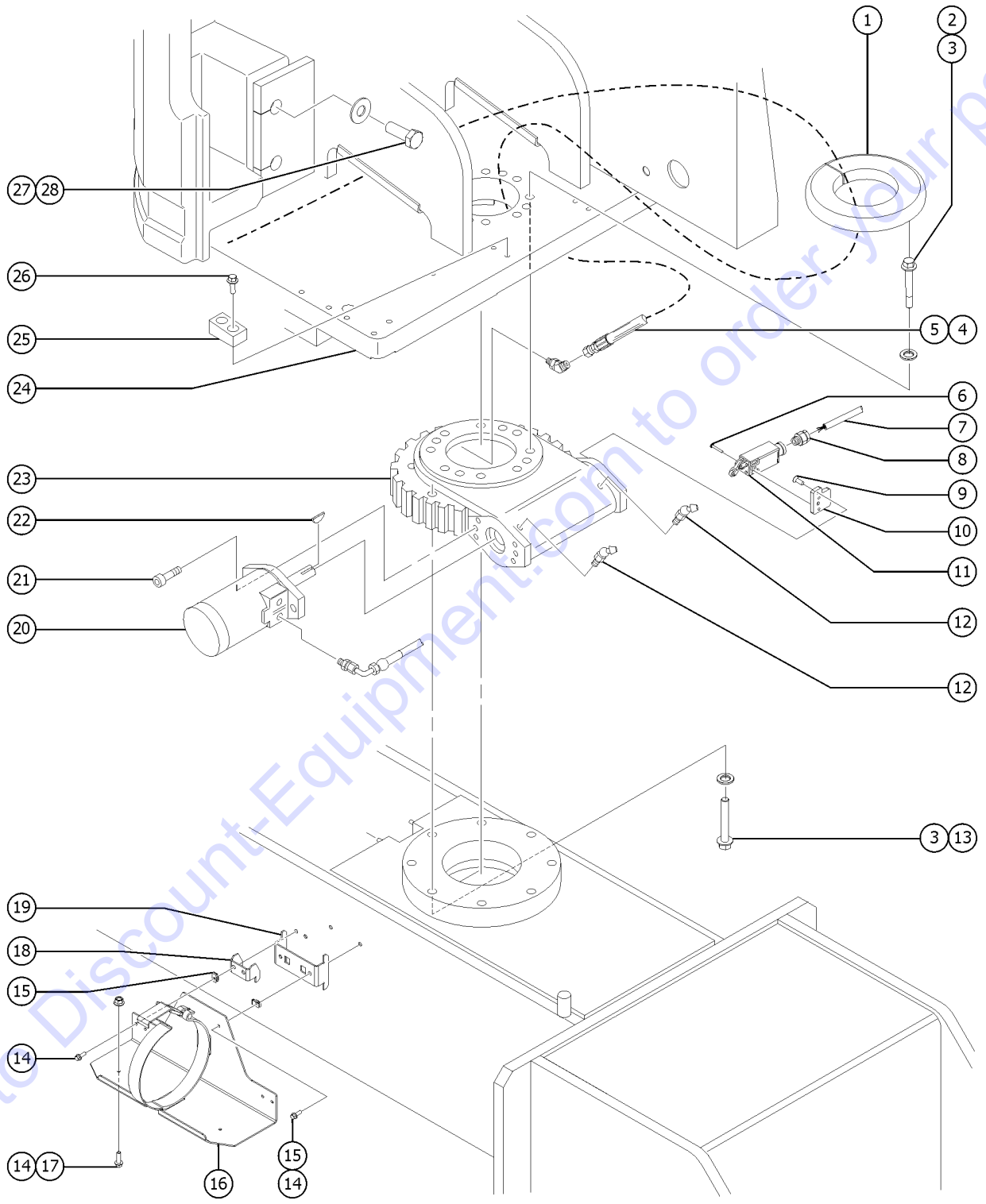
204.1 Non-Steer End (4WD)

Item	Part No.	Description	Qty.
20F	139470GT	ASSY,TIRE&WHEEL,DRIVE,FF LH RT left rear foam-filled RT tire; 9-hole wheel	1
21	101586GT	MOTOR,PISTON,LC25,6.5 DEG,13T	2
21-	106098GT	SEAL KIT,MOTOR,LC/KC***	

Go to Discount-Equipment.com to order your parts



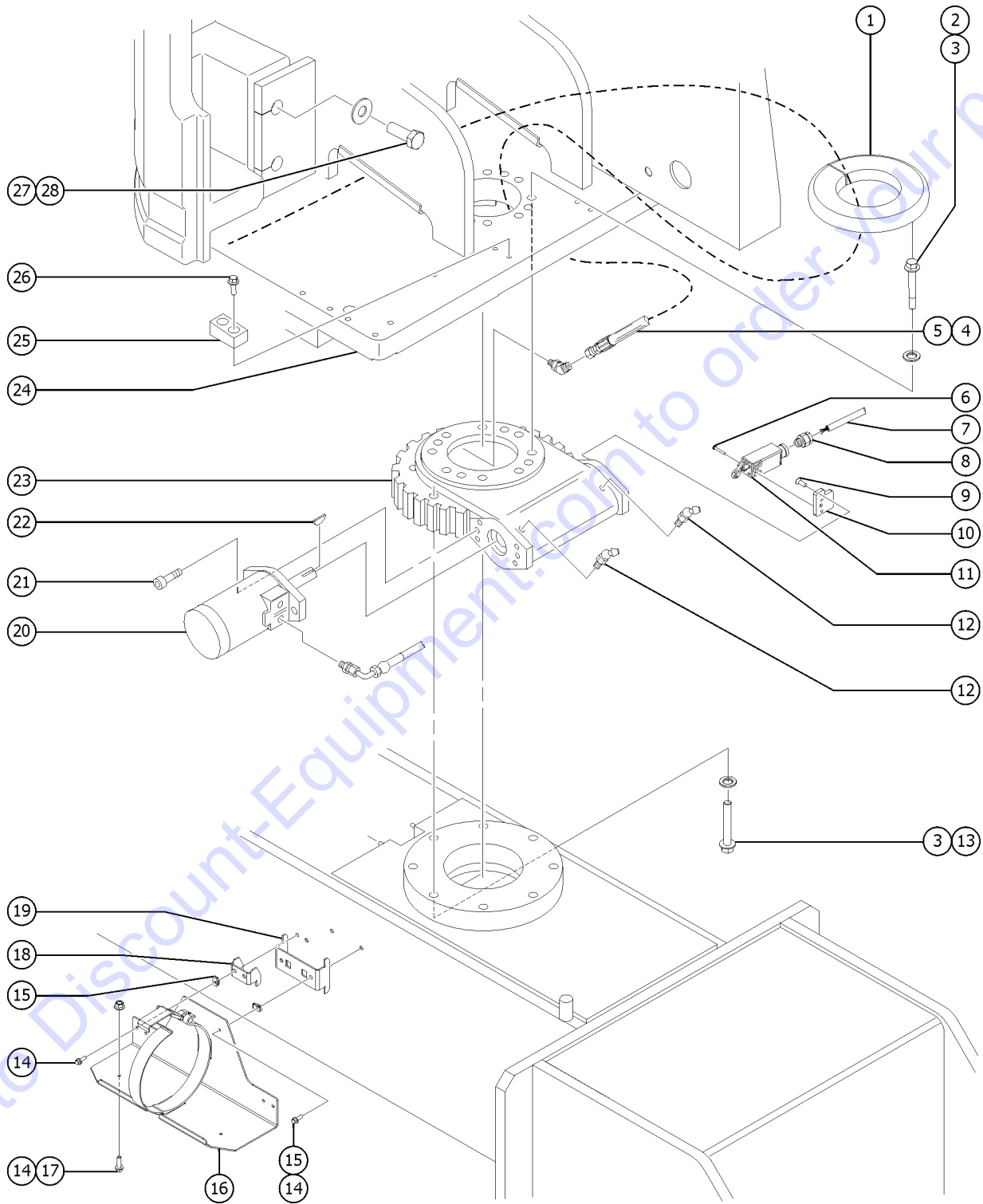
301.1 Turntable Rotator



Item	Part No.	Description	Qty.
1	42363GT	RING,HOSE PROTECTOR	1
2	1263142GT	SCREW,HHC,5/8-11,4.5,8,ZAG	12
3	1256182GT	WASHER,FLAT,5/8,F436,HRD,ZAG	20
4	49189-4350GT	HOSE ASSY, 1/4", 43.50	1
5	31194GT	ELBOW,070302-4-2	1
6	824223GT	SCREW,PHPM SEMS ET,10-32X1.25,	2
7	43960GT	WIRE CABLE,16/4 CON.TPE JKT	71
8		CONNECTOR included with item 11	1
9	824224GT	SCREW,FHPM,10-32X.5,ZAG	2
10	119917GT	PLATE, TURNTABLE LS. MT.	
11	110232GT	HARNESS LS3 OP DRIVE ENABLE includes item 7	1
11-	88356-12103GT	SWITCH,LIMIT,W/ROLLER ARM***	1
11-	119762GT	CONN PLUG 4 WAY EXTEND DT	1
11-	60429GT	LOCK,PLUG 4 WAY,14-18GA	1
11-	73714GT	TERM,NI SOC,S&F,16-18GA,REEL	4
12	30297GT	ZERK,GREASE,1/8 NPT,90DEG.	2
13	1263141GT	SCREW,HHC,5/8-11X5.5,8,ZAG	8
14	824092GT	SCREW, HHF, 3/8-16 X 1.5, 8, ZAG	6
15	29868GT	SPRING CLIP,3/8-16,.05-.20X.73,ZAG	4
16	147337GT	WELDMENT,LP TANK MOUNT	1
17	824029GT	NUT,TL FLG,3/8-16,G,ZAG	2
18	147342GT	FORMING,LP TANK MNT. BRACKET	1
19	147340GT	FORMING,LP TANK MNT. BRACKET	1
20	27372GT	MOTOR,TURNTABLE O-RING PORTS includes item 22 (to SN Z34F-14000)	1
20-	27275GT	SEAL KIT (21172)	
20B	128453GT	MOTOR,TURNTABLE,125CC*** from SN Z34F-14001	1
21	824102GT	SCREW,SHC,1/2-13X1.5,A574,ZAG	2
22	32224GT	KEY-WOODRUFF	2



301.1 Turntable Rotator

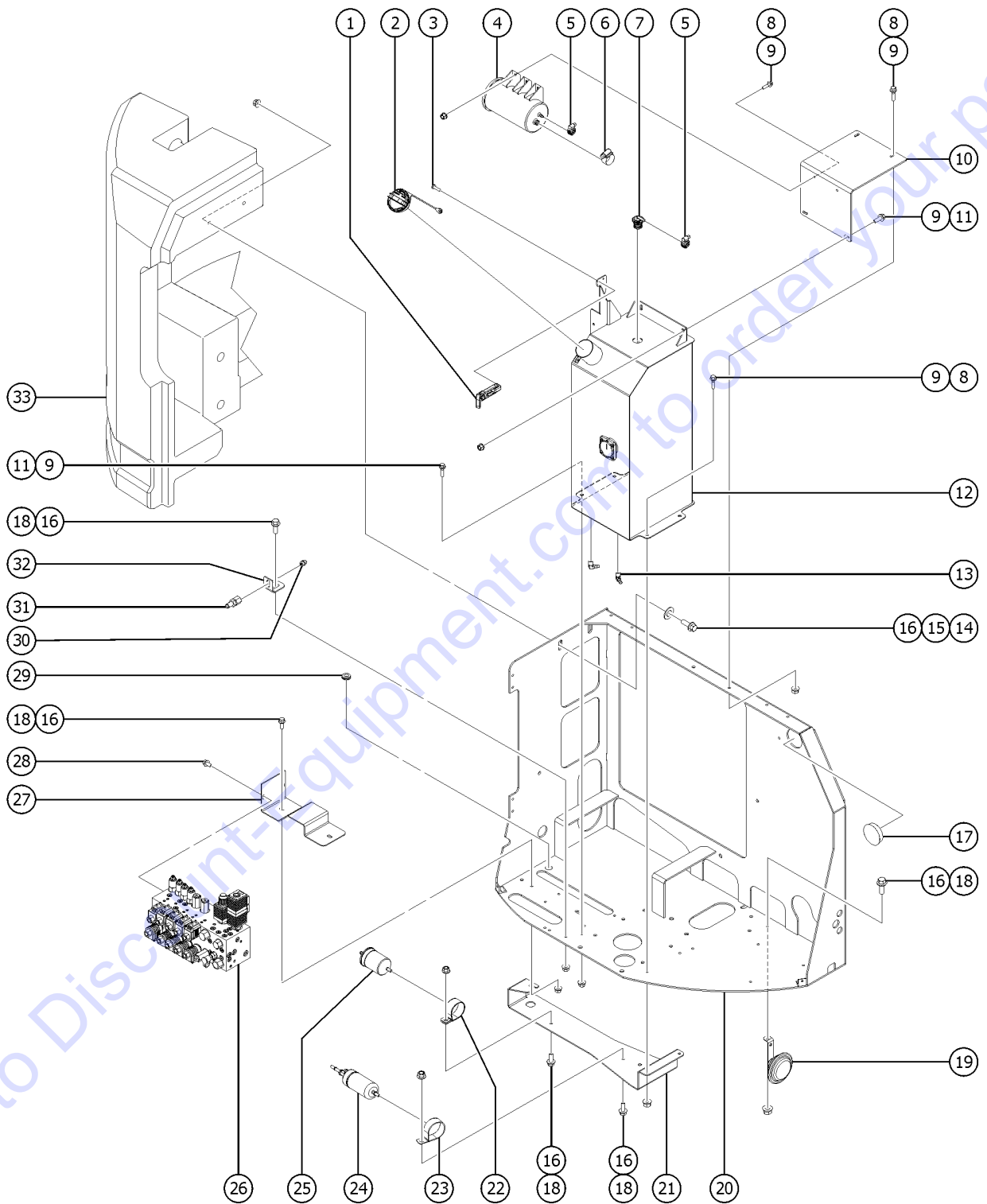


Item	Part No.	Description	Qty.
23	119111GT	ROTATOR TURNTABLE ASSEMBLY***	1
23-	128565GT	SHIM KIT, TURNTABLE*** for 119111	
23-	128618GT	SEAL KIT*** for 119111	
23-	128619GT	ZERK, GREASE, 1/8 NPT, 67.5 DEG** for 119111	
23-	128620GT	ZERK, GREASE, 1/8 NPT, 45 DEG*** for 119111	
23-	128621GT	BEARING, CUP*** for 119111	
23-	128622GT	BEARING, CONE*** for 119111	
23-	128899GT	SHAFT, WORM GEAR*** for 119111	
23-	139008GT	SNAP RING, INT, 2.88 DIA*** for 119111	
23-	1284189GT	CASE COVER, ROTATOR, Z30/34 (119111) for 119111	
24	94220GT	WELDMENT, SWING CHASSIS Z34	1
25	74256GT	REST PAD, LOWER REST Z30N	2
26	824090GT	SCREW, HHF, 3/8-16X1, 8, ZAG	4
27	824074GT	SCREW, HHC, 1-8X3, 8, ZAG	2
28	824116GT	WASHER, FLAT, 1.0, F436, HRD, ZAG	2

Go to Discount-Equipment.com to order your parts



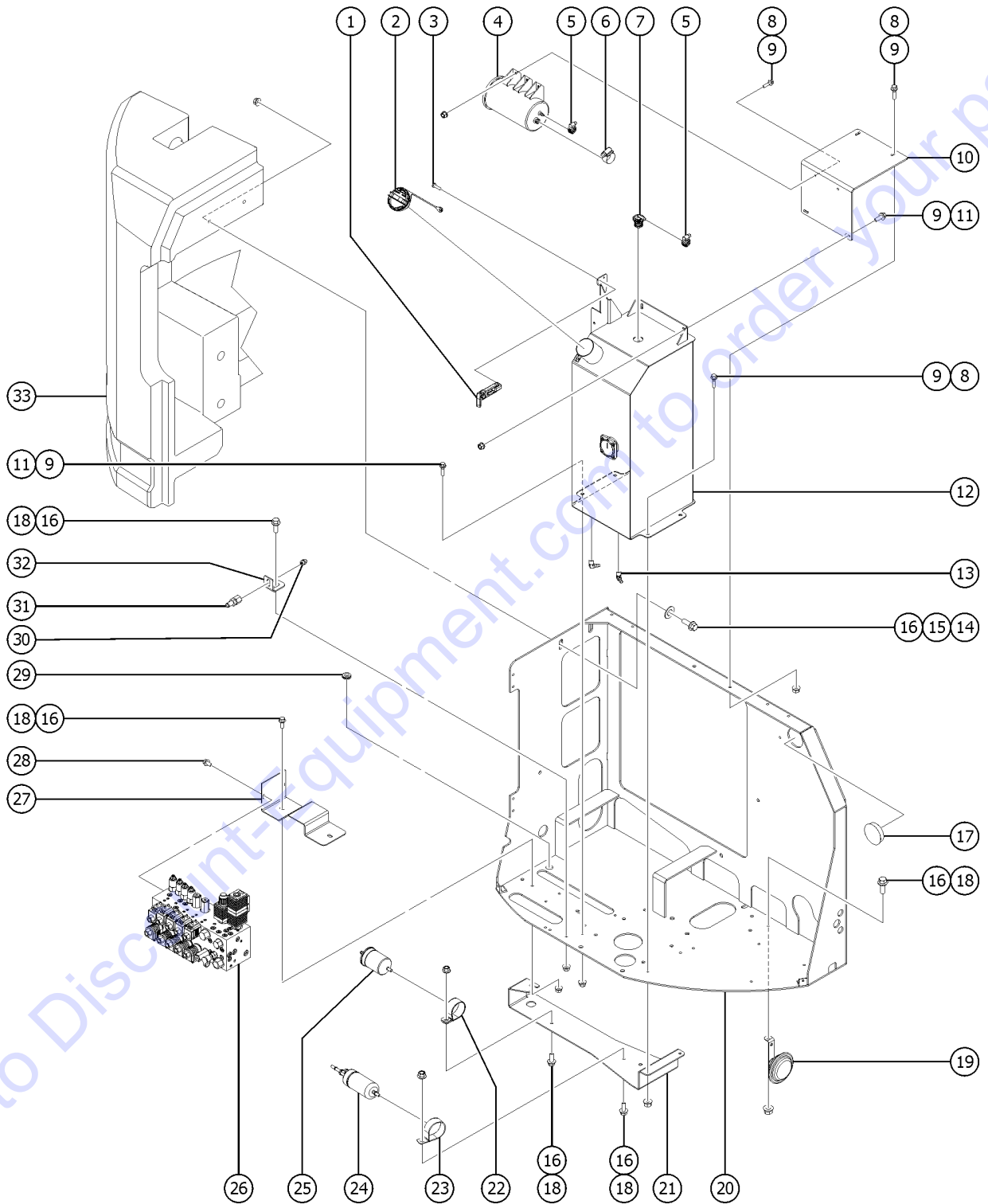
302.1 Ground Control Side, View 1 (to SN Z34F-12363)



Item	Part No.	Description	Qty.
A	1289561GT	BRACKET, TELEMATICS	
A	1289520GT	MODULE, TELEMATICS, ZTR, M7, NORTH AMERICA	
A	1289521GT	MODULE, TELEMATICS, ZTR, M7, EMEA/APAC	
1	56053GT	LATCH,FLEXIBLE DRAW	1
2	119918GT	CAP,FUEL,GASOLINE 3.5PSI	1
3	824215GT	SCREW,PHPM,10-32X.75,ZAG	2
4	1262944GT	CANISTER, CARBON, 1000CC	1
5	21465GT	CLAMP,HOSE,.25" - .63" X .3125	3
6	46131GT	CLAMP,HOSE,.63" - 1.0" X .5"	2
7	1262945GT	VALVE, ROLLOVER, 1/4" BARBED	1
8	824079GT	SCREW,HHF,1/4-20X1,8,ZAG	6
9	824027GT	NUT,TL FLG,1/4-20,G,ZAG	11
10	1268808GT	FORMING,FUEL TANK SPRT,Z34DF	1
11	824078GT	SCREW,HHF,1/4-20X.75,8,ZAG	5
12	1268807GT	ASSY,FUEL TANK,Z34DF	1
12-	T106900GT	GAUGE, FUEL LEVEL	
13	54205GT	HOSE END,BARB,1/4 MNPTX5/16,90	2
14	824091GT	SCREW, HHF, 3/8-16 X 1.25, 8, ZAG	2
15	824120GT	WASHER, FLAT, .375 X 1.50 X .125, ZAG	2
16	824029GT	NUT,TL FLG,3/8-16,G,ZAG	9
17	39640GT	PLUG,NYLON 2.50 BLACK DOMED	1
18	824090GT	SCREW,HHF,3/8-16X1,8,ZAG	7
19	81578GT	HORN,12VDC,SPADE TERMINALS***	1
20	74956GT	WELDMENT,TANK COMPARTMENT IC	1
21	228721GT	FORMING, FUEL PUMP COVER	1
22	27497GT	CLAMP,RUBBER CUSHIONED-2 5/32	1
23	1272022GT	CLAMP,FUEL COMPONENTS,GM .998L	2
254	77750GT	FUEL PUMP (GM ENG)	1



302.1 Ground Control Side, View 1 (to SN Z34F-12363)



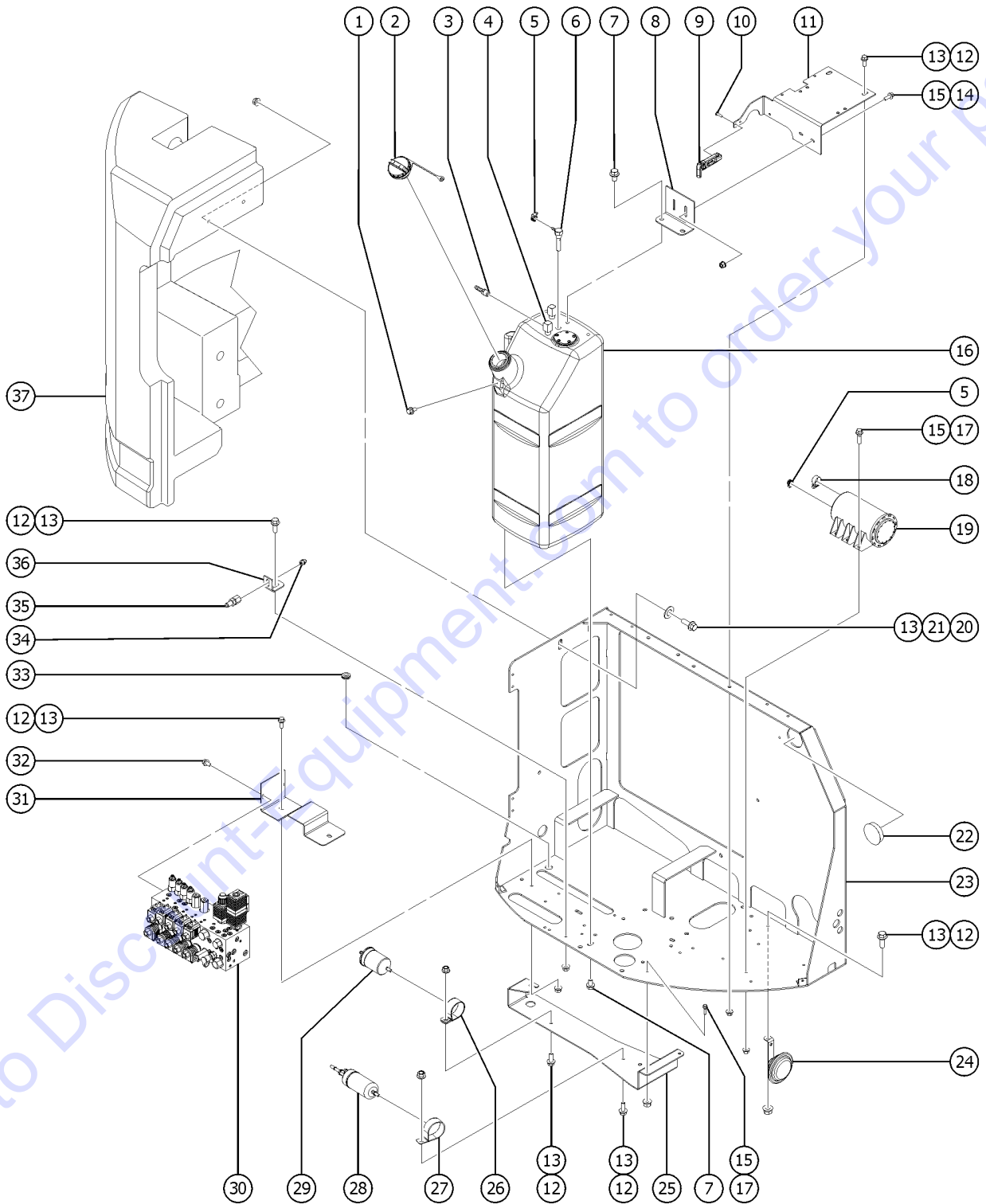
302.1 Ground Control Side, View 1 (to SN Z34F-12363)

Item	Part No.	Description	Qty.
25	1271652GT	FILTER, FUEL, GM3.0L	1
26		Ref. FUNCTION MANIFOLD	1
27	56365GT	MANIFOLD MOUNT BRACKET	1
		(refer to 703.1)	
28	824089GT	SCREW, HHF, 3/8-16 X .75, 8, ZAG	2
29	231327GT	GROMMET, 9/16IDX7/8ODX3/16THK	1
30	28646GT	ZERK, GREASE, 1/8 NPT	1
31	48885GT	CONNECTOR, BULKHEAD, FEMALE-4	1
32	70602GT	BRACKET, ANGLE	1
33	74532GT	COUNTERWEIGHT, CAST	1

Go to Discount-Equipment.com to order your parts



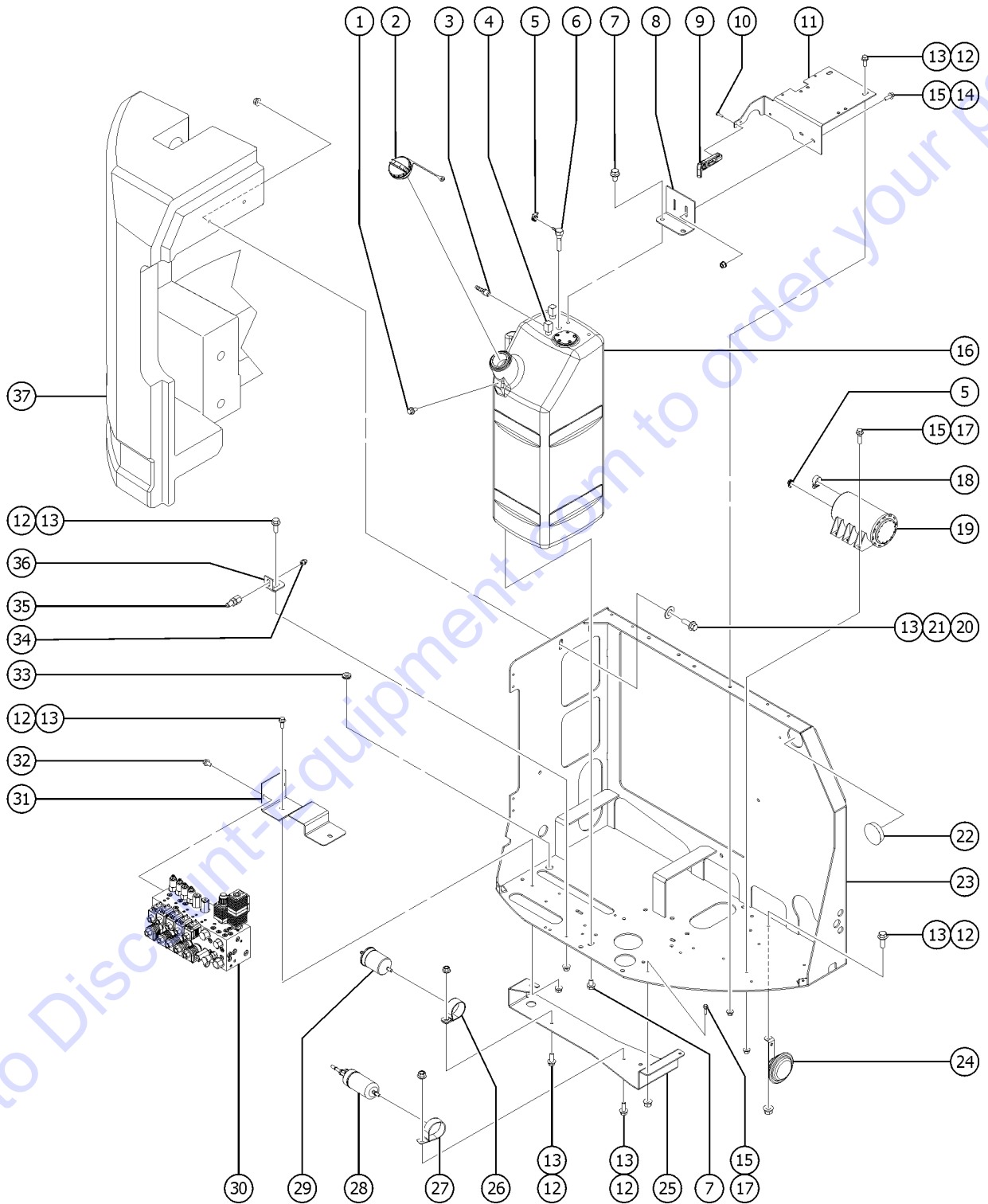
302.2 Ground Control Side, View 1 (from SN Z34F-12364)



Item	Part No.	Description	Qty.
1	824077GT	SCREW, HHF, 1/4-20 X .5, 8, ZAG	1
2A	119918GT	CAP, FUEL, GASOLINE 3.5PSI (gas models)	1
2B	T112457GT	CAP, FUEL, DIESEL, SAE-J NECK (Diesel models)	1
3A	53023GT	FITTING, 1/4 MPT 5/16 BARB	2
3B	42338GT	ADAPTER, 1/4NPT-M TO 3/16 BARB (Diesel models with plastic fuel tank)	1
4	1276927GT	FUEL PICKUP, 3/8 X 1/4 NPT X 25.5	2
5	21465GT	CLAMP, HOSE, .25" - .63" X .3125	2
6	1276928GT	VALVE, BRASS, ROLLOVER, 1/4 BARB X 3/8 NPT	1
7	1256857GT	SCREW, HHF, 3/8-16X5/8, 8, ZAG	4
8	1275758GT	FORMING, MOUNT, TANK AND CTRL BOX	1
9	56053GT	LATCH, FLEXIBLE DRAW	1
10	824215GT	SCREW, PHPM, 10-32X.75, ZAG	2
11	1275759GT	FORMING, MOUNT, FUEL TANK	1
12	824090GT	SCREW, HHF, 3/8-16X1.8, ZAG	9
13	824029GT	NUT, TL FLG, 3/8-16, G, ZAG	10
14	824078GT	SCREW, HHF, 1/4-20X.75, 8, ZAG	2
15	824027GT	NUT, TL FLG, 1/4-20, G, ZAG	6
16	1277167GT	ASSEMBLY, FUEL TANK, CERT.	1
16-	1271772GT	CAP, TANK, FUEL SENSOR	
16-	1271773GT	GASKET, TANK, FUEL SENSOR	
16-	1251757GT	SCREW, PHPM, 10-32X.50, ZAG	
17	824079GT	SCREW, HHF, 1/4-20X1.8, ZAG	4
18	46131GT	CLAMP, HOSE, .63" - 1.0" X .5"	1
19	1262944GT	CANISTER, CARBON, 1000CC	1
20	824091GT	SCREW, HHF, 3/8-16 X 1.25, 8, ZAG	2
21	824120GT	WASHER, FLAT, .375 X 1.50 X .125, ZAG	2
22	39640GT	PLUG, NYLON 2.50 BLACK DOMED	1
23	74956GT	WELDMENT, TANK COMPARTMENT IC	1



302.2 Ground Control Side, View 1 (from SN Z34F-12364)



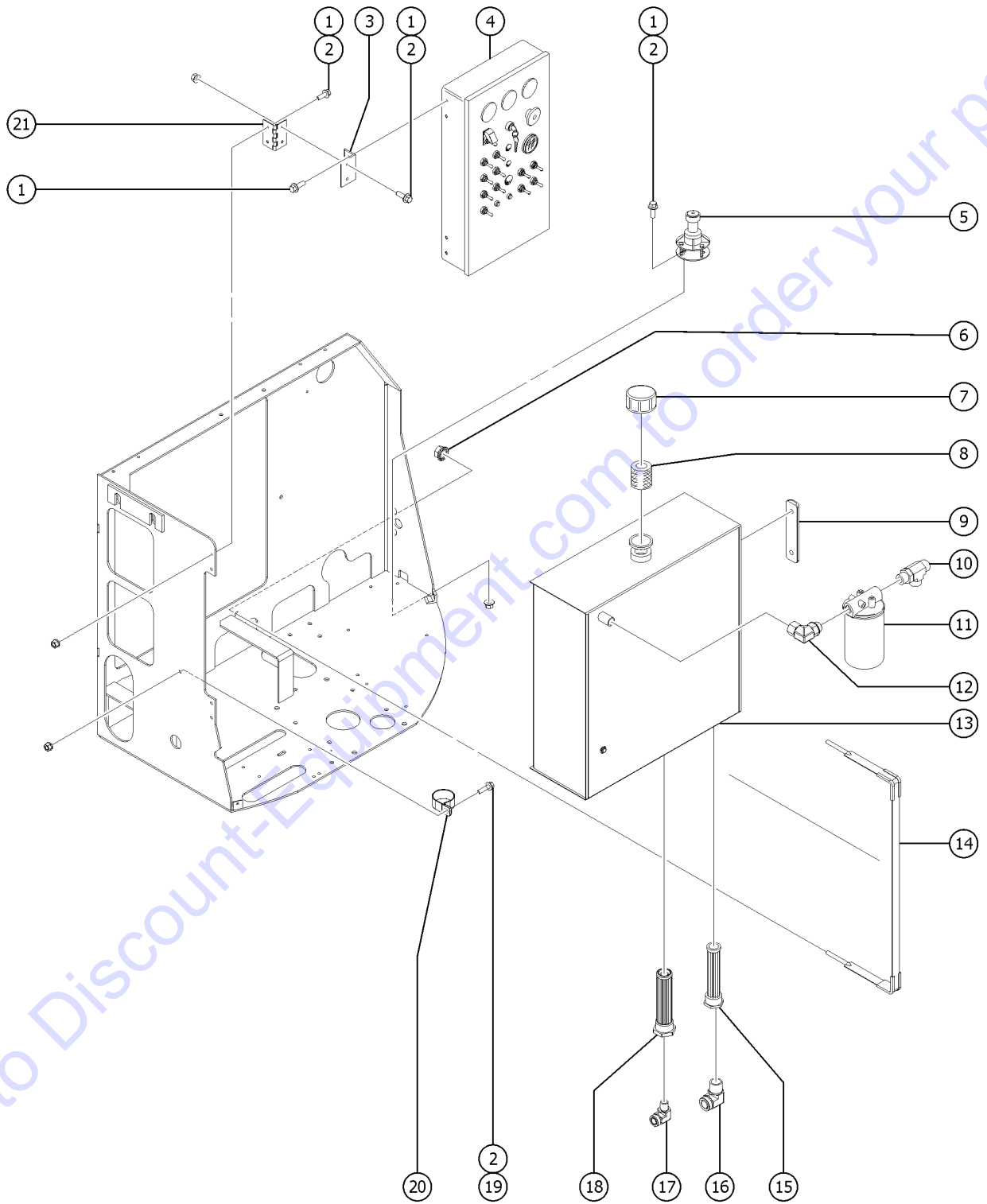
302.2 Ground Control Side, View 1 (from SN Z34F-12364)

Item	Part No.	Description	Qty.
24	81578GT	HORN,12VDC,SPADE TERMINALS***	1
25	228721GT	FORMING, FUEL PUMP COVER	1
26	27497GT	CLAMP,RUBBER CUSHIONED-2 5/32	1
27	1272022GT	CLAMP,FUEL COMPONENTS,GM .998L	2
28	77750GT	FUEL PUMP (GM ENG)	1
29	1271652GT	FILTER, FUEL, GM3.0L	1
30		Ref. FUNCTION MANIFOLD	1
		(refer to 703.1)	
31	56365GT	MANIFOLD MOUNT BRACKET	1
32	824089GT	SCREW, HHF, 3/8-16 X .75, 8, ZAG	2
33	231327GT	GROMMET,9/16IDX7/8ODX3/16THK	1
34	28646GT	ZERK,GREASE,1/8 NPT	1
35	48885GT	CONNECTOR,BULKHEAD,FEMALE-4	1
36	70602GT	BRACKET, ANGLE	1
37	74532GT	COUNTERWEIGHT,CAST	1

Go to Discount-Equipment.com to order your parts

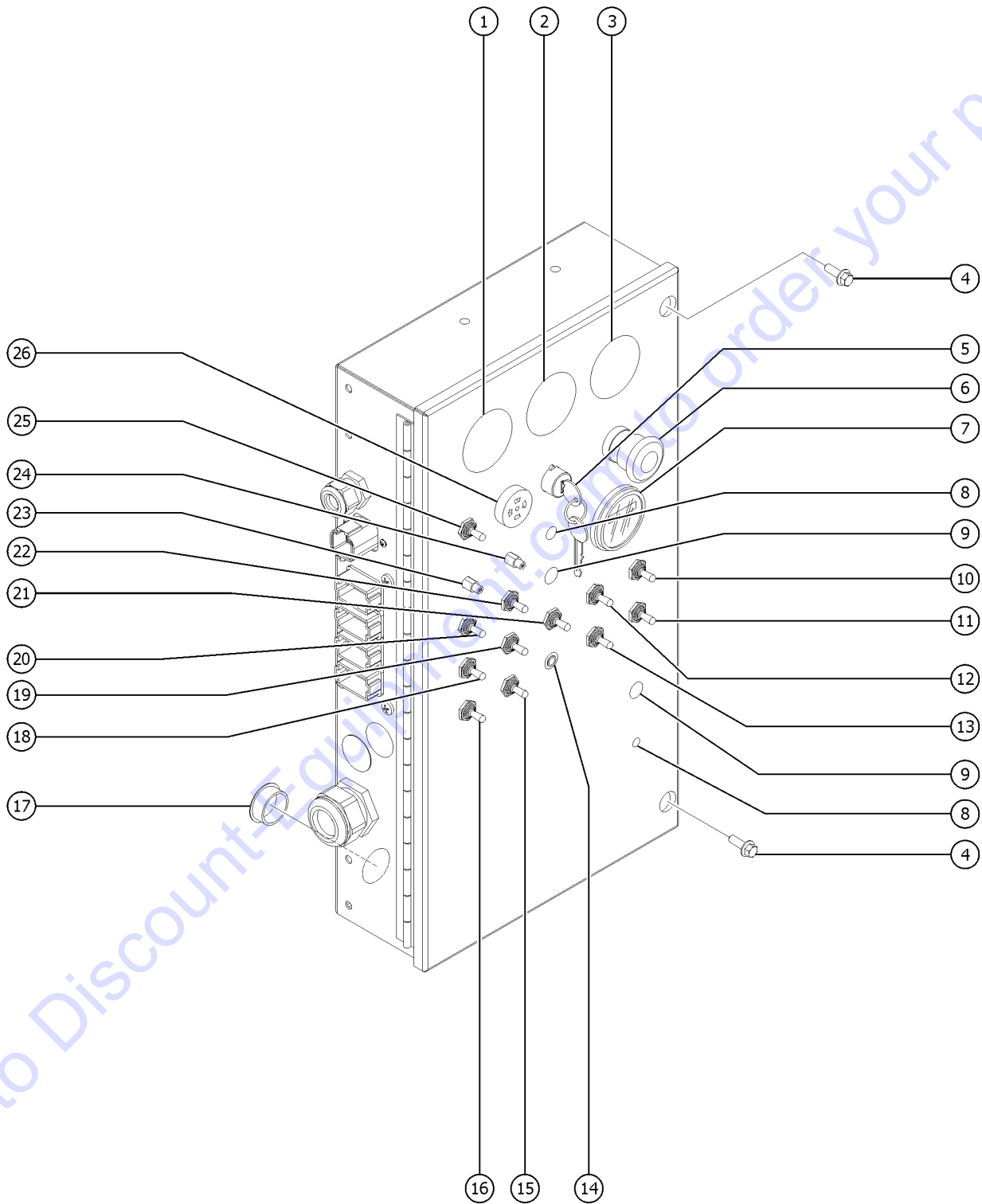


303.1 Ground Control Side, View 2



Item	Part No.	Description	Qty.
1	824078GT	SCREW,HHF,1/4-20X.75,8,ZAG	15
2	824027GT	NUT,TL FLG,1/4-20,G,ZAG	12
3	42067GT	ANGLE,CONTROL BOX MOUNTING	2
4		Ref. GROUND CONTROL BOX (refer to 304.1 and 305.1)	1
5A	94077GT	SENSOR,LEVEL,4.5 DEG (ANSI/AUS models)	1
5B	110382GT	LEVEL SENSOR,LS60,YL,2.5X4.5 (CE models)	1
6	1257628GT	NUT,SERRATED,3/8-16,ZAG	2
7	53534GT	FILTER SCREEN,TANK BREATHER (includes item 8)	1
8	31506GT	STRAINER,FILLER NECK	1
9	21141GT	GAUGE-SIGHT,LHA-LGTB*** (includes mounting fasteners)	1
10	48961GT	TEE,RUN,520428-12	1
11	56653GT	FILTER,RETURN,ASSY,BETA 10	1
11-	139788GT	KIT,Z34IC RETURN FILTER	
11-	44207GT	FILTER ELEMENT,BETA(10)=200	
11-	52768GT	GAUGE,MED.PRESSUR FILTER,50530	
12	56673GT	ELBOW, 90D, 12SAE- 3/4NPT	1
13	42053GT	TANK,HYDRAULIC,19 GALLON	1
13-	48922GT	CONN,520102-6-6	
14	42070GT	TANK STRAP,BOLT STYLE,38.5"	1
15	45161GT	STRAINER ASSEMBLY,1.5" NPT	1
16	42786GT	ELBOW,90D,520202-16***	1
17	42756GT	ELBOW,90D,520202-8-12	1
18	45162GT	STRAINER ASSEMBLY,1.25" NPT***	1
19	824079GT	SCREW,HHF,1/4-20X1,8,ZAG	1
20	27497GT	CLAMP,RUBBER CUSHIONED-2 5/32	1
21	42077GT	HINGE, 2 X 1.50	2

304.1 Ground Control Box, External View



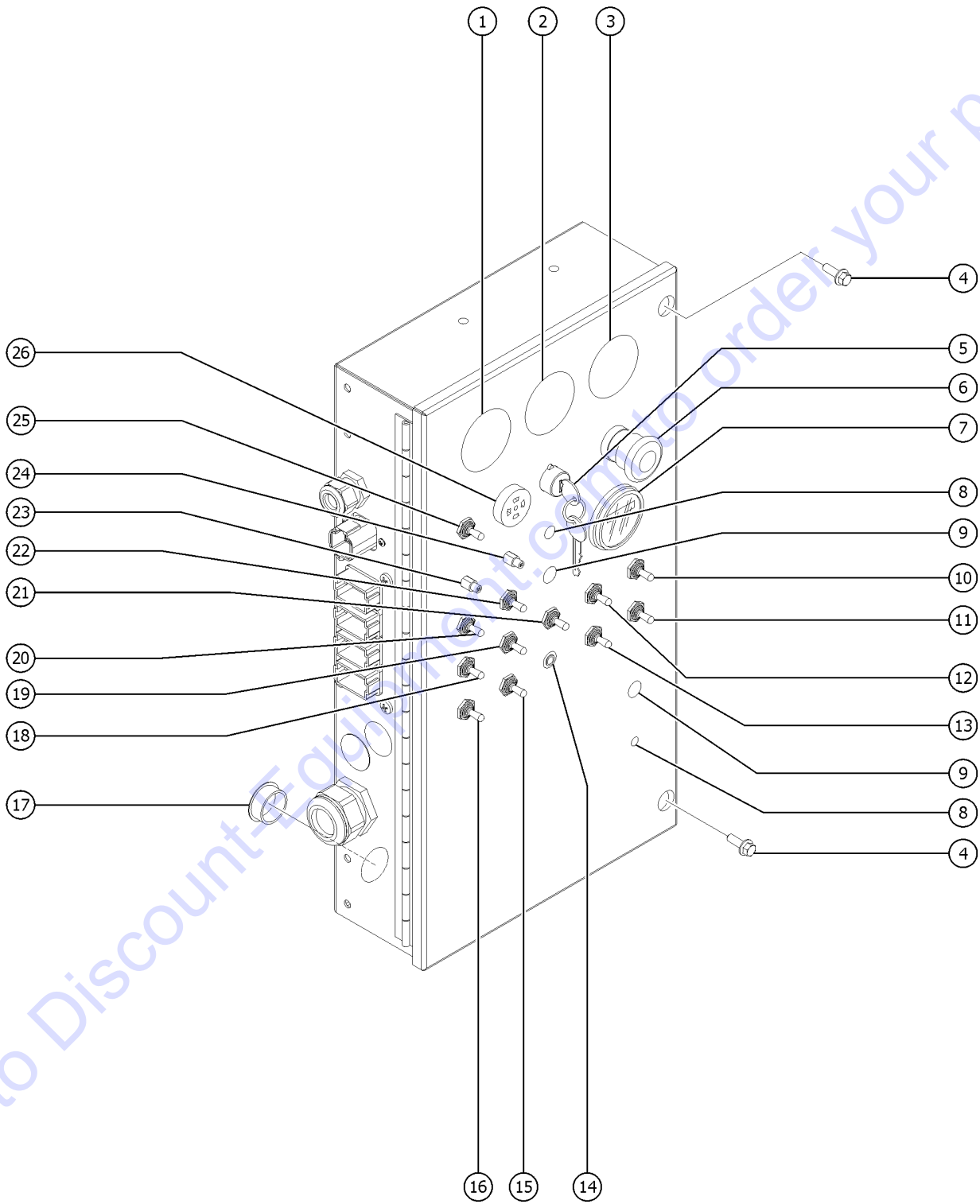
Go to Discount-Parts.com to order your parts

304.1 Ground Control Box, External View

Item	Part No.	Description	Qty.
-	81900GT	PLUG,NYLON 2.093 BLACK DOMED	3
1	53759-SGT	GAUGE,WATER TEMP (includes mounting bracket and fasteners)	
2	53758-SGT	GAUGE,OIL PRESSURE W/O SENDER (includes mounting bracket and fasteners)	
3	53761-SGT	GAUGE,VOLTAGE (includes mounting bracket and fasteners)	
4	824077GT	SCREW, HHF, 1/4-20 X .5, 8, ZAG	2
5	96008-SGT	KEYSWITCH,3 POS. W/KEYS*** (includes pair of keys)	1
5-	83093GT	KEY SINGLE*** (with rubber boot)	
5-	88827GT	GASKET,KEYSWITCH,PLASTIC***	
5-	94506GT	BASE,W/3 NC CONTACTS	
5-	824218GT	SCREW,PHPM SEMS ET,8-32X.25,ZA	
6	66812GT	BUTTON,PUSH,RED MUSHROOM HEAD	1
6-	66818GT	CONTACT,NC	
6-	66821GT	BASE,WITHOUT CONTACTS	
7A	19506GT	HOUR METER, 10-80 VOLTS*** for Kubota and Perkins engines (includes mounting bracket)	1
7B	1271076GT	DISPLAY,DIAGNOSTIC,J1939 for GM .998L engine only	
8	42781GT	PLUG, NYLON .250 BLACK DOMED	3
9A	56111GT	PLUG,NYLON .687 BLACK DOMED	3
9B	218167GT	LIGHT,INDICATOR,AMBER 12V ENGINE (for Pekins 403F engine) (check engine)	1
10	128580-SGT	SWITCH TOGGLE SPDT 3P MOM SHDR (gas/LPG choke switch or diesel glow plug)	1
11	128580-SGT	SWITCH TOGGLE SPDT 3P MOM SHDR (function enable switch)	1
12	128580-SGT	SWITCH TOGGLE SPDT 3P MOM SHDR (engine start switch)	1
13	128584-SGT	SWITCH TOGGLE SPDT 2P MNT SHDR (gas/LPG fuel select switch)	1
14	824879GT	LIGHT,LED IND. RED 12V NH (option, platform overload indicator)	1
15	128582-SGT	SWITCH TOGGLE DPDT 3P MOM SHDR (primary boom extend/retract switch)	1
16	128582-SGT	SWITCH TOGGLE DPDT 3P MOM SHDR (turntable rotate switch)	1
17	45385GT	PLUG,NYLON 1.12 BLACK DOMED	1
18	128582-SGT	SWITCH TOGGLE DPDT 3P MOM SHDR (primary rotate switch)	1
19	128582-SGT	SWITCH TOGGLE DPDT 3P MOM SHDR (primary boom up/down switch)	1



304.1 Ground Control Box, External View



Go to Discount-Parts.com to order your parts

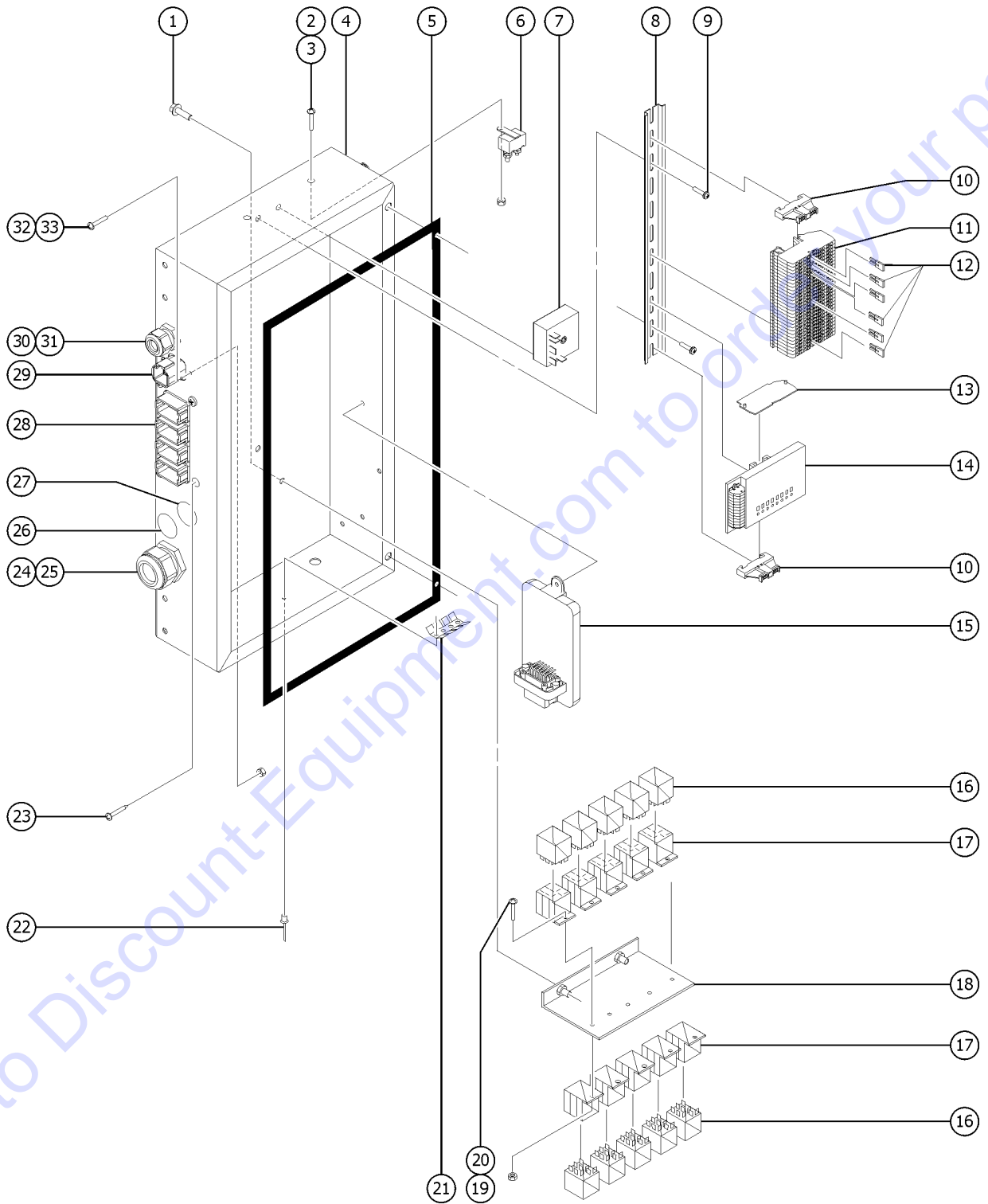
304.1 Ground Control Box, External View

Item	Part No.	Description	Qty.
20	128582-SGT	SWITCH TOGGLE DPDT 3P MOM SHDR (platform level switch)	1
21	128582-SGT	SWITCH TOGGLE DPDT 3P MOM SHDR (jib boom up/down switch)	1
22	128582-SGT	SWITCH TOGGLE DPDT 3P MOM SHDR (primary boom extend/retract switch)	1
23	147094GT	ASSY, CIRCUIT BREAKER 15A (includes mounting fasteners)	1
24	147093GT	ASSY, CIRCUIT BREAKER 10A (includes mounting fasteners)	1
25	128583-SGT	SWITCH TOGGLE SPDT 2P MOM SHDR	
26	45383GT	ALARM,WARBLE TONE 5-30 VDC*** (plastic nut not included)	1
26-	72326GT	NUT - PLASTIC, RING FOR ALARMS	

Go to Discount-Equipment.com to order your parts



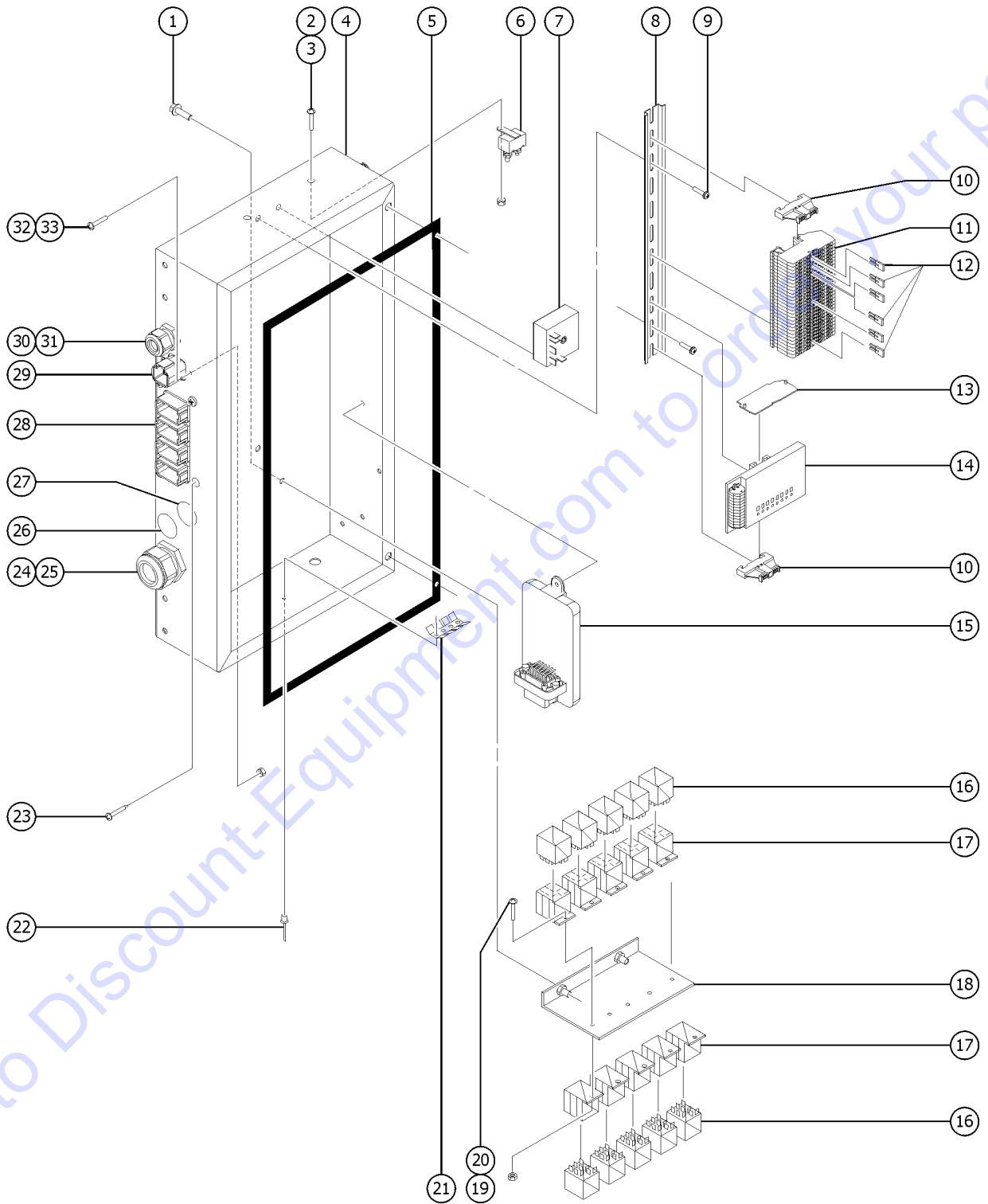
305.1 Ground Control Box, Internal View



Go to Discount-Equipment.com to order your parts

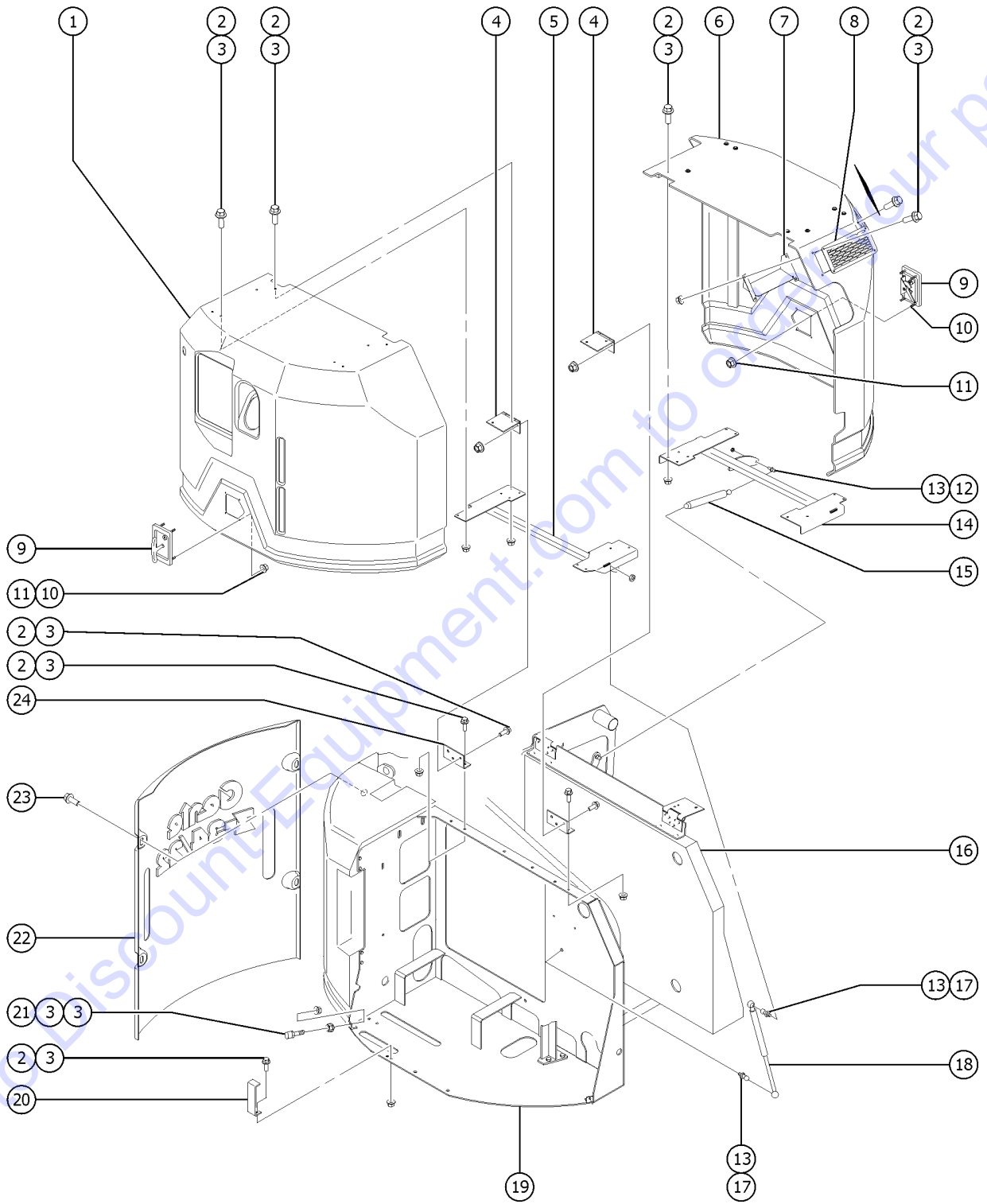
Item	Part No.	Description	Qty.
-	1274207GT	HARNESS, RELAY ASSY, Z34 DF (models with GM gasoline engine) to SN Z34F-14000	
1	824078GT	SCREW,HHF,1/4-20X.75,8,ZAG	2
2	824215GT	SCREW,PHPM,10-32X.75,ZAG	1
3	824032GT	NUT,TL FLG,10-32,F,ZAG	1
4	110648GT	GROUND CONTROL BOX W/DECAL (includes item 5) to SN Z34F-14000	1
4-	23404GT	NUTSERT,1/4-20,STEEL CAD PLTD	
4B	1292572GT	CONTROL BOX, GROUND from SN Z34F-14001	1
5	42065GT	GASKET,GROUND CONTROL BOX	1
6	128935GT	CIRCUIT BKR 10A TYPE 2 METAL	1
7	121846GT	RELAY,TIME DELAY,2 SEC,10A	
8	36871GT	DIN RAIL,14.75" **	1
9	824222GT	SCREW,PHPM SEMS ET,10-32X.625,	2
10	74913GT	END STOP, DIN RAIL,SCREW CLAMP	2
11	1273821GT	TERMINAL RAIL, ASSY,Z34DF	
11-	217046GT	KIT, TERMINAL BLOCK (use if replacing a jumpered terminal block)	
11B	216789GT	ASSY,TERMINAL RAIL,Z34IC (models with diesel engines) (includes items 8, 10-12)	
12	74917GT	JUMPER COMB, 2-WAY,WIELAND (models with diesel engines)	2
12B	74918GT	JUMPER COMB, 3-WAY,WIELAND (models with gas engines)	2
13	216793GT	TERMINAL BLOCK END PLATE	1
14	56057GT	MODULE,IGNITION/START,12/24V (models with diesel engines)	1
15	128045GT	MODULE,LOAD SENSE 2007	1
15-	824215GT	SCREW,PHPM,10-32X.75,ZAG	
15-	824032GT	NUT,TL FLG,10-32,F,ZAG	
16	34052GT	RELAY,SPDT,12V(AUTO) PLUG IN**	
17	58318GT	RELAY SOCKET,AUTO	8
17-	34054GT	TERM,RELAY N-INSULATED 10-12 G	
17-	34055GT	TERM RELAY,N-INSULATE 14-16 GA	
17-	34056GT	TERM,RELAY,N-INSULATE 18-20 GA	

305.1 Ground Control Box, Internal View



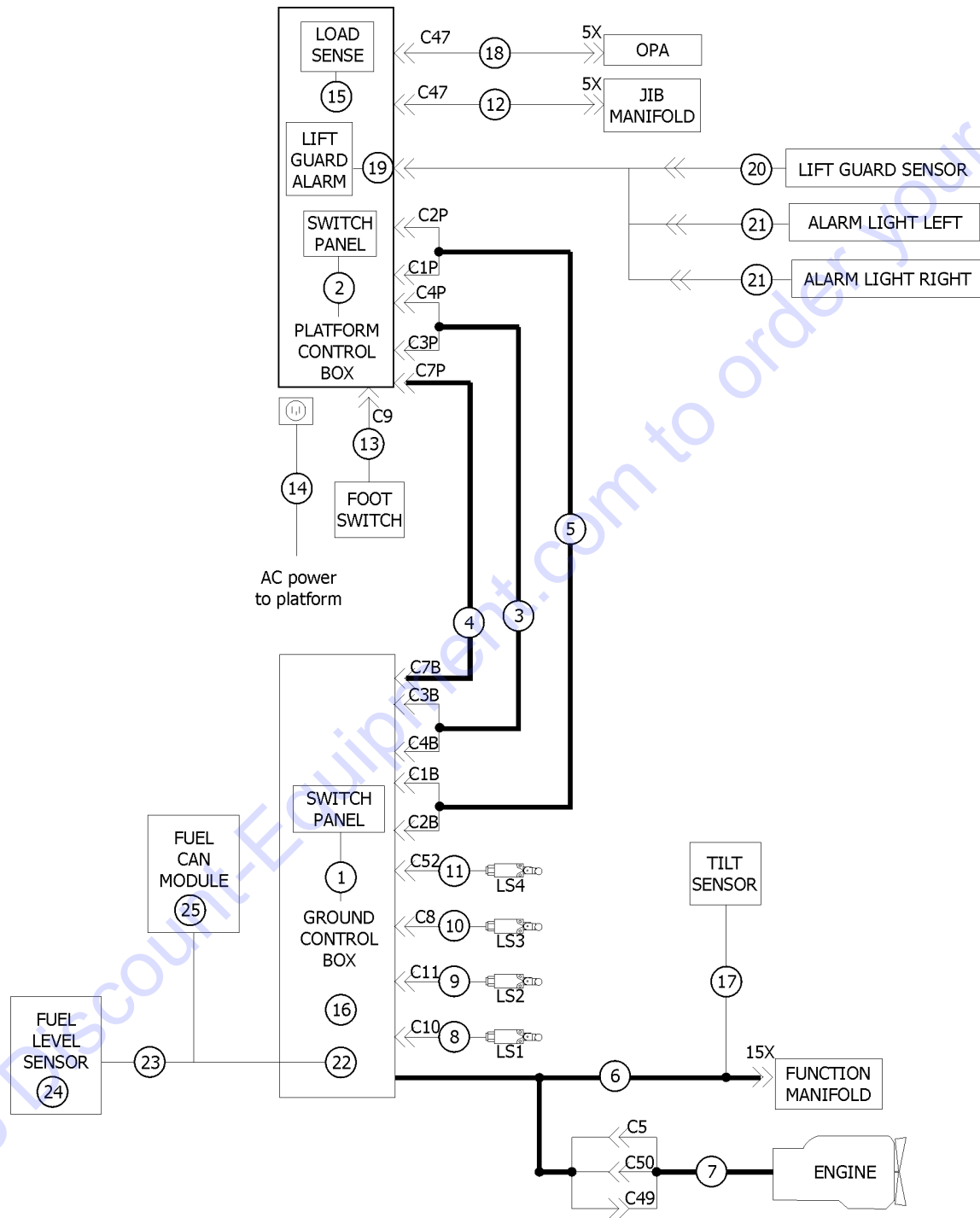
Item	Part No.	Description	Qty.
17-	58319GT	RELAY SOCKET,AUTO,RETAINER***	
17B	34053GT	ASSY,RELAY SOCKET, AUTO	8
18	T106699GT	BRACKET,RELAY MOUNT W/INSERTS (mounting holes for 5 relays)	1
18B	54534GT	ANGLE,RELAY MNT,W/NUTSERTS,PNT (mounting holes for 4 relays) (to SN Z34F-14000)	1
19	49819GT	SCREW,PHILLIPS,PHM,10-32 X .5	5
20	6178GT	NUT,NYLOCK,10-32	5
21	56663GT	TERMINAL STRIP	1
22	824206GT	RIVET,STL,STL,DOME,1/8X.25,ZAG	1
23	824226GT	SCREW,PHPSH,#12-11X.75,ZAG	4
24	20776GT	CABLE SQUEEZE CONN.	1
25	18665GT	LOCKNUT,ELECTRIC,1" NPT	1
26	45385GT	PLUG,NYLON 1.12 BLACK DOMED	1
27	15243GT	PLUG,NYLON .875 BLACK DOMED to SN Z34F-14000	1
27B	45383GT	ALARM,WARBLE TONE 5-30 VDC*** from SN Z34F-14001	1
28	73736GT	CONN,RECEP 48 WAY,4 X 12	1
28-	54255GT	LOCK,RECEP 12 WAY, 14-18GA	
28-	73713GT	TERM,NI PIN,S&F,16-18GA,REEL	
29	73717GT	CONN,RECEP 4 WAY,12-14GA FL***	1
29-	60526GT	LOCK,RECEP 4 WAY,12-14GA	
29-	73711GT	TERM,DEUTSCH, PIN #12-14	
30	7057GT	CONN. SQZ,1/2NPT .39-.56 MED.	1
31	6935GT	LOCKNUT,ELEC,1/2"	1
32	824214GT	SCREW,PHPM,6-32X.5,ZAG	2
33	824019GT	NUT,TL,6-32,A,ZAG	2

306.1 Turntable Covers



Item	Part No.	Description	Qty.
1A	106380GT	COVER ASSY,W/WORD DEC,GC,34IC (ANSI/AUS models)	1
1B	106377GT	COVER ASSY,W/SYM DEC,GC,34IC (CE models)	1
2	824079GT	SCREW,HHF,1/4-20X1,8,ZAG	38
3	824027GT	NUT,TL FLG,1/4-20,G,ZAG	42
4	75073GT	HINGE,.375X.120THK.,SLOTTED	2
5	56955GT	COVER REINFORCEMENT LH***	1
6A	139814GT	COVER ASSY,W/WORD DECALS (ANSI/AUS models)	1
6B	139815GT	COVER ASSY,W/SYMBOL DECALS (CE models)	1
7	139246GT	BAFFLE,ENGINE COVER	2
8	128467GT	PLATE, COVER, IC VENT	2
9	74245GT	LATCH,FLUSH CUP LEFT HAND	2
10	824215GT	SCREW,PHPM,10-32X.75,ZAG	4
11	824032GT	NUT,TL FLG,10-32,F,ZAG	4
12	33555GT	BALL STUD**	1
13	1252977GT	NUT,TL JAM,5/16-18,A,ZAG	3
14A	128470GT	WDMT, COVER REINFORC, RH (use with 139814GT & 139815GT)	1
14B	56955-SGT	COVER REINFORCEMENT LH*** (use with 106380GT & 106377GT)	1
15	139241GT	STRUT,GAS,14",200LBS.	1
16	128291GT	WDMT, ENGINE COMPARTMENT	1
17	62706GT	BALL STUD,5/16-18 (56295)	2
18	56295GT	STRUT,GAS***	1
19	74956GT	WELDMENT,TANK COMPARTMENT IC	1
20	42064GT	BRACKET, LATCH	1
21	36388GT	BUMPER,RUBBER,.75 X .50H,STUD	3
22	139290GT	COVER,COUNTERWEIGHT,Z34	1
23	824089GT	SCREW, HHF, 3/8-16 X .75, 8, ZAG	4
24	74496PGT	FORMING,HINGE SUPPORT PAINTED	2

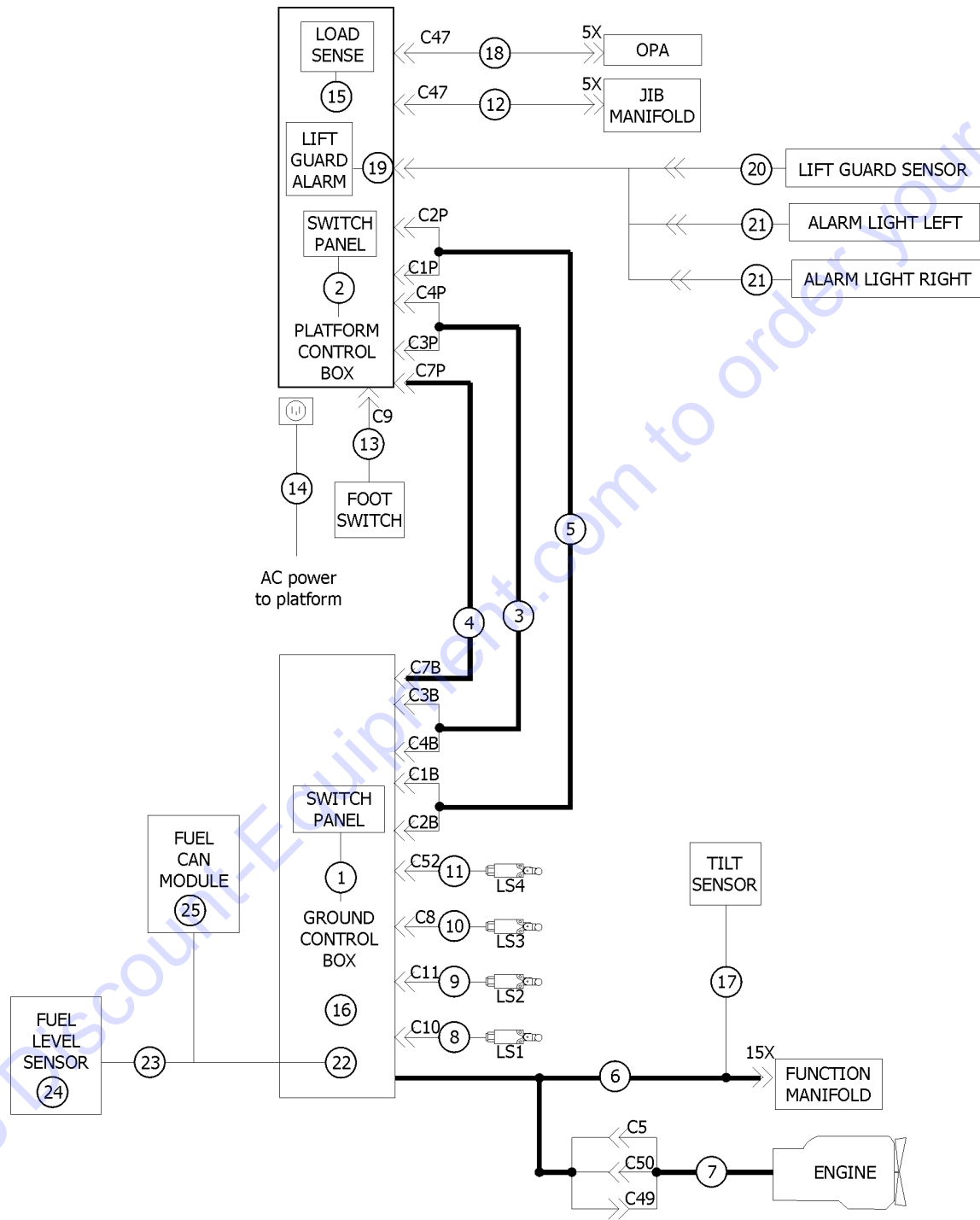
307.1 Wire Harness Diagram



Item	Part No.	Description	Qty.
-	58253GT	KIT,REPAIR,DEUTSCH PLUG,W/TUBE (small kit)	
-	83129GT	KIT,REPAIR,DEUTSH CONNECTORS** (large kit)	
-	61794GT	CRIMPER,DEUTSCH,LIGHT DUTY*** (tool)	
-	1262029GT	CABLE, AUX PUMP, POS	1
-	1262030GT	CABLE, AUX PUMP, NEG	1
-	1264822GT	KIT, TRC RETROFIT, STNDRD Telematics (includes 1264834)	
-	1264834GT	INSTRN, TRC RETROFIT, STNDRD	
-	88832GT	HARNESS,PLUG,NON-LOAD WEIGHING	
1	110640GT	HARNESS BASE BOX IC ANSI, AUS Kubota (D1105) (to SN Z34F-14000)	1
1-	1298656GT	HARNESS,GBOX,Z34IC,ANSI ANSI, Kubota (D1105) (from SN Z34F-14001)	
1B	1260992GT	HARNESS,GBOX,KUBOTA,CE CE, AUS; Kubota (D1105) (AUS models from SN Z34F-14001)	1
1C	1274196GT	HARNESS, G-BOX, Z34DF GM .998L (to SN Z34F-14000)	
1C-	1298591GT	HARNESS,G-BOX,Z34DF,ANSI GM .998L (from SN Z34F-14001)	
2	110645GT	HARNESS, PLAT BOX Z34IC to SN Z34F-14000	1
2B	1260995GT	HARNESS, PBOX, Z34IC,CE from SN Z34F-14001	
3	110240GT	HARNESS CABLE1 18/19 COND. green & brown connectors	1
4	110233GT	HARNESS CABLE2 12/3 COND.	1
5	110236GT	HARNESS CABLE3 18/19 COND. gray & black connectors	1
6	215985GT	HARNESS,FUNC.MANIFOLD,Z34IC to SN Z34F-14000	1
6B	1298590GT	HARNESS,FUNC.MANIFOLD,Z34IC,ANSI ANSI (from SN Z34F-14001)	
6C	1298865GT	HARNESS,FUNC.MANIFOLD,CE CE, AUS (from SN Z34F-14001)	
7	110253GT	HARN.ENGINE KUB DSL D905/1105 Kubota (D1105)	1
7B	1273584GT	HARNESS, DUAL FUEL ENGINE, PSI GM .998L	
8	110244GT	HARNESS LS1 OP EXT/RET	1
9	110245GT	HARNESS LS2 OP PRIMARY	1
10	110232GT	HARNESS LS3 OP DRIVE ENABLE	1
11	110246GT	HARNESS LS4 OP SECONDARY	1
12	110256GT	HARNESS JIB CABLE SMB	1



307.1 Wire Harness Diagram

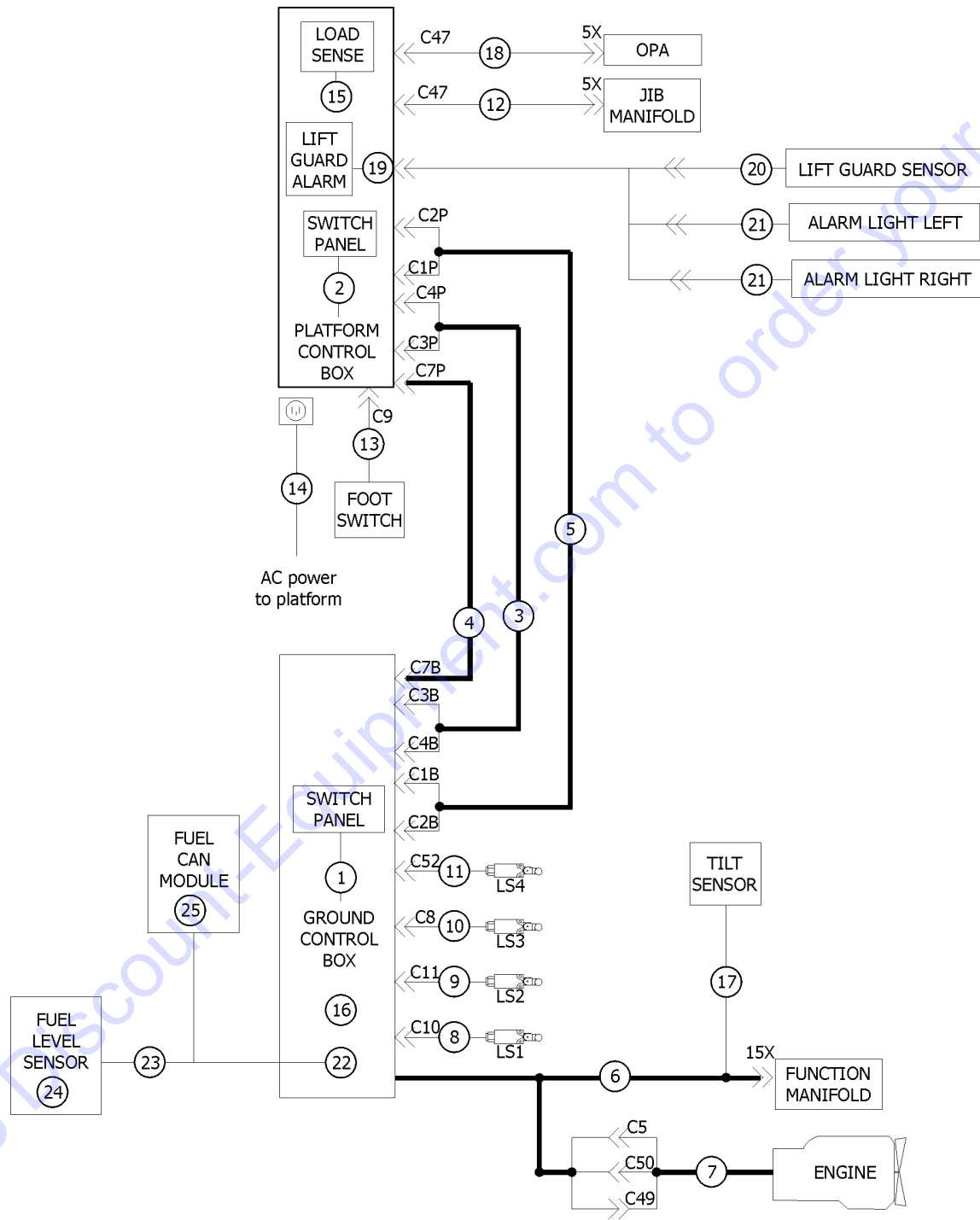


307.1 Wire Harness Diagram

Item	Part No.	Description	Qty.
13	110255GT	ASSEMBLY FOOT SWITCH	1
14	43956GT	WIRE CABLE,14/3 CON.TPE JKT*	600
15	147251GT	HARNESS, LOAD SENSE CE models only (to SN Z34F-14000)	
15B	217371GT	HARNESS,LOAD SENSE RECOVERY	
16	237506GT	ASSEMBLY,RELAY,Z34IC,DIESEL (to SN Z34F-14000)	1
16-	34052GT	RELAY,SPDT,12V(AUTO) PLUG IN**	8
16-	34053GT	ASSY,RELAY SOCKET, AUTO	8
16-	34054GT	TERM,RELAY N-INSULATED 10-12 G	14
16-	34055GT	TERM RELAY,N-INSULATE 14-16 GA	17
16-	45782GT	DIODE,6 AMP,200 PIV,BULK	2
16-	1298655GT	ASSY,RELAY,GBOX,Z34IC,ANSI ANSI (from SN Z34F-14001)	
16-	1260994GT	ASSY, RELAY, GBOX, Z34IC, CE CE, AUS (from SN Z34F-14001)	
16B	1274207GT	HARNESS, RELAY ASSY, Z34 DF Gas/LPG (to SN Z34F-14000)	
16B-	1298592GT	HARNESS,RELAY,G-BOX,Z34DF,ANSI from SN Z34F-14001	
17	1261844GT	HARNESS, TILT 12V, CSA	1
17-	1285811GT	KIT,TILT ALARM,IC MODELS	
17-	1285689GT	INSTRUCTIONS,INSTALL (LEVEL SENSOR ALARM) for kit 1285811	
18	1255555GT	HARN,PBOX,OPA,HW,12V to SN Z34F-14000	1
19	1278451GT	HARNESS, OPA2, Z34IC models with Lift Guard Contact Alarm	
19-	1255030GT	PLUG,BLANKING	1
20	1278119GT	ASSEMBLY, SENSOR, PROX, OPA2	
21	1278111GT	ASSEMBLY, LIGHT, OPA2	
21B	1285850GT	ASSEMBLY,AMBER LIGHTS,CONTACT	
22	1285866GT	HARN, FUEL LEVEL POWER/CAN,Z34 (from SN Z34F-12448, diesel; from SN Z34F-12504, gas)	1
23	1285867GT	HARN, FUEL LEVELSENSE,Z34 (from SN Z34F-12448, diesel; from SN Z34F-12504, gas)	1
24	1271770GT	SENSOR, FUEL LEVEL, 30" DIESEL (from SN Z34F-12448, diesel; from SN Z34F-12504, gas)	1
24B	1271771GT	SENSOR, FUEL LEVEL, 24" GAS (from SN Z34F-12448, diesel; from SN Z34F-12504, gas)	1
25	1283904GT	CAN CONVERTER, 1.15 - 4.14 V RANGE (from SN Z34F-12448, diesel; from SN Z34F-12504, gas)	1



307.1 Wire Harness Diagram

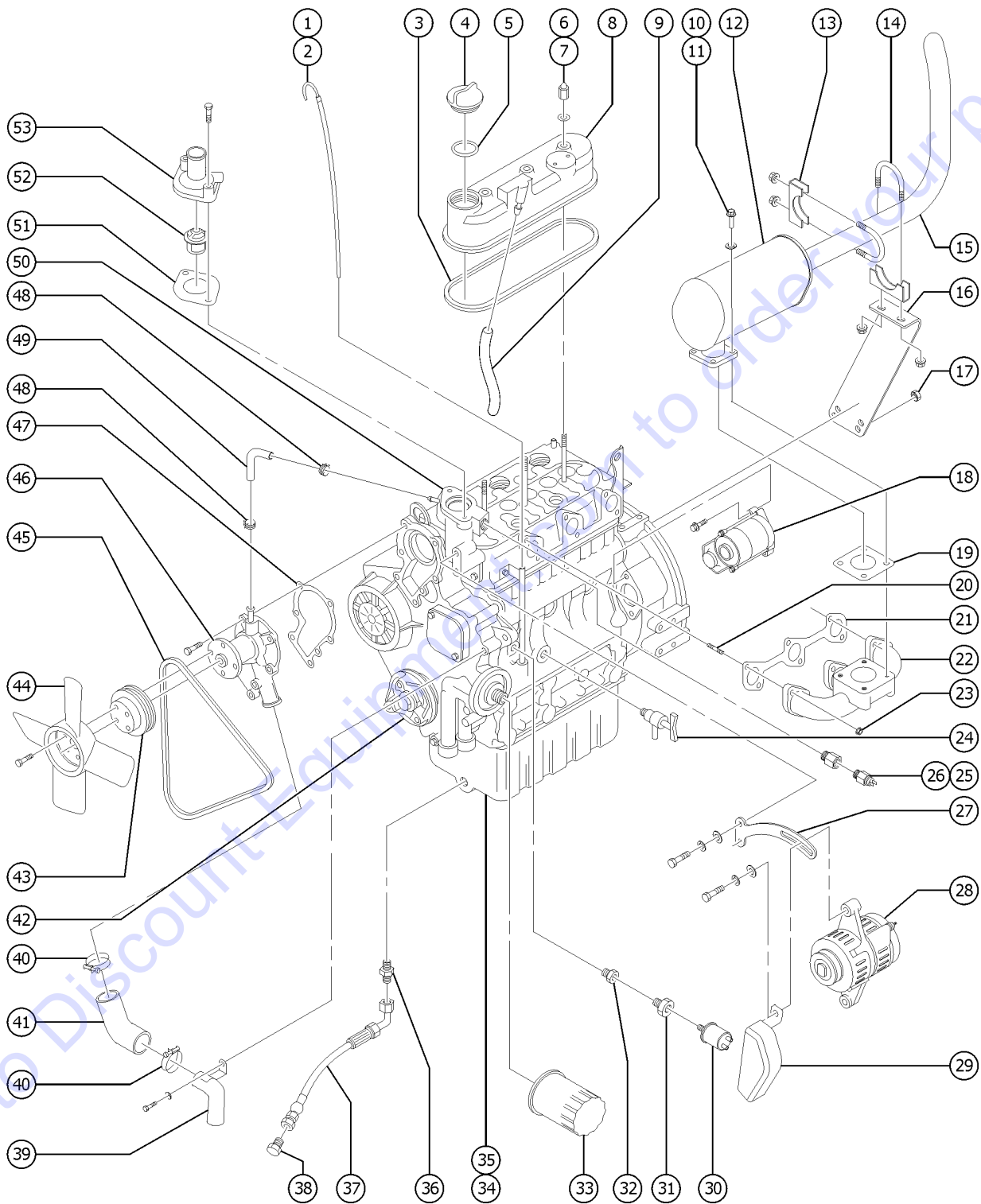


<i>Item</i>	<i>Part No.</i>	<i>Description</i>	<i>Qty.</i>
25B	1283928GT	CAN CONVERTER,1.15-4.15V RANGE (from SN Z34F-12448, diesel; from SN Z34F-12504, gas)	1

Go to Discount-Equipment.com to order your parts

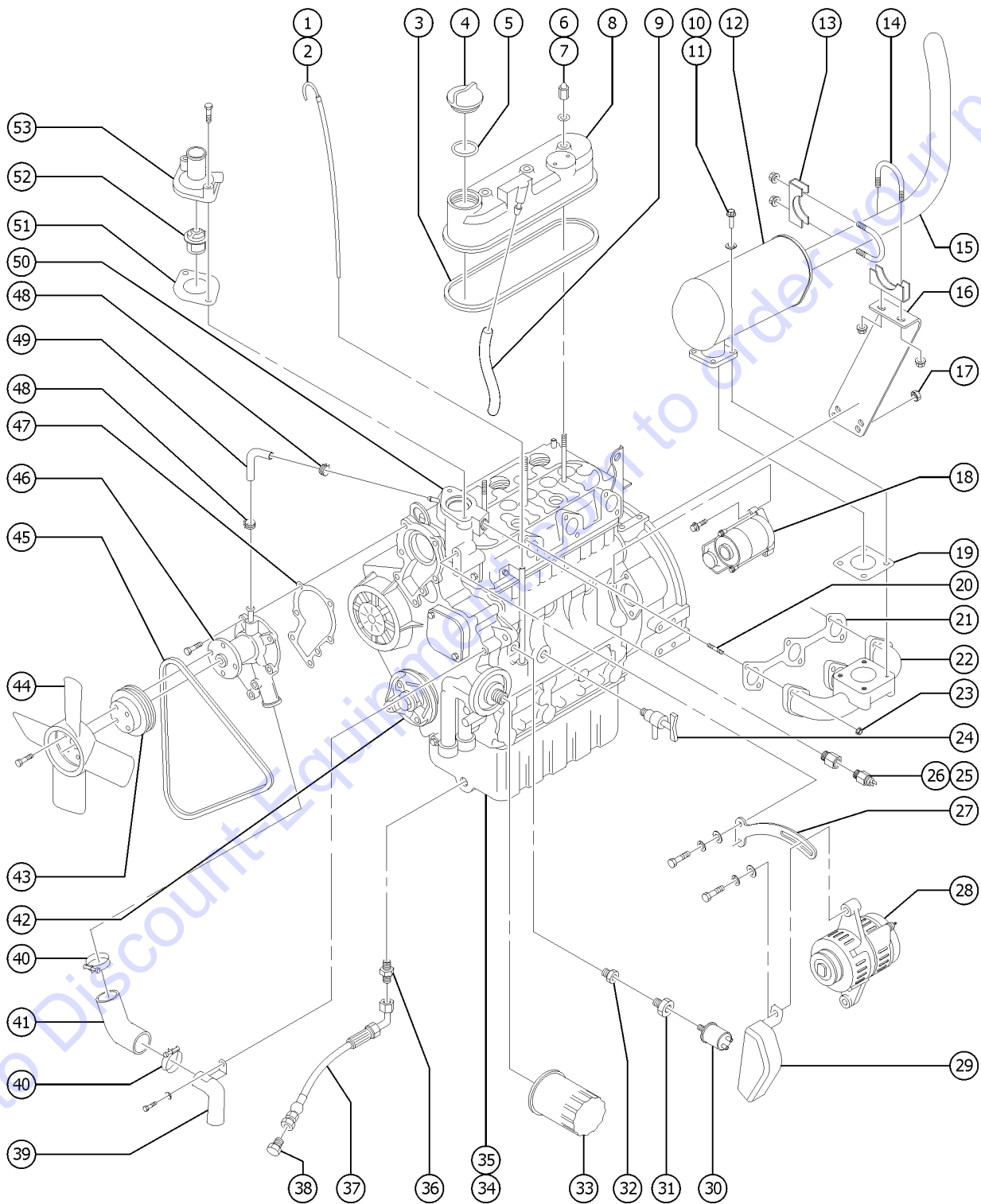


401.1 Kubota D-1105 (diesel), View 1



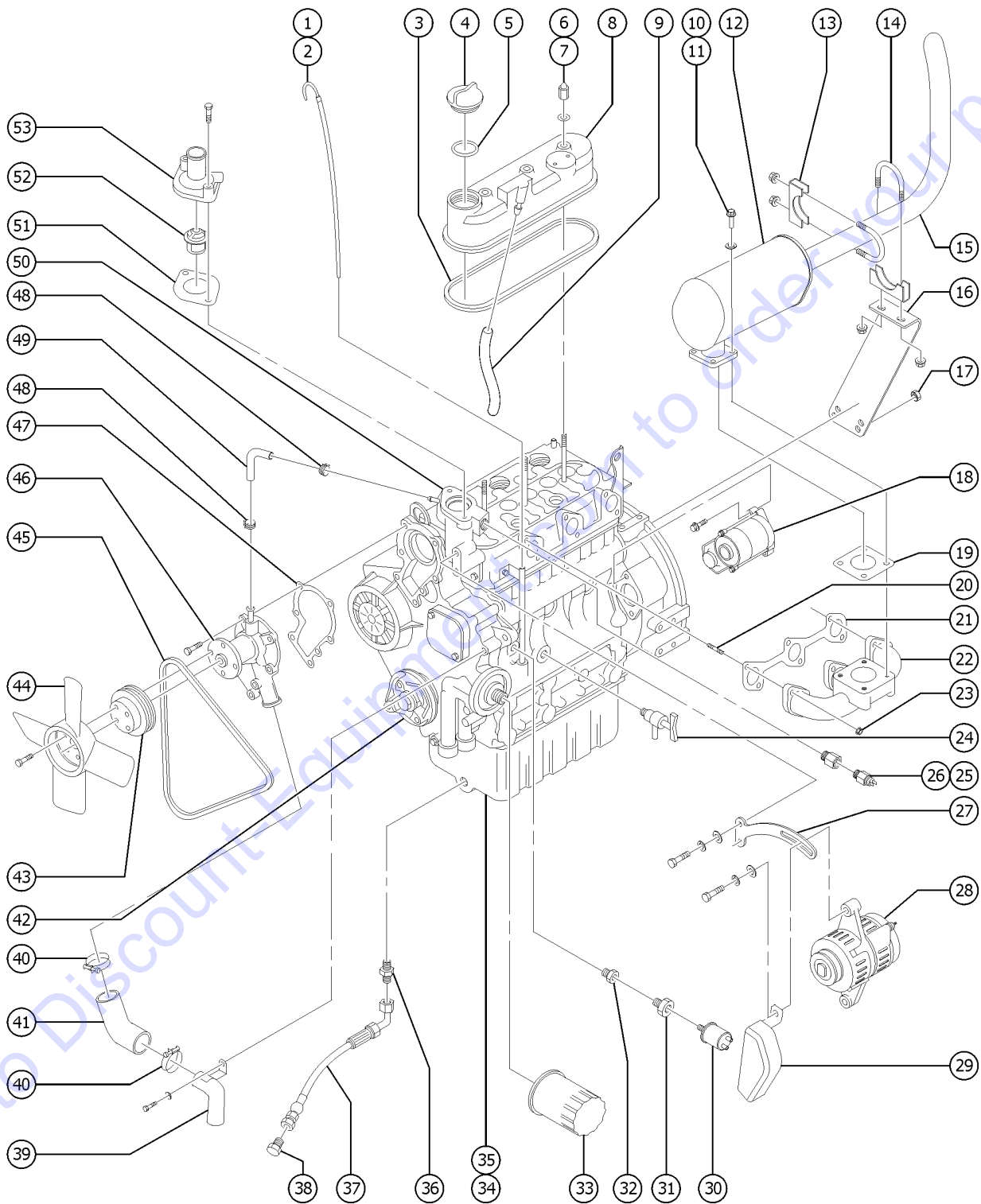
Item	Part No.	Description	Qty.
A-	161621GT	KIT,ENGINE,KUBOTA D1105	
B-	131379GT	MANUAL,OPER,KUBOTA DIESEL ****	
1	231226GT	DIPSTICK,D-1105	1
2	231227GT	DIPSTICK GUIDE,D-1105	1
		not shown	
3	32189GT	GASKET,VALVE COVER,KUBOTA D905	1
4	32190GT	PLUG,OIL FILLER,KUBOTA D905***	1
5	22903GT	O-RING,OIL FILLER PLUG,KUBOTA*	1
6	44193GT	NUT,VALVE COVER CAP, D905	1
7	44192GT	GASKET,VALVE COVER CAP, D905	1
8	44191GT	VALVE COVER, D905	1
9	44194GT	PIPE,BREATHER JOINT, D905	1
10	824136GT	SCREW,HHC,M8-1.25X25,DIN933,10	
11	824141GT	WASHER,LOCK,M8,ZAB	
12	131378GT	MUFFLER ASSEMBLY	1
13	62160GT	CLAMP,TAILPIPE, 1 1/2"***	1
14	32064GT	CLAMP,MUFFLER,1.75 INCH	1
15	139238GT	EXHAUST PIPE, Z34 D1105	1
16	110285GT	BRACKET,Z34IC DIESEL TAILPIPE	1
17	232951GT	NUT, TL, M10-1.5,DIN980, ZAB	2
18	65837GT	STARTER,KUBOTA D905 VERS 2***	1
18-	32194GT	SOLENOID,32193 STARTER,D905	
19	832128GT	GASKET,MUFFLER,KUBOTA D905/11	1
20	101208GT	STUD,EXHAUST MANIFOLD	6
21	32191GT	GASKET,EXHAUST MANIFOLD,D905	1
22	32192GT	MANIFOLD,EXHAUST,KUBOTA D905	1
23	101209GT	NUT,EXHAUST MANIFOLD	6
24	32077GT	PETCOCK,DRAIN,KUBOTA WG750B	1
25	34058GT	SENDING UNIT,TMP,FRD,GM,PRK704	1

401.1 Kubota D-1105 (diesel), View 1



Item	Part No.	Description	Qty.
26	28607GT	ADAPTER,140139-8-6	1
27	44195GT	ALTERNATOR STAY, D905	1
28	101203GT	ALTERNATOR,40 AMP,INT REG	1
29	148099GT	COVER,V-BELT,D1105,KUBOTA	1
30	22934GT	SWITCH,OIL,PRESSURE,KUBOTA	1
31	42248GT	ADAPTER,140139-4-2	1
32	42324GT	ADAPTER, NPT-F-BSPT-M 2-2	1
33	866050GT	FILTER,OIL,KUBOTA	1
34	139280GT	OIL PAN	1
35	139282GT	INNER OIL FILTER not shown, inside oil pan	1
36	42278GT	FITTING,CONN,9605-06-12X1.25	1
37	139168GT	HOSE ASSY, 3/8",21.00 Includes items 36 and 38	1
38	48874GT	FITTING,PLUG,070109-6	1
39	32195GT	HOSE,LOWER RADIATOR,DF752	1
40	32185GT	CLAMP,HOSE	2
41	32067GT	HOSE,WATER PUMP,KUBOTA**	1
42	101200GT	FAN DRIVE PULLEY,KUBOTA	1
43	52531GT	PULLEY,FAN,KUBOTA, D-905,GS68	1
44A	139276GT	FAN, COOLING 4-blades	1
44B	231232GT	RAD. FAN,7-BLADE,D-1105 7-blades	1
45	32196GT	BELT,V, KUBOTA D905	1
46	101201GT	WATER PUMP ASSY,KUBOTA	1
47	32199GT	GASKET,WATER PUMP	1
48	32069GT	CLAMP,HOSE,KUBOTA WG750	2
49	32200GT	HOSE,WATER PUMP RETURN,D905	1
50	139277GT	COMP. WATER FLANGE	1
51	866397GT	KUBOTA GASKET,THERMOSTAT	1
52	139278GT	THERMOSTAT	1

401.1 Kubota D-1105 (diesel), View 1



<i>Item</i>	<i>Part No.</i>	<i>Description</i>	<i>Qty.</i>
53	139279GT	THERMOSTAT COVER	1

Go to Discount-Equipment.com to order your parts



PARTS FINDER

**Search Website
by Part Number**



**Search Manual
Library For Parts
Manual & Lookup Part
Numbers – Purchase
or Request Quote**

Search Manuals

Enter your information to help us find the right parts manual for your machine.

* Brand:

* Model:

* Serial:

* Part Number:

SEARCH

**Can't Find Part or
Manual? Request Help
by Manufacturer,
Model & Description**

Parts Order Form

Please fill in the following information to help us find the right part for your machine.

Manufacturer:	<input type="text"/>
Model:	<input type="text"/>
Description:	<input type="text"/>
Part Number:	<input type="text"/>
Quantity:	<input type="text"/>
Notes:	<input type="text"/>

Discount-Equipment.com is your online resource for quality parts & equipment.

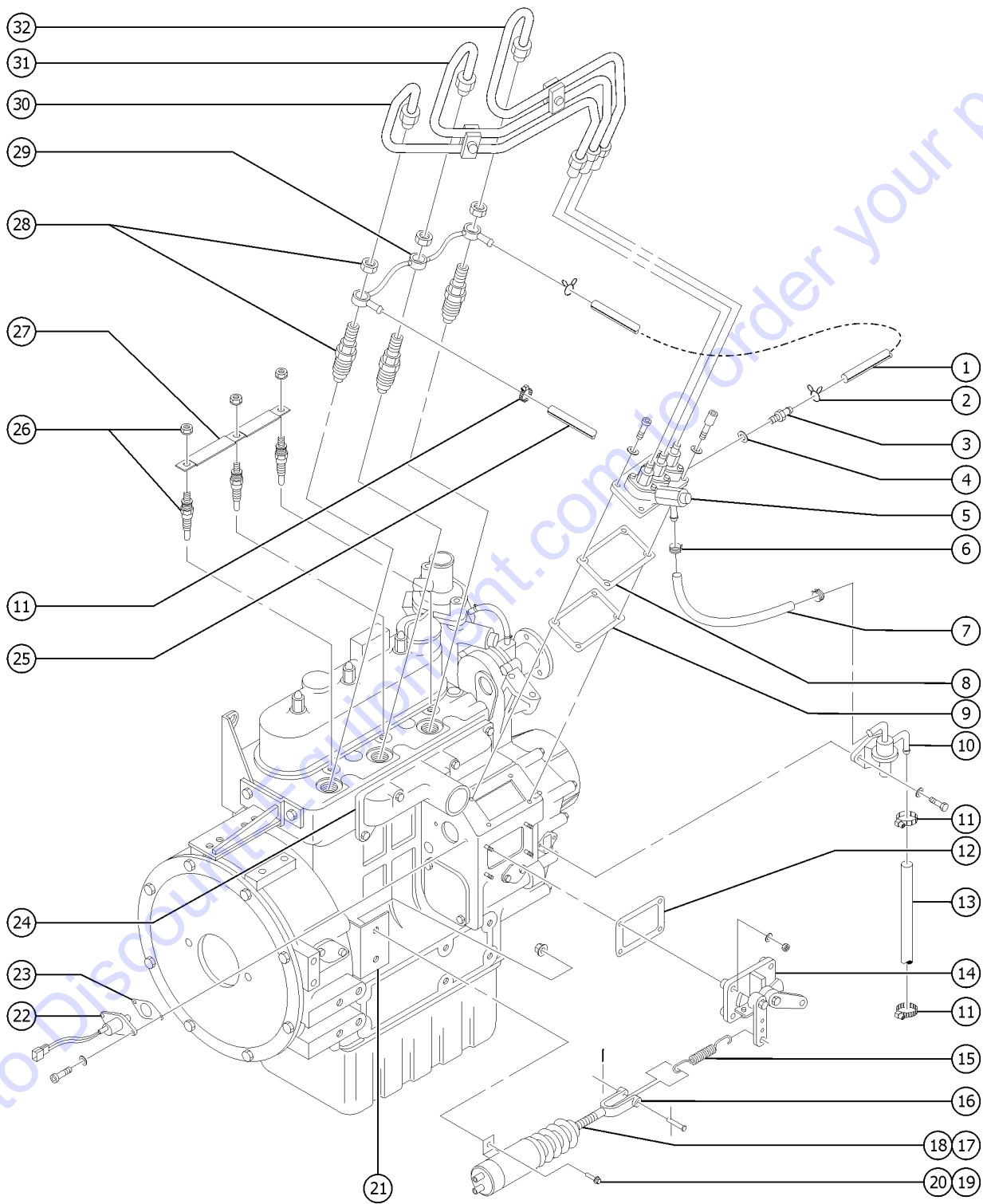
Florida: **561-964-4949** Outside Florida TOLL FREE: **877-690-3101**

Need parts?

Click on this link: <http://www.discount-equipment.com/category/5443-parts/> and choose one of the options to help get the right parts and equipment you are looking for. Please have the machine model and serial number available in order to help us get you the correct parts. If you don't find the part on the website or on one of the online manuals, please fill out the request form and one of our experienced staff members will get back to you with a quote for the right part that your machine needs.

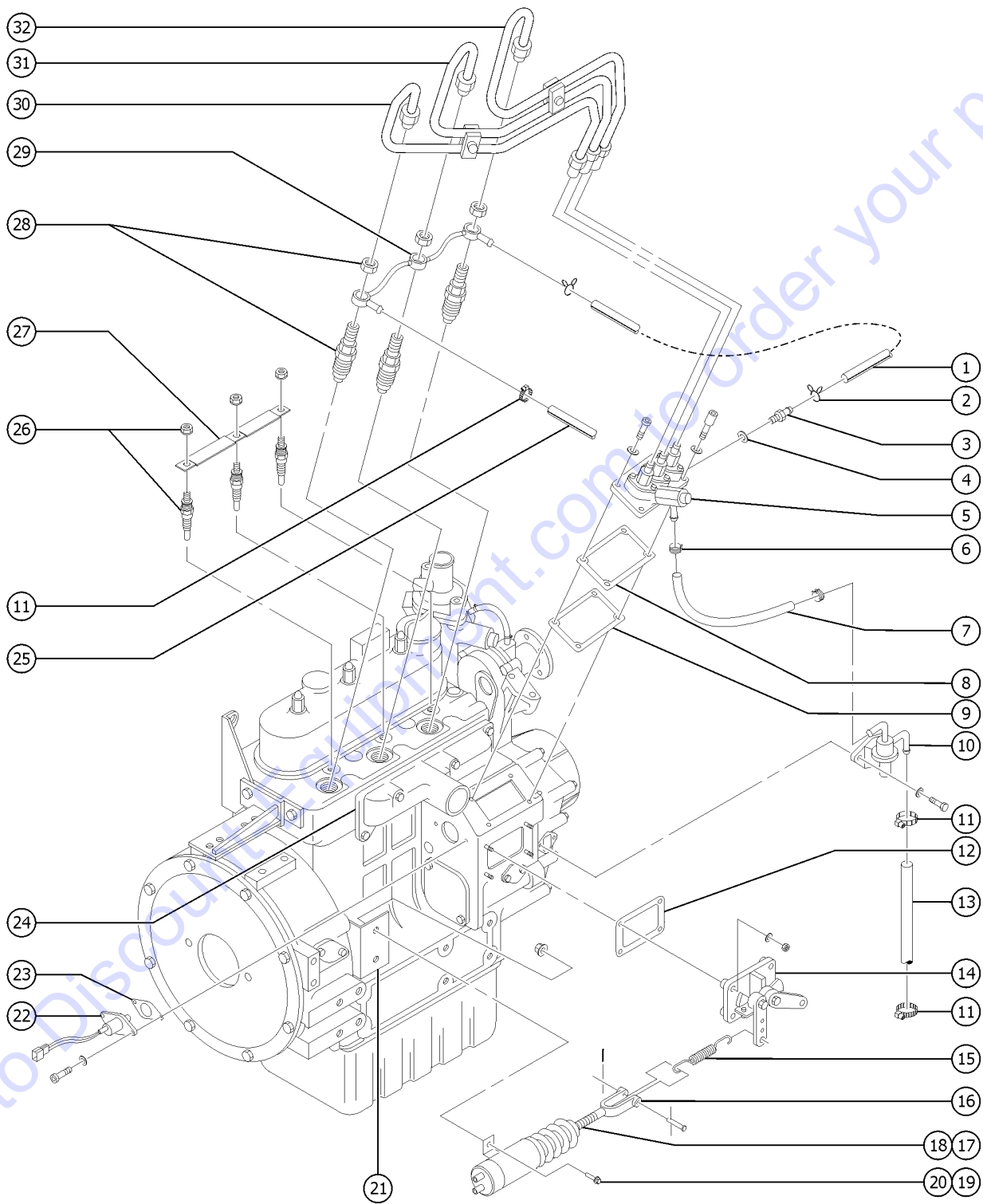
We sell worldwide for the brands: Genie, Terex, JLG, MultiQuip, Mikasa, Essick, Whiteman, Mayco, Toro Stone, Diamond Products, Generac Magnum, Airman, Haulotte, Barreto, Power Blanket, Nifty Lift, Atlas Copco, Chicago Pneumatic, Allmand, Miller Curber, Skyjack, Lull, Skytrak, Tsurumi, Husquvarna Target, Stow, Wacker, Sakai, Mi-T-M, Sullair, Basic, Dynapac, MBW, Weber, Bartell, Bennar Newman, Haulotte, Ditch Runner, Menegotti, Morrison, Contec, Buddy, Crown, Edco, Wyco, Bomag, Laymor, EZ Trench, Bil-Jax, F.S. Curtis, Gehl Pavers, Heli, Honda, ICS/PowerGrit, IHI, Partner, Imer, Clipper, MMD, Koshin, Rice, CH&E, General Equipment, Amida, Coleman, NAC, Gradall, Square Shooter, Kent, Stanley, Tamco, Toku, Hatz, Kohler, Robin, Wisconsin, Northrock, Oztec, Toker TK, Rol-Air, APT, Wylie, Ingersoll Rand / Doosan, Innovatech, Con X, Ammann, Mecalac, Makinex, Smith Surface Prep, Small Line, Wanco, Yanmar

402.1 Kubota D-1105 (diesel), View 2



Item	Part No.	Description	Qty.
1	62044GT	PIPE ASSY-OVERFLOW (Z482-E)	1
2	62043GT	CLAMP-OVERFLOW PIPE(Z482-E)	2
3	62119GT	SCREW-AIR BREATHER, D905	1
4	44181GT	GASKET,VALVE COVER CAP, WG750	1
5	839149GT	KUBOTA INJECTOR PUMP, D1105	1
6	52834GT	CLAMP-HOSE, .375, FUEL PUMP	2
7	27089GT	HOSE,5/16 FUEL,SAE 30R7	3
8	32103GT	GASKET,INJECTION PUMP	1
9	32182GT	GASKET,INJECTION PUMP	1
10	866070GT	FUEL PUMP, MECHANICAL	1
10-	839233GT	KUBOTA FUEL PUMP GASKET	1
11	44909GT	CLAMP,HOSE,.35"-.86" X .3125"	3
12	44202GT	GASKET,SPEED CONTROL ASSY,D905	1
13	27089GT	HOSE,5/16 FUEL,SAE 30R7	14
14	44200GT	SPEED CONTROL ASSY, D905	1
14-	44201GT	SPRING,RETURN,SPEED CONTR,D905	
15	31379GT	SPRING,TENSION-1.25 X.438 DIA	1
16	21130GT	CLEVIS YOKE-1/4-28,PLTD W/PIN	1
17	20780GT	SOLENOID,2 SPEED TROMBETTA***	1
17-	52514GT	BOOT,THROTTLE SOLENOID	
18	22446GT	SPRING,COMPRESSION .835 X 2	1
19	824078GT	SCREW,HHF,1/4-20X.75,8,ZAG	
20	824027GT	NUT,TL FLG,1/4-20,G,ZAG	
21	31375GT	ANGLE,SOLENOID MOUNT	1
22	99199GT	SOLENOID,KUBOTA D9/1105 SHTDWN	
23	866040GT	GASKET,SOLENOID,KUBOTA	1
24	139273GT	MANIFOLD, INLET	1
25	35418GT	HOSE,FUEL,3/16,SAE 30R7	94

402.1 Kubota D-1105 (diesel), View 2



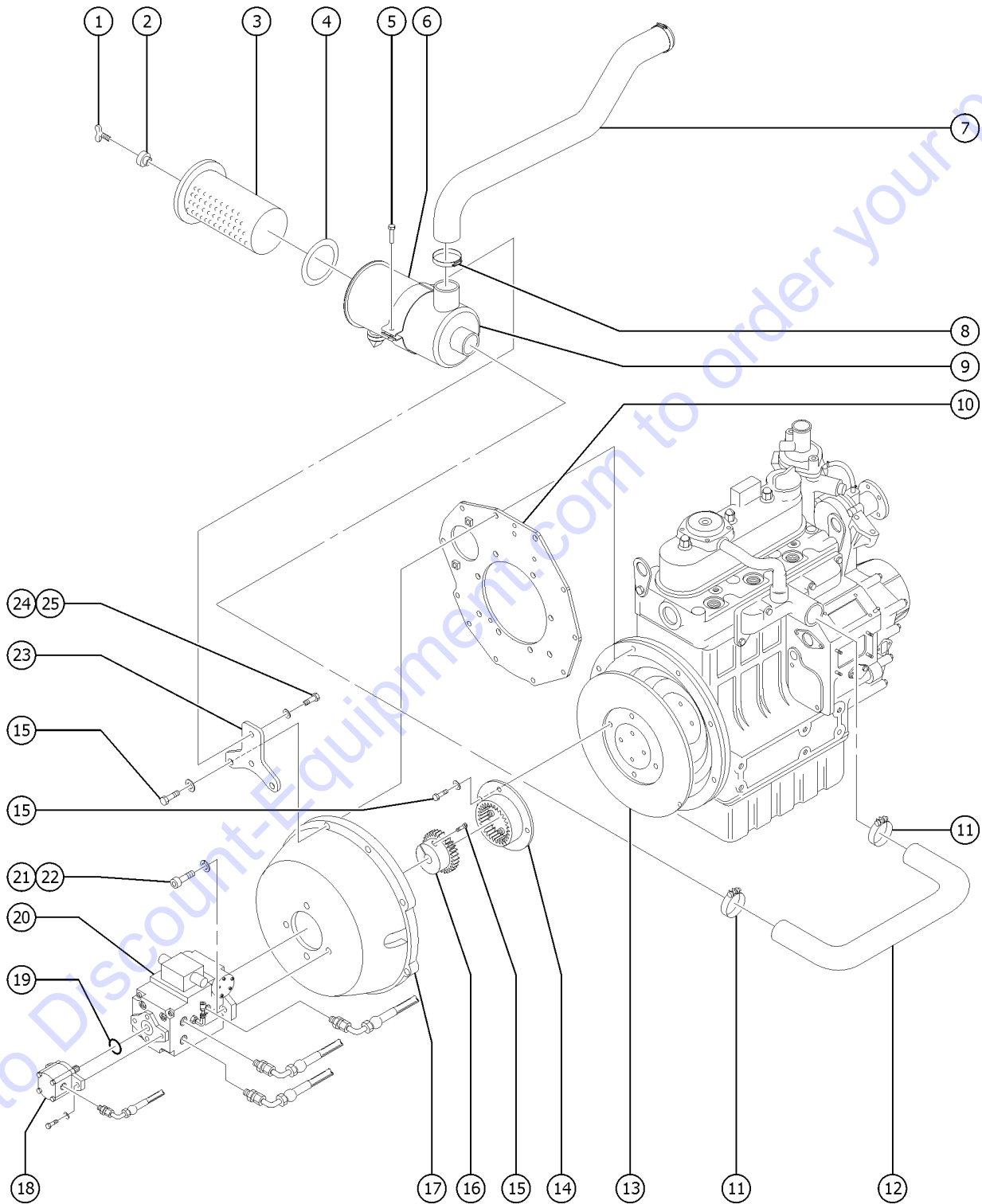
Go to DiscoParts.com to order your parts

<i>Item</i>	<i>Part No.</i>	<i>Description</i>	<i>Qty.</i>
26	839119GT	KUBOTA GLOW PLUG	3
27	62118GT	JUMPER-GLOW PLUG	1
28	865257GT	KUBOTA KIT, NOZZLE	3
29	62117GT	PIPE ASSY-OVERFLOW-D905	1
30	44196GT	PIPE,INJECTOR 1,D905,D1105	1
31	44197GT	PIPE,INJECTOR 2,D905,D1105	1
32	44198GT	PIPE,INJECTOR 3,D905,D1105	1

Go to Discount-Equipment.com to order your parts

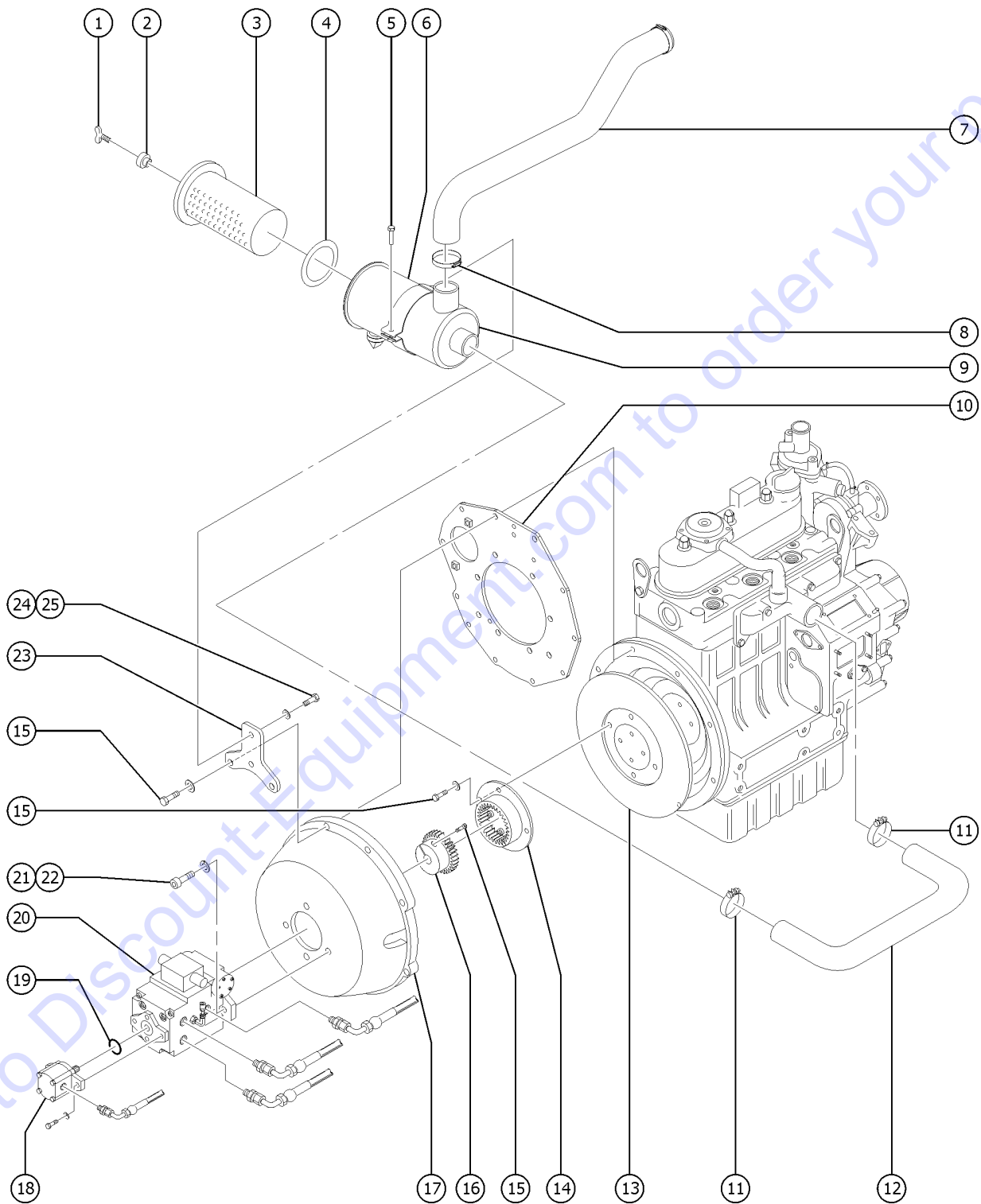


403.1 Kubota D-1105 (diesel), View 3



Item	Part No.	Description	Qty.
	161070GT	KIT, BELLHOUSING, D1105 includes items 14B,15, 16B & 17B	
1	44203GT	BOLT,WING,FILTER ELEMENT, D905	1
2	44204GT	WASHER ASSY,FILTER ELEMNT,D905	1
3	31745GT	FILTER,AIR,D905	1
4	839081GT	KUBOTA 15221-11170 GASKET A/C	1
5	62296GT	SCREW,M8 X 35MM	1
6	101204GT	AIR CLEANER STAY	1
7	139141GT	HOSE,AIR INTAKE,KUBOTA	1
8	22672GT	CLAMP,HOSE,1.75	1
9	32184GT	AIR CLEANER KIT,KUBOTA D905	1
10	139275GT	REAR END PLATE	1
11	62114GT	CLAMP-HOSE, AIR CLEANER	2
12	43700GT	PIPE,INLET, D905	1
13	139274GT	COMP. FLYWHEEL	1
13-	99882GT	BOLT,FLYWHEEL,KUBOTA D905	
14	94688GT	ADAPTER, FLANGE GEAR, 3 HOLE	1
15		HARDWARE KIT, BELLHSING KUBOTA (kit no longer available) hardware kit no longer available	1
16	161071GT	HUB, SAE B-B SPLINE, 42 TEETH	1
17	161069GT	BELLHOUSING, D1105	1
18	74492GT	PUMP,PIGGYBACK,SUNSTR,4CC***	1
18-	77990GT	KIT,SEAL,3CC PUMP***	
19	43683GT	O-RING,2-042 N674-70***	1
20	101237GT	PUMP,M42 W/4CC W/PIGGYBACK	1
20-	101238GT	PUMP,DRIVE,42CC W/NFPE CONTR**	
20-	119025GT	SOLENOID VALVE ASSY,M42 PUMP**	2
20-	147334GT	SEAL KIT,SHAFT,M42 PUMP***	
20-	29436GT	O-RING***	
21	824101GT	SCREW,SHC,1/2-13X1.25,A574,ZAG	2

403.1 Kubota D-1105 (diesel), View 3

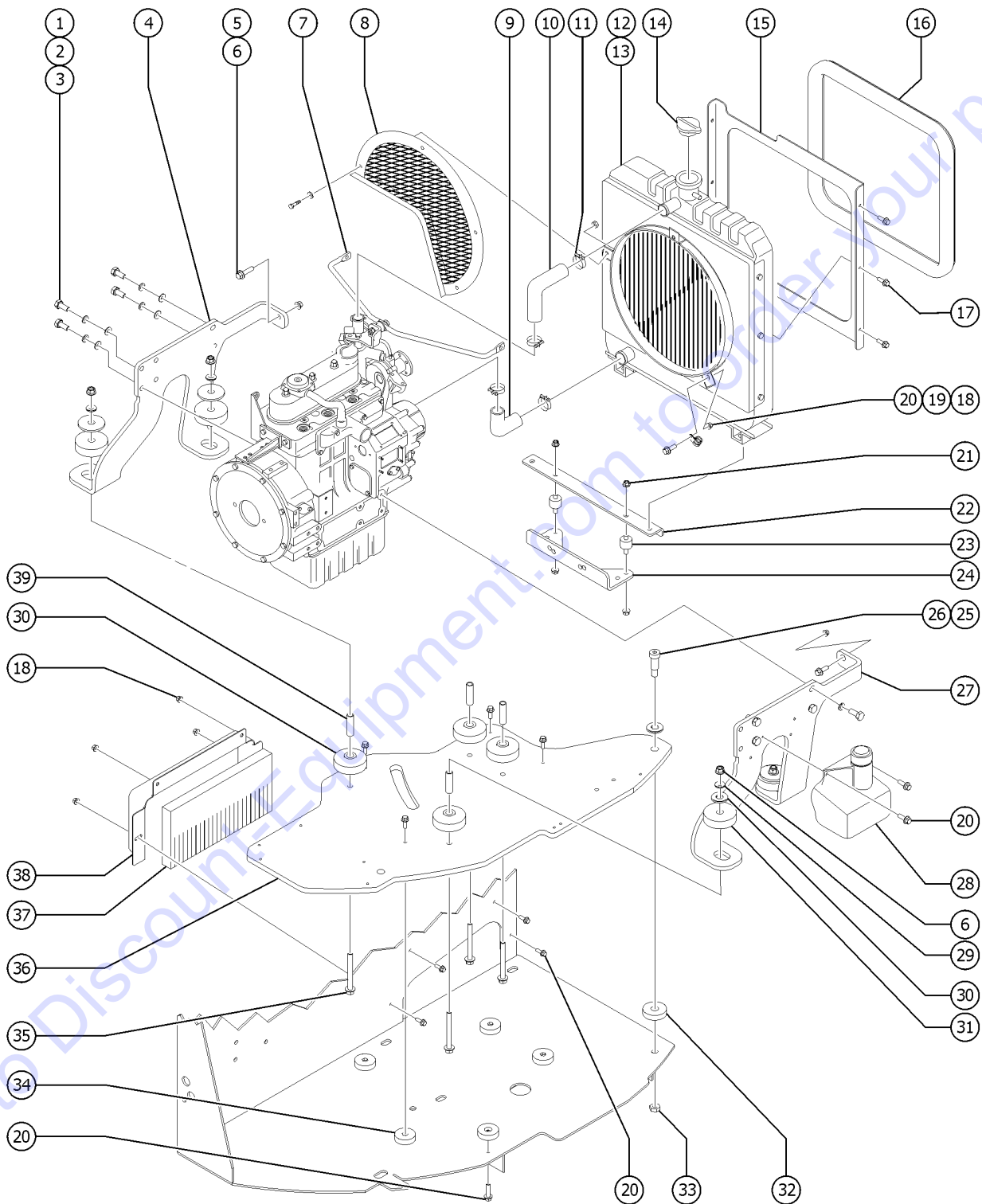


<i>Item</i>	<i>Part No.</i>	<i>Description</i>	<i>Qty.</i>
22	824111GT	WASHER,LOCK,1/2,ZAG	2
23	74544GT	BRKT. AIR CLEANER MOUNT	1
24	824135GT	SCREW,HHC,M8-1.25X20,DIN933,10	2
25	824121GT	WASHER, FLAT, .688 X 1.160 X .09, ZAG	2

Go to Discount-Equipment.com to order your parts

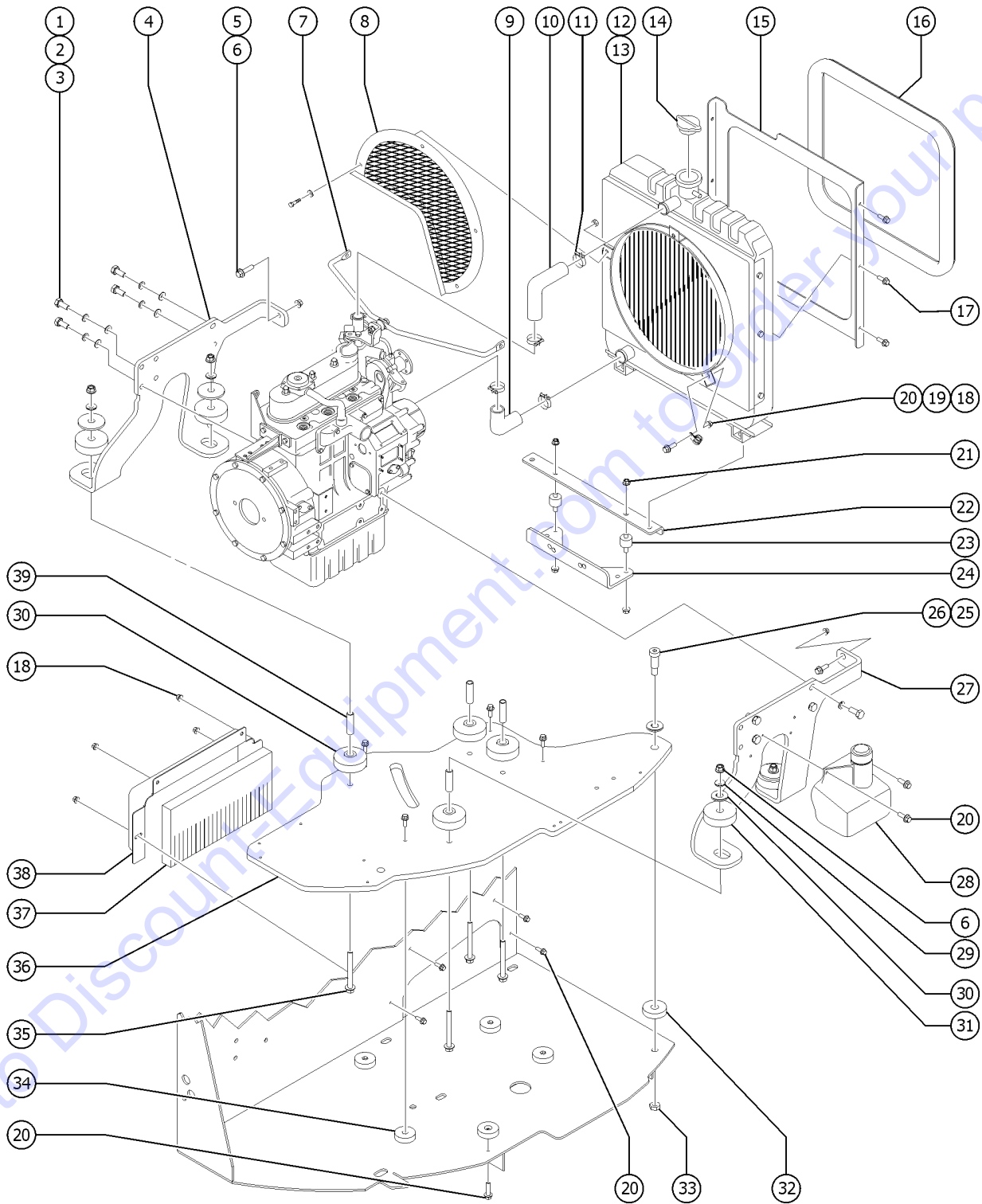


404.1 Kubota D-1105 (diesel), View 4



Item	Part No.	Description	Qty.
1	824138GT	SCREW,HHC,M10-1.25X30,DIN961,1	8
2	824142GT	WASHER,LOCK,M10,ZAB	8
3	824145GT	WASHER,FLAT,M10,DIN125,ZAB	8
4	128327GT	BRKT,ENGINE SUPPORT,LH	1
5	824091GT	SCREW,HHF,3/8-16 X 1.25,8,ZAG	2
6	824029GT	NUT,TL FLG,3/8-16,G,ZAG	6
7	112500GT	KIT,D-905 RADIATOR SUPPORT	1
8	131373GT	COVER,FAN	1
9	32195GT	HOSE,LOWER RADIATOR,DF752	1
10	32205GT	HOSE,UPPR RADIATOR,KUBOTA D905	1
11	32185GT	CLAMP,HOSE	4
12	112531GT	RADIATOR ASSY,ALUM.D-905	1
13	131581GT	HOSE,RAD.OVERFLOW,KD-1105,50"	1
14	110523GT	CAP,RADIATOR,AL,KUBOTA DF-752	1
15	128328GT	BRKT,BAFFLE,RADIATOR	1
16	60875GT	TRIM MOLDING	96
17	237238GT	SCREW,HHF,M6-1.0X12,DIN6921,10	6
18	824027GT	NUT,TL FLG,1/4-20,G,ZAG	8
19	6833GT	CLAMP,0.50,#8 X 1/4,RUB CUSH	1
20	824078GT	SCREW,HHF,1/4-20X.75,8,ZAG	
21	824028GT	NUT,TL FLG,5/16-18,G,ZAG	4
22	139129GT	MOUNT,RADIATOR,D1105	1
23	219437GT	ISOLATOR,VIBRATION	2
24	128338GT	FORMING,RADIATOR SUPPORT	1
25	824229GT	BOLT,SSHS,5/8X1.25X1/2-13,ZAG	2
26	824115GT	WASHER,FLAT,5/8,USS,ZAG	1
27	128326GT	BRKT,ENGINE SUPPORT,RH	1
28	42662GT	COOLANT RECOVERY BOTTLE1.5 QT*	1

404.1 Kubota D-1105 (diesel), View 4

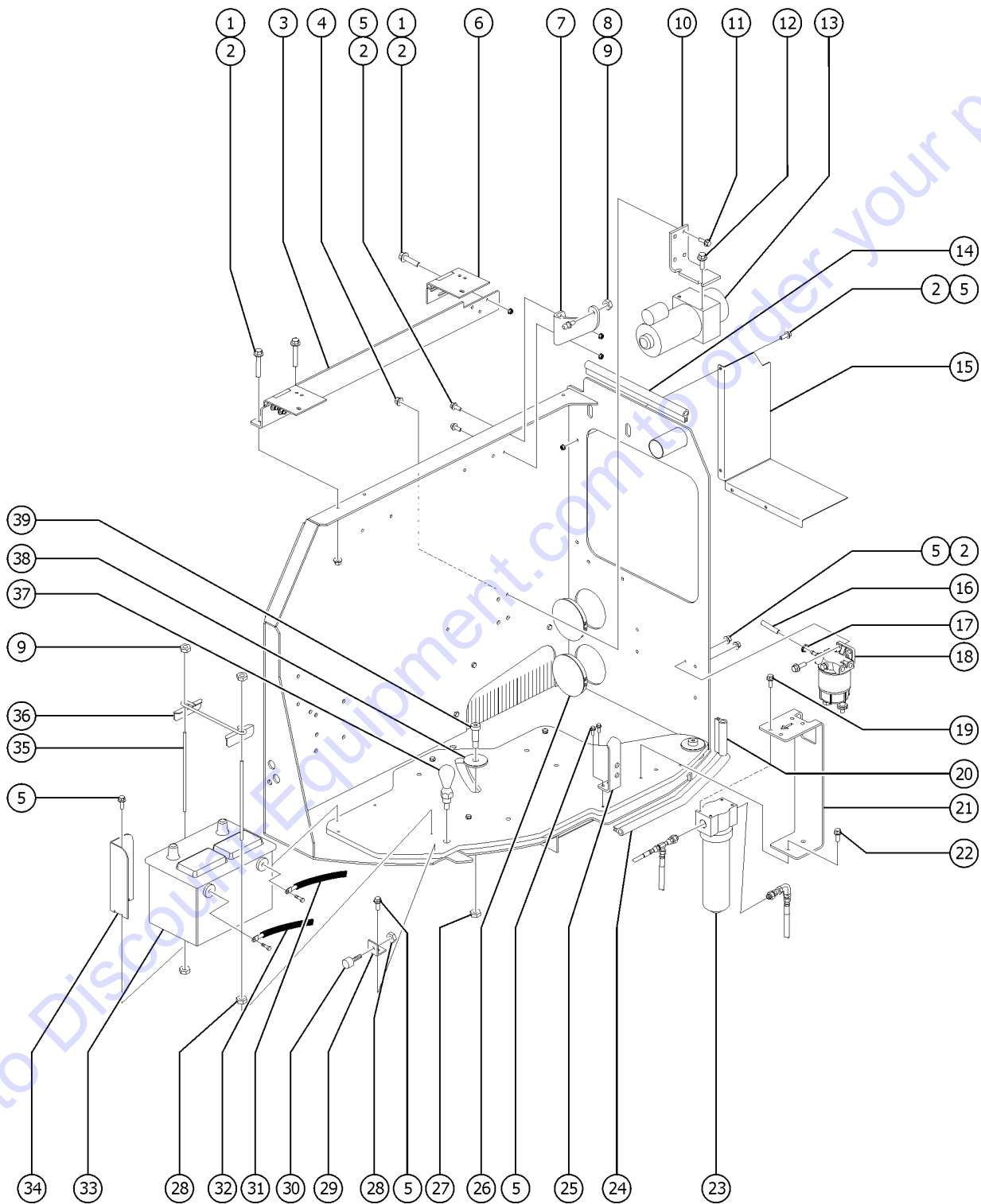


Item	Part No.	Description	Qty.
29	825358GT	WASHER,FLAT,5/16,USS,ZAG	4
30	1256283GT	WASHER,FLAT,.5X2.25X.188,ZAG	4
31	24037GT	SHOCK MOUNT,LARGE**	8
32	42123GT	WEAR PAD,2" ROUND	2
33	824039GT	NUT,TL JAM,1/2-13,A,ZAG	1
34	56093GT	WEAR PAD ROUND	5
35	824094GT	SCREW, HHF, 3/8-16 X 2.75, 8, ZAG	4
36	128295GT	PLATE, ENGINE SWING-OUT	1
		to SN Z34F-12956	
36B	1269539GT	PLATE, ENGINE TRAY, SWING OUT	
		from SN Z34F-12957	
37	139254GT	GASKET,FOAM,HEATSHIELD	1
38	128970GT	BAFFLE,BULKHEAD	1
39	139230GT	SPACER, SHOCK MOUNT	4

Go to Discount-Equipment.com to order your parts

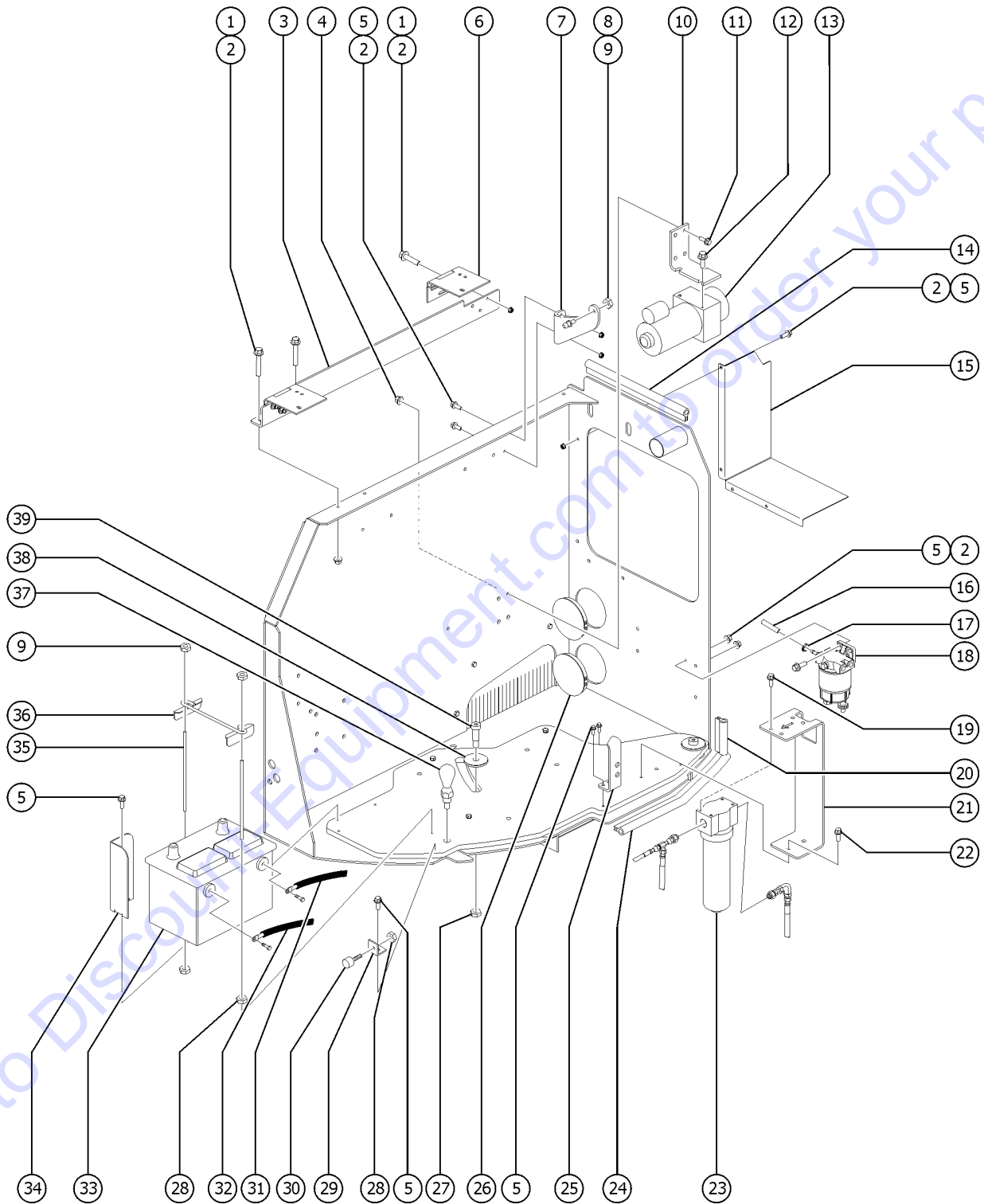


405.1 Kubota D-1105 (diesel), View 5



Item	Part No.	Description	Qty.
1	824079GT	SCREW,HHF,1/4-20X1,8,ZAG	7
2	824027GT	NUT,TL FLG,1/4-20,G,ZAG	14
3	128298GT	FORMING, HING SUPPORT, LONG	1
4	824029GT	NUT,TL FLG,3/8-16,G,ZAG	4
5	824078GT	SCREW,HHF,1/4-20X.75,8,ZAG	
6	75073GT	HINGE,,.375X.120THK.,SLOTTED	2
7	128902GT	BRACKET,ANCHOR,GAS STRUT	1
8	1252977GT	NUT,TL JAM,5/16-18,A,ZAG	1
9	33555GT	BALL STUD**	1
10	42190GT	BRACKET,AUX.PUMP ATTACHMENT	1
11	824090GT	SCREW,HHF,3/8-16X1,8,ZAG	7
12	824085GT	SCREW, HHF, 5/16-18 X .75, 8, ZAG	5
13	112379GT	POWER UNIT,12VDC AUX***	1
13-	112308GT	SOLENOID,12V,APU	
13-	38156GT	VALVE,RELIEF KIT,MONARCH**	
13-	43678GT	COVER ASSY. ENGINE SIDE,ANSI**	
13-	43688GT	PUMP ASSY (42185)	
14	139261GT	TRIM,EDGE,3/16X3/4 END BULB	13
15	128331GT	BAFFLE, RADIATOR	1
16	30490GT	HOSE,1/4 FUEL LINE,SAE 30R7	14
17	21465GT	CLAMP,HOSE,.25" - .63" X .3125	2
18A	42766GT	SEPARATOR/FILTER,FUEL DIESEL**	1
18B	42767GT	SEPARATOR/FILTER ELEMENT,FUEL*	1
19	824077GT	SCREW, HHF, 1/4-20 X .5, 8, ZAG	2
20	139261GT	TRIM,EDGE,3/16X3/4 END BULB	5
21	56423GT	BRACKET, MEDIUM PRESSURE FILTER	1
		to SN Z34F-12956	
21B	1269191GT	FORMING, FILTER MOUNT, GM .998L	
		from SN Z34F-12957	
22	824089GT	SCREW, HHF, 3/8-16 X .75, 8, ZAG	2

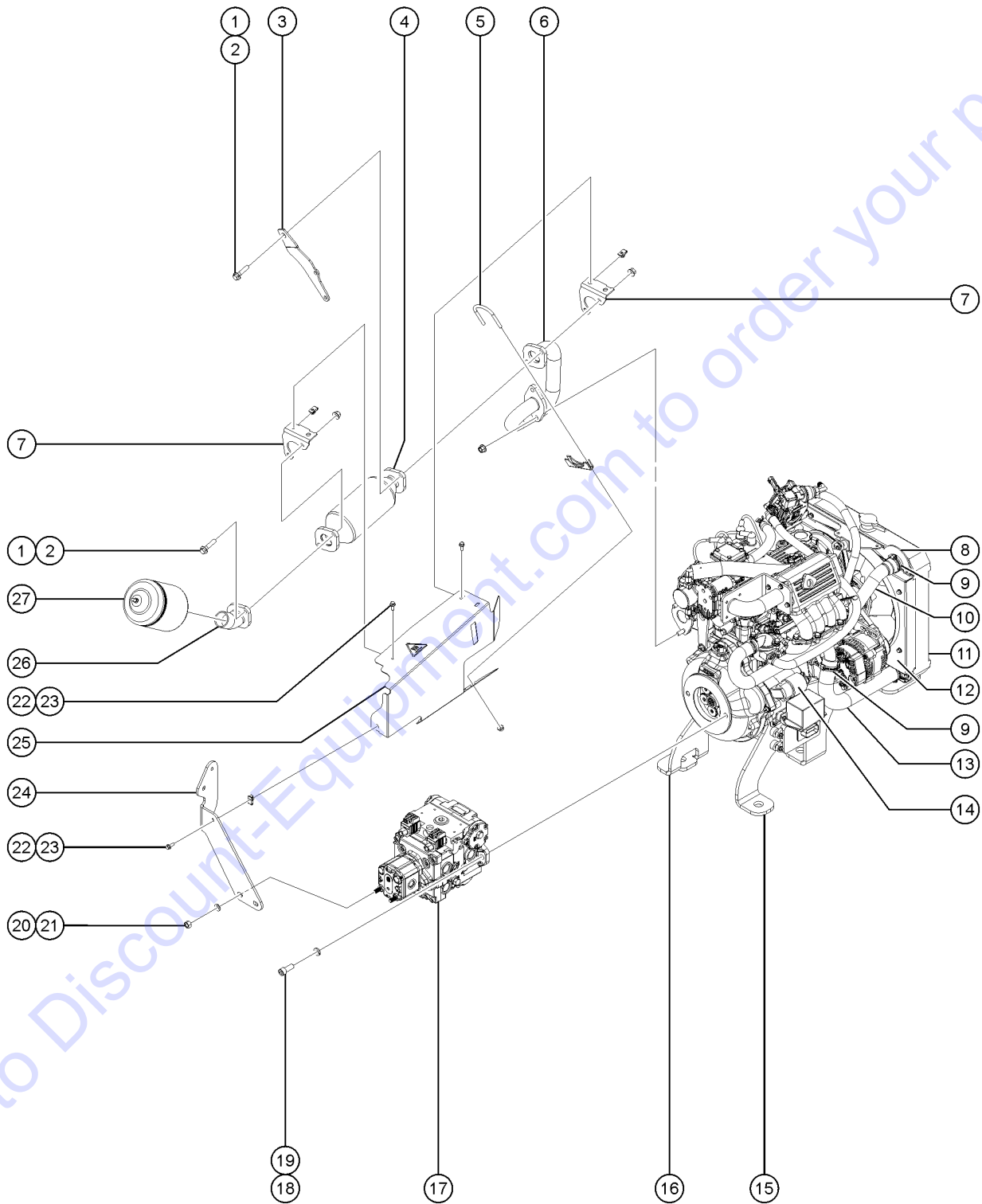
405.1 Kubota D-1105 (diesel), View 5



Item	Part No.	Description	Qty.
23A		FILTER ASY,M PRESS,SAE8,WOIND* (77139) component no longer available	1
23A-	60857GT	FILTER,ELEMENT,BETA(5)=1000 for 77139, to SN Z3416F-10950 (please verify filter assembly before ordering)	
23B	1267807GT	ASSEMBLY, MED. PRESS. FILTER, SAE8 from SN Z3416F-10951	1
23B-	1268229GT	ELEMENT-5 MIC, PAPER, W/BYPASS for 1267807, from SN Z3416F-10951 (please verify filter assembly before ordering)	
24	139261GT	TRIM,EDGE,3/16X3/4 END BULB	17
25	42064GT	BRACKET, LATCH	1
26	80229GT	CAP, PLASTIC, 4"	2
27	824039GT	NUT,TL JAM,1/2-13,A,ZAG	2
28	824037GT	NUT,HH JAM,1/4-20,A,ZAG	3
29	42359GT	ANGLE, BUMPER, MOUNT	1
30	36388GT	BUMPER,RUBBER,.75 X .50H,STUD	1
31	54252GT	BATTERY CABLE,SIDE MOUNT,NEG	1
32	29203GT	BATTERY CABLE,SIDE MOUNT,POS.	1
33	36872GT	BATTERY, 12V,900 CCA	1
34	74461GT	HEAT, SHIELD	1
35	824209GT	ROD,THREADED,1/4-20X8.5,ZAG	2
36	T107827GT	BATTERY HOLD DOWN	1
37	62290GT	LOCK PIN ASSY,3.25"	1
38	824115GT	WASHER,FLAT,5/8,USS,ZAG	2
39	824229GT	BOLT,SSHS,5/8X1.25X1/2-13,ZAG	2

Go to DiscountEquipment.com to order your parts



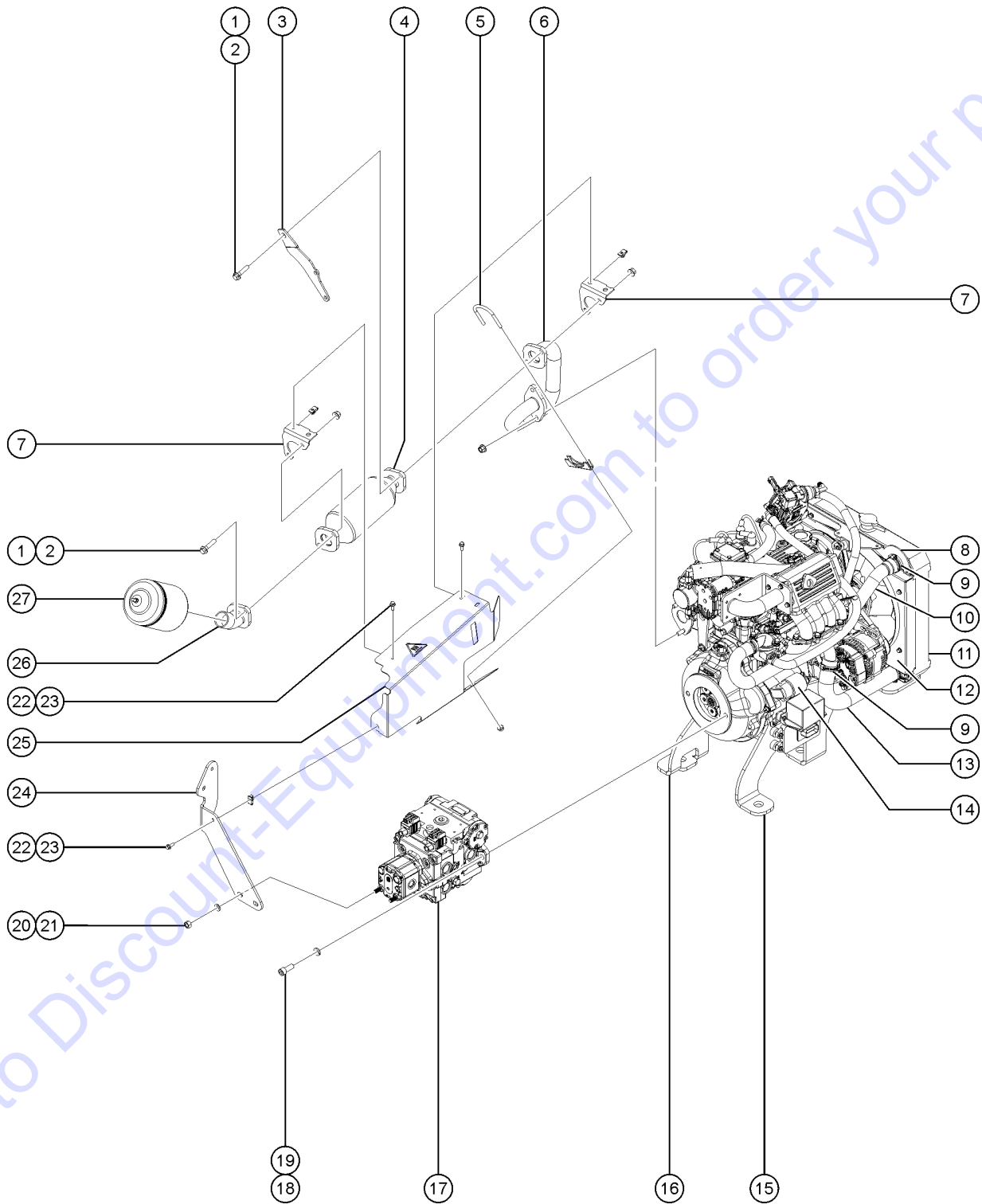


Go to Discount-Equipment.com to order your parts

Item	Part No.	Description	Qty.
A	1273017GT	KIT,ENGINE ASSY,GM .998L,Z34	
A-	1272828GT	OIL FILTER, GM .998L	1
A-	1272829GT	SPARK PLUG, GM .998L	4
A-	1271652GT	FILTER, FUEL, GM3.0L	1
1	215706GT	SCREW,HHF,M10-1.5X45,DIN6921,10.9,ZAB	4
2	231529GT	NUT,TL FLG,M10-1.5,DIN6927,10,	6
3	1273594GT	FORMING, CATALYTIC BRACE	1
4	1273604GT	CATALYST, INLINE 2015 & LATER	1
4-	1271874GT	GASKET, EXHAUST CATALYST, 3.0	
5	824210GT	CLAMP,SADDLE,1.5,ZAG	1
6	1271252GT	WELDMENT,CAT PIPE,GM .998,Z34	1
6-	1271874GT	GASKET, EXHAUST CATALYST, 3.0	
7	1273078GT	FORMING, EXHAUST SHIELD MOUNT	2
8	1269154GT	FORMING,RADIATOR TOP,GM .998L	1
9	1271730GT	CLAMP, HOSE S-20 1 1/2"	4
10	1271753GT	HOSE, UPPER RAD .998L	1
11	1271729GT	KIT, RADIATOR .998L	1
12	1271732GT	SHROUD, SSI RADIATOR .97L	1
13	1271752GT	HOSE, LOWER RAD .998L	1
14	1271878GT	STARTER, .998L	1
14B	1293763GT	DOWEL PIN,STARTER,GM .998L	
14B	1293765GT	BOLT,STARTER,GM .998L	
15	1272958GT	WELDMENT, ENG LEG RT, GM .998L	1
16	1272959GT	WELDMENT, ENG LEG LT, GM .998L	1
17A	1256356GT	ASSY,DRIVE PUMP W/4CC FUNC.	
17A-	101237GT	PUMP,M42 W/4CC W/PIGGYBACK	1
		for 1256356	
17A-	74492GT	PUMP,PIGGYBACK,SUNSTR,4CC***	1
17A-	74635GT	PUMP,PIGGYBACK,SAUER,6CC 10-8	1
		(for 230V generator option)	



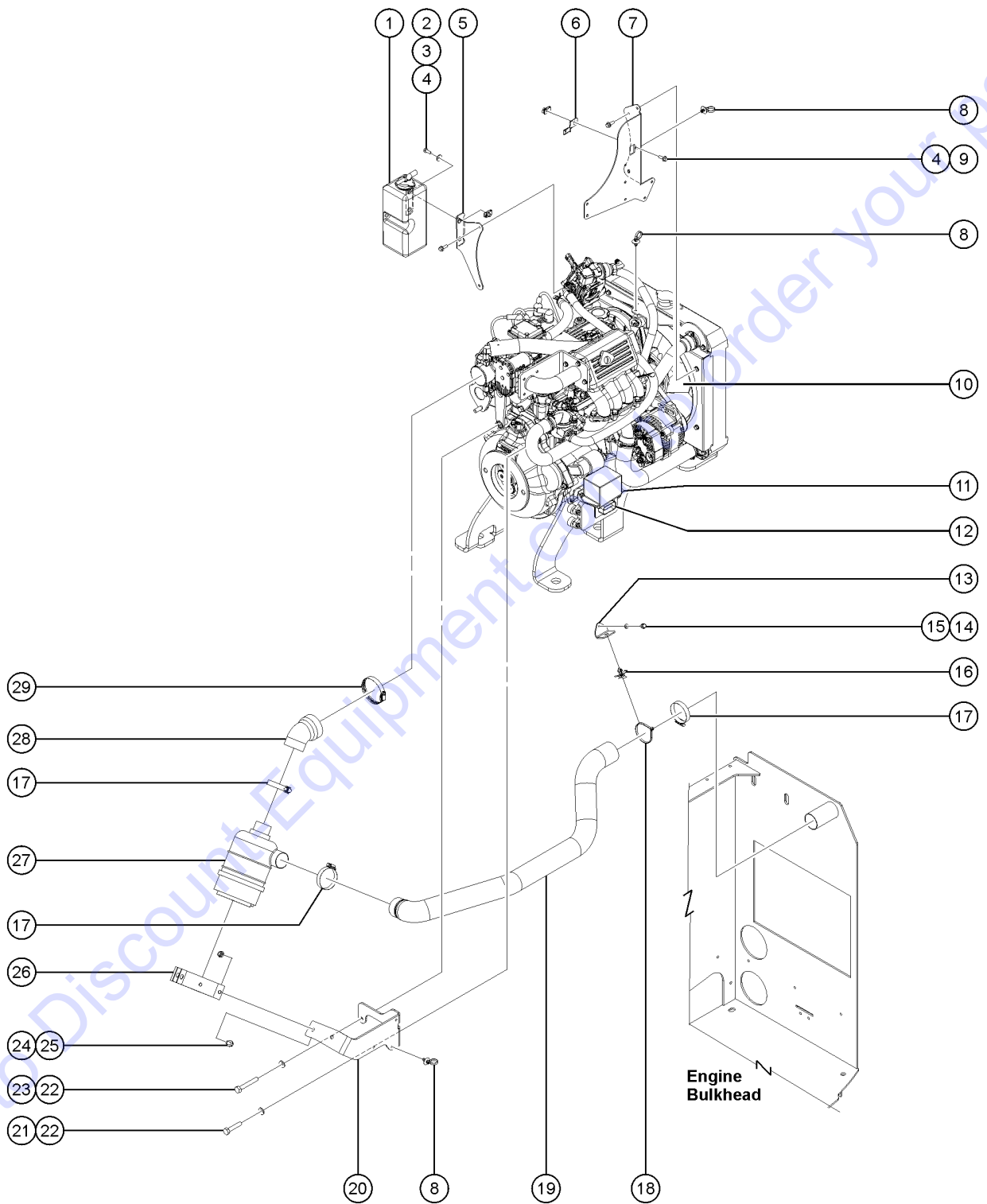
406.1 GM .998L, View 1



Item	Part No.	Description	Qty.
17A-	77990GT	KIT,SEAL,3CC PUMP***	
17A-	29436GT	O-RING***	1
17A-	48880GT	CAP,DIAGNOSTIC NIPPLE	1
17B	101238GT	PUMP,DRIVE,42CC W/NFPE CONTR**	
18	824101GT	SCREW,SHC,1/2-13X1.25,A574,ZAG	2
19	824111GT	WASHER,LOCK,1/2,ZAG	2
20	232951GT	NUT, TL, M10-1.5,DIN980, ZAB	2
21	824145GT	WASHER,FLAT,M10,DIN125,ZAB	2
22	824078GT	SCREW,HHF,1/4-20X.75,8,ZAG	4
23	56912GT	SPRING CLIP,1/4-20,.025-.15X.54,ZAG	4
24	1271255GT	FORMING,EXH SPRT,GM .998,Z34	1
25	1269189GT	FORMING,HEAT SHIELD,GM .998L	1
26	1271254GT	WELDMENT, TAILPIPE,GM .998,Z34	1
26-	1271874GT	GASKET, EXHAUST CATALYST, 3.0	
27	1274877GT	MUFFLER, SPARK ARRESTOR, 3", 7 DISCS	1
27-	32064GT	CLAMP,MUFFLER,1.75 INCH	1

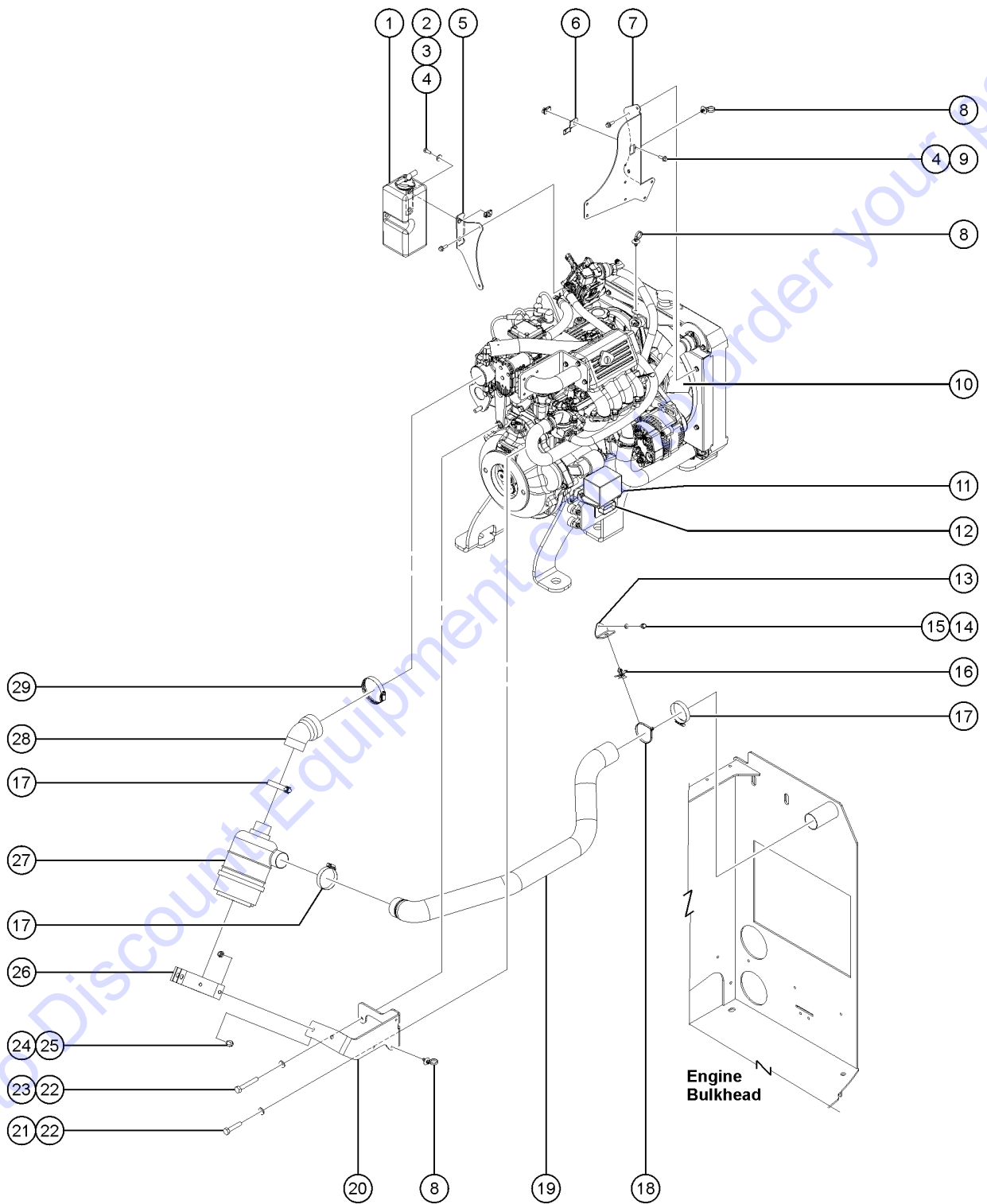
Go to Discount-Equipment.com to order your parts

407.1 GM .998L, View 2



Item	Part No.	Description	Qty.
1	94532GT	BOTTLE,COOLANT RECOVERY,1.4***	1
2	824059GT	SCREW,HHC,1/4-20X.75,8,ZAG	2
3	824113GT	WASHER,FLAT,USS,1/4,ZAG	2
4	56912GT	SPRING CLIP,1/4-20,.025-.15X.54,ZAG	3
5	1272963GT	FORMING, COOLANT BOTTLE MOUNT	1
6	99346GT	CLIP, METAL MOUNTING	1
7	1272964GT	FORMING, FAN GUARD RIGHT	1
8	110149GT	CABLE TIE,DFT MOUNT,BLK,6.5"	7
9	824078GT	SCREW,HHF,1/4-20X.75,8,ZAG	1
10A	1271867GT	FAN, PULLER 12.25" 30 DEG	1
10B	1281807GT	ALTERNATOR,GM .998L,PSI,Z34	1
11	1271828GT	BRACKET, FUSE BOX .998L	1
12	1271825GT	ECM, SSI .79L / .97L	1
13	1273080GT	FORMING, INTAKE HOSE GUIDE	1
14	826001GT	SCREW,HHF,M6-1.0X10,DIN6921,10.9,ZAB	1
15	825355GT	WASHER,FLAT,M6,DIN125,ZAB	1
16	105214GT	CABLE TIE MOUNT, WINGED	1
17	35434GT	CLAMP,HOSE,2.00***	3
18	28443GT	CABLE TIE,11.5" BLACK	1
19	1271540GT	HOSE,RAW AIR,Z34 GM .998L	1
20	1269187GT	FORMING,INTAKE SPRT,GM .998L	1
21	1272952GT	SCREW, HHC, M10 X 1.25 X 50MM	1
22	824145GT	WASHER,FLAT,M10,DIN125,ZAB	2
23	1272953GT	SCREW, HHC, M10 X 1.25 X 70MM	1
24	824085GT	SCREW, HHF, 5/16-18 X .75, 8, ZAG	2
25	1255805GT	NUT,SERRATED,5/16-18,8,ZAG	2
26	119685GT	BRACKET, AIRCLEANER MT.	1
27	119684GT	AIRCLEANER ASSEMBLY	1

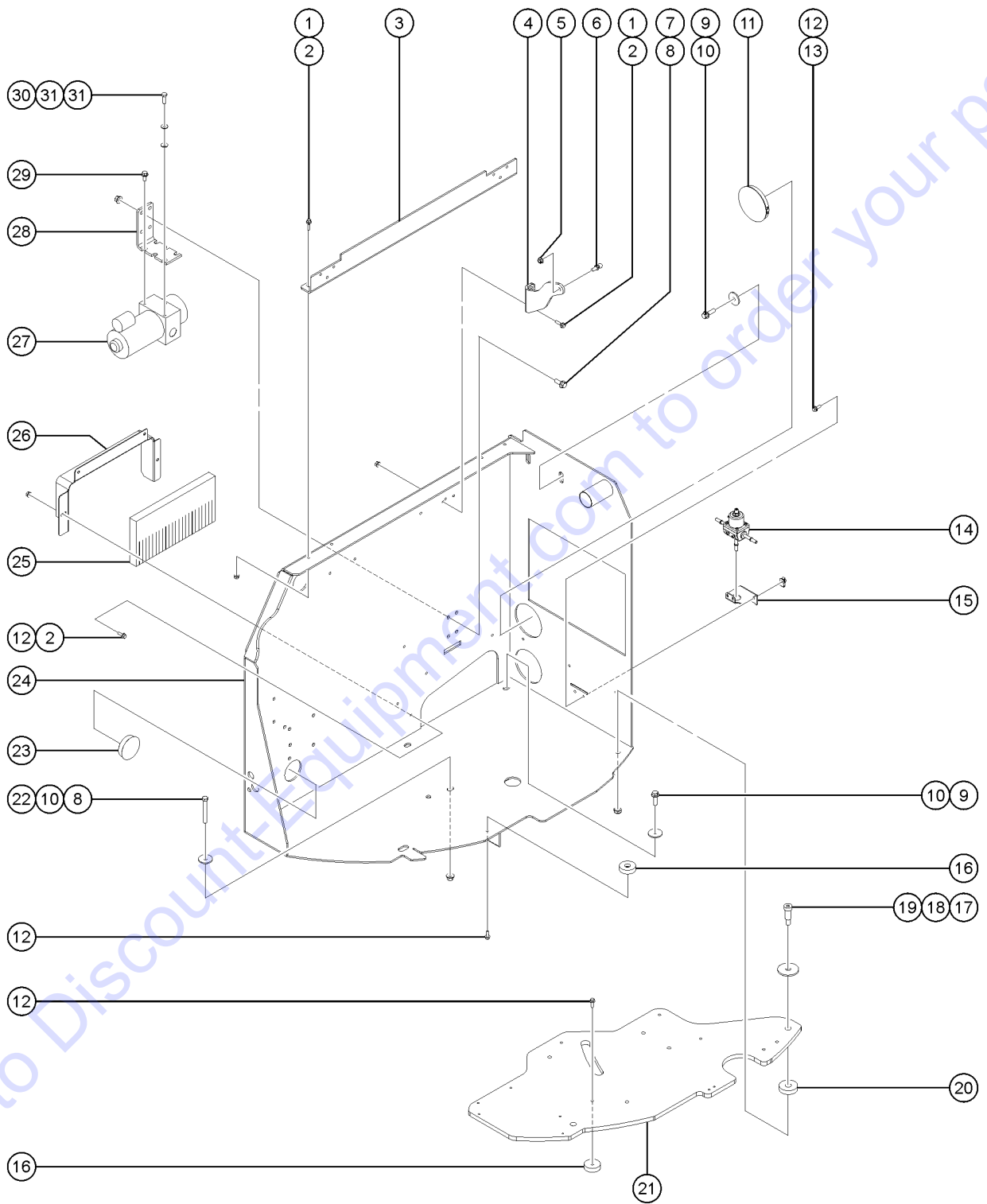
407.1 GM .998L, View 2



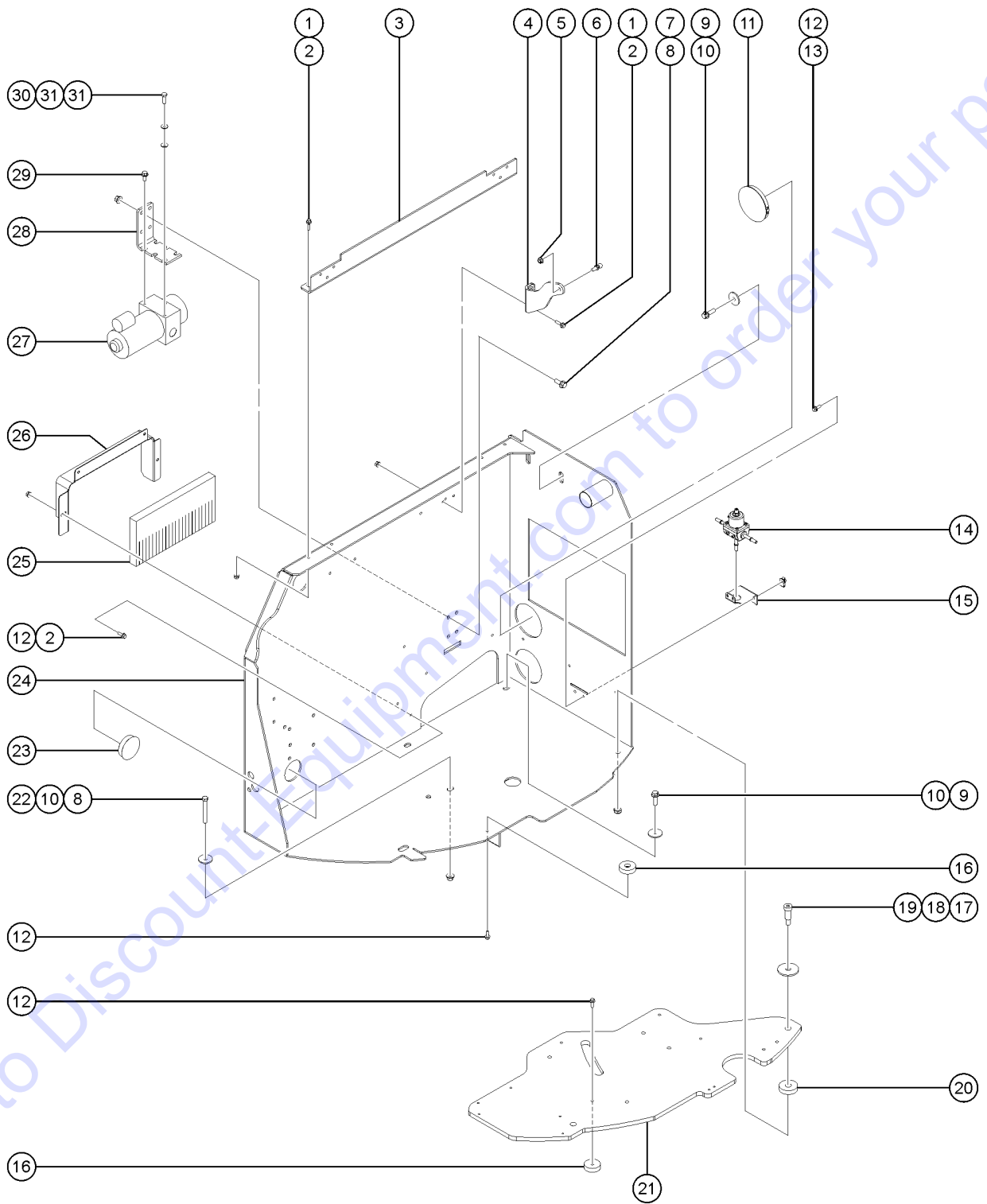
<i>Item</i>	<i>Part No.</i>	<i>Description</i>	<i>Qty.</i>
27-	52867GT	FILTER,AIR***	
28	1271541GT	HOSE,AIR IN,Z34 GM .998L	1
29	45435GT	CLAMP,HOSE,2.50"	1

Go to Discount-Equipment.com to order your parts





Item	Part No.	Description	Qty.
1	824079GT	SCREW,HHF,1/4-20X1,8,ZAG	6
2	824027GT	NUT,TL FLG,1/4-20,G,ZAG	10
3	128298GT	FORMING, HING SUPPORT, LONG	1
4	128902GT	BRACKET,ANCHOR,GAS STRUT	1
5	1255805GT	NUT,SERRATED,5/16-18,8,ZAG	1
6	33555GT	BALL STUD**	1
7	824090GT	SCREW,HHF,3/8-16X1,8,ZAG	4
8	824029GT	NUT,TL FLG,3/8-16,G,ZAG	6
9	824091GT	SCREW, HHF, 3/8-16 X 1.25, 8, ZAG	3
10	1268468GT	WASHER,FLAT,.406X1.50X.125,ZAG	5
11	80229GT	CAP, PLASTIC, 4"	2
12	824078GT	SCREW,HHF,1/4-20X.75,8,ZAG	11
13	56912GT	SPRING CLIP,1/4-20,.025-.15X.54,ZAG	2
14	1272020GT	REGULATOR, FUEL, GM .998L	1
15	1273326GT	FORMING, FUEL REGULATOR MOUNT	1
16	56093GT	WEAR PAD ROUND	5
16-	18504GT	NUT,LOCKING-LG.FLANGE,1/4-20	5
17	824229GT	BOLT,SSHS,5/8X1.25X1/2-13,ZAG	2
18	824115GT	WASHER,FLAT,5/8,USS,ZAG	2
19	824039GT	NUT,TL JAM,1/2-13,A,ZAG	2
20	42123GT	WEAR PAD,2" ROUND	1
21		Ref. PLATE,ENGINE TRAY, SWING OUT (refer to 418.1)	1
22	1260940GT	SCREW,HHC,3/8-16X3,8,ZAG	2
23	39640GT	PLUG,NYLON 2.50 BLACK DOMED	2
24	1269544GT	WELDMENT,ENGINE BULKHEAD,DF	1
25	139254GT	GASKET,FOAM,HEATSHIELD	1
26	128970GT	BAFFLE,BULKHEAD	1
27	112379GT	POWER UNIT,12VDC AUX***	1

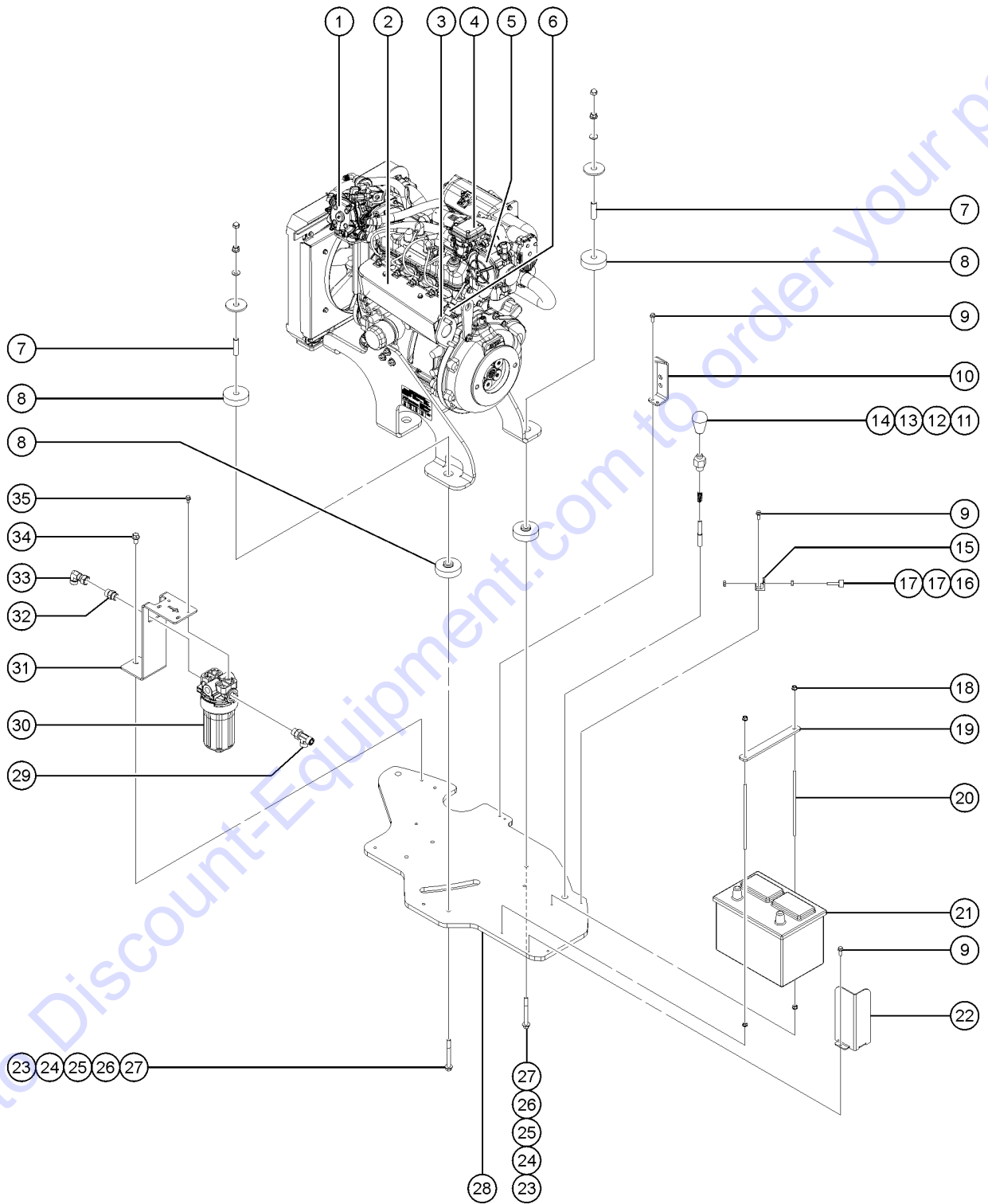


Item	Part No.	Description	Qty.
27-	43687GT	MOTOR,12VDC (42185)	1
27-	43688GT	PUMP ASSY (42185)	1
27-	112308GT	SOLENOID,12V,APU	
27-	38156GT	VALVE,RELIEF KIT,MONARCH**	
27-	13083GT	DIODE, 3 AMP	
28	42190GT	BRACKET,AUX.PUMP ATTACHMENT	1
29	824085GT	SCREW, HHF, 5/16-18 X .75, 8, ZAG	2
30	13002GT	SCREW,HHC,5/16-18 X 1 GR5	1
31	6638GT	WASHER,FLAT,USS,1/4"Y	2

Go to Discount-Equipment.com to order your parts



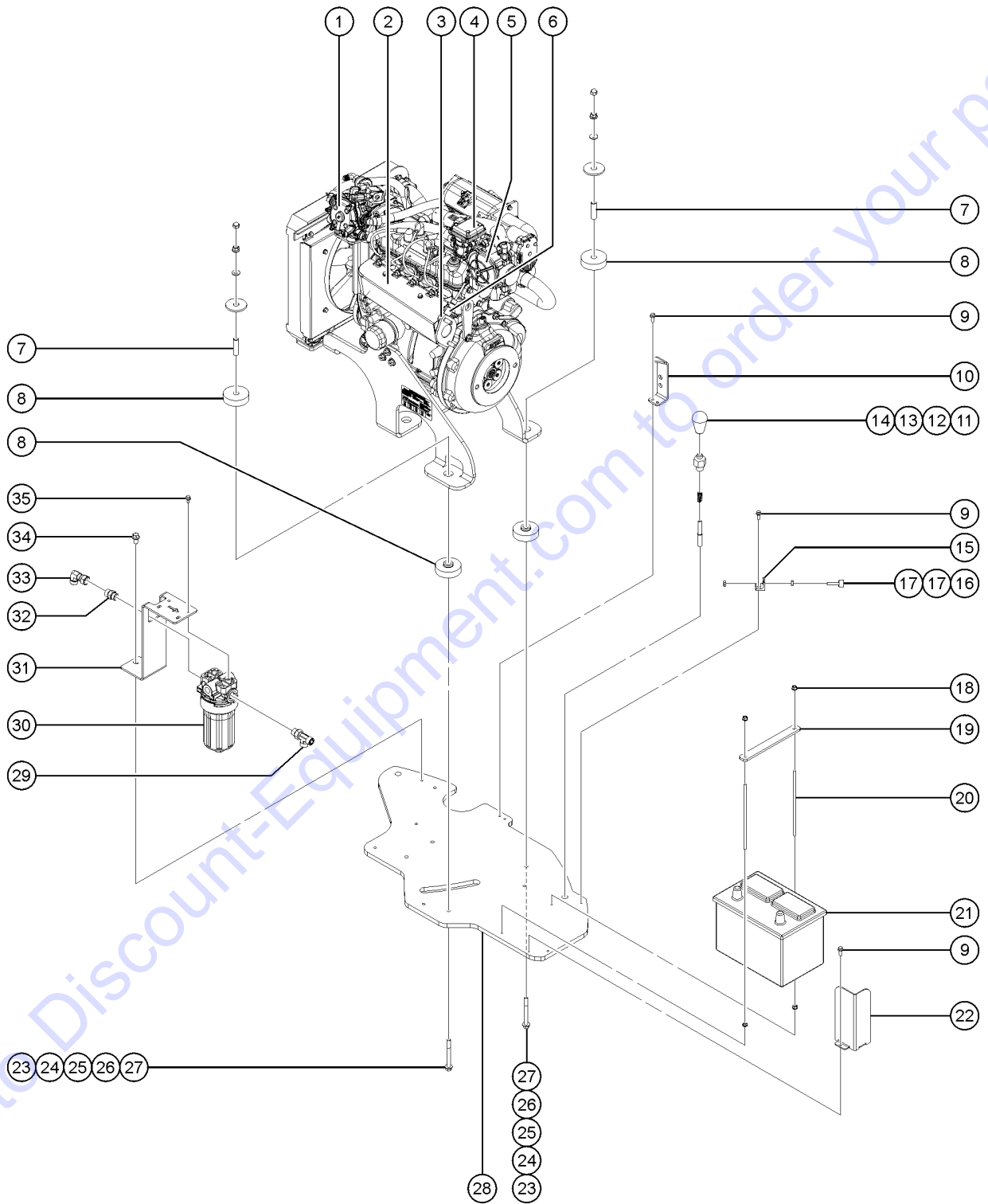
409.1 GM .998L, View 4



Item	Part No.	Description	Qty.
1	1271817GT	REGULATOR, LD DSR LPG	1
1-	1271809GT	VALVE, LOCK-OFF W/FILTER NO CO	1
2	1271852GT	SHIELD, EXHAUST .998L	1
3	1271849GT	MANIFOLD, EXHAUST .998L	1
3-	1271851GT	GASKET, EXHAUST MANIFOLD .998L	1
4	1272048GT	INLET TO EPR, GM3.0L ENG	1
5	215280GT	MIXER, MSG425	1
6	139610GT	SENSOR,AIR,CAT MONITOR	1
7	139230GT	SPACER, SHOCK MOUNT	4
8	24037GT	SHOCK MOUNT,LARGE**	8
9	824078GT	SCREW,HHF,1/4-20X.75,8,ZAG	5
10	42064GT	BRACKET, LATCH	1
11	40835GT	KNOB,OVAL TAPERED	1
12	41630GT	HOUSING, LOCK PIN	1
13	39469GT	SPRING,COMPRESSION.485 X1.75**	1
14	56464GT	LOCK PIN	1
15	42359GT	ANGLE, BUMPER, MOUNT	1
16	36388GT	BUMPER,RUBBER,.75 X .50H,STUD	1
17	824037GT	NUT,HH JAM,1/4-20,A,ZAG	2
18	824027GT	NUT,TL FLG,1/4-20,G,ZAG	4
19	T107827GT	BATTERY HOLD DOWN	1
20	824209GT	ROD,THREADED,1/4-20X8.5,ZAG	2
21	36872GT	BATTERY, 12V,900 CCA	1
22	74461GT	HEAT, SHIELD	1
23	824096GT	SCREW,HHF,3/8-16X3.5,8,ZAG	4
24	824123GT	WASHER,FLAT,.625X2.25X.188,ZAG	4
25	825358GT	WASHER,FLAT,5/16,USS,ZAG	4
26	824029GT	NUT,TL FLG,3/8-16,G,ZAG	4



409.1 GM .998L, View 4

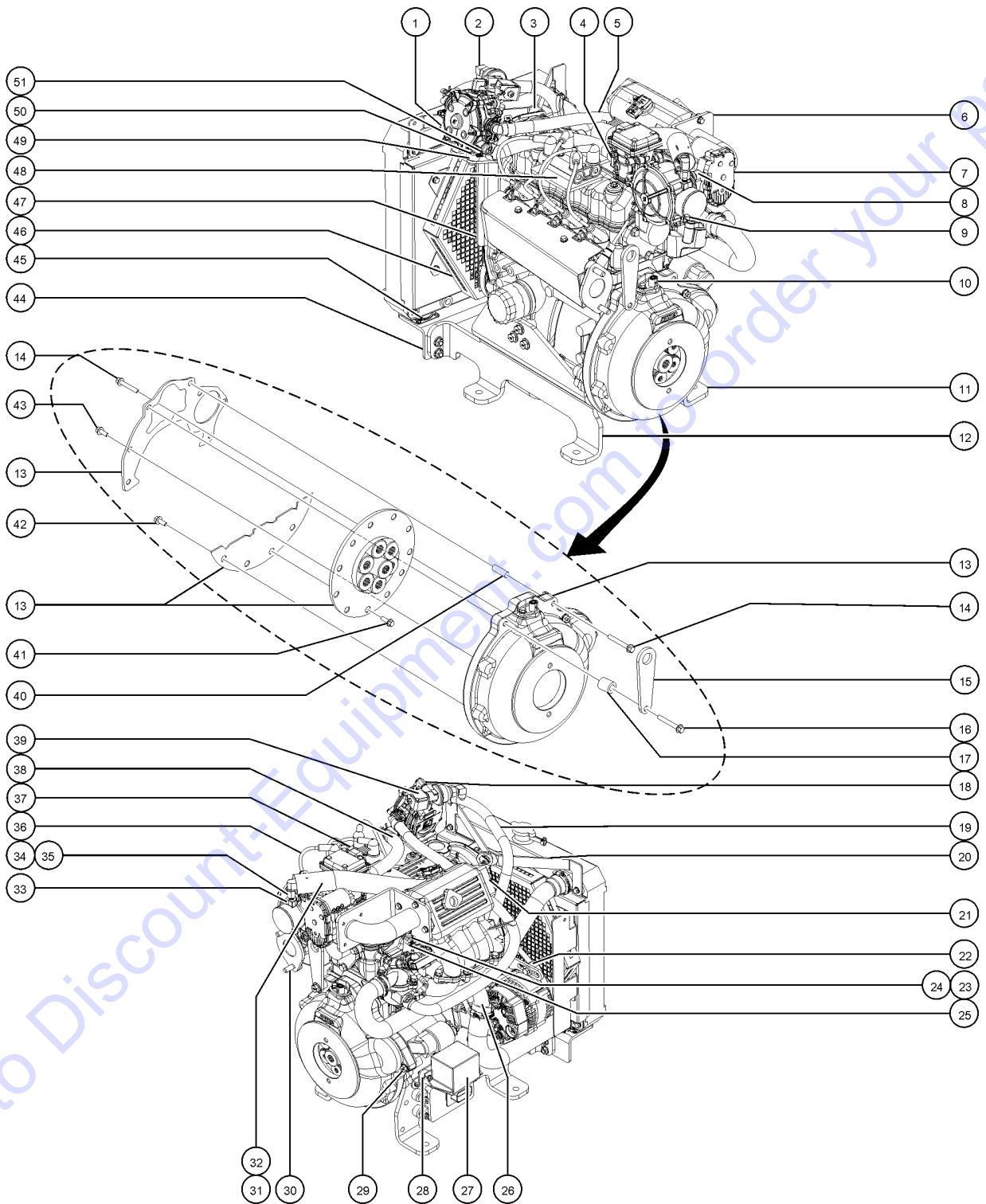


Item	Part No.	Description	Qty.
27	824040GT	NUT, ACORN, 3/8-16, ZAG	2
28	1269539GT	PLATE, ENGINE TRAY, SWING OUT	1
29	48935GT	TEE,RUN,520428-8	1
30	1267807GT	ASSEMBLY, MED. PRESS. FILTER, SAE8	1
30-	1268229GT	ELEMENT-5 MIC, PAPER, W/BYPASS	
31	1269191GT	FORMING, FILTER MOUNT, GM .998L	1
32	48933GT	CONN,520120-8***	1
33	48879GT	ELBOW,SWIVEL 90D, 520221-8	1
34	824089GT	SCREW, HHF, 3/8-16 X .75, 8, ZAG	2
35	824077GT	SCREW, HHF, 1/4-20 X .5, 8, ZAG	4

Go to Discount-Equipment.com to order your parts



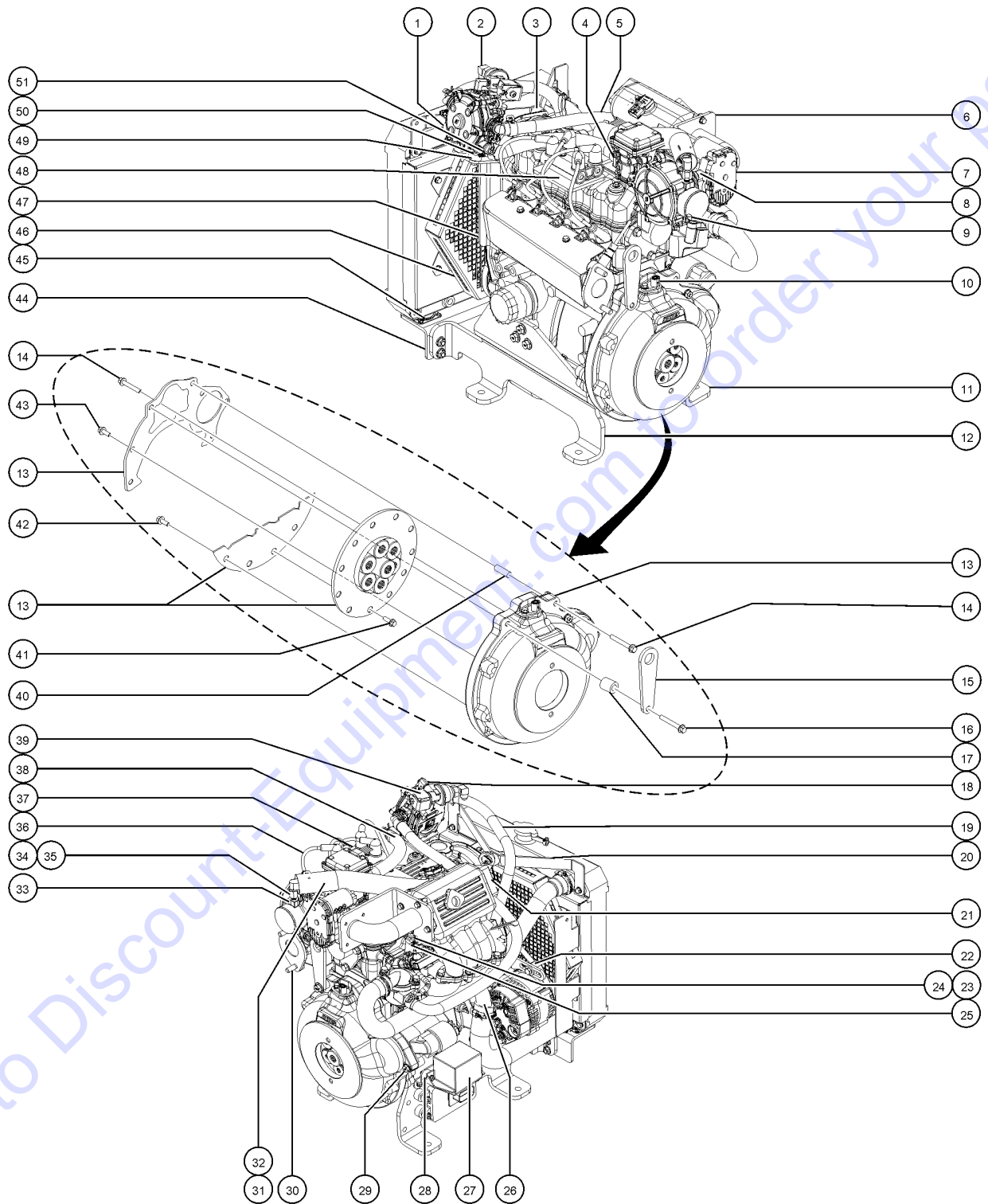
410.1 GM .998L, View 5



Item	Part No.	Description	Qty.
A	1271729GT	KIT, RADIATOR .998L	1
B	1271797GT	KIT, VAPORIZER .998L	
C	1271823GT	KIT, ELECTRICAL .998L	
D	1271848GT	KIT, EXHAUST .998L	
E	1271833GT	KIT, ENGINE MOUNT .998L	
F	1271853GT	KIT, CCV .998L	
G	1271860GT	KIT, COOLANT PLUG .998L	
H	1271865GT	KIT, PULLER FAN .998L	
I	1271876GT	KIT, STARTER .998L	
J	1271879GT	KIT, ALTERNATOR MOUNT .998L	
K	1271836GT	KIT, DEPR LP .998L	
L	1272457GT	CATALYTIC MUFFLER,GM .998L	
M	1271717GT	CLAMP, MUFFLER MOUNT, GM .998	
N	1271871GT	FITTING & GASKET FOR FUEL PUMP	
O	1271872GT	FTG, -6 STOR-5/16 SAE J2044	
P	1271866GT	SPACER, FAN 1.625" PUSHER SSI	
Q	1271923GT	STUD, M5-.80 x 25	4
R	1271810GT	TERMINAL, METRIPAK MALE CONNEC	
S	1271811GT	SEAL, CONNECTOR 16 GA WIRE	
T	1271812GT	CONNECTOR, FUEL LOCKOFF MP 2PI	
U	1271813GT	LOCK, FUEL LOCKOFF CONNECTOR	
V	1295186GT	GASKET,CAM SENSOR,GM .998L	
1	1271815GT	FITTING, 70 DEGREE SWEPT 5/8"	2
2	1271816GT	FITTING, 1/4 NPT X 3/8 FLARE 9	1
3	1271735GT	ISOLATOR, STUD MOUNT M6 X 1.0	1
4	1271842GT	FTG, D19 FUEL INLET 3/4" BARB	1
5	1271802GT	HOSE, 5/8 TO 3/4 MOLDED WATER	1
5-	1271799GT	LOOM, SPLIT 7/8", 50 INCHES	

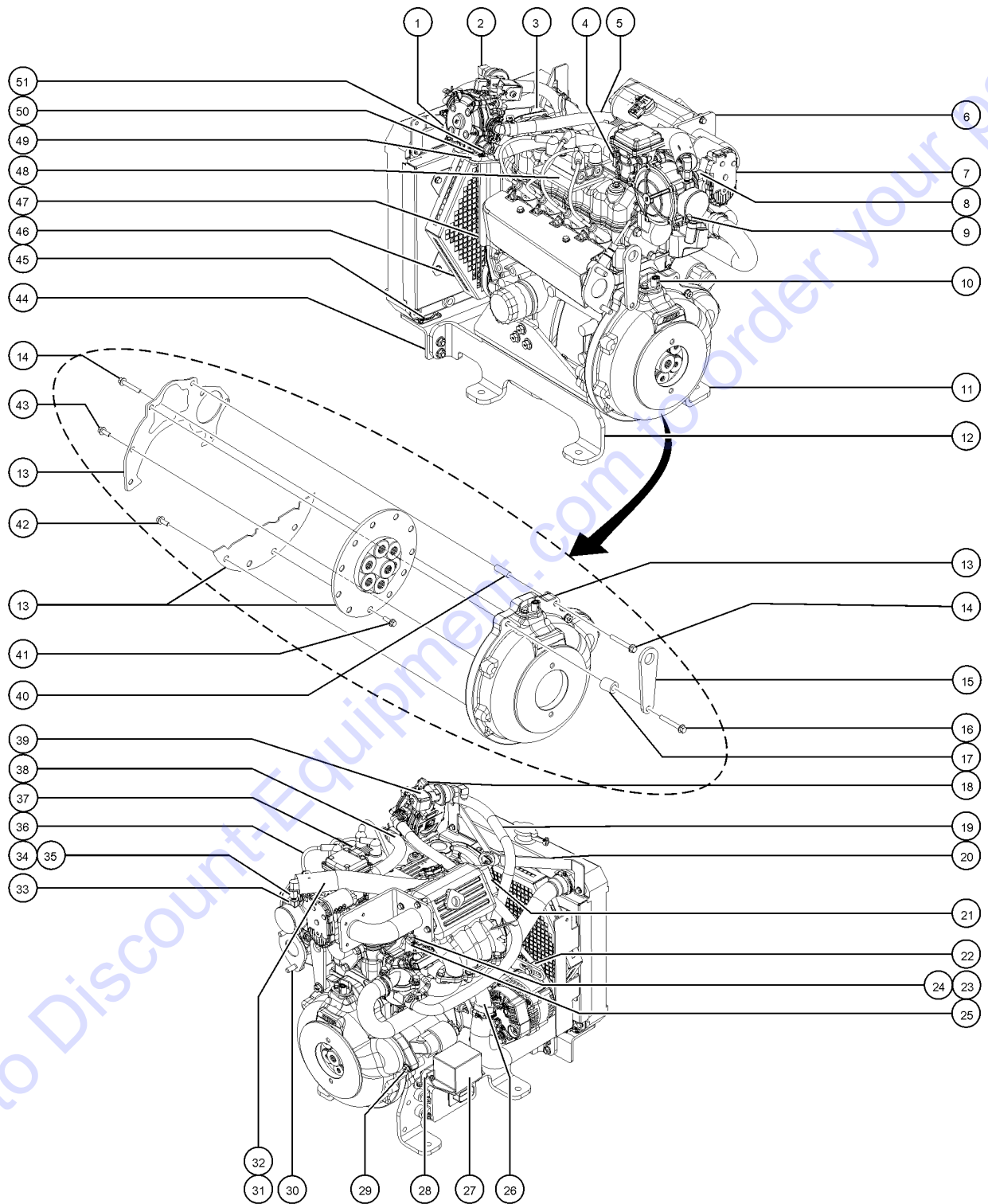


410.1 GM .998L, View 5



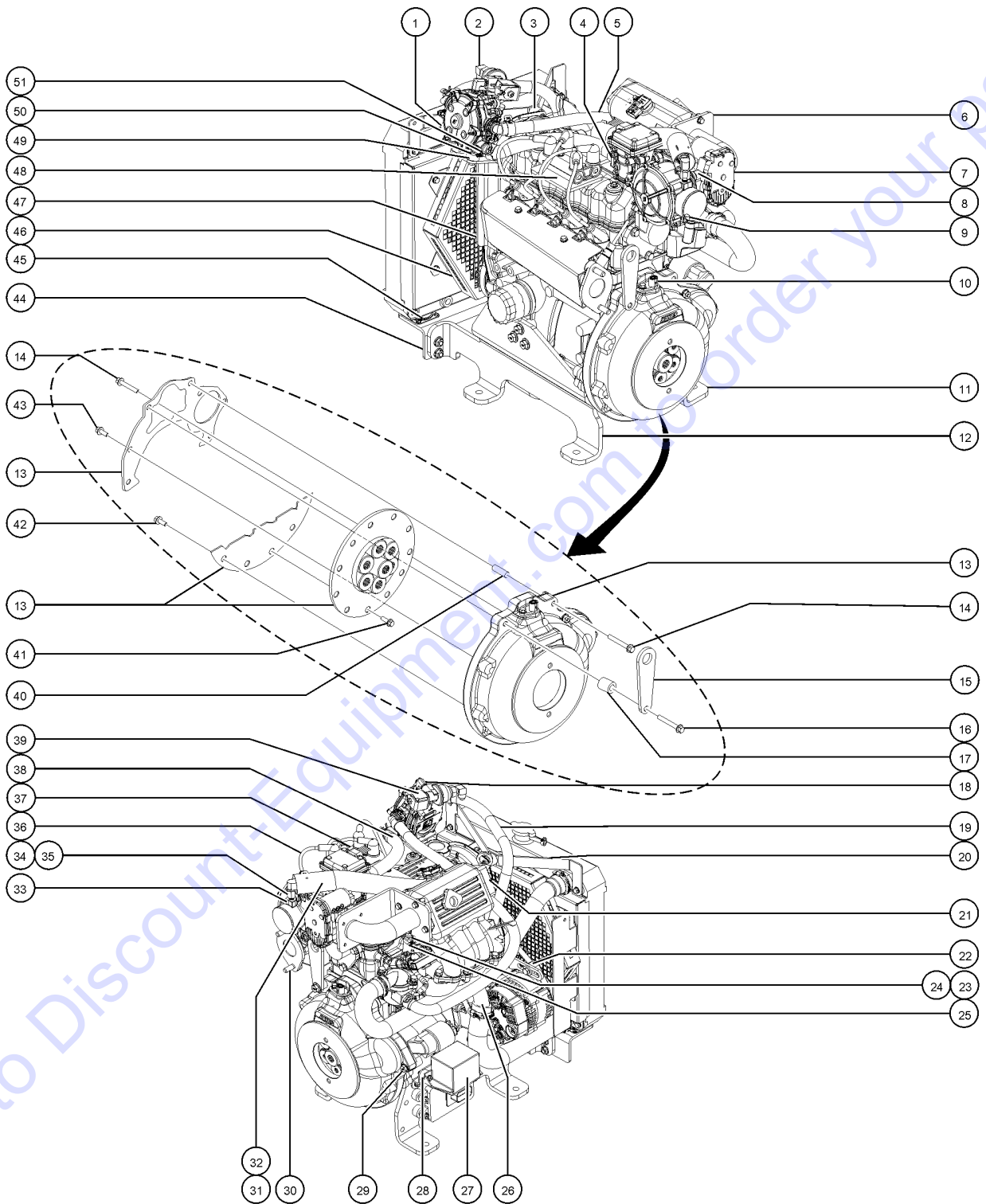
Item	Part No.	Description	Qty.
6	1271846GT	ADAPTOR, THROTTLE 90 DEG .998L	1
6-	1271845GT	GASKET, THROTTLE BODY 40MM	1
7	1271837GT	THROTTLE BODY, 40MM	1
8	1271840GT	ADAPTER, E100 MIXER TO BOSCH40	1
8-	1271838GT	O-RING, -134 BUNA-N, UL, 40MM	1
8-	1271843GT	SPACER, RING 40MM THROTTLE	1
8-	1271847GT	GASKET, INTAKE ADAPTER .97L	1
9	1271839GT	PLUG, 1/8-27 NPTF HX SKT BRASS	1
10	1271827GT	SENSOR, CRANKSHAFT POSITION	1
11	1271834GT	MOUNT, ENGINE RIGHT .998L	1
12	1271835GT	MOUNT, ENGINE LEFT .998L	1
13	1293497GT	HOUSING, FLYWHEEL SAE A 998L	1
14	1293505GT	SCREW	3
15	1293499GT	STRAP, LIFTING EYE	1
16	1293503GT	SCREW	1
17	1293498GT	SPACER, IDLER-SH, GM .998L	1
18	1271801GT	FITTING, 1/4MPT X 1/4MPT 90 DE	1
19	1271798GT	HOSE, WATER 5/8"ID, 60 PSI, 22	1
19-	1271799GT	LOOM, SPLIT 7/8", 50 INCHES	
19-	1271806GT	CLAMP, HOSE 7/8" SPRING	4
20	1271751GT	BRACKET, RAD STAYBAR .998L	1
21	1271728GT	CLAMP, 3/8" M4	1
22	1271880GT	BRACKET, ALTERNATOR .998L	1
23	1271863GT	FITTING, 3/8 MPT X 3/8 HB	1
24	1271862GT	CAP, BRASS 3/8" FPT	1
25	1271861GT	HOSE, HEATER 3/8"ID, RUBBER, 2	2
25-	1271864GT	CLAMP, CONSTANT TENSION #17	2
26	1271736GT	INLET, WATER .998L	1

410.1 GM .998L, View 5



Item	Part No.	Description	Qty.
26-	1271754GT	GASKET, WATER INLET .998L	1
27	1271832GT	HARNES, BI-FUEL .998L	1
28	1271826GT	ISOLATOR, RELAY BOX	5
29	1271877GT	DOWEL, 11MM OD X 8.5MM ID X 12	2
30	1271850GT	STUD, EXHAUST OUTLET 4033440	2
31	1271859GT	INSULATION, FYREJACKET 1.5", 1	
32	1271858GT	HOSE, FUEL 1/2", 15 INCHES	
32-	1271856GT	CLAMP, HOSE 15/16" SPRING	2
33	1271855GT	ADAPTER M/F 1/8"	1
34	1271857GT	ELBOW, 90DEG1/8NPT X 1/4NPT	1
35	1271854GT	FITTING, 1/4 NPT X 1/2 HB	1
36	1271830GT	WIRES, IGNITION .97L	1
37	1271831GT	COIL, IGNITION .97L	1
38	1271803GT	HOSE, FUEL 3/4", 11 INCHES	1
38-	1271800GT	LOOM, SPLIT 1 1/4", 9 INCHES	1
38-	1271805GT	CLAMP, HOSE 1-1/16" SPRING	2
39	1271808GT	VALVE, LOCK-OFF W/FILTER	1
40	1293502GT	DOWEL,PIN	2
41	1293501GT	SCREW	6
42	1293500GT	SCREW	3
43	1293504GT	SCREW	1
44	1271737GT	BRACKET, RADIATOR .998L	1
45	1271734GT	ISOLATOR, PLATE MOUNT .391 ID	2
46	1271733GT	GUARD, FAN SSI RAD	1
47	1271818GT	BRACKET, VAPORIZER .998L	1
48	1271829GT	BRACKET, COIL .998L	1
49	1271804GT	MOUNT, VIBRATION DAMPENING	3
50	1271814GT	BRACKET, VAPORIZER ISOLATION	1

410.1 GM .998L, View 5

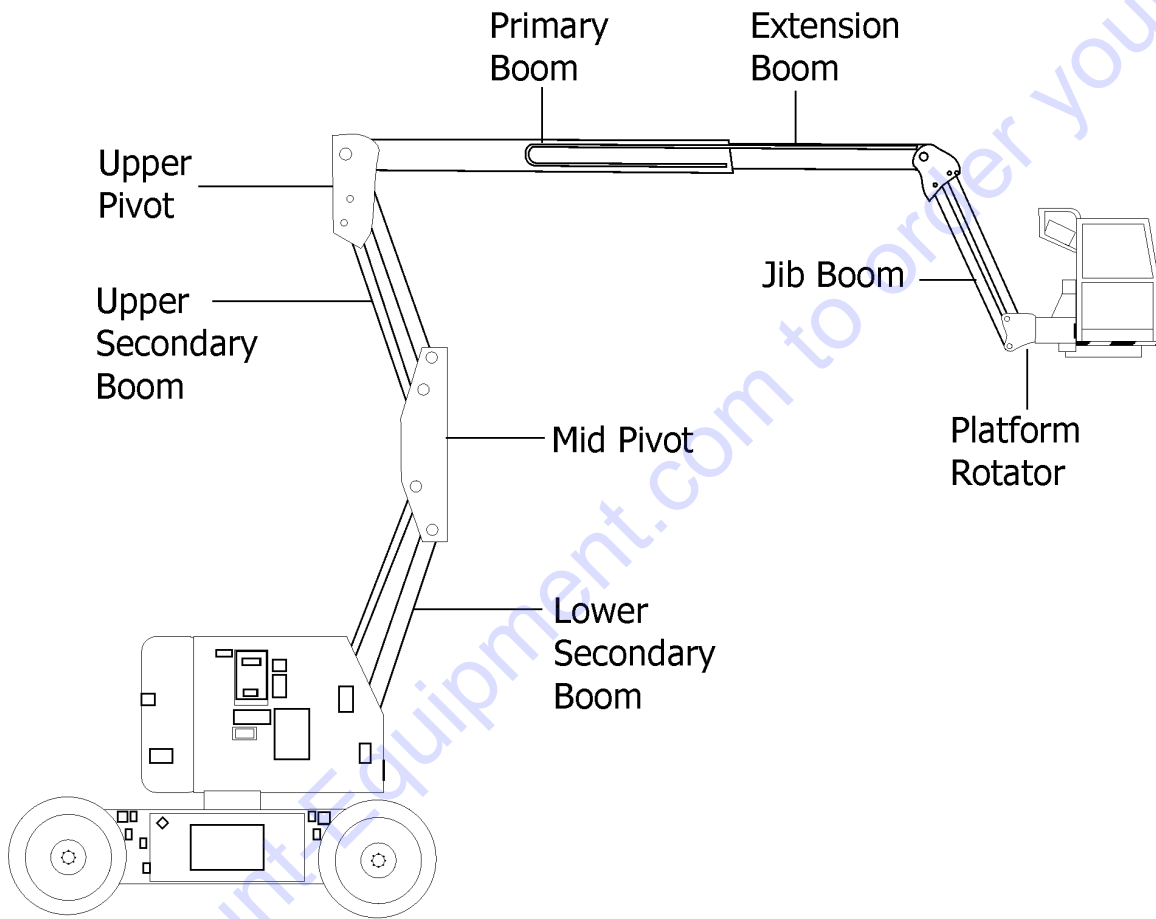


<i>Item</i>	<i>Part No.</i>	<i>Description</i>	<i>Qty.</i>
51	1271807GT	FITTING, FUEL SWEPT 70 DEG 3/4	1

Go to Discount-Equipment.com to order your parts



501.1 Boom Layout

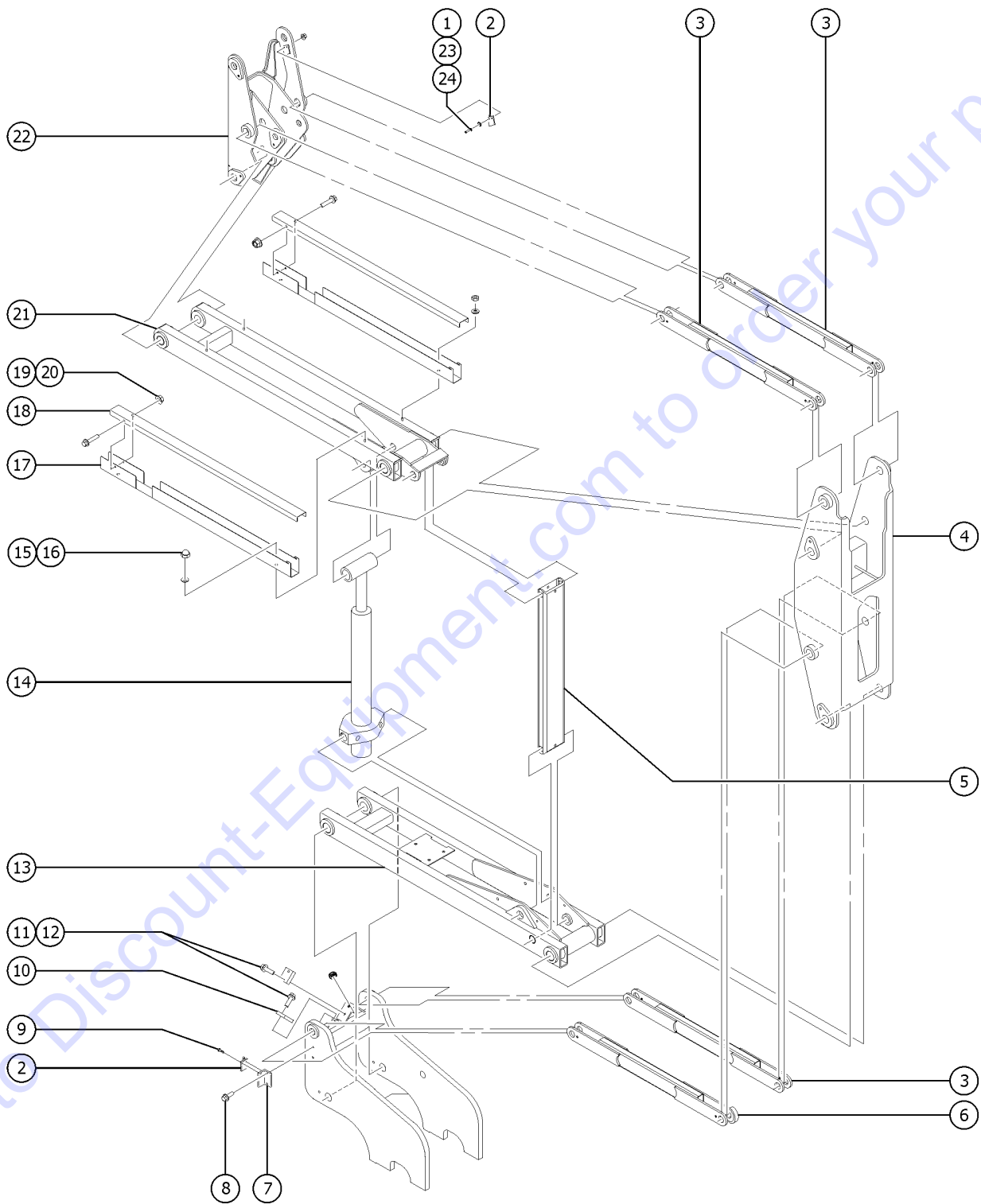


Item	Part No.	Description	Qty.
1		Extension Boom refer to 504.1	
2		Jib Boom refer to 506.1	
3		Lower Secondary Boom refer to 501.1 and 502.1	
4		Mid Pivot refer to 501.1 and 502.1	
5		Platform Rotator refer to 506.1	
6		Primary Boom refer to 504.1	
7		Upper Pivot refer to 501.1, 502.1 and 503.1	
8		Upper Secondary Boom refer to 501.1 and 502.1	

Go to Discount-Equipment.com to order your parts



502.1 Secondary Boom, View 1

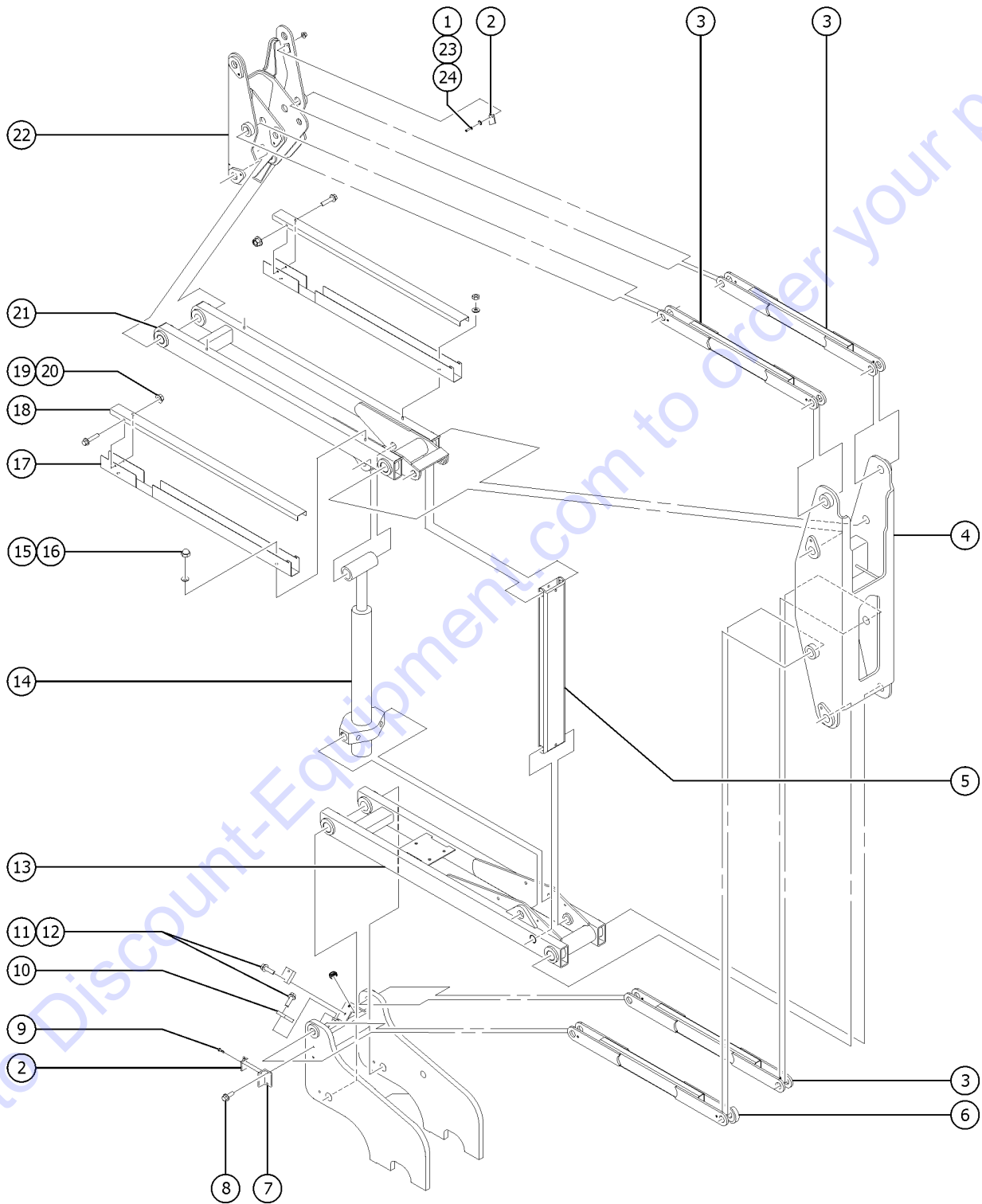


Go to Discount-Equipment.com to order your parts

Item	Part No.	Description	Qty.
1	1261606GT	SCREW,PHPM,8-32X1.75,ZAG	2
2	88356-116R3GT	SWITCH,LIMIT,W/ROLLER ARM***	2
2-	19491GT	CONTACTOR,LIMIT SWITCH	
3	74946GT	COMPRESSION ARM WELDMENT 56.50	3
4	40446GT	LOWER MIDPIVOT ASSY,Z34 &Z34N*	1
5	74232GT	CONNECTING LINK Z30N & Z34***	1
6	128635GT	WELDMENT, LWR COMPRESION ARM	1
7	42413GT	ANGLE,SWITCH MOUNT***	1
8	824078GT	SCREW,HHF,1/4-20X.75,8,ZAG	2
9	824223GT	SCREW,PHPM SEMS ET,10-32X1.25,	2
10	74086GT	REST PAD, LOWER ARM REST	2
11	824091GT	SCREW, HHF, 3/8-16 X 1.25, 8, ZAG	4
12	824029GT	NUT,TL FLG,3/8-16,G,ZAG	4
13	40449GT	LOWER SECONDARY ARM ASSY,Z34	1
14	94210GT	CYLINDER,ELEVATE, Z34	1
14-	94253GT	SEAL KIT, 94210	
14-	47377GT	BEARING,1.25 ID X 1.5 OD X .75	2
14-	31106GT	VALVE,CNTERBAL,CBBB-LHN@3000**	1
15A	824040GT	NUT, ACORN, 3/8-16, ZAG to SN 12064	4
15B	1274322GT	NUT,NYLOCK FLG,3/8-16,F,ZAG from SN 12065	
16A	824122GT	WASHER, FLAT, .375 X 1.25 X .062, ZAG to SN 12064	4
16B	825353GT	WASHER, FLAT, 1/2,SAE,HRD,ZAG from SN 12065	
17	42612-SGT	HOSE TRACK,UPPER ARM-SERV	2
18	42613-SGT	HOSETRACK COVER,UPPER ARM-SERV	2
19	824083GT	SCREW,HHF,1/4-20X2.5,8,ZAG	4
20	824027GT	NUT,TL FLG,1/4-20,G,ZAG	4
21	74379GT	UPPER SECONDARY ARM ASSY,Z34	1
22		Ref. UPPER MIDPIVOT refer to 503.1	



502.1 Secondary Boom, View 1

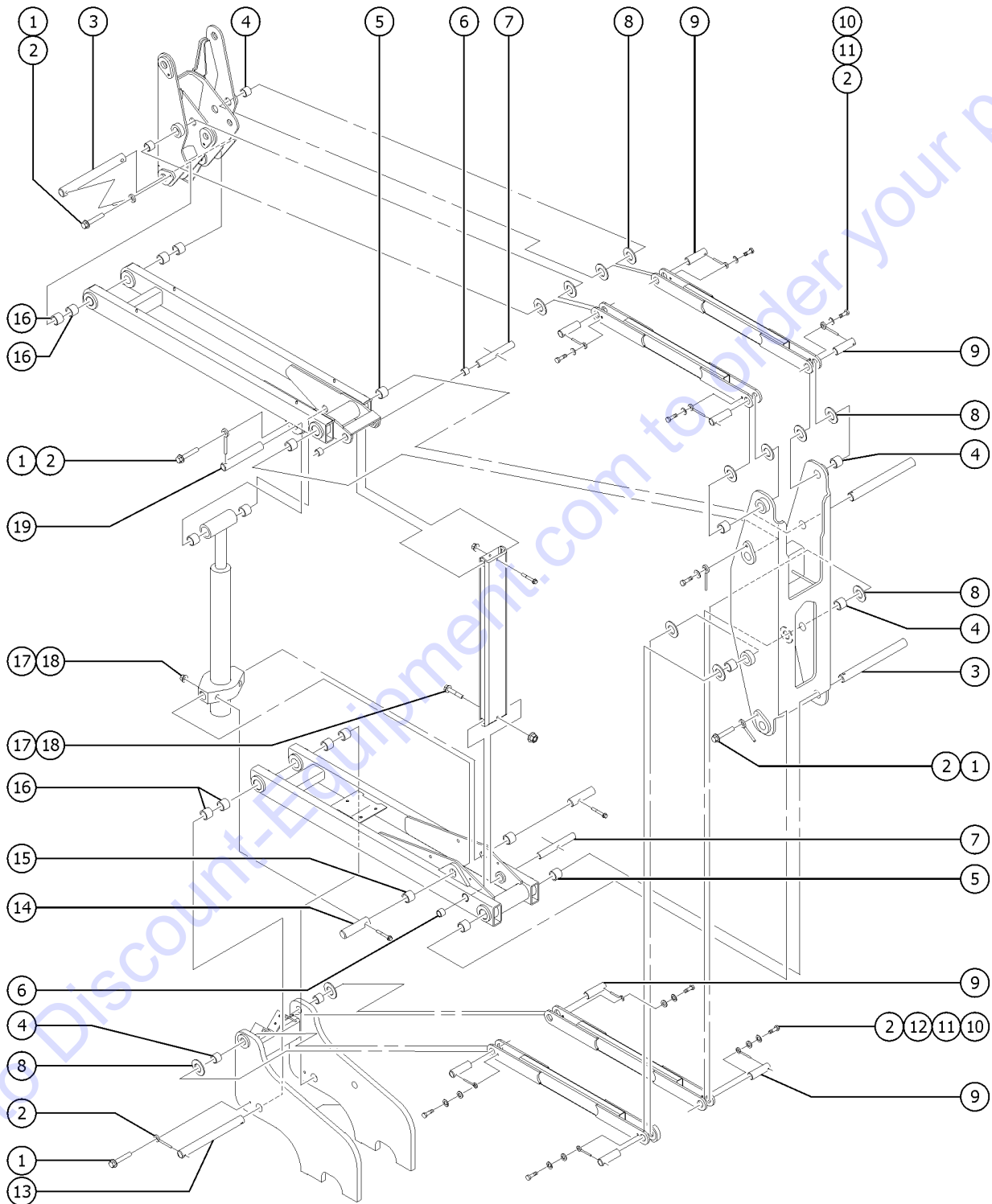


<i>Item</i>	<i>Part No.</i>	<i>Description</i>	<i>Qty.</i>
23	1257390GT	WASHER,FLAT,#8,SAE,ZAG	2
24	1271081GT	NUT,NYLOCK,8-32,8,ZAG	2

Go to Discount-Equipment.com to order your parts



503.1 Secondary Boom, View 2

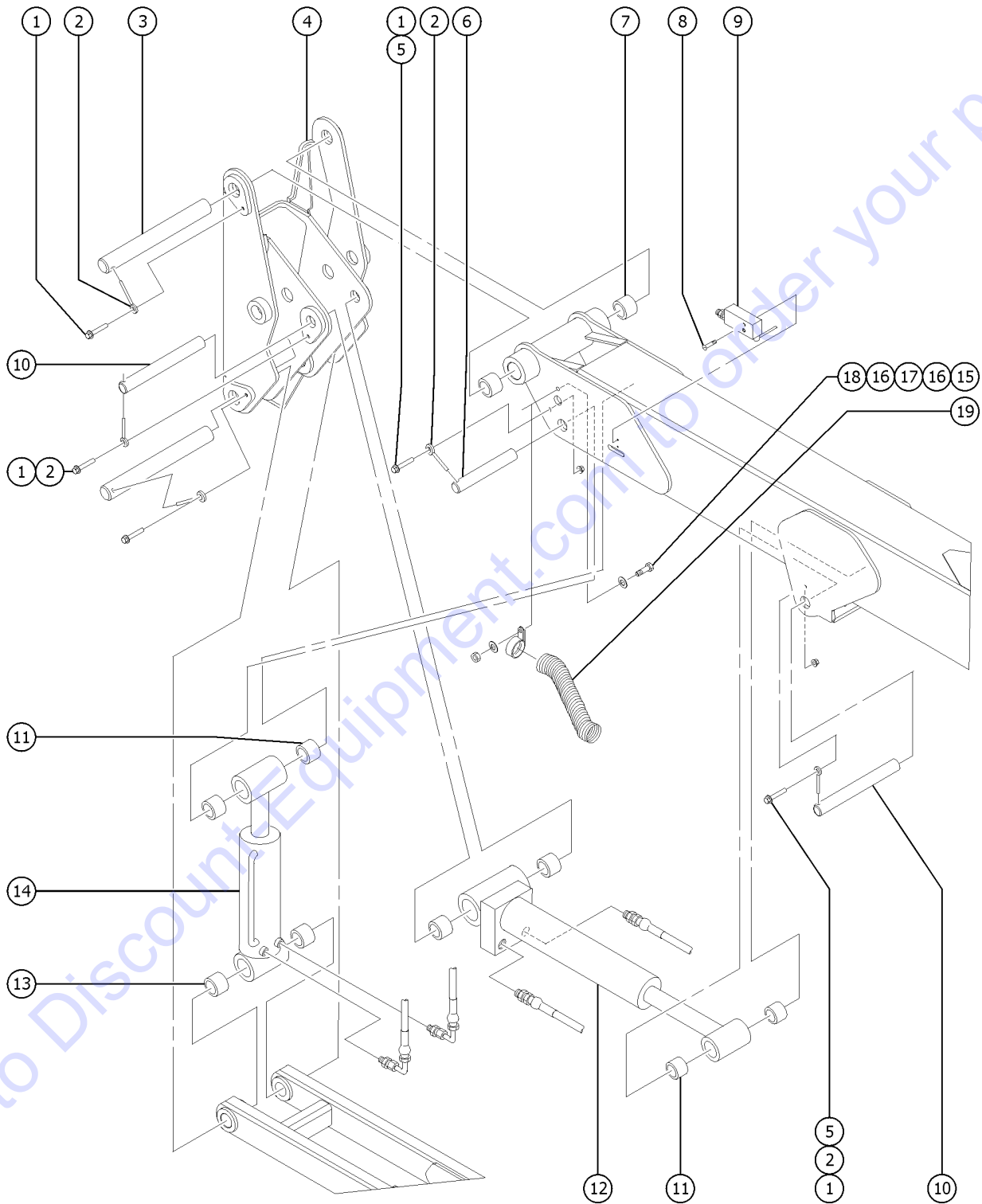


Item	Part No.	Description	Qty.
1	824091GT	SCREW, HHF, 3/8-16 X 1.25, 8, ZAG	5
2	825019GT	ROD END,.375X3.69,ZAG	13
3	36194GT	PIN,1.50DIAX15.13LG,1HOLE	3
4	34245GT	BEARING,1.25IDX1.50X1.25L	8
5	45071GT	BEARING,1.5IDX1.75ODX1.5L	4
6	36245GT	BEARING,FL,1.00IDX1.25ODX0.84L	4
7	36202GT	PIN,1.00DIAX7.25LG,1HOLE	2
8	824151GT	WASHER,SHIM,1.270X2.130X.062,Z	12
9	36390GT	PIN,1.25DIAX3.63LG,THREADED	8
10	824067GT	SCREW,HHC,3/8-16X1,8,ZAG	8
11	824110GT	WASHER,LOCK,3/8,ZAG	8
12	825358GT	WASHER,FLAT,5/16,USS,ZAG	4
13	36389GT	PIN,1.50DIAX16.13LG,1HOLE	1
14	36205GT	PIN,1.25DIAX3.00LG,THREADED	2
15	36246GT	BEARING,FL,1.25IDX1.50ODX1.09L	2
16	18396GT	BEARING,1.5IDX1.75ODX1.0L	2
17	824094GT	SCREW, HHF, 3/8-16 X 2.75, 8, ZAG	2
18	824029GT	NUT,TL FLG,3/8-16,G,ZAG	2
19	36200GT	PIN,1.25DIAX9.38LG,1HOLE	1

Go to Discount-Equipment.com to order your parts



504.1 Upper Pivot



PARTS FINDER

**Search Website
by Part Number**



**Search Manual
Library For Parts
Manual & Lookup Part
Numbers – Purchase
or Request Quote**

Search Manuals

Enter your information to help us find the right parts manual for your machine.

* Brand:

* Model:

* Serial:

* Part Number:

SEARCH

**Can't Find Part or
Manual? Request Help
by Manufacturer,
Model & Description**

Parts Order Form

Please fill in the following information to help us find the right part for your machine.

Manufacturer:	<input type="text"/>
Model:	<input type="text"/>
Description:	<input type="text"/>
Part Number:	<input type="text"/>
Quantity:	<input type="text"/>
Notes:	<input type="text"/>

Submit

Discount-Equipment.com is your online resource for quality parts & equipment.

Florida: **561-964-4949** Outside Florida TOLL FREE: **877-690-3101**

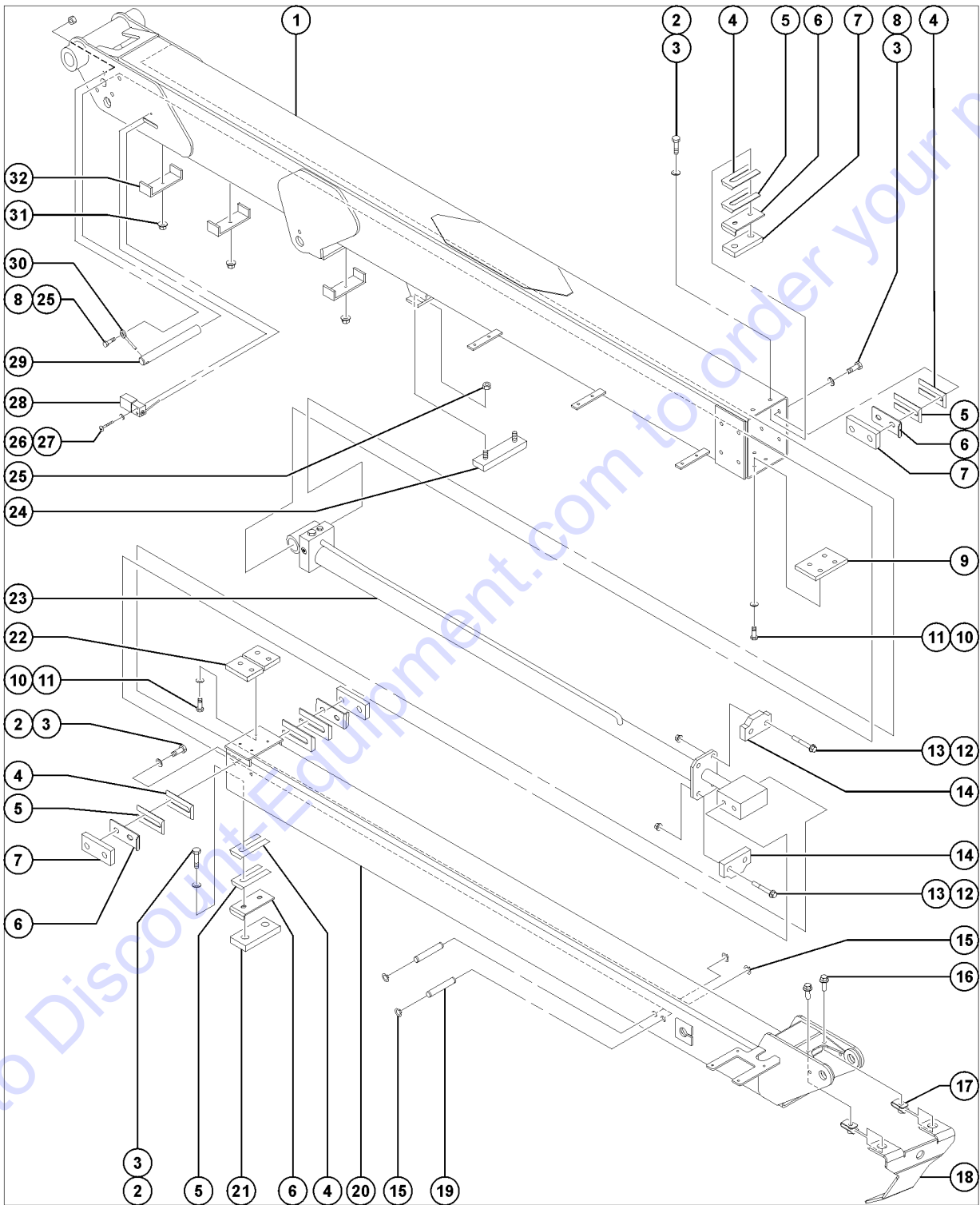
Need parts?

Click on this link: <http://www.discount-equipment.com/category/5443-parts/> and choose one of the options to help get the right parts and equipment you are looking for. Please have the machine model and serial number available in order to help us get you the correct parts. If you don't find the part on the website or on one of the online manuals, please fill out the request form and one of our experienced staff members will get back to you with a quote for the right part that your machine needs.

We sell worldwide for the brands: Genie, Terex, JLG, MultiQuip, Mikasa, Essick, Whiteman, Mayco, Toro Stone, Diamond Products, Generac Magnum, Airman, Haulotte, Barreto, Power Blanket, Nifty Lift, Atlas Copco, Chicago Pneumatic, Allmand, Miller Curber, Skyjack, Lull, Skytrak, Tsurumi, Husquvarna Target, Stow, Wacker, Sakai, Mi-T-M, Sullair, Basic, Dynapac, MBW, Weber, Bartell, Bennar Newman, Haulotte, Ditch Runner, Menegotti, Morrison, Contec, Buddy, Crown, Edco, Wyco, Bomag, Laymor, EZ Trench, Bil-Jax, F.S. Curtis, Gehl Pavers, Heli, Honda, ICS/PowerGrit, IHI, Partner, Imer, Clipper, MMD, Koshin, Rice, CH&E, General Equipment, Amida, Coleman, NAC, Gradall, Square Shooter, Kent, Stanley, Tamco, Toku, Hatz, Kohler, Robin, Wisconsin, Northrock, Oztec, Toker TK, Rol-Air, APT, Wylie, Ingersoll Rand / Doosan, Innovatech, Con X, Ammann, Mecalac, Makinex, Smith Surface Prep, Small Line, Wanco, Yanmar

Item	Part No.	Description	Qty.
1	824092GT	SCREW, HHF, 3/8-16 X 1.5, 8, ZAG	4
2	825019GT	ROD END,.375X3.69,ZAG	5
3	36194GT	PIN,1.50DIA X 15.13LG,1HOLE	2
4	40447GT	UPPER MIDPIVOT ASSY,Z34 & Z34N	1
4-	34245GT	BEARING,1.25ID X 1.50 X 1.25L	
5	824029GT	NUT,TL FLG,3/8-16,G,ZAG	2
6	74091GT	PIN,1.25DIA X 9.13LG,1HOLE	2
7	45071GT	BEARING,1.5ID X 1.75OD X 1.5L	2
8	824219GT	SCREW,PHPM SEMS ET,8-32 X 1.25,Z	2
9	88356-127J5GT	SWITCH,LIMIT,W/6.25"SPRING ARM	1
9-	106433GT	LS SPRING WAND (ZCY91)	
9-	19491GT	CONTACTOR,LIMIT SWITCH	
10	74091GT	PIN,1.25DIA X 9.13LG,1HOLE	2
11	47377GT	BEARING,1.25 ID X 1.5 OD X .75	4
12	94215GT	CYLINDER,PRIMARY LIFT includes item 11	1
12-	94258GT	SEAL KIT, 94215, 94430	1
12-	43937GT	VALVE,CB.CBBC-LHN@3200***	2
13	88280GT	BEARING,1.5ID X 1.75OD X 0.75L	2
14	94216GT	CYLINDER,MASTER includes items 11 and 13	1
14-	94259GT	SEAL KIT, 94216	
15	1264315GT	BOLT,HEX TAP,3/8-16 X 2.25,8,ZAG	1
16	27497GT	CLAMP,RUBBER CUSHIONED-2 5/32	1
17	1255758GT	WASHER,FLAT,3/8,USS,ZAG	2
18	824092GT	SCREW, HHF, 3/8-16 X 1.5, 8, ZAG	1
19	27497GT	CLAMP,RUBBER CUSHIONED-2 5/32	1

505.1 Primary and Extension Booms

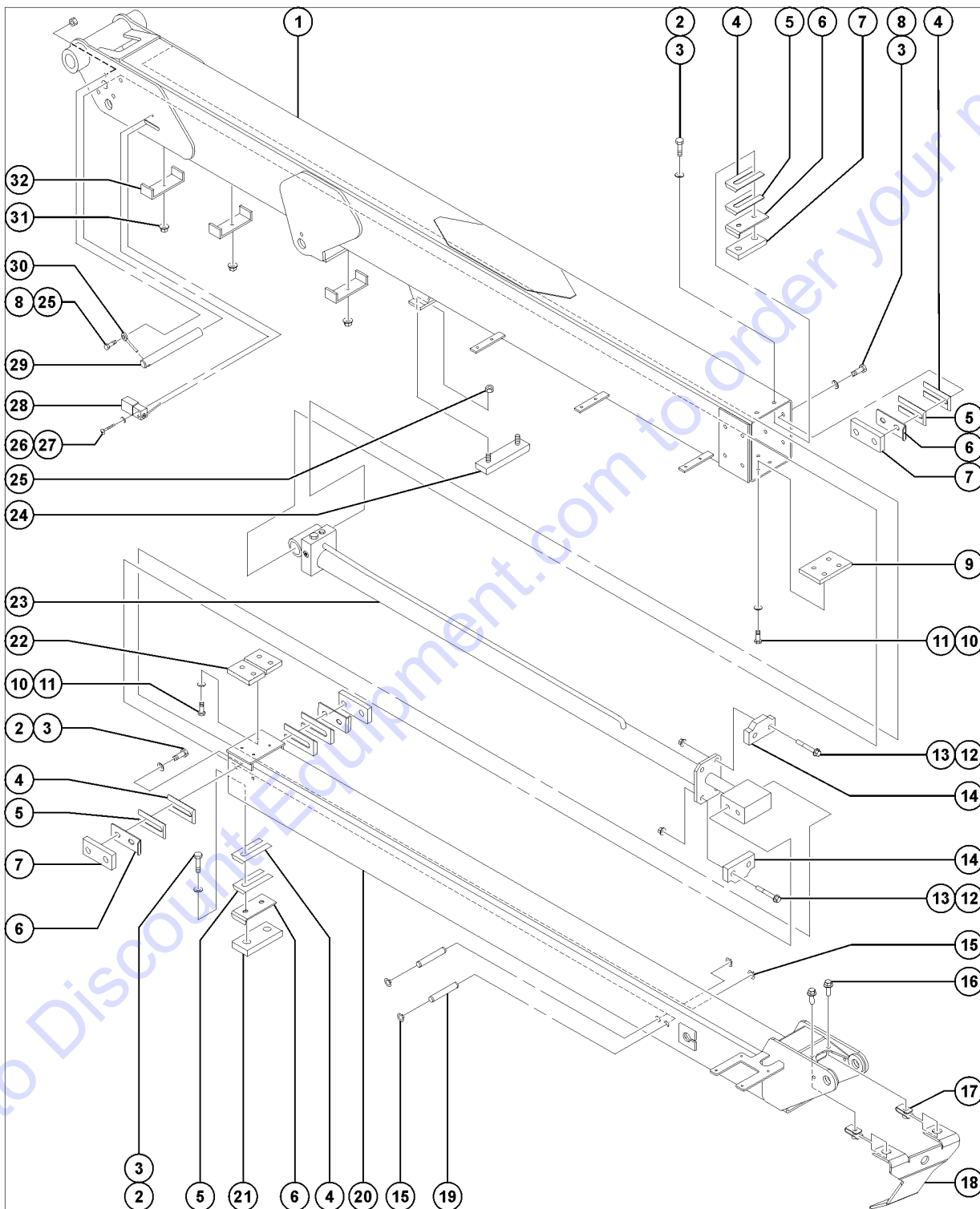


505.1 Primary and Extension Booms

Item	Part No.	Description	Qty.
1	77728GT	PRIMARY BOOM TUBE ASSY Z34IC**	1
1-	45071GT	BEARING,1.5IDX1.75ODX1.5L	2
2	824067GT	SCREW,HHC,3/8-16X1,8,ZAG to SN Z34F-12571	
2B	826791GT	SCREW,HHC,3/8-16X.875,8,ZAG from SN Z34F-12572	8
3	824110GT	WASHER,LOCK,3/8,ZAG to SN Z34F-12571	12
3B	826793GT	WASHER,FLAT,3/8,SAE,HRD,ZAG from SN Z34F-12572	16
4	29080GT	SHIM,WEAR PAD,5X 1.5 16GA	
5	42502GT	SHIM,SIDE PAD 22GA. (quantity as needed)	
6	38620GT	SHIM,WEAR PAD,5 X 1.5,14GA from SN Z34F-12572 (quantity as needed)	
7	1262353GT	WEAR PAD, 5 X 1.5 X .72 W/NUTS	7
8	824068GT	SCREW, HHC, 3/8-16 X 1.25, 8, ZAG to SN Z34F-12571	5
8B	824068GT	SCREW, HHC, 3/8-16 X 1.25, 8, ZAG from SN Z34F-12572	1
8C	824067GT	SCREW,HHC,3/8-16X1,8,ZAG from SN Z34F-12572	4
9	1262354GT	WEAR PAD, 4 X 4 X .72 W/NUTS	1
10	824060GT	SCREW, HHC, 1/4-20 X 1, 8, ZAG to SN Z34F-12571	9
10B	1262432GT	SCREW,HHC,1/4-20X.875,8,ZAG from SN Z34F-12572	8
11	824109GT	WASHER,LOCK,1/4,ZAG to SN Z34F-12571	8
11B	824113GT	WASHER,FLAT,USS,1/4,ZAG from SN Z34F-12572	8
12	824082GT	SCREW,HHF,1/4-20X1.75,8,ZAG	
13	824029GT	NUT,TL FLG,3/8-16,G,ZAG to SN 12080	8
13B	824029GT	NUT,TL FLG,3/8-16,G,ZAG from SN 12081	5
14	74066GT	WEAR PAD,EXT CYL ***	2
15	824163GT	SNAP RING,EXTERNAL,3/4,ZAG	4
16	824079GT	SCREW,HHF,1/4-20X1,8,ZAG	2
17	56912GT	SPRING CLIP,1/4-20,.025-.15X.54,ZAG	
18	147079GT	BRACKET, HOSE ROUTING	1
18-	56361GT	CABLE TIE,BUTTON,BLACK,14.75LG	
19	36192GT	PIN,0.75DIA X 5.51LG,2RING	2



505.1 Primary and Extension Booms



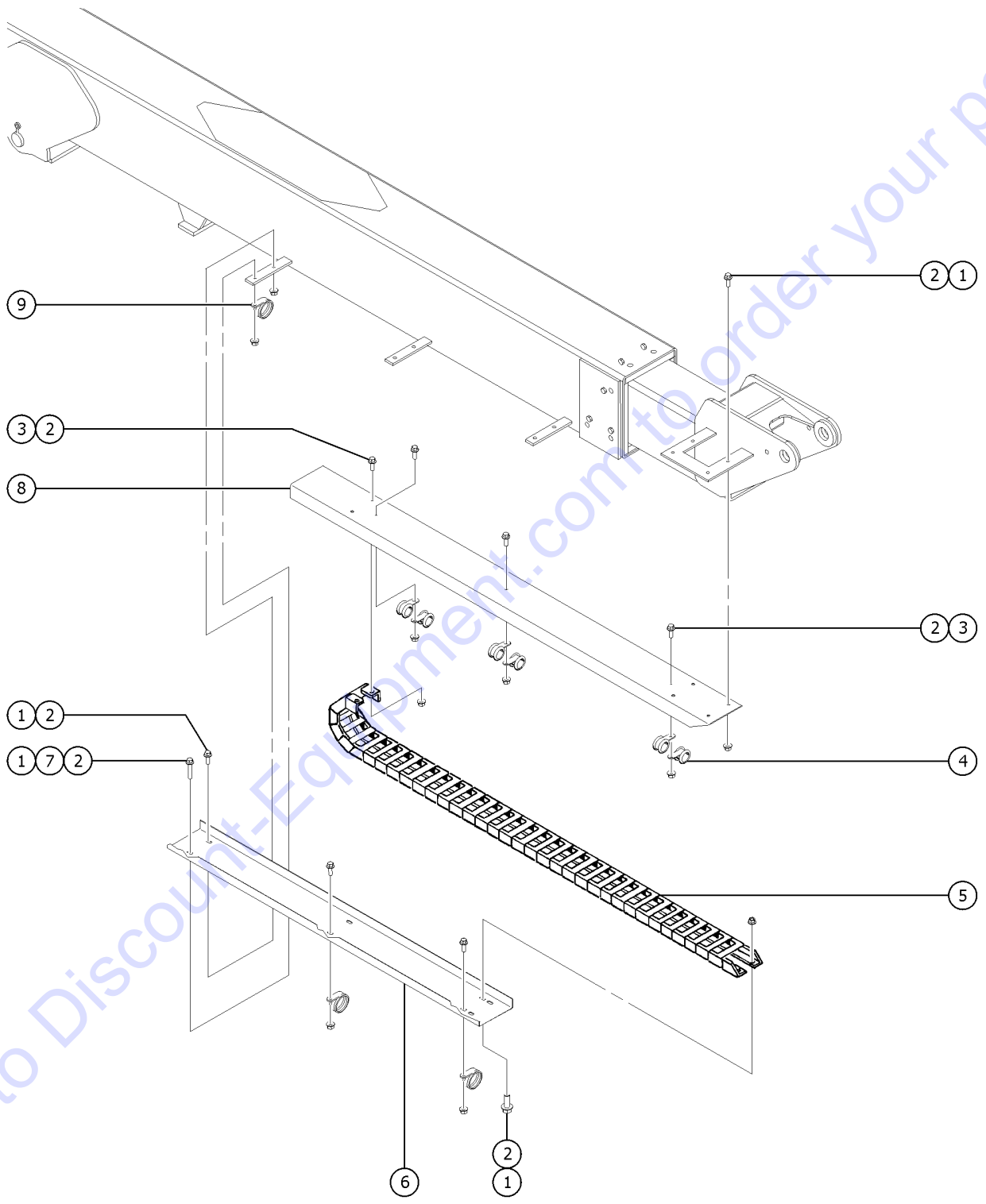
Go to DiscountEquipment.com to order your parts

505.1 Primary and Extension Booms

Item	Part No.	Description	Qty.
20	147638GT	ASSY, EXT BOOM, Z34	1
20-	35675GT	BEARING,FL,1.25IDX1.5ODX1.25L	2
21	30138GT	WEAR PAD,5 X 1.5 X .625 W/NUTS	1
		to SN Z34F-12571	
21B	1262353GT	WEAR PAD, 5 X 1.5 X .72 W/NUTS	1
		from SN Z34F-12572	
22	1262355GT	WEAR PAD, 4 X 2 X .45 W/NUTS	2
23	94212GT	CYLINDER,EXTENSION	1
23-	36648GT	VALVE,COUNTERBALANCE 2500 PSI*	
23-	74508GT	VALVE,CHECK,COBA-X*N 200PSI PO	
23-	74509GT	VALVE,CHECK,CXAD-XCN,30PSI	
23-	94255GT	SEAL KIT,94212	
24	56849GT	PAD,REST,1"THICK,W/STUDS*	1
25	824038GT	NUT, TL JAM, 3/8-16, A, ZAG	3
26	49821GT	SCREW,PHILLIPS,PHM,8-32 X 1.25	
27	6607GT	WASHER,LOCK,#10 PLTD	
28	88356-127J5GT	SWITCH,LIMIT,W/6.25"SPRING ARM	1
28-	106433GT	LS SPRING WAND (ZCY91)	
28-	19491GT	CONTACTOR,LIMIT SWITCH	
29	101557GT	PIN,1.00DIAX9.01LG,THREADED	1
30	825019GT	ROD END,.375X3.69,ZAG	1
31	824029GT	NUT,TL FLG,3/8-16,G,ZAG	3
		to SN 12080	
31B	1274322GT	NUT,NYLOCK FLG,3/8-16,F,ZAG	3
		from SN 12081	
32	54530GT	CLAMP,HOSE,ALUMINUM	3



506.1 Cable Track



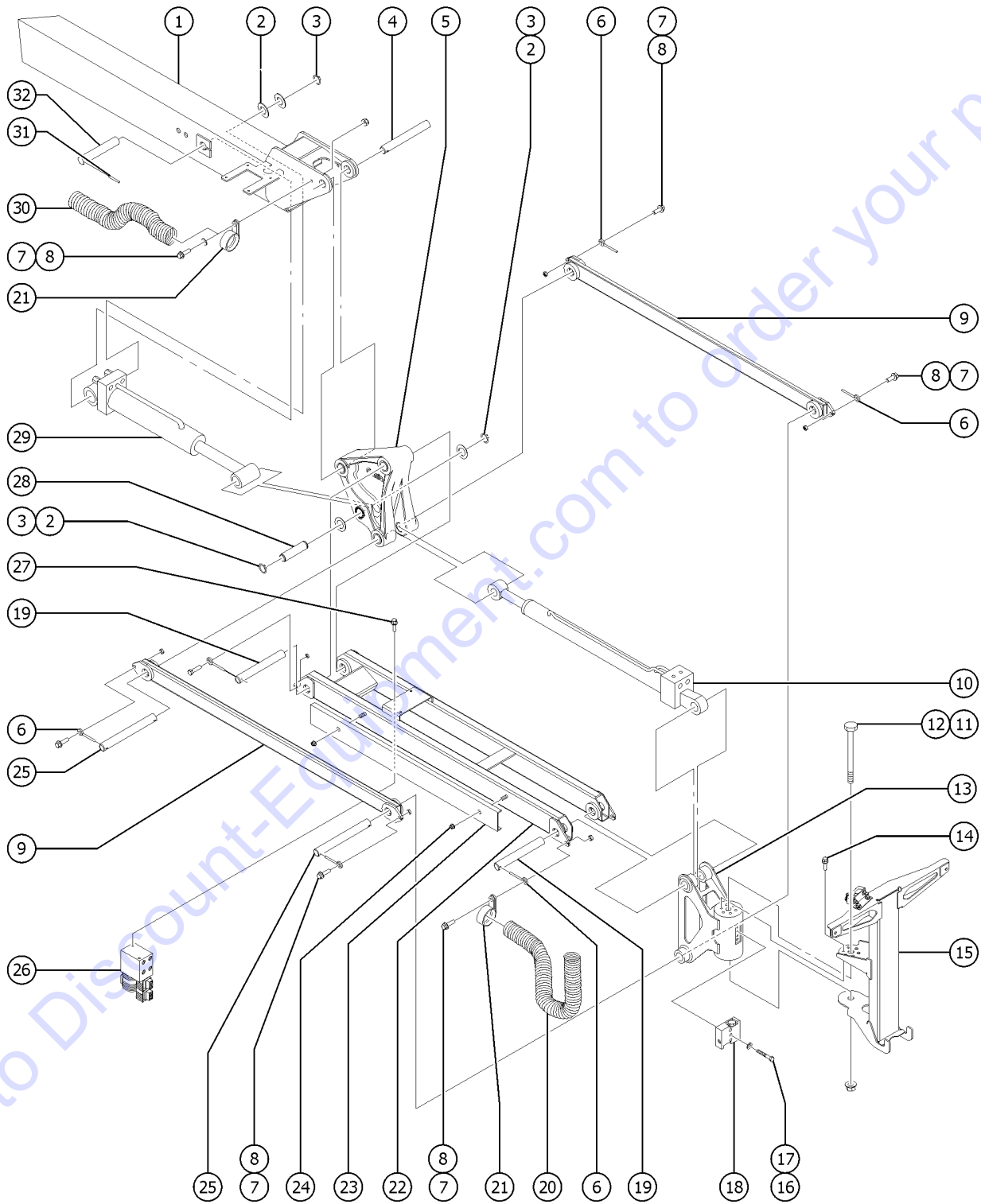
Go to Discount-Equipment.com to order your parts

Item	Part No.	Description	Qty.
1	824078GT	SCREW,HHF,1/4-20X.75,8,ZAG	
2	824027GT	NUT,TL FLG,1/4-20,G,ZAG	
3	824079GT	SCREW,HHF,1/4-20X1,8,ZAG	
4	6833GT	CLAMP,0.50,#8 X 1/4,RUB CUSH	6
5	139537GT	CABLE TRACK,NYLATRAC,26 LINK	1
5-	139540GT	REPAIR LINK,NYLATRAC,7 LINKS	
5-	139541GT	BRACKET SET,NYLATRAC,KS400	
5-	139542GT	LINK,NYLATRAC,KS400	
6	56983PGT	CHANNEL,LWR TRAY PLASTIC TK **	
7	824113GT	WASHER,FLAT,USS,1/4,ZAG	
8	74119PGT	CHANNEL, CABLE TRACK, UPPER	
9	27497GT	CLAMP,RUBBER CUSHIONED-2 5/32	3

Go to Discount-Equipment.com to order your parts



507.1 Jib Boom and Platform Rotator

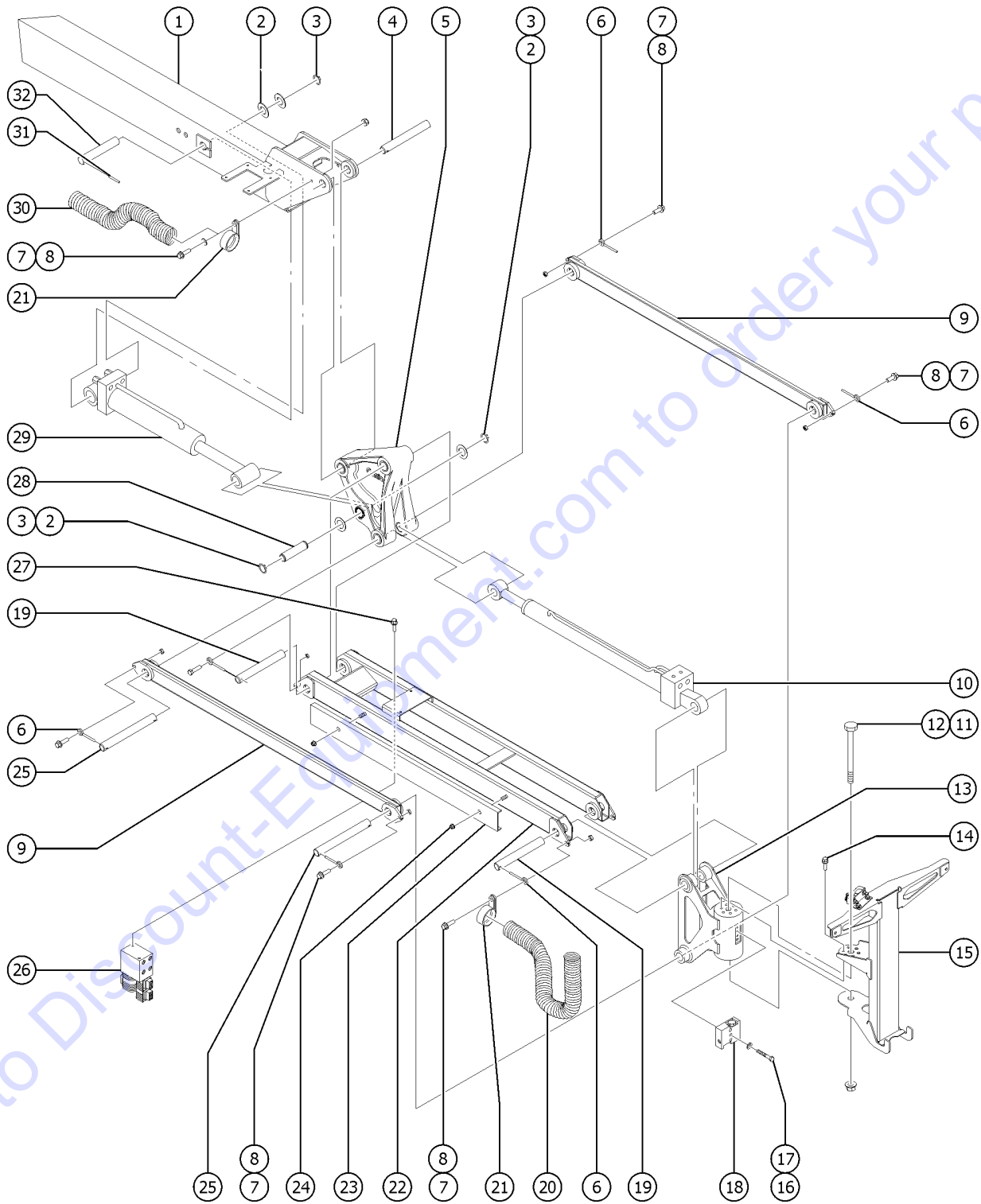


Go to Discount-Equipment.com to order your parts

Item	Part No.	Description	Qty.
1		Ref. EXTENSION BOOM refer to 505.1	
2	824151GT	WASHER,SHIM,1.270X2.130X.062,Z	4
3	824164GT	SNAP RING,EXTERNAL,1.25,ZAG	2
4	128550GT	PIN,1.25DIA X 7.64LG,2RING	1
5	74587GT	BELLCRANK ASSEMBLY, Z30N,Z34**	1
5-	74865GT	BEARING,FL,1.25IDX1.50ODX1.25L	6
5-	74866GT	BEARING,1.25IDX1.50ODX1.25L	2
6	825019GT	ROD END,.375X3.69,ZAG	8
7	824092GT	SCREW, HHF, 3/8-16 X 1.5, 8, ZAG	
8	824025GT	NUT,TL,3/8-16,C,ZAG	
9	36054-SGT	COMPRESSION MEMBER (BORED)***	2
10	94218GT	CYLINDER,JIB	1
10-	31106GT	VALVE,CNTERBAL,CBBB-LHN@3000** for 94218	
10-	94261GT	SEAL KIT,94218	
10-	47377GT	BEARING,1.25 ID X 1.5 OD X .75	
11	824073GT	SCREW,HHC,3/4-10X9,8,ZAG	1
12	824038GT	NUT, TL JAM, 3/8-16, A, ZAG	1
13	233717GT	ROTATOR,PLAT,Z30/34/Z40	1
13-	233745GT	SEAL AND BRG KIT,4.5K ROTATOR	
13-	30222GT	BEARING,FL,1.25IDX1.41ODX1.50L	
14	824089GT	SCREW, HHF, 3/8-16 X .75, 8, ZAG	
15	56500-SGT	WELDMENT,PLATFORM SUPPORT***	
16	824062GT	SCREW, HHC, 1/4-20 X 1.5, 8, ZAG	
17	824109GT	WASHER,LOCK,1/4,ZAG	
18		Ref. Platform Rotator Manifold refer to 704.1	
19	36199GT	PIN,1.25DIA.X10.38LG,1HOLE	2
20	42939-12000GT	WIRE LOOM,1.88 DIA. (120 inches long)	1
21	27497GT	CLAMP,RUBBER CUSHIONED-2 5/32	1



507.1 Jib Boom and Platform Rotator

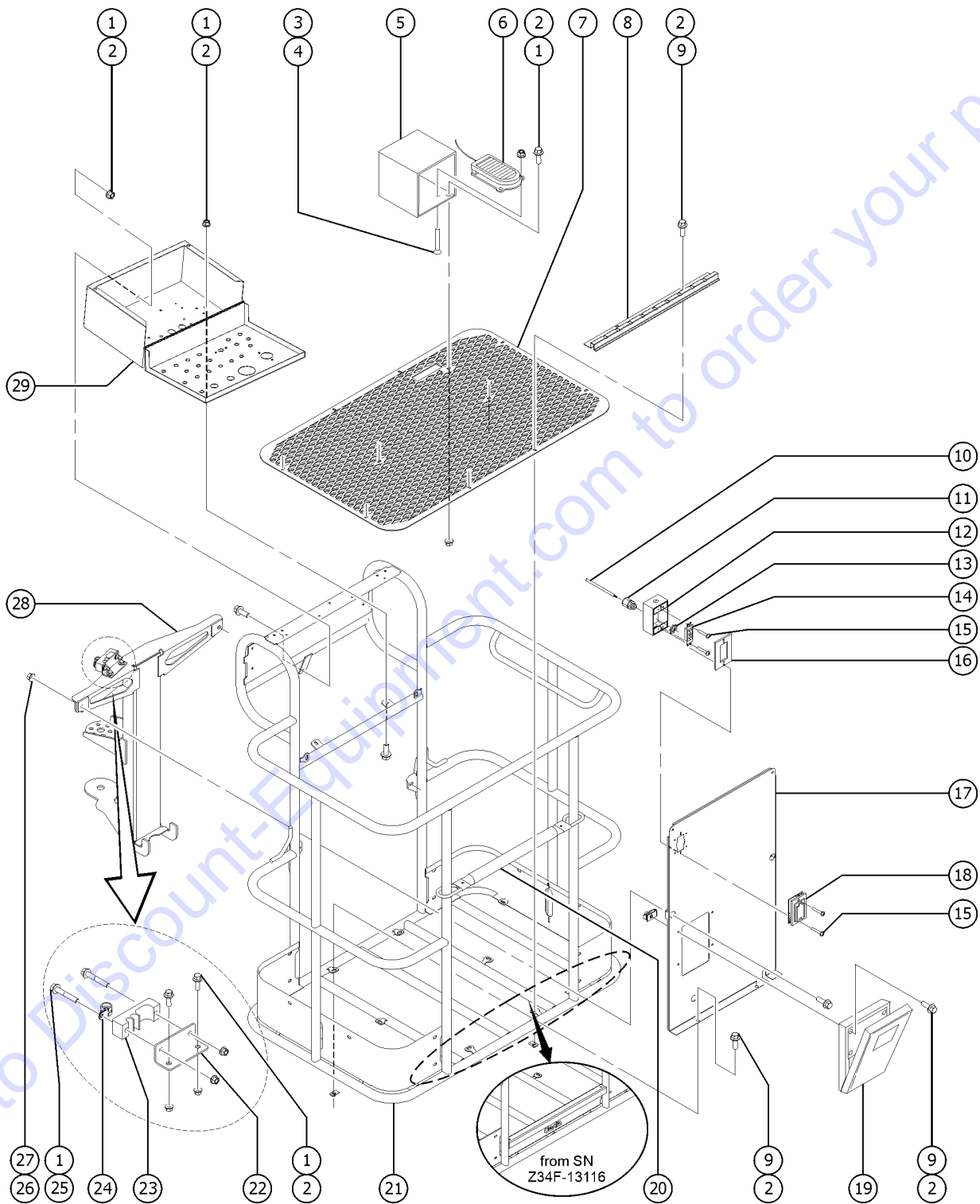


Item	Part No.	Description	Qty.
22	56976-SGT	JIB BOOM MACH***	
23	36561-SGT	HOSE COVER,JIB BOOM**	
24	824029GT	NUT,TL FLG,3/8-16,G,ZAG	
25	42797GT	PIN,1.25DIAX12.50LG,2HOLE	2
26		Ref. Jib Boom Manifold refer to 704.1	
27	824077GT	SCREW, HHF, 1/4-20 X .5, 8, ZAG	
28	139655GT	PIN,SLAVE CYLINDER	1
29	94217GT	CYLINDER,SLAVE,DONGYANG	1
29-	94260GT	SEAL KIT, 94217	
29-	74735GT	VALVE,COUNTERBALANCE	2
29-	47377GT	BEARING,1.25 ID X 1.5 OD X .75 barrel end	2
29-	35088GT	BEARING,FL,1.25IDX1.41ODX.89L rod end	2
30	42939-5400GT	WIRE LOOM,1.88 DIA. (54 inches long)	1
31	10665GT	PIN,ROLL,.25 X 1.5***	1
32	50546GT	PIN,1.25DIAX6.36LG,2RING	

Go to Discount-Equipment.com to order your parts



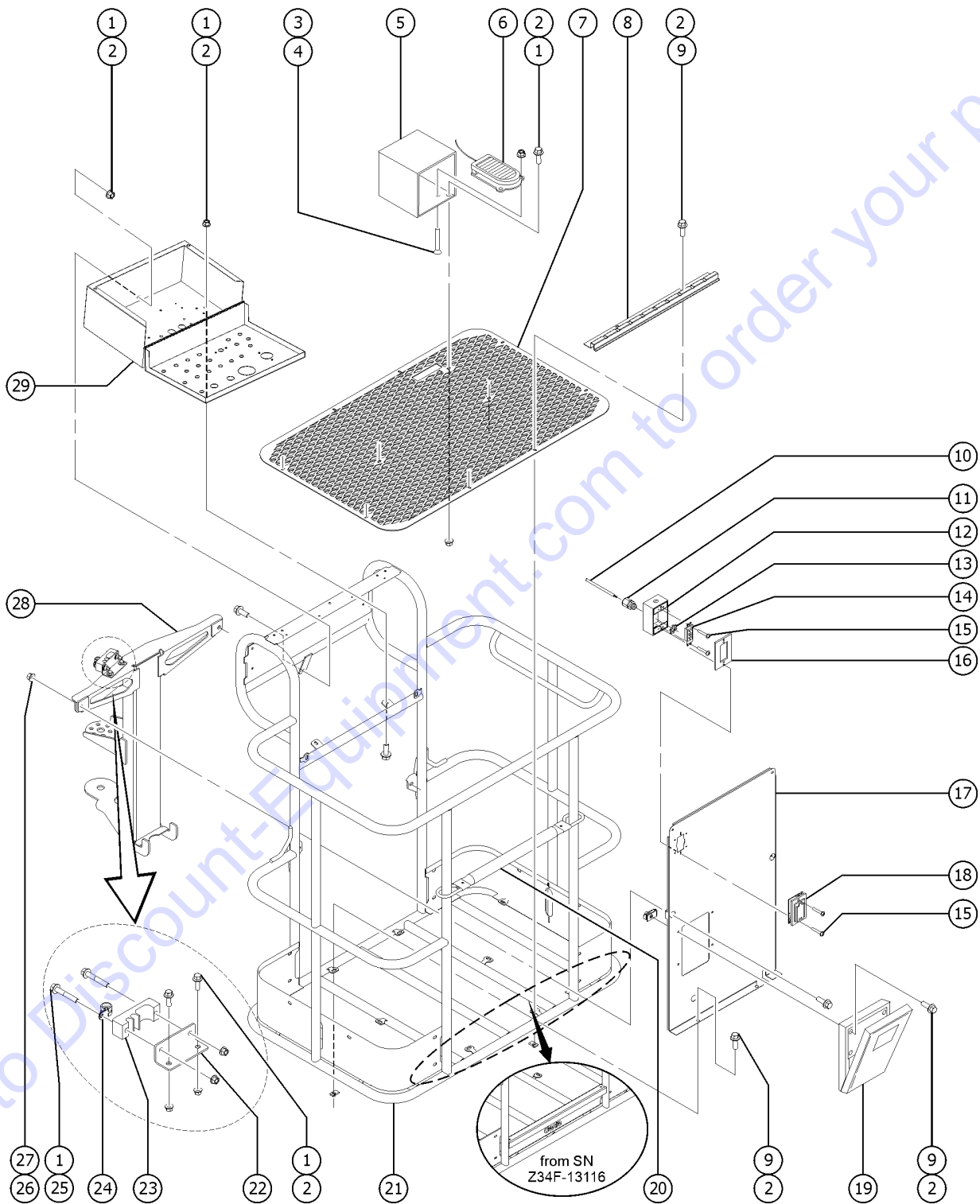
601.1 Platform



Item	Part No.	Description	Qty.
-	107926GT	PLAT ASSY 4'W/WORD DECAL,USA ANSI/CSA models; 4-ft complete platform assembly	
-	107927GT	PLAT ASSY 4'W/WORD DECAL,AUS AUS models; 4-ft complete platform assembly	
-	107928GT	PLAT ASSY 4'W/SYMB DECAL,EURO CE models; 4-ft complete platform assembly	
-	107929GT	PLAT ASSY 4'SYM DECAL,ASIA/SA ASIA/S. America models; 4-ft complete platform assembly	
-	62518GT	PLAT.ASSY.W/DECAL 5'Z34,ANSI* ANSI/CSA models; 5-ft complete platform assembly	
-	107930GT	PLAT ASSY 5'W/WORD DECAL,AUS AUS models; 5-ft complete platform assembly	
-	107931GT	PLAT ASSY 5'W/SYMB DECAL,EURO CE models; 5-ft platform assembly	
-	107932GT	PLAT ASSY 5'SYM DECAL,ASIA/SA Asia/S. America models; 5-ft platform assembly	
1	824027GT	NUT,TL FLG,1/4-20,G,ZAG	
2	824078GT	SCREW,HHF,1/4-20X.75,8,ZAG	
3	824225GT	SCREW,FHPM,10-32X.75,ZAG	
4	824032GT	NUT,TL FLG,10-32,F,ZAG	
5	32710GT	GUARD,FOOTSWITCH,W/DECAL STEEL ANSI/CSA models	1
5B	30807P-SGT	FOOTSWITCH HOUSING,PAINTED CE models	1
6	227620GT	ASSEMBLY,FOOT SWITCH	1
6-	227564GT	FOOT SWITCH,20A IP65	1
6-	33576GT	CONN,SQZ,1/2NPT,170-.450 gray	1
6-	73739GT	BOOT,PLUG 4 WAY	1
6-	119058GT	CONN PLUG 4 WAY ENDCAP DT	1
6-	43960GT	WIRE CABLE,16/4 CON.TPE JKT	60
7	56465PGT	FLOORING,PLATFORM 46X30,PAINT	1
7B	56576PGT	FLOORING,PLATFORM,56X30,PNTD	1
8	56656PGT	PLATFORM STEP * PAINTED to SN Z34F-13115	1
9	56912GT	SPRING CLIP,1/4-20,.025-.15X.54,ZAG	
10	43956GT	WIRE CABLE,14/3 CON.TPE JKT*	600
11	7056GT	CONN, SQZ, 1/2NPT .38-.50, SM**	1
12	10775GT	T-BOX,2.75 X 4.5 X 2.0	1
13	6935GT	LOCKNUT,ELEC,1/2"	1



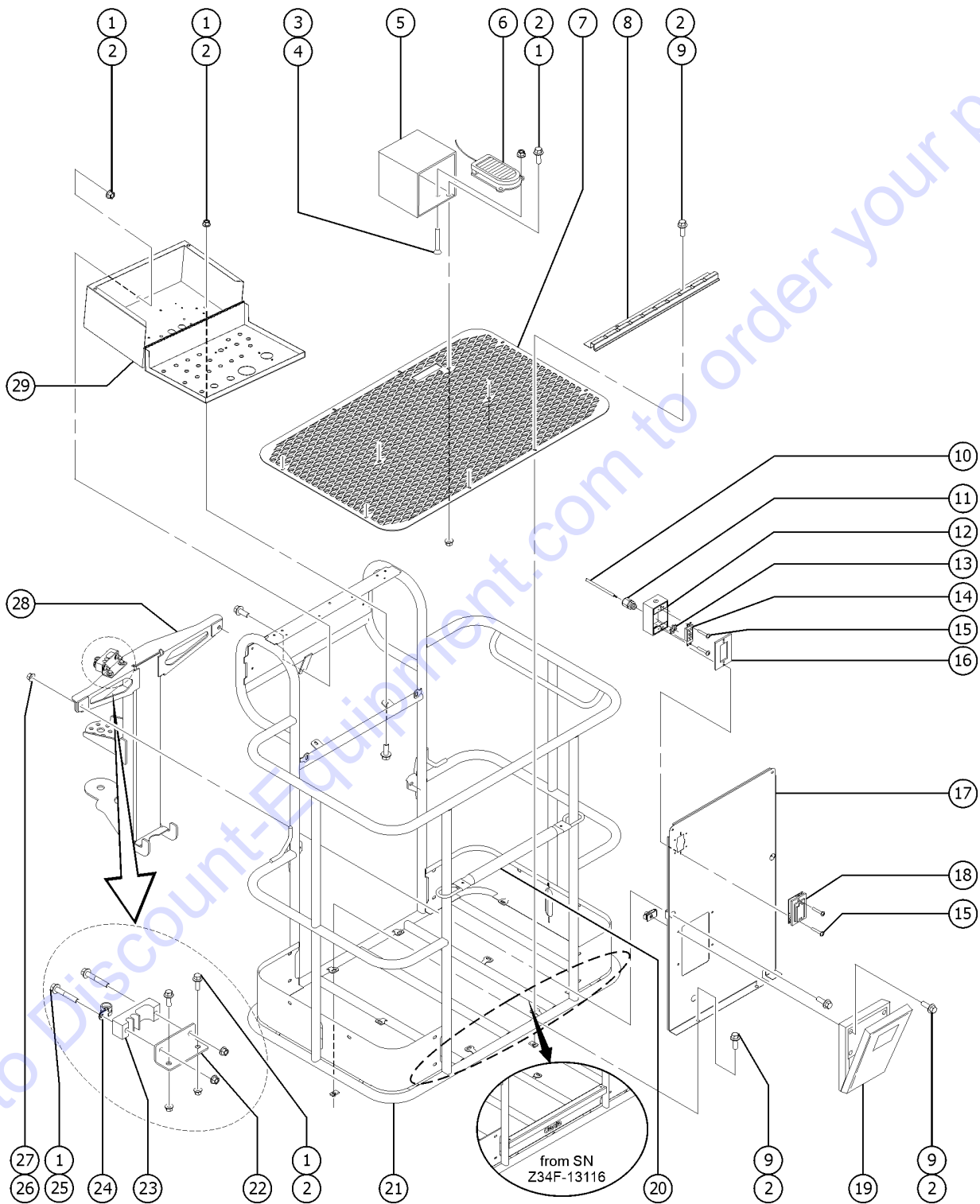
601.1 Platform



Item	Part No.	Description	Qty.
14	13585GT	OUTLET, 110V includes mounting fasteners; North America	1
14-	33629GT	PLATE,UK POWER TO PLATFORM	
14-	T112563GT	SVC KIT,UK RECEPT.REPLACEMENT British	
15	824214GT	SCREW,PHPM,6-32X.5,ZAG	
16	74052GT	GASKET,COVER,GFCI,WEATHERPROOF	1
17	62508GT	DECAL PLATE W/D,PLAT,Z30/34** ANSI/CSA models; includes items 19	1
17B	231207GT	ASSY,DECAL PLATE, Z34IC AUS AUS models	1
17C	62516GT	DECAL PLATE W/D,PLAT,Z30/34** CE models; includes items 19	1
18	45437GT	COVER,GFCI,WEATHERPROOF includes mounting fasteners; North America	1
18-	10777GT	COVER,BLANK	
19	44743GT	MANUAL BOX W/DECALS*** USA/Canada/Australia	1
19B	24514GT	BOX,INSTRUCTION STORAGE Europe/Asia/South America (decal required; refer to Section100)	
20	102992GT	SLIDING MIDRAIL KIT,PTD	1
20-	12443GT	MIDRAIL GUIDE (HOOK)	
20-	20973GT	WIRE LOOM,3/8 POLY SLIT	
20-	21121GT	CABLE TIE, 4" BLK, HEAT RESISTANT	
21	101981GT	PLAT RAIL ASSY 4'ANSI/CSA ANSI/CSA models	1
21B	101983GT	PLAT RAIL ASSY 4' AUS AUS models	1
21C	101982GT	PLAT RAIL ASSY, 4' CE CE models	1
21D	101984GT	PLAT RAIL ASSY 4' ASIA/S.AMER Asia/S. America models	1
21E	74360GT	PLAT.W/DECAL,5FT,Z34N&DC,ANSI* ANSI/CSA models	1
21F	106549GT	5' PLAT RAILING ASSY,AUST AUS models	1
21G	106550GT	5' PLAT RAILING ASSY,CE CE models	1
21H	106551GT	5' PLAT RAILING ASSY, ASIA Asia/S. America models	1
21J	106633GT	WELDMENT,PLATFORM 46X30	1
21K		Ref. WELDMENT SWING GATE refer to 601.2	1
22	128667GT	BRACKET, CABLE STRAIN RELIEF	1
23	128668GT	CLAMP,CABLE STRAIN RELIEF	1



601.1 Platform

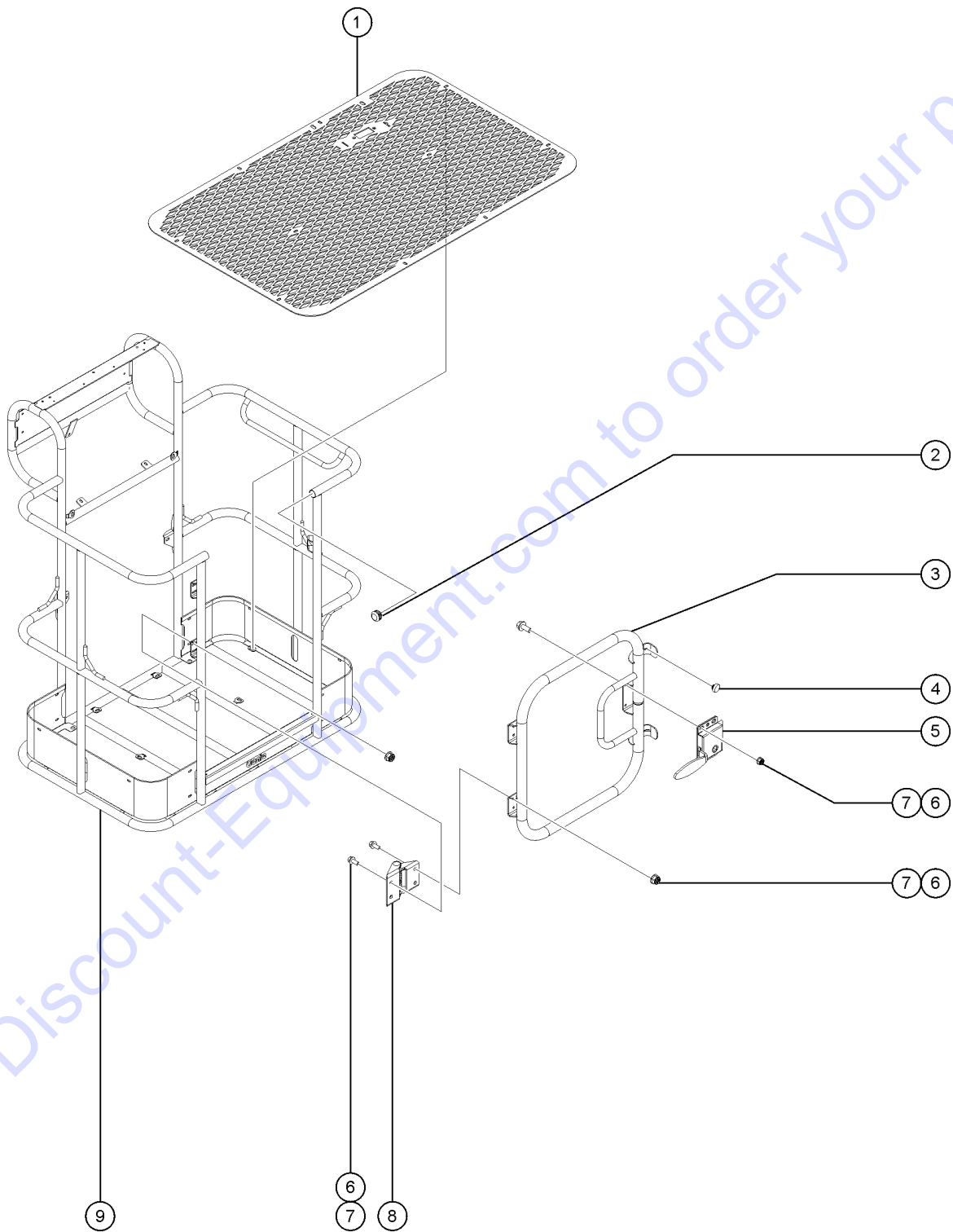


Item	Part No.	Description	Qty.
24	128669GT	BACKING PLATE, PLATFORM CLAMP	1
25	824081GT	SCREW, HHF, 1/4-20 X 1.5, 8, ZAG	
26	824028GT	NUT, TL FLG, 5/16-18, G, ZAG	
27	824087GT	SCREW, HHF, 5/16-18 X 1.25, 8, ZAG	
28	56500-SGT	WELDMENT, PLATFORM SUPPORT*** (to SN Z34F-14000)	1
28B		REF. WELDMENT, PLATFORM SUPPORT (from SN Z34F-14001) (refer to 812.1)	1
29		Ref. Platform Control Box with Lid and Decal refer to 603.1	

Go to Discount-Equipment.com to order your parts



601.2 Platform with Swing Gate (from SN Z34F-13116)



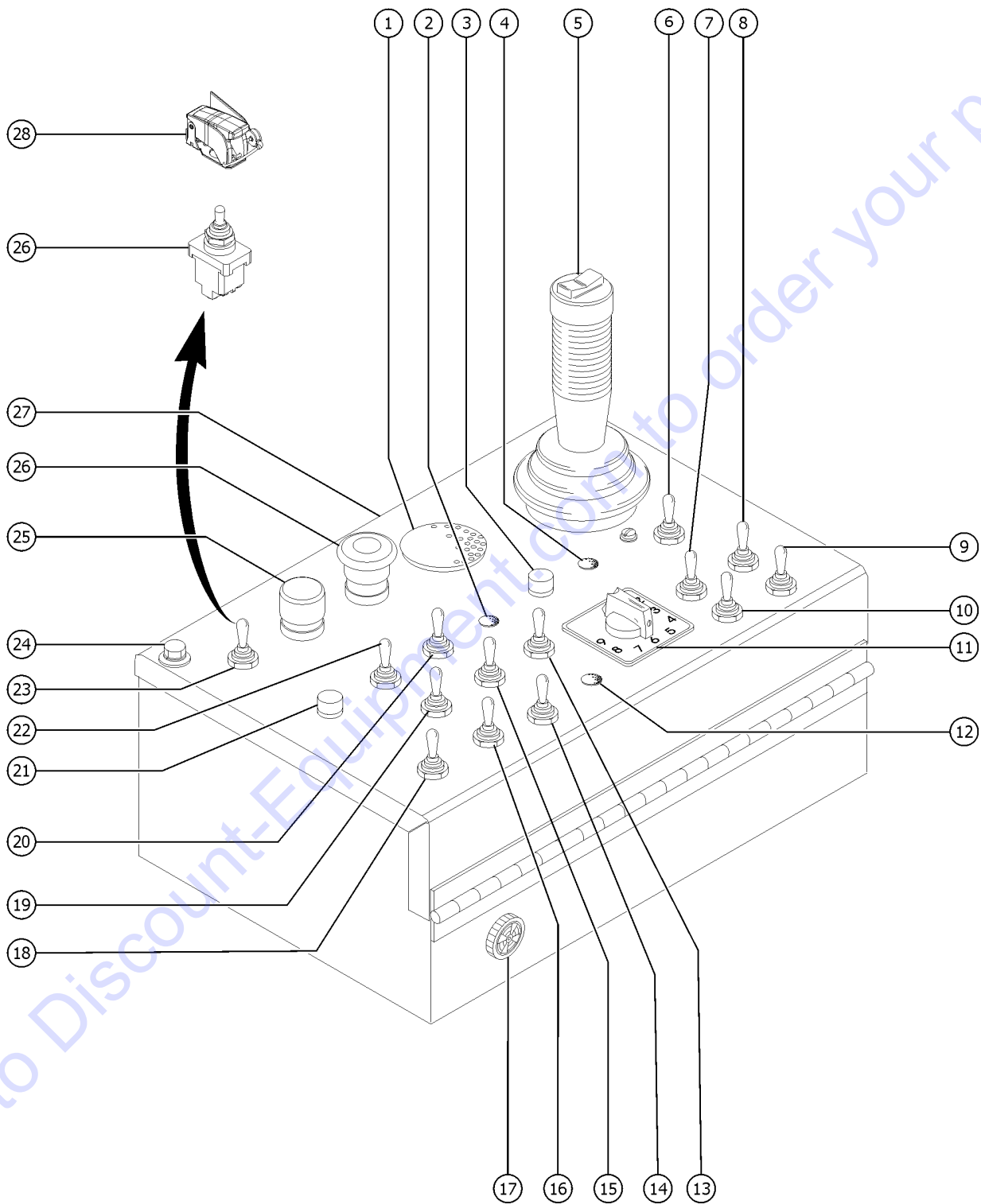
601.2 Platform with Swing Gate (from SN Z34F-13116)

Item	Part No.	Description	Qty.
-	1276941GT	ASSY,4' PLAT WELDMENT W/SWING GATE (4 feet platform)	1
-	1276940GT	ASSY,5' PLAT WELDMENT W/SWING GATE (5 feet platform)	1
1	56465GT	FLOORING,PLATFORM 46X30*** (4 feet platform)	1
1B	56576GT	FLOORING,PLATFORM,56X30 (5 feet platform)	1
2	55753GT	BUMPER, PLASTIC, 1.25 O.D.	2
3	1276939GT	WELDMENT, SWING GATE, 4' & 5' PLAT	1
4	43392GT	BUMPER,BATTERY BOX & RAILS	2
5	1267747GT	LATCH, SWING GATE	1
6	1277924GT	NUT,NYLOCK FLG,1/4-20,F,ZAG	12
7	1256855GT	SCREW,HHF,1/4-20X.625,8,ZAG	12
8	104804GT	HINGE, SPRING, LONG LEG	2
9	1276938GT	WELDMENT, PLATFORM, SWING GATE, 4FT (4 feet platform)	1
9B	1276937GT	WELDMENT, PLATFORM, SWING GATE, 5FT (5 feet platform)	1

Go to Discount-Equipment.com to order your parts

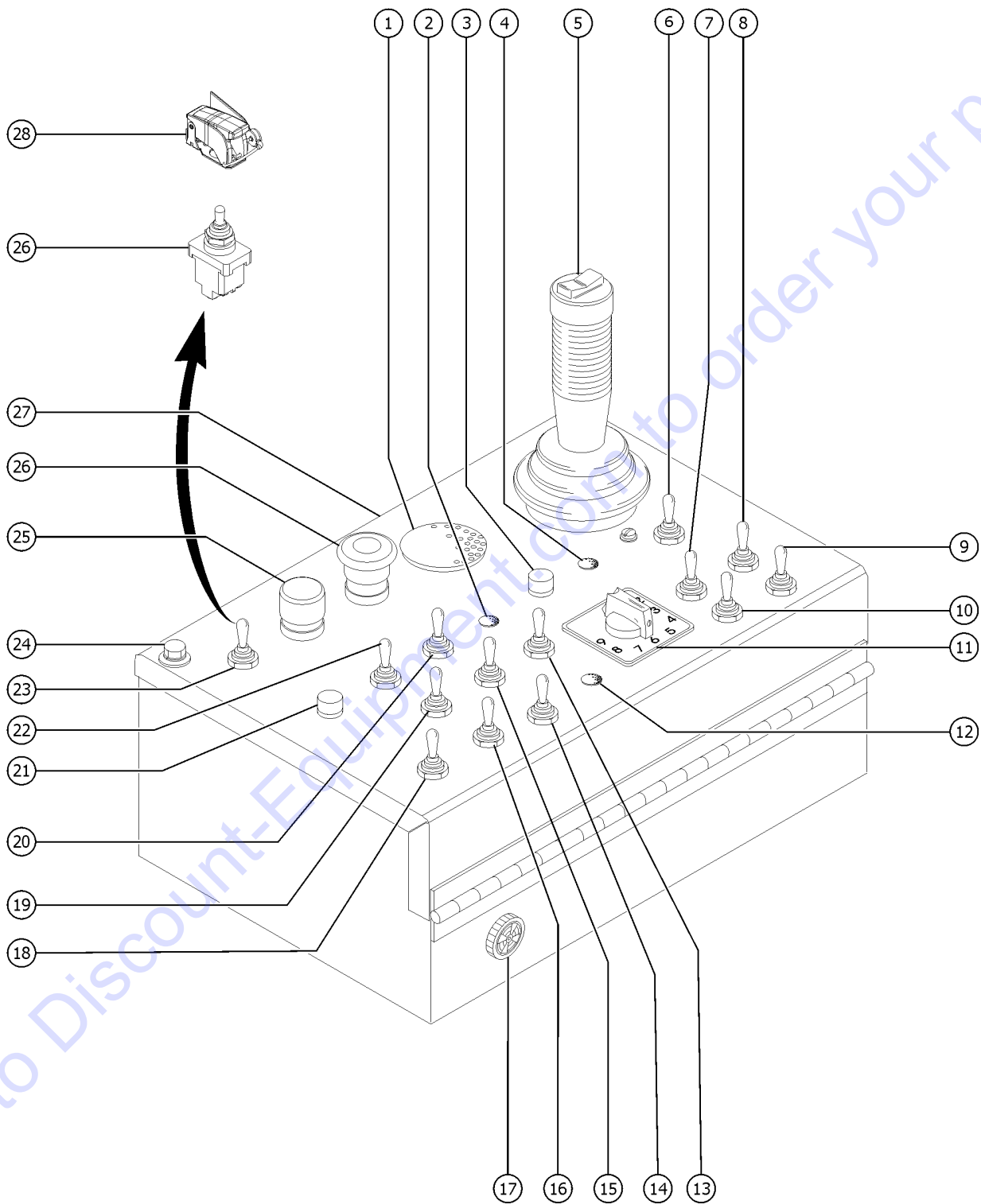


602.1 Platform Control Box, External View



Item	Part No.	Description	Qty.
1A	81900GT	PLUG,NYLON 2.093 BLACK DOMED	
1B	110651GT	LVI/BCI 36/48 VOLT ENGAGE II option, battery charge or low voltage indicator	
1B-	110652GT	GASKET LVI/BCI ENGAGE II	
1B-	110653GT	BRACKET ENGAGE II	
1C	237145GT	IND,BAT CHARGE,48V LEAD-ACID	
		option, battery charger indicator	
2	229567GT	PLUG, SANTOPRENE .5 BLACK DOME	
3	824879GT	LIGHT,LED IND. RED 12V NH	
		option, machine not level indicator	
4	824879GT	LIGHT,LED IND. RED 12V NH	
		option, platform overload indicator	
5		Ref. JOYSTICK	1
		refer to 604.1	
6	128584-SGT	SWITCH TOGGLE SPDT 2P MNT SHDR	1
		drive speed select	
7	128580-SGT	SWITCH TOGGLE SPDT 3P MOM SHDR	1
		engine start switch	
8	128580-SGT	SWITCH TOGGLE SPDT 3P MOM SHDR	1
		choke switch	
9	128586-SGT	SWITCH TOGGLE DPDT 3P MNT SHDR	
		engine idle select	
10	128584-SGT	SWITCH TOGGLE SPDT 2P MNT SHDR	1
		gas/LPG selector	
11		Ref. CONTROLLER,ROTARY 24V W/RAMP	1
		refer to 605.1	
12	229567GT	PLUG, SANTOPRENE .5 BLACK DOME	
		option, function override, aircraft protection	
13A	128582-SGT	SWITCH TOGGLE DPDT 3P MOM SHDR	1
		jib boom up/down	
13B	45105GT	GUARD,TOGGLE SWITCH	
		not shown	
14	128582-SGT	SWITCH TOGGLE DPDT 3P MOM SHDR	1
		secondary boom up/down	
15	128582-SGT	SWITCH TOGGLE DPDT 3P MOM SHDR	1
		primary boom up/down	
16	128582-SGT	SWITCH TOGGLE DPDT 3P MOM SHDR	1
		turntable rotate	
17A	45383GT	ALARM,WARBLE TONE 5-30 VDC***	1
		plastic nut not included	
17B	72326GT	NUT - PLASTIC, RING FOR ALARMS	1
18	128580-SGT	SWITCH TOGGLE SPDT 3P MOM SHDR	1
		drive enable switch	
19	128582-SGT	SWITCH TOGGLE DPDT 3P MOM SHDR	1
		platform rotate	
20	128582-SGT	SWITCH TOGGLE DPDT 3P MOM SHDR	1
		primary boom extend/retract	
21	824879GT	LIGHT,LED IND. RED 12V NH	1
		drive enable indicator	
22	128582-SGT	SWITCH TOGGLE DPDT 3P MOM SHDR	1
		platform level	

602.1 Platform Control Box, External View



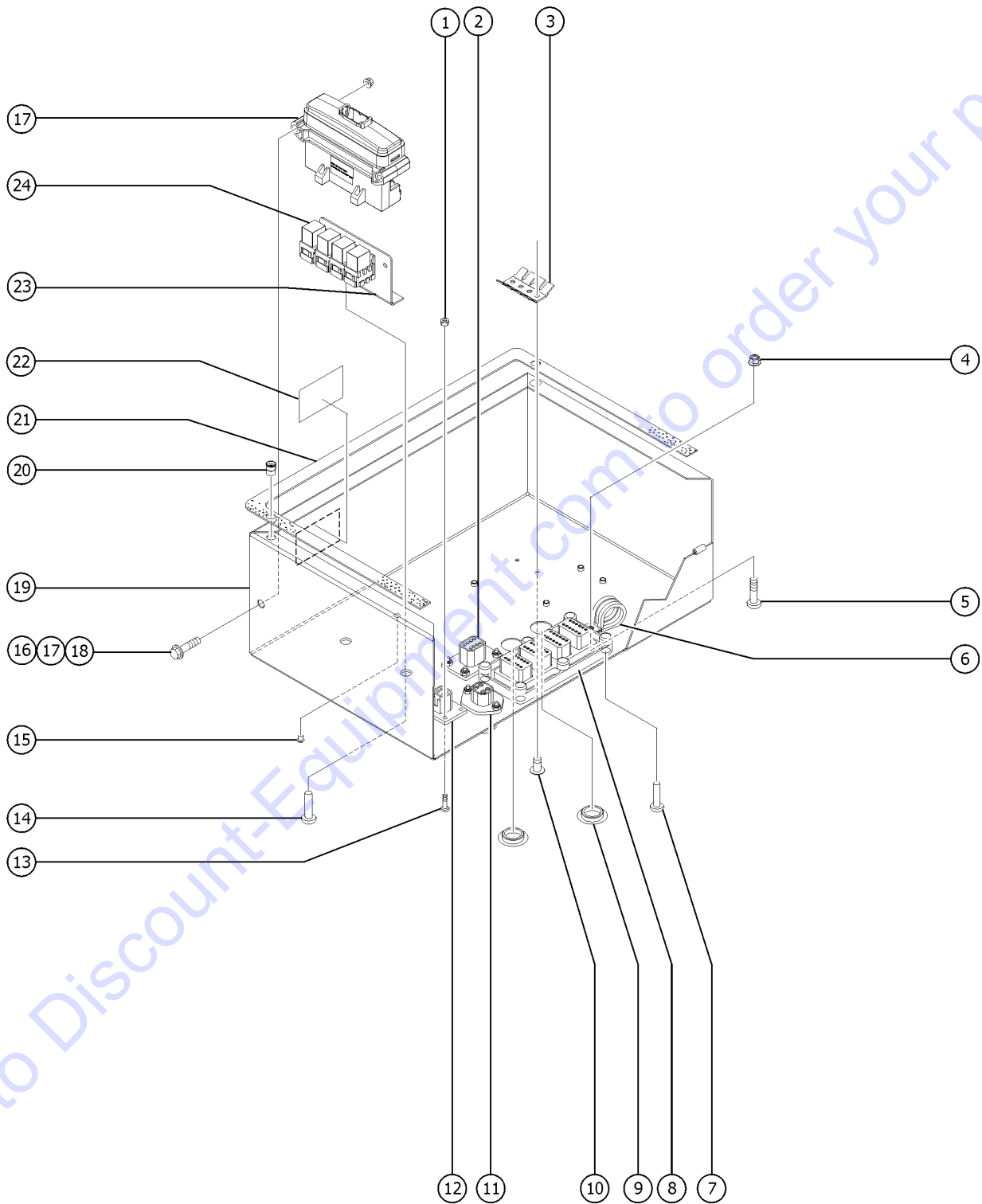
602.1 Platform Control Box, External View

Item	Part No.	Description	Qty.
23	128581-SGT	SWITCH TOGGLE DPDT 2P MOM SHDR auxiliary power	1
24	824077GT	SCREW, HHF, 1/4-20 X .5, 8, ZAG	2
25	122513GT	KIT,HORN SVC BB&SM BOOM	1
25-	66813GT	BUTTON,PUSH,BLACK W/SEAL***	1
25-	66815GT	BASE, W/1 N.O. CONTACTS***	1
26	122514GT	KIT,ESTOP SVC BB&SM BOOM	1
26-	66812GT	BUTTON,PUSH,RED MUSHROOM HEAD	1
26-	66818GT	CONTACT,NC	1
26-	66821GT	BASE,WITHOUT CONTACTS	1
27		Ref. CONTROL BOX PLATFORM,PAINTED refer to 603.1	1
28	1261347GT	TOGGLE SWITCH W/GUARD ASSY CE models only	1
28-	1261346GT	TOGGLE SWITCH GUARD, RED	1
28-	1261566GT	SECURITY TIE, TOGGLE GUARD	1

Go to Discount-Equipment.com to order your parts

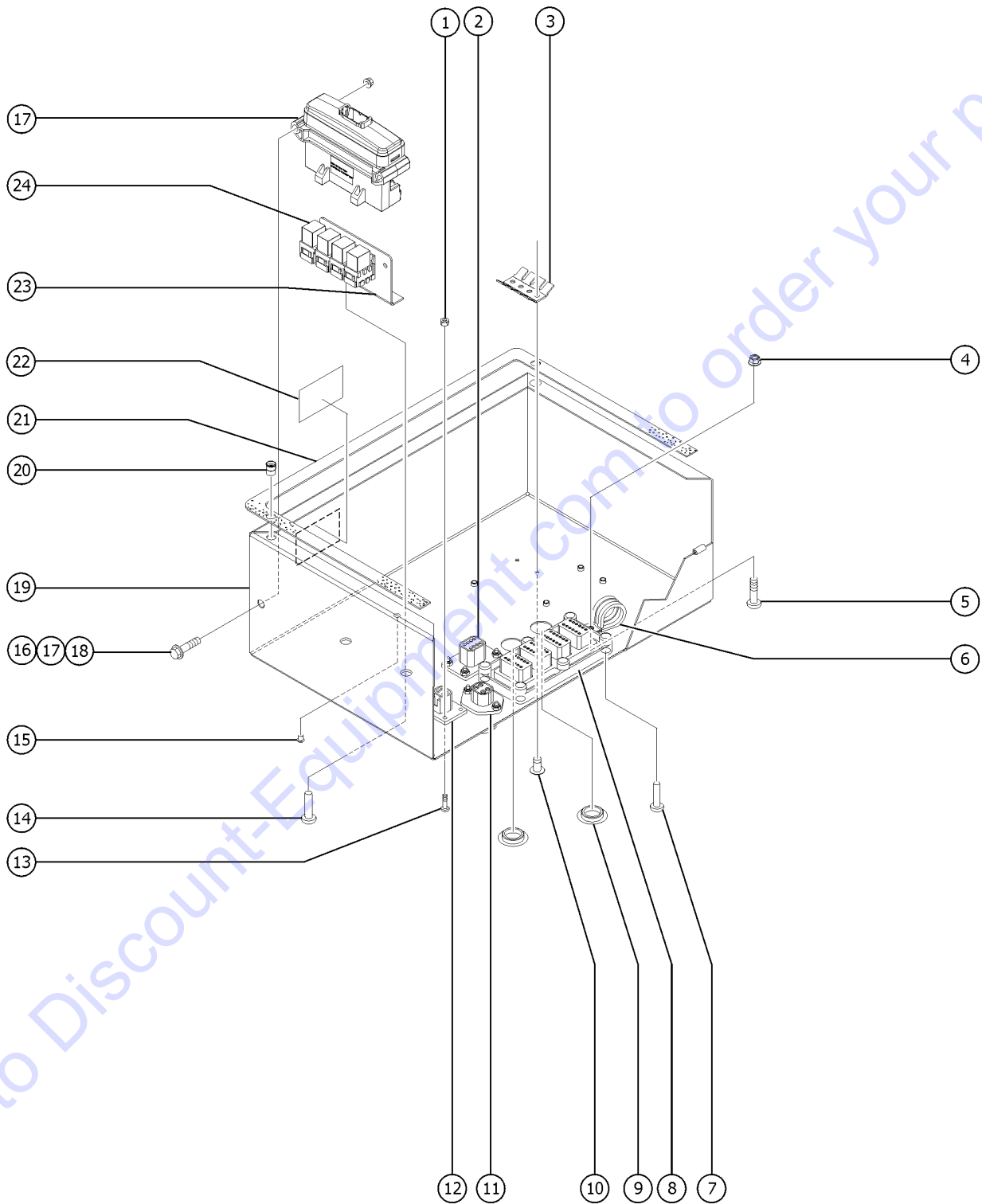


603.1 Platform Control Box, Internal View



Item	Part No.	Description	Qty.
A	121847GT	RELAY,TIME DELAY,2 SEC,30A	
B	42781GT	PLUG, NYLON .250 BLACK DOMED	2
1	824019GT	NUT,TL,6-32,A,ZAG	
2	87755GT	CONN,RECEP 8 WAY 14-18GA,FL	1
3	56663GT	TERMINAL STRIP	1
4	824032GT	NUT,TL FLG,10-32,F,ZAG	1
5	824215GT	SCREW,PHPM,10-32X.75,ZAG	1
6	18666GT	CLAMP,1.00,#16 X 1/4,RUB CUSH	1
7	824226GT	SCREW,PHPSH,#12-11X.75,ZAG	
8	73736GT	CONN,RECEP 48 WAY,4 X 12	1
8-	54255GT	LOCK,RECEP 12 WAY, 14-18GA	
8-	73713GT	TERM,NI PIN,S&F,16-18GA,REEL	
9	15243GT	PLUG,NYLON .875 BLACK DOMED	2
10	824206GT	RIVET,STL,STL,DOME,1/8X.25,ZAG	4
11	73717GT	CONN,RECEP 4 WAY,12-14GA FL***	1
11-	60526GT	LOCK,RECEP 4 WAY,12-14GA	
11-	73711GT	TERM,DEUTSCH, PIN #12-14	
12	73723GT	CONN RECEPT,FLANGED	1
12-	54259GT	TERM,NI PIN, 14-16GA,BULK	
12-	60443GT	LOCK, RECEP 4WAY, 14-18GA	
13	824214GT	SCREW,PHPM,6-32X.5,ZAG	
14	824079GT	SCREW,HHF,1/4-20X1,8,ZAG	
		CE models	
15	42781GT	PLUG, NYLON .250 BLACK DOMED	4
16	824083GT	SCREW,HHF,1/4-20X2.5,8,ZAG	2
17		Ref. MODULE, PLUS+1, OPA2	
		refer to 813.1 Lift Guard Contact Alarm	
18	1277924GT	NUT,NYLOCK FLG,1/4-20,F,ZAG	2
19	110649GT	PLATFORM CONTROL BOX W/DECAL	1
		Includes items 16, 17 and 18	
20	23404GT	NUTSERT,1/4-20,STEEL CAD PLTD	

603.1 Platform Control Box, Internal View



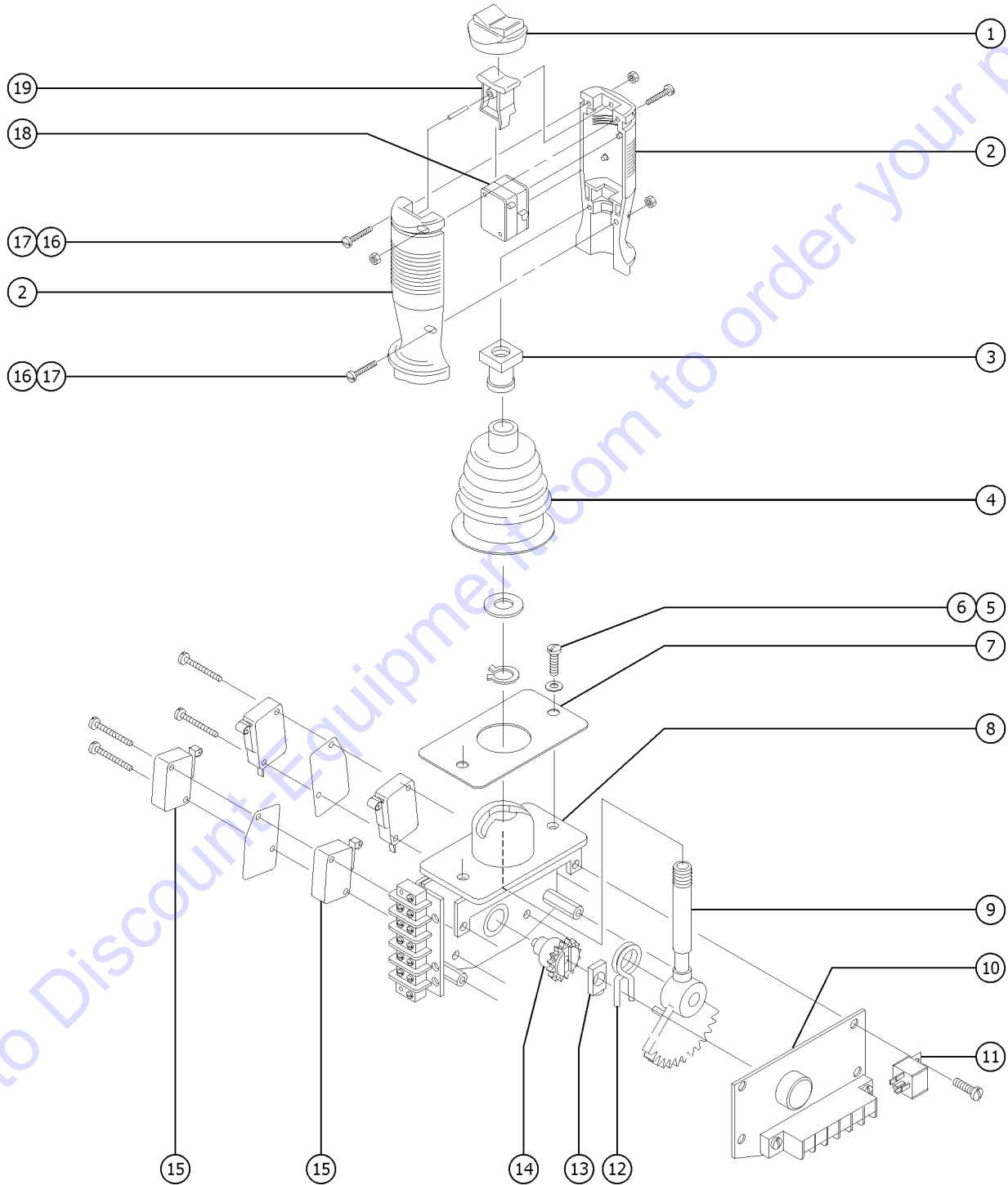
603.1 Platform Control Box, Internal View

Item	Part No.	Description	Qty.
21	36235GT	GASKET,PLAT.CONTROL BOX	1
22	30997GT	CORROSION INHIBITOR,FOAM	1
23	T106699GT	BRACKET,RELAY MOUNT W/INSERTS	1
		CE models; includes nutserts	
24	19274GT	RELAY,SPDT,12V(AUTO)**	4
		CE models	

Go to Discount-Equipment.com to order your parts



604.1 Joystick Controller, Drive/Steer Functions



Go to DiscountEquipment.com to order your parts

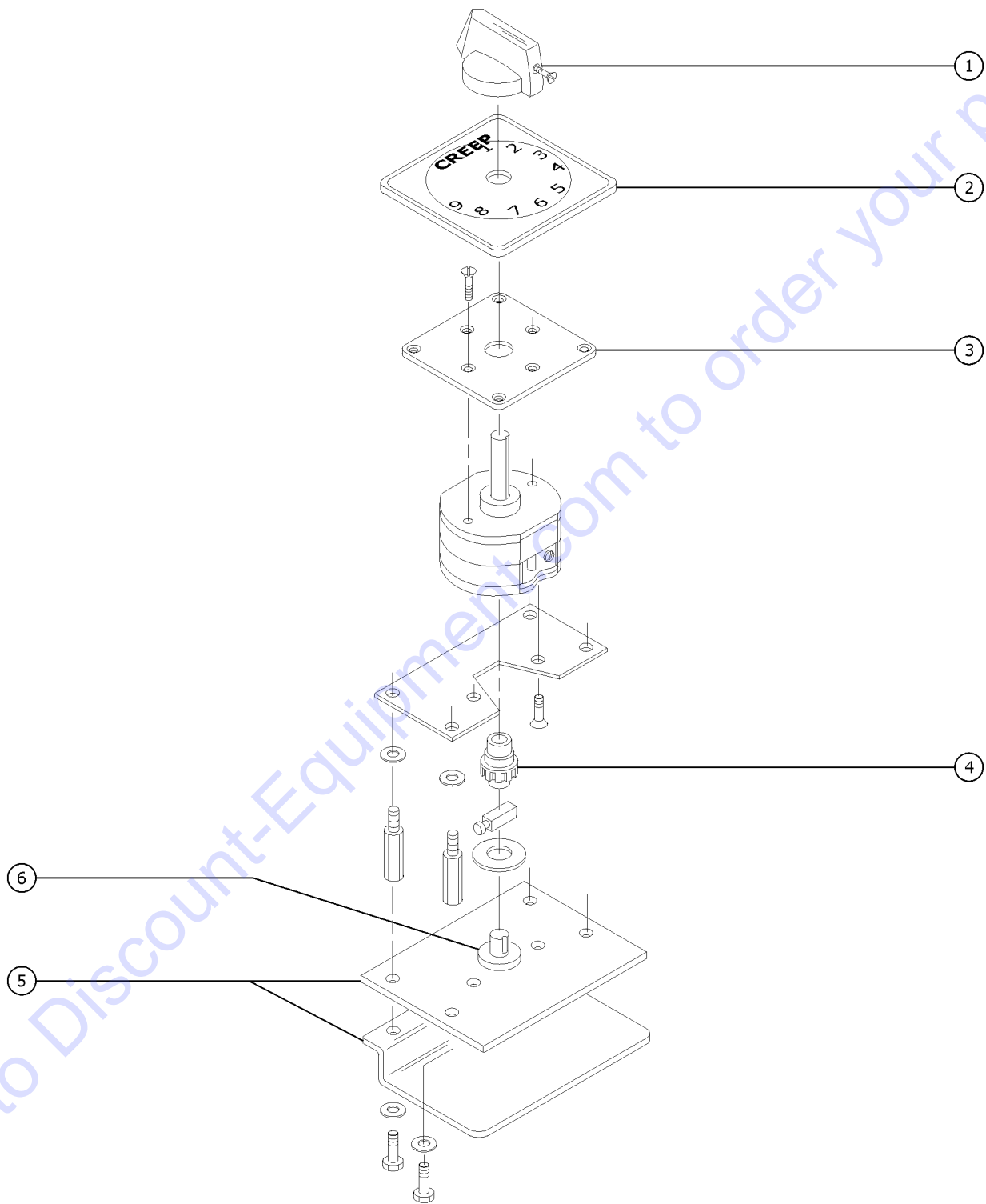
604.1 Joystick Controller, Drive/Steer Functions

Item	Part No.	Description	Qty.
	216135GT	JOYSTICK,DRIVE,NFPE PUMP,W/RLY	
1	43038GT	BOOT-THUMB ROCKER** BLACK	1
2	52887GT	HANDLE HALF (56274)	2
3	226382GT	NUT	1
4	21427GT	BOOT,CONTROLLER**	1
5	226383GT	SCREW	2
6	74362GT	WASHER,NYLON, JOYSTICK	2
7	43042GT	GASKET,JOYSTK.SHAFT36867/42032	1
8	19720GT	CASTING,45049, 40612	1
8-	52524GT	TERMINAL STRIP,10 POLE,JOYSTK	
9	46227GT	SHAFT ASSY, JOYSTICK*** includes gear	1
10	65527GT	P.C. BOARD-JOYSTICK (56579)	1
11	19274GT	RELAY,SPDT,12V(AUTO)**	1
12	226384GT	SPRING	1
13	65529GT	COUPLING-POT,JOYSTICK (56579)	1
14	19731GT	GEAR, SLAVE, MS4,45048	1
15	19712GT	MICROSWITCH,V3L-139-D8	4
16	52776GT	SCREW,HEX,M4X0.7X10MM (20424)*	
17		NUT included with kit	
17-	226385GT	KIT, SCREW includes 4 screws and 4 nuts	1
18	226386GT	MICROSWITCH	1
19	58986GT	ROCKER ASSY (42032)***	1

Go to DiscountEquipment.com to order your parts



605.1 Rotation Controller, Boom Function Speed



Go to Discount-Equipment.com to order your parts

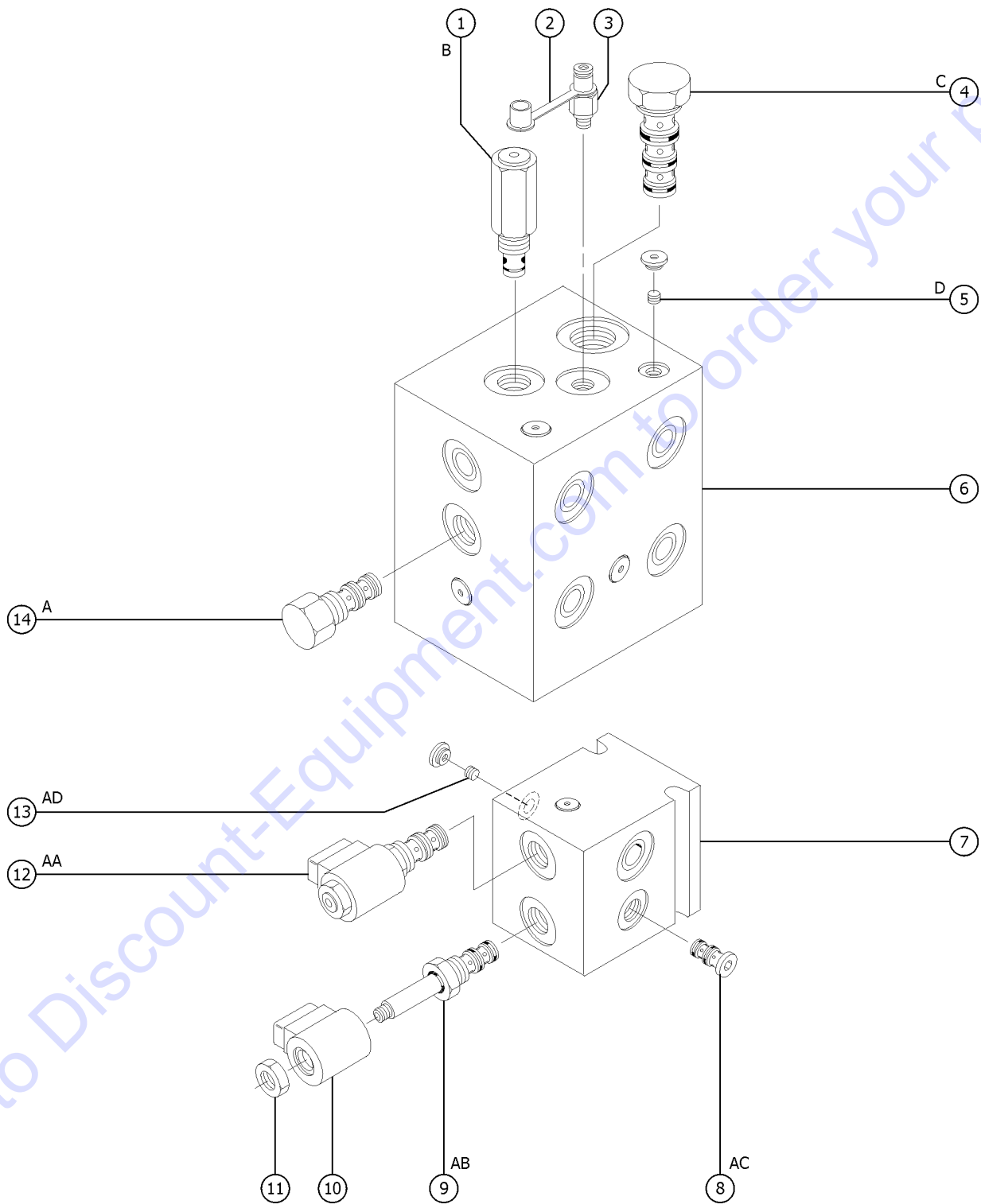
605.1 Rotation Controller, Boom Function Speed

Item	Part No.	Description	Qty.
	29643GT	ROTATION, CNTRLR, DUAL RNG	1
1	35679GT	KNOB, 45048 CONTROLLER	1
2	35680GT	LEGEND,PLSTC,"CREEP TO 9"***	1
3	35678GT	MOUNTING PLATE, 45048	1
4	19731GT	GEAR, SLAVE, MS4,45048	1
5	29943GT	PCB,ASSY,29643 CONTROLLER %%	1
6	19729GT	POTENTIOMETER,56886	1

Go to Discount-Equipment.com to order your parts



701.1 Traction and Brake/2-speed Manifolds, 2WD

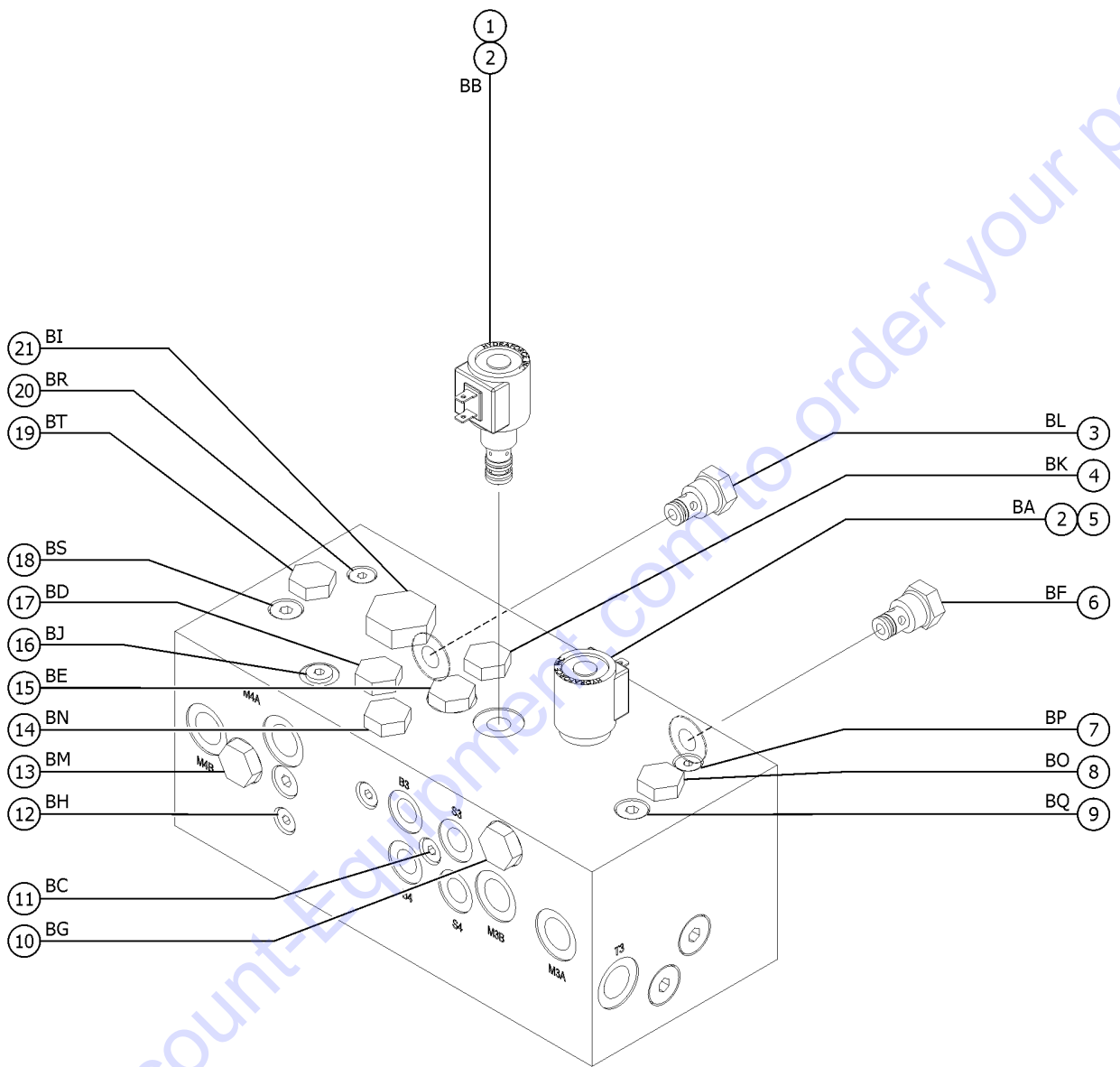


701.1 Traction and Brake/2-speed Manifolds, 2WD

Item	Part No.	Description	Qty.
A-	49612GT	O-RING KIT (ORFS FITTINGS)	
B-	49613GT	PLUG AND CAP KIT-SERVICE,ORFS*	
C-	28750GT	O-RING KIT,FIELD SVC,ALL PROD*	
D-	33994GT	PLUG AND CAP KIT-SERVICE,37 **	
1	43597GT	VALVE,RELIEF,210 PSI B, charge pressure circuit	
1-	110194GT	SEAL KIT, VALVE, #10	
2	48880GT	CAP,DIAGNOSTIC NIPPLE	
3	48997GT	NIPPLE,DIAGNOSTIC,#4	
3-	20224GT	DIAGNOSTIC FEMALE Q-DSCNT	
4	43598GT	VALVE,FLOW DIVIDER/COMBINER C, controls flow to drive motors in forward/reverse	
5	33520GT	PLUG,ORIFICE,0.070 D, drive circuit	
6	56721GT	TRACTION MANIFOLD 2WD includes items 1, 4, 5 and 14	
7	42157GT	MANIFOLD,BRAKE/MOTOR SHIFT includes items 8-13	
8	43599GT	VALVE,CHECK AC, pressure circuit	
8-	110200GT	SEAL KIT, VALVE, #4	
9	65766GT	VALVE,SOLENOID,10V W/DIODE*** AB, 2-speed motor shift; includes items 10 and 11	
9-	72043GT	SEAL KIT,SOLENOID VALVE	
10	43601GT	COIL,SOLENOID VLV,10V W/ DIODE	
11	45912GT	NUT,SOLENOID VALVE 2P3W	
12	65766GT	VALVE,SOLENOID,10V W/DIODE*** AA, brake circuit; includes items 10 and 11	
12-	72043GT	SEAL KIT,SOLENOID VALVE	
13	32669GT	ORIFICE PLUG,.025 (30551) AD, tank return circuit	
14	43596GT	VALVE,SHUTTLE A, charge pressure circuit that gets hot oil out of low pressure side of drive pump and allows low pressure flow path for brake release and 2-speed motor shift	
14-	84137GT	SEAL KIT, VALVE 84129	



702.1 Traction and Brake/2-speed Manifolds, 4WD

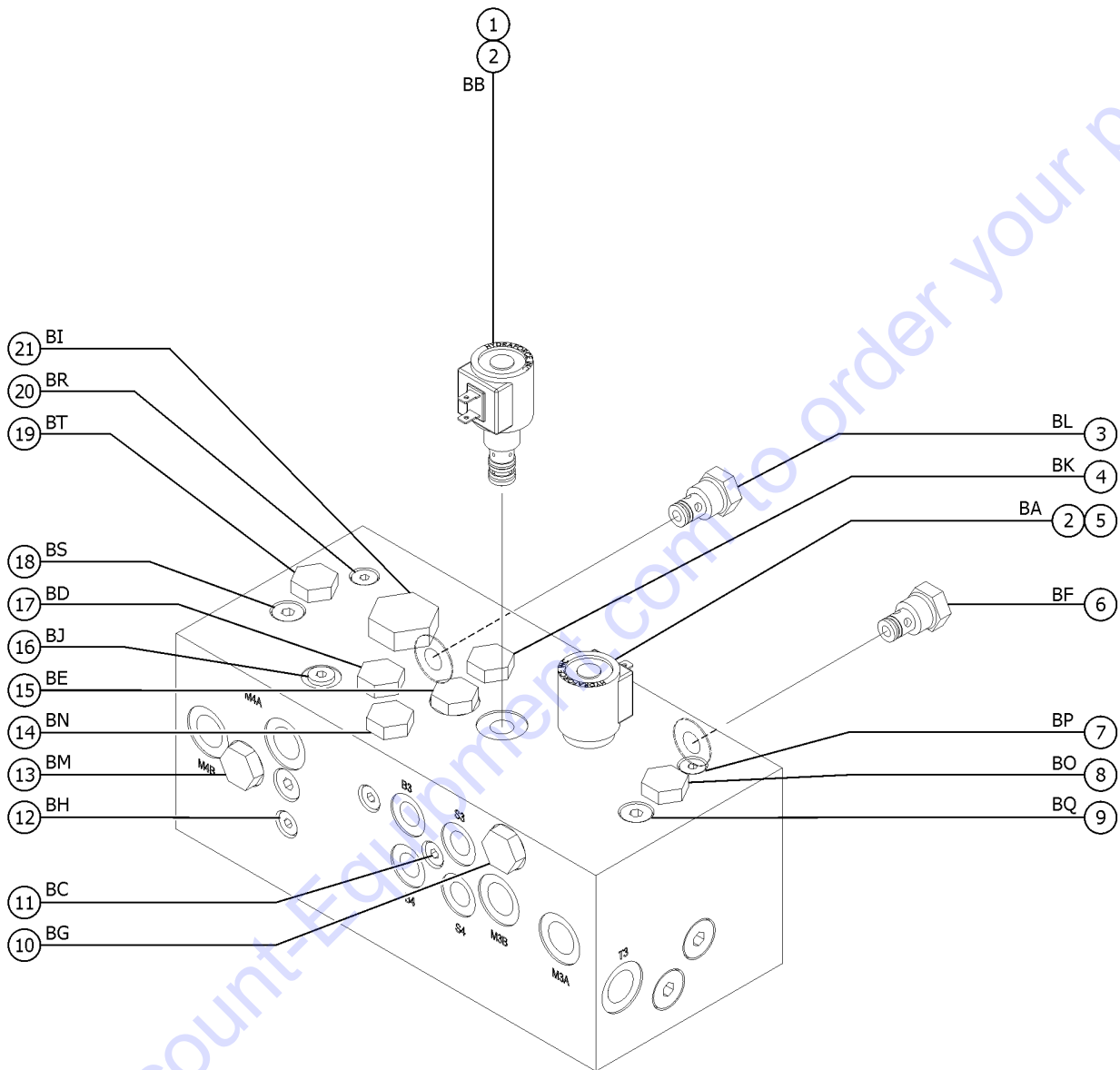


702.1 Traction and Brake/2-speed Manifolds, 4WD

Item	Part No.	Description	Qty.
A-	74665GT	MANIFOLD,DRIVE	
B-	49612GT	O-RING KIT (ORFS FITTINGS)	
C-	49613GT	PLUG AND CAP KIT-SERVICE,ORFS*	
D-	28750GT	O-RING KIT,FIELD SVC,ALL PROD*	
E-	33994GT	PLUG AND CAP KIT-SERVICE,37 **	
1	62815GT	VALVE,SOLENOID,2POS 3 WAY*** BB, brake circuit	
1-	44174GT	NUT-COIL SHORT	
1-	44236GT	SPACER-DUAL COIL,#8***	
1-	52371GT	SEAL KIT, VALVE	
2	69257GT	COIL,12V DC, PSL	
3	46216GT	VALVE,CHECK,IWP-S/CWP PWR ASSI BL, drive motor anti-cavitation	
3-	44228GT	SEAL KIT, VALVE	
4	43596GT	VALVE,SHUTTLE BK, charge pressure circuit that directs hot oil out of low pressure side of drive pump and allows low pressure flow path for brake release and 2-speed motor shift	
4-	84137GT	SEAL KIT, VALVE 84129	
5	62815GT	VALVE,SOLENOID,2POS 3 WAY*** BA, 2-speed drive motor shift	
5-	44174GT	NUT-COIL SHORT	
5-	44236GT	SPACER-DUAL COIL,#8***	
5-	52371GT	SEAL KIT, VALVE	
6	46216GT	VALVE,CHECK,IWP-S/CWP PWR ASSI BF, drive motor anti-cavitation	
6-	44228GT	SEAL KIT, VALVE	
7	77985GT	ORIFICE, 1.0MM (74665 MAN.) BP, equalizes pressure on both sides of flow divider/combiner valve BO	
8	77988GT	FLOW DIVIDER/COMBINER,#10** BO, controls flow to right side drive motors in forward and reverse	
9	77985GT	ORIFICE, 1.0MM (74665 MAN.) BQ, equalizes pressure on both sides of flow divider/combiner valve BO	
10	46216GT	VALVE,CHECK,IWP-S/CWP PWR ASSI BG, drive motor anti-cavitation	
10-	44228GT	SEAL KIT, VALVE	
11	77984GT	ORIFICE, 0.8MM (74665 MAN.) BC, brake circuit	
12	77986GT	ORIFICE, 2.0MM (74665 MAN.) BH, equalizes pressure on both sides of flow divider/combiner valve BI	
13	46216GT	VALVE,CHECK,IWP-S/CWP PWR ASSI BM, drive motor anti-cavitation	



702.1 Traction and Brake/2-speed Manifolds, 4WD



Go to DiscountEquipment.com to order your parts

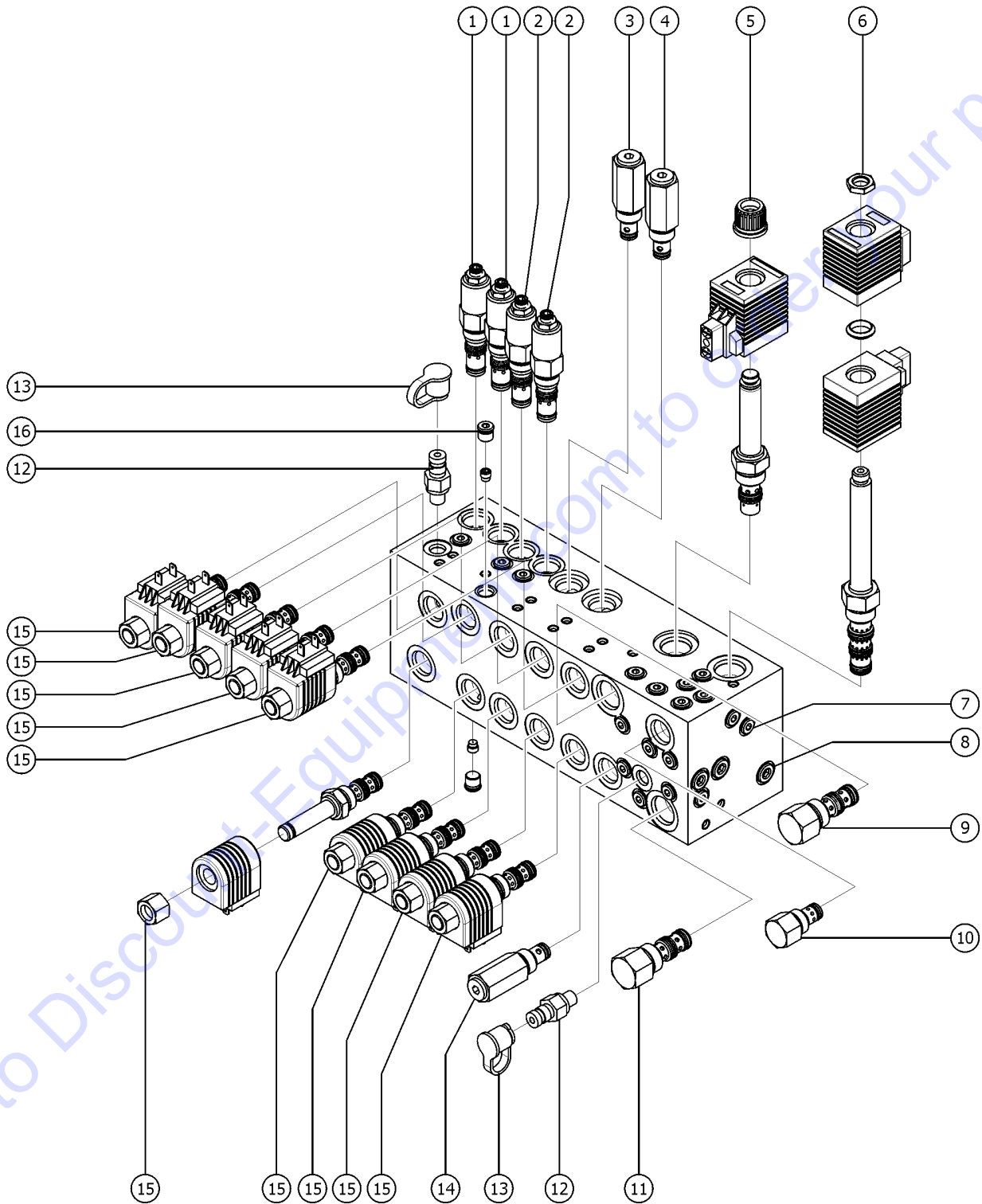
702.1 Traction and Brake/2-speed Manifolds, 4WD

Item	Part No.	Description	Qty.
13-	44228GT	SEAL KIT, VALVE	
14	46216GT	VALVE,CHECK,IWP-S/CWP PWR ASSI	
		BN, drive motor anti-cavitation	
14-	44228GT	SEAL KIT, VALVE	
15	46216GT	VALVE,CHECK,IWP-S/CWP PWR ASSI	
		BE, drive motor anti-cavitation	
15-	44228GT	SEAL KIT, VALVE	
16	77986GT	ORIFICE, 2.0MM (74665 MAN.)	
		BJ, equalizes pressure on both sides of flow divider/combiner valve BI	
17	77987GT	VALVE,RELIEF#8 (74665 MAN.)	
		BD, charge pressure circuit	
18	77985GT	ORIFICE, 1.0MM (74665 MAN.)	
		BS, equalizes pressure on both sides of flow divider/combiner valve BT	
19	77988GT	FLOW DIVIDER/COMBINER,#10**	
		BT, controls flow to left side drive motors in forward and reverse	
20	77985GT	ORIFICE, 1.0MM (74665 MAN.)	
		BR, equalizes pressure on both sides of flow divider/combiner valve BT	
21	1299621GT	FLOW DIVIDER/COMBINER	
		BI, controls flow to flow divider/ combiner valve BO and BT	

Go to Discount-Equipment.com to order your parts



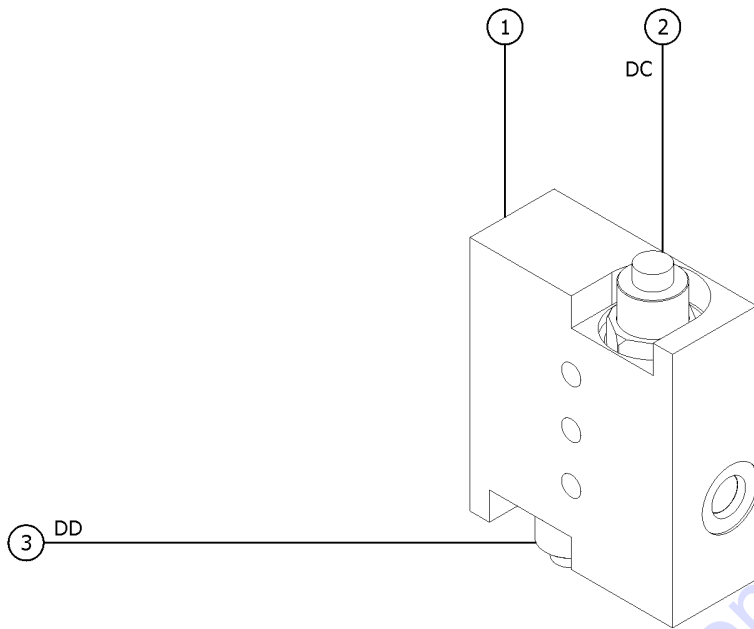
703.1 Function Manifold



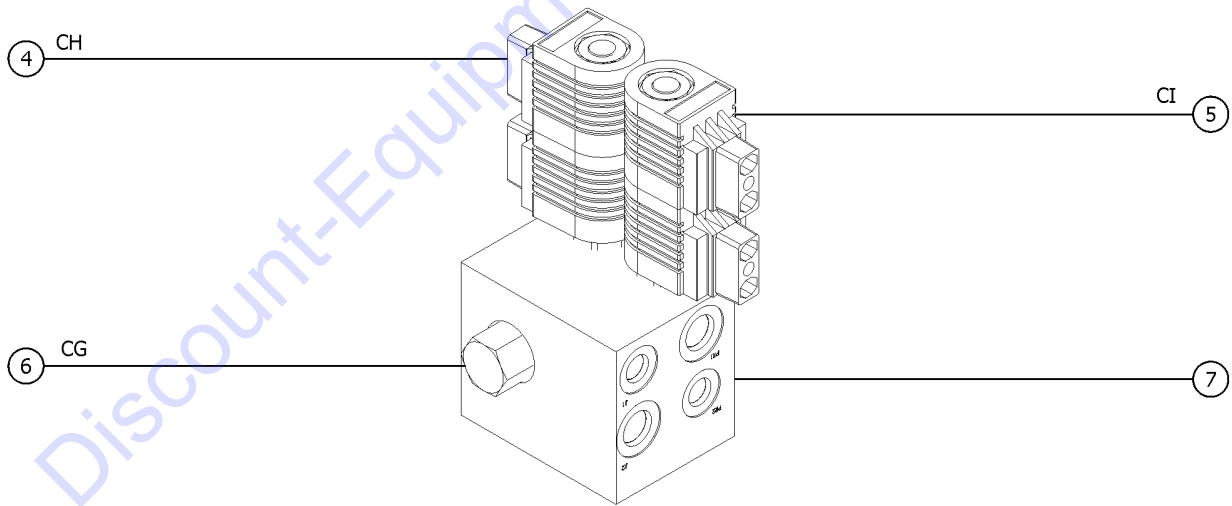
Item	Part No.	Description	Qty.
	128445GT	MANIFOLD,FUNCTION,Z34 IC	1
1	37079GT	VALVE,COUNTERBALANCE 3000 PSI	2
2	65522GT	VALVE,COUNTERBALANCE 1500 PSI	2
3	31528GT	VALVE,RELIEF 1600 PSI	1
4	40412GT	VALVE,RELIEF 1400PSI	1
5	43612GT	VALVE,PROPORTIONAL 12V	1
5-	52710GT	COIL,SOLENOID VALVE, 12V	1
5-	62276GT	NUT, SOLENOID VALVE COIL	1
6	43609GT	VALVE,SOLENOID 3P4W	1
6-	74907GT	VALVE,SOLENOID 3P4W W/O COIL	1
6-	43610GT	COIL,SOLENOID VLV,10V W/DIODE	2
6-	89854GT	SPACER,SOLENOID VALVE COIL	1
6-	52943GT	NUT SOLENOID VALVE COIL	1
6-	110196GT	SEAL KIT, VALVE, #10	1
7	69550GT	PLUG,ORB #4	26
8	109802GT	PLUG,ORB #6	10
9	27050GT	VALVE,DIFFERENTIAL SENSING	1
10	32975GT	VALVE,FLOW REGULATOR 0.1 GPM	1
11	33452GT	VALVE,FLOW REGULATOR 1.0 GPM	1
12	48997GT	NIPPLE,DIAGNOSTIC,#4	2
13	48880GT	CAP,DIAGNOSTIC NIPPLE	2
14	52715GT	VALVE,RELIEF,3200 PSI	1
15	43607GT	VALVE,SOLENOID 2P3W	10
15-	48342GT	VALVE, SOLENOID 2P3W W/O COIL	
15-	43601GT	COIL,SOLENOID VLV,10V W/ DIODE	
15-	45912GT	NUT,SOLENOID VALVE 2P3W	
16	89300GT	PLUG, .042 ORIFICE, 1/16 NPT	2



704.1 Jib Boom and Platform Rotate Manifold



Platform Rotate Manifolds



Jib Boom Manifolds

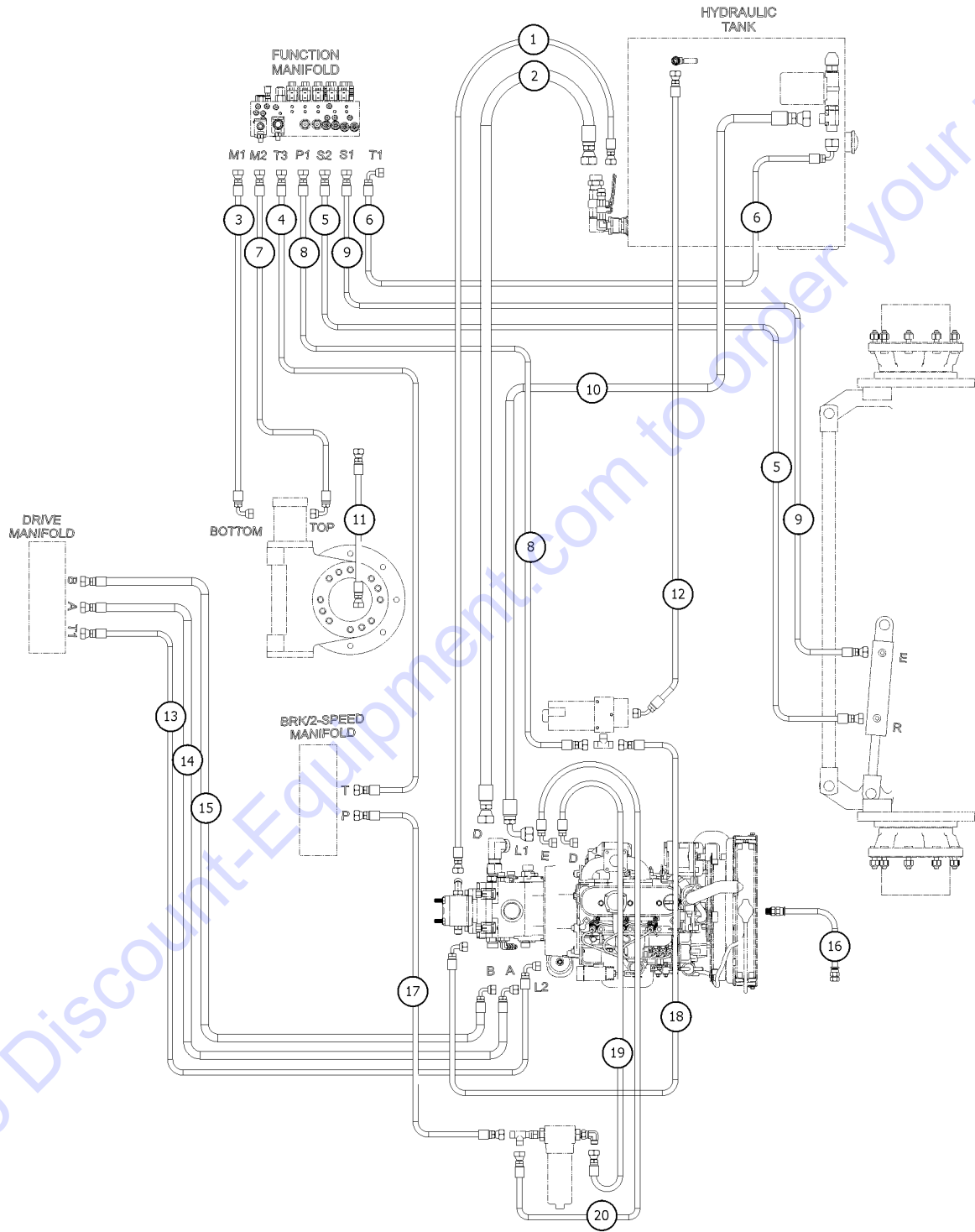
704.1 Jib Boom and Platform Rotate Manifold

Item	Part No.	Description	Qty.
A	49612GT	O-RING KIT (ORFS FITTINGS)	
B	49613GT	PLUG AND CAP KIT-SERVICE,ORFS*	
C	28750GT	O-RING KIT,FIELD SVC,ALL PROD*	
D	33994GT	PLUG AND CAP KIT-SERVICE,37 **	
1	56929GT	MANIFOLD,ROTATOR,180 DEG.*** includes items 2 and 3	1
1-	62507GT	O-RING, ROTATOR MANIFOLD	
2	62506GT	VALVE - COUNTERBALANCE** DC, platform rotate right	1
2-	43018GT	SEAL KIT (39345)	
3	62506GT	VALVE - COUNTERBALANCE** DD, platform rotate left	1
3-	43018GT	SEAL KIT (39345)	
4	139560GT	SOLENOID VALVE W/NUT*** CH, jib boom up/down	1
4-	139562GT	COIL, SOLENOID VALVE, 12V***	
5	139560GT	SOLENOID VALVE W/NUT*** CI, platform rotate left/right (order coil separately)	1
5-	139562GT	COIL, SOLENOID VALVE, 12V***	
6	139563GT	VALVE, FLOW CTRL, PRES COMP*** CG, platform rotate circuit	1
7	139464GT	MANIFOLD,JIB, 12V NON RJ*** includes items 4-6	1
7-	139564GT	SEAL KIT, JIB MANIFOLD, NON RJ	

Go to Discount-Equipment.com to order your parts

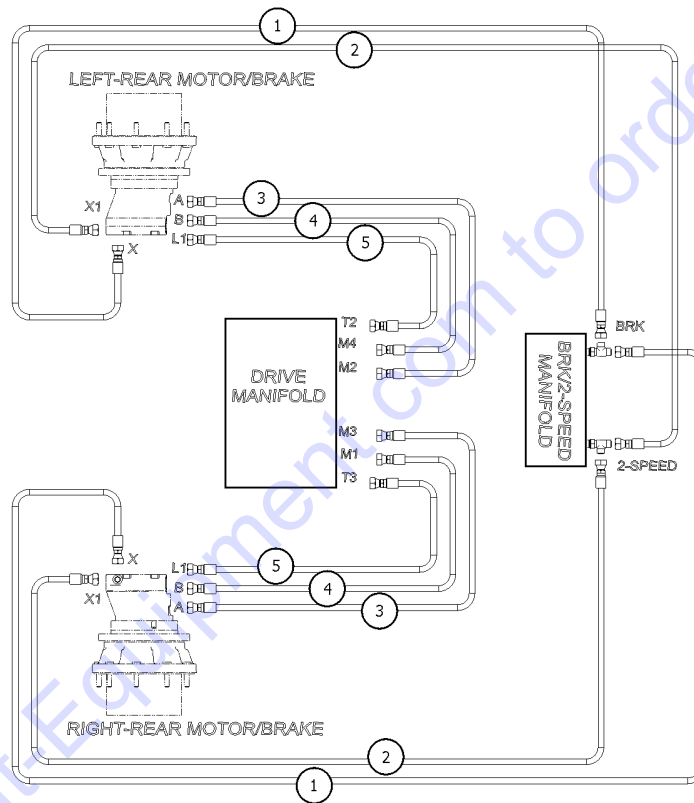


705.1 Drive Chassis and Turntable Hoses, 2WD, View 1



Item	Part No.	Description	Qty.
1	81812-6775GT	HOSE ASSY, 1/2", 67.75	1
2	1290343-6400GT	HOSE ASSY, 1", 68.50	1
3	49118-3850GT	HOSE ASSY, 1/4", 38.50	1
4	49117-7550GT	HOSE ASSY, 1/4", 75.50	1
5	49119-8600GT	ASSY, HOSE, HYD, -4, 3250, STR, STR	1
6	1291265-2500GT	HOSE ASSY, 1/2", 25.00	1
7	49118-3400GT	HOSE ASSY, 1/4", 34.00	1
8	101929-4600GT	HOSE ASSY, 3/8", 46.00 (to SN Z34F-12363)	1
8B	101929-3950GT	HOSE ASSY, 3/8", 39.50 (from SN Z34F-12364) (for units with PSI (GM) Dual Fuel Engine)	1
9	49119-8600GT	ASSY, HOSE, HYD, -4, 3250, STR, STR	1
10	49150-7900GT	HOSE ASSY, 3/4", 79.00	1
11	49189-4350GT	HOSE ASSY, 1/4", 43.50	1
12	1290347-4400GT	HOSE ASSY, 3/8", 44.00	1
13	1290425-10000GT	HOSE ASSY, 5/8", 100.00 to SN Z34F-13051	1
13-	75278-10000GT	ASSY, HOSE, HYD, -8, 4250, STR, 90 from SN Z34F-13052	
13-	48767GT	SLEEVE, NYLON, 1.42 ID from SN Z34F-13052	1
14	94374-10200GT	HOSE ASSY, 3/4", 102.00	1
15	94374-10200GT	HOSE ASSY, 3/4", 102.00	1
16	139168GT	HOSE ASSY, 3/8", 21.00	1
17	49120-7750GT	HOSE ASSY, 1/4", 77.50	1
18	1290346-3800GT	HOSE ASSY, 3/8", 38.00	1
19	75278-4700GT	HOSE ASSY, 1/2", 47.00	1
20	75278-3300GT	HOSE ASSY, 1/2", 33.00	1

706.1 Drive Chassis and Turntable Hoses, 2WD, View 2



Go to DiscountEquipment.com to order your parts

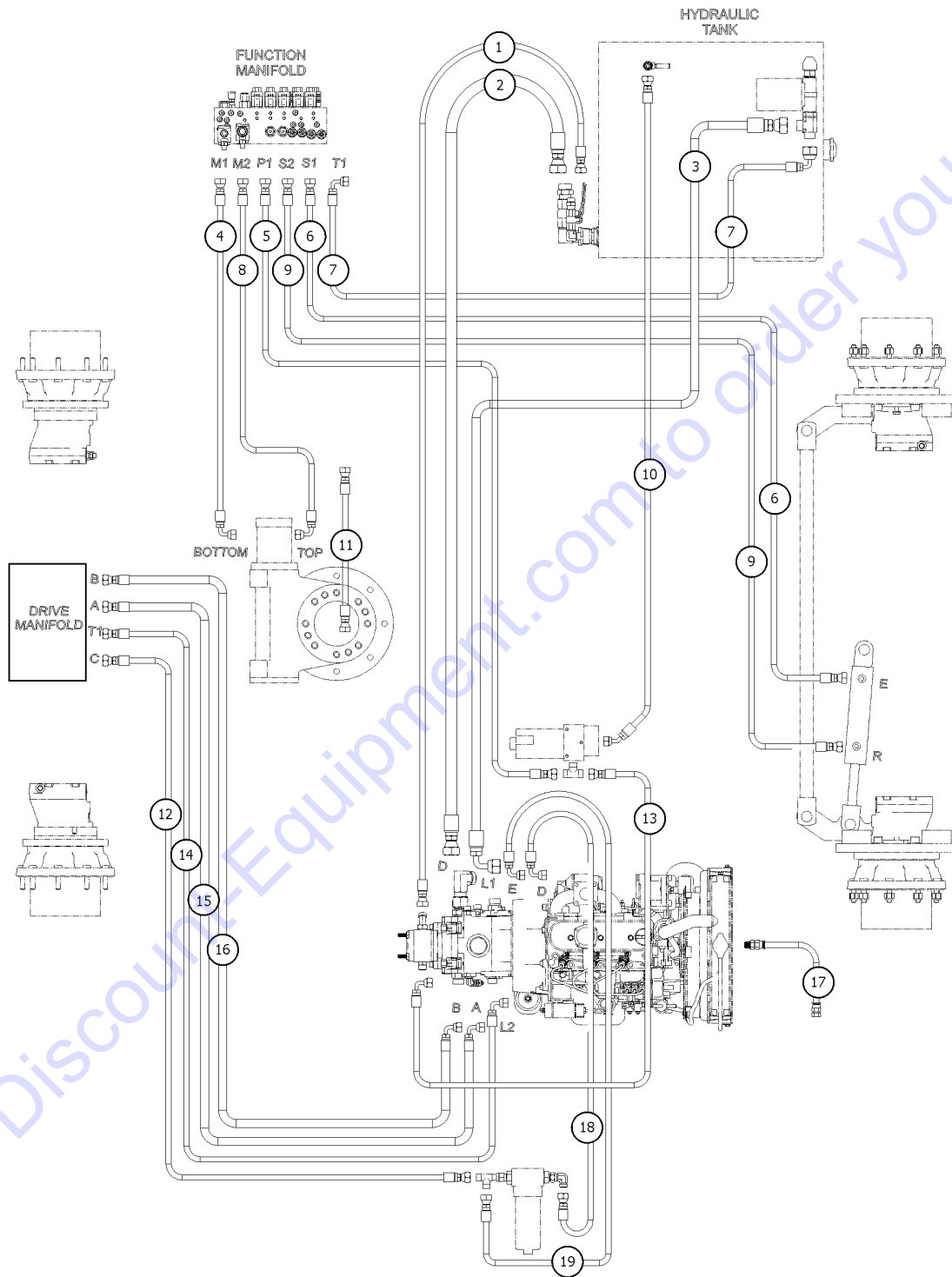
706.1 Drive Chassis and Turntable Hoses, 2WD, View 2

Item	Part No.	Description	Qty.
1	49119-2374GT	ASSY, HOSE, HYD, -4, 3250, STR, STR	2
2	49119-1750GT	ASSY, HOSE, HYD, -4, 3250, STR, STR	2
3	81812-2700GT	HOSE ASSY, 1/2", 27.00	2
4	81812-2350GT	HOSE ASSY, 1/2", 23.50	2
5	81812-2450GT	HOSE ASSY, 1/2", 24.50	2

Go to Discount-Equipment.com to order your parts



707.1 Drive Chassis and Turntable, 4WD Hoses, View 1

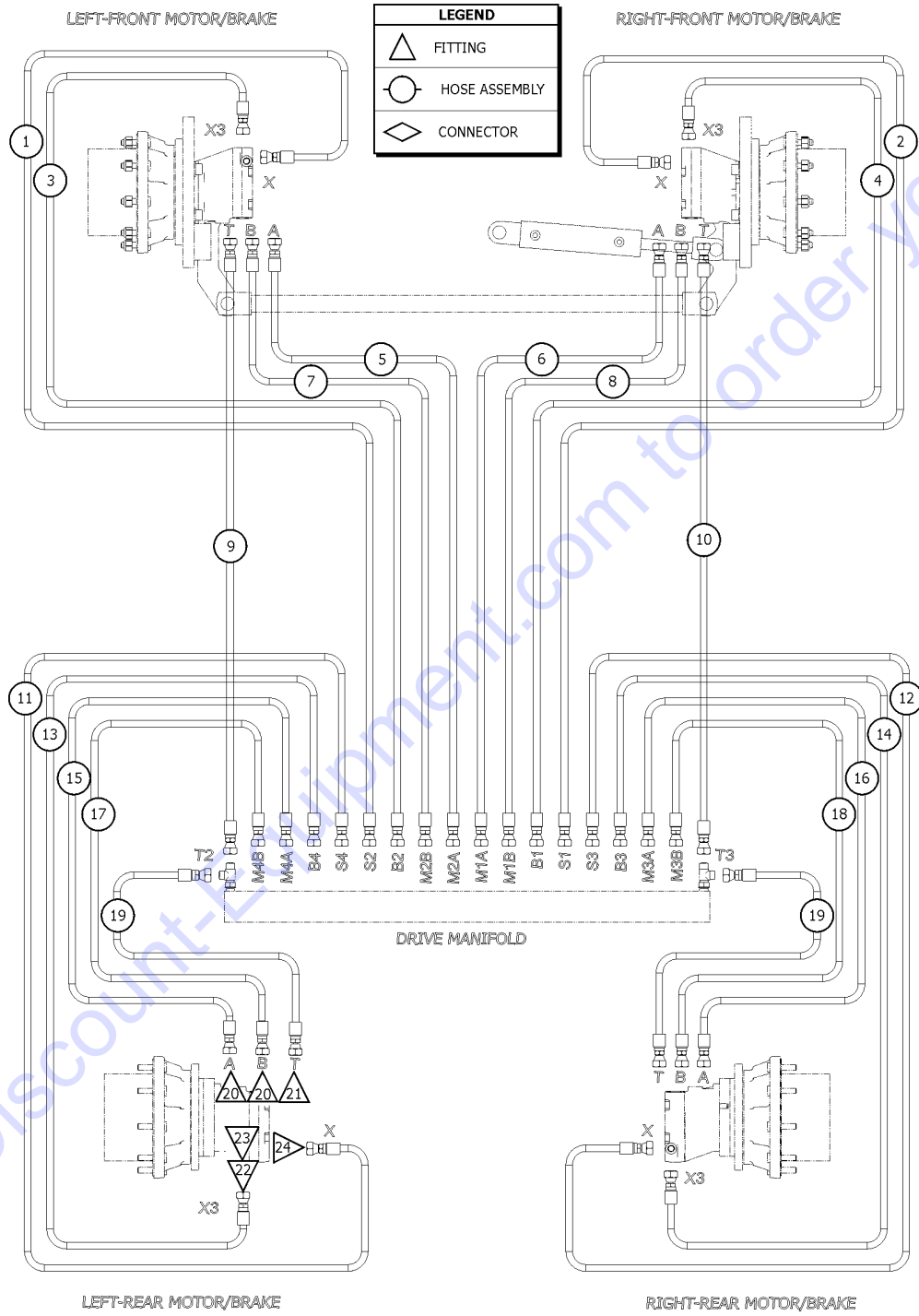


707.1 Drive Chassis and Turntable, 4WD Hoses, View 1

Item	Part No.	Description	Qty.
1	81812-6775GT	HOSE ASSY, 1/2", 67.75	1
2	1290343-6400GT	HOSE ASSY, 1", 68.50	1
3	49150-7900GT	HOSE ASSY, 3/4", 79.00	1
4	49118-3850GT	HOSE ASSY, 1/4", 38.50	1
5	101929-4600GT	HOSE ASSY, 3/8", 46.00 (to SN Z34F-12363)	1
5B	101929-3950GT	HOSE ASSY, 3/8", 39.50 (from SN Z34F-12364) (for units with PSI (GM) Dual Fuel Engine)	1
6	49119-8600GT	ASSY, HOSE, HYD, -4, 3250, STR, STR	1
6B	48773GT	SLEEVE, NYLON, .86 ID from SN Z34F-13052	
7	1291265-2500GT	HOSE ASSY, 1/2", 25.00	1
8	49118-3400GT	HOSE ASSY, 1/4", 34.00	1
9	49119-8600GT	ASSY, HOSE, HYD, -4, 3250, STR, STR	1
9B	48773GT	SLEEVE, NYLON, .86 ID from SN Z34F-13052	
10	1290347-4400GT	HOSE ASSY, 3/8", 44.00	1
11	49189-4350GT	HOSE ASSY, 1/4", 43.50	1
12	49120-7750GT	HOSE ASSY, 1/4", 77.50	1
12B	48773GT	SLEEVE, NYLON, .86 ID from SN Z34F-13052	
13	1290346-3800GT	HOSE ASSY, 3/8", 38.00	1
14	1290425-10000GT	HOSE ASSY, 5/8", 100.00 to SN Z34F-13051	1
14-	75278-10000GT	ASSY, HOSE, HYD, -8, 4250, STR, 90 from SN Z34F-13052	
14B	48767GT	SLEEVE, NYLON, 1.42 ID from SN Z34F-13052	
15	94374-10200GT	HOSE ASSY, 3/4", 102.00	1
15B	48767GT	SLEEVE, NYLON, 1.42 ID from SN Z34F-13052	
16	94374-10200GT	HOSE ASSY, 3/4", 102.00	1
16B	48767GT	SLEEVE, NYLON, 1.42 ID from SN Z34F-13052	
17	139168GT	HOSE ASSY, 3/8", 21.00	1
18	75278-4700GT	HOSE ASSY, 1/2", 47.00	1
19	75278-3300GT	HOSE ASSY, 1/2", 33.00	1



708.1 Drive Chassis and Turntable, 4WD Hoses, View 2



Go to Discount-Equipment.com to order your parts

Item	Part No.	Description	Qty.
1	49119-8900GT	ASSY, HOSE, HYD, -4, 3250, STR, STR	1
2	49119-8700GT	ASSY, HOSE, HYD, -4, 3250, STR, STR	1
3	49119-8700GT	ASSY, HOSE, HYD, -4, 3250, STR, STR	1
4	49119-8700GT	ASSY, HOSE, HYD, -4, 3250, STR, STR	1
5	81812-8350GT	HOSE ASSY, 1/2", 83.50	1
6	81812-8350GT	HOSE ASSY, 1/2", 83.50	1
7	81812-8350GT	HOSE ASSY, 1/2", 83.50	1
8	81812-8350GT	HOSE ASSY, 1/2", 83.50	1
9	81812-8500GT	HOSE ASSY, 1/2", 85.00	1
10	81812-8500GT	HOSE ASSY, 1/2", 85.00	1
11	49119-2700GT	ASSY, HOSE, HYD, -4, 3250, STR, STR	1
12	49119-2700GT	ASSY, HOSE, HYD, -4, 3250, STR, STR	1
13	49119-2700GT	ASSY, HOSE, HYD, -4, 3250, STR, STR	1
14	49119-2700GT	ASSY, HOSE, HYD, -4, 3250, STR, STR	1
15	81812-2150GT	HOSE ASSY, 1/2", 21.50	1
16	81812-2150GT	HOSE ASSY, 1/2", 21.50	1
17	81812-2150GT	HOSE ASSY, 1/2", 21.50	1
18	81812-2150GT	HOSE ASSY, 1/2", 21.50	1
19	81812-2200GT	HOSE ASSY, 1/2", 22.00	2
20	48948GT	CONN,520120-8-12	2
21	48933GT	CONN,520120-8***	1
22	49861GT	CONN, LONG, 520122-4	1
23	54132GT	ELBOW, SWIVEL 90D, 520221-4	1
24	48911GT	ELBOW, 90D, 520220-4-6***	1



PARTS FINDER

**Search Website
by Part Number**



**Search Manual
Library For Parts
Manual & Lookup Part
Numbers – Purchase
or Request Quote**

Search Manuals

Enter your information to help us find the right parts manual for your machine.

* Brand:

* Model:

* Serial:

* Part Number:

SEARCH

**Can't Find Part or
Manual? Request Help
by Manufacturer,
Model & Description**

Parts Order Form

Please fill in the following information to help us find the right part for your machine.

Manufacturer:	<input type="text"/>
Model:	<input type="text"/>
Description:	<input type="text"/>
Part Number:	<input type="text"/>
Quantity:	<input type="text"/>
Notes:	<input type="text"/>

Submit

Discount-Equipment.com is your online resource for quality parts & equipment.

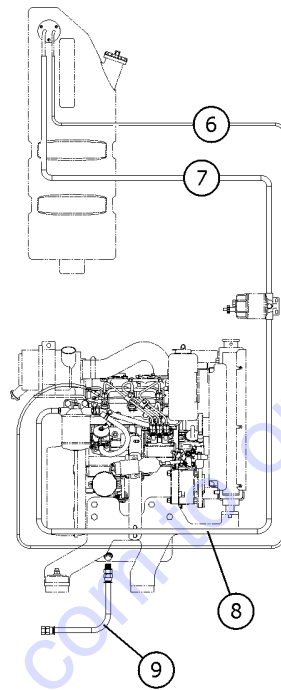
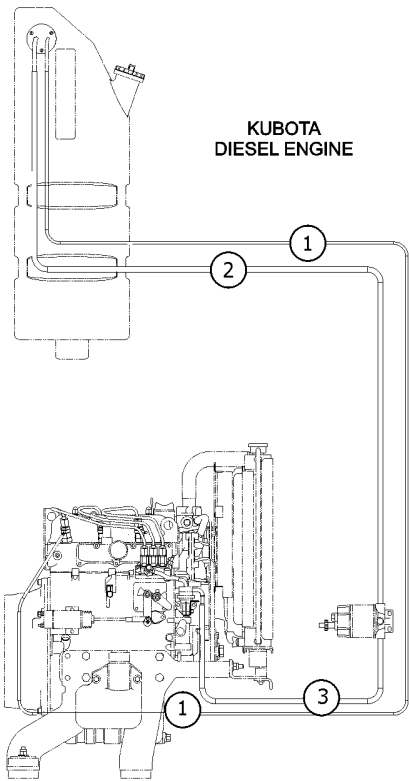
Florida: **561-964-4949** Outside Florida TOLL FREE: **877-690-3101**

Need parts?

Click on this link: <http://www.discount-equipment.com/category/5443-parts/> and choose one of the options to help get the right parts and equipment you are looking for. Please have the machine model and serial number available in order to help us get you the correct parts. If you don't find the part on the website or on one of the online manuals, please fill out the request form and one of our experienced staff members will get back to you with a quote for the right part that your machine needs.

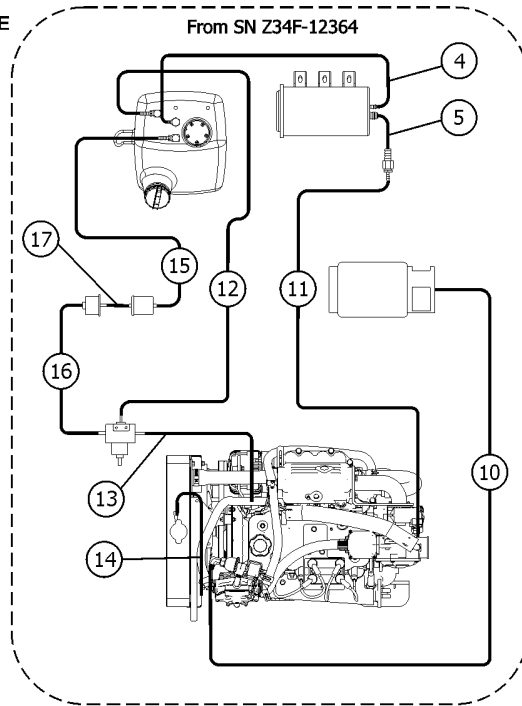
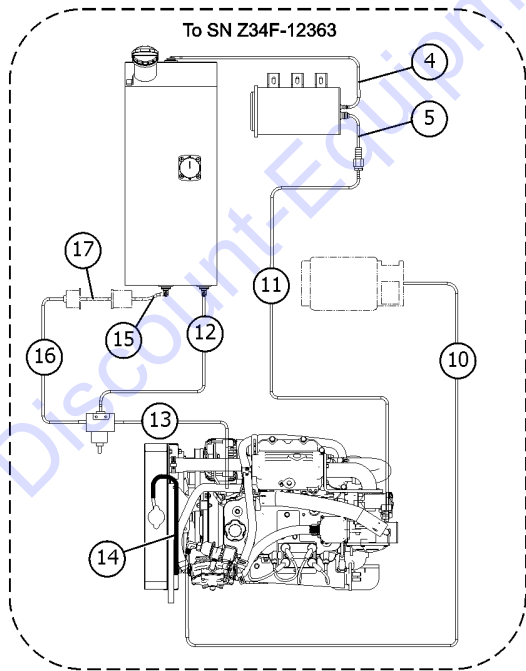
We sell worldwide for the brands: Genie, Terex, JLG, MultiQuip, Mikasa, Essick, Whiteman, Mayco, Toro Stone, Diamond Products, Generac Magnum, Airman, Haulotte, Barreto, Power Blanket, Nifty Lift, Atlas Copco, Chicago Pneumatic, Allmand, Miller Curber, Skyjack, Lull, Skytrak, Tsurumi, Husquvarna Target, Stow, Wacker, Sakai, Mi-T-M, Sullair, Basic, Dynapac, MBW, Weber, Bartell, Bennar Newman, Haulotte, Ditch Runner, Menegotti, Morrison, Contec, Buddy, Crown, Edco, Wyco, Bomag, Laymor, EZ Trench, Bil-Jax, F.S. Curtis, Gehl Pavers, Heli, Honda, ICS/PowerGrit, IHI, Partner, Imer, Clipper, MMD, Koshin, Rice, CH&E, General Equipment, Amida, Coleman, NAC, Gradall, Square Shooter, Kent, Stanley, Tamco, Toku, Hatz, Kohler, Robin, Wisconsin, Northrock, Oztec, Toker TK, Rol-Air, APT, Wylie, Ingersoll Rand / Doosan, Innovatech, Con X, Ammann, Mecalac, Makinex, Smith Surface Prep, Small Line, Wanco, Yanmar

709.1 Fuel Hoses



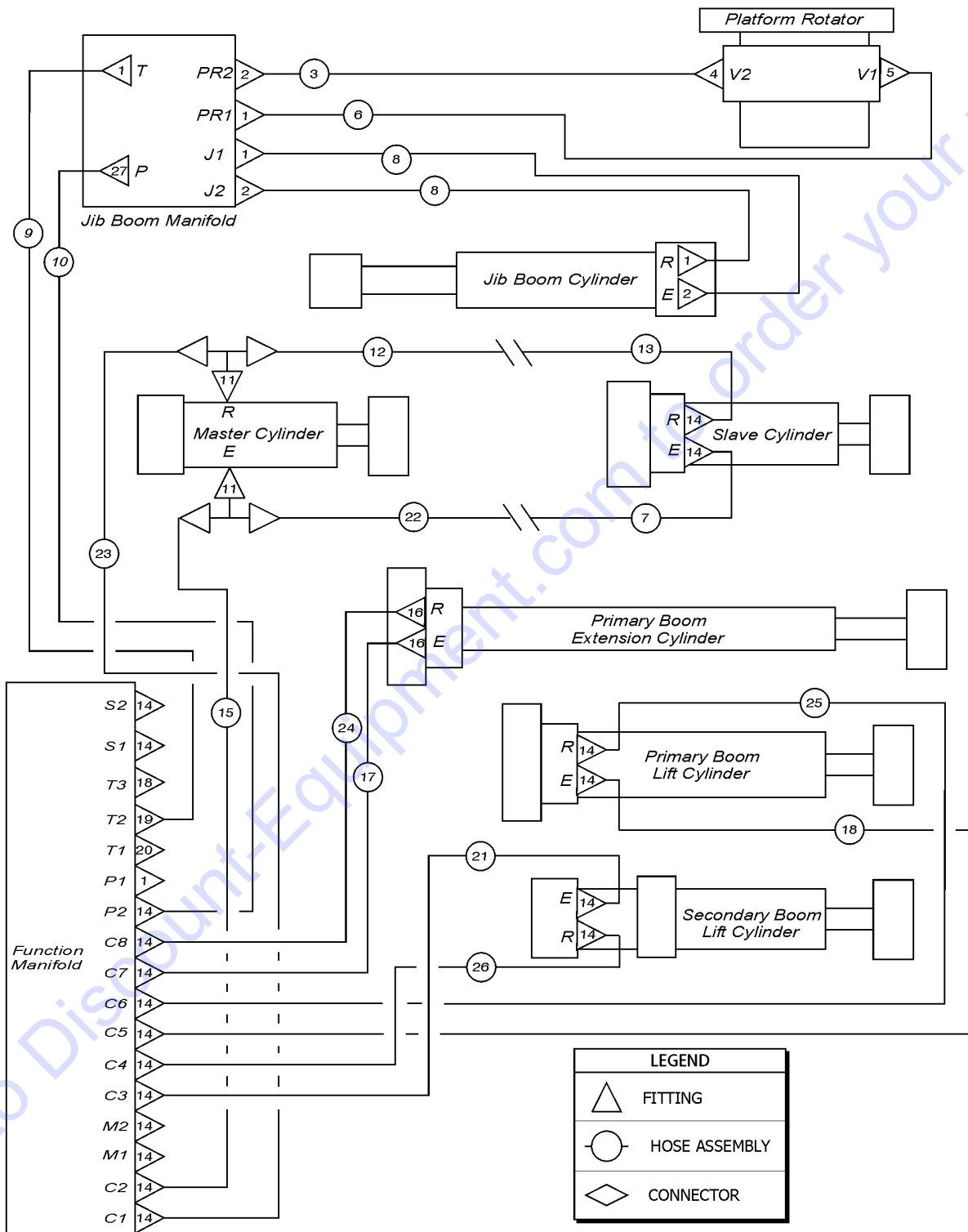
LEGEND	
△	FITTING
○	HOSE ASSEMBLY
◇	CONNECTOR

**GM .998L
GAS ENGINE**



Item	Part No.	Description	Qty.
1A	35418GT	HOSE,FUEL,3/16,SAE 30R7 (models with Kubota diesel) (to SN Z34F-12363)	70
1B	35418GT	HOSE,FUEL,3/16,SAE 30R7 (models with Kubota diesel) (from SN Z34F-12364)	72
2A	27089GT	HOSE,5/16 FUEL,SAE 30R7 (models with Kubota diesel) (to SN Z34F-12363)	54
2B	27089GT	HOSE,5/16 FUEL,SAE 30R7 (models with Kubota diesel) (from SN Z34F-12364)	56
3	27089GT	HOSE,5/16 FUEL,SAE 30R7 (models with Kubota diesel)	16
4A	1263243GT	HOSE, FUEL, 1/4" ID, 10.00" LG (models with Kubota or GM gasoline) (to SN Z34F-12363)	1
4B	1282469GT	HOSE, FUEL, 1/4" ID, 41.00" LG (models with GM engine with plastic fuel tank from SN Z34F-12364)	1
5A	1263242GT	HOSE,FUEL, 1/2"ID, 12.00"LG (models with Kubota or GM gasoline) (to SN Z34F-12363)	1
5B	1284520GT	HOSE, FUEL, 1/2" ID, 3.00" LG (models with GM engine with plastic fuel tank from SN Z34F-12364)	1
6	35418GT	HOSE,FUEL,3/16,SAE 30R7 (models with Perkins diesel)	70
7	27089GT	HOSE,5/16 FUEL,SAE 30R7 (models with Perkins diesel)	54
8	27089GT	HOSE,5/16 FUEL,SAE 30R7 (models with Perkins diesel)	16
9	139169GT	HOSE ASSY, 3/8",21.00 (models with Perkins diesel)	1
10	235487GT	HOSE ASSY, LP GAS (models with GM gasoline)	1
11A	1274015GT	HOSE, FUEL VENT (models with GM gasoline) (to SN Z34F-12363)	1
11B	1284519GT	HOSE, FUEL VENT, 100" (models with GM engine with plastic fuel tank from SN Z34F-12364)	1
12A	1274014GT	ASSEMBLY,FUEL HOSE,5/16" FI (models with GM gasoline) (to SN Z34F-12363)	62
12B	1282825GT	ASSY,FUEL HOSE,5/16"ID, 88",FI (models with GM engine with plastic fuel tank from SN Z34F-12364)	1
13	1274013GT	ASSEMBLY,FUEL HOSE,5/16" FI (models with GM gasoline)	35
14	822606-1800GT	TUBING,VINYL,3/8 CLEAR (models with GM gasoline)	1
15A	1274010GT	ASSEMBLY,FUEL HOSE,5/16" FI (models with GM gasoline) (to SN Z34F-12363)	8
15B	1282468GT	ASSY,FUEL HOSE,5/16"ID, 44", FI (models with GM engine with plastic fuel tank from SN Z34F-12364)	1
16	1274012GT	ASSEMBLY,FUEL HOSE,5/16" FI (models with GM gasoline)	47
17	1274011GT	ASSEMBLY,FUEL HOSE,5/16" FI (models with GM gasoline)	3

710.1 Boom Hoses and Fittings



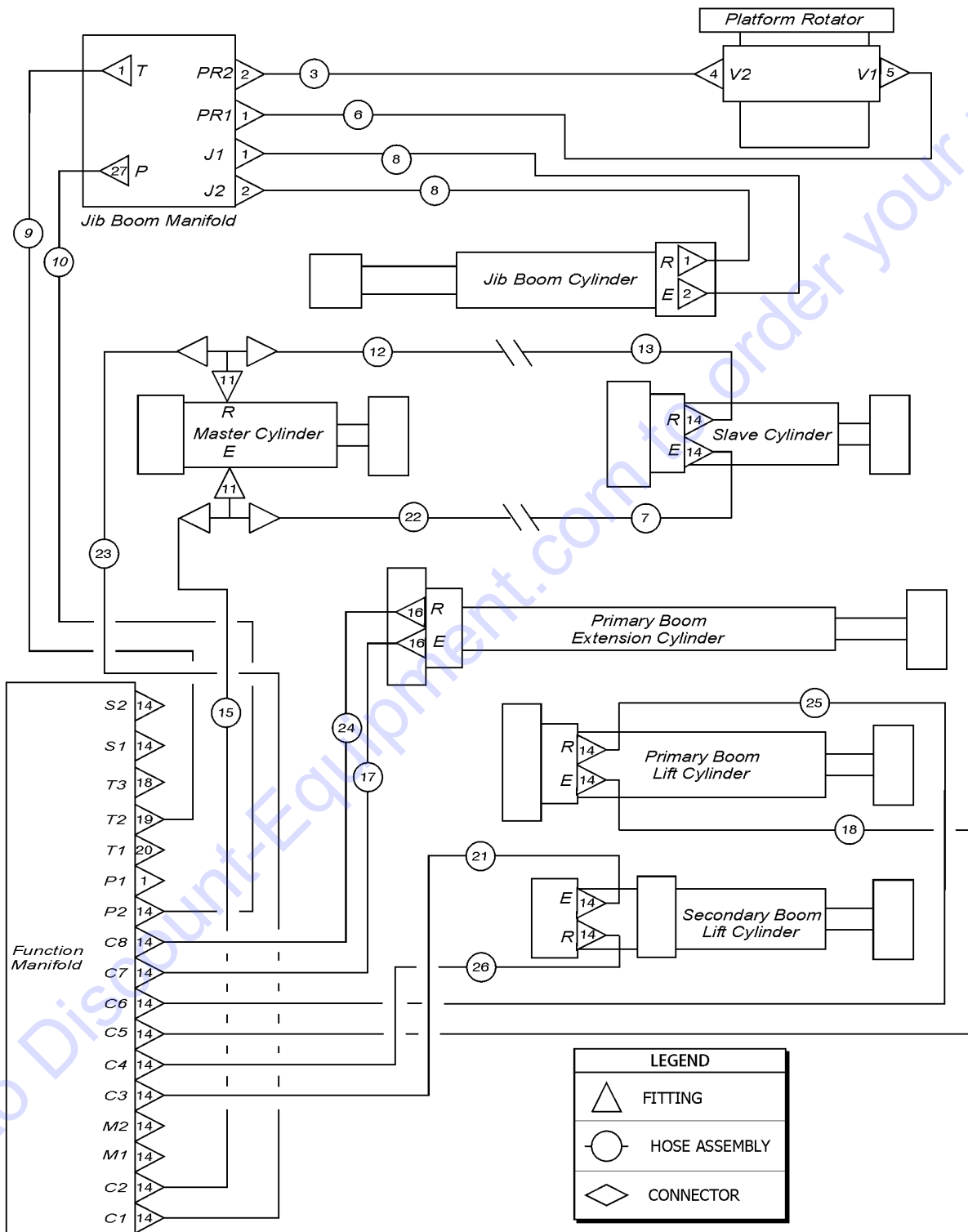
LEGEND	
	FITTING
	HOSE ASSEMBLY
	CONNECTOR

710.1 Boom Hoses and Fittings

Item	Part No.	Description	Qty.
1	48916GT	CONN, 520120-6	5
2	48905GT	CONN,520120-4***	2
3	49117-4650GT	HOSE ASSY,1/4".46.50	1
4	48904GT	ELBOW,90D,520220-4-4	1
5	48926GT	FITTING,ELBOW,90D,520220-6-4	1
6	49114-4650GT	HOSE ASSY, 1/4", 46.50	1
7	49120-3100GT	HOSE ASSY, 1/4", 31.00	1
8	49120-1900GT	HOSE ASSY, 1/4", 19.00	1
9	49120-47400GT	HOSE ASSY,1/4",474.00	1
10	49119-47400GT	HOSE ASSY,1/4".474.00	1
11	48890GT	FITTING,TEE,BRANCH,520429-4***	2
12	42863-SGT	HOSE ASSY-MASTER CYL-SLAVE CYL	2
12-	49121-23900GT	HOSE ASSY, 1/4", 239.0	1
13	49121-3150GT	HOSE ASSY, 1/4", 31.50	1
13-	56233GT	O-RING,ORFS,-4	
14	48912GT	CONN,520120-4-6***	19
15	49119-20200GT	HOSE ASSY,1/4",202.00	1
16	49418GT	FITTING,ELBOW,45D,520320-4-6**	3
17	49119-23600GT	ASSY, HOSE, HYD, -4, 3250, STR, STR	1
18	42889-SGT	HOSE ASSY-C6/C5 TO LIFT CYL	2
19	48900GT	CONN,520120-4-6,.035,ORI	1
20	48933GT	CONN,520120-8***	1
21	42891-SGT	HOSE ASSY-C4/C3 TO SEC LIFT CY	2
21-	49119-8850GT	ASSY, HOSE, HYD, -4, 3250, STR, STR	1
22	49119-23900GT	HJOSE ASSY,1/4",239.0	1
23	49119-20200GT	HOSE ASSY,1/4",202.00	1
24	49119-23600GT	ASSY, HOSE, HYD, -4, 3250, STR, STR	1
25	49119-21800GT	ASSY, HOSE, HYD, -4, 3250, STR, STR	1



710.1 Boom Hoses and Fittings



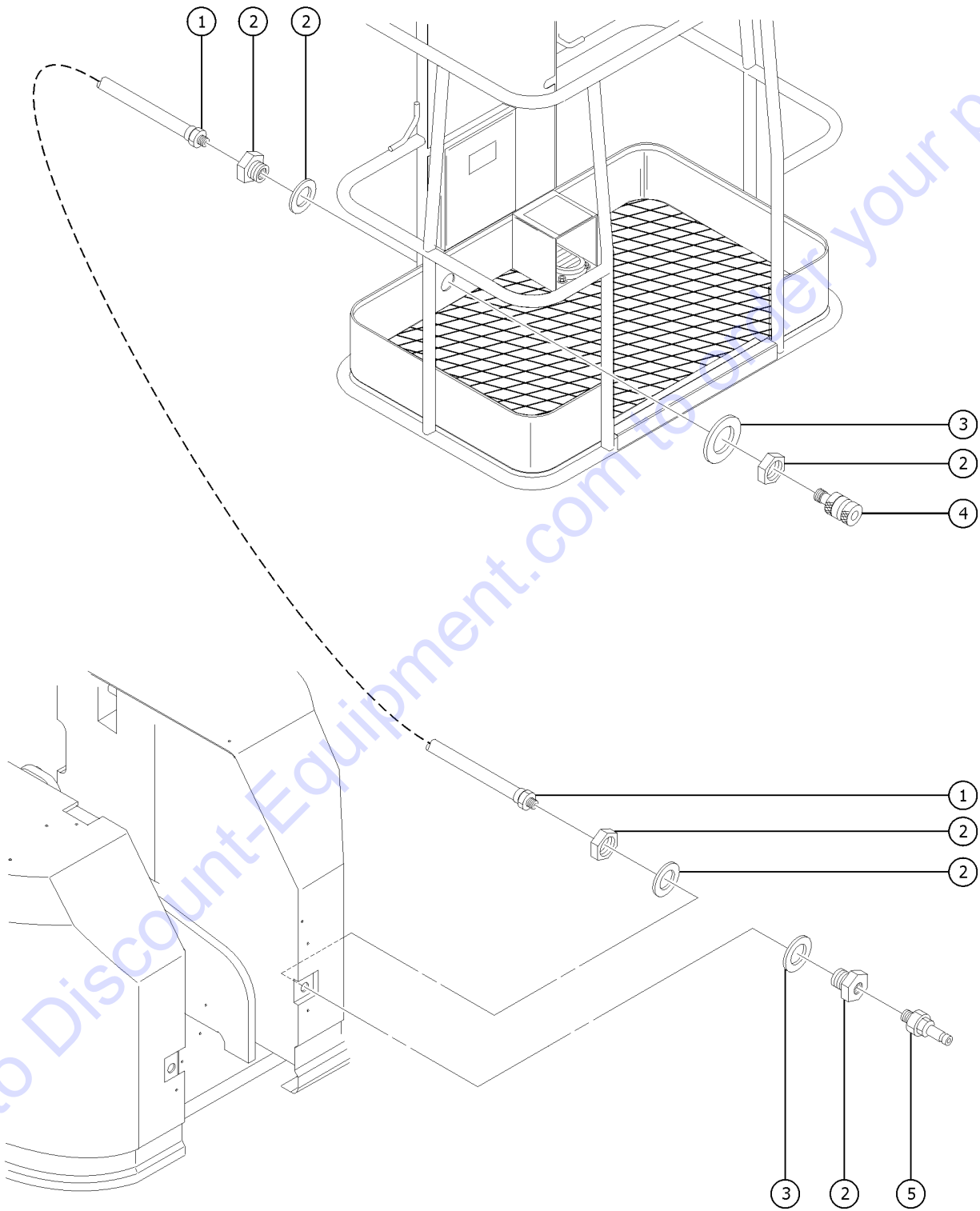
710.1 Boom Hoses and Fittings

<i>Item</i>	<i>Part No.</i>	<i>Description</i>	<i>Qty.</i>
26	49119-8850GT	ASSY, HOSE, HYD, -4, 3250, STR, STR	1
27	1293788GT	No.4 STR ORFS W/125 MICRON SCREEN	1
		from SN Z34NF-15444	

Go to Discount-Equipment.com to order your parts



801.1 Air Line to Platform



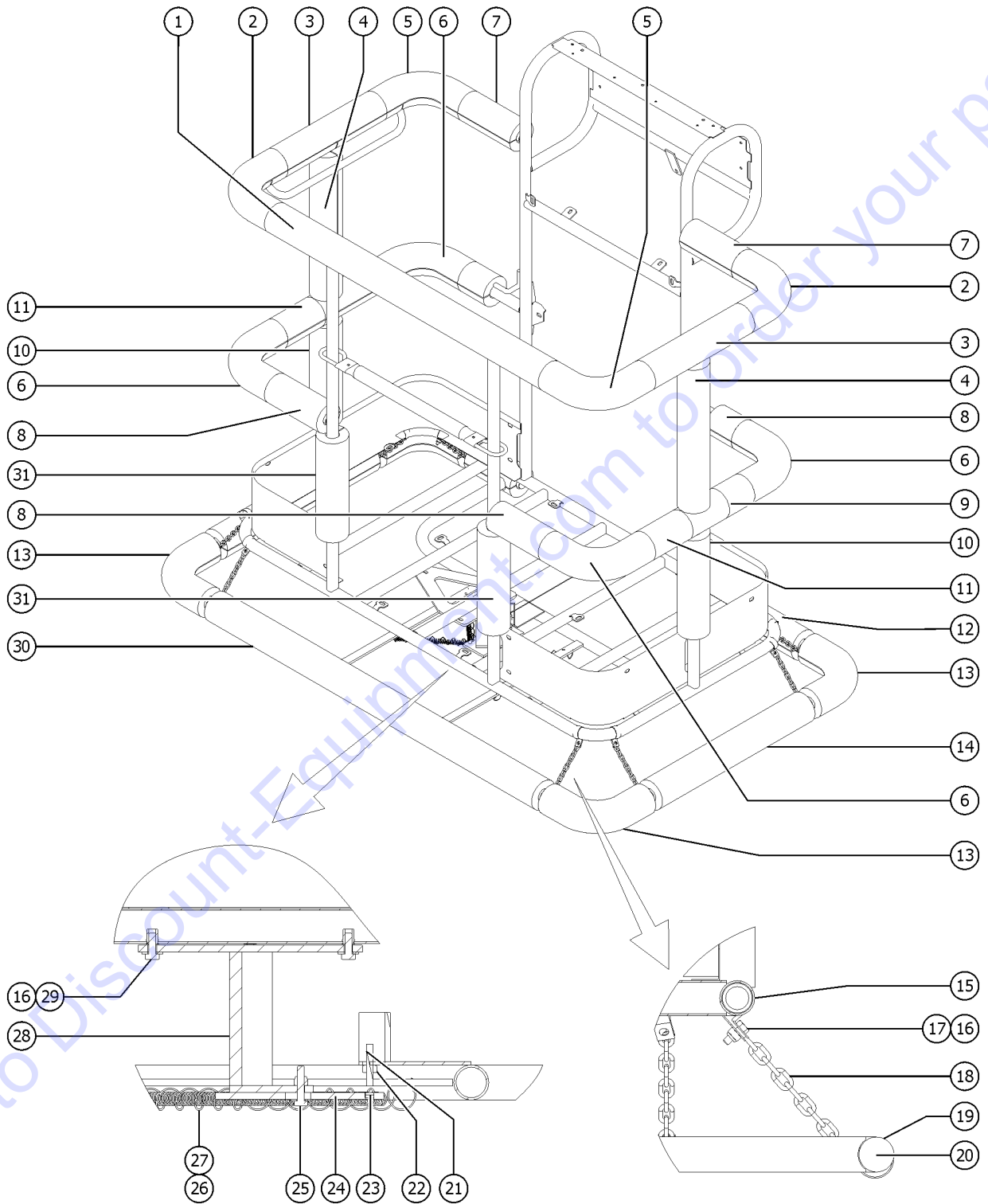
801.1 Air Line to Platform

<i>Item</i>	<i>Part No.</i>	<i>Description</i>	<i>Qty.</i>
1	52960GT	AIRLINE ASSY W/FITTINGS, Z34BE	1
2	27900GT	BULKHEAD,FEMALE X 6 X 6	2
3	824116GT	WASHER,FLAT,1.0,F436,HRD,ZAG	2
4	27895GT	COUPLER,1/4"SERIES 3/8 MPT	1
5	27894GT	PLUG,1/4"SERIES,3/8 MPT	1

Go to Discount-Equipment.com to order your parts

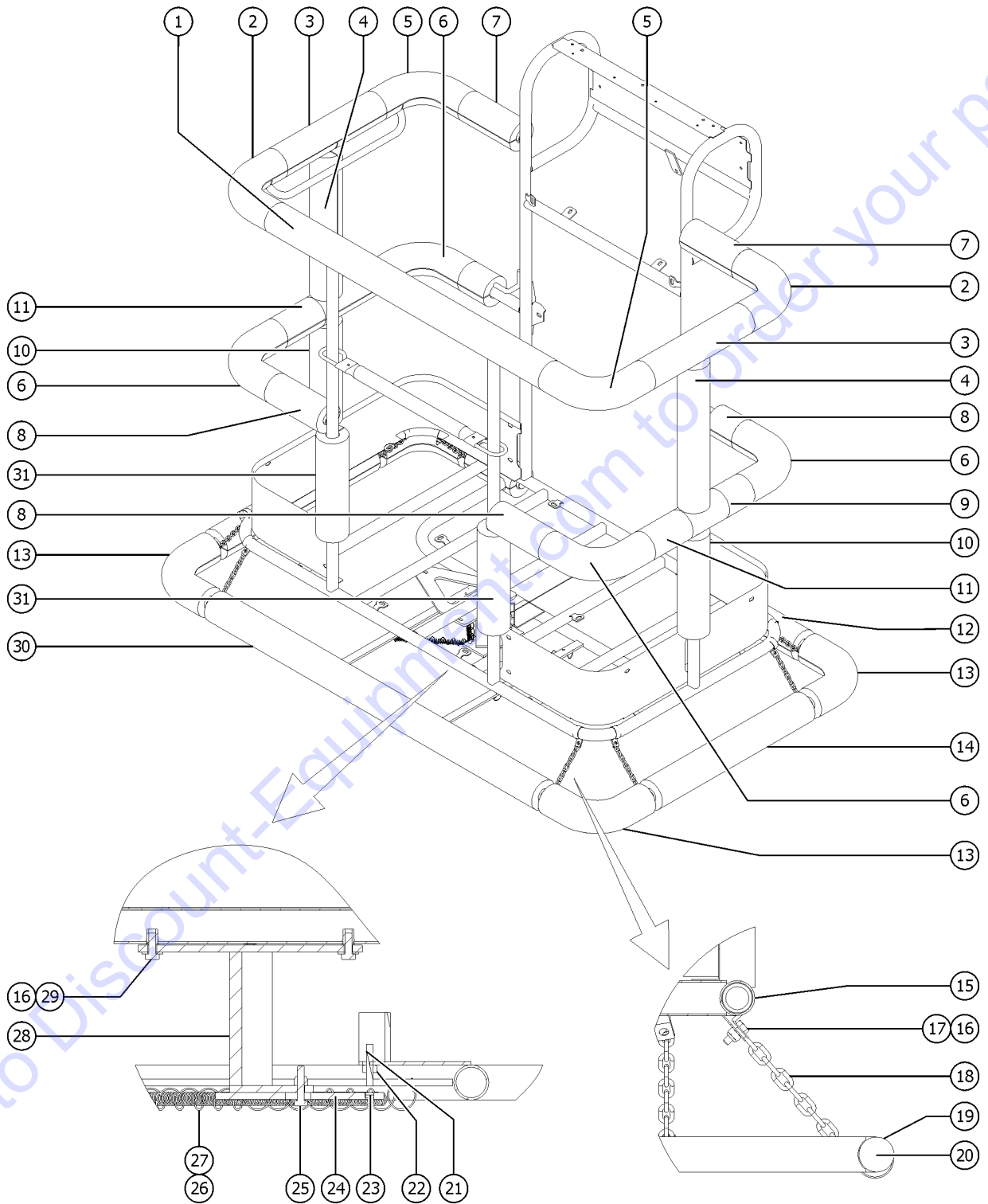


802.1 Aircraft Protection



Item	Part No.	Description	Qty.
	128200GT	SWITCH TOGGLE ASSY SPDT 3P MOM not shown; refer to 602.1	1
1A	1251590GT	BUMPER,3.5OD X 1.5ID X 30.75 4-ft platform	1
1B	825211GT	BUMPER,3.5OD X 1.5ID X 40.75 5-ft platform	1
2	147000GT	PADDING, FOAM 90 DEG	2
3	825207GT	BUMPER,3.5OD X 1.5ID X 14.75	2
4	825213GT	BUMPER,3.5OD X 1.5ID X 15.65	2
5	147001GT	PADDING, FOAM 90 DEG	2
6A	1252013GT	BUMPER,3.5OD X 1.5 ID 90 DEG 4-ft platform	4
6B	56418GT	BUMPER,90 DEG ELBOW 5-ft platform	4
7A	1251592GT	BUMPER,3.5OD X 1.5ID X 2.75 4-ft platform	2
7B	825216GT	BUMPER,3.5OD X 1.5ID X 7.75 5-ft platform	2
8	825215GT	BUMPER,3.5OD X 1.5ID X 3.80	8
9	1252012GT	BUMPER,3.5OD X 1.5 ID X 6.75	2
10	825212GT	BUMPER,3.5OD X 1.5ID X 12.75	2
11	1251592GT	BUMPER,3.5OD X 1.5ID X 2.75	2
12	825209GT	BUMPER,3.5OD X 1.5ID X 6.75	2
13	56418GT	BUMPER,90 DEG ELBOW	4
14	825214GT	BUMPER,3.5OD X 1.5ID X 22.70	2
15	56424GT	CLAMP,1.25X.5 RUBBER-CUSHION	16
16	824078GT	SCREW,HHF,1/4-20X.75,8,ZAG	16
17	824027GT	NUT,TL FLG,1/4-20,G,ZAG	16
18	56426-576GT	CHAIN,NO.2 (9LINKS)	8
19	56351GT	WELDMENT,FLOATING BUMPER	1
20	45385GT	PLUG,NYLON 1.12 BLACK DOMED	2
21	139643GT	HARNESS, PROX. KILL	1
21-	27391GT	PROXIMITY SENSOR***	1
22	88390GT	NUT,HEX,M8,PLASTIC	1
23	29261GT	MAGNET,NEODYMIUM,.375 X .100	2

802.1 Aircraft Protection

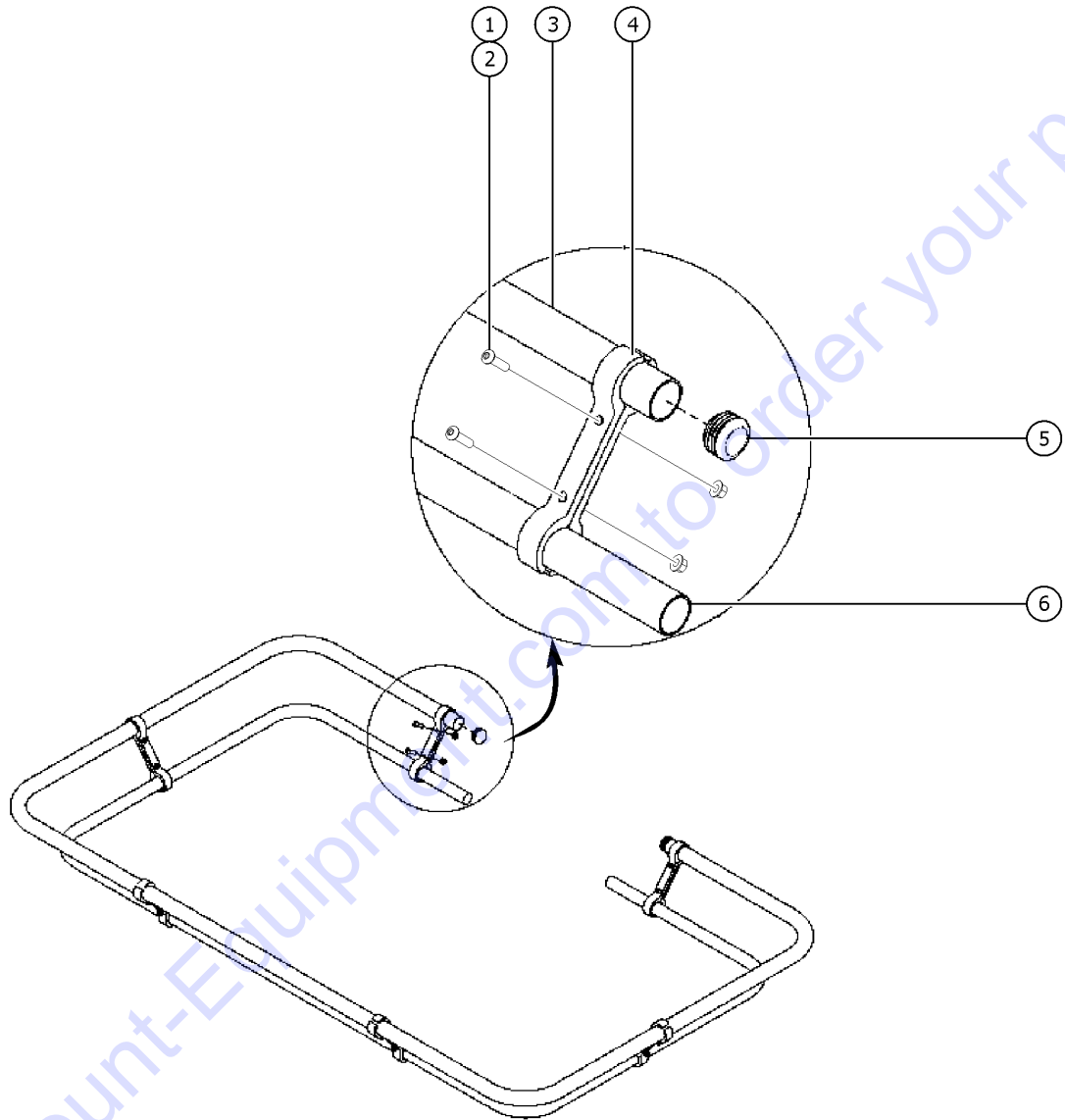


Item	Part No.	Description	Qty.
24	56330GT	PLATE,MAGNET MOUNT	1
25	824080GT	SCREW, HHF, 1/4-20 X 1.25, 8, ZAG	1
26	88385GT	SPRING, SS, 1/2-EO500-49-4500	4
27	56425GT	SPRING,EXTENSION,.75X4.5	4
28	56328GT	WELDMENT,SENSOR BRACKET	1
29	23404GT	NUTSERT,1/4-20,STEEL CAD PLTD	1
30A	1251591GT	BUMPER,3.5OD X 1.5ID X 38.75	1
		4-ft platform	
30B	825210GT	BUMPER,3.5OD X 1.5ID X 48.70	1
		5-ft platform	
31	1252011GT	BUMPER,3.5OD X 1.5 ID X 9.75	1

Go to Discount-Equipment.com to order your parts



803.1 Auxiliary Rail Assembly



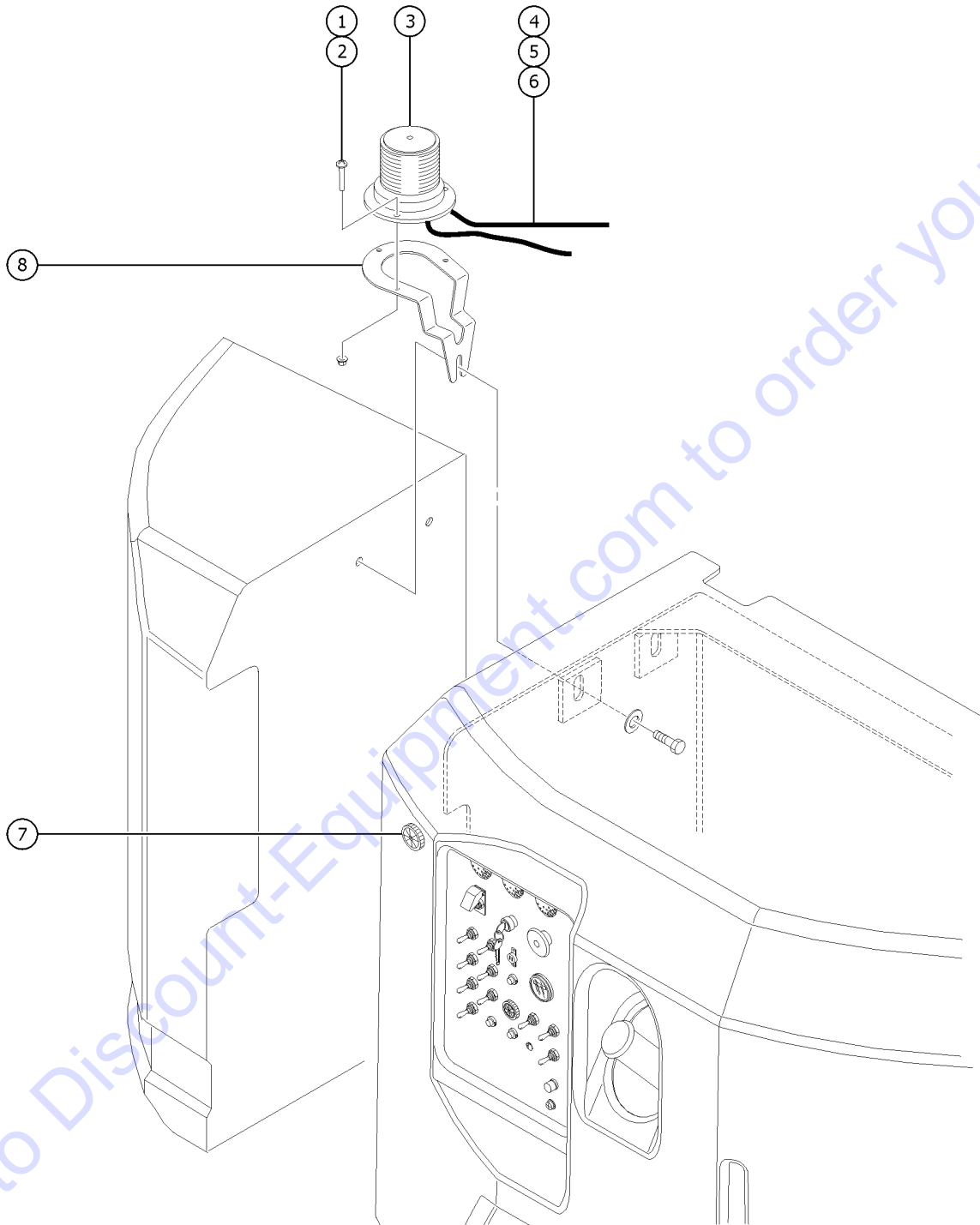
803.1 Auxiliary Rail Assembly

Item	Part No.	Description	Qty.
1	1259715GT	SCREW,BHTC,1/4-20X1,ZAG	12
2	824027GT	NUT,TL FLG,1/4-20,G,ZAG	12
3A	T112779GT	KIT, AUX. RAIL, 4' PLATFORM	1
		includes 1, 2, 4 and 5	
3B	T112780GT	KIT, AUX. RAIL, 5' PLATFORM	1
		includes 1, 2, 4 and 5	
4	122073GT	SUPPORT, RAILING	12
5	55753GT	BUMPER, PLASTIC, 1.25 O.D.	2
6		Ref. PLAT RAIL ASSY	
		refer to 601.1	

Go to Discount-Equipment.com to order your parts



804.1 Flashing Beacon and Alarm



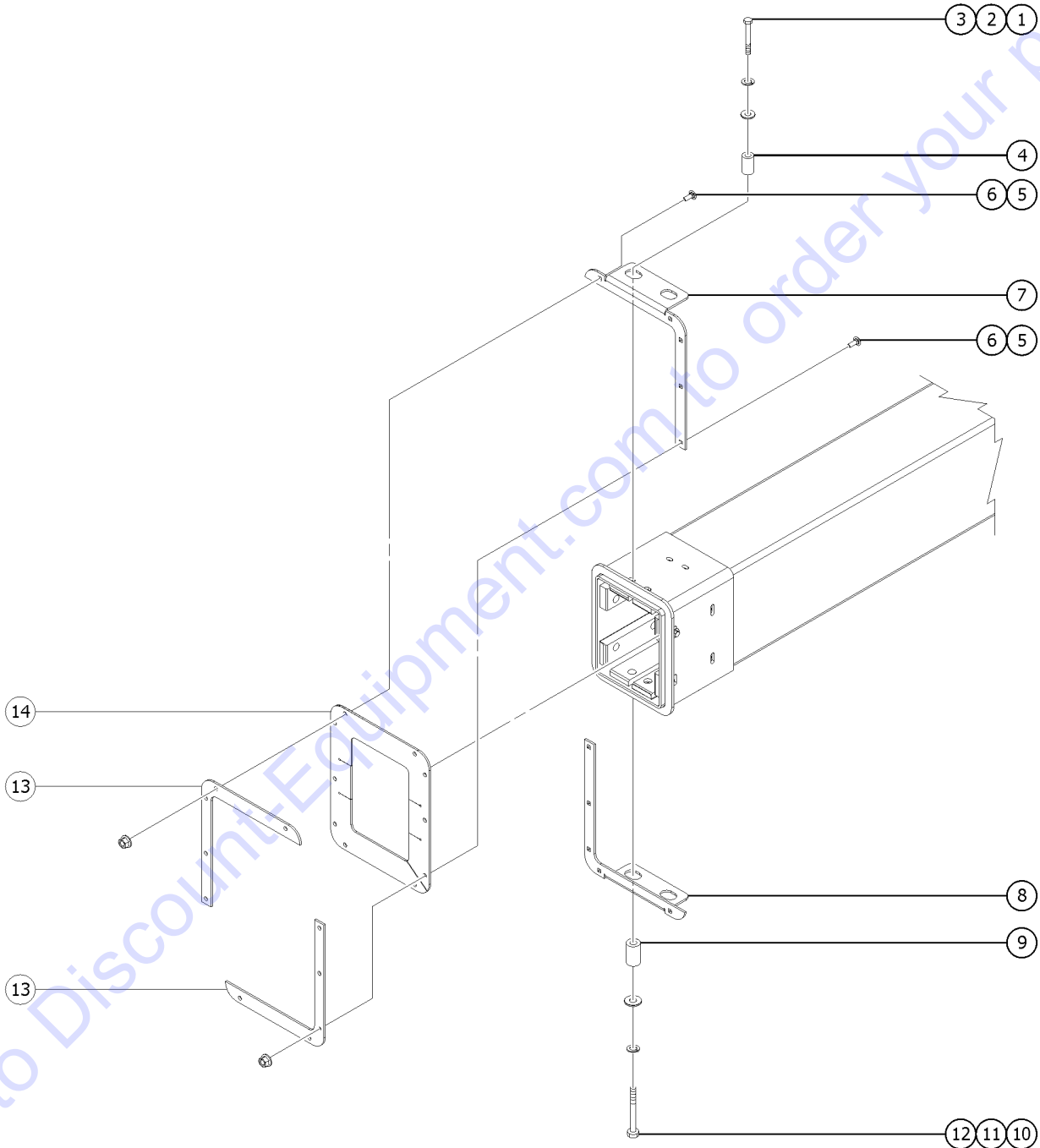
804.1 Flashing Beacon and Alarm

Item	Part No.	Description	Qty.
	56879-SGT	ACCESS.ALARM PACKAGE Z34BE,IC	1
1A	824215GT	SCREW,PHPM,10-32X.75,ZAG	3
		to SN Z34F-12025	
1B	826516GT	SCREW, PHPM, 10-32 X 1.0, ZAG	3
		from SN Z34F-12026	
2A	824032GT	NUT,TL FLG,10-32,F,ZAG	3
		to SN Z34F-12025	
2B	1264261GT	NUT,SERRATED,10-32,ZAG	3
		from SN Z34F-12026	
3	56704GT	STROBE,FIREBOLT,12-80VDC,AMB**	1
3-	122019GT	FLASHTUBE,U SHAPED,360DEG,BULB	
3-	226393GT	FLASHTUBE,STRAIGHT,360DEG,BULB	
3-	72282GT	LENS,AMBER,STROBE,FIREBOLT	
4	56051GT	WIRE CABLE,16/2,WHT/BLK,SJEOW	26
5	13825GT	TERMINAL,COUPLER,MALE,14-16GA	1
6	66684GT	TERMINAL FEMALE,1/4 BLUE,14-16	1
7	18963GT	ALARM.INTERMITTENT TONE.24V	1
		plastic nut not included	
7-	72326GT	NUT - PLASTIC, RING FOR ALARMS	
8	62694GT	BEACON MOUNT ASSY.Z34/BE	1

Go to Discount-Equipment.com to order your parts



805.1 Hostile Environment, Wiper



Go to DiscountEquipment.com to order your parts

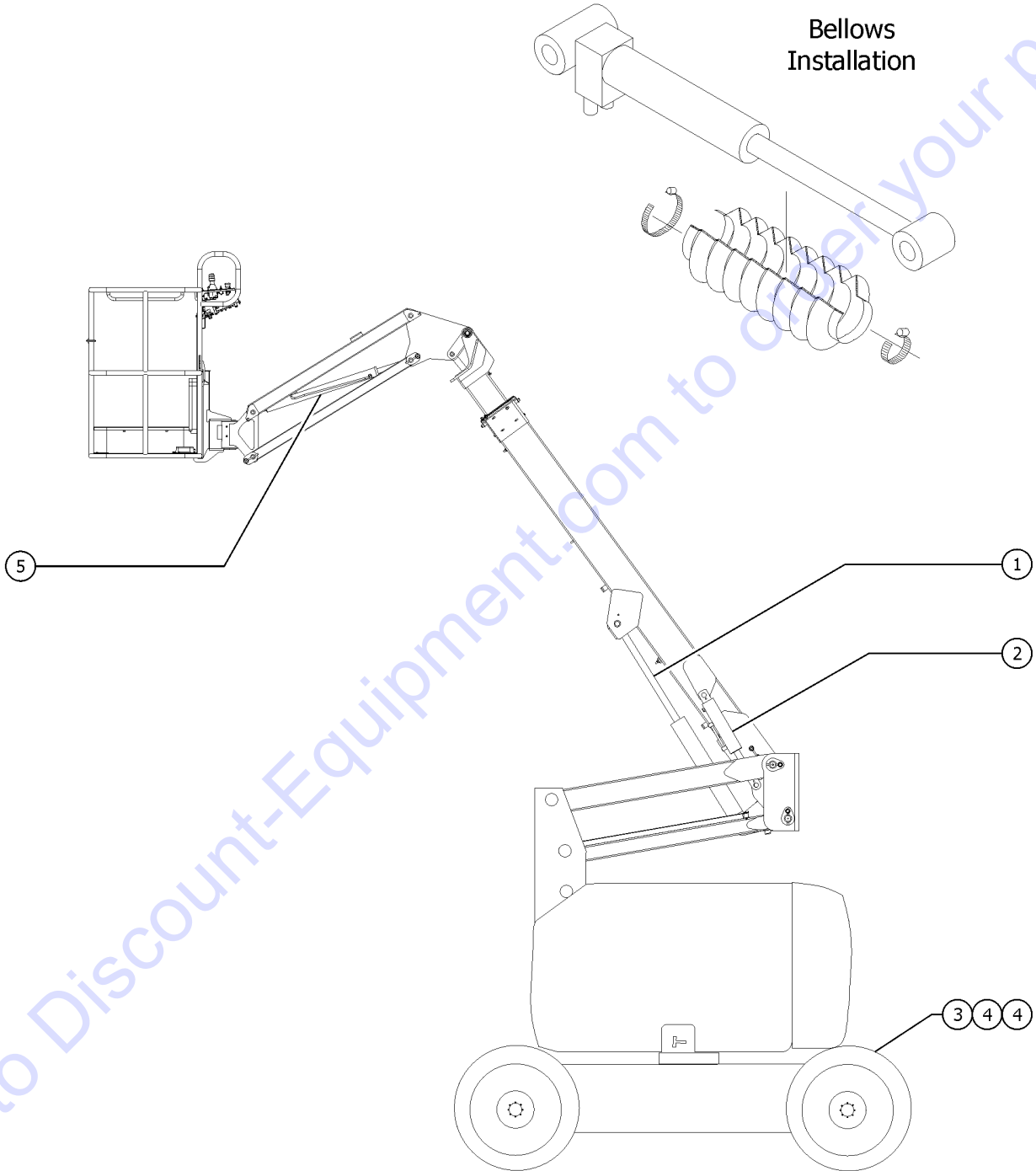
805.1 Hostile Environment, Wiper

Item	Part No.	Description	Qty.
	128677GT	KIT, WIPER	1
1	1252978GT	SCREW,HHC,3/8-16X2.25,8,ZAG	2
2	824110GT	WASHER,LOCK,3/8,ZAG	2
3	825358GT	WASHER,FLAT,5/16,USS,ZAG	2
4	128852GT	TUBE,RD,STL,DOM,.75X.438X1.25	2
5	824124GT	BOLT,CARRIAGE,1/4-20X.75,5,ZAG	10
6	824027GT	NUT,TL FLG,1/4-20,G,ZAG	10
7	128681GT	FORMING, WIPER MOUNT	1
8	128682GT	FORMING, WIPER MOUNT	1
9	119077GT	TUBE,RD,STL,DOM,.75OD X .375ID	2
10	824064GT	SCREW,HHC,1/4-20X2.25,8,ZAG	2
11	824109GT	WASHER,LOCK,1/4,ZAG	2
12	824113GT	WASHER,FLAT,USS,1/4,ZAG	2
13	128973GT	PLATE,WIPER BACKING	2
14	147181GT	WIPER,PRIMARY BOOM	1

Go to Discount-Equipment.com to order your parts



806.1 Hostile Environment, Cylinder Bellows



806.1 Hostile Environment, Cylinder Bellows

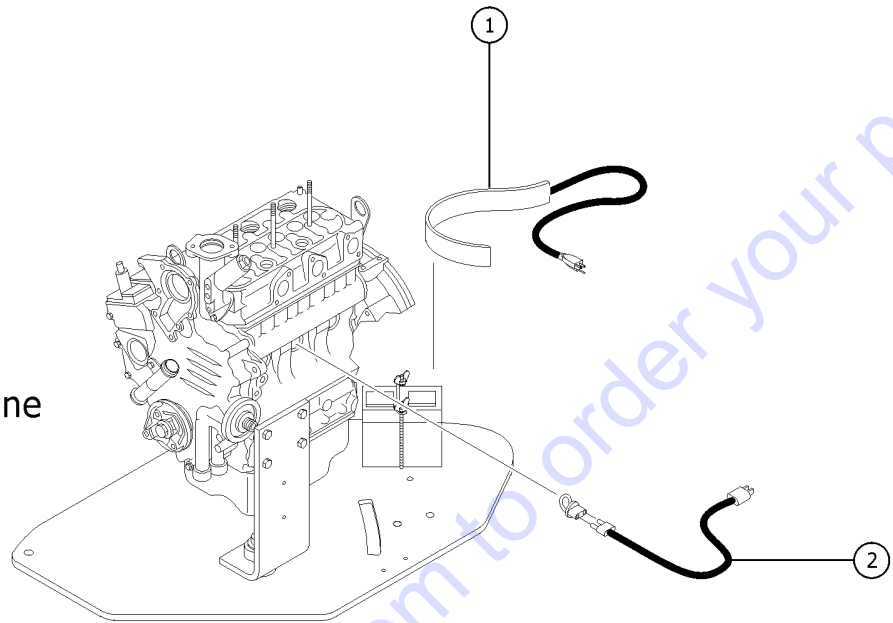
Item	Part No.	Description	Qty.
A	128838GT	KIT, CYLINDER BELLOWS	
A-	30577GT	COVER,PROTECTIVE,MASTER/SLAVE	1
		not shown	
A-	30489GT	CLAMP,HOSE,3.50	5
		not shown	
A-	30971GT	CLAMP,HOSE,3.00"	1
		not shown	
A-	35434GT	CLAMP,HOSE,2.00***	6
		not shown	
1	94461GT	BELLOWS,PRIMARY/ELEV CYLINDER	2
2	94463GT	BELLOWS,MASTER CYLINDER	1
3	54989GT	BELLOWS,STEERING CYLINDER	1
		not shown	
4	1263699GT	SCREW,HHC,3/8-16X.5,8,ZAG	2
5	94462GT	BELLOWS,JIB CYLINDER	1

Go to Discount-Equipment.com to order your parts

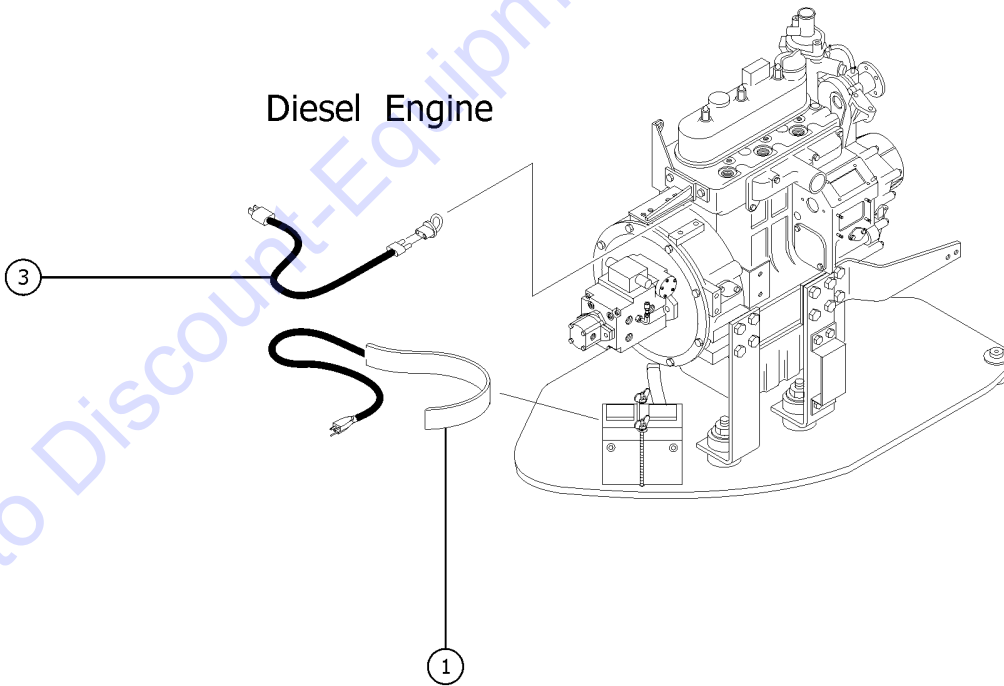


807.1 Cold Start

Gasoline Engine



Diesel Engine



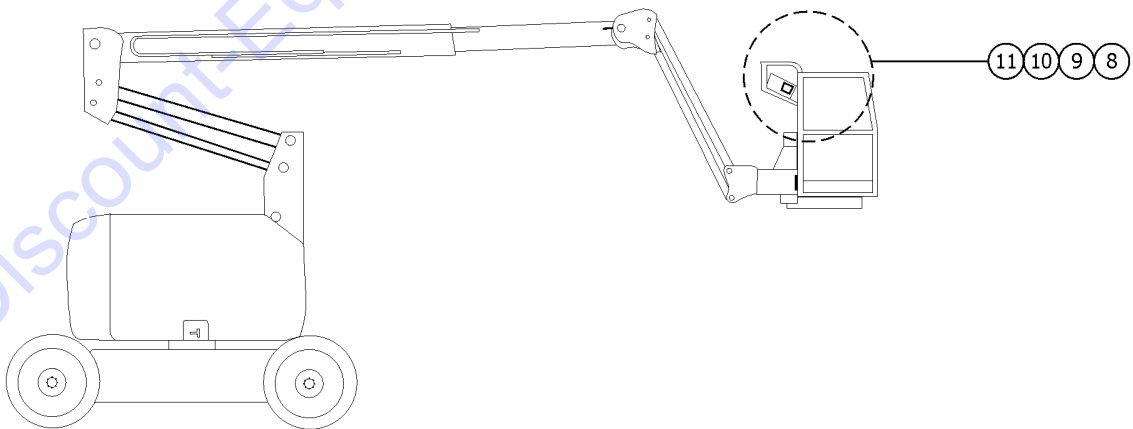
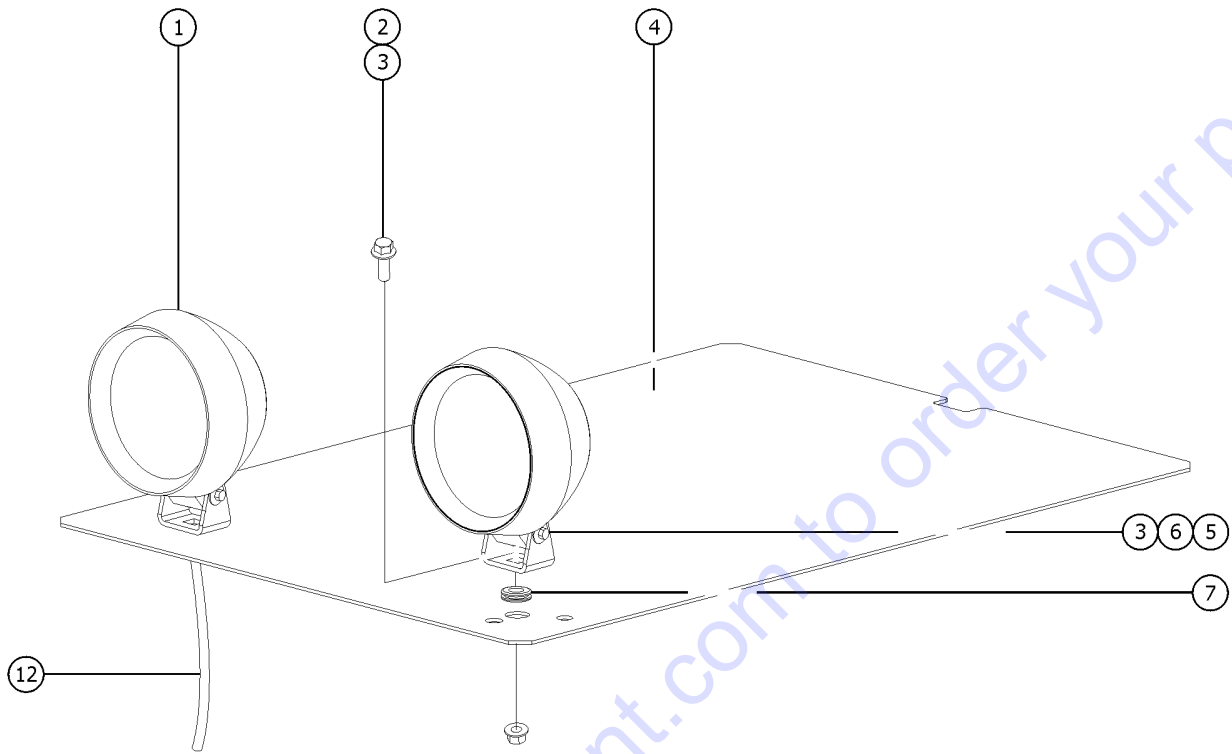
Go to Discount-Equipment.com to order your parts

Item	Part No.	Description	Qty.
-	128146GT	OIL,ENG 5W-40 SYN***	12
1	28853GT	BLANKET,BATTERY	1
2	139247GT	FREEZE PLUG HEATER,DF972,Z34	1
		Kubota Gas	
3	42489GT	FREEZE PLUG HEATER	
		Kubota Diesel	

Go to Discount-Equipment.com to order your parts



808.1 Drive Light

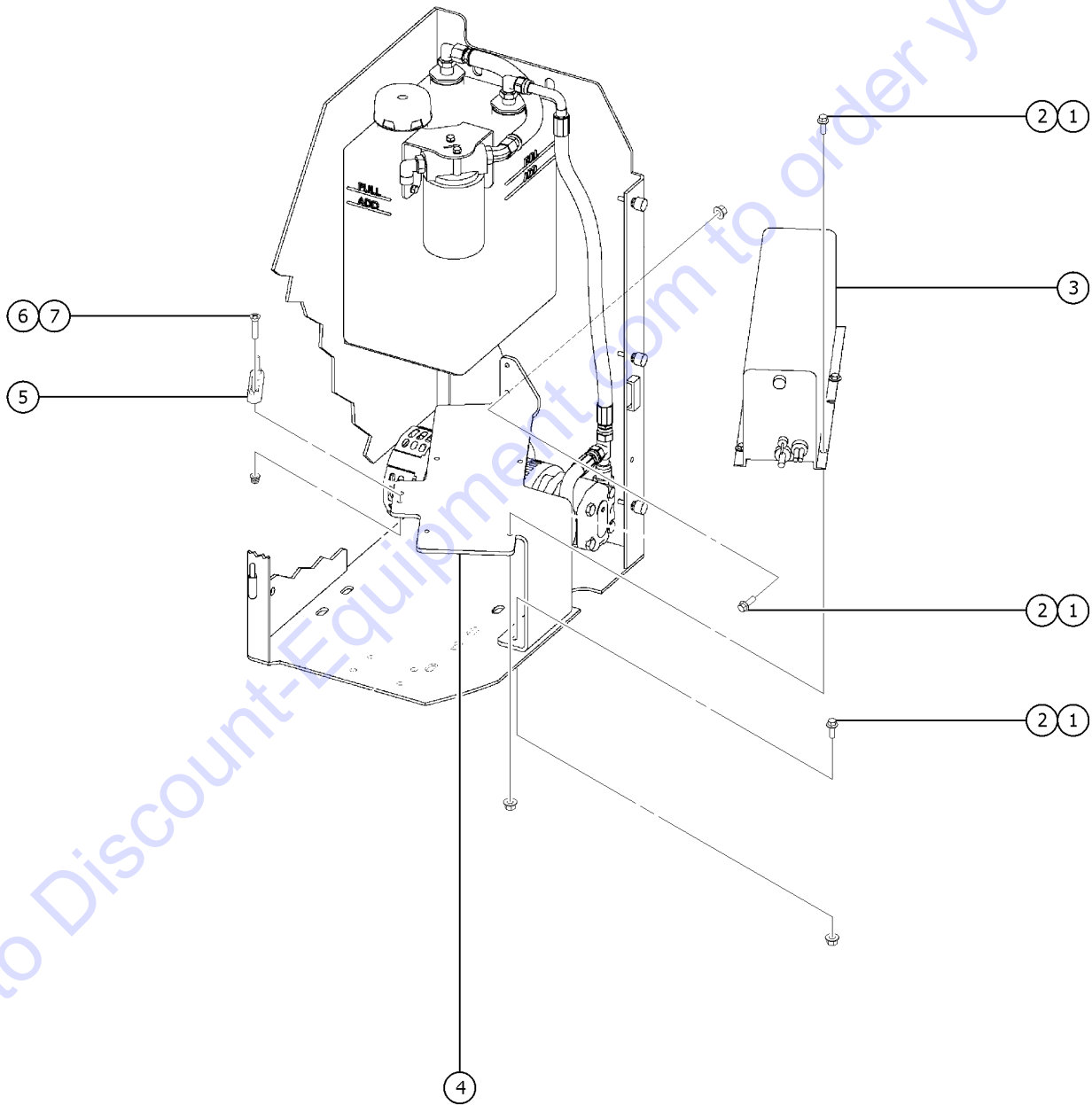


Item	Part No.	Description	Qty.
	147492GT	HARNESS, DRIVE LIGHTS, 12V	
1	107857GT	LIGHT, 12 VOLT includes items 2-3 and 5-6	2
2	824085GT	SCREW, HHF, 5/16-18 X .75, 8, ZAG	2
3	824028GT	NUT, TL FLG, 5/16-18, G, ZAG	4
4	128968GT	COVER, DR LIGHT OPTION	1
5	825674GT	SCREW, HHC, 5/16-18X2, 8, ZAG	2
6	825358GT	WASHER, FLAT, 5/16, USS, ZAG	2
7	53517GT	GROMMET, RUBBER .5 X .014 X .75	2
8	19274GT	RELAY, SPDT, 12V(AUTO)**	1
8-	54365GT	SCREW, PHIL, PHM, 10-32 X .5, SSTL	
8-	824032GT	NUT, TL FLG, 10-32, F, ZAG	
9	72867GT	DECAL, LABEL, LIGHTS***	1
10	128205GT	SWITCH TOGGLE ASSY DPDT 2P MNT	1
10-	27246GT	BOOT, TOGGLE SWITCH, SHORT*	
11	6578GT	CABLE TIE, 7 3/8"	2
12	128270GT	HARNESS, DRIVE LIGHTS, 12V	1

Go to Discount-Equipment.com to order your parts



809.1 Inverter, 120V



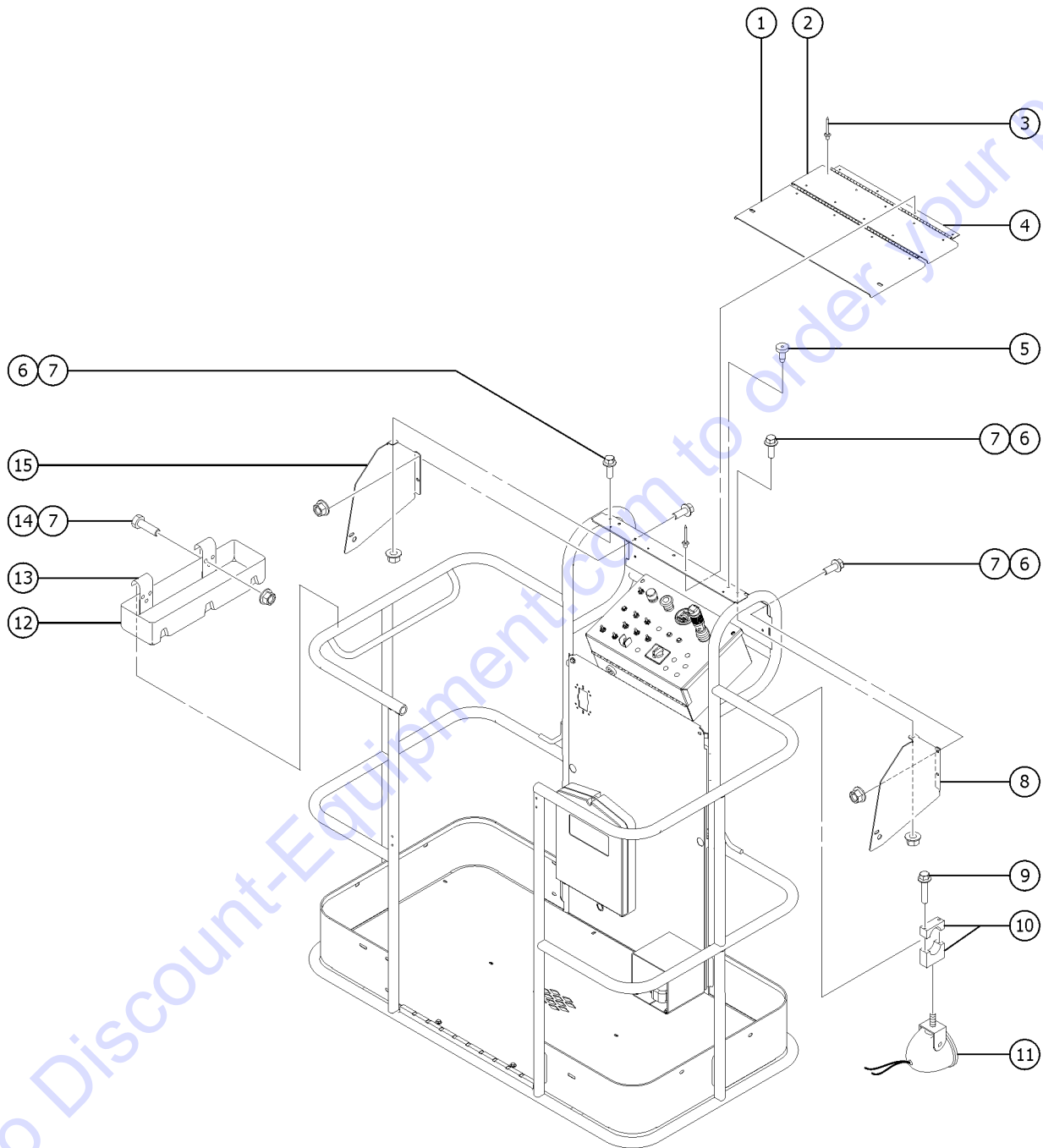
809.1 Inverter, 120V

Item	Part No.	Description	Qty.
A-	78098GT	RELAY,24VDC,40/30A,SLD W/BRKT*	1
B-	32149GT	WELDING CABLE #2 RED	72
C-	66717GT	FUSE BLOCK, ANN & ANL FUSE	1
D-	36355GT	FUSE,100 AMP,VERY FAST ACTING	1
1	824079GT	SCREW,HHF,1/4-20X1,8,ZAG	8
2	824027GT	NUT,TL FLG,1/4-20,G,ZAG	8
3	150026GT	INVERTER,48VDC,120VAC/60HZ	1
4	128102GT	FORMING, INVERTER MT.	1
5	66717GT	FUSE BLOCK, ANN & ANL FUSE	1
6	824225GT	SCREW,FHPM,10-32X.75,ZAG	2
7	23405GT	NUTSERT,10-32 STEEL CAD PLTD	2

Go to Discount-Equipment.com to order your parts



810.1 Platform Control Box Cover, Tool Tray and Work Light



Go to Discount-Equipment.com to order your parts

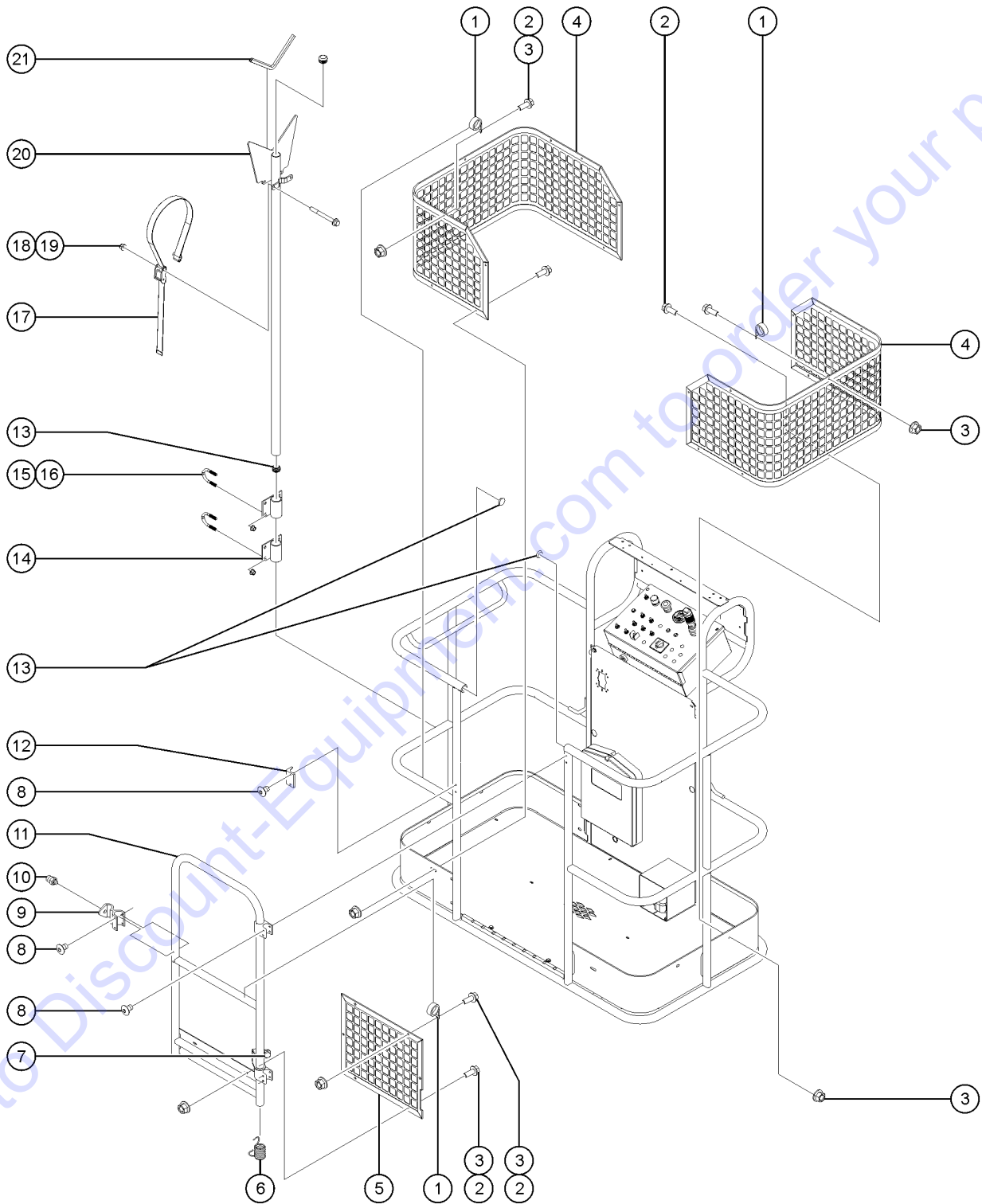
810.1 Platform Control Box Cover, Tool Tray and Work Light

Item	Part No.	Description	Qty.
A-	101649GT	OPTION,CONTROL BOX COVER includes items 1-8, 15	1
B-	823942GT	OPTION,WORKLIGHTS,48V includes items 9-11	1
C-	9599-SGT	TOOL TRAY ACCESSORY*** includes items 7, 12-14	1
1	101679GT	LID,CONTROL BOX COVER	1
2	101678GT	LID,CONTROL BOX COVER	1
3	87085GT	RIVET,ALUM,P.,188 X .25	18
4	77860GT	HINGE,CONTROL BOX	2
5	34619GT	BUMPER,RUBBER***	6
6	824078GT	SCREW,HHF,1/4-20X.75,8,ZAG	
7	824027GT	NUT,TL FLG,1/4-20,G,ZAG	
8	101676GT	CONTROL BOX COVER, RH	1
9	824081GT	SCREW, HHF, 1/4-20 X 1.5, 8, ZAG	2
10	35956GT	BRACKET,WORK LIGHT MOUNT 5/16"	2
11	107858GT	WORKLIGHT,48 VOLT	2
11-	823226GT	POWER RELAY, 24V COIL	
12	9599-SGT	TOOL TRAY ACCESSORY***	1
13	7746P-SGT	TOOL TRAY BRCKT, GRAY,SERVICE	2
14	824059GT	SCREW,HHC,1/4-20X.75,8,ZAG	6
15	101677GT	CONTROL BOX COVER, LH	1

Go to Discount-Equipment.com to order your parts



811.1 Platform Half Mesh, Swing Gate and Pipe Cradle (to SN Z34F-13115)

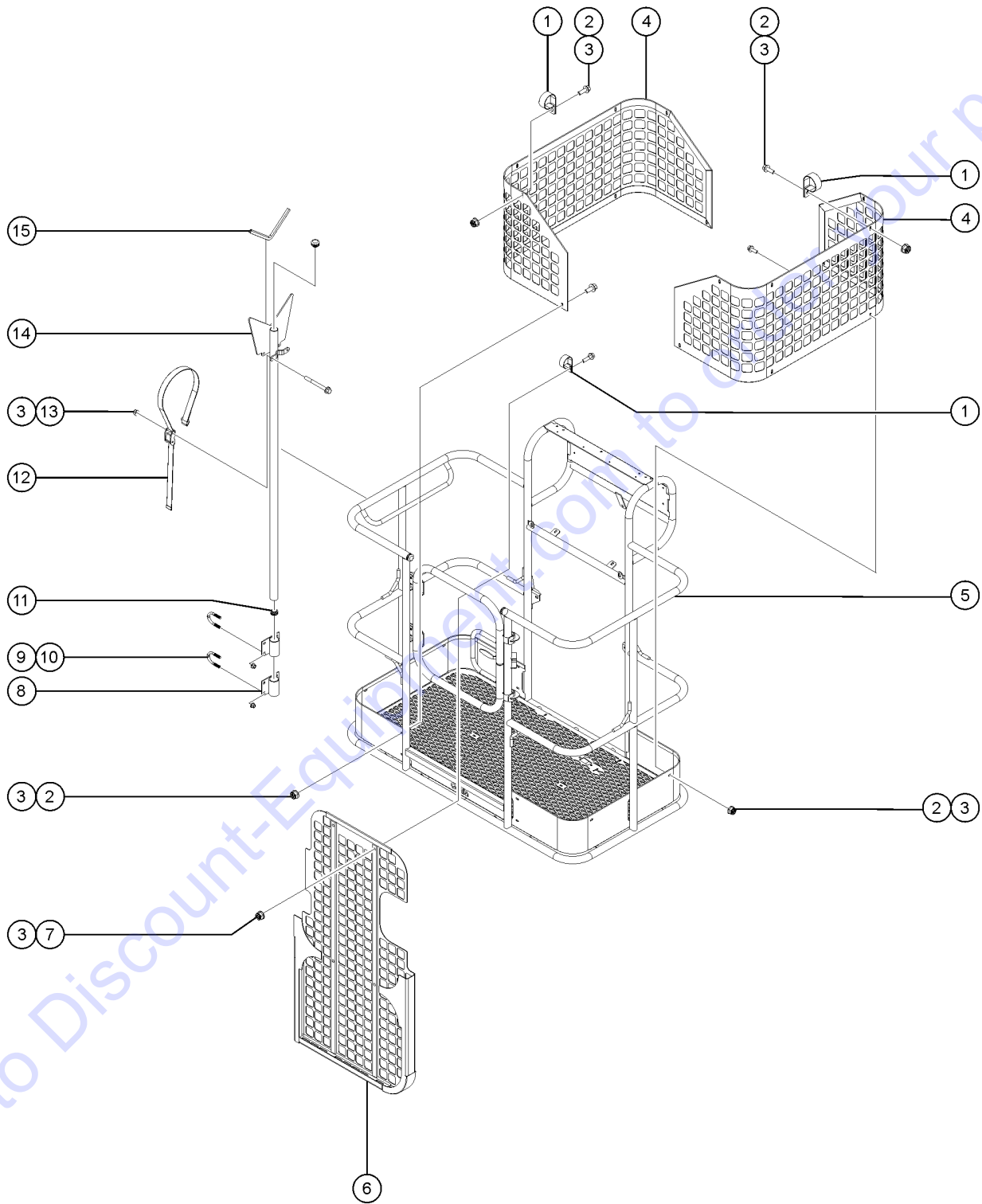


811.1 Platform Half Mesh, Swing Gate and Pipe Cradle (to SN 734F-13115)
Qty.

Item	Part No.	Description	Qty.
A	85300GT	PIPE CRADLE ASSY. SERV (ONE)** (ANSI & CE only) (This is a single assembly. Qty 2 of 85300GT required to complete a set)	
A-	65630GT	INSTRUCTIONS-PIPE CRADLE,BOOMS	
1	56424GT	CLAMP,1.25X.5 RUBBER-CUSHION	23
2	824078GT	SCREW,HHF,1/4-20X.75,8,ZAG	
3	824027GT	NUT,TL FLG,1/4-20,G,ZAG	
4A	74009GT	MESH,HALF HEIGHT RH,4'***	2
4B	74007GT	MESH,HALF HEIGHT,5'***	2
5	54457GT	MESH,HALF,SWING GATE***	1
6	42104GT	SPRING,SHORT PLATFORM GATE	1
7	43392GT	BUMPER,BATTERY BOX & RAILS	1
8	824207GT	RIVET,STL,STL,DOME,1/4X.375,Z	
9	1487GT	GATE LATCH CASTING--DRILLED	1
10	33674GT	PIN,LOCK,SHORT***	1
11	128368GT	KIT,SWING GATE W/SPRING	
11	1290135GT	KIT,FRONT HALF SWING GATE	
11	128374GT	WELDMENT,SWING GATE,ALUMINUM	1
11-	9596GT	HINGE CASTING	2
12	1488GT	RAILING CATCH CASTING--DRILLED	1
13	55753GT	BUMPER, PLASTIC, 1.25 O.D.	6
14	81368GT	WELDMENT,PIPE CRADLE MOUNT	4
15	1251600GT	U-BOLT, FLATTENED, 1.5 X 3/8	8
16	1274322GT	NUT,NYLOCK FLG,3/8-16,F,ZAG	16
17	56570GT	STRAP, CONDUIT HOLDER 60"***	2
18	1277924GT	NUT,NYLOCK FLG,1/4-20,F,ZAG	4
19	824083GT	SCREW,HHF,1/4-20X2.5,8,ZAG	4
20	56525GT	WELDMENT, PIPE CRADLE	2
21	19018-1100GT	TRIMLOCK,BLACK,5/32"	2



811.2 Platform Half Mesh, Swing Gate and Pipe Cradle (from SN Z34F-13116)



Go to Discount-Equipment.com to buy your parts

811.2 Platform Half Mesh, Swing Gate and Pipe Cradle (from SN 734F-13116)
Qty.

Item	Part No.	Description	Qty.
1	56424GT	CLAMP,1.25X.5 RUBBER-CUSHION	12
2	824078GT	SCREW,HHF,1/4-20X.75,8,ZAG	
3	1277924GT	NUT,NYLOCK FLG,1/4-20,F,ZAG	
4	74007GT	MESH,HALF HEIGHT,5'*** 5 Feet Platform	2
4B	74009GT	MESH,HALF HEIGHT RH,4'*** 4 Feet Platform	2
5		REF. PLATFORM (refer to 601.2)	1
6	1278793GT	WELDMENT,PLATFORM MESH GATE	1
7	824079GT	SCREW,HHF,1/4-20X1,8,ZAG	4
8	81368GT	WELDMENT,PIPE CRADLE MOUNT	4
9	1251600GT	U-BOLT, FLATTENED, 1.5 X 3/8	8
10	1274322GT	NUT,NYLOCK FLG,3/8-16,F,ZAG	16
11	55753GT	BUMPER, PLASTIC, 1.25 O.D.	4
12	56570GT	STRAP, CONDUIT HOLDER 60"***	2
13	824083GT	SCREW,HHF,1/4-20X2.5,8,ZAG	4
14	56525GT	WELDMENT, PIPE CRADLE	2
15	19018-1100GT	TRIMLOCK,BLACK,5/32"	2

Go to Discount-Equipment.com to order your parts



Go to Discount-Equipment.com to order your parts

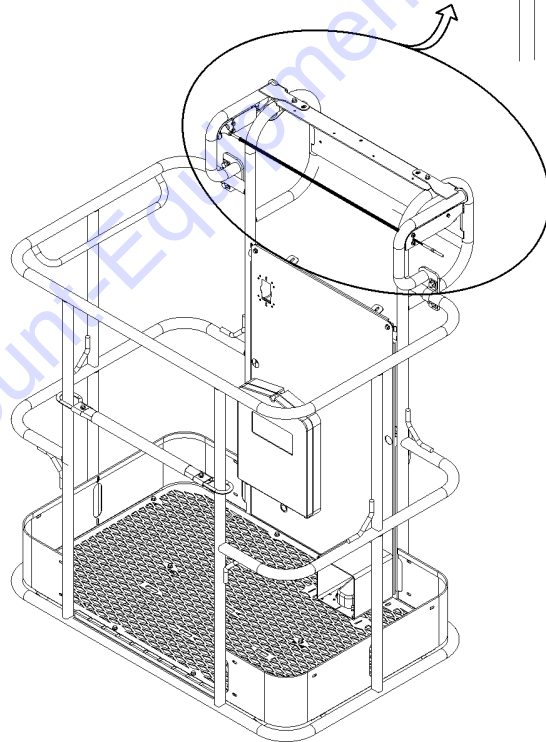
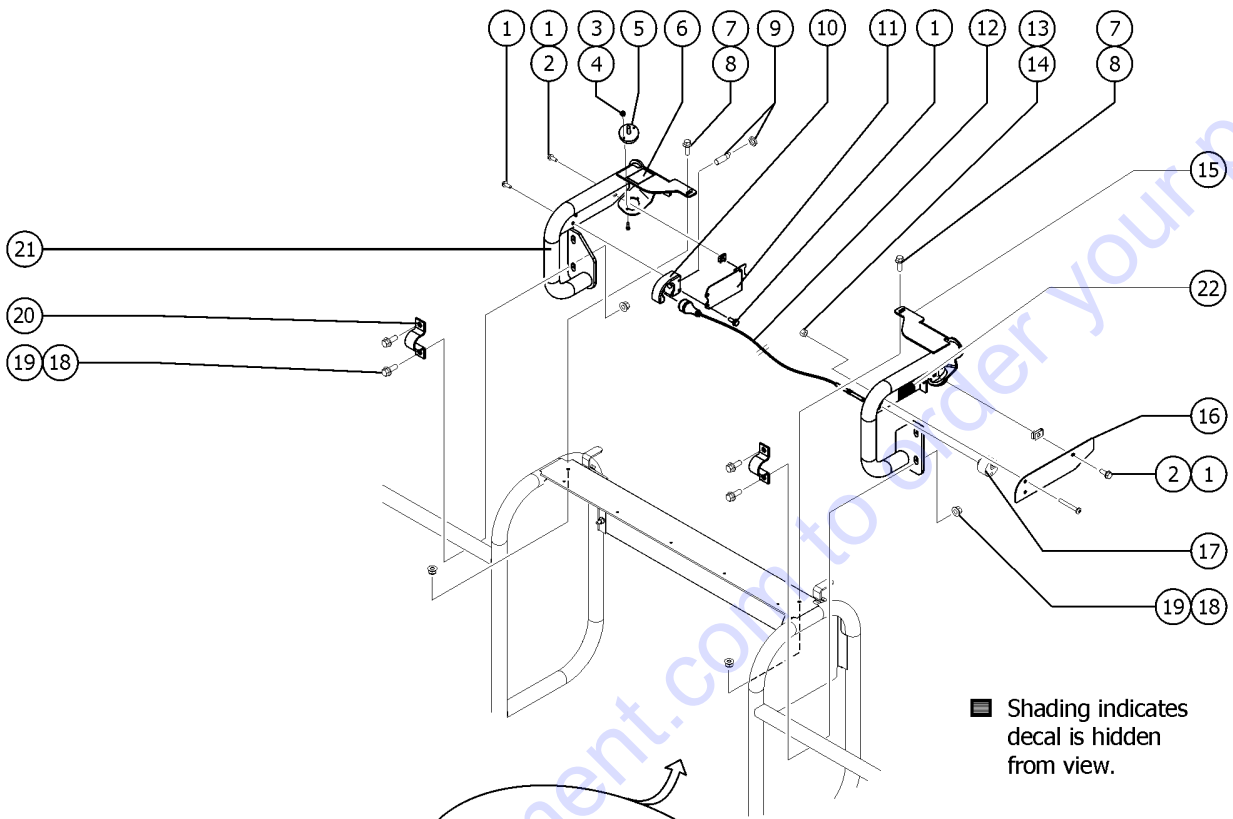


812.1 Platform Overload, CE and AUS

Item	Part No.	Description	Qty.
	121848GT	ASSY,LS,LOAD SENSE,38.5 IN	1
1	94191GT	WELDMENT,LOAD SUPPORT	2
2	94176GT	WELDMENT,PLATFORM SUPPORT	1
3	61726GT	PIN,0.75DIA X 5.75LG,CHAMFER	4
4	825020GT	ROD END, .25 X 2.75, ZAG	4
5	824079GT	SCREW,HHF,1/4-20X1,8,ZAG	4
6	824024GT	NUT,TL,1/4-20,C,ZAG	4
7	61973GT	SWITCH,ROLLER PLUNGER LIMIT	1
8	824216GT	SCREW,PHPM,10-32X1.5,ZAG	2
9	61972GT	MOUNT,SWITCH	1
10	25685GT	BEARING,GARLOCK,12FDU12	8
11	110789GT	WASHER,SHIM .0151 THK.	8
12	824029GT	NUT,TL FLG,3/8-16,G,ZAG	1
13	824208GT	RETAINER,SPRING,1.21X.375,ZAG	1
14	61974GT	SPRING,COMP,1" OD,232 LB/IN	1
15	34619GT	BUMPER,RUBBER***	2
16	824070GT	SCREW,HHC,3/8-16X3.25,8,ZAG	1
17	1268468GT	WASHER,FLAT,.406X1.50X.125,ZAG	1
18	824032GT	NUT,TL FLG,10-32,F,ZAG	2
19	94170GT	WELDMENT,ROTATOR SUPPORT	1
20	45470GT	CLAMP,0.31,#5 X 1/4,RUB CUSH	1



813.1 Lift Guard Contact Alarm



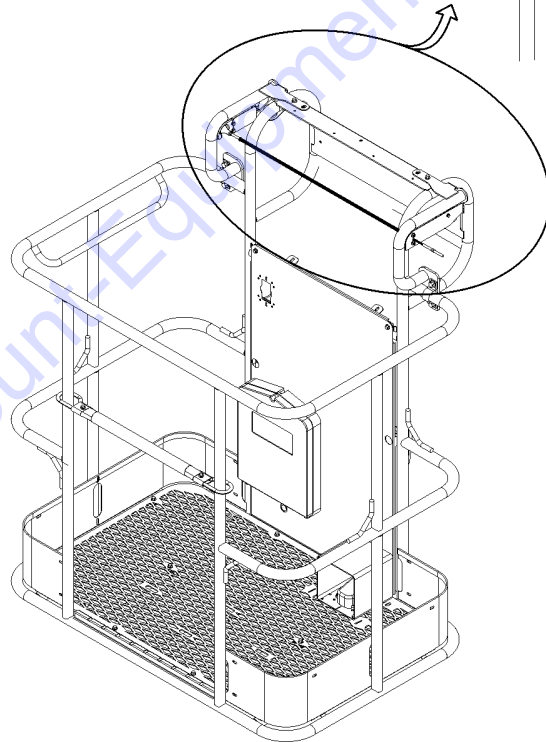
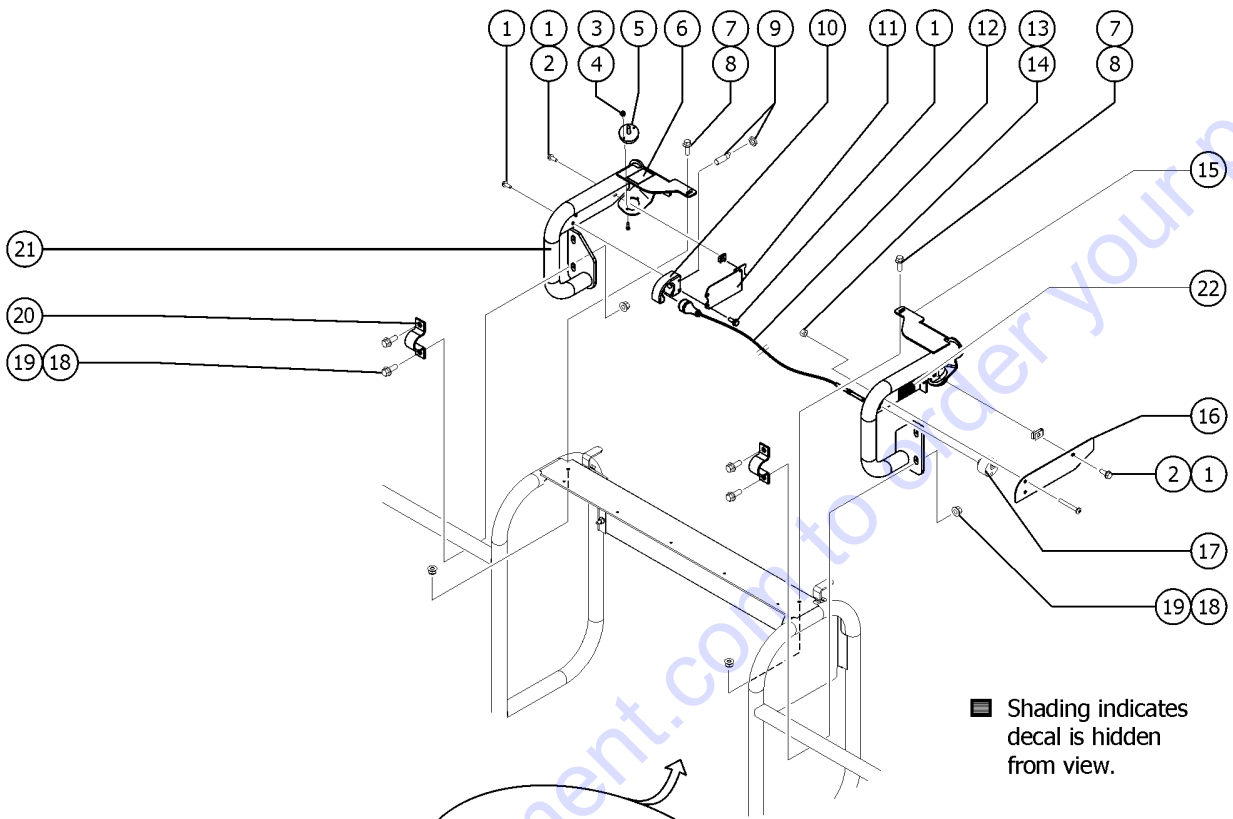
■ Shading indicates decal is hidden from view.

813.1 Lift Guard Contact Alarm

Item	Part No.	Description	Qty.
A-		From January 2017, this option became a standard installation on all models unless the customer specifically request not to have it installed."	
B-	1279136GT	KIT,LIFT GUARD CONTACT ALARM,4'-5' PLATFORM	
C-	1278451GT	HARNESS, OPA2, Z34IC	
D-	19274GT	RELAY,SPDT,12V(AUTO)**	
E-	1278121GT	MODULE, PLUS+1, OPA2 located inside the Platform Control Box	
1	1264934GT	SCREW,HHF,10-24X. 5	
2	73575GT	SPRING CLIP,10-24,.025-.125X.468,ZAG	
3	12344GT	NUT,NYLOCK,6-32	
4	1256859GT	SCREW,PHPM,6-32X.875,ZAG	
5	1278111GT	ASSEMBLY, LIGHT, OPA2	2
5B	1285850GT	ASSEMBLY,AMBER LIGHTS,CONTACT	
6	1278542GT	DECAL, INSTRUCTION, CONTACT ALARM	
7	824078GT	SCREW,HHF,1/4-20X.75,8,ZAG	
8	1277924GT	NUT,NYLOCK FLG,1/4-20,F,ZAG	
9	1278119GT	ASSEMBLY, SENSOR, PROX, OPA2	1
10	1278433GT	ASSY, SENSOR W/ HOUSING (Includes holder item 1277877 and sensor part 1278119)	
10-	1277877GT	HOLDER, SENSOR	1
11	1277873GT	PLATE, SENSOR HOLDER	1
12	1278417GT	ASSEMBLY, OPA CABLE, SMALL	1
12-	1278124GT	MAGNET, 1/4-20, 15 LB. Part of assembly 1278417	
12-	1278459GT	OPA WIRE ASSY, SMALL Part of assembly 1278417	
12-	1278368GT	GRIP, CABLE Part of assembly 1278417	
12-	1261184GT	NUT,1/4-20,8,ZAG Part of assembly 1278417	
13	825352GT	SCREW,PHPM,10-32X1.25,ZAG	
14	1264261GT	NUT,SERRATED,10-32,ZAG	
15	1278175GT	WELDMENT, RIGHT OPA, SMALL	1
16	1277875GT	PLATE, CABLE AND WIRE COVER	1
17	1277876GT	GUIDE, CABLE	1



813.1 Lift Guard Contact Alarm



■ Shading indicates decal is hidden from view.

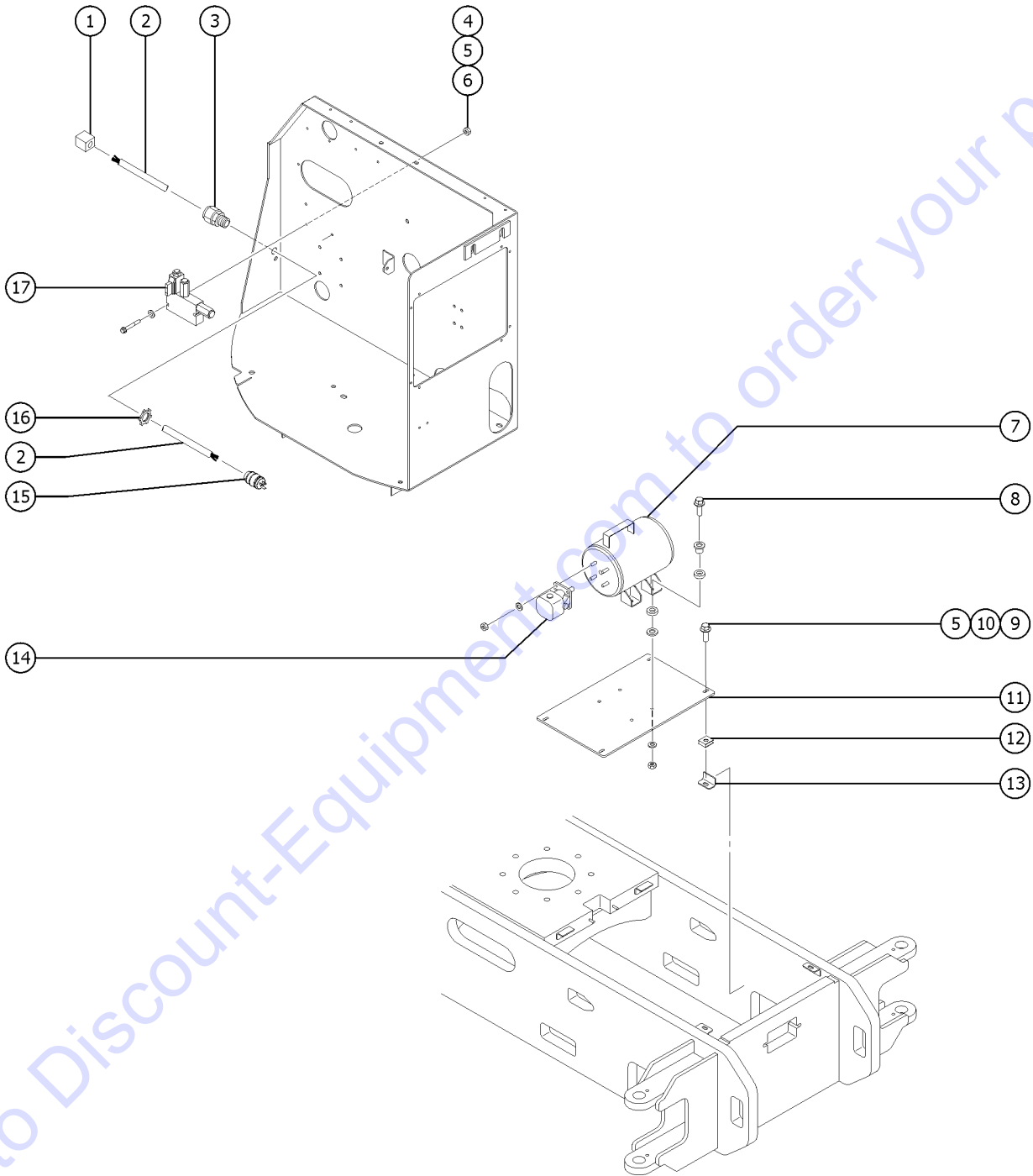
813.1 Lift Guard Contact Alarm

<i>Item</i>	<i>Part No.</i>	<i>Description</i>	<i>Qty.</i>
18	1274322GT	NUT,NYLOCK FLG,3/8-16,F,ZAG	
19	824090GT	SCREW,HHF,3/8-16X1,8,ZAG	
20	1278363GT	CLAMP, 1.25 INCH TUBE	2
21	1278177GT	WELDMENT, LEFT OPA, SMALL	1
22	1278982GT	DECAL, INSTRUCTION, ACTUATOR SWITCH SOCKET	1

Go to Discount-Equipment.com to order your parts

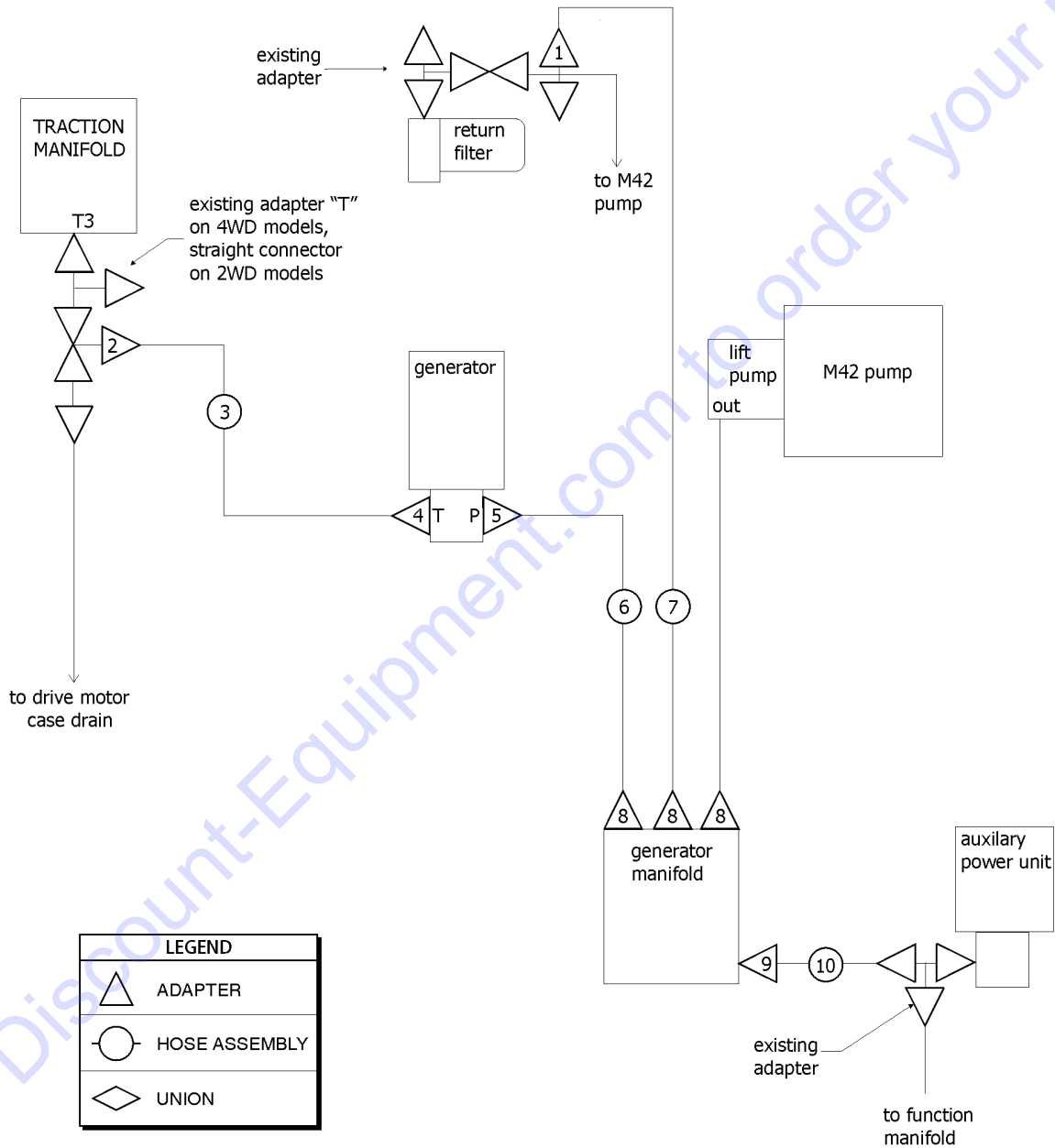


814.1 2000 Watt Generator



Item	Part No.	Description	Qty.
1	119404GT	CONN,RECEP 120AC/15A DOMESTIC	1
2	43956GT	WIRE CABLE,14/3 CON.TPE JKT*	96
2-	20973GT	WIRE LOOM,3/8 POLY SLIT	12
3	7056GT	CONN, SQZ, 1/2NPT .38-.50, SM**	1
4	1277924GT	NUT,NYLOCK FLG,1/4-20,F,ZAG	
5	6638GT	WASHER,FLAT,USS,1/4"Y	
6	824083GT	SCREW,HHF,1/4-20X2.5,8,ZAG	
7	56258GT	GENERATOR,2000W,110VAC,60HZ	1
8	13918GT	SCREW,HHC,3/8-16 X 1.75,GRD.8	
9	6888GT	SCREW,HHC,1/4-20 X 1	
10	6356GT	WASHER,LOCK,.25	
11	56164GT	PLATE,GENERATOR MOUNTING	1
12	56912GT	SPRING CLIP,1/4-20,.025-.15X.54,ZAG	
13	25847GT	ANGLE,CHASSIS COVER MOUNT	4
14	56260GT	MOTOR,.194IN3/REV,BARNES GC	4
15	119403GT	CONN,PLUG 120 AC/15A DOMESTIC	1
16	6935GT	LOCKNUT,ELEC,1/2"	1
17	56156GT	MANIFOLD,GENERATOR	1

815.1 2000W Generator, Hoses and Fittings

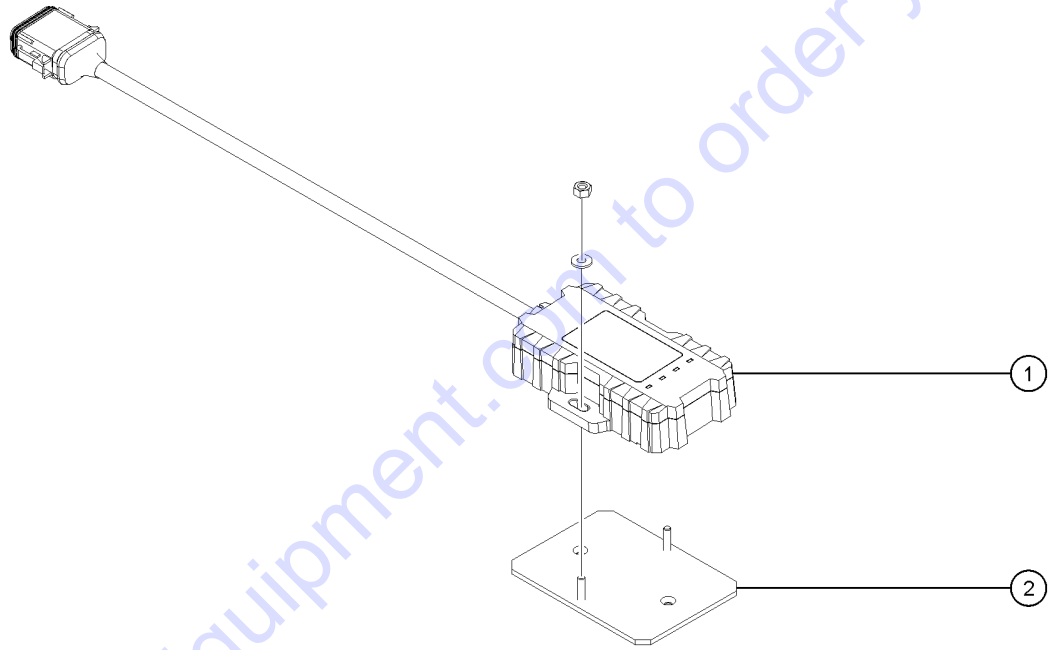


815.1 2000W Generator, Hoses and Fittings

Item	Part No.	Description	Qty.
1	48964GT	FITTING,TEE,RUN,SWIVEL52043212	1
2	48938GT	FITTING,TEE,RUN,SWIVEL520432-8	1
3	81812-5100GT	HOSE ASSY, 1/2", 51.00	1
4	48933GT	CONN,520120-8***	1
5	48929GT	FITTING,ELBOW,90D,520220-6-8**	1
6	101929-4500GT	HOSE ASSY,3/8",45.00	1
7	1290824-7500GT	HOSE ASSY,1/2",75.00	1
8	48916GT	CONN, 520120-6	3
9	78915GT	ELBOW,90D,520220-6	1
10	1290346-6850GT	HOSE ASSY,3/8",68.50	1

Go to Discount-Equipment.com to order your parts





816.1 Telematics Option

Item	Part No.	Description	Qty.
-	1292198GT	HARNESS, RETROFIT, M7 for first time insulation, must order this Harness with one of the models 1289520GT, 1289521GT, 1289522GT, or 1289523GT	1
1	1289520GT	MODULE, TELEMATICS, ZTR, M7, NORTH AMERICA North America	1
1B	1289521GT	MODULE, TELEMATICS, ZTR, M7, EMEA/APAC EMEA/APAC	
1C	1289522GT	MODULE, TELEMATICS, ZTR, M7, APAC/ANZ APAC/ANZ	
1D	1289523GT	MODULE, TELEMATICS, ZTR, M7, JAPAN Japan	
2	824206GT	RIVET, STL, STL, DOME, 1/8X.25, ZAG	2
3	1289561GT	BRACKET, TELEMATICS	1

Go to Discount-Equipment.com to order your parts



<u>Part no.</u>	<u>Page Number</u>	<u>Part no.</u>	<u>Page Number</u>	<u>Part no.</u>	<u>Page Number</u>
1268GT	11	20224GT	183	28176GT	21
1484GT	11	20776GT	87	28177GT	21
1487GT	229	20780GT	103	28181GT	19
1488GT	229	20973GT	165, 239	28235GT	17, 21, 25, 29, 33, 39...
6178GT	87	21121GT	165	28236GT	21, 39
6356GT	239	21130GT	103	28443GT	123
6578GT	223	21141GT	79	28607GT	99
6607GT	155	21166GT	49	28646GT	73, 77
6638GT	129, 239	21427GT	179	28750GT	11, 183, 185, 191
6833GT	111, 157	21465GT	71, 75, 115	28853GT	221
6888GT	239	22446GT	103	29080GT	153
6935GT	87, 163, 239	22672GT	107	29203GT	117
7056GT	163, 239	22903GT	97	29261GT	209
7057GT	87	22934GT	99	29436GT	107, 121
7746P-SGT	227	23404GT	85, 175, 211	29643GT	181
9596GT	229	23405GT	225	29868GT	67
9599-SGT	227	24037GT	113, 131	29943GT	181
10665GT	161	24514GT	165	30138GT	155
10775GT	163	25685GT	233	30222GT	159
10777GT	165	25817GT	49, 53	30297GT	67
12344GT	235	25847GT	239	30489GT	219
12443GT	165	27050GT	189	30490GT	115
13002GT	129	27089GT	103, 201	30577GT	219
13083GT	129	27246GT	223	30807P-SGT	163
13585GT	165	27275GT	67	30971GT	219
13825GT	215	27372GT	67	30997GT	177
13918GT	239	27391GT	209	31060GT	15, 19, 31, 33, 37, 39
15243GT	87, 175	27497GT	11, 11, 19, 151, 151, 159	31106GT	145, 159
18396GT	51, 55, 149	27564GT	19	31194GT	67
18504GT	127	27581GT	11	31375GT	103
18596GT	55	27894GT	207	31379GT	103
18665GT	87	27895GT	207	31506GT	79
18666GT	175	27900GT	207	31528GT	189
18963GT	215	28158GT	17, 25, 33, 43	31745GT	13, 107
19018-1100GT	229, 231	28159GT	17, 25, 33, 43	31779GT	11
19274GT	177, 179, 223, 235	28160GT	15, 23, 31, 41	32064GT	97, 121
19491GT	145, 151, 155	28161GT	17, 19	32067GT	99
19506GT	81	28164GT	17, 33	32069GT	99
19712GT	179	28165GT	21	32077GT	97
19720GT	179	28171GT	17, 25, 43	32103GT	103
19729GT	181	28174GT	17, 21, 25, 29, 33, 39...	32149GT	225
19731GT	179, 181	28175GT	17	32150GT	11

<u>Part no.</u>	<u>Page Number</u>	<u>Part no.</u>	<u>Page Number</u>	<u>Part no.</u>	<u>Page Number</u>
32151GT	11	36192GT	153	42053GT	79
32182GT	103	36194GT	149, 151	42064GT	89, 117, 131
32184GT	107	36199GT	159	42065GT	85
32185GT	99, 111	36200GT	149	42067GT	79
32189GT	97	36202GT	149	42068GT	57, 63
32190GT	97	36205GT	149	42070GT	79
32191GT	97	36211GT	51	42077GT	79
32192GT	97	36235GT	177	42104GT	229
32194GT	97	36245GT	149	42123GT	113, 127
32195GT	99, 111	36246GT	149	42144GT	53
32196GT	13, 99	36355GT	225	42145GT	59, 63
32199GT	99	36388GT	89, 117, 131	42146GT	51
32200GT	99	36389GT	149	42157GT	183
32205GT	111	36390GT	149	42190GT	115, 129
32224GT	67	36555GT	11	42248GT	99
32669GT	183	36561-SGT	161	42278GT	99
32710GT	163	36648GT	155	42324GT	99
32975GT	189	36871GT	85	42338GT	75
33452GT	189	36872GT	117, 131	42359GT	117, 131
33520GT	183	37052GT	21	42363GT	67
33555GT	89, 115, 127	37053GT	15, 23, 31, 41	42413GT	145
33576GT	163	37054GT	15, 23, 31, 41	42489GT	221
33629GT	165	37055GT	15, 23, 31, 41	42502GT	153
33674GT	229	37056GT	15, 23, 31, 41	42612-SGT	145
33994GT	11, 183, 185, 191	37079GT	189	42613-SGT	145
34052GT	85, 93	38149GT	33	42662GT	111
34053GT	87, 93	38156GT	115, 129	42756GT	79
34054GT	85, 93	38620GT	153	42766GT	115
34055GT	85, 93	39469GT	131	42767GT	13, 115
34056GT	85	39640GT	71, 75, 127	42781GT	81, 175
34058GT	97	40137GT	49, 51	42786GT	79
34245GT	149, 151	40145GT	49	42797GT	161
34619GT	227, 233	40146GT	49	42863-SGT	203
35088GT	161	40412GT	189	42889-SGT	203
35418GT	103, 201	40434GT	21, 29	42891-SGT	203
35434GT	123, 219	40438GT	51, 53	42939-5400GT	161
35675GT	155	40446GT	145	42939-12000GT	159
35678GT	181	40447GT	151	43018GT	191
35679GT	181	40449GT	145	43038GT	179
35680GT	181	40835GT	131	43042GT	179
35956GT	227	41630GT	131	43392GT	169, 229
36054-SGT	159	41971GT	15	43595GT	15

<u>Part no.</u>	<u>Page Number</u>	<u>Part no.</u>	<u>Page Number</u>	<u>Part no.</u>	<u>Page Number</u>
43596GT	183, 185	45043GT	49	48922GT	79
43597GT	183	45071GT	149, 151, 153	48926GT	203
43598GT	183	45074GT	51, 53	48929GT	241
43599GT	183	45093GT	49	48933GT	133, 199, 203, 241
43601GT	183, 189	45105GT	171	48935GT	133
43607GT	189	45107GT	49	48938GT	241
43609GT	189	45108GT	49	48948GT	199
43610GT	189	45110GT	49	48961GT	79
43612GT	189	45111GT	49	48964GT	241
43678GT	115	45112GT	49	48997GT	183, 189
43683GT	107	45113GT	49	49114-4650GT	203
43687GT	129	45161GT	79	49117-4650GT	203
43688GT	115, 129	45162GT	79	49117-7550GT	193
43700GT	107	45383GT	83, 87, 171	49118-3400GT	193, 197
43937GT	151	45385GT	81, 87, 209	49118-3850GT	193, 197
43956GT	93, 163, 239	45400GT	57, 63	49119-1750GT	195
43960GT	67, 163	45435GT	125	49119-2374GT	195
44174GT	185	45437GT	165	49119-2700GT	199
44181GT	103	45460GT	51	49119-8600GT	193, 197
44191GT	97	45470GT	233	49119-8700GT	199
44192GT	97	45782GT	93	49119-8850GT	203, 205
44193GT	97	45873GT	49	49119-8900GT	199
44194GT	97	45912GT	183, 189	49119-20200GT	203
44195GT	99	46131GT	71, 75	49119-21800GT	203
44196GT	105	46216GT	185, 187	49119-23600GT	203
44197GT	105	46227GT	179	49119-23900GT	203
44198GT	105	46468GT	21, 29, 39, 47	49119-47400GT	203
44200GT	103	47377GT	145, 151, 159, 161	49120-1900GT	203
44201GT	103	48342GT	189	49120-3100GT	203
44202GT	103	48767GT	193, 197	49120-7750GT	193, 197
44203GT	107	48773GT	197	49120-47400GT	203
44204GT	107	48874GT	99	49121-3150GT	203
44207GT	11, 79	48879GT	133	49121-23900GT	203
44228GT	185, 187	48880GT	121, 183, 189	49150-7900GT	193, 197
44236GT	185	48885GT	73, 77	49189-4350GT	67, 193, 197
44248GT	21	48890GT	203	49418GT	203
44743GT	165	48900GT	203	49612GT	11, 183, 185, 191
44779GT	21, 29, 39, 47	48904GT	203	49613GT	11, 183, 185, 191
44909GT	103	48905GT	203	49819GT	87
44981GT	17, 21, 25, 29, 33, 39...	48911GT	199	49821GT	155
44986GT	21	48912GT	203	49861GT	199
45040GT	49	48916GT	203, 241	50546GT	161

<u>Part no.</u>	<u>Page Number</u>	<u>Part no.</u>	<u>Page Number</u>	<u>Part no.</u>	<u>Page Number</u>
52371GT	185	56156GT	239	58319GT	87
52475GT	31, 41	56164GT	239	58320GT	57
52514GT	103	56233GT	203	58986GT	179
52524GT	179	56258GT	239	60429GT	67
52531GT	99	56260GT	239	60443GT	175
52710GT	189	56295GT	89	60526GT	87, 175
52715GT	189	56328GT	211	60857GT	11, 117
52768GT	79	56330GT	211	60875GT	111
52776GT	179	56351GT	209	61726GT	233
52816GT	11	56361GT	153	61794GT	91
52834GT	103	56365GT	73, 77	61972GT	233
52865GT	33	56418GT	209	61973GT	233
52867GT	13, 125	56423GT	115	61974GT	233
52887GT	179	56424GT	209, 229, 231	62043GT	103
52943GT	189	56425GT	211	62044GT	103
52960GT	207	56426-576GT	209	62114GT	107
52968GT	15, 23, 31, 41	56464GT	131	62117GT	105
53023GT	75	56465GT	169	62118GT	105
53517GT	223	56465PGT	163	62119GT	103
53534GT	79	56500-SGT	159, 167	62160GT	97
53758-SGT	81	56525GT	229, 231	62276GT	189
53759-SGT	81	56570GT	229, 231	62290GT	117
53761-SGT	81	56576GT	169	62296GT	107
54132GT	199	56576PGT	163	62506GT	191
54140GT	49, 59	56653GT	79	62507GT	191
54205GT	71	56656PGT	163	62508GT	165
54234GT	49, 59	56663GT	87, 175	62516GT	165
54252GT	117	56673GT	79	62518GT	163
54255GT	87, 175	56704GT	215	62694GT	215
54259GT	175	56721GT	183	62706GT	89
54365GT	223	56849GT	155	62815GT	185
54436GT	57	56879-SGT	215	62930GT	19, 27, 37, 45
54457GT	229	56912GT	51, 53, 57, 63, 121, 123...	62947GT	15, 23, 31, 41
54530GT	155	56929GT	191	62948GT	15, 23, 31, 41
54534GT	87	56955GT	89	65522GT	189
54989GT	219	56955-SGT	89	65527GT	179
55753GT	169, 213, 229, 231	56976-SGT	161	65529GT	179
56051GT	215	56983PGT	157	65630GT	229
56053GT	71, 75	58029GT	55	65766GT	183
56057GT	85	58090GT	55	65837GT	97
56093GT	113, 127	58253GT	91	66399GT	11
56111GT	81	58318GT	85	66684GT	215

<u>Part no.</u>	<u>Page Number</u>	<u>Part no.</u>	<u>Page Number</u>	<u>Part no.</u>	<u>Page Number</u>
66717GT	225	74508GT	155	81812-6775GT	193, 197
66812GT	81, 173	74509GT	155	81812-8350GT	199
66813GT	173	74532GT	73, 77	81812-8500GT	199
66815GT	173	74544GT	109	81900GT	81, 171
66818GT	81, 173	74587GT	159	82161GT	17, 33
66821GT	81, 173	74635GT	119	82240GT	25, 43
69257GT	185	74665GT	185	82366GT	17, 33
69550GT	189	74719GT	49	82472GT	25, 27
70602GT	73, 77	74735GT	161	82473GT	25
72043GT	183	74865GT	159	82487GT	25, 29, 43, 47
72086GT	31, 41	74866GT	159	82544GT	27
72094GT	17, 25, 33, 43	74907GT	189	82548GT	29
72095GT	21, 29, 39, 47	74913GT	85	82601GT	29
72282GT	215	74917GT	85	82602GT	29
72326GT	83, 171, 215	74918GT	85	82604GT	29
72867GT	21, 29, 39, 47, 223	74946GT	145	82611GT	29, 47
72875GT	39	74956GT	71, 75, 89	82612GT	29
72999GT	17, 33	75073GT	89, 115	82620GT	23
73575GT	235	75278-3300GT	193, 197	82942GT	23
73711GT	87, 175	75278-4700GT	193, 197	83093GT	81
73713GT	87, 175	75278-10000GT	193, 197	83129GT	91
73714GT	67	77398GT	17	84137GT	183, 185
73717GT	87, 175	77728GT	153	85300GT	229
73723GT	175	77750GT	71, 77	87085GT	227
73736GT	87, 175	77860GT	227	87755GT	175
73739GT	163	77984GT	185	88280GT	151
74007GT	229, 231	77985GT	185, 187	88337GT	49, 53
74009GT	229, 231	77986GT	185, 187	88338GT	49, 53
74052GT	165	77987GT	187	88356-116R3GT	145
74066GT	153	77988GT	185, 187	88356-127J5GT	151, 155
74086GT	145	77990GT	107, 121	88356-12103GT	67
74091GT	151	78098GT	225	88385GT	211
74119PGT	157	78915GT	241	88390GT	209
74232GT	145	80229GT	117, 127	88827GT	81
74245GT	89	81368GT	229, 231	88832GT	91
74256GT	69	81578GT	71, 77	89300GT	189
74360GT	165	81812-2150GT	199	89854GT	189
74362GT	179	81812-2200GT	199	93500GT	11
74379GT	145	81812-2350GT	195	94020GT	49
74461GT	117, 131	81812-2450GT	195	94021GT	51
74492GT	107, 119	81812-2700GT	195	94077GT	79
74496PGT	89	81812-5100GT	241	94170GT	233

<u>Part no.</u>	<u>Page Number</u>	<u>Part no.</u>	<u>Page Number</u>	<u>Part no.</u>	<u>Page Number</u>
94176GT	233	101584GT	57	107929GT	163
94191GT	233	101585GT	55	107930GT	163
94210GT	145	101586GT	55, 59, 65	107931GT	163
94212GT	155	101649GT	227	107932GT	163
94215GT	151	101676GT	227	109802GT	189
94216GT	151	101677GT	227	110149GT	123
94217GT	161	101678GT	227	110194GT	183
94218GT	159	101679GT	227	110196GT	189
94220GT	69	101929-3950GT	193, 197	110200GT	183
94221GT	53	101929-4500GT	241	110232GT	67, 91
94253GT	145	101929-4600GT	193, 197	110233GT	91
94255GT	155	101981GT	165	110236GT	91
94258GT	151	101982GT	165	110240GT	91
94259GT	151	101983GT	165	110244GT	91
94260GT	161	101984GT	165	110245GT	91
94261GT	159	102992GT	165	110246GT	91
94374-10200GT	193, 197	104804GT	169	110253GT	91
94461GT	219	105214GT	123	110255GT	93
94462GT	219	106098GT	55, 61, 65	110256GT	91
94463GT	219	106117GT	55, 57	110271GT	53
94506GT	81	106118GT	55	110285GT	97
94532GT	123	106119GT	55, 57	110382GT	79
94688GT	107	106120GT	55, 57	110523GT	111
96008-SGT	81	106121GT	55, 57	110640GT	91
97602GT	17, 33	106122GT	55, 57	110645GT	91
97699GT	15	106123GT	55, 57	110648GT	85
97702GT	23	106124GT	55, 57	110649GT	175
97815GT	29, 39, 47	106125GT	55, 59	110651GT	171
97890GT	17, 21	106126GT	55, 59	110652GT	171
97893GT	21	106377GT	89	110653GT	171
99199GT	103	106380GT	89	110694GT	49
99346GT	123	106433GT	151, 155	110706GT	51
99882GT	107	106517PGT	53	110789GT	233
101200GT	99	106549GT	165	112308GT	115, 129
101201GT	99	106550GT	165	112379GT	115, 127
101203GT	99	106551GT	165	112500GT	111
101204GT	107	106633GT	165	112531GT	111
101208GT	97	107857GT	223	114248GT	47
101209GT	97	107858GT	227	114249GT	23, 41
101237GT	107, 119	107926GT	163	114252GT	41, 43, 45, 47
101238GT	107, 121	107927GT	163	114258GT	33
101557GT	155	107928GT	163	114390GT	33, 39

<u>Part no.</u>	<u>Page Number</u>	<u>Part no.</u>	<u>Page Number</u>	<u>Part no.</u>	<u>Page Number</u>
114397GT	21, 39	128565GT	69	139141GT	107
114420GT	25, 33, 43	128580-SGT	81, 171	139168GT	99, 193, 197
119025GT	107	128581-SGT	173	139169GT	201
119058GT	163	128582-SGT	81, 83, 171	139230GT	113, 131
119077GT	217	128583-SGT	83	139238GT	97
119111GT	69	128584-SGT	81, 171	139241GT	89
119403GT	239	128586-SGT	171	139246GT	89
119404GT	239	128618GT	69	139247GT	221
119684GT	123	128619GT	69	139254GT	113, 127
119685GT	123	128620GT	69	139261GT	115, 117
119762GT	67	128621GT	69	139273GT	103
119854GT	53	128622GT	69	139274GT	107
119917GT	67	128635GT	145	139275GT	107
119918GT	71, 75	128667GT	165	139276GT	99
121846GT	85	128668GT	165	139277GT	99
121847GT	175	128669GT	167	139278GT	99
121848GT	233	128677GT	217	139279GT	101
122019GT	215	128681GT	217	139280GT	99
122073GT	213	128682GT	217	139282GT	99
122513GT	173	128729GT	57, 63	139290GT	89
122514GT	173	128838GT	219	139411GT	51, 53, 59, 63
128045GT	85	128839GT	55	139464GT	191
128102GT	225	128852GT	217	139465GT	53
128146GT	221	128899GT	69	139466GT	53
128200GT	209	128902GT	115, 127	139467GT	59, 63
128205GT	223	128935GT	85	139468GT	59, 63
128270GT	223	128968GT	223	139469GT	59, 63
128291GT	89	128970GT	113, 127	139470GT	59, 65
128295GT	113	128973GT	217	139471GT	51
128298GT	115, 127	131269GT	17	139472GT	51
128326GT	111	131340GT	53	139473GT	51
128327GT	111	131341GT	53	139474GT	51
128328GT	111	131373GT	111	139475GT	53
128331GT	115	131378GT	97	139476GT	59, 63
128338GT	111	131379GT	97	139477GT	53
128368GT	229	131581GT	111	139478GT	59, 63
128374GT	229	133067GT	43, 47	139479GT	51
128445GT	189	133278GT	17, 33, 43	139480GT	51
128453GT	67	133299GT	15, 23, 31, 41	139537GT	157
128467GT	89	133545GT	15	139540GT	157
128470GT	89	139008GT	69	139541GT	157
128550GT	159	139129GT	111	139542GT	157

<u>Part no.</u>	<u>Page Number</u>	<u>Part no.</u>	<u>Page Number</u>	<u>Part no.</u>	<u>Page Number</u>
139560GT	191	218550GT	39	824032GT	85, 89, 103, 115, 215, 223...
139562GT	191	218559GT	39	824037GT	117, 131
139563GT	191	219437GT	111	824038GT	155, 159
139564GT	191	219487GT	39	824039GT	113, 117, 127
139610GT	131	219954GT	47	824040GT	133, 145
139643GT	209	219956GT	47	824042GT	49, 53, 59, 63
139655GT	161	219958GT	47	824059GT	123, 227
139788GT	79	226382GT	179	824060GT	153
139814GT	89	226383GT	179	824062GT	159
139815GT	89	226384GT	179	824064GT	217
146051GT	59	226385GT	179	824065GT	57, 63
146052GT	59	226386GT	179	824067GT	149, 153
147000GT	209	226393GT	215	824068GT	153
147001GT	209	227429GT	17, 21, 33	824070GT	233
147079GT	153	227564GT	163	824072GT	55, 57, 63
147093GT	83	227620GT	163	824073GT	159
147094GT	83	228721GT	71, 77	824074GT	69
147181GT	217	229567GT	171	824077GT	15, 81, 115, 135, 161, 173
147251GT	93	231207GT	165	824078GT	51, 53, 57, 63, 71, 75...
147334GT	107	231226GT	97	824079GT	11, 15, 19, 89, 115, 127...
147337GT	67	231227GT	97	824080GT	211
147340GT	67	231232GT	99	824081GT	167, 227
147342GT	67	231327GT	73, 77	824082GT	153
147492GT	223	231529GT	119	824083GT	55, 145, 175, 229, 231, 239
147638GT	155	232486GT	55	824085GT	115, 123, 129, 223
148099GT	99	232951GT	97, 121	824087GT	167
150026GT	225	233717GT	159	824089GT	51, 63, 15, 11, 89, 115, 155, 89, 11, 15,
161069GT	107	233745GT	159	824090GT	115, 155, 11, 15, 111,
161070GT	107	235487GT	201	824091GT	127...
161071GT	107	237145GT	171	824092GT	67, 151, 159
161621GT	97	237238GT	111	824094GT	113, 149
215280GT	131	237506GT	93	824096GT	131
215706GT	119	822606-1800GT	201	824101GT	107, 121
215777GT	57	823226GT	227	824102GT	67
215985GT	91	823780GT	37, 45	824104GT	55
215987GT	17	823942GT	227	824106GT	57, 63
216135GT	179	824019GT	87, 175	824109GT	153, 159, 217
216789GT	85	824024GT	233	824110GT	149, 153, 217
216793GT	85	824025GT	159	824111GT	109, 121
217046GT	85	824027GT	53, 57, 63, 71, 75, 79...	824113GT	10, 55, 10, 55, 125, 153...
217371GT	93	824028GT	111, 167, 223	824115GT	111, 117, 127
218167GT	81	824029GT	51, 65, 61, 11, 15, 111...	824116GT	69, 207

<u>Part no.</u>	<u>Page Number</u>	<u>Part no.</u>	<u>Page Number</u>	<u>Part no.</u>	<u>Page Number</u>
824117GT	55, 57, 63	825212GT	209	1255805GT	123, 127
824120GT	71, 75	825213GT	209	1256182GT	67
824121GT	55, 57, 63, 109	825214GT	209	1256283GT	113
824122GT	145	825215GT	209	1256356GT	119
824123GT	131	825216GT	209	1256855GT	169
824124GT	217	825352GT	235	1256857GT	75
824126GT	49	825353GT	145	1256859GT	235
824127GT	49, 53	825355GT	123	1257390GT	147
824128GT	49	825358GT	113, 131, 149, 217, 223	1257628GT	79
824129GT	49, 53	825674GT	223	1257733GT	11
824135GT	109	826001GT	123	1258567GT	11
824136GT	97	826516GT	215	1259715GT	213
824138GT	111	826638GT	17	1260940GT	127
824141GT	97	826791GT	153	1260992GT	91
824142GT	111	826793GT	153	1260994GT	93
824145GT	111, 121, 123	832128GT	97	1260995GT	91
824151GT	149, 159	839081GT	107	1261184GT	235
824163GT	153	839119GT	105	1261346GT	173
824164GT	159	839149GT	103	1261347GT	173
824206GT	87, 175, 243	839233GT	103	1261566GT	173
824207GT	229	865257GT	105	1261606GT	145
824208GT	233	866040GT	103	1261844GT	93
824209GT	117, 131	866050GT	13, 99	1262029GT	91
824210GT	119	866070GT	103	1262030GT	91
824214GT	87, 165, 175	866127GT	13	1262353GT	153, 155
824215GT	11, 15, 85, 89, 175, 215	866397GT	99	1262354GT	153
824216GT	233	866400GT	11	1262355GT	155
824218GT	81	1000044GT	17, 21	1262432GT	153
824219GT	151	1251565GT	55	1262944GT	71, 75
824222GT	85	1251590GT	209	1262945GT	71
824223GT	67, 145	1251591GT	211	1263141GT	67
824224GT	67	1251592GT	209	1263142GT	67
824225GT	163, 225	1251600GT	229, 231	1263242GT	201
824226GT	87, 175	1251757GT	75	1263243GT	201
824229GT	111, 117, 127	1252011GT	211	1263542GT	41, 43
824879GT	81, 171	1252012GT	209	1263543GT	31, 33
825019GT	51, 55, 149, 151, 155, 159	1252013GT	209	1263699GT	219
825020GT	233	1252977GT	89, 115	1264261GT	215, 235
825207GT	209	1252978GT	217	1264315GT	151
825209GT	209	1255030GT	93	1264822GT	91
825210GT	211	1255555GT	93	1264834GT	91
825211GT	209	1255758GT	151	1264934GT	235

<u>Part no.</u>	<u>Page Number</u>	<u>Part no.</u>	<u>Page Number</u>	<u>Part no.</u>	<u>Page Number</u>
1266019GT	17, 33	1271754GT	139	1271839GT	137
1267121GT	33	1271770GT	93	1271840GT	137
1267397GT	59	1271771GT	93	1271842GT	135
1267747GT	169	1271772GT	75	1271843GT	137
1267807GT	117, 133	1271773GT	75	1271845GT	137
1267842GT	59	1271797GT	135	1271846GT	137
1267843GT	59	1271798GT	137	1271847GT	137
1267844GT	59	1271799GT	135, 137	1271848GT	135
1267845GT	59	1271800GT	139	1271849GT	131
1267846GT	59	1271801GT	137	1271850GT	139
1267847GT	59	1271802GT	135	1271851GT	131
1268229GT	11, 117, 133	1271803GT	139	1271852GT	131
1268468GT	127, 233	1271804GT	139	1271853GT	135
1268807GT	71	1271805GT	139	1271854GT	139
1268808GT	71	1271806GT	137	1271855GT	139
1269154GT	119	1271807GT	141	1271856GT	139
1269187GT	123	1271808GT	139	1271857GT	139
1269189GT	121	1271809GT	131	1271858GT	139
1269191GT	115, 133	1271810GT	135	1271859GT	139
1269539GT	113, 133	1271811GT	135	1271860GT	135
1269544GT	127	1271812GT	135	1271861GT	137
1271076GT	81	1271813GT	135	1271862GT	137
1271081GT	147	1271814GT	139	1271863GT	137
1271252GT	119	1271815GT	135	1271864GT	137
1271254GT	121	1271816GT	135	1271865GT	135
1271255GT	121	1271817GT	131	1271866GT	135
1271540GT	123	1271818GT	139	1271867GT	123
1271541GT	125	1271823GT	135	1271871GT	135
1271652GT	13, 73, 77, 119	1271825GT	123	1271872GT	135
1271717GT	135	1271826GT	139	1271874GT	119, 121
1271728GT	137	1271827GT	137	1271876GT	135
1271729GT	119, 135	1271828GT	123	1271877GT	139
1271730GT	119	1271829GT	139	1271878GT	119
1271732GT	119	1271830GT	139	1271879GT	135
1271733GT	139	1271831GT	139	1271880GT	137
1271734GT	139	1271832GT	139	1271923GT	135
1271735GT	135	1271833GT	135	1272020GT	127
1271736GT	137	1271834GT	137	1272022GT	71, 77
1271737GT	139	1271835GT	137	1272048GT	131
1271751GT	137	1271836GT	135	1272242GT	33, 43
1271752GT	119	1271837GT	137	1272457GT	135
1271753GT	119	1271838GT	137	1272828GT	13, 119

<u>Part no.</u>	<u>Page Number</u>	<u>Part no.</u>	<u>Page Number</u>	<u>Part no.</u>	<u>Page Number</u>
1272829GT	13, 119	1278119GT	93, 235	1290135GT	229
1272843GT	33	1278121GT	235	1290343-6400GT	193, 197
1272952GT	123	1278124GT	235	1290346-3800GT	193, 197
1272953GT	123	1278175GT	235	1290346-6850GT	241
1272958GT	119	1278177GT	237	1290347-4400GT	193, 197
1272959GT	119	1278363GT	237	1290425-10000GT	193, 197
1272963GT	123	1278368GT	235	1290824-7500GT	241
1272964GT	123	1278417GT	235	1291265-2500GT	193, 197
1273017GT	119	1278433GT	235	1291624GT	33, 43
1273078GT	119	1278451GT	93, 235	1292198GT	243
1273080GT	123	1278459GT	235	1292509GT	33
1273326GT	127	1278542GT	39, 47, 235	1292512GT	35, 43
1273584GT	91	1278793GT	231	1292513GT	35, 43
1273594GT	119	1278982GT	39, 47, 237	1292514GT	35, 43
1273604GT	119	1279136GT	235	1292515GT	35, 43
1273821GT	85	1280819GT	33	1292572GT	85
1274010GT	201	1280820GT	33	1293497GT	137
1274011GT	201	1281174GT	39, 47	1293498GT	137
1274012GT	201	1281175GT	47	1293499GT	137
1274013GT	201	1281807GT	123	1293500GT	139
1274014GT	201	1282468GT	201	1293501GT	139
1274015GT	201	1282469GT	201	1293502GT	139
1274196GT	91	1282825GT	201	1293503GT	137
1274207GT	85, 93	1283776GT	11	1293504GT	139
1274322GT	143, 153, 229, 231, 237	1283904GT	93	1293505GT	137
1274877GT	121	1283928GT	95	1293763GT	119
1275758GT	75	1284189GT	69	1293765GT	119
1275759GT	75	1284519GT	201	1293788GT	205
1276927GT	75	1284520GT	201	1294398GT	35, 43
1276928GT	75	1285689GT	93	1295186GT	135
1276937GT	169	1285811GT	93	1296530GT	35
1276938GT	169	1285850GT	93, 235	1298510GT	31, 41
1276939GT	169	1285866GT	93	1298590GT	91
1276940GT	169	1285867GT	93	1298591GT	91
1276941GT	169	1286362GT	43	1298592GT	93
1277167GT	75	1286602GT	55, 59	1298655GT	93
1277873GT	235	1286603GT	55, 59	1298656GT	91
1277875GT	235	1289520GT	71, 243	1298839GT	39
1277876GT	235	1289521GT	71, 243	1298845GT	31
1277877GT	235	1289522GT	243	1298846GT	31
1277924GT	103, 113, 229, 231, 235, 239	1289523GT	243	1298857GT	35, 43
1278111GT	93, 235	1289561GT	71, 243	1298865GT	91

<u>Part no.</u>	<u>Page Number</u>	<u>Part no.</u>	<u>Page Number</u>	<u>Part no.</u>	<u>Page Number</u>
1299438GT	47				
1299621GT	187				
1299791GT	39				
1299792GT	47				
1303602GT	31				
1303603GT	31				
1303604GT	39				
1303605GT	39				
1303606GT	41				
1303607GT	41				
1303608GT	47				
1303609GT	47				
1303699GT	15				
1303700GT	15				
1303701GT	21				
1303702GT	21				
1303703GT	23				
1303704GT	23				
1303705GT	29				
1303706GT	29				
T106699GT	87, 177				
T106900GT	71				
T107827GT	117, 131				
T112457GT	75				
T112563GT	165				
T112773GT	21, 29, 39, 47				
T112779GT	213				
T112780GT	213				

Go to Discount-Equipment.com to order your parts



California Proposition 65

 **WARNING**

Operating, servicing and maintaining this equipment, passenger vehicle or off-highway motor vehicle can expose you to chemicals including engine exhaust, carbon monoxide, phthalates, and lead, which are known to the State of California to cause cancer and birth defects or other reproductive harm. These chemicals can be emitted from or contained in other various parts and systems, fluids and some component wear by-products. To minimize exposure, avoid breathing exhaust, do not idle the engine except as necessary, service your equipment and vehicle in a well-ventilated area and wear gloves or wash your hands frequently when servicing your equipment or vehicle and after operation. For more information go to www.P65Warnings.ca.gov/passenger-vehicle.

Breathing diesel engine exhaust exposes you to chemicals known to the State of California to cause cancer and birth defects or other reproductive harm.

- Always start and operate the engine in a well-ventilated area.
- If in an enclosed area, vent the exhaust to the outside.
- Do not modify or tamper with the exhaust system.
- Do not idle the engine except as necessary.

For more information go to www.P65warnings.ca.gov/diesel.

Distributed By:

www.GPSEquipment.com to order your parts

PARTS FINDER

**Search Website
by Part Number**



**Search Manual
Library For Parts
Manual & Lookup Part
Numbers – Purchase
or Request Quote**

Search Manuals

Enter your information to help us find the right parts manual for your machine.

* Brand:

* Model:

* Serial:

* Part Number:

SEARCH

**Can't Find Part or
Manual? Request Help
by Manufacturer,
Model & Description**

Parts Order Form

Please fill in the following information to help us find the right part for your machine.

Manufacturer:	<input type="text"/>
Model:	<input type="text"/>
Description:	<input type="text"/>
Part Number:	<input type="text"/>
Quantity:	<input type="text"/>
Notes:	<input type="text"/>

Submit

Discount-Equipment.com is your online resource for quality parts & equipment.

Florida: **561-964-4949** Outside Florida TOLL FREE: **877-690-3101**

Need parts?

Click on this link: <http://www.discount-equipment.com/category/5443-parts/> and choose one of the options to help get the right parts and equipment you are looking for. Please have the machine model and serial number available in order to help us get you the correct parts. If you don't find the part on the website or on one of the online manuals, please fill out the request form and one of our experienced staff members will get back to you with a quote for the right part that your machine needs.

We sell worldwide for the brands: Genie, Terex, JLG, MultiQuip, Mikasa, Essick, Whiteman, Mayco, Toro Stone, Diamond Products, Generac Magnum, Airman, Haulotte, Barreto, Power Blanket, Nifty Lift, Atlas Copco, Chicago Pneumatic, Allmand, Miller Curber, Skyjack, Lull, Skytrak, Tsurumi, Husquvarna Target, Stow, Wacker, Sakai, Mi-T-M, Sullair, Basic, Dynapac, MBW, Weber, Bartell, Bennar Newman, Haulotte, Ditch Runner, Menegotti, Morrison, Contec, Buddy, Crown, Edco, Wyco, Bomag, Laymor, EZ Trench, Bil-Jax, F.S. Curtis, Gehl Pavers, Heli, Honda, ICS/PowerGrit, IHI, Partner, Imer, Clipper, MMD, Koshin, Rice, CH&E, General Equipment, Amida, Coleman, NAC, Gradall, Square Shooter, Kent, Stanley, Tamco, Toku, Hatz, Kohler, Robin, Wisconsin, Northrock, Oztec, Toker TK, Rol-Air, APT, Wylie, Ingersoll Rand / Doosan, Innovatech, Con X, Ammann, Mecalac, Makinex, Smith Surface Prep, Small Line, Wanco, Yanmar