



A TEREX BRAND



Parts Manual

Serial Number Range

Z33/18

from SN Z331815M-0101 to Z331816M-1299

from SN Z3318M-1300 to SN Z3318M-2800

Part No. 1257101GT

Rev: R

November 2019

Go to Discount-Equipment.com to order your parts

PARTS FINDER

**Search Website
by Part Number**



**Search Manual
Library For Parts
Manual & Lookup Part
Numbers – Purchase
or Request Quote**

Search Manuals

Enter your information to help us find the right parts manual for your machine.

* Brand:

* Model:

* Serial:

* Part Number:

SEARCH

**Can't Find Part or
Manual? Request Help
by Manufacturer,
Model & Description**

Parts Order Form

Please fill in the following information to help us find the right part for your machine.

Manufacturer:	<input type="text"/>
Model:	<input type="text"/>
Description:	<input type="text"/>
Part Number:	<input type="text"/>
Quantity:	<input type="text"/>
Notes:	<input type="text"/>

Submit

Discount-Equipment.com is your online resource for quality parts & equipment.

Florida: **561-964-4949** Outside Florida TOLL FREE: **877-690-3101**

Need parts?

Click on this link: <http://www.discount-equipment.com/category/5443-parts/> and choose one of the options to help get the right parts and equipment you are looking for. Please have the machine model and serial number available in order to help us get you the correct parts. If you don't find the part on the website or on one of the online manuals, please fill out the request form and one of our experienced staff members will get back to you with a quote for the right part that your machine needs.

We sell worldwide for the brands: Genie, Terex, JLG, MultiQuip, Mikasa, Essick, Whiteman, Mayco, Toro Stone, Diamond Products, Generac Magnum, Airman, Haulotte, Barreto, Power Blanket, Nifty Lift, Atlas Copco, Chicago Pneumatic, Allmand, Miller Curber, Skyjack, Lull, Skytrak, Tsurumi, Husquvarna Target, Stow, Wacker, Sakai, Mi-T-M, Sullair, Basic, Dynapac, MBW, Weber, Bartell, Bennar Newman, Haulotte, Ditch Runner, Menegotti, Morrison, Contec, Buddy, Crown, Edco, Wyco, Bomag, Laymor, EZ Trench, Bil-Jax, F.S. Curtis, Gehl Pavers, Heli, Honda, ICS/PowerGrit, IHI, Partner, Imer, Clipper, MMD, Koshin, Rice, CH&E, General Equipment, Amida, Coleman, NAC, Gradall, Square Shooter, Kent, Stanley, Tamco, Toku, Hatz, Kohler, Robin, Wisconsin, Northrock, Oztec, Toker TK, Rol-Air, APT, Wylie, Ingersoll Rand / Doosan, Innovatech, Con X, Ammann, Mecalac, Makinex, Smith Surface Prep, Small Line, Wanco, Yanmar



Model: Z-33/18

Serial Number: Z331815M-0101

Model year: 2015 **Manufacture date:** 01/10/14

Electrical Schematic Number: ES0563

Machine unladen weight:

Rated work load (including occupants): 440lb/200kg

Maximum number of platform occupants: 2

Maximum allowable side force: 150lb/670N

Maximum allowable inclination of the chassis: 0deg

Maximum wind speed: 28mph / 12.5m/s

Maximum platform height: 32ft 10in / 10m

Maximum platform reach: 18ft 3in / 5.57m

Gradeability: N/A

Country of manufacture: ITALY

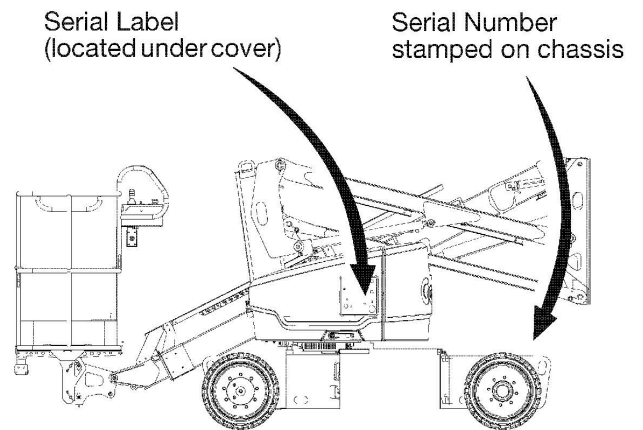
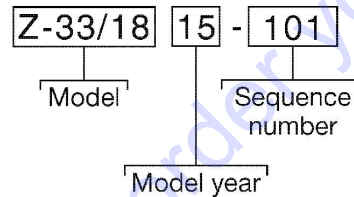
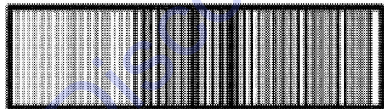
This machine complies with:

ANSI A92.5

CAN B.354.4

AS 1418.10

EN 280



Required Parts

The following parts are required to perform maintenance procedures as outlined in the Z-33/18 Operator's and Service Manuals.

Description	Part No.
Hydraulic oil filter cartridge	1256501GT
Fuse 200A	18576GT
Fuse 500A	43179GT
Electrical Contactor	74267GT
Dielectric Grease	66399GT
Lithium Grease	(source locally)

Used Varnishes

Description	Type
Genie Blue Paint, 1 Gallon	32150
Genie Blue Paint, 12 Ounce Aerosol	1484
Genie Grey Paint, 1 Gallon	32151
Genie Grey Paint, 12 Ounce Aerosol	1268

Manuals

Terexlift offers the following support documents for these models:

Title	Part No.
Z-33/18 Operator's Manual, 1 st edition	1257144GT
Z-33/18 Service Manual, 1 st edition	1257142GT

Go to Discount-Equipment.com to order your parts

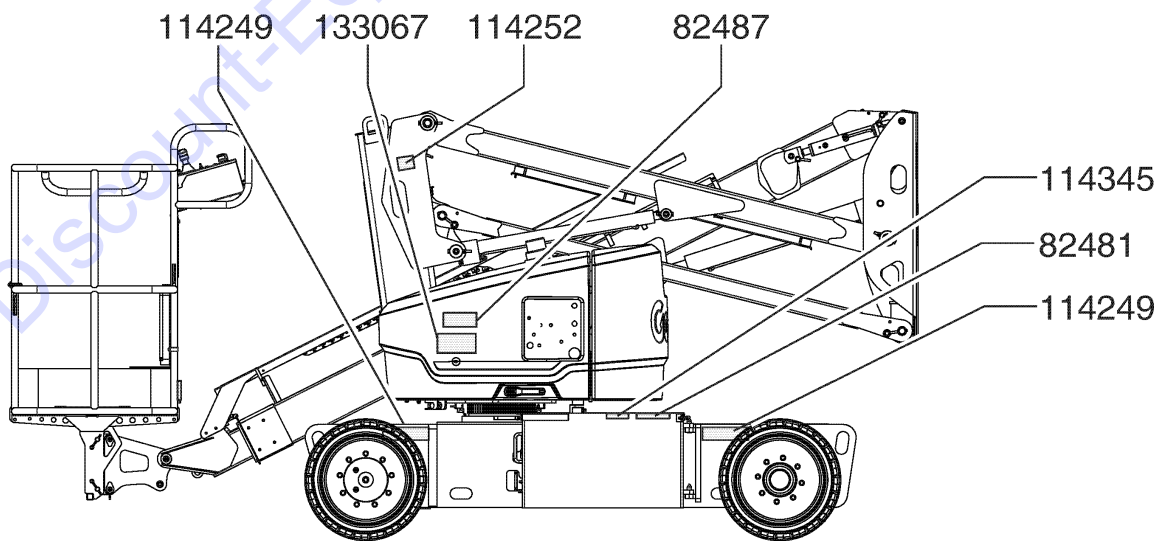
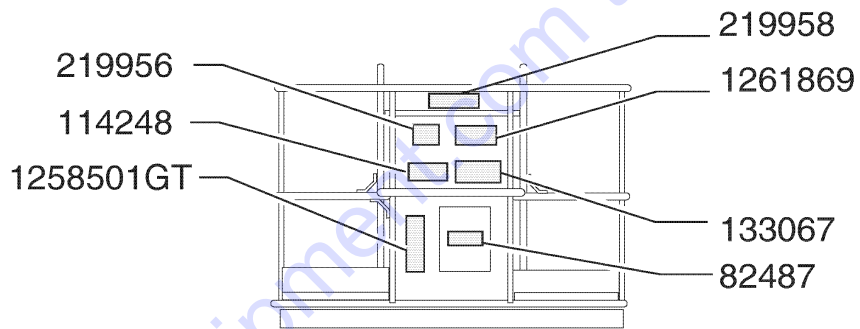
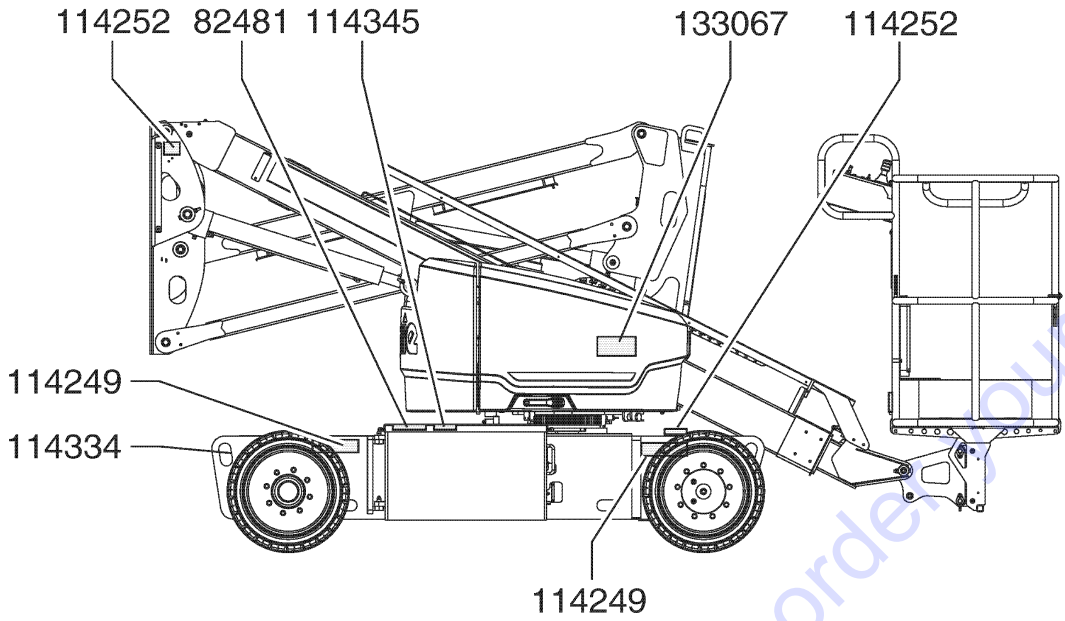


Description	Page
100 Decals	10
101.1 608530 Safety Decals	10
101.2 608569 Safety Decals - ANSI	12
102.1 608531 Decals With Symbols	14
103.1 608571 Decals With Words	18
200 Chassis Components	22
201.1 608532 Front Axle Assembly	22
202.1 608533 Rear Axle Assembly	26
203.1 608534 Drive Chassis Components - View 1	30
204.1 608535 Drive Chassis Components - View 2	34
205.1 608536 Power Cables	38
206.1 608537 Battery Charger	40
300 Turntable Components	42
301.1 608538 Turntable Rotator	42
302.1 608539 Turntable Components - View 1	44
303.1 608540 Turntable Components - View 2	48
304.1 608541 Ground Control Box - View 1	50
305.1 608542 Ground Control Box - View 2	56
306.1 608543 Turntable Cover - View 1	60
307.1 608544 Turntable Cover - View 2	64
308.1 608545 Wire Harness Diagram	66
400 Boom Components	68
401.1 608546 Boom Pins and Bearings - View 1	68
402.1 608547 Boom Pins and Bearings - View 2	72
403.1 608548 Cable Track	74
404.1 608549 Secondary Linkage	78
405.1 608550 Primary Boom Wear Pads	80
406.1 608551 Platform Leveling - UE Version	82
406.2 608561 Platform Leveling - USA Version	86
407.1 608552 Mid Pivot	88
500 Pumps and Manifolds	90
501.1 608553 Hydraulic Power Unit	90
502.1 608554 Functions Manifold	92
600 Platform Components	96
601.1 608555 Platform Components	96
602.1 608556 Platform Control Box - View 1	100

Table of Contents

Description	Page
603.1 608557 Platform Control Box - View 2	102
604.1 608558 Joystick Controller	106
700 Hydraulic Hoses and Fittings	108
701.1 608559 Turntable Components	108
702.1 608560 Cylinders	110
800 Accessories	112
801.1 608562 Flashing Beacon	112
802.1 608563 Supply Power - UK Plug 110V	114
803.1 608564 Supply Power - US Plug 110V	116
804.1 608565 Supply Power - EU Plug 220V	118
805.1 608566 Supply Power - No Plug 110/230V	120
806.1 608567 Air Line To Platform	122
807.1 608568 Control Box Cover	124
808.1 608572 Work And Road Lights	126
809.1 608573 Lift Guard Contact Alarm (from November 2017) - View 1	128
809.2 608574 Lift Guard Contact Alarm (from November 2017) - View 2	132
810.1 608576 Power To Platform RCBO	134
Part Number Index	136

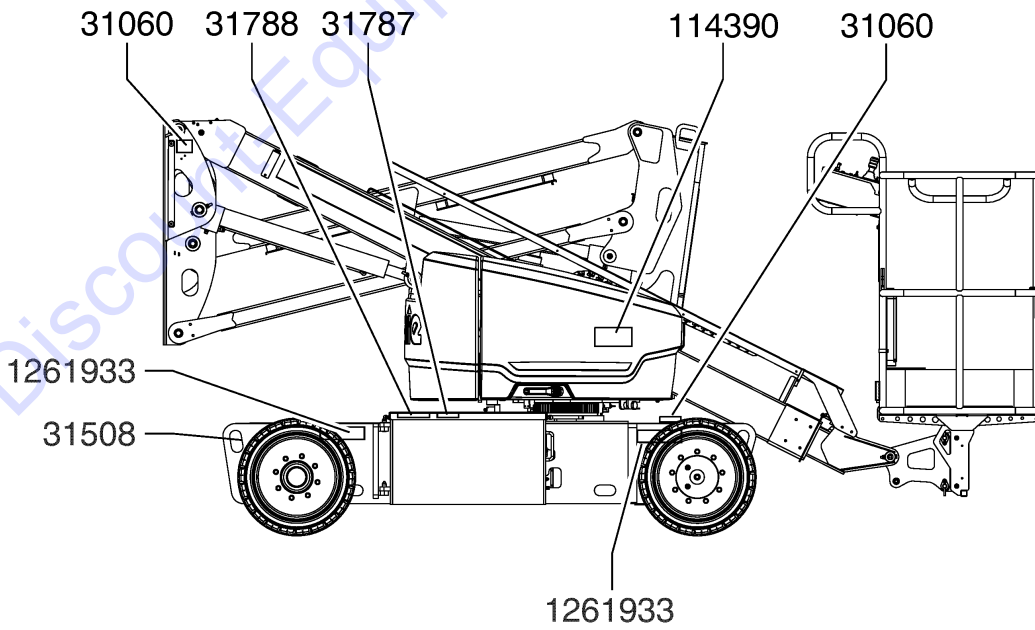
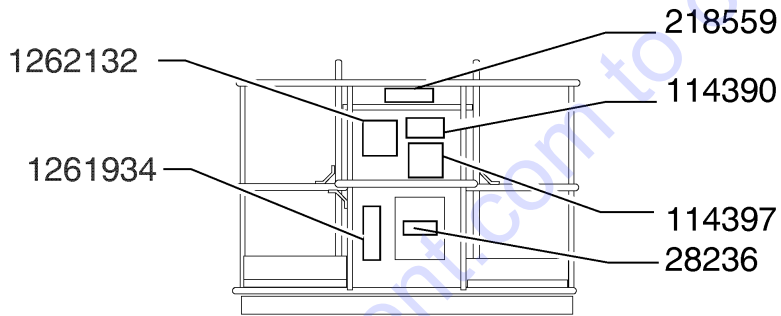
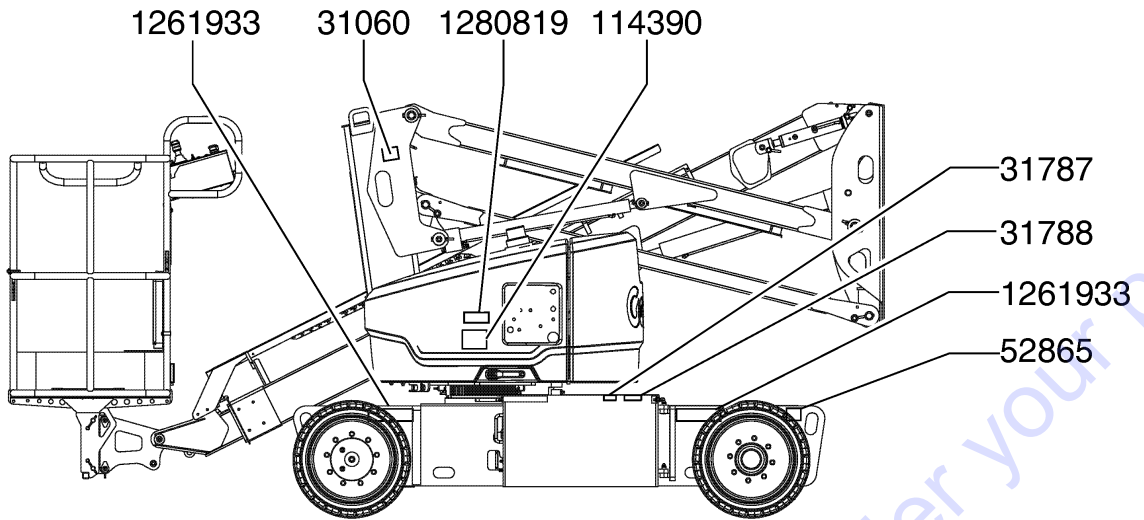
101.1 608530 Safety Decals



<i>Item</i>	<i>Part No.</i>	<i>Description</i>	<i>Qty.</i>
1	114252GT	DECAL,LABEL,TIP OVER LMT SWTCH	3
2	133067GT	DECAL,DANGER,ELEC.HAZ.STAY CLR	3
3	82481GT	DECAL,SYMBOL-BATTERY SAFETY	2
4	114334GT	DECAL,SYM-ELEC HAZARD,PLUG	1
5	114345GT	DECAL,LABEL,TIPOVER,BATTERIES	2
6	114249GT	DECAL,LABEL,TIPOVER,TIRES,SYMB	4
7	1258501GT	Label — Tip-over Hazard, CE	1
8	219956GT	DECAL,PLATFORM OVERLOAD	1
9	219958GT	DECAL,TIP-OVER,CRUSH	1
10	82487GT	DECAL, SYMBOL - READ THE MANUAL	2
11	114248GT	DECAL,LABEL,TIPOVER,TILT AL SY	1
12	1261869GT	Label — Runaway Hazard	1

Go to Discount-Equipment.com to order your parts

101.2 608569 Safety Decals - ANSI

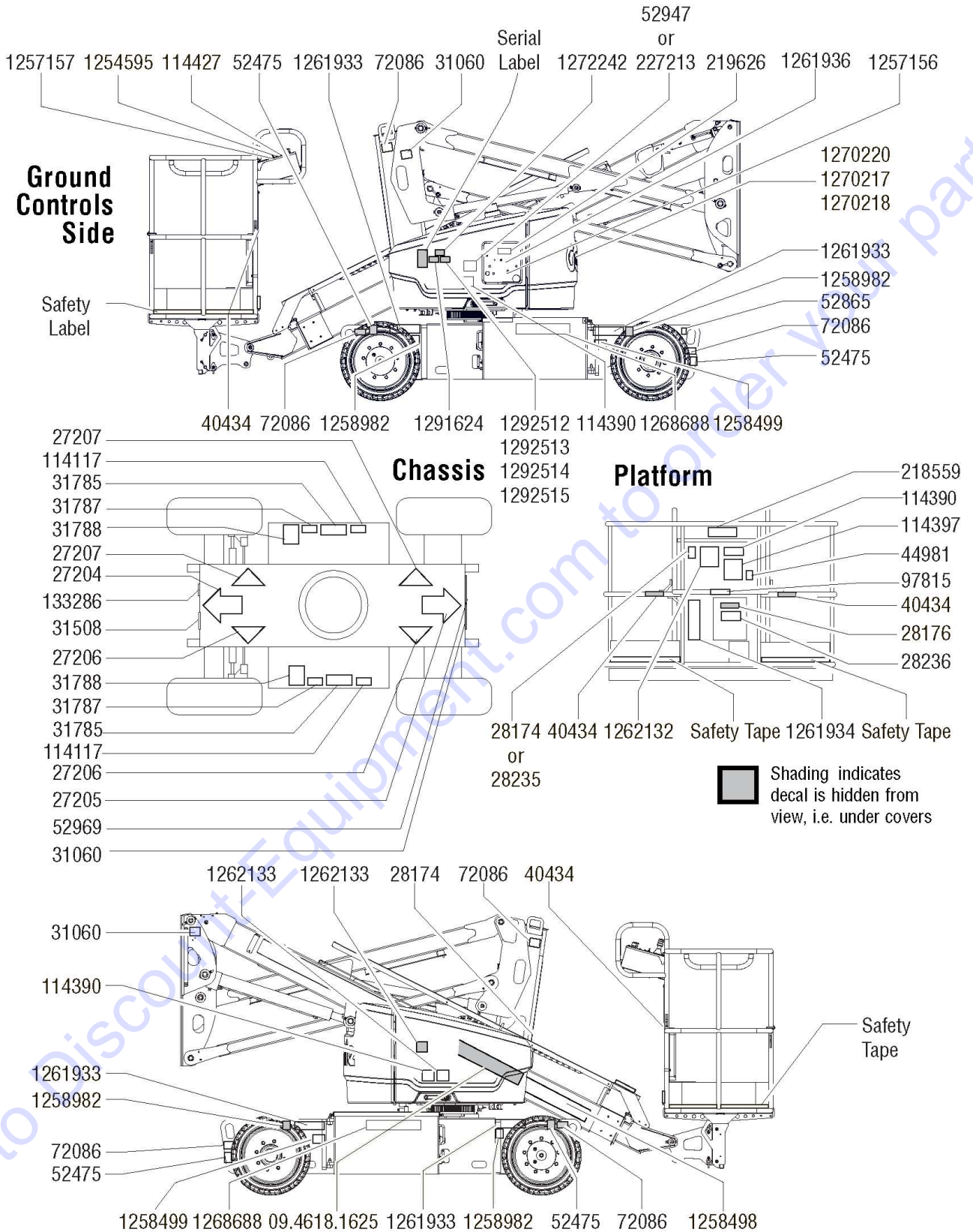


Item	Part No.	Description	Qty.
1	1261933GT	Danger, Notice — Tire Specifications	4
2	31060GT	DECAL,DANGER DO NOT ALTER SWTC	3
3	114390GT	DECAL,DANGER,ELECT HAZARD***	3
4	31787GT	DECAL,DANGER,TIP-OVER BATTERY	2
5	31788GT	DECAL,DANGER,BATTERY SAFETY***	2
6	52865GT	DECAL,ANNUAL INSP***	1
7	1262132GT	Label — Runaway Hazard, Slope	1
8	1261934GT	Danger, Tip-over Hazard, ANSI	1
9	218559GT	DECAL,DANGER/WARNING COMBO	1
10	114397GT	DECAL,DANGER,TILT ALARM	1
11	28236GT	DECAL,WARN,IMPROPER OPERATION	1
12	31508GT	DECAL,DANGER,ELECT HAZARD,PLUG	1
13	1280819GT	DECAL,WARNING,CANCER AND REPRODUCTIVE HARM, PROP 65	1

Go to Discount-Equipment.com to order your parts

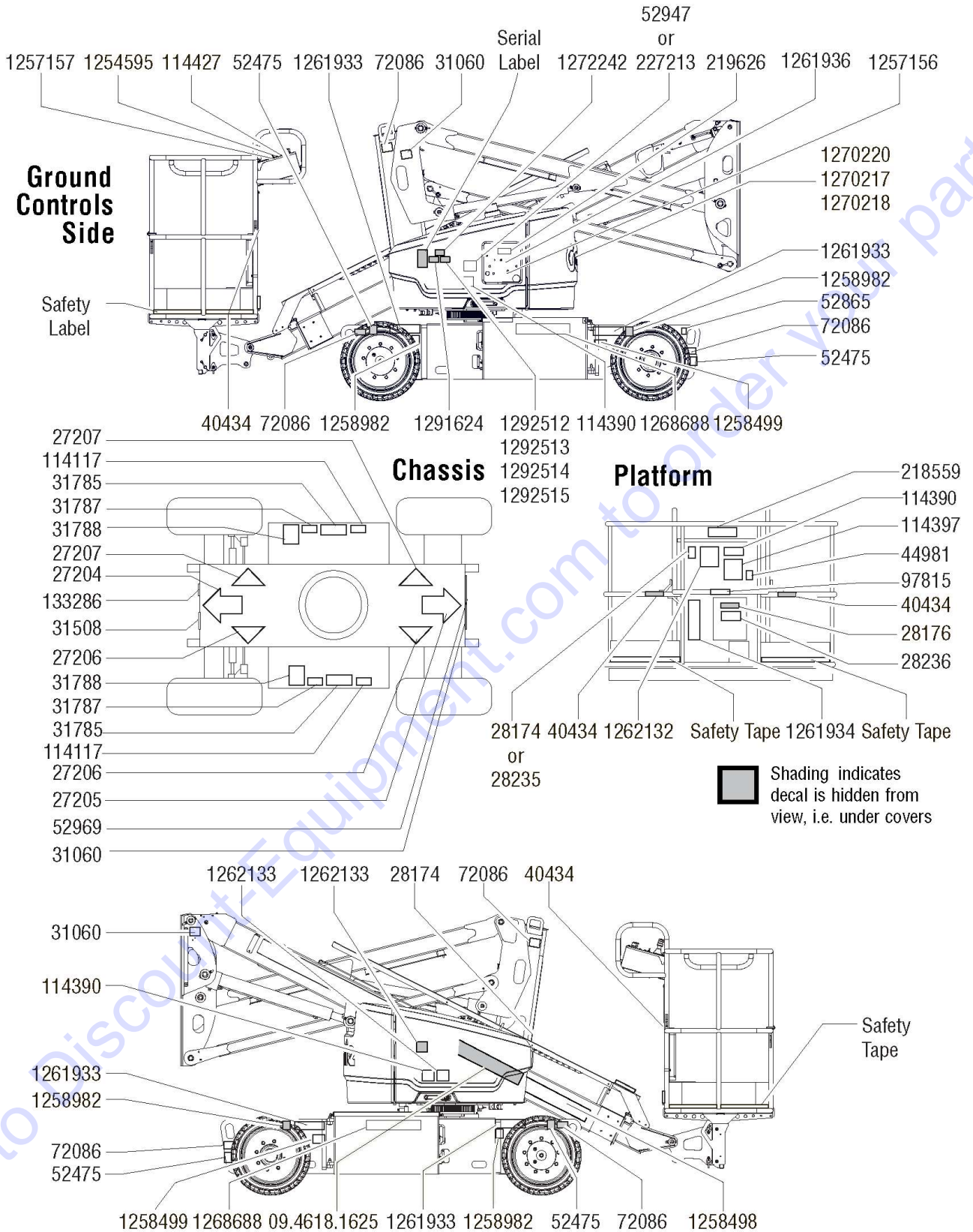


102.1 608531 Decals With Symbols



Item	Part No.	Description	Qty.
1	27204GT	DECAL,ARROW BLUE	1
2	27205GT	DECAL,ARROW YELLOW LRG 9"	1
3	27206GT	DECAL,TRIANGLE,BLUE	2
4	27207GT	DECAL,TRIANGLE,YELLOW	2
5A	28174GT	DECAL, POWER TO PLATFORM 230V**	2
5B	28235GT	DECAL,POWER TO PLATFORM 115V	2
6	40434GT	DECAL,LANYARD ANCHORAGE POINT	4
7	133286GT	DECAL, POWER TO CHARGER, UNIV	1
8	52969GT	DECAL,COSMETIC,GENIE BOOM,HORZ	1
9	1258498GT	Cosmetic — Z-33/18	1
10	219956GT	DECAL,PLATFORM OVERLOAD	1
11	82481GT	DECAL,SYMBOL-BATTERY SAFETY	2
12	82487GT	DECAL, SYMBOL - READ THE MANUAL	2
13	219958GT	DECAL,TIP-OVER,CRUSH	1
14	1258501GT	Label — Tip-over Hazard, CE	1
15	97815GT	DECAL,LABEL,LOWER MIDRAIL	1
16	114249GT	DECAL,LABEL,TIPOVER,TIRES,SYMB	4
17	114252GT	DECAL,LABEL,TIP OVER LMT SWTCH	3
18	133067GT	DECAL,DANGER,ELEC.HAZ.STAY CLR	3
19	1257156GT	Ground Control Panel	1
20	1257157GT	Platform Control Panel	1
21	1258982GT	Label — Wheel Load	4
22	1258499GT	Label — Lifting Diagram, Z-33/18	2
23	114248GT	DECAL,LABEL,TIPOVER,TILT AL SY	1
24	114334GT	DECAL,SYM-ELEC HAZARD,PLUG	1
25	114345GT	DECAL,LABEL,TIPOVER,BATTERIES	2
26	1254595GT	DECAL,COSMETIC,GENIE DOMED BLK	1
27	219626GT	DECAL,COSMETIC,GENIE DOMED, BLK/SILVER	1

102.1 608531 Decals With Symbols

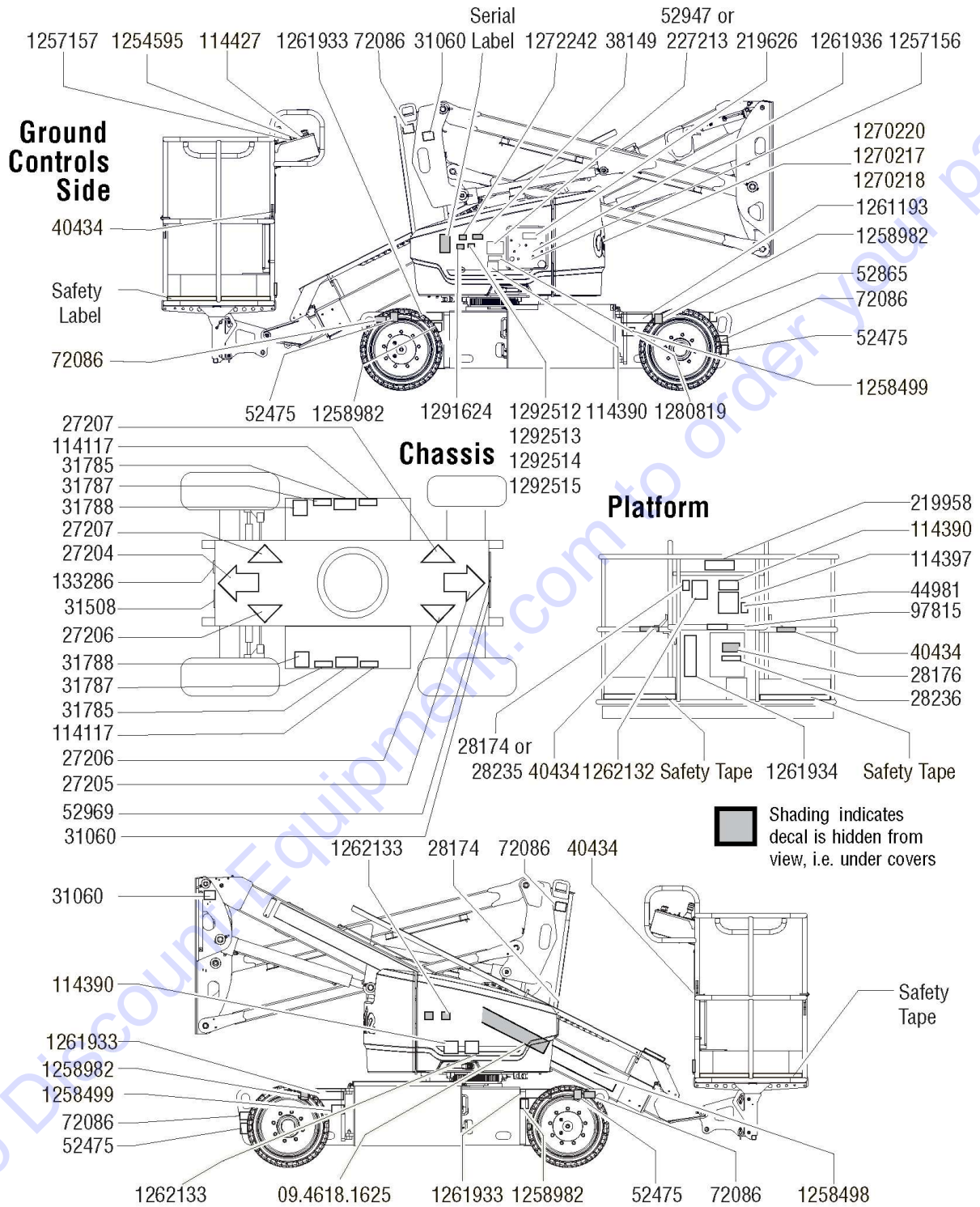


Item	Part No.	Description	Qty.
28	1258500GT	Label — Emergency Down	1
29	1270220GT	Cosmetic — Genie Blue	1
30	09.4618.1625GT	DECAL,COSMETIC,GENIE	1
31	52475GT	DECAL,LABEL,TRANSPORT TIEDOWN*	4
32	72086GT	DECAL,LABEL,LIFTING EYE	6
33	1261869GT	Label — Runaway Hazard	1
34	1262127GT	Label — Do not use water	2
35	114427GT	DECAL,LABEL,CLEAR	1
36	1268688GT	Decal,Cosmetic,Genie Battery Box	2
37	1270217GT	Cosmetic — Genie White	1
38	1270218GT	Cosmetic — Genie Black	1
39	1272242GT	DECAL,MACHINE REGISTRATION/OWNER TRANSFER	1
40	1291624GT	DECAL COSM,GENIE LIFT CONNECT,LEXAN COVER	1
41	1292512GT	DECAL COSM,GENIE LIFT CONNECT,ESN,SKU4-1	1
42	1292513GT	DECAL COSM,GENIE LIFT CONNECT,ESN,SKU4-2	1
43	1292514GT	DECAL COSM,GENIE LIFT CONNECT,ESN,SKU4-3	1
44	1292515GT	DECAL COSM,GENIE LIFT CONNECT,ESN,SKU4-4	1

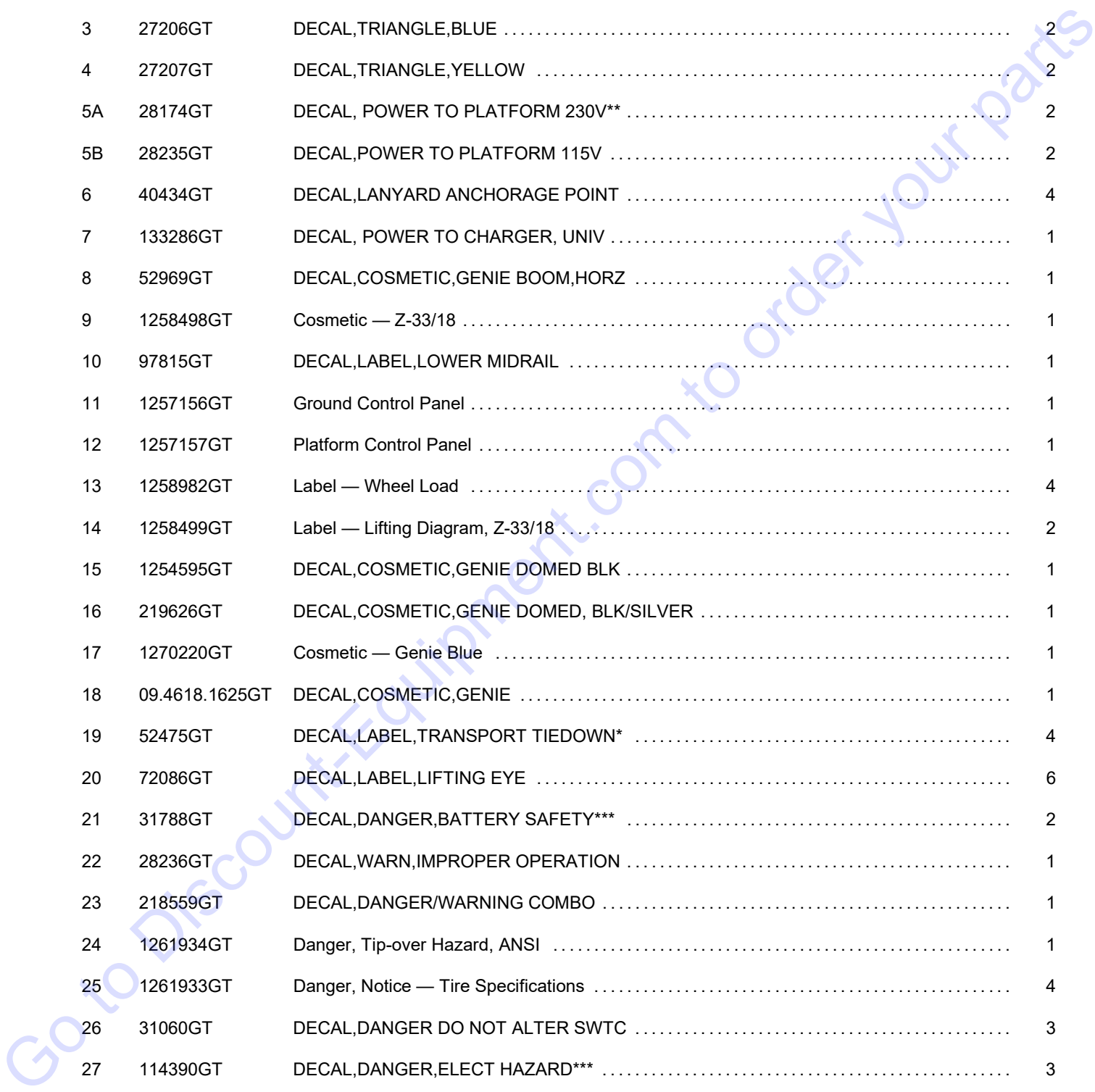
Go to Discount-Equipment.com to order your parts



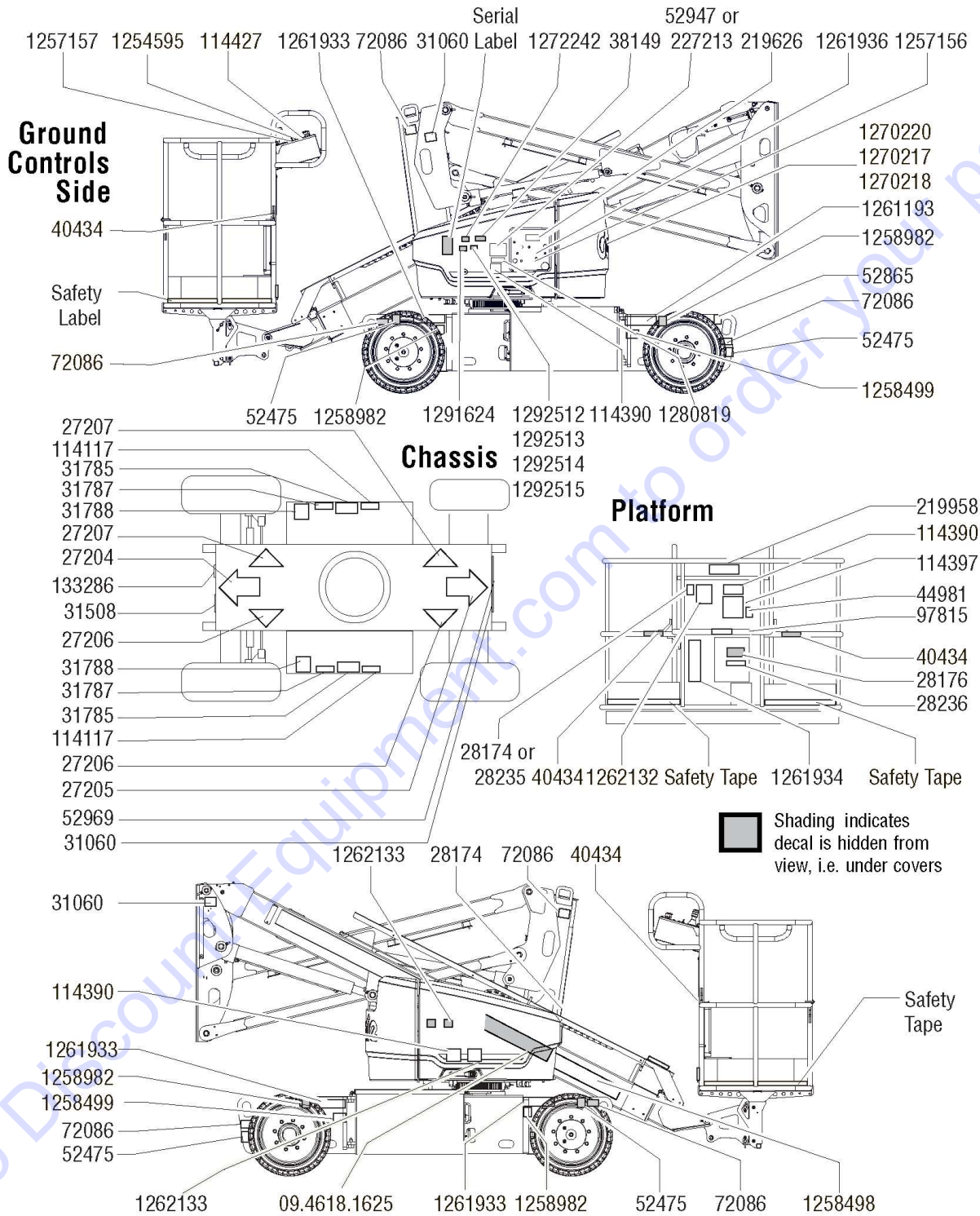
103.1 608571 Decals With Words



Item	Part No.	Description	Qty.
1	27204GT	DECAL,ARROW BLUE	1
2	27205GT	DECAL,ARROW YELLOW LRG 9"	1
3	27206GT	DECAL,TRIANGLE,BLUE	2
4	27207GT	DECAL,TRIANGLE,YELLOW	2
5A	28174GT	DECAL, POWER TO PLATFORM 230V**	2
5B	28235GT	DECAL,POWER TO PLATFORM 115V	2
6	40434GT	DECAL,LANYARD ANCHORAGE POINT	4
7	133286GT	DECAL, POWER TO CHARGER, UNIV	1
8	52969GT	DECAL,COSMETIC,GENIE BOOM,HORZ	1
9	1258498GT	Cosmetic — Z-33/18	1
10	97815GT	DECAL,LABEL,LOWER MIDRAIL	1
11	1257156GT	Ground Control Panel	1
12	1257157GT	Platform Control Panel	1
13	1258982GT	Label — Wheel Load	4
14	1258499GT	Label — Lifting Diagram, Z-33/18	2
15	1254595GT	DECAL,COSMETIC,GENIE DOMED BLK	1
16	219626GT	DECAL,COSMETIC,GENIE DOMED, BLK/SILVER	1
17	1270220GT	Cosmetic — Genie Blue	1
18	09.4618.1625GT	DECAL,COSMETIC,GENIE	1
19	52475GT	DECAL,LABEL,TRANSPORT TIEDOWN*	4
20	72086GT	DECAL,LABEL,LIFTING EYE	6
21	31788GT	DECAL,DANGER,BATTERY SAFETY***	2
22	28236GT	DECAL,WARN,IMPROPER OPERATION	1
23	218559GT	DECAL,DANGER/WARNING COMBO	1
24	1261934GT	Danger, Tip-over Hazard, ANSI	1
25	1261933GT	Danger, Notice — Tire Specifications	4
26	31060GT	DECAL,DANGER DO NOT ALTER SWTC	3
27	114390GT	DECAL,DANGER,ELECT HAZARD***	3

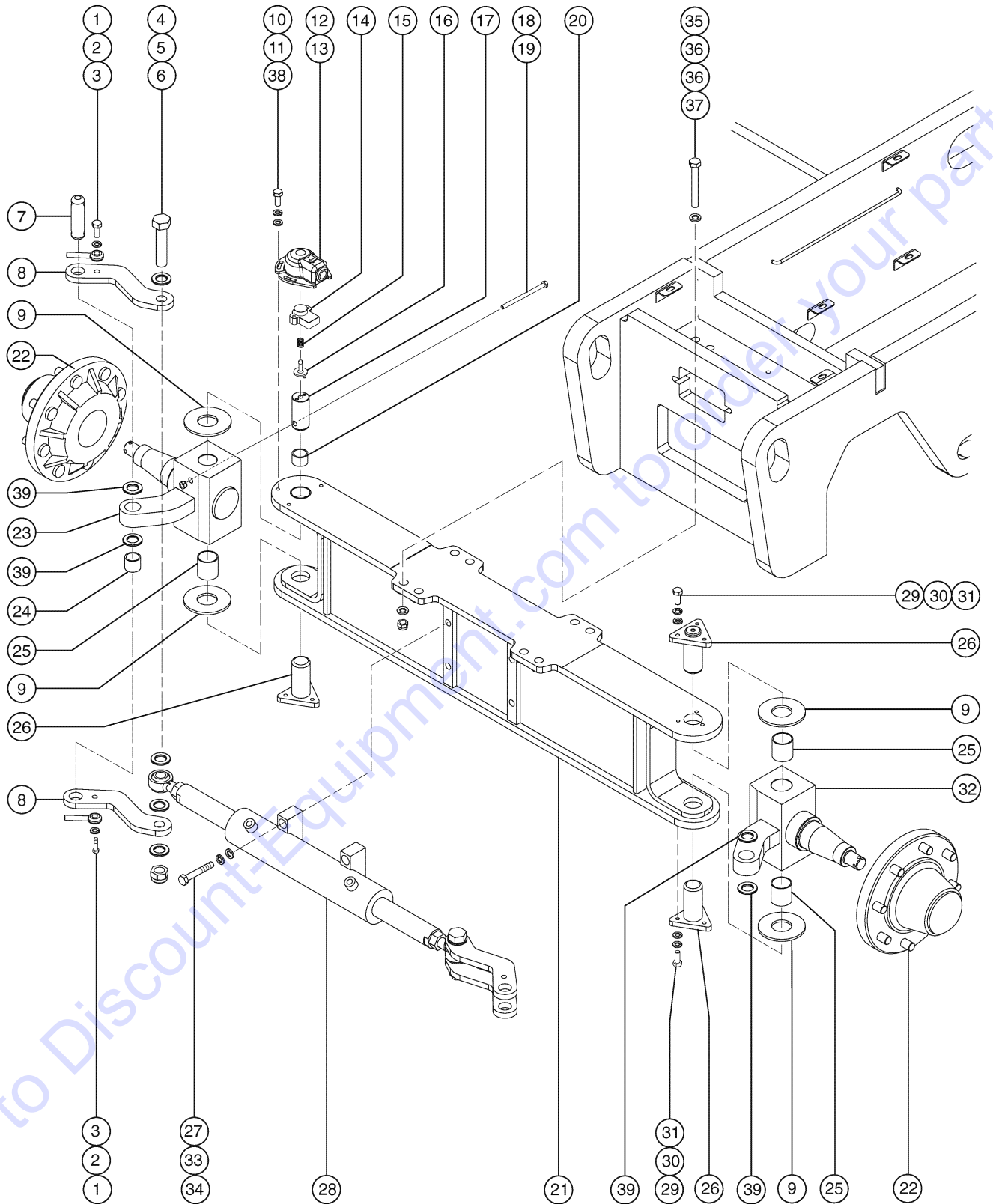


103.1 608571 Decals With Words



Item	Part No.	Description	Qty.
28	31508GT	DECAL,DANGER,ELECT HAZARD,PLUG	1
29	31787GT	DECAL,DANGER,TIP-OVER BATTERY	2
30	1262132GT	Label — Runaway Hazard, Slope	1
31	1262133GT	Label — Do Not Use Water	2
32	114427GT	DECAL,LABEL,CLEAR	1
33	28372GT	DECAL,NOTICE,BATTERY CABLES	2
34	72833GT	DECAL,LABEL,OPEN,LATCH	2
35	114117GT	DECAL,BATT CONN DIAGRAM	1
36	31785GT	DECAL,NOTICE,CHARGER INSTRUC	1
37	52865GT	DECAL,ANNUAL INSP***	1
38	38149GT	DECAL,LABEL,PATENTS	1
39	1261936GT	Label — Relays	1
40	28176GT	DECAL,LABEL,MANUAL NOT HERE	1
41	1268688GT	Decal,Cosmetic,Genie Battery Box	2
42	1270217GT	Cosmetic — Genie White	1
43	1270218GT	Cosmetic — Genie Black	1
44	1272242GT	DECAL,MACHINE REGISTRATION/OWNER TRANSFER	1
45	1280819GT	DECAL,WARNING,CANCER AND REPRODUCTIVE HARM, PROP 65	1
46	1291624GT	DECAL COSM,GENIE LIFT CONNECT,LEXAN COVER	1
47	1292512GT	DECAL COSM,GENIE LIFT CONNECT,ESN,SKU4-1	1
48	1292513GT	DECAL COSM,GENIE LIFT CONNECT,ESN,SKU4-2	1
49	1292514GT	DECAL COSM,GENIE LIFT CONNECT,ESN,SKU4-3	1
50	1292515GT	DECAL COSM,GENIE LIFT CONNECT,ESN,SKU4-4	1

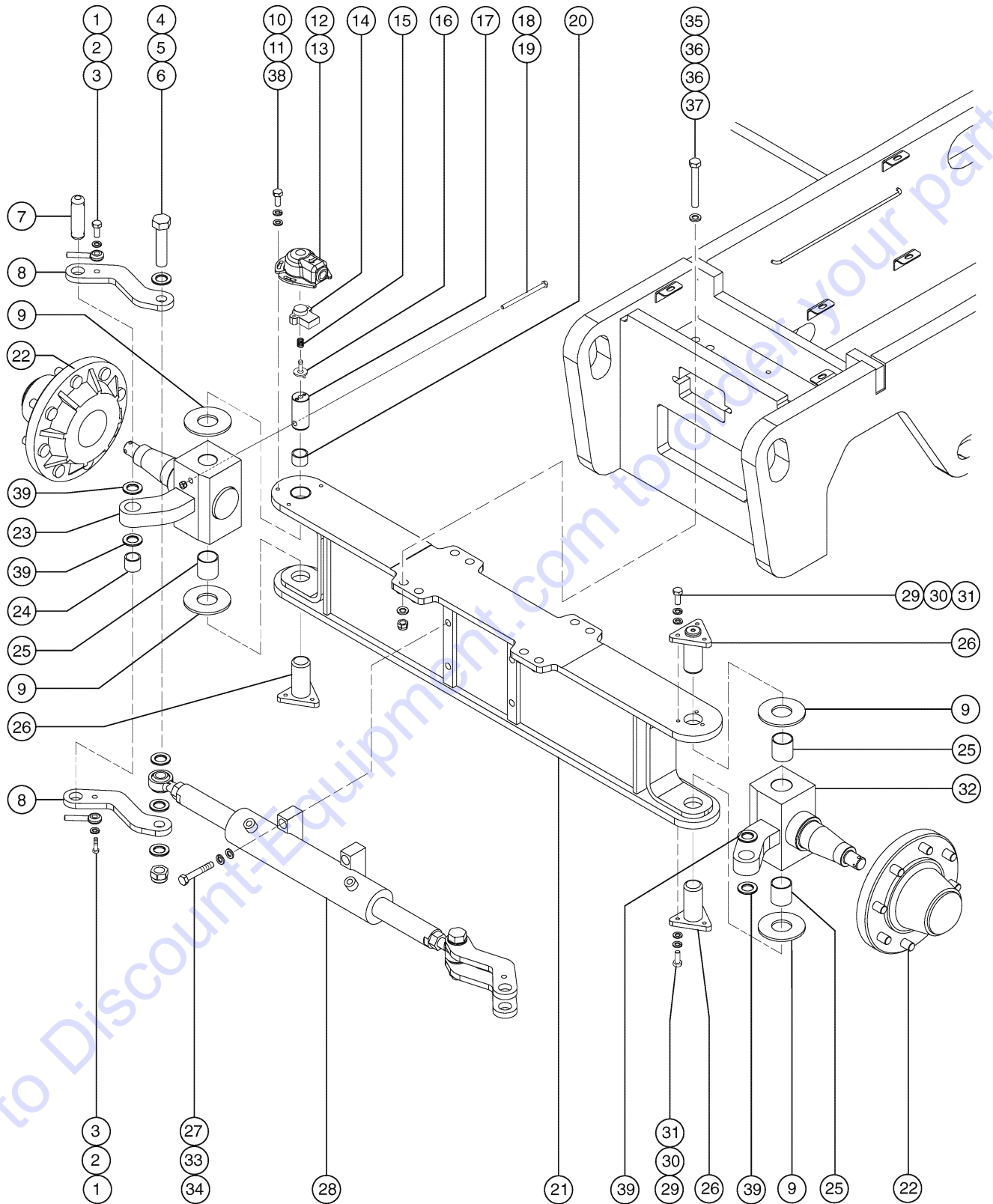
201.1 608532 Front Axle Assembly



Go to Discount-Equipment.com to order your parts

Item	Part No.	Description	Qty.
1	01.0001.0355GT	SCREW M10X25 UNI 5739 8.8 ZN	4
2	01.4032.0004GT	Spring Washer D10 ZN	4
3	1255452GT	ROD END,,375 X 2.25,ZAG	4
4	01.4001.0053GT	Screw TE M20X100 UNI 5737 8.8ZN	2
5	01.0031.0061GT	FLAT WASHER D20 UNI 6592 ZN	8
6	01.0023.0060GT	STOP NUT M20 UNI 7473 6S ZN	2
7	1252981GT	PIN,25DIAX80LG,CHAMFER	2
8	824759GT	PLATE STEERING LINK,MACHINED	4
8	1257170GT	PLATE STEERING LINK,MACHINED For Turf Tires	4
9	45074GT	WASHER,THRUST,1.5 X 3.5 X .187	4
10	01.0001.0156GT	SCREW M6X20 UNI 5739 8.8 ZN	3
11	01.4032.0002GT	SPRING WASHER D6 ZN	3
12	110998GT	SUBASSY,STEER SENSOR	1
		Includes Items 13 and 14	
13	110452GT	COVER,STEERING SENSOR	1
14	110533GT	SENSOR,STEER ANGLE	1
15	119910GT	SPRING,COMP,300 OD X .63LG	1
16	110556GT	STEER SENSOR ACTUATOR,HEX	1
17	824757GT	PIN,D 35,LG 48,STEER SENSOR	1
18	01.0001.0315GT	SCREW	1
19	01.0023.0055GT	Stop Nut M10 UNI 7473 6S ZN	1
20	1254767GT	BEARING,35.00IDX39.00ODX20.00L	1
21	824190GT	FRONT AXLE ASSY,Z33	1
22	45043GT	HUB ASSEMBLY MODEL#60-8***	2
22-	45110GT	SEAL-GREASE,MODEL 60-8	
22-	40145GT	BEARING RACE (LARGE) (45873) inner cone not included	
22-	40146GT	BEARING RACE (SMALL) (45873) outer cone not included	
22-	21166GT	LUG BOLT,5/8-18,WHEEL HUB***	
22-	45111GT	CAP,DUST,45873 HUB KIT	

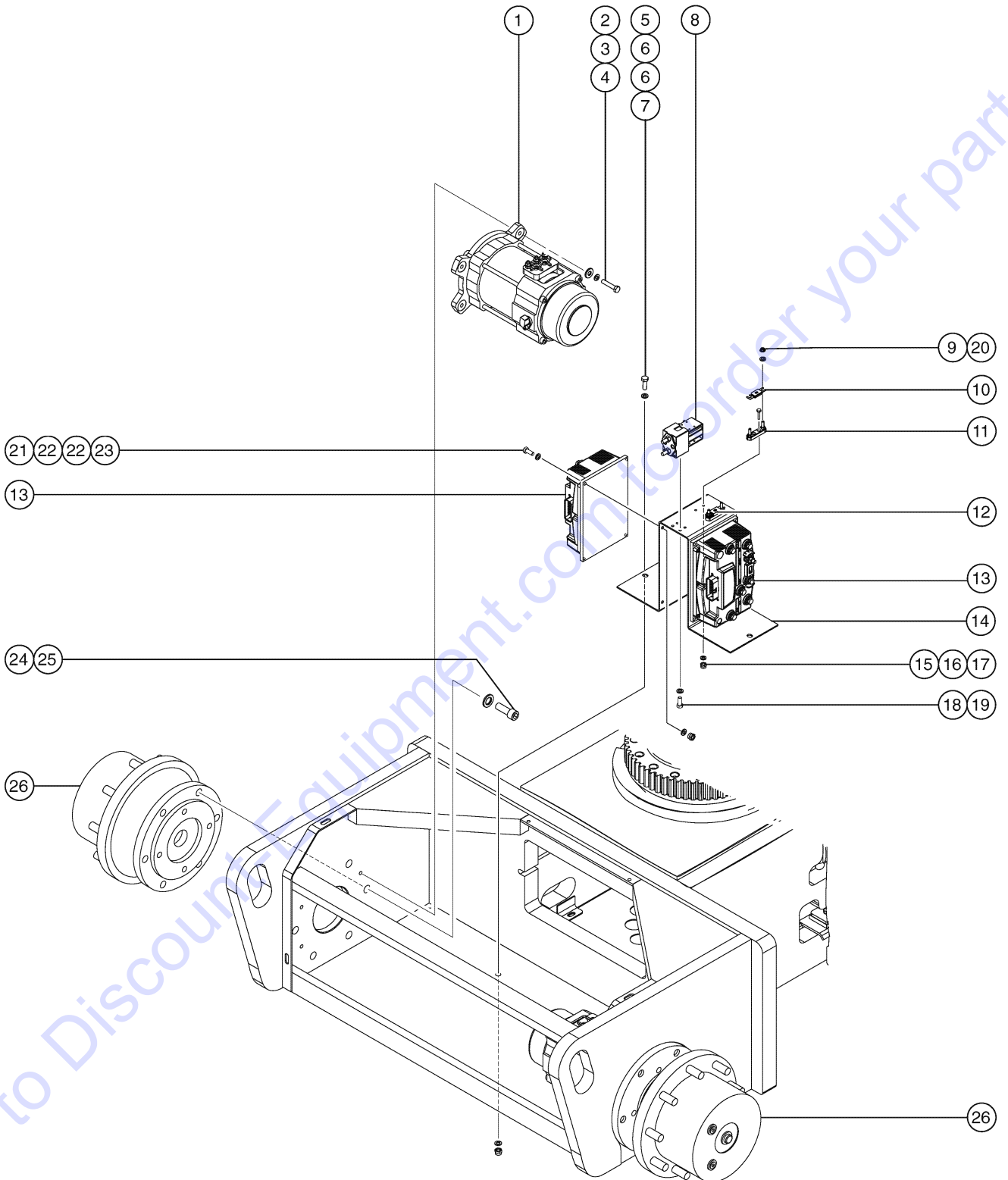
201.1 608532 Front Axle Assembly



Go to Discount-Equipment.com to order your parts

Item	Part No.	Description	Qty.
23	1256488GT	STEER YOKE ASSY;STEER SENS.+ BEARING	1
23	1257163GT	STEER YOKE ASSY;STEER SENS.+ BEARING	1
		For Turf Tires	
24	826733GT	BEARING, 25IDX30ODX25L	2
25	1254766GT	BEARING,35.00IDX39.00ODX40.00L	3
26	824737GT	WELDMENT,PIN,35X65 LG.	3
27	01.0001.0405GT	SCREW, 8.8 HCS 12MM1.75X60Z	4
28	824188GT	CYLINDER,STEER,DOUBLE RODDED	1
28-	1259271GT	SEAL KIT FOR CYLINDER 824188	
29	01.0001.0256GT	SCREW M8X25 UNI 5739 8.8 ZN	9
30	01.4032.0003GT	Spring Washer D 8 ZN	9
31	01.0031.0055GT	FLAT WASHER D8 UNI 6592 ZN	9
32	824748GT	STEER YOKE ASSY + BEARING	1
32	1257169GT	STEER YOKE ASSY + BEARING	1
		For Turf Tires	
33	01.4032.0005GT	SPRING WASHER D12 ZN	4
34	01.0031.0097GT	FLAT WASHER D12 UNI 5714 ZN	4
35	01.4001.0002GT	Screw TE M16x70 UNI 5737 8.8 ZN	8
36	01.0031.0099GT	FLAT WASHER D16 UNI 5714 ZN	16
37	01.0023.0058GT	NUT,STOP,M16 UNI 7473 6S ZN	8
38	01.0031.0298GT	FLAT WASHER D6 UNI 6593 ZN	3
39	30748GT	WASHER,SHIM,1.01 X 1.63 X.062	4

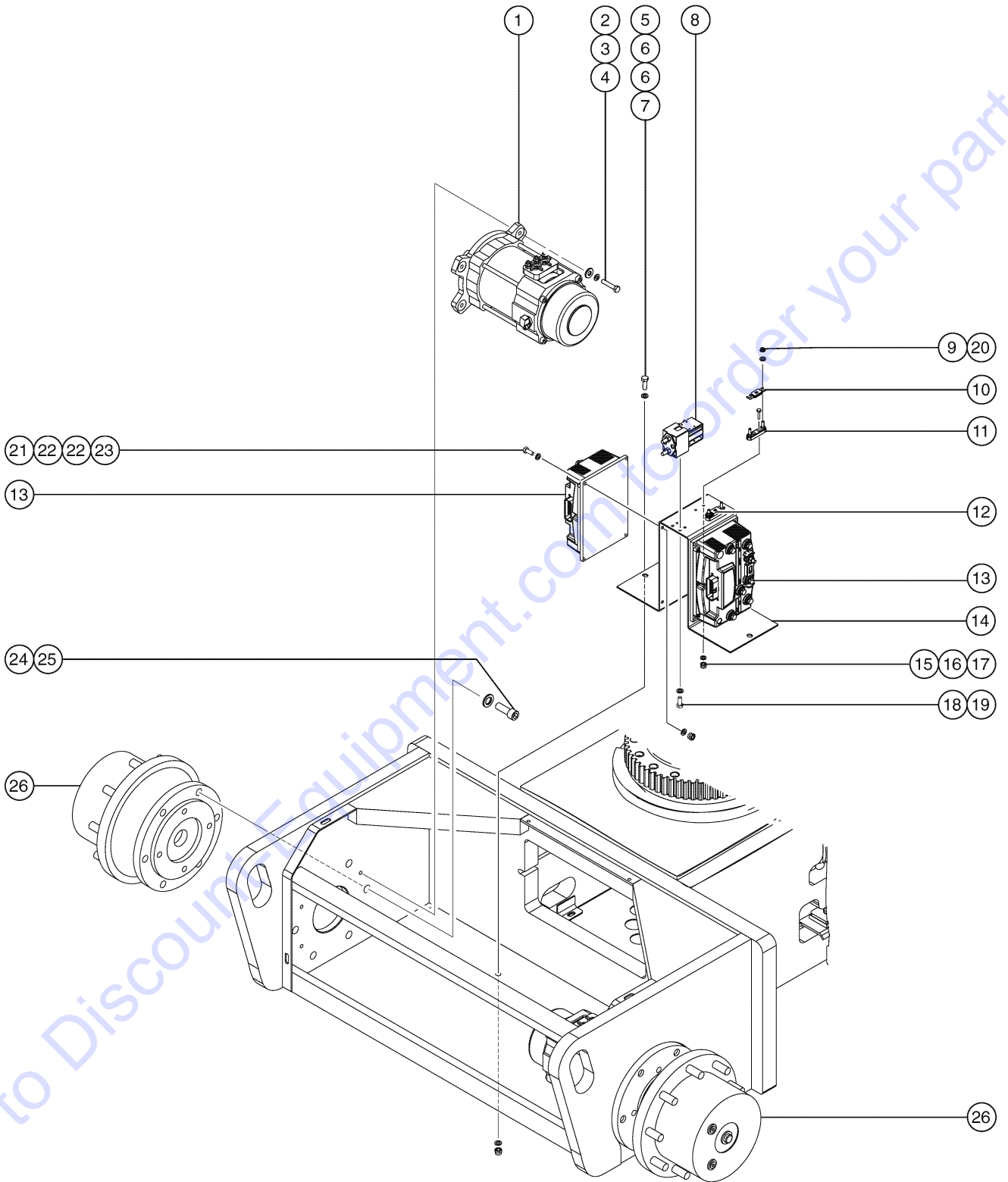
202.1 608533 Rear Axle Assembly



Go to DiscountEquipment.com to order your parts

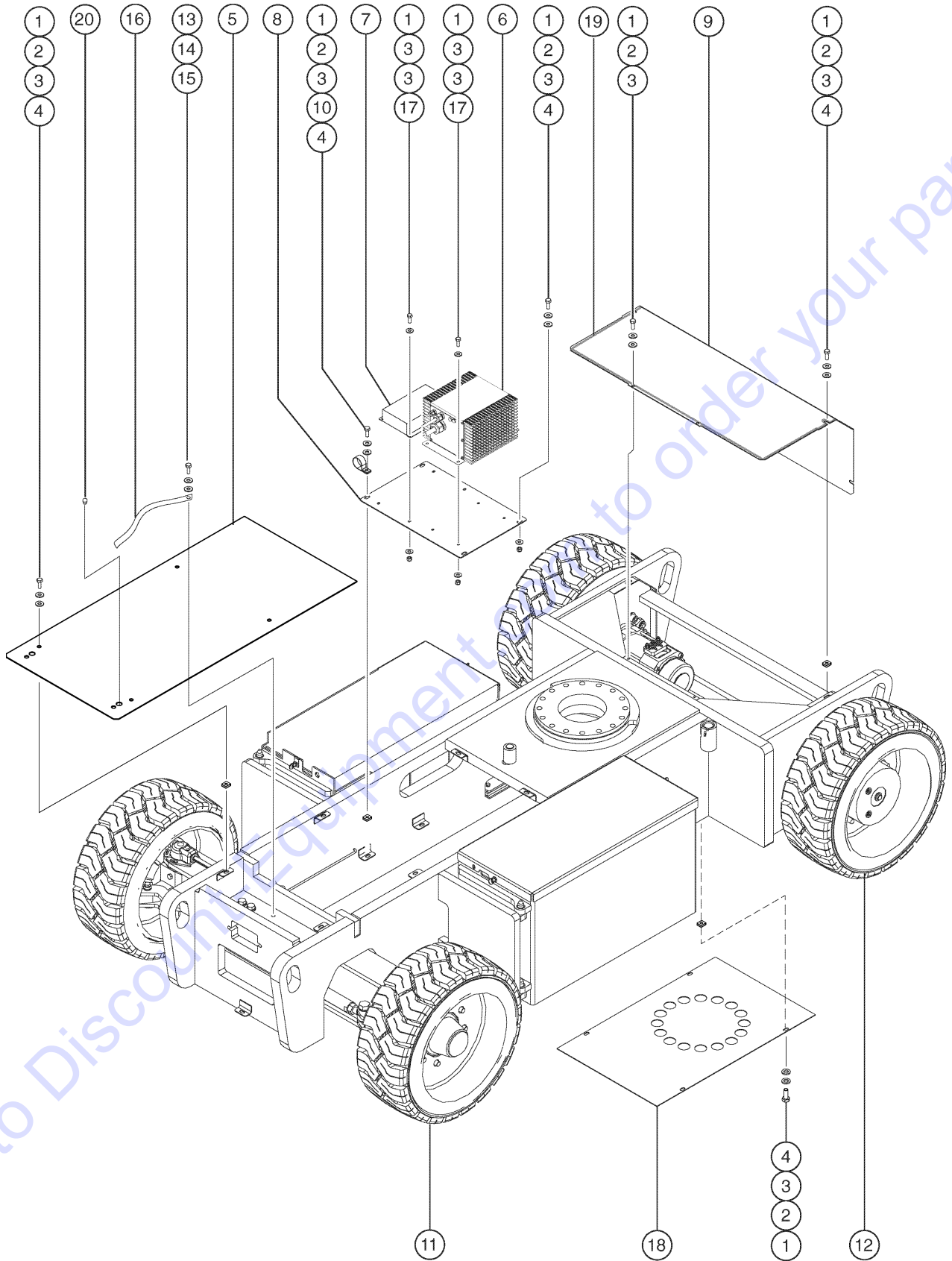
Item	Part No.	Description	Qty.
1	823874GT	MOTOR,DRIVE,AC 2KW W/BRAKE	2
1-	1259725GT	BRAKE	
1-	1259272GT	THERMAL SENSOR	
1-	1259283GT	SPEED SENSOR	
1-	1259728GT	BEARING	
1-	1259702GT	OIL SEAL	
1-	1259703GT	O-RING	
2	01.0001.0358GT	SCREW M10X40 UNI 5739 8.8 ZN	8
3	01.4032.0004GT	Spring Washer D10 ZN	8
4	01.0031.0056GT	FLAT WASHER D10 UNI 6592 ZN	8
5	01.0001.0256GT	SCREW M8X25 UNI 5739 8.8 ZN	2
6	01.0031.0299GT	FLAT WASHER D8 UNI 6593 ZN	4
7	01.0023.0054GT	NUT,M8 UNI 7473 6S ZN	2
8	74267GT	CONTACTOR,DRIVE,24V,180A***	1
8-	74468GT	SPRING, RETURN (FOR 74267)	
8-	74469GT	FIXED CONTACT (FOR 74267)	
8-	74470GT	MOVING CONTACT (FOR PN 74267)	
9	6782GT	NUT,NYLOCK,5/16-18	4
10	43179GT	FUSE,500 AMP,VERY FAST ACTING	1
11	66717GT	FUSE BLOCK, ANN & ANL FUSE	2
12	18576GT	FUSE,200 AMP	1
13	110665GT	MOTOR CONTROLLER,48VAC,3PH	2
14	1257166GT	INVERTERS HOLDER	1
15	70659GT	SCREW,PHILLIPS,FHM,10-24X1.00	4
16	6146GT	WASHER,FLAT,MS,#10,Y	4
17	5365GT	NUT,NYLOCK,10-24	4
18	49818GT	SCREW,PHILLIPS,PHM,10-32 X .38	4
19	6607GT	WASHER,LOCK,#10 PLTD	4

202.1 608533 Rear Axle Assembly



Item	Part No.	Description	Qty.
20	6638GT	WASHER,FLAT,USS,1/4"Y	4
21	01.0001.1458GT	SCREW M6X35 UNI 5739 8.8 ZN	8
22	01.0031.0054GT	FLAT WASHER D6 UNI 6592 ZN	16
23	01.0023.0053GT	STOP NUT M6 UNI 7473 6S ZN	8
24	19418GT	SCREW,SHC,5/8-11 X 1.75	12
25	13064GT	WASHER,FLAT,.625 HARDENED	12
26	107712GT	WHEEL DRIVE. Z-40***	2
26-	58320GT	KIT,TORQUE HUB COVER(101584)**	
		for 107712	
26-	74714GT	BEARING KIT-74097 TORQUE HUB**	
		for 107712 (inventory limited to stock on hand as component is no longer available)	
26-	1286601GT	BEARING KIT,WHEEL DRIVE (106148/106445/107712)	
		for 107712	
26-	1286600GT	SEAL KIT,WHEEL DRIVE (106148/106445/107712)	
		for 107712 (inventory limited to stock on hand as component is no longer available)	
26-	1286600GT	SEAL KIT,WHEEL DRIVE (106148/106445/107712)	
		for 107712	
26-	106123GT	O-RING,END COVER,4HP/4HB***	
		for 107712	
26-	232486GT	SNAP RING,WHEEL DRIVE	
		for 107712	
26-	21149GT	LUG,WHEEL STUD,5/8-18,W1/4HB**	
		for 107712	
26-	232486GT	SNAP RING,WHEEL DRIVE	
		for 107712 (large snap ring for end cover)	

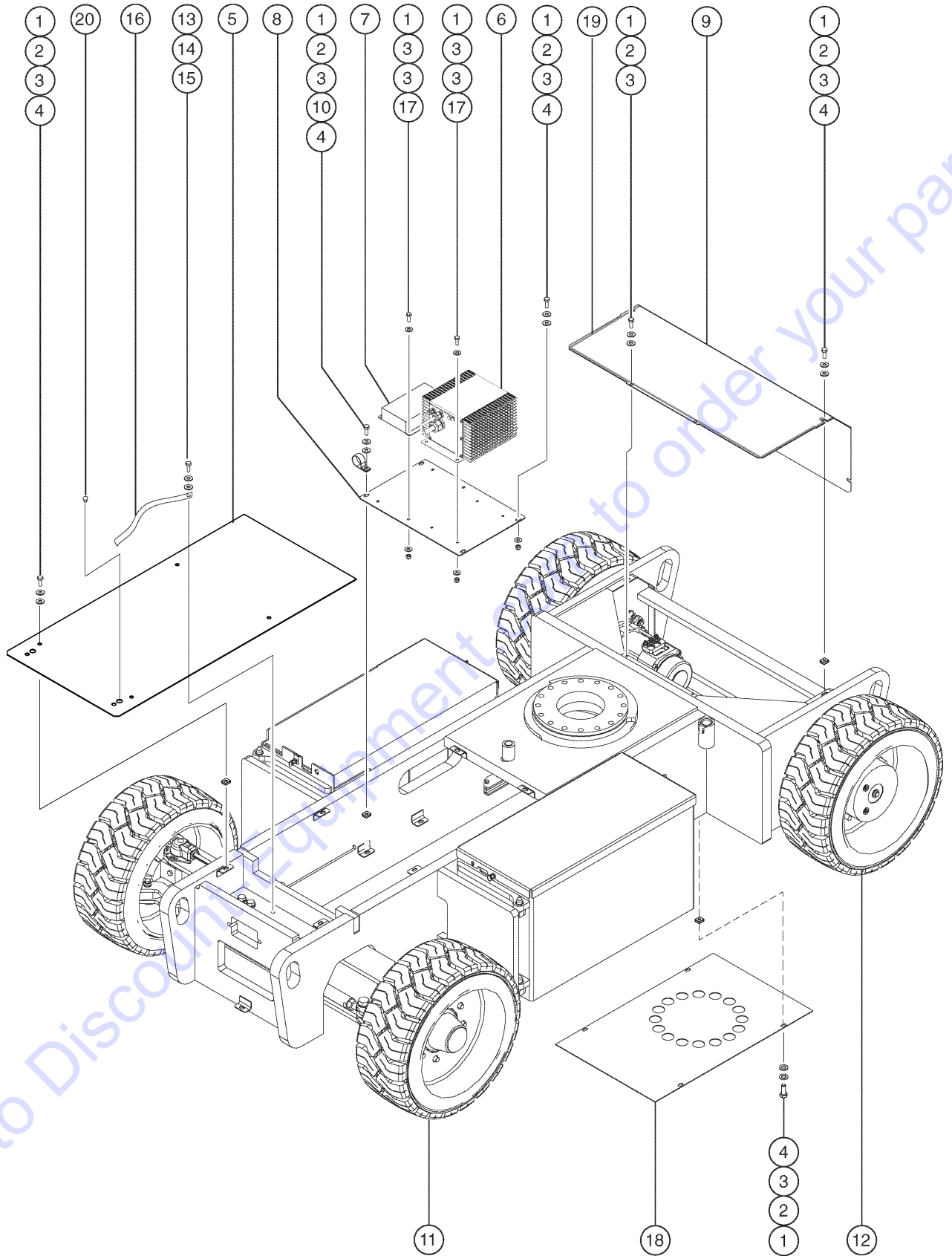
203.1 608534 Drive Chassis Components - View 1



Go to Discount Equipment to order your parts

Item	Part No.	Description	Qty.
1	01.0001.0156GT	SCREW M6X20 UNI 5739 8.8 ZN	30
2	01.4032.0002GT	SPRING WASHER D6 ZN	22
3	01.0031.0298GT	FLAT WASHER D6 UNI 6593 ZN	38
4	09.0803.0516GT	SPRING CLIP M6	14
5	1252991GT	COVER	1
6	128375GT	CHARGER 48V/30A AUTO AC X-LED (order power cord separately)	1
7	79452GT	CONVERTER, DC-DC, 48-26 VOLT**	1
8	1252992GT	SUPPORT	1
9	1252990GT	COVER	1
10	56424GT	CLAMP,1.25X.5 RUBBER-CUSHION	2
11	823876GT	TIRE & WHEEL ASSY,FRONT, N-M Solid, Non-marking, front	2
11-	54627GT	NUT,LUG,5/8-18 X 90 DEGREE,Z45	16
11	1256502GT	TIRE&WHEEL ASSY,FRONT;M.SURFAC Turf Tires	2
11-	1265623GT	WHEEL,M.SURFACE TIRE,FRONT	1
11-	1265625GT	MULTI SURFACE TIRE	1
11-	54627GT	NUT,LUG,5/8-18 X 90 DEGREE,Z45	16
12	T823875GT	TIRE & WHEEL ASSY,REAR, N-M Solid, Non-marking, rear	2
12-	54627GT	NUT,LUG,5/8-18 X 90 DEGREE,Z45	18
12	1256503GT	TIRE&WHEEL ASSY,REAR,M.SURFACE Turf Tires	2
12-	1265624GT	WHEEL,M.SURFACE TIRE,REAR	1
12-	1265625GT	MULTI SURFACE TIRE	1
12-	54627GT	NUT,LUG,5/8-18 X 90 DEGREE,Z45	18
13	01.0001.0252GT	SCREW M8X16 UNI 5739 8.8 ZN	2
14	01.0034.0056GT	WASHER D8 UNI 8842 ZN	2
15	01.0031.0299GT	FLAT WASHER D8 UNI 6593 ZN	2
16	107578GT	GROUND STRAP,24"LONG	2
17	01.0023.0053GT	STOP NUT M6 UNI 7473 6S ZN	8
18	1257161GT	FORMING, BELLY PAN	1

203.1 608534 Drive Chassis Components - View 1



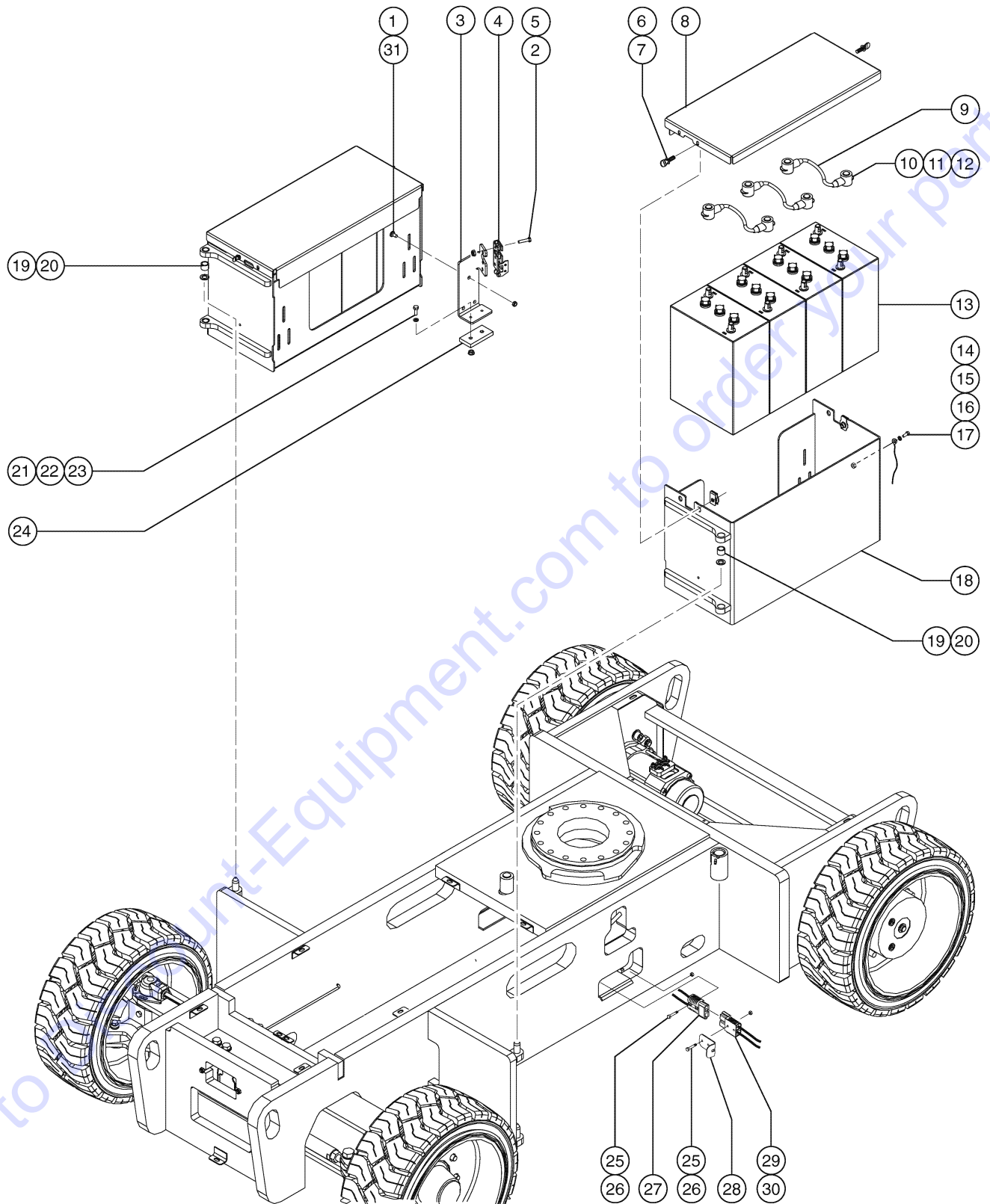
Go to Discount Equipment to order your parts

<i>Item</i>	<i>Part No.</i>	<i>Description</i>	<i>Qty.</i>
19	09.0803.0147GT	GASKET,ADHESIVE	70, 86
20	09.0803.0802GT	CAP	2

Go to Discount-Equipment.com to order your parts

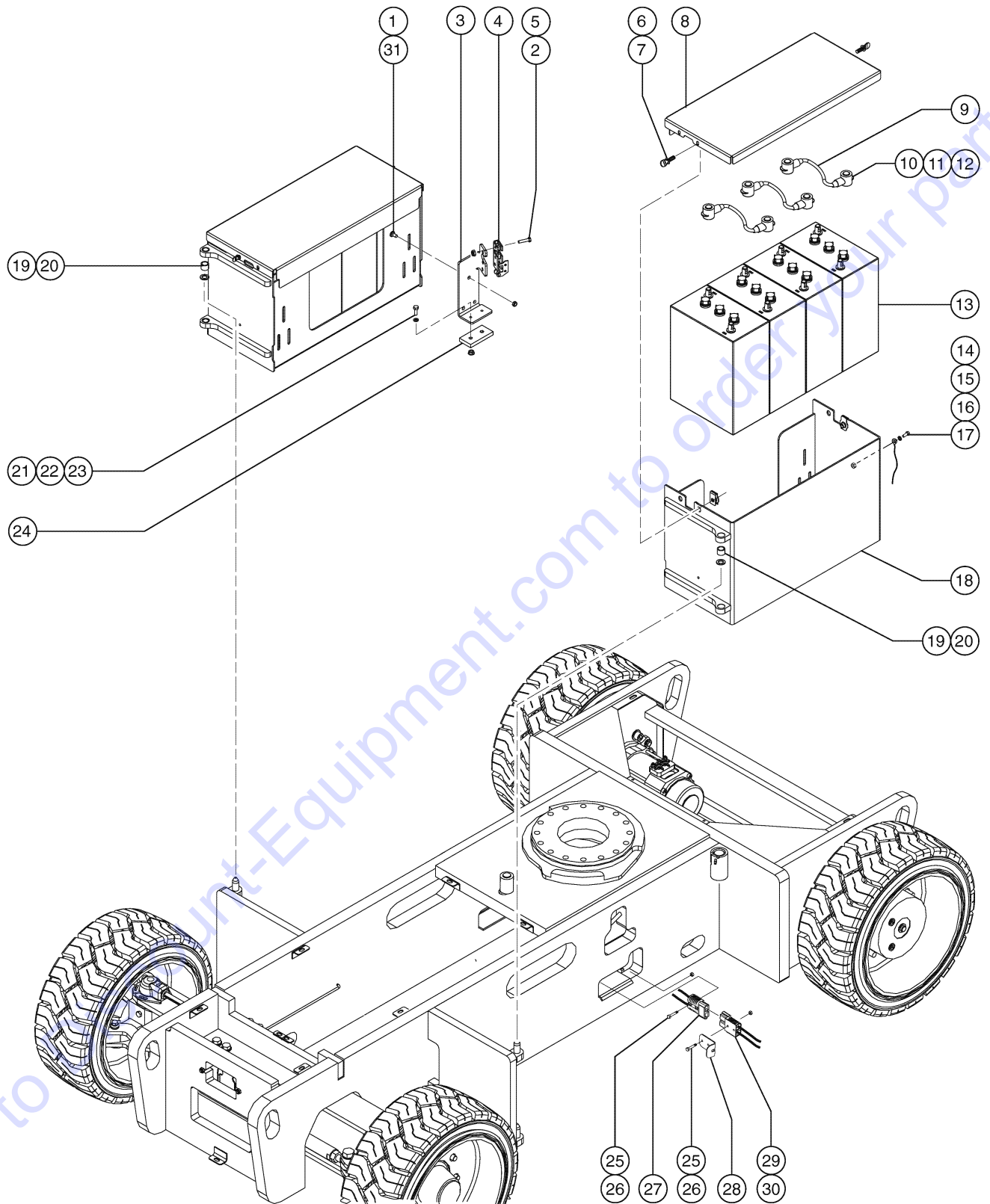


204.1 608535 Drive Chassis Components - View 2



Item	Part No.	Description	Qty.
1	101718GT	BOLT,CARRIAGE,3/8-16 X .75,G2	6
2	6002GT	NUT,LP NYLOCK,5/16-18	6
3	1259810GT	BRACKET LOCK BATTERY, LEFT SIDE	1
3-	1259811GT	BRACKET LOCK BATTERY, RIGHT SIDE	1
4	66900GT	LATCH,ROTARY, W/KNOB,LEFT left side (control side)	1
4-	66901GT	LATCH,ROTARY, W/KNOB,RIGHT right side (tank side)	1
5	101719GT	SCREW,HHC,5/16-18 X 1.375	6
6	36424GT	THUMB SCREW W/SHOULDER 3/8-16	4
7	29868GT	SPRING CLIP,3/8-16,.05-.20X.73,ZAG	4
8	1258490GT	COVER,BATTERY BOX**	2
9	19520GT	BATTERY CABLE ASSY,9.5"JUMPER	6
10	13002GT	SCREW,HHC,5/16-18 X 1 GR5	12
11	18503GT	NUT,LOCKING-LG.FLANGE,5/16-18	12
12	51147GT	BOOT,CABLE TERMINAL,LG,RED,2/0	12
13	56461GT	BATTERY, 390AH L16,WET	8
13-	57162GT	BATTERY TERMINAL PROTECTORS	16
14	6090GT	SCREW,HHC,1/4-20 X .75	2
15	6638GT	WASHER,FLAT,USS,1/4"Y	2
16	70673GT	LANYARD ASSY, 9.5"	2
17	6091GT	NUT,NYLOCK,1/4-20	2
18	1258491GT	WELDMENT,BATTERY BOX RH INCLUDE 36369	1
18-	1258492GT	WELDMENT,BATTERY BOX LH INCLUDE 36369	1
19	36369GT	BEARING,0.75IDX1.00ODX0.75L	4
20	36212GT	WASHER,THRUST,.75 X 1.38X.13	4
21	6090GT	SCREW,HHC,1/4-20 X .75	4
22	6356GT	WASHER,LOCK,.25	4
23	18504GT	NUT,LOCKING-LG.FLANGE,1/4-20	4
24	45209GT	WEAR PAD,4X2X.5 W/INSERT***	2

204.1 608535 Drive Chassis Components - View 2



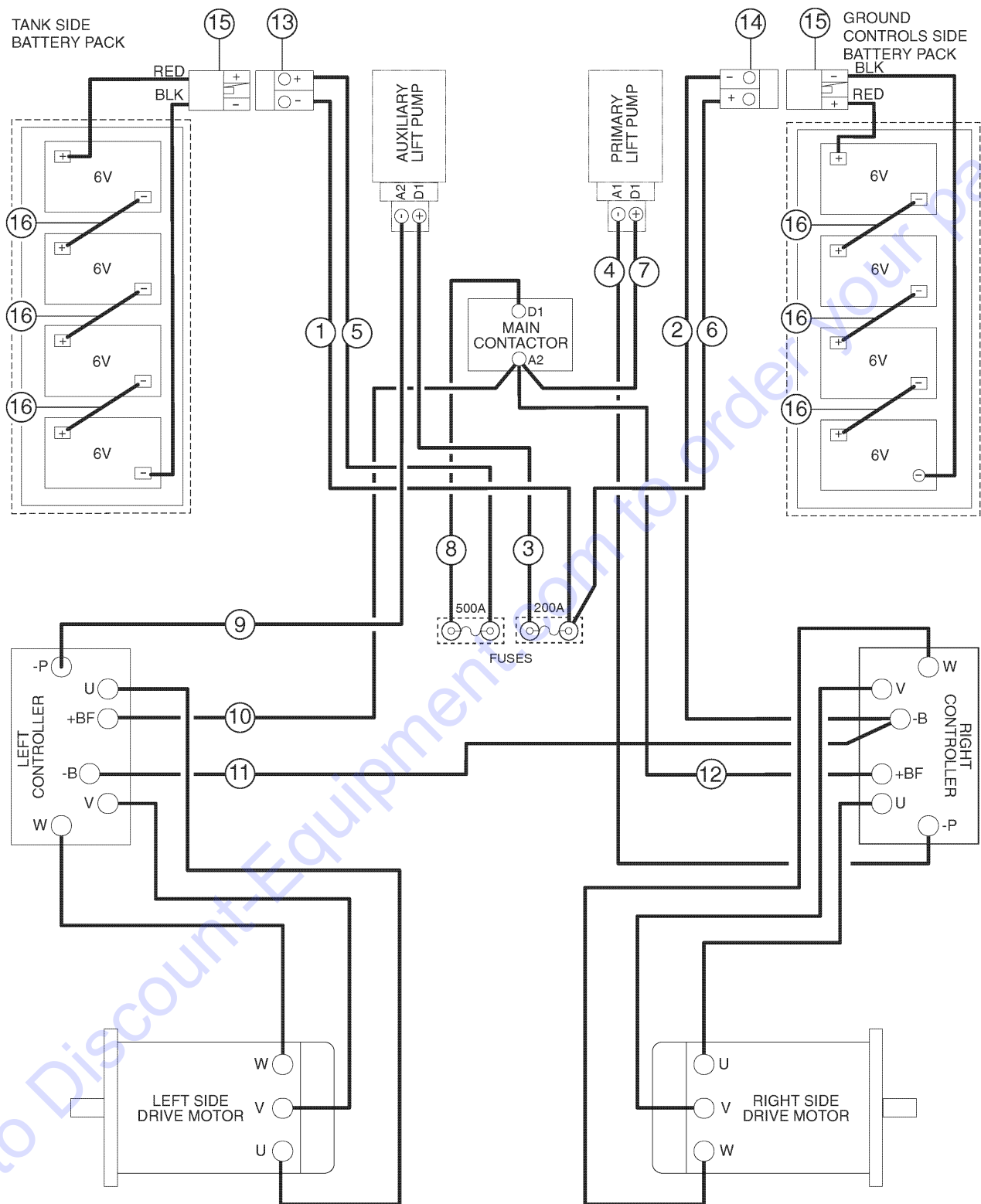
Go to www.Genie-Equipment.com to order your parts

<i>Item</i>	<i>Part No.</i>	<i>Description</i>	<i>Qty.</i>
25	6145GT	SCREW,HHC,1/4-20 X 1.5	8
26	66094GT	NUT-THIN HEAVY HEX, 1/4-20	8
27	1261875GT	HARN ASSY, POWER BATT PACK	2
28	1261874GT	FORMING,BATTERY CONN HANDLE	2
29	1258989GT	HARNESS ASSY, POWER PACK TANK SIDE	1
30	1258990GT	HARNESS ASSY, POWER PACK GROUND CONTROL SIDE	1
31	7713GT	NUT, LP NYLOCK, 3/8-16	6

Go to Discount-Equipment.com to order your parts



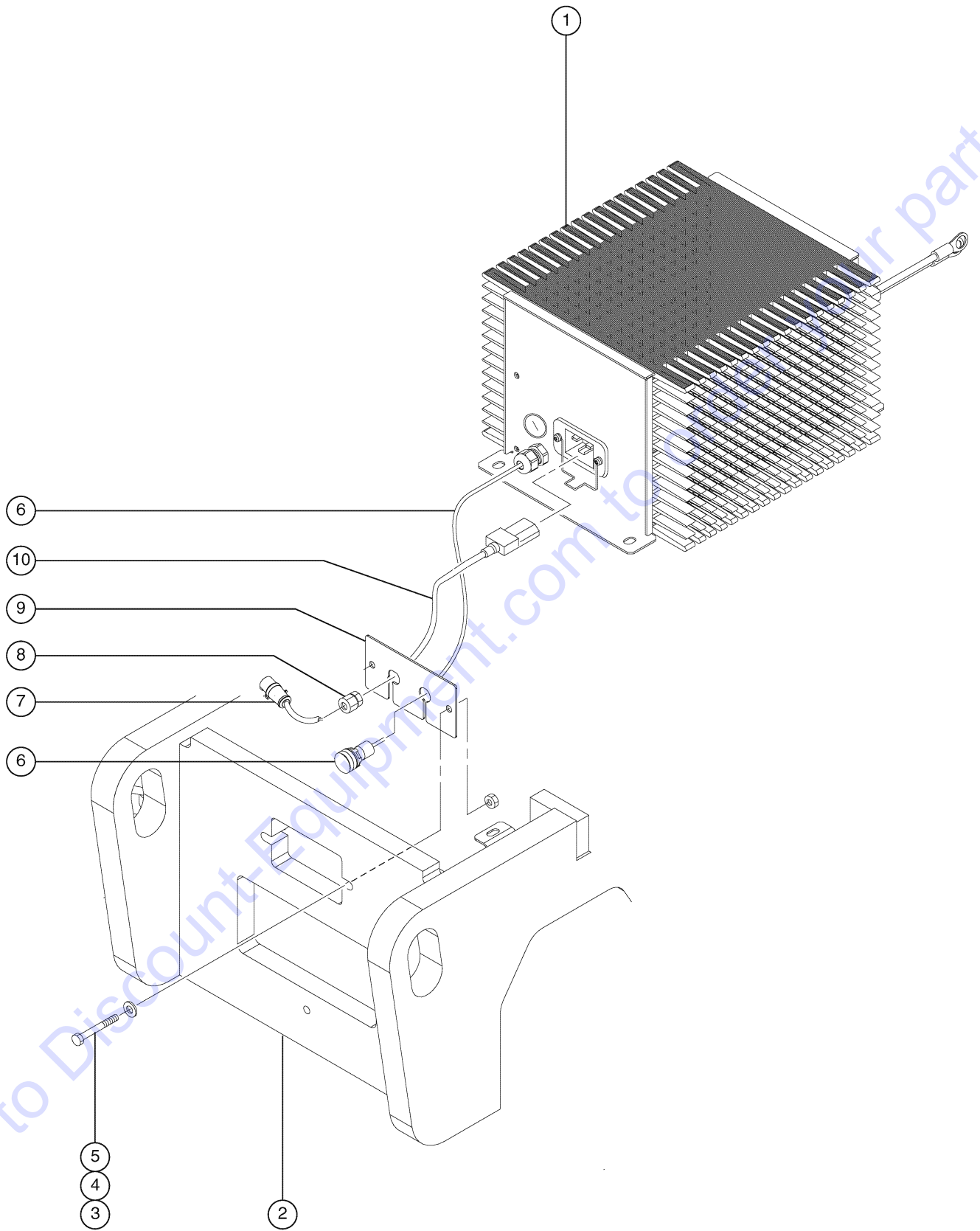
205.1 608536 Power Cables



Go to Discount-Equipment.com to order your parts

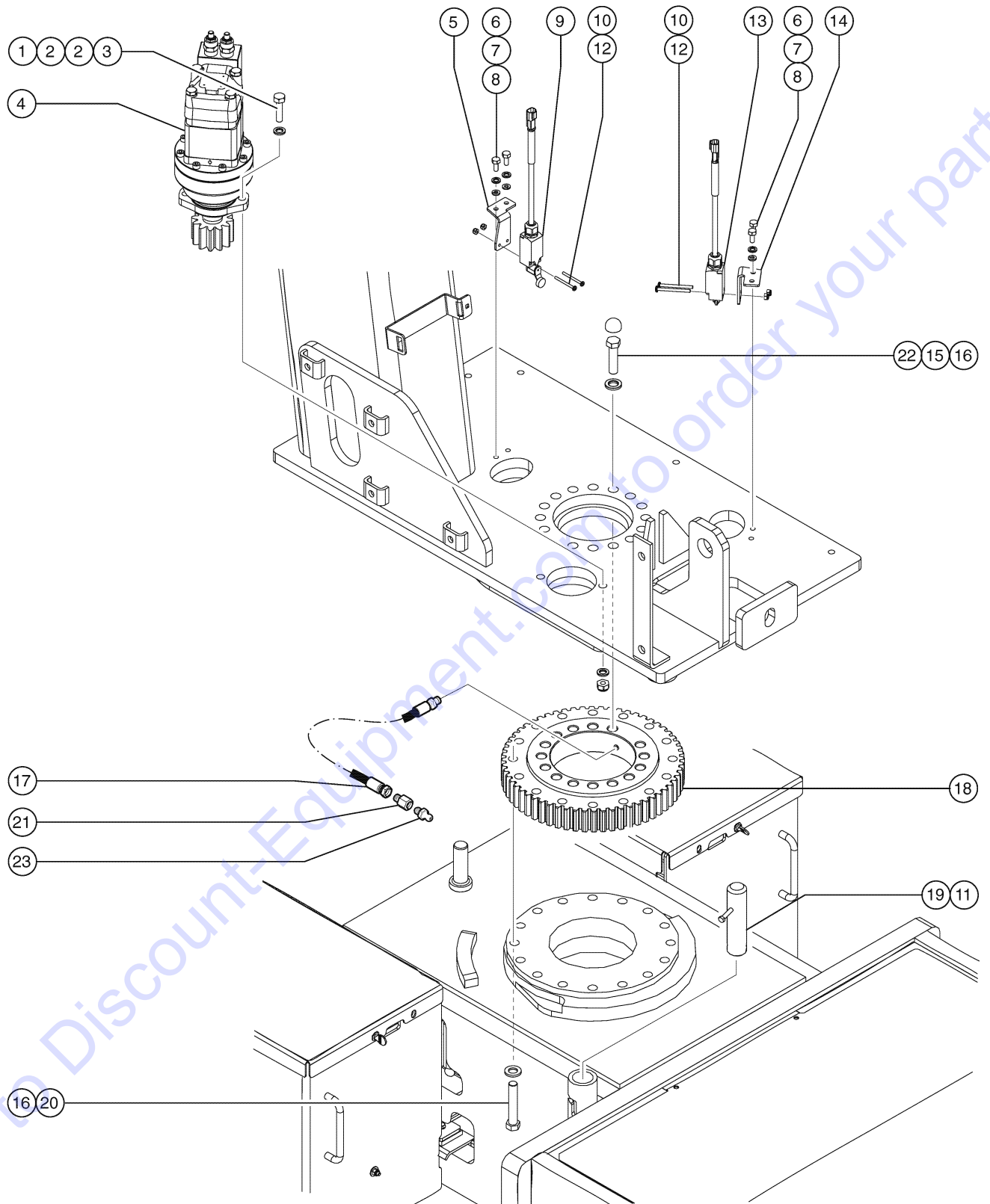
Item	Part No.	Description	Qty.
1	1258987GT	CABLE ASSY, #2 BLACK ANDERSON, LG.30	1
2	1272731GT	CABLE ASSY, #2 BLACK ANDERSON, LG.51	1
3	1258991GT	CABLE ASSY, AUXILIARY LIFT PUMP POWER	1
4	1258992GT	CABLE ASSY, PRIMARY LIFT PUMP GROUND	1
5	1272732GT	CABLE ASSY, #2 RED ANDERSON, LG.30	1
6	1278915GT	CABLE ASSY, #2 RED ANDERSON, LG.31.5	1
7	1258993GT	CABLE ASSY, PRIMARY LIFT PUMP POWER	1
8	1258994GT	CABLE ASSY, JUMPER MAIN CONTACTOR & FUSE	1
9	1258995GT	CABLE ASSY, AUXILIARY LIFT PUMP GROUND	1
10	1258996GT	CABLE ASSY, MAIN CONTACTOR LEFT CONTROLLER	1
11	1258997GT	CABLE ASSY, JUMPER CONTROLLER LEFT & RIGHT	1
12	1258998GT	CABLE ASSY, MAIN CONTACTOR RIGHT CONTROLLER	1
13	1258989GT	HARNESS ASSY, POWER PACK TANK SIDE	1
13-	66397GT	QUICK DISCONNECT CASING,BATT**	
14	1258990GT	HARNESS ASSY, POWER PACK GROUND CONTROL SIDE	1
14-	66397GT	QUICK DISCONNECT CASING,BATT**	
15	1261875GT	HARN ASSY, POWER BATT PACK	2
16	19520GT	BATTERY CABLE ASSY,9.5"JUMPER	6

206.1 608537 Battery Charger



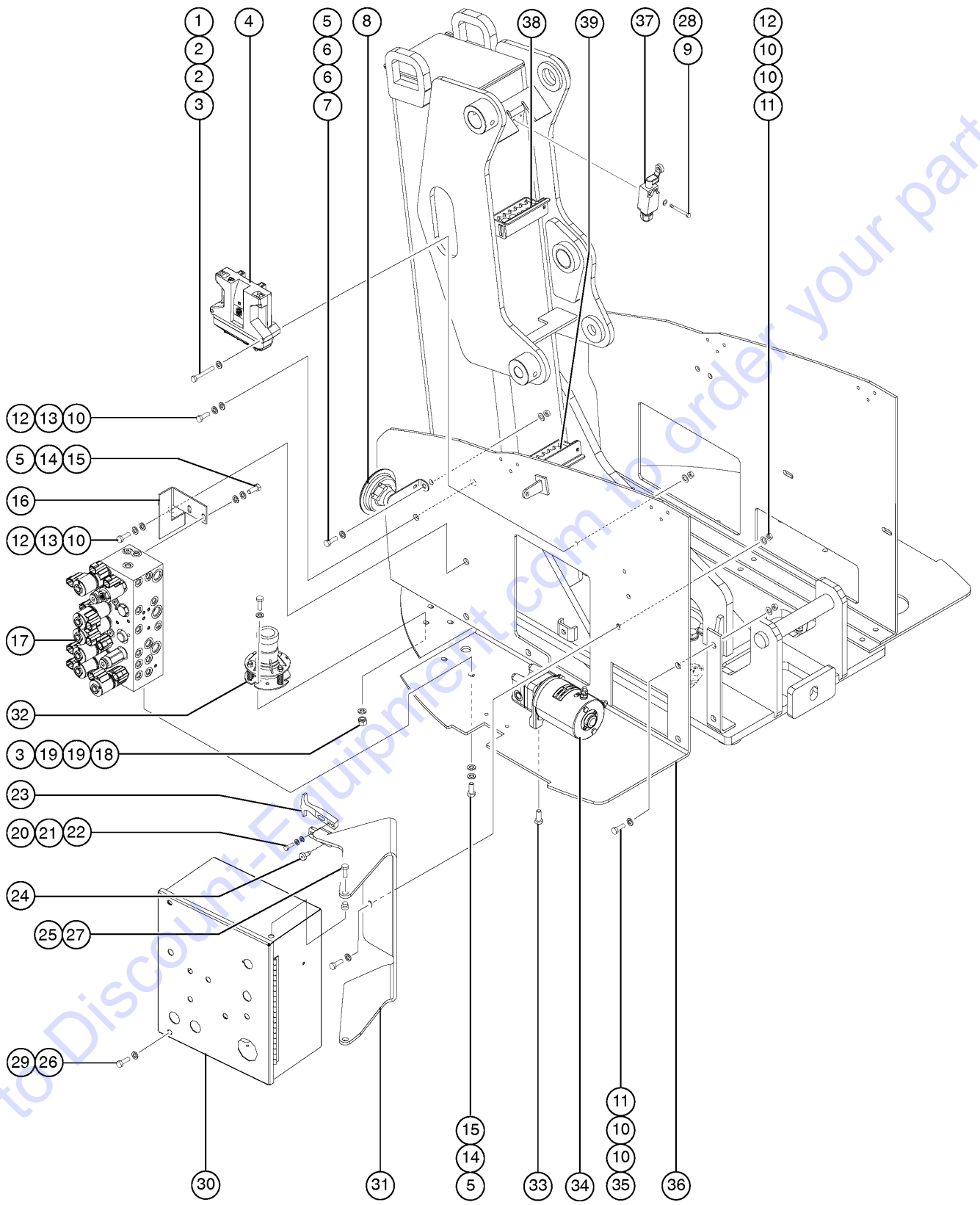
Item	Part No.	Description	Qty.
1	128375GT	CHARGER 48V/30A AUTO AC X-LED (order power cord separately)	1
1-	133286GT	DECAL, POWER TO CHARGER, UNIV	1
1-	139858GT	HARN.CHARGER INTERLOCK Z34	1
1-	228946GT	ASSY,LED,IES CHARGER	1
1-	228947GT	CLIP,RETAINING,IES CHARGER	1
2	824161GT	Refer to 203.1	
3	13918GT	SCREW,HHC,3/8-16 X 1.75,GRD.8	2
4	5397GT	WASHER,FLAT,USS,5/16",Y	2
5	7713GT	NUT, LP NYLOCK, 3/8-16	2
6	228973GT	KIT,ASSY,LED,IES CHARGER	1
7A	119403GT	CONN,PLUG 120 AC/15A DOMESTIC	1
7B	144161GT	PLUG,PWR,UK,16AMP,3PIN,BLK	1
7C	1280665GT	PLUG, TYPE F, 230A, 50HZ, 16A, IP44	1
7D	25388GT	PLUG,FUSED,250V,13AMP,U.K.**	1
8A	128118GT	BUSHING,STRAIN RELIEF,.875/.40 (domestic)	1
8B	139318GT	BUSHING,STRAIN RELIEF,.875/.30 (UK)	1
9	1258493GT	BRACKET CHARGER CORD AND LED	1
10A	128377GT	CORD AC IEC320-C19 TO 110US	1
10B	128376GT	CORD EURO AC IEC320-C19PIGTAIL	1

301.1 608538 Turntable Rotator



Item	Part No.	Description	Qty.
1	01.0001.1546GT	SCREW HH M12 x 55 LG.12.9 UNI 5737/ DIN931	2
2	01.0031.0097GT	FLAT WASHER D12 UNI 5714 ZN	4
3	01.0023.0209GT	LOCKNUT M12 - 10G ZN UNI 7473/DIN982	2
4	826725GT	SWING DRIVE ASSEMBLY	1
4-	1259726GT	SEAL KIT	
4-	1267639GT	DRAIN PORT PLUG	
5	1252993GT	BRACKET, LIMIT SWITCH SUPPORT	1
6	01.0001.0254GT	SCREW M8X20 UNI 5739 8.8 ZN	4
7	01.4032.0003GT	Spring Washer D 8 ZN	4
8	01.0031.0055GT	FLAT WASHER D8 UNI 6592 ZN	4
9	88356-11103GT	SWITCH,LIMIT,W/RLR ARM,NO/NC**	1
9-	106427GT	LS ROT.HEAD W/O LEVER (ZCE01)	
9-	97128GT	ROLLER ARM,LIMIT SWITCH***	
10	49775GT	SCREW,PHILLIPS,PHM,10-32X 1.75	4
11	01.0001.0207GT	SCREW M8X60 UNI 5737 8.8 ZN	1
12	6178GT	NUT,NYLOCK,10-32	4
13	88356-155R5GT	SWITCH,LIMIT,W/RLLR ARM,NO/NC	1
13-	106428GT	LS STL ROLLER PLUNGER (ZCE02)	
14	1259809GT	BRACKET, LIMIT SWITCH SUPPORT	1
15	1262528GT	SCREW TE M16x80 DIN 931 10.9	15
16	01.0031.0099GT	FLAT WASHER D16 UNI 5714 ZN	31
17	88635-3724GT	HOSE ASSY 1/4,STR FEM,PIPETHRE	1
18	824198GT	BEARING, SWING CHASSIS	1
19	824731GT	PIN,TRANSPORT LOCK	1
20	1262529GT	SCREW TE M16x120 DIN 931 10.9	16
21	48885GT	CONNECTOR,BULKHEAD,FEMALE-4	1
22	1261873GT	SCREW PLASTIC CUP M16 TE	15
23	28646GT	ZERK,GREASE,1/8 NPT	1

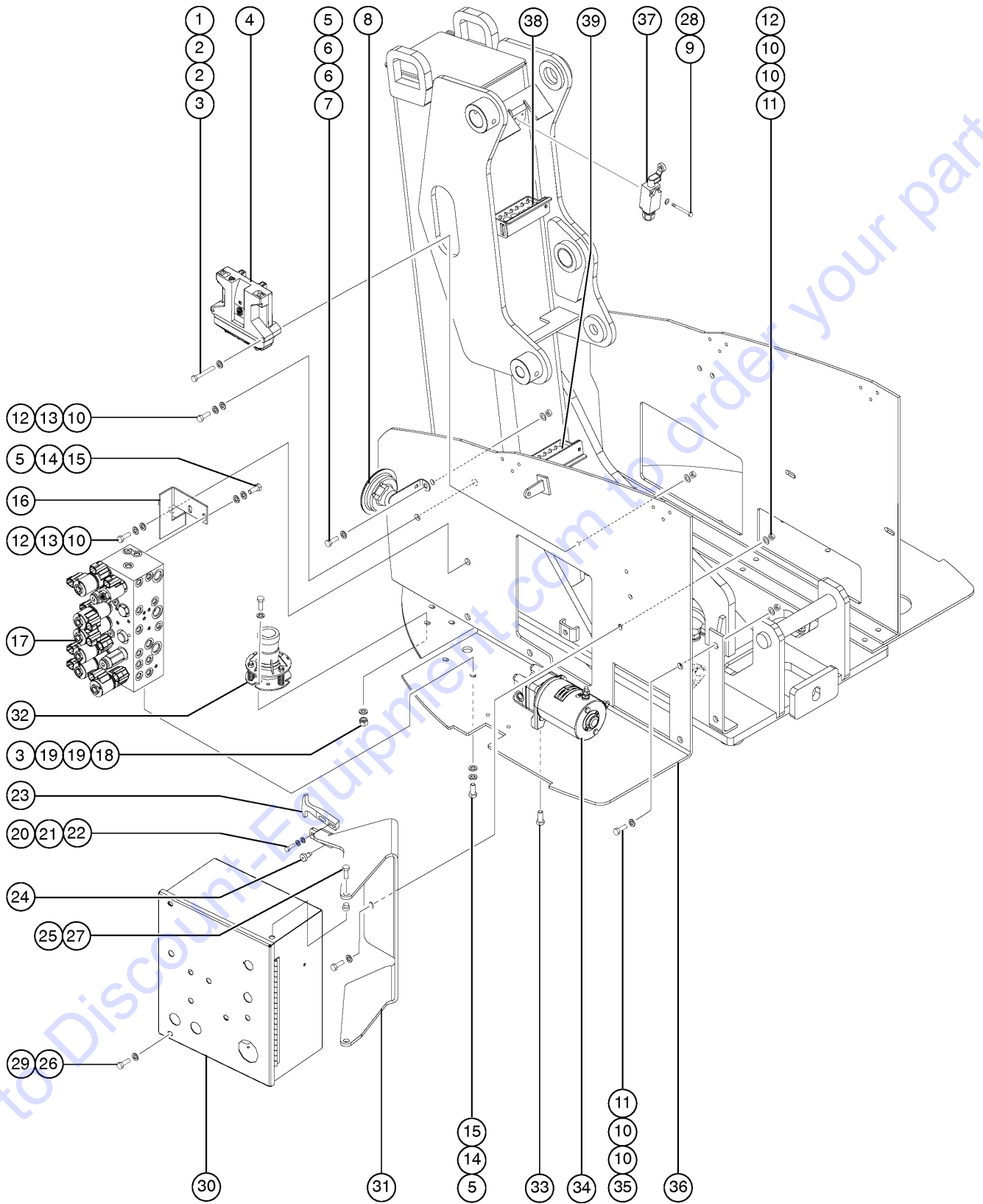
302.1 608539 Turntable Components - View 1



Go to Discount-Equipment.com to order your parts

Item	Part No.	Description	Qty.
1	01.4001.0028GT	Screw Te M 6X70 UNI 5737 8.8 Zn	2
2	01.0031.0054GT	FLAT WASHER D6 UNI 6592 ZN	4
3	01.0023.0053GT	STOP NUT M6 UNI 7473 6S ZN	5
4	1261866GT	CONTROLLER ASSY,TCON	1
4-	1261929GT	LABEL, TCON SOFTWARE, Z33	1
5	01.0001.0256GT	SCREW M8X25 UNI 5739 8.8 ZN	5
6	01.0031.0055GT	FLAT WASHER D8 UNI 6592 ZN	2
7	01.0023.0054GT	NUT,M8 UNI 7473 6S ZN	1
8	81579GT	HORN,24VDC,SPADE TERMINALS***	1
9	01.4032.0011GT	SPRING WASHER D4 ZN	2
10	01.0031.0056GT	FLAT WASHER D10 UNI 6592 ZN	11
11	01.0023.0055GT	Stop Nut M10 UNI 7473 6S ZN	6
12	01.0001.0356GT	SCREW M10X30 UNI 5739 8.8 ZN	5
13	01.4032.0004GT	Spring Washer D10 ZN	3
14	01.4032.0003GT	Spring Washer D 8 ZN	4
15	01.0031.0299GT	FLAT WASHER D8 UNI 6593 ZN	4
16	1257165GT	BRACKET	1
17	826724GT	Refer to 502.1	
18	01.0001.0104GT	SCREW M6X40 UNI 5739 8.8 ZN	3
19	01.0031.0298GT	FLAT WASHER D6 UNI 6593 ZN	3
20	73587GT	SCREW,PHIL,10-24 X .75	2
21	6607GT	WASHER,LOCK,#10 PLTD	2
22	6146GT	WASHER,FLAT,MS,#10,Y	2
23	56053GT	LATCH,FLEXIBLE DRAW FIXING HOOK INCLUDED	1
24	34619GT	BUMPER,RUBBER***	1
25	218466GT	SCREW,SHS,1/4-20 X .5 ZINC	2
26	6638GT	WASHER,FLAT,USS,1/4"Y	2
27	218449GT	WASHER,SHOULDER,NYLON	2

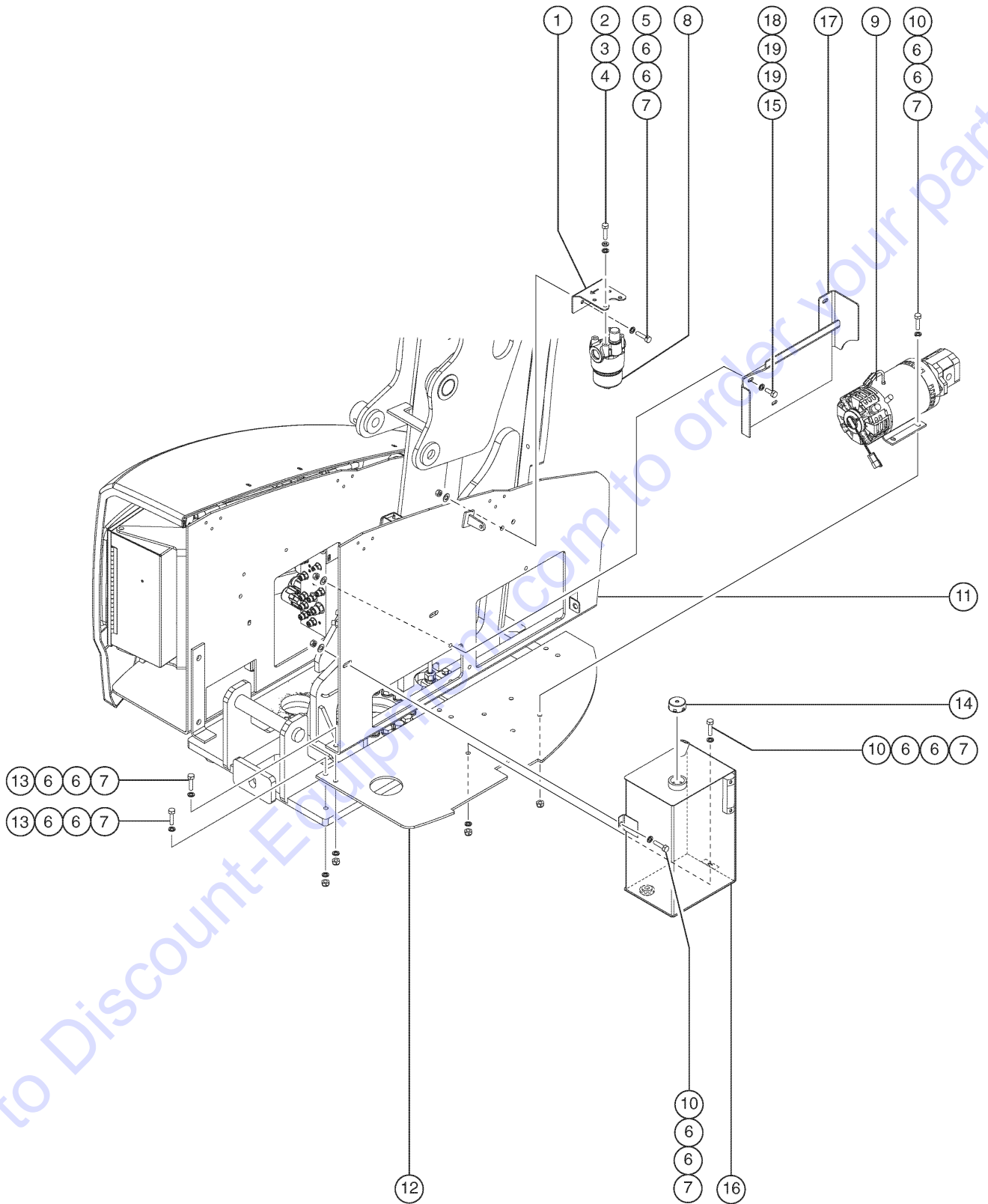
302.1 608539 Turntable Components - View 1



Go to Discount-Equipment.com to order your parts

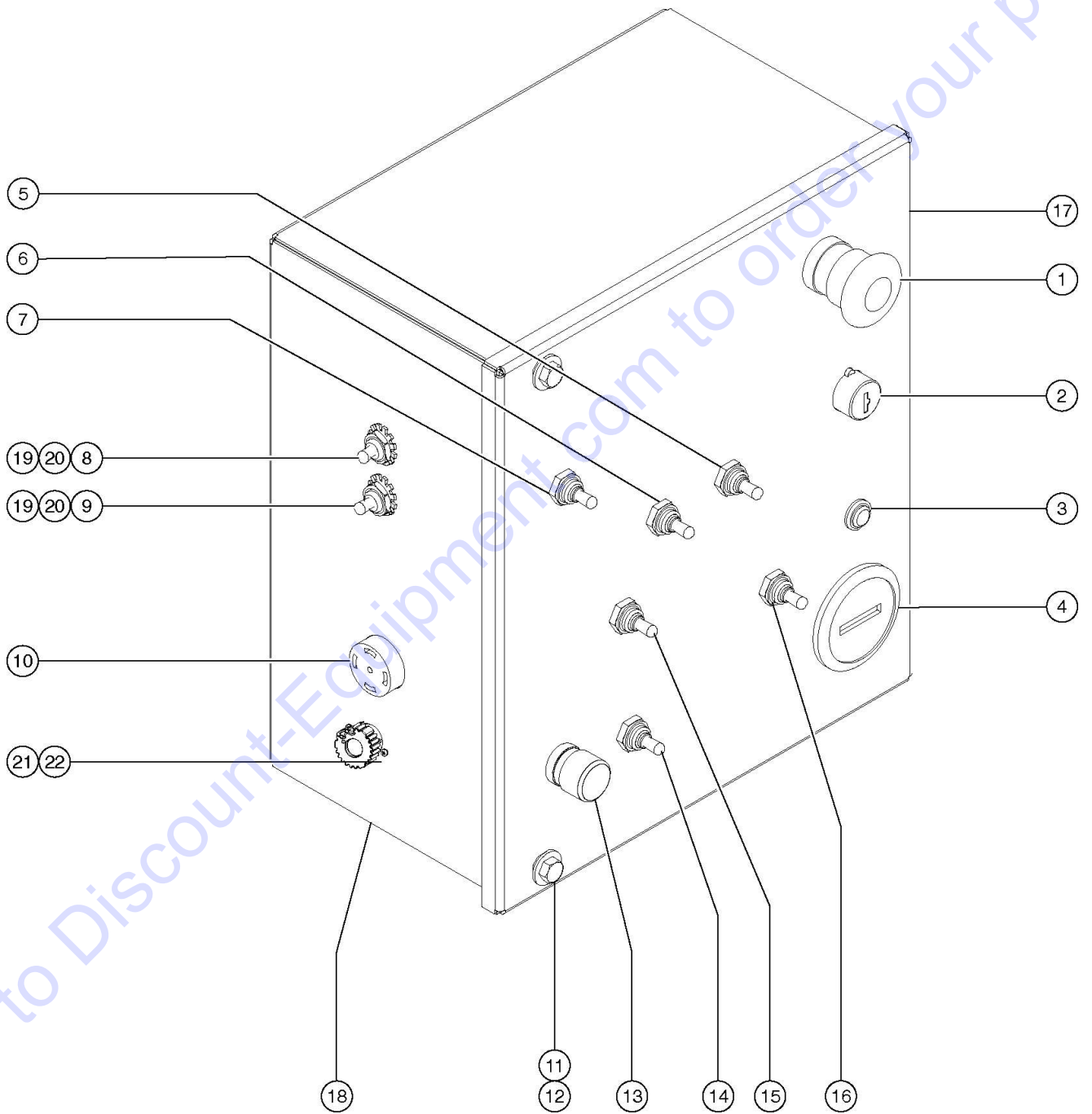
Item	Part No.	Description	Qty.
28	01.4001.0194GT	SCREW, PHILLIPS, RHM	2
29	6090GT	SCREW,HHC,1/4-20 X .75	2
30	1253000GT	ASSY,GROUND CONTROL BOX	1
31	1252986GT	PLATE,GROUND CONTROL BOX	1
32	110382GT	LEVEL SENSOR,LS60,YL,2.5X4.5 CE Models To SN Z3318M-1369	1
32	1263187GT	SENSOR, LEVEL,2.5 X 4.5 DEG CE Models From SN Z3318M-1370	1
32-	94077GT	SENSOR,LEVEL,4,5 DEG ANSI/CSA Models To SN Z3318M-1369	1
32-	1261984GT	SENSOR, LEVEL, 4.5 X 4.5 DEG ANSI/CSA Models From SN Z3318M-1370	1
32-	42439GT	SENSOR,LEVEL 3 DEG** Australia Models	1
33	18506GT	SCREW 5/16-18 X .75 LG.FLG.LCK.	2
34	36179GT	POWER UNIT,AUX PUMP 24VDC	1
35	01.0001.0358GT	SCREW M10X40 UNI 5739 8.8 ZN	2
36	1256013GT	ASSY, WELD, BULKHEAD,MANIFOLD	1
37	88356-12125GT	SWITCH,LIMIT,W/RLLR ARM,NO/NC	1
37-	106427GT	LS ROT.HEAD W/O LEVER (ZCE01)	1
37-	97128GT	ROLLER ARM,LIMIT SWITCH***	1
38	826491GT	CLAMPIG BLOCK,HOSE	1
39	826488GT	CLAMPIG BLOCK,HOSE	1

303.1 608540 Turntable Components - View 2



Item	Part No.	Description	Qty.
1	1252995GT	BRACKET,HIGH PRESSURE FILTER	1
2	8255GT	SCREW,HHC,3/8-16 X .75	4
3	6021GT	WASHER,LOCK,.375	4
4	5397GT	WASHER,FLAT,USS,5/16",Y	4
5	01.0001.0355GT	SCREW M10X25 UNI 5739 8.8 ZN	2
6	01.0031.0056GT	FLAT WASHER D10 UNI 6592 ZN	28
7	01.0023.0055GT	Stop Nut M10 UNI 7473 6S ZN	14
8	1253008GT	HIGH PRESSURE FILTER, Z33	1
8-	1256501GT	FILTER ELEMENT	1
9	110573GT	MOTOR W/TACH 48VDC,3.5HP Refer to 501.1	1
10	01.0001.0356GT	SCREW M10X30 UNI 5739 8.8 ZN	6
11	1256014GT	ASSY WELDMENT,BULKHEAD,TANK SIDE	1
12	826487GT	PLATE,TANK SIDE	1
13	01.0001.1476GT	SCREW,TE,M10X45 UNI 8.8 ZN	6
14	42019GT	TANK BREATHER,NYLON **	1
15	01.0023.0053GT	STOP NUT M6 UNI 7473 6S ZN	3
16	1270222GT	PLASTIC TANK CONTAINER ASSEMBLY	1
16-	1270221GT	PLASTIC HYDRAULIC TANK,21 LT	1
16-	94612GT	PLUG,MAGNETIC,SAE-6***	1
17	1262128GT	PLATE, MOTOR COVER	1
18	01.0001.0158GT	SCREW M6X25 UNI 5739 8.8 ZN	2
19	01.0031.0298GT	FLAT WASHER D6 UNI 6593 ZN	6

304.1 608541 Ground Control Box - View 1

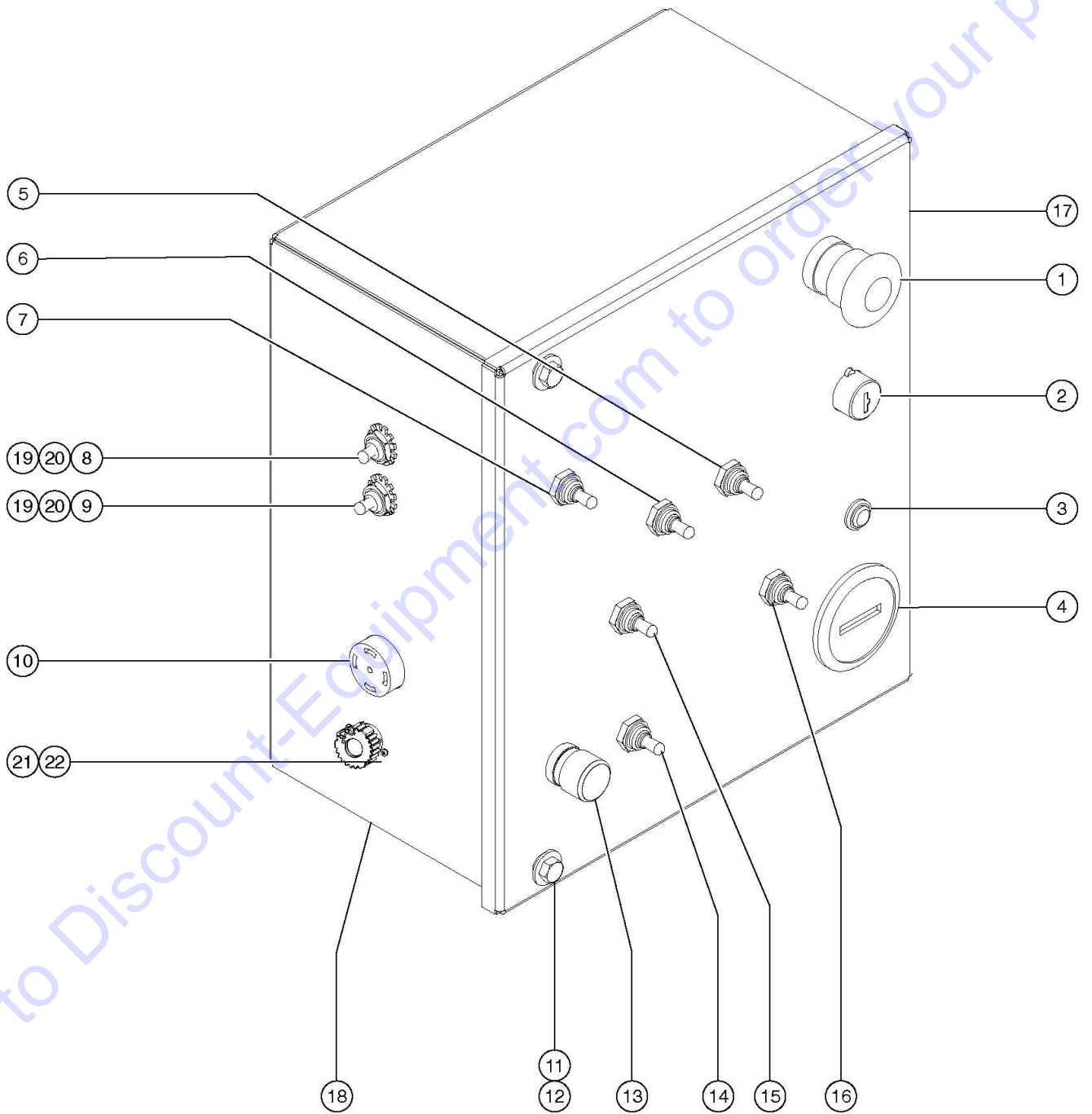


Go to Discount-Equipment.com to order your parts

Item	Part No.	Description	Qty.
A	1289561GT	BRACKET, TELEMATICS	
A	1289520GT	MODULE,TELEMATICS,ZTR,M7,NORTH AMERICA	
A	1289521GT	MODULE, TELEMATICS, ZTR, M7, EMEA/APAC	
1	66812GT	BUTTON,PUSH,RED MUSHROOM HEAD	1
1-	66817GT	BASE WITH 1 NC CONTACT, E-STOP includes 1 N.C. contact	
1-	66818GT	CONTACT,NC	
2A	96008-SGT	KEYSWITCH,3 POS. W/KEYS***	1
2A-	83093GT	KEY SINGLE***	1
2A-	85239GT	NUT,RETAINER (96008)	1
2A-	88827GT	GASKET,KEYSWITCH,PLASTIC***	1
2A-	96010GT	SCREW,PHILLIPS,PHM,8-32 X.25**	6
2B	83131GT	KEYSWITCH,3 POS W/KEYS,LOCKING	1
2B-	83093GT	KEY SINGLE***	1
2B-	85239GT	NUT,RETAINER (96008)	1
3	824878GT	LIGHT,LED IND. RED 24V NH	1
3-	824878GT	LIGHT,LED IND. RED 24V NH	
3-	824883GT	GASKET,LT IND.OD.620/.50X.03	
3-	824884GT	LOCKWASHER,LT IND. OD.868/530	
3-	824886GT	NUT,LIGHT IND. 1/2-28	
4	19506GT	HOUR METER,10-80 VOLTS*** includes mounting bracket	1
5	128200GT	SWITCH TOGGLE ASSY SPDT 3P MOM Primary Boom Up/Down	1
5-	128578GT	SCREW T-SWITCH PH/PH 6-32X1/4	3
5-	128580GT	SWITCH TOGGLE SPDT 3P MOM SHDR	1
5-	27246GT	BOOT,TOGGLE SWITCH,SHORT*	1
6	128200GT	SWITCH TOGGLE ASSY SPDT 3P MOM Primary Boom Ext/Ret	1
6-	128578GT	SCREW T-SWITCH PH/PH 6-32X1/4	3
6-	128580GT	SWITCH TOGGLE SPDT 3P MOM SHDR	1
6-	27246GT	BOOT,TOGGLE SWITCH,SHORT*	1



304.1 608541 Ground Control Box - View 1



Go to Discount-Equipment.com to order your parts

Item	Part No.	Description	Qty.
7	128200GT	SWITCH TOGGLE ASSY SPDT 3P MOM Platform Level	1
7-	128578GT	SCREW T-SWITCH PH/PH 6-32X1/4	3
7-	128580GT	SWITCH TOGGLE SPDT 3P MOM SHDR	1
7-	27246GT	BOOT, TOGGLE SWITCH, SHORT*	1
8	1259729GT	CIRCUIT BREAKER, 7A	1
9	1277226GT	ASSEMBLY, CIRCUIT BREAKER, 15AMP	
10	145346GT	ALARM, STDY TONE, ADJUST, 5-30VDC	1
11	6090GT	SCREW, HHC, 1/4-20 X .75	
12	6638GT	WASHER, FLAT, USS, 1/4"Y	
13	66813GT	BUTTON, PUSH, BLACK W/SEAL ***	1
13-	66816GT	CONTACT, N.O. ***	
13-	66814GT	BASE, WITH 2 N.O. CONTACTS *** (includes 2 N.C. contacts)	
14	128200GT	SWITCH TOGGLE ASSY SPDT 3P MOM Auxiliary Power	1
14-	128578GT	SCREW T-SWITCH PH/PH 6-32X1/4	3
14-	128580GT	SWITCH TOGGLE SPDT 3P MOM SHDR	1
14-	27246GT	BOOT, TOGGLE SWITCH, SHORT*	1
15	128200GT	SWITCH TOGGLE ASSY SPDT 3P MOM Turntable Rotate	1
15-	128578GT	SCREW T-SWITCH PH/PH 6-32X1/4	3
15-	128580GT	SWITCH TOGGLE SPDT 3P MOM SHDR	1
15-	27246GT	BOOT, TOGGLE SWITCH, SHORT*	1
16	128200GT	SWITCH TOGGLE ASSY SPDT 3P MOM Secondary Boom Up/Down	1
16-	128578GT	SCREW T-SWITCH PH/PH 6-32X1/4	3
16-	128580GT	SWITCH TOGGLE SPDT 3P MOM SHDR	1
16-	27246GT	BOOT, TOGGLE SWITCH, SHORT*	1
17	1254774GT	LID, GROUND CONTROL BOX	1
18	1254773GT	GROUND CONTROL BOX To SN Z3318M-2621	1
18	1293603GT	GROUND CONTROL BOX From SN Z3318M-2622	1
19	122994GT	NICKEL PLATED JAM NUT	2

PARTS FINDER

**Search Website
by Part Number**



**Search Manual
Library For Parts
Manual & Lookup Part
Numbers – Purchase
or Request Quote**

Search Manuals

Enter your information to search for a manual or to purchase a manual or parts.

* Brand:

* Model:

* Serial:

* Part Number:

SEARCH

**Can't Find Part or
Manual? Request Help
by Manufacturer,
Model & Description**

Parts Order Form

Please fill in the following information:

Manufacturer:

Model:

Description:

Quantity:

Part Number:

Part Name:

Part Description:

Part Category:

Part Location:

Part Status:

Part Condition:

Part Material:

Part Color:

Part Weight:

Part Dimensions:

Part Price:

Part Notes:

Submit

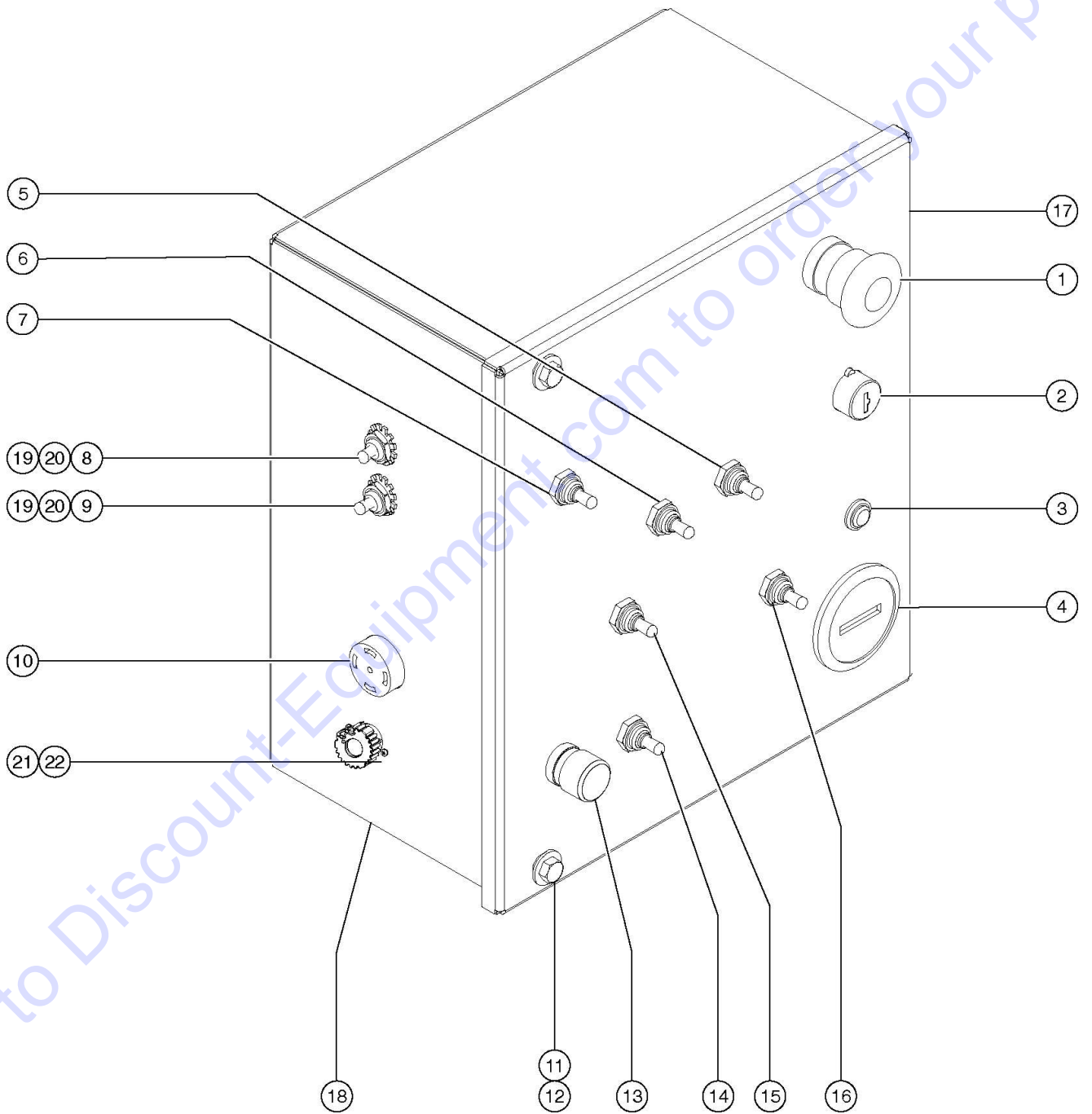
Discount-Equipment.com is your online resource for quality parts & equipment.

Florida: **561-964-4949** Outside Florida TOLL FREE: **877-690-3101**

Need parts?

Click on this link: <http://www.discount-equipment.com/category/5443-parts/> and choose one of the options to help get the right parts and equipment you are looking for. Please have the machine model and serial number available in order to help us get you the correct parts. If you don't find the part on the website or on one of the online manuals, please fill out the request form and one of our experienced staff members will get back to you with a quote for the right part that your machine needs.

We sell worldwide for the brands: Genie, Terex, JLG, MultiQuip, Mikasa, Essick, Whiteman, Mayco, Toro Stone, Diamond Products, Generac Magnum, Airman, Haulotte, Barreto, Power Blanket, Nifty Lift, Atlas Copco, Chicago Pneumatic, Allmand, Miller Curber, Skyjack, Lull, Skytrak, Tsurumi, Husquvarna Target, Stow, Wacker, Sakai, Mi-T-M, Sullair, Basic, Dynapac, MBW, Weber, Bartell, Bennar Newman, Haulotte, Ditch Runner, Menegotti, Morrison, Contec, Buddy, Crown, Edco, Wyco, Bomag, Laymor, EZ Trench, Bil-Jax, F.S. Curtis, Gehl Pavers, Heli, Honda, ICS/PowerGrit, IHI, Partner, Imer, Clipper, MMD, Koshin, Rice, CH&E, General Equipment, Amida, Coleman, NAC, Gradall, Square Shooter, Kent, Stanley, Tamco, Toku, Hatz, Kohler, Robin, Wisconsin, Northrock, Oztec, Toker TK, Rol-Air, APT, Wylie, Ingersoll Rand / Doosan, Innovatech, Con X, Ammann, Mecalac, Makinex, Smith Surface Prep, Small Line, Wanco, Yanmar



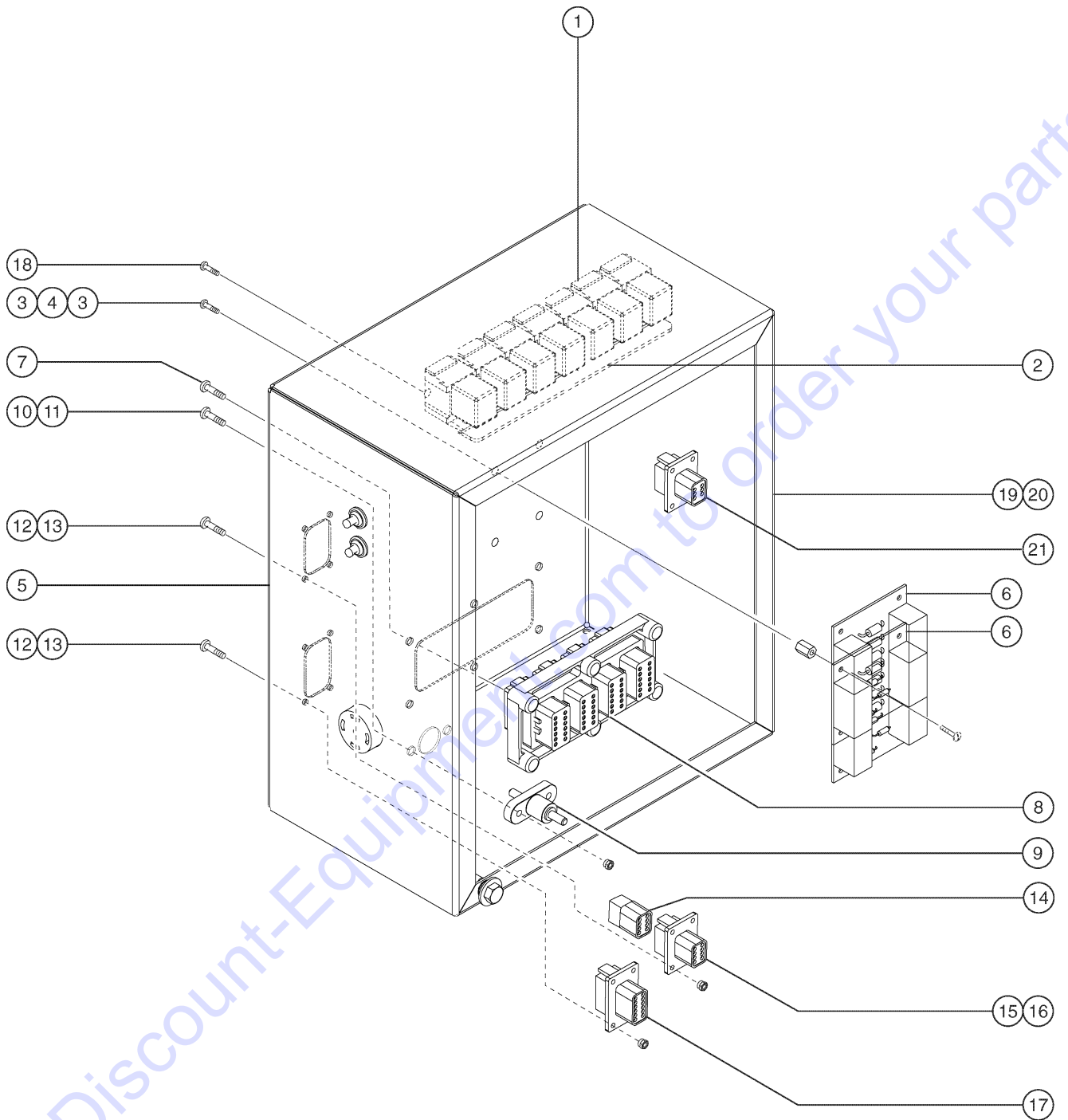
Go to Discount-Equipment.com to order your parts

Item	Part No.	Description	Qty.
20	6700GT	WASHER,STAR,EXTERNAL,.375	2
21	1272122GT	CONNECTOR, RECEPTACLE, 5 WAY CIRCULAR From SN Z3318M-2622	1
22	1272123GT	DUST CAP, RECEPTACLE, 5 WAY, CIRCULAR From SN Z3318M-2622	1

Go to Discount-Equipment.com to order your parts



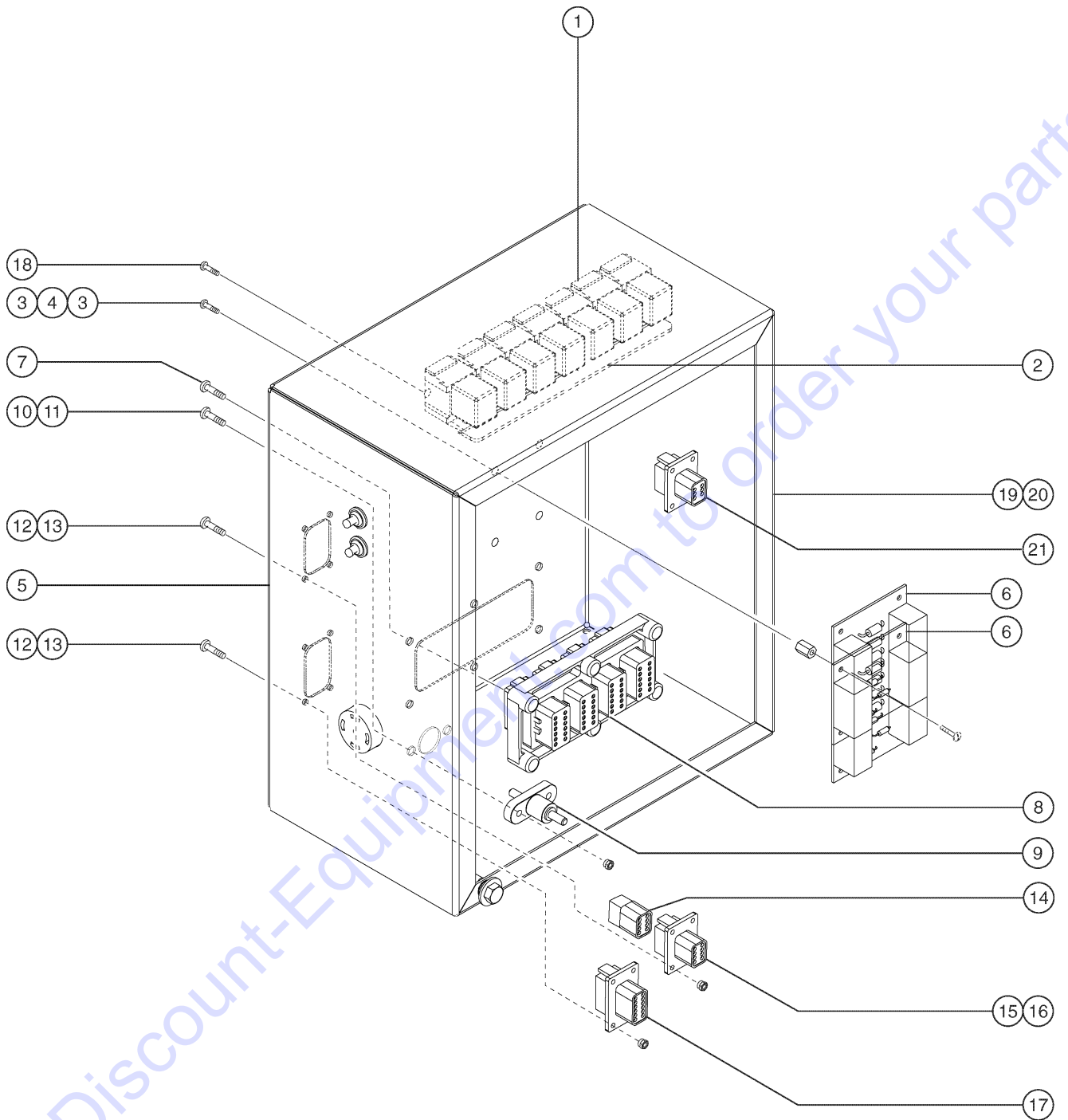
305.1 608542 Ground Control Box - View 2



Go to Discount-Equipment.com to order your parts

Item	Part No.	Description	Qty.
1	56302GT	RELAY,24VDC,40/30A,SEALED***	7
1-	34053GT	ASSY,RELAY SOCKET, AUTO	
2	T106699GT	BRACKET,RELAY MOUNT W/INSERTS includes nutserts	1
2-	23404GT	NUTSERT,1/4-20,STEEL CAD PLTD	
3	81551GT	SCREW,PHIL,PHM,6-32 X 1/4 SS	8
4	81550GT	STANDOFF,6-32 X 3/8L X 1/4 HEX	4
5	1254773GT	GROUND CONTROL BOX To SN Z3318M-2621	1
5	1293603GT	GROUND CONTROL BOX From SN Z3318M-2622	1
6	119584GT	ASSY VOLTAGE DIV AND DIODE	1
7	73803GT	SCREW,SHM,PHP, #12 X .75	6
8	73736GT	CONN,RECEP 48 WAY,4 X 12	1
8-	54255GT	LOCK,RECEP 12 WAY, 14-18GA	
9	106404GT	STANDOFF, 1/4" PASS THRU, BLK	1
10	49819GT	SCREW,PHILLIPS,PHM,10-32 X .5	2
11	6178GT	NUT,NYLOCK,10-32	2
12	49820GT	SCREW,PHILLIPS,PHM,6-32 X .5	8
13	12344GT	NUT,NYLOCK,6-32	8
14	1258768GT	CONN,PLUG 8WAY,BLOCKED GROMMET To SN Z3318M-2621	1
14	73730GT	CONN,RECEP 12 WAY,GRY FLANGE From SN Z3318M-2622	1
15	87755GT	CONN,RECEP 8 WAY 14-18GA,FL To SN Z3318M-2621	1
16	121657GT	FUSE HOLDER,ATC 1-20 AMPS	1
16-	1253210GT	CIRCUIT BRKR THERM AUTORESET 6	1
17	73730GT	CONN,RECEP 12 WAY,GRY FLANGE To SN Z3318M-2621	1
17	1293525GT	CONN,RECEP 12 WAY,BLACK FLANGE From SN Z3318M-2622	1
18	54365GT	SCREW,PHIL,PHM,10-32 X .5,SSTL	2
19	1257158GT	GASKET, GROUND CONTROL BOX	1
20	30997GT	CORROSION INHIBITOR,FOAM	1

305.1 608542 Ground Control Box - View 2

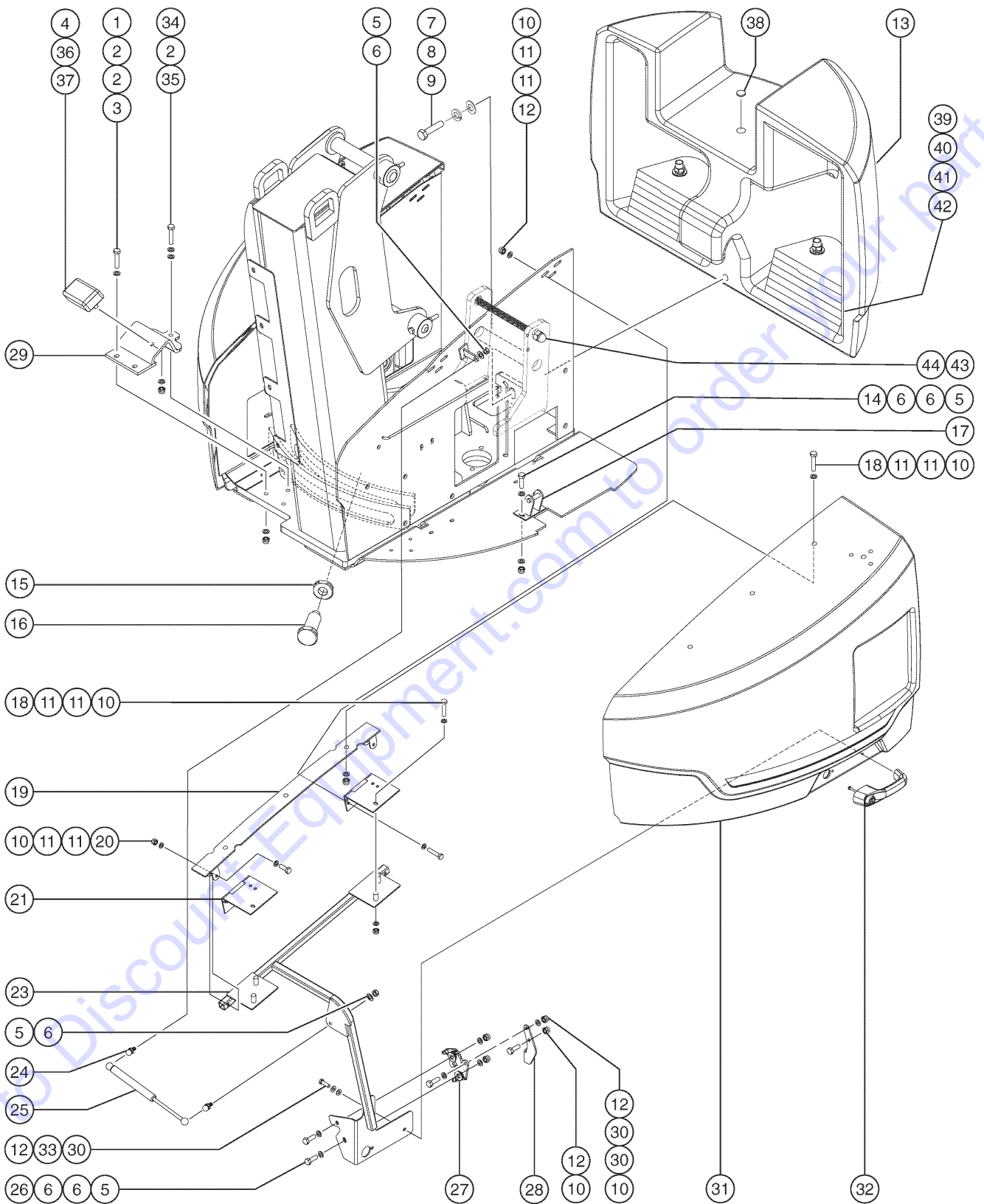


<i>Item</i>	<i>Part No.</i>	<i>Description</i>	<i>Qty.</i>
21	73723GT	CONN RECEPT,FLANGED From SN Z3318M-1370	1
21-	60443GT	LOCK,RECEP 4 WAY,14-18GA	

Go to Discount-Equipment.com to order your parts

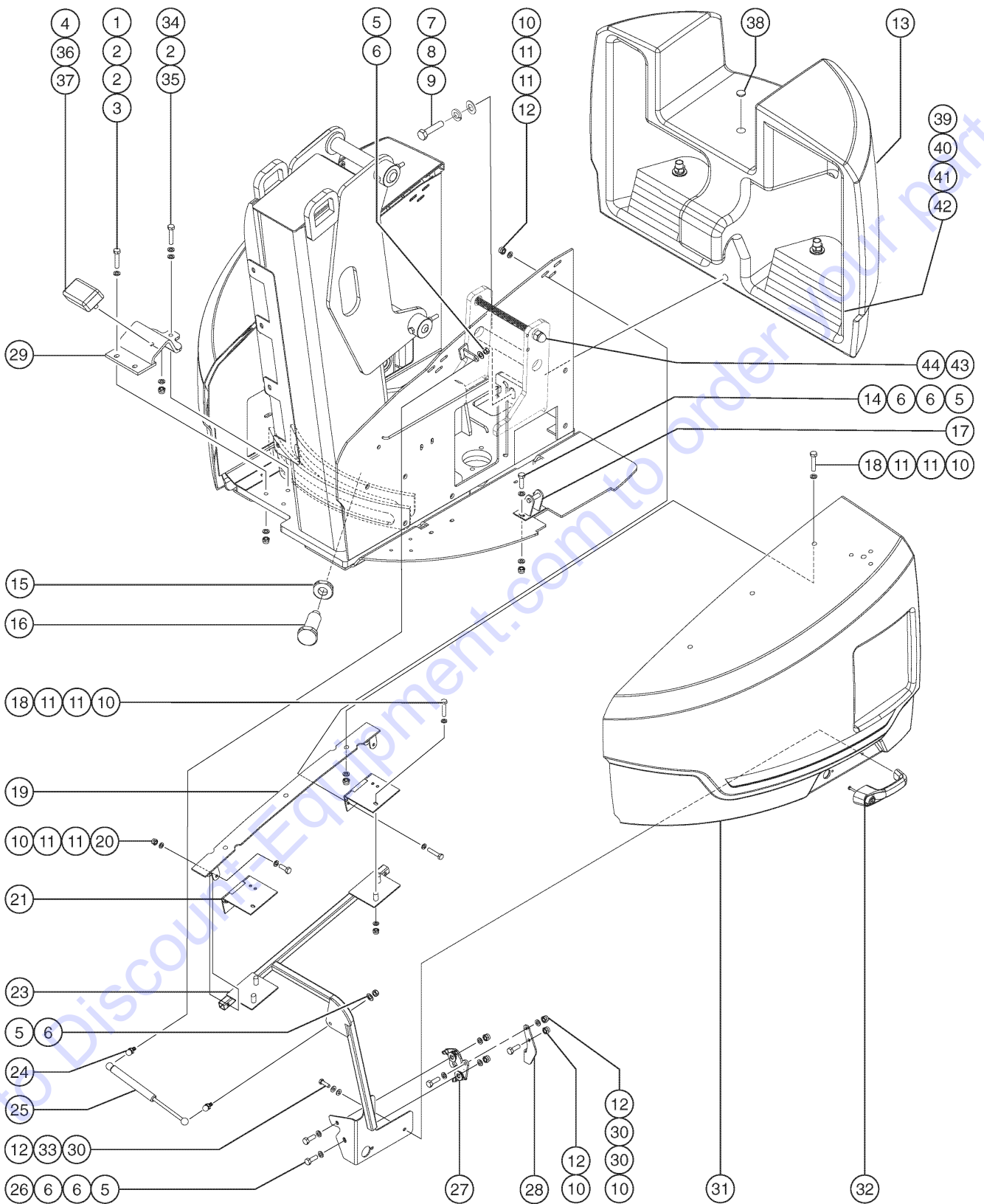


306.1 608543 Turntable Cover - View 1



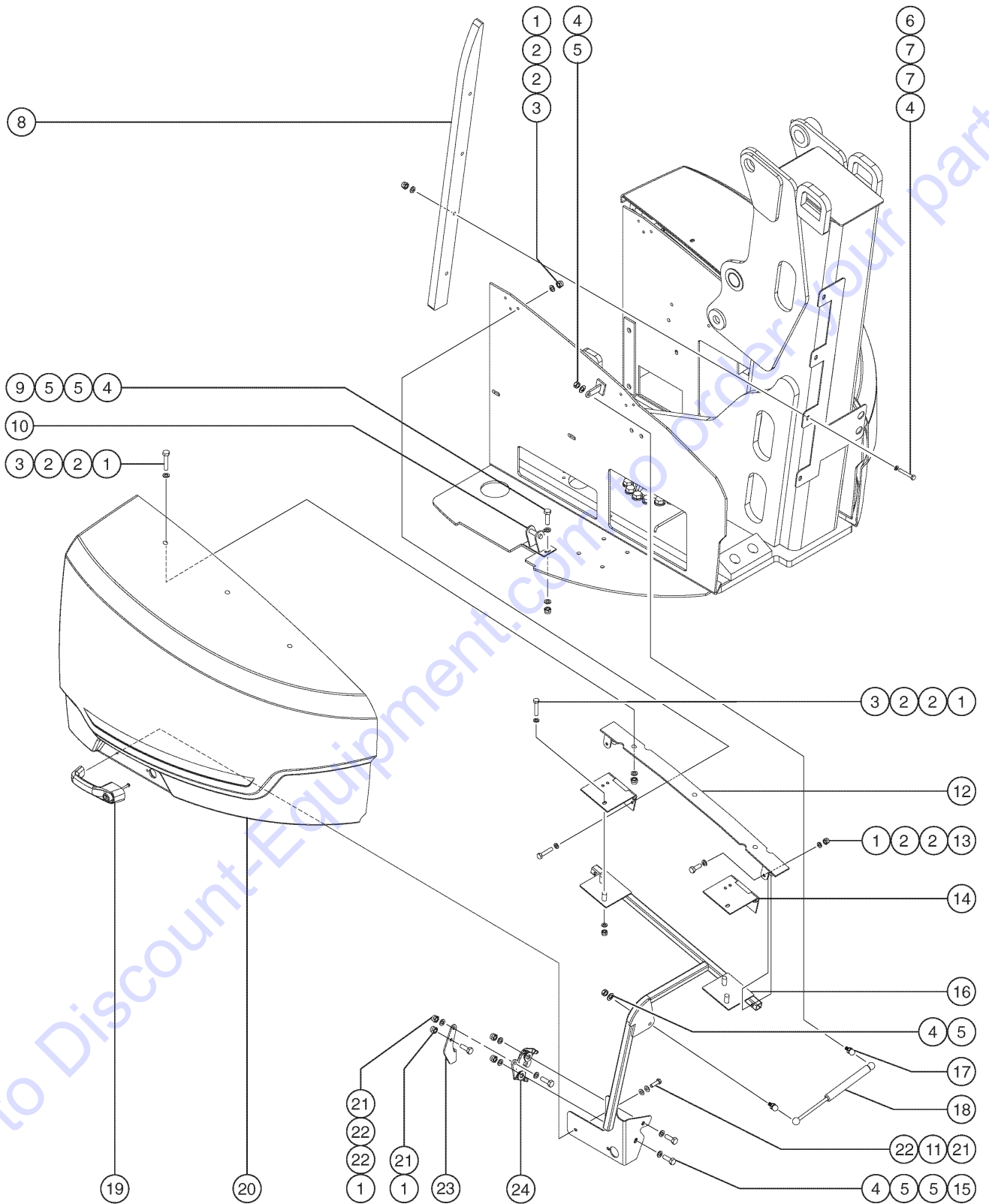
Item	Part No.	Description	Qty.
1	01.0001.0304GT	SCREW M10X50 UNI 5739 8.8 ZN	2
2	01.0031.0056GT	FLAT WASHER D10 UNI 6592 ZN	5
3	01.0023.0055GT	Stop Nut M10 UNI 7473 6S ZN	2
4	56849GT	PAD,REST,1"THICK,W/STUDS*	1
5	01.0023.0054GT	NUT,M8 UNI 7473 6S ZN	8
6	01.0031.0055GT	FLAT WASHER D8 UNI 6592 ZN	12
7	01.4001.0096GT	SCREW M20X55 UNI 5739 8.8 ZN	1
8	01.4032.0009GT	SPRING WASHER D20 ZN	1
9	01.0031.0061GT	FLAT WASHER D20 UNI 6592 ZN	1
10	01.0023.0053GT	STOP NUT M6 UNI 7473 6S ZN	17
11	01.0031.0298GT	FLAT WASHER D6 UNI 6593 ZN	26
12	01.0001.0156GT	SCREW M6X20 UNI 5739 8.8 ZN	12
13	826726GT	COUNTERWEIGHT Z33	1
14	01.0001.0256GT	SCREW M8X25 UNI 5739 8.8 ZN	2
15	826506GT	NUT,Z33 ROTATION	1
16	826505GT	PIN,Z33 ROTATION	1
17	1256034GT	ASSY LATCH SUPPORT	1
18	01.0001.0158GT	SCREW M6X25 UNI 5739 8.8 ZN	7
19	1256019GT	SUPPORT COVER Z33	1
20	01.0001.0104GT	SCREW M6X40 UNI 5739 8.8 ZN	2
21	75073GT	HINGE,.375X.120THK.,SLOTTED	2
23	1256022GT	ASSY, COVER SUPP.MANIFOLD SIDE	1
24	33555GT	BALL STUD**	2
25	1254783GT	GAS SPRING Z33	2
26	01.0001.0258GT	SCREW M8X35 UNI 5739 8.8 ZN	2
27	215254GT	LATCH,ROTARY,ENGINE COVER	1
28	1256032GT	FORMING,LATCH TRIGG. BRAKT ENG	1
29	1259815GT	PAD SUPPORT	1

306.1 608543 Turntable Cover - View 1



Item	Part No.	Description	Qty.
30	01.0031.0054GT	FLAT WASHER D6 UNI 6592 ZN	4
31	826727GT	COVER DX,MANIFOLD SIDE,Z33 For Track Unit ME501 Option buy p/n 1285585GT	1
32	1256054GT	HANDLE,YELLOW LOCKING,CODE 455	1
32-	37947GT	KEYS,10 PACK*** sold separately	
32-	83093GT	KEY SINGLE*** sold separately	
33	01.4032.0002GT	SPRING WASHER D6 ZN	2
34	01.0001.0355GT	SCREW M10X25 UNI 5739 8.8 ZN	1
35	01.4032.0004GT	Spring Washer D10 ZN	1
36	58486GT	WASHER,FLAT,3/8,HARDENED,YZ	2
37	7713GT	NUT, LP NYLOCK, 3/8-16	2
38	45385GT	PLUG,NYLON 1.12 BLACK DOMED	1
39	01.0023.0058GT	NUT,STOP,M16 UNI 7473 6S ZN For Turf Tires Only	4
40	01.4031.0001GT	WASHER,CHMFRD,D16,UNI 6593,ZN For Turf Tires Only	4
41	1270216GT	THREADED ROD,M16X200 For Turf Tires Only	4
42	1262131GT	ADDITIONAL BALLAST PLATE For Turf Tires Only	12
43	1287482GT	THREADED BAR M24x3 8.8 LG. 290mm From SN Z3318M-2156	1
44	1287483GT	CUP NUT M24x3 DIN1587 From SN Z3318M-2156	2

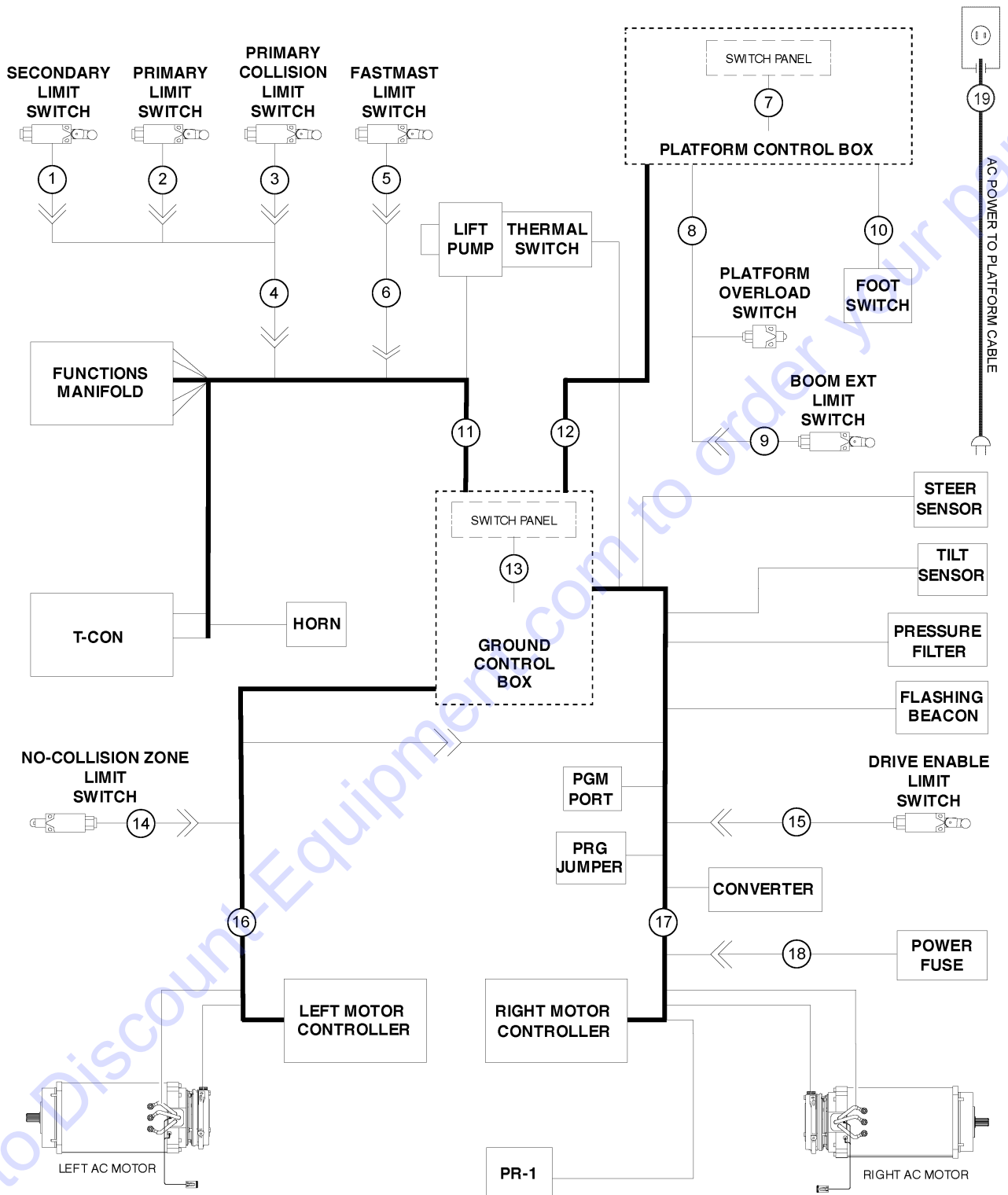
307.1 608544 Turntable Cover - View 2



Go to Discount-Equipment.com to order your parts

Item	Part No.	Description	Qty.
1	01.0023.0053GT	STOP NUT M6 UNI 7473 6S ZN	12
2	01.0031.0298GT	FLAT WASHER D6 UNI 6593 ZN	26
3	01.0001.0158GT	SCREW M6X25 UNI 5739 8.8 ZN	13
4	01.0023.0054GT	NUT,M8 UNI 7473 6S ZN	10
5	01.0031.0055GT	FLAT WASHER D8 UNI 6592 ZN	10
6	01.0001.0260GT	SCREW M8X45 UNI 5739 8.8 ZN	4
7	01.0031.0299GT	FLAT WASHER D8 UNI 6593 ZN	16
8	1252980GT	WEARPAD, BOOM LOWERING, SIDE	1
9	01.0001.0256GT	SCREW M8X25 UNI 5739 8.8 ZN	2
10	1256034GT	ASSY LATCH SUPPORT	1
11	01.4032.0002GT	SPRING WASHER D6 ZN	2
12	1256019GT	SUPPORT COVER Z33	1
13	01.0001.0104GT	SCREW M6X40 UNI 5739 8.8 ZN	2
14	75073GT	HINGE,.375X.120THK.,SLOTTED	2
15	01.0001.0258GT	SCREW M8X35 UNI 5739 8.8 ZN	2
16	1256023GT	ASSY, COVER SUPPORT TANK SIDE	1
17	33555GT	BALL STUD**	2
18	1254783GT	GAS SPRING Z33	2
19	1256054GT	HANDLE,YELLOW LOCKING,CODE 455	1
19-	37947GT	KEYS,10 PACK*** sold separately	
19-	83093GT	KEY SINGLE*** sold separately	
20	826728GT	COVER SX,TANK SIDE,Z33	1
21	01.0001.0156GT	SCREW M6X20 UNI 5739 8.8 ZN	8
22	01.0031.0054GT	FLAT WASHER D6 UNI 6592 ZN	6
23	1256033GT	FORMING,LATCH TRIGGER BRKT	1
24	1256492GT	LATCH, ROTARY TANK SIDE	1

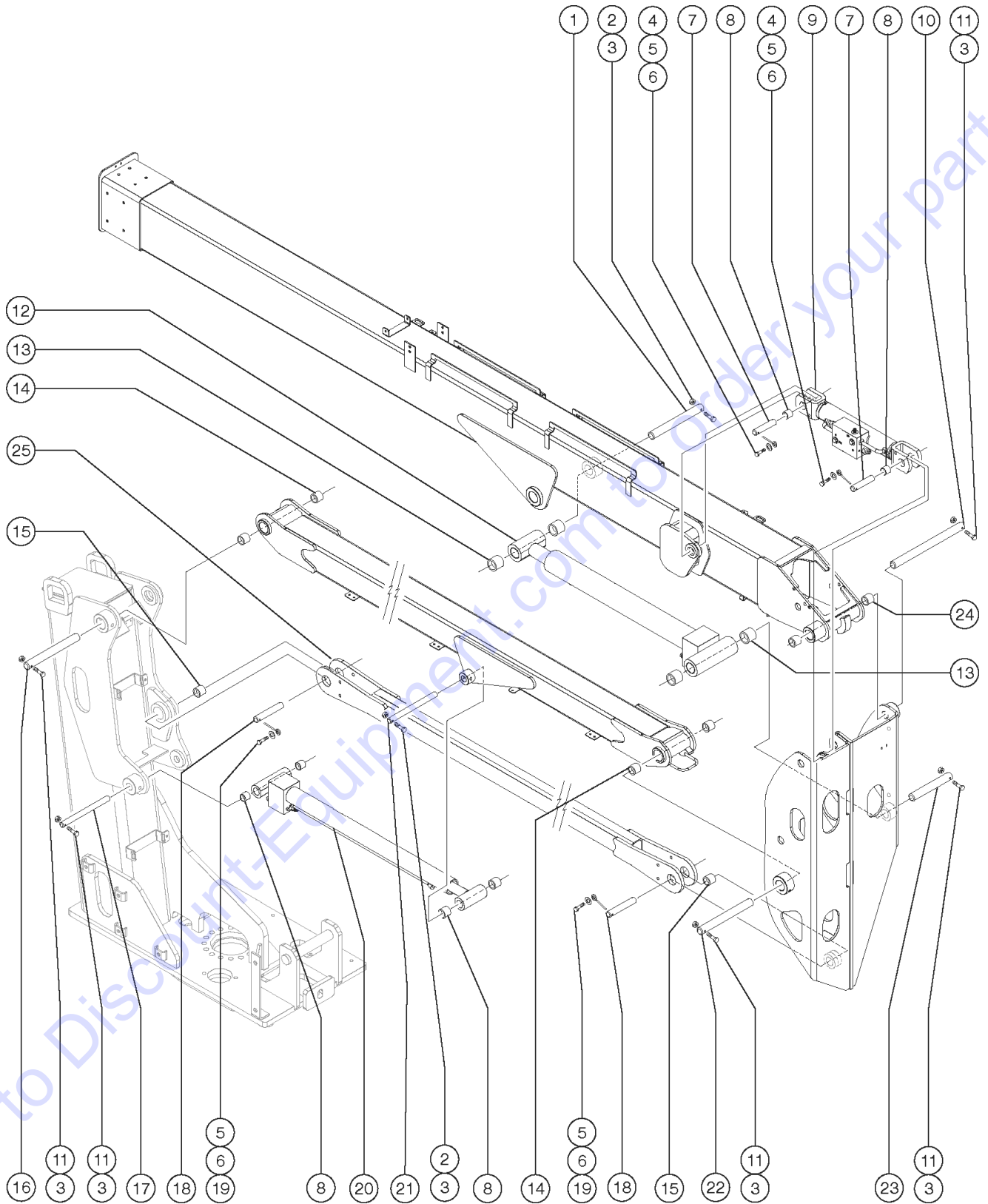
308.1 608545 Wire Harness Diagram



Go to Discount-Equipment.com to order your parts

Item	Part No.	Description	Qty.
1	1259667GT	HARNESS LS SECONDARY DOWN	1
2	1259666GT	HARNESS LS PRIMARY DOWN	1
3	1259668GT	HARNESS LS PRIMARY COLLISION CONTROL	1
4	1253001GT	HARNESS LS MID PIVOT PIGTAIL	1
5	1259665GT	HARNESS LS FAST MAST	1
6	1253004GT	HARNESS LS FAST MAST PIGTAIL	1
7	1252996GT	HARNESS PLATFORM CONTROL BOX	1
8	1252998GT	HARNESS LOAD LIMIT, LS PIGTAIL	1
		Only For CE And Australia Models	
8-	1270383GT	PRIMARY RETRACT, LS PIGTAIL (NO LOAD SENSE)	1
		Only For ANSI/CSA Models	
9	1259669GT	HARNESS LS PRIMARY RETRACT	1
10	227617GT	ASSEMBLY, FOOT SWITCH	1
11	1253005GT	HARNESS TURNTABLE TCON Z33	1
12	1253003GT	HARNESS BOOM CONTROL CABLE Z33	1
13	1252999GT	HARNESS GROUND CONTROL BOX	1
14	1259664GT	HARNESS LS NO-COLLISION ZONE	1
15	1253002GT	HARNESS LS DRIVE ENABLE	1
16	1252987GT	HARNESS MOTOR CTRL LEFT	1
17	826954GT	HARNESS MOTOR CTRL RIGHT	1
		To SN Z3318M-1369	
17	1276660GT	MOTOR RIGHT D-CON	1
		From SN Z3318M-1370 To SN Z3318M-2621	
17	1293605GT	HARNESS, MOTOR RIGHT DCON, Z33	1
		From SN Z3318M-2622	
18	162161GT	HARNESS, FUSE BOX, Z40	1
19	30794GT	WIRE, 12/3 SJEOW, BK-WH-GR/YL	630

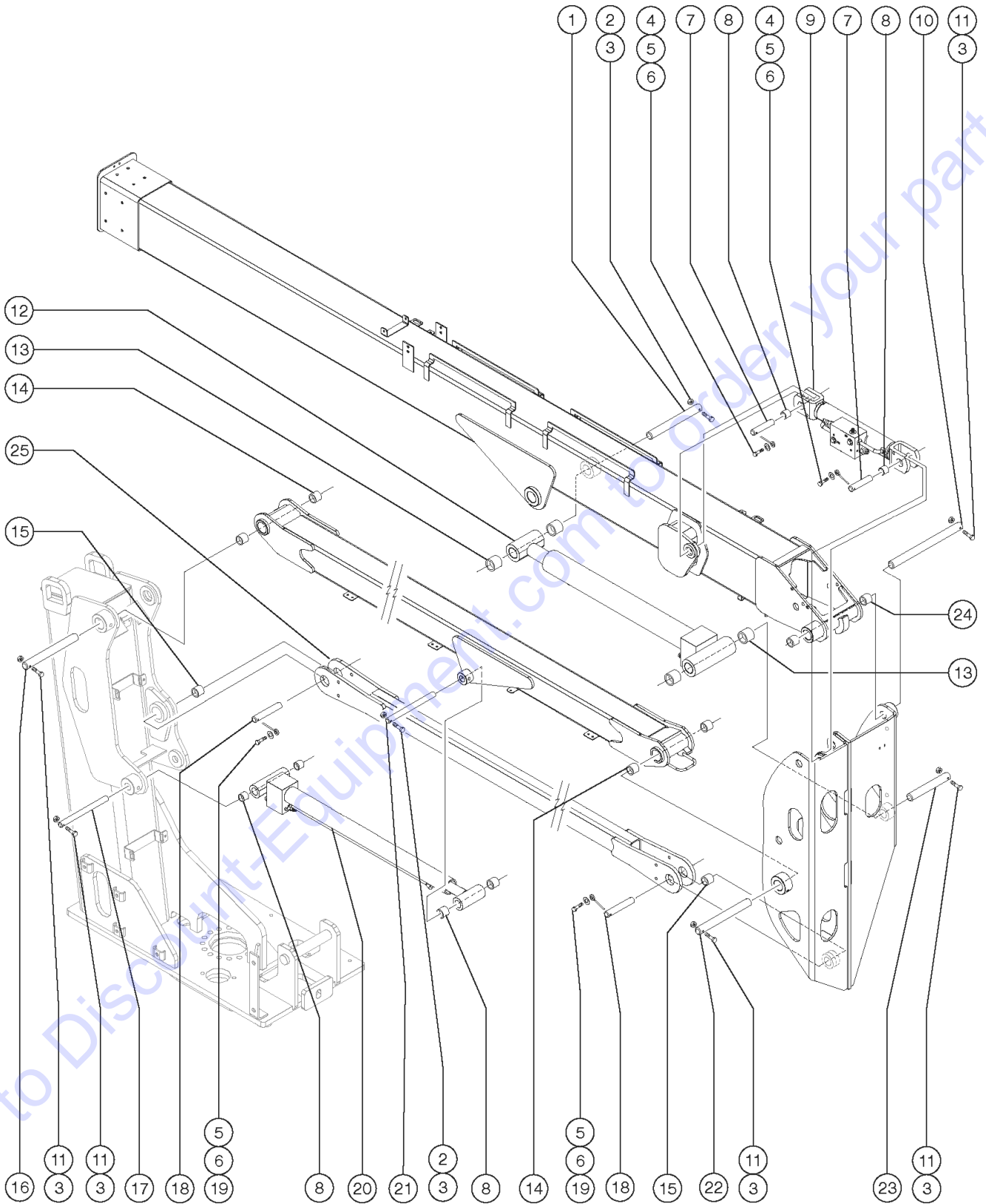
401.1 608546 Boom Pins and Bearings - View 1



Item	Part No.	Description	Qty.
1	826754GT	PIN,40 DIA X 230 LG,CHAMFER	1
2	01.0001.0308GT	Screw TE M10X70 UNI 5737 8.8 ZN	
3	01.0023.0055GT	Stop Nut M10 UNI 7473 6S ZN	
4	1255452GT	ROD END, .375 X 2.25, ZAG	
5	01.0001.0355GT	SCREW M10X25 UNI 5739 8.8 ZN	
6	01.4032.0004GT	Spring Washer D10 ZN	
7	826751GT	PIN,25 DIA X 82 LG,CHAMFER	2
8	826733GT	BEARING, 25IDX30ODX25L	6
9	824185GT	CYLINDER,MASTER	1
9-	1259268GT	SEAL KIT FOR CYLINDER 824185	
9-	31106GT	VALVE,CNTERBAL,CBBB-LHN@3000**	2
10	826752GT	PIN,30DIAX479.5LG,CHAMFER	1
11	01.0001.0310GT	SCREW M10X80 UNI 5737 8.8 ZN	
12	824184GT	CYLINDER,PRIMARY LIFT	1
12-	1259267GT	SEAL KIT FOR CYLINDER 824184	
12-	77014GT	VALVE,COUNTERBALANCE,3800 PSI	2
13	1254770GT	BEARING, 40x40	2
14	826731GT	BEARING,40.00IDX45.00ODX40.00L	4
15	826729GT	BEARING, 40IDX45ODX46L	2
16	826748GT	PIN,40DIAX270LG,CHAMFER	1
17	826745GT	PIN,25DIAX270LG,CHAMFER	1
18	826747GT	PIN,40DIAX106.41LG,CHAMFER	2
19	825019GT	ROD END, .375X3.69, ZAG	2
20	824183GT	CYLINDER,SECONDARY LIFT	1
20-	1259734GT	SEAL KIT FOR CYLINDER 824183	1
20-	1259731GT	VALVE,CNTERBAL,CBBA-LHN@3500	1
21	826746GT	PIN,25DIAX203LG,CHAMFER	1
22	826749GT	PIN,40DIAX245LG,CHAMFER	1



401.1 608546 Boom Pins and Bearings - View 1

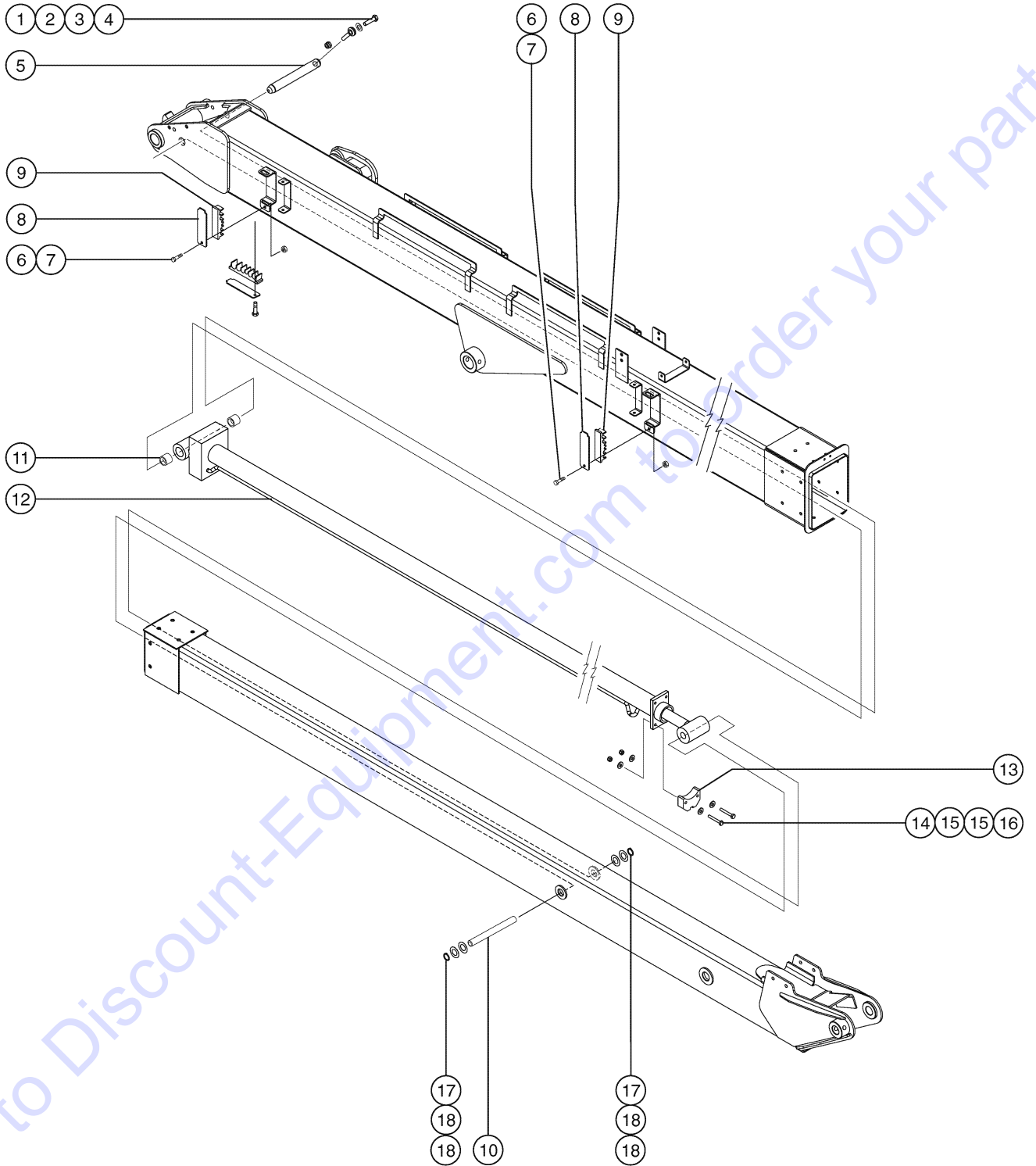


<i>Item</i>	<i>Part No.</i>	<i>Description</i>	<i>Qty.</i>
23	826750GT	PIN,40DIAX315LG,CHAMFER	1
24	826734GT	BEARING,30.00IDX35.00ODX30.00	2
25	823889GT	WELDMENT,LINKAGE	1

Go to Discount-Equipment.com to order your parts

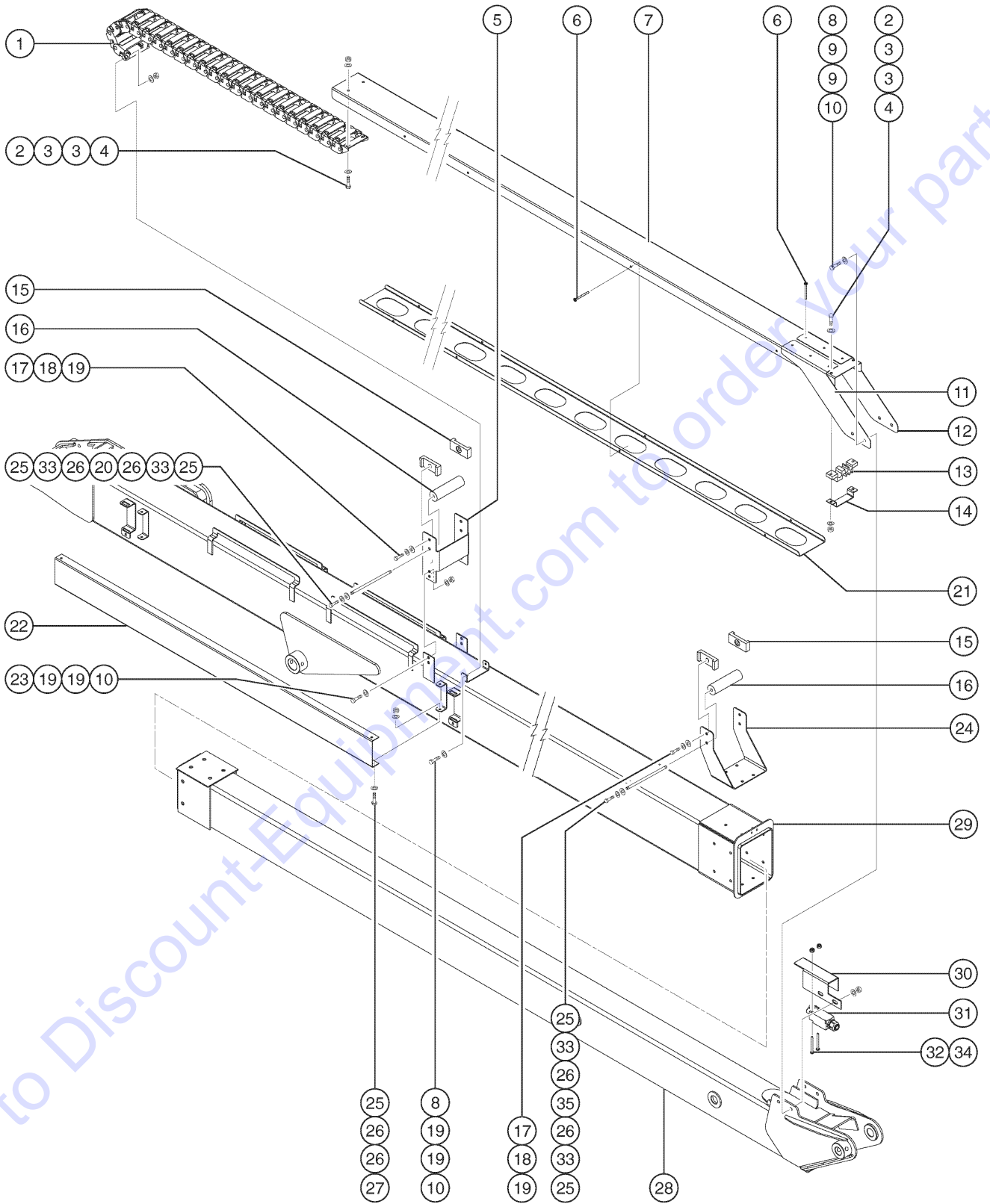


402.1 608547 Boom Pins and Bearings - View 2



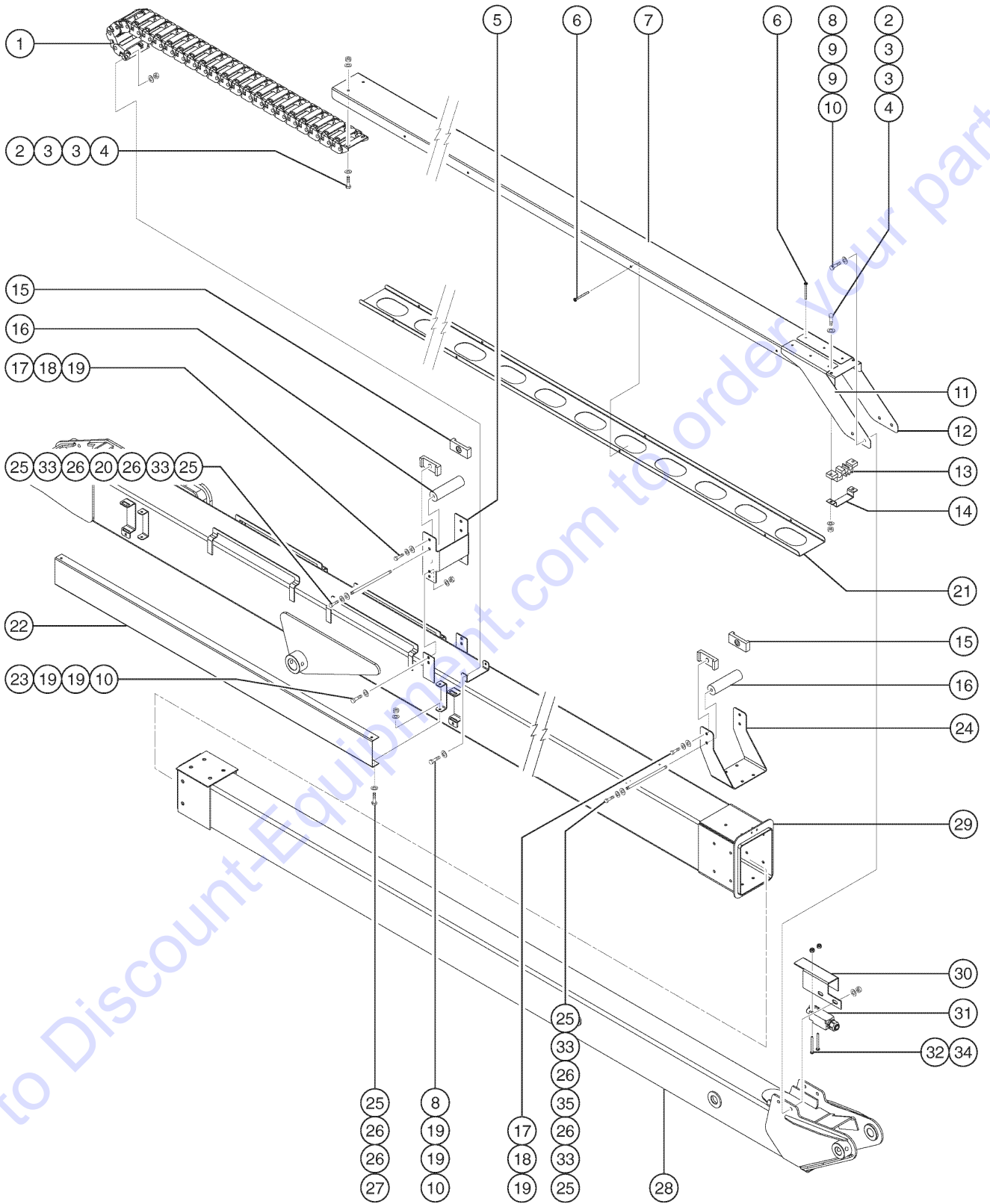
Item	Part No.	Description	Qty.
1	01.0001.0357GT	SCREW,TE,M10X35 UNI 8.8 ZN	1
2	01.0031.0056GT	FLAT WASHER D10 UNI 6592 ZN	1
3	825019GT	ROD END, .375X3.69, ZAG	1
4	01.0023.0055GT	Stop Nut M10 UNI 7473 6S ZN	1
5	826753GT	PIN,25 DIA X 203 LG,CHAMFER	1
6	6878GT	BOLT,CARRIAGE,1/4-20 X .75,G2	3
7	6091GT	NUT,NYLOCK,1/4-20	3
8	1256484GT	PLATE, HOSE CLAMP RETAINER	3
9	826483GT	CLAMPING BLOCK,HOSE	3
10	826755GT	PIN,20 DIA X 120 LG,2RING	1
11	826733GT	BEARING, 25IDX30ODX25L	2
12	824187GT	CYLINDER,PRIMARY EXTENSION	1
12-	1259270GT	SEAL KIT FOR CYLINDER 824187	
12-	77410GT	VALVE,COUNTERBALNCE,1500 PSI**	2
13	1252989GT	WEARPAD, EXTENSION CYLINDER	1
14	01.0001.0104GT	SCREW M6X40 UNI 5739 8.8 ZN	2
15	01.0031.0298GT	FLAT WASHER D6 UNI 6593 ZN	4
16	01.0023.0053GT	STOP NUT M6 UNI 7473 6S ZN	2
17	10262GT	SNAP RING,EXTERNAL,.75 DIA.	2
18	1256508GT	WASHER,THICKNESS,D20X0,5	4

403.1 608548 Cable Track



Item	Part No.	Description	Qty.
1	823867GT	CABLE TRACK	1
2	01.0001.0158GT	SCREW M6X25 UNI 5739 8.8 ZN	8
3	01.0031.0054GT	FLAT WASHER D6 UNI 6592 ZN	8
4	01.0023.0053GT	STOP NUT M6 UNI 7473 6S ZN	10
5	1258496GT	FORMING,WEAR PAD MOUNT	1
6	54486GT	RIVET,ALUM,ALUM,3/16BUTTONHEAD	14
7	826760GT	CABLE TRACK ARM	1
8	01.0001.0256GT	SCREW M8X25 UNI 5739 8.8 ZN	6
9	01.0031.0055GT	FLAT WASHER D8 UNI 6592 ZN	8
10	01.0023.0054GT	NUT,M8 UNI 7473 6S ZN	14
11	1256038GT	FORMING, BRIDGE MOUNT, RIGHT	1
12	1256039GT	FORMING, BRIDGE MOUNT, LEFT	1
13	826743GT	CLAMPIG BLOCK, HOSE	1
14	826492GT	PLATE, HOSE CLAMP RETAINER	1
15	1256485GT	WEAR PAD, CABLE BRIDGE	4
16	1258981GT	ROLLER TUBE	2
17	01.0001.0252GT	SCREW M8X16 UNI 5739 8.8 ZN	4
18	01.4032.0003GT	Spring Washer D 8 ZN	4
19	01.0031.0299GT	FLAT WASHER D8 UNI 6593 ZN	20
20	1262108GT	CYLINDRICAL SPACER, 142MM	1
21	1256040GT	FORMING, CABLE BRIDGE BOTTOM	1
22	826740GT	CLAMPIG BLOCK, HOSE	1
23	01.0001.0254GT	SCREW M8X20 UNI 5739 8.8 ZN	4
24	1258980GT	FORMING,WEAR PAD MOUNT	1
25	01.0001.1538GT	SCREW M5X16 UNI5737 8.8 ZN	8
26	01.0031.0053GT	FLAT WASHER D5 UNI 6592 ZN	12
27	01.0023.0052GT	STOP NUT M5 UNI 7473 6S ZN	4
28	823849GT	WELDMENT EXTENSION BOOM	1

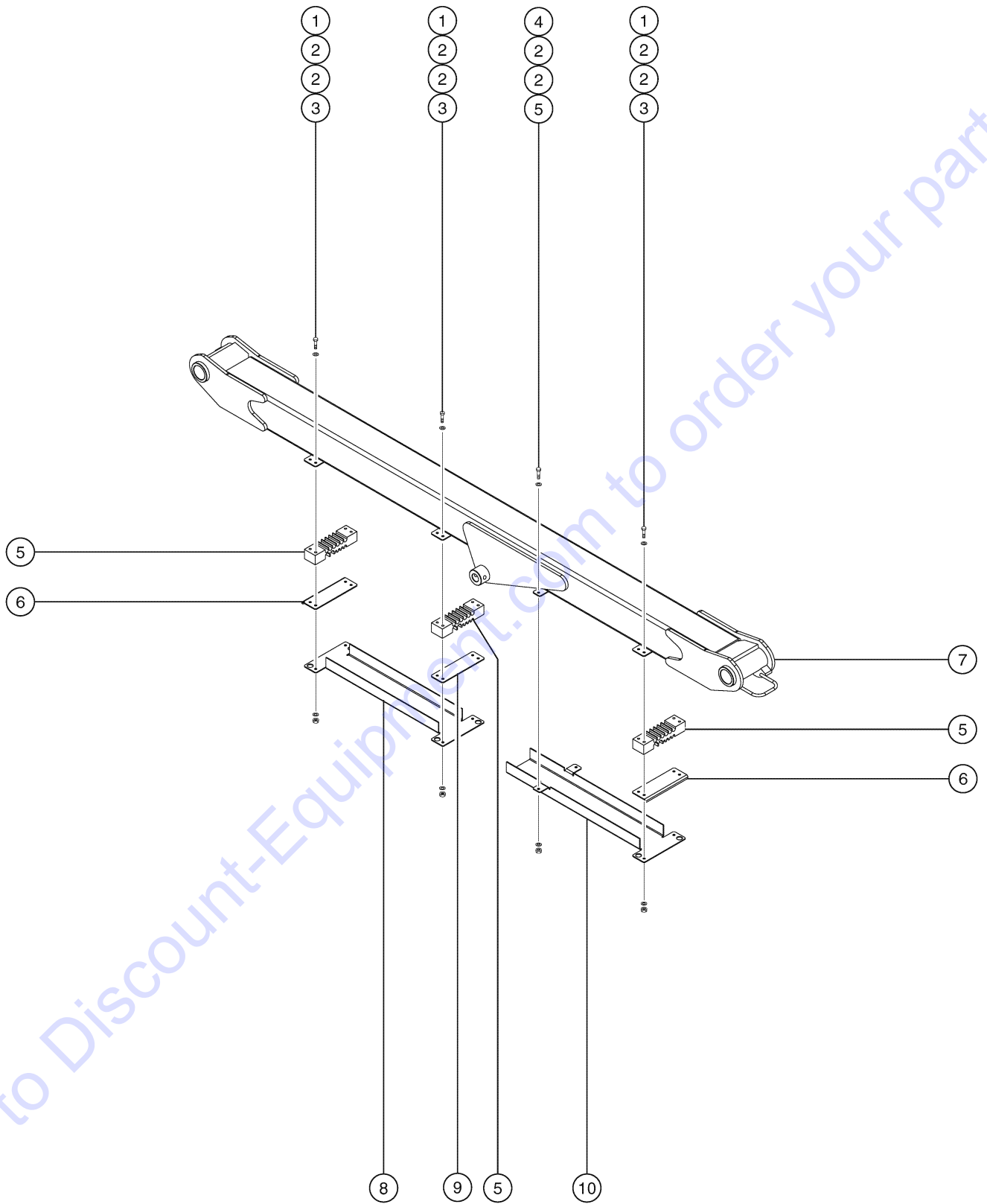
403.1 608548 Cable Track



Item	Part No.	Description	Qty.
29	823857GT	WELDMENT,PRIMARY BOOM	1
30	826946GT	COVER, LIMIT SWITCH	1
31	88356-131N5GT	SWITCH,LIMIT,W/RLR ARM,NO/NC	1
31-	106427GT	LS ROT.HEAD W/O LEVER (ZCE01)	1
31-	97128GT	ROLLER ARM,LIMIT SWITCH***	1
32	49775GT	SCREW,PHILLIPS,PHM,10-32X 1.75	2
33	01.4032.0001GT	WASHER,SPRING,D5 ZN	4
34	6178GT	NUT,NYLOCK,10-32	2
35	1262107GT	CYLINDRICAL SPACER, 150MM	1

Go to Discount-Equipment.com to order your parts

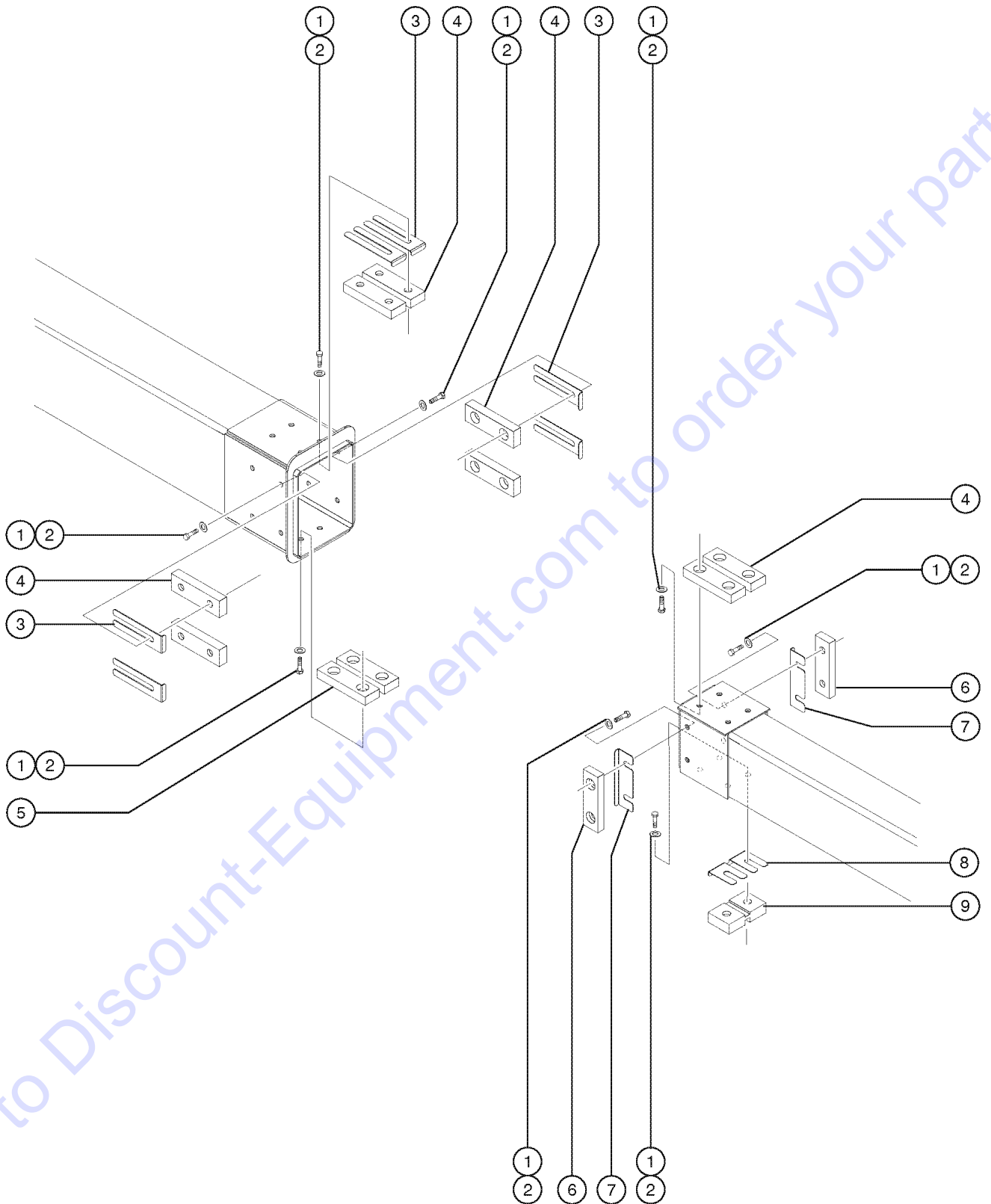
404.1 608549 Secondary Linkage



Item	Part No.	Description	Qty.
1	01.0001.0108GT	SCREW M6X60 UNI 5737 8.8 ZN	12
2	01.0031.0308GT	FLAT WASHER D6 UNI ISO 7093 ZN	28
3	01.0023.0053GT	STOP NUT M6 UNI 7473 6S ZN	14
4	01.0001.0156GT	SCREW M6X20 UNI 5739 8.8 ZN	2
5	826737GT	CLAMPING BLOCK, HOSE	3
6	1256041GT	CLAMP, BRACKET	2
7	824751GT	WELDMENT, LOWER BOOM	1
8	1254778GT	HOSE COVER, SECONDARY ARM	1
9	826964GT	CLAMP, BRACKET	1
10	824741GT	HOSE COVER, SECONDARY ARM	1

Go to Discount-Equipment.com to order your parts

405.1 608550 Primary Boom Wear Pads



Go to Discount-Equipment.com to order your parts

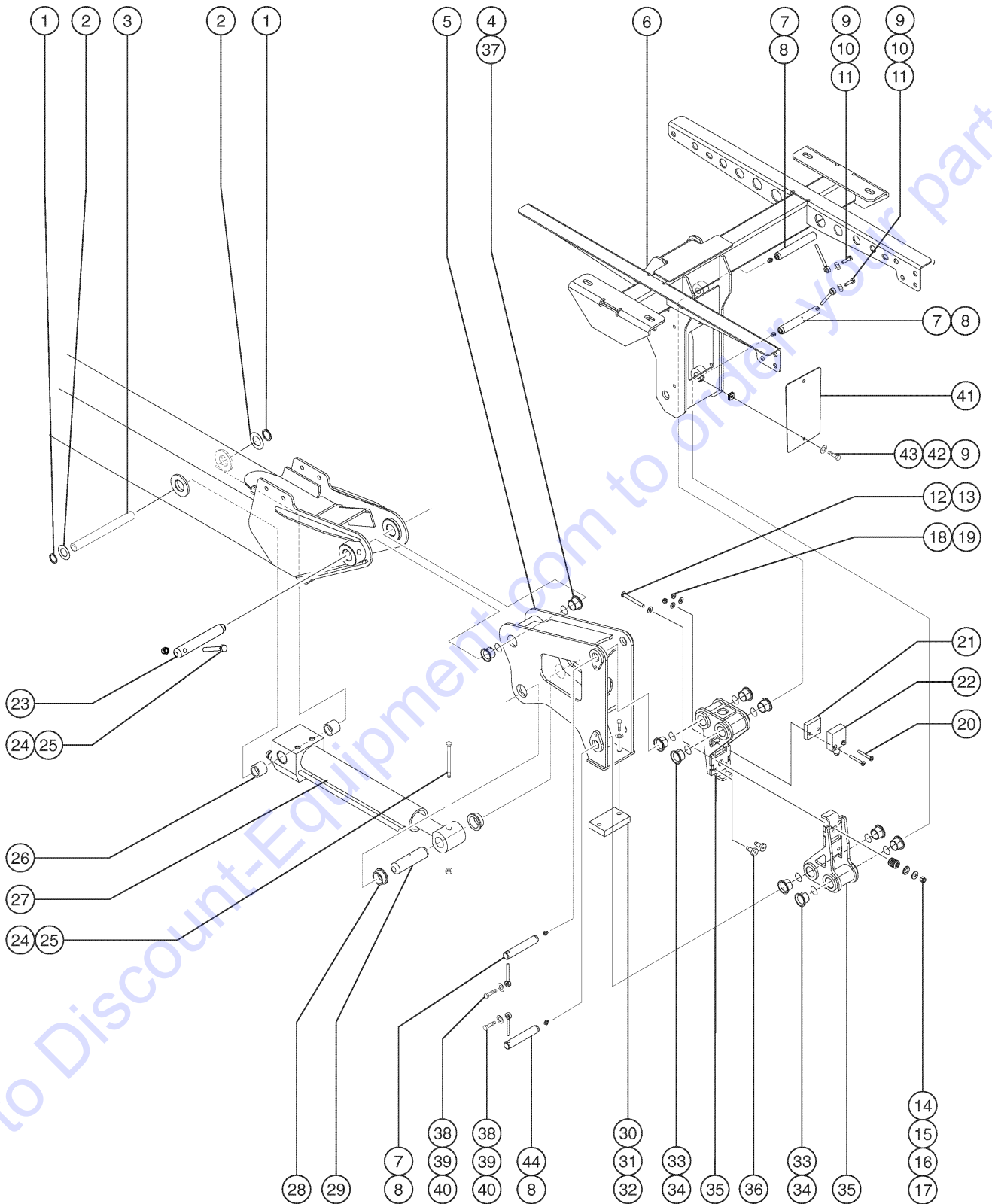
405.1 608550 Primary Boom Wear Pads

Item	Part No.	Description	Qty.
1	01.0001.0256GT	SCREW M8X25 UNI 5739 8.8 ZN	26
2	01.4032.0003GT	Spring Washer D 8 ZN	26
3	1262527GT	SHIM,SIDE PAD,0.5MM	
3-	120431GT	SHIM, SIDE PAD, 1MM	
3-	120432GT	SHIM, SIDE PAD, 2.5MM	
4	1257174GT	WEAR PAD, 127 X 38.1 X 19.5	8
5	1257173GT	WEAR PAD, 127 X 38.1 X 21.95	2
6	1257172GT	WEAR PAD, 127 X 38.1 X 15.875	2
7	826759GT	SHIM, SIDE PAD, 1.5MM	
8	1259727GT	SHIM, SIDE PAD, 1.5MM	
9	1254781GT	WEARPAD	1

Go to Discount-Equipment.com to order your parts



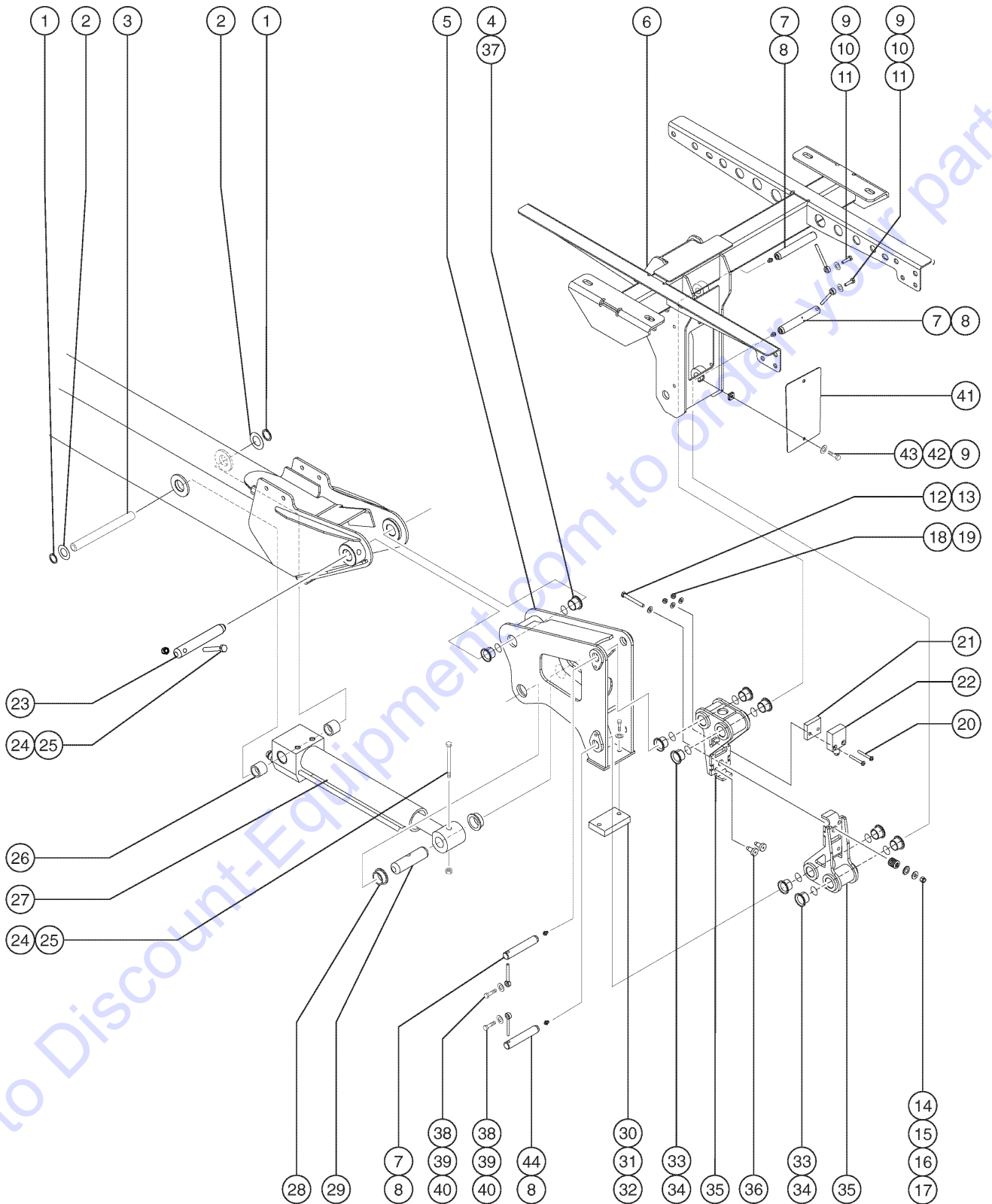
406.1 608551 Platform Leveling - UE Version



Go to Discount-Equipment.com to order your parts

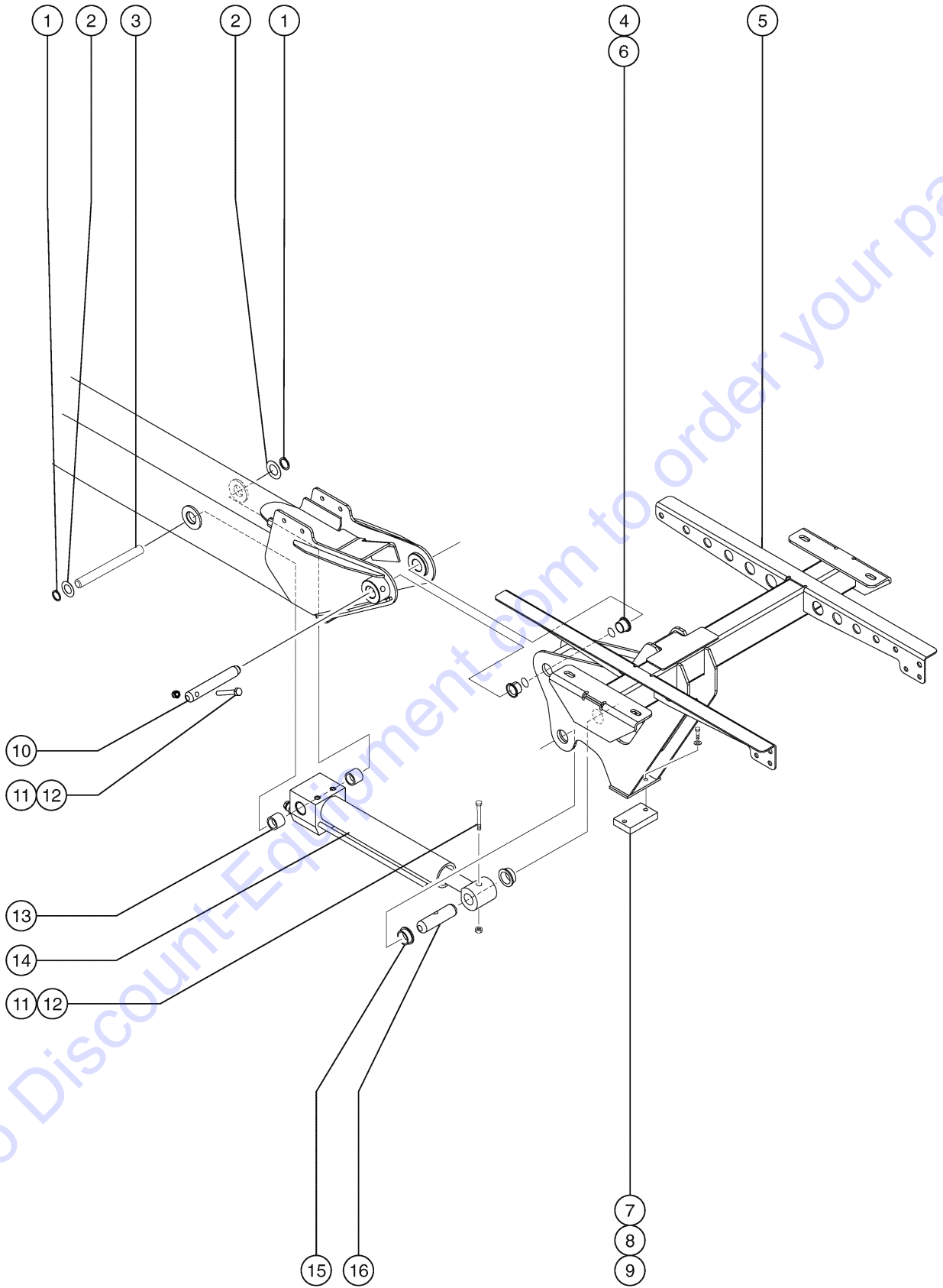
Item	Part No.	Description	Qty.
1	44662GT	SNAP RING,EXTERNAL,1.00 DIA.	2
2	1256507GT	WASHER	2
3	826756GT	PIN,25 DIA X 120 LG,2RING	1
4	1256506GT	FLANGED BUSHING	2
5	1261771GT	PLATFORM SUPPORT MOUNT	1
6	826495GT	PLATFORM SUPPORT	1
		EU VERSION	
7	826962GT	PIN,20 DIA X 135.6 LG.CHAMFER	2
8	94643GT	ZERK,GREASE,5/16-24,STRAIT	4
9	01.0001.0156GT	SCREW M6X20 UNI 5739 8.8 ZN	4
10	01.4032.0002GT	SPRING WASHER D6 ZN	4
11	825020GT	ROD END, .25 X 2.75, ZAG	2
12	21604GT	SCREW,HHC,3/8-16 X 3.25	1
13	5397GT	WASHER,FLAT,USS,5/16",Y	1
14	61974GT	SPRING,COMP,1" OD,232 LB/IN	1
15	61975GT	RETAINER,SPRING,1.21 X .375	1
16	6097GT	WASHER,FLAT,USS,3/8",Y	1
17	4828GT	NUT,NYLOCK,3/8-16	1
18	6178GT	NUT,NYLOCK,10-32	2
19	6146GT	WASHER,FLAT,MS,#10,Y	2
20	51063GT	SCREW,PHILLIPS,RHM,10-32 X 1.5	2
21	1253006GT	MOUNT,SWITCH	1
22	61973GT	SWITCH,ROLLER PLUNGER LIMIT	1
23	1252982GT	PIN,25DIA X 170LG,CHAMFER	1
24	01.0001.0308GT	Screw TE M10X70 UNI 5737 8.8 ZN	2
25	01.0023.0055GT	Stop Nut M10 UNI 7473 6S ZN	2
26	826733GT	BEARING, 25IDX30ODX25L	2
27	824186GT	CYLINDER,SLAVE	1
27-	1259269GT	SEAL KIT FOR CYLINDER 824186	

406.1 608551 Platform Leveling - UE Version



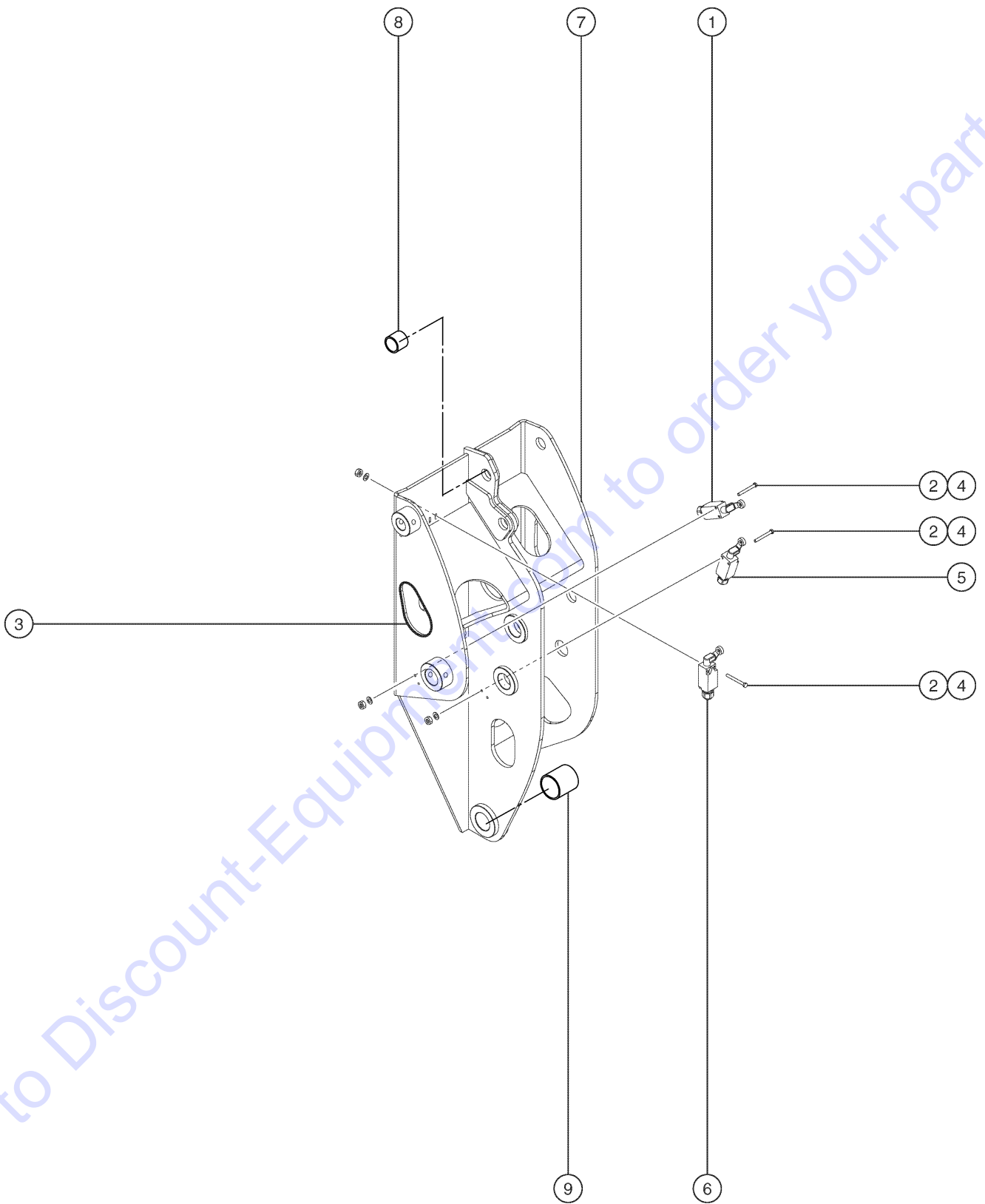
Item	Part No.	Description	Qty.
27-	74735GT	VALVE,COUNTERBALANCE	2
28	1253009GT	BEARING,FL,25IDX30ODX10L	2
29	826963GT	PIN,25 DIA X 94 LG	1
30	1254781GT	WEARPAD	1
31	01.0003.0203GT	SCREW,TCEI,M8X20 UNI 8.8 ZN	2
32	01.4032.0003GT	Spring Washer D 8 ZN	2
33	1256505GT	FLANGED BUSHING	8
34	1256491GT	SPACER DIM 24MM	
35	826950GT	WELDMENT, LOAD SUPPORT	2
36	34619GT	BUMPER,RUBBER***	2
37	1258485GT	SPACER DIMM 29MM	
38	01.0001.1438GT	SCREW M5X20 UNI 5739 8.8 ZN	2
39	01.4032.0001GT	WASHER,SPRING,D5 ZN	2
40	1259816GT	ROD END 4.6 ZN,6x40	2
41	1262125GT	PANEL, ACCESS	1
42	01.0031.0298GT	FLAT WASHER D6 UNI 6593 ZN	2
43	01.0023.0053GT	STOP NUT M6 UNI 7473 6S ZN	2
44	826961GT	PIN,20 DIA X 114 LG,CHAMFER	2

406.2 608561 Platform Leveling - USA Version



Item	Part No.	Description	Qty.
1	44662GT	SNAP RING,EXTERNAL,1.00 DIA.	2
2	1256507GT	WASHER	2
3	826756GT	PIN,25 DIA X 120 LG,2RING	1
4	1256506GT	FLANGED BUSHING	2
5	1261178GT	PLATFORM SUPPORT	1
		USA VERSION	
6	1258485GT	SPACER DIMM 29MM	2
7	1254781GT	WEARPAD	1
8	01.0003.0203GT	SCREW,TCEI,M8X20 UNI 8.8 ZN	2
9	01.4032.0003GT	Spring Washer D 8 ZN	2
10	1252982GT	PIN,25DIA X 170 LG,CHAMFER	1
11	01.0001.0308GT	Screw TE M10X70 UNI 5737 8.8 ZN	2
12	01.0023.0055GT	Stop Nut M10 UNI 7473 6S ZN	2
13	826733GT	BEARING, 25IDX30ODX25L	2
14	824186GT	CYLINDER,SLAVE	1
14-	1259269GT	SEAL KIT FOR CYLINDER 824186	
14-	74735GT	VALVE,COUNTERBALANCE	2
15	1253009GT	BEARING,FL,25IDX30ODX10L	2
16	826963GT	PIN,25 DIA X 94 LG	1

407.1 608552 Mid Pivot

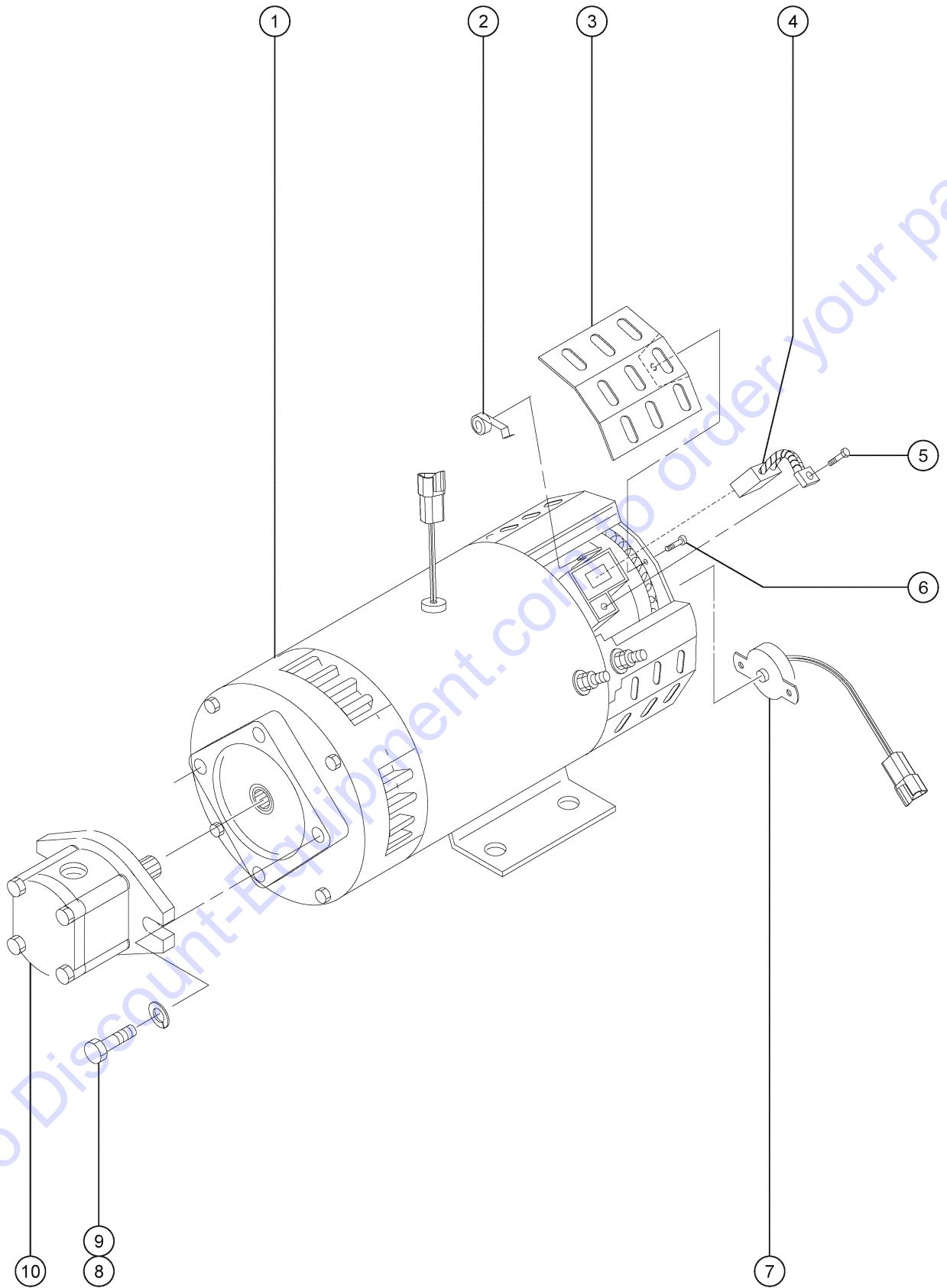


Item	Part No.	Description	Qty.
1	88356-11103GT	SWITCH,LIMIT,W/RLR ARM,NO/NC**	1
1-	97128GT	ROLLER ARM,LIMIT SWITCH***	
1-	106427GT	LS ROT.HEAD W/O LEVER (ZCE01)	
2	49775GT	SCREW,PHILLIPS,PHM,10-32X 1.75	6
3	09.0803.0418GT	GASKET 2x14.1inch + 1x13.4inch + 1x14.9inch + 1x10.6inch	67 .3
4	6178GT	NUT,NYLOCK,10-32	6
5	88356-11103GT	SWITCH,LIMIT,W/RLR ARM,NO/NC**	1
5-	97128GT	ROLLER ARM,LIMIT SWITCH***	
5-	106427GT	LS ROT.HEAD W/O LEVER (ZCE01)	
6	88356-12143GT	SWITCH,LIMIT,W/RLLR ARM NO/NC	1
6-	97128GT	ROLLER ARM,LIMIT SWITCH***	
6-	106427GT	LS ROT.HEAD W/O LEVER (ZCE01)	
7	1258487GT	WELDMENT, MID PIVOT Z33	1
8	826733GT	BEARING, 25IDX30ODX25L	1
9	826729GT	BEARING, 40IDX45ODX46L	1

Go to Discount-Equipment.com to order your parts



501.1 608553 Hydraulic Power Unit



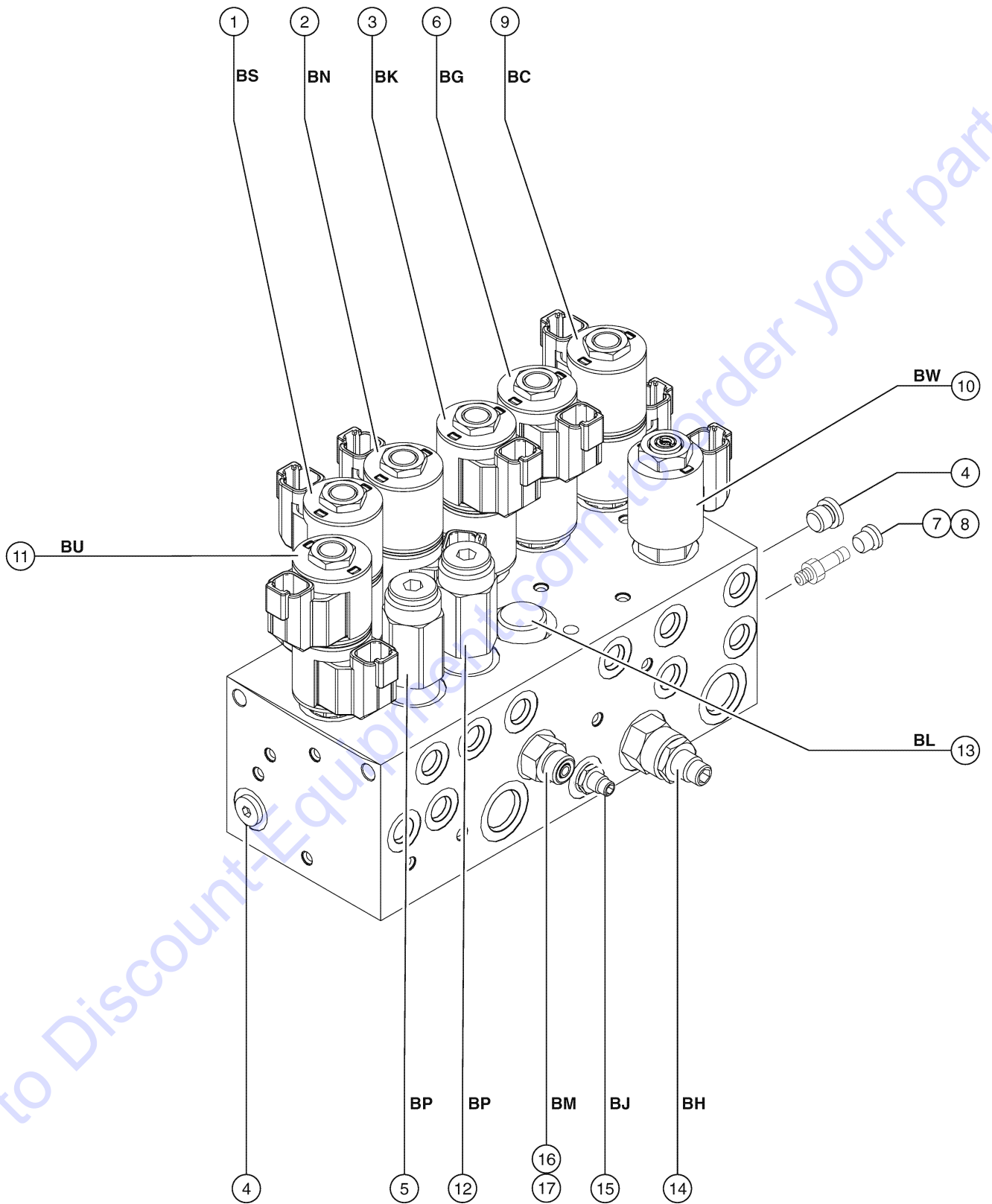
Go to Discount-Equipment.com to order your parts

Item	Part No.	Description	Qty.
1	110573GT	MOTOR W/TACH 48VDC,3.5HP	1
2	44750GT	SPRING-BRUSH,40844, SCISSORS	1
3	58936GT	BRUSH COVER -PLATE-(48504)*	1
4	58932GT	BRUSH SET 4 EA	1
5	52913GT	SCREW,HH TAPETITE THRD8-32X.50	
6	52914GT	SCREW,HHTAPTITE THREAD8-32X.38	
7	128009GT	SENSOR KIT, SPEED (110573) includes sensor, magnet, and fasteners	1
8	32317GT	SCREW,HHC,3/8-24 X 1 GR 8 YEL	
9	6021GT	WASHER,LOCK,.375	
10	96193GT	PUMP,4CC GEAR,CCW***	
10-	85197GT	SEAL KIT,BOSCH PUMP*** for 96193GT; pump stamping 9510290001	
10-	233641GT	SEAL KIT,BOSCH PUMP for 96193GT; pump stamping 9510090001	

Go to Discount-Equipment.com to order your parts



502.1 608554 Functions Manifold

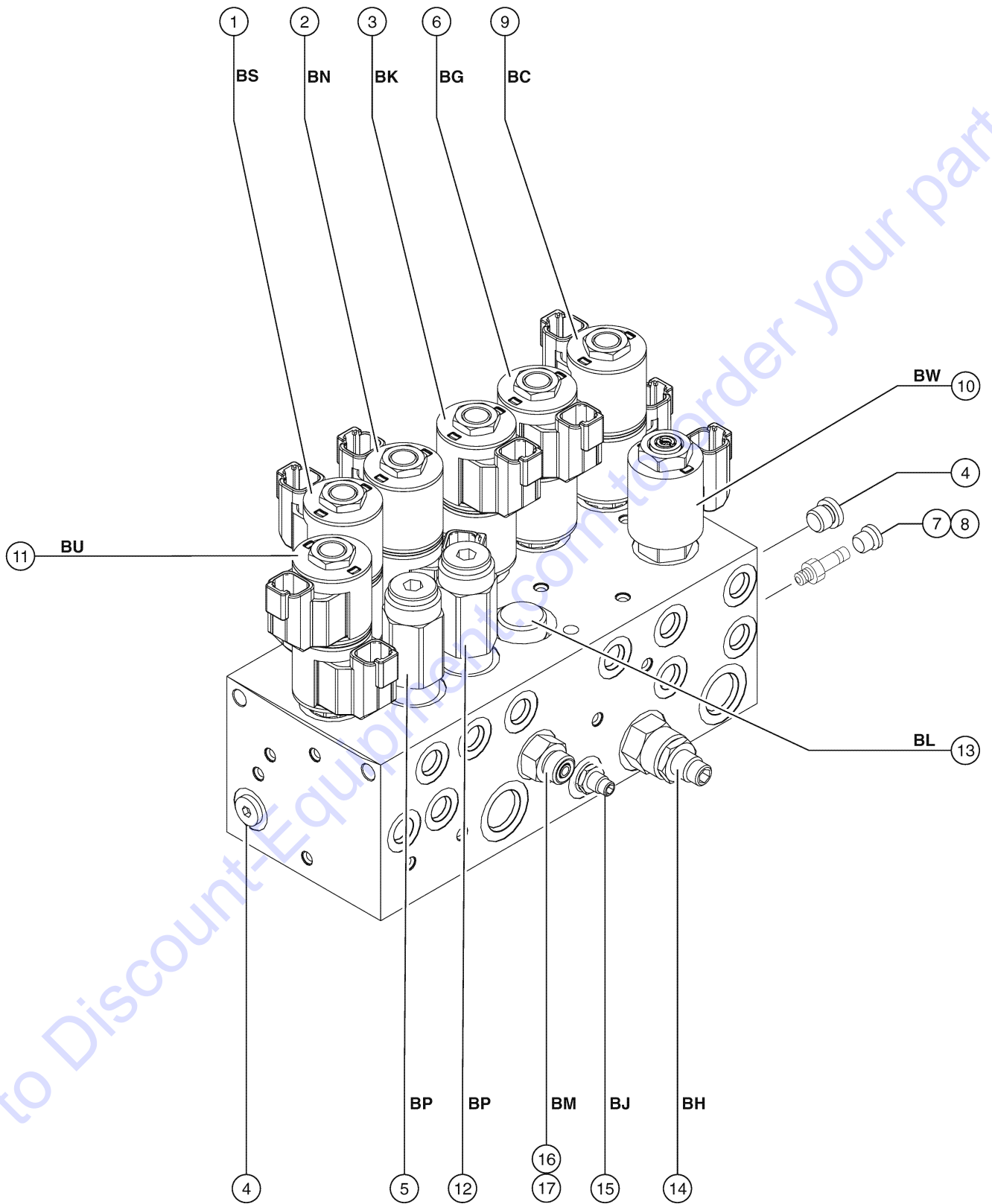


Item	Part No.	Description	Qty.
1	107816GT	VALVE,PROPORTIONAL 3 POS 4 WY* BS, Primary boom up/down	
1-	119827GT	COIL, 20V, ZENER DIODE DEUTSCH	
1-	44229GT	SEAL KIT, VALVE	
2	107816GT	VALVE,PROPORTIONAL 3 POS 4 WY* BN, Secondary boom up/down	
2-	119827GT	COIL, 20V, ZENER DIODE DEUTSCH	
2-	44229GT	SEAL KIT, VALVE	
3	107816GT	VALVE,PROPORTIONAL 3 POS 4 WY* BK, Turntable rotate curcuit	
3-	119827GT	COIL, 20V, ZENER DIODE DEUTSCH	
3-	44229GT	SEAL KIT, VALVE	
4	07.0704.0421GT	SAE PLUG	
5	1259732GT	VALVE RELIEF,130BAR - 1885PSI BP, Primary boom down	
6	39346GT	VALVE,SOLENOID 3 POS.4 WAY*** BG, Platform level up/down	
6-	119827GT	COIL, 20V, ZENER DIODE DEUTSCH	
6-	44229GT	SEAL KIT, VALVE	
7	48997GT	NIPPLE,DIAGNOSTIC,#4	
8	48880GT	CAP,DIAGNOSTIC NIPPLE	
9	119828GT	VALVE,PROPORTIONAL 3 POS 4 WY* BC, Steer left/right	
9-	119827GT	COIL, 20V, ZENER DIODE DEUTSCH	
9-	44229GT	SEAL KIT, VALVE	
10	119830GT	VALVE,PROPORTIONAL RELIEF BW, System relief	
10-	119825GT	COIL, 24V, DEUTSCH NO DIODE	
10-	44227GT	SEAL KIT, VALVE	
11	107788GT	VALVE,PROPORTIONAL 3 POS 4 WY BU, Primary boom extend/retract	
11-	119827GT	COIL, 20V, ZENER DIODE DEUTSCH	
11-	44229GT	SEAL KIT, VALVE	
12	1259732GT	VALVE RELIEF,130BAR - 1885PSI BP, Secondary boom down	
13	07.0704.0424GT	VALVE BL, Turntable rotate curcuit	
14	101055GT	VALVE,NEEDLE,FINE ADJUSTMENT** BH, Platform level up/down	

Go to Discount Equipment.com to order your parts



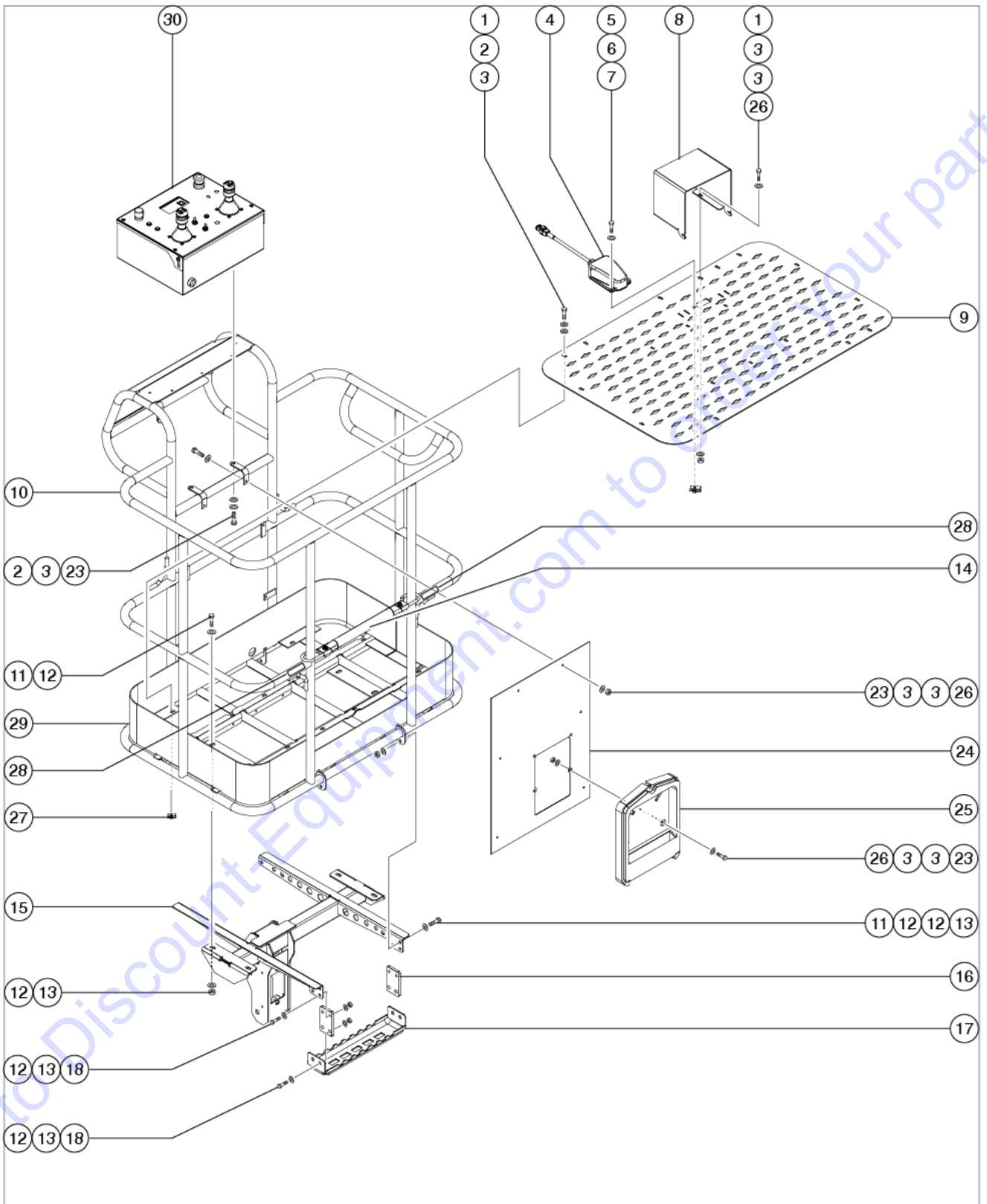
502.1 608554 Functions Manifold



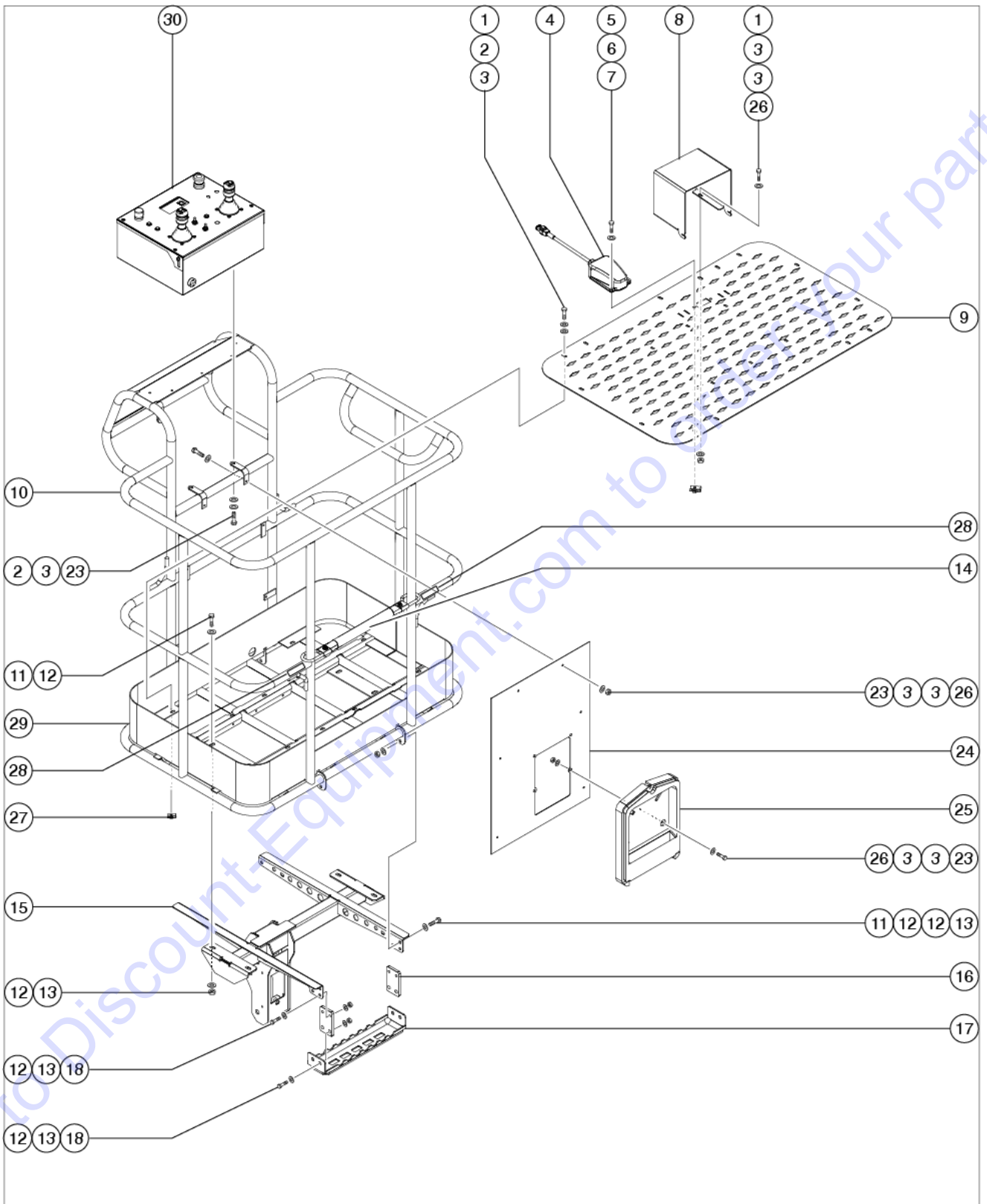
Item	Part No.	Description	Qty.
15	44216GT	VALVE,SHUTTLE BJ, Turntable rotate curcuit	
15-	44235GT	SEAL KIT-FOR PN.44216 & 826779	
16	07.0704.0422GT	FITTING	
17	1259733GT	ORIFICE DISC,.046",GREEN BM, Secondary boom up	

Go to Discount-Equipment.com to order your parts





Item	Part No.	Description	Qty.
	1265204GT	PLAT ASSY, COMP, 4', CE/UK/UK Z-33 European Models	1
	1277886GT	PLAT ASSY, COMP, 4', ANSI Z-33 USA Models	
1	01.0001.0158GT	SCREW M6X25 UNI 5739 8.8 ZN	20
2	01.4032.0002GT	SPRING WASHER D6 ZN	24
3	01.0031.0298GT	FLAT WASHER D6 UNI 6593 ZN	48
4	227617GT	ASSEMBLY, FOOT SWITCH	1
5	01.4001.0062GT	SCREW M5X20 UNI 7687 ZN	2
6	01.0031.0053GT	FLAT WASHER D5 UNI 6592 ZN	2
7	09.0803.0572GT	THREADED CLIP M5	2
8	147257GT	COVER, FOOT SWITCH, LARGE	1
9	824727GT	FLOORING, 1.2X0.7, DIAMOND PLATE	1
10	824710GT	WELDMENT, PLATFORM, Z33	1
11	01.0001.0356GT	SCREW M10X30 UNI 5739 8.8 ZN	8
12	01.0031.0301GT	FLAT WASHER D10 UNI 6593 ZN	16
13	01.0023.0055GT	Stop Nut M10 UNI 7473 6S ZN	16
14	826504GT	SLIDING MIDRAIL ASSY-STD	1
15	826495GT	PLATFORM SUPPORT	1
16	1295596GT	RUBBER STEP SUPPORT	2
17	1295597GT	FORMING, CAB STEP	1
18	01.0001.0357GT	SCREW, TE, M10X35 UNI 8.8 ZN	8
23	01.0001.0156GT	SCREW M6X20 UNI 5739 8.8 ZN	13
24	826720GT	DECAL PLATE	1
25A	24514GT	BOX, INSTRUCTION STORAGE Europe/Asia/South America (decal required; refer to Section100)	1
25B	44743GT	MANUAL BOX W/DECALS*** USA/Canada/Australia	1
26	01.0023.0053GT	STOP NUT M6 UNI 7473 6S ZN	10
27	09.0803.0516GT	SPRING CLIP M6	22
28	T112773GT	TAPE, PROTECTIVE MASK	2
29	33550GT	TAPE, WARNING, BLK/YEL, 50****	1

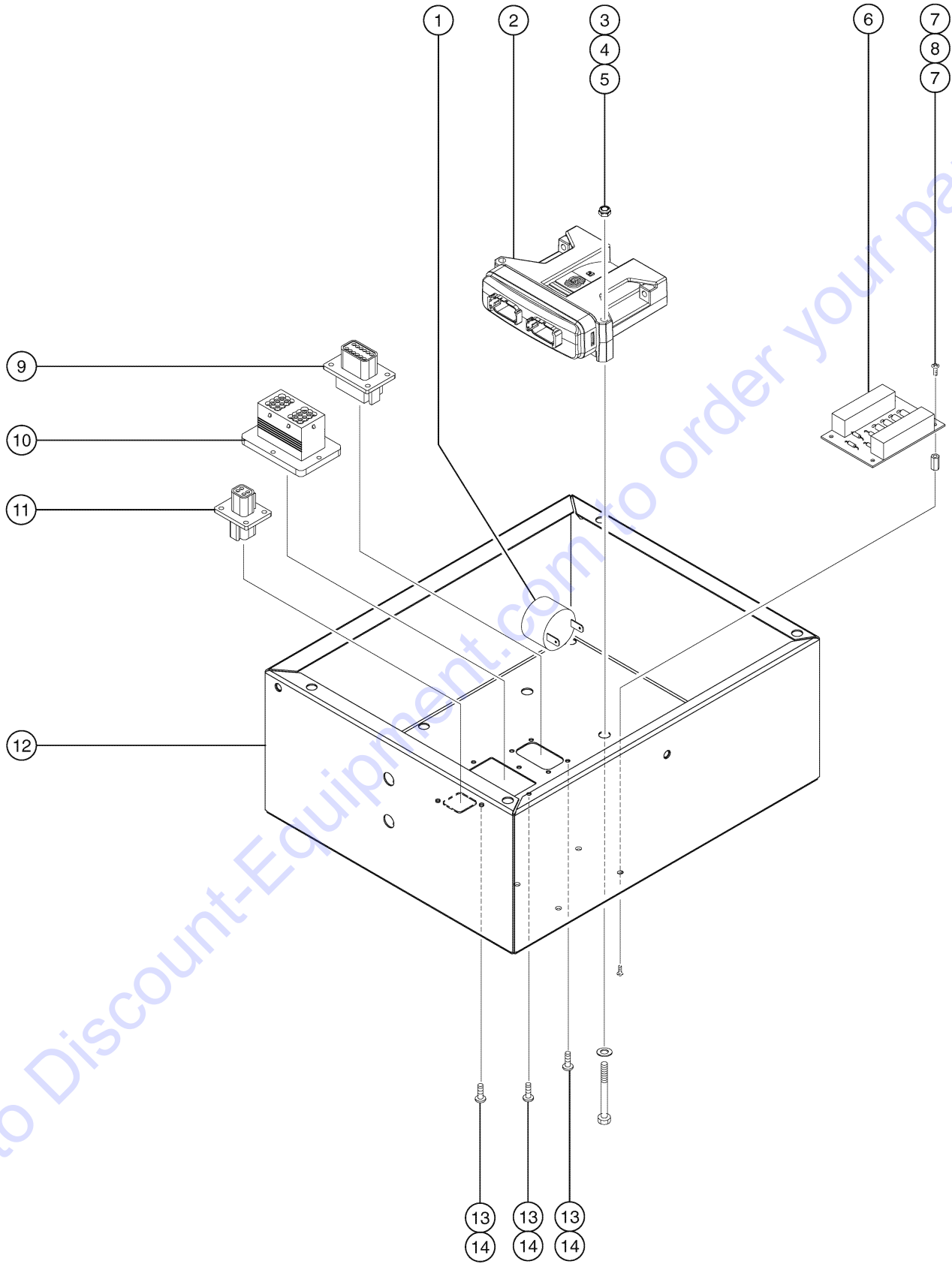


Go to Discount Equipment.com to buy our parts

<i>Item</i>	<i>Part No.</i>	<i>Description</i>	<i>Qty.</i>
30	826939GT	ASSY, PLATFORM CONTROL	1

Go to Discount-Equipment.com to order your parts

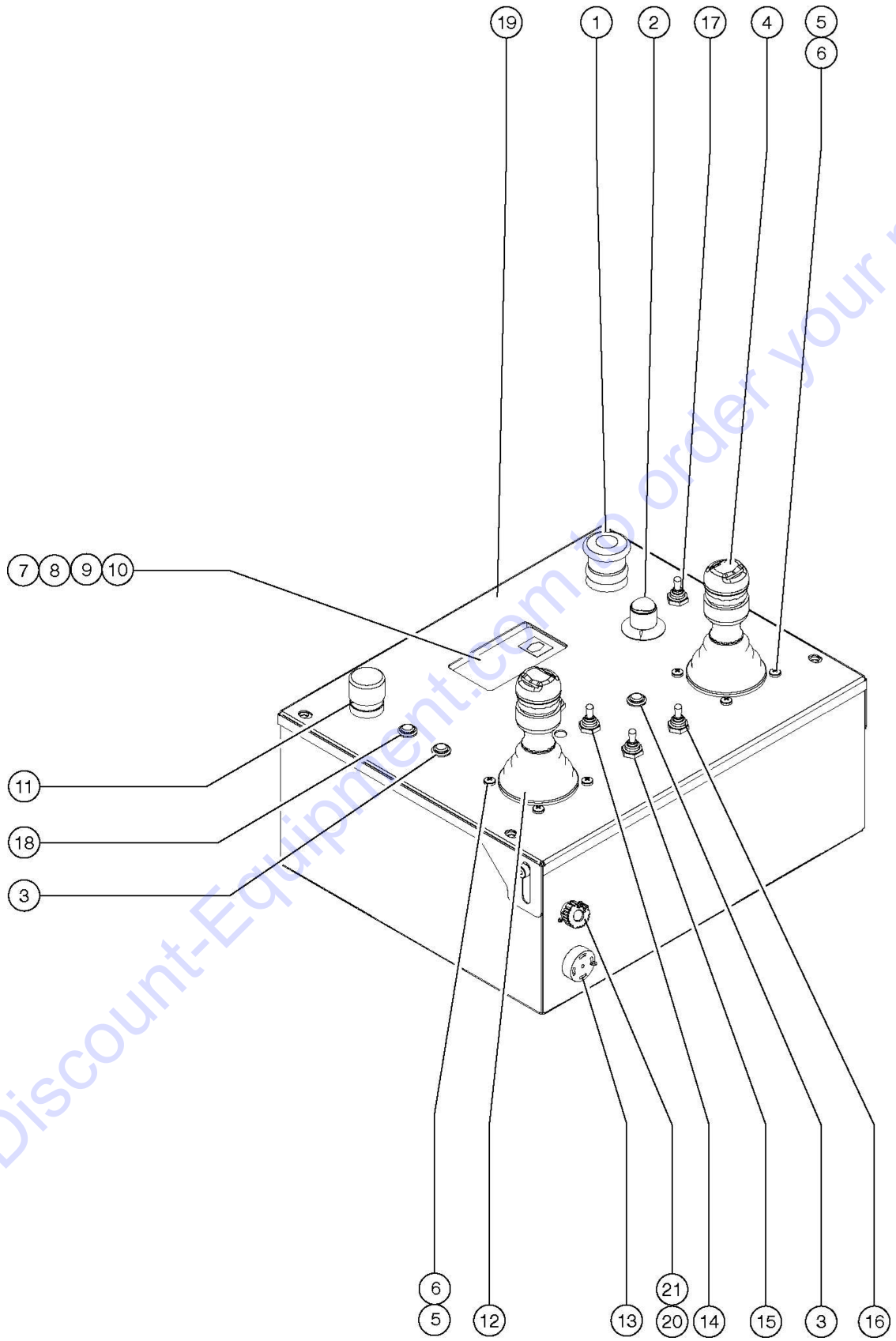
602.1 608556 Platform Control Box - View 1



Go to Discount-Equipment.com to order your parts

Item	Part No.	Description	Qty.
1	145346GT	ALARM,STDY TONE,ADJUST,5-30VDC	1
2	1262135GT	CONTROLLER ASSY, PCON Z33	1
2-	1261930GT	LABEL, PCON SOFTWARE, Z33	1
3	6889GT	NUT,LP NYLOCK,1/4-20	2
4	6638GT	WASHER,FLAT,USS,1/4"Y	2
5	8179GT	SCREW,HHC,1/4-20 X 2.25	2
6	119584GT	ASSY VOLTAGE DIV AND DIODE	1
7	81551GT	SCREW,PHIL,PHM,6-32 X 1/4 SS	8
8	81550GT	STANDOFF,6-32 X 3/8L X 1/4 HEX	4
9	73730GT	CONN,RECEP 12 WAY,GRY FLANGE	1
10	73753GT	CONN,RECEP 24 WAY,W/FLANGE	1
11	73723GT	CONN RECEPT,FLANGED	1
12	826965GT	PLATFORM CONTROL BOX,BASE	1
		To SN Z3318M-2621	
12-	826967GT	GASKET,PLATFORM CONTROL BOX	
12	1293610GT	PLATFORM CONTROL BOX,BASE	1
		From SN Z3318M-2622	
13	49820GT	SCREW,PHILLIPS,PHM,6-32 X .5	12
14	12344GT	NUT,NYLOCK,6-32	12

603.1 608557 Platform Control Box - View 2



Go to Discount-Equipment.com to order your parts

PARTS FINDER

**Search Website
by Part Number**



**Search Manual
Library For Parts
Manual & Lookup Part
Numbers – Purchase
or Request Quote**

Search Manuals

Enter your information to help us find the right parts manual for your machine.

* Brand:

* Model:

* Serial:

* Part Number:

SEARCH

**Can't Find Part or
Manual? Request Help
by Manufacturer,
Model & Description**

Parts Order Form

Please fill in the following information to help us find the right part for your machine.

MANUFACTURER:

MODEL:

DESCRIPTION:

DATE:

TIME:

PHONE:

EMAIL:

ADDRESS:

CITY:

STATE:

ZIP:

COUNTRY:

SEARCH

Discount-Equipment.com is your online resource for quality parts & equipment.

Florida: **561-964-4949** Outside Florida TOLL FREE: **877-690-3101**

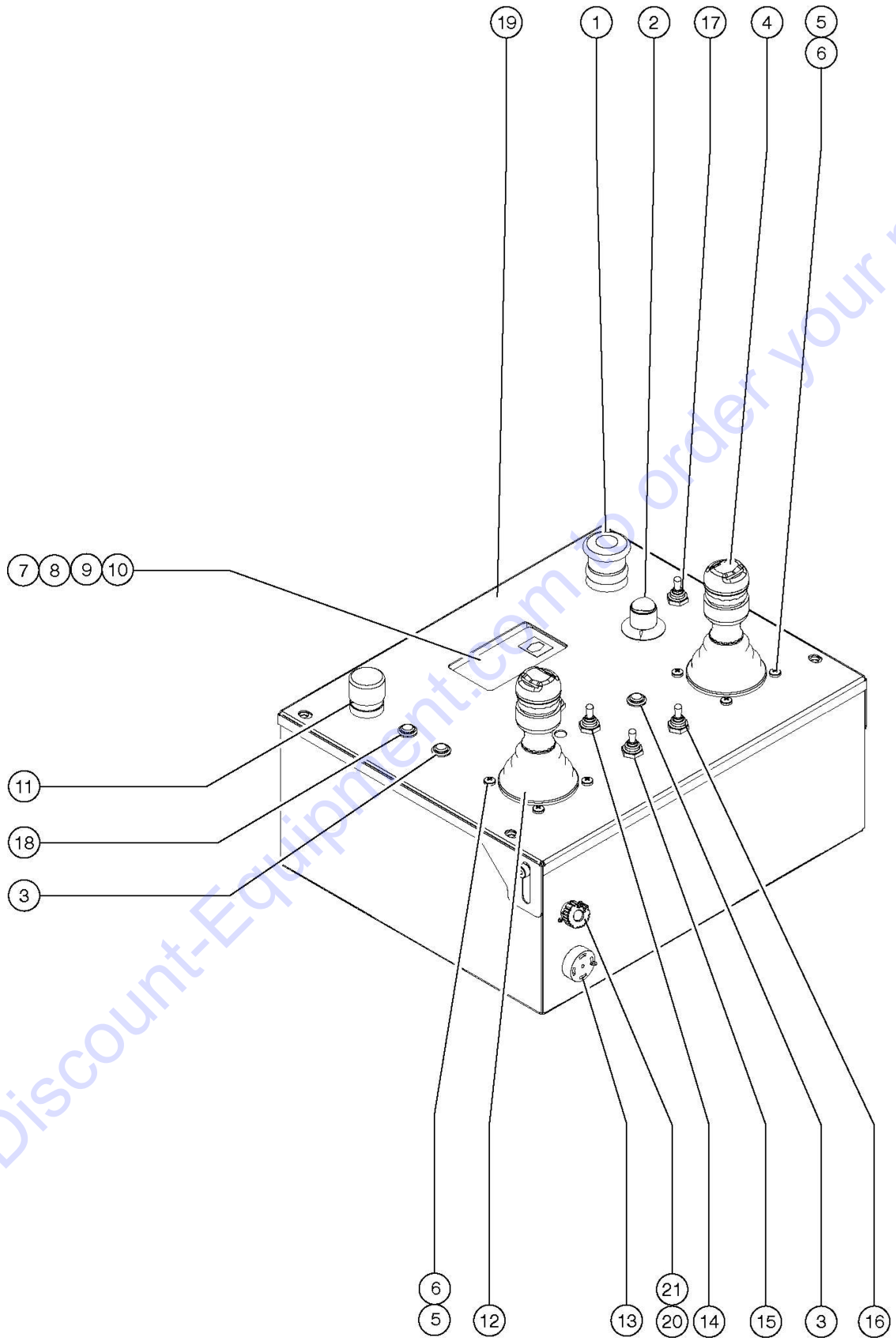
Need parts?

Click on this link: <http://www.discount-equipment.com/category/5443-parts/> and choose one of the options to help get the right parts and equipment you are looking for. Please have the machine model and serial number available in order to help us get you the correct parts. If you don't find the part on the website or on one of the online manuals, please fill out the request form and one of our experienced staff members will get back to you with a quote for the right part that your machine needs.

We sell worldwide for the brands: Genie, Terex, JLG, MultiQuip, Mikasa, Essick, Whiteman, Mayco, Toro Stone, Diamond Products, Generac Magnum, Airman, Haulotte, Barreto, Power Blanket, Nifty Lift, Atlas Copco, Chicago Pneumatic, Allmand, Miller Curber, Skyjack, Lull, Skytrak, Tsurumi, Husquvarna Target, Stow, Wacker, Sakai, Mi-T-M, Sullair, Basic, Dynapac, MBW, Weber, Bartell, Bennar Newman, Haulotte, Ditch Runner, Menegotti, Morrison, Contec, Buddy, Crown, Edco, Wyco, Bomag, Laymor, EZ Trench, Bil-Jax, F.S. Curtis, Gehl Pavers, Heli, Honda, ICS/PowerGrit, IHI, Partner, Imer, Clipper, MMD, Koshin, Rice, CH&E, General Equipment, Amida, Coleman, NAC, Gradall, Square Shooter, Kent, Stanley, Tamco, Toku, Hatz, Kohler, Robin, Wisconsin, Northrock, Oztec, Toker TK, Rol-Air, APT, Wylie, Ingersoll Rand / Doosan, Innovatech, Con X, Ammann, Mecalac, Makinex, Smith Surface Prep, Small Line, Wanco, Yanmar

Item	Part No.	Description	Qty.
1	66812GT	BUTTON,PUSH,RED MUSHROOM HEAD	1
1-	146478GT	BOOT(BELLOWS),E-STOP,BLACK	
1-	66817GT	BASE WITH 1 NC CONTACT, E-STOP	
2	1262530GT	HARNES, SPEED DIAL controller assy with potentiometer, wire harness and knob.	1
2-	1262531GT	KIT KNOB CUP, BLK PLASTIC	
3	218164GT	LIGHT,INDICATOR,RED 24V H-BRI	2
3-	824878GT	LIGHT,LED IND. RED 24V NH	
3-	824883GT	GASKET,LT IND.OD.620/.50X.03	
3-	824884GT	LOCKWASHER,LT IND. OD.868/530	
3-	824886GT	NUT,LIGHT IND. 1/2-28	
4	101005GT	JOYSTICK,1 AXIS ROCKER,DEUTSCH	1
		(OEM joystick) drive/steer	
4-	101005HGT	JOYSTICK,SINGLE AXIS W/STEER	
		(aftermarket joystick) drive/steer	
5	139338GT	SCREW PH M5-0.8X20 DIN 7500CE	8
6	56306GT	WASHER,FLAT NYLON #10	8
7	1263694GT	DISPLAY,PLATFORM,ENGAGE4,GEN2	1
8	110853GT	GUARD,DISPLAY,POLYCARB	1
9	110854GT	GASKET,DISPLAY GUARD	1
10	1257150GT	BRACKET,DISPLAY RETAINER	1
11	66813GT	BUTTON,PUSH,BLACK W/SEAL ***	1
11-	66815GT	BASE, W/1 N.O. CONTACTS***	
		includes 1 N.O. contact	
11-	66816GT	CONTACT,N.O.***	
12	101173GT	JOYSTICK,2 AXIS,ROCKER,DEUTSCH	1
		(OEM joystick) boom up/down, extend/retract and turntable rotate	
12-	101173HGT	JOYSTICK,DUAL AXIS W/STEER	
		(aftermarket joystick) boom up/down, extend/retract and turntable rotate	
13	145346GT	ALARM,STDY TONE,ADJUST,5-30VDC	1
14	128200GT	SWITCH TOGGLE ASSY SPDT 3P MOM	1
		Platform Level	
14-	27246GT	BOOT,TOGGLE SWITCH,SHORT*	
14-	128580GT	SWITCH TOGGLE SPDT 3P MOM SHDR	
14-	128578GT	SCREW T-SWITCH PH/PH 6-32X1/4	

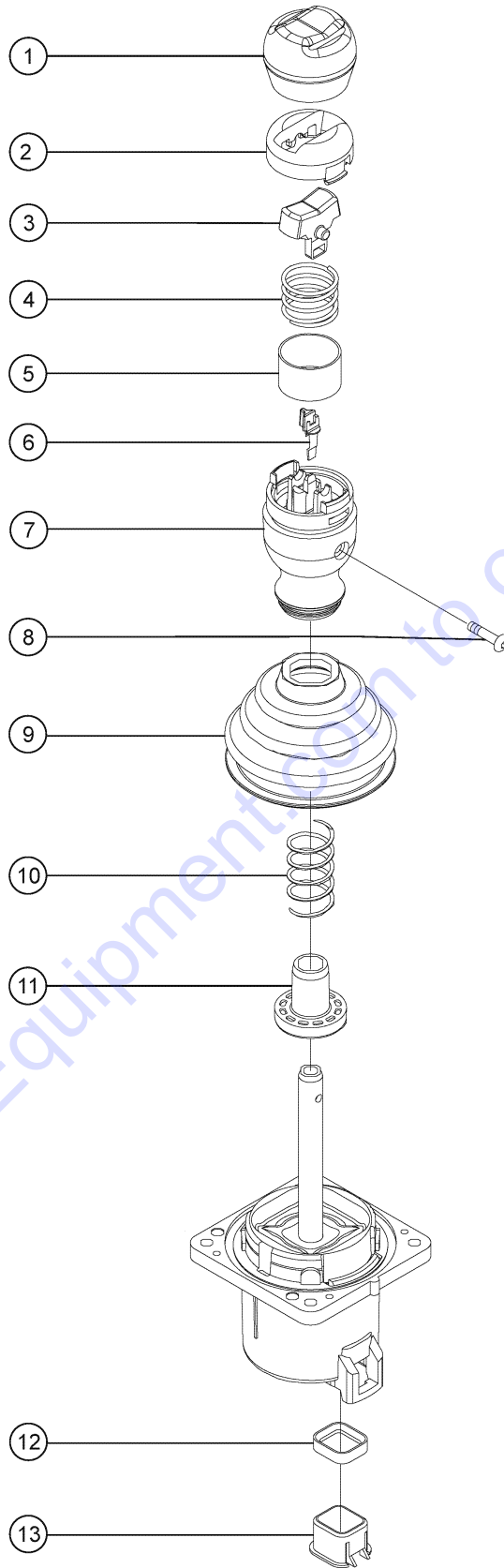
603.1 608557 Platform Control Box - View 2



Go to Discount-Equipment.com to order your parts

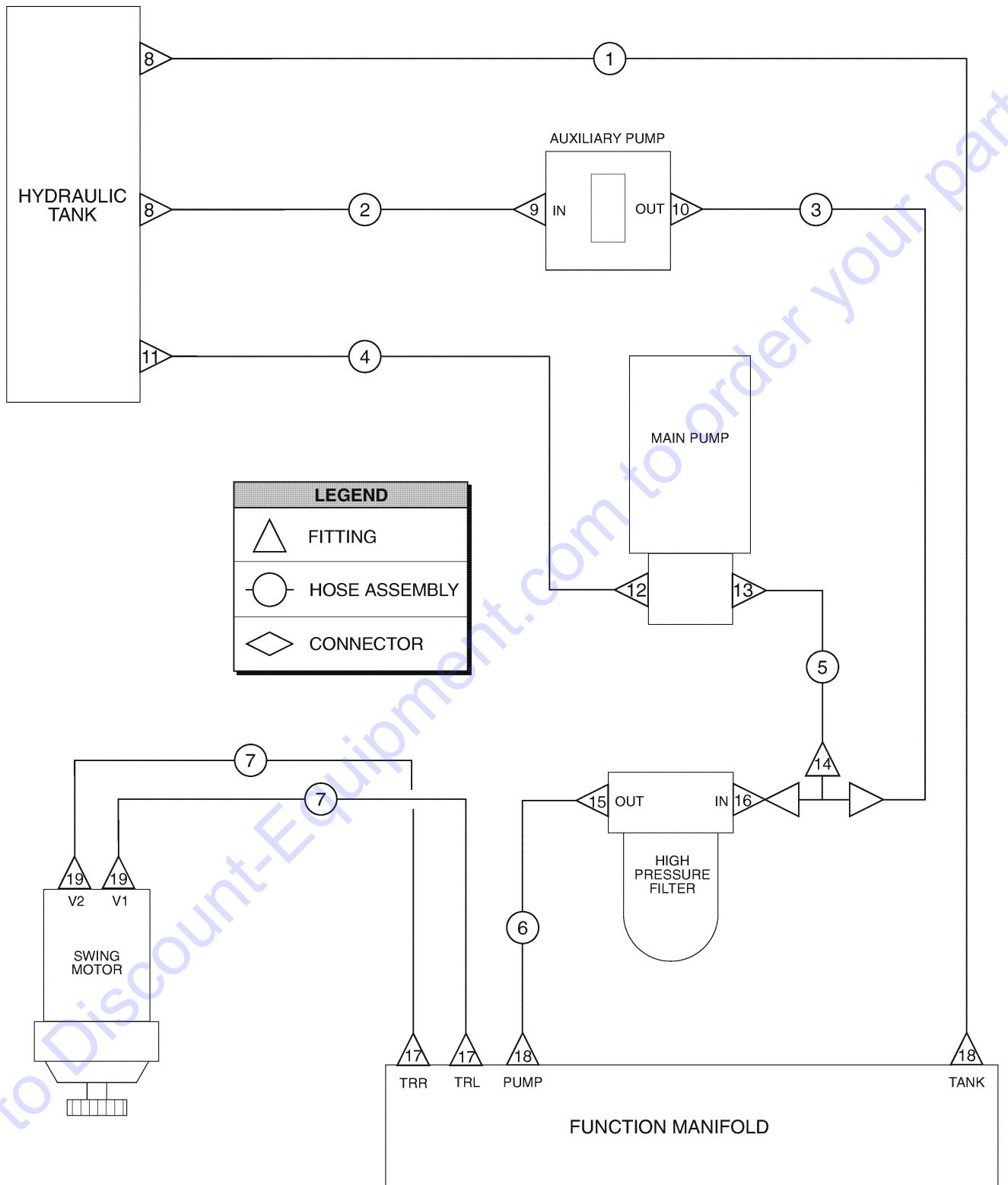
Item	Part No.	Description	Qty.
15	128200GT	SWITCH TOGGLE ASSY SPDT 3P MOM Secondary boom up/down	1
15-	27246GT	BOOT,TOGGLE SWITCH,SHORT*	
15-	128580GT	SWITCH TOGGLE SPDT 3P MOM SHDR	
15-	128578GT	SCREW T-SWITCH PH/PH 6-32X1/4	
16	128200GT	SWITCH TOGGLE ASSY SPDT 3P MOM Drive enable	1
16-	27246GT	BOOT,TOGGLE SWITCH,SHORT*	
16-	128580GT	SWITCH TOGGLE SPDT 3P MOM SHDR	
16-	128578GT	SCREW T-SWITCH PH/PH 6-32X1/4	
17	128200GT	SWITCH TOGGLE ASSY SPDT 3P MOM Drive enable	1
17-	27246GT	BOOT,TOGGLE SWITCH,SHORT*	
17-	128580GT	SWITCH TOGGLE SPDT 3P MOM SHDR	
17-	128578GT	SCREW T-SWITCH PH/PH 6-32X1/4	
18A	229567GT	PLUG,SANTOPRENE .5 BLACK DOME Only For ANSI/CSA Models	1
18B	824878GT	LIGHT,LED IND. RED 24V NH Only For CE And Australia Models	1
18-	824878GT	LIGHT,LED IND. RED 24V NH	
18-	824883GT	GASKET,LT IND.OD.620/.50X.03	
18-	824884GT	LOCKWASHER,LT IND. OD.868/530	
18-	824886GT	NUT,LIGHT IND. 1/2-28	
19	1252983GT	LID,PLATFORM CONTROL BOX	1
20	1272122GT	CONNECTOR, RECEPTACLE, 5 WAY CIRCULAR From SN Z3318M-2622	1
21	1272123GT	DUST CAP, RECEPTACLE, 5 WAY, CIRCULAR From SN Z3318M-2622	1

604.1 608558 Joystick Controller



Item	Part No.	Description	Qty.
A-	101173GT	JOYSTICK,2 AXIS,ROCKER,DEUTSCH (calibration required after replacement), OEM joystick	1
B-	101173HGT	JOYSTICK,DUAL AXIS W/STEER (calibration required after replacement), aftermarket joystick	1
C-	101005GT	JOYSTICK,1 AXIS ROCKER,DEUTSCH (calibration required after replacement), OEM joystick	1
D-	101005HGT	JOYSTICK,SINGLE AXIS W/STEER (calibration required after replacement), aftermarket joystick	1
1	75443GT	BOOT, ROCKER JOYSTICK 75565	1
2	75444GT	ROCKER,RETAINER, 75565	1
3	75445GT	ROCKER ASSY.,MAGNETIC 75565	1
4	75446GT	SPRING,SWITCH CENTERING,75565	1
5	75447GT	SWITCH SHIELD,ROCK JOYSTK75565	1
6	75448GT	SUPPORT,SENSOR,JOYSTICK	1
7	75449GT	KNOB,ROCKER JOYSTICK 75565	1
8	T112626GT	SCREW, PHM, #6-32 X .625 ZINC	1
9	139598GT	BOOT,JOYSTICK	1
10		SPRING,JOYSTK CENTR,62390/91 component no longer available	1
11	119915GT	COLLAR,JOYSTICK,CENTER	1
12	128000GT	SEAL, CONNECTOR (DT JOYSTICKS)	1
13	128001GT	SLEEVE,CONNECTOR,DT JOYSTICKS	1

701.1 608559 Turntable Components

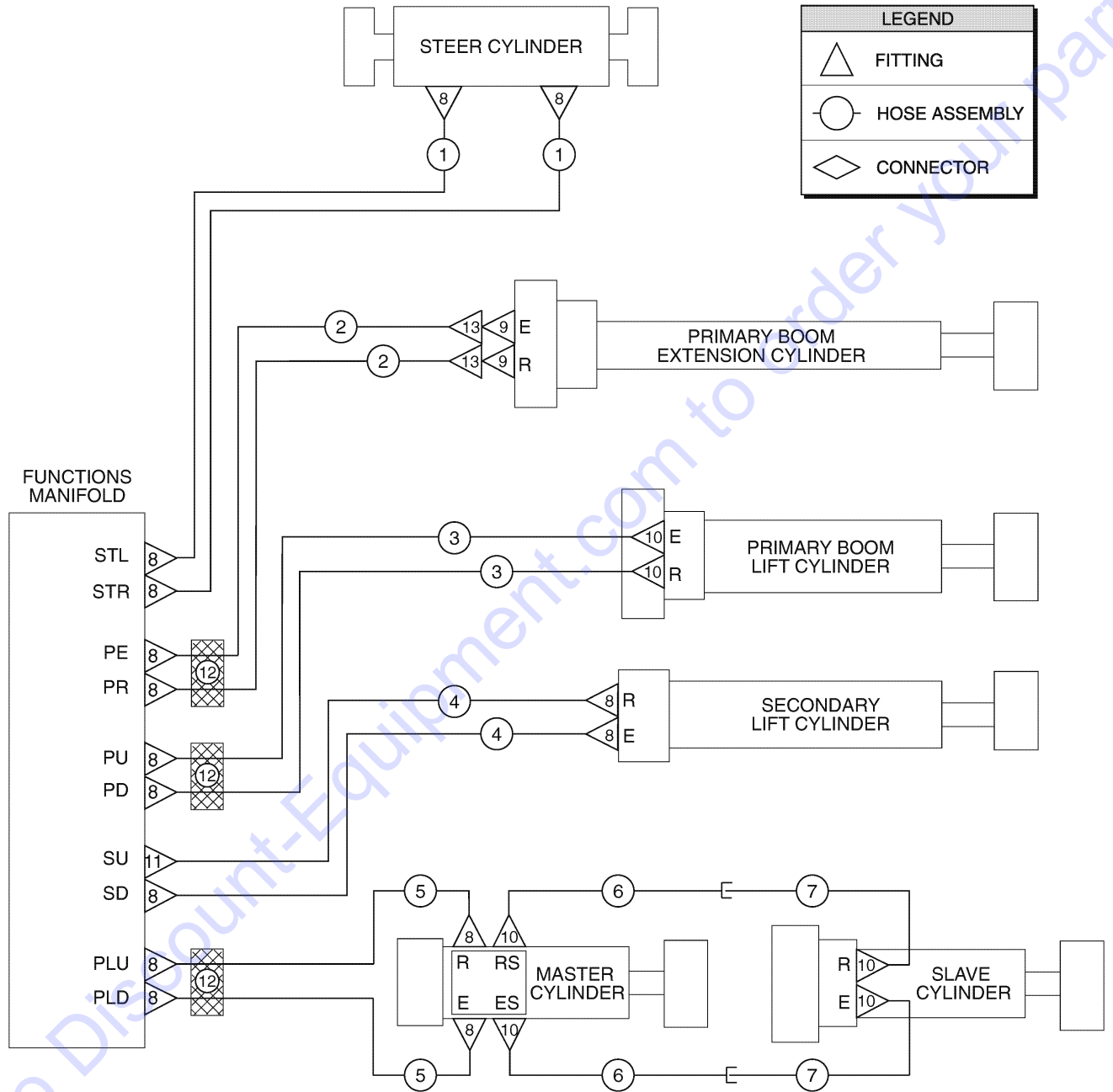


Item	Part No.	Description	Qty.
1	49143-7087GT	HOSE ASSY,1/2,90 FEM,STR FEM	1
2	1252997-3600GT	HOSE ASSY,1/2,90 FEM,STR FEMM*	1
3	49164-4800GT	HOSE ASSY, 1/4",90 F,STR F	1
4	1270223GT	HOSE ASSY,3/4,90 FEM,STR FEM	1
		To S/N Z3318M-2723	
4	1293107-1634GT	ASSY, HOSE, HYD, -12, 300, STR, 90	1
		From S/N Z3318M-2724	
5	49143-1200GT	HOSE ASSY,1/2,90 FEM,STR FEM	1
6	49183-5600GT	HOSE ASSY,1/2,STR FEM,STR FEM	1
7	49119-2362GT	HOSE ASSY,1/4,STR FEM,STR FEM	2
8	48946GT	CONN,520120-8-10	2
9	48916GT	CONN, 520120-6	1
10	48912GT	CONN,520120-4-6***	1
11	48959GT	FITTING,ELBOW,90D,520220-12	1
12	48975GT	CONN,520120-12-10	1
13	48999GT	VALVE,CHK,#8PORT-#8MALEORFS	1
14	48938GT	FITTING,TEE,RUN,SWIVEL520432-8	1
15	48947GT	ELBOW,90D,520220-8-12	1
16	48948GT	CONN,520120-8-12	1
17	48905GT	CONNECTOR, 520120-4	2
18	48933GT	CONN,520120-8***	2
19	48904GT	ELBOW, 90D, 520220-4	2

Go to Discount-Equipment.com to order your parts



702.1 608560 Cylinders



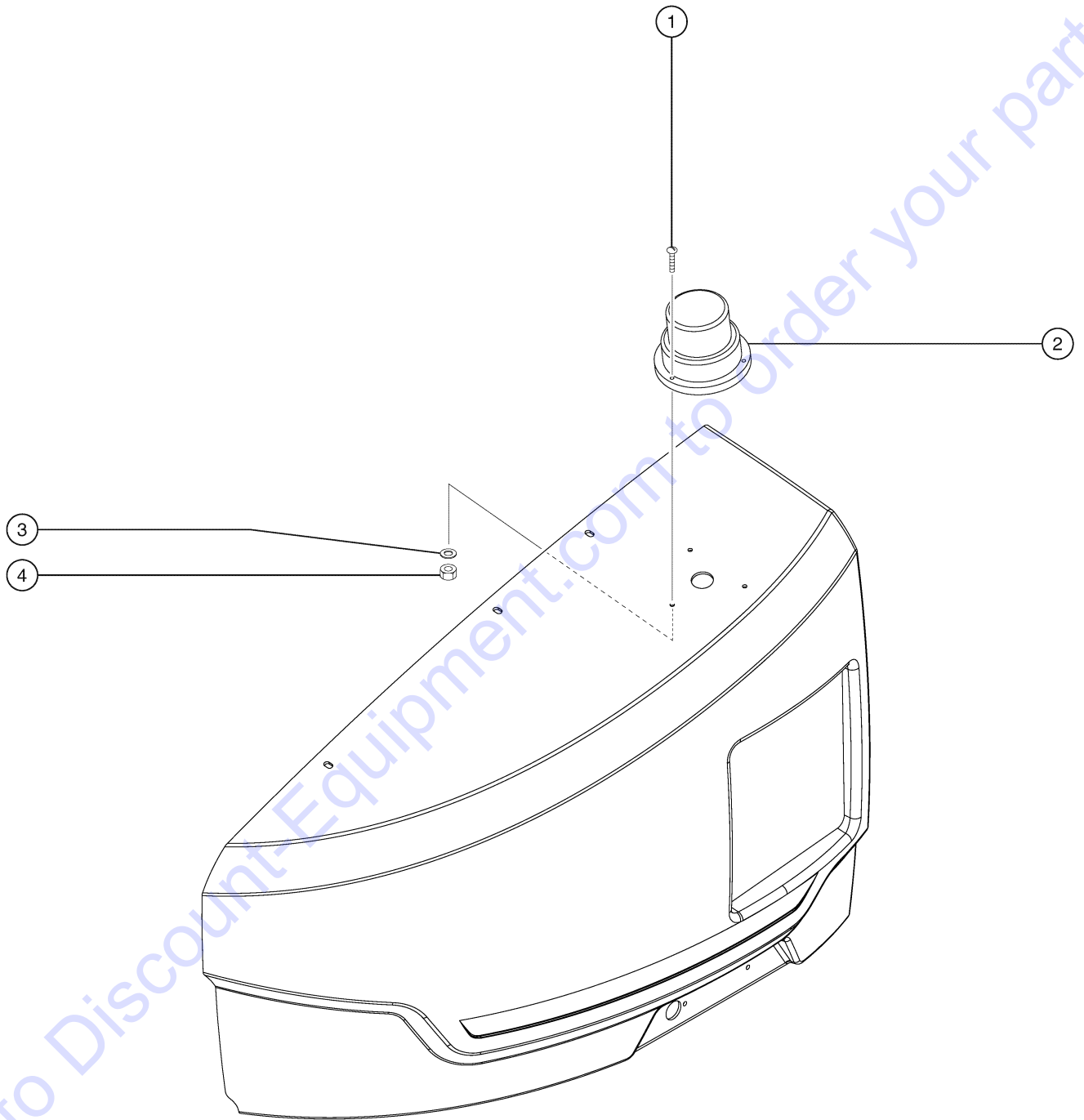
Go to Discount-Equipment.com to order your parts

Item	Part No.	Description	Qty.
1	49116-13800GT	HOSE ASSY, 1/4,45 FEM, STR FEM	2
2	49120-18600GT	HOSE ASSY,1/4,STR FEM STR FEM	2
3	49119-19200GT	HOSE ASSY,1/4,STR FEM,STR FEM	2
4	49117-5600GT	HOSE ASSY,1/4,90 FEM, STR FEM	2
5	49119-19200GT	HOSE ASSY,1/4,STR FEM,STR FEM	2
6	49119-26850GT	HOSE ASSY,1/4,STR FEM,STR FEM	2
7	49121-3200GT	HOSE ASSY,1/4,STR FEM,STR MALE	2
8	48905GT	CONNECTOR, 520120-4	15
9	48917GT	CONN, LONG,520122-6	2
10	48904GT	ELBOW, 90D, 520220-4	6
11	07.0704.0422GT	FITTING	1
12	77103GT	SLEEVE,NYLON,3.13 ID	26
		Qty. 2	
13	04.0607.0118GT	Pipe Fitting 11/16-16 ORFS	2

Go to Discount-Equipment.com to order your parts



801.1 608562 Flashing Beacon



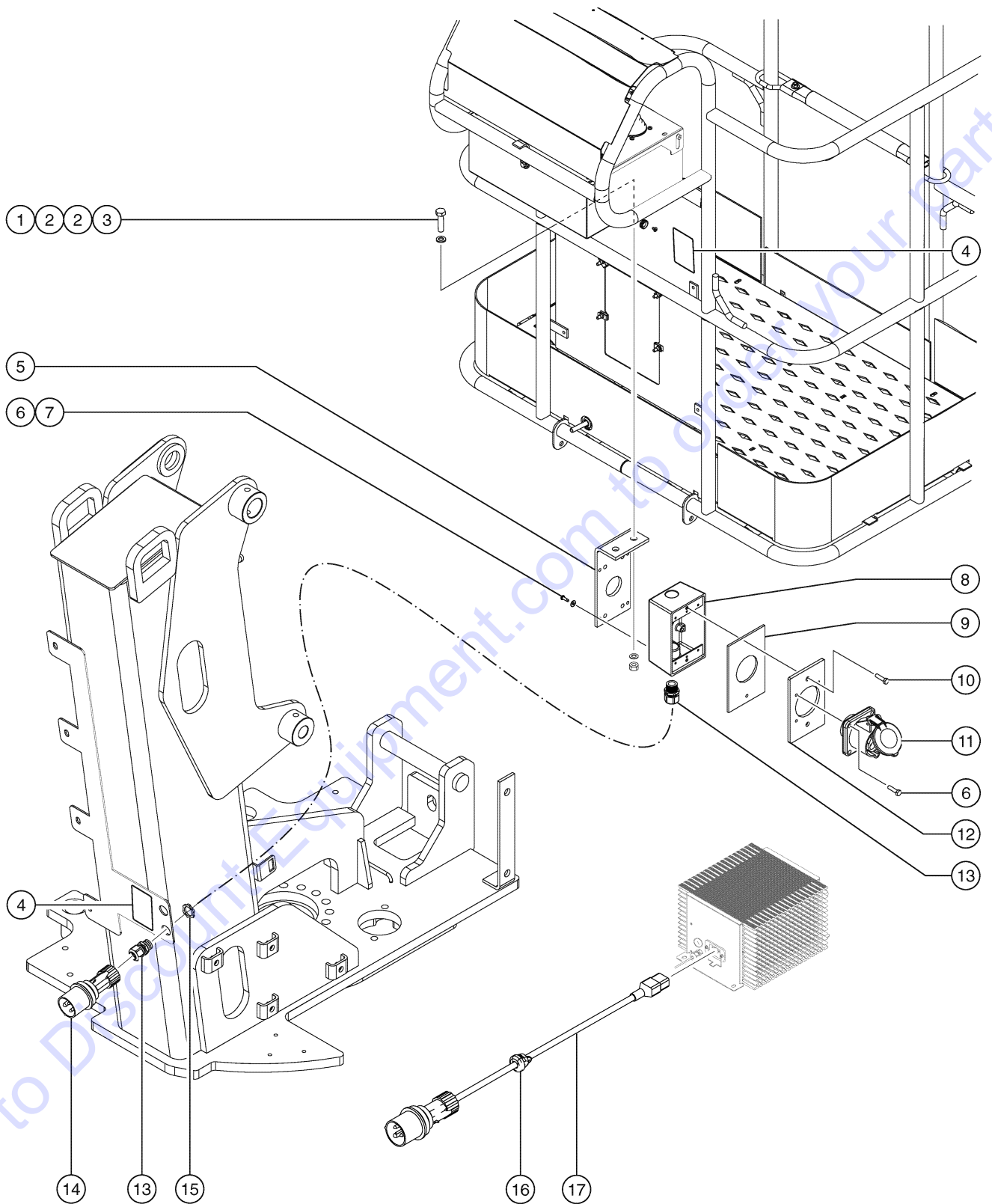
801.1 608562 Flashing Beacon

Item	Part No.	Description	Qty.
1	01.4001.0192GT	SCREW,M5X25 UNI 7687	3
2	56704GT	STROBE,FIREBOLT,12-80VDC,AMB**	1
3	01.0031.0053GT	FLAT WASHER D5 UNI 6592 ZN	3
4	01.0023.0052GT	STOP NUT M5 UNI 7473 6S ZN	3

Go to Discount-Equipment.com to order your parts



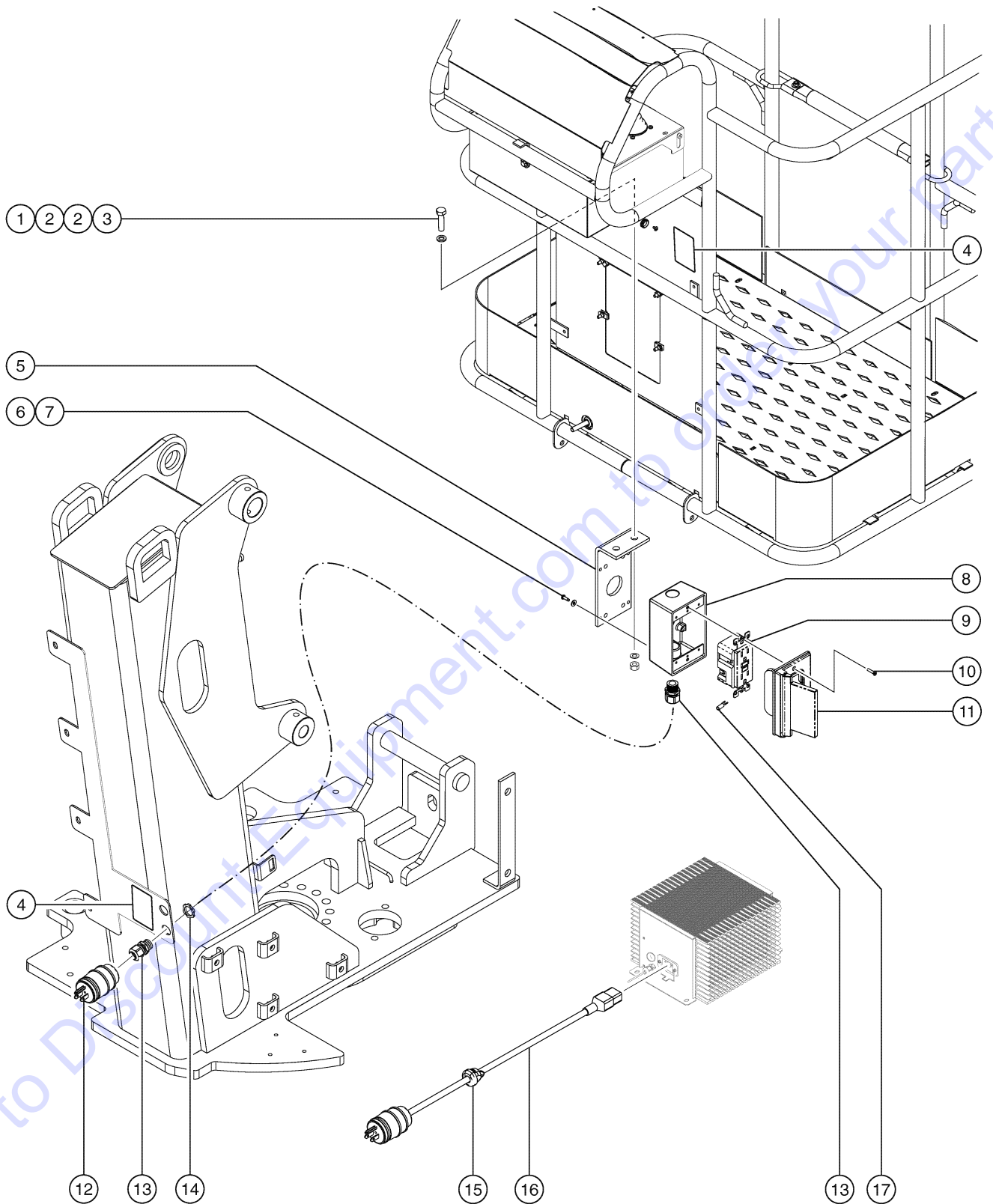
802.1 608563 Supply Power - UK Plug 110V



Go to DiscountEquipment.com to check your parts

Item	Part No.	Description	Qty.
1	6019GT	SCREW,HHC,3/8-16 X 1.25 GRD 5	2
2	5397GT	WASHER,FLAT,USS,5/16",Y	4
3	4828GT	NUT,NYLOCK,3/8-16	2
4	28235GT	DECAL,POWER TO PLATFORM 115V	2
5	120300GT	BRACKET,POWER TO PLAT,DOM.	1
6	57075GT	SCREW,PHIL,8-32X.50,SELF TAP	8
7	35461GT	WASHER,FLAT,MS,#8,Y	1
8	10775GT	T-BOX,2.75 X 4.5 X 2.0	1
9	74052GT	GASKET,COVER,GFCI,WEATHERPROOF	1
10	63375GT	SCREW,FHM,6-32 X .75	2
11	T112560GT	RECEPTACLE,UK,110V	1
12	T112561GT	PLATE,UK,POWER TO PLAT	1
13	7056GT	CONN,SQUEEZE,1/2NPT .38-.50,SM	2
14	144161GT	PLUG,PWR,UK,16AMP,3PIN,BLK	1
15	6935GT	LOCKNUT,ELEC,1/2"	1
16	139318GT	BUSHING,STRAIN RELIEF,.875/.30	1
17	128646GT	CORD AC IEC320-C19 TO 110UK	1

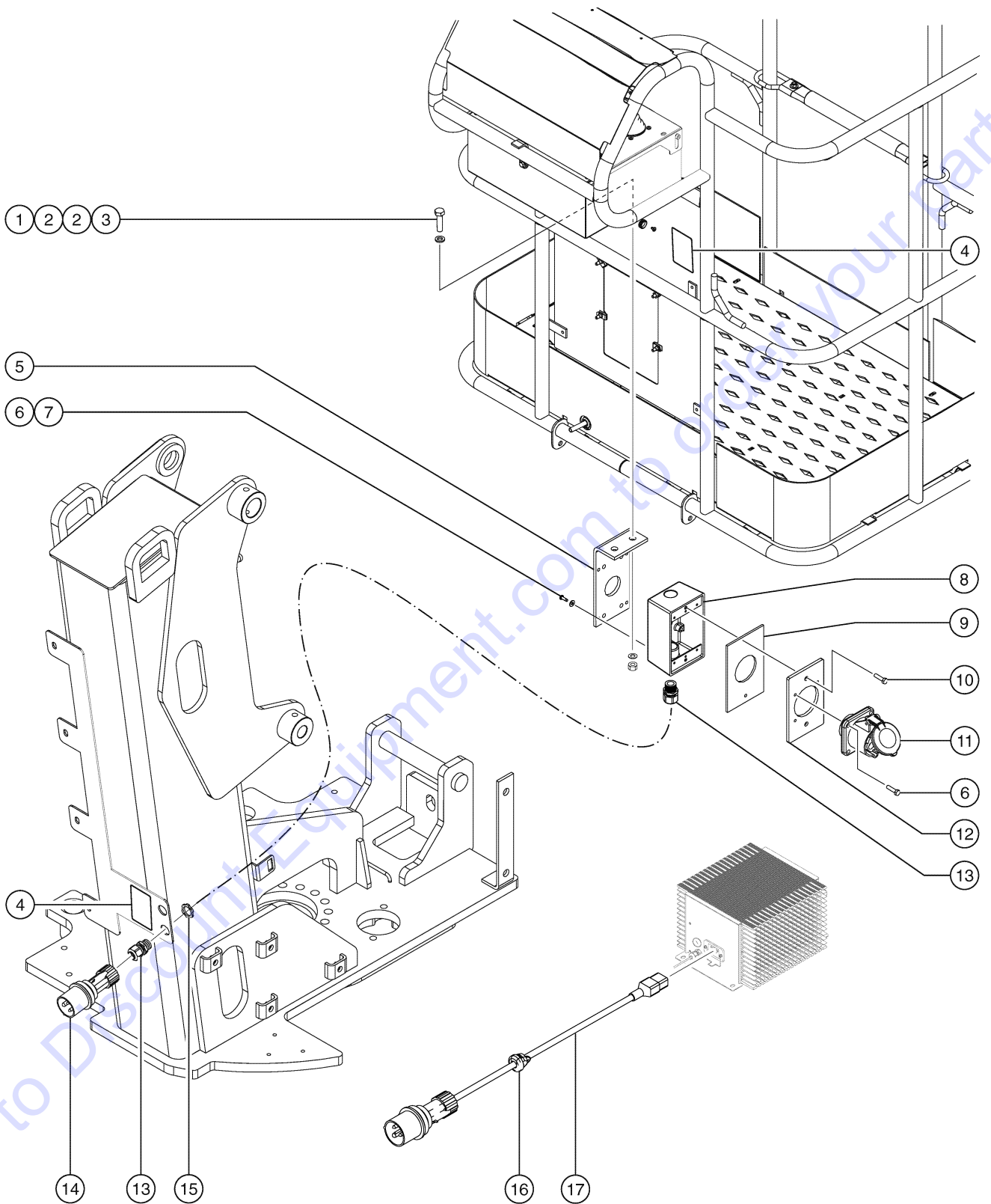
803.1 608564 Supply Power - US Plug 110V



Go to DiscountEquipment.com to find your parts

Item	Part No.	Description	Qty.
1	6019GT	SCREW,HHC,3/8-16 X 1.25 GRD 5	2
2	5397GT	WASHER,FLAT,USS,5/16",Y	4
3	4828GT	NUT,NYLOCK,3/8-16	2
4	28235GT	DECAL,POWER TO PLATFORM 115V	2
5	120300GT	BRACKET,POWER TO PLAT,DOM.	1
6	57075GT	SCREW,PHIL,8-32X.50,SELF TAP	8
7	35461GT	WASHER,FLAT,MS,#8,Y	1
8	10775GT	T-BOX,2.75 X 4.5 X 2.0	1
9	13585GT	OUTLET, 110V	1
10	63375GT	SCREW,FHM,6-32 X .75	2
11	74006GT	COVER,GFCI,HORIZONTAL,WEATHER	1
12	119403GT	CONN,PLUG 120 AC/15A DOMESTIC	1
13	7056GT	CONN,SQUEEZE,1/2NPT .38-.50,SM	2
14	6935GT	LOCKNUT,ELEC,1/2"	1
15	139318GT	BUSHING,STRAIN RELIEF,.875/.30	1
16	128377GT	CORD AC IEC320-C19 TO 110US	1
17	36878GT	TERMINAL,FORK,BLUE (BULK)	1

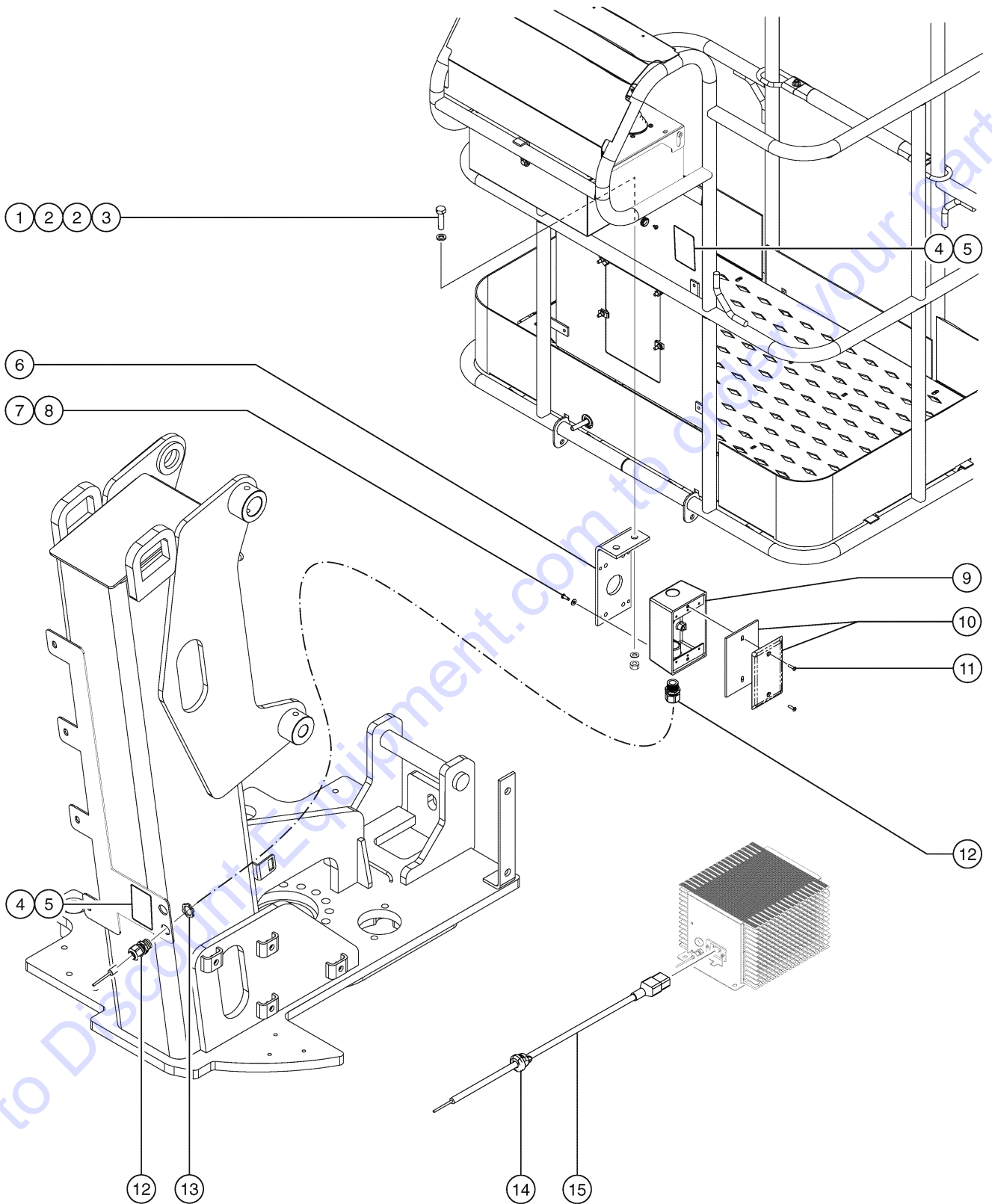
804.1 608565 Supply Power - EU Plug 220V



804.1 608565 Supply Power - EU Plug 220V

Item	Part No.	Description	Qty.
1	6019GT	SCREW,HHC,3/8-16 X 1.25 GRD 5	2
2	5397GT	WASHER,FLAT,USS,5/16",Y	4
3	4828GT	NUT,NYLOCK,3/8-16	2
4	28174GT	DECAL, POWER TO PLATFORM 230V**	2
5	120300GT	BRACKET,POWER TO PLAT,DOM.	1
6	57075GT	SCREW,PHIL,8-32X.50,SELF TAP	8
7	35461GT	WASHER,FLAT,MS,#8,Y	1
8	10775GT	T-BOX,2.75 X 4.5 X 2.0	1
9	74052GT	GASKET,COVER,GFCI,WEATHERPROOF	1
10	63375GT	SCREW,FHM,6-32 X .75	2
11	66353GT	RECEPTACLE, DIN, 220V 50A	1
12	236966GT	PLATE,EURO POWER TO PLATFORM	1
13	7056GT	CONN,SQUEEZE,1/2NPT .38-.50,SM	2
14	1280665GT	PLUG, TYPE F, 230A, 50HZ, 16A, IP44	2
15	6935GT	LOCKNUT,ELEC,1/2"	1
16	139318GT	BUSHING,STRAIN RELIEF,.875/.30	1
17	128376GT	CORD EURO AC IEC320-C19PIGTAIL	1

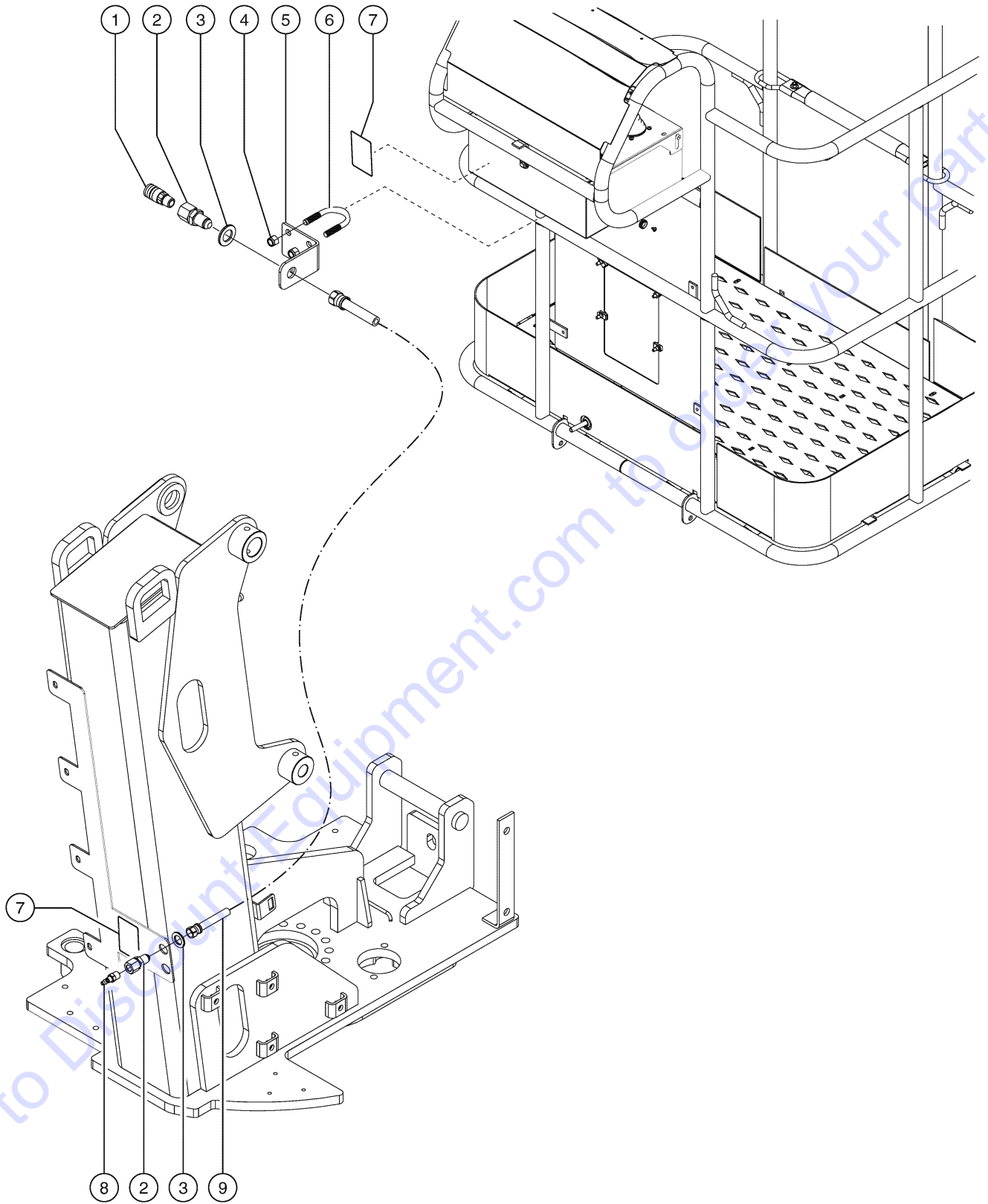
805.1 608566 Supply Power - No Plug 110/230V



805.1 608566 Supply Power - No Plug 110/230V

Item	Part No.	Description	Qty.
1	6019GT	SCREW,HHC,3/8-16 X 1.25 GRD 5	2
2	5397GT	WASHER,FLAT,USS,5/16",Y	4
3	4828GT	NUT,NYLOCK,3/8-16	2
4	28235GT	DECAL,POWER TO PLATFORM 115V	2
5	28174GT	DECAL, POWER TO PLATFORM 230V**	2
6	120300GT	BRACKET,POWER TO PLAT,DOM.	1
7	57075GT	SCREW,PHIL,8-32X.50,SELF TAP	4
8	35461GT	WASHER,FLAT,MS,#8,Y	1
9	10775GT	T-BOX,2.75 X 4.5 X 2.0	1
10	10777GT	COVER,BLANK	1
11	49820GT	SCREW,PHILLIPS,PHM,6-32 X .5	2
12	7056GT	CONN,SQUEEZE,1/2NPT .38-.50,SM	2
13	6935GT	LOCKNUT,ELEC,1/2"	1
14	139318GT	BUSHING,STRAIN RELIEF,.875/.30	1
15	128376GT	CORD EURO AC IEC320-C19PIGTAIL	1

806.1 608567 Air Line To Platform

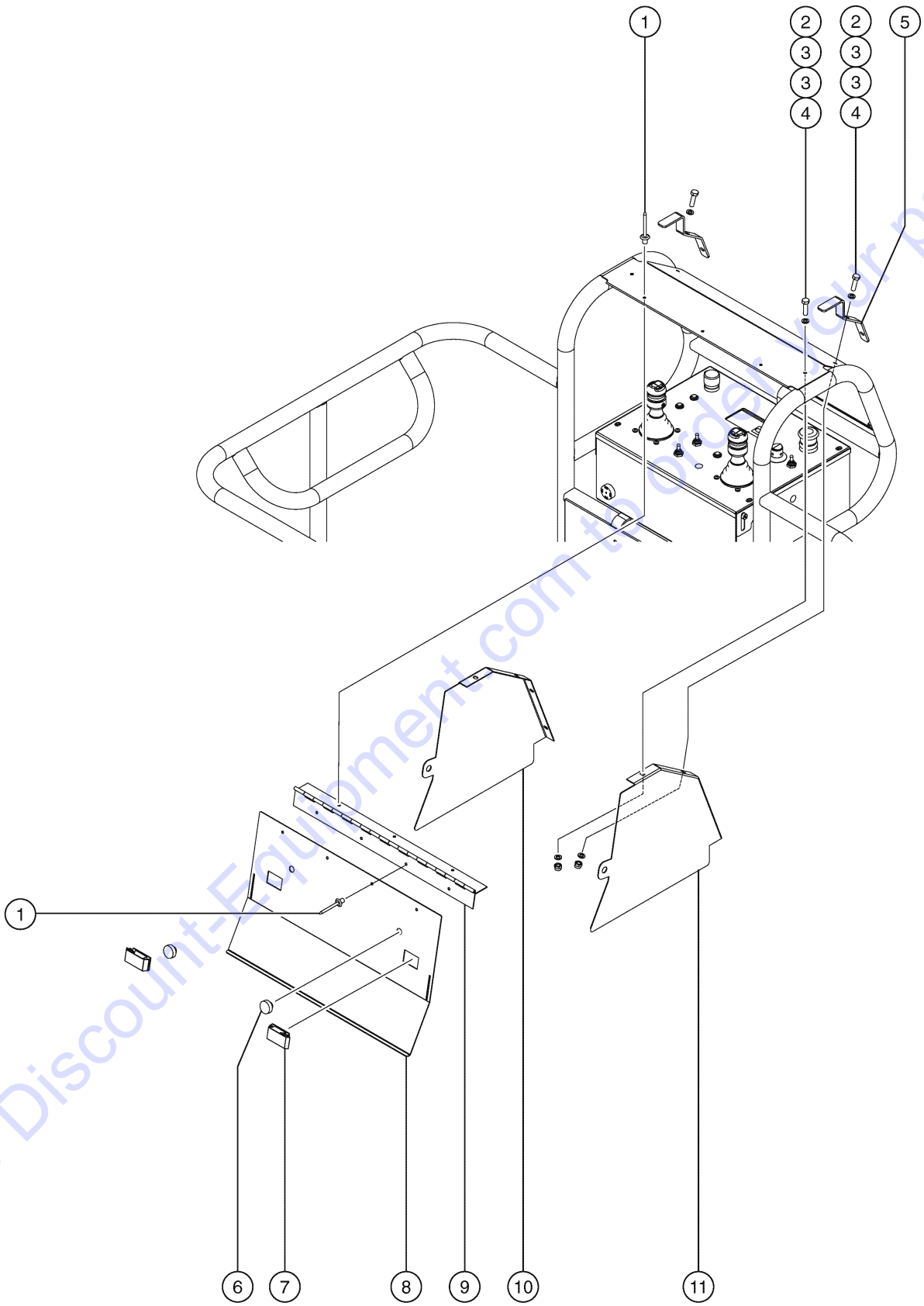


Item	Part No.	Description	Qty.
1	49215GT	MPT,CPLR,1/4"SER,3/8"X18	1
2	49212GT	FEMALE BULKHEAD CONNECTOR-8	2
3	33278GT	WASHER,FLAT,.75 HARDENED	2
4	4828GT	NUT,NYLOCK,3/8-16	1
5	120473GT	BRACKET, AIR HOSE TO PLAT	1
6	122755GT	UBOLT,FLATTENED,1.5DIAX3/8 UNC	1
7	44981GT	DECAL,LABEL, AIR LINE 110 PSI	2
8	49214GT	MALE PIPE THD,1/4" SER,3/8"X18	1
9	70644-63000GT	HOSE ASSY, 3/8 STR FEM STR FEM	1

Go to Discount-Equipment.com to order your parts



807.1 608568 Control Box Cover



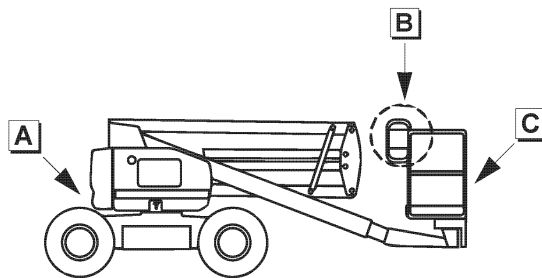
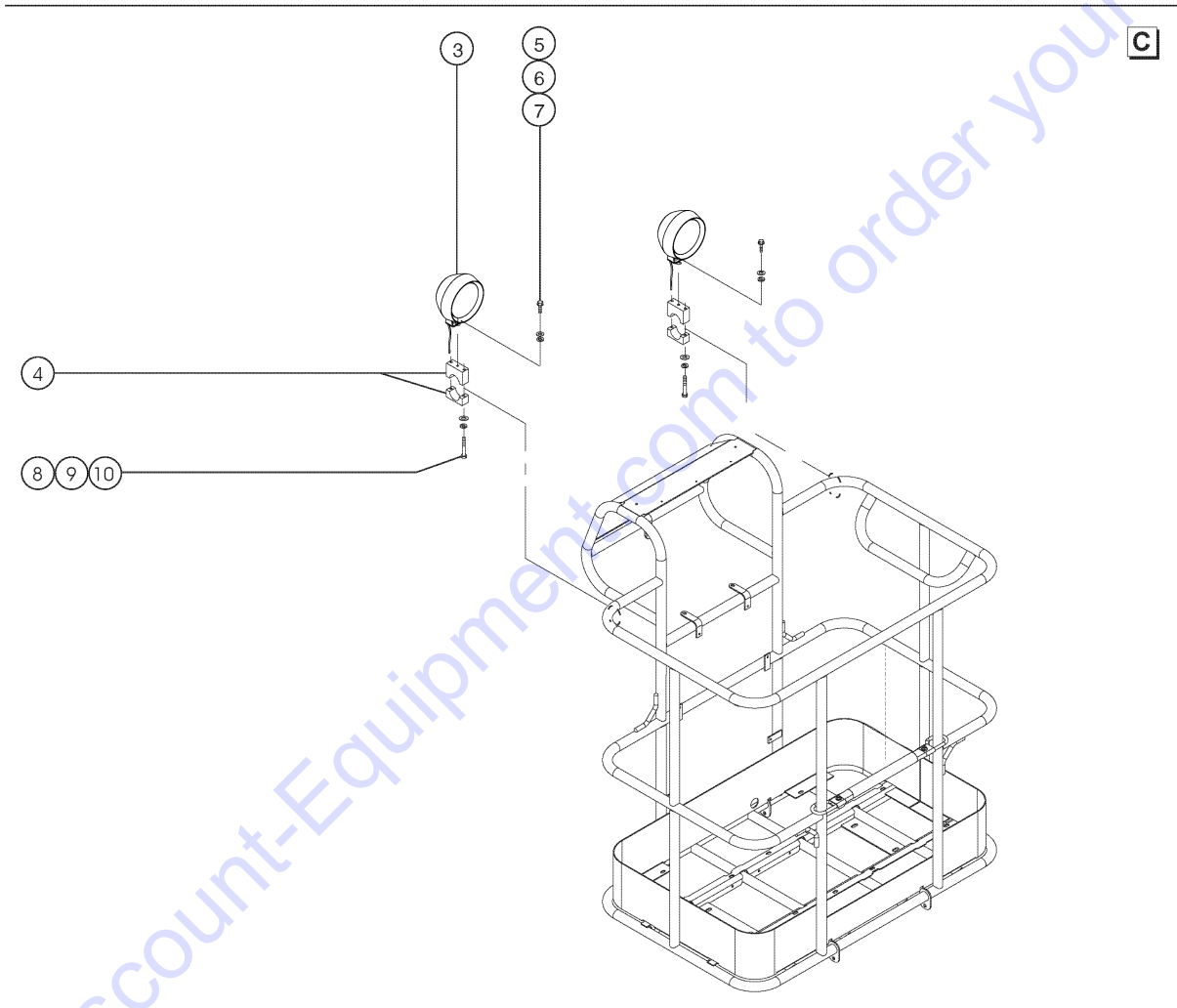
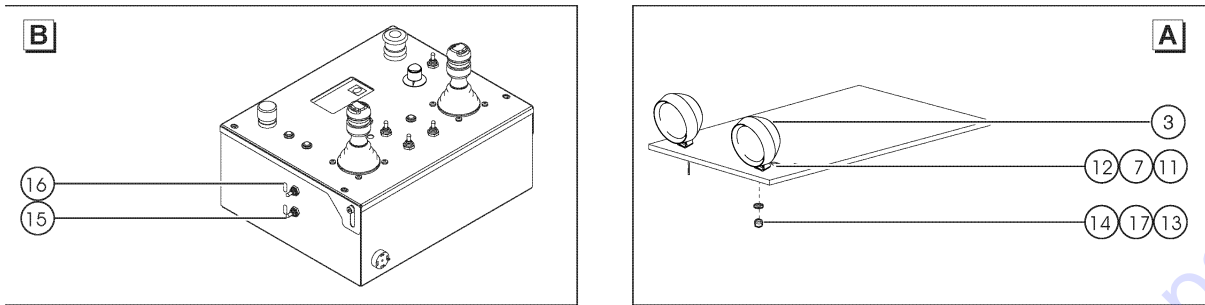
Go to Discount-Equipment.com to order your parts

807.1 608568 Control Box Cover

Item	Part No.	Description	Qty.
1	54486GT	RIVET,ALUM,ALUM,3/16BUTTONHEAD	7
2	01.0001.0156GT	SCREW M6X20 UNI 5739 8.8 ZN	8
3	01.0031.0298GT	FLAT WASHER D6 UNI 6593 ZN	16
4	01.0023.0053GT	STOP NUT M6 UNI 7473 6S ZN	8
5	1261745GT	FORMING, LATCH, CNTRL BOX LID	2
6	43392GT	BUMPER,BATTERY BOX & RAILS	2
7	30468GT	LATCH,SLIDE, FLUSH MOUNT STYLE	2
8	1261744GT	CONTROL BOX COVER, LID	1
9	1261743GT	HINGE, PLTFM CONTROL BOX COVER	1
10	1261182GT	CONTROL BOX COVER, LF SIDE	1
11	1262126GT	CONTROL BOX COVER, RT SIDE	1

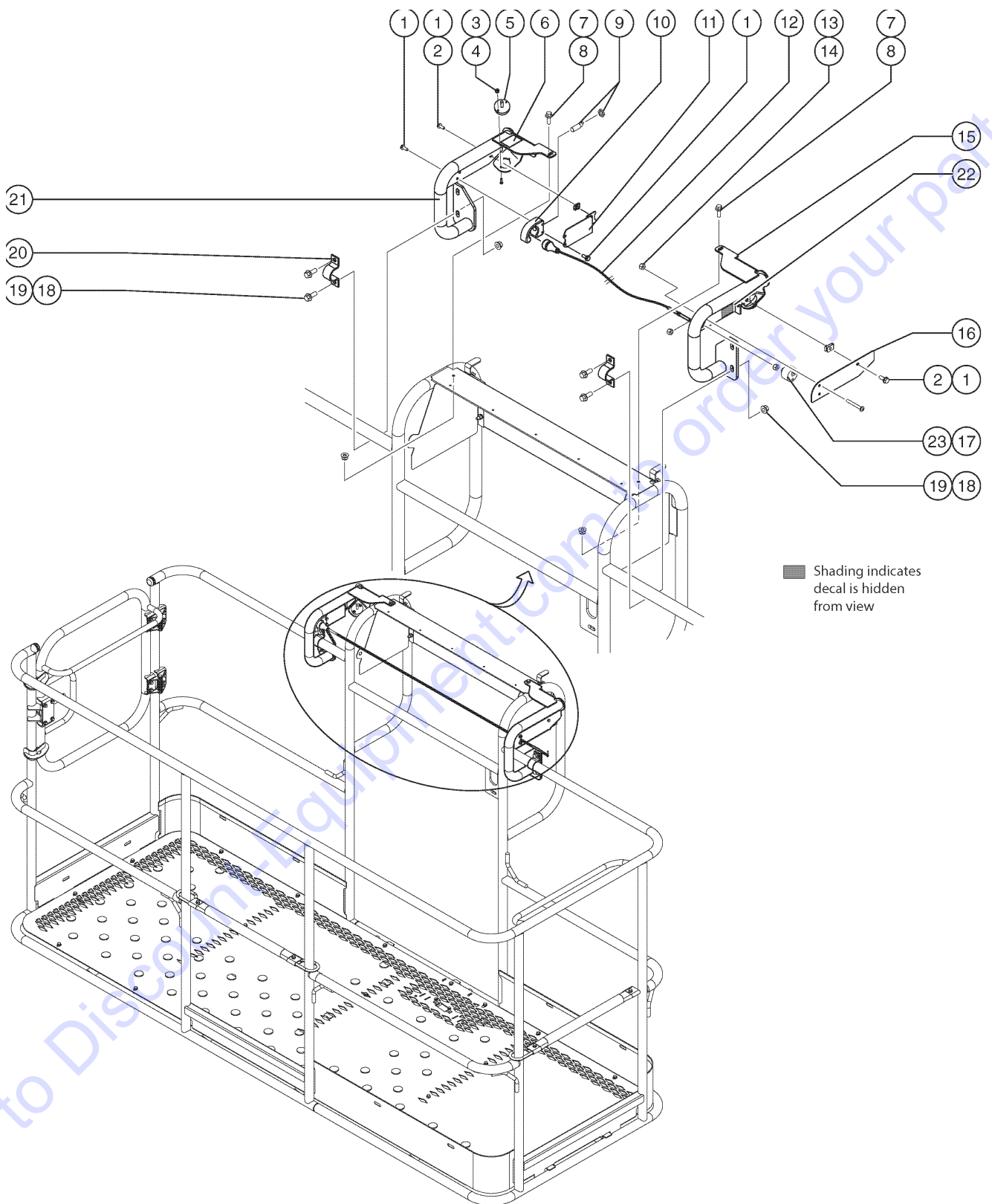
Go to Discount-Equipment.com to order your parts

808.1 608572 Work And Road Lights



Item	Part No.	Description	Qty.
1	1261870GT	WORK LIGHTS KIT Includes Items From 3 To 10, 15, 16	
2	1261871GT	ROAD LIGHTS KIT Includes Items 3, 7, From 11 To 14, 17	
3	107858GT	WORKLIGHT,48 VOLT	4
4	35956GT	BRACKET,WORK LIGHT MOUNT 5/16"	2
5	13002GT	SCREW,HHC,5/16-18 X 1 GR5	2
6	49408GT	WASHER,LOCK,M8	2
7	5397GT	WASHER,FLAT,USS,5/16",Y	6
8	6638GT	WASHER,FLAT,USS,1/4"Y	4
9	6356GT	WASHER,LOCK,.25	4
10	6145GT	SCREW,HHC,1/4-20 X 1.5	4
11	10107GT	SCREW,HHC,5/16-18 X .75	2
12	6782GT	NUT,NYLOCK,5/16-18	2
13	01.0023.0055GT	Stop Nut M10 UNI 7473 6S ZN	2
14	01.0001.0355GT	SCREW M10X25 UNI 5739 8.8 ZN	2
15	219672GT	HARNESS,GENERATOR,PBOX,Z45/51	2
15-	128204GT	SWITCH TOGGLE ASSY SPDT 2P MNT	2
16	72867GT	DECAL,LABEL,LIGHTS***	2
17	01.0031.0056GT	FLAT WASHER D10 UNI 6592 ZN	2

809.1 608573 Lift Guard Contact Alarm (from November 2017) - View 1

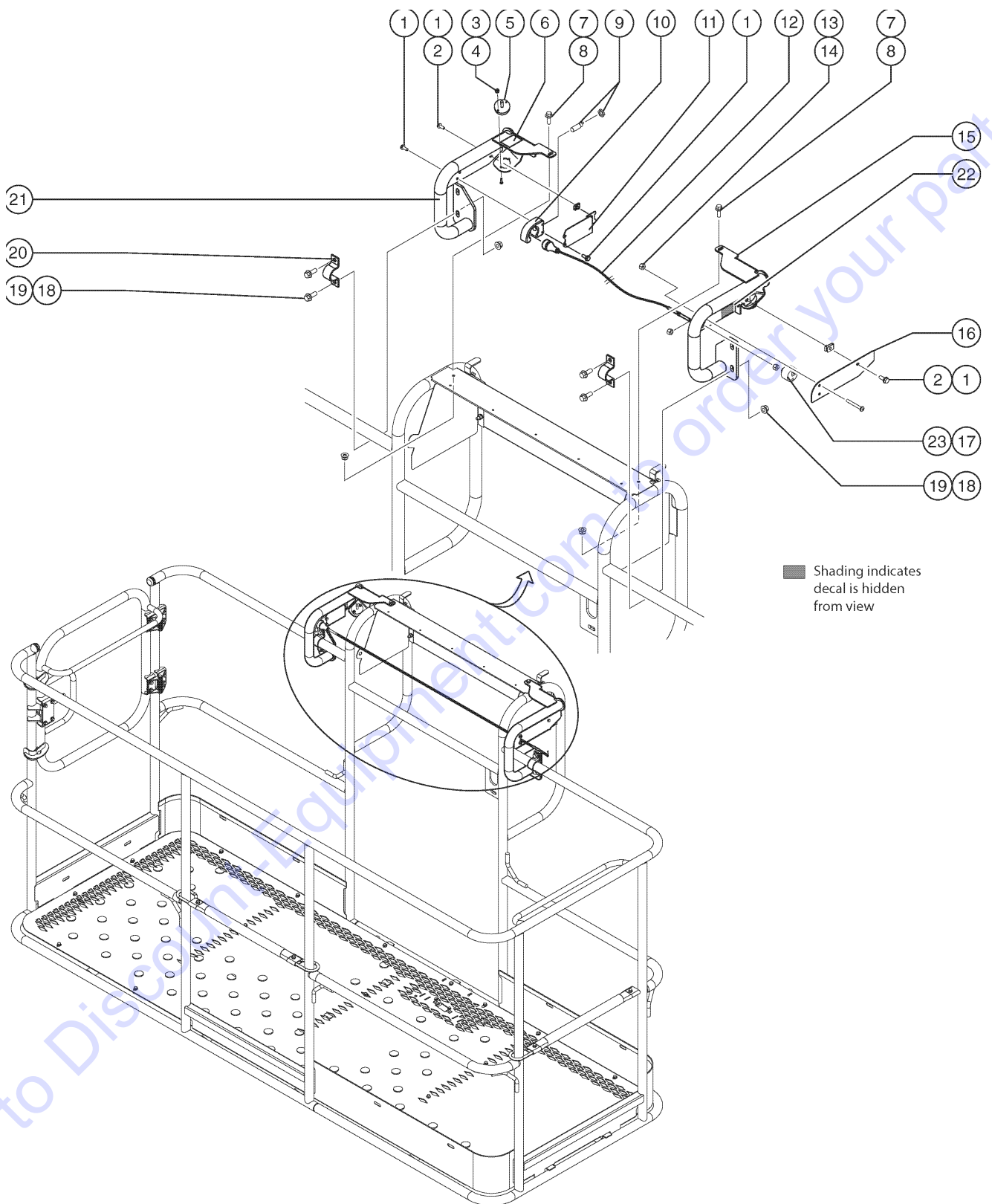


Go to DiscountEquipment.com to order your parts

Item	Part No.	Description	Qty.
A-		From November 2017, this option became a standard installation on all models unless the customer specifically request not to have it installed	
B-	1283807GT	LIFTGUARD CONTACT ALARM KIT, Z33	
C-	1280845GT	HARNESS, CONTACT ALARM, Z33	
D-	78098GT	RELAY,24VDC,40/30A,SLD W/BRKT* ref. 809.2	
E-	1278121GT	MODULE PLUS+1 CONTACT ALARM ref. 809.2	
1	1264934GT	SCREW,HHF,10-24X.5	
2	73575GT	SPRING CLIP,10-24,.025-.125X.468,ZAG	
3	12344GT	NUT,NYLOCK,6-32	
4	1256859GT	SCREW,PHPM,6-32X.875,ZAG	
5	1278111GT	ASSEMBLY, LIGHT, CONTACT ALARM	2
5B	1285850GT	ASSEMBLY,AMBER LIGHT,CONTACT ALARM	
6	1278542GT	DECAL, INSTRUCTION, CONTACT ALARM	
7	824078GT	SCREW,HHF,1/4-20X.75,8,ZAG	
8	1277924GT	NUT,NYLOCK FLG,1/4-20,F,ZAG	
9	1278119GT	ASSEMBLY SENSOR PROX OPA2	1
10	1278433GT	ASSY SENSOR W/HOUSING (Includes holder item 1277877 and sensor part 1278119)	
10-	1277877GT	HOLDER, SENSOR	1
11	1277873GT	FORMING, SENSOR HOLDER	1
12	1278417GT	ASSEMBLY, OPA CABLE, SMALL	1
12-	1278124GT	MAGNET, 1/4-20, 15 LB. Part of assembly 1278417	
12-	1278459GT	OPA WIRE ASSY, SMALL Part of assembly 1278417	
12-	1278368GT	GRIP, CABLE Part of assembly 1278417	
12-	1261184GT	NUT,1/4-20,8,ZAG Part of assembly 1278417	
13	824216GT	SCREW,PHPM,10-32X1.5,ZAG	
14	1264261GT	NUT,SERRATED,10-32,ZAG	
15	1280849GT	WELDMENT, RIGHT OPA, Z-33	1
16	1277875GT	PLATE, CABLE AND WIRE COVER	1
17	1277876GT	GUIDE, CABLE	1



809.1 608573 Lift Guard Contact Alarm (from November 2017) - View 1



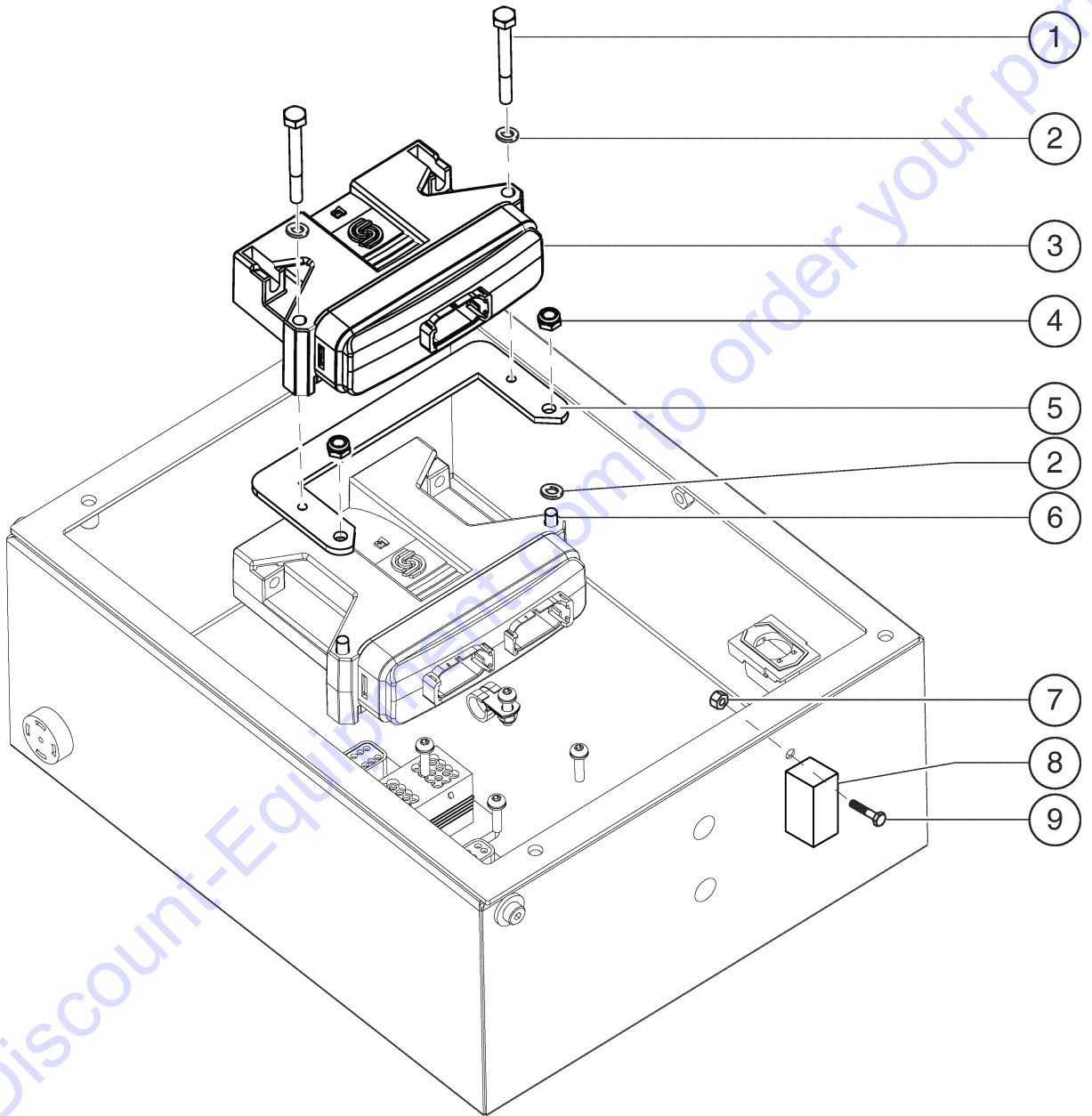
Go to DiscountEquipment.com to order your parts

<i>Item</i>	<i>Part No.</i>	<i>Description</i>	<i>Qty.</i>
18	1274322GT	NUT,NYLOCK FLG,3/8-16,F,ZAG	
19	824090GT	SCREW,HHF,3/8-16X1,8,ZAG	
20	1278363GT	CLAMP, 1.25 INCH TUBE	2
21	1280851GT	WELDMENT, LEFT OPA, Z-33	1
22	1278982GT	DECAL, INSTRUCTION, ACTUATOR SWITCH SOCKET	1
23	66094GT	NUT-THIN HEAVY HEX, 1/4-20	2

Go to Discount-Equipment.com to order your parts



809.2 608574 Lift Guard Contact Alarm (from November 2017) - View 2



Go to Discount-Equipment.com to order your parts

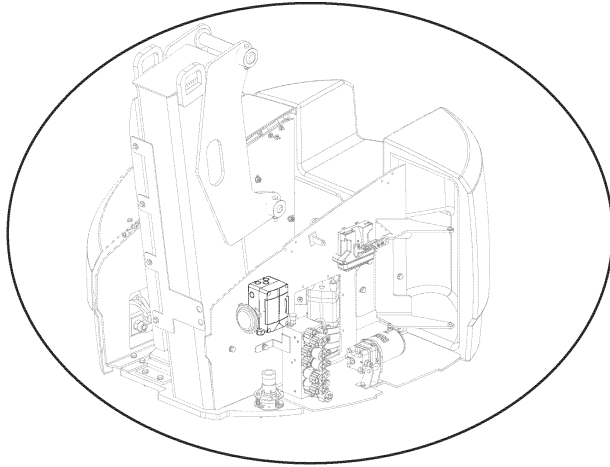
809.2 608574 Lift Guard Contact Alarm (from November 2017) - View 2

<i>Item</i>	<i>Part No.</i>	<i>Description</i>	<i>Qty.</i>
1	01.0001.0108GT	SCREW M6X60 UNI 5737 8.8 ZN	2
2	01.0031.0054GT	FLAT WASHER D6 UNI 6592 ZN	4
3	1278121GT	MODULE PLUS+1 CONTACT ALARM	1
4	01.0023.0053GT	STOP NUT M6 UNI 7473 6S ZN	2
5	1280860GT	PLATE, MODULE SUPPORT	1
6	01.4001.0028GT	Screw Te M 6X70 UNI 5737 8.8 Zn	2
7	824032GT	NUT,TL FLG,10-32,F,ZAG	1
8	78098GT	RELAY,24VDC,40/30A,SLD W/BRKT*	1
9	825349GT	SCREW,PHPM,10-32X.38,ZAG	1

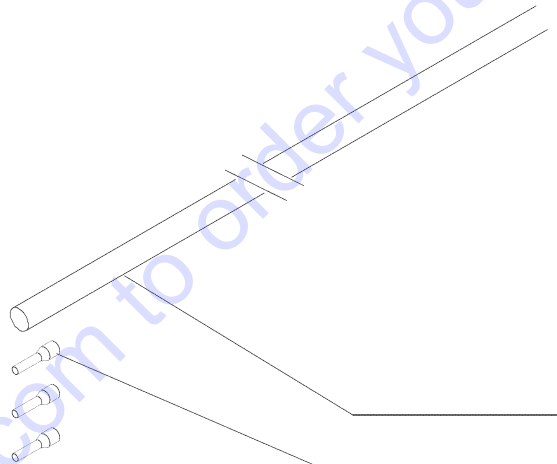
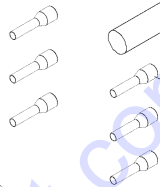
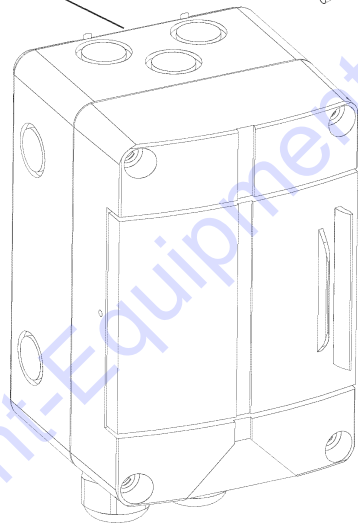
Go to Discount-Equipment.com to order your parts



810.1 608576 Power To Platform RCBO



1



3

2

Go to Discount-Equipment.com to order your parts

Item	Part No.	Description	Qty.
1	1287634GT	ASSEMBLY, RCBO, 16A, 30MA, 50HZ, IP65	1
2	1261689GT	SLEEVE, CABLE-END, 12AWG, 4MM	6
3	30794GT	WIRE,12/3 SJEOW,BK-WH-GR/YL	63

Go to Discount-Equipment.com to order your parts



<u>Part no.</u>	<u>Page Number</u>	<u>Part no.</u>	<u>Page Number</u>	<u>Part no.</u>	<u>Page Number</u>
01.0001.0104GT	45, 61, 65, 73	01.0031.0308GT	79	6700GT	55
01.0001.0108GT	79, 133	01.0034.0056GT	31	6782GT	27, 127
01.0001.0156GT	23, 31, 61, 65, 79, 83...	01.4001.0002GT	25	6878GT	73
01.0001.0158GT	49, 61, 65, 75, 97	01.4001.0028GT	45, 133	6889GT	101
01.0001.0207GT	43	01.4001.0053GT	23	6935GT	115, 117, 119, 121
01.0001.0252GT	31, 75	01.4001.0062GT	97	7056GT	115, 117, 119, 121
01.0001.0254GT	43, 75	01.4001.0096GT	61	7713GT	37, 41, 63
01.0001.0256GT	25, 27, 45, 61, 65, 75...	01.4001.0192GT	113	8179GT	101
01.0001.0258GT	61, 65	01.4001.0194GT	47	8255GT	49
01.0001.0260GT	65	01.4031.0001GT	63	10107GT	127
01.0001.0304GT	61	01.4032.0001GT	77, 85	10262GT	73
01.0001.0308GT	69, 83, 87	01.4032.0002GT	23, 31, 63, 65, 83, 97	10775GT	115, 117, 119, 121
01.0001.0310GT	69	01.4032.0003GT	25, 43, 45, 75, 81, 85...	10777GT	121
01.0001.0315GT	23	01.4032.0004GT	23, 27, 45, 63, 69	12344GT	57, 101, 129
01.0001.0355GT	23, 49, 63, 69, 127	01.4032.0005GT	25	13002GT	35, 127
01.0001.0356GT	45, 49, 97	01.4032.0009GT	61	13064GT	29
01.0001.0357GT	73, 97	01.4032.0011GT	45	13585GT	117
01.0001.0358GT	27, 47	04.0607.0118GT	111	13918GT	41
01.0001.0405GT	25	07.0704.0421GT	93	18503GT	35
01.0001.1438GT	85	07.0704.0422GT	95, 111	18504GT	35
01.0001.1458GT	29	07.0704.0424GT	93	18506GT	47
01.0001.1476GT	49	09.0803.0147GT	33	18576GT	27
01.0001.1538GT	75	09.0803.0418GT	89	19418GT	29
01.0001.1546GT	43	09.0803.0516GT	31, 97	19506GT	51
01.0003.0203GT	85, 87	09.0803.0572GT	97	19520GT	35, 39
01.0023.0052GT	75, 113	09.0803.0802GT	33	21149GT	29
01.0023.0053GT	29, 31, 45, 49, 61, 65...	09.4618.1625GT	17, 19	21166GT	23
01.0023.0054GT	27, 45, 61, 65, 75	4828GT	83, 115, 117, 119, 121, 122	21604GT	83
01.0023.0055GT	23, 45, 49, 61, 69, 73...	5365GT	27	23404GT	57
01.0023.0058GT	25, 63	5397GT	41, 49, 83, 115, 117, 119	24514GT	97
01.0023.0060GT	23	6002GT	35	25388GT	41
01.0023.0209GT	43	6019GT	115, 117, 119, 121	27204GT	15, 19
01.0031.0053GT	75, 97, 113	6021GT	49, 91	27205GT	15, 19
01.0031.0054GT	29, 45, 63, 65, 75, 133	6090GT	35, 47, 53	27206GT	15, 19
01.0031.0055GT	25, 43, 45, 61, 65, 75	6091GT	35, 73	27207GT	15, 19
01.0031.0056GT	27, 45, 49, 61, 73, 127	6097GT	83	27246GT	51, 53, 103, 105
01.0031.0061GT	23, 61	6145GT	37, 127	28174GT	15, 19, 119, 121
01.0031.0097GT	25, 43	6146GT	27, 45, 83	28176GT	21
01.0031.0099GT	25, 43	6178GT	43, 57, 77, 83, 89	28235GT	15, 19, 115, 117, 121
01.0031.0298GT	25, 31, 45, 49, 61, 65...	6356GT	35, 127	28236GT	13, 19
01.0031.0299GT	27, 31, 45, 65, 75	6607GT	27, 45	28372GT	21
01.0031.0301GT	97	6638GT	29, 35, 45, 53, 101, 127	28646GT	43

<u>Part no.</u>	<u>Page Number</u>	<u>Part no.</u>	<u>Page Number</u>	<u>Part no.</u>	<u>Page Number</u>
29868GT	35	45043GT	23	51147GT	35
30468GT	125	45074GT	23	52475GT	17, 19
30748GT	25	45110GT	23	52865GT	13, 21
30794GT	67, 135	45111GT	23	52913GT	91
30997GT	57	45209GT	35	52914GT	91
31060GT	13, 19	45385GT	63	52969GT	15, 19
31106GT	69	48880GT	93	54255GT	57
31508GT	13, 21	48885GT	43	54365GT	57
31785GT	21	48904GT	109, 111	54486GT	75, 125
31787GT	13, 21	48905GT	109, 111	54627GT	31
31788GT	13, 19	48912GT	109	56053GT	45
32317GT	91	48916GT	109	56302GT	57
33278GT	123	48917GT	111	56306GT	103
33550GT	97	48933GT	109	56424GT	31
33555GT	61, 65	48938GT	109	56461GT	35
34053GT	57	48946GT	109	56704GT	113
34619GT	45, 85	48947GT	109	56849GT	61
35461GT	115, 117, 119, 121	48948GT	109	57075GT	115, 117, 119, 121
35956GT	127	48959GT	109	57162GT	35
36179GT	47	48975GT	109	58320GT	29
36212GT	35	48997GT	93	58486GT	63
36369GT	35	48999GT	109	58932GT	91
36424GT	35	49116-13800GT	111	58936GT	91
36878GT	117	49117-5600GT	111	60443GT	59
37947GT	63, 65	49119-2362GT	109	61973GT	83
38149GT	21	49119-19200GT	111	61974GT	83
39346GT	93	49119-26850GT	111	61975GT	83
40145GT	23	49120-18600GT	111	63375GT	115, 117, 119
40146GT	23	49121-3200GT	111	66094GT	37, 131
40434GT	15, 19	49143-1200GT	109	66353GT	119
42019GT	49	49143-7087GT	109	66397GT	39
42439GT	47	49164-4800GT	109	66717GT	27
43179GT	27	49183-5600GT	109	66812GT	51, 103
43392GT	125	49212GT	123	66813GT	53, 103
44216GT	95	49214GT	123	66814GT	53
44227GT	93	49215GT	123	66815GT	103
44229GT	93	49408GT	127	66816GT	53, 103
44235GT	95	49775GT	43, 77, 89	66817GT	51, 103
44662GT	83, 87	49818GT	27	66818GT	51
44743GT	97	49819GT	57	66900GT	35
44750GT	91	49820GT	57, 101, 121	66901GT	35
44981GT	123	51063GT	83	70644-63000GT	123

<u>Part no.</u>	<u>Page Number</u>	<u>Part no.</u>	<u>Page Number</u>	<u>Part no.</u>	<u>Page Number</u>
70659GT	27	87755GT	57	114248GT	11, 15
70673GT	35	88356-131N5GT	77	114249GT	11, 15
72086GT	17, 19	88356-155R5GT	43	114252GT	11, 15
72833GT	21	88356-11103GT	43, 89	114334GT	11, 15
72867GT	127	88356-12125GT	47	114345GT	11, 15
73575GT	129	88356-12143GT	89	114390GT	13, 19
73587GT	45	88635-3724GT	43	114397GT	13
73723GT	59, 101	88827GT	51	114427GT	17, 21
73730GT	57, 101	94077GT	47	119403GT	41, 117
73736GT	57	94612GT	49	119584GT	57, 101
73753GT	101	94643GT	83	119825GT	93
73803GT	57	96008-SGT	51	119827GT	93
74006GT	117	96010GT	51	119828GT	93
74052GT	115, 119	96193GT	91	119830GT	93
74267GT	27	97128GT	43, 47, 77, 89	119910GT	23
74468GT	27	97815GT	15, 19	119915GT	107
74469GT	27	101005GT	103, 107	120300GT	115, 117, 119, 121
74470GT	27	101005HGT	103, 107	120431GT	81
74714GT	29	101055GT	93	120432GT	81
74735GT	85, 87	101173GT	103, 107	120473GT	123
75073GT	61, 65	101173HGT	103, 107	121657GT	57
75443GT	107	101718GT	35	122755GT	123
75444GT	107	101719GT	35	122994GT	53
75445GT	107	106123GT	29	128000GT	107
75446GT	107	106404GT	57	128001GT	107
75447GT	107	106427GT	43, 47, 77, 89	128009GT	91
75448GT	107	106428GT	43	128118GT	41
75449GT	107	107578GT	31	128200GT	51, 53, 103, 105
77014GT	69	107712GT	29	128204GT	127
77103GT	111	107788GT	93	128375GT	31, 41
77410GT	73	107816GT	93	128376GT	41, 119, 121
78098GT	129, 133	107858GT	127	128377GT	41, 117
79452GT	31	110382GT	47	128578GT	51, 53, 103, 105
81550GT	57, 101	110452GT	23	128580GT	51, 53, 103, 105
81551GT	57, 101	110533GT	23	128646GT	115
81579GT	45	110556GT	23	133067GT	11, 15
82481GT	11, 15	110573GT	49, 91	133286GT	15, 19, 41
82487GT	11, 15	110665GT	27	139318GT	41, 115, 117, 119, 121
83093GT	51, 63, 65	110853GT	103	139338GT	103
83131GT	51	110854GT	103	139598GT	107
85197GT	91	110998GT	23	139858GT	41
85239GT	51	114117GT	21	144161GT	41, 115

<u>Part no.</u>	<u>Page Number</u>	<u>Part no.</u>	<u>Page Number</u>	<u>Part no.</u>	<u>Page Number</u>
145346GT	53, 101, 103	824731GT	43	826751GT	69
146478GT	103	824737GT	25	826752GT	69
147257GT	97	824741GT	79	826753GT	73
162161GT	67	824748GT	25	826754GT	69
215254GT	61	824751GT	79	826755GT	73
218164GT	103	824757GT	23	826756GT	83, 87
218449GT	45	824759GT	23	826759GT	81
218466GT	45	824878GT	51, 103, 105	826760GT	75
218559GT	13, 19	824883GT	51, 103, 105	826939GT	99
219626GT	15, 19	824884GT	51, 103, 105	826946GT	77
219672GT	127	824886GT	51, 103, 105	826950GT	85
219956GT	11, 15	825019GT	69, 73	826954GT	67
219958GT	11, 15	825020GT	83	826961GT	85
227617GT	67, 97	825349GT	133	826962GT	83
228946GT	41	826483GT	73	826963GT	85, 87
228947GT	41	826487GT	49	826964GT	79
228973GT	41	826488GT	47	826965GT	101
229567GT	105	826491GT	47	826967GT	101
232486GT	29	826492GT	75	1252980GT	65
233641GT	91	826495GT	83, 97	1252981GT	23
236966GT	119	826504GT	97	1252982GT	83, 87
823849GT	75	826505GT	61	1252983GT	105
823857GT	77	826506GT	61	1252986GT	47
823867GT	75	826720GT	97	1252987GT	67
823874GT	27	826724GT	45	1252989GT	73
823876GT	31	826725GT	43	1252990GT	31
823889GT	71	826726GT	61	1252991GT	31
824032GT	133	826727GT	63	1252992GT	31
824078GT	129	826728GT	65	1252993GT	43
824090GT	131	826729GT	69, 89	1252995GT	49
824161GT	41	826731GT	69	1252996GT	67
824183GT	69	826733GT	25, 69, 73, 83, 87, 89	1252997-3600GT	109
824184GT	69	826734GT	71	1252998GT	67
824185GT	69	826737GT	79	1252999GT	67
824186GT	83, 87	826740GT	75	1253000GT	47
824187GT	73	826743GT	75	1253001GT	67
824188GT	25	826745GT	69	1253002GT	67
824190GT	23	826746GT	69	1253003GT	67
824198GT	43	826747GT	69	1253004GT	67
824216GT	129	826748GT	69	1253005GT	67
824710GT	97	826749GT	69	1253006GT	83
824727GT	97	826750GT	71	1253008GT	49

<u>Part no.</u>	<u>Page Number</u>	<u>Part no.</u>	<u>Page Number</u>	<u>Part no.</u>	<u>Page Number</u>
1253009GT	85, 87	1257161GT	31	1259664GT	67
1253210GT	57	1257163GT	25	1259665GT	67
1254595GT	15, 19	1257165GT	45	1259666GT	67
1254766GT	25	1257166GT	27	1259667GT	67
1254767GT	23	1257169GT	25	1259668GT	67
1254770GT	69	1257170GT	23	1259669GT	67
1254773GT	53, 57	1257172GT	81	1259702GT	27
1254774GT	53	1257173GT	81	1259703GT	27
1254778GT	79	1257174GT	81	1259725GT	27
1254781GT	81, 85, 87	1258485GT	85, 87	1259726GT	43
1254783GT	61, 65	1258487GT	89	1259727GT	81
1255452GT	23, 69	1258490GT	35	1259728GT	27
1256013GT	47	1258491GT	35	1259729GT	53
1256014GT	49	1258492GT	35	1259731GT	69
1256019GT	61, 65	1258493GT	41	1259732GT	93
1256022GT	61	1258496GT	75	1259733GT	95
1256023GT	65	1258498GT	15, 19	1259734GT	69
1256032GT	61	1258499GT	15, 19	1259809GT	43
1256033GT	65	1258500GT	17	1259810GT	35
1256034GT	61, 65	1258501GT	11, 15	1259811GT	35
1256038GT	75	1258768GT	57	1259815GT	61
1256039GT	75	1258980GT	75	1259816GT	85
1256040GT	75	1258981GT	75	1261178GT	87
1256041GT	79	1258982GT	15, 19	1261182GT	125
1256054GT	63, 65	1258987GT	39	1261184GT	129
1256484GT	73	1258989GT	37, 39	1261689GT	135
1256485GT	75	1258990GT	37, 39	1261743GT	125
1256488GT	25	1258991GT	39	1261744GT	125
1256491GT	85	1258992GT	39	1261745GT	125
1256492GT	65	1258993GT	39	1261771GT	83
1256501GT	49	1258994GT	39	1261866GT	45
1256502GT	31	1258995GT	39	1261869GT	11, 17
1256503GT	31	1258996GT	39	1261870GT	127
1256505GT	85	1258997GT	39	1261871GT	127
1256506GT	83, 87	1258998GT	39	1261873GT	43
1256507GT	83, 87	1259267GT	69	1261874GT	37
1256508GT	73	1259268GT	69	1261875GT	37, 39
1256859GT	129	1259269GT	83, 87	1261929GT	45
1257150GT	103	1259270GT	73	1261930GT	101
1257156GT	15, 19	1259271GT	25	1261933GT	13, 19
1257157GT	15, 19	1259272GT	27	1261934GT	13, 19
1257158GT	57	1259283GT	27	1261936GT	21

<u>Part no.</u>	<u>Page Number</u>	<u>Part no.</u>	<u>Page Number</u>	<u>Part no.</u>	<u>Page Number</u>
1261984GT	47	1277873GT	129	1293605GT	67
1262107GT	77	1277875GT	129	1293610GT	101
1262108GT	75	1277876GT	129	1295596GT	97
1262125GT	85	1277877GT	129	1295597GT	97
1262126GT	125	1277886GT	97	T106699GT	57
1262127GT	17	1277924GT	129	T112560GT	115
1262128GT	49	1278111GT	129	T112561GT	115
1262131GT	63	1278119GT	129	T112626GT	107
1262132GT	13, 21	1278121GT	129, 133	T112773GT	97
1262133GT	21	1278124GT	129	T823875GT	31
1262135GT	101	1278363GT	131		
1262527GT	81	1278368GT	129		
1262528GT	43	1278417GT	129		
1262529GT	43	1278433GT	129		
1262530GT	103	1278459GT	129		
1262531GT	103	1278542GT	129		
1263187GT	47	1278915GT	39		
1263694GT	103	1278982GT	131		
1264261GT	129	1280665GT	41, 119		
1264934GT	129	1280819GT	13, 21		
1265204GT	97	1280845GT	129		
1265623GT	31	1280849GT	129		
1265624GT	31	1280851GT	131		
1265625GT	31	1280860GT	133		
1267639GT	43	1283807GT	129		
1268688GT	17, 21	1285850GT	129		
1270216GT	63	1286600GT	29		
1270217GT	17, 21	1286601GT	29		
1270218GT	17, 21	1287482GT	63		
1270220GT	17, 19	1287483GT	63		
1270221GT	49	1287634GT	135		
1270222GT	49	1289520GT	51		
1270223GT	109	1289521GT	51		
1270383GT	67	1289561GT	51		
1272122GT	55, 105	1291624GT	17, 21		
1272123GT	55, 105	1292512GT	17, 21		
1272242GT	17, 21	1292513GT	17, 21		
1272731GT	39	1292514GT	17, 21		
1272732GT	39	1292515GT	17, 21		
1274322GT	131	1293107-1634GT	109		
1276660GT	67	1293525GT	57		
1277226GT	53	1293603GT	53, 57		

California Proposition 65

 **WARNING**

Operating, servicing and maintaining this equipment, passenger vehicle or off-highway motor vehicle can expose you to chemicals including engine exhaust, carbon monoxide, phthalates, and lead, which are known to the State of California to cause cancer and birth defects or other reproductive harm. These chemicals can be emitted from or contained in other various parts and systems, fluids and some component wear by-products. To minimize exposure, avoid breathing exhaust, do not idle the engine except as necessary, service your equipment and vehicle in a well-ventilated area and wear gloves or wash your hands frequently when servicing your equipment or vehicle and after operation. For more information go to www.P65Warnings.ca.gov/passenger-vehicle.

Breathing diesel engine exhaust exposes you to chemicals known to the State of California to cause cancer and birth defects or other reproductive harm.

- Always start and operate the engine in a well-ventilated area.
- If in an enclosed area, vent the exhaust to the outside.
- Do not modify or tamper with the exhaust system.
- Do not idle the engine except as necessary.

For more information go to www.P65warnings.ca.gov/diesel.

Distributed By:

Go to www.P65Warnings.ca.gov to order your parts

PARTS FINDER

**Search Website
by Part Number**



**Search Manual
Library For Parts
Manual & Lookup Part
Numbers – Purchase
or Request Quote**

Search Manuals

Enter your information to help us find the right parts manual for your machine.

* Brand:

* Model:

* Serial:

* Part Number:

SEARCH

**Can't Find Part or
Manual? Request Help
by Manufacturer,
Model & Description**

Parts Order Form

Please fill in the following information to help us find the right part for your machine.

Manufacturer:	<input type="text"/>
Model:	<input type="text"/>
Description:	<input type="text"/>
Part Number:	<input type="text"/>
Quantity:	<input type="text"/>
Notes:	<input type="text"/>

Submit

Discount-Equipment.com is your online resource for quality parts & equipment.

Florida: **561-964-4949** Outside Florida TOLL FREE: **877-690-3101**

Need parts?

Click on this link: <http://www.discount-equipment.com/category/5443-parts/> and choose one of the options to help get the right parts and equipment you are looking for. Please have the machine model and serial number available in order to help us get you the correct parts. If you don't find the part on the website or on one of the online manuals, please fill out the request form and one of our experienced staff members will get back to you with a quote for the right part that your machine needs.

We sell worldwide for the brands: Genie, Terex, JLG, MultiQuip, Mikasa, Essick, Whiteman, Mayco, Toro Stone, Diamond Products, Generac Magnum, Airman, Haulotte, Barreto, Power Blanket, Nifty Lift, Atlas Copco, Chicago Pneumatic, Allmand, Miller Curber, Skyjack, Lull, Skytrak, Tsurumi, Husquvarna Target, Stow, Wacker, Sakai, Mi-T-M, Sullair, Basic, Dynapac, MBW, Weber, Bartell, Bennar Newman, Haulotte, Ditch Runner, Menegotti, Morrison, Contec, Buddy, Crown, Edco, Wyco, Bomag, Laymor, EZ Trench, Bil-Jax, F.S. Curtis, Gehl Pavers, Heli, Honda, ICS/PowerGrit, IHI, Partner, Imer, Clipper, MMD, Koshin, Rice, CH&E, General Equipment, Amida, Coleman, NAC, Gradall, Square Shooter, Kent, Stanley, Tamco, Toku, Hatz, Kohler, Robin, Wisconsin, Northrock, Oztec, Toker TK, Rol-Air, APT, Wylie, Ingersoll Rand / Doosan, Innovatech, Con X, Ammann, Mecalac, Makinex, Smith Surface Prep, Small Line, Wanco, Yanmar