



A TEREX BRAND



Parts Manual

Serial Number Range

Z-30/20N
Z-30/20N RJ

from SN Z30NF-18900

Part No. 1263378GT
Rev: B
July 2020

Go to Discount-Equipment.com to order your parts

PARTS FINDER

**Search Website
by Part Number**



**Search Manual
Library For Parts
Manual & Lookup Part
Numbers – Purchase
or Request Quote**

Search Manuals

Enter your information to help us find the right parts manual for your machine.

* Brand:

* Model:

* Serial:

* Part Number:

SEARCH

**Can't Find Part or
Manual? Request Help
by Manufacturer,
Model & Description**

Parts Order Form

Please fill in the following information to help us find the right part for your machine.

Manufacturer:	<input type="text"/>
Model:	<input type="text"/>
Description:	<input type="text"/>
Part Number:	<input type="text"/>
Quantity:	<input type="text"/>
Notes:	<input type="text"/>

Submit

Discount-Equipment.com is your online resource for quality parts & equipment.

Florida: **561-964-4949** Outside Florida TOLL FREE: **877-690-3101**

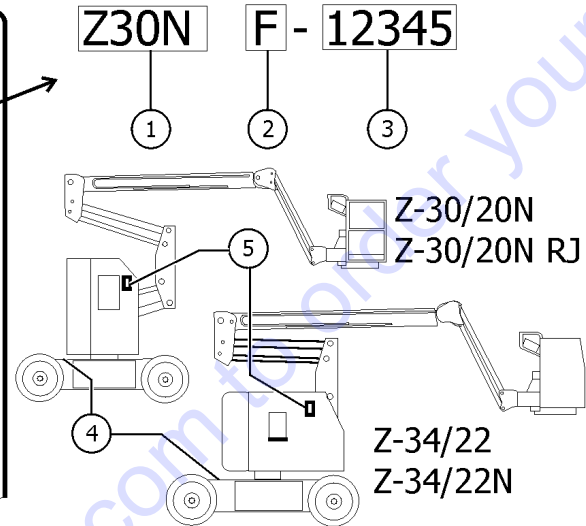
Need parts?

Click on this link: <http://www.discount-equipment.com/category/5443-parts/> and choose one of the options to help get the right parts and equipment you are looking for. Please have the machine model and serial number available in order to help us get you the correct parts. If you don't find the part on the website or on one of the online manuals, please fill out the request form and one of our experienced staff members will get back to you with a quote for the right part that your machine needs.

We sell worldwide for the brands: Genie, Terex, JLG, MultiQuip, Mikasa, Essick, Whiteman, Mayco, Toro Stone, Diamond Products, Generac Magnum, Airman, Haulotte, Barreto, Power Blanket, Nifty Lift, Atlas Copco, Chicago Pneumatic, Allmand, Miller Curber, Skyjack, Lull, Skytrak, Tsurumi, Husquvarna Target, Stow, Wacker, Sakai, Mi-T-M, Sullair, Basic, Dynapac, MBW, Weber, Bartell, Bennar Newman, Haulotte, Ditch Runner, Menegotti, Morrison, Contec, Buddy, Crown, Edco, Wyco, Bomag, Laymor, EZ Trench, Bil-Jax, F.S. Curtis, Gehl Pavers, Heli, Honda, ICS/PowerGrit, IHI, Partner, Imer, Clipper, MMD, Koshin, Rice, CH&E, General Equipment, Amida, Coleman, NAC, Gradall, Square Shooter, Kent, Stanley, Tamco, Toku, Hatz, Kohler, Robin, Wisconsin, Northrock, Oztec, Toker TK, Rol-Air, APT, Wylie, Ingersoll Rand / Doosan, Innovatech, Con X, Ammann, Mecalac, Makinex, Smith Surface Prep, Small Line, Wanco, Yanmar

Genie
A TEREX BRAND

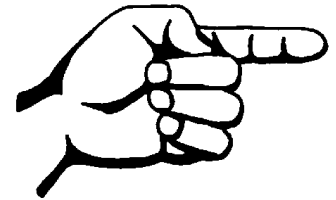
Model:
Serial number: Z30NF-12345
Year of manufacture: 2016
Electrical schematic number:
Machine unladen weight:
Rated work load (including occupants):
Maximum number of platform occupants:
Maximum allowable side force:
Maximum allowable inclination of the chassis:



- 1 Model
- 2 Facility code
- 3 Sequence number

- 4 Serial number (stamped on chassis)
- 5 Serial label (located under cover)

Please refer to section 001 for the Recommended Spare Parts List.



This page intentionally left blank.

Go to Discount-Equipment.com to order your parts

Description	Page
001 Parts Stocking List	10
001.1 Parts Stocking List	10
100 Decals	12
101.1 Decals with Word, Chassis/Battery Box (ANSI & Australia) (to SN Z30NF-19999)	12
102.1 Decals with Word, Turntable Covers (ANSI & Australia) (to SN Z30NF-19999)	14
103.1 Decals with Word, Boom (ANSI & Australia) (to SN Z30NF-19999)	16
104.1 Decals with Word, Platform (ANSI & Australia) (to SN Z30NF-19999)	18
105.1 Decals with Symbol, Chassis/Battery Box (ANSI & CE) (to SN Z30NF-19999)	20
106.1 Decals with Symbol, Turntable Covers (ANSI & CE) (to SN Z30NF-19999)	22
107.1 Decals with Symbol, Boom (ANSI & CE) (to SN Z30NF-19999)	24
108.1 Decals with Symbol, Platform (ANSI & CE) (to SN Z30NF-19999)	26
109.1 Decals with Word, Chassis/Battery Box (from SN Z30NF-20000)	28
110.1 Decals with Word, Turntable Covers (from SN Z30NF-20000)	30
111.1 Decals with Word, Boom (from SN Z30NF-20000)	32
112.1 Decals with Word, Platform (from SN Z30NF-20000)	34
113.1 Decals with Symbol, Chassis/Battery Box (from SN Z30NF-20000)	36
114.1 Decals with Symbol, Turntable Covers (from SN Z30NF-20000)	38
115.1 Decals with Symbol, Boom (from SN Z30NF-20000)	40
116.1 Decals with Symbol, Platform (from SN Z30NF-20000)	42
200 Chassis Components	44
201.1 Steer Axle Linkage, Wheels and Hubs	44
202.1 Non-steer Axle	48
203.1 Battery Charger	52
204.1 Battery Packs	54
205.1 Electronic Control Module	58
206.1 Power Cable Diagram	62
300 Turntable Components	64
301.1 Turntable Rotator	64
302.1 Ground Controls Side	68
303.1 Ground Control Panel	72
304.1 Power Unit Side	76
305.1 Turntable Covers	80
306.1 Wire Harness Diagram	84
400 Boom Components, Z-30N (Non-Rotating Jib)	88
401.1 Secondary Boom - View 1	88
402.1 Secondary Boom - View 2	92
403.1 Upper Pivot	94

Table of Contents

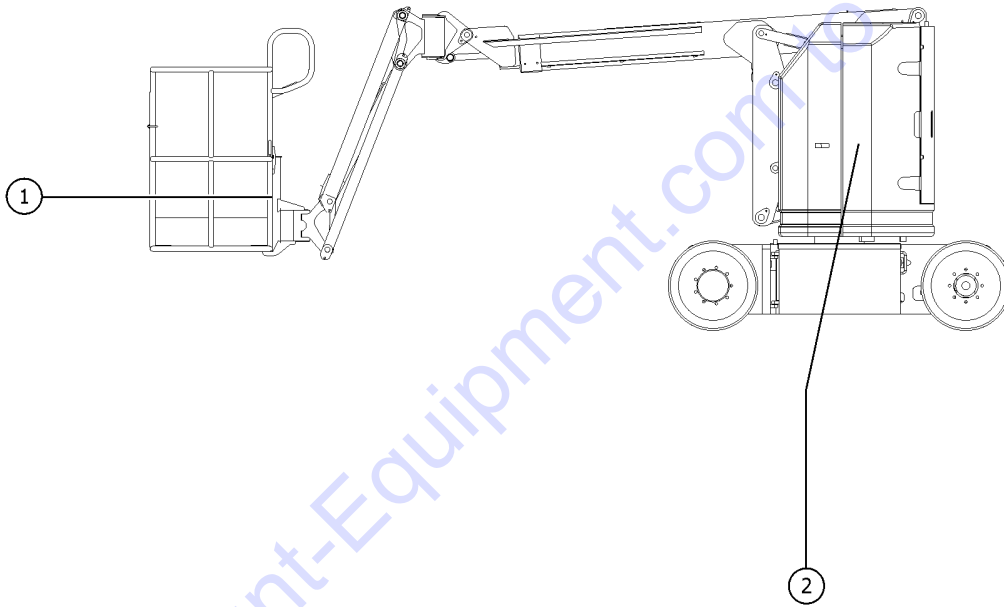
Description	Page
404.1 Primary and Extension Booms	96
405.1 Cable Track	100
406.1 Jib Boom and Platform Rotator	102
500 Boom Components, Z-30N RJ (Rotating Jib)	106
501.1 Primary Boom Wear Pads	106
502.1 Primary and Extension Booms	108
503.1 Rotating Jib Boom Assembly	112
504.1 Secondary Boom - View 1	116
505.1 Secondary Boom - View 2	120
506.1 Cable Track	122
507.1 Mid Pivot	124
600 Platform Components	126
601.1 Platform	126
601.2 Platform with Swing Gate (from SN Z30NF-21179)	132
602.1 Platform Controls - External View	134
603.1 Platform Controls - Internal View	138
604.1 Joystick Controller	142
605.1 Rotational Controller	144
700 Manifolds	146
701.1 Function Manifold	146
702.1 Jib Boom Manifolds	152
800 Hydraulic Hoses and Fittings	154
801.1 Drive Chassis and Turntable Components	154
802.1 Boom Components	156
900 Accessories	158
901.1 Flashing Beacon	158
902.1 Air Line to Platform	160
903.1 Platform Options - View 1	162
904.1 Platform Options - View 2 (to SN Z30NF-21178)	166
904.2 Platform option - View 2 (from SN Z30NF-21179)	168
905.1 Platform Overload	170
906.1 Inverter Option, 120V	172
907.1 Drive Light Option	174
908.1 Work Light Option	176
909.1 Aircraft Protection	178
910.1 Auxiliary Rail Assembly	182
911.1 Hostile Environment - Z30N Primary Boom Wipers	184

Description	Page
912.1 Hostile Environment - Z30N RJ Primary Boom Wipers	186
913.1 Hostile Environment - Cylinder Bellows	188
914.1 Operators Protection Alarm (to January 2017)	190
914.2 Lift Guard Contact Alarm (from January 2017)	194
915.1 Telematics Option	198
Part Number Index	200

Go to Discount-Equipment.com to order your parts



001.1 Parts Stocking List

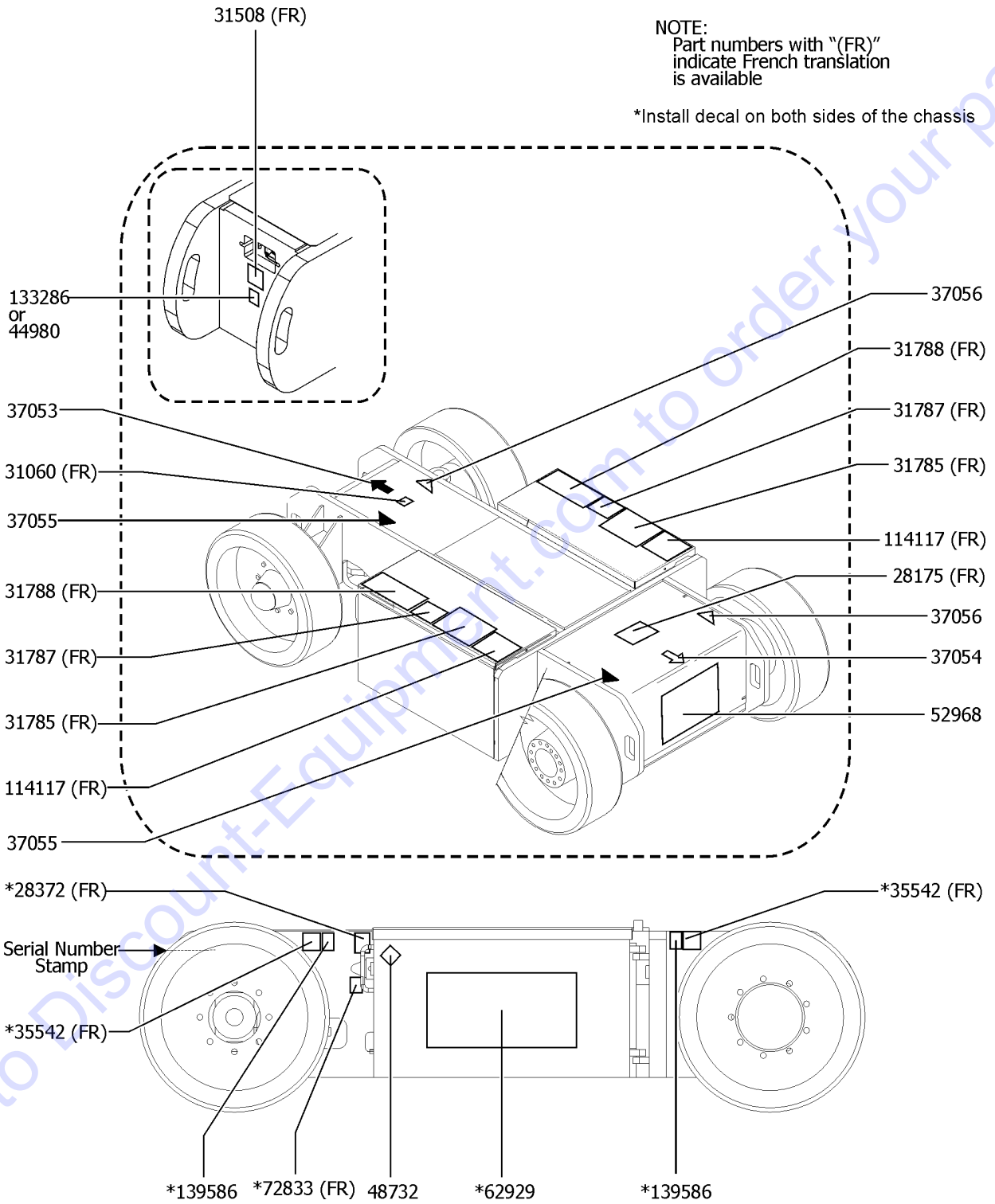


Go to Discount-Equipment.com to order your parts

Item	Part No.	Description	Qty.
A		— GENERAL SERVICE PARTS —	
A-	1484GT	PAINT,AEROSOL,BRIGHT BLUE*** 12-ounce spray paint	
A-	1268GT	PAINT,AEROSOL,GENIE GRAY*** 12-ounce spray paint	
A-	1258567GT	PAINT, AEROSOL, TRAFFIC BLACK 12-ounce spray paint	
A-	32150GT	PAINT,WET,GENIE BLUE (1 GL)** 1-gallon	
A-	32151GT	PAINT,WET,GENIE GRAY (1 GL)** 1-gallon	
A-	1257733GT	PAINT,WET,TRAFFIC BLACK (1 GL)** 1-gallon	
A-	66399GT	GREASE,DIELECTRIC 4 OZ**	
A-	1283776GT	SEAL MARKER,CROSS CHECK,BLUE,TUBE	
A-	93500GT	PARKER DIGITAL PRESSURE GAUGE	
A-	49612GT	O-RING KIT (ORFS FITTINGS) O-ring kit, ORFS	
A-	49613GT	PLUG AND CAP KIT-SERVICE,ORFS* Plug and cap kit, ORFS	
A-	28750GT	O-RING KIT,FIELD SVC,ALL PROD* O-ring kit, SAE	
A-	33994GT	PLUG AND CAP KIT-SERVICE,37 ** Plug and cap kit, SAE	
A-	36555GT	CHOCK,CYLINDER (SERVICE TOOL)	
1		— MANUALS —	
1-	27581GT	MANUAL,AEM SAFETY	
1-	31779GT	MANUAL,RESPON,A92.5 BOOM	
2		— HYD FILTERS —	
2-	44788GT	FILTER ELEMENT,10MICRON,PAPER*	



101.1 Decals with Word, Chassis/Battery Box (ANSI & Australia) (to SN 730NF-19999)

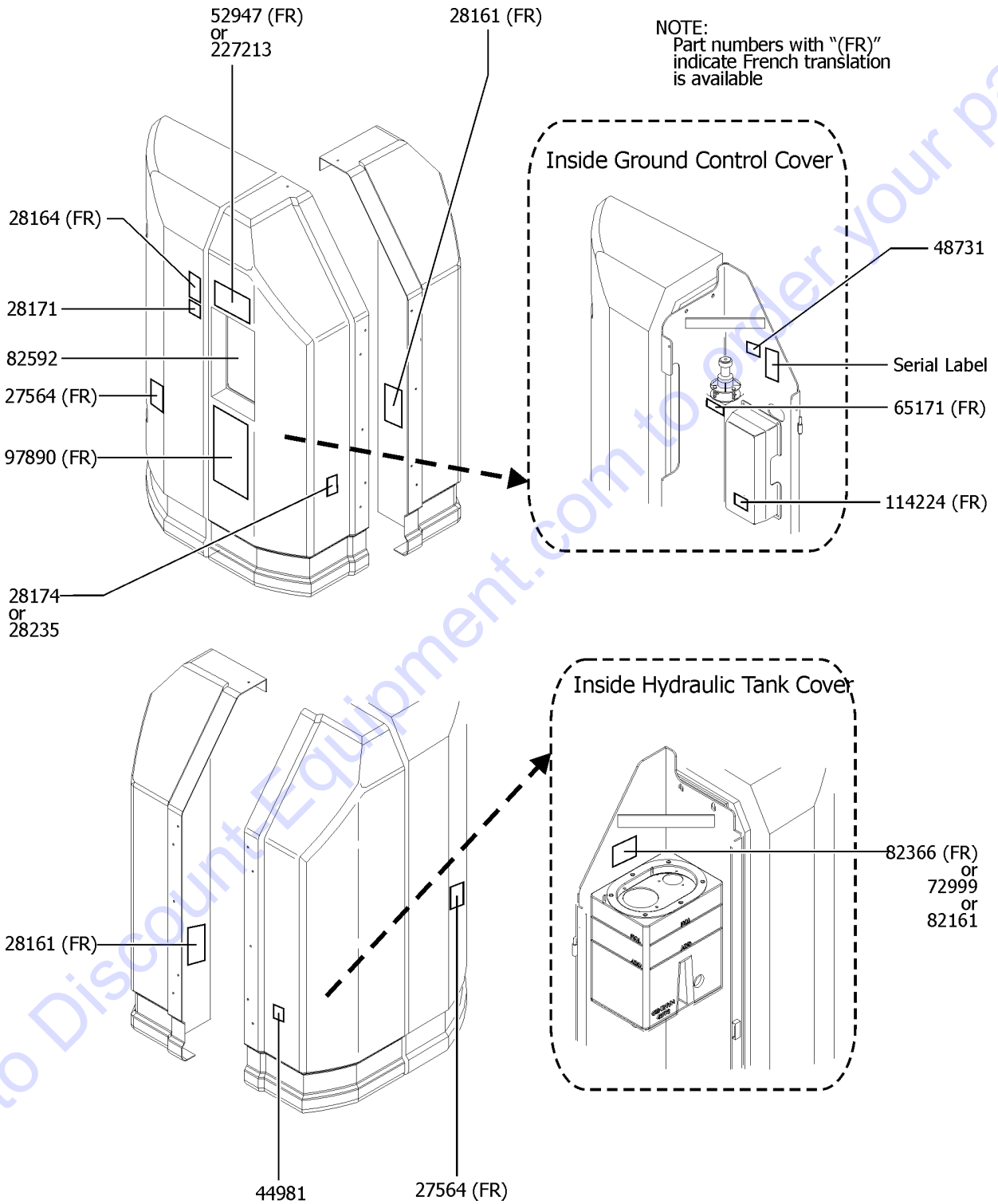


101.1 Decals with Word, Chassis/Battery Box (ANSI & Australia) (to SN 730NF-19999)

Item	Part No.	Description	Qty.
-	1303474GT	INSTRUCTIONS,INSTALL,COMP,WORD, Z-30	1
-	1303475GT	DECAL KIT, Z-30,COMP,WORD,ANSI & AUS	1
1	28175GT	DECAL,WARNING-COMPART ACCESS	1
2	28372GT	DECAL,NOTICE,BATTERY CABLES	2
3	31060GT	DECAL,DANGER DO NOT ALTER SWTC	1
4	31508GT	DECAL,DANGER,ELECT HAZARD,PLUG	1
5	31785GT	DECAL,NOTICE,CHARGER INSTRUC	2
6	31787GT	DECAL,DANGER,TIP-OVER BATTERY	2
7	31788GT	DECAL,DANGER,BATTERY SAFETY***	2
8	35542GT	DECAL,NOTICE,LUG NUT TORQUE***	4
9	37053GT	DECAL,ARROW,BLUE	1
10	37054GT	DECAL,ARROW,YELLOW SM 5-3/8"	1
11	37055GT	DECAL,TRIANGLE,BLUE	2
12	37056GT	DECAL,TRIANGLE,YELLOW	2
13	44980GT	DECAL, LABEL, PWR TO CHARGER 115 UK option, EE	1
15	52968GT	DECAL,COSMETIC,GENIE BOOM,VERT	1
16	62929GT	DECAL,COSM,GENIE Z-30/20N(BOX)	2
17	72833GT	DECAL,LABEL,OPEN,LATCH	2
18	114117GT	DECAL,BATT CONN DIAGRAM	2
19	133286GT	DECAL, POWER TO CHARGER, UNIV	1
20	139586GT	DECAL,LABEL,WHEEL LOAD Z30N&RJ	4



102.1 Decals with Word, Turntable Covers (ANSI & Australia) (to SN 730NF-19999)

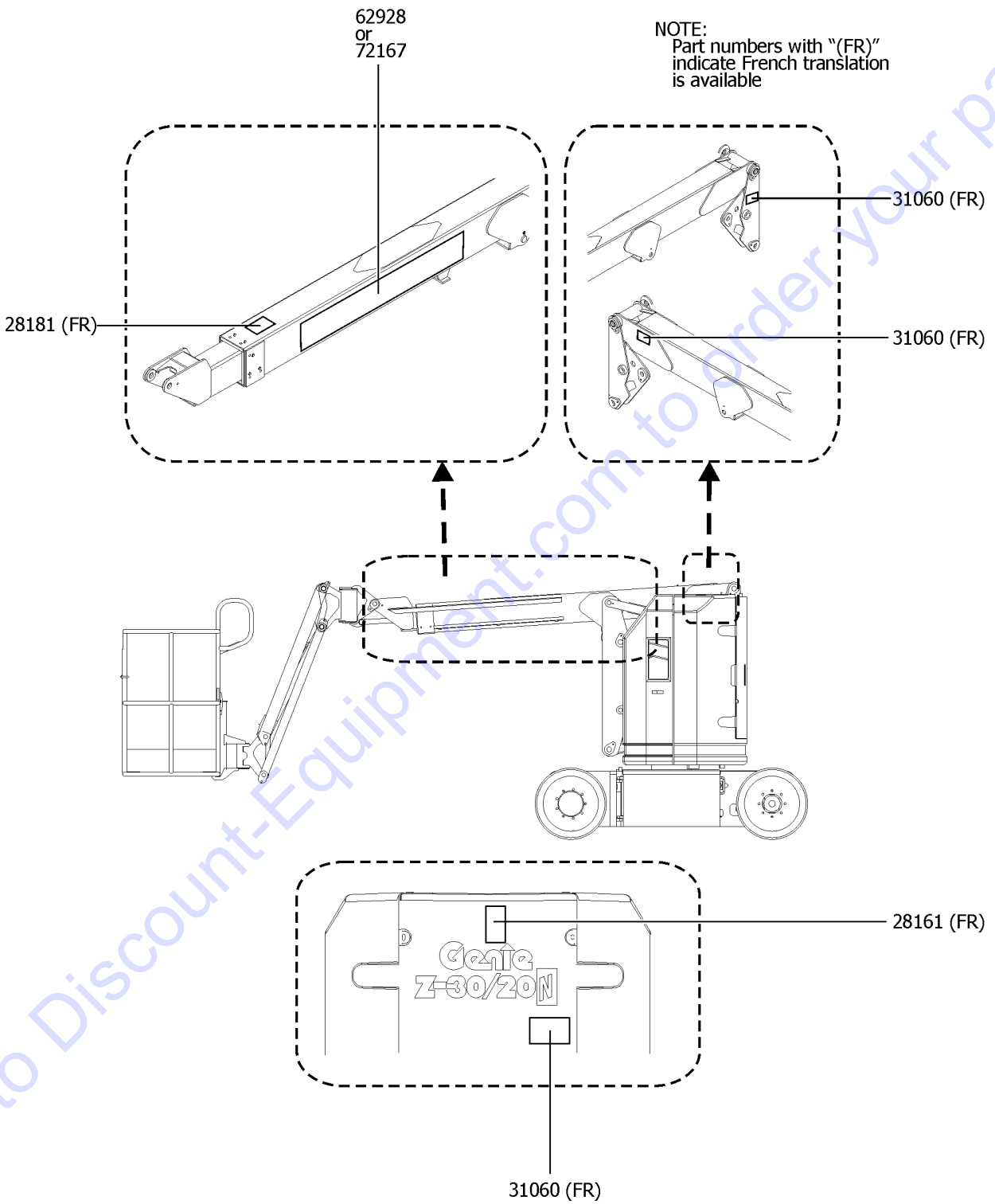


102.1 Decals with Word, Turntable Covers (ANSI & Australia) (to SN 730NF-19999)

Item	Part No.	Description	Qty.
1	27564GT	DECAL,DANGER,ELEC.HAZ.STAY CLR	2
2	28161GT	DECAL,WARN,CRUSH HAZARD HAND	2
3	28164GT	DECAL,NOTICE,HAZARDOUS MAT'LS*	1
4	28171GT	DECAL,DANGER,NO SMOKING ***	1
5	28174GT	DECAL, POWER TO PLATFORM 230V**	1
6	28235GT	DECAL, POWER TO PLATFORM 115V**	1
7	44981GT	DECAL,LABEL,AIRLINE 110 PSI	1
		option, air line to platform	
9	52947GT	DECAL,OPERATING INSTR,GROUND	1
		ANSI	
10	65171GT	DECAL,LABEL,CB & STATUS LIGHT	1
11	72999GT	DECAL,LABEL,PETRO CANADA***	1
		option, hydraulic oil	
12	82161GT	DECAL,LABEL,UCON HYDROLUBE	1
		option, hydraulic oil	
13	82366GT	DECAL, LABEL - CHEVRON RANDO	1
		option, hydraulic oil	
14	82592GT	DECAL,GROUND CONTROL PANEL***	1
15	97890GT	DECAL,DANGER,GEN SAFETY RULES	1
16	114224GT	DECAL,LABEL,RELAYS,Z30N,Z34NDC	1
17	227213GT	DECAL,OPER INST,DC BOOM GND AU	1
		AUS	



103.1 Decals with Word, Boom (ANSI & Australia) (to SN Z30NF-19999)



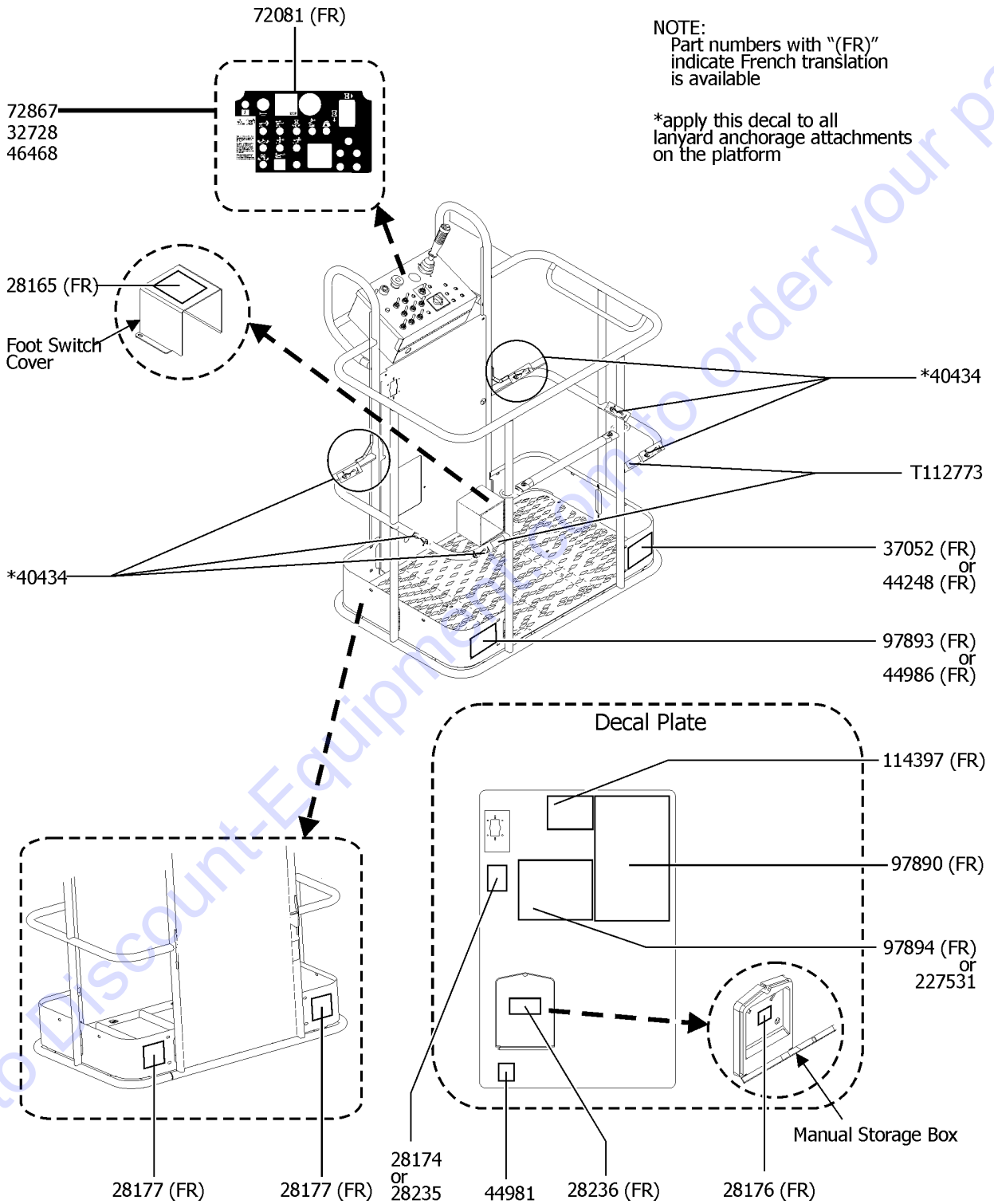
103.1 Decals with Word, Boom (ANSI & Australia) (to SN Z30NF-19999)

<i>Item</i>	<i>Part No.</i>	<i>Description</i>	<i>Qty.</i>
1	28161GT	DECAL,WARN,CRUSH HAZARD HAND	1
2	28181GT	DECAL,WARN,FALL HAZARD	1
3	31060GT	DECAL,DANGER DO NOT ALTER SWTC	3
4	62928GT	DECAL,COSMETIC,GENIE Z-30/20N	1
5	72167GT	DECAL,COSMETIC,GENIE Z30/20NRJ	1

Go to Discount-Equipment.com to order your parts



104.1 Decals with Word, Platform (ANSI & Australia) (to SN Z30NF-19999)



NOTE:
Part numbers with "(FR)"
indicate French translation
is available

*apply this decal to all
lanyard anchorage attachments
on the platform

Go to Discount-Equipment.com to order your parts

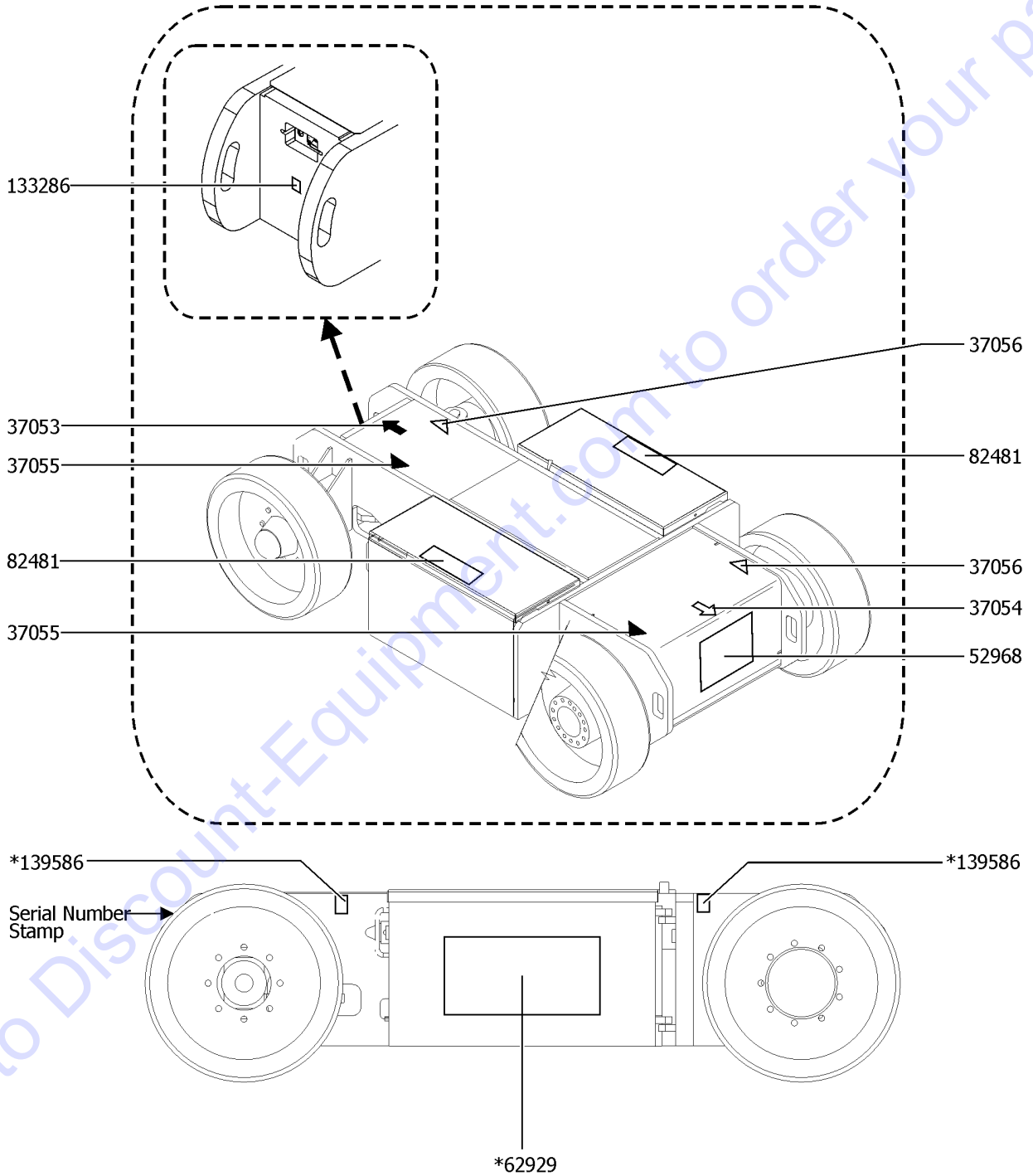
104.1 Decals with Word, Platform (ANSI & Australia) (to SN Z30NF-19999)

Item	Part No.	Description	Qty.
-	1303476GT	INSTRUCTIONS,INSTALL,PLAT,WORD, Z-30	1
-	1303477GT	DECAL KIT, Z-30,PLAT,WORD,ANSI & AUS	1
1	28165GT	DECAL,INSTRUCT,FOOTSWITCH OPER	1
2	28174GT	DECAL, POWER TO PLATFORM 230V**	1
3	28176GT	DECAL,LABEL,MANUAL NOT HERE	1
4	28177GT	DECAL,WARN,CRUSH HAZARD PLAT	2
5	28235GT	DECAL, POWER TO PLATFORM 115V**	1
6	28236GT	DECAL,WARN,IMPROPER OPERATION	1
7	32728GT	DECAL,OPTION GENERATOR*** option, inverter	1
8	37052GT	DECAL,NOTICE,MAX LOAD 500 LBS	1
9	40434GT	DECAL,LANYARD ANCHORAGE POINT	6
10	44248GT	DECAL,NOTICE,MAX CAP 440 LBS option, aircraft protection	1
11	44981GT	DECAL,LABEL,AIRLINE 110 PSI option, airline to platform	1
12	44986GT	DECAL,INSTR,SIDE FRC/WIND,AUS AUS	1
13	46468GT	DECAL,FUNCTION OVERRIDE option, aircraft protection	1
14	72081GT	DECAL,PLATFORM CONTROL PANEL**	1
15	72867GT	DECAL,LABEL,LIGHTS*** option, work lights	1
16	97890GT	DECAL,DANGER,GEN SAFETY RULES	1
17	97893GT	DECAL,NOTICE,SIDE FRC/WINDANSI ANSI	1
18	97894GT	DECAL,NOTICE,OPER INST PLAT,DC ANSI	1
19	114397GT	DECAL,DANGER,TILT ALARM	1
20	227531GT	DECAL, OPERATING INSTRUCTIONS AUS	1
21	T112773GT	TAPE, PROTECTIVE MASK	2



105.1 Decals with Symbol, Chassis/Battery Box (ANSI & CE) (to SN 730NF-19999)

NOTE:
*Install decal on both sides of the chassis



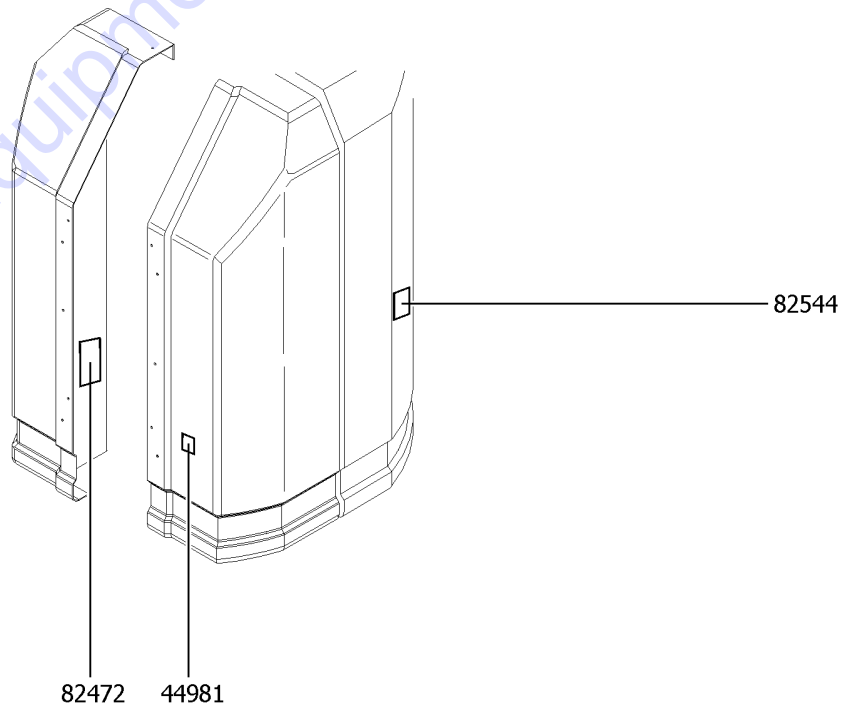
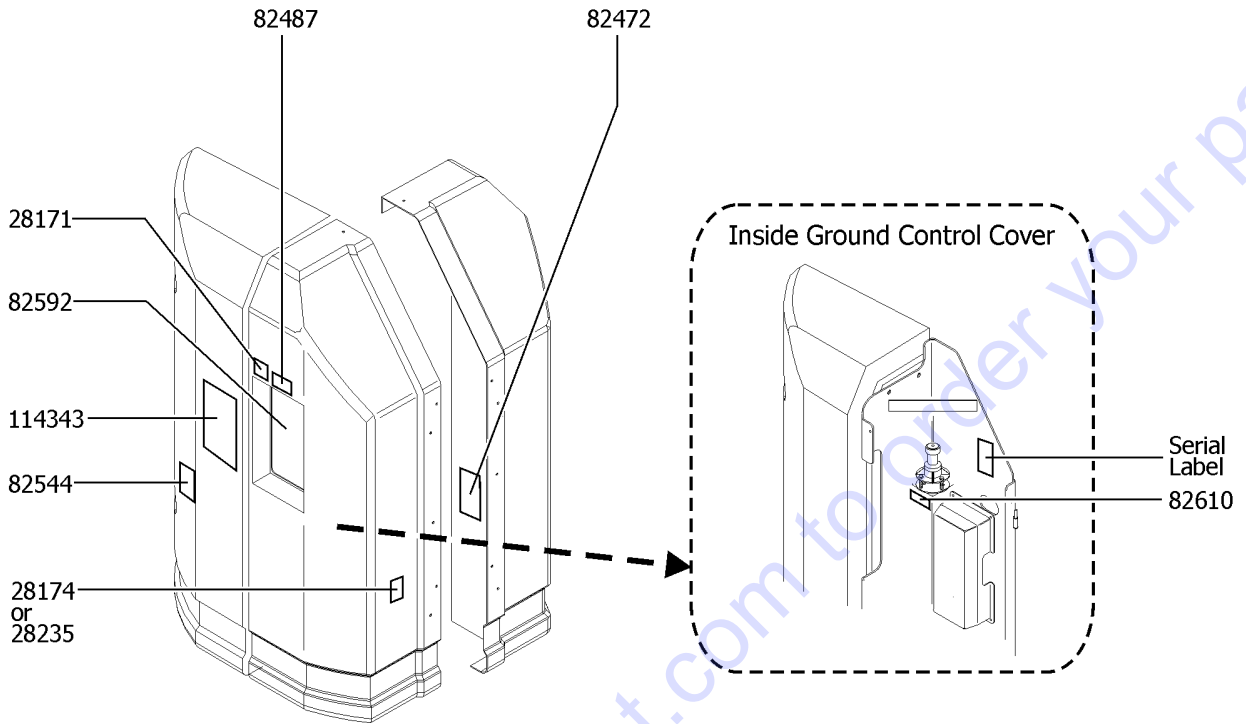
105.1 Decals with Symbol, Chassis/Battery Box (ANSI & CE) (to SN 730NF-19999)

Item	Part No.	Description	Qty.
-	1303478GT	INSTRUCTIONS,INSTALL,COMP,SYMBOL, Z-30	1
-	1303479GT	DECAL KIT, Z-30,COMP,SYMBOL,ANSI & CE	1
1	37053GT	DECAL,ARROW,BLUE	1
2	37054GT	DECAL,ARROW,YELLOW SM 5-3/8"	1
3	37055GT	DECAL,TRIANGLE,BLUE	2
4	37056GT	DECAL,TRIANGLE,YELLOW	2
5	52968GT	DECAL,COSMETIC,GENIE BOOM,VERT	1
6	62929GT	DECAL,COSM,GENIE Z-30/20N(BOX)	2
7	82481GT	DECAL SYMBOL BATTERY SAFETY	2
8	133286GT	DECAL, POWER TO CHARGER, UNIV	1
9	139586GT	DECAL,LABEL,WHEEL LOAD Z30N&RJ	4

Go to Discount-Equipment.com to order your parts



106.1 Decals with Symbol, Turntable Covers (ANSI & CE) (to SN Z30NF-19999)



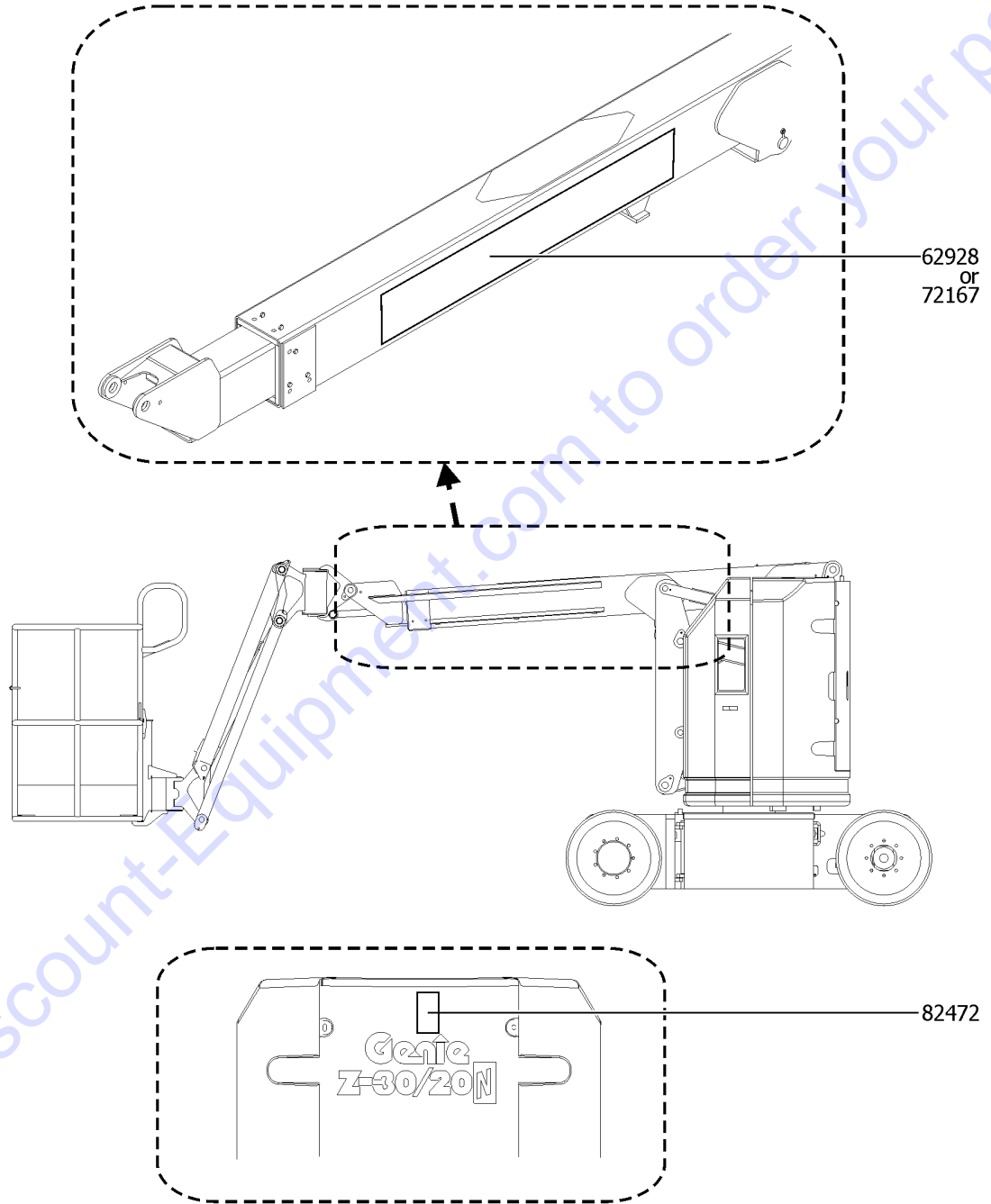
106.1 Decals with Symbol, Turntable Covers (ANSI & CE) (to SN 730NF-19999)

Item	Part No.	Description	Qty.
1	28171GT	DECAL,DANGER,NO SMOKING ***	1
2	28174GT	DECAL, POWER TO PLATFORM 230V**	1
3	28235GT	DECAL, POWER TO PLATFORM 115V**	1
4	44981GT	DECAL,LABEL,AIRLINE 110 PSI	1
		option, airline to platform	
5	82472GT	DECAL,WARNING,CRUSHING HAZARD	2
6	82487GT	DECAL, SYMBOL - READ THE MANUAL	1
7	82544GT	DECAL,DANGER,ELEC.HAZ.STAY CLR	2
8	82592GT	DECAL,GROUND CONTROL PANEL ***	1
9	82610GT	DECAL,LABEL,CB & STATUS LIGHT	1
10	114343GT	DECAL,LABEL,EMERGENCY DOWN	1

Go to Discount-Equipment.com to order your parts



107.1 Decals with Symbol, Boom (ANSI & CE) (to SN Z30NF-19999)



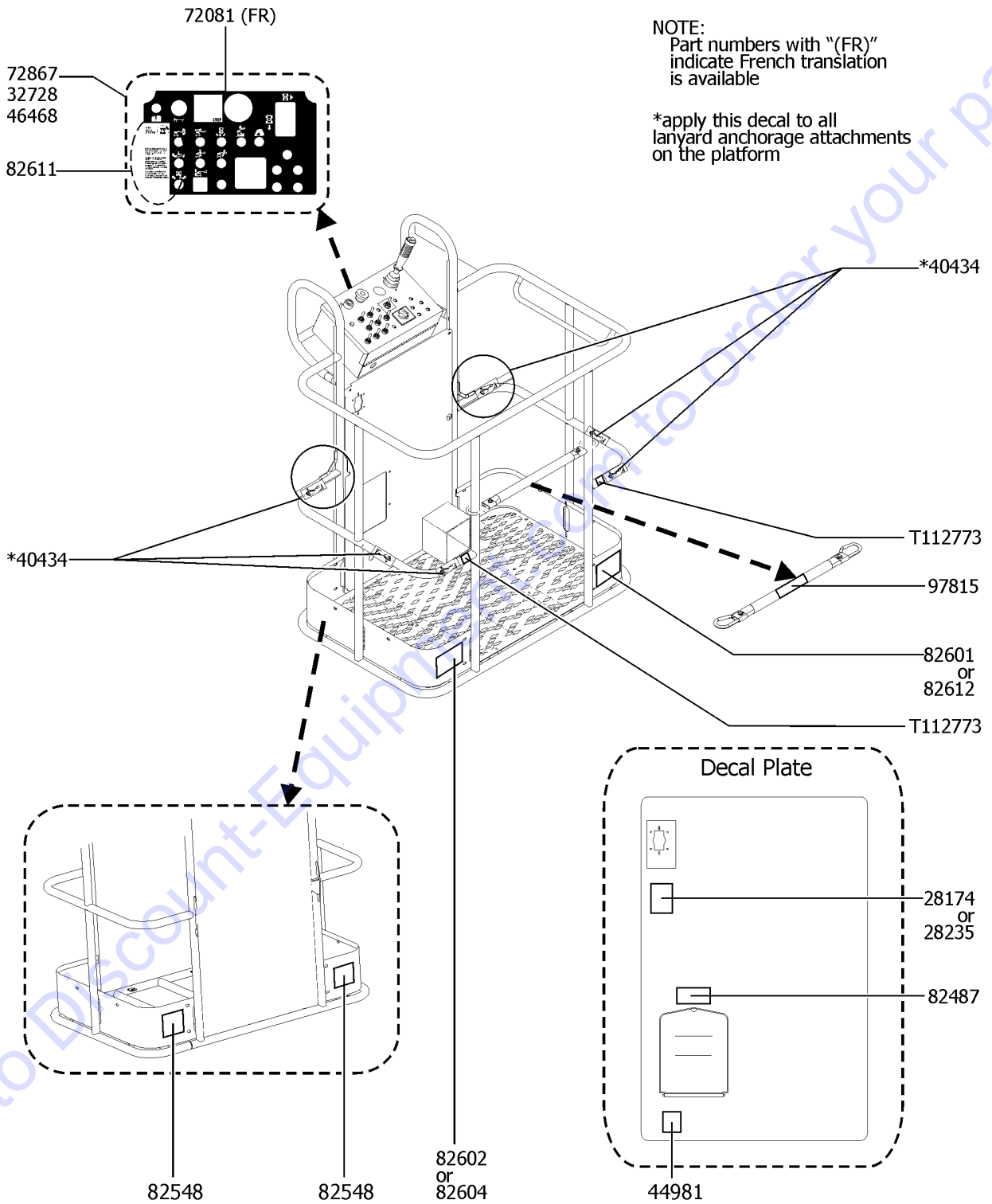
107.1 Decals with Symbol, Boom (ANSI & CE) (to SN Z30NF-19999)

<i>Item</i>	<i>Part No.</i>	<i>Description</i>	<i>Qty.</i>
1	62928GT	DECAL,COSMETIC,GENIE Z-30/20N	1
2	72167GT	DECAL,COSMETIC,GENIE Z30/20NRJ	1
3	82472GT	DECAL,WARNING,CRUSHING HAZARD	1

Go to Discount-Equipment.com to order your parts



108.1 Decals with Symbol, Platform (ANSI & CE) (to SN Z30NF-19999)

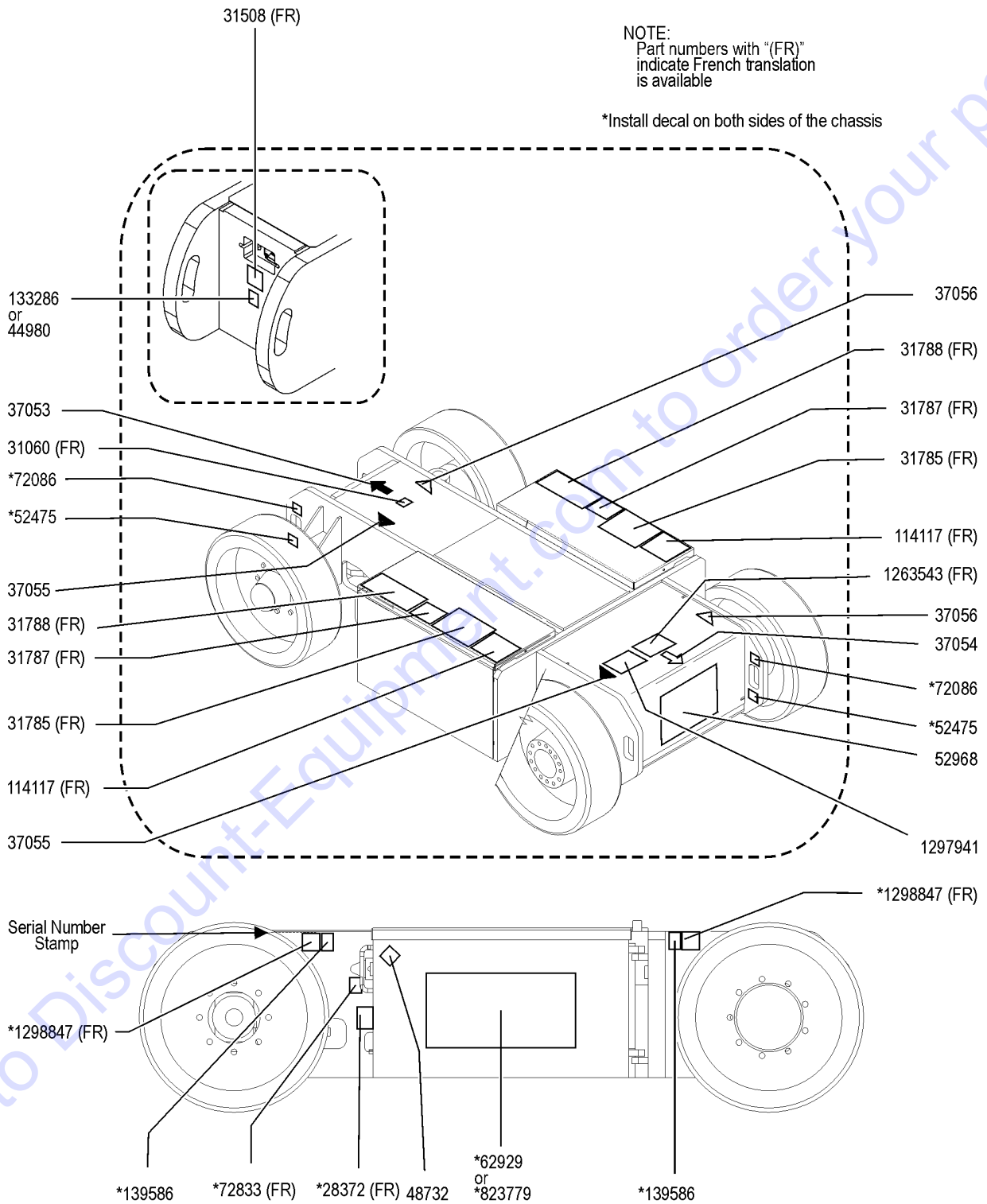


108.1 Decals with Symbol, Platform (ANSI & CE) (to SN Z30NF-19999)

Item	Part No.	Description	Qty.
-	1303480GT	INSTRUCTIONS,INSTALL,PLAT,SYMBOL, Z-30	1
-	1303481GT	DECAL KIT, Z-30,PLAT,SYMBOL,ANSI & CE	1
1	28174GT	DECAL, POWER TO PLATFORM 230V**	1
2	28235GT	DECAL, POWER TO PLATFORM 115V**	1
3	32728GT	DECAL,OPTION GENERATOR*** option, inverter	1
4	40434GT	DECAL,LANYARD ANCHORAGE POINT	6
5	44981GT	DECAL,LABEL,AIRLINE 110 PSI option, airline to platform	1
6	46468GT	DECAL,FUNCTION OVERRIDE	1
7	72081GT	DECAL,PLATFORM CONTROL PANEL**	1
8	72867GT	DECAL,LABEL,LIGHTS*** option, work lights	1
9	82487GT	DECAL, SYMBOL - READ THE MANUAL	1
10	82548GT	DECAL,WARN,CRUSH HAZARD PLAT	2
11	82601GT	DECAL,LABEL,MAX CAPACITY***	1
12	82602GT	DECAL,DANGER,MAX SIDE FRC,667N ANSI	1
13	82604GT	DECAL,DANGER,SIDE FRC 400N CE	1
14	82611GT	DECAL,DRIVE ENABLE PATCH	1
15	82612GT	DECAL,DANGER,MAX CAP,200KG option, aircraft protection	1
16	97815GT	DECAL,LABEL,LOWER MIDRAIL	1
17	T112773GT	TAPE, PROTECTIVE MASK	2



109.1 Decals with Word, Chassis/Battery Box (from SN Z30NF-20000)

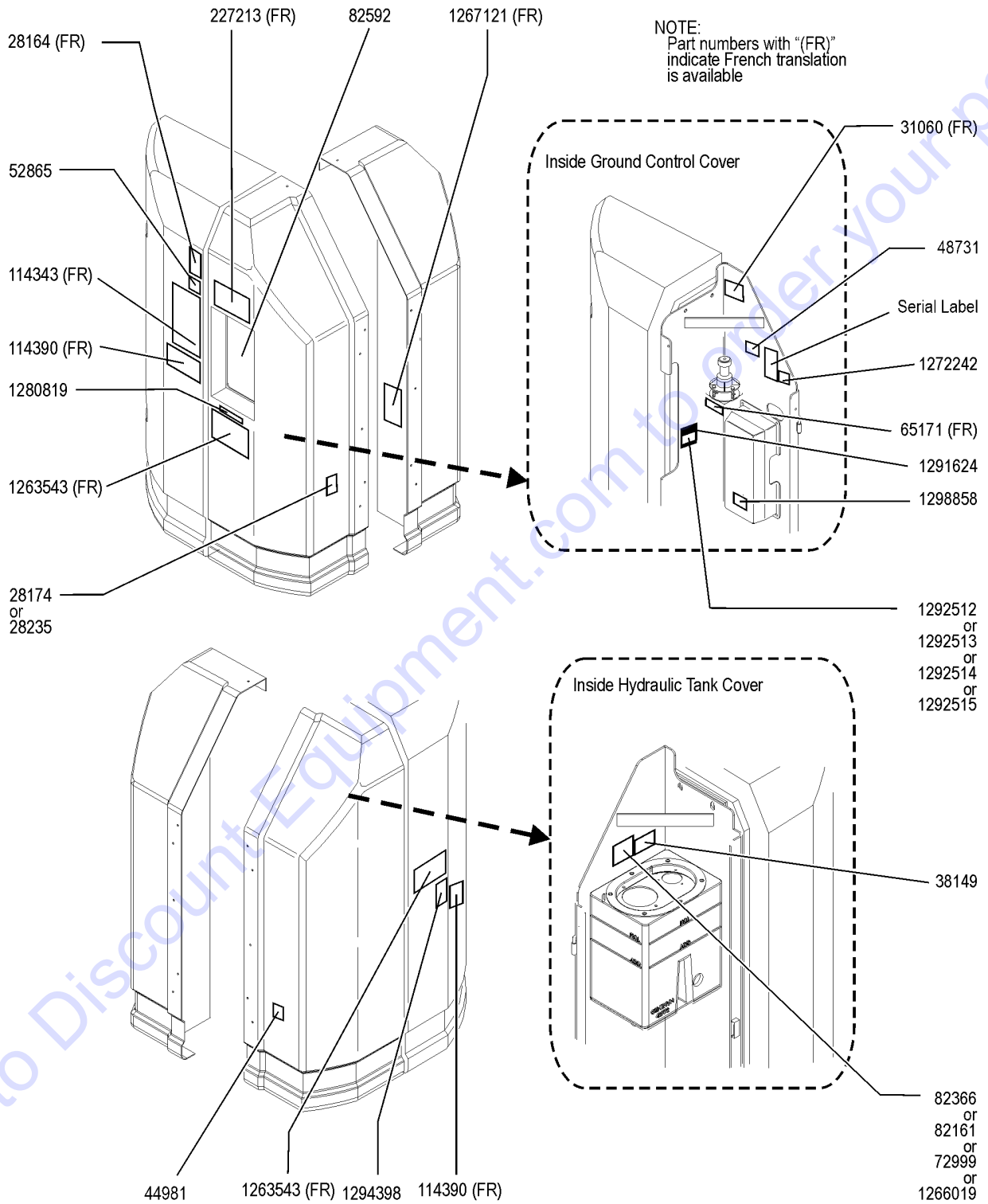


109.1 Decals with Word, Chassis/Battery Box (from SN Z30NF-20000)

Item	Part No.	Description	Qty.
-	1303314GT	INSTRUCTIONS,INSTALL,COMP,WORD, Z-30	1
-	1303315GT	DECAL KIT, Z-30,COMP,WORD,ANSI & AUS	1
1	28372GT	DECAL,NOTICE,BATTERY CABLES	2
2	31060GT	DECAL,DANGER DO NOT ALTER SWTC	1
3	31508GT	DECAL,DANGER,ELECT HAZARD,PLUG	1
4	31785GT	DECAL,NOTICE,CHARGER INSTRUC	2
5	31787GT	DECAL,DANGER,TIP-OVER BATTERY	2
6	31788GT	DECAL,DANGER,BATTERY SAFETY***	2
7	37053GT	DECAL,ARROW,BLUE	1
8	37054GT	DECAL,ARROW,YELLOW SM 5-3/8"	1
9	37055GT	DECAL,TRIANGLE,BLUE	2
10	37056GT	DECAL,TRIANGLE,YELLOW	2
11	44980GT	DECAL, LABEL, PWR TO CHARGER 115 UK Option, EE	1
12	48732GT	DECAL,LABEL,EE RATING	1
13	52475GT	DECAL LABEL TRANSPORT TIE DOWN*	4
14	52968GT	DECAL,COSMETIC,GENIE BOOM,VERT	1
15	62929GT	DECAL,COSM,GENIE Z-30/20N(BOX)	2
16	72086GT	DECAL,LABEL,LIFTING EYE	4
17	72833GT	DECAL,LABEL,OPEN,LATCH	2
18	114117GT	DECAL,BATT CONN DIAGRAM	2
19	133286GT	DECAL, POWER TO CHARGER, UNIV	1
20	139586GT	DECAL,LABEL,WHEEL LOAD Z30N&RJ	4
21	823779GT	DECAL,COSM,GENIE Z30N(BOX) BLK	2
22	1263543GT	DECAL, IMPROPER OPERATION	1
23	1297941GT	DECAL,TRANSPORT/LIFT DIAGRAM, Z-30	1
24	1298847GT	DECAL,DANGER,TIPOVR,TIRES NMF, Z-30N, Z34N,WORD	4



110.1 Decals with Word, Turntable Covers (from SN Z30NF-20000)



110.1 Decals with Word, Turntable Covers (from SN Z30NF-20000)

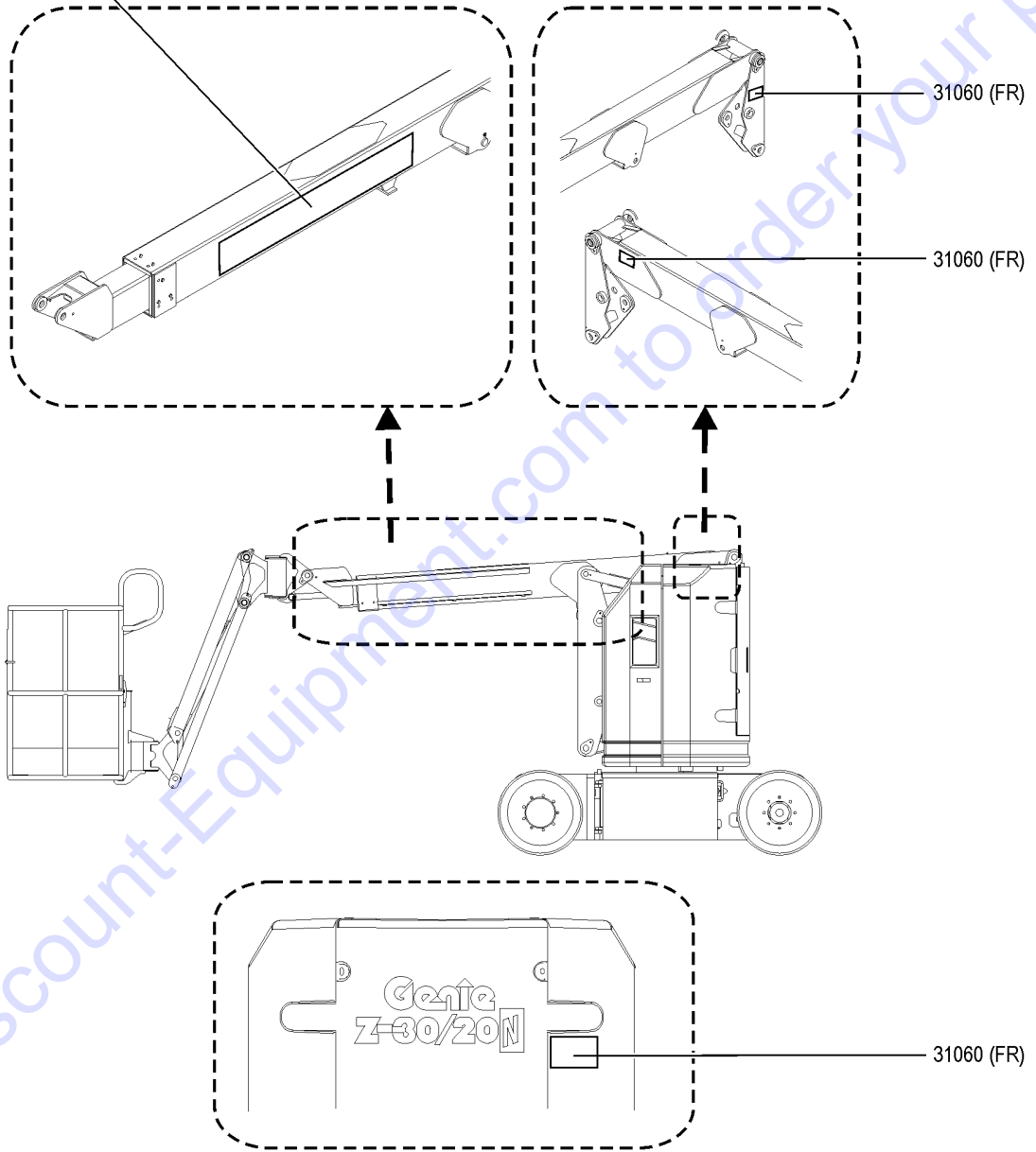
Item	Part No.	Description	Qty.
1	28164GT	DECAL,NOTICE,HAZARDOUS MAT'LS*	1
2	28174GT	DECAL, POWER TO PLATFORM 230V**	1
3	28235GT	DECAL, POWER TO PLATFORM 115V**	1
4	31060GT	DECAL,DANGER DO NOT ALTER SWTC	1
5	38149GT	DECAL LABEL PATENTS	1
6	44981GT	DECAL,LABEL,AIRLINE 110 PSI Option, Air Line to Platform	1
7	48731GT	DECAL,LABEL,FMRC APPROVED	1
8	52865GT	DECAL,ANNUAL INSP***	1
9	65171GT	DECAL,LABEL,CB & STATUS LIGHT	1
10	72999GT	DECAL,LABEL,PETRO CANADA*** Option, Hydraulic Oil	1
11	82161GT	DECAL,LABEL,UCON HYDROLUBE Option, Hydraulic Oil	1
12	82366GT	DECAL, LABEL - CHEVRON RANDO Option, Hydraulic Oil	1
13	82592GT	DECAL,GROUND CONTROL PANEL***	1
14	114343GT	DECAL,LABEL,EMERGENCY DOWN	1
15	114390GT	DECAL,DANGER,ELECT HAZARD***	2
16	227213GT	DECAL,OPER INST,DC BOOM GND AU	1
17	1263543GT	DECAL, IMPROPER OPERATION	2
18	1266019GT	DECAL, LABEL, SHELL TELLUS Option, Hydraulic Oil	1
19	1267121GT	DECAL,WARNING,CRUSH HAZARD	1
20	1272242GT	DECAL,MACHINE REGISTRATION/OWNER TRANSFER	1
21	1280819GT	DECAL,WARNING,CANCER AND REPRODUCTIVE HARM, PROP 65	1
22	1291624GT	DECAL COSM,GENIE LIFT CONNECT,LEXAN COVER	1
23	1292512GT	DECAL COSM,GENIE LIFT CONNECT,ESN,SKU4-1	1
24	1292513GT	DECAL COSM,GENIE LIFT CONNECT,ESN,SKU4-2	1
25	1292514GT	DECAL COSM,GENIE LIFT CONNECT,ESN,SKU4-3	1
26	1292515GT	DECAL COSM,GENIE LIFT CONNECT,ESN,SKU4-4	1
27	1294398GT	DECAL, ANSI/CSA COMPLIANT	1
28	1298858GT	DECAL,RELAY LABEL,Z30/34 DC	1



111.1 Decals with Word, Boom (from SN Z30NF-20000)

62928
or
823794
or
72167
or
823795

NOTE:
Part numbers with "(FR)"
indicate French translation
is available



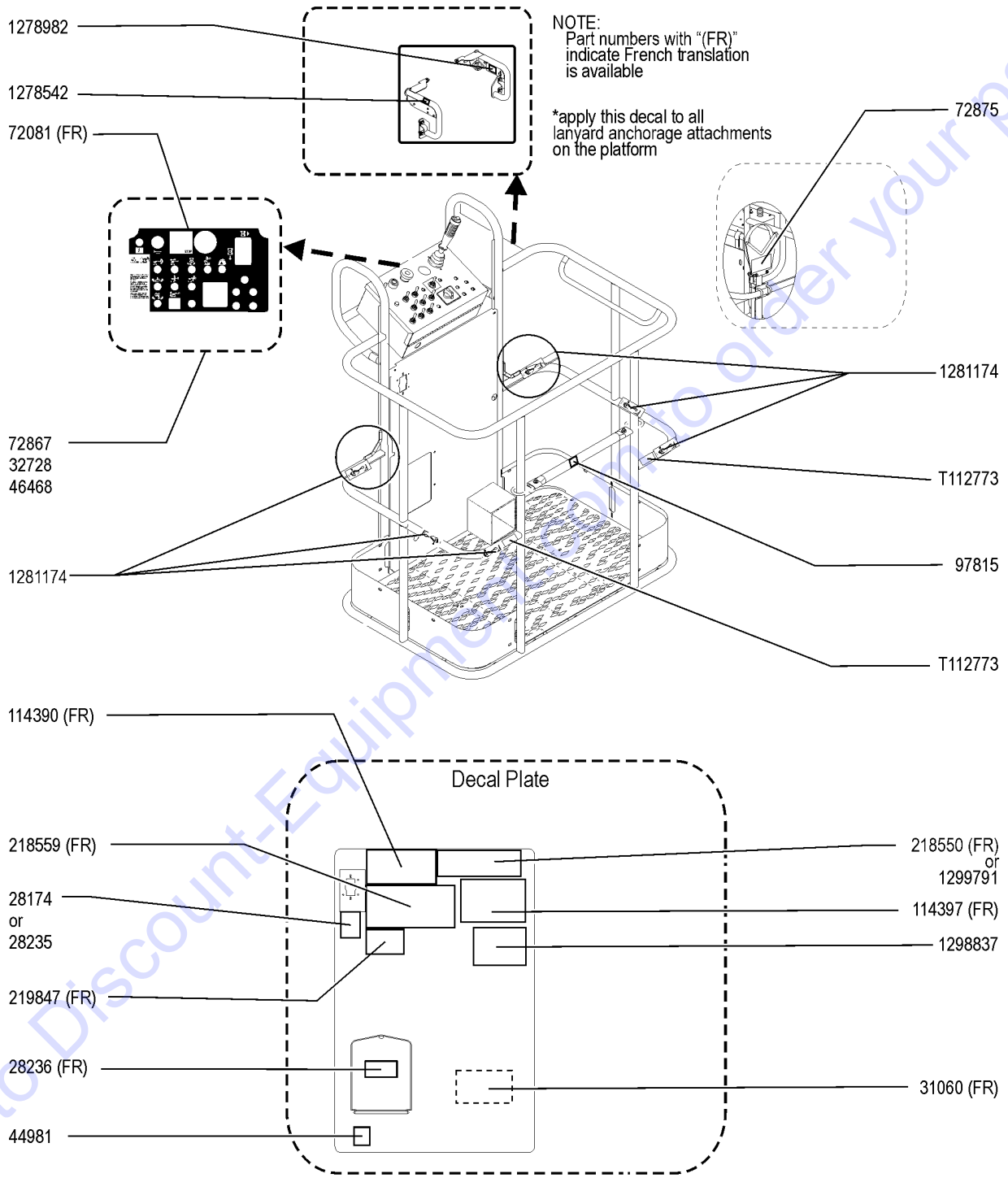
111.1 Decals with Word, Boom (from SN Z30NF-20000)

Item	Part No.	Description	Qty.
1	31060GT	DECAL,DANGER DO NOT ALTER SWTC	3
2	62928GT	DECAL,COSMETIC,GENIE Z-30/20N for Z-30/22N	1
3	72167GT	DECAL,COSMETIC,GENIE Z30/20NRJ for Z-30/20N RJ	1
4	823794GT	DECAL,COSM,GENIE Z30N BLK for Z-30/22N	1
5	823795GT	DECAL,COSM,GENIE Z30NRJ BLK for Z-30/22N RJ	1

Go to Discount-Equipment.com to order your parts



112.1 Decals with Word, Platform (from SN Z30NF-20000)



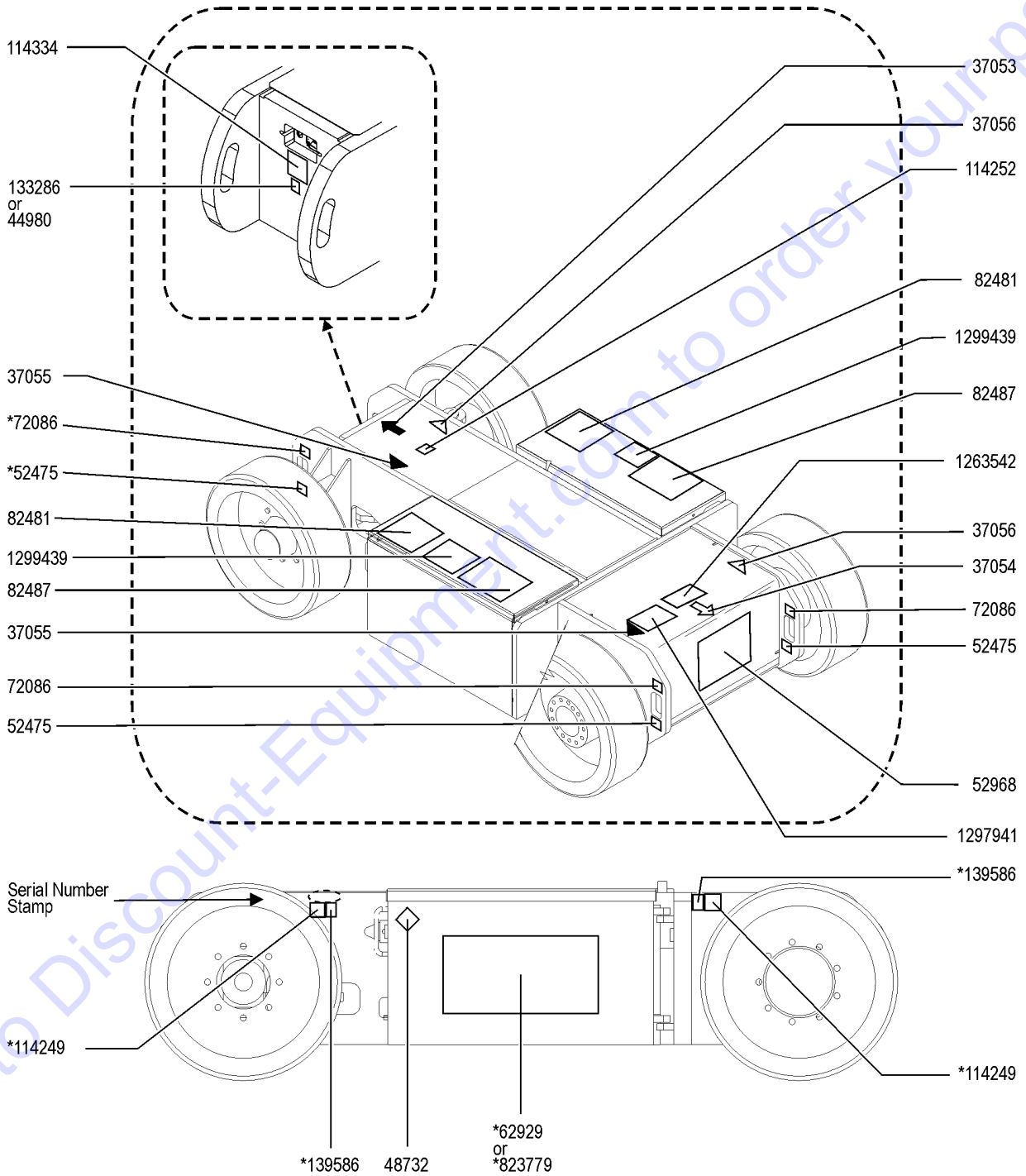
112.1 Decals with Word, Platform (from SN Z30NF-20000)

Item	Part No.	Description	Qty.
-	1303316GT	INSTRUCTIONS,INSTALL,PLAT,WORD, Z-30	1
-	1303317GT	DECAL KIT, Z-30,PLAT,WORD,ANSI & AUS	1
1	28174GT	DECAL, POWER TO PLATFORM 230V**	1
2	28235GT	DECAL, POWER TO PLATFORM 115V**	1
3	28236GT	DECAL,WARN,IMPROPER OPERATION	1
4	31060GT	DECAL,DANGER DO NOT ALTER SWTC	1
5	32728GT	DECAL,OPTION GENERATOR*** Option, Inverter	1
6	44981GT	DECAL,LABEL,AIRLINE 110 PSI Option, Air Line to Platform	1
7	46468GT	DECAL,FUNCTION OVERRIDE Option, Aircraft Protection	1
8	72081GT	DECAL,PLATFORM CONTROL PANEL**	1
9	72867GT	DECAL,LABEL,LIGHTS*** Option, Work Lights	1
10	72875GT	DECAL,WARNING,PIPE CRADLE,BOOM Option, Pipe Cradle	2
11	97815GT	DECAL,LABEL,LOWER MIDRAIL	1
12	114390GT	DECAL,DANGER,ELECT HAZARD***	1
13	114397GT	DECAL,DANGER,TILT ALARM	1
14	218550GT	DECAL,DANGER,CAP,AUS WORD	1
15	218559GT	DECAL,DANGER/WARNING COMBO	1
16	219847GT	ASSY, DIESEL FUEL TANK	1
17	1278542GT	DECAL, INSTRUCTION, CONTACT ALARM	1
18	1278982GT	DECAL, INSTRUCTION, ACTUATOR SWITCH SOCKET	1
19	1281174GT	DECAL,LANYARD,FALL ARREST/FALL RESTRAINED	6
20	1298837GT	DECAL,WARNING,RUNAWAY MACHINE,Z30N/RJ, Z34N,WORD	1
21	1299791GT	DECAL,DANGER,CAP, AIRCRAFT, WORD	1
22	T112773GT	TAPE, PROTECTIVE MASK	2



113.1 Decals with Symbol, Chassis/Battery Box (from SN Z30NF-20000)

NOTE:
*Install decal on both sides of the chassis

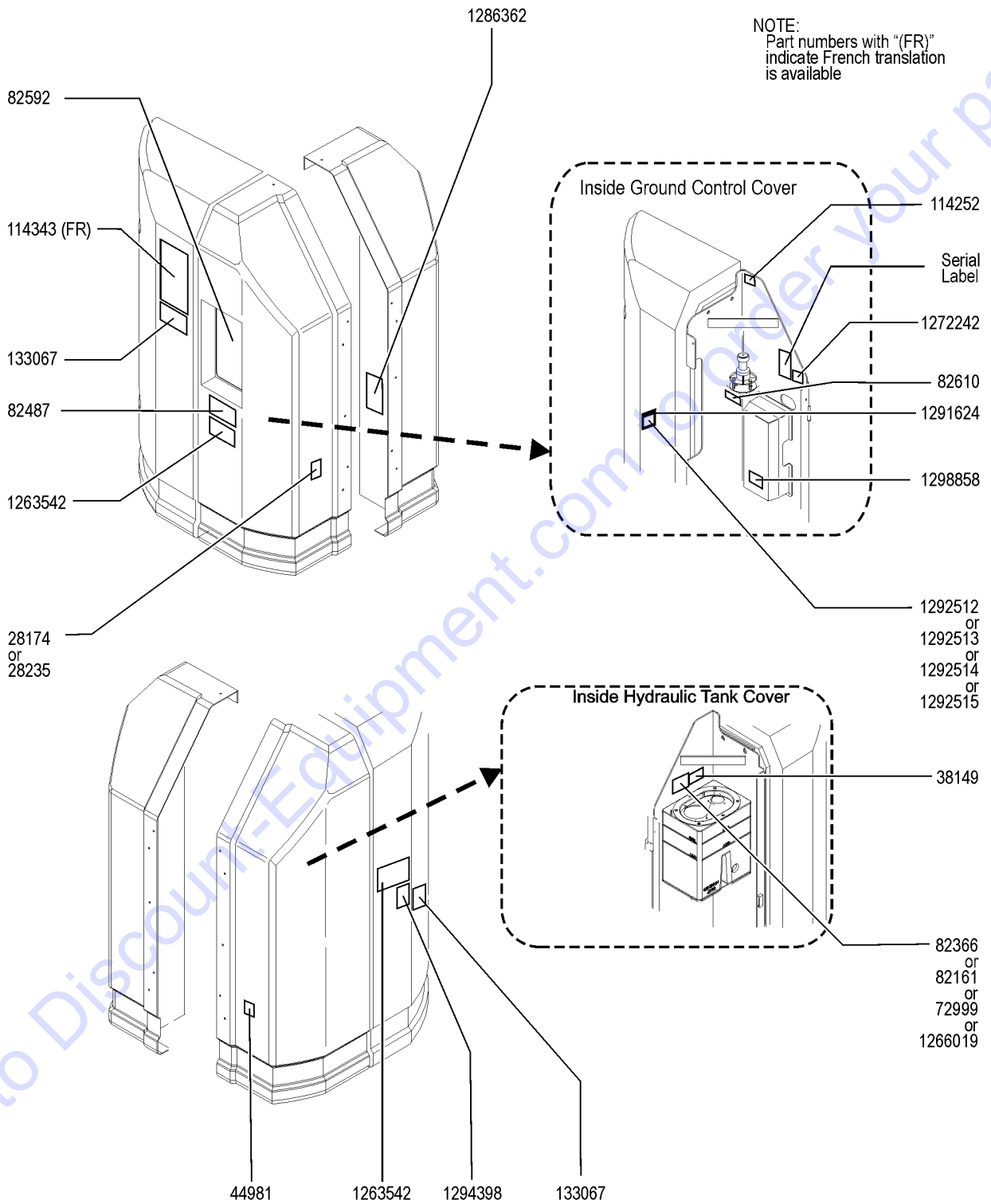


113.1 Decals with Symbol, Chassis/Battery Box (from SN Z30NF-20000)

Item	Part No.	Description	Qty.
-	1303318GT	INSTRUCTIONS,INSTALL,COMP,SYMBOL, Z-30	1
-	1303319GT	DECAL KIT, Z-30,COMP,SYMBOL,ANSI & CE	1
1	37053GT	DECAL,ARROW,BLUE	1
2	37054GT	DECAL,ARROW,YELLOW SM 5-3/8"	1
3	37055GT	DECAL,TRIANGLE,BLUE Option, EE	2
4	37056GT	DECAL,TRIANGLE,YELLOW Option, FMRC	2
5	44980GT	DECAL, LABEL, PWR TO CHARGER 115 UK	1
6	48732GT	DECAL,LABEL,EE RATING	1
7	52475GT	DECAL LABEL TRANSPORT TIE DOWN*	4
8	52968GT	DECAL,COSMETIC,GENIE BOOM,VERT	1
9	62929GT	DECAL,COSM,GENIE Z-30/20N(BOX)	2
10	72086GT	DECAL,LABEL,LIFTING EYE	4
11	82481GT	DECAL SYMBOL BATTERY SAFETY	2
12	82487GT	DECAL, SYMBOL - READ THE MANUAL	2
13	114249GT	DECAL,LABEL,TIPOVER,TIRES,SYMB	4
14	114252GT	DECAL,LABEL,TIP OVER LMT SWTCH	1
15	114334GT	DECAL SYMBOL ELECTRIC HAZARD PLUG	1
16	133286GT	DECAL, POWER TO CHARGER, UNIV	1
17	139586GT	DECAL,LABEL,WHEEL LOAD Z30N&RJ	4
18	823779GT	DECAL,COSM,GENIE Z30N(BOX) BLK	2
19	1263542GT	DECAL,IMPROPER OPERATION,SYMBOL	1
20	1297941GT	DECAL,TRANSPORT/LIFT DIAGRAM, Z-30	1
21	1299439GT	DECAL,ANSI SYMBOL, BATT WEIGHT/TIP OVER,Z30N	2



114.1 Decals with Symbol, Turntable Covers (from SN Z30NF-20000)

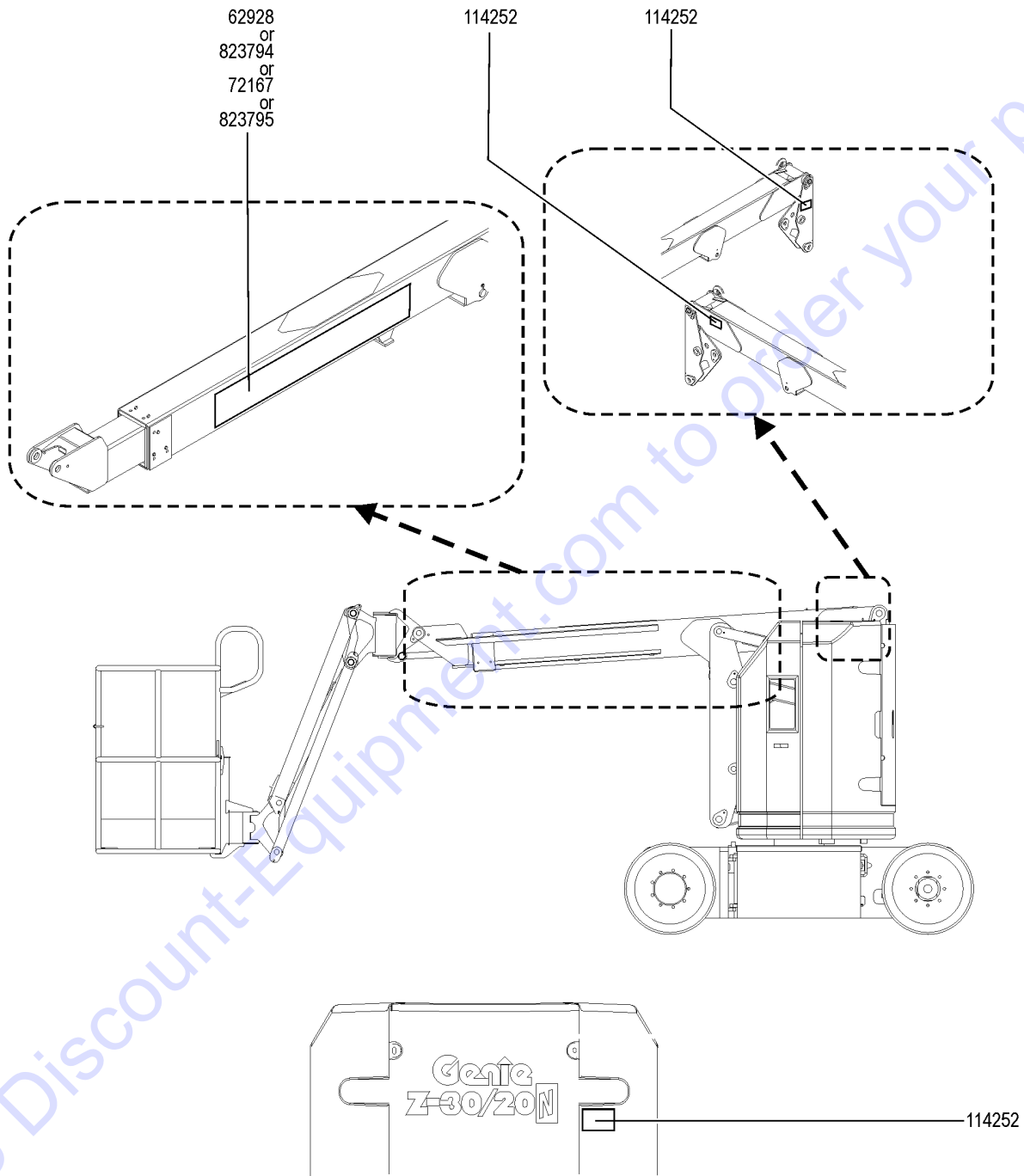


114.1 Decals with Symbol, Turntable Covers (from SN Z30NF-20000)

Item	Part No.	Description	Qty.
1	28174GT	DECAL, POWER TO PLATFORM 230V**	1
2	28235GT	DECAL, POWER TO PLATFORM 115V**	1
3	38149GT	DECAL LABEL PATENTS	1
4	44981GT	DECAL,LABEL,AIRLINE 110 PSI Option, Air Line to Platform	1
5	72999GT	DECAL,LABEL,PETRO CANADA*** Option, Hydraulic Oil	1
6	82161GT	DECAL,LABEL,UCON HYDROLUBE Option, Hydraulic Oil	1
7	82366GT	DECAL, LABEL - CHEVRON RANDO Option, Hydraulic Oil	1
8	82487GT	DECAL, SYMBOL - READ THE MANUAL	1
9	82592GT	DECAL,GROUND CONTROL PANEL ***	1
10	82610GT	DECAL,LABEL,CB & STATUS LIGHT	1
11	114252GT	DECAL,LABEL,TIP OVER LMT SWTCH	1
12	114343GT	DECAL,LABEL,EMERGENCY DOWN	1
13	133067GT	DECAL,DANGER,ELEC.HAZ.STAY CLR	2
14	1263542GT	DECAL,IMPROPER OPERATION,SYMBOL	2
15	1266019GT	DECAL, LABEL, SHELL TELLUS Option, Hydraulic Oil	1
16	1272242GT	DECAL,MACHINE REGISTRATION/OWNER TRANSFER	1
17	1286362GT	DECAL, BOOM SUPPORT, SYMBOL	1
18	1291624GT	DECAL COSM,GENIE LIFT CONNECT,LEXAN COVER	1
19	1292512GT	DECAL COSM,GENIE LIFT CONNECT,ESN,SKU4-1	1
20	1292513GT	DECAL COSM,GENIE LIFT CONNECT,ESN,SKU4-2	1
21	1292514GT	DECAL COSM,GENIE LIFT CONNECT,ESN,SKU4-3	1
22	1292515GT	DECAL COSM,GENIE LIFT CONNECT,ESN,SKU4-4	1
23	1298898GT	DECAL, ANSI/CSA COMPLIANT	1
24	1298858GT	DECAL,RELAY LABEL,Z30/34 DC	1



115.1 Decals with Symbol, Boom (from SN Z30NF-20000)



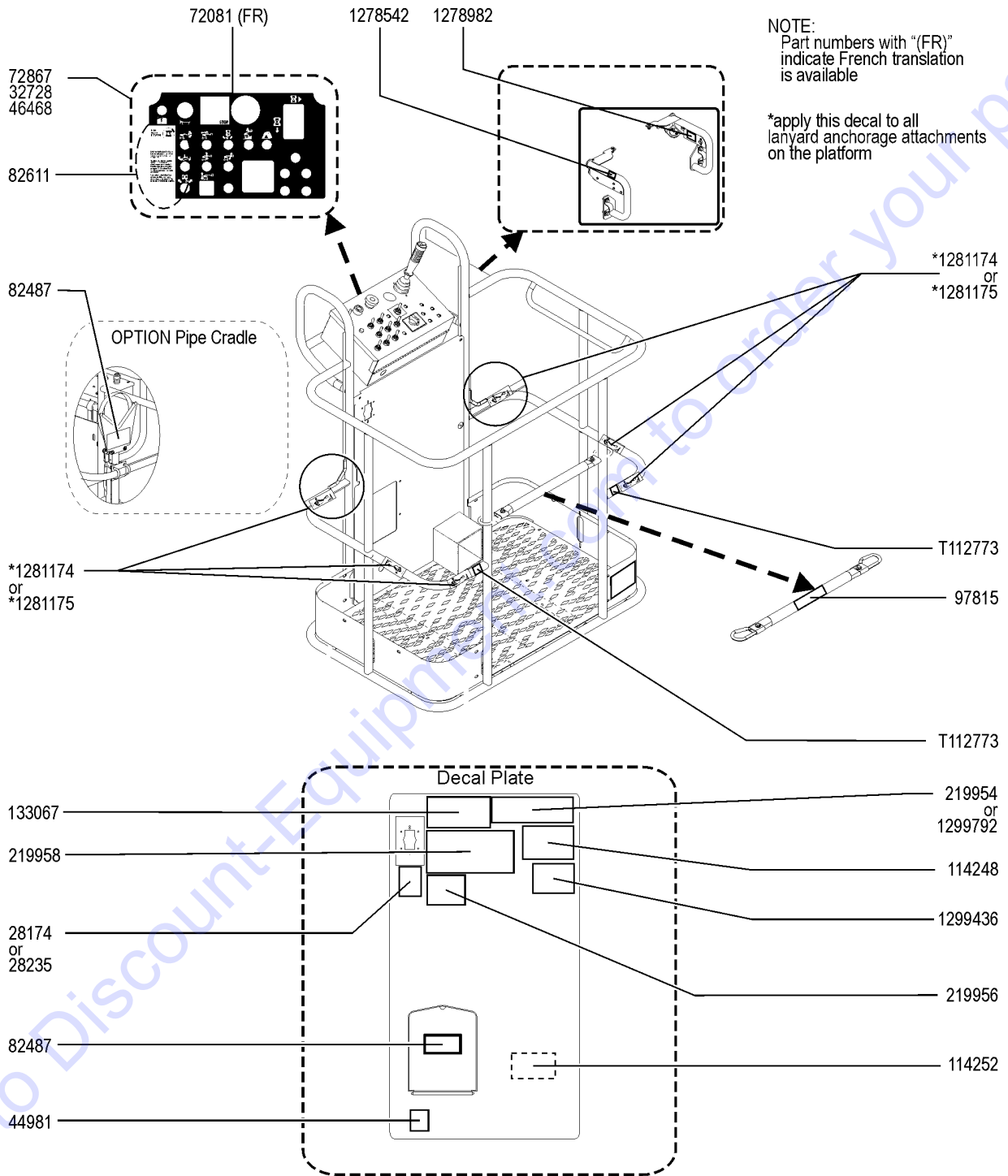
115.1 Decals with Symbol, Boom (from SN Z30NF-20000)

<i>Item</i>	<i>Part No.</i>	<i>Description</i>	<i>Qty.</i>
1	62928GT	DECAL,COSMETIC,GENIE Z-30/20N	1
2	72167GT	DECAL,COSMETIC,GENIE Z30/20NRJ	1
3	114252GT	DECAL,LABEL,TIP OVER LMT SWTCH	3
4	823794GT	DECAL,COSM,GENIE Z30N BLK	1
5	823795GT	DECAL,COSM,GENIE Z30NRJ BLK	1

Go to Discount-Equipment.com to order your parts



116.1 Decals with Symbol, Platform (from SN Z30NF-20000)

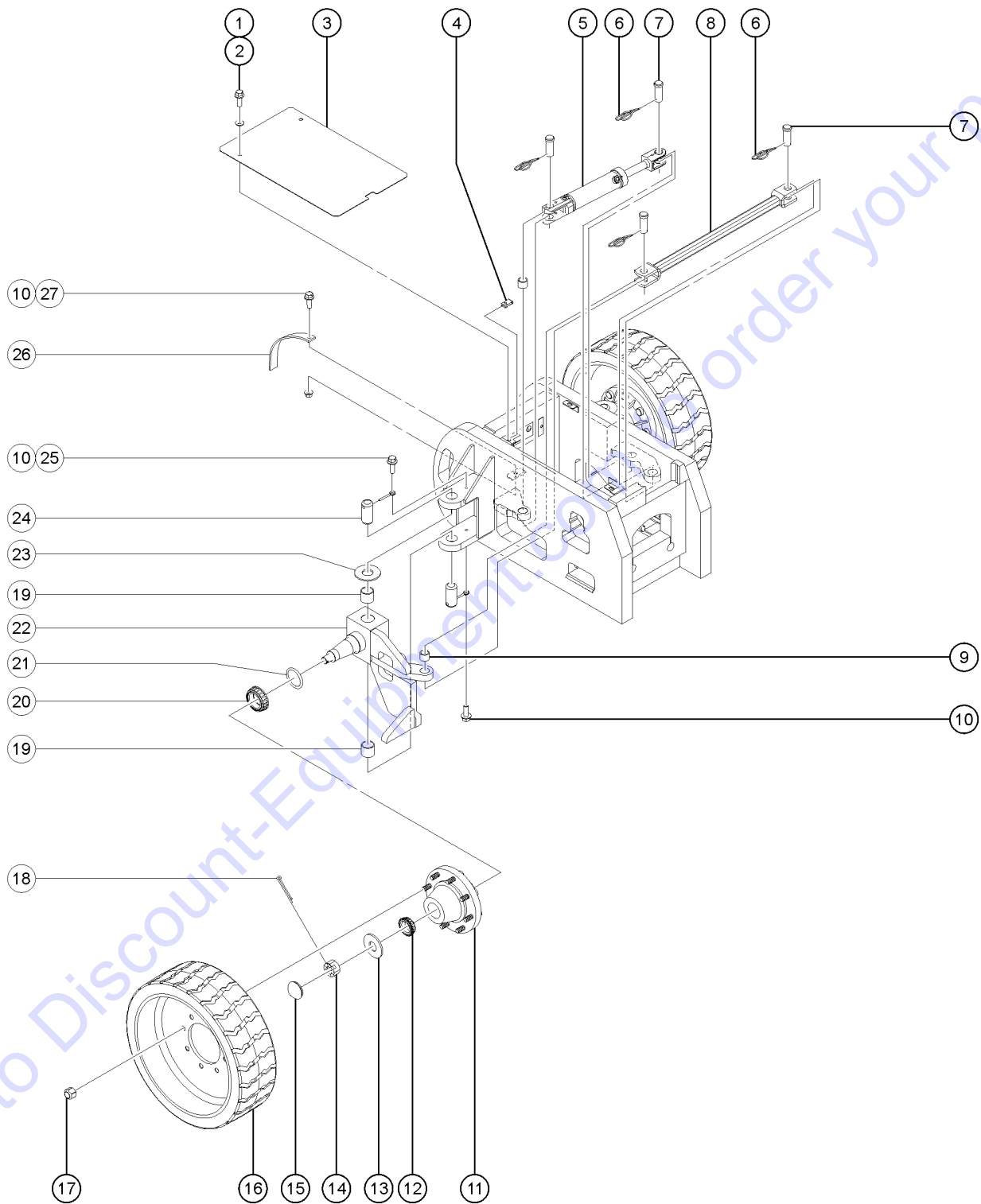


116.1 Decals with Symbol, Platform (from SN Z30NF-20000)

Item	Part No.	Description	Qty.
-	1303320GT	INSTRUCTIONS,INSTALL,PLAT,SYMBOL, Z-30	1
-	1303321GT	DECAL KIT, Z-30,PLAT,SYMBOL,ANSI & CE	1
1	28174GT	DECAL, POWER TO PLATFORM 230V**	1
2	28235GT	DECAL, POWER TO PLATFORM 115V**	1
3	32728GT	DECAL,OPTION GENERATOR*** Option, Inverter	1
4	44981GT	DECAL,LABEL,AIRLINE 110 PSI Option, Air Line to Platform	1
5	46468GT	DECAL,FUNCTION OVERRIDE Option, Aircraft Protection	1
6	72081GT	DECAL,PLATFORM CONTROL PANEL**	1
7	72867GT	DECAL,LABEL,LIGHTS*** Option, Work Lights	1
8	82487GT	DECAL, SYMBOL - READ THE MANUAL	1
9	82611GT	DECAL,DRIVE ENABLE PATCH	1
10	97815GT	DECAL,LABEL,LOWER MIDRAIL	1
11	114248GT	DECAL,LABEL,TIPOVER,TILT AL SY	1
12	114252GT	DECAL,LABEL,TIP OVER LMT SWTCH	1
13	133067GT	DECAL,DANGER,ELEC.HAZ.STAY CLR	1
14	219954GT	DECAL,TIP-OVER HAZARD,CE Option, Aircraft Protection	1
15	219956GT	DECAL,PLATFORM OVERLOAD	1
16	219958GT	DECAL,TIP-OVER,CRUSH	1
17	1278542GT	DECAL, INSTRUCTION, CONTACT ALARM	1
18	1278982GT	DECAL, INSTRUCTION, ACTUATOR SWITCH SOCKET	1
19	1281174GT	DECAL,LANYARD,FALL ARREST/FALL RESTRAINED	6
20	1281175GT	DECAL,LANYARD,FALL RESTRAINED	6
21	1299436GT	DECAL,SYMBOL,SLOPE RATING,Z30N/34N	1
22	1299792GT	DECAL,TIP-OVER HAZARD, AIRCRAFT, SYM	1
23	T112773GT	TAPE, PROTECTIVE MASK	2



201.1 Steer Axle Linkage, Wheels and Hubs

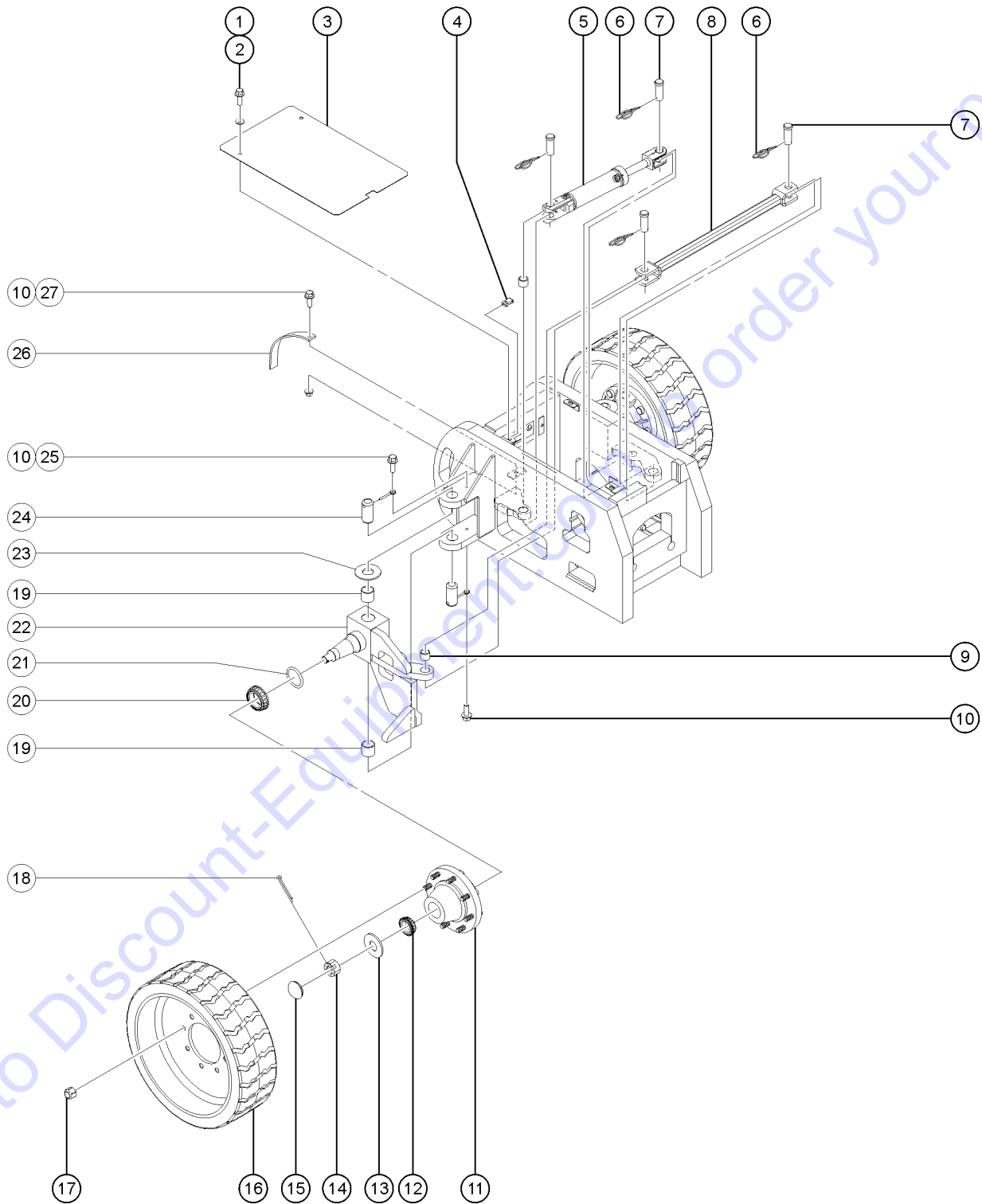


201.1 Steer Axle Linkage, Wheels and Hubs

Item	Part No.	Description	Qty.
1	824078GT	SCREW,HHF,1/4-20X.75,8,ZAG	
2	824113GT	WASHER,FLAT,USS,1/4,ZAG	
3A	37100GT	COVER W/DECAL DR CHAS STR END* word decals	1
3B	106038GT	FRT COVER ASSY. W/SYM DECALS** symbol decals	1
4	56912GT	SPRING CLIP,1/4-20,.025-.15X.54,ZAG	2
5	88337GT	CYLINDER,STEER	1
5-	88338GT	SEAL KIT, 88337	
6	824129GT	RUE RING,1.0,ZAG	4
7	824127GT	PIN,CLEVIS,1.0X2.41,SAE,ZAG	4
8	36163-SGT	TIE ROD,WELDMENT,Z30N**	1
9	25817GT	BEARING,1.00IDX1.25ODX1.00L	4
10	824090GT	SCREW,HHF,3/8-16X1,8,ZAG	
11	45043GT	HUB ASSEMBLY MODEL#60-8***	2
11-	45873GT	SEAL/BEARING KIT (45043,54840) includes items 12, 15, 20 and 21	
11-	21166GT	LUG BOLT,5/8-18,WHEEL HUB***	
12	45108GT	OUTER CONE - MODEL 60-8 small bearing race not included	2
12A	40146GT	BEARING RACE (SMALL) (45873) outer cone not included	
13	45112GT	WASHER,SPINDLE	2
14	45113GT	NUT,SPINDLE,1-14	2
15	45111GT	CAP,DUST,45873 HUB KIT	2
16	94908GT	TIRE & WHEEL ASSY,FRONT N-M non-marking 8-hole wheel	2
17	824042GT	NUT,LUG,5/8-18X90 DEG,ZAG	
18	45114GT	PIN,COTTER,.219 X 1.75	
19	45071GT	BEARING,1.5IDX1.75ODX1.5L	
20	45107GT	INNER CONE - MODEL 60-8 large bearing race not included	2
20A	40145GT	BEARING RACE (LARGE) (45873) inner cone not included	
21	45110GT	SEAL-GREASE,MODEL 60-8	2
22A	74312GT	YOKE ASSY,LH,Z30NRJ left side; includes items 9 and 19	1



201.1 Steer Axle Linkage, Wheels and Hubs



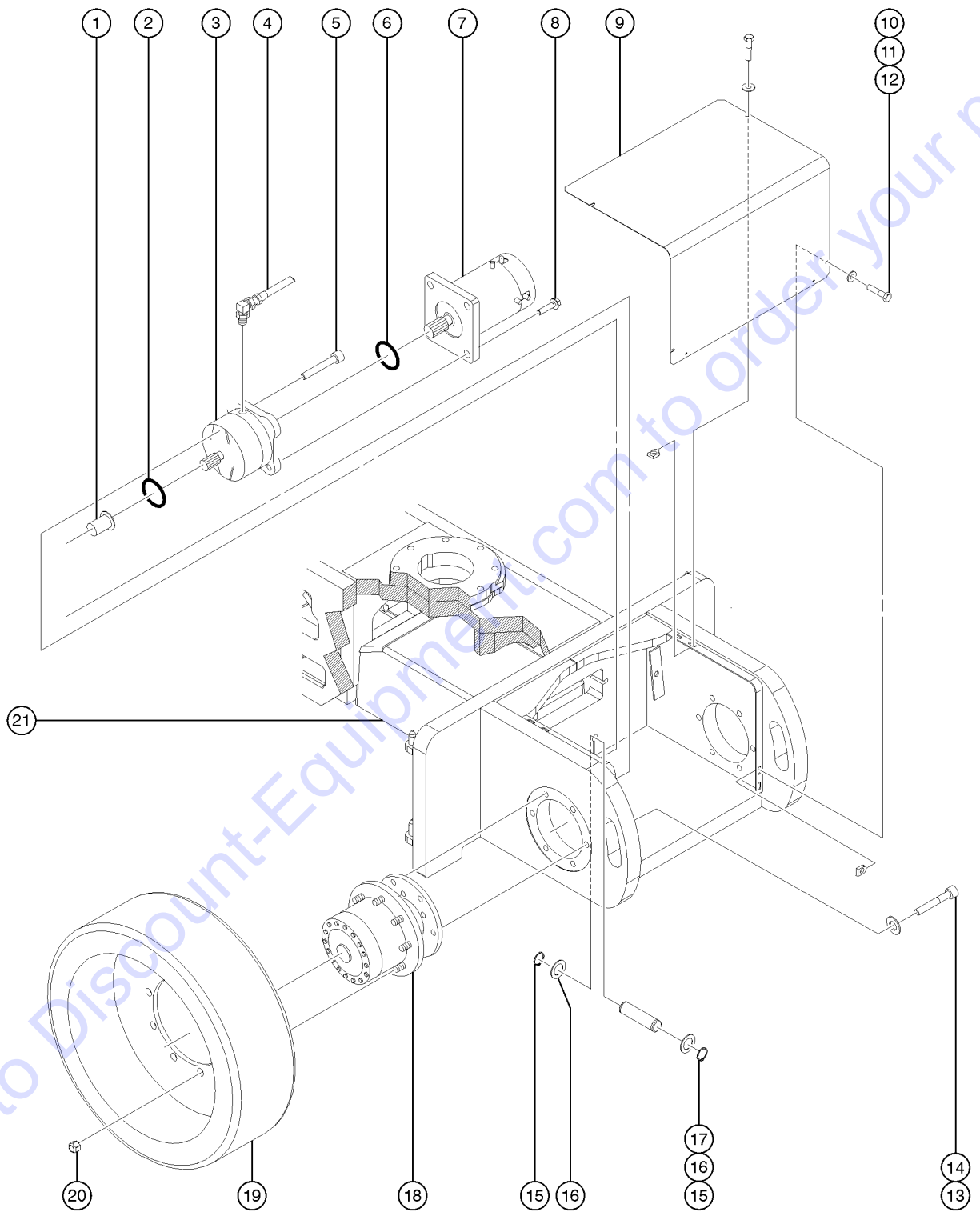
201.1 Steer Axle Linkage, Wheels and Hubs

Item	Part No.	Description	Qty.
22B	74313GT	YOKE ASSY,RH,Z30NRJ right side; includes items 9 and 19	1
23	45074GT	WASHER,THRUST,1.5 X 3.5 X .187	2
24	36211GT	PIN,1.50DIA X 3.25LG,1HOLE	4
25	825019GT	ROD END,.375 X 3.69,ZAG	4
26	96317GT	GROUND STRAP,12"LG***	1
27	824029GT	NUT,TL FLG,3/8-16,G,ZAG	

Go to Discount-Equipment.com to order your parts



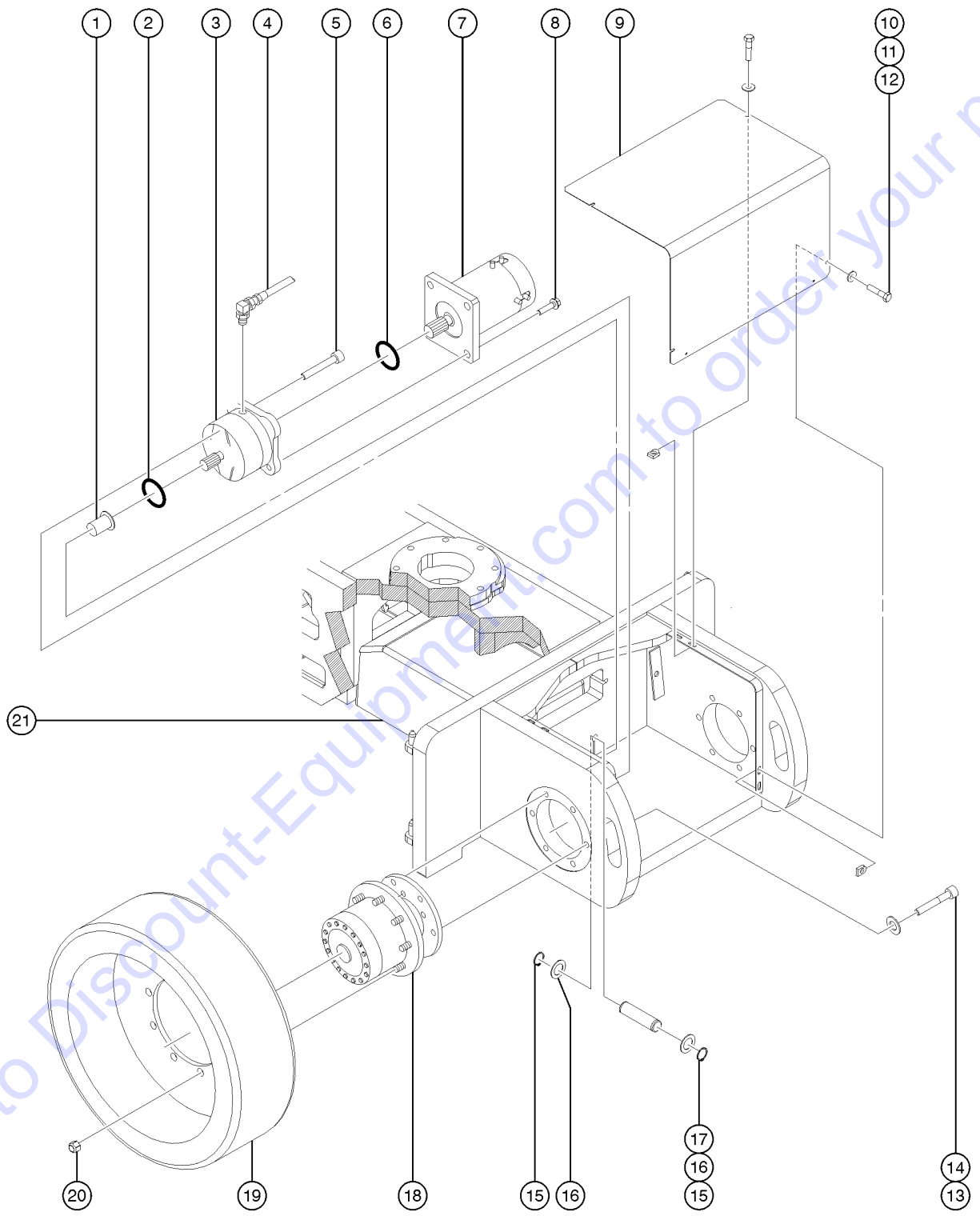
202.1 Non-steer Axle



Item	Part No.	Description	Qty.
1	38113GT	COUPLER,INTERNAL SPLINE,T-HUB	2
2	52087GT	O-RING,2-044 BUNA***	2
3	139351GT	BRAKE, NEMA, 1200 IN/LB	2
3-	105352GT	GASKET, BRAKE (VENDOR#78917)	
3-	65608GT	BEARING KIT, AUSCO***	
3-	139353GT	STACK KIT, AUSCO 1200 IN/LB	
3-	139354GT	O-RING KIT, AUSCO 1200 IN/LB	
3-	139355GT	GASKET KIT, AUSCO 1200 IN/LB	
4		Ref. Hydraulic Hoses and Fittings (refer to 801.1)	
5	824103GT	SCREW,SHC,1/2-13X3,A574,ZAG	4
6	22811GT	O-RING,MOTOR TO BRAKE***	2
7	56831GT	MOTOR, DRIVE, SEPEX	2
7-	44778GT	BEARING,MOTOR,36843,BRUSH END*	1
7-	65872GT	BRUSH LEAD ASSEMBLY KIT(56831)	
7-	72078GT	BRUSH BOX ASSY	
7-	T108887GT	SPRING, BRUSH	
8	824091GT	SCREW, HHF, 3/8-16 X 1.25, 8, ZAG	8
9	128732GT	COVER, DRIVE CHASSIS,Z30N decals not included, refer to 101.1 and 105.1	1
10	824060GT	SCREW, HHC, 1/4-20 X 1, 8, ZAG	4
11	824113GT	WASHER,FLAT,USS,1/4,ZAG	4
12	56912GT	SPRING CLIP,1/4-20,.025-.15X.54,ZAG	4
13	824107GT	SCREW,SHC,5/8-11X3,A574,ZAG	12
14	824121GT	WASHER, FLAT, .688 X 1.160 X .09, ZAG	12
15	1253843GT	SNAP RING,EXTERNAL,1.00,ZAG	4
16	1256119GT	WASHER,SHIM,1.01X1.63X.062,ZAG	4
17	1304483GT	PIN,1.00DIA X 29.5LG,2 RING GROVE	2
18	106445GT	WHEEL DRIVE,4HB,57:1***	2
18-	106121GT	ROD,DISCONNECT 4HP/4HB*** for 106445	



202.1 Non-steer Axle



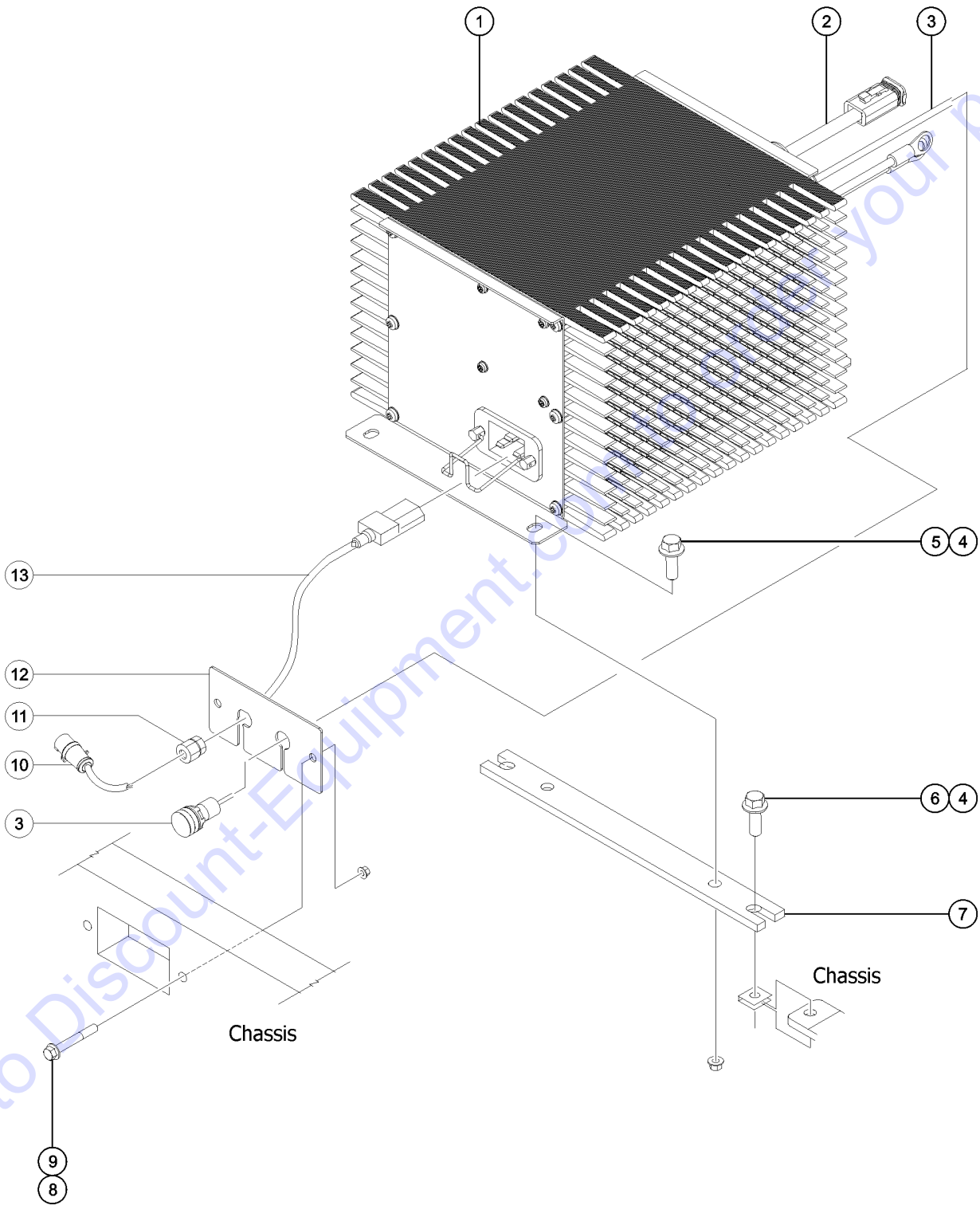
Go to Discount-Equipment.com to order your parts

Item	Part No.	Description	Qty.
18-	106122GT	CAP, DISENGAGE, 4HP/4HB*** for 106445	
18-	106123GT	O-RING, END COVER, 4HP/4HB*** for 106445	
18-	1286600GT	SEAL KIT, WHEEL DRIVE (106148/106445/107712) for 106445 (inventory limited to stock on hand as component is no longer available)	
18-	1286600GT	SEAL KIT, WHEEL DRIVE (106148/106445/107712) for 106445	
18-	21149GT	LUG, WHEEL STUD, 5/8-18, W1/4HB** for 106445	
18-	232486GT	SNAP RING, WHEEL DRIVE for 106445	
18-	58320GT	KIT, TORQUE HUB COVER(101584)** for 106445	
18-	74714GT	BEARING KIT-74097 TORQUE HUB** for 106445 (inventory limited to stock on hand as component is no longer available)	
18-	1286601GT	BEARING KIT, WHEEL DRIVE (106148/106445/107712) for 106445	
18-	83092GT	SNAP RING (74097) for 106445	
19	94909GT	TIRE & WHEEL ASSY, REAR N-M non-marking 9-hole wheel	
20	824042GT	NUT, LUG, 5/8-18X90 DEG, ZAG	18
21	36612GT	COUNTERWEIGHT, CAST, 645 LBS.***	1

Go to Discount-Equipment.com to order your parts



203.1 Battery Charger



PARTS FINDER

**Search Website
by Part Number**



**Search Manual
Library For Parts
Manual & Lookup Part
Numbers – Purchase
or Request Quote**

Search Manuals

Enter your information to help us find the right parts manual for your machine.

* Brand:

* Model:

* Serial:

* Part Number:

SEARCH

**Can't Find Part or
Manual? Request Help
by Manufacturer,
Model & Description**

Parts Order Form

Please fill in the following information to help us find the right part for your machine.

Manufacturer:	<input type="text"/>
Model:	<input type="text"/>
Description:	<input type="text"/>
Part Number:	<input type="text"/>
Quantity:	<input type="text"/>
Notes:	<input type="text"/>

Discount-Equipment.com is your online resource for quality parts & equipment.

Florida: **561-964-4949** Outside Florida TOLL FREE: **877-690-3101**

Need parts?

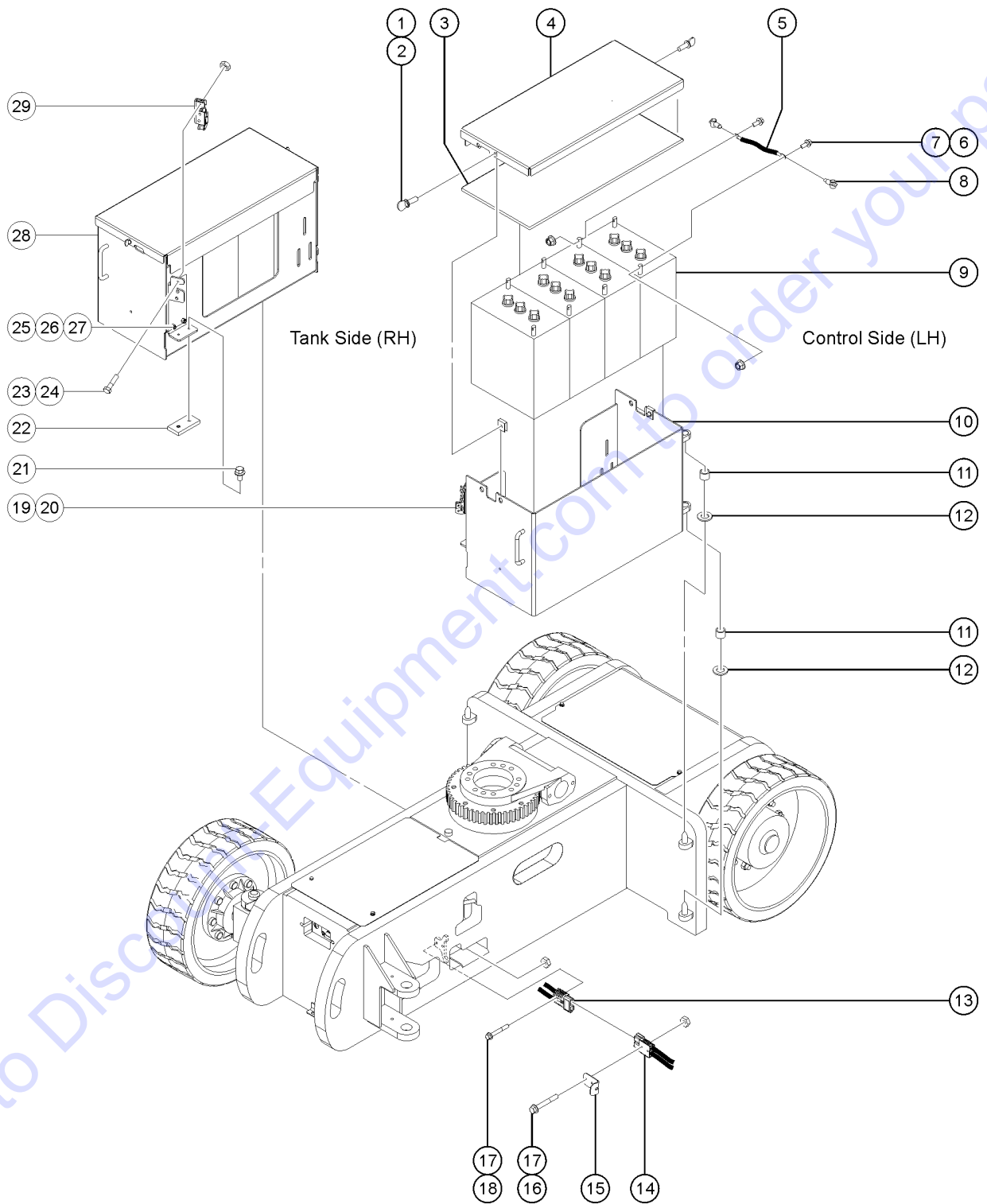
Click on this link: <http://www.discount-equipment.com/category/5443-parts/> and choose one of the options to help get the right parts and equipment you are looking for. Please have the machine model and serial number available in order to help us get you the correct parts. If you don't find the part on the website or on one of the online manuals, please fill out the request form and one of our experienced staff members will get back to you with a quote for the right part that your machine needs.

We sell worldwide for the brands: Genie, Terex, JLG, MultiQuip, Mikasa, Essick, Whiteman, Mayco, Toro Stone, Diamond Products, Generac Magnum, Airman, Haulotte, Barreto, Power Blanket, Nifty Lift, Atlas Copco, Chicago Pneumatic, Allmand, Miller Curber, Skyjack, Lull, Skytrak, Tsurumi, Husquvarna Target, Stow, Wacker, Sakai, Mi-T-M, Sullair, Basic, Dynapac, MBW, Weber, Bartell, Bennar Newman, Haulotte, Ditch Runner, Menegotti, Morrison, Contec, Buddy, Crown, Edco, Wyco, Bomag, Laymor, EZ Trench, Bil-Jax, F.S. Curtis, Gehl Pavers, Heli, Honda, ICS/PowerGrit, IHI, Partner, Imer, Clipper, MMD, Koshin, Rice, CH&E, General Equipment, Amida, Coleman, NAC, Gradall, Square Shooter, Kent, Stanley, Tamco, Toku, Hatz, Kohler, Robin, Wisconsin, Northrock, Oztec, Toker TK, Rol-Air, APT, Wylie, Ingersoll Rand / Doosan, Innovatech, Con X, Ammann, Mecalac, Makinex, Smith Surface Prep, Small Line, Wanco, Yanmar

203.1 Battery Charger

Item	Part No.	Description	Qty.
1A	128375GT	CHARGER 48V/30A AUTO AC X-LED includes item 2 and 3; power cord not included	1
1B	58494GT	CHARGER,48V,110/60,12A,EERATNG EE rated models only	1
1-	133286GT	DECAL, POWER TO CHARGER, UNIV	1
1-	228947GT	CLIP,RETAINING,IES CHARGER	1
2	139858GT	HARN.CHARGER INTERLOCK Z34	1
3	228973GT	KIT,ASSY,LED,IES CHARGER	1
4	824078GT	SCREW,HHF,1/4-20X.75,8,ZAG	8
5	824027GT	NUT,TL FLG,1/4-20,G,ZAG	4
6	56912GT	SPRING CLIP,1/4-20,.025-.15X.54,ZAG	4
7	36673GT	PLATE,CHARGER MOUNT	2
8	824094GT	SCREW, HHF, 3/8-16 X 2.75, 8, ZAG	2
9	824029GT	NUT,TL FLG,3/8-16,G,ZAG	2
10A	119403GT	CONN,PLUG 120 AC/15A DOMESTIC included with item 13	1
10B	144161GT	PLUG,PWR,UK,16AMP,3PIN,BLK round male plug	1
10C	25388GT	PLUG,FUSED,250V,13AMP,U.K.** square male plug	1
11A	128118GT	BUSHING,STRAIN RELIEF,.875/.40 domestic	1
11B	139318GT	BUSHING,STRAIN RELIEF,.875/.30 UK	1
12	128825GT	BRACKET, CHARGER CORD AND LED	1
13A	128377GT	CORD AC IEC320-C19 TO 110US complete domestic power cord	1
13B	128376GT	CORD EURO AC IEC320-C19PIGTAIL does not include item 10	1

204.1 Battery Packs

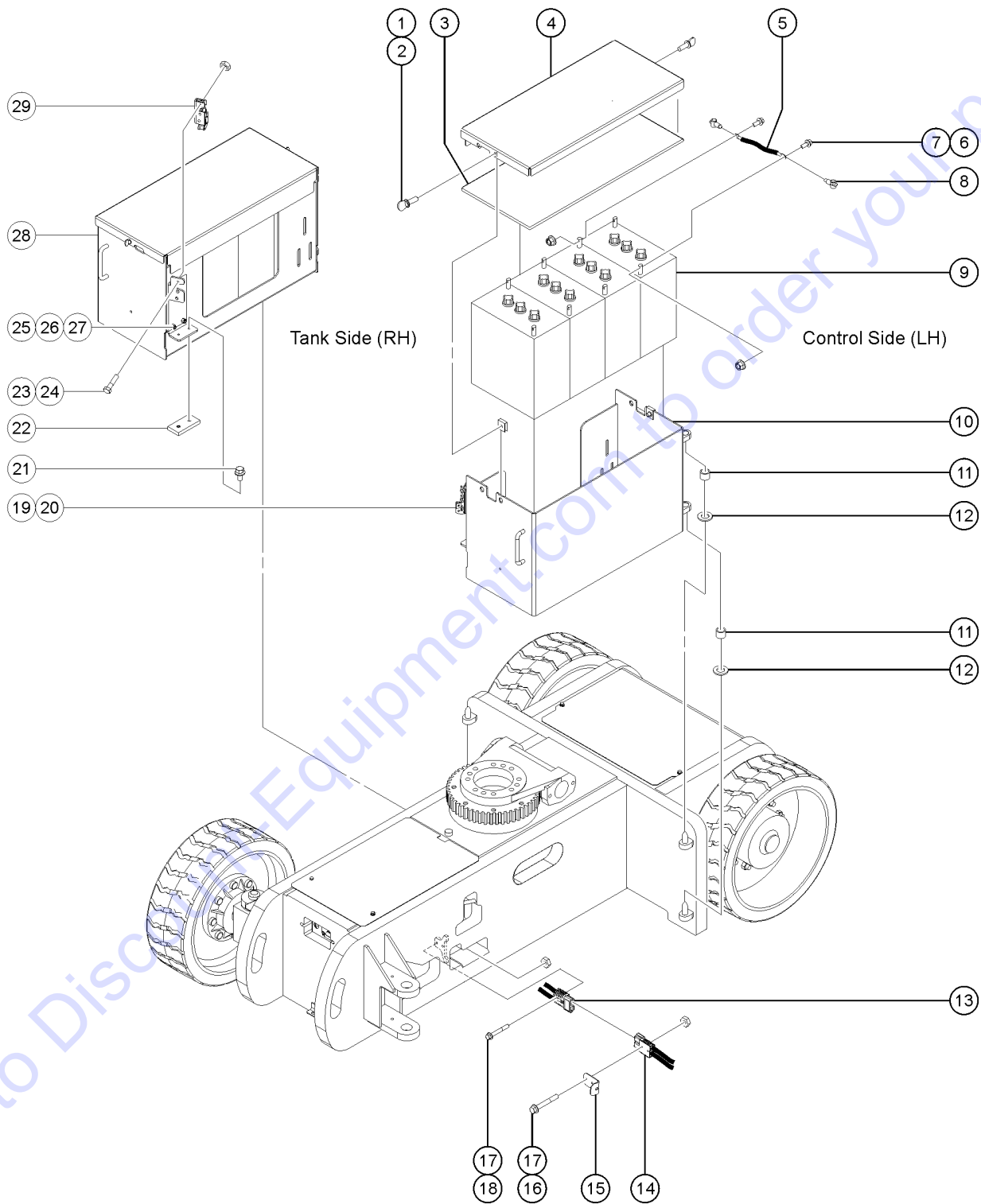


204.1 Battery Packs

Item	Part No.	Description	Qty.
A-	824046GT	BATTERY BOX ASSY,TANK SIDE DWN includes items 11, 21-29; lid not included	1
B-	824047GT	BATTERY BOX ASSY,CONTRL SIDE** includes items 10, 11, 19-24, 26 and 27; lid not included	1
1	824228GT	SCREW,THUMB,A-REG,3/8-16X1,ZAG	4
2	29868GT	SPRING CLIP,3/8-16,.05-.20X.73	4
3	106241GT	INSULATION,48V BATT.BOX LID models with AGM option	2
4A	94001GT	LID-BATTERY BOX W/DECALS**	2
4B	106025GT	LID,BATT PACK, W/SYM DECALS**	2
5		Ref. Cable Assembly refer to 206.1	
6	13002GT	SCREW,HHC,5/16-18 X 1 GR5	16
7	18503GT	NUT,LOCKING-LG.FLANGE,5/16-18	16
8	8910GT	BOOT,CABLE TERM,MED.RED,4/0	16
9A	36579GT	BATTERY, 350AH,GROUP L16G(DRY)	8
9B	823684GT	BATTERY,AGM,6V/390A,L16 models with AGM option	8
10	161941GT	BATTERY BOX ASSY, LH control side; includes item 11	1
10-	18650GT	HANDLE,FORMED	1
11	36369GT	BEARING, .75ID X 1"OD X .75LG**	4
12	36212GT	WASHER,THRUST,.75 X 1.38X.13	4
13	94011GT	BATTERY CABLE ASSEMBLY**	2
14	94012GT	BATTERY CABLE ASSEMBLY	2
15	74651GT	FORMING,HANDLE BATTERY CONN	2
16	824080GT	SCREW,HHF,1/4-20X1.25,8,ZAG	4
17	824037GT	NUT,HH JAM,1/4-20,A,ZAG	8
18	824081GT	SCREW, HHF, 1/4-20 X 1.5, 8, ZAG	4
19A	66901GT	LATCH,ROTARY, W/KNOB,RIGHT installed on LEFT side of chassis	1
20	101425PGT	FORMING,BATTERY BOX LATCH LH	1
21	824077GT	SCREW, HHF, 1/4-20 X .5, 8, ZAG	4
22	45209GT	WEAR PAD,4X2X.5 W/INSERT***	2
23	824066GT	SCREW, HHC, 5/16-18 X 1.375, 8, ZAG	6



204.1 Battery Packs



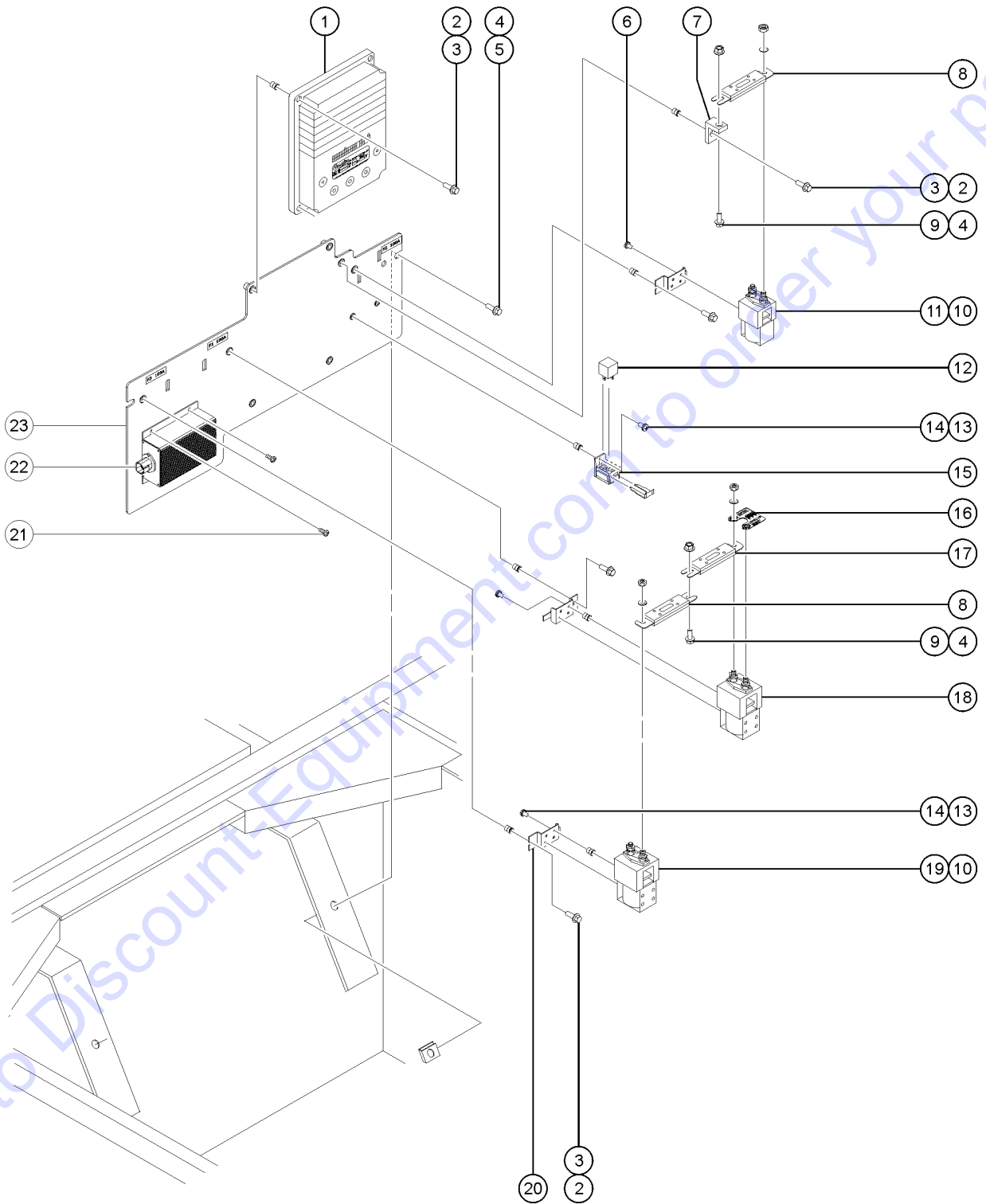
204.1 Battery Packs

Item	Part No.	Description	Qty.
24	1252977GT	NUT,TL JAM,5/16-18,A,ZAG	6
25	101426PGT	FORMING,BATTERY BOX LATCH RH	1
26	824125GT	BOLT, CARRIAGE, 3/8-16 X 1, 5, ZAG	6
27	1274322GT	NUT,NYLOCK FLG,3/8-16,F,ZAG	6
28	161940GT	BATTERY BOX ASSY, RH	1
		tank side; includes item 11	
28-	18650GT	HANDLE,FORMED	1
29A	66900GT	LATCH,ROTARY, W/KNOB,LEFT	1
		installed on RIGHT side of chassis	

Go to Discount-Equipment.com to order your parts

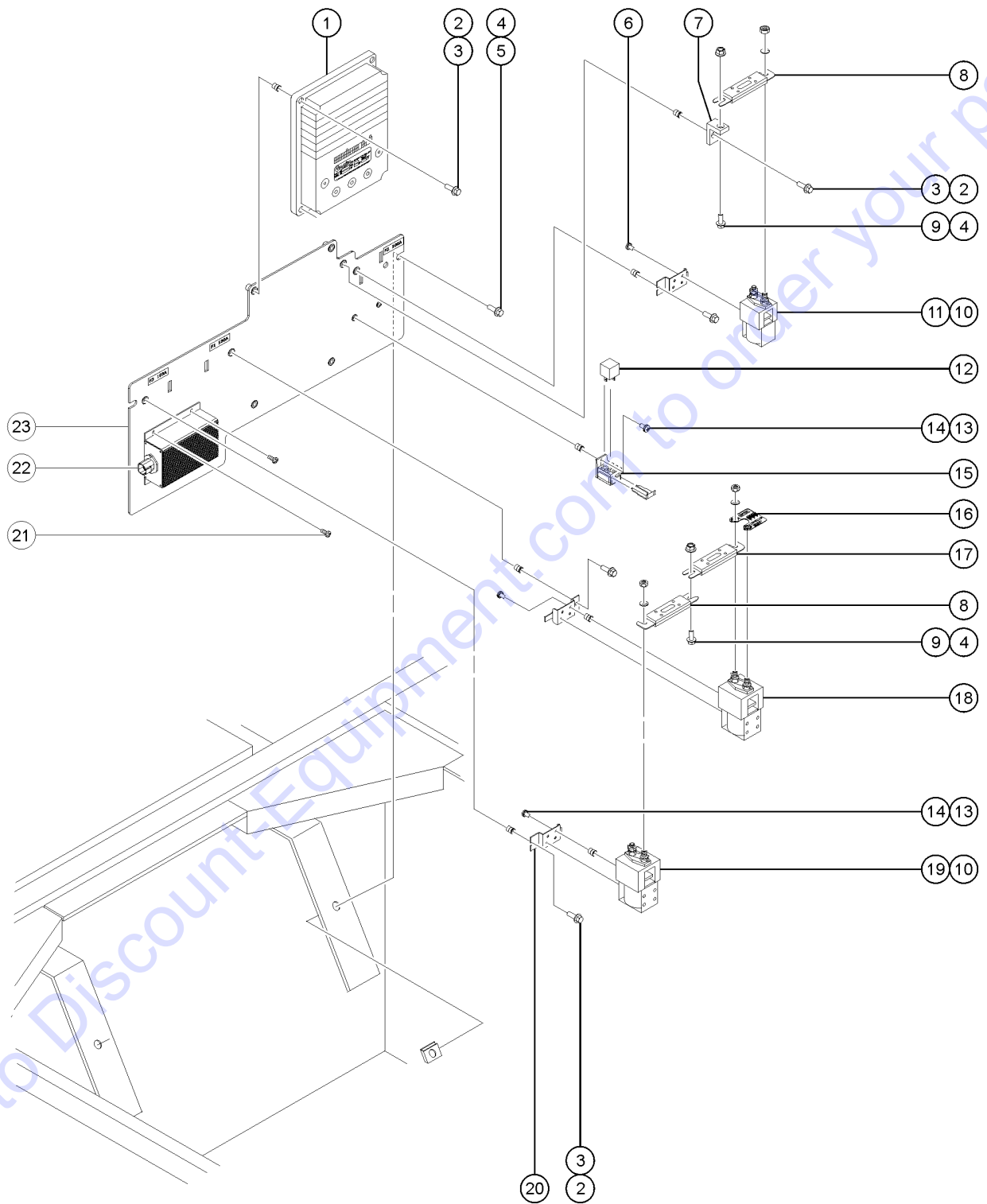


205.1 Electronic Control Module



Item	Part No.	Description	Qty.
C-	56029GT	CONNECTOR,MOLEX 24-WAY**	
D-	56030GT	TERMINAL,MOLEX 16 GAUGE***	
E-	56561GT	TOOL,TERMINAL CRIMPER,MOLEX***	
F-	56562GT	TOOL,TERMINAL EXTRACTOR,MOLEX	
1	T114858GT	CONTROLLER,SEP-EX Z30N,AMD	1
2	824079GT	SCREW,HHF,1/4-20X1,8,ZAG	7
3	23404GT	NUTSERT,1/4-20,STEEL CAD PLTD	7
4	824086GT	SCREW, HHF, 5/16-18 X 1, 8, ZAG	4
5	36456GT	SPRING CLIP,5/16-18,.025-.15X.83,ZAG	2
6	824217GT	SCREW, PHPM SEMS ET, M4-.7 X 8, ZAB	4
7	56281GT	ANGLE,FUSE MOUNT	1
8	36355GT	FUSE,100 AMP,VERY FAST ACTING	2
9	824028GT	NUT,TL FLG,5/16-18,G,ZAG	2
10	74282GT	DUST SHIELDS,180A CONTACTOR (EE models only) Limited inventory available; this component is no longer available from our supplier	4
11A	74268GT	CONTACTOR,AUX PUMP 24V,80A***	1
11A-	22262GT	CONTACT,MOVING,19549RELAY*	
11A-	22263GT	CONTACT,STATIONARY,19549RELAY*	
11A-	74495GT	SPRING, RETURN (FOR 74268)	
11B	74266GT	CONTACTOR,LIFT PUMP 24V 180A** for EE rated units only	
12	823226GT	POWER RELAY, 24V COIL for drive light option	1
13	824221GT	SCREW,PHPM SEMS ET,10-32X.313,	5
14	23405GT	NUTSERT,10-32 STEEL CAD PLTD	5
15	61226GT	RELAY SOCKET,70AMP	1
16	56930GT	DIODE,PCB DRIVE CONTACTOR**	1
17	43179GT	FUSE,500 AMP,VERY FAST ACTING	1
18	74267GT	CONTACTOR,DRIVE,24V,180A***	1
18-	74468GT	SPRING, RETURN (FOR 74267)	
18-	74469GT	FIXED CONTACT (FOR 74267)	

205.1 Electronic Control Module



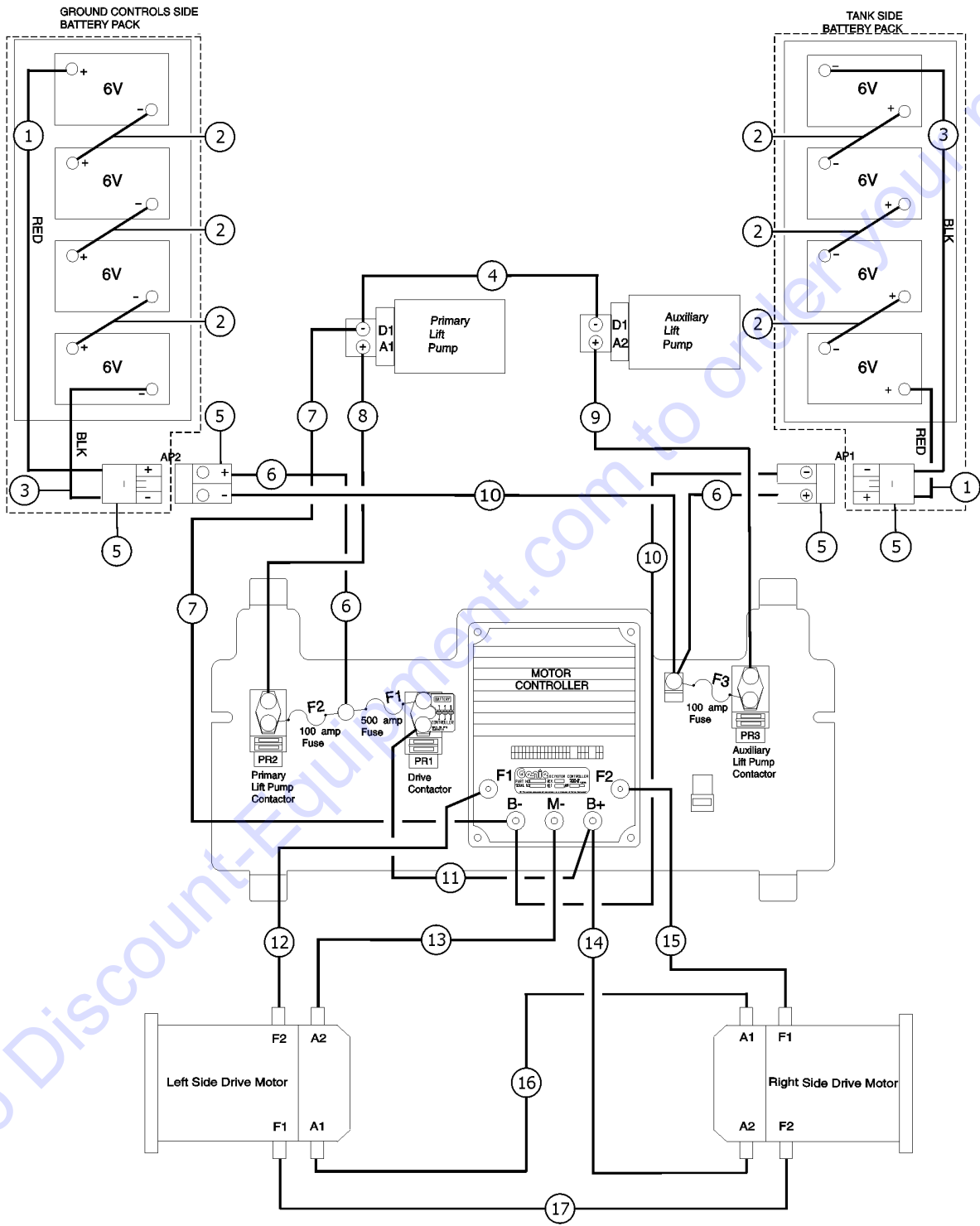
205.1 Electronic Control Module

Item	Part No.	Description	Qty.
18-	74470GT	MOVING CONTACT (FOR PN 74267)	
19	74266GT	CONTACTOR,LIFT PUMP 24V 180A**	1
19-	62695GT	CONTACT,STATIONARY (56434)**	
19-	62696GT	CONTACT-MOVEABLE (56434)**	
19-	74471GT	SPRING,RETURN (74266)	
20	56095GT	BRACKET,CONTACTOR MOUNT SINGLE	3
21	1251757GT	SCREW,PHPM,10-32X.50,ZAG	4
22	79452GT	CONVERTER, DC-DC, 48-26 VOLT**	1
22-	822917GT	KIT, DC-DC CONVERTER, DC field install kit for units without inverter	1
22-	822919GT	KIT, DC-DC CONV,Z30N W/INVERTER field install kit for units with inverter	1
23	236665GT	ASSEMBLY, CONTROLLER PLATE	1

Go to Discount-Equipment.com to order your parts



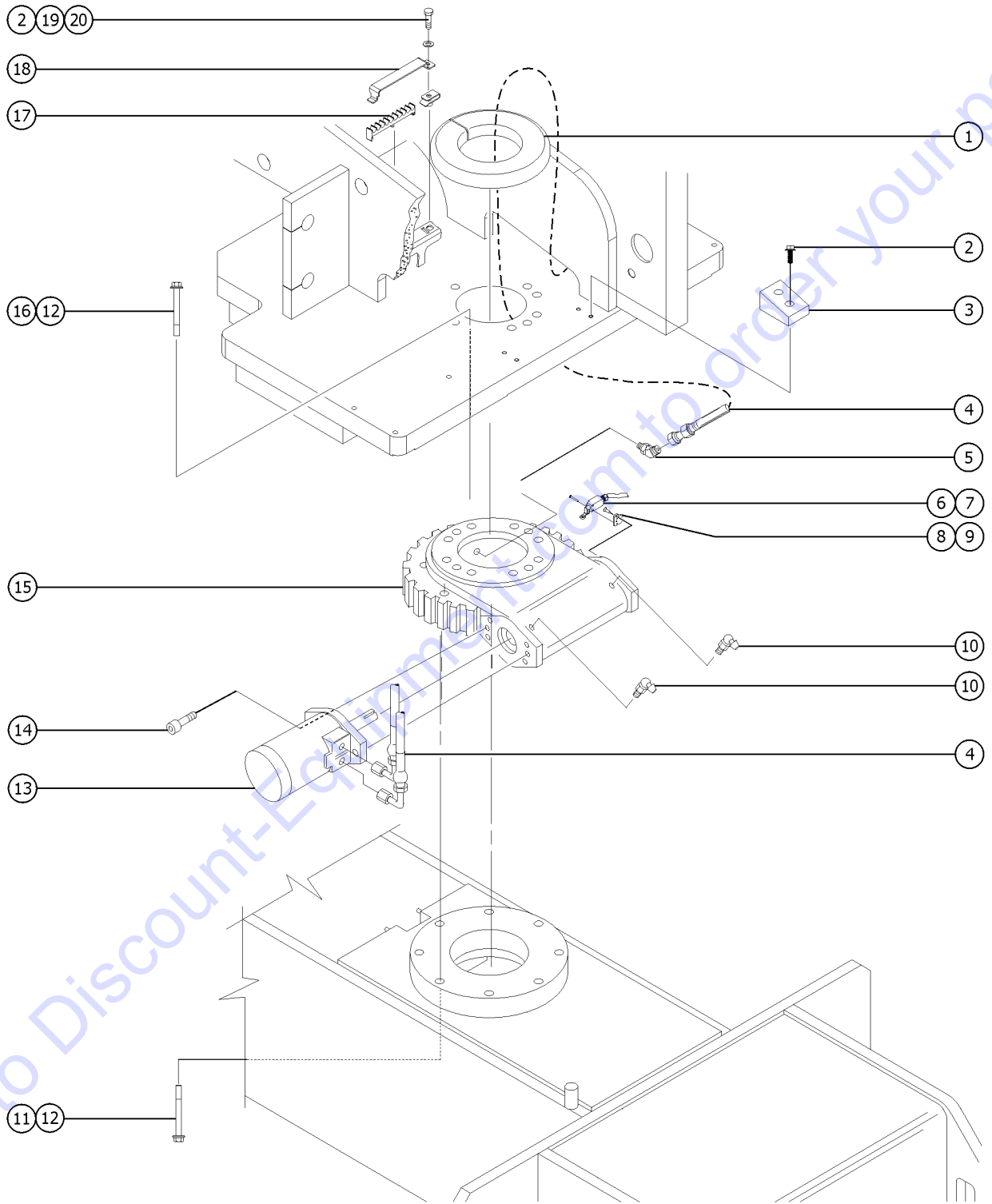
206.1 Power Cable Diagram



Item	Part No.	Description	Qty.
A-	139010GT	HARN ASSY, POWER DRIVE CHASS includes 1 each items 5, 6 and 10	
B-	825066GT	HARN ASSY, POWER BATT PACK includes 1 each items 1, 3, and 5	
C-	51147GT	BOOT,CABLE TERMINAL,LG,RED,2/0	
1	128465GT	CABLE ASSY #2 RED BATT	2
2	19520GT	BATTERY CABLE ASSY,9.5"JUMPER	6
3	128466GT	CABLE ASSY #2 BLK AP1/AP2 BATT	2
4	139019GT	CABLE ASSY #4 BLK LP-D1/AP-D1	1
5	19436GT	CONNECTOR,ANDERSON SB 175,1/0G	4
5-	66397GT	QUICK DISCONNECT CASING,BATT**	8
5-	128135GT	TERM CONTACTS #2GA SB175 BATT	8
6	128458GT	CABLE ASSY #2 RED AP1/AP2 DRIV	2
7	139018GT	CABLE ASSY #4 BLK B(-)/LP-D1	1
8	139016GT	CABLE ASSY #4 RED PR2/LP-A1	1
9	139017GT	CABLE ASSY #4 RED PR3/AP-A2	1
10	128459GT	CABLE ASSY #2 BLK AP1/AP2 DRIV	2
11	139013GT	CABLE ASSY #2 BLK B(+)/PR1	1
12	139020GT	WIRE ASSY #10 RED F1/F2	1
13	139014GT	CABLE ASSY #2 BLK M(-)/A2	1
14	139012GT	CABLE ASSY #2 BLK B(+)/A2	1
15	139021GT	WIRE ASSY #10 RED F2/F1	1
16	139015GT	CABLE ASSY #2 BLK A1/A1	1
17	139022GT	WIRE ASSY #10 RED F1/F2	1



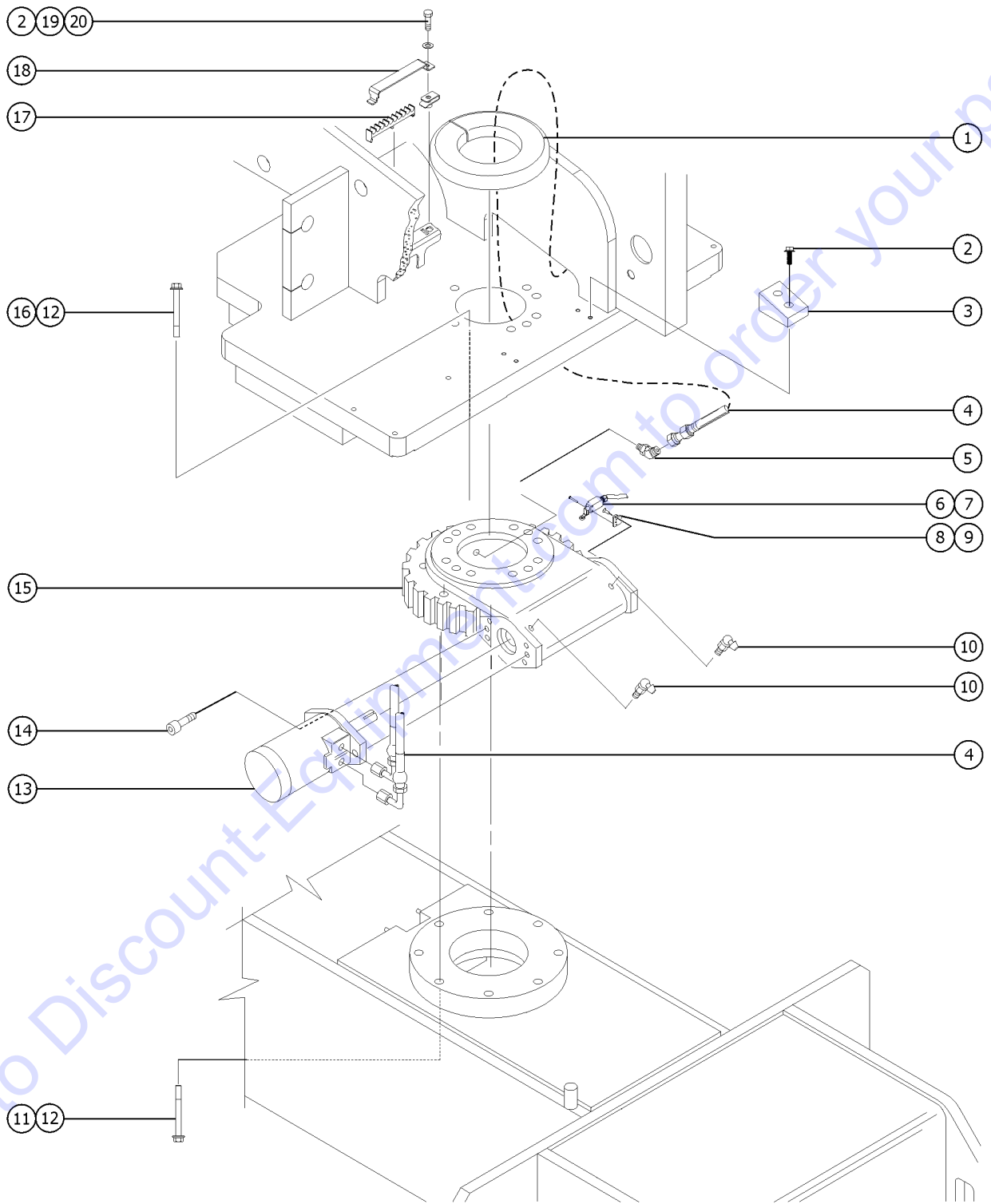
301.1 Turntable Rotator



Item	Part No.	Description	Qty.
1	42363GT	RING,HOSE PROTECTOR	1
2	824090GT	SCREW,HHF,3/8-16X1,8,ZAG	
3	74256GT	REST PAD, LOWER REST Z30N	2
4		Ref. Hydraulic Hoses and Fittings (refer to 802.1)	
5	31194GT	ELBOW,070302-4-2	
6	824223GT	SCREW,PHPM SEMS ET,10-32X1.25,	2
7	110637GT	HARNES LS3 OP DRIVE ENABLE	1
7-	88356-12103GT	SWITCH,LIMIT,W/ROLLER ARM***	1
7-	43960GT	WIRE CABLE,16/4 CON.TPE JKT	50
7-	119762GT	CONN PLUG 4 WAY EXTEND DT	1
7-	73714GT	TERM,NI SOC,S&F,16-18GA,REEL	4
7-	60429GT	LOCK,PLUG 4 WAY,14-18GA	1
8	824224GT	SCREW,FHPM,10-32X.5,ZAG	2
9	119917GT	PLATE, TURNTABLE LS. MT.	1
10A	128619GT	ZERK,GREASE,1/8 NPT,67.5 DEG**	
10B	128620GT	ZERK,GREASE,1/8 NPT,45 DEG***	
11	1263141GT	SCREW,HHC,5/8-11X5.5,8,ZAG	8
12	1256182GT	WASHER,FLAT,5/8,F436,HRD,ZAG	20
13	128453GT	MOTOR,TURNTABLE,125CC***	1
13-	84312GT	SEAL KIT,ROTATE MOTOR	1
14	824102GT	SCREW,SHC,1/2-13X1.5,A574,ZAG	2
15	119111GT	ROTATOR TURNTABLE ASSEMBLY***	1
15-	128618GT	SEAL KIT*** for 119111	
15-	128565GT	SHIM KIT,TURNTABLE*** for 119111 (order snap ring separately)	
15-	139008GT	SNAP RING,INT,2.88 DIA*** for 119111	
15-	128621GT	BEARING,CUP*** for 119111	
15-	128622GT	BEARING,CONE*** for 119111	
15-	128899GT	SHAFT,WORM GEAR*** for 119111	



301.1 Turntable Rotator

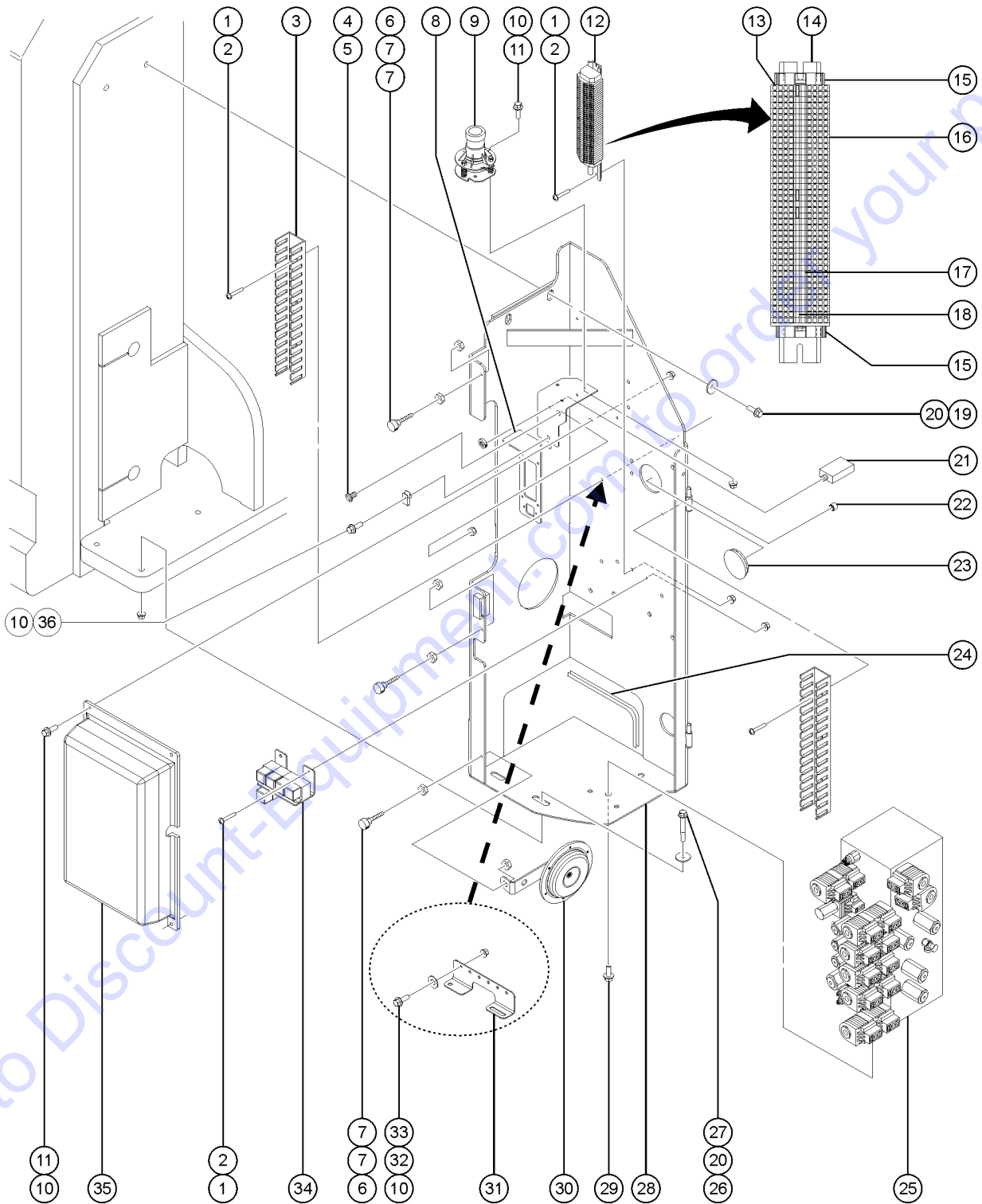


Item	Part No.	Description	Qty.
15-	1284189GT	CASE COVER,ROTATOR,Z30/34 (119111) for 119111	
16	1263142GT	SCREW,HHC,5/8-11,4.5,8,ZAG	12
17	106959GT	GUIDE,HOSE	1
18	106960PGT	FORMING,HOSE LOCK,PAINTED	1
19	5397GT	WASHER,FLAT,USS,5/16",Y	1
20	824213GT	SPRING CLIP, 3/8-16, ZAG	1

Go to Discount-Equipment.com to order your parts



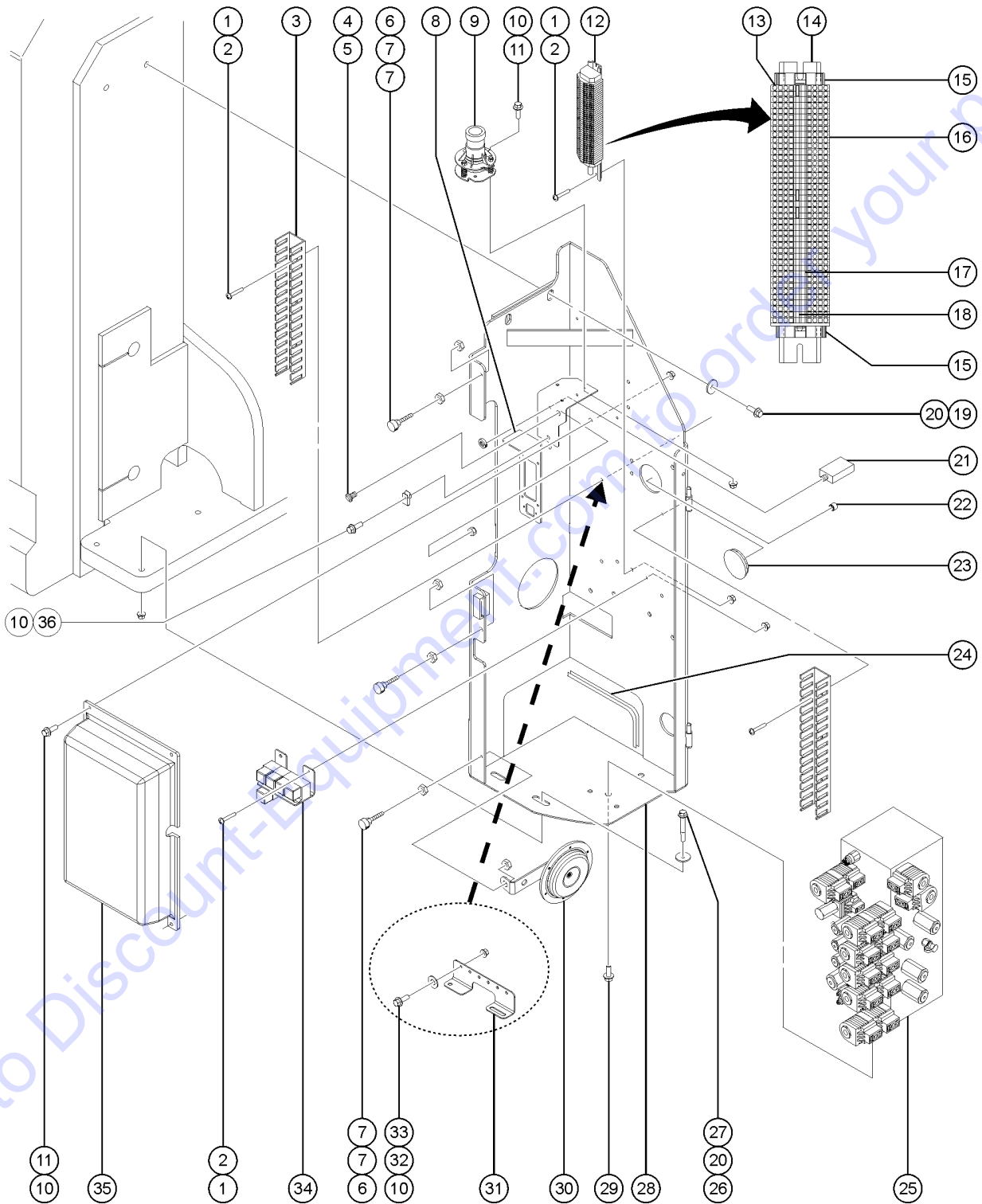
302.1 Ground Controls Side



Item	Part No.	Description	Qty.
-	74920GT	MARKING TAGS,# 1-10,WIELAND	
-	74921GT	MARKING TAGS,# 11-20,WIELAND	
-	74922GT	MARKING TAGS,# 21-30,WIELAND	
-	74923GT	MARKING TAGS,# 31-40,WIELAND	
-	74924GT	MARKING TAGS,# 41-50,WIELAND**	
-	74925GT	MARKING TAGS,# 51-60,WIELAND	
-	1289561GT	BRACKET, TELEMATICS	
-	1289520GT	MODULE, TELEMATICS, ZTR, M7, NORTH AMERICA	
-	1289521GT	MODULE, TELEMATICS, ZTR, M7, EMEA/APAC	
1	824215GT	SCREW,PHPM,10-32X.75,ZAG	8
2	824032GT	NUT,TL FLG,10-32,F,ZAG	8
3	28298GT	WIRING DUCT, 1.5 X 1.5 to SN Z30NF - 19999	2
3B	1262218GT	COVER, DUCT, WIRING to SN Z30NF - 19999	
4	824878GT	LIGHT,LED IND. RED 24V NH	1
5	814884GT	LOCKWASHER,LT IND. OD.868/530	1
6	36388GT	BUMPER,RUBBER,.75 X .50H,STUD	3
7	824037GT	NUT,HH JAM,1/4-20,A,ZAG	6
8	119618GT	FORMING,BRACKET	1
9	94077GT	SENSOR,LEVEL,4.5 DEG ANSI models; white ring (to SN Z30NF - 19999)	1
9B	110382GT	LEVEL SENSOR,LS60,YL,2.5X4.5 CE and ANSI models; yellow ring (ANSI models from SN Z30NF - 20000)	1
9C	42439GT	SENSOR,LEVEL 3 DEG** AUS models; black ring	1
10	824078GT	SCREW,HHF,1/4-20X.75,8,ZAG	11
11	824027GT	NUT,TL FLG,1/4-20,G,ZAG	8
12	1259574GT	TERMINAL RAIL, Z30/34DC includes items 13-18	
13	216793GT	TERMINAL BLOCK END PLATE	1
14	56994GT	DIN RAIL,11.25"	
15	74913GT	END STOP, DIN RAIL,SCREW CLAMP	2
16	217046GT	KIT, TERMINAL BLOCK use if replacing a jumpered terminal block	

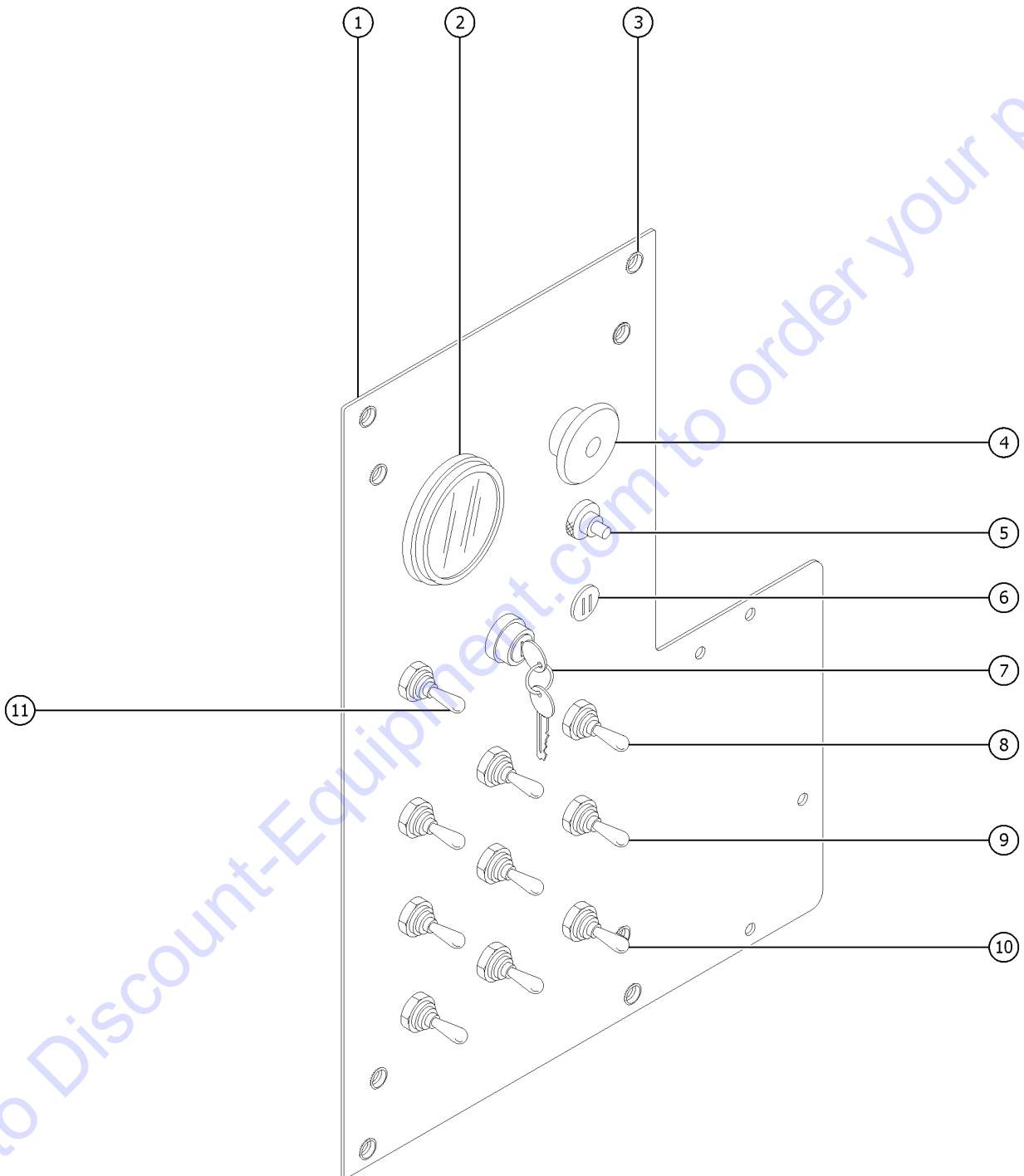


302.1 Ground Controls Side



Item	Part No.	Description	Qty.
16B	216791GT	TERMINAL BLOCK,WIELAND	28
17	74918GT	JUMPER COMB, 3-WAY,WIELAND	1
18	74917GT	JUMPER COMB, 2-WAY,WIELAND	3
19	824091GT	SCREW, HHF, 3/8-16 X 1.25, 8, ZAG	2
20	824120GT	WASHER, FLAT, .375 X 1.50 X .125, ZAG	4
21	147093GT	ASSY, CIRCUIT BREAKER 10A includes mounting fastener	1
22	23404GT	NUTSERT, 1/4-20, STEEL CAD PLTD	
23	39640GT	PLUG, NYLON 2.50 BLACK DOMED	1
24	19018GT	TRIMLOCK, BLACK, 5/32"	23
25		Ref. Function Manifold	
		(refer to 701.1)	
26	824095GT	SCREW, HHF, 3/8-16X3, 8, ZAG	2
27	824029GT	NUT, TL FLG, 3/8-16, G, ZAG	2
28	56875GT	WELD, COVER SUPPORT LH Z30N*	1
29	824090GT	SCREW, HHF, 3/8-16X1, 8, ZAG	2
30	81579GT	HORN, 24VDC, SPADE TERMINALS***	1
31	1298550GT	BRACKET, RELAY MOUNT from SN Z30NF - 20000	1
32	824113GT	WASHER, FLAT, USS, 1/4, ZAG from SN Z30NF - 20000	2
33	1277924GT	NUT, TL FLG, 1/4-20, G, ZAG from SN Z30NF - 20000	2
34	56791GT	ANGLE RELAY MOUNTING	
34-	56302GT	RELAY, 24VDC, 40/30A, SEALED***	8
34-	56318GT	BRACKET	1
34-	56319GT	EDC FEMALE CONNECTOR - 4 PRONG	
34-	824215GT	SCREW, PHPM, 10-32X.75, ZAG	
34-	824032GT	NUT, TL FLG, 10-32, F, ZAG	
35	110626GT	COVER, TERMINAL STRIP, CONN	1
36	56912GT	SPRING CLIP, 1/4-20, .025-.15X.54, ZAG	1

303.1 Ground Control Panel

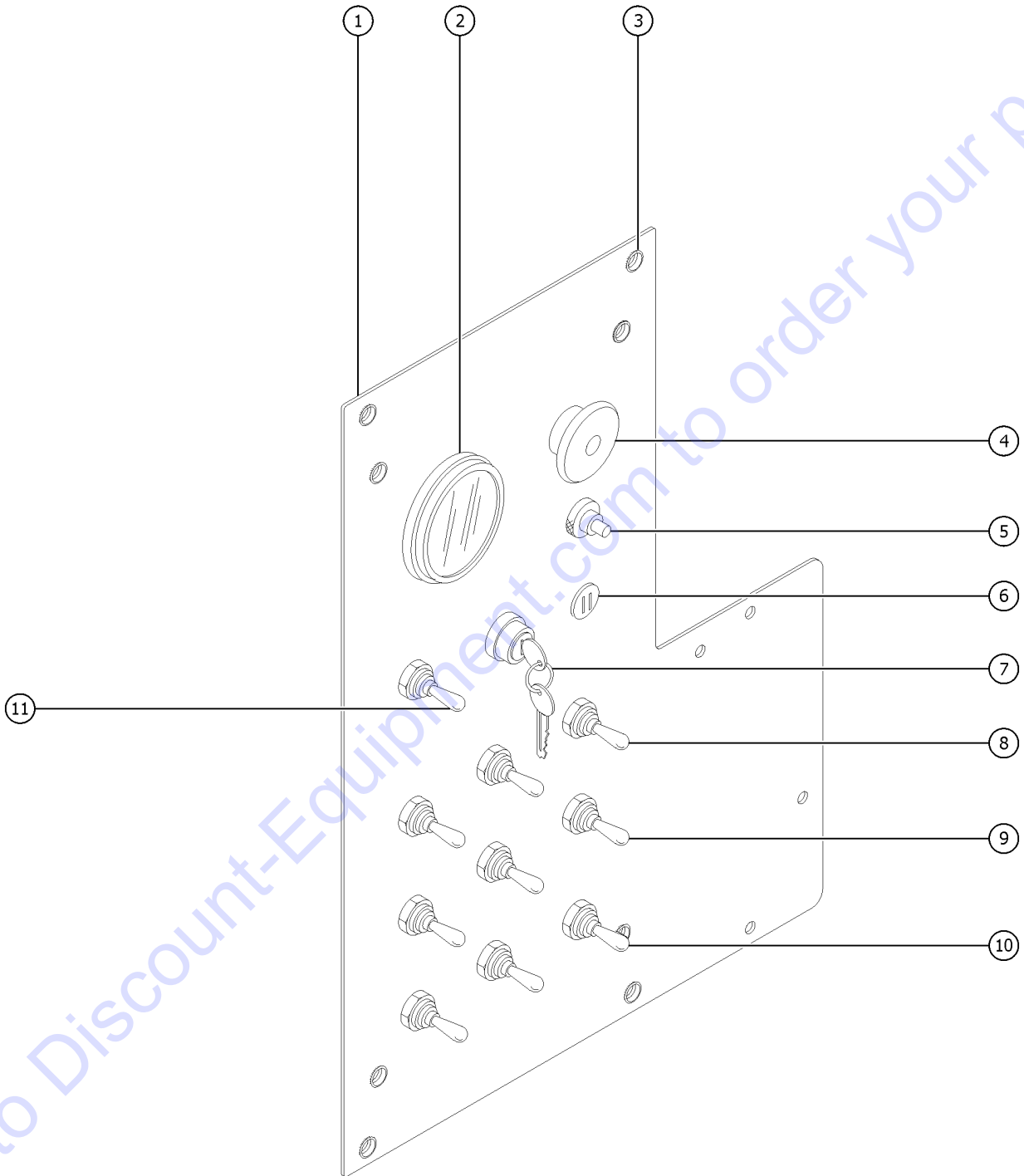


303.1 Ground Control Panel

Item	Part No.	Description	Qty.
A-	45782GT	DIODE,6 AMP,200 PIV,BULK	
B-	37947GT	KEYS,10 PACK***	
1	101965GT	GROUND CONTROL PANEL ASSY	
		includes item 3	
2	19506GT	HOUR METER, 10-80 VOLTS***	1
3	23404GT	NUTSERT,1/4-20,STEEL CAD PLTD	
4	122514GT	KIT,ESTOP SVC BB&SM BOOM	1
4-	66812GT	BUTTON,PUSH,RED MUSHROOM HEAD	1
4-	66818GT	CONTACT,NC	2
4-	66821GT	BASE,WITHOUT CONTACTS	1
5	147093GT	ASSY, CIRCUIT BREAKER 10A	1
		includes jam nut	
6A	13511GT	RECEPTICAL,SNAP-IN (1450G1)***	1
		receptacle for 13930GT	
6B	13930GT	SWITCH ASSY,REMOTE BRAKE REL.	
7	96008-SGT	KEYSWITCH,3 POS. W/KEYS***	1
7-	21982GT	KEY,SINGLE***	1
7-	83093GT	KEY SINGLE***	
		key with rubber boot	
7-	85239GT	NUT,RETAINER (96008)	
7-	88827GT	GASKET,KEYSWITCH,PLASTIC***	
7-	824218GT	SCREW,PHPM SEMS ET,8-32X.25,ZA	
8	16397-SGT	SWITCH,TOGGLE,DPDT,3POS MOMEN	1
		includes mounting fasteners; Z-30/20NRJ models	
8-	19268GT	DIODE ASSEMBLY	
8-	27246GT	BOOT,TOGGLE SWITCH,SHORT*	
8-	54692GT	SPACER,NYLON,.718 X .526 X.219	
9	16397-SGT	SWITCH,TOGGLE,DPDT,3POS MOMEN	7
		includes mounting fasteners	
9-	19268GT	DIODE ASSEMBLY	
9-	27246GT	BOOT,TOGGLE SWITCH,SHORT*	
9-	54692GT	SPACER,NYLON,.718 X .526 X.219	
10	13037-SGT	SWITCH,TOGGLE,SPDT,3POS MOMEN*	1
		includes mounting fasteners	
10-	27246GT	BOOT,TOGGLE SWITCH,SHORT*	



303.1 Ground Control Panel



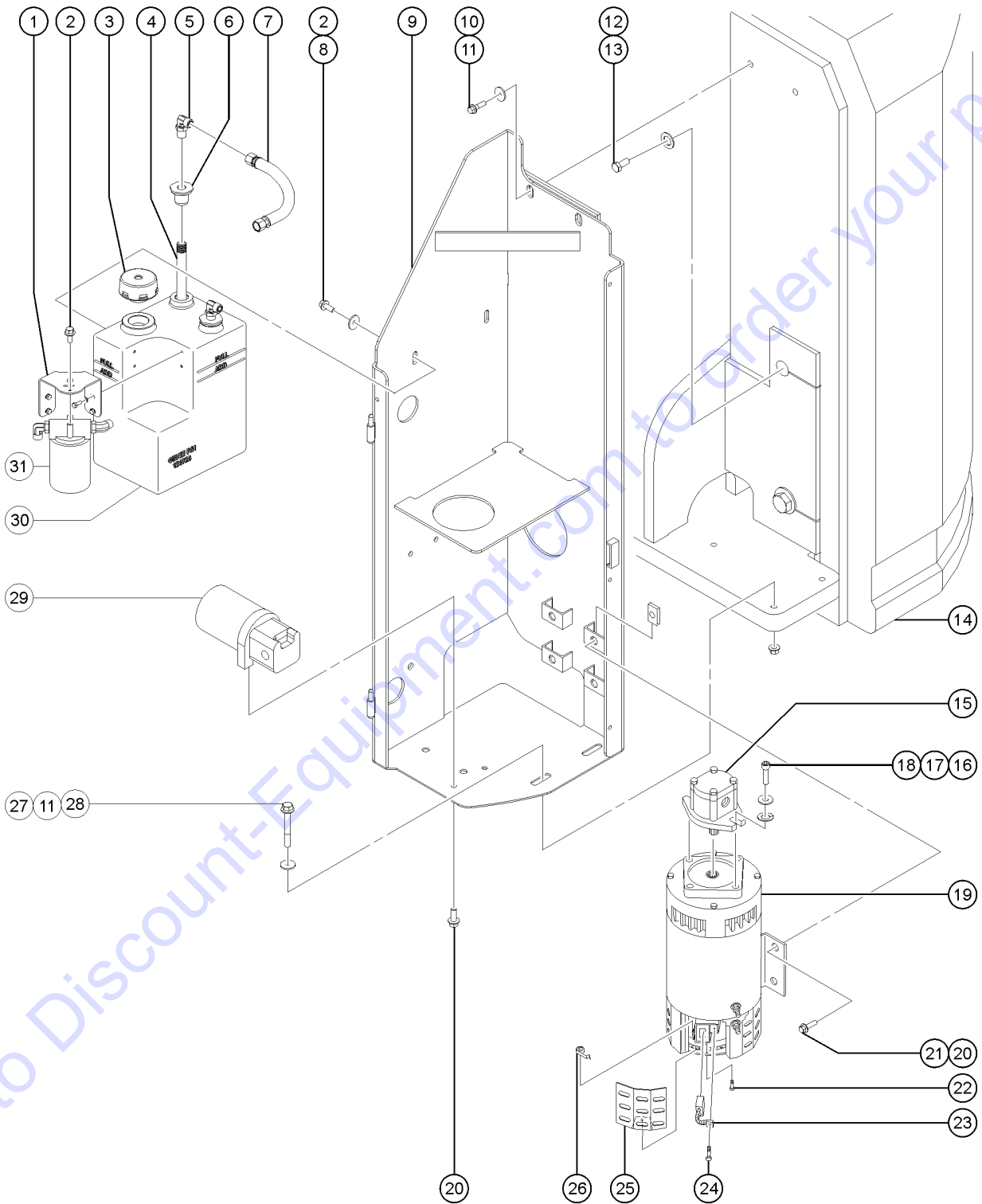
Go to Discount-Equipment.com to order your parts

<i>Item</i>	<i>Part No.</i>	<i>Description</i>	<i>Qty.</i>
10-	54692GT	SPACER,NYLON,.718 X .526 X.219	
11	13480-SGT	SWITCH,TOGGLE,DPDT,2POS MOMEN includes mounting fasteners	1
11-	13471GT	COVER, AUXILIARY POWER SWITCH	
11-	27246GT	BOOT,TOGGLE SWITCH,SHORT*	
11-	54692GT	SPACER,NYLON,.718 X .526 X.219	

Go to Discount-Equipment.com to order your parts



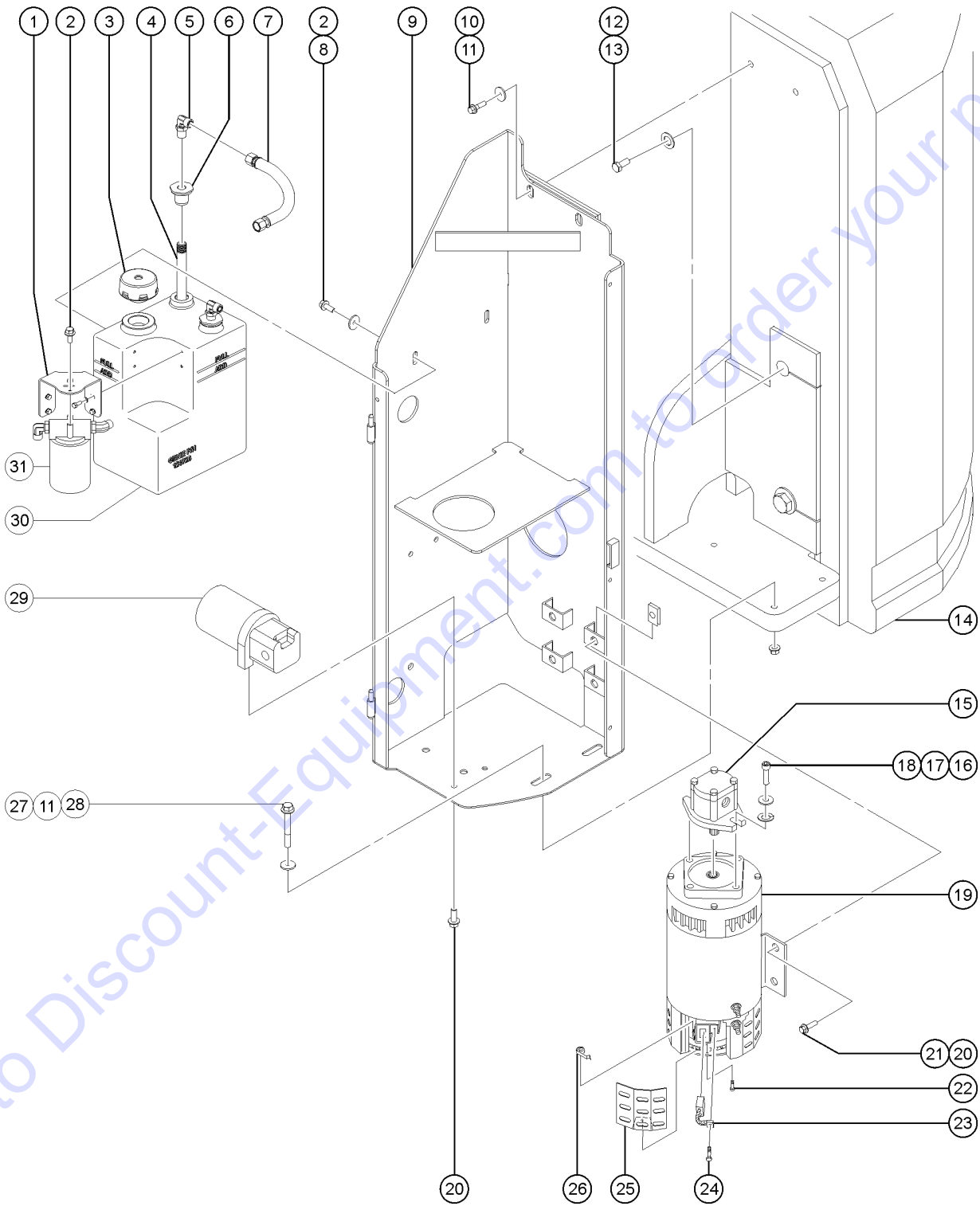
304.1 Power Unit Side



Item	Part No.	Description	Qty.
1	128808GT	BRACKET, RETURN FILTER	1
2	824077GT	SCREW, HHF, 1/4-20 X .5, 8, ZAG	
3	42019GT	TANK BREATHER,NYLON **	1
4	128818GT	TUBE, HYDRAULIC TANK	2
5	128811GT	ELBOW,90D,520201-8	2
6	39223GT	BULKHEAD FITTING,PLASTIC X 8**	2
7	81812-1188GT	ASSY, HOSE, HYD, -8, 2500, STR, STR	1
8	824119GT	WASHER,FLAT,.25X1.25X.062,ZAG	2
9	94428GT	WELDMENT,COVER SUPPORT RH***	
10	824091GT	SCREW, HHF, 3/8-16 X 1.25, 8, ZAG	2
11	824120GT	WASHER, FLAT, .375 X 1.50 X .125, ZAG	4
12	824074GT	SCREW,HHC,1-8X3,8,ZAG	2
13	824116GT	WASHER,FLAT,1.0,F436,HRD,ZAG	2
14	36086GT	COUNTERWEIGHT,Z30N	1
		cast iron; 5330 pounds	
15	77981GT	PUMP,LIFT,3CC,CCW***	1
		(to SN Z30NF-21377)	
15-	77990GT	KIT,SEAL,3CC PUMP***	
15B	1295585GT	PUMP, LIFT, 3CC, CCW	
		(from SN Z30NF-21378)	
15B-	233568GT	SEAL KIT,PUMP,GRH,(231572GT)	
16	824100GT	SCREW,SHC,3/8-24X1.25,A574,ZAG	2
17	824110GT	WASHER,LOCK,3/8,ZAG	2
		(to SN Z30NF-21377)	
18	825358GT	WASHER,FLAT,5/16,USS,ZAG	2
19	48504GT	MOTOR,FUNCTION,48V DC	1
19-	44778GT	BEARING,MOTOR,36843,BRUSH END*	1
		drive end	
19-	44777GT	BEARING,MOTOR	
		commutator end	
19-	52915GT	BRUSH LEAD ASSEMBLY KIT(48504)	
19-	58933GT	BRUSH SPRING SET	
19-	58934GT	BRUSH BOX ASSEMBLY	
20	824085GT	SCREW, HHF, 5/16-18 X .75, 8, ZAG	6



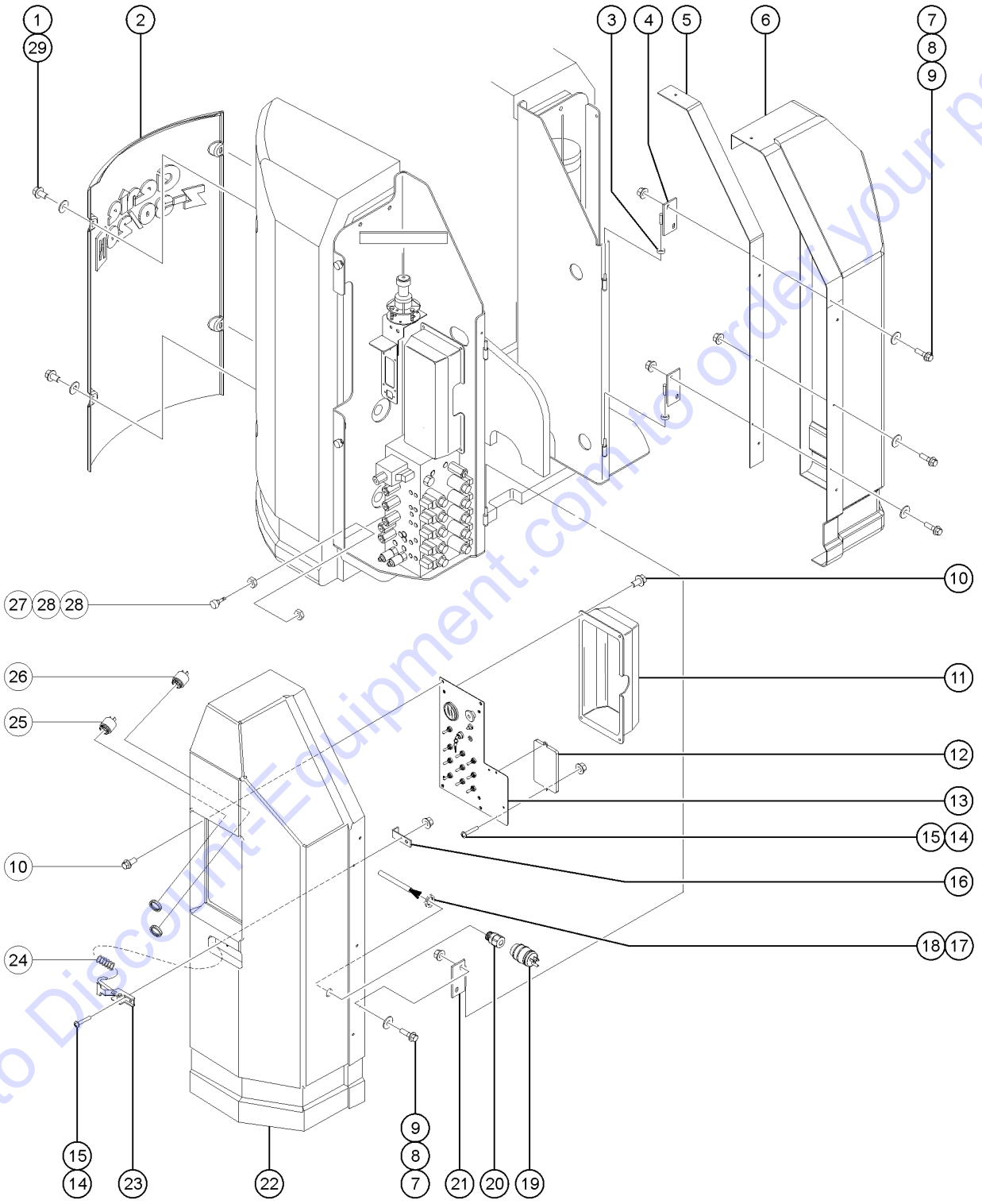
304.1 Power Unit Side



Item	Part No.	Description	Qty.
21	36456GT	SPRING CLIP,5/16-18,.025-.15X.83,ZAG	4
22	52914GT	SCREW,HHTAPTITE THREAD8-32X.38	
23	58932GT	BRUSH SET 4 EA	1
24	52913GT	SCREW,HH TAPETITE THRD8-32X.50	
25	58936GT	BRUSH COVER -PLATE-(48504)*	
26	58933GT	BRUSH SPRING SET	
27	824095GT	SCREW,HHF,3/8-16X3,8,ZAG	2
28	824029GT	NUT,TL FLG,3/8-16,G,ZAG	2
29	36179GT	POWER UNIT,AUX PUMP 24VDC	1
29-	37184GT	MOTOR, 24V (36179)	
29-	37185GT	PUMP ASSEMBLY (36179) Part 37185GT is no longer backwards compatible with 37184GT. Order complete Aux Pump 36179GT	
29-	37186GT	VALVE,CHECK (36179)	
29-	37187GT	SEAL KIT, 37185 PUMP	
29-	37191GT	GASKET, PUMP / MOTOR (36179)	
29-	37192GT	COUPLER, PUMP / MOTOR (36179)	
30	128728GT	HYDRAULIC TANK,Z30N	1
31	78622GT	FILTER ASSY,SAE8,10 MIC,PAPR**	1
31-	44788GT	FILTER ELEMENT,10MICRON,PAPER*	



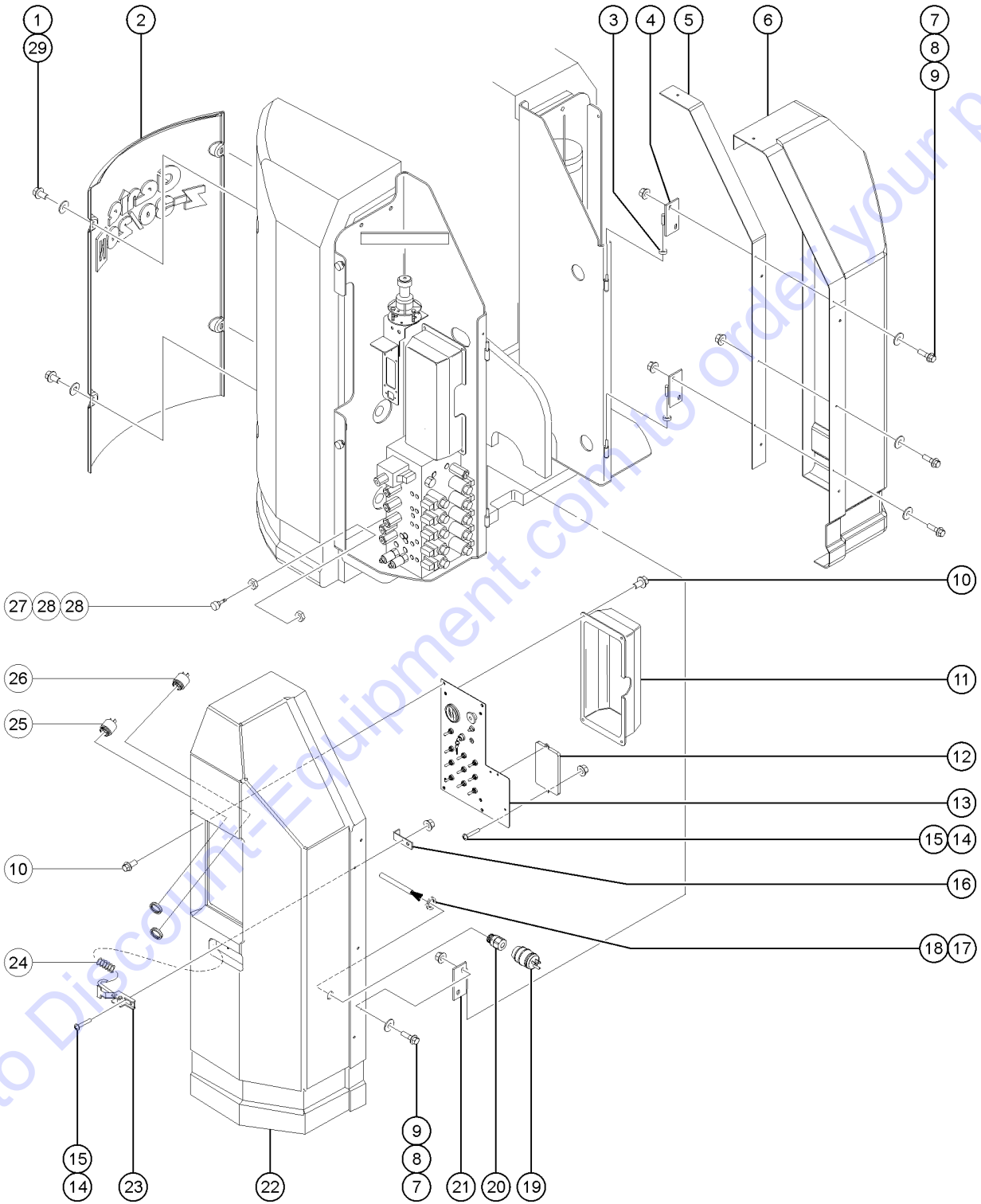
305.1 Turntable Covers



Item	Part No.	Description	Qty.
1	824089GT	SCREW, HHF, 3/8-16 X .75, 8, ZAG	4
2	58108GT	COVER W/DECALS,COUNTERWEIGHT**	1
3	36457GT	WASHER,THRUST, .313 X .50 X .10	
4	36414GT	HINGE,WELD,COVER,PUMP GRY/BLU	2
5	36391GT	BRACE,RIGHT HINGE	1
6	101969GT	COVER ASSY W/DECAL,PUMP SIDE includes items 14-16 and 23-24	
6B	101970GT	COVER ASSY W/SYM DCAL,PUMP SID includes items 14-16 and 23-24	
7	824079GT	SCREW,HHF,1/4-20X1,8,ZAG	10
8	824119GT	WASHER,FLAT, .25X1.25X.062,ZAG	10
9	824027GT	NUT,TL FLG,1/4-20,G,ZAG	10
10	824077GT	SCREW, HHF, 1/4-20 X .5, 8, ZAG	8
11	36257GT	COVER,CONTROL PANEL	1
12	128045GT	MODULE,LOAD SENSE 2007	1
13		Ref. Ground Control Panel (refer to 303.1) to SN Z30NF - 19999	
14	824215GT	SCREW,PHPM,10-32X.75,ZAG	6
15	824032GT	NUT,TL FLG,10-32,F,ZAG	6
16	36570GT	BRACKET,COVER LATCH	2
17	6935GT	LOCKNUT,ELEC,1/2"	1
18	43956GT	WIRE CABLE,14/3 CON.TPE JKT*	
19	119403GT	CONN,PLUG 120 AC/15A DOMESTIC	1
19-	119404GT	CONN,RECEP 120AC/15A DOMESTIC	
19-	144161GT	PLUG,PWR,UK,16AMP,3PIN,BLK	
19-	25388GT	PLUG,FUSED,250V,13AMP,U.K.**	
19-	1280665GT	PLUG, TYPE F, 230A, 50HZ, 16A, IP44	
20	7056GT	CONN, SQZ, 1/2NPT .38-.50, SM**	1
21	36415GT	HINGE,WELD,COVER,CTRLS GRY/BLU	2
22	101967GT	COVER ASSY W/DECAL,GRND CTRL ANSI/CSA/AUS; includes items 14-16 and 23-24	
22-	36392GT	BRACE,LEFT HINGE	



305.1 Turntable Covers

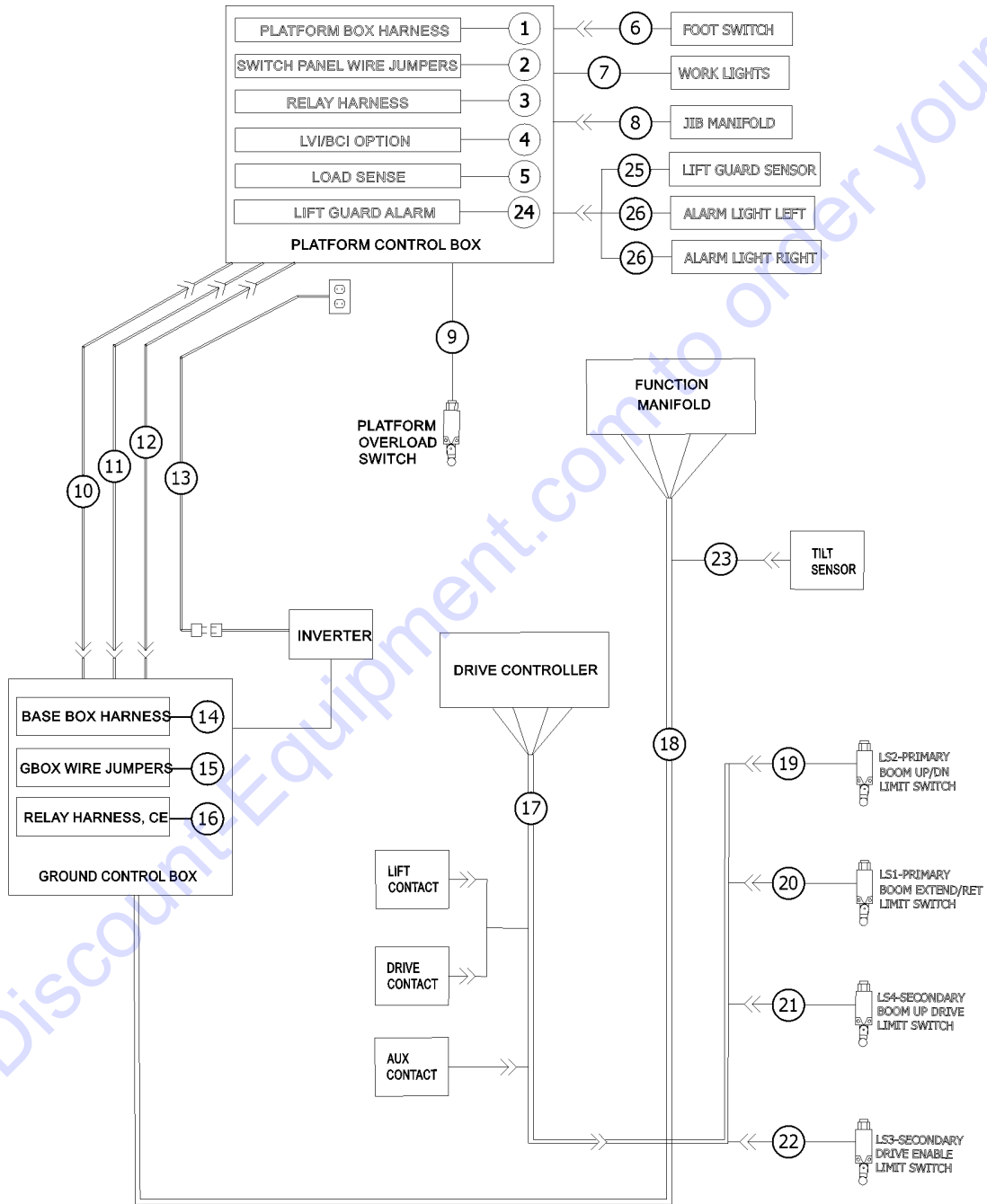


Item	Part No.	Description	Qty.
22B	101968GT	COVER ASSY W/SYM DCAL,GC SIDE CE/Asia/S. America; includes items 14-16 and 23-24	
22B-	36392GT	BRACE,LEFT HINGE	
23	36575GT	LATCH,ADJUSTABLE DRAW	2
24	36574GT	SPRING,EXTENSION,.36 X 1.25	2
25	18963GT	ALARM,INTERMITTENT TONE,24V travel alarm does not include nut	1
25-	72326GT	NUT - PLASTIC, RING FOR ALARMS	
26	45462GT	ALARM,CHIME TONE 5-25VDC*** descent alarm does not include nut	1
26-	72326GT	NUT - PLASTIC, RING FOR ALARMS	
27	36388GT	BUMPER,RUBBER,.75 X .50H,STUD	3
28	824037GT	NUT,HH JAM,1/4-20,A,ZAG	6
29	1255758GT	WASHER,FLAT,3/8,USS,ZAG	4

Go to Discount-Equipment.com to order your parts



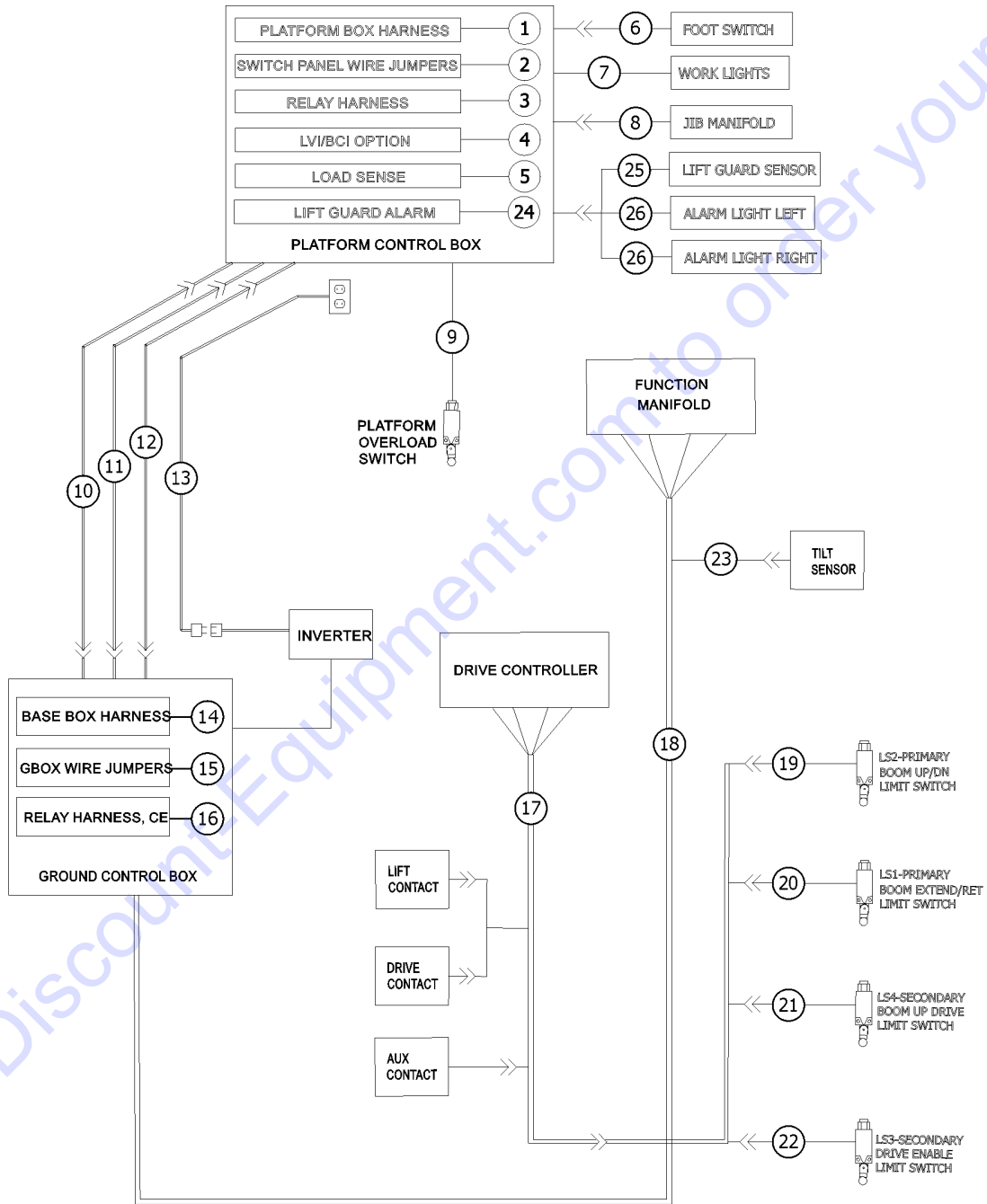
306.1 Wire Harness Diagram



Item	Part No.	Description	Qty.
-	58253GT	KIT,REPAIR,DEUTSCH PLUG,W/TUBE (small kit)	
-	83129GT	KIT,REPAIR,DEUTSH CONNECTORS** (large kit)	
-	61794GT	CRIMPER,DEUTSCH,LIGHT DUTY*** (tool)	
-	1264822GT	KIT, TRC RETROFIT, STNDRD Telematics (includes 1264834)	
-	1264834GT	INSTRN, TRC RETROFIT, STNDRD	
-	88832GT	HARNESS,PLUG,NON-LOAD WEIGHING	
1	237503GT	HARNESS,PLAT BOX,Z30/34DC ANSI (to SN Z30NF - 19999)	1
1B	1260928GT	HARNESS,BASE BOX, RELAY, CE ANSI and CE (ANSI models from SN Z30NF-20000)	1
2	822872GT	HARNESS,PBOX JUMPER,Z30/34DC	1
3	1260887GT	HARNESS, RELAY, PBOX, CE	1
4	119133GT	HARN LVI/BCI ENGAGE II Z34DC	1
5	147389GT	HARNESS, LOAD SENSE, Z30/34DC	1
6	110255GT	ASSEMBLY FOOT SWITCH	1
7	823942GT	OPTION,WORKLIGHTS,48V	1
8	139584GT	HARNESS,JIB MANIFOLD,NON RJ models without rotating jib	1
8B	139585GT	HARNESS, JIB MANIFOLD, RJ models with rotating jib	1
9	121848GT	ASSY,LS,LOAD SENSE,38.5 IN	1
10	110239GT	HARNESS CABLE3 18/19 COND. black and gray connectors	1
11	110243GT	HARNESS CABLE1 18/19 COND. green and brown connectors	1
12	110235GT	HARNESS CABLE2 12/3 COND.	1
13	43956GT	WIRE CABLE,14/3 CON.TPE JKT* inverter option	564
14	1259575GT	HARNESS, BASE CONTROL BOX ANSI (to SN Z30NF - 19999)	1
14-	1297677GT	HARNESS,GBOX,Z30/34N,ANSI ANSI (from SN Z30NF - 20000)	1
14B	1260639GT	HARNESS, GBOX, CE CE (to SN Z30NF - 19999)	1
14B-	1298942GT	HARNESS,GBOX,Z30/34DC,CE CE (from SN Z30NF - 20000)	1
15	110242GT	HARNESS, GBOX WIRE JUMPER	1
16	1260643GT	HARNESS,BASE BOX, RELAY, CE CE	1
17	822704GT	HARNESS, DRIVE CHASSIS, DC	1



306.1 Wire Harness Diagram



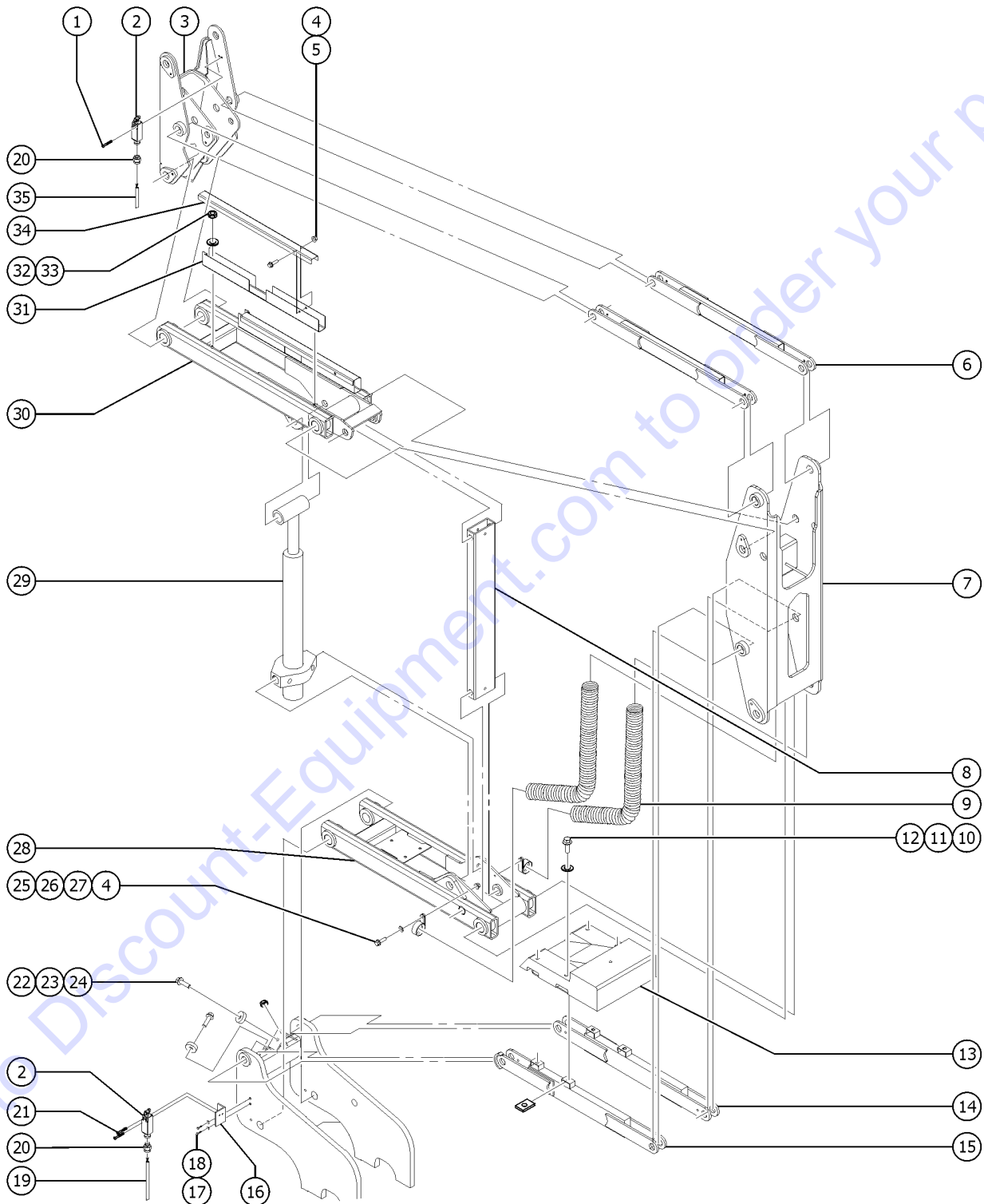
306.1 Wire Harness Diagram

Item	Part No.	Description	Qty.
18	110249GT	HARNESS,FUNC. MAN.,Z30/34DC	1
19	110639GT	HARNESS LS2 OP PRIMARY	1
20	110638GT	HARNESS LS1 OP EXT/RET	1
21	110246GT	HARNESS LS4 OP SECONDARY	1
22	110637GT	HARNESS LS3 OP DRIVE ENABLE	1
23	1261845GT	HARNESS,TILT 24V,CSA PROD	1
		CSA models	
23B	1285812GT	KIT,TILT ALARM,DC AND BI-ENERGY MODELS	
23B-	1285689GT	INSTRUCTIONS,INSTALL (LEVEL SENSOR ALARM)	
		for kit 1285812	
24	1278450GT	HARNESS, CONTACT ALARM, Z30/34DC	1
25	1278119GT	ASSEMBLY, SENSOR, PROX, OPA2	1
26	1278111GT	ASSEMBLY, LIGHT, OPA2	1
26B	1285850GT	ASSEMBLY,AMBER LIGHTS,CONTACT	

Go to Discount-Equipment.com to order your parts



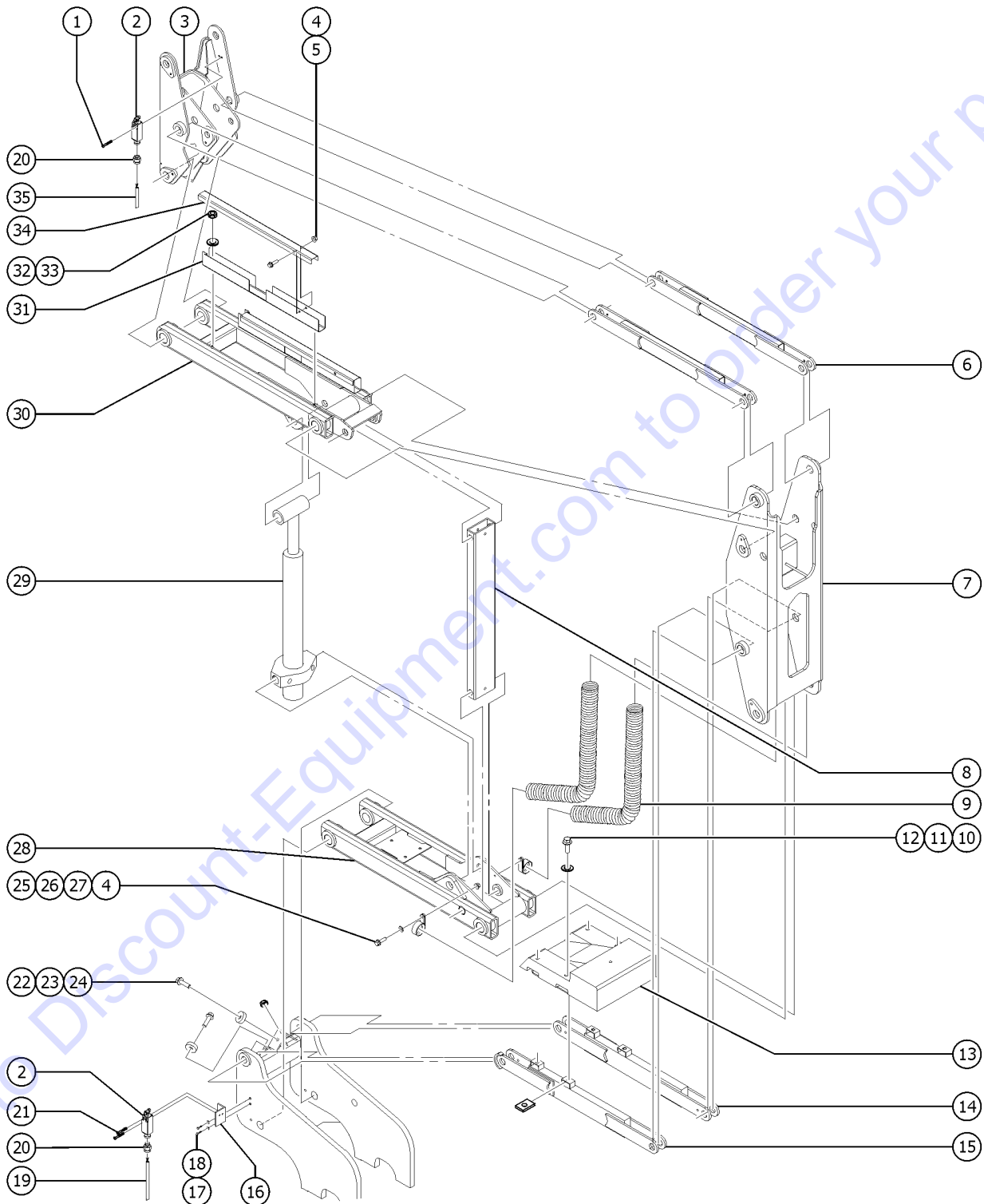
401.1 Secondary Boom - View 1



Item	Part No.	Description	Qty.
1	1261606GT	SCREW,PHPM,8-32X1.75,ZAG	2
1-	1255803GT	NUT,TL FLG,8-32,F,ZAG	2
2	106086GT	HARNESS,LS,SEC LIFT LS4 Z30/34	
2-	88356-116R5GT	SWITCH,LIMIT,W/ROLLER ARM	1
2-	106427GT	LS ROT.HEAD W/O LEVER (ZCE01)	
2-	106428GT	LS STL ROLLER PLUNGER (ZCE02)	
2-	106429GT	LS METAL END PLUNGER (ZCE10)	
2-	106434GT	LS BLUE PLASTIC BODY (XCKP)	
2-	19491GT	CONTACTOR,LIMIT SWITCH	
2-	76450GT	CONN.SQZ,PG 11,.23-.30,W/ORING	
2-	97128GT	ROLLER ARM,LIMIT SWITCH***	
2-	56051GT	WIRE CABLE,16/2,WHT/BLK,SJEOW	101
3	40447GT	UPPER MIDPIVOT ASSY,Z34 & Z34N	1
4	824027GT	NUT,TL FLG,1/4-20,G,ZAG	3
5	824083GT	SCREW,HHF,1/4-20X2.5,8,ZAG	4
6	74945GT	COMPRESSION ARM WLDMT 38.50 **	2
7	40446GT	LOWER MIDPIVOT ASSY,Z34 &Z34N*	1
8	74232-SGT	CONNECTING LINK 30N&34 PAINTED	1
9	42939-18700GT	WIRE LOOM,1.88 DIA. (187 inches long)	1
10	824095GT	SCREW,HHF,3/8-16X3,8,ZAG	4
11	824120GT	WASHER, FLAT, .375 X 1.50 X .125, ZAG	4
12	29868GT	SPRING CLIP,3/8-16,.05-.20X.73	4
13	36620GT	COUNTERWEIGHT,CAST,400 LBS.	1
14	94425GT	COMP ARM WELD LOWER, RIGHT***	1
15	128634GT	WELDMENT, LWR COMPRESION ARM	1
16	42413GT	ANGLE,SWITCH MOUNT***	1
17	824059GT	SCREW,HHC,1/4-20X.75,8,ZAG	2
18	824109GT	WASHER,LOCK,1/4,ZAG	2



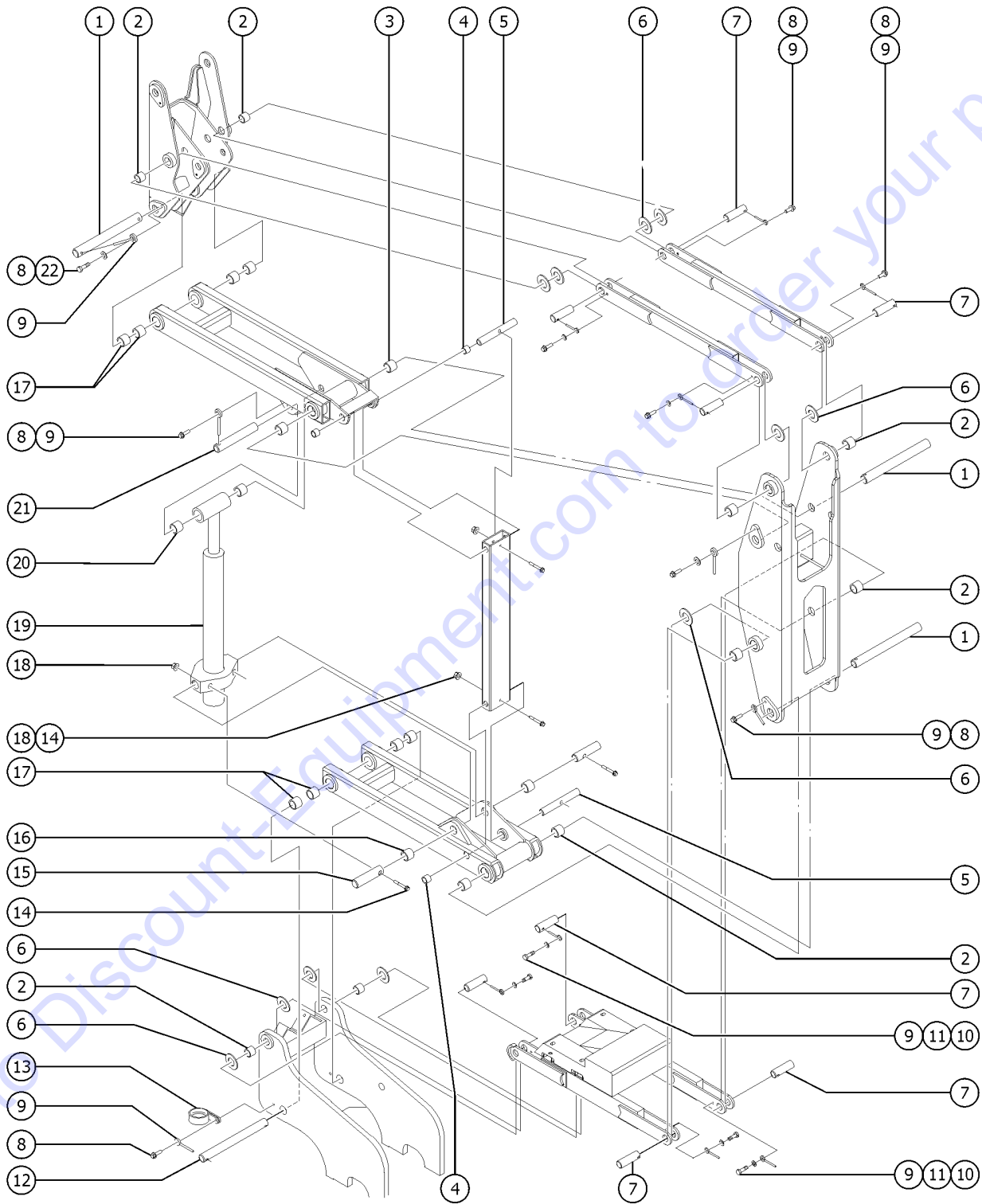
401.1 Secondary Boom - View 1



Item	Part No.	Description	Qty.
19	56051GT	WIRE CABLE,16/2,WHT/BLK,SJEOW	72
20	7056GT	CONN, SQZ, 1/2NPT .38-.50, SM**	2
21	824223GT	SCREW,PHPM SEMS ET,10-32X1.25,	2
22	824091GT	SCREW, HHF, 3/8-16 X 1.25, 8, ZAG	2
23	74085GT	REST PAD,UPPER PIVOT Z30N	2
24	824029GT	NUT,TL FLG,3/8-16,G,ZAG	2
25	824079GT	SCREW,HHF,1/4-20X1,8,ZAG	2
26	824113GT	WASHER,FLAT,USS,1/4,ZAG	2
27	27497GT	CLAMP,RUBBER CUSHIONED-2 5/32	2
28A	37127GT	LOWER SECONDARY BOOM ASSEMBLY*	1
28B	42610PGT	HOSE TRACK,LOWER ARM Z30N not shown	
28C	42611GT	HOSE TRACK COVER,LOWER ARM not shown	
29	101349GT	CYLINDER,ELEVATE, Z30N	1
29-	94254GT	SEAL KIT, 94211, 94254, 101349	
29-	31106GT	VALVE,CNTERBAL,CBBB-LHN@3000**	
30	74334GT	UPPER SECONDARY BOOM ASSEMBLY*	1
31	74271GT	HOSE TRACK,UPPER***	1
32A	824040GT	NUT, ACORN, 3/8-16, ZAG to SN 19093	4
32B	1274322GT	NUT,NYLOCK FLG,3/8-16,F,ZAG from SN 19094	
33A	824122GT	WASHER, FLAT, .375 X 1.25 X .062, ZAG to SN 19093	4
33B	825353GT	WASHER,FLAT,1/2,SAE,HRD,ZAG from SN 19094	
34	42609GT	HOSE TRACK COVER,UPPER ARM	1
35	44133GT	WIRE CABLE,16/4 CON.TPE JKT*	184

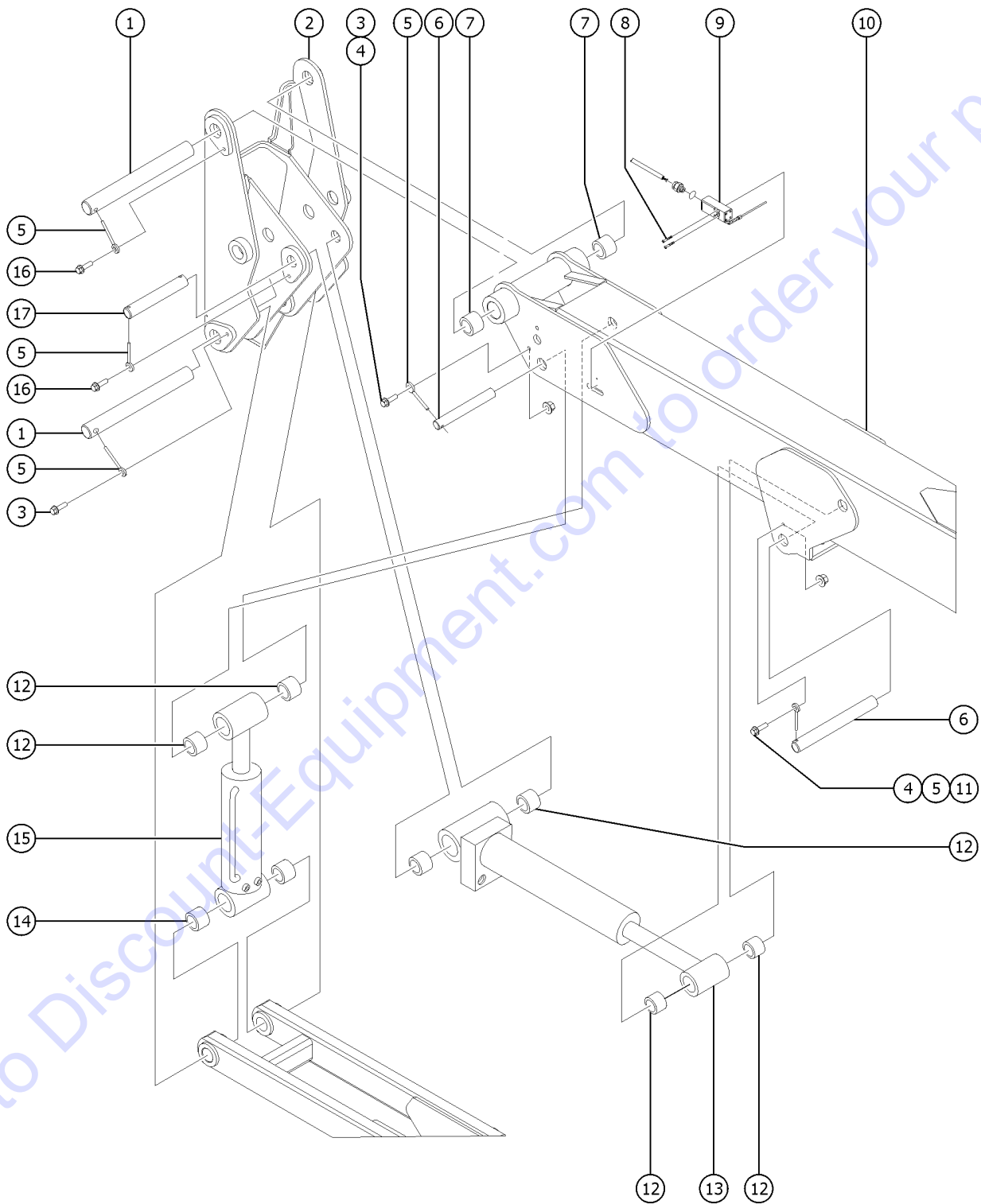


402.1 Secondary Boom - View 2



Item	Part No.	Description	Qty.
A-	107935GT	KIT, SWING HOSE CLAMP, FIELD includes 106959GT, 106960PGT, 107933GT, and 107934	
A-	110148GT	INSTRUCTIONS, SWING HOSE CLAMP	
1	36194GT	PIN,1.50DIAX15.13LG,1HOLE	3
2	34245GT	BEARING,1.25IDX1.50X1.25L	10
3	45071GT	BEARING,1.5IDX1.75ODX1.5L	2
4	36245GT	BEARING,FL,1.00IDX1.25ODX0.84L	4
5	36202GT	PIN,1.00DIAX7.25LG,1HOLE	2
6	824151GT	WASHER,SHIM,1.270X2.130X.062,Z	8
7	36390GT	PIN,1.25DIAX3.63LG,THREADED	8
8	824091GT	SCREW, HHF, 3/8-16 X 1.25, 8, ZAG	9
9	825019GT	ROD END,.375X3.69,ZAG	3
10	824067GT	SCREW,HHC,3/8-16X1,8,ZAG	4
11	824110GT	WASHER,LOCK,3/8,ZAG	4
12	36389GT	PIN,1.50DIAX16.13LG,1HOLE	1
13	27497GT	CLAMP,RUBBER CUSHIONED-2 5/32	1
14	824094GT	SCREW, HHF, 3/8-16 X 2.75, 8, ZAG	4
15	36205GT	PIN,1.25DIAX3.00LG,THREADED	2
16	36246GT	BEARING,FL,1.25IDX1.50ODX1.09L	2
17	18396GT	BEARING,1.5IDX1.75ODX1.0L	4
18	824029GT	NUT,TL FLG,3/8-16,G,ZAG	4
19		Ref. Elevate Cylinder (refer to 401.1)	
20	25683GT	BEARING,POLYGON,20DU12	2
21	74089GT	PIN,1.25DIAX9.63LG,1HOLE	2
22	825358GT	WASHER,FLAT,5/16,USS,ZAG	1

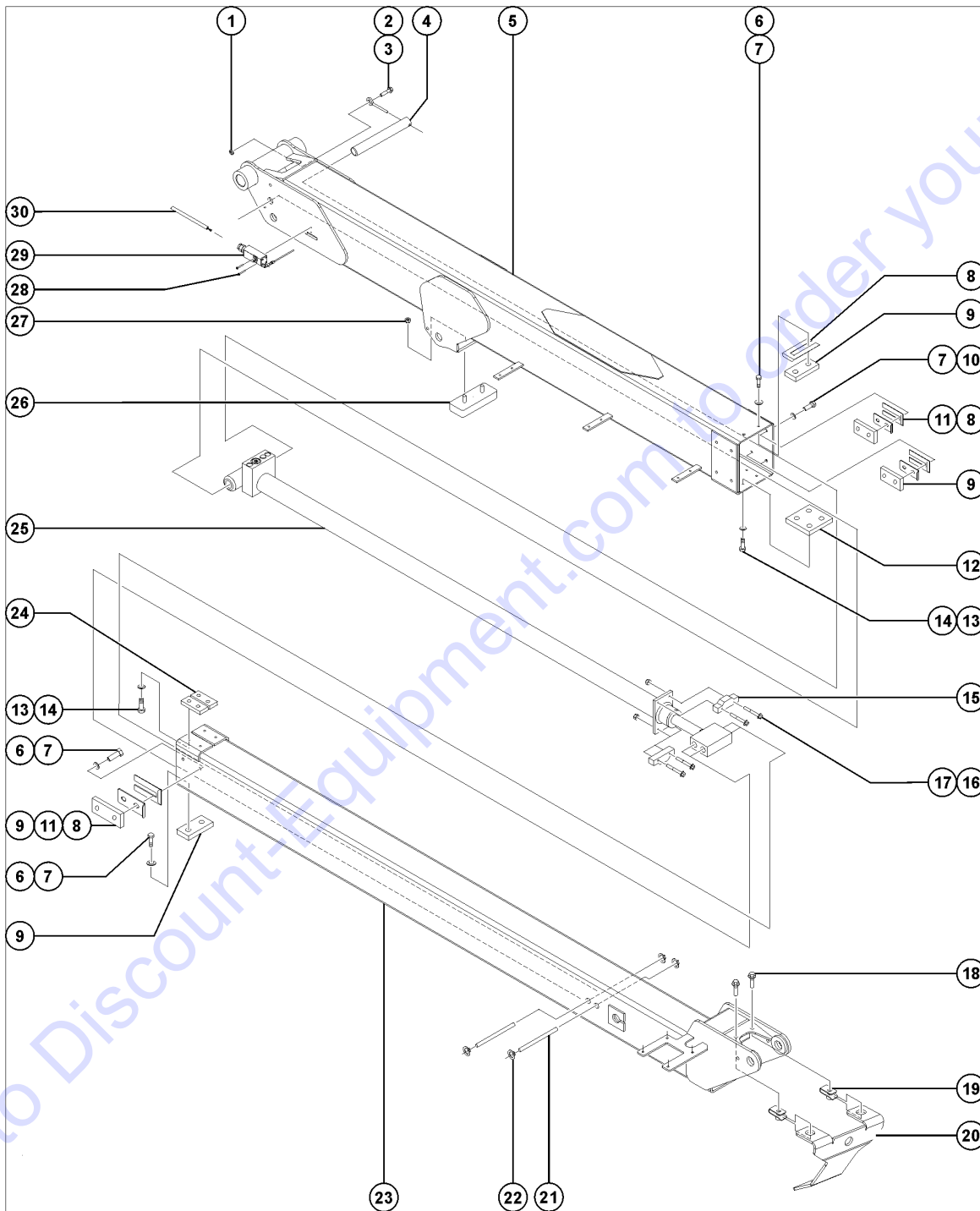
403.1 Upper Pivot



Item	Part No.	Description	Qty.
1	36194GT	PIN,1.50DIAX15.13LG,1HOLE	1
2	40447GT	UPPER MIDPIVOT ASSY,Z34 & Z34N	1
3	824092GT	SCREW, HHF, 3/8-16 X 1.5, 8, ZAG	2
4	824029GT	NUT,TL FLG,3/8-16,G,ZAG	2
5	825019GT	ROD END,.375X3.69,ZAG	5
6	74091GT	PIN,1.25DIAX9.13LG,1HOLE	2
7	45071GT	BEARING,1.5IDX1.75ODX1.5L	2
8	824218GT	SCREW,PHPM SEMS ET,8-32X.25,ZA	2
9	106082GT	HARNESS,LS,EXT/RET LS1 Z30	
9-	106433GT	LS SPRING WAND (ZCY91)	
9-	19491GT	CONTACTOR,LIMIT SWITCH	
9-	22359GT	SPRING ARM,LIMIT SWITCH,6.25"	
9-	88356-127J5GT	SWITCH,LIMIT,W/6.25"SPRING ARM	
9-	56051GT	WIRE CABLE,16/2,WHT/BLK,SJEOW	216
10		Ref. Primary Boom (refer to 404.1)	
11	824093GT	SCREW,HHF,3/8-16X1.75,8,ZAG	1
12	47377GT	BEARING,1.25 ID X 1.5 OD X .75	6
13	94215GT	CYLINDER,PRIMARY LIFT	1
		includes item 12	
13-	94258GT	SEAL KIT, 94215, 94430	1
13-	43937GT	VALVE,CB.CBBC-LHN@3200***	2
14	88280GT	BEARING,1.5IDX1.75ODX0.75L	2
15	94216GT	CYLINDER,MASTER	1
		includes items 12 and 14	
15-	94259GT	SEAL KIT, 94216	
16	824091GT	SCREW, HHF, 3/8-16 X 1.25, 8, ZAG	2
17	36198GT	PIN,1.25DIAX8.12LG,1HOLE	1



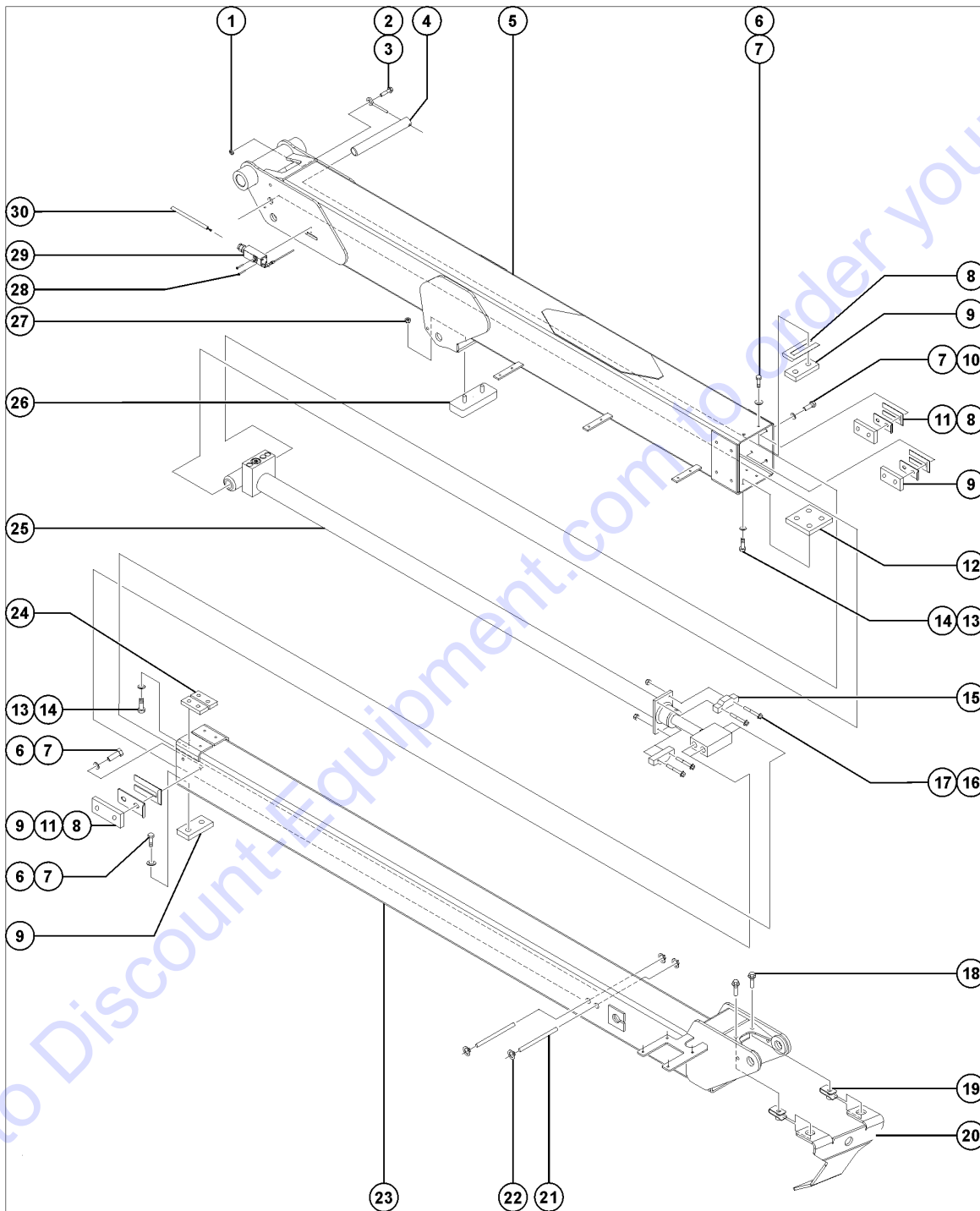
404.1 Primary and Extension Booms



Item	Part No.	Description	Qty.
1	824029GT	NUT, TL FLG, 3/8-16, G, ZAG	
2	824092GT	SCREW, HHF, 3/8-16 X 1.5, 8, ZAG	
3	825019GT	ROD END, .375X3.69, ZAG	
4	101557GT	PIN, 1.00DIA X 9.01LG, THREADED	
5	94031GT	WELDMENT, PRIMARY BOOM Z30N Refer to 502.1 for rotating jib	1
6	824067GT	SCREW, HHC, 3/8-16X1, 8, ZAG (to SN Z30NF-20326)	
6B	826791GT	SCREW, HHC, 3/8-16X.875, 8, ZAG (from SN Z30NF-20327)	8
7	824110GT	WASHER, LOCK, 3/8, ZAG (to SN Z30NF-20326)	
7B	826793GT	WASHER, FLAT, 3/8, SAE, HRD, ZAG (from SN Z30NF-20327)	16
8	29080GT	SHIM, WEAR PAD, 5X 1.5 16GA	
8B	42502GT	SHIM, SIDE PAD 22GA. (quantity as needed)	
9	34125GT	WEAR PAD, 5 X 1.5 X .75 W/NUTS	8
10	824068GT	SCREW, HHC, 3/8-16 X 1.25, 8, ZAG (to SN Z30NF-20326)	
10B	824067GT	SCREW, HHC, 3/8-16X1, 8, ZAG (from SN Z30NF-20327)	8
11	38620GT	SHIM, WEAR PAD, 5 X 1.5, 14GA (from SN Z30NF-20327)(quantity as needed)	
12	42621GT	WEAR PAD, 4 X 4 X .75 W/NUTS	1
13	824060GT	SCREW, HHC, 1/4-20 X 1, 8, ZAG (to SN Z30NF-20326)	
13B	1262432GT	SCREW, HHC, 1/4-20X.875, 8, ZAG (from SN Z30NF-20327)	8
14	824109GT	WASHER, LOCK, 1/4, ZAG (to SN Z30NF-20326)	
14B	824113GT	WASHER, FLAT, USS, 1/4, ZAG (from SN Z30NF-20327)	8
15	74066GT	WEAR PAD, EXT CYL ***	2
16	824082GT	SCREW, HHF, 1/4-20X1.75, 8, ZAG	
17	824027GT	NUT, TL FLG, 1/4-20, G, ZAG	
18	824079GT	SCREW, HHF, 1/4-20X1, 8, ZAG	
19	56912GT	SPRING CLIP, 1/4-20, .025-.15X.54, ZAG	2
20	147079GT	BRACKET, HOSE ROUTING	1
20-	56361GT	CABLE TIE, BUTTON, BLACK, 14.75LG	
21	36192GT	PIN, 0.75DIA X 5.51LG, 2RING	2



404.1 Primary and Extension Booms



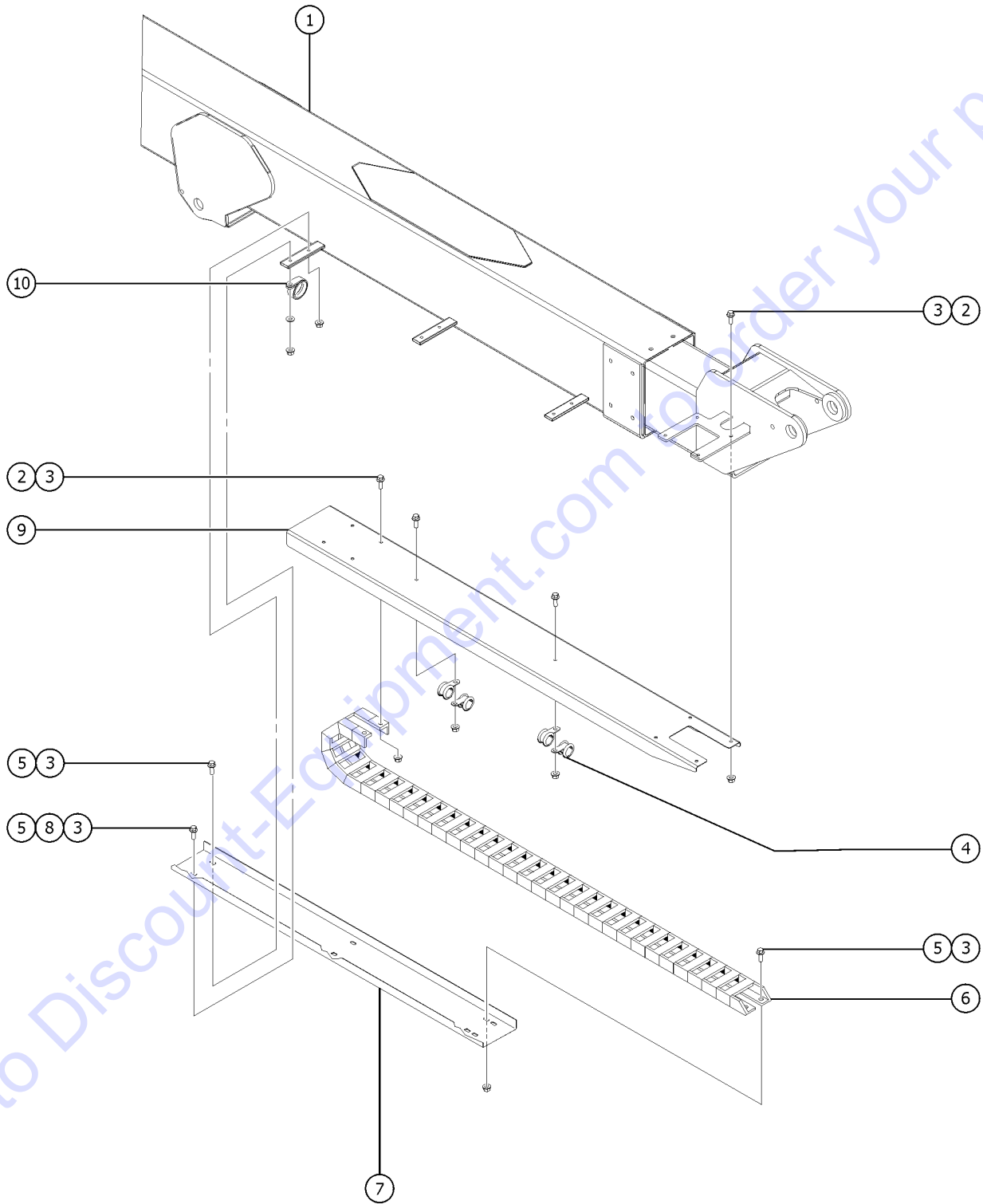
404.1 Primary and Extension Booms

Item	Part No.	Description	Qty.
22	824163GT	SNAP RING,EXTERNAL,3/4,ZAG	4
23	147487GT	WELDMENT, EXT BOOM, Z30N	1
24	45745GT	WEAR PAD,4 X 2 X.50 THK.BLACK	2
25	94213GT	CYLINDER,EXTENSION	1
25-	94256GT	SEAL KIT, 94213	
25-	36648GT	VALVE,COUNTERBALANCE 2500 PSI*	
25-	74508GT	VALVE,CHECK,COBA-X*N 200PSI PO	
25-	74509GT	VALVE,CHECK,CXAD-XCN,30PSI	
26	56849GT	PAD,REST,1"THICK,W/STUDS*	
27	824038GT	NUT, TL JAM, 3/8-16, A, ZAG	
28	824219GT	SCREW,PHPM SEMS ET,8-32X1.25,Z	2
29	88356-127J5GT	SWITCH,LIMIT,W/6.25"SPRING ARM	
29-	19491GT	CONTACTOR,LIMIT SWITCH	
29-	22359GT	SPRING ARM,LIMIT SWITCH,6.25"	
29-	7056GT	CONN, SQZ, 1/2NPT .38-.50, SM**	
30	56051GT	WIRE CABLE,16/2,WHT/BLK,SJEOW	

Go to Discount-Equipment.com to order your parts



405.1 Cable Track



Item	Part No.	Description	Qty.
1		Ref. Primary and Extension Booms (refer to 404.1)	
2	824079GT	SCREW,HHF,1/4-20X1,8,ZAG	10
3	824027GT	NUT,TL FLG,1/4-20,G,ZAG	16
4	6833GT	CLAMP,0.50,#8 X 1/4,RUB CUSH	4
5	824078GT	SCREW,HHF,1/4-20X.75,8,ZAG	6
6	139537GT	CABLE TRACK,NYLATRAC,26 LINK	1
6-	139540GT	REPAIR LINK,NYLATRAC,7 LINKS	
6-	139541GT	BRACKET SET,NYLATRAC,KS400	
6-	139542GT	LINK,NYLATRAC,KS400	
7	56983PGT	CHANNEL,LWR TRAY PLASTIC TK **	
8	824113GT	WASHER,FLAT,USS,1/4,ZAG	3
9	74119PGT	CHANNEL, CABLE TRACK, UPPER	1
10	27497GT	CLAMP,RUBBER CUSHIONED-2 5/32	3

Go to Discount-Equipment.com to order your parts



PARTS FINDER

**Search Website
by Part Number**



**Search Manual
Library For Parts
Manual & Lookup Part
Numbers – Purchase
or Request Quote**

Search Manuals

Enter your information to help us find the right parts manual for your machine.

* Brand:

* Model:

* Serial:

* Part Number:

SEARCH

**Can't Find Part or
Manual? Request Help
by Manufacturer,
Model & Description**

Parts Order Form

Please fill in the following information to help us find the right part for your machine.

Manufacturer:	<input type="text"/>
Model:	<input type="text"/>
Description:	<input type="text"/>
Part Number:	<input type="text"/>
Quantity:	<input type="text"/>
Notes:	<input type="text"/>

Submit

Discount-Equipment.com is your online resource for quality parts & equipment.

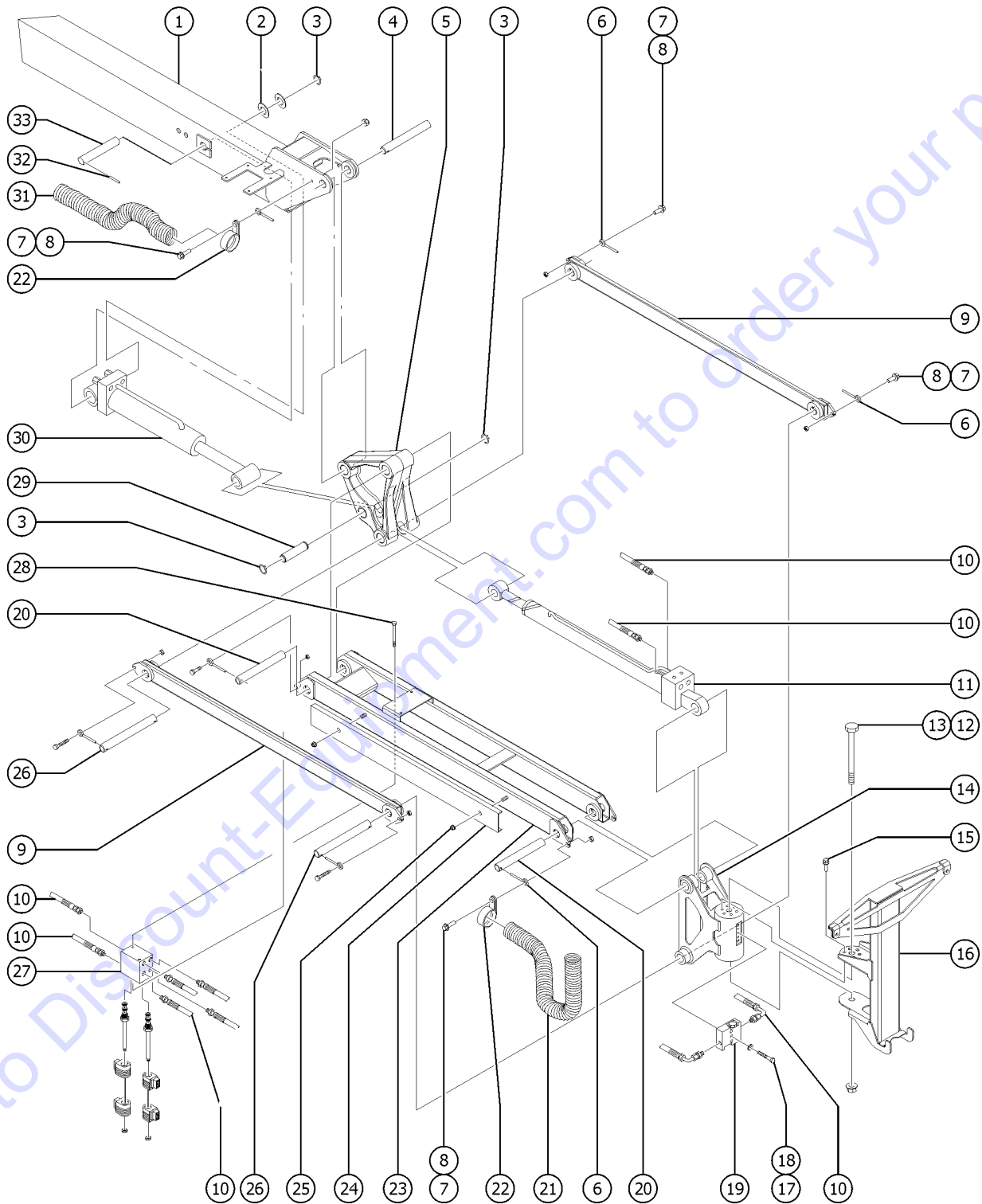
Florida: **561-964-4949** Outside Florida TOLL FREE: **877-690-3101**

Need parts?

Click on this link: <http://www.discount-equipment.com/category/5443-parts/> and choose one of the options to help get the right parts and equipment you are looking for. Please have the machine model and serial number available in order to help us get you the correct parts. If you don't find the part on the website or on one of the online manuals, please fill out the request form and one of our experienced staff members will get back to you with a quote for the right part that your machine needs.

We sell worldwide for the brands: Genie, Terex, JLG, MultiQuip, Mikasa, Essick, Whiteman, Mayco, Toro Stone, Diamond Products, Generac Magnum, Airman, Haulotte, Barreto, Power Blanket, Nifty Lift, Atlas Copco, Chicago Pneumatic, Allmand, Miller Curber, Skyjack, Lull, Skytrak, Tsurumi, Husquvarna Target, Stow, Wacker, Sakai, Mi-T-M, Sullair, Basic, Dynapac, MBW, Weber, Bartell, Bennar Newman, Haulotte, Ditch Runner, Menegotti, Morrison, Contec, Buddy, Crown, Edco, Wyco, Bomag, Laymor, EZ Trench, Bil-Jax, F.S. Curtis, Gehl Pavers, Heli, Honda, ICS/PowerGrit, IHI, Partner, Imer, Clipper, MMD, Koshin, Rice, CH&E, General Equipment, Amida, Coleman, NAC, Gradall, Square Shooter, Kent, Stanley, Tamco, Toku, Hatz, Kohler, Robin, Wisconsin, Northrock, Oztec, Toker TK, Rol-Air, APT, Wylie, Ingersoll Rand / Doosan, Innovatech, Con X, Ammann, Mecalac, Makinex, Smith Surface Prep, Small Line, Wanco, Yanmar

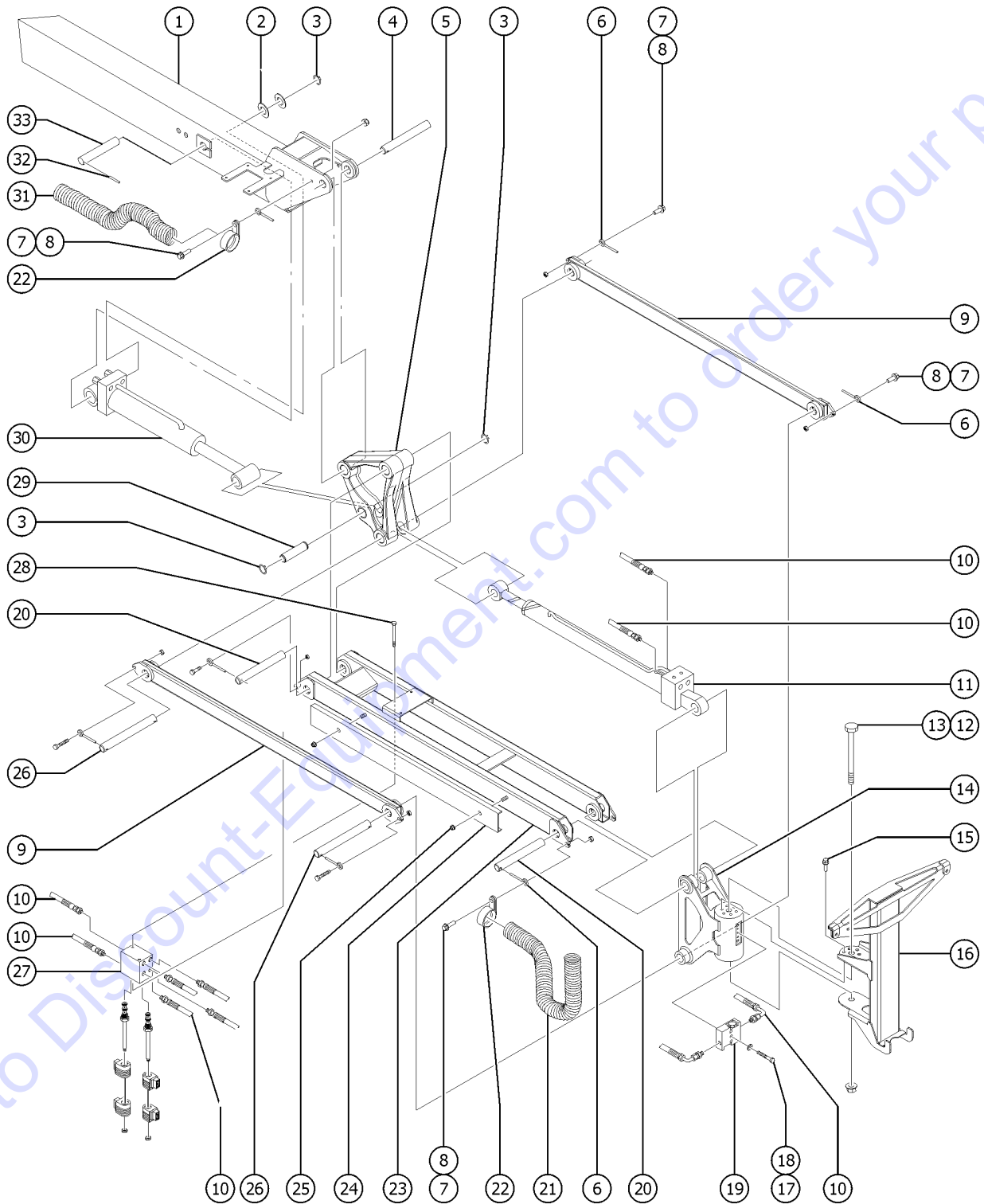
406.1 Jib Boom and Platform Rotator



Item	Part No.	Description	Qty.
1		Ref. Extension Boom (refer to 404.1)	
2	824151GT	WASHER,SHIM,1.270X2.130X.062,Z	4
3	824164GT	SNAP RING,EXTERNAL,1.25,ZAG	1
4	128550GT	PIN,1.25DIA X 7.64LG,2RING	1
5	74587GT	BELLCRANK ASSEMBLY, Z30N,Z34**	
5-	74865GT	BEARING,FL,1.25IDX1.50ODX1.25L with flange	6
5-	74866GT	BEARING,1.25IDX1.50ODX1.25L	2
6	825019GT	ROD END,.375X3.69,ZAG	6
7	824092GT	SCREW, HHF, 3/8-16 X 1.5, 8, ZAG	5
8	824025GT	NUT,TL,3/8-16,C,ZAG	5
9	36054-SGT	COMPRESSION MEMBER (BORED)***	2
10		Ref. Hydraulic Components (refer to 802.1)	
11	94218GT	CYLINDER,JIB	1
11-	94261GT	SEAL KIT,94218	1
11-	31106GT	VALVE,CNTERBAL,CBBB-LHN@3000** for 94218	
11-	47377GT	BEARING,1.25 ID X 1.5 OD X .75	4
12	1273205GT	SCREW,HHC,3/4-10X9.5,8,ZAG	1
13A	1256863GT	WASHER,FLAT,.75,SAE,HRD,ZAG	1
13B	1257458GT	NUT,TL,3/4-10,C,ZAG	1
14	233717GT	ROTATOR,PLAT,Z30/34/Z40	1
14-	233745GT	SEAL AND BRG KIT,4.5K ROTATOR	1
14-	30222GT	BEARING,FL,1.25IDX1.41ODX1.50L	4
15A	1256109GT	SCREW,HHC,3/8-16X.75,8,ZAG	6
15B	826793GT	WASHER,FLAT,3/8,SAE,HRD,ZAG	1
16	56500-SGT	WELDMENT,PLATFORM SUPPORT***	1
17	824062GT	SCREW, HHC, 1/4-20 X 1.5, 8, ZAG	1
18	824109GT	WASHER,LOCK,1/4,ZAG	1
19	56929GT	MANIFOLD,ROTATOR,180 DEG.***	1



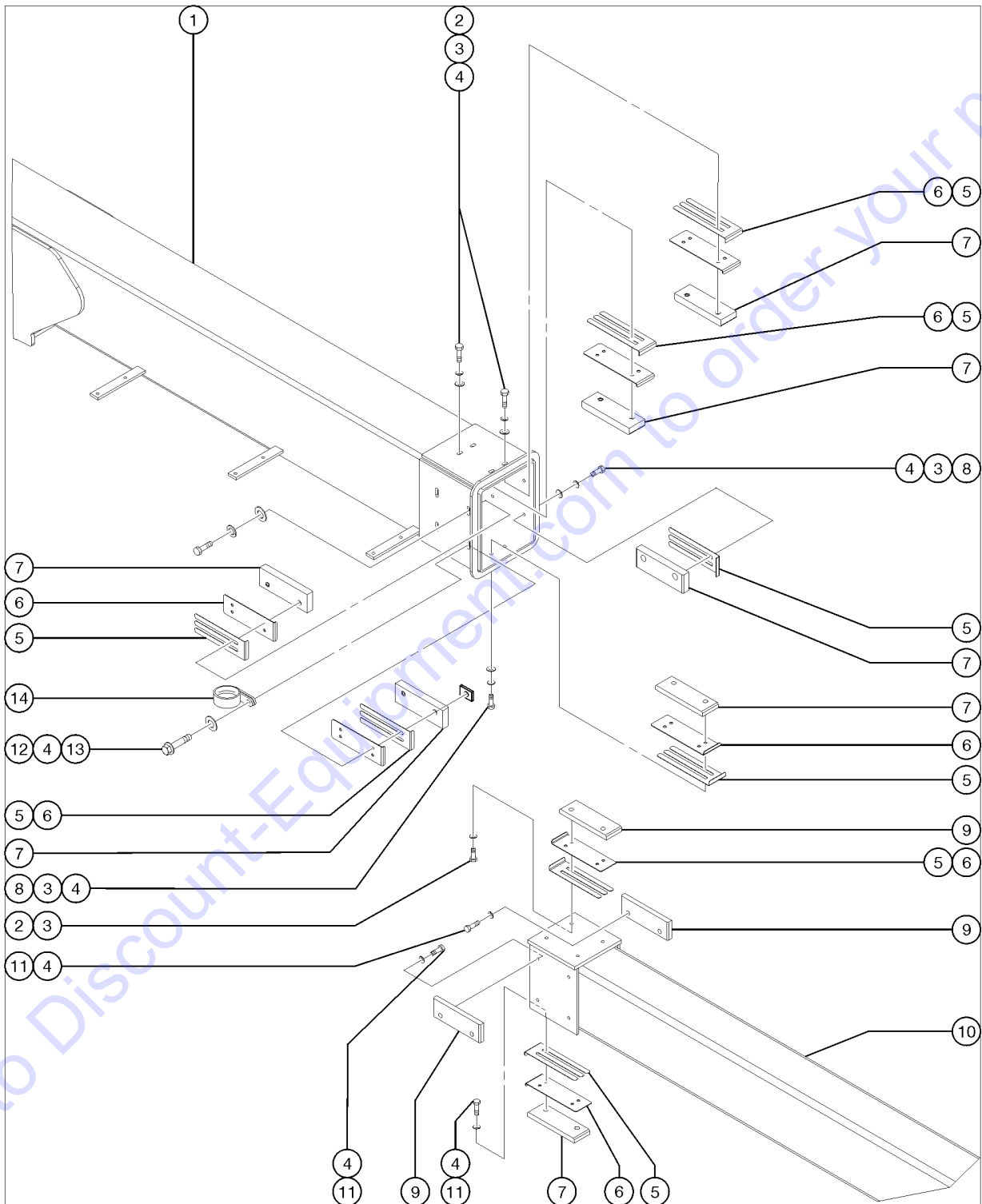
406.1 Jib Boom and Platform Rotator



Item	Part No.	Description	Qty.
19-	62506GT	VALVE - COUNTERBALANCE**	
19-	62507GT	O-RING, ROTATOR MANIFOLD	
20	36199GT	PIN,1.25DIA.X10.38LG,1HOLE	2
21	42939GT	WIRE LOOM,1.88 DIA.	120
22	27497GT	CLAMP,RUBBER CUSHIONED-2 5/32	2
23	56976GT	JIB BOOM MACH	1
24	36561-SGT	HOSE COVER,JIB BOOM**	1
25	824029GT	NUT,TL FLG,3/8-16,G,ZAG	2
26	42797GT	PIN,1.25DIA X12.50LG,2HOLE	2
27		Ref. Jib Boom Manifolds (refer to 702.1)	1
28	824077GT	SCREW, HHF, 1/4-20 X .5, 8, ZAG	2
29	139655GT	PIN,SLAVE CYLINDER	1
30	94217GT	CYLINDER,SLAVE,DONGYANG	1
30-	94260GT	SEAL KIT, 94217	1
30-	74735GT	VALVE,COUNTERBALANCE	2
30-	47377GT	BEARING,1.25 ID X 1.5 OD X .75 barrel end	2
30-	35088GT	BEARING,FL,1.25ID X 1.41OD X .89L rod end	2
31	42929GT	HOSE,RET.FILTER DWN TUBE RUBBE	28
32	10665GT	PIN,ROLL,.25 X 1.5***	1
33	50546GT	PIN,1.25DIA X 6.36LG,2RING	1



501.1 Primary Boom Wear Pads

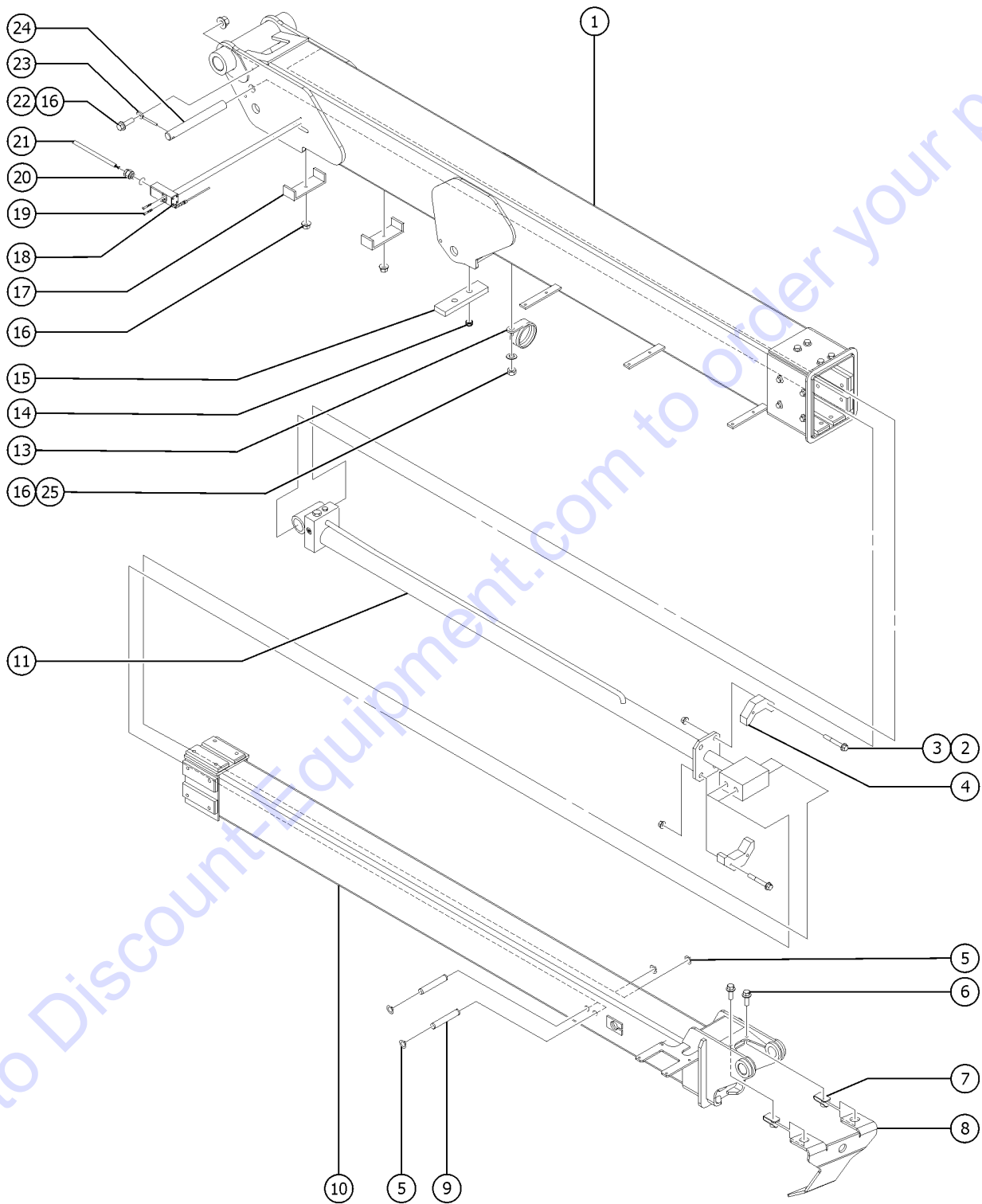


501.1 Primary Boom Wear Pads

Item	Part No.	Description	Qty.
A		Refer to 404.1 for models without rotating jib	
1		Ref. Primary Boom	
		(refer to 502.1)	
2	824061GT	SCREW,HHC,1/4-20X1.25,8,ZAG	8
3	824109GT	WASHER,LOCK,1/4,ZAG	28
		(to SN Z30NF-20326)	
4	824113GT	WASHER,FLAT,USS,1/4,ZAG	32
5	74134GT	SHIM,WEAR PAD .030	
		as needed	
6	1284473GT	SHIM, WEAR PAD, 6X2	
		(from SN Z30NF-20327) as needed	
7	101429GT	WEAR PAD,EXT BOOM***	10
		6 x 2 x 0.6875 inches (measure depth before ordering) qty will vary	
7B	74044GT	WEAR PAD,EXT BOOM***	
		6 x 2 x 0.4375 inches (measure depth before ordering) qty will vary	
8	824060GT	SCREW, HHC, 1/4-20 X 1, 8, ZAG	20
		(to SN Z30NF-20326)	
8B	824060GT	SCREW, HHC, 1/4-20 X 1, 8, ZAG	8
		(from SN Z30NF-20327)	
9	74044GT	WEAR PAD,EXT BOOM***	10
		(to SN Z30NF-20326)	
9B	74044GT	WEAR PAD,EXT BOOM***	6
		(from SN Z30NF-20327) 6 x 2 x 0.4375 inches (measure depth before ordering) qty will vary	
10		Ref. Extension Boom	1
		(refer to 502.1)	
10-	35675GT	BEARING,FL,1.25IDX1.5ODX1.25L	2
11	1262432GT	SCREW,HHC,1/4-20X.875,8,ZAG	12
		(from SN Z30NF-20327)	
12	824079GT	SCREW,HHF,1/4-20X1,8,ZAG	1
13	56912GT	SPRING CLIP,1/4-20,.025-.15X.54,ZAG	1
14	27497GT	CLAMP,RUBBER CUSHIONED-2 5/32	1



502.1 Primary and Extension Booms

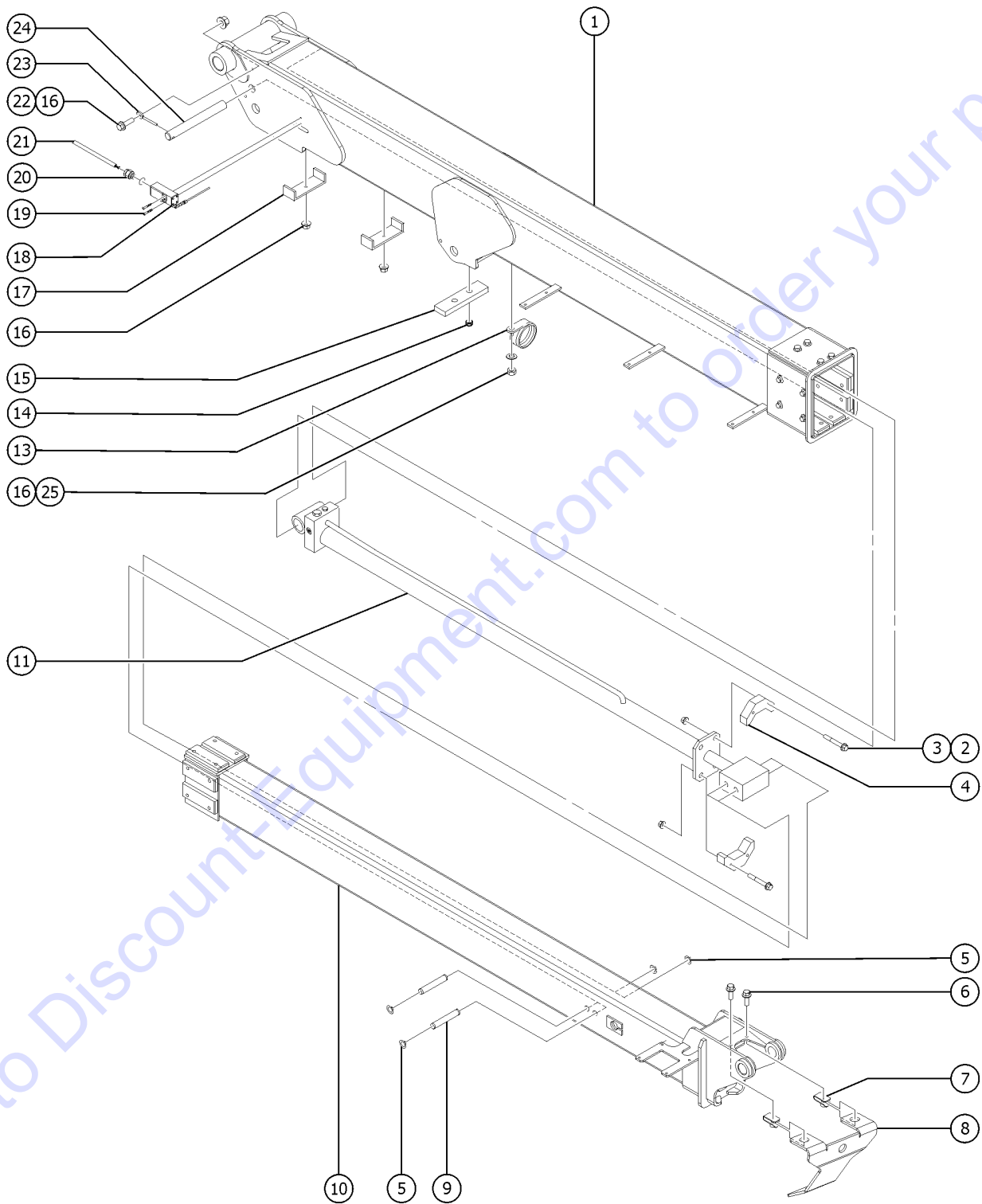


Go to DiscountEquipment.com to order your parts

Item	Part No.	Description	Qty.
A-		Refer to 404.1 for models without a rotating jib	
B-		Ref. Upper Pivot (refer to 403.1)	2
1	74345GT	PRIMARY BOOM TUBE ASSEMBLY**	1
1-	45071GT	BEARING,1.5IDX1.75ODX1.5L	2
2	824082GT	SCREW,HHF,1/4-20X1.75,8,ZAG	4
3A	824027GT	NUT,TL FLG,1/4-20,G,ZAG	7
		to SN 19124	
3B	824027GT	NUT,TL FLG,1/4-20,G,ZAG	3
		from SN 19125	
4	74066GT	WEAR PAD,EXT CYL***	1
5	824163GT	SNAP RING,EXTERNAL,3/4,ZAG	2
6	824079GT	SCREW,HHF,1/4-20X1,8,ZAG	2
7	56912GT	SPRING CLIP,1/4-20,.025-.15X.54,ZAG	2
8	147079GT	BRACKET, HOSE ROUTING	1
8-	56361GT	CABLE TIE,BUTTON,BLACK,14.75LG	
9	36192GT	PIN,0.75DIA X5.51LG,2RING	2
10	147637GT	ASSY, EXT BOOM, Z30NRJ	1
10-	35675GT	BEARING,FL,1.25IDX1.5ODX1.25L	2
11	94214GT	CYLINDER,EXTENSION,Z30NRJ***	1
11-	36648GT	VALVE,COUNTERBALANCE 2500 PSI*	
		(for 94214 cylinder)	
11-	94257GT	SEAL KIT, 94214	
		(for 94214 cylinder)	
11-	9990146GT	SEAL KIT,CYLINDER (74195)	
		(for 74195 cylinder)	
12A	824113GT	WASHER,FLAT,USS,1/4,ZAG	3
		to SN 19124	
12B	824113GT	WASHER,FLAT,USS,1/4,ZAG	2
		from SN 19125	
13	27497GT	CLAMP,RUBBER CUSHIONED-2 5/32	3
14	824038GT	NUT, TL JAM, 3/8-16, A, ZAG	2
15	56849GT	PAD,REST,1"THICK,W/STUDS*	1
16A	824029GT	NUT,TL FLG,3/8-16,G,ZAG	2
		to SN 19124	
16B	1274322GT	NUT,NYLOCK FLG,3/8-16,F,ZAG	3
		from SN 19125	
17	54530GT	CLAMP,HOSE,ALUMINUM	2



502.1 Primary and Extension Booms

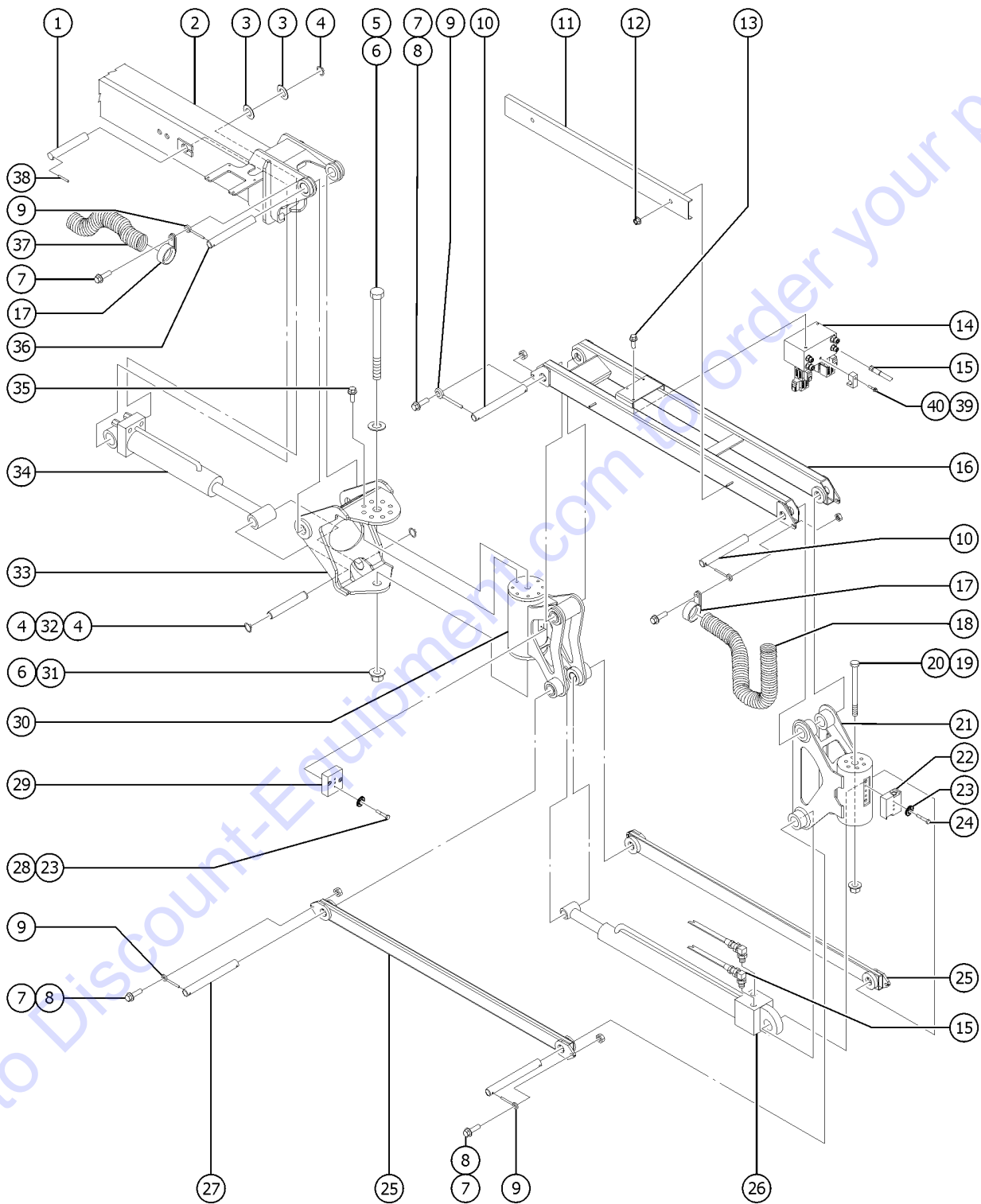


Item	Part No.	Description	Qty.
18	106082GT	HARNESS,LS,EXT/RET LS1 Z30	
18-	88356-127J5GT	SWITCH,LIMIT,W/6.25"SPRING ARM	1
18-	106433GT	LS SPRING WAND (ZCY91)	
18-	19491GT	CONTACTOR,LIMIT SWITCH	
18-	22359GT	SPRING ARM,LIMIT SWITCH,6.25"	
18-	56051GT	WIRE CABLE,16/2,WHT/BLK,SJEOW	216
19	824219GT	SCREW,PHPM SEMS ET,8-32X1.25,Z	2
20	7056GT	CONN, SQZ, 1/2NPT .38-.50, SM**	1
21	56051GT	WIRE CABLE,16/2,WHT/BLK,SJEOW	1
22	824092GT	SCREW, HHF, 3/8-16 X 1.5, 8, ZAG	1
23	825019GT	ROD END,.375X3.69,ZAG	1
24	101557GT	PIN,1.00DIAX9.01LG,THREADED	1
25	825358GT	WASHER,FLAT,5/16,USS,ZAG	1

Go to Discount-Equipment.com to order your parts



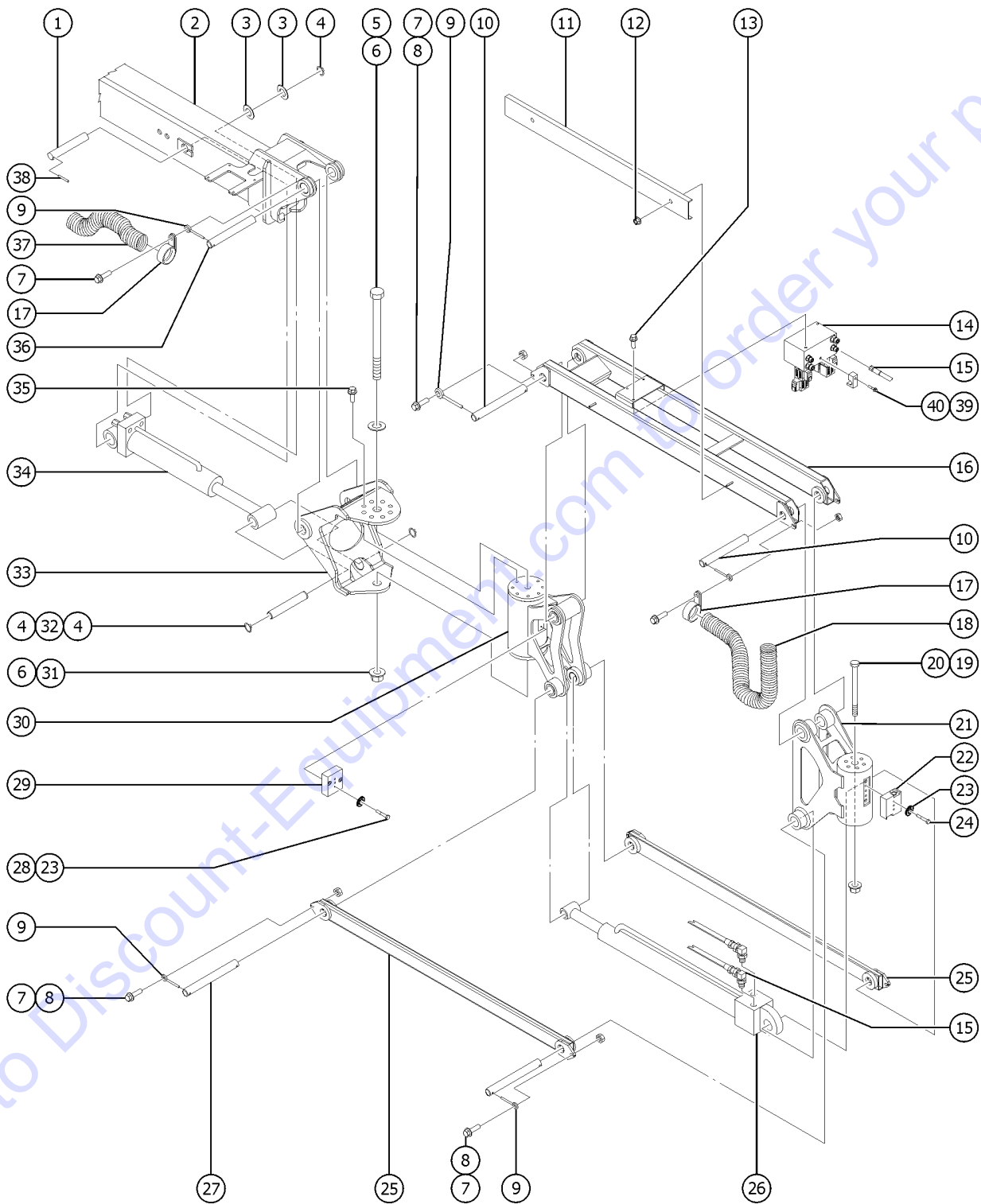
503.1 Rotating Jib Boom Assembly



Item	Part No.	Description	Qty.
1	36190GT	PIN,SLAVE CYL,1.25 X 6.06***	1
2		Ref. Extension Boom (refer to 502.1)	
3	824152GT	WASHER,SHIM,1.270X1.875X.062,Z	2
4	824164GT	SNAP RING,EXTERNAL,1.25,ZAG	3
5	824075GT	SCREW,HHC,1-8X12.75,5,ZAG	1
6	824116GT	WASHER,FLAT,1.0,F436,HRD,ZAG	2
7	824092GT	SCREW, HHF, 3/8-16 X 1.5, 8, ZAG	4
8	824025GT	NUT,TL,3/8-16,C,ZAG	4
9	825019GT	ROD END,.375X3.69,ZAG	5
10	36199GT	PIN,1.25DIA.X10.38LG,1HOLE	2
11	36561-SGT	HOSE COVER,JIB BOOM**	1
12	824029GT	NUT,TL FLG,3/8-16,G,ZAG	2
13	824077GT	SCREW, HHF, 1/4-20 X .5, 8, ZAG	2
14		Ref. Jib Boom Manifold refer to 702.1	1
15		Ref. Hydraulic Components refer to 802.1	4
16	56976-SGT	JIB BOOM MACH***	1
17	27497GT	CLAMP,RUBBER CUSHIONED-2 5/32	2
18	42939GT	WIRE LOOM,1.88 DIA.	22
19	1273205GT	SCREW,HHC,3/4-10X9.5,8,ZAG	1
20A	1256863GT	WASHER,FLAT,.75,SAE,HRD,ZAG	1
20B	1257458GT	NUT,TL,3/4-10,C,ZAG	1
21	233717GT	ROTATOR,PLAT,Z30/34/Z40	1
21-	233745GT	SEAL AND BRG KIT,4.5K ROTATOR	1
21-	30222GT	BEARING,FL,1.25IDX1.41ODX1.50L	
22	56929GT	MANIFOLD,ROTATOR,180 DEG.***	1
22-	62506GT	VALVE - COUNTERBALANCE**	
22-	62507GT	O-RING, ROTATOR MANIFOLD	
23	824109GT	WASHER,LOCK,1/4,ZAG	6

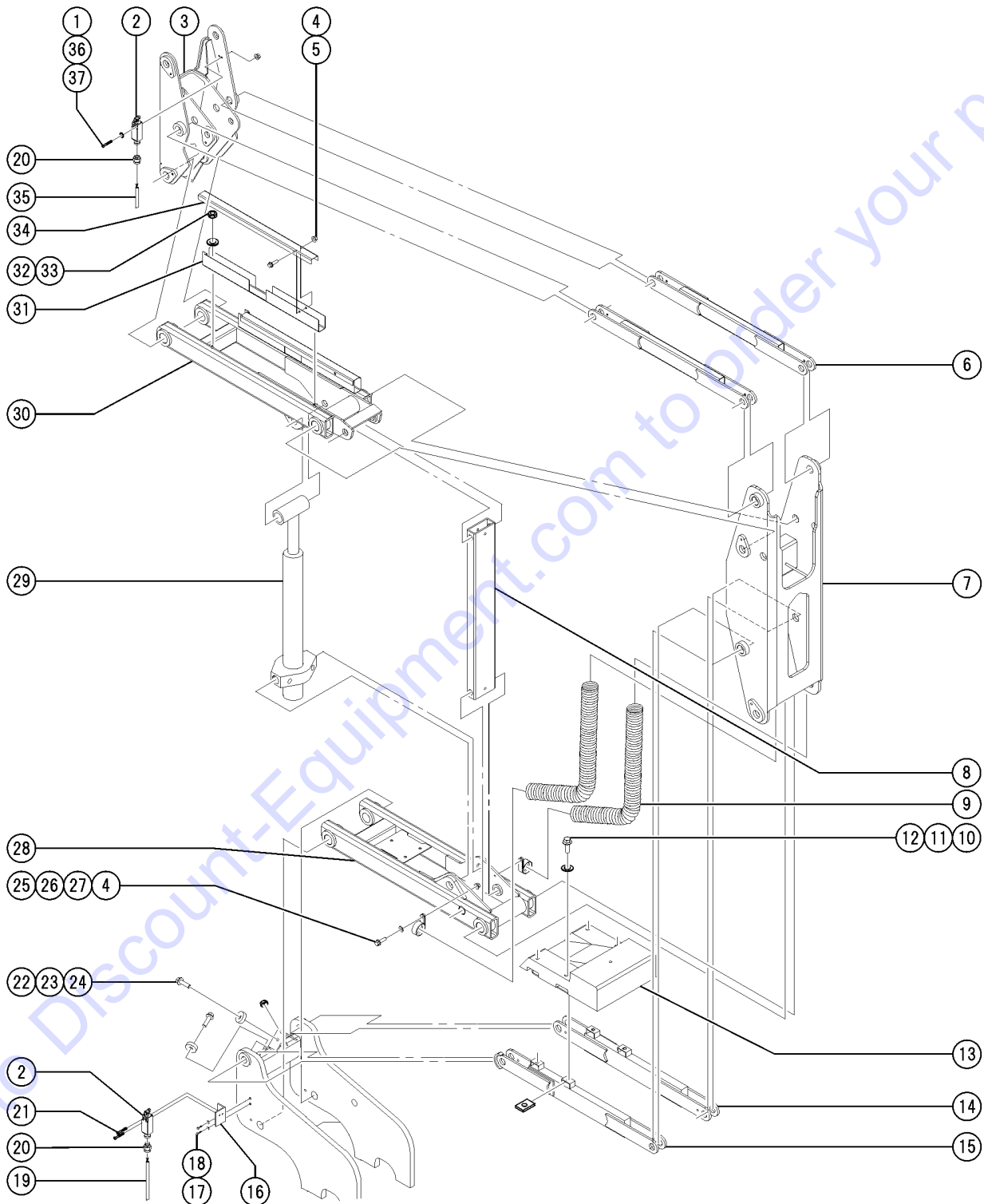


503.1 Rotating Jib Boom Assembly



Item	Part No.	Description	Qty.
24	824062GT	SCREW, HHC, 1/4-20 X 1.5, 8, ZAG	3
25	36054-SGT	COMPRESSION MEMBER (BORED)***	2
26		Ref. Jib Cylinder (refer to 406.1)	1
27	42797GT	PIN, 1.25DIA X 12.50LG, 2HOLE	1
28	824063GT	SCREW, HHC, 1/4-20 X 1.75, 8, ZAG	3
29	74051GT	MANIFOLD, ROTATOR 200 DEG.	1
29-	62506GT	VALVE - COUNTERBALANCE**	
29-	62507GT	O-RING, ROTATOR MANIFOLD	
30	226540GT	ROTATOR, JIB, 180 DEG, 15K	1
30-	226542GT	SEAL KIT, 15K ROTATOR	
30-	34245GT	BEARING, 1.25ID X 1.50 X 1.25L	2
30-	35675GT	BEARING, FL, 1.25ID X 1.50 X 1.25L	4
31	826794GT	NUT, TL, 1-8, C, ZAG	1
32	139655GT	PIN, SLAVE CYLINDER	1
33	74347GT	JIB PIVOT ASSEMBLY**	1
33-	35675GT	BEARING, FL, 1.25ID X 1.50 X 1.25L	2
34		Ref. Slave Cylinder refer to 406.1	1
35A	1256843GT	SCREW, HHC, 1/2-13 X 1.25, 8, ZAG	8
35B	825353GT	WASHER, FLAT, 1/2, SAE, HRD, ZAG	8
36	74089GT	PIN, 1.25DIA X 9.63LG, 1HOLE	1
37	42939GT	WIRE LOOM, 1.88 DIA.	24
38	10665GT	PIN, ROLL, .25 X 1.5***	1
39	824080GT	SCREW, HHF, 1/4-20 X 1.25, 8, ZAG	1
40	229074GT	CLAMP, WIRE HARNESS	1

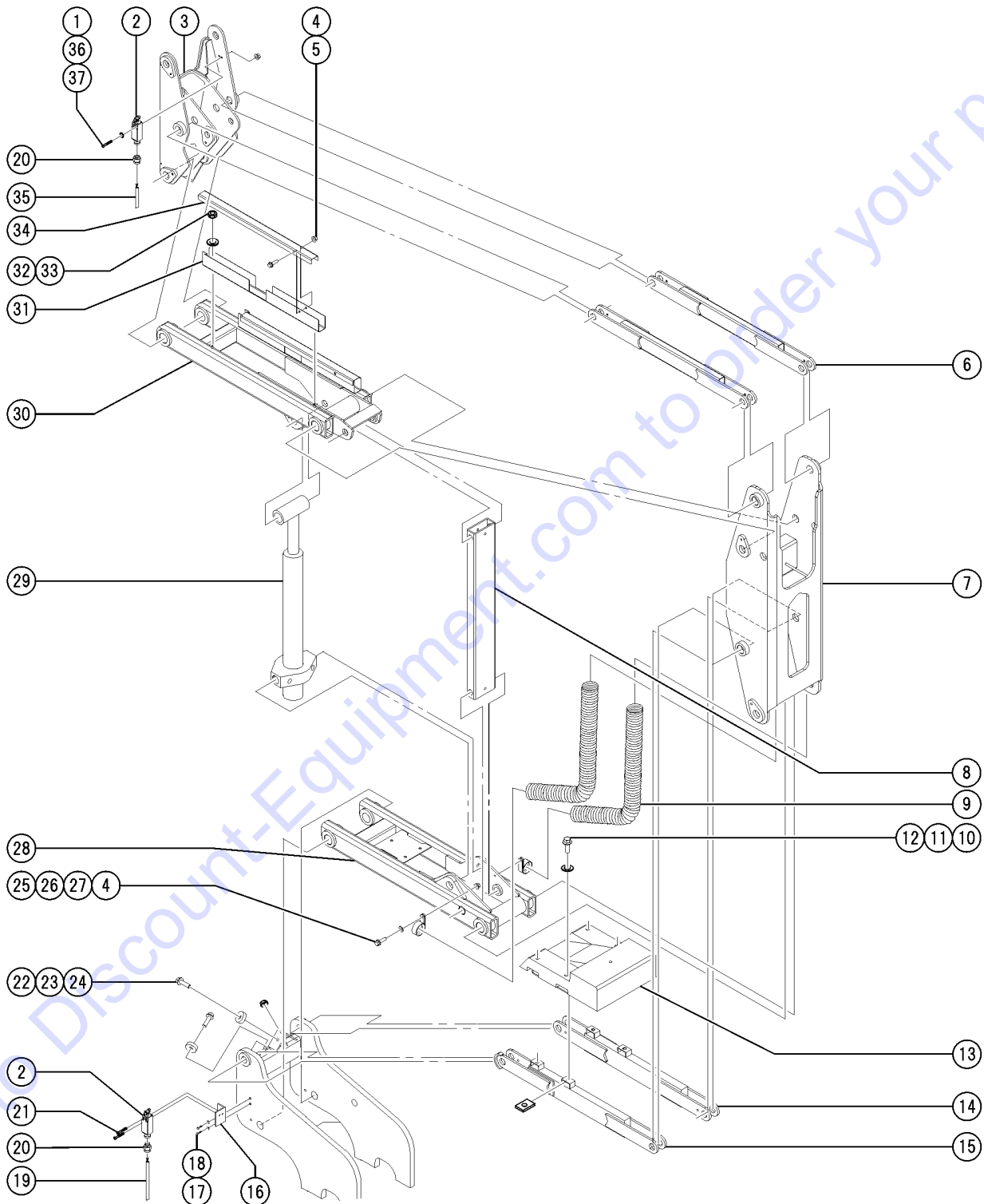
504.1 Secondary Boom - View 1



Item	Part No.	Description	Qty.
1	1261606GT	SCREW,PHPM,8-32X1.75,ZAG	2
2	88356-116R5GT	SWITCH,LIMIT,W/ROLLER ARM	2
2-	106427GT	LS ROT.HEAD W/O LEVER (ZCE01)	
2-	106428GT	LS STL ROLLER PLUNGER (ZCE02)	
2-	106429GT	LS METAL END PLUNGER (ZCE10)	
2-	106434GT	LS BLUE PLASTIC BODY (XCKP)	
2-	19491GT	CONTACTOR,LIMIT SWITCH	
2-	76450GT	CONN.SQZ,PG 11,.23-.30,W/ORING	
3	40447GT	UPPER MIDPIVOT ASSY,Z34 & Z34N	1
4	824027GT	NUT,TL FLG,1/4-20,G,ZAG	3
5	824083GT	SCREW,HHF,1/4-20X2.5,8,ZAG	4
6	74945GT	COMPRESSION ARM WLDMT 38.50 **	2
7	40446GT	LOWER MIDPIVOT ASSY,Z34 &Z34N*	1
8	74232GT	CONNECTING LINK Z30N & Z34***	1
9	42939-5400GT	WIRE LOOM,1.88 DIA. (54 inches long)	1
10	824095GT	SCREW,HHF,3/8-16X3,8,ZAG	4
11	824120GT	WASHER, FLAT, .375 X 1.50 X .125, ZAG	4
12	29868GT	SPRING CLIP,3/8-16,.05-.20X.73	4
13	36620GT	COUNTERWEIGHT,CAST,400 LBS.	1
14	94425GT	COMP ARM WELD LOWER, RIGHT***	1
15	128634GT	WELDMENT, LWR COMPRESION ARM	
16	42413GT	ANGLE,SWITCH MOUNT***	1
17	824059GT	SCREW,HHC,1/4-20X.75,8,ZAG	2
18	824109GT	WASHER,LOCK,1/4,ZAG	2
19	56051GT	WIRE CABLE,16/2,WHT/BLK,SJEOW	72
20	7056GT	CONN, SQZ, 1/2NPT .38-.50, SM**	2
21	824223GT	SCREW,PHPM SEMS ET,10-32X1.25,	2
22	824091GT	SCREW, HHF, 3/8-16 X 1.25, 8, ZAG	2



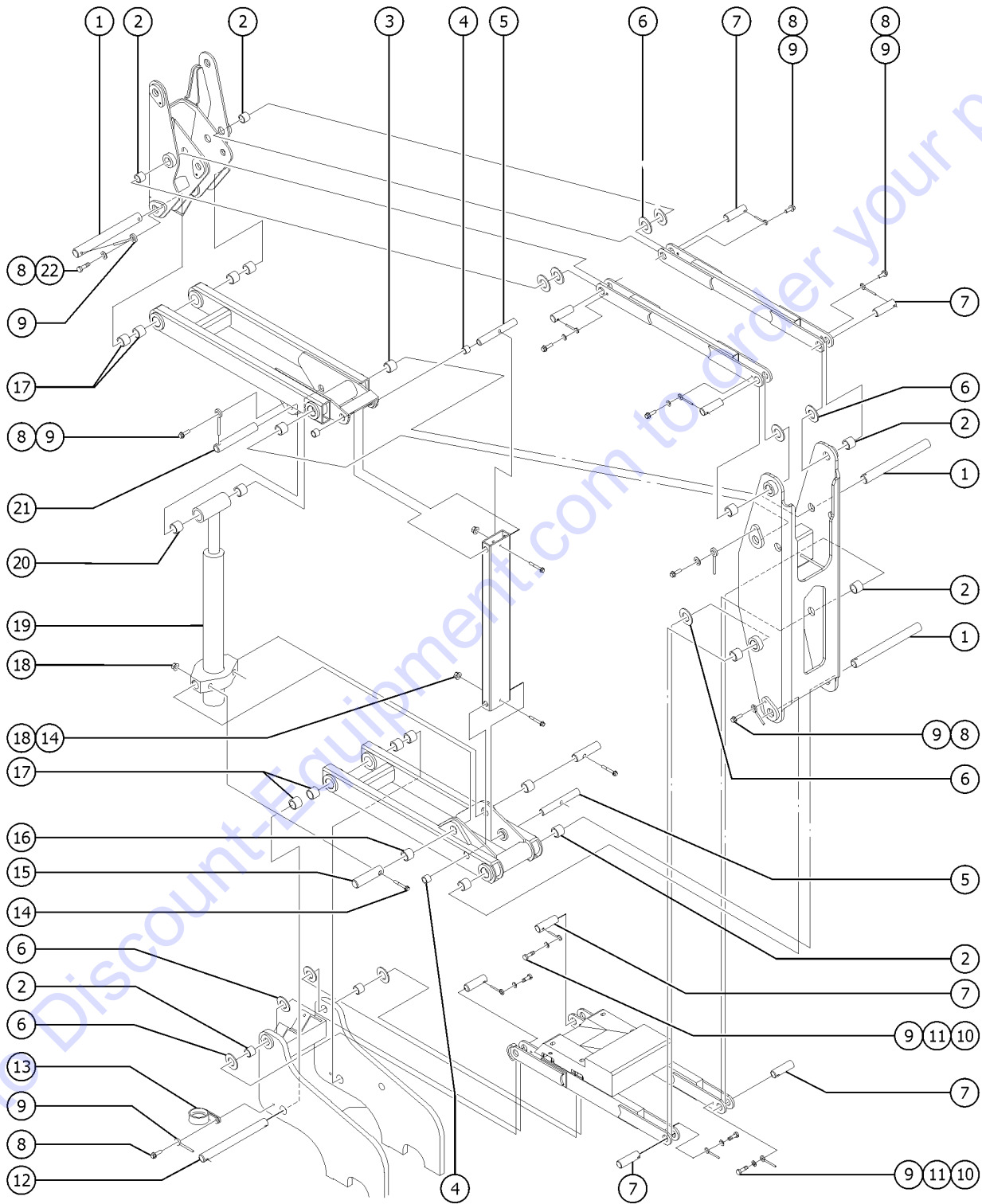
504.1 Secondary Boom - View 1



Item	Part No.	Description	Qty.
23	74085GT	REST PAD,UPPER PIVOT Z30N	2
24	824029GT	NUT,TL FLG,3/8-16,G,ZAG	2
25	824079GT	SCREW,HHF,1/4-20X1,8,ZAG	2
26	824113GT	WASHER,FLAT,USS,1/4,ZAG	2
27	27497GT	CLAMP,RUBBER CUSHIONED-2 5/32	2
28	128039GT	UPPER SEC BOOM ASSY Z30N RJ	1
29	101349GT	CYLINDER,ELEVATE, Z30N	1
29-	94254GT	SEAL KIT, 94211, 94254, 101349	1
29-	31106GT	VALVE,CNTERBAL,CBBB-LHN@3000**	1
30	128040GT	LOWER SECONDARY BOOM ASSEMBLY	1
31	74271GT	HOSE TRACK,UPPER***	1
32A	824040GT	NUT, ACORN, 3/8-16, ZAG	4
		to SN 19093	
32B	1274322GT	NUT,NYLOCK FLG,3/8-16,F,ZAG	
		from SN 19094	
33A	824122GT	WASHER, FLAT, .375 X 1.25 X .062, ZAG	4
		to SN 19093	
33B	825353GT	WASHER,FLAT,1/2,SAE,HRD,ZAG	
		from SN 19094	
34	42609GT	HOSE TRACK COVER,UPPER ARM	1
35	44133GT	WIRE CABLE,16/4 CON.TPE JKT*	184
36	1257390GT	WASHER,FLAT,#8,SAE,ZAG	2
37	1271081GT	NUT,NYLOCK,8-32,8,ZAG	2



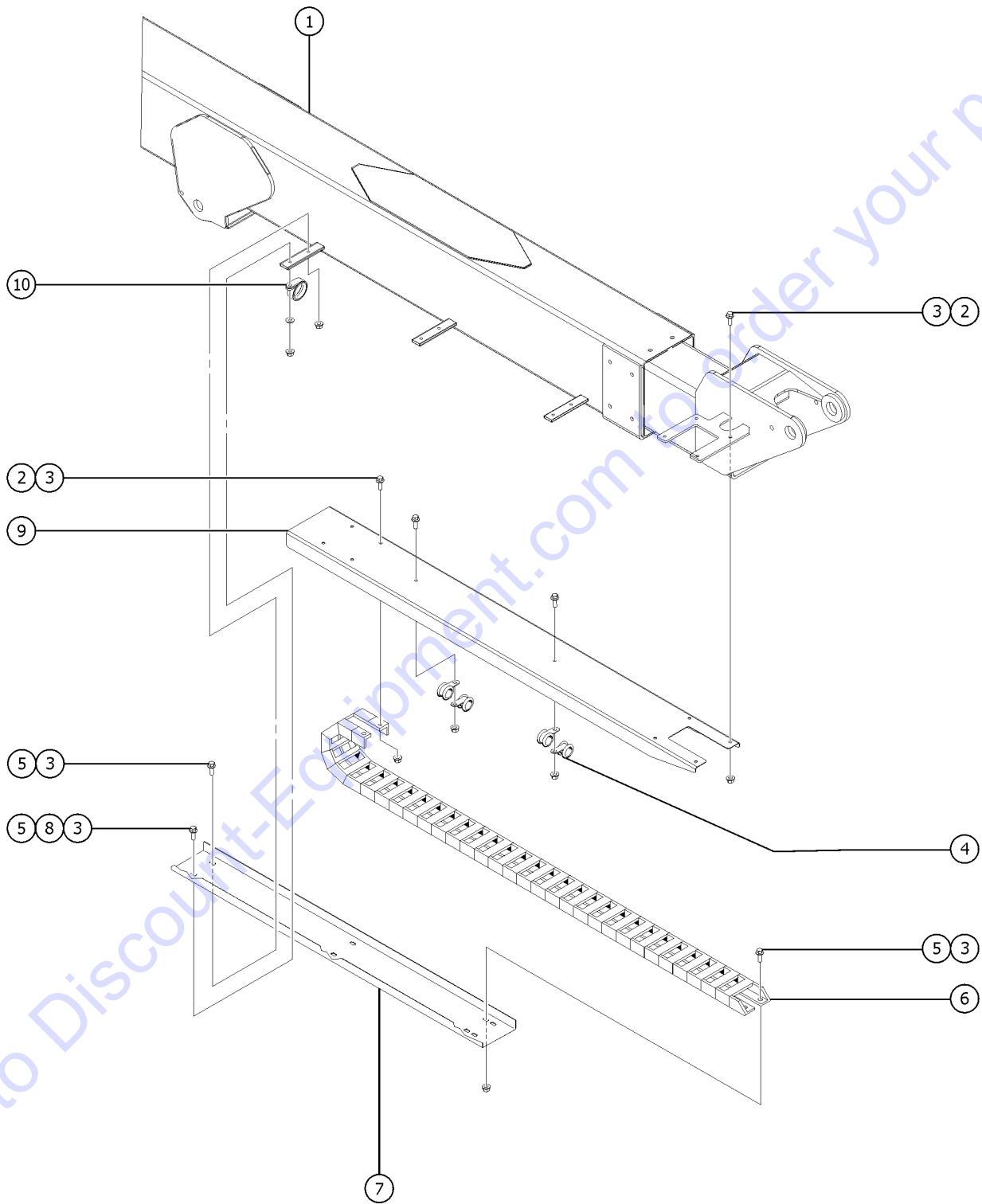
505.1 Secondary Boom - View 2



Item	Part No.	Description	Qty.
A-	107935GT	KIT, SWING HOSE CLAMP, FIELD includes 106959GT, 106960PGT, 107933GT, and 107934GT	
B-	110148GT	INSTRUCTIONS, SWING HOSE CLAMP	
1	36194GT	PIN,1.50DIAX15.13LG,1HOLE	3
2	34245GT	BEARING,1.25IDX1.50X1.25L	10
3	45071GT	BEARING,1.5IDX1.75ODX1.5L	2
4	36245GT	BEARING,FL,1.00IDX1.25ODX0.84L	4
5	36202GT	PIN,1.00DIAX7.25LG,1HOLE	2
6	824151GT	WASHER,SHIM,1.270X2.130X.062,Z	8
7	36390GT	PIN,1.25DIAX3.63LG,THREADED	8
8	824091GT	SCREW, HHF, 3/8-16 X 1.25, 8, ZAG	9
9	825019GT	ROD END,.375X3.69,ZAG	3
10	824067GT	SCREW,HHC,3/8-16X1,8,ZAG	4
11	824110GT	WASHER,LOCK,3/8,ZAG	4
12	36389GT	PIN,1.50DIAX16.13LG,1HOLE	1
13	27497GT	CLAMP,RUBBER CUSHIONED-2 5/32	1
14	824094GT	SCREW, HHF, 3/8-16 X 2.75, 8, ZAG	4
15	36205GT	PIN,1.25DIAX3.00LG,THREADED	2
16	36246GT	BEARING,FL,1.25IDX1.50ODX1.09L	2
17	18396GT	BEARING,1.5IDX1.75ODX1.0L	4
18	824029GT	NUT,TL FLG,3/8-16,G,ZAG	4
19		Ref. Elevate Cylinder (refer to 504.1)	
20	25683GT	BEARING,POLYGON,20DU12	2
21	74089GT	PIN,1.25DIAX9.63LG,1HOLE	1
22	825358GT	WASHER,FLAT,5/16,USS,ZAG	1



506.1 Cable Track

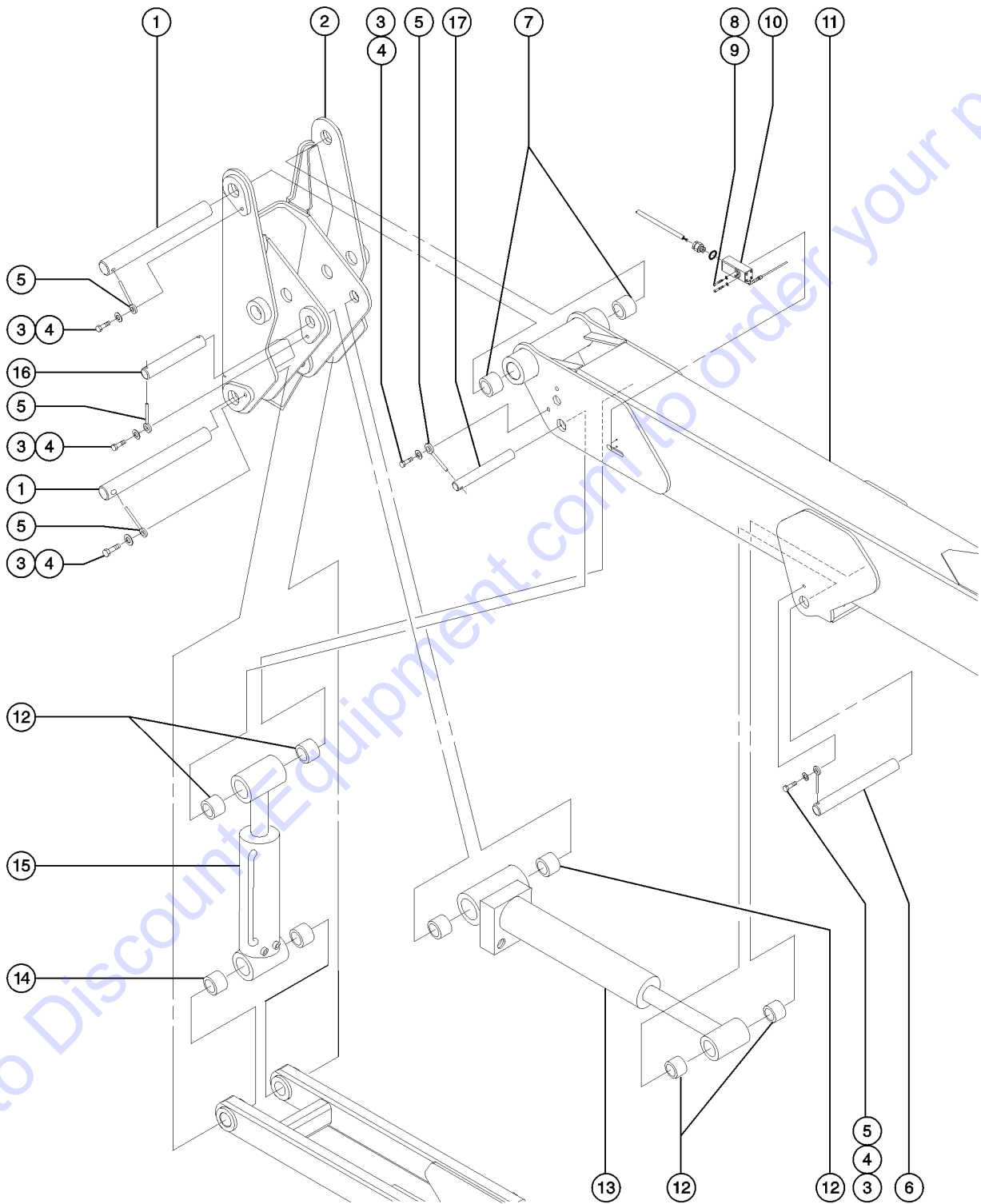


Item	Part No.	Description	Qty.
1		Ref. Primary and Extension Booms (refer to 502.1)	
2	824079GT	SCREW,HHF,1/4-20X1,8,ZAG	10
3	824027GT	NUT,TL FLG,1/4-20,G,ZAG	16
4	6833GT	CLAMP,0.50,#8 X 1/4,RUB CUSH	4
5	824078GT	SCREW,HHF,1/4-20X.75,8,ZAG	6
6	139537GT	CABLE TRACK,NYLATRAC,26 LINK	1
6-	139540GT	REPAIR LINK,NYLATRAC,7 LINKS	
6-	139541GT	BRACKET SET,NYLATRAC,KS400	
6-	139542GT	LINK,NYLATRAC,KS400	
7	56983PGT	CHANNEL,LWR TRAY PLASTIC TK **	
8	824113GT	WASHER,FLAT,USS,1/4,ZAG	3
9	74119PGT	CHANNEL, CABLE TRACK, UPPER	1
10	27497GT	CLAMP,RUBBER CUSHIONED-2 5/32	3

Go to Discount-Equipment.com to order your parts



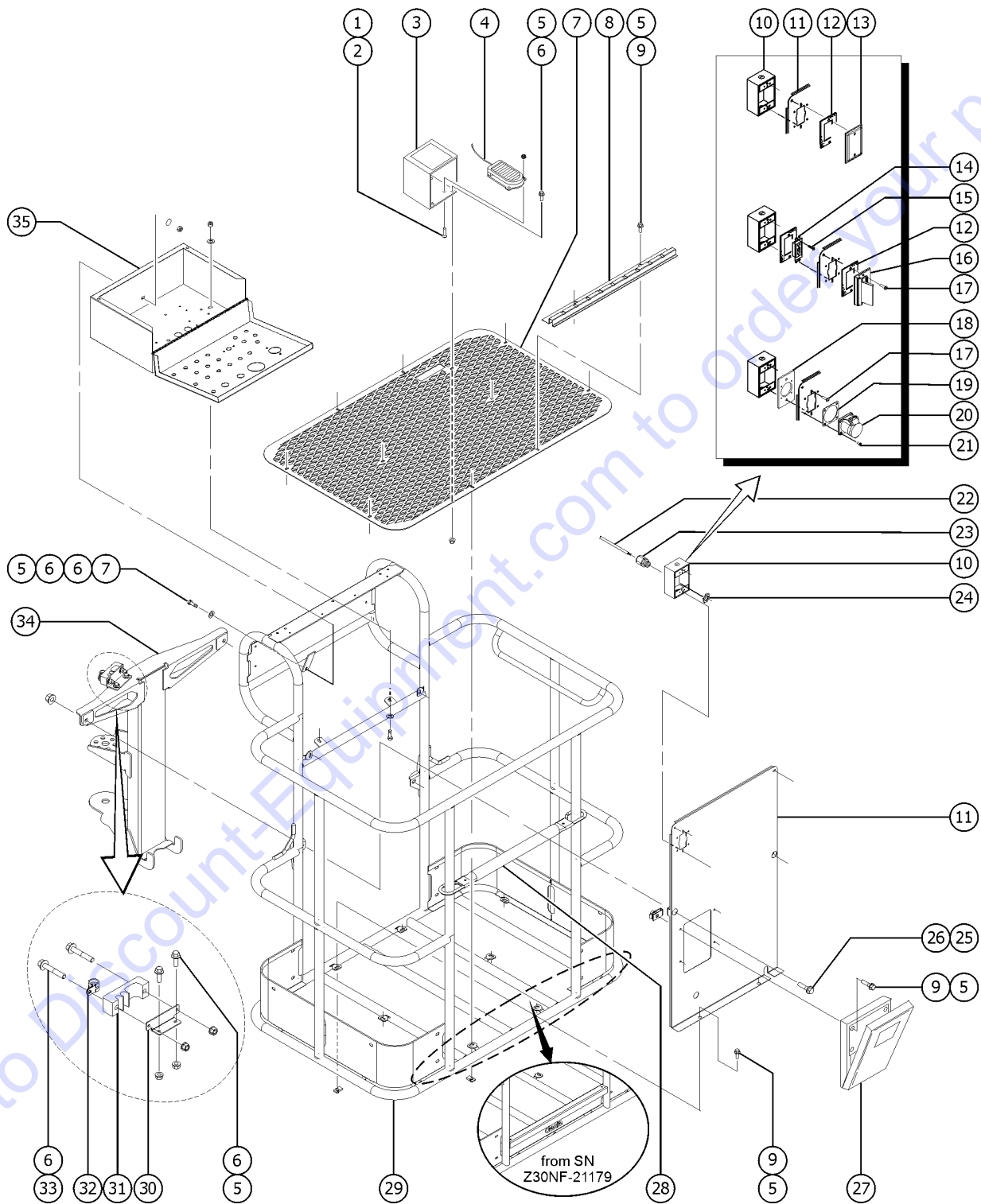
507.1 Mid Pivot



Item	Part No.	Description	Qty.
1	36194GT	PIN,1.50DIAX15.13LG,1HOLE	1
2	40447GT	UPPER MIDPIVOT ASSY,Z34 & Z34N	1
3	6019GT	SCREW,HHC,3/8-16 X 1.25 GRD 5	
4	6021GT	WASHER,LOCK,.375	
5	825019GT	ROD END,.375X3.69,ZAG	3
6	36198GT	PIN,1.25DIAX8.12LG,1HOLE	
7	45071GT	BEARING,1.5IDX1.75ODX1.5L	2
8	49821GT	SCREW,PHILLIPS,PHM,8-32 X 1.25	
9	6607GT	WASHER,LOCK,#10 PLTD	
10	88356-127J5GT	SWITCH,LIMIT,W/6.25"SPRING ARM	1
10-	106433GT	LS SPRING WAND (ZCY91)	
10-	106082GT	HARNESS,LS,EXT/RET LS1 Z30	
11		Ref. Primary Boom Tube Assembly (refer to 502.1)	
12	47377GT	BEARING,1.25 ID X 1.5 OD X .75	6
13	94215GT	CYLINDER,PRIMARY LIFT	1
		includes item 12	
13-	94258GT	SEAL KIT, 94215, 94430	
13-	43937GT	VALVE,CB.CBBC-LHN@3200***	
14	52625GT	BEARING,1.50 X 1.66 X 1.5	
15	94216GT	CYLINDER,MASTER	
		includes items 12 and 14	
15-	94259GT	SEAL KIT, 94216	
16	36198GT	PIN,1.25DIAX8.12LG,1HOLE	
17	74091GT	PIN,1.25DIAX9.13LG,1HOLE	1



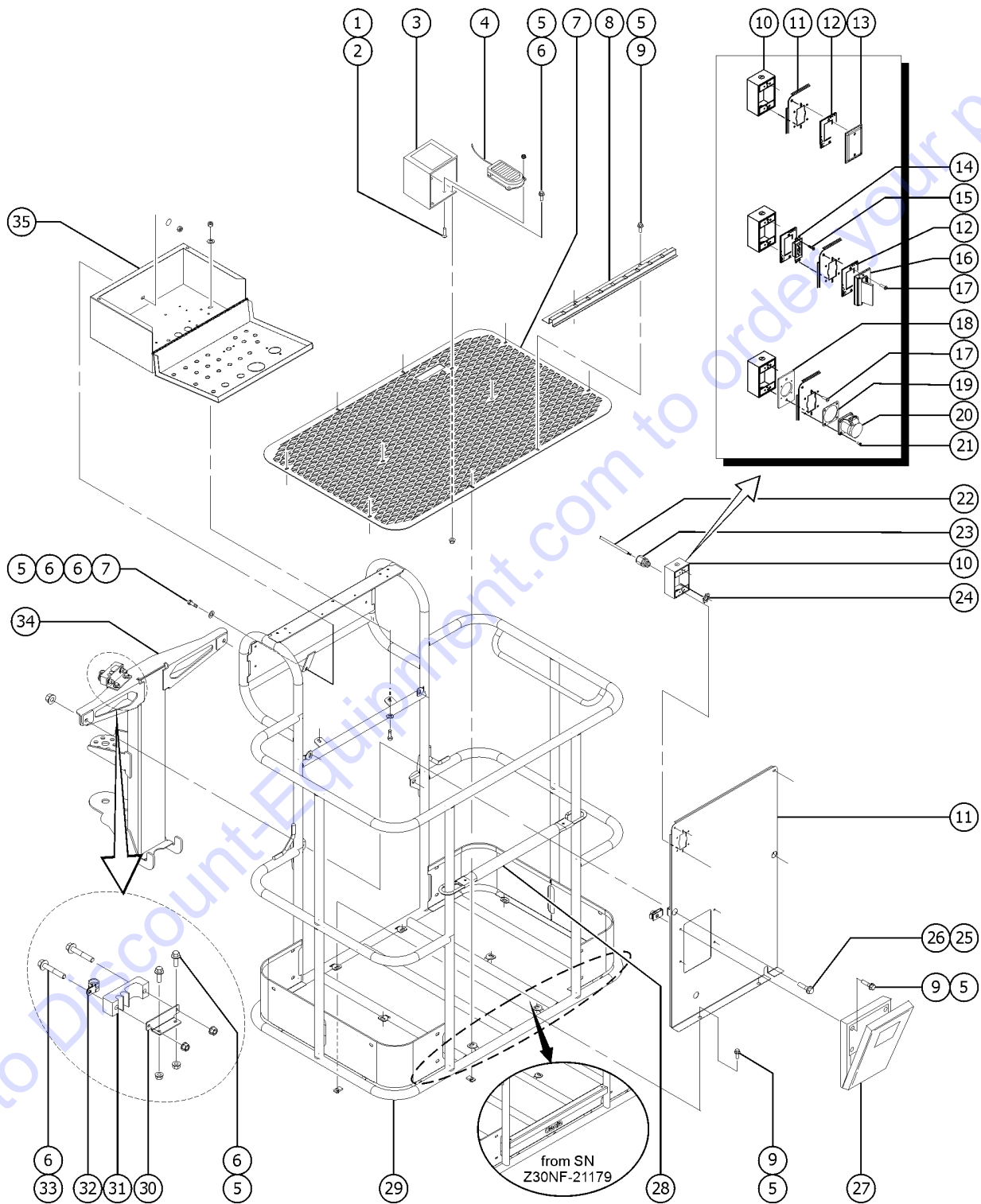
601.1 Platform



Item	Part No.	Description	Qty.
-	101985GT	PLAT ASSY W/DECAL(US/CANADA) ANSI and CSA	1
-	101986GT	PLAT ASSY W/DECAL (CE) CE	1
-	101987GT	PLAT ASSY W/DECAL (AUSTRALIA) AUS	1
-	101988GT	PLAT ASSY W/DECAL (ASIA/S.AMER Asia and S. America	1
-	94745PGT	TOEBOARD,ENTRY EUROPEAN PNTD** (to SN Z30NF-21178)	1
1	824225GT	SCREW,FHPM,10-32X.75,ZAG	2
2	824032GT	NUT,TL FLG,10-32,F,ZAG	2
3	32710GT	GUARD,FOOTSWITCH,W/DECAL STEEL ANSI, CSA and AUS	
3B	30807P-SGT	FOOTSWITCH HOUSING,PAINTED CE, Asia and S. America	
4	227620GT	ASSEMBLY,FOOT SWITCH	1
4-	227564GT	FOOT SWITCH,20A IP65	1
4-	119058GT	CONN PLUG 4 WAY ENDCAP DT	1
4-	33576GT	CONN,SQZ,1/2NPT,.170-.450	1
4-	60429GT	LOCK,PLUG 4 WAY,14-18GA	1
4-	73739GT	BOOT,PLUG 4 WAY	1
4-	38681GT	TERMINAL,#10 RING,BLUE,REEL	3
4-	73714GT	TERM,NI SOC,S&F,16-18GA,REEL	4
4-	43960GT	WIRE CABLE,16/4 CON.TPE JKT	60
4-	1257248GT	SCREW, SHC, M4-0.7X8, DIN912,	
4-	1257249GT	WASHER, LOCK, M4, SS	
5	824078GT	SCREW,HHF,1/4-20X.75,8,ZAG	
6	824027GT	NUT,TL FLG,1/4-20,G,ZAG	
7	56465PGT	FLOORING,PLATFORM 46X30,PAINT	1
8	56656PGT	PLATFORM STEP * PAINTED option (to SN Z30NF-21178)	1
9	56912GT	SPRING CLIP,1/4-20,.025-.15X.54,ZAG	
10	10775GT	T-BOX,2.75 X 4.5 X 2.0	1
11	62508GT	DECAL PLATE W/D,PLAT,Z30/34** ANSI/CSA; includes item 27	1
11B	62516GT	DECAL PLATE W/D,PLAT,Z30/34** CE; includes item 27	1



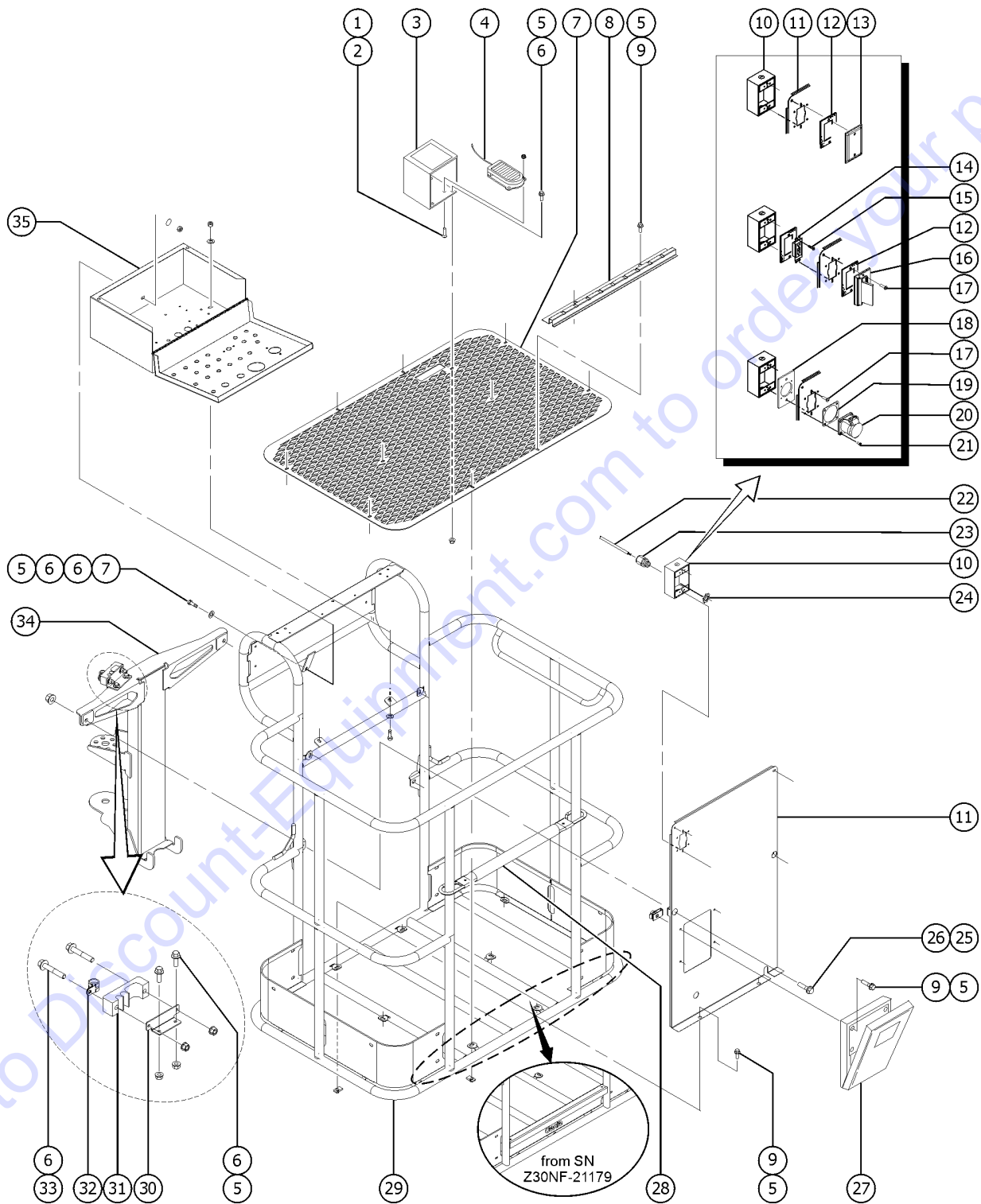
601.1 Platform



Item	Part No.	Description	Qty.
11C	101980GT	DECAL PLATE ASSY,W/SYM DECALS CE, Asia and S. America; includes item 27	1
11D	231204GT	ASSY,DECAL PLATE, Z30 AUS AUS; includes item 27	1
12	74052GT	GASKET,COVER,GFCI,WEATHERPROOF	1
13	10777GT	COVER,BLANK	1
14	13585GT	OUTLET, 110V ANSI/CSA	1
15	33759GT	SCREW,PHILLIPS,PHM,8-32 X.375	2
16	74006GT	COVER,GFCI,HORIZONTAL,WEATHER	1
17	824214GT	SCREW,PHPM,6-32X.5,ZAG	2
18	T112561GT	PLATE,UK,POWER TO PLAT	1
19	66356GT	GASKET, UK RECEPTACLE	1
20	T112560GT	RECEPTACLE,UK,110V is included with kit T112563GT	1
21	1255788GT	SCREW,FHPM,8-32X.375,ZAG	4
22	43956GT	WIRE CABLE,14/3 CON.TPE JKT* refer to 306.1	1
23	7056GT	CONN, SQZ, 1/2NPT .38-.50, SM**	1
24	6935GT	LOCKNUT,ELEC,1/2"	1
25	824087GT	SCREW,HHF,5/16-18X1.25,8,ZAG	1
26	824028GT	NUT,TL FLG,5/16-18,G,ZAG	1
27	44743GT	MANUAL BOX W/DECALS*** USA/Canada/Australia	1
27B	24514GT	BOX,INSTRUCTION STORAGE Europe/Asia/South America (decal required; refer to Section100)	1
28	102992GT	SLIDING MIDRAIL KIT,PTD	1
29	101981GT	PLAT RAIL ASSY 4'ANSI/CSA railings only; no control box, flooring or decal plate	1
29B	101982GT	PLAT RAIL ASSY, 4' CE railings only; no control box, flooring or decal plate	1
29C	101983GT	PLAT RAIL ASSY 4' AUS railings only; no control box, flooring or decal plate	1
29D	101984GT	PLAT RAIL ASSY 4' ASIA/S.AMER railings only; no control box, flooring or decal plate	1
29E	106633GT	WELDMENT,PLATFORM 46X30	1
29F		Ref. PLATFORM SWING GATE refer to 601.2	1
30	128667GT	BRACKET, CABLE STRAIN RELIEF	1
31	128668GT	CLAMP,CABLE STRAIN RELIEF	1



601.1 Platform



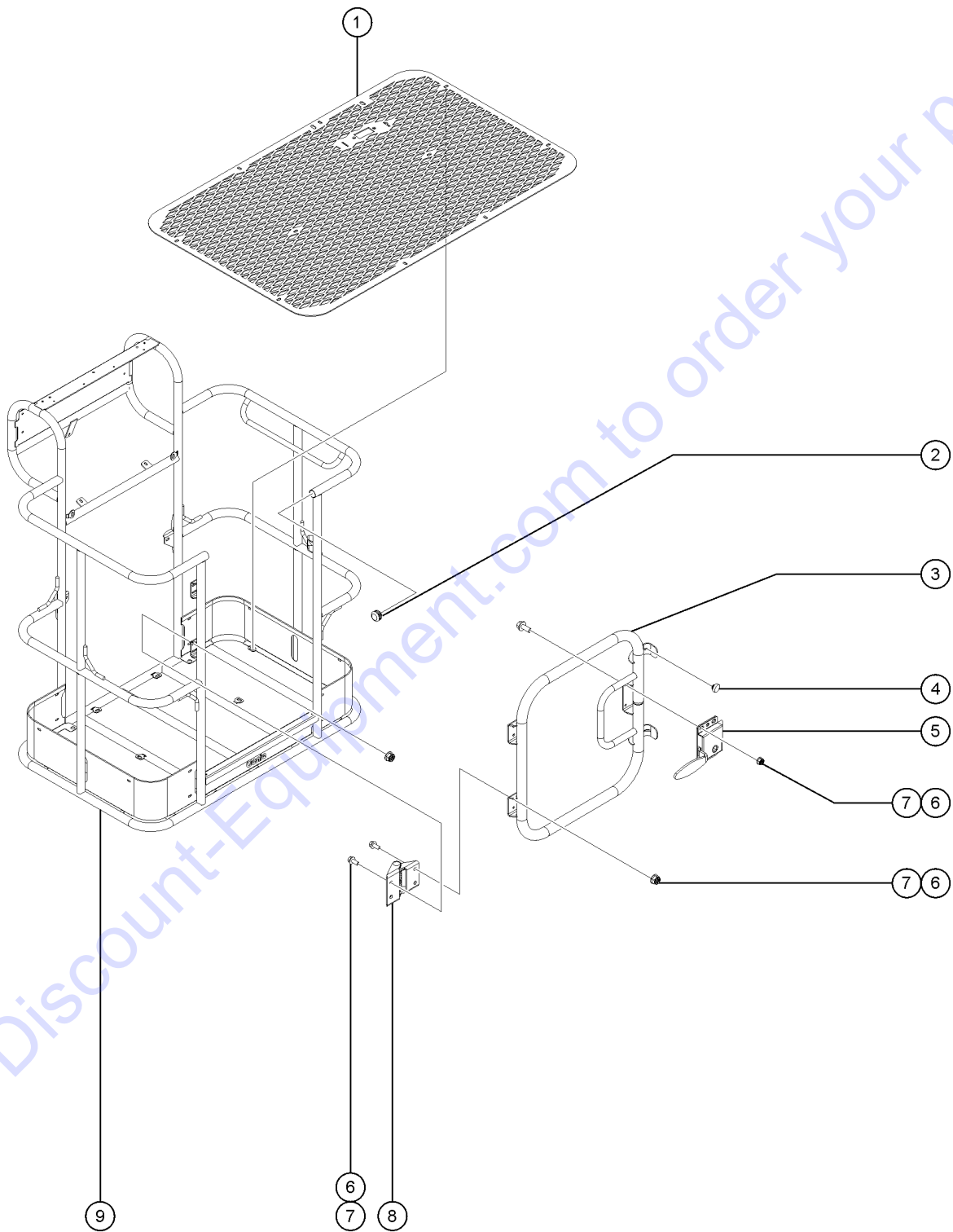
601.1 Platform

<i>Item</i>	<i>Part No.</i>	<i>Description</i>	<i>Qty.</i>
32	128669GT	BACKING PLATE, PLATFORM CLAMP	1
33	824081GT	SCREW, HHF, 1/4-20 X 1.5, 8, ZAG	
34	56500-SGT	WELDMENT, PLATFORM SUPPORT*** (to SN Z30NF-19999)	1
34B		REF. WELDMENT, PLATFORM SUPPORT (from SN Z30NF-20000) (refer to 905.1)	1
35		Ref. Platform Control Box (refer to 602.1 and 603.1)	

Go to Discount-Equipment.com to order your parts



601.2 Platform with Swing Gate (from SN Z30NF-21179)



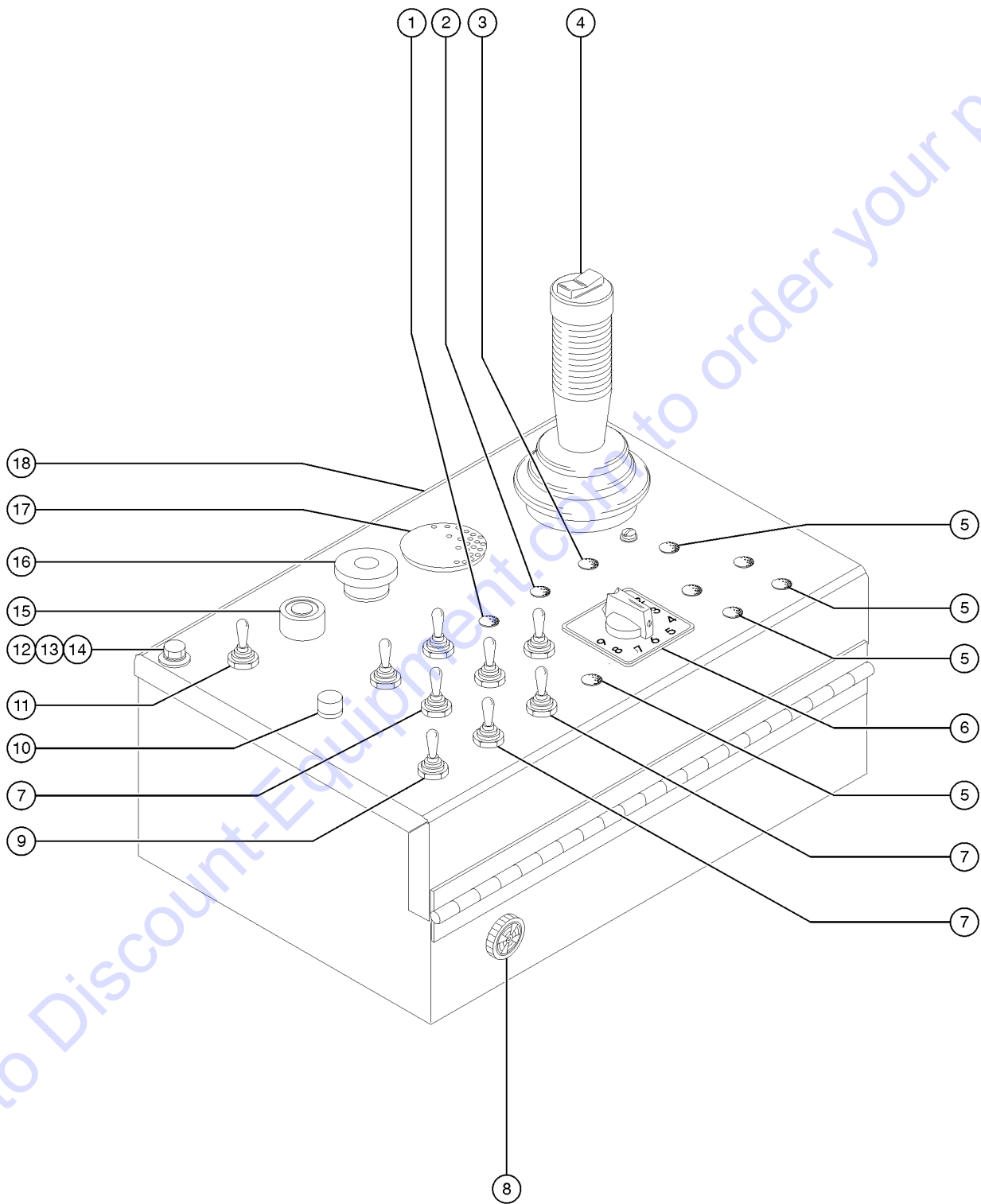
601.2 Platform with Swing Gate (from SN Z30NF-21179)

Item	Part No.	Description	Qty.
-	1276941GT	ASSY,4' PLAT WELDMENT W/SWING GATE	1
1	56465GT	FLOORING,PLATFORM 46X30***	1
2	55753GT	BUMPER, PLASTIC, 1.25 O.D.	2
3	1276939GT	WELDMENT, SWING GATE, 4' & 5' PLAT	1
4	43392GT	BUMPER,BATTERY BOX & RAILS	2
5	1267747GT	LATCH, SWING GATE	1
6	1277924GT	NUT,TL FLG,1/4-20,G,ZAG	12
7	1256855GT	SCREW,HHF,1/4-20X.625,8,ZAG	12
8	104804GT	HINGE, SPRING, LONG LEG	2
9	1276938GT	WELDMENT, PLATFORM, SWING GATE, 4FT	1

Go to Discount-Equipment.com to order your parts



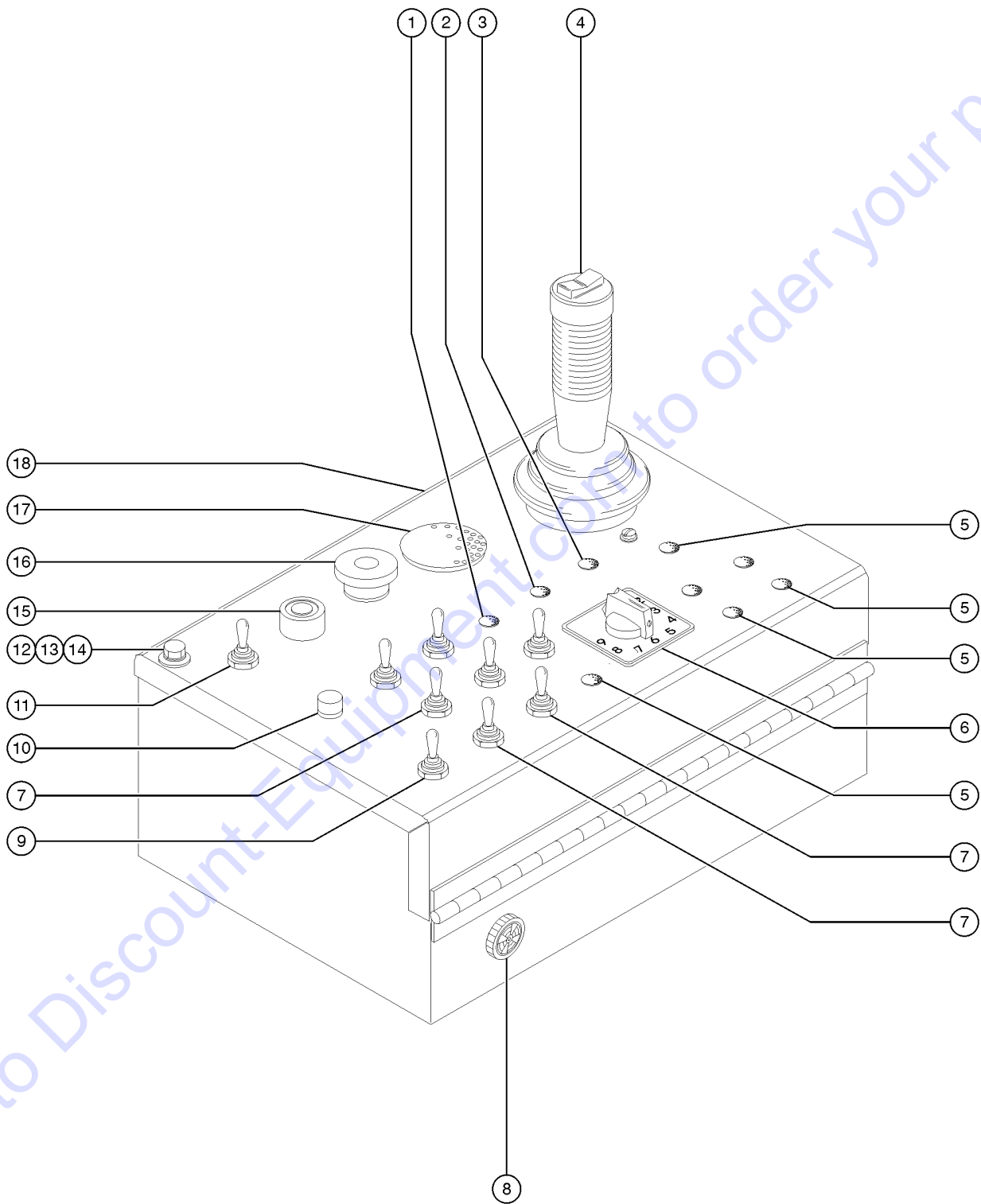
602.1 Platform Controls - External View



Item	Part No.	Description	Qty.
1	229567GT	PLUG, SANTOPRENE .5 BLACK DOME	
1B	128202GT	SWITCH TOGGLE ASSY DPDT 3P MOM option, jib boom rotate switch	1
2	229567GT	PLUG, SANTOPRENE .5 BLACK DOME	
2B	824878GT	LIGHT,LED IND. RED 24V NH option, machine not level indicator light	
3	229567GT	PLUG, SANTOPRENE .5 BLACK DOME	
3B	824878GT	LIGHT,LED IND. RED 24V NH option, platform overload indicator light	
4		Ref: JOYSTICK,5K-0 OHM,W/RELAY 12-pin connector, refer to 604.1	
5	229567GT	PLUG, SANTOPRENE .5 BLACK DOME	6
6	56886GT	CONTROLLER,ROTARY 24V W/RAMP refer to 605.1	1
6-	35680GT	LEGEND,PLSTC,"CREEP TO 9"*** for 56886	
7	128202GT	SWITCH TOGGLE ASSY DPDT 3P MOM	7
8	45383GT	ALARM,WARBLE TONE 5-30 VDC*** nut ring not included	1
8-	72326GT	NUT - PLASTIC, RING FOR ALARMS	1
9	128200GT	SWITCH TOGGLE ASSY SPDT 3P MOM drive enable switch	1
10	824878GT	LIGHT,LED IND. RED 24V NH drive enable indicator light	1
11	128203GT	SWITCH TOGGLE ASSY SPDT 2P MOM auxiliary power switch	1
11-	1261347GT	TOGGLE SWITCH W/GUARD ASSY CE (from SN Z30NF-20000)	
11-	1261346GT	TOGGLE SWITCH GUARD, RED CE (from SN Z30NF-20000)	
11-	1261566GT	SECURITY TIE, TOGGLE GUARD CE (from SN Z30NF-20000)	
12	6090GT	SCREW,HHC,1/4-20 X .75	
13	6356GT	WASHER,LOCK,.25	
14	6638GT	WASHER,FLAT,USS,1/4"Y	
15	122513GT	KIT,HORN SVC BB&SM BOOM	1
15-	66813GT	BUTTON,PUSH,BLACK W/SEAL ***	
15-	66815GT	BASE, W/1 N.O. CONTACTS***	
16	122514GT	KIT,ESTOP SVC BB&SM BOOM	1
16-	66812GT	BUTTON,PUSH,RED MUSHROOM HEAD	
16-	66821GT	BASE,WITHOUT CONTACTS	



602.1 Platform Controls - External View



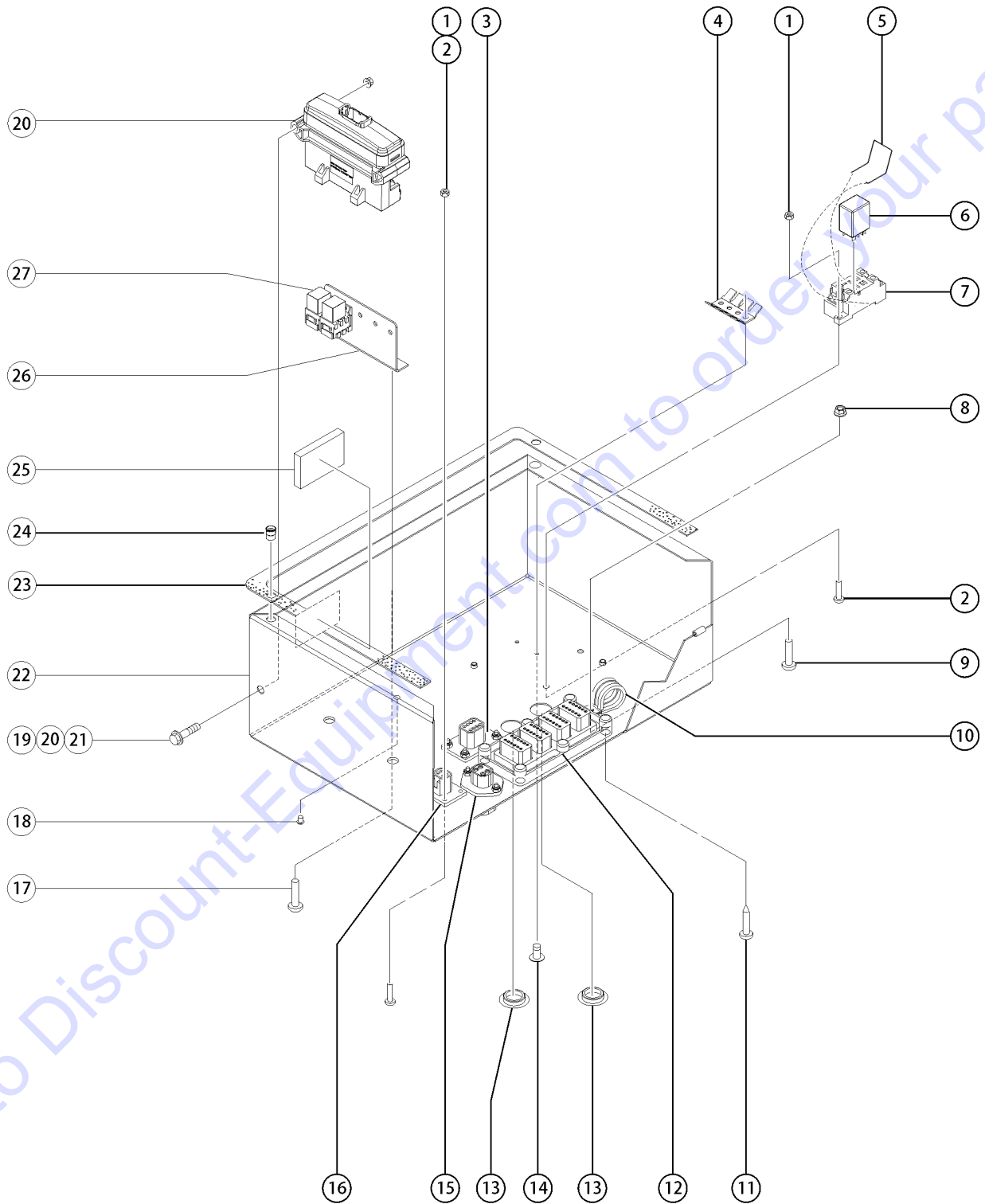
602.1 Platform Controls - External View

Item	Part No.	Description	Qty.
16-	66818GT	CONTACT,NC	
16-	226321GT	BOOT(BELLOWS),E-STOP, RED	
17	45840GT	PLUG,NYLON 2.00 BLACK DOMED refer to 903.1 for battery charge indicator option	1
18		ref. Platform Control Box	
		refer to 603.1	

Go to Discount-Equipment.com to order your parts



603.1 Platform Controls - Internal View

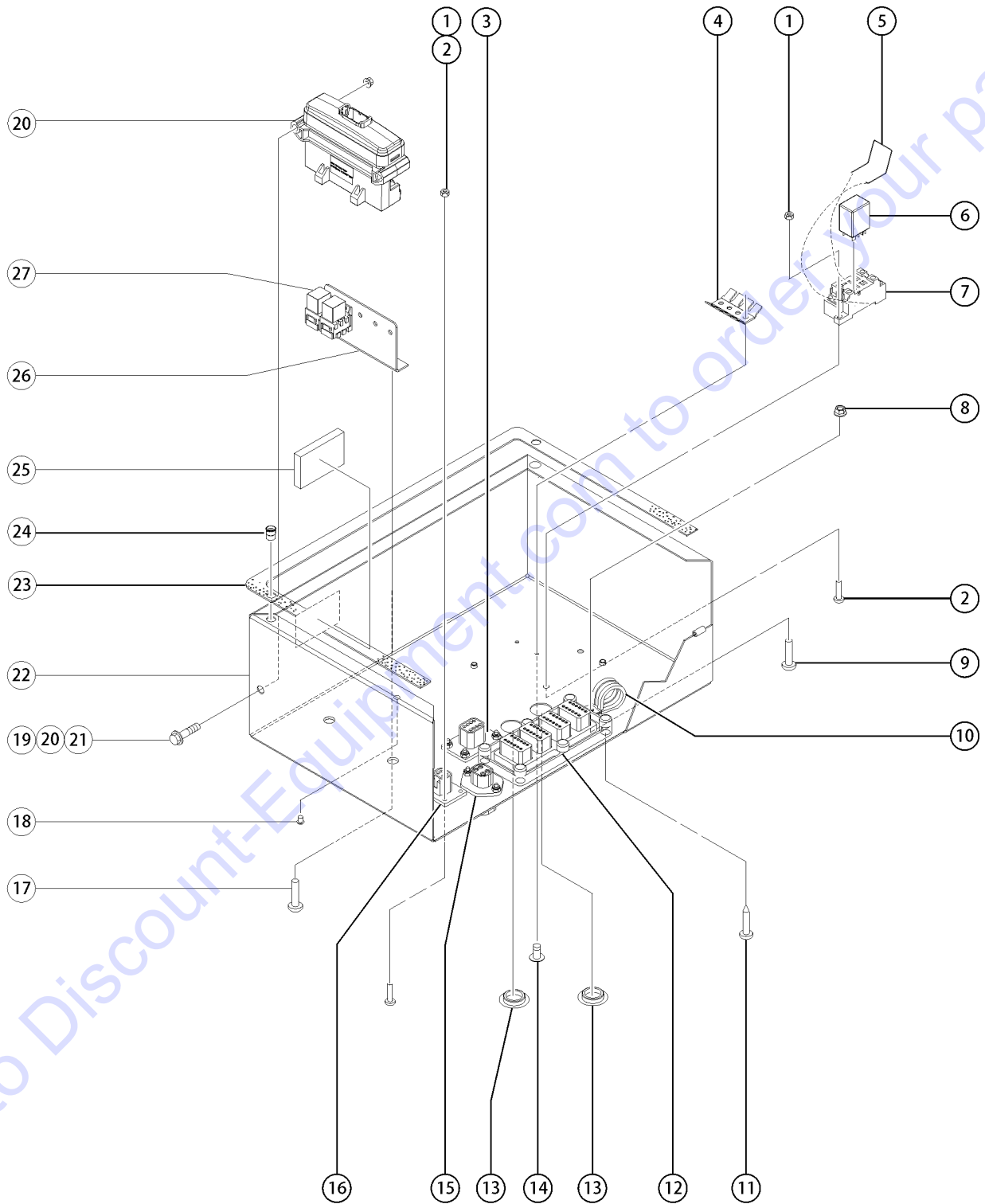


Go to Discount-Equipment.com to order your parts

Item	Part No.	Description	Qty.
A-	147253GT	TIME DELAY RELAY,2 SEC,24VDC	
B-	147389GT	HARNESS, LOAD SENSE, Z30/34DC	
1	824019GT	NUT,TL,6-32,A,ZAG	
2	824214GT	SCREW,PHPM,6-32X.5,ZAG	1
3	87755GT	CONN,RECEP 8 WAY 14-18GA,FL	1
4	56663GT	TERMINAL STRIP	
5	42617GT	CLIP,SPRING,POTTER BRUMFIELD	1
6	823226GT	POWER RELAY, 24V COIL	1
		for drive light option	
7	61226GT	RELAY SOCKET,70AMP	1
8	824032GT	NUT,TL FLG,10-32,F,ZAG	1
9	824215GT	SCREW,PHPM,10-32X.75,ZAG	1
10	18666GT	CLAMP,1.00,#16 X 1/4,RUB CUSH	1
11	824226GT	SCREW,PHPSH,#12-11X.75,ZAG	
12A	73736GT	CONN,RECEP 48 WAY,4 X 12	1
		connects to 18/19 cable harnesses; refer to 306.1	
12B	54255GT	LOCK,RECEP 12 WAY, 14-18GA	
12C	73713GT	TERM,NI PIN,S&F,16-18GA,REEL	
13	15243GT	PLUG,NYLON .875 BLACK DOMED	2
14	824206GT	RIVET,STL,STL,DOME,1/8X.25,ZAG	4
15A	73717GT	CONN,RECEP 4 WAY,12-14GA FL***	1
		connects to 12/3 cable harness; refer to 306.1	
15B	60526GT	LOCK,RECEP 4 WAY,12-14GA	
15C	73711GT	TERM,DEUTSCH, PIN #12-14	
16A	73723GT	CONN RECEPT,FLANGED	1
		connects to foot switch harness; refer to 601.1	
16B	54259GT	TERM,NI PIN, 14-16GA,BULK	
16C	60443GT	LOCK, RECEP 4WAY, 14-18GA	
17A	21858GT	PLUG,NYLON .38 BLACK DOMED	2
		ANSI models	
17B	824079GT	SCREW,HHF,1/4-20X1.8,ZAG	
		CE models	
18	42781GT	PLUG, NYLON .250 BLACK DOMED	4
19	824083GT	SCREW,HHF,1/4-20X2.5,8,ZAG	2



603.1 Platform Controls - Internal View

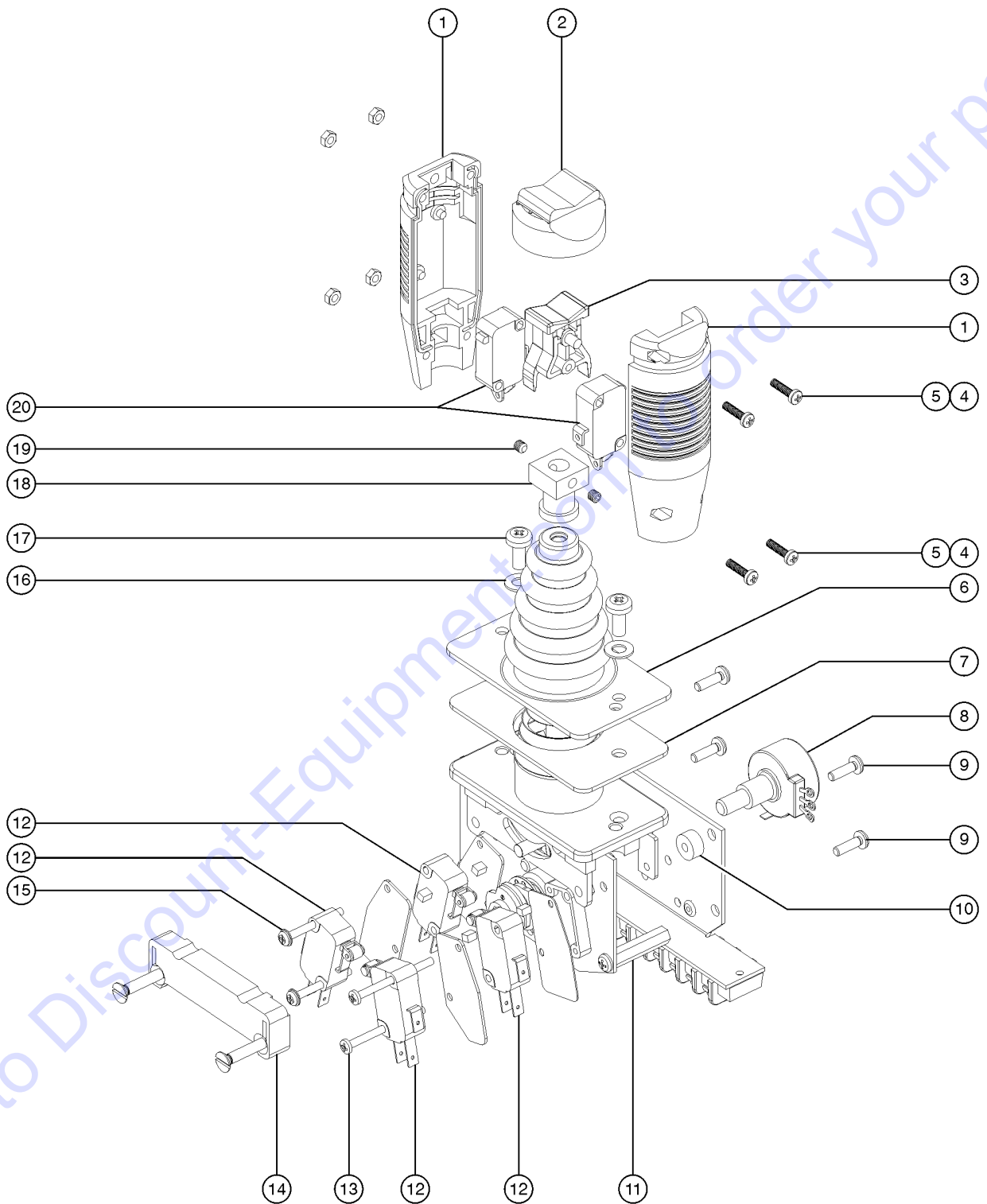


Item	Part No.	Description	Qty.
20		Ref. MODULE, PLUS+1, OPA2 refer to 813.2 Lift Guard Contact Alarm	
21	1277924GT	NUT,TL FLG,1/4-20,G,ZAG	2
22	110649GT	PLATFORM CONTROL BOX W/DECAL enclosure/lid only; includes items 1, 2 and 21	1
23	23404GT	NUTSERT,1/4-20,STEEL CAD PLTD	
24	36235GT	GASKET,PLAT.CONTROL BOX	1
25	30997GT	CORROSION INHIBITOR,FOAM	1
26	T106699GT	BRACKET,RELAY MOUNT W/INSERTS CE models; includes nutserts	1
27	56302GT	RELAY,24VDC,40/30A,SEALED*** CE models;	2

Go to Discount-Equipment.com to order your parts



604.1 Joystick Controller

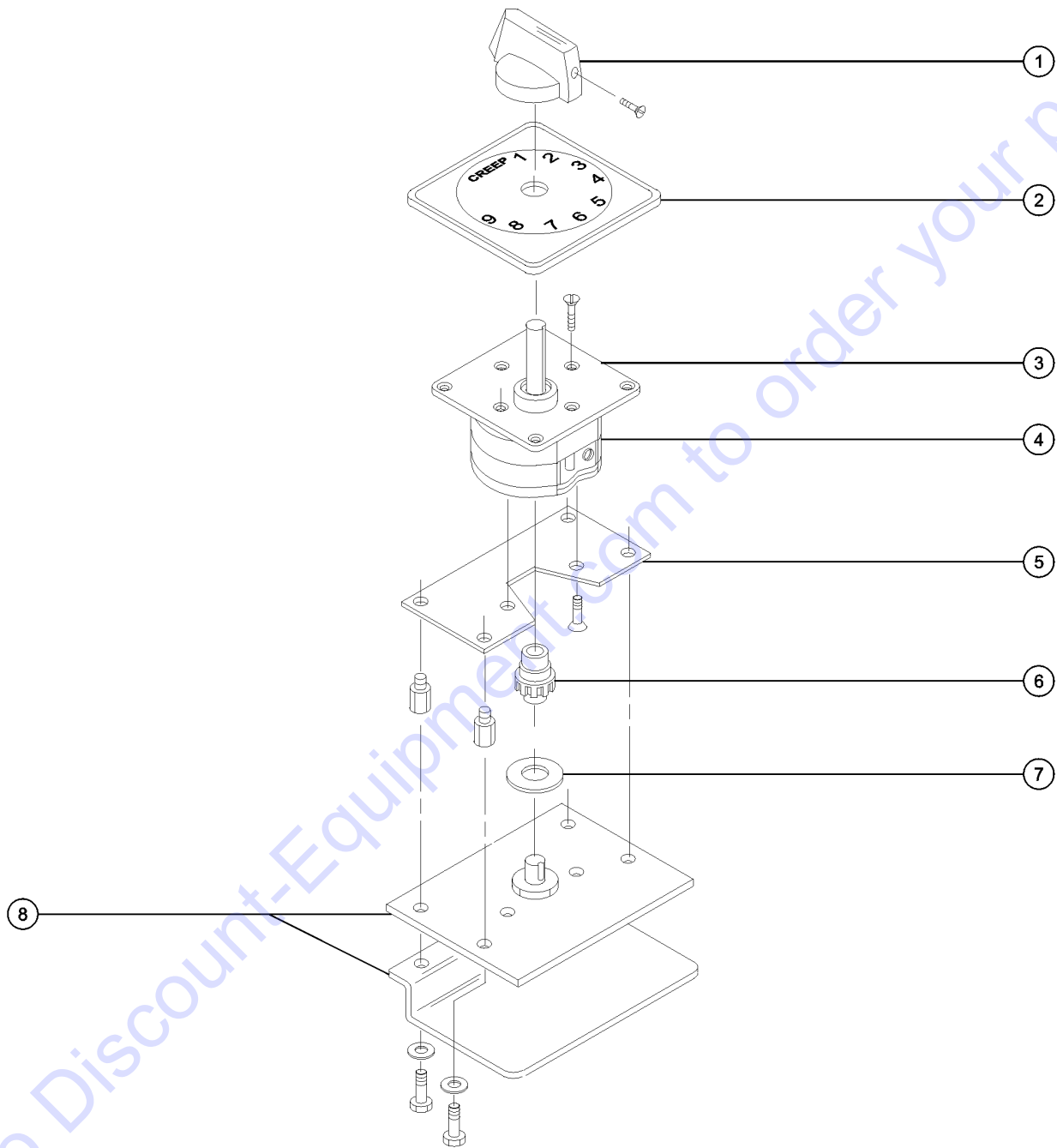


604.1 Joystick Controller

Item	Part No.	Description	Qty.
	234923GT	JOYSTICK,5K-0 OHM,W/RELAY	1
1	52887GT	HANDLE HALF (56274)	2
2	43038GT	BOOT-THUMB ROCKER** BLACK	1
3	65178GT	ROCKER ASSY W/ROLLPIN*** black plastic	1
4	52895GT	SCREW,PHM,M3 X .5 X 12MM	4
5	52928GT	NUT-HEX,3M X 0.5MM	4
6	21427GT	BOOT,CONTROLLER**	1
7	43042GT	GASKET,JOYSTK.SHAFT36867/42032	1
8	72298GT	POTENTIOMETER (56773)	1
9	65546GT	SCREW,PHM,M3.5 X 12MM (57890)	6
10	74368GT	SPACER-POT.PLATE,JOYSTICK56773	2
11	19721GT	MICROSWITCH SPACER,45049	1
12	19712GT	MICROSWITCH,V3L-139-D8	4
13	52892GT	SCREW,PHS,4-40 X 1.5	2
14	19713GT	SPRING RETURN,HEAVY DUTY,45049	1
15		ref. SCREW, 4-40 x 1/18"	2
16	74362GT	WASHER,NYLON, JOYSTICK	2
17	226383GT	SCREW	2
18	43040GT	NUT,JS,36867/42032/44988/40612 coupling	1
19	58985GT	SCREW,HANDLE42032,40612,36867	2
20	19722GT	MICROSWITCH-V319M***	2



605.1 Rotational Controller



Go to Discount-Equipment.com to order your parts

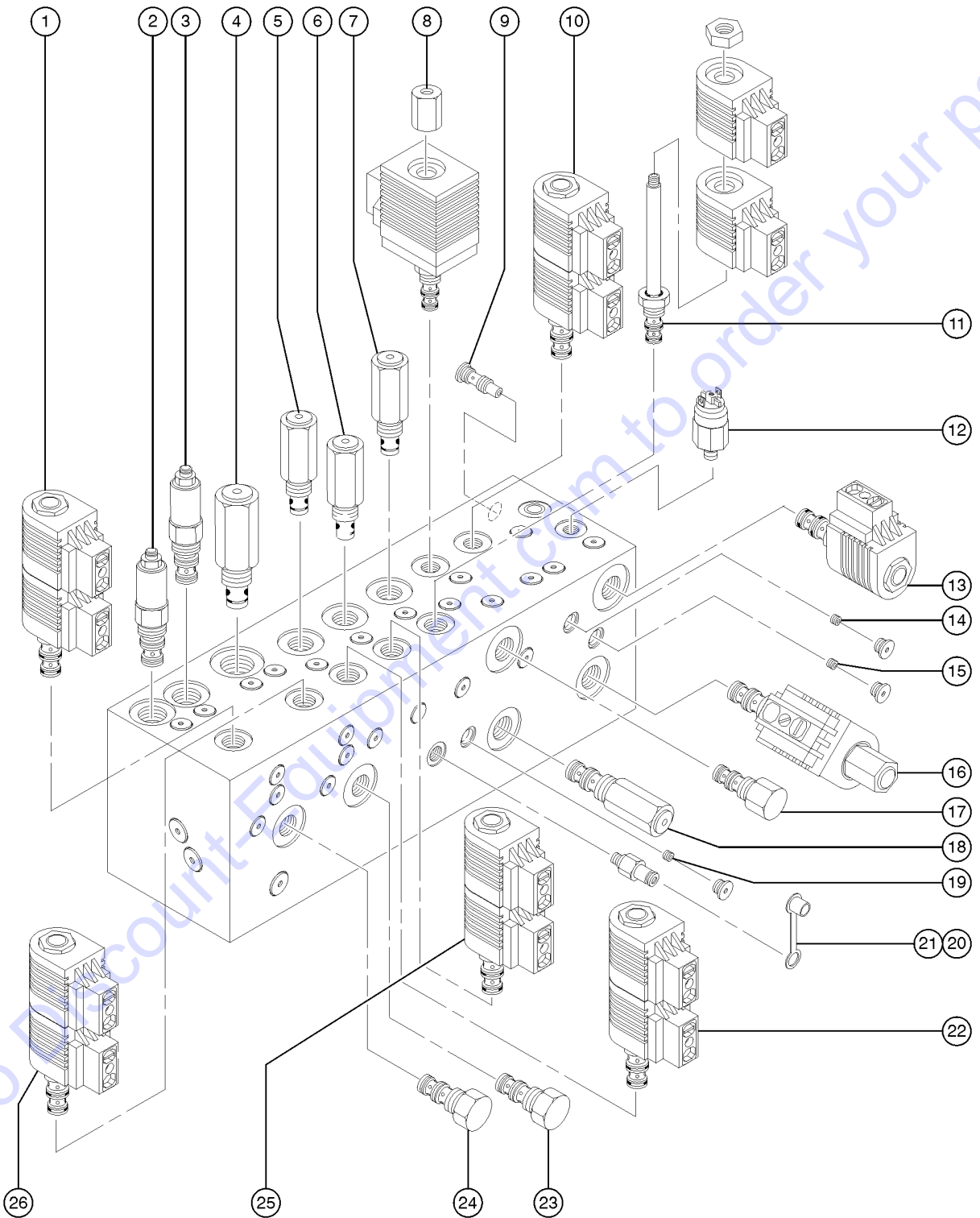
605.1 Rotational Controller

Item	Part No.	Description	Qty.
	56886GT	CONTROLLER,ROTARY 24V W/RAMP	1
1	35679GT	KNOB, 45048 CONTROLLER	1
2	35680GT	LEGEND,PLSTC,"CREEP TO 9"***	1
3	35678GT	MOUNTING PLATE, 45048	1
4	74356GT	SWITCH ASSEMBLY (56886)	1
5	74357GT	PLATE,ROTARY CNTRL (56886)	1
6	74358GT	COUPLING,POT SHAFT (56886)	1
7	74359GT	GASKET-ROTARY CNTRL 56886	1
8	74384GT	PRINTED CIRCUIT BOARD 56886	1

Go to Discount-Equipment.com to order your parts



701.1 Function Manifold

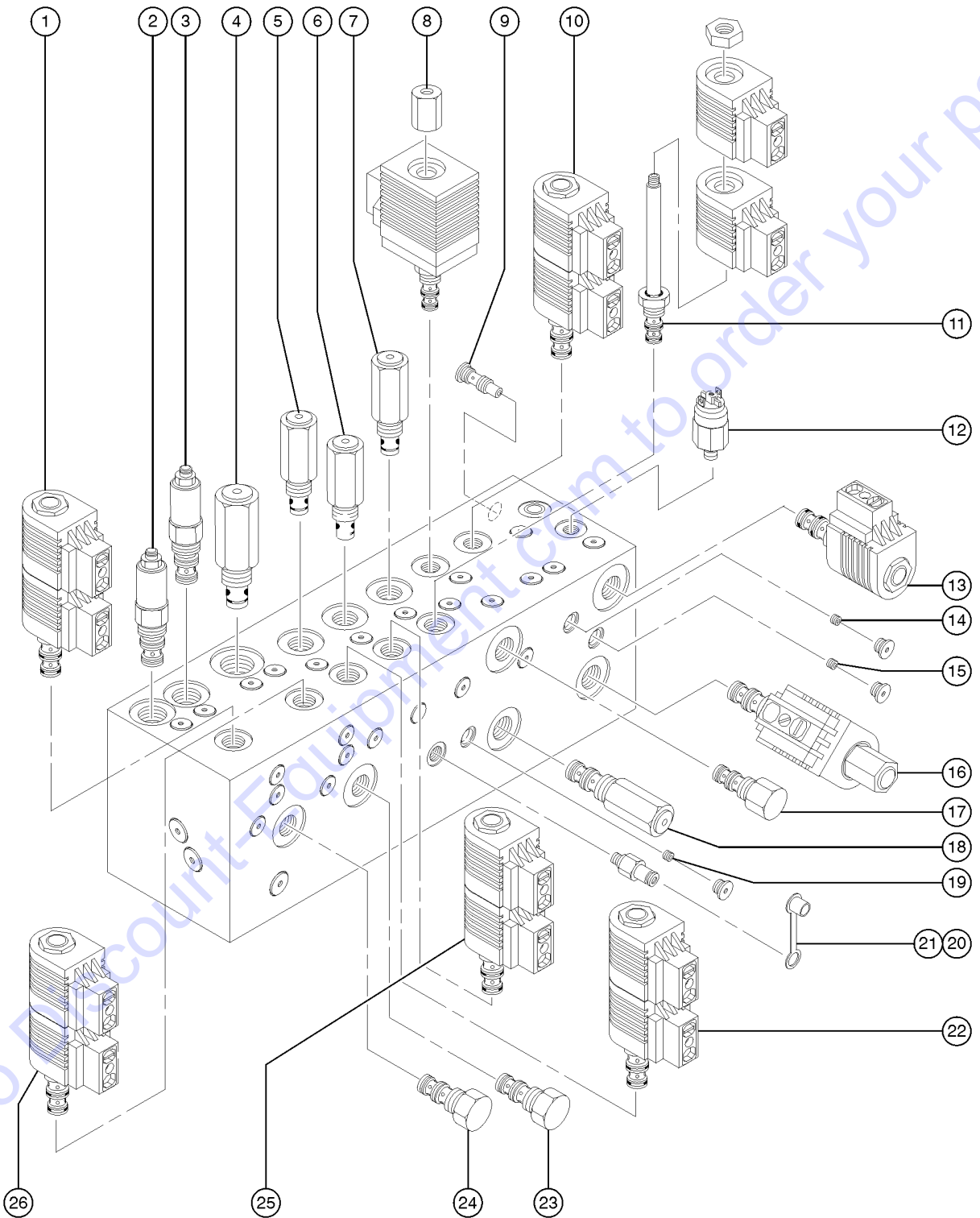


701.1 Function Manifold

Item	Part No.	Description	Qty.
A-	128444GT	MANIFOLD,FUNC,Z30N/Z34DC/BE complete manifold; models without a rotating jib	1
B-	128443GT	MANIFOLD,FUNC,Z30NRJ complete manifold; models with a rotating jib	
C-	49612GT	O-RING KIT (ORFS FITTINGS)	
D-	49613GT	PLUG AND CAP KIT-SERVICE,ORFS*	
E-	28750GT	O-RING KIT,FIELD SVC,ALL PROD*	
F-	33994GT	PLUG AND CAP KIT-SERVICE,37 **	
G-	1260124GT	PLUG, 6 SAE, TAPERED, BUNA	6
H-	69550GT	PLUG,ORB #4	22
K-	1260127GT	PLUG, EXPANDER (8MM)	22
1	52599GT	VALVE,SOLENOID,3POS/4WAY* platform level up/down	1
1-	40413GT	COIL,SOLND,W/D,20V SGL SPADE	
1-	52943GT	NUT SOLENOID VALVE COIL	
1-	72047GT	SEAL KIT, SOLENOID VALVE	
2	52604GT	VALVE,COUNTERBALANCE, 3000PSI platform level down	1
2-	58994GT	SEAL KIT,VALVE (48647)	
3	52604GT	VALVE,COUNTERBALANCE, 3000PSI platform level up	1
3-	58994GT	SEAL KIT,VALVE (48647)	
4	52603GT	VALVE,RELIEF,1100PSI*** turntable rotate left/right	1
4-	110199GT	SEAL KIT, VALVE, #10	
5	52601GT	VALVE,RELIEF,1600 PSI secondary boom down	1
5-	74902GT	SEAL KIT, VALVE	
6	52601GT	VALVE,RELIEF,1600 PSI primary boom down	1
6-	74902GT	SEAL KIT, VALVE	
7	31527GT	VALVE,RELIEF 1800 PSI primary boom extend; models with rotating jib	1
7-	74902GT	SEAL KIT, VALVE	
8	40410GT	VALVE,PROPORTIONAL** system flow regulating unit	1
8-	29032GT	COIL,24V SOLENOID VALVE	
8-	45921GT	RETAINER-N.C.PROPOR.SOLENOID	



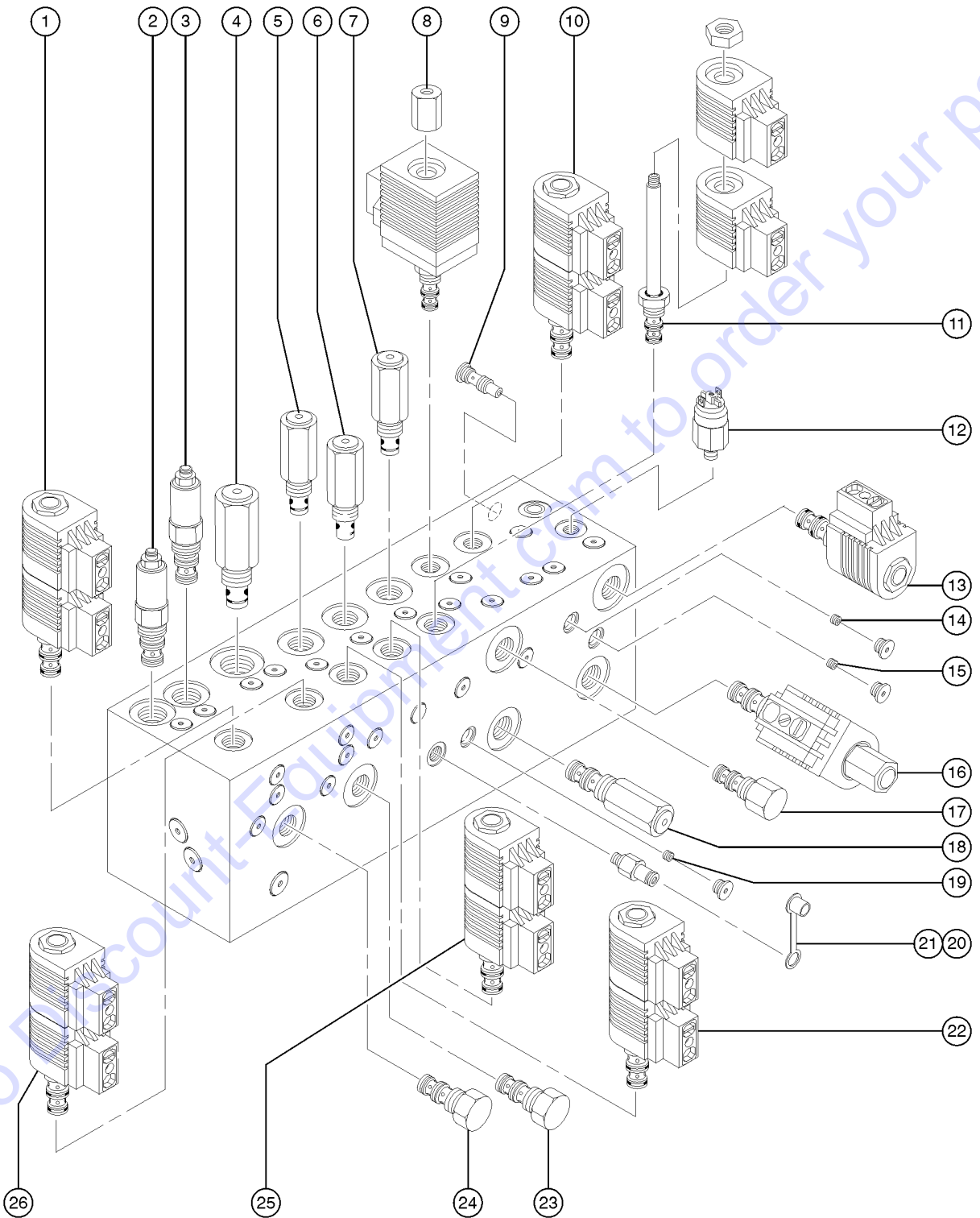
701.1 Function Manifold



Item	Part No.	Description	Qty.
8-	89310GT	SEAL KIT, SOLENOID VALVE	
9	43599GT	VALVE,CHECK	1
		brake circuit	
9-	110200GT	SEAL KIT, VALVE, #4	
10	52885GT	VALVE,SOLENOID,3POS 4WAY	1
		steer left/right	
10-	40413GT	COIL,SOLND,W/D,20V SGL SPADE	
10-	52943GT	NUT SOLENOID VALVE COIL	
10-	72047GT	SEAL KIT, SOLENOID VALVE	
11	52599GT	VALVE,SOLENOID,3POS/4WAY*	1
		primary boom extend/retract	
11-	40413GT	COIL,SOLND,W/D,20V SGL SPADE	
11-	52943GT	NUT SOLENOID VALVE COIL	
11-	72047GT	SEAL KIT, SOLENOID VALVE	
12	1287986GT	SWITCH,PRESS,#6SAE,600 PSI	1
		pressure switch; brake circuit	
13	45544GT	VALVE SOLENOID	1
		brake circuit	
13-	40413GT	COIL,SOLND,W/D,20V SGL SPADE	
		single-spade coil	
13-	52339GT	COIL,SOLND,W/D,20V DUAL SPADE	
		dual-spade coil	
13-	52943GT	NUT SOLENOID VALVE COIL	
13-	74902GT	SEAL KIT, VALVE	
14	19789GT	PLUG,ORIFICE-.045	1
		brake circuit	
15	19789GT	PLUG,ORIFICE-.045	1
		brake and steer circuit	
16	44956GT	VALVE,SOLENOID 20V W/DIODE	1
		brake circuit	
16-	40413GT	COIL,SOLND,W/D,20V SGL SPADE	
16-	45912GT	NUT,SOLENOID VALVE 2P3W	
16-	74902GT	SEAL KIT, VALVE	
17	74425GT	VALVE,DIFF.SENSE***	1
		differential sensing circuit	
17-	110197GT	SEAL KIT, VALVE, #10	
18	52715GT	VALVE,RELIEF,3200 PSI	1
		system relief	
18-	74902GT	SEAL KIT, VALVE	
19	94019GT	ORIFICE, 0.035" (74512,74966)	
		tank return circuit	



701.1 Function Manifold



PARTS FINDER

**Search Website
by Part Number**



**Search Manual
Library For Parts
Manual & Lookup Part
Numbers – Purchase
or Request Quote**

Search Manuals

Enter your information to help us find the right parts manual for your machine.

* Brand:

* Model:

* Serial:

* Part Number:

SEARCH

**Can't Find Part or
Manual? Request Help
by Manufacturer,
Model & Description**

Parts Order Form

Please fill in the following information to help us find the right part for your machine.

Manufacturer:

Model:

Description:

Quantity:

Part Number:

Part Name:

Part Description:

Part Category:

Part Location:

Part Status:

Part Condition:

Part Material:

Part Color:

Part Weight:

Part Dimensions:

Part Notes:

Submit

Discount-Equipment.com is your online resource for quality parts & equipment.

Florida: **561-964-4949** Outside Florida TOLL FREE: **877-690-3101**

Need parts?

Click on this link: <http://www.discount-equipment.com/category/5443-parts/> and choose one of the options to help get the right parts and equipment you are looking for. Please have the machine model and serial number available in order to help us get you the correct parts. If you don't find the part on the website or on one of the online manuals, please fill out the request form and one of our experienced staff members will get back to you with a quote for the right part that your machine needs.

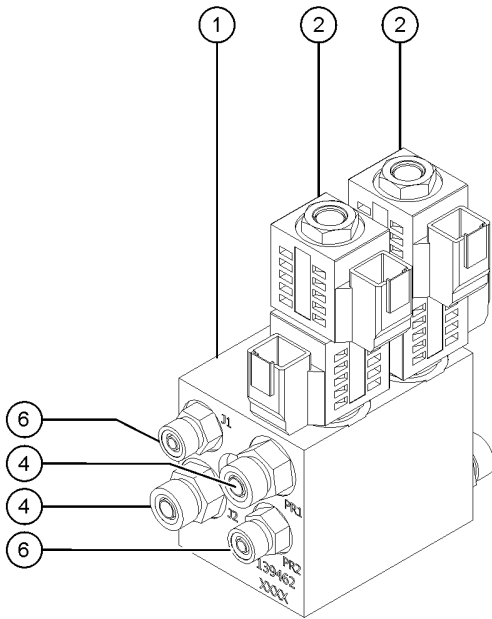
We sell worldwide for the brands: Genie, Terex, JLG, MultiQuip, Mikasa, Essick, Whiteman, Mayco, Toro Stone, Diamond Products, Generac Magnum, Airman, Haulotte, Barreto, Power Blanket, Nifty Lift, Atlas Copco, Chicago Pneumatic, Allmand, Miller Curber, Skyjack, Lull, Skytrak, Tsurumi, Husquvarna Target, Stow, Wacker, Sakai, Mi-T-M, Sullair, Basic, Dynapac, MBW, Weber, Bartell, Bennar Newman, Haulotte, Ditch Runner, Menegotti, Morrison, Contec, Buddy, Crown, Edco, Wyco, Bomag, Laymor, EZ Trench, Bil-Jax, F.S. Curtis, Gehl Pavers, Heli, Honda, ICS/PowerGrit, IHI, Partner, Imer, Clipper, MMD, Koshin, Rice, CH&E, General Equipment, Amida, Coleman, NAC, Gradall, Square Shooter, Kent, Stanley, Tamco, Toku, Hatz, Kohler, Robin, Wisconsin, Northrock, Oztec, Toker TK, Rol-Air, APT, Wylie, Ingersoll Rand / Doosan, Innovatech, Con X, Ammann, Mecalac, Makinex, Smith Surface Prep, Small Line, Wanco, Yanmar

701.1 Function Manifold

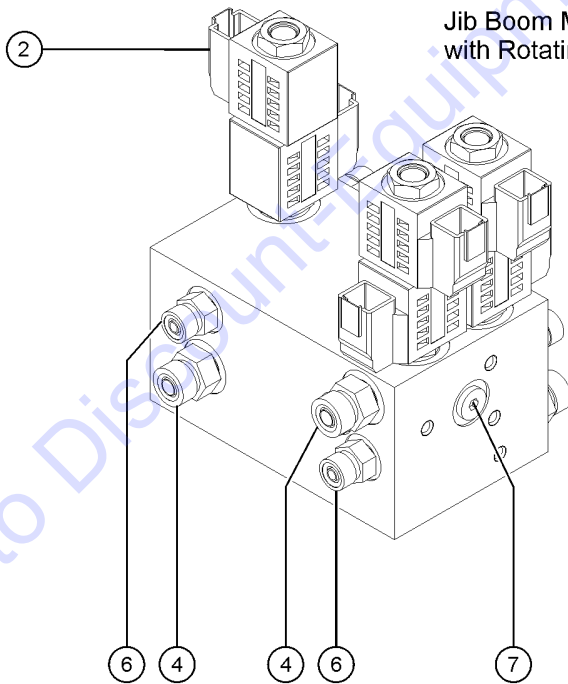
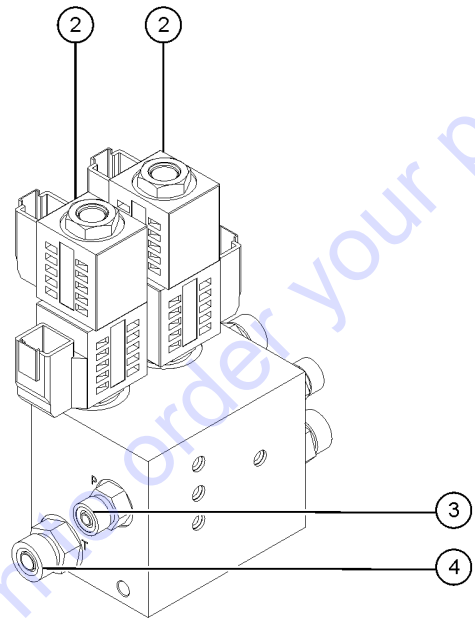
Item	Part No.	Description	Qty.
20	48880GT	CAP,DIAGNOSTIC NIPPLE	1
21A	48997GT	NIPPLE,DIAGNOSTIC,#4	1
		testing	
21B	20224GT	DIAGNOSTIC FEMALE Q-DSCNT	
22	52599GT	VALVE,SOLENOID,3POS/4WAY*	1
		secondary boom up/down	
22-	40413GT	COIL,SOLND,W/D,20V SGL SPADE	
		single spade	
22-	52943GT	NUT SOLENOID VALVE COIL	
22-	72047GT	SEAL KIT, SOLENOID VALVE	
23	19470GT	VALVE,FLOW REGULATOR	1
		turntable rotate circuit	
24	52598GT	VALVE,FLOW REGULATOR .8 GPM	1
		jib boom/platform rotate circuit	
25	52599GT	VALVE,SOLENOID,3POS/4WAY*	1
		primary boom up/down	
25-	40413GT	COIL,SOLND,W/D,20V SGL SPADE	
		single spade	
25-	52943GT	NUT SOLENOID VALVE COIL	
25-	72047GT	SEAL KIT, SOLENOID VALVE	
26	52885GT	VALVE,SOLENOID,3POS 4WAY	1
		turntable rotate left/right	
26-	40413GT	COIL,SOLND,W/D,20V SGL SPADE	
26-	52943GT	NUT SOLENOID VALVE COIL	
26-	72047GT	SEAL KIT, SOLENOID VALVE	



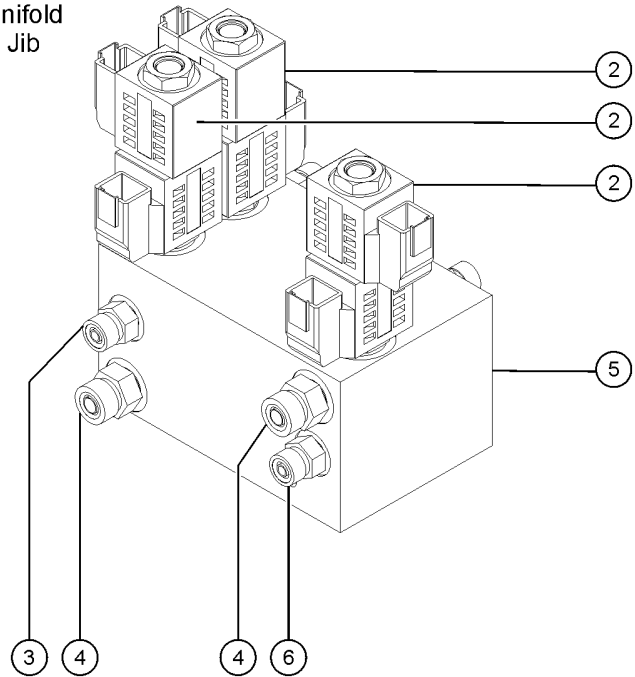
702.1 Jib Boom Manifolds



Jib Boom Manifold



Jib Boom Manifold with Rotating Jib



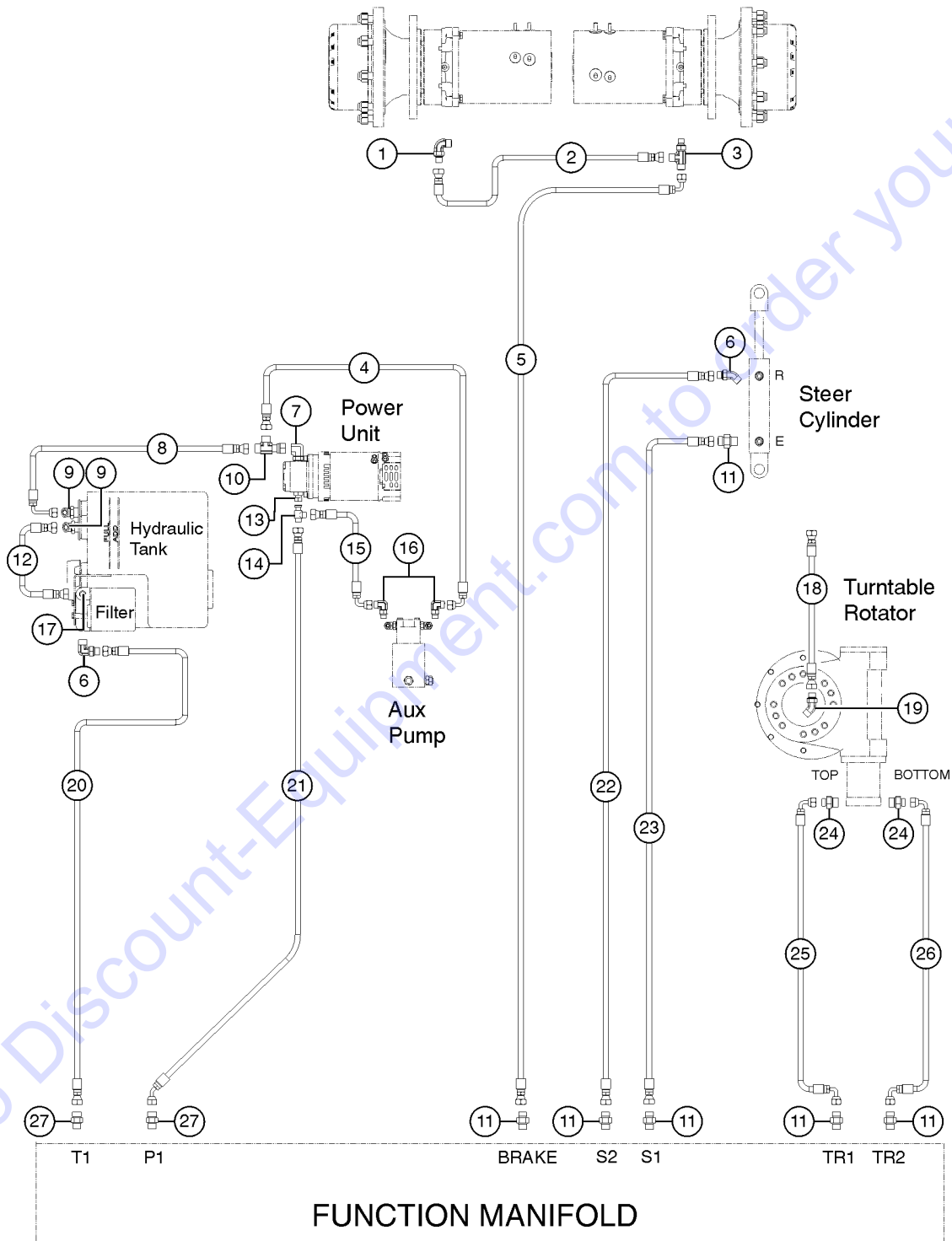
702.1 Jib Boom Manifolds

Item	Part No.	Description	Qty.
1	139462GT	MANIFOLD,JIB, 24V NON RJ*** non-rotating jib; includes items 2, 3 and 4	1
1-	139563GT	VALVE, FLOW CTRL, PRES COMP***	
1-	139564GT	SEAL KIT, JIB MANIFOLD, NON RJ	
2	139560GT	SOLENOID VALVE W/NUT*** includes 52943 nut; order coil separately	
2-	139561GT	COIL, SOLENOID VALVE, 24V***	
2-	52943GT	NUT SOLENOID VALVE COIL	
3	48905GT	CONN,520120-4*** to SN Z30NF - 19999	
3B	1293788GT	No.4 STR ORFS W/125 MICRON SCREEN from SN Z30NF - 20000	
4	48916GT	CONN, 520120-6	
5	139463GT	MANIFOLD,JIB, 24V RJ*** rotating jib; includes items 2, 3 and 4	1
5-	139563GT	VALVE, FLOW CTRL, PRES COMP***	
5-	139565GT	SEAL KIT, JIB MANIFOLD, RJ***	
6	48905GT	CONN,520120-4***	
7	69550GT	PLUG,ORB #4	1

Go to Discount-Equipment.com to order your parts



801.1 Drive Chassis and Turntable Components

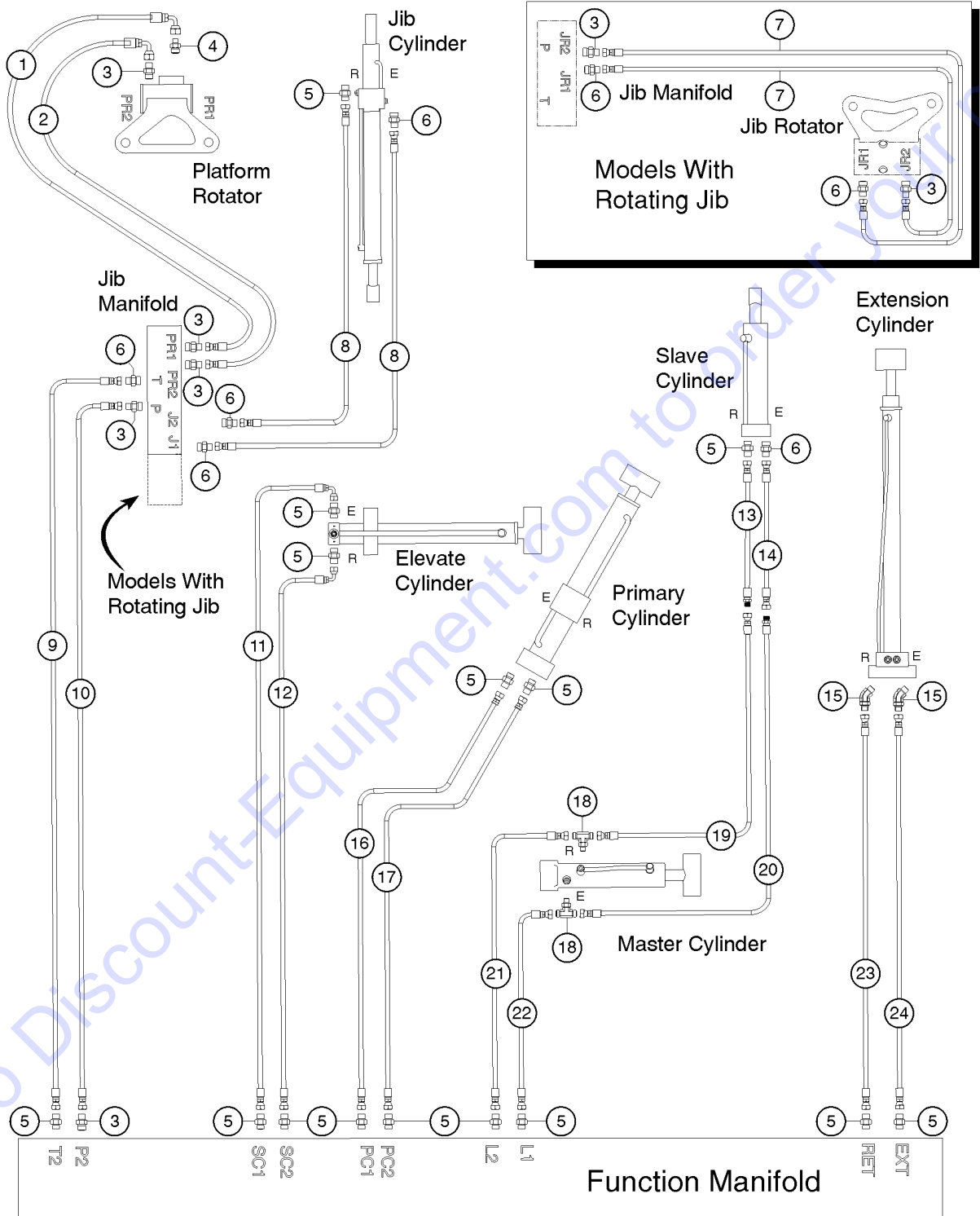


801.1 Drive Chassis and Turntable Components

Item	Part No.	Description	Qty.
1	48904GT	ELBOW,90D,520220-4-4	1
2	49119-2000GT	HOSE ASSY,1/4",20.00 #4 ORFS	1
3	48906GT	TEE,RUN,520428-4	1
4	1290345-2025GT	HOSE ASSY,3/8",20.25" #6 ORFS and #8 ORFS elbow	1
5	49117-7750GT	HOSE ASSY,1/4",77.50 yellow/white; #4 ORFS	1
6	48937GT	ELBOW,45D,520320-8	1
7	139877GT	ELBOW,90D,520220-8-10	1
8	1290352-2150GT	HOSE ASSY, 1/2", 21.50" #8 ORFS	1
9	128811GT	ELBOW,90D,520201-8	2
10	48938GT	FITTING,TEE,RUN,SWIVEL520432-8	1
11	48912GT	CONN,520120-4-6***	13
12	81812-1188GT	ASSY, HOSE, HYD, -8, 2500, STR, STR	1
13	74136GT	VALVE,CHK,#8PORT-#6MALEORFS***	1
14	48875GT	TEE,RUN,SWIVEL,520432-6	1
15	1290346-2050GT	HOSE ASSY, 3/8", 20.50 #6 ORFS	1
16	48915GT	ELBOW,90D,520220-6	2
17	48932GT	FITTING,ELBOW,90D,520220-8***	1
18	49189-2325GT	HOSE ASSY,1/4",23.25	1
19	31194GT	ELBOW,070302-4-2	1
20	81812-6650GT	ASSY, HOSE, HYD, -8, 4250, STR, STR #8 ORFS	1
21	101929-4600GT	HOSE ASSY,3/8",46.00 green/red; #6 ORFS	1
22	49119-6925GT	HOSE ASSY, 1/4", 69.25 white; #4 ORFS	1
23	49119-6500GT	HOSE ASSY, 1/4", 65.00	1
24	48931GT	CONN,520120-6-10	2
25	1291264-1500GT	HOSE ASSY, 1/4", 15.00 white/red; #6 ORFS elbow and #4 ORFS elbow	1
26	1291264-1700GT	HOSE ASSY, 1/4", 17.00 purple; #6 ORFS elbow and #4 ORFS elbow	1
27	48916GT	CONN, 520120-6	2

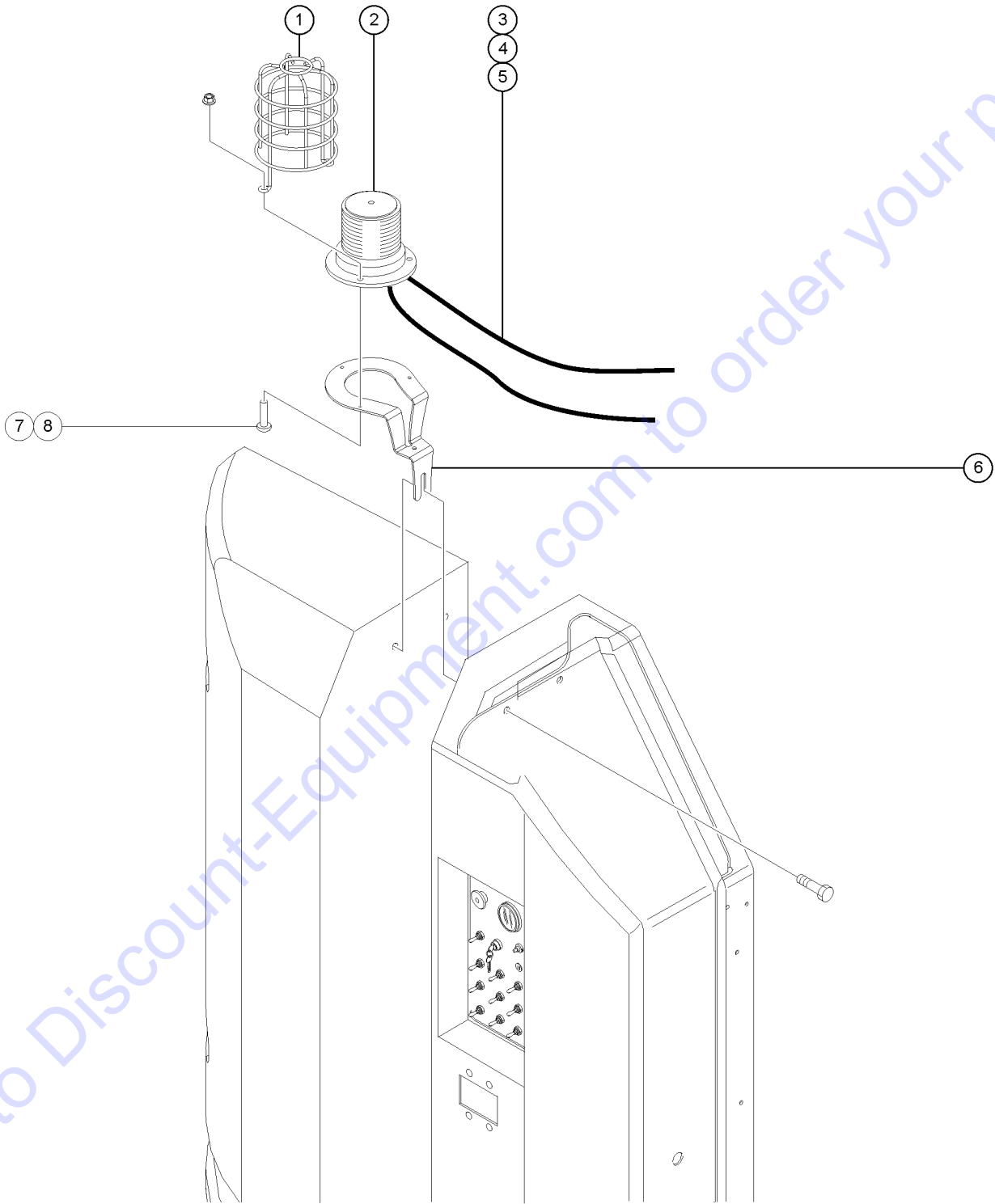


802.1 Boom Components



Item	Part No.	Description	Qty.
-	107935G	KIT, SWING HOSE CLAMP, FIELD refer to 402.1 or 505.1	
1	49114-4650GT	HOSE ASSY, 1/4", 46.50 #6 ORFS elbow and #6 ORFS	1
2	49117-4650GT	HOSE ASSY, 1/4", 46.50 #4 ORFS elbow and #4 ORFS	1
3	48905GT	CONN, 520120-4***	
4	48927GT	CONN, 520120-6-4	
5	48912GT	CONN, 520120-4-6***	
6	48916GT	CONN, 520120-6	
7	49120-3100GT	HOSE ASSY, 1/4", 31.00 #4 ORFS and #6 ORFS	1
8	49120-1900GT	HOSE ASSY, 1/4", 19.00 #4 ORFS and #6 ORFS	2
9	49120-43000GT	HOSE ASSY, 1/4", 430.00 red/purple; #4 ORFS and #6 ORFS	1
10	49119-43000GT	HOSE ASSY, 1/4", 430.00 blue/green; #4 ORFS	1
11	49117-6550GT	HOSE ASSY, 1/4", 65.50	1
12	49117-6550GT	HOSE ASSY, 1/4", 65.50	1
13	49121-3150GT	HOSE ASSY, 1/4", 31.50 blue/green; #4 ORFS	1
14	49120-3100GT	HOSE ASSY, 1/4", 31.00 #4 ORFS and #6 ORFS	1
15	48905GT	CONN, 520120-4***	2
16	49119-18100GT	ASSY, HOSE, HYD, -4, 3250, STR, STR yellow/green; #4 ORFS	1
17	49119-18100GT	ASSY, HOSE, HYD, -4, 3250, STR, STR blue/red; #4 ORFS	1
18	48890GT	FITTING, TEE, BRANCH, 520429-4***	2
19	49119-22400GT	HOSE ASSY, 1/4", 224.00 green; #4 ORFS	1
20	49121-22400GT	HOSE ASSY, 1/4", 224.00 #4 ORFS	1
21	49119-16600GT	ASSY, HOSE, HYD, -4, 3250, STR, STR green; #4 ORFS	1
22	49119-16600GT	ASSY, HOSE, HYD, -4, 3250, STR, STR yellow; #4 ORFS	1
23	49119-19200GT	HOSE ASSY, 1/4, STR FEM, STR FEM green/white; #4 ORFS	1
24	49119-19200GT	HOSE ASSY, 1/4, STR FEM, STR FEM yellow/purple; #4 ORFS	1

901.1 Flashing Beacon



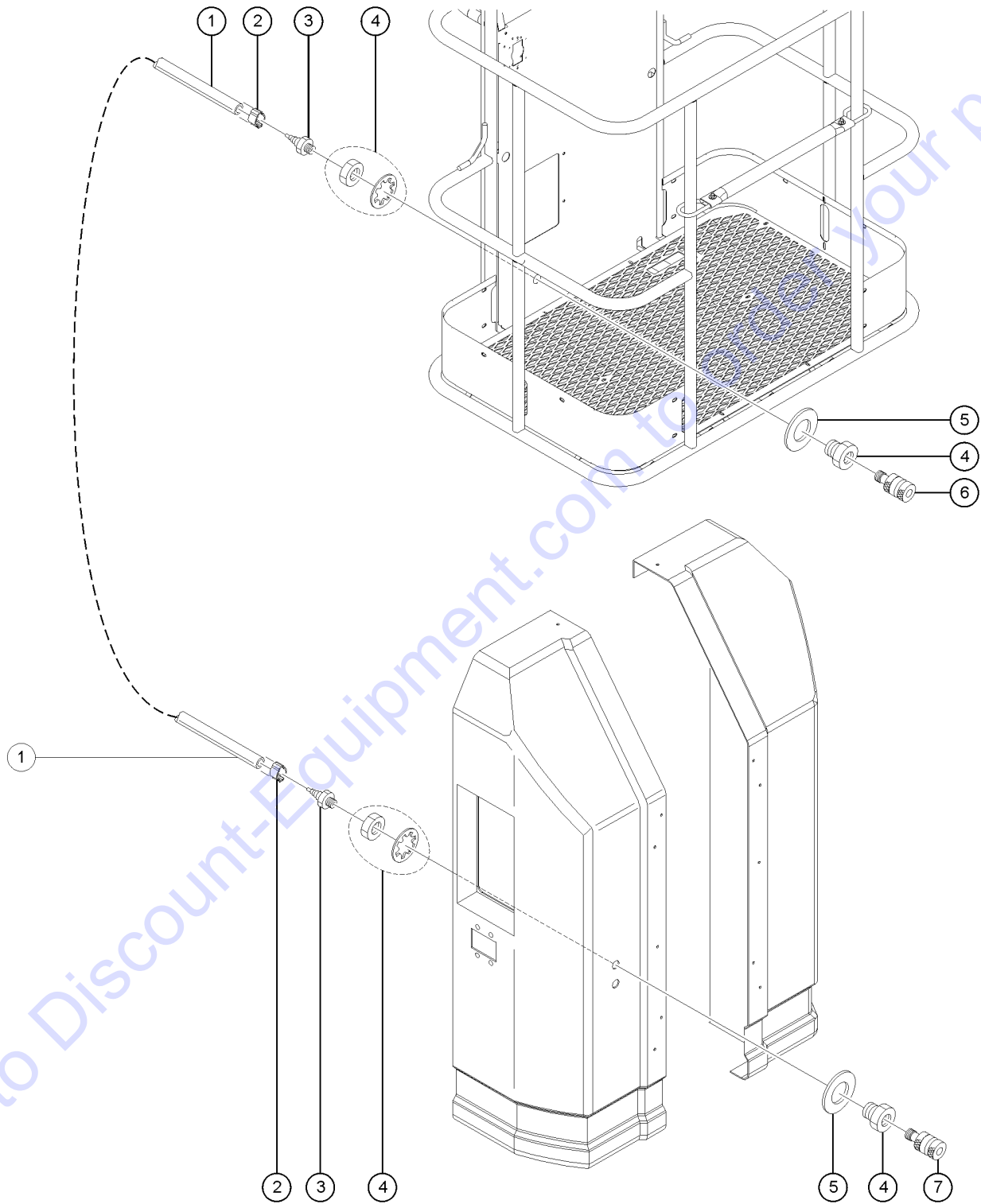
Go to Discount-Equipment.com to order your parts

901.1 Flashing Beacon

Item	Part No.	Description	Qty.
1	230645GT	GUARD,BEACON,NARROW EE rated models only	1
2A	56704GT	STROBE,FIREBOLT,12-80VDC,AMB**	1
2A-	122019GT	FLASHTUBE,U SHAPED,360DEG,BULB	
2A-	226393GT	FLASHTUBE,STRAIGHT,360DEG,BULB	
2A-	72282GT	LENS,AMBER,STROBE,FIREBOLT	
2B	231931GT	STROBE,BEACON, AC COMP 12-80V EE rated models only	1
2B-	105556GT	LENS,FLASHING BEACON	
2B-	105557GT	BULB,FLASHING BEACON	
3	56051GT	WIRE CABLE,16/2,WHT/BLK,SJEOW	62
4	13825GT	TERMINAL,COUPLER,MALE,14-16GA	4
5	40609GT	TERMINAL,FEMALE COUPLER,BLUE	2
6	56289-SGT	BRACKET,BEACON LIGHT	1
7A	824215GT	SCREW,PHPM,10-32X.75,ZAG to SN Z30F-18972	3
7B	826516GT	SCREW, PHPM, 10-32 X 1.0, ZAG from SN Z30F-18973	3
8A	824032GT	NUT,TL FLG,10-32,F,ZAG to SN Z30F-18972	3
8B	1264261GT	NUT,SERRATED,10-32,ZAG from SN Z30F-18973	3



902.1 Air Line to Platform

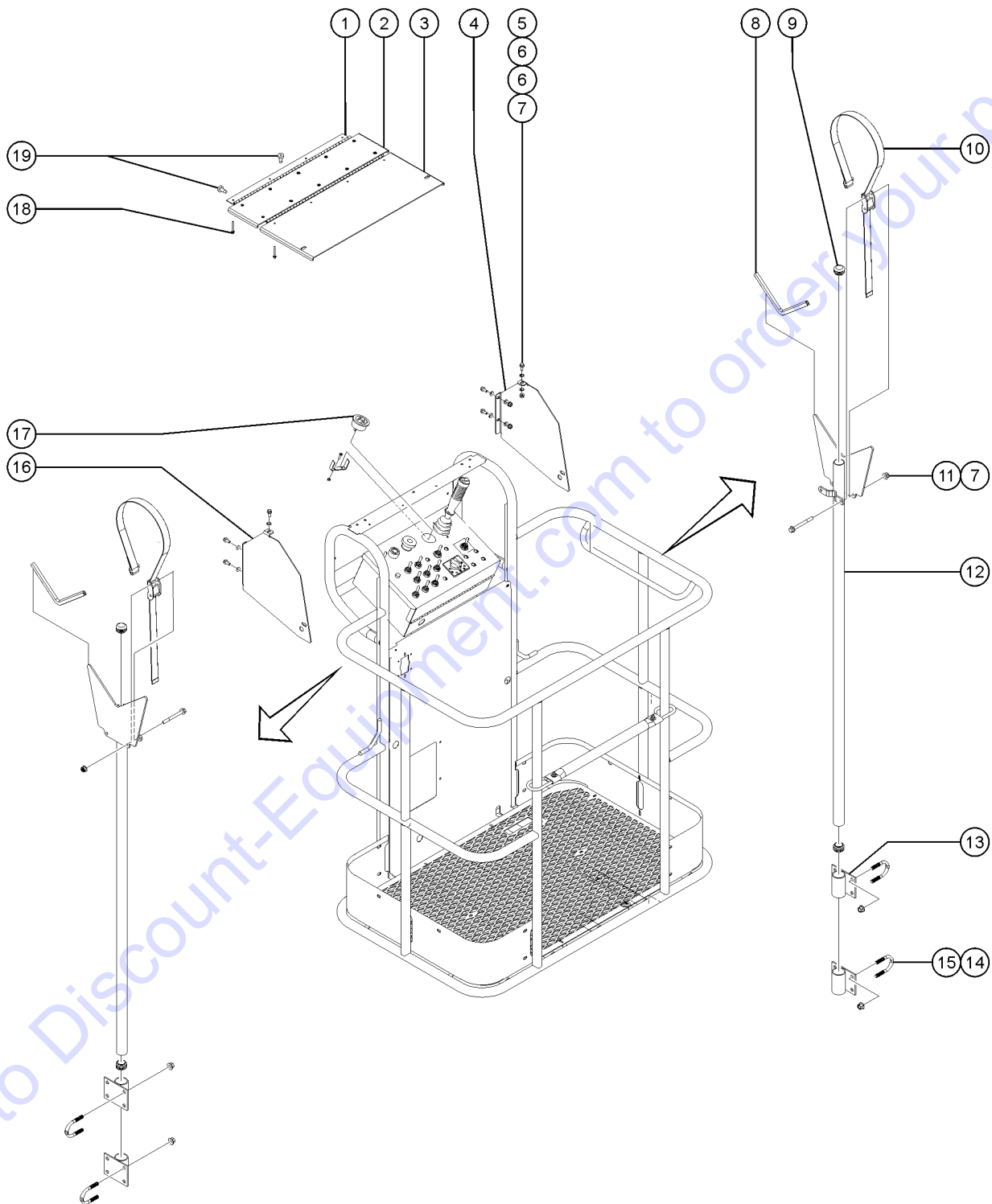


Item	Part No.	Description	Qty.
	56261GT	HOSE ASSEMBLY,AIRLINE TO PLAT includes items 1-3	
1	27903GT	HOSE,LOW PRESSURE,.375 ID,BLK	510
2	27902GT	CLAMP,HOSE,2 EAR, 5/8	2
3	27901GT	HOSE END,BARBED,RIGID,-6-6	2
4	27900GT	BULKHEAD,FEMALE X 6 X 6 Includes nut and star washer	2
5	824116GT	WASHER,FLAT,1.0,F436,HRD,ZAG	4
6	27895GT	COUPLER,1/4"SERIES 3/8 MPT	1
7	27894GT	PLUG,1/4"SERIES,3/8 MPT	1
8	21618GT	CLAMP,1.13,#18 X 1/4,RUB CUSH not shown	7
9	45454GT	CLAMP,RUB CUSH,0.75,#12 X 3/8* not shown	1
10	27904GT	HOSE END,BARBED,RIGID,90DEG6-6 not shown	1
11	44981GT	DECAL,LABEL,AIRLINE 110 PSI not shown	2
12	6578GT	CABLE TIE,7 3/8" not shown	20

Go to Discount-Equipment.com to order your parts



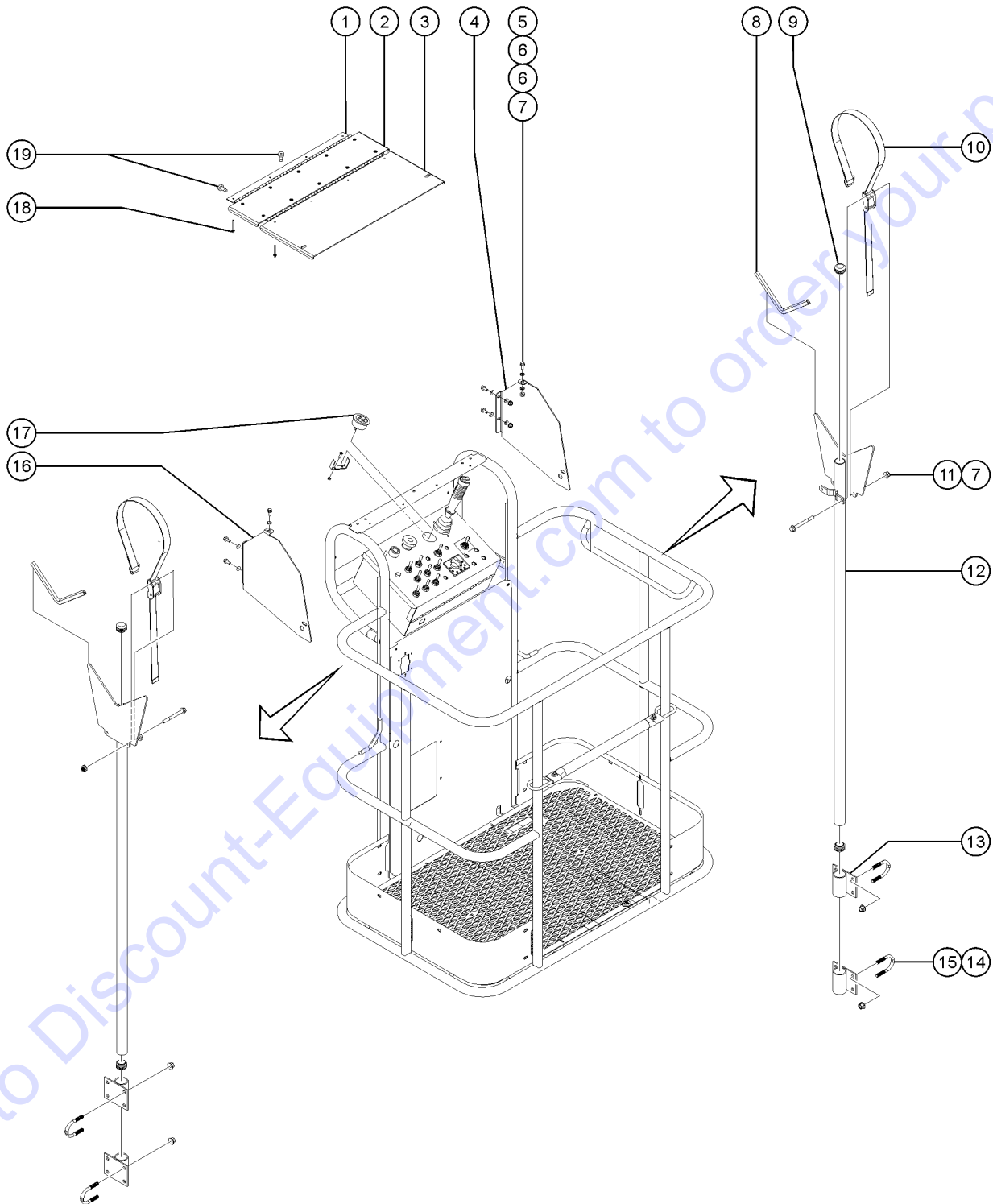
903.1 Platform Options - View 1



Item	Part No.	Description	Qty.
A	85300GT	PIPE CRADLE ASSY. SERV (ONE)** (ANSI & CE only) (This is a single assembly. Qty 2 of 85300GT required to complete a set)	
A-	65630GT	INSTRUCTIONS-PIPE CRADLE,BOOMS	
B	101649GT	OPTION,CONTROL BOX COVER includes items 1-7, 8 and 12	
1	77860GT	HINGE,CONTROL BOX	2
2	101678GT	LID,CONTROL BOX COVER	1
3	101679GT	LID,CONTROL BOX COVER	1
4	101676GT	CONTROL BOX COVER, RH	1
5	8914GT	SCREW,HHC,1/4-20 X .625	6
6	6638GT	WASHER,FLAT,USS,1/4"Y	4
7	1277924GT	NUT,TL FLG,1/4-20,G,ZAG	14
8	19018-1100GT	TRIMLOCK,BLACK,5/32"	2
9	55753GT	BUMPER, PLASTIC, 1.25 O.D.	4
10	56570GT	STRAP, CONDUIT HOLDER 60"***	2
11	824083GT	SCREW,HHF,1/4-20X2.5,8,ZAG	4
12	56525GT	WELDMENT, PIPE CRADLE	2
13	81368GT	WELDMENT,PIPE CRADLE MOUNT	4
14	1251600GT	U-BOLT, FLATTENED, 1.5 X 3/8	8
15	1274322GT	NUT,NYLOCK FLG,3/8-16,F,ZAG	16
16	101677GT	CONTROL BOX COVER, LH	1
17A	23869GT	BATT. CHARGE INDICATOR,ACCES**	1
17A-	13097GT	FUSE,10 AMP	1
17A-	23083-SGT	FUSE HOLDER,WATERPROOF	1
17A-	237145GT	IND,BAT CHARGE,48V LEAD-ACID spade connectors; includes mounting bracket and fasteners	1
17B	110651GT	LVI/BCI 36/48 VOLT ENGAGE II molex connector; low voltage interrupt and battery charge indicator	1
17B-		LVI/BCI Harness ref. 306.1 Wire Harness Diagram	1
17B-	110652GT	GASKET LVI/BCI ENGAGE II sold separately	1
17B-	110653GT	BRACKET ENGAGE II	1
18	87085GT	RIVET,ALUM,P,.188 X .25	18



903.1 Platform Options - View 1

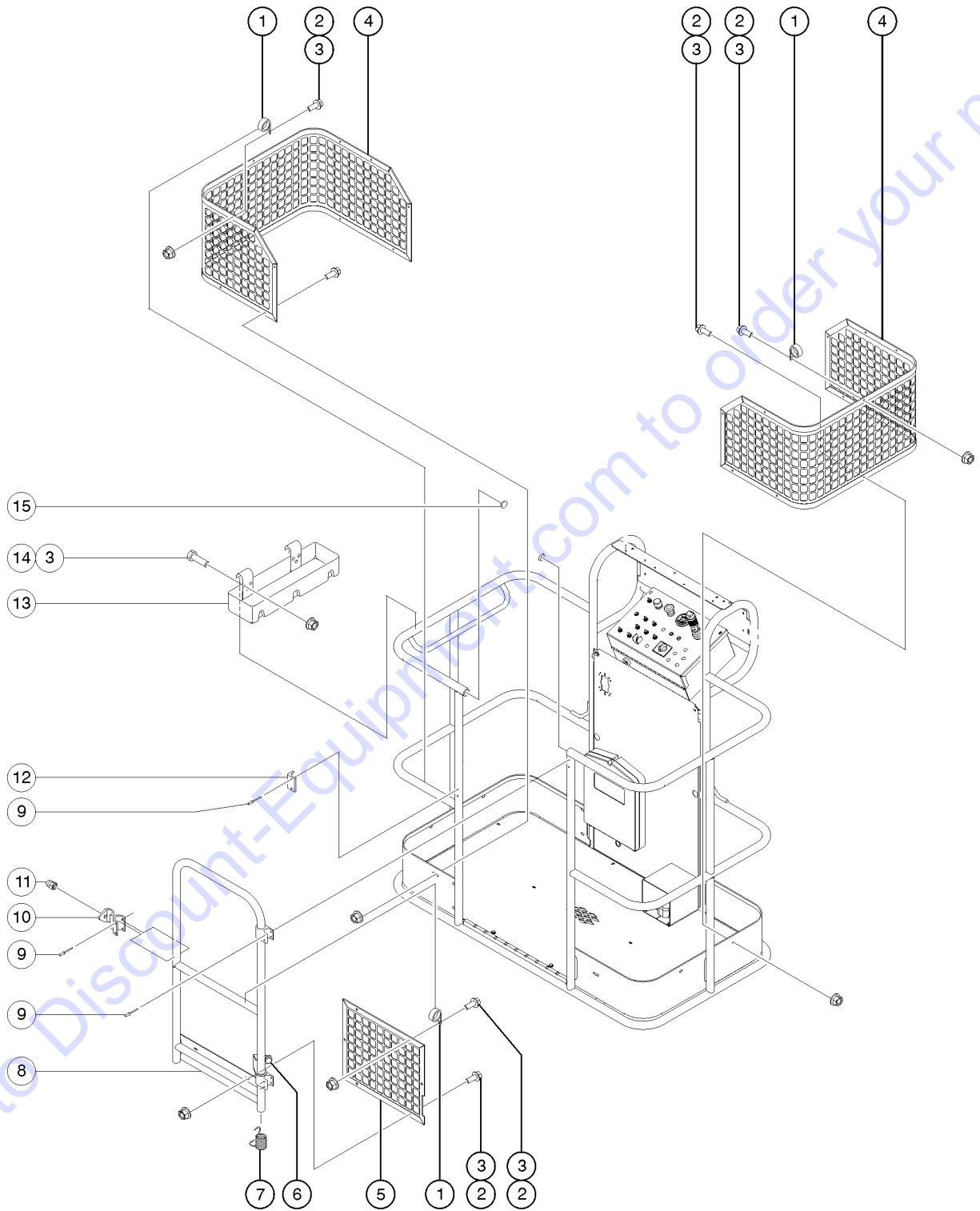


<i>Item</i>	<i>Part No.</i>	<i>Description</i>	<i>Qty.</i>
19	34619GT	BUMPER,RUBBER***	6

Go to Discount-Equipment.com to order your parts



904.1 Platform Options - View 2 (to SN Z30NF-21178)

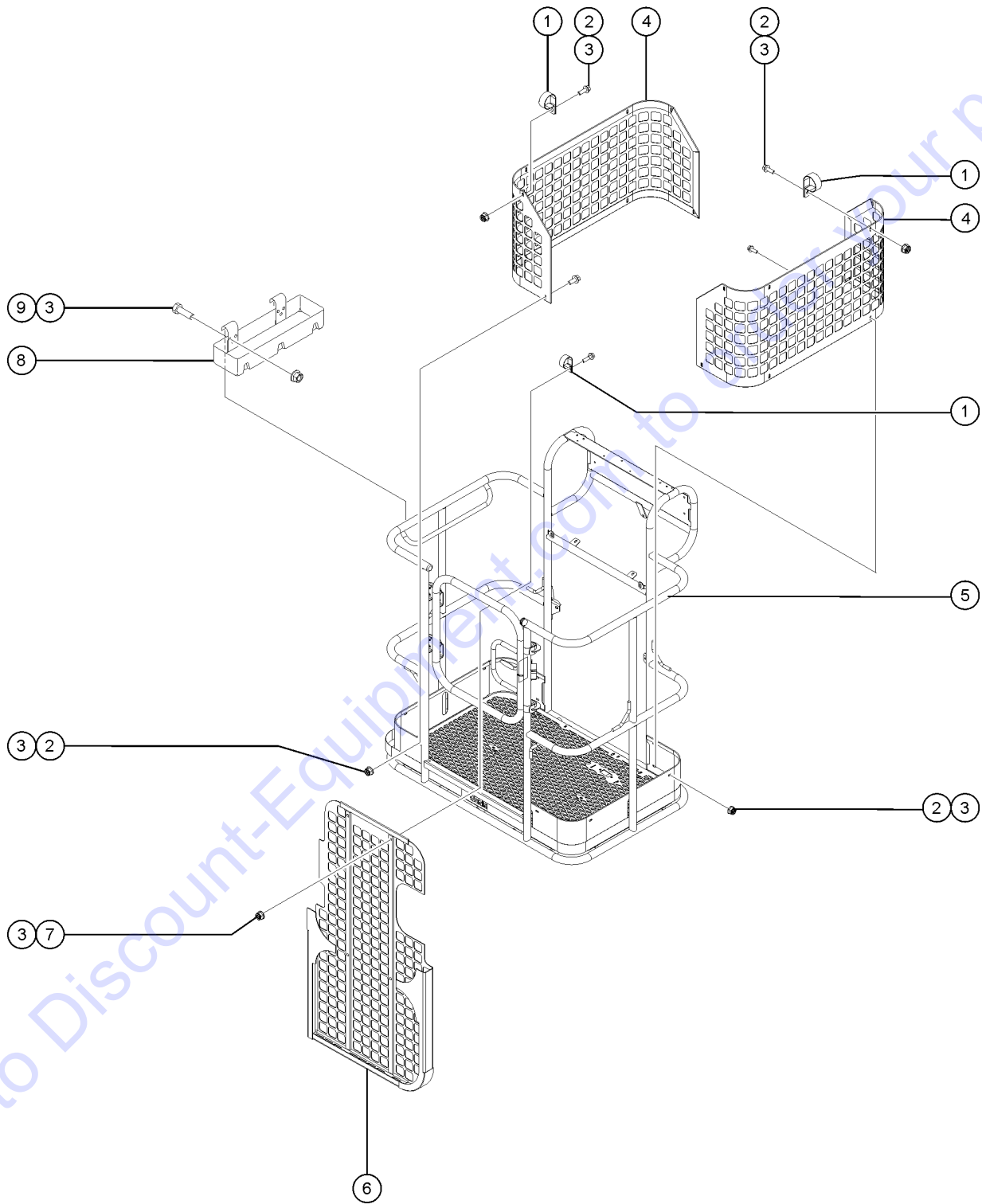


Item	Part No.	Description	Qty.
B-	128368GT	KIT,SWING GATE W/SPRING includes 6-9 and 15	1
1	56424GT	CLAMP,1.25X.5 RUBBER-CUSHION	
2	824078GT	SCREW,HHF,1/4-20X.75,8,ZAG	
3	824027GT	NUT,TL FLG,1/4-20,G,ZAG	
4	74009GT	MESH,HALF HEIGHT RH,4****	2
5	54457GT	MESH,HALF,SWING GATE***	1
6	43392GT	BUMPER,BATTERY BOX & RAILS	1
7	42104GT	SPRING,SHORT PLATFORM GATE	1
8	128368GT	KIT,SWING GATE W/SPRING	
8	1290135GT	KIT,FRONT HALF SWING GATE	
8-	128374GT	WELDMENT,SWING GATE,ALUMINUM	1
8-	9596GT	HINGE CASTING Special welding requirements for installation of this component. Strongly suggest ordering 128368 OR contact Discount-equipment for welding requirements.	2
9	824207GT	RIVET,STL,STL,DOME,1/4X.375,Z	14
10	1487GT	GATE LATCH CASTING--DRILLED	1
11	33674GT	PIN,LOCK,SHORT***	1
12	1488GT	RAILING CATCH CASTING--DRILLED	1
13	9599-SGT	TOOL TRAY ACCESSORY*** includes items 3 and 14	1
14	824059GT	SCREW,HHC,1/4-20X.75,8,ZAG	6
15	55753GT	BUMPER, PLASTIC, 1.25 O.D.	2

Go to Discount-Equipment.com to order your parts



904.2 Platform option - View 2 (from SN Z30NF-21179)



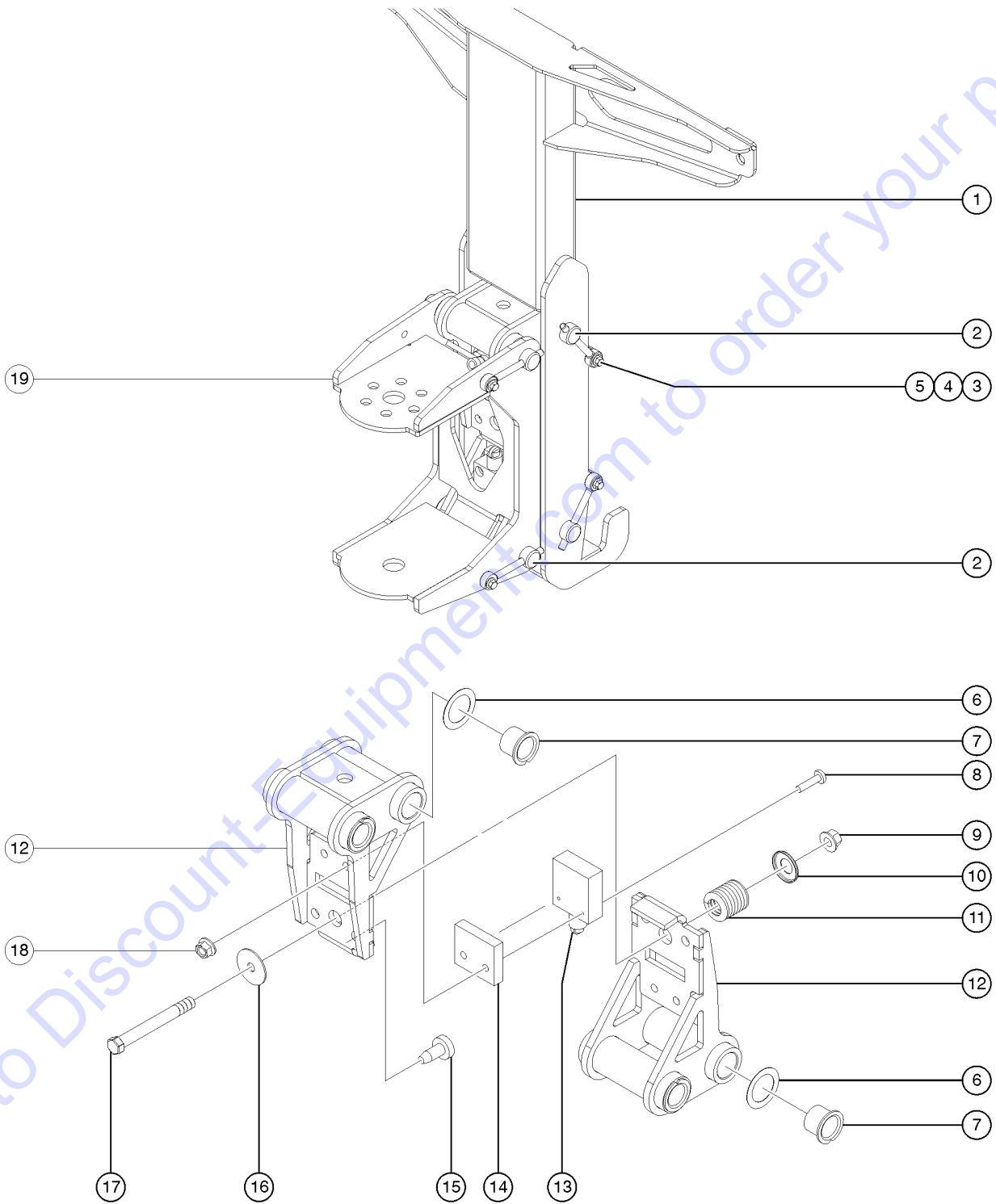
904.2 Platform option - View 2 (from SN Z30NF-21179)

Item	Part No.	Description	Qty.
1	56424GT	CLAMP,1.25X.5 RUBBER-CUSHION	12
2	824078GT	SCREW,HHF,1/4-20X.75,8,ZAG	16
3	1277924GT	NUT,TL FLG,1/4-20,G,ZAG	26
4	74009GT	MESH,HALF HEIGHT RH,4'***	2
5		REF. PLATFORM	1
		(refer to 601.2)	
6	1278793GT	WELDMENT,PLATFORM MESH GATE	1
7	824079GT	SCREW,HHF,1/4-20X1,8,ZAG	4
8	9599-SGT	TOOL TRAY ACCESSORY***	1
9	1256124GT	SCREW,BHC,1/4-20X.75,F835,ZAG	6

Go to Discount-Equipment.com to order your parts



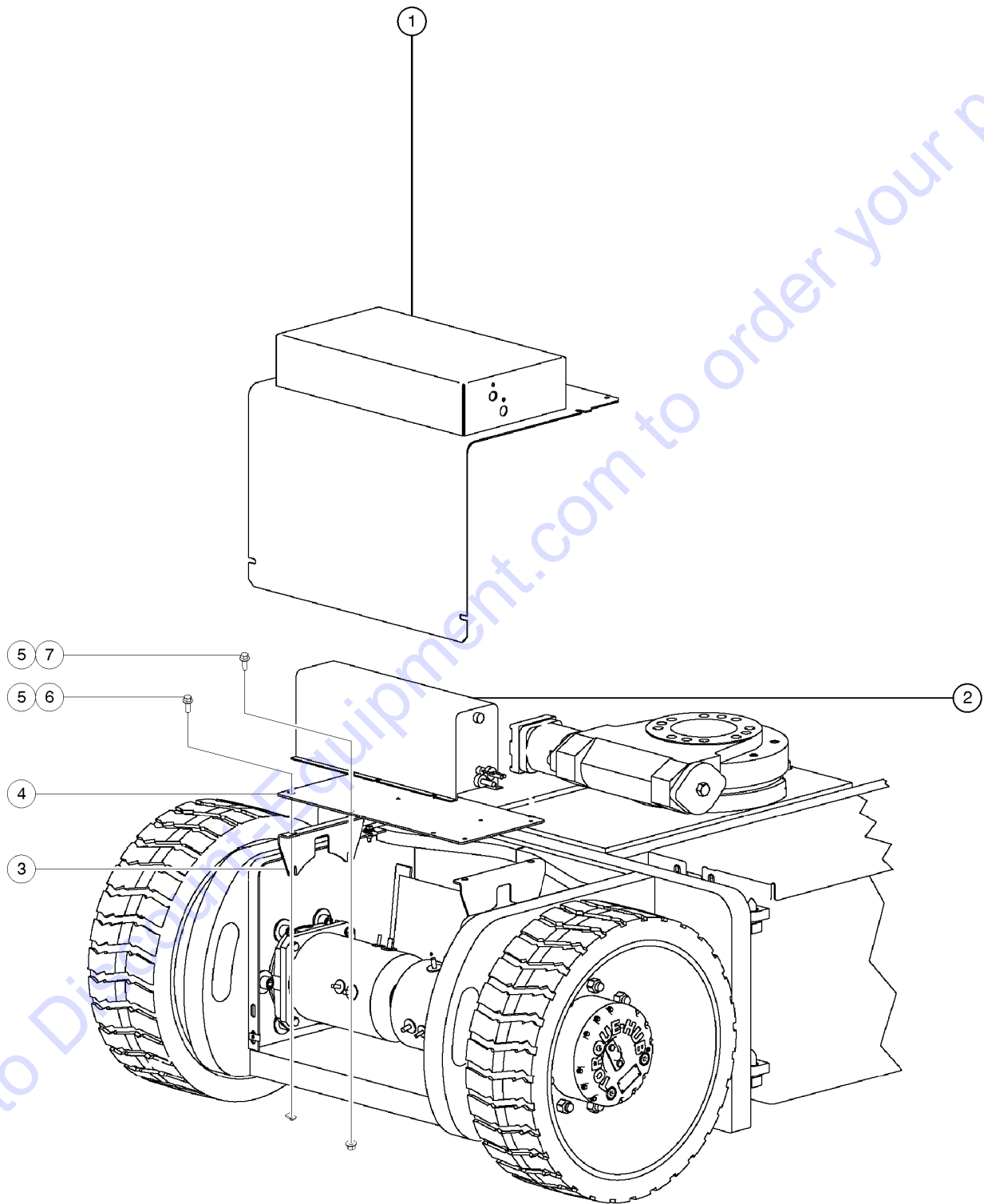
905.1 Platform Overload



Item	Part No.	Description	Qty.
A	121848GT	ASSY,LS,LOAD SENSE,38.5 IN	
A-	13825GT	TERMINAL,COUPLER,MALE,14-16GA	2
A-	13826GT	TERMINAL,FEM.BUTT SEAM:16/14	2
A-	6935GT	LOCKNUT,ELEC,1/2"	1
A-	7056GT	CONN, SQZ, 1/2NPT .38-.50, SM**	1
A-		SWITCH, ROLLER PLUNGER LIMIT	1
1	94176GT	WELDMENT,PLATFORM SUPPORT	1
2	61726GT	PIN,0.75DIA X 5.75LG,CHAMFER	4
3	824079GT	SCREW,HHF,1/4-20X1,8,ZAG	4
4	825020GT	ROD END, .25 X 2.75, ZAG	4
5	824024GT	NUT,TL,1/4-20,C,ZAG	4
6	110789GT	WASHER,SHIM .0151 THK.	8
7	25685GT	BEARING,GARLOCK,12FDU12	4
8	824216GT	SCREW,PHPM,10-32X1.5,ZAG	1
9	824029GT	NUT,TL FLG,3/8-16,G,ZAG	1
10	824208GT	RETAINER,SPRING,1.21X.375,ZAG	1
11	61974GT	SPRING,COMP,1" OD,232 LB/IN	1
12	101512GT	LOAD SUPPORT WITH BEARINGS	2
		includes items 6 and 7	
12-	94191GT	WELDMENT,LOAD SUPPORT	1
13	61973GT	SWITCH,ROLLER PLUNGER LIMIT	1
14	61972GT	MOUNT,SWITCH	1
15	34619GT	BUMPER,RUBBER***	2
16	1268468GT	WASHER,FLAT,.406X1.50X.125,ZAG	1
17	824070GT	SCREW,HHC,3/8-16X3.25,8,ZAG	1
18	824032GT	NUT,TL FLG,10-32,F,ZAG	2
19	94170GT	WELDMENT,ROTATOR SUPPORT	1



906.1 Inverter Option, 120V

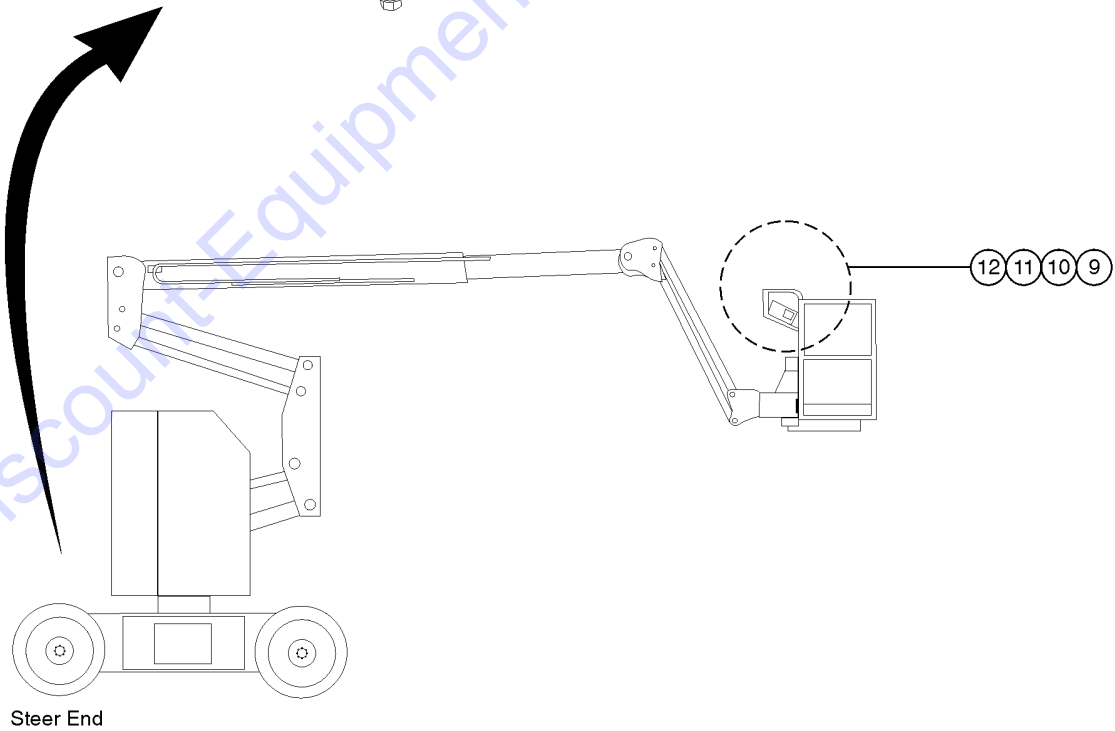
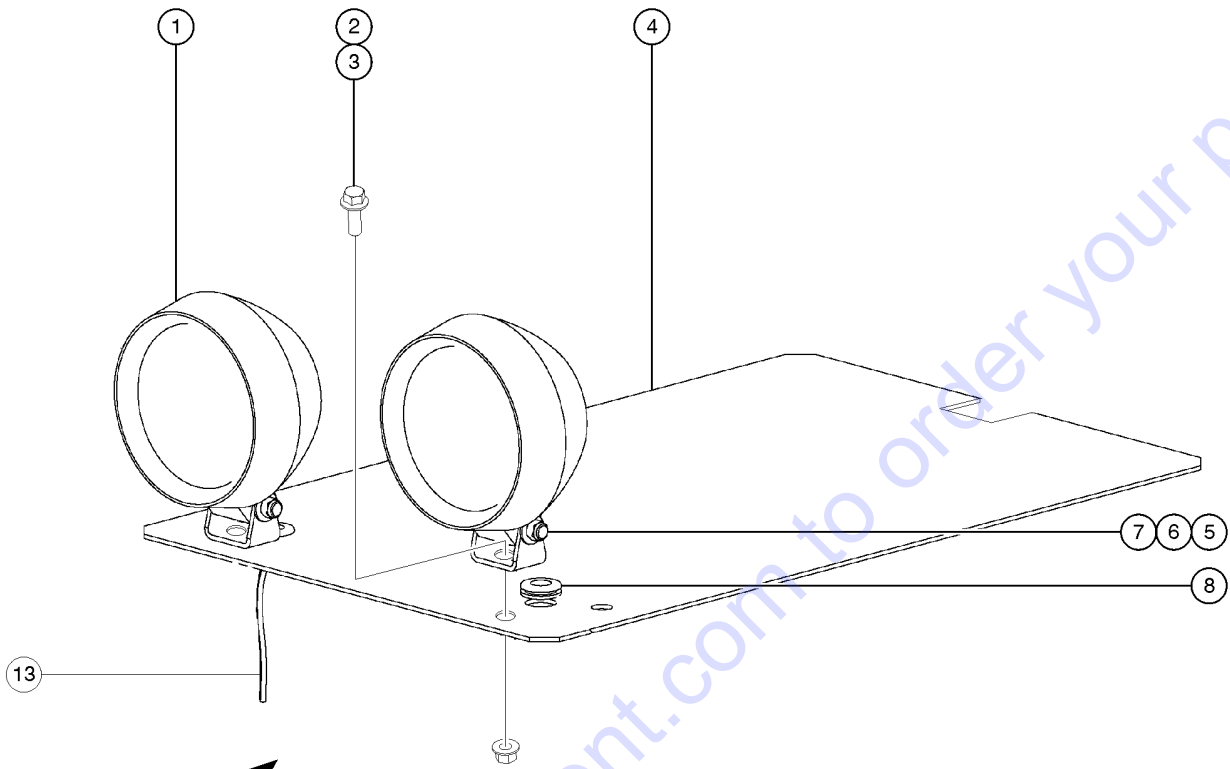


Item	Part No.	Description	Qty.
A-	78098GT	RELAY,24VDC,40/30A,SLD W/BRKT*	1
B-	13268GT	CLAMP,0.75,#12 X 1/4,RUB CUSH	2
C-	36355GT	FUSE,100 AMP,VERY FAST ACTING	1
D-	66717GT	FUSE BLOCK, ANN & ANL FUSE	1
E-	128204GT	SWITCH TOGGLE ASSY SPDT 2P MNT	1
1	74868GT	WELDMENT,COVER DRIVE CHASSIS	1
2	150026GT	INVERTER,48VDC,120VAC/60HZ	1
3	74847PGT	BRACKET,INVERTER MOUNT PTD	2
4	74848PGT	PLATE,INVERTER MOUNT PTD	1
5	824078GT	SCREW,HHF,1/4-20X.75,8,ZAG	8
6	56912GT	SPRING CLIP,1/4-20,.025-.15X.54,ZAG	4
7	824027GT	NUT,TL FLG,1/4-20,G,ZAG	4

Go to Discount-Equipment.com to order your parts

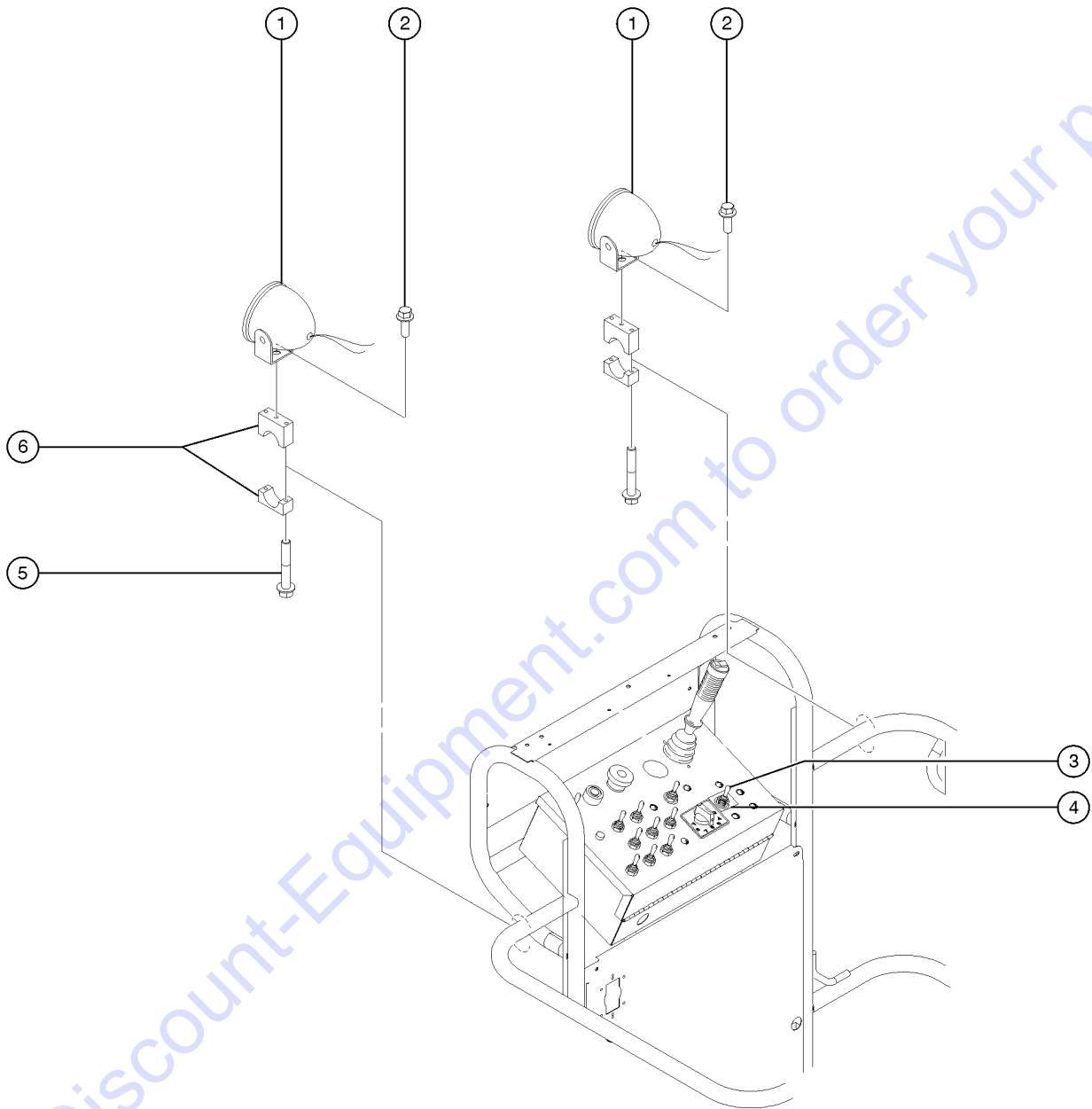


907.1 Drive Light Option



Item	Part No.	Description	Qty.
A-	823943GT	OPTION,DRIVE LIGHTS,Z30N	
1	107858GT	WORKLIGHT,48 VOLT	2
2	824085GT	SCREW, HHF, 5/16-18 X .75, 8, ZAG	
3	824028GT	NUT,TL FLG,5/16-18,G,ZAG	
4	128819GT	COVER, DR LIGHT OPTION	1
5	10107GT	SCREW,HHC,5/16-18 X .75	2
6	5397GT	WASHER,FLAT,USS,5/16",Y	2
7	6782GT	NUT,NYLOCK,5/16-18	2
8	53517GT	GROMMET,RUBBER .5 X .014 X .75	2
9	823226GT	POWER RELAY, 24V COIL	1
9-	824215GT	SCREW,PHPM,10-32X.75,ZAG	
9-	6146GT	WASHER,FLAT,MS,#10,Y	
9-	824032GT	NUT,TL FLG,10-32,F,ZAG	
10	72867GT	DECAL,LABEL,LIGHTS***	1
11	128205GT	SWITCH TOGGLE ASSY DPDT 2P MNT	1
11-	27246GT	BOOT,TOGGLE SWITCH,SHORT*	
12	6578GT	CABLE TIE,7 3/8"	2
13	823948GT	HARNESS, DRIVE LIGHTS, 48V includes item 1	1
13-	23083-SGT	FUSE HOLDER,WATERPROOF	
13-	27489GT	FUSE,7 AMP	
13-	823226GT	POWER RELAY, 24V COIL	

908.1 Work Light Option



Go to Discount-Equipment.com to order your parts

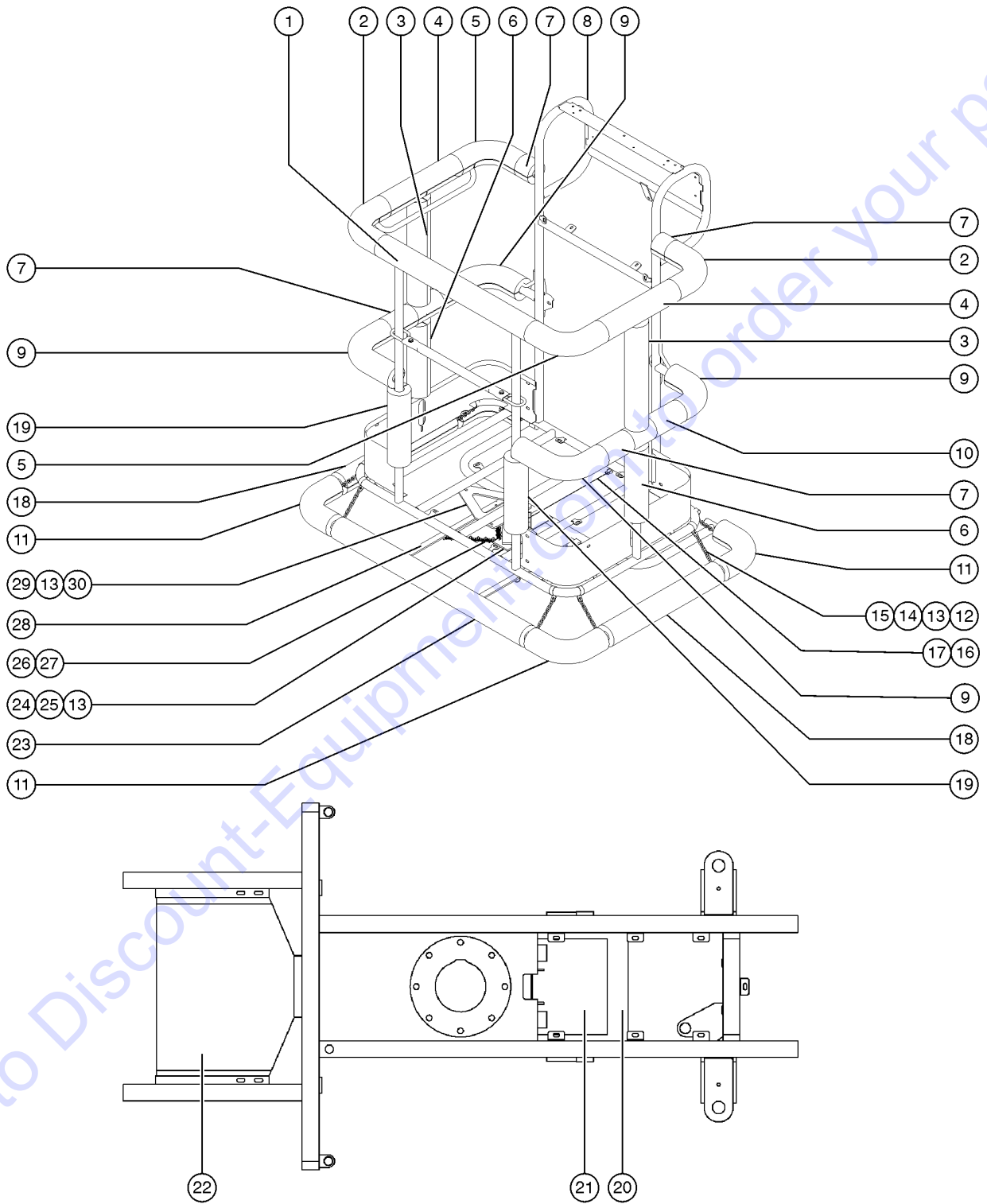
908.1 Work Light Option

Item	Part No.	Description	Qty.
A	823942GT	OPTION,WORKLIGHTS,48V	1
A-	27489GT	FUSE,7 AMP	1
A-	23083-SGT	FUSE HOLDER,WATERPROOF	1
A-	823226GT	POWER RELAY, 24V COIL	1
A-	61226GT	RELAY SOCKET,70AMP	1
A-		Ref. Worklight Harness (refer to 306.1)	
1	107858GT	WORKLIGHT,48 VOLT	2
2	824085GT	SCREW, HHF, 5/16-18 X .75, 8, ZAG	2
3	128204GT	SWITCH TOGGLE ASSY SPDT 2P MNT	1
4	72867GT	DECAL,LABEL,LIGHTS***	1
5	824081GT	SCREW, HHF, 1/4-20 X 1.5, 8, ZAG	4
6	35956GT	BRACKET,WORK LIGHT MOUNT 5/16"	2

Go to Discount-Equipment.com to order your parts



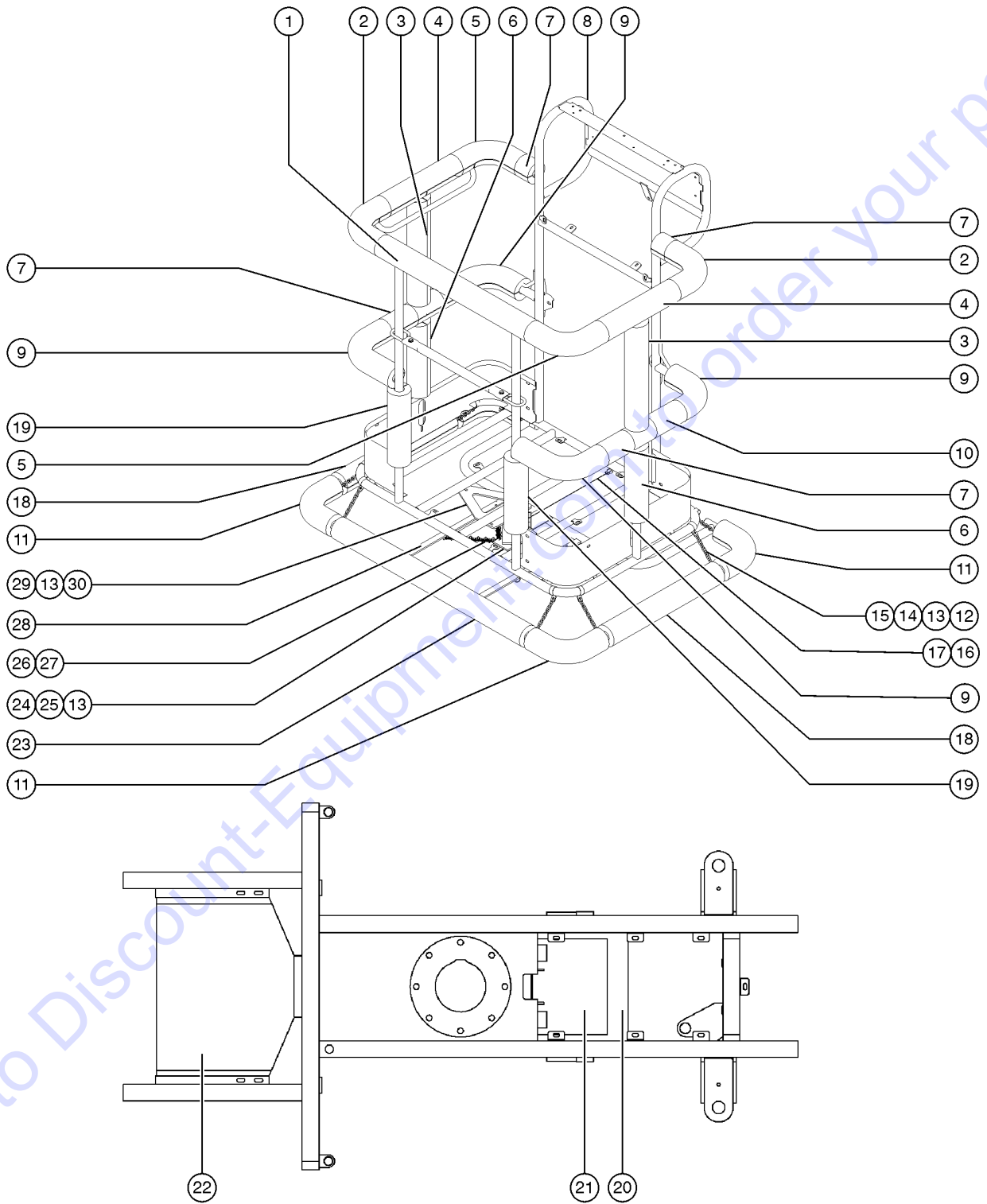
909.1 Aircraft Protection



Item	Part No.	Description	Qty.
1	1251590GT	BUMPER,3.5OD X 1.5ID X 30.75	1
2	147000GT	PADDING, FOAM 90 DEG	2
3	825213GT	BUMPER,3.5OD X 1.5ID X 15.65	2
4	825207GT	BUMPER,3.5OD X 1.5ID X 14.75	2
5	147001GT	PADDING, FOAM 90 DEG	2
6	825212GT	BUMPER,3.5OD X 1.5ID X 12.75	2
7	1251592GT	BUMPER,3.5OD X 1.5ID X 2.75	2
8		Ref. Platform Rail Assembly (refer to 601.1)	
9	1252013GT	BUMPER,3.5OD X 1.5 ID 90 DEG	4
10	1252012GT	BUMPER,3.5OD X 1.5 ID X 6.75	2
11	56418GT	BUMPER,90 DEG ELBOW	4
12	56426-576GT	CHAIN,NO.2 (9LINKS)	8
13	824078GT	SCREW,HHF,1/4-20X.75,8,ZAG	19
14	824027GT	NUT,TL FLG,1/4-20,G,ZAG	17
15	56424GT	CLAMP,1.25X.5 RUBBER-CUSHION	16
16	139643GT	HARNESS, PROX. KILL	1
16-	27391GT	PROXIMITY SENSOR***	1
16-	34052GT	RELAY,SPDT,12V(AUTO) PLUG IN**	1
16-	34053GT	ASSY,RELAY SOCKET, AUTO	1
16-	56302GT	RELAY,24VDC,40/30A,SEALED***	1
17	88390GT	NUT,HEX,M8,PLASTIC	
18	825214GT	BUMPER,3.5OD X 1.5ID X 22.70	2
19	1252011GT	BUMPER,3.5OD X 1.5 ID X 9.75	2
20	128723GT	PLATE, PROFILED COUNTERWEIGHT	1
21	128722GT	PLATE, PROFILED COUNTERWEIGHT	1
22	74734GT	PLATE,COUNTERWEIGHT	1
23	1251591GT	BUMPER,3.5OD X 1.5ID X 38.75	1
24	56330GT	PLATE,MAGNET MOUNT	1



909.1 Aircraft Protection

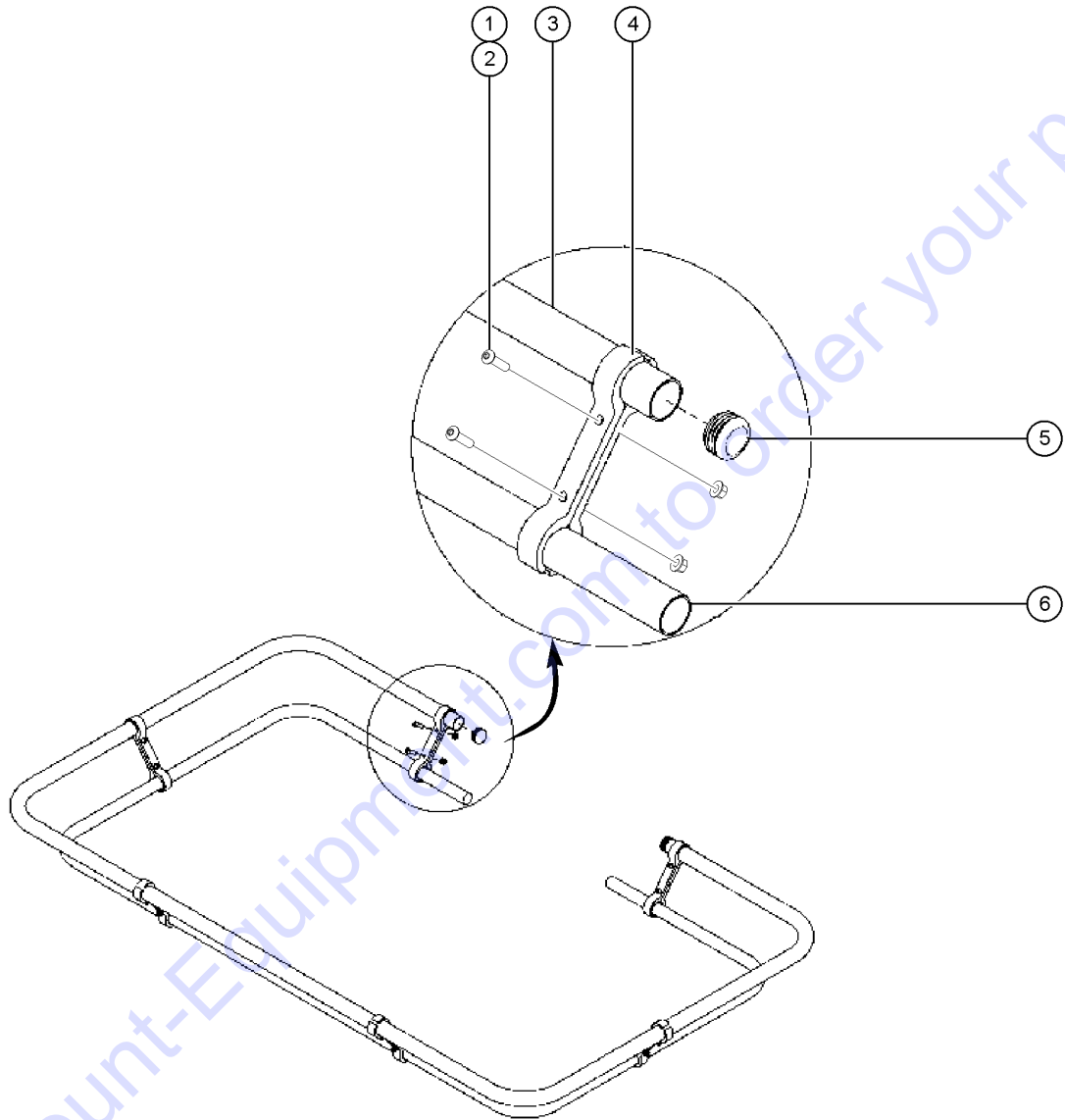


<i>Item</i>	<i>Part No.</i>	<i>Description</i>	<i>Qty.</i>
25	824080GT	SCREW,HHF,1/4-20X1.25,8,ZAG	1
26	56425GT	SPRING,EXTENSION,.75X4.5	4
27	88385GT	SPRING, SS, 1/2-EO500-49-4500	4
28	56324GT	WELDMENT,FLOATING BUMPER	1
29	56328GT	WELDMENT,SENSOR BRACKET	1
30	23404GT	NUTSERT,1/4-20,STEEL CAD PLTD	

Go to Discount-Equipment.com to order your parts



910.1 Auxiliary Rail Assembly



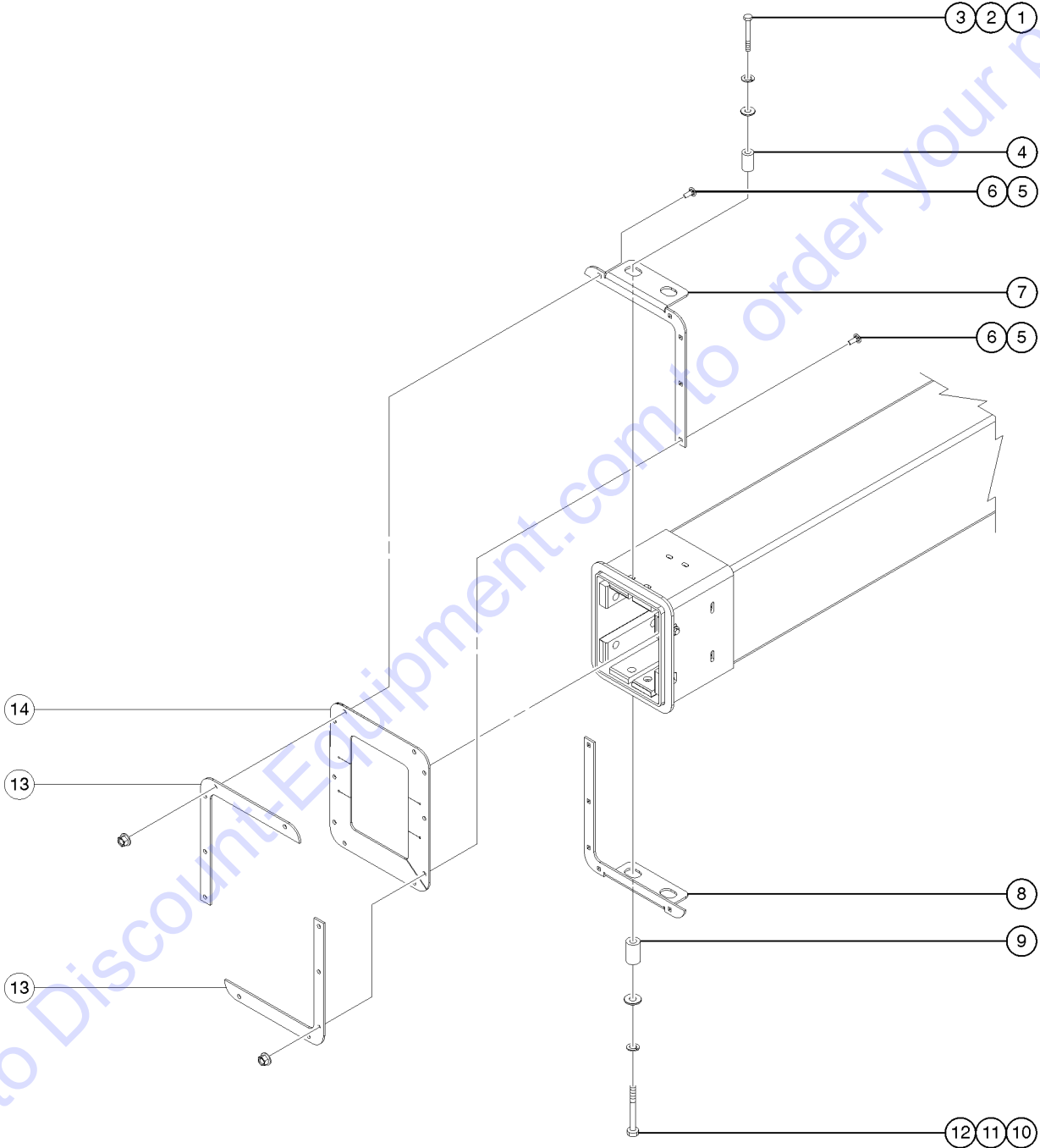
910.1 Auxiliary Rail Assembly

Item	Part No.	Description	Qty.
1	T112576GT	SCREW,BHTC,1/4-20X1,ZAG	12
2	824027GT	NUT,TL FLG,1/4-20,G,ZAG	12
3	T112779GT	KIT, AUX. RAIL, 4' PLATFORM	1
		includes items 1, 2, 4, 5	
4	122073GT	SUPPORT, RAILING	12
5	55753GT	BUMPER, PLASTIC, 1.25 O.D.	2
6		Ref. Platform Rail Assembly (refer to 601.1)	

Go to Discount-Equipment.com to order your parts



911.1 Hostile Environment - Z30N Primary Boom Wipers



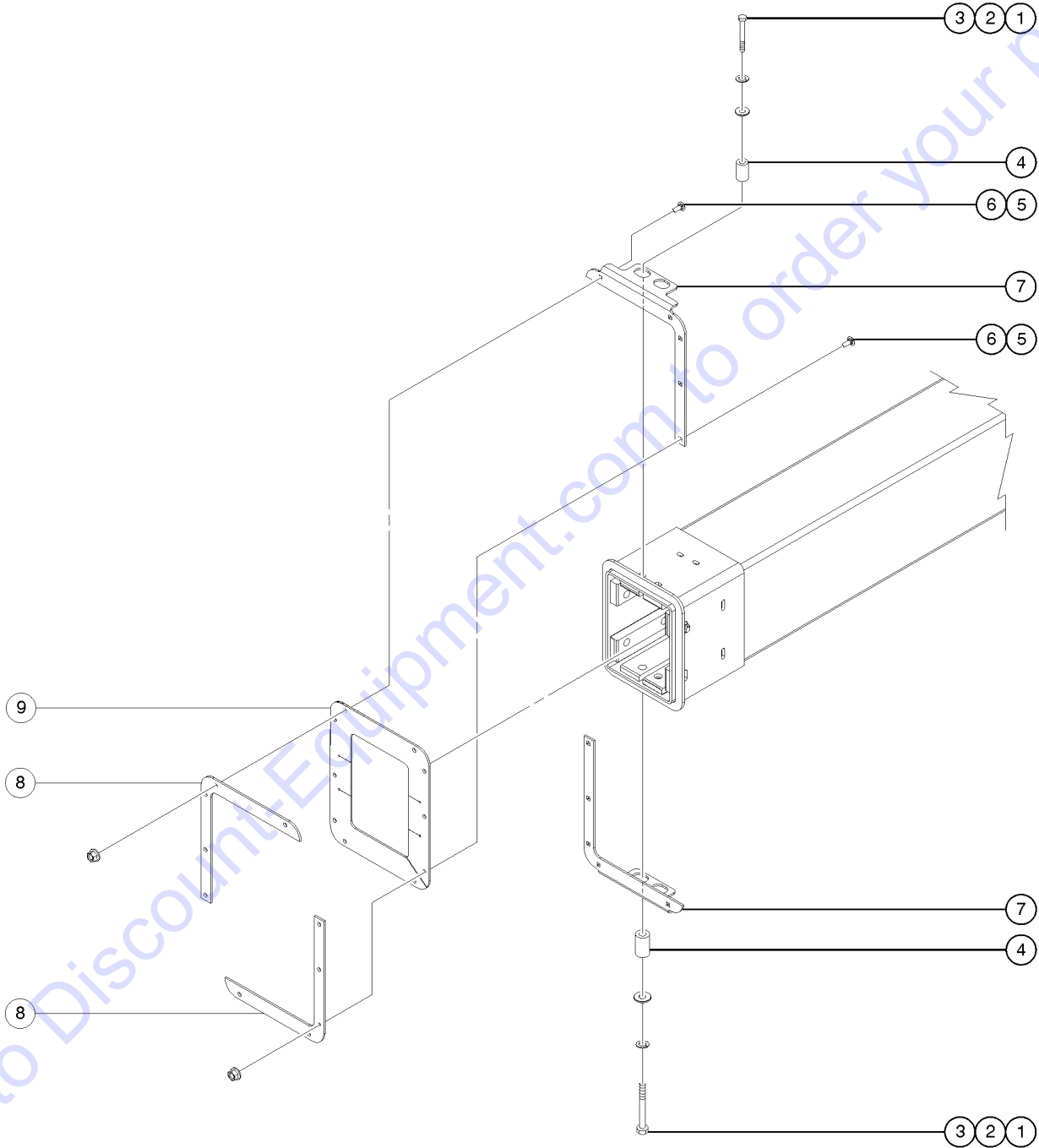
911.1 Hostile Environment - Z30N Primary Boom Wipers

Item	Part No.	Description	Qty.
A-	128677GT	KIT, WIPER	1
1	1252978GT	SCREW,HHC,3/8-16X2.25,8,ZAG	2
2	824110GT	WASHER,LOCK,3/8,ZAG	2
3	825358GT	WASHER,FLAT,5/16,USS,ZAG	2
4	128852GT	TUBE,RD,STL,DOM,.75X.438X1.25	2
5	824124GT	BOLT,CARRIAGE,1/4-20X.75,5,ZAG	10
6	824027GT	NUT,TL FLG,1/4-20,G,ZAG	10
7	128681GT	FORMING, WIPER MOUNT	1
8	128682GT	FORMING, WIPER MOUNT	1
9	119077GT	TUBE,RD,STL,DOM,.75OD X .375ID	2
10	824064GT	SCREW,HHC,1/4-20X2.25,8,ZAG	2
11	824109GT	WASHER,LOCK,1/4,ZAG	2
12	824113GT	WASHER,FLAT,USS,1/4,ZAG	2
13	128973GT	PLATE,WIPER BACKING	2
14	147181GT	WIPER,PRIMARY BOOM	1

Go to Discount-Equipment.com to order your parts



912.1 Hostile Environment - Z30N RJ Primary Boom Wipers



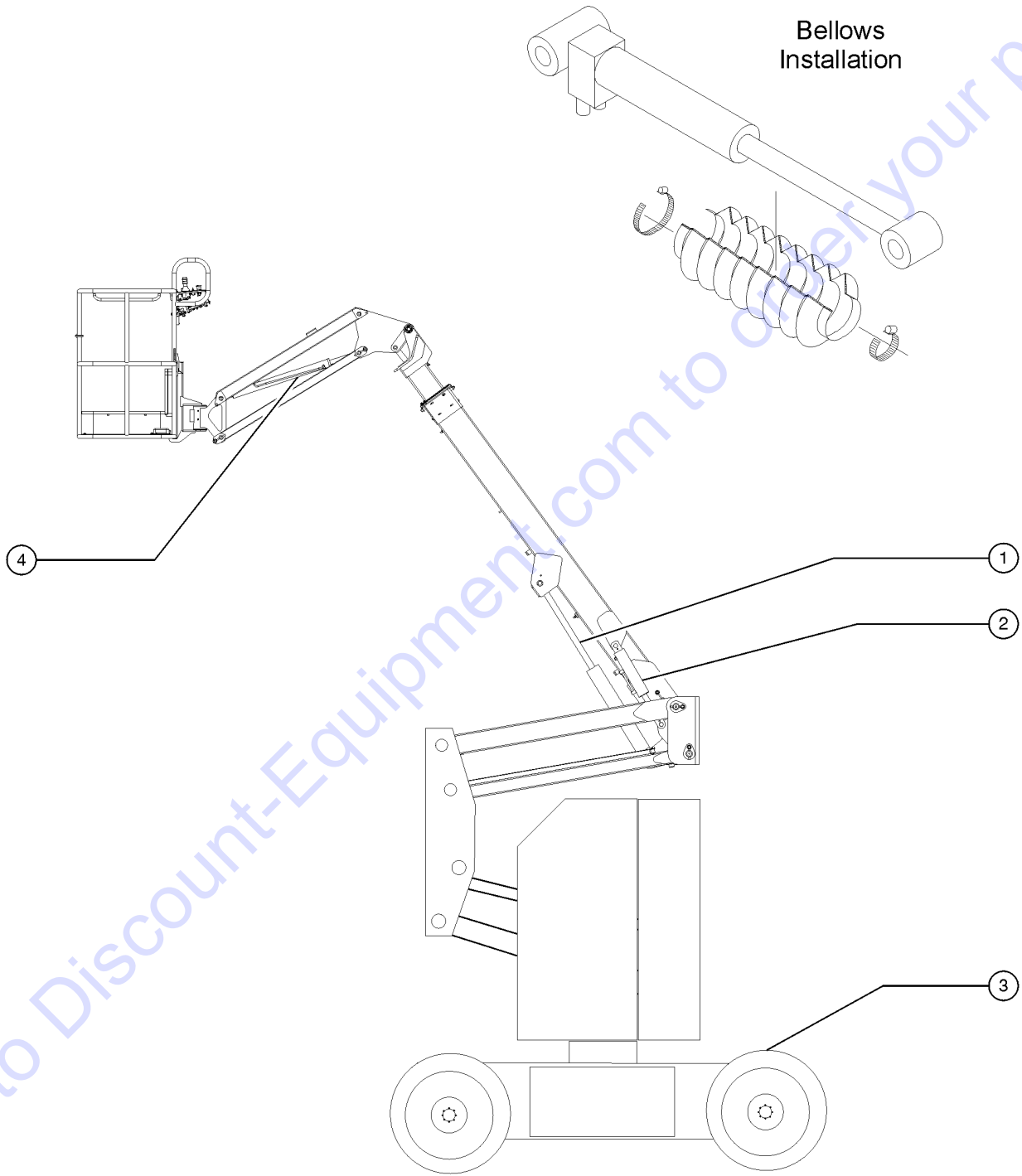
912.1 Hostile Environment - Z30N RJ Primary Boom Wipers

Item	Part No.	Description	Qty.
A-	825069GT	KIT, WIPER, Z30NRJ	1
1	824064GT	SCREW,HHC,1/4-20X2.25,8,ZAG	4
2	824109GT	WASHER,LOCK,1/4,ZAG	4
3	824113GT	WASHER,FLAT,USS,1/4,ZAG	4
4	119077GT	TUBE,RD,STL,DOM,.75OD X .375ID	4
5	824124GT	BOLT,CARRIAGE,1/4-20X.75,5,ZAG	10
6	824027GT	NUT,TL FLG,1/4-20,G,ZAG	10
7	128972GT	FORMING,WIPER MOUNT	2
8	128973GT	PLATE,WIPER BACKING	2
9	128971GT	WIPER,PRIMARY BOOM	1

Go to Discount-Equipment.com to order your parts



913.1 Hostile Environment - Cylinder Bellows



Go to Discount-Equipment.com to order your parts

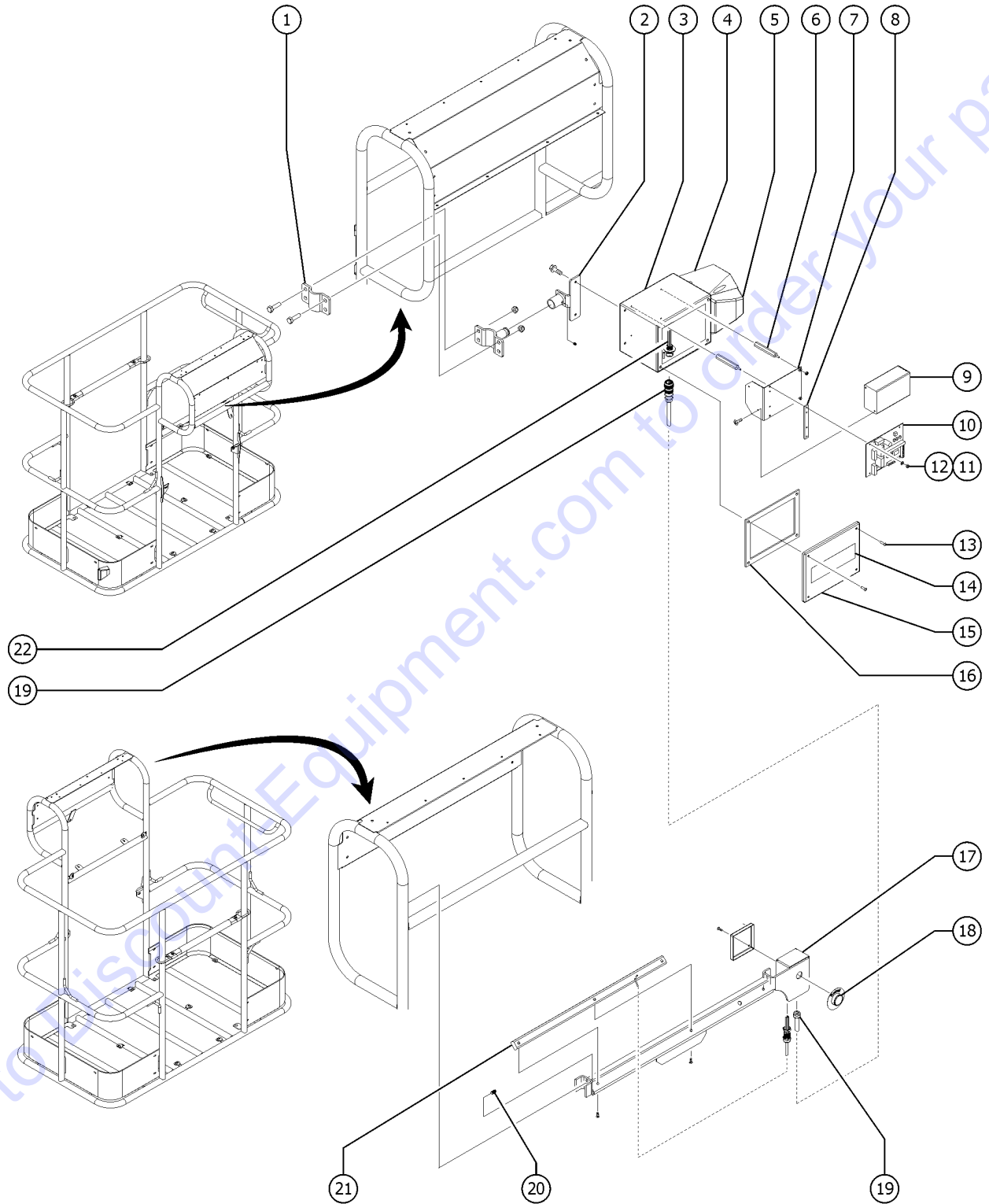
913.1 Hostile Environment - Cylinder Bellows

Item	Part No.	Description	Qty.
A-	128838GT	KIT, CYLINDER BELLOWS	
1	94461GT	BELLOWS,PRIMARY/ELEV CYLINDER	2
2	94463GT	BELLOWS,MASTER CYLINDER	1
3	54989GT	BELLOWS,STEERING CYLINDER	1
		not shown	
4	94462GT	BELLOWS,JIB CYLINDER	1
5	30577GT	COVER,PROTECTIVE,MASTER/SLAVE	1
		not shown	
6	30489GT	CLAMP,HOSE,3.50	5
		not shown	
7	30971GT	CLAMP,HOSE,3.00"	1
		not shown	
8	35434GT	CLAMP,HOSE,2.00***	6
		not shown	

Go to Discount-Equipment.com to order your parts



914.1 Operators Protection Alarm (to January 2017)

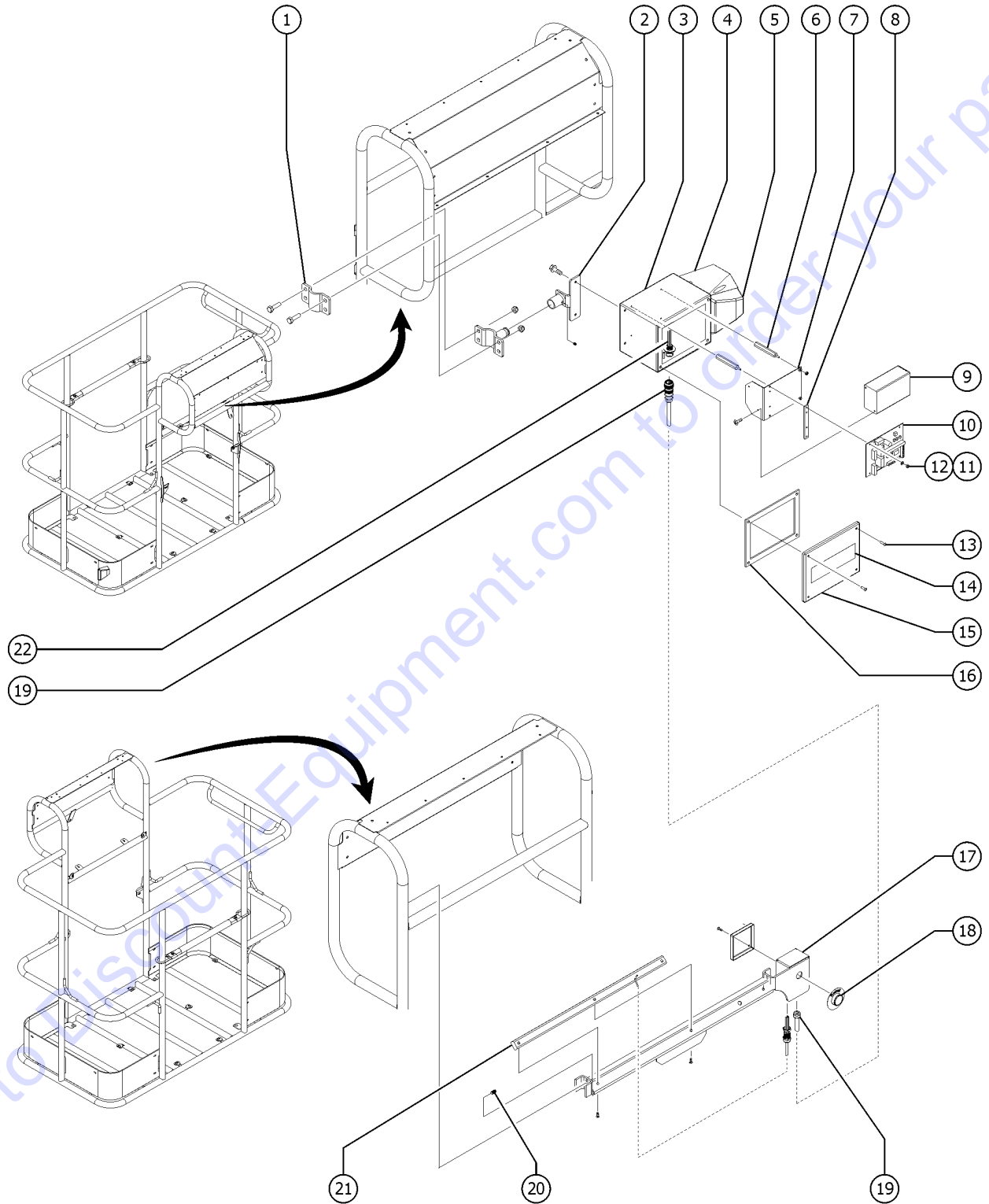


914.1 Operators Protection Alarm (to January 2017)

Item	Part No.	Description	Qty.
A	1255567GT	KIT,OPA,HW,24V,SB	1
A-	1255471GT	ASSEMBLY,OPA,4'-5' PLAT	
A-	1255030GT	PLUG,BLANKING	
A-	1255858GT	HARN,PBOX,OPA,HW,24V	
1	1256149GT	CLAMP,HAND RAIL,OPA,4'-5' includes fasteners	1
2	1255026GT	ASSY,BRKT,CNTRL BOX W/FASTNRS	1
3	1255018GT	BASE ENCLOSURE,RED,OPA	1
4	1255021GT	SOUNDER,MIDI,OPA	1
5A	1255037GT	SOUNDER LENS, OPA, BLUE (standard lens fitted to OPA)	1
5B	1270116GT	SOUNDER LENS, OPA, RED	1
5C	1270117GT	SOUNDER LENS, OPA, AMBER	1
5D	1270118GT	SOUNDER LENS, OPA, CLEAR	1
6	1255028GT	STAND OFF,CONTROL UNIT	4
7	1255024GT	BRACKET,CONTROL UNIT	1
8	1255025GT	SPACER,HEAT SINK	1
9	1255023GT	ASSY,MODULE,CONTROL UNIT,OPA	1
10	1255022GT	MODULE,CONTROL UNIT,PCB,OPA	1
11	1255067GT	NUT,M4 NYLOCK	4
12	1255066GT	WASHER,M4 NYLON	4
13	1255038GT	SCREW,M5X16 BHD	4
14	1255027GT	WASHER,M5 NYLON	4
15	1255890GT	DECAL,COSMETIC,GENIE	1
16	1255020GT	LID ENCLOSURE,RED,OPA	1
17	1255019GT	GASKET,ENCLOSURE	1
18	1255488GT	ASSEMBLY,TAPESWITCH 4-ft and 5-ft platforms; includes j-box and fasteners	1
19	1255036GT	ASSEMBLY RESET SWITCH	1
20	1255035GT	ASSEMBLY,CABLE,TAPESWITCH	1
21	1255889GT	DECAL,SYMBOL-READ THE MANUAL	1



914.1 Operators Protection Alarm (to January 2017)



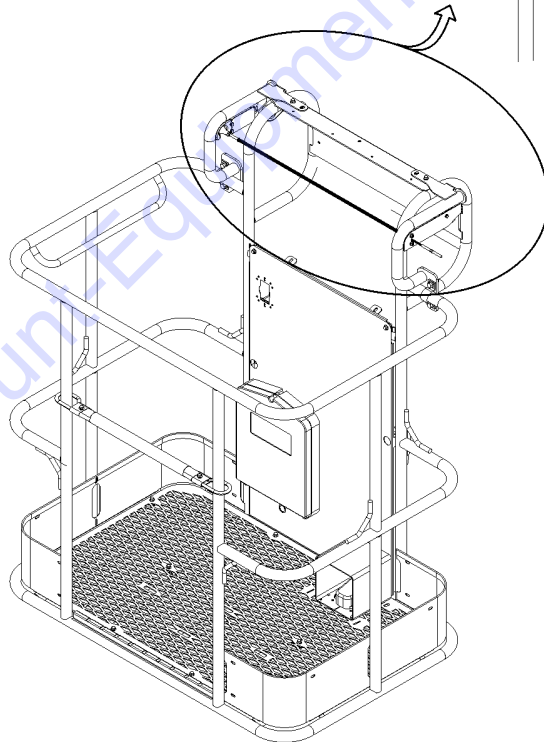
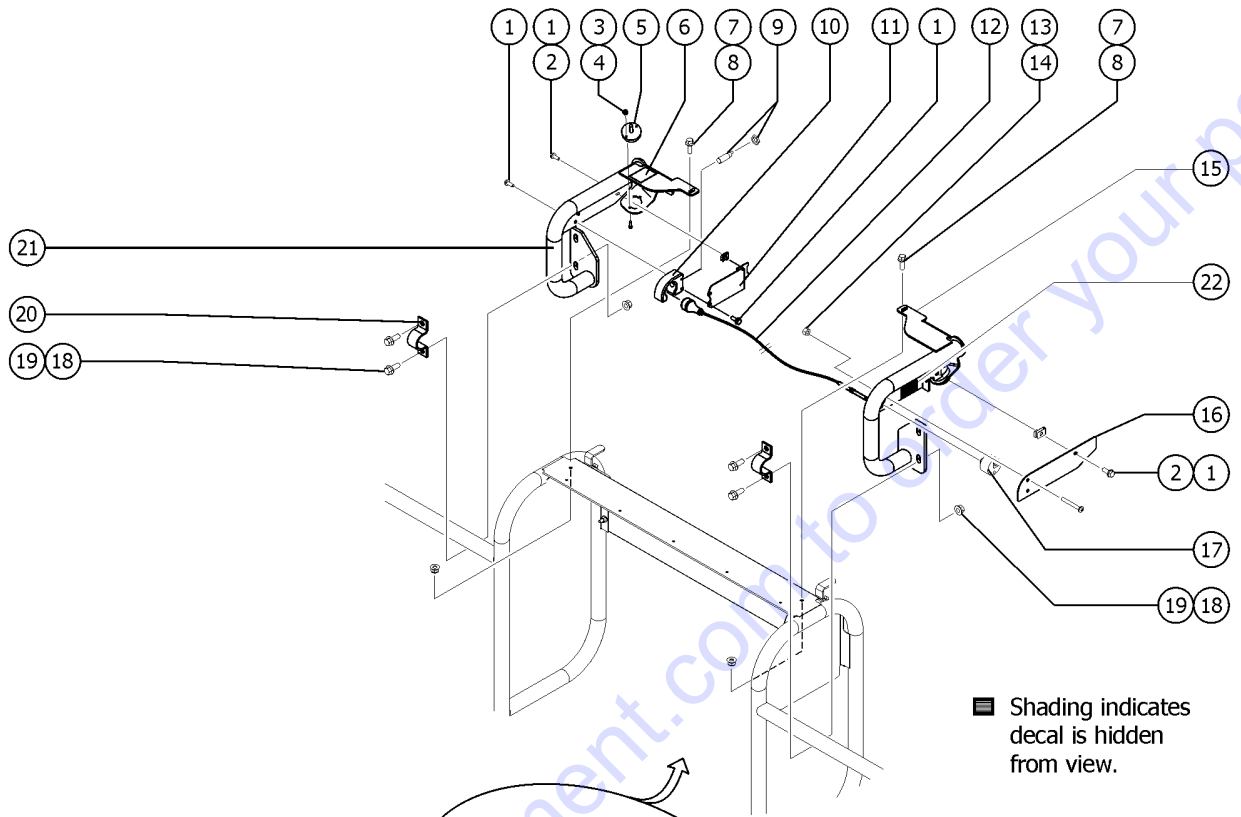
914.1 Operators Protection Alarm (to January 2017)

<i>Item</i>	<i>Part No.</i>	<i>Description</i>	<i>Qty.</i>
22	1255489GT	SENSOR,RUBBER EDGE 4-ft and 5-ft platforms	1
23	1255033GT	HARN,PIGTAIL,TAPESWITCH,OPA	1

Go to Discount-Equipment.com to order your parts



914.2 Lift Guard Contact Alarm (from January 2017)



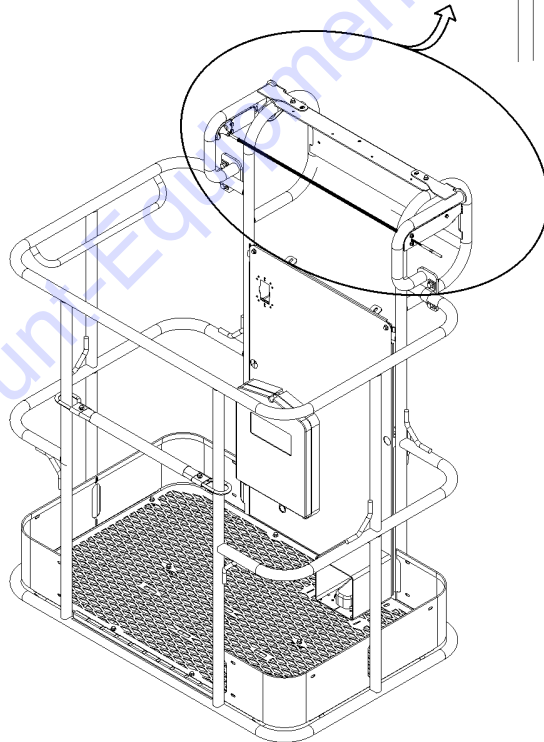
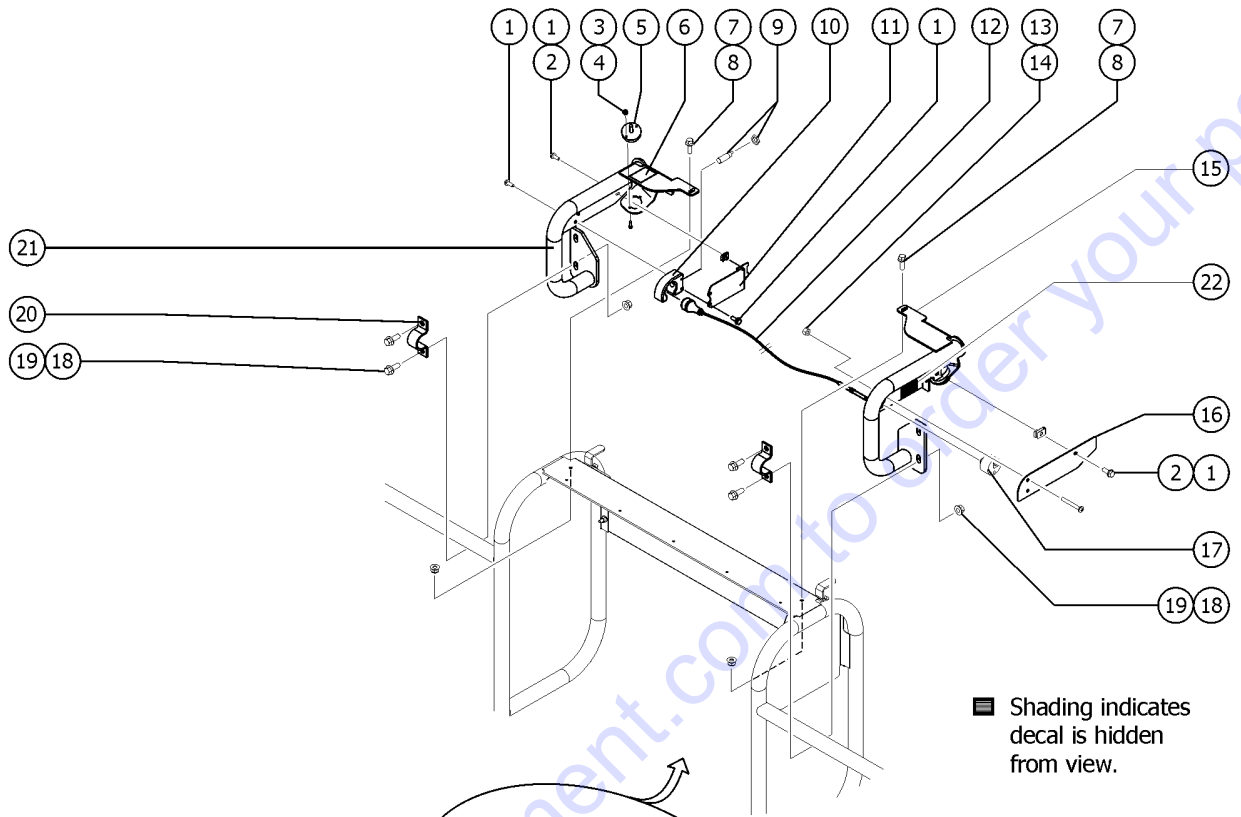
■ Shading indicates decal is hidden from view.

914.2 Lift Guard Contact Alarm (from January 2017)

Item	Part No.	Description	Qty.
A-		From January 2017, this option became a standard installation on all models unless the customer specifically request not to have it installed	
B-	1279136GT	KIT,LIFT GUARD CONTACT ALARM,4'-5' PLATFORM	
C-	1278450GT	HARNESS, CONTACT ALARM, Z30/34DC	
D-	78098GT	RELAY,24VDC,40/30A,SLD W/BRKT*	
E-	1278121GT	MODULE, PLUS+1, OPA2 located inside the Platform Control Box	
1	1264934GT	SCREW,HHF,10-24X. 5	
2	73575GT	SPRING CLIP,10-24,.025-.125X.468,ZAG	
3	12344GT	NUT,NYLOCK,6-32	
4	1256859GT	SCREW,PHPM,6-32X.875,ZAG	
5	1278111GT	ASSEMBLY, LIGHT, OPA2	2
5B	1285850GT	ASSEMBLY,AMBER LIGHTS,CONTACT	
6	1278542GT	DECAL, INSTRUCTION, CONTACT ALARM	
7	824078GT	SCREW,HHF,1/4-20X.75,8,ZAG	
8	1277924GT	NUT,TL FLG,1/4-20,G,ZAG	
9	1278119GT	ASSEMBLY, SENSOR, PROX, OPA2	1
10	1278433GT	ASSY, SENSOR W/ HOUSING (Includes holder item 1277877 and sensor part 1278119)	
10-	1277877GT	HOLDER, SENSOR	1
11	1277873GT	PLATE, SENSOR HOLDER	1
12	1278417GT	ASSEMBLY, OPA CABLE, SMALL	1
12-	1278124GT	MAGNET, 1/4-20, 15 LB. Component of assembly 1278417	
12-	1278459GT	OPA WIRE ASSY, SMALL Component of assembly 1278417	
12-	1278368GT	GRIP, CABLE Component of assembly 1278417	
12-	1261184GT	NUT,1/4-20,8,ZAG Component of assembly 1278417	
13	825352GT	SCREW,PHPM,10-32X1.25,ZAG	
14	1264261GT	NUT,SERRATED,10-32,ZAG	
15	1278175GT	WELDMENT, RIGHT OPA, SMALL	1
16	1277875GT	PLATE, CABLE AND WIRE COVER	1
17	1277876GT	GUIDE, CABLE	1



914.2 Lift Guard Contact Alarm (from January 2017)



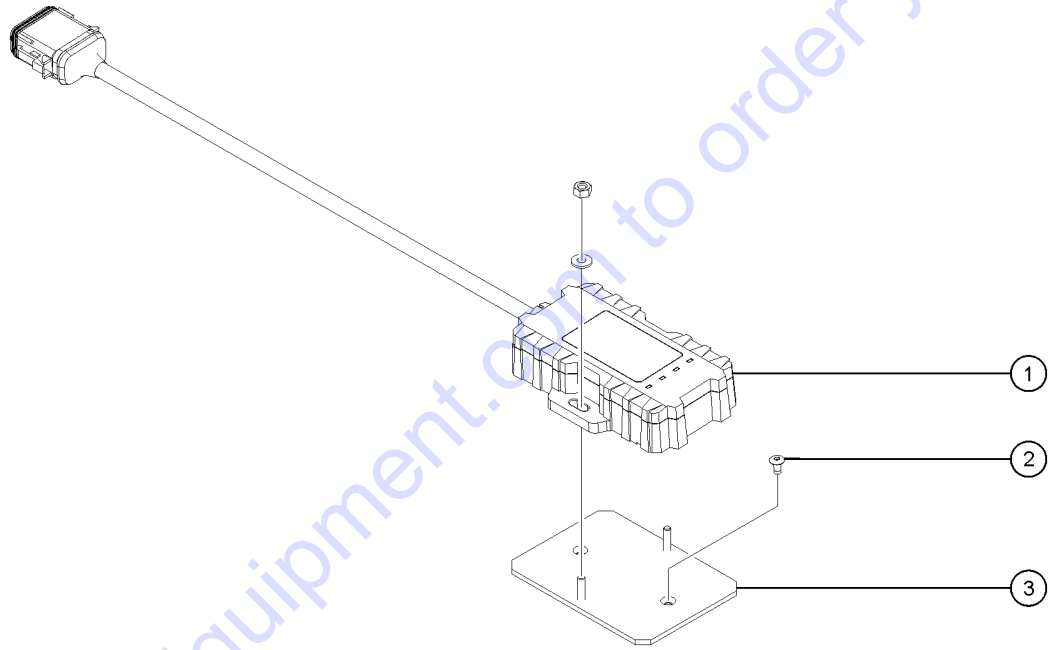
■ Shading indicates decal is hidden from view.

914.2 Lift Guard Contact Alarm (from January 2017)

<i>Item</i>	<i>Part No.</i>	<i>Description</i>	<i>Qty.</i>
18	1274322GT	NUT,NYLOCK FLG,3/8-16,F,ZAG	
19	824090GT	SCREW,HHF,3/8-16X1,8,ZAG	
20	1278363GT	CLAMP, 1.25 INCH TUBE	2
21	1278177GT	WELDMENT, LEFT OPA, SMALL	1
22	1278982GT	DECAL, INSTRUCTION, ACTUATOR SWITCH SOCKET	1

Go to Discount-Equipment.com to order your parts





Go to Discount-Equipment.com to order your parts

915.1 Telematics Option

Item	Part No.	Description	Qty.
-	1293476GT	HARNESS, RETROFIT, 24" M7 for first time insulation, must order this Harness with one of the models 1289520GT, 1289521GT, 1289522GT, or 1289523GT	1
1	1289520GT	MODULE, TELEMATICS, ZTR, M7, NORTH AMERICA North America	1
1B	1289521GT	MODULE, TELEMATICS, ZTR, M7, EMEA/APAC EMEA/APAC	
1C	1289522GT	MODULE, TELEMATICS, ZTR, M7, APAC/ANZ APAC/ANZ	
1D	1289523GT	MODULE, TELEMATICS, ZTR, M7, JAPAN Japan	
2	824206GT	RIVET, STL, STL, DOME, 1/8X.25, ZAG (from SN Z30NF-20904)	2
3	1289561GT	BRACKET, TELEMATICS	1

Go to Discount-Equipment.com to order your parts



<u>Part no.</u>	<u>Page Number</u>	<u>Part no.</u>	<u>Page Number</u>	<u>Part no.</u>	<u>Page Number</u>
1268GT	11	18666GT	139	27895GT	161
1484GT	11	18963GT	83	27900GT	161
1487GT	167	19018-1100GT	163	27901GT	161
1488GT	167	19018GT	71	27902GT	161
5397GT	67, 175	19268GT	73	27903GT	161
6019GT	125	19436GT	63	27904GT	161
6021GT	125	19470GT	151	28161GT	15, 17
6090GT	135	19491GT	89, 95, 99, 111, 117	28164GT	15, 31
6146GT	175	19506GT	73	28165GT	19
6356GT	135	19520GT	63	28171GT	15, 23
6578GT	161, 175	19712GT	143	28174GT	15, 19, 23, 27, 31, 35...
6607GT	125	19713GT	143	28175GT	13
6638GT	135, 163	19721GT	143	28176GT	19
6782GT	175	19722GT	143	28177GT	19
6833GT	101, 123	19789GT	149	28181GT	17
6935GT	81, 129, 171	20224GT	151	28235GT	15, 19, 23, 27, 31, 35...
7056GT	81, 91, 99, 111, 117, 129...	21149GT	51	28236GT	19, 35
8910GT	55	21166GT	45	28298GT	69
8914GT	163	21427GT	143	28372GT	13, 29
9596GT	167	21618GT	161	28750GT	11, 147
9599-SGT	167, 169	21858GT	139	29032GT	147
10107GT	175	21982GT	73	29080GT	97
10665GT	105, 115	22262GT	59	29868GT	55, 89, 117
10775GT	127	22263GT	59	30222GT	103, 113
10777GT	129	22359GT	95, 99, 111	30489GT	189
12344GT	195	22811GT	49	30577GT	189
13002GT	55	23083-SGT	163, 175, 177	30807P-SGT	127
13037-SGT	73	23404GT	59, 71, 73, 141, 181	30971GT	189
13097GT	163	23405GT	59	30997GT	141
13268GT	173	23869GT	163	31060GT	13, 17, 29, 31, 33, 35
13471GT	75	24514GT	129	31106GT	91, 103, 119
13480-SGT	75	25388GT	53, 81	31194GT	65, 155
13511GT	73	25683GT	93, 121	31508GT	13, 29
13585GT	129	25685GT	171	31527GT	147
13825GT	159, 171	25817GT	45	31779GT	11
13826GT	171	27246GT	73, 75, 175	31785GT	13, 29
13930GT	73	27391GT	179	31787GT	13, 29
15243GT	139	27489GT	175, 177	31788GT	13, 29
16397-SGT	73	27497GT	91, 93, 101, 105, 107, 109...	32150GT	11
18396GT	93, 121	27564GT	15	32151GT	11
18503GT	55	27581GT	11	32710GT	127
18650GT	55, 57	27894GT	161	32728GT	19, 27, 35, 43

<u>Part no.</u>	<u>Page Number</u>	<u>Part no.</u>	<u>Page Number</u>	<u>Part no.</u>	<u>Page Number</u>
33576GT	127	36415GT	81	42104GT	167
33674GT	167	36456GT	59, 79	42363GT	65
33759GT	129	36457GT	81	42413GT	89, 117
33994GT	11, 147	36555GT	11	42439GT	69
34052GT	179	36561-SGT	105, 113	42502GT	97
34053GT	179	36570GT	81	42609GT	91, 119
34125GT	97	36574GT	83	42610PGT	91
34245GT	93, 115, 121	36575GT	83	42611GT	91
34619GT	165, 171	36579GT	55	42617GT	139
35088GT	105	36612GT	51	42621GT	97
35434GT	189	36620GT	89, 117	42781GT	139
35542GT	13	36648GT	99, 109	42797GT	105, 115
35675GT	107, 109, 115	36673GT	53	42929GT	105
35678GT	145	37052GT	19	42939-5400GT	117
35679GT	145	37053GT	13, 21, 29, 37	42939-18700GT	89
35680GT	135, 145	37054GT	13, 21, 29, 37	42939GT	105, 113, 115
35956GT	177	37055GT	13, 21, 29, 37	43038GT	143
36054-SGT	103, 115	37056GT	13, 21, 29, 37	43040GT	143
36086GT	77	37100GT	45	43042GT	143
36163-SGT	45	37127GT	91	43179GT	59
36179GT	79	37184GT	79	43392GT	133, 167
36190GT	113	37185GT	79	43599GT	149
36192GT	97, 109	37186GT	79	43937GT	95, 125
36194GT	93, 95, 121, 125	37187GT	79	43956GT	81, 85, 129
36198GT	95, 125	37191GT	79	43960GT	65, 127
36199GT	105, 113	37192GT	79	44133GT	91, 119
36202GT	93, 121	37947GT	73	44248GT	19
36205GT	93, 121	38113GT	49	44743GT	129
36211GT	47	38149GT	31, 39	44777GT	77
36212GT	55	38620GT	97	44778GT	49, 77
36235GT	141	38681GT	127	44788GT	11, 79
36245GT	93, 121	39223GT	77	44956GT	149
36246GT	93, 121	39640GT	71	44980GT	13, 29, 37
36257GT	81	40145GT	45	44981GT	15, 19, 23, 27, 31, 35...
36355GT	59, 173	40146GT	45	44986GT	19
36369GT	55	40410GT	147	45043GT	45
36388GT	69, 83	40413GT	147, 149, 151	45071GT	45, 93, 95, 109, 121, 125
36389GT	93, 121	40434GT	19, 27	45074GT	47
36390GT	93, 121	40446GT	89, 117	45107GT	45
36391GT	81	40447GT	89, 95, 117, 125	45108GT	45
36392GT	81, 83	40609GT	159	45110GT	45
36414GT	81	42019GT	77	45111GT	45

<u>Part no.</u>	<u>Page Number</u>	<u>Part no.</u>	<u>Page Number</u>	<u>Part no.</u>	<u>Page Number</u>
45112GT	45	49119-18100GT	157	54692GT	73, 75
45113GT	45	49119-19200GT	157	54989GT	189
45114GT	45	49119-22400GT	157	55753GT	133, 163, 167, 183
45209GT	55	49119-43000GT	157	56029GT	59
45383GT	135	49120-1900GT	157	56030GT	59
45454GT	161	49120-3100GT	157	56051GT	89, 91, 95, 99, 111, 117...
45462GT	83	49120-43000GT	157	56095GT	61
45544GT	149	49121-3150GT	157	56261GT	161
45745GT	99	49121-22400GT	157	56281GT	59
45782GT	73	49189-2325GT	155	56289-SGT	159
45840GT	137	49612GT	11, 147	56302GT	71, 141, 179
45873GT	45	49613GT	11, 147	56318GT	71
45912GT	149	49821GT	125	56319GT	71
45921GT	147	50546GT	105	56324GT	181
46468GT	19, 27, 35, 43	51147GT	63	56328GT	181
47377GT	95, 103, 105, 125	52087GT	49	56330GT	179
48504GT	77	52339GT	149	56361GT	97, 109
48731GT	31	52475GT	29, 37	56418GT	179
48732GT	29, 37	52598GT	151	56424GT	167, 169, 179
48875GT	155	52599GT	147, 149, 151	56425GT	181
48880GT	151	52601GT	147	56426-576GT	179
48890GT	157	52603GT	147	56465GT	133
48904GT	155	52604GT	147	56465PGT	127
48905GT	153, 157	52625GT	125	56500-SGT	103, 131
48906GT	155	52715GT	149	56525GT	163
48912GT	155, 157	52865GT	31	56561GT	59
48915GT	155	52885GT	149, 151	56562GT	59
48916GT	153, 155, 157	52887GT	143	56570GT	163
48927GT	157	52892GT	143	56656PGT	127
48931GT	155	52895GT	143	56663GT	139
48932GT	155	52913GT	79	56704GT	159
48937GT	155	52914GT	79	56791GT	71
48938GT	155	52915GT	77	56831GT	49
48997GT	151	52928GT	143	56849GT	99, 109
49114-4650GT	157	52943GT	147, 149, 151, 153	56875GT	71
49117-4650GT	157	52947GT	15	56886GT	135, 145
49117-6550GT	157	52968GT	13, 21, 29, 37	56912GT	45, 49, 55, 111, 91, 107...
49117-7750GT	155	53517GT	175	56929GT	103, 113
49119-2000GT	155	54255GT	139	56930GT	59
49119-6500GT	155	54259GT	139	56976GT	105
49119-6925GT	155	54457GT	167	56976-SGT	113
49119-16600GT	157	54530GT	109	56983PGT	101, 123

<u>Part no.</u>	<u>Page Number</u>	<u>Part no.</u>	<u>Page Number</u>	<u>Part no.</u>	<u>Page Number</u>
56994GT	69	66821GT	73, 135	74271GT	91, 119
58108GT	81	66900GT	57	74282GT	59
58253GT	85	66901GT	55	74312GT	45
58320GT	51	69550GT	147, 153	74313GT	47
58494GT	53	72047GT	147, 149, 151	74334GT	91
58932GT	79	72078GT	49	74345GT	109
58933GT	77, 79	72081GT	19, 27, 35, 43	74347GT	115
58934GT	77	72086GT	29, 37	74356GT	145
58936GT	79	72167GT	17, 25, 33, 41	74357GT	145
58985GT	143	72282GT	159	74358GT	145
58994GT	147	72298GT	143	74359GT	145
60429GT	65, 127	72326GT	83, 135	74362GT	143
60443GT	139	72833GT	13, 29	74368GT	143
60526GT	139	72867GT	19, 21, 33, 43, 113, 177	74384GT	145
61226GT	59, 139, 177	72875GT	35	74425GT	149
61726GT	171	72999GT	15, 31, 39	74468GT	59
61794GT	85	73575GT	195	74469GT	59
61972GT	171	73711GT	139	74470GT	61
61973GT	171	73713GT	139	74471GT	61
61974GT	171	73714GT	65, 127	74495GT	59
62506GT	105, 113, 115	73717GT	139	74508GT	99
62507GT	105, 113, 115	73723GT	139	74509GT	99
62508GT	127	73736GT	139	74587GT	103
62516GT	127	73739GT	127	74651GT	55
62695GT	61	74006GT	129	74714GT	51
62696GT	61	74009GT	167, 169	74734GT	179
62928GT	17, 25, 33, 41	74044GT	107	74735GT	105
62929GT	13, 21, 29, 37	74051GT	115	74847PGT	173
65171GT	15, 31	74052GT	129	74848PGT	173
65178GT	143	74066GT	97, 109	74865GT	103
65546GT	143	74085GT	91, 119	74866GT	103
65608GT	49	74089GT	93, 115, 121	74868GT	173
65630GT	163	74091GT	95, 125	74902GT	147, 149
65872GT	49	74119PGT	101, 123	74913GT	69
66356GT	129	74134GT	107	74917GT	71
66397GT	63	74136GT	155	74918GT	71
66399GT	11	74232GT	117	74920GT	69
66717GT	173	74232-SGT	89	74921GT	69
66812GT	73, 135	74256GT	65	74922GT	69
66813GT	135	74266GT	59, 61	74923GT	69
66815GT	135	74267GT	59	74924GT	69
66818GT	73, 137	74268GT	59	74925GT	69

<u>Part no.</u>	<u>Page Number</u>	<u>Part no.</u>	<u>Page Number</u>	<u>Part no.</u>	<u>Page Number</u>
74945GT	89, 117	88827GT	73	101425PGT	55
76450GT	89, 117	88832GT	85	101426PGT	57
77860GT	163	89310GT	149	101429GT	107
77981GT	77	93500GT	11	101512GT	171
77990GT	77	94001GT	55	101557GT	97, 111
78098GT	173, 195	94011GT	55	101649GT	163
78622GT	79	94012GT	55	101676GT	163
79452GT	61	94019GT	149	101677GT	163
81368GT	163	94031GT	97	101678GT	163
81579GT	71	94077GT	69	101679GT	163
81812-1188GT	77, 155	94170GT	171	101929-4600GT	155
81812-6650GT	155	94176GT	171	101965GT	73
82161GT	15, 31, 39	94191GT	171	101967GT	81
82366GT	15, 31, 39	94213GT	99	101968GT	83
82472GT	23, 25	94214GT	109	101969GT	81
82481GT	21, 37	94215GT	95, 125	101970GT	81
82487GT	23, 27, 37, 39, 43	94216GT	95, 125	101980GT	129
82544GT	23	94217GT	105	101981GT	129
82548GT	27	94218GT	103	101982GT	129
82592GT	15, 23, 31, 39	94254GT	91, 119	101983GT	129
82601GT	27	94256GT	99	101984GT	129
82602GT	27	94257GT	109	101985GT	127
82604GT	27	94258GT	95, 125	101986GT	127
82610GT	23, 39	94259GT	95, 125	101987GT	127
82611GT	27, 43	94260GT	105	101988GT	127
82612GT	27	94261GT	103	102992GT	129
83092GT	51	94425GT	89, 117	104804GT	133
83093GT	73	94428GT	77	105352GT	49
83129GT	85	94461GT	189	105556GT	159
84312GT	65	94462GT	189	105557GT	159
85239GT	73	94463GT	189	106025GT	55
85300GT	163	94745PGT	127	106038GT	45
87085GT	163	94908GT	45	106082GT	95, 111, 125
87755GT	139	94909GT	51	106086GT	89
88280GT	95	96008-SGT	73	106121GT	49
88337GT	45	96317GT	47	106122GT	51
88338GT	45	97128GT	89	106123GT	51
88356-116R5GT	89, 117	97815GT	27, 35, 43	106241GT	55
88356-127J5GT	95, 99, 111, 125	97890GT	15, 19	106427GT	89, 117
88356-12103GT	65	97893GT	19	106428GT	89, 117
88385GT	181	97894GT	19	106429GT	89, 117
88390GT	179	101349GT	91, 119	106433GT	95, 111, 125

<u>Part no.</u>	<u>Page Number</u>	<u>Part no.</u>	<u>Page Number</u>	<u>Part no.</u>	<u>Page Number</u>
106434GT	89, 117	119403GT	53, 81	128669GT	131
106445GT	49	119404GT	81	128677GT	185
106633GT	129	119618GT	69	128681GT	185
106959GT	67	119762GT	65	128682GT	185
106960PGT	67	119917GT	65	128722GT	179
107858GT	175, 177	121848GT	85, 171	128723GT	179
107935G	157	122019GT	159	128728GT	79
107935GT	93, 121	122073GT	183	128732GT	49
110148GT	93, 121	122513GT	135	128808GT	77
110197GT	149	122514GT	73, 135	128811GT	77, 155
110199GT	147	128039GT	119	128818GT	77
110200GT	149	128040GT	119	128819GT	175
110235GT	85	128045GT	81	128825GT	53
110239GT	85	128118GT	53	128838GT	189
110242GT	85	128135GT	63	128852GT	185
110243GT	85	128200GT	135	128899GT	65
110246GT	87	128202GT	135	128971GT	187
110249GT	87	128203GT	135	128972GT	187
110255GT	85	128204GT	173, 177	128973GT	185, 187
110382GT	69	128205GT	175	133067GT	39, 43
110626GT	71	128368GT	167	133286GT	13, 21, 29, 37, 53
110637GT	65, 87	128374GT	167	139008GT	65
110638GT	87	128375GT	53	139010GT	63
110639GT	87	128376GT	53	139012GT	63
110649GT	141	128377GT	53	139013GT	63
110651GT	163	128443GT	147	139014GT	63
110652GT	163	128444GT	147	139015GT	63
110653GT	163	128453GT	65	139016GT	63
110789GT	171	128458GT	63	139017GT	63
114117GT	13, 29	128459GT	63	139018GT	63
114224GT	15	128465GT	63	139019GT	63
114248GT	43	128466GT	63	139020GT	63
114249GT	37	128550GT	103	139021GT	63
114252GT	37, 39, 41, 43	128565GT	65	139022GT	63
114334GT	37	128618GT	65	139318GT	53
114343GT	23, 31, 39	128619GT	65	139351GT	49
114390GT	31, 35	128620GT	65	139353GT	49
114397GT	19, 35	128621GT	65	139354GT	49
119058GT	127	128622GT	65	139355GT	49
119077GT	185, 187	128634GT	89, 117	139462GT	153
119111GT	65	128667GT	129	139463GT	153
119133GT	85	128668GT	129	139537GT	101, 123

<u>Part no.</u>	<u>Page Number</u>	<u>Part no.</u>	<u>Page Number</u>	<u>Part no.</u>	<u>Page Number</u>
139540GT	101, 123	227213GT	15, 31	824042GT	45, 51
139541GT	101, 123	227531GT	19	824046GT	55
139542GT	101, 123	227564GT	127	824047GT	55
139560GT	153	227620GT	127	824059GT	89, 117, 167
139561GT	153	228947GT	53	824060GT	49, 97, 107
139563GT	153	228973GT	53	824061GT	107
139564GT	153	229074GT	115	824062GT	103, 115
139565GT	153	229567GT	135	824063GT	115
139584GT	85	230645GT	159	824064GT	185, 187
139585GT	85	231204GT	129	824066GT	55
139586GT	13, 21, 29, 37	231931GT	159	824067GT	93, 97, 121
139643GT	179	232486GT	51	824068GT	97
139655GT	105, 115	233568GT	77	824070GT	171
139858GT	53	233717GT	103, 113	824074GT	77
139877GT	155	233745GT	103, 113	824075GT	113
144161GT	53, 81	234923GT	143	824077GT	55, 77, 81, 105, 113
147000GT	179	236665GT	61	824078GT	45, 53, 89, 101, 123, 127
147001GT	179	237145GT	163	824079GT	39, 81, 91, 97, 101, 107...
147079GT	97, 109	237503GT	85	824080GT	55, 115, 181
147093GT	71, 73	814884GT	69	824081GT	55, 131, 177
147181GT	185	822704GT	85	824082GT	97, 109
147253GT	139	822872GT	85	824083GT	89, 117, 139, 163
147389GT	85, 139	822917GT	61	824085GT	77, 175, 177
147487GT	99	822919GT	61	824086GT	59
147637GT	109	823226GT	59, 139, 175, 177	824087GT	129
150026GT	173	823684GT	55	824089GT	81
161940GT	57	823779GT	29, 37	824090GT	45, 65, 71, 197
161941GT	55	823794GT	33, 41	824091GT	49, 71, 77, 91, 93, 95...
216791GT	71	823795GT	33, 41	824092GT	95, 97, 103, 111, 113
216793GT	69	823942GT	85, 177	824093GT	95
217046GT	69	823943GT	175	824094GT	53, 93, 121
218550GT	35	823948GT	175	824095GT	71, 79, 89, 117
218559GT	35	824019GT	139	824100GT	77
219847GT	35	824024GT	171	824102GT	65
219954GT	43	824025GT	103, 113	824103GT	49
219956GT	43	824027GT	53, 89, 81, 89, 97, 101...	824107GT	49
219958GT	43	824028GT	59, 129, 175	824109GT	89, 97, 103, 107, 113, 117...
226321GT	137	824029GT	47, 53, 71, 79, 91, 93...	824110GT	77, 93, 97, 121, 185
226383GT	143	824032GT	89, 11, 81, 127, 139, 159...	824113GT	45, 49, 71, 91, 97, 101...
226393GT	159	824037GT	55, 69, 83	824116GT	77, 113, 161
226540GT	115	824038GT	99, 109	824119GT	77, 81
226542GT	115	824040GT	91, 119	824120GT	71, 77, 89, 117

<u>Part no.</u>	<u>Page Number</u>	<u>Part no.</u>	<u>Page Number</u>	<u>Part no.</u>	<u>Page Number</u>
824121GT	49	1251590GT	179	1256124GT	169
824122GT	91, 119	1251591GT	179	1256149GT	191
824124GT	185, 187	1251592GT	179	1256182GT	65
824125GT	57	1251600GT	163	1256843GT	115
824127GT	45	1251757GT	61	1256855GT	133
824129GT	45	1252011GT	179	1256859GT	195
824151GT	93, 103, 121	1252012GT	179	1256863GT	103, 113
824152GT	113	1252013GT	179	1257248GT	127
824163GT	99, 109	1252977GT	57	1257249GT	127
824164GT	103, 113	1252978GT	185	1257390GT	119
824206GT	139, 199	1253843GT	49	1257458GT	103, 113
824207GT	167	1255018GT	191	1257733GT	11
824208GT	171	1255019GT	191	1258567GT	11
824213GT	67	1255020GT	191	1259574GT	69
824214GT	129, 139	1255021GT	191	1259575GT	85
824215GT	89, 11, 81, 139, 139, 175	1255022GT	191	1260124GT	147
824216GT	171	1255023GT	191	1260127GT	147
824217GT	59	1255024GT	191	1260639GT	85
824218GT	73, 95	1255025GT	191	1260643GT	85
824219GT	99, 111	1255026GT	191	1260887GT	85
824221GT	59	1255027GT	191	1260928GT	85
824223GT	65, 91, 117	1255028GT	191	1261184GT	195
824224GT	65	1255030GT	191	1261346GT	135
824225GT	127	1255033GT	193	1261347GT	135
824226GT	139	1255035GT	191	1261566GT	135
824228GT	55	1255036GT	191	1261606GT	89, 117
824878GT	69, 135	1255037GT	191	1261845GT	87
825019GT	41, 93, 95, 97, 103, 111...	1255038GT	191	1262218GT	69
825020GT	171	1255066GT	191	1262432GT	97, 107
825066GT	63	1255067GT	191	1263141GT	65
825069GT	187	1255471GT	191	1263142GT	67
825207GT	179	1255488GT	191	1263542GT	37, 39
825212GT	179	1255489GT	193	1263543GT	29, 31
825213GT	179	1255567GT	191	1264261GT	159, 195
825214GT	179	1255758GT	83	1264822GT	85
825352GT	195	1255788GT	129	1264834GT	85
825353GT	91, 115, 119	1255803GT	89	1264934GT	195
825358GT	77, 93, 111, 121, 185	1255858GT	191	1266019GT	31, 39
826516GT	159	1255889GT	191	1267121GT	31
826791GT	97	1255890GT	191	1267747GT	133
826793GT	97, 103	1256109GT	103	1268468GT	171
826794GT	115	1256119GT	49	1270116GT	191

<u>Part no.</u>	<u>Page Number</u>	<u>Part no.</u>	<u>Page Number</u>	<u>Part no.</u>	<u>Page Number</u>
1270117GT	191	1286601GT	51	1303474GT	13
1270118GT	191	1287986GT	149	1303475GT	13
1271081GT	119	1289520GT	69, 199	1303476GT	19
1272242GT	31, 39	1289521GT	69, 199	1303477GT	19
1273205GT	103, 113	1289522GT	199	1303478GT	21
1274322GT	57, 91, 109, 119, 163, 197	1289523GT	199	1303479GT	21
1276938GT	133	1289561GT	69, 199	1303480GT	27
1276939GT	133	1290135GT	167	1303481GT	27
1276941GT	133	1290345-2025GT	155	1304483GT	49
1277873GT	195	1290346-2050GT	155	9990146GT	109
1277875GT	195	1290352-2150GT	155	T106699GT	141
1277876GT	195	1291264-1500GT	155	T108887GT	49
1277877GT	195	1291264-1700GT	155	T112560GT	129
1277924GT	71, 133, 141, 163, 169, 195	1291624GT	31, 39	T112561GT	129
1278111GT	87, 195	1292512GT	31, 39	T112576GT	183
1278119GT	87, 195	1292513GT	31, 39	T112773GT	19, 27, 35, 43
1278121GT	195	1292514GT	31, 39	T112779GT	183
1278124GT	195	1292515GT	31, 39	T114858GT	59
1278175GT	195	1293476GT	199		
1278177GT	197	1293788GT	153		
1278363GT	197	1294398GT	31		
1278368GT	195	1295585GT	77		
1278417GT	195	1297677GT	85		
1278433GT	195	1297941GT	29, 37		
1278450GT	87, 195	1298550GT	71		
1278459GT	195	1298837GT	35		
1278542GT	35, 43, 195	1298847GT	29		
1278793GT	169	1298858GT	31, 39		
1278982GT	35, 43, 197	1298898GT	39		
1279136GT	195	1298942GT	85		
1280665GT	81	1299436GT	43		
1280819GT	31	1299439GT	37		
1281174GT	35, 43	1299791GT	35		
1281175GT	43	1299792GT	43		
1283776GT	11	1303314GT	29		
1284189GT	67	1303315GT	29		
1284473GT	107	1303316GT	35		
1285689GT	87	1303317GT	35		
1285812GT	87	1303318GT	37		
1285850GT	87, 195	1303319GT	37		
1286362GT	39	1303320GT	43		
1286600GT	51	1303321GT	43		

California Proposition 65

 **WARNING**

Operating, servicing and maintaining this equipment, passenger vehicle or off-highway motor vehicle can expose you to chemicals including engine exhaust, carbon monoxide, phthalates, and lead, which are known to the State of California to cause cancer and birth defects or other reproductive harm. These chemicals can be emitted from or contained in other various parts and systems, fluids and some component wear by-products. To minimize exposure, avoid breathing exhaust, do not idle the engine except as necessary, service your equipment and vehicle in a well-ventilated area and wear gloves or wash your hands frequently when servicing your equipment or vehicle and after operation. For more information go to www.P65Warnings.ca.gov/passenger-vehicle.

Breathing diesel engine exhaust exposes you to chemicals known to the State of California to cause cancer and birth defects or other reproductive harm.

- Always start and operate the engine in a well-ventilated area.
- If in an enclosed area, vent the exhaust to the outside.
- Do not modify or tamper with the exhaust system.
- Do not idle the engine except as necessary.

For more information go to www.P65warnings.ca.gov/diesel.

Distributed By:

www.GSPOutlet.com to order your parts

PARTS FINDER

**Search Website
by Part Number**



**Search Manual
Library For Parts
Manual & Lookup Part
Numbers – Purchase
or Request Quote**

Search Manuals

Enter your information to help us find the right parts manual for your machine.

* Brand:

* Model:

* Serial:

* Part Number:

SEARCH

**Can't Find Part or
Manual? Request Help
by Manufacturer,
Model & Description**

Parts Order Form

Please fill in the following information to help us find the right part for your machine.

Manufacturer:	<input type="text"/>
Model:	<input type="text"/>
Description:	<input type="text"/>
Part Number:	<input type="text"/>
Quantity:	<input type="text"/>
Notes:	<input type="text"/>

Submit

Discount-Equipment.com is your online resource for quality parts & equipment.

Florida: **561-964-4949** Outside Florida TOLL FREE: **877-690-3101**

Need parts?

Click on this link: <http://www.discount-equipment.com/category/5443-parts/> and choose one of the options to help get the right parts and equipment you are looking for. Please have the machine model and serial number available in order to help us get you the correct parts. If you don't find the part on the website or on one of the online manuals, please fill out the request form and one of our experienced staff members will get back to you with a quote for the right part that your machine needs.

We sell worldwide for the brands: Genie, Terex, JLG, MultiQuip, Mikasa, Essick, Whiteman, Mayco, Toro Stone, Diamond Products, Generac Magnum, Airman, Haulotte, Barreto, Power Blanket, Nifty Lift, Atlas Copco, Chicago Pneumatic, Allmand, Miller Curber, Skyjack, Lull, Skytrak, Tsurumi, Husquvarna Target, Stow, Wacker, Sakai, Mi-T-M, Sullair, Basic, Dynapac, MBW, Weber, Bartell, Bennar Newman, Haulotte, Ditch Runner, Menegotti, Morrison, Contec, Buddy, Crown, Edco, Wyco, Bomag, Laymor, EZ Trench, Bil-Jax, F.S. Curtis, Gehl Pavers, Heli, Honda, ICS/PowerGrit, IHI, Partner, Imer, Clipper, MMD, Koshin, Rice, CH&E, General Equipment, Amida, Coleman, NAC, Gradall, Square Shooter, Kent, Stanley, Tamco, Toku, Hatz, Kohler, Robin, Wisconsin, Northrock, Oztec, Toker TK, Rol-Air, APT, Wylie, Ingersoll Rand / Doosan, Innovatech, Con X, Ammann, Mecalac, Makinex, Smith Surface Prep, Small Line, Wanco, Yanmar