



A TEREX BRAND



Parts Manual

Serial Number Range

Z-30/20N

from SN Z30N13-15133 to 17163

Z-30/20N RJ

from SN Z30N16F-17164 to
Z30N16F-18899

Part No. 1262611

Rev C

November 2018

Go to Discount-Equipment.com to order your parts

PARTS FINDER

**Search Website
by Part Number**



**Search Manual
Library For Parts
Manual & Lookup Part
Numbers – Purchase
or Request Quote**

Search Manuals

Enter your information to help us find the right parts manual for your machine.

* Brand:

* Model:

* Serial:

* Part Number:

SEARCH

**Can't Find Part or
Manual? Request Help
by Manufacturer,
Model & Description**

Parts Order Form

Please fill in the following information to help us find the right part for your machine.

Manufacturer:	<input type="text"/>
Model:	<input type="text"/>
Description:	<input type="text"/>
Part Number:	<input type="text"/>
Quantity:	<input type="text"/>
Notes:	<input type="text"/>

Discount-Equipment.com is your online resource for quality parts & equipment.

Florida: **561-964-4949** Outside Florida TOLL FREE: **877-690-3101**

Need parts?

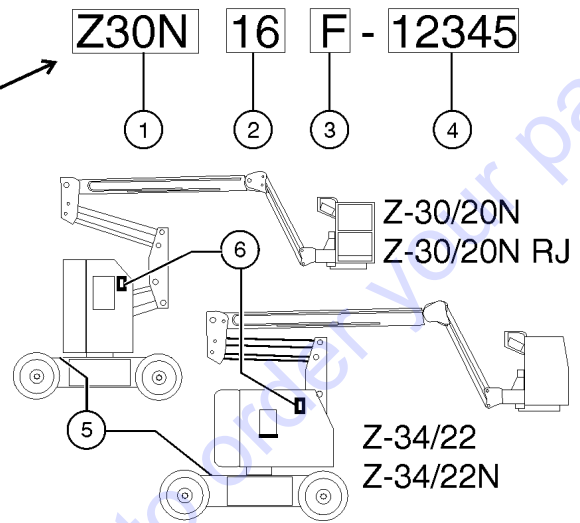
Click on this link: <http://www.discount-equipment.com/category/5443-parts/> and choose one of the options to help get the right parts and equipment you are looking for. Please have the machine model and serial number available in order to help us get you the correct parts. If you don't find the part on the website or on one of the online manuals, please fill out the request form and one of our experienced staff members will get back to you with a quote for the right part that your machine needs.

We sell worldwide for the brands: Genie, Terex, JLG, MultiQuip, Mikasa, Essick, Whiteman, Mayco, Toro Stone, Diamond Products, Generac Magnum, Airman, Haulotte, Barreto, Power Blanket, Nifty Lift, Atlas Copco, Chicago Pneumatic, Allmand, Miller Curber, Skyjack, Lull, Skytrak, Tsurumi, Husquvarna Target, Stow, Wacker, Sakai, Mi-T-M, Sullair, Basic, Dynapac, MBW, Weber, Bartell, Bennar Newman, Haulotte, Ditch Runner, Menegotti, Morrison, Contec, Buddy, Crown, Edco, Wyco, Bomag, Laymor, EZ Trench, Bil-Jax, F.S. Curtis, Gehl Pavers, Heli, Honda, ICS/PowerGrit, IHI, Partner, Imer, Clipper, MMD, Koshin, Rice, CH&E, General Equipment, Amida, Coleman, NAC, Gradall, Square Shooter, Kent, Stanley, Tamco, Toku, Hatz, Kohler, Robin, Wisconsin, Northrock, Oztec, Toker TK, Rol-Air, APT, Wylie, Ingersoll Rand / Doosan, Innovatech, Con X, Ammann, Mecalac, Makinex, Smith Surface Prep, Small Line, Wanco, Yanmar

To August 31, 2016

Genie
A TEREX BRAND

Model:
Serial number: Z30N16F-12345
Manufacture date: 1/2/16
Electrical schematic number:
Machine unladen weight:
Rated work load (including occupants):
Maximum number of platform occupants:
Maximum allowable side force:
Maximum allowable inclination of the chassis:



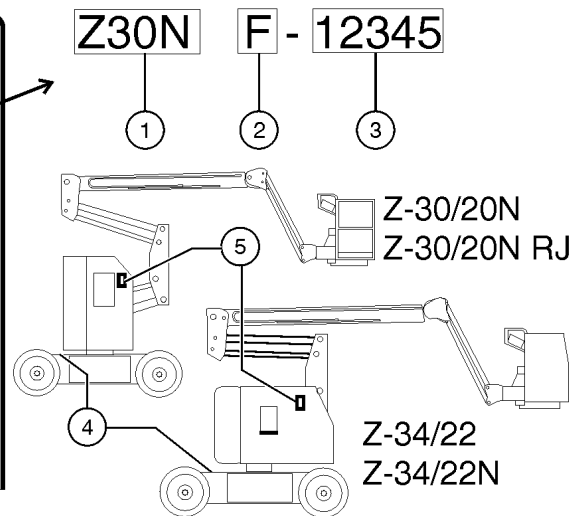
- 1 Model
- 2 Model year
- 3 Facility code

- 4 Sequence number
- 5 Serial number (stamped on chassis)
- 6 Serial label (located under cover)

From September 1, 2016

Genie
A TEREX BRAND

Model:
Serial number: Z30NF-12345
Year of manufacture: 2016
Electrical schematic number:
Machine unladen weight:
Rated work load (including occupants):
Maximum number of platform occupants:
Maximum allowable side force:
Maximum allowable inclination of the chassis:



- 1 Model
- 2 Facility code
- 3 Sequence number

- 4 Serial number (stamped on chassis)
- 5 Serial label (located under cover)

Table of Contents

This manual is updated frequently. For the most up-to-date parts information, visit www.discount-equipment.com

How to Read Your Serial Number.....	3
Parts Stocking List.....	7

Electronic Version

Click on any page number to view the figure.

001 Parts Stocking List

001.1 Parts Stocking List.....	10
--------------------------------	----

100 Decals

101.1 Decals with Word, Chassis/Battery Box (ANSI & Australia).....	12
102.1 Decals with Word, Turntable Covers (ANSI & Australia).....	14
103.1 Decals with Word, Boom (ANSI & Australia).....	16
104.1 Decals with Word, Platform (ANSI & Australia).....	18
105.1 Decals with Symbol, Chassis/Battery Box (ANSI & CE).....	20
106.1 Decals with Symbol, Turntable Covers (ANSI & CE).....	22
107.1 Decals with Symbol, Boom (ANSI & CE).....	24
108.1 Decals with Symbol, Platform (ANSI & CE).....	26

200 Chassis Components

201.1 Steer Axle Linkage, Wheels and Hubs.....	28
202.1 Non-steer Axle.....	30
203.1 Battery Charger.....	32
204.1 Battery Packs.....	34
205.1 Electronic Control Module.....	36
206.1 Power Cable Diagram.....	38

300 Turntable Components

301.1 Turntable Rotator.....	40
302.1 Ground Controls Side.....	42
303.1 Ground Control Panel.....	44
304.1 Power Unit Side.....	46
305.1 Turntable Covers.....	48
306.1 Wire Harness Diagram.....	50

400 Boom Components, Z-30/20N (Non-Rotating Jib)

401.1 Secondary Boom - View 1.....	52
402.1 Secondary Boom - View 2.....	54
403.1 Upper Pivot.....	56
404.1 Primary and Extension Booms.....	58
405.1 Cable Track.....	60
406.1 Jib Boom and Platform Rotator.....	62

500 Boom Components, Z-30/20N RJ (Rotating Jib)

501.1 Primary Boom Wear Pads.....	64
502.1 Primary and Extension Booms.....	66
503.1 Rotating Jib Boom Assembly.....	68
504.1 Secondary Boom - View 1.....	70
505.1 Secondary Boom - View 2.....	72
506.1 Cable Track.....	74
507.1 Mid Pivot.....	76

600 Platform Components

601.1 Platform.....	78
602.1 Platform Controls - External View.....	80
603.1 Platform Controls - Internal View.....	82
604.1 Joystick Controller.....	84
605.1 Rotational Controller.....	86

700 Manifolds

701.1 Function Manifold.....	88
702.1 Jib Boom Manifolds.....	92

800 Hydraulic Hoses and Fittings

801.1 Drive Chassis and Turntable Components.....	94
802.1 Boom Components.....	96

900 Accessories

901.1 Flashing Beacon.....	98
902.1 Air Line to Platform.....	100
903.1 Platform Options - View 1.....	102
904.1 Platform Options - View 2.....	104
905.1 Platform Overload.....	106
906.1 Inverter Option, 120V.....	108
907.1 Drive Light Option.....	110
908.1 Work Light Option.....	112
909.1 Aircraft Protection.....	114
910.1 Auxiliary Rail Assembly.....	116
911.1 Hostile Environment - Z30N Primary Boom Wipers.....	118
912.1 Hostile Environment - Z30N RJ Primary Boom Wipers.....	120
913.1 Hostile Environment - Cylinder Bellows.....	122
914.1 Operators Protection Alarm (to January 2017).....	124
914.2 Lift Guard Contact Alarm (from January 2017).....	126

Indices

Part Number Index.....128

Part Description Index.....132

Cross References

Fittings Cross Reference.....138

Go to Discount-Equipment.com to order your parts

Required Parts

The following parts are required to perform maintenance procedures as outlined in the Genie Z-30/20N and Z-30/20N RJ Service Manual.

Description	Part No.
Filter Element, 10 Micron.....	44788
O-ring Kit (for O-ring Face Seal Fitting).....	49612
Plug and Cap Kit (for O-ring Face Seal Fitting).....	49613
Dielectric Grease.....	66399

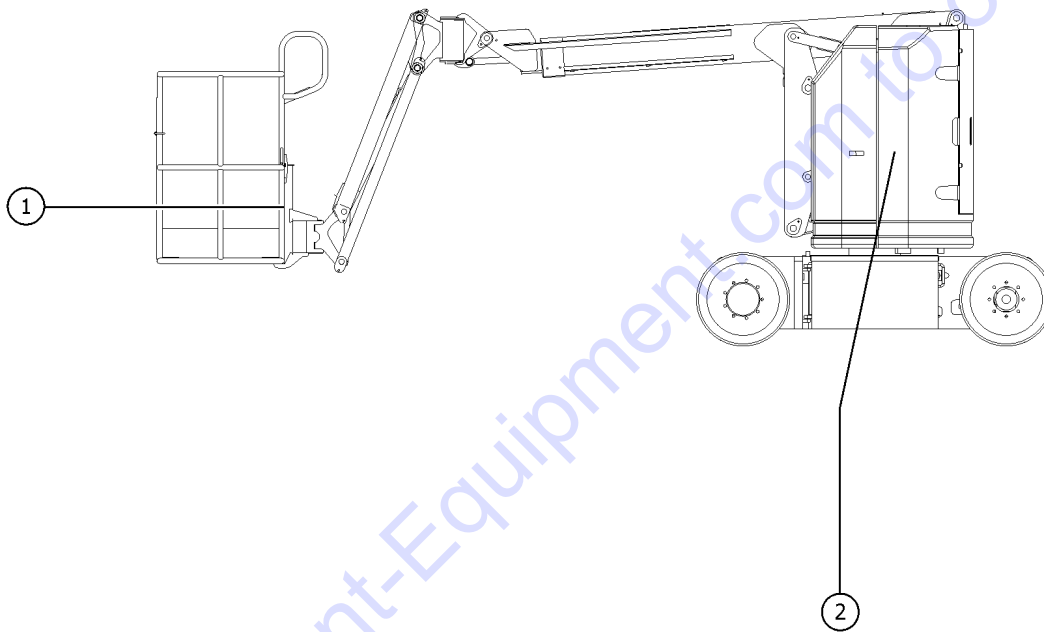
Recommended Parts

Description	Part No.
Genie Blue Paint, 1 Gallon	32150
Genie Blue Paint, 12 Ounce Aerosol.....	1484
Genie Gray Paint, 1 Gallon.....	32151
Genie Gray Paint, 12 Ounce Aerosol	1268

Genie also offers the following support documents:

EMI Safety Manual	27581
Manual of Responsibilities ANSI A92.5.....	31779

Go to Discount-Equipment.com to order your parts



Item	Part No.	Description	Qty.
A		— GENERAL SERVICE PARTS —	
--	1257733GT	PAINT,WET,TRAFFIC BLACK (1 GL)** <i>1-gallon</i>	
--	1258567GT	PAINT, AEROSOL, TRAFFIC BLACK <i>12-ounce spray paint</i>	
--	1268GT	PAINT,AEROSOL,GENIE GRAY*** <i>12-ounce spray paint</i>	
--	1283776GT	SEAL MARKER,CROSS CHECK,BLUE,TUBE	
--	1484GT	PAINT,AEROSOL,BRIGHT BLUE*** <i>12-ounce spray paint</i>	
--	28750GT	O-RING KIT,FIELD SVC,ALL PROD* <i>O-ring kit, SAE</i>	
--	32150GT	PAINT,WET,GENIE BLUE (1 GL)** <i>1-gallon</i>	
--	32151GT	PAINT,WET,GENIE GRAY (1 GL)** <i>1-gallon</i>	
--	33994GT	PLUG AND CAP KIT-SERVICE,37 ** <i>Plug and cap kit, SAE</i>	
--	36555GT	CHOCK,CYLINDER (SERVICE TOOL)	
--	49612GT	O-RING KIT (ORFS FITTINGS) <i>O-ring kit, ORFS</i>	
--	49613GT	PLUG AND CAP KIT-SERVICE,ORFS* <i>Plug and cap kit, ORFS</i>	
--	66399GT	GREASE,DIELECTRIC 4 OZ**	
--	93500GT	PARKER DIGITAL PRESSURE GAUGE	
--			
1		— MANUALS —	
--	27581GT	MANUAL,AEM SAFETY	
--	31779GT	MANUAL,RESPON,A92.5 BOOM	
2		— HYD FILTERS —	
--	44788GT	FILTER ELEMENT,10MICRON,PAPER*	

101.1 Decals with Word, Chassis/Battery Box (ANSI & Australia)

31508 (FR)

NOTE:
Part numbers with "(FR)"
indicate French translation
is available

*Install decal on both sides of the chassis

133286
or
44980

37053

31060 (FR)

37055

31788 (FR)

31787 (FR)

31785 (FR)

114117 (FR)

37055

*28372 (FR)

Serial Number
Stamp

*35542 (FR)

*139586

*72833 (FR)

48732

*62929

*139586

37056

31788 (FR)

31787 (FR)

31785 (FR)

114117 (FR)

28175 (FR)

37056

37054

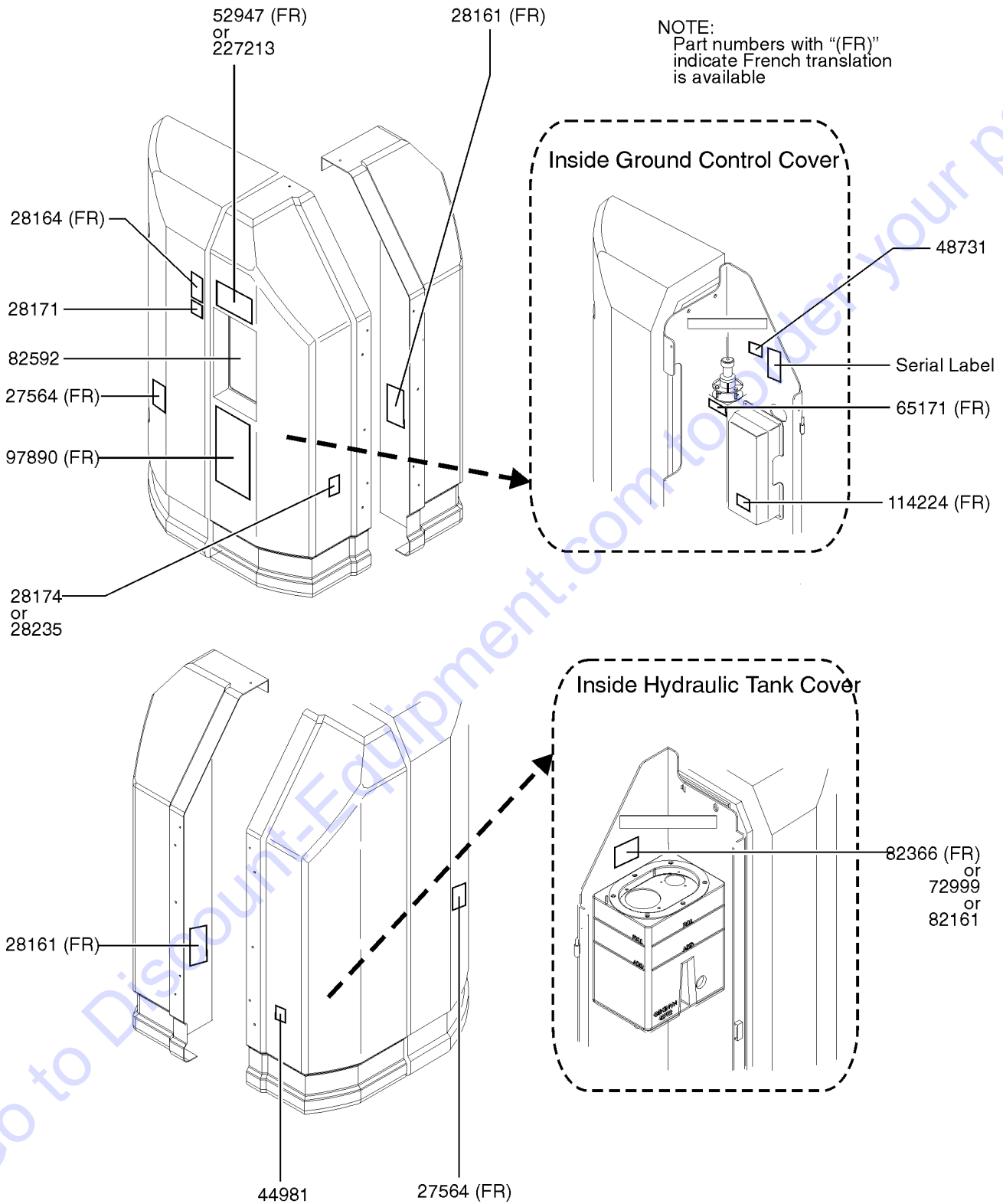
52968

*35542 (FR)

101.1 Decals with Word, Chassis/Battery Box (ANSI & Australia)

Item	Part No.	Description	Qty.
1	28175GT	DECAL,WARNING-COMPART ACCESS.....	1
2	28372GT	DECAL,NOTICE,BATTERY CABLES....	2
3	31060GT	DECAL,DANGER DO NOT ALTER SWTC.....	1
4	31508GT	DECAL,DANGER,ELECT HAZARD,PLUG.....	1
5	31785GT	DECAL,NOTICE,CHARGER INSTRUC...	2
6	31787GT	DECAL,DANGER,TIP-OVER BATTERY.....	2
7	31788GT	DECAL,DANGER,BATTERY SAFETY***.....	2
8	35542GT	DECAL,NOTICE,LUG NUT TORQUE***.....	4
9	37053GT	DECAL,ARROW,BLUE.....	1
10	37054GT	DECAL,ARROW,YELLOW SM 5-3/8"....	1
11	37055GT	DECAL,TRIANGLE,BLUE.....	2
12	37056GT	DECAL,TRIANGLE,YELLOW.....	2
13	44980GT	DECAL,LABEL,PWR TO CHARGR 115V..... <i>option, EE</i>	1
15	52968GT	DECAL,COSMETIC,GENIE BOOM,VERT.....	1
16	62929GT	DECAL,COSM,GENIE Z-30/20N(BOX)...	2
17	72833GT	DECAL,LABEL,OPEN,LATCH.....	2
18	114117GT	DECAL,BATT CONN DIAGRAM.....	2
19	133286GT	DECAL, POWER TO CHARGER, UNIV.....	1
20	139586GT	DECAL,LABEL,WHEEL LOAD Z30N&RJ.....	4

102.1 Decals with Word, Turntable Covers (ANSI & Australia)



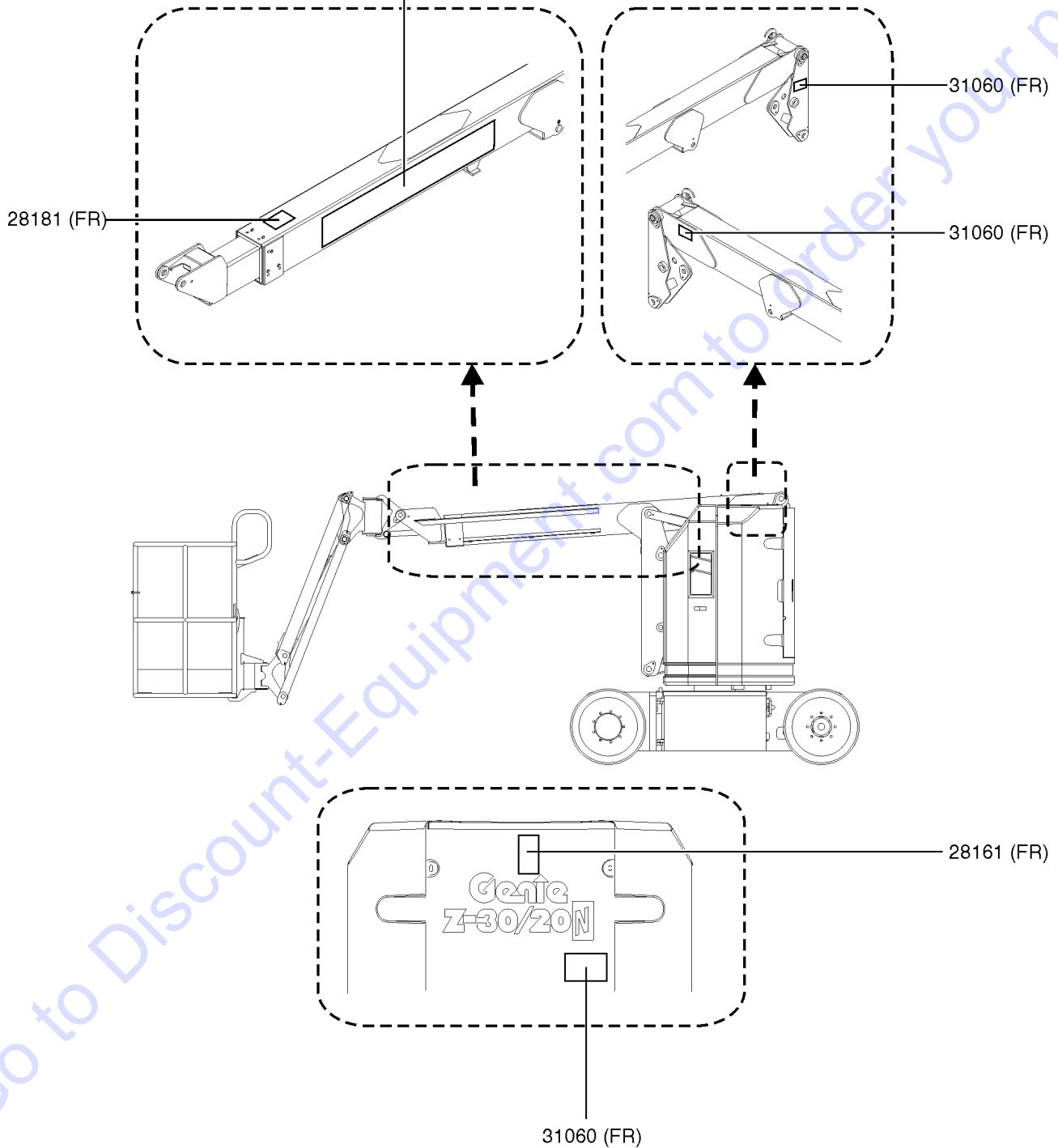
102.1 Decals with Word, Turntable Covers (ANSI & Australia)

Item	Part No.	Description	Qty.
1	27564GT	DECAL,DANGER,ELEC.HAZ.STAY CLR.....	2
2	28161GT	DECAL,WARN,CRUSH HAZARD HAND.....	2
3	28164GT	DECAL,NOTICE,HAZARDOUS MAT'LS*.....	1
4	28171GT	DECAL,DANGER,NO SMOKING ***.....	1
5	28174GT	DECAL, POWER TO PLATFORM 230V**.....	1
6	28235GT	DECAL,POWER TO PLATFORM 115V.....	1
7	44981GT	DECAL,LABEL, AIR LINE 110 PSI..... <i>option, air line to platform</i>	1
9	52947GT	DECAL,OPERATING INSTR,GROUND..... <i>ANSI</i>	1
10	65171GT	DECAL,LABEL,CB & STATUS LIGHT.....	1
11	72999GT	DECAL,LABEL,PETRO CANADA***..... <i>option, hydraulic oil</i>	1
12	82161GT	DECAL,LABEL,UCON HYDROLUBE..... <i>option, hydraulic oil</i>	1
13	82366GT	DECAL,CHEVRON RANDO HD..... <i>option, hydraulic oil</i>	1
14	82592GT	DECAL,GROUND CONTROL PANEL***.....	1
15	97890GT	DECAL,DANGER,GEN SAFETY RULES.....	1
16	114224GT	DECAL,LABEL,RELAYS,Z30N,Z34NDC.	1
17	227213GT	DECAL,OPER INST,DC BOOM GND AU..... <i>AUS</i>	1

103.1 Decals with Word, Boom (ANSI & Australia)

62928
or
72167

NOTE:
Part numbers with "(FR)"
indicate French translation
is available

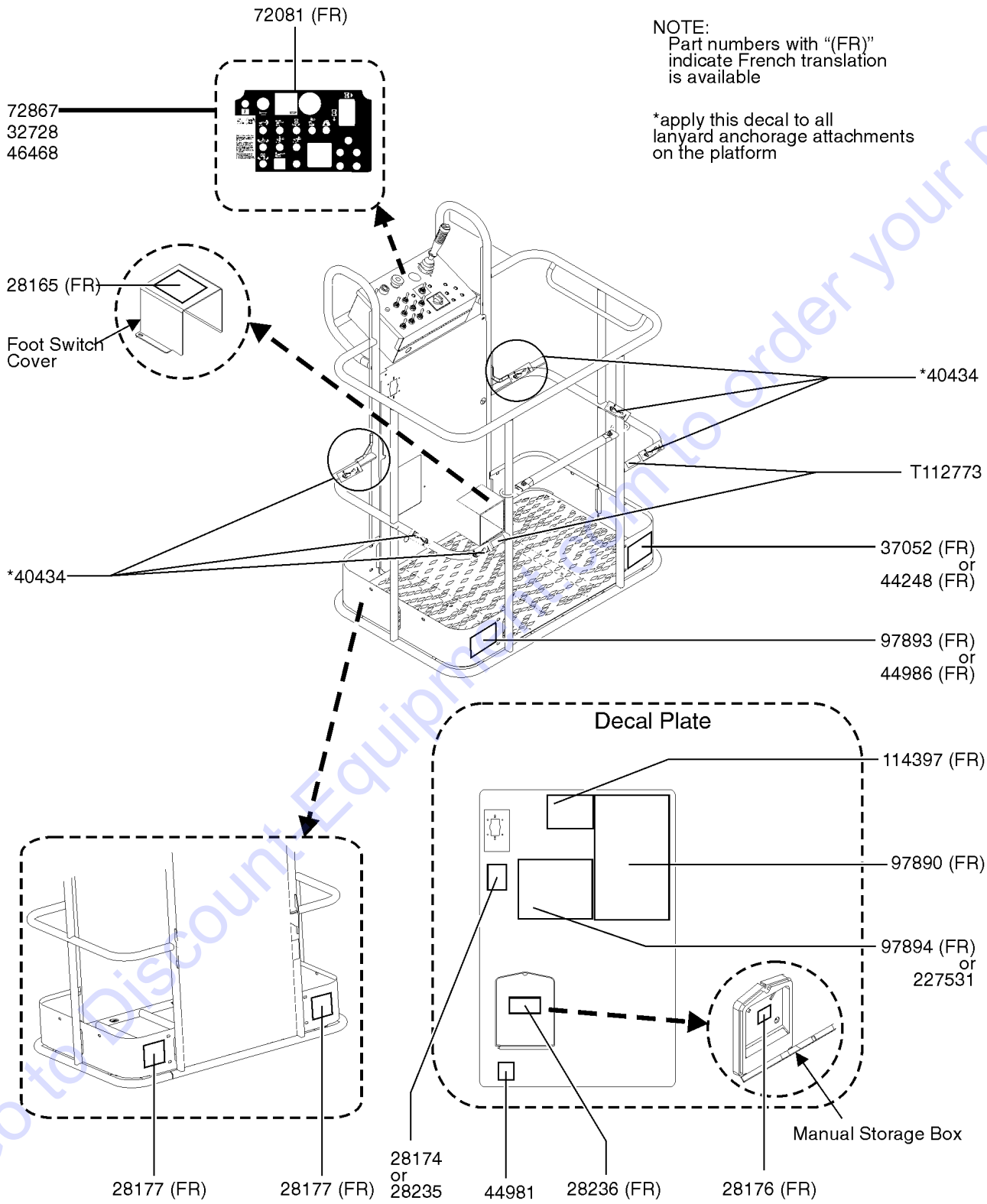


103.1 Decals with Word, Boom (ANSI & Australia)

Item	Part No.	Description	Qty.
1	28161GT	DECAL,WARN,CRUSH HAZARD HAND.....	1
2	28181GT	DECAL,WARN,FALL HAZARD.....	1
3	31060GT	DECAL,DANGER DO NOT ALTER SWTC.....	3
4	62928GT	DECAL,COSMETIC,GENIE Z-30/20N.....	1
5	72167GT	DECAL,COSMETIC,GENIE Z30/20NRJ.....	1

Go to Discount-Equipment.com to order your parts

104.1 Decals with Word, Platform (ANSI & Australia)



NOTE:
Part numbers with "(FR)"
indicate French translation
is available

*apply this decal to all
lanyard anchorage
on the platform



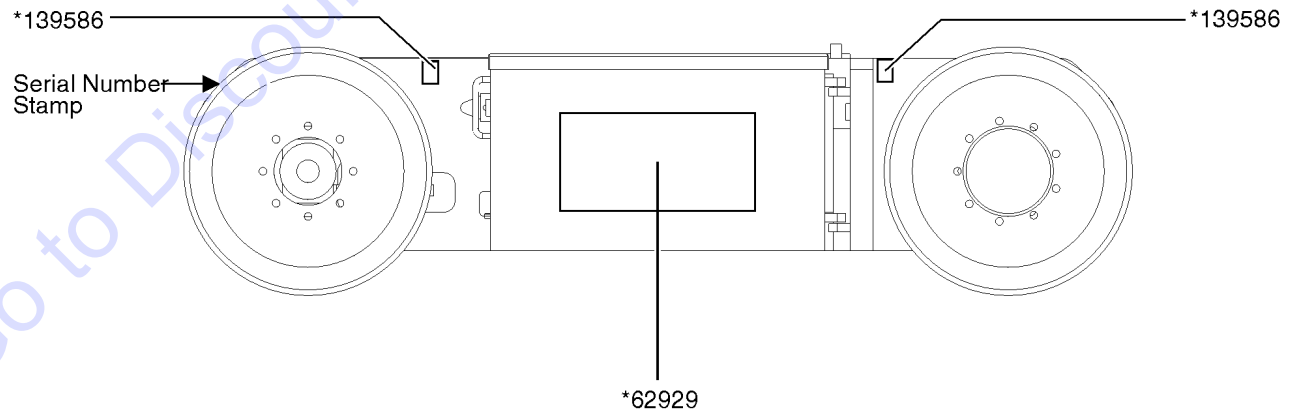
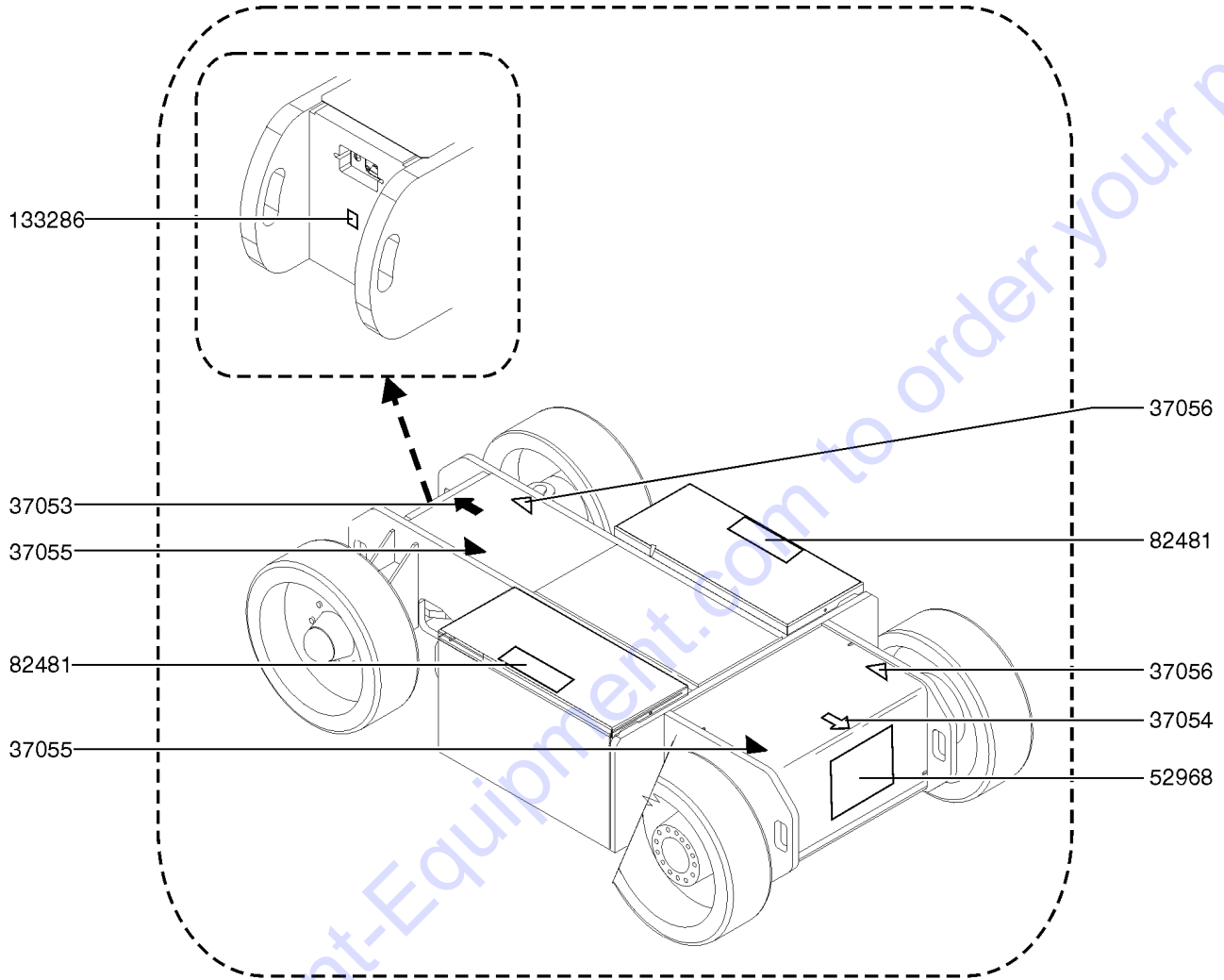
Z-30/20N, Z-30/20N RJ

104.1 Decals with Word, Platform (ANSI & Australia)

Item	Part No.	Description	Qty.
1	28165GT	DECAL,INSTRUCT,FOOTSWITCH OPER.....	1
2	28174GT	DECAL, POWER TO PLATFORM 230V**.....	1
3	28176GT	DECAL,LABEL,MANUAL NOT HERE.....	1
4	28177GT	DECAL,WARN,CRUSH HAZARD PLAT.....	2
5	28235GT	DECAL,POWER TO PLATFORM 115V.....	1
6	28236GT	DECAL,WARN,IMPROPER OPERATION.....	1
7	32728GT	DECAL,OPTION GENERATOR***..... <i>option, inverter</i>	1
8	37052GT	DECAL,NOTICE,MAX LOAD 500 LBS.....	1
9	40434GT	DECAL,LANYARD ANCHORAGE POINT.....	6
10	44248GT	DECAL,NOTICE,MAX CAP 440 LBS..... <i>option, aircraft protection</i>	1
11	44981GT	DECAL,LABEL, AIR LINE 110 PSI..... <i>option, airline to platform</i>	1
12	44986GT	DECAL,INSTR,SIDE FRC/WIND,AUS..... AUS	1
13	46468GT	DECAL,FUNCTION OVERRIDE..... <i>option, aircraft protection</i>	1
14	72081GT	DECAL,PLATFORM CONTROL PANEL**.....	1
15	72867GT	DECAL,LABEL,LIGHTS***..... <i>option, work lights</i>	1
16	97890GT	DECAL,DANGER,GEN SAFETY RULES.....	1
17	97893GT	DECAL,NOTICE,SIDE FRC/WINDANSI..... ANSI	1
18	97894GT	DECAL,NOTICE,OPER INST PLAT,DC..... ANSI	1
19	114397GT	DECAL,DANGER,TILT ALARM.....	1
20	227531GT	DECAL, OPERATING INSTRUCTIONS..... AUS	1
21	T112773GT	TAPE, PROTECTIVE MASK.....	2

105.1 Decals with Symbol, Chassis/Battery Box (ANSI & CE)

NOTE:
*Install decal on both sides of the chassis

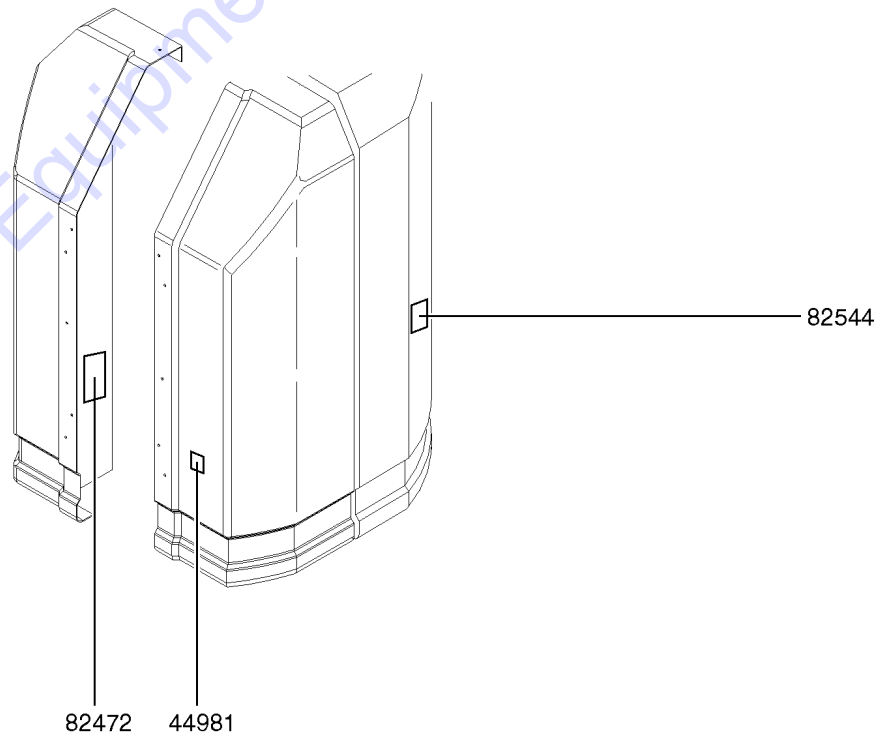
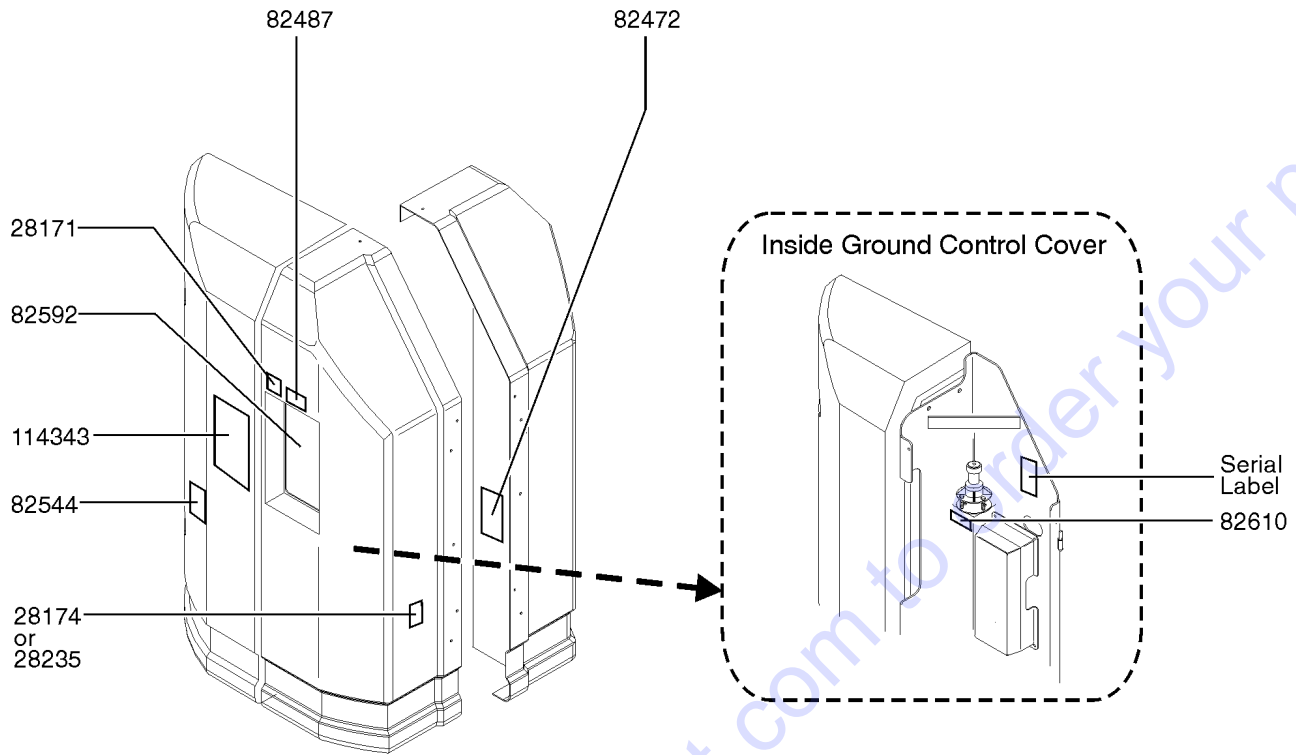


105.1 Decals with Symbol, Chassis/Battery Box (ANSI & CE)

Item	Part No.	Description	Qty.
1	37053GT	DECAL,ARROW,BLUE.....	1
2	37054GT	DECAL,ARROW,YELLOW SM 5-3/8".....	1
3	37055GT	DECAL,TRIANGLE,BLUE.....	2
4	37056GT	DECAL,TRIANGLE,YELLOW.....	2
5	52968GT	DECAL,COSMETIC,GENIE BOOM,VERT.....	1
6	62929GT	DECAL,COSM,GENIE Z-30/20N(BOX)...	2
7	82481GT	DECAL,SYMBOL-BATTERY SAFETY.....	2
8	133286GT	DECAL, POWER TO CHARGER, UNIV.....	1
9	139586GT	DECAL,LABEL,WHEEL LOAD Z30N&RJ.....	4

Go to Discount-Equipment.com to order your parts

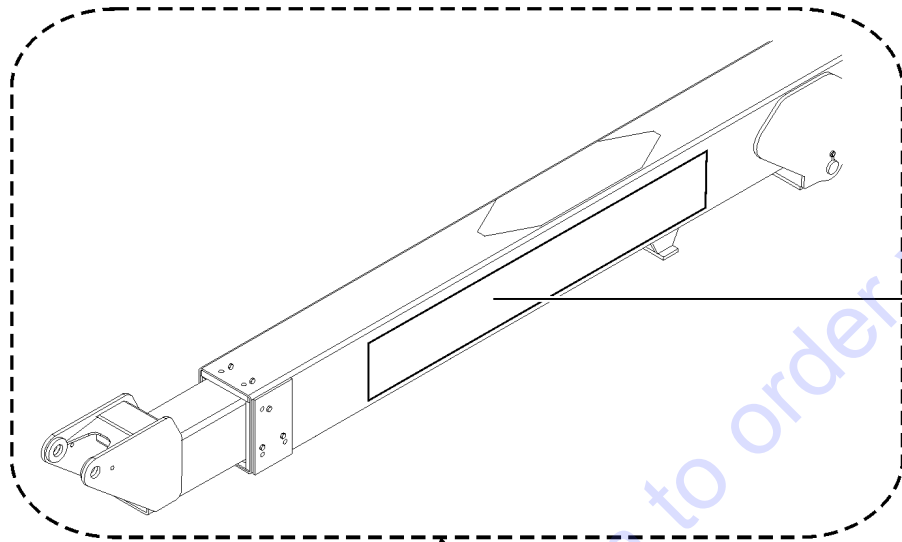
106.1 Decals with Symbol, Turntable Covers (ANSI & CE)



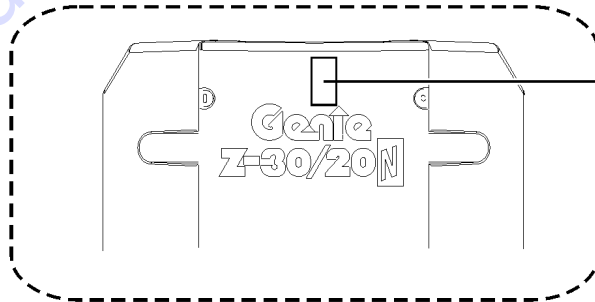
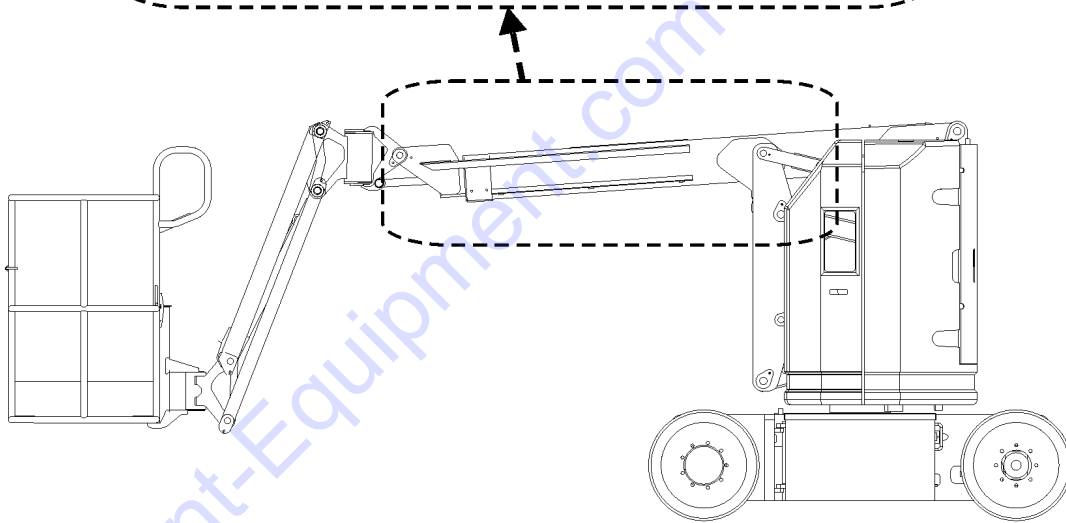
106.1 Decals with Symbol, Turntable Covers (ANSI & CE)

Item	Part No.	Description	Qty.
1	28171GT	DECAL,DANGER,NO SMOKING ***.....1	1
2	28174GT	DECAL, POWER TO PLATFORM 230V**.....1	1
3	28235GT	DECAL,POWER TO PLATFORM 115V...1	1
4	44981GT	DECAL,LABEL, AIR LINE 110 PSI.....1 <i>option, airline to platform</i>	1
5	82472GT	DECAL,WARNING,CRUSHING HAZARD.....2	2
6	82487GT	DECAL, SYMBOL - READ THE MANUAL.....1	1
7	82544GT	DECAL,DANGER,ELEC.HAZ.STAY CLR.....2	2
8	82592GT	DECAL,GROUND CONTROL PANEL***.....1	1
9	82610GT	DECAL,LABEL,CB & STATUS LIGHT.....1	1
10	114343GT	DECAL,LABEL,EMERGENCY DOWN....1	1

107.1 Decals with Symbol, Boom (ANSI & CE)



62928
or
72167



82472

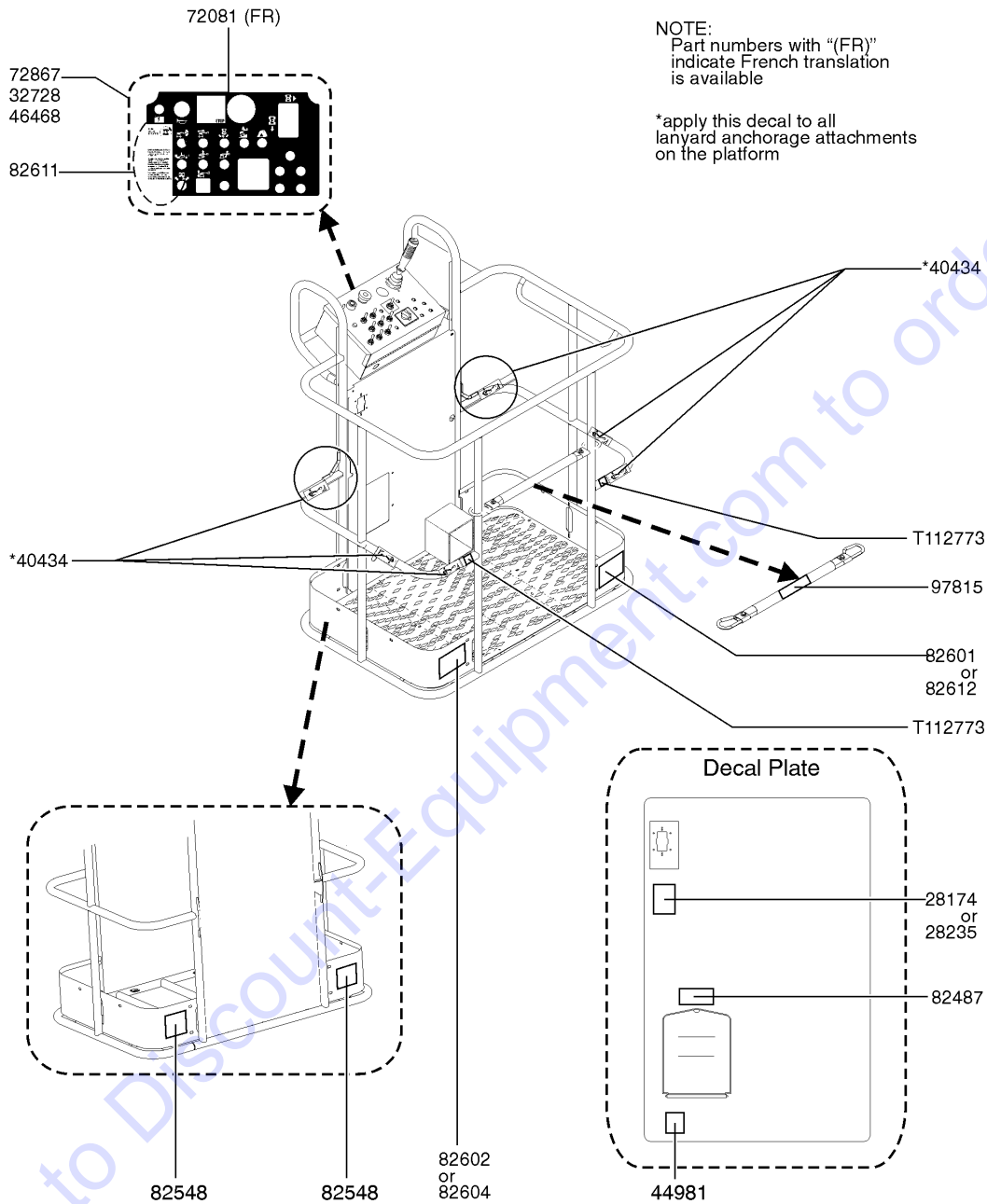
Go to Discount-Equipment.com to order your parts

107.1 Decals with Symbol, Boom (ANSI & CE)

Item	Part No.	Description	Qty.
1	62928GT	DECAL,COSMETIC,GENIE Z-30/20N.....1	
2	72167GT	DECAL,COSMETIC,GENIE Z30/20NRJ.....1	
3	82472GT	DECAL,WARNING,CRUSHING HAZARD.....1	

Go to Discount-Equipment.com to order your parts

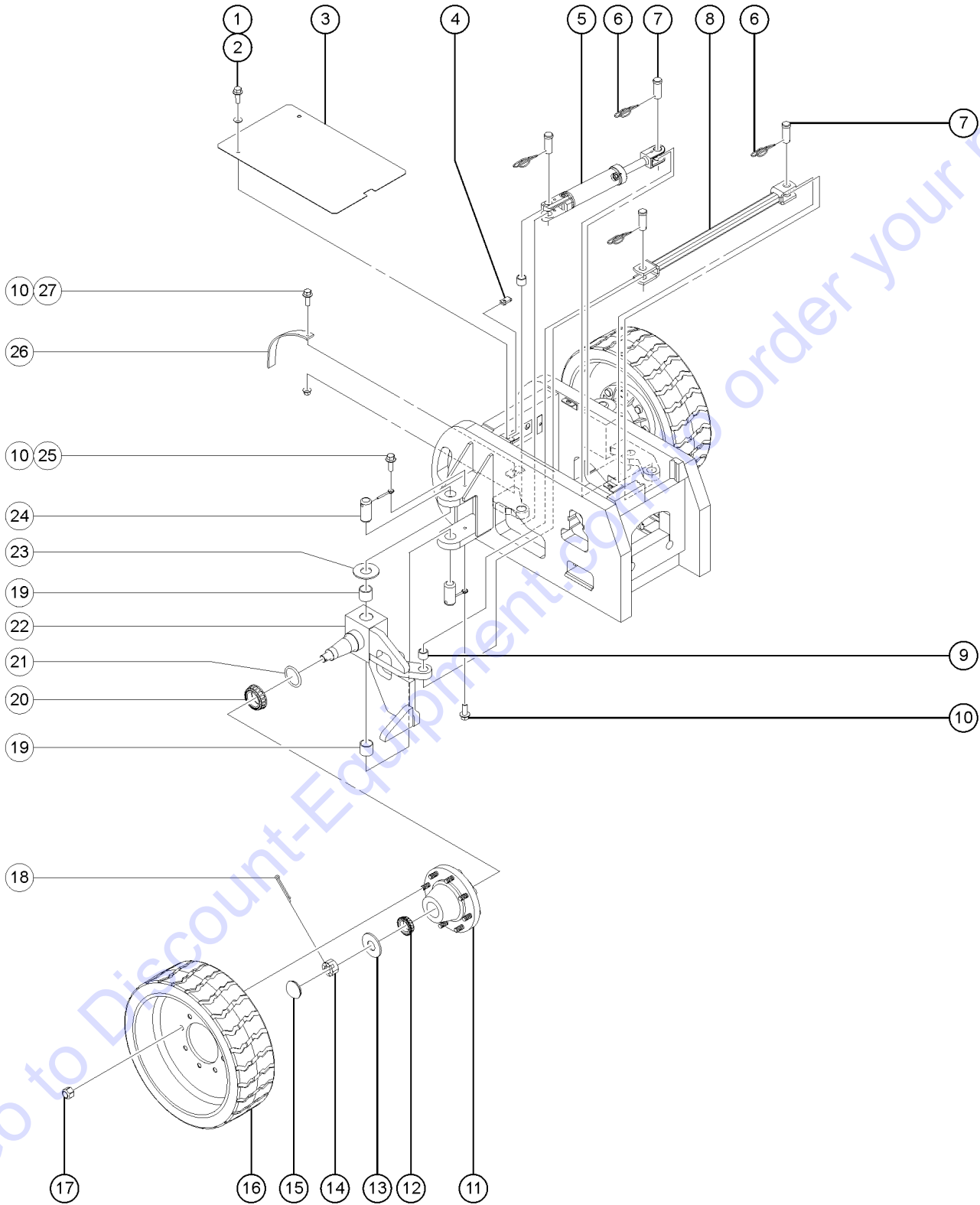
108.1 Decals with Symbol, Platform (ANSI & CE)



108.1 Decals with Symbol, Platform (ANSI & CE)

Item	Part No.	Description	Qty.
1	28174GT	DECAL, POWER TO PLATFORM 230V**.....	1
2	28235GT	DECAL,POWER TO PLATFORM 115V...1	1
3	32728GT	DECAL,OPTION GENERATOR***.....1 <i>option, inverter</i>	1
4	40434GT	DECAL,LANYARD ANCHORAGE POINT.....	6
5	44981GT	DECAL,LABEL, AIR LINE 110 PSI.....1 <i>option, airline to platform</i>	1
6	46468GT	DECAL,FUNCTION OVERRIDE.....1 <i>option, aircraft protection</i>	1
7	72081GT	DECAL,PLATFORM CONTROL PANEL**.....	1
8	72867GT	DECAL,LABEL,LIGHTS***.....1 <i>option, work lights</i>	1
9	82487GT	DECAL, SYMBOL - READ THE MANUAL.....	1
10	82548GT	DECAL,WARN,CRUSH HAZARD PLAT.....	2
11	82601GT	DECAL,LABEL,MAX CAPACITY***.....1	1
12	82602GT	DECAL,DANGER,MAX SIDE FRC,667N.....1 <i>ANSI</i>	1
13	82604GT	DECAL,DANGER,SIDE FRC 400N.....1 <i>CE</i>	1
14	82611GT	DECAL,DRIVE ENABLE PATCH.....1	1
15	82612GT	DECAL,DANGER,MAX CAP,200KG.....1 <i>option, aircraft protection</i>	1
16	97815GT	DECAL,LABEL,LOWER MIDRAIL.....1	1
17	T112773GT	TAPE, PROTECTIVE MASK.....	2

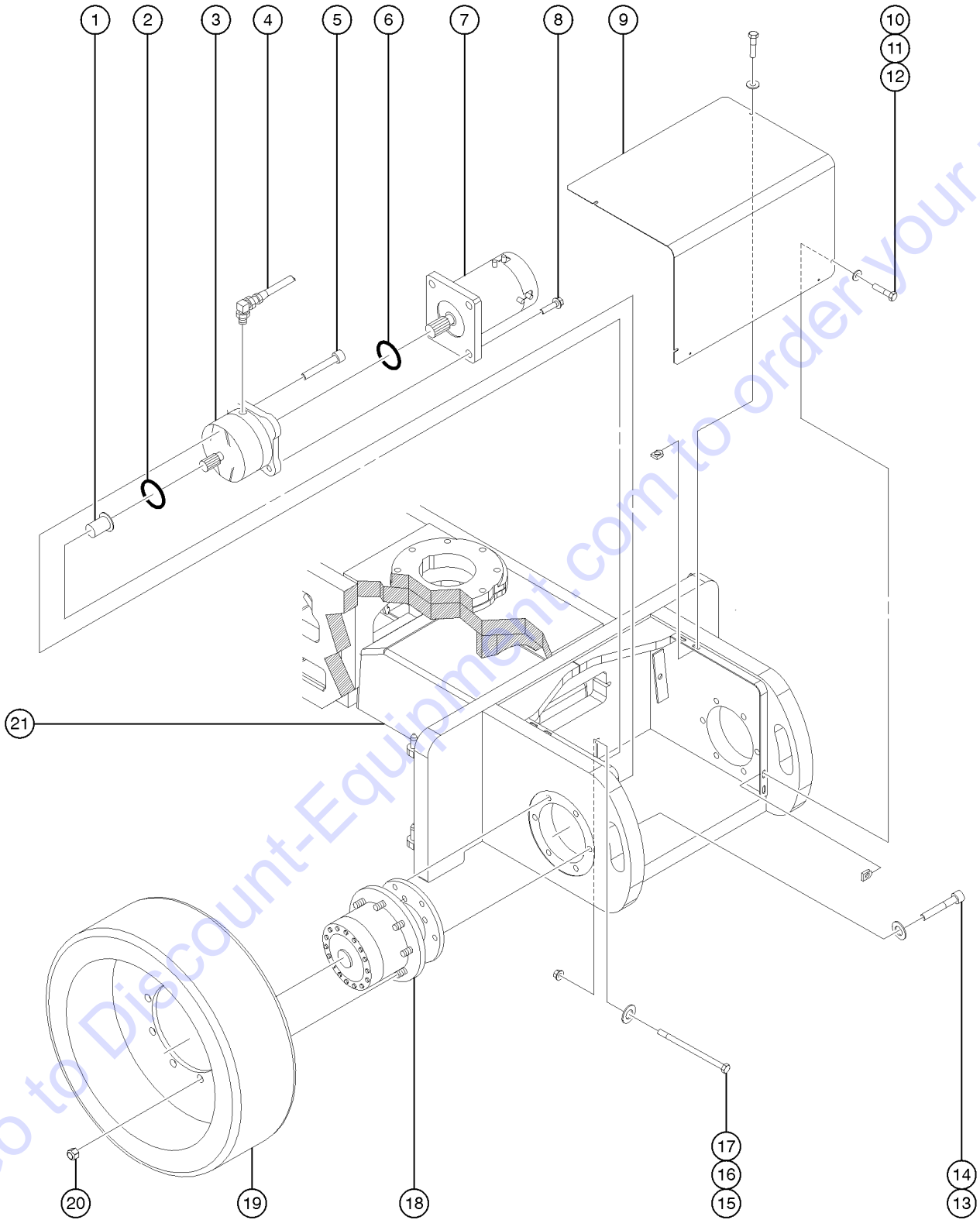
201.1 Steer Axle Linkage, Wheels and Hubs



201.1 Steer Axle Linkage, Wheels and Hubs

Item	Part No.	Description	Qty.
1	824078GT	SCREW,HHF,1/4-20X.75,8,ZAG	
2	824113GT	WASHER,FLAT,USS,1/4,ZAG	
3A	37100GT	COVER W/DECAL DR CHAS STR END*.....1 <i>word decals</i>	
3B	106038GT	FRT COVER ASSY. W/SYM DECALS**.....1 <i>symbol decals</i>	
4	56912GT	SPRING CLIP,1/4-20,.025-.15X.54,ZAG.....2	
5	88337GT	CYLINDER,STEER.....1	
--	88338GT	SEAL KIT, 88337	
6	824129GT	RUE RING,1.0,ZAG.....4	
7	824127GT	PIN,CLEVIS,1.0X2.41,SAE,ZAG.....4	
8	36163-SGT	TIE ROD,WELDMENT,Z30N**.....1	
9	25817GT	BEARING,1.00IDX1.25ODX1.00L.....4	
10	824090GT	SCREW,HHF,3/8-16X1.8,ZAG	
11	45043GT	HUB ASSEMBLY MODEL#60-8***.....2	
--	21166GT	LUG BOLT,5/8-18,WHEEL HUB***	
--	45873GT	SEAL/BEARING KIT (45043,54840) <i>includes items 12, 15, 20 and 21</i>	
12	45108GT	OUTER CONE - MODEL 60-8.....2 <i>small bearing race not included</i>	
12A	40146GT	BEARING RACE (SMALL) (45873) <i>outer cone not included</i>	
13	45112GT	WASHER,SPINDLE.....2	
14	45113GT	NUT,SPINDLE,1-14.....2	
15	45111GT	CAP,DUST,45873 HUB KIT.....2	
16	94908GT	TIRE & WHEEL ASSY,FRONT N-M.....2 <i>non-marking 8-hole wheel</i>	
17	824042GT	NUT,LUG,5/8-18X90 DEG,ZAG	
18	45114GT	PIN,COTTER,.219 X 1.75	
19	45071GT	BEARING,1.5IDX1.75ODX1.5L	
20	45107GT	INNER CONE - MODEL 60-8.....2 <i>large bearing race not included</i>	
20A	40145GT	BEARING RACE (LARGE) (45873) <i>inner cone not included</i>	
21	45110GT	SEAL-GREASE,MODEL 60-8.....2	
22A	74312GT	YOKE ASSY,LH,Z30NRJ.....1 <i>left side; includes items 9 and 19</i>	
22B	74313GT	YOKE ASSY,RH,Z30NRJ.....1 <i>right side; includes items 9 and 19</i>	
23	45074GT	WASHER,THRUST,1.5 X 3.5 X .187.....2	
24	36211GT	PIN,1.50DIA X 3.25LG,1HOLE.....4	
25	825019GT	ROD END,.375X3.69,ZAG.....4	
26	96317GT	GROUND STRAP,12"LG***.....1	
27	824029GT	NUT,TL FLG,3/8-16,G,ZAG	

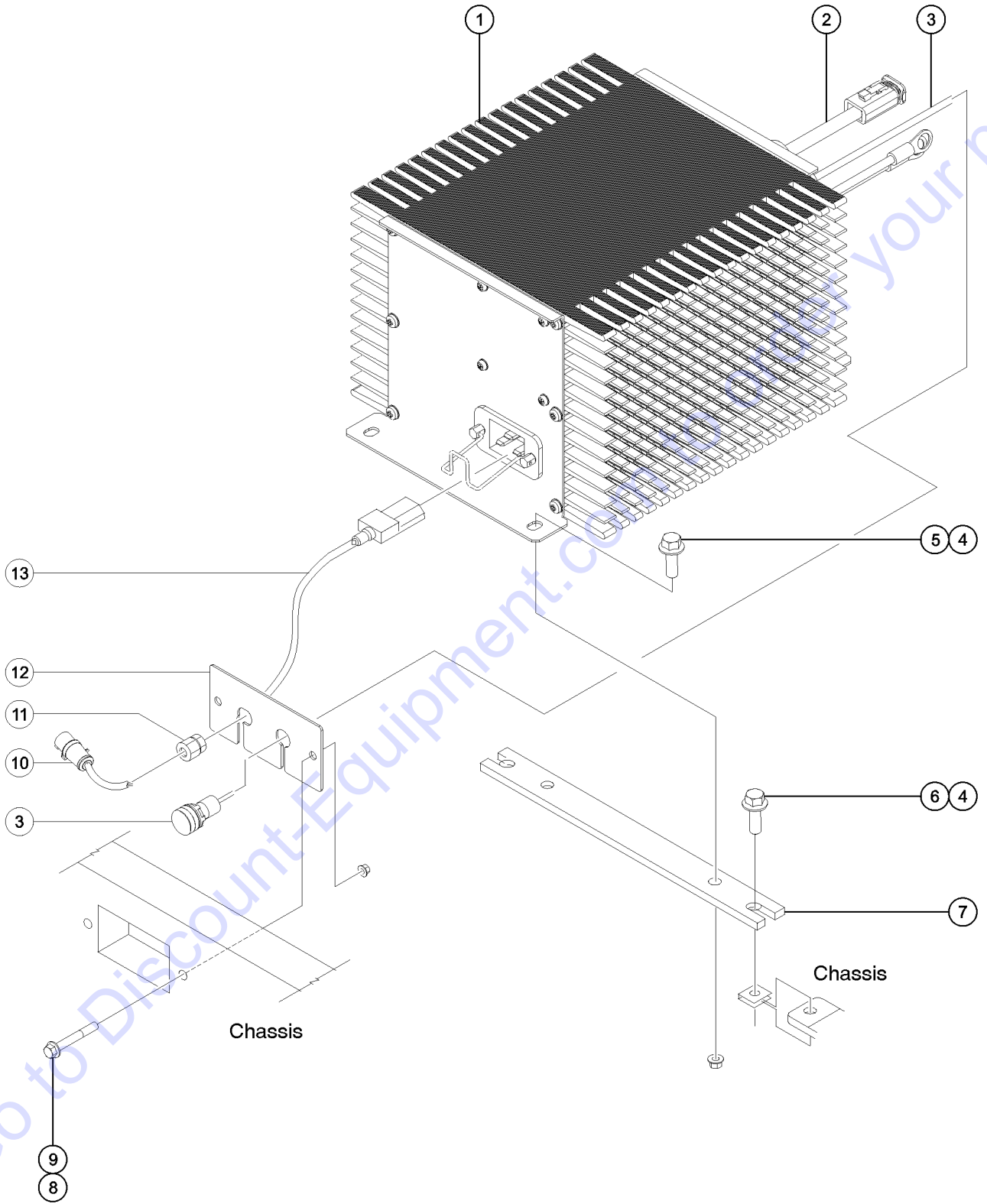
202.1 Non-steer Axle



202.1 Non-steer Axle

Item	Part No.	Description	Qty.	Item	Part No.	Description	Qty.
1	38113GT	COUPLER,INTERNAL SPLINE,T-HUB....2		--	232486GT	SNAP RING,WHEEL DRIVE for 106445	
2	52087GT	O-RING,2-044 BUNA***.....2		--	58320GT	KIT,TORQUE HUB COVER(101584)** for 106445	
3	139351GT	BRAKE, NEMA, 1200 IN/LB.....2		--	74714GT	BEARING KIT-74097 TORQUE HUB** for 106445 (inventory limited to stock on hand as component is no longer available)	
--	105352GT	GASKET, BRAKE (VENDOR#78917)		--	83092GT	SNAP RING (74097) for 106445	
--	139353GT	STACK KIT, AUSCO 1200 IN/LB		19	94909GT	TIRE & WHEEL ASSY,REAR N-M non-marking 9-hole wheel	
--	139354GT	O-RING KIT, AUSCO 1200 IN/LB		20	824042GT	NUT,LUG,5/8-18X90 DEG,ZAG.....18	
--	139355GT	GASKET KIT, AUSCO 1200 IN/LB		21	36612GT	COUNTERWEIGHT,CAST,645 LBS.***...1	
--	65608GT	BEARING KIT, AUSCO***					
4		Ref. Hydraulic Hoses and Fittings (refer to 801.1)					
5	824103GT	SCREW,SHC,1/2-13X3,A574,ZAG.....4					
6	22811GT	O-RING,MOTOR TO BRAKE***.....2					
7	56831GT	MOTOR, DRIVE, SEPEX.....2					
--	44778GT	BEARING,MOTOR,36843,BRUSH END*.....1					
--	65872GT	BRUSH LEAD ASSEMBLY KIT(56831)					
--	72078GT	BRUSH BOX ASSY					
--	T108887GT	SPRING, BRUSH					
8	824091GT	SCREW,HHF,3/8-16X1.25,8,ZAG.....8					
9	128732GT	COVER, DRIVE CHASSIS,Z30N.....1 decals not included, refer to 101.1 and 105.1					
10	824060GT	SCREW,HHC,1/4-20X1,8,ZAG.....4					
11	824113GT	WASHER,FLAT,USS,1/4,ZAG.....4					
12	56912GT	SPRING CLIP,1/4-20,.025-.15X.54,ZAG.....4					
13	824107GT	SCREW,SHC,5/8-11X3,A574,ZAG.....12					
14	824121GT	WASHER,FLAT,.688X1.160X.09,HRD...12					
15	824076GT	SCREW,HHC,1-8X30,2,ZAG.....2					
16	824116GT	WASHER, FLAT, F436, 1.0, ZAG.....2					
17	824031GT	NUT,TL FLG,1-8,G,ZAG.....2					
18	106445GT	WHEEL DRIVE,4HB,57:1***.....2					
--	106121GT	ROD,DISCONNECT 4HP/4HB*** for 106445					
--	106122GT	CAP,DISENGAGE,4HP/4HB*** for 106445					
--	106123GT	O-RING,END COVER,4HP/4HB*** for 106445					
--	1286600GT	SEAL KIT,WHEEL DRIVE (106148/106445/107712) for 106445 (inventory limited to stock on hand as component is no longer available)					
--	1286601GT	BEARING KIT,WHEEL DRIVE (106148/106445/107712) for 106445					
--	21149GT	LUG,WHEEL STUD,5/8-18,W1/4HB** for 106445					

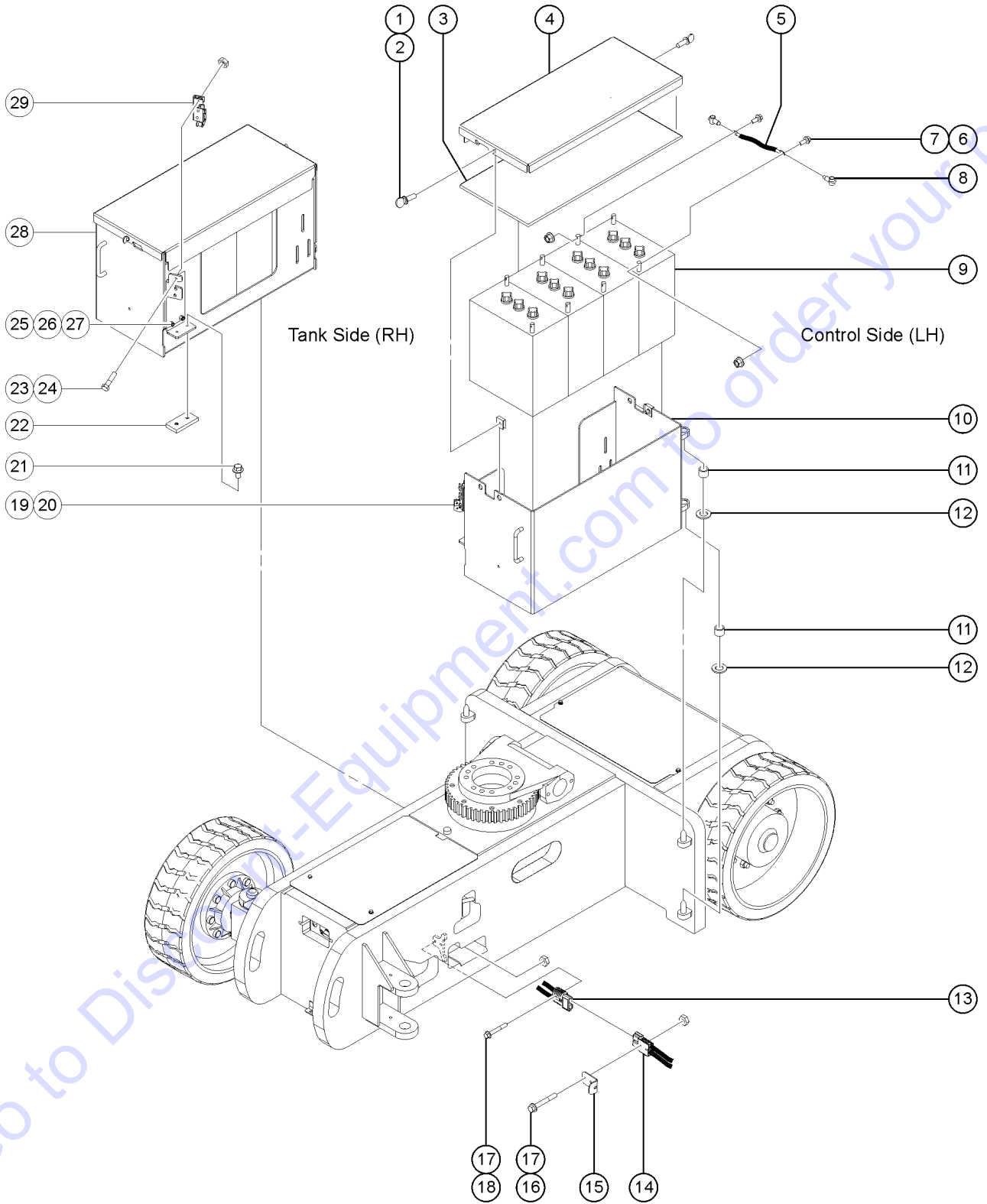
203.1 Battery Charger



203.1 Battery Charger

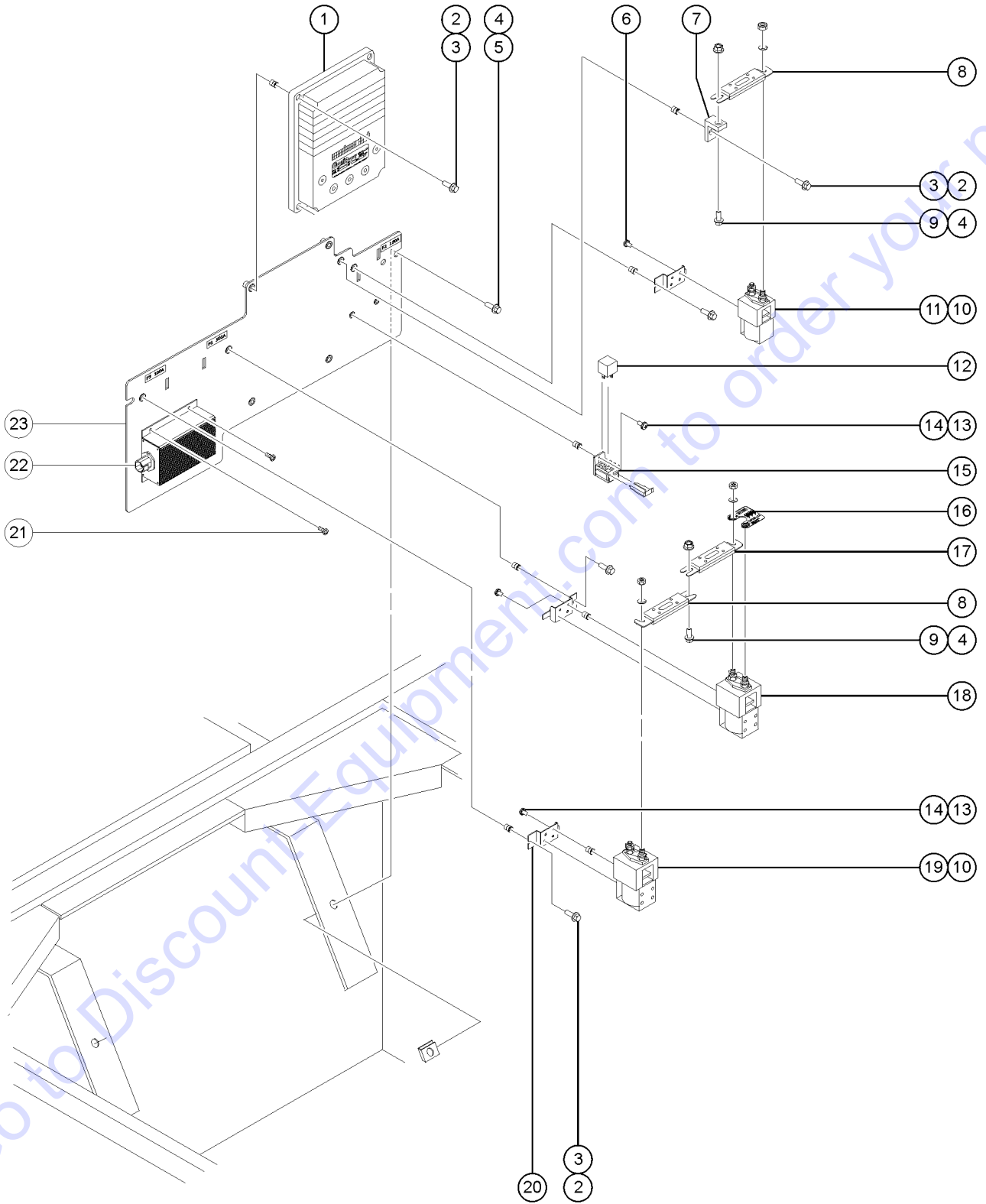
Item	Part No.	Description	Qty.
--	133286GT	DECAL, POWER TO CHARGER, UNIV.....	1
--	228947GT	CLIP,RETAINING,IES CHARGER.....	1
1A	128375GT	CHARGER 48V/30A AUTO AC X-LED... <i>includes item 2 and 3; power cord not included</i>	1
1B	58494GT	CHARGER,48V,110/60,12A,EERATNG <i>EE rated models only</i>	
2	139858GT	HARN.CHARGER INTERLOCK Z34.....	1
3	228973GT	KIT,ASSY,LED,IES CHARGER.....	1
4	824078GT	SCREW,HHF,1/4-20X.75,8,ZAG.....	8
5	824027GT	NUT,TL FLG,1/4-20,G,ZAG.....	4
6	56912GT	SPRING CLIP,1/4-20,.025-.15X.54,ZAG.....	4
7	36673GT	PLATE,CHARGER MOUNT.....	2
8	824094GT	SCREW,HHF,3/8-16X2.75,8,ZAG.....	2
9	824029GT	NUT,TL FLG,3/8-16,G,ZAG.....	2
10A	119403GT	CONN,PLUG 120 AC/15A DOMESTIC... <i>included with item 13</i>	1
10B	144161GT	PLUG,PWR,UK,16AMP,3PIN,BLK..... <i>round male plug</i>	1
10C	25388GT	PLUG,FUSED,250V,13AMP,U.K.**..... <i>square male plug</i>	1
11A	128118GT	BUSHING,STRAIN RELIEF,.875/.40..... <i>domestic</i>	1
11B	139318GT	BUSHING,STRAIN RELIEF,.875/.30..... <i>UK</i>	1
12	128825GT	BRACKET, CHARGER CORD AND LED.....	1
13A	128377GT	CORD AC IEC320-C19 TO 110US..... <i>complete domestic power cord</i>	1
13B	128376GT	CORD EURO AC IEC320-C19PIGTAIL... <i>does not include item 10</i>	1

204.1 Battery Packs



Item	Part No.	Description	Qty.
--	824046GT	BATTERY BOX ASSY,TANK SIDE DWN.....1 <i>includes items 11, 21-29; lid not included</i>	1
--	824047GT	BATTERY BOX ASSY,CONTRL SIDE**.....1 <i>includes items 10, 11, 19-24, 26 and 27; lid not included</i>	1
1	824228GT	SCREW,THUMB,A-REG,3/8-16X1,ZAG..4	4
2	29868GT	SPRING CLIP,3/8-16,.05-.20X.73,ZAG...4	4
3	106241GT	INSULATION,48V BATT.BOX LID.....2 <i>models with AGM option</i>	2
4A	94001GT	LID-BATTERY BOX W/DECALS**.....2	2
4B	106025GT	LID,BATT PACK, W/SYM DECALS**.....2	2
5		Ref. Cable Assembly <i>refer to 206.1</i>	
6	13002GT	SCREW,HHC,5/16-18 X 1 GR5.....16	16
7	18503GT	NUT,LOCKING-LG.FLANGE,5/16-18...16	16
8	8910GT	BOOT,CABLE TERM,MED.RED,4/0.....16	16
9A	36579GT	BATTERY, 350AH,GROUP L16G(DRY).....8	8
9B	823684GT	BATTERY,AGM,6V/390A,L16.....8 <i>models with AGM option</i>	8
10	161941GT	BATTERY BOX ASSY, LH.....1 <i>control side; includes item 11</i>	1
--	18650GT	HANDLE,FORMED.....1	1
11	36369GT	BEARING,0.75IDX1.00ODX0.75L.....4	4
12	36212GT	WASHER,THRUST,.75 X 1.38X.13.....4	4
13	94011GT	BATTERY CABLE ASSEMBLY**.....2	2
14	94012GT	BATTERY CABLE ASSEMBLY.....2	2
15	74651GT	FORMING,HANDLE BATTERY CONN...2	2
16	824080GT	SCREW,HHF,1/4-20X1.25,8,ZAG.....4	4
17	824037GT	NUT,HH JAM,1/4-20,A,ZAG.....8	8
18	824081GT	SCREW,HHF,1/4-20X1.5,8,ZAG.....4	4
19A	66901GT	LATCH,ROTARY, W/KNOB,RIGHT.....1 <i>installed on LEFT side of chassis</i>	1
20	101425PGT	FORMING,BATTERY BOX LATCH LH....1	1
21	824077GT	SCREW, HHF, 1/4-20 X .5, 8, ZAG.....4	4
22	45209GT	WEAR PAD,4X2X.5 W/INSERT***.....2	2
23	824066GT	SCREW,HHF,5/16-18X1.5,8,ZAG.....6	6
24	1252977GT	NUT,TL JAM,5/16-18,A,ZAG.....6	6
25	101426PGT	FORMING,BATTERY BOX LATCH RH....1	1
26	824125GT	BOLT,CARRIAGE,3/8-16X1,5,ZAG.....6	6
27	824029GT	NUT,TL FLG,3/8-16,G,ZAG.....6	6
28	161940GT	BATTERY BOX ASSY, RH.....1 <i>tank side; includes item 11</i>	1
--	18650GT	HANDLE,FORMED.....1	1
29A	66900GT	LATCH,ROTARY, W/KNOB,LEFT.....1 <i>installed on RIGHT side of chassis</i>	1

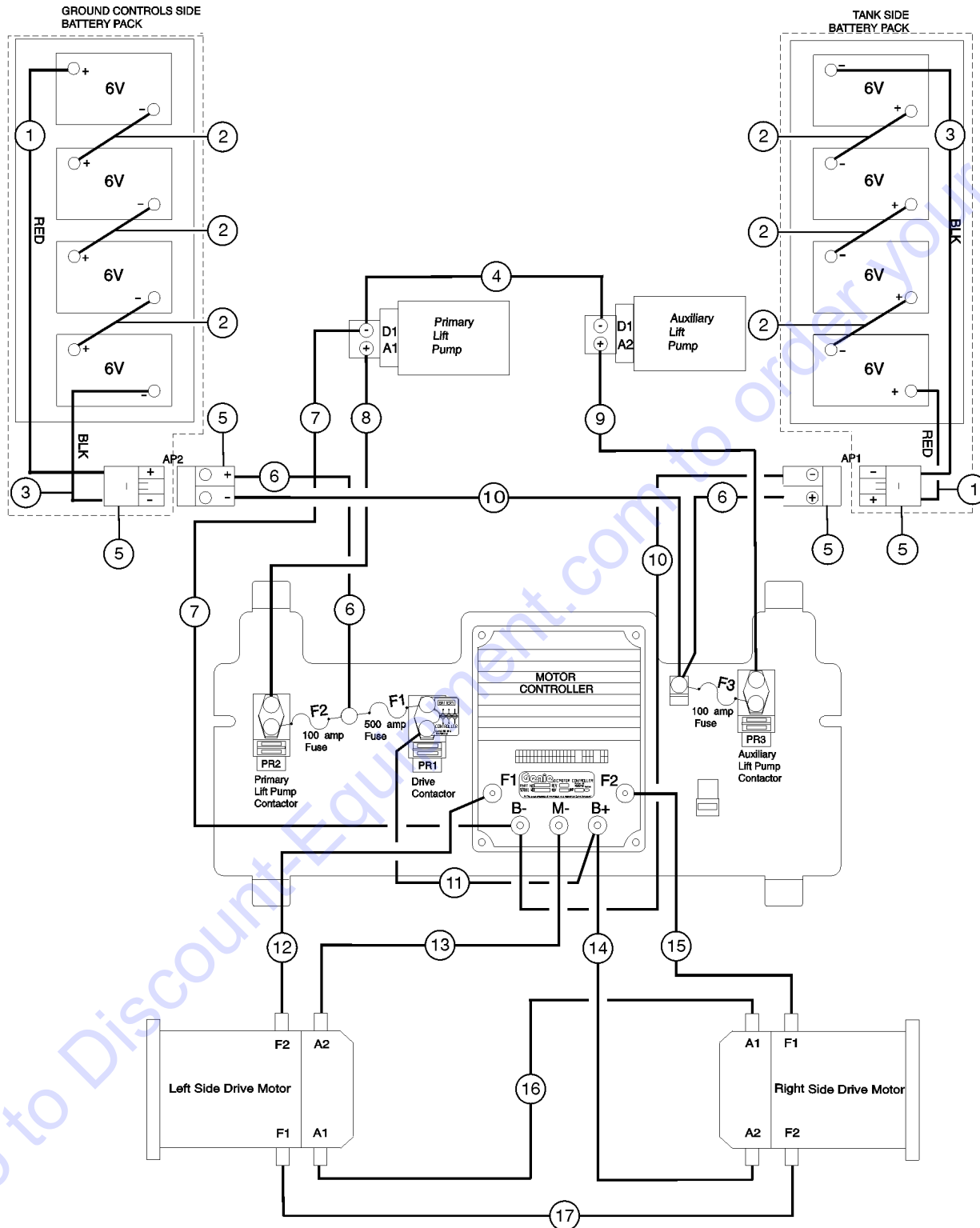
205.1 Electronic Control Module



205.1 Electronic Control Module

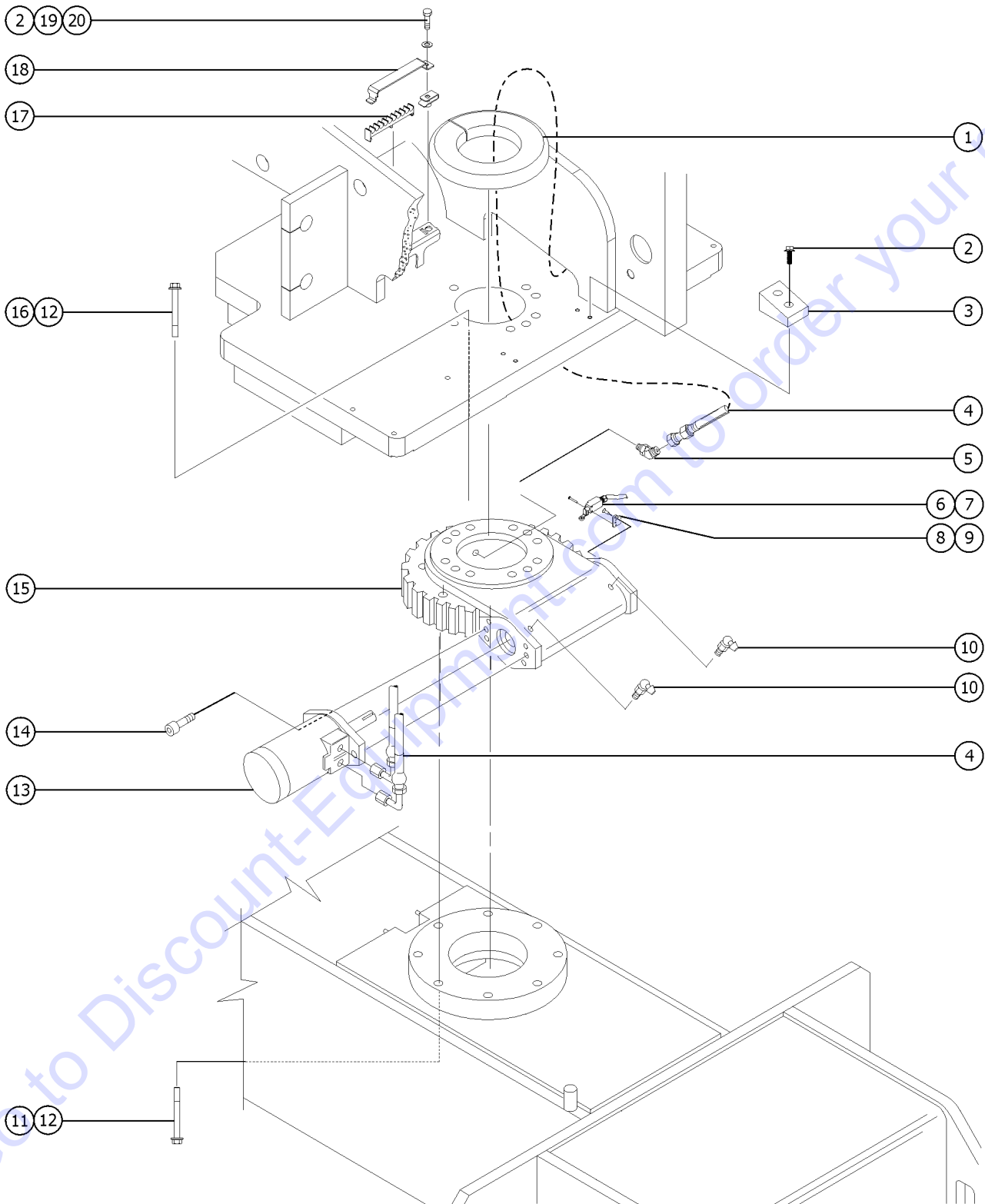
Item	Part No.	Description	Qty.	Item	Part No.	Description	Qty.
--	1263554GT	PROGRAMMER, PMC 1313K-4401		--	822919GT	KIT, DC-DC CONV,Z30N W/INVERTR.....1 <i>field install kit for units with inverter</i>	1
--	56029GT	CONNECTOR,MOLEX 24-WAY**		23	236665GT	ASSEMBLY, CONTROLLER PLATE.....1	1
--	56030GT	TERMINAL,MOLEX 16 GAUGE***					
--	56561GT	TOOL,TERMINAL CRIMPER,MOLEX***					
--	56562GT	TOOL,TERMINAL EXTRACTOR,MOLEX					
1	T114858GT	CONTROLLER,SEP-EX Z30N,AMD.....1					
2	824079GT	SCREW,HHF,1/4-20X1,8,ZAG.....7					
3	23404GT	NUTSERT,1/4-20,STEEL CAD PLTD.....7					
4	824086GT	SCREW,HHF,5/16-18X1,8,ZAG.....4					
5	36456GT	SPRING CLIP,5/16-18,.025-.15X.....2					
6	824217GT	SCREW,PHPM SEMS ET,M4-.7X8,ZAB.....4					
7	56281GT	ANGLE,FUSE MOUNT.....1					
8	36355GT	FUSE,100 AMP,VERY FAST ACTING.....2					
9	824028GT	NUT,TL FLG,5/16-18,G,ZAG.....2					
10	74282GT	DUST SHIELDS,180A CONTACTOR.....4 <i>(EE models only) Limited inventory available; this component is no longer available from our supplier</i>					
11A	74268GT	CONTACTOR,AUX PUMP 24V,80A***1					
--	22262GT	CONTACT,MOVING,19549RELAY*					
--	22263GT	CONTACT,STATIONARY,19549RELAY*					
--	74495GT	SPRING, RETURN (FOR 74268)					
11B	74266GT	CONTACTOR,LIFT PUMP 24V 180A** <i>for EE rated units only</i>					
12	823226GT	POWER RELAY, 24V COIL.....1 <i>for drive light option</i>					
13	824221GT	SCREW,PHPM SEMS ET,10-32X.313,....5					
14	23405GT	NUTSERT,10-32 STEEL CAD PLTD.....5					
15	61226GT	RELAY SOCKET,70AMP.....1					
16	56930GT	DIODE,PCB DRIVE CONTACTOR**.....1					
17	43179GT	FUSE,500 AMP,VERY FAST ACTING.....1					
18	74267GT	CONTACTOR,DRIVE,24V,180A***.....1					
--	74468GT	SPRING, RETURN (FOR 74267)					
--	74469GT	FIXED CONTACT (FOR 74267)					
--	74470GT	MOVING CONTACT (FOR PN 74267)					
19	74266GT	CONTACTOR,LIFT PUMP 24V 180A**...1					
--	62695GT	CONTACT,STATIONARY (56434)**					
--	62696GT	CONTACT-MOVEABLE (56434)**					
--	74471GT	SPRING,RETURN (74266)					
20	56095GT	BRACKET,CONTACTOR MOUNT SINGLE.....3					
21	1251757GT	SCREW,PHPM,10-32X.50,ZAG.....4					
22	79452GT	CONVERTER, DC-DC, 48-26 VOLT**1					
--	822917GT	KIT, DC-DC CONVERTER, DC.....1 <i>field install kit for units without inverter</i>					

206.1 Power Cable Diagram



Item	Part No.	Description	Qty.
--	139010GT	HARN ASSY, POWER DRIVE CHASS <i>includes 1 each items 5, 6 and 10</i>	
--	825066GT	HARN ASSY, POWER BATT PACK <i>includes 1 each items 1, 3, and 5</i>	
--	51147GT	BOOT,CABLE TERMINAL,LG,RED,2/0	
1	128465GT	CABLE ASSY #2 RED BATT.....	2
2	19520GT	BATTERY CABLE ASSY,9.5"JUMPER...	6
3	128466GT	CABLE ASSY #2 BLK AP1/AP2 BATT....	2
4	139019GT	CABLE ASSY #4 BLK LP-D1/AP-D1.....	1
5	19436GT	CONNECTOR,ANDERSON SB 175,1/0G.....	4
--	66397GT	QUICK DISCONNECT CASING,BATT**.....	8
--	66398GT	TERM CONTACT,#1/0 GA,SB175.....	8
6	128458GT	CABLE ASSY #2 RED AP1/AP2 DRIV....	2
7	139018GT	CABLE ASSY #4 BLK B(-)/LP-D1.....	1
8	139016GT	CABLE ASSY #4 RED PR2/LP-A1.....	1
9	139017GT	CABLE ASSY #4 RED PR3/AP-A2.....	1
10	128459GT	CABLE ASSY #2 BLK AP1/AP2 DRIV....	2
11	139013GT	CABLE ASSY #2 BLK B(+)/PR1.....	1
12	139020GT	WIRE ASSY #10 RED F1/F2.....	1
13	139014GT	CABLE ASSY #2 BLK M(-)/A2.....	1
14	139012GT	CABLE ASSY #2 BLK B(+)/A2.....	1
15	139021GT	WIRE ASSY #10 RED F2/F1.....	1
16	139015GT	CABLE ASSY #2 BLK A1/A1.....	1
17	139022GT	WIRE ASSY #10 RED F1/F2.....	1

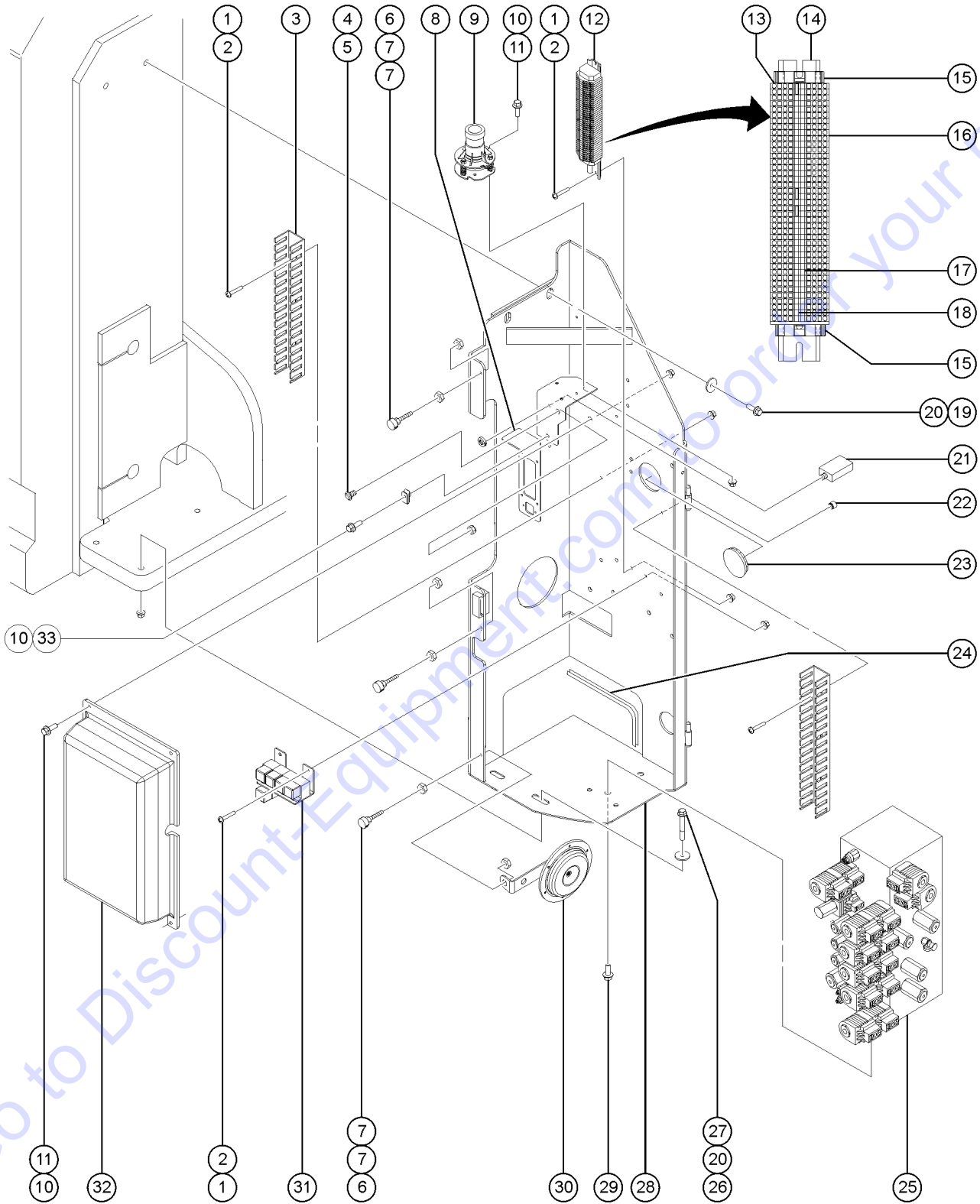
301.1 Turntable Rotator



301.1 Turntable Rotator

Item	Part No.	Description	Qty.	Item	Part No.	Description	Qty.
1	42363GT	RING,HOSE PROTECTOR.....	1	20	824213GT	SPRING CLIP, 3/8-16, ZAG.....	1
2	824090GT	SCREW,HHF,3/8-16X1,8,ZAG					
3	74256GT	REST PAD, LOWER REST Z30N.....	2				
4		Ref. Hydraulic Hoses and Fittings (refer to 802.1)					
5	31194GT	ELBOW,070302-4-2					
6	824223GT	SCREW,PHPM SEMS ET,10-32X1.25,....	2				
7	110637GT	HARNES LS3 OP DRIVE ENABLE.....	1				
--	119762GT	CONN PLUG 4 WAY EXTEND DT.....	1				
--	43960GT	WIRE CABLE,16/4 CON.TPE JKT.....	50-inches				
--	60429GT	LOCK,PLUG 4 WAY,14-18GA.....	1				
--	73714GT	TERM,NI SOC,S&F,16-18GA,REEL.....	4				
--	88366-12103GT	SWITCH,LIMIT,W/ROLLER ARM***.....	1				
8	824224GT	SCREW,FHPM,10-32X.5,ZAG.....	2				
9	119917GT	PLATE, TURNTABLE LS. MT.....	1				
10A	128619GT	ZERK,GREASE,1/8 NPT,67.5 DEG**					
10B	128620GT	ZERK,GREASE,1/8 NPT,45 DEG***					
11	1263141GT	SCREW,HHC,5/8-11X5.5,8,ZAG.....	8				
12	1256182GT	WASHER,FLAT,5/8,F436,HRD,ZAG.....	20				
13	128453GT	MOTOR,TURNTABLE,125CC***.....	1				
--	84312GT	SEAL KIT,ROTATE MOTOR.....	1				
14	824102GT	SCREW,SHC,1/2-13X1.5,A574,ZAG.....	2				
15	119111GT	ROTATOR TURNTABLE ASSEMBLY***.....	1				
--	1284189GT	CASE COVER,ROTATOR,Z30/34 (119111) <i>for 119111</i>					
--	128565GT	SHIM KIT,TURNTABLE*** <i>for 119111 (order snap ring separately)</i>					
--	128618GT	SEAL KIT*** <i>for 119111</i>					
--	128621GT	BEARING,CUP*** <i>for 119111</i>					
--	128622GT	BEARING,CONE*** <i>for 119111</i>					
--	128899GT	SHAFT,WORM GEAR*** <i>for 119111</i>					
--	139008GT	SNAP RING,INT,2.88 DIA*** <i>for 119111</i>					
16A	139866GT	SCREW,HHC,5/8-11X4.50GR8 PLAIN.....	12				
		<i>(to SN Z30N16F-17573)</i>					
16B	1263142GT	SCREW,HHC,5/8-11,4.5,8,ZAG.....	12				
		<i>(from SN Z30N16F-17574)</i>					
17	106959GT	GUIDE,HOSE.....	1				
18	106960PGT	FORMING,HOSE LOCK,PAINTED.....	1				
19	5397GT	WASHER,FLAT,USS,5/16",Y.....	1				

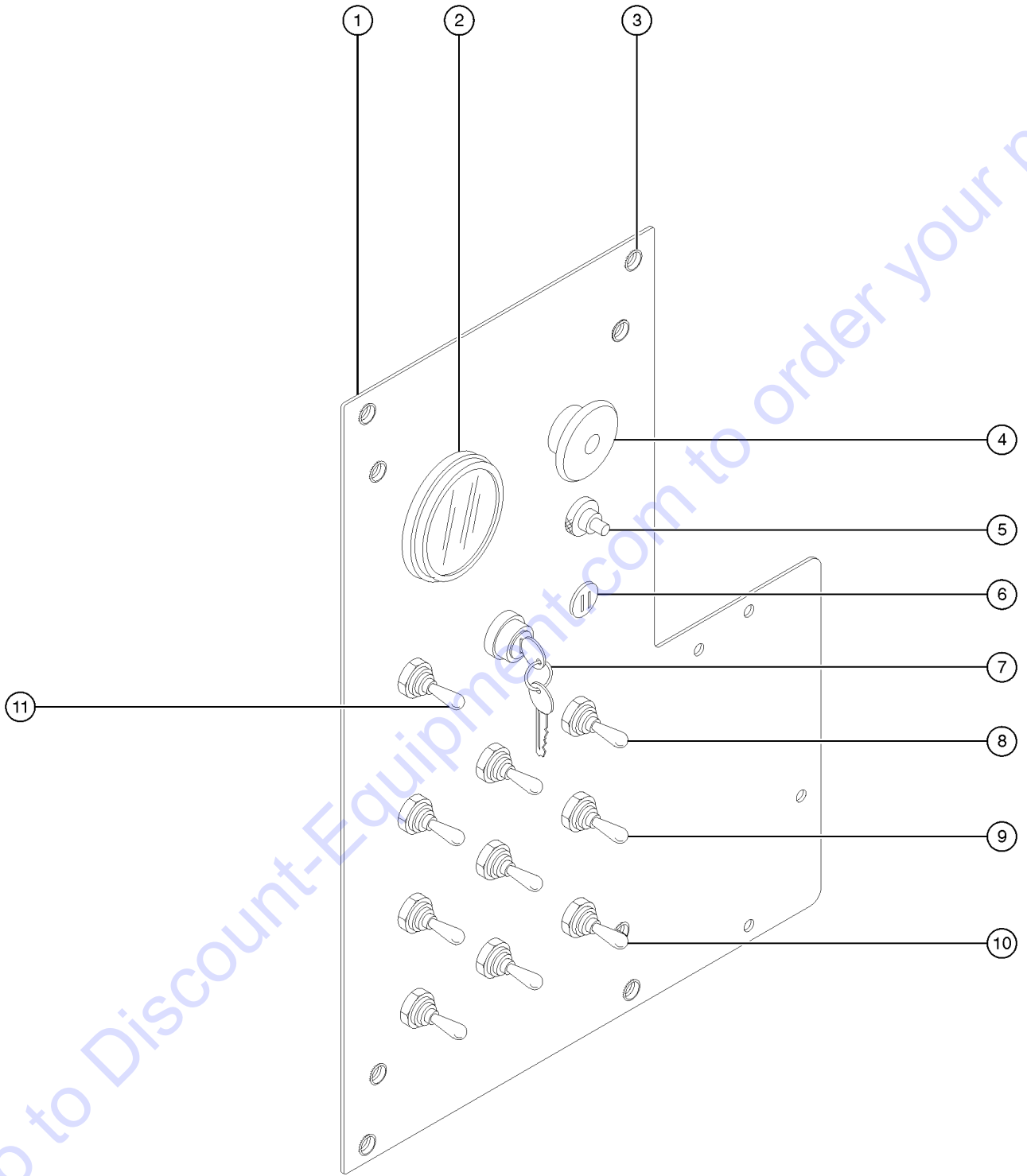
302.1 Ground Controls Side



302.1 Ground Controls Side

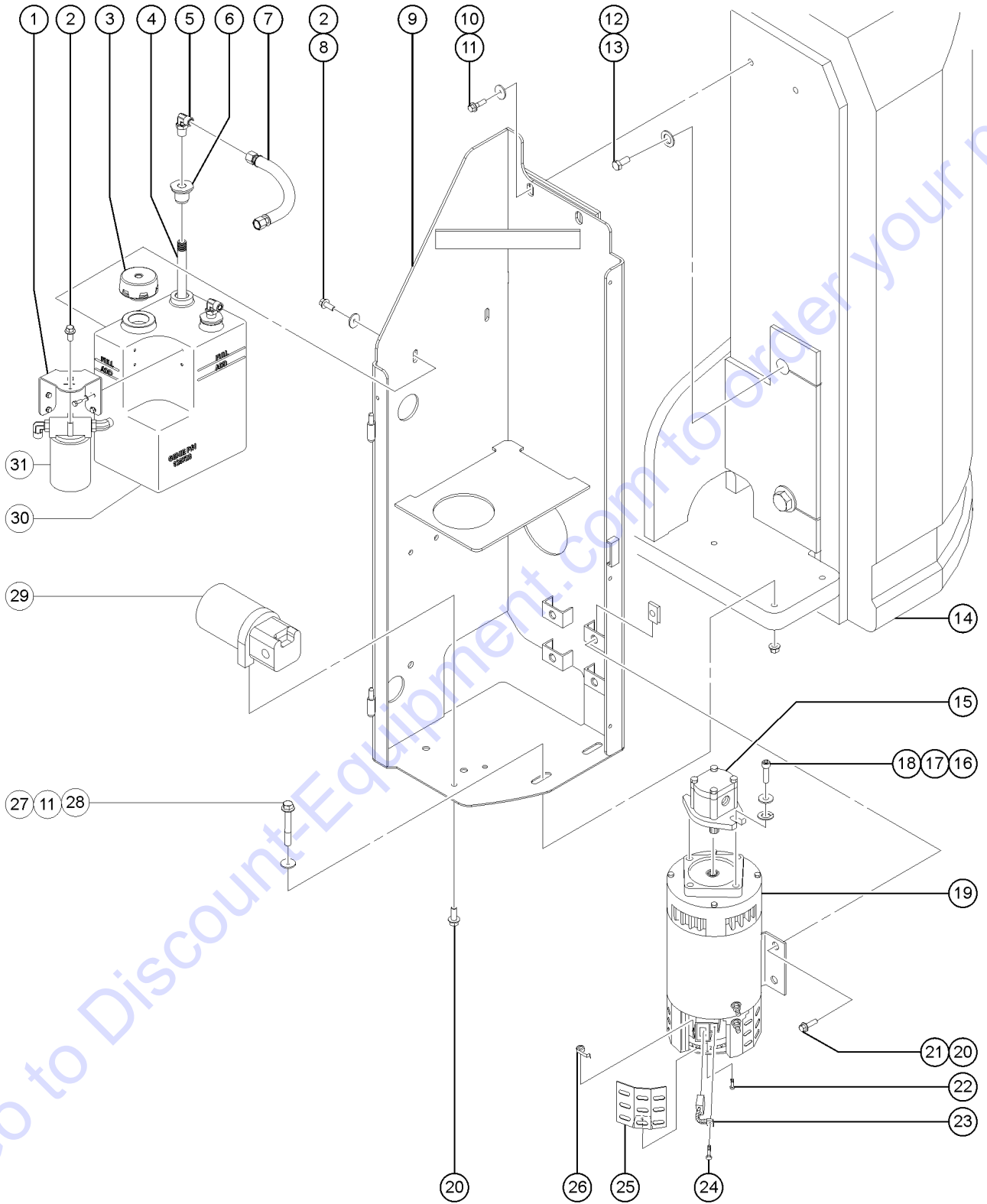
Item	Part No.	Description	Qty.	Item	Part No.	Description	Qty.
--	74920GT	MARKING TAGS,# 1-10,WIELAND		23	39640GT	PLUG,NYLON 2.50 BLACK DOMED.....	1
--	74921GT	MARKING TAGS,# 11-20,WIELAND		24	19018GT	TRIMLOCK,BLACK,5/32".....23-inches	
--	74922GT	MARKING TAGS,# 21-30,WIELAND		25		Ref. Function Manifold (refer to 701.1)	
--	74923GT	MARKING TAGS,# 31-40,WIELAND		26	824095GT	SCREW,HHF,3/8-16X3,8,ZAG.....	2
--	74924GT	MARKING TAGS,# 41-50,WIELAND**		27	824029GT	NUT,TL FLG,3/8-16,G,ZAG.....	2
--	74925GT	MARKING TAGS,# 51-60,WIELAND		28	56875GT	WELD,COVER SUPPORT LH Z30N*.....	1
1	824215GT	SCREW,PHPM,10-32X.75,ZAG.....	8	29	824090GT	SCREW,HHF,3/8-16X1,8,ZAG.....	2
2	824032GT	NUT,TL FLG,10-32,F,ZAG.....	8	30	81579GT	HORN,24VDC,SPADE TERMINALS***.....	1
3A	28298GT	WIRING DUCT, 1.5 X 1.5.....	2	31A	56791GT	ANGLE RELAY MOUNTING	
3B	1262218GT	COVER, DUCT, WIRING		31B	56302GT	RELAY,24VDC,40/30A,SEALED***.....	7
4	824878GT	LIGHT,LED IND. RED 24V NH.....	1			to SN 16283	
5	814884GT	LOCKWASHER,LT IND. OD.868/530.....	1	31C	56302GT	RELAY,24VDC,40/30A,SEALED***.....	8
6	36388GT	BUMPER,RUBBER,.75 X .50H,STUD.....	3			from SN 16284	
7	824037GT	NUT,HH JAM,1/4-20,A,ZAG.....	6	31D	56318GT	BRACKET.....	1
8	119618GT	FORMING,BRACKET.....	1	31E	56319GT	EDC FEMALE CONNECTOR - 4 PRONG	
9A	94077GT	SENSOR,LEVEL,4.5 DEG.....	1	31F	824215GT	SCREW,PHPM,10-32X.75,ZAG	
		<i>ANSI models; white ring</i>		31G	824032GT	NUT,TL FLG,10-32,F,ZAG	
9B	110382GT	LEVEL SENSOR,LS60,YL,2.5X4.5.....	1	32	110626GT	COVER,TERMINAL STRIP, CONN.....	1
		<i>CE models; yellow ring</i>		33	56912GT	SPRING	
9C	42439GT	SENSOR,LEVEL 3 DEG**.....	1			CLIP,1/4-20,.025-.15X.54,ZAG.....	1
		<i>AUS models; black ring</i>					
10	824078GT	SCREW,HHF,1/4-20X.75,8,ZAG.....	9				
11	824027GT	NUT,TL FLG,1/4-20,G,ZAG.....	8				
12A	216788GT	ASSY,TERMINAL RAIL,Z30/34DC <i>ANSI to SN 16298; CE to SN 16278;</i> <i>includes items 13-16 and 18</i>					
12B	1259574GT	TERMINAL RAIL, Z30/34DC <i>ANSI from SN 16299; CE from SN 16279;</i> <i>includes items 13-18</i>					
13	216793GT	TERMINAL BLOCK END PLATE.....	1				
14	56994GT	DIN RAIL,11.25"					
15	74913GT	END STOP, DIN RAIL,SCREW CLAMP.....	2				
16A	217046GT	KIT, TERMINAL BLOCK <i>use if replacing a jumpered terminal block</i>					
16B	216791GT	TERMINAL BLOCK,WIELAND.....	26				
		<i>to SN 16283</i>					
16C	216791GT	TERMINAL BLOCK,WIELAND.....	28				
		<i>from SN 16284</i>					
17	74918GT	JUMPER COMB, 3-WAY,WIELAND.....	1				
		<i>from SN 16284</i>					
18	74917GT	JUMPER COMB, 2-WAY,WIELAND.....	3				
19	824091GT	SCREW,HHF,3/8-16X1.25,8,ZAG.....	2				
20	824120GT	WASHER,FLAT,375X1.50X.125,ZAG.....	4				
21	147093GT	ASSY, CIRCUIT BREAKER 10A.....	1				
		<i>includes mounting fastener</i>					
22	23404GT	NUTSERT,1/4-20,STEEL CAD PLTD					

303.1 Ground Control Panel



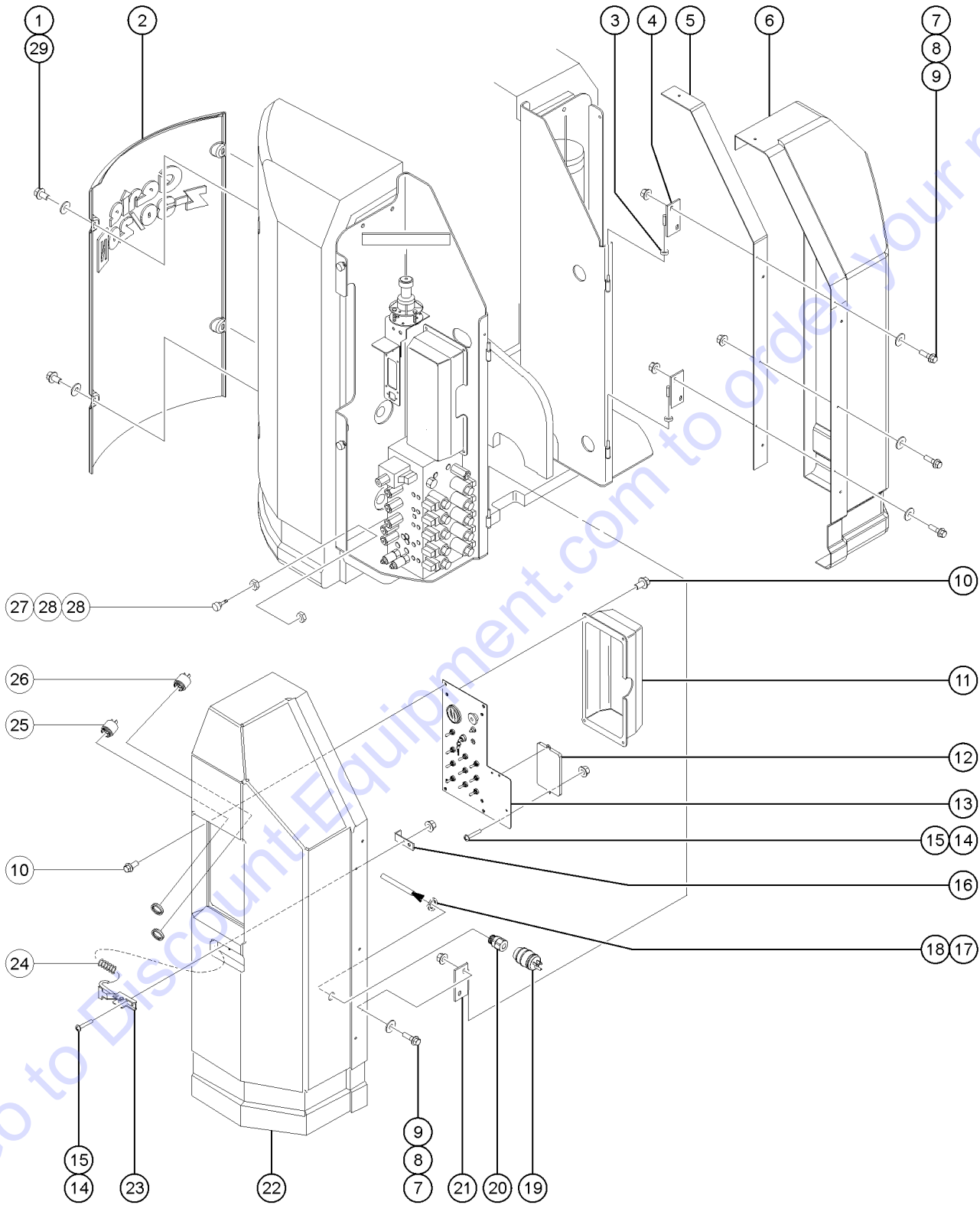
Item	Part No.	Description	Qty.
--	45782GT	DIODE,6 AMP,200 PIV,BULK	
--	37947GT	KEYS,10 PACK***	
1	101965GT	GROUND CONTROL PANEL ASSY <i>includes item 3</i>	
2	19506GT	HOUR METER,10-80 VOLTS***.....1	
3	23404GT	NUTSERT,1/4-20,STEEL CAD PLTD	
4	122514GT	KIT,ESTOP SVC BB&SM BOOM.....1	
--	66812GT	BUTTON,PUSH,RED MUSHROOM HEAD.....1	
--	66818GT	CONTACT, N.C.....2	
--	66821GT	BASE,WITHOUT CONTACTS.....1	
5	147093GT	ASSY, CIRCUIT BREAKER 10A.....1 <i>includes jam nut</i>	
6A	13511GT	RECEPTICAL,SNAP-IN (1450G1)***.....1 <i>receptacle for 13930GT</i>	
6B	13930GT	SWITCH ASSY,REMOTE BRAKE REL.	
7	96008-SGT	KEYSWITCH,3 POS. W/KEYS***.....1	
--	21982GT	KEY,SINGLE***.....1	
--	824218GT	SCREW,PHPM SEMS ET,8-32X.25,ZA	
--	83093GT	KEY SINGLE*** <i>key with rubber boot</i>	
--	85239GT	NUT,RETAINER (96008)	
--	88827GT	GASKET,KEYSWITCH,PLASTIC***	
8	16397-SGT	SWITCH,TOGGLE,DPDT,3POS MOMEN.....1 <i>includes mounting fasteners; Z-30/20NRJ models</i>	
--	19268GT	DIODE ASSEMBLY	
--	27246GT	BOOT,TOGGLE SWITCH,SHORT*	
--	54692GT	SPACER,NYLON,.718 X .526 X.219	
9	16397-SGT	SWITCH,TOGGLE,DPDT,3POS MOMEN.....7 <i>includes mounting fasteners</i>	
--	19268GT	DIODE ASSEMBLY	
--	27246GT	BOOT,TOGGLE SWITCH,SHORT*	
--	54692GT	SPACER,NYLON,.718 X .526 X.219	
10	13037-SGT	SWITCH,TOGGLE,SPDT,3POS MOMEN*.....1 <i>includes mounting fasteners</i>	
--	27246GT	BOOT,TOGGLE SWITCH,SHORT*	
--	54692GT	SPACER,NYLON,.718 X .526 X.219	
11	13480-SGT	SWITCH,TOGGLE,DPDT,2POS MOMEN.....1 <i>includes mounting fasteners</i>	
--	13471GT	COVER, AUXILIARY POWER SWITCH	
--	27246GT	BOOT,TOGGLE SWITCH,SHORT*	
--	54692GT	SPACER,NYLON,.718 X .526 X.219	

304.1 Power Unit Side



Item	Part No.	Description	Qty.	Item	Part No.	Description	Qty.
1	128808GT	BRACKET, RETURN FILTER.....	1	--	37192GT	COUPLER, PUMP / MOTOR (36179)	
2	824077GT	SCREW, HHF, 1/4-20 X .5, 8, ZAG		30	128728GT	HYDRAULIC TANK,Z30N.....	1
3	42019GT	TANK BREATHER,NYLON **.....	1	31	78622GT	FILTER ASSY,SAE8,10 MIC,PAPR**.....	1
4	128818GT	TUBE, HYDRAULIC TANK.....	2	--	44788GT	FILTER ELEMENT,10MICRON,PAPER*	
5	128811GT	ELBOW,90D,520201-8.....	2				
6	39223GT	BULKHEAD FITTING,PLASTIC X 8**.....	2				
7	128809GT	HOSE ASSY,1/2",12.38".....	1				
8	824119GT	WASHER,FLAT,.25X1.25X.062,ZAG.....	2				
9	94428GT	WELDMENT,COVER SUPPORT RH***					
10	824091GT	SCREW,HHF,3/8-16X1.25,8,ZAG.....	2				
11	824120GT	WASHER,FLAT,.375X1.50X.125,ZAG....	4				
12	824074GT	SCREW,HHC,1-8X3,8,ZAG.....	2				
13	824116GT	WASHER, FLAT, F436, 1.0, ZAG.....	2				
14	36086GT	COUNTERWEIGHT,Z30N..... <i>cast iron; 5330 pounds</i>	1				
15	77981GT	PUMP,LIFT,3CC,CCW***.....	1				
--	77990GT	KIT,SEAL,3CC PUMP***					
16	824100GT	SCREW,SHC,3/8-24X1.25,A574,ZAG.....	2				
17	824110GT	WASHER,LOCK,3/8,ZAG.....	2				
18	825358GT	WASHER,FLAT,5/16,USS,ZAG.....	2				
19	48504GT	MOTOR,FUNCTION,48V DC.....	1				
--	44777GT	BEARING,MOTOR <i>commutator end</i>					
--	44778GT	BEARING,MOTOR,36843,BRUSH END*..... <i>drive end</i>	1				
--	52915GT	BRUSH LEAD ASSEMBLY KIT(48504)					
--	58933GT	BRUSH SPRING SET					
--	58934GT	BRUSH BOX ASSEMBLY					
20	824085GT	SCREW,HHF,5/16-18X.75,8,ZAG.....	6				
21	36456GT	SPRING CLIP,5/16-18,.025-.15X.....	4				
22	52914GT	SCREW,HHTAPTITE THREAD8-32X.38					
23	58932GT	BRUSH SET 4 EA.....	1				
24	52913GT	SCREW,HH TAPETITE THRD8-32X.50					
25	58936GT	BRUSH COVER -PLATE-(48504)*					
26	58933GT	BRUSH SPRING SET					
27	824095GT	SCREW,HHF,3/8-16X3,8,ZAG.....	2				
28	824029GT	NUT,TL FLG,3/8-16,G,ZAG.....	2				
29	36179GT	POWER UNIT,AUX PUMP 24VDC.....	1				
--	37184GT	MOTOR, 24V (36179)					
--	37185GT	PUMP ASSEMBLY (36179)					
--	37186GT	VALVE,CHECK (36179)					
--	37187GT	SEAL KIT, 37185 PUMP					
--	37191GT	GASKET, PUMP / MOTOR (36179)					

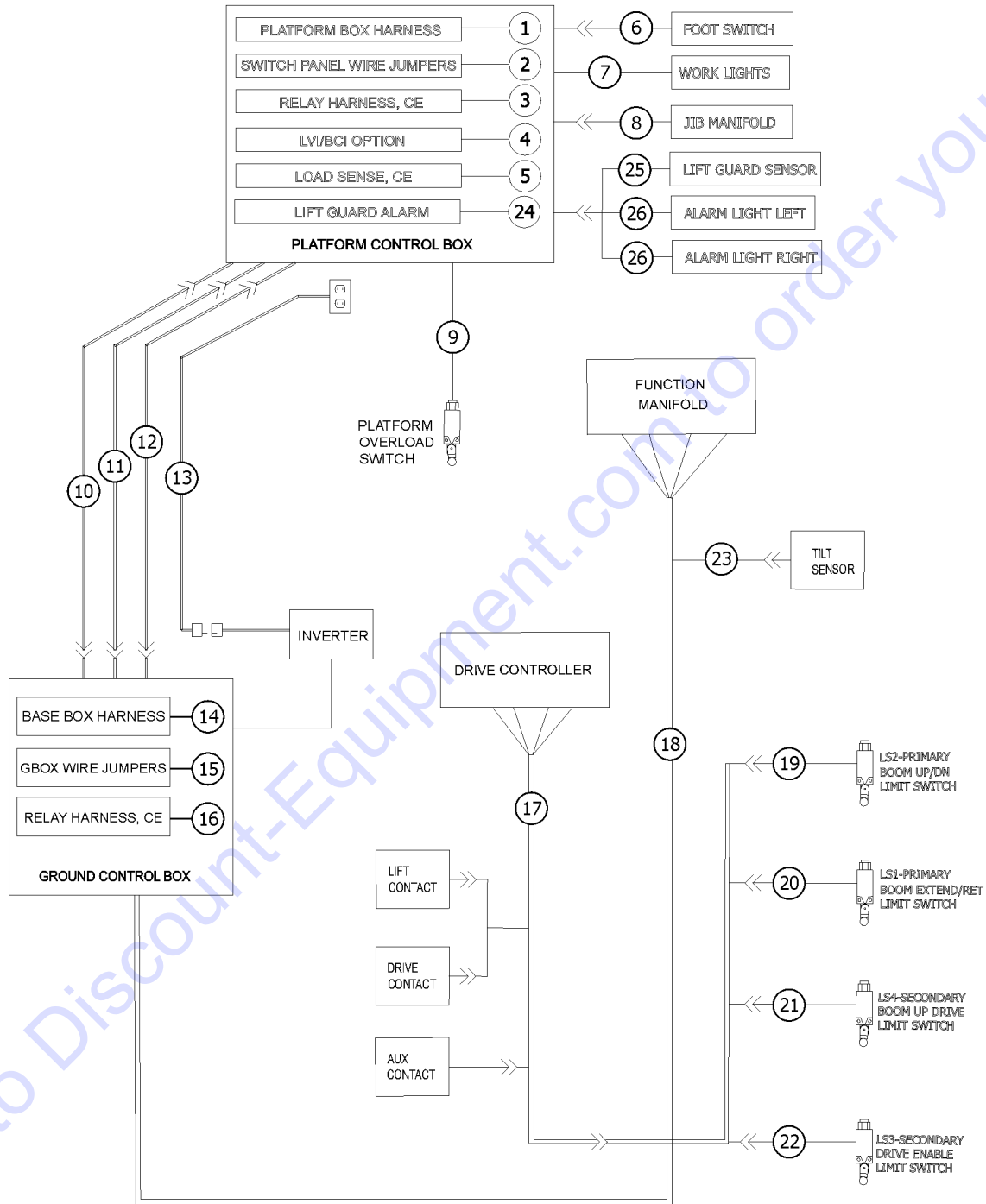
305.1 Turntable Covers



305.1 Turntable Covers

Item	Part No.	Description	Qty.	Item	Part No.	Description	Qty.
1	824089GT	SCREW,HHF,3/8-16X.75,8,ZAG.....	4	27	36388GT	BUMPER,RUBBER,.75 X .50H,STUD.....	3
2	58108GT	COVER W/DECALS,COUNTERWEIGHT**	1	28	824037GT	NUT,HH JAM,1/4-20,A,ZAG.....	6
3	36457GT	WASHER,THRUST,.313 X .50 X .10		29	1255758GT	WASHER,FLAT,3/8,USS,ZAG.....	4
4	36414GT	HINGE,WELD.,COVER,PUMP GRY/BLU.....	2				
5	36391GT	BRACE,RIGHT HINGE.....	1				
6A	101969GT	COVER ASSY W/DECAL,PUMP SIDE <i>includes items 14-16 and 23-24</i>					
6B	101970GT	COVER ASSY W/SYM DCAL,PUMP SID <i>includes items 14-16 and 23-24</i>					
7	824079GT	SCREW,HHF,1/4-20X1,8,ZAG.....	10				
8	824119GT	WASHER,FLAT,.25X1.25X.062,ZAG.....	10				
9	824027GT	NUT,TL FLG,1/4-20,G,ZAG.....	10				
10	824077GT	SCREW, HHF, 1/4-20 X .5, 8, ZAG.....	8				
11	36257GT	COVER,CONTROL PANEL.....	1				
12	128045GT	MODULE,LOAD SENSE 2007.....	1				
13		Ref. Ground Control Panel (refer to 303.1)					
14	824215GT	SCREW,PHPM,10-32X.75,ZAG.....	6				
15	824032GT	NUT,TL FLG,10-32,F,ZAG.....	6				
16	36570GT	BRACKET,COVER LATCH.....	2				
17	6935GT	LOCKNUT,ELEC,1/2".....	1				
18	43956GT	WIRE CABLE,14/3 CON.TPE JKT*					
19	119403GT	CONN,PLUG 120 AC/15A DOMESTIC...1					
--	119404GT	CONN,RECEP 120AC/15A DOMESTIC					
--	1280665GT	PLUG, TYPE F, 230A, 50HZ, 16A, IP44					
--	144161GT	PLUG,PWR,UK,16AMP,3PIN,BLK					
--	25388GT	PLUG,FUSED,250V,13AMP,U.K.**					
20	7056GT	CONN,SQUEEZE,1/2NPT .38-.50,SM....1					
21	36415GT	HINGE,WELD,COVER,CTRLS GRY/BLU.....	2				
22A	101967GT	COVER ASSY W/DECAL,GRND CTRL <i>ANSI/CSA/AUS; includes items 14-16 and 23-24</i>					
--	36392GT	BRACE,LEFT HINGE					
22B	101968GT	COVER ASSY W/SYM DCAL,GC SIDE <i>CE/Asia/S. America; includes items 14-16 and 23-24</i>					
--	36392GT	BRACE,LEFT HINGE					
23	36575GT	LATCH,ADJUSTABLE DRAW.....	2				
24	36574GT	SPRING,EXTENSION,.36 X 1.25.....	2				
25	18963GT	ALARM,INTERMITTENT TONE 6-30V*...1 <i>travel alarm does not include nut</i>					
--	72326GT	NUT - PLASTIC,RING FOR ALARMS					
26	45462GT	ALARM,CHIME TONE 5-25VDC***.....1 <i>descent alarm does not include nut</i>					
--	72326GT	NUT - PLASTIC,RING FOR ALARMS					

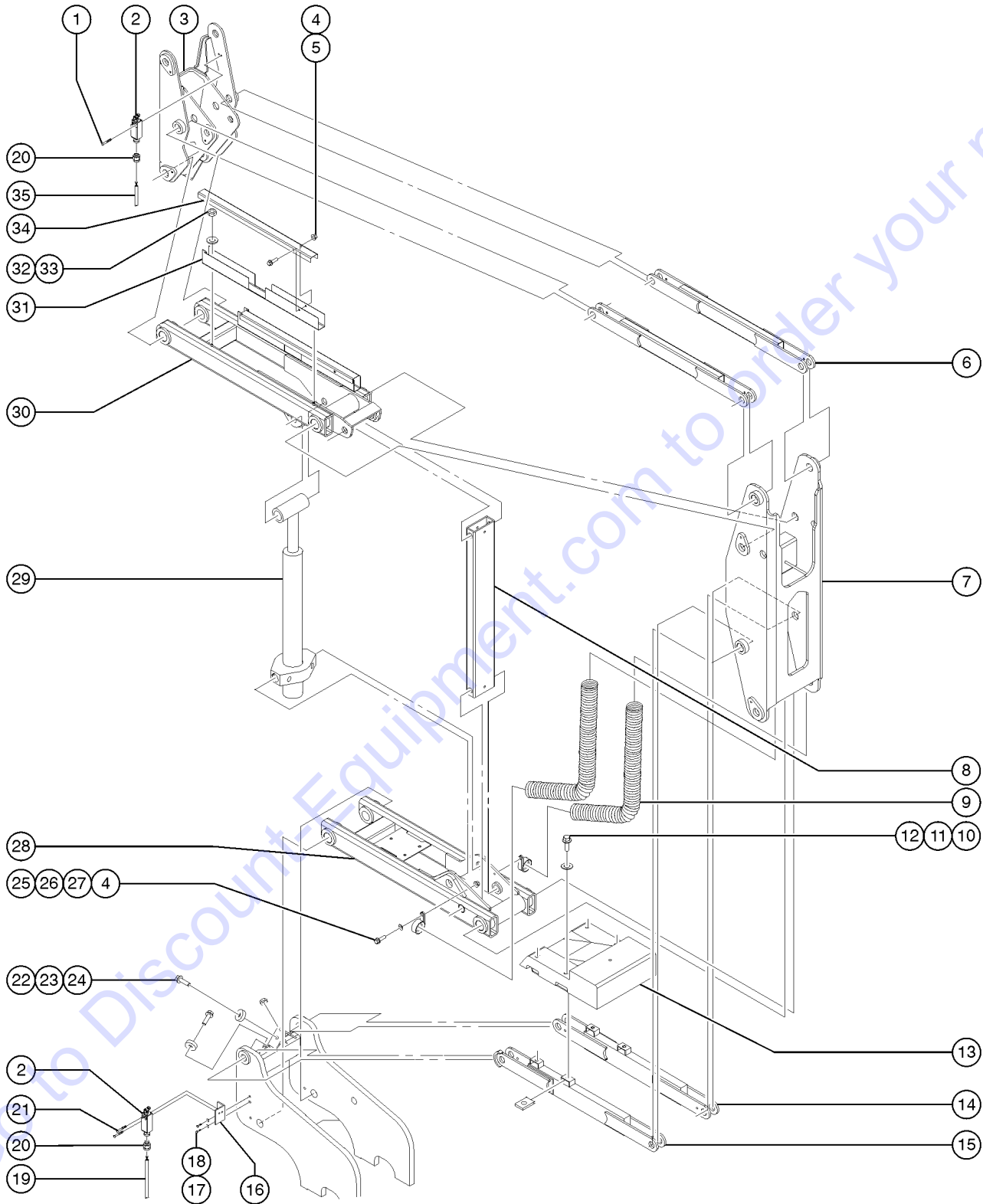
306.1 Wire Harness Diagram



306.1 Wire Harness Diagram

Item	Part No.	Description	Qty.	Item	Part No.	Description	Qty.
A	58253GT	KIT,REPAIR,DEUTSCH PLUG,W/TUBE <i>(small kit)</i>		23A	1261845GT	HARNESS,TILT 24V,CSA PROD.....1 <i>CSA models (from Z3015-16759)</i>	
B	83129GT	KIT,REPAIR,DEUTSH CONNECTORS** <i>(large kit)</i>		23B	1285812GT	KIT,TILT ALARM,DC AND BI-ENERGY MODELS <i>from SN 17020</i>	
C	61794GT	CRIMPER,DEUTSCH,LIGHT DUTY*** <i>(tool)</i>		--	1285689GT	INSTRUCTIONS,INSTALL (LEVEL SENSOR ALARM) <i>for kit 1285812</i>	
D	1264822GT	KIT, TRC RETROFIT, STNDRD <i>Telematics (includes 1264834)</i>		24	1278450GT	HARNESS, CONTACT ALARM, Z30/34DC.....1	
--	1264834GT	INSTRN, TRC RETROFIT, STNDRD		25	1278119GT	ASSEMBLY, SENSOR, PROX, CONTACT ALARM.....1	
--	88832GT	HARNESS,PLUG,NON-LOAD WEIGHING		26	1278111GT	ASSEMBLY, LIGHT, CONTACT ALARM.....1	
1A	237503GT	HARNESS,PLAT BOX,Z30/34DC.....1 <i>ANSI</i>					
1B	1260928GT	HARNESS,PBOX,CE.....1 <i>CE</i>					
2	822872GT	HARNESS,PBOX JUMPER,Z30/34DC....1					
3	1260887GT	HARNESS, RELAY,PBOX,CE.....1 <i>CE</i>					
4	119133GT	HARN LVI/BCI ENGAGE II Z34DC.....1					
5	147389GT	HARNESS, LOAD SENSE, Z30/34DC....1 <i>CE</i>					
6	110255GT	ASSEMBLY FOOT SWITCH.....1					
7	823942GT	OPTION,WORKLIGHTS,48V.....1					
8A	139584GT	HARNESS,JIB MANIFOLD,NON RJ.....1 <i>models without rotating jib</i>					
8B	139585GT	HARNESS, JIB MANIFOLD, RJ.....1 <i>models with rotating jib</i>					
9	121848GT	ASSY,LS,LOAD SENSE,38.5 IN.....1 <i>CE</i>					
10	110239GT	HARNESS CABLE3 18/19 COND.....1 <i>black and gray connectors</i>					
11	110243GT	HARNESS CABLE1 18/19 COND.....1 <i>green and brown connectors</i>					
12	110235GT	HARNESS CABLE2 12/3 COND.....1					
13	43956GT	WIRE CABLE,14/3 CON.TPE JKT*564-inches <i>inverter option</i>					
14A	1259575GT	HARNESS, BASE CONTROL BOX.....1 <i>ANSI</i>					
14B	1260639GT	HARNESS, GBOX, CE.....1 <i>CE</i>					
15	110242GT	HARNESS, GBOX WIRE JUMPER.....1					
16	1260643GT	HARNESS,BASE BOX,RELAY,CE.....1 <i>CE</i>					
17	822704GT	HARNESS, DRIVE CHASSIS, DC.....1					
18	110249GT	HARNESS,FUNC. MAN.,Z30/34DC.....1					
19	110639GT	HARNESS LS2 OP PRIMARY.....1					
20	110638GT	HARNESS LS1 OP EXT/RET.....1					
21	110246GT	HARNESS LS4 OP SECONDARY.....1					
22	110637GT	HARNESS LS3 OP DRIVE ENABLE.....1					

401.1 Secondary Boom - View 1



401.1 Secondary Boom - View 1

Item	Part No.	Description	Qty.	Item	Part No.	Description	Qty.
1A	824219GT	SCREW, PHPM SEMS ET, 8-32 X 1.25, ZAG.....2 to SN Z30N16F-17342	2	26	824113GT	WASHER,FLAT,USS,1/4,ZAG.....2	2
1B	1261606GT	SCREW,PHPM,8-32X1.75,ZAG.....2 from SN Z30N16F-17343	2	27	27497GT	CLAMP,RUBBER CUSHIONED-2 5/32....2	2
1C	1255803GT	NUT,TL FLG,8-32,F,ZAG.....2 from SN Z30N16F-17343	2	28A	37127GT	LOWER SECONDARY BOOM ASSEMBLY*.....1	1
2	106086GT	HARNES,LS,SEC LIFT LS4 Z30/34		28B	42610PGT	HOSE TRACK,LOWER ARM Z30N not shown	
--	106427GT	LS ROT.HEAD W/O LEVER (ZCE01)		28C	42611GT	HOSE TRACK COVER,LOWER ARM not shown	
--	106428GT	LS STL ROLLER PLUNGER (ZCE02)		29	101349GT	CYLINDER,ELEVATE, Z30N.....1	1
--	106429GT	LS METAL END PLUNGER (ZCE10)		--	31106GT	VALVE,CNTERBAL,CBBB-LHN@3000**	
--	106434GT	LS BLUE PLASTIC BODY (XCKP)		--	94254GT	SEAL KIT, 94211, 94254, 101349	
--	19491GT	CONTACTOR,LIMIT SWITCH		30	74334GT	UPPER SECONDARY BOOM ASSEMBLY*.....1	1
--	56051GT	WIRE CABLE,16/2,WHT/BLK,SJEOW.101-inches		31	74271GT	HOSE TRACK,UPPER***.....1	1
--	76450GT	CONN.SQZ,PG 11,,23-.30,W/ORING		32A	824040GT	NUT, ACORN, 3/8-16, ZAG.....4 to SN 19093	4
--	88356-116F5GT	SWITCH,LIMIT,W/ROLLER ARM.....1	1	32B	1274322GT	NUT,NYLOCK FLG,3/8-16,F,ZAG from SN 19094	
--	97128GT	ROLLER ARM,LIMIT SWITCH***		33A	824122GT	WASHER,FLAT,.375X1.25X.062,ZAG....4 to SN 19093	4
3	40447GT	UPPER MIDPIVOT ASSY,Z34 & Z34N....1	1	33B	825353GT	WASHER,FLAT,1/2,SAE,HRD,ZAG from SN 19094	
4	824027GT	NUT,TL FLG,1/4-20,G,ZAG.....3	3	34	42609GT	HOSE TRACK COVER,UPPER ARM....1	1
5	824083GT	SCREW,HHF,1/4-20X2.5,8,ZAG.....4	4	35	44133GT	WIRE CABLE,16/4 CON.TPE JKT*.....184-inches	
6	74945GT	COMPRESSION ARM WLDMT 38.50 **.....2	2				
7	40446GT	LOWER MIDPIVOT ASSY,Z34 &Z34N*.....1	1				
8	74232-SGT	CONNECTING LINK 30N&34 PAINTED.....1	1				
9	42939 18700GT	WIRE LOOM,1.88 DIA.....187-inches					
10	824095GT	SCREW,HHF,3/8-16X3,8,ZAG.....4	4				
11	824120GT	WASHER,FLAT,.375X1.50X.125,ZAG....4	4				
12	29868GT	SPRING CLIP,3/8-16,.05-.20X.73,ZAG...4	4				
13	36620GT	COUNTERWEIGHT,CAST,400 LBS.....1	1				
14	94425GT	COMP ARM WELD LOWER, RIGHT***..1	1				
15	128634GT	WELDMENT, LWR COMPRESION ARM.....1	1				
16	42413GT	ANGLE,SWITCH MOUNT***.....1	1				
17	824059GT	SCREW,HHC,1/4-20X.75,8,ZAG.....2	2				
18	824109GT	WASHER,LOCK,1/4,ZAG.....2	2				
19	56051GT	WIRE CABLE,16/2,WHT/BLK,SJEOW.72-inches					
20	7056GT	CONN,SQUEEZE,1/2NPT .38-.50,SM...2	2				
21	824223GT	SCREW,PHPM SEMS ET,10-32X1.25,...2	2				
22	824091GT	SCREW,HHF,3/8-16X1.25,8,ZAG.....2	2				
23	74085GT	REST PAD,UPPER PIVOT Z30N.....2	2				
24	824029GT	NUT,TL FLG,3/8-16,G,ZAG.....2	2				
25	824079GT	SCREW,HHF,1/4-20X1,8,ZAG.....2	2				

PARTS FINDER

**Search Website
by Part Number**



**Search Manual
Library For Parts
Manual & Lookup Part
Numbers – Purchase
or Request Quote**

Search Manuals

Enter your information to help us find the right parts manual for your machine.

* Brand:

* Model:

* Serial:

* Part Number:

SEARCH

**Can't Find Part or
Manual? Request Help
by Manufacturer,
Model & Description**

Parts Order Form

Please fill in the following information to help us find the right part for your machine.

Manufacturer:	<input type="text"/>
Model:	<input type="text"/>
Description:	<input type="text"/>
Part Number:	<input type="text"/>
Quantity:	<input type="text"/>
Notes:	<input type="text"/>

Submit

Discount-Equipment.com is your online resource for quality parts & equipment.

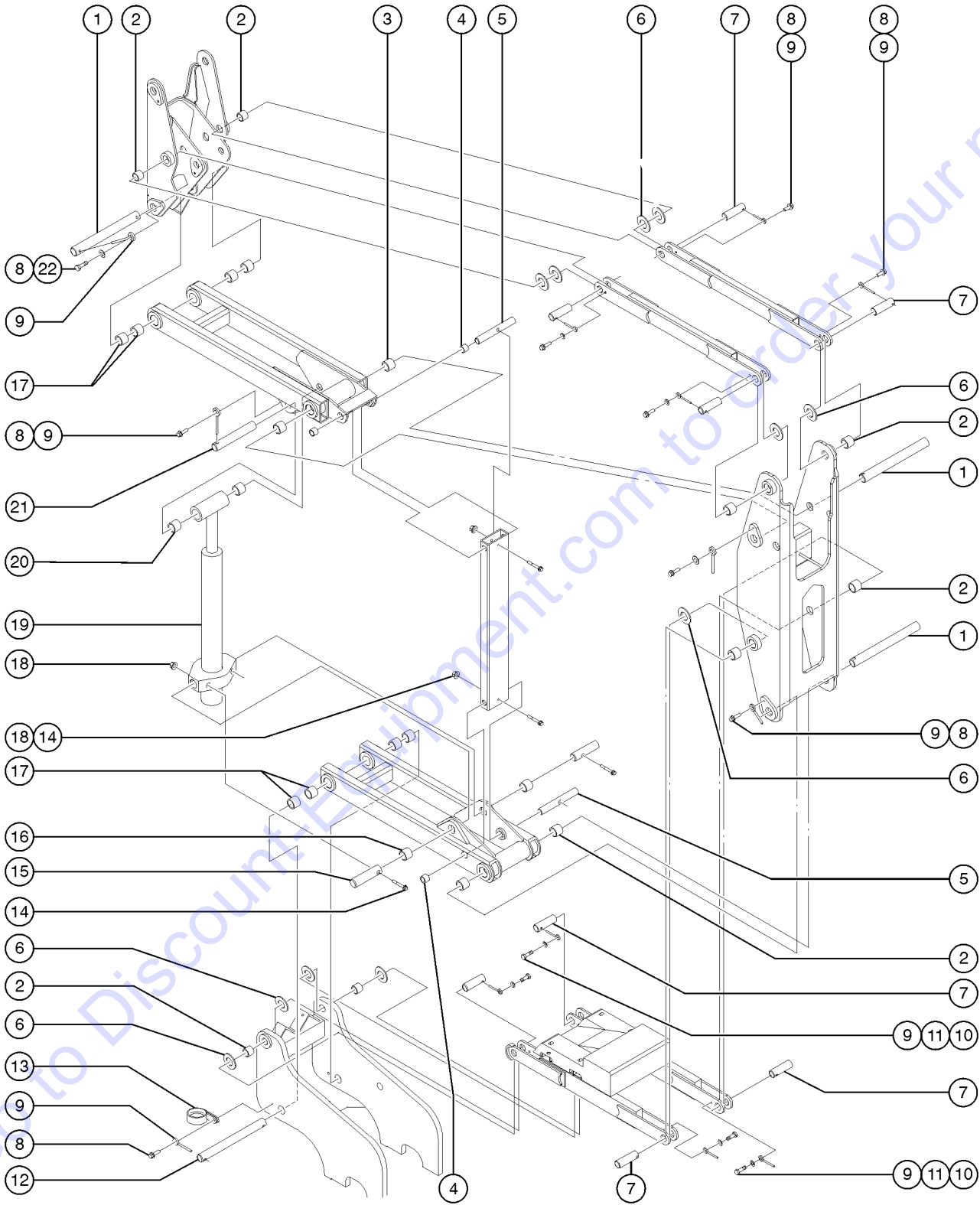
Florida: **561-964-4949** Outside Florida TOLL FREE: **877-690-3101**

Need parts?

Click on this link: <http://www.discount-equipment.com/category/5443-parts/> and choose one of the options to help get the right parts and equipment you are looking for. Please have the machine model and serial number available in order to help us get you the correct parts. If you don't find the part on the website or on one of the online manuals, please fill out the request form and one of our experienced staff members will get back to you with a quote for the right part that your machine needs.

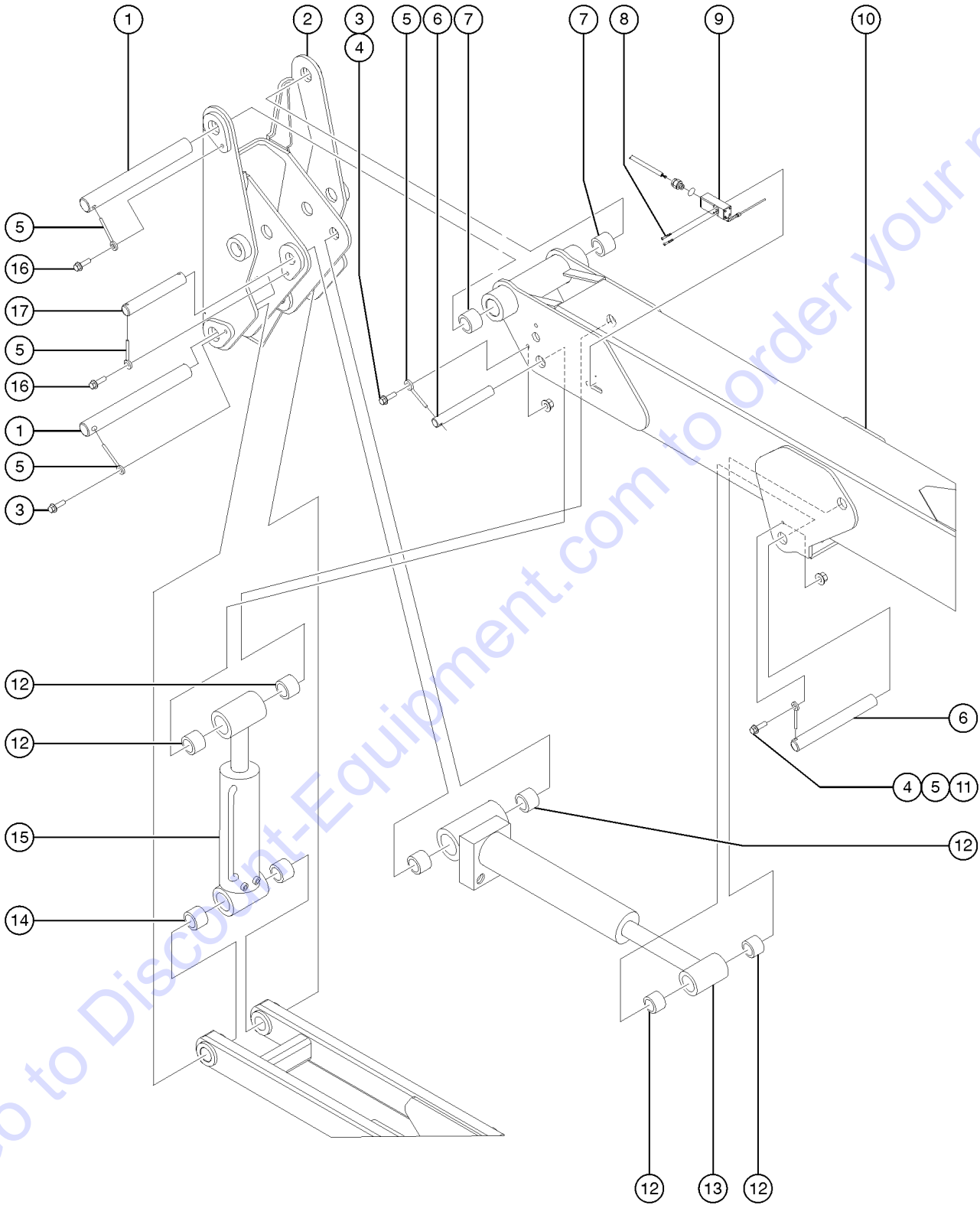
We sell worldwide for the brands: Genie, Terex, JLG, MultiQuip, Mikasa, Essick, Whiteman, Mayco, Toro Stone, Diamond Products, Generac Magnum, Airman, Haulotte, Barreto, Power Blanket, Nifty Lift, Atlas Copco, Chicago Pneumatic, Allmand, Miller Curber, Skyjack, Lull, Skytrak, Tsurumi, Husquvarna Target, Stow, Wacker, Sakai, Mi-T-M, Sullair, Basic, Dynapac, MBW, Weber, Bartell, Bennar Newman, Haulotte, Ditch Runner, Menegotti, Morrison, Contec, Buddy, Crown, Edco, Wyco, Bomag, Laymor, EZ Trench, Bil-Jax, F.S. Curtis, Gehl Pavers, Heli, Honda, ICS/PowerGrit, IHI, Partner, Imer, Clipper, MMD, Koshin, Rice, CH&E, General Equipment, Amida, Coleman, NAC, Gradall, Square Shooter, Kent, Stanley, Tamco, Toku, Hatz, Kohler, Robin, Wisconsin, Northrock, Oztec, Toker TK, Rol-Air, APT, Wylie, Ingersoll Rand / Doosan, Innovatech, Con X, Ammann, Mecalac, Makinex, Smith Surface Prep, Small Line, Wanco, Yanmar

402.1 Secondary Boom - View 2



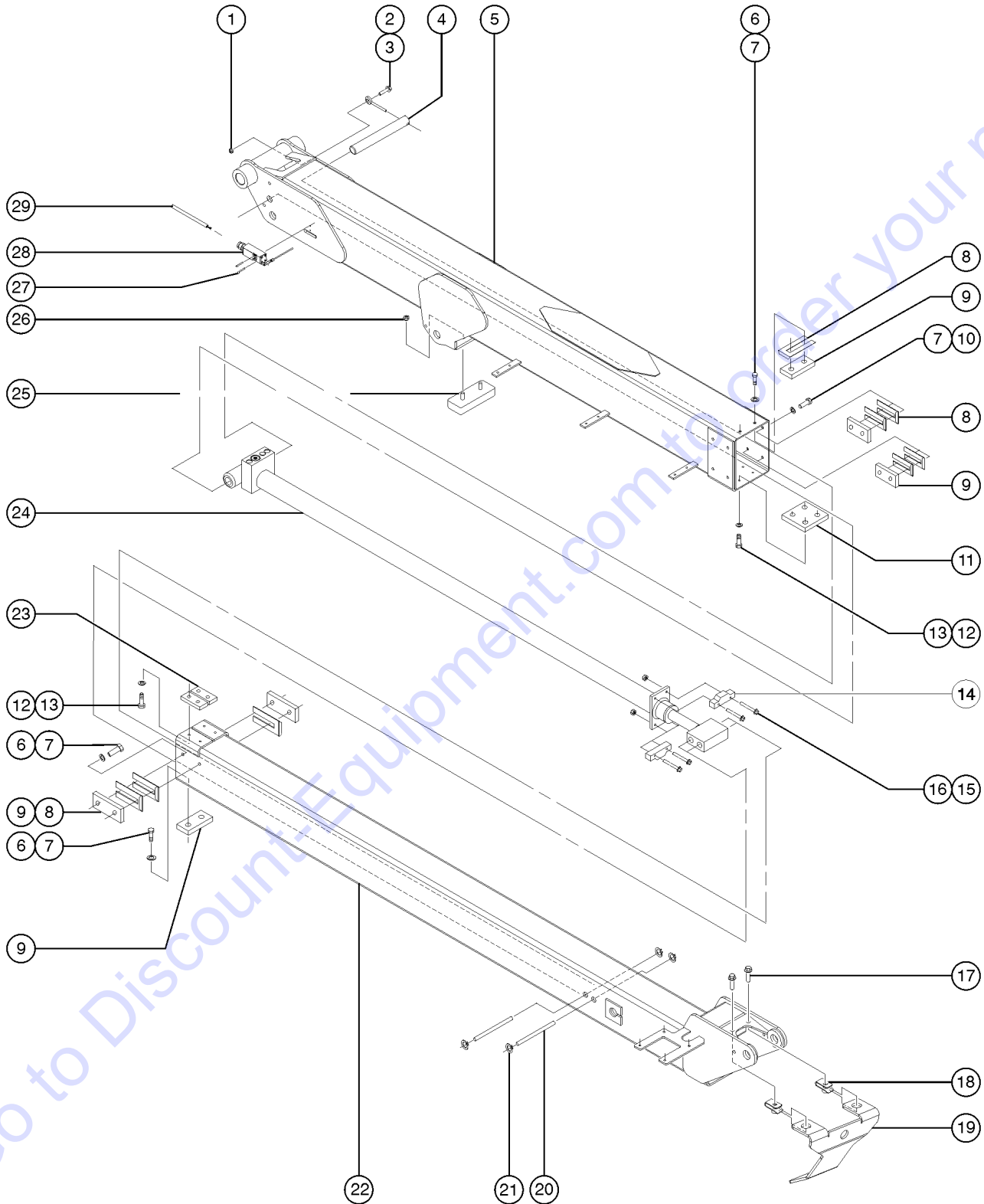
Item	Part No.	Description	Qty.
--	107935GT	KIT, SWING HOSE CLAMP, FIELD <i>includes 106959GT, 106960PGT, 107933GT, 107934, and instructions 110148GT</i>	
1	36194GT	PIN,1.50DIAX15.13LG,1HOLE.....	3
2	34245GT	BEARING,1.25IDX1.50X1.25L.....	10
3	45071GT	BEARING,1.5IDX1.75ODX1.5L.....	2
4	36245GT	BEARING,FL,1.00IDX1.25ODX0.84L....	4
5	36202GT	PIN,1.00DIAX7.25LG,1HOLE.....	2
6	824151GT	WASHER,SHIM,1.270X2.130X.062,Z....	8
7	36390GT	PIN,1.25DIAX3.63LG,THREADED.....	8
8	824091GT	SCREW,HHF,3/8-16X1.25,8,ZAG.....	9
9	825019GT	ROD END,.375X3.69,ZAG.....	3
10	824067GT	SCREW,HHC,3/8-16X1,8,ZAG.....	4
11	824110GT	WASHER,LOCK,3/8,ZAG.....	4
12	36389GT	PIN,1.50DIAX16.13LG,1HOLE.....	1
13	27497GT	CLAMP,RUBBER CUSHIONED-2 5/32....	1
14	824094GT	SCREW,HHF,3/8-16X2.75,8,ZAG.....	4
15	36205GT	PIN,1.25DIAX3.00LG,THREADED.....	2
16	36246GT	BEARING,FL,1.25IDX1.50ODX1.09L....	2
17	18396GT	BEARING,1.5IDX1.75ODX1.0L.....	4
18	824029GT	NUT,TL FLG,3/8-16,G,ZAG.....	4
19		Ref. Elevate Cylinder (refer to 401.1)	
20	25683GT	BEARING,POLYGON,20DU12.....	2
21	74089GT	PIN,1.25DIAX9.63LG,1HOLE.....	2
22	825358GT	WASHER,FLAT,5/16,USS,ZAG.....	1

403.1 Upper Pivot



Item	Part No.	Description	Qty.
1	36194GT	PIN,1.50DIAX15.13LG,1HOLE.....1	1
2	40447GT	UPPER MIDPIVOT ASSY,Z34 & Z34N....1	1
3	824092GT	SCREW,HHF,3/8-16X1.5,8,ZAG.....2	2
4	824029GT	NUT,TL FLG,3/8-16,G,ZAG.....2	2
5	825019GT	ROD END,.375X3.69,ZAG.....5	5
6	74091GT	PIN,1.25DIAX9.13LG,1HOLE.....2	2
7	45071GT	BEARING,1.5IDX1.75ODX1.5L.....2	2
8	824218GT	SCREW,PHPM SEMS ET,8-32X.25,ZA...2	2
9	106082GT	HARNESSES,LS,EXT/RET LS1 Z30	
--	106433GT	LS SPRING WAND (ZCY91)	
--	19491GT	CONTACTOR,LIMIT SWITCH	
--	22359GT	SPRING ARM,LIMIT SWITCH,6.25"	
--	56051GT	WIRE CABLE,16/2,WHT/BLK,SJEOW.216-inches	
--	88356-127J5GT	SWITCH,LIMIT,W/6.25"SPRING ARM	
10		Ref. Primary Boom (refer to 404.1)	
11	824093GT	SCREW,HHF,3/8-16X1.75,8,ZAG.....1	1
12	47377GT	BEARING,1.25 ID X 1.5 OD X .75.....6	6
13	94215GT	CYLINDER,PRIMARY LIFT.....1 <i>includes item 12</i>	1
--	43937GT	VALVE,CB.CBBC-LHN@3200***.....2	2
--	94258GT	SEAL KIT, 94215, 94430.....1	1
14	88280GT	BEARING,1.5IDX1.75ODX0.75L.....2	2
15	94216GT	CYLINDER,MASTER.....1 <i>includes items 12 and 14</i>	1
--	94259GT	SEAL KIT, 94216	
16	824091GT	SCREW,HHF,3/8-16X1.25,8,ZAG.....2	2
17	36198GT	PIN,1.25DIAX8.12LG,1HOLE.....1	1

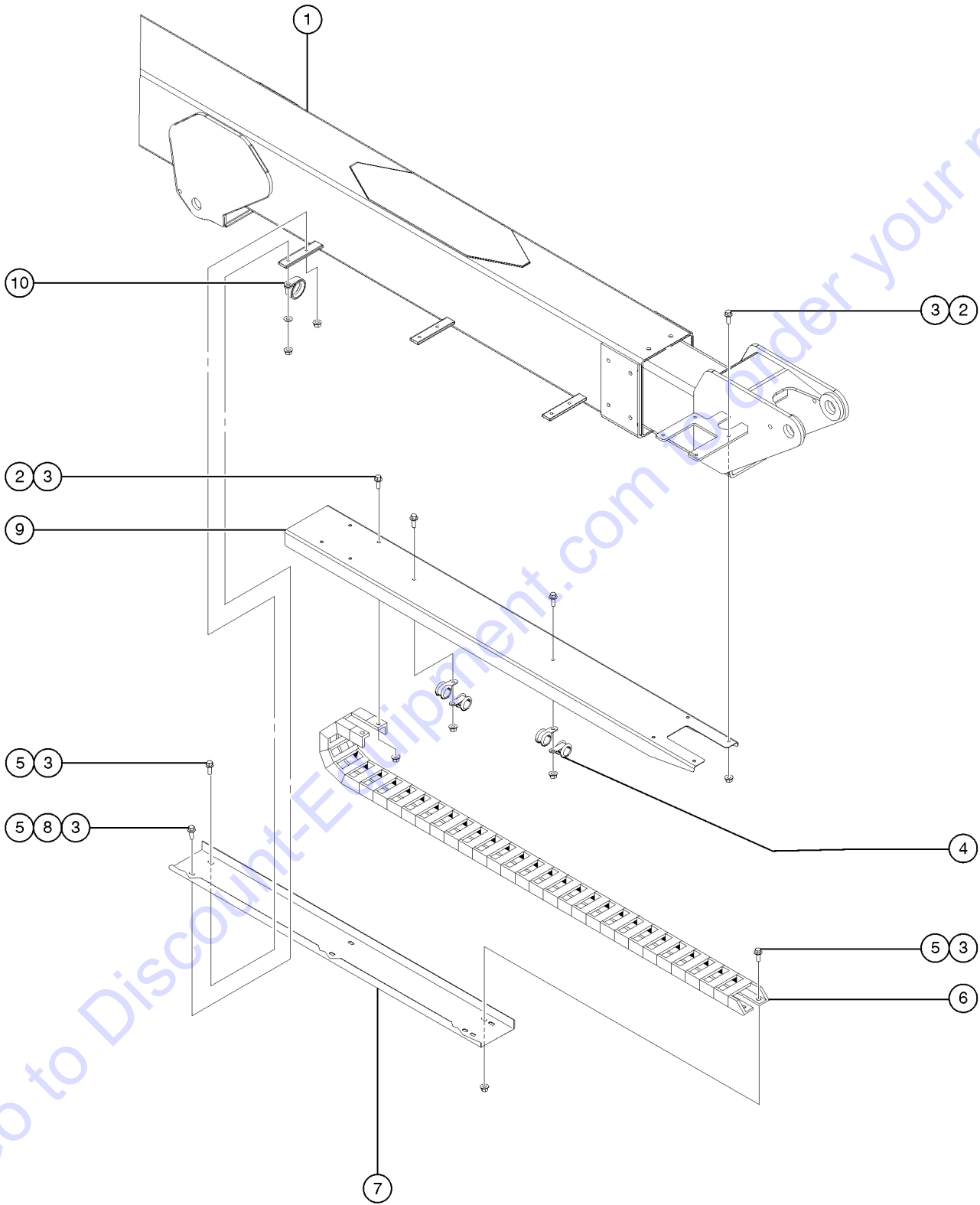
404.1 Primary and Extension Booms



404.1 Primary and Extension Booms

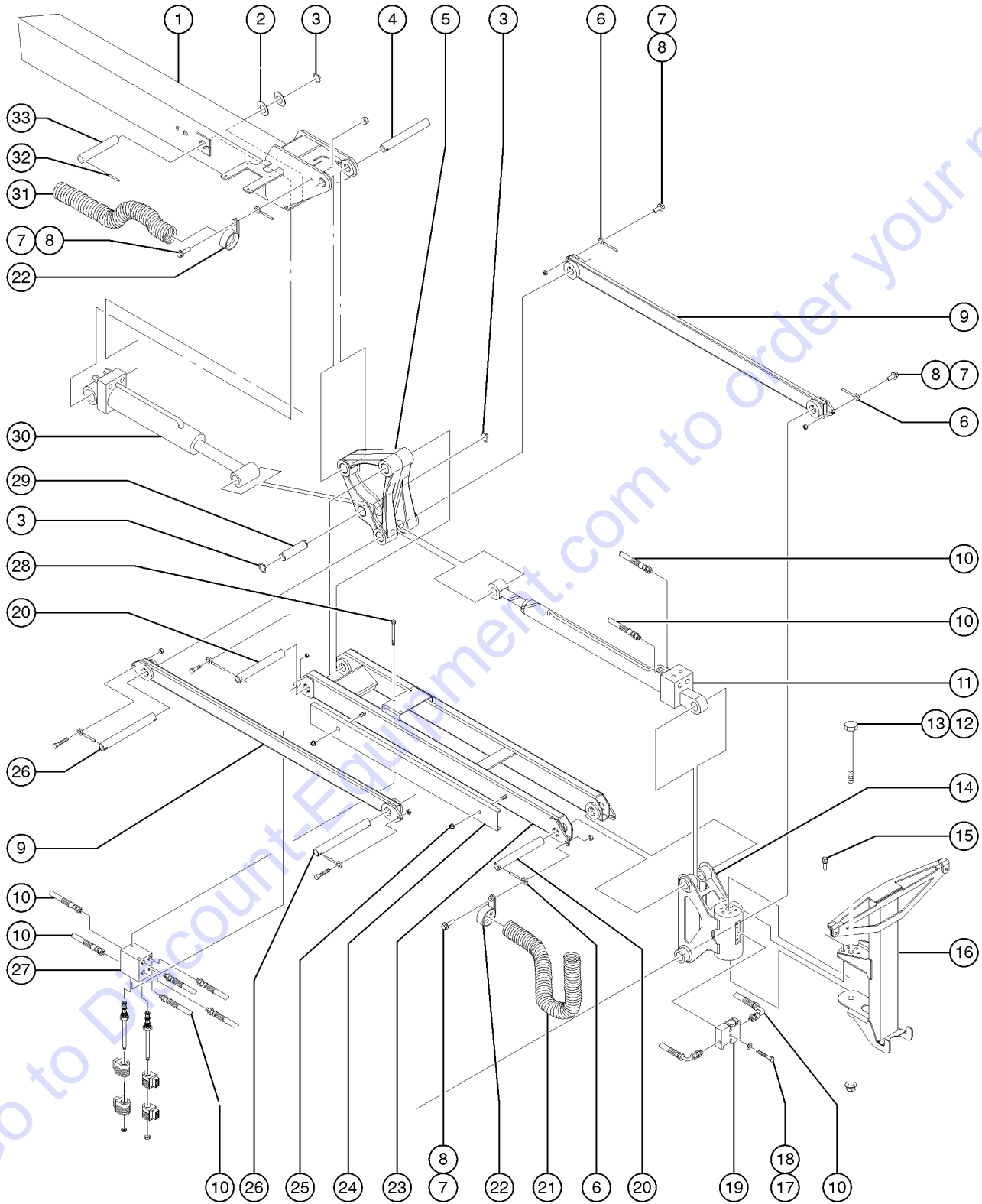
Item	Part No.	Description	Qty.
1	824029GT	NUT,TL FLG,3/8-16,G,ZAG	
2	824092GT	SCREW,HHF,3/8-16X1.5,8,ZAG	
3	825019GT	ROD END,.375X3.69,ZAG	
4	101557GT	PIN,1.00DIAX9.01LG,THREADED	
5	94031GT	WELDMENT,PRIMARY BOOM Z30N.....1 <i>refer to 502.1 for rotating jib</i>	
6	824067GT	SCREW,HHC,3/8-16X1,8,ZAG	
7	824110GT	WASHER,LOCK,3/8,ZAG	
8A	29080GT	SHIM,WEAR PAD,5X 1.5 16GA	
8B	42502GT	SHIM,SIDE PAD 22GA <i>(quantity as needed)</i>	
9	34125GT	WEAR PAD,5 X 1.5 X .75 W/NUTS.....8	
10	824068GT	SCREW,HHC,3/8-16X1.25,8,ZAG	
11	42621GT	WEAR PAD,4 X 4 X .75 W/NUTS.....1	
12	824060GT	SCREW,HHC,1/4-20X1,8,ZAG	
13	824109GT	WASHER,LOCK,1/4,ZAG	
14	74066GT	WEAR PAD,EXT CYL***.....2	
15	824082GT	SCREW,HHF,1/4-20X1.75,8,ZAG	
16	824027GT	NUT,TL FLG,1/4-20,G,ZAG	
17	824079GT	SCREW,HHF,1/4-20X1,8,ZAG	
18	56912GT	SPRING CLIP,1/4-20,.025-.15X.54,ZAG.....2	
19	147079GT	BRACKET, HOSE ROUTING.....1	
--	56361GT	CABLE TIE,BUTTON,BLACK,14.75LG	
20	36192GT	PIN,0.75DIAX5.51LG,2RING.....2	
21	824163GT	SNAP RING,EXTERNAL,3/4,ZAG.....4	
22	147487GT	WELDMENT, EXT BOOM, Z30N.....1	
23	45745GT	WEAR PAD,4 X 2 X.50 THK.BLACK.....2	
24	94213GT	CYLINDER,EXTENSION.....1	
--	36648GT	VALVE,COUNTERBALANCE 2500 PSI*.....1	
--	74508GT	VALVE,CHECK,COBA-X*N 200PSI PO.....1	
--	74509GT	VALVE,CHECK,CXAD-XCN,30PSI.....1	
--	94256GT	SEAL KIT, 94213.....1	
25	56849GT	PAD,REST,1"THICK,W/STUDS*	
26	824038GT	NUT, TL JAM, 3/8-16, A, ZAG	
27	824219GT	SCREW, PHPM SEMS ET, 8-32 X 1.25, ZAG.....2	
28	88356 127.5GT	SWITCH,LIMIT,W/6.25"SPRING ARM	
--	19491GT	CONTACTOR,LIMIT SWITCH	
--	22359GT	SPRING ARM,LIMIT SWITCH,6.25"	
--	7056GT	CONN,SQUEEZE,1/2NPT .38-.50,SM....1	
29	56051GT	WIRE CABLE,16/2,WHT/BLK,SJEOW.199-inches	

405.1 Cable Track



Item	Part No.	Description	Qty.
1		Ref. Primary and Extension Booms (refer to 404.1)	
2	824079GT	SCREW,HHF,1/4-20X1,8,ZAG.....	10
3	824027GT	NUT,TL FLG,1/4-20,G,ZAG.....	16
4	6833GT	CLAMP,0.50,#8 X 1/4,RUB CUSH.....	4
5	824078GT	SCREW,HHF,1/4-20X.75,8,ZAG.....	6
6	139537GT	CABLE TRACK,NYLATRAC,26 LINK.....	1
--	139540GT	REPAIR LINK,NYLATRAC,7 LINKS	
--	139541GT	BRACKET SET,NYLATRAC,KS400	
--	139542GT	LINK,NYLATRAC,KS400	
7	56983PGT	CHANNEL,LWR TRAY PLASTIC TK **	
8	824113GT	WASHER,FLAT,USS,1/4,ZAG.....	3
9	74119PGT	CHANNEL, CABLE TRACK, UPPER.....	1
10	27497GT	CLAMP,RUBBER CUSHIONED-2 5/32....	3

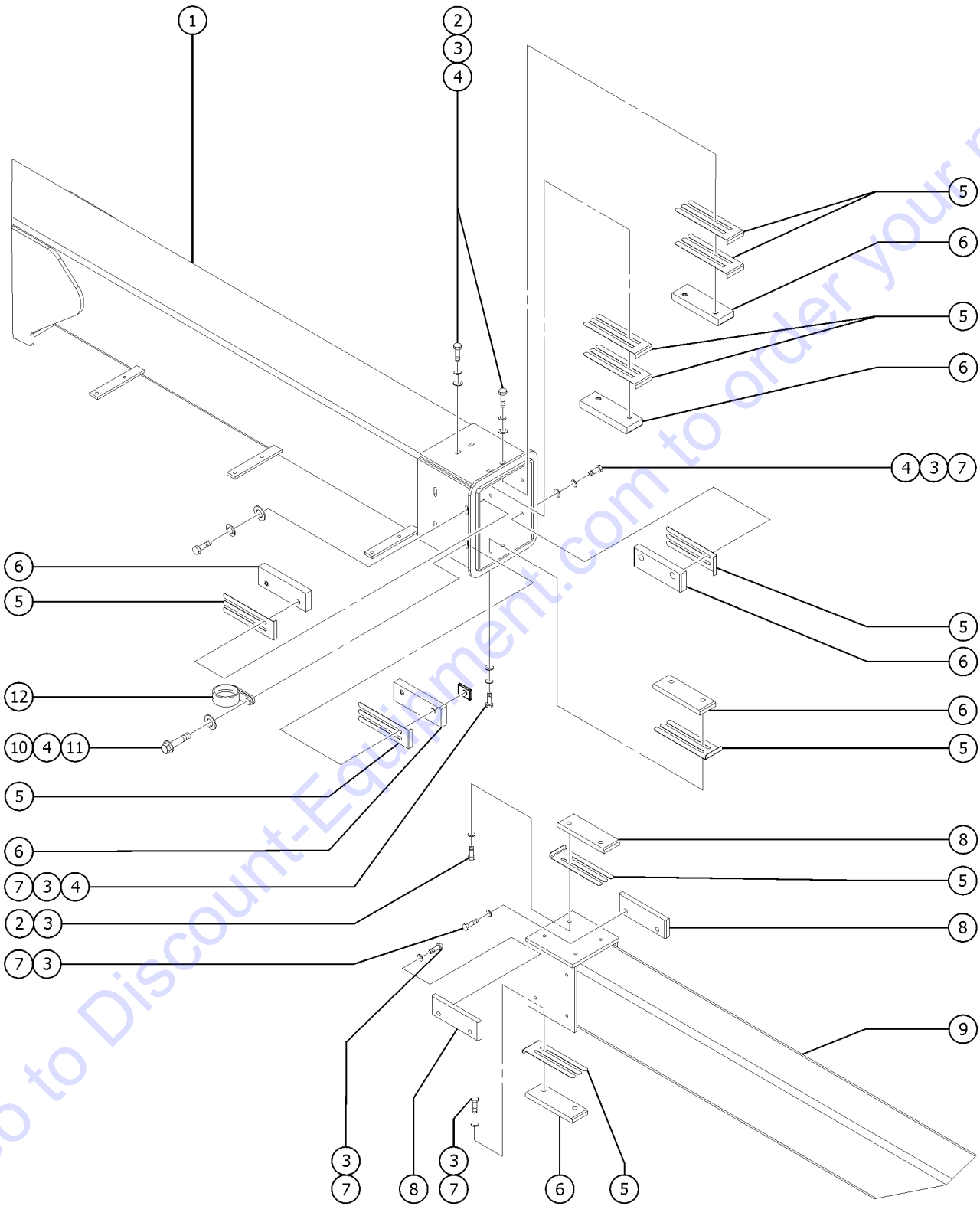
406.1 Jib Boom and Platform Rotator



406.1 Jib Boom and Platform Rotator

Item	Part No.	Description	Qty.	Item	Part No.	Description	Qty.
1		Ref. Extension Boom (refer to 404.1)		30	94217GT	CYLINDER,SLAVE,DONGYANG.....	1
2	824151GT	WASHER,SHIM,1.270X2.130X.062,Z.....	4	--	35088GT	BEARING,FL,1.25IDX1.41ODX.89L..... <i>rod end</i>	2
3	824164GT	SNAP RING,EXTERNAL,1.25,ZAG.....	1	--	47377GT	BEARING,1.25 ID X 1.5 OD X .75..... <i>barrel end</i>	2
4	128550GT	PIN,1.25DIA X 7.64LG,2RING.....	1	--	74735GT	VALVE,COUNTERBALANCE.....	2
5	74587GT	BELLCRANK ASSEMBLY, Z30N,Z34**		--	94260GT	SEAL KIT, 94217.....	1
--	74865GT	BEARING,FL,1.25IDX1.50ODX1.25L..... <i>with flange</i>	6	31	42929GT	HOSE,RET.FILTER DWN TUBE RUBBE.....	28-inches
--	74866GT	BEARING,1.25IDX1.50ODX1.25L.....	2	32	10665GT	PIN,ROLL,,25 X 1.5***.....	1
6	825019GT	ROD END,,375X3.69,ZAG.....	6	33	50546GT	PIN,1.25DIA X 6.36LG,2RING.....	1
7	824092GT	SCREW,HHF,3/8-16X1.5,8,ZAG.....	5				
8	824025GT	NUT,TL,3/8-16,C,ZAG.....	5				
9	36054-SGT	COMPRESSION MEMBER (BORED)**.....	2				
10		Ref. Hydraulic Components (refer to 802.1)					
11	94218GT	CYLINDER,JIB.....	1				
--	31106GT	VALVE,CNTERBAL,CBBB-LHN@3000** <i>for 94218</i>					
--	47377GT	BEARING,1.25 ID X 1.5 OD X .75.....	4				
--	94261GT	SEAL KIT,94218.....	1				
12	1273205GT	SCREW,HHC,3/4-10X9.5,8,ZAG.....	1				
13A	1256863GT	WASHER,FLAT,.75,SAE,HRD,ZAG.....	1				
13B	1257458GT	NUT,TL,3/4-10,C,ZAG.....	1				
14	233717GT	ROTATOR,PLAT,Z30/34/Z40.....	1				
--	233745GT	SEAL AND BRG KIT,4.5K ROTATOR.....	1				
--	30222GT	BEARING,FL,1.25IDX1.41ODX1.50L.....	4				
15A	1256109GT	SCREW,HHC,3/8-16X.75,8,ZAG.....	6				
15B	826793GT	WASHER,FLAT,3/8,SAE,HRD,ZAG.....	1				
16	56500-SGT	WELDMENT,PLATFORM SUPPORT***.....	1				
17	824062GT	SCREW,HHC,1/4-20X1.5,8,ZAG.....	1				
18	824109GT	WASHER,LOCK,1/4,ZAG.....	1				
19	56929GT	MANIFOLD,ROTATOR,180 DEG.***.....	1				
--	62506GT	VALVE - COUNTERBALANCE**					
--	62507GT	O-RING, ROTATOR MANIFOLD					
20	36199GT	PIN,1.25DIA.X10.38LG,1HOLE.....	2				
21	42939GT	WIRE LOOM,1.88 DIA.....	120-inches				
22	27497GT	CLAMP,RUBBER CUSHIONED-2 5/32....	2				
23	56976GT	JIB BOOM MACH.....	1				
24	36561-SGT	HOSE COVER,JIB BOOM**.....	1				
25	824029GT	NUT,TL FLG,3/8-16,G,ZAG.....	2				
26	42797GT	PIN,1.25DIA X 12.50LG,2HOLE.....	2				
27		Ref. Jib Boom Manifolds (refer to 702.1).....	1				
28	824077GT	SCREW, HHF, 1/4-20 X .5, 8, ZAG.....	2				
29	139655GT	PIN,SLAVE CYLINDER.....	1				

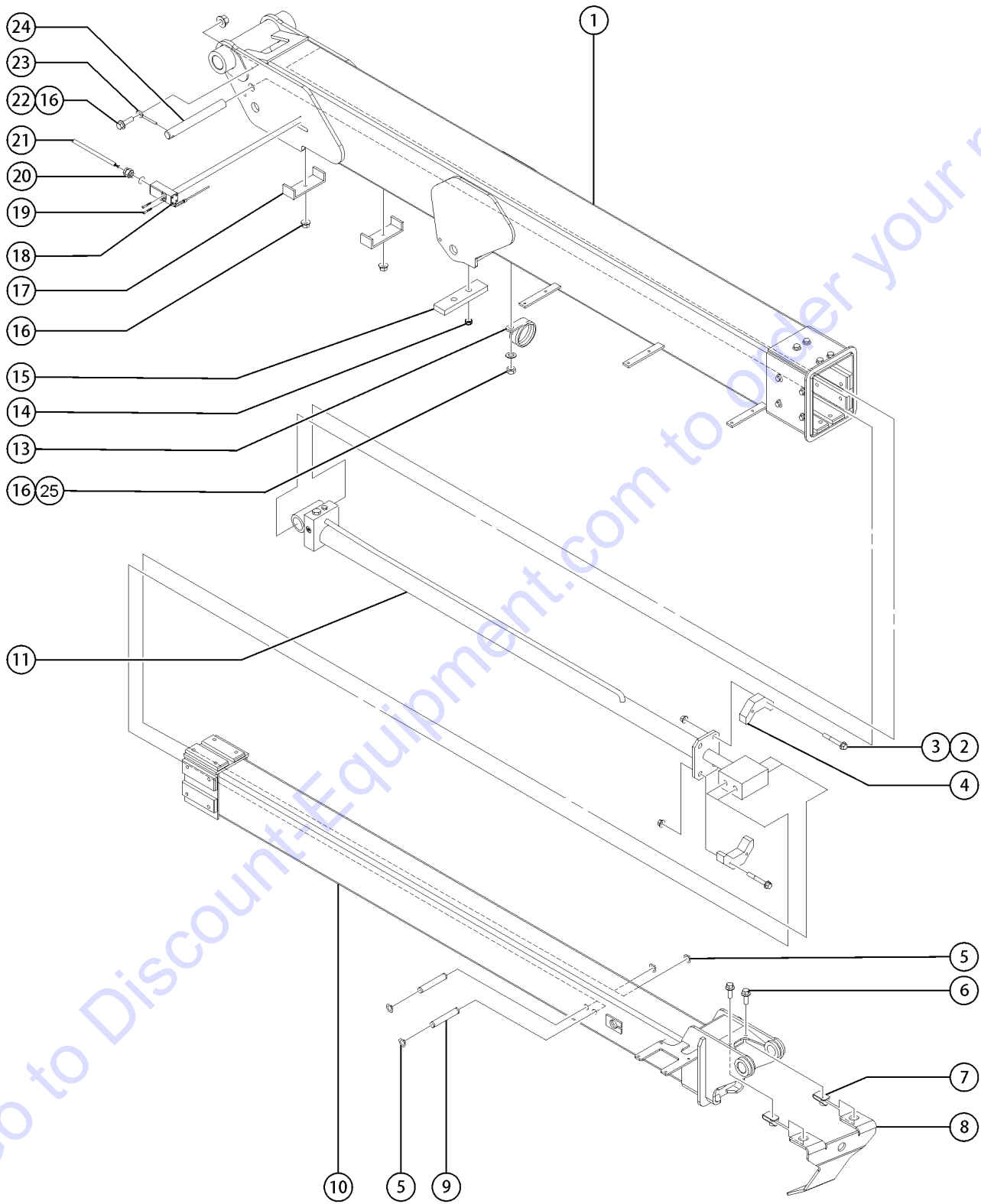
501.1 Primary Boom Wear Pads



501.1 Primary Boom Wear Pads

Item	Part No.	Description	Qty.
--		Refer to 404.1 for models without rotating jib	
1		Ref. Primary Boom (refer to 502.1)	
2	824061GT	SCREW,HHC,1/4-20X1.25,8,ZAG.....	8
3	824109GT	WASHER,LOCK,1/4,ZAG.....	28
4	824113GT	WASHER,FLAT,USS,1/4,ZAG.....	32
5	74134GT	SHIM,WEAR PAD .030 <i>as needed</i>	
6A	101429GT	WEAR PAD,EXT BOOM*** <i>6 x 2 x 0.6875 inches (measure depth before ordering) qty will vary</i>	10
6B	74044GT	WEAR PAD,EXT BOOM*** <i>6 x 2 x 0.4375 inches (measure depth before ordering) qty will vary</i>	
7	824060GT	SCREW,HHC,1/4-20X1.8,ZAG.....	20
8	74044GT	WEAR PAD,EXT BOOM*** <i>6 x 2 x 0.4375 inches (measure depth before ordering) qty will vary</i>	6
9		Ref. Extension Boom..... <i>(refer to 502.1)</i>	1
--	35675GT	BEARING,FL,1.25IDX1.5ODX1.25L.....	2
10	824079GT	SCREW,HHF,1/4-20X1.8,ZAG.....	1
11	56912GT	SPRING CLIP,1/4-20,.025-.15X.54,ZAG.....	1
12	27497GT	CLAMP,RUBBER CUSHIONED-2 5/32....	1

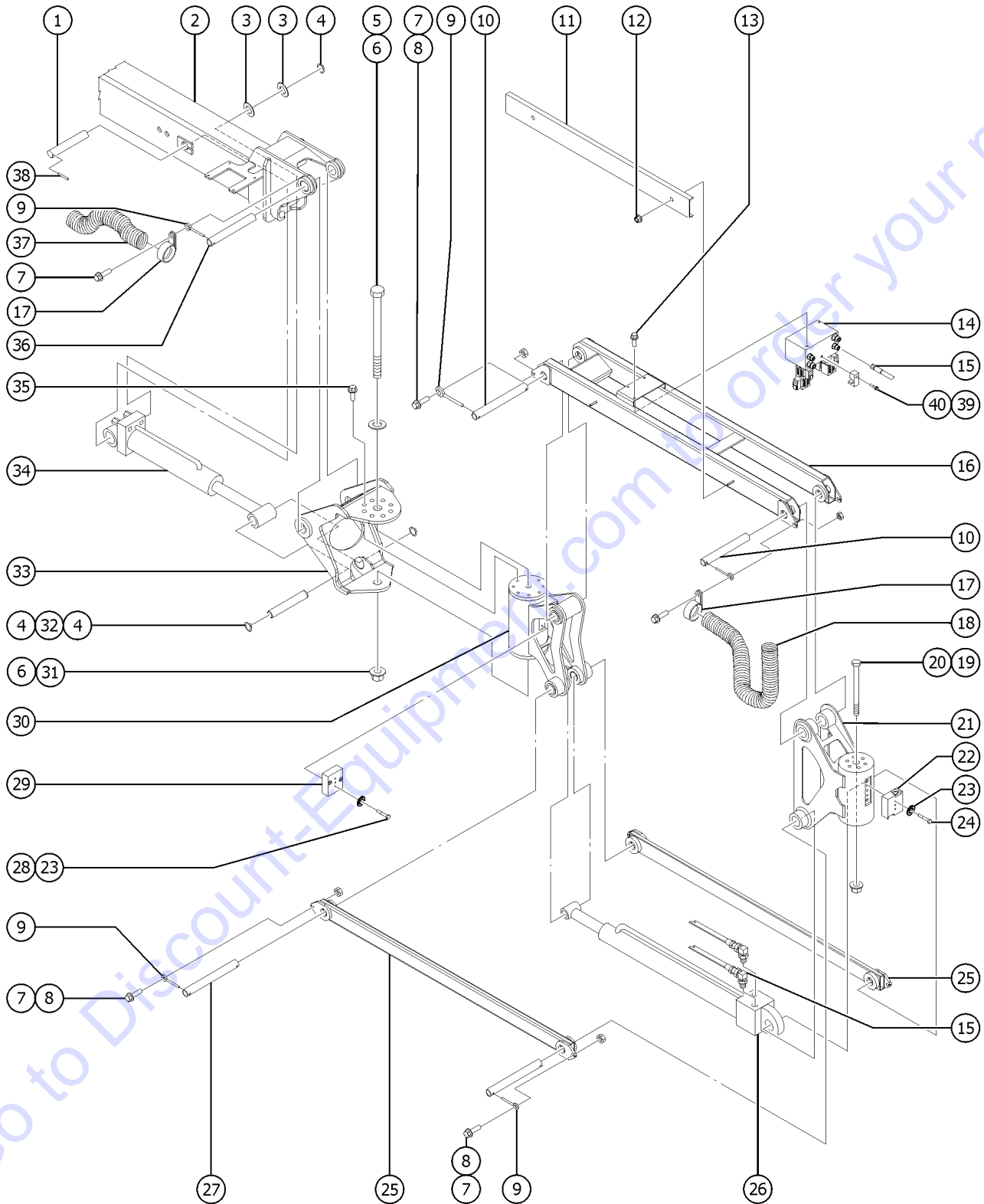
502.1 Primary and Extension Booms



502.1 Primary and Extension Booms

Item	Part No.	Description	Qty.	Item	Part No.	Description	Qty.
--		Refer to 404.1 for models without a rotating jib		21	56051GT	WIRE CABLE,16/2,WHT/BLK,SJEOW....1	1
--		Ref. Upper Pivot (refer to 403.1).....2		22	824092GT	SCREW,HHF,3/8-16X1.5,8,ZAG.....1	1
1	74345GT	PRIMARY BOOM TUBE ASSEMBLY**....1		23	825019GT	ROD END,.375X3.69,ZAG.....1	1
--	45071GT	BEARING,1.5IDX1.75ODX1.5L.....2		24	101557GT	PIN,1.00DIA X9.01LG,THREADED.....1	1
2	824082GT	SCREW,HHF,1/4-20X1.75,8,ZAG.....4		25	825358GT	WASHER,FLAT,5/16,USS,ZAG.....1	1
3A	824027GT	NUT,TL FLG,1/4-20,G,ZAG.....7 to SN 19124					
3B	824027GT	NUT,TL FLG,1/4-20,G,ZAG.....3 from SN 19125					
4	74066GT	WEAR PAD,EXT CYL ***.....1					
5	824163GT	SNAP RING,EXTERNAL,3/4,ZAG.....2					
6	824079GT	SCREW,HHF,1/4-20X1,8,ZAG.....2					
7	56912GT	SPRING CLIP,1/4-20,.025-.15X.54,ZAG.....2					
8	147079GT	BRACKET, HOSE ROUTING.....1					
--	56361GT	CABLE TIE,BUTTON,BLACK,14.75LG					
9	36192GT	PIN,0.75DIA X5.51LG,2RING.....2					
10	147637GT	ASSY, EXT BOOM, Z30NRJ.....1					
--	35675GT	BEARING,FL,1.25IDX1.5ODX1.25L.....2					
11	94214GT	CYLINDER,EXTENSION,Z30NRJ***.....1					
--	36648GT	VALVE,COUNTERBALANCE 2500 PSI* (for 94214 cylinder)					
--	94257GT	SEAL KIT, 94214 (for 94214 cylinder)					
12A	824113GT	WASHER,FLAT,USS,1/4,ZAG.....3 to SN 19124					
12B	824113GT	WASHER,FLAT,USS,1/4,ZAG.....2 from SN 19125					
13	27497GT	CLAMP,RUBBER CUSHIONED-2 5/32....3					
14	824038GT	NUT, TL JAM, 3/8-16, A, ZAG.....2					
15	56849GT	PAD,REST,1"THICK,W/STUDS*.....1					
16A	824029GT	NUT,TL FLG,3/8-16,G,ZAG.....2 to SN 19124					
16B	1274322GT	NUT,NYLOCK FLG,3/8-16,F,ZAG.....3 from SN 19125					
17	54530GT	CLAMP,HOSE,ALUMINUM.....2					
18	106082GT	HARNES,LS,EXT/RET LS1 Z30					
--	106433GT	LS SPRING WAND (ZCY91)					
--	19491GT	CONTACTOR,LIMIT SWITCH					
--	22359GT	SPRING ARM,LIMIT SWITCH,6.25"					
--	56051GT	WIRE CABLE,16/2,WHT/BLK,SJEOW.216-inches					
--	88356-127J5GT	SWITCH,LIMIT,W/6.25"SPRING ARM....1					
19	824219GT	SCREW, PHPM SEMS ET, 8-32 X 1.25, ZAG.....2					
20	7056GT	CONN,SQUEEZE,1/2NPT .38-.50,SM....1					

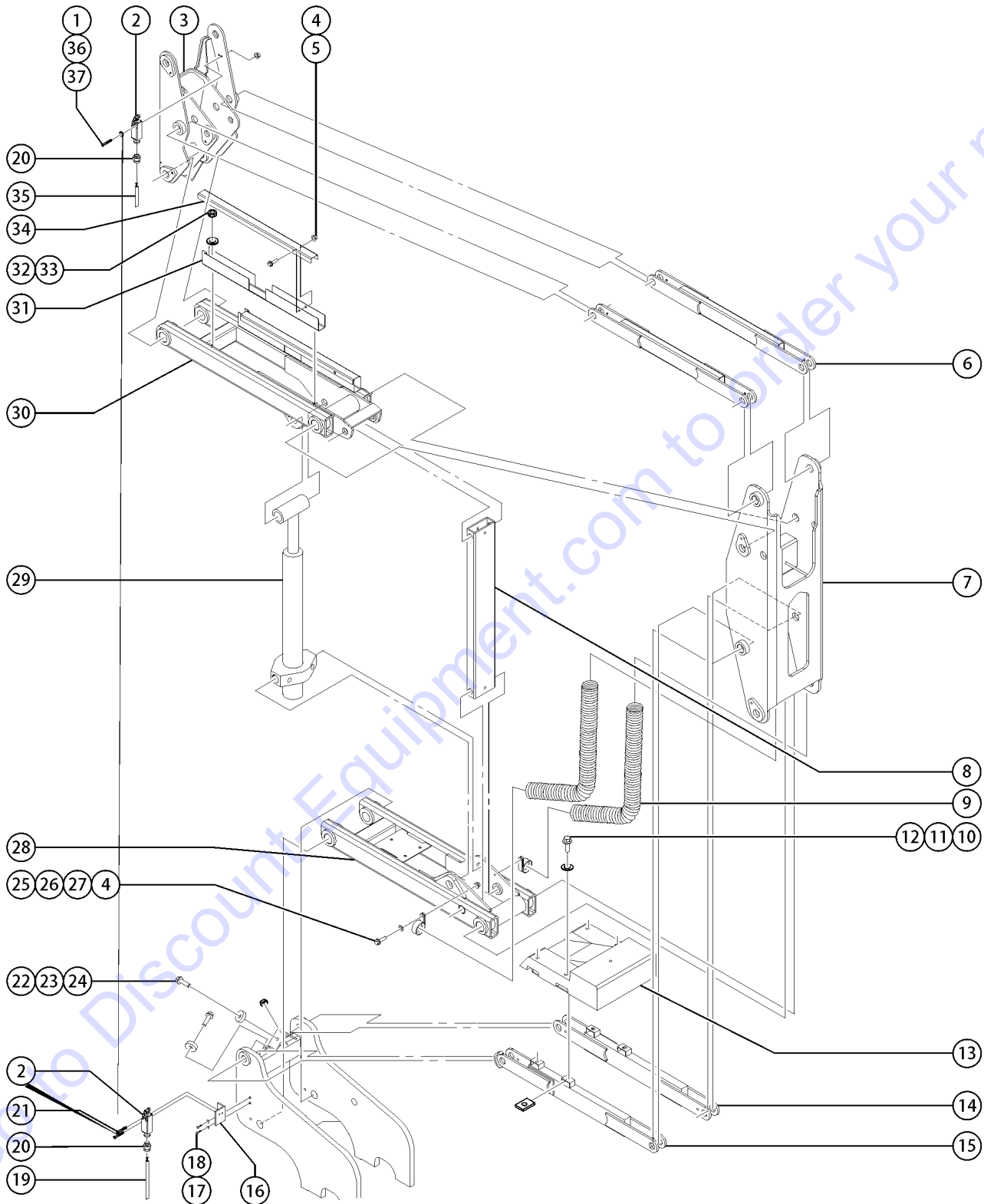
503.1 Rotating Jib Boom Assembly



503.1 Rotating Jib Boom Assembly

Item	Part No.	Description	Qty.	Item	Part No.	Description	Qty.
1	36190GT	PIN,SLAVE CYL,1.25 X 6.06***	1	32	139655GT	PIN,SLAVE CYLINDER	1
2		Ref. Extension Boom (refer to 502.1)		33	74347GT	JIB PIVOT ASSEMBLY**	1
3	824152GT	WASHER,SHIM,1.270X1.875X.062,Z	2	--	35675GT	BEARING,FL,1.25IDX1.5ODX1.25L	2
4	824164GT	SNAP RING,EXTERNAL,1.25,ZAG	3	34		Ref. Slave Cylinder	1
5	824075GT	SCREW,HHC,1-8X12.75,5,ZAG	1			refer to 406.1	
6	824116GT	WASHER, FLAT, F436, 1.0, ZAG	2	35A	1256843GT	SCREW,HHC,1/2-13X1.25,8,ZAG	8
7	824092GT	SCREW,HHF,3/8-16X1.5,8,ZAG	4	35B	825353GT	WASHER,FLAT,1/2,SAE,HRD,ZAG	8
8	824025GT	NUT,TL,3/8-16,C,ZAG	4	36	74089GT	PIN,1.25DIA X 9.63LG,1HOLE	1
9	825019GT	ROD END,.375X3.69,ZAG	5	37	42939GT	WIRE LOOM,1.88 DIA	24-inches
10	36199GT	PIN,1.25DIA.X10.38LG,1HOLE	2	38	10665GT	PIN,ROLL,.25 X 1.5***	1
11	36561-SGT	HOSE COVER,JIB BOOM**	1	39	824080GT	SCREW,HHF,1/4-20X1.25,8,ZAG	1
12	824029GT	NUT,TL FLG,3/8-16,G,ZAG	2	40	229074GT	CLAMP,WIRE HARNESS	1
13	824077GT	SCREW, HHF, 1/4-20 X .5, 8, ZAG	2				
14		Ref. Jib Boom Manifold	1				
		refer to 702.1					
15		Ref. Hydraulic Components	4				
		refer to 802.1					
16	56976-SGT	JIB BOOM MACH***	1				
17	27497GT	CLAMP,RUBBER CUSHIONED-2 5/32	2				
18	42939GT	WIRE LOOM,1.88 DIA	22-inches				
19	1273205GT	SCREW,HHC,3/4-10X9.5,8,ZAG	1				
20A	1256863GT	WASHER,FLAT,.75,SAE,HRD,ZAG	1				
20B	1257458GT	NUT,TL,3/4-10,C,ZAG	1				
21	233717GT	ROTATOR,PLAT,Z30/34/Z40	1				
--	233745GT	SEAL AND BRG KIT,4.5K ROTATOR	1				
--	30222GT	BEARING,FL,1.25IDX1.41ODX1.50L					
22	56929GT	MANIFOLD,ROTATOR,180 DEG.***	1				
--	62506GT	VALVE - COUNTERBALANCE**					
--	62507GT	O-RING, ROTATOR MANIFOLD					
23	824109GT	WASHER,LOCK,1/4,ZAG	6				
24	824062GT	SCREW,HHC,1/4-20X1.5,8,ZAG	3				
25	36054-SGT	COMPRESSION MEMBER (BORED)***	2				
26		Ref. Jib Cylinder (refer to 406.1)	1				
27	42797GT	PIN,1.25DIA X 12.50LG,2HOLE	1				
28	824063GT	SCREW,HHC,1/4-20X1.75,8,ZAG	3				
29	74051GT	MANIFOLD,ROTATOR 200 DEG	1				
--	62506GT	VALVE - COUNTERBALANCE**					
--	62507GT	O-RING, ROTATOR MANIFOLD					
30	226540GT	ROTATOR,JIB,180 DEG,15K	1				
--	226542GT	SEAL KIT, 15K ROTATOR					
--	34245GT	BEARING,1.25IDX1.50X1.25L	2				
--	35675GT	BEARING,FL,1.25IDX1.5ODX1.25L	4				
31	826794GT	NUT,TL,1-8,C,ZAG	1				

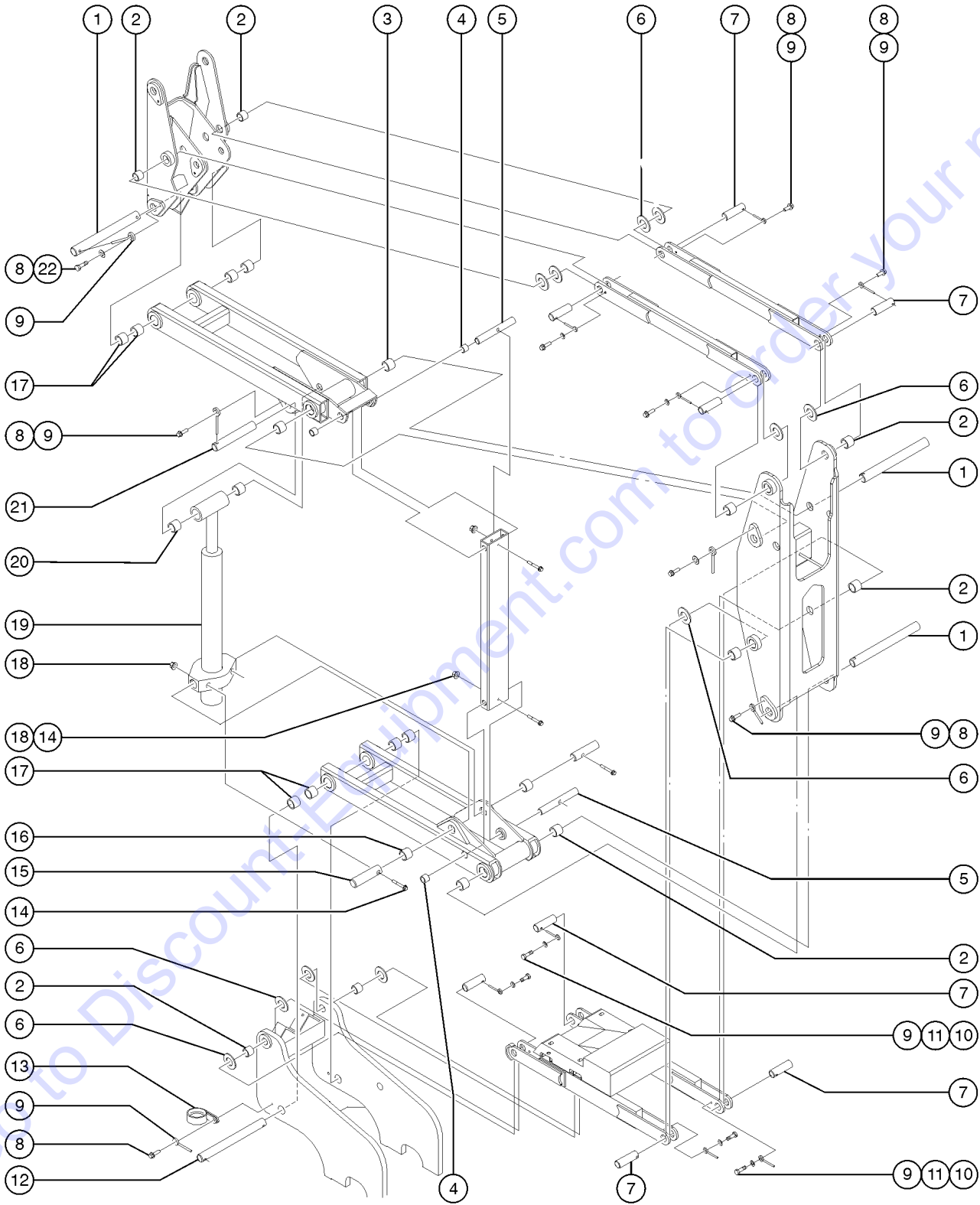
504.1 Secondary Boom - View 1



504.1 Secondary Boom - View 1

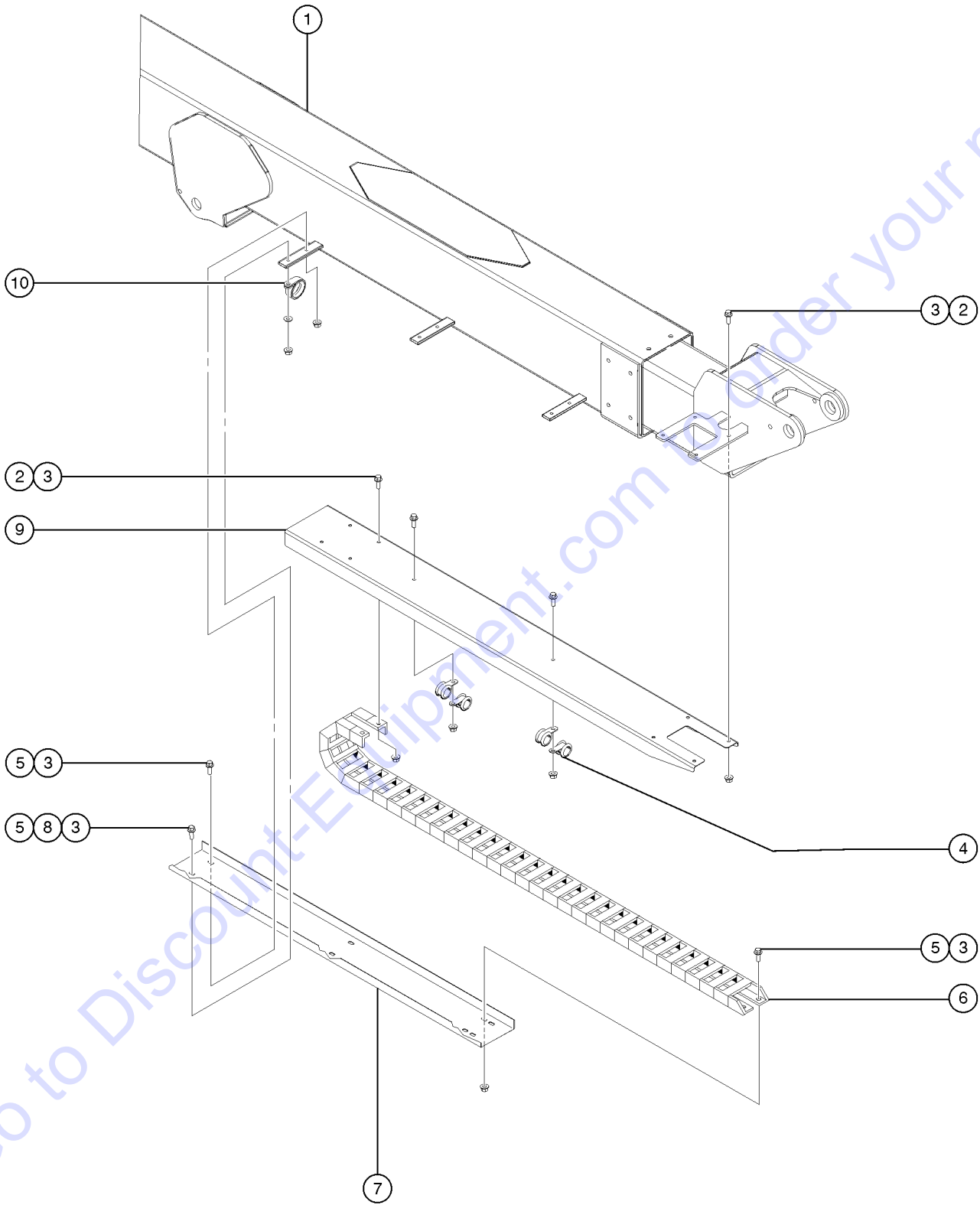
Item	Part No.	Description	Qty.	Item	Part No.	Description	Qty.
1A	824219GT	SCREW, PHPM SEMS ET, 8-32 X 1.25, ZAG.....2 <i>from SN 15133 to 17342</i>	2	30	128040GT	LOWER SECONDARY BOOM ASSEMBLY.....1	1
1B	1261606GT	SCREW,PHPM,8-32X1.75,ZAG.....2 <i>from SN Z30N16F-17343</i>	2	31	74271GT	HOSE TRACK,UPPER***.....1	1
2	88366-116F5GT	SWITCH,LIMIT,W/ROLLER ARM.....2	2	32A	824040GT	NUT, ACORN, 3/8-16, ZAG.....4 <i>to SN 19093</i>	4
--	106427GT	LS ROT.HEAD W/O LEVER (ZCE01)		32B	1274322GT	NUT,NYLOCK FLG,3/8-16,F,ZAG <i>from SN 19094</i>	
--	106428GT	LS STL ROLLER PLUNGER (ZCE02)		33A	824122GT	WASHER,FLAT,.375X1.25X.062,ZAG....4 <i>to SN 19093</i>	4
--	106429GT	LS METAL END PLUNGER (ZCE10)		33B	825353GT	WASHER,FLAT,1/2,SAE,HRD,ZAG <i>from SN 19094</i>	
--	106434GT	LS BLUE PLASTIC BODY (XCKP)		34	42609GT	HOSE TRACK COVER,UPPER ARM....1	1
--	19491GT	CONTACTOR,LIMIT SWITCH		35	44133GT	WIRE CABLE,16/4 CON.TPE JKT*184-inches	
--	76450GT	CONN.SQZ,PG 11,.23-.30,W/ORING		36	1257390GT	WASHER,FLAT,#8,SAE,ZAG.....2 <i>from SN Z30N16F-17343</i>	2
3	40447GT	UPPER MIDPIVOT ASSY,Z34 & Z34N....1	1	37	1271081GT	NUT,NYLOCK,8-32,8,ZAG.....2 <i>from SN Z30N16F-17343</i>	2
4	824027GT	NUT,TL FLG,1/4-20,G,ZAG.....3	3				
5	824083GT	SCREW,HHF,1/4-20X2.5,8,ZAG.....4	4				
6	74945GT	COMPRESSION ARM WLDMT 38.50 **2	2				
7	40446GT	LOWER MIDPIVOT ASSY,Z34 &Z34N*1	1				
8	74232GT	CONNECTING LINK Z30N & Z34***.....1	1				
9	42939-5400GT	WIRE LOOM,1.88 DIA.....54-inches					
10	824095GT	SCREW,HHF,3/8-16X3,8,ZAG.....4	4				
11	824120GT	WASHER,FLAT,.375X1.50X.125,ZAG....4	4				
12	29868GT	SPRING CLIP,3/8-16,.05-.20X.73,ZAG....4	4				
13	36620GT	COUNTERWEIGHT,CAST,400 LBS.....1	1				
14	94425GT	COMP ARM WELD LOWER, RIGHT***..1	1				
15	128634GT	WELDMENT, LWR COMPRESION ARM					
16	42413GT	ANGLE,SWITCH MOUNT***.....1	1				
17	824059GT	SCREW,HHF,1/4-20X.75,8,ZAG.....2	2				
18	824109GT	WASHER,LOCK,1/4,ZAG.....2	2				
19	56051GT	WIRE CABLE,16/2,WHT/BLK,SJEOW.72-inches					
20	7056GT	CONN,SQUEEZE,1/2NPT .38-.50,SM....2	2				
21	824223GT	SCREW,PHPM SEMS ET,10-32X1.25,....2	2				
22	824091GT	SCREW,HHF,3/8-16X1.25,8,ZAG.....2	2				
23	74085GT	REST PAD,UPPER PIVOT Z30N.....2	2				
24	824029GT	NUT,TL FLG,3/8-16,G,ZAG.....2	2				
25	824079GT	SCREW,HHF,1/4-20X1,8,ZAG.....2	2				
26	824113GT	WASHER,FLAT,USS,1/4,ZAG.....2	2				
27	27497GT	CLAMP,RUBBER CUSHIONED-2 5/32....2	2				
28	128039GT	UPPER SEC BOOM ASSY Z30N RJ....1	1				
29	101349GT	CYLINDER,ELEVATE, Z30N.....1	1				
--	31106GT	VALVE,CNTERBAL,CBBB-LHN@3000**..1	1				
--	94254GT	SEAL KIT, 94211, 94254, 101349.....1	1				

505.1 Secondary Boom - View 2



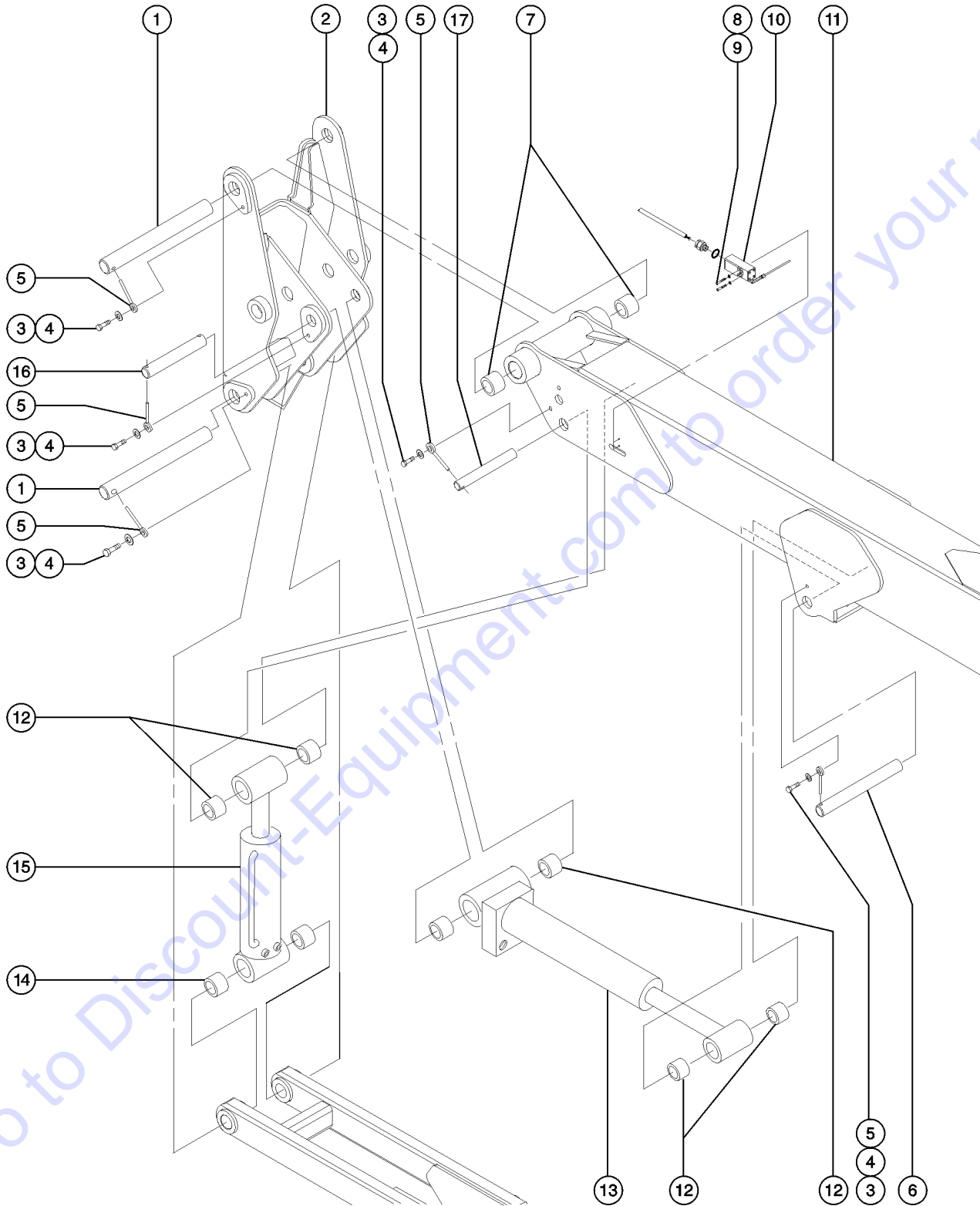
Item	Part No.	Description	Qty.
--	107935GT	KIT, SWING HOSE CLAMP, FIELD <i>includes 106959GT, 106960PGT, 107933GT, 107934, and instructions 110148GT</i>	
1	36194GT	PIN,1.50DIAX15.13LG,1HOLE.....	3
2	34245GT	BEARING,1.25IDX1.50X1.25L.....	10
3	45071GT	BEARING,1.5IDX1.75ODX1.5L.....	2
4	36245GT	BEARING,FL,1.00IDX1.25ODX0.84L....	4
5	36202GT	PIN,1.00DIAX7.25LG,1HOLE.....	2
6	824151GT	WASHER,SHIM,1.270X2.130X.062,Z....	8
7	36390GT	PIN,1.25DIAX3.63LG,THREADED.....	8
8	824091GT	SCREW,HHF,3/8-16X1.25,8,ZAG.....	9
9	825019GT	ROD END,.375X3.69,ZAG.....	3
10	824067GT	SCREW,HHC,3/8-16X1,8,ZAG.....	4
11	824110GT	WASHER,LOCK,3/8,ZAG.....	4
12	36389GT	PIN,1.50DIAX16.13LG,1HOLE.....	1
13	27497GT	CLAMP,RUBBER CUSHIONED-2 5/32....	1
14	824094GT	SCREW,HHF,3/8-16X2.75,8,ZAG.....	4
15	36205GT	PIN,1.25DIAX3.00LG,THREADED.....	2
16	36246GT	BEARING,FL,1.25IDX1.50ODX1.09L....	2
17	18396GT	BEARING,1.5IDX1.75ODX1.0L.....	4
18	824029GT	NUT,TL FLG,3/8-16,G,ZAG.....	4
19		Ref. Elevate Cylinder (refer to 504.1)	
20	25683GT	BEARING,POLYGON,20DU12.....	2
21	74089GT	PIN,1.25DIAX9.63LG,1HOLE.....	1
22	825358GT	WASHER,FLAT,5/16,USS,ZAG.....	1

506.1 Cable Track



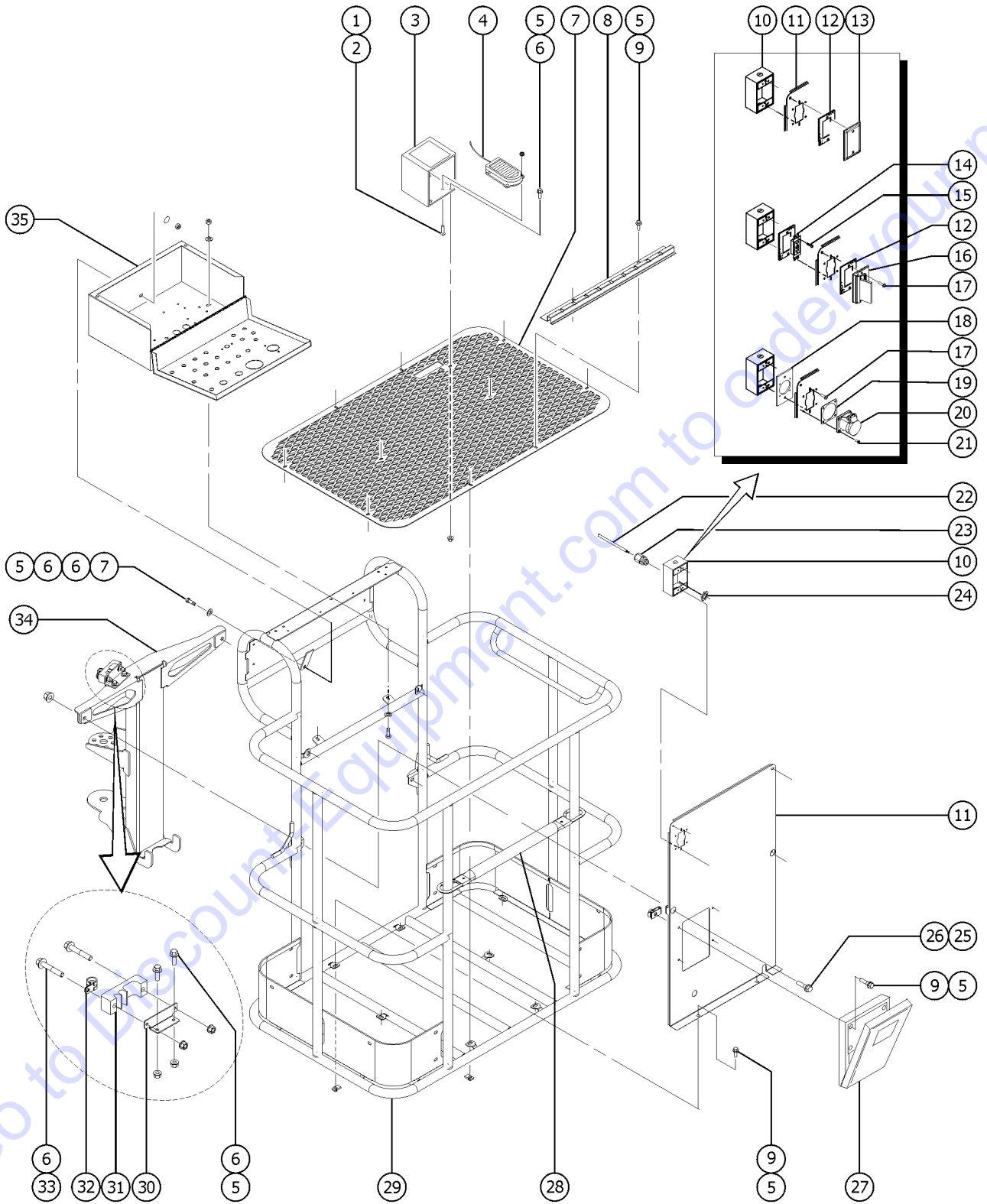
Item	Part No.	Description	Qty.
1		Ref. Primary and Extension Booms (refer to 502.1)	
2	824079GT	SCREW,HHF,1/4-20X1,8,ZAG.....	10
3	824027GT	NUT,TL FLG,1/4-20,G,ZAG.....	16
4	6833GT	CLAMP,0.50,#8 X 1/4,RUB CUSH.....	4
5	824078GT	SCREW,HHF,1/4-20X.75,8,ZAG.....	6
6	139537GT	CABLE TRACK,NYLATRAC,26 LINK.....	1
--	139540GT	REPAIR LINK,NYLATRAC,7 LINKS	
--	139541GT	BRACKET SET,NYLATRAC,KS400	
--	139542GT	LINK,NYLATRAC,KS400	
7	56983PGT	CHANNEL,LWR TRAY PLASTIC TK **	
8	824113GT	WASHER,FLAT,USS,1/4,ZAG.....	3
9	74119PGT	CHANNEL, CABLE TRACK, UPPER.....	1
10	27497GT	CLAMP,RUBBER CUSHIONED-2 5/32....	3

507.1 Mid Pivot



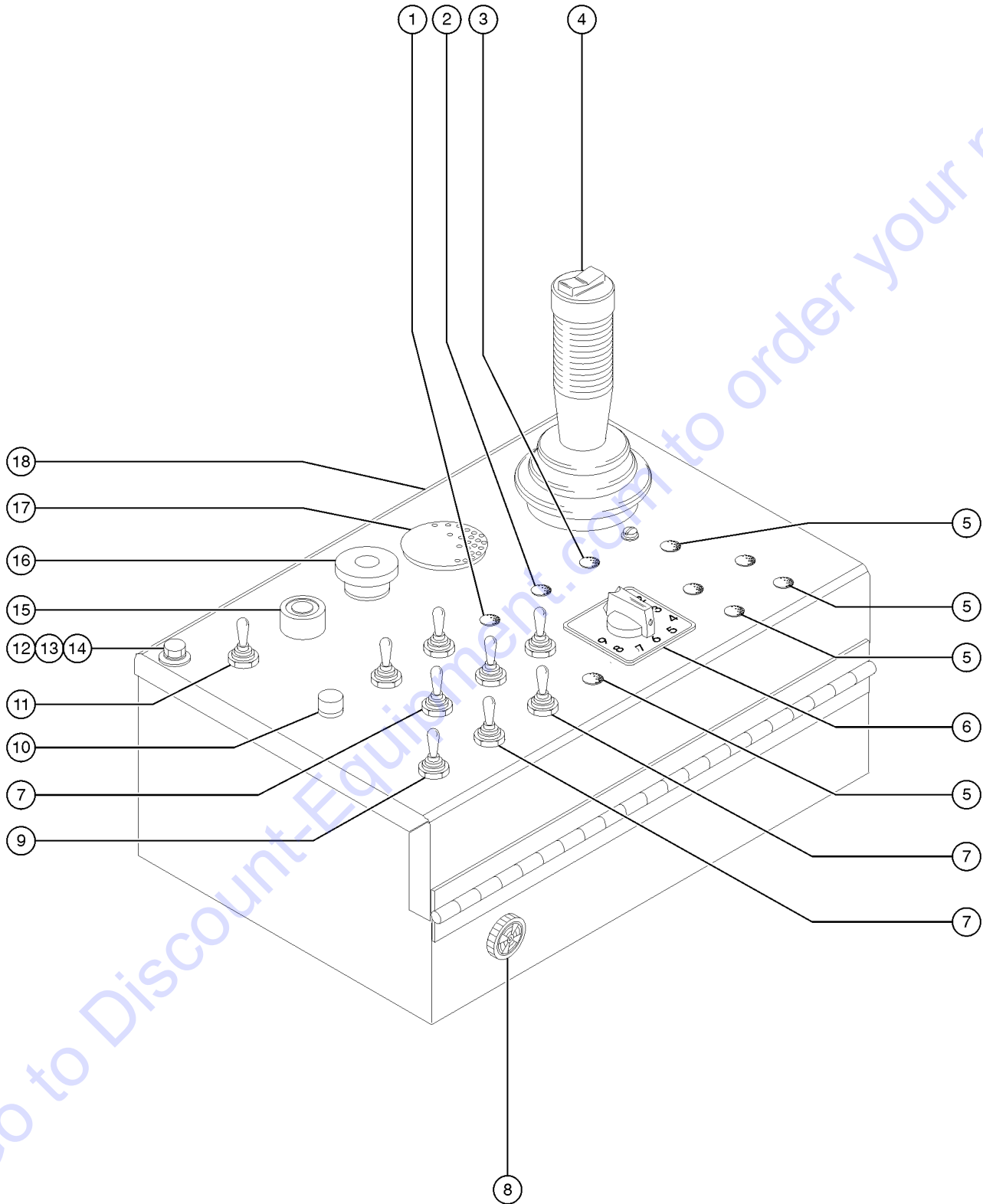
Item	Part No.	Description	Qty.
1	36194GT	PIN,1.50DIAX15.13LG,1HOLE.....1	1
2	40447GT	UPPER MIDPIVOT ASSY,Z34 & Z34N....1	1
3	6019GT	SCREW,HHC,3/8-16 X 1.25 GRD 5	
4	6021GT	WASHER,LOCK, .375	
5	825019GT	ROD END, .375X3.69,ZAG.....3	3
6	36198GT	PIN,1.25DIAX8.12LG,1HOLE	
7	45071GT	BEARING,1.5IDX1.75ODX1.5L.....2	2
8	49821GT	SCREW,PHILLIPS,PHM,8-32 X 1.25	
9	6607GT	WASHER,LOCK,#10 PLTD	
10	88356 127.5GT	SWITCH,LIMIT,W/6.25"SPRING ARM.....1	1
--	106082GT	HARNES,LS,EXT/RET LS1 Z30	
--	106433GT	LS SPRING WAND (ZCY91)	
11		Ref. Primary Boom Tube Assembly (refer to 502.1)	
12	47377GT	BEARING,1.25 ID X 1.5 OD X .75.....6	6
13	94215GT	CYLINDER,PRIMARY LIFT.....1 <i>includes item 12</i>	1
--	43937GT	VALVE,CB.CBBC-LHN@3200***	
--	94258GT	SEAL KIT, 94215, 94430	
14	52625GT	BEARING,1.50 X 1.66 X 1.5	
15	94216GT	CYLINDER,MASTER <i>includes items 12 and 14</i>	
--	94259GT	SEAL KIT, 94216	
16	36198GT	PIN,1.25DIAX8.12LG,1HOLE	
17	74091GT	PIN,1.25DIAX9.13LG,1HOLE.....1	1

601.1 Platform



Item	Part No.	Description	Qty.	Item	Part No.	Description	Qty.
--	101985GT	PLAT ASSY W/DECAL(US/CANADA).....1 <i>ANSI and CSA</i>	1	15	33759GT	SCREW,PHILLIPS,PHM,8-32 X.375.....2	2
--	101986GT	PLAT ASSY W/DECAL (CE).....1 <i>CE</i>	1	16	74006GT	COVER,GFCI,HORIZONTAL,WEATHER.1	1
--	101987GT	PLAT ASSY W/DECAL (AUSTRALIA).....1 <i>AUS</i>	1	17	824214GT	SCREW,PHPM,6-32X.5,ZAG.....2	2
--	101988GT	PLAT ASSY W/DECAL (ASIA/S.AMER...1 <i>Asia and S. America</i>	1	18	T112561GT	PLATE,UK,POWER TO PLAT.....1	1
--	94745PGT	TOEBOARD,ENTRY EUROPEAN PNTD**.....1	1	19	66356GT	GASKET, UK RECEPTACLE.....1	1
1	824225GT	SCREW,FHPM,10-32X.75,ZAG.....2	2	20	T112560GT	RECEPTACLE,UK,110V.....1 <i>is included with kit T112563GT</i>	1
2	824032GT	NUT,TL FLG,10-32,F,ZAG.....2	2	21	1255788GT	SCREW,FHPM,8-32X.375,ZAG.....4	4
3A	32710GT	GUARD,FOOTSWITCH,W/DECAL STEEL <i>ANSI, CSA and AUS</i>	1	22	43956GT	WIRE CABLE,14/3 CON.TPE JKT* <i>refer to 306.1</i>	1
3B	30807P-SGT	FOOTSWITCH HOUSING,PAINTED <i>CE, Asia and S. America</i>	1	23	7056GT	CONN,SQUEEZE,1/2NPT .38-.50,SM....1	1
4	227620GT	ASSEMBLY,FOOT SWITCH.....1	1	24	6935GT	LOCKNUT,ELEC,1/2".....1	1
--	119058GT	CONN PLUG 4 WAY ENDCAP DT.....1	1	25	824087GT	SCREW,HHF,5/16-18X1.25,8,ZAG	1
--	1257248GT	SCREW, SHC, M4-0.7X8, DIN912,	1	26	824028GT	NUT,TL FLG,5/16-18,G,ZAG	1
--	1257249GT	WASHER, LOCK, M4, SS	1	27A	44743GT	MANUAL BOX W/DECALS***.....1 <i>USA/Canada/Australia</i>	1
--	227564GT	FOOT SWITCH,20A IP65.....1	1	27B	24514GT	BOX,INSTRUCTION STORAGE <i>Europe/Asia/South America (decals required; refer to Section100)</i>	1
--	33576GT	CONN,SQZ,BLK,1/2NPT,.38-.50,SM....1	1	28	102992GT	SLIDING MIDRAIL KIT,PTD.....1	1
--	38681GT	TERMINAL,#10 RING,BLUE,REEL.....3	3	29A	101981GT	PLAT RAIL ASSY 4'ANSI/CSA.....1 <i>railings only; no control box, flooring or decals plate</i>	1
--	43960GT	WIRE CABLE,16/4 CON.TPE JKT.....60-inches	1	29B	101982GT	PLAT RAIL ASSY, 4' CE.....1 <i>railings only; no control box, flooring or decals plate</i>	1
--	60429GT	LOCK,PLUG 4 WAY,14-18GA.....1	1	29C	101983GT	PLAT RAIL ASSY 4' AUS.....1 <i>railings only; no control box, flooring or decals plate</i>	1
--	73714GT	TERM,NI SOC,S&F,16-18GA,REEL.....4	4	29D	101984GT	PLAT RAIL ASSY 4' ASIA/S.AMER.....1 <i>railings only; no control box, flooring or decals plate</i>	1
--	73739GT	BOOT,PLUG 4 WAY.....1	1	30	128667GT	BRACKET, CABLE STRAIN RELIEF.....1	1
5	824078GT	SCREW,HHF,1/4-20X.75,8,ZAG	1	31	128668GT	CLAMP,CABLE STRAIN RELIEF.....1	1
6	824027GT	NUT,TL FLG,1/4-20,G,ZAG	1	32	128669GT	BACKING PLATE, PLATFORM CLAMP.....1	1
7	56465PGT	FLOORING,PLATFORM 46X30,PAINT...1	1	33	824081GT	SCREW,HHF,1/4-20X1.5,8,ZAG	1
8	56656PGT	PLATFORM STEP * PAINTED.....1 <i>option</i>	1	34	56500-SGT	WELDMENT,PLATFORM SUPPORT***.....1 <i>refer to 905.1 for Platform Overload option</i>	1
9	56912GT	SPRING CLIP,1/4-20,.025-.15X.54,ZAG	1	35		Ref. Platform Control Box (refer to 602.1 and 603.1) <i>refer to 603.1 Platform Controls</i>	1
10	10775GT	T-BOX,2.75 X 4.5 X 2.0.....1	1				
11A	62508GT	DECAL PLATE W/D,PLAT,Z30/34**.....1 <i>ANSI/CSA; includes item 27</i>	1				
11B	62516GT	DECAL PLATE W/D,PLAT,Z30/34**.....1 <i>CE; includes item 27</i>	1				
11C	101980GT	DECAL PLATE ASSY,W/SYM DECALS.....1 <i>CE, Asia and S. America; includes item 27</i>	1				
11D	231204GT	ASSY,DECAL PLATE, Z30 AUS.....1 <i>AUS; includes item 27</i>	1				
12	74052GT	GASKET,COVER,GFCI,WEATHERPROOF	1				
13	10777GT	COVER,BLANK.....1	1				
14	13585GT	OUTLET, 110V.....1 <i>ANSI/CSA</i>	1				

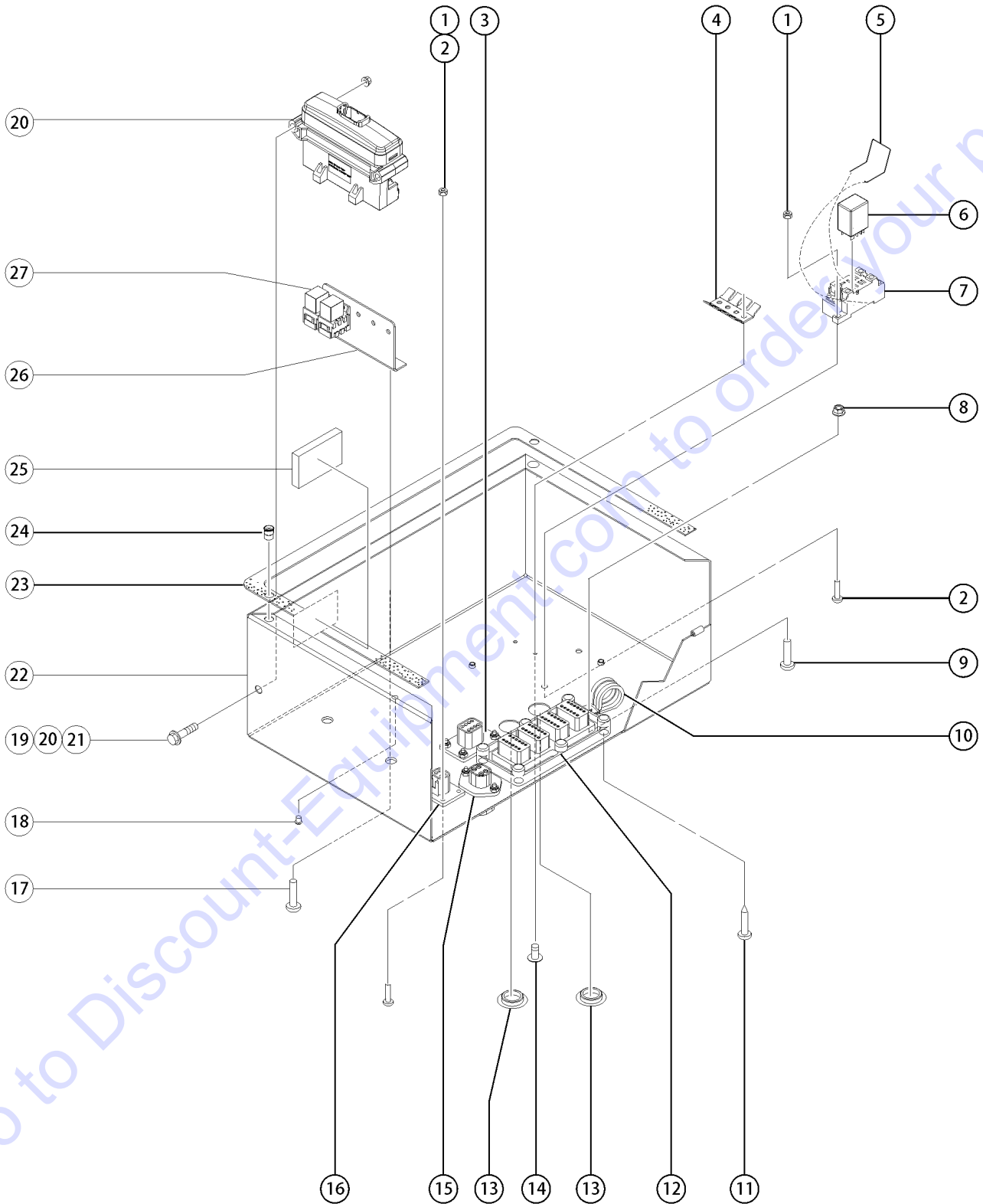
602.1 Platform Controls - External View



602.1 Platform Controls - External View

Item	Part No.	Description	Qty.
1A	229567GT	PLUG,SANTOPRENE .5 BLACK DOME	
1B	128202GT	SWITCH TOGGLE ASSY DPDT 3P MOM.....1 <i>option, jib boom rotate switch</i>	1
2A	229567GT	PLUG,SANTOPRENE .5 BLACK DOME	
2B	824878GT	LIGHT,LED IND. RED 24V NH <i>option, machine not level indicator light</i>	
3A	229567GT	PLUG,SANTOPRENE .5 BLACK DOME	
3B	824878GT	LIGHT,LED IND. RED 24V NH <i>option, platform overload indicator light</i>	
4		Ref: JOYSTICK,5K-0 OHM,W/RELAY <i>12-pin connector, refer to 604.1</i>	
5	229567GT	PLUG,SANTOPRENE .5 BLACK DOME.....6	6
6	56886GT	CONTROLLER,ROTARY 24V W/RAMP.....1 <i>refer to 605.1</i>	1
--	35680GT	LEGEND,PLSTC,"CREEP TO 9"*** <i>for 56886</i>	
7	128202GT	SWITCH TOGGLE ASSY DPDT 3P MOM.....7	7
8	45383GT	ALARM,WARBLE TONE 5-30 VDC***.....1 <i>nut ring not included</i>	1
--	72326GT	NUT - PLASTIC,RING FOR ALARMS.....1	1
9	128200GT	SWITCH TOGGLE ASSY SPDT 3P MOM.....1 <i>drive enable switch</i>	1
10	824878GT	LIGHT,LED IND. RED 24V NH.....1 <i>drive enable indicator light</i>	1
11	128203GT	SWITCH TOGGLE ASSY SPDT 2P MOM.....1 <i>auxiliary power switch</i>	1
12	6090GT	SCREW,HHC,1/4-20 X .75	
13	6356GT	WASHER,LOCK,.25	
14	6638GT	WASHER,FLAT,USS,1/4"Y	
15	122513GT	KIT,HORN SVC BB&SM BOOM.....1	1
--	66813GT	BUTTON,PUSH,BLACK W/SEAL***	
--	66815GT	BASE, W/1 N.O. CONTACTS***	
16	122514GT	KIT,ESTOP SVC BB&SM BOOM.....1	1
--	226321GT	BOOT(BELLOWS),E-STOP, RED	
--	66812GT	BUTTON,PUSH,RED MUSHROOM HEAD	
--	66818GT	CONTACT, N.C.	
--	66821GT	BASE,WITHOUT CONTACTS	
17	45840GT	PLUG,NYLON 2.00 BLACK DOMED.....1 <i>refer to 903.1 for battery charge indicator option</i>	1
18		ref. Platform Control Box <i>refer to 603.1</i>	

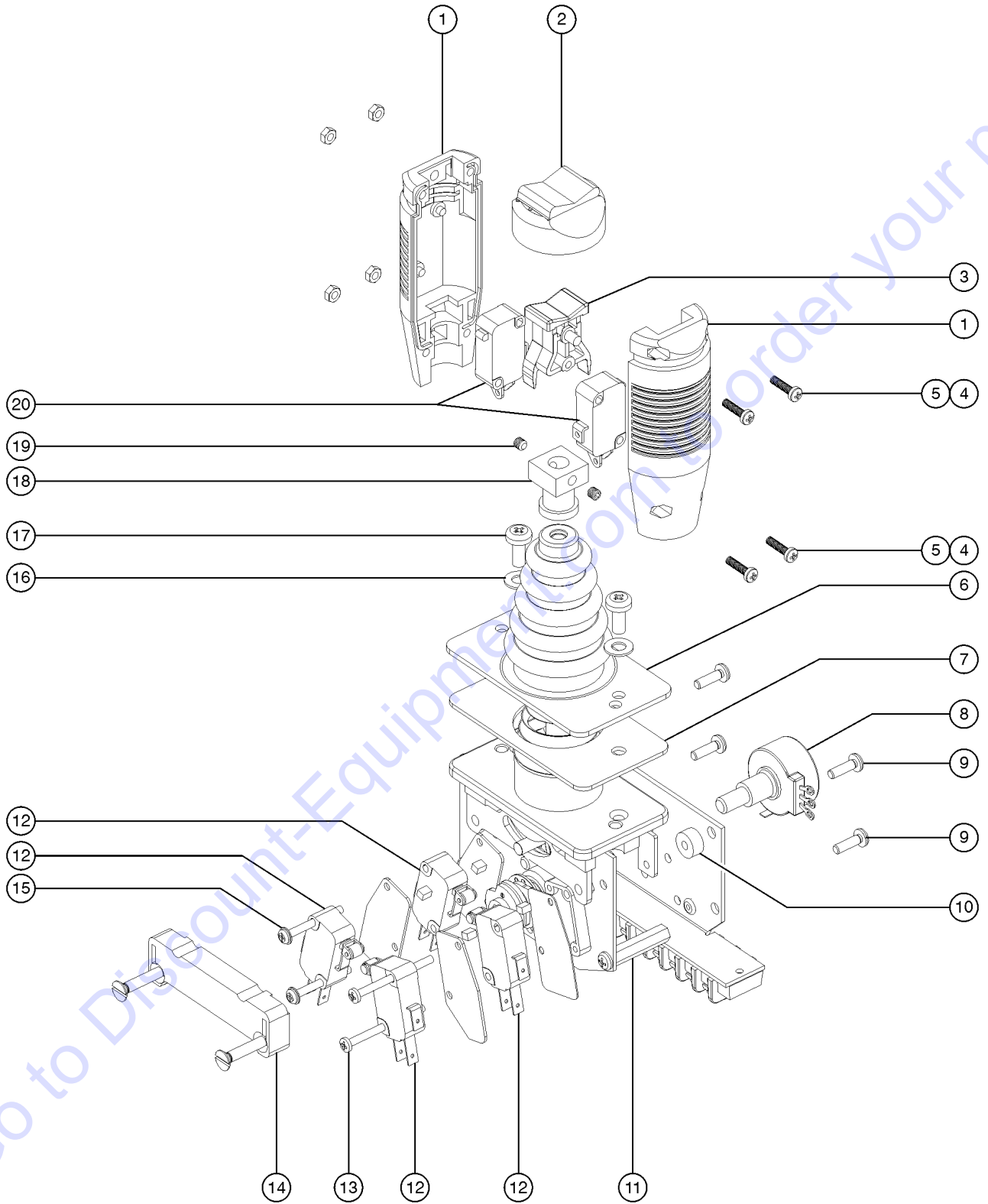
603.1 Platform Controls - Internal View



603.1 Platform Controls - Internal View

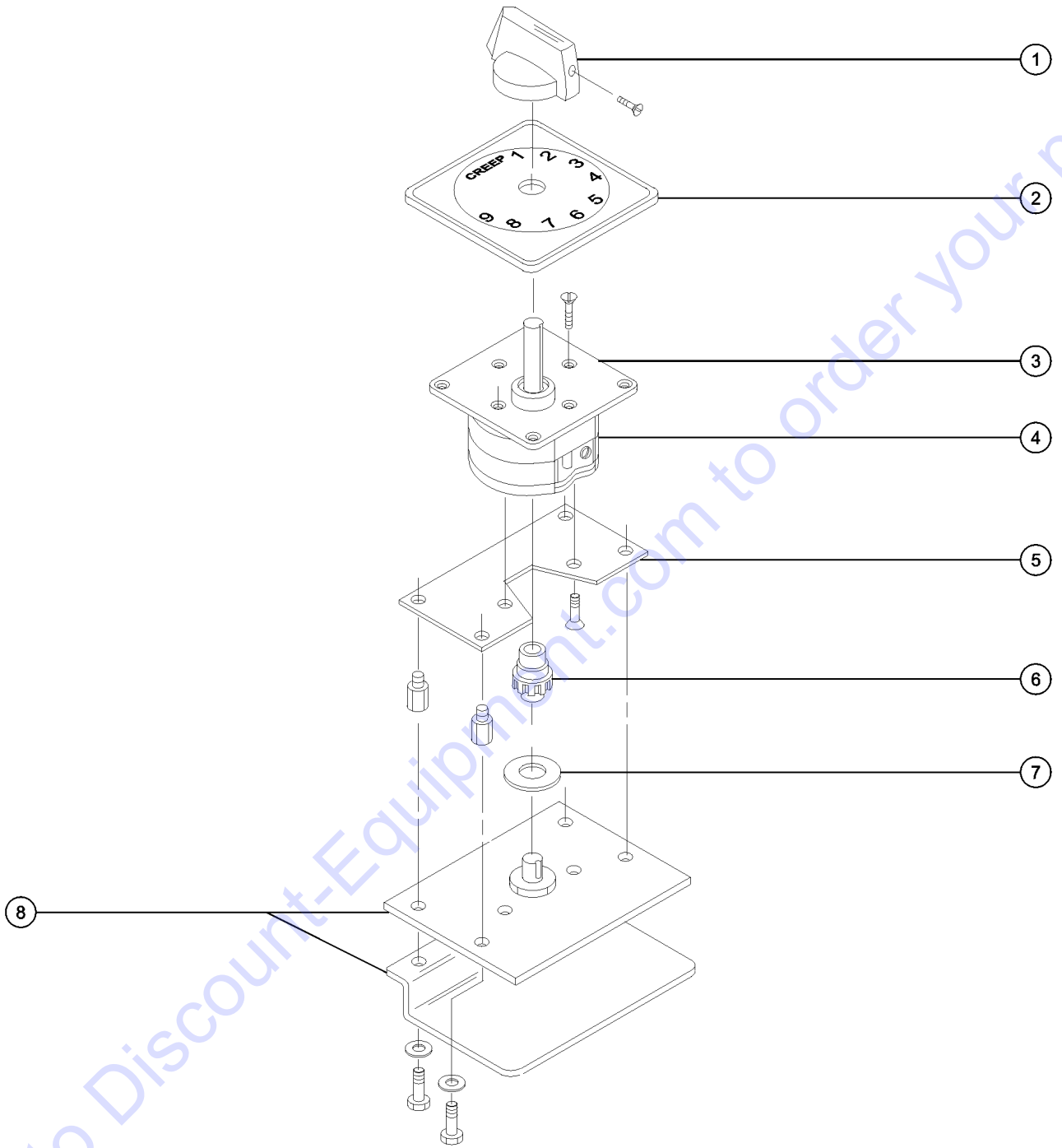
Item	Part No.	Description	Qty.	Item	Part No.	Description	Qty.
--	147253GT	TIME DELAY RELAY,2 SEC,24VDC		24	36235GT	GASKET,PLAT.CONTROL BOX.....	1
--	147389GT	HARNESS, LOAD SENSE, Z30/34DC		25	30997GT	CORROSION INHIBITOR,FOAM.....	1
1	824019GT	NUT,TL,6-32,A,ZAG		26	T106699GT	BRACKET,RELAY MOUNT W/INSERTS.....	1
2	824214GT	SCREW,PHPM,6-32X.5,ZAG.....	1			<i>CE models; from SN 16279; includes nutserts</i>	
3	87755GT	CONN,RECEP 8 WAY 14-18GA,FL.....	1	27	56302GT	RELAY,24VDC,40/30A,SEALED***.....	2
4	56663GT	TERMINAL STRIP				<i>CE models; from SN 16279</i>	
5	42617GT	CLIP,SPRING,POTTER BRUMFIELD.....	1				
6	823226GT	POWER RELAY, 24V COIL.....	1				
		<i>for drive light option</i>					
7	61226GT	RELAY SOCKET,70AMP.....	1				
8	824032GT	NUT,TL FLG,10-32,F,ZAG.....	1				
9	824215GT	SCREW,PHPM,10-32X.75,ZAG.....	1				
10A	13268GT	CLAMP,0.75,#12 X 1/4,RUB CUSH.....	1				
		<i>to SN 16278</i>					
10B	18666GT	CLAMP,1.00,#16 X 1/4,RUB CUSH.....	1				
		<i>from SN 16279</i>					
11	824226GT	SCREW,PHPSH,#12-11X.75,ZAG					
12A	73736GT	CONN,RECEP 48 WAY,4 X 12.....	1				
		<i>connects to 18/19 cable harnesses; refer to 306.1</i>					
12B	54255GT	LOCK,RECEP 12 WAY, 14-18GA					
12C	73713GT	TERM,NI PIN,S&F,16-18GA,REEL					
13	15243GT	PLUG,NYLON .875 BLACK DOMED.....	2				
14	824206GT	RIVET,STL,STL,DOME,1/8X.25,ZAG.....	4				
15A	73717GT	CONN,RECEP 4 WAY,12-14GA FL***.....	1				
		<i>connects to 12/3 cable harness; refer to 306.1</i>					
15B	60526GT	LOCK,RECEP 4 WAY,12-14GA					
15C	73711GT	TERM,DEUTSCH, PIN #12-14					
16A	73723GT	CONN RECEP,FLANGED.....	1				
		<i>connects to foot switch harness; refer to 601.1</i>					
16B	54259GT	TERM,NI PIN, 14-16GA,BULK					
16C	60443GT	LOCK,RECEP 4 WAY,14-18GA					
17A	21858GT	PLUG,NYLON .38 BLACK DOMED.....	2				
		<i>ANSI models</i>					
17B	824079GT	SCREW,HHF,1/4-20X1.8,ZAG					
		<i>CE models; from SN 16279</i>					
18	42781GT	PLUG, NYLON .250 BLACK DOMED.....	4				
19	824083GT	SCREW,HHF,1/4-20X2.5,8,ZAG.....	2				
20		Ref. MODULE, PLUS+1, OPA2 <i>refer to 813.2 Lift Guard Contact Alarm</i>					
21	1277924GT	NUT,NYLOCK FLG,1/4-20,F,ZAG.....	2				
22	110649GT	PLATFORM CONTROL BOX W/DECAL.....	1				
		<i>enclosure/lid only; includes items 1, 2 and 21</i>					
23	23404GT	NUTSERT,1/4-20,STEEL CAD PLTD					

604.1 Joystick Controller



Item	Part No.	Description	Qty.
--	234923GT	JOYSTICK,5K-0 OHM,W/RELAY.....	1
1	52887GT	HANDLE HALF (56274).....	2
2	43038GT	BOOT-THUMB ROCKER** BLACK.....	1
3	65178GT	ROCKER ASSY W/ROLLPIN***..... <i>black plastic</i>	1
4	52895GT	SCREW,PHM,M3 X .5 X 12MM.....	4
5	52928GT	NUT-HEX,3M X 0.5MM.....	4
6	21427GT	BOOT,CONTROLLER**.....	1
7	43042GT	GASKET,JOYSTK.SHAFT36867/42032..	1
8	72298GT	POTENTIOMETER (56773).....	1
9	65546GT	SCREW,PHM,M3.5 X 12MM (57890)....	6
10	74368GT	SPACER-POT.PLATE,JOYSTICK56773..	2
11	19721GT	MICROSWITCH SPACER,45049.....	1
12	19712GT	MICROSWITCH,V3L-139-D8.....	4
13	52892GT	SCREW,PHS,4-40 X 1.5.....	2
14	19713GT	SPRING RETURN,HEAVY DUTY,45049.....	1
15		ref. SCREW, 4-40 x 1/18".....	2
16	74362GT	WASHER,NYLON, JOYSTICK.....	2
17	226383GT	SCREW.....	2
18	43040GT	NUT,JS,36867/42032/44988/40612..... <i>coupling</i>	1
19	58985GT	SCREW,HANDLE42032,40612,36867....	2
20	19722GT	MICROSWITCH-V319M***.....	2

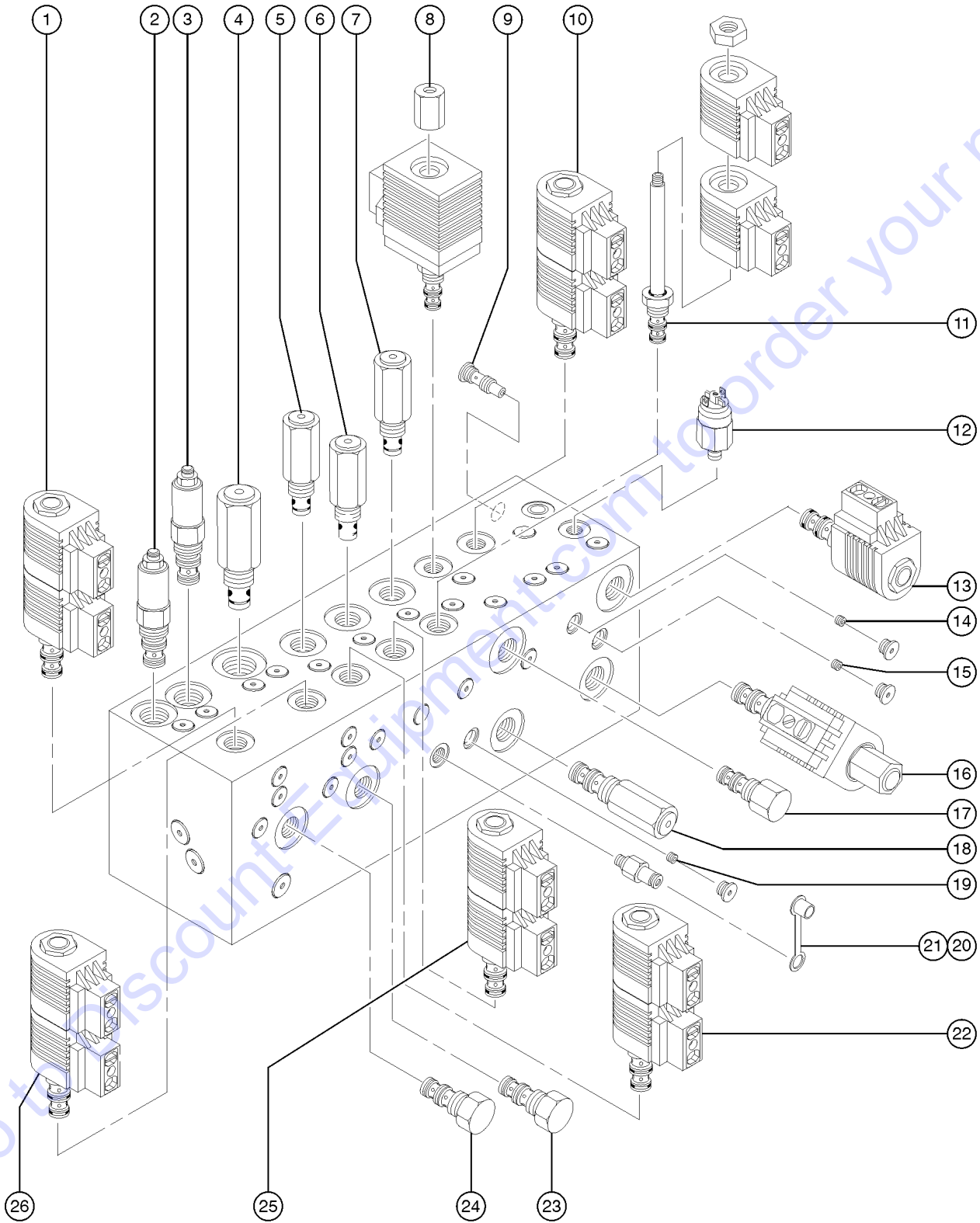
605.1 Rotational Controller



Go to Discount-Equipment.com to order your parts

Item	Part No.	Description	Qty.
--	56886GT	CONTROLLER,ROTARY 24V W/RAMP.....	1
1	35679GT	KNOB, 45048 CONTROLLER.....	1
2	35680GT	LEGEND,PLSTC,"CREEP TO 9"***.....	1
3	35678GT	MOUNTING PLATE, 45048.....	1
4	74356GT	SWITCH ASSEMBLY (56886).....	1
5	74357GT	PLATE,ROTARY CNTRL (56886).....	1
6	74358GT	COUPLING,POT SHAFT (56886).....	1
7	74359GT	GASKET-ROTARY CNTRL 56886.....	1
8	74384GT	PRINTED CIRCUIT BOARD 56886.....	1

701.1 Function Manifold



701.1 Function Manifold

Item	Part No.	Description	Qty.	Item	Part No.	Description	Qty.
--	128444GT	MANIFOLD,FUNC,Z30N/Z34DC/BE.....1 <i>complete manifold; models without a rotating jib</i>	1	--	40413GT	COIL,SOLND,W/D,20V SGL SPADE	
--	128443GT	MANIFOLD,FUNC,Z30NRJ <i>complete manifold; models with a rotating jib</i>		--	52943GT	NUT,SOLENOID VALVE COIL	
--	49612GT	O-RING KIT (ORFS FITTINGS)		--	72047GT	SEAL KIT, SOLENOID VALVE	
--	49613GT	PLUG AND CAP KIT-SERVICE,ORFS*		11	52599GT	VALVE,SOLENOID,3POS/4WAY*.....1 <i>primary boom extend/retract</i>	1
--	28750GT	O-RING KIT,FIELD SVC,ALL PROD*		--	40413GT	COIL,SOLND,W/D,20V SGL SPADE	
--	33994GT	PLUG AND CAP KIT-SERVICE,37 **		--	52943GT	NUT,SOLENOID VALVE COIL	
--	1260124GT	PLUG, 6 SAE, TAPERED, BUNA.....6	6	--	72047GT	SEAL KIT, SOLENOID VALVE	
--	69550GT	PLUG,ORB #4.....22	22	12	1287986GT	SWITCH,PRESS,#6SAE,600 PSI.....1 <i>pressure switch; brake circuit</i>	1
--	1260127GT	PLUG, EXPANDER (8MM).....22	22	13	45544GT	VALVE SOLENOID.....1 <i>brake circuit</i>	1
1	52599GT	VALVE,SOLENOID,3POS/4WAY*.....1 <i>platform level up/down</i>	1	--	40413GT	COIL,SOLND,W/D,20V SGL SPADE <i>single-spade coil</i>	
--	40413GT	COIL,SOLND,W/D,20V SGL SPADE		--	52339GT	COIL,SOLND,W/D,20V DUAL SPADE <i>dual-spade coil</i>	
--	52943GT	NUT,SOLENOID VALVE COIL		--	52943GT	NUT,SOLENOID VALVE COIL	
--	72047GT	SEAL KIT, SOLENOID VALVE		--	74902GT	SEAL KIT	
2	52604GT	VALVE,COUNTERBALANCE, 3000PSI.....1 <i>platform level down</i>	1	14	19789GT	PLUG,ORIFICE-.045.....1 <i>brake circuit</i>	1
--	58994GT	SEAL KIT,VALVE (48647)		15	19789GT	PLUG,ORIFICE-.045.....1 <i>brake and steer circuit</i>	1
3	52604GT	VALVE,COUNTERBALANCE, 3000PSI.....1 <i>platform level up</i>	1	16	44956GT	VALVE,SOLENOID 20V W/DIODE.....1 <i>brake circuit</i>	1
--	58994GT	SEAL KIT,VALVE (48647)		--	40413GT	COIL,SOLND,W/D,20V SGL SPADE	
4	52603GT	VALVE,RELIEF,1100PSI***.....1 <i>turntable rotate left/right</i>	1	--	45912GT	NUT,SOLENOID VALVE 2P3W	
--	110199GT	SEAL KIT, VALVE, #10		--	74902GT	SEAL KIT	
5	52601GT	VALVE,RELIEF,1600 PSI.....1 <i>secondary boom down</i>	1	17	74425GT	VALVE,DIFF.SENSE***.....1 <i>differential sensing circuit</i>	1
--	74902GT	SEAL KIT		--	110197GT	SEAL KIT, VALVE, #10	
6	52601GT	VALVE,RELIEF,1600 PSI.....1 <i>primary boom down</i>	1	18	52715GT	VALVE,RELIEF 3200 PSI.....1 <i>system relief</i>	1
--	74902GT	SEAL KIT		--	74902GT	SEAL KIT	
7	31527GT	VALVE,RELIEF 1800 PSI.....1 <i>primary boom extend; models with rotating jib</i>	1	19	94019GT	ORIFICE, 0.035" (74512,74966) <i>tank return circuit</i>	
--	74902GT	SEAL KIT		20	48880GT	CAP,DIAGNOSTIC NIPPLE.....1	1
8	40410GT	VALVE,PROPORTIONAL**.....1 <i>system flow regulating unit</i>	1	21A	48997GT	NIPPLE,DIAGNOSTIC,#4.....1 <i>testing</i>	1
--	29032GT	COIL,24V SOLENOID VALVE		21B	20224GT	DIAGNOSTIC FEMALE Q-DSCNT	
--	45921GT	RETAINER-N.C.PROPOR.SOLENOID		22	52599GT	VALVE,SOLENOID,3POS/4WAY*.....1 <i>secondary boom up/down</i>	1
--	89310GT	SEAL KIT, SOLENOID VALVE		--	40413GT	COIL,SOLND,W/D,20V SGL SPADE <i>single spade</i>	
9	43599GT	VALVE,CHECK.....1 <i>brake circuit</i>	1	--	52943GT	NUT,SOLENOID VALVE COIL	
--	110200GT	SEAL KIT, VALVE, #4		--	72047GT	SEAL KIT, SOLENOID VALVE	
10	52885GT	VALVE,SOLENOID,3POS 4WAY.....1 <i>steer left/right</i>	1	23	19470GT	VALVE,FLOW REGULATOR.....1 <i>turntable rotate circuit</i>	1
				24	52598GT	VALVE,FLOW REGULATOR .8 GPM.....1 <i>jib boom/platform rotate circuit</i>	1

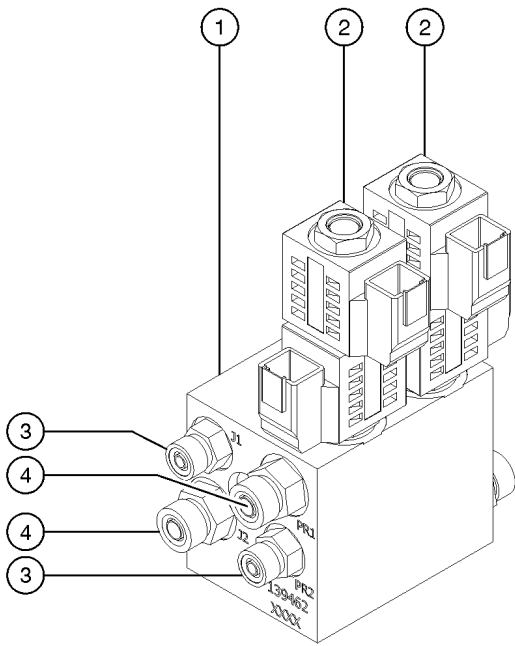
701.1 Function Manifold
(continued)

Item	Part No.	Description	Qty.
25	52599GT	VALVE,SOLENOID,3POS/4WAY*.....1 <i>primary boom up/down</i>	
--	40413GT	COIL,SOLND,W/D,20V SGL SPADE <i>single spade</i>	
--	52943GT	NUT,SOLENOID VALVE COIL	
--	72047GT	SEAL KIT, SOLENOID VALVE	
26	52885GT	VALVE,SOLENOID,3POS 4WAY.....1 <i>turntable rotate left/right</i>	
--	40413GT	COIL,SOLND,W/D,20V SGL SPADE	
--	52943GT	NUT,SOLENOID VALVE COIL	
--	72047GT	SEAL KIT, SOLENOID VALVE	

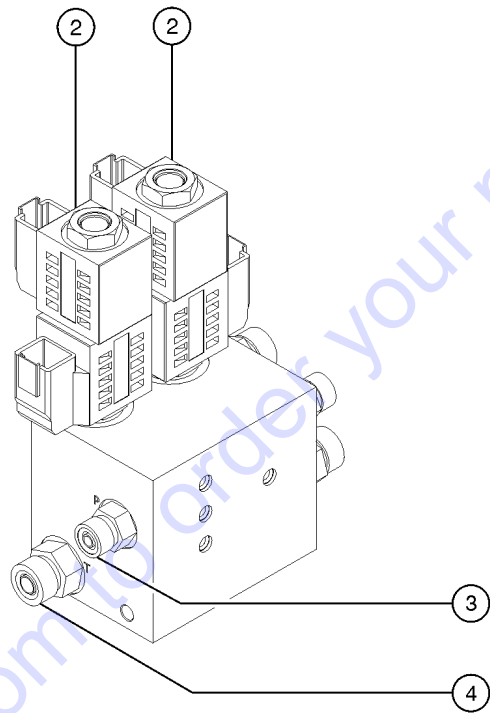
This Page Intentionally Left Blank

Go to Discount-Equipment.com to order your parts

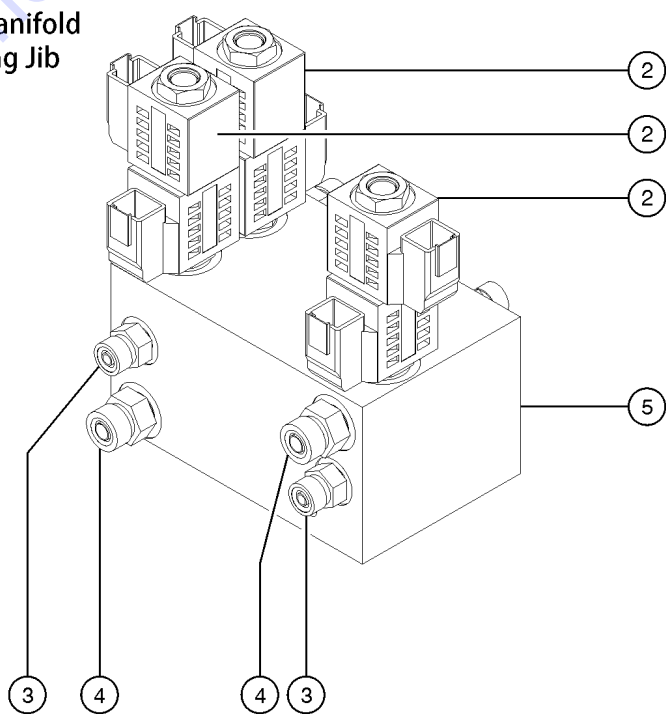
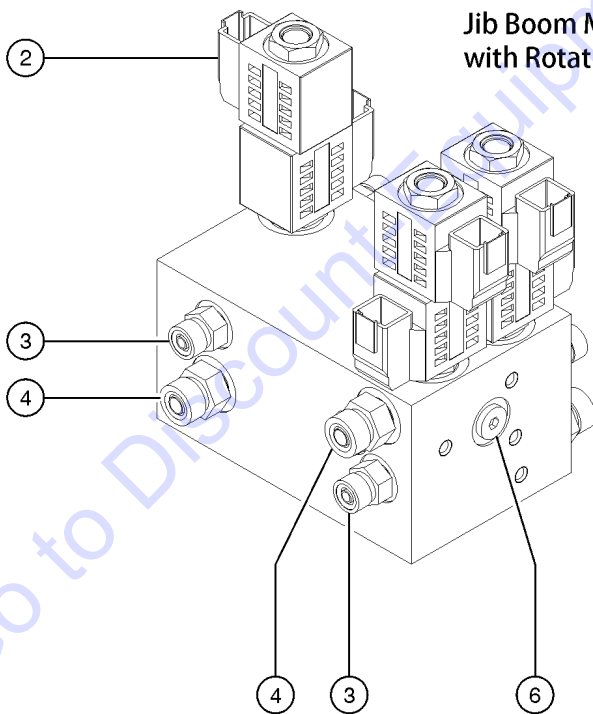
702.1 Jib Boom Manifolds



Jib Boom Manifold



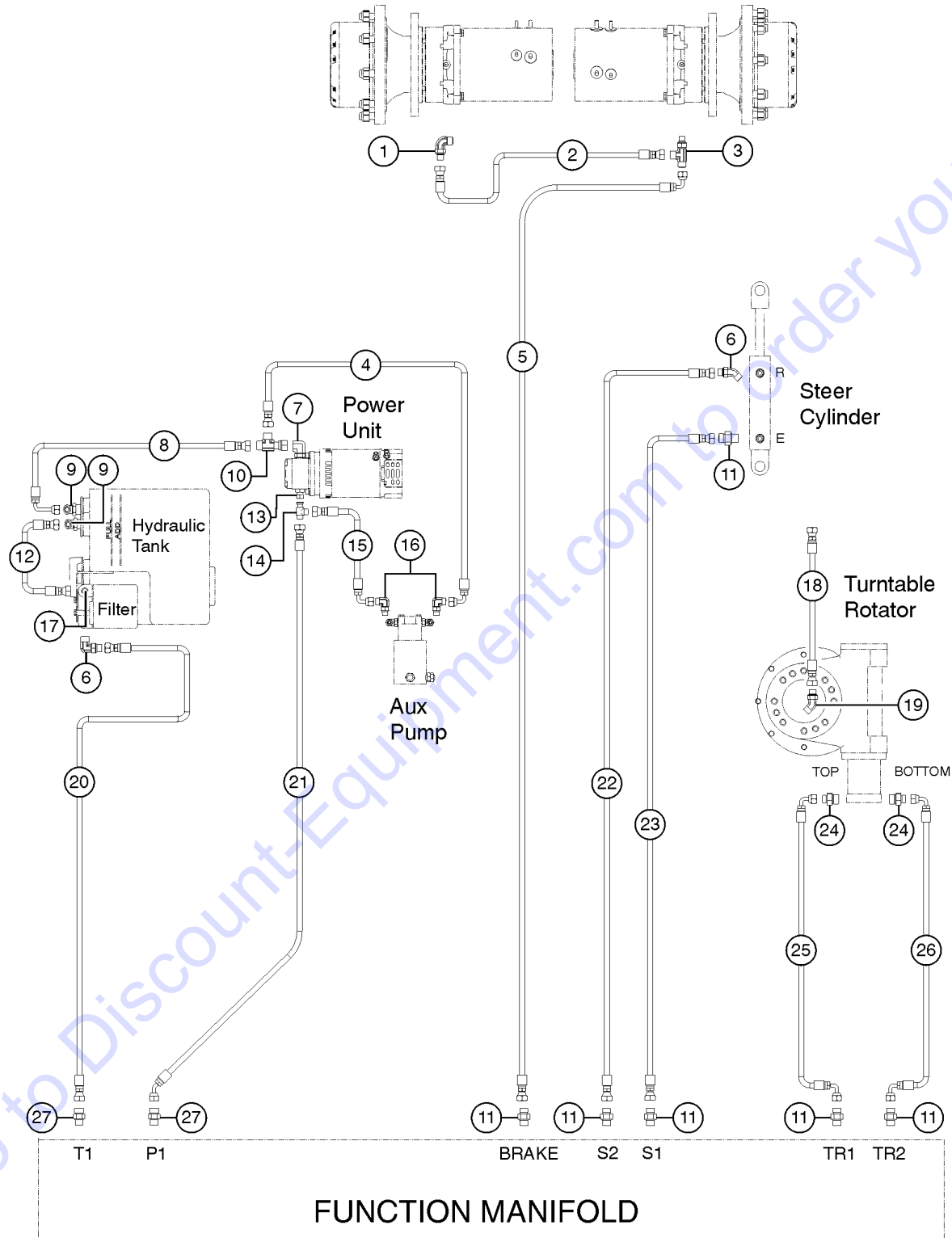
Jib Boom Manifold with Rotating Jib



702.1 Jib Boom Manifolds

Item	Part No.	Description	Qty.
1	139462GT	MANIFOLD,JIB, 24V NON RJ***.....1 <i>non-rotating jib; includes items 2, 3 and 4</i>	
--	139563GT	VALVE, FLOW CTRL, PRES COMP***	
--	139564GT	SEAL KIT, JIB MANIFOLD, NON RJ	
2	139560GT	SOLENOID VALVE W/NUT*** <i>includes 52943 nut; order coil separately</i>	
--	139561GT	COIL, SOLENOID VALVE, 24V***	
--	52943GT	NUT,SOLENOID VALVE COIL	
3	48905GT	CONN,520120-4***	
4	48916GT	CONN, 520120-6	
5	139463GT	MANIFOLD,JIB, 24V RJ***.....1 <i>rotating jib; includes items 2, 3 and 4</i>	
--	139563GT	VALVE, FLOW CTRL, PRES COMP***	
--	139565GT	SEAL KIT, JIB MANIFOLD, RJ***	
6	69550GT	PLUG,ORB #4.....1	

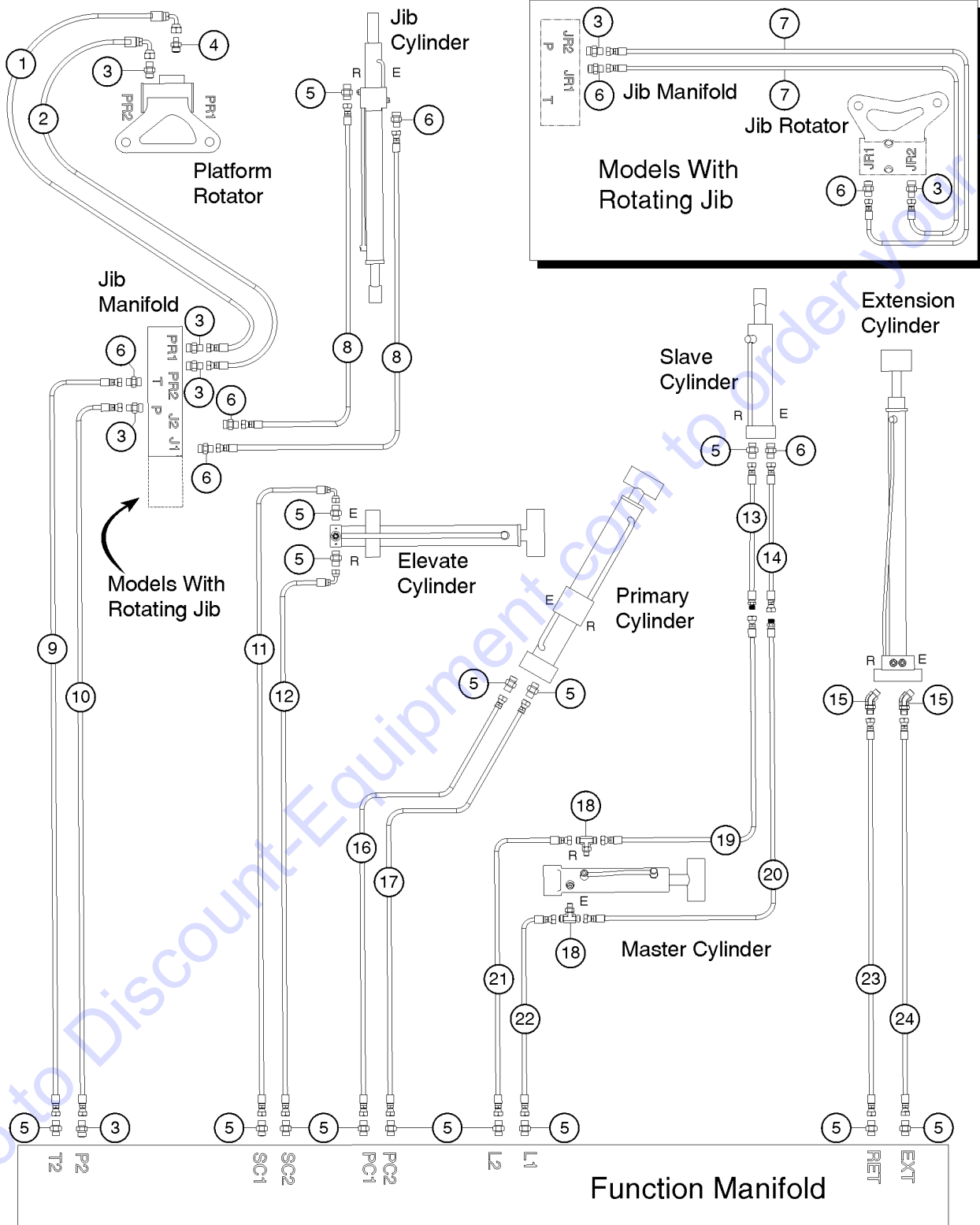
801.1 Drive Chassis and Turntable Components



801.1 Drive Chassis and Turntable Components

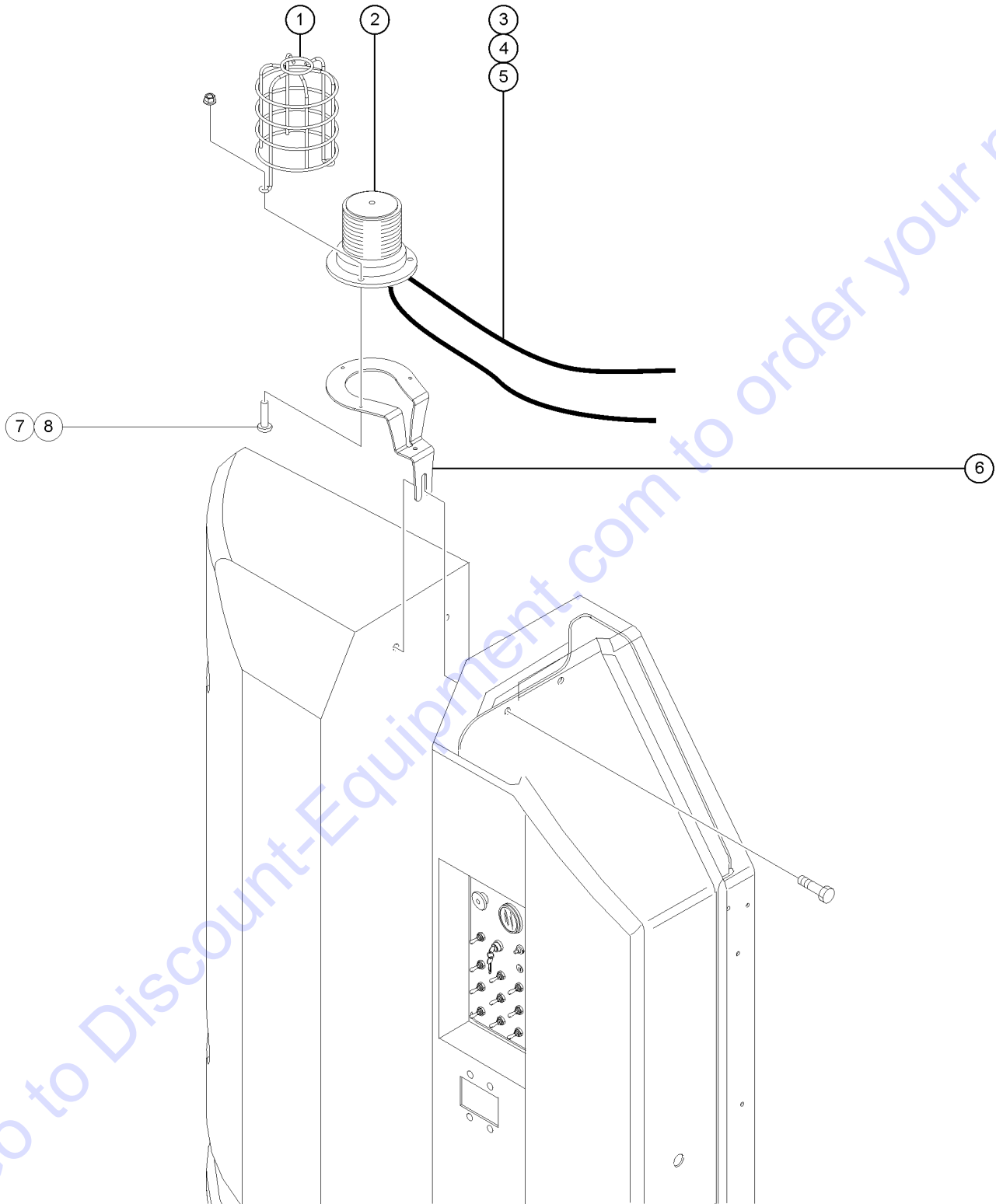
Item	Part No.	Description	Qty.
1	48904GT	ELBOW,90D,520220-4-4.....	1
2	42705GT	HOSE ASSY,1/4", 20.00..... #4 ORFS	1
3	48906GT	TEE,RUN,520428-4.....	1
4	139872GT	HOSE,ASSY,3/8",20.25"..... #6 ORFS and #8 ORFS elbow	1
5	56897GT	HOSE ASSY,1/4",77.50..... yellow/white; #4 ORFS	1
6	48937GT	ELBOW,45D,520320-8.....	1
7	139877GT	ELBOW,90D,520220-8-10.....	1
8	139871GT	HOSE ASSY,1/2",21.50"..... #8 ORFS	1
9	128811GT	ELBOW,90D,520201-8.....	2
10	48938GT	FITTING,TEE,RUN,SWIVEL520432-8.....	1
11	48912GT	CONN,520120-4-6***.....	13
12	128809GT	HOSE ASSY,1/2",12.38".....	1
13	74136GT	VALVE,CHK,#8PORT-#6MALEORFS***..	1
14	48875GT	TEE,RUN,SWIVEL,520432-6.....	1
15	74145GT	HOSE ASSY, 3/8", 20.50..... #6 ORFS	1
16	48915GT	ELBOW,90D,520220-6.....	2
17	48932GT	FITTING,ELBOW,90D,520220-8***.....	1
18	42805GT	HOSE ASSY,1/4", 23.25.....	1
19	31194GT	ELBOW,070302-4-2.....	1
20	56894GT	HOSE ASSY, 1/2", 66.50..... #8 ORFS	1
21	56723GT	HOSE ASSY,3/8",46.00..... green/red; #6 ORFS	1
22	56896GT	HOSE ASSY, 1/4", 69.25..... white; #4 ORFS	1
23	74581GT	HOSE ASSY, 1/4", 65.00.....	1
24	48931GT	CONN,520120-6-10.....	2
25	56899GT	HOSE ASSY, 1/4", 15.00..... white/red; #6 ORFS elbow and #4 ORFS elbow	1
26	56898GT	HOSE ASSY, 1/4", 17.00..... purple; #6 ORFS elbow and #4 ORFS elbow	1
27	48916GT	CONN, 520120-6.....	2

802.1 Boom Components



Item	Part No.	Description	Qty.
--	107935G	KIT, SWING HOSE CLAMP, FIELD <i>refer to 402.1 or 505.1</i>	
1	74309GT	HOSE ASSY, 1/4", 46.50.....1 <i>#6 ORFS elbow and #6 ORFS</i>	
2	74308GT	HOSE ASSY, 1/4", 46.50.....1 <i>#4 ORFS elbow and #4 ORFS</i>	
3	48905GT	CONN,520120-4***	
4	48927GT	CONN,520120-6-4	
5	48912GT	CONN,520120-4-6***	
6	48916GT	CONN, 520120-6	
7	56945GT	HOSE ASSY, 1/4", 31.00.....1 <i>#4 ORFS and #6 ORFS</i>	
8	74983GT	HOSE ASSY, 1/4", 19.00.....2 <i>#4 ORFS and #6 ORFS</i>	
9	94105GT	HOSE ASSY,1/4",430.00.....1 <i>red/purple; #4 ORFS and #6 ORFS</i>	
10	94106GT	HOSE ASSY,1/4",430.00.....1 <i>blue/green; #4 ORFS</i>	
11	139076GT	HOSE ASSY,1/4",65.50".....1 <i>red; #4 ORFS</i>	
12	139077GT	HOSE ASSY,1/4",65.50".....1 <i>blue; #4 ORFS</i>	
13	42817GT	HOSE ASSY, 1/4", 31.50.....1 <i>blue/green; #4 ORFS</i>	
14	56945GT	HOSE ASSY, 1/4", 31.00.....1 <i>#4 ORFS and #6 ORFS</i>	
15	48905GT	CONN,520120-4***.....2	
16	74838GT	HOSE ASSY,1/4",181.00.....1 <i>yellow/green; #4 ORFS</i>	
17	139075GT	HOSE ASSY,1/4",181.00.....1 <i>blue/red; #4 ORFS</i>	
18	48890GT	FITTING,TEE,BRANCH,520429-4***.....2	
19	74483GT	HOSE ASSY,1/4",224.00.....1 <i>green; #4 ORFS</i>	
20	74482GT	HOSE ASSY,1/4",224.00.....1 <i>#4 ORFS</i>	
21	42813GT	HOSE ASSY, 1/4", 166.00.....1 <i>green; #4 ORFS</i>	
22	139074GT	HOSE ASSY,1/4",166.00.....1 <i>yellow; #4 ORFS</i>	
23	139073GT	HOSE ASSY,1/4",192.00.....1 <i>green/white; #4 ORFS</i>	
24	42809GT	HOSE ASSY,1/4",192.00.....1 <i>yellow/purple; #4 ORFS</i>	

901.1 Flashing Beacon

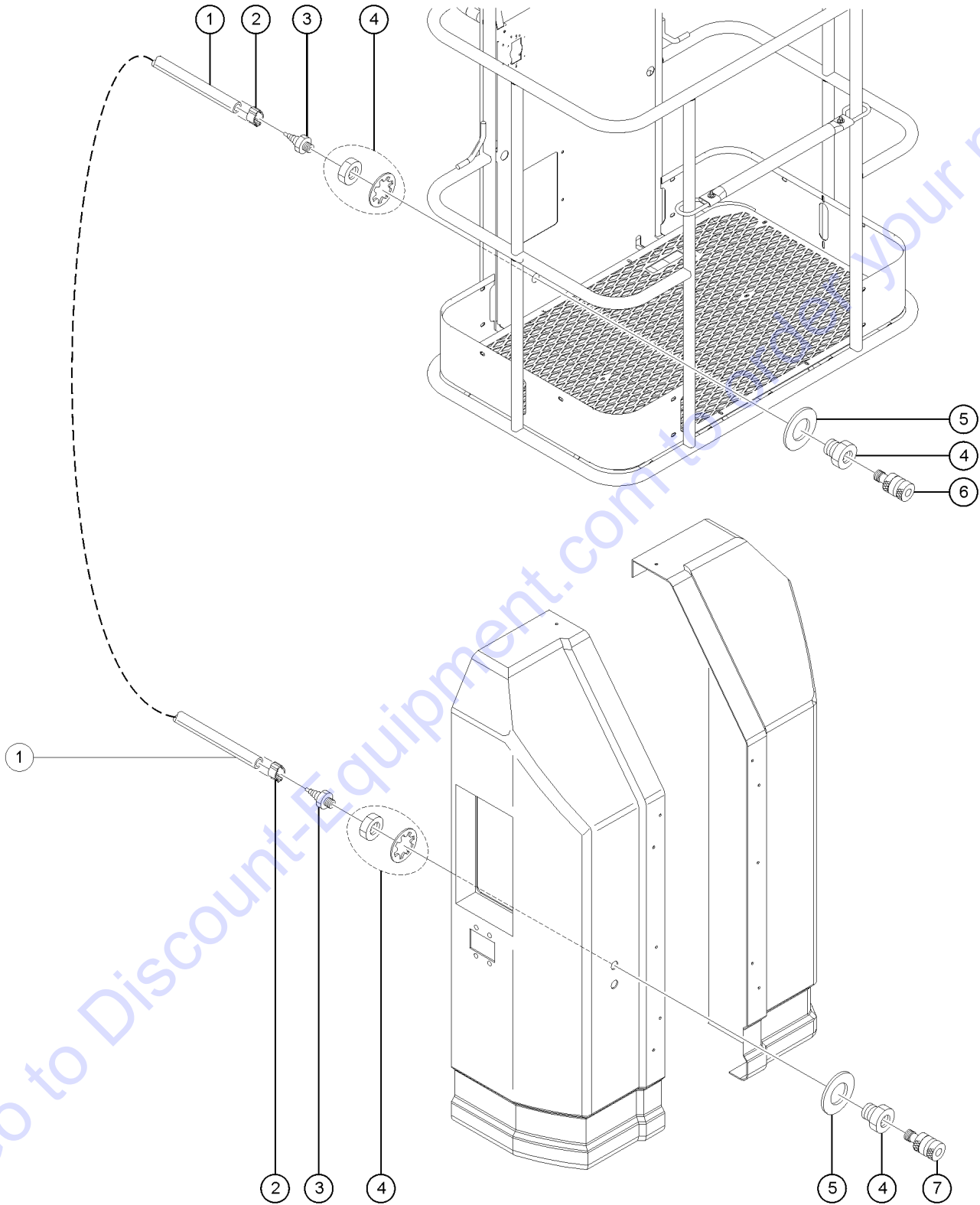


Go to Discount-Equipment.com to order your parts

901.1 Flashing Beacon

Item	Part No.	Description	Qty.
1	230645GT	GUARD,BEACON,NARROW.....1 <i>EE rated models only</i>	1
2A	56704GT	STROBE,FIREBOLT,12-80VDC,AMB**...1	1
--	122019GT	FLASHTUBE,U SHAPED,360DEG,BULB	
--	226393GT	FLASHTUBE,STRAIGHT,360DEG,BULB	
--	72282GT	LENS,AMBER,STROBE,FIREBOLT	
2B	231931GT	STROBE,BEACON, AC COMP 12-80V...1 <i>EE rated models only</i>	1
--	105556GT	LENS,FLASHING BEACON <i>for 231931</i>	
--	105557GT	BULB,FLASHING BEACON <i>for 231931</i>	
3	56051GT	WIRE CABLE,16/2,WHT/BLK,SJEOW.62-inches	
4	13825GT	TERMINAL,COUPLER,MALE,14-16GA..4	4
5	40609GT	TERMINAL,FEMALE COUPLER,BLUE...2	2
6	56289-SGT	BRACKET,BEACON LIGHT.....1	1
7A	824215GT	SCREW,PHPM,10-32X.75,ZAG.....3 <i>to SN Z30F-18972</i>	3
7B	826516GT	SCREW, PHPM, 10-32 X 1.0, ZAG.....3 <i>from SN Z30F-18973</i>	3
8A	824032GT	NUT,TL FLG,10-32,F,ZAG.....3 <i>to SN Z30F-18972</i>	3
8B	1264261GT	NUT,SERRATED,10-32,ZAG.....3 <i>from SN Z30F-18973</i>	3

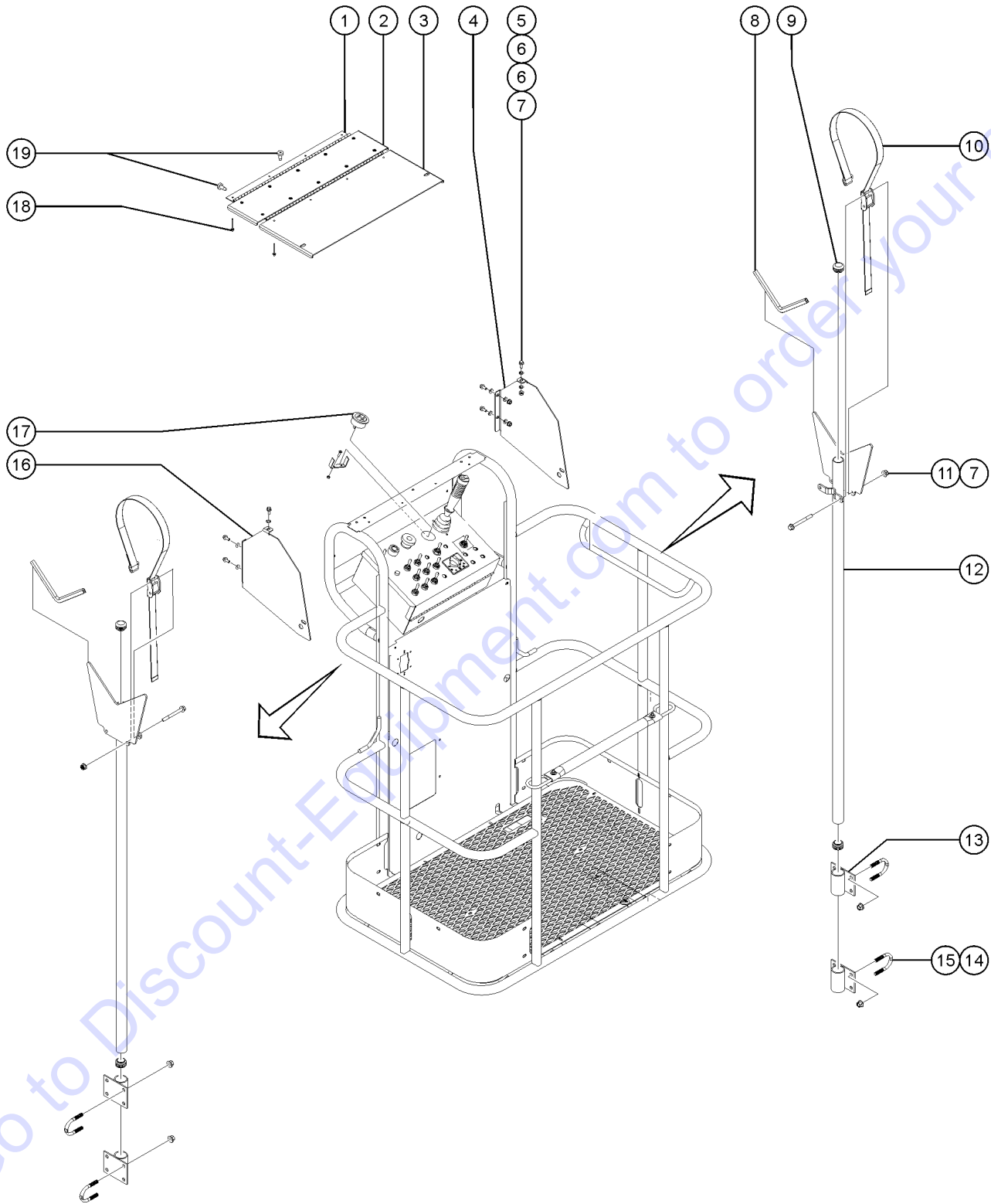
902.1 Air Line to Platform



902.1 Air Line to Platform

Item	Part No.	Description	Qty.
--	56261GT	HOSE ASSEMBLY,AIRLINE TO PLAT <i>includes items 1-3</i>	
1	27903GT	HOSE,LOW PRESSURE,.375 ID,BLK.....510-inches	
2	27902GT	CLAMP,HOSE,2 EAR, 5/8.....2	
3	27901GT	HOSE END,BARBED,RIGID,-6-6.....2	
4	27900GT	BULKHEAD,FEMALE X 6 X 6.....2 <i>Includes nut and star washer</i>	
5	824116GT	WASHER, FLAT, F436, 1.0, ZAG.....4	
6	27895GT	COUPLER,1/4"SERIES 3/8 MPT.....1	
7	27894GT	PLUG,1/4"SERIES,3/8 MPT.....1	
8	21618GT	CLAMP,1.13,#18 X 1/4,RUB CUSH.....7 <i>not shown</i>	
9	45454GT	CLAMP,RUB CUSH,0.75,#12 X 3/8*1 <i>not shown</i>	
10	27904GT	HOSE END,BARBED,RIGID,90DEG6-6.....1 <i>not shown</i>	
11	44981GT	DECAL,LABEL, AIR LINE 110 PSI.....2 <i>not shown</i>	
12	6578GT	CABLE TIE,7 3/8".....20 <i>not shown</i>	

903.1 Platform Options - View 1



PARTS FINDER

**Search Website
by Part Number**



**Search Manual
Library For Parts
Manual & Lookup Part
Numbers – Purchase
or Request Quote**

Search Manuals

Enter your information to help us find the right parts manual for your machine.

* Brand:

* Model:

* Serial:

* Part Number:

SEARCH

**Can't Find Part or
Manual? Request Help
by Manufacturer,
Model & Description**

Parts Order Form

Please fill in the following information to help us find the right part for your machine.

Manufacturer:	<input type="text"/>
Model:	<input type="text"/>
Description:	<input type="text"/>
Part Number:	<input type="text"/>
Quantity:	<input type="text"/>
Notes:	<input type="text"/>

Discount-Equipment.com is your online resource for quality parts & equipment.

Florida: **561-964-4949** Outside Florida TOLL FREE: **877-690-3101**

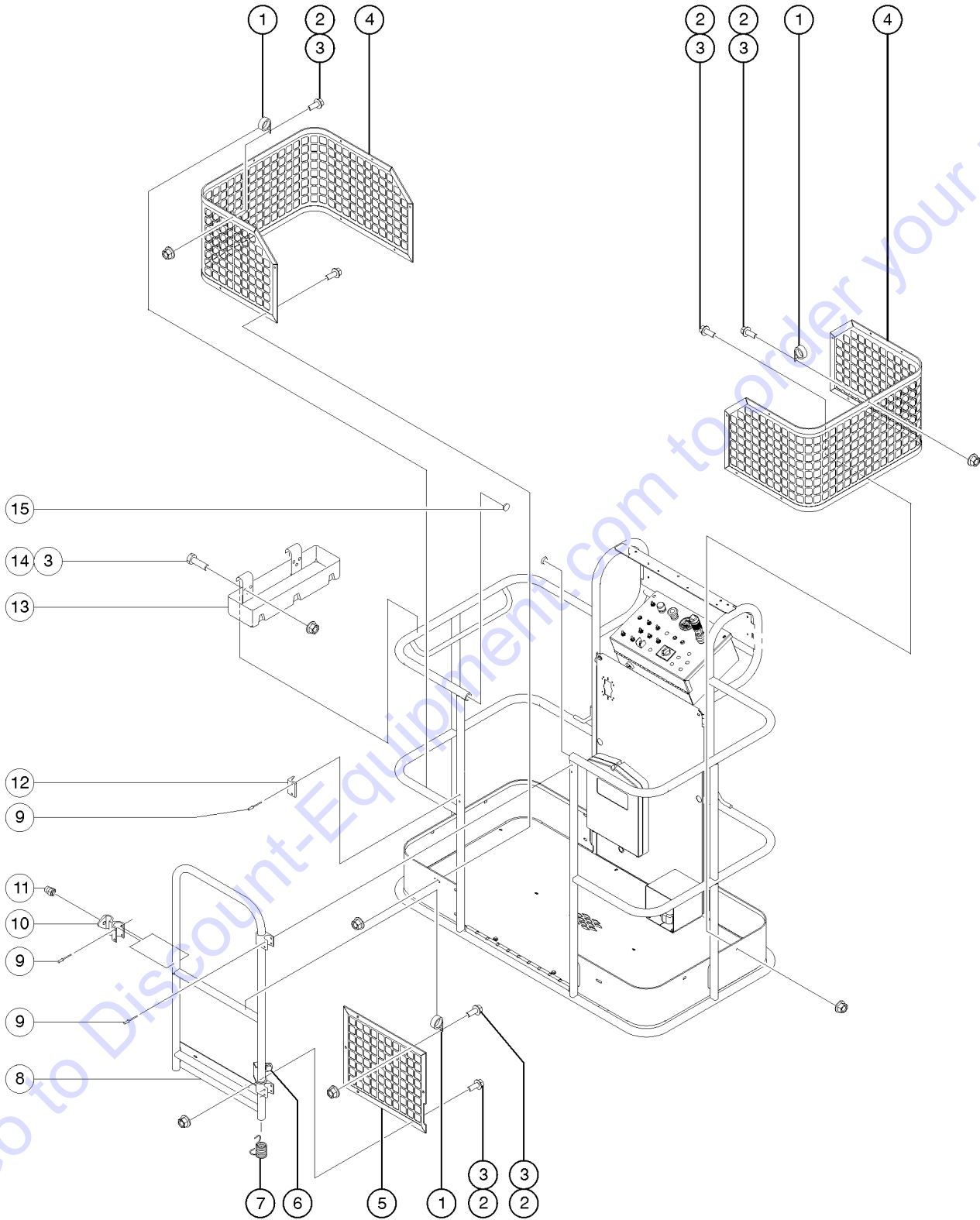
Need parts?

Click on this link: <http://www.discount-equipment.com/category/5443-parts/> and choose one of the options to help get the right parts and equipment you are looking for. Please have the machine model and serial number available in order to help us get you the correct parts. If you don't find the part on the website or on one of the online manuals, please fill out the request form and one of our experienced staff members will get back to you with a quote for the right part that your machine needs.

We sell worldwide for the brands: Genie, Terex, JLG, MultiQuip, Mikasa, Essick, Whiteman, Mayco, Toro Stone, Diamond Products, Generac Magnum, Airman, Haulotte, Barreto, Power Blanket, Nifty Lift, Atlas Copco, Chicago Pneumatic, Allmand, Miller Curber, Skyjack, Lull, Skytrak, Tsurumi, Husquvarna Target, Stow, Wacker, Sakai, Mi-T-M, Sullair, Basic, Dynapac, MBW, Weber, Bartell, Bennar Newman, Haulotte, Ditch Runner, Menegotti, Morrison, Contec, Buddy, Crown, Edco, Wyco, Bomag, Laymor, EZ Trench, Bil-Jax, F.S. Curtis, Gehl Pavers, Heli, Honda, ICS/PowerGrit, IHI, Partner, Imer, Clipper, MMD, Koshin, Rice, CH&E, General Equipment, Amida, Coleman, NAC, Gradall, Square Shooter, Kent, Stanley, Tamco, Toku, Hatz, Kohler, Robin, Wisconsin, Northrock, Oztec, Toker TK, Rol-Air, APT, Wylie, Ingersoll Rand / Doosan, Innovatech, Con X, Ammann, Mecalac, Makinex, Smith Surface Prep, Small Line, Wanco, Yanmar

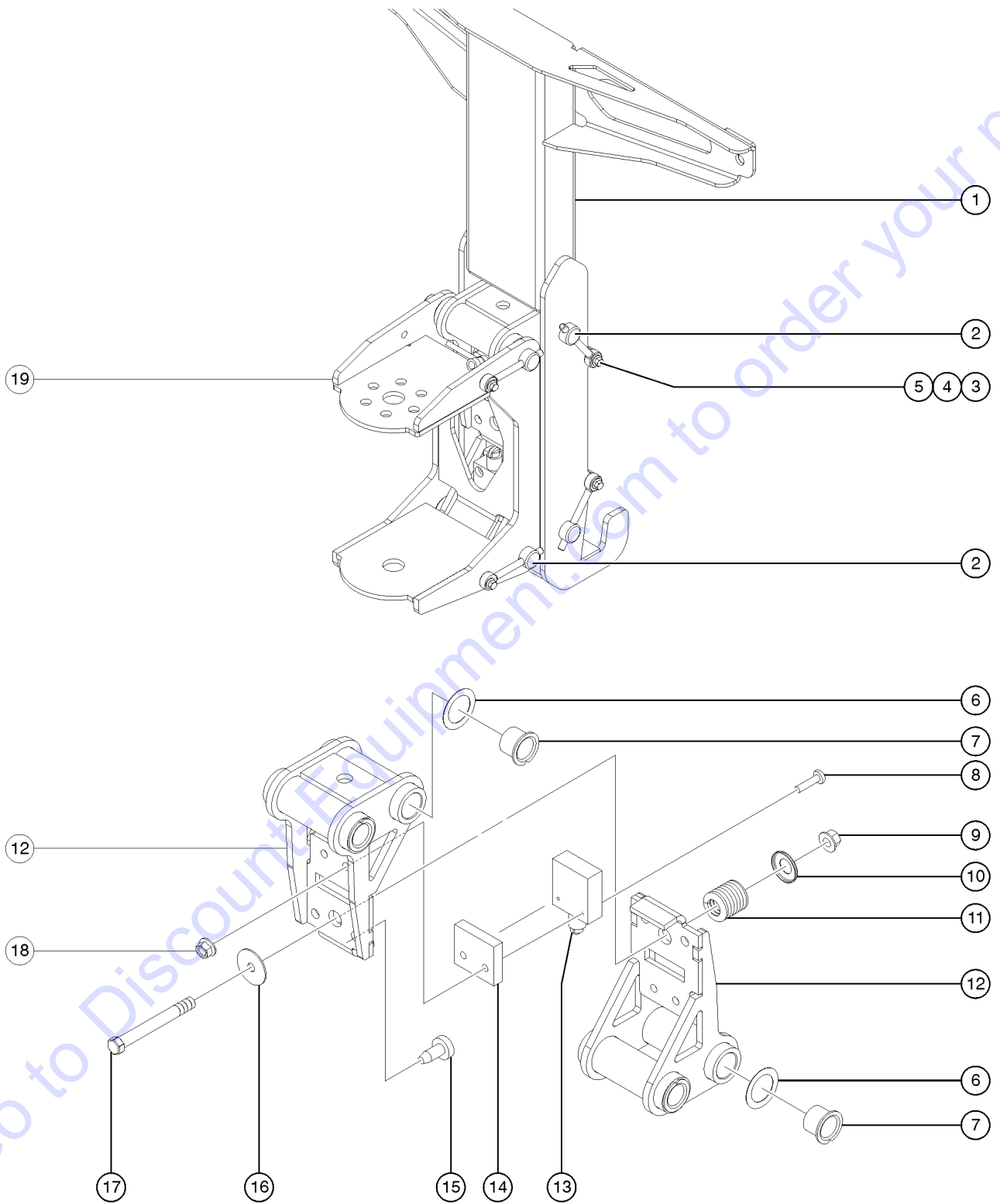
Item	Part No.	Description	Qty.
A	85300GT	PIPE CRADLE ASSY. SERV (ONE)** <i>(ANSI & CE only) (This is a single assembly. Qty 2 of 85300GT required to complete a set)</i>	
--	65630GT	INSTRUCTIONS-PIPE CRADLE,BOOMS	
B	101649GT	OPTION,CONTROL BOX COVER <i>includes items 1-7, 8 and 12</i>	
1	77860GT	HINGE,CONTROL BOX.....	2
2	101678GT	LID,CONTROL BOX COVER.....	1
3	101679GT	LID,CONTROL BOX COVER.....	1
4	101676GT	CONTROL BOX COVER, RH.....	1
5	8914GT	SCREW,HHC,1/4-20 X .625.....	6
6	6638GT	WASHER,FLAT,USS,1/4"Y..... <i>no longer used on pipe cradle option</i>	4
7	1277924GT	NUT,NYLOCK FLG,1/4-20,F,ZAG.....	14
8	19018-1100GT	TRIMLOCK,BLACK,5/32".....	2
9	55753GT	BUMPER, PLASTIC, 1.25 O.D.....	4
10	56570GT	STRAP, CONDUIT HOLDER 60"***.....	2
11	824083GT	SCREW,HHF,1/4-20X2.5,8,ZAG.....	4
12	56525GT	WELDMENT, PIPE CRADLE.....	2
13	81368GT	WELDMENT,PIPE CRADLE MOUNT.....	4
14	1251600GT	U-BOLT, FLATTENED, 1.5 X 3/8 UNC,ZAG.....	8
15	1274322GT	NUT,NYLOCK FLG,3/8-16,F,ZAG.....	16
16	101677GT	CONTROL BOX COVER, LH.....	1
17A	23869GT	BATT. CHARGE INDICATOR,ACCES**.....	1
--	13097GT	FUSE,10 AMP.....	1
--	23083-SGT	FUSE HOLDER,WATERPROOF.....	1
--	237145GT	IND,BAT CHARGE,48V LEAD-ACID..... <i>spade connectors; includes mounting bracket and fasteners</i>	1
17B	110651GT	LVI/BCI 36/48 VOLT ENGAGE II..... <i>molex connector; low voltage interrupt and battery charge indicator</i>	1
--		LVI/BCI Harness..... <i>ref. 306.1 Wire Harness Diagram</i>	1
--	110652GT	GASKET LVI/BCI ENGAGE II..... <i>sold separately</i>	1
--	110653GT	BRACKET ENGAGE II.....	1
18	87085GT	RIVET,ALUM,P,188 X .25.....	18
19	34619GT	BUMPER,RUBBER***.....	6

904.1 Platform Options - View 2



Item	Part No.	Description	Qty.
--	119950GT	KIT,FIELD INSTALL,SWING GATE.....1 <i>includes 128368 and items 10-12</i>	1
--	128368GT	KIT,SWING GATE W/SPRING.....1 <i>includes 6-9 and 15</i>	1
1	56424GT	CLAMP,1.25X.5 RUBBER-CUSHION	
2	824078GT	SCREW,HHF,1/4-20X.75,8,ZAG	
3	824027GT	NUT,TL FLG,1/4-20,G,ZAG	
4	74009GT	MESH,HALF HEIGHT RH,4***2	2
5	54457GT	MESH,HALF,SWING GATE***1	1
6	43392GT	BUMPER,BATTERY BOX & RAILS.....1	1
7	42104GT	SPRING,SHORT PLATFORM GATE.....1	1
8	128368GT	KIT,SWING GATE W/SPRING	
--	128374GT	WELDMENT,SWING GATE,ALUMINUM.....1	1
--	9596GT	HINGE CASTING.....2 <i>Special welding requirements for installation of this component. Strongly suggest ordering 128368 OR contact Discount-equipment for welding requirements.</i>	2
9	824207GT	RIVET, STL, STL, DOME, 1/4 X .375, ZAG.....14	14
10	1487GT	GATE LATCH CASTING--DRILLED.....1	1
11	33674GT	PIN,LOCK,SHORT***1	1
12	1488GT	RAILING CATCH CASTING--DRILLED...1	1
13	9599-SGT	TOOL TRAY ACCESSORY***1 <i>includes items 3 and 14</i>	1
14	824059GT	SCREW,HHC,1/4-20X.75,8,ZAG.....6	6
15	55753GT	BUMPER, PLASTIC, 1.25 O.D.....2	2

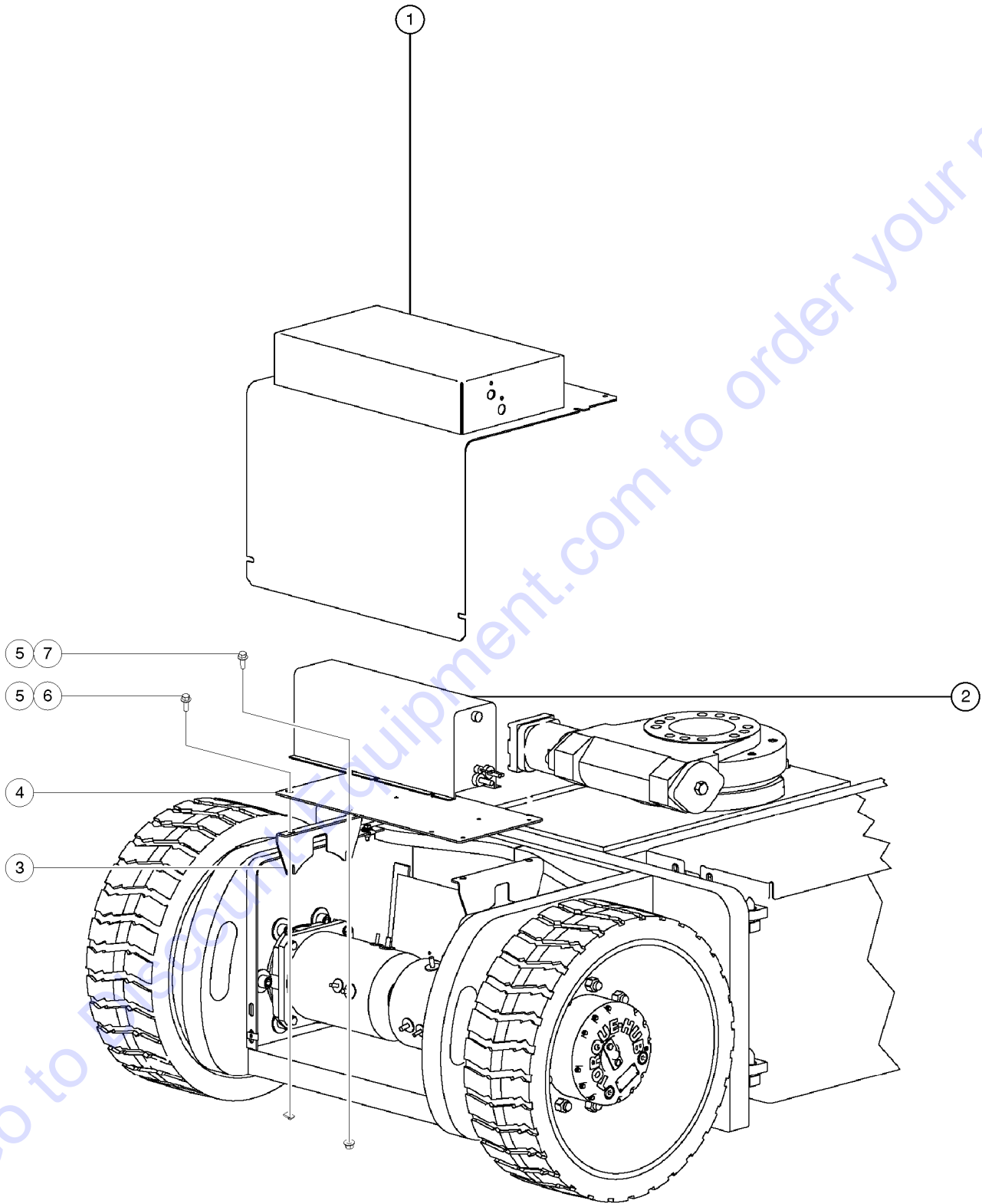
905.1 Platform Overload



905.1 Platform Overload

Item	Part No.	Description	Qty.
A	121848GT	ASSY,LS,LOAD SENSE,38.5 IN	
--	13825GT	TERMINAL,COUPLER,MALE,14-16GA..2	
--	13826GT	TERMINAL,FEM.BUTT SEAM:16/14.....2	
--	6935GT	LOCKNUT,ELEC,1/2".....1	
--	7056GT	CONN,SQUEEZE,1/2NPT .38-.50,SM....1	
--	99183GT	SWITCH, ROLLER PLUNGER LIMIT.....1	
1	94176GT	WELDMENT,PLATFORM SUPPORT.....1	
2	61726GT	PIN,0.75DIA X 5.75LG,CHAMFER.....4	
3	824079GT	SCREW,HHF,1/4-20X1,8,ZAG.....4	
4	825020GT	ROD END, .25 X 2.75, ZAG.....4	
5	824024GT	NUT,TL,1/4-20,C,ZAG.....4	
6	110789GT	WASHER,SHIM .0151 THK.....8	
7	25685GT	BEARING,GARLOCK,12FDU12.....4	
8	824216GT	SCREW,PHPM,10-32X1.5,ZAG.....1	
9	824029GT	NUT,TL FLG,3/8-16,G,ZAG.....1	
10	824208GT	RETAINER,SPRING,1.21X.375,ZAG.....1	
11	61974GT	SPRING,COMP,1" OD,232 LB/IN.....1	
12	101512GT	LOAD SUPPORT WITH BEARINGS.....2 <i>includes items 6 and 7</i>	
--	94191GT	WELDMENT,LOAD SUPPORT.....1	
13	61973GT	SWITCH,ROLLER PLUNGER LIMIT.....1	
14	61972GT	MOUNT,SWITCH.....1	
15	34619GT	BUMPER,RUBBER***.....2	
16	1268468GT	WASHER,FLAT,406X1.50X.125,ZAG....1	
17	824070GT	SCREW,HHC,3/8-16X3.25,8,ZAG.....1	
18	824032GT	NUT,TL FLG,10-32,F,ZAG.....2	
19	94170GT	WELDMENT,ROTATOR SUPPORT.....1	

906.1 Inverter Option, 120V

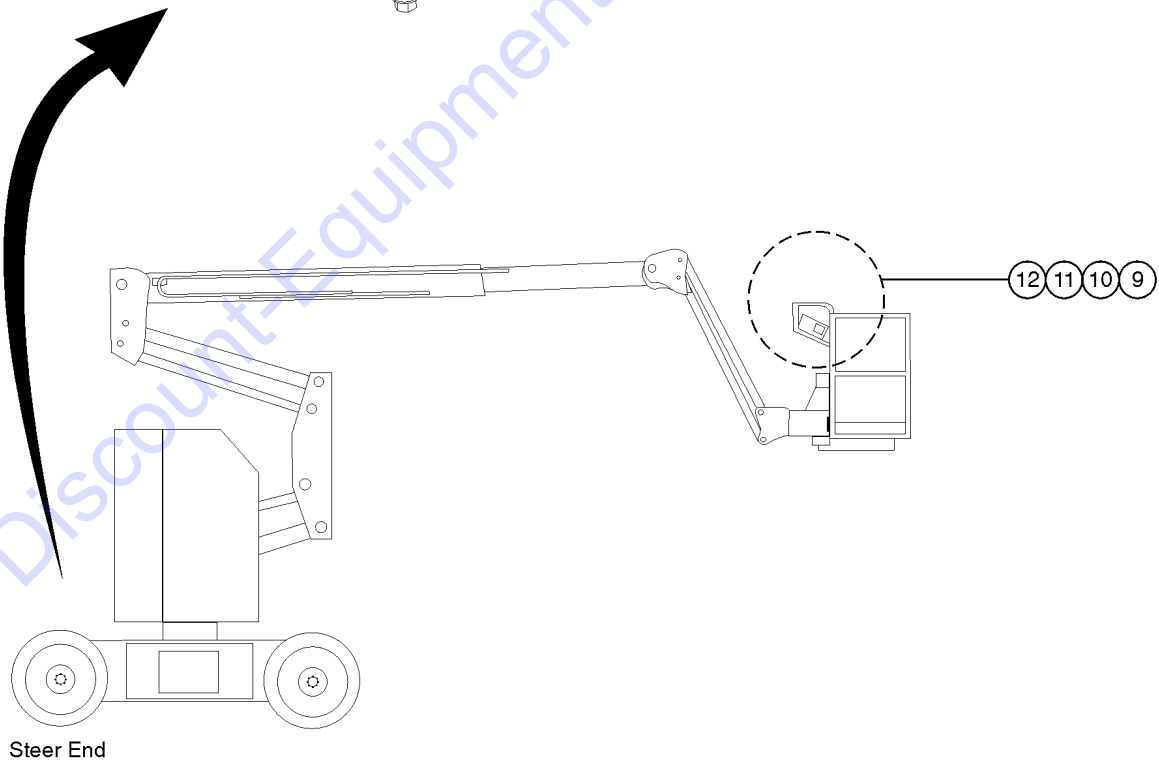
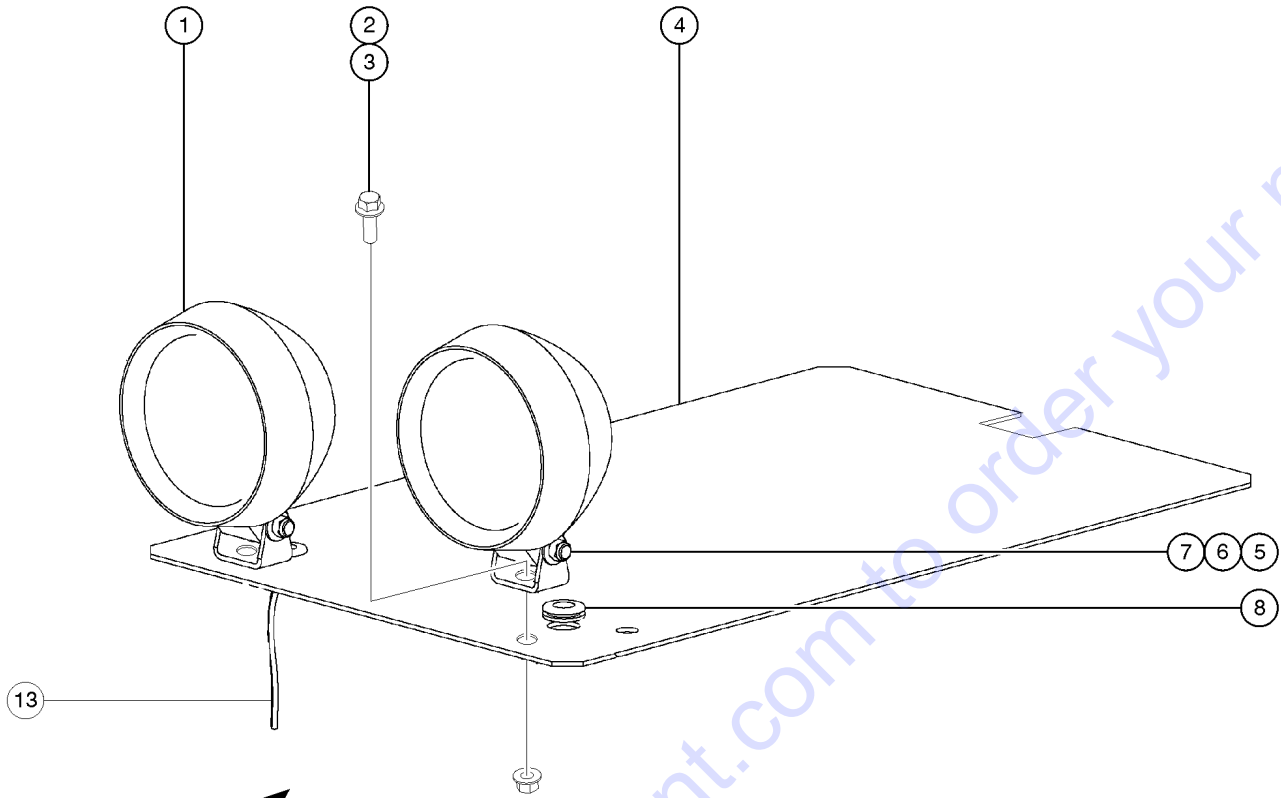


906.1 Inverter Option, 120V

Item	Part No.	Description	Qty.
--	78098GT	RELAY,24VDC,40/30A,SLD W/BRKT*.....1	
--	13268GT	CLAMP,0.75,#12 X 1/4,RUB CUSH.....2	
--	36355GT	FUSE,100 AMP,VERY FAST ACTING.....1	
--	66717GT	FUSE BLOCK, ANN & ANL FUSE.....1	
--	128204GT	SWITCH TOGGLE ASSY SPDT 2P MNT.....1	
1	74868GT	WELDMENT,COVER DRIVE CHASSIS.....1	
2	150026GT	INVERTER,48VDC,120VAC/60HZ.....1	
3	74847PGT	BRACKET,INVERTER MOUNT PTD.....2	
4	74848PGT	PLATE,INVERTER MOUNT PTD.....1	
5	824078GT	SCREW,HHF,1/4-20X.75,8,ZAG.....8	
6	56912GT	SPRING CLIP,1/4-20,.025-.15X.54,ZAG.....4	
7	824027GT	NUT,TL FLG,1/4-20,G,ZAG.....4	

Go to Discount-Equipment.com to order your parts

907.1 Drive Light Option

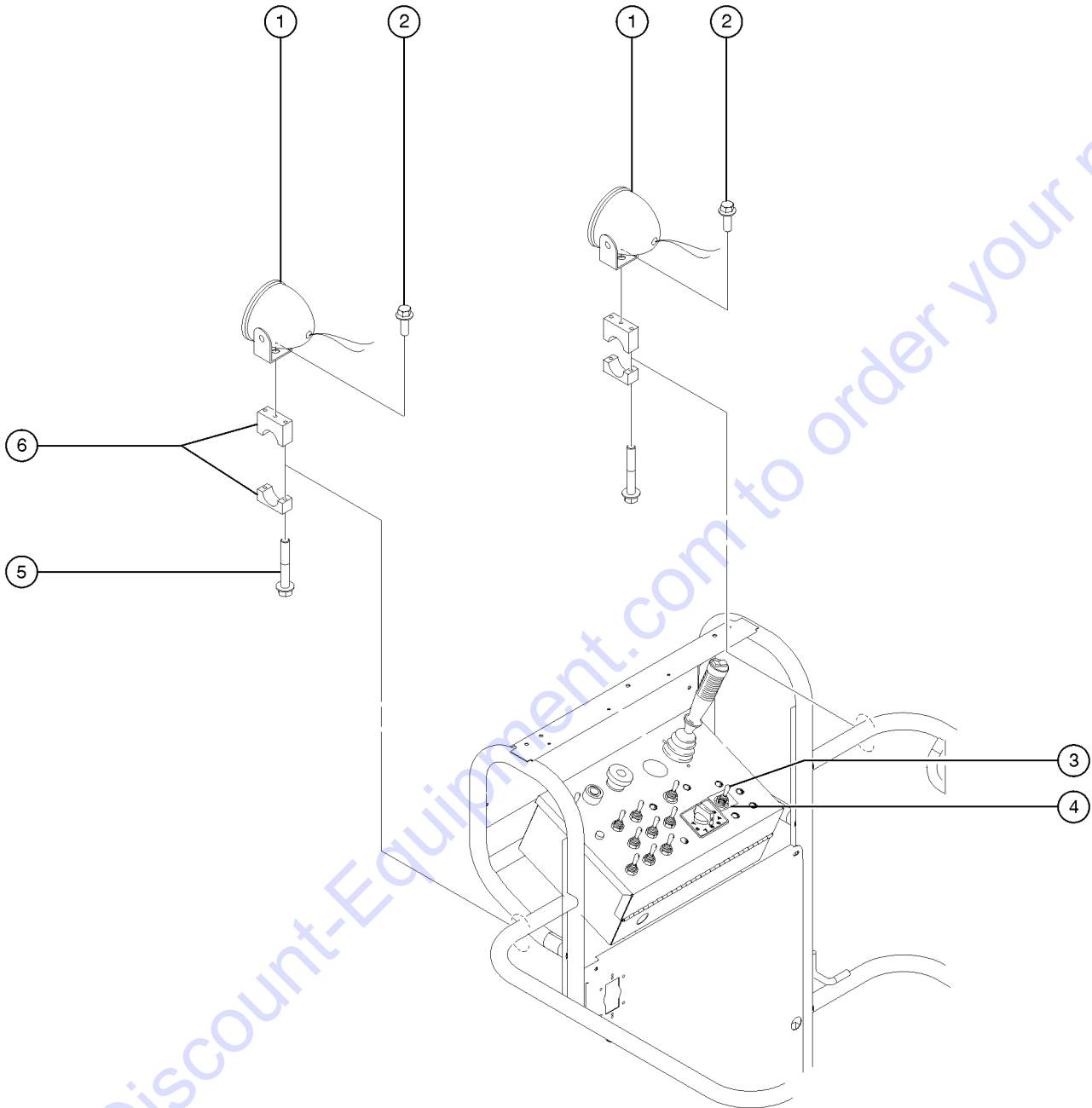


Go to Discount-Equipment.com to order your parts

907.1 Drive Light Option

Item	Part No.	Description	Qty.
--	823943GT	OPTION,DRIVE LIGHTS,Z30N	
1	107858GT	WORKLIGHT,48 VOLT.....	2
2	824085GT	SCREW,HHF,5/16-18X.75,8,ZAG	
3	824028GT	NUT,TL FLG,5/16-18,G,ZAG	
4	128819GT	COVER, DR LIGHT OPTION.....	1
5	10107GT	SCREW,HHC,5/16-18 X .75.....	2
6	5397GT	WASHER,FLAT,USS,5/16",Y.....	2
7	6782GT	NUT,NYLOCK,5/16-18.....	2
8	53517GT	GROMMET,RUBBER .5 X .014 X .75....	2
9	823226GT	POWER RELAY, 24V COIL.....	1
--	6146GT	WASHER,FLAT,MS,#10,Y	
--	824032GT	NUT,TL FLG,10-32,F,ZAG	
--	824215GT	SCREW,PHPM,10-32X.75,ZAG	
10	72867GT	DECAL,LABEL,LIGHTS***.....	1
11	128205GT	SWITCH TOGGLE ASSY DPDT 2P MNT.....	1
--	27246GT	BOOT,TOGGLE SWITCH,SHORT*	
12	6578GT	CABLE TIE,7 3/8".....	2
13	823948GT	HARNES, DRIVE LIGHTS, 48V..... <i>includes item 1</i>	1
--	23083-SGT	FUSE HOLDER,WATERPROOF	
--	27489GT	FUSE,7 AMP	
--	823226GT	POWER RELAY, 24V COIL	

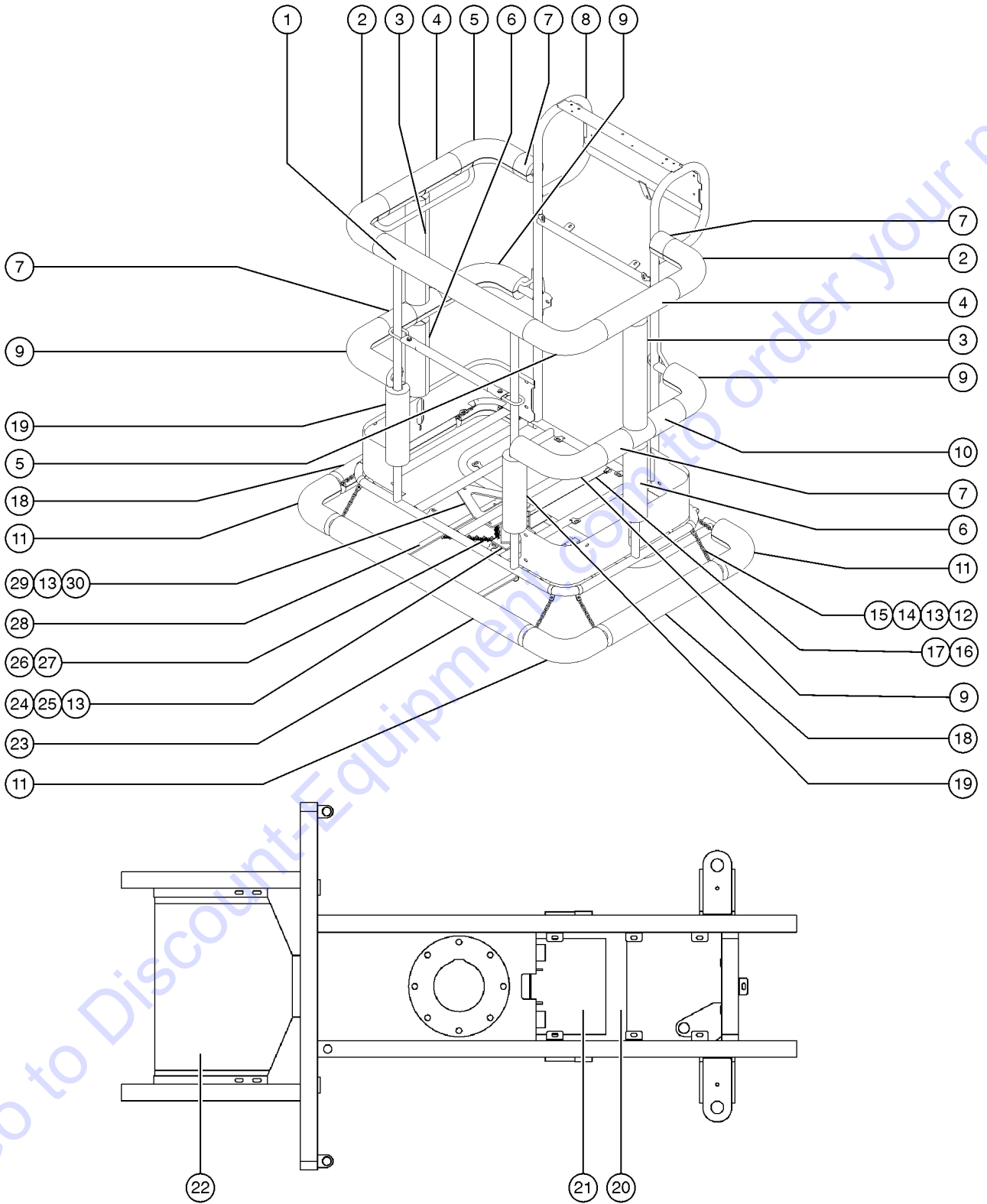
908.1 Work Light Option



908.1 Work Light Option

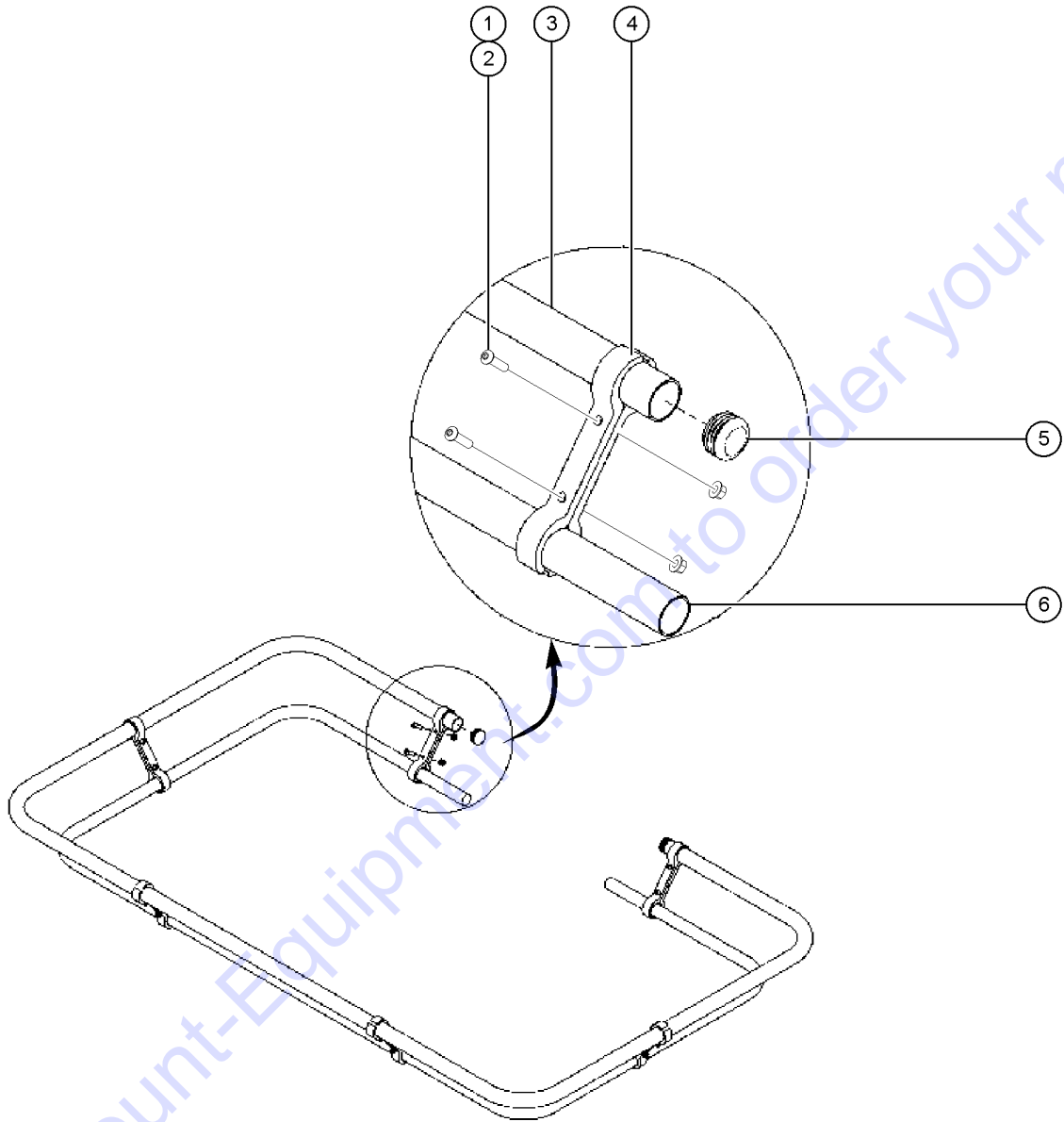
Item	Part No.	Description	Qty.
A	823942GT	OPTION,WORKLIGHTS,48V.....	1
--		Ref. Worklight Harness (refer to 306.1)	
--	23083-SGT	FUSE HOLDER,WATERPROOF.....	1
--	27489GT	FUSE,7 AMP.....	1
--	61226GT	RELAY SOCKET,70AMP.....	1
--	823226GT	POWER RELAY, 24V COIL.....	1
1	107858GT	WORKLIGHT,48 VOLT.....	2
2	824085GT	SCREW,HHF,5/16-18X.75,8,ZAG.....	2
3	128204GT	SWITCH TOGGLE ASSY SPDT 2P MNT.....	1
4	72867GT	DECAL,LABEL,LIGHTS***.....	1
5	824081GT	SCREW,HHF,1/4-20X1.5,8,ZAG.....	4
6	35956GT	BRACKET,WORK LIGHT MOUNT 5/16".....	2

909.1 Aircraft Protection



Item	Part No.	Description	Qty.
1	1251590GT	BUMPER,3.5OD X 1.5ID X 30.75.....1	1
2	147000GT	PADDING, FOAM 90 DEG.....2	2
3	825213GT	BUMPER,3.5OD X 1.5ID X 15.65.....2	2
4	825207GT	BUMPER,3.5OD X 1.5ID X 14.75.....2	2
5	147001GT	PADDING, FOAM 90 DEG.....2	2
6	825212GT	BUMPER,3.5OD X 1.5ID X 12.75.....2	2
7	1251592GT	BUMPER,3.5OD X 1.5ID X 2.75.....2	2
8		Ref. Platform Rail Assembly (refer to 601.1)	
9	1252013GT	BUMPER,3.5OD X 1.5 ID 90 DEG.....4	4
10	1252012GT	BUMPER,3.5OD X 1.5 ID X 6.75.....2	2
11	56418GT	BUMPER,90 DEG ELBOW.....4	4
12	56426-576GT	CHAIN,NO.2 (9LINKS).....8	8
13	824078GT	SCREW,HHF,1/4-20X.75,8,ZAG.....19	19
14	824027GT	NUT,TL FLG,1/4-20,G,ZAG.....17	17
15	56424GT	CLAMP,1.25X.5 RUBBER-CUSHION...16	16
16	139643GT	HARNESS, PROX. KILL.....1	1
--	27391GT	PROXIMITY SENSOR***.....1	1
--	34052GT	RELAY,SPDT,12V(AUTO) PLUG IN**.....1	1
--	34053GT	ASSY,RELAY SOCKET, AUTO.....1	1
--	56302GT	RELAY,24VDC,40/30A,SEALED***.....1	1
17	88390GT	NUT,HEX,M8,PLASTIC	
18	825214GT	BUMPER,3.5OD X 1.5ID X 22.70.....2	2
19	1252011GT	BUMPER,3.5OD X 1.5 ID X 9.75.....2	2
20	128723GT	PLATE, PROFILED COUNTERWEIGHT.....1	1
21	128722GT	PLATE, PROFILED COUNTERWEIGHT.....1	1
22	74734GT	PLATE,COUNTERWEIGHT.....1	1
23	1251591GT	BUMPER,3.5OD X 1.5ID X 38.75.....1	1
24	56330GT	PLATE,MAGNET MOUNT.....1	1
25	824080GT	SCREW,HHF,1/4-20X1.25,8,ZAG.....1	1
26	56425GT	SPRING,EXTENSION,.75X4.5.....4	4
27	88385GT	SPRING, SS, 1/2-EO500-49-4500.....4	4
28	56324GT	WELDMENT,FLOATING BUMPER.....1	1
29	56328GT	WELDMENT,SENSOR BRACKET.....1	1
30	23404GT	NUTSERT,1/4-20,STEEL CAD PLTD	

910.1 Auxiliary Rail Assembly

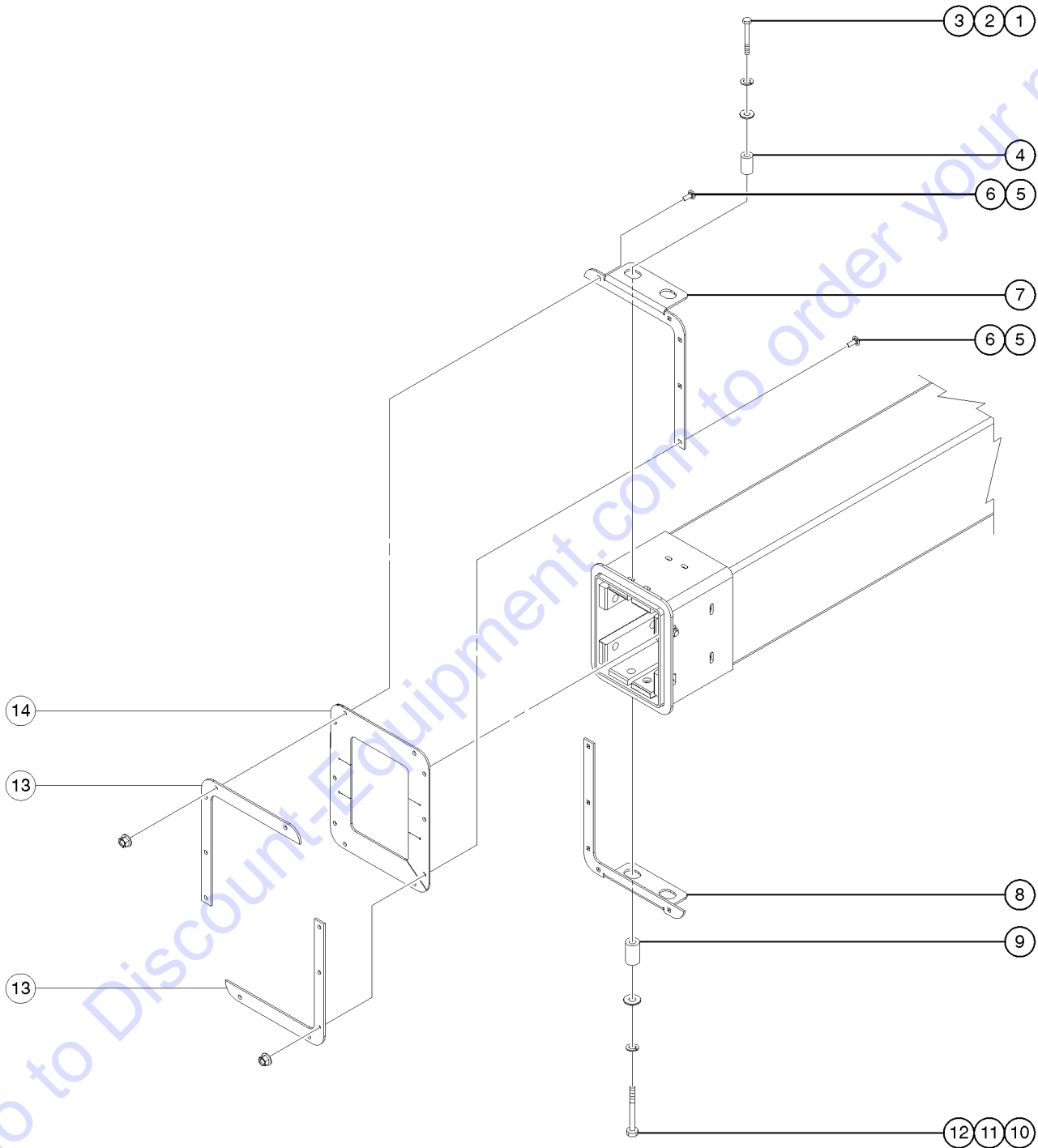


910.1 Auxiliary Rail Assembly

Item	Part No.	Description	Qty.
1	T112576GT	SCREW,BHTC,1/4-20X1,ZAG.....	12
2	824027GT	NUT,TL FLG,1/4-20,G,ZAG.....	12
3	T112779GT	KIT, AUX. RAIL, 4' PLATFORM..... <i>includes items 1, 2, 4, 5</i>	1
4	122073GT	SUPPORT, RAILING.....	12
5	55753GT	BUMPER, PLASTIC, 1.25 O.D.....	2
6		Ref. Platform Rail Assembly (refer to 601.1)	

Go to Discount-Equipment.com to order your parts

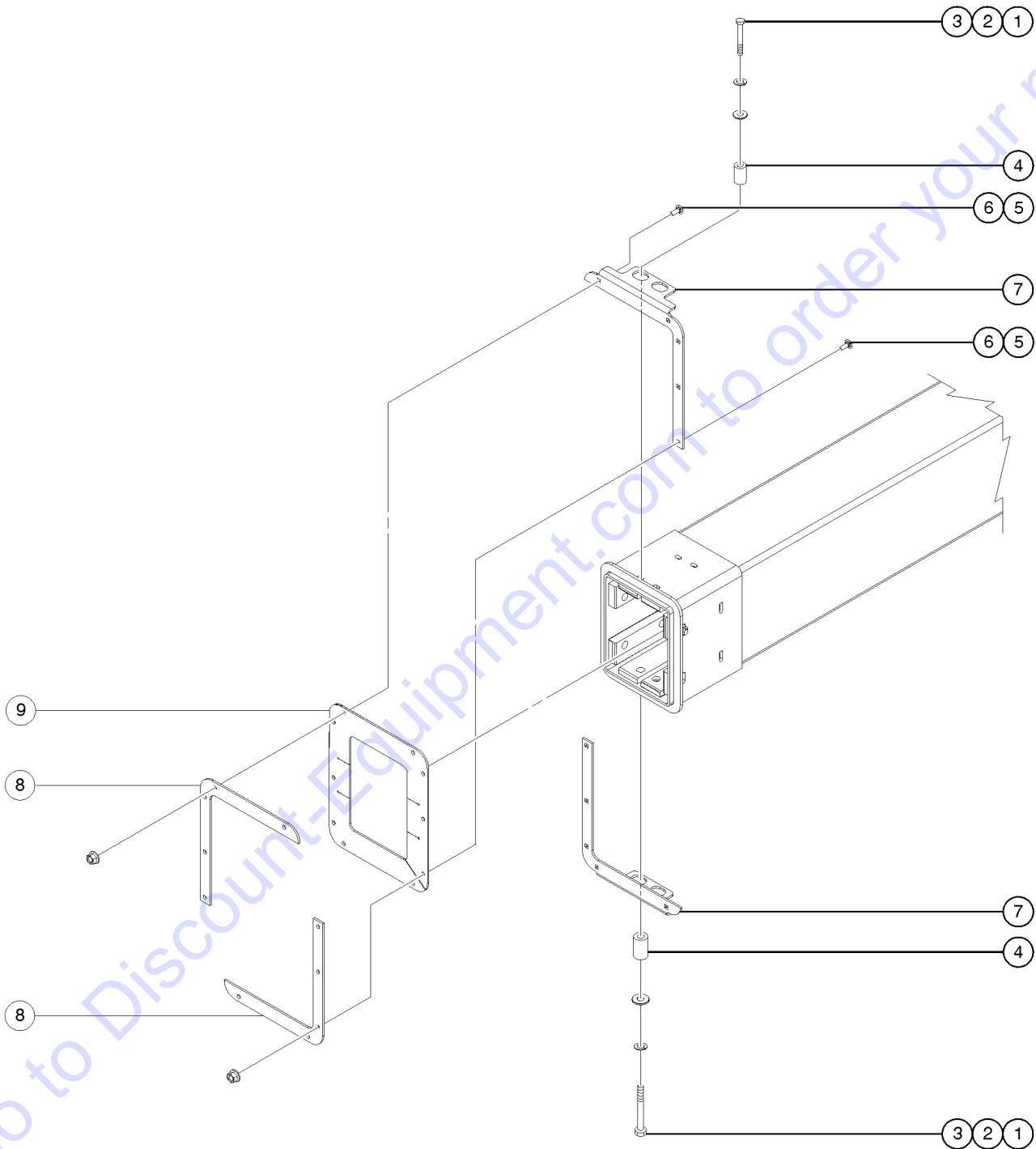
911.1 Hostile Environment - Z30N Primary Boom Wipers



911.1 Hostile Environment - Z30N Primary Boom Wipers

Item	Part No.	Description	Qty.
--	128677GT	KIT, WIPER.....	1
1	1252978GT	SCREW,HHC,3/8-16X2.25,8,ZAG.....	2
2	824110GT	WASHER,LOCK,3/8,ZAG.....	2
3	825358GT	WASHER,FLAT,5/16,USS,ZAG.....	2
4	128852GT	TUBE,RD,STL,DOM,,.75X.438X1.25.....	2
5	824124GT	BOLT,CARRIAGE,1/4-20X.75,5,ZAG.....	10
6	824027GT	NUT,TL FLG,1/4-20,G,ZAG.....	10
7	128681GT	FORMING, WIPER MOUNT.....	1
8	128682GT	FORMING, WIPER MOUNT.....	1
9	119077GT	TUBE,RD,STL,DOM,,.75OD X .375ID.....	2
10	824064GT	SCREW,HHC,1/4-20X2.25,8,ZAG.....	2
11	824109GT	WASHER,LOCK,1/4,ZAG.....	2
12	824113GT	WASHER,FLAT,USS,1/4,ZAG.....	2
13	128973GT	PLATE,WIPER BACKING.....	2
14	147181GT	WIPER,PRIMARY BOOM.....	1

912.1 Hostile Environment - Z30N RJ Primary Boom Wipers

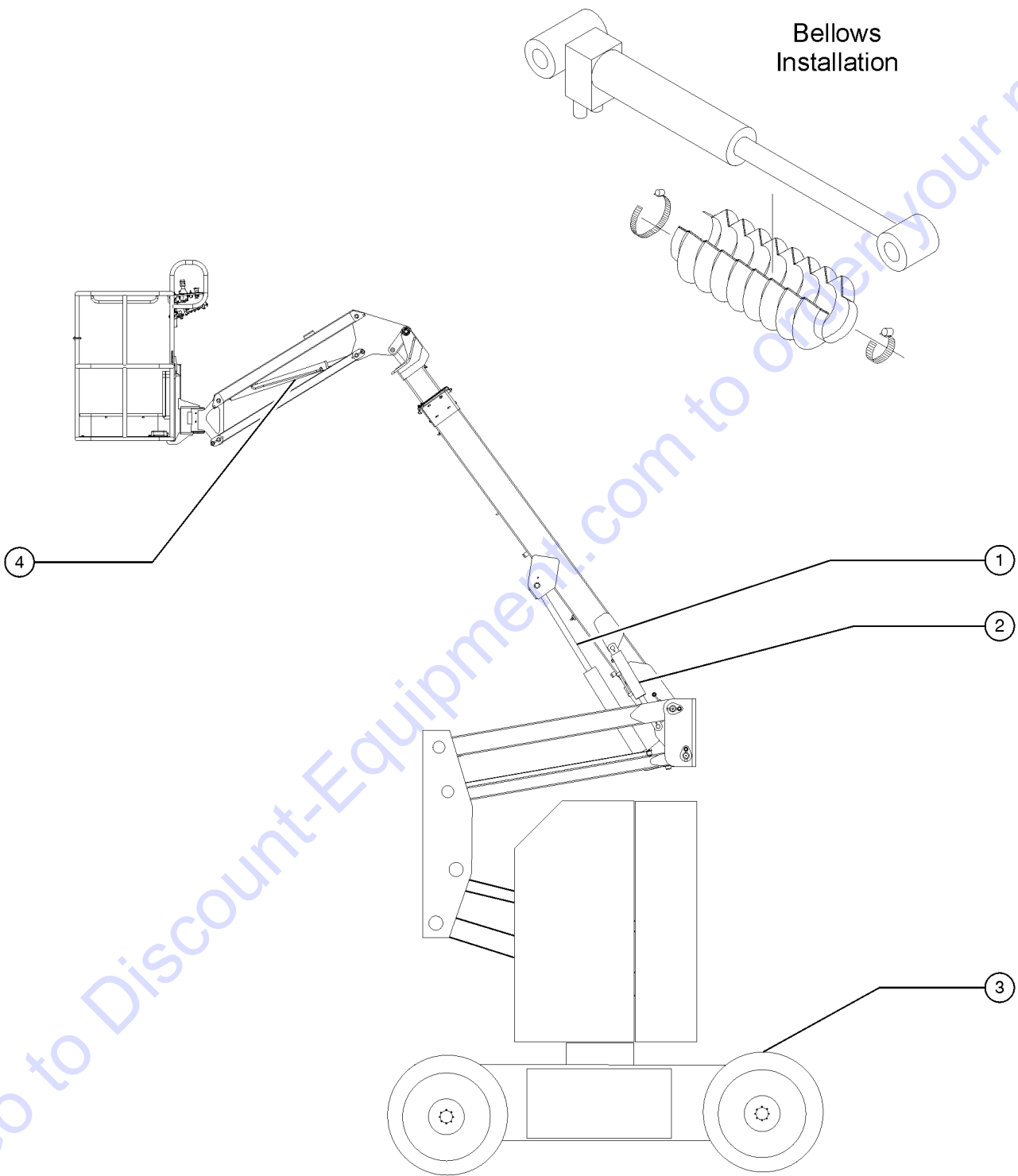


912.1 Hostile Environment - Z30N RJ Primary Boom Wipers

Item	Part No.	Description	Qty.
--	825069GT	KIT, WIPER, Z30NRJ.....	1
1	824064GT	SCREW,HHC,1/4-20X2.25,8,ZAG.....	4
2	824109GT	WASHER,LOCK,1/4,ZAG.....	4
3	824113GT	WASHER,FLAT,USS,1/4,ZAG.....	4
4	119077GT	TUBE,RD,STL,DOM,.75OD X .375ID....	4
5	824124GT	BOLT,CARRIAGE,1/4-20X.75,5,ZAG.....	10
6	824027GT	NUT,TL FLG,1/4-20,G,ZAG.....	10
7	128972GT	FORMING,WIPER MOUNT.....	2
8	128973GT	PLATE,WIPER BACKING.....	2
9	128971GT	WIPER,PRIMARY BOOM.....	1

Go to Discount-Equipment.com to order your parts

913.1 Hostile Environment - Cylinder Bellows



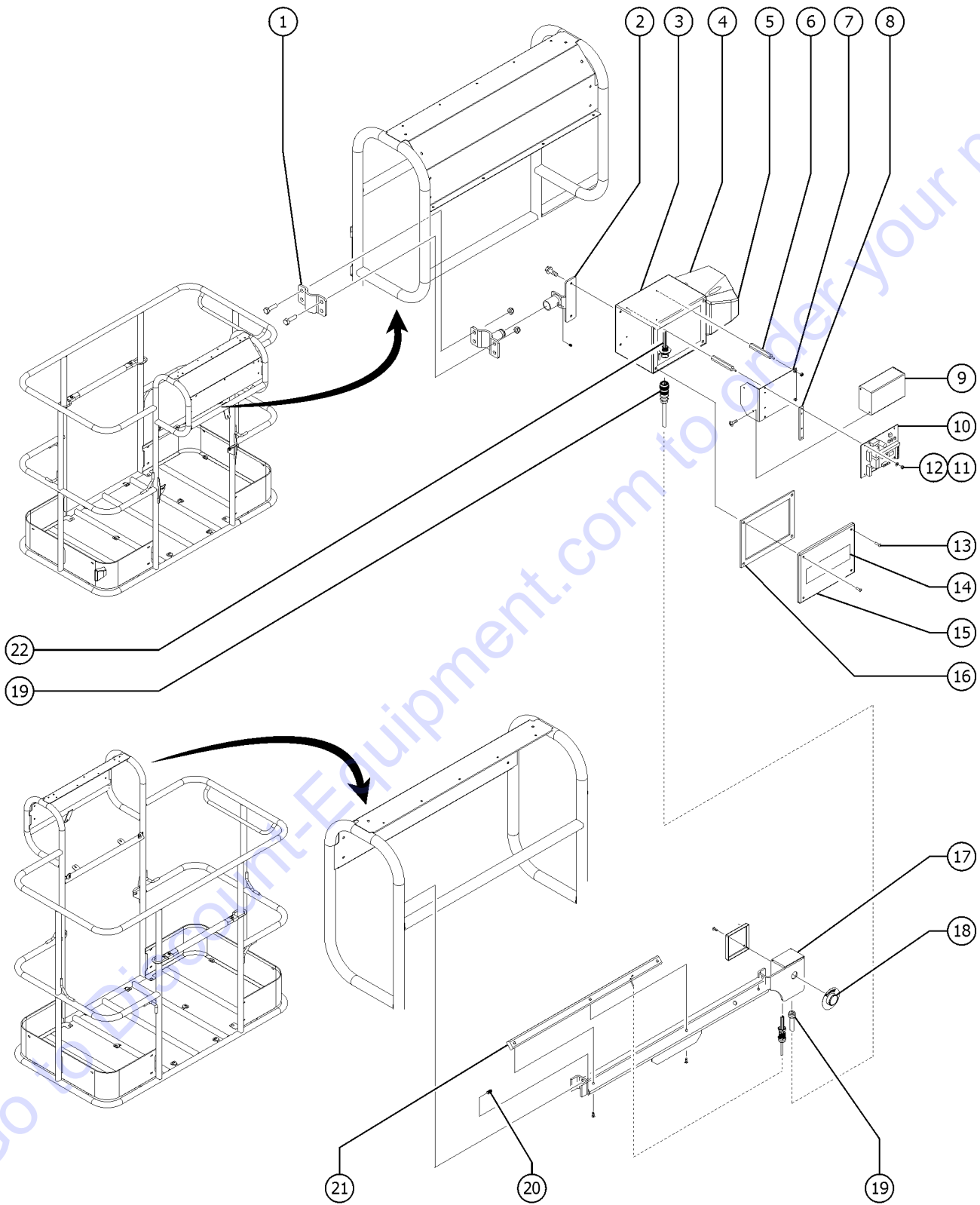
913.1 Hostile Environment - Cylinder Bellows

Item	Part No.	Description	Qty.
--	128838GT	KIT, CYLINDER BELLOWS	
1	94461GT	BELLOWS,PRIMARY/ELEV CYLINDER.....	2
2	94463GT	BELLOWS,MASTER CYLINDER.....	1
3	54989GT	BELLOWS,STEERING CYLINDER..... <i>not shown</i>	1
4	94462GT	BELLOWS,JIB CYLINDER.....	1
5	30577GT	COVER,PROTECTIVE,MASTER/SLAVE. <i>not shown</i>	1
6	30489GT	CLAMP,HOSE,3.50.....	5
		<i>not shown</i>	
7	30971GT	CLAMP,HOSE,3.00".....	1
		<i>not shown</i>	
8	35434GT	CLAMP,HOSE,2.00***.....	6
		<i>not shown</i>	

Go to Discount-Equipment.com to order your parts



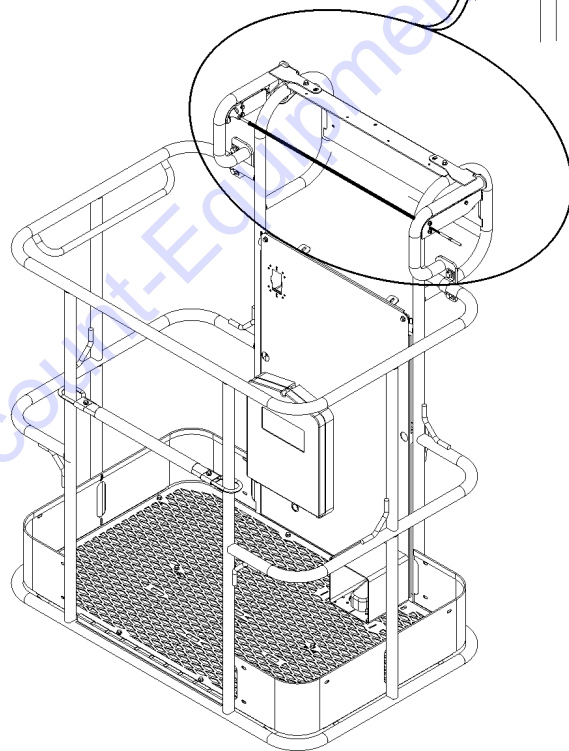
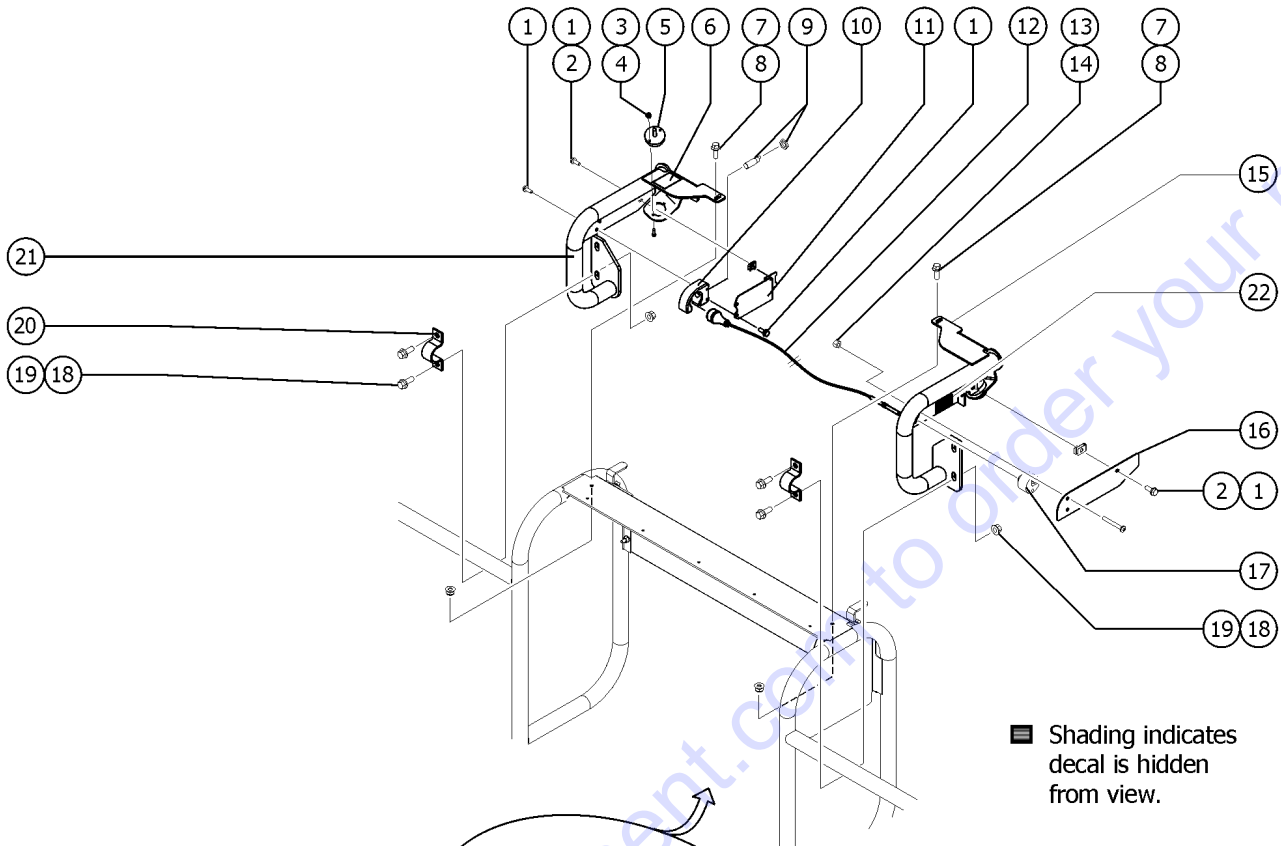
914.1 Operators Protection Alarm (to January 2017)



914.1 Operators Protection Alarm (to January 2017)

Item	Part No.	Description	Qty.
A	1255567GT	KIT,OPA,HW,24V,SB.....	1
--	1255030GT	PLUG,BLANKING	
--	1255471GT	ASSEMBLY,OPA,4'-5' PLAT	
--	1255858GT	HARN,PBOX,OPA,HW,24V	
1	1256149GT	CLAMP,HAND RAIL,OPA,4'-5'..... <i>includes fasteners</i>	1
2	1255026GT	ASSY,BRKT,CNTRL BOX W/FASTNRS.....	1
3	1255018GT	BASE ENCLOSURE,RED,OPA.....	1
4	1255021GT	SOUNDER,MIDI,OPA.....	1
5A	1255037GT	SOUNDER LENS, OPA, BLUE..... <i>(standard lens fitted to OPA)</i>	1
5B	1270116GT	SOUNDER LENS, OPA, RED.....	1
5C	1270117GT	SOUNDER LENS, OPA, AMBER.....	1
5D	1270118GT	SOUNDER LENS, OPA, CLEAR.....	1
6	1255028GT	STAND OFF,CONTROL UNIT.....	4
7	1255024GT	BRACKET,CONTROL UNIT.....	1
8	1255025GT	SPACER,HEAT SINK.....	1
9	1255023GT	ASSY,MODULE,CONTROL UNIT,OPA....	1
10	1255022GT	MODULE,CONTROL UNIT,PCB,OPA....	1
11	1255067GT	NUT,M4 NYLOCK.....	4
12	1255066GT	WASHER,M4 NYLON.....	4
13	1255038GT	SCREW,M5X16 BHD.....	4
14	1255027GT	WASHER,M5 NYLON.....	4
15	1255890GT	DECAL,COSMETIC,GENIE.....	1
16	1255020GT	LID ENCLOSURE,RED,OPA.....	1
17	1255019GT	GASKET,ENCLOSURE.....	1
18	1255488GT	ASSEMBLY,TAPESWITCH..... <i>4-ft and 5-ft platforms; includes j-box and fasteners</i>	1
19	1255036GT	ASSEMBLY RESET SWITCH.....	1
20	1255035GT	ASSEMBLY,CABLE,TAPESWITCH.....	1
21	1255889GT	DECAL,SYMBOL-READ THE MANUAL.....	1
22	1255489GT	SENSOR,RUBBER EDGE..... <i>4-ft and 5-ft platforms</i>	1
23	1255033GT	HARN,PIGTAIL,TAPESWITCH,OPA.....	1

914.2 Lift Guard Contact Alarm (from January 2017)



914.2 Lift Guard Contact Alarm (from January 2017)

Item	Part No.	Description	Qty.
--		From January 2017, this option became a standard installation on all models unless the customer specifically request not to have it installed	
--	1279136GT	KIT,LIFT GUARD CONTACT ALARM,4'-5' PLATFORM	
--	1278450GT	HARNESS, CONTACT ALARM, Z30/34DC	
--	78098GT	RELAY,24VDC,40/30A,SLD W/BRKT*	
--	1278121GT	MODULE, PLUS+1, CONTACT ALARM <i>located inside the Platform Control Box</i>	
1	1264934GT	SCREW,HHF,10-24X.5	
2	73575GT	SPRING CLIP,10-24,.025-.125X.468,ZAG	
3	12344GT	NUT,NYLOCK,6-32	
4	1256859GT	SCREW,PHPM,6-32X.875,ZAG	
5	1278111GT	ASSEMBLY, LIGHT, CONTACT ALARM.....	2
6	1278542GT	DECAL, INSTRUCTION, CONTACT ALARM	
7	824078GT	SCREW,HHF,1/4-20X.75,8,ZAG	
8	1277924GT	NUT,NYLOCK FLG,1/4-20,F,ZAG	
9	1278119GT	ASSEMBLY, SENSOR, PROX, CONTACT ALARM.....	1
10	1278433GT	ASSY, SENSOR W/HOUSING <i>(Includes holder item 1277877 and sensor part 1278119)</i>	
--	1277877GT	HOLDER, SENSOR.....	1
11	1277873GT	FORMING, SENSOR HOLDER.....	1
12	1278417GT	ASSEMBLY, OPA CABLE, SMALL.....	1
--	1261184GT	NUT,1/4-20,8,ZAG <i>Part of assembly 1278417</i>	
--	1278124GT	MAGNET, 1/4-20, 15 LB. <i>Part of assembly 1278417</i>	
--	1278368GT	GRIP, CABLE <i>Part of assembly 1278417</i>	
--	1278459GT	OPA WIRE ASSY, SMALL <i>Part of assembly 1278417</i>	
13	825352GT	SCREW,PHPM,10-32X1.25,ZAG	
14	1264261GT	NUT,SERRATED,10-32,ZAG	
15	1278175GT	WELDMENT, RIGHT OPA, SMALL.....	1
16	1277875GT	PLATE, CABLE AND WIRE COVER.....	1
17	1277876GT	GUIDE, CABLE.....	1
18	1274322GT	NUT,NYLOCK FLG,3/8-16,F,ZAG	
19	824090GT	SCREW,HHF,3/8-16X1.8,ZAG	
20	1278363GT	CLAMP, 1.25 INCH TUBE.....	2
21	1278177GT	WELDMENT, LEFT OPA, SMALL.....	1
22	1278982GT	DECAL, INSTRUCTION, ACTUATOR SWITCH SOCKET.....	1

Part Number Index

The Part Number Index is a numeric index of all part numbers included in this manual. The index shows what page(s) the part is used on.

Part Number	Page	Part Number	Page	Part Number	Page	Part Number	Page
10107GT	111	114397GT	19	1260928GT	51	1286600GT	31
101349GT	53, 71	119058GT	79	1261184GT	127	1286601GT	31
101425PGT	35	119077GT	119, 121	1261606GT	53, 71	128667GT	79
101426PGT	35	119111GT	41	1261845GT	51	128668GT	79
101429GT	65	119133GT	51	1262218GT	43	128669GT	79
101512GT	107	119403GT	33, 49	1263141GT	41	128677GT	119
101557GT	59, 67	119404GT	49	1263142GT	41	128681GT	119
101649GT	103	119618GT	43	1263554GT	37	128682GT	119
101676GT	103	119762GT	41	1264261GT	99, 127	128722GT	115
101677GT	103	119917GT	41	1264822GT	51	128723GT	115
101678GT	103	119950GT	105	1264834GT	51	128728GT	47
101679GT	103	121848GT	51, 107	1264934GT	127	128732GT	31
101965GT	45	122019GT	99	1268468GT	107	1287986GT	89-90
101967GT	49	122073GT	117	1268GT	11	128808GT	47
101968GT	49	122513GT	81	1270116GT	125	128809GT	47, 95
101969GT	49	122514GT	45, 81	1270117GT	125	128811GT	47, 95
101970GT	49	12344GT	127	1270118GT	125	128818GT	47
101980GT	79	1251590GT	115	1271081GT	71	128819GT	111
101981GT	79	1251591GT	115	1273205GT	63, 69	128825GT	33
101982GT	79	1251592GT	115	1274322GT	53, 67, 71, 103, 127	128838GT	123
101983GT	79	1251600GT	103			128852GT	119
101984GT	79	1251757GT	37	1277873GT	127	128899GT	41
101985GT	79	1252011GT	115	1277875GT	127	128971GT	121
101986GT	79	1252012GT	115	1277876GT	127	128972GT	121
101987GT	79	1252013GT	115	1277877GT	127	128973GT	119, 121
101988GT	79	1252977GT	35	1277924GT	83, 103, 127	13002GT	35
102992GT	79	1252978GT	119	1278111GT	51, 127	13037-SGT	45
105352GT	31	1255018GT	125	1278119GT	51, 127	13097GT	103
105556GT	99	1255019GT	125	1278121GT	127	13268GT	83, 109
105557GT	99	1255020GT	125	1278124GT	127	133286GT	13, 21, 33
106025GT	35	1255021GT	125	1278175GT	127	13471GT	45
106038GT	29	1255022GT	125	1278177GT	127	13480-SGT	45
106082GT	57, 67, 77	1255023GT	125	1278363GT	127	13511GT	45
106086GT	53	1255024GT	125	1278368GT	127	13585GT	79
106121GT	31	1255025GT	125	1278417GT	127	13825GT	99, 107
106122GT	31	1255026GT	125	1278433GT	127	13826GT	107
106123GT	31	1255027GT	125	1278450GT	51, 127	139008GT	41
106241GT	35	1255028GT	125	1278459GT	127	139010GT	39
106427GT	53, 71	1255030GT	125	1278542GT	127	139012GT	39
106428GT	53, 71	1255033GT	125	1278982GT	127	139013GT	39
106429GT	53, 71	1255035GT	125	1279136GT	127	139014GT	39
106433GT	57, 67, 77	1255036GT	125	128039GT	71	139015GT	39
106434GT	53, 71	1255037GT	125	128040GT	71	139016GT	39
106445GT	31	1255038GT	125	128045GT	49	139017GT	39
10665GT	63, 69	1255066GT	125	1280665GT	49	139018GT	39
106959GT	41	1255067GT	125	128118GT	33	139019GT	39
106960PGT	41	1255471GT	125	128200GT	81	139020GT	39
10775GT	79	1255488GT	125	128202GT	81	139021GT	39
10777GT	79	1255489GT	125	128203GT	81	139022GT	39
107858GT	111, 113	1255567GT	125	128204GT	109, 113	139073GT	97
107935G	97	1255758GT	49	128205GT	111	139074GT	97
107935GT	55, 73	1255788GT	79	128368GT	105	139075GT	97
110197GT	89-90	1255803GT	53	128374GT	105	139076GT	97
110199GT	89-90	1255858GT	125	128375GT	33	139077GT	97
110200GT	89-90	1255889GT	125	128376GT	33	13930GT	45
110235GT	51	1255890GT	125	1283776GT	11	139318GT	33
110239GT	51	1256109GT	63	128377GT	33	139351GT	31
110242GT	51	1256149GT	125	1284189GT	41	139353GT	31
110243GT	51	1256182GT	41	128443GT	89-90	139354GT	31
110246GT	51	1256843GT	69	128444GT	89-90	139355GT	31
110249GT	51	1256859GT	127	128453GT	41	139462GT	93
110255GT	51	1256863GT	63, 69	128458GT	39	139463GT	93
110382GT	43	1257248GT	79	128459GT	39	139537GT	61, 75
110626GT	43	1257249GT	79	128465GT	39	139540GT	61, 75
110637GT	41, 51	1257390GT	71	128466GT	39	139541GT	61, 75
110638GT	51	1257458GT	63, 69	128550GT	63	139542GT	61, 75
110639GT	51	1257733GT	11	128565GT	41	139560GT	93
110649GT	83	1258567GT	11	1285689GT	51	139561GT	93
110651GT	103	1259574GT	43	1285812GT	51	139563GT	93
110652GT	103	1259575GT	51	128618GT	41	139564GT	93
110653GT	103	1260124GT	89-90	128619GT	41	139565GT	93
110789GT	107	1260127GT	89-90	128620GT	41	139584GT	51
114117GT	13	1260639GT	51	128621GT	41	139585GT	51
114224GT	15	1260643GT	51	128622GT	41	139586GT	13, 21
114343GT	23	1260887GT	51	128634GT	53, 71	139643GT	115

Part Number	Page	Part Number	Page	Part Number	Page	Part Number	Page
139655GT	63, 69	233745GT	63, 69	35542GT	13	42609GT	53, 71
139858GT	33	23404GT	37, 43, 45, 83,	35675GT	65, 67, 69	42610PGT	53
139866GT	41		115	35678GT	87	42611GT	53
139871GT	95	23405GT	37	35679GT	87	42617GT	83
139872GT	95	234923GT	85	35680GT	81, 87	42621GT	59
139877GT	95	236665GT	37	35956GT	113	42705GT	95
144161GT	33, 49	237145GT	103	36054-SGT	63, 69	42781GT	83
147000GT	115	237503GT	51	36086GT	47	42797GT	63, 69
147001GT	115	23869GT	103	36163-SGT	29	42805GT	95
147079GT	59, 67	24514GT	79	36179GT	47	42809GT	97
147093GT	43, 45	25388GT	33, 49	36190GT	69	42813GT	97
147181GT	119	25683GT	55, 73	36192GT	59, 67	42817GT	97
147253GT	83	25685GT	107	36194GT	55, 57, 73, 77	42929GT	63
147389GT	51, 83	25817GT	29	36198GT	57, 77	42939-18700GT	53
147487GT	59	27246GT	45, 111	36199GT	63, 69	42939-5400GT	71
147637GT	67	27391GT	115	36202GT	55, 73	42939GT	63, 69
1484GT	11	27489GT	111, 113	36205GT	55, 73	43038GT	85
1487GT	105	27497GT	53, 55, 61, 63,	36211GT	29	43040GT	85
1488GT	105		65, 67, 69, 71,	36212GT	35	43042GT	85
150026GT	109		73, 75	36235GT	83	43179GT	37
15243GT	83	27564GT	15	36245GT	55, 73	43392GT	105
161940GT	35	27581GT	11	36246GT	55, 73	43599GT	89-90
161941GT	35	27894GT	101	36257GT	49	43937GT	57, 77
16397-SGT	45	27895GT	101	36355GT	37, 109	43956GT	49, 51, 79
18396GT	55, 73	27900GT	101	36369GT	35	43960GT	41, 79
18503GT	35	27901GT	101	36388GT	43, 49	44133GT	53, 71
18650GT	35	27902GT	101	36389GT	55, 73	44248GT	19
18666GT	83	27903GT	101	36390GT	55, 73	44743GT	79
18963GT	49	27904GT	101	36391GT	49	44777GT	47
19018-1100GT	103	28161GT	15, 17	36392GT	49	44788GT	31, 47
19018GT	43	28164GT	15	36414GT	49	44788GT	11, 47
19268GT	45	28165GT	19	36415GT	49	44956GT	89-90
19436GT	39	28171GT	15, 23	36456GT	37, 47	44980GT	13
19470GT	89-90	28174GT	15, 19, 23, 27	36457GT	49	44981GT	15, 19, 23, 27,
19491GT	53, 57, 59, 67, 71	28175GT	13	36555GT	11		101
19506GT	45	28176GT	19	36561-SGT	63, 69	44986GT	19
19520GT	39	28177GT	19	36570GT	49	45043GT	29
19712GT	85	28181GT	17	36574GT	49	45071GT	29, 55, 57, 67,
19713GT	85	28235GT	15, 19, 23, 27	36575GT	49		73, 77
19721GT	85	28236GT	19	36579GT	35	45074GT	29
19722GT	85	28298GT	43	36612GT	31	45107GT	29
19789GT	89-90	28372GT	13	36620GT	53, 71	45108GT	29
20224GT	89-90	28750GT	11, 89-90	36648GT	59, 67	45110GT	29
21149GT	31	29032GT	89-90	36673GT	33	45111GT	29
21166GT	29	29080GT	59	37052GT	19	45112GT	29
21427GT	85	29868GT	35, 53, 71	37053GT	13, 21	45113GT	29
21618GT	101	30222GT	63, 69	37054GT	13, 21	45114GT	29
216788GT	43	30489GT	123	37055GT	13, 21	45209GT	35
216791GT	43	30577GT	123	37056GT	13, 21	45383GT	81
216793GT	43	30807P-SGT	79	37100GT	29	45454GT	101
217046GT	43	30971GT	123	37127GT	53	45462GT	49
21858GT	83	30997GT	83	37184GT	47	45544GT	89-90
21982GT	45	31060GT	13, 17	37185GT	47	45745GT	59
22262GT	37	31106GT	53, 63, 71	37186GT	47	45782GT	45
22263GT	37	31194GT	41, 95	37187GT	47	45840GT	81
22359GT	57, 59, 67	31508GT	13	37191GT	47	45873GT	29
226321GT	81	31527GT	89-90	37192GT	47	45912GT	89-90
226383GT	85	31779GT	11	37947GT	45	45921GT	89-90
226393GT	99	31785GT	13	38113GT	31	46468GT	19, 27
226540GT	69	31787GT	13	38681GT	79	47377GT	57, 63, 77
226542GT	69	31788GT	13	39223GT	47	48504GT	47
227213GT	15	32150GT	11	39640GT	43	48875GT	95
227531GT	19	32151GT	11	40145GT	29	48880GT	89-90
227564GT	79	32710GT	79	40146GT	29	48890GT	97
227620GT	79	32728GT	19, 27	40410GT	89-90	48904GT	95
22811GT	31	33576GT	79	40413GT	89-90	48905GT	93, 97
228947GT	33	33674GT	105	40434GT	19, 27	48906GT	95
228973GT	33	33759GT	79	40446GT	53, 71	48912GT	95, 97
229074GT	69	33994GT	11, 89-90	40447GT	53, 57, 71, 77	48915GT	95
229567GT	81	34052GT	115	40609GT	99	48916GT	93, 95, 97
230645GT	99	34053GT	115	42019GT	47	48927GT	97
23083-SGT	103, 111, 113	34125GT	59	42104GT	105	48931GT	95
231204GT	79	34245GT	55, 69, 73	42363GT	41	48932GT	95
231931GT	99	34619GT	103, 107	42413GT	53, 71	48937GT	95
232486GT	31	35088GT	63	42439GT	43	48938GT	95
233717GT	63, 69	35434GT	123	42502GT	59	48997GT	89-90

Part Number Index (continued)

Part Number	Page	Part Number	Page	Part Number	Page	Part Number	Page
49612GT	11, 89-90	56929GT	63, 69	73575GT	127	74983GT	97
49613GT	11, 89-90	56930GT	37	73711GT	83	76450GT	53, 71
49821GT	77	56945GT	97	73713GT	83	77860GT	103
50546GT	63	56976-SGT	69	73714GT	41, 79	77981GT	47
51147GT	39	56976GT	63	73717GT	83	77990GT	47
52087GT	31	56983PGT	61, 75	73723GT	83	78098GT	109, 127
52339GT	89-90	56994GT	43	73736GT	83	78622GT	47
52598GT	89-90	58108GT	49	73739GT	79	79452GT	37
52599GT	89-90	58253GT	51	74006GT	79	81368GT	103
52601GT	89-90	58320GT	31	74009GT	105	814884GT	43
52603GT	89-90	58494GT	33	74044GT	65	81579GT	43
52604GT	89-90	58932GT	47	74051GT	69	82161GT	15
52625GT	77	58933GT	47	74052GT	79	822704GT	51
52715GT	89-90	58934GT	47	74066GT	59, 67	822872GT	51
52885GT	89-90	58936GT	47	74085GT	53, 71	822917GT	37
52887GT	85	58985GT	85	74089GT	55, 69, 73	822919GT	37
52892GT	85	58994GT	89-90	74091GT	57, 77	823226GT	37, 83, 111, 113
52895GT	85	6019GT	77	74119PGT	61, 75	82366GT	15
52913GT	47	6021GT	77	74134GT	65	823684GT	35
52914GT	47	60429GT	41, 79	74136GT	95	823942GT	51, 113
52915GT	47	60443GT	83	74145GT	95	823943GT	111
52928GT	85	60526GT	83	74232-SGT	53	823948GT	111
52943GT	89-90, 93	6090GT	81	74232GT	71	824019GT	83
52947GT	15	61226GT	37, 83, 113	74256GT	41	824024GT	107
52968GT	13, 21	6146GT	111	74266GT	37	824025GT	63, 69
53517GT	111	61726GT	107	74267GT	37	824027GT	33, 43, 49, 53,
5397GT	41, 111	61794GT	51	74268GT	37		59, 61, 67, 71,
54255GT	83	61972GT	107	74271GT	53, 71		75, 79, 105, 109,
54259GT	83	61973GT	107	74282GT	37		115, 117, 119,
54457GT	105	61974GT	107	74308GT	97		121
54530GT	67	62506GT	63, 69	74309GT	97	824028GT	37, 79, 111
54692GT	45	62507GT	63, 69	74312GT	29	824029GT	29, 33, 35, 43,
54989GT	123	62508GT	79	74313GT	29		47, 53, 55, 57,
55753GT	103, 105, 117	62516GT	79	74334GT	53		59, 63, 67, 69,
56029GT	37	62695GT	37	74345GT	67		71, 73, 107
56030GT	37	62696GT	37	74347GT	69	824031GT	31
56051GT	53, 57, 59, 67,	62928GT	17, 25	74356GT	87	824032GT	43, 49, 79, 83,
	71, 99	62929GT	13, 21	74357GT	87		99, 107, 111
56095GT	37	6356GT	81	74358GT	87	824037GT	35, 43, 49
56261GT	101	65171GT	15	74359GT	87	824038GT	59, 67
56281GT	37	65178GT	85	74362GT	85	824040GT	53, 71
56289-SGT	99	65546GT	85	74368GT	85	824042GT	29, 31
56302GT	43, 83, 115	65608GT	31	74384GT	87	824046GT	35
56318GT	43	65630GT	103	74425GT	89-90	824047GT	35
56319GT	43	6578GT	101, 111	74468GT	37	824059GT	53, 71, 105
56324GT	115	65872GT	31	74469GT	37	824060GT	31, 59, 65
56328GT	115	6607GT	77	74470GT	37	824061GT	65
56330GT	115	66356GT	79	74471GT	37	824062GT	63, 69
56361GT	59, 67	6638GT	81, 103	74482GT	97	824063GT	69
56418GT	115	66397GT	39	74483GT	97	824064GT	119, 121
56424GT	105, 115	66398GT	39	74495GT	37	824066GT	35
56425GT	115	66399GT	11	74508GT	59	824067GT	55, 59, 73
56426-576GT	115	66717GT	109	74509GT	59	824068GT	59
56465PGT	79	66812GT	45, 81	74581GT	95	824070GT	107
56500-SGT	63, 79	66813GT	81	74587GT	63	824074GT	47
56525GT	103	66815GT	81	74651GT	35	824075GT	69
56561GT	37	66818GT	45, 81	74714GT	31	824076GT	31
56562GT	37	66821GT	45, 81	74734GT	115	824077GT	35, 47, 49, 63, 69
56570GT	103	66900GT	35	74735GT	63	824078GT	29, 33, 43, 61,
56656PGT	79	66901GT	35	74838GT	97		75, 79, 105, 109,
56663GT	83	6782GT	111	74847PGT	109		115, 127
56704GT	99	6833GT	61, 75	74848PGT	109	824079GT	37, 49, 53, 59,
56723GT	95	6935GT	49, 79, 107	74865GT	63		61, 65, 67, 71,
56791GT	43	69550GT	89-90, 93	74866GT	63		75, 83, 107
56831GT	31	7056GT	49, 53, 59, 67,	74868GT	109	824080GT	35, 69, 115
56849GT	59, 67		71, 79, 107	74902GT	89-90	824081GT	35, 79, 113
56875GT	43	72047GT	89-90	74913GT	43	824082GT	59, 67
56886GT	81, 87	72078GT	31	74917GT	43	824083GT	53, 71, 83, 103
56894GT	95	72081GT	19, 27	74918GT	43	824085GT	47, 111, 113
56896GT	95	72167GT	17, 25	74920GT	43	824086GT	37
56897GT	95	72282GT	99	74921GT	43	824087GT	79
56898GT	95	72298GT	85	74922GT	43	824089GT	49
56899GT	95	72326GT	49, 81	74923GT	43	824090GT	29, 41, 43, 127
56912GT	29, 31, 33, 43,	72833GT	13	74924GT	43	824091GT	31, 43, 47, 53,
	59, 65, 67, 79,	72867GT	19, 27, 111, 113	74925GT	43		55, 57, 71, 73
	109	72999GT	15	74945GT	53, 71	824092GT	57, 59, 63, 67, 69

Part Number	Page	Part Number	Page
824093GT	57	84312GT	41
824094GT	33, 55, 73	85239GT	45
824095GT	43, 47, 53, 71	85300GT	103
824100GT	47	87085GT	103
824102GT	41	87755GT	83
824103GT	31	88280GT	57
824107GT	31	88337GT	29
824109GT	53, 59, 63, 65, 69, 71, 119, 121	88338GT	29
824110GT	47, 55, 59, 73, 119	88356-116R5GT	53, 71
824113GT	29, 31, 53, 61, 65, 67, 71, 75, 119, 121	88356-12103GT	41
824116GT	31, 47, 69, 101	88356-127J5GT	57, 59, 67, 77
824119GT	47, 49	88385GT	115
824120GT	43, 47, 53, 71	88390GT	115
824121GT	31	88827GT	45
824122GT	53, 71	88832GT	51
824124GT	119, 121	8910GT	35
824125GT	35	8914GT	103
824127GT	29	89310GT	89-90
824129GT	29	93500GT	11
824151GT	55, 63, 73	94001GT	35
824152GT	69	94011GT	35
824163GT	59, 67	94012GT	35
824164GT	63, 69	94019GT	89-90
824206GT	83	94031GT	59
824207GT	105	94077GT	43
824208GT	107	94105GT	97
824213GT	41	94106GT	97
824214GT	79, 83	94170GT	107
824215GT	43, 49, 83, 99, 111	94176GT	107
824216GT	107	94191GT	107
824217GT	37	94213GT	59
824218GT	45, 57	94214GT	67
824219GT	53, 59, 67, 71	94215GT	57, 77
824221GT	37	94216GT	57, 77
824223GT	41, 53, 71	94217GT	63
824224GT	41	94218GT	63
824225GT	79	94254GT	53, 71
824226GT	83	94256GT	59
824228GT	35	94257GT	67
82472GT	23, 25	94258GT	57, 77
82481GT	21	94259GT	57, 77
824878GT	43, 81	94260GT	63
82487GT	23, 27	94261GT	63
825019GT	29, 55, 57, 59, 63, 67, 69, 73, 77	94425GT	53, 71
825020GT	107	94428GT	47
825066GT	39	94461GT	123
825069GT	121	94462GT	123
825207GT	115	94463GT	123
825212GT	115	94745PGT	79
825213GT	115	94908GT	29
825214GT	115	94909GT	31
825352GT	127	9596GT	105
825353GT	53, 69, 71	9599-SGT	105
825358GT	47, 55, 67, 73, 119	96008-SGT	45
82544GT	23	96317GT	29
82548GT	27	97128GT	53
82592GT	15, 23	97815GT	27
82601GT	27	97890GT	15, 19
82602GT	27	97893GT	19
82604GT	27	97894GT	19
82610GT	23	99183GT	107
82611GT	27	T106699GT	83
82612GT	27	T108887GT	31
826516GT	99	T112560GT	79
826793GT	63	T112561GT	79
826794GT	69	T112576GT	117
83092GT	31	T112773GT	19, 27
83093GT	45	T112779GT	117
83129GT	51	T114858GT	37

Part Description Index

The Part Description Index is an alphabetical index of all part descriptions included in this manual. The index shows what page(s) the part is used on.

A

ALARM, CHIME TONE 5-25VDC***.....49
 ALARM, INTERMITTENT TONE 6-30V*.....49
 ALARM, WARBLE TONE 5-30 VDC***.....81
 ANGLE RELAY MOUNTING.....43
 ANGLE, FUSE MOUNT.....37
 ANGLE, SWITCH MOUNT***.....53, 71
 ASSEMBLY FOOT SWITCH.....51
 ASSEMBLY RESET SWITCH.....125
 ASSEMBLY, CONTROLLER PLATE.....37
 ASSEMBLY, LIGHT, CONTACT ALARM.....51, 127
 ASSEMBLY, OPA CABLE, SMALL.....127
 ASSEMBLY, SENSOR, PROX, CONTACT ALARM.....51, 127
 ASSEMBLY, CABLE, TAPESWITCH.....125
 ASSEMBLY, FOOT SWITCH.....79
 ASSEMBLY, OPA, 4'-5' PLAT.....125
 ASSEMBLY, TAPESWITCH.....125
 ASSY, CIRCUIT BREAKER 10A.....43, 45
 ASSY, EXT BOOM, Z30NRJ.....67
 ASSY, SENSOR W/HOUSING.....127
 ASSY, BRKT, CNTRL BOX W/FASTNRS.....125
 ASSY, DECAL PLATE, Z30 AUS.....79
 ASSY, LS, LOAD SENSE, 38.5 IN.....51, 107
 ASSY, MODULE, CONTROL UNIT, OPA.....125
 ASSY, RELAY SOCKET, AUTO.....115
 ASSY, TERMINAL RAIL, Z30/34DC.....43

B

BACKING PLATE, PLATFORM CLAMP.....79
 BASE ENCLOSURE, RED, OPA.....125
 BASE, W/1 N.O. CONTACTS***.....81
 BASE, WITHOUT CONTACTS.....45, 81
 BATT. CHARGE INDICATOR, ACCES**.....103
 BATTERY BOX ASSY, LH.....35
 BATTERY BOX ASSY, RH.....35
 BATTERY BOX ASSY, CNTRL SIDE***.....35
 BATTERY BOX ASSY, TANK SIDE DWN.....35
 BATTERY CABLE ASSEMBLY.....35
 BATTERY CABLE ASSEMBLY**.....35
 BATTERY CABLE ASSY, 9.5" JUMPER.....39
 BATTERY, 350AH, GROUP L16G(DRY).....35
 BATTERY, AGM, 6V/390A, L16.....35
 BEARING KIT, AUSCO***.....31
 BEARING KIT, WHEEL DRIVE (106148/106445/107712).....31
 BEARING KIT-74097 TORQUE HUB**.....31
 BEARING RACE (LARGE) (45873).....29
 BEARING RACE (SMALL) (45873).....29
 BEARING, 0.75IDX1.00ODX0.75L.....35
 BEARING, 1.00IDX1.25ODX1.00L.....29
 BEARING, 1.25 ID X 1.5 OD X .75.....57, 63, 77
 BEARING, 1.25IDX1.50ODX1.25L.....63
 BEARING, 1.25IDX1.50X1.25L.....55, 69, 73
 BEARING, 1.50 X 1.66 X 1.5.....77
 BEARING, 1.5IDX1.75ODX0.75L.....57
 BEARING, 1.5IDX1.75ODX1.0L.....55, 73
 BEARING, 1.5IDX1.75ODX1.5L.....29, 55, 57, 67, 73, 77
 BEARING, CONE***.....41
 BEARING, CUP***.....41
 BEARING, FL, 1.00IDX1.25ODX0.84L.....55, 73
 BEARING, FL, 1.25IDX1.41ODX.89L.....63
 BEARING, FL, 1.25IDX1.41ODX1.50L.....63, 69

BEARING, FL, 1.25IDX1.50ODX1.09L.....55, 73
 BEARING, FL, 1.25IDX1.50ODX1.25L.....63
 BEARING, FL, 1.25IDX1.50DX1.25L.....65, 67, 69
 BEARING, GARLOCK, 12FDU12.....107
 BEARING, MOTOR.....47
 BEARING, MOTOR, 36843, BRUSH END*.....31, 47
 BEARING, POLYGON, 20DU12.....55, 73
 BELLCRANK ASSEMBLY, Z30N, Z34**.....63
 BELLOWS, JIB CYLINDER.....123
 BELLOWS, MASTER CYLINDER.....123
 BELLOWS, PRIMARY/ELEV CYLINDER.....123
 BELLOWS, STEERING CYLINDER.....123
 BOLT, CARRIAGE, 1/4-20X.75, 5, ZAG.....119, 121
 BOLT, CARRIAGE, 3/8-16X1.5, ZAG.....35
 BOOT (BELLOWS), E-STOP, RED.....81
 BOOT, CABLE TERM, MED. RED, 4/0.....35
 BOOT, CABLE TERMINAL, LG, RED, 2/0.....39
 BOOT, CONTROLLER**.....85
 BOOT, PLUG 4 WAY.....79
 BOOT, TOGGLE SWITCH, SHORT*.....45, 111
 BOOT-THUMB ROCKER** BLACK.....85
 BOX, INSTRUCTION STORAGE.....79
 BRACE, LEFT HINGE.....49
 BRACE, RIGHT HINGE.....49
 BRACKET.....43
 BRACKET ENGAGE II.....103
 BRACKET SET, NYLATRAC, KS400.....61, 75
 BRACKET, CABLE STRAIN RELIEF.....79
 BRACKET, CHARGER CORD AND LED.....33
 BRACKET, HOSE ROUTING.....59, 67
 BRACKET, RETURN FILTER.....47
 BRACKET, BEACON LIGHT.....99
 BRACKET, CONTACTOR MOUNT SINGLE.....37
 BRACKET, CONTROL UNIT.....125
 BRACKET, COVER LATCH.....49
 BRACKET, INVERTER MOUNT PTD.....109
 BRACKET, RELAY MOUNT W/INSERTS.....83
 BRACKET, WORK LIGHT MOUNT 5/16".....113
 BRAKE, NEMA, 1200 IN/LB.....31
 BRUSH BOX ASSEMBLY.....47
 BRUSH BOX ASSY.....31
 BRUSH COVER -PLATE-(48504)*.....47
 BRUSH LEAD ASSEMBLY KIT(48504).....47
 BRUSH LEAD ASSEMBLY KIT(56831).....31
 BRUSH SET 4 EA.....47
 BRUSH SPRING SET.....47
 BULB, FLASHING BEACON.....99
 BULKHEAD FITTING, PLASTIC X 8**.....47
 BULKHEAD, FEMALE X 6 X 6.....101
 BUMPER, PLASTIC, 1.25 O.D.....103, 105, 117
 BUMPER, 3.5OD X 1.5 ID 90 DEG.....115
 BUMPER, 3.5OD X 1.5 ID X 6.75.....115
 BUMPER, 3.5OD X 1.5 ID X 9.75.....115
 BUMPER, 3.5OD X 1.5ID X 12.75.....115
 BUMPER, 3.5OD X 1.5ID X 14.75.....115
 BUMPER, 3.5OD X 1.5ID X 15.65.....115
 BUMPER, 3.5OD X 1.5ID X 2.75.....115
 BUMPER, 3.5OD X 1.5ID X 22.70.....115
 BUMPER, 3.5OD X 1.5ID X 30.75.....115
 BUMPER, 3.5OD X 1.5ID X 38.75.....115
 BUMPER, 90 DEG ELBOW.....115
 BUMPER, BATTERY BOX & RAILS.....105
 BUMPER, RUBBER***.....103, 107

BUMPER, RUBBER, .75 X .50H, STUD.....43, 49
 BUSHING, STRAIN RELIEF, 875/.30.....33
 BUSHING, STRAIN RELIEF, 875/.40.....33
 BUTTON, PUSH, BLACK W/SEAL***.....81
 BUTTON, PUSH, RED MUSHROOM HEAD.....45, 81

C

CABLE ASSY #2 BLK A1/A1.....39
 CABLE ASSY #2 BLK AP1/AP2 BATT.....39
 CABLE ASSY #2 BLK AP1/AP2 DRIV.....39
 CABLE ASSY #2 BLK B(+)/A2.....39
 CABLE ASSY #2 BLK B(+)/PR1.....39
 CABLE ASSY #2 BLK M(-)/A2.....39
 CABLE ASSY #2 RED AP1/AP2 DRIV.....39
 CABLE ASSY #2 RED BATT.....39
 CABLE ASSY #4 BLK B(-)/LP-D1.....39
 CABLE ASSY #4 BLK LP-D1/AP-D1.....39
 CABLE ASSY #4 RED PR2/LP-A1.....39
 CABLE ASSY #4 RED PR3/AP-A2.....39
 CABLE TIE, 7 3/8".....101, 111
 CABLE TIE, BUTTON, BLACK, 14.75LG.....59, 67
 CABLE TRACK, NYLATRAC, 26 LINK.....61, 75
 CAP, DIAGNOSTIC NIPPLE.....89-90
 CAP, DISENGAGE, 4HP/4HB***.....31
 CAP, DUST, 45873 HUB KIT.....29
 CASE COVER, ROTATOR, Z30/34 (119111).....41
 CHAIN, NO.2 (9LINKS).....115
 CHANNEL, CABLE TRACK, UPPER.....61, 75
 CHANNEL, LWR TRAY PLASTIC TK **.....61, 75
 CHARGER 48V/30A AUTO AC X-LED.....33
 CHARGER, 48V, 110/60, 12A, EERATNG.....33
 CHOCK, CYLINDER (SERVICE TOOL).....11
 CLAMP, 1.25 INCH TUBE.....127
 CLAMP, 0.50, #8 X 1/4, RUB CUSH.....61, 75
 CLAMP, 0.75, #12 X 1/4, RUB CUSH.....83, 109
 CLAMP, 1.00, #16 X 1/4, RUB CUSH.....83
 CLAMP, 1.13, #18 X 1/4, RUB CUSH.....101
 CLAMP, 1.25X.5 RUBBER-CUSHION.....105, 115
 CLAMP, CABLE STRAIN RELIEF.....79
 CLAMP, HAND RAIL, OPA, 4'-5'.....125
 CLAMP, HOSE, 2 EAR, 5/8.....101
 CLAMP, HOSE, 2.00***.....123
 CLAMP, HOSE, 3.00".....123
 CLAMP, HOSE, 3.50.....123
 CLAMP, HOSE, ALUMINUM.....67
 CLAMP, RUB CUSH, 0.75, #12 X 3/8*.....101
 CLAMP, RUBBER CUSHIONED-2 5/32.....53, 55, 61, 63, 65, 67, 69, 71, 73, 75
 CLAMP, WIRE HARNESS.....69
 CLIP, RETAINING, IES CHARGER.....33
 CLIP, SPRING, POTTER BRUMFIELD.....83
 COIL, SOLENOID VALVE, 24V***.....93
 COIL, 24V SOLENOID VALVE.....89-90
 COIL, SOLND, W/D, 20V DUAL SPADE.....89-90
 COIL, SOLND, W/D, 20V SGL SPADE.....89-90
 COMP ARM WELD LOWER, RIGHT***.....53, 71
 COMPRESSION ARM WLDMT 38.50 **.....53, 71
 COMPRESSION MEMBER (BORED)***.....63, 69

Part Description Index (continued)

FRT COVER ASSY. W/SYM DECALS**.....29
 FUSE BLOCK, ANN & ANL FUSE.....109
 FUSE HOLDER,WATERPROOF.....103, 111,
 113
 FUSE,10 AMP.....103
 FUSE,100 AMP,VERY FAST ACTING.....37,
 109
 FUSE,500 AMP,VERY FAST ACTING.....37
 FUSE,7 AMP.....111, 113

G

GASKET KIT, AUSCO 1200 IN/LB.....31
 GASKET LVI/BCI ENGAGE II.....103
 GASKET, BRAKE (VENDOR#78917).....31
 GASKET, PUMP / MOTOR (36179).....47
 GASKET, UK RECEPTACLE.....79
 GASKET,COVER,GFCI,WEATHERPROOF..79
 GASKET,ENCLOSURE.....125
 GASKET,JOYSTK.SHAFT36867/42032.....85
 GASKET,KEYSWITCH,PLASTIC***.....45
 GASKET,PLAT.CONTROL BOX.....83
 GASKET-ROTARY CNTRL 56886.....87
 GATE LATCH CASTING--DRILLED.....105
 GREASE,DIELECTRIC 4 OZ**.....11
 GRIP, CABLE.....127
 GROMMET,RUBBER .5 X .014 X .75.....111
 GROUND CONTROL PANEL ASSY.....45
 GROUND STRAP,12"LG***.....29
 GUARD,BEACON,NARROW.....99
 GUARD,FOOTSWITCH,W/DECAL STEEL...79
 GUIDE, CABLE.....127
 GUIDE,HOSE.....41

H

HANDLE HALF (56274).....85
 HANDLE,FORMED.....35
 HARN ASSY, POWER BATT PACK.....39
 HARN ASSY, POWER DRIVE CHASS.....39
 HARN LVI/BCI ENGAGE II Z34DC.....51
 HARN,PBOX,OPA,HW,24V.....125
 HARN,PIGTAIL,TAPESWITCH,OPA.....125
 HARN.CHARGER INTERLOCK Z34.....33
 HARNESS CABLE1 18/19 COND.....51
 HARNESS CABLE2 12/3 COND.....51
 HARNESS CABLE3 18/19 COND.....51
 HARNESS LS1 OP EXT/RET.....51
 HARNESS LS2 OP PRIMARY.....51
 HARNESS LS3 OP DRIVE ENABLE.....41, 51
 HARNESS LS4 OP SECONDARY.....51
 HARNESS, BASE CONTROL BOX.....51
 HARNESS, CONTACT ALARM,
 Z30/34DC.....51, 127
 HARNESS, DRIVE CHASSIS, DC.....51
 HARNESS, DRIVE LIGHTS, 48V.....111
 HARNESS, GBOX WIRE JUMPER.....51
 HARNESS, GBOX, CE.....51
 HARNESS, JIB MANIFOLD, RJ.....51
 HARNESS, LOAD SENSE, Z30/34DC.....51, 83
 HARNESS, PROX. KILL.....115
 HARNESS, RELAY,PBOX,CE.....51
 HARNESS,BASE BOX,RELAY,CE.....51
 HARNESS,FUNC. MAN. Z30/34DC.....51
 HARNESS,JIB MANIFOLD,NON RJ.....51
 HARNESS,LS,EXT/RET LS1 Z30.....57, 67, 77
 HARNESS,LS,SEC LIFT LS4 Z30/34.....53
 HARNESS,PBOX JUMPER,Z30/34DC.....51
 HARNESS,PBOX,CE.....51
 HARNESS,PLAT BOX,Z30/34DC.....51

HARNESS,PLUG,NON-LOAD WEIGHING...51
 HARNESS,TILT 24V,CSA PROD.....51
 HINGE CASTING.....105
 HINGE,CONTROL BOX.....103
 HINGE,WELD,COVER,CTRLS GRY/BLU.....49
 HINGE,WELD.,COVER,PUMP GRY/BLU.....49
 HOLDER, SENSOR.....127
 HORN,24VDC,SPADE TERMINALS***.....43
 HOSE ASSEMBLY,AIRLINE TO PLAT.....101
 HOSE ASSY, 1/2", 66.50.....95
 HOSE ASSY, 1/4", 15.00.....95
 HOSE ASSY, 1/4", 166.00.....97
 HOSE ASSY, 1/4", 17.00.....95
 HOSE ASSY, 1/4", 19.00.....97
 HOSE ASSY, 1/4", 31.00.....97
 HOSE ASSY, 1/4", 31.50.....97
 HOSE ASSY, 1/4", 46.50.....97
 HOSE ASSY, 1/4", 65.00.....95
 HOSE ASSY, 1/4", 69.25.....95
 HOSE ASSY, 3/8", 20.50.....95
 HOSE ASSY,1/2",12.38".....47, 95
 HOSE ASSY,1/2",21.50".....95
 HOSE ASSY,1/4", 20.00.....95
 HOSE ASSY,1/4", 23.25.....95
 HOSE ASSY,1/4",166.00.....97
 HOSE ASSY,1/4",181.00.....97
 HOSE ASSY,1/4",192.00.....97
 HOSE ASSY,1/4",224.00.....97
 HOSE ASSY,1/4",430.00.....97
 HOSE ASSY,1/4",65.50.....97
 HOSE ASSY,1/4",65.50".....97
 HOSE ASSY,1/4",77.50.....95
 HOSE ASSY,3/8",46.00.....95
 HOSE COVER,JIB BOOM**.....63, 69
 HOSE END,BARBED,RIGID,-6-6.....101
 HOSE END,BARBED,RIGID,90DEG6-6.....101
 HOSE TRACK COVER,LOWER ARM.....53
 HOSE TRACK COVER,UPPER ARM.....53, 71
 HOSE TRACK,LOWER ARM Z30N.....53
 HOSE TRACK,UPPER***.....53, 71
 HOSE,ASSY,3/8",20.25".....95
 HOSE,LOW PRESSURE,.375 ID,BLK.....101
 HOSE,RET.FILTER DWN TUBE RUBBE.....63
 HOUR METER,10-80 VOLTS***.....45
 HUB ASSEMBLY MODEL#60-8***.....29
 HYDRAULIC TANK,Z30N.....47

I

IND,BAT CHARGE,48V LEAD-ACID.....103
 INNER CONE - MODEL 60-8.....29
 INSTRN, TRC RETROFIT, STNDRD.....51
 INSTRUCTIONS,INSTALL (LEVEL SENSOR
 ALARM).....51
 INSTRUCTIONS-PIPE CRADLE,BOOMS...103
 INSULATION,48V BATT.BOX LID.....35
 INVERTER,48VDC,120VAC/60HZ.....109

J

JIB BOOM MACH.....63
 JIB BOOM MACH***.....69
 JIB PIVOT ASSEMBLY**.....69
 JOYSTICK,5K-0 OHM,W/RELAY.....85
 JUMPER COMB, 2-WAY,WIELAND.....43
 JUMPER COMB, 3-WAY,WIELAND.....43

K

KEY SINGLE***.....45
 KEY,SINGLE***.....45

KEYS,10 PACK***.....45
 KEYSWITCH,3 POS. W/KEYS***.....45
 KIT, AUX. RAIL, 4' PLATFORM.....117
 KIT, CYLINDER BELLOWS.....123
 KIT, DC-DC CONV,Z30N W/INVERTER...37
 KIT, DC-DC CONVERTER, DC.....37
 KIT, SWING HOSE CLAMP, FIELD.....55, 73,
 97
 KIT, TERMINAL BLOCK.....43
 KIT, TRC RETROFIT, STNDRD.....51
 KIT, WIPER.....119
 KIT, WIPER, Z30NRJ.....121
 KIT,ASSY,LED,IES CHARGER.....33
 KIT,ESTOP SVC BB&SM BOOM.....45, 81
 KIT,FIELD INSTALL,SWING GATE.....105
 KIT,HORN SVC BB&SM BOOM.....81
 KIT,LIFT GUARD CONTACT ALARM,4'-5'
 PLATFORM.....127
 KIT,OPA,HW,24V,SB.....125
 KIT,REPAIR,DEUTSCH PLUG,W/TUBE.....51
 KIT,REPAIR,DEUTSH CONNECTORS**.....51
 KIT,SEAL,3CC PUMP***.....47
 KIT,SWING GATE W/SPRING.....105
 KIT,TILT ALARM,DC AND BI-ENERGY
 MODELS.....51
 KIT,TORQUE HUB COVER(101584)**.....31
 KNOB, 45048 CONTROLLER.....87

L

LATCH,ADJUSTABLE DRAW.....49
 LATCH,ROTARY, W/KNOB,LEFT.....35
 LATCH,ROTARY, W/KNOB,RIGHT.....35
 LEGEND,PLSTC,"CREEP TO 9"***.....81, 87
 LENS,AMBER,STROBE,FIREBOLT.....99
 LENS,FLASHING BEACON.....99
 LEVEL SENSOR,LS60,YL,2.5X4.5.....43
 LID ENCLOSURE,RED,OPA.....125
 LID,BATT PACK, W/SYM DECALS**.....35
 LID,CONTROL BOX COVER.....103
 LID-BATTERY BOX W/DECALS**.....35
 LIGHT,LED IND. RED 24V NH.....43, 81
 LINK,NYLATRAC,KS400.....61, 75
 LOAD SUPPORT WITH BEARINGS.....107
 LOCK,PLUG 4 WAY,14-18GA.....41, 79
 LOCK,RECEP 12 WAY, 14-18GA.....83
 LOCK,RECEP 4 WAY,12-14GA.....83
 LOCK,RECEP 4 WAY,14-18GA.....83
 LOCKNUT,ELEC,1/2".....49, 79, 107
 LOCKWASHER,LT IND. OD.868/530.....43
 LOWER MIDPIVOT ASSY,Z34 &Z34N*.....53,
 71
 LOWER SECONDARY BOOM
 ASSEMBLY.....71
 LOWER SECONDARY BOOM
 ASSEMBLY*.....53
 LS BLUE PLASTIC BODY (XCKP).....53, 71
 LS METAL END PLUNGER (ZCE10).....53, 71
 LS ROT.HEAD W/O LEVER (ZCE01).....53, 71
 LS SPRING WAND (ZCY91).....57, 67, 77
 LS STL ROLLER PLUNGER (ZCE02).....53, 71
 LUG BOLT,5/8-18,WHEEL HUB***.....29
 LUG,WHEEL STUD,5/8-18,W1/4HB**.....31
 LVI/BCI 36/48 VOLT ENGAGE II.....103
 LVI/BCI Harness.....103

M

MAGNET, 1/4-20, 15 LB.....127
 MANIFOLD,FUNC,Z30N/Z34DC/BE.....89-90

MANIFOLD,FUNC,Z30NRJ.....89-90
 MANIFOLD,JIB, 24V NON RJ***.....93
 MANIFOLD,JIB, 24V RJ***.....93
 MANIFOLD,ROTATOR 200 DEG.....69
 MANIFOLD,ROTATOR,180 DEG.***.....63, 69
 MANUAL BOX W/DECALS***.....79
 MANUAL,AEM SAFETY.....11
 MANUAL,RESPON,A92.5 BOOM.....11
 MARKING TAGS,# 1-10,WIELAND.....43
 MARKING TAGS,# 11-20,WIELAND.....43
 MARKING TAGS,# 21-30,WIELAND.....43
 MARKING TAGS,# 31-40,WIELAND.....43
 MARKING TAGS,# 41-50,WIELAND**.....43
 MARKING TAGS,# 51-60,WIELAND.....43
 MESH,HALF HEIGHT RH,4***.....105
 MESH,HALF,SWING GATE***.....105
 MICROSWITCH SPACER,45049.....85
 MICROSWITCH,V3L-139-D8.....85
 MICROSWITCH-V319M***.....85
 MODULE, PLUS+1, CONTACT ALARM.....127
 MODULE,CONTROL UNIT,PCB,OPA.....125
 MODULE,LOAD SENSE 2007.....49
 MOTOR, 24V (36179).....47
 MOTOR, DRIVE, SEPEX.....31
 MOTOR,FUNCTION,48V DC.....47
 MOTOR,TURNTABLE,125CC***.....41
 MOUNT,SWITCH.....107
 MOUNTING PLATE, 45048.....87
 MOVING CONTACT (FOR PN 74267).....37

N

NIPPLE,DIAGNOSTIC,#4.....89-90
 NUT - PLASTIC,RING FOR ALARMS.....49, 81
 NUT, ACORN, 3/8-16, ZAG.....53, 71
 NUT, TL JAM, 3/8-16, A, ZAG.....59, 67
 NUT,1/4-20,8,ZAG.....127
 NUT,HEX,M8,PLASTIC.....115
 NUT,HH JAM,1/4-20,A,ZAG.....35, 43, 49
 NUT,JS,36867/42032/44988/40612.....85
 NUT,LOCKING-LG.FLANGE,5/16-18.....35
 NUT,LUG,5/8-18X90 DEG,ZAG.....29, 31
 NUT,M4 NYLOCK.....125
 NUT,NYLOCK FLG,1/4-20,F,ZAG.....83, 103,
 127
 NUT,NYLOCK FLG,3/8-16,F,ZAG.....53, 67, 71,
 103, 127
 NUT,NYLOCK,5/16-18.....111
 NUT,NYLOCK,6-32.....127
 NUT,NYLOCK,8-32,8,ZAG.....71
 NUT,RETAINER (96008).....45
 NUT,SERRATED,10-32,ZAG.....99, 127
 NUT,SOLENOID VALVE 2P3W.....89-90
 NUT,SOLENOID VALVE COIL.....89-90, 93
 NUT,SPINDLE,1-14.....29
 NUT,TL FLG,1-8,G,ZAG.....31
 NUT,TL FLG,1/4-20,G,ZAG.....33, 43, 49, 53,
 59, 61, 67, 71, 75, 79, 105, 109, 115, 117, 119,
 121
 NUT,TL FLG,10-32,F,ZAG.....43, 49, 79, 83,
 99, 107, 111
 NUT,TL FLG,3/8-16,G,ZAG.....29, 33, 35, 43,
 47, 53, 55, 57, 59, 63, 67, 69, 71, 73, 107
 NUT,TL FLG,5/16-18,G,ZAG.....37, 79, 111
 NUT,TL FLG,8-32,F,ZAG.....53
 NUT,TL JAM,5/16-18,A,ZAG.....35
 NUT,TL,1-8,C,ZAG.....69
 NUT,TL,1/4-20,C,ZAG.....107
 NUT,TL,3/4-10,C,ZAG.....63, 69
 NUT,TL,3/8-16,C,ZAG.....63, 69

NUT,TL,6-32,A,ZAG.....83
 NUT-HEX,3M X 0.5MM.....85
 NUTSERT,1/4-20,STEEL CAD PLTD.....37, 43,
 45, 83, 115
 NUTSERT,10-32 STEEL CAD PLTD.....37

O

O-RING KIT (ORFS FITTINGS).....11, 89-90
 O-RING KIT, AUSCO 1200 IN/LB.....31
 O-RING KIT,FIELD SVC,ALL PROD*.....11, 89-
 90
 O-RING, ROTATOR MANIFOLD.....63, 69
 O-RING,2-044 BUNA***.....31
 O-RING,END COVER,4HP/4HB***.....31
 O-RING,MOTOR TO BRAKE***.....31
 OPA WIRE ASSY, SMALL.....127
 OPTION,CONTROL BOX COVER.....103
 OPTION,DRIVE LIGHTS,Z30N.....111
 OPTION,WORKLIGHTS,48V.....51, 113
 ORIFICE, 0.035" (74512,74966).....89-90
 OUTER CONE - MODEL 60-8.....29
 OUTLET, 110V.....79

P

PAD,REST,1"THICK,W/STUDS*.....59, 67
 PADDING, FOAM 90 DEG.....115
 PAINT, AEROSOL, TRAFFIC BLACK.....11
 PAINT,AEROSOL,BRIGHT BLUE***.....11
 PAINT,AEROSOL,GENIE GRAY***.....11
 PAINT,WET,GENIE BLUE (1 GL)**.....11
 PAINT,WET,GENIE GRAY (1 GL)**.....11
 PAINT,WET,TRAFFIC BLACK (1 GL)**.....11
 PARKER DIGITAL PRESSURE GAUGE.....11
 PIN,0.75DIAX5.51LG,2RING.....59, 67
 PIN,0.75DIAX5.75LG,CHAMFER.....107
 PIN,1.00DIAX7.25LG,1HOLE.....55, 73
 PIN,1.00DIAX9.01LG,THREADED.....59, 67
 PIN,1.25DIA.X10.38LG,1HOLE.....63, 69
 PIN,1.25DIAX12.50LG,2HOLE.....63, 69
 PIN,1.25DIAX3.00LG,THREADED.....55, 73
 PIN,1.25DIAX3.63LG,THREADED.....55, 73
 PIN,1.25DIAX6.36LG,2RING.....63
 PIN,1.25DIAX7.64LG,2RING.....63
 PIN,1.25DIAX8.12LG,1HOLE.....57, 77
 PIN,1.25DIAX9.13LG,1HOLE.....57, 77
 PIN,1.25DIAX9.63LG,1HOLE.....55, 69, 73
 PIN,1.50DIAX15.13LG,1HOLE.....55, 57, 73, 77
 PIN,1.50DIAX16.13LG,1HOLE.....55, 73
 PIN,1.50DIAX3.25LG,1HOLE.....29
 PIN,CLEVIS,1.0X2.41,SAE,ZAG.....29
 PIN,COTTER,.219 X 1.75.....29
 PIN,LOCK,SHORT***.....105
 PIN,ROLL,.25 X 1.5***.....63, 69
 PIN,SLAVE CYL,1.25 X 6.06***.....69
 PIN,SLAVE CYLINDER.....63, 69
 PIPE CRADLE ASSY. SERV (ONE)**.....103
 PLAT ASSY W/DECAL (ASIA/S.AMER).....79
 PLAT ASSY W/DECAL (AUSTRALIA).....79
 PLAT ASSY W/DECAL (CE).....79
 PLAT ASSY W/DECAL (US/CANADA).....79
 PLAT RAIL ASSY 4' ASIA/S.AMER.....79
 PLAT RAIL ASSY 4' AUS.....79
 PLAT RAIL ASSY 4' ANSI/CSA.....79
 PLAT RAIL ASSY, 4' CE.....79
 PLATE, CABLE AND WIRE COVER.....127
 PLATE, PROFILED COUNTERWEIGHT.....115
 PLATE, TURNTABLE LS. MT.....41
 PLATE,CHARGER MOUNT.....33

PLATE,COUNTERWEIGHT.....115
 PLATE,INVERTER MOUNT PTD.....109
 PLATE,MAGNET MOUNT.....115
 PLATE,ROTARY CNTRL (56886).....87
 PLATE,UK,POWER TO PLAT.....79
 PLATE,WIPER BACKING.....119, 121
 PLATFORM CONTROL BOX W/DECAL.....83
 PLATFORM STEP * PAINTED.....79
 PLUG AND CAP KIT-SERVICE,37 **.....11, 89-
 90
 PLUG AND CAP KIT-SERVICE,ORFS*.....11,
 89-90
 PLUG, 6 SAE, TAPERED, BUNA.....89-90
 PLUG, EXPANDER (8MM).....89-90
 PLUG, NYLON .250 BLACK DOMED.....83
 PLUG, TYPE F, 230A, 50HZ, 16A, IP44.....49
 PLUG,1/4"SERIES,3/8 MPT.....101
 PLUG,BLANKING.....125
 PLUG,FUSED,250V,13AMP,U.K. **.....33, 49
 PLUG,NYLON .38 BLACK DOMED.....83
 PLUG,NYLON .875 BLACK DOMED.....83
 PLUG,NYLON 2.00 BLACK DOMED.....81
 PLUG,NYLON 2.50 BLACK DOMED.....43
 PLUG,ORB #4.....89-90, 93
 PLUG,ORIFICE-.045.....89-90
 PLUG,PWR,UK,16AMP,3PIN,BLK.....33, 49
 PLUG,SANTOPRENE .5 BLACK DOME.....81
 POTENTIOMETER (56773).....85
 POWER RELAY, 24V COIL.....37, 83, 111, 113
 POWER UNIT,AUX PUMP 24VDC.....47
 PRIMARY BOOM TUBE ASSEMBLY**.....67
 PRINTED CIRCUIT BOARD 56886.....87
 PROGRAMMER, PMC 1313K-4401.....37
 PROXIMITY SENSOR***.....115
 PUMP ASSEMBLY (36179).....47
 PUMP,LIFT,3CC,CCW***.....47

Q

QUICK DISCONNECT CASING,BATT**.....39

r

ref. Platform Control Box.....81
 ref. SCREW, 4-40 x 1/18".....85

R

RAILING CATCH CASTING--DRILLED.....105
 RECEPTACLE,UK,110V.....79
 RECEPTICAL,SNAP-IN (1450G1)***.....45
 Ref: JOYSTICK,5K-0 OHM,W/RELAY.....81
 Refer to 404.1 for models without a rotating
 jib.....67
 Refer to 404.1 for models without rotating
 jib.....65
 RELAY SOCKET,70AMP.....37, 83, 113
 RELAY,24VDC,40/30A,SEALED***.....43, 83,
 115
 RELAY,24VDC,40/30A,SLD W/BRKT*.....109,
 127
 RELAY,SPDT,12V(AUTO) PLUG IN**.....115
 REPAIR LINK,NYLATRAC,7 LINKS.....61, 75
 REST PAD, LOWER REST Z30N.....41
 REST PAD,UPPER PIVOT Z30N.....53, 71
 RETAINER,SPRING,1.21X.375,ZAG.....107
 RETAINER-N.C.PROPOR.SOLENOID.....89-
 90
 RING,HOSE PROTECTOR.....41
 RIVET, STL, STL, DOME, 1/4 X .375,
 ZAG.....105

TERMINAL BLOCK END PLATE.....43	WASHER, FLAT, .375X1.25X.062,ZAG.....53, 71	WIRE CABLE, 16/4 CON.TPE JKT*.....53, 71
TERMINAL BLOCK,WIELAND.....43	WASHER, FLAT, .375X1.50X.125,ZAG.....43, 47, 53, 71	WIRE LOOM, 1.88 DIA.....53, 63, 69, 71
TERMINAL RAIL, Z30/34DC.....43	WASHER, FLAT, .406X1.50X.125,ZAG.....107	WIRING DUCT, 1.5 X 1.5.....43
TERMINAL STRIP.....83	WASHER, FLAT, .688X1.160X.09,HRD.....31	WORKLIGHT, 48 VOLT.....111, 113
TERMINAL, #10 RING, BLUE, REEL.....79	WASHER, FLAT, .75, SAE, HRD, ZAG.....63, 69	
TERMINAL, COUPLER, MALE, 14-16GA.....99, 107	WASHER, FLAT, 1/2, SAE, HRD, ZAG.....53, 69, 71	Y
TERMINAL, FEM. BUTT SEAM: 16/14.....107	WASHER, FLAT, 3/8, SAE, HRD, ZAG.....63	YOKE ASSY, LH, Z30NRJ.....29
TERMINAL, FEMALE COUPLER, BLUE.....99	WASHER, FLAT, 3/8, USS, ZAG.....49	YOKE ASSY, RH, Z30NRJ.....29
TERMINAL, MOLEX 16 GAUGE***.....37	WASHER, FLAT, 5/16, USS, ZAG.....47, 55, 67, 73, 119	Z
TIE ROD, WELDMENT, Z30N**.....29	WASHER, FLAT, 5/8, F436, HRD, ZAG.....41	ZERK, GREASE, 1/8 NPT, 45 DEG***.....41
TIME DELAY RELAY, 2 SEC, 24VDC.....83	WASHER, FLAT, MS, #10, Y.....111	ZERK, GREASE, 1/8 NPT, 67.5 DEG**.....41
TIRE & WHEEL ASSY, FRONT N-M.....29	WASHER, FLAT, USS, 1/4"Y.....81, 103	
TIRE & WHEEL ASSY, REAR N-M.....31	WASHER, FLAT, USS, 1/4, ZAG.....29, 31, 53, 61, 65, 67, 71, 75, 119, 121	— GENERAL SERVICE PARTS —.....11
TOEBOARD, ENTRY EUROPEAN PNTD** ...79	WASHER, FLAT, USS, 5/16", Y.....41, 111	— HYD FILTERS —.....11
TOOL TRAY ACCESSORY***105	WASHER, LOCK, #10 PLTD.....77	— MANUALS —.....11
TOOL, TERMINAL CRIMPER, MOLEX***37	WASHER, LOCK, .25.....81	
TOOL, TERMINAL EXTRACTOR, MOLEX.....37	WASHER, LOCK, .375.....77	
TRIMLOCK, BLACK, 5/32".....43, 103	WASHER, LOCK, 1/4, ZAG.....53, 59, 63, 65, 69, 71, 119, 121	
TUBE, HYDRAULIC TANK.....47	WASHER, LOCK, 3/8, ZAG.....47, 55, 59, 73, 119	
TUBE, RD, STL, DOM, .75OD X .375ID.....119, 121	WASHER, M4 NYLON.....125	
TUBE, RD, STL, DOM, .75X.438X1.25.....119	WASHER, M5 NYLON.....125	
U	WASHER, NYLON, JOYSTICK.....85	
U-BOLT, FLATTENED, 1.5 X 3/8	WASHER, SHIM, .0151 THK.....107	
UNC, ZAG.....103	WASHER, SHIM, 1.270X1.875X.062,Z.....69	
UPPER MIDPIVOT ASSY, Z34 & Z34N.....53, 57, 71, 77	WASHER, SHIM, 1.270X2.130X.062,Z.....55, 63, 73	
UPPER SEC BOOM ASSY Z30N RJ.....71	WASHER, SPINDLE.....29	
UPPER SECONDARY BOOM ASSEMBLY*.....53	WASHER, THRUST, .313 X .50 X .10.....49	
V	WASHER, THRUST, .75 X 1.38X.13.....35	
VALVE - COUNTERBALANCE**.....63, 69	WASHER, THRUST, 1.5 X 3.5 X .187.....29	
VALVE SOLENOID.....89-90	WEAR PAD, 4 X 2 X.50 THK. BLACK.....59	
VALVE, FLOW CTRL, PRES COMP***.....93	WEAR PAD, 4 X 4 X .75 W/NUTS.....59	
VALVE, CB, CBBC-LHN@3200***.....57, 77	WEAR PAD, 4X2X.5 W/INSERT***.....35	
VALVE, CHECK.....89-90	WEAR PAD, 5 X 1.5 X .75 W/NUTS.....59	
VALVE, CHECK (36179).....47	WEAR PAD, EXT BOOM***.....65	
VALVE, CHECK, COBA-X*N 200PSI PO.....59	WEAR PAD, EXT CYL***.....59, 67	
VALVE, CHECK, CXAD-XCN, 30PSI.....59	WELD, COVER SUPPORT LH Z30N*.....43	
VALVE, CHK, #8PORT-#6MALEORFS***.....95	WELDMENT, EXT BOOM, Z30N.....59	
VALVE, CNTERBAL, CBBB-LHN@3000**.....53, 63, 71	WELDMENT, LEFT OPA, SMALL.....127	
VALVE, COUNTERBALANCE.....63	WELDMENT, LWR COMPRESION ARM.....53, 71	
VALVE, COUNTERBALANCE 2500 PSI*.....59, 67	WELDMENT, PIPE CRADLE.....103	
VALVE, COUNTERBALANCE, 3000PSI.....89-90	WELDMENT, RIGHT OPA, SMALL.....127	
VALVE, DIFF.SENSE***.....89-90	WELDMENT, COVER DRIVE CHASSIS.....109	
VALVE, FLOW REGULATOR.....89-90	WELDMENT, COVER SUPPORT RH***.....47	
VALVE, FLOW REGULATOR .8 GPM.....89-90	WELDMENT, FLOATING BUMPER.....115	
VALVE, PROPORTIONAL **.....89-90	WELDMENT, LOAD SUPPORT.....107	
VALVE, RELIEF 1800 PSI.....89-90	WELDMENT, PIPE CRADLE MOUNT.....103	
VALVE, RELIEF 3200 PSI.....89-90	WELDMENT, PLATFORM SUPPORT.....107	
VALVE, RELIEF, 1100PSI***.....89-90	WELDMENT, PLATFORM SUPPORT***.....63, 79	
VALVE, RELIEF, 1600 PSI.....89-90	WELDMENT, PRIMARY BOOM Z30N.....59	
VALVE, SOLENOID 20V W/DIODE.....89-90	WELDMENT, ROTATOR SUPPORT.....107	
VALVE, SOLENOID, 3POS 4WAY.....89-90	WELDMENT, SENSOR BRACKET.....115	
VALVE, SOLENOID, 3POS/4WAY*.....89-90	WELDMENT, SWING GATE, ALUMINUM.....105	
W	WHEEL DRIVE, 4HB, 57:1***.....31	
WASHER, FLAT, F436, 1.0, ZAG.....31, 47, 69, 101	WIPER, PRIMARY BOOM.....119, 121	
WASHER, LOCK, M4, SS.....79	WIRE ASSY #10 RED F1/F2.....39	
WASHER, FLAT, #8, SAE, ZAG.....71	WIRE ASSY #10 RED F2/F1.....39	
WASHER, FLAT, .25X1.25X.062,ZAG.....47, 49	WIRE CABLE, 14/3 CON.TPE JKT*.....49, 51, 79	
	WIRE CABLE, 16/2, WHT/BLK, SJEOW.....53, 57, 59, 67, 71, 99	
	WIRE CABLE, 16/4 CON.TPE JKT.....41, 79	

Fitting Cross References

Genie PN	Parker PN	Description	Genie PN	Parker PN	Description
12342	6-4 F5OX-S	CONNECTOR,STRAIGHT THREAD TO FLARE TUBE	42794	1 CR-S	ELBOW,90°,MALE PIPE
13757	4 R6X-S	RUN TEE,SWIVEL NUT,ORFS	42795	BV-0839	BALL VALVE
19685	12-10 C5OX-S	ELBOW,90°,STRAIGHT THREAD TO FLARE TUBE	42796	BV-0838	BALL VALVE
22664	12-10 C5OX	ELBOW,90°,STRAIGHT THREAD TO FLARE TUBE	42874	6-8 CLO-S	ELBOW,90°,MALE PIPE TO ORFS
27431	8-12 F5OX-S	CONNECTOR,STRAIGHT THREAD TO FLARE TUBE	42912	13943-6-4	HOSE END,90° FEMALE SWIVEL,JIC
28678	AS-B-33	SLEEVE,NYLON,1.81" ID	42920	BV-0840	BALL VALVE,90°
39871	6 WETX-WLN-S	UNION,90° BULKHEAD W/NUT,FLARE TUBE	42932	AS-B-17	SLEEVE,NYLON,1.22" ID
39872	4 R5OX-S	RUN TEE,STRAIGHT THREAD	42936	10243-2-4	HOSE END,FEMALE PIPE
39873	6 C5OX-S	ELBOW,90°,STRAIGHT THREAD TO FLARE TUBE	42953	1/2 DD-S	ELBOW,90°,FEMALE PIPE
39874	8-6 C5OX-S	ELBOW,90°,STRAIGHT THREAD TO FLARE TUBE	42956	6 WELO-WLNL-S	UNION,90° BULKHEAD W/NUT,ORFS
39875	4-6 C5OX-S	ELBOW,90°,STRAIGHT THREAD TO FLARE TUBE	45349	8 V5OX-S	ELBOW,45°,STRAIGHT THREAD TO FLARE TUBE
39876	6-8 C5OX-S	ELBOW,90°,STRAIGHT THREAD TO FLARE TUBE	45351	4 V5OX-S	ELBOW,45°,STRAIGHT THREAD TO FLARE TUBE
39877	4 F5OX-S	CONNECTOR,STRAIGHT THREAD TO FLARE TUBE	47223	10343-6-6	HOSE END,MALE,JIC
39878	6 F5OX-S	CONNECTOR,STRAIGHT THREAD TO FLARE TUBE	47419	PS690503-6-6	SWIVEL,90°,STRAIGHT THREAD TO 37° FLARE
39879	4-8 F5OX-S	CONNECTOR,STRAIGHT THREAD TO FLARE TUBE	48750	421-4	HOSE,1/4 INCH ID
39880	6-10 F5OX-S	CONNECTOR,STRAIGHT THREAD TO FLARE TUBE	48751	481TC-4	HOSE,1/4 INCH ID
39881	4-6 F5OX-S	CONNECTOR,STRAIGHT THREAD TO FLARE TUBE	48752	482TC-4	HOSE,1/4 INCH ID
39882	4-HP5ON-S	PLUG,STRAIGHT THREAD	48753	451TC-6	HOSE,3/8 INCH ID
39883	8-8 FTX-S	CONNECTOR,MALE PIPE TO FLARE TUBE	48754	482TC-6	HOSE,3/8 INCH ID
39885	269HB 12-12	ELBOW,90°,BEADED HOSE BARB TO MALE PIPE	48755	381-6	HOSE,3/8 INCH ID
39886	431-6	HOSE,3/8 INCH ID	48756	451TC-8	HOSE,1/2 INCH ID
39887	540N-2	HOSE,1/8 INCH ID	48757	482TC-8	HOSE,1/2 INCH ID
39888	801-8	HOSE,1/2 INCH ID	48758	381-8	HOSE,1/2 INCH ID
39889	801-12	HOSE,3/4 INCH ID	48759	381-10	HOSE,5/8 INCH ID
39890	10643-6-6	HOSE END,FEMALE SWIVEL,JIC	48760	451TC-10	HOSE,5/8 INCH ID
39891	13943-6-6	HOSE END,90° FEMALE SWIVEL,JIC	48761	482TC-12	HOSE,3/4 INCH ID
39892	13743-6-6	HOSE END,45° FEMALE SWIVEL,JIC	48762	451TC-12	HOSE,3/4 INCH ID
39894	30682-8-8	HOSE END,FEMALE SWIVEL,JIC	48763	772-12	HOSE,3/4 INCH ID
39895	30682-10-12	HOSE END,FEMALE SWIVEL,JIC	48764	881-16	HOSE,1 INCH ID
42286	8-8 CTX-S	ELBOW,90°,MALE PIPE TO FLARE TUBE	48765	772-16	HOSE,1 INCH ID
42756	8-12 CLO-S	ELBOW,90,MALE PIPE TO ORFS	48766	AS-B-15	SLEEVE,NYLON,1.06" ID
42757	8-12 FLO-S	CONNECTOR,MALE PIPE TO ORFS	48767	AS-B-22	SLEEVE,NYLON,1.42" ID
42758	4 JLO-S	UNION TEE,ORFS	48770	881-8	HOSE,1/2 INCH ID
42759	4-4 FLO-S	CONNECTOR,MALE PIPE TO ORFS			
42760	6-8 FLO-S	CONNECTOR,MALE PIPE TO ORFS			
42761	1J143-6-4	HOSE END,90° FEMALE SWIVEL,SEAL LOK			
42762	1J743-6-4	HOSE END,45° FEMALE SWIVEL,SEAL LOK			
42768	1JO43-4-4	HOSE END,MALE,SEAL LOK			
42776	601-8	HOSE,1/2 INCH ID			
42777	1J743-16-16	HOSE END,45° FEMALE SWIVEL,SEAL LOK			
42786	16 CLO-S	ELBOW,90°,MALE PIPE TO ORFS			
42787	16 R6LO-S	RUN TEE,SWIVEL NUT,ORFS			
42788	16-8 TRLO-BL-S	REDUCER,TUBE END TO SWIVEL,ORFS			
42789	6-6 CLO-S	ELBOW,90°,MALE PIPE TO ORFS			
42790	8-10 V5OLO-S	ELBOW,45°,STRAIGHT THREAD TO ORFS			
42791	3/4 CD-S	ELBOW,90°,MALE TO FEMALE PIPE			
42792	3/4 X 1/2 PTR-S	REDUCER,MALE TO FEMALE PIPE			
42793	1/2 CR-S	ELBOW,90°,MALE PIPE			

Fitting Cross References (Continued)

Genie PN	Parker PN	Description	Genie PN	Parker PN	Description
48771	881-10	HOSE,5/8 INCH ID	48847	13943-12-12	HOSE END,90° FEMALE SWIVEL,JIC
48772	381-4	HOSE,1/4 INCH ID	48848	10543-12-12	HOSE END,MALE,STRAIGHT THREAD
48773	AS-B-13	SLEEVE,NYLON,.86" ID	48849	1JC71-12-12	HOSE END,FEMALE SWIVEL,SEAL LOK
48800	1JC43-4-4	HOSE END,FEMALE SWIVEL,SEAL LOK	48850	1JS71-12-12	HOSE END,FEMALE SWIVEL,SEAL LOK
48801	1J743-4-4	HOSE END,45° FEMALE SWIVEL,SEAL LOK	48851	1J171-12-12	HOSE END,90° FEMALE SWIVEL,SEAL LOK
48802	1J943-4-4	HOSE END,90° FEMALE SWIVEL,SEAL LOK	48852	1J771-12-12	HOSE END,45° FEMALE SWIVEL,SEAL LOK
48804	1JM43-4-4	HOSE END,MALE,SEAL LOK, NO O-RING	48853	1J971-12-12	HOSE END,90° FEMALE SWIVEL,SEAL LOK
48805	10643-4-4	HOSE END,FEMALE SWIVEL,JIC	48854	1JC43-16-16	HOSE END,FEMALE SWIVEL,SEAL LOK
48806	13943-4-4	HOSE END,90° FEMALE SWIVEL,JIC	48855	1J943-16-16	HOSE END,90° FEMALE SWIVEL,SEAL LOK
48807	1JS43-4-4	HOSE END,FEMALE SWIVEL,SEAL LOK	48856	1J171-16-16	HOSE END,90° FEMALE SWIVEL,SEAL LOK
48808	3JC82-8-8	HOSE END,FEMALE SWIVEL,SEAL LOK	48857	1J971-16-16	HOSE END,90° FEMALE SWIVEL,SEAL LOK
48809	3JC82-12-12	HOSE END,FEMALE SWIVEL,SEAL LOK	48859	1JS43-8-4	HOSE END,FEMALE SWIVEL,SEAL LOK
48810	1JC43-6-4	HOSE END,FEMALE SWIVEL,SEAL LOK	48867	PD36BTL	DIAGNOSTIC NIPPLE,SEAL-LOK SWIVEL
48811	1J943-6-4	HOSE END,90° FEMALE SWIVEL,SEAL LOK	48873	6 PNLO-S	PLUG,TUBE END,ORFS
48812	1JC43-6-6	HOSE END,FEMALE SWIVEL,SEAL LOK	48874	6 PNTX-S	PLUG,FLARE TUBE
48813	1J143-6-6	HOSE END,90° FEMALE SWIVEL,SEAL LOK	48875	6 R6LO-S	RUN TEE,SWIVEL NUT,ORFS
48814	1J543-6-6	HOSE END,90° FEMALE SWIVEL,SEAL LOK	48877	4 F5OLO-SW/.025	CONNECTOR,STRAIGHT THREAD TO ORFS, W/.025 ORI
48815	1J743-6-6	HOSE END,45° FEMALE SWIVEL,SEAL LOK	48878	16-12 C5OLO-S	ELBOW,90°,STRAIGHT THREAD TO ORFS
48816	1J943-6-6	HOSE END,90° FEMALE SWIVEL,SEAL LOK	48879	8 C6LO-S	ELBOW,90°,SWIVEL NUT ORFS
48817	1JS43-6-8	HOSE END,FEMALE SWIVEL,SEAL LOK	48880	PD6-285	CAP,DIAGNOSTIC NIPPLE
48818	1J943-8-4	HOSE END,90° FEMALE SWIVEL,SEAL LOK	48881	6 HLO-S	UNION,ORFS
48819	1JC43-8-6	HOSE END,FEMALE SWIVEL,SEAL LOK	48883	8 P5ON-S	PLUG,STRAIGHT THREAD
48820	1J743-8-6	HOSE END,45° FEMALE SWIVEL,SEAL LOK	48884	8M18F87OMLO-S	CONNECTOR,METRIC,STRAIGHT THREAD TO ORFS
48821	1J943-8-6	HOSE END,90° FEMALE SWIVEL,SEAL LOK	48885	4 WGTX-WLN-S	CONNECTOR,BULKHEAD,FEMALE PIPE TO FLARE TUBE
48822	1JC43-8-8	HOSE END,FEMALE SWIVEL,SEAL LOK	48886	4 F5OLO-SW/2MM	CONNECTOR,MACHINED STRAIGHT THREAD TO ORFS
48823	1JS43-8-8	HOSE END,FEMALE SWIVEL,SEAL LOK	48887	4 CTX-S	ELBOW,90°,MALE PIPE TO FLARE TUBE
48824	1J143-8-8	HOSE END,90° FEMALE SWIVEL,SEAL LOK	48888	10-12 V5OLO-S	ELBOW,45°,STRAIGHT THREAD TO ORFS
48825	1J543-8-8	HOSE END,90° FEMALE SWIVEL,SEAL LOK	48890	4 S5OLO-S	BRANCH TEE,STRAIGHT THREAD TO ORFS
48826	1J743-8-8	HOSE END,45° FEMALE SWIVEL,SEAL LOK	48891	4 S6LO-S	BRANCH TEE,SWIVEL NUT TO ORFS
48827	1J943-8-8	HOSE END,90° FEMALE SWIVEL,SEAL LOK			
48828	1JC43-10-8	HOSE END,FEMALE SWIVEL,SEAL LOK			
48829	1JS43-10-8	HOSE END,FEMALE SWIVEL,SEAL LOK			
48830	1J743-10-8	HOSE END,45° FEMALE SWIVEL,SEAL LOK			
48831	1J943-10-8	HOSE END,90° FEMALE SWIVEL,SEAL LOK			
48833	1JC43-10-10	HOSE END,FEMALE SWIVEL,SEAL LOK			
48834	1J943-10-10	HOSE END,90° FEMALE SWIVEL,SEAL LOK			
48835	1JS43-10-12	HOSE END,FEMALE SWIVEL,SEAL LOK			
48836	1JC43-12-8	HOSE END,FEMALE SWIVEL,SEAL LOK			
48837	1JS43-12-8	HOSE END,FEMALE SWIVEL,SEAL LOK			
48838	1J743-12-8	HOSE END,45° FEMALE SWIVEL,SEAL LOK			
48839	1J943-12-8	HOSE END,90° FEMALE SWIVEL,SEAL LOK			
48840	1J943-12-10	HOSE END,90° FEMALE SWIVEL,SEAL LOK			
48841	1JC43-12-12	HOSE END,FEMALE SWIVEL,SEAL LOK			
48842	1JO43-12-12	HOSE END,MALE,SEAL LOK			
48843	1J143-12-12	HOSE END,90° FEMALE SWIVEL,SEAL LOK			
48844	1J543-12-12	HOSE END,90° FEMALE SWIVEL,SEAL LOK			
48845	1J743-12-12	HOSE END,45° FEMALE SWIVEL,SEAL LOK			
48846	1J943-12-12	HOSE END,90° FEMALE SWIVEL,SEAL LOK			

Fitting Cross References (Continued)

Genie PN	Parker PN	Description	Genie PN	Parker PN	Description
48892	6 C6LO-S	ELBOW,90°,SWIVEL NUT ORFS	48938	8 R6LO-S	RUN TEE,SWIVEL NUT,ORFS
48893	6 F5OHAO-S	UNION,STRAIGHT THREAD	48939	8 S6LO-S	BRANCH TEE,SWIVEL NUT TO ORFS
48894	8 WLO-WLNL-S	UNION,BULKHEAD,ORFS	48940	8 WJLO-WLNL-S	RUN TEE, BULKHEAD,ORFS
48895	DT-370-MSMO-5	VALVE,CHECK	48941	8-4 TRLO-S	REDUCER,TUBE END TO SWIVEL,ORFS
48896	6 JLO-S	UNION,TEE,ORFS	48942	8-6 C5OLO-S	ELBOW,90°,STRAIGHT THREAD TO ORFS
48897	DT-750-MSMS-5	VALVE,CHECK	48943	8-6 F5OLO-S	CONNECTOR,STRAIGHT THREAD TO ORFS
48898	DT-750-MOMS-5	VALVE,CHECK	48944	8-8 FLO-S	CONNECTOR,MALE PIPE TO ORFS
48899	DT-620-MOMS-5	VALVE,CHECK	48945	8 FTX-S	CONNECTOR,MALE PIPE TO FLARE TUBE
48900	4-6 F5OLO-SW/.035	CONNECTOR,STRAIGHT THREAD TO ORFS, W/.035 ORI	48946	8-10 F5OLO-S	CONNECTOR,STRAIGHT THREAD TO ORFS
48902	16-1 AOE4G-S	ELBOW,90° LONG,FEMALE PIPE TO STRAIGHT THREAD	48947	8-12 C5OLO-S	ELBOW,90°,STRAIGHT THREAD TO ORFS
48903	1 FF-S	NIPPLE,PIPE	48948	8-12 F5OLO-S	CONNECTOR,STRAIGHT THREAD TO ORFS
48904	4 C5OLO-S	ELBOW,90°,STRAIGHT THREAD TO ORFS	48949	8-16 F5OLO-S	CONNECTOR,STRAIGHT THREAD TO ORFS
48905	4 F5OLO-S	CONNECTOR,STRAIGHT THREAD TO ORFS	48950	10 C5OLO-S	ELBOW,90°,STRAIGHT THREAD TO ORFS
48906	4 R5OLO-S	RUN TEE,STRAIGHT THREAD	48951	10 CC5OLO-S	ELBOW,90° LONG,STRAIGHT THREAD TO ORFS
48907	4 V5OLO-S	ELBOW,45°,STRAIGHT THREAD TO ORFS	48952	10 F5OLO-S	CONNECTOR,STRAIGHT THREAD TO ORFS
48908	4 R6LO-S	RUN TEE,SWIVEL NUT,ORFS	48953	10 R5OLO-S	RUN TEE,STRAIGHT THREAD
48909	4 WJLO-WLNL-S	RUN TEE, BULKHEAD,ORFS	48954	10 S5OLO-S	BRANCH TEE,STRAIGHT THREAD TO ORFS
48910	4 GTX-S W/.030	CONNECTOR,FEMALE PIPE TO FLARE TUBE	48955	10 R6LO-S	RUN TEE,SWIVEL NUT,ORFS
48911	4-6 C5OLO-S	ELBOW,90°,STRAIGHT THREAD TO ORFS	48956	10-4 TRLO-BL-S	REDUCER,TUBE END TO SWIVEL,ORFS
48912	4-6 F5OLO-S	CONNECTOR,STRAIGHT THREAD TO ORFS	48957	10-6 TRLO-BL-S	REDUCER,TUBE END TO SWIVEL,ORFS
48913	4-6 F5OLO-SW/.030	CONNECTOR,STRAIGHT THREAD TO ORFS, W/.030 ORI	48958	10-12 F5OLO-S	CONNECTOR,STRAIGHT THREAD TO ORFS
48914	4-8 F5OLO-S	CONNECTOR,STRAIGHT THREAD TO ORFS	48959	12 C5OLO-S	ELBOW,90°,STRAIGHT THREAD TO ORFS
48915	6 C5OLO-S	ELBOW,90°,STRAIGHT THREAD TO ORFS	48960	12 F5OLO-S	CONNECTOR,STRAIGHT THREAD TO ORFS
48916	6 F5OLO-S	CONNECTOR,STRAIGHT THREAD TO ORFS	48961	12 R5OLO-S	RUN TEE,STRAIGHT THREAD
48917	6 FF5OLO-S	CONNECTOR,LONG,STRAIGHT THREAD TO ORFS	48962	12 S5OLO-S	BRANCH TEE,STRAIGHT THREAD TO ORFS
48918	6 R5OLO-S	RUN TEE,STRAIGHT THREAD	48963	12 V5OLO-S	ELBOW,45°,STRAIGHT THREAD TO ORFS
48919	6 S5OLO-S	BRANCH TEE,STRAIGHT THREAD TO ORFS	48964	12 R6LO-S	RUN TEE,SWIVEL NUT,ORFS
48920	6 V5OLO-S	ELBOW,45°,STRAIGHT THREAD TO ORFS	48965	12 CLO-S	ELBOW,90°,MALE PIPE TO ORFS
48921	6 FLO-S	CONNECTOR,MALE PIPE TO ORFS	48966	12 FLO-S	CONNECTOR,MALE PIPE TO ORFS
48922	6-6 FLO-S	CONNECTOR,MALE PIPE TO ORFS	48967	12 JLO-S	UNION TEE,ORFS
48923	6 P5ON-S	PLUG,STRAIGHT THREAD	48968	12 WLO-WLNL-S	UNION,BULKHEAD,ORFS
48925	6 WELO-S	UNION,90° BULKHEAD,ORFS	48969	12 WJLO-WLNL-S	RUN TEE, BULKHEAD,ORFS
48926	6-4 C5OLO-S	ELBOW,90°,STRAIGHT THREAD TO ORFS	48970	12 WELO-WLNL-S	UNION,90° BULKHEAD W/NUT,ORFS
48927	6-4 F5OLO-S	CONNECTOR,STRAIGHT THREAD TO ORFS			
48928	6-4 V5OLO-S	ELBOW,45°,STRAIGHT THREAD TO ORFS			
48929	6-8 C5OLO-S	ELBOW,90°,STRAIGHT THREAD TO ORFS			
48930	6-8 F5OLO-S	CONNECTOR,STRAIGHT THREAD TO ORFS			
48931	6-10 F5OLO-S	CONNECTOR,STRAIGHT THREAD TO ORFS			
48932	8 C5OLO-S	ELBOW,90°,STRAIGHT THREAD TO ORFS			
48933	8 F5OLO-S	CONNECTOR,STRAIGHT THREAD TO ORFS			
48934	8 FF5OLO-S	CONNECTOR,LONG,STRAIGHT THREAD TO ORFS			
48935	8 R5OLO-S	RUN TEE,STRAIGHT THREAD			
48936	8 S5OLO-S	BRANCH TEE,STRAIGHT THREAD TO ORFS			
48937	8 V5OLO-S	ELBOW,45°,STRAIGHT THREAD TO ORFS			

Fitting Cross References (Continued)

Genie PN	Parker PN	Description	Genie PN	Parker PN	Description
48971	12 G5G5JG5-S	TEE,FEMALE STRAIGHT THREAD	49612	PKT02586	O-RING KIT (ORFS FITTINGS)
48972	12 XHL6-S	ADAPTER, 37° MALE TO SWIVEL ORFS	49613	PKT06276	PLUG AND CAP KIT-SERVICE,ORFS
48973	12-1/2 F5OG-S	ADAPTER,FEMALE PIPE TO STRAIGHT THREAD	49728	10143-12-12	HOSE END, MALE PIPE
48974	12-10 C5OLO-S	ELBOW,90°,STRAIGHT THREAD TO ORFS	49729	16-1 F5OG-S	ADAPTER,FEMALE PIPE TO STRAIGHT THREAD
48975	12-10 F5OLO-S	CONNECTOR,STRAIGHT THREAD TO ORFS	49814	12-8 FLO-S	CONNECTOR,MALE PIPE TO ORFS
48976	12-16 C5OLO-S	ELBOW,90°,STRAIGHT THREAD TO ORFS	49829	DT-500-MOMF-5	VALVE,CHECK
48977	12-16 F5OLO-S	CONNECTOR,STRAIGHT THREAD TO ORFS	49831	881-12	HOSE,3/4 INCH ID
48978	12-16 V5OLO-S	ELBOW,45°,STRAIGHT THREAD TO ORFS	49834	16 JLO-S	UNION TEE,ORFS
48980	12-16 FLO-S	CONNECTOR,MALE PIPE TO ORFS	49838	12-8 TRLO-BL-S	REDUCER,TUBE END TO SWIVEL,ORFS
48983	16 C5OLO-S	ELBOW,90°,STRAIGHT THREAD TO ORFS	49840	8 JLO-S	UNION TEE,ORFS
48984	16 F5OLO-S	CONNECTOR,STRAIGHT THREAD TO ORFS	49844	10-8 TRLO-BL-S	REDUCER,TUBE END TO SWIVEL,ORFS
48985	16 V5OLO-S	ELBOW,45°,STRAIGHT THREAD TO ORFS	49854	8 P5ON-S	PLUG,STRAIGHT THREAD
48986	16 FLO-S	CONNECTOR,MALE PIPE TO ORFS	49855	1JC43-16-12	HOSE END,FEMALE SWIVEL,SEAL LOK
48988	16 CD45-S	ELBOW,45°,MALE TO FEMALE PIPE	49859	4 P5ON-S	PLUG,STRAIGHT THREAD
48989	12 CD45-S	ELBOW,45°,MALE TO FEMALE PIPE	49861	4 FF5OLO-S	CONNECTOR, LONG, STRAIGHT THREAD TO ORFS
48990	8 CD45-S	ELBOW,45°,MALE TO FEMALE PIPE	49867	12-3/4 F5OG-S	ADAPTER,FEMALE PIPE TO STRAIGHT THREAD
48991	16-12 FLO-S	CONNECTOR,MALE PIPE TO ORFS	51152	6 R6X-S	RUN TEE,SWIVEL NUT,ORFS
48992	16-12 V5OLO-S	ELBOW,45°,STRAIGHT THREAD TO ORFS	51153	6-4 TRTX-S	REDUCER,TUBE END TO SWIVEL,ORFS
48993	XV501-12	BALL VALVE	51154	4-4 GTX	CONNECTOR,FEMALE PIPE TO FLARE TUBE
48994	XV501-16	BALL VALVE	51264	881-12	HOSE,3/4 INCH ID
48995	XV510P-12	BALL VALVE	51265	8 JLO-S	UNION TEE,ORFS
48996	XV510P-16	BALL VALVE	51508	6 BTX-S	NUT,FLARE TUBE
48997	PD341	DIAGNOSTIC NIPPLE, STRAIGHT THREAD	51580	12-8 TRLO-BL-S	TUBE END REDUCER,ORFS
48998	PD 361	DIAGNOSTIC NIPPLE, STRAIGHT THREAD	51628	6 R6X-S	RUN TEE,SWIVEL NUT,ORFS
48999	DT-500-MOMS-5	VALVE,CHECK	51735	3/8 HHP	PLUG,PIPE THREAD
49201	10 V5OLO-S	ELBOW,45°,STRAIGHT THREAD TO ORFS	51803	1J943-6-8	HOSE END,90° FEMALE SWIVEL,SEAL LOK
49202	1JC43-12-10	HOSE END,FEMALE SWIVEL,SEAL LOK	53023	125HBL-5-4	FITTING,HOSE BARB TO MALE PIPE
49203	10-8 V5OLO-S	ELBOW,45°,STRAIGHT THREAD TO ORFS	53497	PKT02585	O-RING KIT
49205	6 F5OHAO-S	UNION,STRAIGHT THREAD	53499	1JC71-16-16	HOSE END,FEMALE SWIVEL,SEAL LOK
49207	PD34BTL	DIAGNOSTIC NIPPLE,SEAL-LOK SWIVEL	53500	3-904	O-RING,STRAIGHT THREAD,-4
49209	8M18F870MX-S	CONNECTOR,METRIC,STRAIGHT THREAD TO FLARE TUBE	53501	3-906	O-RING,STRAIGHT THREAD,-6
49212	8 WGTX-WLN-S	CONNECTOR,BULKHEAD,FEMALE PIPE TO FLARE TUBE	53502	3-908	O-RING,STRAIGHT THREAD,-8
49213	30682-8-8	HOSE END,FEMALE SWIVEL,JIC	53503	3-910	O-RING,STRAIGHT THREAD,-10
49216	831-8	HOSE,1/2 INCH ID			
49217	33982-8-8	HOSE END,90° FEMALE SWIVEL,JIC			
49219	PS-B-35	SLEEVE,NYLON,2.19" ID			
49418	4-6 V5OLO-S	ELBOW,45°,STRAIGHT THREAD TO ORFS			
49511	DT370-MOMS-5	VALVE,CHECK			
49512	1 DD-S	ELBOW,90°,FEMALE PIPE			
49513	1 FF-S	NIPPLE,PIPE			
49514	10 HP5ON-S	PLUG,STRAIGHT THREAD			
49515	12-16 CLO-S	ELBOW,90°,MALE PIPE TO ORFS			
49517	6 HP5ON-S	PLUG,STRAIGHT THREAD			
49519	16-12 F5OLO-S	CONNECTOR,STRAIGHT THREAD TO ORFS			
49520	4 VTX-S	ELBOW,45°,MALE PIPE TO FLARE TUBE			
49530	16 C6LO-S	ELBOW,90°,SWIVEL NUT ORFS			

Fitting Cross References (Continued)

Genie PN	Parker PN	Description	Genie PN	Parker PN	Description
53535	3-912	O-RING,STRAIGHT THREAD,-12	61083	24 F5OLO-S	CONNECTOR,STRAIGHT THREAD TO ORFS
53536	4-PNLO-S	PLUG,TUBE END,ORFS	61086	20 R5OLO-S	RUN TEE,STRAIGHT THREAD
53537	6 PNLO-S	PLUG,TUBE END,ORFS	61090	24-20 F5OLO-S	CONNECTOR,STRAIGHT THREAD TO ORFS
53538	8 PNLO-S	PLUG,TUBE END,ORFS	61091	1J943 24-24	HOSE END,90° FEMALE SWIVEL,SEAL LOK
53539	10 PNLO-S	PLUG,TUBE END,ORFS	61093	1J978-12-12	HOSE END,90° FEMALE SWIVEL,JIC
53540	12 PNLO-S	PLUG,TUBE END,ORFS	61095	1JS43-20-16	HOSE END,FEMALE SWIVEL,SEAL LOK
53946	129HB-5-4	FITTING,90° HOSE BARB TO MALE PIPE	61100	811-24	HOSE,11/2 INCH ID
53951	8-1/4F50G-S	ADAPTER,FEMALE PIPE TO STRAIGHT THREAD	61130	1JS43-24-24	HOSE END,FEMALE SWIVEL,SEAL LOK
53980	6 S6LO-S	BRANCH TEE,SWIVEL NUT TO ORFS	61131	1JS78 12-12	HOSE END,FEMALE SWIVEL,SEAL LOK
54132	4 C6LO-S	ELBOW,90°,SWIVEL NUT ORFS	61132	1J778-12-12	HOSE END,45° FEMALE SWIVEL,JIC
54135	11343-16-16	HOSE END,MALE SWIVEL,PIPE	61152	139HB-6-4	ELBOW,45°,BARB TO MALE PIPE
54283	8-10 C5OLO-S	ELBOW,90°,STRAIGHT THREAD TO ORFS	61251	BV-0750	BALL VALVE
54428	8M18C870MLO-S	ELBOW, 90° METRIC, STRAIGHT THREAD TO ORFS	61259	4 CC5OLO-S	ELBOW,90° LONG,STRAIGHT THREAD TO ORFS
54803	FS-F-16-10	SLEEVE,FIRE,-96" ID	61260	20-12 TRLO-BL	REDUCER,TUBE END TO SWIVEL,ORFS
54954	10143-2-4	HOSE END, MALE PIPE	61262	12 C6LO-S	ELBOW,90°,SWIVEL NUT ORFS
55190	3/8 HP-S	PLUG,PIPE THREAD	61263	20 F5OHAO-S	UNION,STRAIGHT THREAD
55448	8 HLO-S	UNION,ORFS	61264	6-10 C5OLO-S	ELBOW,90°,STRAIGHT THREAD TO ORFS
55839	6 F65OX-S	CONNECTOR,STRAIGHT THREAD TO 37° SWIVEL	61265	6 WNLO-WLNL-S	UNION,BULKHEAD 45°,ORFS
55968	10 C5OX-S	ELBOW,90°,STRAIGHT THREAD TO FLARE TUBE	61268	4 WNLO-WLNL-S	UNION,BULKHEAD 45°,ORFS
56003	6 CC5OLO-S	ELBOW,90° LONG,STRAIGHT THREAD TO ORFS	61269	4 WLO-WLNL-S	UNION,BULKHEAD,ORFS
56166	BV-0837	BALL VALVE,90°	61272	12 AOEL6	ELBOW,90°,STRAIGHT THREAD TO ORFS SWIVEL
56188	10143-8-6	HOSE END, MALE PIPE	61316	482TC-16	HOSE,1 INCH ID
56233	2-011	O-RING,ORFS,-4	61321	6 JLO-S	UNION TEE,ORFS
56234	2-012	O-RING,ORFS,-6	61327	782-12	HOSE,3/4 INCH ID
56235	2-014	O-RING,ORFS,-8	61328	881-24	HOSE,11/2 INCH ID
56236	2-016	O-RING,ORFS,-10	61336	11943-20-24	HOSE END,90° FLANGE HEAD
56237	2-018	O-RING,ORFS,-12	61345	12 WJLO-WLNL-S	RUN TEE, BULKHEAD,ORFS
56238	2-021	O-RING,ORFS,-16	61346	8 WNLO-WLNL-S 4	UNION,BULKHEAD 45°,ORFS
56352	6 WLNL-S	LOCKNUT,BULKHEAD	61569	33782-8-8	HOSE END,45° FEMALE SWIVEL,JIC
56353	3J782-12-12	HOSE END,45° FEMALE SWIVEL,SEAL LOK	61610	12 FF5OLO-S	CONNECTOR,LONG,STRAIGHT THREAD TO ORFS
56354	3J982-12-12	HOSE END,90° FEMALE SWIVEL,SEAL LOK	61742	1/8 X 1.5 FFF	NIPPLE,PIPE
56604	10-8 F5OLO-S	CONNECTOR,STRAIGHT THREAD TO ORFS	63426	8 PNTX-S	PLUG,FLARE TUBE
56639	3JC82-10-10	HOSE END,FEMALE SWIVEL,SEAL LOK			
56640	3J982-10-10	HOSE END,90° FEMALE SWIVEL,SEAL LOK			
56655	3JC82-8-10	HOSE END,FEMALE SWIVEL,SEAL LOK			
56676	10-8 C5OLO-S	ELBOW,90°,STRAIGHT THREAD TO ORFS			
56776	471TC-6	HOSE,3/8 INCH ID			
56777	471TC-8	HOSE,1/2 INCH ID			
56789	811-16	HOSE,1 INCH ID			
57884	3/8 FF	NIPPLE,PIPE			
59335	6 FNL-S	CAP,TUBE END			
59342	4 FNL-S	CAP,TUBE END			
59371	8 HP5ON-S	PLUG,STRAIGHT THREAD			
60653	BV-0751	BALL VALVE			
60806	125HB-3-4	FITTING,HOSE BARB TO MALE PIPE			
61064	5-1/4 F5OG-S	ADAPTER,FEMALE PIPE TO STRAIGHT THREAD			
61079	4 WELO-WLNL-S	UNION,90° BULKHEAD W/NUT,ORFS			
61080	6 WLO-WLNL-S	UNION,BULKHEAD,ORFS			

Fitting Cross References (Continued)

Genie PN	Parker PN	Description	Genie PN	Parker PN	Description
64271	4 WLO-WLNL-S	UNION,BULKHEAD,ORFS	75631	801-6	HOSE,3/8 INCH ID
64272	6 WLO-WLNL-S	UNION,BULKHEAD,ORFS	75654	20 F5OLO-S	CONNECTOR,STRAIGHT THREAD TO ORFS
65776	8 F65OL-S	CONNECTOR,STRAIGHT THREAD TO ORFS SWIVEL	75655	1J943-20-20	HOSE END,90° FEMALE SWIVEL,SEAL LOK
65880	6001012	O-RING KIT	75656	881-20	HOSE,1-1/4 INCH ID
66154	6 WTX-WLNS	UNION,BULKHEAD,FLARE TUBE	75971	8 F5OHAO-S	UNION,STRAIGHT THREAD
66155	6 WETX-S	UNION,BULKHEAD 90°,FLARE TUBE	77307	1JB43-8-8	HOSE END,BULKHEAD,SEAL LOK
66156	6 WLN-S	BULKHEAD LOCKNUT	77309	8 WLNL-S	BULKHEAD LOCKNUT
66389	6-8 F5OX-S	CONNECTOR,STRAIGHT THREAD TO FLARE TUBE	77379	8M18C87OMX-S	ELBOW,90° METRIC,STRAIGHT THREAD TO FLARE TUBE
66392	6 R5OX-S	RUN TEE,STRAIGHT THREAD	77703	3J982-8-8	HOSE END,90° FEMALE SWIVEL,SEAL LOK
66396	811-12	HOSE,3/4 INCH ID	77711	801-10	HOSE,5/8 INCH ID
66829	H3174PP	CLAMP,TUBE	77758	12 WNLO-WLNL-S	UNION,BULKHEAD 45°,ORFS
67217	4 KLO-S	UNION,CROSS,ORFS	78091	6 C6X-S	ELBOW,90°,SWIVEL NUT TO FLARE TUBE
67339	10-6 F5OX-S	CONNECTOR,STRAIGHT THREAD TO FLARE TUBE	78684	30582-8-8B	HOSE END,PUSH LOK,MALE
67357	13943-8-6	HOSE END,90° FEMALE SWIVEL,JIC	78852	549-2	HOSE,1/8 INCH ID
67358	10 HP5ON-S	PLUG,STRAIGHT THREAD	78855	10657-4-2	HOSE END,FEMALE SWIVEL,JIC
67371	12 S6LO-S	BRANCH TEE,SWIVEL NUT TO ORFS	79138	PS-B-37	SLEEVE,NYLON,2.38" ID
67498	4 FNL-S	CAP, TUBE END	79476	1JS43-6-8	HOSE END,FEMALE SWIVEL,SEAL LOK
67906	DC-370-F0F0-5	VALVE,CHECK	79847	12-3/4 A0EG-S	ELBOW,90°,STRAIGHT THREAD TO FEMALE PIPE
69316	8 FLO-S	CONNECTOR,MALE PIPE TO ORFS	80044	8 CLO-S	ELBOW,90°,MALE PIPE TO ORFS
69333	H3174PP	CLAMP,HYDRAULIC HOSE	80502	8 F5OX-S	CONNECTOR,STRAIGHT THREAD TO FLARE TUBE
69503	4 F65OX-S	CONNECTOR,STRAIGHT THREAD TO 37° SWIVEL	80503	8 C5OX-S	ELBOW,90°,STRAIGHT THREAD TO FLARE TUBE
69775	8 FNL-S	CAP, TUBE END	81010	AS-B-27	SLEEVE,NYLON,1.63" ID
71038	1/4X1/4F3HG-S	ADAPTER,CONVERSION	83052	821-6	HOSE,3/8 INCH ID
71196	12-8 F5OLO-S	CONNECTOR,STRAIGHT THREAD TO ORFS	83053	821-8	HOSE,1/2 INCH ID
71383	1/4 CD45-S	ELBOW,45°,MALE TO FEMALE PIPE	83054	821-12	HOSE,3/4 INCH ID
72270	12FNL-S	CAP, TUBE END	83055	30682-6-6	HOSE END,FEMALE SWIVEL,JIC
73436	60C-4	SLEEVE,COMPRESSION	83056	30682-12-12	HOSE END,FEMALE SWIVEL,JIC
73437	61C-4	NUT,COMPRESSION	83057	33782-6-6	HOSE END,45° FEMALE SWIVEL,JIC
73438	33482-4-4B	HOSE END,PUSH LOK,MALE	83058	33982-6-6	HOSE END,90° FEMALE SWIVEL,JIC
73767	1CD-S	ELBOW,90°,MALE TO FEMALE PIPE	83060	33982-12-12	HOSE END,90° FEMALE SWIVEL,JIC
73768	20-16-F5OG5-S	ADAPTER,FEMALE PIPE TO STRAIGHT THREAD	83063	13743-4-4	HOSE END,45° FEMALE SWIVEL,JIC
73769	16-20 F5OLO-S	CONNECTOR,STRAIGHT THREAD TO ORFS			
74660	6-8 F42EDMLO-S	CONNECTOR,MALE BSPP TO ORFS			
74661	8-8 F42EDMLO-S	CONNECTOR,MALE BSPP TO ORFS			
75007	4 FLO-S	CONNECTOR,MALE PIPE TO ORFS			
75008	1/8 HP-S	PLUG,PIPE THREAD			
75014	1/2 HP-S	PLUG,PIPE THREAD			
75042	8 WELO-WLNL-S	UNION,90° BULKHEAD W/NUT,ORFS			
75043	3/4 FF-S	NIPPLE,PIPE			
75254	24 F5OHAO-S	UNION,STRAIGHT THREAD			
75255	12 F5OHAO-S	UNION,STRAIGHT THREAD			
75256	XV506P-24	BALL VALVE			
75574	4 WLNL-S	BULKHEAD LOCKNUT			
75612	8 WJLO-WLNL-S	RUN TEE, BULKHEAD,ORFS			
75613	12-8 F5OG5-S	ADAPTER,FEMALE PIPE TO STRAIGHT THREAD			
75614	8 CC5OLO-S	ELBOW,90° LONG,STRAIGHT THREAD TO ORFS			
75628	1JB43-4-4	HOSE END,BULKHEAD,SEAL LOK			

Fitting Cross References (Continued)

Genie PN	Parker PN	Description	Genie PN	Parker PN	Description
83064	13743-8-8	HOSE END,45° FEMALE SWIVEL,JIC	89449	6 WJLO-WLNL-S	RUN TEE, BULKHEAD,ORFS
83065	13743-12-12	HOSE END,45° FEMALE SWIVEL,JIC	89489	4 WJMLO-S	BRANCH TEE,BULKHEAD,ORFS
83066	13943-8-8	HOSE END,90° FEMALE SWIVEL,JIC	89551	1JB43-6-6	HOSE END,BULKHEAD,SEAL LOK
83067	14143-6-6	HOSE END,90° FEMALE SWIVEL,JIC	89552	1JB43-8-8	HOSE END,BULKHEAD,SEAL LOK
83068	14143-8-8	HOSE END,90° FEMALE SWIVEL,JIC	89593	20 C5OLO-S	ELBOW,90°,STRAIGHT THREAD TO ORFS
83069	14143-12-12	HOSE END,90° FEMALE SWIVEL,JIC	94161	8-8 CLO-S	ELBOW,90°,MALE PIPE TO ORFS
83070	772-8	HOSE,1/2 INCH ID	94358	351TC-12	HOSE,3/4 INCH ID
83071	10671-8-8	HOSE END,FEMALE SWIVEL,JIC	94418	20 FLO-S	CONNECTOR,MALE PIPE TO ORFS
83072	10671-12-12	HOSE END,FEMALE SWIVEL,JIC	96358	12 TX-S	SLEEVE,FLARE TUBE
83073	13771-8-8	HOSE END,45° FEMALE SWIVEL,JIC	96359	12 BTX-S	NUT,FLARE TUBE
83074	13771-12-12	HOSE END,45° FEMALE SWIVEL,JIC	96397	8 F5OX-S	CONNECTOR,STRAIGHT THREAD TO FLARE TUBE
83075	13971-8-8	HOSE END,90° FEMALE SWIVEL,JIC	96398	12-8 F5OX-S	CONNECTOR,STRAIGHT THREAD TO FLARE TUBE
83076	13971-12-12	HOSE END,90° FEMALE SWIVEL,JIC	96402	10343-6-6	HOSE END,MALE,JIC
83077	14171-8-8	HOSE END,90° FEMALE SWIVEL,JIC	96407	30382-6-6B	HOSE END,MALE,JIC
83078	14171-12-12	HOSE END,90° FEMALE SWIVEL,JIC			
83080	13943-16-16	HOSE END,90° FEMALE SWIVEL,JIC			
83103	10671-16-12	HOSE END,FEMALE SWIVEL,JIC			
83104	10671-10-12	HOSE END,FEMALE SWIVEL,JIC			
83112	1JC71-8-8	HOSE END,FEMALE SWIVEL,SEAL LOK			
83113	1JS71-16-12	HOSE END,FEMALE SWIVEL,SEAL LOK			
83114	1JS71-10-12	HOSE END,FEMALE SWIVEL,SEAL LOK			
83115	1J971-8-8	HOSE END,90° FEMALE SWIVEL,SEAL LOK			
83116	1J171-8-8	HOSE END,90° FEMALE SWIVEL,SEAL LOK			
83117	1J771-8-8	HOSE END,45° FEMALE SWIVEL,SEAL LOK			
83127	1J543-6-8	HOSE END,90° FEMALE SWIVEL,JIC			
83128	1JC43-6-8	HOSE END,FEMALE SWIVEL,SEAL LOK			
87033	12-6 TRLO-S	REDUCER,TUBE END TO SWIVEL,ORFS			
87034	3J782-8-8	HOSE END,45° FEMALE SWIVEL,SEAL LOK			
87172	12 HP5ON-S	PLUG,STRAIGHT THREAD			
87185	8 WNLO-WLNL-S	UNION,BULKHEAD 45°,ORFS			
87246	4 C6X-S	ELBOW,90°,SWIVEL NUT TO FLARE TUBE			
87679	6 LHP-S	FLANGE SEAL FITTING, MALE			
87681	6PLS N0702	BONDED SEAL			
88100	SR88100	ADAPTER,OIL DRAIN,GM 3.0L			
88311	1JS43-20-20	HOSE END,FEMALE SWIVEL,SEAL LOK			
88353	20 V5OLO-S	ELBOW,45°,STRAIGHT THREAD TO ORFS			
88474	10081-20	Crimp Shell, 1.25"			
88475	1988-20-24	HOSE END,90° FLANGE HEAD			
88476	JS88-24-24	HOSE END,FEMALE SWIVEL,SEAL LOK			
88477	1JC88-20-20	HOSE END,FEMALE SWIVEL,SEAL LOK			
88478	811-20	HOSE,11/4 INCH ID			
88936	20-16 F5OLO-S	CONNECTOR,STRAIGHT THREAD TO ORFS			
88937	20-16 FLO-S	CONNECTOR,MALE PIPE TO ORFS			
88938	1JC88-16-16	HOSE END,FEMALE SWIVEL,SEAL LOK			
88939	1J988-16-16	HOSE END,90° FEMALE SWIVEL,ORFS			
88940	811-16	HOSE,1 INCH ID			
88944	1J988-20-20	HOSE END,90° FEMALE SWIVEL,ORFS			
89403	16 VLO-S	ELBOW,45°,MALE PIPE TO ORFS			

California Proposition 65



Operating, servicing and maintaining this equipment can expose you to chemicals including engine exhaust, carbon monoxide, phthalates, and lead, which are known to the State of California to cause cancer and birth defects or other reproductive harm. These chemicals can be emitted from or contained in other various parts and systems, fluids and some component wear by-products. To minimize exposure, avoid breathing exhaust, do not idle the engine except as necessary, service your equipment and vehicle in a well-ventilated area and wear gloves or wash your hands frequently when servicing your equipment or vehicle and after operation. For more information go to www.P65Warnings.ca.gov/passenger-vehicle.

Distributed By:

Go to Discount-Equipment.com to order your parts

PARTS FINDER

**Search Website
by Part Number**



**Search Manual
Library For Parts
Manual & Lookup Part
Numbers – Purchase
or Request Quote**

Search Manuals

Enter your information to help us find the right parts manual for your machine.

* Brand:

* Model:

* Serial:

* Part Number:

SEARCH

**Can't Find Part or
Manual? Request Help
by Manufacturer,
Model & Description**

Parts Order Form

Please fill in the following information to help us find the right part for your machine.

Manufacturer:	<input type="text"/>
Model:	<input type="text"/>
Description:	<input type="text"/>
Part Number:	<input type="text"/>
Quantity:	<input type="text"/>
Notes:	<input type="text"/>

REQUEST HELP

Discount-Equipment.com is your online resource for quality parts & equipment.

Florida: **561-964-4949** Outside Florida TOLL FREE: **877-690-3101**

Need parts?

Click on this link: <http://www.discount-equipment.com/category/5443-parts/> and choose one of the options to help get the right parts and equipment you are looking for. Please have the machine model and serial number available in order to help us get you the correct parts. If you don't find the part on the website or on one of the online manuals, please fill out the request form and one of our experienced staff members will get back to you with a quote for the right part that your machine needs.

We sell worldwide for the brands: Genie, Terex, JLG, MultiQuip, Mikasa, Essick, Whiteman, Mayco, Toro Stone, Diamond Products, Generac Magnum, Airman, Haulotte, Barreto, Power Blanket, Nifty Lift, Atlas Copco, Chicago Pneumatic, Allmand, Miller Curber, Skyjack, Lull, Skytrak, Tsurumi, Husquvarna Target, Stow, Wacker, Sakai, Mi-T-M, Sullair, Basic, Dynapac, MBW, Weber, Bartell, Bennar Newman, Haulotte, Ditch Runner, Menegotti, Morrison, Contec, Buddy, Crown, Edco, Wyco, Bomag, Laymor, EZ Trench, Bil-Jax, F.S. Curtis, Gehl Pavers, Heli, Honda, ICS/PowerGrit, IHI, Partner, Imer, Clipper, MMD, Koshin, Rice, CH&E, General Equipment, Amida, Coleman, NAC, Gradall, Square Shooter, Kent, Stanley, Tamco, Toku, Hatz, Kohler, Robin, Wisconsin, Northrock, Oztec, Toker TK, Rol-Air, APT, Wylie, Ingersoll Rand / Doosan, Innovatech, Con X, Ammann, Mecalac, Makinex, Smith Surface Prep, Small Line, Wanco, Yanmar