



A TEREX BRAND



Parts Manual

Serial Number Range

Z-34/22N

Z-34N from SN 0001 to 2226

Z-34/22DC

Z-34 DC from SN 0001 to 1734

Part No. 62298

Rev E2

November 2018

Go to Discount-Equipment.com to order your parts

PARTS FINDER

**Search Website
by Part Number**



**Search Manual
Library For Parts
Manual & Lookup Part
Numbers – Purchase
or Request Quote**

Search Manuals

Enter your information to help us find the right parts manual for your machine.

* Brand:

* Model:

* Serial:

* Part Number:

SEARCH

**Can't Find Part or
Manual? Request Help
by Manufacturer,
Model & Description**

Parts Order Form

Please fill in the following information to help us find the right part for your machine.

Manufacturer:	<input type="text"/>
Model:	<input type="text"/>
Description:	<input type="text"/>
Part Number:	<input type="text"/>
Quantity:	<input type="text"/>
Notes:	<input type="text"/>

Submit

Discount-Equipment.com is your online resource for quality parts & equipment.

Florida: **561-964-4949** Outside Florida TOLL FREE: **877-690-3101**

Need parts?

Click on this link: <http://www.discount-equipment.com/category/5443-parts/> and choose one of the options to help get the right parts and equipment you are looking for. Please have the machine model and serial number available in order to help us get you the correct parts. If you don't find the part on the website or on one of the online manuals, please fill out the request form and one of our experienced staff members will get back to you with a quote for the right part that your machine needs.

We sell worldwide for the brands: Genie, Terex, JLG, MultiQuip, Mikasa, Essick, Whiteman, Mayco, Toro Stone, Diamond Products, Generac Magnum, Airman, Haulotte, Barreto, Power Blanket, Nifty Lift, Atlas Copco, Chicago Pneumatic, Allmand, Miller Curber, Skyjack, Lull, Skytrak, Tsurumi, Husquvarna Target, Stow, Wacker, Sakai, Mi-T-M, Sullair, Basic, Dynapac, MBW, Weber, Bartell, Bennar Newman, Haulotte, Ditch Runner, Menegotti, Morrison, Contec, Buddy, Crown, Edco, Wyco, Bomag, Laymor, EZ Trench, Bil-Jax, F.S. Curtis, Gehl Pavers, Heli, Honda, ICS/PowerGrit, IHI, Partner, Imer, Clipper, MMD, Koshin, Rice, CH&E, General Equipment, Amida, Coleman, NAC, Gradall, Square Shooter, Kent, Stanley, Tamco, Toku, Hatz, Kohler, Robin, Wisconsin, Northrock, Oztec, Toker TK, Rol-Air, APT, Wylie, Ingersoll Rand / Doosan, Innovatech, Con X, Ammann, Mecalac, Makinex, Smith Surface Prep, Small Line, Wanco, Yanmar



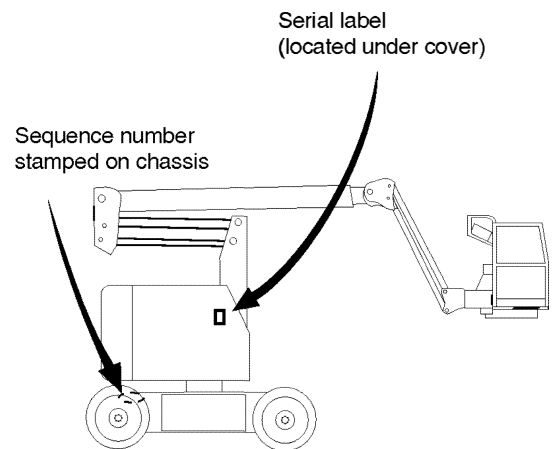
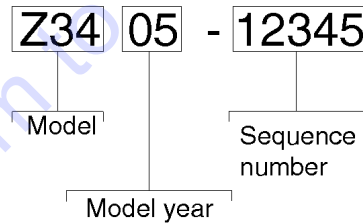
A TEREX BRAND

Model: Z-34/22
Serial number: Z3405-12345
Model year: 2005 **Manufacture date:** 04/12/05
Electrical schematic number: XXXXXX
Machine unladen weight:

Rated work load (including occupants): XXXX kg
Maximum number of platform occupants: X
Maximum allowable side force : XXX N
Maximum allowable inclination of the chassis:
0 deg
Maximum wind speed : XX mph/ XX m/s
Maximum platform height : XX ft / XX m
Maximum platform reach : XX ft / XX m
Gradeability: XX
Country of manufacture: USA
This machine complies with:
ANSI A92.5
CAN B.354.4



11100011



A TEREX BRAND

Table of Contents

This manual is updated frequently. For the most up-to-date parts information, visit www.discount-equipment.com

How to Read Your Serial Number.....	3
Parts Stocking List.....	7

Electronic Version

Click on any page number to view the figure.

100 Decals

101.1 Decals.....	10
-------------------	----

200 Drive Chassis

201.1 Steer End.....	12
202.1 Steer/Brake Manifold (Z-34N to SN 1029) (Z-34DC to SN 780).....	16
203.1 Steer/Brake Manifold (Z-34N from SN 1030) (Z-34DC from SN 781).....	18
204.1 Battery Charger.....	20
205.1 Battery Packs.....	22
206.1 Non-steer End.....	24
207.1 Electronic Control Module.....	28
208.1 Hydraulic Hoses and Fittings.....	30
208.1 Hydraulic Hoses and Fittings.....	32
209.1 Hydraulic Hoses and Fittings.....	34
210.1 Power Cable Diagram.....	36

300 Turntable Components

301.1 Turntable Rotator.....	38
302.1 Turntable Components - Ground Controls Side.....	40
303.1 Function Manifold.....	42
304.1 Ground Controls.....	44
305.1 Hydraulic Power Unit Side.....	46
306.1 Hydraulic Power Unit (Z-34N to SN 1115, Z-34DC to SN 808).....	48
306.2 Hydraulic Power Unit (Z-34N from SN 1116, Z-34DC from SN 809).....	50
307.1 Turntable Covers.....	52
308.1 Hydraulic Hoses and Fittings.....	54
309.1 Hydraulic Hoses and Fittings.....	56

400 Boom Components

401.1 Secondary Boom - View 1.....	58
402.1 Secondary Boom - View 2.....	60
403.1 Upper Pivot.....	62
404.1 Primary and Extension Booms.....	64
405.1 Cable Track.....	66
406.1 Jib Boom and Platform Rotator.....	68
407.1 Hydraulic Hoses and Fittings.....	72
408.1 Hydraulic Hoses and Fittings.....	74
409.1 Hydraulic Hoses and Fittings.....	76

500 Platform Components

501.1 Platform Configurations.....	78
502.1 Platform.....	82
503.1 Platform Controls - View 1.....	84
504.1 Platform Controls - View 2.....	86
505.1 Joystick Controller - Drive/Steer Functions (to SN 303).....	88
505.1 Joystick Controller - Drive/Steer Functions (to SN 303).....	90
506.1 Joystick Controller - Drive/Steer Functions (from SN 304).....	92
507.1 Rotational Controller - Boom Function Speed.....	94

600 Accessories

601.1 Flashing Beacon and Descent Alarm.....	96
602.1 Air Line to Platform.....	98
603.1 Worklights, Pipe Cradle, LVI/BCI, Battery Charge Indicator and Platform Step.....	100
604.1 Mesh Platform.....	102

Indices

Part Number Index.....	104
Part Description Index.....	108

Cross References

Fittings Cross Reference.....	114
-------------------------------	-----

Required Parts

The following parts are required to perform maintenance procedures as outlined in the Genie Z-34/22N and Z-34/22 Service Manual.

Description	Part No.
Element - Hydraulic Return Filter	58995
O-ring Kit (for ORFS Fitting)	49612
Plug and Cap Kit (for ORFS Fitting)	49613

Recommended Parts

Description	Part No.
Genie Gray Paint, 12 Ounce (355 ml) Aerosol.....	1268
Genie Blue Paint, 12 Ounce (355 ml) Aerosol.....	1484
Genie Blue Paint, 1 Gallon (3.78 liters)	32150
Genie Gray Paint, 1 Gallon (3.78 liters).....	32151

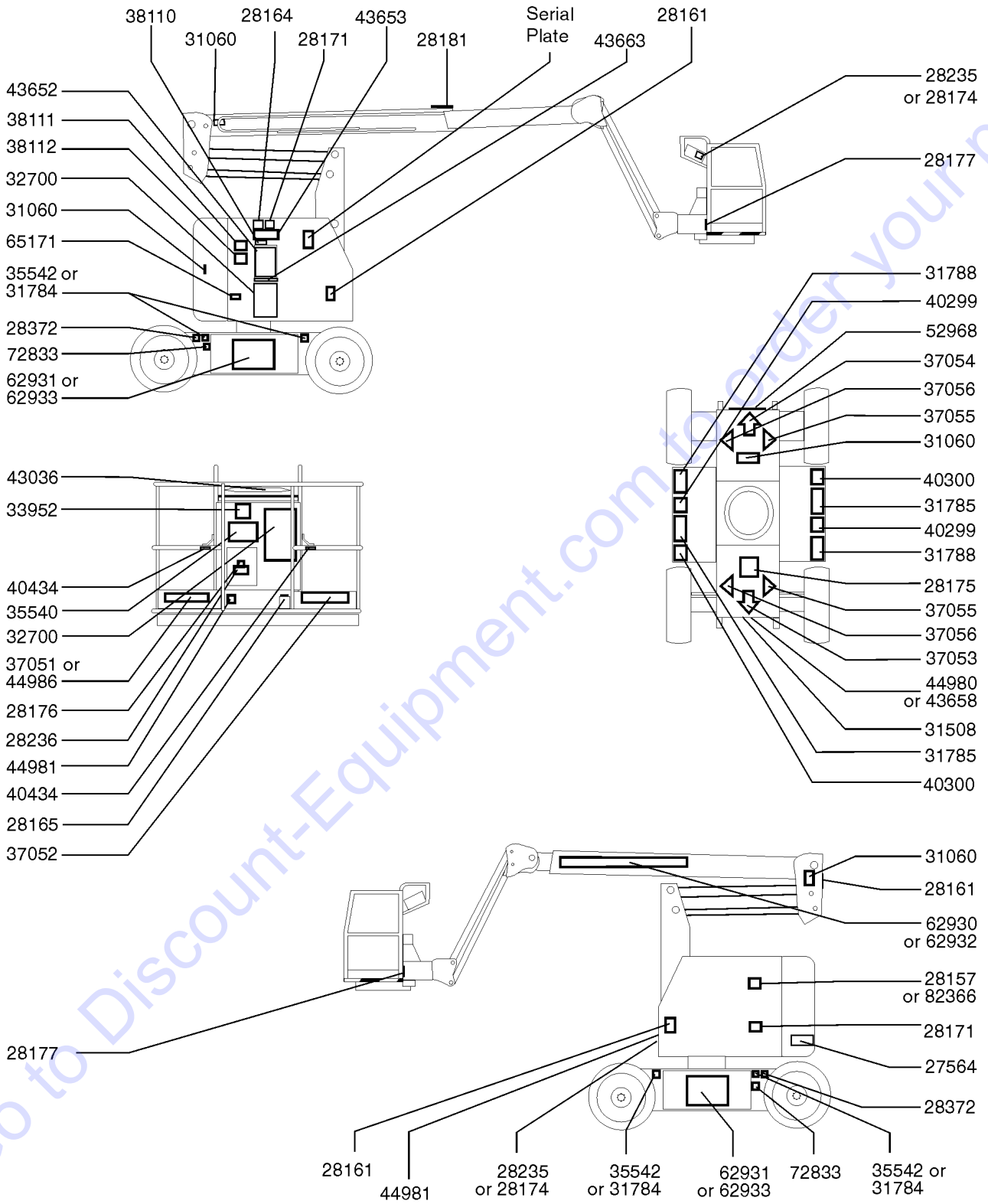
Manuals

Genie Industries offers the following support documents for these models:

Title	Part No.
EMI Safety Manual	27581
Manual of Responsibilities ANSI A92.5	31779

Go to Discount-Equipment.com to order your parts

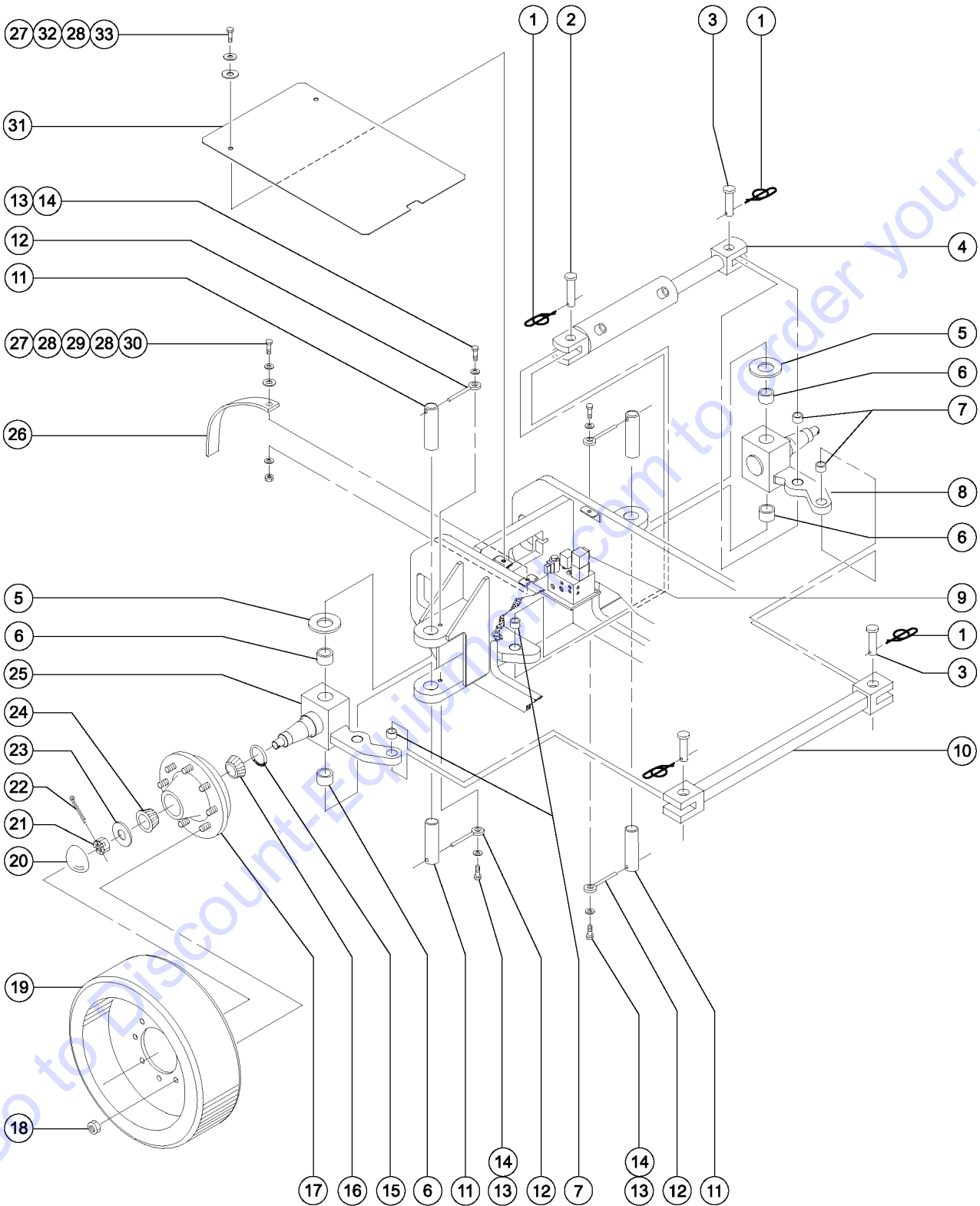
101.1 Decals



101.1 Decals

Item	Part No.	Description	Qty.	Item	Part No.	Description	Qty.
--	72978GT	DECAL KIT,INSTRUCT,Z-34 & Z34N <i>includes items 1-11, 13-16, 18-22, 25-35, 38, 49, and 53</i>		32	38112GT	DECAL,CAUTION,BRAKE RELEASE***	1
1	27564GT	DECAL,DANGER,ELEC.HAZ.STAY CLR.....	2	33	40299GT	DECAL,NOTICE,BATT CONNECTION.....	2
2	28157GT	DECAL,USE DEXRON***.....	1	34	40300GT	DECAL,DANGER,TIP-OVER BATTERY.....	2
3	28161GT	DECAL,WARN,CRUSH HAZARD HAND.....	3	35	40434GT	DECAL,LANYARD ANCHORAGE POINT.....	2
4	28164GT	DECAL,NOTICE,HAZARDOUS MAT'LS*.....	1	36	43036GT	DECAL, PLATFORM CONTROL PANEL*.....	1
5	28165GT	DECAL,INSTRUCT,FOOTSWITCH OPER.....	1	37	43652GT	DECAL,GROUND CONTROL PANEL**.....	1
6	28171GT	DECAL,DANGER,NO SMOKING ***.....	2	38	43653GT	DECAL,NOTICE, GRD OPER INSTRUC.....	1
7	28174GT	DECAL, POWER TO PLATFORM 230V**.....	2	39	43658GT	DECAL,LABEL,PWR TO CHARGR 230V.....	1
8	28175GT	DECAL,WARNING-COMPART ACCESS.....	1	40	43663GT	DECAL,NOTICE, FUNCTION ENABLE*.....	1
9	28176GT	DECAL,LABEL,MANUAL NOT HERE.....	1	41	44980GT	DECAL,LABEL,PWR TO CHARGR 115V.....	1
10	28177GT	DECAL,WARN,CRUSH HAZARD PLAT.....	2	42	44981GT	DECAL,LABEL, AIR LINE 110 PSI.....	2
11	28181GT	DECAL,WARN,FALL HAZARD.....	1	43	44986GT	DECAL,INSTR,SIDE FRC/WIND,AUS.....	1
12	28235GT	DECAL,POWER TO PLATFORM 115V.....	2	44	52968GT	DECAL,COSMETIC,GENIE BOOM,VERT.....	1
13	28236GT	DECAL,WARN,IMPROPER OPERATION.....	1	47	62932GT	DECAL,COSMETIC,GENIE Z-34/22N.....	1
14	28372GT	DECAL,NOTICE,BATTERY CABLES.....	2	48	62933GT	DECAL,COSM,GENIE Z-34/22N(BOX).....	2
15	31060GT	DECAL,DANGER DO NOT ALTER SWTC.....	4	49	65171GT	DECAL,LABEL,CB & STATUS LIGHT.....	1
16	31508GT	DECAL,DANGER,ELECT HAZARD,PLUG.....	1	50	43652GT	DECAL,GROUND CONTROL PANEL**.....	1
18	31785GT	DECAL,NOTICE,CHARGER INSTRUC.....	2	51	43036GT	DECAL, PLATFORM CONTROL PANEL*.....	1
19	31788GT	DECAL,DANGER,BATTERY SAFETY***.....	2	52	72833GT	DECAL,LABEL,OPEN,LATCH.....	2
20	32700GT	DECAL,DANGER,GEN SAFETY RULES.....	2	53	82366GT	DECAL,CHEVRON RANDO HD.....	1
21	33952GT	DECAL,DANGER,TILT ALARM.....	1				
22	35540GT	DECAL,NOTICE,OPER INST PLAT,DC.....	1				
23	35542GT	DECAL,NOTICE,LUG NUT TORQUE***.....	4				
24	37051GT	DECAL,NOTICE,SIDE FRC 150,ANSI.....	1				
25	37052GT	DECAL,NOTICE,MAX LOAD 500 LBS.....	1				
26	37053GT	DECAL,ARROW,BLUE.....	1				
27	37054GT	DECAL,ARROW,YELLOW SM 5-3/8".....	1				
28	37055GT	DECAL,TRIANGLE,BLUE.....	2				
29	37056GT	DECAL,TRIANGLE,YELLOW.....	2				
30	38110GT	DECAL,LABEL,TRAVEL ALARM***.....	1				
31	38111GT	DECAL,WARNING,BRAKE RELEASE***.....	1				

201.1 Steer End



201.1 Steer End

Item	Part No.	Description	Qty.	Item	Part No.	Description	Qty.
A	1258005GT	KIT,RETROFIT,STEER,Z-34 2WD.....	1	9	42764GT	MANIFOLD,STEER/BRAKE***.....	1
--	1258006GT	TIE ROD, Z-34, 2WD.....	1	--	42764GT	MANIFOLD,STEER/BRAKE***.....	1
--	824126GT	PIN,CLEVIS,3/4X3,ZAG.....	2	--	42764GT	MANIFOLD,STEER/BRAKE***.....	1
--	824128GT	RUE RING,3/4,ZAG.....	2	9A	42764GT	MANIFOLD,STEER/BRAKE***.....	1
--	94020GT	YOKE ASSY, Z34 2WD RIGHT.....	1	9B	42764GT	MANIFOLD,STEER/BRAKE***.....	1
--	94021GT	YOKE ASSY, Z34 2WD LEFT.....	1	10	36676GT	TIE ROD,WELDMENT,Z34.....	1
1	74389GT	RUE RING,1.00		10	42432-SGT	WELDMENT, TIE ROD,Z-34/68	
2	19440GT	PIN,CLEVIS,1 X 2.5 LG.....	1	11	36211GT	PIN,1.50DIA X 3.25LG,1HOLE.....	4
2A	19440GT	PIN,CLEVIS,1 X 2.5 LG.....	1	12	1255452GT	ROD END,375 X 2.25,ZAG.....	4
2B	32399GT	PIN,CLEVIS,1 X 3 LG.....	1	12B	825019GT	ROD END,375X3.69,ZAG.....	4
2C	32399GT	PIN,CLEVIS,1 X 3 LG.....	1	13	77692GT	SCREW,HHC,3/8-16 X 1 GRD 8	
3	19440GT	PIN,CLEVIS,1 X 2.5 LG.....	3	14	6021GT	WASHER,LOCK,375	
4A	88337GT	CYLINDER,STEER.....	1	15	45110GT	SEAL-GREASE,MODEL 60-8.....	2
--	32673GT	SEAL KIT (CYL PN 30585) for 36083 cylinder		16	45107GT	INNER CONE - MODEL 60-8.....	2
--	88338GT	SEAL KIT, 88337 for 88337 cylinder		16A	40145GT	BEARING RACE (LARGE) (45873).....	2
4B	88337GT	CYLINDER,STEER.....	1	17	45043GT	HUB ASSEMBLY MODEL#60-8***.....	2
--	48401GT	SEAL KIT,42406,STEER.CYL,TEXAS for 42406 cylinder		--	21166GT	LUG BOLT,5/8-18,WHEEL HUB***	
--	88338GT	SEAL KIT, 88337 for 88337 cylinder		--	45873GT	SEAL/BEARING KIT (45043,54840) includes items 15, 16 and 20-24	
4C	88337GT	CYLINDER,STEER.....	1	18	54627GT	NUT,LUG,5/8-18 X 90 DEGREE,Z45.....	16
--	48401GT	SEAL KIT,42406,STEER.CYL,TEXAS for 74957 cylinder		19A	94908GT	TIRE & WHEEL ASSY,FRONT N-M.....	2
--	59076GT	SEAL KIT,2.0" BORE CYLINDERS** for 59203 cylinder		19B	45093GT	WHEEL ASSY, INDUSTRIAL, AF.....	2
--	59169GT	SEAL KIT,2" BORE,1" ROD*** for 59388 and 59155 cylinder		--	45040GT	RIM,Z45,14.5 X 7(8 HOLE ON 8BC for 45093	
--	88338GT	SEAL KIT, 88337 for 88337 cylinder		--	54140GT	TUBELESS PNEUMATIC TIRE,9-14LT for 45093 (replaced 147319)	
5	45074GT	WASHER,THRUST,1.5 X 3.5 X .187.....	2	19C	40137GT	WHEEL ASSY, INDUSTRIAL, AF NM Z-34DC; Industrial, Air-filled, Non-marking, 8 hole x 8 inch BC	
6	18396GT	BEARING,1.5IDX1.75ODX1.0L.....	4	--	45040GT	RIM,Z45,14.5 X 7(8 HOLE ON 8BC for 40137	
6	45071GT	BEARING,1.5IDX1.75ODX1.5L.....	4	--	54234GT	TUBELESS TIRE,9-14.5,NON-M 47# for 40137 (replaced 147320)	
7	25817GT	BEARING,1.00IDX1.25ODX1.00L.....	4	19D	45460GT	WHEEL ASSY, INDUSTRIAL, FF Z-34DC; Industrial, Foam-filled, 8 hole x 8 inch BC	
--	74625GT	BEARING,FL,0.75IDX1.00ODX1.39L.....	2				
8A	37109GT	YOKE ASSY.,Z30N,Z34N,LH SIDE.....	1				
8B	41213GT	YOKE ASSY, Z34 2WD RIGHT.....	1				
		Z-34DC, right front, older yoke 36963 is no longer available, for first time replacement order yoke 41213, 56609 Rod-Tie, 32399 x2 Pin Clevis and 56901 X2 Bearing.					

201.1 Steer End
(continued)

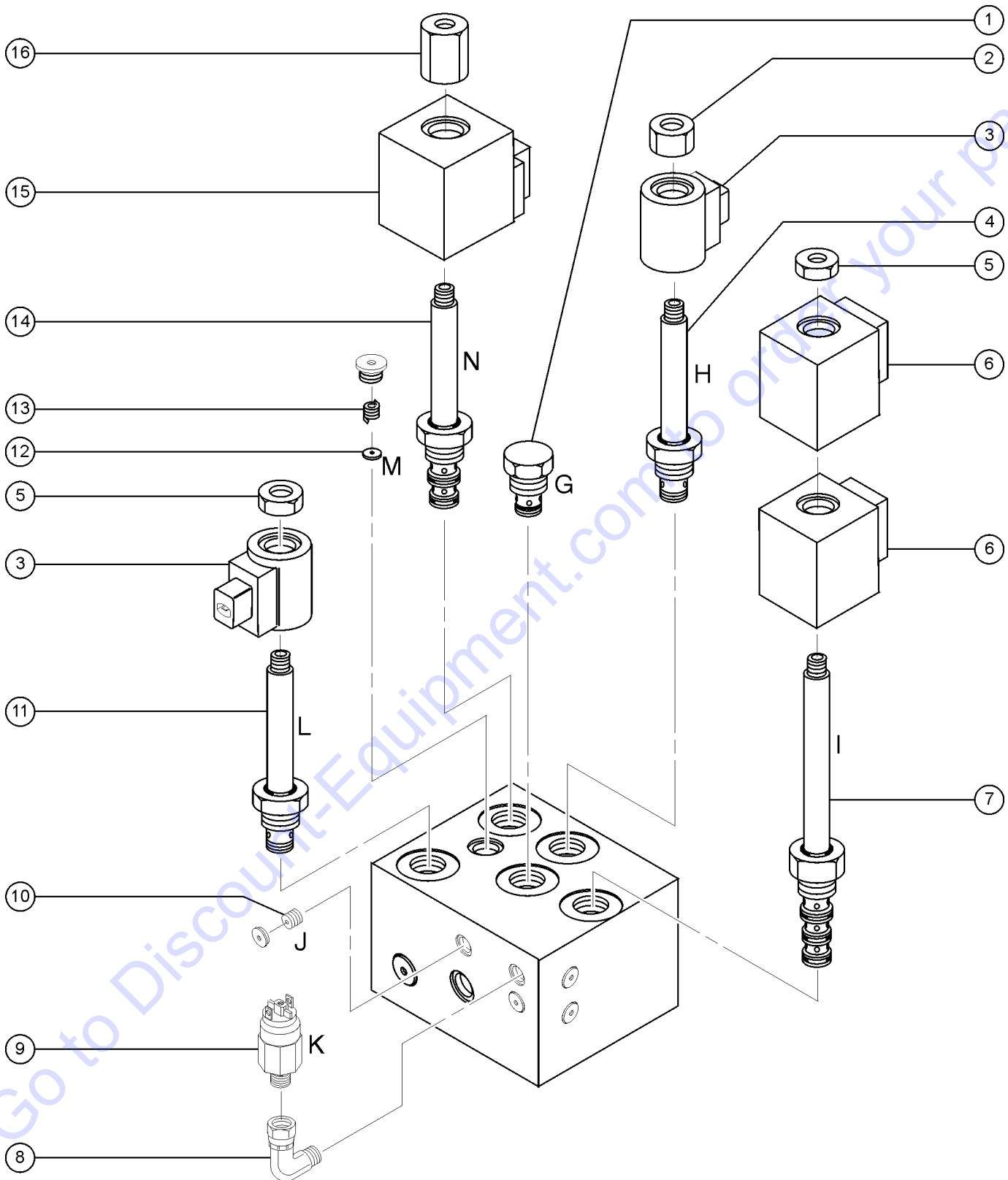
Item	Part No.	Description	Qty.
19E	40837GT	WHEEL ASSY, INDUSTRIAL, FF NM <i>Z-34DC; Industrial, Foam-filled, Non-marking, 8 hole x 8 inch BC</i>	
20	45111GT	CAP,DUST,45873 HUB KIT.....	2
21	45113GT	NUT,SPINDLE,1-14.....	2
22	45114GT	PIN,COTTER,,219 X 1.75	
23	45112GT	WASHER,SPINDLE	
24	45108GT	OUTER CONE - MODEL 60-8..... <i>small bearing race not included</i>	2
24A	40146GT	BEARING RACE (SMALL) (45873)..... <i>outer cone not included</i>	2
25A	37110GT	YOKE ASSY.,Z30N,Z34N,RH SIDE..... <i>Z-34N, left front; includes items 6 and 7</i>	1
25B	41212GT	YOKE ASSY, Z34 2WD LEFT <i>Z-34DC, left front, older yoke 36964 is no longer available, for first time replacement order yoke 41212, 56609 Rod-Tie, 32399 x2 Pin Clevis and 56901 X2 Bearing.</i>	
26	96317GT	GROUND STRAP,12"LG***	
27	6888GT	SCREW,HHC,1/4-20 X 1	
28	6638GT	WASHER,FLAT,USS,1/4"Y	
29	5397GT	WASHER,FLAT,USS,5/16",Y	
30	6091GT	NUT,NYLOCK,1/4-20	
31	40438GT	COVR W/DECALS DR CHAS STR END*.....	1
32	6356GT	WASHER,LOCK,,25	
33	56912GT	SPRING CLIP,1/4-20,,025-.15X.54,ZAG	

Go to Discount-Equipment.com to order your parts

This Page Intentionally Left Blank

Go to Discount-Equipment.com to order your parts

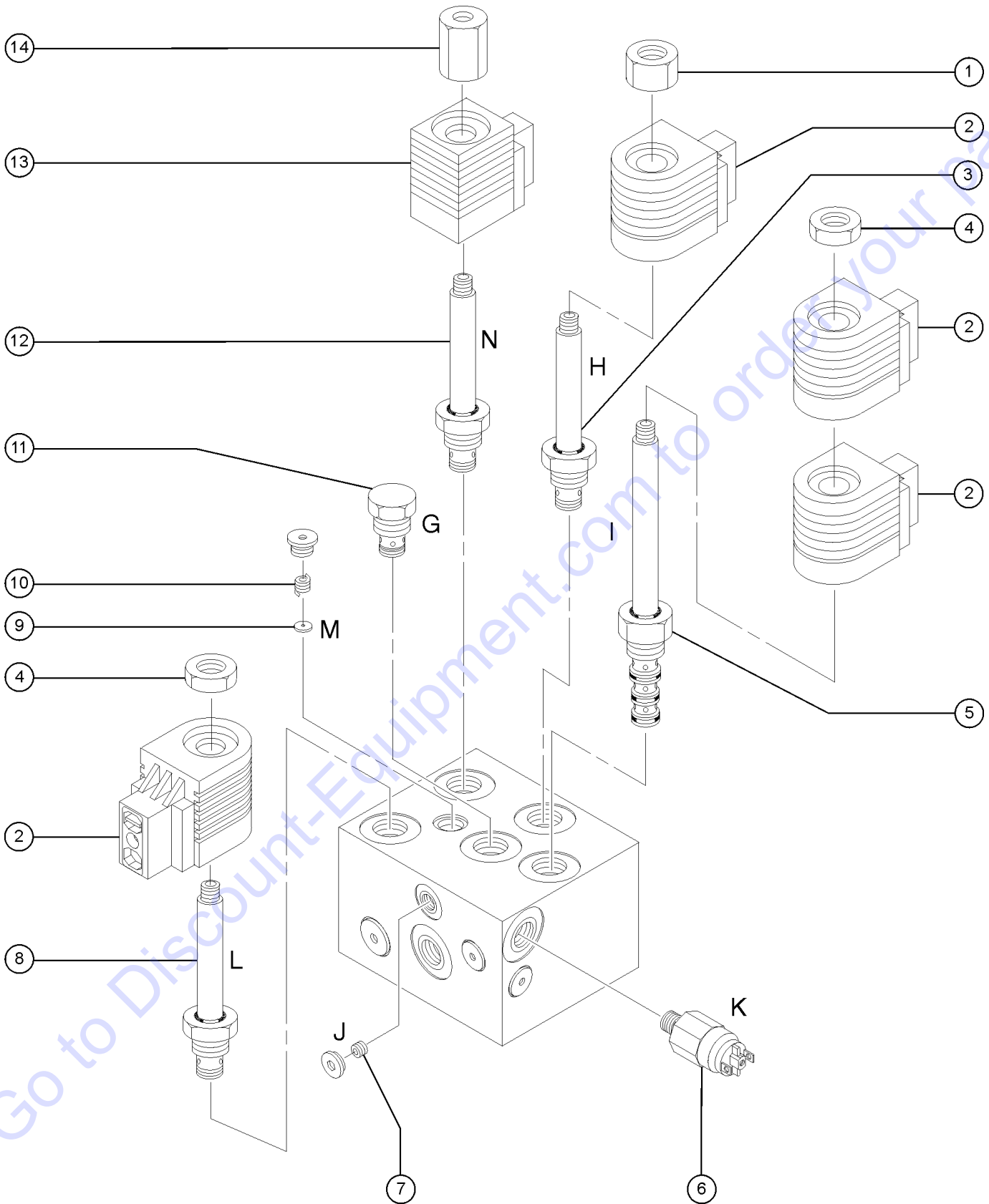
202.1 Steer/Brake Manifold (Z-34N to SN 1029) (Z-34DC to SN 780)



202.1 Steer/Brake Manifold (Z-34N to SN 1029) (Z-34DC to SN 780)

Item	Part No.	Description	Qty.
--	28750GT	O-RING KIT,FIELD SVC,ALL PROD* to SN 78	
--	33994GT	PLUG AND CAP KIT-SERVICE,37 ** to SN 78	
--	42764GT	MANIFOLD,STEER/BRAKE*** includes items 1-7 and 10-16; Complete	
--	49612GT	O-RING KIT (ORFS FITTINGS) to SN 78	
--	49613GT	PLUG AND CAP KIT-SERVICE,ORFS* to SN 78	
--	58989GT	PLUG KIT MANIFOLD to SN 78	
1	45543GT	VALVE,CHECK, 50 PSI.....1 G, Check Valve.	
--	74902GT	SEAL KIT	
2	45912GT	NUT,SOLENOID VALVE 2P3W.....1	
3	52339GT	COIL,SOLND,W/D,20V DUAL SPADE....2	
4	40423GT	VALVE,SOLENOID,20V.....1 includes items 2 and 3; H, Normally open poppet valve.	
--	74902GT	SEAL KIT	
5	52943GT	NUT,SOLENOID VALVE COIL.....2	
6	40422GT	COIL,SOLENOID,20V W/ DIODE,#10....2	
7	40421GT	VALVE,SOLENOID,20V W/ DIODE.....1 includes items 5 and 6; I, 3-position 4-way spool valve.	
--	89722GT	SEAL KIT, SOLENOID VALVE	
8	2166GT	ELBOW,140239-4-4.....1 K, Pressure Switch.	
9	56823GT	SWITCH,PRESS,#4MPT,600PSI F***1 to SN 78	
10	37075GT	PLUG,ORIFICE,0.040.....1 J, Orifice washer 0.040 inch (1.02mm).	
11	45544GT	VALVE SOLENOID.....1 includes items 3 and 5; L, Normally closed poppet valve.	
--	52339GT	COIL,SOLND,W/D,20V DUAL SPADE	
--	74902GT	SEAL KIT for 45544	
12	40424GT	PLUG,ORIFICE, .052 INCH.....1 M, Orifice washer 0.052 inch (1.32mm)	
13	18920GT	SPRING-DRIVE MANIFOLD/520131.....1	
14	25034GT	VALVE,PROPORT RELIEF***1 includes items 15 and 16; to SN 780. N, Proportional solenoid valve.	
--	74902GT	SEAL KIT	
15	29032GT	COIL,24V SOLENOID VALVE.....1	
16	62276GT	NUT, SOLENOID VALVE COIL.....1	

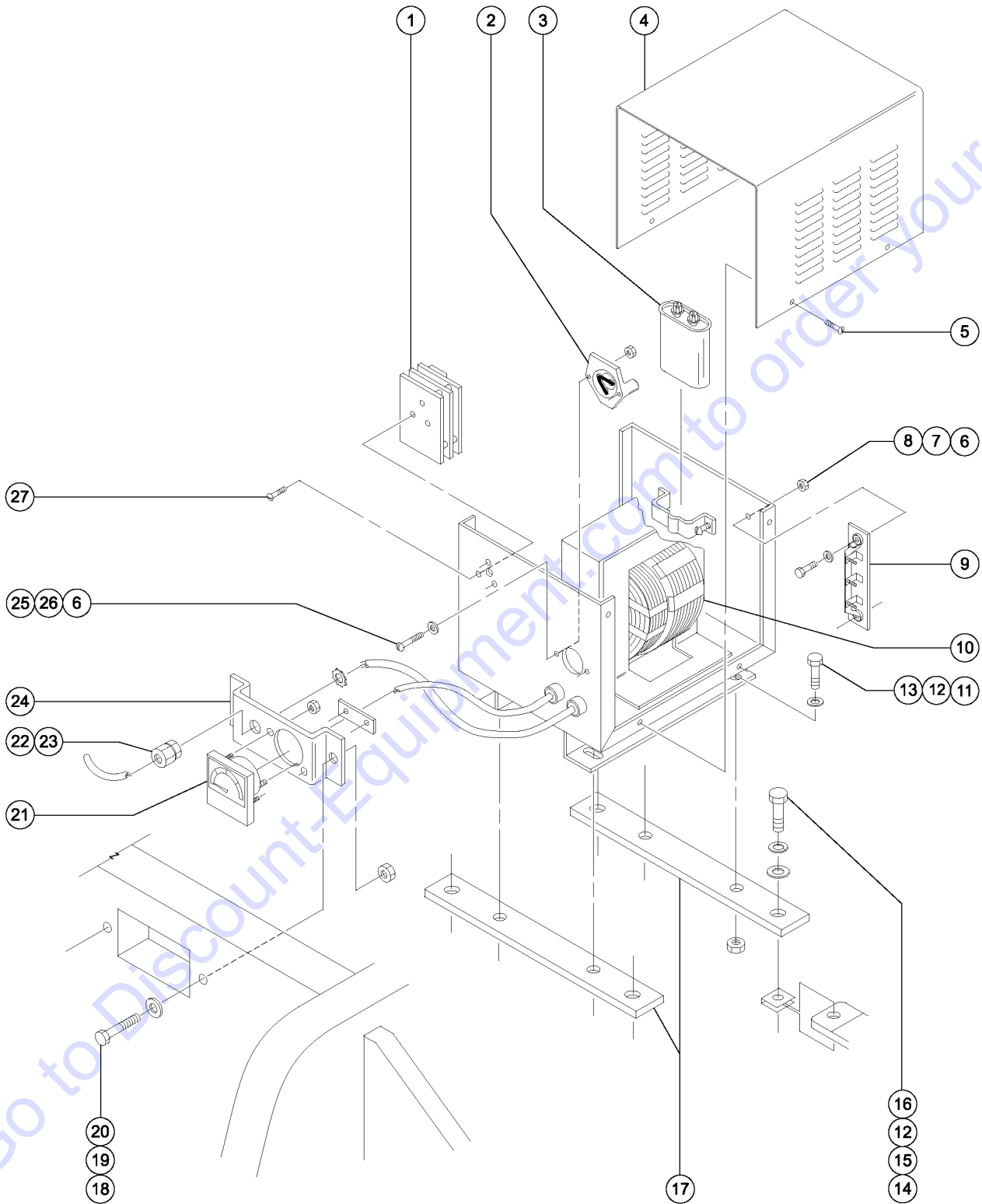
203.1 Steer/Brake Manifold (Z-34N from SN 1030) (Z-34DC from SN 781)



203.1 Steer/Brake Manifold (Z-34N from SN 1030) (Z-34DC from SN 781)

Item	Part No.	Description	Qty.
--	28750GT	O-RING KIT,FIELD SVC,ALL PROD*	
--	33994GT	PLUG AND CAP KIT-SERVICE,37 **	
--	42764GT	MANIFOLD,STEER/BRAKE*** <i>includes items 1-5 and 7-15; Complete</i>	
--	49612GT	O-RING KIT (ORFS FITTINGS)	
--	49613GT	PLUG AND CAP KIT-SERVICE,ORFS*	
--	58989GT	PLUG KIT MANIFOLD	
1	45912GT	NUT,SOLENOID VALVE 2P3W.....1	
2	40413GT	COIL,SOLND,W/D,20V SGL SPADE.....3	
3	44956GT	VALVE,SOLENOID 20V W/DIODE.....1 <i>includes items 1 and 2; H, Normally open poppet valve.</i>	
--	74902GT	SEAL KIT	
4	52943GT	NUT,SOLENOID VALVE COIL.....2	
5	52885GT	VALVE,SOLENOID,3POS 4WAY.....1 <i>includes items 2 and 4; I, 3-position 4-way spool valve.</i>	
--	40413GT	COIL,SOLND,W/D,20V SGL SPADE	
--	72047GT	SEAL KIT, SOLENOID VALVE	
6	1287986GT	SWITCH,PRESS,#6SAE,600 PSI.....1 <i>K, Pressure Switch.</i>	
7	37075GT	PLUG,ORIFICE,0.040.....1 <i>J, Orifice 0.040 inch (1.02mm).</i>	
8	45544GT	VALVE SOLENOID.....1 <i>includes items 4 and 15; L, Normally closed poppet valve.</i>	
--	52339GT	COIL,SOLND,W/D,20V DUAL SPADE	
--	74902GT	SEAL KIT <i>for 45544</i>	
9	40424GT	PLUG,ORIFICE, .052 INCH.....1 <i>M, Orifice washer 0.052 inch (1.32mm)</i>	
10	18920GT	SPRING-DRIVE MANIFOLD/520131.....1	
11	45543GT	VALVE,CHECK, 50 PSI.....1 <i>G, Check Valve.</i>	
--	74902GT	SEAL KIT	
12	58965GT	VALVE, PROPORTIONAL (42764).....1 <i>includes items 13 and 14; N, Proportional solenoid valve.</i>	
12	T112540GT	SEAL KIT,VALVE	
--	T112540GT	SEAL KIT,VALVE	
13	29032GT	COIL,24V SOLENOID VALVE.....1	
14	62276GT	NUT, SOLENOID VALVE COIL.....1	

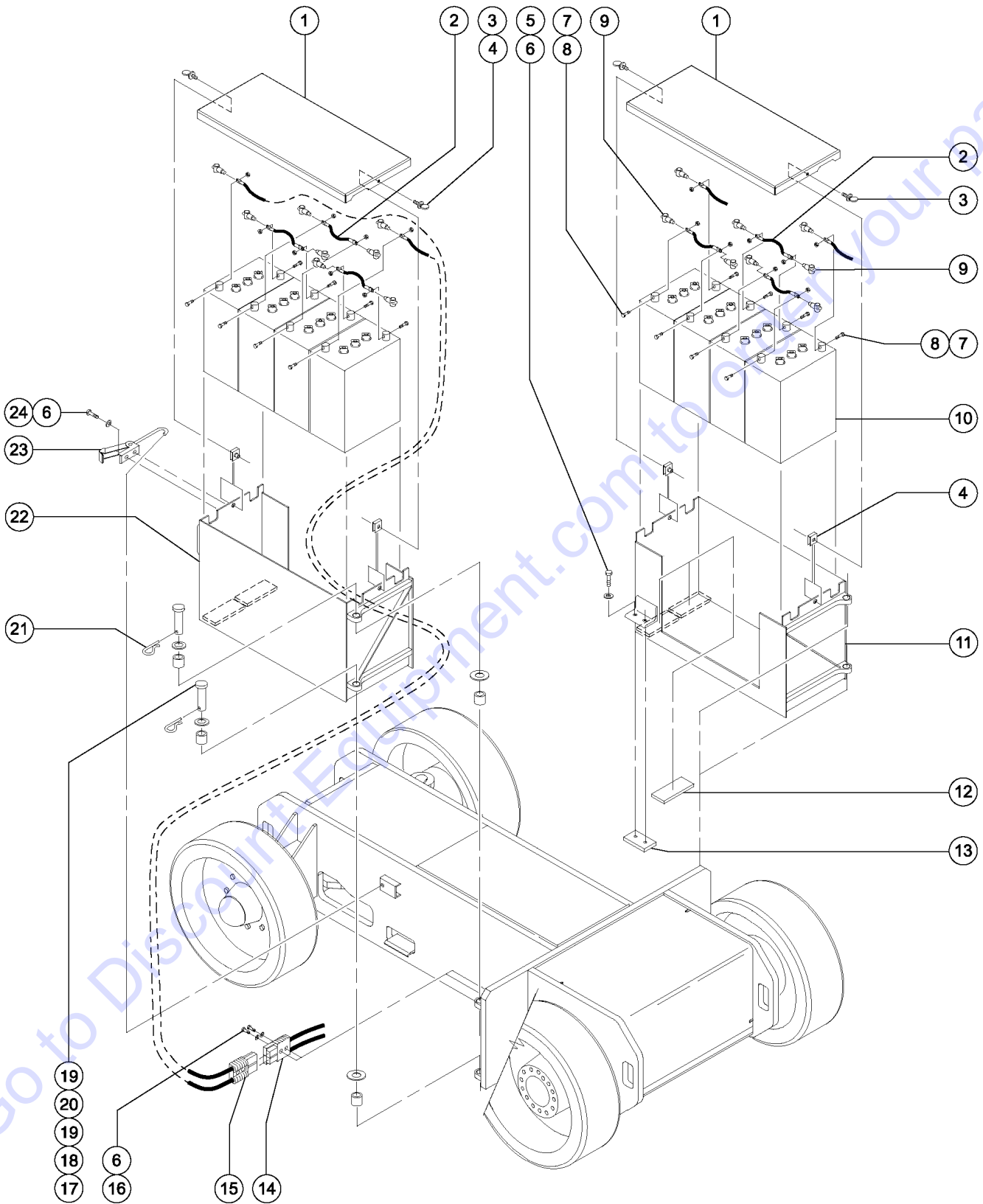
204.1 Battery Charger



204.1 Battery Charger

Item	Part No.	Description	Qty.
--	101703GT	CHARGER,48V,100-125VAC,50H,25A	
--	54794GT	CHARGER,48V,110VAC,60H,25A	
--	54795GT	CHARGER,48V,200-250VAC,50H,25A	
--	54796GT	CHARGER,48V,200-250VAC,60H,25A	
--	54797GT	CHARGER,48V,100-125VAC,60H,25A	
1A	27263GT	TIMER (23442)(41896)(36314).....1	
--	18078GT	RELAY,CHARGER TIMER**	
1B	27830GT	TIMER(24059,41897,41898,41899).....1	
--	19533GT	RELAY,CHARGER .TIMER(19531/32)	
2	13008-6GT	FUSE ASSY-BOOM CHARGER.....1	
3	13008-3GT	CAPACITOR,6 MFD,660VAC-CHARGR*.....1	
4	40532GT	CASE COVER ONLY 18710/18720.....1	
5	40537GT	SCREW,CHARGER COVER,#10 X .5	
6	6178GT	NUT,NYLOCK,10-32	
7	6146GT	WASHER,FLAT,MS,#10,Y	
8	40538GT	SCREW,HEATSINK/DIODE ASSY	
9	27262GT	HEATSINK ASSY W/DIODES (23442)....1	
10	40398GT	TRNSFRMR(36316 &17)(41898 &99)....1	
--	40523GT	TRANSFORMER,CHARGER36314/41896.1	
--	40524GT	TRANSFORMER,CHARGER36315/41897.1	
11	6090GT	SCREW,HHC,1/4-20 X .75	
12	6638GT	WASHER,FLAT,USS,1/4"Y	
13	6091GT	NUT,NYLOCK,1/4-20	
14	6888GT	SCREW,HHC,1/4-20 X 1	
15	6356GT	WASHER,LOCK,.25	
16	56912GT	SPRING CLIP,1/4-20,.025-.15X.54,ZAG	
17	36673GT	PLATE,CHARGER MOUNT.....2	
18	14033GT	SCREW,HHC,3/8-16 X 2.75	
19	6097GT	WASHER,FLAT,USS,3/8",Y	
20	4828GT	NUT,NYLOCK,3/8-16	
21	13008-5GT	AMMETER-BOOM CHARGER.....1	
22	7056GT	CONN,SQUEEZE,1/2NPT .38-.50,SM....1	
23	6935GT	LOCKNUT,ELEC,1/2".....1	
24	36313GT	BRACKET,CHARGER GAUGE MOUNTING.....1	
25	40533GT	SCREW,FUSE ASSY,#7 PHMS X .625	
26	40534GT	WASHER,LOCK,#10, CHARGER FUSE	
27	40536GT	SCREW,TIMER,#8 PHMS X.375	

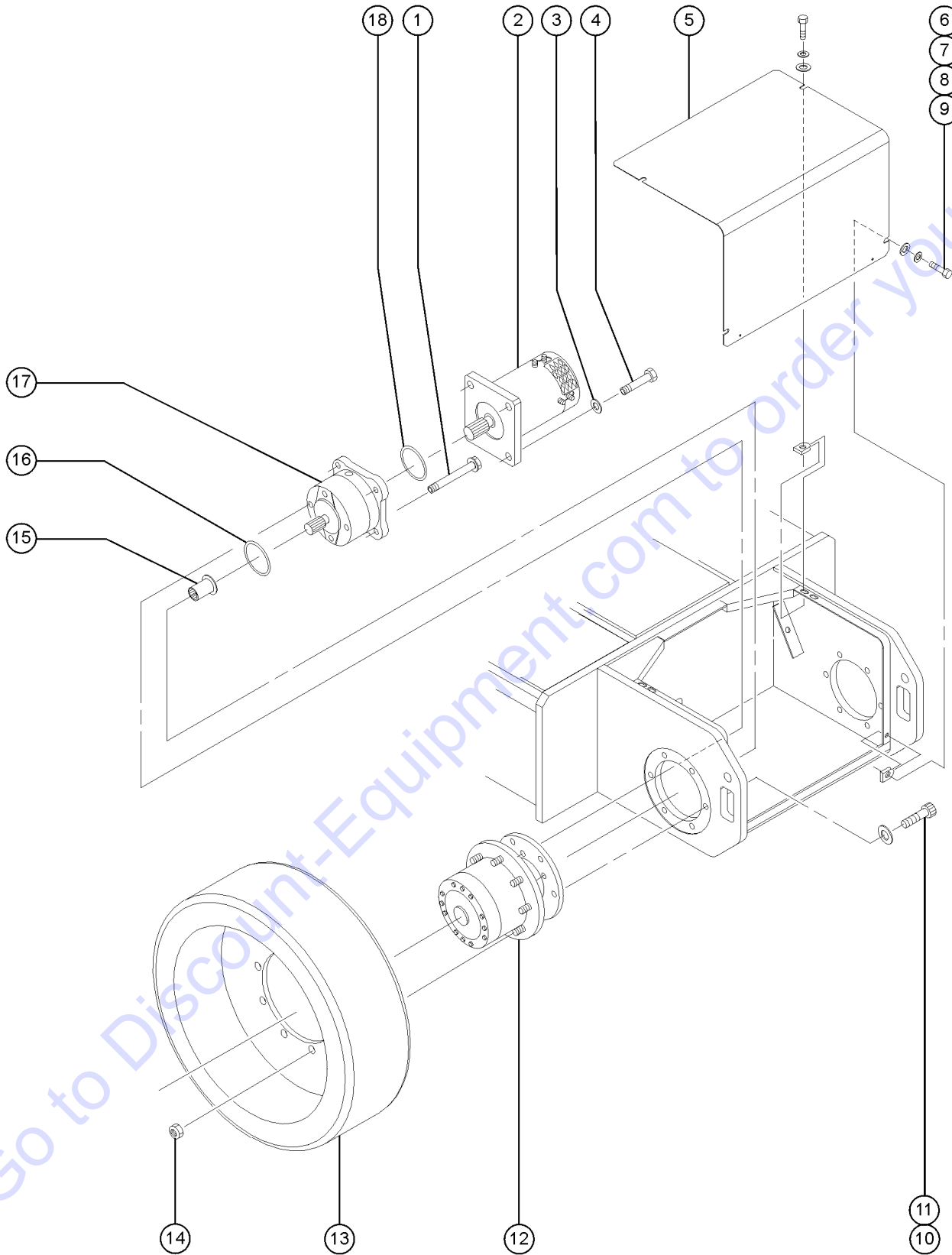
205.1 Battery Packs



205.1 Battery Packs

Item	Part No.	Description	Qty.	Item	Part No.	Description	Qty.
1A	40442GT	COVER, BATTERY BOX W/DECALS.....2 <i>14.38 inches x 30.88 inches</i>		22B	62483GT	BAT.BOX ASY W/DEC,GCSIDEZ34DC*.....1 <i>includes items 1, 3-6, 13, 19, and 23; from SN 1321</i>	
1B	74704PGT	COVER,BATTERY BOX**.....2 <i>13.36 inches x 29.50 inches</i>		22B	94023GT	BATTERY BOX ASSY. W/DECALS LH....1 <i>includes items 1, 3-6, 13, 19, 23 and 24; from SN 1647</i>	
2	19520GT	BATTERY CABLE ASSY,9.5"JUMPER....6 <i>includes item 9</i>		--	45382GT	SHIM,PRIMARY BOOM,.052 THK.	
3	36424GT	THUMB SCREW W/SHOULDER 3/8-16		--	45465GT	SHIM,PRIMARY BOOM,.022 THICK	
4	29868GT	SPRING CLIP,3/8-16,.05-.20X.73,ZAG		23	27126GT	LATCH,DRAW,ADJUSTABLE.....2	
5	6090GT	SCREW,HHC,1/4-20 X .75		24	7339GT	SCREW,HHC,1/4-20 X .5	
6	6356GT	WASHER,LOCK,.25					
7	13002GT	SCREW,HHC,5/16-18 X 1 GR5					
8	18503GT	NUT,LOCKING-LG.FLANGE,5/16-18					
9	8910GT	BOOT,CABLE TERM,MED.RED,4/0.....16					
10	44820GT	BATTERY,DRY,315AH GROUP 4H.....8					
11A	40441GT	BATTERY BOX ASSY W/DECALS RS....1 <i>includes items 1, 3-6, 13, 19, 23 and 24; to SN 1320</i>					
--	45382GT	SHIM,PRIMARY BOOM,.052 THK.					
--	45465GT	SHIM,PRIMARY BOOM,.022 THICK					
11B	62484GT	BAT.BOX ASY W/DEC,HTSIDEZ34DC*.....1 <i>includes items 1, 3-6, 13, 19, 23 and 24; from SN 1321</i>					
11B	94022GT	BATTERY BOX ASSY. W/DECALS RH....1 <i>includes items 1, 3-6, 13, 19, 23 and 24; from SN 1647</i>					
--	45382GT	SHIM,PRIMARY BOOM,.052 THK.					
--	45465GT	SHIM,PRIMARY BOOM,.022 THICK					
12	56685GT	BATTERY BOX SPACER.....4					
13	45209GT	WEAR PAD,4X2X.5 W/INSERT***.....2					
--	128138GT	CONN HOUSING SBX175, BATT					
14A	41207GT	PWR CABLE ASSY,G.C.SIDE,Z34.....1					
14B	41208GT	PWR CABLE ASSY,TANK SIDE,Z34.....1					
--	128138GT	CONN HOUSING SBX175, BATT					
15A	37107GT	BAT.CABLE ASSY,G.C. SIDE,Z34.....1					
15B	37108GT	BAT.CABLE ASSY,TANK SIDE,Z34					
16	6888GT	SCREW,HHC,1/4-20 X 1					
17	36875GT	PIN,CLEVIS,.75 X 2.25 LG.....4					
18	6563GT	WASHER,SHIM,.75 X 1.125 X.030					
19	36369GT	BEARING,0.75IDX1.00ODX0.75L.....8					
20	36212GT	WASHER,THRUST,.75 X 1.38X.13.....4					
21	21253GT	CLIP,HAIR PIN .125 X 2					
22A	40440GT	BATTERY BOX ASSY W/DECALS LS....1 <i>includes items 1, 3-6, 13, 19, 23 and 24; to SN 1320</i>					
--	45382GT	SHIM,PRIMARY BOOM,.052 THK.					
--	45465GT	SHIM,PRIMARY BOOM,.022 THICK					

206.1 Non-steer End



206.1 Non-steer End

Item	Part No.	Description	Qty.	Item	Part No.	Description	Qty.
1	74137GT	SCREW,SHC,1/2-13 X 3.25		--	21148GT	WASHER,THRUST,TORQUE HUB	
2	36443GT	MOTOR,TRACTION,D.C.**.....2		--	21149GT	LUG,WHEEL STUD,5/8-18,W1/4HB**	
2	36839GT	MOTOR,TRACTION,24V.D.C.**.....2		--	37097GT	O-RING, TORQUE HUB <i>included in seal kit 21142</i>	
--	36658GT	BRUSH HOLDER		--	58438GT	KIT,COVER,TORQUE HUB,45553***	
--	37188GT	BRUSH, MOTOR		--	58448GT	KIT,TORQUE HUB COVER (45553)**	
--	37189GT	SPRING, BRUSH RETAINER, 36182*		--	74370GT	BOLT,ENDCOVER.313-18X2.25,GR8...12	
--	44778GT	BEARING,MOTOR,36843,BRUSH END*		--	74371GT	BOLT,ENDCOVER.313-18X1.81,GR8....4	
3	6021GT	WASHER,LOCK,.375		12C	56338GT	TORQUE HUB,47:1 W1 "B" MOUNT**....2 <i>from SN 1582</i>	
--	6097GT	WASHER,FLAT,USS,3/8",Y		--	1286606GT	SEAL KIT,TORQUE HUB (20193) <i>for 56338</i>	
4	13918GT	SCREW,HHC,3/8-16 X 1.75,GRD.8.....8		--	21143GT	BEARING KIT (45553) TORQUE HUB <i>for 56338</i>	
5	40439GT	COVER W/DCLS DR CHAS NS END....1		--	21144GT	CAP,DISENGAGE-45553 TORQUE HUB <i>for 56338</i>	
5	41217GT	COVER W/DCLS,DR CHAS NS END		--	21146GT	COVER CAP,TORQUE HUB*** <i>for 56338</i>	
6	6888GT	SCREW,HHC,1/4-20 X 1		--	21148GT	WASHER,THRUST,TORQUE HUB <i>for 56338</i>	
7	6356GT	WASHER,LOCK,.25		--	21149GT	LUG,WHEEL STUD,5/8-18,W1/4HB** <i>for 56338</i>	
8	6638GT	WASHER,FLAT,USS,1/4"Y		--	37097GT	O-RING, TORQUE HUB <i>included in seal kit 21142</i>	
9	56912GT	SPRING CLIP,1/4-20,.025-.15X.54,ZAG		--	58438GT	KIT,COVER,TORQUE HUB,45553*** <i>for 56338</i>	
10	56900GT	SCREW,SHC,5/8-11 X 2.5 BLK.....12		--	58448GT	KIT,TORQUE HUB COVER (45553)** <i>for 56338</i>	
11	56911GT	WASHER,FLAT,.688X1.160X.09.....12		--	74099GT	DISCONNECT ROD (56338) <i>for 56338</i>	
12A	20193GT	TORQUE HUB,35:1***.....2 <i>to SN 1581</i>		--	74370GT	BOLT,ENDCOVER.313-18X2.25,GR8...12 <i>for 56338</i>	
--	1286606GT	SEAL KIT,TORQUE HUB (20193)		--	74371GT	BOLT,ENDCOVER.313-18X1.81,GR8....4 <i>for 56338</i>	
--	1286607GT	BEARING KIT,TORQUE HUB (20193) <i>for 20193</i>		13A	94909GT	TIRE & WHEEL ASSY,REAR N-M.....2 <i>Z-34N; Solid, Non-marking, 9 hole x 9.5 inch BC</i>	
--	21143GT	BEARING KIT (45553) TORQUE HUB <i>for 20193 (inventory limited to stock on hand as component is no longer available)</i>		13B	45094GT	WHEEL ASSY, INDUSTRIAL, AF.....2 <i>Z-34DC; Industrial, Air-filled, 9 hole x 9.5 inch BC</i>	
--	21144GT	CAP,DISENGAGE-45553 TORQUE HUB		--	54139GT	WHEEL,14.5 X 7 <i>for 45094</i>	
--	21145GT	DISCONNECT ROD-45553 TQ.HUB		--	54140GT	TUBELESS PNEUMATIC TIRE,9-14LT <i>for 45094 (replaced 147319)</i>	
--	21146GT	COVER CAP,TORQUE HUB***		13C	40136GT	WHEEL ASSY, INDUSTRIAL, AF NM <i>Z-34DC; Industrial, Air-filled, Non-marking, 9 hole x 9.5 inch BC</i>	
--	21148GT	WASHER,THRUST,TORQUE HUB		--	54139GT	WHEEL,14.5 X 7 <i>for 40136</i>	
--	37097GT	O-RING, TORQUE HUB <i>included in seal kit 21142</i>		--	54234GT	TUBELESS TIRE,9-14.5,NON-M 47# <i>for 40136 (replaced 147320)</i>	
--	53994GT	STUD, HUB, 5/8-18 X 2 1/2					
--	58438GT	KIT,COVER,TORQUE HUB,45553***					
--	58589GT	THRUST CAP (20193)					
--	74370GT	BOLT,ENDCOVER.313-18X2.25,GR8...12					
--	74371GT	BOLT,ENDCOVER.313-18X1.81,GR8....4					
12B	36260GT	TORQUE HUB 49:1**.....2 <i>to SN 1581</i>					
--	1286606GT	SEAL KIT,TORQUE HUB (20193)					
--	21143GT	BEARING KIT (45553) TORQUE HUB					
--	21144GT	CAP,DISENGAGE-45553 TORQUE HUB					
--	21145GT	DISCONNECT ROD-45553 TQ.HUB					
--	21146GT	COVER CAP,TORQUE HUB***					

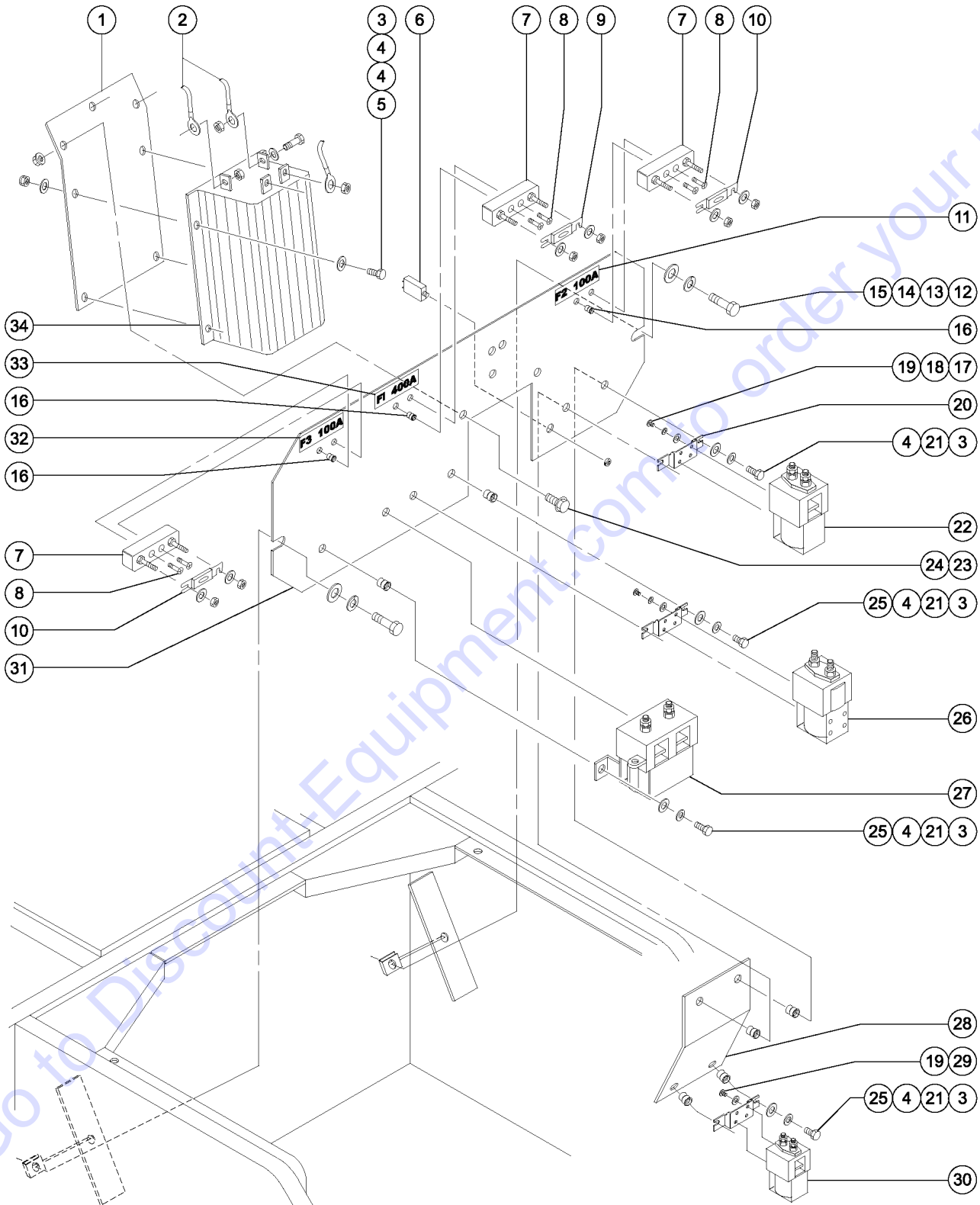
206.1 Non-steer End
(continued)

Item	Part No.	Description	Qty.	Item	Part No.	Description	Qty.
13D	45461GT	WHEEL ASSY, INDUSTRIAL, FF <i>Z-34DC; Industrial, Foam-filled, 9 hole x 9.5 inch BC</i>		--	94880GT	BEARING KIT <i>for 101966 brake</i>	
13E	1267845GT	WHEEL ASSY, INDUSTRIAL, FF NM <i>Z-34DC; Industrial, Foam-filled, Non-marking, 9 hole x 9.5 inch BC</i>		17C	114322GT	KIT,Z34N BRAKE SERVICE (3) <i>from SN 676 to 1734</i>	
14	54627GT	NUT,LUG,5/8-18 X 90 DEGREE,Z45		--	35587GT	SEAL KIT,MICO BRAKE <i>to SN 280</i>	
15	38113GT	COUPLER,INTERNAL SPLINE,T-HUB....2		--	38114GT	LINING KIT, MICO BRAKE** <i>from SN 281</i>	
16	52087GT	O-RING,2-044 BUNA***	2	--	38115GT	BEARING KIT, MICO BRAKE <i>to SN 280</i>	
--	119556GT	BRAKE,MICO DRIVE,Z30N,Z34 ** <i>for use after installation of above listed kit</i>		--	41921GT	SEAL KIT,BRAKE,MICO <i>from SN 281</i>	
--	35587GT	SEAL KIT,MICO BRAKE <i>for 119556</i>		--	41922GT	BEARING KIT,BRAKE,MICO <i>from SN 281 to 2226</i>	
--	38114GT	LINING KIT, MICO BRAKE** <i>for 119556</i>		18A	22811GT	O-RING,MOTOR TO BRAKE*** <i>for 36259 brake</i>	
--	38115GT	BEARING KIT, MICO BRAKE <i>for 119556</i>		18B	52087GT	O-RING,2-044 BUNA*** <i>for 119556 brake</i>	
--	72319GT	SPRING (RED) MICO <i>for 119556</i>					
17A	114320GT	KIT,Z34N BRAKE SERVICE (1).....2 <i>to SN 367</i>	2				
17A	114321GT	KIT,Z34N BRAKE SERVICE (2) <i>from SN 541 to 999</i>					
17A	114322GT	KIT,Z34N BRAKE SERVICE (3) <i>from SN 1000 to 2100</i>					
--	119556GT	BRAKE,MICO DRIVE,Z30N,Z34 ** <i>for use after installation of above listed kit</i>					
--	35587GT	SEAL KIT,MICO BRAKE <i>for 119556</i>					
--	38114GT	LINING KIT, MICO BRAKE** <i>for 119556</i>					
--	38115GT	BEARING KIT, MICO BRAKE <i>for 119556</i>					
--	72319GT	SPRING (RED) MICO <i>for 119556</i>					
17B	114321GT	KIT,Z34N BRAKE SERVICE (2) <i>from SN 368 to 675</i>					
17B	139351GT	BRAKE, NEMA, 1200 IN/LB <i>from SN 2101 to 2226</i>					
--	139353GT	STACK KIT, AUSCO 1200 IN/LB <i>for 139351</i>					
--	139354GT	O-RING KIT, AUSCO 1200 IN/LB <i>for 139351</i>					
--	139355GT	GASKET KIT, AUSCO 1200 IN/LB <i>for 139351</i>					
--	65608GT	BEARING KIT, AUSCO*** <i>for 139351</i>					
--	65618GT	SEAL KIT,BRAKE*** <i>for 101966 brake</i>					
--	94879GT	LINING KIT*** <i>for 101966 brake</i>					

This Page Intentionally Left Blank

Go to Discount-Equipment.com to order your parts

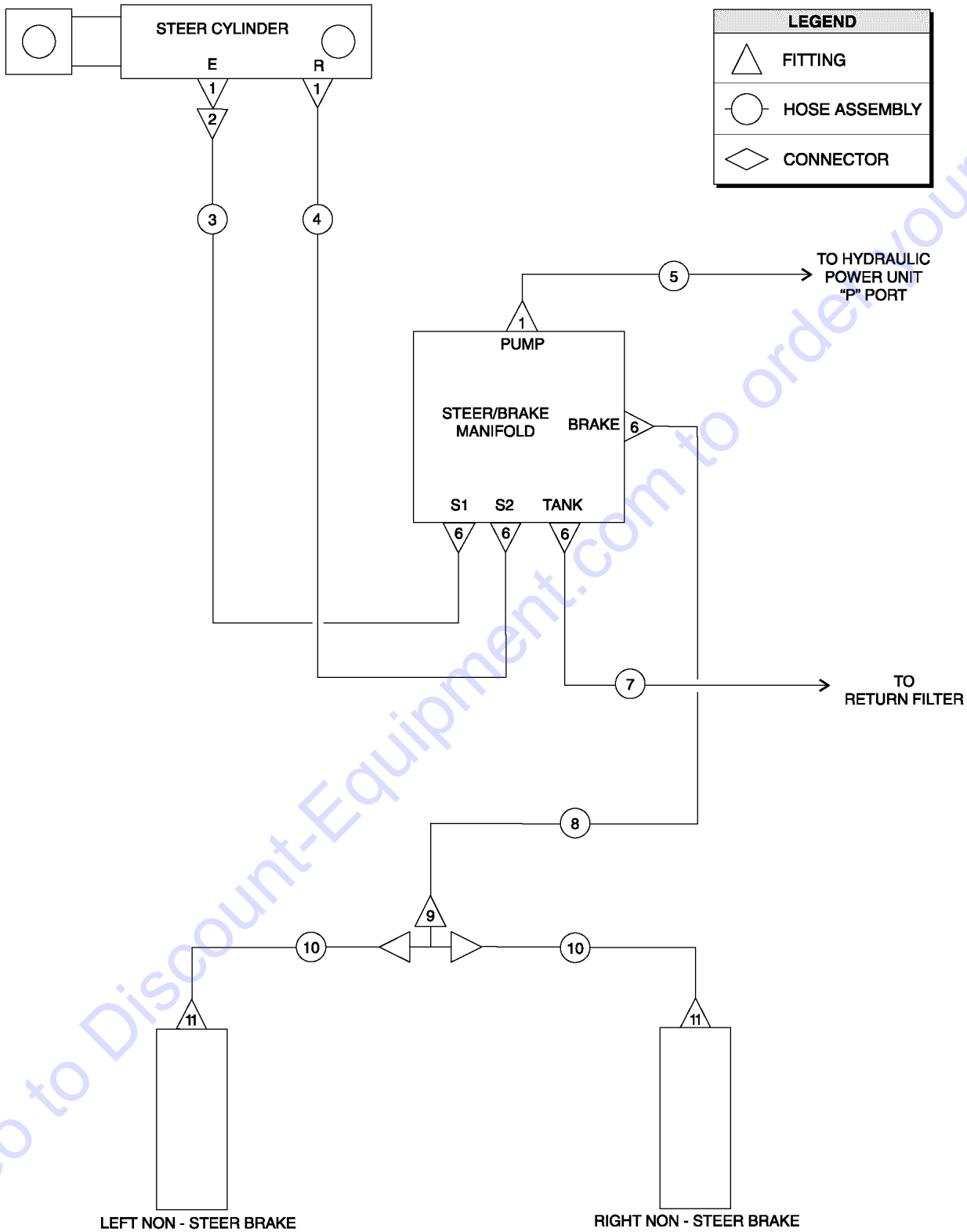
207.1 Electronic Control Module



207.1 Electronic Control Module

Item	Part No.	Description	Qty.	Item	Part No.	Description	Qty.
--	62519GT	DIODE ASSEMBLY W/FEMALE CONS		--	49871GT	STATIONARY CONTACT (23417)	
1	36268PGT	PLATE,POWER SUPPLY MOUNT BLUE.....1		28	42622GT	BRACKET,CONTACTOR MOUNT.....1	
2		Ref. Power Cables - Drive Chassis (refer to 210.1)		29	22542GT	M4 X 5 PHILLIPS (CHEESEHEAD)	
3	6090GT	SCREW,HHC,1/4-20 X .75		30	74268GT	CONTACTOR,AUX PUMP 24V,80A***	
4	6638GT	WASHER,FLAT,USS,1/4"Y		--	22262GT	CONTACT,MOVING,19549RELAY*	
5	6091GT	NUT,NYLOCK,1/4-20		--	22263GT	CONTACT,STATIONARY,19549RELAY*	
6	147094GT	ASSY, CIRCUIT BREAKER 15A.....1		31	36578GT	RELAY PANEL ASSEMBLY Z34, Z45.....1	
7	74446GT	FUSE HOLDER ASSEMBLY.....3		32	48704GT	DECAL, LABEL, FUSE, F3, 100A.....1	
--	5397GT	WASHER,FLAT,USS,5/16",Y		33	48698GT	DECAL, LABEL, FUSE, F1, 400A.....1	
--	66717GT	FUSE BLOCK, ANN & ANL FUSE		34	23314GT	CONTROLL.36V/48V,DC MTR.SPD.....1	
--	6782GT	NUT,NYLOCK,5/16-18					
8	17626GT	SCREW,FHM,10-32 X .75					
9	36355GT	FUSE,100 AMP,VERY FAST ACTING.....2					
10	36356GT	FUSE,400 AMP,VERY FAST ACTING.....1					
11	48701GT	DECAL, LABEL, FUSE, F2, 100A.....1					
12	13002GT	SCREW,HHC,5/16-18 X 1 GR5					
13	6886GT	WASHER,LOCK,.313					
14	5397GT	WASHER,FLAT,USS,5/16",Y					
15	36456GT	SPRING CLIP,5/16-18,.025-.15X.					
16	23405GT	NUTSERT,10-32 STEEL CAD PLTD					
17	49818GT	SCREW,PHILLIPS,PHM,10-32 X .38					
18	6607GT	WASHER,LOCK,#10 PLTD					
19	6146GT	WASHER,FLAT,MS,#10,Y					
20	19815GT	BRACKET, RELAY MOUNTING.....2					
21	6356GT	WASHER,LOCK,.25.....8					
22	74266GT	CONTACTOR,LIFT PUMP 24V 180A**...1					
--	62695GT	CONTACT,STATIONARY (56434)**					
--	62696GT	CONTACT-MOVEABLE (56434)**					
--	62697GT	SPRING-RETURN					
23	18506GT	SCREW 5/16-18 X .75 LG.FLG.LCK.					
24	18503GT	NUT,LOCKING-LG.FLANGE,5/16-18					
25	23404GT	NUTSERT,1/4-20,STEEL CAD PLTD					
26	74267GT	CONTACTOR,DRIVE,24V,180A***.....1					
--	22264GT	CONTACT,MOVEABLE,19550 RELAY					
--	22265GT	CONTACT,STATIONRY,19550 RELAY					
--	23845GT	SPRING,RETURN					
--	74282GT	DUST SHIELDS,180A CONTACTOR (EE models only) Limited inventory available; this component is no longer available from our supplier					
27	23417GT	CONTACTOR,2X SPDT,24V/DC.....1					
--	23845GT	SPRING,RETURN					
--	27419GT	CONTACT,MOVING (SW181 & SW182)					

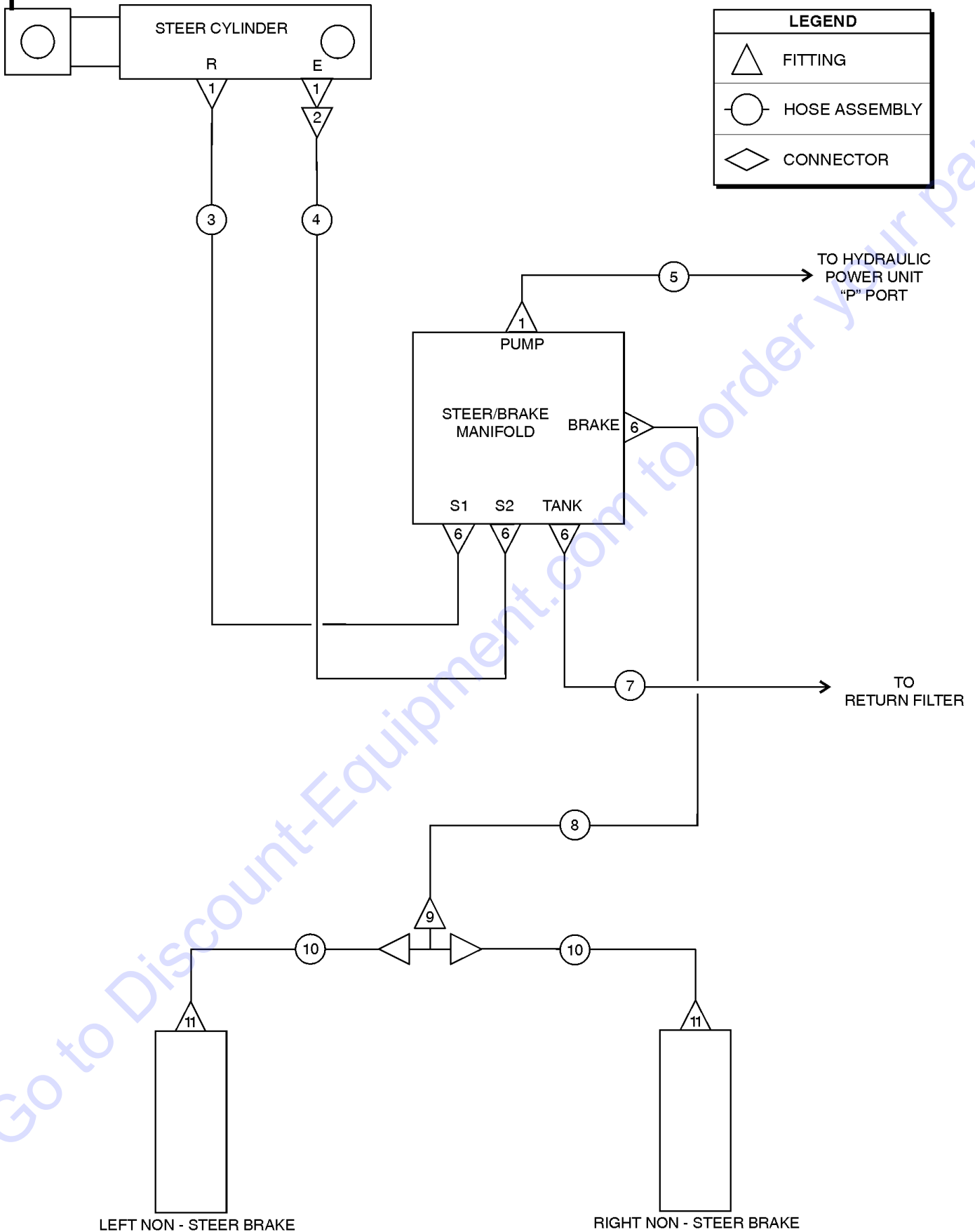
208.1 Hydraulic Hoses and Fittings



208.1 Hydraulic Hoses and Fittings

Item	Part No.	Description	Qty.
--	28750GT	O-RING KIT,FIELD SVC,ALL PROD* to SN 780	
--	33994GT	PLUG AND CAP KIT-SERVICE,37 ** to SN 780	
1	12340GT	ELBOW,070220-4-6.....3 to SN 780	
2	36554GT	FITTING-4 W/.085 ORIFICE.....1 to SN 780	
3	36793GT	HOSE ASSEMBLY,23".....1 to SN 780	
4	36792GT	HOSE ASSEMBLY,27.5".....1 to SN 780	
5	36478GT	HOSE ASSEMBLY, 86".....1 to SN 780	
6	13756GT	CONNECTOR,070120-4-6.....4 to SN 780	
7	36479GT	HOSE ASSEMBLY, 79".....1 to SN 780	
8	36794GT	HOSE ASSEMBLY,71".....1 to SN 780	
9	19679GT	UNION,070101-4-4.....1 to SN 780	
10	36825GT	HOSE ASSEMBLY,29".....2 to SN 780	
11	13921GT	ELBOW,070220-4-4.....2 to SN 780	

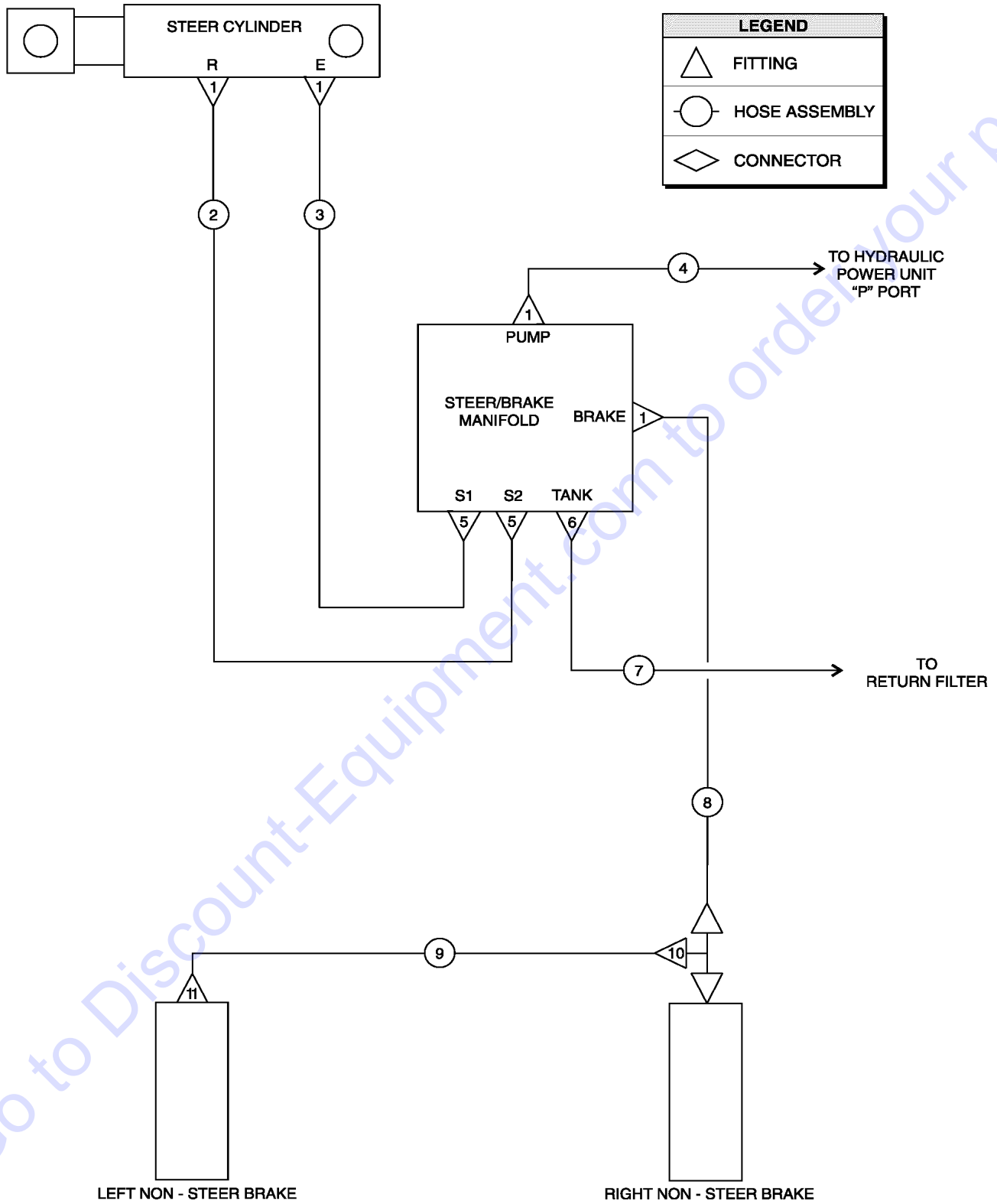
208.1 Hydraulic Hoses and Fittings



208.1 Hydraulic Hoses and Fittings

Item	Part No.	Description	Qty.
--	28750GT	O-RING KIT,FIELD SVC,ALL PROD* to SN 1029	
--	33994GT	PLUG AND CAP KIT-SERVICE,37 ** to SN 1029	
1	12340GT	ELBOW,070220-4-6.....3 to SN 1029	
2	36554GT	FITTING-4 W/.085 ORIFICE.....1 to SN 1029	
3	36793GT	HOSE ASSEMBLY,23".....1 to SN 1029	
4	36792GT	HOSE ASSEMBLY,27.5".....1 to SN 1029	
5	36478GT	HOSE ASSEMBLY, 86".....1 to SN 1029	
6	13756GT	CONNECTOR,070120-4-6.....4 to SN 1029	
7	36479GT	HOSE ASSEMBLY, 79".....1 to SN 1029	
8	36794GT	HOSE ASSEMBLY,71".....1 to SN 1029	
9	19679GT	UNION,070101-4-4.....1 to SN 1029	
10	36825GT	HOSE ASSEMBLY,29".....2 to SN 1029	
11	13921GT	ELBOW,070220-4-4.....2 to SN 1029	

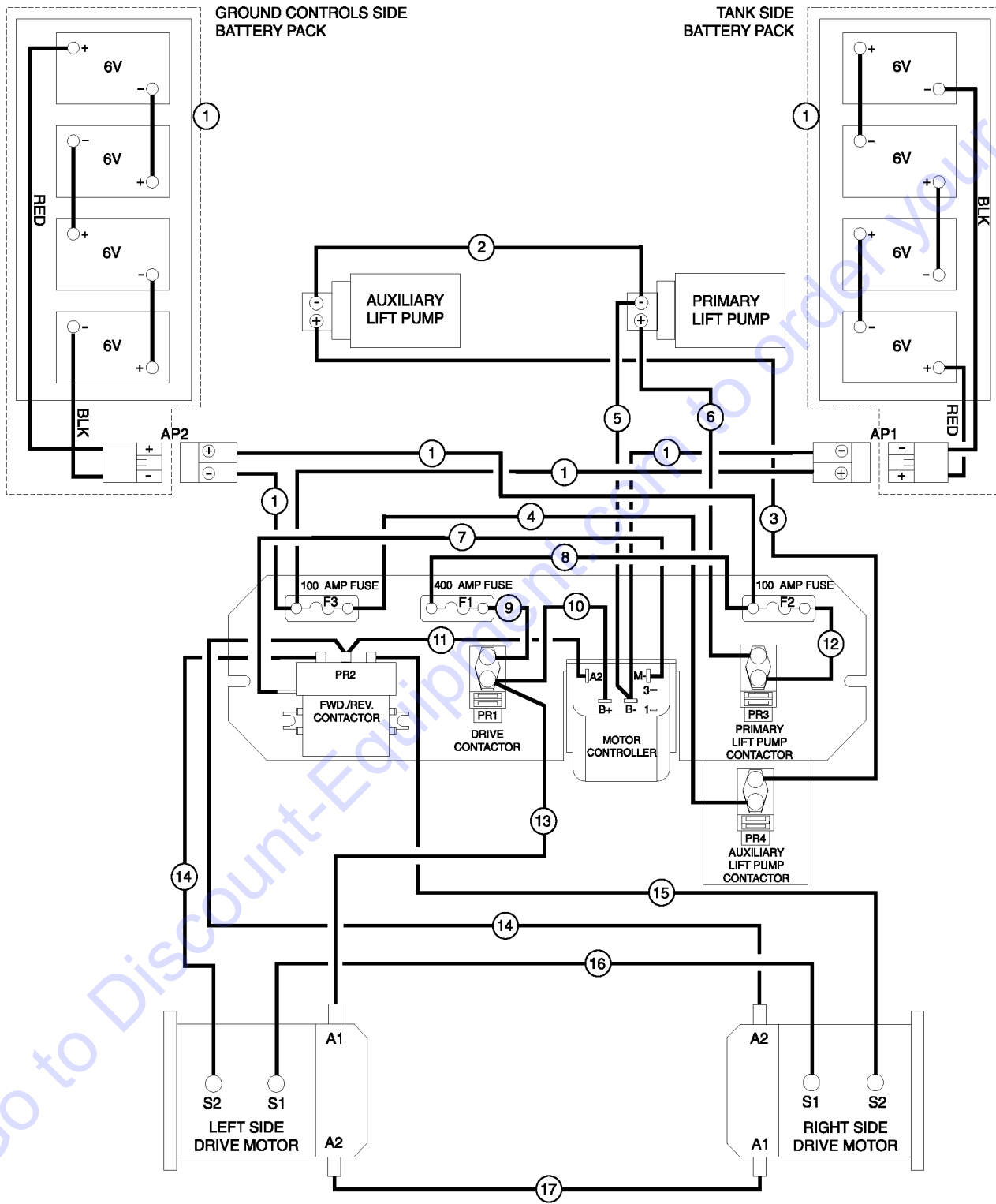
209.1 Hydraulic Hoses and Fittings



209.1 Hydraulic Hoses and Fittings

Item	Part No.	Description	Qty.
--	28750GT	O-RING KIT,FIELD SVC,ALL PROD* <i>from SN 781</i>	
--	33994GT	PLUG AND CAP KIT-SERVICE,37 ** <i>from SN 781</i>	
--	49612GT	O-RING KIT (ORFS FITTINGS) <i>from SN 781</i>	
--	49613GT	PLUG AND CAP KIT-SERVICE,ORFS* <i>from SN 781</i>	
1	48911GT	ELBOW,90D,520220-4-6***4 <i>from SN 781</i>	
2	42846GT	HOSE ASSY,'S1'TO STEER CYLINDE...1 <i>from SN 1030</i>	
2	56026GT	HOSE ASSY,PORT 'S2' TO END CYL <i>from SN 781</i>	
3	42846GT	HOSE ASSY,'S1'TO STEER CYLINDE...1 <i>from SN 781</i>	
4	42849GT	HOSE ASSY,PUMP TO PWR UNIT 'P'...1 <i>from SN 781</i>	
5	48912GT	CONN,520120-4-6***2 <i>from SN 781</i>	
6	48920GT	ELBOW,45D,520320-6.....1 <i>from SN 781</i>	
7	42850GT	HOSE ASSY,TANK TO RET FIL INLE....1 <i>from SN 781</i>	
8	42851-SGT	HOSE ASSY,"BRK" TO LR DRV.MTR....1 <i>from SN 781</i>	
9	42744GT	HOSE ASSY,1/4",33.50.....1 <i>from SN 1030</i>	
9	42848GT	HOSE ASSY,JUMPER HOSE RGT-LFT <i>from SN 781</i>	
10	48904GT	ELBOW,90D,520220-4-4.....1 <i>from SN 781</i>	
11	48906GT	TEE,RUN,520428-4.....1 <i>from SN 781</i>	

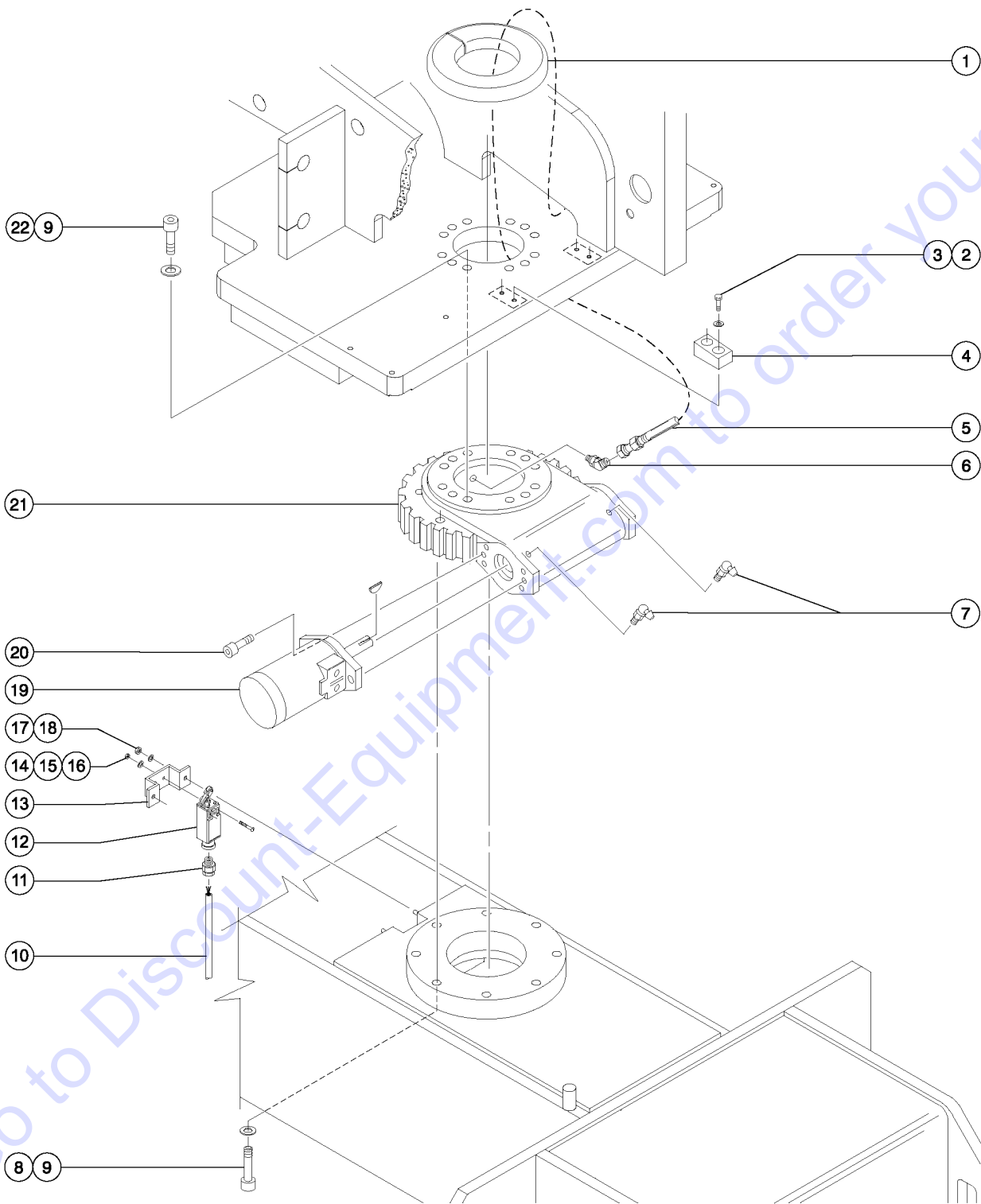
210.1 Power Cable Diagram



210.1 Power Cable Diagram

Item	Part No.	Description	Qty.
1		Ref. Battery Box Cable Assemblies (refer to 205.1)	
2	40566GT	CABLE ASSEMBLY,45.5".....	1
3	40565GT	CABLE ASSEMBLY,46".....	1
4	40553GT	CABLE ASSEMBLY,63".....	1
5	40561GT	CABLE ASSEMBLY,65.5".....	1
6	40551GT	CABLE ASSEMBLY,80".....	1
7	40554GT	CABLE ASSEMBLY,18".....	1
8	40552GT	CABLE ASSEMBLY,13"(SCISSORS).....	1
9	40558GT	CABLE ASSEMBLY,3".....	1
10	40559GT	CABLE ASSEMBLY,5".....	1
11	40557GT	CABLE ASSEMBLY,10.5".....	1
12	40562GT	CABLE ASSEMBLY,4".....	1
13	40560GT	CABLE ASSEMBLY,32".....	1
14	40555GT	CABLE ASSEMBLY,30".....	2
15	40556GT	CABLE ASSEMBLY,25".....	1
16	40564GT	CABLE ASSEMBLY,35".....	1
17	40563GT	CABLE ASSEMBLY,24".....	1

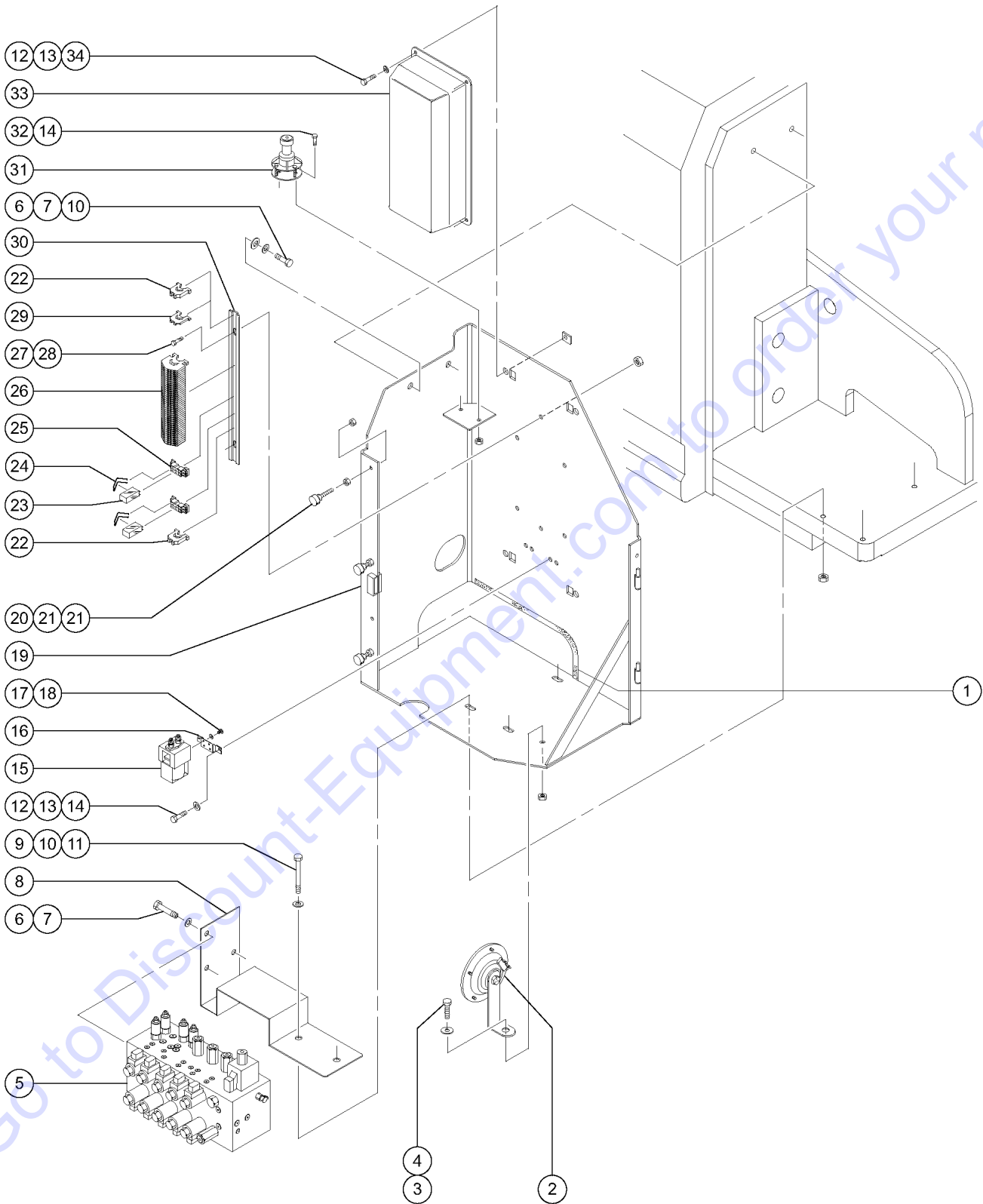
301.1 Turntable Rotator



301.1 Turntable Rotator

Item	Part No.	Description	Qty.	Item	Part No.	Description	Qty.
1	42363GT	RING,HOSE PROTECTOR.....	1	--	128899GT	SHAFT,WORM GEAR*** for 119111	
2	94195GT	SCREW,HHC,3/8-16 X .75,GR 8		21A	58360GT	KIT,SEAL (74994)..... for rotator 74994	1
3	5397GT	WASHER,FLAT,USS,5/16",Y		--	58296GT	SNAP RING (74994)..... for rotator 74994; sold seperately	1
4	36701GT	REST PAD,LOWER ARM REST.....	2	--	58330GT	O-RING OR-151 N73038 (74994)..... for rotator 74994	1
4	36959GT	REST PAD,LOWER ARM REST.....	2	--	58331GT	SEAL 21252875-375BYP2 (74994)..... for rotator 74994	2
5		Ref. Hydraulic Hoses and Fittings (refer to 308.1 or 309.1)		--	58332GT	BEARING,CONE LM501349 (74994)..... for rotator 74994; sold seperately	2
6	31194GT	ELBOW,070302-4-2.....	1	--	58333GT	BEARING,CUP LM501310 (74994)..... for rotator 74994; sold seperately	2
7	22794GT	ZERK,GREASE,1/8 NPT,45DEG.....	2	--	58343GT	GASKET,MTR,2A,MAG (74994)..... for rotator 74994	1
8	36459GT	SCREW,SHC,5/8-11 X 5.5.....	8	--	58344GT	SEAL,NAT'L. #471818 (74994)..... for rotator 74994	1
9	13064GT	WASHER,FLAT,.625 HARDENED.....	20	--	58345GT	SCREW,FHS,1/2-13 X 1.25,BLACK..... for rotator 74994; sold seperately	2
10	43960GT	WIRE CABLE,16/4 CON.TPE JKT.....	102-inches	--	58346GT	ZERK,ALEMITE #1688 (74494)..... for rotator 74994; sold seperately	2
11		CONNECTOR..... included with item 12	1	22	25068GT	SCREW,SHC,5/8-11 X 4.5,A574.....	12
11	7056GT	CONN,SQUEEZE,1/2NPT .38-.50,SM....	1				
12	88356 11103GT	SWITCH,LIMIT,W/RLR ARM,NO/NC**....	1				
--	19491GT	CONTACTOR,LIMIT SWITCH					
--	97128GT	ROLLER ARM,LIMIT SWITCH***					
12A	119917GT	PLATE, TURNTABLE LS. MT.....	1				
12A	6090GT	SCREW,HHC,1/4-20 X .75..... for 119917	2				
13	36326GT	PLATE,LIMIT SWITCH MOUNT%.....	1				
14	6178GT	NUT,NYLOCK,10-32					
15	6607GT	WASHER,LOCK,#10 PLTD					
16	51063GT	SCREW,PHILLIPS,RHM,10-32 X 1.5					
17	6091GT	NUT,NYLOCK,1/4-20					
18	6638GT	WASHER,FLAT,USS,1/4"Y					
19	27372GT	MOTOR,TURNTABLE O-RING PORTS.....	1				
--	27275GT	SEAL KIT (21172)					
--	32224GT	KEY-WOODRUFF					
20	56843GT	SCREW,SHC,1/2-13 X 1.50,A574					
21	119111GT	ROTATOR TURNTABLE ASSEMBLY***.....	1				
--	1284189GT	CASE COVER,ROTATOR,Z30/34 (119111) for 119111					
--	128565GT	SHIM KIT,TURNTABLE*** for 119111					
--	128618GT	SEAL KIT*** for 119111					
--	128620GT	ZERK,GREASE,1/8 NPT,45 DEG*** for 119111					
--	128621GT	BEARING,CUP*** for 119111					
--	128622GT	BEARING,CONE*** for 119111					

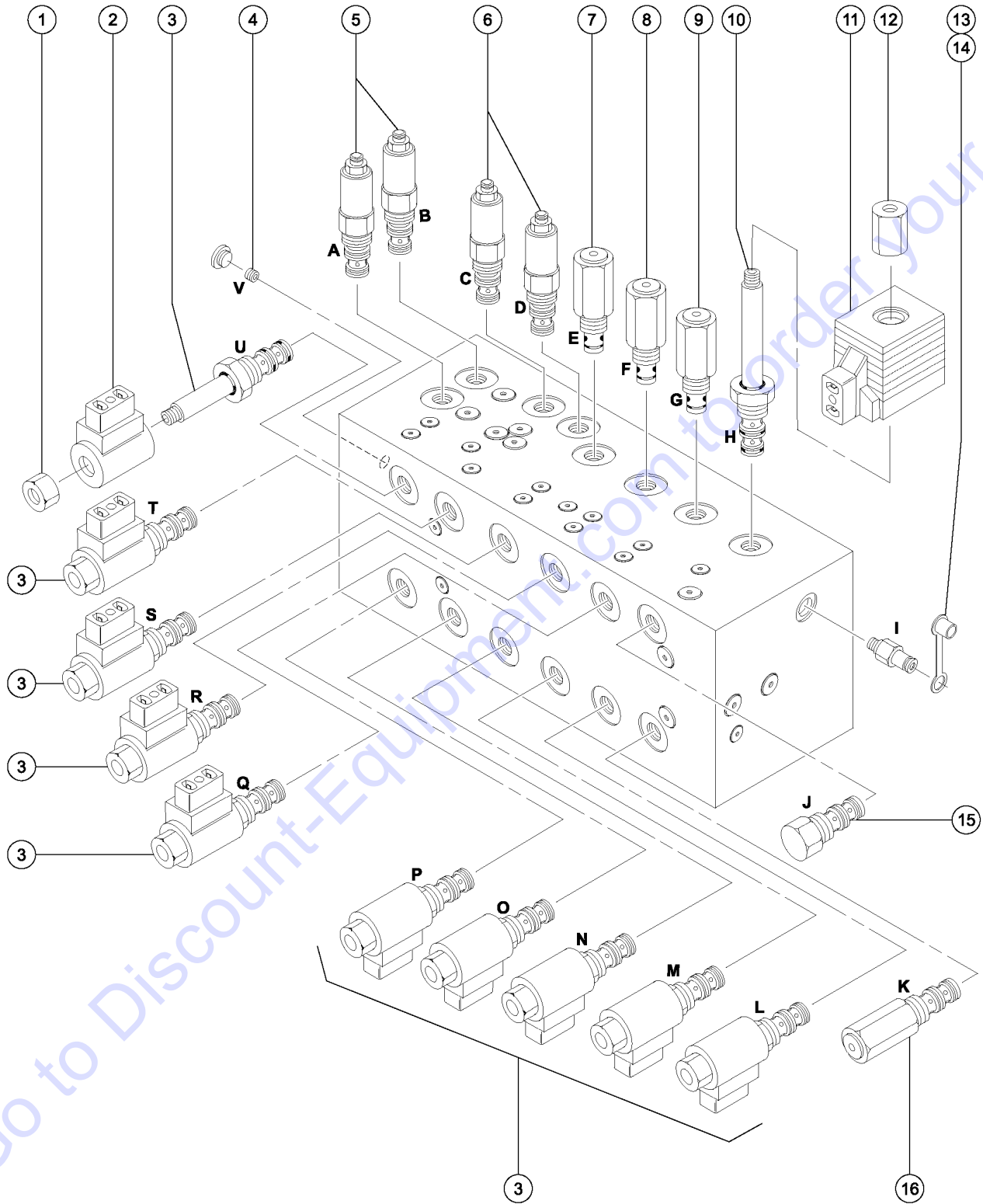
302.1 Turntable Components - Ground Controls Side



302.1 Turntable Components - Ground Controls Side

Item	Part No.	Description	Qty.	Item	Part No.	Description	Qty.
1	19018GT	TRIMLOCK, BLACK, 5/32".....18-inches		32	8914GT	SCREW, HHC, 1/4-20 X .625.....2	
2	81579GT	HORN, 24VDC, SPADE TERMINALS***.....1		33	36697GT	COVER, TERMINAL STRIP.....1	
3	18506GT	SCREW 5/16-18 X .75 LG. FLG. LCK.		34	56912GT	SPRING CLIP, 1/4-20, .025-.15X.54, ZAG.....4	
4	18503GT	NUT, LOCKING-LG. FLANGE, 5/16-18					
5	42336GT	MANIFOLD, FUNCTION					
7	6021GT	WASHER, LOCK, .375					
8	36711PGT	BRKT. MANIFOLD MOUNT PAINTED.....1					
9	14033GT	SCREW, HHC, 3/8-16 X 2.75					
10	6097GT	WASHER, FLAT, USS, 3/8", Y					
11	4828GT	NUT, NYLOCK, 3/8-16					
12	7339GT	SCREW, HHC, 1/4-20 X .5					
13	6638GT	WASHER, FLAT, USS, 1/4" Y					
14	6091GT	NUT, NYLOCK, 1/4-20.....4					
15	74268GT	CONTACTOR, AUX PUMP 24V, 80A***.....1					
--	22262GT	CONTACT, MOVING, 19549 RELAY*					
--	22263GT	CONTACT, STATIONARY, 19549 RELAY*					
--	23844GT	SPRING, RETURN, 19549 CONTACTOR					
16	56095GT	BRACKET, CONTACTOR MOUNT SINGLE.....1					
17	19816GT	M4 X 0.7 X 8MM RHMS					
18	6607GT	WASHER, LOCK, #10 PLTD					
19	36666GT	CVR SUPPORT WELDMT LH 34N/34DC.....1					
20	36388GT	BUMPER, RUBBER, .75 X .50H, STUD.....3					
21	6357GT	NUT, HEX, 1/4-20					
22	25974GT	PLASTIC END STOP.....1					
23	42616GT	RELAY, POTTER BRUMFIELD 24V **.....2					
24	33609GT	RELAY, HOLD DOWN, OMRON.....4					
25	33608GT	RELAY, SOCKET, OMRON.....2					
26	94742GT	TERMINAL RAIL ASSY***.....1 <i>replaced 56993</i>					
--	56994GT	DIN RAIL, 11.25".....1					
--	74911GT	TERMINAL BLOCK, WIELAND***.....43					
--	74913GT	END STOP, DIN RAIL, SCREW CLAMP.....2					
--	74917GT	JUMPER COMB, 2-WAY, WIELAND.....3					
27	49816GT	SCREW, PHILLIPS, PHM, 10-32 X .75					
28	6178GT	NUT, NYLOCK, 10-32					
29	25837GT	TERMINAL STRIP END PLATE.....2					
30	36871GT	DIN RAIL, 14.75" **.....1					
31A	44586GT	SENSOR, LEVEL 4.5***.....1 <i>Z34DC ANSI, CE and Australian models; Z34N ANSI and CE models</i>					
31B	42439GT	SENSOR, LEVEL 3 DEG**.....1 <i>Z34N Australian models</i>					

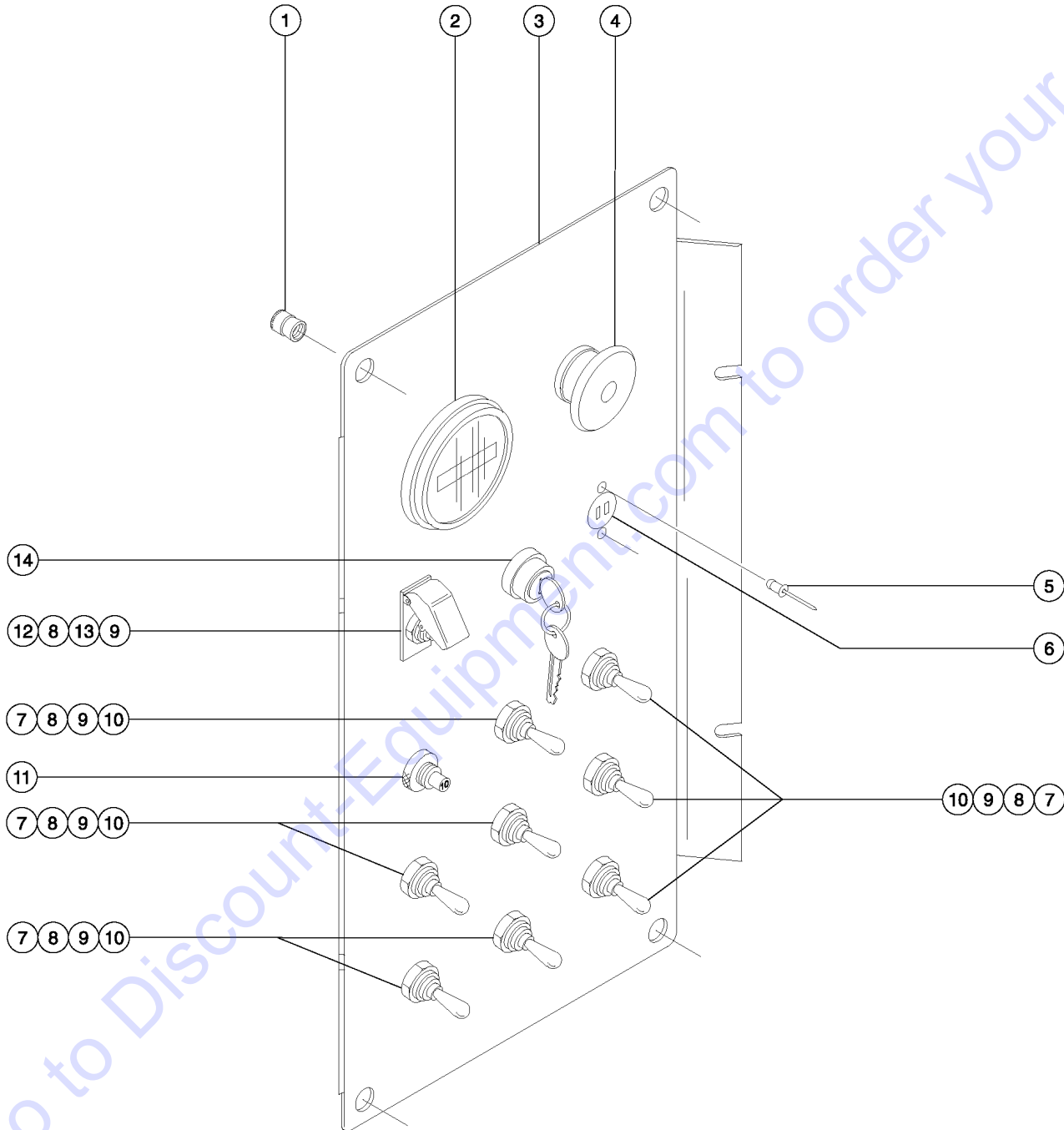
303.1 Function Manifold



303.1 Function Manifold

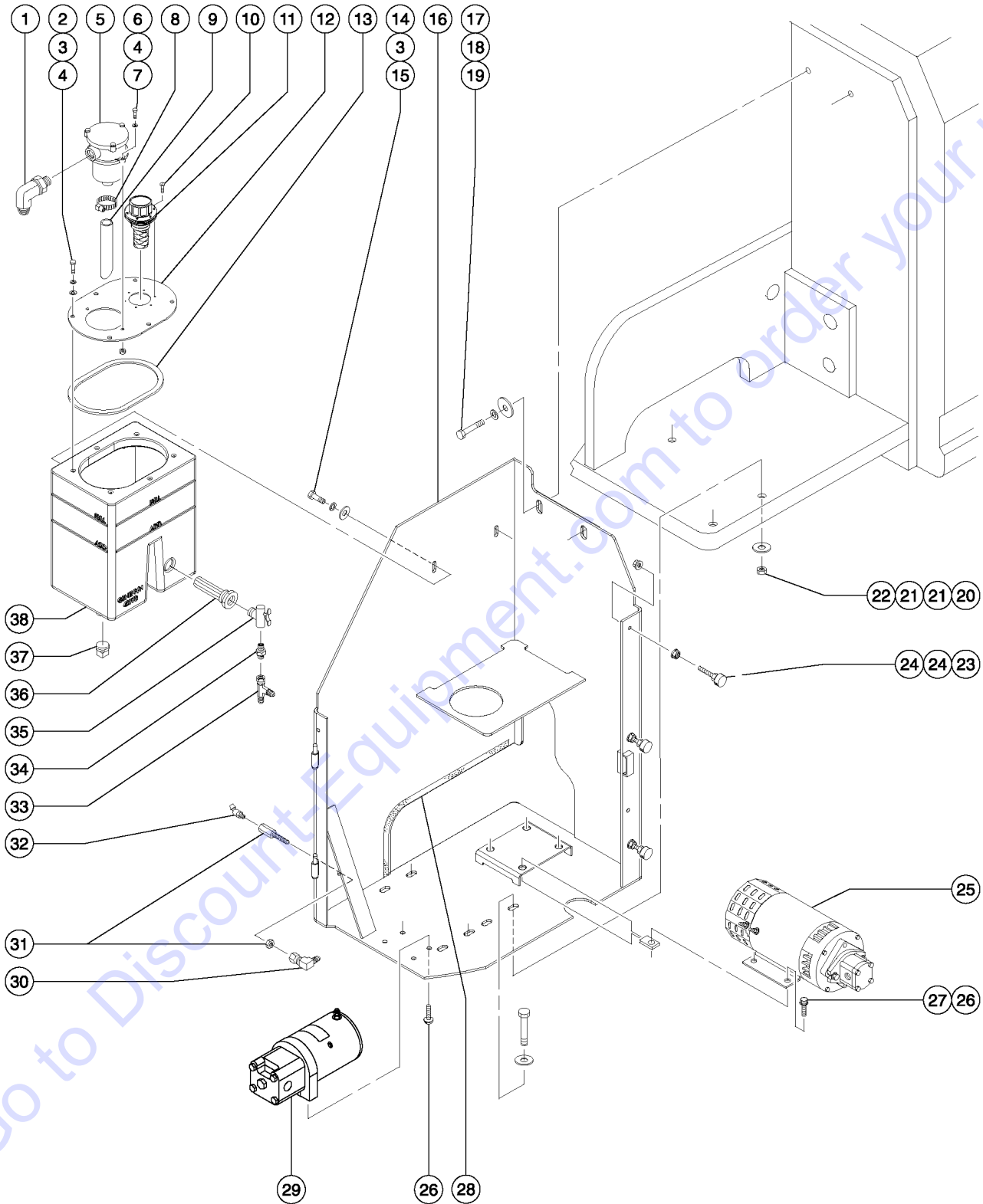
Item	Part No.	Description	Qty.	Item	Part No.	Description	Qty.
A		Counterbalance Valve <i>Platform Level Down</i>		--	72043GT	SEAL KIT,SOLENOID VALVE	
B		Counterbalance Valve <i>Platform Level Up</i>		4	29737GT	PLUG,ORIFICE,0.052 INCH.....	1
C		Counterbalance Valve <i>Turntable Rotate Left</i>		5	37079GT	VALVE,COUNTERBALANCE 3000 PSI.....	2
D		Counterbalance Valve <i>Turntable Rotate Right</i>		--	58994GT	SEAL KIT,VALVE (48647)	
E		Relief Valve <i>Secondary Boom Down</i>		6	74378GT	VALVE,COUNTERBALANCE (36659)....	2
F		Relief Valve <i>Primary Boom Down</i>		--	58994GT	SEAL KIT,VALVE (48647)	
G		Relief Valve <i>Boom Extend</i>		7	31528GT	VALVE,RELIEF 1600 PSI.....	1
H		Proportional Valve <i>System Flow Regulating Circuit</i>		--	74902GT	SEAL KIT	
I		Diagnostic Nipple <i>Testing</i>		8	40412GT	VALVE,RELIEF 1400PSI.....	1
J		Flow Regulating Valve <i>Differential Sensing Circuit</i>		--	74902GT	SEAL KIT	
K		Relief Valve <i>System Relief</i>		9	31527GT	VALVE,RELIEF 1800 PSI.....	1
L		Solenoid Valve <i>Primary Boom Retract</i>		--	74902GT	SEAL KIT	
M		Solenoid Valve <i>Primary Boom Up</i>		10	40410GT	VALVE,PROPORTIONAL**.....	1
N		Solenoid Valve <i>Secondary Boom Up</i>				<i>includes items 11 and 12</i>	
O		Solenoid Valve <i>Turntable Rotate Left</i>		--	89310GT	SEAL KIT, SOLENOID VALVE	
P		Solenoid Valve <i>Platform Level Up</i>		11	29032GT	COIL,24V SOLENOID VALVE.....	1
Q		Solenoid Valve <i>Primary Boom Extend</i>		12	52718GT	NUT-VALVE,PROP. SOLENOID-50683.....	1
R		Solenoid Valve <i>Primary Boom Down</i>		13	48880GT	CAP,DIAGNOSTIC NIPPLE.....	1
S		Solenoid Valve <i>Secondary Boom Down</i>		14	48997GT	NIPPLE,DIAGNOSTIC,#4.....	1
T		Solenoid Valve <i>Turntable Rotate Right</i>		--	20224GT	DIAGNOSTIC FEMALE Q-DSCNT	
U		Solenoid Valve <i>Platform Level Down</i>		15	27532GT	VALVE,DIFFERENTIAL SENSING.....	1
V		Plug Orifice <i>Turntable Rotate Circuit</i>		--	110197GT	SEAL KIT, VALVE, #10	
--	28750GT	O-RING KIT,FIELD SVC,ALL PROD*		16	52715GT	VALVE,RELIEF 3200 PSI.....	1
--	33994GT	PLUG AND CAP KIT-SERVICE,37 **		--	74902GT	SEAL KIT	
--	36659GT	MANIFOLD,FUNCTION***					
1	52943GT	NUT,SOLENOID VALVE COIL.....	10				
2	40413GT	COIL,SOLND,W/D,20V SGL SPADE.....	10				
3	44954GT	VALVE,SOLENOID,20V W/ DIODE **....	10				
		<i>includes items 1 and 2</i>					

304.1 Ground Controls



Item	Part No.	Description	Qty.
--	45782GT	DIODE,6 AMP,200 PIV,BULK	
1	23404GT	NUTSERT,1/4-20,STEEL CAD PLTD.....4	
2	19506GT	HOUR METER,10-80 VOLTS***1	
3	37129GT	PANEL,GROUND CONTROL W/ DECAL.....1 <i>includes item 1</i>	
4	122514GT	KIT,ESTOP SVC BB&SM BOOM.....1	
--	66818GT	CONTACT, N.C.	
--	66821GT	BASE,WITHOUT CONTACTS	
5	6272GT	RIVET,STL,STL,P.125 X .25	
6	13511GT	RECEPTICAL,SNAP-IN (1450G1)***1	
6	13930GT	SWITCH ASSY,REMOTE BRAKE REL.	
7	16397-SGT	SWITCH,TOGGLE,DPDT,3POS MOMEN.....8 <i>includes mounting fasteners</i>	
8	27246GT	BOOT,TOGGLE SWITCH,SHORT*9	
9	54692GT	SPACER,NYLON,.718 X .526 X.219.....9	
10	19268GT	DIODE ASSEMBLY.....8 <i>includes ring terminals</i>	
11	147093GT	ASSY, CIRCUIT BREAKER 10A.....1 <i>includes mounting fastener</i>	
12	13480-SGT	SWITCH,TOGGLE,DPDT,2POS MOMEN.....1 <i>includes mounting fasteners</i>	
13	13471GT	COVER, AUXILIARY POWER SWITCH.....1	
14	122512GT	KIT,KEYSWITCH SVC BB & SM BOOM.....1 <i>includes 1 pair of keys</i>	
--	21982GT	KEY,SINGLE***	
--	37947GT	KEYS,10 PACK***	
--	66816GT	CONTACT,N.O.***	
--	66821GT	BASE,WITHOUT CONTACTS	

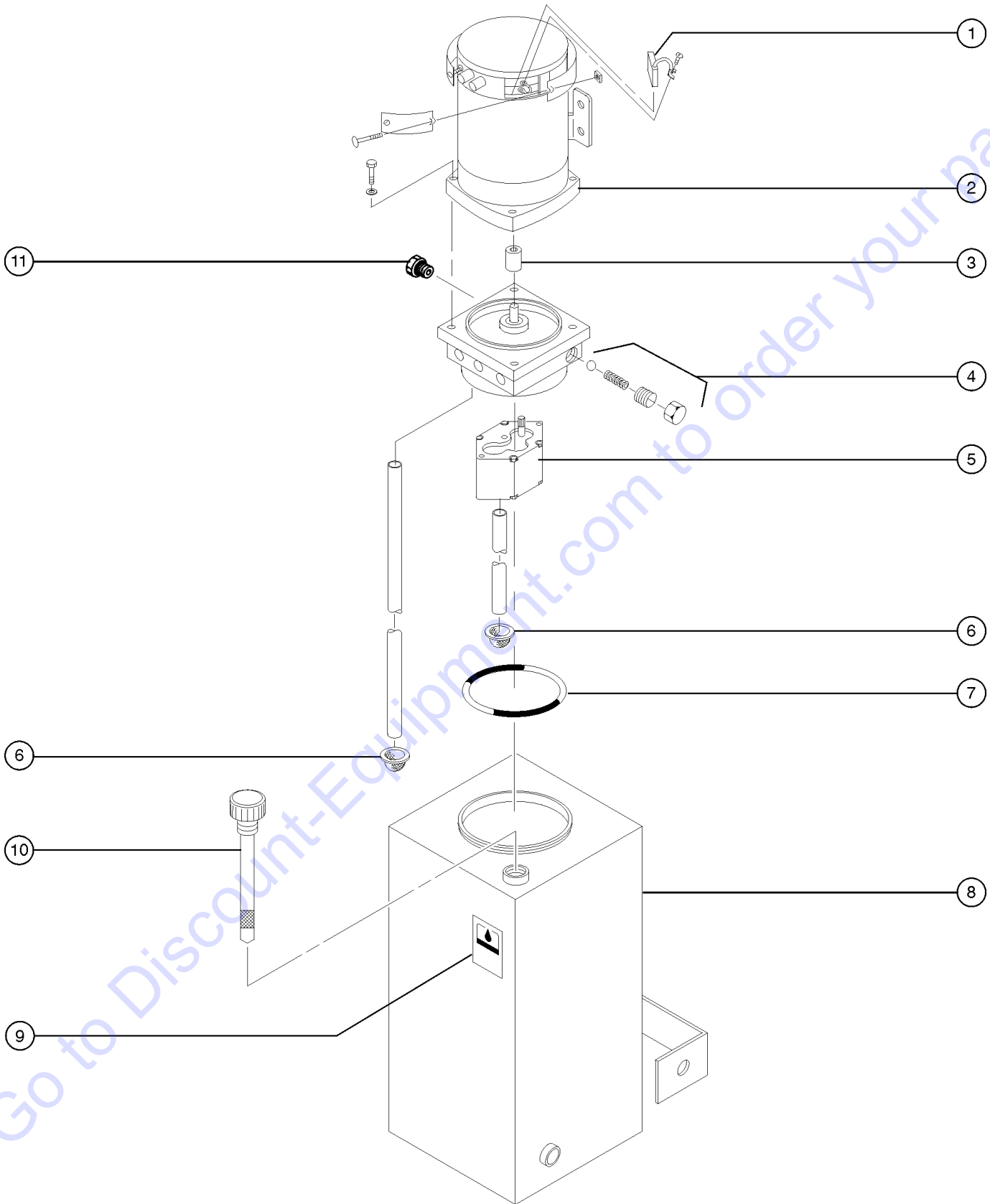
305.1 Hydraulic Power Unit Side



305.1 Hydraulic Power Unit Side

Item	Part No.	Description	Qty.	Item	Part No.	Description	Qty.
1	48947GT	ELBOW,90D,520220-8-12.....	1	33	48938GT	FITTING,TEE,RUN,SWIVEL520432-8.....	1
2	6090GT	SCREW,HHC,1/4-20 X .75		34	48944GT	CONN,520102-8-8.....	1
3	6356GT	WASHER,LOCK,.25		35	42920GT	VALVE,BALL,90DEG.-8NPTF/-8NPTM...1	
4	6638GT	WASHER,FLAT,USS,1/4"Y		36	36998GT	STRAINER ASSY 1"NPT TANK MTD.....1	
5	T109281GT	FILTER ASSY,RETURN.....	1	37	56022GT	PLUG,3/4 MAGNETIC PIPE SQ.DRV.....1	
--	58995GT	FILTER ELEMENT,RETURN		38		TANK,30N/34 HYDRAULIC.....1 <i>consult Discount-equipment</i>	
--	74096GT	O-RING, FILTER ASSY.		38A	128810GT	KIT, HYDRAULIC TANK.....1 <i>Kit to upgrade hydraulic tank. Z-34N from SN 1116 to SN 8788.</i>	
6	6888GT	SCREW,HHC,1/4-20 X 1.....	8				
7	6091GT	NUT,NYLOCK,1/4-20					
8	30348GT	CLAMP,HOSE,1.00.....	1				
9	42929GT	HOSE,RET.FILTER DWN TUBE RUBBE.....	1				
10	49819GT	SCREW,PHILLIPS,PHM,10-32 X .5.....	6				
11	53534GT	FILTER SCREEN,TANK BREATHER.....	1				
--	53527GT	CAP,FILLER BREATHER,3 MICRON**					
12	42922-SGT	PLATE,TANK LID (SERVICE).....	1				
13	42785GT	GASKET,HYDRAULIC TANK.....	1				
14	8914GT	SCREW,HHC,1/4-20 X .625					
15	12906GT	WASHER,FENDER,.25 X 1.25 X.062					
16	94427GT	WELDMENT,CVR SUPPORT RH***.....1 <i>(replaced PN 42992GT)</i>	1				
17	6019GT	SCREW,HHC,3/8-16 X 1.25 GRD 5					
18	6021GT	WASHER,LOCK,.375					
19	15086GT	WASHER,FLAT,.375 X 1.5 X .125					
20	4828GT	NUT,NYLOCK,3/8-16					
21	6097GT	WASHER,FLAT,USS,3/8",Y					
22	14033GT	SCREW,HHC,3/8-16 X 2.75					
23	36388GT	BUMPER,RUBBER,.75 X .50H,STUD					
24	18504GT	NUT,LOCKING-LG.FLANGE,1/4-20					
25		Ref. Hydraulic Power Unit (refer to 306.1)					
26	18506GT	SCREW 5/16-18 X .75 LG.FLG.LCK.					
27	36456GT	SPRING CLIP,5/16-18,.025-.15X.					
28	19018GT	TRIMLOCK,BLACK,5/32".....	18-inches				
29	36179GT	POWER UNIT,AUX PUMP 24VDC.....	1				
--	37184GT	MOTOR, 24V (36179)					
--	37185GT	PUMP ASSEMBLY (36179)					
--	37186GT	VALVE,CHECK (36179)					
--	37187GT	SEAL KIT, 37185 PUMP					
--	37191GT	GASKET, PUMP / MOTOR (36179)					
--	37192GT	COUPLER, PUMP / MOTOR (36179)					
30	45415GT	ELBOW,070221-4-4.....	1				
31	48885GT	CONNECTOR,BULKHEAD,FEMALE-4...1 <i>includes locknut</i>	1				
32	22794GT	ZERK,GREASE,1/8 NPT,45DEG.....	1				

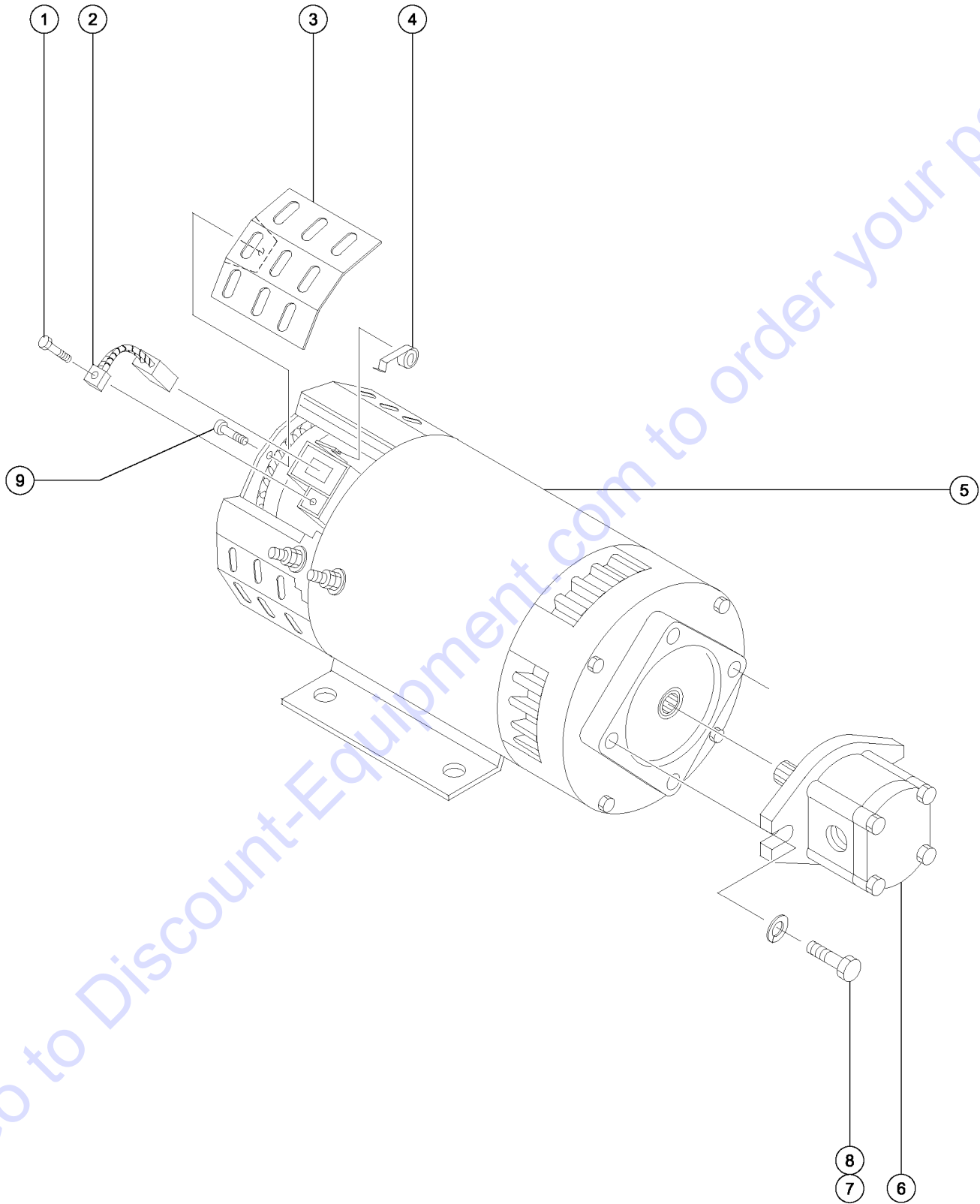
306.1 Hydraulic Power Unit (Z-34N to SN 1115, Z-34DC to SN 808)



306.1 Hydraulic Power Unit (Z-34N to SN 1115, Z-34DC to SN 808)

Item	Part No.	Description	Qty.
--	56001GT	RETRO KIT, Z34 LIFT PUMP*** <i>Complete Unit; Replaces 36447 and 42403</i>	
1	35957GT	BRUSH-23440 OHIO MOTOR(SET=4PC).....1	1
2A	44793GT	MOTOR,48V DC,MONARCH***1 <i>Monarch model</i>	1
--	40400GT	BEARING,MOTOR	
--	46241GT	BRUSH KIT,MONARCH, (4 PIECES)	
2B	27080GT	MOTOR,48V (23440).....1 <i>Ohio/Fenner Stone model</i>	1
3	22959GT	COUPLER,19119 POWER UNIT.....1 <i>Fenner models only</i>	1
4	72321GT	RELIEF VALVE KIT**1	1
5	27078GT	PUMP ASSY,2.5GPM FENNER.....1	1
--	29218GT	O-RING KIT,27078 PUMP,P2.5D	
6	38160GT	FILTER,PICK-UP SCREEN***2	2
7	40318GT	SEAL,O-RING,PUMP***1	1
8		RESERVOIR, WITH DECAL,FENNER....1 <i>(component no longer available)</i>	1
9	28157GT	DECAL,USE DEXRON***1	1
10		BREATHER CAP W/ DIPSTICK,FENR (40428).....1 <i>(component no longer available)</i>	1
11	33756GT	VALVE,CHECK (32342) FENNER.....1	1

306.2 Hydraulic Power Unit (Z-34N from SN 1116, Z-34DC from SN 809)

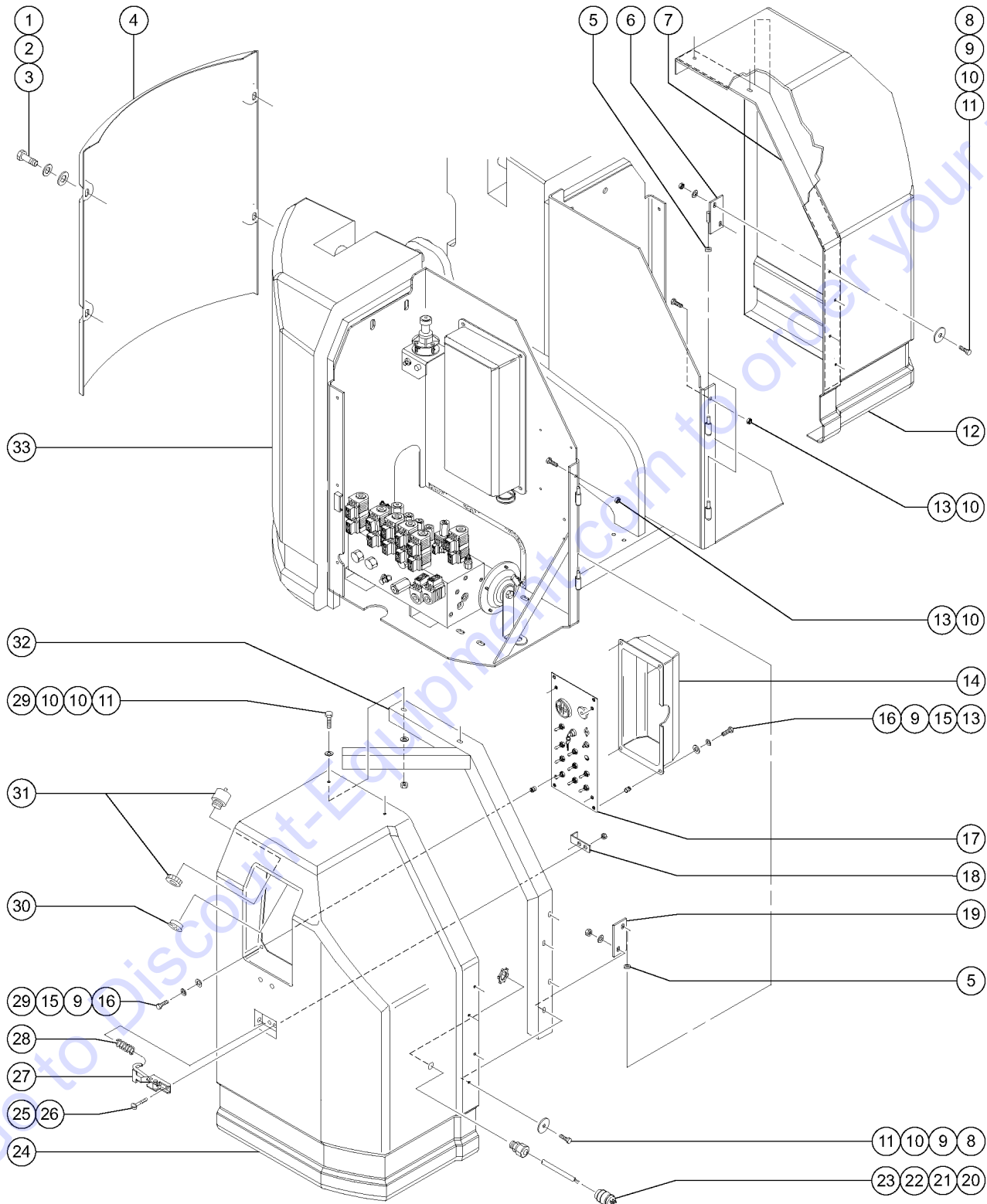


Go to Discount-Equipment.com to order your parts

306.2 Hydraulic Power Unit (Z-34N from SN 1116, Z-34DC from SN 809)

Item	Part No.	Description	Qty.
1	52913GT	SCREW,HH TAPETITE THRD8-32X.50.....	4
2	58932GT	BRUSH SET 4 EA.....	4
3	58936GT	BRUSH COVER -PLATE-(48504)*.....	4
4	44950GT	VALVE,RELIEF,1500 PSI***.....	4
--	58933GT	BRUSH SPRING SET	
5	48504GT	MOTOR,FUNCTION,48V DC..... <i>includes items 1-4 and 9</i>	1
--	44777GT	BEARING,MOTOR	
--	44778GT	BEARING,MOTOR,36843,BRUSH END*	
--	52915GT	BRUSH LEAD ASSEMBLY KIT(48504)	
--	58934GT	BRUSH BOX ASSEMBLY	
--	58935GT	BEARING SET (48504) <i>includes part no's. 37190 and 44777</i>	
--	58937GT	ENDHEAD (48504)	
6	77981GT	PUMP,LIFT,3CC,CCW***.....	1
--	43685GT	SEAL KIT,LIFT PUMP,BARNES**	
7	32317GT	SCREW,HHC,3/8-24 X 1 GR 8 YEL.....	2
8	6021GT	WASHER,LOCK, .375	
9	52914GT	SCREW,HHTAPTITE THREAD8-32X.38	



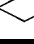
307.1 Turntable Covers

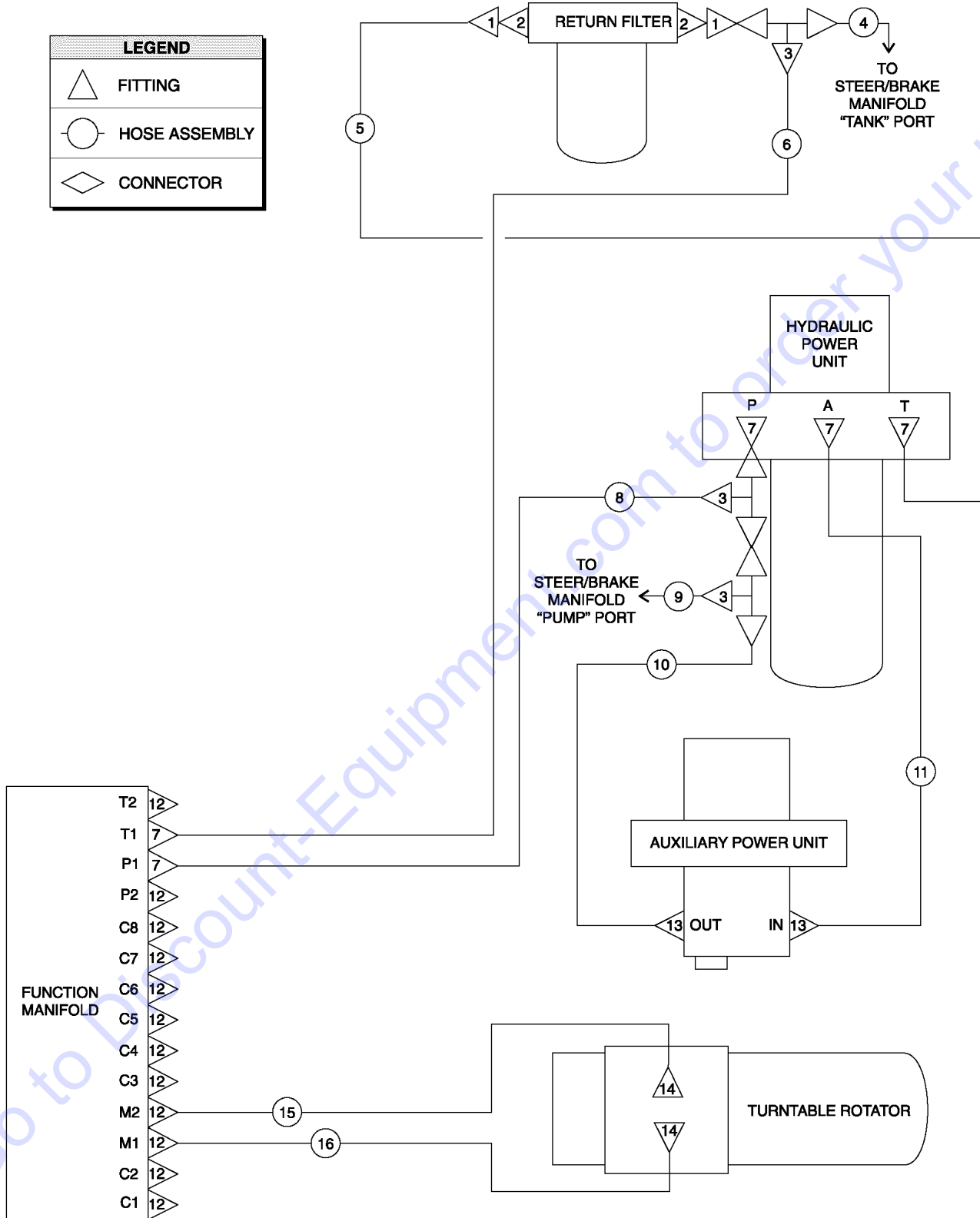


307.1 Turntable Covers

Item	Part No.	Description	Qty.	Item	Part No.	Description	Qty.
1	77692GT	SCREW,HHC,3/8-16 X 1 GRD 8		27	36575GT	LATCH,ADJUSTABLE DRAW.....	2
2	6021GT	WASHER,LOCK,.375		28	36574GT	SPRING,EXTENSION,.36 X 1.25.....	2
3	6097GT	WASHER,FLAT,USS,3/8",Y		29	6090GT	SCREW,HHC,1/4-20 X .75	
4	139290GT	COVER,COUNTERWEIGHT,Z34.....	1	30	45385GT	PLUG,NYLON 1.12 BLACK DOMED	
5	36457GT	WASHER,THRUST,.313 X .50 X .10		31	18963GT	ALARM,INTERMITTENT TONE 6-30V*...1 <i>Does not include 72326 nut</i>	
6	36414GT	HINGE,WELD.,COVER,PUMP GRY/BLU.....	2	--	72326GT	NUT - PLASTIC,RING FOR ALARMS	
7	36923PGT	WELD,COVER BRACE,RH HINGE,PNTD.....	1	32	36924PGT	WELD,COVER BRACE,LH HINGE,PNTD.....	1
8	6888GT	SCREW,HHC,1/4-20 X 1		33	36449GT	COUNTERWEIGHT,CAST,3700 LBS.....	1
9	12906GT	WASHER,FENDER,.25 X 1.25 X.062		33	36680PGT	COUNTERWEIGHT,2460 LBS.PAINTED	
10	6638GT	WASHER,FLAT,USS,1/4"Y					
11	6091GT	NUT,NYLOCK,1/4-20					
12	40444GT	COVER ASSY W/DECALS,PWR UNIT...1 <i>includes items 6-10, 18 and 25-28</i>					
13	8914GT	SCREW,HHC,1/4-20 X .625					
14	36257GT	COVER,CONTROL PANEL.....	1				
15	6356GT	WASHER,LOCK,.25.....	8				
16	23404GT	NUTSERT,1/4-20,STEEL CAD PLTD.....	8				
17		Ref. Ground Controls Panel Assembly (refer to 304.1)					
18	36570GT	BRACKET,COVER LATCH.....	2				
19	36415GT	HINGE,WELD,COVER,CTRLS GRY/BLU.....	2				
20	119403GT	CONN,PLUG 120 AC/15A DOMESTIC...1					
--		FUSE,13 AMP,220V PLUG.....1 <i>(component no longer available) refer to BS1362 BUSS TDC180-13A</i>					
--	144161GT	PLUG,PWR,UK,16AMP,3PIN,BLK.....	1				
--	25388GT	PLUG,FUSED,250V,13AMP,U.K.**.....	1				
21	43956GT	WIRE CABLE,14/3 CON.TPE JKT*.....	.592-inches				
22	7056GT	CONN,SQUEEZE,1/2NPT .38-.50,SM....	1				
23	6935GT	LOCKNUT,ELEC,1/2".....	1				
24	40443GT	COVER ASSY W/DECALS,GRND CTRL.....	1 <i>includes items 8-11, 18, 19, 25-28 and 32</i>				
--	74806GT	COVER ASSY. W/D G.C. SIDE CE**.....	1 <i>includes items 8-11, 18, 19, 25-28 and 32</i>				
24A	40443GT	COVER ASSY W/DECALS,GRND CTRL.....	1 <i>includes items 8-11, 18, 19, 25-28 and 32</i>				
24B	106217GT	COVER ASSY,W/SYM DEC,HPU,34DC*.....	1 <i>includes items 8-11, 18, 19, 25-28 and 32; replaced 74806</i>				
25	49816GT	SCREW,PHILLIPS,PHM,10-32 X .75					
26	6178GT	NUT,NYLOCK,10-32					

308.1 Hydraulic Hoses and Fittings

LEGEND	
	FITTING
	HOSE ASSEMBLY
	CONNECTOR



PARTS FINDER

**Search Website
by Part Number**



**Search Manual
Library For Parts
Manual & Lookup Part
Numbers – Purchase
or Request Quote**

Search Manuals

Enter your information to help us find the right parts manual for your machine.

* Brand:

* Model:

* Serial:

* Part Number:

SEARCH

**Can't Find Part or
Manual? Request Help
by Manufacturer,
Model & Description**

Parts Order Form

Please fill in the following information to help us find the right part for your machine.

MANUFACTURER:

MODEL:

DESCRIPTION:

SEARCH

Discount-Equipment.com is your online resource for quality parts & equipment.

Florida: **561-964-4949** Outside Florida TOLL FREE: **877-690-3101**

Need parts?

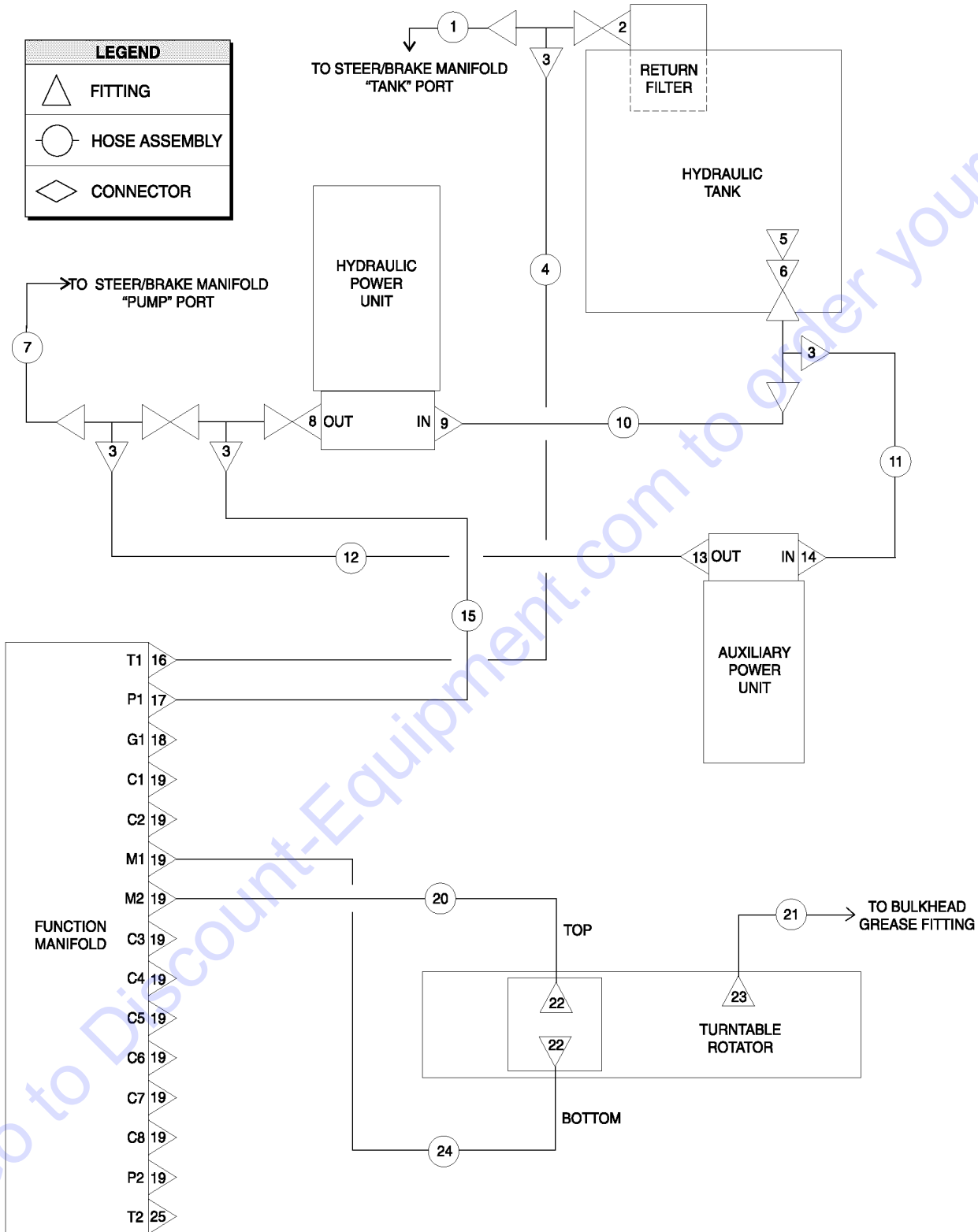
Click on this link: <http://www.discount-equipment.com/category/5443-parts/> and choose one of the options to help get the right parts and equipment you are looking for. Please have the machine model and serial number available in order to help us get you the correct parts. If you don't find the part on the website or on one of the online manuals, please fill out the request form and one of our experienced staff members will get back to you with a quote for the right part that your machine needs.

We sell worldwide for the brands: Genie, Terex, JLG, MultiQuip, Mikasa, Essick, Whiteman, Mayco, Toro Stone, Diamond Products, Generac Magnum, Airman, Haulotte, Barreto, Power Blanket, Nifty Lift, Atlas Copco, Chicago Pneumatic, Allmand, Miller Curber, Skyjack, Lull, Skytrak, Tsurumi, Husquvarna Target, Stow, Wacker, Sakai, Mi-T-M, Sullair, Basic, Dynapac, MBW, Weber, Bartell, Bennar Newman, Haulotte, Ditch Runner, Menegotti, Morrison, Contec, Buddy, Crown, Edco, Wyco, Bomag, Laymor, EZ Trench, Bil-Jax, F.S. Curtis, Gehl Pavers, Heli, Honda, ICS/PowerGrit, IHI, Partner, Imer, Clipper, MMD, Koshin, Rice, CH&E, General Equipment, Amida, Coleman, NAC, Gradall, Square Shooter, Kent, Stanley, Tamco, Toku, Hatz, Kohler, Robin, Wisconsin, Northrock, Oztec, Toker TK, Rol-Air, APT, Wylie, Ingersoll Rand / Doosan, Innovatech, Con X, Ammann, Mecalac, Makinex, Smith Surface Prep, Small Line, Wanco, Yanmar

308.1 Hydraulic Hoses and Fittings

Item	Part No.	Description	Qty.
1	45361GT	REDUCER,070123-8-6..... <i>to SN 780</i>	2
2	23321GT	ELBOW,070202-8-12..... <i>to SN 780</i>	2
3	45366GT	TEE,RUN,070432-6-6..... <i>to SN 780</i>	3
4	36479GT	HOSE ASSEMBLY, 79"..... <i>to SN 780</i>	1
5	36830GT	HOSE ASSEMBLY,14.5"..... <i>to SN 780</i>	1
6	36829GT	HOSE ASSEMBLY,46"..... <i>to SN 780</i>	1
7	45412GT	CONNECTOR,070120-6-6..... <i>to SN 780</i>	5
8	36826GT	HOSE ASSEMBLY,50.5"..... <i>to SN 780</i>	1
9	36478GT	HOSE ASSEMBLY, 86"..... <i>to SN 780</i>	1
10	36827GT	HOSE ASSEMBLY,25.5"..... <i>to SN 780</i>	1
11	36828GT	HOSE ASSEMBLY,28"..... <i>to SN 780</i>	1
12	13756GT	CONNECTOR,070120-4-6..... <i>to SN 780</i>	12
13	13120GT	ELBOW,070220-6-6..... <i>to SN 780</i>	2
14	36852GT	HOSE ASSY 27.5..... <i>to SN 780</i>	1
15	36853GT	HOSE ASSEMBLY,32.5"..... <i>to SN 780</i>	1

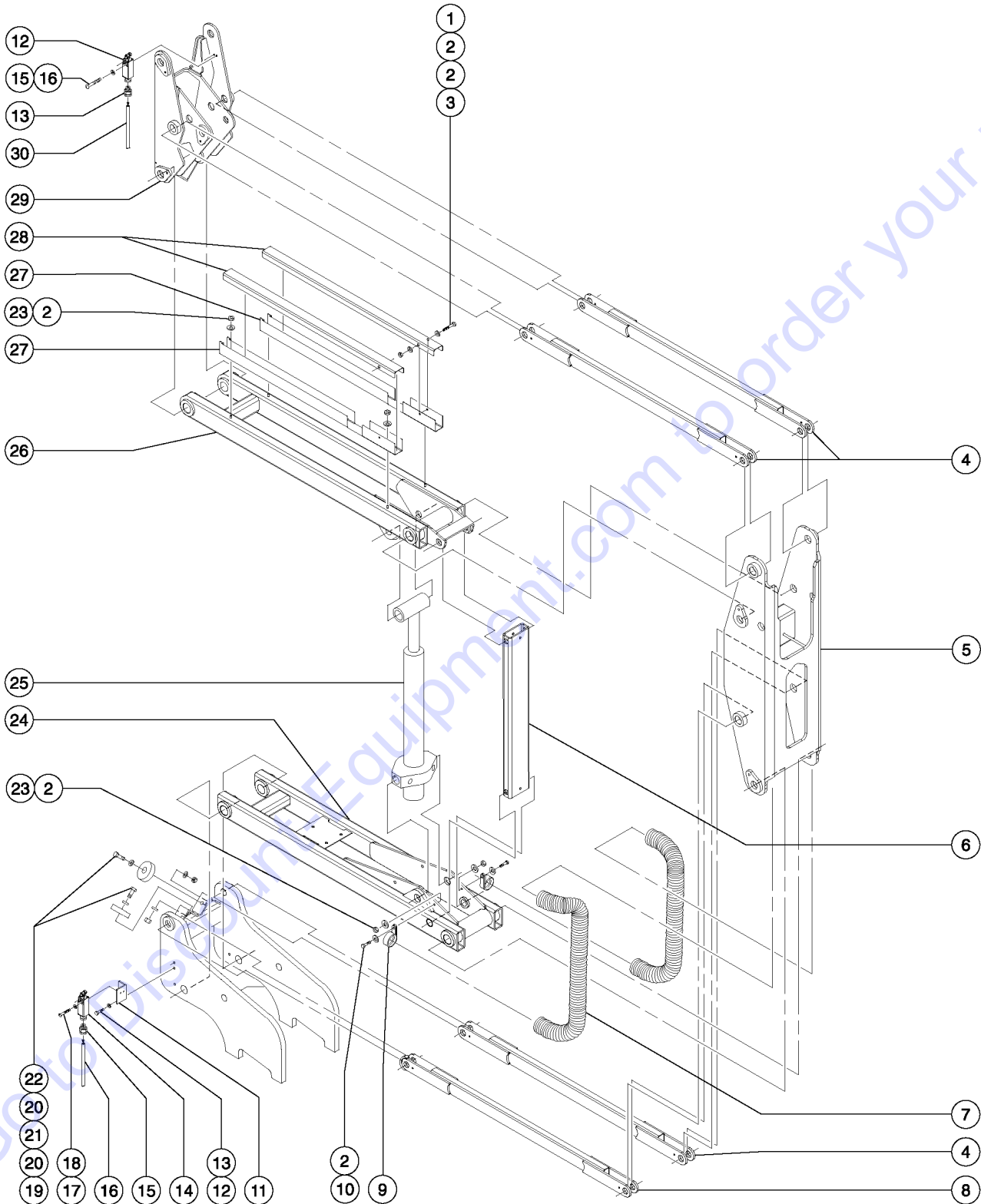
309.1 Hydraulic Hoses and Fittings



309.1 Hydraulic Hoses and Fittings

Item	Part No.	Description	Qty.
1	42850GT	HOSE ASSY,TANK TO RET FIL INLE.....1 <i>from SN 781</i>	
2	48947GT	ELBOW,90D,520220-8-12.....1 <i>from SN 781</i>	
3	48938GT	FITTING,TEE,RUN,SWIVEL520432-8.....4 <i>from SN 781</i>	
4	42853GT	HOSE ASSY-J-54".....1 <i>from SN 781</i>	
5	42920GT	VALVE,BALL,90DEG.-8NPTF/-8NPTM...1 <i>from SN 781</i>	
6	48994GT	VALVE,BALL,16 MPT-16 FPT***.....1 <i>from SN 781</i>	
7	42849GT	HOSE ASSY,PUMP TO PWR UNIT 'P'....1 <i>from SN 781</i>	
8	48999GT	VALVE,CHK,#8PORT-#8MALEORFS.....1 <i>from SN 781</i>	
9	48946GT	CONN,520120-8-10.....1 <i>from SN 781</i>	
10	42935GT	HOSE ASSY,25".....1 <i>from SN 781</i>	
11	42866GT	HOSE ASSY,39.5".....1 <i>from SN 781</i>	
12	42865GT	HOSE ASSY,9".....1 <i>from SN 781</i>	
13	48915GT	ELBOW,90D,520220-6.....1 <i>from SN 781</i>	
14	56003GT	ELBOW,90D,LONG,521520-6.....1 <i>from SN 781</i>	
15	42854GT	HOSE ASSY P1 TO HYD PORT "P".....1 <i>from SN 781</i>	
16	48930GT	CONN,520120-6-8.....1 <i>from SN 781</i>	
17	48916GT	CONN, 520120-6.....1 <i>from SN 781</i>	
18	20224GT	DIAGNOSTIC FEMALE Q-DSCNT <i>from SN 781</i>	
18	48997GT	NIPPLE,DIAGNOSTIC,#4.....1 <i>from SN 781</i>	
19	48912GT	CONN,520120-4-6***.....13 <i>from SN 781</i>	
20	42855GT	HOSE ASSY,1/4",31.50.....1 <i>from SN 781</i>	
21	42805GT	HOSE ASSY,1/4", 23.25.....1 <i>from SN 781</i>	
22	48931GT	CONN,520120-6-10.....2 <i>from SN 781</i>	
23	31194GT	ELBOW,070302-4-2.....1 <i>from SN 781</i>	
24	42856GT	HOSE ASSY,1/4",27.50.....1 <i>from SN 781</i>	
25	48900GT	CONN,520120-4-6,.035,ORI.....1 <i>from SN 781</i>	

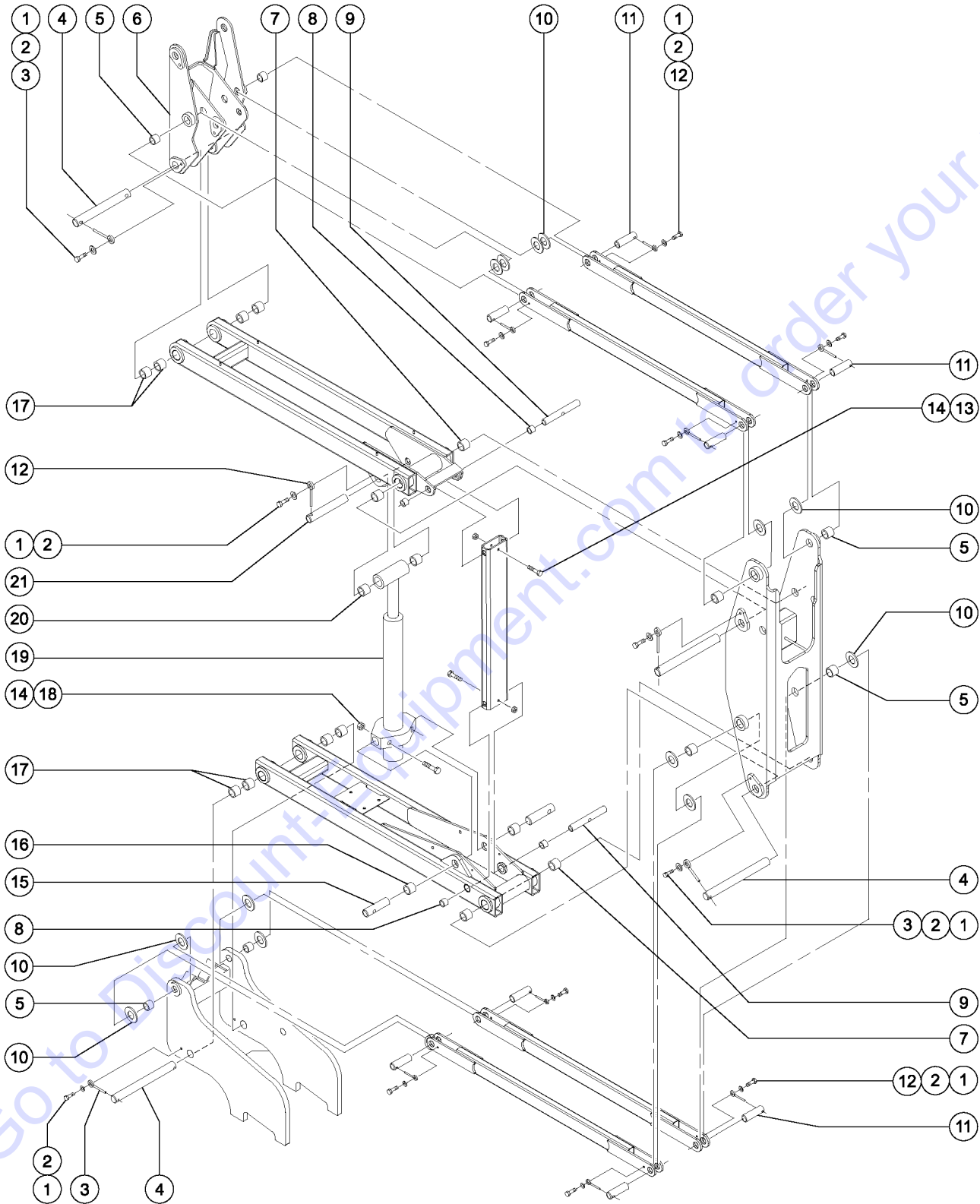
401.1 Secondary Boom - View 1



401.1 Secondary Boom - View 1

Item	Part No.	Description	Qty.	Item	Part No.	Description	Qty.
1	6884GT	SCREW,HHC,1/4-20 X 2.5		26A	40448GT	UPPER SECONDARY BOOM ASSY.....1 <i>to SN 779</i>	1
2	6638GT	WASHER,FLAT,USS,1/4"Y		26B	58008GT	UPPER SECONDARY BOOM ASSEMBLY <i>from SN 780 to SN 1581</i>	
3	6889GT	NUT,LP NYLOCK,1/4-20		26C	74379GT	UPPER SECONDARY ARM ASSY,Z34 <i>from SN 1582</i>	
4	36496-SGT	COMPRESSION ARM WELDMENT 56.50.....	3	27	42612-SGT	HOSE TRACK,UPPER ARM-SERV.....	2
4	74946GT	COMPRESSION ARM WELDMENT 56.50..... <i>replaced 36496-S</i>	3	28A	36649PGT	HOSE COVER,UPPER ARM,PAINTED.....	2
5	40446GT	LOWER MIDPIVOT ASSY,Z34 &Z34N*.....	1	28B	42613-SGT	HOSETRACK COVER,UPPER ARM-SERV <i>from SN 782</i>	
6	36664GT	CONNECTING LINK,MACHINED***.....	1	29	40447GT	UPPER MIDPIVOT ASSY,Z34 & Z34N....	1
7	42939-5400GT	WIRE LOOM,1.88 DIA..... <i>54 inches</i>	2	30	44133GT	WIRE CABLE,16/4 CON.TPE JKT*.....	264-inches
7	42939GT	WIRE LOOM,1.88 DIA..... <i>2 pieces @ 55 inches long each</i>	2				
8	128633GT	KIT, SERVICE, Z34 LWR COMP ARM....	1				
9	27497GT	CLAMP,RUBBER CUSHIONED-2 5/32....	2				
10	6888GT	SCREW,HHC,1/4-20 X 1					
11	42413GT	ANGLE,SWITCH MOUNT***.....	1				
12	8914GT	SCREW,HHC,1/4-20 X .625					
13	6356GT	WASHER,LOCK,.25					
14	88366-116R3GT	SWITCH,LIMIT,W/ROLLER ARM***.....	2				
--	19491GT	CONTACTOR,LIMIT SWITCH					
--	27643GT	ROLLER ARM-LIMIT SWITCH					
15	7056GT	CONN,SQUEEZE,1/2NPT .38-.50,SM....	2				
16	43958GT	WIRE CABLE,16/2 WHT/BRN.....	264-inches				
17	49821GT	SCREW,PHILLIPS,PHM,8-32 X 1.25					
18	6607GT	WASHER,LOCK,#10 PLTD					
19	45425GT	SCREW,FHS,3/8-16 X .75					
20	5397GT	WASHER,FLAT,USS,5/16",Y					
21	36366GT	PAD,UPPER PIVOT REST.....	2				
22	36366GT	PAD,UPPER PIVOT REST					
23	6091GT	NUT,NYLOCK,1/4-20					
24	40449GT	LOWER SECONDARY ARM ASSY,Z34.....	1				
--	36650PGT	HOSE COVER,LOWER ARM,PAINTED <i>to SN 779; not used after serial break</i>					
--	36846PGT	HOSE COVER,LOWER ARM,PAINTED <i>to SN 779; not used after serial break</i>					
24A	40449GT	LOWER SECONDARY ARM ASSY,Z34.....	1				
24B	36650PGT	HOSE COVER,LOWER ARM,PAINTED <i>not shown; to SN 1045</i>					
24C	36846PGT	HOSE COVER,LOWER ARM,PAINTED <i>not shown; to SN 1045</i>					
25		Ref., CYLINDER..... <i>refer to 402.1</i>	1				

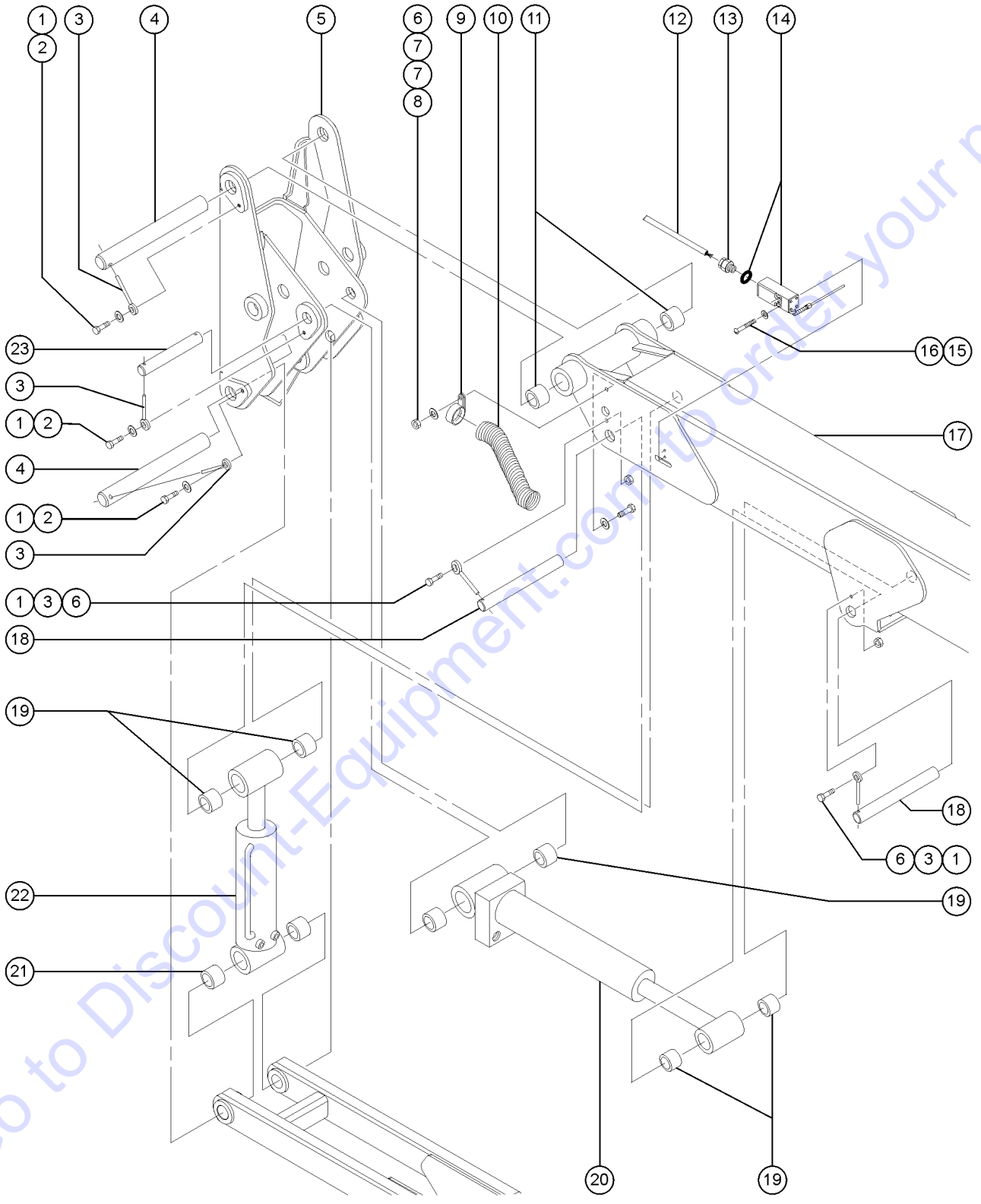
402.1 Secondary Boom - View 2



402.1 Secondary Boom - View 2

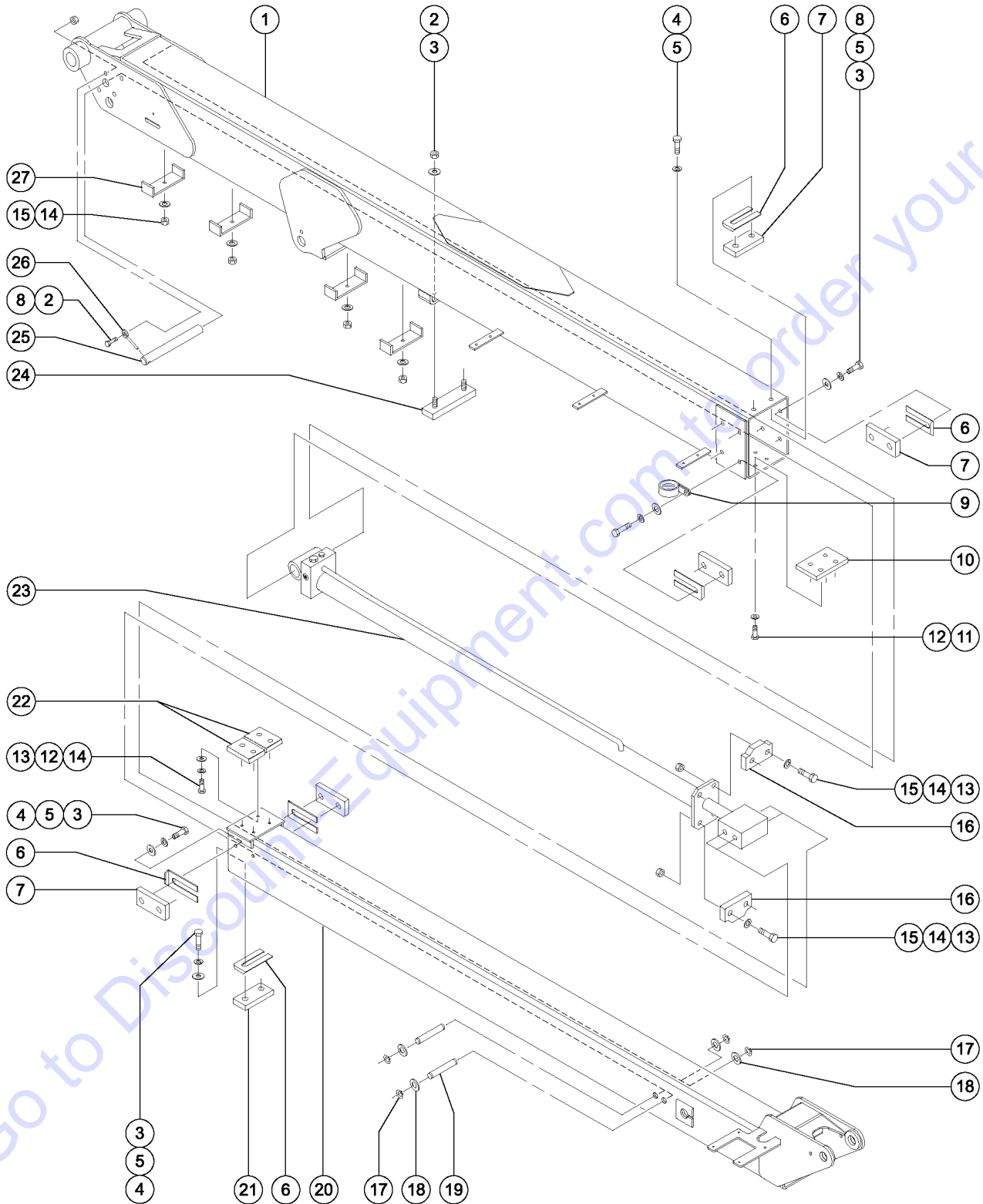
Item	Part No.	Description	Qty.
1	77692GT	SCREW,HHC,3/8-16 X 1 GRD 8	
2	6021GT	WASHER,LOCK,.375	
3	825019GT	ROD END,.375X3.69,ZAG.....4	4
4	36194GT	PIN,1.50DIAX15.13LG,1HOLE.....4	4
5	34245GT	BEARING,1.25IDX1.50X1.25L.....8	8
6	40447GT	UPPER MIDPIVOT ASSY,Z34 & Z34N...1	1
7	45071GT	BEARING,1.5IDX1.75ODX1.5L.....4	4
8	36245GT	BEARING,FL,1.00IDX1.25ODX0.84L....4	4
9	36202GT	PIN,1.00DIAX7.25LG,1HOLE.....2	2
10	30255GT	WASHER,SHIM,1.27 X 2.13 X .062	
11	36390GT	PIN,1.25DIAX3.63LG,THREADED.....8	8
12	1255452GT	ROD END,.375 X 2.25,ZAG.....9	9
13	36874GT	SCREW,BHHS,3/8-16 X 2.5	
14	4828GT	NUT,NYLOCK,3/8-16	
15	36205GT	PIN,1.25DIAX3.00LG,THREADED.....2	2
16	36246GT	BEARING,FL,1.25IDX1.50ODX1.09L....2	2
17	18396GT	BEARING,1.5IDX1.75ODX1.0L.....8	8
18	14033GT	SCREW,HHC,3/8-16 X 2.75	
19	94210GT	CYLINDER,ELEVATE, Z34.....1 <i>includes item 20</i>	1
--	31106GT	VALVE,CNTERBAL,CBBB-LHN@3000**	
--	33487GT	SEAL KIT,HYDRAULIC CYLINDER*** <i>for 36446 cylinder</i>	
--	48404GT	SEAL KIT,42409 ELEV. CYL.TEXAS <i>for 42409 cylinder</i>	
--	56756GT	SEAL KIT 42409 ELEVATE** <i>for 74590 cylinder</i>	
--	94253GT	SEAL KIT, 94210 <i>for 94210 cylinder</i>	
20	25683GT	BEARING,POLYGON,20DU12 <i>for cylinders 36446, 42409 and 74590</i>	
20	47377GT	BEARING,1.25 ID X 1.5 OD X .75.....2 <i>for cylinder 94210</i>	2
21	36200GT	PIN,1.25DIAX9.38LG,1HOLE.....1	1

403.1 Upper Pivot



Item	Part No.	Description	Qty.
1	6019GT	SCREW,HHC,3/8-16 X 1.25 GRD 5	
2	6021GT	WASHER,LOCK, .375	
3	825019GT	ROD END,.375X3.69,ZAG.....	4
4	36194GT	PIN,1.50DIAX15.13LG,1HOLE.....	2
5	40447GT	UPPER MIDPIVOT ASSY,Z34 & Z34N....	1
--	34245GT	BEARING,1.25IDX1.50X1.25L	
6	7713GT	NUT, LP NYLOCK, 3/8-16	
7	5397GT	WASHER,FLAT,USS,5/16",Y	
8	77692GT	SCREW,HHC,3/8-16 X 1 GRD 8	
9	27497GT	CLAMP,RUBBER CUSHIONED-2 5/32....	1
10	42339-1200GT	WIRE LOOM,1.88 DIA.....	1
		<i>120 inches</i>	
--	28443GT	CABLE TIE,11.5" BLACK	
11	45071GT	BEARING,1.5IDX1.75ODX1.5L.....	2
12	44133GT	WIRE CABLE,16/4 CON.TPE JKT*.....	.264-inches
13	7056GT	CONN,SQUEEZE,1/2NPT .38-.50,SM....	1
14	88356-127J5GT	SWITCH,LIMIT,W/6.25"SPRING ARM....	1
--	19491GT	CONTACTOR,LIMIT SWITCH	
--	22359GT	SPRING ARM,LIMIT SWITCH,6.25"	
15	16486GT	SCREW,RHM,10-32 X 1.75	
16	6607GT	WASHER,LOCK,#10 PLTD	
17		Ref. Primary Boom (refer to 404.1)	
18	74091GT	PIN,1.25DIAX9.13LG,1HOLE.....	2
19	47377GT	BEARING,1.25 ID X 1.5 OD X .75.....	6
		<i>measure cylinder before ordering</i>	
19	52626GT	BEARING,1.25 X 1.41 X .75***	
		<i>measure cylinder before ordering</i>	
20	94215GT	CYLINDER,PRIMARY LIFT.....	1
--	33428GT	VALVE,COUNTERBALANCE	
--	94258GT	SEAL KIT, 94215, 94430	
21	52625GT	BEARING,1.50 X 1.66 X 1.5	
		<i>measure cylinder before ordering</i>	
21	88280GT	BEARING,1.5IDX1.75ODX0.75L.....	2
		<i>measure cylinder before ordering</i>	
22	94216GT	CYLINDER,MASTER.....	1
--	94259GT	SEAL KIT, 94216	
23	36198GT	PIN,1.25DIAX8.12LG,1HOLE.....	1

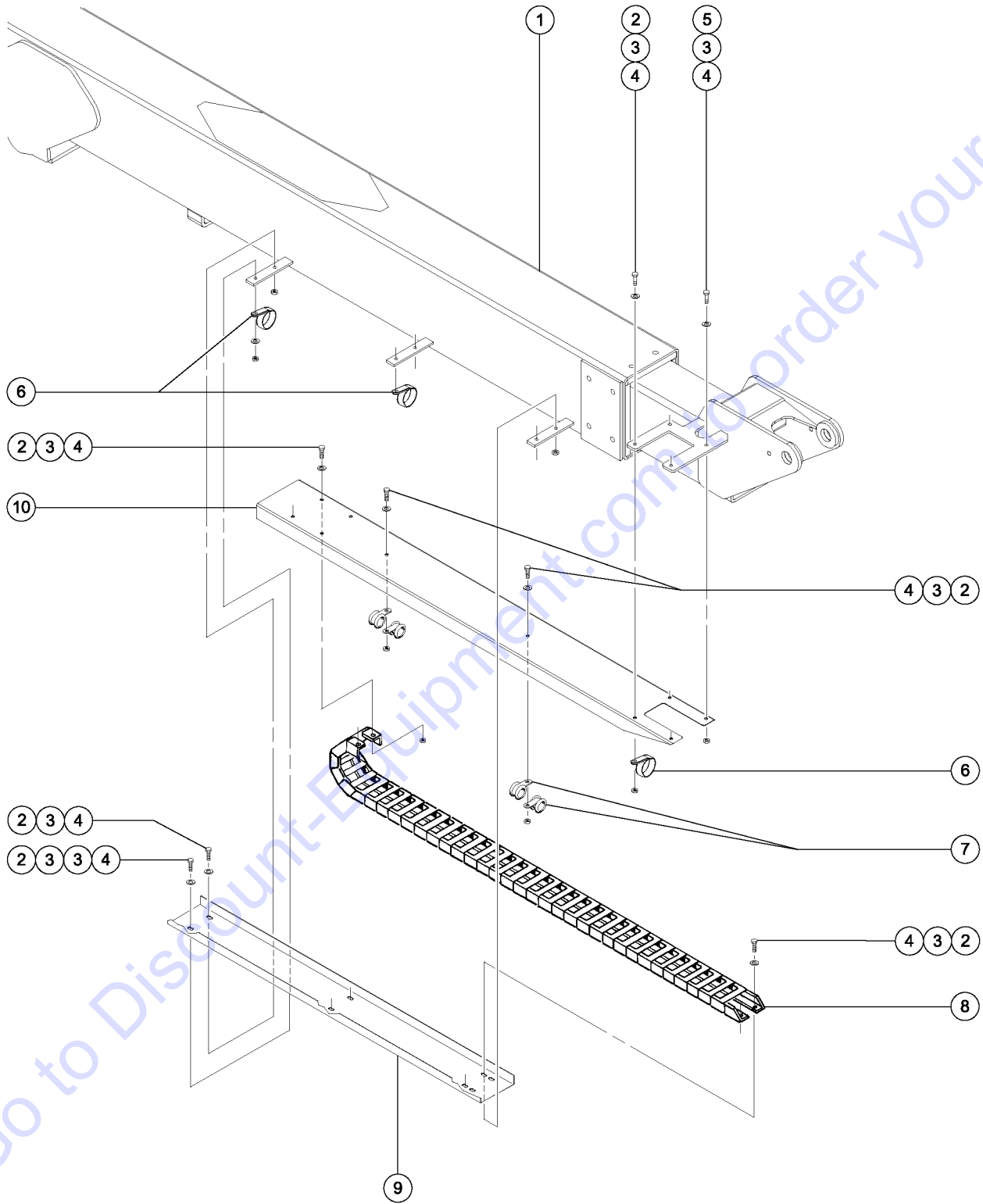
404.1 Primary and Extension Booms



404.1 Primary and Extension Booms

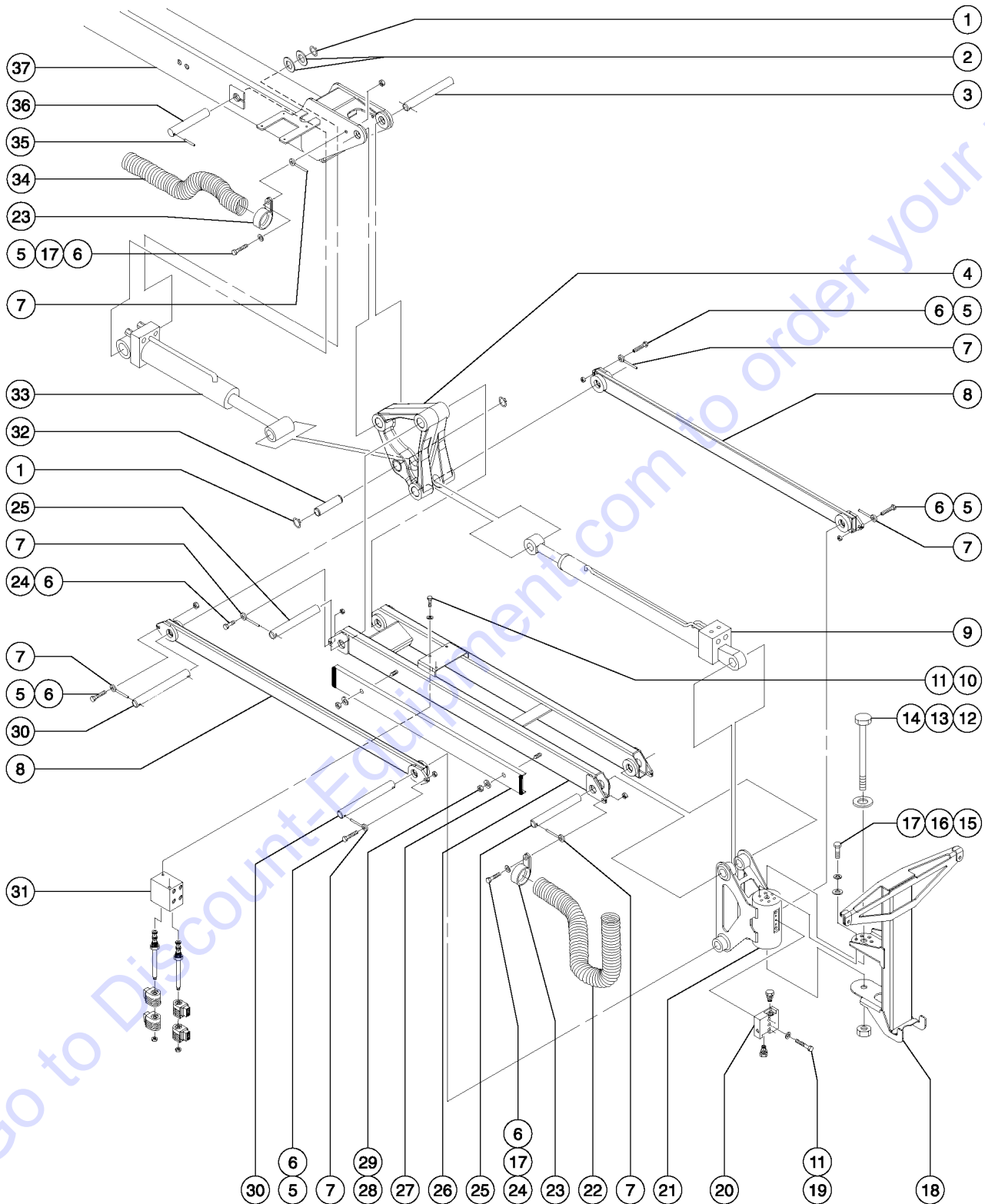
Item	Part No.	Description	Qty.	Item	Part No.	Description	Qty.
--	42356GT	FLATBAR,PINCH GUARD <i>CE models</i>		27	54530GT	CLAMP,HOSE,ALUMINUM.....	4
--	56934GT	PAD,REST,1"THICK,FLANGED <i>CE models</i>					
--	74263GT	ANGLE,PINCH GUARD <i>CE models</i>					
1	40450GT	PRIMARY BOOM TUBE ASSEMBLY					
2	7713GT	NUT, LP NYLOCK, 3/8-16					
3	5397GT	WASHER,FLAT,USS,5/16",Y					
4	77692GT	SCREW,HHC,3/8-16 X 1 GRD 8					
5	6021GT	WASHER,LOCK,.375					
6A	42502GT	SHIM,SIDE PAD 22GA.....	2				
6B	29080GT	SHIM,WEAR PAD,5X 1.5 16GA					
7	34125GT	WEAR PAD,5 X 1.5 X .75 W/NUTS.....	2				
8	6019GT	SCREW,HHC,3/8-16 X 1.25 GRD 5					
9	27497GT	CLAMP,RUBBER CUSHIONED-2 5/32....	1				
10	42621GT	WEAR PAD,4 X 4 X .75 W/NUTS.....	1				
11	6090GT	SCREW,HHC,1/4-20 X .75					
12	6356GT	WASHER,LOCK,.25					
13	6888GT	SCREW,HHC,1/4-20 X 1					
14	6638GT	WASHER,FLAT,USS,1/4"Y					
15	6091GT	NUT,NYLOCK,1/4-20					
16	74066GT	WEAR PAD,EXT CYL***.....	2				
17	10262GT	SNAP RING,EXTERNAL,.75 DIA.....	4				
18	6563GT	WASHER,SHIM,.75 X 1.125 X.030.....	6				
19	36192GT	PIN,0.75DIA X 5.51LG,2RING.....	2				
20	36492-SGT	WELDMENT,EXTENSION BOOM					
21	30138GT	WEAR PAD,5 X 1.5 X .625 W/NUTS.....	6				
22	45745GT	WEAR PAD,4 X 2 X.50 THK.BLACK.....	2				
23	94212GT	CYLINDER,EXTENSION.....	1				
--	147143GT	SEAL KIT,147138 & 147139 <i>for 147138 (no longer available)</i>					
--	36648GT	VALVE,COUNTERBALANCE 2500 PSI*.....	1				
--	48406GT	SEAL KIT,42411 & 42408 <i>for 42408 (on longer available)</i>					
--	74508GT	VALVE,CHECK,COBA-X*N 200PSI PO.....	1				
--	74509GT	VALVE,CHECK,CXAD-XCN,30PSI.....	1				
--	94255GT	SEAL KIT,94212 <i>for 94212</i>					
24	36413GT	REST PAD,PRIMARY BOOM					
25	101557GT	PIN,1.00DIA X 9.01LG,THREADED.....	1				
26	825019GT	ROD END,.375X3.69,ZAG.....	1				

405.1 Cable Track



Item	Part No.	Description	Qty.
1		Ref. Primary and Extension Booms (refer to 404.1)	
2	6888GT	SCREW,HHC,1/4-20 X 1	
3	6638GT	WASHER,FLAT,USS,1/4"Y	
4	6091GT	NUT,NYLOCK,1/4-20	
5	6090GT	SCREW,HHC,1/4-20 X .75	
6	27497GT	CLAMP,RUBBER CUSHIONED-2 5/32....3	
7	6833GT	CLAMP,0.50,#8 X 1/4,RUB CUSH.....4	
8A	42763GT	TRACK,PLASTIC CABLE,25 LINK 4".....1 <i>from SN 781</i>	
--	58919GT	REPAIR LINK,7 LINKS***	
--	58920GT	REPAIR LINK END SET (42763)*	
--	58927GT	LINK,NYLATRAC KS6-5.4***	
8B	36125GT	TRACK,PLASTIC CABLE,25 LINK.....1 <i>to SN 780</i>	
--	27647GT	TRACK REPAIR,7 LINKS	
--	27699GT	END SET,PLASTIC TRACK	
9	42694PGT	CHANNEL,LWR, TRACK PAINTED**1	
--	27258GT	TRIM,RUBBER EDGE,5/8 (BY INCH) <i>order as needed</i>	
10	42693P-SGT	CHANNEL,UPR, TRACK PAINTED	

406.1 Jib Boom and Platform Rotator



406.1 Jib Boom and Platform Rotator

Item	Part No.	Description	Qty.	Item	Part No.	Description	Qty.
--	28750GT	O-RING KIT,FIELD SVC,ALL PROD*		16	6021GT	WASHER,LOCK,.375	
--	33994GT	PLUG AND CAP KIT-SERVICE,37 **		17	5397GT	WASHER,FLAT,USS,5/16",Y	
--	49612GT	O-RING KIT (ORFS FITTINGS)		18	36249-SGT	PLATFORM SUPPORT WELD.Z30N,Z34.....1	
--	49613GT	PLUG AND CAP KIT-SERVICE,ORFS*		19	6145GT	SCREW,HHC,1/4-20 X 1.5	
1	74019GT	SNAP RING,EXTERNAL.....3		--	62506GT	VALVE - COUNTERBALANCE**	
2	30255GT	WASHER,SHIM,1.27 X 2.13 X .062.....2		--	62507GT	O-RING, ROTATOR MANIFOLD	
3	T107884GT	PIN,1.25DIA X 7.00LG,1HOLE.....1		20A	35611GT	MANIFOLD,DUAL COUNTERBALANCE.....1 to SN 780	
4	37128GT	BELLCRANK ASSEMBLY, Z30N,Z34**...1		--	37090GT	VALVE,COUNTERBALANCE 2000PSI	
--	74865GT	BEARING,FL,1.25IDX1.50ODX1.25L.....2		20B	43166GT	MANIFOLD,ASSY DUAL CNTRBAL.....1 from SN 782	
--	74866GT	BEARING,1.25IDX1.50ODX1.25L.....2		--	39345GT	VALVE,COUNTERBAL.CBCA-LHN@3000	
5	8516GT	SCREW, HCC, 3/8-16 X 1.50		--	62506GT	VALVE - COUNTERBALANCE**	
6	4828GT	NUT,NYLOCK,3/8-16		21		ROTATOR,HELICAL,PLATFORM***.....1 (component no longer available)	
7	825019GT	ROD END,.375X3.69,ZAG.....7		--	13852GT	VALVE ASSY,BLEED***	
8	36054-SGT	COMPRESSION MEMBER (BORED)***.....2		--	31498GT	BEARING KIT,ROTATOR,9K***	
9A	94218GT	CYLINDER,JIB (Identify part number on cylinder before ordering. For cylinder 147142, order 147147)		--	65842GT	SEAL KIT,UNIVERSAL,9K ROTATOR*	
--	25683GT	BEARING,POLYGON,20DU12 for cylinder 42410, 42507, 56152, 56362 and 74593; check stamp on cylinder prior to ordering		22	42939-4700GT	WIRE LOOM,1.88 DIA.....47-inches	
--	31106GT	VALVE,CNTERBAL,CBBB-LHN@3000** for 94218		22	42939GT	WIRE LOOM,1.88 DIA.....54-inches	
--	47377GT	BEARING,1.25 ID X 1.5 OD X .75.....4 for cylinder 94218; check stamp on cylinder prior to ordering		23	27497GT	CLAMP,RUBBER CUSHIONED-2 5/32....2	
--	94261GT	SEAL KIT,94218 (Identify part number on cylinder before ordering. For cylinder 147142, order 147147)		24	6019GT	SCREW,HHC,3/8-16 X 1.25 GRD 5	
9B	147147GT	SEAL KIT,147142 for cylinder 147142, (Identify part number on cylinder before ordering. For cylinder 94218, order 94261)		25	36199GT	PIN,1.25DIA.X10.38LG,1HOLE.....2	
9C	83087GT	SEAL KIT (74593).....1 for cylinder 74593; check stamp on cylinder prior to ordering		26	36279-SGT	JIB BOOM MACHINED.....1	
9D	48405GT	SEAL KIT,CYLINDER***.....1 for cylinder 42410, 42507, 56152 and 56362; check stamp on cylinder prior to ordering		27	36561-SGT	HOSE COVER,JIB BOOM**.....1	
10	6090GT	SCREW,HHC,1/4-20 X .75		28	6091GT	NUT,NYLOCK,1/4-20	
11	6356GT	WASHER,LOCK,.25		29	6638GT	WASHER,FLAT,USS,1/4"Y	
12	56925GT	SCREW,HHC,3/4-10 X 9.5 GR 8 YE		30	42797GT	PIN,1.25DIA X 12.50LG,2HOLE.....2	
13	33278GT	WASHER,FLAT,.75 HARDENED		31A	42422GT	MANIFOLD,JIB/ROTATE,24V.....1 to SN 1253	
14	77051GT	NUT,NYLOCK,3/4-10,GRD.8		--	28750GT	O-RING KIT,FIELD SVC,ALL PROD*	
15	77692GT	SCREW,HHC,3/8-16 X 1 GRD 8		--	40413GT	COIL,SOLND,W/D,20V SGL SPADE	
				--	40414GT	VALVE,SOLENOID,20V W/ DIODE	
				--	45912GT	NUT,SOLENOID VALVE 2P3W	
				--	52724GT	PLUG,ORIFICE,0.030 (50684)	
				31B	56177GT	JIB MAN W/#4 PORTS 20V.....1 from SN 1255	
				--	32669GT	ORIFICE PLUG,.025 (30551)	
				--	40413GT	COIL,SOLND,W/D,20V SGL SPADE	
				--	44954GT	VALVE,SOLENOID,20V W/ DIODE **	
				--	52943GT	NUT,SOLENOID VALVE COIL	
				--	65523GT	ORIFICE, 0.028" (56179)	
				32	36189GT	PIN,SLAVE CYL,1.25 X 4.38.....1	

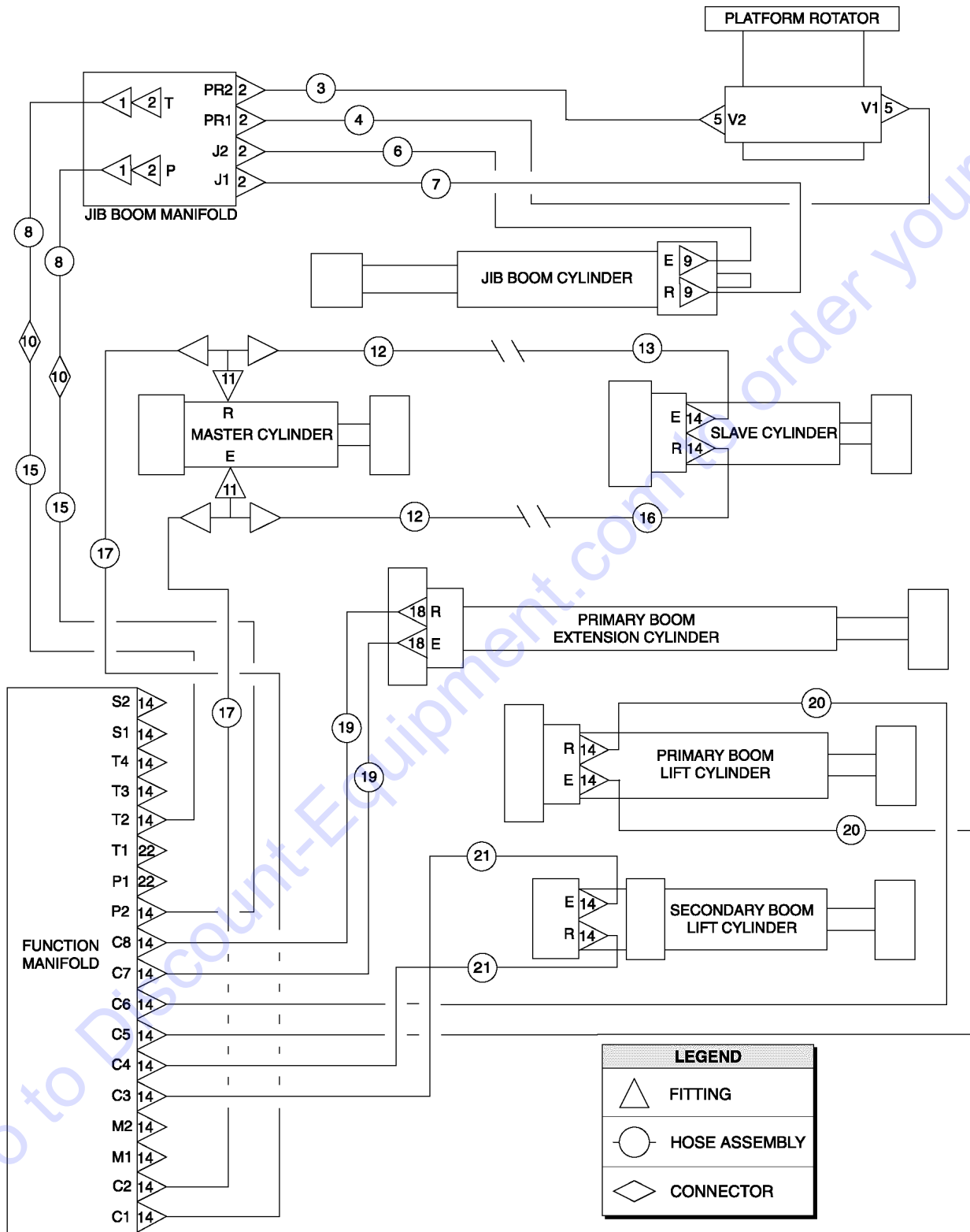
406.1 Jib Boom and Platform Rotator (continued)

Item	Part No.	Description	Qty.
33	94217GT	CYLINDER,SLAVE,DONGYANG.....	1
--	25683GT	BEARING,POLYGON,20DU12 for cylinders 74968, 74589, 74454 and 42404; check stamp on part prior to ordering	
--	35088GT	BEARING,FL,1.25IDX1.41ODX.89L for cylinder 94217; check stamp on part prior to ordering	
--	40665GT	VALVE,COUNTERBALANCE (36078)** for cylinders 74454, 42404 and 36078; check stamp on part prior to ordering	
--	47377GT	BEARING,1.25 ID X 1.5 OD X .75 for cylinder 94217; check stamp on part prior to ordering	
--	52620GT	SEAL KIT-EXT CYL & SLAVE CYL.* for cylinders 74968, 74589, 74454 and 42404; check stamp on part prior to ordering	
--	74614GT	BUSHING, FLANGED for cylinders 74968, 74589, 74454 and 42404; check stamp on part prior to ordering	
--	74735GT	VALVE,COUNTERBALANCE for cylinders 94217, 74968 and 74589; check stamp on part prior to ordering	
--	94260GT	SEAL KIT, 94217 for cylinder 94217; check stamp on part prior to ordering	
34	42939-3200GT	WIRE LOOM,1.88 DIA.....	32-inches
34	42939GT	WIRE LOOM,1.88 DIA.....	34-inches
35	10665GT	PIN,ROLL,.25 X 1.5***	1
36	36190GT	PIN,SLAVE CYL,1.25 X 6.06***	1
37		Ref. Extension Boom (refer to 404.1)	

This Page Intentionally Left Blank

Go to Discount-Equipment.com to order your parts

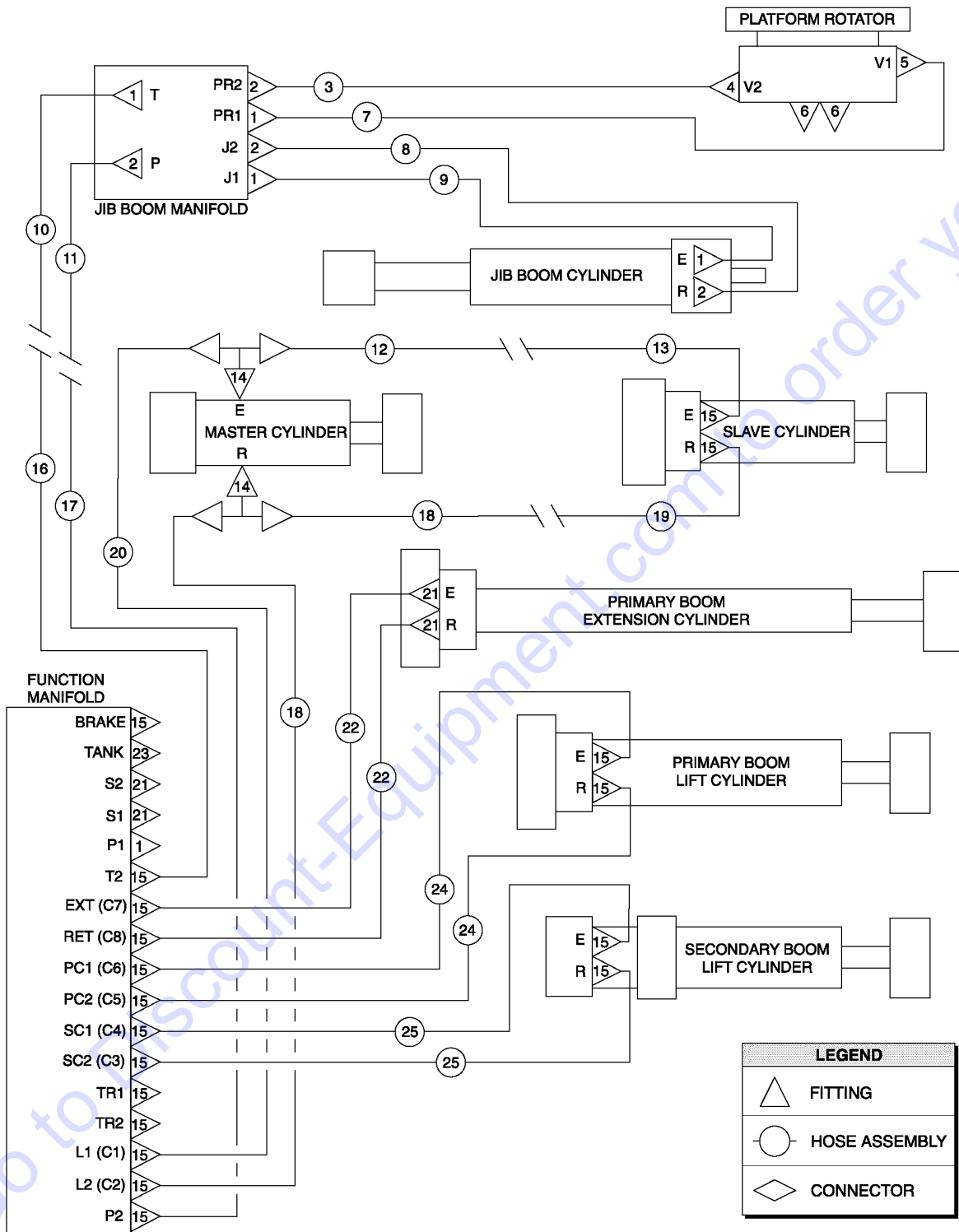
407.1 Hydraulic Hoses and Fittings



407.1 Hydraulic Hoses and Fittings

Item	Part No.	Description	Qty.
1	45415GT	ELBOW,070221-4-4..... to SN 780	2
2	13755GT	CONNECTOR,070120-4-4..... to SN 780	6
3	36473GT	HOSE ASSEMBLY,65"..... to SN 780	1
4	36472GT	HOSE ASSEMBLY,56.5"..... to SN 780	1
5	13921GT	ELBOW,070220-4-4..... to SN 780	2
6	36470GT	HOSE ASSEMBLY, 32.5"..... to SN 780	1
7	36471GT	HOSE ASSEMBLY, 33"..... to SN 780	1
8	36847GT	HOSE ASSEMBLY,220.5"..... to SN 780	2
9	12340GT	ELBOW,070220-4-6..... to SN 780	2
10	19679GT	UNION,070101-4-4..... to SN 780	2
11	25628GT	TEE,BRANCH,070429-4-4..... to SN 780	2
12	36848GT	HOSE ASSEMBLY,245"..... to SN 780	2
13	36598GT	HOSE ASSEMBLY,23"..... to SN 780	1
14	13756GT	CONNECTOR,070120-4-6..... to SN 780	18
15	36854GT	HOSE ASSEMBLY,246"..... to SN 780	2
16	36567GT	HOSE ASSEMBLY,21"..... to SN 780	1
17	36855GT	HOSE ASSEMBLY,230"..... to SN 780	2
18	31193GT	ELBOW,070320-4-6..... to SN 780	2
19	36850GT	HOSE ASSEMBLY,210"..... to SN 780	2
20	36849GT	HOSE ASSEMBLY,230"..... to SN 780	2
21	36851GT	HOSE ASSEMBLY,104.5"..... to SN 780	2
22	45412GT	CONNECTOR,070120-6-6..... to SN 780	2

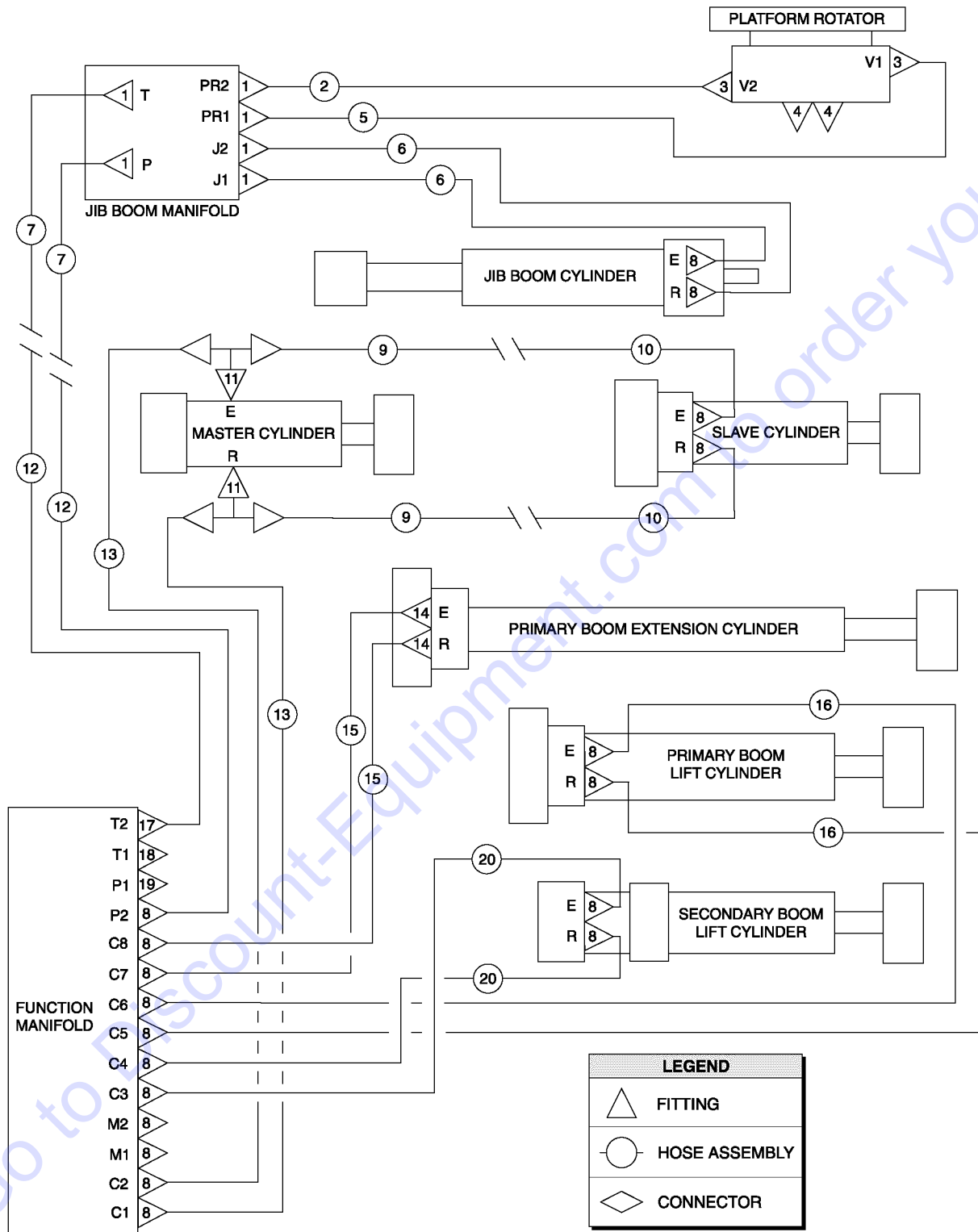
408.1 Hydraulic Hoses and Fittings



408.1 Hydraulic Hoses and Fittings

Item	Part No.	Description	Qty.	Item	Part No.	Description	Qty.
1	48916GT	CONN, 520120-6..... <i>from SN 781 to SN 1253</i>	5	23	42859GT	HOSE ASSY,1/4",236.00..... <i>from SN 781 to SN 1253</i>	2
2	48905GT	CONN,520120-4***..... <i>from SN 781 to SN 1253</i>	4	24	42860-SGT	HOSE ASSY,'PC1"PC2"TO LIFT CY..... <i>from SN 781 to SN 1253</i>	2
3	42820-SGT	HOSE ASSY-'PR1"TO PLAT ROT'V1'..... <i>from SN 781 to SN 1253</i>	1	25	42861GT	HOSE ASSY,1/4",83.00..... <i>from SN 781 to SN 1253</i>	2
4	48904GT	ELBOW,90D,520220-4-4..... <i>from SN 781 to SN 1253</i>	1				
5	48926GT	FITTING,ELBOW,90D,520220-6-4..... <i>from SN 781 to SN 1253</i>	1				
6	13852GT	VALVE ASSY,BLEED***..... <i>from SN 781 to SN 1253</i>	2				
7	56181-SGT	HOSE ASSY,JIB PR1 TO ROT V1..... <i>from SN 781 to SN 1253</i>	1				
8	42818-SGT	HOSE ASSY-'J1"TO JIB CYL CAP..... <i>from SN 781 to SN 1253</i>	1				
9	56180-SGT	HOSE ASSY,JIB J1 TO CYL EXT..... <i>from SN 781 to SN 1253</i>	1				
10	56209GT	HOSE ASSY,JUNC TO JIB MAN 'T'..... <i>from SN 781 to SN 1253</i>	1				
11	42862-SGT	HOSE ASSY-JUNCTION-JIB MANIFOL..... <i>from SN 781 to SN 1253</i>	1				
12A	42863-SGT	HOSE ASSY-MASTER CYL-SLAVE CYL..... <i>from SN 781 to SN 1874</i>	1				
12B	56946-SGT	HOSE ASSY-MASTER CYL-SLAVE C.... <i>from SN 1875 to SN 1253</i>	1				
13A	42817GT	HOSE ASSY, 1/4", 31.50..... <i>from SN 781 to SN 1874</i>	1				
13B	56945GT	HOSE ASSY, 1/4", 31.00..... <i>from SN 1875 to SN 1253</i>	1				
14	48890GT	FITTING,TEE,BRANCH,520429-4***..... <i>from SN 781 to SN 1253</i>	2				
15	48912GT	CONN,520120-4-6***..... <i>from SN 781 to SN 1253</i>	19				
16	56244-SGT	HOSE ASSY,T2 TO JIB JUNCTION..... <i>from SN 781 to SN 1253</i>	1				
17	42875-SGT	Hose Assembly (Parker part no. 451TCJJC040404-238)..... <i>from SN 781 to SN 1253</i>	1				
18	42863-SGT	HOSE ASSY-MASTER CYL-SLAVE CYL..... <i>from SN 781 to SN 1253</i>	1				
19	42817GT	HOSE ASSY, 1/4", 31.50..... <i>from SN 781 to SN 1253</i>	1				
20	42894-SGT	HOSE ASSY-C2/C1 TO MAST CYL..... <i>from SN 781 to SN 1253</i>	2				
21	49418GT	FITTING,ELBOW,45D,520320-4-6**..... <i>from SN 781 to SN 1253</i>	4				
22	48933GT	CONN,520120-8***..... <i>from SN 781 to SN 1253</i>	1				

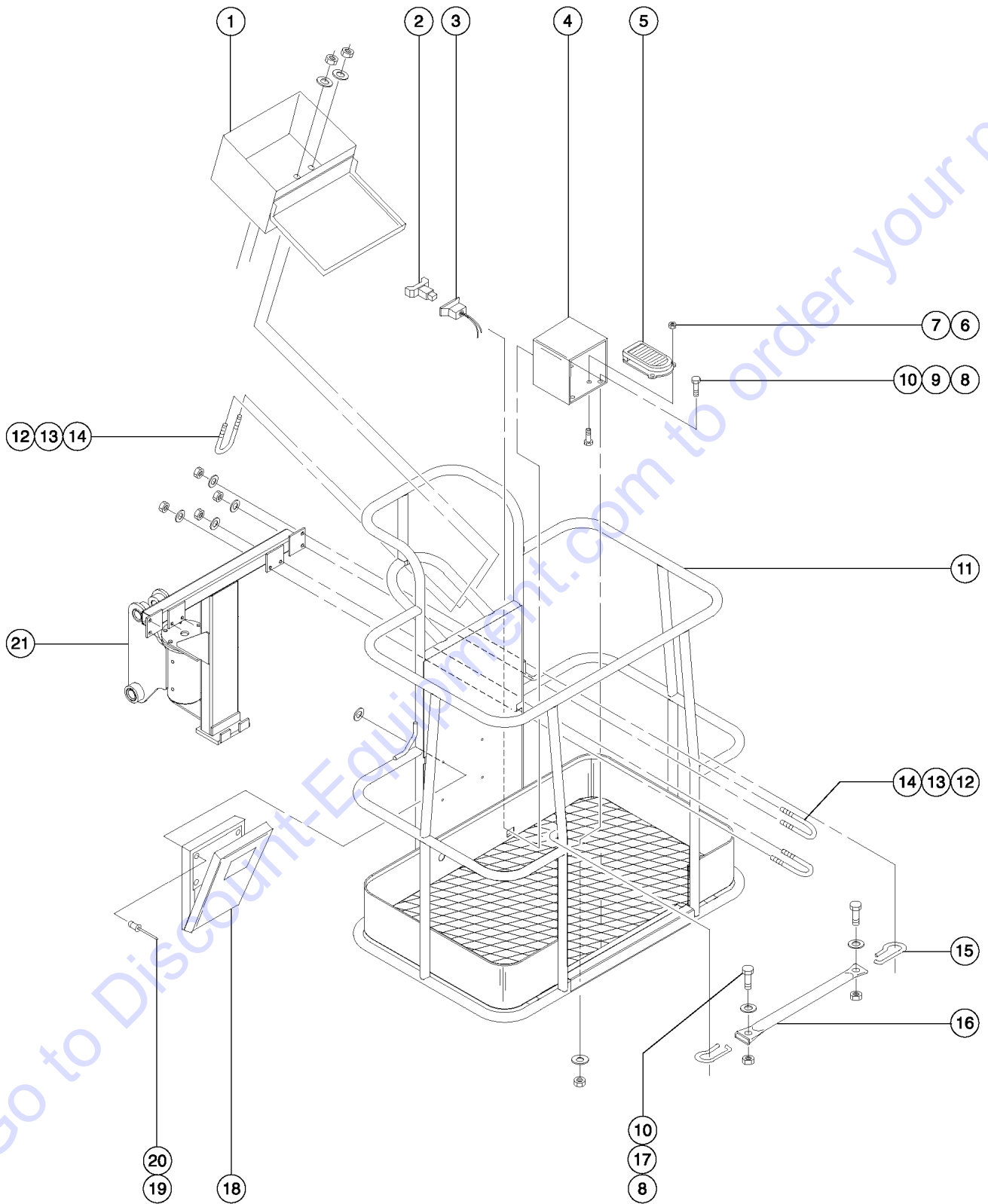
409.1 Hydraulic Hoses and Fittings



409.1 Hydraulic Hoses and Fittings

Item	Part No.	Description	Qty.
1	48905GT	CONN,520120-4*** <i>from SN 1254</i>	6
2	42820-SGT	HOSE ASSY-'PR1'TO PLAT ROT'V1' <i>from SN 1254</i>	1
3	48904GT	ELBOW,90D,520220-4-4 <i>from SN 1254</i>	2
4	13852GT	VALVE ASSY,BLEED*** <i>from SN 1254</i>	2
5	56036-SGT	HOSE ASSY-'PR2'TO PLAT ROT'V2' <i>from SN 1254</i>	1
6	42818-SGT	HOSE ASSY-'J1'TO JIB CYL CAP <i>from SN 1254</i>	2
7	42862-SGT	HOSE ASSY-JUNCTION-JIB MANIFOL <i>from SN 1254</i>	2
8	48912GT	CONN,520120-4-6*** <i>from SN 1254</i>	19
9	42863-SGT	HOSE ASSY-MASTER CYL-SLAVE CYL <i>from SN 1254</i>	2
10	42817GT	HOSE ASSY, 1/4", 31.50 <i>from SN 1254</i>	2
11	48890GT	FITTING,TEE,BRANCH,520429-4*** <i>from SN 1254</i>	2
12	42857-SGT	HOSE ASSY,'P2'/T2'TO JIB BOOM <i>from SN 1254</i>	2
13	42894-SGT	HOSE ASSY-C2/C1 TO MAST CYL <i>from SN 1254</i>	2
14	49418GT	FITTING,ELBOW,45D,520320-4-6** <i>from SN 1254</i>	2
15	42859GT	HOSE ASSY,1/4",236.00 <i>from SN 1254</i>	2
16	42860-SGT	HOSE ASSY,'PC1"PC2'TO LIFT CY <i>from SN 1254</i>	2
17	48900GT	CONN,520120-4-6,.035,ORI <i>from SN 1254</i>	1
18	48930GT	CONN,520120-6-8 <i>from SN 1254</i>	1
19	48916GT	CONN, 520120-6 <i>from SN 1254</i>	1
20	42861GT	HOSE ASSY,1/4",83.00 <i>from SN 1254</i>	2

501.1 Platform Configurations



501.1 Platform Configurations

Item	Part No.	Description	Qty.	Item	Part No.	Description	Qty.
1		Ref. Control Box with Lid and Decal - Platform (refer to 503.1)		9	12906GT	WASHER,FENDER,.25 X 1.25 X.062	
2	36600GT	FOOT SWITCH WIRE ASSY W/CONN.....1	1	10	6091GT	NUT,NYLOCK,1/4-20	
--	1505GT	WIRE CABLE,16/2 SJO,BULK...95-inches		11A	74782GT	PLAT/SUP.UPGRADE KIT 4FT ANSI*.....1 ANSI and CSA models; includes Platform Support, decals and all required hardware	
--	22432GT	ANDERSON HOUSING,15-45 AMP BLK		--	74783GT	PLAT/SUPP.UPGRADE KIT 4FT CE** CE models; includes Platform Support, decals and all required hardware	
--	22433GT	ANDERSON HOUSING,15-45,AMP,WHT		--	94745PGT	TOEBOARD,ENTRY EUROPEAN PNTD** CE models	
--	29350GT	TERMINAL,ANDERSON,15A 16-20GA		11B	74783GT	PLAT/SUPP.UPGRADE KIT 4FT CE** CE models; includes Platform Support, decals and all required hardware	
--	45200GT	SPACER,SHORT ANDERSON		11B	74792GT	PLAT/SUPP.UPGRADE KIT 5FT ANSI*.....1 ANSI and CSA models; includes Platform Support, decals and all required hardware; to SN 2547	
--	45201GT	SPACER,LONG ANDERSON		--	74383GT	PLAT.ASSY.W/DECAL5'Z34N&DC,CE* CE models; includes Platform Support, decals and all required hardware	
--	45202GT	PIN,ROLL,.094 X .875		--	94745PGT	TOEBOARD,ENTRY EUROPEAN PNTD** CE models	
--	45313GT	PLUG,W/LATCH,4 POLE,ANDERSON		11C	94745PGT	TOEBOARD,ENTRY EUROPEAN PNTD** CE models	
3	29431GT	CONNECTOR ASSEMBLY,FOOTSWITCH.....1	1	11D	74792GT	PLAT/SUPP.UPGRADE KIT 5FT ANSI*.....1 ANSI and CSA models; includes Platform Support, decals and all required hardware	
--	1505GT	WIRE CABLE,16/2 SJO,BULK.....6-inches		11E	74383GT	PLAT.ASSY.W/DECAL5'Z34N&DC,CE* CE models; includes Platform Support, decals and all required hardware	
--	22432GT	ANDERSON HOUSING,15-45 AMP BLK		11F	94745PGT	TOEBOARD,ENTRY EUROPEAN PNTD** CE models	
--	22433GT	ANDERSON HOUSING,15-45,AMP,WHT		12	6550GT	U-BOLT,3/8 X 1 YZ	
--	29350GT	TERMINAL,ANDERSON,15A 16-20GA		13	6097GT	WASHER,FLAT,USS,3/8",Y	
--	41020GT	TERMINAL,#10 RING,BLUE AMP		14	4828GT	NUT,NYLOCK,3/8-16	
--	45200GT	SPACER,SHORT ANDERSON		15	12443GT	MIDRAIL GUIDE (HOOK).....2	
--	45201GT	SPACER,LONG ANDERSON		16A	42470GT	SLIDING MIDRAIL ASSY. 22.5"*.....1 includes item 15; to SN 545	
--	45202GT	PIN,ROLL,.094 X .875		--	20973GT	WIRE LOOM,3/8 POLY SLIT.....6-inches	
--	45313GT	PLUG,W/LATCH,4 POLE,ANDERSON		--	21121GT	CABLE TIE,4" BLK,HEAT RESISTNT	
4A	32710GT	GUARD,FOOTSWITCH,W/DECAL STEEL.....1 ANSI and CSA models	1	16B	102992GT	SLIDING MIDRAIL KIT,PTD.....1 includes item 15; from SN 546	
4B	30807P-SGT	FOOTSWITCH HOUSING,PAINTED CE models		--	20973GT	WIRE LOOM,3/8 POLY SLIT.....6-inches	
5A	74298GT	FOOTSWITCH ASSEMBLY 30N.....1	1	--	21121GT	CABLE TIE,4" BLK,HEAT RESISTNT	
--	13482GT	FOOT SWITCH*** for 74298 (includes fasteners)		17	6638GT	WASHER,FLAT,USS,1/4"Y	
--	20262GT	MICROSWITCH,13482 FOOTSWITCH for 74298		18	44743GT	MANUAL BOX W/DECALS***.....1 Manual Storage with Decals	
--	56051GT	WIRE CABLE,16/2,WHT/BLK,SJEOW.82-inches for 74298		19	12037GT	RIVET,STL,STL,P,.25 X .5.....4	
5B	228469GT	KIT, FOOTSWITCH, Z30/Z34 WORD (upgrade kit) ANSI models		20	56660GT	WASHER,RIVETING.....4	
--	227620GT	ASSEMBLY,FOOT SWITCH for PN 228469					
5C	228470GT	KIT, FOOTSWITCH, Z30/Z34 SYM (upgrade kit) CE models					
--	227620GT	ASSEMBLY,FOOT SWITCH for PN 228470					
6	6178GT	NUT,NYLOCK,10-32					
7	17626GT	SCREW,FHM,10-32 X .75					
8	6888GT	SCREW,HHC,1/4-20 X 1					

501.1 Platform Configurations
(continued)

Item	Part No.	Description	Qty.
21	36249-SGT	PLATFORM SUPPORT WELD.Z30N,Z34.....	1

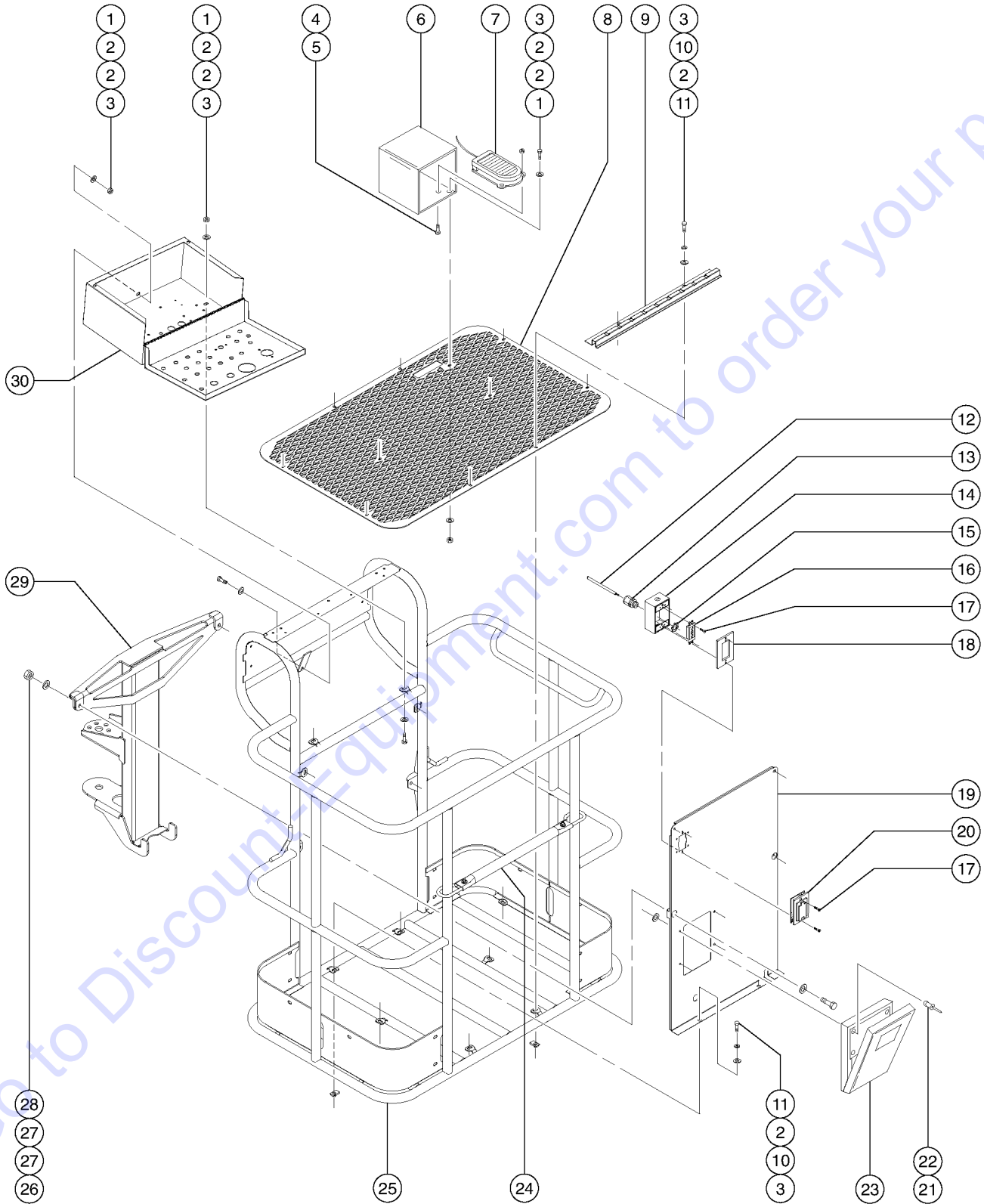
Go to Discount-Equipment.com to order your parts



This Page Intentionally Left Blank

Go to Discount-Equipment.com to order your parts

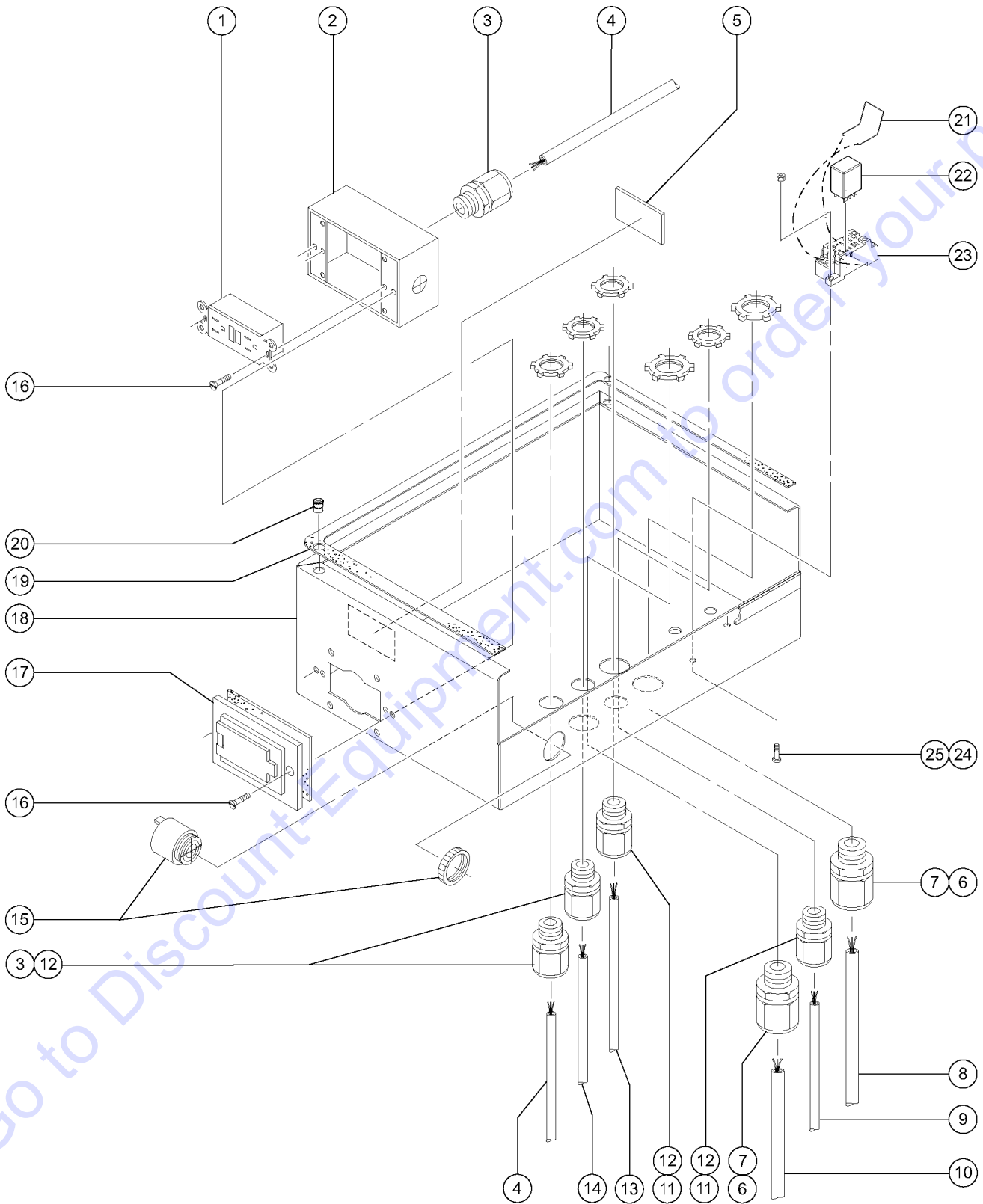
502.1 Platform



502.1 Platform

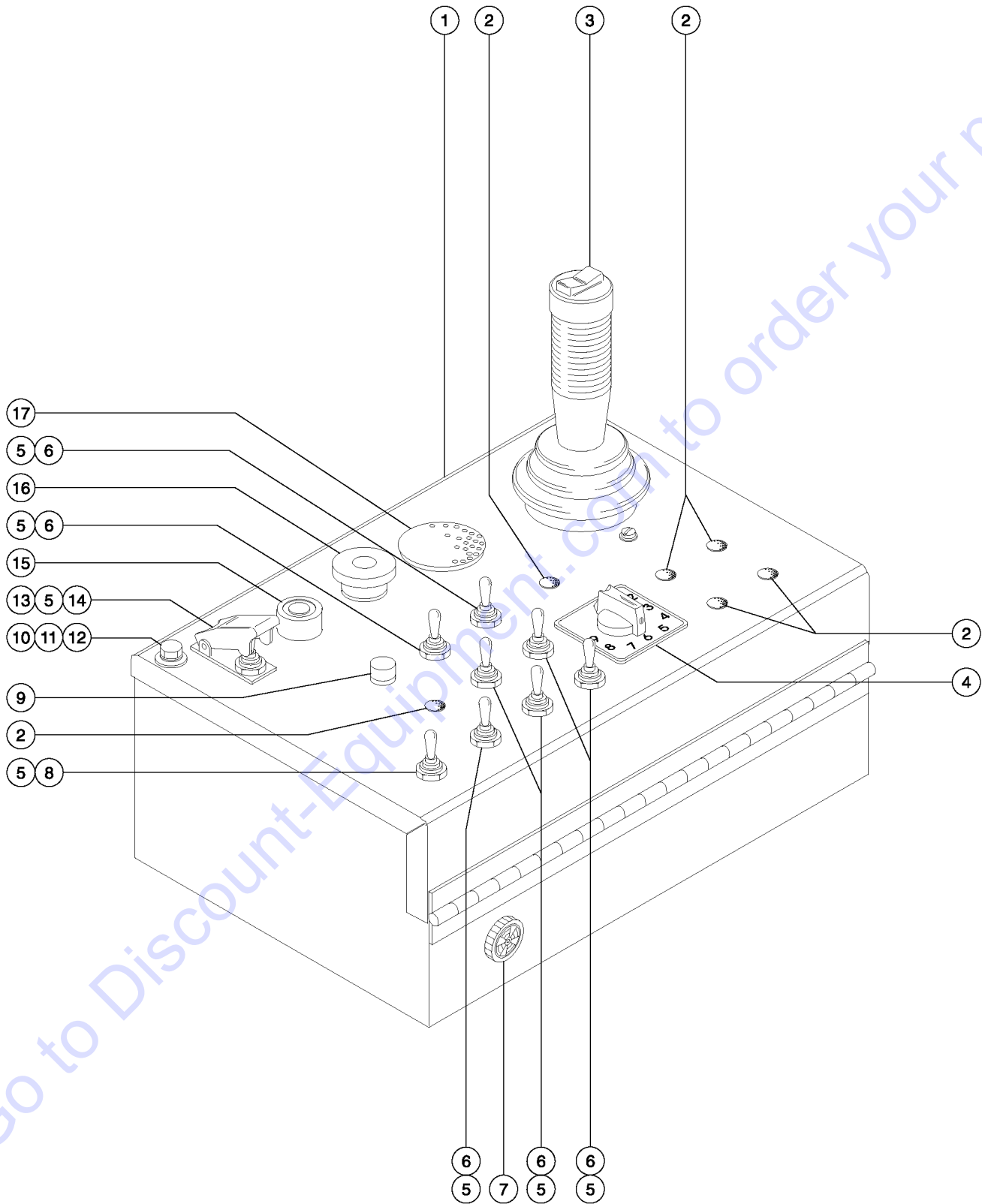
Item	Part No.	Description	Qty.	Item	Part No.	Description	Qty.
--	74380GT	PLAT.ASSY.W/DECAL4'Z30/34ANSI ANSI and CSA models; includes items 1-3, 8-11, 19 and 21-23		16	13585GT	OUTLET, 110V.....1 includes mounting fasteners; North America	1
--	74381GT	PLAT.ASSY.W/DECAL4'Z30/34,CE CE models; includes items 1-3, 8-11, 19 and 21-23		--	T112563GT	SVC KIT,UK RECEPT.REPLACEMENT	
--	74382GT	PLAT.ASY.W/DECL5'Z34N&DC,ANSI* ANSI and CSA models; includes items 1-3, 8-11, 19 and 21-23		17	49820GT	SCREW,PHILLIPS,PHM,6-32 X .5	
--	74383GT	PLAT.ASSY.W/DECAL5'Z34N&DC,CE* CE models; includes items 1-3, 8-11, 19 and 21-23		18	74052GT	GASKET,COVER,GFCI,WEATHERPROOF.1	
--	74448GT	INSTRUCTIONS,CONTROL BX MOUNT		19A	62508GT	DECAL PLATE W/D,PLAT,Z30/34**1 ANSI and CSA models; includes items 21-23	1
1	6091GT	NUT,NYLOCK,1/4-20		19B	62516GT	DECAL PLATE W/D,PLAT,Z30/34** CE models; includes items 21-23	
2	6638GT	WASHER,FLAT,USS,1/4"Y		20A	45437GT	COVER,GFCI,WEATHERPROOF1 includes mounting fasteners; North America	1
3	6888GT	SCREW,HHC,1/4-20 X 1		20B	10777GT	COVER,BLANK	
4	17626GT	SCREW,FHM,10-32 X .75		21	12037GT	RIVET,STL,STL,P,.25 X .5	
5	6178GT	NUT,NYLOCK,10-32		22	56660GT	WASHER,RIVETING	
6A	32710GT	GUARD,FOOTSWITCH,W/DECAL STEEL.....1 ANSI and CSA models	1	23	44743GT	MANUAL BOX W/DECALS***1	1
6B	30807P-SGT	FOOTSWITCH HOUSING,PAINTED.....1 CE models	1	24	102992GT	SLIDING MIDRAIL KIT,PTD.....1	1
7A	74298GT	FOOTSWITCH ASSEMBLY 30N.....1	1	--	12443GT	MIDRAIL GUIDE (HOOK)	
--	13482GT	FOOT SWITCH*** (includes fasteners) for PN 74298		--	20973GT	WIRE LOOM,3/8 POLY SLIT.....6-inches	
--	20262GT	MICROSWITCH,13482 FOOTSWITCH for PN 74298		--	21121GT	CABLE TIE,4" BLK,HEAT RESISTNT	
--	56051GT	WIRE CABLE,16/2,WHT/BLK,SJEOW.82-inches for PN 74298		25A	62514GT	PLAT.W/DECAL4'Z30N/34ALL,ANSI*1 ANSI and CSA models; includes item 11; shown	1
7B	228469GT	KIT, FOOTSWITCH, Z30/Z34 WORD (upgrade kit) ANSI and CSA models		25B	62515GT	PLAT.W/DECAL4',Z30/34-ALL,CE CE models; includes item 11	
--	227620GT	ASSEMBLY,FOOT SWITCH for PN 228469		25C	94745PGT	TOEBOARD,ENTRY EUROPEAN PNTD**	
7C	228470GT	KIT, FOOTSWITCH, Z30/Z34 SYM (upgrade kit) CE models		25D	62518GT	PLAT.ASSY.W/DECAL 5'Z34,ANSI*1 ANSI and CSA models; includes item 11	1
--	227620GT	ASSEMBLY,FOOT SWITCH for PN 228470		25E	74747GT	PLAT.ASSY.W/DECAL,5'Z34IC,CE** CE models; includes item 11	
8A	56465PGT	FLOORING,PLATFORM 46X30,PAINT...1	1	25F	94745PGT	TOEBOARD,ENTRY EUROPEAN PNTD**	
8B	56576PGT	FLOORING,PLATFORM,56X30,PNTD		25G	74792GT	PLAT/SUP.UPGRADE KIT 5FT ANSI*1 ANSI and CSA models; includes Platform Support, decals and all required hardware; to SN 2547	1
9	56656PGT	PLATFORM STEP * PAINTED.....1	1	26	4828GT	NUT,NYLOCK,3/8-16	
10	6356GT	WASHER,LOCK,.25		27	5397GT	WASHER,FLAT,USS,5/16",Y	
11	56912GT	SPRING CLIP,1/4-20,.025-.15X.54,ZAG		28	13000GT	SCREW,HHC,5/16-18 X 1.25	
12	43956GT	WIRE CABLE,14/3 CON.TPE JKT*600-inches	600	29	56500-SGT	WELDMNT,PLATFORM SUPPORT***1	1
13	7056GT	CONN,SQUEEZE,1/2NPT .38-.50,SM....1	1	30		Ref. Control Box with Lid and Decal -Platform (refer to Figure 503.1)	
14	10775GT	T-BOX,2.75 X 4.5 X 2.0.....1	1				
15	6935GT	LOCKNUT,ELEC,1/2".....1	1				

503.1 Platform Controls - View 1



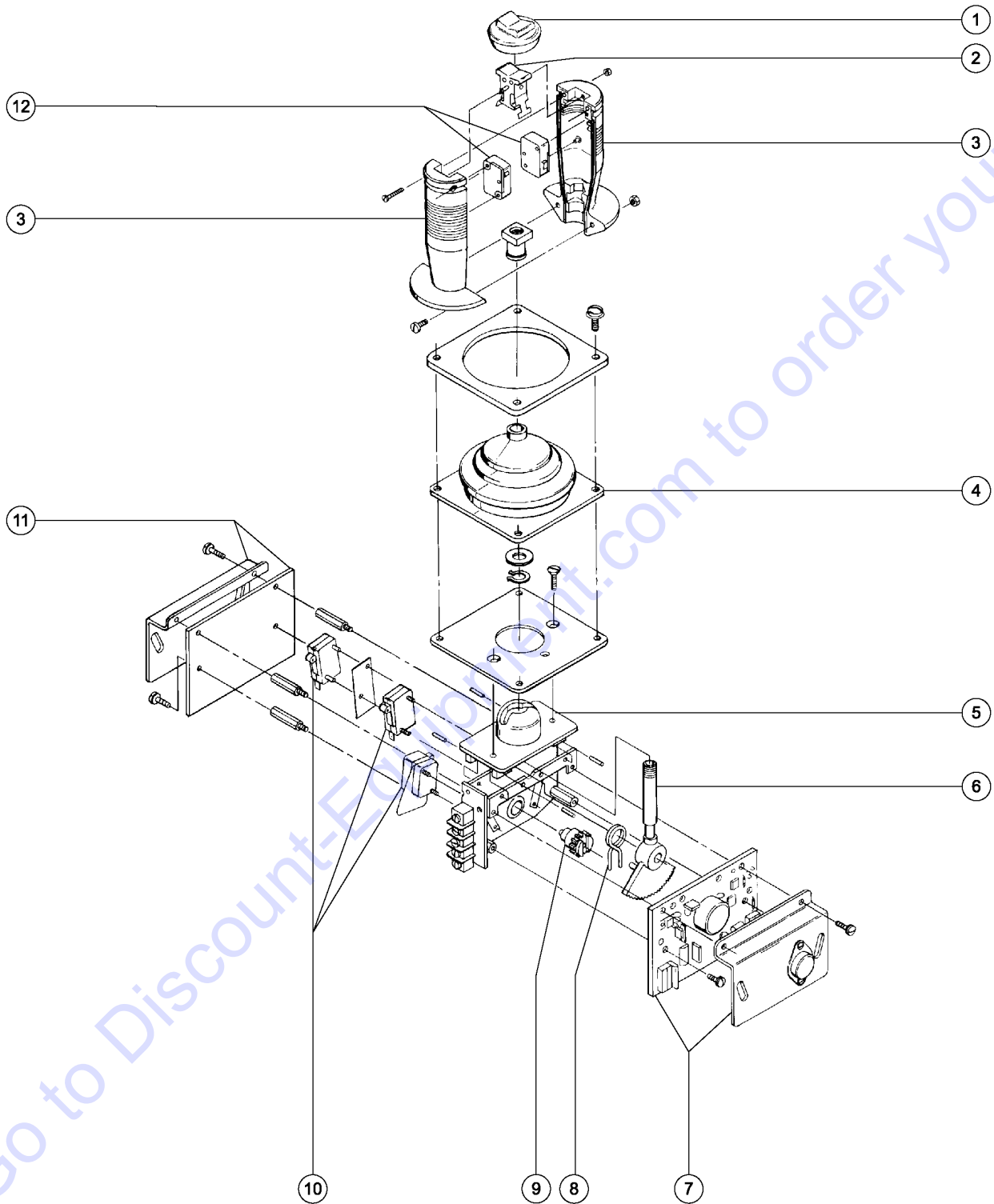
Item	Part No.	Description	Qty.
1A	13585GT	OUTLET, 110V.....	1
1B	35003GT	RECEPTACLE, BRITISH, 110V	
2	10775GT	T-BOX,2.75 X 4.5 X 2.0.....	1
3	7056GT	CONN,SQUEEZE,1/2NPT .38-.50,SM....	3
4	43956GT	WIRE CABLE,14/3 CON.TPE JKT*.....	606-inches
5	30997GT	CORROSION INHIBITOR,FOAM.....	1
6	12960GT	CABLE SQUEEZE CONN.,XTRA LRG...2	
7	14041GT	LOCKNUT,ELECTRIC,3/4".....	2
8	35934GT	WIRE CABLE,18/19 CON.TPRJKT.....	600-inches
9	43955GT	WIRE CABLE,12/3 CON.TPE JKT.....	600-inches
10	35934GT	WIRE CABLE,18/19 CON.TPRJKT.....	600-inches
11	7057GT	CONN. SQZ,1/2NPT .39-.56 MED.....	2
12	6935GT	LOCKNUT,ELEC,1/2".....	4
13	43961GT	WIRE CABLE,16/6 CON.TPE J.....	136-inches
14	36600GT	FOOT SWITCH WIRE ASSY W/CONN.....	1
15	45383GT	ALARM,WARBLE TONE 5-30 VDC*** <i>Does not include 72326 nut</i>	1
--	72326GT	NUT - PLASTIC,RING FOR ALARMS	
16	63375GT	SCREW,FHM,6-32 X .75	
17	74006GT	COVER,GFCI,HORIZONTAL,WEATHER.1 <i>includes mounting fasteners; North America</i>	
18A	37130GT	CONTROL BOX W/ DECAL, PLAT.....1 <i>includes items 19 and 20; to SN 201</i>	
18B	46993GT	CONT.BOX ASSY.PLAT Z30N,Z34DC.....1 <i>includes items 19 and 20; from SN 202 (box only; contains no internal componenst)</i>	
19	36235GT	GASKET,PLAT.CONTROL BOX.....	1
20	23404GT	NUTSERT,1/4-20,STEEL CAD PLTD	
21	42617GT	CLIP,SPRING,POTTER BRUMFIELD.....	1
22	42616GT	RELAY,POTTER BRUMFIELD 24V **.....	1
23	33608GT	RELAY,SOCKET,OMRON.....	1
24	49820GT	SCREW,PHILLIPS,PHM,6-32 X .5	
25	12344GT	NUT,NYLOCK,6-32	

504.1 Platform Controls - View 2



Item	Part No.	Description	Qty.
1A	37130GT	CONTROL BOX W/ DECAL, PLAT.....1 <i>to SN 201</i>	1
1B	46993GT	CONT.BOX ASSY.PLAT Z30N,Z34DC.....1 <i>from SN 202 (box only; contains no internal components)</i>	1
2	45384GT	PLUG,NYLON .50 BLACK DOMED.....6	6
3		Ref. Controller - Joystick, Drive/Steer (refer to 505.1 or 506.1).....1	1
4	56886GT	CONTROLLER,ROTARY 24V W/RAMP.....1	1
--	35680GT	LEGEND,PLSTC,"CREEP TO 9"**** <i>for 56886</i>	
5	27246GT	BOOT,TOGGLE SWITCH,SHORT*.....9	9
6	16397-SGT	SWITCH,TOGGLE,DPDT,3POS MOMEN.....7 <i>includes mounting fasteners</i>	7
7	45383GT	ALARM,WARBLE TONE 5-30 VDC***.....1	1
8	13037-SGT	SWITCH,TOGGLE,SPDT,3POS MOMEN*.....1 <i>includes mounting fasteners</i>	1
9	36373GT	LED,RED 24V.....1 <i>includes mounting fasteners</i>	1
10	6090GT	SCREW,HHC,1/4-20 X .75	
11	6356GT	WASHER,LOCK,.25	
12	6638GT	WASHER,FLAT,USS,1/4"Y	
13	13471GT	COVER, AUXILIARY POWER SWITCH	
14	13480-SGT	SWITCH,TOGGLE,DPDT,2POS MOMEN.....1 <i>includes mounting fasteners</i>	1
15	122513GT	KIT,HORN SVC BB&SM BOOM.....1	1
--	66813GT	BUTTON,PUSH,BLACK W/SEAL***	
--	66815GT	BASE, W/1 N.O. CONTACTS***	
16	122514GT	KIT,ESTOP SVC BB&SM BOOM.....1	1
--	66818GT	CONTACT, N.C.	
--	66821GT	BASE,WITHOUT CONTACTS	
17	45840GT	PLUG,NYLON 2.00 BLACK DOMED.....1	1

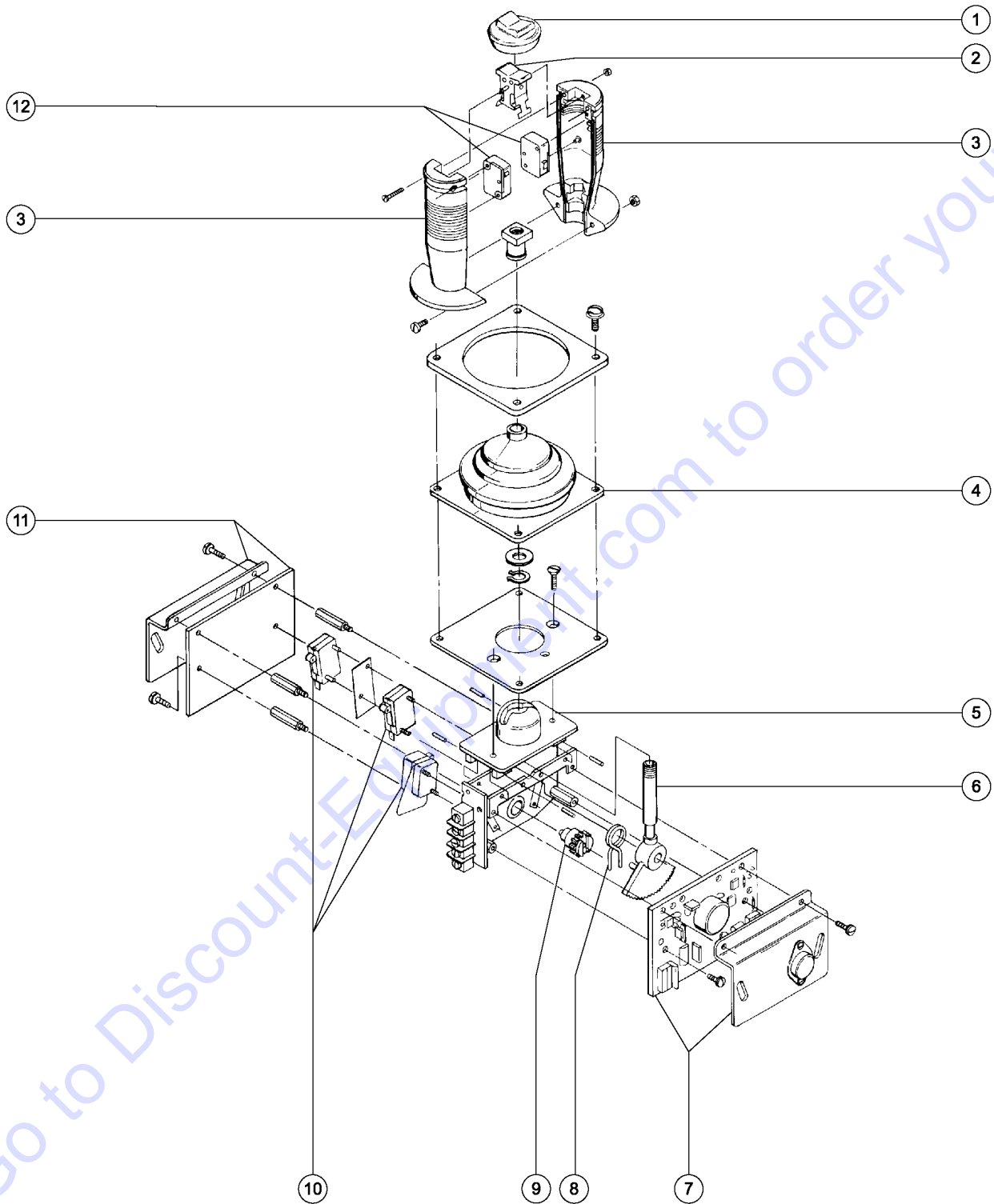
505.1 Joystick Controller - Drive/Steer Functions (to SN 303)



505.1 Joystick Controller - Drive/Steer Functions (to SN 303)

Item	Part No.	Description	Qty.
--		JOYSTICK, COMPLETE <i>component no longer available</i>	
1	19710GT	BOOT, PROTECTIVE, 45049 BLACK.....1 <i>to SN 152</i>	
2		ROCKER ASSEMBLY,45049.....1 <i>to SN 152 (component No Longer Available)</i>	
3	19723GT	JOYSTICK HANDLE HALF***.....2 <i>to SN 152</i>	
4	19715GT	BOOT,45049,40612.....1 <i>to SN 152</i>	
5	19720GT	CASTING,45049, 40612.....1 <i>to SN 152</i>	
6	19719GT	SHAFT,45049.....1 <i>to SN 152</i>	
7	43045GT	PCB,ASSY,42032 CONTROLLER.....1 <i>to SN 152</i>	
8	21434GT	SPRING & BUSHING KIT,RETURN***1 <i>to SN 152</i>	
9	19731GT	GEAR, SLAVE, MS4,45048.....1 <i>to SN 152</i>	
10	19712GT	MICROSWITCH,V3L-139-D8.....3 <i>to SN 152</i>	
11	40432GT	PCB,ASSY,JOYSTICK.....1 <i>to SN 152</i>	
12	19722GT	MICROSWITCH-V319M***.....2 <i>to SN 152</i>	

505.1 Joystick Controller - Drive/Steer Functions (to SN 303)

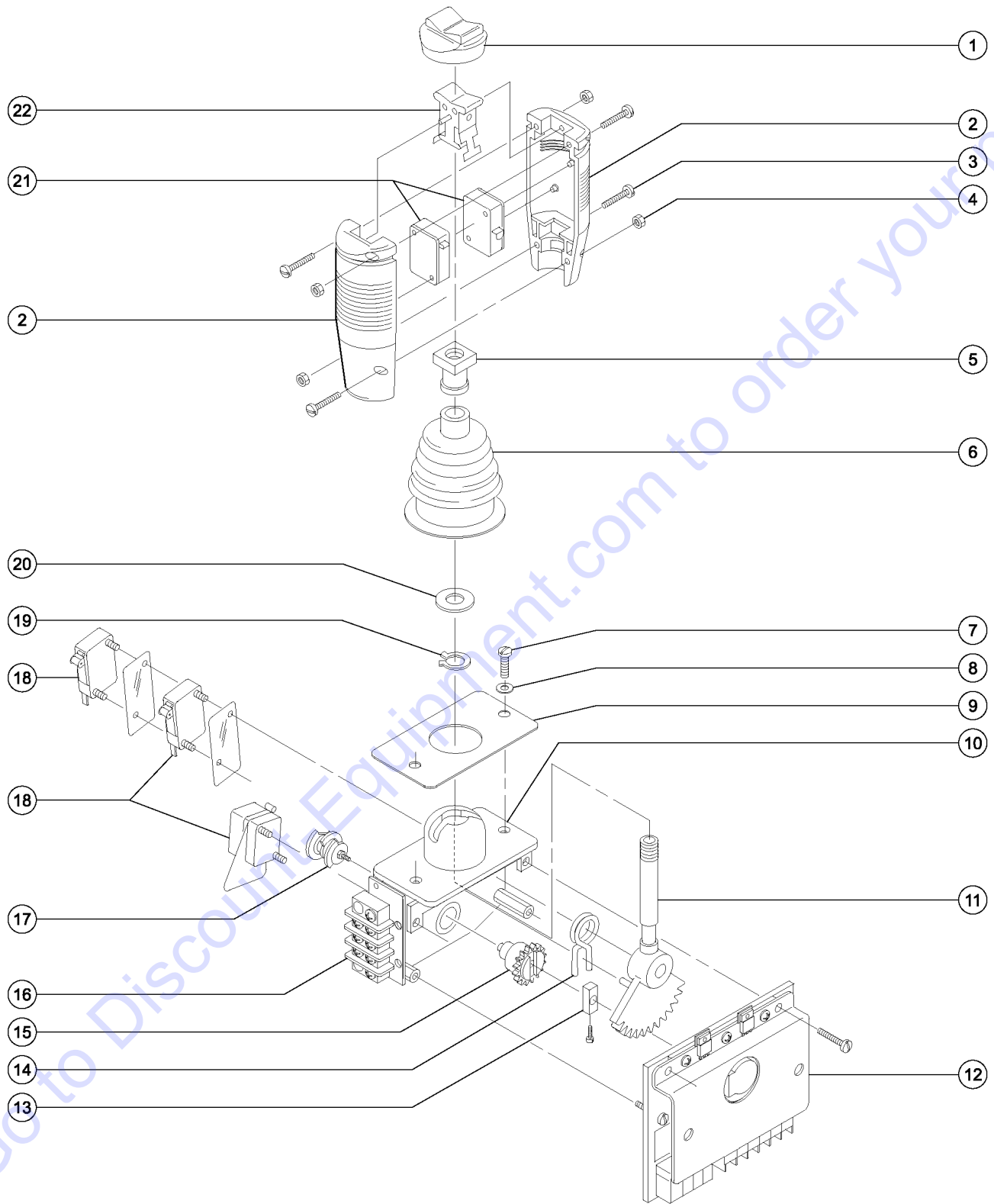


Go to Discount-Equipment.com to order your parts

505.1 Joystick Controller - Drive/Steer Functions (to SN 303)

Item	Part No.	Description	Qty.
--		JOYSTICK, COMPLETE <i>component no longer available</i>	
1	19710GT	BOOT, PROTECTIVE, 45049 BLACK.....1 <i>to SN 303</i>	
2		ROCKER ASSEMBLY,45049.....1 <i>to SN 303 (component no longer available)</i>	
3	19723GT	JOYSTICK HANDLE HALF***.....2 <i>to SN 303</i>	
4	19715GT	BOOT,45049,40612.....1 <i>to SN 303</i>	
5	19720GT	CASTING,45049, 40612.....1 <i>to SN 303</i>	
6	19719GT	SHAFT,45049.....1 <i>to SN 303</i>	
7	43045GT	PCB,ASSY,42032 CONTROLLER.....1 <i>to SN 303</i>	
8	21434GT	SPRING & BUSHING KIT,RETURN***.....1 <i>to SN 303</i>	
9	19731GT	GEAR, SLAVE, MS4,45048.....1 <i>to SN 303</i>	
10	19712GT	MICROSWITCH,V3L-139-D8.....3 <i>to SN 303</i>	
11	40432GT	PCB,ASSY,JOYSTICK.....1 <i>to SN 303</i>	
12	19722GT	MICROSWITCH-V319M***.....2 <i>to SN 303</i>	

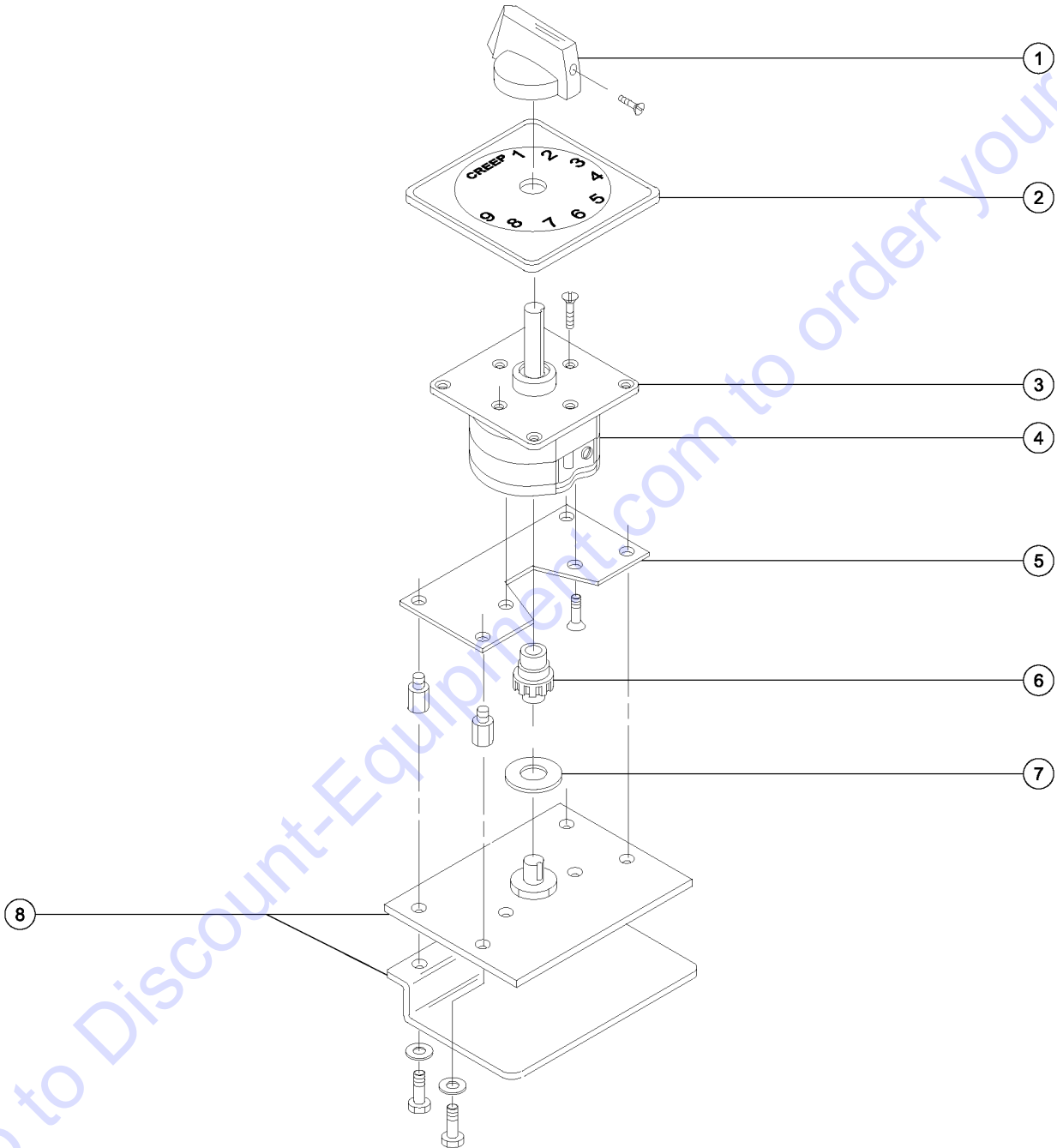
506.1 Joystick Controller - Drive/Steer Functions (from SN 304)



506.1 Joystick Controller - Drive/Steer Functions (from SN 304)

Item	Part No.	Description	Qty.	Item	Part No.	Description	Qty.
--	42032GT	JOYSTICK,CNTRLLR SINGLE BRD*** <i>OEM joystick, contains all shown service parts; from SN 153</i>		22B	65178GT	ROCKER ASSY W/ROLLPIN*** <i>from SN 304</i>	
--	42032HGT	JOYSTICK,CNTRLLR SINGLE BRD <i>aftermarket joystick replacement; from SN 153</i>					
1	43038GT	BOOT-THUMB ROCKER** BLACK.....1 <i>from SN 153</i>	1				
2	52887GT	HANDLE HALF (56274).....2 <i>from SN 153</i>	2				
3	52895GT	SCREW,PHM,M3 X .5 X 12MM <i>from SN 153</i>					
4	52928GT	NUT-HEX,3M X 0.5MM <i>from SN 153</i>					
5	43040GT	NUT,JS,36867/42032/44988/40612.....1 <i>from SN 153</i>	1				
6	21427GT	BOOT,CONTROLLER**1 <i>from SN 153</i>	1				
7	49816GT	SCREW,PHILLIPS,PHM,10-32 X .75 <i>from SN 153</i>					
8	74362GT	WASHER,NYLON, JOYSTICK <i>from SN 153</i>					
9	43042GT	GASKET,JOYSTK.SHAFT36867/42032..1 <i>from SN 153</i>	1				
10	58987GT	CASTING 42032.....1 <i>from SN 153</i>	1				
11	46227GT	SHAFT ASSY, JOYSTICK***1 <i>includes gear; from SN 153</i>	1				
12	43045GT	PCB,ASSY,42032 CONTROLLER.....1 <i>from SN 153</i>	1				
13	65529GT	COUPLING-POT,JOYSTICK (56579).....1 <i>from SN 153</i>	1				
14	21434GT	SPRING & BUSHING KIT,RETURN***1 <i>from SN 153</i>	1				
15	19731GT	GEAR, SLAVE, MS4,45048.....1 <i>from SN 153</i>	1				
16	74363GT	TERMINAL BUSS,JOYSTICK(42032).....1 <i>from SN 153</i>	1				
17	74364GT	CAM ASSEMBLY, JOYSTICK(42032).....1 <i>from SN 153</i>	1				
18	19712GT	MICROSWITCH,V3L-139-D8.....3 <i>from SN 153</i>	3				
19	74365GT	C-CLIP, SHAFT, JOYSTICK.....1 <i>from SN 153</i>	1				
20	74366GT	WASHER, FLAT, SHAFT, JOYSTICK <i>from SN 153</i>					
21	19722GT	MICROSWITCH-V319M***2 <i>from SN 153</i>	2				
22	58986GT	ROCKER ASSY (42032)***1 <i>from SN 153</i>	1				
22A	58986GT	ROCKER ASSY (42032)***1 <i>from SN 304</i>	1				

507.1 Rotational Controller - Boom Function Speed

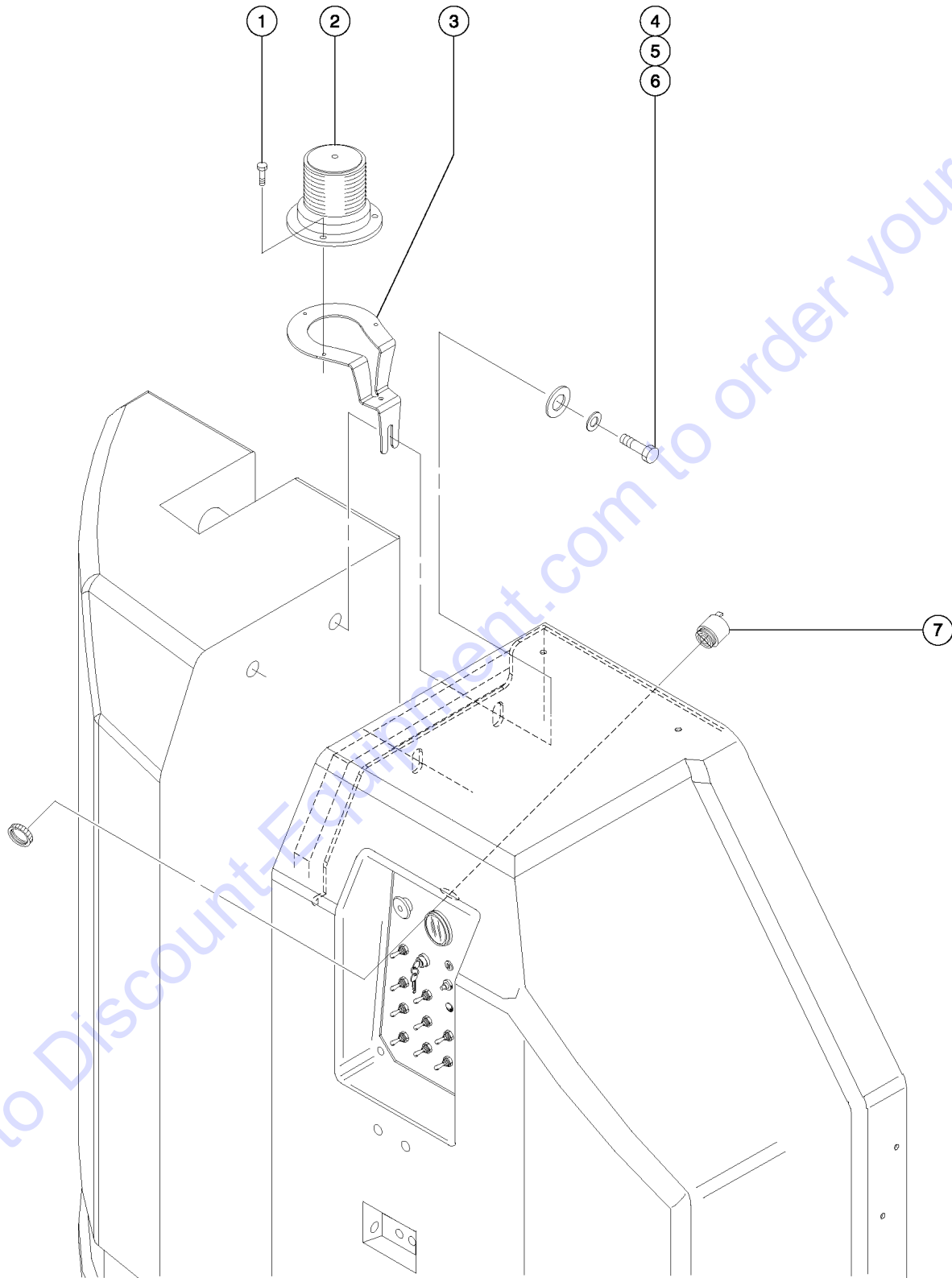


507.1 Rotational Controller - Boom Function Speed

Item	Part No.	Description	Qty.
--	56886GT	CONTROLLER,ROTARY 24V W/RAMP	
1	35679GT	KNOB, 45048 CONTROLLER.....1	1
2	35680GT	LEGEND,PLSTC,"CREEP TO 9"***1	1
3	35678GT	MOUNTING PLATE, 45048.....1	1
4	74356GT	SWITCH ASSEMBLY (56886).....1	1
5	74357GT	PLATE,ROTARY CNTRL (56886).....1	1
6	74358GT	COUPLING,POT SHAFT (56886).....1	1
7	74359GT	GASKET-ROTARY CNTRL 56886.....1	1
8	74384GT	PRINTED CIRCUIT BOARD 56886.....1	1

Go to Discount-Equipment.com to order your parts

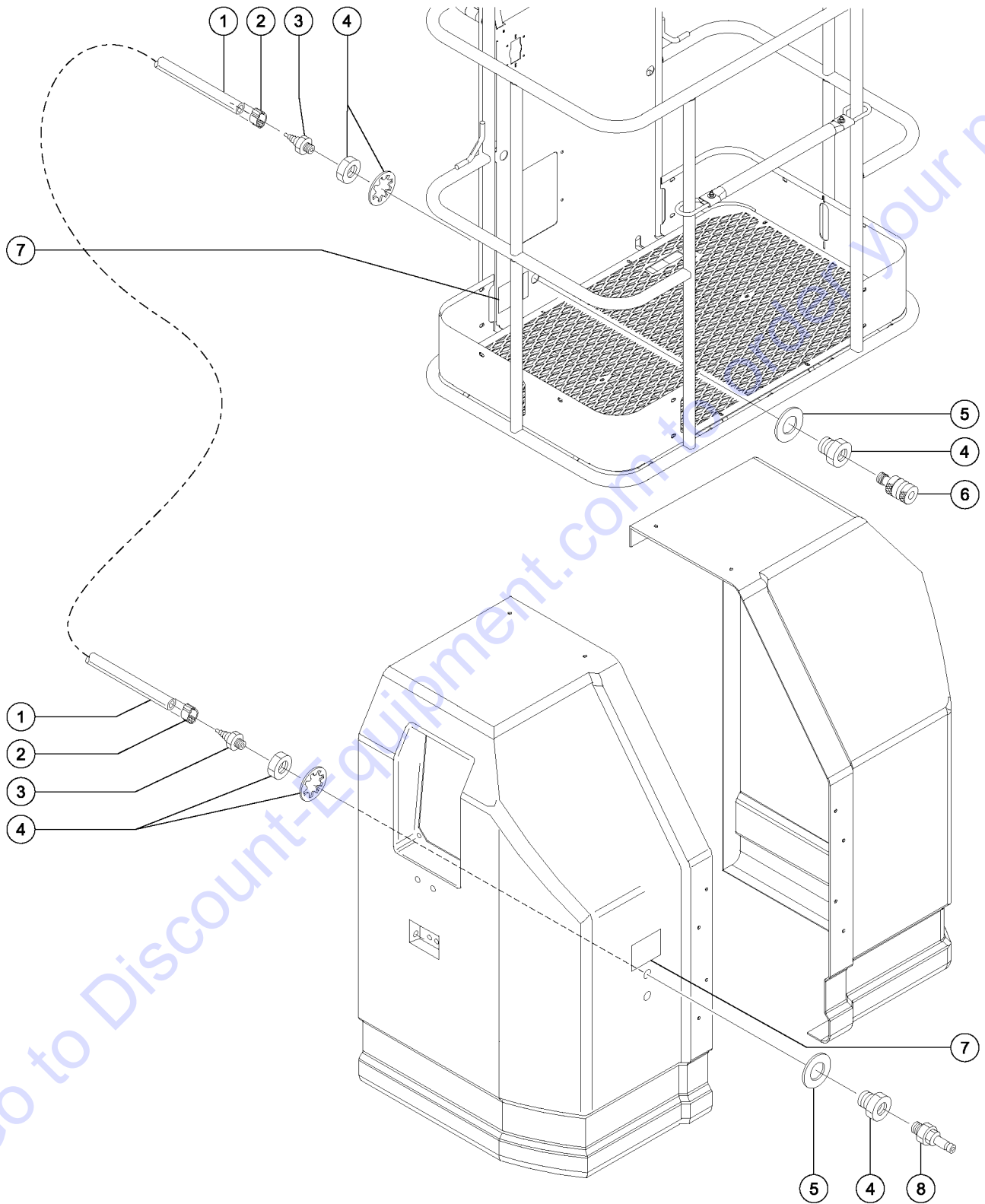
601.1 Flashing Beacon and Descent Alarm



601.1 Flashing Beacon and Descent Alarm

Item	Part No.	Description	Qty.
--	36816-SGT	ACC. Z34 ALARM PACKAGE DC.	
1	49816GT	SCREW,PHILLIPS,PHM,10-32 X .75.....3 <i>(replaced 56716)</i>	
2	56704GT	STROBE,FIREBOLT,12-80VDC,AMB**...1 <i>(replaced 20189)</i>	
--	122019GT	FLASHTUBE,U SHAPED,360DEG,BULB	
--	226393GT	FLASHTUBE,STRAIGHT,360DEG,BULB	
--	72282GT	LENS,AMBER,STROBE,FIREBOLT	
3	56289-SGT	BRACKET,BEACON LIGHT.....1	
4	6019GT	SCREW,HHC,3/8-16 X 1.25 GRD 5	
5	6021GT	WASHER,LOCK, .375	
6	15086GT	WASHER,FLAT, .375 X 1.5 X .125	
7	45462GT	ALARM,CHIME TONE 5-25VDC***1 <i>Does not include 72326 nut</i>	
--	72326GT	NUT - PLASTIC,RING FOR ALARMS	

602.1 Air Line to Platform

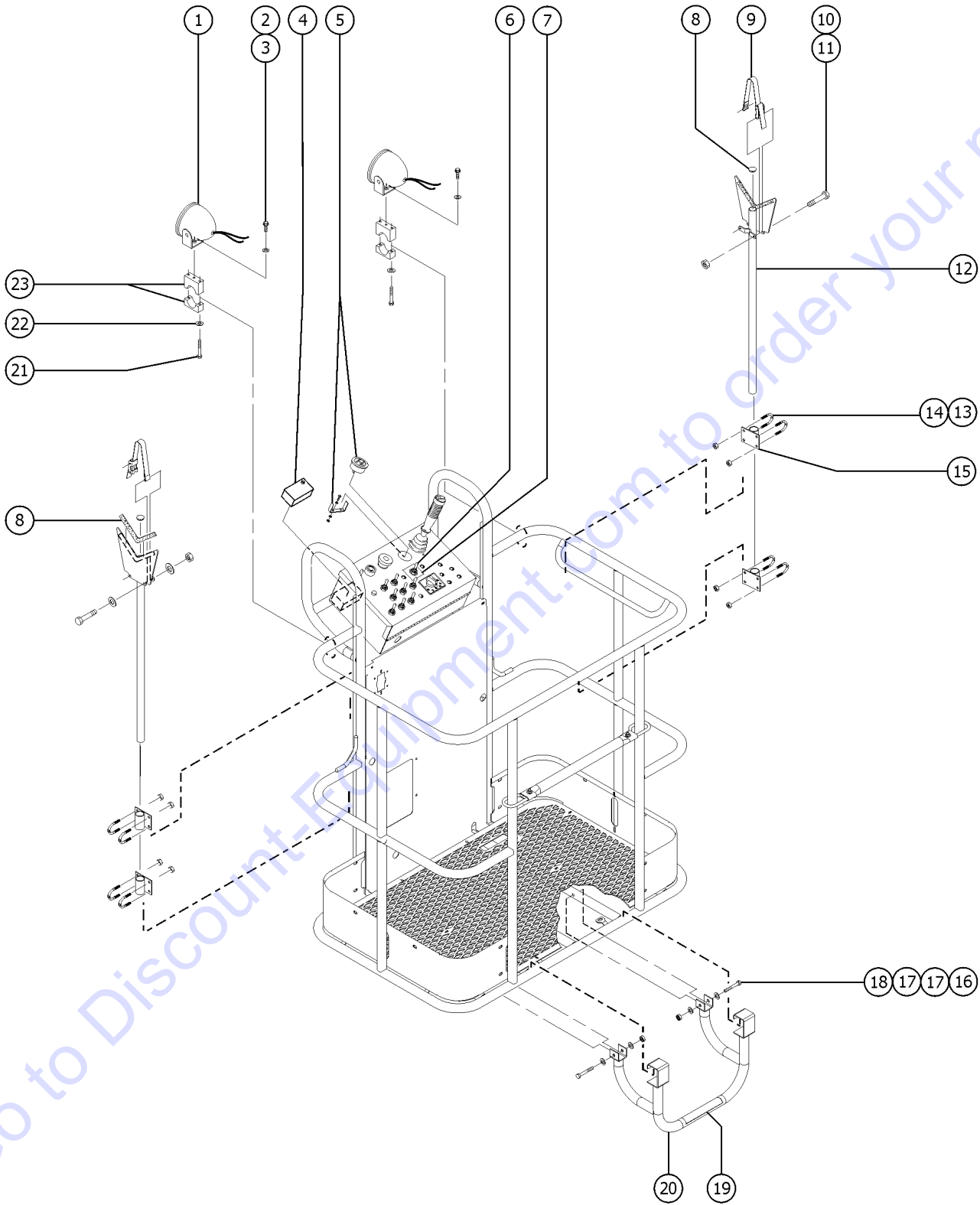


602.1 Air Line to Platform

Item	Part No.	Description	Qty.
--	52614GT	AIRLINE ASSY, AIR/PLAT, Z34 <i>includes items 1-3</i>	
--	62513GT	AIRLINE TO PLAT ASSY,Z34N & DC	
1	27903GT	HOSE,LOW PRESSURE,.375 ID,BLK.....530-inches	
2	27902GT	CLAMP,HOSE,2 EAR, 5/8.....2	
3	27901GT	HOSE END,BARBED,RIGID,-6-6.....2	
4	27900GT	BULKHEAD,FEMALE X 6 X 6.....2 <i>includes nut and star washer</i>	
5	13775GT	WASHER,FLAT,1.063 X 2 X .134	
6	27895GT	COUPLER,1/4"SERIES 3/8 MPT.....1	
7	44981GT	DECAL,LABEL, AIR LINE 110 PSI.....2	
8	27894GT	PLUG,1/4"SERIES,3/8 MPT.....1	

Go to Discount-Equipment.com to order your parts

603.1 Worklights, Pipe Cradle, LVI/BCI, Battery Charge Indicator and Platform Step

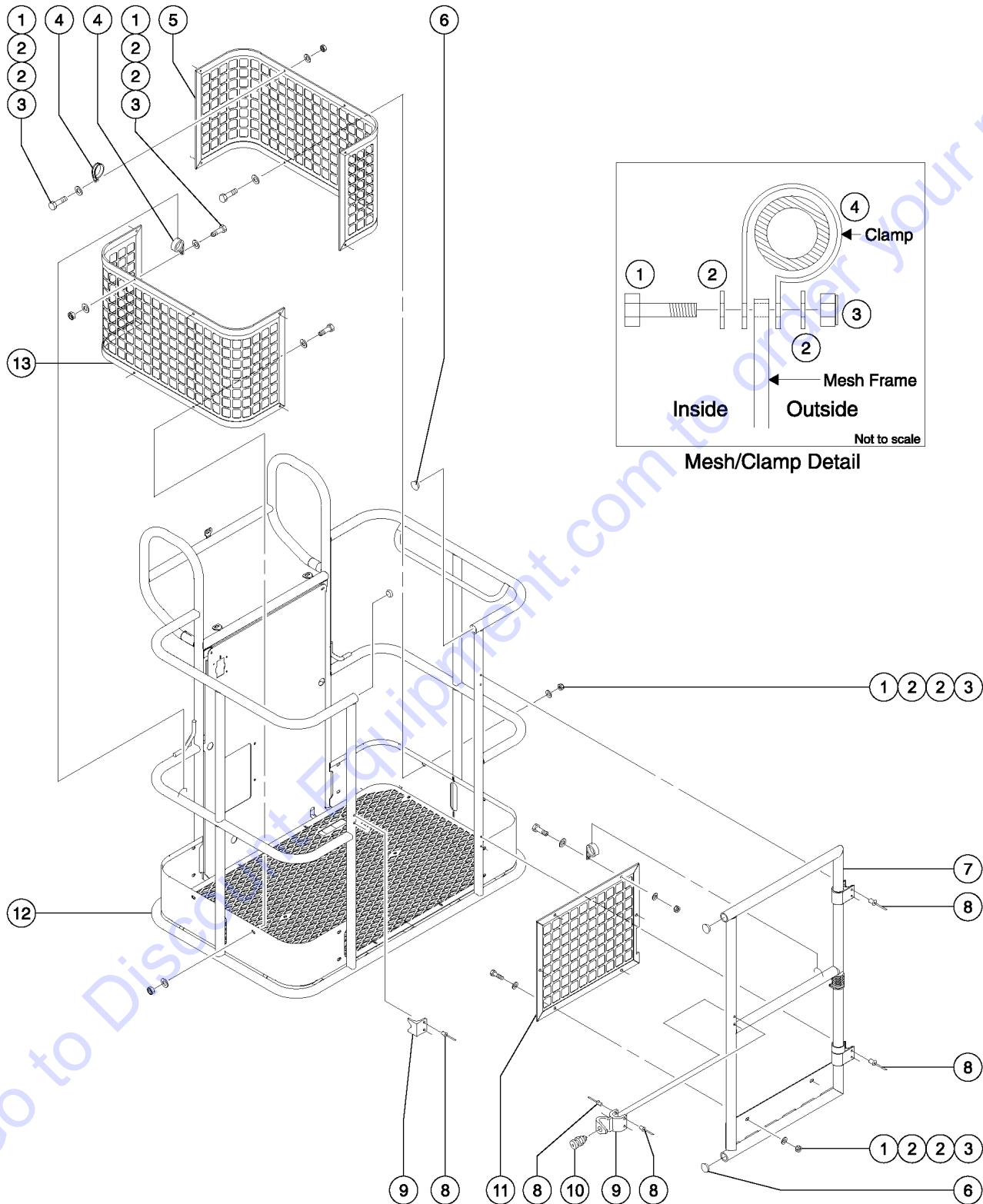


Go to Discount-Equipment.com to order your parts

603.1 Worklights, Pipe Cradle, LVI/BCI, Battery Charge Indicator and Platform Step

Item	Part No.	Description	Qty.
--	119147GT	ACC.RETRO KIT LVI/BCI ENGAG II <i>Can only be used to upgrade machines which already have the LVI/BCI option installed from the factory</i>	
--	56486GT	ACC,WORKLIGHT,48V**	
--	56903-SGT	ACCESSORY,PLATFORM STEP	
--	85300GT	PIPE CRADLE ASSY. SERV (ONE)**	
1	107858GT	WORKLIGHT,48 VOLT.....	2
--	35959GT	LAMP,PAR 36 48 VOLT (35958)***.....	2
2	18506GT	SCREW 5/16-18 X .75 LG.FLG.LCK.	
3	5397GT	WASHER,FLAT,USS,5/16",Y	
4	110651GT	LVI/BCI 36/48 VOLT ENGAGE II.....	1
5	237145GT	IND,BAT CHARGE,48V LEAD-ACID..... <i>includes mounting bracket</i>	1
--	13097GT	FUSE,10 AMP	
--	23083-SGT	FUSE HOLDER,WATERPROOF	
6	56457-SGT	SWITCH,TOGGLE,SPDT,2 POS MAINT.....	1
7	72867GT	DECAL,LABEL,LIGHTS***.....	1
8	55753GT	BUMPER, PLASTIC, 1.25 O.D.....	4
9	56570GT	STRAP, CONDUIT HOLDER 60****.....	2
10	824083GT	SCREW,HHF,1/4-20X2.5,8,ZAG	
11	1277924GT	NUT,NYLOCK FLG,1/4-20,F,ZAG	
12	85300GT	PIPE CRADLE ASSY. SERV (ONE)**	
--	19018GT	TRIMLOCK,BLACK,5/32".....	11-inches
--	65630GT	INSTRUCTIONS-PIPE CRADLE,BOOMS	
--	72875GT	DECAL,WARNING,PIPE CRADLE,BOOM	
13	1251600GT	U-BOLT, FLATTENED, 1.5 X 3/8 UNC,ZAG.....	8
14	1274322GT	NUT,NYLOCK FLG,3/8-16,F,ZAG.....	16
15	81368GT	WELDMENT,PIPE CRADLE MOUNT....	4
16	8178GT	SCREW,HHC,3/8-16 X 2.5	
17	6097GT	WASHER,FLAT,USS,3/8",Y	
18	4828GT	NUT,NYLOCK,3/8-16	
19	32358GT	TAPE,NON-SKID,1" WIDE,BULK.....	8-inches
20	56903-SGT	ACCESSORY,PLATFORM STEP..... <i>includes items 15 and 20-22</i>	1
21	6637GT	SCREW,HHC,1/4-20 X 1.75	
22	6356GT	WASHER,LOCK,.25	
23	35956GT	BRACKET,WORK LIGHT MOUNT 5/16".....	2

604.1 Mesh Platform



Item	Part No.	Description	Qty.
1	6090GT	SCREW,HHC,1/4-20 X .75	
2	6638GT	WASHER,FLAT,USS,1/4"Y	
3	6091GT	NUT,NYLOCK,1/4-20	
4	56424GT	CLAMP,1.25X.5 RUBBER-CUSHION	
5A	74009GT	MESH,HALF HEIGHT RH,4***.....1 <i>Shown</i>	
5B	74007GT	MESH,HALF HEIGHT,5***	
6	45385GT	PLUG,NYLON 1.12 BLACK DOMED.....4	
7	128374GT	WELDMENT,SWING GATE,ALUMINUM.....1	
--	9596GT	HINGE CASTING <i>Special welding requirements for installation of this component. Strongly suggest ordering 128374 OR contact Discount-equipment for welding requirements.</i>	
8	22409GT	RIVET,ALUM,ALUM,P,.25 X .56	
9A	1488GT	RAILING CATCH CASTING--DRILLED	
9B	1487GT	GATE LATCH CASTING--DRILLED	
10	12161GT	SNAP PIN,(RD.NOSE)-GATE LATCH.....1	
11	54457GT	MESH,HALF,SWING GATE***.....1 <i>Shown</i>	
12		Ref. Platform Assembly	
13A	74074GT	MESH,HALF HEIGHT LH Z30.....1 <i>Shown</i>	
13B	74071GT	MESH,HALF HEIGHT LH Z34	

PARTS FINDER

**Search Website
by Part Number**



**Search Manual
Library For Parts
Manual & Lookup Part
Numbers – Purchase
or Request Quote**

Search Manuals

Enter your information to help us find the right parts manual for your machine.

* Brand:

* Model:

* Serial:

* Part Number:

SEARCH

**Can't Find Part or
Manual? Request Help
by Manufacturer,
Model & Description**

Parts Order Form

Please fill in the following information to help us find the right part for your machine.

MANUFACTURER:

MODEL:

DESCRIPTION:

DATE:

NAME:

PHONE:

EMAIL:

ADDRESS:

CITY:

STATE:

ZIP:

REQUEST QUOTE

Discount-Equipment.com is your online resource for quality parts & equipment.

Florida: **561-964-4949** Outside Florida TOLL FREE: **877-690-3101**

Need parts?

Click on this link: <http://www.discount-equipment.com/category/5443-parts/> and choose one of the options to help get the right parts and equipment you are looking for. Please have the machine model and serial number available in order to help us get you the correct parts. If you don't find the part on the website or on one of the online manuals, please fill out the request form and one of our experienced staff members will get back to you with a quote for the right part that your machine needs.

We sell worldwide for the brands: Genie, Terex, JLG, MultiQuip, Mikasa, Essick, Whiteman, Mayco, Toro Stone, Diamond Products, Generac Magnum, Airman, Haulotte, Barreto, Power Blanket, Nifty Lift, Atlas Copco, Chicago Pneumatic, Allmand, Miller Curber, Skyjack, Lull, Skytrak, Tsurumi, Husquvarna Target, Stow, Wacker, Sakai, Mi-T-M, Sullair, Basic, Dynapac, MBW, Weber, Bartell, Bennar Newman, Haulotte, Ditch Runner, Menegotti, Morrison, Contec, Buddy, Crown, Edco, Wyco, Bomag, Laymor, EZ Trench, Bil-Jax, F.S. Curtis, Gehl Pavers, Heli, Honda, ICS/PowerGrit, IHI, Partner, Imer, Clipper, MMD, Koshin, Rice, CH&E, General Equipment, Amida, Coleman, NAC, Gradall, Square Shooter, Kent, Stanley, Tamco, Toku, Hatz, Kohler, Robin, Wisconsin, Northrock, Oztec, Toker TK, Rol-Air, APT, Wylie, Ingersoll Rand / Doosan, Innovatech, Con X, Ammann, Mecalac, Makinex, Smith Surface Prep, Small Line, Wanco, Yanmar

Part Number Index

The Part Number Index is a numeric index of all part numbers included in this manual. The index shows what page(s) the part is used on.

Part Number	Page	Part Number	Page	Part Number	Page	Part Number	Page
101557GT	65	139354GT	26	23314GT	29	31528GT	43
101703GT	21	139355GT	26	23321GT	55	31785GT	11
10262GT	65	14033GT	21, 41, 47, 61	23404GT	29, 45, 53, 85	31788GT	11
102992GT	79-80, 83	14041GT	85	23405GT	29	32224GT	39
106217GT	53	144161GT	53	23417GT	29	32317GT	51
10665GT	70	147093GT	45	237145GT	101	32358GT	101
10775GT	83, 85	147094GT	29	23844GT	41	32399GT	13-14
10777GT	83	147143GT	65	23845GT	29	32669GT	69-70
107858GT	101	147147GT	69-70	25034GT	17	32673GT	13-14
110197GT	43	1487GT	103	25068GT	39	32700GT	11
110651GT	101	1488GT	103	25388GT	53	32710GT	79-80, 83
114320GT	26	1505GT	79-80	25628GT	73	33278GT	69-70
114321GT	26	15086GT	47, 97	25683GT	61, 69-70	33428GT	63
114322GT	26	16397-SGT	45, 87	25817GT	13-14	33487GT	61
119111GT	39	16486GT	63	25837GT	41	33608GT	41, 85
119147GT	101	17626GT	29, 79-80, 83	25974GT	41	33609GT	41
119403GT	53	18078GT	21	27078GT	49	33756GT	49
119556GT	26	18396GT	13-14, 61	27080GT	49	33952GT	11
119917GT	39	18503GT	23, 29, 41	27126GT	23	33994GT	17, 19, 31, 33, 35, 43, 69-70
12037GT	79-80, 83	18504GT	47	27246GT	45, 87	34125GT	65
12161GT	103	18506GT	29, 41, 47, 101	27258GT	67	34245GT	61, 63
122019GT	97	18920GT	17, 19	27262GT	21	35003GT	85
122512GT	45	18963GT	53	27263GT	21	35088GT	70
122513GT	87	19018GT	41, 47, 101	27275GT	39	35540GT	11
122514GT	45, 87	19268GT	45	27372GT	39	35542GT	11
12340GT	31, 33, 73	19440GT	13-14	27419GT	29	35587GT	26
12344GT	85	19491GT	39, 59, 63	27497GT	59, 63, 65, 67, 69-70	35611GT	69-70
12443GT	79-80, 83	19506GT	45	27532GT	43	35678GT	95
1251600GT	101	19520GT	23	27564GT	11	35679GT	95
1255452GT	13-14, 61	19533GT	21	27643GT	59	35680GT	87, 95
1258005GT	13-14	19679GT	31, 33, 73	27647GT	67	35934GT	85
1258006GT	13-14	19710GT	89, 91	27699GT	67	35956GT	101
1267845GT	26	19712GT	89, 91, 93	27830GT	21	35957GT	49
1274322GT	101	19715GT	89, 91	27894GT	99	35959GT	101
1277924GT	101	19719GT	89, 91	27895GT	99	36054-SGT	69-70
128138GT	23	19720GT	89, 91	27900GT	99	36125GT	67
128374GT	103	19722GT	89, 91, 93	27901GT	99	36179GT	47
1284189GT	39	19723GT	89, 91	27902GT	99	36189GT	69-70
128565GT	39	19731GT	89, 91, 93	27903GT	99	36190GT	70
128618GT	39	19815GT	29	28157GT	11, 49	36192GT	65
128620GT	39	19816GT	41	28161GT	11	36194GT	61, 63
128621GT	39	20193GT	25-26	28164GT	11	36198GT	63
128622GT	39	20224GT	43, 57	28165GT	11	36199GT	69-70
128633GT	59	20262GT	79-80, 83	28171GT	11	36200GT	61
1286606GT	25-26	20973GT	79-80, 83	28174GT	11	36202GT	61
1286607GT	25-26	21121GT	79-80, 83	28175GT	11	36205GT	61
1287986GT	19	21143GT	25-26	28176GT	11	36211GT	13-14
128810GT	47	21144GT	25-26	28177GT	11	36212GT	23
128899GT	39	21145GT	25-26	28181GT	11	36235GT	85
12906GT	47, 53, 79-80	21146GT	25-26	28235GT	11	36245GT	61
12960GT	85	21148GT	25-26	28236GT	11	36246GT	61
13000GT	83	21149GT	25-26	28372GT	11	36249-SGT	69-70, 80
13002GT	23, 29	21166GT	13-14	28443GT	63	36257GT	53
13008-3GT	21	21253GT	23	28750GT	17, 19, 31, 33, 35, 43, 69-70	36260GT	25-26
13008-5GT	21	21427GT	93	29032GT	17, 19, 43	36268PGT	29
13008-6GT	21	21434GT	89, 91, 93	29080GT	65	36279-SGT	69-70
13037-SGT	87	2166GT	17	29218GT	49	36313GT	21
13064GT	39	21982GT	45	29350GT	79-80	36326GT	39
13097GT	101	22262GT	29, 41	29431GT	79-80	36355GT	29
13120GT	55	22263GT	29, 41	29737GT	43	36356GT	29
13471GT	45, 87	22264GT	29	29868GT	23	36366GT	59
13480-SGT	45, 87	22265GT	29	30138GT	65	36369GT	23
13482GT	79-80, 83	22359GT	63	30255GT	61, 69-70	36373GT	87
13511GT	45	22409GT	103	30348GT	47	36388GT	41, 47
13585GT	83, 85	22432GT	79-80	30807P-SGT	79-80, 83	36390GT	61
13755GT	73	22433GT	79-80	30997GT	85	36413GT	65
13756GT	31, 33, 55, 73	22542GT	29	31060GT	11	36414GT	53
13775GT	99	226393GT	97	31106GT	61, 69-70	36415GT	53
13852GT	69-70, 75, 77	227620GT	79-80, 83	31193GT	73	36424GT	23
13918GT	25-26	22794GT	39, 47	3194GT	39, 57	36443GT	25-26
13921GT	31, 33, 73	22811GT	26	31498GT	69-70	36449GT	53
139290GT	53	228469GT	79-80, 83	31508GT	11	36456GT	29, 47
13930GT	45	228470GT	79-80, 83	31527GT	43	36457GT	53
139351GT	26	22959GT	49			36459GT	39
139353GT	26	23083-SGT	101				

Part Number	Page	Part Number	Page	Part Number	Page	Part Number	Page
36470GT	73	37185GT	47	41212GT	14	43961GT	85
36471GT	73	37186GT	47	41213GT	13-14	44133GT	59, 63
36472GT	73	37187GT	47	41217GT	25-26	44586GT	41
36473GT	73	37188GT	25-26	41921GT	26	44743GT	79-80, 83
36478GT	31, 33, 55	37189GT	25-26	41922GT	26	44777GT	51
36479GT	31, 33, 55	37191GT	47	42032GT	93	44778GT	25-26, 51
36492-SGT	65	37192GT	47	42032HGT	93	44793GT	49
36496-SGT	59	37947GT	45	42336GT	41	44820GT	23
36554GT	31, 33	38110GT	11	42356GT	65	44950GT	51
36561-SGT	69-70	38111GT	11	42363GT	39	44954GT	43, 69-70
36567GT	73	38112GT	11	42413GT	59	44956GT	19
36570GT	53	38113GT	26	42422GT	69-70	44980GT	11
36574GT	53	38114GT	26	42432-SGT	13-14	44981GT	11, 99
36575GT	53	38115GT	26	42439GT	41	44986GT	11
36578GT	29	38160GT	49	42470GT	79-80	45040GT	13-14
36598GT	73	39345GT	69-70	42502GT	65	45043GT	13-14
36600GT	79-80, 85	40136GT	25-26	42612-SGT	59	45071GT	13-14, 61, 63
36648GT	65	40137GT	13-14	42613-SGT	59	45074GT	13-14
36649PGT	59	40145GT	13-14	42616GT	41, 85	45093GT	13-14
36650PGT	59	40146GT	14	42617GT	85	45094GT	25-26
36658GT	25-26	40299GT	11	42621GT	65	45107GT	13-14
36659GT	43	40300GT	11	42622GT	29	45108GT	14
36664GT	59	40318GT	49	42693P-SGT	67	45110GT	13-14
36666GT	41	40398GT	21	42694PGT	67	45111GT	14
36673GT	21	40400GT	49	42744GT	35	45112GT	14
36676GT	13-14	40410GT	43	42763GT	67	45113GT	14
36680PGT	53	40412GT	43	42764GT	13-14, 17, 19	45114GT	14
36697GT	41	40413GT	19, 43, 69-70	42785GT	47	45200GT	79-80
36701GT	39	40414GT	69-70	42797GT	69-70	45201GT	79-80
36711PGT	41	40421GT	17	42805GT	57	45202GT	79-80
36792GT	31, 33	40422GT	17	42817GT	75, 77	45209GT	23
36793GT	31, 33	40423GT	17	42818-SGT	75, 77	45313GT	79-80
36794GT	31, 33	40424GT	17, 19	42820-SGT	75, 77	45361GT	55
36816-SGT	97	40432GT	89, 91	42846GT	35	45366GT	55
36825GT	31, 33	40434GT	11	42848GT	35	45382GT	23
36826GT	55	40438GT	14	42849GT	35, 57	45383GT	85, 87
36827GT	55	40439GT	25-26	42850GT	35, 57	45384GT	87
36828GT	55	40440GT	23	42851-SGT	35	45385GT	53, 103
36829GT	55	40441GT	23	42853GT	57	45412GT	55, 73
36830GT	55	40442GT	23	42854GT	57	45415GT	47, 73
36839GT	25-26	40443GT	53	42855GT	57	45425GT	59
36846PGT	59	40444GT	53	42856GT	57	45437GT	83
36847GT	73	40446GT	59	42857-SGT	77	45460GT	13-14
36848GT	73	40447GT	59, 61, 63	42859GT	75, 77	45461GT	26
36849GT	73	40448GT	59	42860-SGT	75, 77	45462GT	97
36850GT	73	40449GT	59	42861GT	75, 77	45465GT	23
36851GT	73	40450GT	65	42862-SGT	75, 77	45433GT	17, 19
36852GT	55	40523GT	21	42863-SGT	75, 77	45544GT	17, 19
36853GT	55	40524GT	21	42865GT	57	45745GT	65
36854GT	73	40532GT	21	42866GT	57	45782GT	45
36855GT	73	40533GT	21	42875-SGT	75	45840GT	87
36871GT	41	40534GT	21	42894-SGT	75, 77	45873GT	13-14
36874GT	61	40536GT	21	42920GT	47, 57	45912GT	17, 19, 69-70
36875GT	23	40537GT	21	42922-SGT	47	46227GT	93
36923PGT	53	40538GT	21	42929GT	47	46241GT	49
36924PGT	53	40551GT	37	42935GT	57	46993GT	85, 87
36959GT	39	40552GT	37	42939-12000GT	63	47377GT	61, 63, 69-70
36998GT	47	40553GT	37	42939-3200GT	70	4828GT	21, 41, 47, 61, 69-70, 79-80, 83, 101
37051GT	11	40554GT	37	42939-4700GT	69-70	48401GT	13-14
37052GT	11	40555GT	37	42939-5400GT	59	48404GT	61
37053GT	11	40556GT	37	42939GT	59, 69-70	48405GT	69-70
37054GT	11	40557GT	37	43036GT	11	48406GT	65
37055GT	11	40558GT	37	43038GT	93	48504GT	51
37056GT	11	40559GT	37	43040GT	93	48698GT	29
37075GT	17, 19	40560GT	37	43042GT	93	48701GT	29
37079GT	43	40561GT	37	43045GT	89, 91, 93	48704GT	29
37090GT	69-70	40562GT	37	43166GT	69-70	48880GT	43
37097GT	25-26	40563GT	37	43652GT	11	48885GT	47
37107GT	23	40564GT	37	43653GT	11	48890GT	75, 77
37108GT	23	40565GT	37	43658GT	11	48900GT	57, 77
37109GT	13-14	40566GT	37	43663GT	11	48904GT	35, 75, 77
37110GT	14	40665GT	70	43685GT	51	48905GT	75, 77
37128GT	69-70	40837GT	14	43955GT	85	48906GT	35
37129GT	45	41020GT	79-80	43956GT	53, 83, 85	48911GT	35
37130GT	85, 87	41207GT	23	43958GT	59		
37184GT	47	41208GT	23	43960GT	39		

Part Number Index (continued)

Part Number	Page	Part Number	Page	Part Number	Page	Part Number	Page
48912GT	35, 57, 75, 77	56457-SGT	101	62483GT	23	74074GT	103
48915GT	57	56465PGT	83	62484GT	23	74091GT	63
48916GT	57, 75, 77	56486GT	101	62506GT	69-70	74096GT	47
48920GT	35	56500-SGT	83	62507GT	69-70	74099GT	25-26
48926GT	75	56570GT	101	62508GT	83	74137GT	25-26
48930GT	57, 77	56576PGT	83	62513GT	99	74263GT	65
48931GT	57	56656PGT	83	62514GT	83	74266GT	29
48933GT	75	56660GT	79-80, 83	62515GT	83	74267GT	29
48938GT	47, 57	56685GT	23	62516GT	83	74268GT	29, 41
48944GT	47	56704GT	97	62518GT	83	74282GT	29
48946GT	57	56756GT	61	62519GT	29	74298GT	79-80, 83
48947GT	47, 57	56823GT	17	62695GT	29	74356GT	95
48994GT	57	56843GT	39	62696GT	29	74357GT	95
48997GT	43, 57	56886GT	87, 95	62697GT	29	74358GT	95
48999GT	57	56900GT	25-26	6272GT	45	74359GT	95
49418GT	75, 77	56903-SGT	101	62932GT	11	74362GT	93
49612GT	17, 19, 35, 69-70	56911GT	25-26	62933GT	11	74363GT	93
49613GT	17, 19, 35, 69-70	56912GT	14, 21, 25-26,	63375GT	85	74364GT	93
49816GT	41, 53, 93, 97		41, 83	6356GT	14, 21, 23, 25-26,	74365GT	93
49818GT	29	56925GT	69-70		26, 29, 47, 53,	74366GT	93
49819GT	47	56934GT	65		59, 65, 69-70,	74370GT	25-26
49820GT	83, 85	56945GT	75		83, 87, 101	74371GT	25-26
49821GT	59	56946-SGT	75	6357GT	41	74378GT	43
49871GT	29	56994GT	41	65171GT	11	74379GT	59
51063GT	39	58008GT	59	65178GT	93	74380GT	83
52087GT	26	58296GT	39	6550GT	79-80	74381GT	83
52339GT	17, 19	58330GT	39	65523GT	69-70	74382GT	83
52614GT	99	58331GT	39	65529GT	93	74383GT	79-80, 83
52620GT	70	58332GT	39	65608GT	26	74384GT	95
52625GT	63	58333GT	39	65618GT	26	74389GT	13-14
52626GT	63	58343GT	39	65630GT	101	74446GT	29
52715GT	43	58344GT	39	6563GT	23, 65	74448GT	83
52718GT	43	58345GT	39	65842GT	69-70	74508GT	65
52724GT	69-70	58346GT	39	6607GT	29, 39, 41, 59, 63	74509GT	65
52885GT	19	58360GT	39	6637GT	101	74614GT	70
52887GT	93	58438GT	25-26	6638GT	14, 21, 25-26,	74625GT	13-14
52895GT	93	58448GT	25-26		29, 39, 41, 47,	74704PGT	23
52913GT	51	58589GT	25-26		53, 59, 65, 67,	74735GT	70
52914GT	51	58919GT	67		69-70, 79-80,	74747GT	83
52915GT	51	58920GT	67		83, 87, 103	74782GT	79-80
52928GT	93	58927GT	67	66717GT	29	74783GT	79-80
52943GT	17, 19, 43, 69-70	58932GT	51	66813GT	87	74792GT	79-80, 83
52968GT	11	58933GT	51	66815GT	87	74806GT	53
53527GT	47	58934GT	51	66816GT	45	74865GT	69-70
53534GT	47	58935GT	51	66818GT	45, 87	74866GT	69-70
5397GT	14, 29, 39, 59,	58936GT	51	66821GT	45, 87	74902GT	17, 19, 43
	63, 65, 69-70,	58937GT	51	6782GT	29	74911GT	41
	83, 101	58965GT	19	6833GT	67	74913GT	41
53994GT	25-26	58986GT	93	6884GT	59	74917GT	41
54139GT	25-26	58987GT	93	6886GT	29	74946GT	59
54140GT	13-14, 25-26	58989GT	17, 19	6888GT	14, 21, 23, 25-26,	77051GT	69-70
54234GT	13-14, 25-26	58994GT	43		26, 47, 53, 59,	7713GT	63, 65
54457GT	103	58995GT	47		65, 67, 79-80, 83	77692GT	13-14, 53, 61,
54530GT	65	59076GT	13-14	6889GT	59		63, 65, 69-70
54627GT	13-14, 26	59169GT	13-14	6935GT	21, 53, 83, 85	77981GT	51
54692GT	45	6019GT	47, 63, 65, 69-70,	7056GT	21, 39, 53, 59,	81368GT	101
54794GT	21		70, 97		63, 83, 85	81579GT	41
54795GT	21	6021GT	13-14, 25-26,	7057GT	85	8178GT	101
54796GT	21		41, 47, 51, 53,	72043GT	43	82366GT	11
54797GT	21		61, 63, 65, 69-70,	72047GT	19	824083GT	101
55753GT	101		70, 97	72282GT	97	824126GT	13-14
56001GT	49	6090GT	21, 23, 29, 39,	72319GT	26	824128GT	13-14
56003GT	57		47, 53, 65, 67,	72321GT	49	825019GT	13-14, 61, 63,
56022GT	47		69-70, 87, 103	72326GT	53, 85, 97		65, 69-70
56026GT	35	6091GT	14, 21, 29, 39,	72833GT	11	83087GT	69-70
56036-SGT	77		41, 47, 53, 59,	72867GT	101	8516GT	69-70
56051GT	79-80, 83		65, 67, 69-70,	72875GT	101	85300GT	101
56095GT	41		79-80, 83, 103	72978GT	11	88280GT	63
56177GT	69-70	6097GT	21, 25-26, 41,	7339GT	23, 41	88337GT	13-14
56180-SGT	75		47, 53, 79-80,	74006GT	85	88338GT	13-14
56181-SGT	75		101	74007GT	103	88356-11103GT	39
56209GT	75	6145GT	69-70	74009GT	103	88356-116R3GT	59
56244-SGT	75	6146GT	21, 29	74019GT	69-70	88356-127J5GT	63
56289-SGT	97	6178GT	21, 39, 41, 53,	74052GT	83	8910GT	23
56338GT	25-26		79-80, 83	74066GT	65	8914GT	41, 47, 53, 59
56424GT	103	62276GT	17, 19	74071GT	103	89310GT	43

Part Number	Page
89722GT	17
94020GT	13-14
94021GT	13-14
94022GT	23
94023GT	23
94195GT	39
94210GT	61
94212GT	65
94215GT	63
94216GT	63
94217GT	70
94218GT	69-70
94253GT	61
94255GT	65
94258GT	63
94259GT	63
94260GT	70
94261GT	69-70
94427GT	47
94742GT	41
94745PGT	79-80, 83
94879GT	26
94880GT	26
94908GT	13-14
94909GT	25-26
9596GT	103
96317GT	14
97128GT	39
T107884GT	69-70
T109281GT	47
T112540GT	19
T112563GT	83

Go to Discount-Equipment.com to order your parts

Part Description Index

The Part Description Index is an alphabetical index of all part descriptions included in this manual. The index shows what page(s) the part is used on.

A

ACC,WORKLIGHT,48V**.....101
 ACC. Z34 ALARM PACKAGE DC.....97
 ACC.RETRO KIT LVI/BCI ENGAG II.....101
 ACCESSORY,PLATFORM STEP.....101
 AIRLINE ASSY, AIR/PLAT, Z34.....99
 AIRLINE TO PLAT ASSY,Z34N & DC.....99
 ALARM,CHIME TONE 5-25VDC***.....97
 ALARM,INTERMITTENT TONE 6-30V*.....53
 ALARM,WARBLE TONE 5-30 VDC***.....85, 87
 AMMETER-BOOM CHARGER.....21
 ANDERSON HOUSING,15-45 AMP BLK.....79-80
 ANDERSON HOUSING,15-45,AMP,WHT...79-80
 ANGLE,PINCH GUARD.....65
 ANGLE,SWITCH MOUNT***.....59
 ASSEMBLY,FOOT SWITCH.....79-80, 83
 ASSY, CIRCUIT BREAKER 10A.....45
 ASSY, CIRCUIT BREAKER 15A.....29

B

BASE, W/1 N.O. CONTACTS***.....87
 BASE,WITHOUT CONTACTS.....45, 87
 BAT.BOX ASY W/DEC,GCSIDEZ34DC*.....23
 BAT.BOX ASY W/DEC,HTSIDEZ34DC*.....23
 BAT.CABLE ASSY,G.C. SIDE,Z34.....23
 BAT.CABLE ASSY,TANK SIDE,Z34.....23
 BATTERY BOX ASSY W/DECALS LS.....23
 BATTERY BOX ASSY W/DECALS RS.....23
 BATTERY BOX ASSY. W/DECALS LH.....23
 BATTERY BOX ASSY. W/DECALS RH.....23
 BATTERY BOX SPACER.....23
 BATTERY CABLE ASSY,9.5"JUMPER.....23
 BATTERY,DRY,315AH GROUP 4H.....23
 BEARING KIT.....26
 BEARING KIT (45553) TORQUE HUB.....25-26
 BEARING KIT, AUSCO***.....26
 BEARING KIT, MICO BRAKE.....26
 BEARING KIT,BRAKE,MICO.....26
 BEARING KIT,ROTATOR,9K***.....69-70
 BEARING KIT,TORQUE HUB (20193).....25-26
 BEARING RACE (LARGE) (45873).....13-14
 BEARING RACE (SMALL) (45873).....14
 BEARING SET (48504).....51
 BEARING,0.75IDX1.00ODX0.75L.....23
 BEARING,1.00IDX1.25ODX1.00L.....13-14
 BEARING,1.25 ID X 1.5 OD X .75.....61, 63, 69-70
 BEARING,1.25 X 1.41 X .75***.....63
 BEARING,1.25IDX1.50ODX1.25L.....69-70
 BEARING,1.25IDX1.50X1.25L.....61, 63
 BEARING,1.50 X 1.66 X 1.5.....63
 BEARING,1.5IDX1.75ODX0.75L.....63
 BEARING,1.5IDX1.75ODX1.0L.....13-14, 61
 BEARING,1.5IDX1.75ODX1.5L.....13-14, 61, 63
 BEARING,CONE LM501349 (74994).....39
 BEARING,CONE***.....39
 BEARING,CUP LM501310 (74994).....39
 BEARING,CUP***.....39
 BEARING,FL,0.75IDX1.00ODX1.39L.....13-14
 BEARING,FL,1.00IDX1.25ODX0.84L.....61
 BEARING,FL,1.25IDX1.41ODX.89L.....70
 BEARING,FL,1.25IDX1.50ODX1.09L.....61

BEARING,FL,1.25IDX1.50ODX1.25L.....69-70
 BEARING,MOTOR.....49, 51
 BEARING,MOTOR,36843,BRUSH END*.....25-26, 51
 BEARING,POLYGON,20DU12.....61, 69-70
 BELLCRANK ASSEMBLY, Z30N,Z34**.....69-70
 BOLT,ENDCOVER.313-18X1.81,GR8.....25-26
 BOLT,ENDCOVER.313-18X2.25,GR8.....25-26
 BOOT, PROTECTIVE, 45049 BLACK.....89, 91
 BOOT,45049,40612.....89, 91
 BOOT,CABLE TERM,MED.RED,4/0.....23
 BOOT,CONTROLLER**.....93
 BOOT,TOGGLE SWITCH,SHORT*.....45, 87
 BOOT-THUMB ROCKER** BLACK.....93
 BRACKET, RELAY MOUNTING.....29
 BRACKET,BEACON LIGHT.....97
 BRACKET,CHARGER GAUGE MOUNTING.....21
 BRACKET,CONTACTOR MOUNT.....29
 BRACKET,CONTACTOR MOUNT SINGLE.....41
 BRACKET,COVER LATCH.....53
 BRACKET,WORK LIGHT MOUNT 5/16".....101
 BRAKE, NEMA, 1200 IN/LB.....26
 BRAKE,MICO DRIVE,Z30N,Z34 **.....26
 BREATHER CAP W/ DIPSTICK,FENR (40428).....49
 BRKT.MANIFOLD MOUNT PAINTED.....41
 BRUSH BOX ASSEMBLY.....51
 BRUSH COVER -PLATE-(48504)*.....51
 BRUSH HOLDER.....25-26
 BRUSH KIT,MONARCH, (4 PIECES).....49
 BRUSH LEAD ASSEMBLY KIT(48504).....51
 BRUSH SET 4 EA.....51
 BRUSH SPRING SET.....51
 BRUSH, MOTOR.....25-26
 BRUSH-23440 OHIO MOTOR(SET=4PC).....49
 BULKHEAD,FEMALE X 6 X 6.....99
 BUMPER, PLASTIC, 1.25 O.D.....101
 BUMPER,RUBBER,.75 X .50H,STUD.....41, 47
 BUSHING, FLANGED.....70
 BUTTON,PUSH,BLACK W/SEAL***.....87

C

C-CLIP, SHAFT, JOYSTICK.....93
 CABLE ASSEMBLY,10.5".....37
 CABLE ASSEMBLY,13"(SCISSORS).....37
 CABLE ASSEMBLY,18".....37
 CABLE ASSEMBLY,24".....37
 CABLE ASSEMBLY,25".....37
 CABLE ASSEMBLY,3".....37
 CABLE ASSEMBLY,30".....37
 CABLE ASSEMBLY,32".....37
 CABLE ASSEMBLY,35".....37
 CABLE ASSEMBLY,4".....37
 CABLE ASSEMBLY,45.5".....37
 CABLE ASSEMBLY,46".....37
 CABLE ASSEMBLY,5".....37
 CABLE ASSEMBLY,63".....37
 CABLE ASSEMBLY,65.5".....37
 CABLE ASSEMBLY,80".....37
 CABLE SQUEEZE CONN.,XTRA LRG.....85
 CABLE TIE,11.5" BLACK.....63
 CABLE TIE,4" BLK,HEAT RESISTNT.....79-80, 83

CAM ASSEMBLY, JOYSTICK(42032).....93
 CAP,DIAGNOSTIC NIPPLE.....43
 CAP,DISENGAGE-45553 TORQUE HUB.....25-26
 CAP,DUST,45873 HUB KIT.....14
 CAP,FILLER BREATHER,3 MICRON**.....47
 CAPACITOR,6 MFD,660VAC-CHARGR*.....21
 CASE COVER ONLY 18710/18720.....21
 CASE COVER,ROTATOR,Z30/34 (119111).....39
 CASTING 42032.....93
 CASTING,45049, 40612.....89, 91
 CHANNEL,LWR, TRACK PAINTED**.....67
 CHANNEL,UPR, TRACK PAINTED.....67
 CHARGER,48V,100-125VAC,50H,25A.....21
 CHARGER,48V,100-125VAC,60H,25A.....21
 CHARGER,48V,110VAC,60H,25A.....21
 CHARGER,48V,200-250VAC,50H,25A.....21
 CHARGER,48V,200-250VAC,60H,25A.....21
 CLAMP,0.50,#8 X 1/4,RUB CUSH.....67
 CLAMP,1.25X.5 RUBBER-CUSHION.....103
 CLAMP,HOSE,1.00.....47
 CLAMP,HOSE,2 EAR, 5/8.....99
 CLAMP,HOSE,ALUMINUM.....65
 CLAMP,RUBBER CUSHIONED-2 5/32.....59, 63, 65, 67, 69-70
 CLIP,HAIR PIN .125 X 2.....23
 CLIP,SPRING,POTTER BRUMFIELD.....85
 COIL,24V SOLENOID VALVE.....17, 19, 43
 COIL,SOLENOID,20V W/ DIODE,#10.....17
 COIL,SOLND,W/D,20V DUAL SPADE.....17, 19
 COIL,SOLND,W/D,20V SGL SPADE.....19, 43, 69-70
 COMPRESSION ARM WELDMENT 56.50.....59
 COMPRESSION MEMBER (BORED)***.....69-70
 CONN HOUSING SBX175, BATT.....23
 CONN, 520120-6.....57, 75, 77
 CONN,520102-8-8.....47
 CONN,520120-4***.....75, 77
 CONN,520120-4-6***.....35, 57, 75, 77
 CONN,520120-4-6,.035,ORI.....57, 77
 CONN,520120-6-10.....57
 CONN,520120-6-8.....57, 77
 CONN,520120-8***.....75
 CONN,520120-8-10.....57
 CONN,PLUG 120 AC/15A DOMESTIC.....53
 CONN,SQUEEZE,1/2NPT .38-50,SM.....21, 39, 53, 59, 63, 83, 85
 CONN. SQZ,1/2NPT .39-56 MED.....85
 CONNECTING LINK,MACHINED***.....59
 CONNECTOR.....39
 C O N N E C T O R
 ASSEMBLY,FOOTSWITCH.....79-80
 CONNECTOR,070120-4-4.....73
 CONNECTOR,070120-4-6.....31, 33, 55, 73
 CONNECTOR,070120-6-6.....55, 73
 CONNECTOR,BULKHEAD,FEMALE-4.....47
 CONT.BOX ASSY.PLAT Z30N,Z34DC.....85, 87
 CONTACT, N.C.....45, 87
 CONTACT,MOVEABLE,19550 RELAY.....29
 CONTACT,MOVING (SW181 & SW182).....29
 CONTACT,MOVING,19549RELAY*.....29, 41
 CONTACT,N.O.***.....45
 CONTACT,STATIONARY (56434)**.....29

CONTACT,STATIONARY,19549RELAY*.....29, 41	DECAL,DANGER,ELECT HAZARD,PLUG.....11	F
CONTACT,STATIONARY,19550 RELAY.....29	DECAL,DANGER,GEN SAFETY RULES.....11	
CONTACT-MOVEABLE (56434)**.....29	DECAL,DANGER,NO SMOKING ***.....11	FILTER ASSY,RETURN.....47
CONTACTOR,2X SPDT,24V/DC.....29	DECAL,DANGER,TILT ALARM.....11	FILTER ELEMENT,RETURN.....47
CONTACTOR,AUX PUMP 24V,80A***.....29, 41	DECAL,DANGER,TIP-OVER BATTERY.....11	FILTER SCREEN,TANK BREATHER.....47
CONTACTOR,DRIVE,24V,180A***.....29	DECAL,GROUND CONTROL PANEL**.....11	FILTER,PICK-UP SCREEN***.....49
CONTACTOR,LIFT PUMP 24V 180A**.....29	DECAL,INSTR,SIDE FRC/WIND,AUS.....11	FITTING,ELBOW,45D,520320-4-6**.....75, 77
CONTACTOR,LIMIT SWITCH.....39, 59, 63	DECAL,INSTRUCT,FOOTSWITCH OPER.....11	FITTING,ELBOW,90D,520220-6-4.....75
CONTROL BOX W/ DECAL, PLAT.....85, 87	DECAL,LABEL, AIR LINE 110 PSI.....11, 99	FITTING,TEE,BRANCH,520429-4***.....75, 77
CONTROLL.36V/48V,DC MTR.SPD.....29	DECAL,LABEL,CB & STATUS LIGHT.....11	FITTING,TEE,RUN,SWIVEL520432-8.....47, 57
CONTROLLER,ROTARY 24V W/RAMP.....87, 95	DECAL,LABEL,LIGHTS***.....101	FITTING-4 W/.085 ORIFICE.....31, 33
CORROSION INHIBITOR,FOAM.....85	DECAL,LABEL,MANUAL NOT HERE.....11	FLASHTUBE,STRAIGHT,360DEG,BULB.....97
Counterbalance Valve.....43	DECAL,LABEL,OPEN,LATCH.....11	FLASHTUBE,U SHAPED,360DEG,BULB.....97
COUNTERWEIGHT,2460 LBS.PAINTED.....53	DECAL,LABEL,PWR TO CHARGR 115V.....11	FLATBAR,PINCH GUARD.....65
COUNTERWEIGHT,CAST,3700 LBS.....53	DECAL,LABEL,PWR TO CHARGR 230V.....11	FLOORING,PLATFORM 46X30,PAINT.....83
COUPLER, PUMP / MOTOR (36179).....47	DECAL,LABEL,TRAVEL ALARM***.....11	FLOORING,PLATFORM,56X30,PNTD.....83
COUPLER,1/4"SERIES 3/8 MPT.....99	DECAL,LANYARD ANCHORAGE POINT.....11	Flow Regulating Valve.....43
COUPLER,19119 POWER UNIT.....49	DECAL,NOTICE, FUNCTION ENABLE*.....11	FOOT SWITCH WIRE ASSY W/CONN.....79-80, 85
COUPLER,INTERNAL SPLINE,T-HUB.....26	DECAL,NOTICE, GRD OPER INSTRUC.....11	FOOT SWITCH***.....79-80, 83
COUPLING,POT SHAFT (56886).....95	DECAL,NOTICE,BATT CONNECTION.....11	FOOTSWITCH ASSEMBLY 30N.....79-80, 83
COUPLING-POT,JOYSTICK (56579).....93	DECAL,NOTICE,BATTERY CABLES.....11	FOOTSWITCH HOUSING,PAINTED.....79-80, 83
COVER ASSY W/DECALS (56ND CTRL).....53	DECAL,NOTICE,CHARGER INSTRUC.....11	FUSE ASSY-BOOM CHARGER.....21
COVER ASSY W/DECALS,PWR UNIT.....53	DECAL,NOTICE,HAZARDOUS MAT'LS*.....11	FUSE BLOCK, ANN & ANL FUSE.....29
COVER ASSY,W/SYM DEC,HPU,34DC*.....53	DECAL,NOTICE,LUG NUT TORQUE***.....11	FUSE HOLDER ASSEMBLY.....29
COVER ASSY. W/D G.C. SIDE CE**.....53	DECAL,NOTICE,MAX LOAD 500 LBS.....11	FUSE HOLDER,WATERPROOF.....101
COVER CAP,TORQUE HUB***.....25-26	DECAL,NOTICE,OPER INST PLAT,DC.....11	FUSE,10 AMP.....101
COVER W/DCLS DR CHAS NS END.....25-26	DECAL,NOTICE,SIDE FRC 150,ANSI.....11	FUSE,100 AMP,VERY FAST ACTING.....29
COVER W/DCLS,DR CHAS NS END.....25-26	DECAL,POWER TO PLATFORM 115V.....11	FUSE,13 AMP,220V PLUG.....53
COVER, AUXILIARY POWER SWITCH.....45, 87	DECAL,TRIANGLE,BLUE.....11	FUSE,400 AMP,VERY FAST ACTING.....29
COVER, BATTERY BOX W/DECALS.....23	DECAL,TRIANGLE,YELLOW.....11	
COVER,BATTERY BOX**.....23	DECAL,USE DEXRON***.....11, 49	G
COVER,BLANK.....83	DECAL,WARN,CRUSH HAZARD HAND.....11	
COVER,CONTROL PANEL.....53	DECAL,WARN,CRUSH HAZARD PLAT.....11	GASKET KIT, AUSCO 1200 IN/LB.....26
COVER,COUNTERWEIGHT,Z34.....53	DECAL,WARN,FALL HAZARD.....11	GASKET, PUMP / MOTOR (36179).....47
COVER,GFCI,HORIZONTAL,WEATHER.....85	DECAL,WARN,IMPROPER OPERATION.....11	GASKET,COVER,GFCI,WEATHERPROOF..83
COVER,GFCI,WEATHERPROOF.....83	DECAL,WARNING,BRAKE RELEASE***.....11	GASKET,HYDRAULIC TANK.....47
COVER,TERMINAL STRIP.....41	D E C A L , W A R N I N G , P I P E	GASKET,JOYSTK.SHAFT36867/42032.....93
COVR W/DECALS DR CHAS STR END*.....14	CRADLE,BOOM.....101	GASKET,MTR,2A,MAG (74994).....39
CVR SUPPORT WELDMT LH 34N/34DC.....41	DECAL,WARNING-COMPART ACCESS.....11	GASKET,PLAT,CONTROL BOX.....85
CYLINDER,ELEVATE, Z34.....61	DIAGNOSTIC FEMALE Q-DSCNT.....43, 57	GASKET-ROTARY CNTRL 56886.....95
CYLINDER,EXTENSION.....65	Diagnostice Nipple.....43	GATE LATCH CASTING--DRILLED.....103
CYLINDER,JIB.....69-70	DIN RAIL,11.25".....41	GEAR, SLAVE, MS4,45048.....89, 91, 93
CYLINDER,MASTER.....63	DIN RAIL,14.75" **.....41	GROUND STRAP,12"LG***.....14
CYLINDER,PRIMARY LIFT.....63	DIODE ASSEMBLY.....45	G U A R D , F O O T S W I T C H , W / D E C A L
CYLINDER,SLAVE,DONGYANG.....70	DIODE ASSEMBLY W/FEMALE CONS.....29	STEEL.....79-80, 83
CYLINDER,STEER.....13-14	DIODE,6 AMP,200 PIV,BULK.....45	
	DISCONNECT ROD (56338).....25-26	H
	DISCONNECT ROD-45553 TQ.HUB.....25-26	
	DUST SHIELDS,180A CONTACTOR.....29	HANDLE HALF (56274).....93
		HEATSINK ASSY W/DIODES (23442).....21
D	E	HINGE CASTING.....103
DECAL KIT,INSTRUCT,Z-34 & Z34N.....11	ELBOW,070202-8-12.....55	HINGE,WELD,COVER,CTRLS GRY/BLU.....53
DECAL PLATE W/D,PLAT,Z30/34**.....83	ELBOW,070220-4-4.....31, 33, 73	HINGE,WELD,COVER,PUMP GRY/BLU.....53
DECAL, LABEL, FUSE, F1, 400A.....29	ELBOW,070220-4-6.....31, 33, 73	HORN,24VDC,SPADE TERMINALS***.....41
DECAL, LABEL, FUSE, F2, 100A.....29	ELBOW,070220-6-6.....55	Hose Assembly (Parker part no.
DECAL, LABEL, FUSE, F3, 100A.....29	ELBOW,070221-4-4.....47, 73	451TCJCJC040404-238).....75
DECAL, PLATFORM CONTROL PANEL*.....11	ELBOW,070302-4-2.....39, 57	HOSE ASSEMBLY, 32.5".....73
DECAL, POWER TO PLATFORM 230V**.....11	ELBOW,070320-4-6.....73	HOSE ASSEMBLY, 33".....73
DECAL,ARROW,BLUE.....11	ELBOW,140239-4-4.....17	HOSE ASSEMBLY, 79".....31, 33, 55
DECAL,ARROW,YELLOW SM 5-3/8".....11	ELBOW,45D,520320-6.....35	HOSE ASSEMBLY, 86".....31, 33, 55
DECAL,CAUTION,BRAKE RELEASE***.....11	ELBOW,90D,520220-4-4.....35, 75, 77	HOSE ASSEMBLY,104.5".....73
DECAL,CHEVRON RANDO HD.....11	ELBOW,90D,520220-4-6***.....35	HOSE ASSEMBLY,14.5".....55
DECAL,COSM,GENIE Z-34/22N(BOX).....11	ELBOW,90D,520220-6.....57	HOSE ASSEMBLY,21".....73
DECAL,COSMETIC,GENIE BOOM,VERT.....11	ELBOW,90D,520220-8-12.....47, 57	HOSE ASSEMBLY,210".....73
DECAL,COSMETIC,GENIE Z-34/22N.....11	ELBOW,90D,LONG,521520-6.....57	HOSE ASSEMBLY,220.5".....73
DECAL,DANGER DO NOT ALTER SWTC.....11	END SET,PLASTIC TRACK.....67	HOSE ASSEMBLY,23".....31, 33, 73
DECAL,DANGER,BATTERY SAFETY***.....11	END STOP, DIN RAIL,SCREW CLAMP.....41	HOSE ASSEMBLY,230".....73
DECAL,DANGER,ELEC.HAZ.STAY CLR.....11	ENDHEAD (48504).....51	HOSE ASSEMBLY,245".....73
		HOSE ASSEMBLY,246".....73

Part Description Index (continued)

HOSE ASSEMBLY,25.5".....55
 HOSE ASSEMBLY,27.5".....31, 33
 HOSE ASSEMBLY,28".....55
 HOSE ASSEMBLY,29".....31, 33
 HOSE ASSEMBLY,32.5".....55
 HOSE ASSEMBLY,46".....55
 HOSE ASSEMBLY,50.5".....55
 HOSE ASSEMBLY,56.5".....73
 HOSE ASSEMBLY,65".....73
 HOSE ASSEMBLY,71".....31, 33
 HOSE ASSY 27.5.....55
 HOSE ASSY P1 TO HYD PORT "P".....57
 HOSE ASSY, 1/4", 31.00.....75
 HOSE ASSY, 1/4", 31.50.....75, 77
 HOSE ASSY,"BRK" TO LR DRV.MTR.....35
 HOSE ASSY,'P2/'T2"TO JIB BOOM.....77
 HOSE ASSY,'PC1"PC2"TO LIFT CY.....75, 77
 HOSE ASSY,'S1"TO STEER CYLINDE.....35
 HOSE ASSY,1/4", 23.25.....57
 HOSE ASSY,1/4",236.00.....75, 77
 HOSE ASSY,1/4",27.50.....57
 HOSE ASSY,1/4",31.50.....57
 HOSE ASSY,1/4",33.50.....35
 HOSE ASSY,1/4",83.00.....75, 77
 HOSE ASSY,25".....57
 HOSE ASSY,39.5".....57
 HOSE ASSY,9".....57
 HOSE ASSY,JIB J1 TO CYL EXT.....75
 HOSE ASSY,JIB PR1 TO ROT V1.....75
 HOSE ASSY,JUMPER HOSE RGT-LFT.....35
 HOSE ASSY,JUNC TO JIB MAN 'T'.....75
 HOSE ASSY,PORT 'S2' TO END CYL.....35
 HOSE ASSY,PUMP TO PWR UNIT 'P'.....35, 57
 HOSE ASSY,T2 TO JIB JUNCTION.....75
 HOSE ASSY,TANK TO RET FIL INLE.....35, 57
 HOSE ASSY-'J'ITO JIB CYL CAP.....75, 77
 HOSE ASSY-'PR1"TO PLAT ROT'V1'.....75, 77
 HOSE ASSY-'PR2"TO PLAT ROT'V2'.....77
 HOSE ASSY-C2/C1 TO MAST CYL.....75, 77
 HOSE ASSY-J-54".....57
 HOSE ASSY-JUNCTION-JIB MANIFOL.....75, 77
 HOSE ASSY-MASTER CYL-SLAVE C.....75
 HOSE ASSY-MASTER CYL-SLAVE CYL.....75, 77
 HOSE COVER,JIB BOOM**.....69-70
 HOSE COVER,LOWER ARM,PAINTED.....59
 HOSE COVER,UPPER ARM,PAINTED.....59
 HOSE END,BARBED,RIGID,-6-6.....99
 HOSE TRACK,UPPER ARM-SERV.....59
 HOSE,LOW PRESSURE,.375 ID,BLK.....99
 HOSE,RET.FILTER DWN TUBE RUBBE.....47
 HOSETRACK COVER,UPPER ARM-SERV.....59
 HOUR METER,10-80 VOLTS***.....45
 HUB ASSEMBLY MODEL#60-8***.....13-14

I

IND,BAT CHARGE,48V LEAD-ACID.....101
 INNER CONE - MODEL 60-8.....13-14
 INSTRUCTIONS,CONTROL BX MOUNT.....83
 INSTRUCTIONS-PIPE CRADLE,BOOMS...101

J

JIB BOOM MACHINED.....69-70
 JIB MAN W/#4 PORTS 20V.....69-70
 JOYSTICK HANDLE HALF***.....89, 91

JOYSTICK, COMPLETE.....89, 91
 JOYSTICK,CNTRLLR SINGLE BRD.....93
 JOYSTICK,CNTRLLR SINGLE BRD***.....93
 JUMPER COMB, 2-WAY,WIELAND.....41

K

KEY,SINGLE***.....45
 KEY-WOODRUFF.....39
 KEYS,10 PACK***.....45
 KIT, FOOTSWITCH, Z30/Z34 SYM.....79-80, 83
 KIT, FOOTSWITCH, Z30/Z34 WORD.....79-80, 83
 KIT, HYDRAULIC TANK.....47
 KIT, SERVICE, Z34 LWR COMP ARM.....59
 KIT,COVER,TORQUE HUB,45553***.....25-26
 KIT,ESTOP SVC BB&SM BOOM.....45, 87
 KIT,HORN SVC BB&SM BOOM.....87
 KIT,KEYSWITCH SVC BB & SM BOOM.....45
 KIT,RETROFIT,STEER,Z-34 2WD.....13-14
 KIT,SEAL (74994).....39
 KIT,TORQUE HUB COVER (45553)**.....25-26
 KIT,Z34N BRAKE SERVICE (1).....26
 KIT,Z34N BRAKE SERVICE (2).....26
 KIT,Z34N BRAKE SERVICE (3).....26
 KNOB, 45048 CONTROLLER.....95

L

LAMP,PAR 36 48 VOLT (35958)***.....101
 LATCH,ADJUSTABLE DRAW.....53
 LATCH,DRAW,ADJUSTABLE.....23
 LED,RED 24V.....87
 LEGEND,PLSTC,"CREEP TO 9"***.....87, 95
 LENS,AMBER,STROBE,FIREBOLT.....97
 LINING KIT***.....26
 LINING KIT, MICO BRAKE***.....26
 LINK,NYLATRAC KS6-5.4***.....67
 LOCKNUT,ELEC,1/2".....21, 53, 83, 85
 LOCKNUT,ELECTRIC,3/4".....85
 LOWER MIDPIVOT ASSY,Z34 &Z34N*.....59
 LOWER SECONDARY ARM ASSY,Z34.....59
 LUG BOLT,5/8-18,WHEEL HUB***.....13-14
 LUG,WHEEL STUD,5/8-18,W1/4HB**.....25-26
 LVI/BCI 36/48 VOLT ENGAGE II.....101

M

M4 X 0.7 X 8MM RHMS.....41
 M4 X 5 PHILLIPS (CHEESEHEAD).....29
 MANIFOLD,ASSY DUAL CNTRBAL.....69-70
 MANIFOLD,DUAL COUNTERBALANCE.....69-70
 MANIFOLD,FUNCTION.....41
 MANIFOLD,FUNCTION***.....43
 MANIFOLD,JIB/ROTATE,24V.....69-70
 MANIFOLD,STEER/BRAKE***.....13-14, 17, 19
 MANUAL BOX W/DECALS***.....79-80, 83
 MESH,HALF HEIGHT LH Z30.....103
 MESH,HALF HEIGHT LH Z34.....103
 MESH,HALF HEIGHT RH,4'***.....103
 MESH,HALF HEIGHT,5'***.....103
 MESH,HALF,SWING GATE***.....103
 MICROSWITCH,13482 FOOTSWITCH.....79-80, 83
 MICROSWITCH,V3L-139-D8.....89, 91, 93
 MICROSWITCH-V319M***.....89, 91, 93
 MIDRAIL GUIDE (HOOK).....79-80, 83
 MOTOR, 24V (36179).....47
 MOTOR,48V (23440).....49

MOTOR,48V DC,MONARCH***.....49
 MOTOR,FUNCTION,48V DC.....51
 MOTOR,TRACTION,24V.D.C.**.....25-26
 MOTOR,TRACTION,D.C.**.....25-26
 MOTOR,TURNABLE O-RING PORTS.....39
 MOUNTING PLATE, 45048.....95

N

NIPPLE,DIAGNOSTIC,#4.....43, 57
 NUT - PLASTIC,RING FOR ALARMS...53, 85, 97
 NUT, LP NYLOCK, 3/8-16.....63, 65
 NUT, SOLENOID VALVE COIL.....17, 19
 NUT,HEX,1/4-20.....41
 NUT,JS,36867/42032/44988/40612.....93
 NUT,LOCKING-LG.FLANGE,1/4-20.....47
 NUT,LOCKING-LG.FLANGE,5/16-18.....23, 29, 41
 NUT,LP NYLOCK,1/4-20.....59
 NUT,LUG,5/8-18 X 90 DEGREE,Z45.....13-14, 26
 NUT,NYLOCK FLG,1/4-20,F,ZAG.....101
 NUT,NYLOCK FLG,3/8-16,F,ZAG.....101
 NUT,NYLOCK,1/4-20.....14, 21, 29, 39, 41, 47, 53, 59, 65, 67, 69-70, 79-80, 83, 103
 NUT,NYLOCK,10-32.....21, 39, 41, 53, 79-80, 83
 NUT,NYLOCK,3/4-10,GRD.8.....69-70
 NUT,NYLOCK,3/8-16.....21, 41, 47, 61, 69-70, 79-80, 83, 101
 NUT,NYLOCK,5/16-18.....29
 NUT,NYLOCK,6-32.....85
 NUT,SOLENOID VALVE 2P3W.....17, 19, 69-70
 NUT,SOLENOID VALVE COIL.....17, 19, 43, 69-70
 NUT,SPINDLE,1-14.....14
 NUT-HEX,3M X 0.5MM.....93
 NUT-VALVE,PROP. SOLENOID-50683.....43
 NUTSERT,1/4-20,STEEL CAD PLTD.....29, 45, 53, 85
 NUTSERT,10-32 STEEL CAD PLTD.....29

O

O-RING KIT (ORFS FITTINGS).....17, 19, 35, 69-70
 O-RING KIT, AUSCO 1200 IN/LB.....26
 O-RING KIT,27078 PUMP,P2.5D.....49
 O-RING KIT,FIELD SVC,ALL PROD*.....17, 19, 31, 33, 35, 43, 69-70
 O-RING OR-151 N73038 (74994).....39
 O-RING, FILTER ASSY.....47
 O-RING, ROTATOR MANIFOLD.....69-70
 O-RING, TORQUE HUB.....25-26
 O-RING,2-044 BUNA***.....26
 O-RING,MOTOR TO BRAKE***.....26
 ORIFICE PLUG,.025 (30551).....69-70
 ORIFICE, 0.028" (56179).....69-70
 OUTER CONE - MODEL 60-8.....14
 OUTLET, 110V.....83, 85

P

PAD,REST,1"THICK,FLANGED.....65
 PAD,UPPER PIVOT REST.....59
 PANEL,GROUND CONTROL W/ DECAL.....45
 PCB,ASSY,42032 CONTROLLER.....89, 91, 93
 PCB,ASSY,JOYSTICK.....89, 91
 PIN,0.75DIA X 5.51LG,2RING.....65

PIN,1.00DIA X7.25LG,1HOLE.....61	PUMP ASSEMBLY (36179).....47	SCREW,HHC,3/8-16 X 1 GRD 8.....13-14, 53, 61, 63, 65, 69-70
PIN,1.00DIA X9.01LG,THREADED.....65	PUMP ASSY,2.5GPM FENNER.....49	SCREW,HHC,3/8-16 X 1.25 GRD 5.....47, 63, 65, 69-70, 97
PIN,1.25DIA.X10.38LG,1HOLE.....69-70	PUMP,LIFT,3CC,CCW***.....51	SCREW,HHC,3/8-16 X 1.75,GRD.8.....25-26
PIN,1.25DIA X12.50LG,2HOLE.....69-70	PWR CABLE ASSY,G.C.SIDE,Z34.....23	SCREW,HHC,3/8-16 X 2.5.....101
PIN,1.25DIA X3.00LG,THREADED.....61	PWR CABLE ASSY,TANK SIDE,Z34.....23	SCREW,HHC,3/8-16 X 2.75.....21, 41, 47, 61
PIN,1.25DIA X3.63LG,THREADED.....61		SCREW,HHC,3/8-24 X 1 GR 8 YEL.....51
PIN,1.25DIA X7.00LG,1HOLE.....69-70		SCREW,HHC,5/16-18 X 1 GR5.....23, 29
PIN,1.25DIA X8.12LG,1HOLE.....63		SCREW,HHC,5/16-18 X 1.25.....83
PIN,1.25DIA X9.13LG,1HOLE.....63		SCREW,HHF,1/4-20 X 2.5,8,ZAG.....101
PIN,1.25DIA X9.38LG,1HOLE.....61		SCREW,HHTAPTITE THREAD8-32X.38.....51
PIN,1.50DIA X15.13LG,1HOLE.....61, 63		SCREW,PHILLIPS,PHM,10-32 X .38.....29
PIN,1.50DIA X3.25LG,1HOLE.....13-14		SCREW,PHILLIPS,PHM,10-32 X .5.....47
PIN,CLEVIS,.75 X 2.25 LG.....23		SCREW,PHILLIPS,PHM,10-32 X .75.....41, 53, 93, 97
PIN,CLEVIS,1 X 2.5 LG.....13-14		SCREW,PHILLIPS,PHM,6-32 X .5.....83, 85
PIN,CLEVIS,1 X 3 LG.....13-14		SCREW,PHILLIPS,PHM,8-32 X 1.25.....59
PIN,CLEVIS,3/4 X 3,ZAG.....13-14		SCREW,PHILLIPS,RHM,10-32 X 1.5.....39
PIN,COTTER,.219 X 1.75.....14		SCREW,PHM,M3 X .5 X 12MM.....93
PIN,ROLL,.094 X .875.....79-80		SCREW,RHM,10-32 X 1.75.....63
PIN,ROLL,.25 X 1.5***.....70		SCREW,SHC,1/2-13 X 1.50,A574.....39
PIN,SLAVE CYL,1.25 X 4.38.....69-70		SCREW,SHC,1/2-13 X 3.25.....25-26
PIN,SLAVE CYL,1.25 X 6.06***.....70		SCREW,SHC,5/8-11 X 2.5 BLK.....25-26
PIPE CRADLE ASSY. SERV (ONE)**.....101		SCREW,SHC,5/8-11 X 4.5,A574.....39
PLASTIC END STOP.....41		SCREW,SHC,5/8-11 X 5.5.....39
PLAT.ASSY.W/DECAL 5'Z34,ANSI*.....83		SCREW,TIMER,#8 PHMS X.375.....21
PLAT.ASSY.W/DECAL,5'Z34IC,CE**.....83		SEAL 21252875-375BYP2 (74994).....39
PLAT.ASSY.W/DECAL4'Z30/34,CE.....83		SEAL KIT.....17, 19, 43
PLAT.ASSY.W/DECAL4'Z30/34ANSI.....83		SEAL KIT (21172).....39
PLAT.ASSY.W/DECAL5'Z34N&DC,CE*.....79-80, 83		SEAL KIT (74593).....69-70
PLAT.ASY.W/DECL5'Z34N&DC,ANSI*.....83		SEAL KIT (CYL PN 30585).....13-14
PLAT.W/DECAL4'Z30/34-ALL,CE.....83		SEAL KIT 42409 ELEVATE**.....61
PLAT.W/DECAL4'Z30N/34ALL,ANSI*.....83		SEAL KIT***.....39
PLAT/SUP.UPGRADE KIT 4FT ANSI*.....79-80		SEAL KIT, 37185 PUMP.....47
PLAT/SUP.UPGRADE KIT 5FT ANSI*.....79-80, 83		SEAL KIT, 88337.....13-14
PLAT/SUPP.UPGRADE KIT 4FT CE**.....79-80		SEAL KIT, 94210.....61
PLATE, TURNTABLE LS. MT.....39		SEAL KIT, 94215, 94430.....63
PLATE,CHARGER MOUNT.....21		SEAL KIT, 94216.....63
PLATE,LIMIT SWITCH MOUNT%.....39		SEAL KIT, 94217.....70
PLATE,POWER SUPPLY MOUNT BLUE.....29		SEAL KIT, SOLENOID VALVE.....17, 19, 43
PLATE,ROTARY CNTRL (56886).....95		SEAL KIT, VALVE, #10.....43
PLATE,TANK LID (SERVICE).....47		SEAL KIT,147138 & 147139.....65
PLATFORM STEP * PAINTED.....83		SEAL KIT,147142.....69-70
PLATFORM SUPPORT WELD.Z30N,Z34...69-70, 80		SEAL KIT,2" BORE,1" ROD**.....13-14
PLUG AND CAP KIT-SERVICE,37 **.....17, 19, 31, 33, 35, 43, 69-70		SEAL KIT,2.0" BORE CYLINDERS**.....13-14
PLUG AND CAP KIT-SERVICE,ORFS*.....17, 19, 35, 69-70		SEAL KIT,42406,STEER.CYL,TEXAS.....13-14
PLUG KIT MANIFOLD.....17, 19		SEAL KIT,42409 ELEV. CYL,TEXAS.....61
Plug Orifice.....43		SEAL KIT,42411 & 42408.....65
PLUG,1/4"SERIES,3/8 MPT.....99		SEAL KIT,94212.....65
PLUG,3/4 MAGNETIC PIPE SQ.DRV.....47		SEAL KIT,94218.....69-70
PLUG,FUSED,250V,13AMP,U.K.**.....53		SEAL KIT,BRAKE***.....26
PLUG,NYLON .50 BLACK DOMED.....87		SEAL KIT,BRAKE,MICO.....26
PLUG,NYLON 1.12 BLACK DOMED.....53, 103		SEAL KIT,CYLINDER***.....69-70
PLUG,NYLON 2.00 BLACK DOMED.....87		SEAL KIT,HYDRAULIC CYLINDER***.....61
PLUG,ORIFICE,.052 INCH.....17, 19		SEAL KIT,LIFT PUMP,BARNES**.....51
PLUG,ORIFICE,0.030 (50684).....69-70		SEAL KIT,MICO BRAKE.....26
PLUG,ORIFICE,0.040.....17, 19		SEAL KIT,SOLENOID VALVE.....43
PLUG,ORIFICE,0.052 INCH.....43		SEAL KIT,TORQUE HUB (20193).....25-26
PLUG,PWR,UK,16AMP,3PIN,BLK.....53		SEAL KIT,UNIVERSAL,9K ROTATOR*.....69-70
PLUG,W/LATCH,4 POLE,ANDERSON.....79-80		SEAL KIT,VALVE.....19
POWER UNIT,AUX PUMP 24VDC.....47		SEAL KIT,VALVE (48647).....43
PRIMARY BOOM TUBE ASSEMBLY.....65		SEAL KIT,EXT CYL & SLAVE CYL.*.....70
PRINTED CIRCUIT BOARD 56886.....95		SEAL,NAT'L.#471818 (74994).....39
Proportional Valve.....43		SEAL,O-RING,PUMP***.....49
		SEAL-GREASE,MODEL 60-8.....13-14
		SEAL/BEARING KIT (45043,54840).....13-14
		SENSOR,LEVEL 3 DEG**.....41

R

RAILING CATCH CASTING--DRILLED.....103
 RECEPTACLE, BRITISH, 110V.....85
 RECEPICAL,SNAP-IN (1450G1)***.....45
 REDUCER,070123-8-6.....55
 RELAY PANEL ASSEMBLY Z34, Z45.....29
 RELAY,CHARGER .TIMER(19531/32).....21
 RELAY,CHARGER TIMER**.....21
 RELAY,HOLD DOWN,OMRON.....41
 RELAY,POTTER BRUMFIELD 24V **.....41, 85
 RELAY,SOCKET,OMRON.....41, 85
 Relief Valve.....43
 RELIEF VALVE KIT**.....49
 REPAIR LINK END SET (42763)*.....67
 REPAIR LINK,7 LINKS***.....67
 RESERVOIR, WITH DECAL,FENNER.....49
 REST PAD,LOWER ARM REST.....39
 REST PAD,PRIMARY BOOM.....65
 RETRO KIT, Z34 LIFT PUMP***.....49
 RIM,Z45,14.5 X 7(8 HOLE ON 8BC.....13-14
 RING,HOSE PROTECTOR.....39
 RIVET,ALUM,ALUM,P.25 X .56.....103
 RIVET,STL,STL,P.125 X .25.....45
 RIVET,STL,STL,P.25 X .5.....79-80, 83
 ROCKER ASSEMBLY,45049.....89, 91
 ROCKER ASSY (42032)***.....93
 ROCKER ASSY W/ROLLPIN***.....93
 ROD END,.375 X 2.25,ZAG.....13-14, 61
 ROD END,.375X3.69,ZAG.....13-14, 61, 63, 65, 69-70
 ROLLER ARM,LIMIT SWITCH***.....39
 ROLLER ARM-LIMIT SWITCH.....59
 ROTATOR TURNTABLE ASSEMBLY***.....39
 ROTATOR,HELICAL,PLATFORM***.....69-70
 RUE RING,1.00.....13-14
 RUE RING,3/4,ZAG.....13-14

S

SCREW 5/16-18 X .75 LG.FLG.LCK.....29, 41, 47, 101
 SCREW, HCC, 3/8-16 X 1.50.....69-70
 SCREW,BHHS,3/8-16 X 2.5.....61
 SCREW,CHARGER COVER,#10 X .5.....21
 SCREW,FHM,10-32 X .75.....29, 79-80, 83
 SCREW,FHM,6-32 X .75.....85
 SCREW,FHS,1/2-13 X 1.25,BLACK.....39
 SCREW,FHS,3/8-16 X .75.....59
 SCREW,FUSE ASSY,#7 PHMS X.625.....21
 SCREW,HEATSINK/DIODE ASSY.....21
 SCREW,HH TAPETITE THRD8-32X.50.....51
 SCREW,HHC,1/4-20 X .5.....23, 41
 SCREW,HHC,1/4-20 X .625.....41, 47, 53, 59
 SCREW,HHC,1/4-20 X .75.....21, 23, 29, 39, 47, 53, 65, 67, 69-70, 87, 103
 SCREW,HHC,1/4-20 X 1.....14, 21, 23, 25-26, 47, 53, 59, 65, 67, 79-80, 83
 SCREW,HHC,1/4-20 X 1.5.....69-70
 SCREW,HHC,1/4-20 X 1.75.....101
 SCREW,HHC,1/4-20 X 2.5.....59
 SCREW,HHC,3/4-10 X 9.5 GR 8 YE.....69-70
 SCREW,HHC,3/8-16 X .75,GR 8.....39

Part Description Index (continued)

- SENSOR,LEVEL 4.5***.....41
 SHAFT ASSY, JOYSTICK***.....93
 SHAFT,45049.....89, 91
 SHAFT,WORM GEAR***.....39
 SHIM KIT,TURNTABLE***.....39
 SHIM,PRIMARY BOOM,.022 THICK.....23
 SHIM,PRIMARY BOOM,.052 THK.....23
 SHIM,SIDE PAD 22GA.....65
 SHIM,WEAR PAD,5X 1.5 16GA.....65
 SLIDING MIDRAIL ASSY. 22.5**.....79-80
 SLIDING MIDRAIL KIT,PTD.....79-80, 83
 SNAP PIN,(RD.NOSE)-GATE LATCH.....103
 SNAP RING (74994).....39
 SNAP RING,EXTERNAL.....69-70
 SNAP RING,EXTERNAL,.75 DIA.....65
 Solenoid Valve.....43
 SPACER,LONG ANDERSON.....79-80
 SPACER,NYLON,.718 X .526 X.219.....45
 SPACER,SHORT ANDERSON.....79-80
 SPRING & BUSHING KIT,RETURN***.....89, 91, 93
 SPRING (RED) MICO.....26
 SPRING ARM,LIMIT SWITCH,6.25".....63
 SPRING CLIP,1/4-20,.025-.15X.54,ZAG.....14, 21, 25-26, 41, 83
 SPRING CLIP,3/8-16,.05-.20X.73,ZAG.....23
 SPRING CLIP,5/16-18,.025-.15X.....29, 47
 SPRING, BRUSH RETAINER, 36182*.....25-26
 SPRING,EXTENSION,.36 X 1.25.....53
 SPRING,RETURN.....29
 SPRING,RETURN,19549 CONTACTOR.....41
 SPRING-DRIVE MANIFOLD/520131.....17, 19
 SPRING-RETURN.....29
 STACK KIT, AUSCO 1200 IN/LB.....26
 STATIONARY CONTACT (23417).....29
 STRAINER ASSY 1"NPT TANK MTD.....47
 STRAP, CONDUIT HOLDER 60****.....101
 STROBE,FIREBOLT,12-80VDC,AMB**.....97
 STUD, HUB, 5/8-18 X 2 1/2.....25-26
 SVC KIT,UK RECEPT.REPLACEMENT.....83
 SWITCH ASSEMBLY (56886).....95
 SWITCH ASSY,REMOTE BRAKE REL.....45
 SWITCH,LIMIT,W/6.25"SPRING ARM.....63
 SWITCH,LIMIT,W/RLR ARM,NO/NC**.....39
 SWITCH,LIMIT,W/ROLLER ARM**.....59
 SWITCH,PRESS,#4MPT,600PSI F**.....17
 SWITCH,PRESS,#6SAE,600 PSI.....19
 SWITCH,TOGGLE,DPDT,2POS MOMEN.....45, 87
 SWITCH,TOGGLE,DPDT,3POS MOMEN...45, 87
 SWITCH,TOGGLE,SPDT,2 POS MAINT.....101
 SWITCH,TOGGLE,SPDT,3POS MOMEN*.....87
- T**
- T-BOX,2.75 X 4.5 X 2.0.....83, 85
 TANK,30N/34 HYDRAULIC.....47
 TAPE, NON-SKID,1" WIDE,BULK.....101
 TEE,BRANCH,070429-4-4.....73
 TEE,RUN,070432-6-6.....55
 TEE,RUN,520428-4.....35
 TERMINAL BLOCK, WIELAND***.....41
 TERMINAL BUSS,JOYSTICK(42032).....93
 TERMINAL RAIL ASSY***.....41
 TERMINAL STRIP END PLATE.....41
 TERMINAL,#10 RING,BLUE AMP.....79-80
 TERMINAL,ANDERSON,15A 16-20GA.....79-80
 THRUST CAP (20193).....25-26
- THUMB SCREW W/SHOULDER 3/8-16.....23
 TIE ROD, Z-34, 2WD.....13-14
 TIE ROD,WELDMENT,Z34.....13-14
 TIMER (23442)(41896)(36314).....21
 TIMER(24059,41897,41898,41899).....21
 TIRE & WHEEL ASSY,FRONT N-M.....13-14
 TIRE & WHEEL ASSY,REAR N-M.....25-26
 TOEBOARD,ENTRY EUROPEAN
 PNTD**.....79-80, 83
 TORQUE HUB 49:1**.....25-26
 TORQUE HUB,35:1***.....25-26
 TORQUE HUB,47:1 W1 "B" MOUNT**.....25-26
 TRACK REPAIR,7 LINKS.....67
 TRACK,PLASTIC CABLE,25 LINK.....67
 TRACK,PLASTIC CABLE,25 LINK 4".....67
 TRANSFORMER,CHARGER36314/41896...21
 TRANSFORMER,CHARGER36315/41897...21
 TRIM,RUBBER EDGE,5/8 (BY INCH).....67
 TRIMLOCK,BLACK,5/32".....41, 47, 101
 TRNSFRMR(36316 & 17)(41898 & 99).....21
 TUBELESS PNEUMATIC TIRE,9-14LT.....13-14, 25-26
 TUBELESS TIRE,9-14.5, NON-M 47#.....13-14, 25-26
- U**
- U-BOLT, FLATTENED, 1.5 X 3/8 UNC,ZAG.....101
 U-BOLT,3/8 X 1 YZ.....79-80
 UNION,070101-4-4.....31, 33, 73
 UPPER MIDPIVOT ASSY,Z34 & Z34N.....59, 61, 63
 UPPER SECONDARY ARM ASSY,Z34.....59
 UPPER SECONDARY BOOM ASSEMBLY...59
 UPPER SECONDARY BOOM ASSY.....59
- V**
- VALVE - COUNTERBALANCE**.....69-70
 VALVE ASSY,BLEED***.....69-70, 75, 77
 VALVE SOLENOID.....17, 19
 VALVE, PROPORTIONAL (42764).....19
 VALVE,BALL,16 MPT-16 FPT**.....57
 VALVE,BALL,90DEG.-8NPTF/-8NPTM.....47, 57
 VALVE,CHECK (32342) FENNER.....49
 VALVE,CHECK (36179).....47
 VALVE,CHECK, 50 PSI.....17, 19
 VALVE,CHECK,COBA-X*N 200PSI PO.....65
 VALVE,CHECK,CXAD-XCN,30PSI.....65
 VALVE,CHK,#8PORT-#8MALEORFS.....57
 VALVE,CNTERBAL,CBBB-LHN@3000**.....61, 69-70
 VALVE,COUNTERBAL.CBCA-LHN@3000.69-70
 VALVE,COUNTERBALANCE.....63, 70
 VALVE,COUNTERBALANCE (36078)**.....70
 VALVE,COUNTERBALANCE (36659).....43
 VALVE,COUNTERBALANCE 2000PSI.....69-70
 VALVE,COUNTERBALANCE 2500 PSI*.....65
 VALVE,COUNTERBALANCE 3000 PSI.....43
 VALVE,DIFFERENTIAL SENSING.....43
 VALVE,PROPORT RELIEF***.....17
 VALVE,PROPORTIONAL**.....43
 VALVE,RELIEF 1400PSI.....43
 VALVE,RELIEF 1600 PSI.....43
 VALVE,RELIEF 1800 PSI.....43
 VALVE,RELIEF 3200 PSI.....43
- VALVE,RELIEF,1500 PSI***.....51
 VALVE,SOLENOID 20V W/DIODE.....19
 VALVE,SOLENOID,20V.....17
 VALVE,SOLENOID,20V W/ DIODE.....17, 69-70
 VALVE,SOLENOID,20V W/ DIODE **.....43, 69-70
 VALVE,SOLENOID,3POS 4WAY.....19
- W**
- WASHER, FLAT, SHAFT, JOYSTICK.....93
 WASHER,FENDER,.25 X 1.25 X.062.....47, 53, 79-80
 WASHER,FLAT,.375 X 1.5 X .125.....47, 97
 WASHER,FLAT,625 HARDENED.....39
 WASHER,FLAT,688X1.160X.09.....25-26
 WASHER,FLAT,75 HARDENED.....69-70
 WASHER,FLAT,1.063 X 2 X .134.....99
 WASHER,FLAT,MS,#10,Y.....21, 29
 WASHER,FLAT,USS,1/4"Y.....14, 21, 25-26, 29, 39, 41, 47, 53, 59, 65, 67, 69-70, 79-80, 83, 87, 103
 WASHER,FLAT,USS,3/8",Y.....21, 25-26, 41, 47, 53, 79-80, 101
 WASHER,FLAT,USS,5/16",Y.....14, 29, 39, 59, 63, 65, 69-70, 83, 101
 WASHER,LOCK,#10 PLTD.....29, 39, 41, 59, 63
 WASHER,LOCK,#10, CHARGER FUSE.....21
 WASHER,LOCK,.25.....14, 21, 23, 25-26, 29, 47, 53, 59, 65, 69-70, 83, 87, 101
 WASHER,LOCK,.313.....29
 WASHER,LOCK,.375...13-14, 25-26, 41, 47, 51, 53, 61, 63, 65, 69-70, 97
 WASHER,NYLON, JOYSTICK.....93
 WASHER,RIVETING.....79-80, 83
 WASHER,SHIM,.75 X 1.125 X.030.....23, 65
 WASHER,SHIM,1.27 X 2.13 X .062.....61, 69-70
 WASHER,SPINDLE.....14
 WASHER,THRUST,.313 X .50 X .10.....53
 WASHER,THRUST,.75 X 1.38X.13.....23
 WASHER,THRUST,1.5 X 3.5 X .187.....13-14
 WASHER,THRUST,TORQUE HUB.....25-26
 WEAR PAD,4 X 2 X.50 THK.BLACK.....65
 WEAR PAD,4 X 4 X .75 W/NUTS.....65
 WEAR PAD,4X2X.5 W/INSERT**.....23
 WEAR PAD,5 X 1.5 X .625 W/NUTS.....65
 WEAR PAD,5 X 1.5 X .75 W/NUTS.....65
 WEAR PAD,EXT CYL ***.....65
 WELD,COVER BRACE,LH HINGE,PNTD.....53
 WELD,COVER BRACE,RH HINGE,PNTD.....53
 WELDMENT, TIE ROD,Z-34/68.....13-14
 WELDMENT,CVR SUPPORT RH***.....47
 WELDMENT,EXTENSION BOOM.....65
 WELDMENT,PIPE CRADLE MOUNT.....101
 WELDMENT,PLATFORM SUPPORT***.....83
 WELDMENT,SWING GATE,ALUMINUM.....103
 WHEEL ASSY, INDUSTRIAL, AF.....13-14, 25-26
 WHEEL ASSY, INDUSTRIAL, AF NM...13-14, 25-26
 WHEEL ASSY, INDUSTRIAL, FF.....13-14, 26
 WHEEL ASSY, INDUSTRIAL, FF NM.....14, 26
 WHEEL,14.5 X 7.....25-26
 WIRE CABLE,12/3 CON.TPE JKT.....85
 WIRE CABLE,14/3 CON.TPE JKT*.....53, 83, 85
 WIRE CABLE,16/2 SJO,BULK.....79-80

WIRE CABLE,16/2 WHT/BRN.....59
WIRE CABLE,16/2,WHT/BLK,SJEOW.....79-
80, 83
WIRE CABLE,16/4 CON.TPE JKT.....39
WIRE CABLE,16/4 CON.TPE JKT*.....59, 63
WIRE CABLE,16/6 CON.TPE J.....85
WIRE CABLE,18/19 CON.TPRJKT.....85
WIRE LOOM,1.88 DIA.....59, 63, 69-70
WIRE LOOM,3/8 POLY SLIT.....79-80, 83
WORKLIGHT,48 VOLT.....101

Y

YOKE ASSY, Z34 2WD LEFT.....13-14
YOKE ASSY, Z34 2WD RIGHT.....13-14
YOKE ASSY.,Z30N,Z34N,LH SIDE.....13-14
YOKE ASSY.,Z30N,Z34N,RH SIDE.....14

Z

ZERK,ALEMITE #1688 (74494).....39
ZERK,GREASE,1/8 NPT,45 DEG***.....39
ZERK,GREASE,1/8 NPT,45DEG.....39, 47

Go to Discount-Equipment.com to order your parts

Fitting Cross References

Genie PN	Parker PN	Description	Genie PN	Parker PN	Description
12342	6-4 F5OX-S	CONNECTOR,STRAIGHT THREAD TO FLARE TUBE	42794	1 CR-S	ELBOW,90°,MALE PIPE
13757	4 R6X-S	RUN TEE,SWIVEL NUT,ORFS	42795	BV-0839	BALL VALVE
19685	12-10 C5OX-S	ELBOW,90°,STRAIGHT THREAD TO FLARE TUBE	42796	BV-0838	BALL VALVE
22664	12-10 C5OX	ELBOW,90°,STRAIGHT THREAD TO FLARE TUBE	42874	6-8 CLO-S	ELBOW,90°,MALE PIPE TO ORFS
27431	8-12 F5OX-S	CONNECTOR,STRAIGHT THREAD TO FLARE TUBE	42912	13943-6-4	HOSE END,90° FEMALE SWIVEL,JIC
28678	AS-B-33	SLEEVE,NYLON,1.81" ID	42920	BV-0840	BALL VALVE,90°
39871	6 WETX-WLN-S	UNION,90° BULKHEAD W/NUT,FLARE TUBE	42932	AS-B-17	SLEEVE,NYLON,1.22" ID
39872	4 R5OX-S	RUN TEE,STRAIGHT THREAD	42936	10243-2-4	HOSE END,FEMALE PIPE
39873	6 C5OX-S	ELBOW,90°,STRAIGHT THREAD TO FLARE TUBE	42953	1/2 DD-S	ELBOW,90°,FEMALE PIPE
39874	8-6 C5OX-S	ELBOW,90°,STRAIGHT THREAD TO FLARE TUBE	42956	6 WELO-WLNL-S	UNION,90° BULKHEAD W/NUT,ORFS
39875	4-6 C5OX-S	ELBOW,90°,STRAIGHT THREAD TO FLARE TUBE	45349	8 V5OX-S	ELBOW,45°,STRAIGHT THREAD TO FLARE TUBE
39876	6-8 C5OX-S	ELBOW,90°,STRAIGHT THREAD TO FLARE TUBE	45351	4 V5OX-S	ELBOW,45°,STRAIGHT THREAD TO FLARE TUBE
39877	4 F5OX-S	CONNECTOR,STRAIGHT THREAD TO FLARE TUBE	47223	10343-6-6	HOSE END,MALE,JIC
39878	6 F5OX-S	CONNECTOR,STRAIGHT THREAD TO FLARE TUBE	47419	PS690503-6-6	SWIVEL,90°,STRAIGHT THREAD TO 37° FLARE
39879	4-8 F5OX-S	CONNECTOR,STRAIGHT THREAD TO FLARE TUBE	48750	421-4	HOSE,1/4 INCH ID
39880	6-10 F5OX-S	CONNECTOR,STRAIGHT THREAD TO FLARE TUBE	48751	481TC-4	HOSE,1/4 INCH ID
39881	4-6 F5OX-S	CONNECTOR,STRAIGHT THREAD TO FLARE TUBE	48752	482TC-4	HOSE,1/4 INCH ID
39882	4-HP5ON-S	PLUG,STRAIGHT THREAD	48753	451TC-6	HOSE,3/8 INCH ID
39883	8-8 FTX-S	CONNECTOR,MALE PIPE TO FLARE TUBE	48754	482TC-6	HOSE,3/8 INCH ID
39885	269HB 12-12	ELBOW,90°,BEADED HOSE BARB TO MALE PIPE	48755	381-6	HOSE,3/8 INCH ID
39886	431-6	HOSE,3/8 INCH ID	48756	451TC-8	HOSE,1/2 INCH ID
39887	540N-2	HOSE,1/8 INCH ID	48757	482TC-8	HOSE,1/2 INCH ID
39888	801-8	HOSE,1/2 INCH ID	48758	381-8	HOSE,1/2 INCH ID
39889	801-12	HOSE,3/4 INCH ID	48759	381-10	HOSE,5/8 INCH ID
39890	10643-6-6	HOSE END,FEMALE SWIVEL,JIC	48760	451TC-10	HOSE,5/8 INCH ID
39891	13943-6-6	HOSE END,90° FEMALE SWIVEL,JIC	48761	482TC-12	HOSE,3/4 INCH ID
39892	13743-6-6	HOSE END,45° FEMALE SWIVEL,JIC	48762	451TC-12	HOSE,3/4 INCH ID
39894	30682-8-8	HOSE END,FEMALE SWIVEL,JIC	48763	772-12	HOSE,3/4 INCH ID
39895	30682-10-12	HOSE END,FEMALE SWIVEL,JIC	48764	881-16	HOSE,1 INCH ID
42286	8-8 CTX-S	ELBOW,90°,MALE PIPE TO FLARE TUBE	48765	772-16	HOSE,1 INCH ID
42756	8-12 CLO-S	ELBOW,90,MALE PIPE TO ORFS	48766	AS-B-15	SLEEVE,NYLON,1.06" ID
42757	8-12 FLO-S	CONNECTOR,MALE PIPE TO ORFS	48767	AS-B-22	SLEEVE,NYLON,1.42" ID
42758	4 JLO-S	UNION TEE,ORFS	48770	881-8	HOSE,1/2 INCH ID
42759	4-4 FLO-S	CONNECTOR,MALE PIPE TO ORFS			
42760	6-8 FLO-S	CONNECTOR,MALE PIPE TO ORFS			
42761	1J143-6-4	HOSE END,90° FEMALE SWIVEL,SEAL LOK			
42762	1J743-6-4	HOSE END,45° FEMALE SWIVEL,SEAL LOK			
42768	1JO43-4-4	HOSE END,MALE,SEAL LOK			
42776	601-8	HOSE,1/2 INCH ID			
42777	1J743-16-16	HOSE END,45° FEMALE SWIVEL,SEAL LOK			
42786	16 CLO-S	ELBOW,90°,MALE PIPE TO ORFS			
42787	16 R6LO-S	RUN TEE,SWIVEL NUT,ORFS			
42788	16-8 TRLO-BL-S	REDUCER,TUBE END TO SWIVEL,ORFS			
42789	6-6 CLO-S	ELBOW,90°,MALE PIPE TO ORFS			
42790	8-10 V5OLO-S	ELBOW,45°,STRAIGHT THREAD TO ORFS			
42791	3/4 CD-S	ELBOW,90°,MALE TO FEMALE PIPE			
42792	3/4 X 1/2 PTR-S	REDUCER,MALE TO FEMALE PIPE			
42793	1/2 CR-S	ELBOW,90°,MALE PIPE			

Fitting Cross References (Continued)

Genie PN	Parker PN	Description	Genie PN	Parker PN	Description
48771	881-10	HOSE,5/8 INCH ID	48847	13943-12-12	HOSE END,90° FEMALE SWIVEL,JIC
48772	381-4	HOSE,1/4 INCH ID	48848	10543-12-12	HOSE END,MALE,STRAIGHT THREAD
48773	AS-B-13	SLEEVE,NYLON,.86" ID	48849	1JC71-12-12	HOSE END,FEMALE SWIVEL,SEAL LOK
48800	1JC43-4-4	HOSE END,FEMALE SWIVEL,SEAL LOK	48850	1JS71-12-12	HOSE END,FEMALE SWIVEL,SEAL LOK
48801	1J743-4-4	HOSE END,45° FEMALE SWIVEL,SEAL LOK	48851	1J171-12-12	HOSE END,90° FEMALE SWIVEL,SEAL LOK
48802	1J943-4-4	HOSE END,90° FEMALE SWIVEL,SEAL LOK	48852	1J771-12-12	HOSE END,45° FEMALE SWIVEL,SEAL LOK
48804	1JM43-4-4	HOSE END,MALE,SEAL LOK, NO O-RING	48853	1J971-12-12	HOSE END,90° FEMALE SWIVEL,SEAL LOK
48805	10643-4-4	HOSE END,FEMALE SWIVEL,JIC	48854	1JC43-16-16	HOSE END,FEMALE SWIVEL,SEAL LOK
48806	13943-4-4	HOSE END,90° FEMALE SWIVEL,JIC	48855	1J943-16-16	HOSE END,90° FEMALE SWIVEL,SEAL LOK
48807	1JS43-4-4	HOSE END,FEMALE SWIVEL,SEAL LOK	48856	1J171-16-16	HOSE END,90° FEMALE SWIVEL,SEAL LOK
48808	3JC82-8-8	HOSE END,FEMALE SWIVEL,SEAL LOK	48857	1J971-16-16	HOSE END,90° FEMALE SWIVEL,SEAL LOK
48809	3JC82-12-12	HOSE END,FEMALE SWIVEL,SEAL LOK	48859	1JS43-8-4	HOSE END,FEMALE SWIVEL,SEAL LOK
48810	1JC43-6-4	HOSE END,FEMALE SWIVEL,SEAL LOK	48867	PD36BTL	DIAGNOSTIC NIPPLE,SEAL-LOK SWIVEL
48811	1J943-6-4	HOSE END,90° FEMALE SWIVEL,SEAL LOK	48873	6 PNLO-S	PLUG,TUBE END,ORFS
48812	1JC43-6-6	HOSE END,FEMALE SWIVEL,SEAL LOK	48874	6 PNTX-S	PLUG,FLARE TUBE
48813	1J143-6-6	HOSE END,90° FEMALE SWIVEL,SEAL LOK	48875	6 R6LO-S	RUN TEE,SWIVEL NUT,ORFS
48814	1J543-6-6	HOSE END,90° FEMALE SWIVEL,SEAL LOK	48877	4 F5OLO-SW/.025	CONNECTOR,STRAIGHT THREAD TO ORFS, W/.025 ORI
48815	1J743-6-6	HOSE END,45° FEMALE SWIVEL,SEAL LOK	48878	16-12 C5OLO-S	ELBOW,90°,STRAIGHT THREAD TO ORFS
48816	1J943-6-6	HOSE END,90° FEMALE SWIVEL,SEAL LOK	48879	8 C6LO-S	ELBOW,90°,SWIVEL NUT ORFS
48817	1JS43-6-8	HOSE END,FEMALE SWIVEL,SEAL LOK	48880	PD6-285	CAP,DIAGNOSTIC NIPPLE
48818	1J943-8-4	HOSE END,90° FEMALE SWIVEL,SEAL LOK	48881	6 HLO-S	UNION,ORFS
48819	1JC43-8-6	HOSE END,FEMALE SWIVEL,SEAL LOK	48883	8 P5ON-S	PLUG,STRAIGHT THREAD
48820	1J743-8-6	HOSE END,45° FEMALE SWIVEL,SEAL LOK	48884	8M18F87OMLO-S	CONNECTOR,METRIC,STRAIGHT THREAD TO ORFS
48821	1J943-8-6	HOSE END,90° FEMALE SWIVEL,SEAL LOK	48885	4 WGTX-WLN-S	CONNECTOR,BULKHEAD,FEMALE PIPE TO FLARE TUBE
48822	1JC43-8-8	HOSE END,FEMALE SWIVEL,SEAL LOK	48886	4 F5OLO-SW/2MM	CONNECTOR,MACHINED STRAIGHT THREAD TO ORFS
48823	1JS43-8-8	HOSE END,FEMALE SWIVEL,SEAL LOK	48887	4 CTX-S	ELBOW,90°,MALE PIPE TO FLARE TUBE
48824	1J143-8-8	HOSE END,90° FEMALE SWIVEL,SEAL LOK	48888	10-12 V5OLO-S	ELBOW,45°,STRAIGHT THREAD TO ORFS
48825	1J543-8-8	HOSE END,90° FEMALE SWIVEL,SEAL LOK	48890	4 S5OLO-S	BRANCH TEE,STRAIGHT THREAD TO ORFS
48826	1J743-8-8	HOSE END,45° FEMALE SWIVEL,SEAL LOK	48891	4 S6LO-S	BRANCH TEE,SWIVEL NUT TO ORFS
48827	1J943-8-8	HOSE END,90° FEMALE SWIVEL,SEAL LOK			
48828	1JC43-10-8	HOSE END,FEMALE SWIVEL,SEAL LOK			
48829	1JS43-10-8	HOSE END,FEMALE SWIVEL,SEAL LOK			
48830	1J743-10-8	HOSE END,45° FEMALE SWIVEL,SEAL LOK			
48831	1J943-10-8	HOSE END,90° FEMALE SWIVEL,SEAL LOK			
48833	1JC43-10-10	HOSE END,FEMALE SWIVEL,SEAL LOK			
48834	1J943-10-10	HOSE END,90° FEMALE SWIVEL,SEAL LOK			
48835	1JS43-10-12	HOSE END,FEMALE SWIVEL,SEAL LOK			
48836	1JC43-12-8	HOSE END,FEMALE SWIVEL,SEAL LOK			
48837	1JS43-12-8	HOSE END,FEMALE SWIVEL,SEAL LOK			
48838	1J743-12-8	HOSE END,45° FEMALE SWIVEL,SEAL LOK			
48839	1J943-12-8	HOSE END,90° FEMALE SWIVEL,SEAL LOK			
48840	1J943-12-10	HOSE END,90° FEMALE SWIVEL,SEAL LOK			
48841	1JC43-12-12	HOSE END,FEMALE SWIVEL,SEAL LOK			
48842	1JO43-12-12	HOSE END,MALE,SEAL LOK			
48843	1J143-12-12	HOSE END,90° FEMALE SWIVEL,SEAL LOK			
48844	1J543-12-12	HOSE END,90° FEMALE SWIVEL,SEAL LOK			
48845	1J743-12-12	HOSE END,45° FEMALE SWIVEL,SEAL LOK			
48846	1J943-12-12	HOSE END,90° FEMALE SWIVEL,SEAL LOK			

Fitting Cross References (Continued)

Genie PN	Parker PN	Description	Genie PN	Parker PN	Description
48892	6 C6LO-S	ELBOW,90°,SWIVEL NUT ORFS	48938	8 R6LO-S	RUN TEE,SWIVEL NUT,ORFS
48893	6 F5OHAO-S	UNION,STRAIGHT THREAD	48939	8 S6LO-S	BRANCH TEE,SWIVEL NUT TO ORFS
48894	8 WLO-WLNL-S	UNION,BULKHEAD,ORFS	48940	8 WJLO-WLNL-S	RUN TEE, BULKHEAD,ORFS
48895	DT-370-MSMO-5	VALVE,CHECK	48941	8-4 TRLO-S	REDUCER,TUBE END TO SWIVEL,ORFS
48896	6 JLO-S	UNION,TEE,ORFS	48942	8-6 C5OLO-S	ELBOW,90°,STRAIGHT THREAD TO ORFS
48897	DT-750-MSMS-5	VALVE,CHECK	48943	8-6 F5OLO-S	CONNECTOR,STRAIGHT THREAD TO ORFS
48898	DT-750-MOMS-5	VALVE,CHECK	48944	8-8 FLO-S	CONNECTOR,MALE PIPE TO ORFS
48899	DT-620-MOMS-5	VALVE,CHECK	48945	8 FTX-S	CONNECTOR,MALE PIPE TO FLARE TUBE
48900	4-6 F5OLO-SW/.035	CONNECTOR,STRAIGHT THREAD TO ORFS, W/.035 ORI	48946	8-10 F5OLO-S	CONNECTOR,STRAIGHT THREAD TO ORFS
48902	16-1 AOE4G-S	ELBOW,90° LONG,FEMALE PIPE TO STRAIGHT THREAD	48947	8-12 C5OLO-S	ELBOW,90°,STRAIGHT THREAD TO ORFS
48903	1 FF-S	NIPPLE,PIPE	48948	8-12 F5OLO-S	CONNECTOR,STRAIGHT THREAD TO ORFS
48904	4 C5OLO-S	ELBOW,90°,STRAIGHT THREAD TO ORFS	48949	8-16 F5OLO-S	CONNECTOR,STRAIGHT THREAD TO ORFS
48905	4 F5OLO-S	CONNECTOR,STRAIGHT THREAD TO ORFS	48950	10 C5OLO-S	ELBOW,90°,STRAIGHT THREAD TO ORFS
48906	4 R5OLO-S	RUN TEE,STRAIGHT THREAD	48951	10 CC5OLO-S	ELBOW,90° LONG,STRAIGHT THREAD TO ORFS
48907	4 V5OLO-S	ELBOW,45°,STRAIGHT THREAD TO ORFS	48952	10 F5OLO-S	CONNECTOR,STRAIGHT THREAD TO ORFS
48908	4 R6LO-S	RUN TEE,SWIVEL NUT,ORFS	48953	10 R5OLO-S	RUN TEE,STRAIGHT THREAD
48909	4 WJLO-WLNL-S	RUN TEE, BULKHEAD,ORFS	48954	10 S5OLO-S	BRANCH TEE,STRAIGHT THREAD TO ORFS
48910	4 GTX-S W/.030	CONNECTOR,FEMALE PIPE TO FLARE TUBE	48955	10 R6LO-S	RUN TEE,SWIVEL NUT,ORFS
48911	4-6 C5OLO-S	ELBOW,90°,STRAIGHT THREAD TO ORFS	48956	10-4 TRLO-BL-S	REDUCER,TUBE END TO SWIVEL,ORFS
48912	4-6 F5OLO-S	CONNECTOR,STRAIGHT THREAD TO ORFS	48957	10-6 TRLO-BL-S	REDUCER,TUBE END TO SWIVEL,ORFS
48913	4-6 F5OLO-SW/.030	CONNECTOR,STRAIGHT THREAD TO ORFS, W/.030 ORI	48958	10-12 F5OLO-S	CONNECTOR,STRAIGHT THREAD TO ORFS
48914	4-8 F5OLO-S	CONNECTOR,STRAIGHT THREAD TO ORFS	48959	12 C5OLO-S	ELBOW,90°,STRAIGHT THREAD TO ORFS
48915	6 C5OLO-S	ELBOW,90°,STRAIGHT THREAD TO ORFS	48960	12 F5OLO-S	CONNECTOR,STRAIGHT THREAD TO ORFS
48916	6 F5OLO-S	CONNECTOR,STRAIGHT THREAD TO ORFS	48961	12 R5OLO-S	RUN TEE,STRAIGHT THREAD
48917	6 FF5OLO-S	CONNECTOR,LONG,STRAIGHT THREAD TO ORFS	48962	12 S5OLO-S	BRANCH TEE,STRAIGHT THREAD TO ORFS
48918	6 R5OLO-S	RUN TEE,STRAIGHT THREAD	48963	12 V5OLO-S	ELBOW,45°,STRAIGHT THREAD TO ORFS
48919	6 S5OLO-S	BRANCH TEE,STRAIGHT THREAD TO ORFS	48964	12 R6LO-S	RUN TEE,SWIVEL NUT,ORFS
48920	6 V5OLO-S	ELBOW,45°,STRAIGHT THREAD TO ORFS	48965	12 CLO-S	ELBOW,90°,MALE PIPE TO ORFS
48921	6 FLO-S	CONNECTOR,MALE PIPE TO ORFS	48966	12 FLO-S	CONNECTOR,MALE PIPE TO ORFS
48922	6-6 FLO-S	CONNECTOR,MALE PIPE TO ORFS	48967	12 JLO-S	UNION TEE,ORFS
48923	6 P5ON-S	PLUG,STRAIGHT THREAD	48968	12 WLO-WLNL-S	UNION,BULKHEAD,ORFS
48925	6 WELO-S	UNION,90° BULKHEAD,ORFS	48969	12 WJLO-WLNL-S	RUN TEE, BULKHEAD,ORFS
48926	6-4 C5OLO-S	ELBOW,90°,STRAIGHT THREAD TO ORFS	48970	12 WELO-WLNL-S	UNION,90° BULKHEAD W/NUT,ORFS
48927	6-4 F5OLO-S	CONNECTOR,STRAIGHT THREAD TO ORFS			
48928	6-4 V5OLO-S	ELBOW,45°,STRAIGHT THREAD TO ORFS			
48929	6-8 C5OLO-S	ELBOW,90°,STRAIGHT THREAD TO ORFS			
48930	6-8 F5OLO-S	CONNECTOR,STRAIGHT THREAD TO ORFS			
48931	6-10 F5OLO-S	CONNECTOR,STRAIGHT THREAD TO ORFS			
48932	8 C5OLO-S	ELBOW,90°,STRAIGHT THREAD TO ORFS			
48933	8 F5OLO-S	CONNECTOR,STRAIGHT THREAD TO ORFS			
48934	8 FF5OLO-S	CONNECTOR,LONG,STRAIGHT THREAD TO ORFS			
48935	8 R5OLO-S	RUN TEE,STRAIGHT THREAD			
48936	8 S5OLO-S	BRANCH TEE,STRAIGHT THREAD TO ORFS			
48937	8 V5OLO-S	ELBOW,45°,STRAIGHT THREAD TO ORFS			

Fitting Cross References (Continued)

Genie PN	Parker PN	Description	Genie PN	Parker PN	Description
48971	12 G5G5JG5-S	TEE,FEMALE STRAIGHT THREAD	49612	PKT02586	O-RING KIT (ORFS FITTINGS)
48972	12 XHL6-S	ADAPTER, 37° MALE TO SWIVEL ORFS	49613	PKT06276	PLUG AND CAP KIT-SERVICE,ORFS
48973	12-1/2 F5OG-S	ADAPTER,FEMALE PIPE TO STRAIGHT THREAD	49728	10143-12-12	HOSE END, MALE PIPE
48974	12-10 C5OLO-S	ELBOW,90°,STRAIGHT THREAD TO ORFS	49729	16-1 F5OG-S	ADAPTER,FEMALE PIPE TO STRAIGHT THREAD
48975	12-10 F5OLO-S	CONNECTOR,STRAIGHT THREAD TO ORFS	49814	12-8 FLO-S	CONNECTOR,MALE PIPE TO ORFS
48976	12-16 C5OLO-S	ELBOW,90°,STRAIGHT THREAD TO ORFS	49829	DT-500-MOMF-5	VALVE,CHECK
48977	12-16 F5OLO-S	CONNECTOR,STRAIGHT THREAD TO ORFS	49831	881-12	HOSE,3/4 INCH ID
48978	12-16 V5OLO-S	ELBOW,45°,STRAIGHT THREAD TO ORFS	49834	16 JLO-S	UNION TEE,ORFS
48980	12-16 FLO-S	CONNECTOR,MALE PIPE TO ORFS	49838	12-8 TRLO-BL-S	REDUCER,TUBE END TO SWIVEL,ORFS
48983	16 C5OLO-S	ELBOW,90°,STRAIGHT THREAD TO ORFS	49840	8 JLO-S	UNION TEE,ORFS
48984	16 F5OLO-S	CONNECTOR,STRAIGHT THREAD TO ORFS	49844	10-8 TRLO-BL-S	REDUCER,TUBE END TO SWIVEL,ORFS
48985	16 V5OLO-S	ELBOW,45°,STRAIGHT THREAD TO ORFS	49854	8 P5ON-S	PLUG,STRAIGHT THREAD
48986	16 FLO-S	CONNECTOR,MALE PIPE TO ORFS	49855	1JC43-16-12	HOSE END,FEMALE SWIVEL,SEAL LOK
48988	16 CD45-S	ELBOW,45°,MALE TO FEMALE PIPE	49859	4 P5ON-S	PLUG,STRAIGHT THREAD
48989	12 CD45-S	ELBOW,45°,MALE TO FEMALE PIPE	49861	4 FF5OLO-S	CONNECTOR, LONG, STRAIGHT THREAD TO ORFS
48990	8 CD45-S	ELBOW,45°,MALE TO FEMALE PIPE	49867	12-3/4 F5OG-S	ADAPTER,FEMALE PIPE TO STRAIGHT THREAD
48991	16-12 FLO-S	CONNECTOR,MALE PIPE TO ORFS	51152	6 R6X-S	RUN TEE,SWIVEL NUT,ORFS
48992	16-12 V5OLO-S	ELBOW,45°,STRAIGHT THREAD TO ORFS	51153	6-4 TRTX-S	REDUCER,TUBE END TO SWIVEL,ORFS
48993	XV501-12	BALL VALVE	51154	4-4 GTX	CONNECTOR,FEMALE PIPE TO FLARE TUBE
48994	XV501-16	BALL VALVE	51264	881-12	HOSE,3/4 INCH ID
48995	XV510P-12	BALL VALVE	51265	8 JLO-S	UNION TEE,ORFS
48996	XV510P-16	BALL VALVE	51508	6 BTX-S	NUT,FLARE TUBE
48997	PD341	DIAGNOSTIC NIPPLE, STRAIGHT THREAD	51580	12-8 TRLO-BL-S	TUBE END REDUCER,ORFS
48998	PD 361	DIAGNOSTIC NIPPLE, STRAIGHT THREAD	51628	6 R6X-S	RUN TEE,SWIVEL NUT,ORFS
48999	DT-500-MOMS-5	VALVE,CHECK	51735	3/8 HHP	PLUG,PIPE THREAD
49201	10 V5OLO-S	ELBOW,45°,STRAIGHT THREAD TO ORFS	51803	1J943-6-8	HOSE END,90° FEMALE SWIVEL,SEAL LOK
49202	1JC43-12-10	HOSE END,FEMALE SWIVEL,SEAL LOK	53023	125HBL-5-4	FITTING,HOSE BARB TO MALE PIPE
49203	10-8 V5OLO-S	ELBOW,45°,STRAIGHT THREAD TO ORFS	53497	PKT02585	O-RING KIT
49205	6 F5OHAO-S	UNION,STRAIGHT THREAD	53499	1JC71-16-16	HOSE END,FEMALE SWIVEL,SEAL LOK
49207	PD34BTL	DIAGNOSTIC NIPPLE,SEAL-LOK SWIVEL	53500	3-904	O-RING,STRAIGHT THREAD,-4
49209	8M18F870MX-S	CONNECTOR,METRIC,STRAIGHT THREAD TO FLARE TUBE	53501	3-906	O-RING,STRAIGHT THREAD,-6
49212	8 WGTX-WLN-S	CONNECTOR,BULKHEAD,FEMALE PIPE TO FLARE TUBE	53502	3-908	O-RING,STRAIGHT THREAD,-8
49213	30682-8-8	HOSE END,FEMALE SWIVEL,JIC	53503	3-910	O-RING,STRAIGHT THREAD,-10
49216	831-8	HOSE,1/2 INCH ID			
49217	33982-8-8	HOSE END,90° FEMALE SWIVEL,JIC			
49219	PS-B-35	SLEEVE,NYLON,2.19" ID			
49418	4-6 V5OLO-S	ELBOW,45°,STRAIGHT THREAD TO ORFS			
49511	DT370-MOMS-5	VALVE,CHECK			
49512	1 DD-S	ELBOW,90°,FEMALE PIPE			
49513	1 FF-S	NIPPLE,PIPE			
49514	10 HP5ON-S	PLUG,STRAIGHT THREAD			
49515	12-16 CLO-S	ELBOW,90°,MALE PIPE TO ORFS			
49517	6 HP5ON-S	PLUG,STRAIGHT THREAD			
49519	16-12 F5OLO-S	CONNECTOR,STRAIGHT THREAD TO ORFS			
49520	4 VTX-S	ELBOW,45°,MALE PIPE TO FLARE TUBE			
49530	16 C6LO-S	ELBOW,90°,SWIVEL NUT ORFS			

Fitting Cross References (Continued)

Genie PN	Parker PN	Description	Genie PN	Parker PN	Description
53535	3-912	O-RING,STRAIGHT THREAD,-12	61083	24 F5OLO-S	CONNECTOR,STRAIGHT THREAD TO ORFS
53536	4-PNLO-S	PLUG,TUBE END,ORFS	61086	20 R5OLO-S	RUN TEE,STRAIGHT THREAD
53537	6 PNLO-S	PLUG,TUBE END,ORFS	61090	24-20 F5OLO-S	CONNECTOR,STRAIGHT THREAD TO ORFS
53538	8 PNLO-S	PLUG,TUBE END,ORFS	61091	1J943 24-24	HOSE END,90° FEMALE SWIVEL,SEAL LOK
53539	10 PNLO-S	PLUG,TUBE END,ORFS	61093	1J978-12-12	HOSE END,90° FEMALE SWIVEL,JIC
53540	12 PNLO-S	PLUG,TUBE END,ORFS	61095	1JS43-20-16	HOSE END,FEMALE SWIVEL,SEAL LOK
53946	129HB-5-4	FITTING,90° HOSE BARB TO MALE PIPE	61100	811-24	HOSE,11/2 INCH ID
53951	8-1/4F50G-S	ADAPTER,FEMALE PIPE TO STRAIGHT THREAD	61130	1JS43-24-24	HOSE END,FEMALE SWIVEL,SEAL LOK
53980	6 S6LO-S	BRANCH TEE,SWIVEL NUT TO ORFS	61131	1JS78 12-12	HOSE END,FEMALE SWIVEL,SEAL LOK
54132	4 C6LO-S	ELBOW,90°,SWIVEL NUT ORFS	61132	1J778-12-12	HOSE END,45° FEMALE SWIVEL,JIC
54135	11343-16-16	HOSE END,MALE SWIVEL,PIPE	61152	139HB-6-4	ELBOW,45°,BARB TO MALE PIPE
54283	8-10 C5OLO-S	ELBOW,90°,STRAIGHT THREAD TO ORFS	61251	BV-0750	BALL VALVE
54428	8M18C870MLO-S	ELBOW, 90° METRIC, STRAIGHT THREAD TO ORFS	61259	4 CC5OLO-S	ELBOW,90° LONG,STRAIGHT THREAD TO ORFS
54803	FS-F-16-10	SLEEVE,FIRE,-96" ID	61260	20-12 TRLO-BL	REDUCER,TUBE END TO SWIVEL,ORFS
54954	10143-2-4	HOSE END, MALE PIPE	61262	12 C6LO-S	ELBOW,90°,SWIVEL NUT ORFS
55190	3/8 HP-S	PLUG,PIPE THREAD	61263	20 F5OHAO-S	UNION,STRAIGHT THREAD
55448	8 HLO-S	UNION,ORFS	61264	6-10 C5OLO-S	ELBOW,90°,STRAIGHT THREAD TO ORFS
55839	6 F65OX-S	CONNECTOR,STRAIGHT THREAD TO 37° SWIVEL	61265	6 WNLO-WLNL-S	UNION,BULKHEAD 45°,ORFS
55968	10 C5OX-S	ELBOW,90°,STRAIGHT THREAD TO FLARE TUBE	61268	4 WNLO-WLNL-S	UNION,BULKHEAD 45°,ORFS
56003	6 CC5OLO-S	ELBOW,90° LONG,STRAIGHT THREAD TO ORFS	61269	4 WLO-WLNL-S	UNION,BULKHEAD,ORFS
56166	BV-0837	BALL VALVE,90°	61272	12 AOEL6	ELBOW,90°,STRAIGHT THREAD TO ORFS SWIVEL
56188	10143-8-6	HOSE END, MALE PIPE	61316	482TC-16	HOSE,1 INCH ID
56233	2-011	O-RING,ORFS,-4	61321	6 JLO-S	UNION TEE,ORFS
56234	2-012	O-RING,ORFS,-6	61327	782-12	HOSE,3/4 INCH ID
56235	2-014	O-RING,ORFS,-8	61328	881-24	HOSE,11/2 INCH ID
56236	2-016	O-RING,ORFS,-10	61336	11943-20-24	HOSE END,90° FLANGE HEAD
56237	2-018	O-RING,ORFS,-12	61345	12 WJLO-WLNL-S	RUN TEE, BULKHEAD,ORFS
56238	2-021	O-RING,ORFS,-16	61346	8 WNLO-WLNL-S 4	UNION,BULKHEAD 45°,ORFS
56352	6 WLNL-S	LOCKNUT,BULKHEAD	61569	33782-8-8	HOSE END,45° FEMALE SWIVEL,JIC
56353	3J782-12-12	HOSE END,45° FEMALE SWIVEL,SEAL LOK	61610	12 FF5OLO-S	CONNECTOR,LONG,STRAIGHT THREAD TO ORFS
56354	3J982-12-12	HOSE END,90° FEMALE SWIVEL,SEAL LOK	61742	1/8 X 1.5 FFF	NIPPLE,PIPE
56604	10-8 F5OLO-S	CONNECTOR,STRAIGHT THREAD TO ORFS	63426	8 PNTX-S	PLUG,FLARE TUBE
56639	3JC82-10-10	HOSE END,FEMALE SWIVEL,SEAL LOK			
56640	3J982-10-10	HOSE END,90° FEMALE SWIVEL,SEAL LOK			
56655	3JC82-8-10	HOSE END,FEMALE SWIVEL,SEAL LOK			
56676	10-8 C5OLO-S	ELBOW,90°,STRAIGHT THREAD TO ORFS			
56776	471TC-6	HOSE,3/8 INCH ID			
56777	471TC-8	HOSE,1/2 INCH ID			
56789	811-16	HOSE,1 INCH ID			
57884	3/8 FF	NIPPLE,PIPE			
59335	6 FNL-S	CAP,TUBE END			
59342	4 FNL-S	CAP,TUBE END			
59371	8 HP5ON-S	PLUG,STRAIGHT THREAD			
60653	BV-0751	BALL VALVE			
60806	125HB-3-4	FITTING,HOSE BARB TO MALE PIPE			
61064	5-1/4 F50G-S	ADAPTER,FEMALE PIPE TO STRAIGHT THREAD			
61079	4 WELO-WLNL-S	UNION,90° BULKHEAD W/NUT,ORFS			
61080	6 WLO-WLNL-S	UNION,BULKHEAD,ORFS			

Fitting Cross References (Continued)

Genie PN	Parker PN	Description	Genie PN	Parker PN	Description
64271	4 WLO-WLNL-S	UNION,BULKHEAD,ORFS	75631	801-6	HOSE,3/8 INCH ID
64272	6 WLO-WLNL-S	UNION,BULKHEAD,ORFS	75654	20 F5OLO-S	CONNECTOR,STRAIGHT THREAD TO ORFS
65776	8 F65OL-S	CONNECTOR,STRAIGHT THREAD TO ORFS SWIVEL	75655	1J943-20-20	HOSE END,90° FEMALE SWIVEL,SEAL LOK
65880	6001012	O-RING KIT	75656	881-20	HOSE,1-1/4 INCH ID
66154	6 WTX-WLNS	UNION,BULKHEAD,FLARE TUBE	75971	8 F5OHAO-S	UNION,STRAIGHT THREAD
66155	6 WETX-S	UNION,BULKHEAD 90°,FLARE TUBE	77307	1JB43-8-8	HOSE END,BULKHEAD,SEAL LOK
66156	6 WLN-S	BULKHEAD LOCKNUT	77309	8 WLNL-S	BULKHEAD LOCKNUT
66389	6-8 F5OX-S	CONNECTOR,STRAIGHT THREAD TO FLARE TUBE	77379	8M18C87OMX-S	ELBOW,90° METRIC,STRAIGHT THREAD TO FLARE TUBE
66392	6 R5OX-S	RUN TEE,STRAIGHT THREAD	77703	3J982-8-8	HOSE END,90° FEMALE SWIVEL,SEAL LOK
66396	811-12	HOSE,3/4 INCH ID	77711	801-10	HOSE,5/8 INCH ID
66829	H3174PP	CLAMP,TUBE	77758	12 WNLO-WLNL-S	UNION,BULKHEAD 45°,ORFS
67217	4 KLO-S	UNION,CROSS,ORFS	78091	6 C6X-S	ELBOW,90°,SWIVEL NUT TO FLARE TUBE
67339	10-6 F5OX-S	CONNECTOR,STRAIGHT THREAD TO FLARE TUBE	78684	30582-8-8B	HOSE END,PUSH LOK,MALE
67357	13943-8-6	HOSE END,90° FEMALE SWIVEL,JIC	78852	549-2	HOSE,1/8 INCH ID
67358	10 HP5ON-S	PLUG,STRAIGHT THREAD	78855	10657-4-2	HOSE END,FEMALE SWIVEL,JIC
67371	12 S6LO-S	BRANCH TEE,SWIVEL NUT TO ORFS	79138	PS-B-37	SLEEVE,NYLON,2.38" ID
67498	4 FNL-S	CAP, TUBE END	79476	1JS43-6-8	HOSE END,FEMALE SWIVEL,SEAL LOK
67906	DC-370-F0F0-5	VALVE,CHECK	79847	12-3/4 A0EG-S	ELBOW,90°,STRAIGHT THREAD TO FEMALE PIPE
69316	8 FLO-S	CONNECTOR,MALE PIPE TO ORFS	80044	8 CLO-S	ELBOW,90°,MALE PIPE TO ORFS
69333	H3174PP	CLAMP,HYDRAULIC HOSE	80502	8 F5OX-S	CONNECTOR,STRAIGHT THREAD TO FLARE TUBE
69503	4 F65OX-S	CONNECTOR,STRAIGHT THREAD TO 37° SWIVEL	80503	8 C5OX-S	ELBOW,90°,STRAIGHT THREAD TO FLARE TUBE
69775	8 FNL-S	CAP, TUBE END	81010	AS-B-27	SLEEVE,NYLON,1.63" ID
71038	1/4X1/4F3HG-S	ADAPTER,CONVERSION	83052	821-6	HOSE,3/8 INCH ID
71196	12-8 F5OLO-S	CONNECTOR,STRAIGHT THREAD TO ORFS	83053	821-8	HOSE,1/2 INCH ID
71383	1/4 CD45-S	ELBOW,45°,MALE TO FEMALE PIPE	83054	821-12	HOSE,3/4 INCH ID
72270	12FNL-S	CAP, TUBE END	83055	30682-6-6	HOSE END,FEMALE SWIVEL,JIC
73436	60C-4	SLEEVE,COMPRESSION	83056	30682-12-12	HOSE END,FEMALE SWIVEL,JIC
73437	61C-4	NUT,COMPRESSION	83057	33782-6-6	HOSE END,45° FEMALE SWIVEL,JIC
73438	33482-4-4B	HOSE END,PUSH LOK,MALE	83058	33982-6-6	HOSE END,90° FEMALE SWIVEL,JIC
73767	1CD-S	ELBOW,90°,MALE TO FEMALE PIPE	83060	33982-12-12	HOSE END,90° FEMALE SWIVEL,JIC
73768	20-16-F5OG5-S	ADAPTER,FEMALE PIPE TO STRAIGHT THREAD	83063	13743-4-4	HOSE END,45° FEMALE SWIVEL,JIC
73769	16-20 F5OLO-S	CONNECTOR,STRAIGHT THREAD TO ORFS			
74660	6-8 F42EDMLO-S	CONNECTOR,MALE BSPP TO ORFS			
74661	8-8 F42EDMLO-S	CONNECTOR,MALE BSPP TO ORFS			
75007	4 FLO-S	CONNECTOR,MALE PIPE TO ORFS			
75008	1/8 HP-S	PLUG,PIPE THREAD			
75014	1/2 HP-S	PLUG,PIPE THREAD			
75042	8 WELO-WLNL-S	UNION,90° BULKHEAD W/NUT,ORFS			
75043	3/4 FF-S	NIPPLE,PIPE			
75254	24 F5OHAO-S	UNION,STRAIGHT THREAD			
75255	12 F5OHAO-S	UNION,STRAIGHT THREAD			
75256	XV506P-24	BALL VALVE			
75574	4 WLNL-S	BULKHEAD LOCKNUT			
75612	8 WJLO-WLNL-S	RUN TEE, BULKHEAD,ORFS			
75613	12-8 F5OG5-S	ADAPTER,FEMALE PIPE TO STRAIGHT THREAD			
75614	8 CC5OLO-S	ELBOW,90° LONG,STRAIGHT THREAD TO ORFS			
75628	1JB43-4-4	HOSE END,BULKHEAD,SEAL LOK			

Fitting Cross References (Continued)

Genie PN	Parker PN	Description	Genie PN	Parker PN	Description
83064	13743-8-8	HOSE END,45° FEMALE SWIVEL,JIC	89449	6 WJLO-WLNL-S	RUN TEE, BULKHEAD,ORFS
83065	13743-12-12	HOSE END,45° FEMALE SWIVEL,JIC	89489	4 WJMLO-S	BRANCH TEE,BULKHEAD,ORFS
83066	13943-8-8	HOSE END,90° FEMALE SWIVEL,JIC	89551	1JB43-6-6	HOSE END,BULKHEAD,SEAL LOK
83067	14143-6-6	HOSE END,90° FEMALE SWIVEL,JIC	89552	1JB43-8-8	HOSE END,BULKHEAD,SEAL LOK
83068	14143-8-8	HOSE END,90° FEMALE SWIVEL,JIC	89593	20 C5OLO-S	ELBOW,90°,STRAIGHT THREAD TO ORFS
83069	14143-12-12	HOSE END,90° FEMALE SWIVEL,JIC	94161	8-8 CLO-S	ELBOW,90°,MALE PIPE TO ORFS
83070	772-8	HOSE,1/2 INCH ID	94358	351TC-12	HOSE,3/4 INCH ID
83071	10671-8-8	HOSE END,FEMALE SWIVEL,JIC	94418	20 FLO-S	CONNECTOR,MALE PIPE TO ORFS
83072	10671-12-12	HOSE END,FEMALE SWIVEL,JIC	96358	12 TX-S	SLEEVE,FLARE TUBE
83073	13771-8-8	HOSE END,45° FEMALE SWIVEL,JIC	96359	12 BTX-S	NUT,FLARE TUBE
83074	13771-12-12	HOSE END,45° FEMALE SWIVEL,JIC	96397	8 F5OX-S	CONNECTOR,STRAIGHT THREAD TO FLARE TUBE
83075	13971-8-8	HOSE END,90° FEMALE SWIVEL,JIC	96398	12-8 F5OX-S	CONNECTOR,STRAIGHT THREAD TO FLARE TUBE
83076	13971-12-12	HOSE END,90° FEMALE SWIVEL,JIC	96402	10343-6-6	HOSE END,MALE,JIC
83077	14171-8-8	HOSE END,90° FEMALE SWIVEL,JIC	96407	30382-6-6B	HOSE END,MALE,JIC
83078	14171-12-12	HOSE END,90° FEMALE SWIVEL,JIC			
83080	13943-16-16	HOSE END,90° FEMALE SWIVEL,JIC			
83103	10671-16-12	HOSE END,FEMALE SWIVEL,JIC			
83104	10671-10-12	HOSE END,FEMALE SWIVEL,JIC			
83112	1JC71-8-8	HOSE END,FEMALE SWIVEL,SEAL LOK			
83113	1JS71-16-12	HOSE END,FEMALE SWIVEL,SEAL LOK			
83114	1JS71-10-12	HOSE END,FEMALE SWIVEL,SEAL LOK			
83115	1J971-8-8	HOSE END,90° FEMALE SWIVEL,SEAL LOK			
83116	1J171-8-8	HOSE END,90° FEMALE SWIVEL,SEAL LOK			
83117	1J771-8-8	HOSE END,45° FEMALE SWIVEL,SEAL LOK			
83127	1J543-6-8	HOSE END,90° FEMALE SWIVEL,JIC			
83128	1JC43-6-8	HOSE END,FEMALE SWIVEL,SEAL LOK			
87033	12-6 TRLO-S	REDUCER,TUBE END TO SWIVEL,ORFS			
87034	3J782-8-8	HOSE END,45° FEMALE SWIVEL,SEAL LOK			
87172	12 HP5ON-S	PLUG,STRAIGHT THREAD			
87185	8 WNLO-WLNL-S	UNION,BULKHEAD 45°,ORFS			
87246	4 C6X-S	ELBOW,90°,SWIVEL NUT TO FLARE TUBE			
87679	6 LHP-S	FLANGE SEAL FITTING, MALE			
87681	6PLS N0702	BONDED SEAL			
88100	SR88100	ADAPTER,OIL DRAIN,GM 3.0L			
88311	1JS43-20-20	HOSE END,FEMALE SWIVEL,SEAL LOK			
88353	20 V5OLO-S	ELBOW,45°,STRAIGHT THREAD TO ORFS			
88474	10081-20	Crimp Shell, 1.25"			
88475	1988-20-24	HOSE END,90° FLANGE HEAD			
88476	JS88-24-24	HOSE END,FEMALE SWIVEL,SEAL LOK			
88477	1JC88-20-20	HOSE END,FEMALE SWIVEL,SEAL LOK			
88478	811-20	HOSE,11/4 INCH ID			
88936	20-16 F5OLO-S	CONNECTOR,STRAIGHT THREAD TO ORFS			
88937	20-16 FLO-S	CONNECTOR,MALE PIPE TO ORFS			
88938	1JC88-16-16	HOSE END,FEMALE SWIVEL,SEAL LOK			
88939	1J988-16-16	HOSE END,90° FEMALE SWIVEL,ORFS			
88940	811-16	HOSE,1 INCH ID			
88944	1J988-20-20	HOSE END,90° FEMALE SWIVEL,ORFS			
89403	16 VLO-S	ELBOW,45°,MALE PIPE TO ORFS			

California Proposition 65



Operating, servicing and maintaining this equipment can expose you to chemicals including engine exhaust, carbon monoxide, phthalates, and lead, which are known to the State of California to cause cancer and birth defects or other reproductive harm. These chemicals can be emitted from or contained in other various parts and systems, fluids and some component wear by-products. To minimize exposure, avoid breathing exhaust, do not idle the engine except as necessary, service your equipment and vehicle in a well-ventilated area and wear gloves or wash your hands frequently when servicing your equipment or vehicle and after operation. For more information go to www.P65Warnings.ca.gov/passenger-vehicle.

Distributed By:

Go to Discount-Equipment.com to order your parts

PARTS FINDER

**Search Website
by Part Number**



**Search Manual
Library For Parts
Manual & Lookup Part
Numbers – Purchase
or Request Quote**

Search Manuals

Enter your information to help us find the right parts manual for your machine.

* Brand:

* Model:

* Serial:

* Part Number:

SEARCH

**Can't Find Part or
Manual? Request Help
by Manufacturer,
Model & Description**

Parts Order Form

Please fill in the following information to help us find the right part for your machine.

MANUFACTURER:

MODEL:

DESCRIPTION:

SEARCH

Discount-Equipment.com is your online resource for quality parts & equipment.

Florida: **561-964-4949** Outside Florida TOLL FREE: **877-690-3101**

Need parts?

Click on this link: <http://www.discount-equipment.com/category/5443-parts/> and choose one of the options to help get the right parts and equipment you are looking for. Please have the machine model and serial number available in order to help us get you the correct parts. If you don't find the part on the website or on one of the online manuals, please fill out the request form and one of our experienced staff members will get back to you with a quote for the right part that your machine needs.

We sell worldwide for the brands: Genie, Terex, JLG, MultiQuip, Mikasa, Essick, Whiteman, Mayco, Toro Stone, Diamond Products, Generac Magnum, Airman, Haulotte, Barreto, Power Blanket, Nifty Lift, Atlas Copco, Chicago Pneumatic, Allmand, Miller Curber, Skyjack, Lull, Skytrak, Tsurumi, Husquvarna Target, Stow, Wacker, Sakai, Mi-T-M, Sullair, Basic, Dynapac, MBW, Weber, Bartell, Bennar Newman, Haulotte, Ditch Runner, Menegotti, Morrison, Contec, Buddy, Crown, Edco, Wyco, Bomag, Laymor, EZ Trench, Bil-Jax, F.S. Curtis, Gehl Pavers, Heli, Honda, ICS/PowerGrit, IHI, Partner, Imer, Clipper, MMD, Koshin, Rice, CH&E, General Equipment, Amida, Coleman, NAC, Gradall, Square Shooter, Kent, Stanley, Tamco, Toku, Hatz, Kohler, Robin, Wisconsin, Northrock, Oztec, Toker TK, Rol-Air, APT, Wylie, Ingersoll Rand / Doosan, Innovatech, Con X, Ammann, Mecalac, Makinex, Smith Surface Prep, Small Line, Wanco, Yanmar