



A TEREX BRAND



Parts Manual

Serial Number Range

Z-30/20N

from SN 1932 to 15132

Z-30/20N RJ

Part No. 74117

Rev L2

November 2018

Go to Discount-Equipment.com to order your parts

PARTS FINDER

**Search Website
by Part Number**



**Search Manual
Library For Parts
Manual & Lookup Part
Numbers – Purchase
or Request Quote**

Search Manuals

Enter your information to help us find the right parts manual for your machine.

* Brand:

* Model:

* Serial:

* Part Number:

SEARCH

**Can't Find Part or
Manual? Request Help
by Manufacturer,
Model & Description**

Parts Order Form

Please fill in the following information to help us find the right part for your machine.

Manufacturer:	<input type="text"/>
Model:	<input type="text"/>
Description:	<input type="text"/>
Part Number:	<input type="text"/>
Quantity:	<input type="text"/>
Notes:	<input type="text"/>

Submit

Discount-Equipment.com is your online resource for quality parts & equipment.

Florida: **561-964-4949** Outside Florida TOLL FREE: **877-690-3101**

Need parts?

Click on this link: <http://www.discount-equipment.com/category/5443-parts/> and choose one of the options to help get the right parts and equipment you are looking for. Please have the machine model and serial number available in order to help us get you the correct parts. If you don't find the part on the website or on one of the online manuals, please fill out the request form and one of our experienced staff members will get back to you with a quote for the right part that your machine needs.

We sell worldwide for the brands: Genie, Terex, JLG, MultiQuip, Mikasa, Essick, Whiteman, Mayco, Toro Stone, Diamond Products, Generac Magnum, Airman, Haulotte, Barreto, Power Blanket, Nifty Lift, Atlas Copco, Chicago Pneumatic, Allmand, Miller Curber, Skyjack, Lull, Skytrak, Tsurumi, Husquvarna Target, Stow, Wacker, Sakai, Mi-T-M, Sullair, Basic, Dynapac, MBW, Weber, Bartell, Bennar Newman, Haulotte, Ditch Runner, Menegotti, Morrison, Contec, Buddy, Crown, Edco, Wyco, Bomag, Laymor, EZ Trench, Bil-Jax, F.S. Curtis, Gehl Pavers, Heli, Honda, ICS/PowerGrit, IHI, Partner, Imer, Clipper, MMD, Koshin, Rice, CH&E, General Equipment, Amida, Coleman, NAC, Gradall, Square Shooter, Kent, Stanley, Tamco, Toku, Hatz, Kohler, Robin, Wisconsin, Northrock, Oztec, Toker TK, Rol-Air, APT, Wylie, Ingersoll Rand / Doosan, Innovatech, Con X, Ammann, Mecalac, Makinex, Smith Surface Prep, Small Line, Wanco, Yanmar



Model: Z-30/20N
Serial number: Z30N05-12345
Model year: 2005 **Manufacture date:** 04/12/05
Electrical schematic number: ESXXXX
Machine unladen weight:

Rated work load (including occupants): XXX lb / XXX kg
Maximum number of platform occupants: X
Maximum allowable side force : XXX lb / XXX N
Maximum allowable inclination of the chassis:
0 deg

Maximum wind speed : XX mph/ XX m/s
Maximum platform height : XX ft / XX m
Maximum platform reach : XX ft / XX m
Gradeability: N/A

Country of manufacture: USA
This machine complies with:



11010101

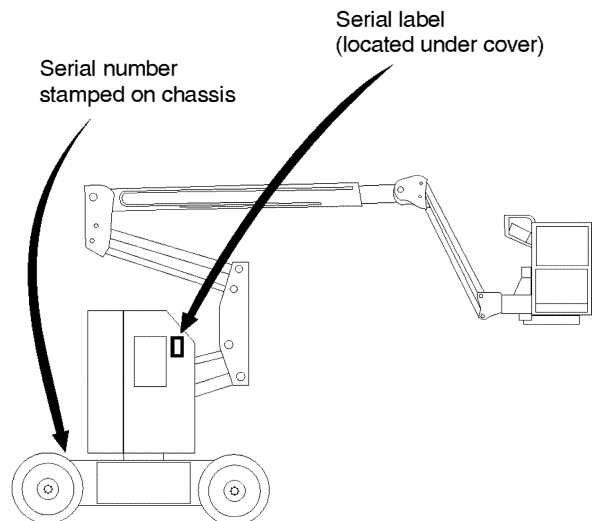
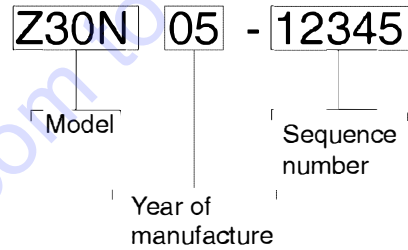


Table of Contents

This manual is updated frequently. For the most up-to-date parts information, visit www.discount-equipment.com

How to Read Your Serial Number.....	3
Parts Stocking List.....	7

Electronic Version

Click on any page number to view the figure.

100 Decals

101.1 Decals (to SN 6289).....	10
102.1 Decals with Words (from SN 6290 to 8332).....	12
102.2 Decals with Words (from SN 8333).....	14
103.1 Decals with Symbols (from SN 6290).....	16

200 Chassis Components

201.1 Steer Axle Linkage, Wheels and Hubs (to SN 5840).....	18
202.1 Steer Axle Linkage, Wheels and Hubs (from SN 5841).....	20
203.1 Battery Charger (to SN 3446).....	22
203.2 Battery Charger (from SN 3447).....	24
204.1 Battery Packs (to SN 5840).....	26
205.1 Battery Packs (from SN 5841).....	28
206.1 Non-steer Axle.....	30
207.1 Electronic Control Module (to SN 3446).....	34
208.1 Electronic Control Module (from SN 3447).....	36
209.1 Power Cable Diagram (to SN 3446).....	38
210.1 Power Cable Diagram (from SN 3447 to 10917).....	40
210.2 Power Cable Diagram (from SN 10918).....	42

300 Turntable Components

301.1 Turntable Rotator.....	44
302.1 Ground Controls Side (to SN 3446).....	48
303.1 Ground Controls Side (from SN 3447 to 9825).....	50
303.2 Ground Controls Side (from SN 9826).....	52
304.1 Ground Control Panel.....	54
305.1 Power Unit Side (to SN 12039).....	56
305.2 Power Unit Side (from SN 12040).....	58
306.1 Turntable Covers (to SN 10538).....	60
306.2 Turntable Covers (from SN 10539).....	62

307.1 Wire Harness Diagram.....	64
---------------------------------	----

400 Boom Components, Z-30/20N (Non-Rotating Jib)

401.1 Secondary Boom - View 1.....	66
402.1 Secondary Boom - View 2.....	68
403.1 Upper Pivot.....	70
404.1 Primary and Extension Booms.....	72
405.1 Cable Track.....	74
406.1 Jib Boom and Platform Rotator.....	76

500 Boom Components, Z-30/20NRJ (Rotating Jib)

501.1 Primary Boom Wear Pads (to SN 6456).....	80
501.2 Primary Boom Wear Pads (from SN 6457).....	82
502.1 Primary and Extension Booms.....	84
503.1 Rotating Jib Boom Assembly.....	86
504.1 Secondary Boom - View 1.....	88
505.1 Secondary Boom - View 2.....	90
506.1 Cable Track.....	92
507.1 Upper Pivot.....	94

600 Platform Components

601.1 Platform.....	96
602.1 Platform Controls - View 1 (to SN 4082).....	100
603.1 Platform Controls - View 2 (to SN 4082).....	102
604.1 Platform Controls - View 1 (from SN 4083 to 8354).....	104
604.2 Platform Controls - View 1 (from SN 8355).....	106
605.1 Platform Controls - View 2 (from SN 4083 to 11193).....	108
605.2 Platform Controls - View 2 (from SN 11194).....	110
606.1 Joystick Controller (to SN 3446).....	112
607.1 Joystick Controller (from SN 3447 to 14695).....	114
607.2 Joystick Controller (from SN 14696).....	116
608.1 Rotational Controller.....	118

700 Pumps and Manifolds

701.1 Steer/Brake Manifold (to SN 3446).....	120
702.1 Function Manifold (to SN 3446).....	122
703.1 Function Manifold (from SN 3447).....	124
704.1 Jib Boom Manifolds.....	128

800 Hydraulic Hoses and Fittings

801.1 Drive Chassis.....	130
802.1 Turntable Components (to SN 3446).....	132
803.1 Turntable Components (from SN 3447).....	134
803.2 Turntable Components (from SN 12040).....	136
804.1 Boom Components (to SN 11304).....	138
804.2 Boom Components (from SN 11305).....	140

900 Accessories

901.1 Flashing Beacon and Descent Alarm (to SN 10538).....	142
--	-----

901.2 Flashing Beacon and Descent Alarm (from SN 10539).....	144
902.1 Air Line to Platform.....	146
903.1 Platform Options - View 1.....	148
904.1 Platform Options - View 2 (to SN 9308).....	150
904.2 Platform Options - View 2 (from SN 9309).....	152
905.1 Platform Overload (from SN 6291).....	154
906.1 Inverter Option, 120V.....	156
907.1 Drive Light Option.....	158
909.1 Aircraft Protection (to SN 10885).....	160
909.2 Aircraft Protection (from SN 10886).....	162
910.1 Auxiliary Rail Assembly.....	164
911.1 Hostile Environment, Primary Boom Wipers, Z-30N (from SN 12120).....	166
912.1 Hostile Environment, Primary Boom Wipers, Z-30N RJ (from SN 12120).....	168
913.1 Hostile Environment, Cylinder Bellows (from SN 12120).....	170
Indices	
Part Number Index.....	172
Part Description Index.....	177
Cross References	
Fittings Cross Reference.....	186

Required Parts

The following parts are required to perform maintenance procedures as outlined in the Genie Z-30/20N Service Manual.

Description	Part No.
Filter Element, 10 Micron.....	74634
O-ring Kit (for ORFS Fittings)	49612
Plug and Cap Kit (for ORFS fittings).....	49613
Dielectric Grease	66399

Recommended Parts

Description	Part No.
Genie Blue Paint, 1 Gallon	32150
Genie Blue Paint, 12 Ounce Aerosol.....	1484
Genie Gray Paint, 1 Gallon.....	32151
Genie Gray Paint, 12 Ounce Aerosol	1268

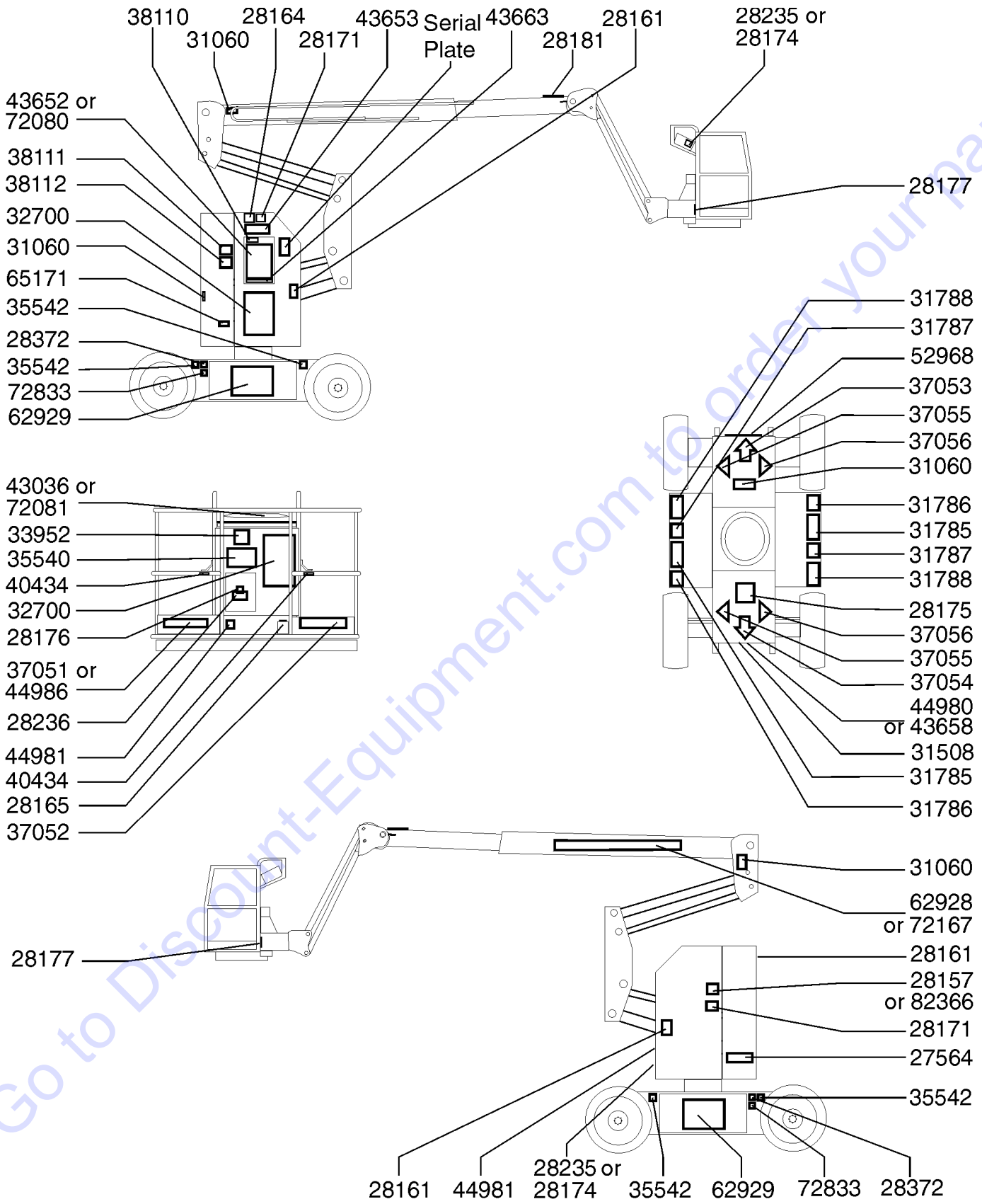
Manuals

Genie Industries offers the following support documents for these models:

Title	Part No.
EMI Safety Manual	27581
Manual of Responsibilities	
ANSI A92.5.....	31779

Go to Discount-Equipment.com to order your parts

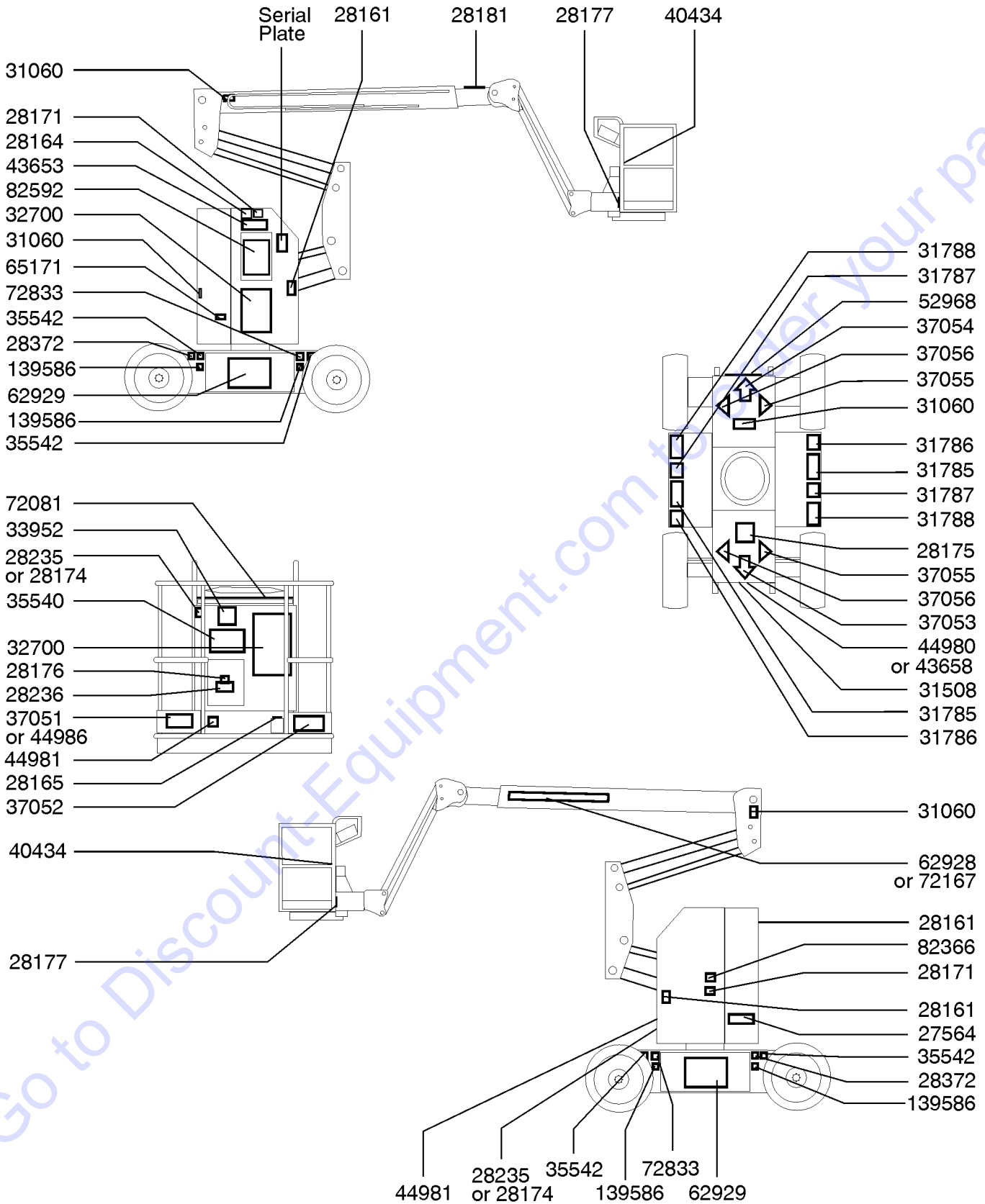
101.1 Decals (to SN 6289)



101.1 Decals (to SN 6289)

Item	Part No.	Description	Qty.	Item	Part No.	Description	Qty.
--	46192GT	DECAL KIT,WORDS,Z30N/Z20 <i>includes items 1, 3-6, 8-11, 13-24, 27-31, 37, 38, 47, 48, 49, 51 and 52</i>		31	38110GT	DECAL,LABEL,TRAVEL ALARM***.....	2
1	27564GT	DECAL,DANGER,ELEC.HAZ.STAY CLR.....	2	32	38111GT	DECAL,WARNING,BRAKE RELEASE***.....	1
2	28157GT	DECAL,USE DEXRON***.....	1	33	38112GT	DECAL,CAUTION,BRAKE RELEASE***.....	1
3	28161GT	DECAL,WARN,CRUSH HAZARD HAND.....	3	34	40434GT	DECAL,LANYARD ANCHORAGE POINT.....	2
4	28164GT	DECAL,NOTICE,HAZARDOUS MAT'LS*.....	1	35	43036GT	DECAL, PLATFORM CONTROL PANEL*.....	1
5	28165GT	DECAL,INSTRUCT,FOOTSWITCH OPER.....	1	36	43652GT	DECAL,GROUND CONTROL PANEL**.....	1
6	28171GT	DECAL,DANGER,NO SMOKING ***.....	1	37	43653GT	DECAL,NOTICE, GRD OPER INSTRUC.....	1
7	28174GT	DECAL, POWER TO PLATFORM 230V**.....	2	38	43658GT	DECAL,LABEL,PWR TO CHARGR 230V.....	1
8	28175GT	DECAL,WARNING-COMPART ACCESS.....	1	39	43663GT	DECAL,NOTICE, FUNCTION ENABLE*.....	1
9	28176GT	DECAL,LABEL,MANUAL NOT HERE.....	1	40	44980GT	DECAL,LABEL,PWR TO CHARGR 115V.....	1
10	28177GT	DECAL,WARN,CRUSH HAZARD PLAT.....	2	41	44981GT	DECAL,LABEL, AIR LINE 110 PSI.....	2
11	28181GT	DECAL,WARN,FALL HAZARD.....	1	42	44986GT	DECAL,INSTR,SIDE FRC/WIND,AUS.....	1
12	28235GT	DECAL,POWER TO PLATFORM 115V.....	2	43	52968GT	DECAL,COSMETIC,GENIE BOOM,VERT.....	1
13	28236GT	DECAL,WARN,IMPROPER OPERATION.....	1	44	62928GT	DECAL,COSMETIC,GENIE Z-30/20N.....	1
14	28372GT	DECAL,NOTICE,BATTERY CABLES.....	2	45	62929GT	DECAL,COSM,GENIE Z-30/20N(BOX).....	1
15	31060GT	DECAL,DANGER DO NOT ALTER SWTC.....	2	46	65171GT	DECAL,LABEL,CB & STATUS LIGHT.....	1
16	31508GT	DECAL,DANGER,ELECT HAZARD,PLUG.....	1	47	72080GT	DECAL,GROUND CONTROL PANEL.....	1
17	31785GT	DECAL,NOTICE,CHARGER INSTRUC.....	2	48	72081GT	DECAL,PLATFORM CONTROL PANEL**.....	1
18	31786GT	DECAL,NOTICE,BATT CONNECTION.....	2	49	72167GT	DECAL,COSMETIC,GENIE Z30/20NRJ.....	1
19	31787GT	DECAL,DANGER,TIP-OVER BATTERY.....	2	50	72833GT	DECAL,LABEL,OPEN,LATCH.....	1
20	31788GT	DECAL,DANGER,BATTERY SAFETY***.....	2	51	82366GT	DECAL,CHEVRON RANDO HD.....	1
21	32700GT	DECAL,DANGER,GEN SAFETY RULES.....	2				
22	33952GT	DECAL,DANGER,TILT ALARM.....	1				
23	35540GT	DECAL,NOTICE,OPER INST PLAT,DC.....	1				
24	35542GT	DECAL,NOTICE,LUG NUT TORQUE***.....	4				
25	37051GT	DECAL,NOTICE,SIDE FRC 150,ANSI.....	1				
26	37052GT	DECAL,NOTICE,MAX LOAD 500 LBS.....	1				
27	37053GT	DECAL,ARROW,BLUE.....	2				
28	37054GT	DECAL,ARROW,YELLOW SM 5-3/8".....	2				
29	37055GT	DECAL,TRIANGLE,BLUE.....	2				
30	37056GT	DECAL,TRIANGLE,YELLOW.....	2				

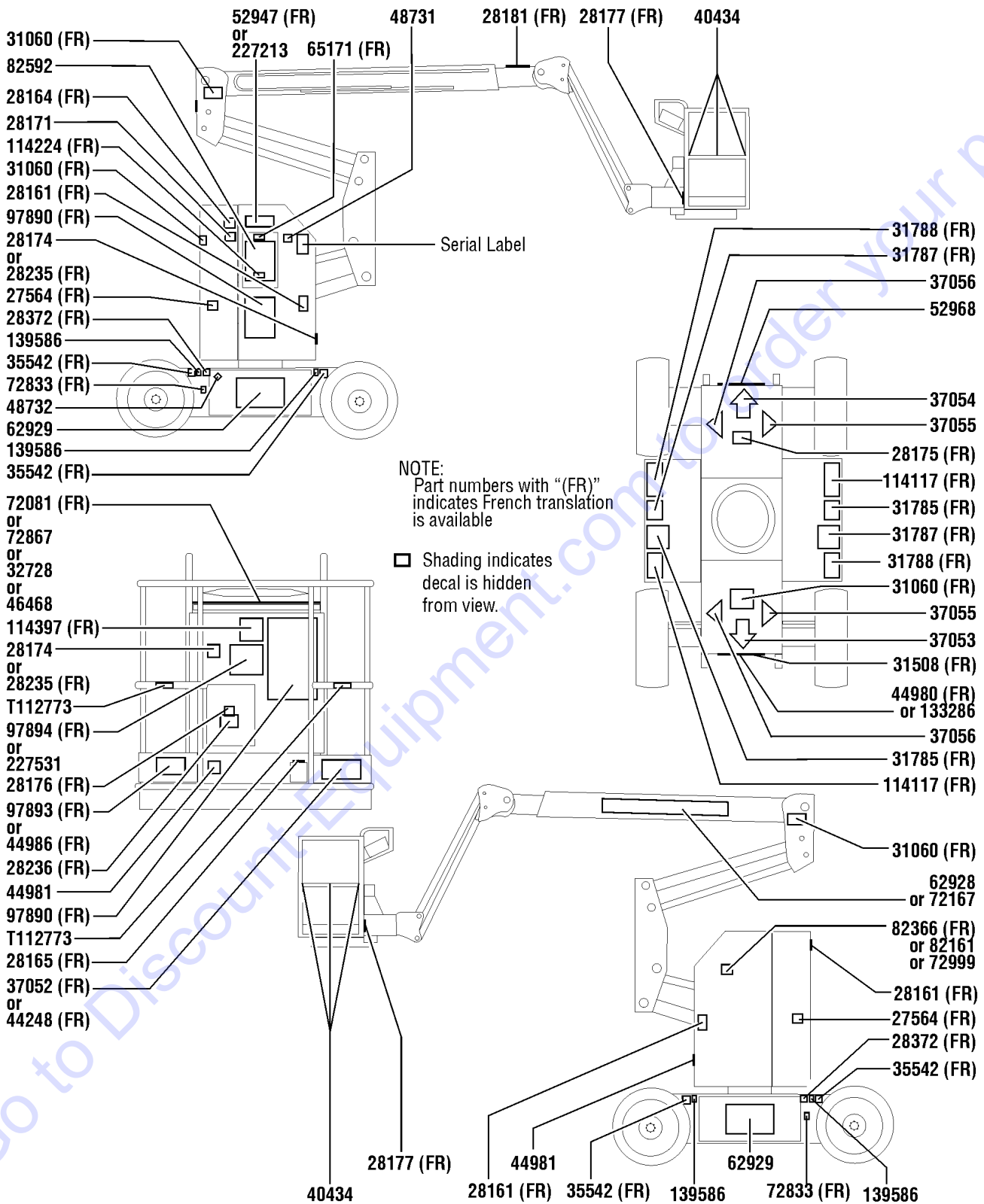
102.1 Decals with Words (from SN 6290 to 8332)



102.1 Decals with Words (from SN 6290 to 8332)

Item	Part No.	Description	Qty.	Item	Part No.	Description	Qty.
--	T107970GT	DECAL KIT,WRD,Z30-20NRJ ANSI <i>ANSI/CSA models</i>		28	37055GT	DECAL,TRIANGLE,BLUE.....	2
--	T107971GT	DECAL KIT,WRD,Z30-20NRJ AUS <i>Australia models</i>		29	37056GT	DECAL,TRIANGLE,YELLOW.....	2
1	27564GT	DECAL,DANGER,ELEC.HAZ.STAY CLR.....	2	30	40434GT	DECAL,LANYARD ANCHORAGE POINT.....	2
2	28161GT	DECAL,WARN,CRUSH HAZARD HAND.....	2	31	43653GT	DECAL,NOTICE, GRD OPER INSTRUC.....	1
3	28164GT	DECAL,NOTICE,HAZARDOUS MAT'LS*.....	1	32	43658GT	DECAL,LABEL,PWR TO CHARGR 230V.....	1
4	28165GT	DECAL,INSTRUCT,FOOTSWITCH OPER.....	1	33	44980GT	DECAL,LABEL,PWR TO CHARGR 115V.....	1
5	28171GT	DECAL,DANGER,NO SMOKING ***.....	2	34	44981GT	DECAL,LABEL, AIR LINE 110 PSI.....	2
6	28174GT	DECAL, POWER TO PLATFORM 230V**.....	2	35	44986GT	DECAL,INSTR,SIDE FRC/WIND,AUS..... <i>Australia</i>	1
7	28175GT	DECAL,WARNING-COMPART ACCESS.....	2	36	52968GT	DECAL,COSMETIC,GENIE BOOM,VERT.....	1
8	28176GT	DECAL,LABEL,MANUAL NOT HERE.....	1	37	62928GT	DECAL,COSMETIC,GENIE Z-30/20N.....	1
9	28177GT	DECAL,WARN,CRUSH HAZARD PLAT.....	2	38	62929GT	DECAL,COSM,GENIE Z-30/20N(BOX)...	1
10	28181GT	DECAL,WARN,FALL HAZARD.....	1	39	65171GT	DECAL,LABEL,CB & STATUS LIGHT.....	1
11	28235GT	DECAL,POWER TO PLATFORM 115V.....	2	40	72167GT	DECAL,COSMETIC,GENIE Z30/20NRJ.....	1
12	28236GT	DECAL,WARN,IMPROPER OPERATION.....	1	41	72081GT	DECAL,PLATFORM CONTROL PANEL **.....	1
13	28372GT	DECAL,NOTICE,BATTERY CABLES.....	2	42	72833GT	DECAL,LABEL,OPEN,LATCH.....	1
14	31060GT	DECAL,DANGER DO NOT ALTER SWTC.....	1	43	82366GT	DECAL,CHEVRON RANDO HD.....	1
15	31508GT	DECAL,DANGER,ELECT HAZARD,PLUG.....	1	44	82592GT	DECAL,GROUND CONTROL PANEL ***.....	1
16	31785GT	DECAL,NOTICE,CHARGER INSTRUC...1		45	139586GT	DECAL,LABEL,WHEEL LOAD Z30N&RJ.....	4
17	31786GT	DECAL,NOTICE,BATT CONNECTION...2 <i>to S/N 6801</i>					
--	114117GT	DECAL,BATT CONN DIAGRAM <i>from S/N 6802</i>					
18	31787GT	DECAL,DANGER,TIP-OVER BATTERY.....	2				
19	31788GT	DECAL,DANGER,BATTERY SAFETY***.....	2				
20	32700GT	DECAL,DANGER,GEN SAFETY RULES.....	1				
21	33952GT	DECAL,DANGER,TILT ALARM.....	1				
22	35540GT	DECAL,NOTICE,OPER INST PLAT,DC.....	1				
23	35542GT	DECAL,NOTICE,LUG NUT TORQUE***.....	4				
24	37051GT	DECAL,NOTICE,SIDE FRC 150,ANSI....1					
25	37052GT	DECAL,NOTICE,MAX LOAD 500 LBS....1					
26	37053GT	DECAL,ARROW,BLUE.....	1				
27	37054GT	DECAL,ARROW,YELLOW SM 5-3/8"....1					

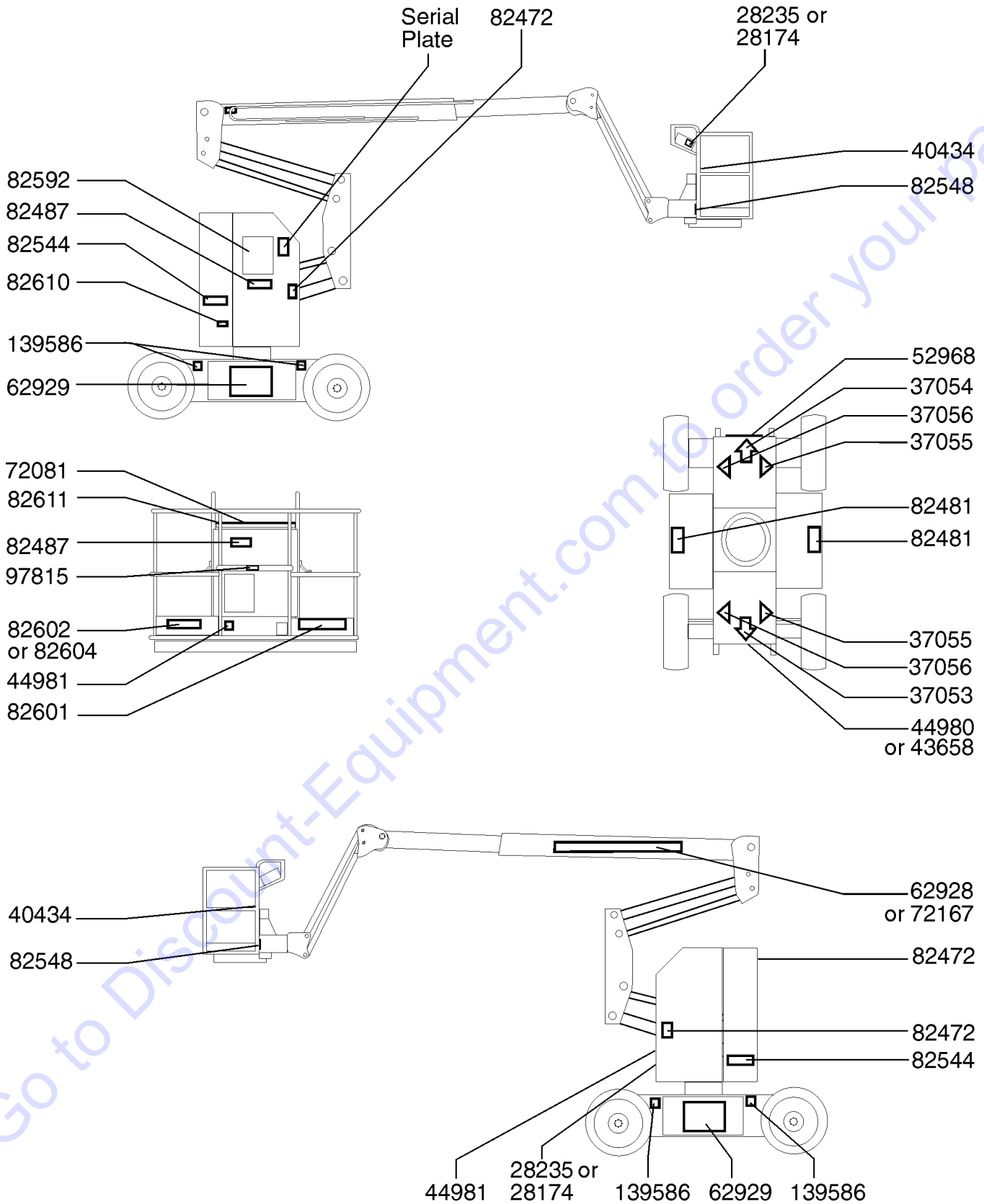
102.2 Decals with Words (from SN 8333)



102.2 Decals with Words (from SN 8333)

Item	Part No.	Description	Qty.	Item	Part No.	Description	Qty.
1	27564GT	DECAL,DANGER,ELEC.HAZ.STAY CLR.....	2	30	44986GT	DECAL,INSTR,SIDE FRC/WIND,AUS..... <i>Australia models</i>	1
2	28161GT	DECAL,WARN,CRUSH HAZARD HAND.....	3	31	46468GT	DECAL,FUNCTION OVERRIDE..... <i>models with aircraft protection package</i>	1
3	28164GT	DECAL,NOTICE,HAZARDOUS MAT'LS*.....	1	34	52947GT	DECAL,OPERATING INSTR,GROUND..... <i>ANSI models</i>	1
4	28165GT	DECAL,INSTRUCT,FOOTSWITCH OPER.....	1	35	52968GT	DECAL,COSMETIC,GENIE BOOM,VERT.....	1
5	28171GT	DECAL,DANGER,NO SMOKING ***.....	1	36	62928GT	DECAL,COSMETIC,GENIE Z-30/20N..... <i>models without rotating jib</i>	1
6	28174GT	DECAL, POWER TO PLATFORM 230V**.....	2	37	62929GT	DECAL,COSM,GENIE Z-30/20N(BOX)...	2
7	28175GT	DECAL,WARNING-COMPART ACCESS.....	1	38	65171GT	DECAL,LABEL,CB & STATUS LIGHT.....	1
8	28176GT	DECAL,LABEL,MANUAL NOT HERE.....	1	39	72081GT	DECAL,PLATFORM CONTROL PANEL**.....	1
9	28177GT	DECAL,WARN,CRUSH HAZARD PLAT.....	2	40	72167GT	DECAL,COSMETIC,GENIE Z30/20NRJ..... <i>models with rotating jib</i>	1
10	28181GT	DECAL,WARN,FALL HAZARD.....	1	41	72833GT	DECAL,LABEL,OPEN,LATCH.....	2
11	28235GT	DECAL,POWER TO PLATFORM 115V.....	2	42	72867GT	DECAL,LABEL,LIGHTS***..... <i>models with work lights</i>	1
12	28236GT	DECAL,WARN,IMPROPER OPERATION.....	1	43	72999GT	DECAL,LABEL,PETRO CANADA***.....	1
13	28372GT	DECAL,NOTICE,BATTERY CABLES.....	2	44	82161GT	DECAL,LABEL,UCON HYDROLUBE.....	1
14	31060GT	DECAL,DANGER DO NOT ALTER SWTC.....	4	45	82366GT	DECAL,CHEVRON RANDO HD.....	1
15	31508GT	DECAL,DANGER,ELECT HAZARD,PLUG.....	1	46	82592GT	DECAL,GROUND CONTROL PANEL***.....	1
16	31785GT	DECAL,NOTICE,CHARGER INSTRUC...2		47	97890GT	DECAL,DANGER,GEN SAFETY RULES.....	2
16	31785JAGT	DECAL,NOTICE,CHARGER INSTRUC <i>(japanese)</i>		48	97893GT	DECAL,NOTICE,SIDE FRC/WINDANSI..... <i>ANSI/CSA models</i>	1
17	31787GT	DECAL,DANGER,TIP-OVER BATTERY.....	2	49	97894GT	DECAL,NOTICE,OPER INST PLAT,DC..... <i>ANSI models</i>	1
18	31788GT	DECAL,DANGER,BATTERY SAFETY***.....	2	50	114117GT	DECAL,BATT CONN DIAGRAM.....	2
19	32728GT	DECAL,OPTION GENERATOR***..... <i>models with inverter</i>	1	51	114224GT	DECAL,LABEL,RELAYS,Z30N,Z34NDC.1	
20	35542GT	DECAL,NOTICE,LUG NUT TORQUE***.....	4	52	114397GT	DECAL,DANGER,TILT ALARM.....	1
21	37052GT	DECAL,NOTICE,MAX LOAD 500 LBS.....	1	53	133286GT	DECAL, POWER TO CHARGER, UNIV.....	1
22	37053GT	DECAL,ARROW,BLUE.....	1	54	139586GT	DECAL,LABEL,WHEEL LOAD Z30N&RJ.....	4
23	37054GT	DECAL,ARROW,YELLOW SM 5-3/8".....	1	55	227213GT	DECAL,OPER INST,DC BOOM GND AU..... <i>Australia models</i>	1
24	37055GT	DECAL,TRIANGLE,BLUE.....	2	56	227531GT	DECAL, OPERATING INSTRUCTIONS..... <i>Australia models</i>	1
25	37056GT	DECAL,TRIANGLE,YELLOW.....	2	57	T112773GT	TAPE, PROTECTIVE MASK.....	2
26	40434GT	DECAL,LANYARD ANCHORAGE POINT.....	6				
27	44248GT	DECAL,NOTICE,MAX CAP 440 LBS..... <i>models with aircraft protection package</i>	1				
28	44980GT	DECAL,LABEL,PWR TO CHARGR 115V..... <i>EE option</i>	1				
29	44981GT	DECAL,LABEL, AIR LINE 110 PSI.....	2				

103.1 Decals with Symbols (from SN 6290)



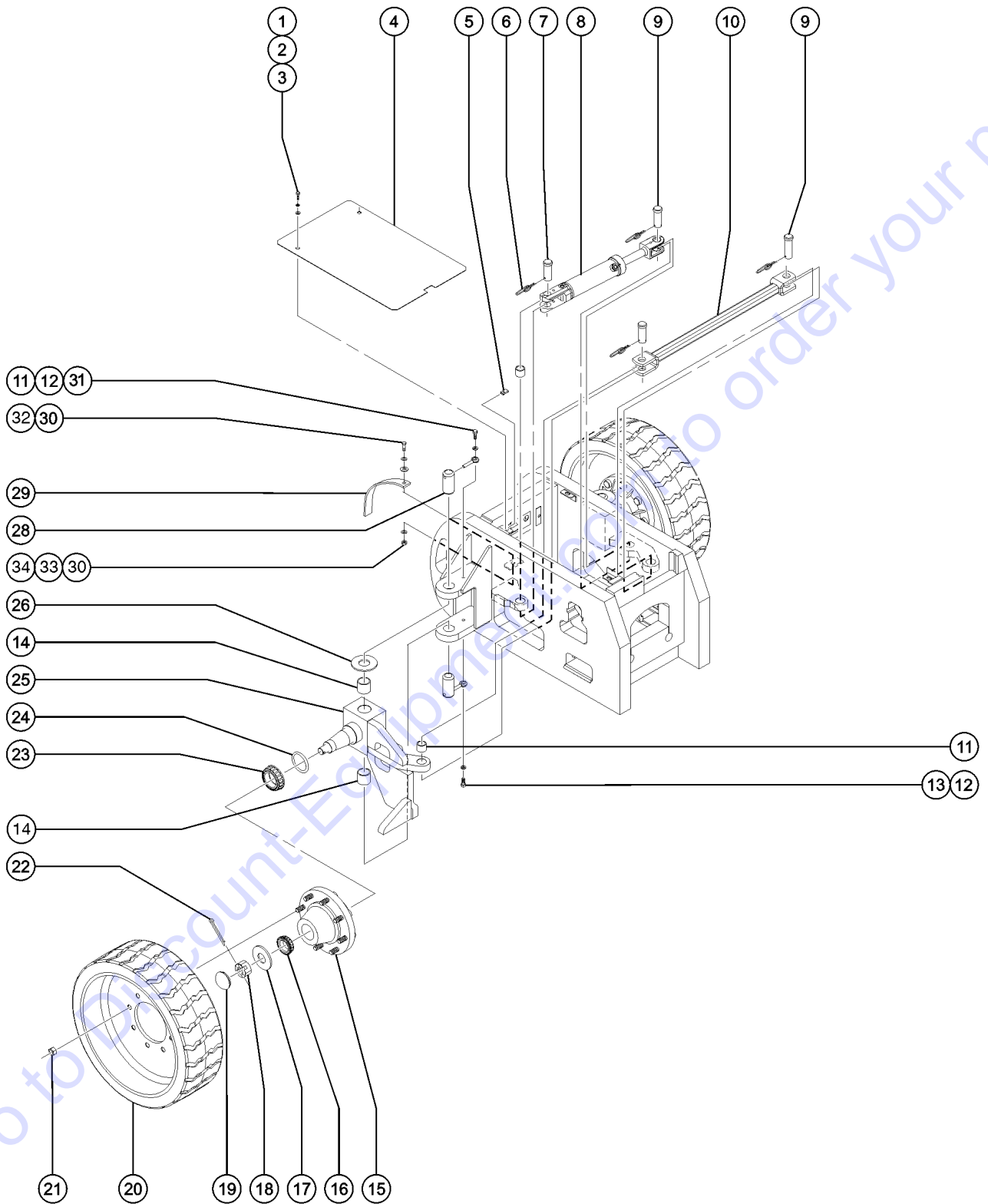
103.1 Decals with Symbols (from SN 6290)

Item	Part No.	Description	Qty.
--	T107974GT	DECAL KIT,SYM,Z30/20 ANSI <i>Asia / South America models</i>	
--	T107975GT	DECAL KIT,SYM,Z30/20 CE <i>CE models</i>	
1	28174GT	DECAL, POWER TO PLATFORM 230V**.....	2
2	28235GT	DECAL,POWER TO PLATFORM 115V...2	
3	37053GT	DECAL,ARROW,BLUE.....	1
4	37054GT	DECAL,ARROW,YELLOW SM 5-3/8".....	1
5	37055GT	DECAL,TRIANGLE,BLUE.....	2
6	37056GT	DECAL,TRIANGLE,YELLOW.....	2
7	40434GT	DECAL,LANYARD ANCHORAGE POINT.....	2
8	43658GT	DECAL,LABEL,PWR TO CHARGR 230V.....	1
9	44980GT	DECAL,LABEL,PWR TO CHARGR 115V.....	1
10	44981GT	DECAL,LABEL, AIR LINE 110 PSI.....	2
11	52968GT	DECAL,COSMETIC,GENIE BOOM,VERT.....	1
12	62928GT	DECAL,COSMETIC,GENIE Z-30/20N.....	1
13	62929GT	DECAL,COSM,GENIE Z-30/20N(BOX).....	1
14	72081GT	DECAL,PLATFORM CONTROL PANEL**.....	1
15	72167GT	DECAL,COSMETIC,GENIE Z30/20NRJ.....	1
16	82472GT	DECAL,WARNING,CRUSHING HAZARD.....	3
17	82481GT	DECAL,SYMBOL-BATTERY SAFETY.....	2
18	82487GT	DECAL,SYMBOL - READ THE MANUAL.....	2
19	82544GT	DECAL,DANGER,ELEC.HAZ.STAY CLR.....	2
20	82548GT	DECAL,WARN,CRUSH HAZARD PLAT.....	2
21	82592GT	DECAL,GROUND CONTROL PANEL***.....	1
22	82601GT	DECAL,LABEL,MAX CAPACITY***.....	1
23	82602GT	DECAL,DANGER,MAX SIDE FRC,667N.....	1
24	82604GT	DECAL,DANGER,SIDE FRC 400N.....	1
25	82610GT	DECAL,LABEL,CB & STATUS LIGHT.....	1
26	82611GT	DECAL,DRIVE ENABLE PATCH.....	1
27	139586GT	DECAL,LABEL,WHEEL LOAD Z30N&RJ.....	4
28	97815GT	DECAL,LABEL,LOWER MIDRAIL.....	1

201.1 Steer Axle Linkage, Wheels and Hubs (to SN 5840)

Item	Part No.	Description	Qty.	Item	Part No.	Description	Qty.
1	74389GT	RUE RING,1.00.....	4	24A	40146GT	BEARING RACE (SMALL) (45873)..... <i>outer cone not included</i>	2
2	32399GT	PIN,CLEVIS,1 X 3 LG.....	1	25	74312GT	YOKE ASSY,LH,Z30NRJ..... <i>includes items 6 and 7</i>	1
3	88337GT	CYLINDER,STEER.....	1	26	96317GT	GROUND STRAP,12"LG***.....	1
--	48401GT	SEAL KIT,42406,STEER,CYL,TEXAS <i>from SN 5119; verify part number prior to ordering</i>		27	6888GT	SCREW,HHC,1/4-20 X 1	
--	59076GT	SEAL KIT,2.0" BORE CYLINDERS** <i>from SN 2788 to SN 4446; verify part number prior to ordering</i>		28	6638GT	WASHER,FLAT,USS,1/4"Y	
--	59169GT	SEAL KIT,2" BORE,1" ROD*** <i>from SN 4447 to SN 5118; verify part number prior to ordering</i>		29	5397GT	WASHER,FLAT,USS,5/16",Y	
--	88338GT	SEAL KIT, 88337 <i>verify part number prior to ordering</i>		30	6091GT	NUT,NYLOCK,1/4-20	
4	19440GT	PIN,CLEVIS,1 X 2.5 LG.....	3	31	37100GT	COVER W/DECAL DR CHAS STR END*.....	1
5	45074GT	WASHER,THRUST,1.5 X 3.5 X .187.....	2	32	6356GT	WASHER,LOCK,.25	
6	45071GT	BEARING,1.5IDX1.75ODX1.5L.....	4	33	56912GT	SPRING CLIP,1/4-20,.025-.15X.54,ZAG	
7	25817GT	BEARING,1.00IDX1.25ODX1.00L.....	3	34	6700GT	WASHER,STAR,EXTERNAL,.375.....	1
8	74313GT	YOKE ASSY,RH,Z30NRJ..... <i>includes items 6 and 7</i>	1	35	6019GT	SCREW,HHC,3/8-16 X 1.25 GRD 5.....	1
9		Ref. Steer Brake Manifold (refer to 701.1)		36	4828GT	NUT,NYLOCK,3/8-16.....	1
10	36163-SGT	TIE ROD,WELDMENT,Z30N**.....	1				
11	36211GT	PIN,1.50DIAX3.25LG,1HOLE.....	4				
12	1255452GT	ROD END,.375 X 2.25,ZAG.....	4				
--	825019GT	ROD END,.375X3.69,ZAG					
13	77692GT	SCREW,HHC,3/8-16 X 1 GRD 8					
14	6021GT	WASHER,LOCK,.375					
15	45110GT	SEAL-GREASE,MODEL 60-8.....	2				
16	45107GT	INNER CONE - MODEL 60-8..... <i>large bearing race not included</i>	2				
16A	40145GT	BEARING RACE (LARGE) (45873)..... <i>inner cone not included</i>	2				
17	45043GT	HUB ASSEMBLY MODEL#60-8***..... <i>includes races and items 15, 16, 20, 23 and 24</i>	2				
--	21166GT	LUG BOLT,5/8-18,WHEEL HUB***					
--	45873GT	SEAL/BEARING KIT (45043,54840) <i>includes races and items 15, 16, 23 and 24</i>					
18	54627GT	NUT,LUG,5/8-18 X 90 DEGREE,Z45.....	18				
19	56453GT	TIRE/WHL.ASSY,FRT W/TREA 103#*					
19	94908GT	TIRE & WHEEL ASSY,FRONT N-M..... <i>non-marking</i>	2				
20	45111GT	CAP,DUST,45873 HUB KIT.....	2				
21	45113GT	NUT,SPINDLE,1-14.....	2				
22	45114GT	PIN,COTTER,.219 X 1.75.....	2				
23	45112GT	WASHER,SPINDLE.....	2				
24	45108GT	OUTER CONE - MODEL 60-8..... <i>small bearing race not included</i>	2				

202.1 Steer Axle Linkage, Wheels and Hubs (from SN 5841)



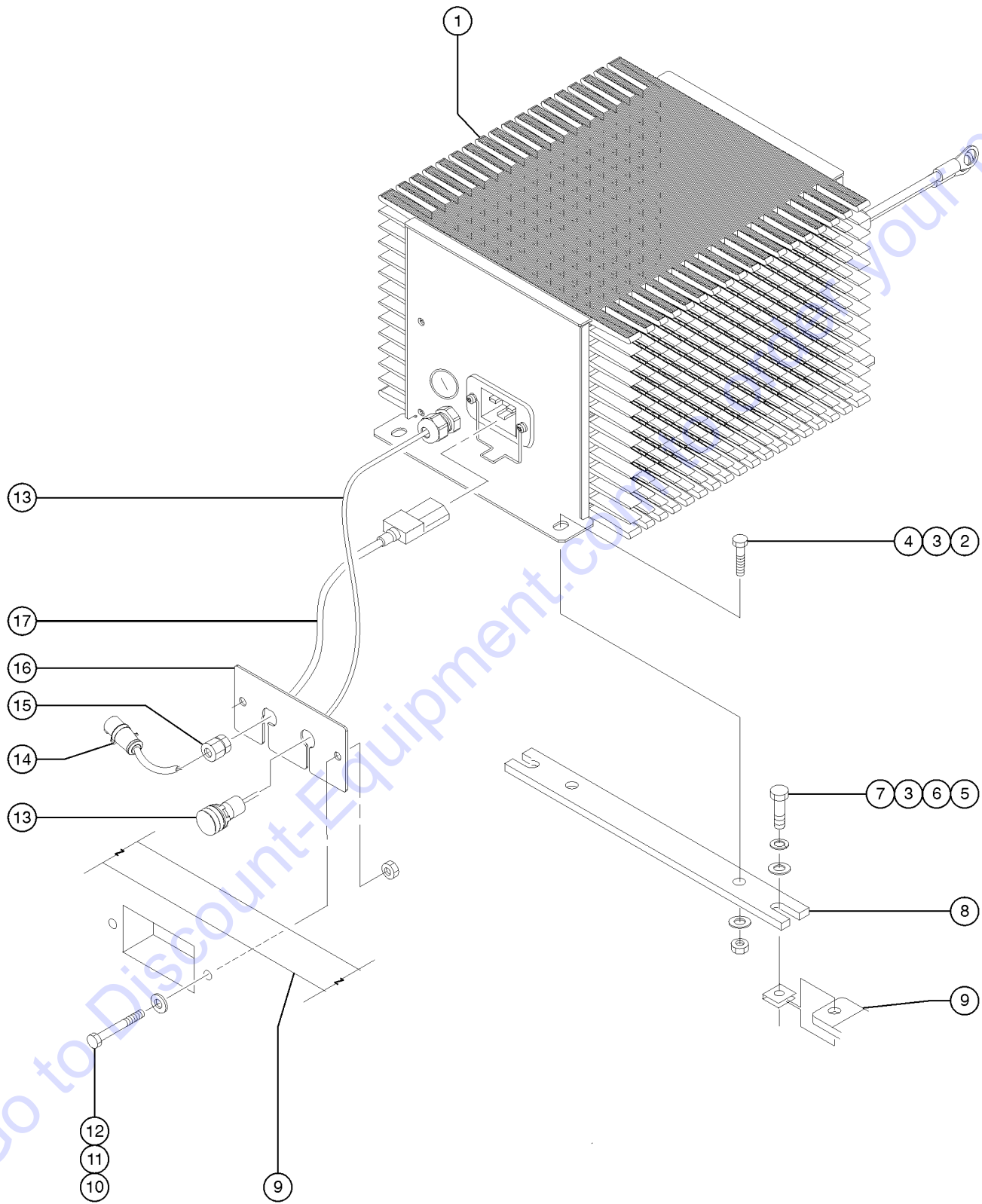
202.1 Steer Axle Linkage, Wheels and Hubs (from SN 5841)

Item	Part No.	Description	Qty.	Item	Part No.	Description	Qty.
1	6888GT	SCREW,HHC,1/4-20 X 1		29	96317GT	GROUND STRAP,12"LG***.....	1
2	6356GT	WASHER,LOCK,.25		30	5397GT	WASHER,FLAT,USS,5/16",Y	
3	6638GT	WASHER,FLAT,USS,1/4"Y		31	825019GT	ROD END,.375X3.69,ZAG.....	4
4	37100GT	COVER W/DECAL DR CHAS STR END*.....	1	32	6019GT	SCREW,HHC,3/8-16 X 1.25 GRD 5	
--	106038GT	FRT COVER ASSY. W/SYM DECALS**		33	6700GT	WASHER,STAR,EXTERNAL,.375	
5	56912GT	SPRING CLIP,1/4-20,.025-.15X.54,ZAG		34	4828GT	NUT,NYLOCK,3/8-16	
6	74389GT	RUE RING,1.00.....	4				
7	32399GT	PIN,CLEVIS,1 X 3 LG.					
8	88337GT	CYLINDER,STEER.....	1				
--	48401GT	SEAL KIT,42406,STEER.CYL,TEXAS to SN 6032; verify part number prior to ordering					
--	88338GT	SEAL KIT, 88337 from SN 6033; verify part number prior to ordering					
9	19440GT	PIN,CLEVIS,1 X 2.5 LG.					
10	36163-SGT	TIE ROD,WELDMENT,Z30N**.....	1				
11	25817GT	BEARING,1.00IDX1.25ODX1.00L.....	4				
12	6021GT	WASHER,LOCK,.375					
13	77692GT	SCREW,HHC,3/8-16 X 1 GRD 8					
14	45071GT	BEARING,1.5IDX1.75ODX1.5L					
15	45043GT	HUB ASSEMBLY MODEL#60-8***..... includes races and items 16, 19, 23 and 24	2				
--	21166GT	LUG BOLT,5/8-18,WHEEL HUB***					
--	45873GT	SEAL/BEARING KIT (45043,54840) includes races and items 16, 19, 23 and 24					
16	45108GT	OUTER CONE - MODEL 60-8..... small bearing race not included	2				
17	45112GT	WASHER,SPINDLE.....	2				
18	45113GT	NUT,SPINDLE,1-14.....	2				
19	45111GT	CAP,DUST,45873 HUB KIT.....	2				
20	94908GT	TIRE & WHEEL ASSY,FRONT N-M.....	2				
21	54627GT	NUT,LUG,5/8-18 X 90 DEGREE,Z45.....	18				
22	45114GT	PIN,COTTER,.219 X 1.75					
23	45107GT	INNER CONE - MODEL 60-8..... large bearing race not included	2				
24	45110GT	SEAL-GREASE,MODEL 60-8.....	2				
25	74312GT	YOKE ASSY,LH,Z30NRJ..... includes items 11 and 14	1				
--	74313GT	YOKE ASSY,RH,Z30NRJ includes items 11 and 14					
26	45074GT	WASHER,THRUST,1.5 X 3.5 X .187.....	2				
27	6091GT	NUT,NYLOCK,1/4-20					
28	36211GT	PIN,1.50DIA X 3.25LG,1HOLE.....	4				

203.1 Battery Charger (to SN 3446)

Item	Part No.	Description	Qty.
--	101703GT	CHARGER,48V,100-125VAC,50H,25A	
--	133286GT	DECAL, POWER TO CHARGER, UNIV	
--	54794GT	CHARGER,48V,110VAC,60H,25A	
--	54795GT	CHARGER,48V,200-250VAC,50H,25A	
--	54796GT	CHARGER,48V,200-250VAC,60H,25A	
--	54797GT	CHARGER,48V,100-125VAC,60H,25A	
--	58494GT	CHARGER,48V,110/60,12A,EERATNG <i>EE rated models only</i>	
1	27263GT	TIMER (23442)(41896)(36314).....1 <i>for 54794GT</i>	
--	18078GT	RELAY,CHARGER TIMER**	
--	19533GT	RELAY,CHARGER .TIMER(19531/32)	
--	27830GT	TIMER(24059,41897,41898,41899)	
2	13008-6GT	FUSE ASSY-BOOM CHARGER.....1	
3	13008-3GT	CAPACITOR,6 MFD,660VAC-CHARGR*.....1	
4	40532GT	CASE COVER ONLY 18710/18720.....1	
5	40537GT	SCREW,CHARGER COVER,#10 X .5	
6	6178GT	NUT,NYLOCK,10-32	
7	6146GT	WASHER,FLAT,MS,#10,Y	
8	40538GT	SCREW,HEATSINK/DIODE ASSY	
9	27262GT	HEATSINK ASSY W/DIODES (23442)....1	
10	40398GT	TRNSFRMR(36316 &17)(41898 &99).....1	
--	40523GT	TRANSFORMER,CHARGER36314/41896	
--	40524GT	TRANSFORMER,CHARGER36315/41897	
11	12037GT	RIVET,STL,STL,P,.25 X .5	
12	56660GT	WASHER,RIVETING	
13	6888GT	SCREW,HHC,1/4-20 X 1	
14	6356GT	WASHER,LOCK,.25	
15	6638GT	WASHER,FLAT,USS,1/4"Y	
16	56912GT	SPRING CLIP,1/4-20,.025-.15X.54,ZAG	
17	36269GT	PLATE,CHARGER MOUNT.....1	
18	36294GT	SCREW,HHC,1/4-20 X 2.75	
19	6091GT	NUT,NYLOCK,1/4-20	
20	13008-5GT	AMMETER-BOOM CHARGER.....1	
21	7056GT	CONN,SQUEEZE,1/2NPT .38-.50,SM....1	
22	6935GT	LOCKNUT,ELEC,1/2".....1	
23	36313GT	BRACKET,CHARGER GAUGE MOUNTING.....1 <i>incorporated into chassis after SN 3368</i>	
24	40533GT	SCREW,FUSE ASSY,#7 PHMS X .625	
25	40534GT	WASHER,LOCK,#10, CHARGER FUSE	
26	40536GT	SCREW,TIMER,#8 PHMS X.375	

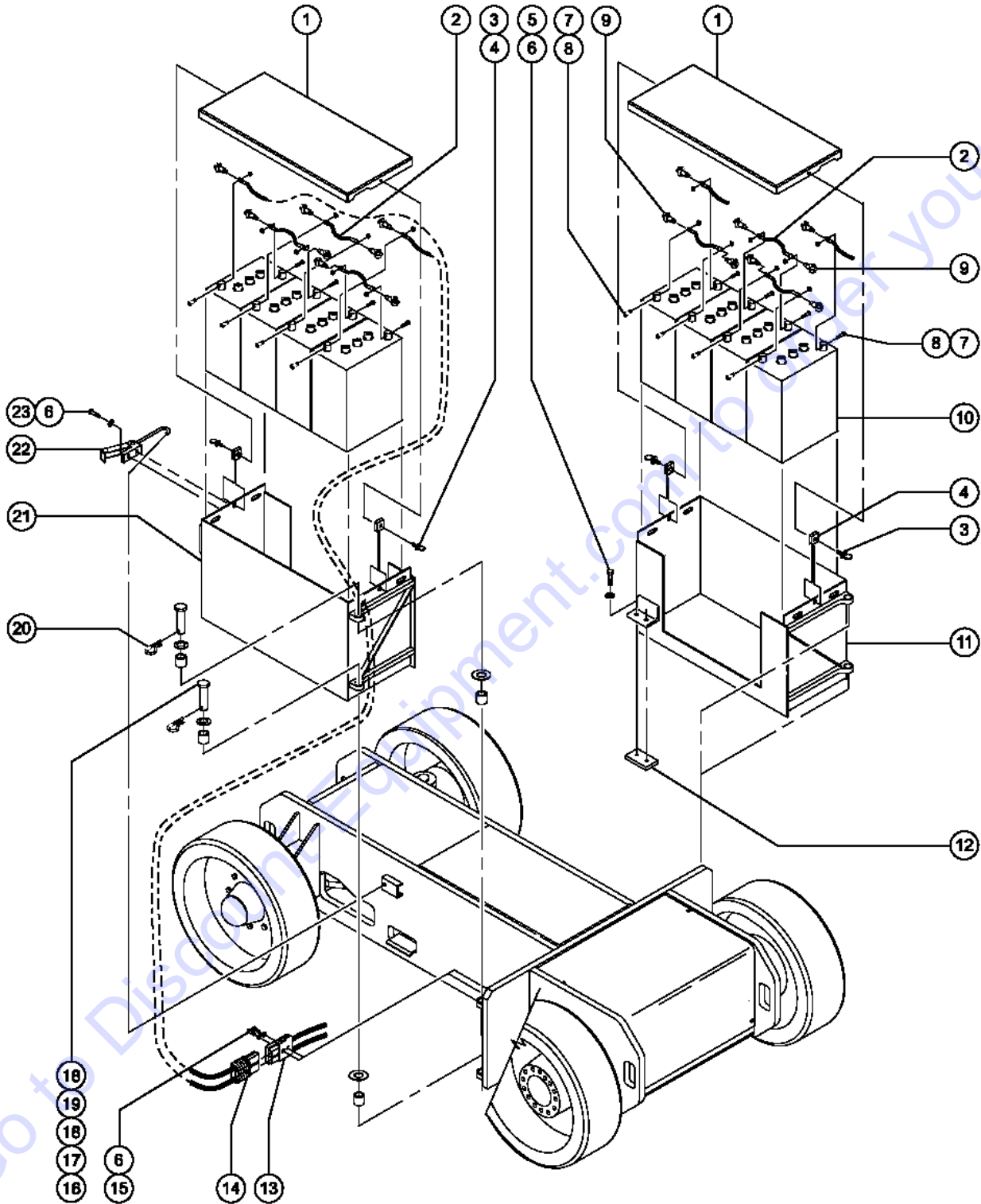
203.2 Battery Charger (from SN 3447)



203.2 Battery Charger (from SN 3447)

Item	Part No.	Description	Qty.
A	128993GT	KIT,UNIV CHRGR UPGRADE,SM BOOM Z-30N from SN 3447 to 11944	
B	139858GT	HARN.CHARGER INTERLOCK Z34	
1	128375GT	CHARGER 48V/30A AUTO AC X-LED....1 (includes item 13) (order power cord separately)	
--	133286GT	DECAL, POWER TO CHARGER, UNIV.....1	
--	139858GT	HARN.CHARGER INTERLOCK Z34.....1	
--	228946GT	ASSY,LED,IES CHARGER	
--	228947GT	CLIP,RETAINING,IES CHARGER	
2	6090GT	SCREW,HHC,1/4-20 X .75	
3	6638GT	WASHER,FLAT,USS,1/4"Y	
4	6889GT	NUT,LP NYLOCK,1/4-20	
5	6888GT	SCREW,HHC,1/4-20 X 1	
6	6356GT	WASHER,LOCK,.25	
7	56912GT	SPRING CLIP,1/4-20,.025-.15X.54,ZAG	
8	36673GT	PLATE,CHARGER MOUNT.....2 (Z30N)	
9		Ref. Chassis (refer to section 200)	
10	6326GT	SCREW,HHC,3/8-16 X 3	
11	6097GT	WASHER,FLAT,USS,3/8",Y	
12	4828GT	NUT,NYLOCK,3/8-16	
13	228973GT	KIT,ASSY,LED,IES CHARGER.....1	
14A	119403GT	CONN,PLUG 120 AC/15A DOMESTIC...1	
14B	144161GT	PLUG,PWR,UK,16AMP,3PIN,BLK	
14C	25388GT	PLUG,FUSED,250V,13AMP,U.K.**	
15A	128118GT	BUSHING,STRAIN RELIEF,.875/.40 (domestic)	
15B	139318GT	BUSHING,STRAIN RELIEF,.875/.30 (UK)	
16	128825GT	BRACKET, CHARGER CORD AND LED	
17A	128377GT	CORD AC IEC320-C19 TO 110US	
17B	128376GT	CORD EURO AC IEC320-C19PIGTAIL	
17C	128645GT	CORD AC IEC320-C19 TO 220EU	

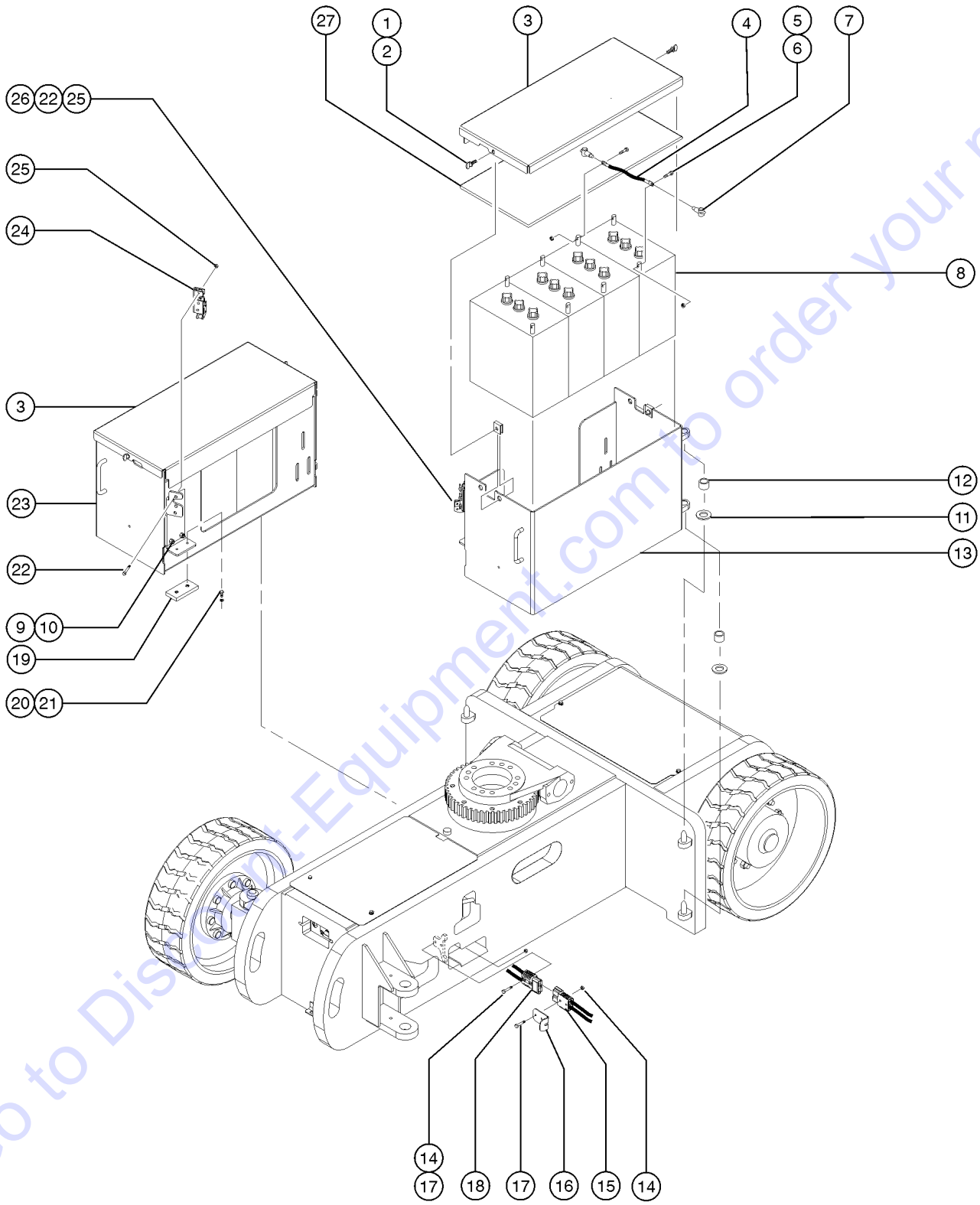
204.1 Battery Packs (to SN 5840)



204.1 Battery Packs (to SN 5840)

Item	Part No.	Description	Qty.
1	37104GT	COVER,BATTERY BOX W/DECALS,30N.....	2
2	74103GT	CABLE ASSY,#2 BLACK.....	6
3	36424GT	THUMB SCREW W/SHOULDER 3/8-16.....	4
4	29868GT	SPRING CLIP,3/8-16,.05-.20X.73,ZAG....	4
5	6090GT	SCREW,HHC,1/4-20 X .75	
6	6356GT	WASHER,LOCK,.25	
7	13002GT	SCREW,HHC,5/16-18 X 1 GR5	
8	18503GT	NUT,LOCKING-LG.FLANGE,5/16-18	
9	8910GT	BOOT,CABLE TERM,MED.RED,4/0.....	16
10	36579GT	BATTERY, 350AH,GROUP L16G(DRY).....	8
11	37103GT	BATTERY BOX ASSY W/DECALS RS....1 <i>includes items 3-6, 12, 18, 22 and 23; to SN 2844</i>	
--	45382GT	SHIM,PRIMARY BOOM,.052 THK.	
--	45465GT	SHIM,PRIMARY BOOM,.022 THICK	
--	74437GT	BATT.BOX ASSEMBLY,RS,30N.....1 <i>includes items 3-6, 12, 18, 22 and 23; from SN 2845</i>	
12	45209GT	WEAR PAD,4X2X.5 W/INSERT***.....	2
13	36576GT	POWER CABLE ASSEMBLY,LS-Z30N....1	
--	128138GT	CONN HOUSING SBX175, BATT	
--	36577GT	POWER CABLE ASSEMBLY, RS-Z30N*	
14	37107GT	BAT.CABLE ASSY,G.C. SIDE,Z34.....1	
--	128138GT	CONN HOUSING SBX175, BATT	
--	37108GT	BAT.CABLE ASSY,TANK SIDE,Z34	
15	6888GT	SCREW,HHC,1/4-20 X 1	
16	36875GT	PIN,CLEVIS,.75 X 2.25 LG	
17	6563GT	WASHER,SHIM,.75 X 1.125 X.030	
18	36369GT	BEARING,0.75IDX1.00ODX0.75L	
19	36212GT	WASHER,THRUST,.75 X 1.38X.13	
20	21253GT	CLIP,HAIR PIN .125 X 2	
21	37103GT	BATTERY BOX ASSY W/DECALS RS....1 <i>includes items 3-6, 12, 18, 22 and 23; to SN 2844</i>	
--	45382GT	SHIM,PRIMARY BOOM,.052 THK.	
--	45465GT	SHIM,PRIMARY BOOM,.022 THICK	
--	74436GT	BATT.BOX ASSEMBLY,LS,30N.....1 <i>includes items 3-6, 12, 18, 22 and 23; from SN 2845</i>	
22	27126GT	LATCH,DRAW,ADJUSTABLE.....	2
23	7339GT	SCREW,HHC,1/4-20 X .5	

205.1 Battery Packs (from SN 5841)

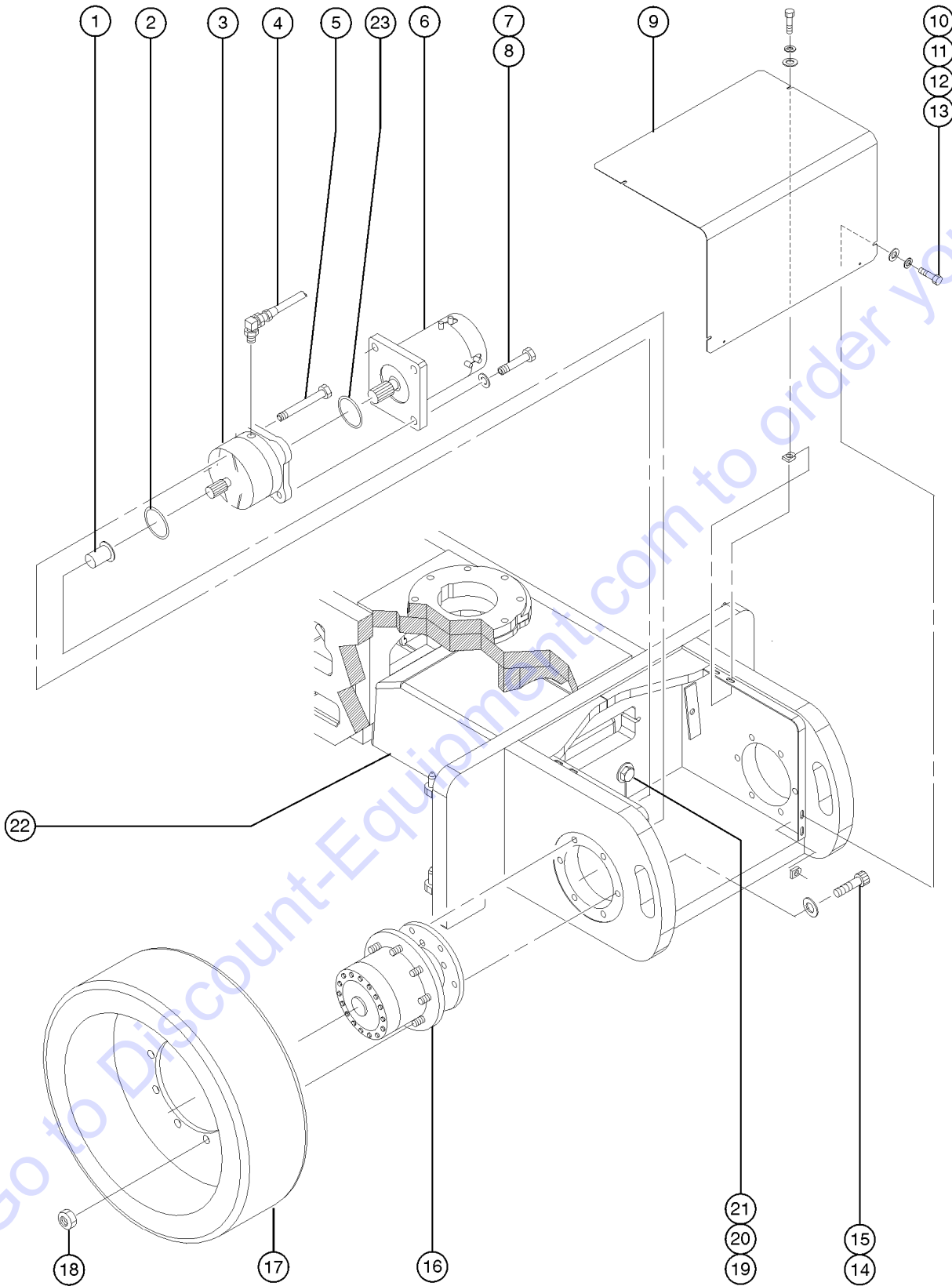


A TEREX BRAND

205.1 Battery Packs (from SN 5841)

Item	Part No.	Description	Qty.
1	36424GT	THUMB SCREW W/SHOULDER 3/8-16.....	4
2	29868GT	SPRING CLIP,3/8-16,.05-.20X.73,ZAG...	4
3	94001GT	LID-BATTERY BOX W/DECALS**.....	1
3A	106025GT	LID,BATT PACK, W/SYM DECALS**	
3B	823684GT	BATTERY,AGM,6V/390A,L16..... <i>models with AGM option from SN 14146</i>	8
4		Ref. Cable Assembly (Refer to 210.1)	
5	13002GT	SCREW,HHC,5/16-18 X 1 GR5	
6	18503GT	NUT,LOCKING-LG.FLANGE,5/16-18	
7	8910GT	BOOT,CABLE TERM,MED.RED,4/0.....	16
8	36579GT	BATTERY, 350AH,GROUP L16G(DRY).....	8
9	101718GT	BOLT,CARRIAGE,3/8-16 X .75,G2	
10	4828GT	NUT,NYLOCK,3/8-16	
11	36212GT	WASHER,THRUST,.75 X 1.38X.13	
12	36369GT	BEARING,0.75IDX1.00ODX0.75L	
13A	94003GT	BATTERY BOX ASSY,CONTRL SIDE**..... <i>(includes items 12, 19-22, 24 and 25) to SN 14848</i>	1
13B	824047GT	BATTERY BOX ASSY,CONTRL SIDE**..... <i>(includes items 12, 19-22, 24 and 25) from SN 14849</i>	1
14	66094GT	NUT-THIN HEAVY HEX, 1/4-20	
15	94012GT	BATTERY CABLE ASSEMBLY.....	2
16	74651GT	FORMING,HANDLE BATTERY CONN....	2
17	8915GT	SCREW,HHC,1/4-20 X 1.25	
18	94011GT	BATTERY CABLE ASSEMBLY**	
19	45209GT	WEAR PAD,4X2X.5 W/INSERT***.....	2
20	6090GT	SCREW,HHC,1/4-20 X .75	
21	6356GT	WASHER,LOCK,.25	
22	101719GT	SCREW,HHC,5/16-18 X 1.375	
23A	94002GT	BATTERY BOX ASSY,TANK SIDE***..... <i>(includes items 12, 19-22, 25 and 26) to SN 14848</i>	1
23B	824046GT	BATTERY BOX ASSY,TANK SIDE DWN..... <i>(includes items 12, 19-22, 25 and 26) from SN 14849</i>	1
24	66900GT	LATCH,ROTARY, W/KNOB,LEFT..... <i>installed on RIGHT side of chassis</i>	1
25	6002GT	NUT,LP NYLOCK,5/16-18	
26	66901GT	LATCH,ROTARY, W/KNOB,RIGHT..... <i>installed on LEFT side of chassis</i>	1
27	106241GT	INSULATION,48V BATT.BOX LID..... <i>models with AGM option from SN 14146</i>	2

206.1 Non-steer Axle



206.1 Non-steer Axle

Item	Part No.	Description	Qty.	Item	Part No.	Description	Qty.
--	1286600GT	SEAL KIT,WHEEL DRIVE (106148/106445/107712) from SN 7040. for 106445		--	83022GT	SEAL KIT, 54861 for Ausco brake 54861; used from SN 5054 to 6630	
1	38113GT	COUPLER,INTERNAL SPLINE,T-HUB....2		4		Ref. Hydraulic Hoses and Fittings (refer to 801.1)	
2	52087GT	O-RING,2-044 BUNA***.....2		5	74137GT	SCREW,SHC,1/2-13 X 3.25.....4	
3A	114319GT	KIT,Z30N BRAKE SERVICE (3).....1 from SN 1932 to 3446		--	50576GT	SCREW,SHC,1/2-13 X 3.00	
--	105352GT	GASKET, BRAKE (VENDOR#78917)		6A	36443GT	MOTOR, TRACTION,D.C.**.....2 from SN 1932 to 3446	
--	119556GT	BRAKE,MICO DRIVE,Z30N,Z34 ** for use after installation of above listed kit		--	36658GT	BRUSH HOLDER	
--	35587GT	SEAL KIT,MICO BRAKE for 119556		--	37188GT	BRUSH, MOTOR	
--	38114GT	LINING KIT, MICO BRAKE** for 119556		--	37189GT	SPRING, BRUSH RETAINER, 36182*	
--	38115GT	BEARING KIT, MICO BRAKE for 36259GT brake (no longer available)		--	44778GT	BEARING,MOTOR,36843,BRUSH END*	
--	41921GT	SEAL KIT,BRAKE,MICO for 36259GT brake (no longer available)		6B	56831GT	MOTOR, DRIVE, SEPEX.....2 from SN 3447 to 6317	
--	72319GT	SPRING (RED) MICO for 119556		--	44778GT	BEARING,MOTOR,36843,BRUSH END*.....1	
3B	139351GT	BRAKE, NEMA, 1200 IN/LB.....2 from SN 3447; for first-time replacement, order in pairs only		--	65872GT	BRUSH LEAD ASSEMBLY KIT(56831)	
--	105352GT	GASKET, BRAKE (VENDOR#78917)		--	72078GT	BRUSH BOX ASSY	
--	139353GT	STACK KIT, AUSCO 1200 IN/LB for 139351		--	T108887GT	SPRING, BRUSH	
--	139354GT	O-RING KIT, AUSCO 1200 IN/LB for 139351		--	94315GT	BRUSH KIT,GE DRIVE MOTOR*** for motor 94199GT	
--	139355GT	GASKET KIT, AUSCO 1200 IN/LB for 139351		--	94316GT	BRUSH RETAINING SPRING,DR MTR for motor 94199GT	
--	65608GT	BEARING KIT, AUSCO*** for 139351		--	94317GT	BEARING KIT,GE DRIVE MOTOR*** for motor 94199GT	
--	65618GT	SEAL KIT,BRAKE*** for 101966GT brake		--	T108813GT	KIT, 94199 MOTOR REPLACEMENT.....1 from SN 6318 to 12304; for first-time replacement of motor 94199 (94199 is no longer available. This kit contains qty 2 of 56831; 94199 cannot be mixed with 56831). For service parts, refer to item 6D, below.	
--	94879GT	LINING KIT*** for 101966GT brake		6D	56831GT	MOTOR, DRIVE, SEPEX.....2 from SN 12305	
--	94880GT	BEARING KIT for 101966GT brake; includes shaft seal		--	44778GT	BEARING,MOTOR,36843,BRUSH END*	
3C		Other Brake Service Parts		--	65872GT	BRUSH LEAD ASSEMBLY KIT(56831)	
--	52833GT	LINING KIT-AUSCO BRK (56272)** for Ausco brake 54861; used from SN 5054 to 6630		--	72078GT	BRUSH BOX ASSY	
--	52898GT	SEAL KIT-AUSCO BRAKE(56272)*** for Ausco brake 56014; used from SN 3875 to 5053		--	T108887GT	SPRING, BRUSH	
--	52899GT	LINING KIT-AUSCO for Ausco brake 56014; used from SN 3875 to 5053		7	6019GT	SCREW,HHC,3/8-16 X 1.25 GRD 5	
--	52900GT	BEARING KIT-AUSCO(56272)*** for Ausco brake 56014; used from SN 3875 to 5053		8	6021GT	WASHER,LOCK, .375	
				9A	40169GT	COVER W/DECALS NON-STEER 23"....1 to SN 11445	
				9B	106039GT	REAR CVR ASSY. W/SYM DECALS to SN 11445	
				9C	128732GT	COVER, DRIVE CHASSIS,Z30N (decals not included, refer to section 100) from SN 11446	
				10	6888GT	SCREW,HHC,1/4-20 X 1	

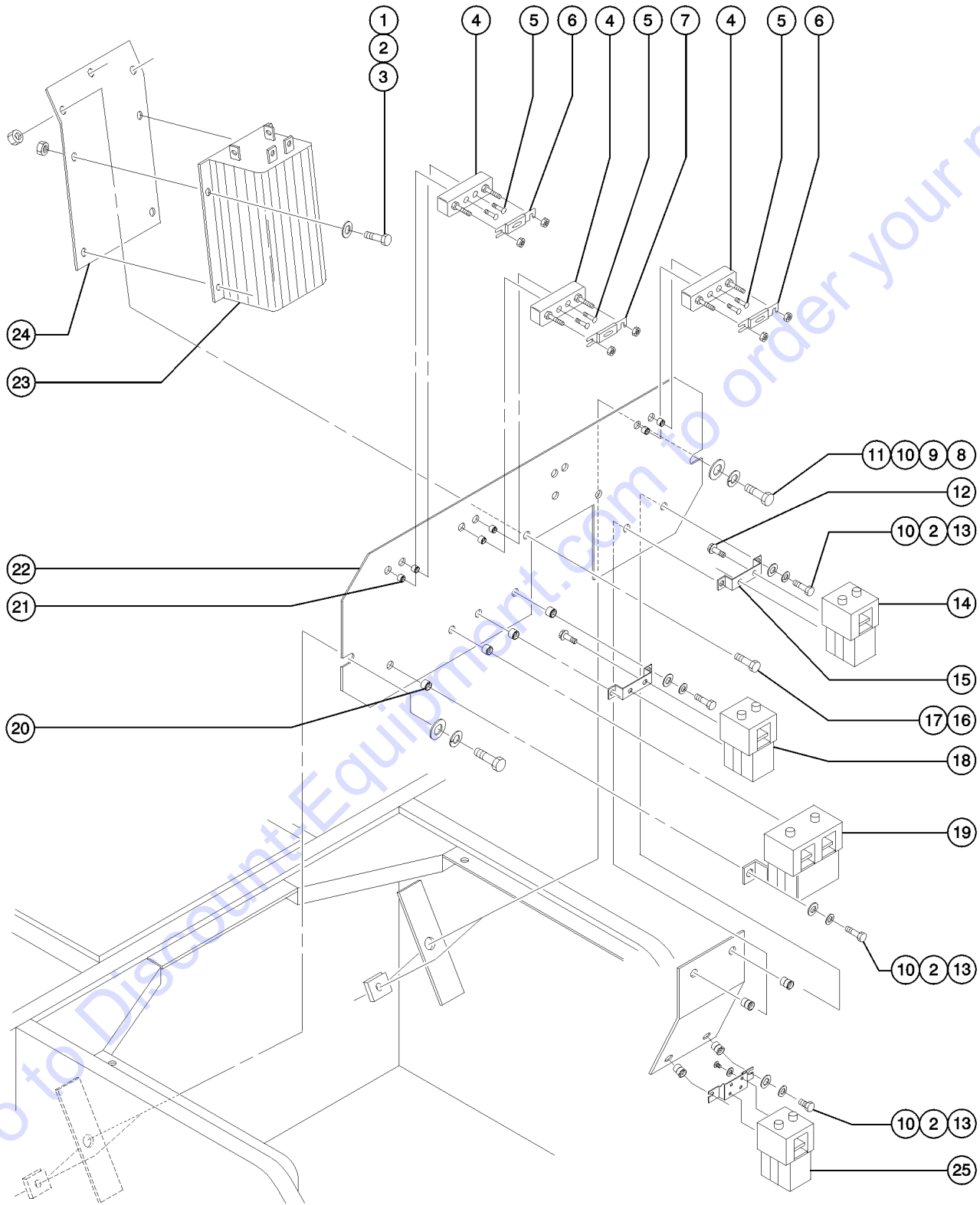
206.1 Non-steer Axle
(continued)

Item	Part No.	Description	Qty.	Item	Part No.	Description	Qty.
11	6356GT	WASHER,LOCK,,25		--	58448GT	KIT,TORQUE HUB COVER (45553)** <i>From SN 2963 to SN 3446; Verify Hub part number and ratio before ordering</i>	
12	6638GT	WASHER,FLAT,USS,1/4"Y		--	74098GT	COVER-CAP, TORQUEHUB(56338) <i>From SN 2963 to SN 3446; Verify Hub part number and ratio before ordering</i>	
13	56912GT	SPRING CLIP,1/4-20,,025-.15X.54,ZAG		--	74099GT	DISCONNECT ROD (56338) <i>From SN 2963 to SN 3446; Verify Hub part number and ratio before ordering</i>	
14	45495GT	SCREW,SHC,5/8-11 X 3.00,A574.....12		16C	20193GT	TORQUE HUB,35:1***2 <i>Option; from SN 2963 to SN 3446; Verify Hub part number and ratio before ordering</i>	
15	56911GT	WASHER,FLAT,,688X1.160X.09.....12		--	1286606GT	SEAL KIT,TORQUE HUB (20193) <i>for 20193</i>	
16A	36260GT	TORQUE HUB 49:1**.....2 <i>to SN 2962; Verify part number and ratio before ordering</i>		--	1286607GT	BEARING KIT,TORQUE HUB (20193) <i>for 20193</i>	
--	1286606GT	SEAL KIT,TORQUE HUB (20193)		--	21143GT	BEARING KIT (45553) TORQUE HUB <i>for 20193 (inventory limited to stock on hand as component is no longer available)</i>	
--	21143GT	BEARING KIT (45553) TORQUE HUB <i>to SN 2962; Verify part number and ratio before ordering</i>		--	21144GT	CAP,DISENGAGE-45553 TORQUE HUB <i>for 20193</i>	
--	21144GT	CAP,DISENGAGE-45553 TORQUE HUB <i>to SN 2962; Verify part number and ratio before ordering</i>		--	21145GT	DISCONNECT ROD-45553 TQ.HUB <i>for 20193</i>	
--	21145GT	DISCONNECT ROD-45553 TQ.HUB <i>to SN 2962; Verify part number and ratio before ordering</i>		--	21146GT	COVER CAP,TORQUE HUB*** <i>to SN 2962; Verify part number and ratio before ordering</i>	
--	21146GT	COVER CAP,TORQUE HUB*** <i>to SN 2962; Verify part number and ratio before ordering</i>		--	21148GT	WASHER,THRUST,TORQUE HUB <i>to SN 2962; Verify part number and ratio before ordering</i>	
--	21148GT	WASHER,THRUST,TORQUE HUB <i>to SN 2962; Verify part number and ratio before ordering</i>		--	21149GT	LUG,WHEEL STUD,5/8-18,W1/4HB** <i>to SN 2962; Verify part number and ratio before ordering</i>	
--	21149GT	LUG,WHEEL STUD,5/8-18,W1/4HB** <i>to SN 2962; Verify part number and ratio before ordering</i>		--	37097GT	O-RING, TORQUE HUB <i>to SN 2962; Verify part number and ratio before ordering</i>	
--	37097GT	O-RING, TORQUE HUB <i>to SN 2962; Verify part number and ratio before ordering</i>		--	58448GT	KIT,TORQUE HUB COVER (45553)** <i>to SN 2962; Verify part number and ratio before ordering</i>	
--	58448GT	KIT,TORQUE HUB COVER (45553)** <i>to SN 2962; Verify part number and ratio before ordering</i>		16B	56338GT	TORQUE HUB,47:1 W1 "B" MOUNT**2 <i>From SN 2963 to SN 3446; Verify Hub part number and ratio before ordering</i>	
16B	56338GT	TORQUE HUB,47:1 W1 "B" MOUNT**2 <i>From SN 2963 to SN 3446; Verify Hub part number and ratio before ordering</i>		--	1286606GT	SEAL KIT,TORQUE HUB (20193)	
--	1286606GT	SEAL KIT,TORQUE HUB (20193)		--	21143GT	BEARING KIT (45553) TORQUE HUB <i>From SN 2963 to SN 3446; Verify Hub part number and ratio before ordering</i>	
--	21143GT	BEARING KIT (45553) TORQUE HUB <i>From SN 2963 to SN 3446; Verify Hub part number and ratio before ordering</i>		--	21144GT	CAP,DISENGAGE-45553 TORQUE HUB <i>From SN 2963 to SN 3446; Verify Hub part number and ratio before ordering</i>	
--	21144GT	CAP,DISENGAGE-45553 TORQUE HUB <i>From SN 2963 to SN 3446; Verify Hub part number and ratio before ordering</i>		--	21148GT	WASHER,THRUST,TORQUE HUB <i>From SN 2963 to SN 3446; Verify Hub part number and ratio before ordering</i>	
--	21148GT	WASHER,THRUST,TORQUE HUB <i>From SN 2963 to SN 3446; Verify Hub part number and ratio before ordering</i>		--	21149GT	LUG,WHEEL STUD,5/8-18,W1/4HB** <i>From SN 2963 to SN 3446; Verify Hub part number and ratio before ordering</i>	
--	21149GT	LUG,WHEEL STUD,5/8-18,W1/4HB** <i>From SN 2963 to SN 3446; Verify Hub part number and ratio before ordering</i>		--	37097GT	O-RING, TORQUE HUB <i>From SN 2963 to SN 3446; Verify Hub part number and ratio before ordering</i>	
--	37097GT	O-RING, TORQUE HUB <i>From SN 2963 to SN 3446; Verify Hub part number and ratio before ordering</i>		16D	58589GT	THRUST CAP (20193) <i>for 20193</i>	
--	58448GT	KIT,TORQUE HUB COVER (45553)** <i>to SN 2962; Verify part number and ratio before ordering</i>		--	16D	WHEEL DRIVE 62.5:1*** (56828).....2 <i>component no longer available; from SN 3446 to SN 6560</i>	
16B	56338GT	TORQUE HUB,47:1 W1 "B" MOUNT**2 <i>From SN 2963 to SN 3446; Verify Hub part number and ratio before ordering</i>		--	62300GT	BEARING KIT (56828) <i>For 56828GT; from SN 3446 to SN 6560. Verify Hub part number and ratio before ordering</i>	
--	1286606GT	SEAL KIT,TORQUE HUB (20193)		--	65824GT	SEAL KIT*** <i>For 56828GT; from SN 3446 to SN 6560. Verify Hub part number and ratio before ordering</i>	
--	21143GT	BEARING KIT (45553) TORQUE HUB <i>From SN 2963 to SN 3446; Verify Hub part number and ratio before ordering</i>		--	74439GT	COVER,DISCONNECT ROD* <i>For 56828GT; from SN 3446 to SN 6560. Verify Hub part number and ratio before ordering</i>	
--	21144GT	CAP,DISENGAGE-45553 TORQUE HUB <i>From SN 2963 to SN 3446; Verify Hub part number and ratio before ordering</i>		--	74440GT	ACTUATOR-DISC. ROD (56828) <i>For 56828GT; from SN 3446 to SN 6560. Verify Hub part number and ratio before ordering</i>	
--	21148GT	WASHER,THRUST,TORQUE HUB <i>From SN 2963 to SN 3446; Verify Hub part number and ratio before ordering</i>					
--	21149GT	LUG,WHEEL STUD,5/8-18,W1/4HB** <i>From SN 2963 to SN 3446; Verify Hub part number and ratio before ordering</i>					
--	37097GT	O-RING, TORQUE HUB <i>From SN 2963 to SN 3446; Verify Hub part number and ratio before ordering</i>					

206.1 Non-steer Axle
(continued)

Item	Part No.	Description	Qty.	Item	Part No.	Description	Qty.
--	74441GT	DISCONNECT ROD (56828) <i>For 56828GT; from SN 3446 to SN 6560. Verify Hub part number and ratio before ordering</i>		18	54627GT	NUT,LUG,5/8-18 X 90 DEGREE,Z45.....18	
--	74442GT	STUD-WHEEL,5/8-18 (56828)*** <i>For 56828GT; from SN 3446 to SN 6560. Verify Hub part number and ratio before ordering</i>		19	35496GT	SCREW,HHC,1-8 X 30 GRD.2	
--	74443GT	O-RING, COVER 190X3MM (56828) <i>For 56828GT; from SN 3446 to SN 6560. Verify Hub part number and ratio before ordering</i>		20	13775GT	WASHER,FLAT,1.063 X 2 X .134	
--	89323GT	COVER, DRIVE HUB <i>For 56828GT; from SN 3446 to SN 6560. Verify Hub part number and ratio before ordering</i>		21	29764GT	NUT,NYLOCK,1-8	
16E	94911GT	WHEEL DRIVE,EW1,61:1***.....2 <i>from SN 6561 to SN 7039. Verify Hub part number and ratio before ordering</i>		22	36612GT	COUNTERWEIGHT,CAST,645 LBS.***...1	
--	1286601GT	BEARING KIT,WHEEL DRIVE (106148/106445/107712) <i>for 94911</i>		23A	22811GT	O-RING,MOTOR TO BRAKE*** <i>(Mico brake, 36259)</i>	
--	72307GT	SEAL KIT, TORQUE HUB(74097)* <i>for 94911</i>		23B	52087GT	O-RING,2-044 BUNA*** <i>(Mike brake, 119556)</i>	
--	74714GT	BEARING KIT-74097 TORQUE HUB** <i>for 94911 (from SN 6561 to 7039) (inventory limited to stock on hand as component is no longer available)</i>					
16F	106445GT	WHEEL DRIVE,4HB,57:1***.....2 <i>from SN 7040. Check serial number on torque hub cap before replacing, both drive hubs have to be the same or damage may occur due to differing gear ratios.</i>					
--	106121GT	ROD,DISCONNECT 4HP/4HB*** <i>from SN 7040. for 106445</i>					
--	106122GT	CAP,DISENGAGE,4HP/4HB*** <i>from SN 7040. for 106445</i>					
--	106123GT	O-RING,END COVER,4HP/4HB*** <i>from SN 7040. for 106445</i>					
--	1286600GT	SEAL KIT,WHEEL DRIVE (106148/106445/107712) <i>from SN 7040. for 106445 (inventory limited to stock on hand as component is no longer available)</i>					
--	21149GT	LUG,WHEEL STUD,5/8-18,W1/4HB** <i>from SN 7040. for 106445</i>					
--	232486GT	SNAP RING,WHEEL DRIVE <i>from SN 7040. for 106445</i>					
--	58320GT	KIT,TORQUE HUB COVER(101584)** <i>from SN 7040. for 106445</i>					
--	74714GT	BEARING KIT-74097 TORQUE HUB** <i>from SN 7040. for 106445</i>					
17	56454GT	TIRE/WHEEL.ASSY,REAR TREADED**					
17	94909GT	TIRE & WHEEL ASSY,REAR N-M <i>non-marking</i>					

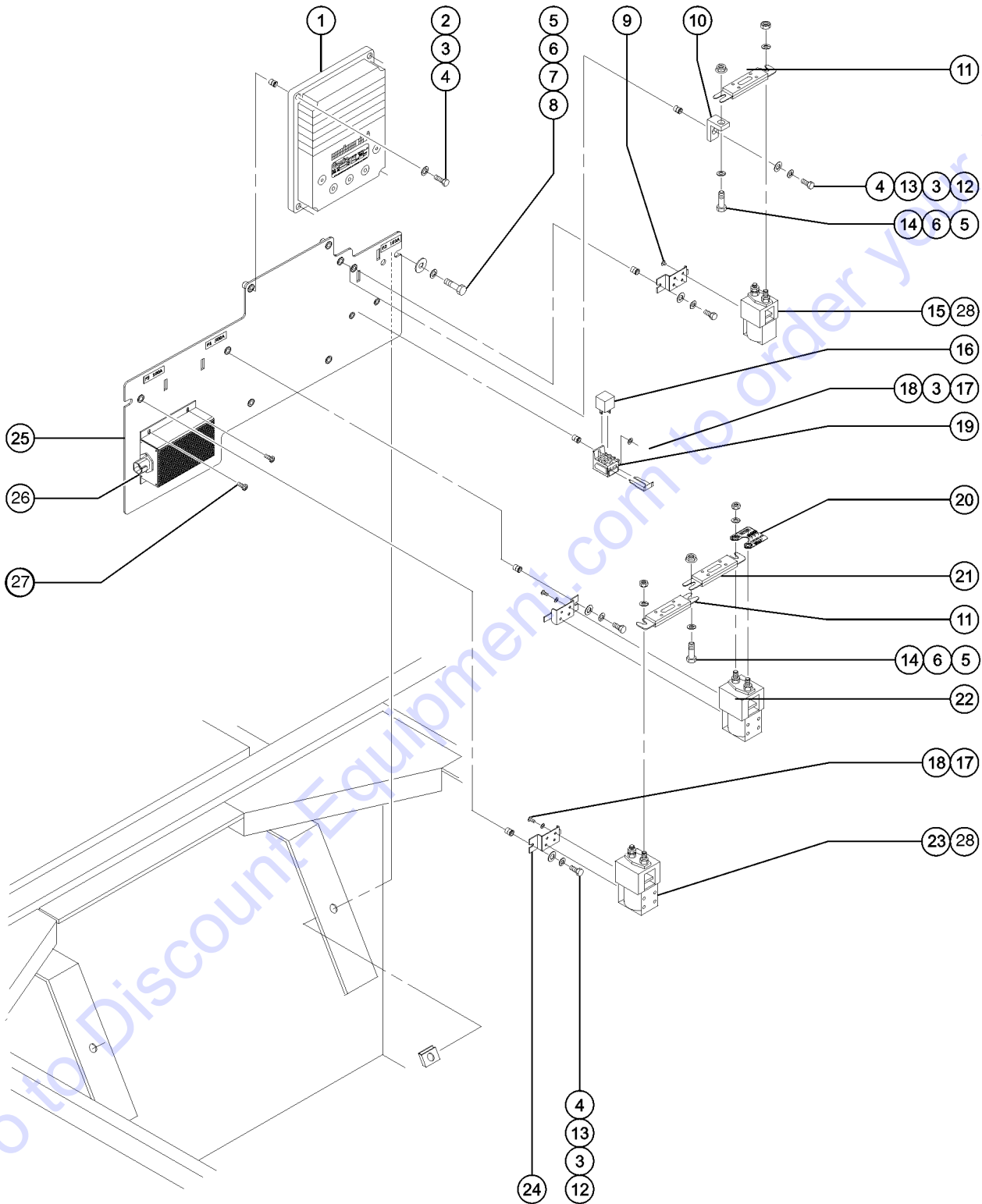
207.1 Electronic Control Module (to SN 3446)



207.1 Electronic Control Module (to SN 3446)

Item	Part No.	Description	Qty.	Item	Part No.	Description	Qty.
1	6090GT	SCREW,HHC,1/4-20 X .75		--	74495GT	SPRING, RETURN (FOR 74268)	
2	6356GT	WASHER,LOCK,.25					
3	6091GT	NUT,NYLOCK,1/4-20					
4	74446GT	FUSE HOLDER ASSEMBLY.....	3				
--	6638GT	WASHER,FLAT,USS,1/4"Y					
--	66717GT	FUSE BLOCK, ANN & ANL FUSE					
--	6782GT	NUT,NYLOCK,5/16-18					
5	17626GT	SCREW,FHM,10-32 X .75					
6	36355GT	FUSE,100 AMP,VERY FAST ACTING.....	1				
7	43179GT	FUSE,500 AMP,VERY FAST ACTING.....	1				
8	13002GT	SCREW,HHC,5/16-18 X 1 GR5					
9	6886GT	WASHER,LOCK,.313					
10	5397GT	WASHER,FLAT,USS,5/16",Y					
11	36456GT	SPRING CLIP,5/16-18,.025-.15X.					
12	19816GT	M4 X 0.7 X 8MM RHMS					
13	7339GT	SCREW,HHC,1/4-20 X .5					
14	74266GT	CONTACTOR,LIFT PUMP 24V 180A**...1					
--	62695GT	CONTACT,STATIONARY (56434)**					
--	62696GT	CONTACT-MOVEABLE (56434)**					
--	74471GT	SPRING,RETURN (74266)					
15	19815GT	BRACKET, RELAY MOUNTING.....	1				
16	18506GT	SCREW 5/16-18 X .75 LG.FLG.LCK.					
17	18503GT	NUT,LOCKING-LG.FLANGE,5/16-18					
18	74267GT	CONTACTOR,DRIVE,24V,180A***.....1					
--	22264GT	CONTACT,MOVEABLE,19550 RELAY					
--	22265GT	CONTACT,STATIONRY,19550 RELAY					
--	23845GT	SPRING,RETURN					
--	74282GT	DUST SHIELDS,180A CONTACTOR (EE models only) Limited inventory available; this component is no longer available from our supplier					
19	23417GT	CONTACTOR,2X SPDT,24V/DC.....	1				
--	23845GT	SPRING,RETURN					
--	27419GT	CONTACT,MOVING (SW181 & SW182)					
--	49871GT	STATIONARY CONTACT (23417)					
20	23404GT	NUTSERT,1/4-20,STEEL CAD PLTD					
21	23405GT	NUTSERT,10-32 STEEL CAD PLTD					
22	62297GT	Relay Panel Assembly.....	1				
23	23314GT	CONTROLL.36V/48V,DC MTR.SPD.....	1				
24	36268PGT	PLATE,POWER SUPPLY MOUNT BLUE.....	1				
25	74268GT	CONTACTOR,AUX PUMP 24V,80A***.....	1				
--	22262GT	CONTACT,MOVING,19549RELAY*					
--	22263GT	CONTACT,STATIONARY,19549RELAY*					

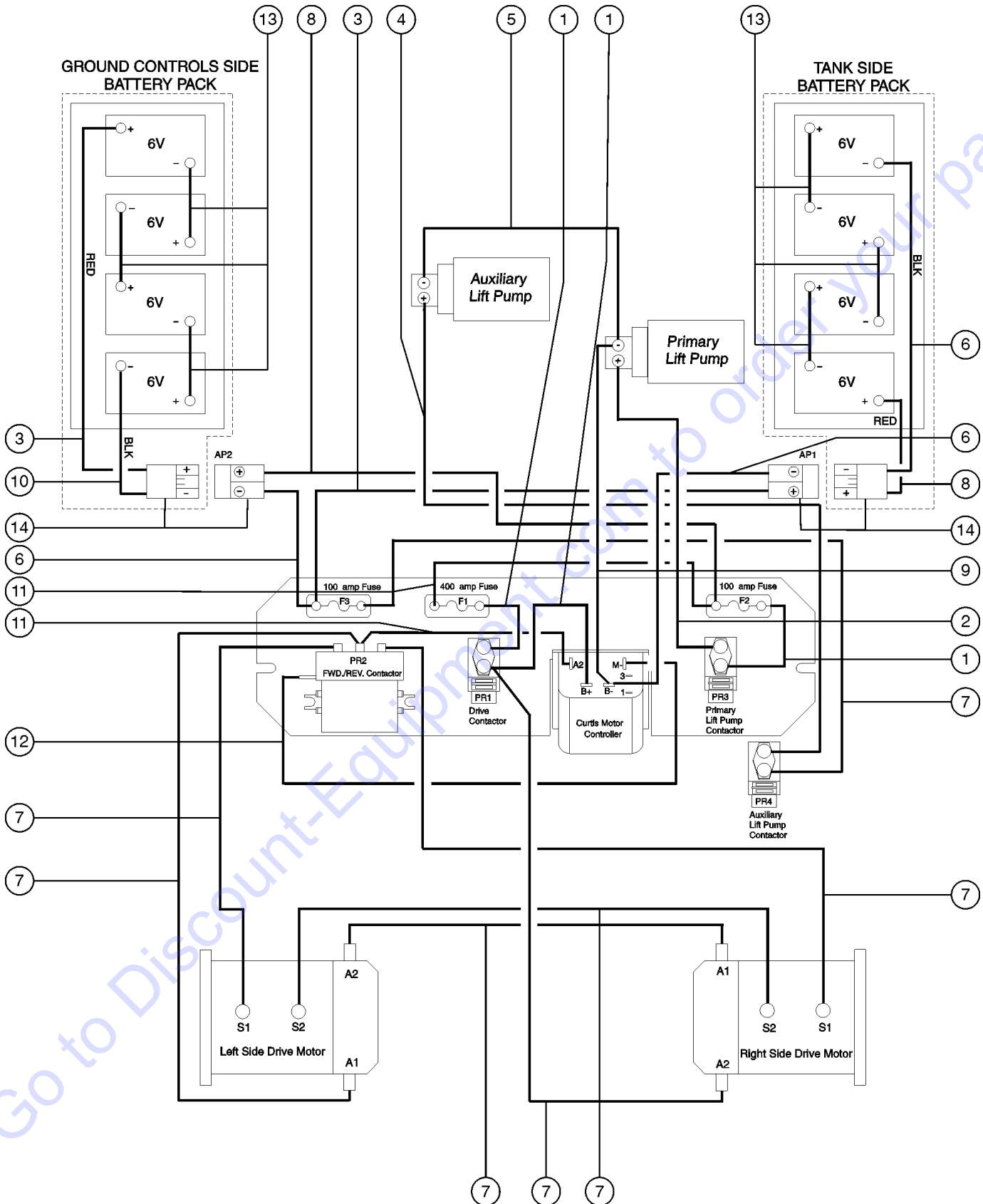
208.1 Electronic Control Module (from SN 3447)



208.1 Electronic Control Module (from SN 3447)

Item	Part No.	Description	Qty.	Item	Part No.	Description	Qty.
--	56029GT	CONNECTOR,MOLEX 24-WAY**		--	74469GT	FIXED CONTACT (FOR 74267)	
--	56030GT	TERMINAL,MOLEX 16 GAUGE***		--	74470GT	MOVING CONTACT (FOR PN 74267)	
--	56561GT	TOOL,TERMINAL CRIMPER,MOLEX***		23	74266GT	CONTACTOR,LIFT PUMP 24V 180A**...1	
--	56562GT	TOOL,TERMINAL EXTRACTOR,MOLEX		--	32697GT	INJECTOR,DEUTZ	
1A	T114858GT	CONTROLLER,SEP-EX Z30N,AMD <i>for models with GE drive motors; SN 3447 to 6812</i>		--	62695GT	CONTACT,STATIONARY (56434)**	
1B	128334GT	CONTROLLER,SEP-EX Z30N,GE.....1 <i>for models with GE drive motors; SN 6813 to 12304</i>		--	62696GT	CONTACT-MOVEABLE (56434)**	
1C	T114858GT	CONTROLLER,SEP-EX Z30N,AMD <i>from SN 12305</i>		--	74471GT	SPRING,RETURN (74266)	
2	6888GT	SCREW,HHC,1/4-20 X 1		24	56095GT	BRACKET,CONTACTOR MOUNT SINGLE.....1	
3	6356GT	WASHER,LOCK,.25		25A	74424GT	CONTACTOR PANEL ASSEMBLY.....1 <i>includes items 4 and 18 (to SN 15221; not shown)</i>	
4	23404GT	NUTSERT,1/4-20,STEEL CAD PLTD		25B	236665GT	ASSEMBLY, CONTROLLER PLATE.....1 <i>(from SN 15222; shown)</i>	
5	13002GT	SCREW,HHC,5/16-18 X 1 GR5		26A	822917GT	KIT, DC-DC CONVERTER, DC.....1 <i>(field install kit for units without inverter) (from SN 8355)</i>	
6	6886GT	WASHER,LOCK,.313		--	79452GT	CONVERTER, DC-DC, 48-26 VOLT**1 <i>(shown)</i>	
7	5397GT	WASHER,FLAT,USS,5/16",Y		--	822481GT	BRKT, DC-DC CONVERTER MOUNTING.....1	
8	36456GT	SPRING CLIP,5/16-18,.025-.15X.		--	822915GT	HARNESS, DRIVE CHASSIS, DC.....1	
9	22542GT	M4 X 5 PHILLIPS (CHEESEHEAD)		26B	822919GT	KIT, DC-DC CONV,Z30N W/INVERTR.....1 <i>(field install kit for units with inverter) (from SN 8355)</i>	
10	56281GT	ANGLE,FUSE MOUNT.....1		--	79452GT	CONVERTER, DC-DC, 48-26 VOLT**1 <i>(shown)</i>	
11	36355GT	FUSE,100 AMP,VERY FAST ACTING.....2		--	822915GT	HARNESS, DRIVE CHASSIS, DC.....1 <i>(for units with DC-DC converter)</i>	
12	6090GT	SCREW,HHC,1/4-20 X .75		--	822920GT	BRKT,DC-DC CONV,Z30N W/INVERTR.....1	
13	6638GT	WASHER,FLAT,USS,1/4"Y		27	1251757GT	SCREW,PHPM,10-32X.50,ZAG.....4	
14	18503GT	NUT,LOCKING-LG.FLANGE,5/16-18		28	74282GT	DUST SHIELDS,180A CONTACTOR.....4 <i>(EE models only) Limited inventory available; this component is no longer available from our supplier</i>	
--	22262GT	CONTACT,MOVING,19549RELAY*					
--	22263GT	CONTACT,STATIONARY,19549RELAY*					
--	23844GT	SPRING,RETURN,19549 CONTACTOR					
--	74495GT	SPRING, RETURN (FOR 74268)					
15A	74268GT	CONTACTOR,AUX PUMP 24V,80A***1					
15B	74266GT	CONTACTOR,LIFT PUMP 24V 180A** <i>(for EE units only)</i>					
16	823226GT	POWER RELAY, 24V COIL.....1 <i>(for drive light option)</i>					
17	49818GT	SCREW,PHILLIPS,PHM,10-32 X .38					
18	23405GT	NUTSERT,10-32 STEEL CAD PLTD					
19	61226GT	RELAY SOCKET,70AMP.....1					
20	56930GT	DIODE,PCB DRIVE CONTACTOR**.....1					
21	43179GT	FUSE,500 AMP,VERY FAST ACTING.....1					
22	74267GT	CONTACTOR,DRIVE,24V,180A***1					
--	22264GT	CONTACT,MOVEABLE,19550 RELAY					
--	22265GT	CONTACT,STATIONRY,19550 RELAY					
--	23845GT	SPRING,RETURN					
--	74282GT	DUST SHIELDS,180A CONTACTOR					
--	74468GT	SPRING, RETURN (FOR 74267)					

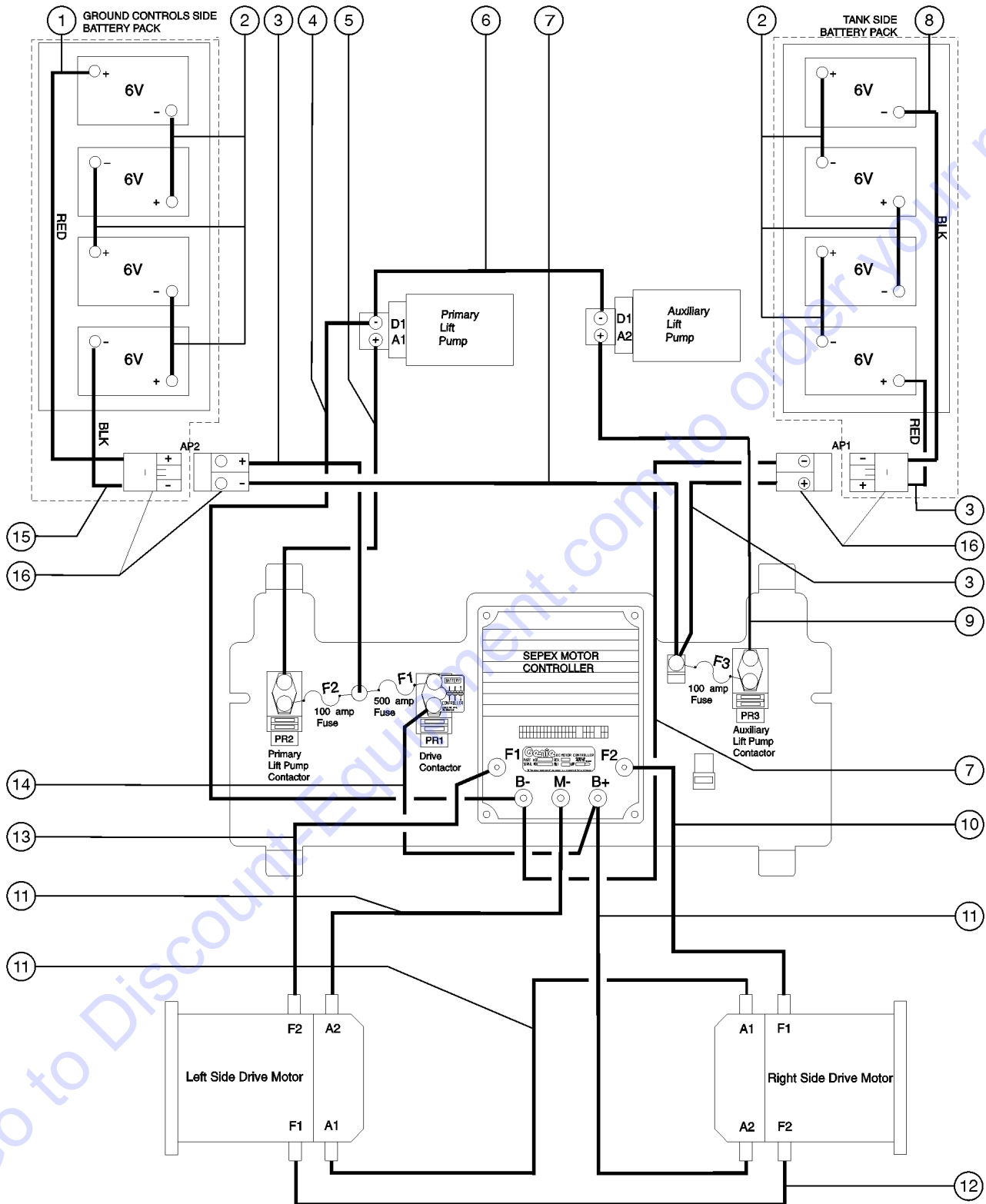
209.1 Power Cable Diagram (to SN 3446)



209.1 Power Cable Diagram (to SN 3446)

Item	Part No.	Description	Qty.
1	74103GT	CABLE ASSY,#2 BLACK.....	3
2	74105GT	CABLE ASSY,#2 RED.....	1
3	74102GT	CABLE ASSY,#2 RED.....	2
4	74109GT	CABLE ASSY,#2 RED.....	1
5	74106GT	CABLE ASSY,#2 BLACK.....	1
6	74108GT	CABLE ASSY,#2 BLACK.....	3
7	74107GT	CABLE ASSY,#2 BLACK.....	7
8	74104GT	CABLE ASSY,#2 RED.....	2
9	74114GT	CABLE ASSY,#2 BLACK.....	1
10	74101GT	CABLE ASSY,#2 BLACK.....	1
11	74112GT	CABLE ASSY,#2 BLACK.....	2
12	74115GT	CABLE ASSY,#2 BLACK.....	1
13	19520GT	BATTERY CABLE ASSY,9.5"JUMPER...	6
14	66397GT	QUICK DISCONNECT CASING,BATT**.....	4

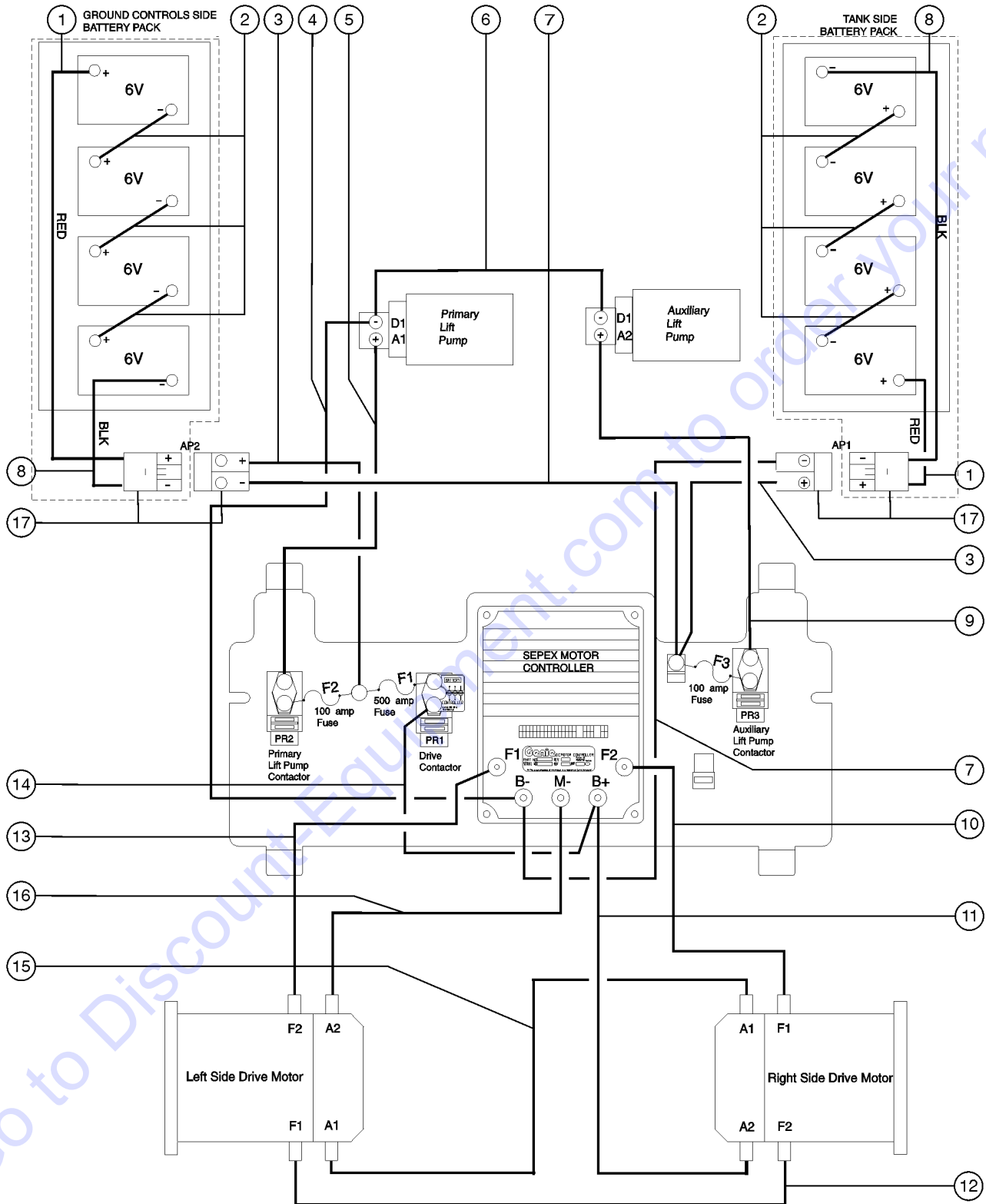
210.1 Power Cable Diagram (from SN 3447 to 10917)



210.1 Power Cable Diagram (from SN 3447 to 10917)

Item	Part No.	Description	Qty.
1	74102GT	CABLE ASSY,#2 RED.....	2
2	74103GT	CABLE ASSY,#2 BLACK.....	6
3	74104GT	CABLE ASSY,#2 RED.....	2
4	74114GT	CABLE ASSY,#2 BLACK.....	1
5	74105GT	CABLE ASSY,#2 RED.....	1
6	74106GT	CABLE ASSY,#2 BLACK.....	1
7	74107GT	CABLE ASSY,#2 BLACK.....	2
8	74108GT	CABLE ASSY,#2 BLACK.....	2
9	74109GT	CABLE ASSY,#2 RED.....	1
10	74110GT	WIRE ASSY,#10 RED, 18".....	1
11	74111GT	CABLE ASSY,#2 BLACK, 31".....	1
12	74112GT	CABLE ASSY,#2 BLACK.....	1
13	74113GT	WIRE ASSY,#10 RED, 15".....	1
14	74115GT	CABLE ASSY,#2 BLACK.....	1
15	74101GT	CABLE ASSY,#2 BLACK.....	1
16	66397GT	QUICK DISCONNECT CASING,BATT**	4

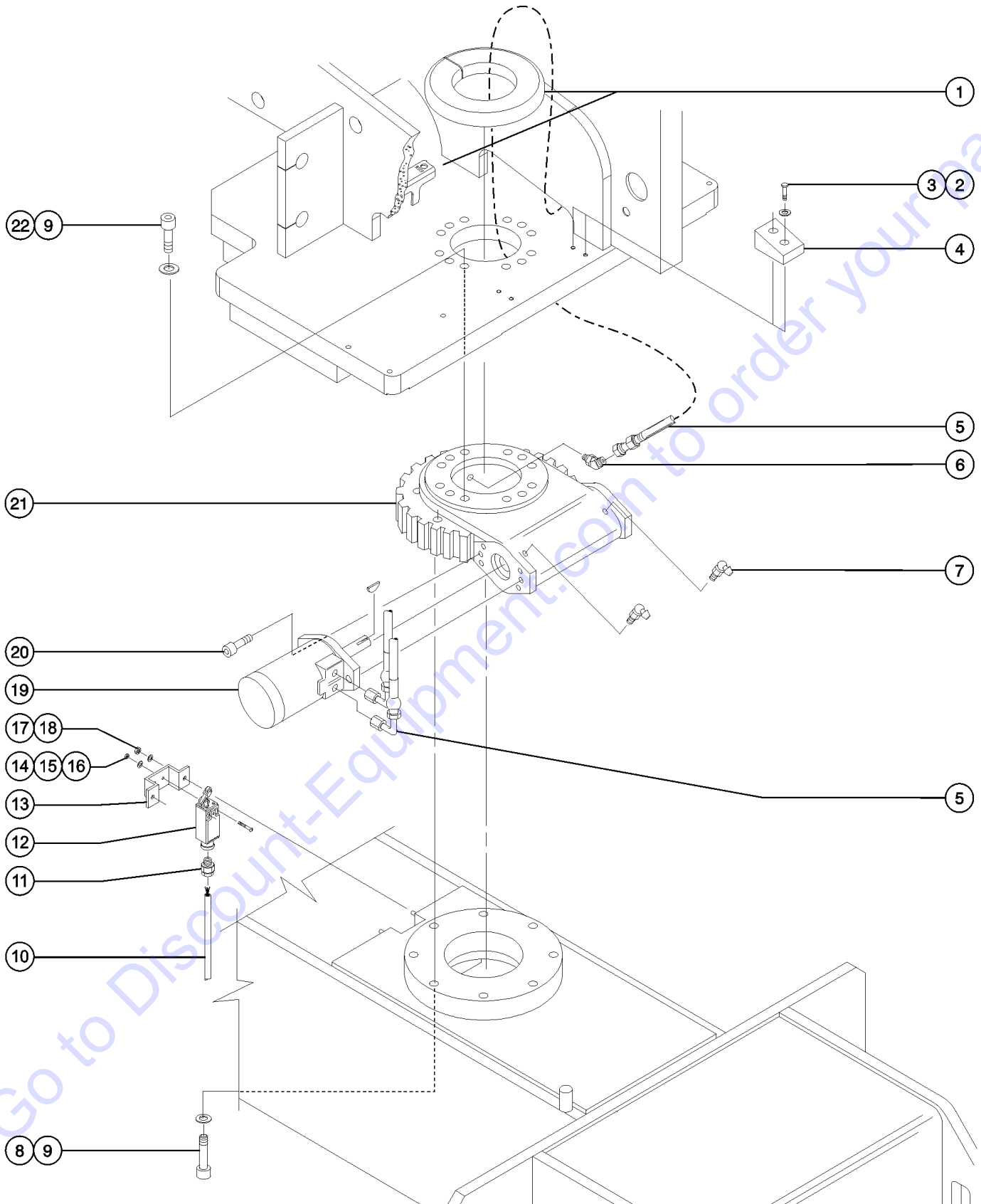
210.2 Power Cable Diagram (from SN 10918)



210.2 Power Cable Diagram (from SN 10918)

Item	Part No.	Description	Qty.
--	139010GT	HARN ASSY, POWER DRIVE CHASS <i>includes 1 each items 3, 7 and 17</i>	
--	139011-SGT	SERV KIT,HARN ASSY,PWR BATT PK <i>includes 1 each items 1, 8 and 17</i>	
--	51147GT	BOOT,CABLE TERMINAL,LG,RED,2/0	
1	128465GT	CABLE ASSY #2 RED BATT.....	2
2	19520GT	BATTERY CABLE ASSY,9.5"JUMPER...	6
3	128458GT	CABLE ASSY #2 RED AP1/AP2 DRIV....	2
4	139018GT	CABLE ASSY #4 BLK B(-)/LP-D1.....	1
5	139016GT	CABLE ASSY #4 RED PR2/LP-A1.....	1
6	139019GT	CABLE ASSY #4 BLK LP-D1/AP-D1.....	1
7	128459GT	CABLE ASSY #2 BLK AP1/AP2 DRIV....	2
8	128466GT	CABLE ASSY #2 BLK AP1/AP2 BATT....	2
9	139017GT	CABLE ASSY #4 RED PR3/AP-A2.....	1
10	139021GT	WIRE ASSY #10 RED F2/F1.....	1
11	139012GT	CABLE ASSY #2 BLK B(+)/A2.....	1
12	139022GT	WIRE ASSY #10 RED F1/F2.....	1
13	139020GT	WIRE ASSY #10 RED F1/F2.....	1
14	139013GT	CABLE ASSY #2 BLK B(+)/PR1.....	1
15	139015GT	CABLE ASSY #2 BLK A1/A1.....	1
16	139014GT	CABLE ASSY #2 BLK M(-)/A2.....	1
17	66397GT	QUICK DISCONNECT CASING,BATT**.....	4
17A	119787PGT	FORMING,BATTERY CONN HANDLE,PT <i>for cable harness 139011GT</i>	
17A	70673GT	LANYARD ASSY, 9.5" <i>for cable harness 139011GT</i>	

301.1 Turntable Rotator



301.1 Turntable Rotator

Item	Part No.	Description	Qty.	Item	Part No.	Description	Qty.
1	42363GT	RING,HOSE PROTECTOR.....	1	14	6178GT	NUT,NYLOCK,10-32	
1A	106959GT	GUIDE,HOSE..... <i>from SN 7161 (not shown)</i>	1	15	6607GT	WASHER,LOCK,#10 PLTD	
1A	106960PGT	FORMING,HOSE LOCK,PAINTED..... <i>from SN 7161 (not shown)</i>	1	16A	51063GT	SCREW,PHILLIPS,RHM,10-32 X 1.5	
1A	4828GT	NUT,NYLOCK,3/8-16..... <i>from SN 7161</i>	1	16B	49817GT	SCREW,PHILLIPS,PHM,10-32 X1.25	
1A	8516GT	SCREW, HCC, 3/8-16 X 1.50..... <i>from SN 7161 (not shown)</i>	1	17	6091GT	NUT,NYLOCK,1/4-20	
2	94195GT	SCREW,HHC,3/8-16 X .75,GR 8		18	6638GT	WASHER,FLAT,USS,1/4"Y	
3	5397GT	WASHER,FLAT,USS,5/16",Y		19A	27372GT	MOTOR,TURNTABLE O-RING PORTS.....	1
4A	36959GT	REST PAD,LOWER ARM REST..... <i>to Z30N-4469</i>	2	--	27275GT	SEAL KIT (21172)	
4B	74256GT	REST PAD, LOWER REST Z30N..... <i>from Z30N-4470</i>	2	--	32224GT	KEY-WOODRUFF	
5		Ref. Hydraulic Hoses and Fittings (refer to 802.1 or 803.1)		19B	74864GT	MOTOR,TURNTABLE,ROLLER STATOR.....	1
6	31194GT	ELBOW,070302-4-2		--	84312GT	SEAL KIT,ROTATE MOTOR	
7	128619GT	ZERK,GREASE,1/8 NPT,67.5 DEG**		19C	128453GT	MOTOR,TURNTABLE,125CC*** <i>from SN Z30N-10808</i>	1
8A	36459GT	SCREW,SHC,5/8-11 X 5.5..... <i>to SN 13456</i>	8	--	84312GT	SEAL KIT,ROTATE MOTOR	
8B	139866GT	SCREW,HHC,5/8-11X4.50GR8 PLAIN..... <i>from SN 13457</i>	8	20	56843GT	SCREW,SHC,1/2-13 X 1.50,A574.....	2
9	13064GT	WASHER,FLAT,.625 HARDENED.....	20	21	119111GT	ROTATOR TURNTABLE ASSEMBLY***	1
10	43960GT	WIRE CABLE,16/4 CON.TPE JKT.....	77-inches	--	1284189GT	CASE COVER,ROTATOR,Z30/34 (119111) <i>for 119111</i>	
11	7056GT	CONN,SQUEEZE,1/2NPT .38-.50,SM		--	128565GT	SHIM KIT,TURNTABLE***	1
12A	88356 -11103GT	SWITCH,LIMIT,W/RLR ARM,NO/NC** <i>to SN 7015 (shown)</i>	1	--	128618GT	SEAL KIT*** <i>for 119111</i>	
--	19491GT	CONTACTOR,LIMIT SWITCH		--	128620GT	ZERK,GREASE,1/8 NPT,45 DEG*** <i>for 119111</i>	
--	97128GT	ROLLER ARM,LIMIT SWITCH***		--	128621GT	BEARING,CUP*** <i>for 119111</i>	
12B	106087GT	HARNESS,LS,DRIVE ENABLE LS3 Z3 <i>from SN 7016 TO 8354</i>		--	128622GT	BEARING,CONE*** <i>for 119111</i>	
12B	88356 -12103GT	SWITCH,LIMIT,W/ROLLER ARM***	1	--	128899GT	SHAFT,WORM GEAR*** <i>for 119111</i>	
--	106427GT	LS ROT.HEAD W/O LEVER (ZCE01)		--	139008GT	SNAP RING,INT,2.88 DIA*** <i>from SN 11193 OR after gear S/N 01108CG1W</i>	
--	19491GT	CONTACTOR,LIMIT SWITCH		--	139376GT	SNAP RING,INTERNAL,2.88 DIA*** <i>from SN 9392 to 11192 OR before gear S/N 01108CG1X</i>	
--	97128GT	ROLLER ARM,LIMIT SWITCH***		21A	58360GT	KIT,SEAL (74994).....	1
12C	110637GT	HARNESS LS3 OP DRIVE ENABLE..... <i>from SN 8355</i>	1	--	58296GT	SNAP RING (74994).....	1
--	119762GT	CONN PLUG 4 WAY EXTEND DT.....	1	--	58330GT	O-RING OR-151 N73038 (74994)..... <i>for rotator 74994GT</i>	1
--	60429GT	LOCK,PLUG 4 WAY,14-18GA.....	1	--	58331GT	SEAL 21252875-375BYP2 (74994)..... <i>for rotator 74994GT</i>	2
--	73714GT	TERM,NI SOC,S&F,16-18GA,REEL.....	4	--	58332GT	BEARING,CONE LM501349 (74994)..... <i>for rotator 74994GT; sold separately</i>	2
--	88356 -12103GT	SWITCH,LIMIT,W/ROLLER ARM***	1				
13A	36326GT	PLATE,LIMIT SWITCH MOUNT%..... <i>to SN 7015</i>	1				
13B	119917GT	PLATE, TURNTABLE LS. MT..... <i>from SN 7016</i>	1				
--	6090GT	SCREW,HHC,1/4-20 X .75 <i>for 119917</i>					

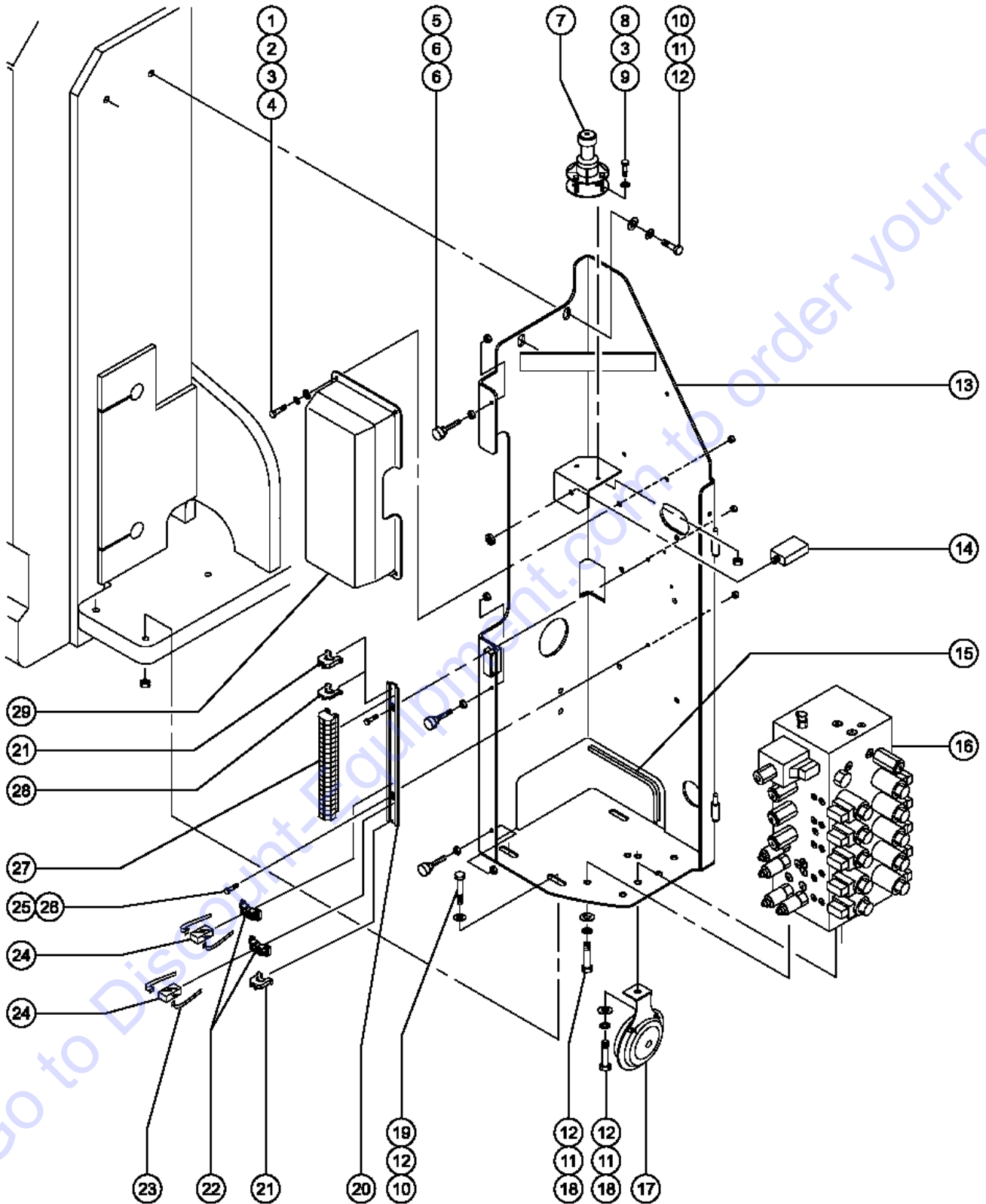
301.1 Turntable Rotator (continued)

Item	Part No.	Description	Qty.
--	58333GT	BEARING,CUP LM501310 (74994).....2 <i>for rotator 74994GT; sold separately</i>	
--	58343GT	GASKET,MTR,2A,MAG (74994).....1 <i>for rotator 74994GT</i>	
--	58344GT	SEAL,NAT'L. #471818 (74994).....1 <i>for rotator 74994GT</i>	
--	58345GT	SCREW,FHS,1/2-13 X 1.25,BLACK.....2 <i>for rotator 74994GT; sold separately</i>	
--	58346GT	ZERK,ALEMITE #1688 (74494).....2 <i>for rotator 74994GT; sold separately</i>	
22A	25068GT	SCREW,SHC,5/8-11 X 4.5,A574.....12 <i>to SN 11768</i>	
22B	42604GT	SCREW,SHC,5/8-11 X 4.25 BLK.....12 <i>from SN 11769 to 13456</i>	
22C	139867GT	SCREW,HHC,5/8-11 X 5.50 GR8 BO....12 <i>from SN 13457</i>	

This Page Intentionally Left Blank

Go to Discount-Equipment.com to order your parts

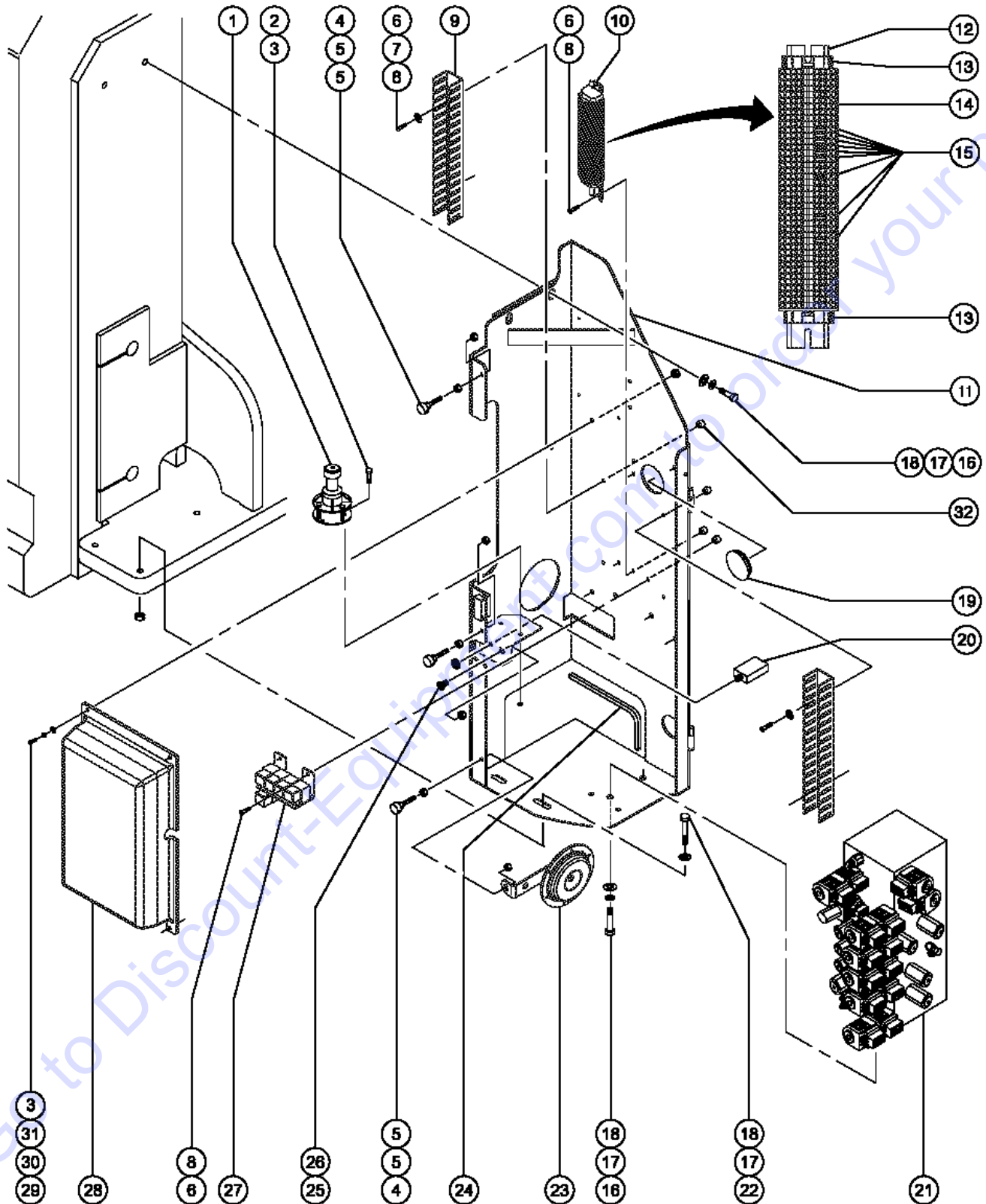
302.1 Ground Controls Side (to SN 3446)



302.1 Ground Controls Side (to SN 3446)

Item	Part No.	Description	Qty.
1	7339GT	SCREW,HHC,1/4-20 X .5	
2	6356GT	WASHER,LOCK,.25	
3	6638GT	WASHER,FLAT,USS,1/4"Y	
4	23404GT	NUTSERT,1/4-20,STEEL CAD PLTD	
5	36388GT	BUMPER,RUBBER,.75 X .50H,STUD	
6	18504GT	NUT,LOCKING-LG.FLANGE,1/4-20	
7A	44586GT	SENSOR,LEVEL 4.5***1 <i>ANSI and CE models</i>	
7B	42439GT	SENSOR,LEVEL 3 DEG**1 <i>Australian models</i>	
8	8914GT	SCREW,HHC,1/4-20 X .625	
9	6091GT	NUT,NYLOCK,1/4-20	
10	6326GT	SCREW,HHC,3/8-16 X 3	
11	6021GT	WASHER,LOCK,.375	
12	6097GT	WASHER,FLAT,USS,3/8",Y	
13	56875GT	WELD,COVER SUPPORT LH Z30N*1	
14	147093GT	ASSY, CIRCUIT BREAKER 10A.....1 <i>includes mounting nut</i>	
15	19018GT	TRIMLOCK,BLACK,5/32"23-inches	
16		Ref. Function Manifold (refer to 702.1)	
17	81579GT	HORN,24VDC,SPADE TERMINALS***1	
18	77692GT	SCREW,HHC,3/8-16 X 1 GRD 8	
19	4828GT	NUT,NYLOCK,3/8-16	
20	36385GT	DIN RAIL,11.63"1	
--	56201GT	DIN RAIL,13.75	
21	25974GT	PLASTIC END STOP1	
22	33608GT	RELAY,SOCKET,OMRON2	
23	42617GT	CLIP,SPRING,POTTER BRUMFIELD4	
24	42616GT	RELAY,POTTER BRUMFIELD 24V **2	
25	6606GT	SCREW,RHM,10-32 X .75	
26	23405GT	NUTSERT,10-32 STEEL CAD PLTD	
27	25836GT	TERMINAL BLOCK(SINGLE),WAGO***30	
28	25837GT	TERMINAL STRIP END PLATE1	
29	36378GT	COVER,TERMINAL STRIP1	

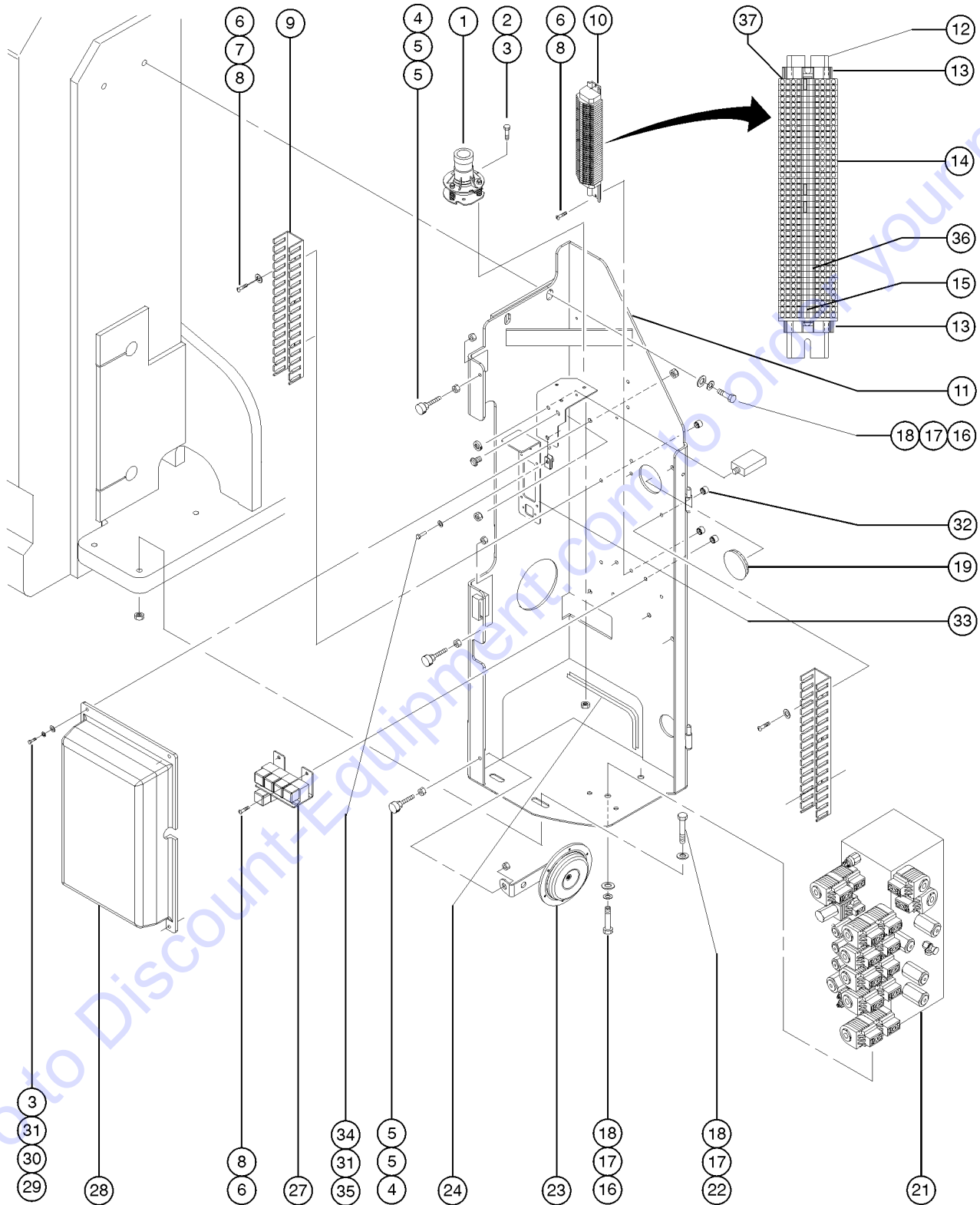
303.1 Ground Controls Side (from SN 3447 to 9825)



303.1 Ground Controls Side (from SN 3447 to 9825)

Item	Part No.	Description	Qty.	Item	Part No.	Description	Qty.
1A	44586GT	SENSOR,LEVEL 4.5***.....1 <i>ANSI and CE models; to SN 5921</i>	1	16	77692GT	SCREW,HHC,3/8-16 X 1 GRD 8	
1B	94077GT	SENSOR,LEVEL,4.5 DEG.....1 <i>ANSI models from SN 5922</i>	1	17	6021GT	WASHER,LOCK,.375	
1C	94077GT	SENSOR,LEVEL,4.5 DEG <i>CE models from SN 5922 to SN 8496</i>		18	6097GT	WASHER,FLAT,USS,3/8",Y	
1D	110382GT	LEVEL SENSOR,LS60,YL,2.5X4.5.....1 <i>CE models; from SN 8497</i>	1	19	39640GT	PLUG,NYLON 2.50 BLACK DOMED.....1	
1E	42439GT	SENSOR,LEVEL 3 DEG**.....1 <i>Australian models</i>	1	20	147093GT	ASSY, CIRCUIT BREAKER 10A.....1 <i>includes mounting fastener</i>	
2	8914GT	SCREW,HHC,1/4-20 X .625		21		Ref. Function Manifold (refer to 703.1)	
3	6091GT	NUT,NYLOCK,1/4-20		22	6326GT	SCREW,HHC,3/8-16 X 3	
4	36388GT	BUMPER,RUBBER,.75 X .50H,STUD.....3	3	23	81579GT	HORN,24VDC,SPADE TERMINALS***.....1	
5	18504GT	NUT,LOCKING-LG.FLANGE,1/4-20		24	19018GT	TRIMLOCK,BLACK,5/32".....23-inches	
6	49816GT	SCREW,PHILLIPS,PHM,10-32 X .75		25	824878GT	LIGHT,LED IND. RED 24V NH.....1	
7	6146GT	WASHER,FLAT,MS,#10,Y		26		LOCKWASHER,LT IND. OD.868/530.....1 <i>not available separately. order kit 218165</i>	
8	6178GT	NUT,NYLOCK,10-32		27		Ref. Relay Assembly	
9A	28298GT	WIRING DUCT, 1.5 X 1.5.....2	2	--		RELAY SOCKET,AUTO,RETAINER*** <i>component of 34053</i>	
9B	1262218GT	COVER, DUCT, WIRING.....2 <i>replaced 28299</i>	2	--	34053GT	ASSY,RELAY SOCKET, AUTO.....5	
10A	56783GT	TERMNAL RAIL ASS'Y,Z30N,Z34.....1 <i>includes items 12-15; to SN 4081</i>	1	--	49819GT	SCREW,PHILLIPS,PHM,10-32 X .5	
10B	94742GT	TERMINAL RAIL ASSY***.....1 <i>includes items 12-15; from SN 4082 to 8354</i>	1	--	56302GT	RELAY,24VDC,40/30A,SEALED***.....5	
10C	216788GT	ASSY,TERMINAL RAIL,Z30/34DC.....1 <i>includes items 12-14; from SN 8355</i>	1	--	56791GT	ANGLE RELAY MOUNTING	
11	56875GT	WELD,COVER SUPPORT LH Z30N*.....1	1	--	6178GT	NUT,NYLOCK,10-32	
12A	56788GT	DIN RAIL, 10.14.....1 <i>for 56783</i>	1	28A	56846GT	COVER,TERMINAL STRIP.....1 <i>to SN 8354</i>	
12B	56994GT	DIN RAIL,11.25" <i>for 94742 and 216788</i>		28B	110626GT	COVER,TERMINAL STRIP, CONN.....1 <i>from SN 8355</i>	
13A	25974GT	PLASTIC END STOP.....2 <i>for 56783</i>	2	29	6090GT	SCREW,HHC,1/4-20 X .75	
13B	74913GT	END STOP, DIN RAIL,SCREW CLAMP <i>for 94742 and 216788</i>		30	6356GT	WASHER,LOCK,.25	
14A	25836GT	TERMINAL BLOCK(SINGLE),WAGO***.....32 <i>for 56783</i>	32	31	6638GT	WASHER,FLAT,USS,1/4"Y	
14B	216791GT	TERMINAL BLOCK,WIELAND.....42 <i>for 216788</i>	42	32	23404GT	NUTSERT,1/4-20,STEEL CAD PLTD	
14C	74911GT	TERMINAL BLOCK, WIELAND***.....43 <i>for 94742</i>	43				
14D	217046GT	KIT, TERMINAL BLOCK <i>use if replacing a jumper terminal block</i>					
15A	56648GT	TERMINAL BLOCK,WAGO,3-WIRE.....9 <i>for 56783</i>	9				
15B	74917GT	JUMPER COMB, 2-WAY,WIELAND.....3 <i>for 94742 and 216788</i>	3				

303.2 Ground Controls Side (from SN 9826)



303.2 Ground Controls Side (from SN 9826)

Item	Part No.	Description	Qty.	Item	Part No.	Description	Qty.
A	74920GT	MARKING TAGS,# 1-10,WIELAND		27		Ref. Relay Assembly	
B	74921GT	MARKING TAGS,# 11-20,WIELAND		--	49819GT	SCREW,PHILLIPS,PHM,10-32 X .5	
C	74922GT	MARKING TAGS,# 21-30,WIELAND		--	56302GT	RELAY,24VDC,40/30A,SEALED***.....8 <i>from SN 16284</i>	
D	74923GT	MARKING TAGS,# 31-40,WIELAND		--	56318GT	BRACKET.....1	
E	74924GT	MARKING TAGS,# 41-50,WIELAND**		--	56319GT	EDC FEMALE CONNECTOR - 4 PRONG	
F	74925GT	MARKING TAGS,# 51-60,WIELAND		--	56791GT	ANGLE RELAY MOUNTING	
1A	94077GT	SENSOR,LEVEL,4.5 DEG.....1 <i>ANSI models</i>		--	6178GT	NUT,NYLOCK,10-32	
1B	110382GT	LEVEL SENSOR,LS60,YL,2.5X4.5.....1 <i>CE models</i>		28	110626GT	COVER,TERMINAL STRIP, CONN.....1	
1C	42439GT	SENSOR,LEVEL 3 DEG**.....1 <i>Australian models</i>		29	6090GT	SCREW,HHC,1/4-20 X .75	
2	8914GT	SCREW,HHC,1/4-20 X .625		30	6356GT	WASHER,LOCK,.25	
3	6091GT	NUT,NYLOCK,1/4-20		31	6638GT	WASHER,FLAT,USS,1/4"Y	
4	36388GT	BUMPER,RUBBER,.75 X .50H,STUD.....3		32	23404GT	NUTSERT,1/4-20,STEEL CAD PLTD	
5	18504GT	NUT,LOCKING-LG.FLANGE,1/4-20		33	119618GT	FORMING,BRACKET.....1	
6	49816GT	SCREW,PHILLIPS,PHM,10-32 X .75		34	56912GT	SPRING CLIP,1/4-20,.025-.15X.54,ZAG.....1	
7	6146GT	WASHER,FLAT,MS,#10,Y		35	6888GT	SCREW,HHC,1/4-20 X 1	
8	6178GT	NUT,NYLOCK,10-32		36	74918GT	JUMPER COMB, 3-WAY,WIELAND.....1 <i>from SN 16284</i>	
9	28298GT	WIRING DUCT, 1.5 X 1.5.....2		37	216793GT	TERMINAL BLOCK END PLATE.....1	
--	1262218GT	COVER, DUCT, WIRING.....2					
10	216788GT	ASSY,TERMINAL RAIL,Z30/34DC					
11	56875GT	WELD,COVER SUPPORT LH Z30N*.....1					
12	56994GT	DIN RAIL,11.25"					
13	74913GT	END STOP, DIN RAIL,SCREW CLAMP.....2					
14A	217046GT	KIT, TERMINAL BLOCK <i>use if replacing a jumpered terminal block</i>					
14B	216791GT	TERMINAL BLOCK,WIELAND.....26 <i>to SN 16283</i>					
15A	74917GT	JUMPER COMB, 2-WAY,WIELAND.....3					
15B	74918GT	JUMPER COMB, 3-WAY,WIELAND.....1 <i>after SN Z30N15-16279 CE models, Z30N15-16299 ANSI models</i>					
16	77692GT	SCREW,HHC,3/8-16 X 1 GRD 8					
17	6021GT	WASHER,LOCK,.375					
18	6097GT	WASHER,FLAT,USS,3/8",Y					
19	39640GT	PLUG,NYLON 2.50 BLACK DOMED.....1					
20	147093GT	ASSY, CIRCUIT BREAKER 10A.....1 <i>includes mounting fastener</i>					
21		Ref. Function Manifold (refer to 703.1)					
22	6326GT	SCREW,HHC,3/8-16 X 3					
23	81579GT	HORN,24VDC,SPADE TERMINALS***1					
24	19018GT	TRIMLOCK,BLACK,5/32".....23-inches					
25	824878GT	LIGHT,LED IND. RED 24V NH.....1					
26	814884GT	LOCKWASHER,LT IND. OD.868/530.....1					

PARTS FINDER

**Search Website
by Part Number**



**Search Manual
Library For Parts
Manual & Lookup Part
Numbers – Purchase
or Request Quote**

Search Manuals

Enter your information to help us find the right parts manual for your machine.

* Brand:

* Model:

* Serial:

* Part Number:

SEARCH

**Can't Find Part or
Manual? Request Help
by Manufacturer,
Model & Description**

Parts Order Form

Please fill in the following information to help us find the right part for your machine.

Manufacturer:	<input type="text"/>
Model:	<input type="text"/>
Description:	<input type="text"/>
Part Number:	<input type="text"/>
Quantity:	<input type="text"/>
Notes:	<input type="text"/>

Submit

Discount-Equipment.com is your online resource for quality parts & equipment.

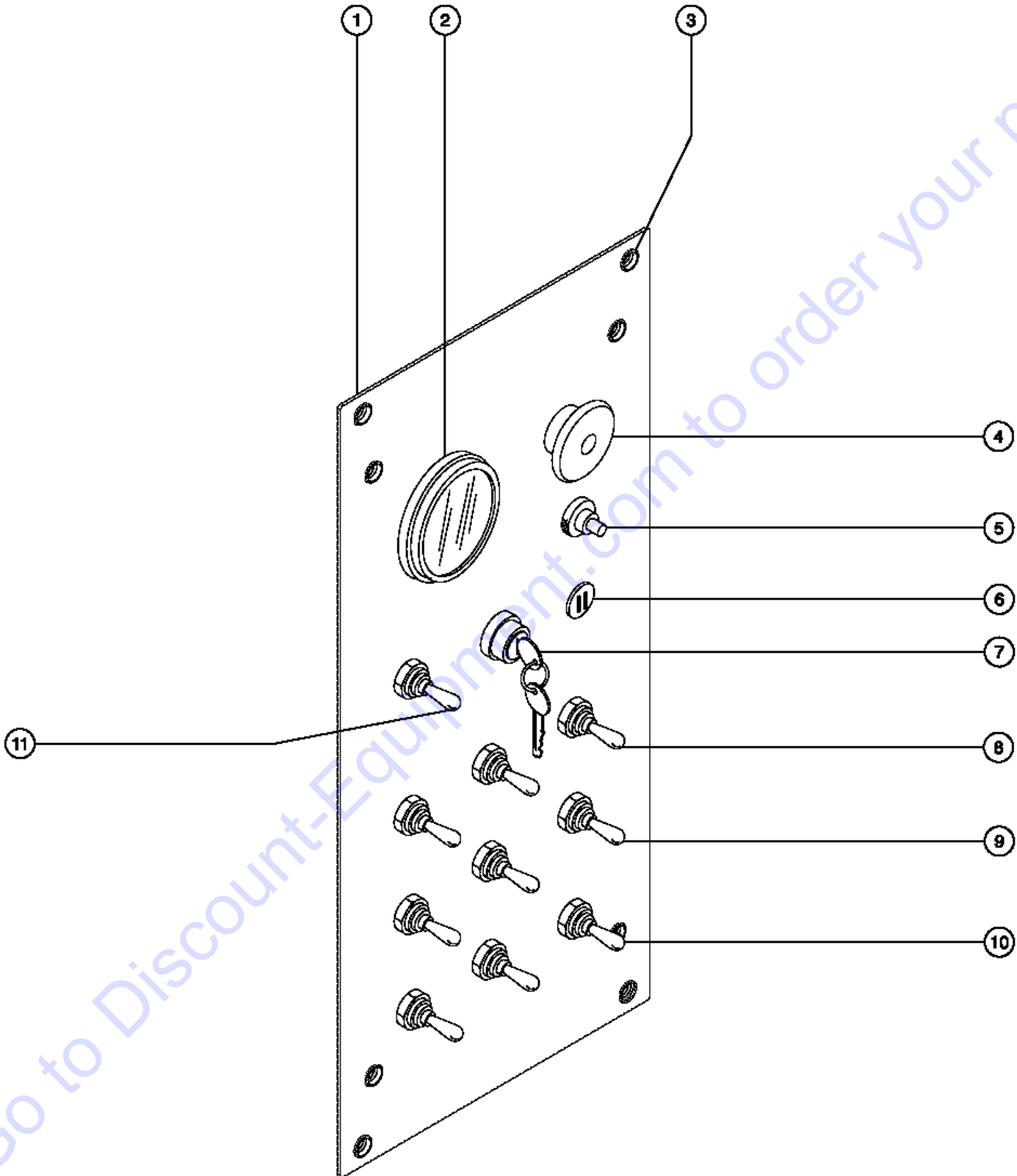
Florida: **561-964-4949** Outside Florida TOLL FREE: **877-690-3101**

Need parts?

Click on this link: <http://www.discount-equipment.com/category/5443-parts/> and choose one of the options to help get the right parts and equipment you are looking for. Please have the machine model and serial number available in order to help us get you the correct parts. If you don't find the part on the website or on one of the online manuals, please fill out the request form and one of our experienced staff members will get back to you with a quote for the right part that your machine needs.

We sell worldwide for the brands: Genie, Terex, JLG, MultiQuip, Mikasa, Essick, Whiteman, Mayco, Toro Stone, Diamond Products, Generac Magnum, Airman, Haulotte, Barreto, Power Blanket, Nifty Lift, Atlas Copco, Chicago Pneumatic, Allmand, Miller Curber, Skyjack, Lull, Skytrak, Tsurumi, Husquvarna Target, Stow, Wacker, Sakai, Mi-T-M, Sullair, Basic, Dynapac, MBW, Weber, Bartell, Bennar Newman, Haulotte, Ditch Runner, Menegotti, Morrison, Contec, Buddy, Crown, Edco, Wyco, Bomag, Laymor, EZ Trench, Bil-Jax, F.S. Curtis, Gehl Pavers, Heli, Honda, ICS/PowerGrit, IHI, Partner, Imer, Clipper, MMD, Koshin, Rice, CH&E, General Equipment, Amida, Coleman, NAC, Gradall, Square Shooter, Kent, Stanley, Tamco, Toku, Hatz, Kohler, Robin, Wisconsin, Northrock, Oztec, Toker TK, Rol-Air, APT, Wylie, Ingersoll Rand / Doosan, Innovatech, Con X, Ammann, Mecalac, Makinex, Smith Surface Prep, Small Line, Wanco, Yanmar

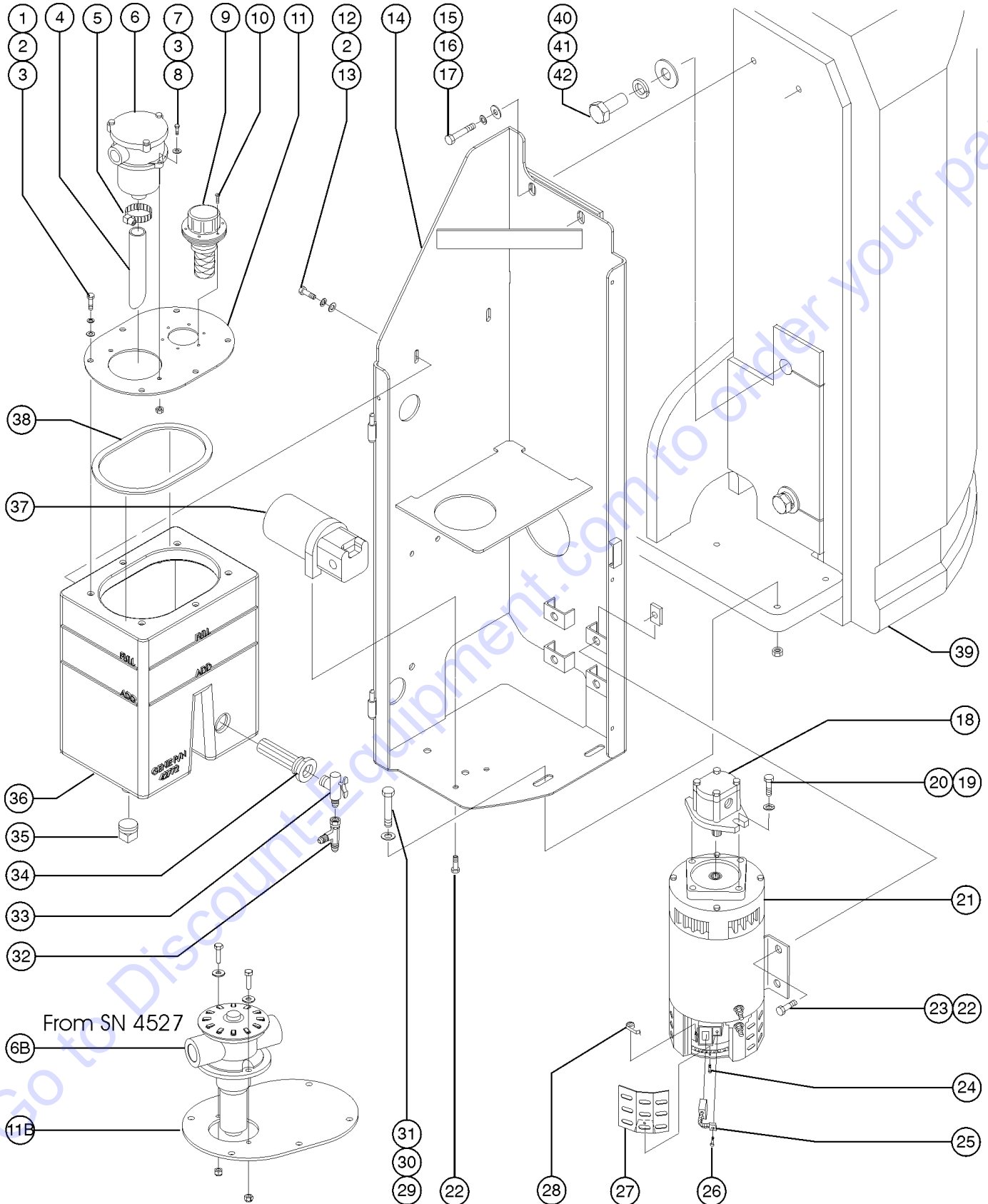
304.1 Ground Control Panel



304.1 Ground Control Panel

Item	Part No.	Description	Qty.	Item	Part No.	Description	Qty.
--	45782GT	DIODE,6 AMP,200 PIV,BULK		--	19268GT	DIODE ASSEMBLY	
1	37129GT	PANEL,GROUND CONTROL W/ DECAL.....1 <i>includes item 3; to SN 3705</i>	1	--	27246GT	BOOT,TOGGLE SWITCH,SHORT*	
--	101965GT	GROUND CONTROL PANEL ASSY <i>includes item 3; from SN 6290</i>		--	54692GT	SPACER,NYLON,.718 X .526 X.219	
--	74157GT	ASSEMBLY,BASE CONTROL PANEL <i>includes item 3; from SN 3706 to SN 4082</i>		10	13037-SGT	SWITCH,TOGGLE,SPDT,3POS MOMEN*.....1 <i>includes mounting fasteners</i>	1
--	74322GT	ASSEMBLY,CONTROL PANEL <i>includes item 3; from SN 4082 to SN 6289</i>		--	27246GT	BOOT,TOGGLE SWITCH,SHORT*	
2	19506GT	HOUR METER,10-80 VOLTS***.....1	1	--	54692GT	SPACER,NYLON,.718 X .526 X.219	
3	23404GT	NUTSERT,1/4-20,STEEL CAD PLTD		11	13480-SGT	SWITCH,TOGGLE,DPDT,2POS MOMEN.....1 <i>includes mounting fasteners</i>	1
4	122514GT	KIT,ESTOP SVC BB&SM BOOM.....1	1	--	13471GT	COVER, AUXILIARY POWER SWITCH	
--	66812GT	BUTTON,PUSH,RED MUSHROOM HEAD		--	27246GT	BOOT,TOGGLE SWITCH,SHORT*	
--	66818GT	CONTACT, N.C.		--	54692GT	SPACER,NYLON,.718 X .526 X.219	
--	66821GT	BASE,WITHOUT CONTACTS					
4A	66812GT	BUTTON,PUSH,RED MUSHROOM HEAD.....1	1				
--	66818GT	CONTACT, N.C.					
--	66821GT	BASE,WITHOUT CONTACTS					
5	147093GT	ASSY, CIRCUIT BREAKER 10A.....1 <i>includes mounting nut</i>	1				
6	13511GT	RECEPTICAL,SNAP-IN (1450G1)***.....1	1				
--	13930GT	SWITCH ASSY,REMOTE BRAKE REL.					
7A	122512GT	KIT,KEYSWITCH SVC BB & SM BOOM <i>to SN 6289</i>					
--	122366GT	KEYSWITCH,CONTACTS LOCK					
--	66811GT	KEYSWITCH,3POS.MNTND.DR WKEY** <i>includes keyswitch and two keys, not included: base or contacts.</i>					
--	66816GT	CONTACT,N.O.***					
--	66821GT	BASE,WITHOUT CONTACTS					
7B	96008-SGT	KEYSWITCH,3 POS. W/KEYS*** <i>from SN 6290</i>					
--	37947GT	KEYS,10 PACK***					
--	83093GT	KEY SINGLE***					
--	85239GT	NUT,RETAINER (96008)					
--	88827GT	GASKET,KEYSWITCH,PLASTIC***					
--	96010GT	SCREW,PHILLIPS,PHM,8-32 X.25**					
8	16397-SGT	SWITCH,TOGGLE,DPDT,3POS MOMEN.....1 <i>includes mounting fasteners; Z-30/20NRJ models</i>	1				
--	19268GT	DIODE ASSEMBLY					
--	27246GT	BOOT,TOGGLE SWITCH,SHORT*					
--	54692GT	SPACER,NYLON,.718 X .526 X.219					
9	16397-SGT	SWITCH,TOGGLE,DPDT,3POS MOMEN.....7 <i>includes mounting fasteners</i>	7				

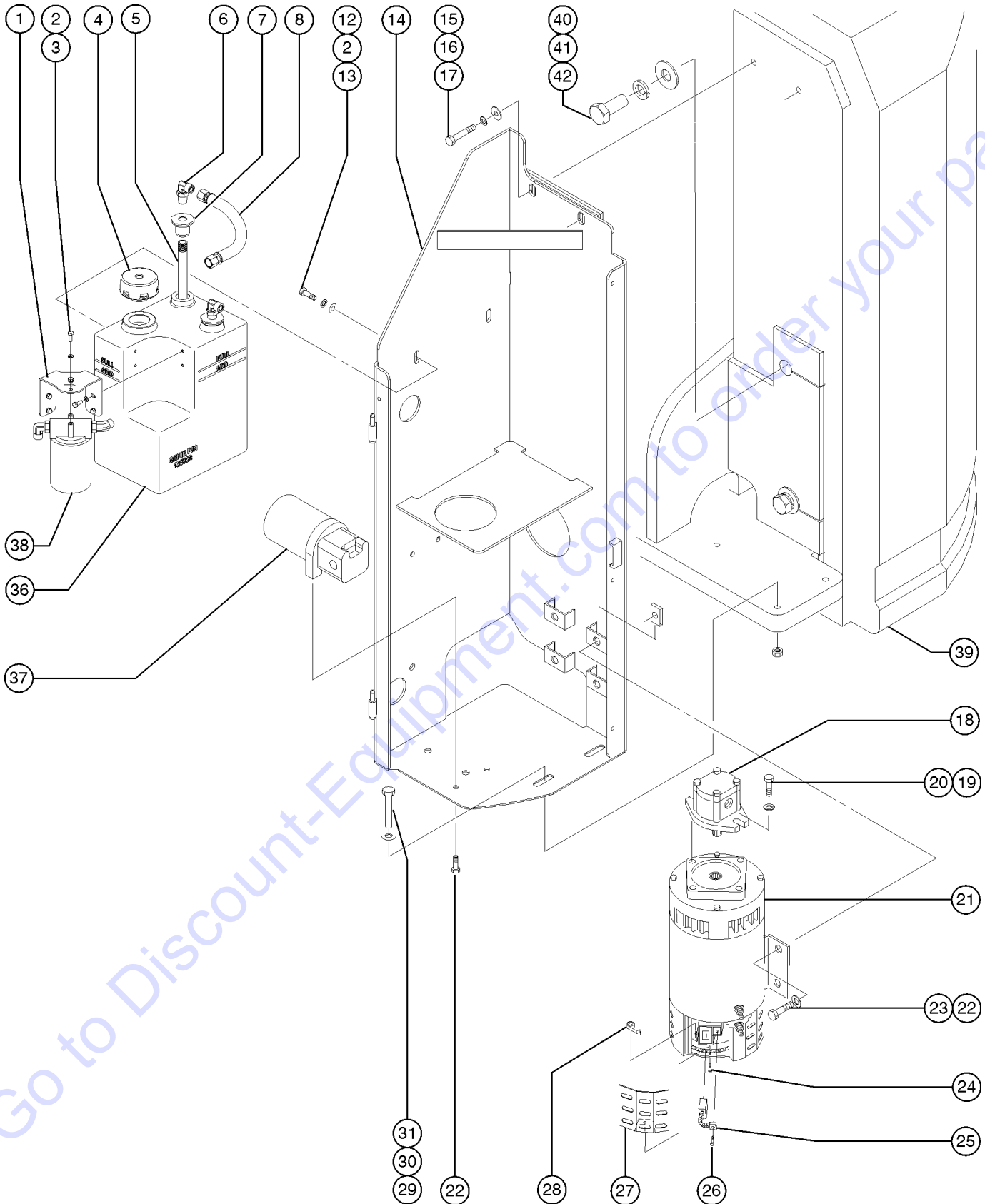
305.1 Power Unit Side (to SN 12039)



305.1 Power Unit Side (to SN 12039)

Item	Part No.	Description	Qty.	Item	Part No.	Description	Qty.
1	6090GT	SCREW,HHC,1/4-20 X .75		--	44777GT	BEARING,MOTOR <i>for motor 48504GT; verify part number prior to ordering</i>	
2	6356GT	WASHER,LOCK,.25		--	44778GT	BEARING,MOTOR,36843,BRUSH END*.....1	1
3	6638GT	WASHER,FLAT,USS,1/4"Y		--	48504GT	MOTOR,FUNCTION,48V DC.....1	1
4	42929GT	HOSE,RET.FILTER DWN TUBE RUBBE.....1	1	--	52915GT	BRUSH LEAD ASSEMBLY KIT(48504) <i>for motor 48504GT; verify part number prior to ordering</i>	
5	30348GT	CLAMP,HOSE,1.00		--	58934GT	BRUSH BOX ASSEMBLY <i>for motor 48504GT; verify part number prior to ordering</i>	
6A	T109281GT	FILTER ASSY,RETURN.....1 <i>use with lid 42922GT. To SN 4526.</i>	1	22	18506GT	SCREW 5/16-18 X .75 LG.FLG.LCK.	
--	58995GT	FILTER ELEMENT,RETURN <i>use with lid 42922GT. To SN 4526.</i>		23	36456GT	SPRING CLIP,5/16-18,.025-.15X.	
6B	110947GT	HYDRAULIC FILTER ASSY.....1 <i>use with lid 74088GT. From SN 4527 to 12039.</i>	1	24	52914GT	SCREW,HHTAPTITE THREAD8-32X.38	
--	128674GT	CAP,HYDRAULIC FILTER ASSY <i>use with lid 74088GT. From SN 4527 to 12039.</i>		25	58932GT	BRUSH SET 4 EA	
--	128675GT	SEAL KIT,HYDRAULIC FILTER ASSY <i>use with lid 74088GT. From SN 4527 to 12039.</i>		26	52913GT	SCREW,HH TAPETITE THRD8-32X.50	
--	226148GT	ELEMENT,RETURN FILTER <i>use with lid 74088GT. From SN 4527 to 5522.</i>		27	58936GT	BRUSH COVER -PLATE-(48504)*	
--	58208GT	O-RING,FILTER,RETURN TANK <i>use with lid 74088GT. From SN 4527 to 12039.</i>		28	58933GT	BRUSH SPRING SET	
--	74634GT	FILTER ELEMENT RFM90 <i>use with lid 74088GT. From SN 5523 to 12039.</i>		29	14033GT	SCREW,HHC,3/8-16 X 2.75	
7	6888GT	SCREW,HHC,1/4-20 X 1		30	6097GT	WASHER,FLAT,USS,3/8",Y	
--	8915GT	SCREW,HHC,1/4-20 X 1.25		31	4828GT	NUT,NYLOCK,3/8-16	
8	6091GT	NUT,NYLOCK,1/4-20		32	48938GT	FITTING,TEE,RUN,SWIVEL520432-8.....1	1
9	53534GT	FILTER SCREEN,TANK BREATHER.....1	1	33	42920GT	VALVE,BALL,90DEG.-8NPTF/-8NPTM...1	1
10	49819GT	SCREW,PHILLIPS,PHM,10-32 X .5		34	36998GT	STRAINER ASSY 1"NPT TANK MTD.....1	1
11A	42922-SGT	PLATE,TANK LID (SERVICE).....1 <i>To SN 4526.</i>	1	35	56022GT	PLUG,3/4 MAGNETIC PIPE SQ.DRV.....1	1
11B	74088GT	PLATE,HYDRALIC TANK LID <i>From SN 4527 to 12039.</i>		36A		HYDRAULIC TANK from SN 1932 to 2007; <i>consult Discount-equipment</i>	
12	8914GT	SCREW,HHC,1/4-20 X .625		36B	128810GT	KIT, HYDRAULIC TANK.....1 <i>from SN 2008 to 12039</i>	1
13	12906GT	WASHER,FENDER,.25 X 1.25 X.062		37	36179GT	POWER UNIT,AUX PUMP 24VDC.....1	1
14	94428GT	WELDMENT,COVER SUPPORT RH***		--	37184GT	MOTOR, 24V (36179)	
15	6019GT	SCREW,HHC,3/8-16 X 1.25 GRD 5		--	37185GT	PUMP ASSEMBLY (36179)	
16	6021GT	WASHER,LOCK,.375		--	37186GT	VALVE,CHECK (36179)	
17	15086GT	WASHER,FLAT,.375 X 1.5 X .125		--	37187GT	SEAL KIT, 37185 PUMP	
18	77981GT	PUMP,LIFT,3CC,CCW***.....1	1	--	37191GT	GASKET, PUMP / MOTOR (36179)	
--	77990GT	KIT,SEAL,3CC PUMP***		--	37192GT	COUPLER, PUMP / MOTOR (36179)	
19	55921GT	SCREW,SHC,3/8-24 X 1.25"		38	42785GT	GASKET,HYDRAULIC TANK	
20	22700GT	WASHER,LOCK,M10		39	36086GT	COUNTERWEIGHT,Z30N.....1 <i>cast iron; 5330 pounds</i>	1
21	58932GT	BRUSH SET 4 EA.....1 <i>for motor 48504GT; verify part number prior to ordering</i>	1	40	42078GT	SCREW,HHC,1-8 X 3 GRD.5	
				41	29605GT	WASHER,LOCK,1"	
				42	38859GT	WASHER,FLAT,USS,1",Y	

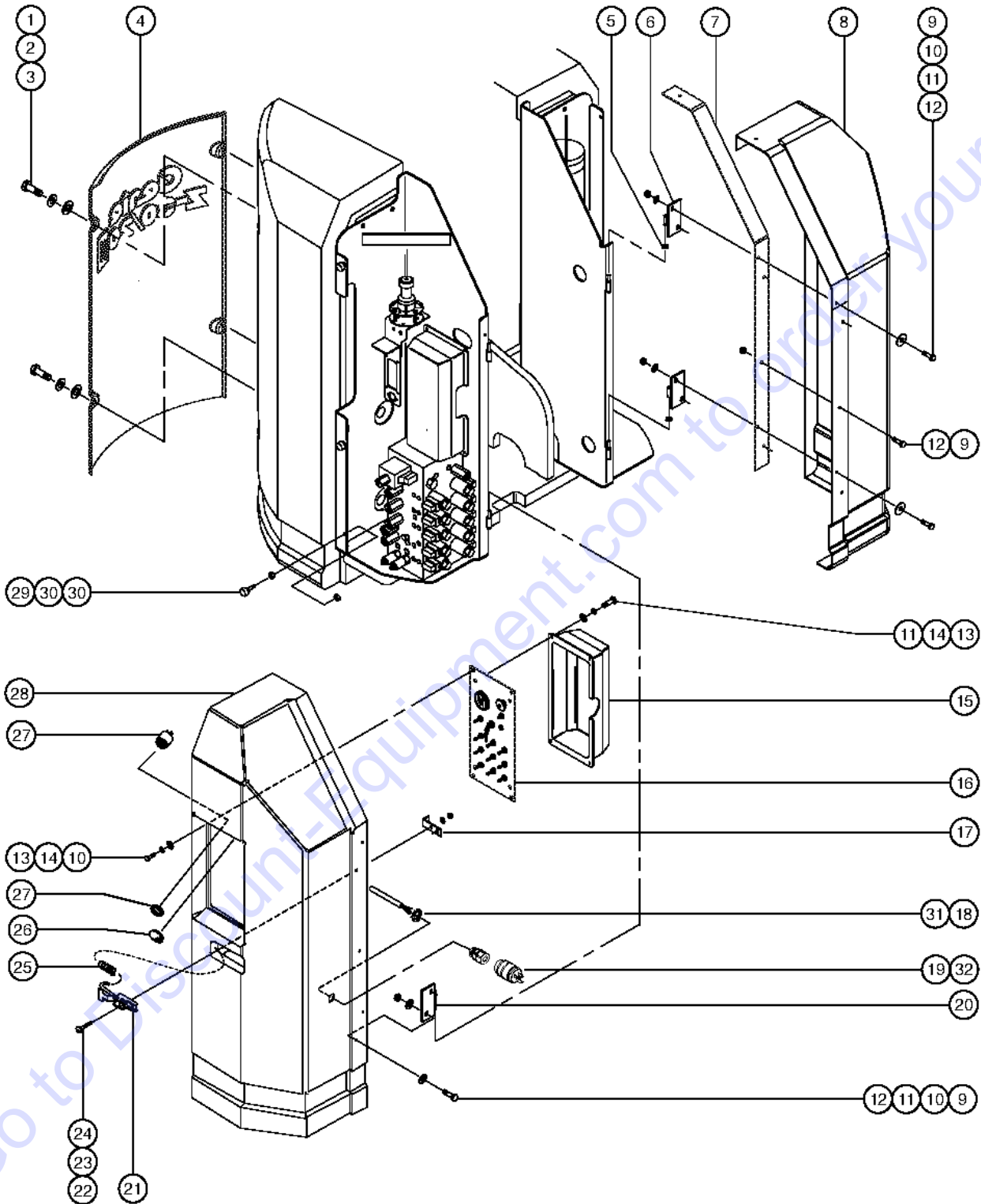
305.2 Power Unit Side (from SN 12040)



305.2 Power Unit Side (from SN 12040)

Item	Part No.	Description	Qty.	Item	Part No.	Description	Qty.
1	128808GT	BRACKET, RETURN FILTER.....	1	--	37185GT	PUMP ASSEMBLY (36179)	
2	6356GT	WASHER, LOCK, .25		--	37186GT	VALVE, CHECK (36179)	
3	6090GT	SCREW, HHC, 1/4-20 X .75		--	37187GT	SEAL KIT, 37185 PUMP	
4	42019GT	TANK BREATHER, NYLON **.....	1	--	37191GT	GASKET, PUMP / MOTOR (36179)	
5	128818GT	TUBE, HYDRAULIC TANK.....	2	--	37192GT	COUPLER, PUMP / MOTOR (36179)	
6	128811GT	ELBOW, 90D, 520201-8.....	2	38	78622GT	FILTER ASSY, SAE8, 10 MIC, PAPER**.....	1
7	39223GT	BULKHEAD FITTING, PLASTIC X 8**.....	2	--	44788GT	FILTER ELEMENT, 10MICRON, PAPER*.....	1
8	128809GT	HOSE ASSY, 1/2", 12.38".....	1	39	36086GT	COUNTERWEIGHT, Z30N.....	1
12	8914GT	SCREW, HHC, 1/4-20 X .625				<i>cast iron; 5330 pounds</i>	
13	12906GT	WASHER, FENDER, .25 X 1.25 X .062		40	42078GT	SCREW, HHC, 1-8 X 3 GRD.5	
14	94428GT	WELDMENT, COVER SUPPORT RH***		41	29605GT	WASHER, LOCK, 1"	
15	6019GT	SCREW, HHC, 3/8-16 X 1.25 GRD 5		42	38859GT	WASHER, FLAT, USS, 1", Y	
16	6021GT	WASHER, LOCK, .375					
17	15086GT	WASHER, FLAT, .375 X 1.5 X .125					
18	77981GT	PUMP, LIFT, 3CC, CCW***.....	1				
--	77990GT	KIT, SEAL, 3CC PUMP***					
19	55921GT	SCREW, SHC, 3/8-24 X 1.25"					
20	22700GT	WASHER, LOCK, M10					
21	58932GT	BRUSH SET 4 EA.....	1				
		<i>for motor 48504GT; verify part number prior to ordering</i>					
--	44777GT	BEARING, MOTOR <i>for motor 48504GT; verify part number prior to ordering</i>					
--	44778GT	BEARING, MOTOR, 36843, BRUSH END*.....	1				
--	48504GT	MOTOR, FUNCTION, 48V DC.....	1				
--	52915GT	BRUSH LEAD ASSEMBLY KIT(48504) <i>for motor 48504GT; verify part number prior to ordering</i>					
--	58934GT	BRUSH BOX ASSEMBLY <i>for motor 48504GT; verify part number prior to ordering</i>					
22	18506GT	SCREW 5/16-18 X .75 LG.FLG.LCK.					
23	36456GT	SPRING CLIP, 5/16-18, .025-.15X.					
24	52914GT	SCREW, HHTAPTITE THREAD8-32X.38					
25	58932GT	BRUSH SET 4 EA					
26	52913GT	SCREW, HH TAPETITE THRD8-32X.50					
27	58936GT	BRUSH COVER -PLATE-(48504)*					
28	58933GT	BRUSH SPRING SET					
29	14033GT	SCREW, HHC, 3/8-16 X 2.75					
30	6097GT	WASHER, FLAT, USS, 3/8", Y					
31	4828GT	NUT, NYLOCK, 3/8-16					
36	128728GT	HYDRAULIC TANK, Z30N.....	1				
37	36179GT	POWER UNIT, AUX PUMP 24VDC.....	1				
--	37184GT	MOTOR, 24V (36179)					

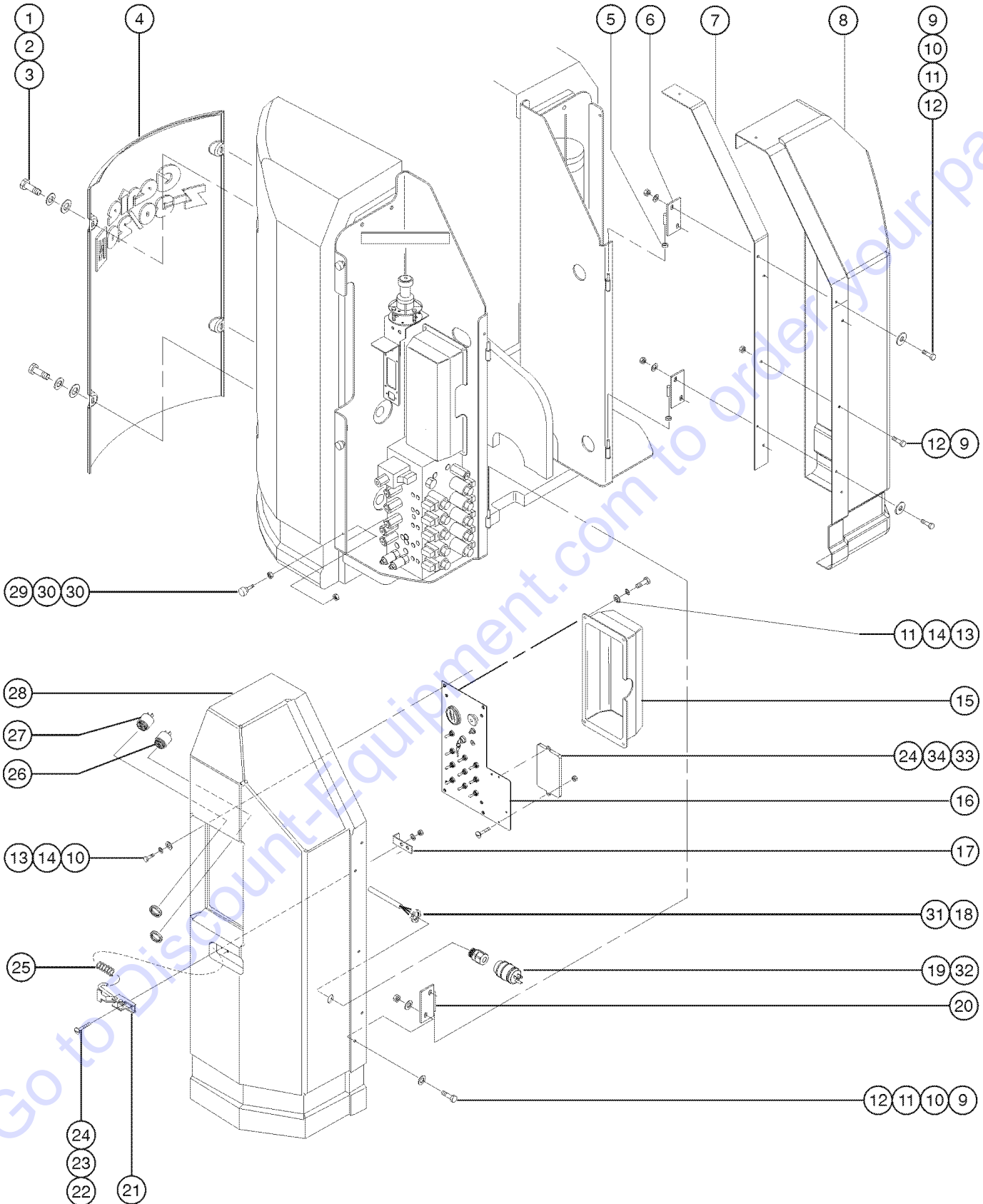
306.1 Turntable Covers (to SN 10538)



306.1 Turntable Covers (to SN 10538)

Item	Part No.	Description	Qty.	Item	Part No.	Description	Qty.
1	77692GT	SCREW,HHC,3/8-16 X 1 GRD 8		--	36392GT	BRACE,LEFT HINGE	
2	6021GT	WASHER,LOCK, .375		28B	101968GT	COVER ASSY W/SYM DCAL,GC SIDE CE/Asia/South America; includes items 17 and 21-25; from SN 6290	
3	6097GT	WASHER,FLAT,USS,3/8",Y		28B	74765GT	COVER ASSY. W/D G.C.SIDE,CE** CE/Asia/South America to SN 3705; includes items 17 and 21-25	
4	58108GT	COVER W/DECALS,COUNTERWEIGHT**.....1		28B	74803GT	COVER ASSY.W/D G.C.SIDE,CE CE/Asia/South America from SN 3706 to 6289; includes items 17 and 21-25	
5	36457GT	WASHER,THRUST, .313 X .50 X .10		--	36392GT	BRACE,LEFT HINGE	
6	36414GT	HINGE,WELD.,COVER,PUMP GRY/BLU.....2		29	36388GT	BUMPER,RUBBER,.75 X .50H,STUD.....3	
7	36391GT	BRACE,RIGHT HINGE.....1		30	6357GT	NUT,HEX,1/4-20	
8	37106GT	COVER ASSY W/DECALS,HPU SIDE....1 includes items 17, and 21-25; to SN 6289		31	43956GT	WIRE CABLE,14/3 CON.TPE JKT*.....756 i n c h e s	
--	101969GT	COVER ASSY W/DECAL,PUMP SIDE includes items 17, and 21-25; from SN 6290		32	119403GT	CONN,PLUG 120 AC/15A DOMESTIC...1	
--	101970GT	COVER ASSY W/SYM DCAL,PUMP SID includes items 17 and 21-25; from SN 6290		--		FUSE,13 AMP,220V PLUG (component no longer available) refer to BS1362 BUSS TDC180-13A	
9	6888GT	SCREW,HHC,1/4-20 X 1		--	119404GT	CONN,RECEP 120AC/15A DOMESTIC	
10	12906GT	WASHER,FENDER,.25 X 1.25 X.062		--	1280665GT	PLUG, TYPE F, 230A, 50HZ, 16A, IP44	
11	6638GT	WASHER,FLAT,USS,1/4"Y		--	144161GT	PLUG,PWR,UK,16AMP,3PIN,BLK	
12	6091GT	NUT,NYLOCK,1/4-20		--	25388GT	PLUG,FUSED,250V,13AMP,U.K.**	
13	6090GT	SCREW,HHC,1/4-20 X .75		33	128045GT	MODULE,LOAD SENSE 2007	
14	6356GT	WASHER,LOCK,.25		34	54365GT	SCREW,PHIL,PHM,10-32 X .5,SSTL	
15	36257GT	COVER,CONTROL PANEL.....1					
16		Ref. Control Panel Assembly (refer to 304.1)					
17	36570GT	BRACKET,COVER LATCH.....2					
18	6935GT	LOCKNUT,ELEC,1/2".....1					
19	7056GT	CONN,SQUEEZE,1/2NPT .38-.50,SM....1					
20	36415GT	HINGE,WELD,COVER,CTRLS GRY/BLU.....2					
21	36575GT	LATCH,ADJUSTABLE DRAW.....2					
22	49816GT	SCREW,PHILLIPS,PHM,10-32 X .75					
23	6146GT	WASHER,FLAT,MS,#10,Y					
24	6178GT	NUT,NYLOCK,10-32					
25	36574GT	SPRING,EXTENSION,.36 X 1.25.....2					
26	45385GT	PLUG,NYLON 1.12 BLACK DOMED.....1					
27	18963GT	ALARM,INTERMITTENT TONE 6-30V*...1 Does not include 72326GT nut					
--	72326GT	NUT - PLASTIC,RING FOR ALARMS.....1					
28A	101967GT	COVER ASSY W/DECAL,GRND CTRL USA/Canada/Australia from SN 6290; includes items 17 and 21-25					
28A	37105GT	COVER ASSY.W/D G.C.SIDE,ANSI.....1 USA/Canada to SN 3705; includes items 17 and 21-25					
28A	74447GT	COVER ASSY W/DC GC SIDE,ANSI USA/Canada/Australia from SN 3706 to 6289; includes items 17 and 21-24					

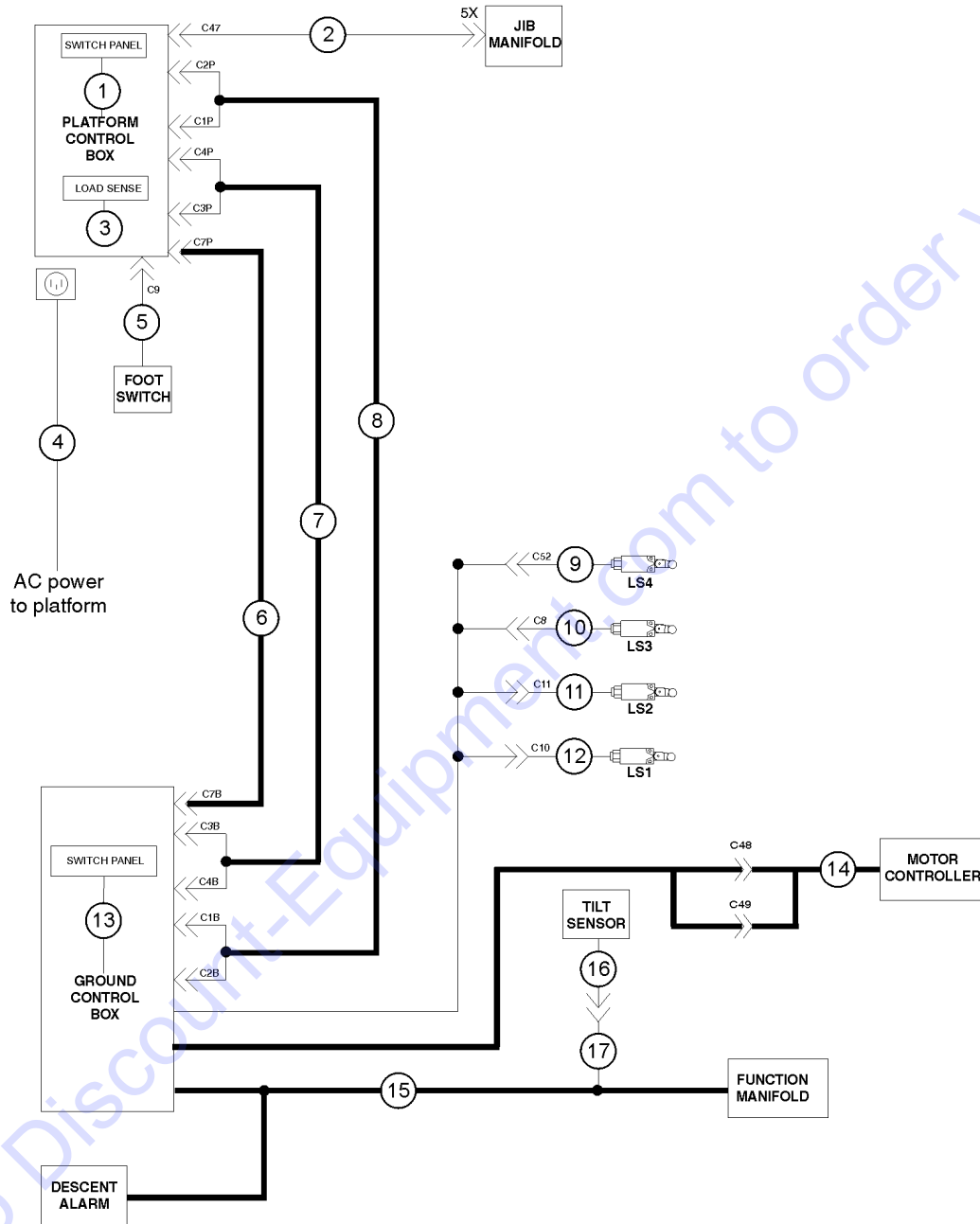
306.2 Turntable Covers (from SN 10539)



306.2 Turntable Covers (from SN 10539)

Item	Part No.	Description	Qty.	Item	Part No.	Description	Qty.
1	77692GT	SCREW,HHC,3/8-16 X 1 GRD 8		30	6357GT	NUT,HEX,1/4-20	
2	6021GT	WASHER,LOCK,.375		31	43956GT	WIRE CABLE,14/3 CON.TPE JKT*	
3	6097GT	WASHER,FLAT,USS,3/8",Y		32	119403GT	CONN,PLUG 120 AC/15A DOMESTIC...1	
4	58108GT	COVER W/DECALS,COUNTERWEIGHT**.....1		--		FUSE,13 AMP,220V PLUG (component no longer available) refer to BS1362 BUSS TDC180-13A	
5	36457GT	WASHER,THRUST,.313 X .50 X .10		--	119404GT	CONN,RECEP 120AC/15A DOMESTIC	
6	36414GT	HINGE,WELD.,COVER,PUMP GRY/BLU.....2		--	1280665GT	PLUG, TYPE F, 230A, 50HZ, 16A, IP44	
7	36391GT	BRACE,RIGHT HINGE.....1		--	144161GT	PLUG,PWR,UK,16AMP,3PIN,BLK	
8A	101969GT	COVER ASSY W/DECAL,PUMP SIDE includes items 17, and 21-25		--	25388GT	PLUG,FUSED,250V,13AMP,U.K.**	
8B	101970GT	COVER ASSY W/SYM DCAL,PUMP SID includes items 17 and 21-25		33	128045GT	MODULE,LOAD SENSE 2007	
9	6888GT	SCREW,HHC,1/4-20 X 1		34	54365GT	SCREW,PHIL,PHM,10-32 X .5,SSTL	
10	12906GT	WASHER,FENDER,.25 X 1.25 X.062					
11	6638GT	WASHER,FLAT,USS,1/4"Y					
12	6091GT	NUT,NYLOCK,1/4-20					
13	6090GT	SCREW,HHC,1/4-20 X .75					
14	6356GT	WASHER,LOCK,.25					
15	36257GT	COVER,CONTROL PANEL.....1					
16		Ref. Control Panel Assembly (refer to 304.1)					
17	36570GT	BRACKET,COVER LATCH.....2					
18	6935GT	LOCKNUT,ELEC,1/2".....1					
19	7056GT	CONN,SQUEEZE,1/2NPT .38-.50,SM....1					
20	36415GT	HINGE,WELD,COVER,CTRLS GRY/BLU.....2					
21	36575GT	LATCH,ADJUSTABLE DRAW.....2					
22	49816GT	SCREW,PHILLIPS,PHM,10-32 X .75					
23	6146GT	WASHER,FLAT,MS,#10,Y					
24	6178GT	NUT,NYLOCK,10-32					
25	36574GT	SPRING,EXTENSION,.36 X 1.25.....2					
26	45462GT	ALARM,CHIME TONE 5-25VDC***1 Does not include 72326GT nut					
--	72326GT	NUT - PLASTIC,RING FOR ALARMS....1					
27	18963GT	ALARM,INTERMITTENT TONE 6-30V*...1 Does not include 72326GT nut					
--	72326GT	NUT - PLASTIC,RING FOR ALARMS....1					
28A	101967GT	COVER ASSY W/DECAL,GRND CTRL USA/Canada/Australia; includes items 17 and 21-25					
--	36392GT	BRACE,LEFT HINGE					
28B	101968GT	COVER ASSY W/SYM DCAL,GC SIDE CE/Asia/South America; includes items 17 and 21-25					
--	36392GT	BRACE,LEFT HINGE					
29	36388GT	BUMPER,RUBBER,.75 X .50H,STUD....3					

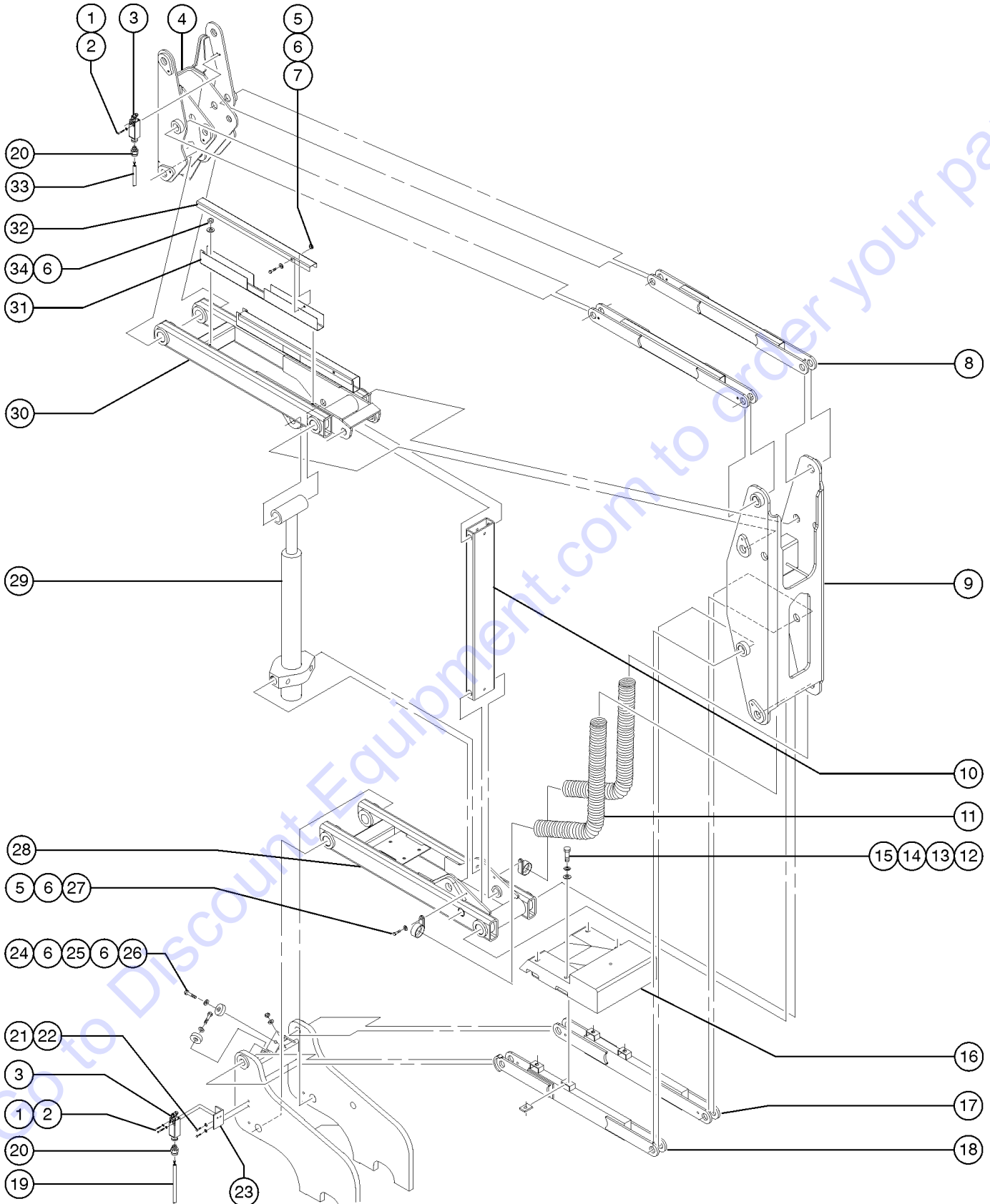
307.1 Wire Harness Diagram



307.1 Wire Harness Diagram

Item	Part No.	Description	Qty.
1A	110644GT	HARNESS,PLAT BOX,Z30/34DC.....1 to Z30N13-14695	1
1B	110234GT	HARNESS,PBOX JUMPER,Z30/34DC....1 to SN 14695	1
1C	237503GT	HARNESS,PLAT BOX,Z30/34DC.....1 from Z30N13-14696	1
1D	822872GT	HARNESS,PBOX JUMPER,Z30/34DC....1 from Z30N13-14696	1
1E	88832GT	HARNESS,PLUG,NON-LOAD WEIGHING	
2A	110256GT	HARNESS JIB CABLE SMB.....1 to Z30N10-12101	1
2B	139584GT	HARNESS,JIB MANIFOLD,NON RJ.....1 from Z30N10-12102; non-rotating jib	1
2C	139585GT	HARNESS, JIB MANIFOLD, RJ.....1 from Z30N10 12102; rotating jib	1
3A	147251GT	HARNESS, LOAD SENSE.....1 CE units only	1
3B	217371GT	HARNESS,LOAD SENSE RECOVERY...1 Australia units only	1
4	43956GT	WIRE CABLE,14/3 CON.TPE JKT*600-inches	
5	110255GT	ASSEMBLY FOOT SWITCH.....1	1
6	110235GT	HARNESS CABLE2 12/3 COND.....1	1
7	110243GT	HARNESS CABLE1 18/19 COND.....1 green and brown connectors	1
8	110239GT	HARNESS CABLE3 18/19 COND.....1 black and gray connectors	1
9	110246GT	HARNESS LS4 OP SECONDARY.....1	1
10	110232GT	HARNESS LS3 OP DRIVE ENABLE.....1	1
11	110245GT	HARNESS LS2 OP PRIMARY.....1	1
12	110244GT	HARNESS LS1 OP EXT/RET.....1	1
13A	110251GT	HARNESS,BASE CONTROL,Z30/34DC.....1 to SN 14695	1
13B	237527GT	HARNESS,BASE CONTROL,Z30/34DC.....1 from Z30N13-14696	1
14A	128975GT	HARNESS DRIVE CHASSIS Z30/34DC.....1 from SN 8355	1
14B	822915GT	HARNESS, DRIVE CHASSIS, DC.....1 from SN 8355; for units with DC-DC converter	1
15	110249GT	HARNESS,FUNC. MAN.,Z30/34DC.....1	1
16	1261450GT	ASSY,RECEP,24V,CSA TILT.....1 CSA units only; Z30N-5624 to Z30N-9999 & Z30N03-6106 to Z30N15-16298	1
17	1260219GT	HARNESS,TILT ALARM,24V,CSA.....1 CSA units only; Z30N-5624 to Z30N-9999 & Z30N03-6106 to Z30N15-16298	1

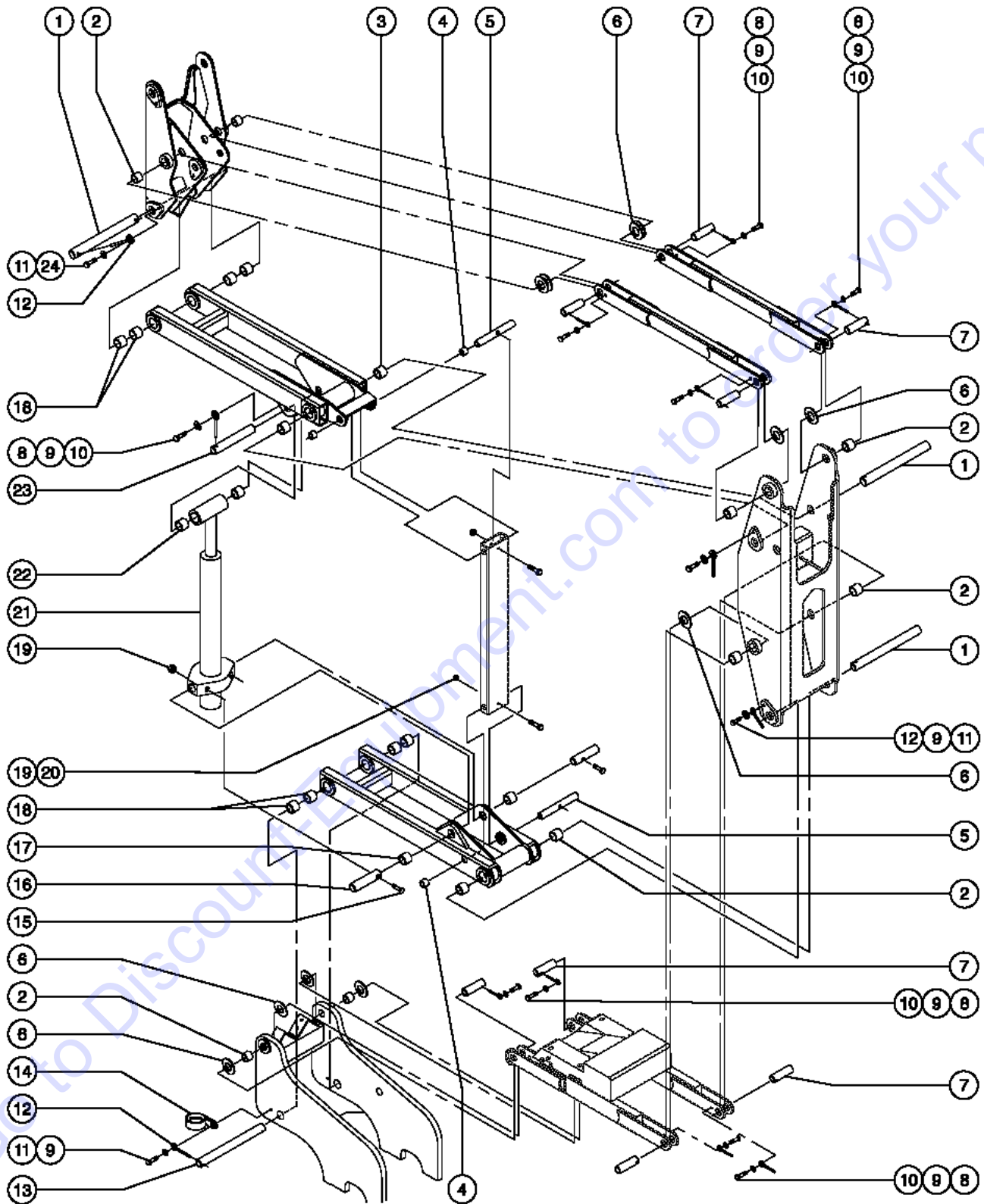
401.1 Secondary Boom - View 1



401.1 Secondary Boom - View 1

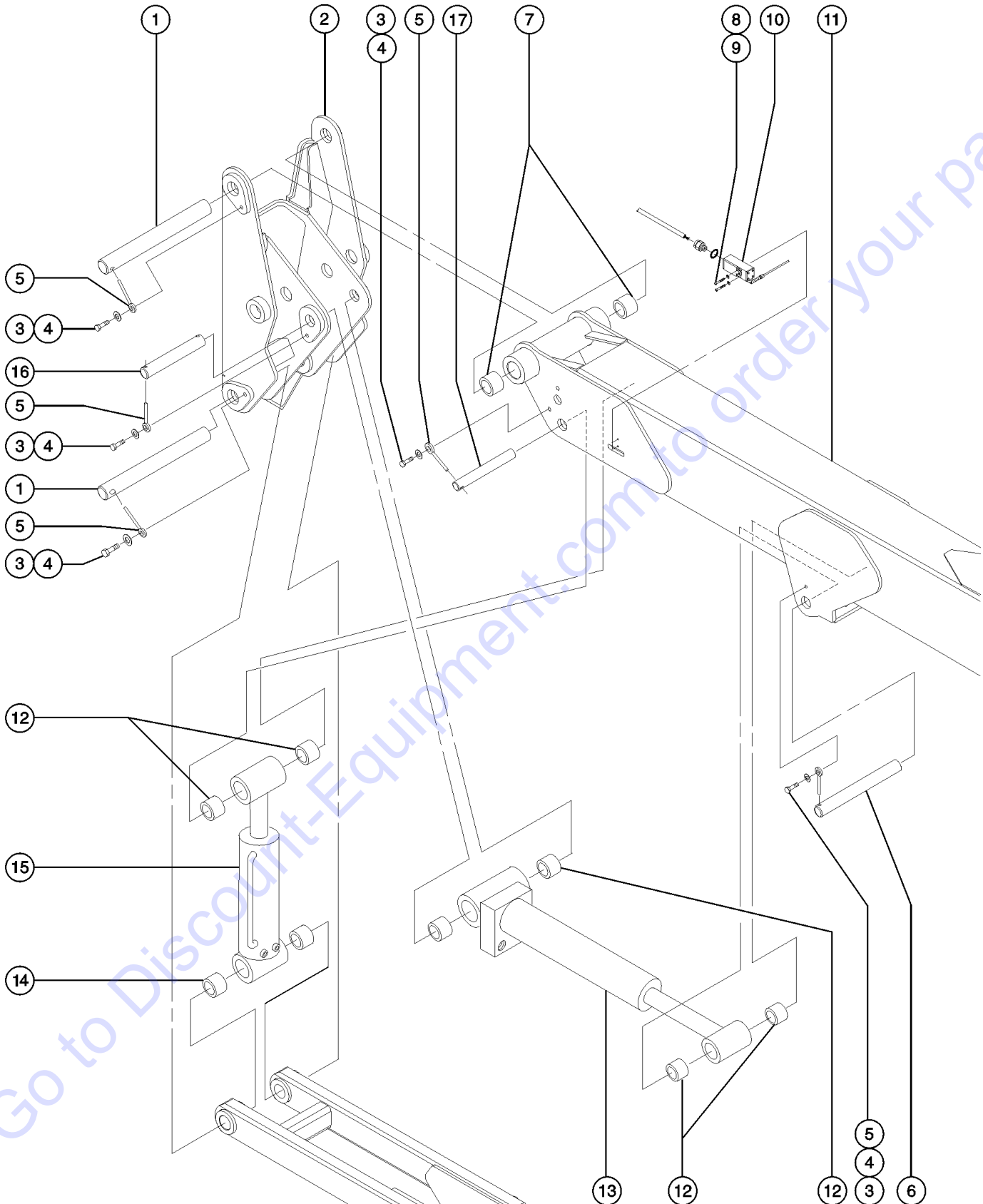
Item	Part No.	Description	Qty.	Item	Part No.	Description	Qty.
1	49821GT	SCREW,PHILLIPS,PHM,8-32 X 1.25		--	74085GT	REST PAD,UPPER PIVOT Z30N from SN 4470	
2	6607GT	WASHER,LOCK,#10 PLTD		26	4828GT	NUT,NYLOCK,3/8-16 from SN 4470	
3	88356-116R3GT	SWITCH,LIMIT,W/ROLLER ARM***.....1		27	27497GT	CLAMP,RUBBER CUSHIONED-2 5/32	
--	106086GT	HARNESS,LS,SEC LIFT LS4 Z30/34		28	37127GT	LOWER SECONDARY BOOM ASSEMBLY*.....1	
--	106427GT	LS ROT.HEAD W/O LEVER (ZCE01)		--	42610GT	HOSE TRACK,LOWER ARM Z30N from SN 2654	
--	106428GT	LS STL ROLLER PLUNGER (ZCE02)		--	42611GT	HOSE TRACK COVER,LOWER ARM from SN 2654	
--	106429GT	LS METAL END PLUNGER (ZCE10)		29	94211GT	CYLINDER,ELEVATE***.....1 to SN 6843	
--	106434GT	LS BLUE PLASTIC BODY (XCKP)		--	101349GT	CYLINDER,ELEVATE, Z30N.....1 from SN 6844	
--	19491GT	CONTACTOR,LIMIT SWITCH		--	31106GT	VALVE,CNTERBAL,CBBB-LHN@3000**	
--	76450GT	CONN.SQZ,PG 11,.23-.30,W/ORING		--	56757GT	SEAL KIT 42412 ELEVATE** to SN 6843	
--	88356-12103GT	SWITCH,LIMIT,W/ROLLER ARM***.....1		--	94254GT	SEAL KIT, 94211, 94254, 101349 from SN 6844	
--	97128GT	ROLLER ARM,LIMIT SWITCH***		30	37126GT	UPPER SECONDARY BOOM ASSEMBLY*.....1 to SN 4115	
4	37125GT	UPPER MIDPIVOT ASSEMBLY,Z30N.....1		--	74334GT	UPPER SECONDARY BOOM ASSEMBLY* from SN 4116	
5	6889GT	NUT,LP NYLOCK,1/4-20		31	74271GT	HOSE TRACK,UPPER***	
6	5397GT	WASHER,FLAT,USS,5/16",Y		32	42609GT	HOSE TRACK COVER,UPPER ARM	
7	4266GT	SCREW,HHC,1/4-20 X 2		33	44133GT	WIRE CABLE,16/4 CON.TPE JKT*.....184-inches	
8	74945GT	COMPRESSION ARM WLDMT 38.50 **.....2		34	45444GT	NUT,ACORN 3/8-16 PLATED.....4	
9	40446GT	LOWER MIDPIVOT ASSY,Z34 &Z34N*.....1					
10	74232GT	CONNECTING LINK Z30N & Z34***.....1 to SN 4427					
--	74232GT	CONNECTING LINK Z30N & Z34***.....1 from SN 4428					
11	42939-18700GT	WIRE LOOM,1.88 DIA.....187-inches					
12	21604GT	SCREW,HHC,3/8-16 X 3.25					
13	6021GT	WASHER,LOCK,.375					
14	80605GT	WASHER,FLAT,3/8X1.5X.06					
15	29868GT	SPRING CLIP,3/8-16,.05-.20X.73,ZAG					
16	36620GT	COUNTERWEIGHT,CAST,400 LBS.....1					
17	94425GT	COMP ARM WELD LOWER, RIGHT***..1					
18	128632GT	KIT, SERVICE, Z30 LWR COMP ARM....1 to SN 11268					
18	128634GT	WELDMENT, LWR COMPRESION ARM from SN 11269					
19	56051GT	WIRE CABLE,16/2,WHT/BLK,SJEOW.72-inches					
20	7056GT	CONN,SQUEEZE,1/2NPT .38-.50,SM					
21	8914GT	SCREW,HHC,1/4-20 X .625					
22	6356GT	WASHER,LOCK,.25					
23	42413GT	ANGLE,SWITCH MOUNT***.....1					
24	45425GT	SCREW,FHS,3/8-16 X .75 to SN 4469					
--	8516GT	SCREW, HCC, 3/8-16 X 1.50 from SN 4470					
25	36366GT	PAD,UPPER PIVOT REST.....2 to SN 4469					

402.1 Secondary Boom - View 2



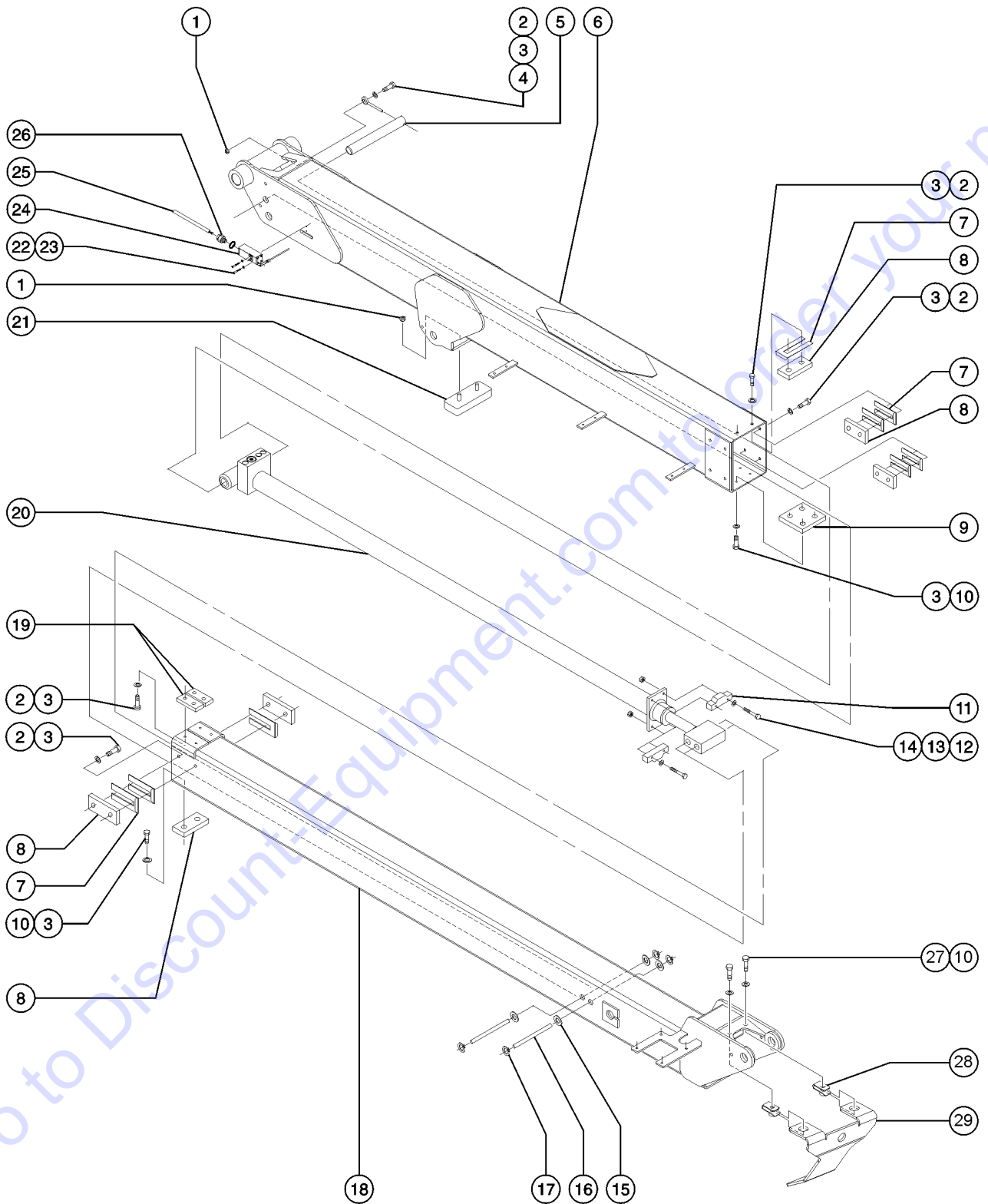
Item	Part No.	Description	Qty.
--	107935GT	KIT, SWING HOSE CLAMP, FIELD <i>includes 106959GT, 106960PGT, 107933GT, 107934, and instructions 110148GT</i>	
1	36194GT	PIN,1.50DIAX15.13LG,1HOLE.....3	
2	34245GT	BEARING,1.25IDX1.50X1.25L.....10	
3	45071GT	BEARING,1.5IDX1.75ODX1.5L.....2	
4	36245GT	BEARING,FL,1.00IDX1.25ODX0.84L.....4	
5	36202GT	PIN,1.00DIAX7.25LG,1HOLE.....2	
6	30255GT	WASHER,SHIM,1.27 X 2.13 X .062	
7	36390GT	PIN,1.25DIAX3.63LG,THREADED.....8	
8	77692GT	SCREW,HHC,3/8-16 X 1 GRD 8	
9	6021GT	WASHER,LOCK,.375	
10	1255452GT	ROD END,.375 X 2.25,ZAG.....7	
11	6019GT	SCREW,HHC,3/8-16 X 1.25 GRD 5	
12	825019GT	ROD END,.375X3.69,ZAG.....3	
13	36389GT	PIN,1.50DIAX16.13LG,1HOLE.....1	
14	27497GT	CLAMP,RUBBER CUSHIONED-2 5/32	
15	6326GT	SCREW,HHC,3/8-16 X 3	
16	36205GT	PIN,1.25DIAX3.00LG,THREADED.....2	
17	36246GT	BEARING,FL,1.25IDX1.50ODX1.09L.....2	
18	18396GT	BEARING,1.5IDX1.75ODX1.0L.....4	
19	4828GT	NUT,NYLOCK,3/8-16	
20	36874GT	SCREW,BHHS,3/8-16 X 2.5	
21		Ref. Secondary Cylinder (refer to 401.1)	
22	25683GT	BEARING,POLYGON,20DU12.....2	
23	74089GT	PIN,1.25DIAx9.63LG,1HOLE.....2	
24	5397GT	WASHER,FLAT,USS,5/16",Y	

403.1 Upper Pivot



Item	Part No.	Description	Qty.	Item	Part No.	Description	Qty.
1	36194GT	PIN,1.50DIAX15.13LG,1HOLE.....	1	16	36198GT	PIN,1.25DIAX8.12LG,1HOLE	
2	40447GT	UPPER MIDPIVOT ASSY,Z34 & Z34N....	1	17	74091GT	PIN,1.25DIAX9.13LG,1HOLE.....	1
3	6019GT	SCREW,HHC,3/8-16 X 1.25 GRD 5					
4	6021GT	WASHER,LOCK, .375					
5	825019GT	ROD END, .375X3.69,ZAG.....	3				
6	74091GT	PIN,1.25DIAX9.13LG,1HOLE.....	1				
--	36198GT	PIN,1.25DIAX8.12LG,1HOLE from SN 5933					
7	45071GT	BEARING,1.5IDX1.75ODX1.5L.....	2				
8	49821GT	SCREW,PHILLIPS,PHM,8-32 X 1.25					
9	6607GT	WASHER,LOCK,#10 PLTD					
10	88356-127J5GT	SWITCH,LIMIT,W/6.25"SPRING ARM....	1				
--	106082GT	HARNES,LS,EXT/RET LS1 Z30					
--	106433GT	LS SPRING WAND (ZCY91)					
--	19491GT	CONTACTOR,LIMIT SWITCH					
--	22359GT	SPRING ARM,LIMIT SWITCH,6.25"					
--	88356-127J5GT	SWITCH,LIMIT,W/6.25"SPRING ARM....	1				
		from SN 7016					
11		Ref. Primary Boom Tube Assembly (refer to 404.1)					
12	47377GT	BEARING,1.25 ID X 1.5 OD X .75.....	6				
--	25683GT	BEARING,POLYGON,20DU12 measure cylinder before ordering					
13	94215GT	CYLINDER,PRIMARY LIFT.....	1				
--	33428GT	VALVE,COUNTERBALANCE to SN 6461					
--	43937GT	VALVE,CB.CBBC-LHN@3200*** from SN 6462					
--	48402GT	SEAL KIT,42407,42559 CYL,TEXAS to SN 5570					
--	83085GT	SEAL KIT (74588) from SN 5571 to 6041					
--	94258GT	SEAL KIT, 94215, 94430 from SN 6042					
14	88280GT	BEARING,1.5IDX1.75ODX0.75L measure cylinder before ordering					
--	52625GT	BEARING,1.50 X 1.66 X 1.5 measure cylinder before ordering					
15	94216GT	CYLINDER,MASTER includes items 12 and 14					
--	52620GT	SEAL KIT-EXT CYL & SLAVE CYL.* to SN 6088; check stamp on cylinder prior to ordering					
--	94259GT	SEAL KIT, 94216 from SN 6089; check stamp on cylinder prior to ordering					

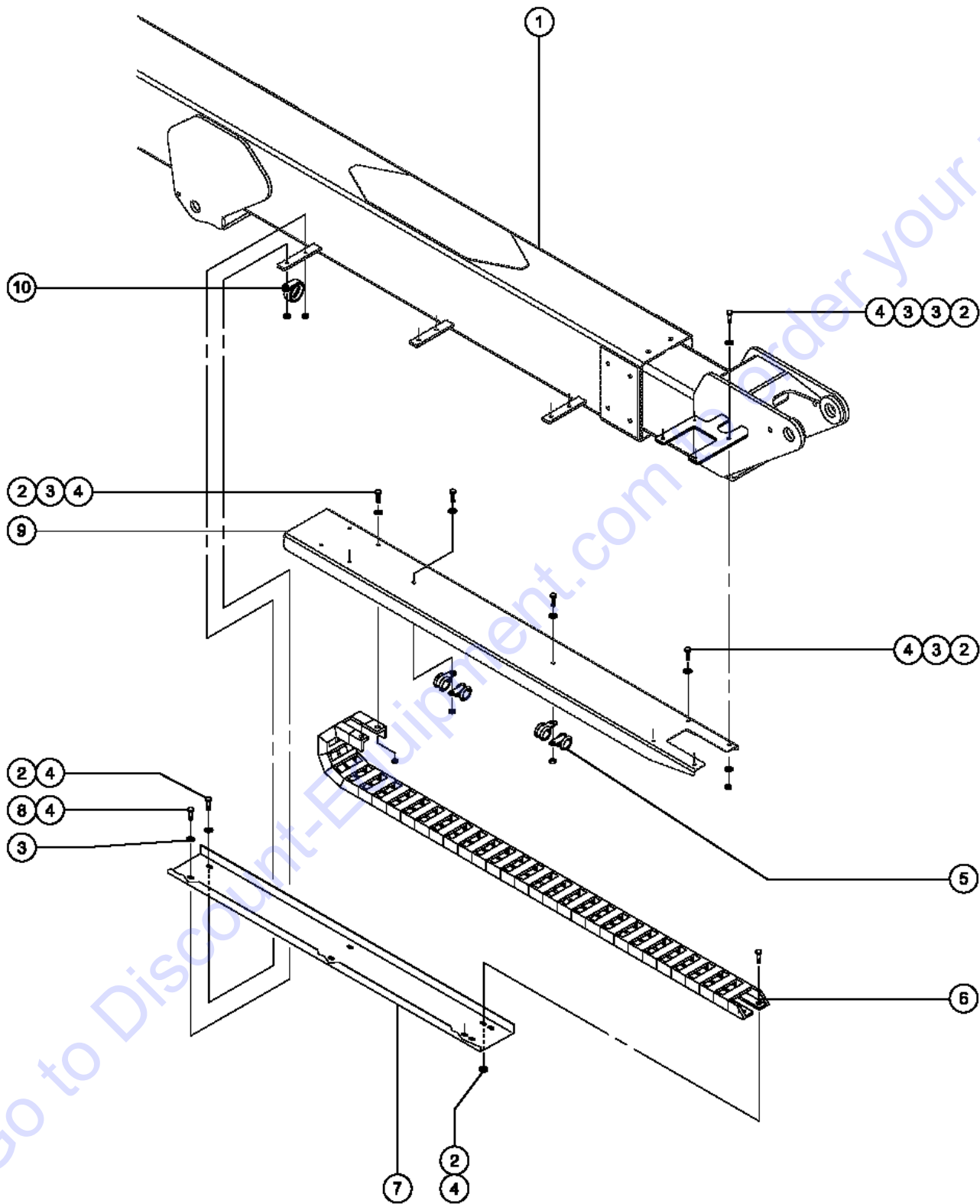
404.1 Primary and Extension Booms



404.1 Primary and Extension Booms

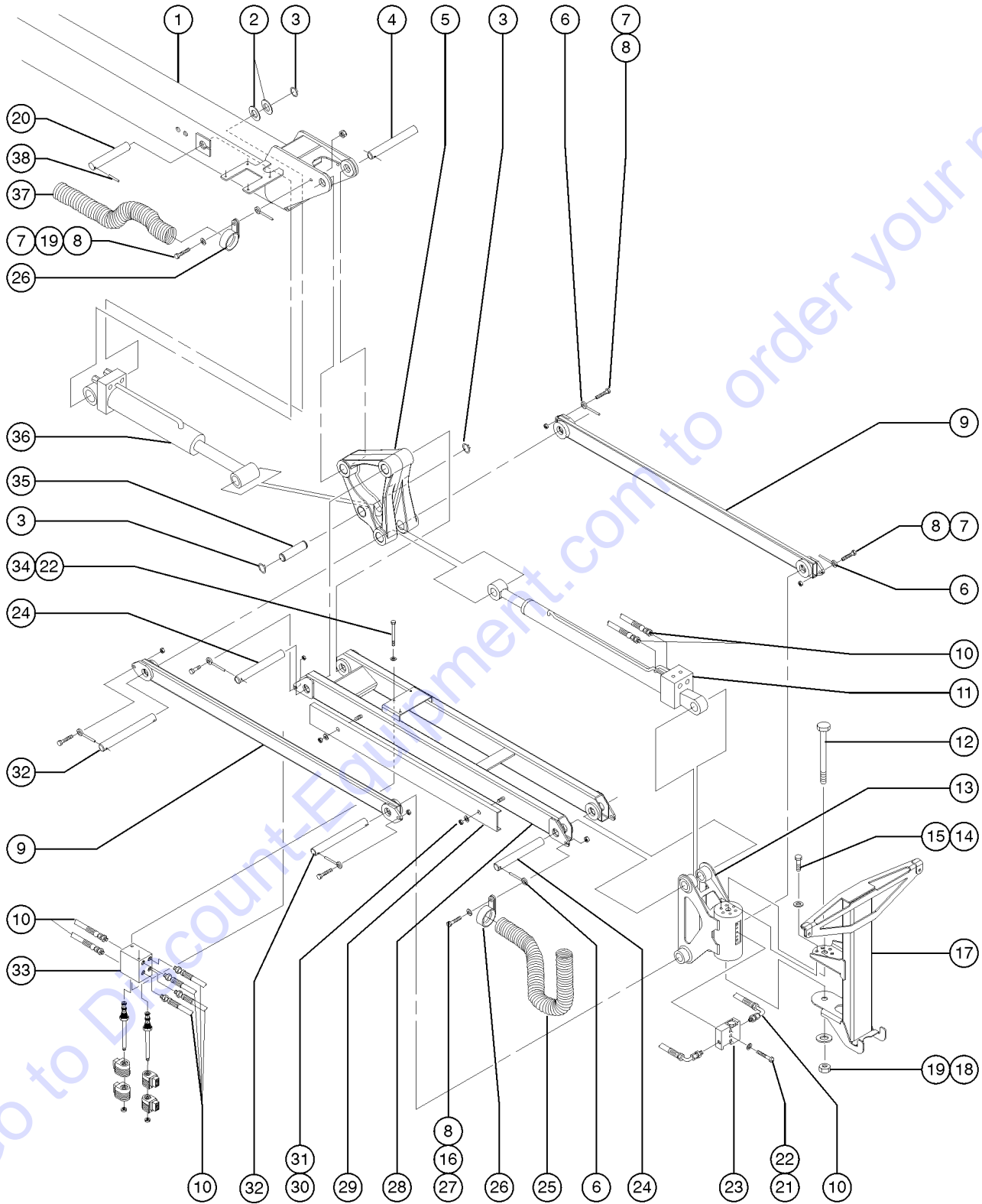
Item	Part No.	Description	Qty.	Item	Part No.	Description	Qty.
--		<i>For models with rotating jib, refer to figures 501.1, 501.2 or 502.1</i>		--	74509GT	VALVE,CHECK,CXAD-XCN,30PSI.....1 <i>models without rotating jib (for 147139, 94213 cylinder)</i>	1
1	7713GT	NUT, LP NYLOCK, 3/8-16		--	83086GT	SEAL KIT,74998 <i>models without rotating jib (for 74568 cylinder)</i>	
2	6019GT	SCREW,HHC,3/8-16 X 1.25 GRD 5		--	94256GT	SEAL KIT, 94213 <i>models without rotating jib (for 94213 cylinder)</i>	
3	6021GT	WASHER,LOCK,.375		20B	94214GT	CYLINDER,EXTENSION,Z30NRJ*** <i>models with rotating jib</i>	
4	825019GT	ROD END,.375X3.69,ZAG.....1	1	--	36648GT	VALVE,COUNTERBALANCE 2500 PSI*.....2 <i>(for 94214 cylinder)</i>	2
5	101557GT	PIN,1.00DIA X 9.01LG,THREADED.....1	1	--	94257GT	SEAL KIT, 94214 <i>(for 94214 cylinder)</i>	
6A	74795GT	PRIMARY BOOM TUBE ASSY,30N**.....1 <i>to SN 4116</i>	1	21	36413GT	REST PAD,PRIMARY BOOM <i>to SN 4113</i>	
--		BEARING, MID-PIVOT <i>(refer to 403.1)</i>		--	56849GT	PAD,REST,1"THICK,W/STUDS* <i>from SN 5123</i>	
6B	74795GT	PRIMARY BOOM TUBE ASSY,30N** <i>from SN 4117</i>		22	49821GT	SCREW,PHILLIPS,PHM,8-32 X 1.25	
7	29080GT	SHIM,WEAR PAD,5X 1.5 16GA		23	6607GT	WASHER,LOCK,#10 PLTD	
--	42502GT	SHIM,SIDE PAD 22GA		24	88356-127J5GT	SWITCH,LIMIT,W/6.25"SPRING ARM	
8	34125GT	WEAR PAD,5 X 1.5 X .75 W/NUTS.....8	8	--	19491GT	CONTACTOR,LIMIT SWITCH	
9	42621GT	WEAR PAD,4 X 4 X .75 W/NUTS.....1	1	--	22359GT	SPRING ARM,LIMIT SWITCH,6.25"	
10	6888GT	SCREW,HHC,1/4-20 X 1		25	56051GT	WIRE CABLE,16/2,WHT/BLK,SJEOW.264-inches	
11	74066GT	WEAR PAD,EXT CYL***.....1 <i>to SN 6264</i>	1	26	7056GT	CONN,SQUEEZE,1/2NPT .38-.50,SM	
--	74066GT	WEAR PAD,EXT CYL*** <i>from SN 6265</i>		27	6356GT	WASHER,LOCK,.25	
12	4266GT	SCREW,HHC,1/4-20 X 2		28	56912GT	SPRING CLIP,1/4-20,.025-.15X.54,ZAG.....2	2
13	6638GT	WASHER,FLAT,USS,1/4"Y		29	147079GT	BRACKET, HOSE ROUTING.....1 <i>from SN Z30N10-12120</i>	1
14	6091GT	NUT,NYLOCK,1/4-20		--	56361GT	CABLE TIE,BUTTON,BLACK,14.75LG	
15	6563GT	WASHER,SHIM,.75 X 1.125 X .030.....4	4				
16	36192GT	PIN,0.75DIA X 5.51LG,2RING.....2	2				
17	10262GT	SNAP RING,EXTERNAL,.75 DIA.....4	4				
18A	36281GT	MACHINED,EXTENSION TUBE.....1 <i>to SN 4623</i>	1				
18B	139840GT	EXT BOOM ASSY,Z30N RETROFIT*** <i>from SN 4624 to SN 12119</i>					
18C	147487GT	WELDMENT, EXT BOOM, Z30N.....1 <i>from SN 12120</i>	1				
--	35675GT	BEARING,FL,1.25IDX1.5ODX1.25L <i>from SN 12120</i>					
19	45745GT	WEAR PAD,4 X 2 X .50 THK.BLACK.....2	2				
20A	147139GT	CYLINDER,EXTENSION.....1 <i>models without rotating jib</i>	1				
--	147143GT	SEAL KIT,147138 & 147139 <i>models without rotating jib (for 147139 cylinder)</i>					
--	36648GT	VALVE,COUNTERBALANCE 2500 PSI*.....1 <i>models without rotating jib (for 147139, 94213 cylinder)</i>	1				
--	74508GT	VALVE,CHECK,COBA-X*N 200PSI PO.....1 <i>models without rotating jib (for 147139, 94213 cylinder)</i>	1				

405.1 Cable Track



Item	Part No.	Description	Qty.
1		Ref. Primary and Extension Booms	
2	6090GT	SCREW,HHC,1/4-20 X .75	
3	6638GT	WASHER,FLAT,USS,1/4"Y	
4	6091GT	NUT,NYLOCK,1/4-20	
5	6833GT	CLAMP,0.50,#8 X 1/4,RUB CUSH.....4	
6A	42763GT	TRACK,PLASTIC CABLE,25 LINK 4".....1 <i>to SN 11979</i>	
--	58919GT	REPAIR LINK,7 LINKS*** <i>for 42763GT</i>	
--	58920GT	REPAIR LINK END SET (42763)* <i>for 42763GT</i>	
--	58927GT	LINK,NYLATRAC KS6-5.4*** <i>for 42763GT</i>	
6B	139537GT	CABLE TRACK,NYLATRAC,26 LINK.....1	
--	139540GT	REPAIR LINK,NYLATRAC,7 LINKS <i>for 139537GT</i>	
--	139541GT	BRACKET SET,NYLATRAC,KS400 <i>for 139537GT</i>	
--	139542GT	LINK,NYLATRAC,KS400 <i>for 139537GT</i>	
7A	42694PGT	CHANNEL,LWR, TRACK PAINTED**.....1 <i>to SN 4115</i>	
7B	56983PGT	CHANNEL,LWR TRAY PLASTIC TK ** <i>from SN 4116</i>	
8	6888GT	SCREW,HHC,1/4-20 X 1	
9A	42693GT	CHANNEL,UPPER,PLASTIC TRACK,5".....1 <i>to SN 4598</i>	
9B	74119PGT	CHANNEL, CABLE TRACK, UPPER <i>from SN 4599</i>	
10	27497GT	CLAMP,RUBBER CUSHIONED-2 5/32....3	

406.1 Jib Boom and Platform Rotator



406.1 Jib Boom and Platform Rotator

Item	Part No.	Description	Qty.	Item	Part No.	Description	Qty.
1		EXTENSION BOOM TUBE <i>refer to 404.1</i>		--	106422GT	KIT,SEAL& BEARING,ARC,ROT.9K**	
2	30255GT	WASHER,SHIM,1.27 X 2.13 X .062.....6 <i>Qty 2 to SN 11973, QTY 4 from SN 11974</i>	6	--	30222GT	BEARING,FL,1.25IDX1.41ODX1.50L	
3	74019GT	SNAP RING,EXTERNAL.....1	1	--	31498GT	BEARING KIT,ROTATOR,9K*** <i>from SN 1932 to 3720</i>	
4A	T107884GT	PIN,1.25DIA X 7.00LG,1HOLE.....1 <i>from SN 1932 to 11922</i>	1	--	65842GT	SEAL KIT,UNIVERSAL,9K ROTATOR* <i>from SN 1932 to 3720</i>	
4B	128550GT	PIN,1.25DIA X 7.64LG,2RING.....1 <i>from SN 11923</i>	1	13B	62509GT	SEAL KIT,ROTATOR***.....1 <i>for 56591; from SN 3721 to 7041</i>	1
--	74865GT	BEARING,FL,1.25IDX1.50ODX1.25L.....2 <i>with flange</i>	2	--	77892GT	SEAL KIT,ARCTIC,ROTATOR 4.5K***.....1 <i>for 56591; from SN 3721 to 7041</i>	1
--	74866GT	BEARING,1.25IDX1.50ODX1.25L.....2	2	--	83042GT	BEARING KIT,ROTATOR,4.5K***	
5A	37128GT	BELLCRANK ASSEMBLY, Z30N,Z34**...1 <i>to SN 4935</i>	1	13C	147369GT	SEAL AND BRG KIT,4.5K ROTATOR*.....1 <i>for 94404; from SN 3721 to 7041</i>	1
5B	74587GT	BELLCRANK ASSEMBLY, Z30N,Z34** <i>from SN 4936</i>		13D	233717GT	ROTATOR,PLAT,Z30/34/Z40.....1 <i>replaced obsolete 94404</i>	1
6	825019GT	ROD END,.375X3.69,ZAG.....6	6	--	147369GT	SEAL AND BRG KIT,4.5K ROTATOR* <i>for rotator 94404, verify before ordering</i>	
7	8516GT	SCREW, HCC, 3/8-16 X 1.50		--	233745GT	SEAL AND BRG KIT,4.5K ROTATOR <i>for rotator 233717, verify before ordering</i>	
8	4828GT	NUT,NYLOCK,3/8-16		--	30222GT	BEARING,FL,1.25IDX1.41ODX1.50L	
9	36054-SGT	COMPRESSION MEMBER (BORED)***.....2	2	14	10597GT	SCREW,HHC,1/2-13 X 1.25 GR5 <i>to SN 3720</i>	
10		HYDRAULIC HOSES AND FITTINGS <i>refer to 804.1</i>		--	94195GT	SCREW,HHC,3/8-16 X .75,GR 8 <i>from 3721</i>	
11A	94218GT	CYLINDER,JIB.....1 <i>from SN 6064 (Identify part number on cylinder before ordering. For cylinder 147142, order 147147)</i>	1	15	6033GT	WASHER,LOCK,0.5" <i>to SN 3720</i>	
--	25683GT	BEARING,POLYGON,20DU12		15	6097GT	WASHER,FLAT,USS,3/8",Y <i>from SN 3721</i>	
--	31106GT	VALVE,CNTERBAL,CBBB-LHN@3000** <i>for 94218</i>		16	5397GT	WASHER,FLAT,USS,5/16",Y	
--	94261GT	SEAL KIT,94218 <i>for 94218 cylinder (from SN 6064)</i>		17	36249-SGT	PLATFORM SUPPORT WELD.Z30N,Z34.....1 <i>to SN 3720</i>	1
11B	147147GT	SEAL KIT,147142 <i>from SN 6064, for cylinder 147142 (Identify part number on cylinder before ordering)</i>		--	56500-SGT	WELDMENT,PLATFORM SUPPORT*** <i>from SN 3721</i>	
11C		CYLINDER,JIB <i>(for 1st time replacement, order p/n 94618GT and hose assemblies p/n 74983GT & 74984GT)</i>		18	33265GT	NUT,HEX,1-8 <i>to SN 3720</i>	
--	83087GT	SEAL KIT (74593) <i>for 74593 cylinder (from SN 5782 to 6063)</i>		--	77051GT	NUT,NYLOCK,3/4-10,GRD.8 <i>from SN 3721</i>	
11D	48405GT	SEAL KIT,CYLINDER*** <i>for 42507, 56152 and 56362 cylinders (to SN 5781)</i>		19	29605GT	WASHER,LOCK,1" <i>to SN 3720</i>	
12	73928GT	SCREW,HHC,1-8 X 11,GRD 5*** <i>to SN 3720</i>		--	33278GT	WASHER,FLAT,.75 HARDENED <i>from SN 3721</i>	
--	56925GT	SCREW,HHC,3/4-10 X 9.5 GR 8 YE.....1 <i>from SN 3721</i>	1	20A	36190GT	PIN,SLAVE CYL,1.25 X 6.06*** <i>to SN 5951</i>	
13A		ROTATOR,HELICAL,PLATFORM***.....1 <i>from SN 1932 to 3720 (component no longer available)</i>	1	20B	94153GT	PIN,1.25DIA X 5.70LG,2RING <i>from SN 5952 to 12119</i>	
				20C	50546GT	PIN,1.25DIA X 6.36LG,2RING <i>from SN 12120</i>	
				21	6145GT	SCREW,HHC,1/4-20 X 1.5	
				22	6356GT	WASHER,LOCK,.25	

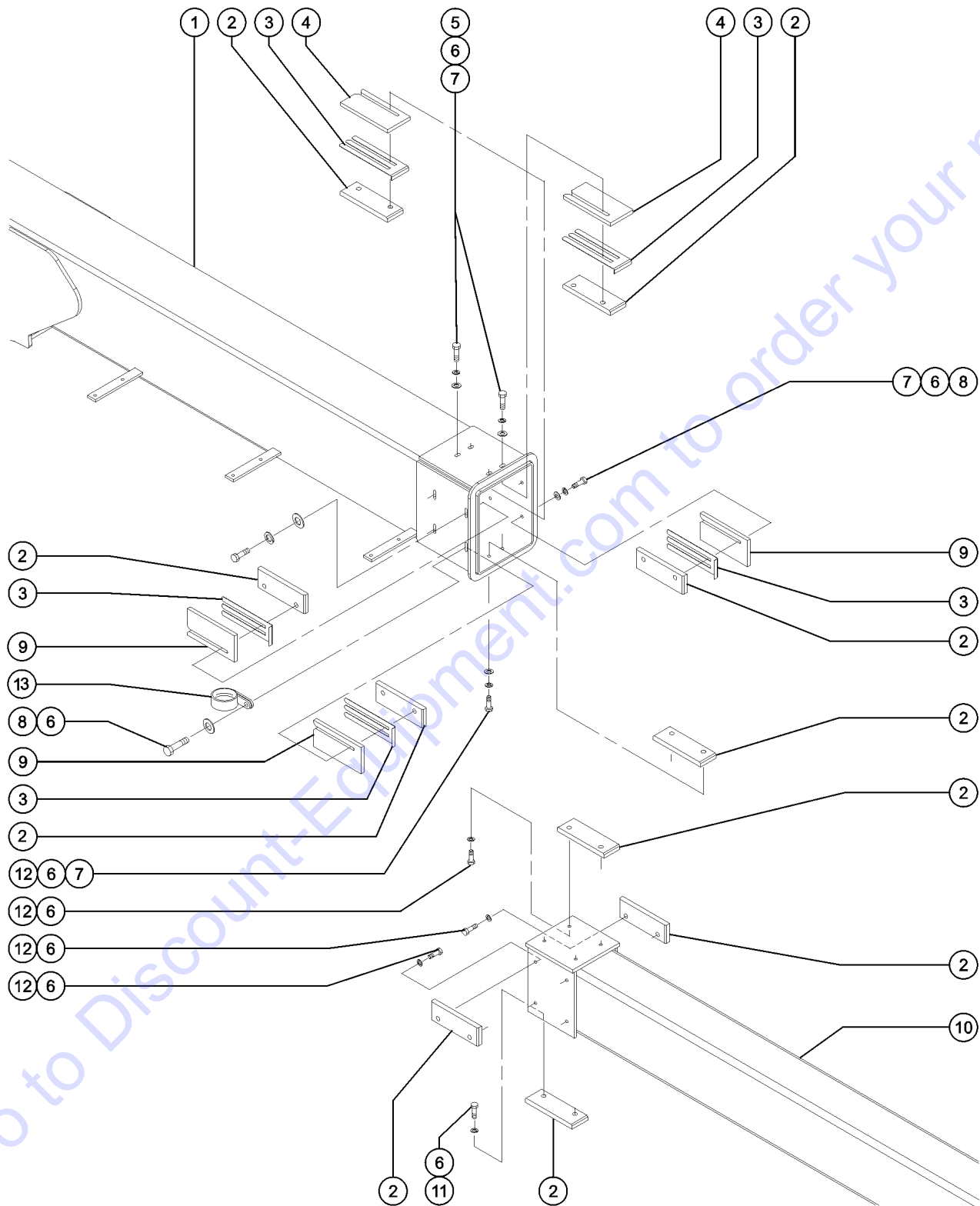
406.1 Jib Boom and Platform Rotator
(continued)

Item	Part No.	Description	Qty.	Item	Part No.	Description	Qty.
23	43166GT	MANIFOLD,ASSY DUAL CNTRBAL.....1 to SN 3720	1	39	30217GT	SNAP RING,EXTERNAL,1.25 DIA.**	
--	39345GT	VALVE,COUNTERBAL.CBCA-LHN@3000					
--	56929GT	MANIFOLD,ROTATOR,180 DEG.**.....1 from SN 3721	1				
--	62506GT	VALVE - COUNTERBALANCE**					
--	62507GT	O-RING, ROTATOR MANIFOLD					
24	36199GT	PIN,1.25DIA.X10.38LG,1HOLE.....2	2				
25	42939GT	WIRE LOOM,1.88 DIA.....120-inches					
26	27497GT	CLAMP,RUBBER CUSHIONED-2 5/32					
27	6019GT	SCREW,HHC,3/8-16 X 1.25 GRD 5					
28	36279GT	JIB BOOM MACHINED.....1 to SN 4115	1				
--	56976GT	JIB BOOM MACH from SN 4116					
29	36561-SGT	HOSE COVER,JIB BOOM**.....1	1				
30	6091GT	NUT,NYLOCK,1/4-20					
31	6638GT	WASHER,FLAT,USS,1/4"Y					
32	42797GT	PIN,1.25DIA X 12.50LG,2HOLE.....2	2				
33		JIB MANIFOLD refer to 705.1					
34	6090GT	SCREW,HHC,1/4-20 X .75					
35	36189GT	PIN,SLAVE CYL,1.25 X 4.38.....1 to SN 4029	1				
--	139655GT	PIN,SLAVE CYLINDER.....1 from SN 11974	1				
--	56749GT	PIN,SLAVE CYLINDER.....1 from SN 4030 to 11973	1				
36	94217GT	CYLINDER,SLAVE,DONGYANG.....1	1				
--	147146GT	SEAL KIT,147141 cylinder 94217GT (Dongyang) or 147141GT (Shin Hung) may be installed, check stamp on cylinder before ordering					
--	35088GT	BEARING,FL,1.25IDX1.41ODX.89L rod end, 94217GT and 147141GT					
--	47377GT	BEARING,1.25 ID X 1.5 OD X .75 rod end, 94217GT and 147141GT					
--	52620GT	SEAL KIT-EXT CYL & SLAVE CYL.* for cylinder 74968GT, 74589GT, 74454GT and 42404GT; check stamp on cylinder prior to ordering					
--	74614GT	BUSHING, FLANGED					
--	74735GT	VALVE,COUNTERBALANCE rod end, 94217GT and 147141GT					
--	94260GT	SEAL KIT, 94217 for cylinder 94217GT; check stamp on cylinder prior to ordering					
37	42929GT	HOSE,RET.FILTER DWN TUBE RUBBE.....28-inches					
38	10665GT	PIN,ROLL,.25 X 1.5***.....1	1				

This Page Intentionally Left Blank

Go to Discount-Equipment.com to order your parts

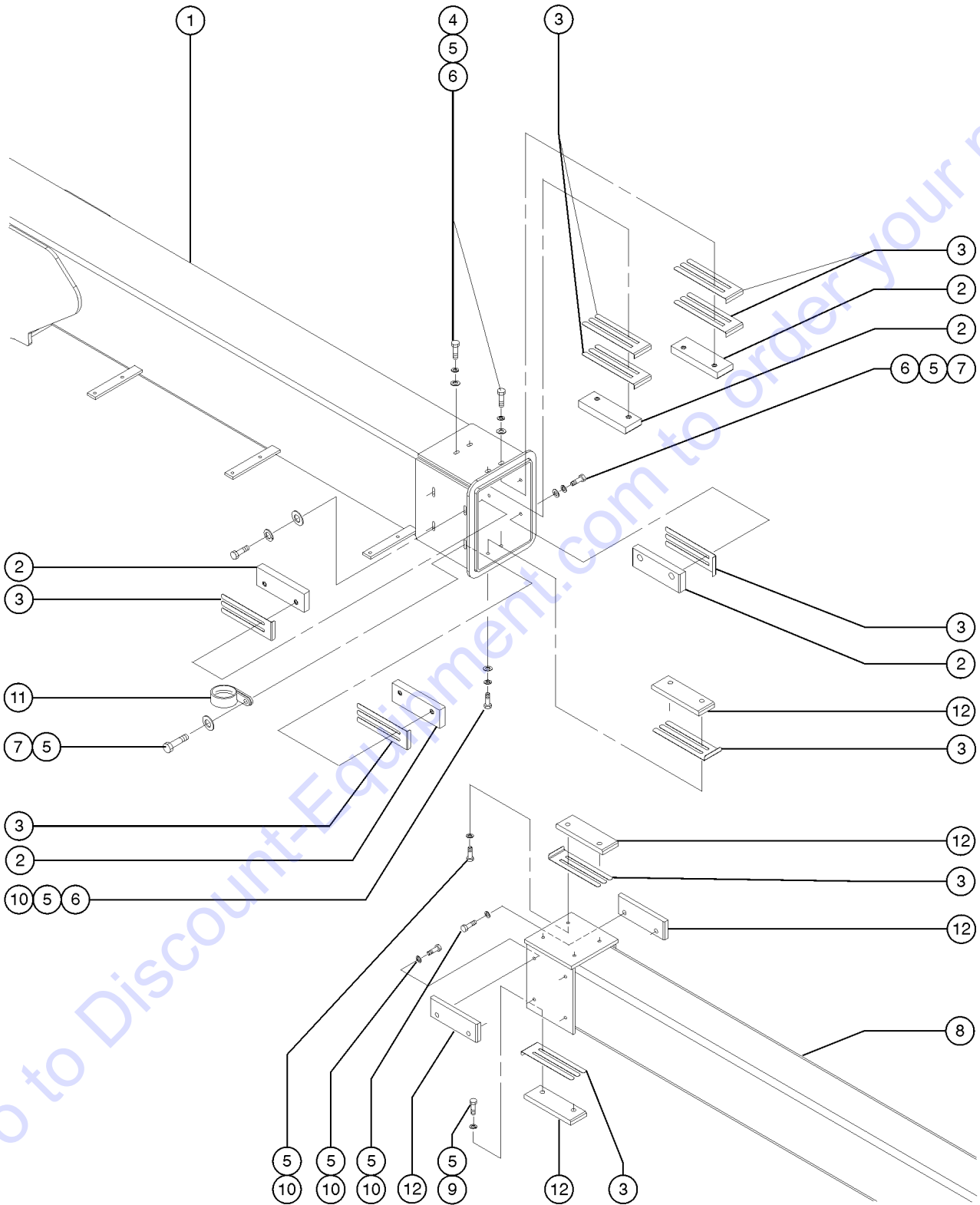
501.1 Primary Boom Wear Pads (to SN 6456)



501.1 Primary Boom Wear Pads (to SN 6456)

Item	Part No.	Description	Qty.
--		<i>For models without rotating jib, refer to figure 404.1</i>	
1	74345GT	PRIMARY BOOM TUBE ASSEMBLY**....1	
2	74044GT	WEAR PAD,EXT BOOM***.....16	
3	74134GT	SHIM,WEAR PAD .030.....as-needed	
4	74056GT	SPACER PLATE,PRIMARY TOP.....2	
5	6145GT	SCREW,HHC,1/4-20 X 1.5	
6	6356GT	WASHER,LOCK,.25	
7	6638GT	WASHER,FLAT,USS,1/4"Y	
8	8915GT	SCREW,HHC,1/4-20 X 1.25	
9	74057GT	SPACER PLATE,PRIMARY SIDE.....4	
10	56961GT	MACH,EXTENSION BOOM.....1	
11	6090GT	SCREW,HHC,1/4-20 X .75	
12	6888GT	SCREW,HHC,1/4-20 X 1	
13	27497GT	CLAMP,RUBBER CUSHIONED-2 5/32....1	

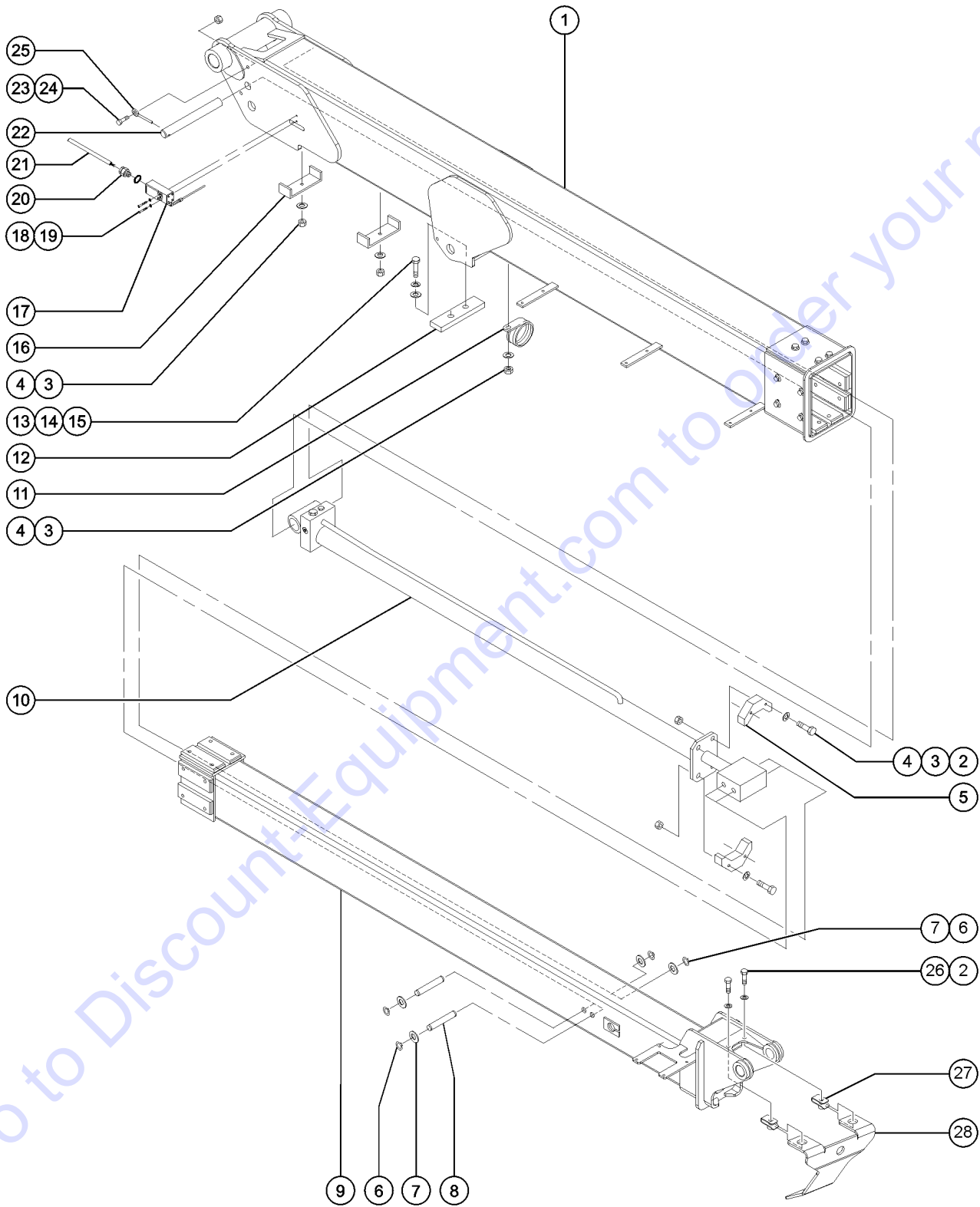
501.2 Primary Boom Wear Pads (from SN 6457)



501.2 Primary Boom Wear Pads (from SN 6457)

Item	Part No.	Description	Qty.
--		<i>For models without rotating jib, refer to figure 404.1</i>	
1	94032GT	WELDMENT,PRIMARY BOOM.....	1
2	101429GT	WEAR PAD,EXT BOOM***..... <i>6 x 2 x 0.6875 inches (measure depth before ordering) qty will vary</i>	6
3	74134GT	SHIM,WEAR PAD .030.....	as-needed
4	6145GT	SCREW,HHC,1/4-20 X 1.5	
5	6356GT	WASHER,LOCK,.25	
6	6638GT	WASHER,FLAT,USS,1/4"Y	
7	8915GT	SCREW,HHC,1/4-20 X 1.25	
8	56961GT	MACH,EXTENSION BOOM.....	1
9	6090GT	SCREW,HHC,1/4-20 X .75	
10	6888GT	SCREW,HHC,1/4-20 X 1	
11	27497GT	CLAMP,RUBBER CUSHIONED-2 5/32....	1
12	74044GT	WEAR PAD,EXT BOOM***..... <i>6 x 2 x 0.4375 inches (measure depth before ordering) qty will vary</i>	10

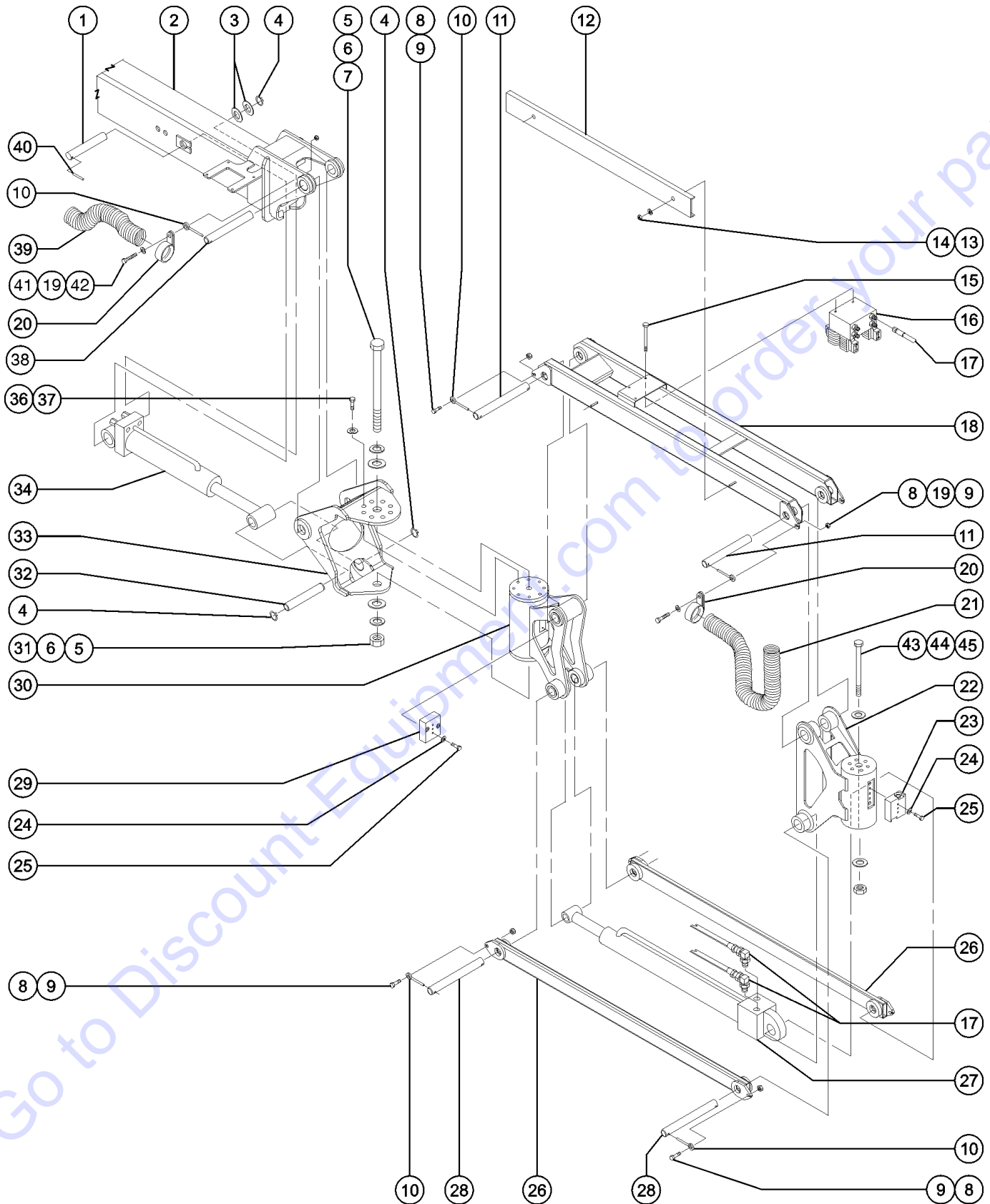
502.1 Primary and Extension Booms



502.1 Primary and Extension Booms

Item	Part No.	Description	Qty.	Item	Part No.	Description	Qty.
--		<i>For models without rotating jib, refer to figure 404.1</i>		24	7713GT	NUT, LP NYLOCK, 3/8-16	
--		BEARING, MID-PIVOT.....2 <i>(refer to 403.1)</i>	2	25	825019GT	ROD END,.375X3.69,ZAG.....1	1
1A	74345GT	PRIMARY BOOM TUBE ASSEMBLY**.....1	1	26	6356GT	WASHER,LOCK,.25	
1B	94032GT	WELDMENT,PRIMARY BOOM.....1	1	27	56912GT	SPRING CLIP,1/4-20,.025-.15X.54,ZAG.....2	2
2	6888GT	SCREW,HHC,1/4-20 X 1		28	147079GT	BRACKET, HOSE ROUTING.....1 <i>from SN Z30N10-12120</i>	1
3	6638GT	WASHER,FLAT,USS,1/4"Y		--	56361GT	CABLE TIE,BUTTON,BLACK,14.75LG	
4	6091GT	NUT,NYLOCK,1/4-20					
5	74066GT	WEAR PAD,EXT CYL***.....1	1				
6	10262GT	SNAP RING,EXTERNAL,.75 DIA.....2	2				
7	6563GT	WASHER,SHIM,.75 X 1.125 X.030.....2	2				
8	36192GT	PIN,0.75DIA X 5.51LG,2RING.....2	2				
9A	139841GT	EXT BOOM ASSY, Z30NRJ RETROFIT.....1 <i>to SN 12119</i>	1				
9B	147637GT	ASSY, EXT BOOM, Z30NRJ.....1 <i>from SN 12120 (decal not included, refer to section one)</i>	1				
--	35675GT	BEARING,FL,1.25ID X 1.5OD X 1.25L <i>from SN 12120</i>					
10	94214GT	CYLINDER,EXTENSION,Z30NRJ***.....1	1				
--	36648GT	VALVE,COUNTERBALANCE 2500 PSI* <i>(for 94214 cylinder)</i>					
--	48406GT	SEAL KIT,42411 & 42408 <i>(for 94214 cylinder) from SN 1932 to 6107</i>					
--	94257GT	SEAL KIT, 94214 <i>from SN 6108</i>					
11	27497GT	CLAMP,RUBBER CUSHIONED-2 5/32....3	3				
12	56849GT	PAD,REST,1"THICK,W/STUDS*.....1	1				
13	77692GT	SCREW,HHC,3/8-16 X 1 GRD 8					
14	6021GT	WASHER,LOCK,.375					
15	5397GT	WASHER,FLAT,USS,5/16",Y					
16	54530GT	CLAMP,HOSE,ALUMINUM.....2	2				
17	88356-127J5GT	SWITCH,LIMIT,W/6.25"SPRING ARM.....1	1				
--	106082GT	HARNESS,LS,EXT/RET LS1 Z30					
--	106433GT	LS SPRING WAND (ZCY91)					
--	19491GT	CONTACTOR,LIMIT SWITCH					
--	22359GT	SPRING ARM,LIMIT SWITCH,6.25"					
--	88356-127J5GT	SWITCH,LIMIT,W/6.25"SPRING ARM.....1	1				
18	16486GT	SCREW,RHM,10-32 X 1.75					
19	6607GT	WASHER,LOCK,#10 PLTD					
20	7056GT	CONN,SQUEEZE,1/2NPT .38-.50,SM					
21	56051GT	WIRE CABLE,16/2,WHT/BLK,SJEOV					
22	101557GT	PIN,1.00DIA X 9.01LG,THREADED.....1	1				
23	13918GT	SCREW,HHC,3/8-16 X 1.75,GRD.8.....1	1				

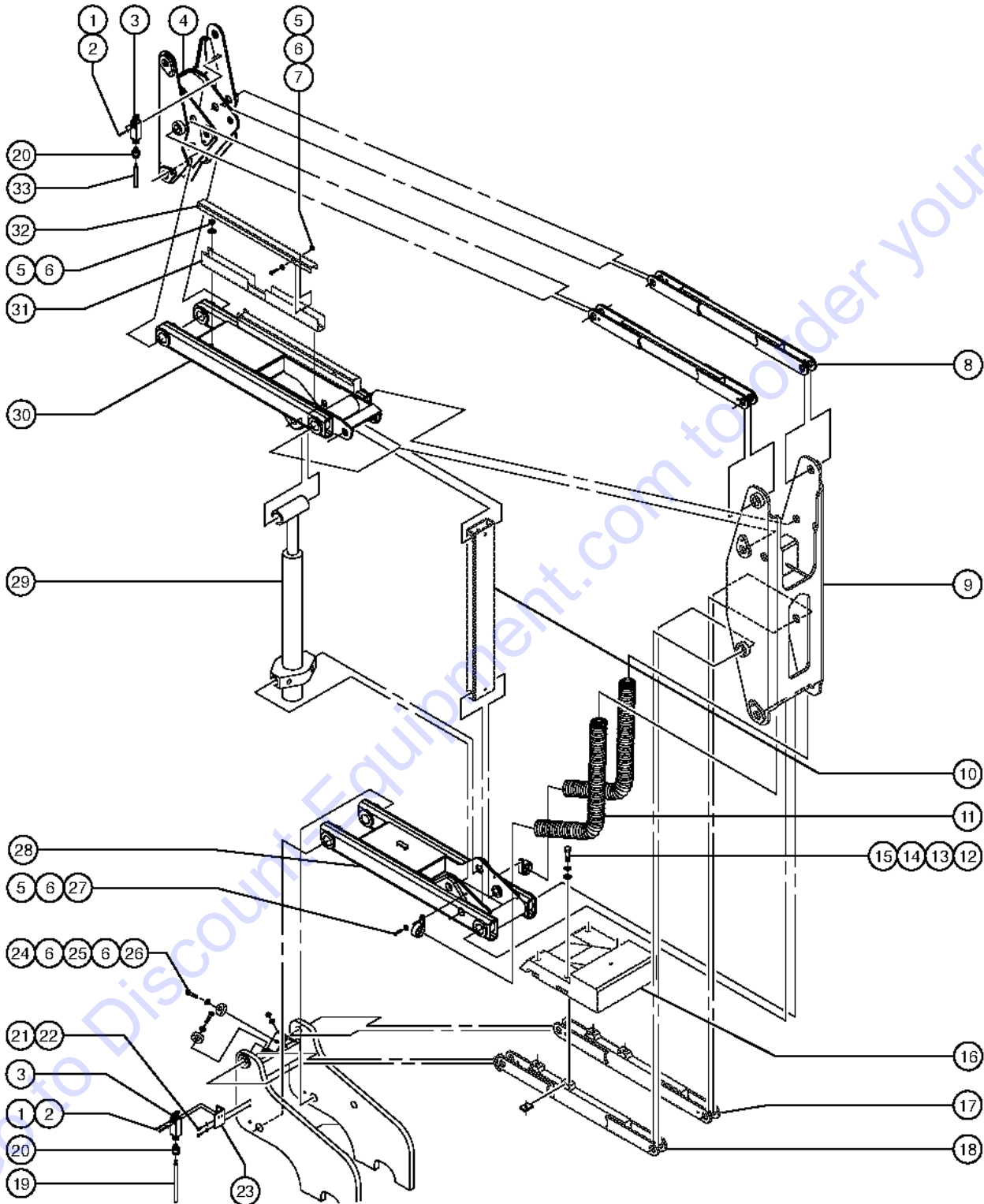
503.1 Rotating Jib Boom Assembly



503.1 Rotating Jib Boom Assembly

Item	Part No.	Description	Qty.	Item	Part No.	Description	Qty.
1	36190GT	PIN,SLAVE CYL,1.25 X 6.06***.....	1	--	106423GT	SEAL KIT,ARCTIC,ROTATOR 15K*** (from SN 1932 to SN 7041) for 74070GT	
2		Ref. Extension Boom (refer to 502.1)		--	147077GT	BEARING KIT,ROTATOR*** (from SN 1932 to SN 7041) for 74070GT	
3A	30255GT	WASHER,SHIM,1.27 X 2.13 X .062 (to SN 12198)		--	83102GT	SEAL KIT (from SN 1932 to SN 7041) for 74070GT	
3B	128837GT	WASHER 1.27ID X1.88OD X.062 (from SN 12199)		30B		ROTATOR,JIB,180 DEG,15K***	
4	74019GT	SNAP RING,EXTERNAL.....	1	--	147370GT	SEAL KIT,15K ROTATOR (from SN 7042 to 12542) for 94403GT	
5	824075GT	SCREW,HHC,1-8X12.75,5,ZAG		30C		ROTATOR,JIB,180 DEG,15K***	
6	29605GT	WASHER,LOCK,1"		--	147370GT	SEAL KIT,15K ROTATOR (from SN 12543 to 12638) (for rotator SN D1A009 and earlier)	
7	74323GT	WASHER,FLAT,.812X2X.14 HARDEN		--	226542GT	SEAL KIT, 15K ROTATOR (from SN 12543 to 12638) (for rotator SN D1A010 and later)	
8	6019GT	SCREW,HHC,3/8-16 X 1.25 GRD 5		--	34245GT	BEARING,1.25IDX1.5OX1.25L	
9	4828GT	NUT,NYLOCK,3/8-16		--	35675GT	BEARING,FL,1.25IDX1.5ODX1.25L	
10	825019GT	ROD END,.375X3.69,ZAG.....	5	30D	226540GT	ROTATOR,JIB,180 DEG,15K (from SN 12639)	
11	36199GT	PIN,1.25DIA.X10.38LG,1HOLE.....	2	--	226542GT	SEAL KIT, 15K ROTATOR (from SN 12639) for 226540GT	
12	36561-SGT	HOSE COVER,JIB BOOM**.....	1	--	34245GT	BEARING,1.25IDX1.5OX1.25L	
13	6091GT	NUT,NYLOCK,1/4-20		--	35675GT	BEARING,FL,1.25IDX1.5ODX1.25L	
14	6638GT	WASHER,FLAT,USS,1/4"Y		31	33265GT	NUT,HEX,1-8	
15	6090GT	SCREW,HHC,1/4-20 X .75		32A	56749GT	PIN,SLAVE CYLINDER..... (to SN 11973)	1
16		Ref. Jib Boom/Platform Rotate Manifold (refer to 705.1)		32B	139655GT	PIN,SLAVE CYLINDER (from SN 11974)	
17		Ref. Hydraulic Hoses and Fittings (refer to 804.1)		33	35675GT	BEARING,FL,1.25IDX1.5ODX1.25L	
18	56976-SGT	JIB BOOM MACH***.....	1	33	74347GT	JIB PIVOT ASSEMBLY**.....	1
19	6097GT	WASHER,FLAT,USS,3/8",Y		34		Ref. Slave Cylinder (refer to 406.1)	
20	27497GT	CLAMP,RUBBER CUSHIONED-2 5/32....	2	36	10597GT	SCREW,HHC,1/2-13 X 1.25 GR5	
21	42939GT	WIRE LOOM,1.88 DIA.....	22-inches	37	13066GT	WASHER,FLAT,5 HARDENED	
22A	147369GT	SEAL AND BRG KIT,4.5K ROTATOR* (for 94404GT)		38	74089GT	PIN,1.25DIA X9.63LG,1HOLE.....	1
22B	233717GT	ROTATOR,PLAT,Z30/34/Z40.....	1	39	42939GT	WIRE LOOM,1.88 DIA.....	24-inches
--	233745GT	SEAL AND BRG KIT,4.5K ROTATOR		40	10665GT	PIN,ROLL,.25 X 1.5***	
--	30222GT	BEARING,FL,1.25IDX1.41ODX1.50L		41	6019GT	SCREW,HHC,3/8-16 X 1.25 GRD 5 (to SN 8808)	
23	56929GT	MANIFOLD,ROTATOR,180 DEG.***.....	1	--	77692GT	SCREW,HHC,3/8-16 X 1 GRD 8 (from SN 8809)	
--	62506GT	VALVE - COUNTERBALANCE**		42	4828GT	NUT,NYLOCK,3/8-16 (from SN 8809)	
--	62507GT	O-RING, ROTATOR MANIFOLD		43	77051GT	NUT,NYLOCK,3/4-10,GRD.8.....	1
24	6356GT	WASHER,LOCK,.25		44	33278GT	WASHER,FLAT,.75 HARDENED.....	1
25	6145GT	SCREW,HHC,1/4-20 X 1.5		45	56925GT	SCREW,HHC,3/4-10 X 9.5 GR 8 YE.....	1
26	36054-SGT	COMPRESSION MEMBER (BORED)***.....	2				
27		Ref. Jib Boom Cylinder (refer to 406.1)					
28	42797GT	PIN,1.25DIA X12.50LG,2HOLE					
29	74051GT	MANIFOLD,ROTATOR 200 DEG.....	1				
--	62506GT	VALVE - COUNTERBALANCE**					
--	62507GT	O-RING, ROTATOR MANIFOLD					
30A		ROTATOR,JIB,15K,200 DEG***.....	1				

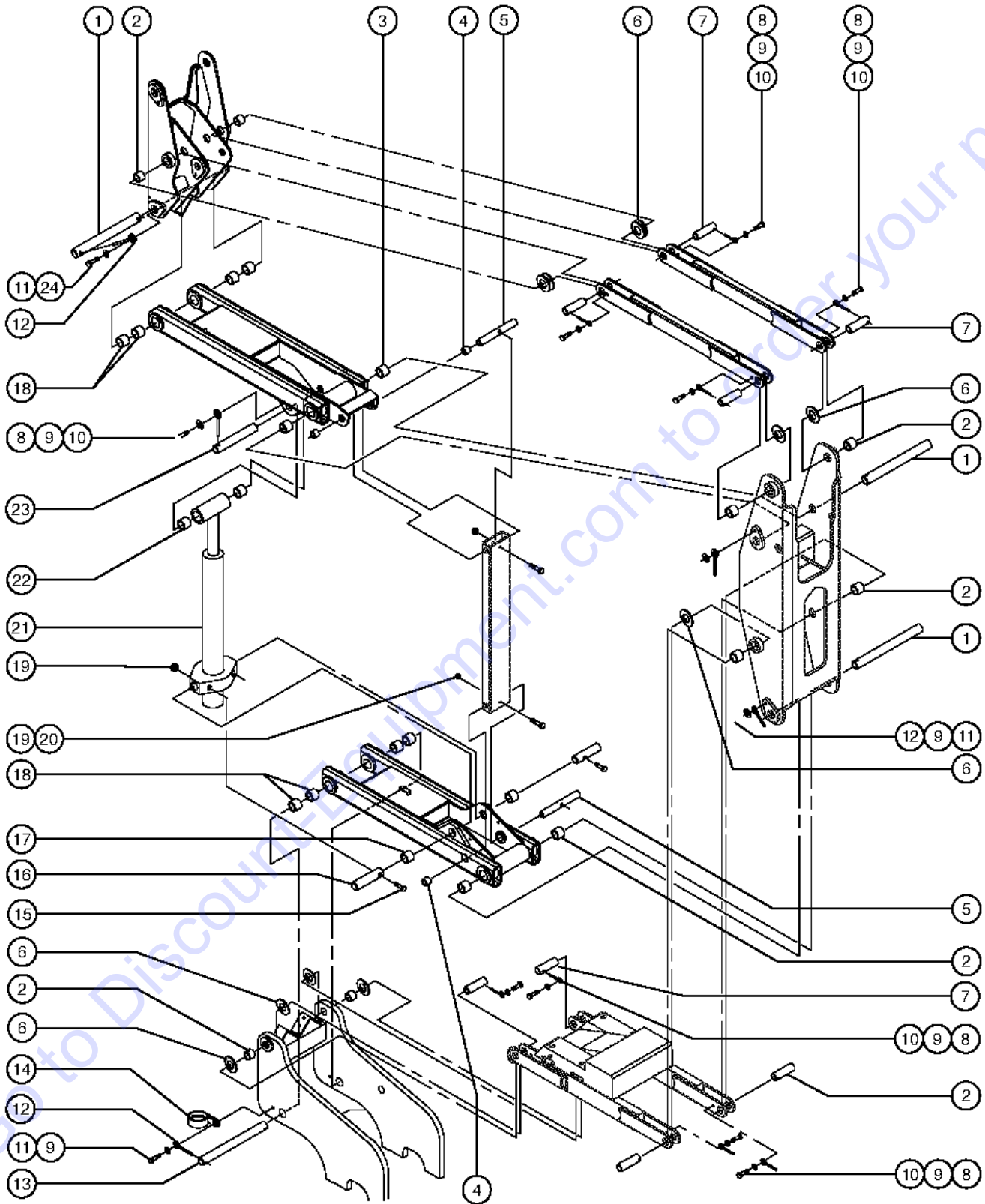
504.1 Secondary Boom - View 1



504.1 Secondary Boom - View 1

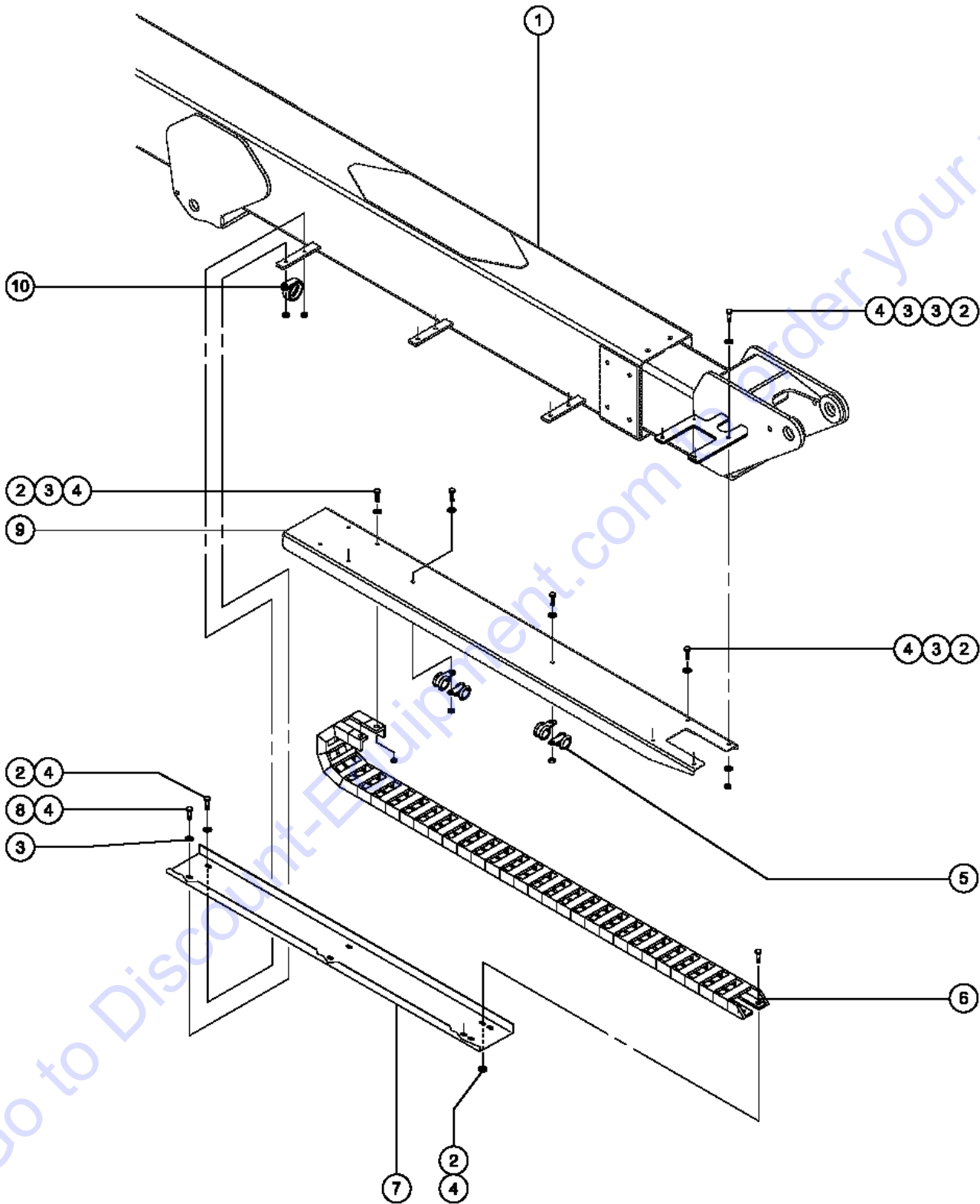
Item	Part No.	Description	Qty.	Item	Part No.	Description	Qty.
1	49821GT	SCREW,PHILLIPS,PHM,8-32 X 1.25		--	101349GT	CYLINDER,ELEVATE, Z30N.....	1
2	6607GT	WASHER,LOCK,#10 PLTD		--	31106GT	VALVE,CNTERBAL,CBBB-LHN@3000**	
3	88356-116R3GT	SWITCH,LIMIT,W/ROLLER ARM***.....	1	--	56757GT	SEAL KIT 42412 ELEVATE**	
--	106086GT	HARNESS,LS,SEC LIFT LS4 Z30/34		--	94254GT	SEAL KIT, 94211, 94254, 101349	
--	106427GT	LS ROT.HEAD W/O LEVER (ZCE01)		30	128040GT	LOWER SECONDARY BOOM ASSEMBLY.....	1
--	106428GT	LS STL ROLLER PLUNGER (ZCE02)		31	74271GT	HOSE TRACK,UPPER***	
--	106429GT	LS METAL END PLUNGER (ZCE10)		32	42609GT	HOSE TRACK COVER,UPPER ARM	
--	106434GT	LS BLUE PLASTIC BODY (XCKP)		33	44133GT	WIRE CABLE,16/4 CON.TPE JKT*	
--	19491GT	CONTACTOR,LIMIT SWITCH					
--	76450GT	CONN.SQZ,PG 11,.23-.30,W/ORING					
--	88356-12103GT	SWITCH,LIMIT,W/ROLLER ARM***.....	1				
--	97128GT	ROLLER ARM,LIMIT SWITCH***					
4	37125GT	UPPER MIDPIVOT ASSEMBLY,Z30N.....	1				
5	6889GT	NUT,LP NYLOCK,1/4-20					
6	5397GT	WASHER,FLAT,USS,5/16",Y					
7	4266GT	SCREW,HHC,1/4-20 X 2					
8	74945GT	COMPRESSION ARM WLDMT 38.50 **.....	2				
9	40446GT	LOWER MIDPIVOT ASSY,Z34 &Z34N*.....	1				
10	74232GT	CONNECTING LINK Z30N & Z34***.....	1				
--	74232GT	CONNECTING LINK Z30N & Z34***					
11	42939-5400GT	WIRE LOOM,1.88 DIA.....	2				
12	21604GT	SCREW,HHC,3/8-16 X 3.25					
13	6021GT	WASHER,LOCK,.375					
14	80605GT	WASHER,FLAT,3/8X1.5X.06					
15	29868GT	SPRING CLIP,3/8-16,.05-.20X.73,ZAG					
16	36620GT	COUNTERWEIGHT,CAST,400 LBS.....	1				
17	94425GT	COMP ARM WELD LOWER, RIGHT***..	1				
18	128632GT	KIT, SERVICE, Z30 LWR COMP ARM....	1				
--	128634GT	WELDMENT, LWR COMPRESION ARM					
19	56051GT	WIRE CABLE,16/2,WHT/BLK,SJEOW					
20	7056GT	CONN,SQUEEZE,1/2NPT .38-.50,SM					
21	8914GT	SCREW,HHC,1/4-20 X .625					
22	6356GT	WASHER,LOCK,.25					
23	42413GT	ANGLE,SWITCH MOUNT***.....	1				
24	45425GT	SCREW,FHS,3/8-16 X .75					
--	8516GT	SCREW, HCC, 3/8-16 X 1.50					
25	36366GT	PAD,UPPER PIVOT REST.....	2				
--	74085GT	REST PAD,UPPER PIVOT Z30N					
26	4828GT	NUT,NYLOCK,3/8-16					
27	27497GT	CLAMP,RUBBER CUSHIONED-2 5/32					
28	128039GT	UPPER SEC BOOM ASSY Z30N RJ.....	1				
29	94211GT	CYLINDER,ELEVATE***.....	1				

505.1 Secondary Boom - View 2



Item	Part No.	Description	Qty.
--	107935GT	KIT, SWING HOSE CLAMP, FIELD <i>includes 106959GT, 106960PGT, 107933GT, 107934, and instructions 110148GT</i>	
1	36194GT	PIN,1.50DIAX15.13LG,1HOLE.....	3
2	34245GT	BEARING,1.25IDX1.50X1.25L.....	10
3	45071GT	BEARING,1.5IDX1.75ODX1.5L.....	2
4	36245GT	BEARING,FL,1.00IDX1.25ODX0.84L.....	4
5	36202GT	PIN,1.00DIAX7.25LG,1HOLE.....	2
6	30255GT	WASHER,SHIM,1.27 X 2.13 X .062	
7	36390GT	PIN,1.25DIAX3.63LG,THREADED.....	8
8	77692GT	SCREW,HHC,3/8-16 X 1 GRD 8	
9	6021GT	WASHER,LOCK,.375	
10	1255452GT	ROD END,.375 X 2.25,ZAG.....	7
11	6019GT	SCREW,HHC,3/8-16 X 1.25 GRD 5	
12	825019GT	ROD END,.375X3.69,ZAG.....	3
13	36389GT	PIN,1.50DIAX16.13LG,1HOLE.....	1
14	27497GT	CLAMP,RUBBER CUSHIONED-2 5/32	
15	6326GT	SCREW,HHC,3/8-16 X 3	
16	36205GT	PIN,1.25DIAX3.00LG,THREADED.....	2
17	36246GT	BEARING,FL,1.25IDX1.50ODX1.09L.....	2
18	18396GT	BEARING,1.5IDX1.75ODX1.0L.....	4
19	4828GT	NUT,NYLOCK,3/8-16	
20	36874GT	SCREW,BHHS,3/8-16 X 2.5	
21		Ref. Secondary Cylinder (refer to 504.1)	
22	25683GT	BEARING,POLYGON,20DU12.....	2
23	74089GT	PIN,1.25DIAx9.63LG,1HOLE.....	1
24	5397GT	WASHER,FLAT,USS,5/16",Y	

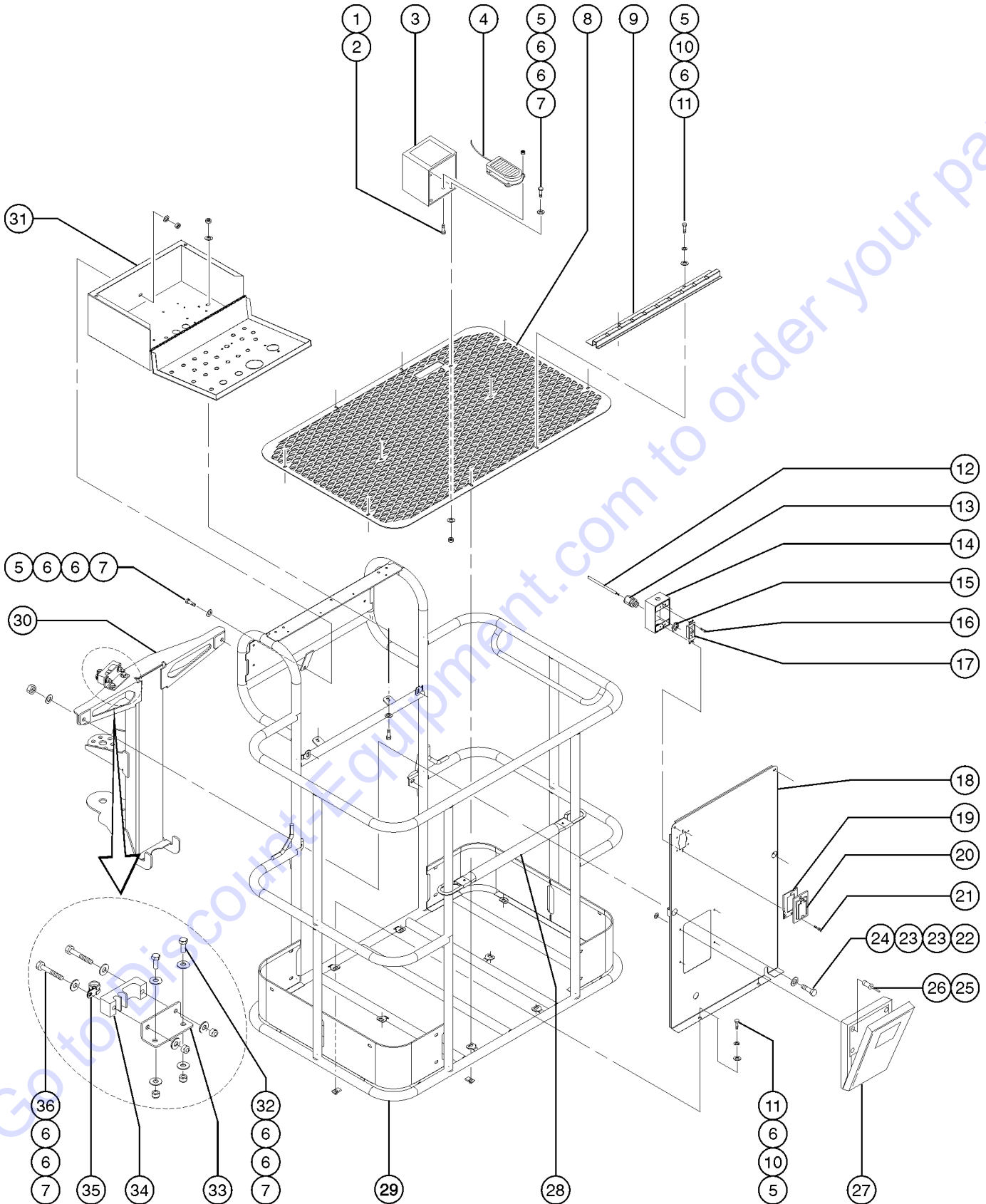
506.1 Cable Track



Item	Part No.	Description	Qty.
1		Ref. Primary and Extension Booms	
2	6090GT	SCREW,HHC,1/4-20 X .75	
3	6638GT	WASHER,FLAT,USS,1/4"Y	
4	6091GT	NUT,NYLOCK,1/4-20	
5	6833GT	CLAMP,0.50,#8 X 1/4,RUB CUSH.....4	
6A	42763GT	TRACK,PLASTIC CABLE,25 LINK 4".....1 <i>to SN 11979</i>	
--	58919GT	REPAIR LINK,7 LINKS*** <i>for 42763GT</i>	
--	58920GT	REPAIR LINK END SET (42763)* <i>for 42763GT</i>	
--	58927GT	LINK,NYLATRAC KS6-5.4*** <i>for 42763GT</i>	
6B	139537GT	CABLE TRACK,NYLATRAC,26 LINK.....1 <i>from SN 11980</i>	
--	139540GT	REPAIR LINK,NYLATRAC,7 LINKS <i>for 139537GT</i>	
--	139541GT	BRACKET SET,NYLATRAC,KS400 <i>for 139537GT</i>	
--	139542GT	LINK,NYLATRAC,KS400 <i>for 139537GT</i>	
7A	42694PGT	CHANNEL,LWR, TRACK PAINTED**.....1 <i>to SN 4115</i>	
7B	56983PGT	CHANNEL,LWR TRAY PLASTIC TK ** <i>from SN 4116</i>	
8	6888GT	SCREW,HHC,1/4-20 X 1	
9A	42693GT	CHANNEL,UPPER,PLASTIC TRACK,5".....1 <i>to SN 4598</i>	
9B	74119PGT	CHANNEL, CABLE TRACK, UPPER <i>from SN 4599</i>	
10	27497GT	CLAMP,RUBBER CUSHIONED-2 5/32....3	

Item	Part No.	Description	Qty.
1	36194GT	PIN,1.50DIAX15.13LG,1HOLE.....1	1
2	40447GT	UPPER MIDPIVOT ASSY,Z34 & Z34N....1	1
3	6019GT	SCREW,HHC,3/8-16 X 1.25 GRD 5	
4	6021GT	WASHER,LOCK, .375	
5	825019GT	ROD END, .375X3.69,ZAG.....3	3
6	74091GT	PIN,1.25DIAX9.13LG,1HOLE.....1 <i>to SN 5932</i>	1
--	36198GT	PIN,1.25DIAX8.12LG,1HOLE <i>from SN 5933</i>	
7	45071GT	BEARING,1.5IDX1.75ODX1.5L.....2	2
8	49821GT	SCREW,PHILLIPS,PHM,8-32 X 1.25	
9	6607GT	WASHER,LOCK,#10 PLTD	
10	88356-127J5GT	SWITCH,LIMIT,W/6.25"SPRING ARM.....1 <i>to SN 7015</i>	1
--	106082GT	HARNES,LS,EXT/RET LS1 Z30	
--	106433GT	LS SPRING WAND (ZCY91)	
--	19491GT	CONTACTOR,LIMIT SWITCH	
--	22359GT	SPRING ARM,LIMIT SWITCH,6.25"	
--	88356-127J5GT	SWITCH,LIMIT,W/6.25"SPRING ARM.....1 <i>from SN 7016</i>	1
11		Ref. Primary Boom Tube Assembly (refer to 502.1)	
12	47377GT	BEARING,1.25 ID X 1.5 OD X .75.....6	6
13	94215GT	CYLINDER,PRIMARY LIFT.....1 <i>includes item 12</i>	1
--	33428GT	VALVE,COUNTERBALANCE <i>to SN 6461</i>	
--	43937GT	VALVE,CB.CBBC-LHN@3200*** <i>from SN 6462</i>	
--	48402GT	SEAL KIT,42407,42559 CYL,TEXAS <i>to SN 5570</i>	
--	83085GT	SEAL KIT (74588) <i>from SN 5571 to 6041</i>	
--	94258GT	SEAL KIT, 94215, 94430 <i>from SN 6042</i>	
14	52625GT	BEARING,1.50 X 1.66 X 1.5	
15	94216GT	CYLINDER,MASTER <i>includes items 12 and 14</i>	
--	52620GT	SEAL KIT-EXT CYL & SLAVE CYL.* <i>to SN 6088; check stamp on cylinder prior to ordering</i>	
--	94259GT	SEAL KIT, 94216 <i>from SN 6089; check stamp on cylinder prior to ordering</i>	
16	36198GT	PIN,1.25DIAX8.12LG,1HOLE	
17	74091GT	PIN,1.25DIAX9.13LG,1HOLE.....1	1

601.1 Platform



601.1 Platform

Item	Part No.	Description	Qty.	Item	Part No.	Description	Qty.
--	101985GT	PLAT ASSY W/DECAL(US/CANADA) <i>USA/Canada</i>		9	56656PGT	PLATFORM STEP * PAINTED.....	1
--	101986GT	PLAT ASSY W/DECAL (CE) <i>Europe</i>		10	6356GT	WASHER,LOCK,.25	
--	101987GT	PLAT ASSY W/DECAL (AUSTRALIA) <i>Australia</i>		11	56912GT	SPRING CLIP,1/4-20,.025-.15X.54,ZAG	
--	101988GT	PLAT ASSY W/DECAL (ASIA/S.AMER) <i>Asia/South America</i>		12	43956GT	WIRE CABLE,14/3 CON.TPE JKT*552-inches	
--	54817P-SGT	TOEBOARD,PLTFM ENTRY EUR,PNTD*		13	7056GT	CONN,SQUEEZE,1/2NPT .38-.50,SM....1	
--	74380GT	PLAT.ASSY.W/DECAL4'Z30/34ANSI <i>USA/Canada; includes item 11</i>		14	10775GT	T-BOX,2.75 X 4.5 X 2.0.....1	
--	74381GT	PLAT.ASSY.W/DECAL4'Z30/34,CE <i>CE models; includes item 11</i>		15	6935GT	LOCKNUT,ELEC,1/2".....1	
--	74784GT	PLAT/SUP.UPGRADE KIT 4FT ANSI* <i>USA/Canada (this kit used to install new style platform onto the older platform rotator) (for machines from SN 1932 to 9559)</i>		16	13585GT	OUTLET, 110V.....1	
--	74785GT	PLAT/SUPP.UPGRADE KIT 4FT CE** <i>CE models; includes platform and platform support</i>		16	33629GT	PLATE,UK POWER TO PLATFORM.....1	
--	94745PGT	TOEBOARD,ENTRY EUROPEAN PNTD**		16	T112563GT	SVC KIT,UK RECEPT.REPLACEMENT <i>AC British</i>	
1	17626GT	SCREW,FHM,10-32 X .75		17	33759GT	SCREW,PHILLIPS,PHM,8-32 X.375	
2	6178GT	NUT,NYLOCK,10-32		18	101980GT	DECAL PLATE ASSY,W/SYM DECALS <i>CE/Asia/South America</i>	
3A	32710GT	GUARD,FOOTSWITCH,W/DECAL STEEL.....1 <i>USA/Canada/Australia</i>	1	18	231204GT	ASSY,DECAL PLATE, Z30 AUS <i>Australian models from SN 12531</i>	
3B	30807P-SGT	FOOTSWITCH HOUSING,PAINTED <i>CE/Asia/South America</i>		18	62508GT	DECAL PLATE W/D,PLAT,Z30/34**1 <i>USA/Canada; Australian to SN 12530</i>	
4A	74298GT	FOOTSWITCH ASSEMBLY 30N.....1 <i>(to SN 12864)</i>	1	19	74052GT	GASKET,COVER,GFCI,WEATHERPROOF	
--	13482GT	FOOT SWITCH*** <i>for PN 74298GT</i>		20	45437GT	COVER,GFCI,WEATHERPROOF1 <i>includes mounting fasteners; USA/Canada</i>	
--	20262GT	MICROSWITCH,13482 FOOTSWITCH <i>for PN 74298GT</i>		21	63375GT	SCREW,FHM,6-32 X .75	
--	228469GT	KIT, FOOTSWITCH, Z30/Z34 WORD <i>upgrade kit (to SN 12864) USA/Canada/Australia</i>		22	6019GT	SCREW,HHC,3/8-16 X 1.25 GRD 5	
--	228470GT	KIT, FOOTSWITCH, Z30/Z34 SYM <i>upgrade kit (to SN 12864) CE/Asia/South America</i>		23	5397GT	WASHER,FLAT,USS,5/16",Y	
--	56051GT	WIRE CABLE,16/2,WHT/BLK,SJEOW.65-inches <i>for PN 74298GT</i>		24	4828GT	NUT,NYLOCK,3/8-16	
4B	227620GT	ASSEMBLY,FOOT SWITCH.....1 <i>(from SN 12865) for PNs 228469GT & 228470GT</i>	1	25	12037GT	RIVET,STL,STL,P,.25 X .5	
5	6888GT	SCREW,HHC,1/4-20 X 1		26A	56660GT	WASHER,RIVETING.....4	
6	6638GT	WASHER,FLAT,USS,1/4"Y		26B	6638GT	WASHER,FLAT,USS,1/4"Y4	
7	6091GT	NUT,NYLOCK,1/4-20		27A	44743GT	MANUAL BOX W/DECALS***.....1 <i>USA/Canada/Australia</i>	
8	56465PGT	FLOORING,PLATFORM 46X30,PAINT		27B	24514GT	BOX,INSTRUCTION STORAGE <i>Europe/Asia/South America (decals required; refer to Section100)</i>	
				28	102992GT	SLIDING MIDRAIL KIT,PTD.....1	
				--	102992GT	SLIDING MIDRAIL KIT,PTD	
				--	12443GT	MIDRAIL GUIDE (HOOK)	
				--	20973-2600GT	WIRE LOOM,3/8 POLY SLIT 26 inches	
				--	20973-8000GT	WIRE LOOM,3/8 POLY SLIT 80 inches	
				--	21121GT	CABLE TIE,4" BLK,HEAT RESISTNT	
				29	101981GT	PLAT RAIL ASSY 4'ANSI/CSA.....1 <i>USA/Canada (railing only; refer to top of parts list for complete platform)</i>	
				--	101982GT	PLAT RAIL ASSY, 4' CE <i>CE (railing only; refer to top of parts list for complete platform)</i>	

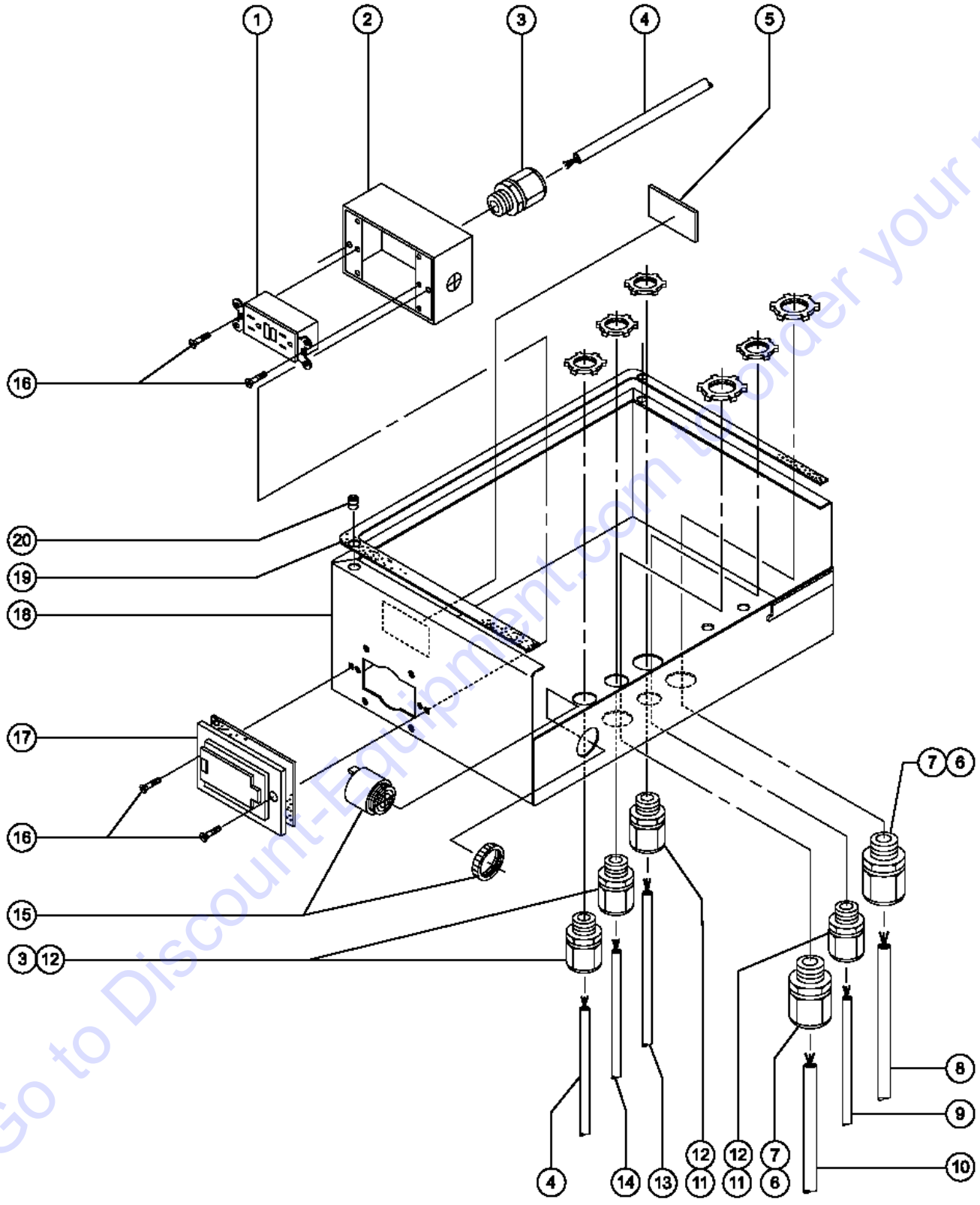
601.1 Platform
(continued)

Item	Part No.	Description	Qty.
--	101983GT	PLAT RAIL ASSY 4' AUS <i>Australia (railing only; refer to top of parts list for complete platform)</i>	
--	101984GT	PLAT RAIL ASSY 4' ASIA/S.AMER <i>Asia/South America (railing only; refer to top of parts list for complete platform)</i>	
30	56500-SGT	WELDMNT,PLATFORM SUPPORT***.....1	1
31	46993GT	CONT.BOX ASSY.PLAT Z30N,Z34DC.....1 <i>box only; contains no internal components</i>	1
--	62517GT	CONT.BOX ASSY.PLAT Z30N,Z34DC	
--	74353GT	CONTROL BOX ASSY.Z30/34N/34DC	
32	6090GT	SCREW,HHC,1/4-20 X .75	
33	77993GT	BRACKET, CABLE STRAIN RELIEF.....1 <i>to SN 12118</i>	1
--	128667GT	BRACKET, CABLE STRAIN RELIEF <i>from SN 12119</i>	
34	77994GT	CLAMP,CABLE STRAIN RELIEF.....1 <i>to SN 12118</i>	1
--	128668GT	CLAMP,CABLE STRAIN RELIEF <i>from SN 12119</i>	
35	6833GT	CLAMP,0.50,#8 X 1/4,RUB CUSH.....1 <i>to SN 12118</i>	1
--	128669GT	BACKING PLATE, PLATFORM CLAMP <i>from SN 12119</i>	
36	6637GT	SCREW,HHC,1/4-20 X 1.75	

This Page Intentionally Left Blank

Go to Discount-Equipment.com to order your parts

602.1 Platform Controls - View 1 (to SN 4082)

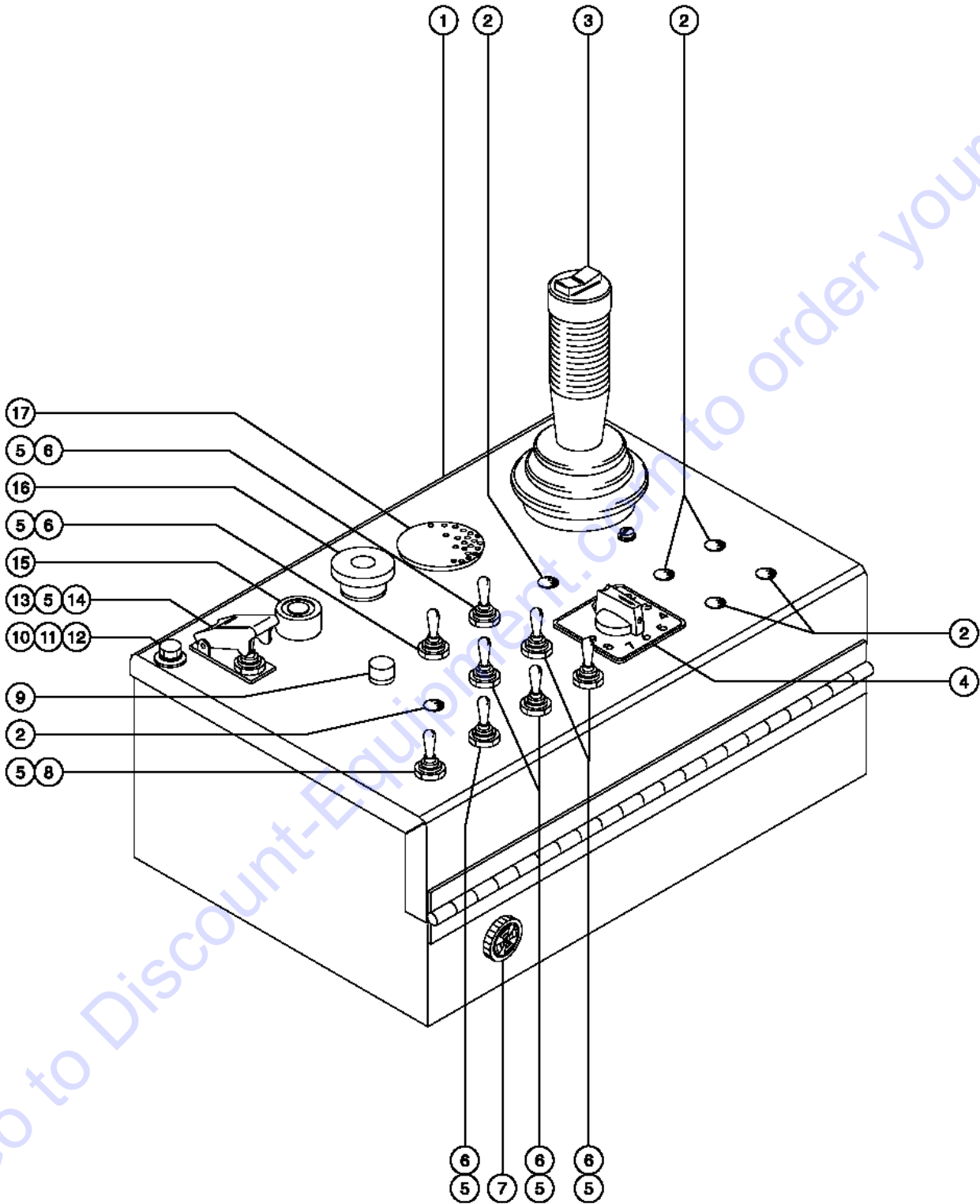


A TEREX BRAND

602.1 Platform Controls - View 1 (to SN 4082)

Item	Part No.	Description	Qty.
1	13585GT	OUTLET, 110V.....1 <i>AC USA/Canada</i>	1
--	35003GT	RECEPTACLE, BRITISH, 110V <i>AC British</i>	
2	10775GT	T-BOX,2.75 X 4.5 X 2.0.....1	1
3	7056GT	CONN,SQUEEZE,1/2NPT .38-.50,SM...3	3
4	43956GT	WIRE CABLE,14/3 CON.TPE JKT*.....606-inches	
5	30997GT	CORROSION INHIBITOR,FOAM.....1	1
6	12960GT	CABLE SQUEEZE CONN.,XTRA LRG...1	1
7	14041GT	LOCKNUT,ELECTRIC,3/4".....2	2
8	35934GT	WIRE CABLE,18/19 CON.TPRJKT.....600-inches	
9	43955GT	WIRE CABLE,12/3 CON.TPE JKT.....600-inches	
10	35934GT	WIRE CABLE,18/19 CON.TPRJKT.....600-inches	
11	7057GT	CONN. SQZ,1/2NPT .39-.56 MED.	
12	6935GT	LOCKNUT,ELEC,1/2"	
13	43961GT	WIRE CABLE,16/6 CON.TPE J.....136-inches	
14	36600GT	FOOT SWITCH WIRE ASSY W/CONN.....1	1
15	45383GT	ALARM,WARBLE TONE 5-30 VDC***	
16	63375GT	SCREW,FHM,6-32 X .75	
17	74006GT	COVER,GFCI,HORIZONTAL,WEATHER.1 <i>USA/Canada; includes mounting fasteners</i>	1
18	46993GT	CONT.BOX ASSY.PLAT Z30N,Z34DC.....1 <i>includes items 19 and 20 (box only; contains no internal components)</i>	1
19	36235GT	GASKET,PLAT.CONTROL BOX.....1	1
20	23404GT	NUTSERT,1/4-20,STEEL CAD PLTD	

603.1 Platform Controls - View 2 (to SN 4082)



PARTS FINDER

**Search Website
by Part Number**



**Search Manual
Library For Parts
Manual & Lookup Part
Numbers – Purchase
or Request Quote**

Search Manuals

Enter your information to help us find the right parts manual for your machine.

* Brand:

* Model:

* Serial:

* Part Number:

SEARCH

**Can't Find Part or
Manual? Request Help
by Manufacturer,
Model & Description**

Parts Order Form

Please fill in the following information to help us find the right part for your machine.

Manufacturer:	<input type="text"/>
Model:	<input type="text"/>
Description:	<input type="text"/>
Part Number:	<input type="text"/>
Quantity:	<input type="text"/>
Notes:	<input type="text"/>

Discount-Equipment.com is your online resource for quality parts & equipment.

Florida: **561-964-4949** Outside Florida TOLL FREE: **877-690-3101**

Need parts?

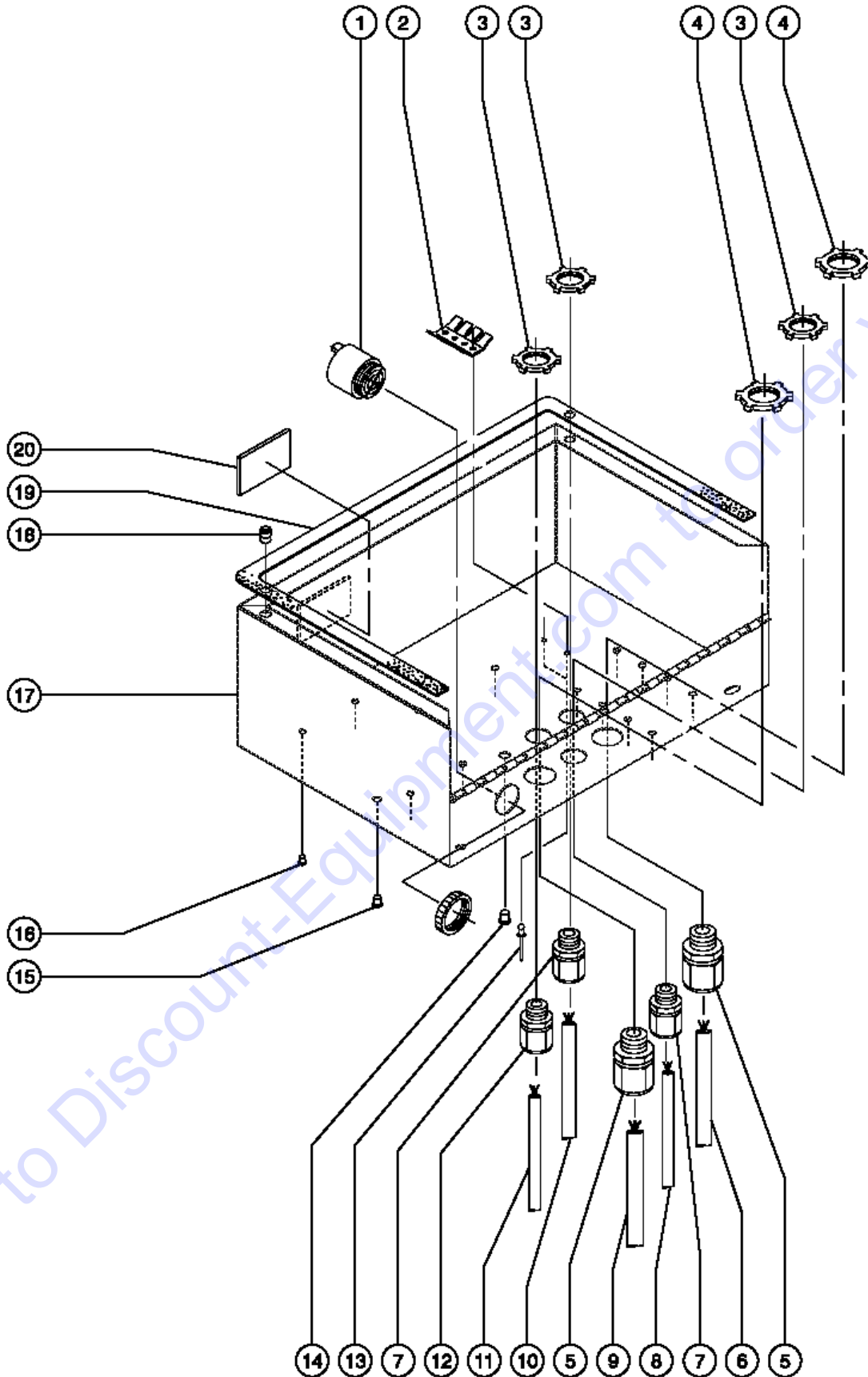
Click on this link: <http://www.discount-equipment.com/category/5443-parts/> and choose one of the options to help get the right parts and equipment you are looking for. Please have the machine model and serial number available in order to help us get you the correct parts. If you don't find the part on the website or on one of the online manuals, please fill out the request form and one of our experienced staff members will get back to you with a quote for the right part that your machine needs.

We sell worldwide for the brands: Genie, Terex, JLG, MultiQuip, Mikasa, Essick, Whiteman, Mayco, Toro Stone, Diamond Products, Generac Magnum, Airman, Haulotte, Barreto, Power Blanket, Nifty Lift, Atlas Copco, Chicago Pneumatic, Allmand, Miller Curber, Skyjack, Lull, Skytrak, Tsurumi, Husquvarna Target, Stow, Wacker, Sakai, Mi-T-M, Sullair, Basic, Dynapac, MBW, Weber, Bartell, Bennar Newman, Haulotte, Ditch Runner, Menegotti, Morrison, Contec, Buddy, Crown, Edco, Wyco, Bomag, Laymor, EZ Trench, Bil-Jax, F.S. Curtis, Gehl Pavers, Heli, Honda, ICS/PowerGrit, IHI, Partner, Imer, Clipper, MMD, Koshin, Rice, CH&E, General Equipment, Amida, Coleman, NAC, Gradall, Square Shooter, Kent, Stanley, Tamco, Toku, Hatz, Kohler, Robin, Wisconsin, Northrock, Oztec, Toker TK, Rol-Air, APT, Wylie, Ingersoll Rand / Doosan, Innovatech, Con X, Ammann, Mecalac, Makinex, Smith Surface Prep, Small Line, Wanco, Yanmar

603.1 Platform Controls - View 2 (to SN 4082)

Item	Part No.	Description	Qty.
1	46993GT	CONT.BOX ASSY.PLAT Z30N,Z34DC.....1 <i>box only; contains no internal components</i>	
2	45384GT	PLUG,NYLON .50 BLACK DOMED.....6	
3A		Ref., JOYSTICK.....1 <i>refer to 606.1</i>	
3B		Ref., JOYSTICK <i>refer to 607.1</i>	
4	56886GT	CONTROLLER,ROTARY 24V W/RAMP.....1	
--	35680GT	LEGEND,PLSTC,"CREEP TO 9"*** <i>for 56886</i>	
5	27246GT	BOOT,TOGGLE SWITCH,SHORT*.....8	
6	16397-SGT	SWITCH,TOGGLE,DPDT,3POS MOMEN.....7 <i>includes mounting fasteners</i>	
7	45383GT	ALARM,WARBLE TONE 5-30 VDC***1 <i>Does not include 72326GT nut</i>	
--	72326GT	NUT - PLASTIC,RING FOR ALARMS	
8	13037-SGT	SWITCH,TOGGLE,SPDT,3POS MOMEN*.....1 <i>includes mounting fasteners</i>	
9A	36373GT	LED,RED 24V.....1 <i>includes mounting fasteners</i>	
9B	824878GT	LIGHT,LED IND. RED 24V NH <i>includes mounting fasteners</i>	
10	6090GT	SCREW,HHC,1/4-20 X .75	
11	6356GT	WASHER,LOCK,.25	
12	6638GT	WASHER,FLAT,USS,1/4"Y	
13	13471GT	COVER, AUXILIARY POWER SWITCH.....1	
14	13480-SGT	SWITCH,TOGGLE,DPDT,2POS MOMEN.....1 <i>includes mounting fasteners</i>	
15	122513GT	KIT,HORN SVC BB&SM BOOM.....1	
--	66813GT	BUTTON,PUSH,BLACK W/SEAL***	
--	66815GT	BASE, W/1 N.O. CONTACTS***	
16	122514GT	KIT,ESTOP SVC BB&SM BOOM.....1	
--	66818GT	CONTACT, N.C.	
--	66821GT	BASE,WITHOUT CONTACTS	
17	45840GT	PLUG,NYLON 2.00 BLACK DOMED.....1	

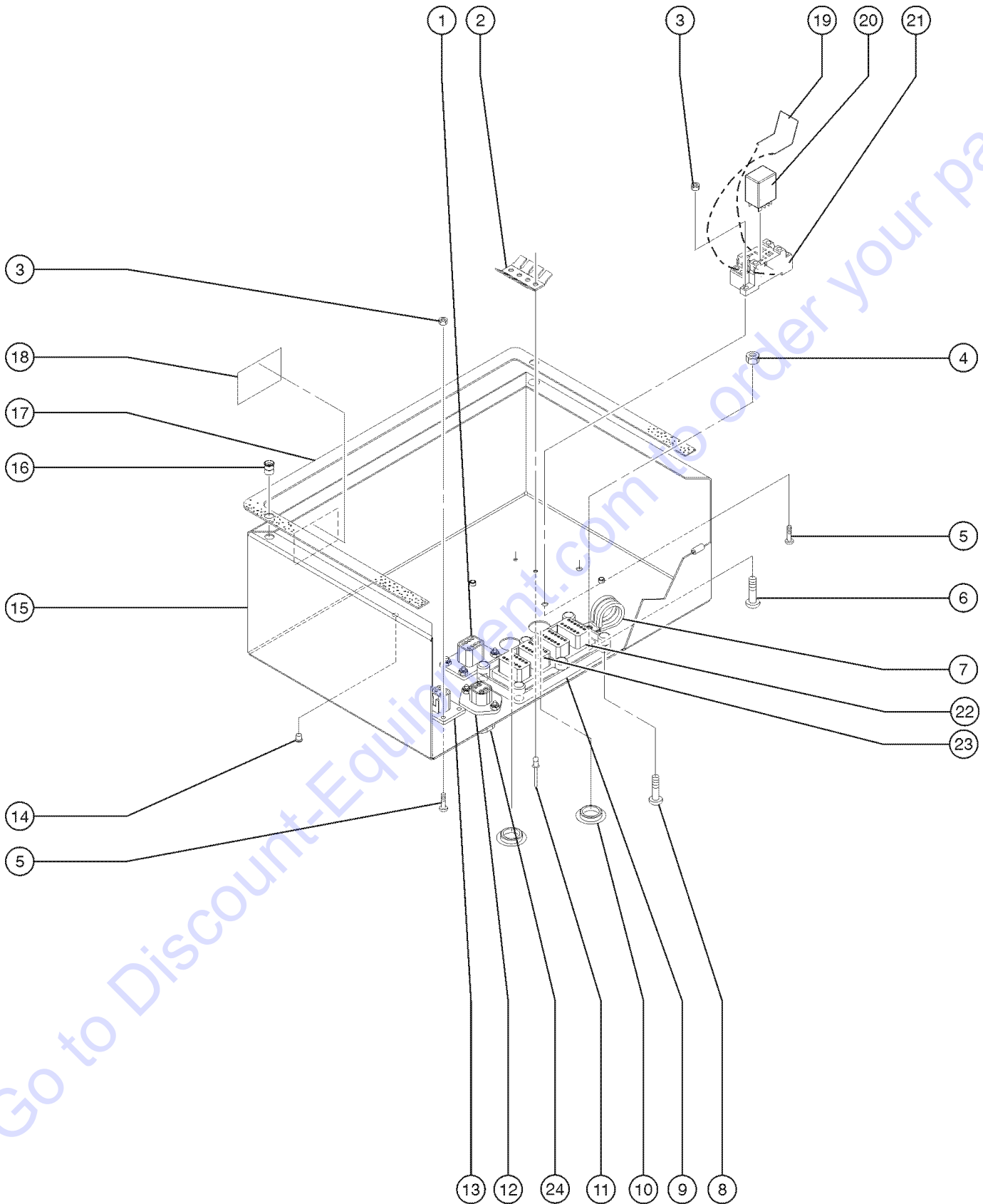
604.1 Platform Controls - View 1 (from SN 4083 to 8354)



604.1 Platform Controls - View 1 (from SN 4083 to 8354)

Item	Part No.	Description	Qty.
1	45383GT	ALARM,WARBLE TONE 5-30 VDC***.....1	1
2	56663GT	TERMINAL STRIP.....1	1
3	6935GT	LOCKNUT,ELEC,1/2".....3	3
4	14041GT	LOCKNUT,ELECTRIC,3/4".....2	2
5	12960GT	CABLE SQUEEZE CONN.,XTRA LRG...2	2
6	35934GT	WIRE CABLE,18/19 CON.TPRJKT.....600-inches	
7	7057GT	CONN. SQZ,1/2NPT .39-.56 MED.....2	2
8	43955GT	WIRE CABLE,12/3 CON.TPE JKT.....600-inches	
9	35934GT	WIRE CABLE,18/19 CON.TPRJKT.....600-inches	
10	42587GT	WIRE CABLE,18GA/7CON TPR JKT.....600-inches	
11	56051GT	WIRE CABLE,16/2,WHT/BLK,SJEOW.600-inches	
12	7056GT	CONN,SQUEEZE,1/2NPT .38-.50,SM....1	1
13	6272GT	RIVET,STL,STL,P,125 X .25	
14	21858GT	PLUG,NYLON .38 BLACK DOMED.....1	1
15	30996GT	PLUG,NYLON .313 BLACK DOMED.....1	1
16	42781GT	PLUG, NYLON .250 BLACK DOMED....10	10
17	101989GT	PLAT CONTROL BOX W/DECAL <i>includes items 18 and 19</i>	
17	62517GT	CONT.BOX ASSY.PLAT Z30N,Z34DC.....1 <i>includes items 18 and 19</i>	
17	74353GT	CONTROL BOX ASSY.Z30/34N/34DC <i>includes items 18 and 19</i>	
18	23404GT	NUTSERT,1/4-20,STEEL CAD PLTD	
19	36235GT	GASKET,PLAT.CONTROL BOX.....1	1
20	30997GT	CORROSION INHIBITOR,FOAM.....1	1

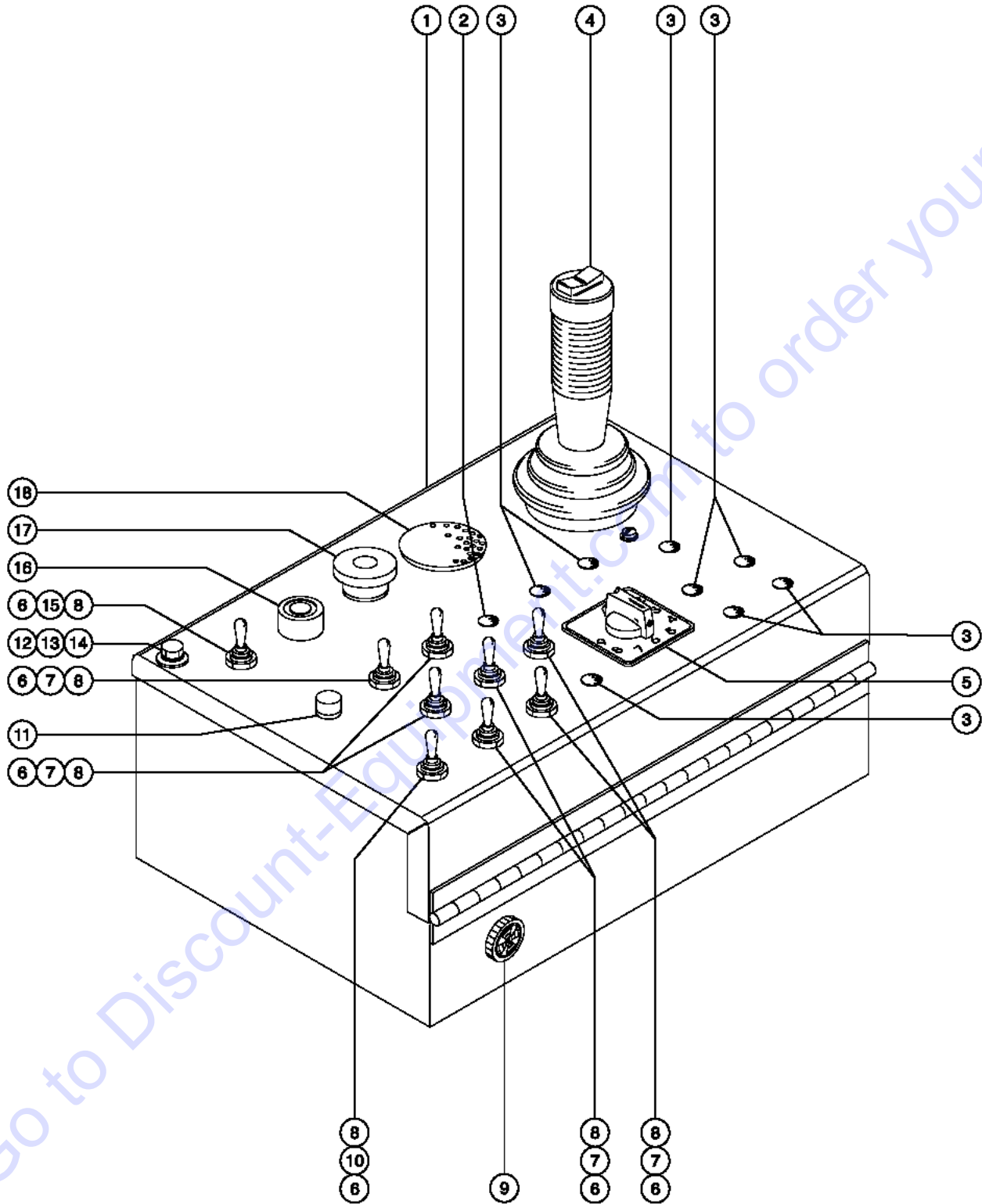
604.2 Platform Controls - View 1 (from SN 8355)



604.2 Platform Controls - View 1 (from SN 8355)

Item	Part No.	Description	Qty.
--	147253GT	TIME DELAY RELAY,2 SEC,24VDC <i>from SN 12120</i>	
--	147389GT	HARNESS, LOAD SENSE, Z30/34DC <i>from SN 12120</i>	
1	87755GT	CONN,RECEP 8 WAY 14-18GA,FL.....1	
2	56663GT	TERMINAL STRIP.....1	
3	12344GT	NUT,NYLOCK,6-32	
4	6178GT	NUT,NYLOCK,10-32	
5	49820GT	SCREW,PHILLIPS,PHM,6-32 X .5	
6	54365GT	SCREW,PHIL,PHM,10-32 X .5,SSTL	
7	13268GT	CLAMP,0.75,#12 X 1/4,RUB CUSH.....1	
8	73803GT	SCREW,SHM,PHP, #12 X .75	
9	54255GT	LOCK,RECEP 12 WAY, 14-18GA	
9	73713GT	TERM,NI PIN,S&F,16-18GA,REEL	
9	73736GT	CONN,RECEP 48 WAY,4 X 12.....1	
10	15243GT	PLUG,NYLON .875 BLACK DOMED.....2	
11	6272GT	RIVET,STL,STL,P.125 X .25.....4	
12	73717GT	CONN,RECEP 4 WAY,12-14GA FL***.....1	
--	60526GT	LOCK,RECEP 4 WAY,12-14GA	
--	73711GT	TERM,DEUTSCH, PIN #12-14	
13	73723GT	CONN RECEP,FLANGED.....1	
--	54259GT	TERM,NI PIN, 14-16GA,BULK	
--	60443GT	LOCK,RECEP 4 WAY,14-18GA	
14	42781GT	PLUG, NYLON .250 BLACK DOMED.....4	
15	110649GT	PLATFORM CONTROL BOX W/DECAL.....1 <i>includes items 16, 17 and 18</i>	
16	23404GT	NUTSERT,1/4-20,STEEL CAD PLTD	
17	36235GT	GASKET,PLAT.CONTROL BOX.....1	
18	30997GT	CORROSION INHIBITOR,FOAM.....1	
19	42617GT	CLIP,SPRING,POTTER BRUMFIELD.....1	
20	823226GT	POWER RELAY, 24V COIL.....1 <i>(for drive light option)</i>	
21	61226GT	RELAY SOCKET,70AMP.....1	
22	110243GT	HARNESS CABLE1 18/19 COND.....1	
23	110239GT	HARNESS CABLE3 18/19 COND.....1	
24	110235GT	HARNESS CABLE2 12/3 COND.....1	

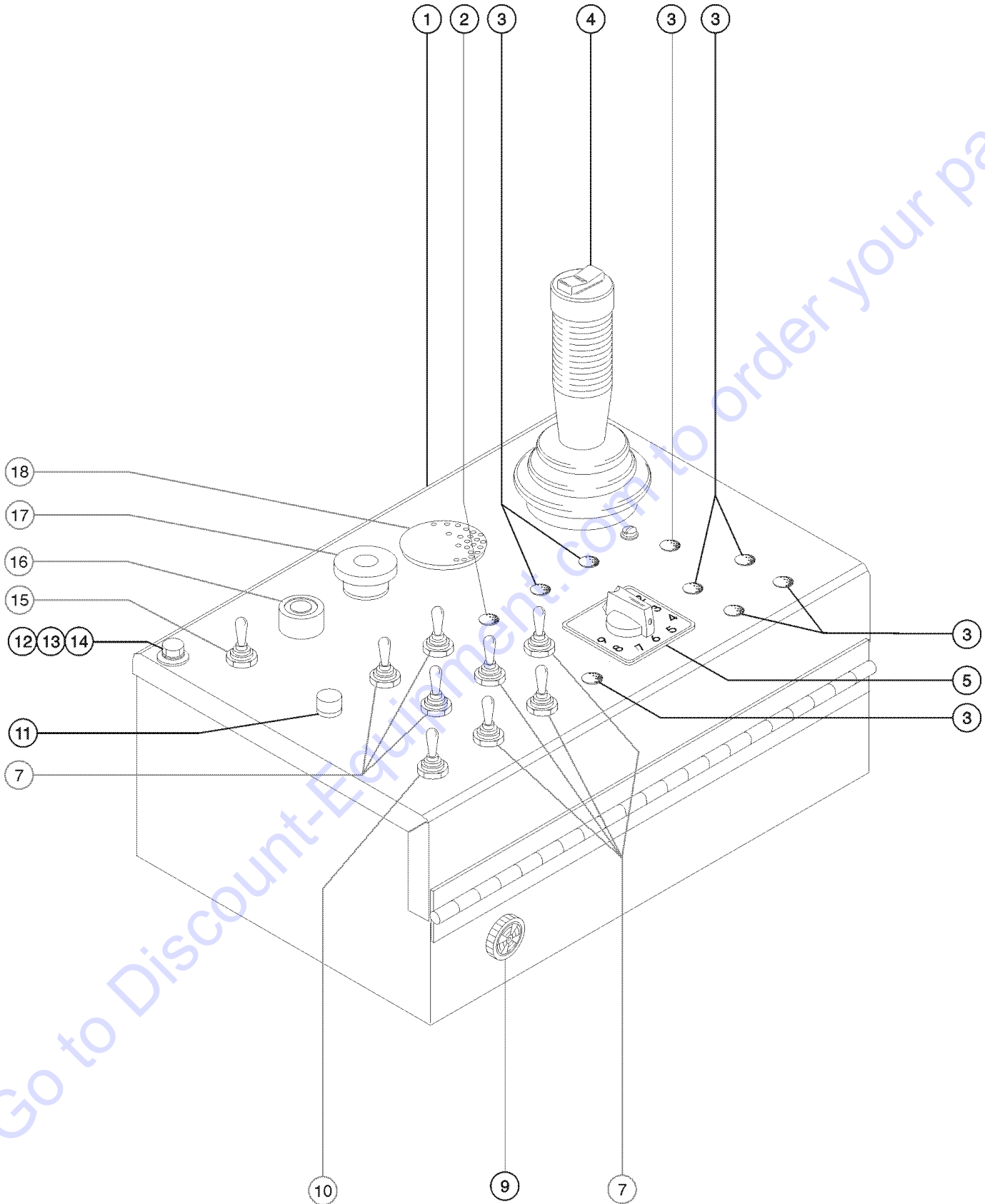
605.1 Platform Controls - View 2 (from SN 4083 to 11193)



605.1 Platform Controls - View 2 (from SN 4083 to 11193)

Item	Part No.	Description	Qty.
1		Ref. Control Box with Lid and Decal (refer to 604.1)	
2	45384GT	PLUG,NYLON .50 BLACK DOMED.....1	
--	16397-SGT	SWITCH,TOGGLE,DPDT,3POS MOMEN	
3	45384GT	PLUG,NYLON .50 BLACK DOMED.....5	
4		Ref., JOYSTICK <i>refer to 607.1</i>	
5	56886GT	CONTROLLER,ROTARY 24V W/RAMP.....1	
--	35680GT	LEGEND,PLSTC,"CREEP TO 9"*** <i>for 56886</i>	
6	27246GT	BOOT,TOGGLE SWITCH,SHORT*.....9	
7	16397-SGT	SWITCH,TOGGLE,DPDT,3POS MOMEN.....7	
8	54692GT	SPACER,NYLON,.718 X .526 X.219.....10	
9	45383GT	ALARM,WARBLE TONE 5-30 VDC***1 <i>Does not include 72326GT nut</i>	
--	72326GT	NUT - PLASTIC,RING FOR ALARMS	
10	13037-SGT	SWITCH,TOGGLE,SPDT,3POS MOMEN*.....1	
11	824878GT	LIGHT,LED IND. RED 24V NH.....1 <i>includes mounting fasteners</i>	
12	6090GT	SCREW,HHC,1/4-20 X .75	
13	6356GT	WASHER,LOCK,.25	
14	6638GT	WASHER,FLAT,USS,1/4"Y	
15	42730-SGT	SWITCH,TOGGLE SPDT,2POS MOMEN.....1 <i>includes mounting fasteners</i>	
16	122513GT	KIT,HORN SVC BB&SM BOOM.....1	
--	66813GT	BUTTON,PUSH,BLACK W/SEAL***	
--	66815GT	BASE, W/1 N.O. CONTACTS***	
17	122514GT	KIT,ESTOP SVC BB&SM BOOM.....1	
--	66818GT	CONTACT, N.C.	
--	66821GT	BASE,WITHOUT CONTACTS	
18	45840GT	PLUG,NYLON 2.00 BLACK DOMED.....1	

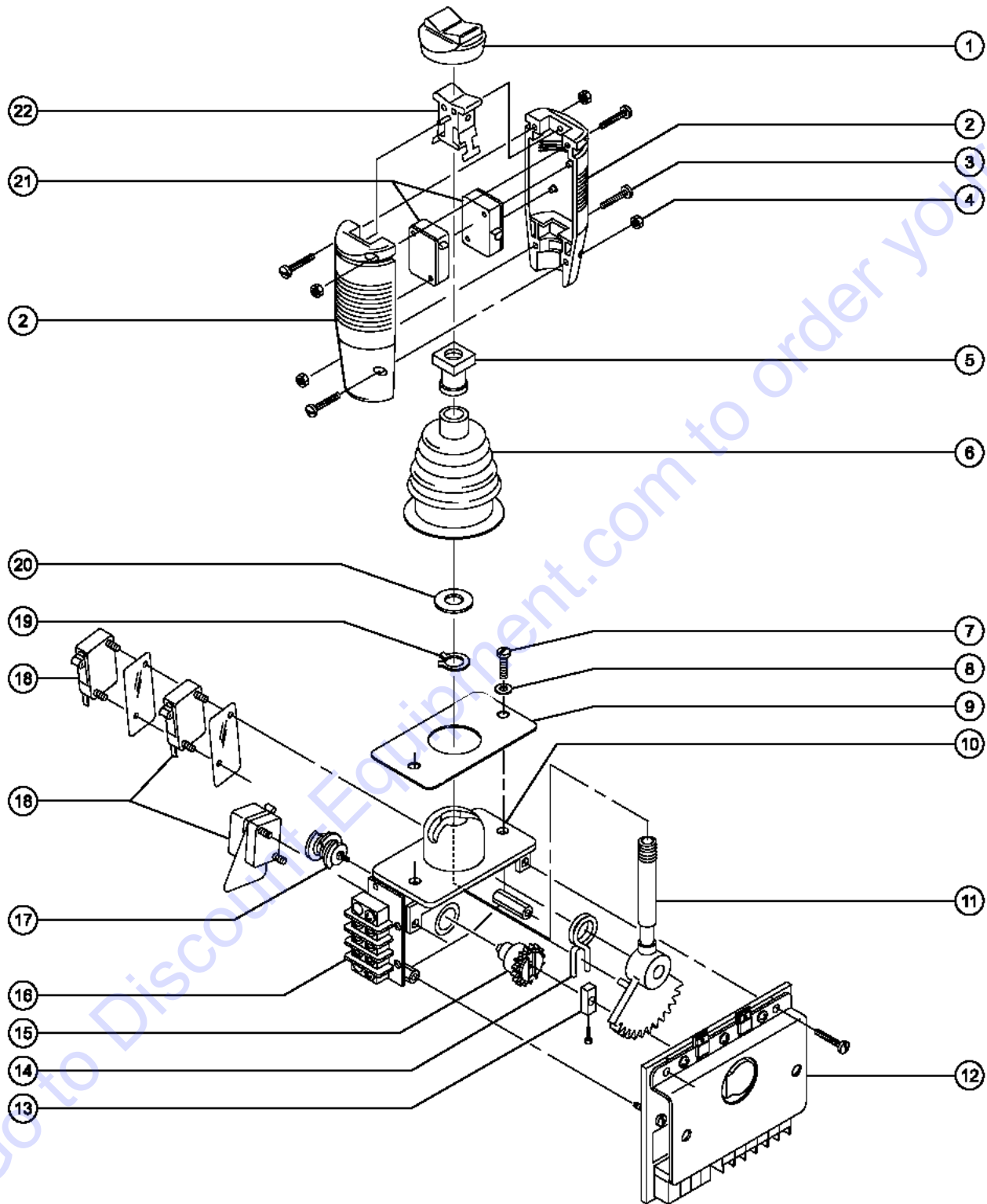
605.2 Platform Controls - View 2 (from SN 11194)



605.2 Platform Controls - View 2 (from SN 11194)

Item	Part No.	Description	Qty.
1		Ref. Control Box with Lid and Decal (refer to 605.1)	
2	128202GT	SWITCH TOGGLE ASSY DPDT 3P MOM.....1	1
--	229567GT	PLUG,SANTOPRENE .5 BLACK DOME from SN 14164	
--	45384GT	PLUG,NYLON .50 BLACK DOMED.....1 to SN 14163	1
3	229567GT	PLUG,SANTOPRENE .5 BLACK DOME from SN 14164	
3	45384GT	PLUG,NYLON .50 BLACK DOMED.....5 to SN 14163	5
4		Ref., JOYSTICK.....1 refer to 607.1	1
5	56886GT	CONTROLLER,ROTARY 24V W/RAMP.....1	1
--	35680GT	LEGEND,PLSTC,"CREEP TO 9"*** for 56886	
7	128202GT	SWITCH TOGGLE ASSY DPDT 3P MOM.....7	7
9	45383GT	ALARM,WARBLE TONE 5-30 VDC***1 Does not include 72326GT nut	1
--	72326GT	NUT - PLASTIC,RING FOR ALARMS	
10	128200GT	SWITCH TOGGLE ASSY SPDT 3P MOM.....1	1
11	824878GT	LIGHT,LED IND. RED 24V NH.....1 includes mounting fasteners	1
12	6090GT	SCREW,HHC,1/4-20 X .75	
13	6356GT	WASHER,LOCK,.25	
14	6638GT	WASHER,FLAT,USS,1/4"Y	
15	128203GT	SWITCH TOGGLE ASSY SPDT 2P MOM.....1 includes mounting fasteners	1
16	122513GT	KIT,HORN SVC BB&SM BOOM.....1	1
--	66813GT	BUTTON,PUSH,BLACK W/SEAL***	
--	66815GT	BASE, W/1 N.O. CONTACTS***	
17	122514GT	KIT,ESTOP SVC BB&SM BOOM.....1	1
--	146478GT	BOOT(BELLOWS),E-STOP,BLACK (from SN 12402)	
--	66818GT	CONTACT, N.C.	
--	66821GT	BASE,WITHOUT CONTACTS	
18	45840GT	PLUG,NYLON 2.00 BLACK DOMED.....1	1

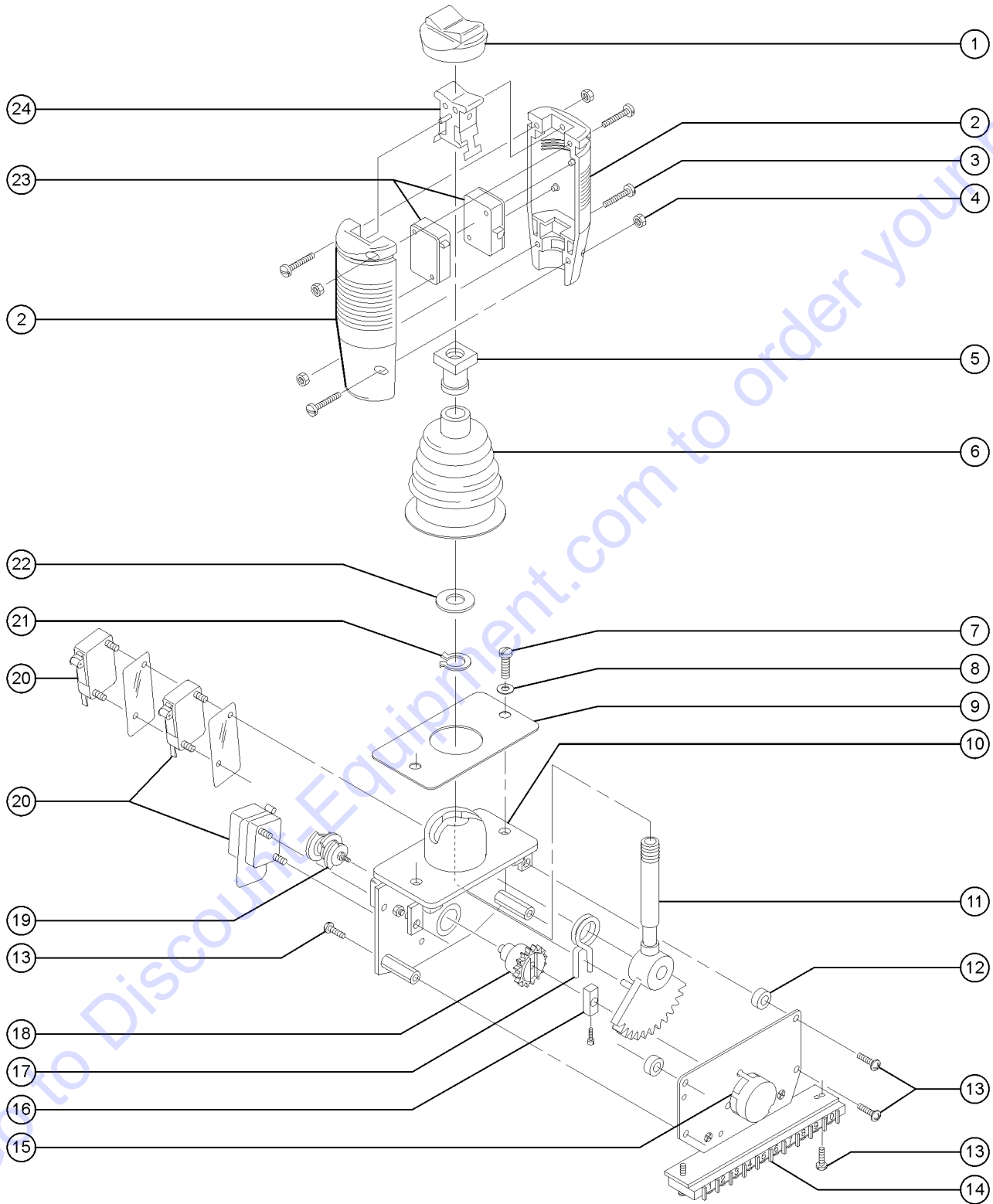
606.1 Joystick Controller (to SN 3446)



606.1 Joystick Controller (to SN 3446)

Item	Part No.	Description	Qty.
--	42032GT	JOYSTICK,CNTRLLR SINGLE BRD*** <i>OEM joystick, contains all shown service parts</i>	
--	42032HGT	JOYSTICK,CNTRLLR SINGLE BRD <i>aftermarket joystick replacement</i>	
1	43038GT	BOOT-THUMB ROCKER** BLACK.....1	
2	52887GT	HANDLE HALF (56274).....2	
3	52895GT	SCREW,PHM,M3 X .5 X 12MM	
4	52928GT	NUT-HEX,3M X 0.5MM	
5	43040GT	NUT,JS,36867/42032/44988/40612	
6	21427GT	BOOT,CONTROLLER**1	
7	49816GT	SCREW,PHILLIPS,PHM,10-32 X .75	
8	74362GT	WASHER,NYLON, JOYSTICK	
9	43042GT	GASKET,JOYSTK.SHAFT36867/42032..1	
10	58987GT	CASTING 42032.....1	
11	46227GT	SHAFT ASSY, JOYSTICK***.....1 <i>includes gear</i>	
12	43045GT	PCB,ASSY,42032 CONTROLLER.....1	
13	65529GT	COUPLING-POT,JOYSTICK (56579)....1	
14	21434GT	SPRING & BUSHING KIT,RETURN***1	
15	19731GT	GEAR, SLAVE, MS4,45048.....1	
16	74363GT	TERMINAL BUSS,JOYSTICK(42032)....1	
17	74364GT	CAM ASSEMBLY, JOYSTICK(42032)....1	
18	19712GT	MICROSWITCH,V3L-139-D8.....4	
19	74365GT	C-CLIP, SHAFT, JOYSTICK.....1	
20	74366GT	WASHER, FLAT, SHAFT, JOYSTICK	
21	19722GT	MICROSWITCH-V319M***2	
22	58986GT	ROCKER ASSY (42032)***1 <i>yellow plastic</i>	
--	65178GT	ROCKER ASSY W/ROLLPIN*** <i>black plastic</i>	

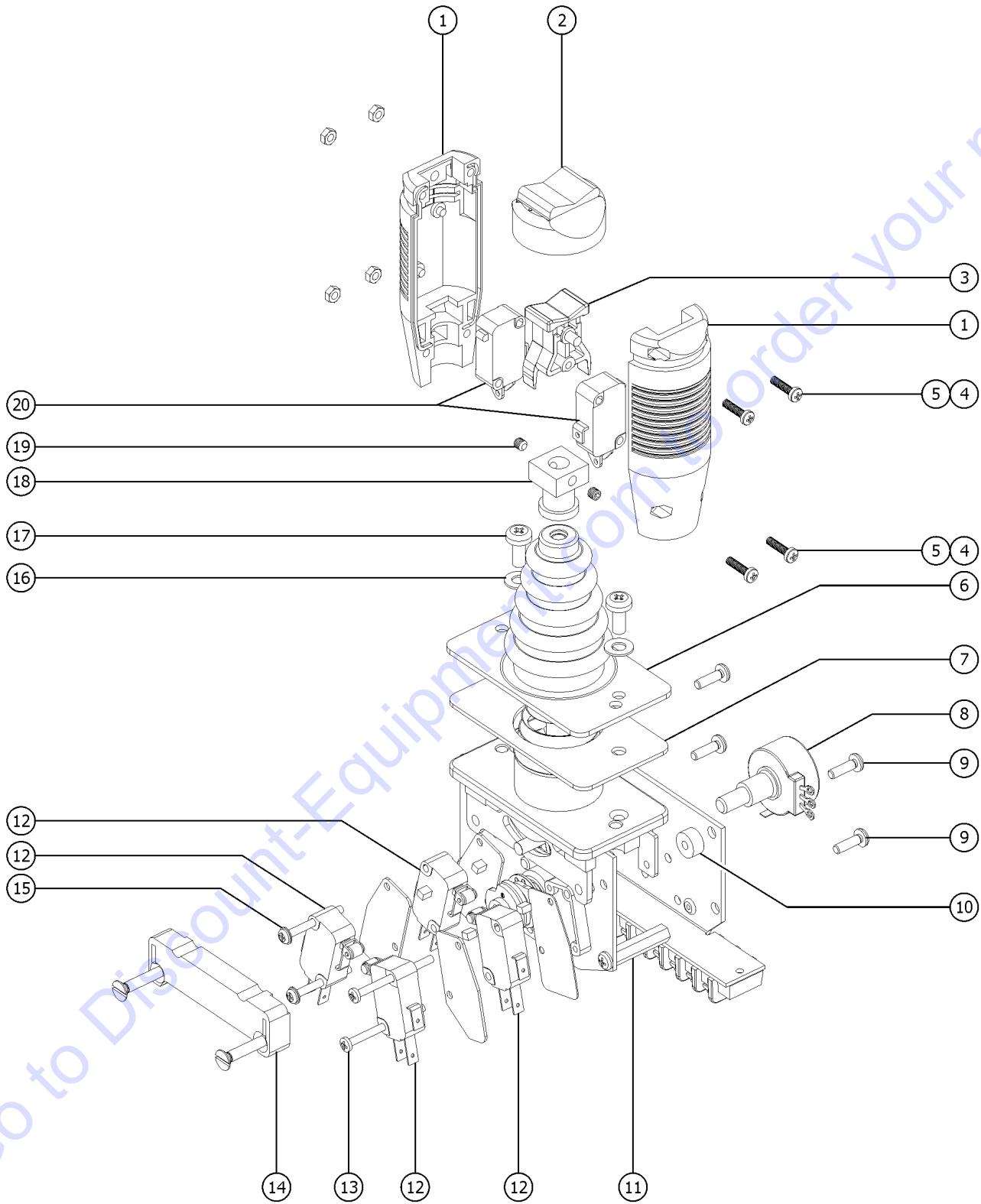
607.1 Joystick Controller (from SN 3447 to 14695)



607.1 Joystick Controller (from SN 3447 to 14695)

Item	Part No.	Description	Qty.
A	56773GT	JOYSTICK,5K-0 OHM (10-pin connector) to SN Z30N13-14695	
1	43038GT	BOOT-THUMB ROCKER** BLACK.....1	
2	52887GT	HANDLE HALF (56274)	
3	52895GT	SCREW,PHM,M3 X .5 X 12MM	
4	52928GT	NUT-HEX,3M X 0.5MM	
5	43040GT	NUT,JS,36867/42032/44988/40612.....1	
6	21427GT	BOOT,CONTROLLER**.....1	
7	49816GT	SCREW,PHILLIPS,PHM,10-32 X .75	
8	74362GT	WASHER,NYLON, JOYSTICK	
9	43042GT	GASKET,JOYSTK.SHAFT36867/42032..1	
10	58987GT	CASTING 42032.....1	
11	46227GT	SHAFT ASSY, JOYSTICK***1 <i>includes gear</i>	
12	74368GT	SPACER-POT.PLATE,JOYSTICK56773..1	
13	65546GT	SCREW,PHM,M3.5 X 12MM (57890)	
14	74367GT	TERM.BUSS,10POLE,JOYSTICK56773.1	
15	72298GT	POTENTIOMETER (56773).....1	
16	65529GT	COUPLING-POT,JOYSTICK (56579)....1	
17	21434GT	SPRING & BUSHING KIT,RETURN***1	
18	19731GT	GEAR, SLAVE, MS4,45048.....1	
19	74364GT	CAM ASSEMBLY, JOYSTICK(42032)....1	
20	19712GT	MICROSWITCH,V3L-139-D8.....1	
21	74365GT	C-CLIP, SHAFT, JOYSTICK.....1	
22	74366GT	WASHER, FLAT, SHAFT, JOYSTICK	
23	19722GT	MICROSWITCH-V319M***2	
24	58986GT	ROCKER ASSY (42032)***1	

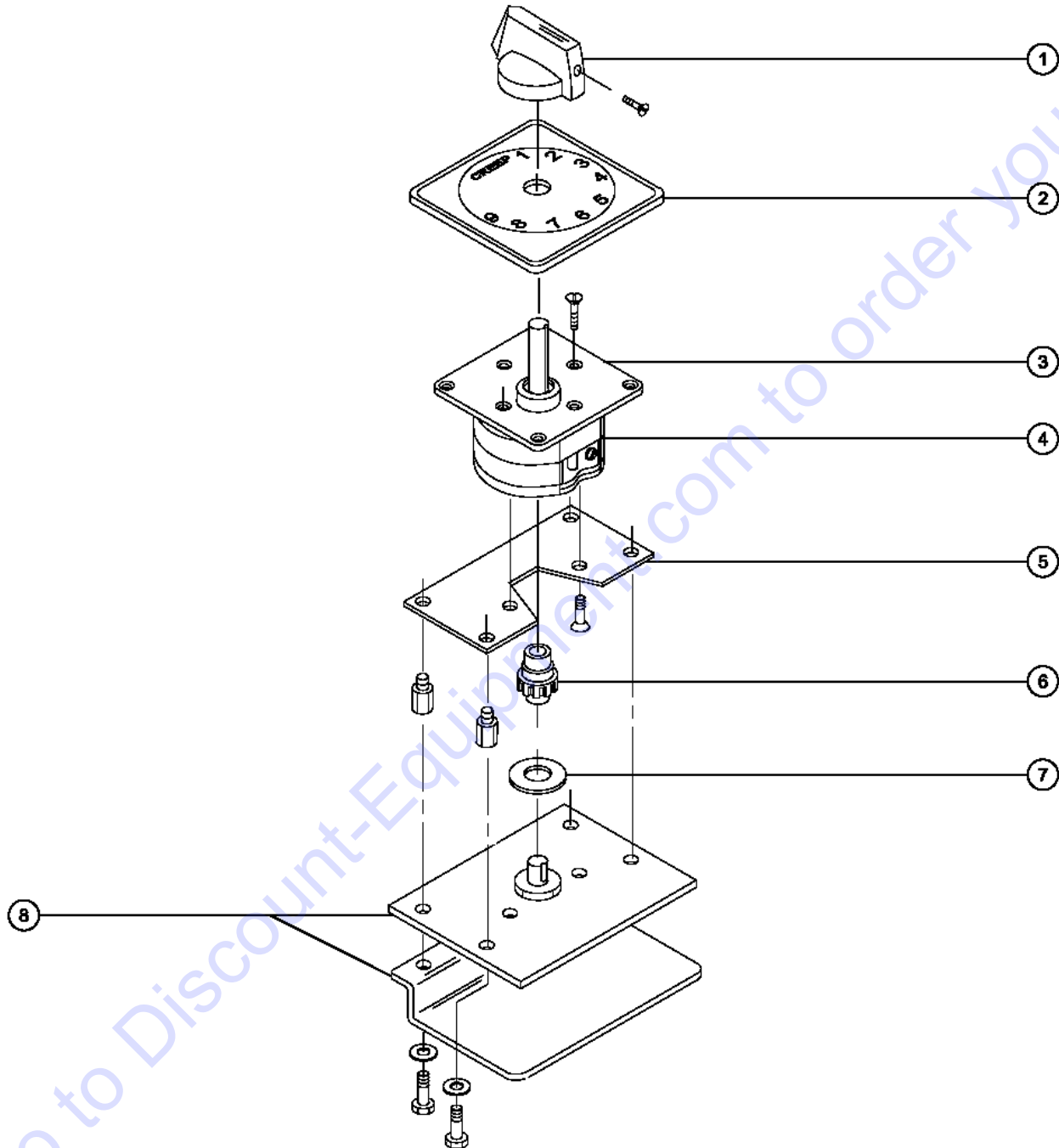
607.2 Joystick Controller (from SN 14696)



607.2 Joystick Controller (from SN 14696)

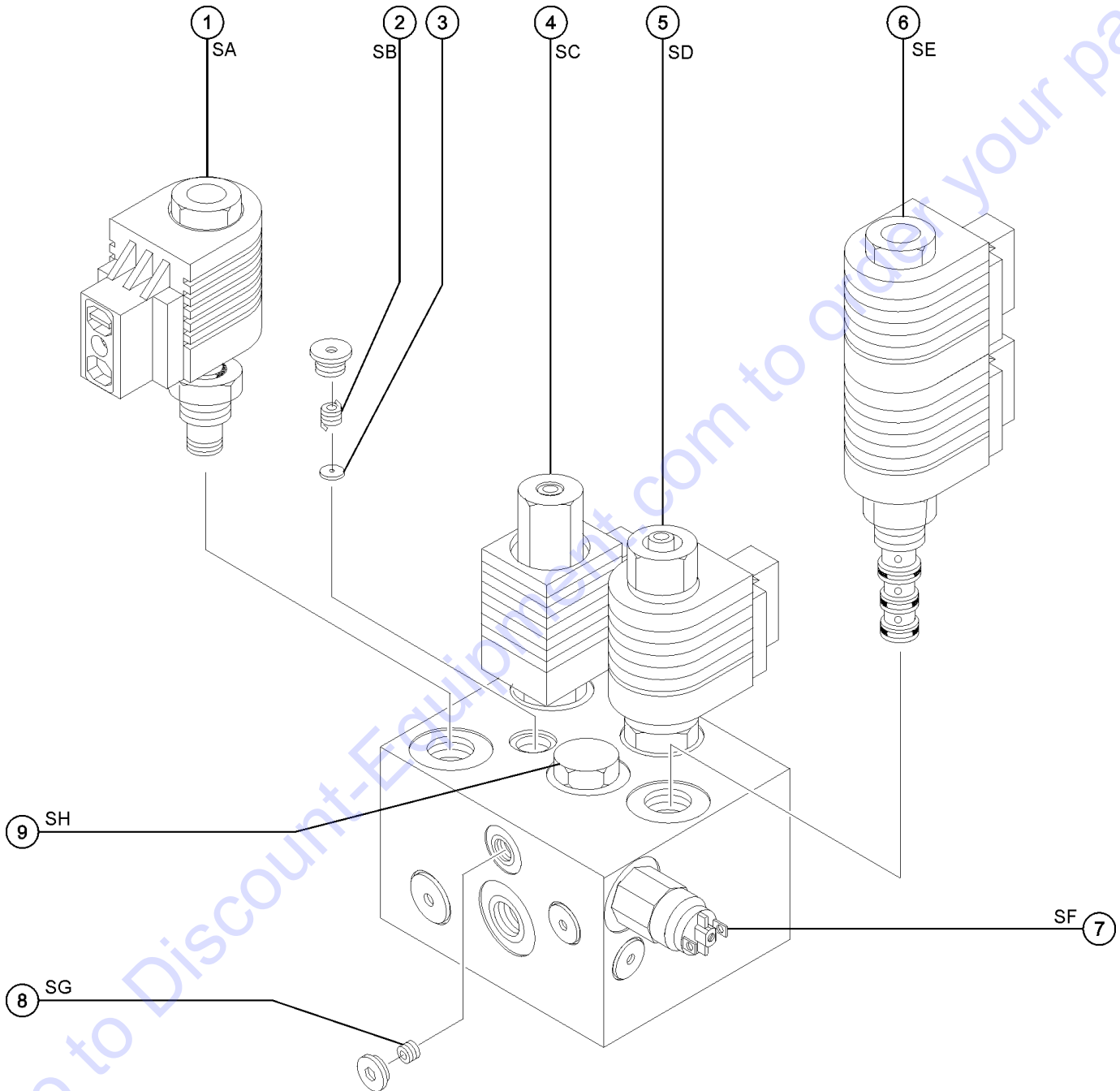
Item	Part No.	Description	Qty.
A	234923GT	JOYSTICK,5K-0 OHM,W/RELAY.....	1
1	52887GT	HANDLE HALF (56274).....	2
2	43038GT	BOOT-THUMB ROCKER** BLACK.....	1
3	65178GT	ROCKER ASSY W/ROLLPIN***.....	1
4	52895GT	SCREW,PHM,M3 X .5 X 12MM.....	4
5	52928GT	NUT-HEX,3M X 0.5MM.....	4
6	21427GT	BOOT,CONTROLLER**.....	1
7	43042GT	GASKET,JOYSTK.SHAFT36867/42032..	1
8	72298GT	POTENTIOMETER (56773).....	1
9	65546GT	SCREW,PHM,M3.5 X 12MM (57890)....	6
10	74368GT	SPACER-POT.PLATE,JOYSTICK56773..	2
11	19721GT	MICROSWITCH SPACER,45049.....	1
12	19712GT	MICROSWITCH,V3L-139-D8.....	4
13	52892GT	SCREW,PHS,4-40 X 1.5.....	2
14	19713GT	SPRING RETURN,HEAVY DUTY,45049.....	1
15		Ref. SCREW, 4-40 x 1/18"..... <i>illustration purpose only</i>	2
16	74362GT	WASHER,NYLON, JOYSTICK.....	2
17	226383GT	SCREW.....	2
18	43040GT	NUT,JS,36867/42032/44988/40612..... <i>coupling</i>	1
19	58985GT	SCREW,HANDLE42032,40612,36867....	2
20	19722GT	MICROSWITCH-V319M***.....	2

608.1 Rotational Controller



Item	Part No.	Description	Qty.
A	56886GT	CONTROLLER,ROTARY 24V W/RAMP.....	1
1	35679GT	KNOB, 45048 CONTROLLER.....	1
2	35680GT	LEGEND,PLSTC,"CREEP TO 9"***.....	1
3	35678GT	MOUNTING PLATE, 45048.....	1
4	74356GT	SWITCH ASSEMBLY (56886).....	1
5	74357GT	PLATE,ROTARY CNTRL (56886).....	1
6	74358GT	COUPLING,POT SHAFT (56886).....	1
7	74359GT	GASKET-ROTARY CNTRL 56886.....	1
8	74384GT	PRINTED CIRCUIT BOARD 56886.....	1

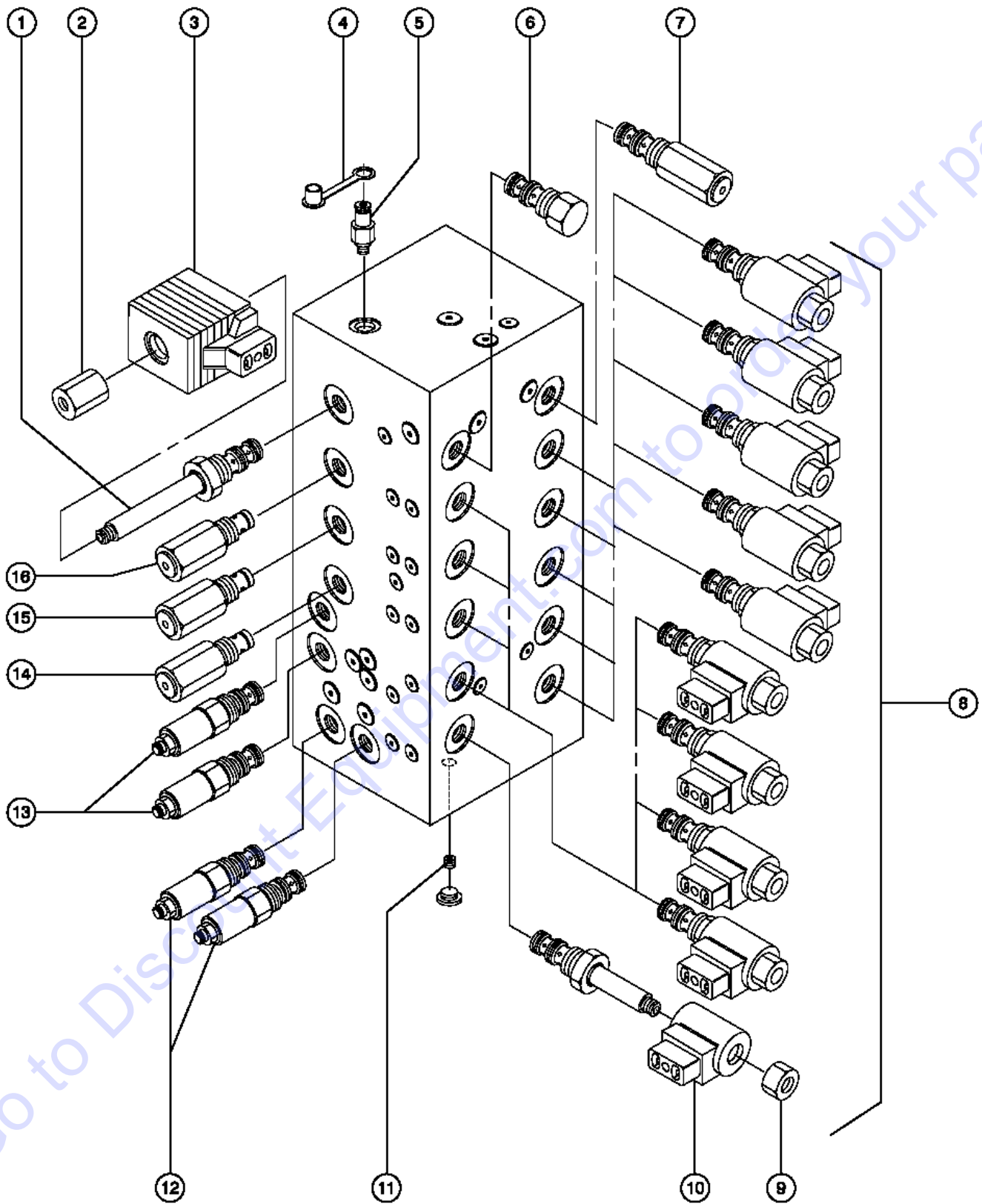
701.1 Steer/Brake Manifold (to SN 3446)



701.1 Steer/Brake Manifold (to SN 3446)

Item	Part No.	Description	Qty.
--	28750GT	O-RING KIT,FIELD SVC,ALL PROD*	
--	33994GT	PLUG AND CAP KIT-SERVICE,37 **	
--	42764GT	MANIFOLD,STEER/BRAKE*** <i>includes items 1-6, 8 and 9; not used after SN 3446</i>	
--	49612GT	O-RING KIT (ORFS FITTINGS)	
--	49613GT	PLUG AND CAP KIT-SERVICE,ORFS*	
--	58989GT	PLUG KIT MANIFOLD	
1	45544GT	VALVE SOLENOID.....1 <i>SA, Brake Circuit</i>	
--	40413GT	COIL,SOLND,W/D,20V SGL SPADE <i>(single-spade coil)</i>	
--	52339GT	COIL,SOLND,W/D,20V DUAL SPADE <i>(dual-spade coil)</i>	
--	52943GT	NUT,SOLENOID VALVE COIL	
--	74902GT	SEAL KIT <i>for 45544GT</i>	
2	18920GT	SPRING-DRIVE MANIFOLD/520131.....1 <i>SB, Orifice</i>	
3	40424GT	PLUG,ORIFICE, .052 INCH.....1	
4	58965GT	VALVE, PROPORTIONAL (42764).....1 <i>SC, includes items 13 and 14</i>	
--	29032GT	COIL,24V SOLENOID VALVE	
--	62276GT	NUT, SOLENOID VALVE COIL	
--	T112540GT	SEAL KIT,VALVE	
5	44956GT	VALVE,SOLENOID 20V W/DIODE.....1 <i>SD</i>	
--	40413GT	COIL,SOLND,W/D,20V SGL SPADE	
--	45912GT	NUT,SOLENOID VALVE 2P3W	
--	74902GT	SEAL KIT	
6	52885GT	VALVE,SOLENOID,3POS 4WAY.....1 <i>SE, Steer</i>	
--	40413GT	COIL,SOLND,W/D,20V SGL SPADE	
--	52943GT	NUT,SOLENOID VALVE COIL	
--	72047GT	SEAL KIT, SOLENOID VALVE <i>for 52885GT</i>	
7	1287986GT	SWITCH,PRESS,#6SAE,600 PSI.....1 <i>SF, Pressure Switch</i>	
8	37075GT	PLUG,ORIFICE,0.040.....1 <i>SG, Orifice</i>	
9	45543GT	VALVE,CHECK, 50 PSI.....1 <i>SH, Check Valve</i>	

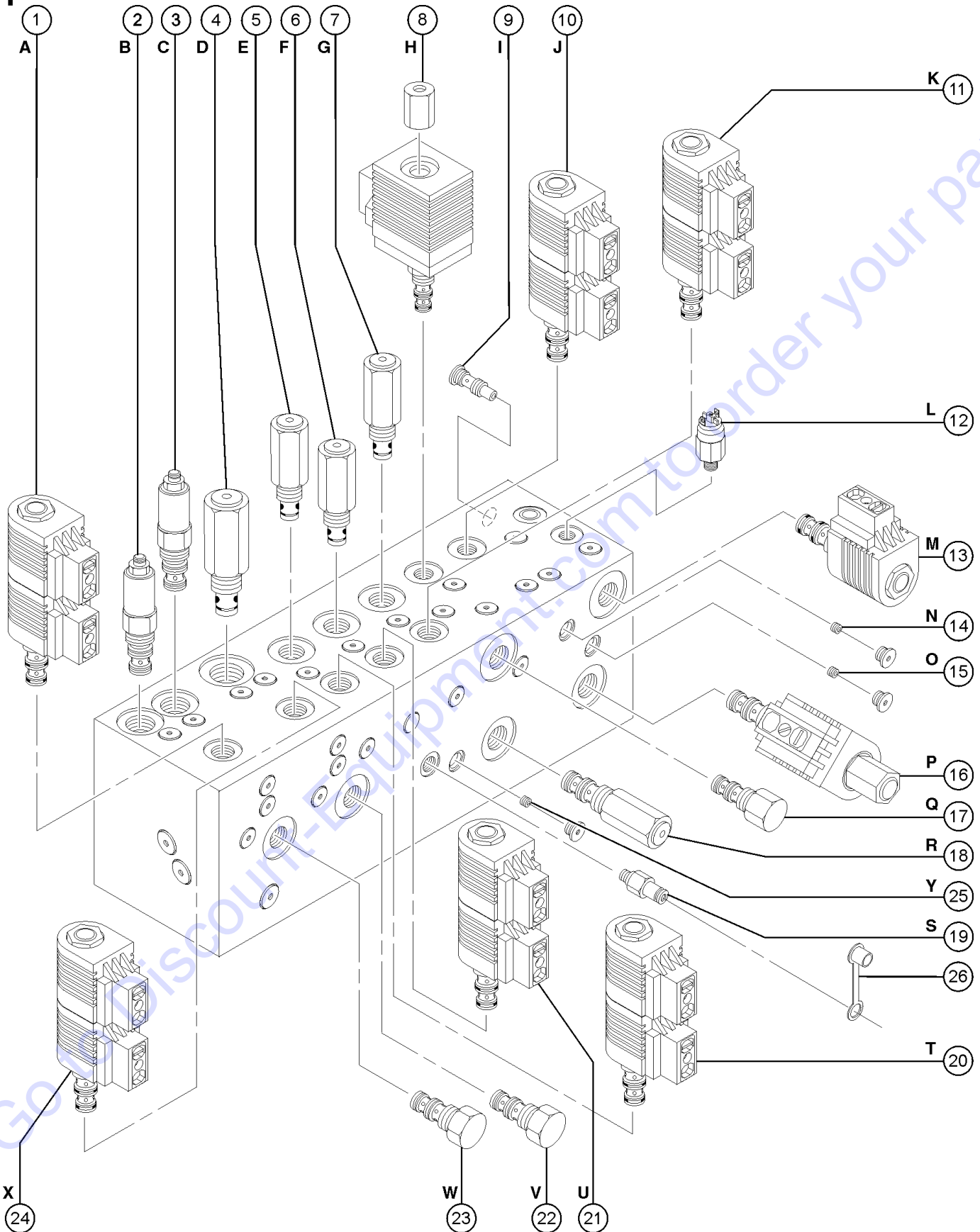
702.1 Function Manifold (to SN 3446)



702.1 Function Manifold (to SN 3446)

Item	Part No.	Description	Qty.
--	28750GT	O-RING KIT,FIELD SVC,ALL PROD*	
--	33994GT	PLUG AND CAP KIT-SERVICE,37 **	
--	36659GT	MANIFOLD,FUNCTION*** <i>Complete</i>	
1	40410GT	VALVE,PROPORTIONAL **1 <i>includes items 2 and 3</i>	1
2	52718GT	NUT-VALVE,PROP. SOLENOID-50683.....1	1
3	29032GT	COIL,24V SOLENOID VALVE.....1	1
4	48880GT	CAP,DIAGNOSTIC NIPPLE.....1	1
5	48997GT	NIPPLE,DIAGNOSTIC,#4.....1	1
--	20224GT	DIAGNOSTIC FEMALE Q-DSCNT	
6	27532GT	VALVE,DIFFERENTIAL SENSING.....1	1
7	37080GT	VALVE,RELIEF, 2800 PSI.....1	1
8	44954GT	VALVE,SOLENOID,20V W/ DIODE **10 <i>includes items 9 and 10</i>	10
9	52943GT	NUT,SOLENOID VALVE COIL.....10	10
10	40413GT	COIL,SOLND,W/D,20V SGL SPADE.....10	10
11	29737GT	PLUG,ORIFICE,0.052 INCH.....1	1
12	37079GT	VALVE,COUNTERBALANCE 3000 PSI.....2	2
13	74378GT	VALVE,COUNTERBALANCE (36659)....2	2
14	31528GT	VALVE,RELIEF 1600 PSI.....1	1
15	40412GT	VALVE,RELIEF 1400PSI.....1	1
16	31527GT	VALVE,RELIEF 1800 PSI.....1	1

703.1 Function Manifold (from SN 3447)



703.1 Function Manifold (from SN 3447)

Item	Part No.	Description	Qty.	Item	Part No.	Description	Qty.
--	128443GT	MANIFOLD,FUNC,Z30NRJ.....1 <i>from SN 10808 to 15132</i>	1	--	110200GT	SEAL KIT, VALVE, #4	
--	128444GT	MANIFOLD,FUNC,Z30N/Z34DC/BE.....1 <i>from SN 10808 to 15132</i>	1	10	52885GT	VALVE,SOLENOID,3POS 4WAY.....1 <i>J, steer left/right</i>	1
--	28750GT	O-RING KIT,FIELD SVC,ALL PROD*		--	40413GT	COIL,SOLND,W/D,20V SGL SPADE	
--	33994GT	PLUG AND CAP KIT-SERVICE,37 **		--	52943GT	NUT,SOLENOID VALVE COIL	
--	49612GT	O-RING KIT (ORFS FITTINGS)		--	72047GT	SEAL KIT, SOLENOID VALVE <i>for 52885</i>	
--	49613GT	PLUG AND CAP KIT-SERVICE,ORFS*		11	52599GT	VALVE,SOLENOID,3POS/4WAY*.....1 <i>K, primary boom extend/retract</i>	1
--	56309GT	MANIFOLD,FUNCT MULTI Z-34BE.....1 <i>from SN 3447 to 5396</i>	1	--	40413GT	COIL,SOLND,W/D,20V SGL SPADE	
--	74512GT	MAN,FUNC,SM BOOM DC MACHINES.....1 <i>(from SN 5397 to 15132 Z30NRJ) (from 5397 to 5667 Z30N DC/BE)</i>	1	--	52943GT	NUT,SOLENOID VALVE COIL	
--	74966GT	MANIFOLD,FUNC,Z30N,Z34DC,BE,N*...1 <i>from SN 5668 to 10807</i>	1	--	72047GT	SEAL KIT, SOLENOID VALVE	
1	52599GT	VALVE,SOLENOID,3POS/4WAY*.....1 <i>A, platform level up/down</i>	1	12	1287986GT	SWITCH,PRESS,#6SAE,600 PSI.....1 <i>L, brake circuit</i>	1
--	40413GT	COIL,SOLND,W/D,20V SGL SPADE		13	45544GT	VALVE SOLENOID.....1 <i>M, brake circuit</i>	1
--	52943GT	NUT,SOLENOID VALVE COIL		--	40413GT	COIL,SOLND,W/D,20V SGL SPADE <i>(single-spade coil)</i>	
--	72047GT	SEAL KIT, SOLENOID VALVE		--	52339GT	COIL,SOLND,W/D,20V DUAL SPADE <i>(dual-spade coil)</i>	
2	52604GT	VALVE,COUNTERBALANCE, 3000PSI.....1 <i>B, platform level down</i>	1	--	52943GT	NUT,SOLENOID VALVE COIL	
--	58994GT	SEAL KIT,VALVE (48647)		--	74902GT	SEAL KIT <i>for 45544</i>	
3	52604GT	VALVE,COUNTERBALANCE, 3000PSI.....1 <i>C, platform level up</i>	1	14	19789GT	PLUG,ORIFICE-.045.....1 <i>N, steer circuit</i>	1
--	58994GT	SEAL KIT,VALVE (48647)		15	19789GT	PLUG,ORIFICE-.045.....1 <i>O, brake circuit</i>	1
4	52603GT	VALVE,RELIEF,1100PSI***.....1 <i>D, turntable rotate left/right</i>	1	16	44956GT	VALVE,SOLENOID 20V W/DIODE.....1 <i>P, brake circuit</i>	1
--	110199GT	SEAL KIT, VALVE, #10		--	40413GT	COIL,SOLND,W/D,20V SGL SPADE	
5	52601GT	VALVE,RELIEF,1600 PSI.....1 <i>E, secondary boom down</i>	1	--	45921GT	RETAINER-N.C.PROPOR.SOLENOID	
--	74902GT	SEAL KIT		--	74902GT	SEAL KIT	
6	52601GT	VALVE,RELIEF,1600 PSI.....1 <i>F, primary boom down</i>	1	17	74425GT	VALVE,DIFF.SENSE***.....1 <i>Q, differential sensing circuit</i>	1
--	74902GT	SEAL KIT		--	110197GT	SEAL KIT, VALVE, #10	
7	31527GT	VALVE,RELIEF 1800 PSI.....1 <i>G, primary boom extend (for manifold 128443 only)</i>	1	18	52715GT	VALVE,RELIEF 3200 PSI.....1 <i>R, system relief</i>	1
--	74902GT	SEAL KIT		--	74902GT	SEAL KIT	
8	40410GT	VALVE,PROPORTIONAL**.....1 <i>H, system flow regulating unit</i>	1	19	48997GT	NIPPLE,DIAGNOSTIC,#4.....1 <i>S, testing</i>	1
--	29032GT	COIL,24V SOLENOID VALVE		--	20224GT	DIAGNOSTIC FEMALE Q-DSCNT	
--	45921GT	RETAINER-N.C.PROPOR.SOLENOID		20	52599GT	VALVE,SOLENOID,3POS/4WAY*.....1 <i>T, secondary boom up/down</i>	1
--	89310GT	SEAL KIT, SOLENOID VALVE		--	40413GT	COIL,SOLND,W/D,20V SGL SPADE	
9	43599GT	VALVE,CHECK.....1 <i>I, brake circuit</i>	1	--	52943GT	NUT,SOLENOID VALVE COIL	
				--	72047GT	SEAL KIT, SOLENOID VALVE	
				21	52599GT	VALVE,SOLENOID,3POS/4WAY*.....1 <i>U, primary boom up/down</i>	1

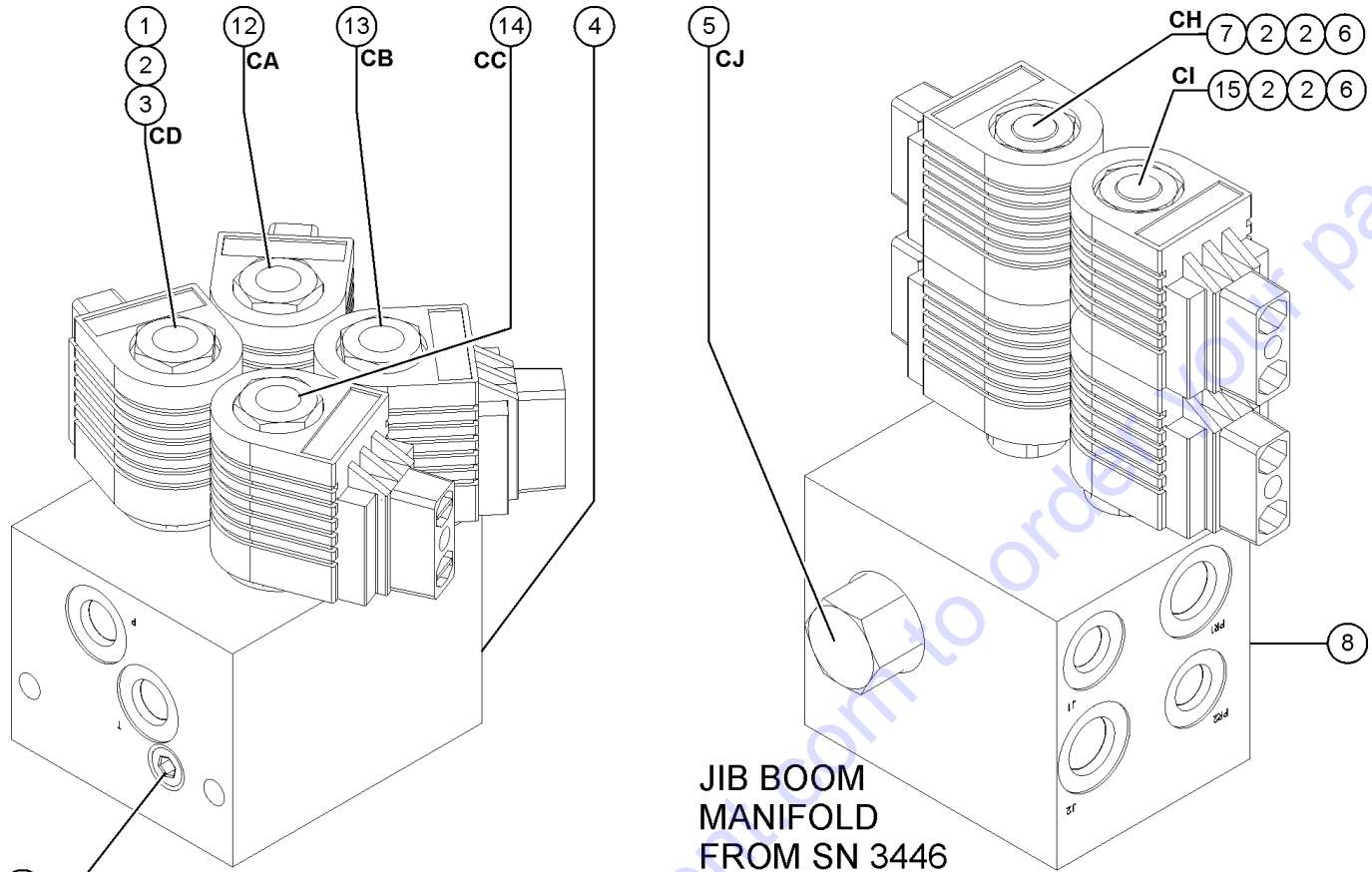
703.1 Function Manifold (from SN 3447)
(continued)

Item	Part No.	Description	Qty.
--	40413GT	COIL,SOLND,W/D,20V SGL SPADE	
--	52943GT	NUT,SOLENOID VALVE COIL	
--	72047GT	SEAL KIT, SOLENOID VALVE	
22	19470GT	VALVE,FLOW REGULATOR.....1 <i>V, turntable rotate circuit</i>	
--	74902GT	SEAL KIT	
23	52598GT	VALVE,FLOW REGULATOR .8 GPM.....1 <i>W, jib boom/platform rotate circuit</i>	
--	74902GT	SEAL KIT	
24	52885GT	VALVE,SOLENOID,3POS 4WAY.....1 <i>X, turntable rotate left/right</i>	
--	40413GT	COIL,SOLND,W/D,20V SGL SPADE	
--	52943GT	NUT,SOLENOID VALVE COIL	
--	72047GT	SEAL KIT, SOLENOID VALVE	
25	94019GT	ORIFICE, 0.035" (74512,74966).....1 <i>Y, jib boom/platform rotate circuit</i>	
26	48880GT	CAP,DIAGNOSTIC NIPPLE.....1	

This Page Intentionally Left Blank

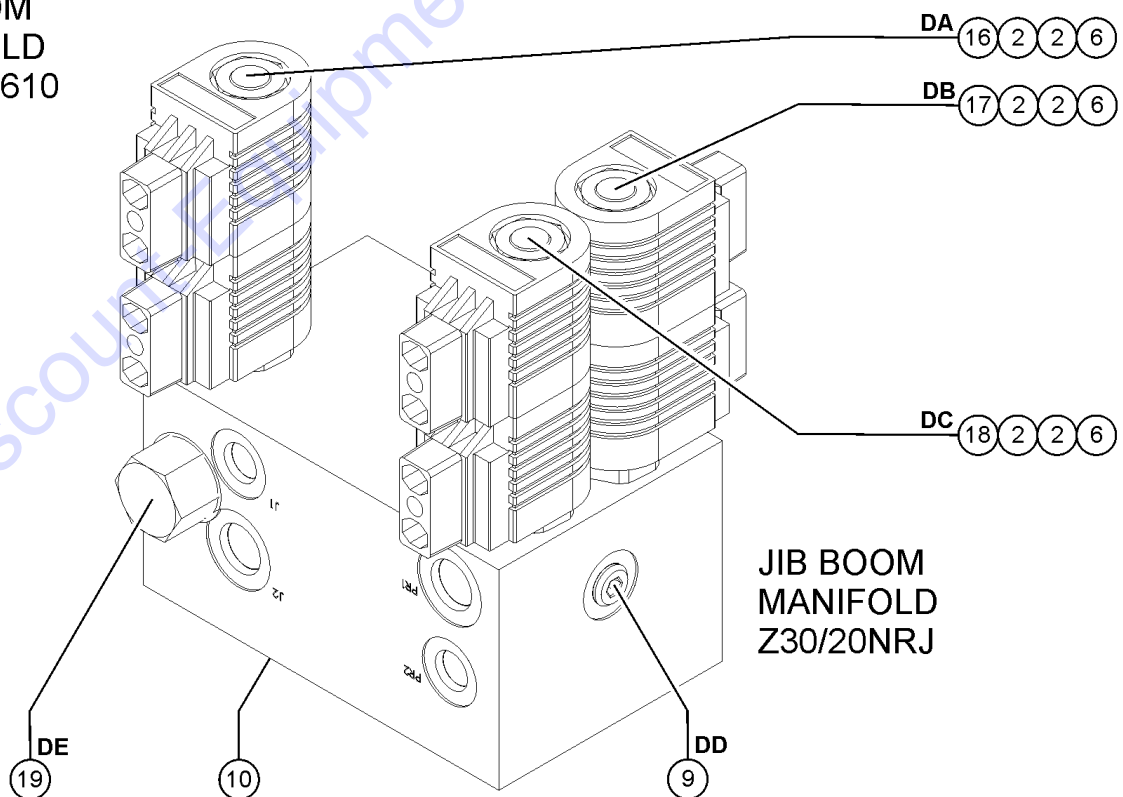
Go to Discount-Equipment.com to order your parts

704.1 Jib Boom Manifolds



JIB BOOM MANIFOLD TO SN 2610

JIB BOOM MANIFOLD FROM SN 3446



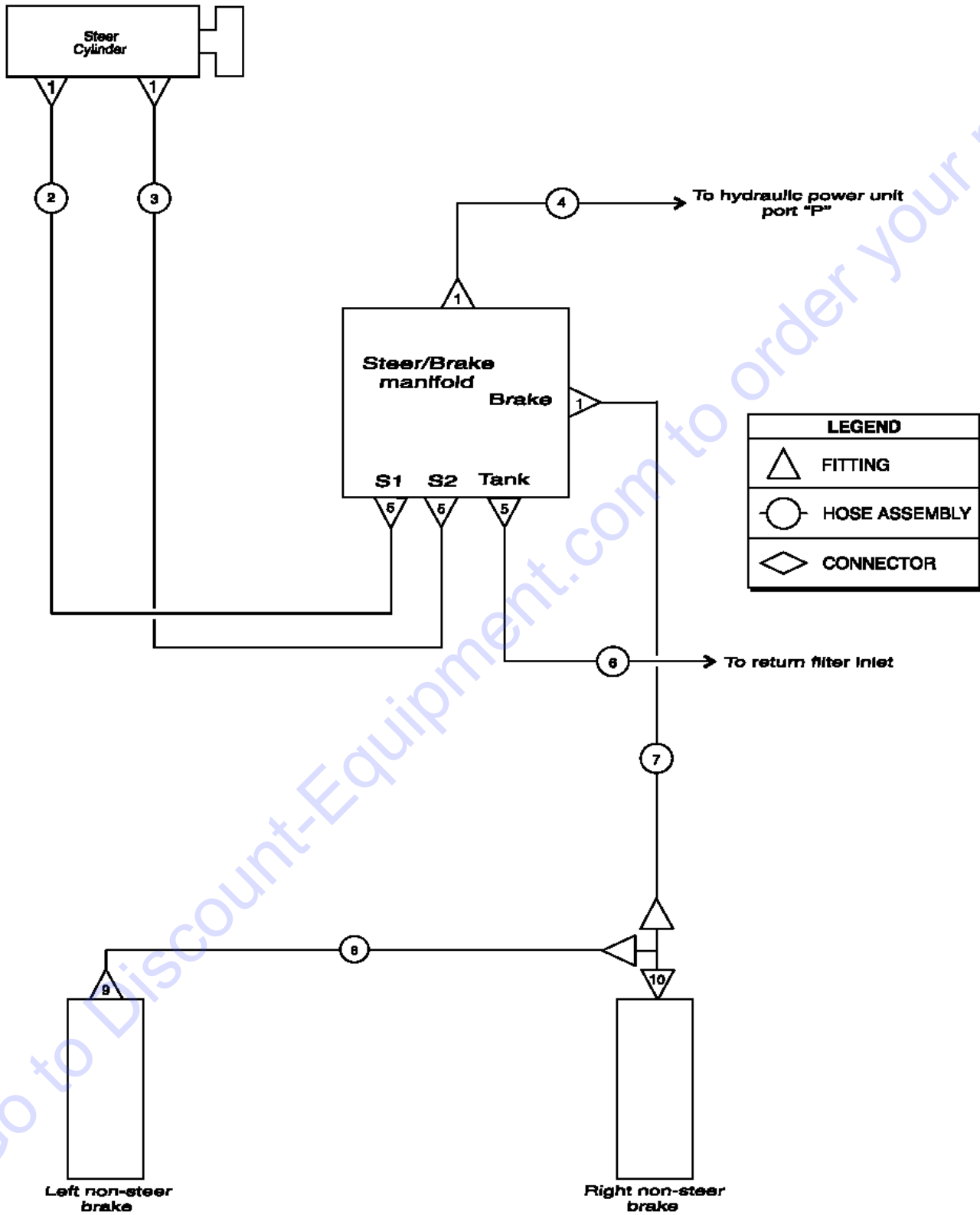
JIB BOOM MANIFOLD Z30/20NRJ

704.1 Jib Boom Manifolds

Item	Part No.	Description	Qty.	Item	Part No.	Description	Qty.
1	44954GT	VALVE,SOLENOID,20V W/ DIODE **.....1 <i>CD, Jib Boom Up, includes items 2 and 3; to SN 3720</i>	1	12	44954GT	VALVE,SOLENOID,20V W/ DIODE **.....1 <i>CA, Jib Boom Down, includes items 2 and 3; to SN 3720</i>	1
2A	40413GT	COIL,SOLND,W/D,20V SGL SPADE.....14 <i>(spade connector) to SN 12101</i>	14	13	44954GT	VALVE,SOLENOID,20V W/ DIODE **.....1 <i>CB, Platform Rotate Left, includes items 2 and 3; to SN 3720</i>	1
2B	139561GT	COIL, SOLENOID VALVE, 24V*** <i>(Deutsch connector) from 12102</i>	1	14	44954GT	VALVE,SOLENOID,20V W/ DIODE **.....1 <i>CC, Platform Rotate Right, includes items 2 and 3; to SN 3720</i>	1
3	52943GT	NUT,SOLENOID VALVE COIL.....9	9	15	52943GT	NUT,SOLENOID VALVE COIL.....1 <i>CI, Platform Rotate Circuit</i>	1
4	42422GT	MANIFOLD,JIB/ROTATE,24V.....1 <i>includes items 1-3 and 11; to SN 2609</i>	1	16	52943GT	NUT,SOLENOID VALVE COIL.....1 <i>DA, Jib Rotator</i>	1
--	56177GT	JIB MAN W/#4 PORTS 20V.....1 <i>includes items 1-3 and 11; from SN 2610 to SN 3446</i>	1	17	52943GT	NUT,SOLENOID VALVE COIL.....1 <i>DB, Jib Boom Circuit</i>	1
--	65523GT	ORIFICE, 0.028" (56179)	1	18	52943GT	NUT,SOLENOID VALVE COIL.....1 <i>DC, Platform Rotate Circuit</i>	1
5A	31099GT	VALVE,FLOW REGULATOR.....1 <i>CJ, Platform Rotating Circuit</i>	1	19A	31099GT	VALVE,FLOW REGULATOR.....1 <i>DE, Platform Rotating Circuit; to SN 12101</i>	1
5B	139563GT	VALVE, FLOW CTRL, PRES COMP***	1	19B	139563GT	VALVE, FLOW CTRL, PRES COMP***1 <i>DE, Platform Rotating Circuit; from SN 12102</i>	1
6A	52599GT	VALVE,SOLENOID,3POS/4WAY*.....10 <i>includes items 2 and 7; to SN 12101</i>	10				
6B	139560GT	SOLENOID VALVE W/NUT*** <i>includes item 7; from SN 12102</i>	1				
7	52943GT	NUT,SOLENOID VALVE COIL.....1 <i>CH, Jib Boom Circuit</i>	1				
8A	74124GT	MANIFOLD,JIB Z30N,Z34N,BE,DC.....1 <i>includes items 2 and 5-7; from SN 3447 to SN 12101</i>	1				
--	48905GT	CONN,520120-4***	1				
--	48915GT	ELBOW,90D,520220-6	1				
8B	139462GT	MANIFOLD,JIB, 24V NON RJ***1 <i>(from SN 12102)</i>	1				
--	139560GT	SOLENOID VALVE W/NUT***	1				
--	139561GT	COIL, SOLENOID VALVE, 24V***	1				
--	139563GT	VALVE, FLOW CTRL, PRES COMP***	1				
--	139564GT	SEAL KIT, JIB MANIFOLD, NON RJ	1				
--	229074GT	CLAMP,WIRE HARNESS	1				
--	8915GT	SCREW,HHC,1/4-20 X 1.25	1				
9	74404GT	ORIFICE PLUG,M6X1,0.025.....1	1				
10A	74053GT	MANIFOLD,JIB Z30NRJ.....1 <i>includes items 2, 5-7 and 9; to SN 12101</i>	1				
10B	139463GT	MANIFOLD,JIB, 24V RJ***1 <i>from SN 12102</i>	1				
--	139560GT	SOLENOID VALVE W/NUT***	1				
--	139561GT	COIL, SOLENOID VALVE, 24V***	1				
--	139563GT	VALVE, FLOW CTRL, PRES COMP***	1				
--	139565GT	SEAL KIT, JIB MANIFOLD, RJ***	1				
--	229074GT	CLAMP,WIRE HARNESS.....1	1				
--	8915GT	SCREW,HHC,1/4-20 X 1.25.....1	1				
11	32669GT	ORIFICE PLUG,.025 (30551).....1 <i>CE, Platform Rotate Circuit</i>	1				

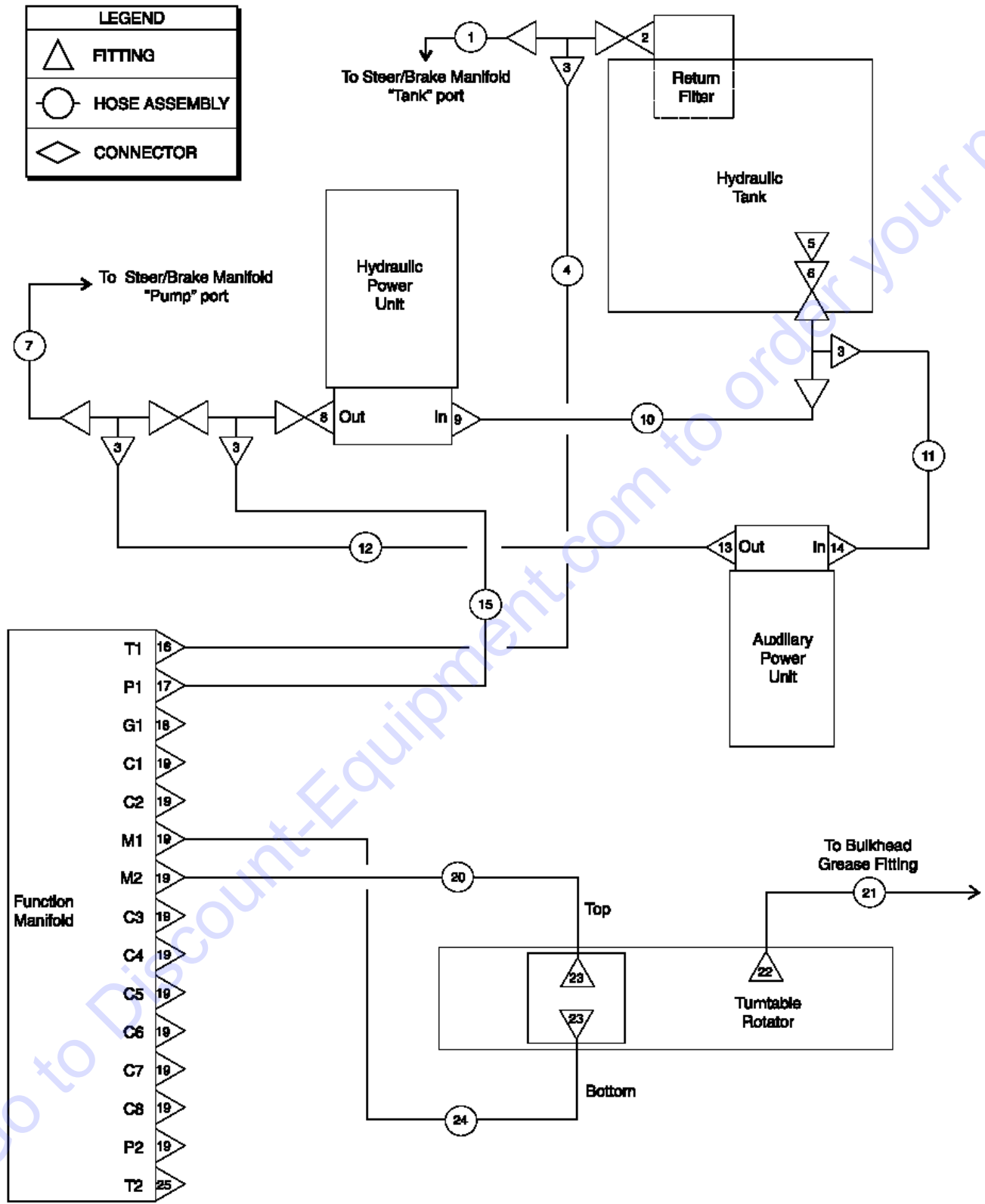


801.1 Drive Chassis



Item	Part No.	Description	Qty.
1	48911GT	ELBOW,90D,520220-4-6***.....	2
2A	42800GT	HOSE ASSY,PORT'S1'-END OF CYL*....1 (to SN 3446)	1
2B	56895GT	HOSE ASSY,PORT'S1'-END OF CYL* (from SN 3447 to SN 5119)	1
2C	74581GT	HOSE ASSY, 1/4", 65.00 (from SN 5120)	1
3A	42801GT	HOSE ASSY,PORT'S2'-ROD END*.....1 (to SN 3446)	1
3B	56896GT	HOSE ASSY, 1/4", 69.25 (from SN 3447)	1
4A	42806GT	HOSE ASSY-PUMP-HYD PWR UNIT 'P.....1 (to SN 3446)	1
4B	56894GT	HOSE ASSY, 1/2", 66.50 (from SN 3447)	1
5	48912GT	CONN,520120-4-6***.....	3
6A	42807GT	HOSE ASSY-TANK-RET FILTR INLE* (to SN 3221) (also order 48915)	1
6A	48915GT	ELBOW,90D,520220-6 (to SN 3221)	1
6B	42807GT	HOSE ASSY-TANK-RET FILTR INLE*.....1 (from SN 3222 to SN 3446)	1
6C	74144GT	HOSE ASSY,3/8",44.00 (from SN 3447)	1
7A	42804GT	HOSE ASSY,STR/BRK MAN-RR BRK*...1 (to SN 3446)	1
7B	56897GT	HOSE ASSY,1/4",77.50 (from SN 3447)	1
8	42705GT	HOSE ASSY,1/4", 20.00.....	1
9	48904GT	ELBOW,90D,520220-4-4.....	1
10	48906GT	TEE,RUN,520428-4.....	1




802.1 Turntable Components (to SN 3446)



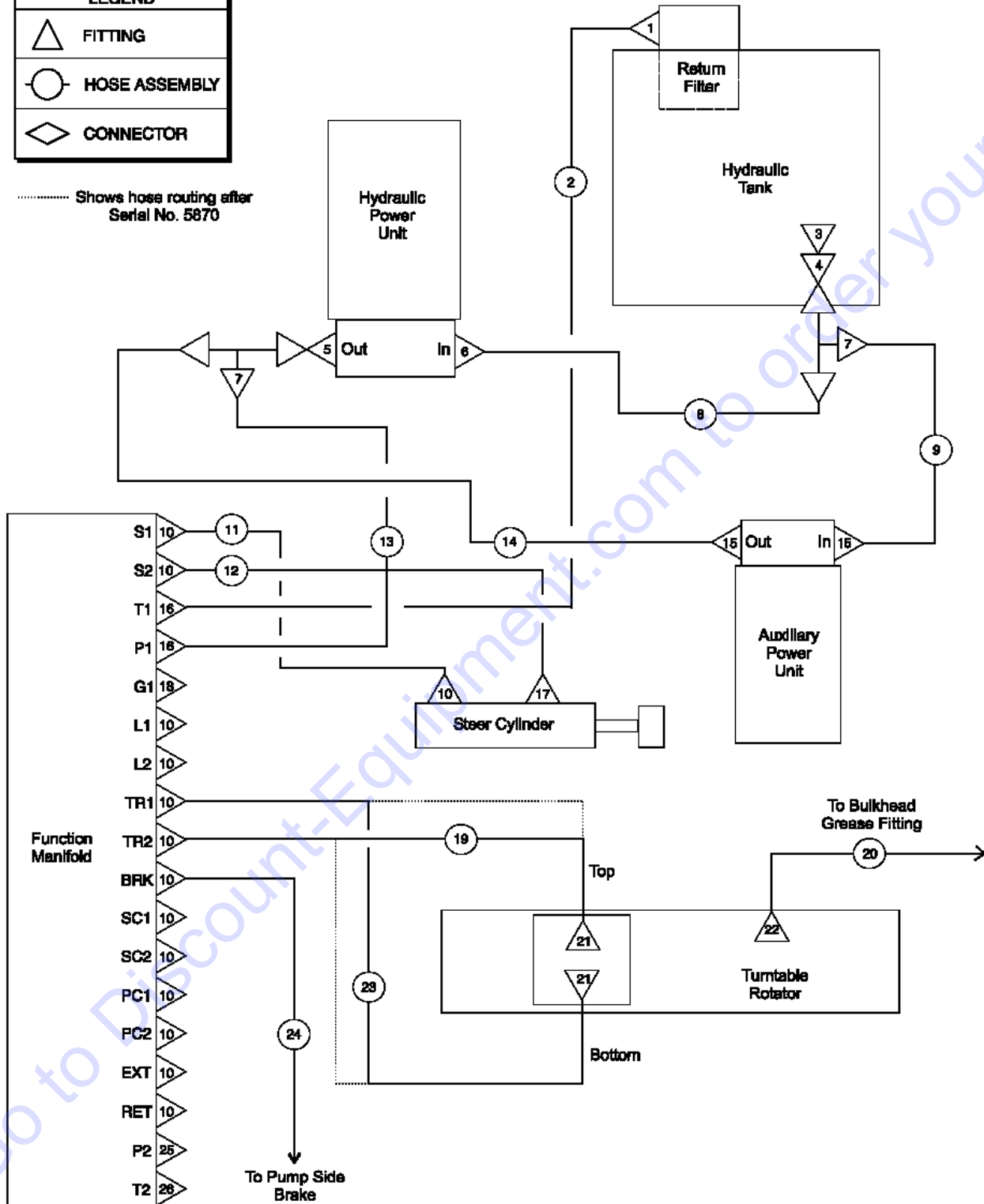
802.1 Turntable Components (to SN 3446)

Item	Part No.	Description	Qty.
1	42807GT	HOSE ASSY-TANK-RET FILTR INLE*.....1	1
--	48915GT	ELBOW,90D,520220-6	
2	48947GT	ELBOW,90D,520220-8-12.....2	2
3	48938GT	FITTING,TEE,RUN,SWIVEL520432-8.....4	4
4	42816GT	HOSE ASSY-RET FIL-'T1'.....1	1
5	42920GT	VALVE,BALL,90DEG.-8NPTF/-8NPTM...1	1
6	48944GT	CONN,520102-8-8.....1	1
7	42806GT	HOSE ASSY-PUMP-HYD PWR UNIT 'P'.....1	1
8	48999GT	VALVE,CHK,#8PORT-#8MALEORFS.....1	1
9	48946GT	CONN,520120-8-10.....1	1
10	42928GT	HOSE ASSY, 1/2", 28.00.....1	1
11	42822GT	HOSE ASSY, 3/8", 19.00.....1	1
12	42821GT	HOSE ASSEMBLY,26".....1	1
13	48915GT	ELBOW,90D,520220-6.....1	1
14	56003GT	ELBOW,90D,LONG,521520-6.....1	1
15	42815GT	HOSE ASSY-'P1'-HYD POWER UN.....1	1
16	48930GT	CONN,520120-6-8.....1	1
17	48916GT	CONN, 520120-6.....1	1
18	48997GT	NIPPLE,DIAGNOSTIC,#4.....1	1
19	48912GT	CONN,520120-4-6***.....11	11
20	42811GT	HOSE ASSY-'M2'TO ROT FLUID M.....1	1
21	42805GT	HOSE ASSY,1/4", 23.25.....1	1
22	31194GT	ELBOW,070302-4-2.....1	1
23	48931GT	CONN,520120-6-10.....2	2
24	42856GT	HOSE ASSY,1/4",27.50.....1	1
25	48900GT	CONN,520120-4-6,.035,ORI.....1	1

803.1 Turntable Components (from SN 3447)

LEGEND	
	FITTING
	HOSE ASSEMBLY
	CONNECTOR

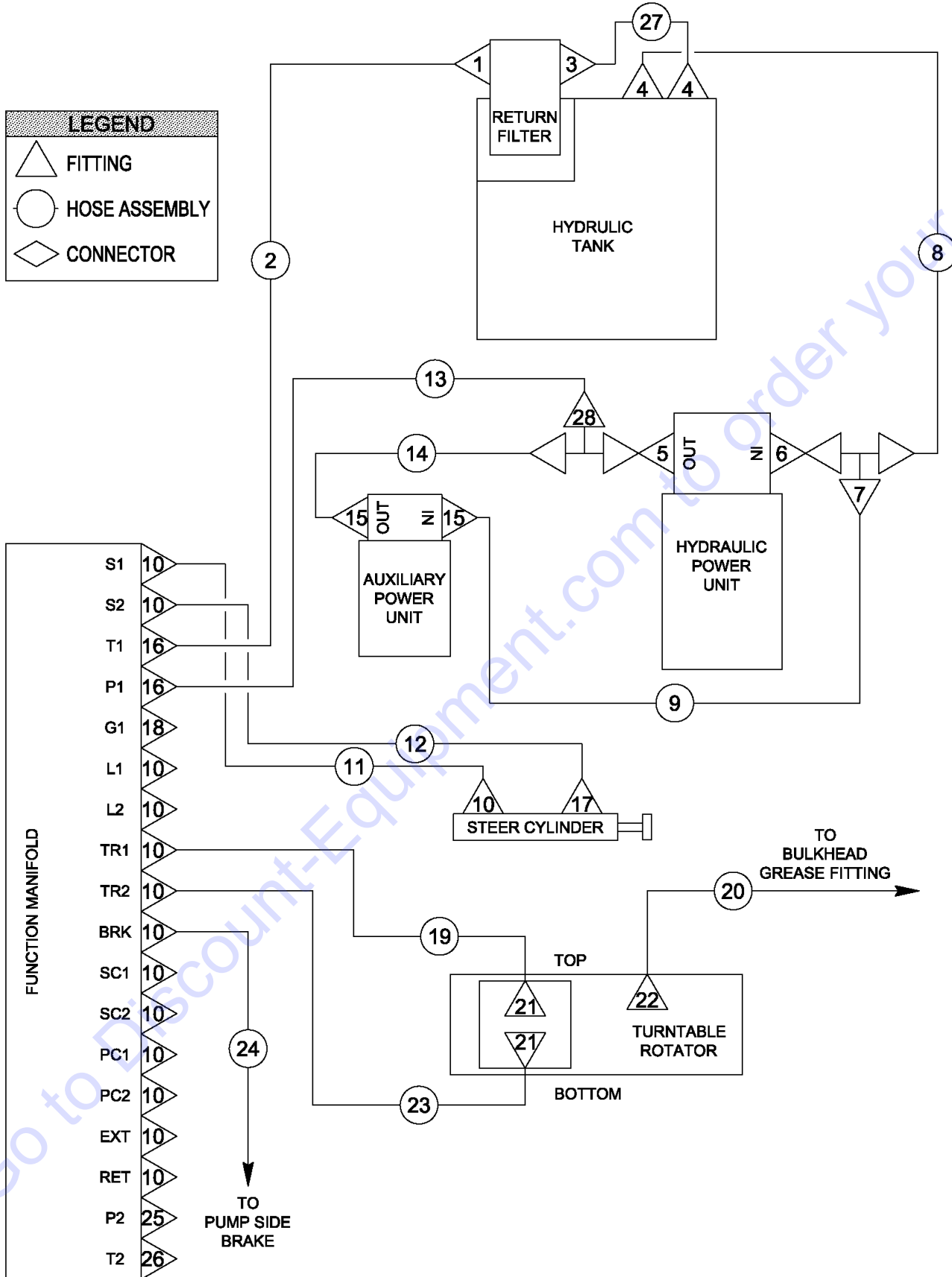
..... Shows hose routing after Serial No. 5870



803.1 Turntable Components (from SN 3447)

Item	Part No.	Description	Qty.
1	48947GT	ELBOW,90D,520220-8-12.....	1
2	56894GT	HOSE ASSY, 1/2", 66.50.....	1
3	42920GT	VALVE,BALL,90DEG.-8NPTF/-8NPTM...	1
4	48944GT	CONN,520102-8-8.....	1
5	48999GT	VALVE,CHK,#8PORT-#8MALEORFS.....	1
6	48946GT	CONN,520120-8-10.....	1
7	48938GT	FITTING,TEE,RUN,SWIVEL520432-8.....	2
8	42928GT	HOSE ASSY, 1/2", 28.00.....	1
9	42822GT	HOSE ASSY, 3/8", 19.00.....	1
10	48912GT	CONN,520120-4-6***.....	13
11	74581GT	HOSE ASSY, 1/4", 65.00.....	1
12	56896GT	HOSE ASSY, 1/4", 69.25.....	1
13	56723GT	HOSE ASSY,3/8",46.00.....	1
14	74145GT	HOSE ASSY, 3/8", 20.50.....	1
15	48915GT	ELBOW,90D,520220-6.....	2
16	48916GT	CONN, 520120-6.....	2
17	48937GT	ELBOW,45D,520320-8.....	1
18	48911GT	ELBOW,90D,520220-4-6***.....	1
19	56899GT	HOSE ASSY, 1/4", 15.00.....	1
20	42805GT	HOSE ASSY,1/4", 23.25.....	1
21	48931GT	CONN,520120-6-10.....	2
22	31194GT	ELBOW,070302-4-2.....	1
23	56898GT	HOSE ASSY, 1/4", 17.00.....	1
24	56897GT	HOSE ASSY,1/4",77.50.....	1
--	42705GT	HOSE ASSY,1/4", 20.00.....	
25	48905GT	CONN,520120-4***.....	1
26	48900GT	CONN,520120-4-6,.035,ORI.....	1

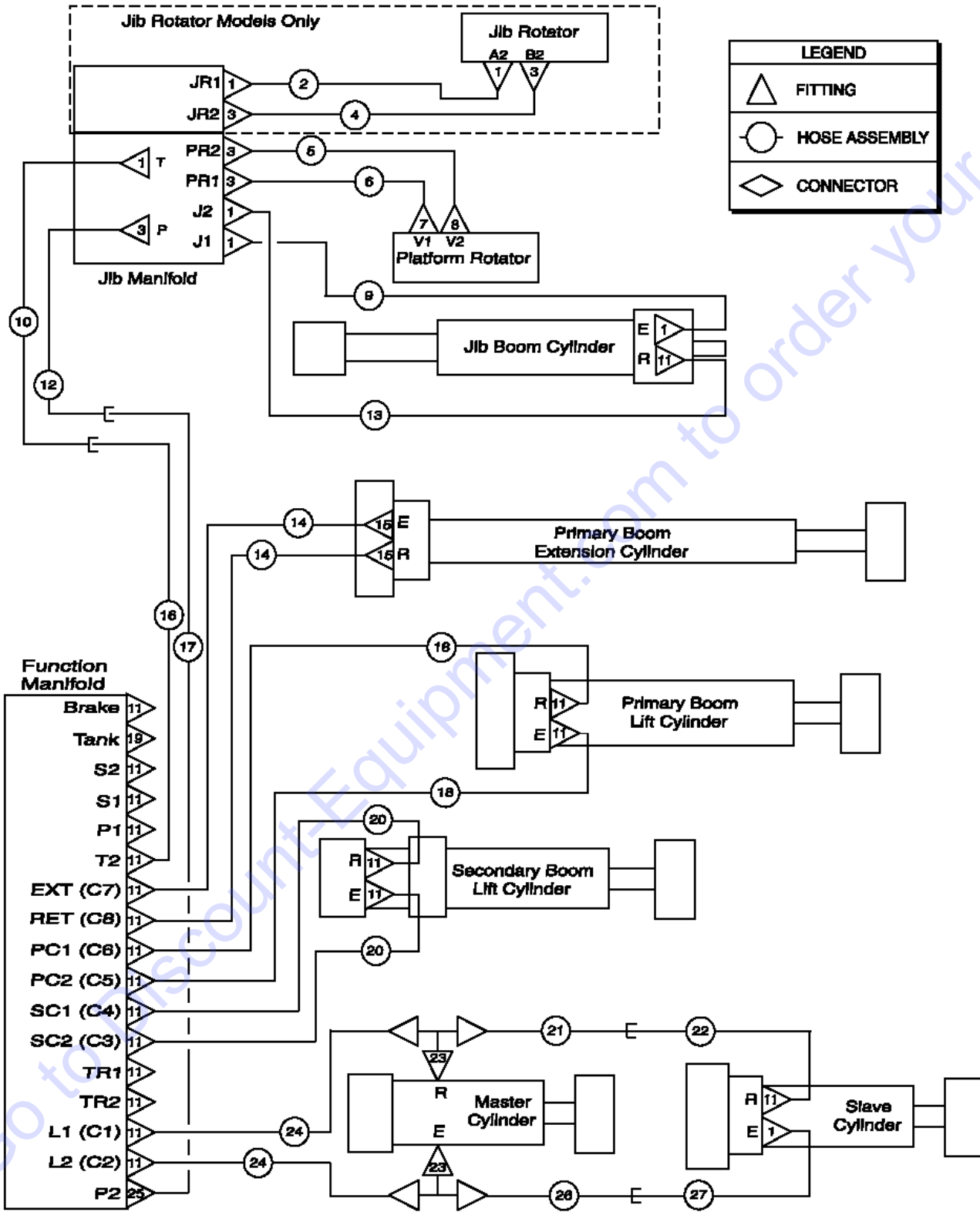
803.2 Turntable Components (from SN 12040)



803.2 Turntable Components (from SN 12040)

Item	Part No.	Description	Qty.
1	48932GT	FITTING,ELBOW,90D,520220-8***.....1	1
2	56894GT	HOSE ASSY, 1/2", 66.50.....1	1
3	48937GT	ELBOW,45D,520320-8.....1	1
4	128811GT	ELBOW,90D,520201-8.....2	2
5	74136GT	VALVE,CHK,#8PORT-#6MALEORFS***..1	1
6	139877GT	ELBOW,90D,520220-8-10.....1	1
7	48938GT	FITTING,TEE,RUN,SWIVEL520432-8.....1	1
8	139871GT	HOSE ASSY,1/2",21.50".....1	1
9	139872GT	HOSE,ASSY,3/8",20.25".....1	1
10	48912GT	CONN,520120-4-6***.....13	13
11	74581GT	HOSE ASSY, 1/4", 65.00.....1	1
12	56896GT	HOSE ASSY, 1/4", 69.25.....1	1
13	56723GT	HOSE ASSY,3/8",46.00.....1	1
14	74145GT	HOSE ASSY, 3/8", 20.50.....1	1
15	48915GT	ELBOW,90D,520220-6.....2	2
16	48916GT	CONN, 520120-6.....2	2
17	48937GT	ELBOW,45D,520320-8.....1	1
18	48911GT	ELBOW,90D,520220-4-6***.....1	1
19	56899GT	HOSE ASSY, 1/4", 15.00.....1	1
20	42805GT	HOSE ASSY,1/4", 23.25.....1	1
21	48931GT	CONN,520120-6-10.....2	2
22	31194GT	ELBOW,070302-4-2.....1	1
23	56898GT	HOSE ASSY, 1/4", 17.00.....1	1
24	56897GT	HOSE ASSY,1/4",77.50.....1	1
--	42705GT	HOSE ASSY,1/4", 20.00.....	
25	48905GT	CONN,520120-4***.....1	1
26	48900GT	CONN,520120-4-6,.035,ORI.....1	1
27	128809GT	HOSE ASSY,1/2",12.38".....1	1
28	48875GT	TEE,RUN,SWIVEL,520432-6.....1	1

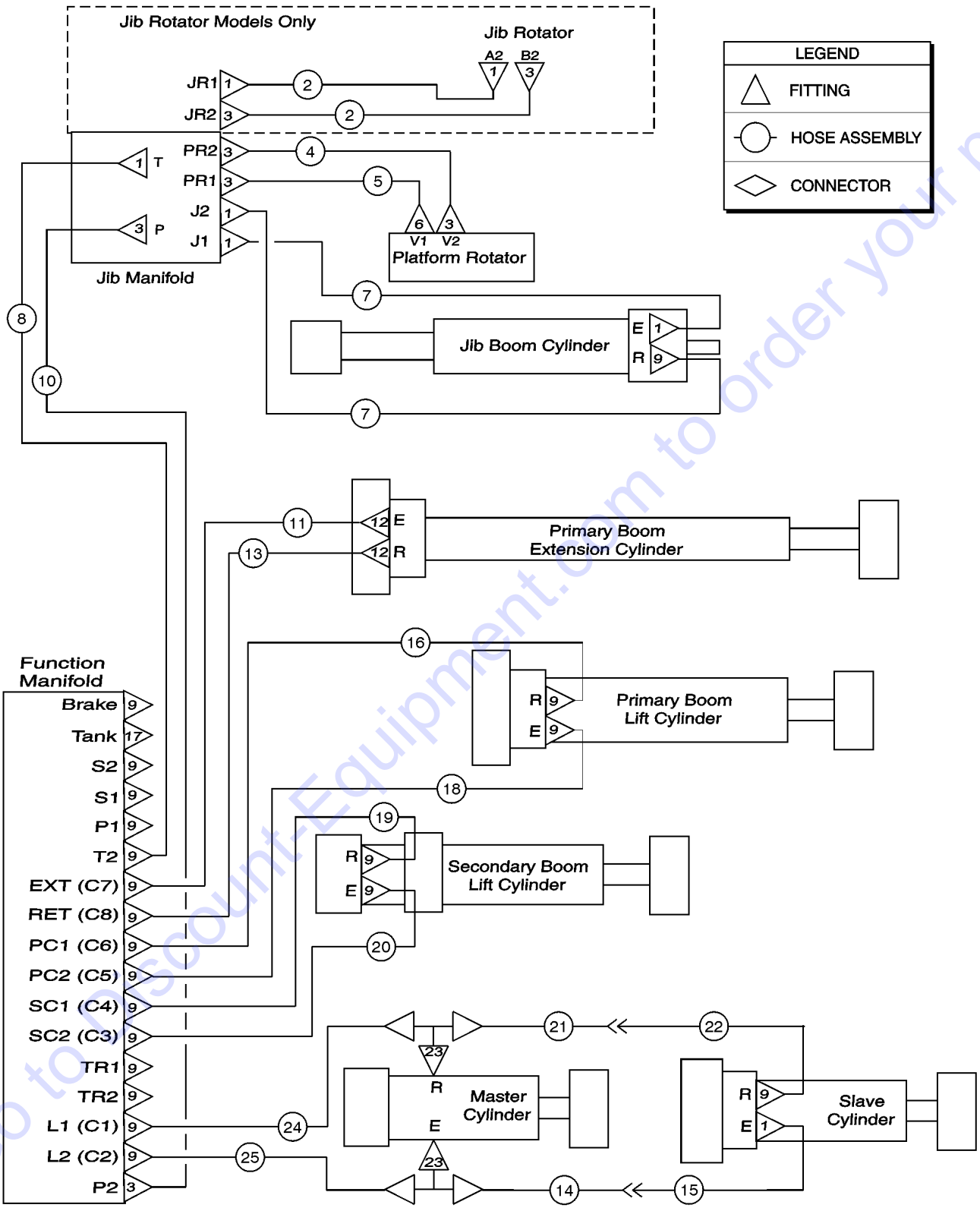
804.1 Boom Components (to SN 11304)



804.1 Boom Components (to SN 11304)

Item	Part No.	Description	Qty.	Item	Part No.	Description	Qty.
--		KIT, SWING HOSE CLAMP, FIELD <i>refer to 402.1 or 505.1</i>		19	48937GT	ELBOW,45D,520320-8.....	1
1	48916GT	CONN, 520120-6.....	7	20	139076GT	HOSE ASSY,1/4",65.50".....	2
2	56945GT	HOSE ASSY, 1/4", 31.00.....	1	21	74483GT	HOSE ASSY,1/4",224.00.....	1
3	48905GT	CONN,520120-4***.....	5	22	42817GT	HOSE ASSY, 1/4", 31.50.....	1
4	74172GT	HOSE ASSY.....	1	23	48890GT	FITTING,TEE,BRANCH,520429-4***.....	2
5A	74020GT	HOSE ASSY,PR2 TO PLAT ROT V2..... <i>to SN 4121</i>	1	24	42813GT	HOSE ASSY, 1/4", 166.00.....	1
5B	74166GT	HOSE ASSY,JIB MAN TO PLAT ROT <i>from SN 4122</i>		25	48905GT	CONN,520120-4***.....	1
6	74309GT	HOSE ASSY, 1/4", 46.50.....	1	26	74482GT	HOSE ASSY,1/4",224.00.....	1
7A	48926GT	FITTING,ELBOW,90D,520220-6-4..... <i>to SN 4121</i>	1	27	56945GT	HOSE ASSY, 1/4", 31.00.....	1
7B	48927GT	CONN,520120-6-4 <i>from SN 4122</i>					
8A	48904GT	ELBOW,90D,520220-4-4..... <i>to SN 4121</i>	1				
8B	48905GT	CONN,520120-4*** <i>from SN 4122</i>					
9A	56180-SGT	HOSE ASSY,JIB J1 TO CYL EXT..... <i>to SN 5780</i>	1				
9B	74983GT	HOSE ASSY, 1/4", 19.00..... <i>from SN 5781</i>	1				
10A	56208GT	HOSE ASSY,JUNC TO JIB MAN T..... <i>to SN 4115</i>	1				
10B	94105GT	HOSE ASSY,1/4",430.00 <i>from SN 4116</i>					
11	48912GT	CONN,520120-4-6***.....	21				
12A	42824-SGT	HOSE ASSY-JUNCTION TO JIB MANI... <i>to SN 4115</i>	1				
12B	94106GT	HOSE ASSY,1/4",430.00 <i>from SN 4116</i>					
13A	42818GT	HOSE ASSY-JI'TO JIB CYL CAP.....	1				
13B	56180-SGT	HOSE ASSY,JIB J1 TO CYL EXT					
13C	74983GT	HOSE ASSY, 1/4", 19.00					
14	42809GT	HOSE ASSY,1/4",192.00.....	1				
15	48905GT	CONN,520120-4***.....	2				
16A	56245GT	HOSE ASSY,T2 TO JIB JUNCTION..... <i>to SN 5944</i>	1				
16B	94103GT	HOSE ASSY,1/4",481.5..... <i>from SN 5945</i>	1				
17A	42812_SGTGT	HOSE ASSY-P2 TO JIB JUNC..... <i>to SN 5944</i>	1				
17B	94104GT	HOSE ASSY,1/4",481.5..... <i>from SN 5945</i>	1				
18A	42808GT	HOSE ASSY-C5/C6 TO PRIM BM C..... <i>to SN 5570</i>	2				
18B	74838GT	HOSE ASSY,1/4",181.00..... <i>from SN 5571</i>	2				

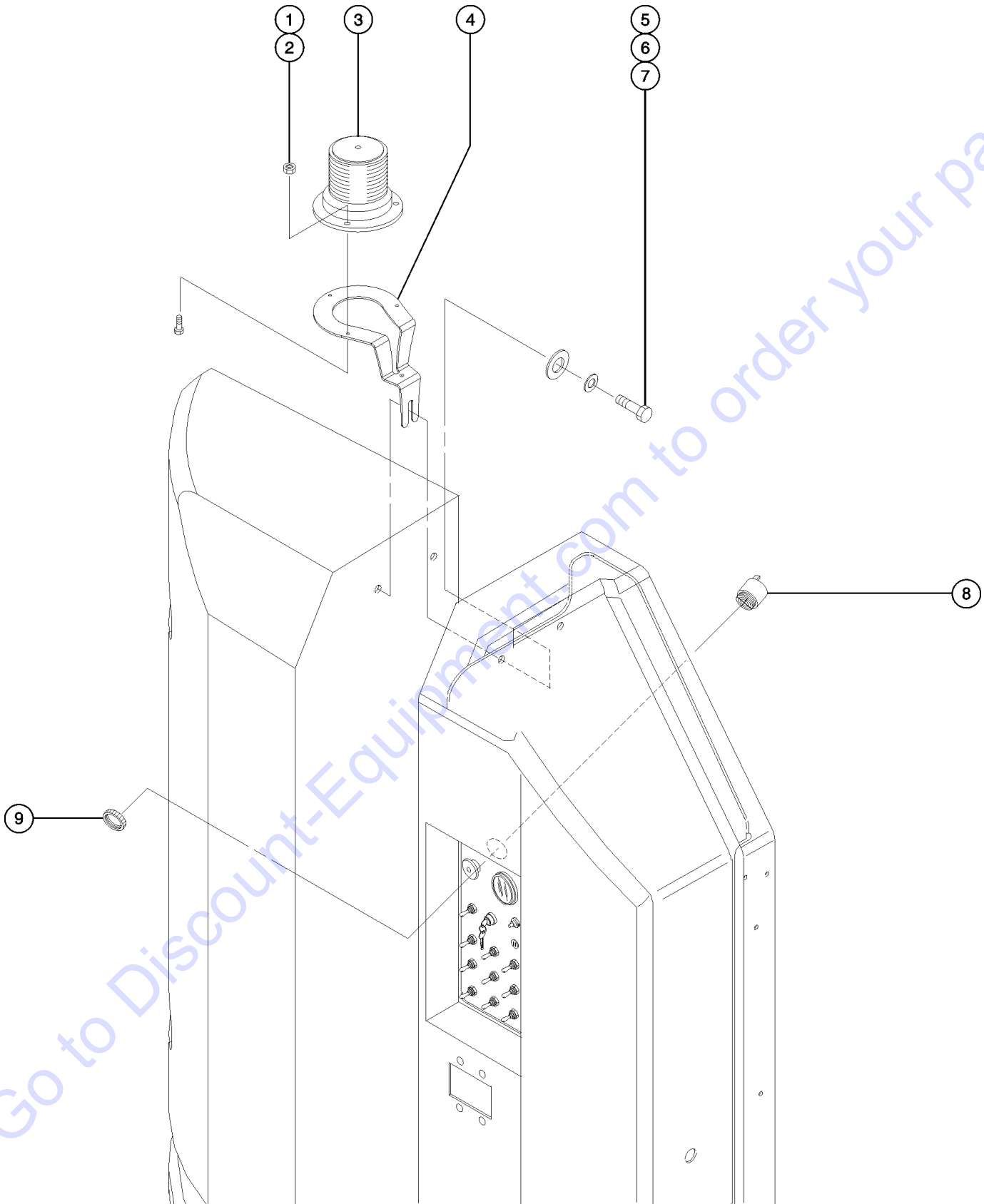
804.2 Boom Components (from SN 11305)



804.2 Boom Components (from SN 11305)

Item	Part No.	Description	Qty.
--	107935GT	KIT, SWING HOSE CLAMP, FIELD <i>refer to 402.1 or 505.1</i>	
1	48916GT	CONN, 520120-6.....	7
2	56945GT	HOSE ASSY, 1/4", 31.00.....	2
3	48905GT	CONN,520120-4***.....	7
4	74308GT	HOSE ASSY, 1/4", 46.50.....	1
5	74309GT	HOSE ASSY, 1/4", 46.50.....	1
6	48927GT	CONN,520120-6-4.....	1
7	74983GT	HOSE ASSY, 1/4", 19.00.....	2
8	94105GT	HOSE ASSY,1/4",430.00.....	1
9	48912GT	CONN,520120-4-6***.....	21
10	94106GT	HOSE ASSY,1/4",430.00.....	1
11	42809GT	HOSE ASSY,1/4",192.00.....	1
12	48905GT	CONN,520120-4***.....	2
13	139073GT	HOSE ASSY,1/4",192.00.....	1
14	74482GT	HOSE ASSY,1/4",224.00.....	1
15	56945GT	HOSE ASSY, 1/4", 31.00.....	1
16	139075GT	HOSE ASSY,1/4",181.00.....	1
17	48937GT	ELBOW,45D,520320-8.....	1
18	74838GT	HOSE ASSY,1/4",181.00.....	1
19	139077GT	HOSE ASSY,1/4",65.50.....	1
20	139076GT	HOSE ASSY,1/4",65.50".....	1
21	74483GT	HOSE ASSY,1/4",224.00.....	1
22	42817GT	HOSE ASSY, 1/4", 31.50.....	1
23	48890GT	FITTING,TEE,BRANCH,520429-4***.....	2
24	42813GT	HOSE ASSY, 1/4", 166.00.....	1
25	139074GT	HOSE ASSY,1/4",166.00.....	1

901.1 Flashing Beacon and Descent Alarm (to SN 10538)

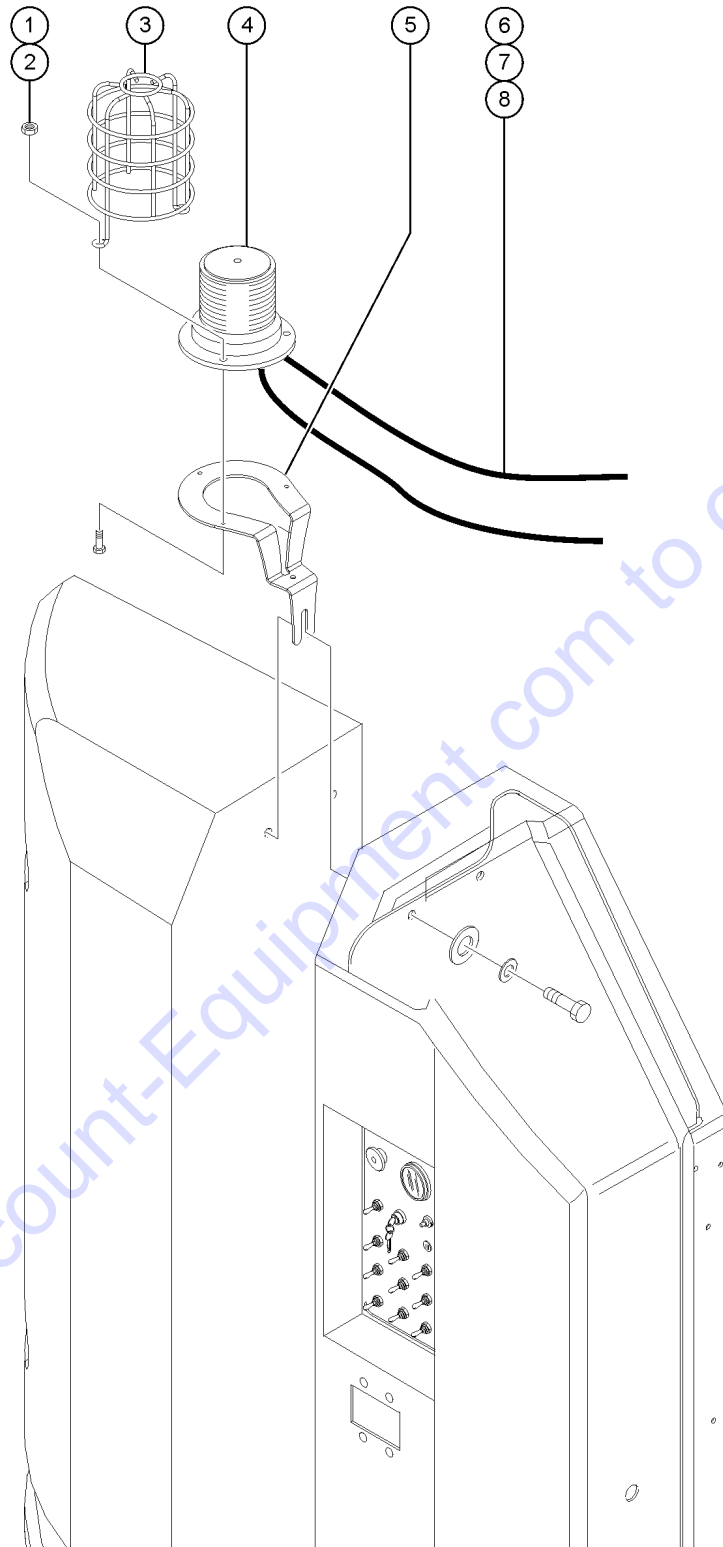


Go to Discount-Equipment.com to order your parts

901.1 Flashing Beacon and Descent Alarm (to SN 10538)

Item	Part No.	Description	Qty.
1	6178GT	NUT,NYLOCK,10-32	
2	49816GT	SCREW,PHILLIPS,PHM,10-32 X .75.....3	
3	56704GT	STROBE,FIREBOLT,12-80VDC,AMB**...1	
--	122019GT	FLASHTUBE,U SHAPED,360DEG,BULB	
--	226393GT	FLASHTUBE,STRAIGHT,360DEG,BULB	
--	72282GT	LENS,AMBER,STROBE,FIREBOLT	
4	56289-SGT	BRACKET,BEACON LIGHT.....1	
5	6019GT	SCREW,HHC,3/8-16 X 1.25 GRD 5	
6	6021GT	WASHER,LOCK, .375	
7	15086GT	WASHER,FLAT, .375 X 1.5 X .125	
8	45462GT	ALARM,CHIME TONE 5-25VDC***1 <i>Does not include 72326GT nut</i>	
9	72326GT	NUT - PLASTIC,RING FOR ALARMS.....1	

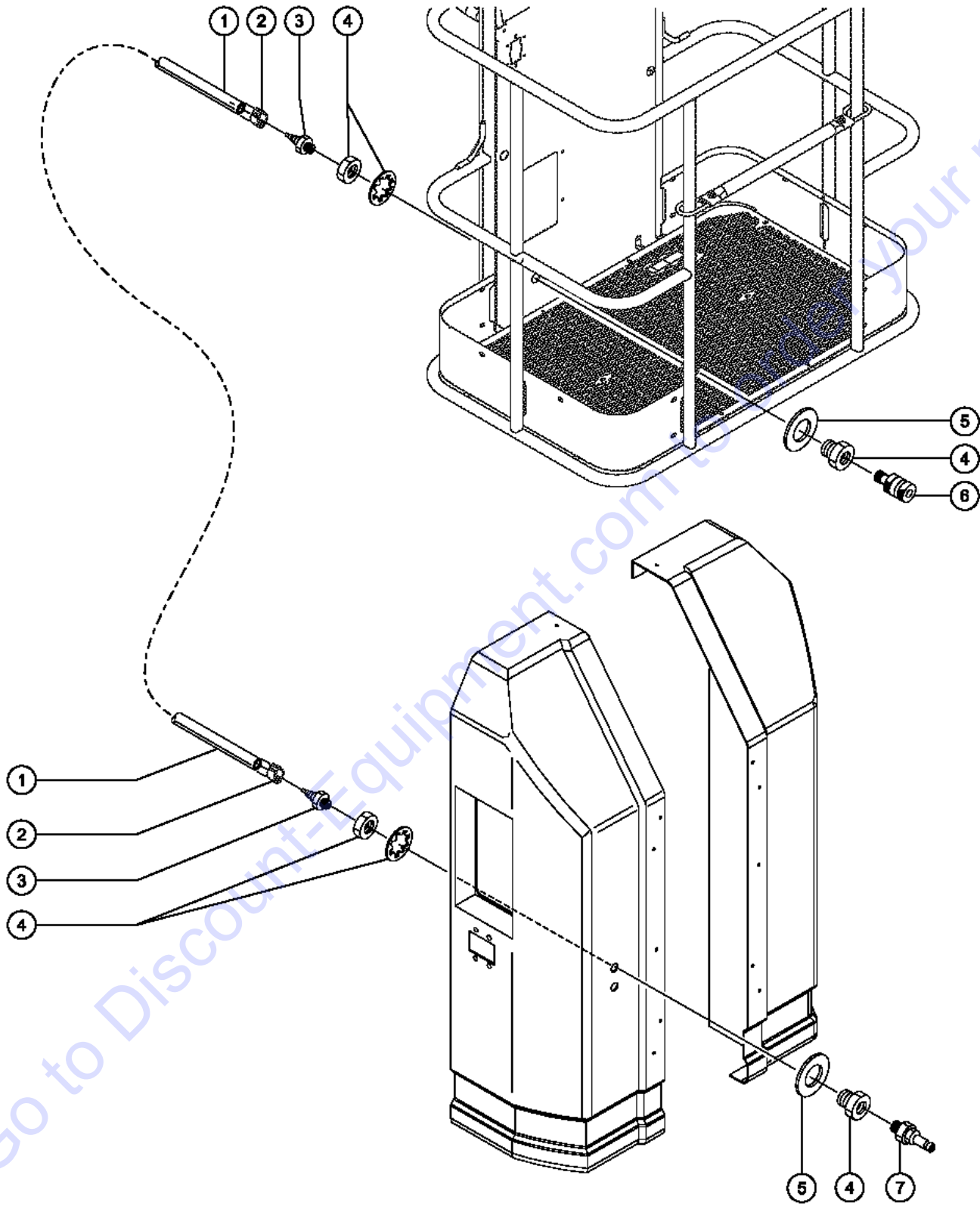
901.2 Flashing Beacon and Descent Alarm (from SN 10539)



901.2 Flashing Beacon and Descent Alarm (from SN 10539)

Item	Part No.	Description	Qty.
1	14392GT	NUT,LP NYLOCK,10-32.....	3
2	49816GT	SCREW,PHILLIPS,PHM,10-32 X .75.....	3
3	230645GT	GUARD,BEACON,NARROW..... <i>(EE Units Only)</i>	1
4A	20189GT	STROBE,FIREBOLT12-72VDC,AMB***..	1
--	122019GT	FLASHTUBE,U SHAPED,360DEG,BULB	
--	226393GT	FLASHTUBE,STRAIGHT,360DEG,BULB	
--	72282GT	LENS,AMBER,STROBE,FIREBOLT	
4B	231931GT	STROBE,BEACON, AC COMP 12-80V... <i>(EE Units Only)</i>	1
--	105556GT	LENS,FLASHING BEACON <i>for 231931</i>	
--	105557GT	BULB,FLASHING BEACON <i>for 231931</i>	
5	56289-SGT	BRACKET,BEACON LIGHT.....	1
6	56051GT	WIRE CABLE,16/2,WHT/BLK,SJEOW.62-inches	
7	38682GT	COUPLER,MALE,BRAZED SEAM:16/14.....	2
8	40609GT	TERMINAL,FEMALE COUPLER,BLUE...2	

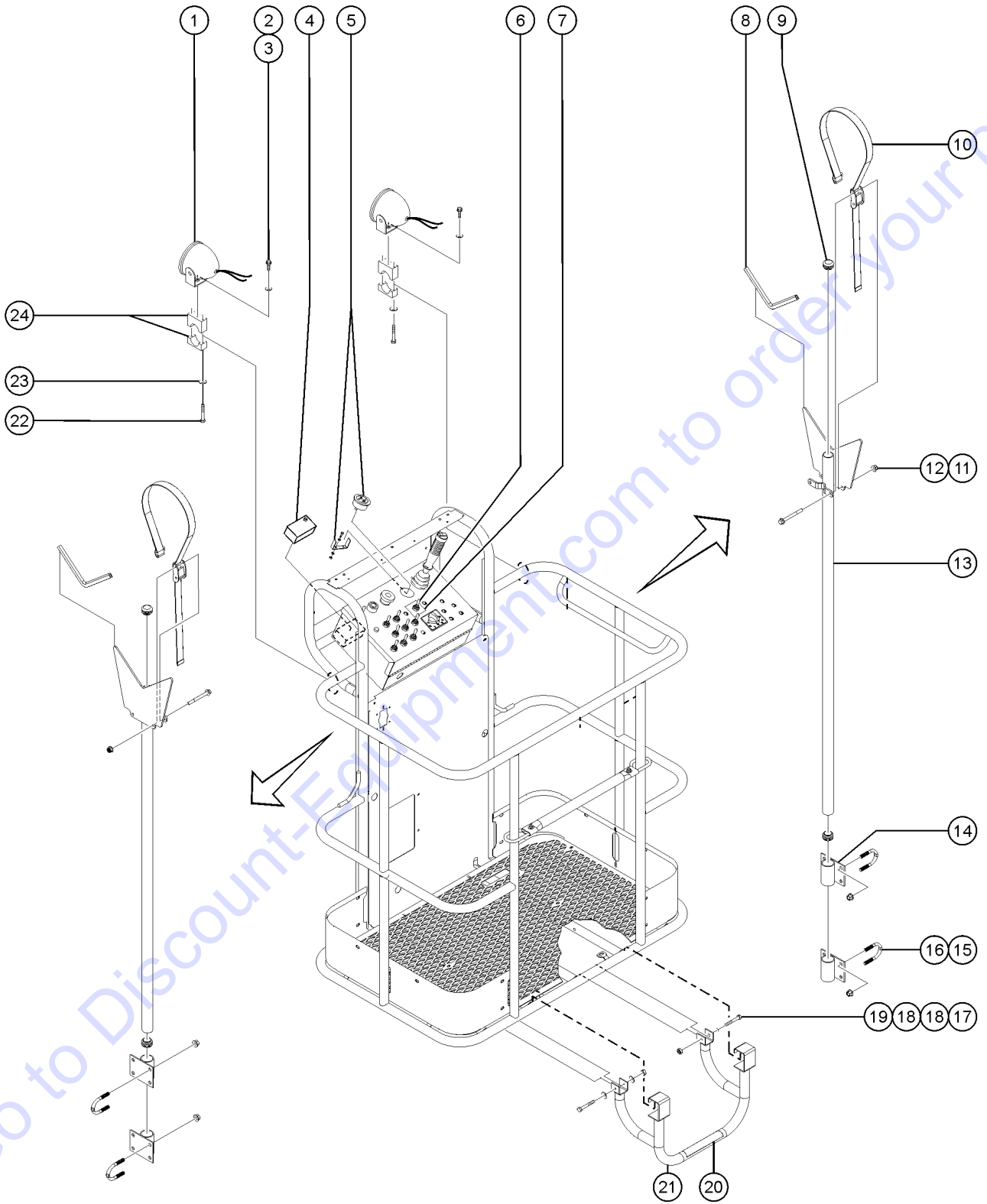
902.1 Air Line to Platform



902.1 Air Line to Platform

Item	Part No.	Description	Qty.
--	56261GT	HOSE ASSEMBLY,AIRLINE TO PLAT <i>includes items 1, 2 and 3</i>	
1	27903GT	HOSE,LOW PRESSURE,.375 ID,BLK.....510-inches	
2	27902GT	CLAMP,HOSE,2 EAR, 5/8.....2	
3	27901GT	HOSE END,BARBED,RIGID,-6-6.....2	
4	27900GT	BULKHEAD,FEMALE X 6 X 6.....2 <i>Includes nut and star washer</i>	
5	13775GT	WASHER,FLAT,1.063 X 2 X .134.....4	
6	27895GT	COUPLER,1/4"SERIES 3/8 MPT.....1	
7	27894GT	PLUG,1/4"SERIES,3/8 MPT.....1	
8	21618GT	CLAMP,1.13,#18 X 1/4,RUB CUSH.....7 <i>not shown</i>	
9	45454GT	CLAMP,RUB CUSH,0.75,#12 X 3/8*1 <i>not shown</i>	
10	27904GT	HOSE END,BARBED,RIGID,90DEG6-6.....1 <i>not shown</i>	
11	44981GT	DECAL,LABEL, AIR LINE 110 PSI.....2 <i>not shown</i>	
12	6578GT	CABLE TIE,7 3/8".....20 <i>not shown</i>	

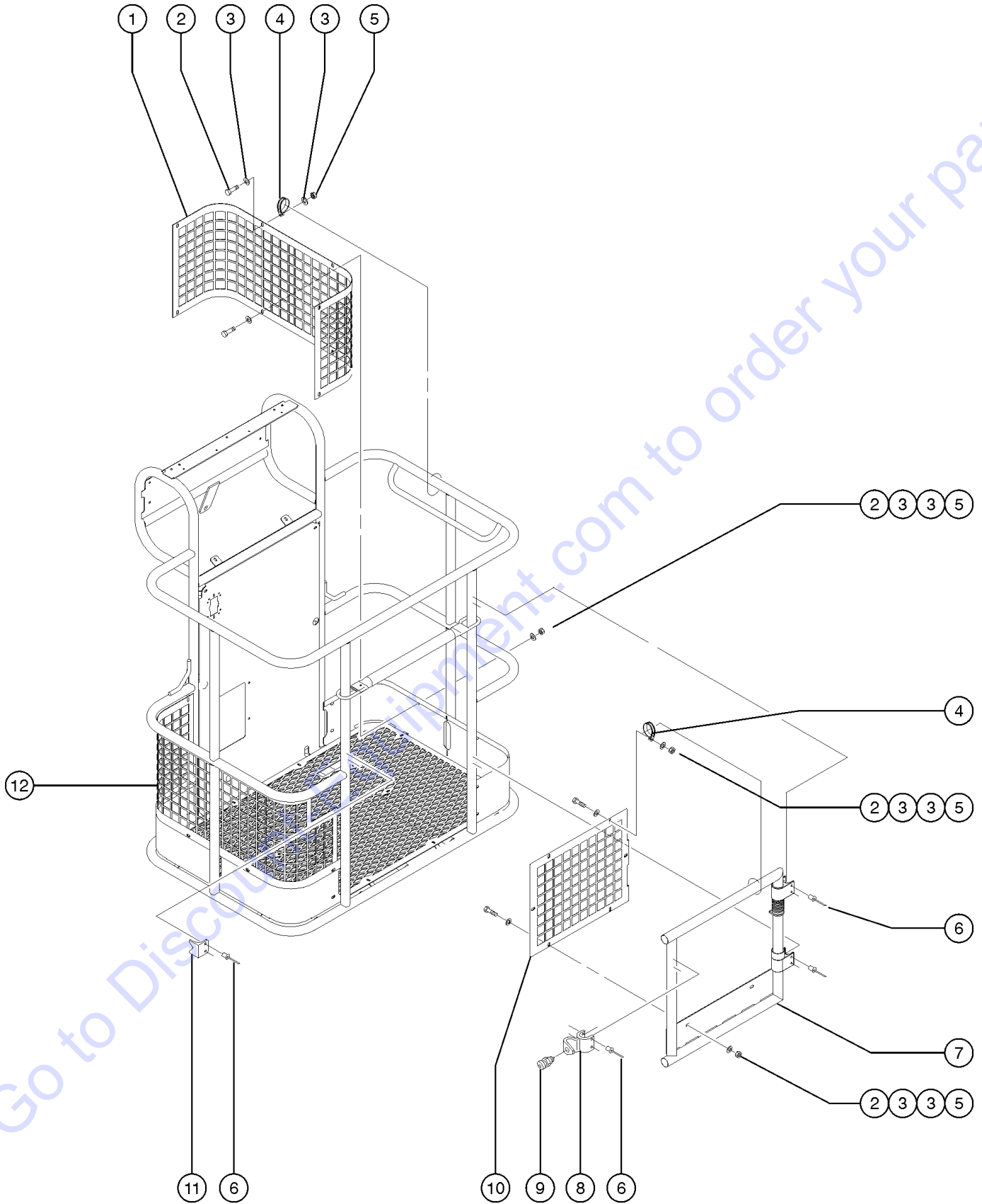
903.1 Platform Options - View 1



903.1 Platform Options - View 1

Item	Part No.	Description	Qty.	Item	Part No.	Description	Qty.
A	85300GT	PIPE CRADLE ASSY. SERV (ONE)** (ANSI & CE only) (This is a single assembly. Qty 2 of 85300GT required to complete a set)		17	8178GT	SCREW,HHC,3/8-16 X 2.5	
--	65630GT	INSTRUCTIONS-PIPE CRADLE,BOOMS		18	6097GT	WASHER,FLAT,USS,3/8",Y	
B	101649GT	OPTION,CONTROL BOX COVER.....1 see 904.2 for illustration; from SN 9560		19	4828GT	NUT,NYLOCK,3/8-16	
C	139362GT	POWER TO PLAT, DOMESTIC		20	32358GT	TAPE,NON-SKID,1" WIDE,BULK	
D	139363GT	POWER TO PLAT, UK		21	56903-SGT	ACCESSORY,PLATFORM STEP includes items 17-20	
E	139364GT	POWER TO PLAT, NO PLUG		22	6637GT	SCREW,HHC,1/4-20 X 1.75	
F	139365GT	POWER TO PLAT,EURO PLUG220/50		23	6356GT	WASHER,LOCK,,25	
G	56486GT	ACC,WORKLIGHT,48V** Complete to SN 3446		24	35956GT	BRACKET,WORK LIGHT MOUNT 5/16"	
H	56486-SGT	ACCESSORY,WORKLIGHT,48 VOLT Complete from SN 3447					
I	56903-SGT	ACCESSORY,PLATFORM STEP					
J	94262GT	OPTION,CONTROL BOX COVER*** from SN 2437 to 9559					
1	107858GT	WORKLIGHT,48 VOLT.....2					
--	823226GT	POWER RELAY, 24V COIL					
2	18506GT	SCREW 5/16-18 X .75 LG.FLG.LCK.					
3	5397GT	WASHER,FLAT,USS,5/16",Y					
4	119147GT	ACC.RETRO KIT LVI/BCI ENGAG II.....1 Can only be used to upgrade machines which already have the LVI/BCI option installed from the factory					
--	119129GT	HARN RETRO LVI/BCI ENGAGE II					
5A	237145GT	IND,BAT CHARGE,48V LEAD-ACID.....1 (includes mounting bracket)					
--	23083-SGT	FUSE HOLDER,WATERPROOF					
5B	110651GT	LVI/BCI 36/48 VOLT ENGAGE II					
--	110652GT	GASKET LVI/BCI ENGAGE II					
--	119133GT	HARN LVI/BCI ENGAGE II Z34DC					
--	13097GT	FUSE,10 AMP					
6	56457-SGT	SWITCH,TOGGLE,SPDT,2 POS MAINT.....1					
7	72867GT	DECAL,LABEL,LIGHTS***.....1					
8	19018-1100GT	TRIMLOCK,BLACK,5/32".....2					
9	55753GT	BUMPER, PLASTIC, 1.25 O.D.....4					
10	56570GT	STRAP, CONDUIT HOLDER 60****.....2					
11	1277924GT	NUT,NYLOCK FLG,1/4-20,F,ZAG.....4					
12	824083GT	SCREW,HHF,1/4-20X2.5,8,ZAG.....4					
13	56525GT	WELDMENT, PIPE CRADLE.....2					
14	81368GT	WELDMENT,PIPE CRADLE MOUNT....4					
15	1251600GT	U-BOLT, FLATTENED, 1.5 X 3/8 UNC,ZAG.....8					
16	1274322GT	NUT,NYLOCK FLG,3/8-16,F,ZAG.....16					

904.1 Platform Options - View 2 (to SN 9308)



904.1 Platform Options - View 2 (to SN 9308)

Item	Part No.	Description	Qty.
--		KIT,HALF SWING GATE*** <i>(component no longer available)</i>	
1	74009GT	MESH,HALF HEIGHT RH,4***.....1	1
2	6090GT	SCREW,HHC,1/4-20 X .75	
3	6638GT	WASHER,FLAT,USS,1/4"Y	
4	56424GT	CLAMP,1.25X.5 RUBBER-CUSHION....6	
5	6091GT	NUT,NYLOCK,1/4-20	
6	7265GT	RIVET,STEEL,P .25 X .375	
7	128368GT	KIT,SWING GATE W/SPRING	
--	128374GT	WELDMENT,SWING GATE,ALUMINUM.....1	1
--	43392GT	BUMPER,BATTERY BOX & RAILS.....1	1
--	55753GT	BUMPER, PLASTIC, 1.25 O.D.....4	4
--	9596GT	HINGE CASTING <i>Special welding requirements for installation of this component. Strongly suggest ordering 128368 OR contact Discount-equipment for welding requirements.</i>	
8	1487GT	GATE LATCH CASTING--DRILLED.....1	1
9	63311GT	SNAP PIN.....1	1
10	54457GT	MESH,HALF,SWING GATE***1	1
11	1488GT	RAILING CATCH CASTING--DRILLED...1	1
12	74011GT	MESH,HALF HEIGHT LH Z20.....1	1

PARTS FINDER

**Search Website
by Part Number**



**Search Manual
Library For Parts
Manual & Lookup Part
Numbers – Purchase
or Request Quote**

Search Manuals

Enter your information to help us find the right parts manual for your machine.

* Brand:

* Model:

* Serial:

* Part Number:

SEARCH

**Can't Find Part or
Manual? Request Help
by Manufacturer,
Model & Description**

Parts Order Form

Please fill in the following information to help us find the right part for your machine.

Manufacturer:	<input type="text"/>
Model:	<input type="text"/>
Description:	<input type="text"/>
Part Number:	<input type="text"/>
Quantity:	<input type="text"/>
Notes:	<input type="text"/>

Submit

Discount-Equipment.com is your online resource for quality parts & equipment.

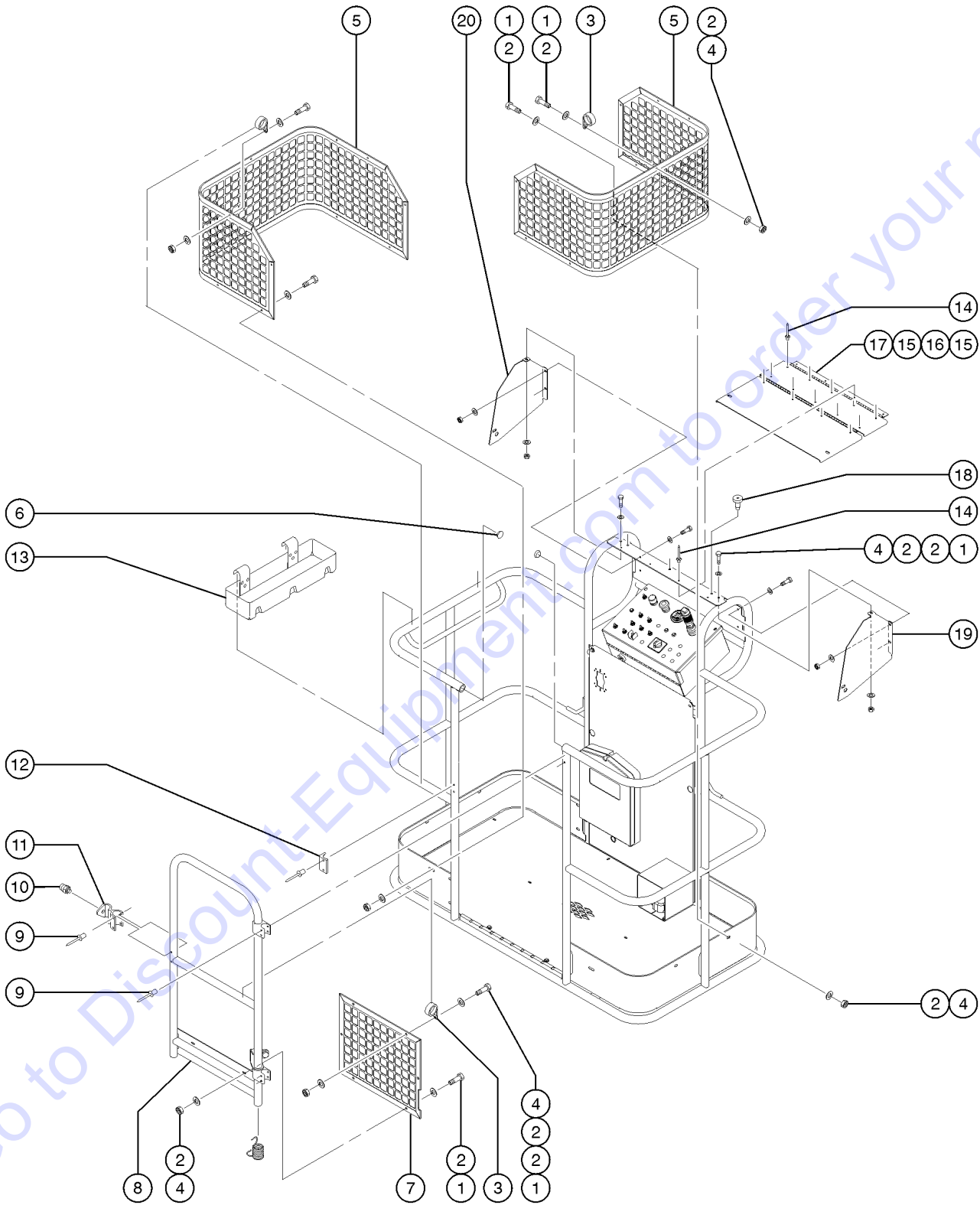
Florida: **561-964-4949** Outside Florida TOLL FREE: **877-690-3101**

Need parts?

Click on this link: <http://www.discount-equipment.com/category/5443-parts/> and choose one of the options to help get the right parts and equipment you are looking for. Please have the machine model and serial number available in order to help us get you the correct parts. If you don't find the part on the website or on one of the online manuals, please fill out the request form and one of our experienced staff members will get back to you with a quote for the right part that your machine needs.

We sell worldwide for the brands: Genie, Terex, JLG, MultiQuip, Mikasa, Essick, Whiteman, Mayco, Toro Stone, Diamond Products, Generac Magnum, Airman, Haulotte, Barreto, Power Blanket, Nifty Lift, Atlas Copco, Chicago Pneumatic, Allmand, Miller Curber, Skyjack, Lull, Skytrak, Tsurumi, Husquvarna Target, Stow, Wacker, Sakai, Mi-T-M, Sullair, Basic, Dynapac, MBW, Weber, Bartell, Bennar Newman, Haulotte, Ditch Runner, Menegotti, Morrison, Contec, Buddy, Crown, Edco, Wyco, Bomag, Laymor, EZ Trench, Bil-Jax, F.S. Curtis, Gehl Pavers, Heli, Honda, ICS/PowerGrit, IHI, Partner, Imer, Clipper, MMD, Koshin, Rice, CH&E, General Equipment, Amida, Coleman, NAC, Gradall, Square Shooter, Kent, Stanley, Tamco, Toku, Hatz, Kohler, Robin, Wisconsin, Northrock, Oztec, Toker TK, Rol-Air, APT, Wylie, Ingersoll Rand / Doosan, Innovatech, Con X, Ammann, Mecalac, Makinex, Smith Surface Prep, Small Line, Wanco, Yanmar

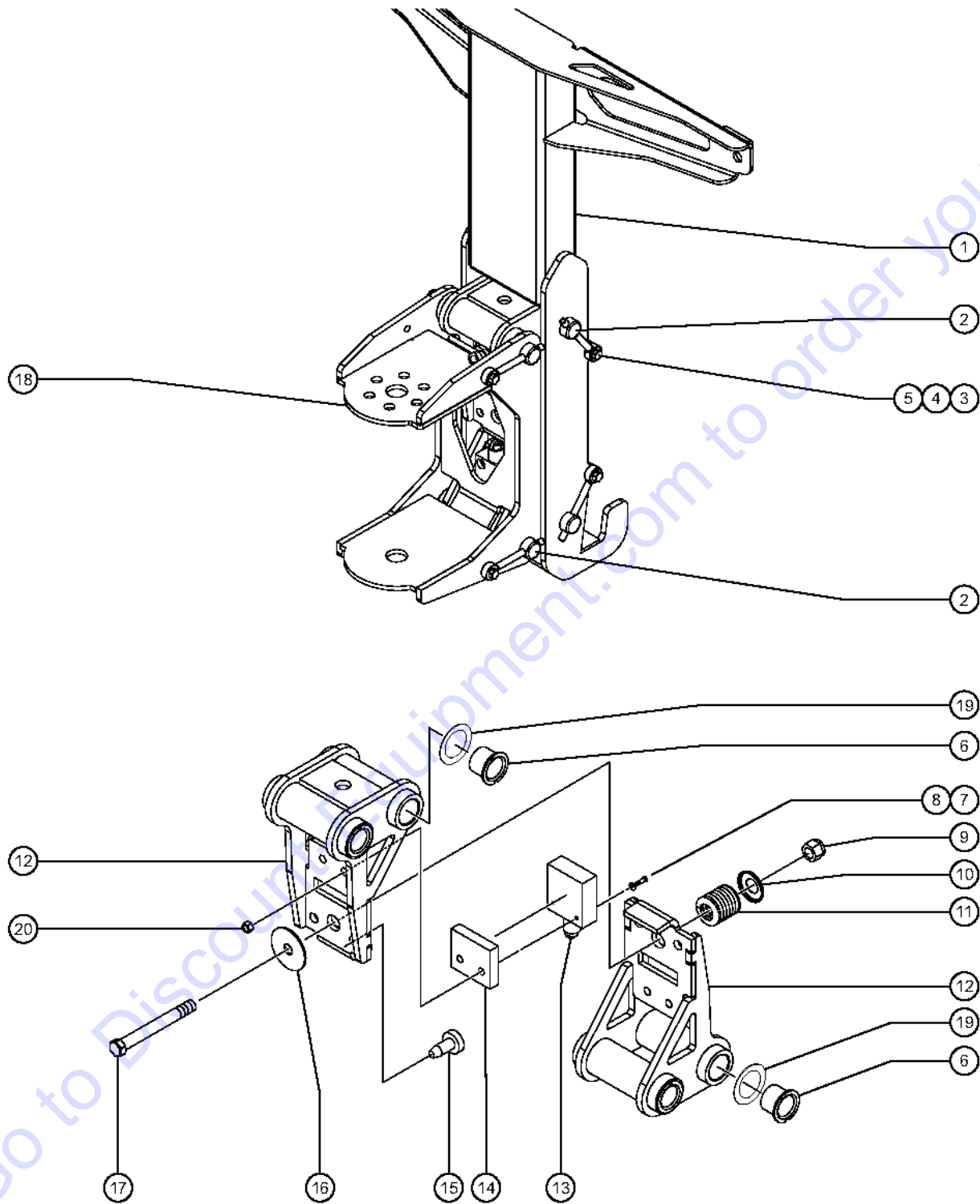
904.2 Platform Options - View 2 (from SN 9309)



904.2 Platform Options - View 2 (from SN 9309)

Item	Part No.	Description	Qty.
A	101649GT	OPTION,CONTROL BOX COVER.....1 <i>see illustration for components</i>	
B	119147GT	ACC.RETRO KIT LVI/BCI ENGAG II <i>Can only be used to upgrade machines which already have the LVI/BCI option installed from the factory</i>	
--	119129GT	HARN RETRO LVI/BCI ENGAGE II	
1	8914GT	SCREW,HHC,1/4-20 X .625	
2	6638GT	WASHER,FLAT,USS,1/4"Y	
3	56424GT	CLAMP,1.25X.5 RUBBER-CUSHION	
4	6091GT	NUT,NYLOCK,1/4-20	
5	74009GT	MESH,HALF HEIGHT RH,4***.....2	
6	55753GT	BUMPER, PLASTIC, 1.25 O.D.....2	
7	54457GT	MESH,HALF,SWING GATE***.....1	
8	128368GT	KIT,SWING GATE W/SPRING.....1	
--	128374GT	WELDMENT,SWING GATE,ALUMINUM	
--	42104GT	SPRING,SHORT PLATFORM GATE	
--	43392GT	BUMPER,BATTERY BOX & RAILS	
8A	119950GT	KIT,FIELD INSTALL,SWING GATE <i>includes 128368, 33674, 1487 and 1488</i>	
9	7265GT	RIVET,STEEL,P. .25 X .375	
10	33674GT	PIN,LOCK,SHORT***.....1	
11	1487GT	GATE LATCH CASTING--DRILLED.....1	
12	1488GT	RAILING CATCH CASTING--DRILLED...1	
13	9599-SGT	TOOL TRAY ACCESSORY***.....1	
14	87085GT	RIVET,ALUM,P,.188 X .25	
15	77860GT	HINGE,CONTROL BOX.....1 <i>component of assembly 101649</i>	
16	101678GT	LID,CONTROL BOX COVER.....1 <i>component of assembly 101649</i>	
17	101679GT	LID,CONTROL BOX COVER.....1 <i>component of assembly 101649</i>	
18	34619GT	BUMPER,RUBBER***.....6	
19	101676GT	CONTROL BOX COVER, RH.....1 <i>component of assembly 101649</i>	
20	101677GT	CONTROL BOX COVER, LH.....1 <i>component of assembly 101649</i>	

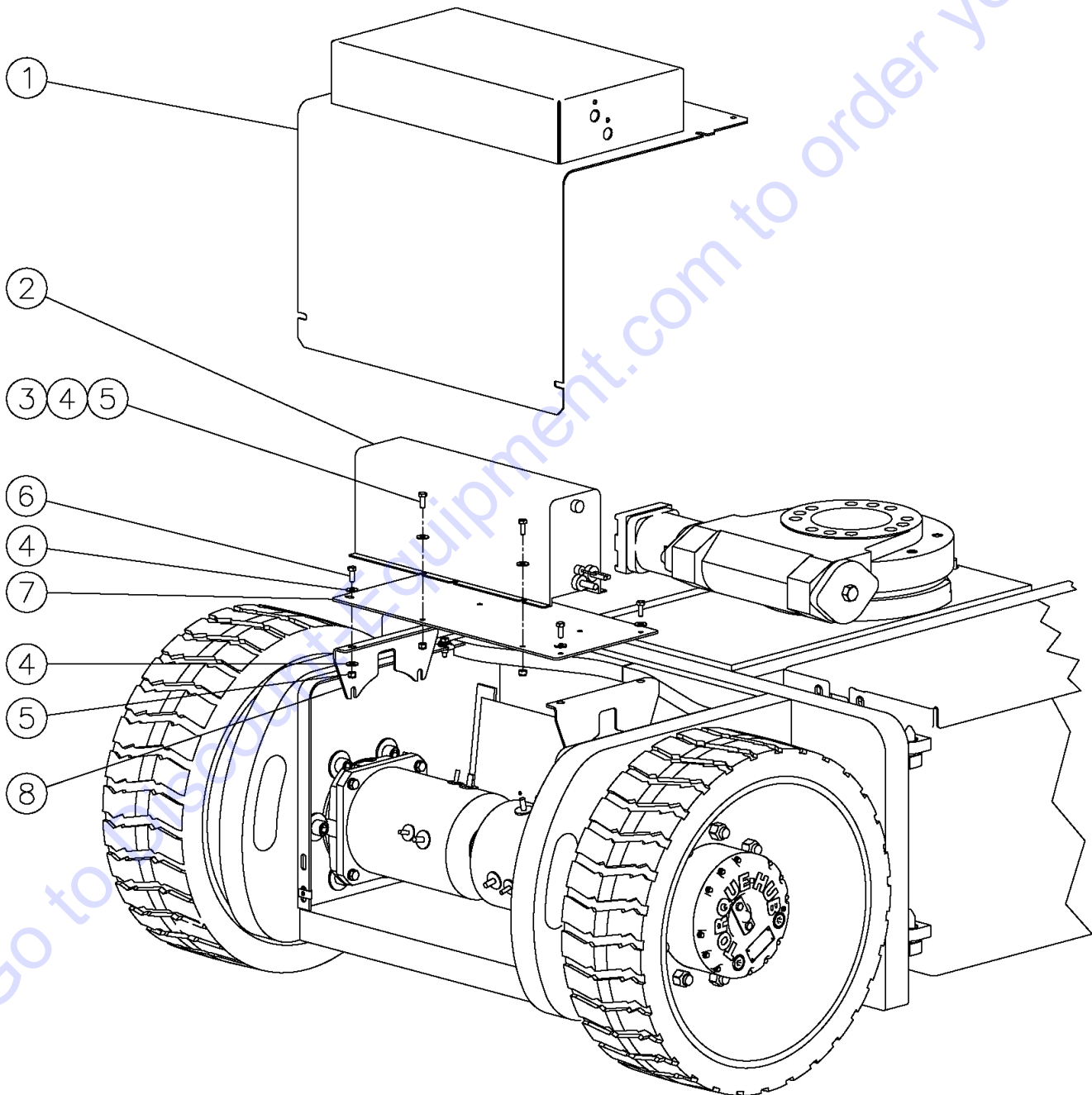
905.1 Platform Overload (from SN 6291)



905.1 Platform Overload (from SN 6291)

Item	Part No.	Description	Qty.
--	121848GT	ASSY,LS,LOAD SENSE,38.5 IN	
--	94395-SGT	OPTION,PLATFORM LOADSENSE	
1	94176GT	WELDMENT,PLATFORM SUPPORT.....1	
2	61726GT	PIN,0.75DIAX5.75LG,CHAMFER.....4	
3	6888GT	SCREW,HHC,1/4-20 X 1	
4	45748GT	ROD END,.250 X 2.75 LG.....4	
5	6091GT	NUT,NYLOCK,1/4-20	
6	25685GT	BEARING,GARLOCK,12FDU12.....8	
7	51063GT	SCREW,PHILLIPS,RHM,10-32 X 1.5	
8	6146GT	WASHER,FLAT,MS,#10,Y	
9	4828GT	NUT,NYLOCK,3/8-16	
10	61975GT	RETAINER,SPRING,1.21 X .375.....1	
11	61974GT	SPRING,COMP,1" OD,232 LB/IN.....1	
12	101512GT	LOAD SUPPORT WITH BEARINGS.....2 <i>includes item 6</i>	
13	61973GT	SWITCH,ROLLER PLUNGER LIMIT.....1	
14	61972GT	MOUNT,SWITCH.....1	
15	34619GT	BUMPER,RUBBER***.....1	
16	6097GT	WASHER,FLAT,USS,3/8",Y	
17	21604GT	SCREW,HHC,3/8-16 X 3.25	
18	94170GT	WELDMENT,ROTATOR SUPPORT.....1	
19	110789GT	WASHER,SHIM .0151 THK.	
20	5365GT	NUT,NYLOCK,10-24	

906.1 Inverter Option, 120V

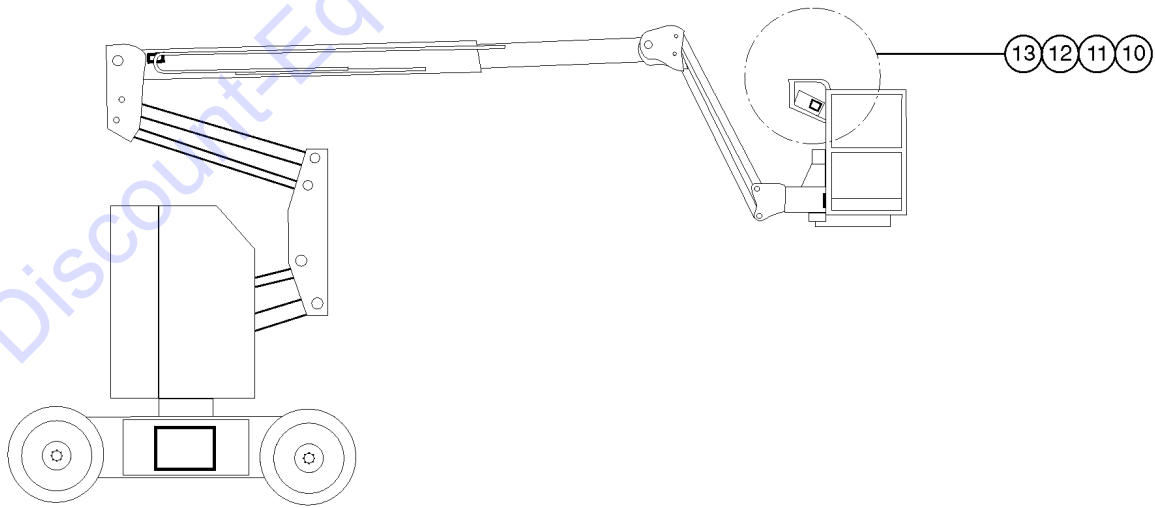
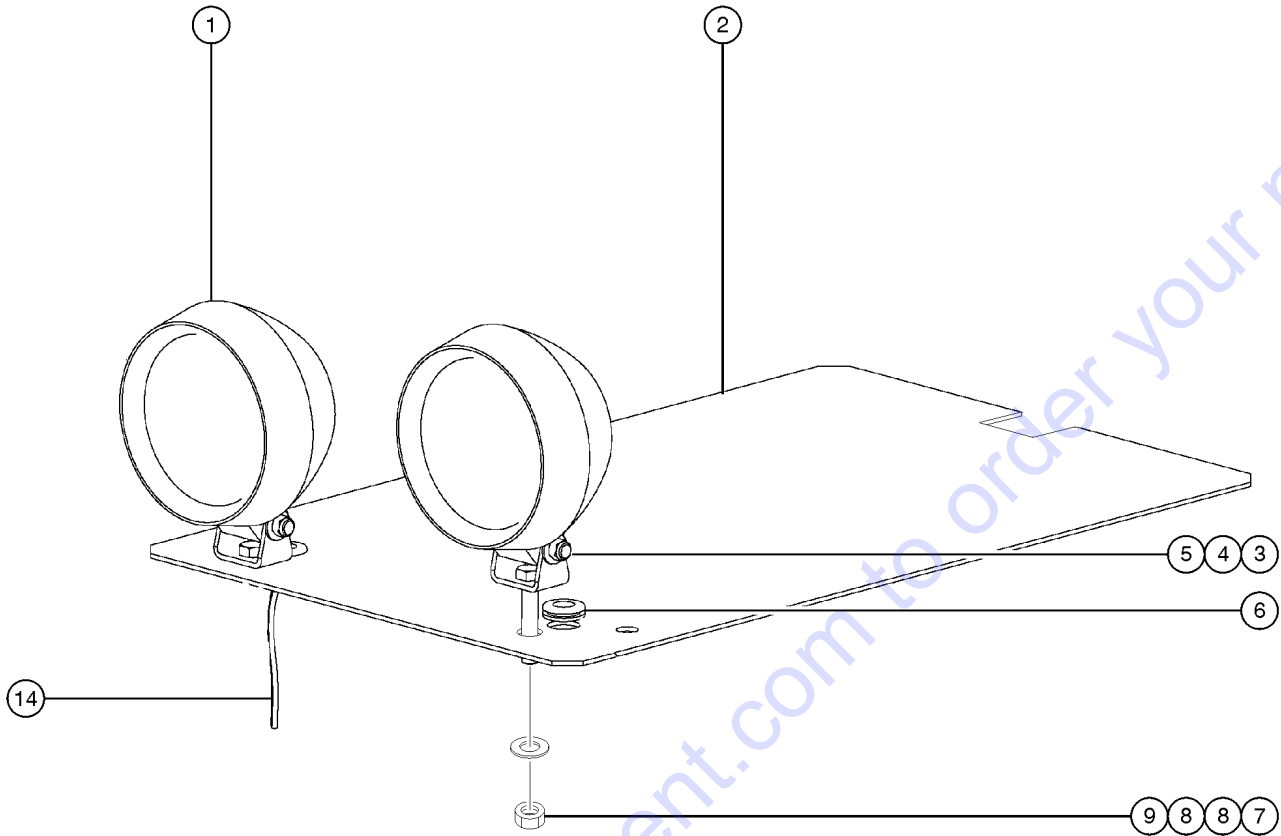


906.1 Inverter Option, 120V

Item	Part No.	Description	Qty.
1	74868GT	WELDMENT,COVER DRIVE CHASSIS.....	1
2	150026GT	INVERTER,48VDC,120VAC/60HZ.....	1
3	6090GT	SCREW,HHC,1/4-20 X .75.....	4
4	6638GT	WASHER,FLAT,USS,1/4"Y.....	12
5	6091GT	NUT,NYLOCK,1/4-20.....	8
6	6888GT	SCREW,HHC,1/4-20 X 1.....	4
7	74848PGT	PLATE,INVERTER MOUNT PTD.....	1
8	74847PGT	BRACKET,INVERTER MOUNT PTD.....	2

Go to Discount-Equipment.com to order your parts

907.1 Drive Light Option

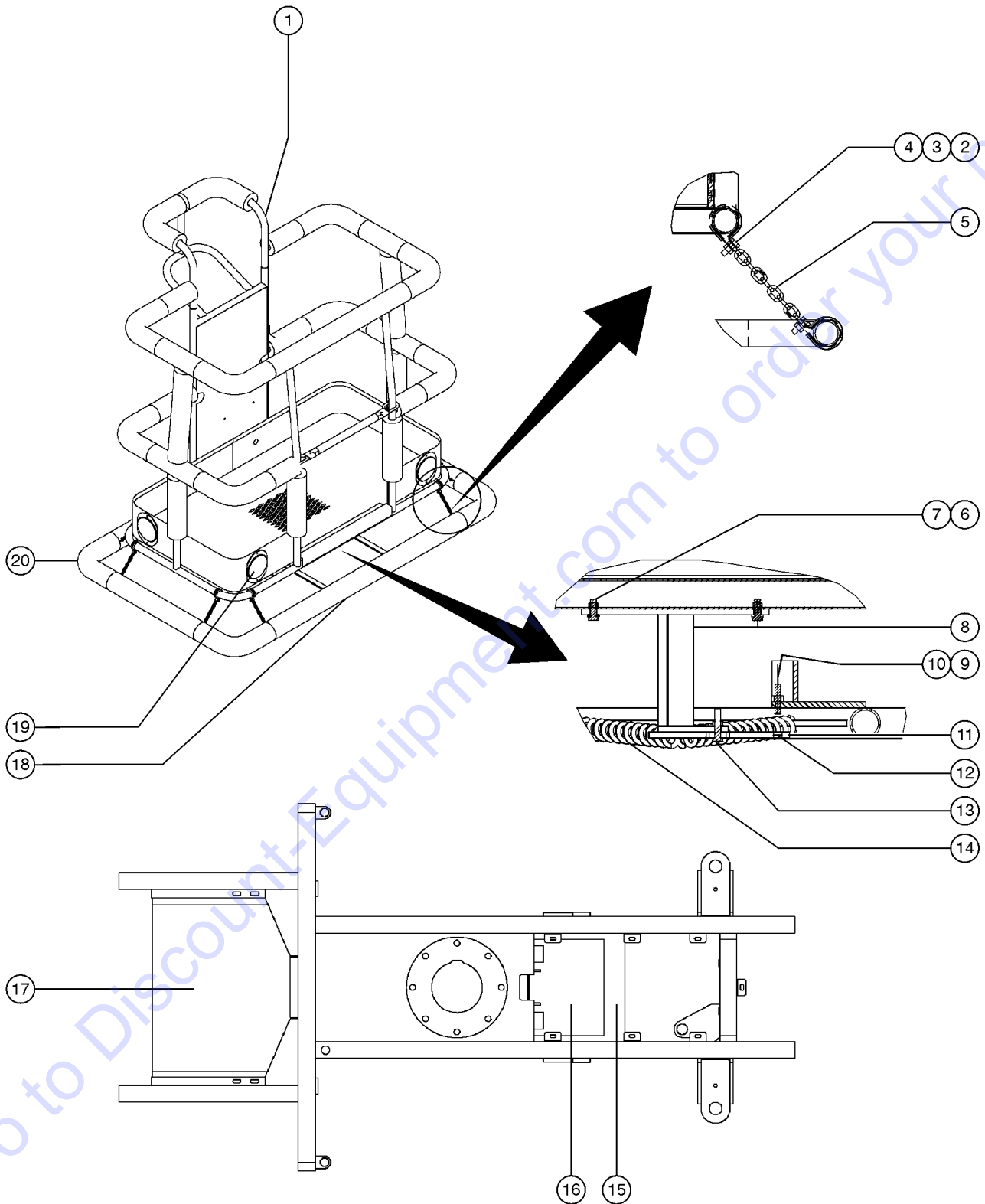


Go to Discount-Equipment.com to order your parts

907.1 Drive Light Option

Item	Part No.	Description	Qty.
1	107858GT	WORKLIGHT,48 VOLT..... <i>includes items 3-5 and 7-9</i>	2
2	128819GT	COVER, DR LIGHT OPTION.....	1
3	10107GT	SCREW,HHC,5/16-18 X .75.....	2
4	5397GT	WASHER,FLAT,USS,5/16",Y.....	2
5	6782GT	NUT,NYLOCK,5/16-18.....	2
6	53517GT	GROMMET,RUBBER .5 X .014 X .75.....	2
7	6782GT	NUT,NYLOCK,5/16-18	
8	5397GT	WASHER,FLAT,USS,5/16",Y	
9	18506GT	SCREW 5/16-18 X .75 LG.FLG.LCK.	
10	823226GT	POWER RELAY, 24V COIL.....	1
--	54365GT	SCREW,PHIL,PHM,10-32 X .5,SSTL	
--	6146GT	WASHER,FLAT,MS,#10,Y	
--	6178GT	NUT,NYLOCK,10-32	
11	72867GT	DECAL,LABEL,LIGHTS***.....	1
12	128205GT	SWITCH TOGGLE ASSY DPDT 2P MNT.....	1
--	27246GT	BOOT,TOGGLE SWITCH,SHORT*.....	1
13	6578GT	CABLE TIE,7 3/8".....	2
14A	128271GT	HARNESS, DRIVE LIGHTS, 48V..... <i>(to SN Z30N10-12120)</i>	1
14B	823948GT	HARNESS, DRIVE LIGHTS, 48V..... <i>(from SN Z30N13-14940)</i>	1
--	107858GT	WORKLIGHT,48 VOLT.....	2
--	23083-SGT	FUSE HOLDER,WATERPROOF.....	1
--	27489GT	FUSE,7 AMP.....	1
--	823226GT	POWER RELAY, 24V COIL.....	1

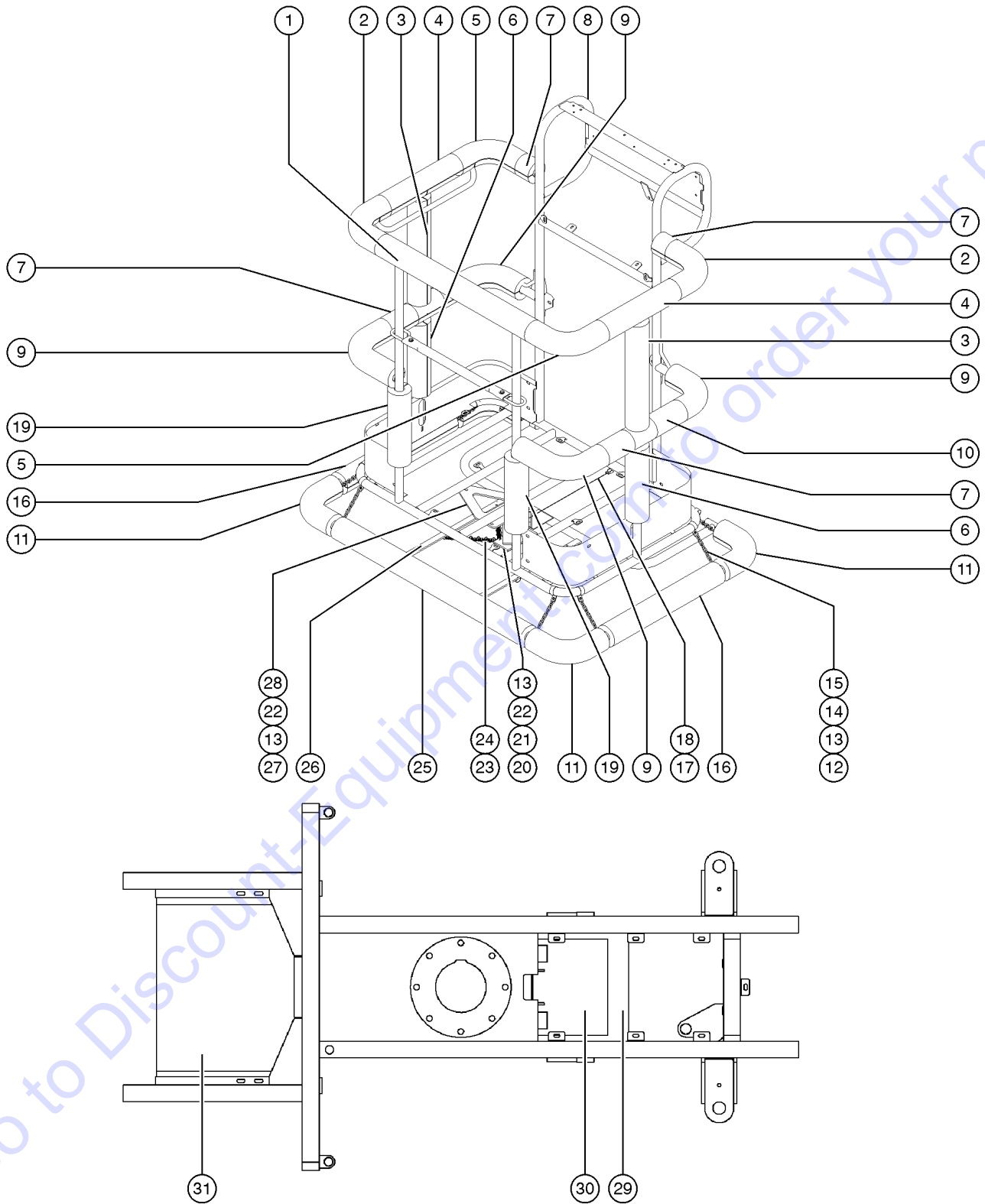
909.1 Aircraft Protection (to SN 10885)



909.1 Aircraft Protection (to SN 10885)

Item	Part No.	Description	Qty.
1		Ref. PLAT RAIL ASSY (refer to 601.1)	
2	42377GT	SCREW,SHS,1/4-20 X .75,ZINCPLT	
3	56424GT	CLAMP,1.25X.5 RUBBER-CUSHION....16	
4	6091GT	NUT,NYLOCK,1/4-20	
5	56426GT	CHAIN,NO.2.....8	
6	6356GT	WASHER,LOCK,.25	
7	23404GT	NUTSERT,1/4-20,STEEL CAD PLTD	
8	56328GT	WELDMENT,SENSOR BRACKET.....1	
9	81532GT	HARNES,PROX.KILL.....1 <i>includes 27391GT proximity sensor</i>	
--	27391GT	PROXIMITY SENSOR***	
10	22571GT	NUT,HEX,M8 X 1.25	
11	56330GT	PLATE,MAGNET MOUNT.....1	
12	29261GT	MAGNET,NEODYMIUM,.375 X .100.....2	
13	8915GT	SCREW,HHC,1/4-20 X 1.25	
14	56425GT	SPRING,EXTENSION,.75X4.5	
15	56452GT	PLATE,COUNTERWEIGHT.....1	
16	56451GT	PLATE,COUNTERWEIGHT.....1	
17	74734GT	PLATE,COUNTERWEIGHT.....1	
18	56417GT	BUMPER,3.50 DIA.STRAIGHT.....5	
19	56427GT	REFLECTORS,3"DIA,AMBER.....6	
20	56418GT	BUMPER,90 DEG ELBOW.....14	

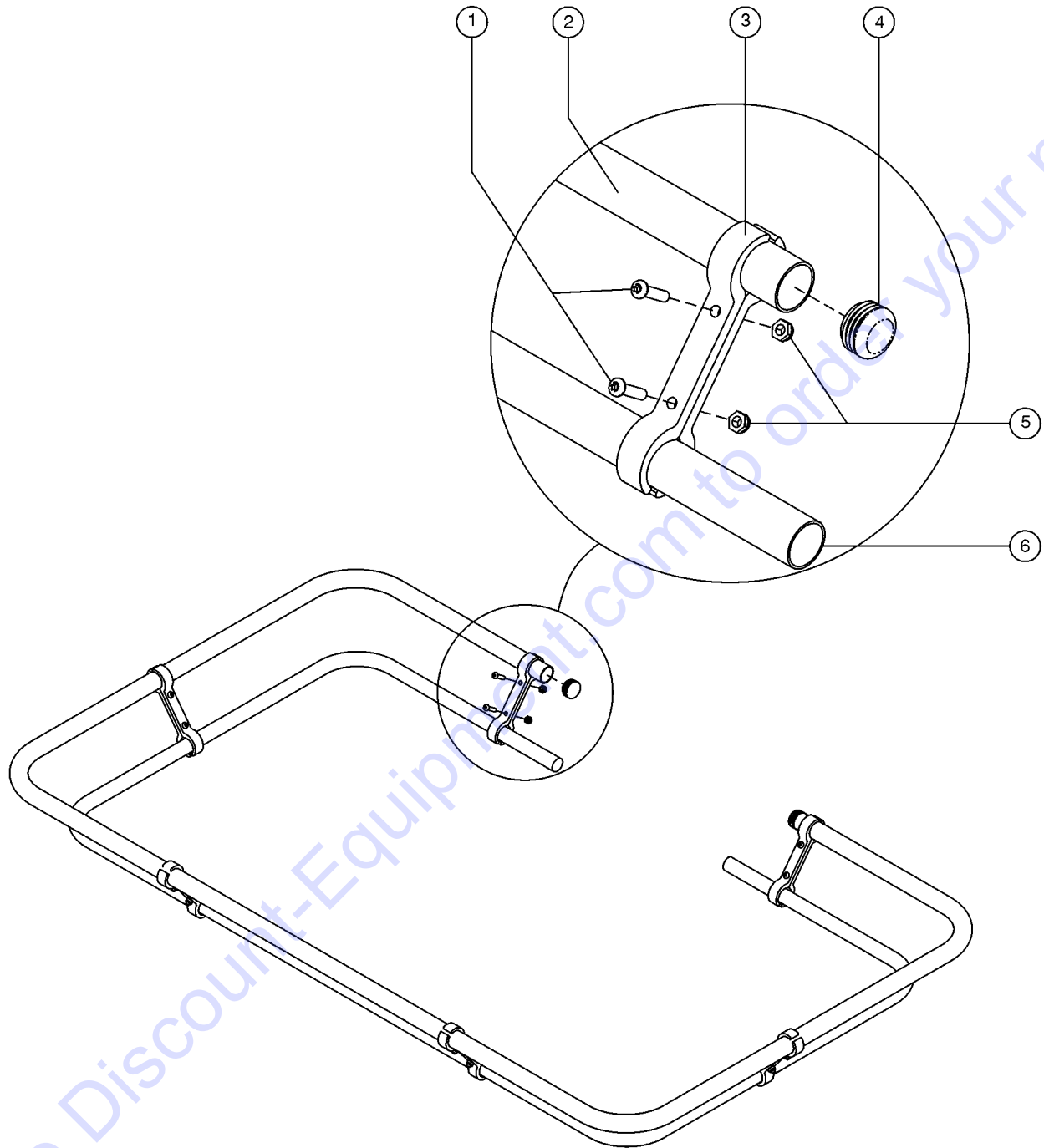
909.2 Aircraft Protection (from SN 10886)



909.2 Aircraft Protection (from SN 10886)

Item	Part No.	Description	Qty.
1	1251590GT	BUMPER,3.5OD X 1.5ID X 30.75.....	1
2	147000GT	PADDING, FOAM 90 DEG.....	2
3	825213GT	BUMPER,3.5OD X 1.5ID X 15.65.....	2
4	825207GT	BUMPER,3.5OD X 1.5ID X 14.75.....	2
5	147001GT	PADDING, FOAM 90 DEG.....	2
6	825212GT	BUMPER,3.5OD X 1.5ID X 12.75.....	2
7	1251592GT	BUMPER,3.5OD X 1.5ID X 2.75.....	2
8		Ref. PLATFORM RAIL ASSY <i>refer to 601.1</i>	
9	1252013GT	BUMPER,3.5OD X 1.5 ID 90 DEG.....	4
10	1252012GT	BUMPER,3.5OD X 1.5 ID X 6.75.....	2
11	56418GT	BUMPER,90 DEG ELBOW.....	4
12	56426-576GT	CHAIN,NO.2 (9LINKS).....	8
13	6090GT	SCREW,HHC,1/4-20 X .75	
14	6091GT	NUT,NYLOCK,1/4-20	
15	56424GT	CLAMP,1.25X.5 RUBBER-CUSHION....	16
16	825214GT	BUMPER,3.5OD X 1.5ID X 22.70.....	2
17	139643GT	HARNES, PROX. KILL..... <i>(includes PN 27391GT for Proximity Sensor)</i>	1
18	88390GT	NUT,HEX,M8,PLASTIC	
19	1252011GT	BUMPER,3.5OD X 1.5 ID X 9.75.....	2
20	56330GT	PLATE,MAGNET MOUNT.....	1
21	8915GT	SCREW,HHC,1/4-20 X 1.25	
22	6638GT	WASHER,FLAT,USS,1/4"Y	
23	56425GT	SPRING,EXTENSION,.75X4.5.....	4
24	88385GT	SPRING, SS, 1/2-EO500-49-4500.....	4
25	1251591GT	BUMPER,3.5OD X 1.5ID X 38.75.....	1
26	56324GT	WELDMENT,FLOATING BUMPER.....	1
27	56328GT	WELDMENT,SENSOR BRACKET.....	1
28	23404GT	NUTSERT,1/4-20,STEEL CAD PLTD	
29	128723GT	PLATE, PROFILED COUNTERWEIGHT.....	1
30	128722GT	PLATE, PROFILED COUNTERWEIGHT.....	1
31	74734GT	PLATE,COUNTERWEIGHT.....	1

910.1 Auxiliary Rail Assembly

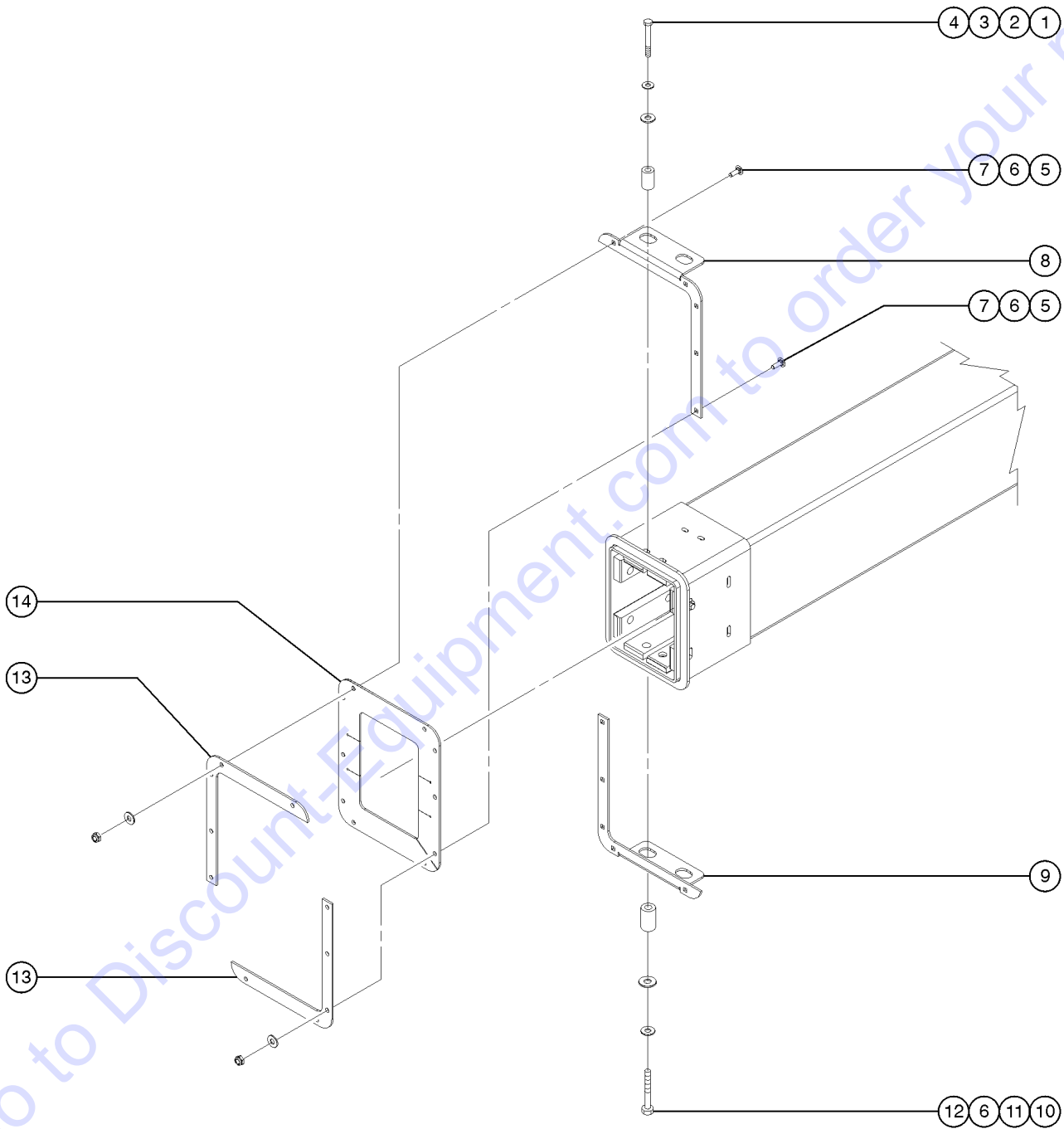


910.1 Auxiliary Rail Assembly

Item	Part No.	Description	Qty.
--	T112779GT	KIT, AUX. RAIL, 4' PLATFORM	
1	122231GT	SCREW,BHSC,1/4-20 X 1	
2	T112577GT	TUBE, AUX. RAIL, 4' PLATFORM.....1	
3	122073GT	SUPPORT, RAILING.....12	
4	55753GT	BUMPER, PLASTIC, 1.25 O.D.....2	
5	6889GT	NUT,LP NYLOCK,1/4-20	
6		Ref. PLAT RAIL ASSY (refer to 601.1)	

Go to Discount-Equipment.com to order your parts

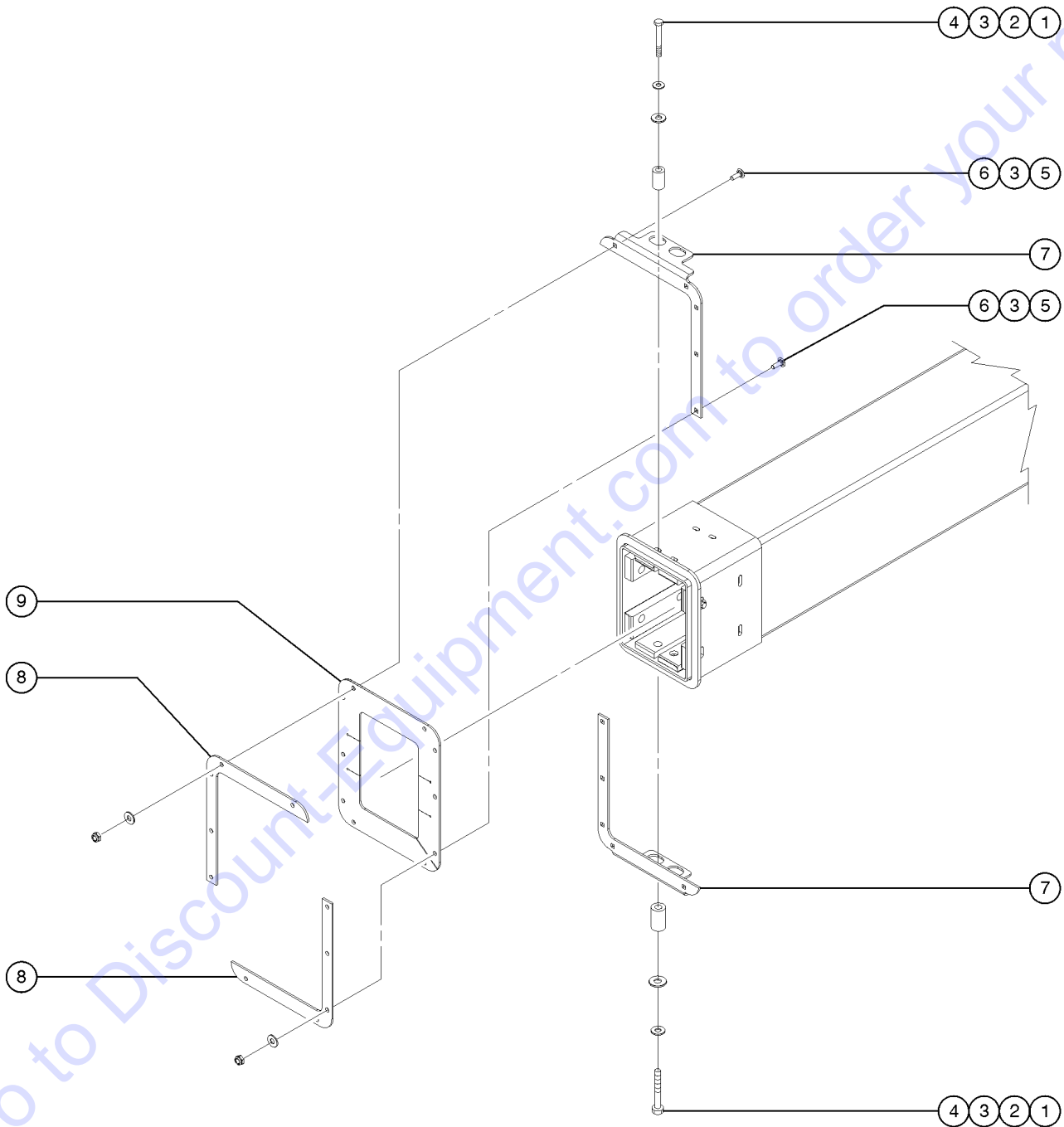
911.1 Hostile Environment, Primary Boom Wipers, Z-30N (from SN 12120)



911.1 Hostile Environment, Primary Boom Wipers, Z-30N (from SN 12120)

Item	Part No.	Description	Qty.
1	6708GT	SCREW,HHC,3/8-16 X 2.25.....	2
2	6021GT	WASHER,LOCK,.375.....	2
3	6097GT	WASHER,FLAT,USS,3/8",Y.....	2
4	128852GT	TUBE,RD,STL,DOM,.75X.438X1.25.....	2
5	6878GT	BOLT,CARRIAGE,1/4-20 X .75,G2.....	10
6	6638GT	WASHER,FLAT,USS,1/4"Y.....	12
7	6889GT	NUT,LP NYLOCK,1/4-20.....	10
8	128681GT	FORMING, WIPER MOUNT.....	1
9	128682GT	FORMING, WIPER MOUNT.....	1
10	8179GT	SCREW,HHC,1/4-20 X 2.25.....	2
11	6356GT	WASHER,LOCK,.25.....	2
12	119077GT	TUBE,RD,STL,DOM,.75OD X .375ID....	2
13	128973GT	PLATE,WIPER BACKING.....	2
14	147181GT	WIPER,PRIMARY BOOM.....	1

912.1 Hostile Environment, Primary Boom Wipers, Z-30N RJ (from SN 12120)

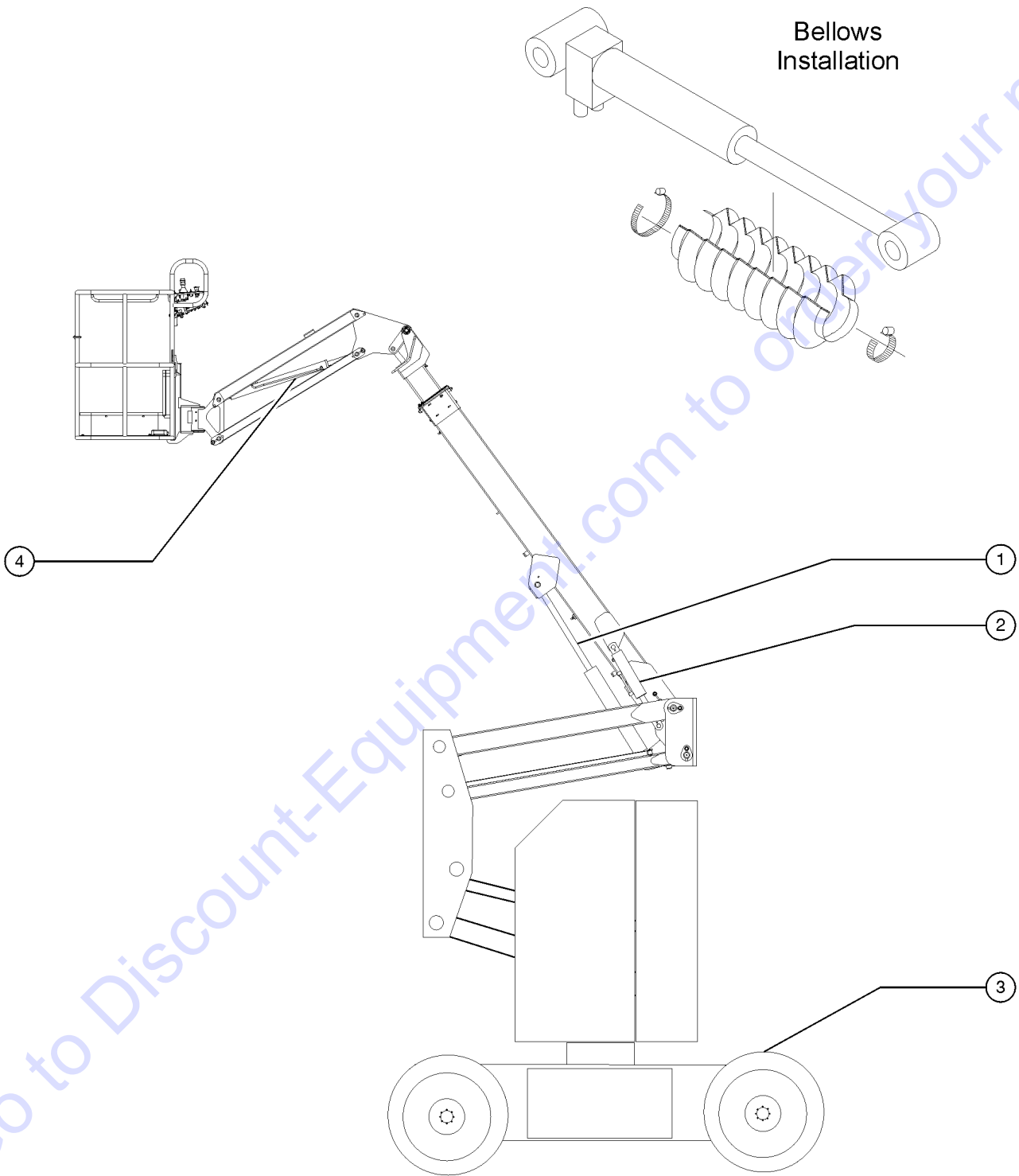


912.1 Hostile Environment, Primary Boom Wipers, Z-30N RJ (from SN 12120)

Item	Part No.	Description	Qty.
--	147344GT	KIT, WIPER, Z-40/23N.....	1
1	8179GT	SCREW,HHC,1/4-20 X 2.25.....	4
2	6356GT	WASHER,LOCK,.25.....	4
3	6638GT	WASHER,FLAT,USS,1/4"Y.....	14
4	119077GT	TUBE,RD,STL,DOM,.75OD X .375ID....	4
5	6878GT	BOLT,CARRIAGE,1/4-20 X .75,G2.....	10
6	6889GT	NUT,LP NYLOCK,1/4-20.....	10
7	128972GT	FORMING,WIPER MOUNT.....	2
8	128973GT	PLATE,WIPER BACKING.....	2
9	128971GT	WIPER,PRIMARY BOOM.....	1

Go to Discount-Equipment.com to order your parts

913.1 Hostile Environment, Cylinder Bellows (from SN 12120)



913.1 Hostile Environment, Cylinder Bellows (from SN 12120)

Item	Part No.	Description	Qty.
--	128838GT	KIT, CYLINDER BELLOWS	
1	94461GT	BELLOWS,PRIMARY/ELEV CYLINDER.....	2
2	94463GT	BELLOWS,MASTER CYLINDER.....	1
3	54989GT	BELLOWS,STEERING CYLINDER..... (not shown)	1
4	94462GT	BELLOWS,JIB CYLINDER.....	1
5	30577GT	COVER,PROTECTIVE,MASTER/SLAVE. (not shown)	1
6	30489GT	CLAMP,HOSE,3.50.....	5 (not shown)
7	30971GT	CLAMP,HOSE,3.00".....	1 (not shown)
8	35434GT	CLAMP,HOSE,2.00***.....	6 (not shown)

Go to Discount-Equipment.com to order your parts

Part Number Index

The Part Number Index is a numeric index of all part numbers included in this manual. The index shows what page(s) the part is used on.

Part Number	Page	Part Number	Page	Part Number	Page	Part Number	Page
10107GT	159	110637GT	45-46	128565GT	45-46	139075GT	141
101349GT	67, 89	110644GT	65	128618GT	45-46	139076GT	139, 141
101429GT	83	110649GT	107	128619GT	45-46	139077GT	141
101512GT	155	110651GT	149	128620GT	45-46	13918GT	85
101557GT	73, 85	110652GT	149	128621GT	45-46	13930GT	55
101649GT	149, 153	110789GT	155	128622GT	45-46	139318GT	25
101676GT	153	110947GT	57	128632GT	67, 89	139351GT	31-33
101677GT	153	114117GT	13, 15	128634GT	67, 89	139353GT	31-33
101678GT	153	114224GT	15	128645GT	25	139354GT	31-33
101679GT	153	114319GT	31-33	128660GT	31-33	139355GT	31-33
101703GT	23	114397GT	15	1286601GT	33	139362GT	149
101718GT	29	119077GT	167, 169	1286606GT	32-33	139363GT	149
101719GT	29	119111GT	45-46	1286607GT	32-33	139364GT	149
101965GT	55	119129GT	149, 153	128667GT	98	139365GT	149
101967GT	61, 63	119133GT	149	128668GT	98	139376GT	45-46
101968GT	61, 63	119147GT	149, 153	128669GT	98	139462GT	129
101969GT	61, 63	119403GT	25, 61, 63	128674GT	57	139463GT	129
101970GT	61, 63	119404GT	61, 63	128675GT	57	139537GT	75, 93
101980GT	97-98	119556GT	31-33	128681GT	167	139540GT	75, 93
101981GT	97-98	119618GT	53	128682GT	167	139541GT	75, 93
101982GT	97-98	119762GT	45-46	128722GT	163	139542GT	75, 93
101983GT	98	119787PGT	43	128723GT	163	139560GT	129
101984GT	98	119917GT	45-46	128728GT	59	139561GT	129
101985GT	97-98	119950GT	153	128732GT	31-33	139563GT	129
101986GT	97-98	12037GT	23, 97-98	1287986GT	121, 125-126	139564GT	129
101987GT	97-98	121848GT	155	128808GT	59	139565GT	129
101988GT	97-98	122019GT	143, 145	128809GT	59, 137	139584GT	65
101989GT	105	122073GT	165	128810GT	57	139585GT	65
10262GT	73, 85	122231GT	165	128811GT	59, 137	139586GT	13, 15, 17
102992GT	97-98	122366GT	55	128818GT	59	139643GT	163
105352GT	31-33	122512GT	55	128819GT	159	139655GT	78, 87
105556GT	145	122513GT	103, 109, 111	128825GT	25	139840GT	73
105557GT	145	122514GT	55, 103, 109, 111	128837GT	87	139841GT	85
10597GT	77-78, 87	12344GT	107	128838GT	171	139858GT	25
106025GT	29	12443GT	97-98	128852GT	167	139866GT	45-46
106038GT	21	1251590GT	163	128899GT	45-46	139867GT	46
106039GT	31-33	1251591GT	163	128971GT	169	139871GT	137
106082GT	71, 85, 95	1251592GT	163	128972GT	169	139872GT	137
106086GT	67, 89	1251600GT	149	128973GT	167, 169	139877GT	137
106087GT	45-46	1251757GT	37	128975GT	65	14033GT	57, 59
106121GT	33	1252011GT	163	128993GT	25	14041GT	101, 105
106122GT	33	1252012GT	163	12906GT	57, 59, 61, 63	14392GT	145
106123GT	33	1252013GT	163	12960GT	101, 105	144161GT	25, 61, 63
106241GT	29	1255452GT	19, 69, 91	13002GT	27, 29, 35, 37	146478GT	111
106422GT	77-78	1260219GT	65	13008-3GT	23	147000GT	163
106423GT	87	1261450GT	65	13008-5GT	23	147001GT	163
106427GT	45-46, 67, 89	1262218GT	51, 53	13008-6GT	23	147077GT	87
106428GT	67, 89	1274322GT	149	13037-SGT	55, 103, 109	147079GT	73, 85
106429GT	67, 89	1277924GT	149	13064GT	45-46	147093GT	49, 51, 53, 55
106433GT	71, 85, 95	128039GT	89	13066GT	87	147139GT	73
106434GT	67, 89	128040GT	89	13097GT	149	147143GT	73
106445GT	33	128045GT	61, 63	13268GT	107	147146GT	78
10665GT	78, 87	1280665GT	61, 63	133286GT	15, 23, 25	147147GT	77-78
106959GT	45-46	128118GT	25	13471GT	55, 103	147181GT	167
106960PGT	45-46	128138GT	27	13480-SGT	55, 103	147251GT	65
10775GT	97-98, 101	128200GT	111	13482GT	97-98	147253GT	107
107858GT	149, 159	128202GT	111	13511GT	55	147344GT	169
107935GT	69, 91, 141	128203GT	111	13585GT	97-98, 101	147369GT	77-78, 87
110197GT	125-126	128205GT	159	13775GT	33, 147	147370GT	87
110199GT	125-126	128271GT	159	139008GT	45-46	147389GT	107
110200GT	125-126	128334GT	37	139010GT	43	147487GT	73
110232GT	65	128368GT	151, 153	139011-SGT	43	147637GT	85
110234GT	65	128374GT	151, 153	139012GT	43	1487GT	151, 153
110235GT	65, 107	128375GT	25	139013GT	43	1488GT	151, 153
110239GT	65, 107	128376GT	25	139014GT	43	150026GT	157
110243GT	65, 107	128377GT	25	139015GT	43	15086GT	57, 59, 143
110244GT	65	1284189GT	45-46	139016GT	43	15243GT	107
110245GT	65	128443GT	125-126	139017GT	43	16397-SGT	55, 103, 109
110246GT	65	128444GT	125-126	139018GT	43	16486GT	85
110249GT	65	128453GT	45-46	139019GT	43	17626GT	35, 97-98
110251GT	65	128458GT	43	139020GT	43	18078GT	23
110255GT	65	128459GT	43	139021GT	43	18396GT	69, 91
110256GT	65	128465GT	43	139022GT	43	18503GT	27, 29, 35, 37
110382GT	51, 53	128466GT	43	139073GT	141	18504GT	49, 51, 53
110626GT	51, 53	128550GT	77-78	139074GT	141		

Part Number	Page	Part Number	Page	Part Number	Page	Part Number	Page
18506GT	35, 57, 59, 149, 159	23314GT	35	30807P-SGT	97-98	36279GT	78
18920GT	121	233717GT	77-78, 87	30971GT	171	36281GT	73
18963GT	61, 63	233745GT	77-78, 87	30996GT	105	36294GT	23
19018-1100GT	149	23404GT	35, 37, 49, 51, 53, 55, 101, 105, 107, 161, 163	30997GT	101, 105, 107	36313GT	23
19018GT	49, 51, 53			31060GT	11, 13, 15	36326GT	45-46
19268GT	55	23405GT	35, 37, 49	31099GT	129	36355GT	35, 37
19440GT	19, 21	23417GT	35	31106GT	67, 77-78, 89	36366GT	67, 89
19470GT	126	234923GT	117	31194GT	45-46, 133, 135, 137	36369GT	27, 29
19491GT	45-46, 67, 71, 73, 85, 89, 95	236665GT	37	31498GT	77-78	36373GT	103
19506GT	55	237145GT	149	31508GT	11, 13, 15	36378GT	49
19520GT	39, 43	237503GT	65	31527GT	123, 125-126	36385GT	49
19533GT	23	237527GT	65	31528GT	123	36388GT	49, 51, 53, 61, 63
19712GT	113, 115, 117	23844GT	37	31585GT	11, 13, 15	36389GT	69, 91
19713GT	117	23845GT	35, 37	31785JAGT	15	36390GT	69, 91
19721GT	117	24514GT	97-98	31785GT	11, 13	36391GT	61, 63
19722GT	113, 115, 117	25068GT	46	31786GT	11, 13	36392GT	61, 63
19731GT	113, 115	25388GT	25, 61, 63	31787GT	11, 13, 15	36413GT	73
19789GT	125-126	25683GT	69, 71, 77-78, 91	31788GT	11, 13, 15	36414GT	61, 63
19815GT	35	25685GT	155	32224GT	45-46	36415GT	61, 63
19816GT	35	25817GT	19, 21	32358GT	149	36424GT	27, 29
20189GT	145	25836GT	49, 51	32399GT	19, 21	36443GT	31-33
20193GT	32-33	25837GT	49	32669GT	129	36456GT	35, 37, 57, 59
20224GT	123, 125-126	25974GT	49, 51	32697GT	37	36457GT	61, 63
20262GT	97-98	27126GT	27	32700GT	11, 13	36459GT	45-46
20973-2600GT	97-98	27246GT	55, 103, 109, 159	32710GT	97-98	36561-SGT	78, 87
20973-8000GT	97-98	27262GT	23	32728GT	15	36570GT	61, 63
21121GT	97-98	27263GT	23	33265GT	77-78, 87	36574GT	61, 63
21143GT	32-33	27275GT	45-46	33278GT	77-78, 87	36575GT	61, 63
21144GT	32-33	27372GT	45-46	33428GT	71, 95	36576GT	27
21145GT	32-33	27391GT	161	33608GT	49	36577GT	27
21146GT	32-33	27419GT	35	33629GT	97-98	36579GT	27, 29
21148GT	32-33	27489GT	159	33674GT	153	36600GT	101
21149GT	32-33	27497GT	67, 69, 75, 78, 81, 83, 85, 87, 89, 91, 93	33759GT	97-98	36612GT	33
21166GT	19, 21			33952GT	11, 13	36620GT	67, 89
21253GT	27	27532GT	123	33994GT	121, 123, 125-126	36648GT	73, 85
21427GT	113, 115, 117	27564GT	11, 13, 15	34053GT	51	36658GT	31-33
21434GT	113, 115	27830GT	23	34125GT	73	36659GT	123
21604GT	67, 89, 155	27894GT	147	34245GT	69, 87, 91	36673GT	25
21618GT	147	27895GT	147	34619GT	153, 155	36874GT	69, 91
216788GT	51, 53	27900GT	147	35003GT	101	36875GT	27
216791GT	51, 53	27901GT	147	35088GT	78	36959GT	45-46
216793GT	53	27902GT	147	35434GT	171	36998GT	57
217046GT	51, 53	27903GT	147	35496GT	33	37051GT	11, 13
217371GT	65	27904GT	147	35540GT	11, 13	37052GT	11, 13, 15
21858GT	105	28157GT	11	35542GT	11, 13, 15	37053GT	11, 13, 15, 17
22262GT	35, 37	28161GT	11, 13, 15	35587GT	31-33	37054GT	11, 13, 15, 17
22263GT	35, 37	28164GT	11, 13, 15	35675GT	73, 85, 87	37055GT	11, 13, 15, 17
22264GT	35, 37	28165GT	11, 13, 15	35678GT	119	37056GT	11, 13, 15, 17
22265GT	35, 37	28171GT	11, 13, 15	35679GT	119	37075GT	121
22359GT	71, 73, 85, 95	28174GT	11, 13, 15, 17	35680GT	103, 109, 111, 119	37079GT	123
22542GT	37	28175GT	11, 13, 15	35934GT	101, 105	37080GT	123
22571GT	161	28176GT	11, 13, 15	35956GT	149	37097GT	32-33
226148GT	57	28177GT	11, 13, 15	36054-SGT	77-78, 87	37100GT	19, 21
226383GT	117	28181GT	11, 13, 15	36086GT	57, 59	37103GT	27
226393GT	143, 145	28235GT	11, 13, 15, 17	36163-SGT	19, 21	37104GT	27
226540GT	87	28236GT	11, 13, 15	36179GT	57, 59	37105GT	61
226542GT	87	28298GT	51, 53	36189GT	78	37106GT	61
22700GT	57, 59	28372GT	11, 13, 15	36190GT	77-78, 87	37107GT	27
227213GT	15	28750GT	121, 123, 125-126	36192GT	73, 85	37108GT	27
227531GT	15			36194GT	69, 71, 91, 95	37125GT	67, 89
227620GT	97-98	29032GT	121, 123, 125-126	36198GT	71, 95	37126GT	67
22811GT	33			36199GT	78, 87	37127GT	67
228469GT	97-98	29080GT	73	36202GT	69, 91	37128GT	77-78
228470GT	97-98	29261GT	161	36205GT	69, 91	37129GT	55
228946GT	25	29605GT	57, 59, 77-78, 87	36211GT	19, 21	37184GT	57, 59
228947GT	25	29737GT	123	36212GT	27, 29	37185GT	57, 59
228973GT	25	29764GT	33	36235GT	101, 105, 107	37186GT	57, 59
229074GT	129	29868GT	27, 29, 67, 89	36245GT	69, 91	37187GT	57, 59
229567GT	111	30217GT	78	36246GT	69, 91	37188GT	31-33
230645GT	145	30222GT	77-78, 87	36249-SGT	77-78	37189GT	31-33
23083-SGT	149, 159	30255GT	69, 77-78, 87, 91	36257GT	61, 63	37191GT	57, 59
231204GT	97-98	30348GT	57	36260GT	32-33	37192GT	57, 59
231931GT	145	30489GT	171	36268PGT	35	37947GT	55
232486GT	33	30577GT	171	36269GT	23	38110GT	11
						38111GT	11
						38112GT	11

Part Number Index (continued)

Part Number	Page	Part Number	Page	Part Number	Page	Part Number	Page
38113GT	31-33	42824-SGT	139	46468GT	15	52913GT	57, 59
38114GT	31-33	42856GT	133	46993GT	98, 101, 103	52914GT	57, 59
38115GT	31-33	42920GT	57, 133, 135	47377GT	71, 78, 95	52915GT	57, 59
38682GT	145	42922-SGT	57	4828GT	19, 21, 25, 29, 45-46, 49, 57, 59, 67, 69, 77-	52928GT	113, 115, 117
38859GT	57, 59	42928GT	133, 135			52943GT	121, 123, 125- 126, 129
39223GT	59	42929GT	57, 78			52947GT	15
39345GT	78	42939-18700GT	67			52968GT	11, 13, 15, 17
39640GT	51, 53	42939-5400GT	89			53517GT	159
40145GT	19	42939GT	78, 87	48401GT	19, 21	53534GT	57
40146GT	19	43036GT	11	48402GT	71, 95	5365GT	155
40169GT	31-33	43038GT	113, 115, 117	48405GT	77-78	5397GT	19, 21, 35, 37, 45-46, 67, 69, 77-78, 85, 89, 91, 97-98, 149, 159
40398GT	23	43040GT	113, 115, 117	48406GT	85		
40410GT	123, 125-126	43042GT	113, 115, 117	48504GT	57, 59	54255GT	107
40412GT	123	43045GT	113	48875GT	137	54259GT	107
40413GT	121, 123, 125- 126, 129	43166GT	78	48880GT	123, 126	54365GT	61, 63, 107, 159
		43179GT	35, 37	48890GT	139, 141	54457GT	151, 153
40424GT	121	43392GT	151, 153	48900GT	133, 135, 137	54530GT	85
40434GT	11, 13, 15, 17	43599GT	125-126	48904GT	131, 139	54627GT	19, 21, 33
40446GT	67, 89	43652GT	11	48905GT	129, 135, 137, 139, 141	54692GT	55, 109
40447GT	71, 95	43653GT	11, 13	48906GT	131	54794GT	23
40523GT	23	43658GT	11, 13, 17	48911GT	131, 135, 137	54795GT	23
40524GT	23	43663GT	11	48912GT	131, 133, 135, 137, 139, 141	54796GT	23
40532GT	23	43937GT	71, 95	48915GT	129, 131, 133, 135, 137	54797GT	23
40533GT	23	43955GT	101, 105	48916GT	133, 135, 137, 139, 141	54817P-SGT	97-98
40534GT	23	43956GT	61, 63, 65, 97- 98, 101			54989GT	171
40536GT	23	43960GT	45-46	48926GT	139	55753GT	149, 151, 153, 165
40537GT	23	43961GT	101	48927GT	139, 141		
40538GT	23	44133GT	67, 89	48930GT	133	55921GT	57, 59
40609GT	145	44248GT	15	48931GT	133, 135, 137	56003GT	133
41921GT	31-33	44586GT	49, 51	48932GT	137	56022GT	57
42019GT	59	44743GT	97-98	48937GT	135, 137, 139, 141	56029GT	37
42032GT	113	44777GT	57, 59	48938GT	57, 133, 135, 137	56030GT	37
42032HGT	113	44778GT	31-33, 57, 59	48944GT	133, 135	56051GT	67, 73, 85, 89, 97-98, 105, 145
42078GT	57, 59	44788GT	59	48946GT	133, 135	56095GT	37
42104GT	153	44954GT	123, 129	48947GT	133, 135	56177GT	129
42363GT	45-46	44956GT	121, 125-126	48997GT	123, 125-126, 133	56180-SGT	139
42377GT	161	44980GT	11, 13, 15, 17	48999GT	133, 135	56201GT	49
42413GT	67, 89	44981GT	11, 13, 15, 17, 147	49612GT	121, 125-126	56208GT	139
42422GT	129	44986GT	11, 13, 15	49613GT	121, 125-126	56245GT	139
42439GT	49, 51, 53	45043GT	19, 21	49816GT	51, 53, 61, 63, 113, 115, 143, 145	56261GT	147
42502GT	73	45071GT	19, 21, 69, 71, 91, 95			56281GT	37
42587GT	105	45074GT	19, 21	49817GT	45-46	56289-SGT	143, 145
42604GT	46	45107GT	19, 21	49818GT	37	56302GT	51, 53
42609GT	67, 89	45108GT	19, 21	49819GT	51, 53, 57	56309GT	125-126
42610GT	67	45110GT	19, 21	49820GT	107	56318GT	53
42611GT	67	45111GT	19, 21	49821GT	67, 71, 73, 89, 95	56319GT	53
42616GT	49	45112GT	19, 21	49822GT	67, 71, 73, 89, 95	56324GT	163
42617GT	49, 107	45113GT	19, 21	49871GT	35	56328GT	161, 163
42621GT	73	45114GT	19, 21	50546GT	77-78	56330GT	161, 163
4266GT	67, 73, 89	45209GT	27, 29	50576GT	31-33	56338GT	32-33
42693GT	75, 93	45382GT	27	51063GT	45-46, 155	56361GT	73, 85
42694PGT	75, 93	45383GT	101, 103, 105, 109, 111	51147GT	43	56417GT	161
42705GT	131, 135, 137	45384GT	103, 109, 111	52087GT	31-33	56418GT	161, 163
42730-SGT	109	45385GT	61	52339GT	121, 125-126	56424GT	151, 153, 161, 163
42763GT	75, 93	45425GT	67, 89	52598GT	126	56425GT	161, 163
42764GT	121	45437GT	97-98	52599GT	125-126, 129	56426-576GT	163
42781GT	105, 107	45444GT	67	52601GT	125-126	56426GT	161
42785GT	57	45454GT	147	52603GT	125-126	56427GT	161
42797GT	78, 87	45462GT	63, 143	52604GT	125-126	56451GT	161
42800GT	131	45465GT	27	52620GT	71, 78, 95	56452GT	161
42801GT	131	45495GT	32-33	52625GT	71, 95	56453GT	19
42804GT	131	45543GT	121	52715GT	125-126	56454GT	33
42805GT	133, 135, 137	45544GT	121, 125-126	52718GT	123	56457-SGT	149
42806GT	131, 133	45745GT	73	52833GT	31-33	56465PGT	97-98
42807GT	131, 133	45748GT	155	52885GT	121, 125-126	56486-SGT	149
42808GT	139	45782GT	55	52887GT	113, 115, 117	56486GT	149
42809GT	139, 141	45840GT	103, 109, 111	52892GT	117	56500-SGT	77-78, 98
42811GT	133	45873GT	19, 21	52895GT	113, 115, 117	56525GT	149
42812_SGTGT	139	45912GT	121	52898GT	31-33	56561GT	37
42813GT	139, 141	45921GT	125-126	52899GT	31-33	56562GT	37
42815GT	133	46192GT	11	52900GT	31-33		
42816GT	133	46227GT	113, 115				

Part Number	Page	Part Number	Page	Part Number	Page	Part Number	Page
56570GT	149		73, 78, 87, 91,	65618GT	31-33	73736GT	107
56648GT	51		95, 97-98, 143	65630GT	149	73803GT	107
56656PGT	97-98	6021GT	19, 21, 31-33,	6563GT	27, 73, 85	73928GT	77-78
56660GT	23, 97-98		49, 51, 53, 57,	6578GT	147, 159	74006GT	101
56663GT	105, 107		59, 61, 63, 67,	65824GT	32-33	74009GT	151, 153
56704GT	143		69, 71, 73, 85,	65842GT	77-78	74011GT	151
56723GT	135, 137		89, 91, 95, 143,	65872GT	31-33	74019GT	77-78, 87
56749GT	78, 87		167	6606GT	49	74020GT	139
56757GT	67, 89	6033GT	77-78	6607GT	45-46, 67, 71,	74044GT	81, 83
56773GT	115	60429GT	45-46		73, 85, 89, 95	74051GT	87
56783GT	51	60443GT	107	66094GT	29	74052GT	97-98
56788GT	51	60526GT	107	6637GT	98, 149	74053GT	129
56791GT	51, 53	6090GT	25, 27, 29, 35,	6638GT	19, 21, 23, 25,	74056GT	81
56831GT	31-33		37, 45-46, 51,		32-33, 35, 37,	74057GT	81
56843GT	45-46		53, 57, 59, 61,		45-46, 49, 51,	74066GT	73, 85
56846GT	51		63, 75, 78, 81,		53, 57, 61, 63,	74085GT	67, 89
56849GT	73, 85		83, 87, 93, 98,		73, 75, 78, 81,	74088GT	57
56875GT	49, 51, 53		103, 109, 111,		83, 85, 87, 93,	74089GT	69, 87, 91
56886GT	103, 109, 111,		151, 157, 163		97-98, 103, 109,	74091GT	71, 95
	119	6091GT	19, 21, 23, 35,		111, 151, 153,	74098GT	32-33
56894GT	131, 135, 137		45-46, 49, 51,		157, 163, 167,	74099GT	32-33
56895GT	131		53, 57, 61, 63,	66397GT	39, 41, 43	74101GT	39, 41
56896GT	131, 135, 137		73, 75, 78, 85,	66717GT	35	74102GT	39, 41
56897GT	131, 135, 137		87, 93, 97-98,	66811GT	55	74103GT	27, 39, 41
56898GT	135, 137		151, 153, 155,	66812GT	55	74104GT	39, 41
56899GT	135, 137		157, 161, 163	66813GT	103, 109, 111	74105GT	39, 41
56903-SGT	149	6097GT	25, 49, 51, 53,	66816GT	55	74106GT	39, 41
56911GT	32-33		57, 59, 61, 63,	66818GT	55, 103, 109, 111	74107GT	39, 41
56912GT	19, 21, 23, 25,		77-78, 87, 149,	66821GT	55, 103, 109, 111	74108GT	39, 41
	32-33, 53, 73,	61226GT	37, 107	66900GT	29	74109GT	39, 41
	85, 97-98	6145GT	77-78, 81, 83, 87	66901GT	29	74110GT	41
56925GT	77-78, 87	6146GT	23, 51, 53, 61,	6700GT	19, 21	74111GT	39, 41
56929GT	78, 87		63, 155, 159	6708GT	167	74112GT	39, 41
56930GT	37	61726GT	155	6782GT	35, 159	74113GT	41
56945GT	139, 141	6178GT	23, 45-46, 51,	6833GT	75, 93, 98	74114GT	39, 41
56961GT	81, 83		53, 61, 63, 97-	6878GT	167, 169	74115GT	39, 41
56976-SGT	87		98, 107, 143, 159	6886GT	35, 37	74119PGT	75, 93
56976GT	78	61972GT	155	6888GT	19, 21, 23, 25,	74124GT	129
56983PGT	75, 93	61973GT	155		27, 31-33, 37,	74134GT	81, 83
56994GT	51, 53	61974GT	155		53, 57, 61, 63,	74136GT	137
58108GT	61, 63	61975GT	155		73, 75, 81, 83,	74137GT	31-33
58208GT	57	62276GT	121		85, 93, 97-98,	74144GT	131
58296GT	45-46	62297GT	35		155, 157	74145GT	135, 137
58320GT	33	62300GT	32-33	6889GT	25, 67, 89, 165,	74157GT	55
58330GT	45-46	62506GT	78, 87		167, 169	74166GT	139
58331GT	45-46	62507GT	78, 87	6935GT	23, 61, 63, 97-	74172GT	139
58332GT	45-46	62508GT	97-98		98, 101, 105	74232GT	67, 89
58333GT	46	62509GT	77-78	7056GT	23, 45-46, 61,	74256GT	45-46
58343GT	46	62517GT	98, 105		63, 67, 73, 85,	74266GT	35, 37
58344GT	46	62695GT	35, 37		89, 97-98, 101,	74267GT	35, 37
58345GT	46	62696GT	35, 37		105	74268GT	35, 37
58346GT	46	6272GT	105, 107	7057GT	101, 105	74271GT	67, 89
58360GT	45-46	62928GT	11, 13, 15, 17	70673GT	43	74282GT	35, 37
58438GT	32-33	62929GT	11, 13, 15, 17	72047GT	121, 125-126	74298GT	97-98
58448GT	32-33	6326GT	25, 49, 51, 53,	72078GT	31-33	74308GT	141
58494GT	23		69, 91	72080GT	11	74309GT	139, 141
58589GT	32-33	63311GT	151	72081GT	11, 13, 15, 17	74312GT	19, 21
58919GT	75, 93	63375GT	97-98, 101	72167GT	11, 13, 15, 17	74313GT	19, 21
58920GT	75, 93	6356GT	19, 21, 23, 25,	72282GT	143, 145	74322GT	55
58927GT	75, 93		27, 29, 32-33,	72298GT	115, 117	74323GT	87
58932GT	57, 59		35, 37, 49, 51,	72307GT	33	74334GT	67
58933GT	57, 59		53, 57, 59, 61,	72319GT	31-33	74345GT	81, 85
58934GT	57, 59		63, 67, 73, 77-	72326GT	61, 63, 103, 109,	74347GT	87
58936GT	57, 59		78, 81, 83, 85,		111, 143	74353GT	98, 105
58965GT	121		87, 89, 97-98,	7265GT	151, 153	74356GT	119
58985GT	117		103, 109, 111,	72833GT	11, 13, 15	74357GT	119
58986GT	113, 115		149, 161, 167,	72867GT	15, 149, 159	74358GT	119
58987GT	113, 115		169	72999GT	15	74359GT	119
58989GT	121	6357GT	61, 63	7339GT	27, 35, 49	74362GT	113, 115, 117
58994GT	125-126	65171GT	11, 13, 15	73711GT	107	74363GT	113
58995GT	57	65178GT	113, 117	73713GT	107	74364GT	113, 115
59076GT	19	65523GT	129	73714GT	45-46	74365GT	113, 115
59169GT	19	65529GT	113, 115	73717GT	107	74366GT	113, 115
6002GT	29	65546GT	115, 117	73723GT	107	74367GT	115
6019GT	19, 21, 31-33,	65608GT	31-33			74368GT	115, 117
	57, 59, 69, 71,					74378GT	123

Part Number Index (continued)

Part Number	Page	Part Number	Page	Part Number	Page
74380GT	97-98	814884GT	53	94012GT	29
74381GT	97-98	81532GT	161	94019GT	126
74384GT	119	81579GT	49, 51, 53	94032GT	83, 85
74389GT	19, 21	8178GT	149	94077GT	51, 53
74404GT	129	8179GT	167, 169	94103GT	139
74424GT	37	82161GT	15	94104GT	139
74425GT	125-126	822481GT	37	94105GT	139, 141
74436GT	27	822872GT	65	94106GT	139, 141
74437GT	27	822915GT	37, 65	94153GT	77-78
74439GT	32-33	822917GT	37	94170GT	155
74440GT	32-33	822919GT	37	94176GT	155
74441GT	33	822920GT	37	94195GT	45-46, 77-78
74442GT	33	823226GT	37, 107, 149, 159	94211GT	67, 89
74443GT	33	82366GT	11, 13, 15	94214GT	73, 85
74446GT	35	823684GT	29	94215GT	71, 95
74447GT	61	823948GT	159	94216GT	71, 95
74468GT	37	824046GT	29	94217GT	78
74469GT	37	824047GT	29	94218GT	77-78
74470GT	37	824075GT	87	94254GT	67, 89
74471GT	35, 37	824083GT	149	94256GT	73
74482GT	139, 141	82472GT	17	94257GT	73, 85
74483GT	139, 141	82481GT	17	94258GT	71, 95
74495GT	35, 37	824878GT	51, 53, 103, 109, 111	94259GT	71, 95
74508GT	73	82487GT	17	94260GT	78
74509GT	73	825019GT	19, 21, 69, 71, 73, 77-78, 85, 87, 91, 95	94261GT	77-78
74512GT	125-126	825207GT	163	94262GT	149
74581GT	131, 135, 137	825212GT	163	94315GT	31-33
74587GT	77-78	825213GT	163	94316GT	31-33
74614GT	78	825214GT	163	94317GT	31-33
74634GT	57	82544GT	17	94395-SGT	155
74651GT	29	82548GT	17	94425GT	67, 89
74714GT	33	82592GT	13, 15, 17	94428GT	57, 59
74734GT	161, 163	82601GT	17	94461GT	171
74735GT	78	82602GT	17	94462GT	171
74765GT	61	82604GT	17	94463GT	171
74784GT	97-98	82610GT	17	94742GT	51
74785GT	97-98	82611GT	17	94745PGT	97-98
74795GT	73	83022GT	31-33	94879GT	31-33
74803GT	61	83042GT	77-78	94880GT	31-33
74838GT	139, 141	83085GT	71, 95	94908GT	19, 21
74847PGT	157	83086GT	73	94909GT	33
74848PGT	157	83087GT	77-78	94911GT	33
74864GT	45-46	83093GT	55	9596GT	151
74865GT	77-78	83102GT	87	9599-SGT	153
74866GT	77-78	84312GT	45-46	96008-SGT	55
74868GT	157	8516GT	45-46, 67, 77-78, 89	96010GT	55
74902GT	121, 125-126	85239GT	55	96317GT	19, 21
74911GT	51	85300GT	149	97128GT	45-46, 67, 89
74913GT	51, 53	87085GT	153	97815GT	17
74917GT	51, 53	87755GT	107	97890GT	15
74918GT	53	88280GT	71	97893GT	15
74920GT	53	88337GT	19, 21	97894GT	15
74921GT	53	88338GT	19, 21	T107884GT	77-78
74922GT	53	88356-11103GT	45-46	T107970GT	13
74923GT	53	88356-116R3GT	67, 89	T107971GT	13
74924GT	53	88356-12103GT	45-46, 67, 89	T107974GT	17
74925GT	53	88356-127J5GT	71, 73, 85, 95	T107975GT	17
74945GT	67, 89	88385GT	163	T108813GT	31-33
74966GT	125-126	88390GT	163	T108887GT	31-33
74983GT	139, 141	88827GT	55	T109281GT	57
76450GT	67, 89	88832GT	65	T112540GT	121
77051GT	77-78, 87	8910GT	27, 29	T112563GT	97-98
7713GT	73, 85	8914GT	49, 51, 53, 57, 59, 67, 89, 153	T112577GT	165
77692GT	19, 21, 49, 51, 53, 61, 63, 69, 85, 87, 91	8915GT	29, 57, 81, 83, 129, 161, 163	T112773GT	15
77860GT	153	89310GT	125-126	T112779GT	165
77892GT	77-78	89323GT	33	T114858GT	37
77981GT	57, 59	94001GT	29		
77990GT	57, 59	94002GT	29		
77993GT	98	94003GT	29		
77994GT	98	94011GT	29		
78622GT	59				
79452GT	37				
80605GT	67, 89				
81368GT	149				

The Part Description Index is an alphabetical index of all part descriptions included in this manual. The index shows what page(s) the part is used on.

A

ACC,WORKLIGHT,48V**.....149
 ACC.RETRO KIT LVI/BCI ENGAG II...149, 153
 ACCESSORY,PLATFORM STEP.....149
 ACCESSORY,WORKLIGHT,48 VOLT.....149
 ACTUATOR-DISC. ROD (56828).....32-33
 ALARM,CHIME TONE 5-25VDC***.....63, 143
 ALARM,INTERMITTENT TONE 6-30V*.....61, 63
 ALARM,WARBLE TONE 5-30 VDC***.....101, 103, 105, 109, 111
 AMMETER-BOOM CHARGER.....23
 ANGLE RELAY MOUNTING.....51, 53
 ANGLE,FUSE MOUNT.....37
 ANGLE,SWITCH MOUNT***.....67, 89
 ASSEMBLY FOOT SWITCH.....65
 ASSEMBLY, CONTROLLER PLATE.....37
 ASSEMBLY,BASE CONTROL PANEL.....55
 ASSEMBLY,CONTROL PANEL.....55
 ASSEMBLY,FOOT SWITCH.....97-98
 ASSY, CIRCUIT BREAKER 10A.....49, 51, 53, 55
 ASSY, EXT BOOM, Z30NRJ.....85
 ASSY,DECAL PLATE, Z30 AUS.....97-98
 ASSY,LED,IES CHARGER.....25
 ASSY,LS,LOAD SENSE,38.5 IN.....155
 ASSY,RECEP,24V,CSA TILT.....65
 ASSY,RELAY SOCKET, AUTO.....51
 ASSY,TERMINAL RAIL,Z30/34DC.....51, 53

B

BACKING PLATE, PLATFORM CLAMP.....98
 BASE, W/1 N.O. CONTACTS***.....103, 109, 111
 BASE,WITHOUT CONTACTS.....55, 103, 109, 111
 BAT.CABLE ASSY,G.C. SIDE,Z34.....27
 BAT.CABLE ASSY,TANK SIDE,Z34.....27
 BATT.BOX ASSEMBLY,LS,30N.....27
 BATT.BOX ASSEMBLY,RS,30N.....27
 BATTERY BOX ASSY W/DECALS RS.....27
 BATTERY BOX ASSY,CONTRL SIDE**.....29
 BATTERY BOX ASSY,TANK SIDE DWN.....29
 BATTERY BOX ASSY,TANK SIDE***.....29
 BATTERY CABLE ASSEMBLY.....29
 BATTERY CABLE ASSEMBLY**.....29
 BATTERY CABLE ASSY,9.5"JUMPER.....39, 43
 BATTERY, 350AH,GROUP L16G(DRY).....27, 29
 BATTERY,AGM,6V/390A,L16.....29
 BEARING KIT.....31-33
 BEARING KIT (45553) TORQUE HUB.....32-33
 BEARING KIT (56828).....32-33
 BEARING KIT, AUSCO***.....31-33
 BEARING KIT, MICO BRAKE.....31-33
 BEARING KIT,GE DRIVE MOTOR***.....31-33
 BEARING KIT,ROTATOR***.....87
 BEARING KIT,ROTATOR,4.5K***.....77-78
 BEARING KIT,ROTATOR,9K***.....77-78
 BEARING KIT,TORQUE HUB (20193).....32-33
 BEARING KIT,WHEEL DRIVE (106148/106445/107712).....33
 BEARING KIT-74097 TORQUE HUB**.....33
 BEARING KIT-AUSCO(56272)***.....31-33

BEARING RACE (LARGE) (45873).....19
 BEARING RACE (SMALL) (45873).....19
 BEARING, MID-PIVOT.....73, 85
 BEARING,0.75IDX1.00ODX0.75L.....27, 29
 BEARING,1.00IDX1.25ODX1.00L.....19, 21
 BEARING,1.25 ID X 1.5 OD X .75.....71, 78, 95
 BEARING,1.25IDX1.50ODX1.25L.....77-78
 BEARING,1.25IDX1.50X1.25L.....69, 87, 91
 BEARING,1.50 X 1.66 X 1.5.....71, 95
 BEARING,1.5IDX1.75ODX0.75L.....71
 BEARING,1.5IDX1.75ODX1.0L.....69, 91
 BEARING,1.5IDX1.75ODX1.5L.....19, 21, 69, 71, 91, 95
 BEARING,CONE LM501349 (74994).....45-46
 BEARING,CONE***.....45-46
 BEARING,CUP LM501310 (74994).....46
 BEARING,CUP***.....45-46
 BEARING,FL,1.00IDX1.25ODX0.84L.....69, 91
 BEARING,FL,1.25IDX1.41ODX.89L.....78
 BEARING,FL,1.25IDX1.41ODX1.50L.....77-78, 87
 BEARING,FL,1.25IDX1.50ODX1.09L.....69, 91
 BEARING,FL,1.25IDX1.50ODX1.25L.....77-78
 BEARING,FL,1.25IDX1.50DX1.25L.....73, 85, 87
 BEARING,GARLOCK,12FDU12.....155
 BEARING,MOTOR.....57, 59
 BEARING,MOTOR,36843,BRUSH END*.....31-33, 57, 59
 BEARING,POLYGON,20DU12.....69, 71, 77-78, 91
 BELLCRANK ASSEMBLY, Z30N,Z34**.....77-78
 BELLOWS,JIB CYLINDER.....171
 BELLOWS,MASTER CYLINDER.....171
 BELLOWS,PRIMARY/ELEV CYLINDER.....171
 BELLOWS,STEERING CYLINDER.....171
 BOLT,CARRIAGE,1/4-20 X .75,G2.....167, 169
 BOLT,CARRIAGE,3/8-16 X .75,G2.....29
 BOOT(BELLOWS),E-STOP,BLACK.....111
 BOOT,CABLE TERM,MED.RED,4/0.....27, 29
 BOOT,CABLE TERMINAL,LG,RED,2/0.....43
 BOOT,CONTROLLER**.....113, 115, 117
 BOOT,TOGGLE SWITCH,SHORT*.....55, 103, 109, 159
 BOOT-THUMB ROCKER** BLACK....113, 115, 117
 BOX,INSTRUCTION STORAGE.....97-98
 BRACE,LEFT HINGE.....61, 63
 BRACE,RIGHT HINGE.....61, 63
 BRACKET.....53
 BRACKET SET,NYLATRAC,KS400.....75, 93
 BRACKET, CABLE STRAIN RELIEF.....98
 BRACKET, CABLE STRAIN RELIEF.....98
 BRACKET, CHARGER CORD AND LED.....25
 BRACKET, HOSE ROUTING.....73, 85
 BRACKET, RELAY MOUNTING.....35
 BRACKET, RETURN FILTER.....59
 BRACKET,BEACON LIGHT.....143, 145
 BRACKET,CHARGER GAUGE MOUNTING.....23
 BRACKET,CONTACTOR MOUNT SINGLE.....37
 BRACKET,COVER LATCH.....61, 63
 BRACKET,INVERTER MOUNT PTD.....157
 BRACKET,WORK LIGHT MOUNT 5/16".....149
 BRAKE, NEMA, 1200 IN/LB.....31-33

BRAKE,MICO DRIVE,Z30N,Z34 **.....31-33
 BRKT, DC-DC CONVERTER MOUNTING.....37
 BRKT,DC-DC CONV,Z30N W/INVERTR.....37
 BRUSH BOX ASSEMBLY.....57, 59
 BRUSH BOX ASSY.....31-33
 BRUSH COVER -PLATE-(48504)*.....57, 59
 BRUSH HOLDER.....31-33
 BRUSH KIT,GE DRIVE MOTOR***.....31-33
 BRUSH LEAD ASSEMBLY KIT(48504).....57, 59
 BRUSH LEAD ASSEMBLY KIT(56831).....31-33
 BRUSH RETAINING SPRING,DR MTR.....31-33
 BRUSH SET 4 EA.....57, 59
 BRUSH SPRING SET.....57, 59
 BRUSH, MOTOR.....31-33
 BULB,FLASHING BEACON.....145
 BULKHEAD FITTING,PLASTIC X 8**.....59
 BULKHEAD,FEMALE X 6 X 6.....147
 BUMPER, PLASTIC, 1.25 O.D.....149, 151, 153, 165
 BUMPER,3.50 DIA.STRAIGHT.....161
 BUMPER,3.50D X 1.5 ID 90 DEG.....163
 BUMPER,3.50D X 1.5 ID X 6.75.....163
 BUMPER,3.50D X 1.5 ID X 9.75.....163
 BUMPER,3.50D X 1.5ID X 12.75.....163
 BUMPER,3.50D X 1.5ID X 14.75.....163
 BUMPER,3.50D X 1.5ID X 15.65.....163
 BUMPER,3.50D X 1.5ID X 2.75.....163
 BUMPER,3.50D X 1.5ID X 22.70.....163
 BUMPER,3.50D X 1.5ID X 30.75.....163
 BUMPER,3.50D X 1.5ID X 38.75.....163
 BUMPER,90 DEG ELBOW.....161, 163
 BUMPER,BATTERY BOX & RAILS.....151, 153
 BUMPER,RUBBER***.....153, 155
 BUMPER,RUBBER,.75 X .50H,STUD...49, 51, 53, 61, 63
 BUSHING, FLANGED.....78
 BUSHING,STRAIN RELIEF,875/30.....25
 BUSHING,STRAIN RELIEF,875/40.....25
 BUTTON,PUSH,BLACK W/SEAL ***.....103, 109, 111
 BUTTON,PUSH,RED MUSHROOM HEAD...55

C

C-CLIP, SHAFT, JOYSTICK.....113, 115
 CABLE ASSY #2 BLK A1/A1.....43
 CABLE ASSY #2 BLK AP1/AP2 BATT.....43
 CABLE ASSY #2 BLK AP1/AP2 DRIV.....43
 CABLE ASSY #2 BLK B(+)/A2.....43
 CABLE ASSY #2 BLK B(+)/PR1.....43
 CABLE ASSY #2 BLK M(-)/A2.....43
 CABLE ASSY #2 RED AP1/AP2 DRIV.....43
 CABLE ASSY #2 RED BATT.....43
 CABLE ASSY #4 BLK B(-)/LP-D1.....43
 CABLE ASSY #4 BLK LP-D1/AP-D1.....43
 CABLE ASSY #4 RED PR2/LP-A1.....43
 CABLE ASSY #4 RED PR3/AP-A2.....43
 CABLE ASSY,#2 BLACK.....27, 39, 41
 CABLE ASSY,#2 BLACK, 31".....41
 CABLE ASSY,#2 RED.....39, 41
 CABLE SQUEEZE CONN.,XTRA LRG.....101, 105
 CABLE TIE,4" BLK,HEAT RESISTNT.....97-98
 CABLE TIE,7 3/8".....147, 159

Part Description Index (continued)

CABLE TIE,BUTTON,BLACK,14.75LG.....73, 85	CONN,520120-4-6***.....131, 133, 135, 137, 139, 141	COVER ASSY W/DC GC SIDE,ANSI.....61
CABLE TRACK,NYLATRAC,26 LINK.....75, 93	CONN,520120-4-6-.035,ORI.....133, 135, 137	COVER ASSY W/DECAL,GRND CTRL.....61, 63
CAM ASSEMBLY, JOYSTICK(42032).....113, 115	CONN,520120-6-10.....133, 135, 137	COVER ASSY W/DECAL,PUMP SIDE.....61, 63
CAP,DIAGNOSTIC NIPPLE.....123, 126	CONN,520120-6-4.....139, 141	COVER ASSY W/DECALS,HPU SIDE.....61
CAP,DISENGAGE,4HP/4HB***.....33	CONN,520120-6-8.....133	COVER ASSY W/SYM DCAL,GC SIDE.....61, 63
CAP,DISENGAGE-45553 TORQUE HUB....32-33	CONN,520120-8-10.....133, 135	COVER ASSY W/SYM DCAL,PUMP SID....61, 63
CAP,DUST,45873 HUB KIT.....19, 21	CONN,PLUG 120 AC/15A DOMESTIC.....25, 61, 63	COVER ASSY.W/D G.C.SIDE,CE**.....61
CAP,HYDRAULIC FILTER ASSY.....57	CONN,RECEP 120AC/15A DOMESTIC.....61, 63	COVER ASSY.W/D G.C.SIDE,ANSI.....61
CAPACITOR,6 MFD,660VAC-CHARGR*.....23	CONN,RECEP 4 WAY,12-14GA FL***.....107	COVER ASSY.W/D G.C.SIDE,CE.....61
CASE COVER ONLY 18710/18720.....23	CONN,RECEP 48 WAY,4 X 12.....107	COVER CAP,TORQUE HUB***.....32-33
CASE COVER,ROTATOR,Z30/34 (119111).....45-46	CONN,RECEP 8 WAY 14-18GA,FL.....107	COVER W/DECAL DR CHAS STR END*....19, 21
CASTING 42032.....113, 115	CONN,SQUEEZE,1/2NPT .38-50,SM.....23, 45-46, 61, 63, 67, 73, 85, 89, 97-98, 101, 105	COVER W/DECALS NON-STEER 23".....31-33
CHAIN,NO.2.....161	CONN,SQZ,1/2NPT .39-56 MED.....101, 105	C O V E R W/DECALS,COUNTERWEIGHT**.....61, 63
CHAIN,NO.2 (9LINKS).....163	CONN,SQZ,PG 11..23-30,W/ORING.....67, 89	COVER, AUXILIARY POWER SWITCH.....55, 103
CHANNEL, CABLE TRACK, UPPER.....75, 93	CONNECTING LINK Z30N & Z34***.....67, 89	COVER, DR LIGHT OPTION.....159
CHANNEL,LWR TRAY PLASTIC TK **.....75, 93	CONNECTOR,MOLEX 24-WAY**.....37	COVER, DRIVE CHASSIS,Z30N.....31-33
CHANNEL,LWR, TRACK PAINTED**.....75, 93	CONT.BOX ASSY.PLAT Z30N,Z34DC.....98, 101, 103, 105	COVER, DRIVE HUB.....33
CHANNEL,UPPER,PLASTIC TRACK,5".....75, 93	CONTACT, N.C.....55, 103, 109, 111	COVER, DUCT, WIRING.....51, 53
CHARGER 48V/30A AUTO AC X-LED.....25	CONTACT,MOVEABLE,19550 RELAY.....35, 37	COVER,BATTERY BOX W/DECALS,30N.....27
CHARGER,48V,100-125VAC,50H,25A.....23	CONTACT,MOVING (SW181 & SW182).....35	COVER,CONTROL PANEL.....61, 63
CHARGER,48V,100-125VAC,60H,25A.....23	CONTACT,MOVING,19549RELAY*.....35, 37	COVER,DISCONNECT ROD*.....32-33
CHARGER,48V,110/60,12A,EERATNG.....23	CONTACT,N.O.**.....55	COVER,GFCI,HORIZONTAL,WEATHER....101
CHARGER,48V,110VAC,60H,25A.....23	CONTACT,STATIONARY (56434)**.....35, 37	COVER,GFCI,WEATHERPROOF.....97-98
CHARGER,48V,200-250VAC,50H,25A.....23	CONTACT,STATIONARY,19549RELAY*.....35, 37	COVER,PROTECTIVE,MASTER/SLAVE....171
CHARGER,48V,200-250VAC,60H,25A.....23	CONTACT,STATIONRY,19550 RELAY.....35, 37	COVER,TERMINAL STRIP.....49, 51
CLAMP,0.50,#8 X 1/4,RUB CUSH.....75, 93, 98	CONTACT-MOVEABLE (56434)**.....35, 37	COVER,TERMINAL STRIP, CONN.....51, 53
CLAMP,0.75,#12 X 1/4,RUB CUSH.....107	CONTACTOR PANEL ASSEMBLY.....37	COVER-CAP, TORQUEHUB(56338).....32-33
CLAMP,1.13,#18 X 1/4,RUB CUSH.....147	CONTACTOR,2X SPDT,24V/DC.....35	CYLINDER,ELEVATE***.....67, 89
CLAMP,1.25X.5 RUBBER-CUSHION.....151, 153, 161, 163	CONTACTOR,AUX PUMP 24V,80A***.....35, 37	CYLINDER,ELEVATE, Z30N.....67, 89
CLAMP,CABLE STRAIN RELIEF.....98	CONTACTOR,DRIVE,24V,180A***.....35, 37	CYLINDER,EXTENSION.....73
CLAMP,HOSE,1.00.....57	CONTACTOR,LIFT PUMP 24V 180A**.....35, 37	CYLINDER,EXTENSION,Z30NRJ***.....73, 85
CLAMP,HOSE,2 EAR, 5/8.....147	CONTACTOR,LIMIT SWITCH..45-46, 67, 71, 73, 85, 89, 95	CYLINDER,JIB.....77-78
CLAMP,HOSE,2.00***.....171	CONTROL BOX ASSY.Z30/34N/34DC.....98, 105	CYLINDER,MASTER.....71, 95
CLAMP,HOSE,3.00".....171	CONTROL BOX COVER, LH.....153	CYLINDER,PRIMARY LIFT.....71, 95
CLAMP,HOSE,3.50.....171	CONTROL BOX COVER, RH.....153	CYLINDER,SLAVE,DONGYANG.....78
CLAMP,HOSE,ALUMINUM.....85	CONTROLL.36V/48V,DC MTR.SPD.....35	CYLINDER,STEER.....19, 21
CLAMP,RUB CUSH,0.75,#12 X 3/8*.....147	CONTROLLER,ROTARY 24V W/RAMP....103, 109, 111, 119	DECAL KIT,SYM,Z30/20 ANSI.....17
CLAMP,RUBBER CUSHIONED-2 5/32.....67, 69, 75, 78, 81, 83, 85, 87, 89, 91, 93	CONTROLLER,SEP-EX Z30N,AMD.....37	DECAL KIT,SYM,Z30/20 CE.....17
CLAMP,WIRE HARNESS.....129	CONTROLLER,SEP-EX Z30N,GE.....37	DECAL KIT,WORDS,Z30N/Z20.....11
CLIP,HAIR PIN .125 X 2.....27	CONVERTER, DC-DC, 48-26 VOLT**.....37	DECAL KIT,WRD,Z30-20NRJ ANSI.....13
CLIP,RETAINING,IES CHARGER.....25	CORD AC IEC320-C19 TO 110US.....25	DECAL KIT,WRD,Z30-20NRJ AUS.....13
CLIP,SPRING,POTTER BRUMFIELD....49, 107	CORD AC IEC320-C19 TO 220EU.....25	DECAL PLATE ASSY,W/SYM DECALS.....97-98
COIL, SOLENOID VALVE, 24V***.....129	CORD EURO AC IEC320-C19PIGTAIL.....25	DECAL PLATE W/D,PLAT,Z30/34**.....97-98
COIL,24V SOLENOID VALVE.....121, 123, 125-126	CORROSION INHIBITOR,FOAM.....101, 105, 107	DECAL, OPERATING INSTRUCTIONS.....15
COIL,SOLND,W/D,20V DUAL SPADE.....121, 125-126	COUNTERWEIGHT,CAST,400 LBS.....67, 89	DECAL, PLATFORM CONTROL PANEL*.....11
COIL,SOLND,W/D,20V SGL SPADE.....121, 123, 125-126, 129	COUNTERWEIGHT,CAST,645 LBS.**.....33	DECAL, POWER TO CHARGER, UNIV.....15, 23, 25
COMP ARM WELD LOWER, RIGHT***.....67, 89	COUNTERWEIGHT,Z30N.....57, 59	DECAL, POWER TO PLATFORM 230V**...11, 13, 15, 17
COMPRESSION ARM WLDMT 38.50 **.....67, 89	COUPLER, PUMP / MOTOR (36179).....57, 59	DECAL, SYMBOL - READ THE MANUAL.....17
COMPRESSION MEMBER (BORED)**.....77-78, 87	COUPLER,1/4"SERIES 3/8 MPT.....147	DECAL,ARROW,BLUE.....11, 13, 15, 17
CONN HOUSING SBX175, BATT.....27	COUPLER,INTERNAL SPLINE,T-HUB.....31-33	DECAL,ARROW,YELLOW SM 5-3/8".....11, 13, 15, 17
CONN PLUG 4 WAY EXTEND DT.....45-46	COUPLER,MALE,BRAZED SEAM:16/14....145	DECAL,BATT CONN DIAGRAM.....13, 15
CONN RECEPT,FLANGED.....107	COUPLING,POT SHAFT (56886).....119	DECAL,CAUTION,BRAKE RELEASE***.....11
CONN, 520120-6.....133, 135, 137, 139, 141	COUPLING-POT,JOYSTICK (56579).....113, 115	DECAL,CHEVRON RANDO HD.....11, 13, 15
CONN,520102-8-8.....133, 135		DECAL,COSM,GENIE Z-30/20N(BOX).....11, 13, 15, 17
CONN,520120-4***.....129, 135, 137, 139, 141		

D

DECAL KIT,SYM,Z30/20 ANSI.....17
DECAL KIT,SYM,Z30/20 CE.....17
DECAL KIT,WORDS,Z30N/Z20.....11
DECAL KIT,WRD,Z30-20NRJ ANSI.....13
DECAL KIT,WRD,Z30-20NRJ AUS.....13
DECAL PLATE ASSY,W/SYM DECALS.....97-98
DECAL PLATE W/D,PLAT,Z30/34**.....97-98
DECAL, OPERATING INSTRUCTIONS.....15
DECAL, PLATFORM CONTROL PANEL*.....11
DECAL, POWER TO CHARGER, UNIV.....15, 23, 25
DECAL, POWER TO PLATFORM 230V**...11, 13, 15, 17
DECAL, SYMBOL - READ THE MANUAL.....17
DECAL,ARROW,BLUE.....11, 13, 15, 17
DECAL,ARROW,YELLOW SM 5-3/8".....11, 13, 15, 17
DECAL,BATT CONN DIAGRAM.....13, 15
DECAL,CAUTION,BRAKE RELEASE***.....11
DECAL,CHEVRON RANDO HD.....11, 13, 15
DECAL,COSM,GENIE Z-30/20N(BOX).....11, 13, 15, 17

- DECAL,COSMETIC,GENIE BOOM,VERT..11, 13, 15, 17
 DECAL,COSMETIC,GENIE Z-30/20N...11, 13, 15, 17
 DECAL,COSMETIC,GENIE Z30/20NRJ.....11, 13, 15, 17
 DECAL,DANGER DO NOT ALTER SWTC.....11, 13, 15
 DECAL,DANGER,BATTERY SAFETY***.....11, 13, 15
 DECAL,DANGER,ELEC.HAZ.STAY CLR....11, 13, 15, 17
 D E C A L , D A N G E R , E L E C T HAZARD,PLUG.....11, 13, 15
 DECAL,DANGER,GEN SAFETY RULES....11, 13, 15
 DECAL,DANGER,MAX SIDE FRC,667N.....17
 DECAL,DANGER,NO SMOKING ***.....11, 13, 15
 DECAL,DANGER,SIDE FRC 400N.....17
 DECAL,DANGER,TILT ALARM.....11, 13, 15
 DECAL,DANGER,TIP-OVER BATTERY.....11, 13, 15
 DECAL,DRIVE ENABLE PATCH.....17
 DECAL,FUNCTION OVERRIDE.....15
 DECAL,GROUND CONTROL PANEL.....11
 DECAL,GROUND CONTROL PANEL**.....11
 DECAL,GROUND CONTROL PANEL***.....13, 15, 17
 DECAL,INSTR,SIDE FRC/WIND,AUS.....11, 13, 15
 D E C A L , I N S T R U C T , F O O T S W I T C H O P E R11, 13, 15
 DECAL,LABEL, AIR LINE 110 PSI.....11, 13, 15, 17, 147
 DECAL,LABEL,CB & STATUS LIGHT.....11, 13, 15, 17
 DECAL,LABEL,LIGHTS***.....15, 149, 159
 DECAL,LABEL,LOWER MIDRAIL.....17
 DECAL,LABEL,MANUAL NOT HERE...11, 13, 15
 DECAL,LABEL,MAX CAPACITY***.....17
 DECAL,LABEL,OPEN,LATCH.....11, 13, 15
 DECAL,LABEL,PETRO CANADA***.....15
 DECAL,LABEL,PWR TO CHARGR 115V....11, 13, 15, 17
 DECAL,LABEL,PWR TO CHARGR 230V....11, 13, 17
 DECAL,LABEL,RELAYS,Z30N,Z34NDC.....15
 DECAL,LABEL,TRAVEL ALARM***.....11
 DECAL,LABEL,UCON HYDROLUBE.....15
 DECAL,LABEL,WHEEL LOAD Z30N&RJ....13, 15, 17
 DECAL,LANYARD ANCHORAGE POINT...11, 13, 15, 17
 DECAL,NOTICE, FUNCTION ENABLE*.....11
 DECAL,NOTICE, GRD OPER INSTRUC....11, 13
 DECAL,NOTICE,BATT CONNECTION.....11, 13
 DECAL,NOTICE,BATTERY CABLES....11, 13, 15
 DECAL,NOTICE,CHARGER INSTRUC.....11, 13, 15
 DECAL,NOTICE,HAZARDOUS MAT'LS*.....11, 13, 15
 DECAL,NOTICE,LUG NUT TORQUE***.....11, 13, 15
 DECAL,NOTICE,MAX CAP 440 LBS.....15
 DECAL,NOTICE,MAX LOAD 500 LBS.....11, 13, 15
 DECAL,NOTICE,OPER INST PLAT,DC.....11, 13, 15
 DECAL,NOTICE,SIDE FRC 150,ANSI....11, 13
 DECAL,NOTICE,SIDE FRC/WINDANSI.....15
 DECAL,OPER INST,DC BOOM GND AU....15
 DECAL,OPERATING INSTR,GROUND.....15
 DECAL,OPTION GENERATOR***.....15
 DECAL,PLATFORM CONTROL PANEL**....11, 13, 15, 17
 DECAL,POWER TO PLATFORM 115V.....11, 13, 15, 17
 DECAL,SYMBOL-BATTERY SAFETY.....17
 DECAL,TRIANGLE,BLUE.....11, 13, 15, 17
 DECAL,TRIANGLE,YELLOW.....11, 13, 15, 17
 DECAL,USE DEXRON***.....11
 DECAL,WARN,CRUSH HAZARD HAND....11, 13, 15
 DECAL,WARN,CRUSH HAZARD PLAT.....11, 13, 15, 17
 DECAL,WARN,FALL HAZARD.....11, 13, 15
 DECAL,WARN,IMPROPER OPERATION...11, 13, 15
 DECAL,WARNING,BRAKE RELEASE***.....11
 DECAL,WARNING,CRUSHING HAZARD.....17
 DECAL,WARNING-COMPART ACCESS....11, 13, 15
 DIAGNOSTIC FEMALE Q-DSCNT....123, 125-126
 DIN RAIL, 10.14.....51
 DIN RAIL,11.25".....51, 53
 DIN RAIL,11.63".....49
 DIN RAIL,13.75.....49
 DIODE ASSEMBLY.....55
 DIODE,6 AMP,200 PIV,BULK.....55
 DIODE,PCB DRIVE CONTACTOR**37
 DISCONNECT ROD (56338).....32-33
 DISCONNECT ROD (56828).....33
 DISCONNECT ROD-45553 TQ.HUB.....32-33
 DUST SHIELDS,180A CONTACTOR.....35, 37
- E**
- EDC FEMALE CONNECTOR - 4 PRONG.....53
 ELBOW,070302-4-2.....45-46, 133, 135, 137
 ELBOW,45D,520320-8.....135, 137, 139, 141
 ELBOW,90D,520201-8.....59, 137
 ELBOW,90D,520220-4-4.....131, 139
 ELBOW,90D,520220-4-6***.....131, 135, 137
 ELBOW,90D,520220-6.....129, 131, 133, 135, 137
 ELBOW,90D,520220-8-10.....137
 ELBOW,90D,520220-8-12.....133, 135
 ELBOW,90D,LONG,521520-6.....133
 ELEMENT,RETURN FILTER.....57
 END STOP, DIN RAIL,SCREW CLAMP.....51, 53
 EXT BOOM ASSY, Z30NRJ RETROFIT.....85
 EXT BOOM ASSY,Z30N RETROFIT***.....73
 EXTENSION BOOM TUBE.....77-78
- F**
- FILTER ASSY,RETURN.....57
 FILTER ASSY,SAE8,10 MIC,PAPR**59
 FILTER ELEMENT RFM90.....57
 FILTER ELEMENT,10MICRON,PAPER*.....59
 FILTER ELEMENT,RETURN.....57
 FILTER SCREEN,TANK BREATHER.....57
- FITTING,ELBOW,90D,520220-6-4.....139
 FITTING,ELBOW,90D,520220-8***.....137
 FITTING,TEE,BRANCH,520429-4***.....139, 141
 FITTING,TEE,RUN,SWIVEL520432-8.....57, 133, 135, 137
 FIXED CONTACT (FOR 74267).....37
 FLASHTUBE,STRAIGHT,360DEG,BULB..143, 145
 F L A S H T U B E , U SHAPED,360DEG,BULB.....143, 145
 FLOORING,PLATFORM 46X30,PAINT.....97-98
 FOOT SWITCH WIRE ASSY W/CONN.....101
 FOOT SWITCH***.....97-98
 FOOTSWITCH ASSEMBLY 30N.....97-98
 FOOTSWITCH HOUSING,PAINTED.....97-98
 FORMING, WIPER MOUNT.....167
 FORMING,BATTERY CONN HANDLE,PT....43
 FORMING,BRACKET.....53
 FORMING,HANDLE BATTERY CONN.....29
 FORMING,HOSE LOCK,PAINTED.....45-46
 FORMING,WIPER MOUNT.....169
 FRT COVER ASSY. W/SYM DECALS**21
 FUSE ASSY-BOOM CHARGER.....23
 FUSE BLOCK, ANN & ANL FUSE.....35
 FUSE HOLDER ASSEMBLY.....35
 FUSE HOLDER,WATERPROOF.....149, 159
 FUSE,10 AMP.....149
 FUSE,100 AMP,VERY FAST ACTING.....35, 37
 FUSE,13 AMP,220V PLUG.....61, 63
 FUSE,500 AMP,VERY FAST ACTING.....35, 37
 FUSE,7 AMP.....159
- G**
- GASKET KIT, AUSCO 1200 IN/LB.....31-33
 GASKET LVI/BCI ENGAGE II.....149
 GASKET, BRAKE (VENDOR#78917).....31-33
 GASKET, PUMP / MOTOR (36179).....57, 59
 GASKET,COVER,GFCl,WEATHERPROOF.97-98
 GASKET,HYDRAULIC TANK.....57
 GASKET,JOYSTK.SHAFT36867/42032....113, 115, 117
 GASKET,KEYSWITCH,PLASTIC***.....55
 GASKET,MTR,2A,MAG (74994).....46
 GASKET,PLAT.CONTROL BOX.....101, 105, 107
 GASKET-ROTARY CNTRL 56886.....119
 GATE LATCH CASTING--DRILLED.....151, 153
 GEAR, SLAVE, MS4,45048.....113, 115
 GROMMET,RUBBER .5 X .014 X .75.....159
 GROUND CONTROL PANEL ASSY.....55
 GROUND STRAP,12"LG***.....19, 21
 GUARD,BEACON,NARROW.....145
 G U A R D , F O O T S W I T C H , W / D E C A L STEEL.....97-98
 GUIDE,HOSE.....45-46
- H**
- HANDLE HALF (56274).....113, 115, 117
 HARN ASSY, POWER DRIVE CHASS.....43
 HARN LVI/BCI ENGAGE II Z34DC.....149
 HARN RETRO LVI/BCI ENGAGE II.....149, 153
 HARN.CHARGER INTERLOCK Z34.....25
 HARNESS CABLE1 18/19 COND.....65, 107
 HARNESS CABLE2 12/3 COND.....65, 107
 HARNESS CABLE3 18/19 COND.....65, 107

LS ROT.HEAD W/O LEVER (ZCE01)....45-46,
67, 89
LS SPRING WAND (ZCY91).....71, 85, 95
LS STL ROLLER PLUNGER (ZCE02).....67, 89
LUG BOLT,5/8-18,WHEEL HUB***.....19, 21
LUG,WHEEL STUD,5/8-18,W1/4HB**.....32-33
LVI/BCI 36/48 VOLT ENGAGE II.....149

M

M4 X 0.7 X 8MM RHMS.....35
M4 X 5 PHILLIPS (CHEESEHEAD).....37
MACH,EXTENSION BOOM.....81, 83
MACHINED,EXTENSION TUBE.....73
MAGNET,NEODYMIUM,.375 X .100.....161
MAN,FUNC,SM BOOM DC MACHINES.....125-
126
MANIFOLD,ASSY DUAL CNTRBAL.....78
MANIFOLD,FUNC,Z30N/Z34DC/BE.....125-126
MANIFOLD,FUNC,Z30NRJ.....125-126
MANIFOLD,FUNC.Z30N,Z34DC,BE,N*.....125-
126
MANIFOLD,FUNCT MULTI Z-34BE.....125-126
MANIFOLD,FUNCTION***.....123
MANIFOLD,JIB Z30N,Z34N,BE,DC.....129
MANIFOLD,JIB Z30NRJ.....129
MANIFOLD,JIB, 24V NON RJ***.....129
MANIFOLD,JIB, 24V RJ***.....129
MANIFOLD,JIB/ROTATE,24V.....129
MANIFOLD,ROTATOR 200 DEG.....87
MANIFOLD,ROTATOR,180 DEG.***.....78, 87
MANIFOLD,STEER/BRAKE***.....121
MANUAL BOX W/DECALS***.....97-98
MARKING TAGS,# 1-10,WIELAND.....53
MARKING TAGS,# 11-20,WIELAND.....53
MARKING TAGS,# 21-30,WIELAND.....53
MARKING TAGS,# 31-40,WIELAND.....53
MARKING TAGS,# 41-50,WIELAND**.....53
MARKING TAGS,# 51-60,WIELAND.....53
MESH,HALF HEIGHT LH Z20.....151
MESH,HALF HEIGHT RH,4***.....151, 153
MESH,HALF,SWING GATE***.....151, 153
MICROSWITC SPACER,45049.....117
MICROSWITCH,13482 FOOTSWITCH.....97-
98
MICROSWITCH,V3L-139-D8.....113, 115, 117
MICROSWITCH-V319M***.....113, 115, 117
MIDRAIL GUIDE (HOOK).....97-98
MODULE,LOAD SENSE 2007.....61, 63
MOTOR, 24V (36179).....57, 59
MOTOR, DRIVE, SEPEX.....31-33
MOTOR,FUNCTION,48V DC.....57, 59
MOTOR,TRACTION,D.C.**.....31-33
MOTOR,TURNTABLE O-RING PORTS.....45-
46
MOTOR,TURNTABLE,125CC***.....45-46
MOTOR,TURNTABLE,ROLLER STATOR.....45-
46
MOUNT,SWITCH.....155
MOUNTING PLATE, 45048.....119
MOVING CONTACT (FOR PN 74267).....37

N

NIPPLE,DIAGNOSTIC,#4.....123, 125-126, 133
NUT - PLASTIC,RING FOR ALARMS...61, 63,
103, 109, 111, 143
NUT, LP NYLOCK, 3/8-16.....73, 85
NUT, SOLENOID VALVE COIL.....121
NUT,ACORN 3/8-16 PLATED.....67

NUT,HEX,1-8.....77-78, 87
NUT,HEX,1/4-20.....61, 63
NUT,HEX,M8 X 1.25.....161
NUT,HEX,M8,PLASTIC.....163
NUT,JS,36867/42032/44988/40612...113, 115,
117
NUT,LOCKING-LG.FLANGE,1/4-20.....49, 51,
53
NUT,LOCKING-LG.FLANGE,5/16-18.....27, 29,
35, 37
NUT,LP NYLOCK,1/4-20.....25, 67, 89, 165,
167, 169
NUT,LP NYLOCK,10-32.....145
NUT,LP NYLOCK,5/16-18.....29
NUT,LUG,5/8-18 X 90 DEGREE,Z45.....19, 21,
33
NUT,NYLOCK FLG,1/4-20,F,ZAG.....149
NUT,NYLOCK FLG,3/8-16,F,ZAG.....149
NUT,NYLOCK,1-8.....33
NUT,NYLOCK,1/4-20.....19, 21, 23, 35, 45-46,
49, 51, 53, 57, 61, 63, 73, 75, 78, 85, 87, 93,
97-98, 151, 153, 155, 157, 161, 163
NUT,NYLOCK,10-24.....155
NUT,NYLOCK,10-32.....23, 45-46, 51, 53, 61,
63, 97-98, 107, 143, 159
NUT,NYLOCK,3/4-10,GRD.8.....77-78, 87
NUT,NYLOCK,3/8-16.....19, 21, 25, 29, 45-46,
49, 57, 59, 67, 69, 77-78, 87, 89, 91, 97-98,
149, 155
NUT,NYLOCK,5/16-18.....35, 159
NUT,NYLOCK,6-32.....107
NUT,RETAINER (96008).....55
NUT,SOLENOID VALVE 2P3W.....121
NUT,SOLENOID VALVE COIL...121, 123, 125-
126, 129
NUT,SPINDLE,1-14.....19, 21
NUT-HEX,3M X 0.5MM.....113, 115, 117
NUT-THIN HEAVY HEX, 1/4-20.....29
NUT-VALVE,PROP.SOLENOID-50683.....123
NUTSERT,1/4-20,STEEL CAD PLTD...35, 37,
49, 51, 53, 55, 101, 105, 107, 161, 163
NUTSERT,10-32 STEEL CAD PLTD.....35, 37,
49

O

O-RING KIT (ORFS FITTINGS).....121, 125-
126
O-RING KIT, AUSCO 1200 IN/LB.....31-33
O-RING KIT,FIELD SVC,ALL PROD*.....121,
123, 125-126
O-RING OR-151 N73038 (74994).....45-46
O-RING, COVER 190X3MM (56828).....33
O-RING, ROTATOR MANIFOLD.....78, 87
O-RING, TORQUE HUB.....32-33
O-RING, 2-044 BUNA***.....31-33
O-RING, END COVER,4HP/4HB***.....33
O-RING,FILTER,RETURN TANK.....57
O-RING,MOTOR TO BRAKE***.....33
OPTION,CONTROL BOX COVER.....149, 153
OPTION,CONTROL BOX COVER***.....149
OPTION,PLATFORM LOADSENSE.....155
ORIFICE PLUG,.025 (30551).....129
ORIFICE PLUG,M6X1,0.025.....129
ORIFICE, 0.028" (56179).....129
ORIFICE, 0.035" (74512,74966).....126
Other Brake Service Parts.....31-33
OUTER CONE - MODEL 60-8.....19, 21
OUTLET, 110V.....97-98, 101

P

PAD,REST,1"THICK,W/STUDS*.....73, 85
PAD,UPPER PIVOT REST.....67, 89
PADDING, FOAM 90 DEG.....163
PANEL,GROUND CONTROL W/ DECAL.....55
PCB,ASSY,42032 CONTROLLER.....113
PIN,0.75DIA X 5.51LG,2RING.....73, 85
PIN,0.75DIA X 5.75LG,CHAMFER.....155
PIN,1.00DIA X 7.25LG,1HOLE.....69, 91
PIN,1.00DIA X 9.01LG,THREADED.....73, 85
PIN,1.25DIA X 10.38LG,1HOLE.....78, 87
PIN,1.25DIA X 12.50LG,2HOLE.....78, 87
PIN,1.25DIA X 3.00LG,THREADED.....69, 91
PIN,1.25DIA X 3.63LG,THREADED.....69, 91
PIN,1.25DIA X 5.70LG,2RING.....77-78
PIN,1.25DIA X 6.36LG,2RING.....77-78
PIN,1.25DIA X 7.00LG,1HOLE.....77-78
PIN,1.25DIA X 8.12LG,1HOLE.....71, 95
PIN,1.25DIA X 9.13LG,1HOLE.....71, 95
PIN,1.25DIA X 9.63LG,1HOLE.....87
PIN,1.25DIA X 9.63LG,1HOLE.....69, 91
PIN,1.50DIA X 15.13LG,1HOLE.....69, 71, 91, 95
PIN,1.50DIA X 16.13LG,1HOLE.....69, 91
PIN,1.50DIA X 3.25LG,1HOLE.....19, 21
PIN,CLEVIS,.75 X 2.25 LG.....27
PIN,CLEVIS,1 X 2.5 LG.....19, 21
PIN,CLEVIS,1 X 3 LG.....19, 21
PIN,COTTER,.219 X 1.75.....19, 21
PIN,LOCK,SHORT***.....153
PIN,ROLL,.25 X 1.5***.....78, 87
PIN,SLAVE CYL,1.25 X 4.38.....78
PIN,SLAVE CYL,1.25 X 6.06***.....77-78, 87
PIN,SLAVE CYLINDER.....78, 87
PIPE CRADLE ASSY. SERV (ONE)**.....149
PLASTIC END STOP.....49, 51
PLAT ASSY W/DECAL (ASIA/S.AMER).....97-
98
PLAT ASSY W/DECAL (AUSTRALIA).....97-98
PLAT ASSY W/DECAL (CE).....97-98
PLAT ASSY W/DECAL (US/CANADA).....97-98
PLAT CONTROL BOX W/DECAL.....105
PLAT RAIL ASSY 4' ASIA/S.AMER.....98
PLAT RAIL ASSY 4' AUS.....98
PLAT RAIL ASSY 4' ANSI/CSA.....97-98
PLAT RAIL ASSY, 4' CE.....97-98
PLAT.ASSY.W/DECAL4'Z30/34,CE.....97-98
PLAT.ASSY.W/DECAL4'Z30/34ANSI.....97-98
PLAT/SUP.UPGRADE KIT 4FT ANSI*.....97-98
PLAT/SUPP.UPGRADE KIT 4FT CE**.....97-
98
PLATE, PROFILED COUNTERWEIGHT.....163
PLATE, TURNTABLE LS. MT.....45-46
PLATE,CHARGER MOUNT.....23, 25
PLATE,COUNTERWEIGHT.....161, 163
PLATE,HYDRALIC TANK LID.....57
PLATE,INVERTER MOUNT PTD.....157
PLATE,LIMIT SWITCH MOUNT%%.....45-46
PLATE,MAGNET MOUNT.....161, 163
PLATE,POWER SUPPLY MOUNT BLUE.....35
PLATE,ROTARY CNTRL (56886).....119
PLATE,TANK LID (SERVICE).....57
PLATE,UK POWER TO PLATFORM.....97-98
PLATE,WIPER BACKING.....167, 169
PLATFORM CONTROL BOX W/DECAL.....107
PLATFORM STEP * PAINTED.....97-98
PLATFORM SUPPORT WELD.Z30N,Z34...77-
78

- SEAL KIT***.....32-33, 45-46
 SEAL KIT, 15K ROTATOR.....87
 SEAL KIT, 37185 PUMP.....57, 59
 SEAL KIT, 54861.....31-33
 SEAL KIT, 88337.....19, 21
 SEAL KIT, 94211, 94254, 101349.....67, 89
 SEAL KIT, 94213.....73
 SEAL KIT, 94214.....73, 85
 SEAL KIT, 94215, 94430.....71, 95
 SEAL KIT, 94216.....71, 95
 SEAL KIT, 94217.....78
 SEAL KIT, JIB MANIFOLD, NON RJ.....129
 SEAL KIT, JIB MANIFOLD, RJ***.....129
 SEAL KIT, SOLENOID VALVE.....121, 125-126
 SEAL KIT, TORQUE HUB(74097)*.....33
 SEAL KIT, VALVE, #10.....125-126
 SEAL KIT, VALVE, #4.....125-126
 SEAL KIT,147138 & 147139.....73
 SEAL KIT,147141.....78
 SEAL KIT,147142.....77-78
 SEAL KIT,15K ROTATOR.....87
 SEAL KIT,2" BORE,1" ROD***.....19
 SEAL KIT,2.0" BORE CYLINDERS**.....19
 SEAL KIT,42406,STEER.CYL,TEXAS.....19, 21
 SEAL KIT,42407,42559 CYL,TEXAS.....71, 95
 SEAL KIT,42411 & 42408.....85
 SEAL KIT,74998.....73
 SEAL KIT,94218.....77-78
 SEAL KIT,ARCTIC,ROTATOR 15K***.....87
 SEAL KIT,ARCTIC,ROTATOR 4.5K**.....77-78
 SEAL KIT,BRAKE***.....31-33
 SEAL KIT,BRAKE,MICO.....31-33
 SEAL KIT,CYLINDER***.....77-78
 SEAL KIT,HYDRAULIC FILTER ASSY.....57
 SEAL KIT,MICO BRAKE.....31-33
 SEAL KIT,ROTATE MOTOR.....45-46
 SEAL KIT,ROTATOR***.....77-78
 SEAL KIT,TORQUE HUB (20193).....32-33
 SEAL KIT,UNIVERSAL,9K ROTATOR*.....77-78
 SEAL KIT,VALVE.....121
 SEAL KIT,VALVE (48647).....125-126
 SEAL KIT, WHEEL DRIVE (106148/106445/107712).....31-33
 SEAL KIT-AUSCO BRAKE(56272)***.....31-33
 SEAL KIT-EXT CYL & SLAVE CYL.*.....71, 78, 95
 SEAL,NAT'L. #471818 (74994).....46
 SEAL-GREASE,MODEL 60-8.....19, 21
 SEAL/BEARING KIT (45043,54840).....19, 21
 SENSOR,LEVEL 3 DEG**.....49, 51, 53
 SENSOR,LEVEL 4.5***.....49, 51
 SENSOR,LEVEL,4.5 DEG.....51, 53
 SERV KIT,HARN ASSY,PWR BATT PK.....43
 SHAFT ASSY, JOYSTICK***.....113, 115
 SHAFT,WORM GEAR***.....45-46
 SHIM KIT,TURNTABLE***.....45-46
 SHIM,PRIMARY BOOM,.022 THICK.....27
 SHIM,PRIMARY BOOM,.052 THK.....27
 SHIM,SIDE PAD 22GA.....73
 SHIM,WEAR PAD .030.....81, 83
 SHIM,WEAR PAD,5X 1.5 16GA.....73
 SLIDING MIDRAIL KIT,PTD.....97-98
 SNAP PIN.....151
 SNAP RING (74994).....45-46
 SNAP RING,EXTERNAL.....77-78, 87
 SNAP RING,EXTERNAL,.75 DIA.....73, 85
 SNAP RING,EXTERNAL,1.25 DIA.**.....78
 SNAP RING,INT,2.88 DIA***.....45-46
 SNAP RING,INTERNAL,2.88 DIA***.....45-46
 SNAP RING,WHEEL DRIVE.....33
 SOLENOID VALVE W/NUT***.....129
 SPACER PLATE,PRIMARY SIDE.....81
 SPACER PLATE,PRIMARY TOP.....81
 SPACER,NYLON,.718 X .526 X.219.....55, 109
 SPACER-POT.PLATE,JOYSTICK56773.....115, 117
 SPRING & BUSHING KIT,RETURN***.....113, 115
 SPRING (RED) MICO.....31-33
 SPRING ARM,LIMIT SWITCH,6.25".....71, 73, 85, 95
 SPRING CLIP,1/4-20,.025-.15X.54,ZAG.....19, 21, 23, 25, 32-33, 53, 73, 85, 97-98
 SPRING CLIP,3/8-16,.05-.20X.73,ZAG.....27, 29, 67, 89
 SPRING CLIP,5/16-18,.025-.15X.....35, 37, 57, 59
 SPRING RETURN,HEAVY DUTY,45049.....117
 SPRING, BRUSH.....31-33
 SPRING, BRUSH RETAINER, 36182*.....31-33
 SPRING, RETURN (FOR 74267).....37
 SPRING, RETURN (FOR 74268).....35, 37
 SPRING, SS, 1/2-EO500-49-4500.....163
 SPRING,COMP,1" OD,232 LB/IN.....155
 SPRING,EXTENSION,.36 X 1.25.....61, 63
 SPRING,EXTENSION,.75X4.5.....161, 163
 SPRING,RETURN.....35, 37
 SPRING,RETURN (74266).....35, 37
 SPRING,RETURN,19549 CONTACTOR.....37
 SPRING,SHORT PLATFORM GATE.....153
 SPRING-DRIVE MANIFOLD/520131.....121
 STACK KIT, AUSCO 1200 IN/LB.....31-33
 STATIONARY CONTACT (23417).....35
 STRAINER ASSY 1"NPT TANK MTD.....57
 STRAP, CONDUIT HOLDER 60"***.....149
 STROBE,BEACON, AC COMP 12-80V.....145
 STROBE,FIREBOLT,12-80VDC,AMB**.....143
 STROBE,FIREBOLT12-72VDC,AMB***.....145
 STUD-WHEEL,5/8-18 (56828)***.....33
 SUPPORT, RAILING.....165
 SVC KIT,UK RECEP.T.REPLACEMENT.....97-98
 SWITCH ASSEMBLY (56886).....119
 SWITCH ASSY,REMOTE BRAKE REL.....55
 SWITCH TOGGLE ASSY DPDT 2P MNT...159
 SWITCH TOGGLE ASSY DPDT 3P MOM...111
 SWITCH TOGGLE ASSY SPDT 2P MOM...111
 SWITCH TOGGLE ASSY SPDT 3P MOM...111
 SWITCH,LIMIT,W/6.25"SPRING ARM.....71, 73, 85, 95
 SWITCH,LIMIT,W/RLR ARM,NO/NC**.....45-46
 SWITCH,LIMIT,W/ROLLER ARM***.....45-46, 67, 89
 SWITCH,PRESS,#6SAE,600 PSI.....121, 125-126
 SWITCH,ROLLER PLUNGER LIMIT.....155
 SWITCH,TOGGLE SPDT,2POS MOMEN...109
 SWITCH,TOGGLE,DPDT,2POS MOMEN...55, 103
 SWITCH,TOGGLE,DPDT,3POS MOMEN...55, 103, 109
 SWITCH,TOGGLE,SPDT,2 POS MAINT.....149
 SWITCH,TOGGLE,SPDT,3 POS MOMEN*.....55, 103, 109
- ## T
- T-BOX,2.75 X 4.5 X 2.0.....97-98, 101
 TANK BREATHER,NYLON **.....59
 TAPE, PROTECTIVE MASK.....15
 TAPE,NON-SKID,1" WIDE,BULK.....149
 TEE,RUN,520428-4.....131
 TEE,RUN,SWIVEL,520432-6.....137
 TERM,DEUTSCH, PIN #12-14.....107
 TERM,NI PIN, 14-16GA,BULK.....107
 TERM,NI PIN,S&F,16-18GA,REEL.....107
 TERM,NI SOC,S&F,16-18GA,REEL.....45-46
 TERM,BUSS,10POLE,JOYSTICK56773.....115
 TERMINAL BLOCK END PLATE.....53
 TERMINAL BLOCK(SINGLE),WAGO***.....49, 51
 TERMINAL BLOCK, WIELAND***.....51
 TERMINAL BLOCK,WAGO,3-WIRE.....51
 TERMINAL BLOCK,WIELAND.....51, 53
 TERMINAL BUSS,JOYSTICK(42032).....113
 TERMINAL RAIL ASSY***.....51
 TERMINAL STRIP.....105, 107
 TERMINAL STRIP END PLATE.....49
 TERMINAL,FEMALE COUPLER,BLUE.....145
 TERMINAL,MOLEX 16 GAUGE***.....37
 TERMINAL RAIL ASSY,Z30N,Z34.....51
 THRUST CAP (20193).....32-33
 THUMB SCREW W/SHOULDER 3/8-16.....27, 29
 TIE ROD,WELDMENT,Z30N**.....19, 21
 TIME DELAY RELAY,2 SEC,24VDC.....107
 TIMER (23442)(41896)(36314).....23
 TIMER(24059,41897,41898,41899).....23
 TIRE & WHEEL ASSY,FRONT N-M.....19, 21
 TIRE & WHEEL ASSY,REAR N-M.....33
 TIRE/WHEEL ASSY,REAR TREADED**.....33
 TIRE/WHL.ASSY,FRT W/TREA 103#*.....19
 TOEBOARD,ENTRY EUROPEAN PNTD**.....97-98
 TOEBOARD,PLTFM ENTRY EUR,PNTD*.....97-98
 TOOL TRAY ACCESSORY***.....153
 TOOL,TERMINAL CRIMPER,MOLEX***.....37
 TOOL,TERMINAL EXTRACTOR,MOLEX.....37
 TORQUE HUB 49:1**.....32-33
 TORQUE HUB,35:1***.....32-33
 TORQUE HUB,47:1 W1 "B" MOUNT**.....32-33
 TRACK,PLASTIC CABLE,25 LINK 4".....75, 93
 TRANSFORMER,CHARGER36314/41896...23
 TRANSFORMER,CHARGER36315/41897...23
 TRIMLOCK,BLACK,5/32".....49, 51, 53, 149
 TRNSFRMR(36316 & 17)(41898 & 99).....23
 TUBE, AUX. RAIL, 4' PLATFORM.....165
 TUBE, HYDRAULIC TANK.....59
 TUBE,RD,STL,DOM,.75OD X .375ID.....167, 169
 TUBE,RD,STL,DOM,.75X.438X1.25.....167
- ## U
- U-BOLT, FLATTENED, 1.5 X 3/8 UNC,ZAG.....149
 UPPER MIDPIVOT ASSEMBLY,Z30N.....67, 89
 UPPER MIDPIVOT ASSY,Z34 & Z34N.....71, 95
 UPPER SEC BOOM ASSY Z30N RJ.....89
 UPPER SECONDARY BOOM ASSEMBLY*.....67

Part Description Index (continued)

V

VALVE - COUNTERBALANCE**78, 87
 VALVE SOLENOID.....121, 125-126
 VALVE, FLOW CTRL, PRES COMP***129
 VALVE, PROPORTIONAL (42764).....121
 VALVE,BALL,90DEG.-8NPTF/-8NPTM.....57, 133, 135
 VALVE,CB.CBBC-LHN@3200***71, 95
 VALVE,CHECK.....125-126
 VALVE,CHECK (36179).....57, 59
 VALVE,CHECK, 50 PSI.....121
 VALVE,CHECK,COBA-X*N 200PSI PO.....73
 VALVE,CHECK,CXAD-XCN,30PSI.....73
 VALVE,CHK,#8PORT-#6MALEORFS***137
 VALVE,CHK,#8PORT-#8MALEORFS.....133, 135
 VALVE,CNTERBAL,CBBB-LHN@3000**67, 77-78, 89
 VALVE,COUNTERBAL.CBCA-LHN@3000...78
 VALVE,COUNTERBALANCE.....71, 78, 95
 VALVE,COUNTERBALANCE (36659).....123
 VALVE,COUNTERBALANCE 2500 PSI*.....73, 85
 VALVE,COUNTERBALANCE 3000 PSI.....123
 VALVE,COUNTERBALANCE, 3000PSI.....125-126
 VALVE,DIFF.SENSE***.....125-126
 VALVE,DIFFERENTIAL SENSING.....123
 VALVE,FLOW REGULATOR.....126, 129
 VALVE,FLOW REGULATOR .8 GPM.....126
 VALVE,PROPORTIONAL**123, 125-126
 VALVE,RELIEF 1400PSI.....123
 VALVE,RELIEF 1600 PSI.....123
 VALVE,RELIEF 1800 PSI.....123, 125-126
 VALVE,RELIEF 3200 PSI.....125-126
 VALVE,RELIEF, 2800 PSI.....123
 VALVE,RELIEF,1100PSI***125-126
 VALVE,RELIEF,1600 PSI.....125-126
 VALVE,SOLENOID 20V W/DIODE....121, 125-126
 VALVE,SOLENOID,20V W/ DIODE **123, 129
 VALVE,SOLENOID,3POS 4WAY.....121, 125-126
 VALVE,SOLENOID,3POS/4WAY*.....125-126, 129

W

WASHER 1.27ID X1.88OD X.062.....87
 WASHER, FLAT, SHAFT, JOYSTICK.....113, 115
 WASHER,FENDER,.25 X 1.25 X.062....57, 59, 61, 63
 WASHER,FLAT,.375 X 1.5 X .125.....57, 59, 143
 WASHER,FLAT,.5 HARDENED.....87
 WASHER,FLAT,.625 HARDENED.....45-46
 WASHER,FLAT,.688X1.160X.09.....32-33
 WASHER,FLAT,.75 HARDENED.....77-78, 87
 WASHER,FLAT,.812X2X.14 HARDEN.....87
 WASHER,FLAT,1.063 X 2 X .134.....33, 147
 WASHER,FLAT,3/8X1.5X.06.....67, 89
 WASHER,FLAT,MS,#10,Y.....23, 51, 53, 61, 63, 155, 159
 WASHER,FLAT,USS,1",Y.....57, 59
 WASHER,FLAT,USS,1/4"Y.....19, 21, 23, 25, 32-33, 35, 37, 45-46, 49, 51, 53, 57, 61, 63, 73, 75, 78, 81, 83, 85, 87, 93, 97-98, 103, 109, 111, 151, 153, 157, 163, 167, 169
 WASHER,FLAT,USS,3/8",Y.....25, 49, 51, 53, 57, 59, 61, 63, 77-78, 87, 149, 155, 167
 WASHER,FLAT,USS,5/16",Y.....19, 21, 35, 37, 45-46, 67, 69, 77-78, 85, 89, 91, 97-98, 149, 159
 WASHER,LOCK,#10 PLTD.....45-46, 67, 71, 73, 85, 89, 95
 WASHER,LOCK,#10, CHARGER FUSE.....23
 WASHER,LOCK,.25.....19, 21, 23, 25, 27, 29, 32-33, 35, 37, 49, 51, 53, 57, 59, 61, 63, 67, 73, 77-78, 81, 83, 85, 87, 89, 97-98, 103, 109, 111, 149, 161, 167, 169
 WASHER,LOCK,.35.....35, 37
 WASHER,LOCK,.375.....19, 21, 31-33, 49, 51, 53, 57, 59, 61, 63, 67, 69, 71, 73, 85, 89, 91, 95, 143, 167
 WASHER,LOCK,0.5".....77-78
 WASHER,LOCK,1".....57, 59, 77-78, 87
 WASHER,LOCK,M10.....57, 59
 WASHER,NYLON, JOYSTICK.....113, 115, 117
 WASHER,RIVETING.....23, 97-98
 WASHER,SHIM .0151 THK.....155
 WASHER,SHIM,.75 X 1.125 X.030.....27, 73, 85
 WASHER,SHIM,1.27 X 2.13 X .062.....69, 77-78, 87, 91
 WASHER,SPINDLE.....19, 21
 WASHER,STAR,EXTERNAL,.375.....19, 21
 WASHER,THRUST,.313 X .50 X .10.....61, 63
 WASHER,THRUST,.75 X 1.38X.13.....27, 29
 WASHER,THRUST,1.5 X 3.5 X .187.....19, 21
 WASHER,THRUST,TORQUE HUB.....32-33
 WEAR PAD,4 X 2 X.50 THK.BLACK.....73
 WEAR PAD,4 X 4 X .75 W/NUTS.....73
 WEAR PAD,4X2X.5 W/INSERT***27, 29
 WEAR PAD,5 X 1.5 X .75 W/NUTS.....73
 WEAR PAD,EXT BOOM***81, 83
 WEAR PAD,EXT CYL***73, 85
 WELD,COVER SUPPORT LH Z30N*....49, 51, 53
 WELDMNT, EXT BOOM, Z30N.....73
 WELDMNT, LWR COMPRESION ARM....67, 89
 WELDMNT, PIPE CRADLE.....149
 WELDMNT,COVER DRIVE CHASSIS.....157
 WELDMNT,COVER SUPPORT RH***57, 59
 WELDMNT,FLOATING BUMPER.....163
 WELDMNT,PIPE CRADLE MOUNT.....149
 WELDMNT,PLATFORM SUPPORT.....155
 WELDMNT,PLATFORM SUPPORT***77-78, 98
 WELDMNT,PRIMARY BOOM.....83, 85
 WELDMNT,ROTATOR SUPPORT.....155
 WELDMNT,SENSOR BRACKET.....161, 163
 WELDMNT,SWING GATE,ALUMINUM...151, 153
 WHEEL DRIVE 62.5:1*** (56828).....32-33
 WHEEL DRIVE,4HB,57:1***33
 WHEEL DRIVE,EW1,61:1***33
 WIPER,PRIMARY BOOM.....167, 169
 WIRE ASSY #10 RED F1/F2.....43
 WIRE ASSY #10 RED F2/F1.....43
 WIRE ASSY,#10 RED, 15".....41
 WIRE ASSY,#10 RED, 18".....41
 WIRE CABLE,12/3 CON.TPE JKT.....101, 105
 WIRE CABLE,14/3 CON.TPE JKT*.....61, 63, 65, 97-98, 101
 WIRE CABLE,16/2,WHT/BLK,SJEOW.....67, 73, 85, 89, 97-98, 105, 145
 WIRE CABLE,16/4 CON.TPE JKT.....45-46
 WIRE CABLE,16/4 CON.TPE JKT*.....67, 89
 WIRE CABLE,16/6 CON.TPE J.....101
 WIRE CABLE,18/19 CON.TPRJKT.....101, 105
 WIRE CABLE,18GA/7CON TPR JKT.....105
 WIRE LOOM,1.88 DIA.....67, 78, 87, 89
 WIRE LOOM,3/8 POLY SLIT.....97-98
 WIRING DUCT, 1.5 X 1.5.....51, 53
 WORKLIGHT,48 VOLT.....149, 159

Y

YOKE ASSY,LH,Z30NRJ.....19, 21
 YOKE ASSY,RH,Z30NRJ.....19, 21

Z

ZERK,ALEMITE #1688 (74494).....46
 ZERK,GREASE,1/8 NPT,45 DEG***45-46
 ZERK,GREASE,1/8 NPT,67.5 DEG**45-46

This Page Intentionally Left Blank

Go to Discount-Equipment.com to order your parts

Fitting Cross References

Genie PN	Parker PN	Description	Genie PN	Parker PN	Description
12342	6-4 F5OX-S	CONNECTOR,STRAIGHT THREAD TO FLARE TUBE	42794	1 CR-S	ELBOW,90°,MALE PIPE
13757	4 R6X-S	RUN TEE,SWIVEL NUT,ORFS	42795	BV-0839	BALL VALVE
19685	12-10 C5OX-S	ELBOW,90°,STRAIGHT THREAD TO FLARE TUBE	42796	BV-0838	BALL VALVE
22664	12-10 C5OX	ELBOW,90°,STRAIGHT THREAD TO FLARE TUBE	42874	6-8 CLO-S	ELBOW,90°,MALE PIPE TO ORFS
27431	8-12 F5OX-S	CONNECTOR,STRAIGHT THREAD TO FLARE TUBE	42912	13943-6-4	HOSE END,90° FEMALE SWIVEL,JIC
28678	AS-B-33	SLEEVE,NYLON,1.81" ID	42920	BV-0840	BALL VALVE,90°
39871	6 WETX-WLN-S	UNION,90° BULKHEAD W/NUT,FLARE TUBE	42932	AS-B-17	SLEEVE,NYLON,1.22" ID
39872	4 R5OX-S	RUN TEE,STRAIGHT THREAD	42936	10243-2-4	HOSE END,FEMALE PIPE
39873	6 C5OX-S	ELBOW,90°,STRAIGHT THREAD TO FLARE TUBE	42953	1/2 DD-S	ELBOW,90°,FEMALE PIPE
39874	8-6 C5OX-S	ELBOW,90°,STRAIGHT THREAD TO FLARE TUBE	42956	6 WELO-WLNL-S	UNION,90° BULKHEAD W/NUT,ORFS
39875	4-6 C5OX-S	ELBOW,90°,STRAIGHT THREAD TO FLARE TUBE	45349	8 V5OX-S	ELBOW,45°,STRAIGHT THREAD TO FLARE TUBE
39876	6-8 C5OX-S	ELBOW,90°,STRAIGHT THREAD TO FLARE TUBE	45351	4 V5OX-S	ELBOW,45°,STRAIGHT THREAD TO FLARE TUBE
39877	4 F5OX-S	CONNECTOR,STRAIGHT THREAD TO FLARE TUBE	47223	10343-6-6	HOSE END,MALE,JIC
39878	6 F5OX-S	CONNECTOR,STRAIGHT THREAD TO FLARE TUBE	47419	PS690503-6-6	SWIVEL,90°,STRAIGHT THREAD TO 37° FLARE
39879	4-8 F5OX-S	CONNECTOR,STRAIGHT THREAD TO FLARE TUBE	48750	421-4	HOSE,1/4 INCH ID
39880	6-10 F5OX-S	CONNECTOR,STRAIGHT THREAD TO FLARE TUBE	48751	481TC-4	HOSE,1/4 INCH ID
39881	4-6 F5OX-S	CONNECTOR,STRAIGHT THREAD TO FLARE TUBE	48752	482TC-4	HOSE,1/4 INCH ID
39882	4-HP5ON-S	PLUG,STRAIGHT THREAD	48753	451TC-6	HOSE,3/8 INCH ID
39883	8-8 FTX-S	CONNECTOR,MALE PIPE TO FLARE TUBE	48754	482TC-6	HOSE,3/8 INCH ID
39885	269HB 12-12	ELBOW,90°,BEADED HOSE BARB TO MALE PIPE	48755	381-6	HOSE,3/8 INCH ID
39886	431-6	HOSE,3/8 INCH ID	48756	451TC-8	HOSE,1/2 INCH ID
39887	540N-2	HOSE,1/8 INCH ID	48757	482TC-8	HOSE,1/2 INCH ID
39888	801-8	HOSE,1/2 INCH ID	48758	381-8	HOSE,1/2 INCH ID
39889	801-12	HOSE,3/4 INCH ID	48759	381-10	HOSE,5/8 INCH ID
39890	10643-6-6	HOSE END,FEMALE SWIVEL,JIC	48760	451TC-10	HOSE,5/8 INCH ID
39891	13943-6-6	HOSE END,90° FEMALE SWIVEL,JIC	48761	482TC-12	HOSE,3/4 INCH ID
39892	13743-6-6	HOSE END,45° FEMALE SWIVEL,JIC	48762	451TC-12	HOSE,3/4 INCH ID
39894	30682-8-8	HOSE END,FEMALE SWIVEL,JIC	48763	772-12	HOSE,3/4 INCH ID
39895	30682-10-12	HOSE END,FEMALE SWIVEL,JIC	48764	881-16	HOSE,1 INCH ID
42286	8-8 CTX-S	ELBOW,90°,MALE PIPE TO FLARE TUBE	48765	772-16	HOSE,1 INCH ID
42756	8-12 CLO-S	ELBOW,90,MALE PIPE TO ORFS	48766	AS-B-15	SLEEVE,NYLON,1.06" ID
42757	8-12 FLO-S	CONNECTOR,MALE PIPE TO ORFS	48767	AS-B-22	SLEEVE,NYLON,1.42" ID
42758	4 JLO-S	UNION TEE,ORFS	48770	881-8	HOSE,1/2 INCH ID
42759	4-4 FLO-S	CONNECTOR,MALE PIPE TO ORFS			
42760	6-8 FLO-S	CONNECTOR,MALE PIPE TO ORFS			
42761	1J143-6-4	HOSE END,90° FEMALE SWIVEL,SEAL LOK			
42762	1J743-6-4	HOSE END,45° FEMALE SWIVEL,SEAL LOK			
42768	1JO43-4-4	HOSE END,MALE,SEAL LOK			
42776	601-8	HOSE,1/2 INCH ID			
42777	1J743-16-16	HOSE END,45° FEMALE SWIVEL,SEAL LOK			
42786	16 CLO-S	ELBOW,90°,MALE PIPE TO ORFS			
42787	16 R6LO-S	RUN TEE,SWIVEL NUT,ORFS			
42788	16-8 TRLO-BL-S	REDUCER,TUBE END TO SWIVEL,ORFS			
42789	6-6 CLO-S	ELBOW,90°,MALE PIPE TO ORFS			
42790	8-10 V5OLO-S	ELBOW,45°,STRAIGHT THREAD TO ORFS			
42791	3/4 CD-S	ELBOW,90°,MALE TO FEMALE PIPE			
42792	3/4 X 1/2 PTR-S	REDUCER,MALE TO FEMALE PIPE			
42793	1/2 CR-S	ELBOW,90°,MALE PIPE			

Fitting Cross References (Continued)

Genie PN	Parker PN	Description	Genie PN	Parker PN	Description
48771	881-10	HOSE,5/8 INCH ID	48847	13943-12-12	HOSE END,90° FEMALE SWIVEL,JIC
48772	381-4	HOSE,1/4 INCH ID	48848	10543-12-12	HOSE END,MALE,STRAIGHT THREAD
48773	AS-B-13	SLEEVE,NYLON,.86" ID	48849	1JC71-12-12	HOSE END,FEMALE SWIVEL,SEAL LOK
48800	1JC43-4-4	HOSE END,FEMALE SWIVEL,SEAL LOK	48850	1JS71-12-12	HOSE END,FEMALE SWIVEL,SEAL LOK
48801	1J743-4-4	HOSE END,45° FEMALE SWIVEL,SEAL LOK	48851	1J171-12-12	HOSE END,90° FEMALE SWIVEL,SEAL LOK
48802	1J943-4-4	HOSE END,90° FEMALE SWIVEL,SEAL LOK	48852	1J771-12-12	HOSE END,45° FEMALE SWIVEL,SEAL LOK
48804	1JM43-4-4	HOSE END,MALE,SEAL LOK, NO O-RING	48853	1J971-12-12	HOSE END,90° FEMALE SWIVEL,SEAL LOK
48805	10643-4-4	HOSE END,FEMALE SWIVEL,JIC	48854	1JC43-16-16	HOSE END,FEMALE SWIVEL,SEAL LOK
48806	13943-4-4	HOSE END,90° FEMALE SWIVEL,JIC	48855	1J943-16-16	HOSE END,90° FEMALE SWIVEL,SEAL LOK
48807	1JS43-4-4	HOSE END,FEMALE SWIVEL,SEAL LOK	48856	1J171-16-16	HOSE END,90° FEMALE SWIVEL,SEAL LOK
48808	3JC82-8-8	HOSE END,FEMALE SWIVEL,SEAL LOK	48857	1J971-16-16	HOSE END,90° FEMALE SWIVEL,SEAL LOK
48809	3JC82-12-12	HOSE END,FEMALE SWIVEL,SEAL LOK	48859	1JS43-8-4	HOSE END,FEMALE SWIVEL,SEAL LOK
48810	1JC43-6-4	HOSE END,FEMALE SWIVEL,SEAL LOK	48867	PD36BTL	DIAGNOSTIC NIPPLE,SEAL-LOK SWIVEL
48811	1J943-6-4	HOSE END,90° FEMALE SWIVEL,SEAL LOK	48873	6 PNLO-S	PLUG,TUBE END,ORFS
48812	1JC43-6-6	HOSE END,FEMALE SWIVEL,SEAL LOK	48874	6 PNTX-S	PLUG,FLARE TUBE
48813	1J143-6-6	HOSE END,90° FEMALE SWIVEL,SEAL LOK	48875	6 R6LO-S	RUN TEE,SWIVEL NUT,ORFS
48814	1J543-6-6	HOSE END,90° FEMALE SWIVEL,SEAL LOK	48877	4 F5OLO-SW/.025	CONNECTOR,STRAIGHT THREAD TO ORFS, W/.025 ORI
48815	1J743-6-6	HOSE END,45° FEMALE SWIVEL,SEAL LOK	48878	16-12 C5OLO-S	ELBOW,90°,STRAIGHT THREAD TO ORFS
48816	1J943-6-6	HOSE END,90° FEMALE SWIVEL,SEAL LOK	48879	8 C6LO-S	ELBOW,90°,SWIVEL NUT ORFS
48817	1JS43-6-8	HOSE END,FEMALE SWIVEL,SEAL LOK	48880	PD6-285	CAP,DIAGNOSTIC NIPPLE
48818	1J943-8-4	HOSE END,90° FEMALE SWIVEL,SEAL LOK	48881	6 HLO-S	UNION,ORFS
48819	1JC43-8-6	HOSE END,FEMALE SWIVEL,SEAL LOK	48883	8 P5ON-S	PLUG,STRAIGHT THREAD
48820	1J743-8-6	HOSE END,45° FEMALE SWIVEL,SEAL LOK	48884	8M18F87OMLO-S	CONNECTOR,METRIC,STRAIGHT THREAD TO ORFS
48821	1J943-8-6	HOSE END,90° FEMALE SWIVEL,SEAL LOK	48885	4 WGTX-WLN-S	CONNECTOR,BULKHEAD,FEMALE PIPE TO FLARE TUBE
48822	1JC43-8-8	HOSE END,FEMALE SWIVEL,SEAL LOK	48886	4 F5OLO-SW/2MM	CONNECTOR,MACHINED STRAIGHT THREAD TO ORFS
48823	1JS43-8-8	HOSE END,FEMALE SWIVEL,SEAL LOK	48887	4 CTX-S	ELBOW,90°,MALE PIPE TO FLARE TUBE
48824	1J143-8-8	HOSE END,90° FEMALE SWIVEL,SEAL LOK	48888	10-12 V5OLO-S	ELBOW,45°,STRAIGHT THREAD TO ORFS
48825	1J543-8-8	HOSE END,90° FEMALE SWIVEL,SEAL LOK	48890	4 S5OLO-S	BRANCH TEE,STRAIGHT THREAD TO ORFS
48826	1J743-8-8	HOSE END,45° FEMALE SWIVEL,SEAL LOK	48891	4 S6LO-S	BRANCH TEE,SWIVEL NUT TO ORFS
48827	1J943-8-8	HOSE END,90° FEMALE SWIVEL,SEAL LOK			
48828	1JC43-10-8	HOSE END,FEMALE SWIVEL,SEAL LOK			
48829	1JS43-10-8	HOSE END,FEMALE SWIVEL,SEAL LOK			
48830	1J743-10-8	HOSE END,45° FEMALE SWIVEL,SEAL LOK			
48831	1J943-10-8	HOSE END,90° FEMALE SWIVEL,SEAL LOK			
48833	1JC43-10-10	HOSE END,FEMALE SWIVEL,SEAL LOK			
48834	1J943-10-10	HOSE END,90° FEMALE SWIVEL,SEAL LOK			
48835	1JS43-10-12	HOSE END,FEMALE SWIVEL,SEAL LOK			
48836	1JC43-12-8	HOSE END,FEMALE SWIVEL,SEAL LOK			
48837	1JS43-12-8	HOSE END,FEMALE SWIVEL,SEAL LOK			
48838	1J743-12-8	HOSE END,45° FEMALE SWIVEL,SEAL LOK			
48839	1J943-12-8	HOSE END,90° FEMALE SWIVEL,SEAL LOK			
48840	1J943-12-10	HOSE END,90° FEMALE SWIVEL,SEAL LOK			
48841	1JC43-12-12	HOSE END,FEMALE SWIVEL,SEAL LOK			
48842	1JO43-12-12	HOSE END,MALE,SEAL LOK			
48843	1J143-12-12	HOSE END,90° FEMALE SWIVEL,SEAL LOK			
48844	1J543-12-12	HOSE END,90° FEMALE SWIVEL,SEAL LOK			
48845	1J743-12-12	HOSE END,45° FEMALE SWIVEL,SEAL LOK			
48846	1J943-12-12	HOSE END,90° FEMALE SWIVEL,SEAL LOK			

Fitting Cross References (Continued)

Genie PN	Parker PN	Description	Genie PN	Parker PN	Description
48892	6 C6LO-S	ELBOW,90°,SWIVEL NUT ORFS	48938	8 R6LO-S	RUN TEE,SWIVEL NUT,ORFS
48893	6 F5OHAO-S	UNION,STRAIGHT THREAD	48939	8 S6LO-S	BRANCH TEE,SWIVEL NUT TO ORFS
48894	8 WLO-WLNL-S	UNION,BULKHEAD,ORFS	48940	8 WJLO-WLNL-S	RUN TEE, BULKHEAD,ORFS
48895	DT-370-MSMO-5	VALVE,CHECK	48941	8-4 TRLO-S	REDUCER,TUBE END TO SWIVEL,ORFS
48896	6 JLO-S	UNION,TEE,ORFS	48942	8-6 C5OLO-S	ELBOW,90°,STRAIGHT THREAD TO ORFS
48897	DT-750-MSMS-5	VALVE,CHECK	48943	8-6 F5OLO-S	CONNECTOR,STRAIGHT THREAD TO ORFS
48898	DT-750-MOMS-5	VALVE,CHECK	48944	8-8 FLO-S	CONNECTOR,MALE PIPE TO ORFS
48899	DT-620-MOMS-5	VALVE,CHECK	48945	8 FTX-S	CONNECTOR,MALE PIPE TO FLARE TUBE
48900	4-6 F5OLO-SW/.035	CONNECTOR,STRAIGHT THREAD TO ORFS, W/.035 ORI	48946	8-10 F5OLO-S	CONNECTOR,STRAIGHT THREAD TO ORFS
48902	16-1 AOE4G-S	ELBOW,90° LONG,FEMALE PIPE TO STRAIGHT THREAD	48947	8-12 C5OLO-S	ELBOW,90°,STRAIGHT THREAD TO ORFS
48903	1 FF-S	NIPPLE,PIPE	48948	8-12 F5OLO-S	CONNECTOR,STRAIGHT THREAD TO ORFS
48904	4 C5OLO-S	ELBOW,90°,STRAIGHT THREAD TO ORFS	48949	8-16 F5OLO-S	CONNECTOR,STRAIGHT THREAD TO ORFS
48905	4 F5OLO-S	CONNECTOR,STRAIGHT THREAD TO ORFS	48950	10 C5OLO-S	ELBOW,90°,STRAIGHT THREAD TO ORFS
48906	4 R5OLO-S	RUN TEE,STRAIGHT THREAD	48951	10 CC5OLO-S	ELBOW,90° LONG,STRAIGHT THREAD TO ORFS
48907	4 V5OLO-S	ELBOW,45°,STRAIGHT THREAD TO ORFS	48952	10 F5OLO-S	CONNECTOR,STRAIGHT THREAD TO ORFS
48908	4 R6LO-S	RUN TEE,SWIVEL NUT,ORFS	48953	10 R5OLO-S	RUN TEE,STRAIGHT THREAD
48909	4 WJLO-WLNL-S	RUN TEE, BULKHEAD,ORFS	48954	10 S5OLO-S	BRANCH TEE,STRAIGHT THREAD TO ORFS
48910	4 GTX-S W/.030	CONNECTOR,FEMALE PIPE TO FLARE TUBE	48955	10 R6LO-S	RUN TEE,SWIVEL NUT,ORFS
48911	4-6 C5OLO-S	ELBOW,90°,STRAIGHT THREAD TO ORFS	48956	10-4 TRLO-BL-S	REDUCER,TUBE END TO SWIVEL,ORFS
48912	4-6 F5OLO-S	CONNECTOR,STRAIGHT THREAD TO ORFS	48957	10-6 TRLO-BL-S	REDUCER,TUBE END TO SWIVEL,ORFS
48913	4-6 F5OLO-SW/.030	CONNECTOR,STRAIGHT THREAD TO ORFS, W/.030 ORI	48958	10-12 F5OLO-S	CONNECTOR,STRAIGHT THREAD TO ORFS
48914	4-8 F5OLO-S	CONNECTOR,STRAIGHT THREAD TO ORFS	48959	12 C5OLO-S	ELBOW,90°,STRAIGHT THREAD TO ORFS
48915	6 C5OLO-S	ELBOW,90°,STRAIGHT THREAD TO ORFS	48960	12 F5OLO-S	CONNECTOR,STRAIGHT THREAD TO ORFS
48916	6 F5OLO-S	CONNECTOR,STRAIGHT THREAD TO ORFS	48961	12 R5OLO-S	RUN TEE,STRAIGHT THREAD
48917	6 FF5OLO-S	CONNECTOR,LONG,STRAIGHT THREAD TO ORFS	48962	12 S5OLO-S	BRANCH TEE,STRAIGHT THREAD TO ORFS
48918	6 R5OLO-S	RUN TEE,STRAIGHT THREAD	48963	12 V5OLO-S	ELBOW,45°,STRAIGHT THREAD TO ORFS
48919	6 S5OLO-S	BRANCH TEE,STRAIGHT THREAD TO ORFS	48964	12 R6LO-S	RUN TEE,SWIVEL NUT,ORFS
48920	6 V5OLO-S	ELBOW,45°,STRAIGHT THREAD TO ORFS	48965	12 CLO-S	ELBOW,90°,MALE PIPE TO ORFS
48921	6 FLO-S	CONNECTOR,MALE PIPE TO ORFS	48966	12 FLO-S	CONNECTOR,MALE PIPE TO ORFS
48922	6-6 FLO-S	CONNECTOR,MALE PIPE TO ORFS	48967	12 JLO-S	UNION TEE,ORFS
48923	6 P5ON-S	PLUG,STRAIGHT THREAD	48968	12 WLO-WLNL-S	UNION,BULKHEAD,ORFS
48925	6 WELO-S	UNION,90° BULKHEAD,ORFS	48969	12 WJLO-WLNL-S	RUN TEE, BULKHEAD,ORFS
48926	6-4 C5OLO-S	ELBOW,90°,STRAIGHT THREAD TO ORFS	48970	12 WELO-WLNL-S	UNION,90° BULKHEAD W/NUT,ORFS
48927	6-4 F5OLO-S	CONNECTOR,STRAIGHT THREAD TO ORFS			
48928	6-4 V5OLO-S	ELBOW,45°,STRAIGHT THREAD TO ORFS			
48929	6-8 C5OLO-S	ELBOW,90°,STRAIGHT THREAD TO ORFS			
48930	6-8 F5OLO-S	CONNECTOR,STRAIGHT THREAD TO ORFS			
48931	6-10 F5OLO-S	CONNECTOR,STRAIGHT THREAD TO ORFS			
48932	8 C5OLO-S	ELBOW,90°,STRAIGHT THREAD TO ORFS			
48933	8 F5OLO-S	CONNECTOR,STRAIGHT THREAD TO ORFS			
48934	8 FF5OLO-S	CONNECTOR,LONG,STRAIGHT THREAD TO ORFS			
48935	8 R5OLO-S	RUN TEE,STRAIGHT THREAD			
48936	8 S5OLO-S	BRANCH TEE,STRAIGHT THREAD TO ORFS			
48937	8 V5OLO-S	ELBOW,45°,STRAIGHT THREAD TO ORFS			

Fitting Cross References (Continued)

Genie PN	Parker PN	Description	Genie PN	Parker PN	Description
48971	12 G5G5JG5-S	TEE,FEMALE STRAIGHT THREAD	49612	PKT02586	O-RING KIT (ORFS FITTINGS)
48972	12 XHL6-S	ADAPTER, 37° MALE TO SWIVEL ORFS	49613	PKT06276	PLUG AND CAP KIT-SERVICE,ORFS
48973	12-1/2 F5OG-S	ADAPTER,FEMALE PIPE TO STRAIGHT THREAD	49728	10143-12-12	HOSE END, MALE PIPE
48974	12-10 C5OLO-S	ELBOW,90°,STRAIGHT THREAD TO ORFS	49729	16-1 F5OG-S	ADAPTER,FEMALE PIPE TO STRAIGHT THREAD
48975	12-10 F5OLO-S	CONNECTOR,STRAIGHT THREAD TO ORFS	49814	12-8 FLO-S	CONNECTOR,MALE PIPE TO ORFS
48976	12-16 C5OLO-S	ELBOW,90°,STRAIGHT THREAD TO ORFS	49829	DT-500-MOMF-5	VALVE,CHECK
48977	12-16 F5OLO-S	CONNECTOR,STRAIGHT THREAD TO ORFS	49831	881-12	HOSE,3/4 INCH ID
48978	12-16 V5OLO-S	ELBOW,45°,STRAIGHT THREAD TO ORFS	49834	16 JLO-S	UNION TEE,ORFS
48980	12-16 FLO-S	CONNECTOR,MALE PIPE TO ORFS	49838	12-8 TRLO-BL-S	REDUCER,TUBE END TO SWIVEL,ORFS
48983	16 C5OLO-S	ELBOW,90°,STRAIGHT THREAD TO ORFS	49840	8 JLO-S	UNION TEE,ORFS
48984	16 F5OLO-S	CONNECTOR,STRAIGHT THREAD TO ORFS	49844	10-8 TRLO-BL-S	REDUCER,TUBE END TO SWIVEL,ORFS
48985	16 V5OLO-S	ELBOW,45°,STRAIGHT THREAD TO ORFS	49854	8 P5ON-S	PLUG,STRAIGHT THREAD
48986	16 FLO-S	CONNECTOR,MALE PIPE TO ORFS	49855	1JC43-16-12	HOSE END,FEMALE SWIVEL,SEAL LOK
48988	16 CD45-S	ELBOW,45°,MALE TO FEMALE PIPE	49859	4 P5ON-S	PLUG,STRAIGHT THREAD
48989	12 CD45-S	ELBOW,45°,MALE TO FEMALE PIPE	49861	4 FF5OLO-S	CONNECTOR, LONG, STRAIGHT THREAD TO ORFS
48990	8 CD45-S	ELBOW,45°,MALE TO FEMALE PIPE	49867	12-3/4 F5OG-S	ADAPTER,FEMALE PIPE TO STRAIGHT THREAD
48991	16-12 FLO-S	CONNECTOR,MALE PIPE TO ORFS	51152	6 R6X-S	RUN TEE,SWIVEL NUT,ORFS
48992	16-12 V5OLO-S	ELBOW,45°,STRAIGHT THREAD TO ORFS	51153	6-4 TRTX-S	REDUCER,TUBE END TO SWIVEL,ORFS
48993	XV501-12	BALL VALVE	51154	4-4 GTX	CONNECTOR,FEMALE PIPE TO FLARE TUBE
48994	XV501-16	BALL VALVE	51264	881-12	HOSE,3/4 INCH ID
48995	XV510P-12	BALL VALVE	51265	8 JLO-S	UNION TEE,ORFS
48996	XV510P-16	BALL VALVE	51508	6 BTX-S	NUT,FLARE TUBE
48997	PD341	DIAGNOSTIC NIPPLE, STRAIGHT THREAD	51580	12-8 TRLO-BL-S	TUBE END REDUCER,ORFS
48998	PD 361	DIAGNOSTIC NIPPLE, STRAIGHT THREAD	51628	6 R6X-S	RUN TEE,SWIVEL NUT,ORFS
48999	DT-500-MOMS-5	VALVE,CHECK	51735	3/8 HHP	PLUG,PIPE THREAD
49201	10 V5OLO-S	ELBOW,45°,STRAIGHT THREAD TO ORFS	51803	1J943-6-8	HOSE END,90° FEMALE SWIVEL,SEAL LOK
49202	1JC43-12-10	HOSE END,FEMALE SWIVEL,SEAL LOK	53023	125HBL-5-4	FITTING,HOSE BARB TO MALE PIPE
49203	10-8 V5OLO-S	ELBOW,45°,STRAIGHT THREAD TO ORFS	53497	PKT02585	O-RING KIT
49205	6 F5OHAO-S	UNION,STRAIGHT THREAD	53499	1JC71-16-16	HOSE END,FEMALE SWIVEL,SEAL LOK
49207	PD34BTL	DIAGNOSTIC NIPPLE,SEAL-LOK SWIVEL	53500	3-904	O-RING,STRAIGHT THREAD,-4
49209	8M18F870MX-S	CONNECTOR,METRIC,STRAIGHT THREAD TO FLARE TUBE	53501	3-906	O-RING,STRAIGHT THREAD,-6
49212	8 WGTX-WLN-S	CONNECTOR,BULKHEAD,FEMALE PIPE TO FLARE TUBE	53502	3-908	O-RING,STRAIGHT THREAD,-8
49213	30682-8-8	HOSE END,FEMALE SWIVEL,JIC	53503	3-910	O-RING,STRAIGHT THREAD,-10
49216	831-8	HOSE,1/2 INCH ID			
49217	33982-8-8	HOSE END,90° FEMALE SWIVEL,JIC			
49219	PS-B-35	SLEEVE,NYLON,2.19" ID			
49418	4-6 V5OLO-S	ELBOW,45°,STRAIGHT THREAD TO ORFS			
49511	DT370-MOMS-5	VALVE,CHECK			
49512	1 DD-S	ELBOW,90°,FEMALE PIPE			
49513	1 FF-S	NIPPLE,PIPE			
49514	10 HP5ON-S	PLUG,STRAIGHT THREAD			
49515	12-16 CLO-S	ELBOW,90°,MALE PIPE TO ORFS			
49517	6 HP5ON-S	PLUG,STRAIGHT THREAD			
49519	16-12 F5OLO-S	CONNECTOR,STRAIGHT THREAD TO ORFS			
49520	4 VTX-S	ELBOW,45°,MALE PIPE TO FLARE TUBE			
49530	16 C6LO-S	ELBOW,90°,SWIVEL NUT ORFS			

Fitting Cross References (Continued)

Genie PN	Parker PN	Description	Genie PN	Parker PN	Description
53535	3-912	O-RING, STRAIGHT THREAD, -12	61083	24 F5OLO-S	CONNECTOR, STRAIGHT THREAD TO ORFS
53536	4-PNLO-S	PLUG, TUBE END, ORFS	61086	20 R5OLO-S	RUN TEE, STRAIGHT THREAD
53537	6 PNLO-S	PLUG, TUBE END, ORFS	61090	24-20 F5OLO-S	CONNECTOR, STRAIGHT THREAD TO ORFS
53538	8 PNLO-S	PLUG, TUBE END, ORFS	61091	1J943 24-24	HOSE END, 90° FEMALE SWIVEL, SEAL LOK
53539	10 PNLO-S	PLUG, TUBE END, ORFS	61093	1J978-12-12	HOSE END, 90° FEMALE SWIVEL, JIC
53540	12 PNLO-S	PLUG, TUBE END, ORFS	61095	1JS43-20-16	HOSE END, FEMALE SWIVEL, SEAL LOK
53946	129HB-5-4	FITTING, 90° HOSE BARB TO MALE PIPE	61100	811-24	HOSE, 1 1/2 INCH ID
53951	8-1/4F50G-S	ADAPTER, FEMALE PIPE TO STRAIGHT THREAD	61130	1JS43-24-24	HOSE END, FEMALE SWIVEL, SEAL LOK
53980	6 S6LO-S	BRANCH TEE, SWIVEL NUT TO ORFS	61131	1JS78 12-12	HOSE END, FEMALE SWIVEL, SEAL LOK
54132	4 C6LO-S	ELBOW, 90°, SWIVEL NUT ORFS	61132	1J778-12-12	HOSE END, 45° FEMALE SWIVEL, JIC
54135	11343-16-16	HOSE END, MALE SWIVEL, PIPE	61152	139HB-6-4	ELBOW, 45°, BARB TO MALE PIPE
54283	8-10 C5OLO-S	ELBOW, 90°, STRAIGHT THREAD TO ORFS	61251	BV-0750	BALL VALVE
54428	8M18C870MLO-S	ELBOW, 90° METRIC, STRAIGHT THREAD TO ORFS	61259	4 CC5OLO-S	ELBOW, 90° LONG, STRAIGHT THREAD TO ORFS
54803	FS-F-16-10	SLEEVE, FIRE, .96" ID	61260	20-12 TRLO-BL	REDUCER, TUBE END TO SWIVEL, ORFS
54954	10143-2-4	HOSE END, MALE PIPE	61262	12 C6LO-S	ELBOW, 90°, SWIVEL NUT ORFS
55190	3/8 HP-S	PLUG, PIPE THREAD	61263	20 F5OHAO-S	UNION, STRAIGHT THREAD
55448	8 HLO-S	UNION, ORFS	61264	6-10 C5OLO-S	ELBOW, 90°, STRAIGHT THREAD TO ORFS
55839	6 F65OX-S	CONNECTOR, STRAIGHT THREAD TO 37° SWIVEL	61265	6 WNLO-WLNL-S	UNION, BULKHEAD 45°, ORFS
55968	10 C5OX-S	ELBOW, 90°, STRAIGHT THREAD TO FLARE TUBE	61268	4 WNLO-WLNL-S	UNION, BULKHEAD 45°, ORFS
56003	6 CC5OLO-S	ELBOW, 90° LONG, STRAIGHT THREAD TO ORFS	61269	4 WLO-WLNL-S	UNION, BULKHEAD, ORFS
56166	BV-0837	BALL VALVE, 90°	61272	12 AOEL6	ELBOW, 90°, STRAIGHT THREAD TO ORFS SWIVEL
56188	10143-8-6	HOSE END, MALE PIPE	61316	482TC-16	HOSE, 1 INCH ID
56233	2-011	O-RING, ORFS, -4	61321	6 JLO-S	UNION TEE, ORFS
56234	2-012	O-RING, ORFS, -6	61327	782-12	HOSE, 3/4 INCH ID
56235	2-014	O-RING, ORFS, -8	61328	881-24	HOSE, 1 1/2 INCH ID
56236	2-016	O-RING, ORFS, -10	61336	11943-20-24	HOSE END, 90° FLANGE HEAD
56237	2-018	O-RING, ORFS, -12	61345	12 WJLO-WLNL-S	RUN TEE, BULKHEAD, ORFS
56238	2-021	O-RING, ORFS, -16	61346	8 WNLO-WLNL-S 4	UNION, BULKHEAD 45°, ORFS
56352	6 WLNL-S	LOCKNUT, BULKHEAD	61569	33782-8-8	HOSE END, 45° FEMALE SWIVEL, JIC
56353	3J782-12-12	HOSE END, 45° FEMALE SWIVEL, SEAL LOK	61610	12 FF5OLO-S	CONNECTOR, LONG, STRAIGHT THREAD TO ORFS
56354	3J982-12-12	HOSE END, 90° FEMALE SWIVEL, SEAL LOK	61742	1/8 X 1.5 FFF	NIPPLE, PIPE
56604	10-8 F5OLO-S	CONNECTOR, STRAIGHT THREAD TO ORFS	63426	8 PNTX-S	PLUG, FLARE TUBE
56639	3JC82-10-10	HOSE END, FEMALE SWIVEL, SEAL LOK			
56640	3J982-10-10	HOSE END, 90° FEMALE SWIVEL, SEAL LOK			
56655	3JC82-8-10	HOSE END, FEMALE SWIVEL, SEAL LOK			
56676	10-8 C5OLO-S	ELBOW, 90°, STRAIGHT THREAD TO ORFS			
56776	471TC-6	HOSE, 3/8 INCH ID			
56777	471TC-8	HOSE, 1/2 INCH ID			
56789	811-16	HOSE, 1 INCH ID			
57884	3/8 FF	NIPPLE, PIPE			
59335	6 FNL-S	CAP, TUBE END			
59342	4 FNL-S	CAP, TUBE END			
59371	8 HP5ON-S	PLUG, STRAIGHT THREAD			
60653	BV-0751	BALL VALVE			
60806	125HB-3-4	FITTING, HOSE BARB TO MALE PIPE			
61064	5-1/4 F5OG-S	ADAPTER, FEMALE PIPE TO STRAIGHT THREAD			
61079	4 WELO-WLNL-S	UNION, 90° BULKHEAD W/NUT, ORFS			
61080	6 WLO-WLNL-S	UNION, BULKHEAD, ORFS			

Fitting Cross References (Continued)

Genie PN	Parker PN	Description	Genie PN	Parker PN	Description
64271	4 WLO-WLNL-S	UNION,BULKHEAD,ORFS	75631	801-6	HOSE,3/8 INCH ID
64272	6 WLO-WLNL-S	UNION,BULKHEAD,ORFS	75654	20 F5OLO-S	CONNECTOR,STRAIGHT THREAD TO ORFS
65776	8 F65OL-S	CONNECTOR,STRAIGHT THREAD TO ORFS SWIVEL	75655	1J943-20-20	HOSE END,90° FEMALE SWIVEL,SEAL LOK
65880	6001012	O-RING KIT	75656	881-20	HOSE,1-1/4 INCH ID
66154	6 WTX-WLNS	UNION,BULKHEAD,FLARE TUBE	75971	8 F5OHAO-S	UNION,STRAIGHT THREAD
66155	6 WETX-S	UNION,BULKHEAD 90°,FLARE TUBE	77307	1JB43-8-8	HOSE END,BULKHEAD,SEAL LOK
66156	6 WLN-S	BULKHEAD LOCKNUT	77309	8 WLNL-S	BULKHEAD LOCKNUT
66389	6-8 F5OX-S	CONNECTOR,STRAIGHT THREAD TO FLARE TUBE	77379	8M18C87OMX-S	ELBOW,90° METRIC,STRAIGHT THREAD TO FLARE TUBE
66392	6 R5OX-S	RUN TEE,STRAIGHT THREAD	77703	3J982-8-8	HOSE END,90° FEMALE SWIVEL,SEAL LOK
66396	811-12	HOSE,3/4 INCH ID	77711	801-10	HOSE,5/8 INCH ID
66829	H3174PP	CLAMP,TUBE	77758	12 WNLO-WLNL-S	UNION,BULKHEAD 45°,ORFS
67217	4 KLO-S	UNION,CROSS,ORFS	78091	6 C6X-S	ELBOW,90°,SWIVEL NUT TO FLARE TUBE
67339	10-6 F5OX-S	CONNECTOR,STRAIGHT THREAD TO FLARE TUBE	78684	30582-8-8B	HOSE END,PUSH LOK,MALE
67357	13943-8-6	HOSE END,90° FEMALE SWIVEL,JIC	78852	549-2	HOSE,1/8 INCH ID
67358	10 HP5ON-S	PLUG,STRAIGHT THREAD	78855	10657-4-2	HOSE END,FEMALE SWIVEL,JIC
67371	12 S6LO-S	BRANCH TEE,SWIVEL NUT TO ORFS	79138	PS-B-37	SLEEVE,NYLON,2.38" ID
67498	4 FNL-S	CAP, TUBE END	79476	1JS43-6-8	HOSE END,FEMALE SWIVEL,SEAL LOK
67906	DC-370-F0F0-5	VALVE,CHECK	79847	12-3/4 A0EG-S	ELBOW,90°,STRAIGHT THREAD TO FEMALE PIPE
69316	8 FLO-S	CONNECTOR,MALE PIPE TO ORFS	80044	8 CLO-S	ELBOW,90°,MALE PIPE TO ORFS
69333	H3174PP	CLAMP,HYDRAULIC HOSE	80502	8 F5OX-S	CONNECTOR,STRAIGHT THREAD TO FLARE TUBE
69503	4 F65OX-S	CONNECTOR,STRAIGHT THREAD TO 37° SWIVEL	80503	8 C5OX-S	ELBOW,90°,STRAIGHT THREAD TO FLARE TUBE
69775	8 FNL-S	CAP, TUBE END	81010	AS-B-27	SLEEVE,NYLON,1.63" ID
71038	1/4X1/4F3HG-S	ADAPTER,CONVERSION	83052	821-6	HOSE,3/8 INCH ID
71196	12-8 F5OLO-S	CONNECTOR,STRAIGHT THREAD TO ORFS	83053	821-8	HOSE,1/2 INCH ID
71383	1/4 CD45-S	ELBOW,45°,MALE TO FEMALE PIPE	83054	821-12	HOSE,3/4 INCH ID
72270	12FNL-S	CAP, TUBE END	83055	30682-6-6	HOSE END,FEMALE SWIVEL,JIC
73436	60C-4	SLEEVE,COMPRESSION	83056	30682-12-12	HOSE END,FEMALE SWIVEL,JIC
73437	61C-4	NUT,COMPRESSION	83057	33782-6-6	HOSE END,45° FEMALE SWIVEL,JIC
73438	33482-4-4B	HOSE END,PUSH LOK,MALE	83058	33982-6-6	HOSE END,90° FEMALE SWIVEL,JIC
73767	1CD-S	ELBOW,90°,MALE TO FEMALE PIPE	83060	33982-12-12	HOSE END,90° FEMALE SWIVEL,JIC
73768	20-16-F5OG5-S	ADAPTER,FEMALE PIPE TO STRAIGHT THREAD	83063	13743-4-4	HOSE END,45° FEMALE SWIVEL,JIC
73769	16-20 F5OLO-S	CONNECTOR,STRAIGHT THREAD TO ORFS			
74660	6-8 F42EDMLO-S	CONNECTOR,MALE BSPP TO ORFS			
74661	8-8 F42EDMLO-S	CONNECTOR,MALE BSPP TO ORFS			
75007	4 FLO-S	CONNECTOR,MALE PIPE TO ORFS			
75008	1/8 HP-S	PLUG,PIPE THREAD			
75014	1/2 HP-S	PLUG,PIPE THREAD			
75042	8 WELO-WLNL-S	UNION,90° BULKHEAD W/NUT,ORFS			
75043	3/4 FF-S	NIPPLE,PIPE			
75254	24 F5OHAO-S	UNION,STRAIGHT THREAD			
75255	12 F5OHAO-S	UNION,STRAIGHT THREAD			
75256	XV506P-24	BALL VALVE			
75574	4 WLNL-S	BULKHEAD LOCKNUT			
75612	8 WJLO-WLNL-S	RUN TEE, BULKHEAD,ORFS			
75613	12-8 F5OG5-S	ADAPTER,FEMALE PIPE TO STRAIGHT THREAD			
75614	8 CC5OLO-S	ELBOW,90° LONG,STRAIGHT THREAD TO ORFS			
75628	1JB43-4-4	HOSE END,BULKHEAD,SEAL LOK			

Fitting Cross References (Continued)

Genie PN	Parker PN	Description	Genie PN	Parker PN	Description
83064	13743-8-8	HOSE END,45° FEMALE SWIVEL,JIC	89449	6 WJLO-WLNL-S	RUN TEE, BULKHEAD,ORFS
83065	13743-12-12	HOSE END,45° FEMALE SWIVEL,JIC	89489	4 WJMLO-S	BRANCH TEE,BULKHEAD,ORFS
83066	13943-8-8	HOSE END,90° FEMALE SWIVEL,JIC	89551	1JB43-6-6	HOSE END,BULKHEAD,SEAL LOK
83067	14143-6-6	HOSE END,90° FEMALE SWIVEL,JIC	89552	1JB43-8-8	HOSE END,BULKHEAD,SEAL LOK
83068	14143-8-8	HOSE END,90° FEMALE SWIVEL,JIC	89593	20 C5OLO-S	ELBOW,90°,STRAIGHT THREAD TO ORFS
83069	14143-12-12	HOSE END,90° FEMALE SWIVEL,JIC	94161	8-8 CLO-S	ELBOW,90°,MALE PIPE TO ORFS
83070	772-8	HOSE,1/2 INCH ID	94358	351TC-12	HOSE,3/4 INCH ID
83071	10671-8-8	HOSE END,FEMALE SWIVEL,JIC	94418	20 FLO-S	CONNECTOR,MALE PIPE TO ORFS
83072	10671-12-12	HOSE END,FEMALE SWIVEL,JIC	96358	12 TX-S	SLEEVE,FLARE TUBE
83073	13771-8-8	HOSE END,45° FEMALE SWIVEL,JIC	96359	12 BTX-S	NUT,FLARE TUBE
83074	13771-12-12	HOSE END,45° FEMALE SWIVEL,JIC	96397	8 F5OX-S	CONNECTOR,STRAIGHT THREAD TO FLARE TUBE
83075	13971-8-8	HOSE END,90° FEMALE SWIVEL,JIC	96398	12-8 F5OX-S	CONNECTOR,STRAIGHT THREAD TO FLARE TUBE
83076	13971-12-12	HOSE END,90° FEMALE SWIVEL,JIC	96402	10343-6-6	HOSE END,MALE,JIC
83077	14171-8-8	HOSE END,90° FEMALE SWIVEL,JIC	96407	30382-6-6B	HOSE END,MALE,JIC
83078	14171-12-12	HOSE END,90° FEMALE SWIVEL,JIC			
83080	13943-16-16	HOSE END,90° FEMALE SWIVEL,JIC			
83103	10671-16-12	HOSE END,FEMALE SWIVEL,JIC			
83104	10671-10-12	HOSE END,FEMALE SWIVEL,JIC			
83112	1JC71-8-8	HOSE END,FEMALE SWIVEL,SEAL LOK			
83113	1JS71-16-12	HOSE END,FEMALE SWIVEL,SEAL LOK			
83114	1JS71-10-12	HOSE END,FEMALE SWIVEL,SEAL LOK			
83115	1J971-8-8	HOSE END,90° FEMALE SWIVEL,SEAL LOK			
83116	1J171-8-8	HOSE END,90° FEMALE SWIVEL,SEAL LOK			
83117	1J771-8-8	HOSE END,45° FEMALE SWIVEL,SEAL LOK			
83127	1J543-6-8	HOSE END,90° FEMALE SWIVEL,JIC			
83128	1JC43-6-8	HOSE END,FEMALE SWIVEL,SEAL LOK			
87033	12-6 TRLO-S	REDUCER,TUBE END TO SWIVEL,ORFS			
87034	3J782-8-8	HOSE END,45° FEMALE SWIVEL,SEAL LOK			
87172	12 HP5ON-S	PLUG,STRAIGHT THREAD			
87185	8 WNLO-WLNL-S	UNION,BULKHEAD 45°,ORFS			
87246	4 C6X-S	ELBOW,90°,SWIVEL NUT TO FLARE TUBE			
87679	6 LHP-S	FLANGE SEAL FITTING, MALE			
87681	6PLS N0702	BONDED SEAL			
88100	SR88100	ADAPTER,OIL DRAIN,GM 3.0L			
88311	1JS43-20-20	HOSE END,FEMALE SWIVEL,SEAL LOK			
88353	20 V5OLO-S	ELBOW,45°,STRAIGHT THREAD TO ORFS			
88474	10081-20	Crimp Shell, 1.25"			
88475	1988-20-24	HOSE END,90° FLANGE HEAD			
88476	JS88-24-24	HOSE END,FEMALE SWIVEL,SEAL LOK			
88477	1JC88-20-20	HOSE END,FEMALE SWIVEL,SEAL LOK			
88478	811-20	HOSE,11/4 INCH ID			
88936	20-16 F5OLO-S	CONNECTOR,STRAIGHT THREAD TO ORFS			
88937	20-16 FLO-S	CONNECTOR,MALE PIPE TO ORFS			
88938	1JC88-16-16	HOSE END,FEMALE SWIVEL,SEAL LOK			
88939	1J988-16-16	HOSE END,90° FEMALE SWIVEL,ORFS			
88940	811-16	HOSE,1 INCH ID			
88944	1J988-20-20	HOSE END,90° FEMALE SWIVEL,ORFS			
89403	16 VLO-S	ELBOW,45°,MALE PIPE TO ORFS			

California Proposition 65



Operating, servicing and maintaining this equipment can expose you to chemicals including engine exhaust, carbon monoxide, phthalates, and lead, which are known to the State of California to cause cancer and birth defects or other reproductive harm. These chemicals can be emitted from or contained in other various parts and systems, fluids and some component wear by-products. To minimize exposure, avoid breathing exhaust, do not idle the engine except as necessary, service your equipment and vehicle in a well-ventilated area and wear gloves or wash your hands frequently when servicing your equipment or vehicle and after operation. For more information go to www.P65Warnings.ca.gov/passenger-vehicle.

Distributed By:

Go to Discount-Equipment.com to order your parts

PARTS FINDER

**Search Website
by Part Number**



**Search Manual
Library For Parts
Manual & Lookup Part
Numbers – Purchase
or Request Quote**

Search Manuals

Enter your information to help us find the right parts manual for your machine.

* Brand:

* Model:

* Serial:

* Part Number:

SEARCH

**Can't Find Part or
Manual? Request Help
by Manufacturer,
Model & Description**

Parts Order Form

Please fill in the following information to help us find the right part for your machine.

MANUFACTURER:

MODEL:

DESCRIPTION:

DATE:

NAME:

PHONE:

EMAIL:

ADDRESS:

CITY:

STATE:

ZIP:

REQUEST QUOTE

Discount-Equipment.com is your online resource for quality parts & equipment.

Florida: **561-964-4949** Outside Florida TOLL FREE: **877-690-3101**

Need parts?

Click on this link: <http://www.discount-equipment.com/category/5443-parts/> and choose one of the options to help get the right parts and equipment you are looking for. Please have the machine model and serial number available in order to help us get you the correct parts. If you don't find the part on the website or on one of the online manuals, please fill out the request form and one of our experienced staff members will get back to you with a quote for the right part that your machine needs.

We sell worldwide for the brands: Genie, Terex, JLG, MultiQuip, Mikasa, Essick, Whiteman, Mayco, Toro Stone, Diamond Products, Generac Magnum, Airman, Haulotte, Barreto, Power Blanket, Nifty Lift, Atlas Copco, Chicago Pneumatic, Allmand, Miller Curber, Skyjack, Lull, Skytrak, Tsurumi, Husquvarna Target, Stow, Wacker, Sakai, Mi-T-M, Sullair, Basic, Dynapac, MBW, Weber, Bartell, Bennar Newman, Haulotte, Ditch Runner, Menegotti, Morrison, Contec, Buddy, Crown, Edco, Wyco, Bomag, Laymor, EZ Trench, Bil-Jax, F.S. Curtis, Gehl Pavers, Heli, Honda, ICS/PowerGrit, IHI, Partner, Imer, Clipper, MMD, Koshin, Rice, CH&E, General Equipment, Amida, Coleman, NAC, Gradall, Square Shooter, Kent, Stanley, Tamco, Toku, Hatz, Kohler, Robin, Wisconsin, Northrock, Oztec, Toker TK, Rol-Air, APT, Wylie, Ingersoll Rand / Doosan, Innovatech, Con X, Ammann, Mecalac, Makinex, Smith Surface Prep, Small Line, Wanco, Yanmar