



A TEREX BRAND



Parts Manual

Serial Number Range

Z-30/20 N

to SN 1931

Part No. 35533

Rev C3

November 2018

Go to Discount-Equipment.com to order your parts

PARTS FINDER

**Search Website
by Part Number**



**Search Manual
Library For Parts
Manual & Lookup Part
Numbers – Purchase
or Request Quote**

Search Manuals

Enter your information to help us find the right parts manual for your machine.

* Brand:

* Model:

* Serial:

* Part Number:

SEARCH

**Can't Find Part or
Manual? Request Help
by Manufacturer,
Model & Description**

Parts Order Form

Please fill in the following information to help us find the right part for your machine.

Manufacturer:	<input type="text"/>
Model:	<input type="text"/>
Description:	<input type="text"/>
Part Number:	<input type="text"/>
Quantity:	<input type="text"/>
Notes:	<input type="text"/>

Discount-Equipment.com is your online resource for quality parts & equipment.

Florida: **561-964-4949** Outside Florida TOLL FREE: **877-690-3101**

Need parts?

Click on this link: <http://www.discount-equipment.com/category/5443-parts/> and choose one of the options to help get the right parts and equipment you are looking for. Please have the machine model and serial number available in order to help us get you the correct parts. If you don't find the part on the website or on one of the online manuals, please fill out the request form and one of our experienced staff members will get back to you with a quote for the right part that your machine needs.

We sell worldwide for the brands: Genie, Terex, JLG, MultiQuip, Mikasa, Essick, Whiteman, Mayco, Toro Stone, Diamond Products, Generac Magnum, Airman, Haulotte, Barreto, Power Blanket, Nifty Lift, Atlas Copco, Chicago Pneumatic, Allmand, Miller Curber, Skyjack, Lull, Skytrak, Tsurumi, Husquvarna Target, Stow, Wacker, Sakai, Mi-T-M, Sullair, Basic, Dynapac, MBW, Weber, Bartell, Bennar Newman, Haulotte, Ditch Runner, Menegotti, Morrison, Contec, Buddy, Crown, Edco, Wyco, Bomag, Laymor, EZ Trench, Bil-Jax, F.S. Curtis, Gehl Pavers, Heli, Honda, ICS/PowerGrit, IHI, Partner, Imer, Clipper, MMD, Koshin, Rice, CH&E, General Equipment, Amida, Coleman, NAC, Gradall, Square Shooter, Kent, Stanley, Tamco, Toku, Hatz, Kohler, Robin, Wisconsin, Northrock, Oztec, Toker TK, Rol-Air, APT, Wylie, Ingersoll Rand / Doosan, Innovatech, Con X, Ammann, Mecalac, Makinex, Smith Surface Prep, Small Line, Wanco, Yanmar



Model: Z-30/20N
Serial number: Z30N96-12345
Model year: 1996 **Manufacture date:** 04/12/96
Electrical schematic number: ESXXXX
Machine unladen weight:

Rated work load (including occupants): XXX lb / XXX kg
Maximum number of platform occupants: X
Maximum allowable side force : XXX lb / XXX N
Maximum allowable inclination of the chassis:
0 deg
Maximum wind speed : XX mph/ XX m/s
Maximum platform height : XX ft / XX m
Maximum platform reach : XX ft / XX m
Gradeability: N/A
Country of manufacture: USA
This machine complies with:

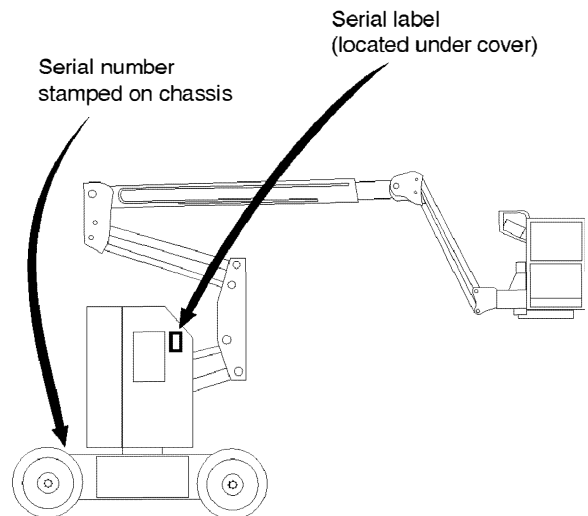
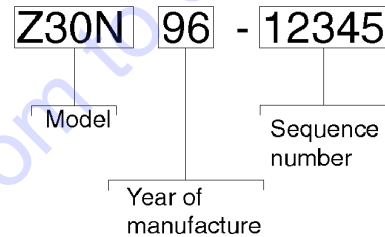


Table of Contents

This manual is updated frequently. For the most up-to-date parts information, visit www.discount-equipment.com

How to Read Your Serial Number.....	3
Parts Stocking List.....	7

Electronic Version

Click on any page number to view the figure.

100 Decals and Paint

101.1 Decals and Paint - View 1.....	10
102.1 Decals and Paint - View 2.....	12

200 Drive Chassis Components

201.1 Steer Axle Linkage, Wheels and Hubs.....	14
202.1 Steer / Brake Manifold.....	16
203.1 Battery Charger.....	18
204.1 Battery Packs.....	20
205.1 Non-steer Axle.....	22
206.1 Electronic Control Module.....	24
207.1 Hydraulic Hoses and Fittings.....	26

300 Turntable Components

301.1 Turntable Rotator.....	28
302.1 Turntable Components - Ground Controls Side.....	30
303.1 Function Manifold.....	32
304.1 Ground Controls.....	34
305.1 Turntable Components - Hydraulic Power Unit Side.....	36
306.1 Hydraulic Power Unit.....	38
306.2 Hydraulic Power Unit Retro Kit.....	40
307.1 Turntable Covers.....	42
308.1 Hydraulic Hoses and Fittings.....	44

400 Boom Components

401.1 Secondary Boom - View 1.....	46
402.1 Secondary Boom - View 2.....	48
403.1 Upper Mid-pivot.....	50
404.1 Primary and Extension Booms.....	52
405.1 Cable Track.....	54
406.1 Jib Boom and Platform Rotator.....	56

407.1 Hydraulic Hoses and Fittings.....	58
---	----

500 Platform Components

501.1 Platform.....	60
502.1 Platform Controls - View 1.....	62
503.1 Platform Controls - View 2.....	64
504.1 Joystick Controller - Drive / Steer Functions.....	66
505.1 Rotational Controller - Boom Function Speed.....	68

600 Accessories

601.1 Alarm and Beacon Package.....	70
602.1 Hour Meter and Battery Charge Indicator.....	72

Indices

Part Number Index.....	74
Part Description Index.....	77

Cross References

Fittings Cross Reference.....	82
-------------------------------	----

Required Parts

The following parts are required to perform maintenance procedures as outlined in the Genie Z-30/20N Service Manual.

Description	Part No.
Filter Element, 10 Micron.....	46014
O-ring Kit (for ORFS Fittings)	49612
Plug and Cap Kit (for ORFS fittings).....	49613
Multipurpose Grease	(source locally)

Recommended Parts

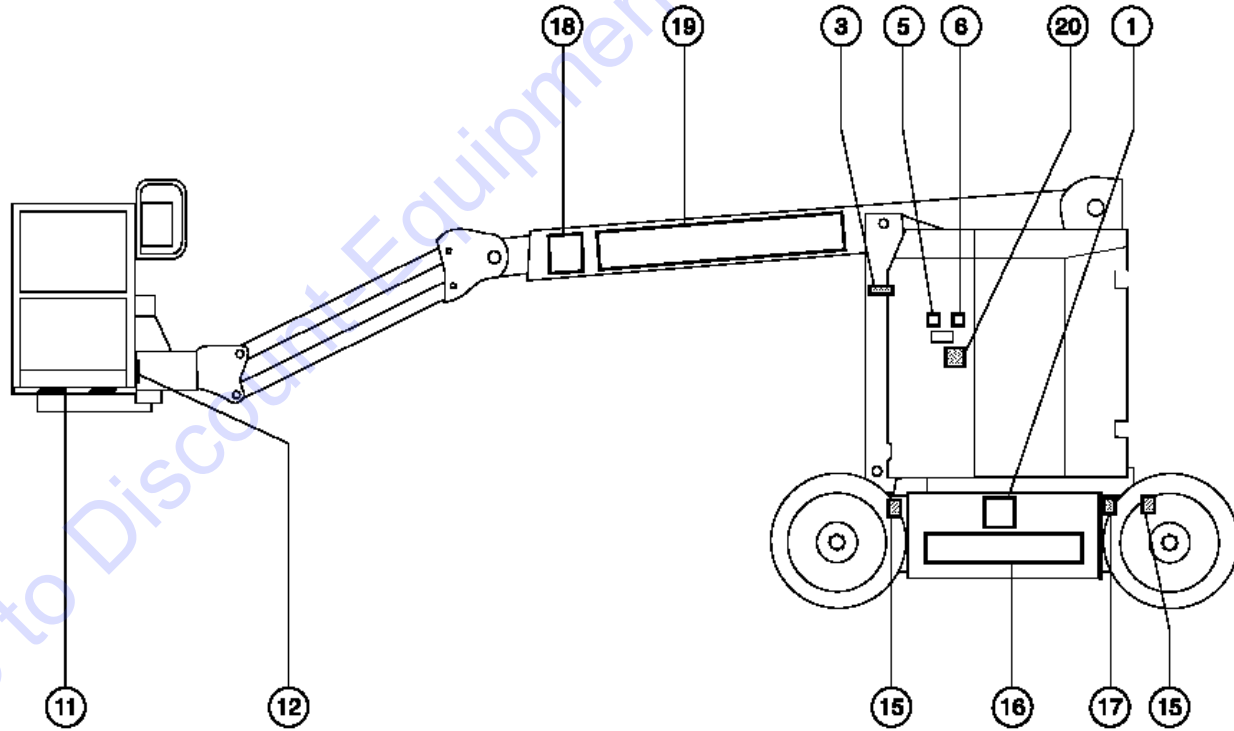
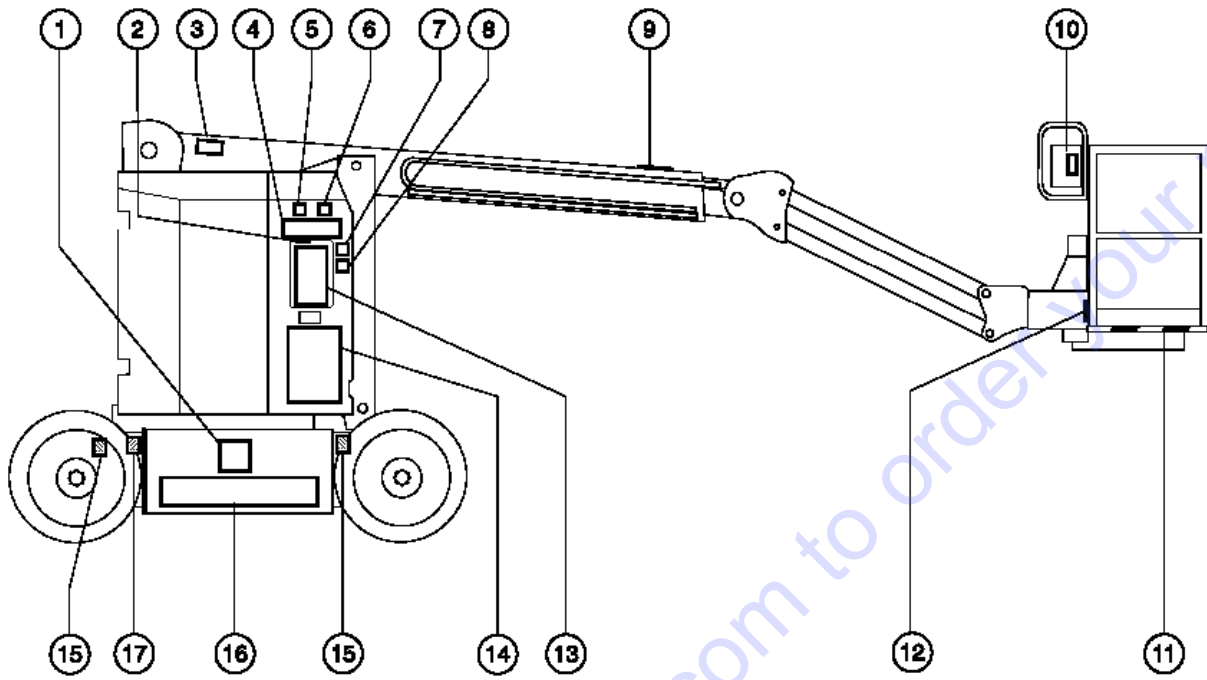
Description	Part No.
Genie Blue Paint, 1 Gallon	32150
Genie Blue Paint, 12 Ounce Aerosol.....	1484
Genie Gray Paint, 1 Gallon.....	32151
Genie Gray Paint, 12 Ounce Aerosol	1268

Manuals

Genie Industries offers the following support documents for these models:

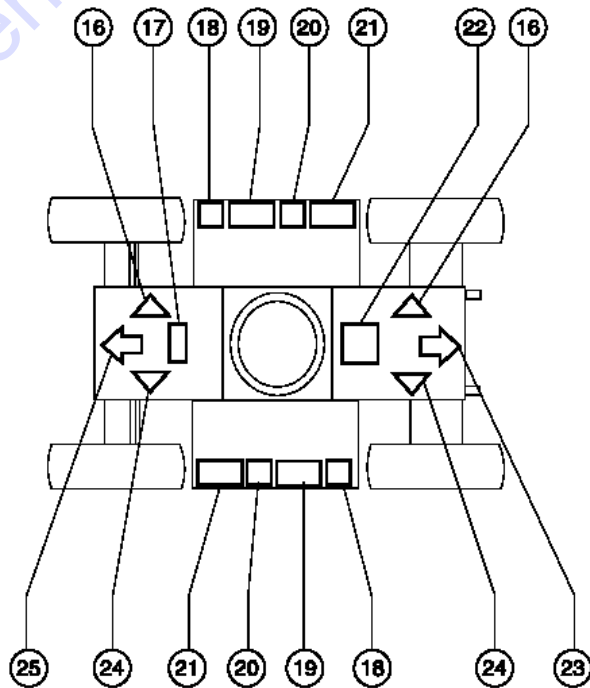
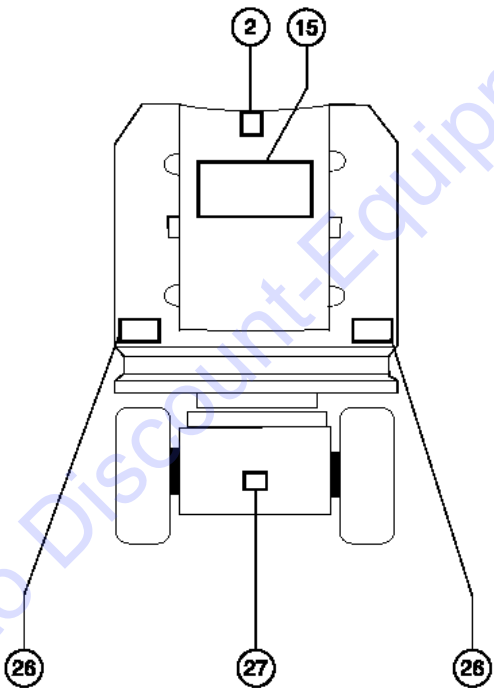
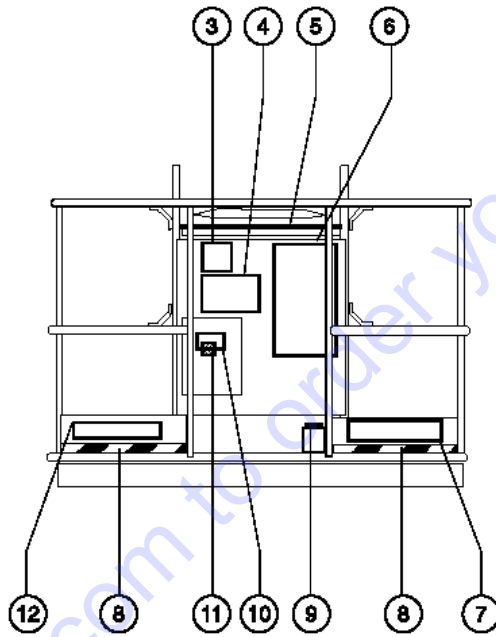
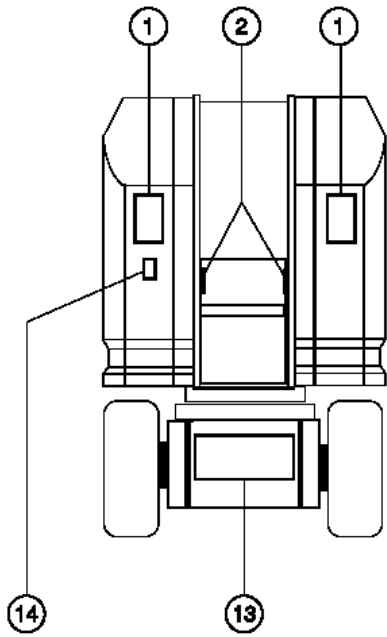
Title	Part No.
EMI Safety Manual	27581
Manual of Responsibilities	
ANSI A92.5.....	31779

101.1 Decals and Paint - View 1



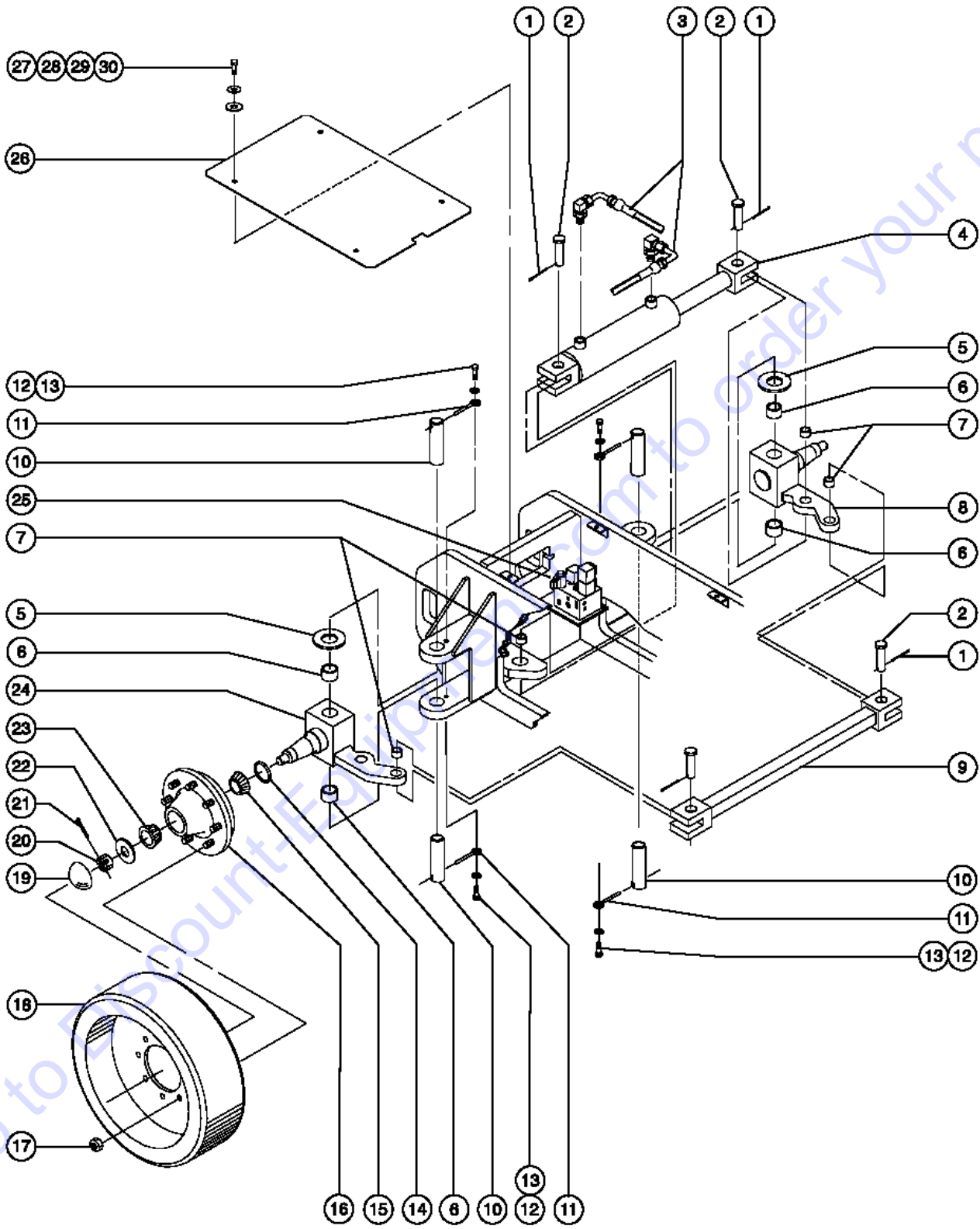
Item	Part No.	Description	Qty.
--	1268GT	PAINT,AEROSOL,GENIE GRAY***	
--	1484GT	PAINT,AEROSOL,BRIGHT BLUE***	
--	32150GT	PAINT,WET,GENIE BLUE (1 GL)**	
--	32151GT	PAINT,WET,GENIE GRAY (1 GL)**	
--	35534GT	DECAL KIT,COSMETIC,Z30N <i>includes index numbers 1, 16, 18 and 19</i>	
--	38130GT	DECAL KIT,SAFETY/INSTRUCTIONAL <i>includes index numbers 2 - 9, 12 - 15, 17 and 20</i>	
1	37091GT	DECAL,Z,WHITE/GRAY,9"X7".....	2
2	38110GT	DECAL,LABEL,TRAVEL ALARM***.....	1
3	31060GT	DECAL,DANGER DO NOT ALTER SWTC.....	2
4	35541GT	DECAL,NOTICE, GRD OPER INSTRUC.....	1
5	29803GT	DECAL,NOTICE,HAZARD.MATLS.DC....	2
6	28171GT	DECAL,DANGER,NO SMOKING ***.....	2
7	38111GT	DECAL,WARNING,BRAKE RELEASE***.....	1
8	38112GT	DECAL,CAUTION,BRAKE RELEASE***.....	1
9	28181GT	DECAL,WARN,FALL HAZARD.....	1
10A	28235GT	DECAL,POWER TO PLATFORM 115V...1	
10B	28174GT	DECAL, POWER TO PLATFORM 230V**.....	1
11	33550GT	TAPE,WARNING,BLK/YEL, 50'***.....	1
12	28177GT	DECAL,WARN,CRUSH HAZARD PLAT.....	2
13	35585GT	DECAL,GROUND CONTROL PANEL.....	1
14	32700GT	DECAL,DANGER,GEN SAFETY RULES.....	1
15	35542GT	DECAL,NOTICE,LUG NUT TORQUE***.....	4
16	37092GT	DECAL,GENIE Z30/20N, 4"X26.5".....	2
17	28372GT	DECAL,NOTICE,BATTERY CABLES....	2
18	37093GT	DECAL,STRIPES, 8.75"X3.5".....	1
19	37094GT	DECAL,GENIE Z30/20N, 6.5"X36".....	1
20	28157GT	DECAL,USE DEXRON***.....	1

102.1 Decals and Paint - View 2



Item	Part No.	Description	Qty.	Item	Part No.	Description	Qty.
--	1268GT	PAINT,AEROSOL,GENIE GRAY***		26	27564GT	DECAL,DANGER,ELEC.HAZ.STAY CLR.....	2
--	1484GT	PAINT,AEROSOL,BRIGHT BLUE***		27	31508GT	DECAL,DANGER,ELECT HAZARD,PLUG.....	1
--	32150GT	PAINT,WET,GENIE BLUE (1 GL)**					
--	32151GT	PAINT,WET,GENIE GRAY (1 GL)**					
--	35534GT	DECAL KIT,COSMETIC,Z30N <i>includes index numbers 1, 13 and 15</i>					
--	38130GT	DECAL KIT,SAFETY/INSTRUCTIONAL <i>includes index numbers 2 - 7, 9 - 12 and 16 - 27</i>					
1	37095GT	DECAL,Z,BLUE/GRAY, 7"X5.5".....	2				
2	28161GT	DECAL,WARN,CRUSH HAZARD HAND.....	3				
3	33952GT	DECAL,DANGER,TILT ALARM.....	1				
4	35540GT	DECAL,NOTICE,OPER INST PLAT,DC.....	1				
5	35583GT	DECAL, PLATFORM CONTROL PANEL.....	1				
5	37112GT	SPRING,BRAKE LINKAGE, GL.....	1				
6	97890GT	DECAL,DANGER,GEN SAFETY RULES.....	1				
7	37052GT	DECAL,NOTICE,MAX LOAD 500 LBS....	1				
8	33550GT	TAPE,WARNING,BLK/YEL, 50***.....	1				
9	28165GT	DECAL,INSTRUCT,FOOTSWITCH OPER.....	1				
10	28236GT	DECAL,WARN,IMPROPER OPERATION.....	1				
11	28176GT	DECAL,LABEL,MANUAL NOT HERE....	1				
12	37051GT	DECAL,NOTICE,SIDE FRC 150,ANSI....	1				
13	52968GT	DECAL,COSMETIC,GENIE BOOM,VERT.....	1				
14A	28235GT	DECAL,POWER TO PLATFORM 115V....	1				
14B	28174GT	DECAL, POWER TO PLATFORM 230V**.....	1				
15	37096GT	DECAL,GENIE Z30/20N, 9"X19".....	1				
16	37056GT	DECAL,TRIANGLE,YELLOW.....	2				
17	31060GT	DECAL,DANGER DO NOT ALTER SWTC.....	1				
18	31786GT	DECAL,NOTICE,BATT CONNECTION...2					
19	31785GT	DECAL,NOTICE,CHARGER INSTRUC...2					
20	31787GT	DECAL,DANGER,TIP-OVER BATTERY.....	2				
21	31788GT	DECAL,DANGER,BATTERY SAFETY***.....	2				
22	28175GT	DECAL,WARNING-COMPART ACCESS.....	1				
23	37054GT	DECAL,ARROW,YELLOW SM 5-3/8"....	1				
24	37055GT	DECAL,TRIANGLE,BLUE.....	2				
25	37053GT	DECAL,ARROW,BLUE.....	1				

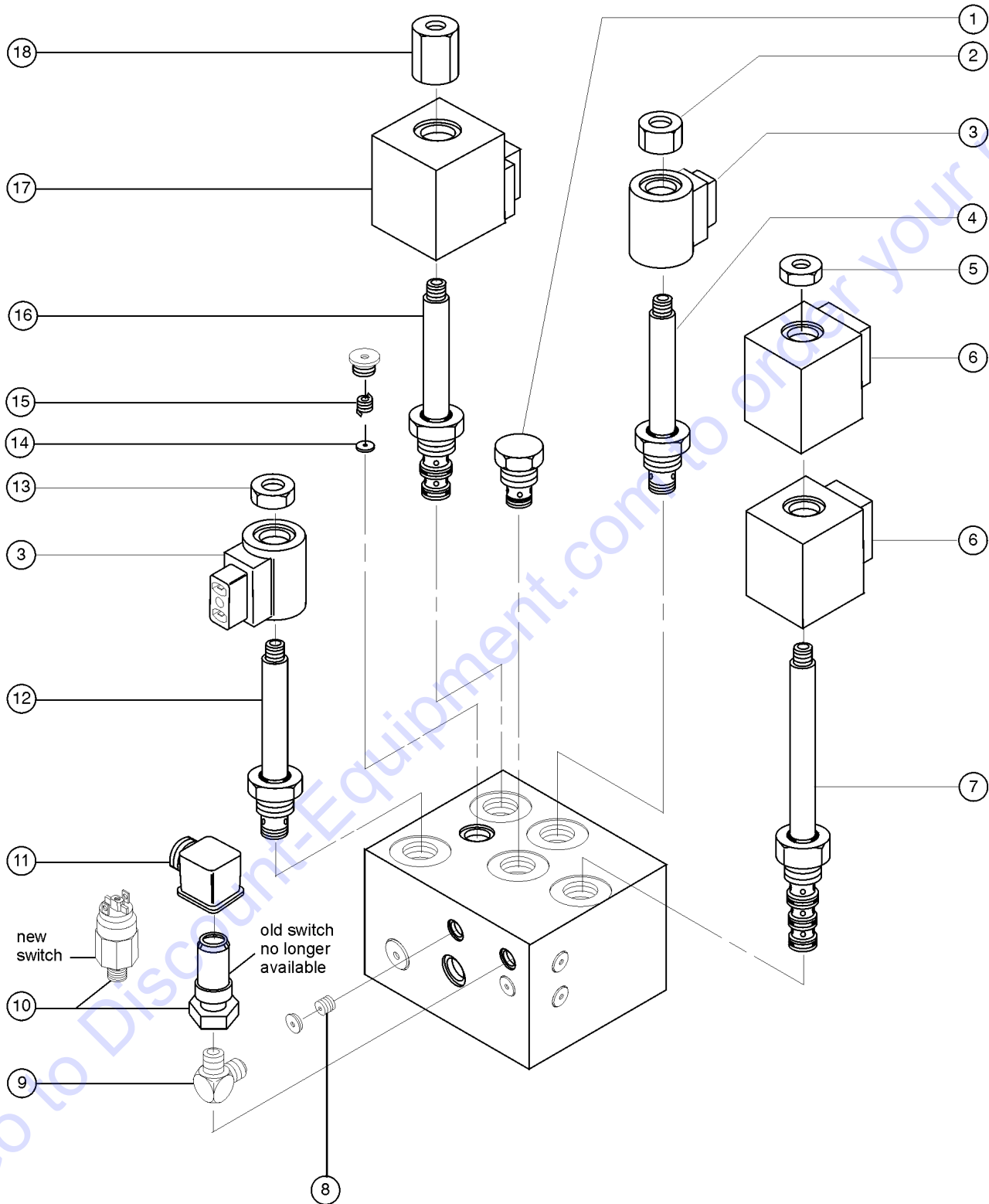
201.1 Steer Axle Linkage, Wheels and Hubs



201.1 Steer Axle Linkage, Wheels and Hubs

Item	Part No.	Description	Qty.	Item	Part No.	Description	Qty.
1	5361GT	PIN,COTTER,.125 X 1.5.....4-inch		28	6356GT	WASHER,LOCK,.25.....4	
2	19440GT	PIN,CLEVIS,1 X 2.5 LG.....4		29	6638GT	WASHER,FLAT,USS,1/4"Y.....4	
3		Ref. Hydraulic Hoses and Fittings.....4 <i>refer to section 207.1</i>		30	56912GT	SPRING CLIP,1/4-20,.025-.15X.54,ZAG.....4	
4	88337GT	CYLINDER,STEER.....1					
--	32673GT	SEAL KIT (CYL PN 30585) <i>for 36083GT cylinder</i>					
--	88338GT	SEAL KIT, 88337 <i>for 88337GT cylinder</i>					
5	45074GT	WASHER,THRUST,1.5 X 3.5 X .187.....2					
6	45071GT	BEARING,1.5IDX1.75ODX1.5L.....4					
7	25817GT	BEARING,1.00IDX1.25ODX1.00L.....4					
8	37110GT	YOKE ASSY.,Z30N,Z34N,RH SIDE.....1 <i>includes 2 each index numbers 6 and 7</i>					
9	36163-SGT	TIE ROD,WELDMENT,Z30N**.....1					
10	36211GT	PIN,1.50DIA X 3.25LG,1HOLE.....4					
11	1255452GT	ROD END,.375 X 2.25,ZAG.....4					
12	77692GT	SCREW,HHC,3/8-16 X 1 GRD 8.....4					
13	6021GT	WASHER,LOCK,.375.....4					
14	45873GT	SEAL/BEARING KIT (45043,54840).....4 <i>includes index numbers 14, 15, 19 - 23</i>					
--	45110GT	SEAL-GREASE,MODEL 60-8.....2					
15	45107GT	INNER CONE - MODEL 60-8.....2 <i>large bearing race not included</i>					
15A	40145GT	BEARING RACE (LARGE) (45873).....2 <i>inner cone not included</i>					
16	45043GT	HUB ASSEMBLY MODEL#60-8***.....2					
--	21166GT	LUG BOLT,5/8-18,WHEEL HUB***.....2					
17	54627GT	NUT,LUG,5/8-18 X 90 DEGREE,Z45.....16					
18A	36123GT	TIRE/WHL.ASSY,FR,SMOOTH 105#.....2					
18B	36552GT	TIRE/WHL.FRONT NON-MARK,SMOOTH.....2					
19	45111GT	CAP,DUST,45873 HUB KIT.....2					
20	45113GT	NUT,SPINDLE,1-14.....2					
21	45114GT	PIN,COTTER,.219 X 1.75.....2					
22	45112GT	WASHER,SPINDLE.....2					
23	45108GT	OUTER CONE - MODEL 60-8.....2 <i>small bearing race not included</i>					
23A	40146GT	BEARING RACE (SMALL) (45873).....2 <i>outer cone not included</i>					
24	37109GT	YOKE ASSY.,Z30N,Z34N,LH SIDE.....1 <i>includes 2 each index numbers 6 and one each index number 7</i>					
25	42764GT	MANIFOLD,STEER/BRAKE***.....1					
26	37100GT	COVER W/DECAL DR CHAS STR END*.....1					
27	6090GT	SCREW,HHC,1/4-20 X .75.....4					

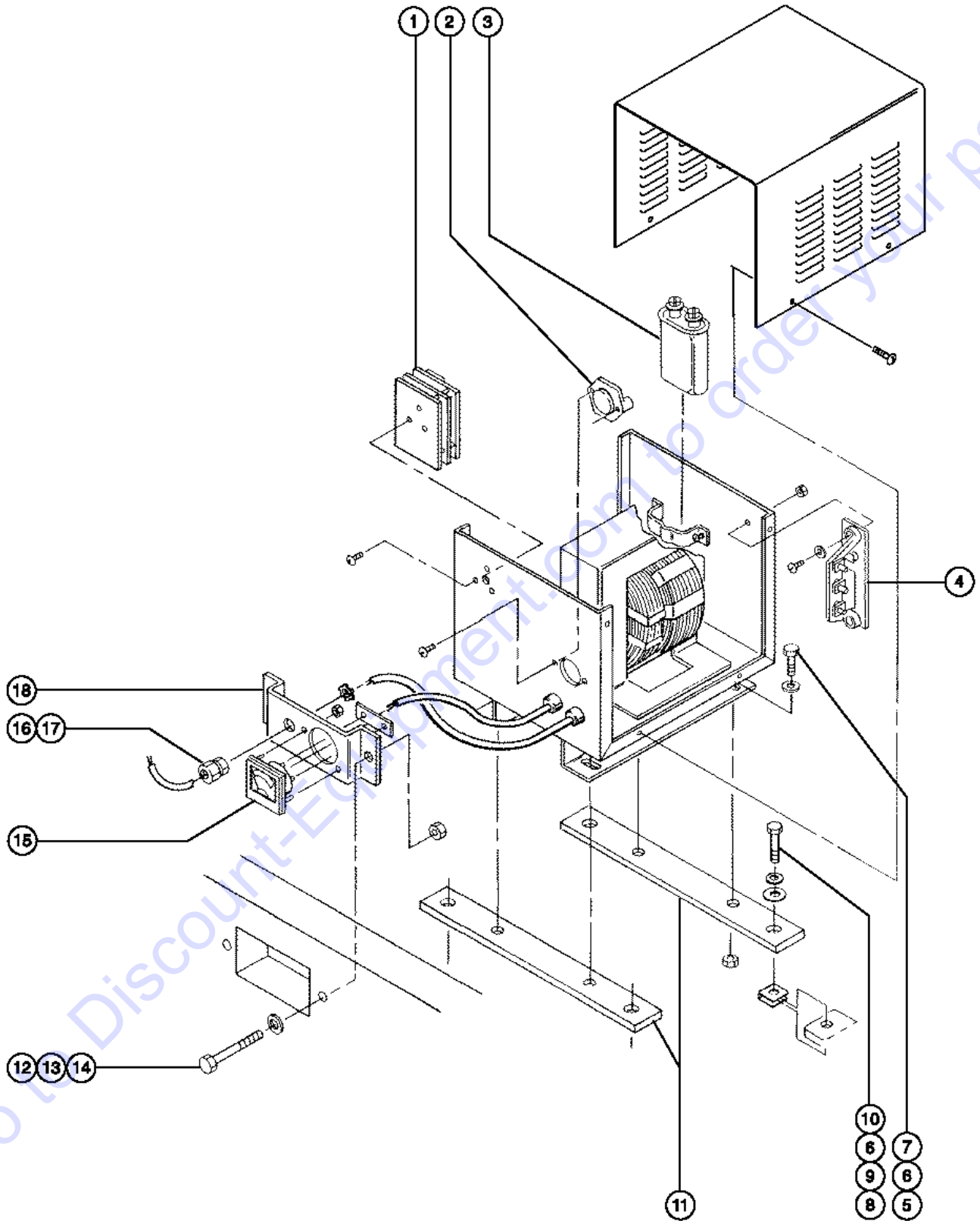
202.1 Steer / Brake Manifold



202.1 Steer / Brake Manifold

Item	Part No.	Description	Qty.
--	28750GT	O-RING KIT,FIELD SVC,ALL PROD*	
--	42764GT	MANIFOLD,STEER/BRAKE*** <i>includes index numbers 1 - 8 and 12 - 18</i>	
1	45543GT	VALVE,CHECK, 50 PSI.....1 <i>Z, brake circuit</i>	1
2	45912GT	NUT,SOLENOID VALVE 2P3W.....1	1
3A	52339GT	COIL,SOLND,W/D,20V DUAL SPADE.....1 <i>(dual-spade coil)</i>	1
3B	40413GT	COIL,SOLND,W/D,20V SGL SPADE <i>(single-spade coil)</i>	
4	40423GT	VALVE,SOLENOID,20V1 <i>AA, brake circuit, includes index numbers 2 and 3</i>	1
5	52943GT	NUT,SOLENOID VALVE COIL.....1	1
6	45911GT	COIL,20VDC.....2	2
7	37073GT	VALVE,SOLENOID.....1 <i>BB, steer left/right, includes index numbers 5 and 6</i>	1
8	37075GT	PLUG,ORIFICE,0.040.....1 <i>CC, brake circuit</i>	1
9	2166GT	ELBOW,140239-4-4.....1	1
10	56823GT	SWITCH,PRESS,#4MPT,600PSI F***1 <i>DD, brake circuit, original PN no longer available, for first time replacement order with spade terminal PN 19245 qty 2</i>	1
--	19245GT	TERMINAL,FLAG,90DEG,18-22GA.....2 <i>use with pn 56823, must order separately</i>	2
11	29063GT	DIN CONNECTOR <i>use with original pressure switch, do not use with PN 56823</i>	
12	45544GT	VALVE SOLENOID.....1 <i>EE, brake circuit, includes index number 3 and 13</i>	1
--	52339GT	COIL,SOLND,W/D,20V DUAL SPADE	
--	52943GT	NUT,SOLENOID VALVE COIL	
--	74902GT	SEAL KIT <i>for 45544GT</i>	
13	52943GT	NUT,SOLENOID VALVE COIL.....1	1
14	40424GT	PLUG,ORIFICE, .052 INCH.....1 <i>(replaced PN 37074)</i>	1
15	18920GT	SPRING-DRIVE MANIFOLD/520131.....1 <i>FF, brake circuit</i>	1
16	25034GT	VALVE,PROPORT RELIEF***1 <i>GG, brake circuit, includes index numbers 14 and 15</i>	1
17	29032GT	COIL,24V SOLENOID VALVE.....1	1
18	62276GT	NUT, SOLENOID VALVE COIL.....1	1

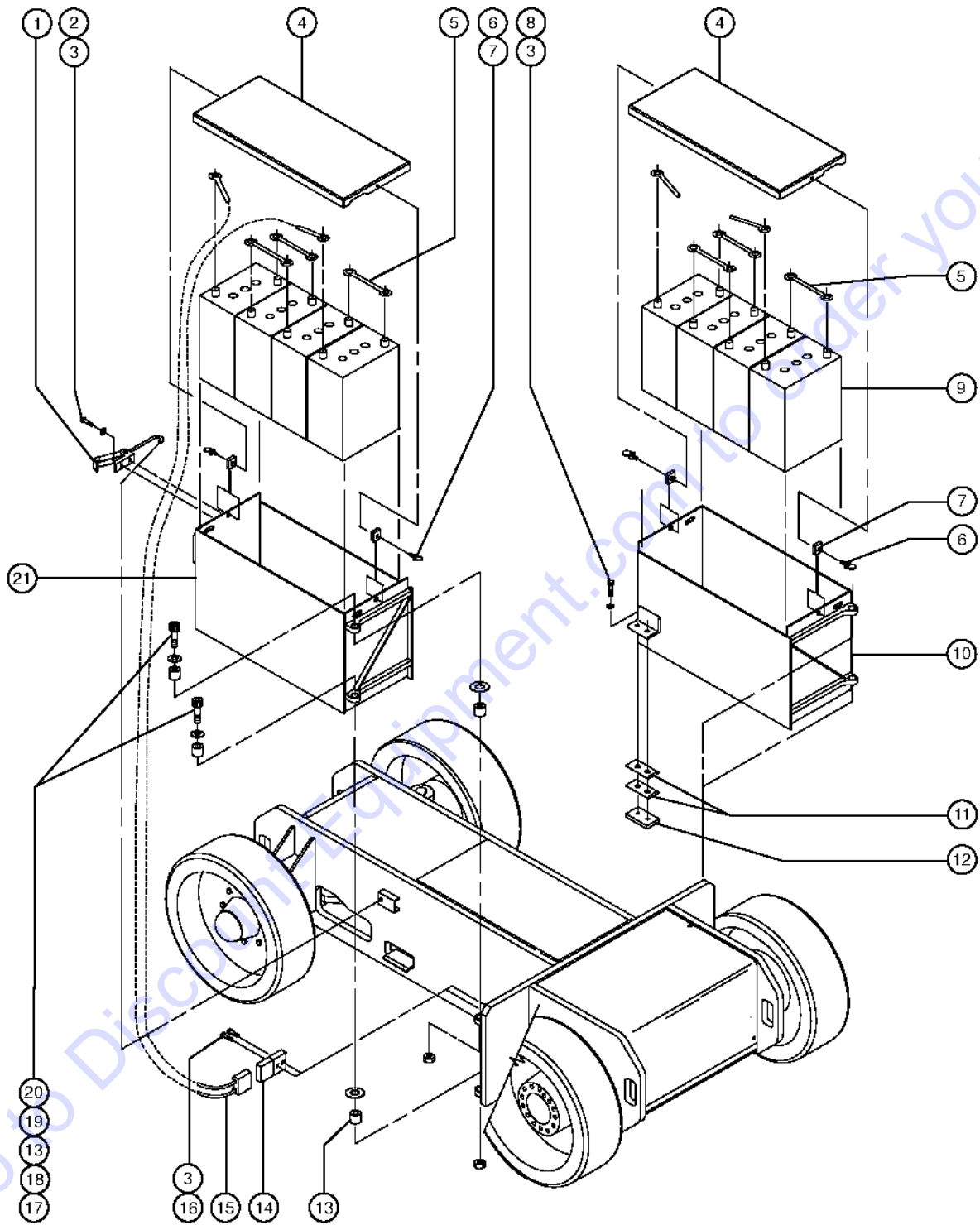
203.1 Battery Charger



203.1 Battery Charger

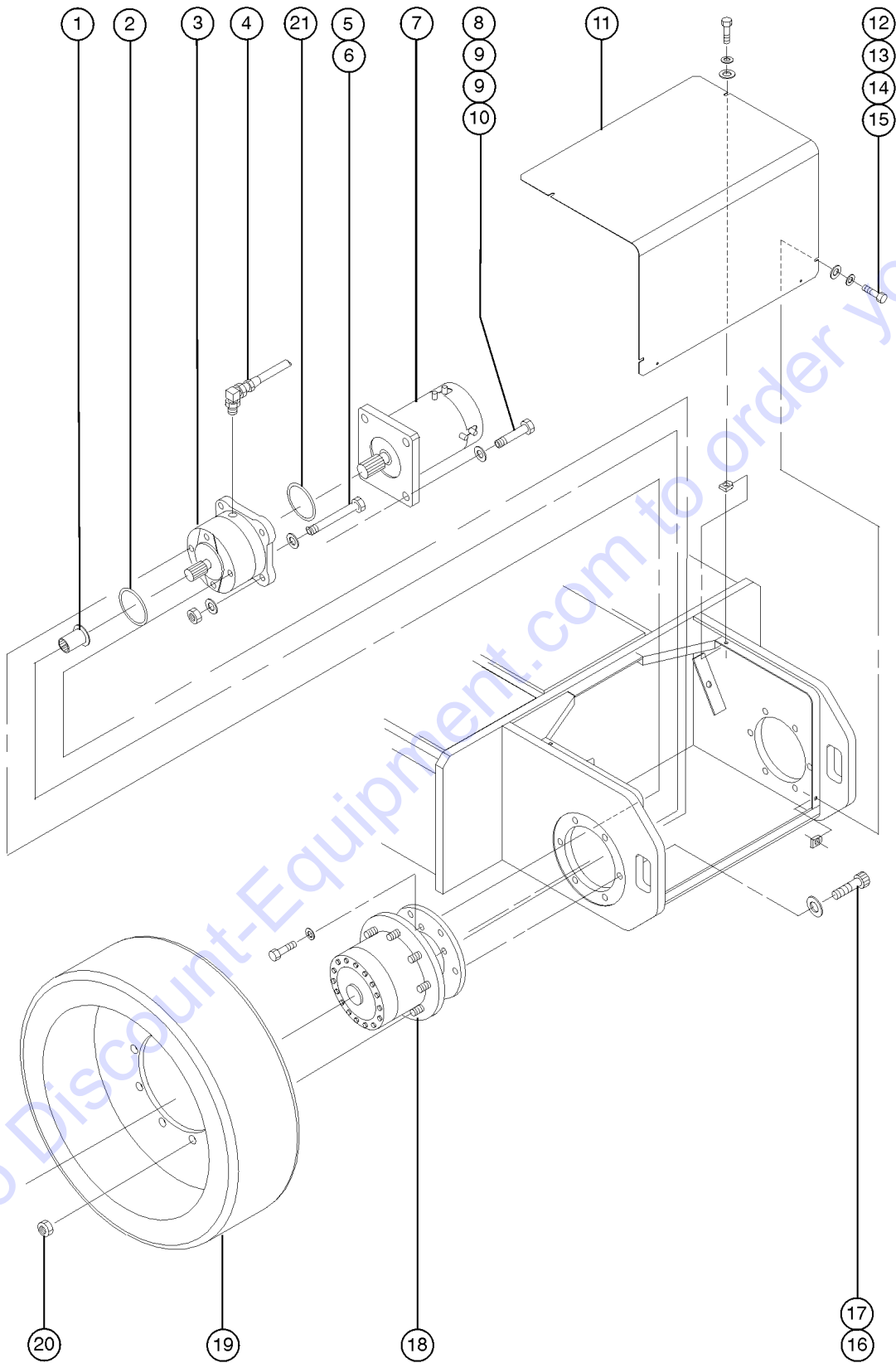
Item	Part No.	Description	Qty.
--	101703GT	CHARGER,48V,100-125VAC,50H,25A <i>includes index numbers 1 - 4 and 15</i>	
--	54794GT	CHARGER,48V,110VAC,60H,25A <i>includes index numbers 1 - 4 and 15</i>	
--	54795GT	CHARGER,48V,200-250VAC,50H,25A <i>includes index numbers 1 - 4 and 15</i>	
--	54796GT	CHARGER,48V,200-250VAC,60H,25A <i>includes index numbers 1 - 4 and 15</i>	
--	54797GT	CHARGER,48V,100-125VAC,60H,25A <i>includes index numbers 1 - 4 and 15</i>	
1A	27263GT	TIMER (23442)(41896)(36314).....	1
--	18078GT	RELAY,CHARGER TIMER**	1
1B	27830GT	TIMER(24059,41897,41898,41899).....	1
--	19533GT	RELAY,CHARGER .TIMER(19531/32)....	1
2	13008-6GT	FUSE ASSY-BOOM CHARGER.....	1
3	13008-3GT	CAPACITOR,6 MFD,660VAC-CHARGR*	1
4	27262GT	HEATSINK ASSY W/DIODES (23442)....	1
5	6090GT	SCREW,HHC,1/4-20 X .75.....	4
6	6638GT	WASHER,FLAT,USS,1/4"Y	8
7	6091GT	NUT,NYLOCK,1/4-20.....	4
8	6888GT	SCREW,HHC,1/4-20 X 1.....	4
9	6356GT	WASHER,LOCK,.25.....	4
10	56912GT	SPRING CLIP,1/4-20,.025-.15X.54,ZAG.....	4
11	36269GT	PLATE,CHARGER MOUNT.....	2
12	14033GT	SCREW,HHC,3/8-16 X 2.75.....	2
13	6097GT	WASHER,FLAT,USS,3/8",Y.....	2
14	4828GT	NUT,NYLOCK,3/8-16.....	2
15	13008-5GT	AMMETER-BOOM CHARGER.....	1
16	7056GT	CONN,SQUEEZE,1/2NPT .38-.50,SM....	1
17	6935GT	LOCKNUT,ELEC,1/2".....	1
18	36313GT	BRACKET,CHARGER GAUGE MOUNTING.....	1

204.1 Battery Packs



Item	Part No.	Description	Qty.
1	27126GT	LATCH,DRAW,ADJUSTABLE.....	2
2	7339GT	SCREW,HHC,1/4-20 X .5.....	4
3	6356GT	WASHER,LOCK,.25.....	12
4	37104GT	COVER,BATTERY BOX W/DECALS,30N.....	2
5A	19520GT	BATTERY CABLE ASSY,9.5"JUMPER...	6
5B	8910GT	BOOT,CABLE TERM,MED.RED,4/0.....	6
6	36424GT	THUMB SCREW W/SHOULDER 3/8-16.....	4
7	29868GT	SPRING CLIP,3/8-16,.05-.20X.73,ZAG...	4
8	6090GT	SCREW,HHC,1/4-20 X .75.....	4
9	36579GT	BATTERY, 350AH,GROUP L16G(DRY).....	8
10	37103GT	BATTERY BOX ASSY W/DECALS RS.... <i>includes index numbers 1-3, 6-8, and 11-13</i>	1
11A	45382GT	SHIM,PRIMARY BOOM,.052 THK..... n e e d e d	as
11B	45465GT	SHIM,PRIMARY BOOM,.022 THICK..... n e e d e d	as
12	45209GT	WEAR PAD,4X2X.5 W/INSERT***.....	2
13	36369GT	BEARING,0.75IDX1.00ODX0.75L.....	8
14A	36576GT	POWER CABLE ASSEMBLY,LS-Z30N....	1
14B	36577GT	POWER CABLE ASSEMBLY, RS-Z30N*.....	1
14C	128138GT	CONN HOUSING SBX175, BATT.....	1
15A	37107GT	BAT.CABLE ASSY,G.C. SIDE,Z34.....	1
15B	37108GT	BAT.CABLE ASSY,TANK SIDE,Z34.....	1
15C	128138GT	CONN HOUSING SBX175, BATT.....	1
16	6888GT	SCREW,HHC,1/4-20 X 1.....	4
17	36556GT	SCREW,SHS,5/8-11 X 1.75.....	4
18	6563GT	WASHER,SHIM,.75 X 1.125 X.030..... n e e d e d	as
19	36212GT	WASHER,THRUST,.75 X 1.38X.13.....	4
20	6024GT	NUT,NYLOCK,5/8-11.....	4
21	37102GT	BATTERY BOX ASSY W/DECALS LS.... <i>includes index numbers 1-3, 6-8, and 11-13</i>	1

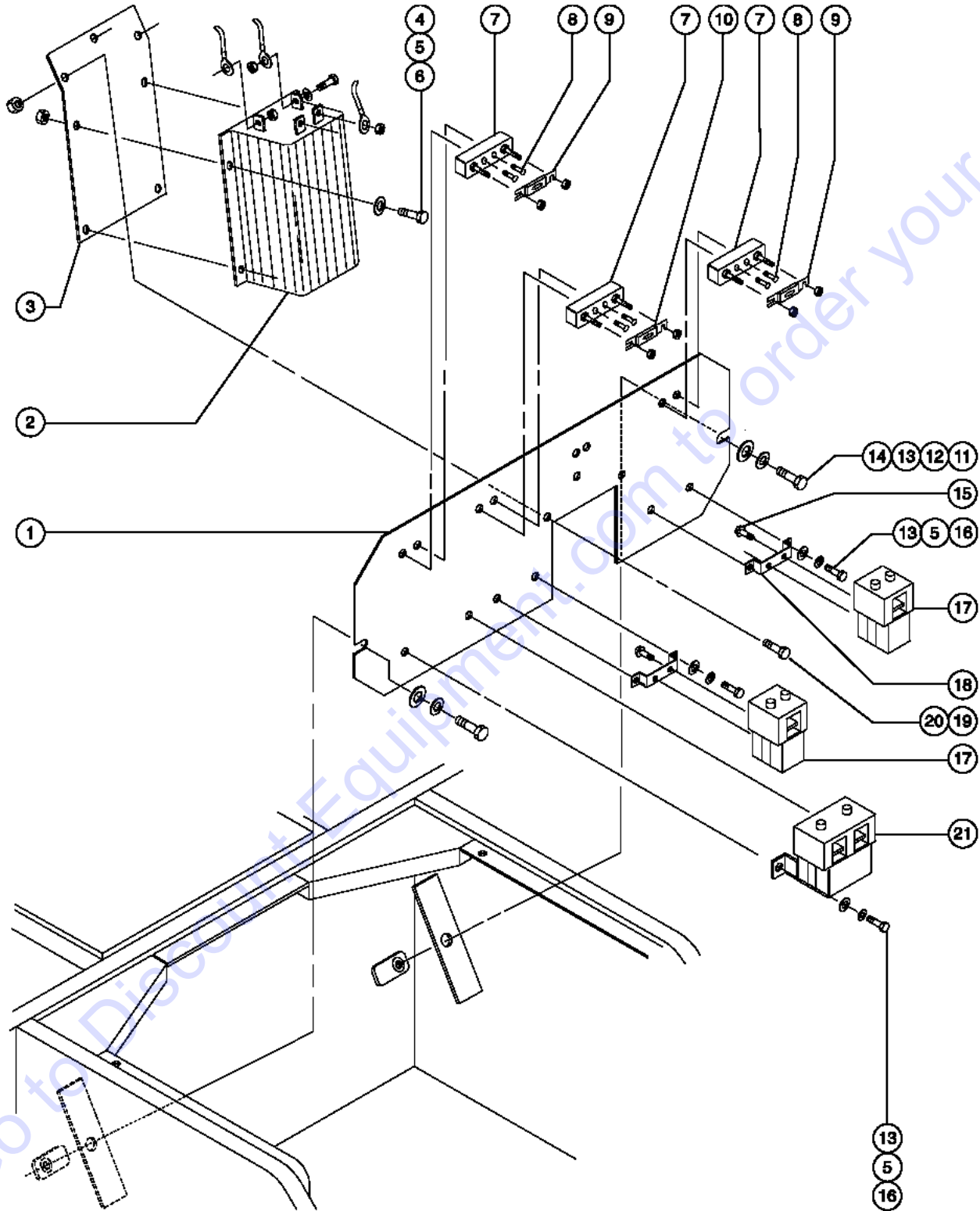
205.1 Non-steer Axle



205.1 Non-steer Axle

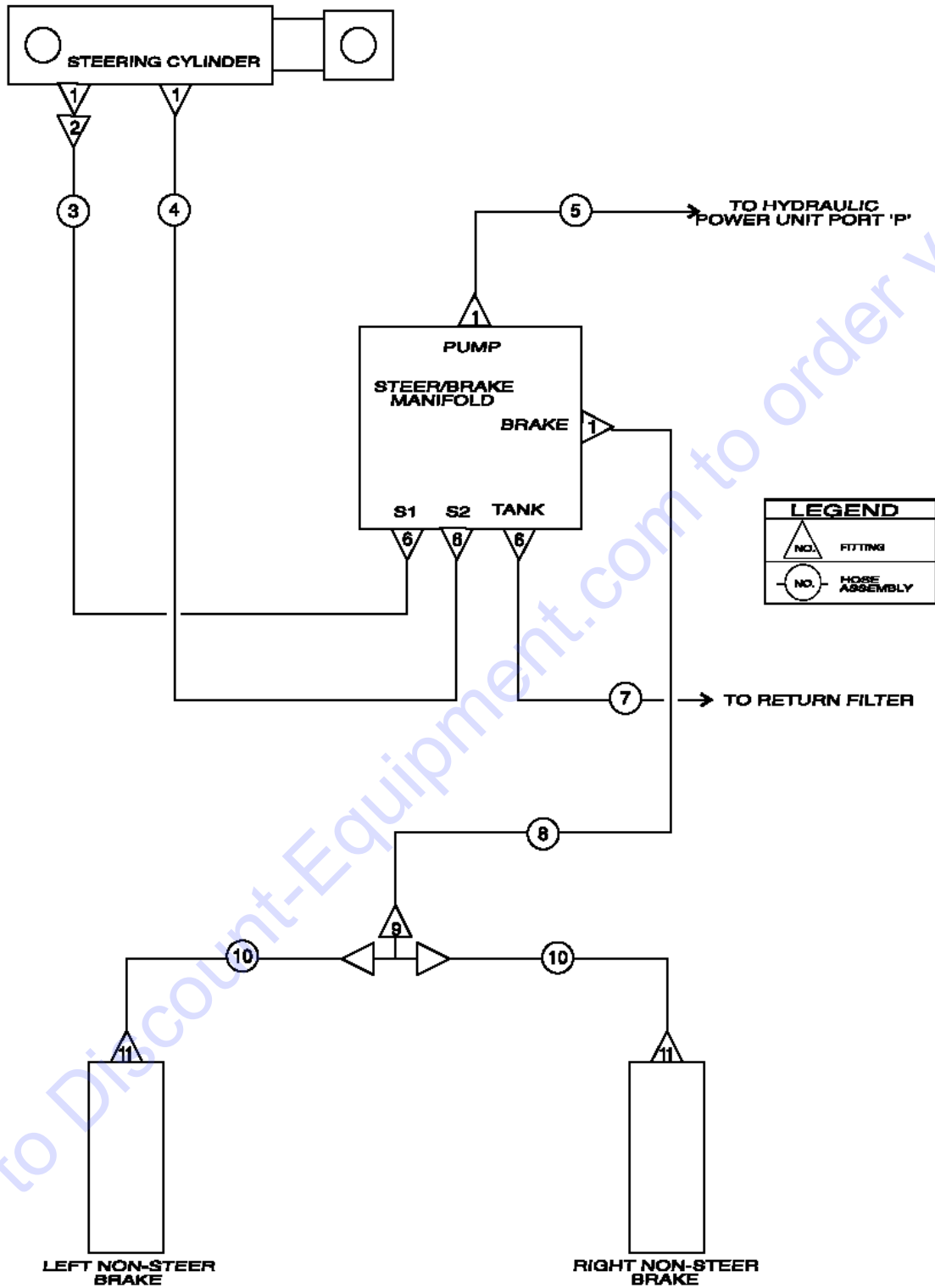
Item	Part No.	Description	Qty.	Item	Part No.	Description	Qty.
1	38113GT	COUPLER,INTERNAL SPLINE,T-HUB....2		--	21143GT	BEARING KIT (45553) TORQUE HUB....2	
2	22811GT	O-RING,MOTOR TO BRAKE***.....2		--	21144GT	CAP,DISENGAGE-45553 TORQUE HUB.....2	
3A	114317GT	KIT,Z30N BRAKE SERVICE (1).....2 <i>from SN 001 to 950</i>		--	21145GT	DISCONNECT ROD-45553 TQ.HUB.....2	
3A	114318GT	KIT,Z30N BRAKE SERVICE (2) <i>from SN 951 to 1904</i>		--	21146GT	COVER CAP,TORQUE HUB***.....2	
3A	114319GT	KIT,Z30N BRAKE SERVICE (3) <i>from SN 1905 to 1931</i>		--	21148GT	WASHER,THRUST,TORQUE HUB.....2	
--	119556GT	BRAKE,MICO DRIVE,Z30N,Z34 ** <i>for use after installation of above listed kit</i>		--	37097GT	O-RING, TORQUE HUB.....2	
--	35587GT	SEAL KIT,MICO BRAKE <i>for 119556</i>		--	53994GT	STUD, HUB, 5/8-18 X 2 1/2.....2	
--	38114GT	LINING KIT, MICO BRAKE** <i>for 119556</i>		--	58448GT	KIT,TORQUE HUB COVER (45553)**.....2	
--	38115GT	BEARING KIT, MICO BRAKE <i>for 119556</i>		19A	36124GT	TIRE/WHL.ASSY,REAR,SMOOTH**%%.2	
--	72319GT	SPRING (RED) MICO <i>for 119556</i>		19B	36553GT	TIRE/WHL,REAR NON-MARK SMOOTH.....2	
--	35587GT	SEAL KIT,MICO BRAKE <i>for 36259P brake (no longer available)</i>		20	54627GT	NUT,LUG,5/8-18 X 90 DEGREE,Z45.....18	
--	38114GT	LINING KIT, MICO BRAKE** <i>for 36259P brake (no longer available)</i>		21A	22811GT	O-RING,MOTOR TO BRAKE***.....2 <i>(Mico brake, 36259)</i>	
--	38115GT	BEARING KIT, MICO BRAKE <i>for 36259P brake (no longer available)</i>		21B	52087GT	O-RING,2-044 BUNA*** <i>(Mico brake, 119556)</i>	
4		Ref. Hydraulic Hoses and Fittings.....2 <i>refer to section 207.1</i>					
5	8357GT	SCREW,HHC,1/2-13 X 3.5.....4					
6	6033GT	WASHER,LOCK,0.5".....4					
7	36443GT	MOTOR,TRACTION,D.C.**.....2					
--	36658GT	BRUSH HOLDER.....2					
--	37188GT	BRUSH, MOTOR.....2					
--	37189GT	SPRING, BRUSH RETAINER, 36182*.....2					
--	44778GT	BEARING,MOTOR,36843,BRUSH END*.....1					
8	13918GT	SCREW,HHC,3/8-16 X 1.75,GRD.8.....8					
9	6097GT	WASHER,FLAT,USS,3/8",Y.....8					
10	4828GT	NUT,NYLOCK,3/8-16.....8					
11	37101GT	COVER W/DECALS NON-STEER 25"....1					
12	6090GT	SCREW,HHC,1/4-20 X .75.....4					
13	6356GT	WASHER,LOCK,.25.....4					
14	6638GT	WASHER,FLAT,USS,1/4"Y.....4					
15	56912GT	SPRING CLIP,1/4-20,.025-.15X.54,ZAG.....4					
16	45066GT	SCREW,SHC,5/8-11 X 2.25.....12					
17	13064GT	WASHER,FLAT,625 HARDENED.....12					
18	36260GT	TORQUE HUB 49:1**.....2					
--	1286606GT	SEAL KIT,TORQUE HUB (20193) <i>for 36260</i>					

206.1 Electronic Control Module



Item	Part No.	Description	Qty.
1	36578GT	RELAY PANEL ASSEMBLY Z34, Z45.....1	
2	23314GT	CONTROLL.36V/48V,DC MTR.SPD.....1	
3	36268PGT	PLATE,POWER SUPPLY MOUNT BLUE.....1	
4	6090GT	SCREW,HHC,1/4-20 X .75.....4	
5	6356GT	WASHER,LOCK,.25.....10	
6	6091GT	NUT,NYLOCK,1/4-20.....4	
7	66717GT	FUSE BLOCK, ANN & ANL FUSE.....3	
8	17626GT	SCREW,FHM,10-32 X .75.....6	
9	36355GT	FUSE,100 AMP,VERY FAST ACTING.....2	
10	36356GT	FUSE,400 AMP,VERY FAST ACTING.....1	
11	13002GT	SCREW,HHC,5/16-18 X 1 GR5.....2	
12	6886GT	WASHER,LOCK,.313.....2	
13	5397GT	WASHER,FLAT,USS,5/16",Y.....8	
14		PLATE,COUNTERWEIGHT.....2 <i>(component no longer available)</i>	
15	19816GT	M4 X 0.7 X 8MM RHMS.....4	
16	7339GT	SCREW,HHC,1/4-20 X .5.....6	
17A		RELAY,24V,180 AMP NOMINAL (19550).....2 <i>component no longer available; replaced by item 17B and 17C</i>	
--	22264GT	CONTACT,MOVEABLE,19550 RELAY....2 <i>for 19550</i>	
--	22265GT	CONTACT,STATIONRY,19550 RELAY....2 <i>for 19550</i>	
--	23845GT	SPRING,RETURN.....2 <i>for 19550</i>	
17B	74267GT	CONTACTOR,DRIVE,24V,180A*** <i>drive functions</i>	
17C	74266GT	CONTACTOR,LIFT PUMP 24V 180A** <i>lift functions</i>	
18	19815GT	BRACKET, RELAY MOUNTING.....2	
19	18506GT	SCREW 5/16-18 X .75 LG.FLG.LCK.....2	
20	18503GT	NUT,LOCKING-LG.FLANGE,5/16-18....2	
21	23417GT	CONTACTOR,2X SPDT,24V/DC.....1	
--	22265GT	CONTACT,STATIONRY,19550 RELAY....1	
--	23845GT	SPRING,RETURN.....1	
--	27419GT	CONTACT,MOVING (SW181 & SW182).....1	

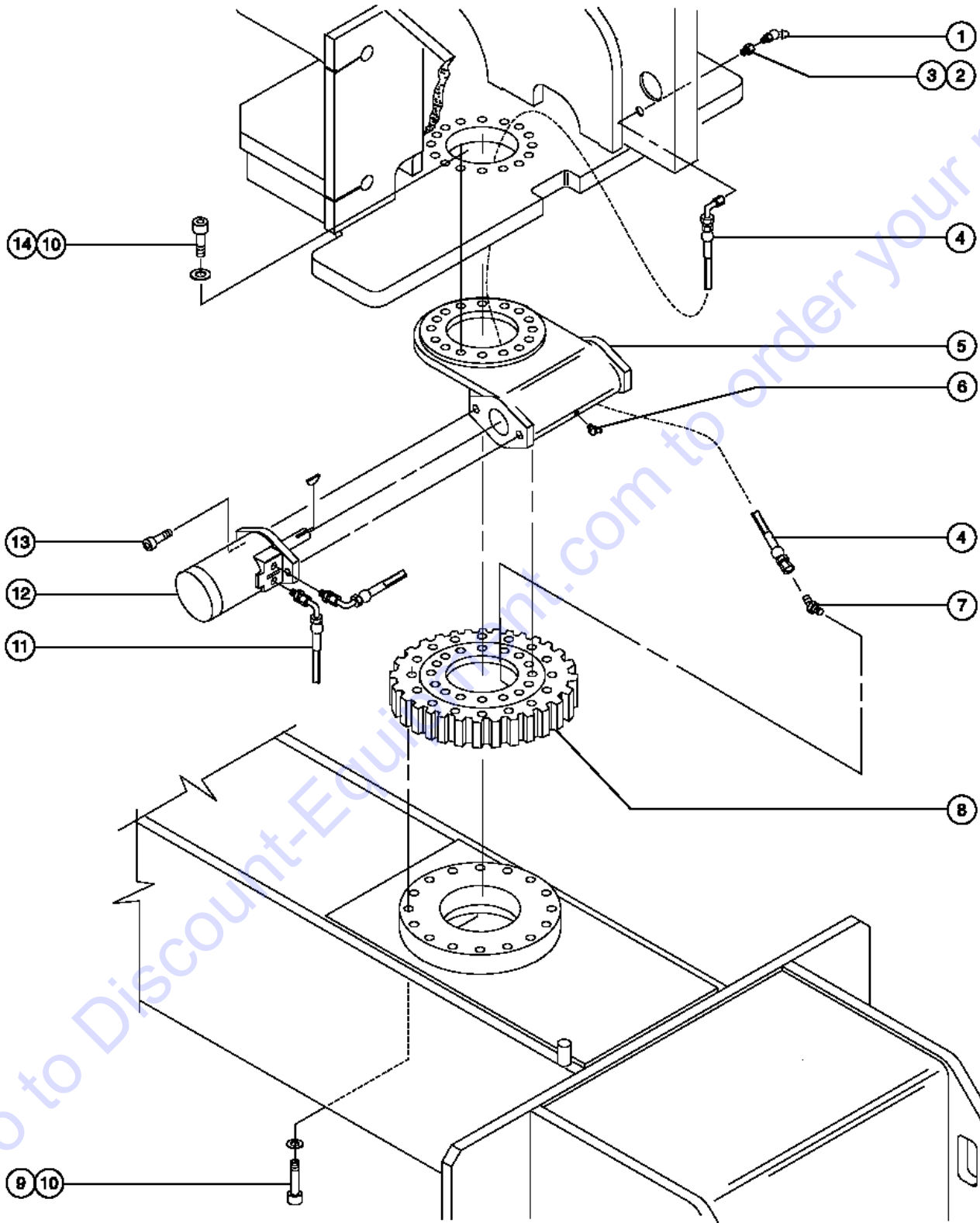
207.1 Hydraulic Hoses and Fittings



Item	Part No.	Description	Qty.
1	12340GT	ELBOW,070220-4-6.....	4
2	36554GT	FITTING-4 W/.085 ORIFICE.....	1
3	36463GT	HOSE ASSEMBLY, 56".....	1
4	36464GT	HOSE ASSEMBLY, 48".....	1
5	36478GT	HOSE ASSEMBLY, 86".....	1
6	13756GT	CONNECTOR,070120-4-6.....	3
7	36479GT	HOSE ASSEMBLY, 79".....	1
8	36476GT	HOSE ASSEMBLY, 58".....	1
9	8342GT	TEE,UNION,070401-4.....	1
10	36477GT	HOSE ASSEMBLY, 24.5".....	2
11	13921GT	ELBOW,070220-4-4.....	2

Go to Discount-Equipment.com to order your parts

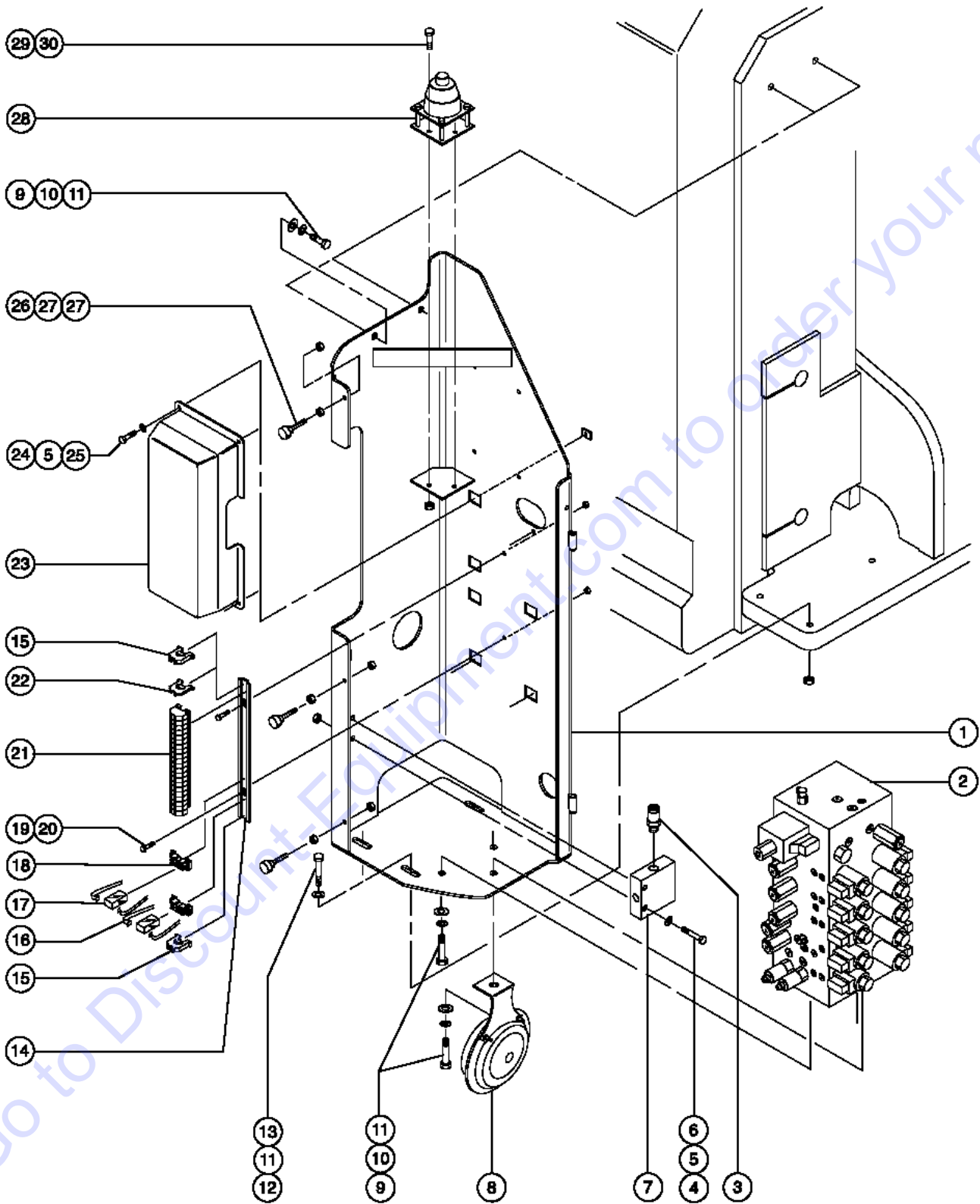
301.1 Turntable Rotator



301.1 Turntable Rotator

Item	Part No.	Description	Qty.	Item	Part No.	Description	Qty.
1	22794GT	ZERK,GREASE,1/8 NPT,45DEG.....	1	--	128622GT	BEARING,CONE*** for 119111	
2	30430GT	BULKHEAD,FEMALE X 4.....	1	--	128899GT	SHAFT,WORM GEAR*** for 119111	
3	34615GT	BULKHEAD,NUT,070118-4.....	1	9	36459GT	SCREW,SHC,5/8-11 X 5.5.....	16
4	36480GT	HOSE ASSEMBLY, 30".....	1	10	13064GT	WASHER,FLAT,.625 HARDENED.....	31
5		GEARBOX,ROTATION,PAINTED (21087P)..... <i>see item 8 (component no longer available)</i>	1	11		Ref. Hydraulic Hoses and Fittings..... <i>refer to section 308.1</i>	31
6	22794GT	ZERK,GREASE,1/8 NPT,45DEG.....	1	12	27372GT	MOTOR,TURNTABLE O-RING PORTS.....	1
7	31194GT	ELBOW,070302-4-2.....	1	--	27275GT	SEAL KIT (21172).....	1
8A		BEARING,TURNTABLE (21086)..... <i>(component no longer available)</i>	1	--	32224GT	KEY-WOODRUFF.....	1
8B		ROTATOR TURNTABLE ASSY*** (56779) <i>(component no longer available)</i>		13	22202GT	SCREW,SHC,1/2-13 X 2.25 ***.....	2
--	58296GT	SNAP RING (74994) for 56779		14	25068GT	SCREW,SHC,5/8-11 X 4.5,A574.....	15
8C		ROTATOR TURNTABLE ASSEMBLY*** (74994) <i>(component no longer available) (if 74994 used to replace 21086 or 21087, also order qty 2 part number 56843)</i>					
--	58296GT	SNAP RING (74994) for 74994					
--	58330GT	O-RING OR-151 N73038 (74994) for 74994					
--	58331GT	SEAL 21252875-375BYP2 (74994) for 74994					
--	58332GT	BEARING,CONE LM501349 (74994) for 74994					
--	58333GT	BEARING,CUP LM501310 (74994) for 74994					
--	58343GT	GASKET,MTR,2A,MAG (74994) for 74994					
--	58344GT	SEAL,NAT'L. #471818 (74994) for 74994					
--	58345GT	SCREW,FHS,1/2-13 X 1.25,BLACK for 74994					
--	58360GT	KIT,SEAL (74994) for 74994					
8D	119111GT	ROTATOR TURNTABLE ASSEMBLY***					
--	1284189GT	CASE COVER,ROTATOR,Z30/34 (119111) for 119111					
--	128565GT	SHIM KIT,TURNTABLE*** for 119111					
--	128618GT	SEAL KIT*** for 119111					
--	128619GT	ZERK,GREASE,1/8 NPT,67.5 DEG** for 119111					
--	128620GT	ZERK,GREASE,1/8 NPT,45 DEG*** for 119111					
--	128621GT	BEARING,CUP*** for 119111					

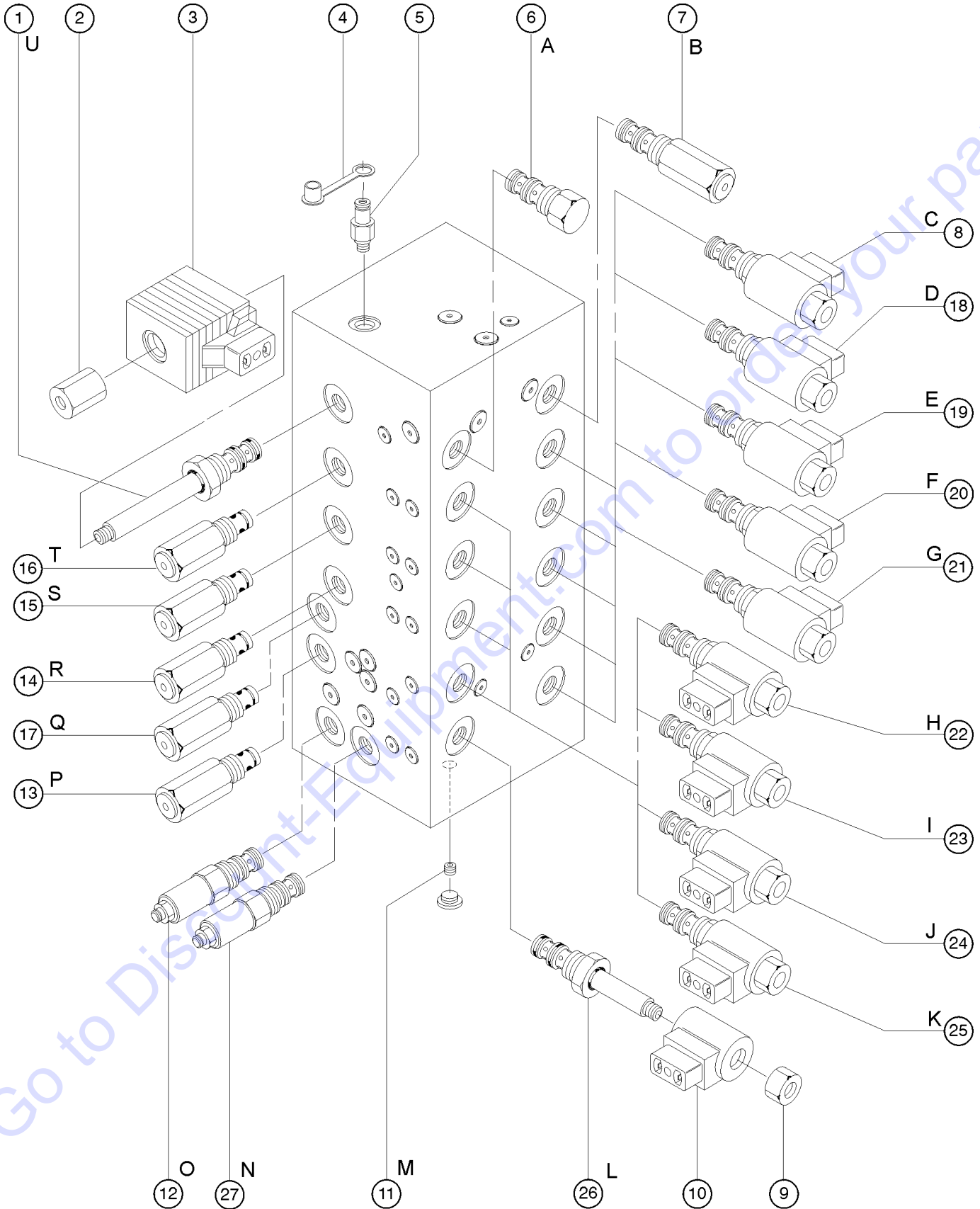
302.1 Turntable Components - Ground Controls Side



302.1 Turntable Components - Ground Controls Side

Item	Part No.	Description	Qty.
1	56875GT	WELD,COVER SUPPORT LH Z30N*.....1	1
2	36176GT	MANIFOLD,FUNCTION.....1	1
3	33428GT	VALVE,COUNTERBALANCE.....1	1
4	6637GT	SCREW,HHC,1/4-20 X 1.75.....2	2
5	6638GT	WASHER,FLAT,USS,1/4"Y.....6	6
6	6889GT	NUT,LP NYLOCK,1/4-20.....2	2
7	38472GT	MANIFOLD, WITH VALVE (SUN)****.....1 <i>includes index number 3</i>	1
8	45212GT	HORN KIT,24V.....1	1
9	77692GT	SCREW,HHC,3/8-16 X 1 GRD 8.....4	4
10	6021GT	WASHER,LOCK,.375.....4	4
11	6097GT	WASHER,FLAT,USS,3/8",Y.....6	6
12	14033GT	SCREW,HHC,3/8-16 X 2.75.....2	2
13	4828GT	NUT,NYLOCK,3/8-16.....2	2
14	36385GT	DIN RAIL,11.63".....1	1
15	25974GT	PLASTIC END STOP.....2	2
16	33609GT	RELAY,HOLD DOWN,OMRON.....4	4
17	42616GT	RELAY,POTTER BRUMFIELD 24V **.....2	2
18	33608GT	RELAY,SOCKET,OMRON.....2	2
19	6606GT	SCREW,RHM,10-32 X .75.....2	2
20	6178GT	NUT,NYLOCK,10-32.....2	2
21	25836GT	TERMINAL BLOCK(SINGLE),WAGO***.....42	42
22	25837GT	TERMINAL STRIP END PLATE.....1	1
23	36378GT	COVER,TERMINAL STRIP.....1	1
24	7339GT	SCREW,HHC,1/4-20 X .5.....4	4
25	56912GT	SPRING CLIP,1/4-20,.025-.15X.54,ZAG.....4	4
26	36388GT	BUMPER,RUBBER,.75 X .50H,STUD....3	3
27	6357GT	NUT,HEX,1/4-20.....6	6
28A	44586GT	SENSOR,LEVEL 4.5***.....1 <i>ANSI and CE models</i>	1
28B	42439GT	SENSOR,LEVEL 3 DEG** <i>Australian models</i>	
29	6090GT	SCREW,HHC,1/4-20 X .75.....2	2
30	6091GT	NUT,NYLOCK,1/4-20.....2	2

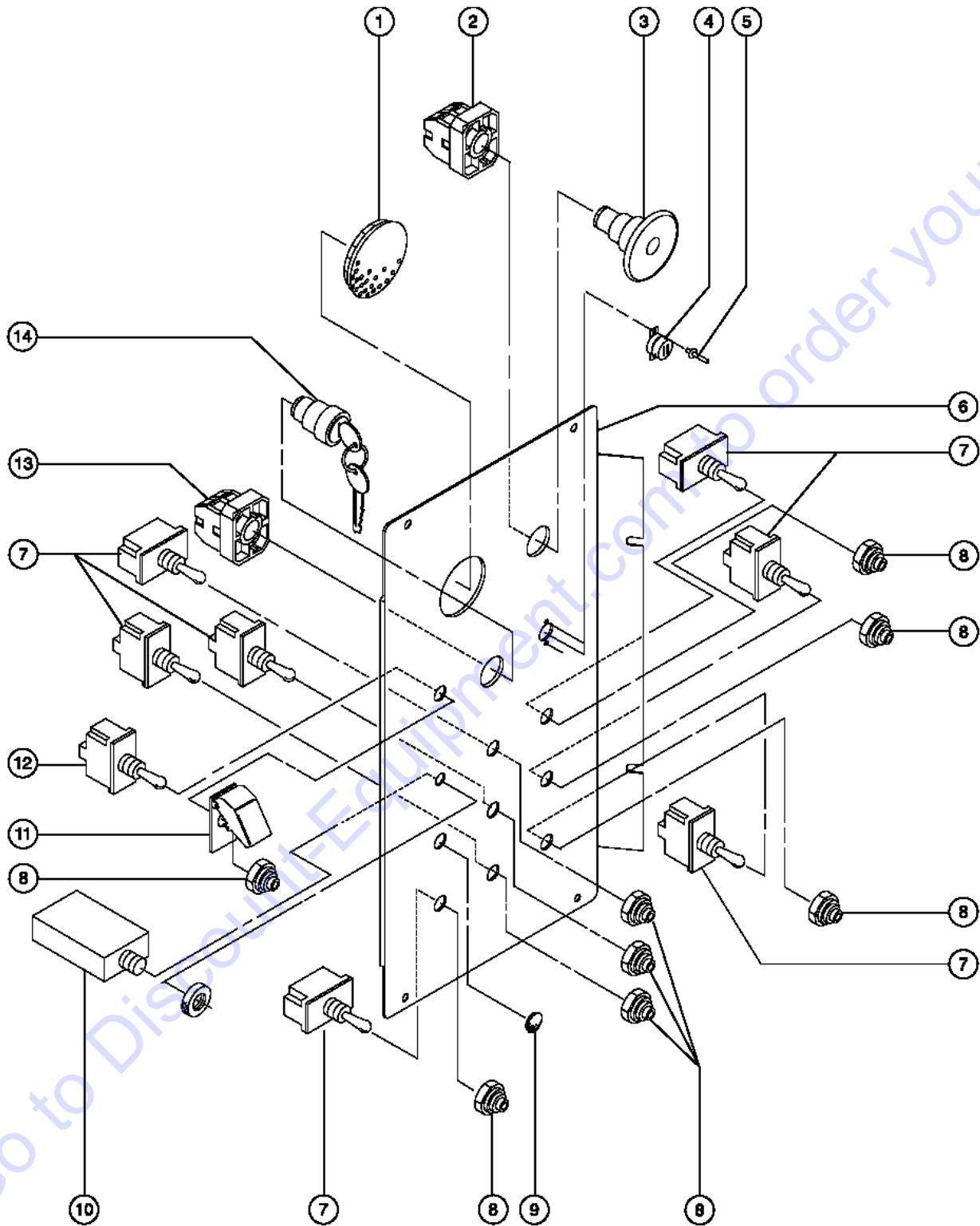
303.1 Function Manifold



303.1 Function Manifold

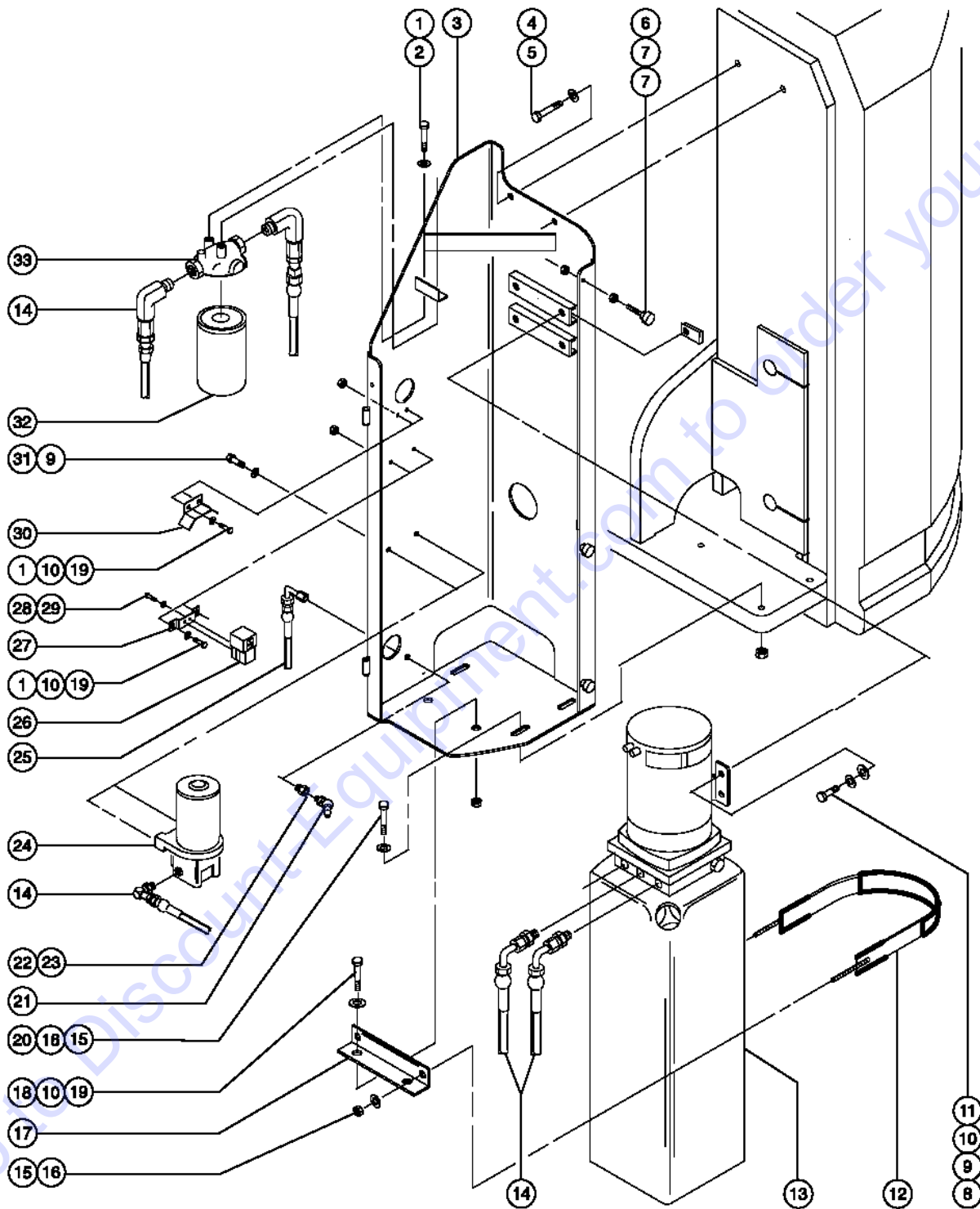
Item	Part No.	Description	Qty.	Item	Part No.	Description	Qty.
--	28750GT	O-RING KIT,FIELD SVC,ALL PROD*		24	27048GT	VALVE,SOLENOID 2 POS. 3 WAY.....1 <i>J, secondary boom down</i>	1
--	33994GT	PLUG AND CAP KIT-SERVICE,37 **		25	27048GT	VALVE,SOLENOID 2 POS. 3 WAY.....1 <i>K, turntable rotate right</i>	1
--	36176GT	MANIFOLD,FUNCTION		26	27048GT	VALVE,SOLENOID 2 POS. 3 WAY.....1 <i>L, platform level down</i>	1
1	37076GT	VALVE,PROPORTIONAL.....1 <i>U, system flow regulating circuit, includes index numbers 2 and 3</i>	1	27	37079GT	VALVE,COUNTERBALANCE 3000 PSI.....1 <i>N, platform level down</i>	1
2	52718GT	NUT-VALVE,PROP. SOLENOID-50683.....1	1				
3	29032GT	COIL,24V SOLENOID VALVE.....1	1				
4	48880GT	CAP,DIAGNOSTIC NIPPLE.....1	1				
5A	48997GT	NIPPLE,DIAGNOSTIC,#4.....1	1				
5B	20224GT	DIAGNOSTIC FEMALE Q-DSCNT.....1	1				
6	27532GT	VALVE,DIFFERENTIAL SENSING.....1 <i>A, differential sensing circuit</i>	1				
7	37080GT	VALVE,RELIEF, 2800 PSI.....1 <i>B, system relief</i>	1				
8	27048GT	VALVE,SOLENOID 2 POS. 3 WAY.....1 <i>C, boom retract</i>	1				
9	45912GT	NUT,SOLENOID VALVE 2P3W.....10	10				
10	40413GT	COIL,SOLND,W/D,20V SGL SPADE <i>(single-spade coil)</i>					
10	52339GT	COIL,SOLND,W/D,20V DUAL SPADE.....10 <i>(dual-spade coil)</i>	10				
11	29737GT	PLUG,ORIFICE,0.052 INCH.....1 <i>M, turntable rotate circuit</i>	1				
12	37079GT	VALVE,COUNTERBALANCE 3000 PSI.....1 <i>O, platform level up</i>	1				
13	40411GT	VALVE,RELIEF,1750PSI ****1 <i>P, turntable rotate left</i>	1				
14	31528GT	VALVE,RELIEF 1600 PSI.....1 <i>R, secondary boom down</i>	1				
15	40412GT	VALVE,RELIEF 1400PSI.....1 <i>S, primary boom down</i>	1				
16	31527GT	VALVE,RELIEF 1800 PSI.....1 <i>T, boom extend</i>	1				
17	40411GT	VALVE,RELIEF,1750PSI ****1 <i>Q, turntable rotate right</i>	1				
18	27048GT	VALVE,SOLENOID 2 POS. 3 WAY.....1 <i>D, primary boom up</i>	1				
19	27048GT	VALVE,SOLENOID 2 POS. 3 WAY.....1 <i>E, secondary boom up</i>	1				
20	27048GT	VALVE,SOLENOID 2 POS. 3 WAY.....1 <i>F, turntable rotate left</i>	1				
21	27048GT	VALVE,SOLENOID 2 POS. 3 WAY.....1 <i>G, platform level up</i>	1				
22	27048GT	VALVE,SOLENOID 2 POS. 3 WAY.....1 <i>H, boom extend</i>	1				
23	27048GT	VALVE,SOLENOID 2 POS. 3 WAY.....1 <i>I, primary boom down</i>	1				

304.1 Ground Controls



Item	Part No.	Description	Qty.
1	45840GT	PLUG,NYLON 2.00 BLACK DOMED.....	1
2A	66821GT	BASE,WITHOUT CONTACTS.....	1
2B	66818GT	CONTACT, N.C.....	2
3	122514GT	KIT,ESTOP SVC BB&SM BOOM	
--	66812GT	BUTTON,PUSH,RED MUSHROOM HEAD.....	1
4	13511GT	RECEPTICAL,SNAP-IN (1450G1)***.....	1
5	6272GT	RIVET,STL,STL,P,125 X .25.....	2
6	37129GT	PANEL,GROUND CONTROL W/ DECAL.....	1
7	128202GT	SWITCH TOGGLE ASSY DPDT 3P MOM.....	7
		<i>includes mounting fasteners</i>	
8	27246GT	BOOT,TOGGLE SWITCH,SHORT*.....	8
9	45384GT	PLUG,NYLON .50 BLACK DOMED.....	1
10	147094GT	ASSY, CIRCUIT BREAKER 15A.....	1
		<i>includes mounting fasteners</i>	
11	13471GT	COVER, AUXILIARY POWER SWITCH.....	1
12	13480-SGT	SWITCH,TOGGLE,DPDT,2POS MOMEN.....	1
		<i>includes mounting fasteners</i>	
13	66816GT	CONTACT,N.O.***.....	2
13	66821GT	BASE,WITHOUT CONTACTS.....	1
14	122512GT	KIT,KEYSWITCH SVC BB & SM BOOM <i>includes item 13</i>	
--	122366GT	KEYSWITCH,CONTACTS LOCK.....	1
--	21982GT	KEY,SINGLE***.....	1

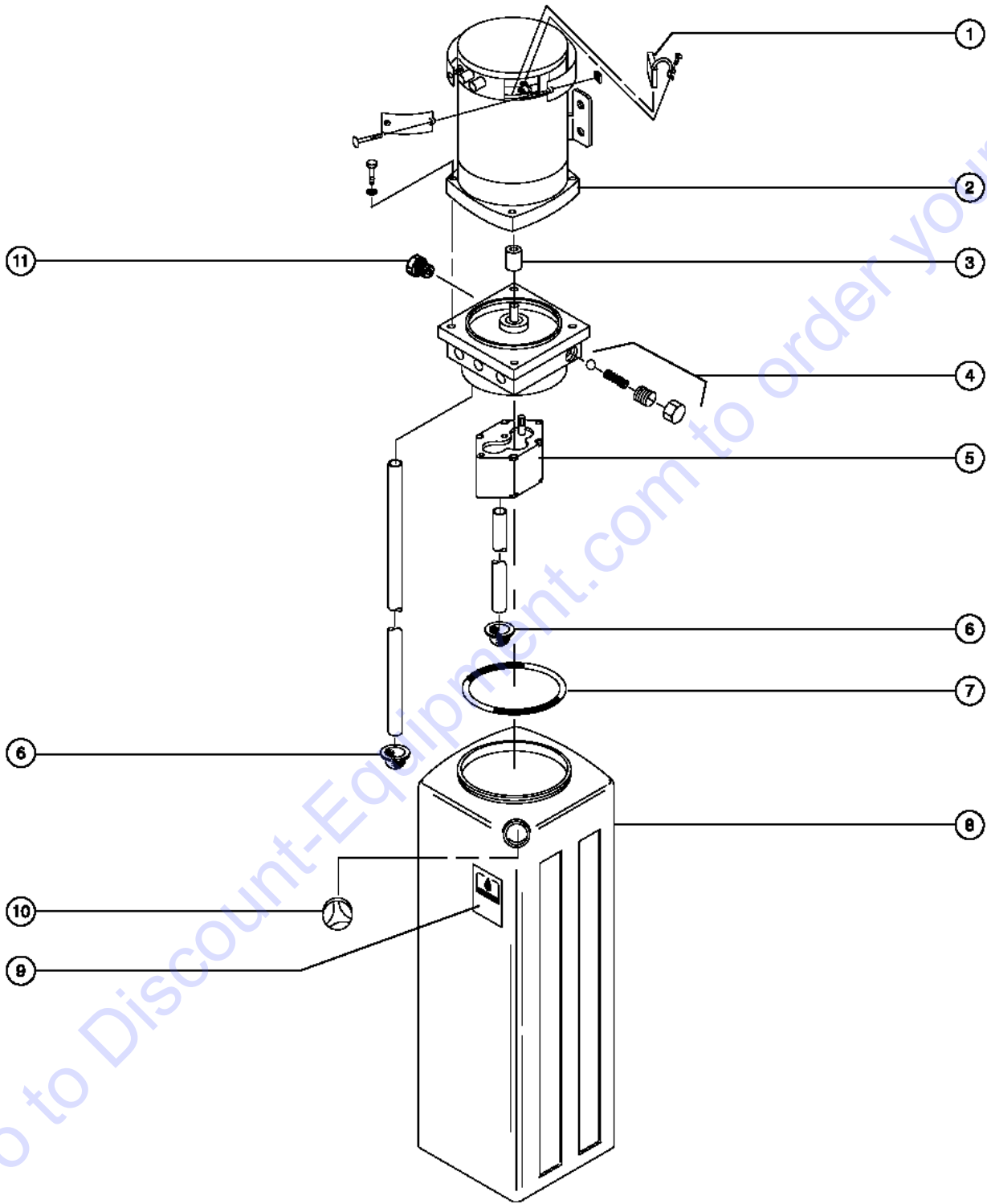
305.1 Turntable Components - Hydraulic Power Unit Side



305.1 Turntable Components - Hydraulic Power Unit Side

Item	Part No.	Description	Qty.	Item	Part No.	Description	Qty.
1	7339GT	SCREW,HHC,1/4-20 X .5.....	6	32	45087GT	FILTER-RETURN 10 MICRON**.....	1
2	6356GT	WASHER,LOCK,.25.....	2	33	21138GT	FILTER ASSY .75"NPT**.....	1
3	36320GT	COVER SUPPORT WELDMNT RH.....	1			<i>includes index number 32</i>	
4	77692GT	SCREW,HHC,3/8-16 X 1 GRD 8.....	2				
5	6021GT	WASHER,LOCK,.375.....	2				
6	36388GT	BUMPER,RUBBER,.75 X .50H,STUD....	3				
7	6357GT	NUT,HEX,1/4-20.....	6				
8	10107GT	SCREW,HHC,5/16-18 X .75.....	4				
9	6886GT	WASHER,LOCK,.313.....	6				
10	6638GT	WASHER,FLAT,USS,1/4"Y.....	8				
11	36456GT	SPRING CLIP,5/16-18,.025-.15X.....	4				
12	36678GT	STRAP ASSY - HYDR. RESERVOIR.....	1				
13		Ref. Hydraulic Power Unit.....	1				
		<i>refer to section 306</i>					
14		Ref. Hydraulic Hoses & Fittings.....	1				
		<i>refer to section 308.1</i>					
15	4828GT	NUT,NYLOCK,3/8-16.....	2				
16	6097GT	WASHER,FLAT,USS,3/8",Y.....	2				
17	36677GT	BRACKET ASSY-RESERVOIR SUPPORT.....	1				
18	6090GT	SCREW,HHC,1/4-20 X .75.....	2				
19	6091GT	NUT,NYLOCK,1/4-20.....	4				
20	14033GT	SCREW,HHC,3/8-16 X 2.75.....	2				
21	22794GT	ZERK,GREASE,1/8 NPT,45DEG.....	1				
22	30430GT	BULKHEAD,FEMALE X 4.....	1				
23	34615GT	BULKHEAD,NUT,070118-4.....	1				
24	36179GT	POWER UNIT,AUX PUMP 24VDC.....	1				
--	37184GT	MOTOR, 24V (36179).....	1				
--	37185GT	PUMP ASSEMBLY (36179).....	1				
--	37186GT	VALVE,CHECK (36179).....	1				
--	37187GT	SEAL KIT, 37185 PUMP.....	1				
--	37192GT	COUPLER, PUMP / MOTOR (36179)....	1				
--	44778GT	BEARING,MOTOR,36843,BRUSH END*.....	1				
25	36480GT	HOSE ASSEMBLY, 30".....	1				
26	74268GT	CONTACTOR,AUX PUMP 24V,80A***.....	1				
--	22262GT	CONTACT,MOVING,19549RELAY*.....	1				
--	22263GT	CONTACT,STATIONARY,19549RELAY*..	1				
--	23844GT	SPRING,RETURN,19549 CONTACTOR.....	1				
27	19815GT	BRACKET, RELAY MOUNTING.....	1				
28	19816GT	M4 X 0.7 X 8MM RHMS.....	2				
29	6607GT	WASHER,LOCK,#10 PLTD.....	2				
30	36423PGT	PLATE,DEFLECTOR-BLUE.....	1				
31	18506GT	SCREW 5/16-18 X .75 LG.FLG.LCK.....	2				

306.1 Hydraulic Power Unit

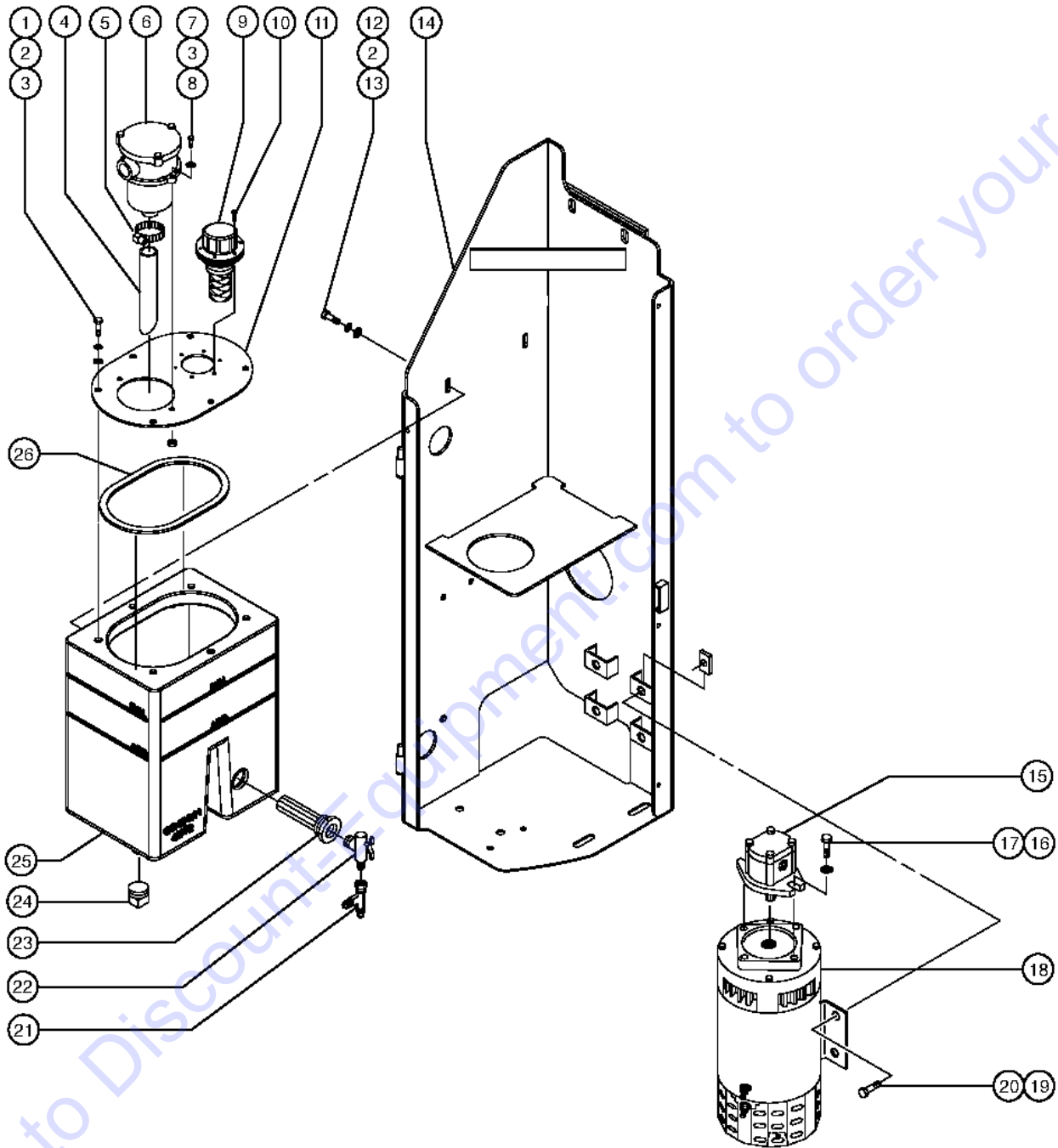


306.1 Hydraulic Power Unit

Item	Part No.	Description	Qty.
--		RETRO KIT,Z30N LIFT PUMP*** <i>Complete hydraulic power unit 42402GT has been discontinued, but component items are still available. Refer to Section 306.2 for retro kit assembly and components.</i>	
1	46241GT	BRUSH KIT,MONARCH, (4 PIECES).....1	
2	44793GT	MOTOR,48V DC,MONARCH***.....1	
3	22959GT	COUPLER,19119 POWER UNIT.....1 <i>Fenner models only</i>	
4	38156GT	VALVE,RELIEF KIT,MONARCH**1	
5	44794GT	PUMP,MONARCH (36447,36178)***.....1	
--	25613GT	O-RING,17560/25674 PUMP.....1	
6	38160GT	FILTER,PICK-UP SCREEN***1	
7	40318GT	SEAL,O-RING,PUMP***1	
8	46236GT	RESERVOIR,MONARCH,42402,Z30N....1 <i>includes index number 9</i>	
9	28157GT	DECAL,USE DEXRON***1	
10	44796GT	BREATHER CAP,MONARCH.....1	
11	38155GT	VALVE-CHECK KIT.....1	

Go to Discount-Equipment.com to order your parts

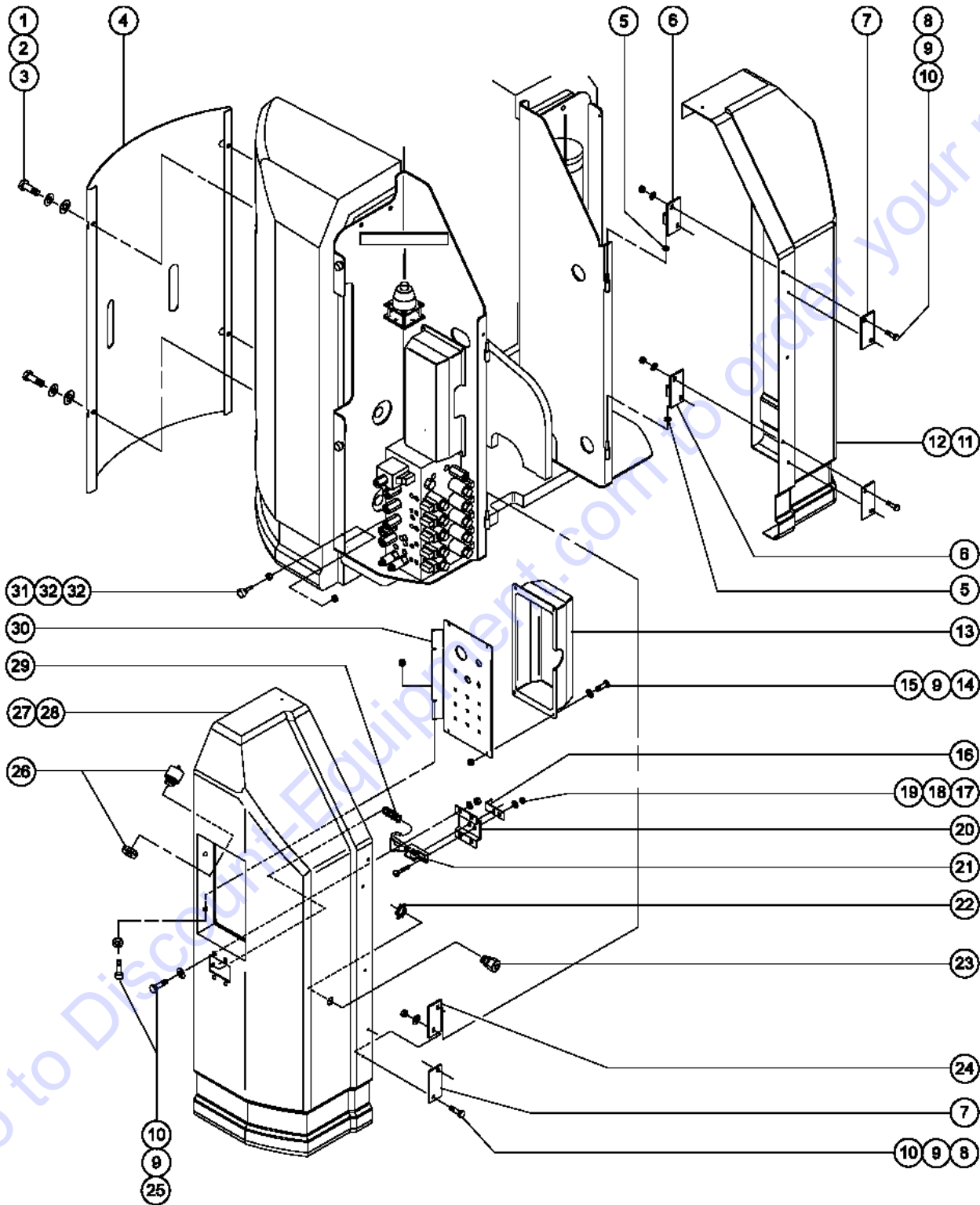
306.2 Hydraulic Power Unit Retro Kit



306.2 Hydraulic Power Unit Retro Kit

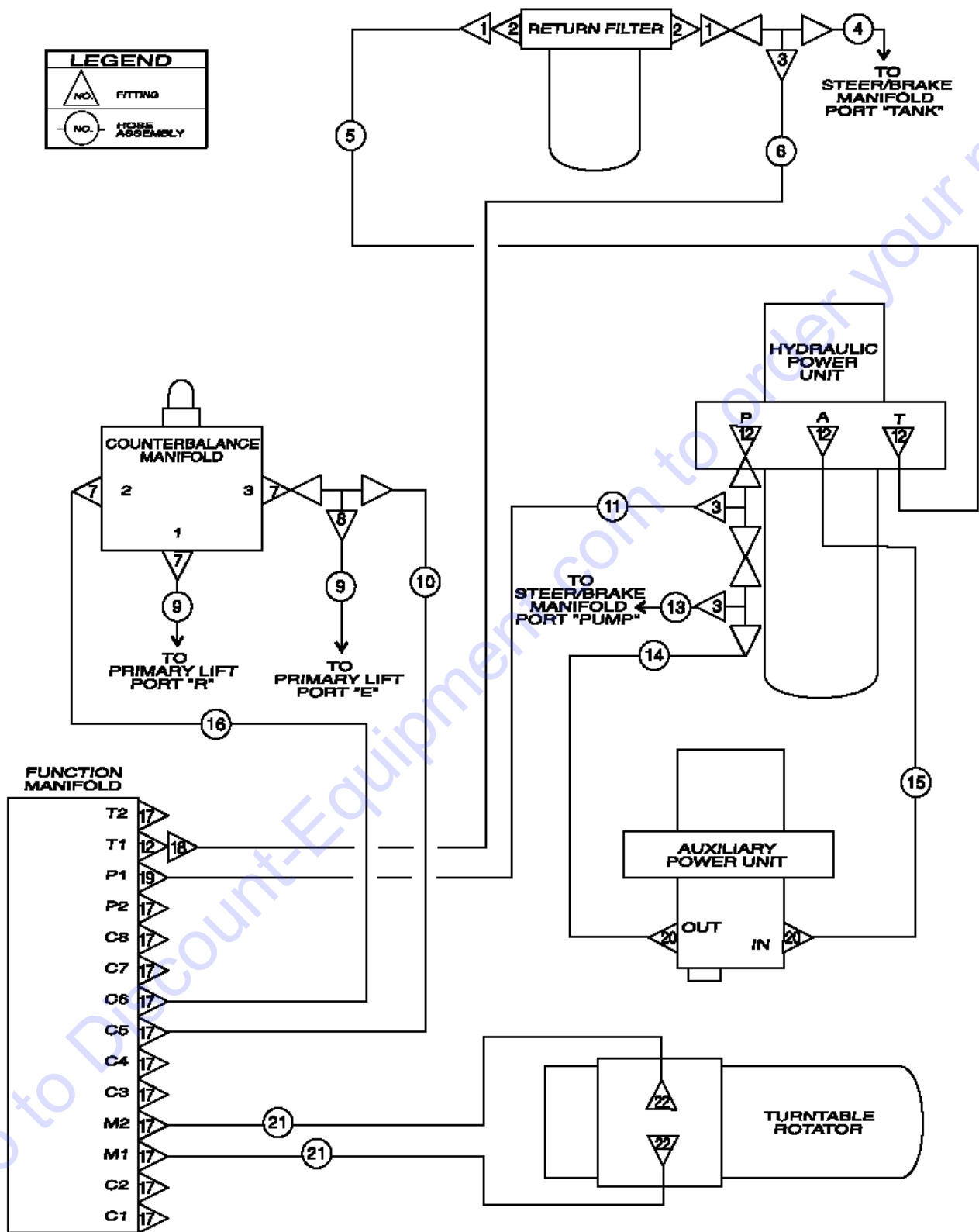
Item	Part No.	Description	Qty.
--	42991GT	RETRO KIT,Z30N LIFT PUMP***	
1	6090GT	SCREW,HHC,1/4-20 X .75.....	6
2	6356GT	WASHER,LOCK,.25.....	8
3	6638GT	WASHER,FLAT,USS,1/4"Y.....	6
4	42929GT	HOSE,RET.FILTER DWN TUBE RUBBE.....	1
5	30348GT	CLAMP,HOSE,1.00.....	1
6	110947GT	HYDRAULIC FILTER ASSY.....	1
--	128674GT	CAP,HYDRAULIC FILTER ASSY.....	1
--	128675GT	SEAL KIT,HYDRAULIC FILTER ASSY....	1
--	226148GT	ELEMENT,RETURN FILTER <i>for 74328GT</i>	
--	58208GT	O-RING,FILTER,RETURN TANK.....	1
--	74634GT	FILTER ELEMENT RFM90..... <i>for 110947GT</i>	1
7	8915GT	SCREW,HHC,1/4-20 X 1.25.....	2
8	6091GT	NUT,NYLOCK,1/4-20.....	2
9	53534GT	FILTER SCREEN,TANK BREATHER.....	1
10	49819GT	SCREW,PHILLIPS,PHM,10-32 X .5.....	6
11	42922-SGT	PLATE,TANK LID (SERVICE).....	1
12	8914GT	SCREW,HHC,1/4-20 X .625.....	2
13	12906GT	WASHER,FENDER,.25 X 1.25 X.062.....	2
14	94428GT	WELDMENT,COVER SUPPORT RH***.....	1
15	77981GT	PUMP,LIFT,3CC,CCW***.....	1
--	77990GT	KIT,SEAL,3CC PUMP***.....	1
16	55921GT	SCREW,SHC,3/8-24 X 1.25".....	2
17	22700GT	WASHER,LOCK,M10.....	2
18	48504GT	MOTOR,FUNCTION,48V DC.....	1
19	18506GT	SCREW 5/16-18 X .75 LG.FLG.LCK.....	4
20	36456GT	SPRING CLIP,5/16-18,.025-.15X.....	4
21	48938GT	FITTING,TEE,RUN,SWIVEL520432-8.....	1
22	42920GT	VALVE,BALL,90DEG.-8NPTF/-8NPTM...1	
23	36998GT	STRAINER ASSY 1"NPT TANK MTD.....	1
24	56022GT	PLUG,3/4 MAGNETIC PIPE SQ.DRV.....	1
25	128728GT	HYDRAULIC TANK,Z30N.....	1
26	42785GT	GASKET,HYDRAULIC TANK.....	1

307.1 Turntable Covers



Item	Part No.	Description	Qty.
1	77692GT	SCREW,HHC,3/8-16 X 1 GRD 8.....	4
2	6021GT	WASHER,LOCK,.375.....	4
3	6097GT	WASHER,FLAT,USS,3/8",Y.....	4
4	58108GT	COVER W/DECALS,COUNTERWEIGHT**.....	1
5	36457GT	WASHER,THRUST,.313 X .50 X .10.....	4
6	36415GT	HINGE,WELD,COVER,CTRLS GRY/BLU.....	2
7	36393PGT	PLATE,HINGE BACKUP,GRAY.....	4
8	6888GT	SCREW,HHC,1/4-20 X 1.....	12
9	6638GT	WASHER,FLAT,USS,1/4"Y.....	24
10	6889GT	NUT,LP NYLOCK,1/4-20.....	20
11	37106GT	COVER ASSY W/DECALS,HPU SIDE.... <i>includes index numbers 6 - 10, 12, 16 - 21, 25 and 29</i>	1
12	36391PGT	BRACE,RIGHT HINGE,BLUE.....	1
13	36257GT	COVER,CONTROL PANEL.....	1
14	6090GT	SCREW,HHC,1/4-20 X .75.....	4
15	6091GT	NUT,NYLOCK,1/4-20.....	4
16	36570GT	BRACKET,COVER LATCH.....	2
17	18605GT	NUT,NYLOCK,8-32.....	4
18	6146GT	WASHER,FLAT,MS,#10,Y.....	4
19	45645GT	SCREW,RHM,8-32 X .75.....	4
20		BRKT.LATCH ATTACH.OBS AFTER166..... <i>(component no longer available)</i>	2
21	36575GT	LATCH,ADJUSTABLE DRAW.....	2
22	6935GT	LOCKNUT,ELEC,1/2".....	1
23	7056GT	CONN,SQUEEZE,1/2NPT .38-.50,SM....	1
24	36414GT	HINGE,WELD.,COVER,PUMP GRY/BLU.....	2
25	7339GT	SCREW,HHC,1/4-20 X .5.....	8
26	18963GT	ALARM,INTERMITTENT TONE 6-30V*... <i>Does not include 72326GT nut</i>	1
--	72326GT	NUT - PLASTIC,RING FOR ALARMS	
27	37105GT	COVER ASSY.W/D G.C.SIDE,ANSI..... <i>includes index numbers 7 - 10, 16 - 21, 24 - 26, 28 and 29</i>	1
28	36392PGT	BRACE,LEFT HINGE,BLUE.....	1
29	36574GT	SPRING,EXTENSION,.36 X 1.25.....	2
30	37129GT	PANEL,GROUND CONTROL W/ DECAL.....	1
31	36388GT	BUMPER,RUBBER,.75 X .50H,STUD....	6
32	6357GT	NUT,HEX,1/4-20.....	12

308.1 Hydraulic Hoses and Fittings



PARTS FINDER

**Search Website
by Part Number**



**Search Manual
Library For Parts
Manual & Lookup Part
Numbers – Purchase
or Request Quote**

Search Manuals

Enter your information to help us find the right parts manual for your machine.

* Brand:

* Model:

* Serial:

* Part Number:

SEARCH

**Can't Find Part or
Manual? Request Help
by Manufacturer,
Model & Description**

Parts Order Form

Please fill in the following information to help us find the right part for your machine.

Manufacturer:	<input type="text"/>
Model:	<input type="text"/>
Description:	<input type="text"/>
Part Number:	<input type="text"/>
Quantity:	<input type="text"/>
Notes:	<input type="text"/>

Submit

Discount-Equipment.com is your online resource for quality parts & equipment.

Florida: **561-964-4949** Outside Florida TOLL FREE: **877-690-3101**

Need parts?

Click on this link: <http://www.discount-equipment.com/category/5443-parts/> and choose one of the options to help get the right parts and equipment you are looking for. Please have the machine model and serial number available in order to help us get you the correct parts. If you don't find the part on the website or on one of the online manuals, please fill out the request form and one of our experienced staff members will get back to you with a quote for the right part that your machine needs.

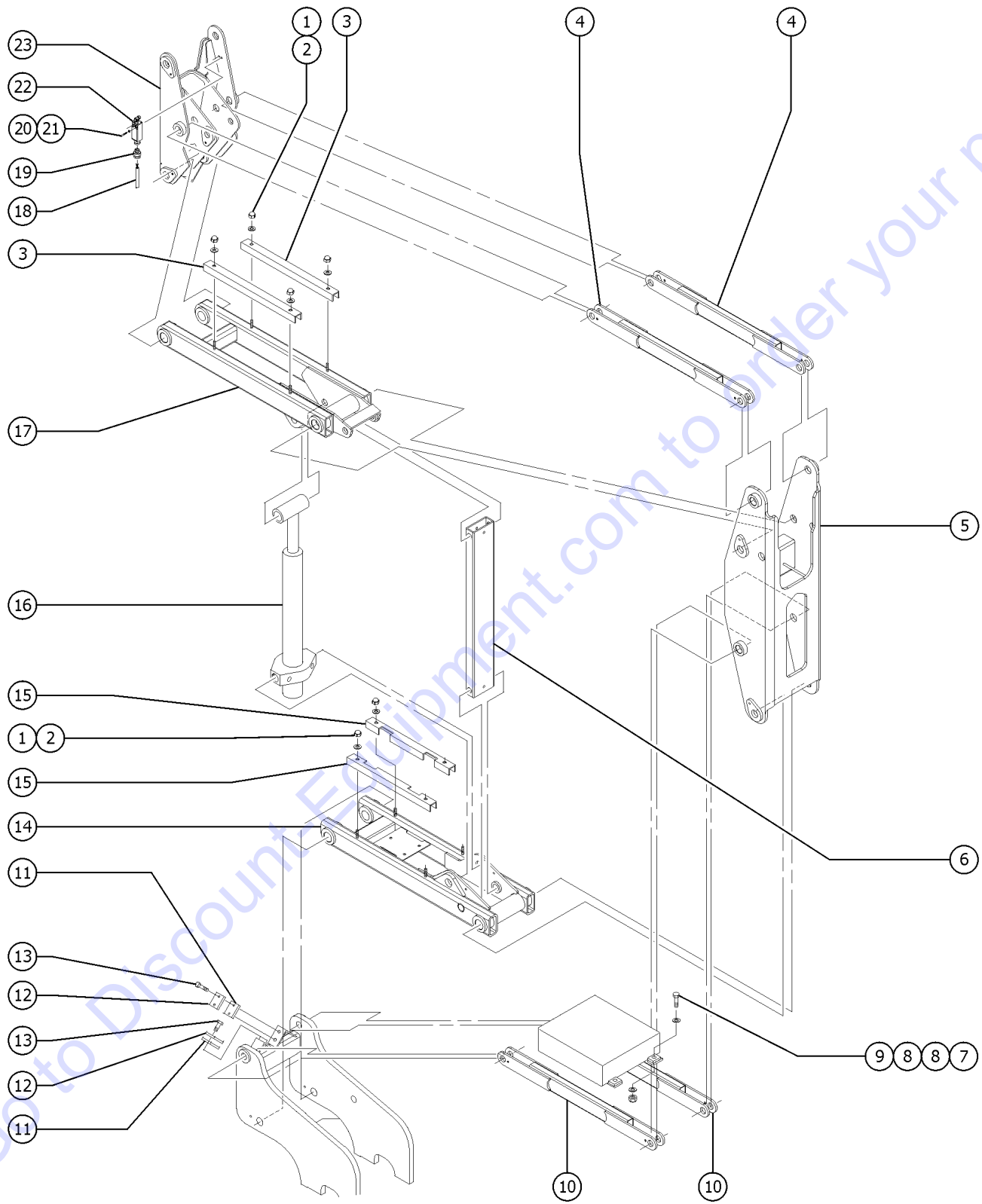
We sell worldwide for the brands: Genie, Terex, JLG, MultiQuip, Mikasa, Essick, Whiteman, Mayco, Toro Stone, Diamond Products, Generac Magnum, Airman, Haulotte, Barreto, Power Blanket, Nifty Lift, Atlas Copco, Chicago Pneumatic, Allmand, Miller Curber, Skyjack, Lull, Skytrak, Tsurumi, Husquvarna Target, Stow, Wacker, Sakai, Mi-T-M, Sullair, Basic, Dynapac, MBW, Weber, Bartell, Bennar Newman, Haulotte, Ditch Runner, Menegotti, Morrison, Contec, Buddy, Crown, Edco, Wyco, Bomag, Laymor, EZ Trench, Bil-Jax, F.S. Curtis, Gehl Pavers, Heli, Honda, ICS/PowerGrit, IHI, Partner, Imer, Clipper, MMD, Koshin, Rice, CH&E, General Equipment, Amida, Coleman, NAC, Gradall, Square Shooter, Kent, Stanley, Tamco, Toku, Hatz, Kohler, Robin, Wisconsin, Northrock, Oztec, Toker TK, Rol-Air, APT, Wylie, Ingersoll Rand / Doosan, Innovatech, Con X, Ammann, Mecalac, Makinex, Smith Surface Prep, Small Line, Wanco, Yanmar

308.1 Hydraulic Hoses and Fittings

Item	Part No.	Description	Qty.
1	45361GT	REDUCER,070123-8-6.....	2
2	23321GT	ELBOW,070202-8-12.....	2
3	45366GT	TEE,RUN,070432-6-6.....	3
4	36479GT	HOSE ASSEMBLY, 79".....	1
5	36469GT	HOSE ASSEMBLY, 23.5".....	1
6	36468GT	HOSE ASSEMBLY, 60".....	1
7	12340GT	ELBOW,070220-4-6.....	3
8	13757GT	TEE,RUN,070432-4.....	1
9	36481GT	HOSE ASSEMBLY, 185".....	2
10	36568GT	HOSE ASSEMBLY, 17".....	1
11	36467GT	HOSE ASSEMBLY, 59.5.....	1
12	45412GT	CONNECTOR,070120-6-6.....	4
13	36478GT	HOSE ASSEMBLY, 86".....	1
14	36465GT	HOSE ASSEMBLY,16".....	1
15	36466GT	HOSE ASSEMBLY, 37.5".....	1
16	36569GT	HOSE ASSEMBLY, 22".....	1
17	13756GT	CONNECTOR,070120-4-6.....	12
18	45878GT	ELBOW,070321-6-6.....	1
19	45411GT	ELBOW,070320-6-6.....	1
20	13120GT	ELBOW,070220-6-6.....	2
21	36484GT	HOSE ASSEMBLY, 20".....	2
22	35497GT	CONNECTOR,070120-4-10.....	2

Go to Discount-Equipment.com to order your parts

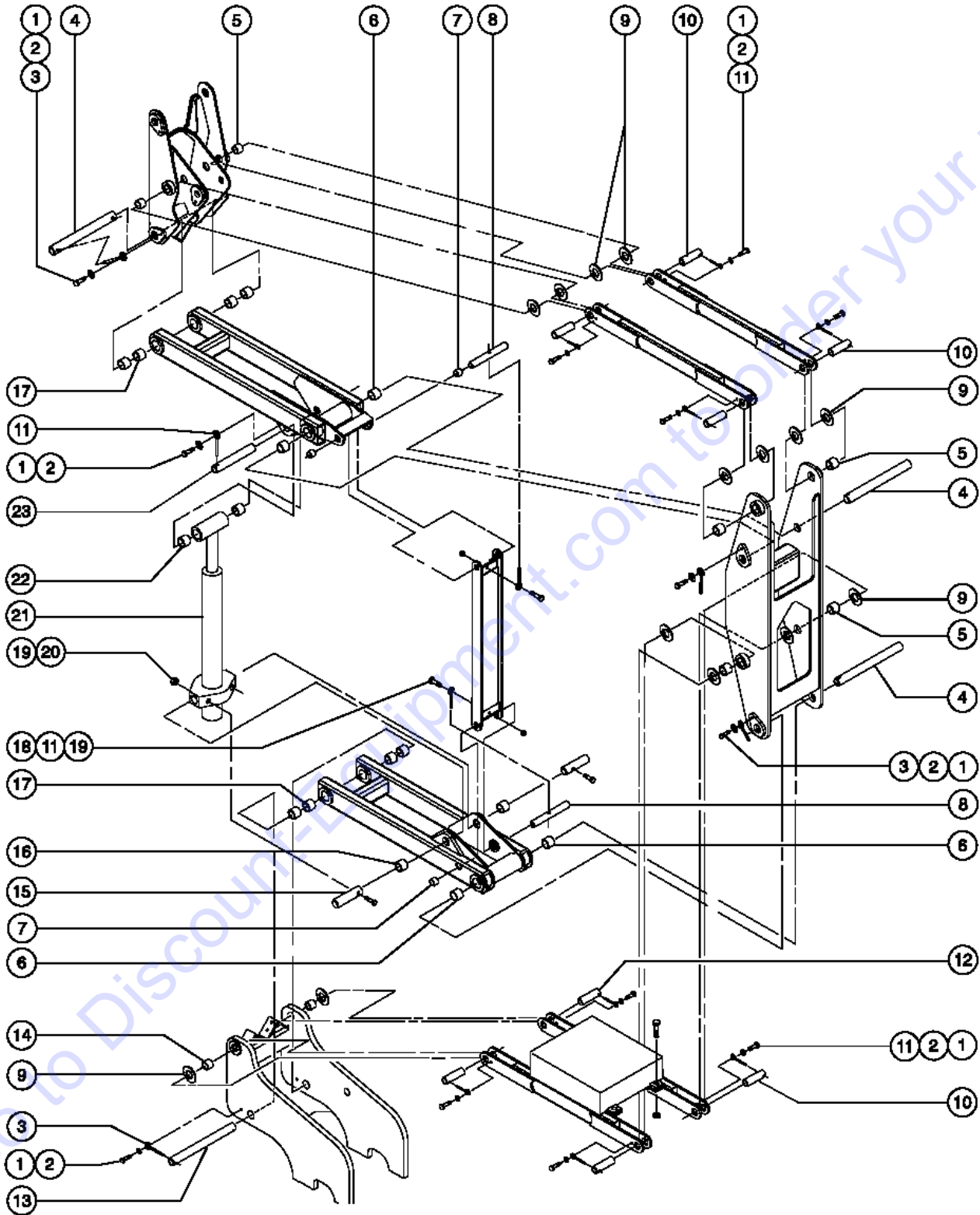
401.1 Secondary Boom - View 1



401.1 Secondary Boom - View 1

Item	Part No.	Description	Qty.	Item	Part No.	Description	Qty.
1	6091GT	NUT,NYLOCK,1/4-20.....	8	--	19491GT	CONTACTOR,LIMIT SWITCH	
2	6638GT	WASHER,FLAT,USS,1/4"Y.....	4	--	76450GT	CONN.SQZ,PG 11,..23-.30,W/ORING	
3	36345PGT	HOSE COVER,UPPER ARM,PAINTED.....	2	--	88356 12103GT	SWITCH,LIMIT,W/ROLLER ARM***	
4	74945GT	COMPRESSION ARM WLDMT 38.50 **.....	2	--	97128GT	ROLLER ARM,LIMIT SWITCH***	
5	40446GT	LOWER MIDPIVOT ASSY,Z34 &Z34N*.....	1	23	37125GT	UPPER MIDPIVOT ASSEMBLY,Z30N.....	1
--	34245GT	BEARING,1.25IDX1.50X1.25L.....	1	--	34245GT	BEARING,1.25IDX1.50X1.25L.....	1
6	36664GT	CONNECTING LINK,MACHINED***.....	1				
7	22788GT	SCREW,HHC,1/2-13 X 1.75.....	4				
8	6095GT	WASHER,FLAT,USS,1/2",Y.....	8				
9	6198GT	NUT,NYLOCK,1/2-13.....	4				
10A	36652GT	ARM,LOWER COMP W/ CNTRWEIGHT..... <i>includes index numbers 9 - 11</i>	1				
10B	128632GT	KIT, SERVICE, Z30 LWR COMP ARM....	1				
11	36581GT	REST PAD,UPPER PIVOT REST.....	2				
12	36366GT	PAD,UPPER PIVOT REST.....	2				
13	45425GT	SCREW,FHS,3/8-16 X .75.....	4				
14	37127GT	LOWER SECONDARY BOOM ASSEMBLY*.....	1				
--	18396GT	BEARING,1.5IDX1.75ODX1.0L.....	1				
--	34245GT	BEARING,1.25IDX1.50X1.25L.....	1				
--	36246GT	BEARING,FL,1.25IDX1.50ODX1.09L....	1				
--	45071GT	BEARING,1.5IDX1.75ODX1.5L.....	1				
15	36662GT	HOSE COVER ASSY,LWR SCNDYBOOM.....	2				
16	94211GT	CYLINDER,ELEVATE***.....	1				
--	25683GT	BEARING,POLYGON,20DU12.....	1				
--	31106GT	VALVE,CNTERBAL,CBBB-LHN@3000**.	1				
--	94254GT	SEAL KIT, 94211, 94254, 101349.....	1				
17	37126GT	UPPER SECONDARY BOOM ASSEMBLY*.....	1				
--	36245GT	BEARING,FL,1.00IDX1.25ODX0.84L....	1				
--	45071GT	BEARING,1.5IDX1.75ODX1.5L.....	1				
18	44133GT	WIRE CABLE,16/4 CON.TPE JKT*.....	1				
19	7056GT	CONN,SQUEEZE,1/2NPT .38-.50,SM					
20	48921GT	CONN,520102-6					
21	6607GT	WASHER,LOCK,#10 PLTD					
22	88356 116R3GT	SWITCH,LIMIT,W/ROLLER ARM***					
--	106086GT	HARNESS,LS,SEC LIFT LS4 Z30/34					
--	106427GT	LS ROT.HEAD W/O LEVER (ZCE01)					
--	106428GT	LS STL ROLLER PLUNGER (ZCE02)					
--	106429GT	LS METAL END PLUNGER (ZCE10)					
--	106434GT	LS BLUE PLASTIC BODY (XCKP)					

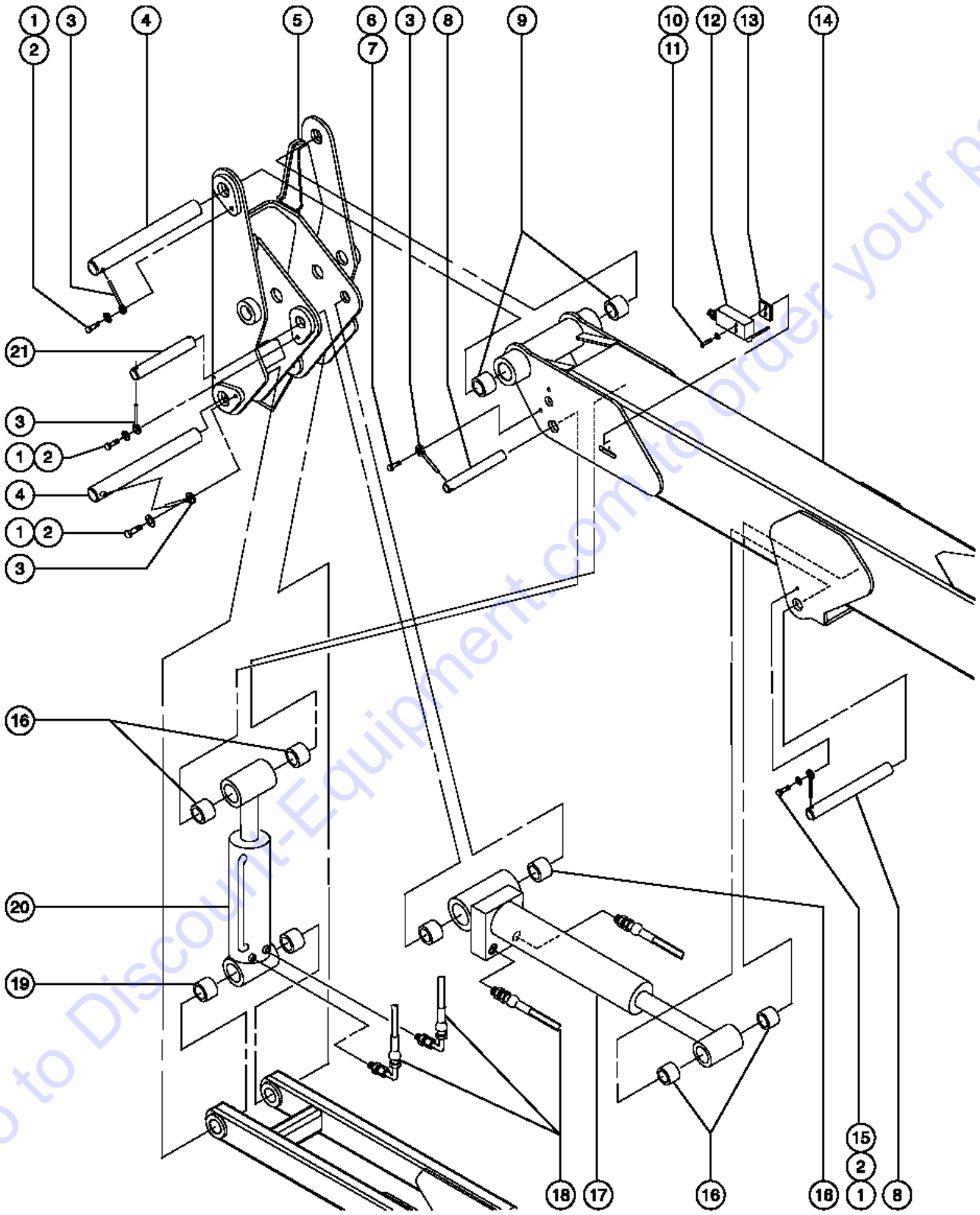
402.1 Secondary Boom - View 2



402.1 Secondary Boom - View 2

Item	Part No.	Description	Qty.
1	77692GT	SCREW,HHC,3/8-16 X 1 GRD 8.....	13
2	6021GT	WASHER,LOCK,.375.....	13
3	825019GT	ROD END,.375X3.69,ZAG.....	4
4	36194GT	PIN,1.50DIAX15.13LG,1HOLE.....	3
5	34245GT	BEARING,1.25IDX1.50X1.25L.....	6
6	45071GT	BEARING,1.5IDX1.75ODX1.5L.....	4
7	36245GT	BEARING,FL,1.00IDX1.25ODX0.84L....	4
8	36202GT	PIN,1.00DIAX7.25LG,1HOLE.....	2
9	30255GT	WASHER,SHIM,1.27 X 2.13 X .062.....	16
10	36390GT	PIN,1.25DIAX3.63LG,THREADED.....	6
11	1255452GT	ROD END,.375 X 2.25,ZAG.....	11
12	36390GT	PIN,1.25DIAX3.63LG,THREADED.....	2
13	36389GT	PIN,1.50DIAX16.13LG,1HOLE.....	1
14	13009GT	BEARING,1.25IDX1.50ODX1.50L.....	2
15	36205GT	PIN,1.25DIAX3.00LG,THREADED.....	2
16	36246GT	BEARING,FL,1.25IDX1.50ODX1.09L....	2
17	18396GT	BEARING,1.5IDX1.75ODX1.0L.....	8
18	8516GT	SCREW, HCC, 3/8-16 X 1.50.....	2
19	4828GT	NUT,NYLOCK,3/8-16.....	4
20	14033GT	SCREW,HHC,3/8-16 X 2.75.....	2
21	94211GT	CYLINDER,ELEVATE*** <i>includes index number 22</i>	1
--	31078GT	SEAL KIT,HYDRAULIC CYLINDER*** <i>(for cylinder 36082)</i>	
--	31106GT	VALVE,CNTERBAL,CBBB-LHN@3000**.	1
--	56757GT	SEAL KIT 42412 ELEVATE** <i>(for cylinder 42412)</i>	
--	94254GT	SEAL KIT, 94211, 94254, 101349.....	1
22	25683GT	BEARING,POLYGON,20DU12.....	2
23	36200GT	PIN,1.25DIAX9.38LG,1HOLE.....	1

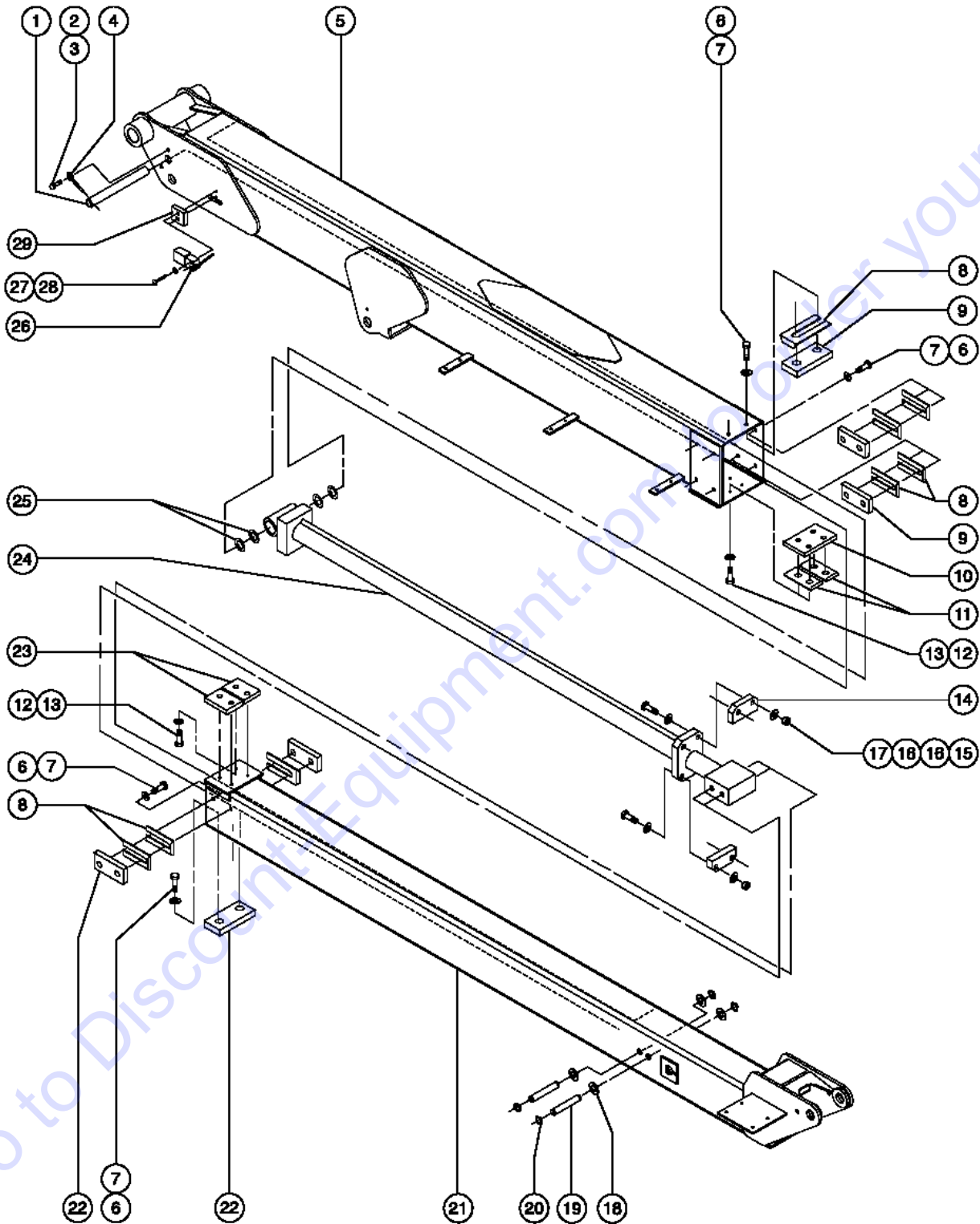
403.1 Upper Mid-pivot



403.1 Upper Mid-pivot

Item	Part No.	Description	Qty.	Item	Part No.	Description	Qty.
1	77692GT	SCREW,HHC,3/8-16 X 1 GRD 8.....	4	--	94259GT	SEAL KIT, 94216..... <i>for cylinder 94216GT</i>	1
2	6021GT	WASHER,LOCK,.375.....	4	20A	33487GT	SEAL KIT,HYDRAULIC CYLINDER***..... <i>for cylinder 36079GT (K-0300-150-25)</i>	1
3	825019GT	ROD END,.375X3.69,ZAG.....	4	20A	48400GT	SEAL KIT,42405 CYL.TEXAS..... <i>for cylinder 42405GT (SK15150)</i>	1
4	36194GT	PIN,1.50DIAX15.13LG,1HOLE.....	2	20A	52620GT	SEAL KIT-EXT CYL & SLAVE CYL.*..... <i>for cylinder 74592GT (S30009624PPFZ)</i>	1
5	37125GT	UPPER MIDPIVOT ASSEMBLY,Z30N.....	1	21	36198GT	PIN,1.25DIAX8.12LG,1HOLE.....	1
--	34245GT	BEARING,1.25IDX1.50X1.25L.....	1	22	47377GT	BEARING,1.25 ID X 1.5 OD X .75.....	2
6	6019GT	SCREW,HHC,3/8-16 X 1.25 GRD 5.....	1				
7	4828GT	NUT,NYLOCK,3/8-16.....	1				
8	74091GT	PIN,1.25DIAX9.13LG,1HOLE.....	2				
9	45071GT	BEARING,1.5IDX1.75ODX1.5L.....	2				
10	16486GT	SCREW,RHM,10-32 X 1.75.....	2				
11	6607GT	WASHER,LOCK,#10 PLTD.....	2				
12	88356-127J5GT	SWITCH,LIMIT,W/6.25"SPRING ARM.....	1				
--	106433GT	LS SPRING WAND (ZCY91)					
--	19491GT	CONTACTOR,LIMIT SWITCH					
13		SPACER,LIMIT SWITCH..... <i>(component no longer available)</i>	1				
14	74795GT	PRIMARY BOOM TUBE ASSY,30N**..... <i>includes index number 9</i>	1				
15	1255452GT	ROD END,.375 X 2.25,ZAG.....	1				
16	47377GT	BEARING,1.25 ID X 1.5 OD X .75..... <i>refer to item 17</i>	6				
17A	36081GT	CYLINDER,LIFT,Z30..... <i>to Z30N-298; includes 4 each index number 16</i>	1				
--	33428GT	VALVE,COUNTERBALANCE.....	1				
--	33487GT	SEAL KIT,HYDRAULIC CYLINDER***.....	1				
17B	94215GT	CYLINDER,PRIMARY LIFT..... <i>from Z30N-299; must be used in with matching master/slave cylinders, refer to kit T109415.</i>	1				
--	25683GT	BEARING,POLYGON,20DU12 <i>measure cylinder before ordering</i>					
--	43937GT	VALVE,CB.CBBC-LHN@3200***.....	2				
--	47377GT	BEARING,1.25 ID X 1.5 OD X .75.....	4				
--	94258GT	SEAL KIT, 94215, 94430.....	1				
18		Ref. Hydraulic Hoses and Fittings..... <i>refer to 407.1</i>	1				
19	88280GT	BEARING,1.5IDX1.75ODX0.75L.....	2				
--	52625GT	BEARING,1.50 X 1.66 X 1.5 <i>measure cylinder before ordering</i>					
20	94216GT	CYLINDER,MASTER..... <i>(includes 2 each items 16 and 19) (for first time replacement, both master and slave cylinders must be replaced. Also, if the primary cylinder has not been updated to PN 94215, it must be replaced as well) (refer to 406.1)</i>	1				

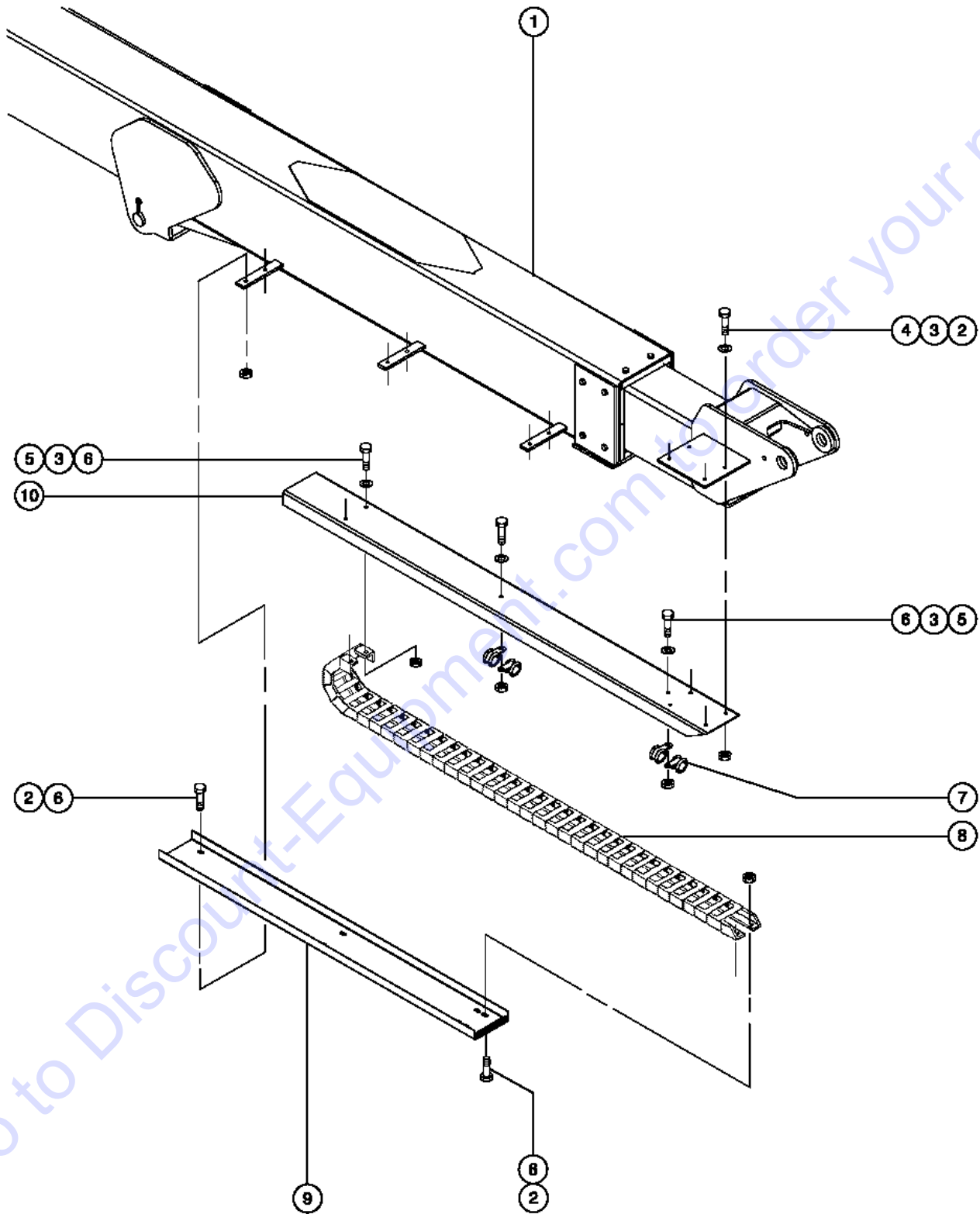
404.1 Primary and Extension Booms



404.1 Primary and Extension Booms

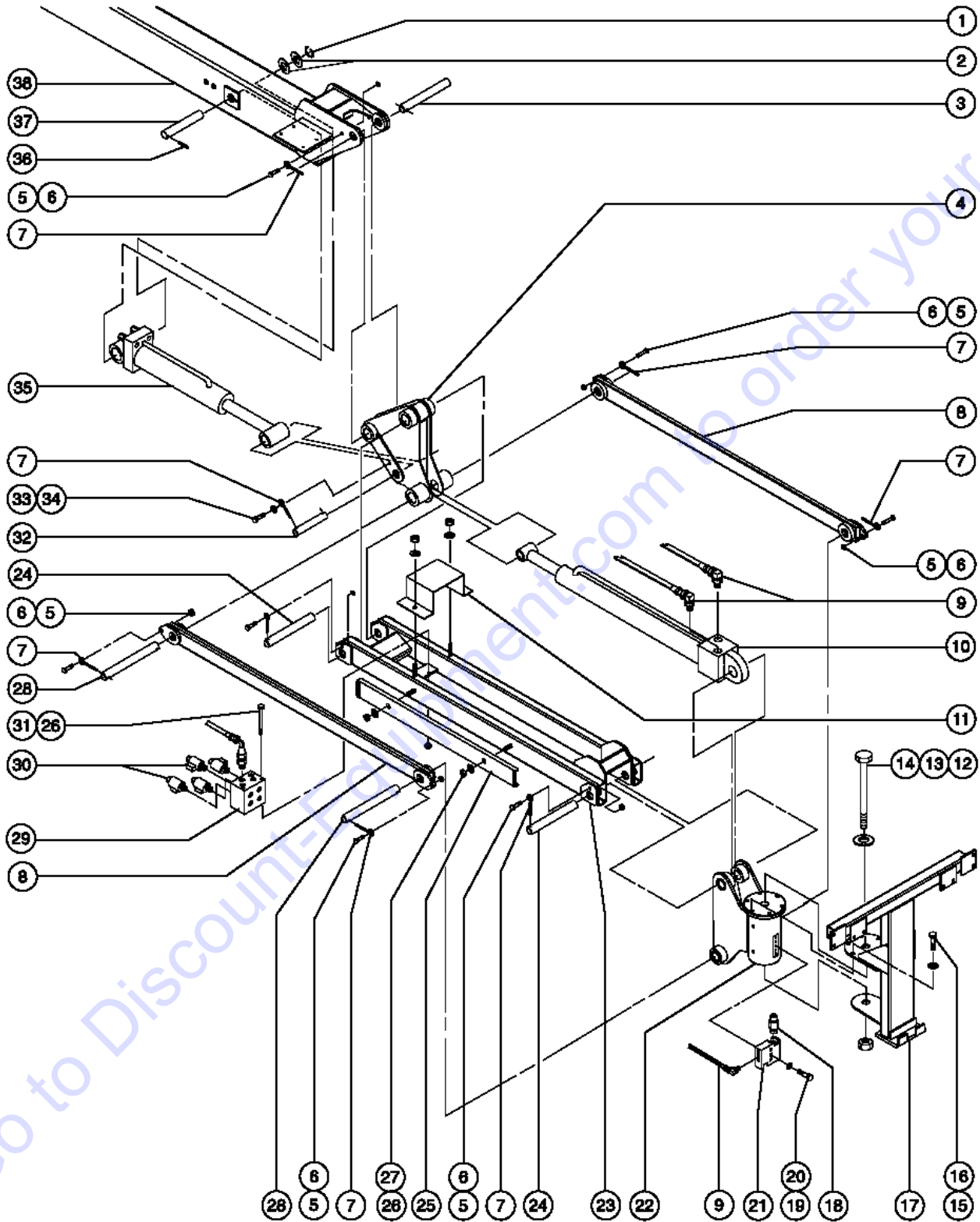
Item	Part No.	Description	Qty.	Item	Part No.	Description	Qty.
1	101557GT	PIN,1.00DIA X 9.01 LG, THREADED.....	1	27	16486GT	SCREW,RHM,10-32 X 1.75.....	2
2	13918GT	SCREW,HHC,3/8-16 X 1.75,GRD.8.....	1	28	6607GT	WASHER,LOCK,#10 PLTD.....	2
3	4828GT	NUT,NYLOCK,3/8-16.....	1	29	6178GT	NUT,NYLOCK,10-32.....	2
4	825019GT	ROD END,.375X3.69,ZAG.....	1				
5	74795GT	PRIMARY BOOM TUBE ASSY,30N**.....	1				
6	94195GT	SCREW,HHC,3/8-16 X .75,GR 8.....	16				
7	6021GT	WASHER,LOCK,.375.....	16				
8	29080GT	SHIM,WEAR PAD,5X 1.5 16GA.....as n e e d e d					
9	34125GT	WEAR PAD,5 X 1.5 X .75 W/NUTS.....	5				
10	36221GT	WEAR PAD,PRIMARY BOOM.....	1				
11	45382GT	SHIM,PRIMARY BOOM,.052 THK.....as n e e d e d					
12	6090GT	SCREW,HHC,1/4-20 X .75.....	8				
13	6356GT	WASHER,LOCK,.25.....	8				
14	74066GT	WEAR PAD,EXT CYL***.....	2				
15	77692GT	SCREW,HHC,3/8-16 X 1 GRD 8.....	4				
16	6638GT	WASHER,FLAT,USS,1/4"Y.....	8				
17	6091GT	NUT,NYLOCK,1/4-20.....	4				
18	6563GT	WASHER,SHIM,.75 X 1.125 X .030.....as n e e d e d					
19	36192GT	PIN,0.75DIA X 5.51 LG,2RING.....	2				
20	10262GT	SNAP RING,EXTERNAL,.75 DIA.....	4				
21	36281GT	MACHINED,EXTENSION TUBE.....	1				
22	30138GT	WEAR PAD,5 X 1.5 X .625 W/NUTS.....	3				
23	45745GT	WEAR PAD,4 X 2 X .50 THK.BLACK.....	2				
24	147139GT	CYLINDER,EXTENSION.....	1				
--	147143GT	SEAL KIT,147138 & 147139 (for 147139 cylinder)					
--	36648GT	VALVE,COUNTERBALANCE 2500 PSI*..... (for 42411, 147139 cylinder)	1				
--	48406GT	SEAL KIT,42411 & 42408 (for 42411 cylinder)					
--	74508GT	VALVE,CHECK,COBA-X*N 200PSI PO (for 147139 cylinder)					
--	74509GT	VALVE,CHECK,CXAD-XCN,30PSI (for 147139 cylinder)					
--	83086GT	SEAL KIT,74998 (for 74568 cylinder)					
--	94256GT	SEAL KIT, 94213 (for 94213 cylinder)					
25	30748GT	WASHER,SHIM,1.01 X 1.63 X .062.....as n e e d e d					
26	88356-127J5GT	SWITCH,LIMIT,W/6.25" SPRING ARM.....	1				
--	106433GT	LS SPRING WAND (ZCY91)					
--	19491GT	CONTACTOR,LIMIT SWITCH					

405.1 Cable Track



Item	Part No.	Description	Qty.
1		Ref Primary and Extension Booms <i>refer to section 404.1</i>	
2	6090GT	SCREW,HHC,1/4-20 X .75.....	10
3	6638GT	WASHER,FLAT,USS,1/4"Y.....	7
4	6889GT	NUT,LP NYLOCK,1/4-20.....	4
5	7339GT	SCREW,HHC,1/4-20 X .5.....	3
6	6091GT	NUT,NYLOCK,1/4-20.....	7
7	6833GT	CLAMP,0.50,#8 X 1/4,RUB CUSH.....	4
8	36125GT	TRACK,PLASTIC CABLE,25 LINK.....	1
--	27647GT	TRACK REPAIR,7 LINKS.....	1
--	27699GT	END SET,PLASTIC TRACK.....	1
9	36653GT	HOSE COVER ASSY, CABLE TRACK....	1
--	27258GT	TRIM,RUBBER EDGE,5/8 (BY INCH) <i>order as needed</i>	
10	36126PGT	CHANNEL,UPR-PLAS.TRACK-(BLUE....	1

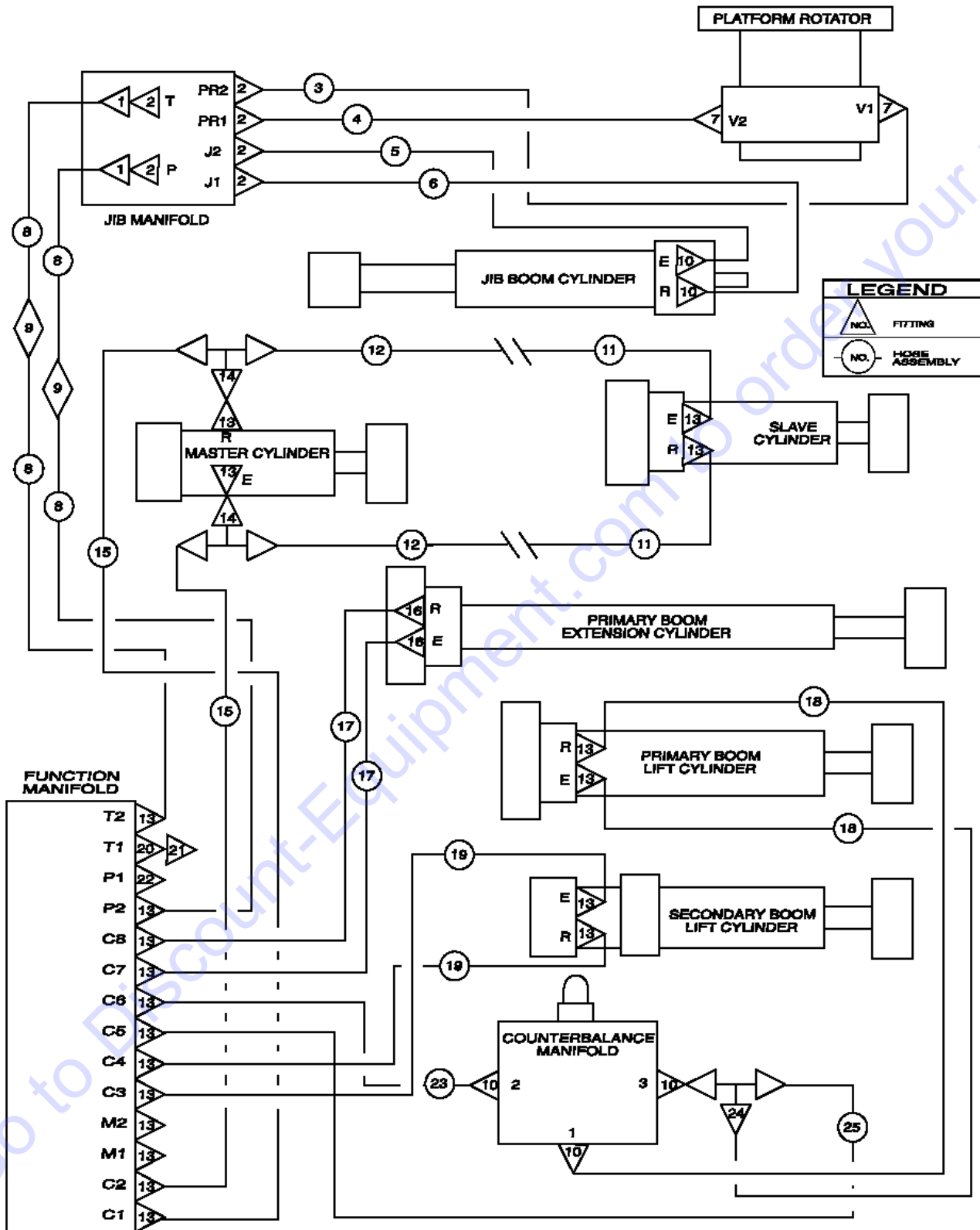
406.1 Jib Boom and Platform Rotator



406.1 Jib Boom and Platform Rotator

Item	Part No.	Description	Qty.	Item	Part No.	Description	Qty.
1	30217GT	SNAP RING,EXTERNAL,1.25 DIA.**.....1	1	28	36186GT	PIN,PLAT.ROTATR,1.25 X 12.25.....2	2
2	30255GT	WASHER,SHIM,1.27 X 2.13 X .062.....2	2	29	42422GT	MANIFOLD,JIB/ROTATE,24V.....1 <i>includes index number 25</i>	1
3	T107884GT	PIN,1.25DIA X 7.00LG,1HOLE.....1	1	--	28750GT	O-RING KIT,FIELD SVC,ALL PROD*.....1	1
4	37128GT	BELLCRANK ASSEMBLY, Z30N,Z34**...1 <i>also order 4A items</i>	1	--	52724GT	PLUG,ORIFICE,0.030 (50684).....1	1
--	74865GT	BEARING,FL,1.25ID X 1.50OD X 1.25L.....2 <i>with flange</i>	2	30	27048GT	VALVE,SOLENOID 2 POS. 3 WAY.....4	4
--	74866GT	BEARING,1.25ID X 1.50OD X 1.25L.....2	2	--	40413GT	COIL,SOLND,W/D,20V SGL SPADE <i>(single-spade coil)</i>	1
4A	30217GT	SNAP RING,EXTERNAL,1.25 DIA.**.....2	2	--	45912GT	NUT,SOLENOID VALVE 2P3W.....4	4
4A	56749GT	PIN,SLAVE CYLINDER.....1	1	--	52339GT	COIL,SOLND,W/D,20V DUAL SPADE.....4 <i>(dual-spade coil)</i>	4
5	6019GT	SCREW,HHC,3/8-16 X 1.25 GRD 5.....7	7	31	11413GT	SCREW,HHC,1/4-20 X 4.....2	2
6	4828GT	NUT,NYLOCK,3/8-16.....7	7	32	36189GT	PIN,SLAVE CYL,1.25 X 4.38.....1	1
7	825019GT	ROD END,.375X3.69,ZAG.....8	8	33	77692GT	SCREW,HHC,3/8-16 X 1 GRD 8.....1	1
8	36054-SGT	COMPRESSION MEMBER (BORED)***.....2	2	34	6021GT	WASHER,LOCK,.375.....1	1
9		Ref. Hydraulic Hoses & Fittings.....2 <i>refer to section 407.1</i>	2	35	94217GT	CYLINDER,SLAVE,DONGYANG.....1 <i>(for first time replacement, both master and slave cylinders must be replaced. Also, if the primary cylinder has not been updated to PN 94215, it must be replaced as well) (refer to 403.1)</i>	1
10	36077GT	CYLINDER,JIB,Z30N,Z34.....1	1	--	74735GT	VALVE,COUNTERBALANCE.....1 <i>for 94217GT</i>	1
--	25683GT	BEARING,POLYGON,20DU12.....1	1	--	94260GT	SEAL KIT, 94217.....1 <i>for 94217GT</i>	1
--	33428GT	VALVE,COUNTERBALANCE.....2	2	35A	33487GT	SEAL KIT,HYDRAULIC CYLINDER***.....1 <i>for 36078GT</i>	1
--	37098GT	SEAL KIT, HYDRAULIC CYLINDER.....1	1	35A	52620GT	SEAL KIT-EXT CYL & SLAVE CYL.*.....1 <i>for 42404GT, 74454GT, 74589GT, and 74968GT</i>	1
11	36379PGT	COVER,JIB MANIFOLD PAINTED.....1	1	35B		VALVE,COUNTERBALANCE <i>consult Discount-equipment for 74454GT and 74589GT</i>	1
12	73928GT	SCREW,HHC,1-8 X 11,GRD 5***.....1	1	35B	40665GT	VALVE,COUNTERBALANCE (36078)**.....1 <i>for 36078GT</i>	1
13	29605GT	WASHER,LOCK,1".....1	1	35B	40983GT	VALVE,COUNTERBALANCE,1500 PSI.....1 <i>for 42404GT</i>	1
14	33265GT	NUT,HEX,1-8.....1	1	35B	74735GT	VALVE,COUNTERBALANCE.....1 <i>for 74968GT</i>	1
15	10597GT	SCREW,HHC,1/2-13 X 1.25 GR5.....6	6	36	10665GT	PIN,ROLL,.25 X 1.5***.....1	1
16	6033GT	WASHER,LOCK,0.5".....6	6	37	36190GT	PIN,SLAVE CYL,1.25 X 6.06***.....1	1
17	36249-SGT	PLATFORM SUPPORT WELD.Z30N,Z34.....1	1	38	36281GT	MACHINED,EXTENSION TUBE.....1	1
18	37090GT	VALVE,COUNTERBALANCE 2000PSI...2	2				
19	6145GT	SCREW,HHC,1/4-20 X 1.5.....3	3				
20	6356GT	WASHER,LOCK,.25.....3	3				
21	35611GT	MANIFOLD,DUAL COUNTERBALANCE.....1 <i>includes index number 16</i>	1				
22	36062GT	ROTATOR,HELICAL,PLATFORM***.....1 <i>limited inventory (component no longer available)</i>	1				
--	13852GT	VALVE ASSY,BLEED***.....1	1				
--	31498GT	BEARING KIT,ROTATOR,9K***.....1	1				
--	65842GT	SEAL KIT,UNIVERSAL,9K ROTATOR*...1	1				
23	36279GT	JIB BOOM MACHINED.....1	1				
24	36199GT	PIN,1.25DIA.X10.38LG,1HOLE.....2	2				
25	36561-SGT	HOSE COVER,JIB BOOM**.....1	1				
26	6091GT	NUT,NYLOCK,1/4-20.....8	8				
27	6638GT	WASHER,FLAT,USS,1/4"Y.....4	4				

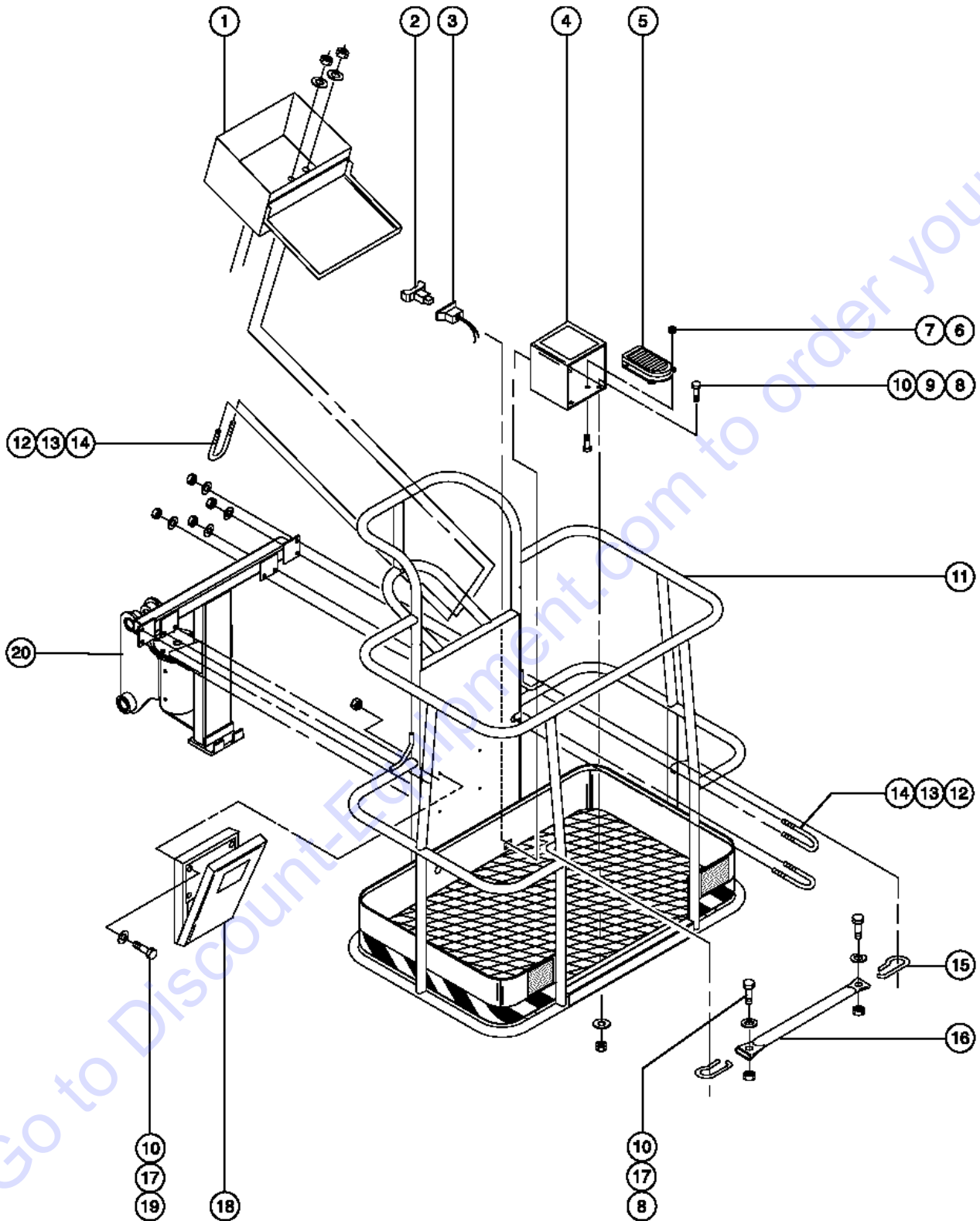
407.1 Hydraulic Hoses and Fittings



407.1 Hydraulic Hoses and Fittings

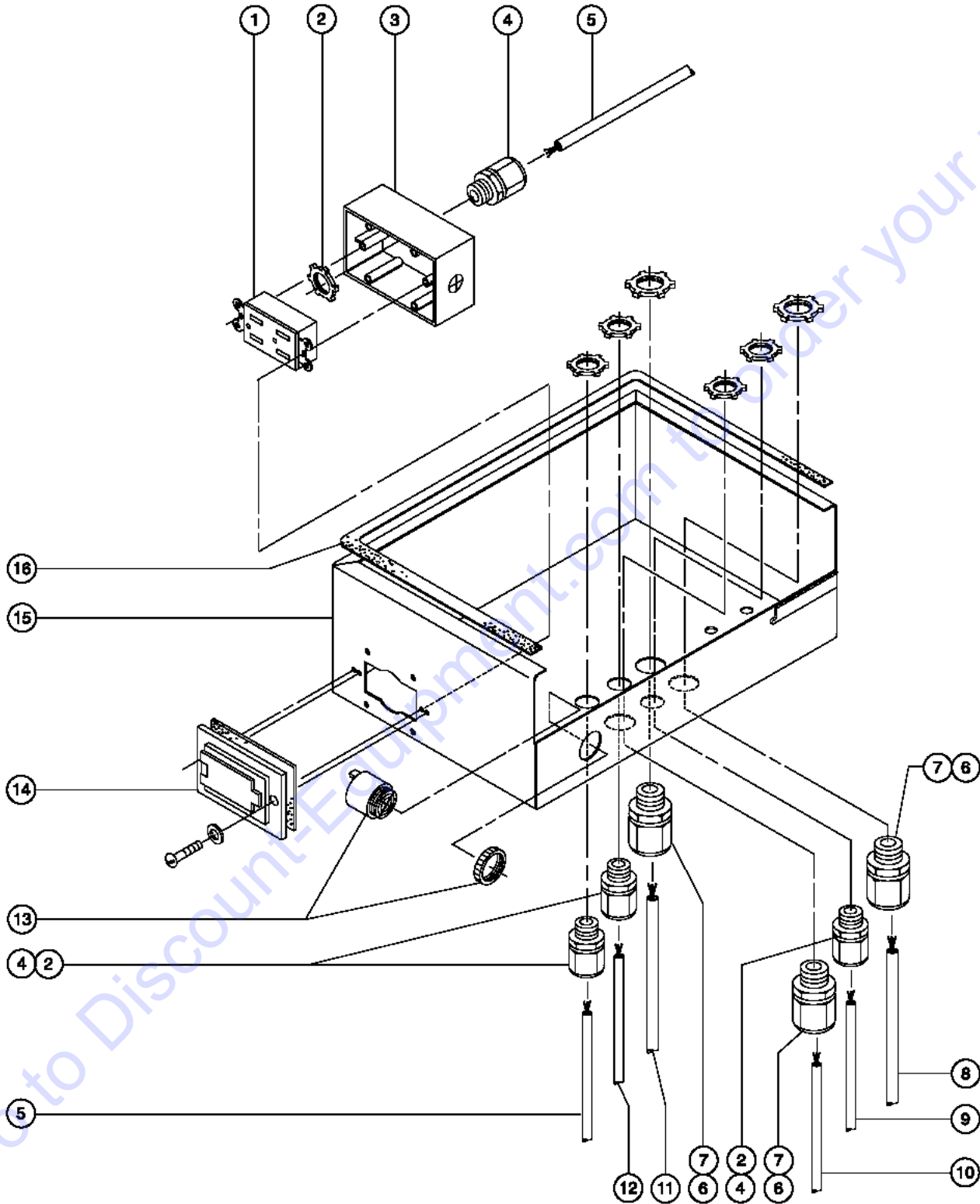
Item	Part No.	Description	Qty.
1	45415GT	ELBOW,070221-4-4.....	2
2	13755GT	CONNECTOR,070120-4-4.....	6
3	36473GT	HOSE ASSEMBLY,65".....	1
4	36472GT	HOSE ASSEMBLY,56.5".....	1
5	36470GT	HOSE ASSEMBLY, 32.5".....	1
6	36471GT	HOSE ASSEMBLY, 33".....	1
7	13921GT	ELBOW,070220-4-4.....	2
8	36474GT	HOSE ASSEMBLY, 208".....	4
9	19679GT	UNION,070101-4-4.....	2
10	12340GT	ELBOW,070220-4-6.....	5
11	36567GT	HOSE ASSEMBLY,21".....	2
12	36475GT	HOSE ASSEMBLY, 223".....	2
13	13756GT	CONNECTOR,070120-4-6.....	20
14	24692GT	TEE,BRANCH,070433-4.....	2
15	36485GT	HOSE ASSEMBLY, 186".....	2
16	31193GT	ELBOW,070320-4-6.....	2
17	36482GT	HOSE ASSEMBLY, 171".....	2
18	36481GT	HOSE ASSEMBLY, 185".....	2
19	36483GT	HOSE ASSEMBLY, 82".....	2
20	45412GT	CONNECTOR,070120-6-6.....	1
21	45878GT	ELBOW,070321-6-6.....	1
22	45411GT	ELBOW,070320-6-6.....	1
23	36569GT	HOSE ASSEMBLY, 22".....	1
24	13757GT	TEE,RUN,070432-4.....	1
25	36568GT	HOSE ASSEMBLY, 17".....	1

501.1 Platform



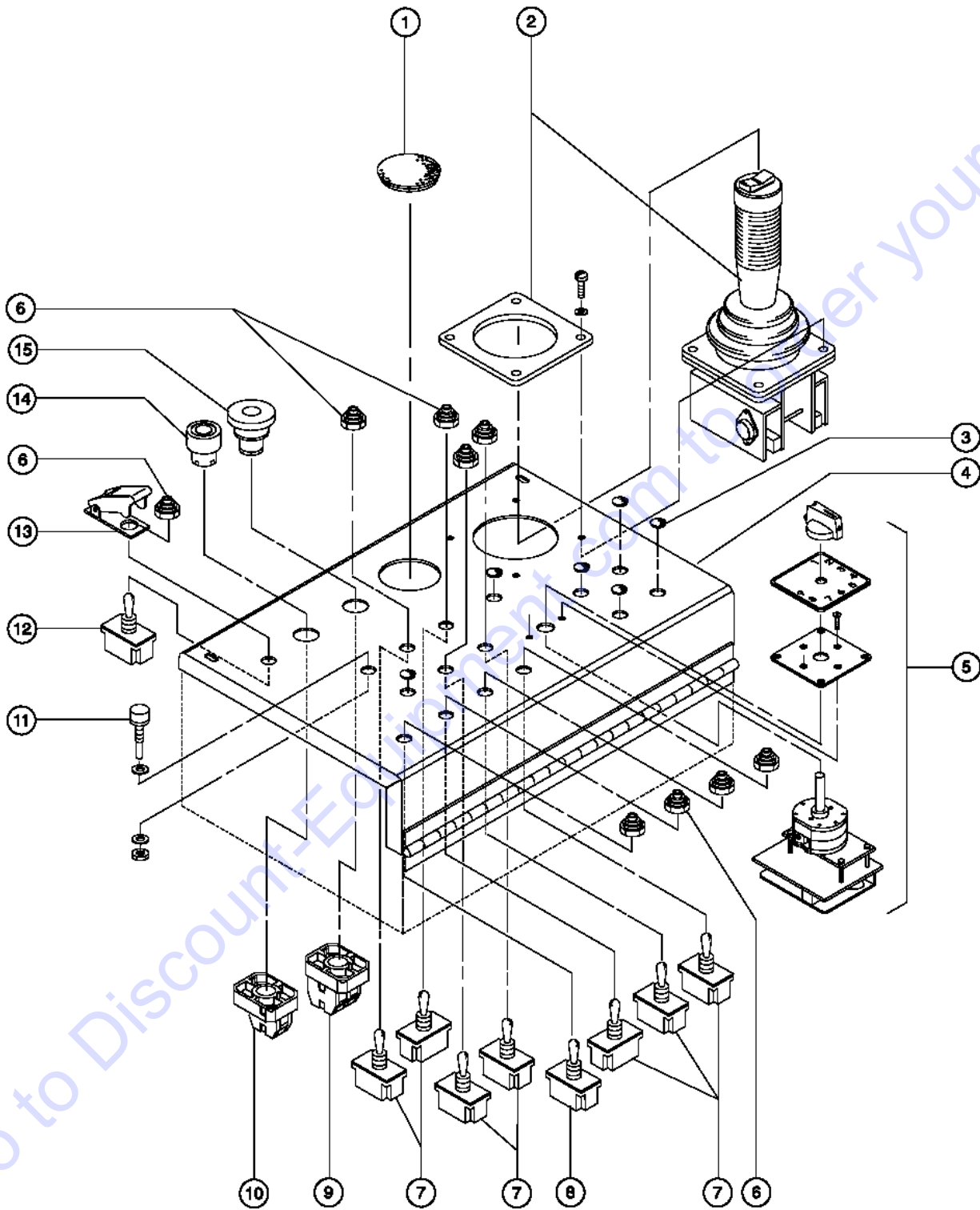
Item	Part No.	Description	Qty.	Item	Part No.	Description	Qty.
1	37130GT	CONTROL BOX W/ DECAL, PLAT.....	1	9	12906GT	WASHER,FENDER,.25 X 1.25 X.062.....	2
2	36600GT	FOOT SWITCH WIRE ASSY W/CONN.....	1	10	6091GT	NUT,NYLOCK,1/4-20.....	10
--	22431GT	TERMINAL,ANDERSON,30A 12-16 GA.....	1	11	37131GT	PLATFORM W/DECALS 4FT,DC..... <i>37131GT is no longer avlable. Order upgrade kit 74785 or 74787</i>	1
--	22432GT	ANDERSON HOUSING,15-45 AMP BLK.....	1	--	54817P-SGT	TOEBOARD,PLTFM ENTRY EUR,PNTD*.....	1
--	22433GT	ANDERSON HOUSING,15-45,AMP,WHT.....	1	--	74784GT	PLAT/SUP.UPGRADE KIT 4FT ANSI* <i>ANSI models</i>	
--	22434GT	ANDERSON HOUSING,15-45 AMP RED.....	1	--	74785GT	PLAT/SUPP.UPGRADE KIT 4FT CE** <i>CE models</i>	
--	43956GT	WIRE CABLE,14/3 CON.TPE JKT*.....	1	12	6550GT	U-BOLT,3/8 X 1 YZ.....	6
--	45201GT	SPACER,LONG ANDERSON.....	1	13	6097GT	WASHER,FLAT,USS,3/8",Y.....	6
--	45202GT	PIN,ROLL,.094 X .875.....	1	14	4828GT	NUT,NYLOCK,3/8-16.....	6
--	45313GT	PLUG,W/LATCH,4 POLE,ANDERSON...1		15	12443GT	MIDRAIL GUIDE (HOOK).....	2
3	29431GT	CONNECTOR ASSEMBLY,FOOTSWITCH.....	1	16	102992GT	SLIDING MIDRAIL KIT,PTD..... <i>includes index numbers 8, 10, 15 and 17</i>	1
--	22431GT	TERMINAL,ANDERSON,30A 12-16 GA.....	1	17	6638GT	WASHER,FLAT,USS,1/4"Y.....	8
--	22432GT	ANDERSON HOUSING,15-45 AMP BLK.....	1	--	33996GT	SCREWDRIVER,TERMINAL BLOCK.....	1
--	22433GT	ANDERSON HOUSING,15-45,AMP,WHT.....	1	18A	44743GT	MANUAL BOX W/DECALS***..... <i>USA/Canada/Australia</i>	1
--	22434GT	ANDERSON HOUSING,15-45 AMP RED.....	1	18B	24514GT	BOX,INSTRUCTION STORAGE <i>Europe/Asia/South America (decal required; refer to Section100)</i>	
--	45139GT	RECEPT.,SNAP-IN,4 POLE ANDERSN.....	1	19	6090GT	SCREW,HHC,1/4-20 X .75.....	4
--	45200GT	SPACER,SHORT ANDERSON.....	1	20		Ref. Platform Rotator..... <i>refer to section 406.1</i>	4
--	45202GT	PIN,ROLL,.094 X .875.....	1				
4A	32710GT	GUARD,FOOTSWITCH,W/DECAL STEEL..... <i>for PN 13482GT</i>	1				
4B	30807P-SGT	FOOTSWITCH HOUSING,PAINTED <i>for upgrade kits 228469GT & 228470GT</i>					
5A	13482GT	FOOT SWITCH***..... <i>includes fasteners</i>	1				
--	20262GT	MICROSWITCH,13482 FOOTSWITCH...1 <i>for PN 13482GT</i>					
5B	228469GT	KIT, FOOTSWITCH, Z30/Z34 WORD <i>(upgrade kit) ANSI models</i>					
--	227620GT	ASSEMBLY,FOOT SWITCH <i>for upgrade kit 228469GT</i>					
5C	228470GT	KIT, FOOTSWITCH, Z30/Z34 SYM <i>(upgrade kit) CE models</i>					
--	227620GT	ASSEMBLY,FOOT SWITCH <i>for upgrade kit 228470GT</i>					
6	6178GT	NUT,NYLOCK,10-32.....	2				
7	17626GT	SCREW,FHM,10-32 X .75.....	2				
8	6888GT	SCREW,HHC,1/4-20 X 1.....	6				

502.1 Platform Controls - View 1



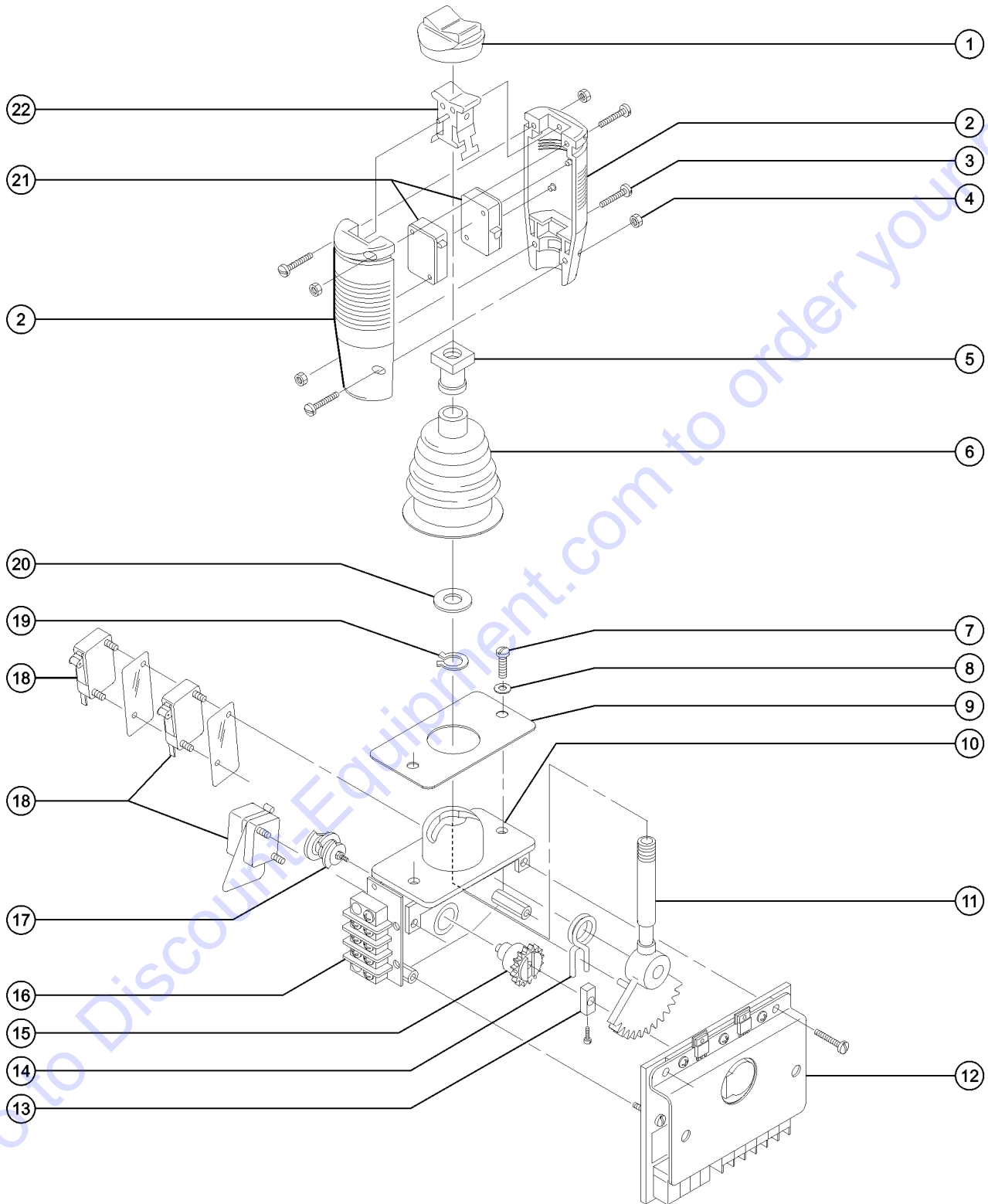
Item	Part No.	Description	Qty.
1A	13585GT	OUTLET, 110V.....	1
1B	35003GT	RECEPTACLE, BRITISH, 110V.....	1
2	6935GT	LOCKNUT,ELEC, 1/2".....	4
3	10775GT	T-BOX,2.75 X 4.5 X 2.0.....	1
4	7056GT	CONN,SQUEEZE,1/2NPT .38-.50,SM....	4
5	43956GT	WIRE CABLE,14/3 CON.TPE JKT*.....	600-inches
6	12960GT	CABLE SQUEEZE CONN.,XTRA LRG...3	
7	14041GT	LOCKNUT,ELECTRIC,3/4".....	3
8	35934GT	WIRE CABLE,18/19 CON.TPRJKT.....	600-inches
9	30794GT	WIRE,12/3 SJEOW,BK-WH-GR/YL.....	600-inches
10	35934GT	WIRE CABLE,18/19 CON.TPRJKT.....	600-inches
11	6540GT	WIRE CABLE,16/6,SO,BULK...136-inches	
12	36600GT	FOOT SWITCH WIRE ASSY W/CONN.....	1
13	45383GT	ALARM,WARBLE TONE 5-30 VDC***	1
14	45437GT	COVER,GFCI,WEATHERPROOF..... <i>includes mounting fasteners; North America</i>	1
15	37130GT	CONTROL BOX W/ DECAL, PLAT..... <i>includes index number 16</i>	1
16	36235GT	GASKET,PLAT.CONTROL BOX.....	1

503.1 Platform Controls - View 2



Item	Part No.	Description	Qty.
1	45840GT	PLUG,NYLON 2.00 BLACK DOMED.....	1
2A	42032GT	JOYSTICK,CNTRLLR SINGLE BRD***...	1
2B	42032HGT	JOYSTICK,CNTRLLR SINGLE BRD <i>aftermarket joystick</i>	
3	45384GT	PLUG,NYLON .50 BLACK DOMED.....	6
4	37130GT	CONTROL BOX W/ DECAL, PLAT.....	1
5	36557GT	ROTATIONAL CONTROLLER,24V***...	1
6	27246GT	BOOT,TOGGLE SWITCH,SHORT*.....	9
7	128202GT	SWITCH TOGGLE ASSY DPDT 3P MOM.....	7
		<i>includes mounting fasteners</i>	
8	13037-SGT	SWITCH,TOGGLE,SPDT,3POS MOMEN*.....	1
		<i>includes mounting fasteners</i>	
9	66821GT	BASE,WITHOUT CONTACTS.....	1
--	66818GT	CONTACT, N.C.....	2
10	66815GT	BASE, W/1 N.O. CONTACTS***.....	1
--	66816GT	CONTACT,N.O.***.....	1
11	36373GT	LED,RED 24V.....	1
		<i>includes mounting fasteners</i>	
12	13480-SGT	SWITCH,TOGGLE,DPDT,2POS MOMEN.....	1
		<i>includes mounting fasteners</i>	
13	13471GT	COVER, AUXILIARY POWER SWITCH.....	1
14	122513GT	KIT,HORN SVC BB&SM BOOM.....	1
15	122514GT	KIT,ESTOP SVC BB&SM BOOM.....	1

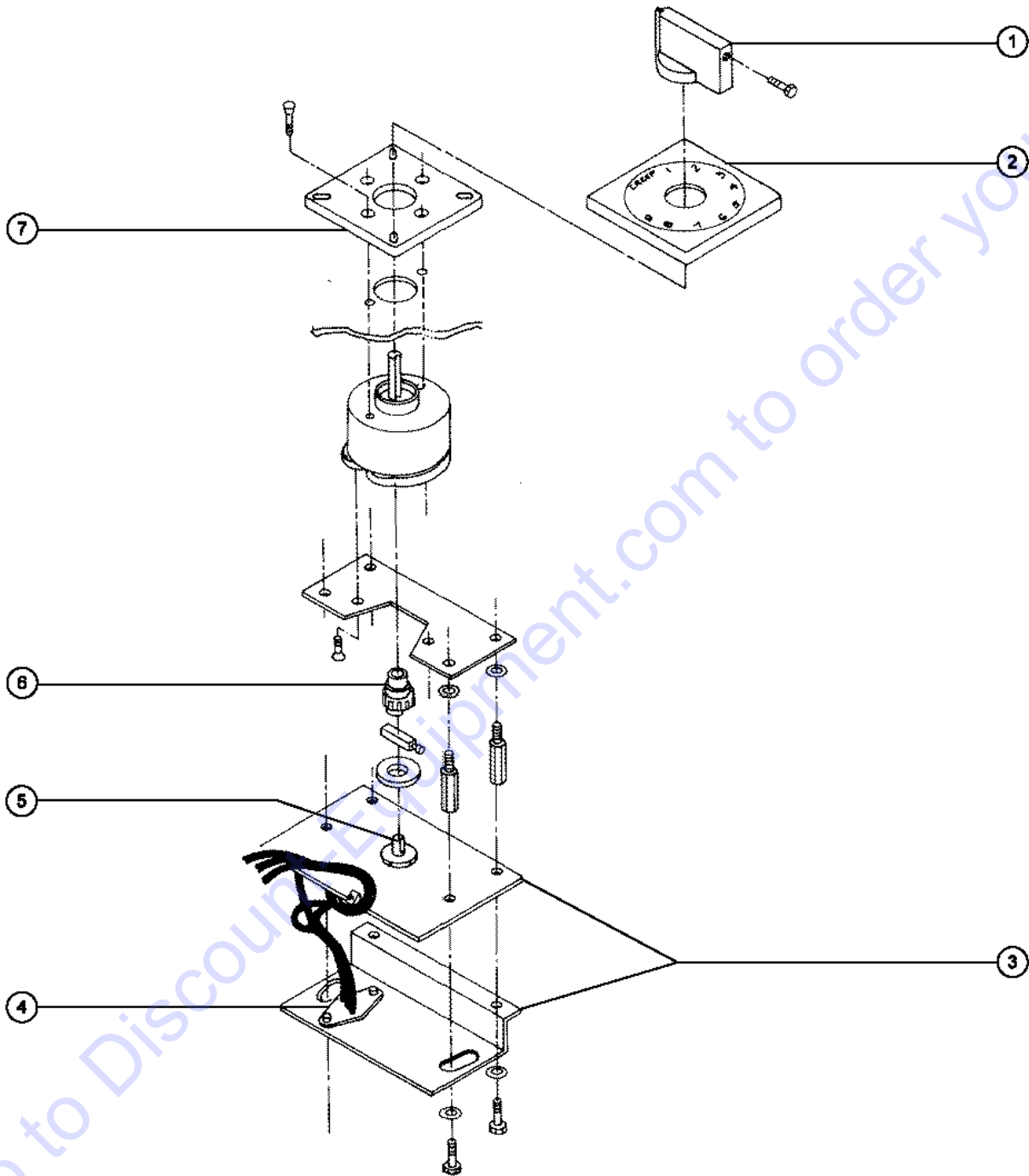
504.1 Joystick Controller - Drive / Steer Functions



504.1 Joystick Controller - Drive / Steer Functions

Item	Part No.	Description	Qty.
--	42032GT	JOYSTICK,CNTRLLR SINGLE BRD*** <i>OEM joystick, contains all shown service parts</i>	
--	42032HGT	JOYSTICK,CNTRLLR SINGLE BRD <i>aftermarket joystick replacement</i>	
1	43038GT	BOOT-THUMB ROCKER** BLACK.....1	
2	52887GT	HANDLE HALF (56274).....2	
3	52895GT	SCREW,PHM,M3 X .5 X 12MM	
4	52928GT	NUT-HEX,3M X 0.5MM	
5	43040GT	NUT,JS,36867/42032/44988/40612	
6	21427GT	BOOT,CONTROLLER**1	
7	49816GT	SCREW,PHILLIPS,PHM,10-32 X .75	
8	74362GT	WASHER,NYLON, JOYSTICK	
9	43042GT	GASKET,JOYSTK.SHAFT36867/42032..1	
10	58987GT	CASTING 42032.....1	
11	46227GT	SHAFT ASSY, JOYSTICK***.....1 <i>includes gear</i>	
12	43045GT	PCB,ASSY,42032 CONTROLLER.....1	
13	65529GT	COUPLING-POT,JOYSTICK (56579)....1	
14	21434GT	SPRING & BUSHING KIT,RETURN***1	
15	19731GT	GEAR, SLAVE, MS4,45048.....1	
16	74363GT	TERMINAL BUSS,JOYSTICK(42032)....1	
17	74364GT	CAM ASSEMBLY, JOYSTICK(42032)....1	
18	19712GT	MICROSWITCH,V3L-139-D8.....4	
19	74365GT	C-CLIP, SHAFT, JOYSTICK.....1	
20	74366GT	WASHER, FLAT, SHAFT, JOYSTICK	
21	19722GT	MICROSWITCH-V319M***2	
22	58986GT	ROCKER ASSY (42032)***1 <i>yellow plastic</i>	
--	65178GT	ROCKER ASSY W/ROLLPIN*** <i>black plastic</i>	

505.1 Rotational Controller - Boom Function Speed

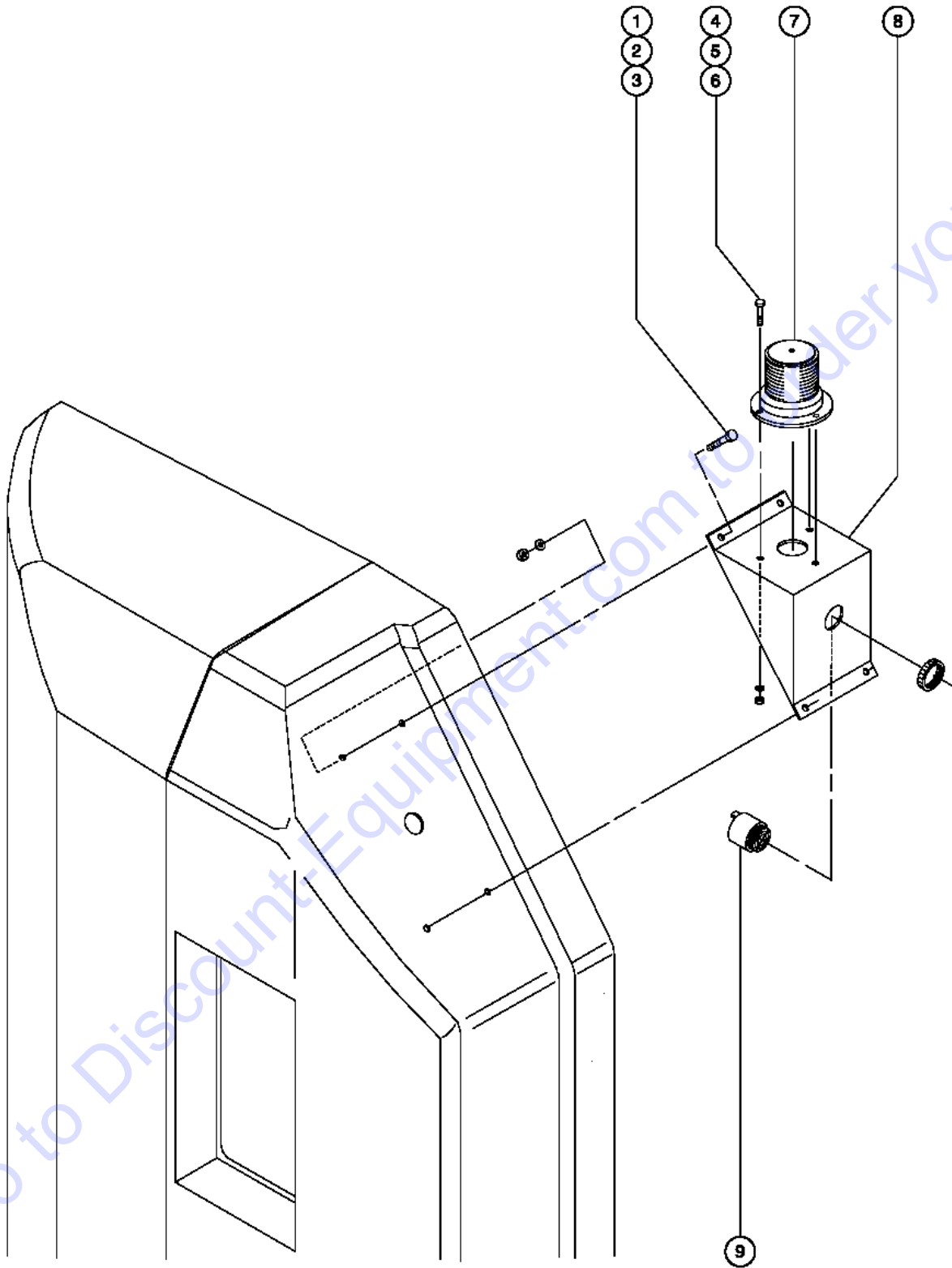


505.1 Rotational Controller - Boom Function Speed

Item	Part No.	Description	Qty.
--	36557GT	ROTATIONAL CONTROLLER,24V***	
1	19726GT	CONTROL KNOB,45048.....1	1
2	35680GT	LEGEND,PLSTC,"CREEP TO 9"***1	1
3A	19728GT	PCB,ASSY,45048.....1 <i>for controller 45048 (includes index numbers 4 and 5)</i>	1
3B	40433GT	PCB,ROTATOR CONTROLLER 36557* <i>for controller 36557</i>	
4	19730GT	TRANSISTOR,45048.....1	1
5	19729GT	POTENTIOMETER,56886.....1	1
6	19731GT	GEAR, SLAVE, MS4,45048.....1	1
7	19727GT	PLATE,LEDGEND MOUNT,45048.....1	1

Go to Discount-Equipment.com to order your parts

601.1 Alarm and Beacon Package

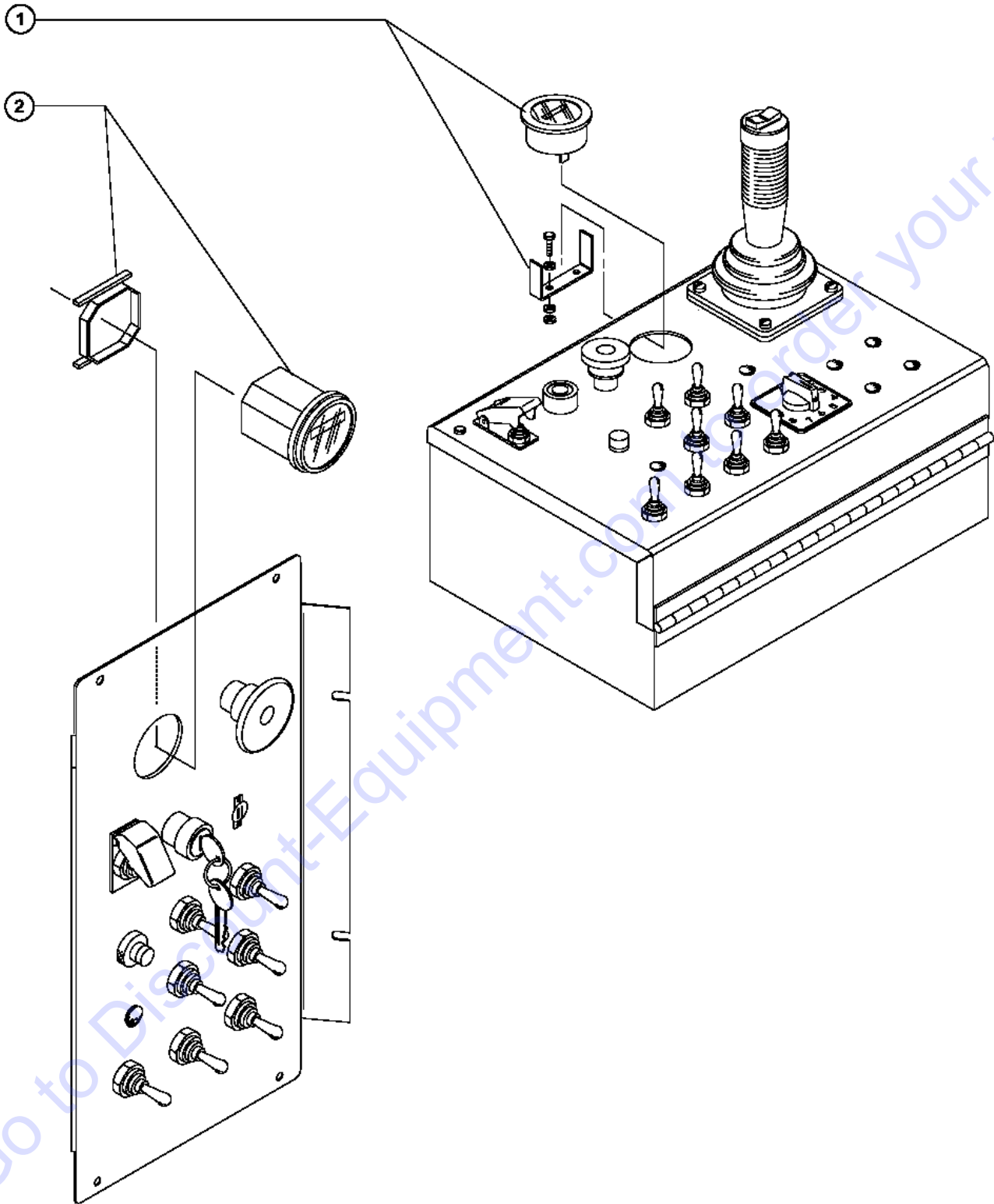


601.1 Alarm and Beacon Package

Item	Part No.	Description	Qty.
--	36015GT	Z30N ALARM PACKAGE	
1	6090GT	SCREW,HHC,1/4-20 X .75.....	4
2	6638GT	WASHER,FLAT,USS,1/4"Y.....	4
3	6091GT	NUT,NYLOCK,1/4-20.....	4
4	6066GT	SCREW,RHM,10-32 X .38.....	3
5	6146GT	WASHER,FLAT,MS,#10,Y.....	3
6	6178GT	NUT,NYLOCK,10-32.....	3
7	56704GT	STROBE,FIREBOLT,12-80VDC,AMB**...1	
--	122019GT	FLASHTUBE,U SHAPED,360DEG,BULB	
--	226393GT	FLASHTUBE,STRAIGHT,360DEG,BULB	
--	72282GT	LENS,AMBER,STROBE,FIREBOLT	
8	36297PGT	BRACKET,BEACON SUPPORT.....	1
9	45462GT	ALARM,CHIME TONE 5-25VDC***.....	1

Go to Discount-Equipment.com to order your parts

602.1 Hour Meter and Battery Charge Indicator



602.1 Hour Meter and Battery Charge Indicator

Item	Part No.	Description	Qty.
1	237145GT	IND,BAT CHARGE,48V LEAD-ACID.....1 <i>includes mounting bracket</i>	
2	19506GT	HOUR METER,10-80 VOLTS***.....1 <i>includes mounting bracket</i>	

Go to Discount-Equipment.com to order your parts

Part Number Index

The Part Number Index is a numeric index of all part numbers included in this manual. The index shows what page(s) the part is used on.

Part Number	Page	Part Number	Page	Part Number	Page	Part Number	Page
10107GT	37	18396GT	47, 49	27262GT	19	35542GT	11
101557GT	53	18503GT	25	27263GT	19	35583GT	13
101703GT	19	18506GT	25, 37, 41	27275GT	29	35585GT	11
10262GT	53	18605GT	43	27372GT	29	35587GT	23
102992GT	61	18920GT	17	27419GT	25	35611GT	57
10597GT	57	18963GT	43	27532GT	33	35680GT	69
106086GT	47	19245GT	17	27564GT	13	35934GT	63
106427GT	47	19440GT	15	27647GT	55	36015GT	71
106428GT	47	19491GT	47, 51, 53	27699GT	55	36054-SGT	57
106429GT	47	19506GT	73	27830GT	19	36062GT	57
106433GT	51, 53	19520GT	21	28157GT	11, 39	36077GT	57
106434GT	47	19533GT	19	28161GT	13	36081GT	51
10665GT	57	19679GT	59	28165GT	13	36123GT	15
10775GT	63	19712GT	67	28171GT	11	36124GT	23
110947GT	41	19722GT	67	28174GT	11, 13	36125GT	55
11413GT	57	19726GT	69	28175GT	13	36126PGT	55
114317GT	23	19727GT	69	28176GT	13	36163-SGT	15
114318GT	23	19728GT	69	28177GT	11	36176GT	31, 33
114319GT	23	19729GT	69	28181GT	11	36179GT	37
119111GT	29	19730GT	69	28235GT	11, 13	36186GT	57
119556GT	23	19731GT	67, 69	28236GT	13	36189GT	57
122019GT	71	19815GT	25, 37	28372GT	11	36190GT	57
122366GT	35	19816GT	25, 37	28750GT	17, 33, 57	36192GT	53
122512GT	35	20224GT	33	29032GT	17, 33	36194GT	49, 51
122513GT	65	20262GT	61	29063GT	17	36198GT	51
122514GT	35, 65	21138GT	37	29080GT	53	36199GT	57
12340GT	27, 45, 59	21143GT	23	29431GT	61	36200GT	49
12443GT	61	21144GT	23	29605GT	57	36202GT	49
1255452GT	15, 49, 51	21145GT	23	29737GT	33	36205GT	49
1268GT	11, 13	21146GT	23	29803GT	11	36211GT	15
128138GT	21	21148GT	23	29868GT	21	36212GT	21
128202GT	35, 65	21166GT	15	30138GT	53	36221GT	53
1284189GT	29	21427GT	67	30217GT	57	36235GT	63
128565GT	29	21434GT	67	30255GT	49, 57	36245GT	47, 49
128618GT	29	2166GT	17	30348GT	41	36246GT	47, 49
128619GT	29	21982GT	35	30430GT	29, 37	36249-SGT	57
128620GT	29	22202GT	29	30748GT	53	36257GT	43
128621GT	29	22262GT	37	30794GT	63	36260GT	23
128622GT	29	22263GT	37	30807P-SGT	61	36268PGT	25
128632GT	47	22264GT	25	31060GT	11, 13	36269GT	19
1286606GT	23	22265GT	25	31078GT	49	36279GT	57
128674GT	41	22431GT	61	31106GT	47, 49	36281GT	53, 57
128675GT	41	22432GT	61	31193GT	59	36297PGT	71
128728GT	41	22433GT	61	31194GT	29	36313GT	19
128899GT	29	22434GT	61	31498GT	57	36320GT	37
12906GT	41, 61	226148GT	41	31508GT	13	36345PGT	47
12960GT	63	226393GT	71	31527GT	33	36355GT	25
13002GT	25	22700GT	41	31528GT	33	36356GT	25
13008-3GT	19	227620GT	67	31785GT	13	36366GT	47
13008-5GT	19	22788GT	41	31786GT	13	36369GT	21
13008-6GT	19	22794GT	29, 37	31787GT	13	36373GT	65
13009GT	49	22811GT	23	31788GT	13	36378GT	31
13037-SGT	65	228469GT	61	32150GT	11, 13	36379PGT	57
13064GT	23, 29	228470GT	61	32151GT	11, 13	36385GT	31
13120GT	45	22959GT	39	32224GT	29	36388GT	31, 37, 43
13471GT	35, 65	23314GT	25	32673GT	15	36389GT	49
13480-SGT	35, 65	23321GT	45	32700GT	11	36390GT	49
13482GT	61	23417GT	25	32710GT	61	36391PGT	43
13511GT	35	237145GT	73	33265GT	57	36392PGT	43
13585GT	63	23844GT	37	33428GT	31, 51, 57	36393PGT	43
13755GT	59	23845GT	25	33487GT	51, 57	36414GT	43
13756GT	27, 45, 59	24514GT	61	33550GT	11, 13	36415GT	43
13757GT	45, 59	24692GT	59	33608GT	31	36423PGT	37
13852GT	57	25034GT	17	33609GT	31	36424GT	21
13918GT	23, 53	25068GT	29	33952GT	13	36443GT	23
13921GT	27, 59	25613GT	39	33994GT	33	36456GT	37, 41
14033GT	19, 31, 37, 49	25683GT	47, 49, 51, 57	33996GT	61	36457GT	43
14041GT	63	25817GT	15	34125GT	53	36459GT	29
147094GT	35	25836GT	31	34245GT	47, 49, 51	36463GT	27
147139GT	53	25837GT	31	34615GT	29, 37	36464GT	27
147143GT	53	25974GT	31	35003GT	63	36465GT	45
1484GT	11, 13	27048GT	33, 57	35497GT	45	36466GT	45
16486GT	51, 53	27126GT	21	35534GT	11, 13	36467GT	45
17626GT	25, 61	27246GT	35, 65	35540GT	13	36468GT	45
18078GT	19	27258GT	55	35541GT	11	36469GT	45

Part Number	Page	Part Number	Page	Part Number	Page	Part Number	Page
36470GT	59	37126GT	47	45209GT	21	58344GT	29
36471GT	59	37127GT	47	45212GT	31	58345GT	29
36472GT	59	37128GT	57	45313GT	61	58360GT	29
36473GT	59	37129GT	35, 43	45361GT	45	58448GT	23
36474GT	59	37130GT	61, 63, 65	45366GT	45	58986GT	67
36475GT	59	37131GT	61	45382GT	21, 53	58987GT	67
36476GT	27	37184GT	37	45383GT	63	6019GT	51, 57
36477GT	27	37185GT	37	45384GT	35, 65	6021GT	15, 31, 37, 43, 49, 51, 53, 57
36478GT	27, 45	37186GT	37	45411GT	45, 59	6024GT	21
36479GT	27, 45	37187GT	37	45412GT	45, 59	6033GT	23, 57
36480GT	29, 37	37188GT	23	45415GT	59	6066GT	71
36481GT	45, 59	37189GT	23	45425GT	47	6090GT	15, 19, 21, 23, 25, 31, 37, 41, 43, 53, 55, 61, 71
36482GT	59	37192GT	37	45437GT	63	6095GT	47
36483GT	59	38110GT	11	45462GT	71	6097GT	19, 23, 31, 37, 43, 61
36484GT	45	38111GT	11	45465GT	21	6145GT	57
36485GT	59	38112GT	11	45543GT	17	6146GT	43, 71
36552GT	15	38113GT	23	45544GT	17	6178GT	31, 53, 61, 71
36553GT	23	38114GT	23	45645GT	43	6198GT	47
36554GT	27	38115GT	23	45745GT	53	62276GT	17
36556GT	21	38130GT	11, 13	45840GT	35, 65	6272GT	35
36557GT	65, 69	38155GT	39	45873GT	15	6356GT	15, 19, 21, 23, 25, 37, 41, 53, 57
36561-SGT	57	38156GT	39	45878GT	45, 59	6357GT	31, 37, 43
36567GT	59	38160GT	39	45911GT	17	65178GT	67
36568GT	45, 59	38472GT	31	45912GT	17, 33, 57	6540GT	63
36569GT	45, 59	40145GT	15	46227GT	67	6550GT	61
36570GT	43	40146GT	15	46236GT	39	65529GT	67
36574GT	43	40318GT	39	46241GT	39	6563GT	21, 53
36575GT	43	40411GT	33	47377GT	51	65842GT	57
36576GT	21	40412GT	33	4828GT	19, 23, 31, 37, 49, 51, 53, 57, 61	6606GT	31
36577GT	21	40413GT	17, 33, 57	48400GT	51	6607GT	37, 47, 51, 53
36578GT	25	40423GT	17	48406GT	53	6637GT	31
36579GT	21	40424GT	17	48504GT	41	6638GT	15, 19, 23, 31, 37, 41, 43, 47, 53, 55, 57, 61, 71
36581GT	47	40433GT	69	48880GT	33	66717GT	25
36600GT	61, 63	40446GT	47	48921GT	47	66812GT	35
36648GT	53	40665GT	57	48938GT	41	66815GT	65
36652GT	47	40983GT	57	48997GT	33	66816GT	35, 65
36653GT	55	42032GT	65, 67	49816GT	67	66818GT	35, 65
36658GT	23	42032HGT	65, 67	49819GT	41	66821GT	35, 65
36662GT	47	42422GT	57	52087GT	23	6833GT	55
36664GT	47	42439GT	31	52339GT	17, 33, 57	6886GT	25, 37
36677GT	37	42616GT	31	52620GT	51, 57	6888GT	19, 21, 43, 61
36678GT	37	42764GT	15, 17	52625GT	51	6889GT	31, 43, 55
36998GT	41	42785GT	41	52718GT	33	6935GT	19, 43, 63
37051GT	13	42920GT	41	52724GT	57	7056GT	19, 43, 47, 63
37052GT	13	42922-SGT	41	52887GT	67	72282GT	71
37053GT	13	42929GT	41	52895GT	67	72319GT	23
37054GT	13	42991GT	41	52928GT	67	72326GT	43
37055GT	13	43038GT	67	52943GT	17	7339GT	21, 25, 31, 37, 43, 55
37056GT	13	43040GT	67	52968GT	13	73928GT	57
37073GT	17	43042GT	67	53534GT	41	74066GT	53
37075GT	17	43045GT	67	5361GT	15	74091GT	51
37076GT	33	43937GT	51	5397GT	25	74266GT	25
37079GT	33	43956GT	61, 63	53994GT	23	74267GT	25
37080GT	33	44133GT	47	54627GT	15, 23	74268GT	37
37090GT	57	44586GT	31	54794GT	19	74362GT	67
37091GT	11	44743GT	61	54795GT	19	74363GT	67
37092GT	11	44778GT	23, 37	54796GT	19	74364GT	67
37093GT	11	44793GT	39	54797GT	19	74365GT	67
37094GT	11	44794GT	39	54817P-SGT	61	74366GT	67
37095GT	13	44796GT	39	55921GT	41	74508GT	53
37096GT	13	45043GT	15	56022GT	41	74509GT	53
37097GT	23	45066GT	23	56704GT	71	74634GT	41
37098GT	57	45071GT	15, 47, 49, 51	56749GT	57	74735GT	57
37100GT	15	45074GT	15	56757GT	49	74784GT	61
37101GT	23	45087GT	37	56823GT	17	74785GT	61
37102GT	21	45107GT	15	56875GT	31		
37103GT	21	45108GT	15	56912GT	15, 19, 23, 31		
37104GT	21	45110GT	15	58108GT	43		
37105GT	43	45111GT	15	58208GT	41		
37106GT	43	45112GT	15	58296GT	29		
37107GT	21	45113GT	15	58330GT	29		
37108GT	21	45114GT	15	58331GT	29		
37109GT	15	45139GT	61	58332GT	29		
37110GT	15	45200GT	61	58333GT	29		
37112GT	13	45201GT	61	58343GT	29		
37125GT	47, 51	45202GT	61				

Part Number Index (continued)

Part Number	Page
74795GT	51, 53
74865GT	57
74866GT	57
74902GT	17
74945GT	47
76450GT	47
77692GT	15, 31, 37, 43, 49, 51, 53, 57
77981GT	41
77990GT	41
825019GT	49, 51, 53, 57
83086GT	53
8342GT	27
8357GT	23
8516GT	49
88280GT	51
88337GT	15
88338GT	15
88356-116R3GT	47
88356-12103GT	47
88356-127J5GT	51, 53
8910GT	21
8914GT	41
8915GT	41
94195GT	53
94211GT	47, 49
94215GT	51
94216GT	51
94217GT	57
94254GT	47, 49
94256GT	53
94258GT	51
94259GT	51
94260GT	57
94428GT	41
97128GT	47
97890GT	13
T107884GT	57

Go to Discount-Equipment.com to order your parts

The Part Description Index is an alphabetical index of all part descriptions included in this manual. The index shows what page(s) the part is used on.

A

ALARM, CHIME TONE 5-25VDC***71
 ALARM, INTERMITTENT TONE 6-30V*43
 ALARM, WARBLE TONE 5-30 VDC***63
 AMMETER-BOOM CHARGER19
 ANDERSON HOUSING, 15-45 AMP BLK61
 ANDERSON HOUSING, 15-45 AMP RED61
 ANDERSON HOUSING, 15-45, AMP, WHT61
 ARM, LOWER COMP W/ CNTRWEIGHT47
 ASSEMBLY, FOOT SWITCH61
 ASSY, CIRCUIT BREAKER 15A35

B

BASE, W/1 N.O. CONTACTS***65
 BASE, WITHOUT CONTACTS35, 65
 BAT. CABLE ASSY, G.C. SIDE, Z3421
 BAT. CABLE ASSY, TANK SIDE, Z3421
 BATTERY BOX ASSY W/DECALS LS21
 BATTERY BOX ASSY W/DECALS RS21
 BATTERY CABLE ASSY, 9.5" JUMPER21
 BATTERY, 350AH, GROUP L16G(DRY)21
 BEARING KIT (45553) TORQUE HUB23
 BEARING KIT, MICO BRAKE23
 BEARING KIT, ROTATOR, 9K***57
 BEARING RACE (LARGE) (45873)15
 BEARING RACE (SMALL) (45873)15
 BEARING, 0.75ID X 1.00OD X 0.75L21
 BEARING, 1.00ID X 1.25OD X 1.00L15
 BEARING, 1.25 ID X 1.5 OD X .7551
 BEARING, 1.25ID X 1.50OD X 1.25L57
 BEARING, 1.25ID X 1.50OD X 1.50L49
 BEARING, 1.25ID X 1.50X 1.25L47, 49, 51
 BEARING, 1.50 X 1.66 X 1.551
 BEARING, 1.5ID X 1.75OD X 0.75L51
 BEARING, 1.5ID X 1.75OD X 1.0L47, 49
 BEARING, 1.5ID X 1.75OD X 1.5L15, 47, 49, 51
 BEARING, CONE LM501349 (74994)29
 BEARING, CONE***29
 BEARING, CUP LM501310 (74994)29
 BEARING, CUP***29
 BEARING, FL, 1.00ID X 1.25OD X 0.84L47, 49
 BEARING, FL, 1.25ID X 1.50OD X 1.09L47, 49
 BEARING, FL, 1.25ID X 1.50OD X 1.25L57
 BEARING, MOTOR, 36843, BRUSH END*23, 37
 BEARING, POLYGON, 20DU1247, 49, 51, 57
 BEARING, TURNABLE (21086)29
 BELL CRANK ASSEMBLY, Z30N, Z34**57
 BOOT, CABLE TERM, MED. RED, 4/021
 BOOT, CONTROLLER**67
 BOOT, TOGGLE SWITCH, SHORT*35, 65
 BOOT-THUMB ROCKER** BLACK67
 BOX, INSTRUCTION STORAGE61
 BRACE, LEFT HINGE, BLUE43
 BRACE, RIGHT HINGE, BLUE43
 BRACKET ASSY-RESERVOIR SUPPORT37
 BRACKET, RELAY MOUNTING25, 37
 BRACKET, BEACON SUPPORT71
 BRACKET, CHARGER GAUGE MOUNTING19
 BRACKET, COVER LATCH43
 BRAKE, MICO DRIVE, Z30N, Z34 **23
 BREATHER CAP, MONARCH39
 BRKT. LATCH ATTACH. OBS AFTER 16643

BRUSH HOLDER23
 BRUSH KIT, MONARCH, (4 PIECES)39
 BRUSH, MOTOR23
 BULKHEAD, FEMALE X 429, 37
 BULKHEAD, NUT, 070118-429, 37
 BUMPER, RUBBER, .75 X .50H, STUD31, 37, 43
 BUTTON, PUSH, RED MUSHROOM HEAD35

C

C-CLIP, SHAFT, JOYSTICK67
 CABLE SQUEEZE CONN., XTRA LRG63
 CAM ASSEMBLY, JOYSTICK (42032)67
 CAP, DIAGNOSTIC NIPPLE33
 CAP, DISENGAGE-45553 TORQUE HUB23
 CAP, DUST, 45873 HUB KIT15
 CAP, HYDRAULIC FILTER ASSY41
 CAPACITOR, 6 MFD, 660VAC-CHARGE*19
 CASE COVER, ROTATOR, Z30/34 (119111)29
 CASTING 4203267
 CHANNEL, UPR-PLAS. TRACK-(BLUE55
 CHARGER, 48V, 100-125VAC, 50H, 25A19
 CHARGER, 48V, 100-125VAC, 60H, 25A19
 CHARGER, 48V, 110VAC, 60H, 25A19
 CHARGER, 48V, 200-250VAC, 50H, 25A19
 CHARGER, 48V, 200-250VAC, 60H, 25A19
 CLAMP, 0.50, #8 X 1/4, RUB CUSH55
 CLAMP, HOSE, 1.0041
 COIL, 20VDC17
 COIL, 24V SOLENOID VALVE17, 33
 COIL, SOLND, W/D, 20V DUAL SPADE17, 33, 57
 COIL, SOLND, W/D, 20V SGL SPADE17, 33, 57
 COMPRESSION ARM W/DMT 38.50 **47
 COMPRESSION MEMBER (BORED)***57
 CONN HOUSING SBX175, BATT21
 CONN, 520102-647
 CONN, SQUEEZE, 1/2NPT .38-.50, SM19, 43, 47, 63
 CONN. SQZ, PG 11, .23-.30, W/ORING47
 CONNECTING LINK, MACHINED***47
 CONNECTOR ASSEMBLY, FOOTSWITCH61
 CONNECTOR, 070120-4-1045
 CONNECTOR, 070120-4-459
 CONNECTOR, 070120-4-627, 45, 59
 CONNECTOR, 070120-6-645, 59
 CONTACT, N.C.35, 65
 CONTACT, MOVEABLE, 19550 RELAY25
 CONTACT, MOVING (SW181 & SW182)25
 CONTACT, MOVING, 19549RELAY*37
 CONTACT, N.O.***35, 65
 CONTACT, STATIONARY, 19549RELAY*37
 CONTACT, STATIONARY, 19550 RELAY25
 CONTACTOR, 2X SPDT, 24V/DC25
 CONTACTOR, AUX PUMP 24V, 80A***37
 CONTACTOR, DRIVE, 24V, 180A***25
 CONTACTOR, LIFT PUMP 24V 180A***25
 CONTACTOR, LIMIT SWITCH47, 51, 53
 CONTROL BOX W/ DECAL, PLAT61, 63, 65
 CONTROL KNOB, 4504869
 CONTROLL, 36V/48V, DC MTR. SPD25
 COUPLER, PUMP / MOTOR (36179)37
 COUPLER, 19119 POWER UNIT39

COUPLER, INTERNAL SPLINE, T-HUB23
 COUPLING-POT, JOYSTICK (56579)67
 COVER ASSY W/DECALS, HPU SIDE43
 COVER ASSY, W/D G.C. SIDE, ANSI43
 COVER CAP, TORQUE HUB***23
 COVER SUPPORT WELDMENT RH37
 COVER W/DECAL DR CHAS STR END*15
 COVER W/DECALS NON-STEER 25"23
 COVER W/DECALS, COUNTERWEIGHT**43
 COVER, AUXILIARY POWER SWITCH35, 65
 COVER, BATTERY BOX W/DECALS, 30N21
 COVER, CONTROL PANEL43
 COVER, GFCI, WEATHERPROOF63
 COVER, JIB MANIFOLD PAINTED57
 COVER, TERMINAL STRIP31
 CYLINDER, ELEVATE***47, 49
 CYLINDER, EXTENSION53
 CYLINDER, JIB, Z30N, Z3457
 CYLINDER, LIFT, Z3051
 CYLINDER, MASTER51
 CYLINDER, PRIMARY LIFT51
 CYLINDER, SLAVE, DONGYANG57
 CYLINDER, STEER15

D

DECAL KIT, COSMETIC, Z30N11, 13
 DECAL KIT, SAFETY/INSTRUCTIONAL11, 13
 DECAL, PLATFORM CONTROL PANEL13
 DECAL, POWER TO PLATFORM 230V**11, 13
 DECAL, ARROW, BLUE13
 DECAL, ARROW, YELLOW SM 5-3/8"13
 DECAL, CAUTION, BRAKE RELEASE***11
 DECAL, COSMETIC, GENIE BOOM, VERT13
 DECAL, DANGER DO NOT ALTER SWTC11, 13
 DECAL, DANGER, BATTERY SAFETY***13
 DECAL, DANGER, ELEC. HAZ. STAY CLR13
 DECAL, DANGER, ELECT HAZARD, PLUG13
 DECAL, DANGER, GEN SAFETY RULES11, 13
 DECAL, DANGER, NO SMOKING ***11
 DECAL, DANGER, TILT ALARM13
 DECAL, DANGER, TIP-OVER BATTERY13
 DECAL, GENIE Z30/20N, 4"X26.5"11
 DECAL, GENIE Z30/20N, 6.5"X36"11
 DECAL, GENIE Z30/20N, 9"X19"13
 DECAL, GROUND CONTROL PANEL11
 DECAL, INSTRUCT, FOOTSWITCH OPER13
 DECAL, LABEL, MANUAL NOT HERE13
 DECAL, LABEL, TRAVEL ALARM***11
 DECAL, NOTICE, GRD OPER INSTRUC11
 DECAL, NOTICE, BATT CONNECTION13
 DECAL, NOTICE, BATTERY CABLES11
 DECAL, NOTICE, CHARGER INSTRUC13
 DECAL, NOTICE, HAZARD, MATLS. DC11
 DECAL, NOTICE, LUG NUT TORQUE***11
 DECAL, NOTICE, MAX LOAD 500 LBS13
 DECAL, NOTICE, OPER INST PLAT, DC13
 DECAL, NOTICE, SIDE FRC 150, ANSI13
 DECAL, POWER TO PLATFORM 115V11, 13
 DECAL, STRIPES, 8.75"X3.5"11
 DECAL, TRIANGLE, BLUE13

Part Description Index (continued)

DECAL,TRIANGLE,YELLOW.....13
 DECAL,USE DEXRON***.....11, 39
 DECAL,WARN,CRUSH HAZARD HAND.....13
 DECAL,WARN,CRUSH HAZARD PLAT.....11
 DECAL,WARN,FALL HAZARD.....11
 DECAL,WARN,IMPROPER OPERATION.....13
 DECAL,WARNING,BRAKE RELEASE***.....11
 DECAL,WARNING-COMPART ACCESS.....13
 DECAL,Z,BLUE/GRAY, 7"X5.5".....13
 DECAL,Z,WHITE/GRAY,9"X7".....11
 DIAGNOSTIC FEMALE Q-DSCNT.....33
 DIN CONNECTOR.....17
 DIN RAIL,11.63".....31
 DISCONNECT ROD-45553 TQ.HUB.....23

E

ELBOW,070202-8-12.....45
 ELBOW,070220-4-4.....27, 59
 ELBOW,070220-4-6.....27, 45, 59
 ELBOW,070220-6-6.....45
 ELBOW,070221-4-4.....59
 ELBOW,070302-4-2.....29
 ELBOW,070320-4-6.....59
 ELBOW,070320-6-6.....45, 59
 ELBOW,070321-6-6.....45, 59
 ELBOW,140239-4-4.....17
 ELEMENT,RETURN FILTER.....41
 END SET,PLASTIC TRACK.....55

F

FILTER ASSY .75"NPT**.....37
 FILTER ELEMENT RFM90.....41
 FILTER SCREEN,TANK BREATHER.....41
 FILTER,PICK-UP SCREEN***.....39
 FILTER-RETURN 10 MICRON**.....37
 FITTING,TEE,RUN,SWIVEL520432-8.....41
 FITTING-4 W/.085 ORIFICE.....27
 FLASHTUBE,STRAIGHT,360DEG,BULB.....71
 FLASHTUBE,U SHAPED,360DEG,BULB.....71
 FOOT SWITCH WIRE ASSY W/CONN.....61, 63
 FOOT SWITCH***.....61
 FOOTSWITCH HOUSING,PAINTED.....61
 FUSE ASSY-BOOM CHARGER.....19
 FUSE BLOCK, ANN & ANL FUSE.....25
 FUSE,100 AMP,VERY FAST ACTING.....25
 FUSE,400 AMP,VERY FAST ACTING.....25

G

GASKET,HYDRAULIC TANK.....41
 GASKET,JOYSTK.SHAFT36867/42032.....67
 GASKET,MTR,2A,MAG (74994).....29
 GASKET,PLAT.CONTROL BOX.....63
 GEAR, SLAVE, MS4,45048.....67, 69
 G E A R B O X , R O T A T I O N , P A I N T E D (21087P).....29
 GUARD,FOOTSWITCH,W/DECAL STEEL...61

H

HANDLE HALF (56274).....67
 HARNESS,LS,SEC LIFT LS4 Z30/34.....47
 HEATSINK ASSY W/DIODES (23442).....19
 HINGE,WELD,COVER,CTRLS GRY/BLU.....43
 HINGE,WELD,COVER,PUMP GRY/BLU.....43
 HORN KIT,24V.....31
 HOSE ASSEMBLY, 17".....45, 59
 HOSE ASSEMBLY, 171".....59

HOSE ASSEMBLY, 185".....45, 59
 HOSE ASSEMBLY, 186".....59
 HOSE ASSEMBLY, 20".....45
 HOSE ASSEMBLY, 208".....59
 HOSE ASSEMBLY, 22".....45, 59
 HOSE ASSEMBLY, 223".....59
 HOSE ASSEMBLY, 23.5".....45
 HOSE ASSEMBLY, 24.5".....27
 HOSE ASSEMBLY, 30".....29, 37
 HOSE ASSEMBLY, 32.5".....59
 HOSE ASSEMBLY, 33".....59
 HOSE ASSEMBLY, 37.5".....45
 HOSE ASSEMBLY, 48".....27
 HOSE ASSEMBLY, 56".....27
 HOSE ASSEMBLY, 58".....27
 HOSE ASSEMBLY, 59.5".....45
 HOSE ASSEMBLY, 60".....45
 HOSE ASSEMBLY, 79".....27, 45
 HOSE ASSEMBLY, 82".....59
 HOSE ASSEMBLY, 86".....27, 45
 HOSE ASSEMBLY,16".....45
 HOSE ASSEMBLY,21".....59
 HOSE ASSEMBLY,56.5".....59
 HOSE ASSEMBLY,65".....59
 HOSE COVER ASSY, CABLE TRACK.....55
 HOSE COVER ASSY,LWR SCNDYBOOM.....47
 HOSE COVER,JIB BOOM**.....57
 HOSE COVER,UPPER ARM,PAINTED.....47
 HOSE,RET.FILTER DWN TUBE RUBBE.....41
 HOUR METER,10-80 VOLTS***.....73
 HUB ASSEMBLY MODEL#60-8***.....15
 HYDRAULIC FILTER ASSY.....41
 HYDRAULIC TANK,Z30N.....41

I

IND,BAT CHARGE,48V LEAD-ACID.....73
 INNER CONE - MODEL 60-8.....15

J

JIB BOOM MACHINED.....57
 JOYSTICK,CNTRLLR SINGLE BRD.....65, 67
 JOYSTICK,CNTRLLR SINGLE BRD***.....65, 67

K

KEY,SINGLE***.....35
 KEY-WOODRUFF.....29
 KEYSWITCH,CONTACTS LOCK.....35
 KIT, FOOTSWITCH, Z30/Z34 SYM.....61
 KIT, FOOTSWITCH, Z30/Z34 WORD.....61
 KIT, SERVICE, Z30 LWR COMP ARM.....47
 KIT,ESTOP SVC BB&SM BOOM.....35, 65
 KIT,HORN SVC BB&SM BOOM.....65
 KIT,KEYSWITCH SVC BB & SM BOOM.....35
 KIT,SEAL (74994).....29
 KIT,SEAL,3CC PUMP***.....41
 KIT,TORQUE HUB COVER (45553)**.....23
 KIT,Z30N BRAKE SERVICE (1).....23
 KIT,Z30N BRAKE SERVICE (2).....23
 KIT,Z30N BRAKE SERVICE (3).....23

L

LATCH,ADJUSTABLE DRAW.....43
 LATCH,DRAW,ADJUSTABLE.....21
 LED,RED 24V.....65
 LEGEND,PLSTC,"CREEP TO 9"***.....69
 LENS,AMBER,STROBE,FIREBOLT.....71

LINING KIT, MICO BRAKE**.....23
 LOCKNUT,ELEC,1/2".....19, 43, 63
 LOCKNUT,ELECTRIC,3/4".....63
 LOWER MIDPIVOT ASSY,Z34 &Z34N*.....47
 LOWER SECONDARY BOOM ASSEMBLY*.....47
 LS BLUE PLASTIC BODY (XCKP).....47
 LS METAL END PLUNGER (ZCE10).....47
 LS ROT.HEAD W/O LEVER (ZCE01).....47
 LS SPRING WAND (ZCY91).....51, 53
 LS STL ROLLER PLUNGER (ZCE02).....47
 LUG BOLT,5/8-18,WHEEL HUB***.....15

M

M4 X 0.7 X 8MM RHMS.....25, 37
 MACHINED,EXTENSION TUBE.....53, 57
 MANIFOLD, WITH VALVE (SUN)***.....31
 MANIFOLD,DUAL COUNTERBALANCE.....57
 MANIFOLD,FUNCTION.....31, 33
 MANIFOLD,JIB/ROTATE,24V.....57
 MANIFOLD,STEER/BRAKE***.....15, 17
 MANUAL BOX W/DECALS***.....61
 MICROSWITCH,13482 FOOTSWITCH.....61
 MICROSWITCH,V3L-139-D8.....67
 MICROSWITCH-V319M***.....67
 MIDRAIL GUIDE (HOOK).....61
 MOTOR, 24V (36179).....37
 MOTOR,48V DC,MONARCH***.....39
 MOTOR,FUNCTION,48V DC.....41
 MOTOR,TRACTION,D.C.**.....23
 MOTOR,TURNTABLE O-RING PORTS.....29

N

NIPPLE,DIAGNOSTIC,#4.....33
 NUT - PLASTIC,RING FOR ALARMS.....43
 NUT, SOLENOID VALVE COIL.....17
 NUT,HEX,1-8.....57
 NUT,HEX,1/4-20.....31, 37, 43
 NUT,JS,36867/42032/44988/40612.....67
 NUT,LOCKING-LG.FLANGE,5/16-18.....25
 NUT,LP NYLOCK,1/4-20.....31, 43, 55
 NUT,LUG,5/8-18 X 90 DEGREE,Z45.....15, 23
 NUT,NYLOCK,1/2-13.....47
 NUT,NYLOCK,1/4-20.....19, 25, 31, 37, 41, 43, 47, 53, 55, 57, 61, 71
 NUT,NYLOCK,10-32.....31, 53, 61, 71
 NUT,NYLOCK,3/8-16.....19, 23, 31, 37, 49, 51, 53, 57, 61
 NUT,NYLOCK,5/8-11.....21
 NUT,NYLOCK,8-32.....43
 NUT,SOLENOID VALVE 2P3W.....17, 33, 57
 NUT,SOLENOID VALVE COIL.....17
 NUT,SPINDLE,1-14.....15
 NUT-HEX,3M X 0.5MM.....67
 NUT-VALVE,PROP.SOLENOID-50683.....33

O

O-RING KIT,FIELD SVC,ALL PROD*.....17, 33, 57
 O-RING OR-151 N73038 (74994).....29
 O-RING, TORQUE HUB.....23
 O-RING,17560/25674 PUMP.....39
 O-RING,2-044 BUNA***.....23
 O-RING,FILTER,RETURN TANK.....41
 O-RING,MOTOR TO BRAKE***.....23
 OUTER CONE - MODEL 60-8.....15
 OUTLET, 110V.....63

P

PAD,UPPER PIVOT REST.....47
 PAINT,AEROSOL,BRIGHT BLUE***.....11, 13
 PAINT,AEROSOL,GENIE GRAY***.....11, 13
 PAINT,WET,GENIE BLUE (1 GL)**.....11, 13
 PAINT,WET,GENIE GRAY (1 GL)**.....11, 13
 PANEL,GROUND CONTROL W/ DECAL.....35, 43
 PCB,ASSY,42032 CONTROLLER.....67
 PCB,ASSY,45048.....69
 PCB,ROTATOR CONTROLLER 36557*.....69
 PIN,0.75DIA X 5.51LG,2RING.....53
 PIN,1.00DIA X 7.25LG,1HOLE.....49
 PIN,1.00DIA X 9.01LG,THREADED.....53
 PIN,1.25DIA X 10.38LG,1HOLE.....57
 PIN,1.25DIA X 3.00LG,THREADED.....49
 PIN,1.25DIA X 3.63LG,THREADED.....49
 PIN,1.25DIA X 7.00LG,1HOLE.....57
 PIN,1.25DIA X 8.12LG,1HOLE.....51
 PIN,1.25DIA X 9.13LG,1HOLE.....51
 PIN,1.25DIA X 9.38LG,1HOLE.....49
 PIN,1.50DIA X 15.13LG,1HOLE.....49, 51
 PIN,1.50DIA X 16.13LG,1HOLE.....49
 PIN,1.50DIA X 3.25LG,1HOLE.....15
 PIN,CLEVIS,1 X 2.5 LG.....15
 PIN,COTTER,.125 X 1.5.....15
 PIN,COTTER,.219 X 1.75.....15
 PIN,PLAT.ROTATR,1.25 X 12.25.....57
 PIN,ROLL,.094 X .875.....61
 PIN,ROLL,.25 X 1.5***.....57
 PIN,SLAVE CYL,1.25 X 4.38.....57
 PIN,SLAVE CYL,1.25 X 6.06***.....57
 PIN,SLAVE CYLINDER.....57
 PLASTIC END STOP.....31
 PLAT/SUP.UPGRADE KIT 4FT ANSI*.....61
 PLAT/SUPP.UPGRADE KIT 4FT CE**.....61
 PLATE,CHARGER MOUNT.....19
 PLATE,COUNTERWEIGHT.....25
 PLATE,DEFLECTOR-BLUE.....37
 PLATE,HINGE BACKUP,GRAY.....43
 PLATE,LEDGEND MOUNT,45048.....69
 PLATE,POWER SUPPLY MOUNT BLUE.....25
 PLATE,TANK LID (SERVICE).....41
 PLATFORM W/DECALS 4FT,DC.....61
 PLATFORM SUPPORT WELD,Z30N,Z34.....57
 PLUG AND CAP KIT-SERVICE,37 **.....33
 PLUG,3/4 MAGNETIC PIPE SQ.DRV.....41
 PLUG,NYLON .50 BLACK DOMED.....35, 65
 PLUG,NYLON 2.00 BLACK DOMED.....35, 65
 PLUG,ORIFICE, .052 INCH.....17
 PLUG,ORIFICE,0.030 (50684).....57
 PLUG,ORIFICE,0.040.....17
 PLUG,ORIFICE,0.052 INCH.....33
 PLUG,W/LATCH,4 POLE,ANDERSON.....61
 POTENTIOMETER,56886.....69
 POWER CABLE ASSEMBLY,RS-Z30N*.....21
 POWER CABLE ASSEMBLY,LS-Z30N.....21
 POWER UNIT,AUX PUMP 24VDC.....37
 PRIMARY BOOM TUBE ASSY,30N**.....51, 53
 PUMP ASSEMBLY (36179).....37
 PUMP,LIFT,3CC,CCW***.....41
 PUMP,MONARCH (36447,36178)***.....39

R

RECEPT.,SNAP-IN,4 POLE ANDERSN.....61
 RECEPTACLE, BRITISH, 110V.....63
 RECEPICAL,SNAP-IN (1450G1)***.....35
 REDUCER,070123-8-6.....45

Ref Primary and Extension Booms.....55
 RELAY PANEL ASSEMBLY Z34, Z45.....25
 RELAY,24V,180 AMP NOMINAL (19550).....25
 RELAY,CHARGER .TIMER (19531/32).....19
 RELAY,CHARGER TIMER**.....19
 RELAY,HOLD DOWN,OMRON.....31
 RELAY,POTTER BRUMFIELD 24V **.....31
 RELAY,SOCKET,OMRON.....31
 RESERVOIR,MONARCH,42402,Z30N.....39
 REST PAD,UPPER PIVOT REST.....47
 RETRO KIT,Z30N LIFT PUMP***.....39, 41
 RIVET,STL,STL,P,.125 X .25.....35
 ROCKER ASSY (42032)***.....67
 ROCKER ASSY W/ROLLPIN**.....67
 ROD END,.375 X 2.25,ZAG.....15, 49, 51
 ROD END,.375X3.69,ZAG.....49, 51, 53, 57
 ROLLER ARM,LIMIT SWITCH***.....47
 ROTATIONAL CONTROLLER,24V***.....65, 69
 ROTATOR TURNTABLE ASSEMBLY***.....29
 ROTATOR TURNTABLE ASSEMBLY*** (74994).....29
 ROTATOR TURNTABLE ASSY*** (56779).....29
 ROTATOR,HELICAL,PLATFORM***.....57

S

SCREW 5/16-18 X .75 LG.FLG.LCK.....25, 37, 41
 SCREW,HCC, 3/8-16 X 1.50.....49
 SCREW,FHM,10-32 X .75.....25, 61
 SCREW,FHS,1/2-13 X 1.25,BLACK.....29
 SCREW,FHS,3/8-16 X .75.....47
 SCREW,HHC,1-8 X 11,GRD 5***.....57
 SCREW,HHC,1/2-13 X 1.25 GR5.....57
 SCREW,HHC,1/2-13 X 1.75.....47
 SCREW,HHC,1/2-13 X 3.5.....23
 SCREW,HHC,1/4-20 X .5.....21, 25, 31, 37, 43, 55
 SCREW,HHC,1/4-20 X .625.....41
 SCREW,HHC,1/4-20 X .75.....15, 19, 21, 23, 25, 31, 37, 41, 43, 53, 55, 61, 71
 SCREW,HHC,1/4-20 X 1.....19, 21, 43, 61
 SCREW,HHC,1/4-20 X 1.25.....41
 SCREW,HHC,1/4-20 X 1.5.....57
 SCREW,HHC,1/4-20 X 1.75.....31
 SCREW,HHC,1/4-20 X 4.....57
 SCREW,HHC,3/8-16 X .75,GR 8.....53
 SCREW,HHC,3/8-16 X 1 GRD 8.....15, 31, 37, 43, 49, 51, 53, 57
 SCREW,HHC,3/8-16 X 1.25 GRD 5.....51, 57
 SCREW,HHC,3/8-16 X 1.75,GRD.8.....23, 53
 SCREW,HHC,3/8-16 X 2.75.....19, 31, 37, 49
 SCREW,HHC,5/16-18 X .75.....37
 SCREW,HHC,5/16-18 X 1 GR5.....25
 SCREW,PHILLIPS,PHM,10-32 X .5.....41
 SCREW,PHILLIPS,PHM,10-32 X .75.....67
 SCREW,PHM,M3 X .5 X 12MM.....67
 SCREW,RHM,10-32 X .38.....71
 SCREW,RHM,10-32 X .75.....31
 SCREW,RHM,10-32 X 1.75.....51, 53
 SCREW,RHM,8-32 X .75.....43
 SCREW,SHC,1/2-13 X 2.25 ***.....29
 SCREW,SHC,3/8-24 X 1.25".....41
 SCREW,SHC,5/8-11 X 2.25.....23
 SCREW,SHC,5/8-11 X 4.5,A574.....29
 SCREW,SHC,5/8-11 X 5.5.....29
 SCREW,SHS,5/8-11 X 1.75.....21
 SCREWDRIVER,TERMINAL BLOCK.....61
 SEAL 21252875-375BYP2 (74994).....29
 SEAL KIT.....17

SEAL KIT (21172).....29
 SEAL KIT (CYL PN 30585).....15
 SEAL KIT 42412 ELEVATE**.....49
 SEAL KIT***.....29
 SEAL KIT, 37185 PUMP.....37
 SEAL KIT, 88337.....15
 SEAL KIT, 94211, 94254, 101349.....47, 49
 SEAL KIT, 94213.....53
 SEAL KIT, 94215, 94430.....51
 SEAL KIT, 94216.....51
 SEAL KIT, 94217.....57
 SEAL KIT, HYDRAULIC CYLINDER.....57
 SEAL KIT,147138 & 147139.....53
 SEAL KIT,42405 CYL. TEXAS.....51
 SEAL KIT,42411 & 42408.....53
 SEAL KIT,74998.....53
 SEAL KIT,HYDRAULIC CYLINDER***.....49, 51, 57
 SEAL KIT,HYDRAULIC FILTER ASSY.....41
 SEAL KIT,MICO BRAKE.....23
 SEAL KIT,TORQUE HUB (20193).....23
 SEAL KIT,UNIVERSAL,9K ROTATOR*.....57
 SEAL KIT-EXT CYL & SLAVE CYL.*.....51, 57
 SEAL,NAT'L.#471818 (74994).....29
 SEAL,O-RING,PUMP***.....39
 SEAL-GREASE,MODEL 60-8.....15
 SEAL/BEARING KIT (45043,54840).....15
 SENSOR,LEVEL 3 DEG**.....31
 SENSOR,LEVEL 4.5***.....31
 SHAFT ASSY,JOYSTICK***.....67
 SHAFT,WORM GEAR***.....29
 SHIM KIT,TURNTABLE***.....29
 SHIM,PRIMARY BOOM,.022 THICK.....21
 SHIM,PRIMARY BOOM,.052 THK.....21, 53
 SHIM,WEAR PAD,5X 1.5 16GA.....53
 SLIDING MIDRAIL KIT,PTD.....61
 SNAP RING (74994).....29
 SNAP RING,EXTERNAL,.75 DIA.....53
 SNAP RING,EXTERNAL,1.25 DIA.**.....57
 SPACER,LIMIT SWITCH.....51
 SPACER,LONG ANDERSON.....61
 SPACER,SHORT ANDERSON.....61
 SPRING & BUSHING KIT,RETURN***.....67
 SPRING (RED) MICO.....23
 SPRING CLIP,1/4-20,.025-.15X.54,ZAG.....15, 19, 23, 31
 SPRING CLIP,3/8-16,.05-.20X.73,ZAG.....21
 SPRING CLIP,5/16-18,.025-.15X.....37, 41
 SPRING, BRUSH RETAINER, 36182*.....23
 SPRING,BRAKE LINKAGE, GL.....13
 SPRING,EXTENSION,.36 X 1.25.....43
 SPRING,RETURN.....25
 SPRING,RETURN,19549 CONTACTOR.....37
 SPRING-DRIVE MANIFOLD/520131.....17
 STRAINER ASSY 1"NPT TANK MTD.....41
 STRAP ASSY - HYDR. RESERVOIR.....37
 STROBE,FIREBOLT,12-80VDC,AMB**.....71
 STUD, HUB, 5/8-18 X 2 1/2.....23
 SWITCH TOGGLE ASSY DPDT 3P MOM..35, 65
 SWITCH,LIMIT,W/6.25"SPRING ARM.....51, 53
 SWITCH,LIMIT,W/ROLLER ARM***.....47
 SWITCH,PRESS,#4MPT,600PSI F***.....17
 SWITCH,TOGGLE,DPDT,2POS MOMEN...35, 65
 SWITCH,TOGGLE,SPDT,3POS MOMEN*.....65

T

T-BOX,2.75 X 4.5 X 2.0.....63

Part Description Index (continued)

TAPE,WARNING,BLK/YEL, 50***.....11, 13
 TEE,BRANCH,070433-4.....59
 TEE,RUN,070432-4.....45, 59
 TEE,RUN,070432-6-6.....45
 TEE,UNION,070401-4.....27
 TERMINAL BLOCK(SINGLE),WAGO***.....31
 TERMINAL BUSS,JOYSTICK(42032).....67
 TERMINAL STRIP END PLATE.....31
 TERMINAL,ANDERSON,30A 12-16 GA.....61
 TERMINAL,FLAG,90DEG,18-22GA.....17
 THUMB SCREW W/SHOULDER 3/8-16.....21
 TIE ROD,WELDMNT,Z30N**.....15
 TIMER (23442)(41896)(36314).....19
 TIMER(24059,41897,41898,41899).....19
 TIRE/WHL,FRONT NON-MARK,SMOOTH...15
 TIRE/WHL,REAR NON-MARK SMOOTH.....23
 TIRE/WHL.ASSY,FR,SMOOTH 105#.....15
 TIRE/WHL.ASSY,REAR,SMOOTH**%.....23
 TOEBOARD,PLTFM ENTRY EUR,PNTD*.....61
 TORQUE HUB 49:1**.....23
 TRACK REPAIR,7 LINKS.....55
 TRACK,PLASTIC CABLE,25 LINK.....55
 TRANSISTOR,45048.....69
 TRIM,RUBBER EDGE,5/8 (BY INCH).....55

U

U-BOLT,3/8 X 1 YZ.....61
 UNION,070101-4-4.....59
 UPPER MIDPIVOT ASSEMBLY,Z30N.....47, 51
 UPPER SECONDARY BOOM ASSEMBLY*.....47

V

VALVE ASSY,BLEED***.....57
 VALVE SOLENOID.....17
 VALVE,BALL,90DEG.-8NPTF/-8NPTM.....41
 VALVE,CB.CBBC-LHN@3200***.....51
 VALVE,CHECK (36179).....37
 VALVE,CHECK, 50 PSI.....17
 VALVE,CHECK,COBA-X*N 200PSI PO.....53
 VALVE,CHECK,CXAD-XCN,30PSI.....53
 VALVE,CNTERBAL,CBBB-LHN@3000**.....47, 49
 VALVE,COUNTERBALANCE.....31, 51, 57
 VALVE,COUNTERBALANCE (36078)**.....57
 VALVE,COUNTERBALANCE 2000PSI.....57
 VALVE,COUNTERBALANCE 2500 PSI*.....53
 VALVE,COUNTERBALANCE 3000 PSI.....33
 VALVE,COUNTERBALANCE,1500 PSI.....57
 VALVE,DIFFERENTIAL SENSING.....33
 VALVE,PROPORT RELIEF***.....17
 VALVE,PROPORTIONAL.....33
 VALVE,RELIEF 1400PSI.....33
 VALVE,RELIEF 1600 PSI.....33
 VALVE,RELIEF 1800 PSI.....33
 VALVE,RELIEF KIT,MONARCH**.....39
 VALVE,RELIEF, 2800 PSI.....33
 VALVE,RELIEF,1750PSI ****.....33
 VALVE,SOLENOID.....17
 VALVE,SOLENOID 2 POS. 3 WAY.....33, 57
 VALVE,SOLENOID,20V.....17
 VALVE-CHECK KIT.....39

W

WASHER, FLAT, SHAFT, JOYSTICK.....67
 WASHER,FENDER,.25 X 1.25 X.062.....41, 61
 WASHER,FLAT,.625 HARDENED.....23, 29
 WASHER,FLAT,MS,#10,Y.....43, 71

WASHER,FLAT,USS,1/2",Y.....47
 WASHER,FLAT,USS,1/4"Y.....15, 19, 23, 31, 37, 41, 43, 47, 53, 55, 57, 61, 71
 WASHER,FLAT,USS,3/8",Y.....19, 23, 31, 37, 43, 61
 WASHER,FLAT,USS,5/16",Y.....25
 WASHER,LOCK,#10 PLTD.....37, 47, 51, 53
 WASHER,LOCK,.25.....15, 19, 21, 23, 25, 37, 41, 53, 57
 WASHER,LOCK,.313.....25, 37
 WASHER,LOCK,.375.....15, 31, 37, 43, 49, 51, 53, 57
 WASHER,LOCK,0.5".....23, 57
 WASHER,LOCK,1".....57
 WASHER,LOCK,M10.....41
 WASHER,NYLON, JOYSTICK.....67
 WASHER,SHIM,.75 X 1.125 X.030.....21, 53
 WASHER,SHIM,1.01 X 1.63 X.062.....53
 WASHER,SHIM,1.27 X 2.13 X .062.....49, 57
 WASHER,SPINDLE.....15
 WASHER,THRUST,.313 X .50 X .10.....43
 WASHER,THRUST,.75 X 1.38X.13.....21
 WASHER,THRUST,1.5 X 3.5 X .187.....15
 WASHER,THRUST,TORQUE HUB.....23
 WEAR PAD,4 X 2 X.50 THK.BLACK.....53
 WEAR PAD,4X2X.5 W/INSERT***.....21
 WEAR PAD,5 X 1.5 X .625 W/NUTS.....53
 WEAR PAD,5 X 1.5 X .75 W/NUTS.....53
 WEAR PAD,EXT CYL***.....53
 WEAR PAD,PRIMARY BOOM.....53
 WELD,COVER SUPPORT LH Z30N*.....31
 WELDMNT,COVER SUPPORT RH***.....41
 WIRE CABLE,14/3 CON.TPE JKT*.....61, 63
 WIRE CABLE,16/4 CON.TPE JKT*.....47
 WIRE CABLE,16/6,SO,BULK.....63
 WIRE CABLE,18/19 CON.TPRJKT.....63
 WIRE,12/3 SJEOW,BK-WH-GR/YL.....63

Y

YOKE ASSY.,Z30N,Z34N,LH SIDE.....15
 YOKE ASSY.,Z30N,Z34N,RH SIDE.....15

Z

Z30N ALARM PACKAGE.....71
 ZERK,GREASE,1/8 NPT,45 DEG***.....29
 ZERK,GREASE,1/8 NPT,45DEG.....29, 37
 ZERK,GREASE,1/8 NPT,67.5 DEG**.....29

This Page Intentionally Left Blank

Go to Discount-Equipment.com to order your parts

Fitting Cross References

Genie PN	Parker PN	Description	Genie PN	Parker PN	Description
12342	6-4 F5OX-S	CONNECTOR,STRAIGHT THREAD TO FLARE TUBE	42794	1 CR-S	ELBOW,90°,MALE PIPE
13757	4 R6X-S	RUN TEE,SWIVEL NUT,ORFS	42795	BV-0839	BALL VALVE
19685	12-10 C5OX-S	ELBOW,90°,STRAIGHT THREAD TO FLARE TUBE	42796	BV-0838	BALL VALVE
22664	12-10 C5OX	ELBOW,90°,STRAIGHT THREAD TO FLARE TUBE	42874	6-8 CLO-S	ELBOW,90°,MALE PIPE TO ORFS
27431	8-12 F5OX-S	CONNECTOR,STRAIGHT THREAD TO FLARE TUBE	42912	13943-6-4	HOSE END,90° FEMALE SWIVEL,JIC
28678	AS-B-33	SLEEVE,NYLON,1.81" ID	42920	BV-0840	BALL VALVE,90°
39871	6 WETX-WLN-S	UNION,90° BULKHEAD W/NUT,FLARE TUBE	42932	AS-B-17	SLEEVE,NYLON,1.22" ID
39872	4 R5OX-S	RUN TEE,STRAIGHT THREAD	42936	10243-2-4	HOSE END,FEMALE PIPE
39873	6 C5OX-S	ELBOW,90°,STRAIGHT THREAD TO FLARE TUBE	42953	1/2 DD-S	ELBOW,90°,FEMALE PIPE
39874	8-6 C5OX-S	ELBOW,90°,STRAIGHT THREAD TO FLARE TUBE	42956	6 WELO-WLNL-S	UNION,90° BULKHEAD W/NUT,ORFS
39875	4-6 C5OX-S	ELBOW,90°,STRAIGHT THREAD TO FLARE TUBE	45349	8 V5OX-S	ELBOW,45°,STRAIGHT THREAD TO FLARE TUBE
39876	6-8 C5OX-S	ELBOW,90°,STRAIGHT THREAD TO FLARE TUBE	45351	4 V5OX-S	ELBOW,45°,STRAIGHT THREAD TO FLARE TUBE
39877	4 F5OX-S	CONNECTOR,STRAIGHT THREAD TO FLARE TUBE	47223	10343-6-6	HOSE END,MALE,JIC
39878	6 F5OX-S	CONNECTOR,STRAIGHT THREAD TO FLARE TUBE	47419	PS690503-6-6	SWIVEL,90°,STRAIGHT THREAD TO 37° FLARE
39879	4-8 F5OX-S	CONNECTOR,STRAIGHT THREAD TO FLARE TUBE	48750	421-4	HOSE,1/4 INCH ID
39880	6-10 F5OX-S	CONNECTOR,STRAIGHT THREAD TO FLARE TUBE	48751	481TC-4	HOSE,1/4 INCH ID
39881	4-6 F5OX-S	CONNECTOR,STRAIGHT THREAD TO FLARE TUBE	48752	482TC-4	HOSE,1/4 INCH ID
39882	4-HP5ON-S	PLUG,STRAIGHT THREAD	48753	451TC-6	HOSE,3/8 INCH ID
39883	8-8 FTX-S	CONNECTOR,MALE PIPE TO FLARE TUBE	48754	482TC-6	HOSE,3/8 INCH ID
39885	269HB 12-12	ELBOW,90°,BEADED HOSE BARB TO MALE PIPE	48755	381-6	HOSE,3/8 INCH ID
39886	431-6	HOSE,3/8 INCH ID	48756	451TC-8	HOSE,1/2 INCH ID
39887	540N-2	HOSE,1/8 INCH ID	48757	482TC-8	HOSE,1/2 INCH ID
39888	801-8	HOSE,1/2 INCH ID	48758	381-8	HOSE,1/2 INCH ID
39889	801-12	HOSE,3/4 INCH ID	48759	381-10	HOSE,5/8 INCH ID
39890	10643-6-6	HOSE END,FEMALE SWIVEL,JIC	48760	451TC-10	HOSE,5/8 INCH ID
39891	13943-6-6	HOSE END,90° FEMALE SWIVEL,JIC	48761	482TC-12	HOSE,3/4 INCH ID
39892	13743-6-6	HOSE END,45° FEMALE SWIVEL,JIC	48762	451TC-12	HOSE,3/4 INCH ID
39894	30682-8-8	HOSE END,FEMALE SWIVEL,JIC	48763	772-12	HOSE,3/4 INCH ID
39895	30682-10-12	HOSE END,FEMALE SWIVEL,JIC	48764	881-16	HOSE,1 INCH ID
42286	8-8 CTX-S	ELBOW,90°,MALE PIPE TO FLARE TUBE	48765	772-16	HOSE,1 INCH ID
42756	8-12 CLO-S	ELBOW,90,MALE PIPE TO ORFS	48766	AS-B-15	SLEEVE,NYLON,1.06" ID
42757	8-12 FLO-S	CONNECTOR,MALE PIPE TO ORFS	48767	AS-B-22	SLEEVE,NYLON,1.42" ID
42758	4 JLO-S	UNION TEE,ORFS	48770	881-8	HOSE,1/2 INCH ID
42759	4-4 FLO-S	CONNECTOR,MALE PIPE TO ORFS			
42760	6-8 FLO-S	CONNECTOR,MALE PIPE TO ORFS			
42761	1J143-6-4	HOSE END,90° FEMALE SWIVEL,SEAL LOK			
42762	1J743-6-4	HOSE END,45° FEMALE SWIVEL,SEAL LOK			
42768	1JO43-4-4	HOSE END,MALE,SEAL LOK			
42776	601-8	HOSE,1/2 INCH ID			
42777	1J743-16-16	HOSE END,45° FEMALE SWIVEL,SEAL LOK			
42786	16 CLO-S	ELBOW,90°,MALE PIPE TO ORFS			
42787	16 R6LO-S	RUN TEE,SWIVEL NUT,ORFS			
42788	16-8 TRLO-BL-S	REDUCER,TUBE END TO SWIVEL,ORFS			
42789	6-6 CLO-S	ELBOW,90°,MALE PIPE TO ORFS			
42790	8-10 V5OLO-S	ELBOW,45°,STRAIGHT THREAD TO ORFS			
42791	3/4 CD-S	ELBOW,90°,MALE TO FEMALE PIPE			
42792	3/4 X 1/2 PTR-S	REDUCER,MALE TO FEMALE PIPE			
42793	1/2 CR-S	ELBOW,90°,MALE PIPE			

Fitting Cross References (Continued)

Genie PN	Parker PN	Description	Genie PN	Parker PN	Description
48771	881-10	HOSE,5/8 INCH ID	48847	13943-12-12	HOSE END,90° FEMALE SWIVEL,JIC
48772	381-4	HOSE,1/4 INCH ID	48848	10543-12-12	HOSE END,MALE,STRAIGHT THREAD
48773	AS-B-13	SLEEVE,NYLON,.86" ID	48849	1JC71-12-12	HOSE END,FEMALE SWIVEL,SEAL LOK
48800	1JC43-4-4	HOSE END,FEMALE SWIVEL,SEAL LOK	48850	1JS71-12-12	HOSE END,FEMALE SWIVEL,SEAL LOK
48801	1J743-4-4	HOSE END,45° FEMALE SWIVEL,SEAL LOK	48851	1J171-12-12	HOSE END,90° FEMALE SWIVEL,SEAL LOK
48802	1J943-4-4	HOSE END,90° FEMALE SWIVEL,SEAL LOK	48852	1J771-12-12	HOSE END,45° FEMALE SWIVEL,SEAL LOK
48804	1JM43-4-4	HOSE END,MALE,SEAL LOK, NO O-RING	48853	1J971-12-12	HOSE END,90° FEMALE SWIVEL,SEAL LOK
48805	10643-4-4	HOSE END,FEMALE SWIVEL,JIC	48854	1JC43-16-16	HOSE END,FEMALE SWIVEL,SEAL LOK
48806	13943-4-4	HOSE END,90° FEMALE SWIVEL,JIC	48855	1J943-16-16	HOSE END,90° FEMALE SWIVEL,SEAL LOK
48807	1JS43-4-4	HOSE END,FEMALE SWIVEL,SEAL LOK	48856	1J171-16-16	HOSE END,90° FEMALE SWIVEL,SEAL LOK
48808	3JC82-8-8	HOSE END,FEMALE SWIVEL,SEAL LOK	48857	1J971-16-16	HOSE END,90° FEMALE SWIVEL,SEAL LOK
48809	3JC82-12-12	HOSE END,FEMALE SWIVEL,SEAL LOK	48859	1JS43-8-4	HOSE END,FEMALE SWIVEL,SEAL LOK
48810	1JC43-6-4	HOSE END,FEMALE SWIVEL,SEAL LOK	48867	PD36BTL	DIAGNOSTIC NIPPLE,SEAL-LOK SWIVEL
48811	1J943-6-4	HOSE END,90° FEMALE SWIVEL,SEAL LOK	48873	6 PNLO-S	PLUG,TUBE END,ORFS
48812	1JC43-6-6	HOSE END,FEMALE SWIVEL,SEAL LOK	48874	6 PNTX-S	PLUG,FLARE TUBE
48813	1J143-6-6	HOSE END,90° FEMALE SWIVEL,SEAL LOK	48875	6 R6LO-S	RUN TEE,SWIVEL NUT,ORFS
48814	1J543-6-6	HOSE END,90° FEMALE SWIVEL,SEAL LOK	48877	4 F5OLO-SW/.025	CONNECTOR,STRAIGHT THREAD TO ORFS, W/.025 ORI
48815	1J743-6-6	HOSE END,45° FEMALE SWIVEL,SEAL LOK	48878	16-12 C5OLO-S	ELBOW,90°,STRAIGHT THREAD TO ORFS
48816	1J943-6-6	HOSE END,90° FEMALE SWIVEL,SEAL LOK	48879	8 C6LO-S	ELBOW,90°,SWIVEL NUT ORFS
48817	1JS43-6-8	HOSE END,FEMALE SWIVEL,SEAL LOK	48880	PD6-285	CAP,DIAGNOSTIC NIPPLE
48818	1J943-8-4	HOSE END,90° FEMALE SWIVEL,SEAL LOK	48881	6 HLO-S	UNION,ORFS
48819	1JC43-8-6	HOSE END,FEMALE SWIVEL,SEAL LOK	48883	8 P5ON-S	PLUG,STRAIGHT THREAD
48820	1J743-8-6	HOSE END,45° FEMALE SWIVEL,SEAL LOK	48884	8M18F87OMLO-S	CONNECTOR,METRIC,STRAIGHT THREAD TO ORFS
48821	1J943-8-6	HOSE END,90° FEMALE SWIVEL,SEAL LOK	48885	4 WGTX-WLN-S	CONNECTOR,BULKHEAD,FEMALE PIPE TO FLARE TUBE
48822	1JC43-8-8	HOSE END,FEMALE SWIVEL,SEAL LOK	48886	4 F5OLO-SW/2MM	CONNECTOR,MACHINED STRAIGHT THREAD TO ORFS
48823	1JS43-8-8	HOSE END,FEMALE SWIVEL,SEAL LOK	48887	4 CTX-S	ELBOW,90°,MALE PIPE TO FLARE TUBE
48824	1J143-8-8	HOSE END,90° FEMALE SWIVEL,SEAL LOK	48888	10-12 V5OLO-S	ELBOW,45°,STRAIGHT THREAD TO ORFS
48825	1J543-8-8	HOSE END,90° FEMALE SWIVEL,SEAL LOK	48890	4 S5OLO-S	BRANCH TEE,STRAIGHT THREAD TO ORFS
48826	1J743-8-8	HOSE END,45° FEMALE SWIVEL,SEAL LOK	48891	4 S6LO-S	BRANCH TEE,SWIVEL NUT TO ORFS
48827	1J943-8-8	HOSE END,90° FEMALE SWIVEL,SEAL LOK			
48828	1JC43-10-8	HOSE END,FEMALE SWIVEL,SEAL LOK			
48829	1JS43-10-8	HOSE END,FEMALE SWIVEL,SEAL LOK			
48830	1J743-10-8	HOSE END,45° FEMALE SWIVEL,SEAL LOK			
48831	1J943-10-8	HOSE END,90° FEMALE SWIVEL,SEAL LOK			
48833	1JC43-10-10	HOSE END,FEMALE SWIVEL,SEAL LOK			
48834	1J943-10-10	HOSE END,90° FEMALE SWIVEL,SEAL LOK			
48835	1JS43-10-12	HOSE END,FEMALE SWIVEL,SEAL LOK			
48836	1JC43-12-8	HOSE END,FEMALE SWIVEL,SEAL LOK			
48837	1JS43-12-8	HOSE END,FEMALE SWIVEL,SEAL LOK			
48838	1J743-12-8	HOSE END,45° FEMALE SWIVEL,SEAL LOK			
48839	1J943-12-8	HOSE END,90° FEMALE SWIVEL,SEAL LOK			
48840	1J943-12-10	HOSE END,90° FEMALE SWIVEL,SEAL LOK			
48841	1JC43-12-12	HOSE END,FEMALE SWIVEL,SEAL LOK			
48842	1JO43-12-12	HOSE END,MALE,SEAL LOK			
48843	1J143-12-12	HOSE END,90° FEMALE SWIVEL,SEAL LOK			
48844	1J543-12-12	HOSE END,90° FEMALE SWIVEL,SEAL LOK			
48845	1J743-12-12	HOSE END,45° FEMALE SWIVEL,SEAL LOK			
48846	1J943-12-12	HOSE END,90° FEMALE SWIVEL,SEAL LOK			

Fitting Cross References (Continued)

Genie PN	Parker PN	Description	Genie PN	Parker PN	Description
48892	6 C6LO-S	ELBOW,90°,SWIVEL NUT ORFS	48938	8 R6LO-S	RUN TEE,SWIVEL NUT,ORFS
48893	6 F5OHAO-S	UNION,STRAIGHT THREAD	48939	8 S6LO-S	BRANCH TEE,SWIVEL NUT TO ORFS
48894	8 WLO-WLNL-S	UNION,BULKHEAD,ORFS	48940	8 WJLO-WLNL-S	RUN TEE, BULKHEAD,ORFS
48895	DT-370-MSMO-5	VALVE,CHECK	48941	8-4 TRLO-S	REDUCER,TUBE END TO SWIVEL,ORFS
48896	6 JLO-S	UNION,TEE,ORFS	48942	8-6 C5OLO-S	ELBOW,90°,STRAIGHT THREAD TO ORFS
48897	DT-750-MSMS-5	VALVE,CHECK	48943	8-6 F5OLO-S	CONNECTOR,STRAIGHT THREAD TO ORFS
48898	DT-750-MOMS-5	VALVE,CHECK	48944	8-8 FLO-S	CONNECTOR,MALE PIPE TO ORFS
48899	DT-620-MOMS-5	VALVE,CHECK	48945	8 FTX-S	CONNECTOR,MALE PIPE TO FLARE TUBE
48900	4-6 F5OLO-SW/.035	CONNECTOR,STRAIGHT THREAD TO ORFS, W/.035 ORI	48946	8-10 F5OLO-S	CONNECTOR,STRAIGHT THREAD TO ORFS
48902	16-1 AOE4G-S	ELBOW,90° LONG,FEMALE PIPE TO STRAIGHT THREAD	48947	8-12 C5OLO-S	ELBOW,90°,STRAIGHT THREAD TO ORFS
48903	1 FF-S	NIPPLE,PIPE	48948	8-12 F5OLO-S	CONNECTOR,STRAIGHT THREAD TO ORFS
48904	4 C5OLO-S	ELBOW,90°,STRAIGHT THREAD TO ORFS	48949	8-16 F5OLO-S	CONNECTOR,STRAIGHT THREAD TO ORFS
48905	4 F5OLO-S	CONNECTOR,STRAIGHT THREAD TO ORFS	48950	10 C5OLO-S	ELBOW,90°,STRAIGHT THREAD TO ORFS
48906	4 R5OLO-S	RUN TEE,STRAIGHT THREAD	48951	10 CC5OLO-S	ELBOW,90° LONG,STRAIGHT THREAD TO ORFS
48907	4 V5OLO-S	ELBOW,45°,STRAIGHT THREAD TO ORFS	48952	10 F5OLO-S	CONNECTOR,STRAIGHT THREAD TO ORFS
48908	4 R6LO-S	RUN TEE,SWIVEL NUT,ORFS	48953	10 R5OLO-S	RUN TEE,STRAIGHT THREAD
48909	4 WJLO-WLNL-S	RUN TEE, BULKHEAD,ORFS	48954	10 S5OLO-S	BRANCH TEE,STRAIGHT THREAD TO ORFS
48910	4 GTX-S W/.030	CONNECTOR,FEMALE PIPE TO FLARE TUBE	48955	10 R6LO-S	RUN TEE,SWIVEL NUT,ORFS
48911	4-6 C5OLO-S	ELBOW,90°,STRAIGHT THREAD TO ORFS	48956	10-4 TRLO-BL-S	REDUCER,TUBE END TO SWIVEL,ORFS
48912	4-6 F5OLO-S	CONNECTOR,STRAIGHT THREAD TO ORFS	48957	10-6 TRLO-BL-S	REDUCER,TUBE END TO SWIVEL,ORFS
48913	4-6 F5OLO-SW/.030	CONNECTOR,STRAIGHT THREAD TO ORFS, W/.030 ORI	48958	10-12 F5OLO-S	CONNECTOR,STRAIGHT THREAD TO ORFS
48914	4-8 F5OLO-S	CONNECTOR,STRAIGHT THREAD TO ORFS	48959	12 C5OLO-S	ELBOW,90°,STRAIGHT THREAD TO ORFS
48915	6 C5OLO-S	ELBOW,90°,STRAIGHT THREAD TO ORFS	48960	12 F5OLO-S	CONNECTOR,STRAIGHT THREAD TO ORFS
48916	6 F5OLO-S	CONNECTOR,STRAIGHT THREAD TO ORFS	48961	12 R5OLO-S	RUN TEE,STRAIGHT THREAD
48917	6 FF5OLO-S	CONNECTOR,LONG,STRAIGHT THREAD TO ORFS	48962	12 S5OLO-S	BRANCH TEE,STRAIGHT THREAD TO ORFS
48918	6 R5OLO-S	RUN TEE,STRAIGHT THREAD	48963	12 V5OLO-S	ELBOW,45°,STRAIGHT THREAD TO ORFS
48919	6 S5OLO-S	BRANCH TEE,STRAIGHT THREAD TO ORFS	48964	12 R6LO-S	RUN TEE,SWIVEL NUT,ORFS
48920	6 V5OLO-S	ELBOW,45°,STRAIGHT THREAD TO ORFS	48965	12 CLO-S	ELBOW,90°,MALE PIPE TO ORFS
48921	6 FLO-S	CONNECTOR,MALE PIPE TO ORFS	48966	12 FLO-S	CONNECTOR,MALE PIPE TO ORFS
48922	6-6 FLO-S	CONNECTOR,MALE PIPE TO ORFS	48967	12 JLO-S	UNION TEE,ORFS
48923	6 P5ON-S	PLUG,STRAIGHT THREAD	48968	12 WLO-WLNL-S	UNION,BULKHEAD,ORFS
48925	6 WELO-S	UNION,90° BULKHEAD,ORFS	48969	12 WJLO-WLNL-S	RUN TEE, BULKHEAD,ORFS
48926	6-4 C5OLO-S	ELBOW,90°,STRAIGHT THREAD TO ORFS	48970	12 WELO-WLNL-S	UNION,90° BULKHEAD W/NUT,ORFS
48927	6-4 F5OLO-S	CONNECTOR,STRAIGHT THREAD TO ORFS			
48928	6-4 V5OLO-S	ELBOW,45°,STRAIGHT THREAD TO ORFS			
48929	6-8 C5OLO-S	ELBOW,90°,STRAIGHT THREAD TO ORFS			
48930	6-8 F5OLO-S	CONNECTOR,STRAIGHT THREAD TO ORFS			
48931	6-10 F5OLO-S	CONNECTOR,STRAIGHT THREAD TO ORFS			
48932	8 C5OLO-S	ELBOW,90°,STRAIGHT THREAD TO ORFS			
48933	8 F5OLO-S	CONNECTOR,STRAIGHT THREAD TO ORFS			
48934	8 FF5OLO-S	CONNECTOR,LONG,STRAIGHT THREAD TO ORFS			
48935	8 R5OLO-S	RUN TEE,STRAIGHT THREAD			
48936	8 S5OLO-S	BRANCH TEE,STRAIGHT THREAD TO ORFS			
48937	8 V5OLO-S	ELBOW,45°,STRAIGHT THREAD TO ORFS			

Fitting Cross References (Continued)

Genie PN	Parker PN	Description	Genie PN	Parker PN	Description
48971	12 G5G5JG5-S	TEE,FEMALE STRAIGHT THREAD	49612	PKT02586	O-RING KIT (ORFS FITTINGS)
48972	12 XHL6-S	ADAPTER, 37° MALE TO SWIVEL ORFS	49613	PKT06276	PLUG AND CAP KIT-SERVICE,ORFS
48973	12-1/2 F5OG-S	ADAPTER,FEMALE PIPE TO STRAIGHT THREAD	49728	10143-12-12	HOSE END, MALE PIPE
48974	12-10 C5OLO-S	ELBOW,90°,STRAIGHT THREAD TO ORFS	49729	16-1 F5OG-S	ADAPTER,FEMALE PIPE TO STRAIGHT THREAD
48975	12-10 F5OLO-S	CONNECTOR,STRAIGHT THREAD TO ORFS	49814	12-8 FLO-S	CONNECTOR,MALE PIPE TO ORFS
48976	12-16 C5OLO-S	ELBOW,90°,STRAIGHT THREAD TO ORFS	49829	DT-500-MOMF-5	VALVE,CHECK
48977	12-16 F5OLO-S	CONNECTOR,STRAIGHT THREAD TO ORFS	49831	881-12	HOSE,3/4 INCH ID
48978	12-16 V5OLO-S	ELBOW,45°,STRAIGHT THREAD TO ORFS	49834	16 JLO-S	UNION TEE,ORFS
48980	12-16 FLO-S	CONNECTOR,MALE PIPE TO ORFS	49838	12-8 TRLO-BL-S	REDUCER,TUBE END TO SWIVEL,ORFS
48983	16 C5OLO-S	ELBOW,90°,STRAIGHT THREAD TO ORFS	49840	8 JLO-S	UNION TEE,ORFS
48984	16 F5OLO-S	CONNECTOR,STRAIGHT THREAD TO ORFS	49844	10-8 TRLO-BL-S	REDUCER,TUBE END TO SWIVEL,ORFS
48985	16 V5OLO-S	ELBOW,45°,STRAIGHT THREAD TO ORFS	49854	8 P5ON-S	PLUG,STRAIGHT THREAD
48986	16 FLO-S	CONNECTOR,MALE PIPE TO ORFS	49855	1JC43-16-12	HOSE END,FEMALE SWIVEL,SEAL LOK
48988	16 CD45-S	ELBOW,45°,MALE TO FEMALE PIPE	49859	4 P5ON-S	PLUG,STRAIGHT THREAD
48989	12 CD45-S	ELBOW,45°,MALE TO FEMALE PIPE	49861	4 FF5OLO-S	CONNECTOR, LONG, STRAIGHT THREAD TO ORFS
48990	8 CD45-S	ELBOW,45°,MALE TO FEMALE PIPE	49867	12-3/4 F5OG-S	ADAPTER,FEMALE PIPE TO STRAIGHT THREAD
48991	16-12 FLO-S	CONNECTOR,MALE PIPE TO ORFS	51152	6 R6X-S	RUN TEE,SWIVEL NUT,ORFS
48992	16-12 V5OLO-S	ELBOW,45°,STRAIGHT THREAD TO ORFS	51153	6-4 TRTX-S	REDUCER,TUBE END TO SWIVEL,ORFS
48993	XV501-12	BALL VALVE	51154	4-4 GTX	CONNECTOR,FEMALE PIPE TO FLARE TUBE
48994	XV501-16	BALL VALVE	51264	881-12	HOSE,3/4 INCH ID
48995	XV510P-12	BALL VALVE	51265	8 JLO-S	UNION TEE,ORFS
48996	XV510P-16	BALL VALVE	51508	6 BTX-S	NUT,FLARE TUBE
48997	PD341	DIAGNOSTIC NIPPLE, STRAIGHT THREAD	51580	12-8 TRLO-BL-S	TUBE END REDUCER,ORFS
48998	PD 361	DIAGNOSTIC NIPPLE, STRAIGHT THREAD	51628	6 R6X-S	RUN TEE,SWIVEL NUT,ORFS
48999	DT-500-MOMS-5	VALVE,CHECK	51735	3/8 HHP	PLUG,PIPE THREAD
49201	10 V5OLO-S	ELBOW,45°,STRAIGHT THREAD TO ORFS	51803	1J943-6-8	HOSE END,90° FEMALE SWIVEL,SEAL LOK
49202	1JC43-12-10	HOSE END,FEMALE SWIVEL,SEAL LOK	53023	125HBL-5-4	FITTING,HOSE BARB TO MALE PIPE
49203	10-8 V5OLO-S	ELBOW,45°,STRAIGHT THREAD TO ORFS	53497	PKT02585	O-RING KIT
49205	6 F5OHAO-S	UNION,STRAIGHT THREAD	53499	1JC71-16-16	HOSE END,FEMALE SWIVEL,SEAL LOK
49207	PD34BTL	DIAGNOSTIC NIPPLE,SEAL-LOK SWIVEL	53500	3-904	O-RING,STRAIGHT THREAD,-4
49209	8M18F870MX-S	CONNECTOR,METRIC,STRAIGHT THREAD TO FLARE TUBE	53501	3-906	O-RING,STRAIGHT THREAD,-6
49212	8 WGTX-WLN-S	CONNECTOR,BULKHEAD,FEMALE PIPE TO FLARE TUBE	53502	3-908	O-RING,STRAIGHT THREAD,-8
49213	30682-8-8	HOSE END,FEMALE SWIVEL,JIC	53503	3-910	O-RING,STRAIGHT THREAD,-10
49216	831-8	HOSE,1/2 INCH ID			
49217	33982-8-8	HOSE END,90° FEMALE SWIVEL,JIC			
49219	PS-B-35	SLEEVE,NYLON,2.19" ID			
49418	4-6 V5OLO-S	ELBOW,45°,STRAIGHT THREAD TO ORFS			
49511	DT370-MOMS-5	VALVE,CHECK			
49512	1 DD-S	ELBOW,90°,FEMALE PIPE			
49513	1 FF-S	NIPPLE,PIPE			
49514	10 HP5ON-S	PLUG,STRAIGHT THREAD			
49515	12-16 CLO-S	ELBOW,90°,MALE PIPE TO ORFS			
49517	6 HP5ON-S	PLUG,STRAIGHT THREAD			
49519	16-12 F5OLO-S	CONNECTOR,STRAIGHT THREAD TO ORFS			
49520	4 VTX-S	ELBOW,45°,MALE PIPE TO FLARE TUBE			
49530	16 C6LO-S	ELBOW,90°,SWIVEL NUT ORFS			

Fitting Cross References (Continued)

Genie PN	Parker PN	Description	Genie PN	Parker PN	Description
53535	3-912	O-RING, STRAIGHT THREAD, -12	61083	24 F5OLO-S	CONNECTOR, STRAIGHT THREAD TO ORFS
53536	4-PNLO-S	PLUG, TUBE END, ORFS	61086	20 R5OLO-S	RUN TEE, STRAIGHT THREAD
53537	6 PNLO-S	PLUG, TUBE END, ORFS	61090	24-20 F5OLO-S	CONNECTOR, STRAIGHT THREAD TO ORFS
53538	8 PNLO-S	PLUG, TUBE END, ORFS	61091	1J943 24-24	HOSE END, 90° FEMALE SWIVEL, SEAL LOK
53539	10 PNLO-S	PLUG, TUBE END, ORFS	61093	1J978-12-12	HOSE END, 90° FEMALE SWIVEL, JIC
53540	12 PNLO-S	PLUG, TUBE END, ORFS	61095	1JS43-20-16	HOSE END, FEMALE SWIVEL, SEAL LOK
53946	129HB-5-4	FITTING, 90° HOSE BARB TO MALE PIPE	61100	811-24	HOSE, 1 1/2 INCH ID
53951	8-1/4F50G-S	ADAPTER, FEMALE PIPE TO STRAIGHT THREAD	61130	1JS43-24-24	HOSE END, FEMALE SWIVEL, SEAL LOK
53980	6 S6LO-S	BRANCH TEE, SWIVEL NUT TO ORFS	61131	1JS78 12-12	HOSE END, FEMALE SWIVEL, SEAL LOK
54132	4 C6LO-S	ELBOW, 90°, SWIVEL NUT ORFS	61132	1J778-12-12	HOSE END, 45° FEMALE SWIVEL, JIC
54135	11343-16-16	HOSE END, MALE SWIVEL, PIPE	61152	139HB-6-4	ELBOW, 45°, BARB TO MALE PIPE
54283	8-10 C5OLO-S	ELBOW, 90°, STRAIGHT THREAD TO ORFS	61251	BV-0750	BALL VALVE
54428	8M18C870MLO-S	ELBOW, 90° METRIC, STRAIGHT THREAD TO ORFS	61259	4 CC5OLO-S	ELBOW, 90° LONG, STRAIGHT THREAD TO ORFS
54803	FS-F-16-10	SLEEVE, FIRE, .96" ID	61260	20-12 TRLO-BL	REDUCER, TUBE END TO SWIVEL, ORFS
54954	10143-2-4	HOSE END, MALE PIPE	61262	12 C6LO-S	ELBOW, 90°, SWIVEL NUT ORFS
55190	3/8 HP-S	PLUG, PIPE THREAD	61263	20 F5OHAO-S	UNION, STRAIGHT THREAD
55448	8 HLO-S	UNION, ORFS	61264	6-10 C5OLO-S	ELBOW, 90°, STRAIGHT THREAD TO ORFS
55839	6 F65OX-S	CONNECTOR, STRAIGHT THREAD TO 37° SWIVEL	61265	6 WNLO-WLNL-S	UNION, BULKHEAD 45°, ORFS
55968	10 C5OX-S	ELBOW, 90°, STRAIGHT THREAD TO FLARE TUBE	61268	4 WNLO-WLNL-S	UNION, BULKHEAD 45°, ORFS
56003	6 CC5OLO-S	ELBOW, 90° LONG, STRAIGHT THREAD TO ORFS	61269	4 WLO-WLNL-S	UNION, BULKHEAD, ORFS
56166	BV-0837	BALL VALVE, 90°	61272	12 AOEL6	ELBOW, 90°, STRAIGHT THREAD TO ORFS SWIVEL
56188	10143-8-6	HOSE END, MALE PIPE	61316	482TC-16	HOSE, 1 INCH ID
56233	2-011	O-RING, ORFS, -4	61321	6 JLO-S	UNION TEE, ORFS
56234	2-012	O-RING, ORFS, -6	61327	782-12	HOSE, 3/4 INCH ID
56235	2-014	O-RING, ORFS, -8	61328	881-24	HOSE, 1 1/2 INCH ID
56236	2-016	O-RING, ORFS, -10	61336	11943-20-24	HOSE END, 90° FLANGE HEAD
56237	2-018	O-RING, ORFS, -12	61345	12 WJLO-WLNL-S	RUN TEE, BULKHEAD, ORFS
56238	2-021	O-RING, ORFS, -16	61346	8 WNLO-WLNL-S 4	UNION, BULKHEAD 45°, ORFS
56352	6 WLNL-S	LOCKNUT, BULKHEAD	61569	33782-8-8	HOSE END, 45° FEMALE SWIVEL, JIC
56353	3J782-12-12	HOSE END, 45° FEMALE SWIVEL, SEAL LOK	61610	12 FF5OLO-S	CONNECTOR, LONG, STRAIGHT THREAD TO ORFS
56354	3J982-12-12	HOSE END, 90° FEMALE SWIVEL, SEAL LOK	61742	1/8 X 1.5 FFF	NIPPLE, PIPE
56604	10-8 F5OLO-S	CONNECTOR, STRAIGHT THREAD TO ORFS	63426	8 PNTX-S	PLUG, FLARE TUBE
56639	3JC82-10-10	HOSE END, FEMALE SWIVEL, SEAL LOK			
56640	3J982-10-10	HOSE END, 90° FEMALE SWIVEL, SEAL LOK			
56655	3JC82-8-10	HOSE END, FEMALE SWIVEL, SEAL LOK			
56676	10-8 C5OLO-S	ELBOW, 90°, STRAIGHT THREAD TO ORFS			
56776	471TC-6	HOSE, 3/8 INCH ID			
56777	471TC-8	HOSE, 1/2 INCH ID			
56789	811-16	HOSE, 1 INCH ID			
57884	3/8 FF	NIPPLE, PIPE			
59335	6 FNL-S	CAP, TUBE END			
59342	4 FNL-S	CAP, TUBE END			
59371	8 HP5ON-S	PLUG, STRAIGHT THREAD			
60653	BV-0751	BALL VALVE			
60806	125HB-3-4	FITTING, HOSE BARB TO MALE PIPE			
61064	5-1/4 F5OG-S	ADAPTER, FEMALE PIPE TO STRAIGHT THREAD			
61079	4 WELO-WLNL-S	UNION, 90° BULKHEAD W/NUT, ORFS			
61080	6 WLO-WLNL-S	UNION, BULKHEAD, ORFS			

Fitting Cross References (Continued)

Genie PN	Parker PN	Description	Genie PN	Parker PN	Description
64271	4 WLO-WLNL-S	UNION,BULKHEAD,ORFS	75631	801-6	HOSE,3/8 INCH ID
64272	6 WLO-WLNL-S	UNION,BULKHEAD,ORFS	75654	20 F5OLO-S	CONNECTOR,STRAIGHT THREAD TO ORFS
65776	8 F65OL-S	CONNECTOR,STRAIGHT THREAD TO ORFS SWIVEL	75655	1J943-20-20	HOSE END,90° FEMALE SWIVEL,SEAL LOK
65880	6001012	O-RING KIT	75656	881-20	HOSE,1-1/4 INCH ID
66154	6 WTX-WLNS	UNION,BULKHEAD,FLARE TUBE	75971	8 F5OHAO-S	UNION,STRAIGHT THREAD
66155	6 WETX-S	UNION,BULKHEAD 90°,FLARE TUBE	77307	1JB43-8-8	HOSE END,BULKHEAD,SEAL LOK
66156	6 WLN-S	BULKHEAD LOCKNUT	77309	8 WLNL-S	BULKHEAD LOCKNUT
66389	6-8 F5OX-S	CONNECTOR,STRAIGHT THREAD TO FLARE TUBE	77379	8M18C87OMX-S	ELBOW,90° METRIC,STRAIGHT THREAD TO FLARE TUBE
66392	6 R5OX-S	RUN TEE,STRAIGHT THREAD	77703	3J982-8-8	HOSE END,90° FEMALE SWIVEL,SEAL LOK
66396	811-12	HOSE,3/4 INCH ID	77711	801-10	HOSE,5/8 INCH ID
66829	H3174PP	CLAMP,TUBE	77758	12 WNLO-WLNL-S	UNION,BULKHEAD 45°,ORFS
67217	4 KLO-S	UNION,CROSS,ORFS	78091	6 C6X-S	ELBOW,90°,SWIVEL NUT TO FLARE TUBE
67339	10-6 F5OX-S	CONNECTOR,STRAIGHT THREAD TO FLARE TUBE	78684	30582-8-8B	HOSE END,PUSH LOK,MALE
67357	13943-8-6	HOSE END,90° FEMALE SWIVEL,JIC	78852	549-2	HOSE,1/8 INCH ID
67358	10 HP5ON-S	PLUG,STRAIGHT THREAD	78855	10657-4-2	HOSE END,FEMALE SWIVEL,JIC
67371	12 S6LO-S	BRANCH TEE,SWIVEL NUT TO ORFS	79138	PS-B-37	SLEEVE,NYLON,2.38" ID
67498	4 FNL-S	CAP, TUBE END	79476	1JS43-6-8	HOSE END,FEMALE SWIVEL,SEAL LOK
67906	DC-370-F0F0-5	VALVE,CHECK	79847	12-3/4 A0EG-S	ELBOW,90°,STRAIGHT THREAD TO FEMALE PIPE
69316	8 FLO-S	CONNECTOR,MALE PIPE TO ORFS	80044	8 CLO-S	ELBOW,90°,MALE PIPE TO ORFS
69333	H3174PP	CLAMP,HYDRAULIC HOSE	80502	8 F5OX-S	CONNECTOR,STRAIGHT THREAD TO FLARE TUBE
69503	4 F65OX-S	CONNECTOR,STRAIGHT THREAD TO 37° SWIVEL	80503	8 C5OX-S	ELBOW,90°,STRAIGHT THREAD TO FLARE TUBE
69775	8 FNL-S	CAP, TUBE END	81010	AS-B-27	SLEEVE,NYLON,1.63" ID
71038	1/4X1/4F3HG-S	ADAPTER,CONVERSION	83052	821-6	HOSE,3/8 INCH ID
71196	12-8 F5OLO-S	CONNECTOR,STRAIGHT THREAD TO ORFS	83053	821-8	HOSE,1/2 INCH ID
71383	1/4 CD45-S	ELBOW,45°,MALE TO FEMALE PIPE	83054	821-12	HOSE,3/4 INCH ID
72270	12FNL-S	CAP, TUBE END	83055	30682-6-6	HOSE END,FEMALE SWIVEL,JIC
73436	60C-4	SLEEVE,COMPRESSION	83056	30682-12-12	HOSE END,FEMALE SWIVEL,JIC
73437	61C-4	NUT,COMPRESSION	83057	33782-6-6	HOSE END,45° FEMALE SWIVEL,JIC
73438	33482-4-4B	HOSE END,PUSH LOK,MALE	83058	33982-6-6	HOSE END,90° FEMALE SWIVEL,JIC
73767	1CD-S	ELBOW,90°,MALE TO FEMALE PIPE	83060	33982-12-12	HOSE END,90° FEMALE SWIVEL,JIC
73768	20-16-F5OG5-S	ADAPTER,FEMALE PIPE TO STRAIGHT THREAD	83063	13743-4-4	HOSE END,45° FEMALE SWIVEL,JIC
73769	16-20 F5OLO-S	CONNECTOR,STRAIGHT THREAD TO ORFS			
74660	6-8 F42EDMLO-S	CONNECTOR,MALE BSPP TO ORFS			
74661	8-8 F42EDMLO-S	CONNECTOR,MALE BSPP TO ORFS			
75007	4 FLO-S	CONNECTOR,MALE PIPE TO ORFS			
75008	1/8 HP-S	PLUG,PIPE THREAD			
75014	1/2 HP-S	PLUG,PIPE THREAD			
75042	8 WELO-WLNL-S	UNION,90° BULKHEAD W/NUT,ORFS			
75043	3/4 FF-S	NIPPLE,PIPE			
75254	24 F5OHAO-S	UNION,STRAIGHT THREAD			
75255	12 F5OHAO-S	UNION,STRAIGHT THREAD			
75256	XV506P-24	BALL VALVE			
75574	4 WLNL-S	BULKHEAD LOCKNUT			
75612	8 WJLO-WLNL-S	RUN TEE, BULKHEAD,ORFS			
75613	12-8 F5OG5-S	ADAPTER,FEMALE PIPE TO STRAIGHT THREAD			
75614	8 CC5OLO-S	ELBOW,90° LONG,STRAIGHT THREAD TO ORFS			
75628	1JB43-4-4	HOSE END,BULKHEAD,SEAL LOK			

Fitting Cross References (Continued)

Genie PN	Parker PN	Description	Genie PN	Parker PN	Description
83064	13743-8-8	HOSE END,45° FEMALE SWIVEL,JIC	89449	6 WJLO-WLNL-S	RUN TEE, BULKHEAD,ORFS
83065	13743-12-12	HOSE END,45° FEMALE SWIVEL,JIC	89489	4 WJMLO-S	BRANCH TEE,BULKHEAD,ORFS
83066	13943-8-8	HOSE END,90° FEMALE SWIVEL,JIC	89551	1JB43-6-6	HOSE END,BULKHEAD,SEAL LOK
83067	14143-6-6	HOSE END,90° FEMALE SWIVEL,JIC	89552	1JB43-8-8	HOSE END,BULKHEAD,SEAL LOK
83068	14143-8-8	HOSE END,90° FEMALE SWIVEL,JIC	89593	20 C5OLO-S	ELBOW,90°,STRAIGHT THREAD TO ORFS
83069	14143-12-12	HOSE END,90° FEMALE SWIVEL,JIC	94161	8-8 CLO-S	ELBOW,90°,MALE PIPE TO ORFS
83070	772-8	HOSE,1/2 INCH ID	94358	351TC-12	HOSE,3/4 INCH ID
83071	10671-8-8	HOSE END,FEMALE SWIVEL,JIC	94418	20 FLO-S	CONNECTOR,MALE PIPE TO ORFS
83072	10671-12-12	HOSE END,FEMALE SWIVEL,JIC	96358	12 TX-S	SLEEVE,FLARE TUBE
83073	13771-8-8	HOSE END,45° FEMALE SWIVEL,JIC	96359	12 BTX-S	NUT,FLARE TUBE
83074	13771-12-12	HOSE END,45° FEMALE SWIVEL,JIC	96397	8 F5OX-S	CONNECTOR,STRAIGHT THREAD TO FLARE TUBE
83075	13971-8-8	HOSE END,90° FEMALE SWIVEL,JIC	96398	12-8 F5OX-S	CONNECTOR,STRAIGHT THREAD TO FLARE TUBE
83076	13971-12-12	HOSE END,90° FEMALE SWIVEL,JIC	96402	10343-6-6	HOSE END,MALE,JIC
83077	14171-8-8	HOSE END,90° FEMALE SWIVEL,JIC	96407	30382-6-6B	HOSE END,MALE,JIC
83078	14171-12-12	HOSE END,90° FEMALE SWIVEL,JIC			
83080	13943-16-16	HOSE END,90° FEMALE SWIVEL,JIC			
83103	10671-16-12	HOSE END,FEMALE SWIVEL,JIC			
83104	10671-10-12	HOSE END,FEMALE SWIVEL,JIC			
83112	1JC71-8-8	HOSE END,FEMALE SWIVEL,SEAL LOK			
83113	1JS71-16-12	HOSE END,FEMALE SWIVEL,SEAL LOK			
83114	1JS71-10-12	HOSE END,FEMALE SWIVEL,SEAL LOK			
83115	1J971-8-8	HOSE END,90° FEMALE SWIVEL,SEAL LOK			
83116	1J171-8-8	HOSE END,90° FEMALE SWIVEL,SEAL LOK			
83117	1J771-8-8	HOSE END,45° FEMALE SWIVEL,SEAL LOK			
83127	1J543-6-8	HOSE END,90° FEMALE SWIVEL,JIC			
83128	1JC43-6-8	HOSE END,FEMALE SWIVEL,SEAL LOK			
87033	12-6 TRLO-S	REDUCER,TUBE END TO SWIVEL,ORFS			
87034	3J782-8-8	HOSE END,45° FEMALE SWIVEL,SEAL LOK			
87172	12 HP5ON-S	PLUG,STRAIGHT THREAD			
87185	8 WNLO-WLNL-S	UNION,BULKHEAD 45°,ORFS			
87246	4 C6X-S	ELBOW,90°,SWIVEL NUT TO FLARE TUBE			
87679	6 LHP-S	FLANGE SEAL FITTING, MALE			
87681	6PLS N0702	BONDED SEAL			
88100	SR88100	ADAPTER,OIL DRAIN,GM 3.0L			
88311	1JS43-20-20	HOSE END,FEMALE SWIVEL,SEAL LOK			
88353	20 V5OLO-S	ELBOW,45°,STRAIGHT THREAD TO ORFS			
88474	10081-20	Crimp Shell, 1.25"			
88475	1988-20-24	HOSE END,90° FLANGE HEAD			
88476	JS88-24-24	HOSE END,FEMALE SWIVEL,SEAL LOK			
88477	1JC88-20-20	HOSE END,FEMALE SWIVEL,SEAL LOK			
88478	811-20	HOSE,11/4 INCH ID			
88936	20-16 F5OLO-S	CONNECTOR,STRAIGHT THREAD TO ORFS			
88937	20-16 FLO-S	CONNECTOR,MALE PIPE TO ORFS			
88938	1JC88-16-16	HOSE END,FEMALE SWIVEL,SEAL LOK			
88939	1J988-16-16	HOSE END,90° FEMALE SWIVEL,ORFS			
88940	811-16	HOSE,1 INCH ID			
88944	1J988-20-20	HOSE END,90° FEMALE SWIVEL,ORFS			
89403	16 VLO-S	ELBOW,45°,MALE PIPE TO ORFS			

California Proposition 65



Operating, servicing and maintaining this equipment can expose you to chemicals including engine exhaust, carbon monoxide, phthalates, and lead, which are known to the State of California to cause cancer and birth defects or other reproductive harm. These chemicals can be emitted from or contained in other various parts and systems, fluids and some component wear by-products. To minimize exposure, avoid breathing exhaust, do not idle the engine except as necessary, service your equipment and vehicle in a well-ventilated area and wear gloves or wash your hands frequently when servicing your equipment or vehicle and after operation. For more information go to www.P65Warnings.ca.gov/passenger-vehicle.

Distributed By:

Go to Discount-Equipment.com to order your parts

PARTS FINDER

**Search Website
by Part Number**



**Search Manual
Library For Parts
Manual & Lookup Part
Numbers – Purchase
or Request Quote**

Search Manuals

Enter your information to search for a manual or to purchase a manual or parts.

* Brand:

* Model:

* Serial:

* Part Number:

SEARCH

**Can't Find Part or
Manual? Request Help
by Manufacturer,
Model & Description**

Parts Order Form

Please fill in the following information:

Manufacturer:

Model:

Description:

Quantity:

Part Number:

Part Name:

Part Description:

Part Category:

Part Location:

Part Status:

Part Condition:

Part Material:

Part Color:

Part Weight:

Part Dimensions:

Part Price:

Part Notes:

Submit

Discount-Equipment.com is your online resource for quality parts & equipment.

Florida: **561-964-4949** Outside Florida TOLL FREE: **877-690-3101**

Need parts?

Click on this link: <http://www.discount-equipment.com/category/5443-parts/> and choose one of the options to help get the right parts and equipment you are looking for. Please have the machine model and serial number available in order to help us get you the correct parts. If you don't find the part on the website or on one of the online manuals, please fill out the request form and one of our experienced staff members will get back to you with a quote for the right part that your machine needs.

We sell worldwide for the brands: Genie, Terex, JLG, MultiQuip, Mikasa, Essick, Whiteman, Mayco, Toro Stone, Diamond Products, Generac Magnum, Airman, Haulotte, Barreto, Power Blanket, Nifty Lift, Atlas Copco, Chicago Pneumatic, Allmand, Miller Curber, Skyjack, Lull, Skytrak, Tsurumi, Husquvarna Target, Stow, Wacker, Sakai, Mi-T-M, Sullair, Basic, Dynapac, MBW, Weber, Bartell, Bennar Newman, Haulotte, Ditch Runner, Menegotti, Morrison, Contec, Buddy, Crown, Edco, Wyco, Bomag, Laymor, EZ Trench, Bil-Jax, F.S. Curtis, Gehl Pavers, Heli, Honda, ICS/PowerGrit, IHI, Partner, Imer, Clipper, MMD, Koshin, Rice, CH&E, General Equipment, Amida, Coleman, NAC, Gradall, Square Shooter, Kent, Stanley, Tamco, Toku, Hatz, Kohler, Robin, Wisconsin, Northrock, Oztec, Toker TK, Rol-Air, APT, Wylie, Ingersoll Rand / Doosan, Innovatech, Con X, Ammann, Mecalac, Makinex, Smith Surface Prep, Small Line, Wanco, Yanmar