



A TEREX BRAND



# Parts Manual

Serial Number Range

**S-80**

from SN S8014D-101 to  
S8016D-235

**S-80X**

**S-85**

Part No. 1272314

Rev A

December 2018

Go to [Discount-Equipment.com](http://Discount-Equipment.com) to order your parts

# PARTS FINDER

**Search Website  
by Part Number**



**Search Manual  
Library For Parts  
Manual & Lookup Part  
Numbers – Purchase  
or Request Quote**

**Search Manuals**

Enter your information to help us find the right parts manual for your machine.

\* Brand:

\* Model:

\* Serial:

\* Part Number:

SEARCH

**Can't Find Part or  
Manual? Request Help  
by Manufacturer,  
Model & Description**

**Parts Order Form**

Please fill in the following information to help us find the right part for your machine.

Manufacturer:	<input type="text"/>
Model:	<input type="text"/>
Description:	<input type="text"/>
Part Number:	<input type="text"/>
Quantity:	<input type="text"/>
Notes:	<input type="text"/>

Discount-Equipment.com is your online resource for quality parts & equipment.

Florida: **561-964-4949** Outside Florida TOLL FREE: **877-690-3101**

**Need parts?**

Click on this link: <http://www.discount-equipment.com/category/5443-parts/> and choose one of the options to help get the right parts and equipment you are looking for. Please have the machine model and serial number available in order to help us get you the correct parts. If you don't find the part on the website or on one of the online manuals, please fill out the request form and one of our experienced staff members will get back to you with a quote for the right part that your machine needs.

We sell worldwide for the brands: Genie, Terex, JLG, MultiQuip, Mikasa, Essick, Whiteman, Mayco, Toro Stone, Diamond Products, Generac Magnum, Airman, Haulotte, Barreto, Power Blanket, Nifty Lift, Atlas Copco, Chicago Pneumatic, Allmand, Miller Curber, Skyjack, Lull, Skytrak, Tsurumi, Husquvarna Target, Stow, Wacker, Sakai, Mi-T-M, Sullair, Basic, Dynapac, MBW, Weber, Bartell, Bennar Newman, Haulotte, Ditch Runner, Menegotti, Morrison, Contec, Buddy, Crown, Edco, Wyco, Bomag, Laymor, EZ Trench, Bil-Jax, F.S. Curtis, Gehl Pavers, Heli, Honda, ICS/PowerGrit, IHI, Partner, Imer, Clipper, MMD, Koshin, Rice, CH&E, General Equipment, Amida, Coleman, NAC, Gradall, Square Shooter, Kent, Stanley, Tamco, Toku, Hatz, Kohler, Robin, Wisconsin, Northrock, Oztec, Toker TK, Rol-Air, APT, Wylie, Ingersoll Rand / Doosan, Innovatech, Con X, Ammann, Mecalac, Makinex, Smith Surface Prep, Small Line, Wanco, Yanmar



A TEREX BRAND

**Model:** S-80  
**Serial number:** S8014D-12345  
**Model year:** 2014 **Manufacture date:** 08/01/14  
**Electrical schematic number:** ES0505  
**Machine unladen weight:**

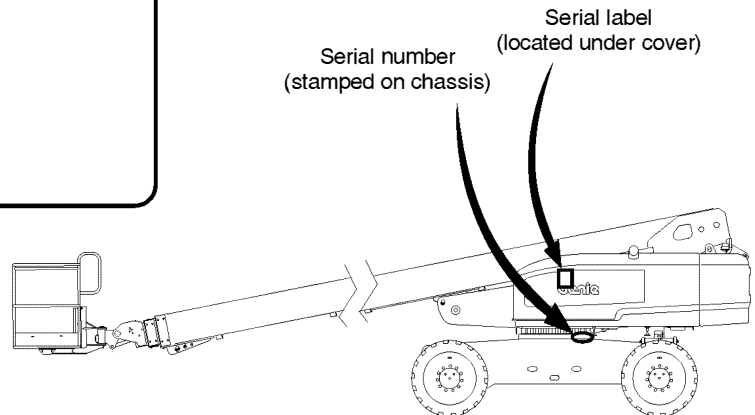
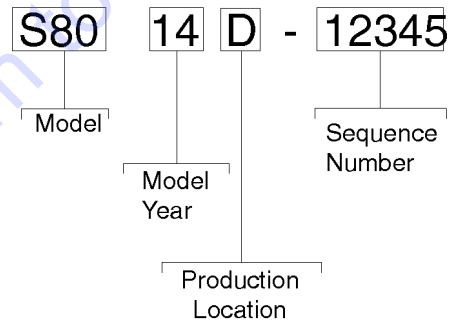
**Rated work load (including occupants):** 500 lb / 227 kg  
**Maximum number of platform occupants:** 2  
**Maximum allowable side force :** 150 lb / 670 N  
**Maximum allowable inclination of the chassis:**  
0 deg

**Maximum wind speed :** 28 mph / 12.5 m/s  
**Maximum platform height :** 80 ft / 24.38 m  
**Maximum platform reach :** 72 ft 5 in / 22.07 m

**Gradeability:** N/A  
**Country of manufacture:** USA  
**This machine complies with:**  
ANSI A92.5-  
CAN B.354.4-



PN - 77055



## Table of Contents

This manual is updated frequently. For the most up-to-date parts information, visit [www.discount-equipment.com](http://www.discount-equipment.com)

How to Read Your Serial Number.....	3
Parts Stocking List.....	7

**Electronic Version**

Click on any page number to view the figure.

**001 Parts Stocking List**

001.1 Parts Stocking List.....	10
--------------------------------	----

**100 Decals**

101.1 Decals with Words, Hydraulic Tank Side.....	12
102.1 Decals with Words, Engine Side.....	14
103.1 Decals with Words, Boom.....	16
104.1 Decals with Words, Platform.....	18
105.1 Decals with Symbols, Hydraulic Tank Side.....	20
106.1 Decals with Symbols, Engine Side.....	22
107.1 Decals with Symbols, Booms.....	24
108.1 Decals with Symbols, Platform.....	26

**200 Drive Chassis Components**

201.1 Steer End.....	28
202.1 Axle Installation.....	30
203.1 Oscillation Control Valve.....	32
204.1 Hub Assembly - 2 WD Spindler.....	34
205.1 Drive Hub Assembly with Brake - Type 1.....	36
206.1 Drive Hub Assembly with Brake - Type 2.....	38

**300 Turntable Components**

301.1 Hydraulic and Fuel Tanks - Diesel Models.....	40
302.1 Ground Controls - View 1.....	44
302.2 Ground Controls - View 2.....	46
303.1 Ground Control - Deutz TD2.9L4.....	48
304.1 Turntable Covers.....	52
305.1 Turntable Rotator and Hydraulic Rotary Coupler Install.....	54
306.1 Turntable Components - Relay Panel, Diesel Models.....	58

306.2 Turntable Components - Relay Panel, Deutz TD 2.9L4.....	60
307.1 Turntable Counterweight, S-80X and S-80.....	62
308.1 Turntable Counterweight, S-85.....	64
309.1 Wire Harness Diagram, S-80X and S-80.....	66
310.1 Wire Harness Diagram, S-85.....	70

**400 Engine Components**

401.1 Deutz TD2011L04i Engine - View 1.....	74
402.1 Deutz TD2011L04i Engine - View 2.....	78
403.1 Deutz TD 2.9L4 Engine - View 1.....	80
404.1 Deutz TD 2.9L4 Engine - View 2.....	82
405.1 Deutz TD 2.9L4 Engine - View 3.....	84

**500 Boom Components**

501.1 Cable Track Installation.....	86
502.1 Extension Boom Tube 1.....	88
502.1 Extension Boom Tube 1.....	90
502.2 Extension Boom Tube 1, S-80X.....	92
503.1 Extension Boom Tube 2.....	94
504.1 Extension Boom Tube 3.....	96
505.1 Cable Assembly and Primary Extension Cylinder.....	98
506.1 Boom Link Assembly - View 1.....	100
507.1 Boom Link Assembly - View 2.....	102
508.1 Platform Rotator, S-80X and S-80.....	104
509.1 Jib Boom and Platform Rotator, S-85.....	106
510.1 Platform Installation.....	108

**600 Platform Components**

601.1 Platform Installation.....	110
601.2 Platform Installation.....	114
602.1 Platform Controls, S-80X and S80.....	116
603.1 Platform Controls, S-85.....	118
604.1 Platform Control Box, S-80X and S-80.....	120
605.1 Platform Control Box, S-85.....	122
605.2 Platform Control Box, S-80, S-80X and S-85.....	124
606.1 Joysticks.....	128

**700 Hydraulic Components**

701.1 Traction Manifold.....	130
702.1 Two-Speed/Brake Manifold.....	132
703.1 Function Enable Valve and Platform Rotator Manifold.....	134
704.1 Platform Manifold, S-80X and S-80.....	136
705.1 Platform Manifold, S-85.....	138
706.1 Function Manifold.....	140
707.1 Oil Diverter Manifold (welder option).....	142
708.1 Pumps.....	144
709.1 2WD Drive and Steer System.....	146

710.1 4WD Drive and Steer System.....	148
711.1 Oscillate System.....	150
712.1 Turntable Components.....	152
713.1 Boom, S-80X and S-80.....	156
714.1 Boom, S-85.....	158
<b>800 Accessories</b>	
801.1 Alarm and Beacon Package, Driving Lights.....	160
802.1 Platform Options.....	162
802.2 Platform Options.....	164
803.1 Hostile Environment Package - Ground and Platform Control Box Covers.....	166
804.1 Hostile Environment Package - Booms, S-80X and S-80.....	168
804.1 Hostile Environment Package - Booms, S-80X and S-80.....	170
804.1 Hostile Environment Package - Booms, S-85.....	172
805.1 Hostile Environment Package - Turntable.....	174
806.1 Hostile Environment Package - Engine Air Cleaners.....	176
806.2 Engine Air Cleaners (Deutz TD 2.9L4).....	178
807.1 Hostile Environment Package - Cylinder Bellows, S-80X and S-80.....	180
808.1 Hostile Environment Package - Cylinder Bellows, S-85.....	182
809.1 Full Gauge Option - Deutz.....	184
810.1 Operators Protection Alarm (to January 2017).....	186
<b>Indices</b>	
Part Number Index.....	188
Part Description Index.....	194
<b>Cross References</b>	
Fittings Cross Reference.....	204

### Required Parts

The following parts are required to perform maintenance procedures as outlined in the Genie S-80 and S-85 Service Manual.

All Models:

Description	Part No.
Wheel Lug Nuts .....	34127
Lithium Based Grease .....	(source locally)
Dielectric Grease .....	66399
Drive Hub Oil (refer to service manual) ...	(source locally)

Perkins 804D-33 Models:

Description	Part No.
Air Filter .....	62420
Fuel/water Separator Element .....	101614
Engine Oil Filter .....	101613
V-Belt .....	102534

Deutz TD2011L04i Tier 4 Interim Models:

Description	Part No.
Air Filter .....	62425
Fuel/water Separator Filter .....	29560
Engine Oil Filter .....	49924
V-Belt .....	102589

Deutz TD 2.9L4 Models:

Description .....	Part No.
Air Filter Element .....	62425
Fuel Filter .....	214228
Fuel/water Separator Element .....	236260
Engine Oil Filter - Deutz Models .....	49924
V-belt (alternator & water pump) .....	1253748
V-belt (air pump) .....	1253750

### Recommended Parts

Description	Part No.
Genie Blue Paint, 1 Gallon	32150
Genie Blue Paint, 12 Ounce Aerosol	1484
Genie Gray Paint, 1 Gallon	32151
Genie Gray Paint, 12 Ounce Aerosol .....	1268

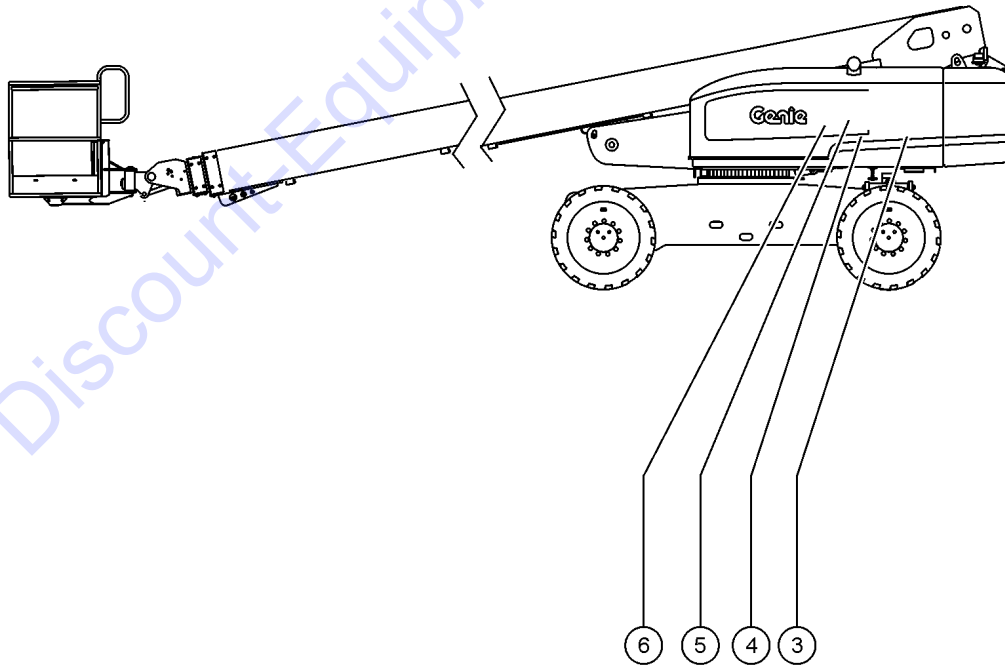
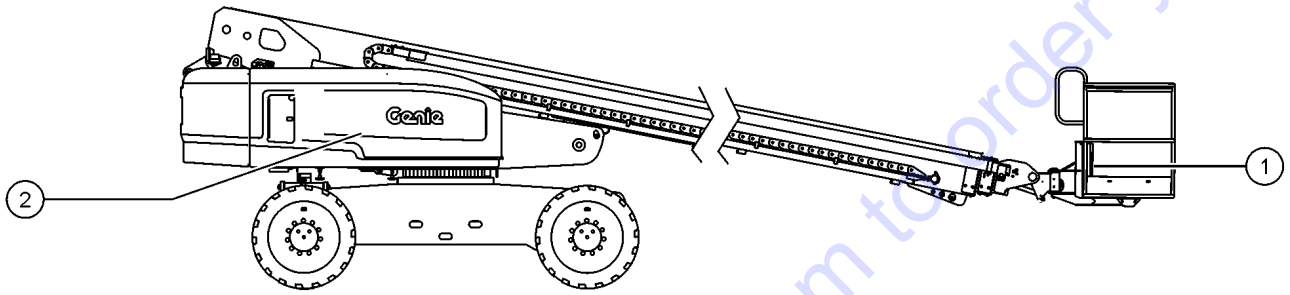
### Manuals

Genie Industries offers the following support documents for these models:

Title	Part No.
EMI Safety Manual .....	27581
Manual of Responsibilities ANSI A92.5 .....	31779

Go to Discount-Equipment.com to order your parts

001.1 Parts Stocking List



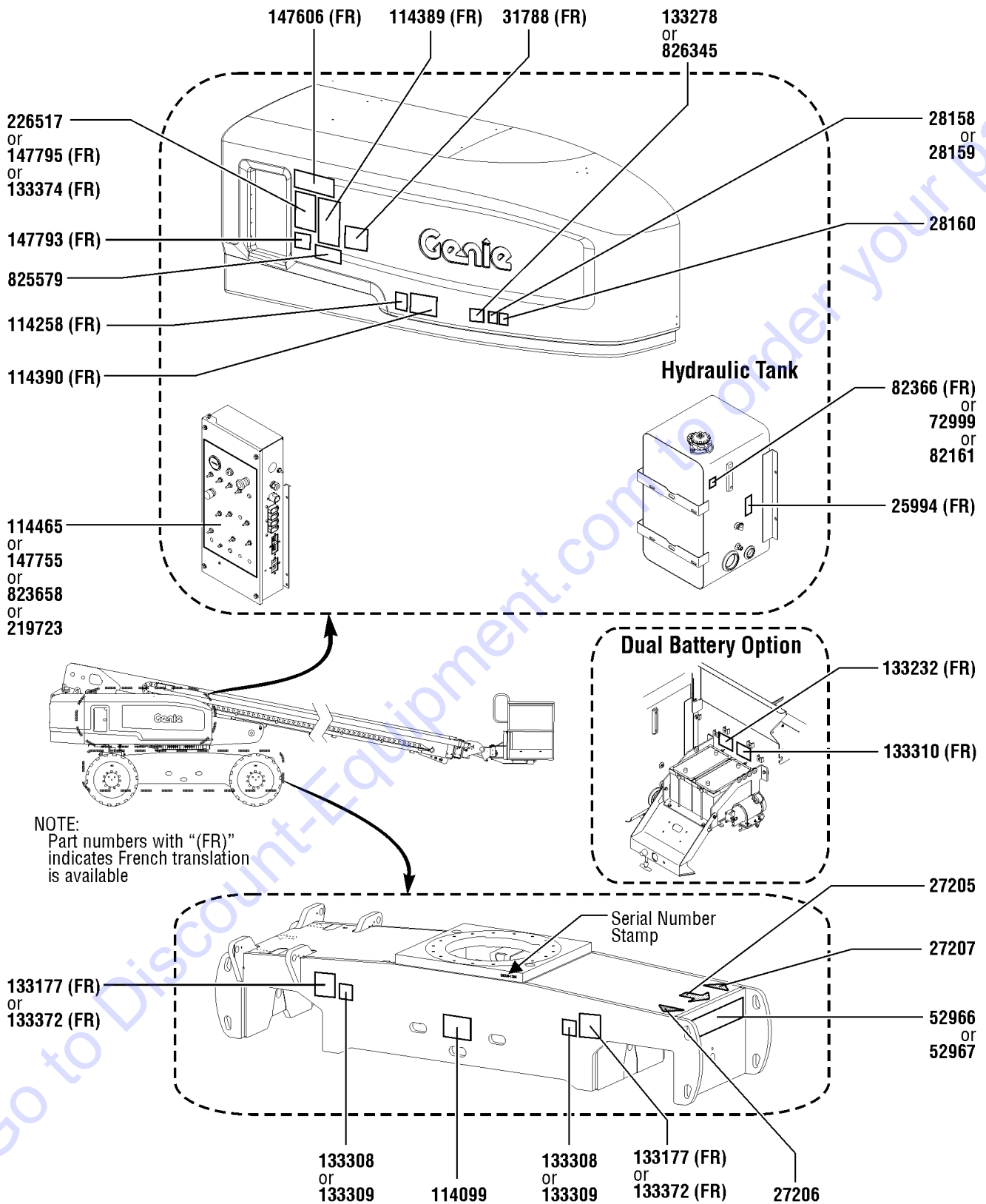
001.1 Parts Stocking List

Item	Part No.	Description	Qty.	Item	Part No.	Description	Qty.
A		—INSPECTION SERVICE KITS—		--	102589GT	V-BELT, DEUTZ F4L2011 <i>(refer to 409.1)</i>	
--	1278714GT	KIT,ENGINE SERVICE,250 HOUR,DEUTZ TD2.9,S80/Z80		--			
B		—GENERAL SERVICE PARTS—		4		—Deutz TD 2.9L4 Models—	
--	1484GT	PAINT,AEROSOL,BRIGHT BLUE*** <i>12-ounce spray paint</i>		--	62425GT	FILTER,AIR CLEANER,SUPERBOOM <i>(refer to 406.1)</i>	
--	1268GT	PAINT,AEROSOL,GENIE GRAY*** <i>12-ounce spray paint</i>		--	214228GT	FILTER, DEUTZ 2.9, FUEL <i>(refer to 408.1)</i>	
--	1258567GT	PAINT, AEROSOL, TRAFFIC BLACK <i>12-ounce spray paint</i>		--	236260GT	PRE-FILTER,FUEL,DEUTZ TCD3.6 <i>(refer to 408.1)</i>	
--	32150GT	PAINT,WET,GENIE BLUE (1 GL)** <i>1-gallon</i>		--	49924GT	FILTER,OIL,DEUTZ F4L1011F <i>(refer to 405.1)</i>	
--	32151GT	PAINT,WET,GENIE GRAY (1 GL)** <i>1-gallon</i>		--	1262866GT	FAN BELT, ALTERNATOR <i>(refer to 407.1)</i>	
--	1257733GT	PAINT,WET,TRAFFIC BLACK (1 GL)** <i>1-gallon</i>		--			
--	66399GT	GREASE,DIELECTRIC 4 OZ**		5		—GM 3.0L Models—	
--	60536GT	FUSE,20 AMP,MAXI <i>(refer to figure 311.1)</i>		--	62420GT	FILTER,AIR*** <i>(refer to 409.1)</i>	
--	94327GT	FUSE,30 AMP <i>(refer to figure 311.1)</i>		--	65626GT	FILTER-FUEL, GM 3.0L ENGINE <i>(refer to 412.1)</i>	
--	1283776GT	SEAL MARKER,CROSS CHECK,BLUE,TUBE		--	1271652GT	FILTER, FUEL, GM3.0L <i>(refer to 412.1)</i>	
--	93500GT	PARKER DIGITAL PRESSURE GAUGE		--	65623GT	FILTER-OIL,GM 3.0L ENGINE <i>(refer to 412.1)</i>	
--	49612GT	O-RING KIT (ORFS FITTINGS) <i>O-ring kit, Parker</i>		--	65621GT	BELT-FAN, GM 3.0L ENGINE <i>(refer to 412.1)</i>	
--	28750GT	O-RING KIT,FIELD SVC,ALL PROD* <i>O-ring kit, SAE</i>		--	58412GT	SPARK PLUG WIRE SET,GM 3.0 <i>(refer to 412.1)</i>	
--	33994GT	PLUG AND CAP KIT-SERVICE,37 ** <i>Plug and cap kit, SAE</i>		--			
--	60334GT	FILTER ASSY,HIGH PRESS SAE-12*		6		—Perkins 404D-22T Models—	
1		—MANUALS—		--	62420GT	FILTER,AIR*** <i>(refer to 414.1)</i>	
--	27581GT	MANUAL,AEM SAFETY		--	75020GT	SEPRTR/FLTR,FUEL DSL,15GPH,.30 <i>(refer to 413.1)</i>	
--	31779GT	MANUAL,RESPON,A92.5 BOOM		--	1262047GT	OIL FILTER,PERKINS 404D/F-22T <i>(refer to 415.1)</i>	
2		—HYD FILTERS—		--	1262488GT	BELT,ALTERNATOR,PERKINS 404D/F <i>(refer to 415.1)</i>	
--	60857GT	FILTER,ELEMENT,BETA(5)=1000 <i>All Models</i>		--	1262484GT	FUEL FILTER ASSY,PERKINS 404D/ <i>(refer to 415.1)</i>	
3		—Deutz TD2011L04i Models—					
--	62425GT	FILTER,AIR CLEANER,SUPERBOOM <i>(refer to 408.1)</i>					
--	29560GT	FILTER,FUEL/WTR SEP, DTZ 1008 <i>(refer to 404.1)</i>					
--	49924GT	FILTER,OIL,DEUTZ F4L1011F <i>(refer to 404.1)</i>					





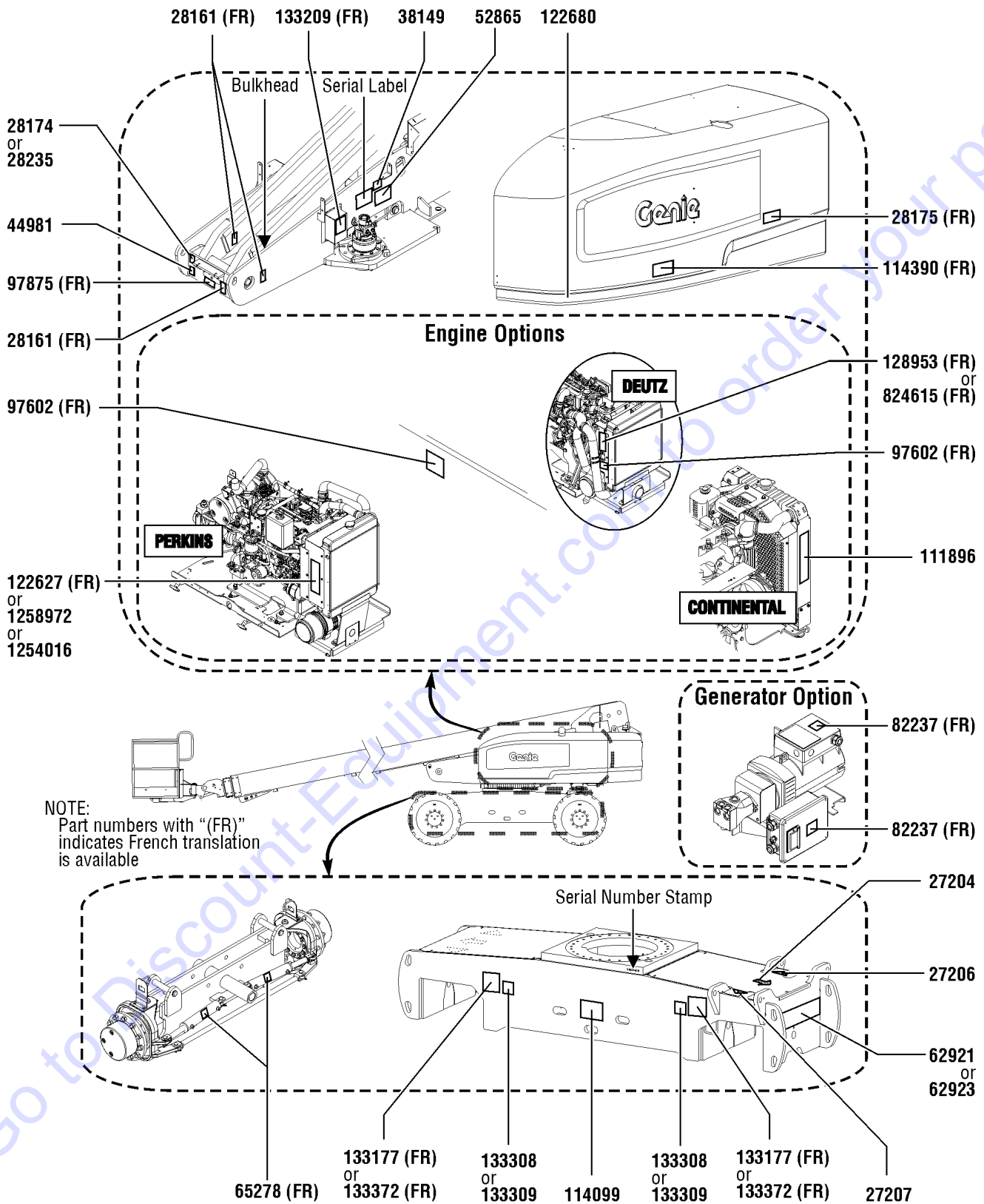
101.1 Decals with Words, Hydraulic Tank Side



101.1 Decals with Words, Hydraulic Tank Side

Item	Part No.	Description	Qty.	Item	Part No.	Description	Qty.
A	823295GT	DECAL KIT,S80 PLAT,WORD,AUS		23	133309GT	DECAL,LABEL,WHEEL LOAD S85.....2 <i>(S-85 models only)</i>	2
B	823296GT	DECAL KIT,S80 COMP,WORD,AUS		24	133310GT	DECAL,LABEL,ENG STRT& CONTROLS.....1 <i>Option, Dual Battery</i>	1
C	823297GT	DECAL KIT,S80X PLAT,WORD,ANSI		25	133372GT	DECAL,DANGER/LABEL,TIRE SPECHF.....2 <i>Option, hi-floatation tires</i>	2
D	823298GT	DECAL KIT,S80X COMP,WORD,ANSI		26	133374GT	DECAL,INST,OPER INST.S80.....1 <i>(S-85 models only)</i>	1
E	823299GT	DECAL KIT,S85 PLAT,WORD,ANSI		27	147606GT	DECAL,INST PLAT CAP S80X.....1 <i>(S-80X models Only)</i>	1
F	823300GT	DECAL KIT,S85 COMP,WORD,ANSI		28	147755GT	DECAL,GR CNTL PNL 60X 80X.....1 <i>(S-80X models only)</i>	1
G	823301GT	DECAL KIT,S85 PLAT,WORD,AUS		29	147793GT	DECAL,DANGER,TIPOVR,MAX CAP.....1 <i>(S-80X models only)</i>	1
H	823302GT	DECAL KIT,S85 COMP,WORD,AUS		30	147795GT	DECAL, OPER INST 6080X GRD.....1 <i>(S-80X models only)</i>	1
1	25994GT	DECAL,NOTICE,SHUTOFF VALVES.....1		31	219723GT	DECAL,GROUND BOX,TIER IV.....1 <i>(S-85 models only)</i>	1
2	27205GT	DECAL,ARROW YELLOW LRG 9".....1		32	226517GT	DECAL,INST,OPER INST,S80,AUS.....1 <i>AUS, S-80 models only</i>	1
3	27206GT	DECAL,TRIANGLE,BLUE.....1		33	823658GT	LABEL, GBOX, S60X TIER 4.....1 <i>(S-80X models only)</i>	1
4	27207GT	DECAL,TRIANGLE,YELLOW.....1		34	825579GT	DECAL, LCD, TIER 4.....1	1
5	28158GT	DECAL,LABEL,UNLEADED GAS ONLY.....1 <i>Option, Fuel</i>		35	826345GT	DECAL,ULS DIESEL ONLY,TIER 4.....1 <i>(USA models only), Perkins 404F-22T, Deutz TD2.9L4</i>	1
6	28159GT	DECAL,DIESEL.....1 <i>Option, Fuel</i>					
7	28160GT	DECAL,LABEL,LIQUID PROPANE.....1 <i>Option, LPG</i>					
8	31788GT	DECAL,DANGER,BATTERY SAFETY***.....1					
9	52966GT	DECAL,COSMETIC,4 X 2.....1 <i>Option, Drive</i>					
10	52967GT	DECAL,COSMETIC,4 X 4.....1 <i>Option, Drive</i>					
11	72999GT	DECAL,LABEL,PETRO CANADA***.....1 <i>Option, Hydraulic Oil</i>					
12	82161GT	DECAL,LABEL,UCON HYDROLUBE.....1 <i>Option, Hydraulic Oil</i>					
13	82366GT	DECAL,CHEVRON RANDO HD.....1 <i>Option, Hydraulic Oil</i>					
14	114099GT	DECAL,LABEL,TRANSPORT DIAGRAM.....1					
15	114258GT	DECAL,DANGER,NO SMOKING.....1					
16	114389GT	DECAL,DANGER,GENERAL SAFETY....1					
17	114390GT	DECAL,DANGER,ELECT HAZARD***....1					
18	114465GT	DECAL GROUND CONTROL BOX.....1 <i>(S-80 and S-85 models)</i>					
19	133177GT	DECAL,DANGER/LABEL,TIRE SPECS.....2 <i>Foam filled tires</i>					
20	133232GT	DECAL,LABEL,AUX BATTERY.....1 <i>Option, Dual Battery</i>					
21	133278GT	DECAL,LOW/ULTRA LOW SULFR FUEL.....1 <i>Perkins 804D-33, Perkins 404D-22T, Deutz TD2011L01i</i>					
22	133308GT	DECAL,LABEL,WHEEL LOAD S80.....2 <i>(S-80 and S-80X models)</i>					

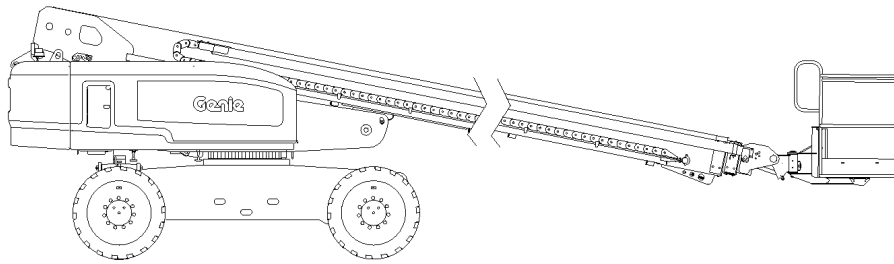
102.1 Decals with Words, Engine Side



102.1 Decals with Words, Engine Side

Item	Part No.	Description	Qty.	Item	Part No.	Description	Qty.
1	27204GT	DECAL,ARROW BLUE.....	1	28	824615GT	DECAL,ENGINE SPEC,DEUTZTD2.9... <i>Deutz TD2.9 L4</i>	1
2	27206GT	DECAL,TRIANGLE,BLUE.....	1	29	1254016GT	DECAL,ENGINE SPEC,PERKINS 404F..... <i>Perkins 404F-22T</i>	1
3	27207GT	DECAL,TRIANGLE,YELLOW.....	1	30	1258972GT	DECAL,ENGINE SPEC,PERKINS 404D-22T..... <i>Perkins 404D-22T</i>	1
4	28161GT	DECAL,WARN,CRUSH HAZARD HAND.....	3				
5	28174GT	DECAL, POWER TO PLATFORM 230V**.....	1				
6	28175GT	DECAL,WARNING-COMPART ACCESS.....	1				
7	28235GT	DECAL,POWER TO PLATFORM 115V...1	1				
8	38149GT	DECAL,LABEL,PATENTS..... <i>(US Only)</i>	1				
9	44981GT	DECAL,LABEL, AIR LINE 110 PSI..... <i>Option, airline to plat</i>	1				
10	52865GT	DECAL,ANNUAL INSP***..... <i>(US Only)</i>	1				
11	62921GT	DECAL,COSMETIC,S80..... <i>(S-80 models only)</i>	1				
12	62923GT	DECAL,COSMETIC,S85..... <i>(S-85 models only)</i>	1				
13	65278GT	DECAL,CAUTION,NO STEP.....	2				
14	82237GT	DECAL,DANGER,HIGH VOLTAGE..... <i>Option, Welder Generator</i>	2				
15	97602GT	DECAL,EXPLOSION HAZARD..... <i>Diesel engine only</i>	2				
16	97875GT	DECAL,WARN.WELD LINE INST.WORD..... <i>Option, weld cable line</i>	1				
17	111896GT	DECAL,ENG.SPECS,CONTINENTAL.... <i>TME27</i>	1				
18	114099GT	DECAL,LABEL,TRANSPORT DIAGRAM.....	1				
19	114390GT	DECAL,DANGER,ELECT HAZARD***...1	1				
20	122627GT	DECAL,T3 ENGINE SPEC.PERKINS.... <i>Perkins 804D-33</i>	1				
21	122680GT	DECAL RT GRAY STRIP(TANK SIDE)...1	1				
22	128953GT	DECAL,ENGINE SPEC,DEUTZ,TD2011..... <i>Deutz TD2011L04i</i>	1				
23	133177GT	DECAL,DANGER/LABEL,TIRE SPECS..... <i>Foam filled tires</i>	2				
24	133209GT	DECAL, RELAY BLOCK, S80/85.....	1				
25	133308GT	DECAL,LABEL,WHEEL LOAD S80..... <i>(S-80 and S-80X models)</i>	2				
26	133309GT	DECAL,LABEL,WHEEL LOAD S85..... <i>(S-85 models only)</i>	2				
27	133372GT	DECAL,DANGER/LABEL,TIRE SPECHF..... <i>Option, hi-floatation tires</i>	2				

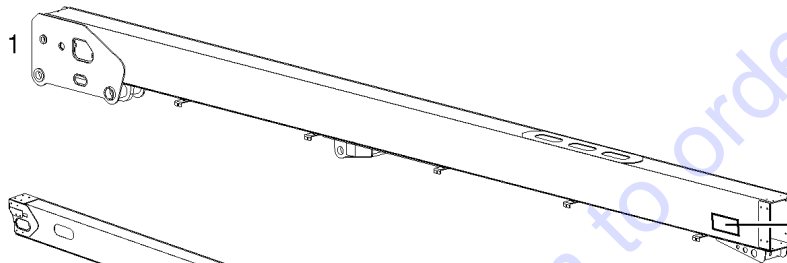
103.1 Decals with Words, Boom



NOTE:  
Part numbers with "(FR)"  
indicates French translation  
is available

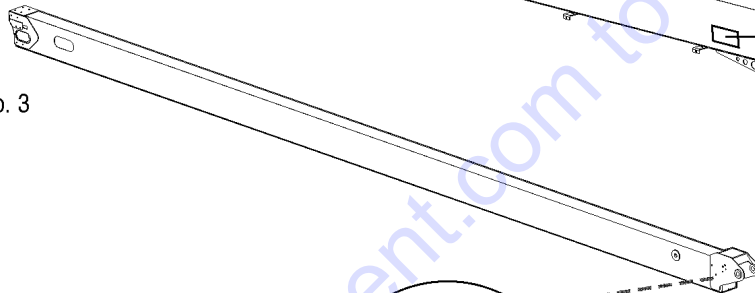
Hydraulic Tank Side

Boom no. 1

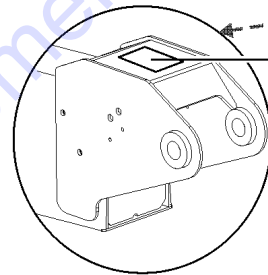


31060 (FR)

Boom no. 3

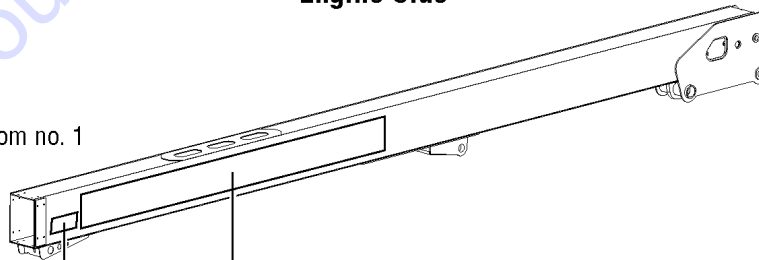


28181 (FR)



Engine Side

Boom no. 1



31060 (FR)

62920  
OR  
147659  
OR  
62922

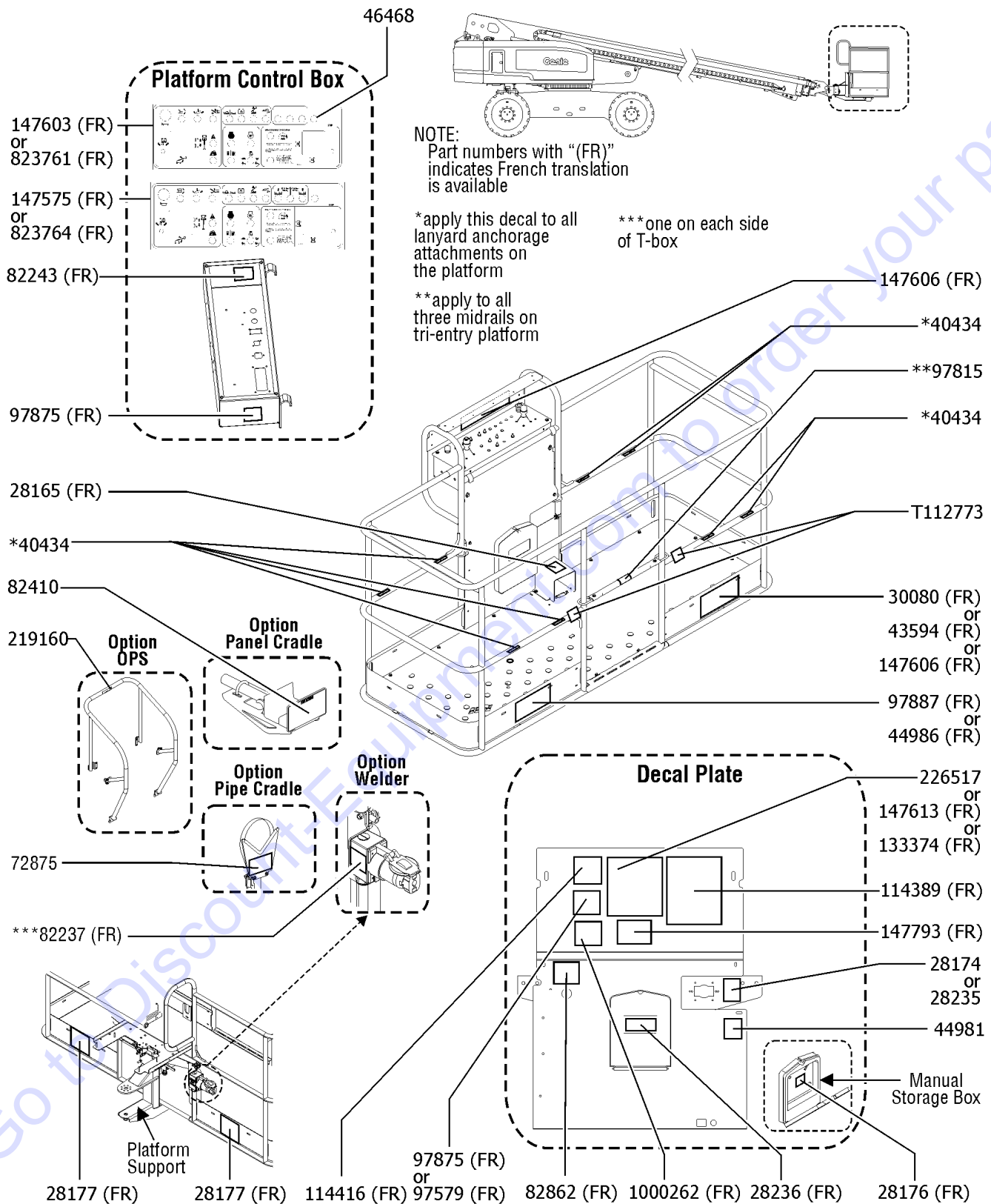


## 103.1 Decals with Words, Boom

Item	Part No.	Description	Qty.
1	28181GT	DECAL,WARN,FALL HAZARD.....	1
2	31060GT	DECAL,DANGER DO NOT ALTER SWTC..... <i>(S-80X models only)</i>	2
3	62920GT	DECAL,COSMETIC,GENIE S-80..... <i>(S-80 models only)</i>	1
4	62922GT	DECAL,COSMETIC,GENIE S-85..... <i>(S-85 models only)</i>	1
5	147659GT	DECAL,COSM GENIE S80X..... <i>(S-80X models only)</i>	1

Go to Discount-Equipment.com to order your parts

104.1 Decals with Words, Platform



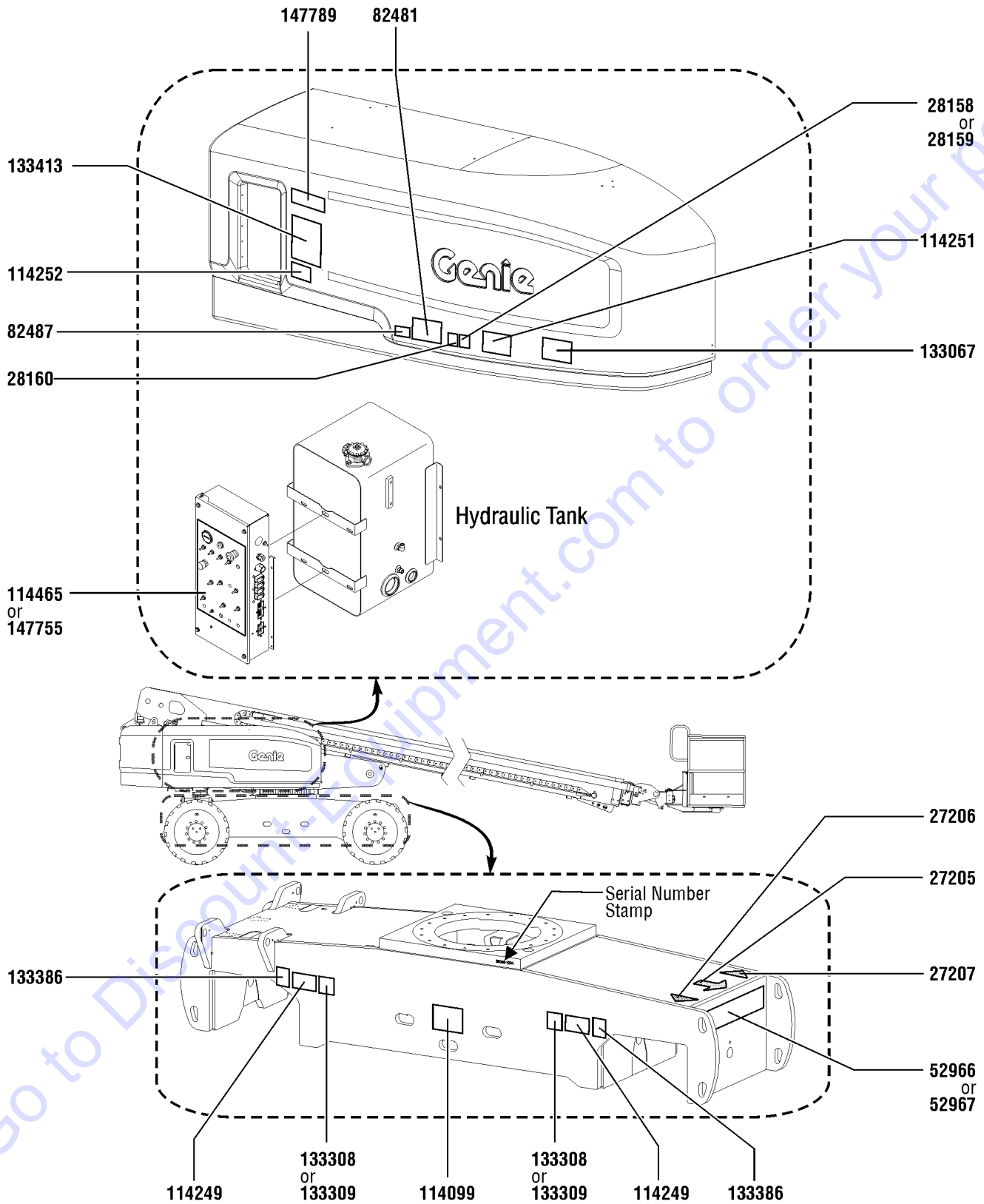
104.1 Decals with Words, Platform

Item	Part No.	Description	Qty.	Item	Part No.	Description	Qty.
1	28165GT	DECAL,INSTRUCT,FOOTSWITCH OPER.....	1	28	147613GT	DECAL, INST OPER INST S80X PLT..... <i>(S-80X models only)</i>	1
2	28174GT	DECAL, POWER TO PLATFORM 230V**.....	1	29	147793GT	DECAL,DANGER,TIPOVR,MAX CAP..... <i>(S-80X models Only)</i>	1
3	28176GT	DECAL,LABEL,MANUAL NOT HERE.....	1	30	219160GT	DECAL, INSTRUCTION, OPS.....	1
4	28177GT	DECAL,WARN,CRUSH HAZARD PLAT.....	2	31	226517GT	DECAL,INST,OPER INST,S80,AUS..... <i>AUS, S-80 models only</i>	1
5	28235GT	DECAL,POWER TO PLATFORM 115V....	1	32	823761GT	LABEL, PBOX, S65 TIER 4..... <i>ANSI, S-85 models only</i>	1
6	28236GT	DECAL,WARN,IMPROPER OPERATION.....	1	33	823764GT	LABEL, PBOX, S60X TIER 4..... <i>(S-80X models only)</i>	1
7	37052GT	DECAL,NOTICE,MAX LOAD 500 LBS.... <i>AUS, S-80 and S-85 models</i>	1	34	1000262GT	DECAL,DANGER,TIP OVER,PLAT.....	1
8	40434GT	DECAL,LANYARD ANCHORAGE POINT.....	8	35	T112773GT	TAPE, PROTECTIVE MASK.....	2
9	43594GT	DECAL,NOTICE,MAX LOAD 750 LBS.... <i>AUS, S-80 models only</i>	1				
10	44981GT	DECAL,LABEL, AIR LINE 110 PSI..... <i>Option, airline to plat</i>	1				
11	44986GT	DECAL,INSTR,SIDE FRC/WIND,AUS..... <i>AUS only</i>	1				
12	46468GT	DECAL,FUNCTION OVERRIDE..... <i>Option, aircraft protection</i>	1				
13	72875GT	DECAL,WARNING,PIPE CRADLE,BOOM.....	2				
14	82237GT	DECAL,DANGER,HIGH VOLTAGE..... <i>Option, welder</i>	2				
15	82243GT	DECAL FAULT CODE.....	1				
16	82410GT	DECAL,WARNING,PANEL CRADLE..... <i>Option, panel cradle</i>	2				
17	82862GT	DECAL,FIRE EXTINGUISHER..... <i>Option, welder</i>	1				
18	97579GT	DECAL,DANGER,TIP-OVER,WELDER**. <i>Option, welder</i>	1				
19	97815GT	DECAL,LABEL,LOWER MIDRAIL.....	1				
20	97875GT	DECAL,WARN.WELD LINE INST.WORD.....	2				
21	97887GT	DECAL,INSTR,MAX SIDE FRC,ANSI..... <i>ANSI only</i>	1				
22	114389GT	DECAL,DANGER,GENERAL SAFETY....	1				
23	114416GT	DECAL,DANGER,TIPOVER,TILT.....	1				
24	133374GT	DECAL,INST,OPER INST.S80..... <i>(S-85 models only)</i>	1				
25	147575GT	DECAL, PLAT CNTL PNL 60X 80X..... <i>(S-80X models only)</i>	1				
26	147603GT	DECAL, PLAT CNTL PNL..... <i>S-80 AUS and S-85 models</i>	1				
27	147606GT	DECAL,INST PLAT CAP S80X..... <i>(S-80X models only)</i>	2				





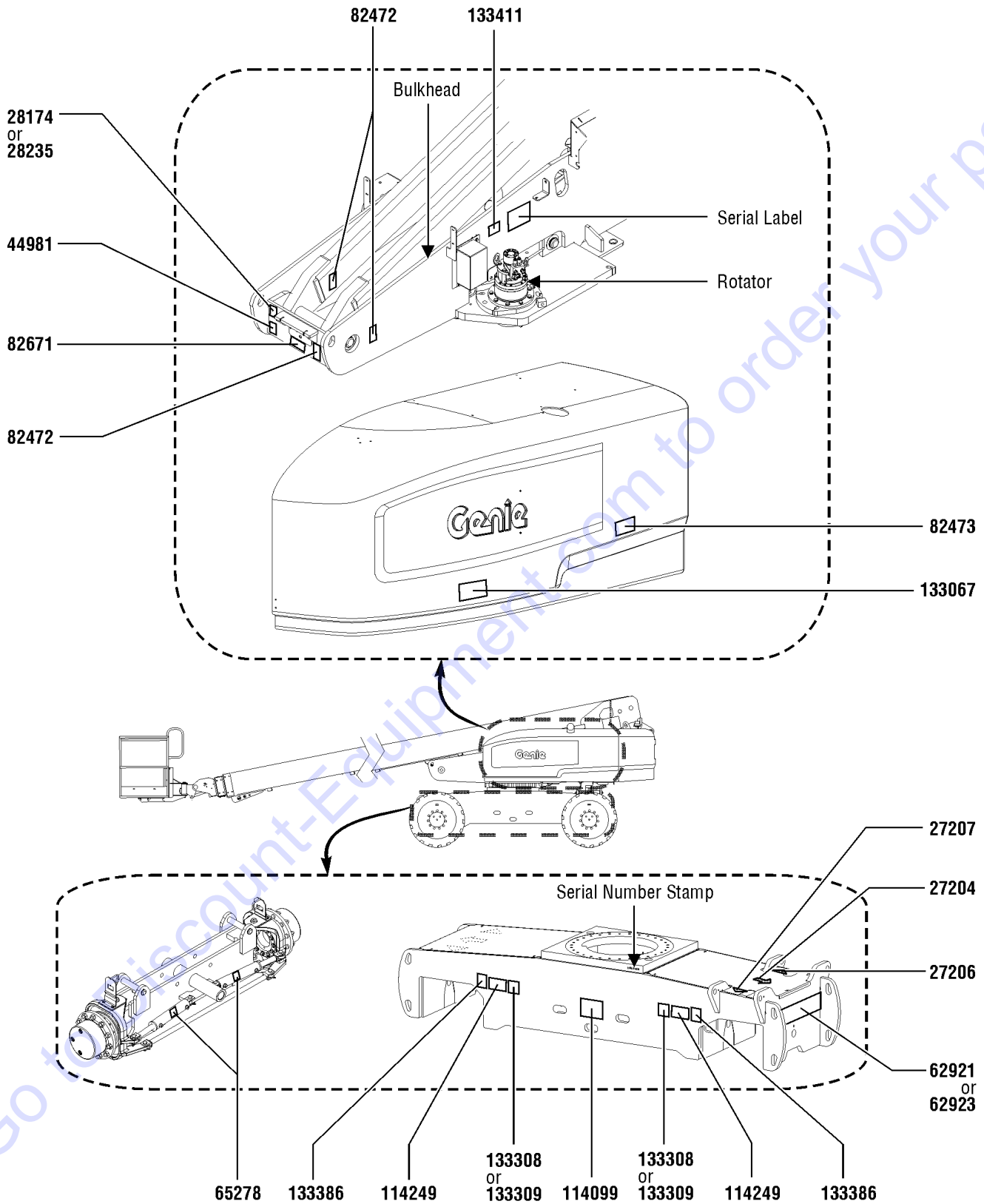
105.1 Decals with Symbols, Hydraulic Tank Side



## 105.1 Decals with Symbols, Hydraulic Tank Side

Item	Part No.	Description	Qty.
A	823435GT	DECAL KIT,S80 PLAT,SYM,CE	
B	823436GT	DECAL KIT,S80 COMP,SYM,CE	
C	823437GT	DECAL KIT,S80X PLAT,SYM,ANSI	
D	823438GT	DECAL KIT,S80X COMP,SYM,ANSI	
E	823439GT	DECAL KIT,S85 PLAT,SYM,ANSI	
F	823440GT	DECAL KIT,S85 COMP,SYM,ANSI	
G	823441GT	DECAL KIT,S85 PLAT,SYM,CE	
H	823442GT	DECAL KIT,S85 COMP,SYM,CE	
1	27205GT	DECAL,ARROW YELLOW LRG 9".....1	1
2	27206GT	DECAL,TRIANGLE,BLUE.....1	1
3	27207GT	DECAL,TRIANGLE,YELLOW.....1	1
4	28158GT	DECAL,LABEL,UNLEADED GAS ONLY.....1	1
5	28159GT	DECAL,DIESEL.....1	1
6	28160GT	DECAL,LABEL,LIQUID PROPANE.....1	1
7	52966GT	DECAL,COSMETIC,4 X 2.....1	1
8	52967GT	DECAL,COSMETIC,4 X 4.....1	1
9	82481GT	DECAL,SYMBOL-BATTERY SAFETY.....1	1
10	82487GT	DECAL,SYMBOL-READ THE MANUAL.....1	1
11	114099GT	DECAL,LABEL,TRANSPORT DIAGRAM.....1	1
12	114249GT	DECAL,LABEL,TIPOVER,TIRES,SYMB.2	2
13	114251GT	DECAL,LABEL,NO SMOKING,SYMB.....1	1
14	114252GT	DECAL,LABEL,TIP OVER LMT SWTCH.....1	1
15	114465GT	DECAL GROUND CONTROL BOX.....1	1
16	133067GT	DECAL,DANGER,ELEC.HAZ.STAY CLR.....1	1
17	133308GT	DECAL,LABEL,WHEEL LOAD S80.....2	2
18	133309GT	DECAL,LABEL,WHEEL LOAD S85.....2	2
19	133386GT	LABEL,TIRE PRESSURE,HF.....2	2
20	133413GT	DECAL,EMERGENCY LOWERING.....1	1
21	147755GT	DECAL,GR CNTL PNL 60X 80X.....1	1
22	147789GT	DECAL,INST PLAT CAP 80X SYM.....1	1

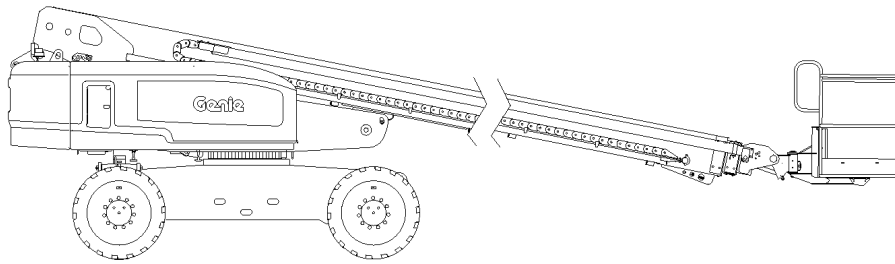
106.1 Decals with Symbols, Engine Side



## 106.1 Decals with Symbols, Engine Side

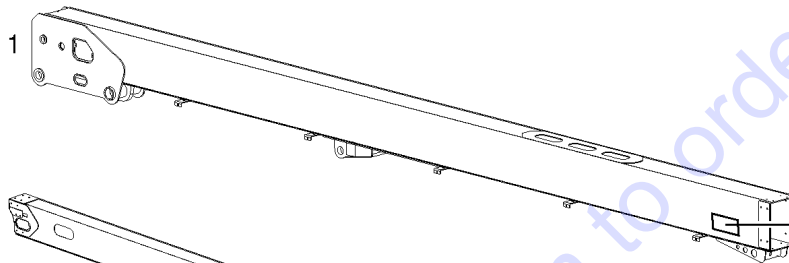
Item	Part No.	Description	Qty.
1	27204GT	DECAL,ARROW BLUE.....	1
2	27206GT	DECAL,TRIANGLE,BLUE.....	1
3	27207GT	DECAL,TRIANGLE,YELLOW.....	1
4	28174GT	DECAL, POWER TO PLATFORM 230V**.....	1
5	28235GT	DECAL,POWER TO PLATFORM 115V...1	1
6	44981GT	DECAL,LABEL, AIR LINE 110 PSI.....1 <i>Option, airline to plat</i>	1
7	62921GT	DECAL,COSMETIC,S80.....1 <i>(S-80 and S-80X models)</i>	1
8	62923GT	DECAL,COSMETIC,S85.....1 <i>(S-85 models only)</i>	1
9	65278GT	DECAL,CAUTION,NO STEP.....2	2
10	82472GT	DECAL,WARNING,CRUSHING HAZARD.....	3
11	82473GT	DECAL,SYMBOL-COMP ACCESS.....1	1
12	82671GT	DECAL,LABEL,WELD LINE INST,SYM...1 <i>Option, weld cable line</i>	1
13	114099GT	DECAL,LABEL,TRANSPORT DIAGRAM.....	1
14	114249GT	DECAL,LABEL,TIPOVER,TIRES,SYMB.2	2
15	133067GT	DECAL,DANGER,ELEC.HAZ.STAY CLR.....	1
16	133308GT	DECAL,LABEL,WHEEL LOAD S80.....2 <i>(S-80 and S-80X models)</i>	2
17	133309GT	DECAL,LABEL,WHEEL LOAD S85.....2 <i>(S-85 models only)</i>	2
18	133386GT	LABEL,TIRE PRESSURE,HF.....2 <i>Option, hi-floatation tires</i>	2
19	133411GT	DECAL,LABEL,106 DB***.....1 <i>(CE only)</i>	1

107.1 Decals with Symbols, Booms



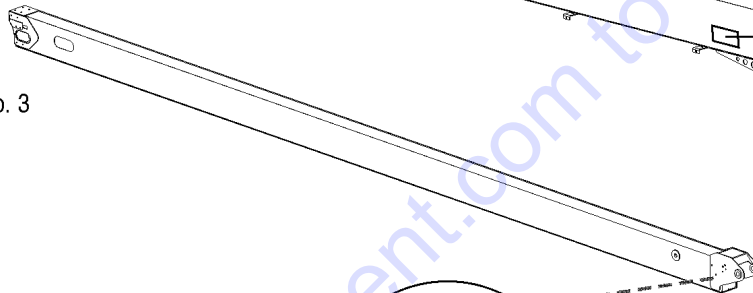
Hydraulic Tank Side

Boom no. 1



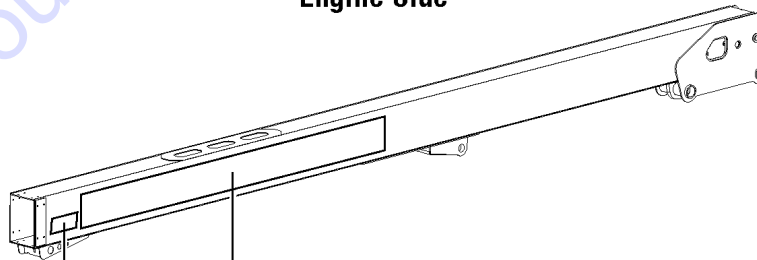
114252

Boom no. 3



114247

Engine Side



114252

62920  
OR  
147659  
OR  
62922

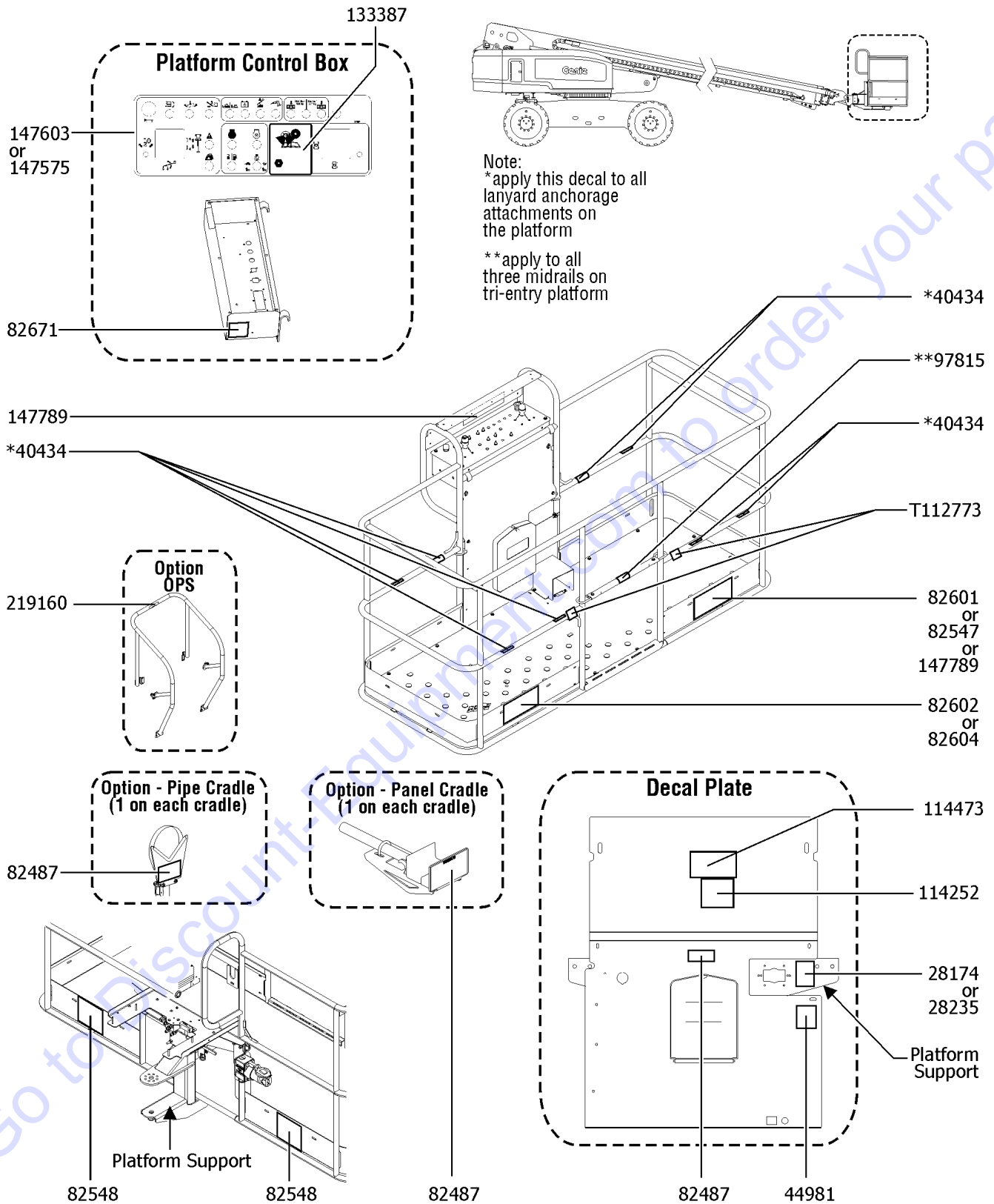


## 107.1 Decals with Symbols, Booms

Item	Part No.	Description	Qty.
1	62920GT	DECAL,COSMETIC,GENIE S-80.....1 (S-80 models only)	
2	62922GT	DECAL,COSMETIC,GENIE S-85.....1 (S-85 models only)	
3	114247GT	DECAL,LABEL,FALL HAZARD***.....1	
4	114252GT	DECAL,LABEL,TIP OVER LMT SWTCH.....2 (S-80X models only)	
5	147659GT	DECAL,COSM GENIE S80X.....1 (S-80X models only)	

Go to Discount-Equipment.com to order your parts

108.1 Decals with Symbols, Platform

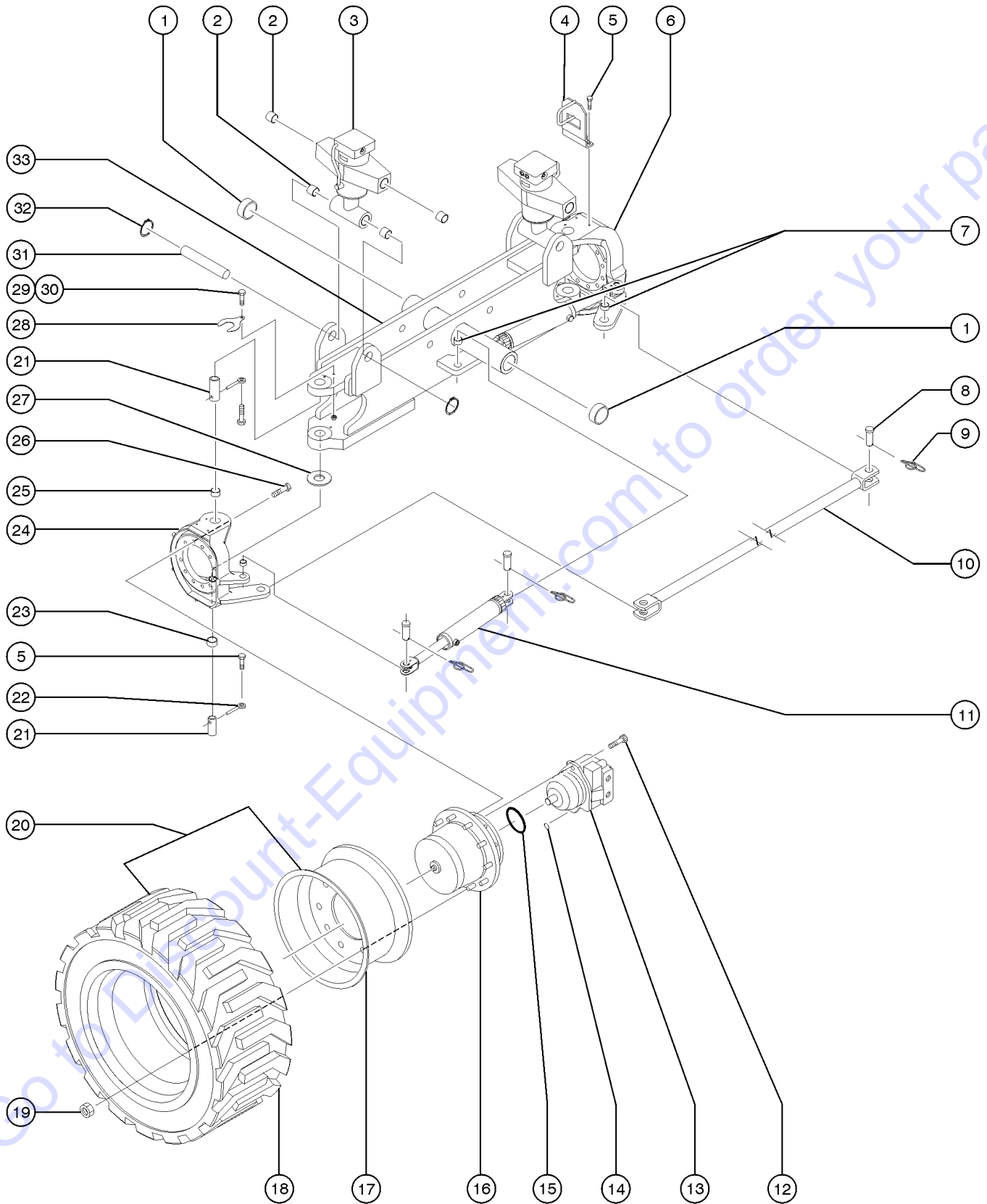


## 108.1 Decals with Symbols, Platform

Item	Part No.	Description	Qty.
1	28174GT	DECAL, POWER TO PLATFORM 230V**.....	1
2	28235GT	DECAL,POWER TO PLATFORM 115V...1	1
3	40434GT	DECAL,LANYARD ANCHORAGE POINT.....	8
4	44981GT	DECAL,LABEL, AIR LINE 110 PSI.....1 <i>Option, airline to plat</i>	1
5	82487GT	DECAL, SYMBOL - READ THE MANUAL.....	1
6	82547GT	DECAL,DANGER,MAX LOAD 340 KG....1 <i>CE, S-80 models only</i>	1
7	82548GT	DECAL,WARN,CRUSH HAZARD PLAT.....	2
8	82601GT	DECAL,LABEL,MAX CAPACITY*** .....1 <i>CE, S-80 and S-85 models</i>	1
9	82602GT	DECAL,DANGER,MAX SIDE FRC,667N..... <i>(ANSI)</i>	1
10	82604GT	DECAL,DANGER,SIDE FRC 400N.....1 <i>(CE)</i>	1
11	82671GT	DECAL,LABEL,WELD LINE INST,SYM...1 <i>Option, weld cable line</i>	1
12	97815GT	DECAL,LABEL,LOWER MIDRAIL.....1	1
13	114252GT	DECAL,LABEL,TIP OVER LMT SWTCH..... <i>(S-80X models only)</i>	1
14	114473GT	DECAL,DANGER,TIPOVER,TILT,SYM...1	1
15	133387GT	DECAL,DRIVE ENABLE PATCH.....1	1
16	147575GT	DECAL, PLAT CNTL PNL 60X 80X.....1 <i>ANSI, S-80X models only</i>	1
17	147603GT	DECAL, PLAT CNTL PNL.....1 <i>CE, S-80 and S-85 models</i>	1
18	147789GT	DECAL, INST PLAT CAP 80X SYM.....2 <i>ANSI, S-80X models only</i>	2
19	219160GT	DECAL, INSTRUCTION, OPS.....1 <i>option</i>	1
20	T112773GT	TAPE, PROTECTIVE MASK.....	2



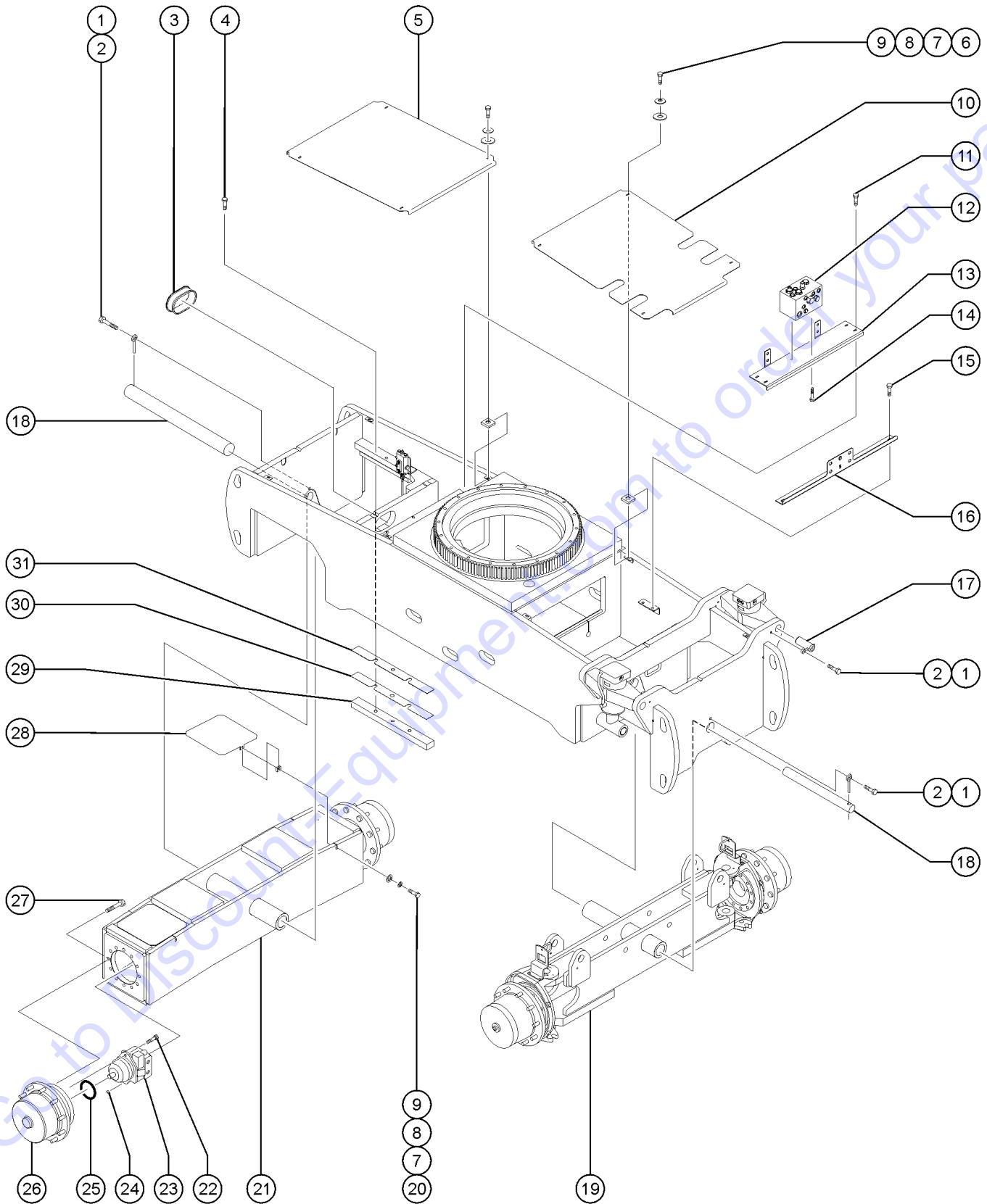
201.1 Steer End



## 201.1 Steer End

Item	Part No.	Description	Qty.	Item	Part No.	Description	Qty.
1	27698GT	BEARING,2.50IDX2.75ODX2.00L.....	2	--	121268GT	WHEEL,24.5 X 15.00 for 227804, 227805, 227985, 228805	
2	119620GT	BEARING,1.75IDX2.00ODX1.50L.....	8	18	81164GT	TIRE,41/18LL X 22.5,14PR,TURF* for 121281, 121280	
3	81330GT	CYLINDER,OSCILLATE***.....	2	--	88261GT	TIRE,18-625,16 PLY,RT HBR for 227804, 227805	
--	77519GT	SEAL KIT,OSC CYLINDER (81330)*		--	101943GT	TIRE,18-625,16 PLY RT HBR,N-M for 227985, 228805	
--	33428GT	VALVE,COUNTERBALANCE		19	34127GT	NUT,LUG,3/4-16 X 7/8 RADIUS.....	22
--	43018GT	SEAL KIT (39345)		20A	121286GT	TIRE & WHEEL ASSY,RT LP FOAM,L....1 RT, Foam-filled, left (11 holes)	
4	121307GT	WELDMENT,GUIDE BRACKET,YOKE....2 (4WD models)		20A	121287GT	TIRE & WHEEL ASSY,RT LP FOAM,R....1 RT, Foam-filled, right (11 holes)	
5	75051GT	SCREW,SER FLNG3/8UNCX3/4ZNYEL.....	8	20B	121271GT	TIRE & WHEEL ASSY,FOAM NM,LH....1 RT, Foam-filled, Non-marking, left	
6	229351GT	ASSY,S-80 YOKE,W/BEARINGS,RFLR		20B	121272GT	TIRE & WHEEL ASSY,FOAM NM,RH....1 RT, Foam-filled, Non-marking, right	
7	25817GT	BEARING,1.00IDX1.25ODX1.00L.....	6	20C	1263978GT	TIRE & WHEEL ASSY,RT LP FOAM,L....1 left	
8	19440GT	PIN,CLEVIS,1 X 2.5 LG.....	6	20C	1263979GT	TIRE & WHEEL ASSY,RT LP FOAM,R....1 right	
9	74389GT	RUE RING,1.00.....	6	21	30199GT	PIN,1.75 DIA X 4.50LG,THREADED.....	4
10	121004GT	WELDMENT, TIE ROD, S80.....	1	22	825019GT	ROD END,.375X3.69,ZAG.....	4
11	59370GT	CYLINDER,STEER.....	2	23	119620GT	BEARING,1.75IDX2.00ODX1.50L	
--	88349GT	SEAL KIT,STEER CYL***		24	229350GT	ASSY,S-80 YOKE,W/BEARINGS,LFRR	
12	227778GT	SCREW, HHF,M12-1.75X30,10.9		25	51144GT	BEARING,1.75IDX2.00ODX1.25L.....	4
13	101070GT	MOTOR,PISTON,2 SPEED,45CC.....2 (4WD and High-flotation option)		26	227779GT	SCREW,HHF,M16-2.0X50 10.9.....	2
--	106098GT	SEAL KIT,MOTOR,LC/KC***		27	60555GT	WASHER,THRUST 5 X 1.81 BRONZE....2	
14	106117GT	O-RING,2-010,VITON (Mating O-ring for Brake Port)(Extremely small)		28	88241GT	SHIM,GALVANIZED STEER YOKE	
15	106118GT	O-RING,2-157,VITON***.....2 (Motor to Hub O-ring)		29	121078GT	SCREW,FLANGE,HHC,3/8-16X2.5.....	2
16A	227775GT	WHEEL DRIVE,W/BRAKE 57.49:1 (Refer to 205.1)		30	121422GT	NUT,HEX,FLG,3/8-16	
--	215623GT	SEAL KIT (227775) for 227775 (inventory limited to stock on hand as component is no longer available)		31	121371GT	PIN,1.75DIA X 10.50LG,2 RING.....	2
--	1286604GT	SEAL KIT,WHEEL DRIVE W/BRAKE (227775) for 227775		32	825759GT	SNAP RING,EXTERNAL,1.75,ZAG.....	4
--	9990046GT	COVER, PLATE for 227775		33	122670GT	STEER AXLE ASSY W/BEARINGS	
--	9990109GT	O-RING, NBR70 for 9990046					
--	1286605GT	BEARING KIT,WHEEL DRIVE W/BRAKE (227775) for 227775					
16B	227776GT	WHEEL DRIVE W/BRAKE 86.74:1 High-flotation option (refer to 206.1)					
--	T111507GT	SEAL KIT (121291)*** for 227776					
16C	227774GT	WHEEL DRIVE, IDLER.....2 (Refer to 204.1)					
17	121270GT	WHEEL,HF,22.5 X 14.00 for 121281, 121280					

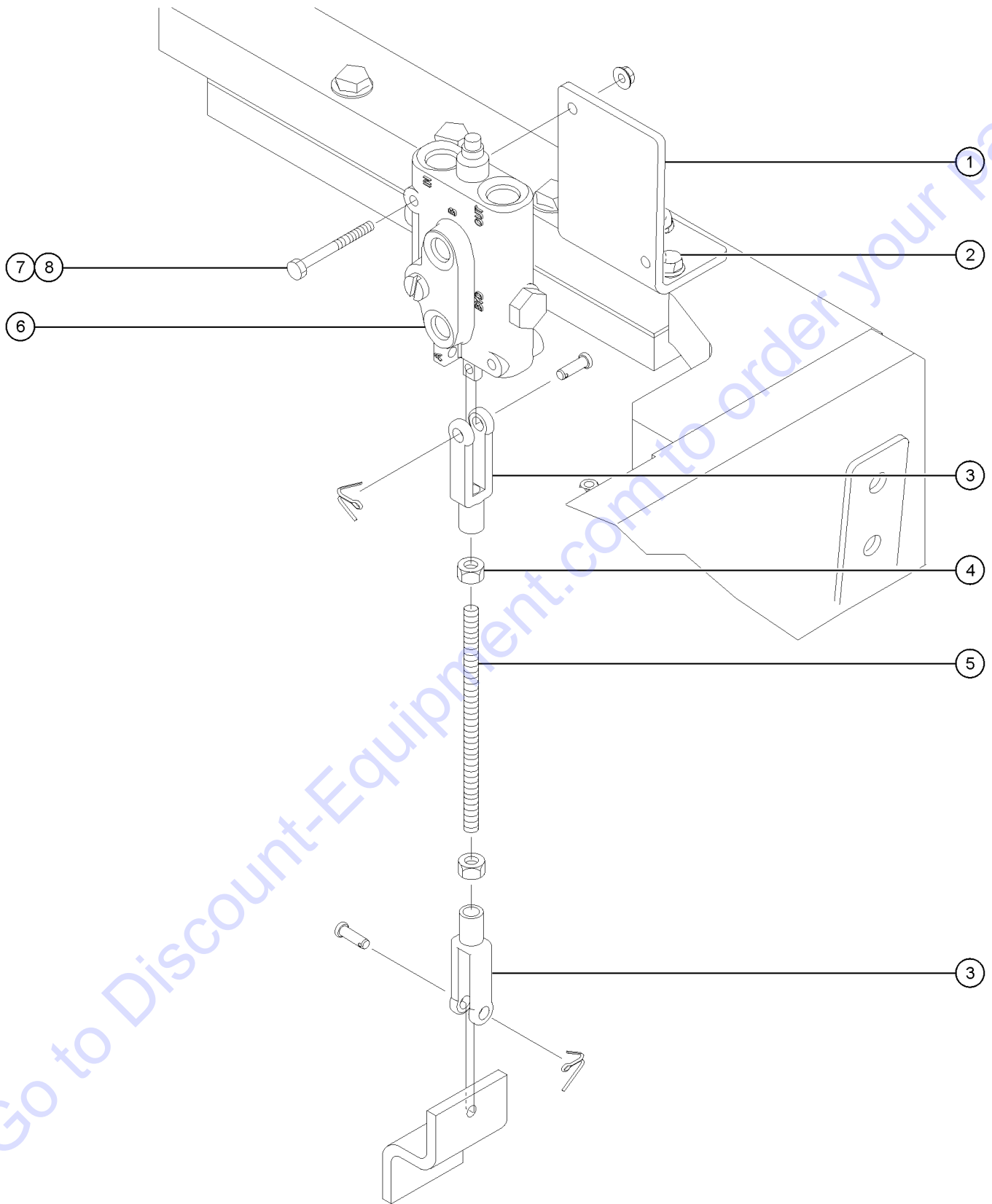
202.1 Axle Installation



## 202.1 Axle Installation

Item	Part No.	Description	Qty.	Item	Part No.	Description	Qty.
1	123167GT	FLGHCS,1/2-13X1.50,GR8,BLK PH		--	1286605GT	BEARING KIT,WHEEL DRIVE W/BRAKE (227775) for 227775	
2	1256267GT	ROD END,.5 X 3.75,ZAG.....2		26B	227776GT	WHEEL DRIVE W/BRAKE 86.74:1 2WD and High-flotation option (refer to 206.1)	
3	53387GT	GUARD, HOSE PROTECTOR.....1		--	T111507GT	SEAL KIT (121291)*** for 227776	
4	121071GT	SCREW,HHC,FLG,1/2-13 X 2.50GR8		27	227779GT	SCREW,HHF,M16-2.0X50 10.9	
5	77537GT	COVER,ASSY,DR CHASSIS REAR S80.....1		28	121349GT	FORMING,COVER,REAR AXLE.....2	
6	6090GT	SCREW,HHC,1/4-20 X .75		29	88092GT	BAR,AXLE ROTATION STOP,OSC.....2	
7	6356GT	WASHER,LOCK,.25		30	81610GT	SHIM,AXLE ROTATION STOP,16G	
8	6638GT	WASHER,FLAT,USS,1/4"Y		31	81609GT	SHIM,AXLE ROTATION STOP,22G	
9	56912GT	SPRING					
10	77538GT	CLIP,1/4-20,.025-.15X.54,ZAG.....12					
11	121066GT	COVER,ASSY,DRIVE CHASSIS FRONT.....1					
12	121066GT	SCREW,HHC,FLG,3/8-16 X 1 GR8					
13	121224GT	Ref. Traction Manifold (Refer to 701.1)					
14	123166GT	FORMING, TRAC. CONT. MAN. BRKT....1					
15	121066GT	FLGHCS,1/2-13X1.00,GR8,BLK PH					
16	121223GT	SCREW,HHC,FLG,3/8-16 X 1 GR8					
17	81498GT	FORMING, BULKHEAD BRKT.....1					
18	81378GT	PIN,1.75DIAX4.50LG,THREADED					
19	81378GT	PIN,2.50DIAX27.63LG,1HOLE					
20	6637GT	Ref. Steer End (Refer to 201.2)					
21	122671GT	SCREW,HHC,1/4-20 X 1.75					
22	227778GT	NON-STEER AXLE ASSY W/BEARINGS.....1					
23	101070GT	SCREW, HHF,M12-1.75X30,10.9					
--	121668GT	MOTOR,PISTON,2 SPEED,45CC.....2 (4WD and High-flotation option)					
--	121668GT	MOTOR,PISTON,2 SPEED,45CC/18CC.....2 (2WD models)					
24	106117GT	O-RING,2-010,VITON.....2 (Mating O-ring for Brake Port)(Extremely small)					
25	106118GT	O-RING,2-157,VITON***.....2 (Motor to Hub O-ring)					
26A	227775GT	WHEEL DRIVE,W/BRAKE 57.49:1 (Refer to 205.1)					
--	215623GT	SEAL KIT (227775) for 227775 (inventory limited to stock on hand as component is no longer available)					
--	1286604GT	SEAL KIT,WHEEL DRIVE W/BRAKE (227775) for 227775					
--	9990046GT	COVER, PLATE for 227775					
--	9990109GT	O-RING, NBR70 for 9990046					

203.1 Oscillation Control Valve

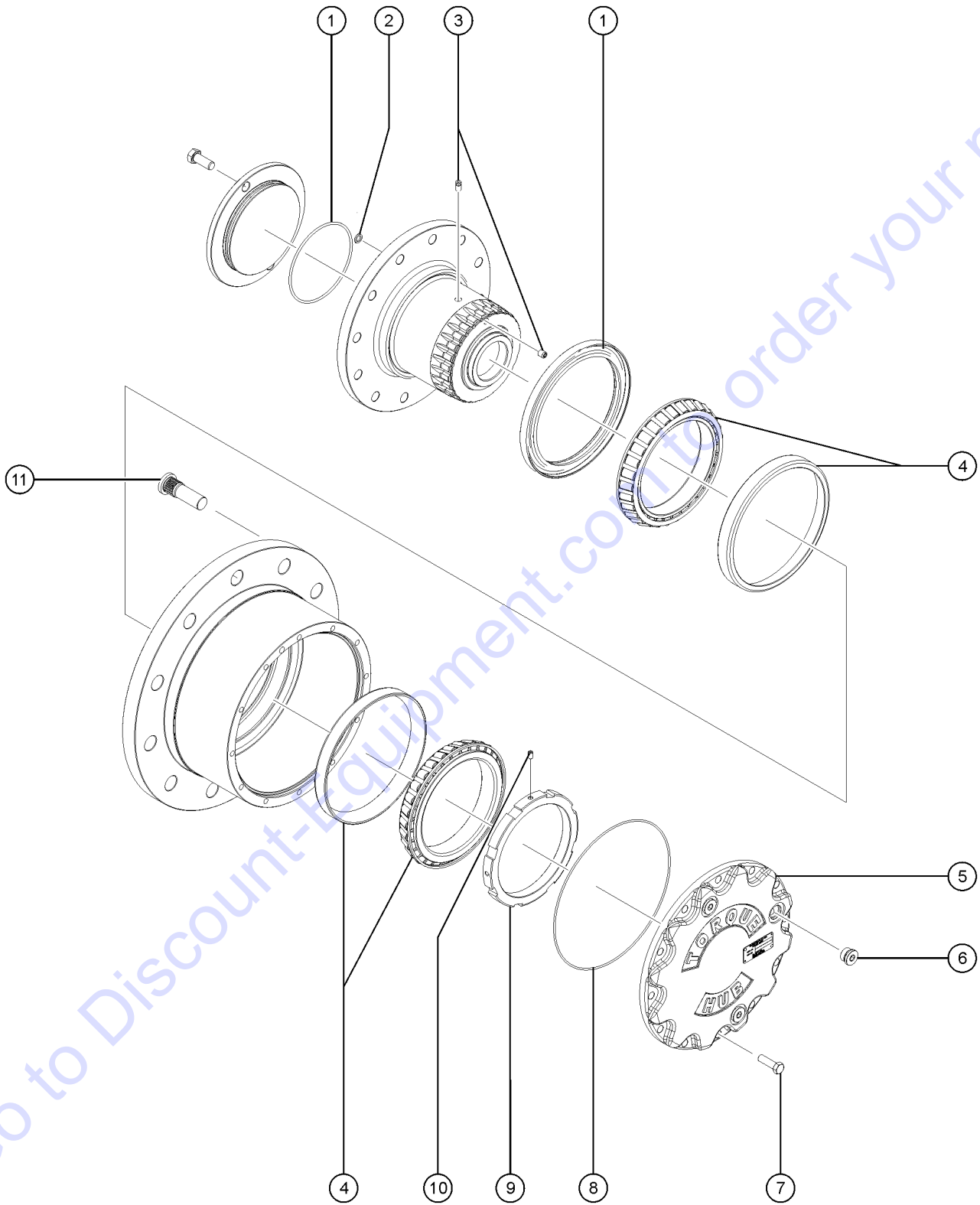


## 203.1 Oscillation Control Valve

Item	Part No.	Description	Qty.
1	121269GT	FORMING,,OSC.....	1
2	75051GT	SCREW,SER FLNG3/8UNCX3/4ZNYEL.....	2
3	21130GT	CLEVIS YOKE-1/4-28,PLTD W/PIN..... <i>(Includes clevis pin and cotter pin)</i>	2
4	21496GT	NUT,HEX,1/4-28.....	2
5	30785-600GT	THREADED ROD,1/4-28 X 6 IN***.....	1
6	49768GT	VLV,MAN,3 POS/4 WAY,CLOSE CTR*....	1
7	121067GT	SCREW,HHC,FLG,1/4-20 X 2.00.....	2
8	121421GT	NUT,FLG,1/4-20.....	2

Go to Discount-Equipment.com to order your parts

204.1 Hub Assembly - 2 WD Spindler



Go to Discount-Equipment.com to order your parts

204.1 Hub Assembly - 2 WD Spindler

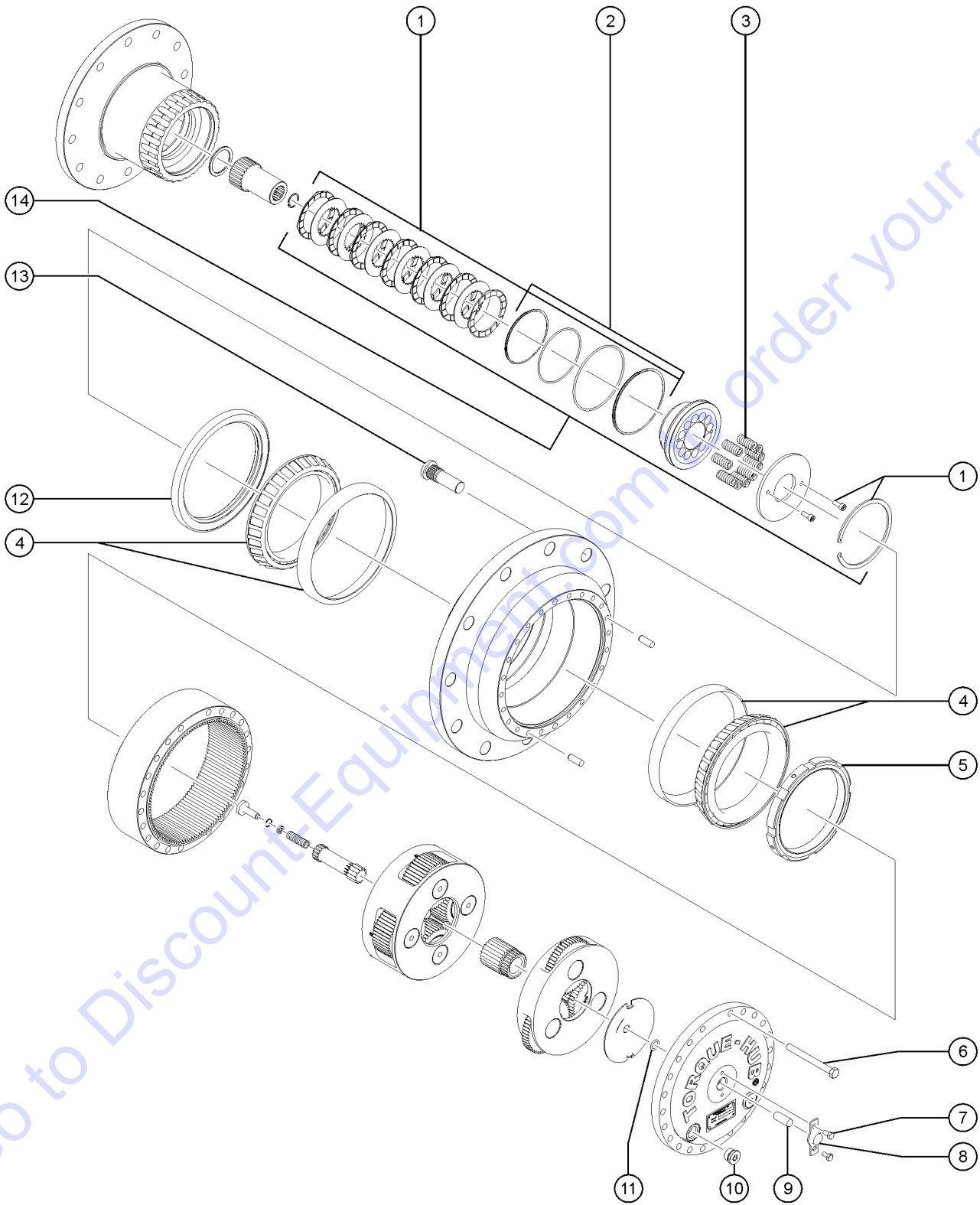
Item	Part No.	Description	Qty.
--	227774GT	WHEEL DRIVE, IDLER <i>Shown</i>	
--	121351GT	2 WD SPINDLE, IDLER	
1	T111507GT	SEAL KIT (121291)*** <i>Includes O-ring part 33990</i>	
2	235135GT	O-ring.....	1
3	235136GT	EXPANSION PLUG.....	2
4	235137GT	BEARING, TAPERED - ASSY.....	2
5	122460GT	COVER PLATE (121351).....	1
6	58237GT	PLUG, TORQUE HUB, DRAIN***.....	3
7	235138GT	BOLT, HEX-UNC (.375-16, 1.25g).....	12
8	33990GT	O-RING, TORQUE HUB COVER..... <i>Part of seal kit T111507</i>	1
9	146051GT	BEARING NUT***.....	1
10	146052GT	SET SCREW***.....	1
11	33441GT	STUD, WHEEL, 3/4-16, ( 34115 ).....	11

Go to Discount-Equipment.com to order your parts





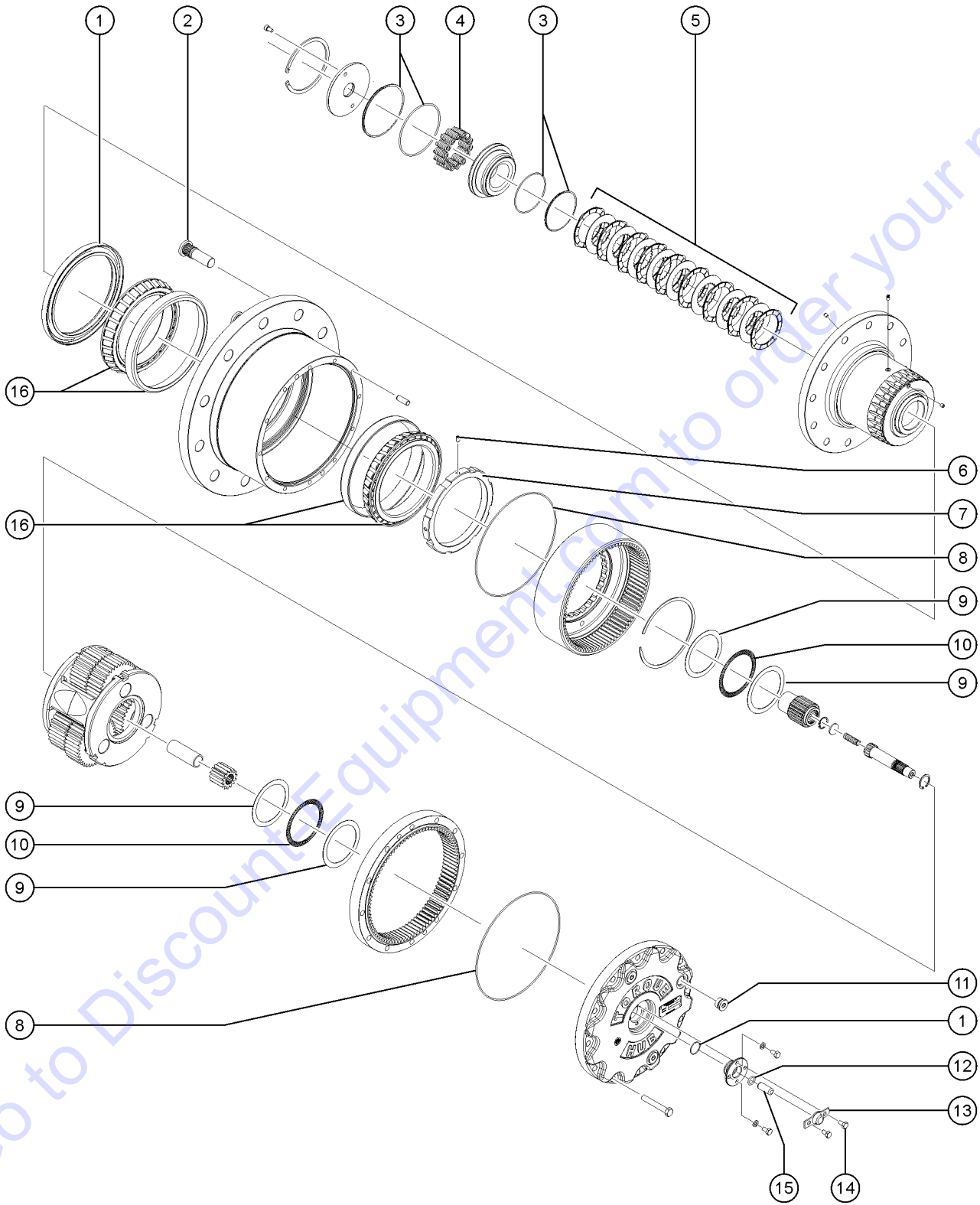
205.1 Drive Hub Assembly with Brake - Type 1



## 205.1 Drive Hub Assembly with Brake - Type 1

Item	Part No.	Description	Qty.
--	227775GT	WHEEL DRIVE,W/BRAKE 57.49:1 <i>Shown</i>	
--	215623GT	SEAL KIT (227775) <i>for 227775 (inventory limited to stock on hand as component is no longer available)</i>	
--	1286604GT	SEAL KIT,WHEEL DRIVE W/BRAKE (227775) <i>for 227775</i>	
--	9990046GT	COVER, PLATE <i>for 227775</i>	
--	9990109GT	O-RING, NBR70 <i>for 9990046</i>	
--	1286605GT	BEARING KIT,WHEEL DRIVE W/BRAKE (227775) <i>for 227775</i>	
1	235133GT	Brake Lining Kit.....	1
2	235139GT	Brake Seal Kit.....	1
3	235140GT	Spring Kit.....	1
4	235137GT	BEARING, TAPERED - ASSY.....	2
5	146051GT	BEARING NUT***.....	1
6	235151GT	BOLT,HEX-UNC(.375-16).....	22
7	111362GT	BOLT,WHEEL DRIVE CAP(106122).....	2
8	106122GT	CAP,DISENGAGE,4HP/4HB***.....	1
9	235152GT	DISENGAGE, ROD.....	1
10	235153GT	PIPE PLUG, MAGN.....	2
11	111363GT	O-RING,DISCONNECT ROD (111060)...	1
12	215623GT	SEAL KIT (227775)..... <i>Includes 2 O-rings (not shown) and bearing nut part 146051</i>	1
13	33441GT	STUD,WHEEL,3/4-16, ( 34115 ).....	11
14	235150GT	Brake Replacement Kit.....	1

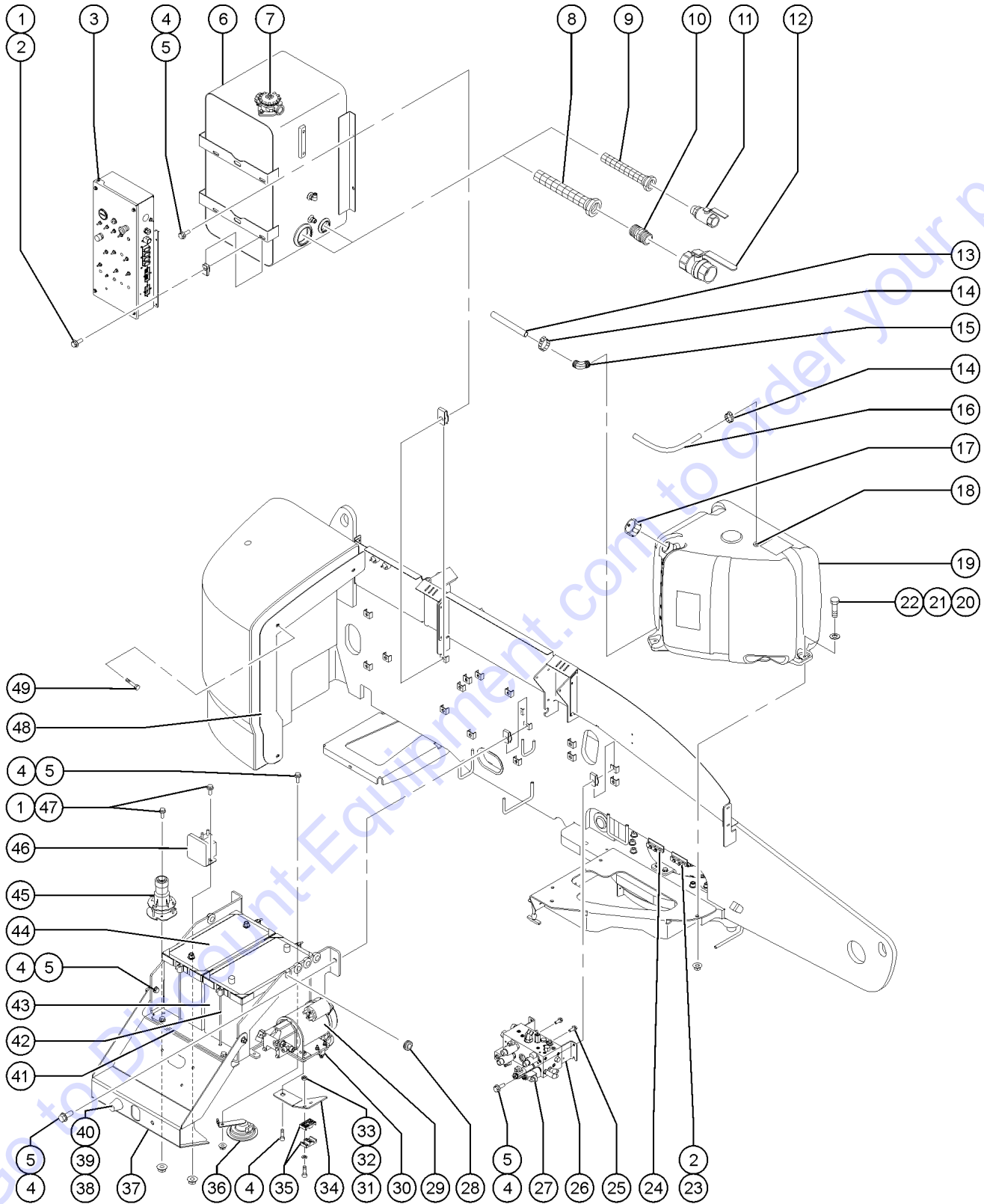
206.1 Drive Hub Assembly with Brake - Type 2



## 206.1 Drive Hub Assembly with Brake - Type 2

Item	Part No.	Description	Qty.
--	227776GT	WHEEL DRIVE W/BRAKE 86.74:1 <i>Shown</i>	
1	T111507GT	SEAL KIT (121291)***.....1 <i>Includes items 8 and 12</i>	
2	33441GT	STUD,WHEEL,3/4-16, ( 34115 ).....11	
3	122878GT	BRAKE LINING KIT (121291).....1	
4	122879GT	SPRING KIT (121291).....1	
5	106125GT	SEAL KIT, BRAKE, 4HP <i>(inventory limited to stock on hand as component is no longer available)</i>	
5	1286602GT	SEAL KIT,WHEEL DRIVE W/BRAKE (101584/101585)	
6	146052GT	SET SCREW***.....1	
7	146051GT	BEARING NUT***.....1	
8	33990GT	O-RING, TORQUE HUB COVER.....2 <i>Part of seal kit T111507</i>	
9	58999GT	WASHER,THRUST,(33434)**.....4	
10	65846GT	BEARING,THRUST WASHER***.....2	
11	58237GT	PLUG,TORQUE HUB,DRAIN***.....3	
12	111363GT	O-RING,DISCONNECT ROD (111060)...1 <i>Part of seal kit T111507</i>	
13	106122GT	CAP,DISENGAGE,4HP/4HB***.....1	
14	235154GT	BOLT,HEX-UNC(.250-20, .500G).....4	
15	235152GT	DISENGAGE, ROD.....1	
16	235137GT	BEARING, TAPERED - ASSY.....2	

301.1 Hydraulic and Fuel Tanks - Diesel Models



**Figure 301.1**  
Hydraulic Tank Side

## 301.1 Hydraulic and Fuel Tanks - Diesel Models

Item	Part No.	Description	Qty.	Item	Part No.	Description	Qty.
1	121419GT	SCREW,HHF,1/4-20 X .75		29A	146180GT	ASSEMBLY, AUX POWER UNIT, 12VD <i>Use with dual battery</i>	
2	56912GT	SPRING CLIP,1/4-20,.025-.15X.54,ZAG		--	146181GT	SOLENOID, APU	
3		Ref. GROUND CONTROL BOX		--	146182GT	GROUND WIRE,SOLENOID	
4	121066GT	SCREW,HHC,FLG,3/8-16 X 1 GR8		--	37187GT	SEAL KIT, 37185 PUMP	
5	29868GT	SPRING CLIP,3/8-16,.05-.20X.73,ZAG		--	37192GT	COUPLER, PUMP / MOTOR (36179)	
6	111578GT	TANK, HYDRAULIC 40 GAL.....1		--	58489GT	PUMP ASSY,AUX.POWER UNIT 89617	
6A	21141GT	GAUGE-SIGHT,LHA-LGTB***		--	62414GT	SEAL, SHAFT, 60511 APU	
7A	110345GT	FILTER ASSY,INTANK.....1 <i>includes item 7B</i>		--	77069GT	MOTOR, 12VDC,77066 <i>to SN 12607</i>	
--	147223GT	SEAL,FILTER LID		--	1264969GT	MOTOR, 12VDC, I-TERMINAL <i>from SN 12608</i>	
7B	77353GT	KIT,ELEMENT**		29B	81535GT	HARNESS,BATT.+ TO APU SOLENOID	
--	94526GT	GASKET,RETURN FILTER-77353		--	81536GT	HARNESS,APU GND TO ENGINE BLCK	
--	77354GT	FILTER LID,RFM165		30	94982GT	STANDOFF, 3/8" BLACK.....1	
--	77365GT	BREATHER CAP,RFM165		--	5397GT	WASHER,FLAT,USS,5/16",Y.....1	
--	88917GT	FILTER,ELEMENT,BETA(10)=200		--	4828GT	NUT,NYLOCK,3/8-16.....1	
8	75257GT	STRAINER ASSY,#24 O-RING.....1		31	6145GT	SCREW,HHC,1/4-20 X 1.5	
9	147419GT	KIT,STRAINER REPLACEMENT.....1		32	6638GT	WASHER,FLAT,USS,1/4"Y	
10	75254GT	UNION,STR.THREAD 24***.....1		33	6091GT	NUT,NYLOCK,1/4-20	
11	48996GT	VALVE,BALL,16 MSAE-16 FSAE***.....1		34	219392GT	FORMING, BAT CABLE GUIDE	
12	75256GT	VALVE BALL,24 FSAE-24 FSAE***.....1		35	78736GT	CLAMP,2 HOSE,PLASTIC,5/8.....2	
13	823421GT	HOSE,FUEL,1/2,GATES RLA.....125 <i>(Deutz models with fuel tank part 823396); from SN 11189</i>		36	81578GT	HORN,12VDC,SPADE TERMINALS***.....1	
14	21465GT	CLAMP,HOSE,.25" - .63" X .3125		37	121259GT	WELDMENT, HOOD LATCH MOUNT.....1	
15	54124GT	HOSE END,BARB,3/8 MNPT X 5/16 <i>(Deutz models)</i>		38	30973GT	BUMPER,RUBBER-1 X 1.25	
16	823420GT	HOSE,FUEL,3/8,GATES RLA.....123 <i>(Deutz models with fuel tank part 823396); from SN 11189</i>		39	5397GT	WASHER,FLAT,USS,5/16",Y	
17	101726GT	CAP,FUEL,DIESEL,1/8"VENT(GRN).....1		40	6782GT	NUT,NYLOCK,5/16-18	
18	823356GT	TUBE,FUEL RETURN,3/8X3/8X23.5 <i>(Deutz and Perkins models with fuel tank part 823396 or 1274331)</i>		41	121258GT	FORMING, BATTERY TRAY.....1	
--	219144GT	3/8 MALE NPT X 1/4 BARB <i>(Deutz models with fuel tank part 823396)</i>		42A	45708GT	HOOK,BATT HOLD DOWN,10".....4	
19	823396GT	FUEL TANK ASSY,35 GAL PLASTIC		42B	30144GT	BATTERY HOLD DOWN,GROUP 31.....2	
20	5224GT	SCREW,HHC,3/8-16 X 2		43	1255113GT	START BATTERY,HC110 AGM,1100CCA.....1	
21	6097GT	WASHER,FLAT,USS,3/8",Y		44	77694GT	BATTERY,12V DEEP CYC 5/16"STUD....1 <i>from SN 8199</i>	
22	4828GT	NUT,NYLOCK,3/8-16		45	94077GT	SENSOR,LEVEL,4.5 DEG.....1 <i>to SN 13231; USA/Canada/ Australia models</i>	
23	121069GT	SCREW,HHF,1/4-20 X 1.50		--	1261984GT	SENSOR, LEVEL, 4.5 X 4.5 DEG <i>from SN 13232; USA/Canada/ Australia models</i>	
24	121690GT	CLAMP,HALF,HARDLINE,3/8.....2		--	110382GT	LEVEL SENSOR,LS60,YL,2.5X4.5 <i>to SN 13231; European models</i>	
25	16439GT	SCREW,FHS,3/8-16 X 1		--	1263187GT	SENSOR, LEVEL,2.5 X 4.5 DEG <i>from SN 13232; European models</i>	
26	121687GT	FORMING,MANIFOLD MOUNT.....1		46	237068GT	SEPARATOR,DUAL BATTERY,100A.....1	
27		Ref. FUNCTION MANIFOLD <i>(Refer to 706.1)</i>		--	214393GT	KIT, BATT SEPARATOR, ANSI/CSA <i>Includes part 237068</i>	
28	826559GT	GROMMET,.875"ID,1.25"OD,.188".....6					

301.1 Hydraulic and Fuel Tanks - Diesel Models  
(continued)

Item	Part No.	Description	Qty.
--	215209GT	KIT, BATT SEPARATOR, CE <i>Includes part 237068</i>	
--	215210GT	KIT, BATT SEPARATOR, AS <i>Includes part 237068</i>	
47	121421GT	NUT,FLG,1/4-20	
48	121386GT	PLATE, TANK SIDE BULKHEAD.....1	
49	75051GT	SCREW,SER FLNG3/8UNCX3/4ZNYEL	

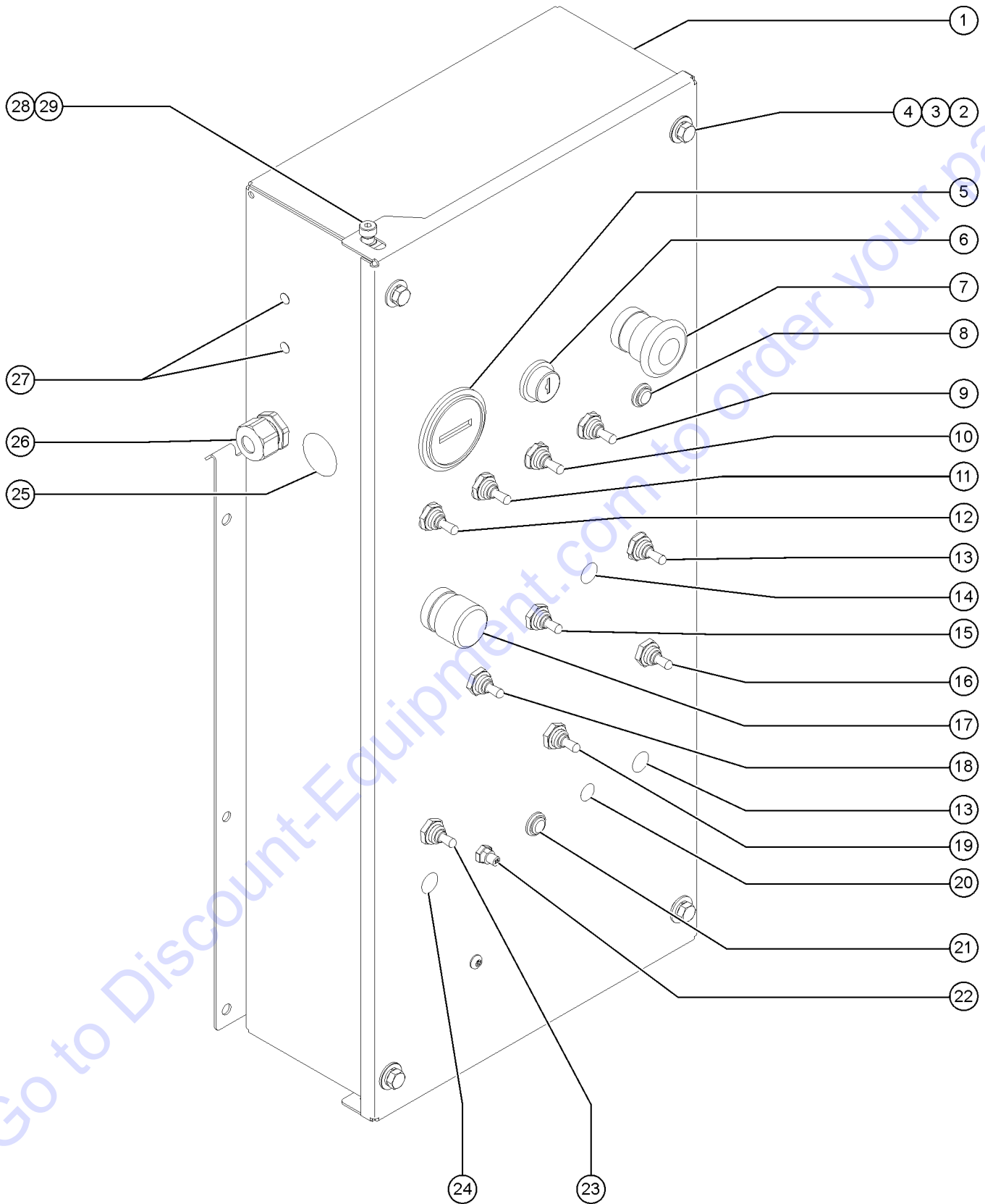
Go to Discount-Equipment.com to order your parts

***This Page Intentionally Left Blank***

Go to [Discount-Equipment.com](http://Discount-Equipment.com) to order your parts



302.1 Ground Controls - View 1

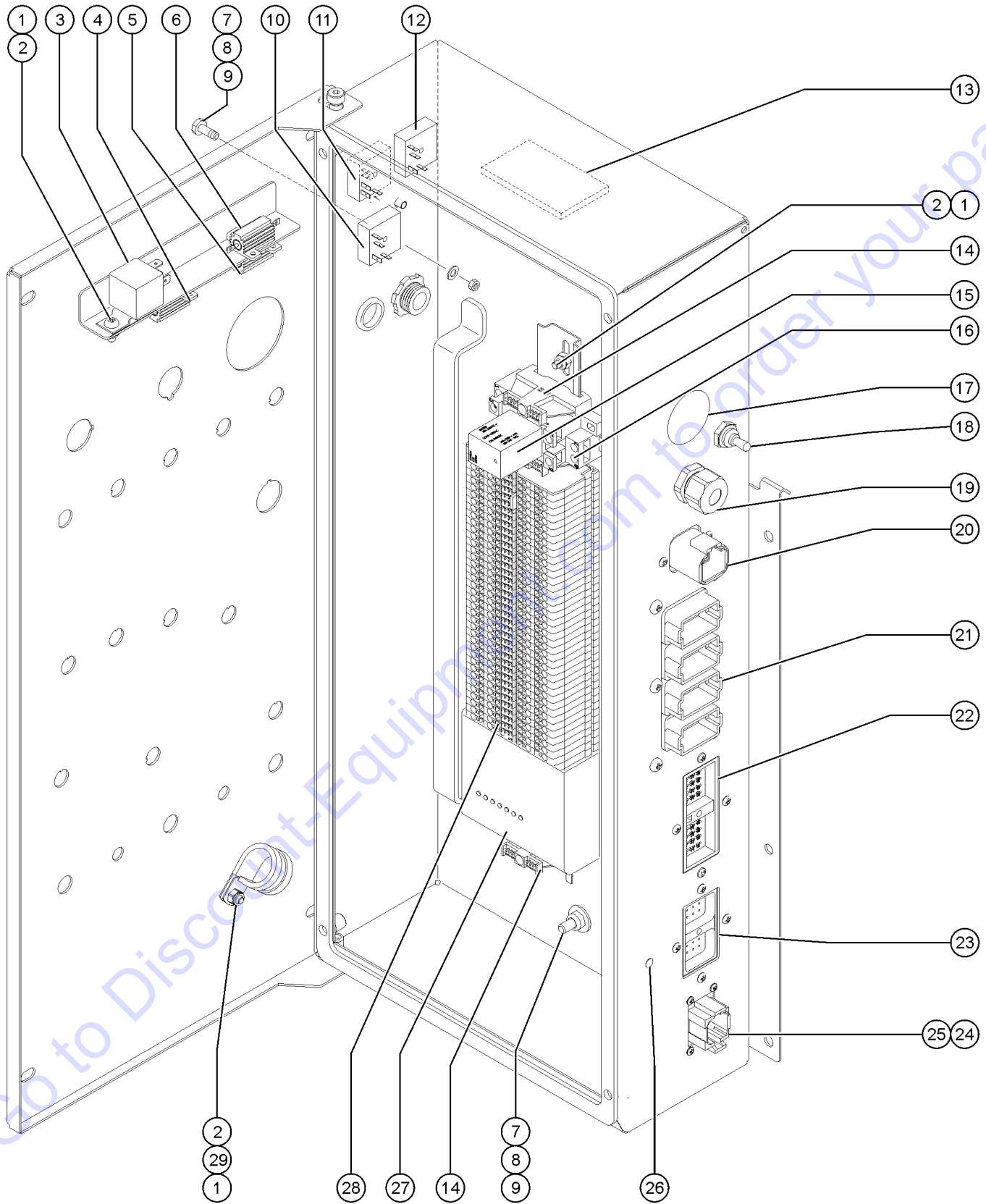


Go to Discount-Equipment.com to order your parts

302.1 Ground Controls - View 1

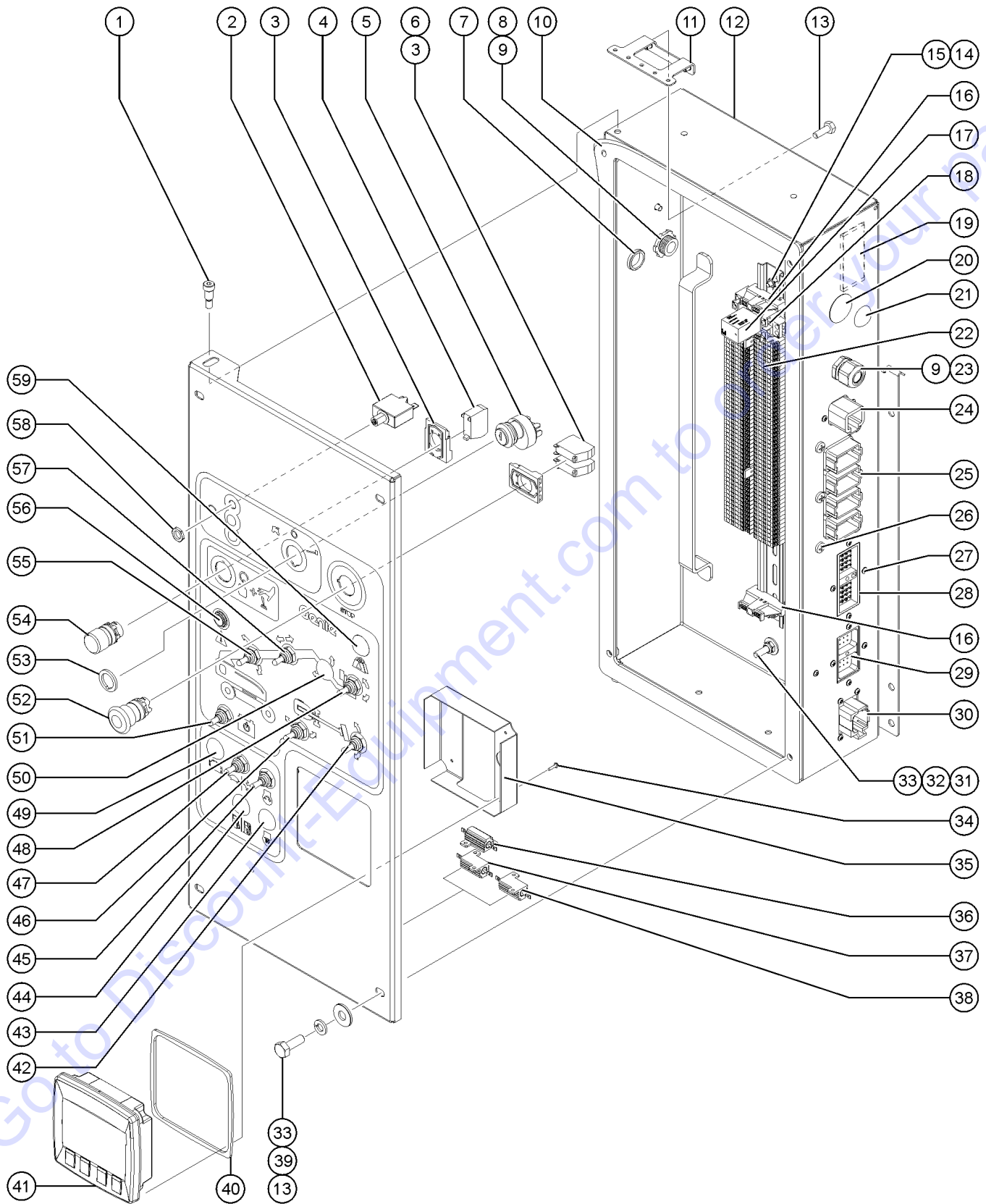
Item	Part No.	Description	Qty.	Item	Part No.	Description	Qty.
1A	1253160GT	WELDMENT, GBOX, S80/85 2013.....	1	15	128202GT	SWITCH TOGGLE ASSY DPDT 3P MOM.....	1
1B	122673GT	GROUND BOX LID W/DECAL..... <i>Use LID part T107744 for S-80X</i>	1			<i>(Boom extend/retract)</i>	
1C	T107744GT	S80X GBOX LID W/DECAL..... <i>Use only with S-80X</i>	1	16	128200GT	SWITCH TOGGLE ASSY SPDT 3P MOM.....	1
2	6090GT	SCREW,HHC,1/4-20 X .75				<i>(Platform rotate)</i>	
3	6353GT	SCREW,RHM,1/4-20 X .5		17	66813GT	BUTTON,PUSH,BLACK W/SEAL***.....	1
4	6638GT	WASHER,FLAT,USS,1/4"Y				<i>"Function enable" (models with push button) shown"</i>	
5	19506GT	HOUR METER,10-80 VOLTS***.....	1	--	80716GT	SWITCH,SELECTOR,BLACK	
6	96008-SGT	KEYSWITCH,3 POS. W/KEYS***.....	1			<i>"(Function enable) (models with selector switch) not shown"</i>	
--	96009GT	WASHER,NITRILE		18	128202GT	SWITCH TOGGLE ASSY DPDT 3P MOM.....	1
--	83093GT	KEY SINGLE*** <i>Includes boot</i>				<i>(Boom up/down)</i>	
--	37947GT	KEYS,10 PACK***		19	128202GT	SWITCH TOGGLE ASSY DPDT 3P MOM.....	1
--	83131GT	KEYSWITCH,3 POS W/KEYS,LOCKING				<i>(Turntable rotate)</i>	
7	66812GT	BUTTON,PUSH,RED MUSHROOM HEAD.....	1	20	21858GT	PLUG,NYLON .38 BLACK DOMED.....	1
8A	824879GT	LIGHT,LED IND. RED 12V NH..... <i>"Diesel models, (Complete LED light assembly)"</i>	1			<i>Complete LED light assembly)</i>	
8B	218167GT	LIGHT,INDICATOR,AMBER 12V ENGINE.....	1	21	824879GT	LIGHT,LED IND. RED 12V NH.....	1
		<i>(Gas/lpg models)</i>		22	147094GT	ASSY, CIRCUIT BREAKER 15A.....	1
9	128204GT	SWITCH TOGGLE ASSY SPDT 2P MNT.....	1			<i>(Controls)</i>	
		<i>(Engine speed select)</i>		23	128201GT	SWITCH TOGGLE ASSY DPDT 2P MOM.....	1
10A	128204GT	SWITCH TOGGLE ASSY SPDT 2P MNT.....	1			<i>(Auxiliary pump)</i>	
		<i>(Gas/lpg select)</i>		24A	21858GT	PLUG,NYLON .38 BLACK DOMED.....	1
10B	229567GT	PLUG,SANTOPRENE .5 BLACK DOME		24B	824879GT	LIGHT,LED IND. RED 12V NH.....	1
11A	128200GT	SWITCH TOGGLE ASSY SPDT 3P MOM.....	1			<i>"Load sense, (Complete LED light assembly)"</i>	
		<i>"(Start assist, glow plug) (Diesel models)"</i>		25	15243GT	PLUG,NYLON .875 BLACK DOMED.....	1
11B	229567GT	PLUG,SANTOPRENE .5 BLACK DOME.....	1	26	7056GT	CONN,SQUEEZE,1/2NPT .38-.50,SM....	1
12A	128200GT	SWITCH TOGGLE ASSY SPDT 3P MOM.....	1	27	42781GT	PLUG, NYLON .250 BLACK DOMED.....	1
		<i>(Starter)</i>		28	88315GT	SCREW,SHS,1/4-20 X .25 ZINC.....	2
12B	229567GT	PLUG,SANTOPRENE .5 BLACK DOME.....	1	29	23404GT	NUTSERT,1/4-20,STEEL CAD PLTD.....	2
13A	128200GT	SWITCH TOGGLE ASSY SPDT 3P MOM.....	1				
		<i>"to SN 12263 (Platform level)"</i>					
13B	128202GT	SWITCH TOGGLE ASSY DPDT 3P MOM.....	1				
		<i>from SN 12264</i>					
14A	229567GT	PLUG,SANTOPRENE .5 BLACK DOME.....	2				
14B	128200GT	SWITCH TOGGLE ASSY SPDT 3P MOM					
		<i>(Jib up/down)</i>					

302.2 Ground Controls - View 2



Item	Part No.	Description	Qty.	Item	Part No.	Description	Qty.
--	88832GT	HARNES,PLUG,NON-LOADWEIGHING <i>None CE models</i>		--	33422GT	DIN RAIL,17"	
1	54365GT	SCREW,PHIL,PHM,10-32 X .5,SSTL		--	74913GT	END STOP, DIN RAIL,SCREW CLAMP	
2	6178GT	NUT,NYLOCK,10-32		--	74917GT	JUMPER COMB, 2-WAY,WIELAND	
3	19274GT	RELAY,SPDT,12V(AUTO)**		29	18666GT	CLAMP,1.00,#16 X 1/4,RUB CUSH.....1	
4	89575GT	RESISTOR,7.5 OHM,25 WATT,1PCNT					
5	40614GT	RESISTOR,5 OHM,25W***					
6	27287GT	RESISTOR,10 OHM,25 WATT					
7	6090GT	SCREW,HHC,1/4-20 X .75					
8	6638GT	WASHER,FLAT,USS,1/4"Y					
9	6889GT	NUT,LP NYLOCK,1/4-20					
10	102406GT	MODULE,TIME DELAY ON BRK 30S <i>Deutz models</i>					
11	121846GT	RELAY,TIME DELAY,2 SEC,10A					
12	106637GT	MODULE,TIME DELAY ON BREAK 4S <i>Welder option</i>					
13	30997GT	CORROSION INHIBITOR,FOAM.....1					
14	74913GT	END STOP, DIN RAIL,SCREW CLAMP.....1 <i>(Part of item 26)</i>					
15	33607GT	RELAY,OMRON,DPDT,12V <i>Welder option</i>					
16	33608GT	RELAY,SOCKET,OMRON <i>Welder option</i>					
17	229567GT	PLUG,SANTOPRENE .5 BLACK DOME.....1					
18	128583GT	SWITCH TOGGLE SPDT 2P MOM SHDR.....1					
--	229567GT	PLUG,SANTOPRENE .5 BLACK DOME					
19	7056GT	CONN,SQUEEZE,1/2NPT .38-.50,SM....1					
20	73717GT	CONN,RECEP 4 WAY,12-14GA FL***.....1					
--	49820GT	SCREW,PHILLIPS,PHM,6-32 X .5					
21	73736GT	CONN,RECEP 48 WAY,4 X 12.....1					
--	73803GT	SCREW,SHM,PHP, #12 X .75					
22	73754GT	CONN,RECEP 40 WAY,W/FLANGE.....1					
--	49820GT	SCREW,PHILLIPS,PHM,6-32 X .5					
23	73753GT	CONN,RECEP 24 WAY,W/FLANGE.....1					
--	49820GT	SCREW,PHILLIPS,PHM,6-32 X .5					
24	87755GT	CONN,RECEP 8 WAY 14-18GA,FL					
25	60447GT	LOCK,RECEP 8 WAY,14-18GA					
26	42288GT	PLUG,NYLON .188 BLACK DOMED.....1					
27	56057GT	MODULE,IGNITION/START,12/24V.....1					
28	1253154GT	ASSY, TERM RAIL, S80/85 2013 <i>(complete assembly)</i>					
--	216791GT	TERMINAL BLOCK,WIELAND					
--	216793GT	TERMINAL BLOCK END PLATE					

303.1 Ground Control - Deutz TD2.9L4



## 303.1 Ground Control - Deutz TD2.9L4

Item	Part No.	Description	Qty.	Item	Part No.	Description	Qty.
--		<i>Verify Engine Make and Model Before Ordering</i>		--	216791GT	TERMINAL BLOCK,WIELAND	
--	121846GT	RELAY,TIME DELAY,2 SEC,10A <i>CE option</i>		--	33422GT	DIN RAIL,17"	
--	106637GT	MODULE,TIME DELAY ON BREAK 4S <i>(Welder option)</i>		--	216793GT	TERMINAL BLOCK END PLATE	
--	1251825GT	WELDMENT, LID, GBOX, TIER IV S80 <i>(no decal)</i>		--	74913GT	END STOP, DIN RAIL,SCREW CLAMP.....2	
1	88315GT	SCREW,SHS,1/4-20 X .25 ZINC.....2		--	74917GT	JUMPER COMB, 2-WAY,WIELAND.....3	
2	147090GT	CIRCUIT BREAKER, 15A.....1		23	7056GT	CONN,SQUEEZE,1/2NPT .38-.50,SM....1	
--	122994GT	NICKEL PLATED JAM NUT.....1		24	73717GT	CONN,RECEP 4 WAY,12-14GA FL***.....1	
3	66821GT	BASE,WITHOUT CONTACTS.....2		--	49820GT	SCREW,PHILLIPS,PHM,6-32 X .5	
4	66815GT	BASE, W/1 N.O. CONTACTS***.....1		25	73736GT	CONN,RECEP 48 WAY,4 X 12.....1	
5	96008-SGT	KEYSWITCH,3 POS. W/KEYS***.....1 <i>includes 1 pair of keys</i>		26	73803GT	SCREW,SHM,PHP, #12 X .75	
--	96009GT	WASHER,NITRILE		27	49820GT	SCREW,PHILLIPS,PHM,6-32 X .5	
--	83093GT	KEY SINGLE*** <i>includes boot, use with keyswitch 96008-S</i>		28	73754GT	CONN,RECEP 40 WAY,W/FLANGE.....1	
--	37947GT	KEYS,10 PACK*** <i>use with keyswitch 96008-S</i>		29	73753GT	CONN,RECEP 24 WAY,W/FLANGE.....1	
--	83131GT	KEYSWITCH,3 POS W/KEYS,LOCKING		30	87755GT	CONN,RECEP 8 WAY 14-18GA,FL.....1	
--	66814GT	BASE,WITH 2 N.O. CONTACTS*** <i>includes 2 each N.O. contacts</i>		31	6888GT	SCREW,HHC,1/4-20 X 1	
--	66816GT	CONTACT,N.O.***		32	6889GT	NUT,LP NYLOCK,1/4-20	
6	66818GT	CONTACT, N.C.....2		33	6638GT	WASHER,FLAT,USS,1/4"Y	
7	15243GT	PLUG,NYLON .875 BLACK DOMED.....1		34	1252684GT	SCREW,DP200 M3X10 4PACK <i>Part of assembly 1251985</i>	
8	121753GT	HARNESS,ALARM/BEACON,S80 2008.....1		35	219718GT	BRACKET,DP200 PANEL MOUNT <i>Part of assembly 1251985</i>	
9	6935GT	LOCKNUT,ELEC,1/2".....2		36	89575GT	RESISTOR,7.5 OHM,25 WATT,1PCNT....1	
10	121599GT	GASKET,GBOX,S80/85 2008.....1		37	27287GT	RESISTOR,10 OHM,25 WATT.....1	
11	1253409GT	ANGLE, RELAY MOUNTING.....1		38	40614GT	RESISTOR,5 OHM,25W***.....1	
12	1253160GT	WELDMENT, GBOX, S80/85 2013.....1		39	6356GT	WASHER,LOCK,.25	
13	6090GT	SCREW,HHC,1/4-20 X .75		40	1252685GT	GASKET,DP200 BLACK PANEL SEAL....1 <i>Part of assembly 1251985</i>	
14	6178GT	NUT,NYLOCK,10-32		41	1251984GT	ASSY,DISPLAY,DP200 DEUTZ T4.....1 <i>Including bracket part 219718, gasket part 1252685 and screws part 1252684</i>	
15	54365GT	SCREW,PHIL,PHM,10-32 X .5,SSTL		42	128200GT	SWITCH TOGGLE ASSY SPDT 3P MOM.....1 <i>Platform rotate switch</i>	
16	74913GT	END STOP, DIN RAIL,SCREW CLAMP.....2		43	229567GT	PLUG,SANTOPRENE .5 BLACK DOME.....1	
17	33607GT	RELAY,OMRON,DPDT,12V.....1 <i>Welder option</i>		44	229567GT	PLUG,SANTOPRENE .5 BLACK DOME.....1 <i>Gasoline/LPG models - Fuel select switch</i>	
18	33608GT	RELAY,SOCKET,OMRON.....1 <i>Welder option</i>		45	128200GT	SWITCH TOGGLE ASSY SPDT 3P MOM.....1 <i>Engine start switch</i>	
19	30997GT	CORROSION INHIBITOR,FOAM.....1		46	128202GT	SWITCH TOGGLE ASSY DPDT 3P MOM.....1 <i>Turntable rotate switch</i>	
20	45385GT	PLUG,NYLON 1.12 BLACK DOMED.....1		47	128204GT	SWITCH TOGGLE ASSY SPDT 2P MNT.....1 <i>Function enable switch</i>	
21	229567GT	PLUG,SANTOPRENE .5 BLACK DOME.....1					
22	1253154GT	ASSY, TERM RAIL, S80/85 2013.....1 <i>(complete assembly)</i>					

### 303.1 Ground Control - Deutz TD2.9L4 (continued)

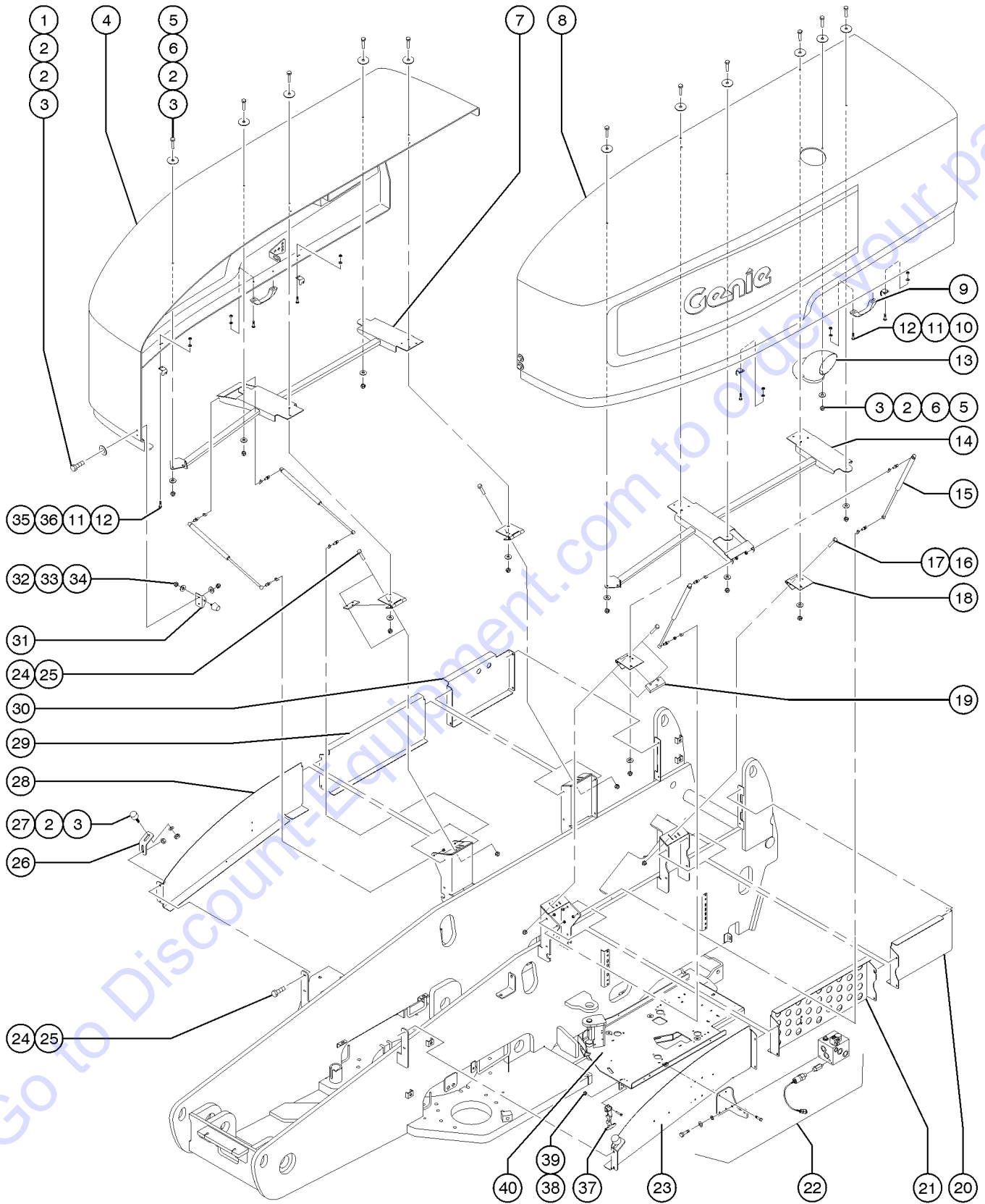
Item	Part No.	Description	Qty.
48	128202GT	SWITCH TOGGLE ASSY DPDT 3P MOM.....1 <i>Platform level switch</i>	1
49	229567GT	PLUG,SANTOPRENE .5 BLACK DOME.....1 <i>Check engine light</i>	1
50	229567GT	PLUG,SANTOPRENE .5 BLACK DOME.....1 <i>(S-80 and S-80X models)</i>	1
--	128200GT	SWITCH TOGGLE ASSY SPDT 3P MOM <i>(S-85 models)</i>	
51	128201GT	SWITCH TOGGLE ASSY DPDT 2P MOM.....1 <i>Emergency power switch</i>	1
52	66812GT	BUTTON,PUSH,RED MUSHROOM HEAD.....1 <i>Red emergency stop button</i>	1
53	88827GT	GASKET,KEYSWITCH,PLASTIC***.....1	1
54	66813GT	BUTTON,PUSH,BLACK W/SEAL***.....1 <i>Function enable, (models with push button) shown</i>	1
--	80716GT	SWITCH,SELECTOR,BLACK <i>Function enable, (models with selector switch) not shown</i>	
55	128202GT	SWITCH TOGGLE ASSY DPDT 3P MOM.....1 <i>Boom up/down switch</i>	1
56	824879GT	LIGHT,LED IND. RED 12V NH.....1 <i>Machine malfunction indicator light</i>	1
57	128202GT	SWITCH TOGGLE ASSY DPDT 3P MOM.....1 <i>Boom extend/retract switch</i>	1
58	122994GT	NICKEL PLATED JAM NUT.....1	1
59	229567GT	PLUG,SANTOPRENE .5 BLACK DOME.....1	1

*This Page Intentionally Left Blank*

Go to Discount-Equipment.com to order your parts



304.1 Turntable Covers



304.1 Turntable Covers

Item	Part No.	Description	Qty.	Item	Part No.	Description	Qty.
1	6090GT	SCREW,HHC,1/4-20 X .75		32	6782GT	NUT,NYLOCK,5/16-18	
2	6638GT	WASHER,FLAT,USS,1/4"Y		33	5397GT	WASHER,FLAT,USS,5/16",Y	
3	6091GT	NUT,NYLOCK,1/4-20		34	30973GT	BUMPER,RUBBER-1 X 1.25.....2	
4A	122380GT	TANK SIDE COVER W/ WORD DECALS.....1 <i>from SN 9023</i>		35	75041GT	SCREW,PHILLIPS,PHM,10-32 X 1.....1	
4B	122381GT	TANK SIDE COVER W/ SYM DECALS...1 <i>from SN 9023</i>		36	75076GT	KEEPER,LATCH (45363).....4	
5	8915GT	SCREW,HHC,1/4-20 X 1.25		37	45363GT	LATCH,FLEXIBLE DRAW W/O KEEPER	
6	12906GT	WASHER,FENDER,.25 X 1.25 X.062		38	6178GT	NUT,NYLOCK,10-32	
7	121015GT	WELDMENT,COVER SUPPORT,TANK SIDE.....1		39	75041GT	SCREW,PHILLIPS,PHM,10-32 X 1	
8A	122383GT	ENGINE SIDE CVR W/ WORD DECALS.....1 <i>from SN 9023</i>		40		WELDMENT, ENGINE TRAY <i>(refer to 416.1)</i>	
8B	122384GT	ENGINE SIDE COVER W/ SYM DECALS.....1 <i>from SN 9023</i>					
9	60884GT	HANDLE,GRAB.....2					
10	6606GT	SCREW,RHM,10-32 X .75					
11	6146GT	WASHER,FLAT,MS,#10,Y					
12	6178GT	NUT,NYLOCK,10-32					
13	101964GT	WELDMENT,EXHAUST TUBE.....1					
14	121014GT	WELDMENT,COVER SUPPORT,ENGINE SIDE.....1					
15	28301GT	GAS STRUT,250 LBS FORCE*** .....4					
--	27377GT	RETAINER,GAS SPRING***					
--	33555GT	BALL STUD**					
--	6782GT	NUT,NYLOCK,5/16-18					
16	121420GT	SCREW,HHF,1/4-20 X 1.00					
17	121421GT	NUT,FLG,1/4-20					
18	75073GT	HINGE,.375X.120THK.,SLOTTED.....4					
19	53707GT	HINGE SPACER.....2					
20	121415GT	FORMING, COVER, RIGHT FRONT.....1					
21	121416GT	FORMING, COVER, RIGHT CENTER...1					
22		Ref., manifold <i>Part of the welder option (refer to 815.1)</i>					
23	121404GT	FORMING, BULKHEAD, RIGHT REAR...1					
24	121419GT	SCREW,HHF,1/4-20 X .75					
25	121421GT	NUT,FLG,1/4-20					
26	121891GT	FORMING,COVER BUMP STOP					
27	111663GT	BUMPER,RUB,1.00DX.75X31-18X1.2					
28	121403GT	FORMING, BULKHEAD, LEFT REAR....1					
29	111570GT	FORMING, COVER, REAR LEFT.....1					
30	111566GT	FORMING, BULKHEAD, FRONT LEFT...1					
31	88106PGT	FORMING,COVER STOP,PAINT.....2					

# PARTS FINDER

**Search Website  
by Part Number**



**Search Manual  
Library For Parts  
Manual & Lookup Part  
Numbers – Purchase  
or Request Quote**

**Search Manuals**

Enter your information to help us find the right parts manual for your machine.

\* Brand:

\* Model:

\* Serial:

\* Part Number:

SEARCH

**Can't Find Part or  
Manual? Request Help  
by Manufacturer,  
Model & Description**

**Parts Order Form**

Please fill in the following information to help us find the right part for your machine.

Manufacturer:	<input type="text"/>
Model:	<input type="text"/>
Description:	<input type="text"/>
Part Number:	<input type="text"/>
Quantity:	<input type="text"/>
Notes:	<input type="text"/>

Discount-Equipment.com is your online resource for quality parts & equipment.

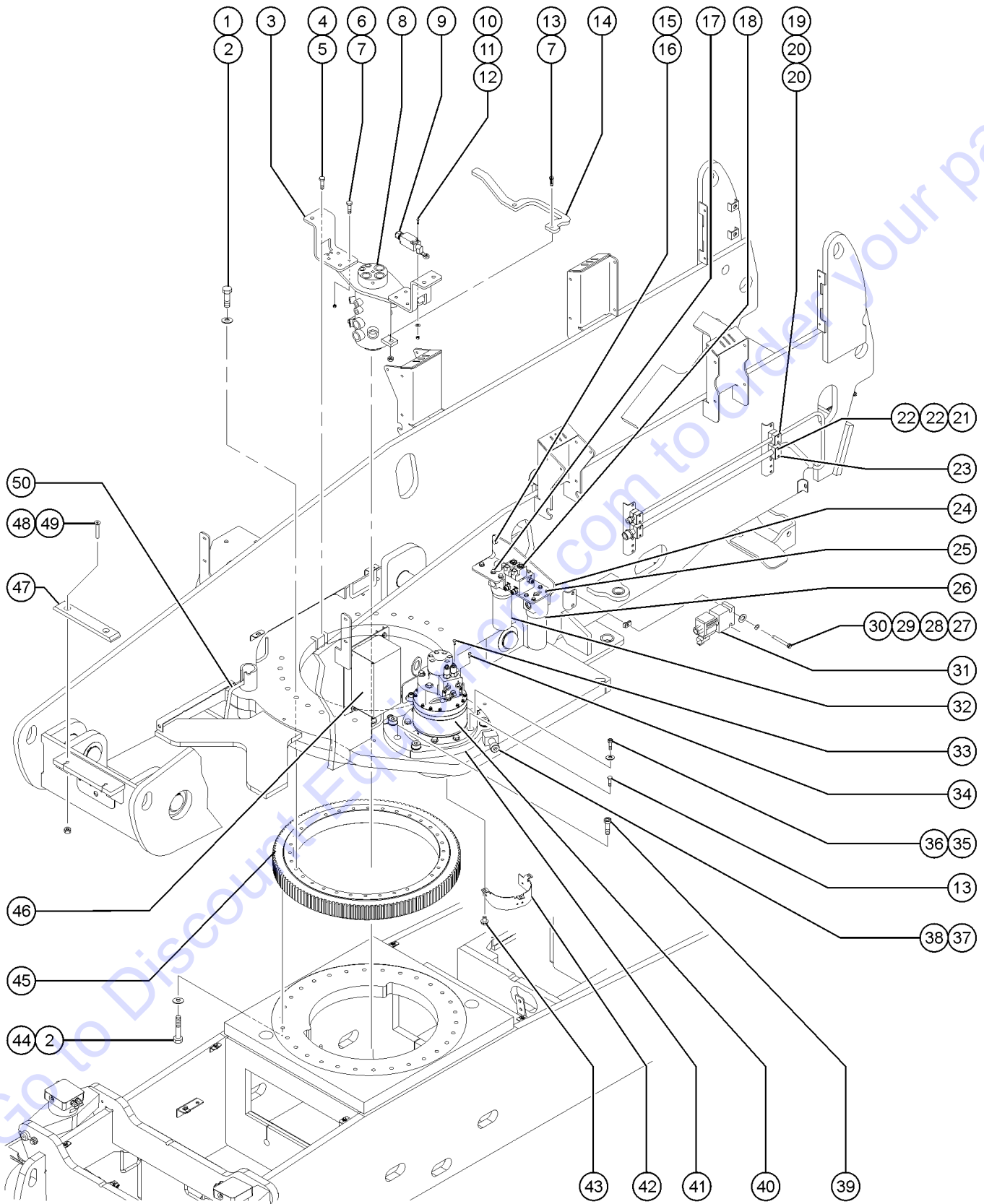
Florida: **561-964-4949** Outside Florida TOLL FREE: **877-690-3101**

**Need parts?**

Click on this link: <http://www.discount-equipment.com/category/5443-parts/> and choose one of the options to help get the right parts and equipment you are looking for. Please have the machine model and serial number available in order to help us get you the correct parts. If you don't find the part on the website or on one of the online manuals, please fill out the request form and one of our experienced staff members will get back to you with a quote for the right part that your machine needs.

We sell worldwide for the brands: Genie, Terex, JLG, MultiQuip, Mikasa, Essick, Whiteman, Mayco, Toro Stone, Diamond Products, Generac Magnum, Airman, Haulotte, Barreto, Power Blanket, Nifty Lift, Atlas Copco, Chicago Pneumatic, Allmand, Miller Curber, Skyjack, Lull, Skytrak, Tsurumi, Husquvarna Target, Stow, Wacker, Sakai, Mi-T-M, Sullair, Basic, Dynapac, MBW, Weber, Bartell, Bennar Newman, Haulotte, Ditch Runner, Menegotti, Morrison, Contec, Buddy, Crown, Edco, Wyco, Bomag, Laymor, EZ Trench, Bil-Jax, F.S. Curtis, Gehl Pavers, Heli, Honda, ICS/PowerGrit, IHI, Partner, Imer, Clipper, MMD, Koshin, Rice, CH&E, General Equipment, Amida, Coleman, NAC, Gradall, Square Shooter, Kent, Stanley, Tamco, Toku, Hatz, Kohler, Robin, Wisconsin, Northrock, Oztec, Toker TK, Rol-Air, APT, Wylie, Ingersoll Rand / Doosan, Innovatech, Con X, Ammann, Mecalac, Makinex, Smith Surface Prep, Small Line, Wanco, Yanmar

305.1 Turntable Rotator and Hydraulic Rotary Coupler Install



## 305.1 Turntable Rotator and Hydraulic Rotary Coupler Install

Item	Part No.	Description	Qty.	Item	Part No.	Description	Qty.
1	45495GT	SCREW,SHC,5/8-11 X 3.00,A574.....	22	29	6638GT	WASHER,FLAT,USS,1/4"Y.....	2
2	13064GT	WASHER,FLAT,.625 HARDENED.....	40	30	56912GT	SPRING CLIP,1/4-20,.025-.15X.54,ZAG.....	2
3	60575PGT	BRACKET,HYD.ROTATOR MOUNT MNT.....	2	31		Ref. VALVE,FUNCTION ENABLE (Refer to 703.1)	
4	121079GT	SCREW,HHC,FLG,1/2-13 X 3.50.....	4	32	60334GT	FILTER ASSY,HIGH PRESS SAE-12*.....	1
5	121423GT	NUT,FLG,1/2-13.....	4	--	60857GT	FILTER,ELEMENT,BETA(5)=1000.....	1
6	122209GT	SCREW,HHF,3/8-16 X1.50		--	58222GT	O-RING,FILTER ASSY (60334)***	
7	121422GT	NUT,HEX,FLG,3/8-16		--	58223GT	SEAL,FILTER ASSY (60334)***	
8	89571GT	SWIVEL,HYD 8 PORT***.....	1	33	39882GT	PLUG,HEX SOCKET,090109B-4 Use with swing drive 88921 (top plug)	
--	94937GT	SEAL KIT,8-PORT SWIVEL		34	109802GT	PLUG,ORB #6 Use with swing drive 88921	
--	T106954GT	SEAL, O-RING LIP		35	88212GT	SCREW,SHC,3/4-10 X 3.00,A574.....	5
--	T106955GT	SEAL, POLY, CHAMFER		36	33278GT	WASHER,FLAT,.75 HARDENED.....	5
--	T106957GT	SEAL, CAP, NOTCHED		37	61128GT	SCREW,HHC,3/4-10 X 4 FULL THRD.....	1
--	T106961GT	SEAL, O-RING ENERGIZER		38	6126GT	NUT,HEX,JAM,3/4-10.....	1
--	T106962GT	SEAL, CAP, NOTCHED		39	60815GT	SCREW,SHS,3/4-10 X 1.5.....	1
9	121467GT	HARN,LS,DRIVE EN,S80/85 2008.....	1	40A	1255768GT	SWING DRIVE ASSEMBLY (Complete) SWING DRIVE ASSEMBLY 1255768 can be installed as a direct replacement of previous swing drives 139189 and 88921; from SN 12950	
10	49775GT	SCREW,PHILLIPS,PHM,10-32X 1.75		--	139308GT	SWING MOTOR COMPLETE*** (Used on swing drive 1255768); from SN 12950	
11	6146GT	WASHER,FLAT,MS,#10,Y		--	139309GT	CBV ASSEMBLY*** (Used on swing drive 1255768); from SN 12950	
12	6178GT	NUT,NYLOCK,10-32		--	139323GT	VALVE,COUNTERBAL,CBCA-LIN*** (Used on swing drive 1255768); from SN 12950	
13	123162GT	FLGHCS,1/2-13X1.75,GR8,BLK,PH		--	139315GT	O-RING,MOTOR/BRAKE*** (Used on swing drive 1255768); from SN 12950	
14	121311GT	FORMING,SWIVEL STOP.....	1	--	58304GT	SHAFT,OUTPUT (Used on swing drive 1255768); from SN 12950	
15	121066GT	SCREW,HHC,FLG,3/8-16 X 1 GR8		--	1255769GT	SEAL KIT, SWING BRAKE (Used on swing drive 1255768); from SN 12950	
16	100379GT	BLOCK, MAST SLIDER, GR20.....	1	--	1255770GT	KIT, FRICTION DISC (Used on swing drive 1255768); from SN 12950	
17	75051GT	SCREW,SER FLNG3/8UNCX3/4ZNYEL		--	1255771GT	KIT, BRAKE SPRING (Used on swing drive 1255768); from SN 12950	
18		Ref. MANIFOLD,BRAKE/2 SPD W/QD PLG (Refer to 702.1)		--	1255772GT	KIT, SWING BRAKE REBUILD (Used on swing drive 1255768); from SN 12950	
19	121217GT	COVER PLATE,TUBE CLAMP #8.....	2				
20	121219GT	CLAMP HALF,#8 TUBE.....	3				
21	121216GT	COVER PLATE, TUBE CLAMP #12					
22	121218GT	CLAMP HALF,#12 TUBE.....	4				
23	121067GT	SCREW,HHC,FLG,1/4-20 X 2.00.....	8				
24	121336GT	FORMING, FILTER MOUNT.....	1				
25	121419GT	SCREW,HHF,1/4-20 X .75					
26		FILTER ASY,M PRESS,SAE8,WOIND* (77139)..... component no longer available	1				
--	1267807GT	ASSY, MED. PRESS. FILTER, SAE8					
--	60857GT	FILTER,ELEMENT,BETA(5)=1000 for 77139					
--	58222GT	O-RING,FILTER ASSY (60334)***					
--	58223GT	SEAL,FILTER ASSY (60334)***					
--	1268229GT	ELEMENT-5 MIC, PAPER, W/ BYPASS for 1267807					
27	4266GT	SCREW,HHC,1/4-20 X 2.....	2				
28	6356GT	WASHER,LOCK,.25.....	2				



305.1 Turntable Rotator and Hydraulic Rotary Coupler Install  
(continued)

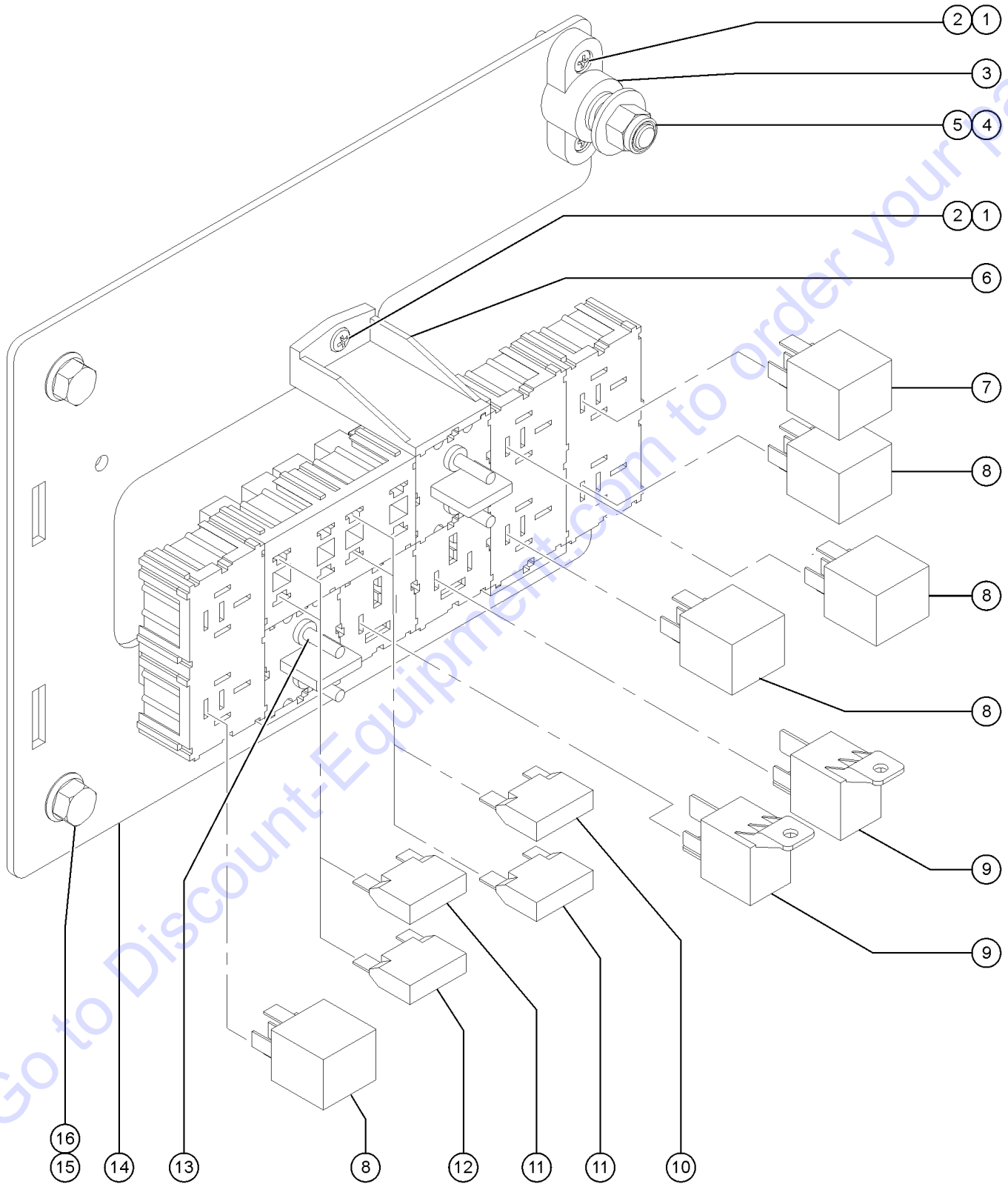
Item	Part No.	Description	Qty.	Item	Part No.	Description	Qty.
--	1255773GT	BRAKE TUBING <i>(Used on swing drive 1255768); from SN 12950</i>		--	58304GT	SHAFT,OUTPUT <i>Use with swing drive 88921; to SN 8237</i>	
40B		Ref. SWING DRIVE ASSEMBLY <i>Previous SWING DRIVE ASSEMBLY 139189 is no longer available, order complete assembly 1255768 for first time replacement; from SN 8238 to 12949</i>		--	58596GT	BEARING KIT,OUTER (88921) <i>Use with swing drive 88921; to SN 8237</i>	
--	139308GT	SWING MOTOR COMPLETE*** <i>(Used on swing drive 139189); from SN 8238 to 12949</i>		--	58597GT	BEARING KIT,INNER (88921) <i>Use with swing drive 88921; to SN 8237</i>	
--	139309GT	CBV ASSEMBLY*** <i>(Used on swing drive 139189); from SN 8238 to 12949</i>		--	94620GT	SEAL KIT,SWING TORQ HUB*** <i>Use with swing drive 88921; to SN 8237</i>	
--	139323GT	VALVE,COUNTERBAL,CBCA-LIN*** <i>(Used on swing drive 139189); from SN 8238 to 12949</i>		--	94623GT	KIT,FRICITION DISC <i>Use with swing drive 88921; to SN 8237</i>	
--	139315GT	O-RING,MOTOR/BRAKE*** <i>(Used on swing drive 139189); from SN 8238 to 12949</i>		--	94624GT	KIT,BRAKE SPRING <i>Use with swing drive 88921; to SN 8237</i>	
--	58304GT	SHAFT,OUTPUT <i>(Used on swing drive 139189); from SN 8238 to 12949</i>		--	58387GT	O-RING,MOTOR/BRAKE (88921)*** <i>Use with swing drive 88921; to SN 8237</i>	
--	139310GT	BRAKE TUBING*** <i>(Used on swing drive 139189); from SN 8238 to 12949</i>		--	94622GT	BRAKE PORT HARDLINE <i>Use with swing drive 88921; to SN 8237</i>	
--	139311GT	KIT,FRICITION DISC*** <i>(Used on swing drive 139189); from SN 8238 to 12949</i>		--	94625GT	SEAL KIT,SWING BRAKE <i>Use with swing drive 88921; to SN 8237</i>	
--	139312GT	KIT,BRAKE SPRING*** <i>(Used on swing drive 139189); from SN 8238 to 12949</i>		--	94626GT	KIT,SWING BRAKE REBUILD <i>Use with swing drive 88921; to SN 8237</i>	
--	139313GT	SEAL KIT,SWING BRAKE*** <i>(Used on swing drive 139189); from SN 8238 to 12949</i>		--	94621GT	SWING MOTOR,COMPLETE*** <i>Use with swing drive 88921; to SN 8237</i>	
--	139314GT	KIT,SWING BRAKE REBUILD*** <i>(Used on swing drive 139189); from SN 8238 to 12949</i>		--	65616GT	SEAL KIT PWR WHL MOTOR <i>Use with swing drive 88921; to SN 8237</i>	
--	94620GT	SEAL KIT,SWING TORQ HUB*** <i>(Used on swing drive 139189); from SN 8238 to 12949</i>		--	81366GT	MANIFOLD,SWING CB & BRAKE <i>Use with swing drive 88921; to SN 8237</i>	
--	58596GT	BEARING KIT,OUTER (88921) <i>(Used on swing drive 139189); from SN 8238 to 12949</i>		--	83009GT	VALVE,COUNTERBALANCE(81366)*** <i>Use with swing drive 88921; to SN 8237</i>	
--	58597GT	BEARING KIT,INNER (88921) <i>(Used on swing drive 139189); from SN 8238 to 12949</i>		--	45483GT	VALVE,SHUTTLE*** <i>Use with swing drive 88921; to SN 8237</i>	
--	41489GT	SCREW,SHC,5/16-18 X 2,PLATED <i>Manifold to motor</i>		--	41489GT	SCREW,SHC,5/16-18 X 2,PLATED <i>Manifold to motor</i>	
--	6886GT	WASHER,LOCK,.313 <i>Manifold to motor</i>		--	6886GT	WASHER,LOCK,.313 <i>Manifold to motor</i>	
40C		Ref. SWING DRIVE ASSEMBLY <i>Previous SWING DRIVE ASSEMBLY 88921 is no longer available, order complete assembly 1255768 for first time replacement; to SN 8237</i>		41	121393GT	MACHINED BACKLASH.....1	
				42	81986PGT	COVER,ROTATION GEAR PAINTED.....1	
				43	123163GT	FLGHCS,1/2-13X.75,GR5,BLK PH.....3	
				44	20654GT	SCREW,SHC,5/8-11 X 3.50,A574.....18	
				45	50035GT	BEARING,TURNABLE.....1	
				--	227785GT	BEARING TURNTABLE SEAL***	
				46	122382GT	RELAY COVER W/WORD DECALS.....1	
				--	111601GT	FORMING,RELAY BLOCK COVER <i>(Symbol units)</i>	
				47	41549GT	PAD,BOOM REST.....1	
				48	35714GT	SCREW,FHS,3/8-16 X 2.25	
				49	6097GT	WASHER,FLAT,USS,3/8",Y	
				50	121353GT	WELDMENT, TRANSPORT LOCK.....1	

305.1 Turntable Rotator and Hydraulic Rotary Coupler Install  
(continued)

***This Page Intentionally Left Blank***

Go to Discount-Equipment.com to order your parts

306.1 Turntable Components - Relay Panel, Diesel Models

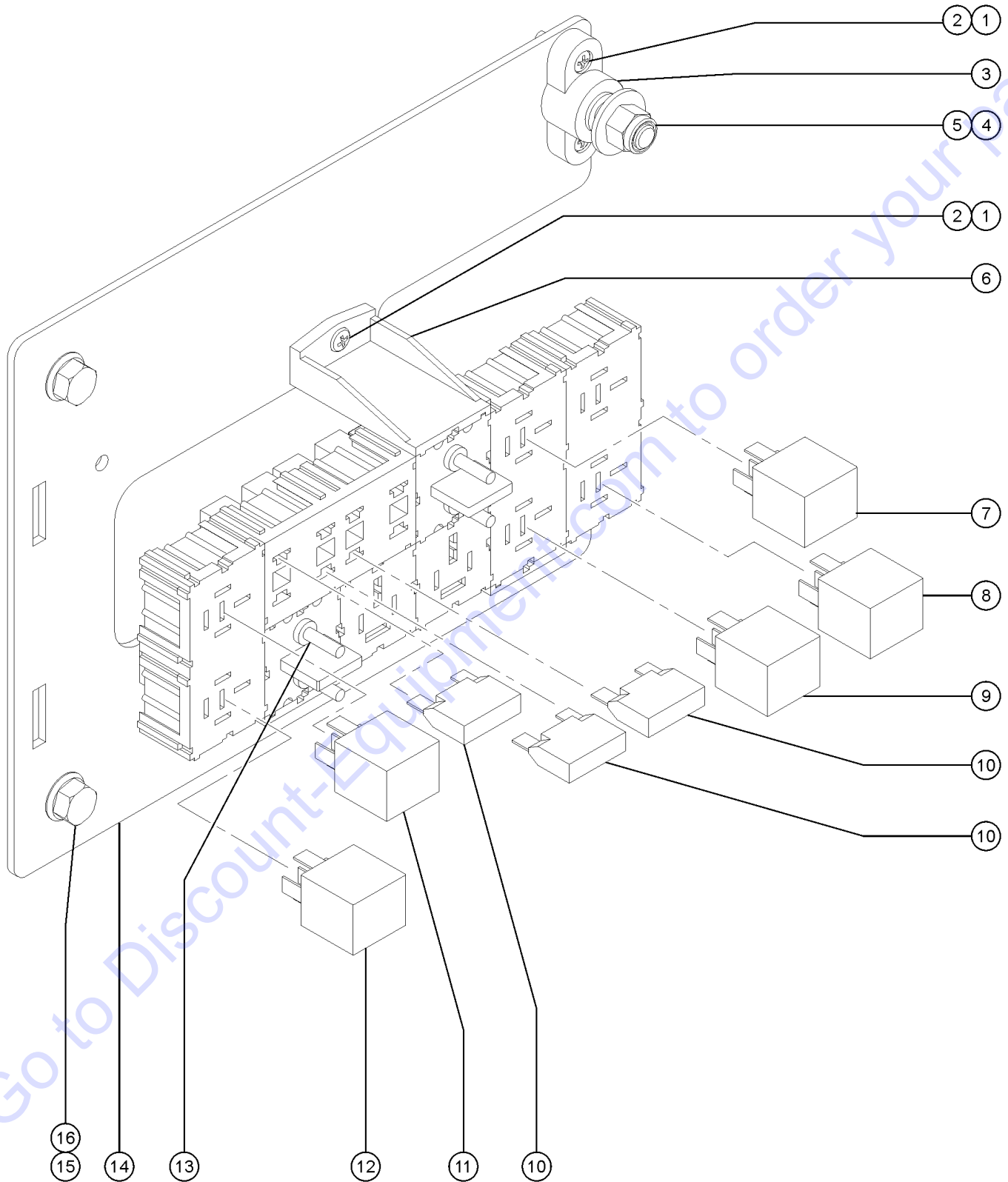




## 306.1 Turntable Components - Relay Panel, Diesel Models

Item	Part No.	Description	Qty.
--	88159GT	LOCK,WEDGE,RLY 9.5MM	
1	6178GT	NUT,NYLOCK,10-32	
2	49816GT	SCREW,PHILLIPS,PHM,10-32 X .75	
3	94982GT	STANDOFF, 3/8" BLACK.....1	
4	6097GT	WASHER,FLAT,USS,3/8",Y	
5	4828GT	NUT,NYLOCK,3/8-16	
6	88160GT	BRACKET,LEG,RLY BLOCK.....3	
7	34052GT	RELAY,SPDT,12V(AUTO) PLUG IN**.....1 (Perkins models)	
8	34052GT	RELAY,SPDT,12V(AUTO) PLUG IN**.....4	
--	88167GT	CONN,DUAL RLY MODULE,10 POS	
9	61225GT	RELAY,12VDC,70AMP,SEALED.....2	
--	88162GT	CONN,POWER RLY MODULE,4POS	
10	101340GT	FUSE,60 AMP,MAXI.....1	
--	88164GT	CONN MAXI FUSE MODULE,4POS	
11	94327GT	FUSE,30 AMP.....2	
--	88164GT	CONN MAXI FUSE MODULE,4POS	
12	128978GT	CIRCUIT BREAKER TYPE 2, 10AMP.....1 (Perkins models)	
--	60536GT	FUSE,20 AMP,MAXI (Deutz models)	
--	88164GT	CONN MAXI FUSE MODULE,4POS	
13	106051GT	CONN,FEED THRU STUD.....2	
--	88164GT	CONN MAXI FUSE MODULE,4POS	
14	111602GT	PLATE, RELAY BLOCK MOUNT.....1	
15	75051GT	SCREW,SER FLNG3/8UNCX3/4ZNYEL.....4	
16	29868GT	SPRING CLIP,3/8-16,.05-.20X.73,ZAG....3	

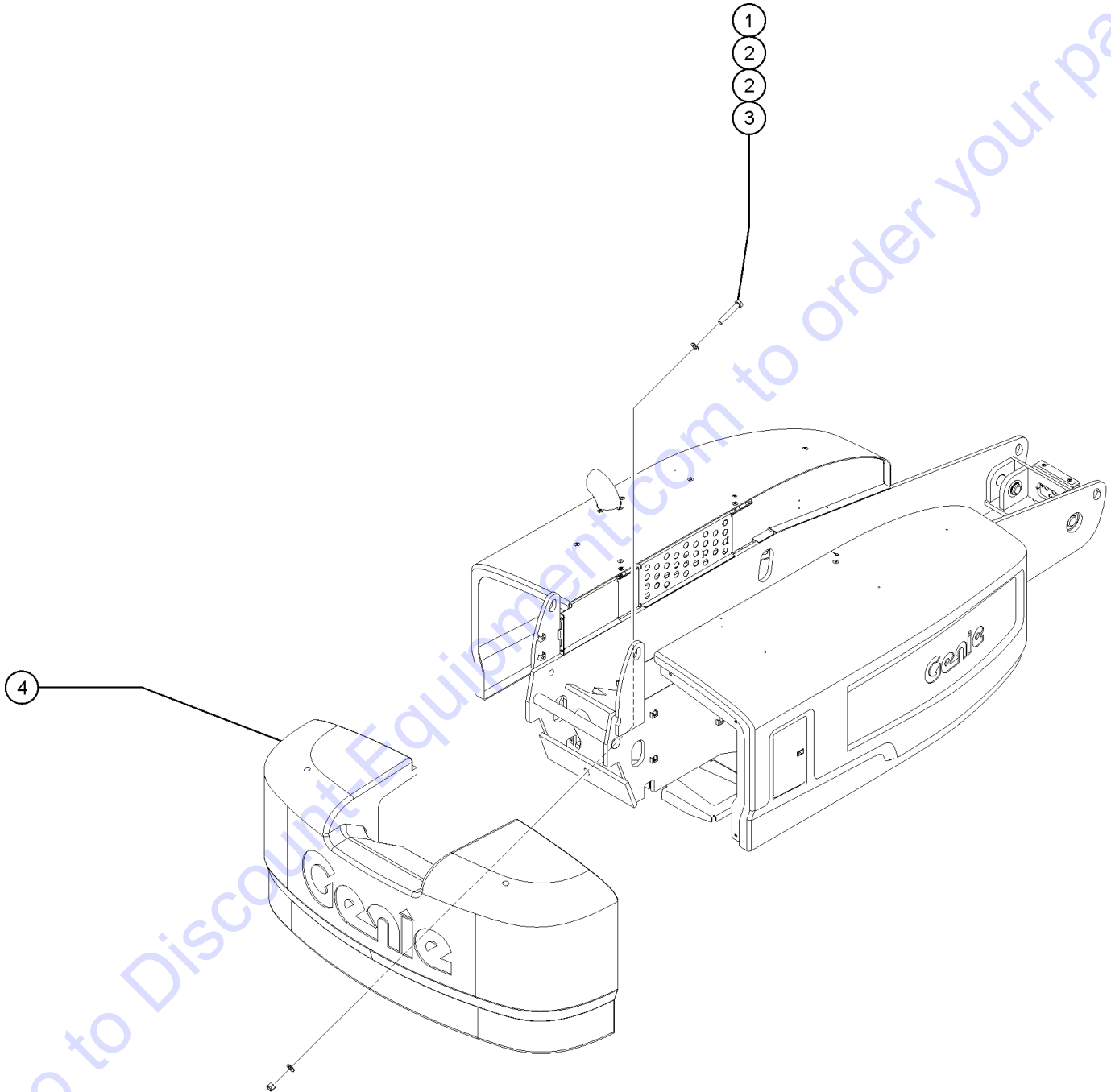
306.2 Turntable Components - Relay Panel, Deutz TD 2.9L4



## 306.2 Turntable Components - Relay Panel, Deutz TD 2.9L4

Item	Part No.	Description	Qty.
--	88159GT	LOCK,WEDGE,RLY 9.5MM	
1	6178GT	NUT,NYLOCK,10-32	
2	49816GT	SCREW,PHILLIPS,PHM,10-32 X .75	
3	94982GT	STANDOFF, 3/8" BLACK.....1	
4	6097GT	WASHER,FLAT,USS,3/8",Y	
5	4828GT	NUT,NYLOCK,3/8-16	
6	88160GT	BRACKET,LEG,RLY BLOCK.....3	
7	34052GT	RELAY,SPDT,12V(AUTO) PLUG IN**.....1 <i>CR2 (ENG/IGN RLY)</i>	
8	34052GT	RELAY,SPDT,12V(AUTO) PLUG IN** <i>CR6 (FUEL PUMP RLY)</i>	
9	34052GT	RELAY,SPDT,12V(AUTO) PLUG IN** <i>CR39 (VDROP RLY)</i>	
10	60536GT	FUSE,20 AMP,MAXI.....3	
--	88164GT	CONN MAXI FUSE MODULE,4POS	
11	34052GT	RELAY,SPDT,12V(AUTO) PLUG IN**.....1 <i>CR17 (OIL COOL RLY, OPTION)</i>	
12	34052GT	RELAY,SPDT,12V(AUTO) PLUG IN**.....1 <i>CR5 (HORN RLY)</i>	
13	106051GT	CONN,FEED THRU STUD.....2	
--	88164GT	CONN MAXI FUSE MODULE,4POS	
14	111602GT	PLATE, RELAY BLOCK MOUNT.....1	
15	75051GT	SCREW,SER FLNG3/8UNCX3/4ZNYEL.....4	
16	29868GT	SPRING CLIP,3/8-16,.05-.20X.73,ZAG....3	

307.1 Turntable Counterweight, S-80X and S-80

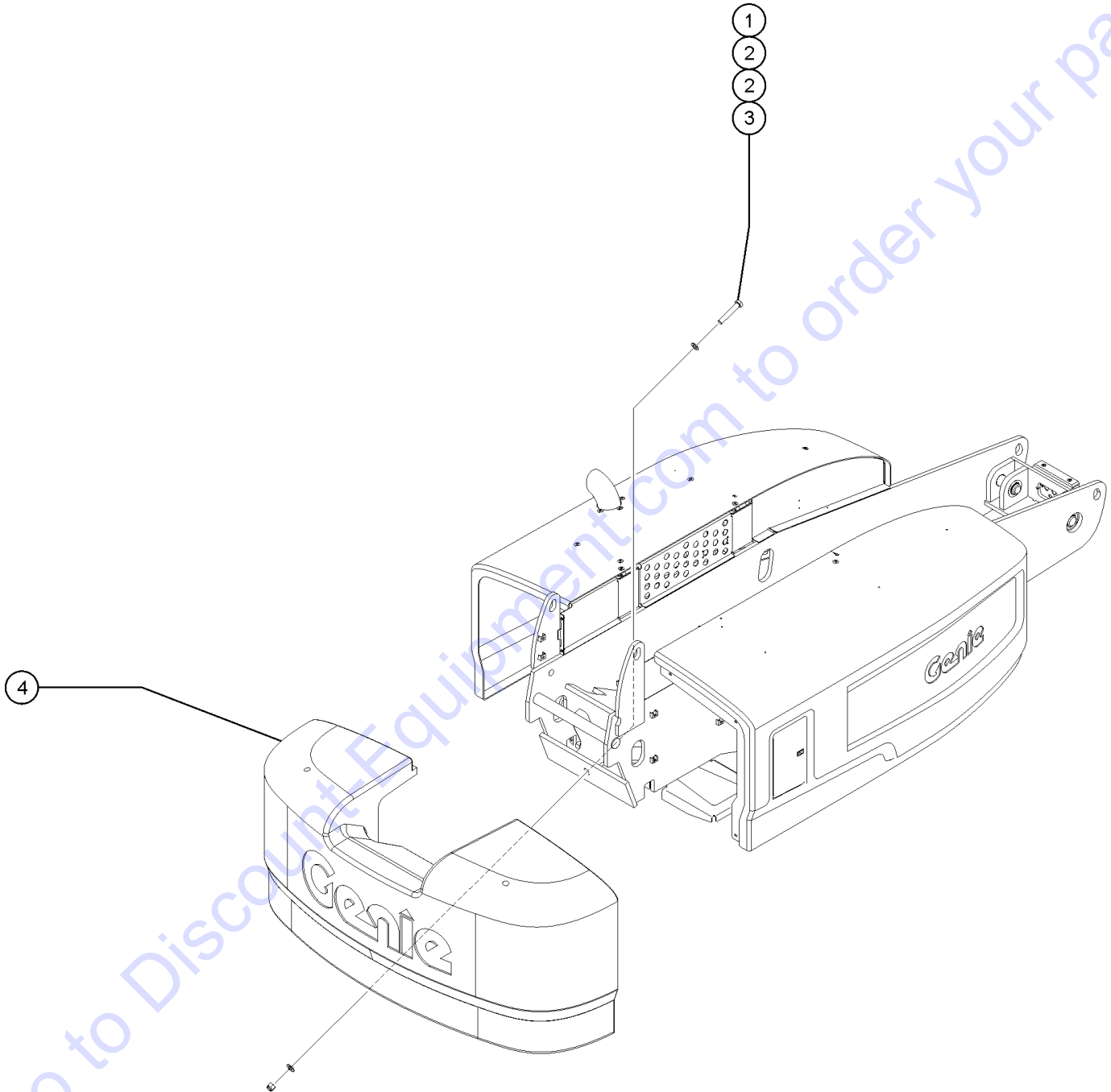


307.1 Turntable Counterweight, S-80X and S-80

Item	Part No.	Description	Qty.
1	1256466GT	SCREW,HHC,1-8X6.5,8,ZAG	
2	824116GT	WASHER, FLAT, F436, 1.0, ZAG.....	2
3	826794GT	NUT,TL,1-8,C,ZAG	
4	121232GT	COUNTERWEIGHT,S80..... 10,750 lbs	1

Go to Discount-Equipment.com to order your parts

308.1 Turntable Counterweight, S-85



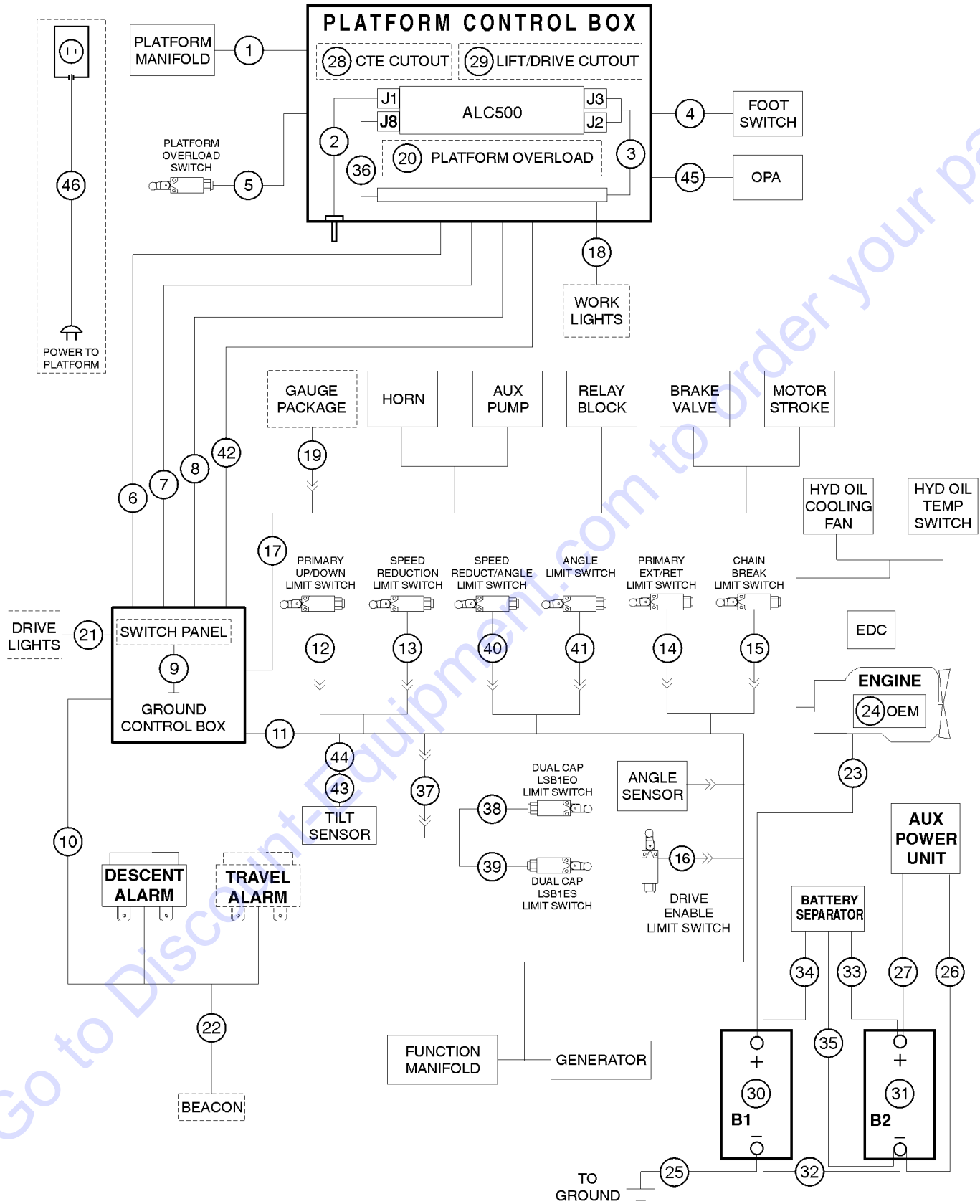
308.1 Turntable Counterweight, S-85

Item	Part No.	Description	Qty.
1	1256466GT	SCREW,HHC,1-8X6.5,8,ZAG	
2	824116GT	WASHER, FLAT, F436, 1.0, ZAG.....	2
3	826794GT	NUT,TL,1-8,C,ZAG	
4	121233GT	COUNTERWEIGHT,S85..... 13,000 lbs	1

Go to Discount-Equipment.com to order your parts



309.1 Wire Harness Diagram, S-80X and S-80





## 309.1 Wire Harness Diagram, S-80X and S-80

Item	Part No.	Description	Qty.	Item	Part No.	Description	Qty.
B	1264822GT	KIT, TRC RETROFIT, STNDRD <i>Telematics (includes 1264834)</i>		18A	13097GT	FUSE,10 AMP.....1 <i>Use with harness item 147406</i>	1
--	1264834GT	INSTRN, TRC RETROFIT, STNDRD		18B	T115760GT	HARNESS,12V WORK LIGHTS.....1	1
1	121726GT	HARN,PLAT MANIFOLD,S80.....1	1	19	121492GT	HARNESS,GAUGE OPT. S80/85.....1	1
2A	121840GT	HARNESS,SERV,S80-2008 PBOX J1.....1 <i>Excluding (Deutz TD 2.9L4 models)</i>	1	20A	121836GT	HARNESS,LOAD SENSE,2008.....1 <i>to SN S85-110</i>	1
2B	826938GT	HARN, PBOX, DEUTZ 2.9T, S80.....1 <i>(Deutz TD 2.9L4 models); J2 and J3 harnesses are part of this harness</i>	1	--	121843GT	RESISTOR,4.7K OHM,25 WATT	
3A	121841GT	HARNESS,SERV,S80-2008 PBOX J2.....1 <i>Excluding (Deutz TD 2.9L4 models)</i>	1	20B	219490GT	HARNESS,LS W/RECOVERY <i>from SN S85-111</i>	
3B	121842GT	HARNESS,SERV,S80-2008 PBOX J3.....1 <i>Excluding (Deutz TD 2.9L4 models)</i>	1	21	121447GT	HARNESS,DRV LIGHTS,S80/85 2008....1	1
4	227516GT	ASSEMBLY,FOOT SWITCH.....1	1	22	121489GT	HARNESS,BEACON,S80/85 2008.....1	1
5	121848GT	ASSY,LS,LOAD SENSE,38.5 IN.....1	1	23	121474GT	CABLE, BATTERY 2/0 POS RD 123"	
6	121732GT	HARNESS,16/22 BOOM 1,S80-2008....1 <i>(Green - Brown)</i>	1	24A	122250GT	HARNESS,TME27 ENGINE,EPA2007....1	1
7	121477GT	HARNESS,18/22 BOOM 2,S80-2008....1 <i>(Grey - Black)</i>	1	24B	122399GT	HARNESS, TD2011L04i, DEUTZ <i>Deutz models</i>	
8	121478GT	HARNESS,12V TO PLAT,S80-2008.....1	1	25A	121747GT	BATTERY CABLE,NEG BK 116".....1 <i>to SN 9995</i>	1
9A	1253141GT	HARN,GBOX,DEUTZ,S80/85.....1 <i>Deutz TD2011L04i models</i>	1	25B	217370GT	CABLE,BATTERY NEG,BK.....1 <i>from SN 9996</i>	1
9B	826937GT	HARN, GBOX, DEUTZ 2.9T, S80.....1 <i>Deutz TD 2.9L4 models</i>	1	26	121619GT	HARNESS,BATT2 TO APU(+),S80.....1	1
9C	1253210GT	CIRCUIT BRKR THERM AUTORESET 6.....1 <i>(used with harness 1253141, 1253142, 1280714, or 1280716)</i>	1	27	121622GT	HARNESS,BATT2 TO APU(-),S80.....1	1
10	121753GT	HARNESS,ALARM/BEACON,S80 2008.....1	1	28	121521GT	OPT,CTE CUTOUT,S80/85 2008.....1	1
--	121614GT	DESCENT ALARM,S80/85 2008.....1 <i>(alarm 45462GT)</i>	1	29A	121461GT	HARNESS,LFT/DRV CUTOUT,S80/85....1 <i>to SN S85-110</i>	1
--		Ref. Travel Alarm <i>(refer to 801.1)</i>		29B	1258701GT	HARNESS,CE OPTION,S80/85.....1 <i>from SN S85-111</i>	1
11	147450GT	HARN,FUNCT MANIFOLD,S80/85.....1	1	30	30143GT	BATTERY,12V,1000 CCA GRP 31	
12	121469GT	HARN,LS,BOOM ANGLE S80/85 2008...1	1	31	77694GT	BATTERY,12V DEEP CYC 5/16"STUD	
--	110771-141C7GT	LIMIT SW.TAB,BLUE METAL		32	106555GT	HARNESS,GND BATT 1 TO BATT 2	
13	121499GT	HARN,LS,SPD REDUCT S80.85 2008....1	1	33	121618GT	HARNESS,BATT2 TO SEPERATOR,S80	
--	110771-121C7GT	LIMIT SW,TAB,BLUE METAL		34	121617GT	HARNESS,BATT1 TO SEPERATOR,S80	
14	121466GT	HARNESS,LS,BOOM RET S80/85.....1	1	35	121621GT	HARNESS,SEPERATOR GND,S80	
--	88356-32163GT	SWITCH,LIMIT,TABULATED,BLUE		36A	147622GT	HARN,PBOX,DUAL CAP <i>S-80X only, from SN 8500 to 12263</i>	
15	121468GT	HARNESS,LS,CHAIN BREAK S80/85....1	1	36B	1259219GT	HARNESS,PBOX,DUAL CAP,S80X <i>S-80X only, from SN 12264</i>	
--	88356-13107GT	SWITCH,LIMIT,TABULATE,BLUE		37	147653GT	HARN, LS CABLE,S80 DUAL CAP <i>S-80X only</i>	
16	121467GT	HARN,LS,DRIVE EN,S80/85 2008.....1	1	38	T106478GT	HARN,LS OP PRI.DUAL CAP.....1 <i>S-80X only</i>	1
--	88356-33103GT	SWITCH,LIMIT TABULATED,BLUE		39	T106479GT	HARN,LS SAFETY,PRI.DUAL CAP.....1 <i>S-80X only</i>	1
17A	216760GT	HARNESS, DEUTZ 2008.....1 <i>(Deutz TD2011L04i models)</i>	1	40	T107193GT	HARN,LS OP PRI VEL LST3O	
17B	824585GT	HARN, ENG, TIER IV DEUTZ, S80.....1 <i>(Deutz TD 2.9L4 models)</i>	1	--	110771-13107GT	SWITCH,LIMIT,W/RLLR ARM,NO/NC	
				41	T107194GT	HARN,LS SAFETY PRI VEL LST3S <i>S-80X only</i>	
				--	110771-11117GT	SWITCH,LIMIT,W/RLLR ARM,NO/NC <i>S-80X only</i>	

309.1 Wire Harness Diagram, S-80X and S-80  
(continued)

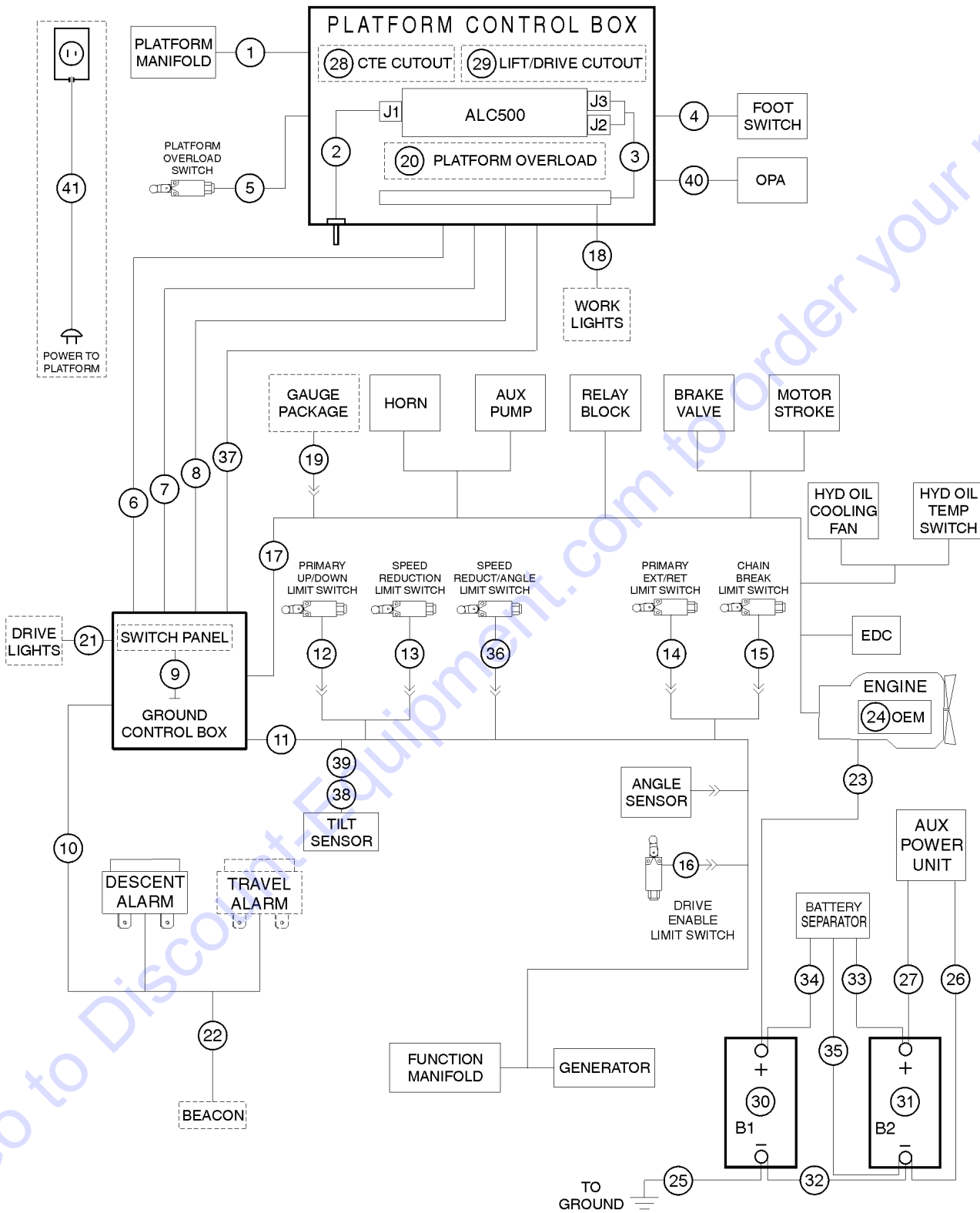
Item	Part No.	Description	Qty.
42	229357GT	HARNESS, LIGHT PACKAGE, S80	
43	1264947GT	KIT, LEVEL SENSOR, 6 PIN CONN. <i>For ANSI/CSA models with 6-pin wire harness connector, includes instructions</i>	
44	1260218GT	HARNESS,TILT ALARM,12V <i>for CSA models only</i>	
--	1285811GT	KIT,TILT ALARM,IC MODELS <i>from 12270</i>	
--	1285689GT	INSTRUCTIONS,INSTALL (LEVEL SENSOR ALARM) <i>for kit 1285811</i>	
45A	1255555GT	HARN,PBOX,OPA,HW,12V.....1 <i>(to January 2017)</i>	1
45C	1278108GT	HARNESS, CONTACT ALARM, S40,S60,S80.....1 <i>(from January 2017)</i>	1
45B	1255030GT	PLUG,BLANKING.....1	1
46	30794GT	WIRE,12/3 SJEOW,BK-WH-GR/YL...1212 <i>Power to platform cable option</i>	1212

Go to Discount-Equipment.com to order your parts

***This Page Intentionally Left Blank***

Go to Discount-Equipment.com to order your parts

310.1 Wire Harness Diagram, S-85



## 310.1 Wire Harness Diagram, S-85

Item	Part No.	Description	Qty.	Item	Part No.	Description	Qty.
B	1264822GT	KIT, TRC RETROFIT, STNDRD <i>Telematics (includes 1264834)</i>		13	121499GT	HARN,LS,SPD REDUCT S80.85 2008....1	
--	1264834GT	INSTRN, TRC RETROFIT, STNDRD		--	110771-121C7GT	LIMIT SW,TAB,BLUE METAL	
1	121727GT	HARN,PLAT MANIFOLD,S85.....1		14	121466GT	HARNESS,LS,BOOM RET S80/85.....1	
2	121840GT	HARNESS,SERV,S80-2008 PBOX J1.....1 <i>Excluding (Deutz TD 2.9L4 models)</i>		--	88356-32163GT	SWITCH,LIMIT,TABULATED,BLUE	
--		Ref. HARNESS, PBOX, T3 <i>refer to 605.1</i>		15	121468GT	HARNESS,LS,CHAIN BREAK S80/85.....1	
--	826938GT	HARN, PBOX, DEUTZ 2.9T, S80 <i>(Deutz TD 2.9L4 models); J2 and J3 harnesses are part of this harness</i>		--	88356-13107GT	SWITCH,LIMIT,TABULATE,BLUE	
3	121841GT	HARNESS,SERV,S80-2008 PBOX J2.....1 <i>Excluding (Deutz TD 2.9L4 models)</i>		16	121467GT	HARN,LS,DRIVE EN,S80/85 2008.....1	
--	121842GT	HARNESS,SERV,S80-2008 PBOX J3 <i>Excluding (Deutz TD 2.9L4 models)</i>		--	88356-33103GT	SWITCH,LIMIT TABULATED,BLUE	
4	227516GT	ASSEMBLY,FOOT SWITCH.....1		17A	216760GT	HARNESS, DEUTZ 2008 <i>(Deutz TD2011L04i models)</i>	
5	121848GT	ASSY,LS,LOAD SENSE,38.5 IN.....1		17B	824585GT	HARN, ENG, TIER IV DEUTZ, S80 <i>(Deutz TD 2.9L4 models)</i>	
6	121733GT	HARNESS,16/22 BOOM 1,S85-2008.....1 <i>green/brown</i>		18A	13097GT	FUSE,10 AMP <i>Use with harness item 147406;</i>	
7	121480GT	HARNESS,18/22 BOOM 2,S85-2008.....1 <i>gray/black</i>		18B	T115760GT	HARNESS,12V WORK LIGHTS	
8	121481GT	HARNESS,12V TO PLAT,S85 2008.....1		19	121492GT	HARNESS,GAUGE OPT. S80/85.....1	
9	121729GT	HARNESS,GBOX,DEUTZ,S80/85.....1 <i>(Deutz TD2011L04i models); to SN 10912</i>		20A	121836GT	HARNESS,LOAD SENSE,2008.....1 <i>to SN S85-110</i>	
--	1253141GT	HARN,GBOX,DEUTZ,S80/85 <i>(Deutz TD2011L04i models); from SN 12264 to 13231</i>		--	121843GT	RESISTOR,4.7K OHM,25 WATT	
--	1265455GT	HARNESS, GBOX, DEUTZ2011,S80 <i>(Deutz TD2011L04i models); from SN 13232</i>		20B	219490GT	HARNESS,LS W/RECOVERY <i>from SN S85-111</i>	
--	826937GT	HARN, GBOX, DEUTZ 2.9T, S80 <i>(Deutz TD 2.9L4 models); from SN 12264 to 13231</i>		21	121447GT	HARNESS,DRV LIGHTS,S80/85 2008....1	
--	1265454GT	HARNESS, GBOX, DEUTZ 2.9T, S80 <i>(Deutz TD 2.9L4 models); from SN 13232</i>		22	121489GT	HARNESS,BEACON,S80/85 2008.....1	
--	1253210GT	CIRCUIT BRKR THERM AUTORESET 6 <i>(used with harness 1253141, 1253142, 1280714, 1280716); from SN 10913</i>		23	121474GT	CABLE, BATTERY 2/0 POS RD 123".....1	
10	121753GT	HARNESS,ALARM/BEACON,S80 2008.....1		24A	122250GT	HARNESS,TME27 ENGINE,EPA2007....1	
--	121614GT	DESCENT ALARM,S80/85 2008.....1 <i>(alarm 45462GT)</i>		24B	122399GT	HARNESS, TD2011L04I, DEUTZ.....1 <i>Deutz models</i>	
--		Ref. Travel Alarm <i>(refer to 801.1)</i>		25	217370GT	CABLE,BATTERY NEG,BK	
11A	147450GT	HARN,FUNCT MANIFOLD,S80/85 <i>from SN 8500 to 13231</i>		26	121619GT	HARNESS,BATT2 TO APU(+),S80	
11B	1264385GT	HARNESS, MANIFOLD, FUNCTION <i>from SN 13232</i>		27	121622GT	HARNESS,BATT2 TO APU(-),S80	
12	121469GT	HARN,LS,BOOM ANGLE S80/85 2008...1		28	121521GT	OPT,CTE CUTOUT,S80/85 2008.....1	
--	110771-141C7GT	LIMIT SW.TAB,BLUE METAL		29A	121461GT	HARNESS,LFT/DRV CUTOUT,S80/85....1 <i>to SN 12263</i>	
				29B	1258701GT	HARNESS,CE OPTION,S80/85 <i>to SN 12264</i>	
				30	30143GT	BATTERY,12V,1000 CCA GRP 31	
				31	77694GT	BATTERY,12V DEEP CYC 5/16"STUD	
				32	106555GT	HARNESS,GND BATT 1 TO BATT 2	
				33	121618GT	HARNESS,BATT2 TO SEPERATOR,S80	
				34	121617GT	HARNESS,BATT1 TO SEPERATOR,S80	
				35	121621GT	HARNESS,SEPERATOR GND,S80	
				36	T107193GT	HARN,LS OP PRI VEL LST3O	
				--	110771-13107GT	SWITCH,LIMIT,W/RLLR ARM,NO/NC	
				37	229358GT	HARNESS, LIGHT PACKAGE, S85	
				38	1264947GT	KIT, LEVEL SENSOR, 6 PIN CONN. <i>For ANSI/CSA models with 6-pin wire harness connector, includes instructions</i>	

310.1 Wire Harness Diagram, S-85  
(continued)

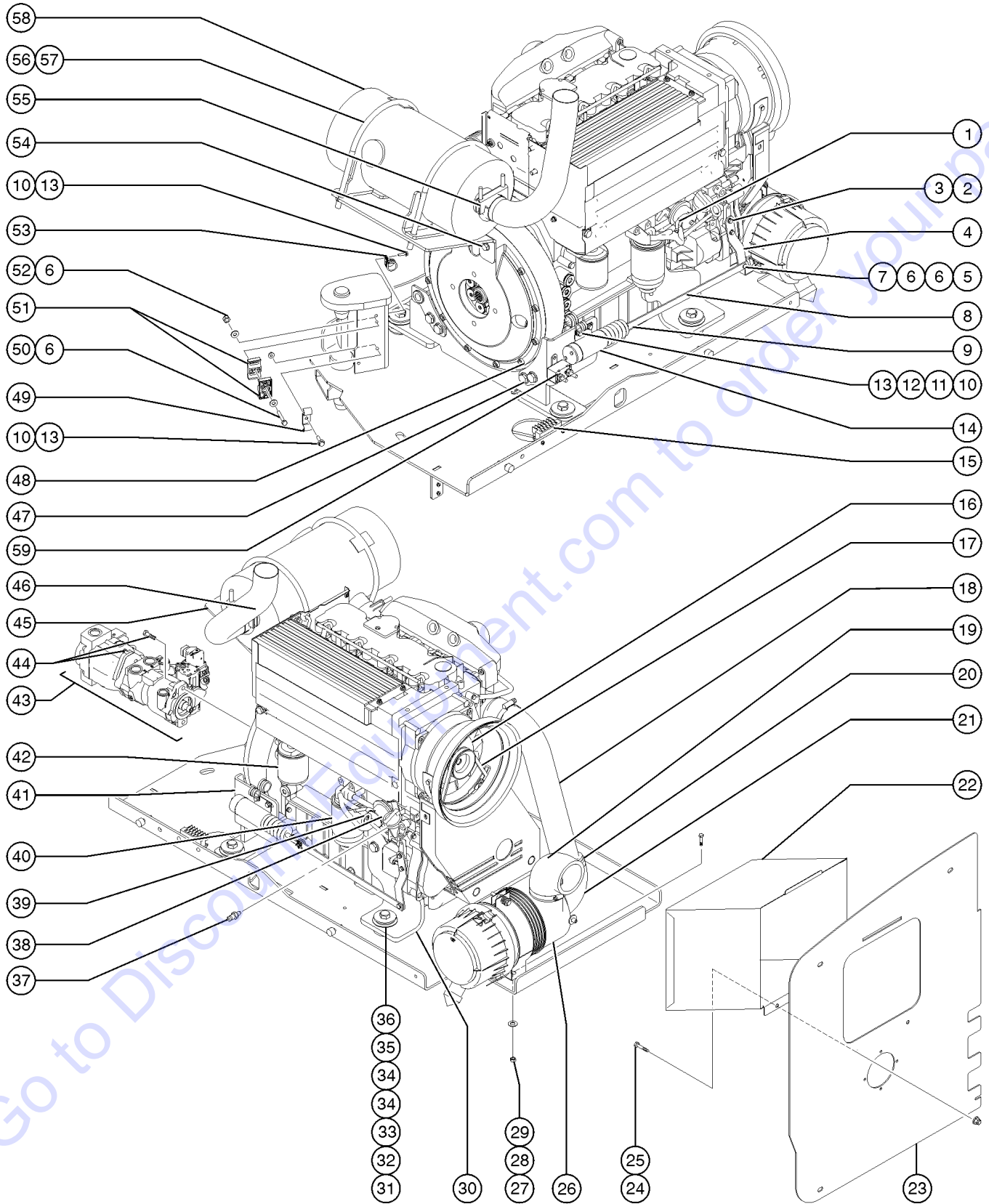
Item	Part No.	Description	Qty.
39	1260218GT	HARNESS,TILT ALARM,12V <i>for CSA models only</i>	
--	1285811GT	KIT,TILT ALARM,IC MODELS	
--	1285689GT	INSTRUCTIONS,INSTALL (LEVEL SENSOR ALARM) <i>for kit 1285811</i>	
40A	1255555GT	HARN,PBOX,OPA,HW,12V.....	1
40B	1255030GT	PLUG,BLANKING..... <i>(to January 2017)</i>	1
40C	1278108GT	HARNESS, CONTACT ALARM, S40,S60,S80..... <i>(from January 2017)</i>	1
41	30794GT	WIRE,12/3 SJEOW,BK-WH-GR/YL... <i>Power to platform cable option</i>	1272

Go to Discount-Equipment.com to order your parts

***This Page Intentionally Left Blank***

Go to Discount-Equipment.com to order your parts

401.1 Deutz TD2011L04i Engine - View 1





## 401.1 Deutz TD2011L04i Engine - View 1

Item	Part No.	Description	Qty.	Item	Part No.	Description	Qty.
--	121471GT	HARNASS,DEUTZ 2008 S80/85		24	75051GT	SCREW,SER FLNG3/8UNCX3/4ZNYEL	
--	139612GT	KIT CB 15A T2 RPM SOLENOID 3W <i>Includes item 128829</i>		25	121422GT	NUT,HEX,FLG,3/8-16	
--	102406GT	MODULE,TIME DELAY ON BRK 30S		26	81467GT	AIR CLEANER,NELSON.....1	
--	139983GT	EXHAUST PIPE GASKET		--	75450GT	AIR CLEANER CLIPS, SUPERBOOM <i>for 81467</i>	
--	101638GT	OPTION, SPARK ARREST		--	75451GT	AIR CLEANER COVER, SUPERBOOM* <i>for 81467</i>	
--	T114678GT	SHUTDOWN SOLENOID,12V, DEUTZ....1 <i>Must order cable assembly, 58256, if replacing 32752) (includes o-ring)</i>		--	52866GT	EVACUATOR VALVE-AIR CLEANER <i>for 81467</i>	
--	58256GT	SOLENOID CABLE ASSY***		--	62425GT	FILTER,AIR CLEANER,SUPERBOOM <i>for 81467</i>	
--	72255GT	CONNECTOR, DEUTZ FUEL SHUTOFF* <i>(Does not include diode, 45782)</i>		--	81468GT	MOUNTING BAND,AIR CLEANER	
--	45782GT	DIODE,6 AMP,200 PIV,BULK		27	13002GT	SCREW,HHC,5/16-18 X 1 GR5	
1	111668GT	PUMP,FUEL 2011 DEUTZ *** .....1		28	5397GT	WASHER,FLAT,USS,5/16",Y	
--	111402GT	O-RING, FUEL LIFT PUMP		29	6782GT	NUT,NYLOCK,5/16-18	
2	22578GT	SCREW,HHC,M6 X 20MM,GR8.8		30	70455GT	FORMING,ENGINE MOUNT.....1	
3	49407GT	WASHER,LOCK,M6		31	13003GT	SCREW,HHC,5/8-11 X 3.5 GRD.8	
4	50787-SGT	LEVER, GOVERNOR ACTUATOR.....1		32	33418GT	WASHER,FLAT,.625 X 2.25 X.15	
5	6584GT	SCREW,SHS,10-24 X .625		33	102045GT	ISOLATOR,ENGINE VIBRATION.....4	
6	6638GT	WASHER,FLAT,USS,1/4"Y		34	18596GT	WASHER,FLAT,1.56 X 2.5 X .061	
7	5365GT	NUT,NYLOCK,10-24		35	13064GT	WASHER,FLAT,.625 HARDENED	
8	139322GT	THROTTLE LINKAGE, DSL.....1		36	6024GT	NUT,NYLOCK,5/8-11	
9	21130GT	CLEVIS YOKE-1/4-28,PLTD W/PIN		37	139624GT	SWITCH, OIL PRESSURE 1.5 BAR	
10	121420GT	SCREW,HHF,1/4-20 X 1.00		--	139666GT	KIT,OP SWITCH,DEUTZ <i>Oil pressure kit for models with ALC-500 control system. Replaces part 65765 (Includes item 139624 and instructions)</i>	
11	45454GT	CLAMP,RUB CUSH,0.75,#12 X 3/8* .....2		38	58299GT	SENDING UNIT,OIL PRESS.,DEUTZ* ....1	
12	18666GT	CLAMP,1.00,#16 X 1/4,RUB CUSH.....1		39	52352GT	DIPSTICK-F3L1011F (DEUTZ).....1	
13	121421GT	NUT,FLG,1/4-20		40	29560GT	FILTER,FUEL/WTR SEP, DTZ 1008.....1 <i>Genie Genuine Part. See PN 1254826 for compatible aftermarket replacement.</i>	
14	121615GT	THROTTLE SOLENOID ASSY, TROMB.....1		--	1254826GT	FUEL FILTER W/SEP,DEUTZ,1008.....1 <i>Genie Aftermarket Part. Filter for Deutz F3L 1011F Engine.</i>	
--	89998GT	KIT,SERVICE,SOLENOID MODULE		41	139321GT	FORMING, SOLENOID MOUNT*** .....1	
--	128829GT	CIRCUIT BRKR 15A TYPE 2 METAL		42	49924GT	FILTER,OIL,DEUTZ F4L1011F.....1 <i>Genie Genuine Part. See PN 1255653 for compatible aftermarket replacement.</i>	
15	89997GT	RELAY MODULE(89996,89998)		--	1255653GT	FILTER,OIL,DEUTZ,REPLACEMENT .....1 <i>Genie Aftermarket Part. Compatible with Genie Genuine Part 49924.</i>	
16	58249GT	ALTERNATOR, DEUTZ,BF4L2011*** .....1		43		Ref. DRIVE PUMP AND FUNCTION PUMP <i>(Refer to 708.1)</i>	
--	1280590GT	PULLEY,ALTERNATOR,DEUTZ BF4L2011 <i>for 58249</i>		44	123167GT	FLGHCS,1/2-13X1.50,GR8,BLK PH	
--	1280591GT	SPACER,ALT PULLEY,DEUTZ BF4L2011 <i>for 58249</i>		45	70448PGT	FORMING,MUFFLER MOUNT.....1	
17	58630GT	V-BELT, DEUTZ TD2011LOAI.....1		46	70465GT	TAILPIPE,DEUTZ BF4L2011.....1	
18	121563GT	TUBE,AIR INTAKE,DEUTZ.....1		47	121688GT	SCREW,HHC,FLG,M14 X 35	
19	60561GT	ELBOW,INLET,CUMMINS.....1					
20	30489GT	CLAMP,HOSE,3.50.....3					
21	139455GT	ELBOW,AIR INTAKE,RUBBER.....1					
22	122388GT	DEUTZ,AIRBOX WITH WORD DECALS.....1					
--	121410GT	WELDMENT,COOLING AIRBOX.....1					
23	121384GT	DEUTZ ENGINE SIDE BULKHEAD.....1					

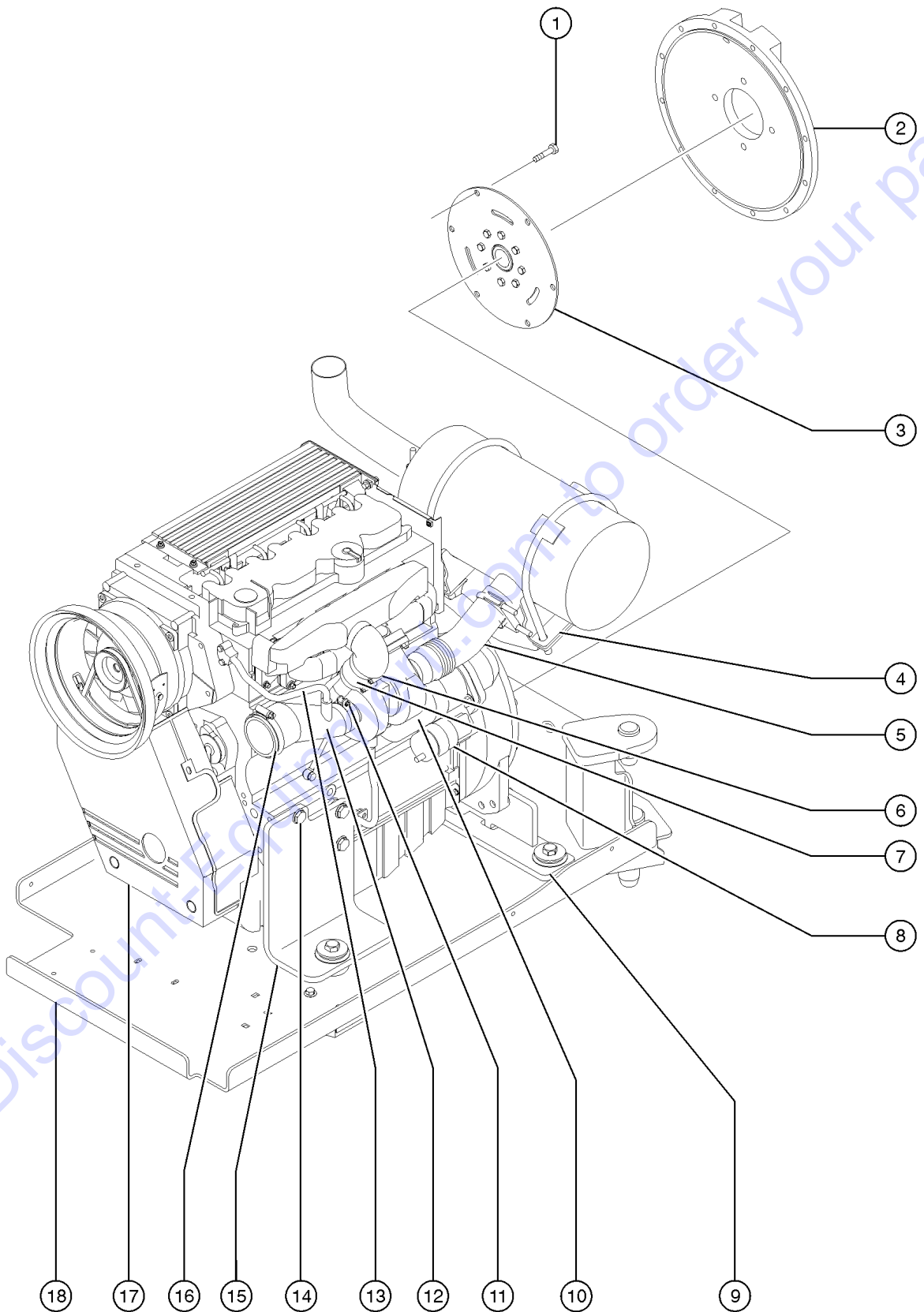
401.1 Deutz TD2011L04i Engine - View 1  
(continued)

Item	Part No.	Description	Qty.
48	61110GT	SCREW,SHC,M10X1.5X30 GR 12.9	
49	75289GT	CLAMP,HOSE,1/2" DOUBLE.....1	1
50	6637GT	SCREW,HHC,1/4-20 X 1.75	
51	78736GT	CLAMP,2 HOSE,PLASTIC,5/8.....2	2
52	6091GT	NUT,NYLOCK,1/4-20	
53	18666GT	CLAMP,1.00,#16 X 1/4,RUB CUSH.....1	1
54	121430GT	SCREW,FLG HD,M10 X 70 GR12.9	
55	71911GT	CLAMP,MUFFLER, 2.50 INCH.....1	1
56	70449GT	U-BOLT,1/2-13 X 8.5.....2	2
57	121423GT	NUT,FLG,1/2-13	
58	70444GT	MUFFLER,2.5"INLET/OUTLET	
--	101633GT	MUFFLER,SPARK ARREST,2.5 I/O	
--	101634GT	MUFFLER,CATALYTIC,2.5 I/O	
59	128829GT	CIRCUIT BRKR 15A TYPE 2 METAL	

***This Page Intentionally Left Blank***

Go to [Discount-Equipment.com](http://Discount-Equipment.com) to order your parts

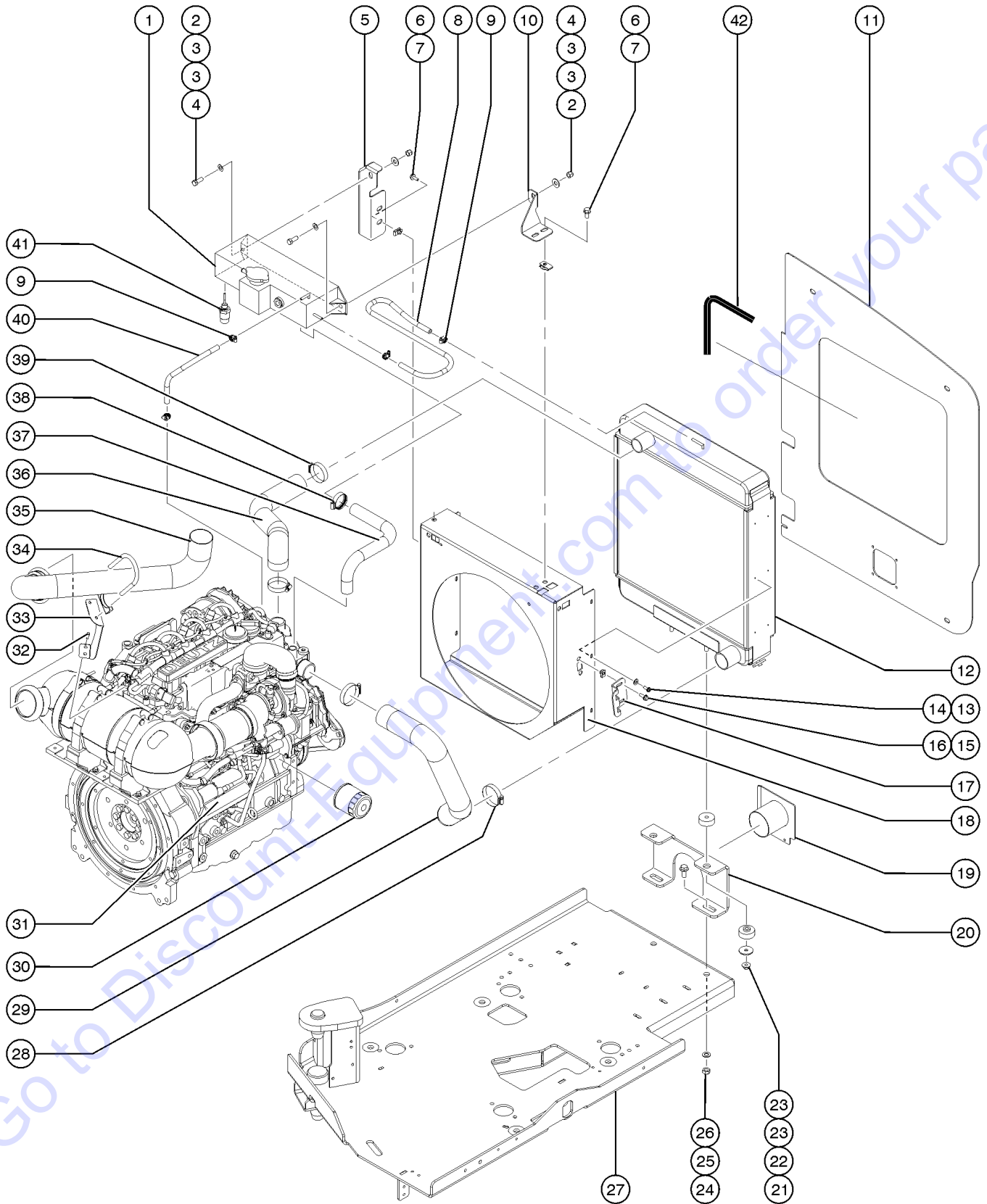
402.1 Deutz TD2011L04i Engine - View 2



## 402.1 Deutz TD2011L04i Engine - View 2

Item	Part No.	Description	Qty.
--	102581GT	PUMP,FUEL INJ,DEUTZ BF4L20 <i>Class A injection pump; provide SN of engine to service to get correct injection pump (A, B, C, D)</i>	
--	T108732GT	PUMP,FUEL INJ,DEUTZ BF4L20 <i>Class B injection pump; provide SN of engine to service to get correct injection pump (A, B, C, D)</i>	
--	T108733GT	PUMP,FUEL INJ,DEUTZ BF4L20 <i>Class C injection pump; provide SN of engine to service to get correct injection pump (A, B, C, D)</i>	
--	T108734GT	PUMP,FUEL INJ,DEUTZ BF4L20 <i>Class D injection pump; provide SN of engine to service to get correct injection pump (A, B, C, D)</i>	
--	102589GT	V-BELT, DEUTZ F4L2011	
1	62476GT	SCREW,SHC,M10X1.5X20MM (75090)	
2	70381GT	COVER,FLYWHEEL CASTING.....1	
3	128004GT	COUPLER,15 TOOTH,FBA,SAE8***.....1	
4	70483GT	FORMING,8.5' MUFFLER MOUNT.....2	
5	70445GT	FLEX PIPE,EXHAUST,2.5" DIA.....1	
5B	71911GT	CLAMP,MUFFLER, 2.50 INCH	
5B	139983GT	EXHAUST PIPE GASKET	
6	102593GT	CLAMP, 3 INCH	
7	226106GT	RUBBER SLEEVES, TD 2011L041	
8	49915GT	SOLENOID-STARTR DEUTZF4L1011F*.....1	
9	70456GT	WELDMENT,REAR ENGINE MOUNT.....1	
10	139709GT	STARTER, 12V.....1	
--	139621GT	KIT, HEAT GUARD, DEUTZ STARTER	
11	30971GT	CLAMP,HOSE,3.00"	
12	226103GT	INLET REDUCER,TD 2011L04I.....1	
13	226104GT	BREATHER PIPE, TD 2011L04I.....1	
--	226105GT	GASKET,BREATHER PIPE (226104)	
14	121688GT	SCREW,HHC,FLG,M14 X 35	
15	121694GT	FORMING,ENGINE MOUNT,LEFT FRT.....1	
16	30489GT	CLAMP,HOSE,3.50.....1	
17	146061GT	V-BELT GUARD, DEUTZ 2011.....1	
18		Ref. Engine Pivot Tray Assembly (Refer to 416.1)	

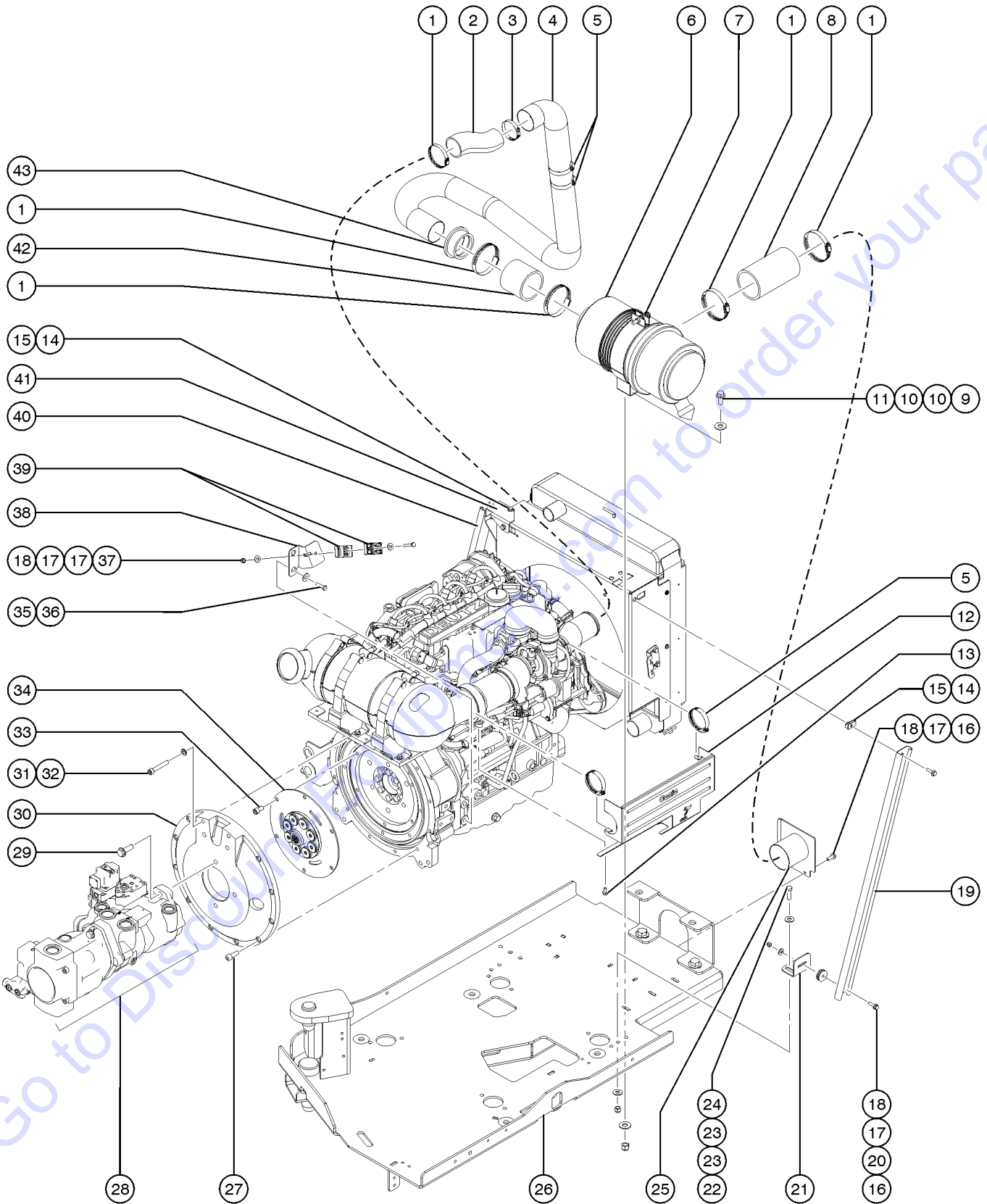
403.1 Deutz TD 2.9L4 Engine - View 1



## 403.1 Deutz TD 2.9L4 Engine - View 1

Item	Part No.	Description	Qty.	Item	Part No.	Description	Qty.
--		Due to Tier 4 regulations, many engine replacement parts require the engine serial number at time of order placement. When ordering engine parts please have both machine and engine serial numbers available. For internal engine parts, contact engine d		28	35434GT	CLAMP,HOSE,2.00***.....	2
--	1272624GT	KIT,WATER PUMP 2.9 L4		29	162284GT	HOSE,LOWER RADIATOR, 2.9L DEUT	
--	1277974GT	PINS,CONNECTOR,INJ HARNESS,D2.9		30	49924GT	FILTER,OIL,DEUTZ F4L1011F.....1 <i>Genie Genuine Part. See PN 1255653 for compatible aftermarket replacement.</i>	1
1	161938GT	EXPANSION TANK,METAL,D2.9.....1		--	1255653GT	FILTER,OIL,DEUTZ,REPLACEMENT <i>Genie Aftermarket Part. Compatible with Genie Genuine Part 49924.</i>	
1B	1274900GT	SIGHT GLASS <i>for 161938</i>		31	1254594GT	STARTER,3.2KW,DEUTZ D2.9.....1	1
1C	1254823GT	CAP,RADIATOR,PERKINS(94232) <i>for 161938</i>		32	824132GT	SCREW,HHF,M8-1.25X20,DIN6921,10.9,ZAB	
2	6175GT	SCREW,HHF,3/8-16 X 1		33	1268921GT	FORMING,TAILPIPE SUPPORT,S80.....1	1
3	6097GT	WASHER,FLAT,USS,3/8",Y		34	71911GT	CLAMP,MUFFLER, 2.50 INCH.....1	1
4	4828GT	NUT,NYLOCK,3/8-16		35	162276GT	EXHAUST PIPE, 2.9L DEUTZ.....1	1
5	826825GT	BRACKET,EXPANSION TANK, LEFT M.....1	1	36	162283GT	HOSE, UPPER RADIATOR, DEUTZ D....1	1
6	75051GT	SCREW,SER FLNG3/8UNCX3/4ZNYEL		37	823229GT	HOSE,EXPANSION TANK,COMPENSATION.....1	1
7	29868GT	SPRING CLIP,3/8-16,.05-.20X.73,ZAG		38	36208GT	CLAMP,HOSE,1.25***.....2	2
8	1283995GT	HEATER HOSE,1/4".....28	28	39	22672GT	CLAMP,HOSE,1.75.....2	2
9	21465GT	CLAMP,HOSE,.25" - .63" X .3125.....4	4	40	1283995GT	HEATER HOSE,1/4".....24	24
10	825218GT	BRACKET,EXPANSION TANK,DEUTZ 2.....1	1	41	218715GT	SENSOR,COOLANT LEVEL, DEUTZ.....1	1
11	826832GT	BULKHEAD PLATE,6-CORE RADIATOR.....1	1	42	119218GT	TRIM,EDGE,1/8X3/4 SIDE BULB....88 - i n c h e s	88
12	826795GT	RADIATOR,6-CORE,19.375W X 18.1.....1	1				
13	21019GT	SCREW,PHIL,PHM,10-24 X.5,SEMS					
14	6146GT	WASHER,FLAT,MS,#10,Y					
15	121419GT	SCREW,HHF,1/4-20 X .75					
16	56912GT	SPRING CLIP,1/4-20,.025-.15X.54,ZAG					
17	823751GT	BRACKET,INTAKE PIPE,MOUNT,DEUT.....1	1				
18	826859GT	SHROUD,17" FAN,6-CORE RADIATOR.....1	1				
19		Ref. WLDT, INTAKE, T4 DEUTZ, Z80/S80 <i>(Refer to 411.1)</i>					
20	826835GT	FORMING,6-CORE RADIATOR MOUNT,.....1	1				
21	48425GT	NUT,FLG-LRG,3/8-16,YZ					
22	15086GT	WASHER,FLAT,.375 X 1.5 X .125					
23	24038GT	SHOCK MOUNT,SMALL.....4	4				
24	6024GT	NUT,NYLOCK,5/8-11					
25	13064GT	WASHER,FLAT,.625 HARDENED					
26	128912GT	BOLT,FLANGE,5/8-11X1.5"GR8 PLT					
27		Ref. FORMING,ENGINE TRAY, 2.9L DEUTZ <i>(Refer to 416.1)</i>					

404.1 Deutz TD 2.9L4 Engine - View 2

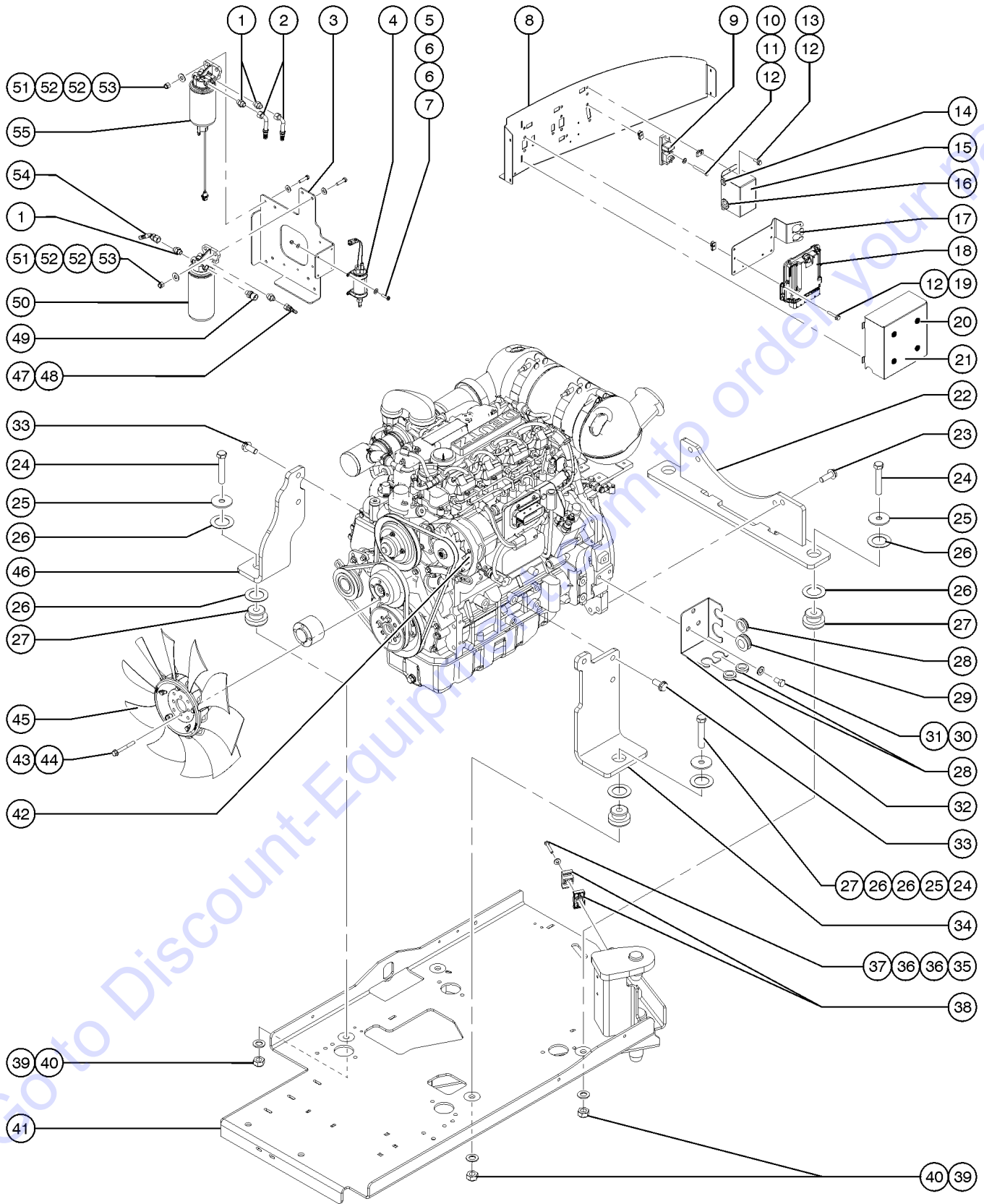




## 404.1 Deutz TD 2.9L4 Engine - View 2

Item	Part No.	Description	Qty.	Item	Part No.	Description	Qty.
--		Due to Tier 4 regulations, many engine replacement parts require the engine serial number at time of order placement. When ordering engine parts please have both machine and engine serial numbers available. For internal engine parts, contact engine d		28		Ref. DRIVE PUMP AND FUNCTION PUMP (Refer to 708. 1)	
1	30489GT	CLAMP,HOSE,3.50.....	5	29	123167GT	FLGHCS,1/2-13X1.50,GR8,BLK PH.....	4
2	823703GT	HOSE,REDUCER,OFFSET,TURBO INLE.....	1	30	70381GT	COVER,FLYWHEEL CASTING.....	1
3	30971GT	CLAMP,HOSE,3.00".....	1	31	111748GT	SCREW,SHC,M10X1.5 X 60 GR8.8.....	2
4	823239GT	TUBE,INTAKE,DEUTZ 2.9L.....	1	32	22699GT	WASHER,FLAT,M10,ZINC PLTD.	
5	45435GT	CLAMP,HOSE,2.50"***.....	2	33	62476GT	SCREW,SHC,M10X1.5X20MM (75090).....	6
6	81467GT	AIR CLEANER,NELSON.....	1	34	128004GT	COUPLER,15 TOOTH,FBA,SAE8***.....	1
--	75450GT	AIR CLEANER CLIPS, SUPERBOOM for 81467		35	27585GT	SCREW,HHC,M12 X 20MM	
--	75451GT	AIR CLEANER COVER, SUPERBOOM* for 81467		36	49410GT	WASHER,FLAT,M12	
--	52866GT	EVACUATOR VALVE-AIR CLEANER for 81467		37	6145GT	SCREW,HHC,1/4-20 X 1.5	
--	62425GT	FILTER,AIR CLEANER,SUPERBOOM for 81467		38	825939GT	FORMING, CLAMP, BATTERY CABLE...1	
7	81468GT	MOUNTING BAND,AIR CLEANER.....	1	39	78736GT	CLAMP,2 HOSE,PLASTIC,5/8.....	2
8	106211-600GT	HOSE,RUBBER 3"ID X .25 BLACK X 6.00 LG.....	1	40	823143GT	UNISTRUT,FAN SHROUD BRACE,L,DE.....	1
9	13002GT	SCREW,HHC,5/16-18 X 1 GR5		41	1252687GT	BRACKET, STRUT BRACE.....	1
10	5397GT	WASHER,FLAT,USS,5/16",Y		42	106211-300GT	HOSE,RUBBER 3"ID X .25 BLACK.....	1
11	6782GT	NUT,NYLOCK,5/16-18		43	101640GT	REDUCER,RUBBER 3.0 - 2.5.....	1
12	1254949GT	HEAT SHIELD,DEUTZ TD2.9L.....	1				
13	1251983GT	SCREW,HHF,M8-1.25X16,DIN6921,10.9,ZAB					
14	56912GT	SPRING CLIP,1/4-20,.025-.15X.54,ZAG					
15	121419GT	SCREW,HHF,1/4-20 X .75					
16	121420GT	SCREW,HHF,1/4-20 X 1.00					
17	6638GT	WASHER,FLAT,USS,1/4"Y					
18	6091GT	NUT,NYLOCK,1/4-20					
19	823144GT	UNISTRUT,FAN SHROUD BRACE,R,DE.....	1				
20	229986GT	GROMMET RUBBER .375X1.00X.1875					
21	823147GT	FORMING,FAN SHROUD STRUT MOUNT.....	1				
22	6019GT	SCREW,HHC,3/8-16 X 1.25 GRD 5					
23	6097GT	WASHER,FLAT,USS,3/8",Y					
24	4828GT	NUT,NYLOCK,3/8-16					
25	1251928GT	WLDT, INTAKE, T4 DEUTZ, Z80/S80.....	1				
26		Ref. FORMING,ENGINE TRAY, 2.9L DEUTZ (Refer to 416. 1)					
27	61110GT	SCREW,SHC,M10X1.5X30 GR 12.9.....	10				

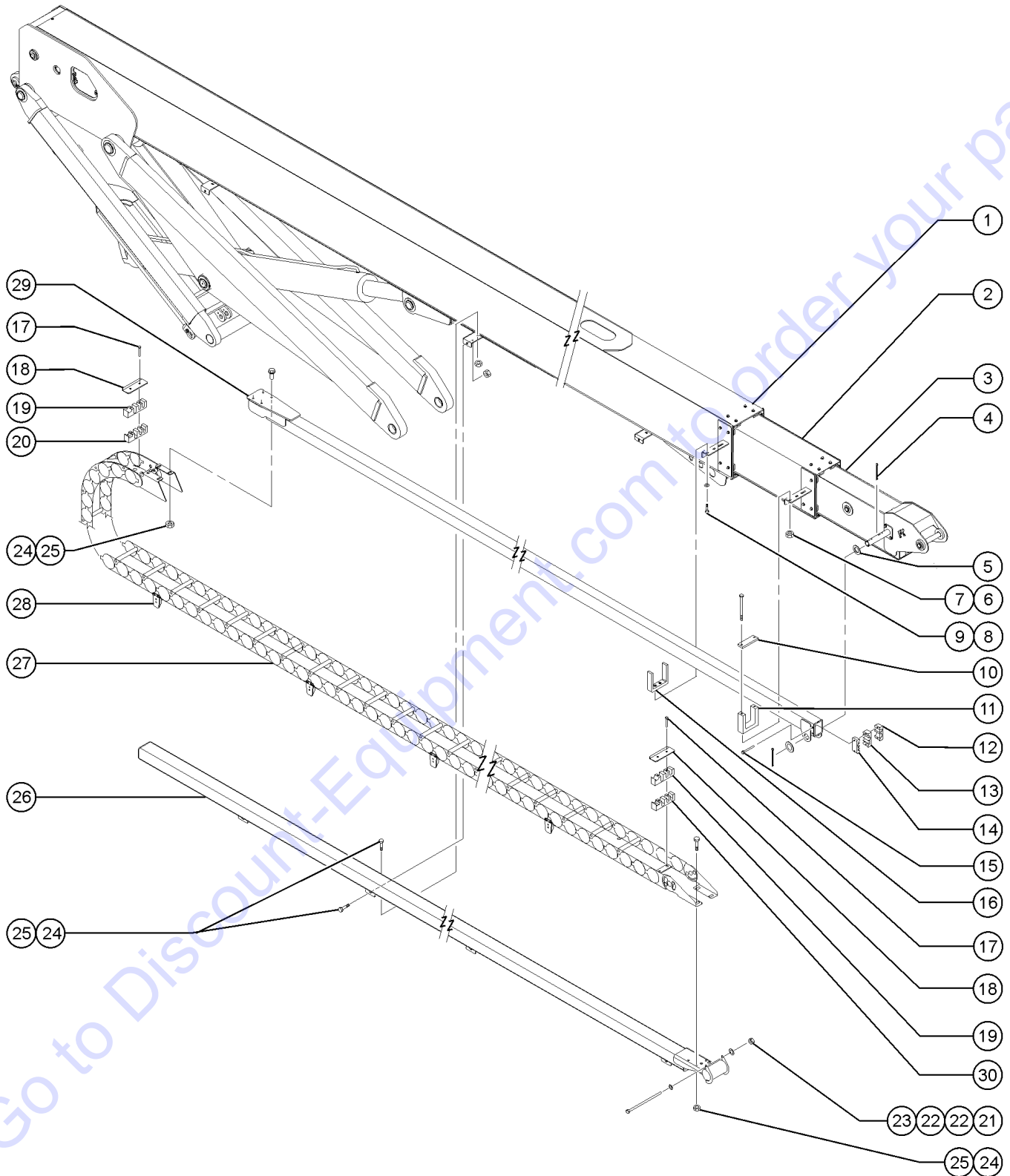
405.1 Deutz TD 2.9L4 Engine - View 3



405.1 Deutz TD 2.9L4 Engine - View 3

Item	Part No.	Description	Qty.	Item	Part No.	Description	Qty.
--		Due to Tier 4 regulations, many engine replacement parts require the engine serial number at time of order placement. When ordering engine parts please have both machine and engine serial numbers available. For internal engine parts, contact engine d		27	102045GT	ISOLATOR,ENGINE VIBRATION.....	4
--	1262866GT	FAN BELT, ALTERNATOR		28	124962GT	GROMMET,RUBBER,1.0 X 1.25X1.5.....	3
--	1262487GT	BELT,AIR PUMP,PERKINS 404F-22T		29	106923GT	GROMMET,RUBBER .38X1.38X1.0.....	1
1	162209GT	FITTING,CONN,16MM-8MJ.....	2	30	27585GT	SCREW,HHC,M12 X 20MM	
2	162207GT	FITTING,ELBOW,8GS-8FJX90S.....	2	31	49410GT	WASHER,FLAT,M12	
3	824298GT	BRACKET,FUEL SYSTEM,DEUTZ 2.9L.....	1	32	826873GT	FORMING, ENGINE HARNESS SUPPOR.....	1
4	236259GT	LIFT PUMP,FUEL,DEUTZ..... <i>(replaced 214691)</i>	2	33	121688GT	SCREW,HHC,FLG,M14 X 35	
--	823421GT	HOSE,FUEL,1/2,GATES RLA..... <i>hose from the top of fuel pump to fuel filter</i>	8	34	823012GT	MOUNT,ENGINE,LEFT SIDE.....	1
--	823420GT	HOSE,FUEL,3/8,GATES RLA..... <i>hose from the bottom of fuel pump to water separator</i>	21	35	6637GT	SCREW,HHC,1/4-20 X 1.75	
5	49816GT	SCREW,PHILLIPS,PHM,10-32 X .75		36	6638GT	WASHER,FLAT,USS,1/4"Y	
6	6146GT	WASHER,FLAT,MS,#10,Y		37	6091GT	NUT,NYLOCK,1/4-20	
7	6178GT	NUT,NYLOCK,10-32		38	78736GT	CLAMP,2 HOSE,PLASTIC,5/8.....	2
8		Ref. FORMING, BULKHEAD, LEFT REAR <i>(Refer to 305.1)</i>		39	6024GT	NUT,NYLOCK,5/8-11	
9	824023GT	RELAY, POWER & FUSE MODULE.....	1	40	13064GT	WASHER,FLAT,.625 HARDENED	
10	4266GT	SCREW,HHC,1/4-20 X 2		41		Ref. FORMING,ENGINE TRAY, 2.9L DEUTZ..... <i>(Refer to 416.1)</i>	1
11	25926GT	WASHER,FLAT,M6 PLTD.		42	236251GT	ALTERNATOR,95 AMP,DEUTZ	
12	56912GT	SPRING CLIP,1/4-20,.025-.15X.54,ZAG		43	1258771GT	SCREW,HHF,M8-1.25X60,DIN6921,10.9,ZAB <i>for fan part 1258641</i>	
13	121419GT	SCREW,HHF,1/4-20 X .75		44	1258641GT	SPACER, FAN, DEUTZ, 38MM LNG	
14	824422GT	GROMMET,RUBBER,.5 X .063 X .75.....	2	45	1251496GT	FAN,10 BLADE,17",DEUTZ 2.9L	
15	824397GT	COVER,POWER RELAY MODULE,DEUTZ.....	1	46	823013GT	MOUNT,ENGINE,RIGHT SIDE	
16	826860GT	RUBBER GROMMET 1.00 X 1.563 X.....	2	47	824351GT	FITTING,STR,3/8 HS X 9/16-18,J	
17	825628GT	BRACKET,COVER,RELAY MODULE,DEUTZ 2.9L.....	1	48	162208GT	FITTING,CONN,16MM-6MJ	
18		Ref. ECU..... <i>Models with Deutz D2.9 engines (This part is serialized, contact Discount-equipment with full model and SN of both the unit and engine)</i>	1	49	824673GT	SENSOR,LOW PRESSURE,DEUTZ 2.9L	
19	121069GT	SCREW,HHF,1/4-20 X 1.50		50	214228GT	FILTER, DEUTZ 2.9, FUEL	
20	21858GT	PLUG,NYLON .38 BLACK DOMED.....	4	51	4828GT	NUT,NYLOCK,3/8-16	
21	826833GT	COVER BRACKET, ECU TIER IV.....	1	52	6097GT	WASHER,FLAT,USS,3/8",Y	
22	823135GT	WELDMENT, REAR MOUNT,ENGINE....	1	53	8516GT	SCREW, HCC, 3/8-16 X 1.50	
23	121433GT	SCREW,HHF, M14 X 40MM		54	826357GT	FITTING,45DEG,1/2 HS X 3/4-16,	
24	13003GT	SCREW,HHC,5/8-11 X 3.5 GRD.8.....	4	55	1261239GT	ASSY,FUEL PREFILTER,DEUTZ 2.9.....	1
25	33418GT	WASHER,FLAT,.625 X 2.25 X.15.....	4	--	236260GT	PRE-FILTER,FUEL,DEUTZ TCD3.6	
26	18596GT	WASHER,FLAT,1.56 X 2.5 X .061.....	8	--	074501.0291GT	SENSOR	

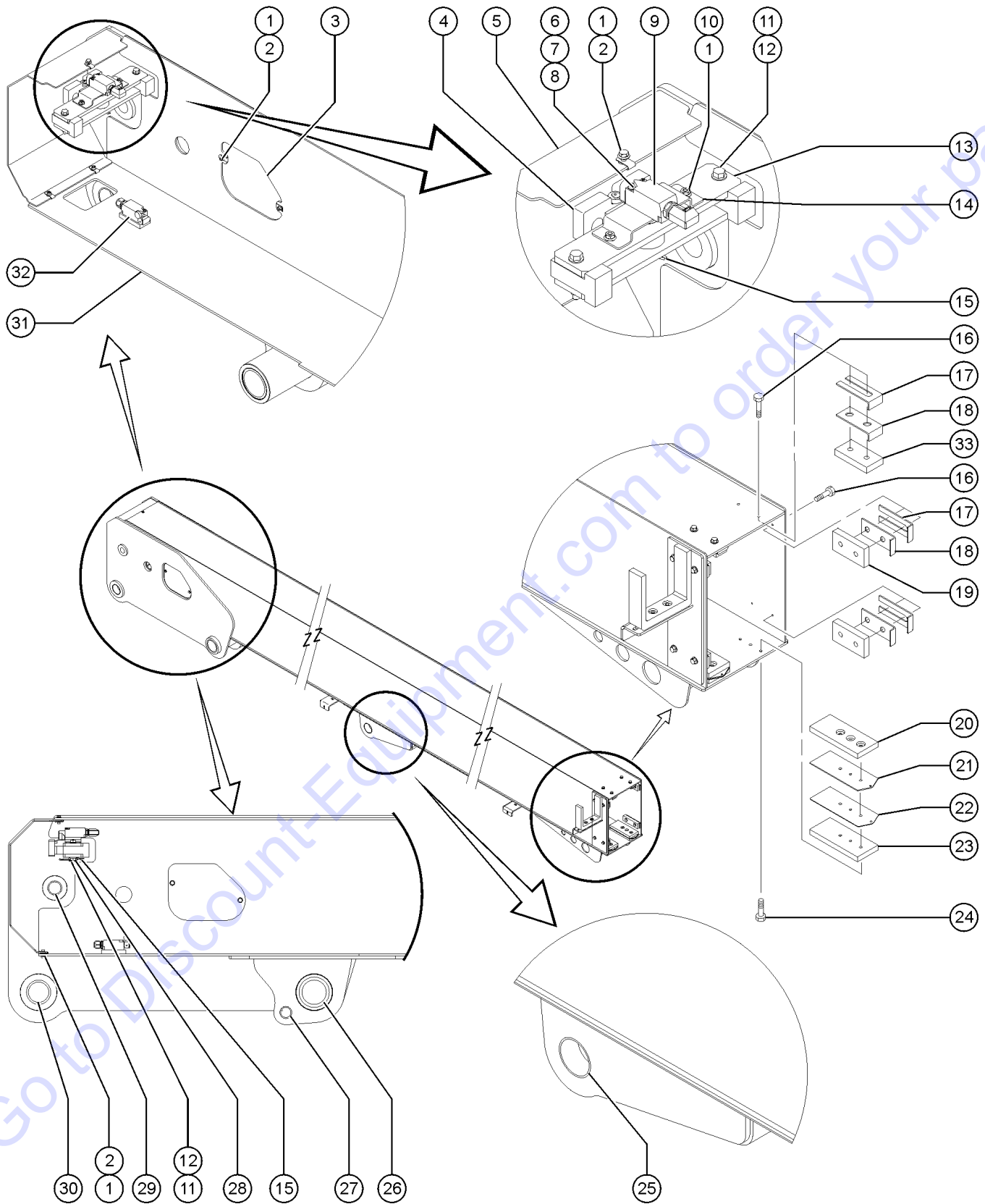
501.1 Cable Track Installation



501.1 Cable Track Installation

Item	Part No.	Description	Qty.	Item	Part No.	Description	Qty.
1		Ref. BOOM NUMBER 1 <i>(Refer to 502.1)</i>		--	122661GT	REPAIR KIT,4 LINK,W/GUIDE.....	1
2		Ref. BOOM NUMBER 2 <i>(Refer to 503.1)</i>		--	122662GT	END BRACKET,MOVING END	
3		Ref. BOOM NUMBER 3 <i>(Refer to 504.1)</i>		--	122663GT	END BRACKET,FIXED END	
4	42079GT	PIN,COTTER,.156 X 2.5.....	2	--	122664GT	ALUMINUM FLAT CROSS BAR	
5	18596GT	WASHER,FLAT,1.56 X 2.5 X .061.....	2	--	122665GT	FLAT BAR W/PEM NUTS	
6	121422GT	NUT,HEX,FLG,3/8-16		--	122666GT	SEPERATOR,PLASTIC	
7	81777GT	SCREW,HHC,3/8-16 X 7		28	218448GT	FINGER,GUIDE,CABLE TRACK.....	16
8	6019GT	SCREW,HHC,3/8-16 X 1.25 GRD 5		--	122668GT	GUIDE FINGER,PLASTIC	
9	5397GT	WASHER,FLAT,USS,5/16",Y		--	87085GT	RIVET,ALUM,P,.188 X .25	
10	81342GT	WEAR PAD,5.5 X 1.75 X .5.....	1	29	121063GT	WELDMENT,LONG,GUIDE TUBE.....	1
11	81341GT	WEAR PAD,CABLE TRACK PULL TUBE.....	1	30	121093GT	CLAMP,CABLE TRACK.....	1
12	121872GT	CLAMP,PULL TUBE HOSES,RIGHT.....	1				
13	121871GT	CLAMP,PULL TUBE HOSES,MID.....	1				
--	228891GT	CLAMP,PULL TUBE HOSES,RH..... <i>(Arctic High Pressure Hose Kit)</i>	1				
--	T115764GT	CLAMP,PULL TUBE,RIGHT,WK LT <i>(Worklight option)</i>					
14	121870GT	CLAMP,PULL TUBE HOSES,LEFT.....	1				
--	228892GT	CLAMP,PULL TUBE HOSES,LH..... <i>(Arctic High Pressure Hose Kit)</i>	1				
--	T115763GT	CLAMP,PULL TUBE,LEFT,WK LT <i>(Worklight option)</i>					
15	121070GT	SCREW,HHF,1/4-20 X 2.50					
16	81340GT	WEAR PAD ASSEMBLY,CABLE TRACK					
17	6637GT	SCREW,HHC,1/4-20 X 1.75					
--	50160GT	SCREW,HHC,1/4-20 X 3.75 <i>(Welder and Air Line options)</i>					
18	121065GT	FORMING,CLAMP,TOP,CABLE TRACK.....	2				
19	121095GT	CLAMP, OPTIONS, CABLETRACK..... <i>(Welder and Air Line options)</i>	4				
20	121093GT	CLAMP,CABLE TRACK.....	1				
--	T115765GT	CLAMP,CABLE TRACK, WK LT <i>(Worklight option)</i>					
21	6091GT	NUT,NYLOCK,1/4-20					
22	6638GT	WASHER,FLAT,USS,1/4"Y					
23	121786GT	SCREW,HHC,1/4-20 X 6.0					
24	121422GT	NUT,HEX,FLG,3/8-16					
25	121066GT	SCREW,HHC,FLG,3/8-16 X 1 GR8					
26	121061GT	WELDMENT,CABLE TRACK TRAY <i>Revised at SN 8862 but remains backward compatible</i>					
27	121064GT	CABLE TRACK,SX,70 LNK.....	1				

502.1 Extension Boom Tube 1





## 502.1 Extension Boom Tube 1

Item	Part No.	Description	Qty.
1	121419GT	SCREW,HHF,1/4-20 X .75.....	11
2	56912GT	SPRING CLIP,1/4-20,.025-.15X.54,ZAG.....	9
3	121029GT	COVER PLATE,BOOM.....	2
4	121180GT	ASSEMBLY,PIVOT PLATE.....	1
5	1284532GT	FORMING,COVER,PRIM.BOOM,PAINTED.	1
6	51063GT	SCREW,PHILLIPS,RHM,10-32 X 1.5.....	4
7	6178GT	NUT,NYLOCK,10-32.....	2
8	6146GT	WASHER,FLAT,MS,#10,Y.....	2
9		Ref. LIMIT SWITCH (Refer to 312.1 and 313.1)	
10	121421GT	NUT,FLG,1/4-20.....	2
11	121078GT	SCREW,FLANGE,HHC,3/8-16X2.5	
12	121422GT	NUT,HEX,FLG,3/8-16.....	2
13	121028GT	PLATE,ROCKER.....	2
14	77653GT	FORMING,LIMIT SWITCH BRACKET.....	1
15	74389GT	RUE RING,1.00.....	1
16	121066GT	SCREW,HHC,FLG,3/8-16 X 1 GR8.....	14
17	29080GT	SHIM,WEAR PAD,5X 1.5 16GA	
18	38620GT	SHIM,WEAR PAD,5 X 1.5,14GA	
19	30138GT	WEAR PAD,5 X 1.5 X .625 W/NUTS.....	6
20	88648GT	WEAR PAD,7X3X.625 W/NUTS	
21	60304GT	SHIM,WEAR PAD,7 X 3,12GA	
22	60840GT	SHIM,WEAR PAD,7 X 3,16GA	
23	121164GT	BAR,SPACER.....	2
24	122209GT	SCREW,HHF,3/8-16 X1.50	
25	27697GT	BEARING,2.50IDX2.75ODX1.50L.....	2
26	121754GT	BEARING,3.00IDX3.50DX2.25LG.....	2
27	50560GT	BEARING,1.25IDX1.50ODX1.50L.....	1
28	826379GT	PIN,CLEVIS,1X2.250,ZAG.....	1
29	110876GT	BEARING,1.5"ID X 1.75OD X1.25L.....	2
30	101559GT	BEARING,FL,2.50IDX2.75ODX1.61L.....	2
31A	122389GT	BOOM TUBE #1 ASSY,S80,W/WORD**.....	1
31B	122390GT	BOOM TUBE #1 ASSY,S80,W/SYMB.....	1
32		Ref. LIMIT SWITCH (Refer to 312.1 and 313.1)	
33	30138GT	WEAR PAD,5 X 1.5 X .625 W/NUTS.....	2

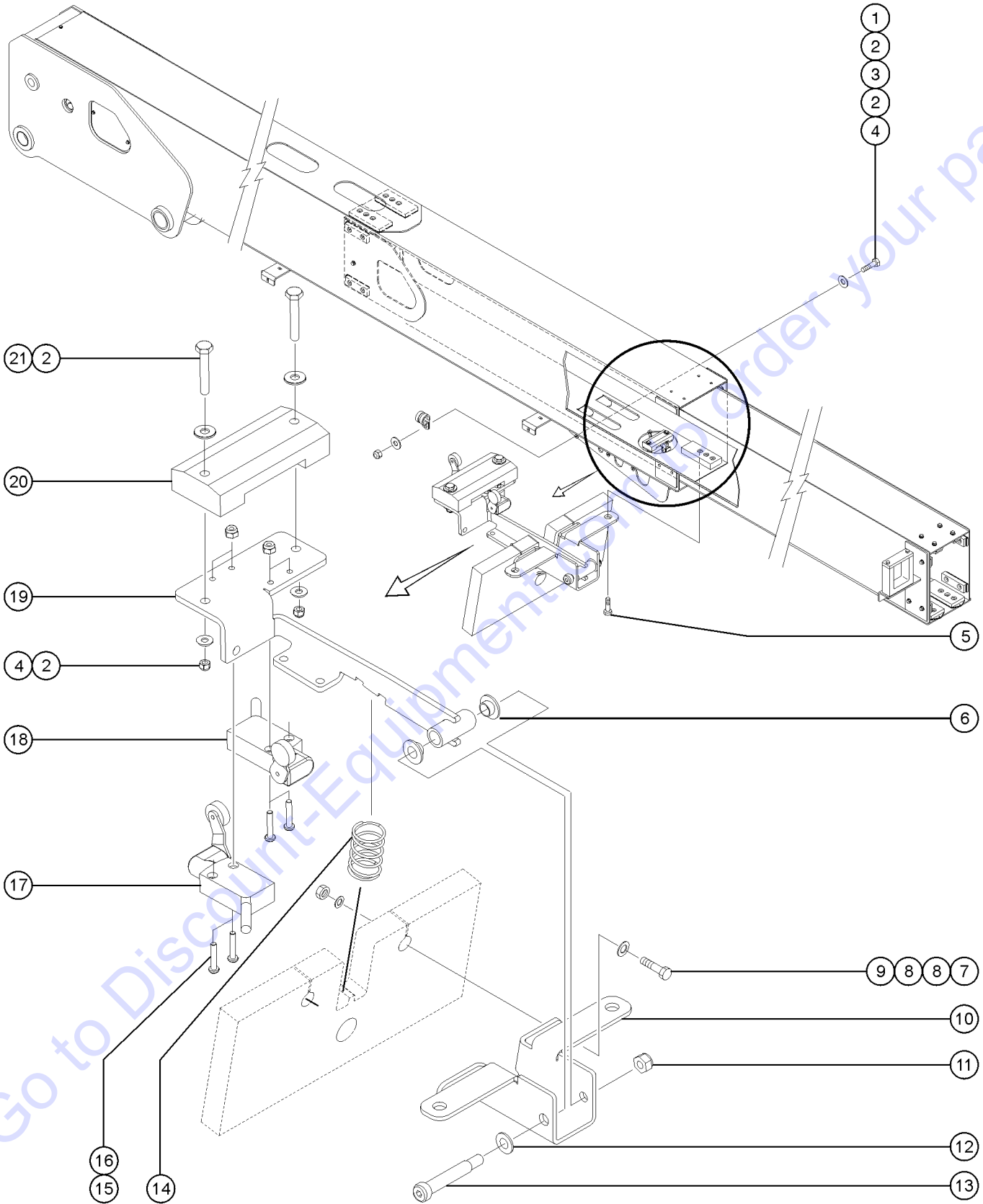




## 502.1 Extension Boom Tube 1

Item	Part No.	Description	Qty.
1	121419GT	SCREW,HHF,1/4-20 X .75.....	11
2	56912GT	SPRING CLIP,1/4-20,.025-.15X.54,ZAG.....	9
3	121029GT	COVER PLATE,BOOM.....	2
4	121180GT	ASSEMBLY,PIVOT PLATE.....	1
5	1284532GT	FORMING,COVER,PRIM.BOOM,PAINTED.	1
6	51063GT	SCREW,PHILLIPS,RHM,10-32 X 1.5....	4
7	6178GT	NUT,NYLOCK,10-32.....	2
8	6146GT	WASHER,FLAT,MS,#10,Y.....	2
9		Ref. LIMIT SWITCH (Refer to 312.1 and 313.1)	
10	121421GT	NUT,FLG,1/4-20.....	2
11	121078GT	SCREW,FLANGE,HHC,3/8-16X2.5	
12	121422GT	NUT,HEX,FLG,3/8-16.....	2
13	121028GT	PLATE,ROCKER.....	2
14	77653GT	FORMING,LIMIT SWITCH BRACKET.....	1
15	74389GT	RUE RING,1.00.....	1
16	121066GT	SCREW,HHC,FLG,3/8-16 X 1 GR8.....	14
17	29080GT	SHIM,WEAR PAD,5X 1.5 16GA	
18	38620GT	SHIM,WEAR PAD,5 X 1.5,14GA	
19	73461GT	WEAR PAD,5 X 1.5 X .875 W/NUTS.....	4
20	88648GT	WEAR PAD,7X3X.625 W/NUTS	
21	60304GT	SHIM,WEAR PAD,7 X 3,12GA	
22	60840GT	SHIM,WEAR PAD,7 X 3,16GA	
23	121164GT	BAR,SPACER.....	2
24	122209GT	SCREW,HHF,3/8-16 X1.50	
25	27697GT	BEARING,2.50IDX2.75ODX1.50L.....	2
26	121754GT	BEARING,3.00IDX3.50DX2.25LG.....	2
27	50560GT	BEARING,1.25IDX1.50ODX1.50L.....	1
28	826379GT	PIN,CLEVIS,1X2.250,ZAG.....	1
29	110876GT	BEARING,1.5"ID X 1.75OD X1.25L.....	2
30	101559GT	BEARING,FL,2.50IDX2.75ODX1.61L....	2
31C	227153GT	BOOM TUBE #1 ASSY,S85,W/WORD....	1
31D	227154GT	BOOM TUBE #1 ASSY,S85,W/SYMB....	1
32		Ref. LIMIT SWITCH (Refer to 312.1 and 313.1)	
33	30138GT	WEAR PAD,5 X 1.5 X .625 W/NUTS.....	2

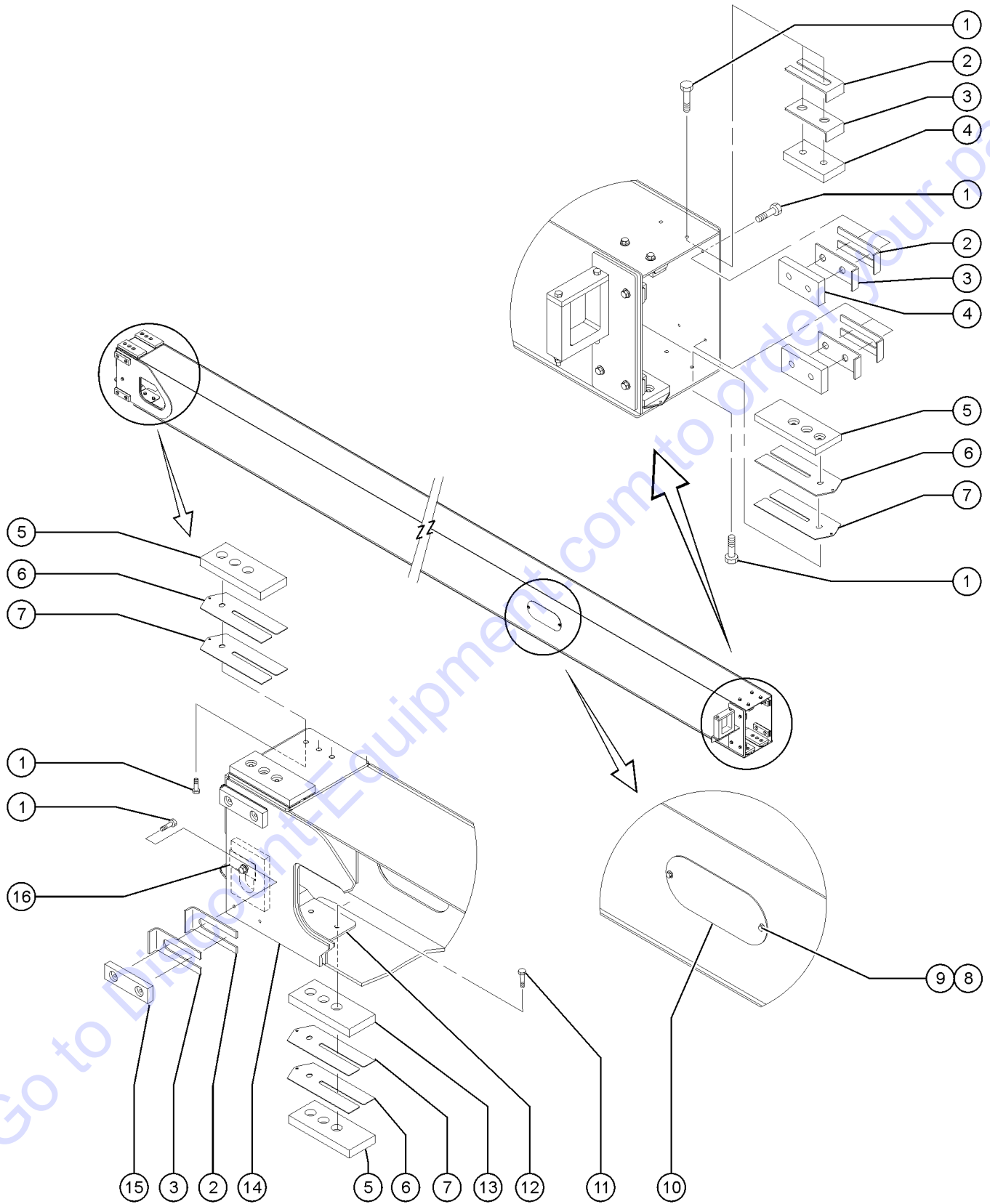
502.2 Extension Boom Tube 1, S-80X



## 502.2 Extension Boom Tube 1, S-80X

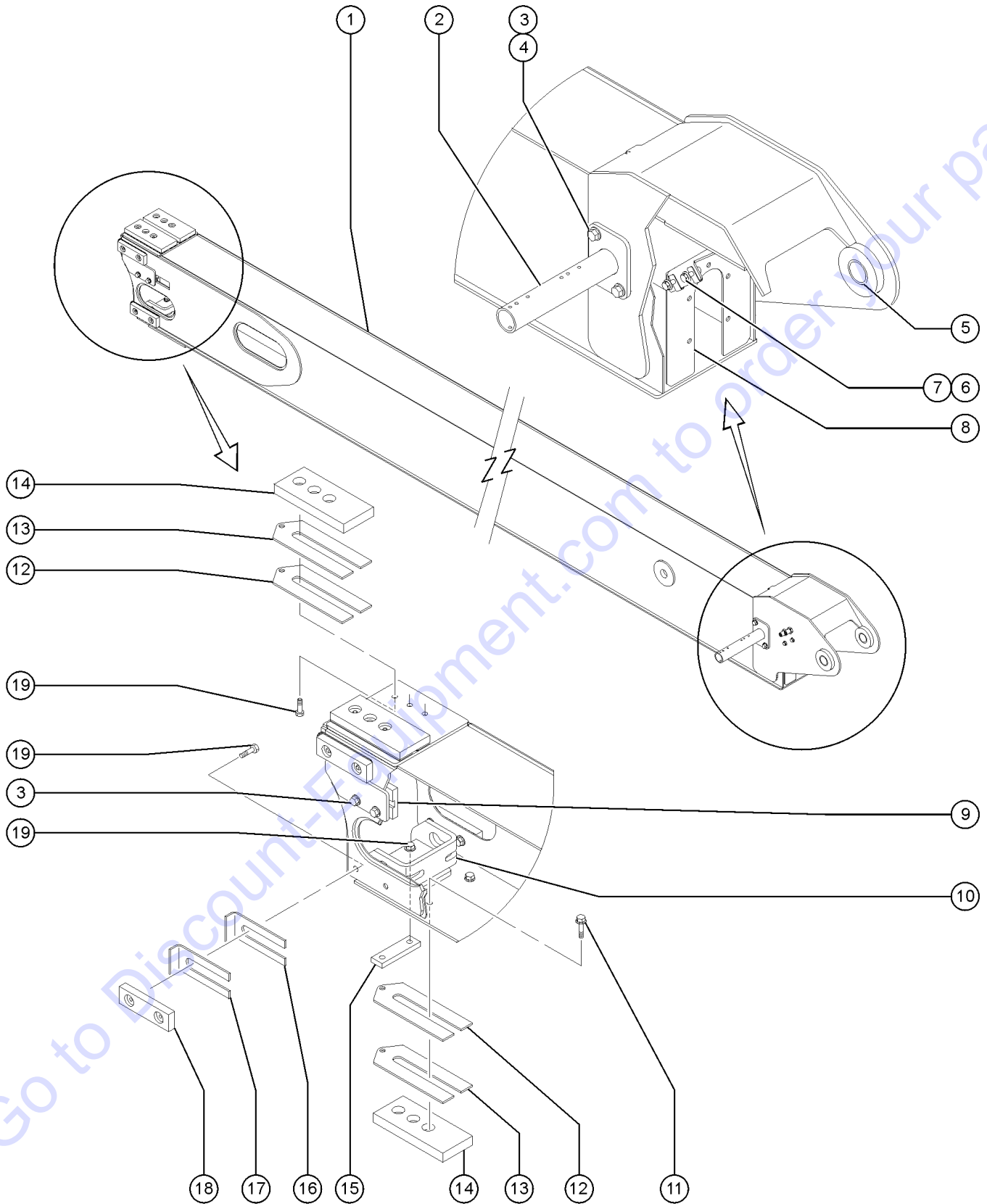
Item	Part No.	Description	Qty.
1	6888GT	SCREW,HHC,1/4-20 X 1	
2	6638GT	WASHER,FLAT,USS,1/4"Y	
3	6833GT	CLAMP,0.50,#8 X 1/4,RUB CUSH.....3	
4	6091GT	NUT,NYLOCK,1/4-20	
5	824093GT	SCREW,HHF,3/8-16X1.75,8,ZAG	
6	47222GT	WASHER,SHOULDER,NYLON.....2	
7	13918GT	SCREW,HHC,3/8-16 X 1.75,GRD.8.....2	
8	5397GT	WASHER,FLAT,USS,5/16",Y	
9	4828GT	NUT,NYLOCK,3/8-16	
10	147628GT	COVER, LIMIT SWITCH ARM MOUNT...1	
11	6782GT	NUT,NYLOCK,5/16-18	
12	6021GT	WASHER,LOCK,.375	
13	147578GT	SCREW,SHC,3/8 X 1.75 SHOULDER	
14	147662GT	SPRING,.975"OD X 1.50"LG.....1	
15	54380GT	SCREW,PHILLIPS,PHM,8-32 X .875	
16	18605GT	NUT,NYLOCK,8-32	
17	T106478GT	HARN,LS OP PRI.DUAL CAP.....1	
--	<del>1364414B61GT</del>	LIMIT SWITCH,BLUE,MICRO	
18	T106479GT	HARN,LS SAFETY,PRI.DUAL CAP.....1	
--	<del>1364414B61GT</del>	LIMIT SWITCH,BLUE,MICRO	
19	147631GT	WELDMENT, LIMIT SWITCH ARM.....1	
20	147505GT	WEARPAD, LIMIT SWITCH GUIDE.....1	
21	6637GT	SCREW,HHC,1/4-20 X 1.75	

503.1 Extension Boom Tube 2



Item	Part No.	Description	Qty.
1	121066GT	SCREW,HHC,FLG,3/8-16 X 1 GR8.....	30
2	29080GT	SHIM,WEAR PAD,5X 1.5 16GA	
3	38620GT	SHIM,WEAR PAD,5 X 1.5,14GA	
4	73461GT	WEAR PAD,5 X 1.5 X .875 W/NUTS.....	6
5	88648GT	WEAR PAD,7X3X.625 W/NUTS.....	5
6	60304GT	SHIM,WEAR PAD,7 X 3,12GA	
7	60840GT	SHIM,WEAR PAD,7 X 3,16GA	
8	121419GT	SCREW,HHF,1/4-20 X .75	
9	56912GT	SPRING CLIP,1/4-20,.025-.15X.54,ZAG.....	4
10	77884GT	COVER,BOOM SECTION #2.....	2
11	122209GT	SCREW,HHF,3/8-16 X1.50	
12	121045GT	FORMING,LS RAMP.....	1
13	121164GT	BAR,SPACER.....	1
14	147620GT	WELDMENT, BOOM SEC #2, S80 DC....	1
15	30138GT	WEAR PAD,5 X 1.5 X .625 W/NUTS.....	4
16	121658GT	CAP,EXTENSION.....	2

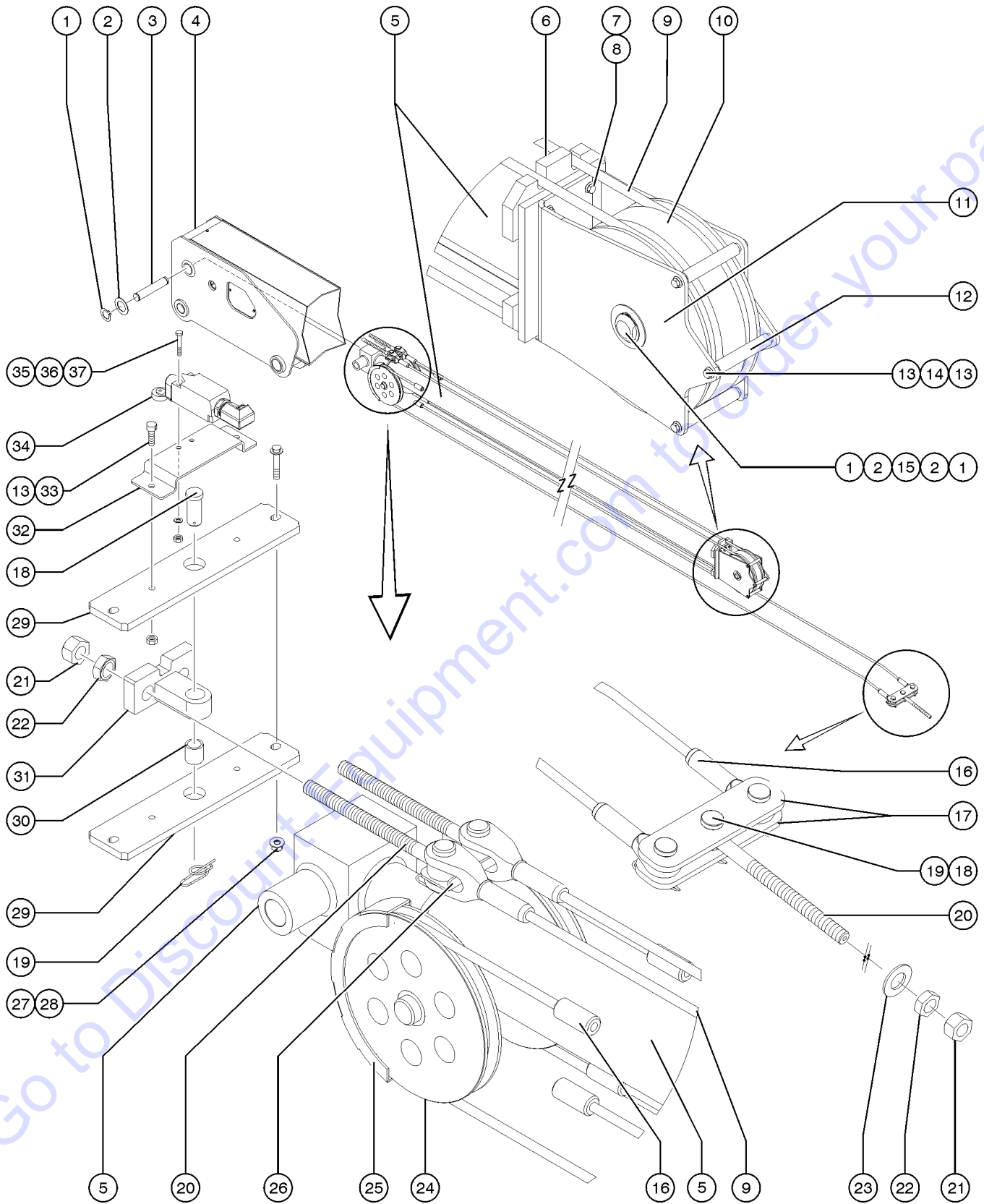
504.1 Extension Boom Tube 3



## 504.1 Extension Boom Tube 3

Item	Part No.	Description	Qty.
1	122393GT	BOOM TUBE 3 WITH WORD DECALS <i>to SN 8360</i>	
--	147542GT	BOOM TUBE 3 W/WORD DECALS <i>from SN 8361</i>	
--	122394GT	BOOM TUBE 3 WITH SYMBOL DECALS <i>to SN 8360</i>	
--	147543GT	BOOM TUBE 3 W/SYMBOL DECALS <i>from SN 8361</i>	
2	81347GT	WELDMNT,TRACK PULL TUBE PIVOT.....	1
3	123557GT	FLGHCS,3/8-16X1.25,GR8,BLK PH	
4	121422GT	NUT,HEX,FLG,3/8-16	
5	147544GT	BEARING,1.25IDX1.50ODX2.25L	
6	121420GT	SCREW,HHF,1/4-20 X 1.00	
7	56912GT	SPRING CLIP,1/4-20,.025-.15X.54,ZAG.....	2
8	1285171GT	FORMNG,DEBRIS CVR #3,PAINTED,BLUE.....	1
9	121163GT	PLATE,CABLE BLOCK.....	2
10	121160GT	WELDMNT,EXTENSION BRACKET.....	1
11	121763GT	SCREW,HHF,3/8-16X.75	
12	60840GT	SHIM,WEAR PAD,7 X 3,16GA.....	4
13	60304GT	SHIM,WEAR PAD,7 X 3,12GA.....	4
14	88648GT	WEAR PAD,7X3X.625 W/NUTS.....	4
15	77713PGT	PLATE,TAP BLOCK.....	1
16	29080GT	SHIM,WEAR PAD,5X 1.5 16GA.....	4
17	38620GT	SHIM,WEAR PAD,5 X 1.5,14GA.....	4
18	30138GT	WEAR PAD,5 X 1.5 X .625 W/NUTS.....	4
19	121066GT	SCREW,HHC,FLG,3/8-16 X 1 GR8	

505.1 Cable Assembly and Primary Extension Cylinder

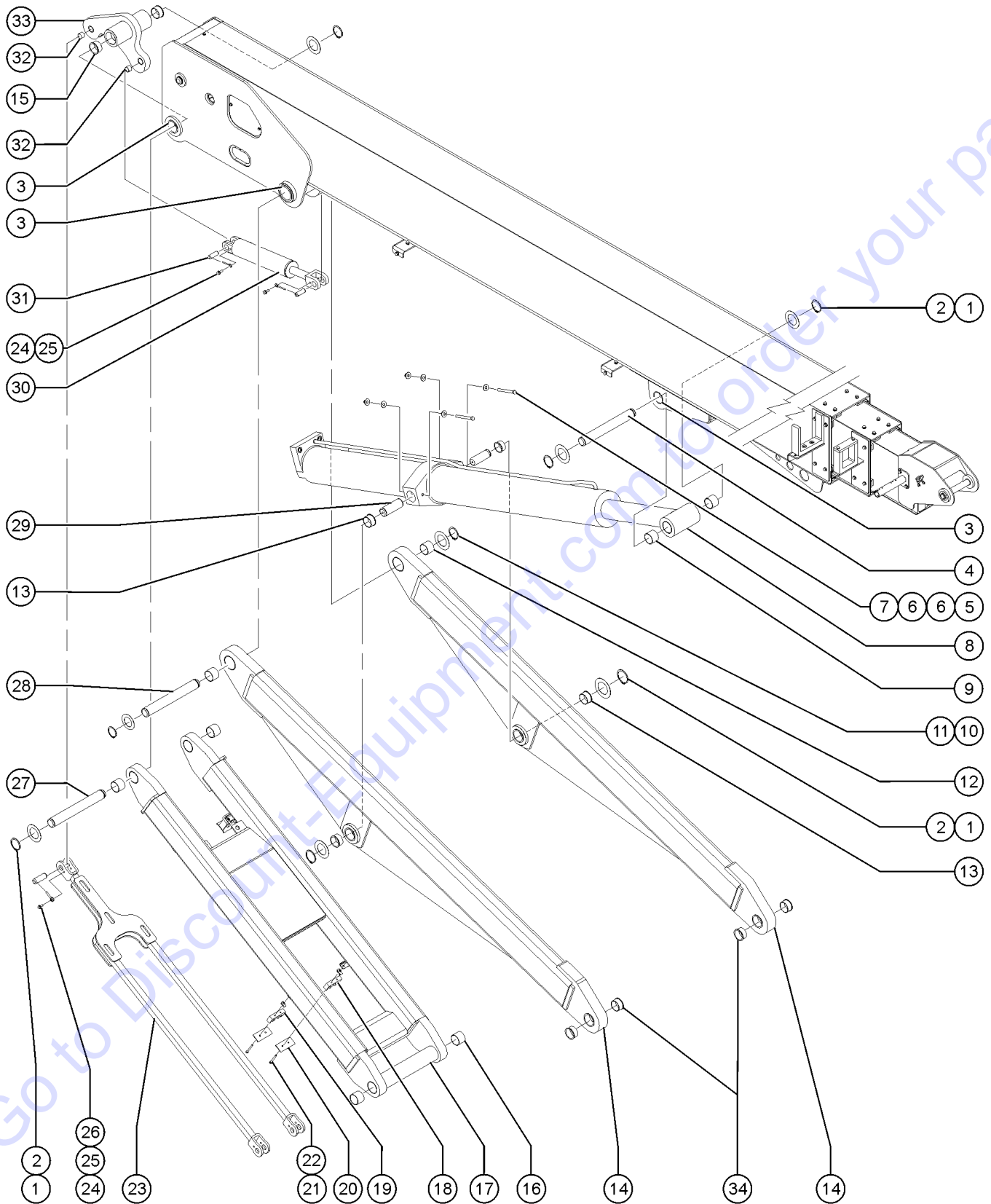




505.1 Cable Assembly and Primary Extension Cylinder

Item	Part No.	Description	Qty.	Item	Part No.	Description	Qty.
A	217710GT	KIT,EXT/RET CABLE REPLMNT,S80/85 <i>Replaces all extension and retraction cables (contains all necessary hardware and fasteners) (for easier installation, suggest ordering 94510, below)</i>		26	121189GT	PLATE,ANTIROTATION.....	1
B	94510GT	TOOL,CABLE GRIP, 7/16" <i>For installation of 217710</i>		27	121422GT	NUT,HEX,FLG,3/8-16	
1	825796GT	SNAP RING,EXTERNAL,1.50,ZAG.....	4	28	121078GT	SCREW,FLANGE,HHC,3/8-16X2.5	
2	18596GT	WASHER,FLAT,1.56 X 2.5 X .061.....	4	29	121028GT	PLATE,ROCKER.....	2
3	121034GT	PIN,1.500 X 15.000,2 RINGS.....	1	30	25817GT	BEARING,1.00IDX1.25ODX1.00L..... <i>(Placed inside part 77795)</i>	1
4		Ref. BOOM NUMBER 1 <i>(refer to 502.1)</i>		31	77795GT	MACHINED PIVOT PLATE WELDMENT.....	1
5	121142GT	CYLINDER,PRIMARY EXTENSION***.....	1	32	77653GT	FORMING,LIMIT SWITCH BRACKET.....	1
--	146058GT	SEAL KIT (121142)		33	121421GT	NUT,FLG,1/4-20	
--	77409GT	VALVE,COUNTERBALANCE,1000 ATM..... <i>Retract valve</i>	1	34		Ref. HARNESS,LS,CHAIN BREAK S80/85 <i>(Refer to 312.1 or 313.1)</i>	
--	121762GT	VALVE,COUNTERBALANCE,1000 ATM..... <i>Extend valve</i>	1	35	51063GT	SCREW,PHILLIPS,RHM,10-32 X 1.5	
--	43018GT	SEAL KIT (39345) <i>Used with valves 77409 and 121762</i>		36	6146GT	WASHER,FLAT,MS,#10,Y	
6	121155GT	GUIDE,EXT. CABLES.....	2	37	6178GT	NUT,NYLOCK,10-32	
7	121075GT	SCREW,HHF,3/8-16X2.00.....	4				
8	121422GT	NUT,HEX,FLG,3/8-16.....	4				
9	232843GT	CABLE ASSEMBLY,EXTEND SET..... <i>Contains two cables</i>	1				
10	121147GT	SHEAVE,EXTEND.....	1				
11	121146GT	FORMING,BRACKET,EXTEND SHEAVE.....	1				
12	121670GT	ROLLER,1/2" PVC.....	3				
13	121419GT	SCREW,HHF,1/4-20 X .75.....	8				
14	121671GT	ROLLER,1/2" ALUMINUM.....	3				
15	121156GT	PIN,DIA. 1.50 X 5.875.....	1				
16	232844GT	CABLE ASSEMBLY,RETRACT SET..... <i>Contains two cables</i>	1				
17	121044GT	PLATE,RETRACT CABLE EQUALIZER.....	2				
18	826379GT	PIN,CLEVIS,1X2.250,ZAG.....	4				
19	74389GT	RUE RING,1.00.....	4				
20	77656GT	ROD END,CABLE.....	3				
21	10258GT	NUT,NYLOCK,3/4-10,GRD.2.....	3				
22	6126GT	NUT,HEX,JAM,3/4-10.....	3				
23	33278GT	WASHER,FLAT,.75 HARDENED.....	1				
24	88568GT	SHEAVE,RETRACT CABLE(SMALLER).....	2				
25	121151GT	WELDMENT,RETRACT SHEAVE COVER.....	1				

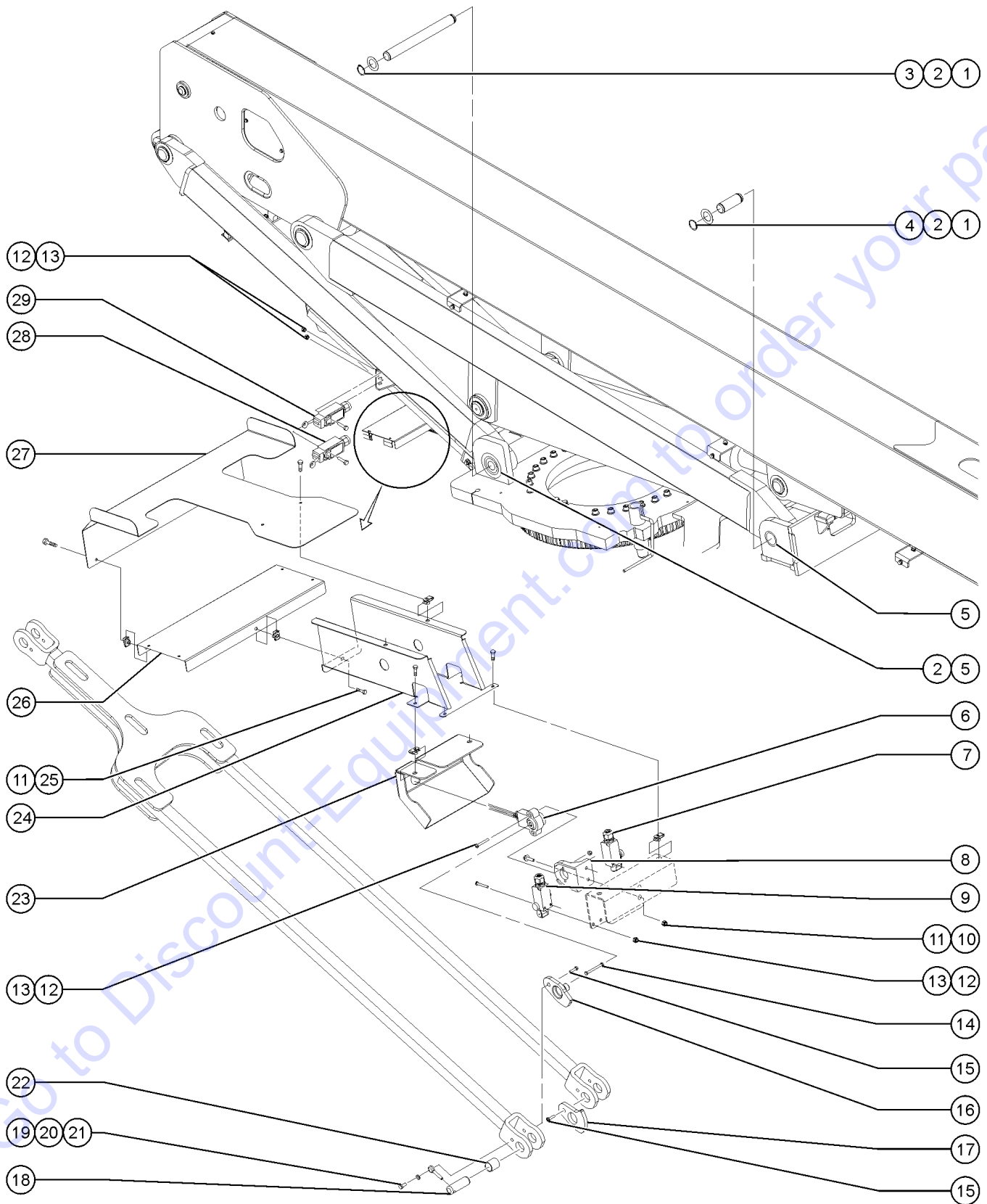
506.1 Boom Link Assembly - View 1



## 506.1 Boom Link Assembly - View 1

Item	Part No.	Description	Qty.	Item	Part No.	Description	Qty.
1	825760GT	SNAP RING,EXTERNAL,2.50,ZAG.....	6	32	50560GT	BEARING,1.25IDX1.50ODX1.50L.....	2
2	29746GT	WASHER,FLAT,2.5 X 4 X .062.....	4	33	122458GT	ASSEMBLY, TIMING LINK CAM	
3		Ref. BEARING (Refer to 502.1)		34	121399GT	BEARING,2.50IDX2.75OBX1.25LG.....	2
4	121031GT	PIN,2.50 X 12.200,2 RINGS.....	1				
5	12461GT	SCREW,HHC,1/2-13 X 5,GRD.8.....	2				
6	6095GT	WASHER,FLAT,USS,1/2",Y.....	4				
7	6198GT	NUT,NYLOCK,1/2-13.....	2				
8	121140GT	CYLINDER,LIFT,S80-85***.....	1				
--	146059GT	SEAL KIT (121140)					
--	31106GT	VALVE,CNTERBAL,CBBB-LHN@3000**	2				
--	43018GT	SEAL KIT (39345) Used on valve 31106					
--	1251820GT	GLAND NUT SEAL ASSY					
9	27698GT	BEARING,2.50IDX2.75ODX2.00L.....	2				
10	825762GT	SNAP RING,EXTERNAL,3.00,ZAG.....	2				
11	121593GT	WASHER,FLAT,4.5 X 3.062 X .05.....	2				
12	121406GT	BEARING,3.00IDX3.25ODX2.50LG.....	2				
13	101559GT	BEARING,FL,2.50IDX2.75ODX1.61L....	4				
14	122282GT	ASSEMBLY, WELDMENT.....	2				
15	101566GT	BEARING,FL,2.50IDX2.75ODX1.36L....	8				
16	27698GT	BEARING,2.50IDX2.75ODX2.00L.....	4				
17	122457GT	ASSEMBLY, WELDMENT.....	1				
18	121087GT	CLAMP,HYD,SHORT LINK.....	2				
19	121085GT	CLAMP,ELEC,SHORT LINK.....	2				
--	229337GT	CLAMP,ELEC.WELD OPT,SHORT LINK (Weld option); from SN 9125					
20	121089GT	CLAMP,TOP,SHORT LINK.....	4				
--	229338GT	CLAMP,TOP WELD OPT,SHORT LINK (Weld option); from SN 9125					
21	36294GT	SCREW,HHC,1/4-20 X 2.75.....	8				
22	56912GT	SPRING CLIP,1/4-20,.025-.15X.54,ZAG.....	8				
23	121646GT	WELDMENT,MASTER LINK..... (ANGLE SENSOR Calibration required after replacement)	1				
24	121066GT	SCREW,HHC,FLG,3/8-16 X 1 GR8					
25	1255452GT	ROD END,.375 X 2.25,ZAG					
26	50742GT	PIN,1.25DIAX3.75LG,1HOLE.....	1				
27	121032GT	PIN,2.500 X 19.750,2 RINGS.....	1				
28	121033GT	PIN, 3.00 X 21.50, 2 RINGS.....	1				
29	121039GT	PIN,2.500X6.900,1 RING,1 HOLE.....	2				
30	121236GT	CYLINDER,MASTER***.....	1				
--	146060GT	SEAL KIT (121236)					
31	119032GT	PIN,1.25DIAX4.38LG,1HOLE.....	2				

507.1 Boom Link Assembly - View 2



# PARTS FINDER

**Search Website  
by Part Number**



**Search Manual  
Library For Parts  
Manual & Lookup Part  
Numbers – Purchase  
or Request Quote**

**Search Manuals**

Enter your information to help us find the right parts manual for your machine.

\* Brand:

\* Model:

\* Serial:

\* Part Number:

SEARCH

**Can't Find Part or  
Manual? Request Help  
by Manufacturer,  
Model & Description**

**Parts Order Form**

Please fill in the following information to help us find the right part for your machine.

Manufacturer:	<input type="text"/>
Model:	<input type="text"/>
Description:	<input type="text"/>
Part Number:	<input type="text"/>
Quantity:	<input type="text"/>
Notes:	<input type="text"/>

Submit

Discount-Equipment.com is your online resource for quality parts & equipment.

Florida: **561-964-4949** Outside Florida TOLL FREE: **877-690-3101**

**Need parts?**

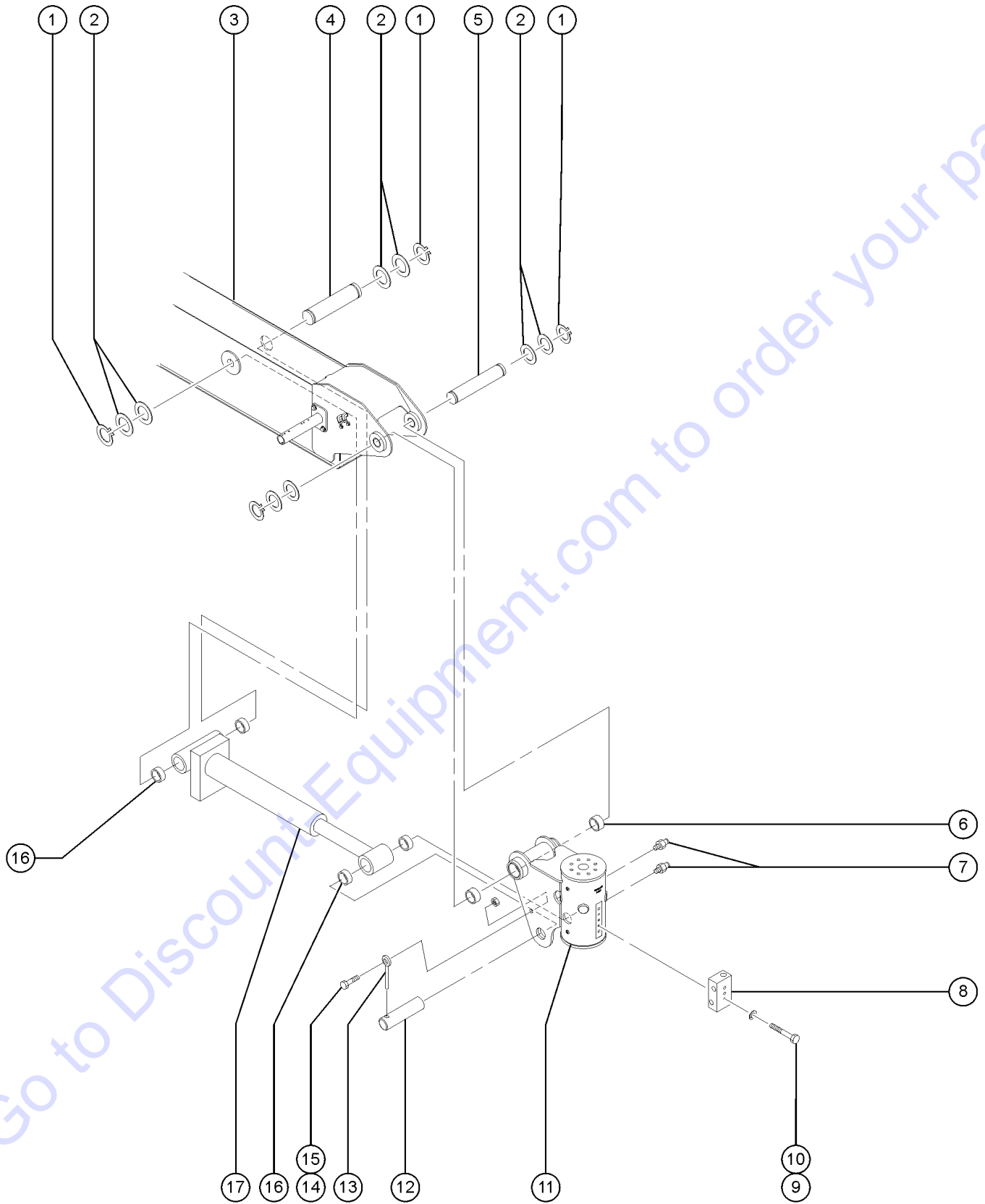
Click on this link: <http://www.discount-equipment.com/category/5443-parts/> and choose one of the options to help get the right parts and equipment you are looking for. Please have the machine model and serial number available in order to help us get you the correct parts. If you don't find the part on the website or on one of the online manuals, please fill out the request form and one of our experienced staff members will get back to you with a quote for the right part that your machine needs.

We sell worldwide for the brands: Genie, Terex, JLG, MultiQuip, Mikasa, Essick, Whiteman, Mayco, Toro Stone, Diamond Products, Generac Magnum, Airman, Haulotte, Barreto, Power Blanket, Nifty Lift, Atlas Copco, Chicago Pneumatic, Allmand, Miller Curber, Skyjack, Lull, Skytrak, Tsurumi, Husquvarna Target, Stow, Wacker, Sakai, Mi-T-M, Sullair, Basic, Dynapac, MBW, Weber, Bartell, Bennar Newman, Haulotte, Ditch Runner, Menegotti, Morrison, Contec, Buddy, Crown, Edco, Wyco, Bomag, Laymor, EZ Trench, Bil-Jax, F.S. Curtis, Gehl Pavers, Heli, Honda, ICS/PowerGrit, IHI, Partner, Imer, Clipper, MMD, Koshin, Rice, CH&E, General Equipment, Amida, Coleman, NAC, Gradall, Square Shooter, Kent, Stanley, Tamco, Toku, Hatz, Kohler, Robin, Wisconsin, Northrock, Oztec, Toker TK, Rol-Air, APT, Wylie, Ingersoll Rand / Doosan, Innovatech, Con X, Ammann, Mecalac, Makinex, Smith Surface Prep, Small Line, Wanco, Yanmar

## 507.1 Boom Link Assembly - View 2

Item	Part No.	Description	Qty.
1	825760GT	SNAP RING,EXTERNAL,2.50,ZAG.....6	6
2	29746GT	WASHER,FLAT,2.5 X 4 X .062.....6	6
3	121388GT	PIN,2.50DIAX24.50,2RINGS,TAPER.....1	1
4	121387GT	PIN,2.50DIAX7.00,2 RINGS,TAPER.....2	2
5	121399GT	BEARING,2.50IDX2.75OBX1.25LG.....4	4
6	94980GT	SENSOR,DUAL OUTPUT,ANGLE***.....1 (Calibration required after replacement)	1
7	121499GT	HARN,LS,SPD REDUCT S80.85 2008...1 Limit switch. Speed reduction, (refer to 312.1 or 313.1)	1
--	110771-121C7GT	LIMIT SW,TAB,BLUE METAL	
8	121391GT	INJECTION,ANGLE SENSOR BRACKET.....1	1
9	121469GT	HARN,LS,BOOM ANGLE S80/85 2008...1 Limit switch. Speed reduction, (refer to 312.1 or 313.1)	1
--	110771-141C7GT	LIMIT SW.TAB,BLUE METAL	
10	121421GT	NUT,FLG,1/4-20.....2	2
11	121420GT	SCREW,HHF,1/4-20 X 1.00.....11	11
12	6178GT	NUT,NYLOCK,10-32.....6	6
13	51063GT	SCREW,PHILLIPS,RHM,10-32 X 1.5....6	6
14	101599GT	KEY,BALL POINT HEX.....1	1
15	75051GT	SCREW,SER FLNG3/8UNCX3/4ZNYEL.....2	2
16	121650GT	INJECTION, 10 DEGREE LIMIT CAM.....1	1
17	121651GT	INJECTION, 65 DEGREE LIMIT CAM.....1	1
18	50742GT	PIN,1.25DIAX3.75LG,1HOLE.....2	2
19	49857GT	SCREW,HHC,3/8-16 X .88,GRD 8.....2	2
20	6021GT	WASHER,LOCK,.375.....2	2
21	1255452GT	ROD END,.375 X 2.25,ZAG.....2	2
22	50560GT	BEARING,1.25IDX1.50ODX1.50L.....2	2
23	121865GT	LIMIT SW COVER.....1	1
24	121822GT	WELDMENT,CABLE GUIDE.....1	1
25	56912GT	SPRING CLIP,1/4-20,.025-.15X.54,ZAG.....9	9
26	121819GT	FORMING,CABLE SUPPORT.....1	1
27	1284188GT	FORMING,CABLE COVER,BLUE,S80/85.....1	1
28	T107193GT	HARN,LS OP PRI VEL LST3O.....1 (Refer to 312.1 or 313.1)	1
--	110771-13107GT	SWITCH,LIMIT,W/RLLR ARM,NO/NC	
29	T107194GT	HARN,LS SAFETY PRI VEL LST3S.....1 S-80X only. When replacing, customer must calibrate Angle Sensor item 6 (94980). (Refer to 312.1)	1
--	110771-11117GT	SWITCH,LIMIT,W/RLLR ARM,NO/NC	

508.1 Platform Rotator, S-80X and S-80



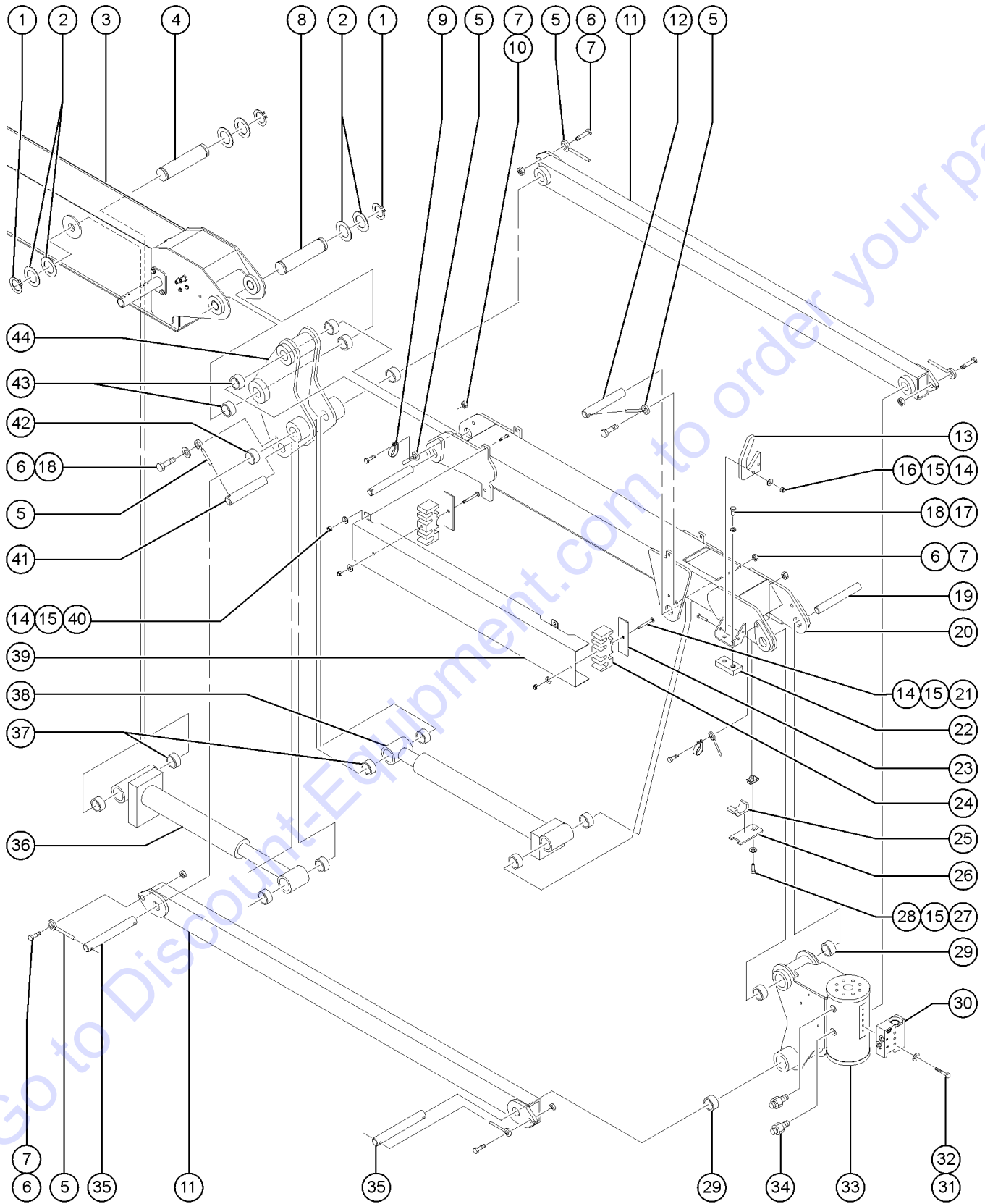


## 508.1 Platform Rotator, S-80X and S-80

Item	Part No.	Description	Qty.
--	61283GT	SLEAVING,PARKER TEK,2.00".....	24
1	824164GT	SNAP RING,EXTERNAL,1.25,ZAG.....	4
2	30255GT	WASHER,SHIM,1.27 X 2.13 X .062	
3		Ref., BOOM TUBE 3 <i>Refer to 504.1</i>	
4	88345GT	PIN,1.25DIAX8.26LG,2RING.....	1
5	147485GT	PIN,1.250 X 10.125, 2 RINGS	
6	30370GT	BEARING,1.25IDX1.5ODX1.00L.....	2
7	88516GT	SCREW,BLEEDER,M5X0.8	
8		Ref., ROTATOR MANIFOLD <i>Refer to 704.1</i>	
9	6145GT	SCREW,HHC,1/4-20 X 1.5	
10	6356GT	WASHER,LOCK,.25	
11A	94398GT	ROTATOR,PLAT,NON-JIB..... <i>S-80; to SN 8360</i>	1
--	122944GT	SEAL KIT,8K ROTATOR*** <i>Use with rotator 94398 and 88576</i>	
11B	88576GT	ROTATOR,NON-JIB <i>S-80; from SN 8361</i>	
--	122944GT	SEAL KIT,8K ROTATOR*** <i>Use with rotator 94398 and 88576</i>	
11C	226541GT	ROTATOR,PLATFORM,15K <i>S-80X; from SN 8500</i>	
--	226542GT	SEAL KIT, 15K ROTATOR <i>Use with rotator 226541; from SN 8500</i>	
--	147370GT	SEAL KIT,15K ROTATOR <i>Use with rotator 107836; to SN 8819</i>	
12	T108075GT	PIN,1.25DIAX5.25LG,1HOLE.....	1
13	825019GT	ROD END,.375X3.69,ZAG.....	2
14	8516GT	SCREW, HCC, 3/8-16 X 1.50	
15	4828GT	NUT,NYLOCK,3/8-16	
16	25683GT	BEARING,POLYGON,20DU12.....	4
17	121234GT	CYLINDER,LEVEL..... <i>(Includes item 16)</i>	1
--	237237GT	SEAL KIT (121234)	
--	77303GT	VALVE, CNTRBAL 3500 PSI, ATM VEN	
--	43018GT	SEAL KIT (39345) <i>Use with valve 77303</i>	



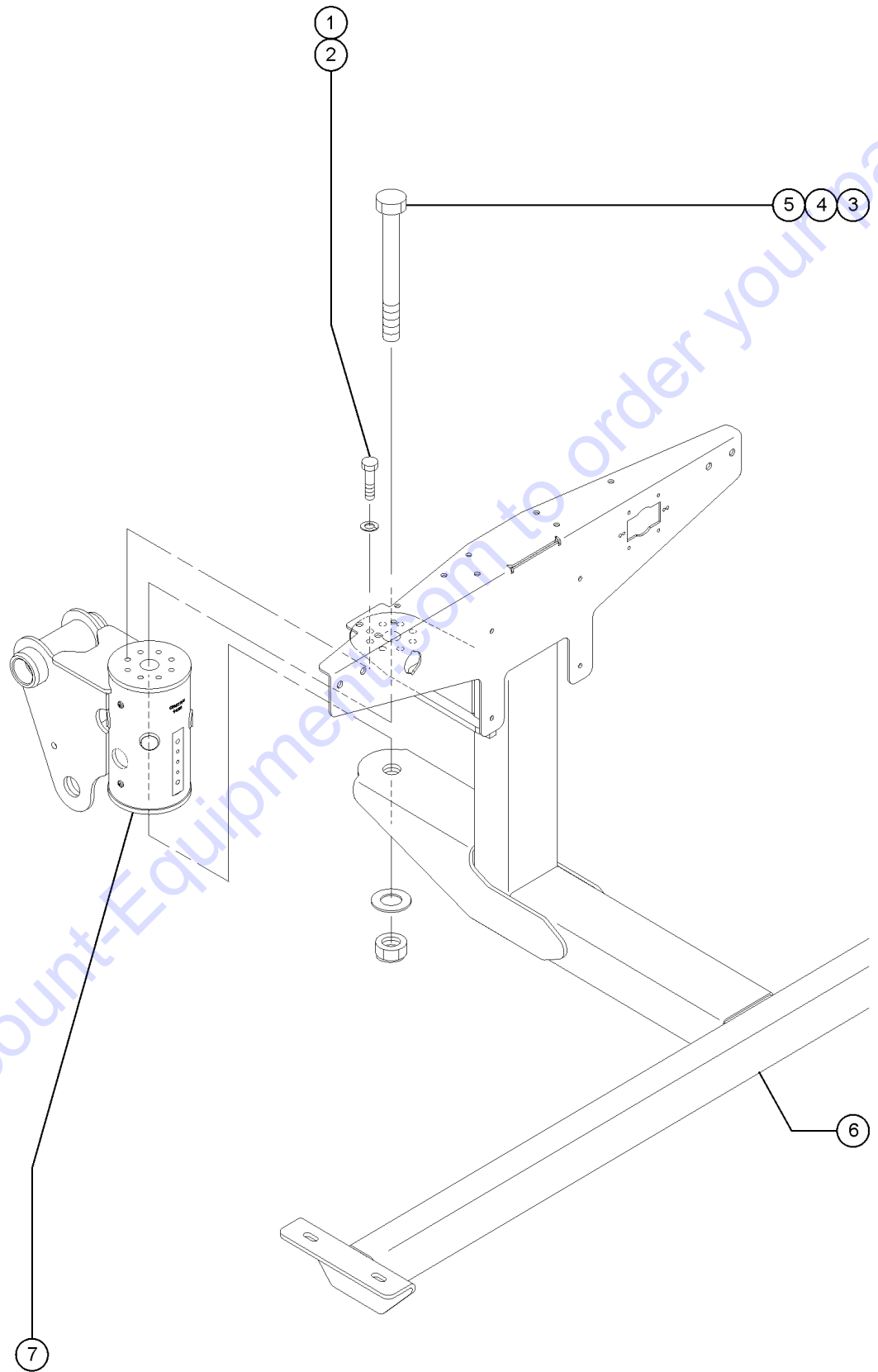
509.1 Jib Boom and Platform Rotator, S-85



## 509.1 Jib Boom and Platform Rotator, S-85

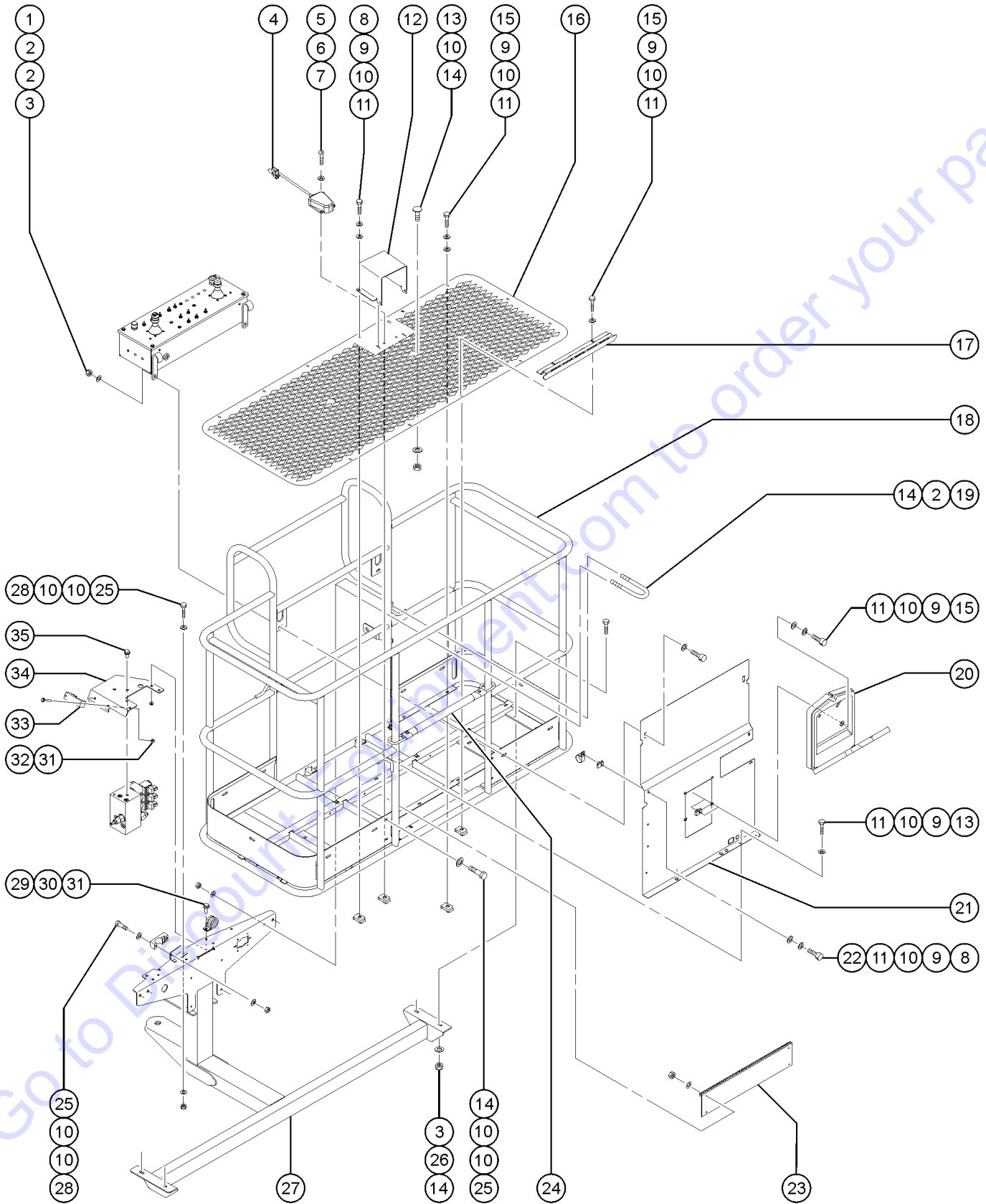
Item	Part No.	Description	Qty.	Item	Part No.	Description	Qty.
--	61283GT	SLEAVING,PARKER TEK,2.00".....	24	--	237237GT	SEAL KIT (121234)	
1	824164GT	SNAP RING,EXTERNAL,1.25,ZAG.....	4	--	77303GT	VALVE, CNTRBAL 3500 PSI, ATM VEN	
2	30255GT	WASHER,SHIM,1.27 X 2.13 X .062		--	43018GT	SEAL KIT (39345) <i>Use with valve 77303</i>	
3		Ref., BOOM TUBE 3 <i>(Refer to 504.1)</i>		37	25683GT	BEARING,POLYGON,20DU12	
4	88345GT	PIN,1.25DIAX8.26LG,2RING.....	1	38	63213GT	CYLINDER,JIB (STICK BOOMS)..... <i>(Includes item 37)</i>	1
5	825019GT	ROD END,.375X3.69,ZAG.....	9	--	63353GT	SEAL KIT,CYL,S65 (63213)	
6	8516GT	SCREW, HCC, 3/8-16 X 1.50		--	33428GT	VALVE,COUNTERBALANCE	
7	4828GT	NUT,NYLOCK,3/8-16		--	43018GT	SEAL KIT (39345)	
8	147485GT	PIN,1.250 X 10.125, 2 RINGS		39	128454PGT	COVER, JIB HOSES/CABLES.....	1
9	77181GT	CLAMP,1.63,#26 X 3/8,RUB CUSH.....	2	40	79456GT	BOLT,CARRIAGE,1/4-20 X 1.00,G2	
10	5224GT	SCREW,HHC,3/8-16 X 2		41	T108075GT	PIN,1.25DIAX5.25LG,1HOLE.....	1
11	61306-SGT	COMPR.LINK,MACHINED,GND CONTR*.....	2	42	128268GT	BEARING,FL, 1.25X1.5X2.13.....	2
12	T108077GT	PIN,1.25DIAX7.00LG,1HOLE.....	1	43	35675GT	BEARING,FL,1.25IDX1.5ODX1.25L	
13	128482GT	HOSE GUIDE, JIB.....	1	44	89801GT	BELLCRANK ASSY W/BEARINGS..... <i>(Includes items 42 and 43); to SN 8360</i>	1
14	6091GT	NUT,NYLOCK,1/4-20		--	101244GT	BELLCRANK W/BEARINGS <i>(Includes items 42 and 43); from SN 8361</i>	
15	6638GT	WASHER,FLAT,USS,1/4"Y					
16	8915GT	SCREW,HHC,1/4-20 X 1.25					
17	8255GT	SCREW,HHC,3/8-16 X .75					
18	6021GT	WASHER,LOCK,.375					
19	T108076GT	PIN,1.25DIAX7.88LG,1HOLE.....	2				
20	128534GT	JIB BOOM ASSY W/WORD DECAL					
21	128724GT	BOLT,CARRIAGE,1/4-20 X 2.75,G2					
22	81640GT	WEAR PAD,3 X 1.5 X .625 W/NUTS.....	2				
23	128483GT	BACKING PLATE, HOSE BLOCK, JIB....	2				
24	121857GT	CLAMP,JIB HOSE/CABLE.....	2				
25	119542GT	CLAMP,TWO HOSE.....	1				
26	119536PGT	BRACKET,HOSE CLAMP,PAINTED.....	1				
27	6090GT	SCREW,HHC,1/4-20 X .75					
28	56912GT	SPRING CLIP,1/4-20,.025-.15X.54,ZAG.....	1				
29	30222GT	BEARING,FL,1.25IDX1.41ODX1.50L					
30		Ref. MANIFOLD <i>(Refer to 703.1)</i>					
31	6145GT	SCREW,HHC,1/4-20 X 1.5					
32	6638GT	WASHER,FLAT,USS,1/4"Y					
33	94397GT	ROTATOR,PLAT JIB,160 DEG***.....	1				
--	122944GT	SEAL KIT,8K ROTATOR***					
--	75395GT	BEARING KIT,PLAT ROTATOR,SUPER					
--	88516GT	SCREW,BLEEDER,M5X0.8					
34	88516GT	SCREW,BLEEDER,M5X0.8.....	2				
35	81175GT	PIN,1.25DIAX14.45LG,2HOLE					
36	121234GT	CYLINDER,LEVEL..... <i>(Includes item 37)</i>	1				

510.1 Platform Installation



Item	Part No.	Description	Qty.
1	49857GT	SCREW,HHC,3/8-16 X .88,GRD 8.....8	
--	111389GT	SCREW,HHC,1/2-13 X 1, GR 8 <i>Only for S-80X ANSI</i>	
2	57201GT	WASHER,FLAT,313, HARDENED.....8 <i>to SN 12986</i>	
--	826793GT	WASHER,FLAT,3/8,SAE,HRD,ZAG <i>from SN 12987</i>	
3	73928GT	SCREW,HHC,1-8 X 11,GRD 5***.....1	
--	824075GT	SCREW,HHC,1-8X12.75,5,ZAG <i>Only for S-80X ANSI</i>	
4	122079GT	WASHER,FLAT,1.000,HARDENED.....1	
5	29764GT	NUT,NYLOCK,1-8	
6		Ref. PLATFORM MOUNT <i>(Refer to 601.1)</i>	
7		Ref. PLATFORM ROTATOR <i>(Refer to 508.1 or 509.1)</i>	

601.1 Platform Installation



601.1 Platform Installation

Item	Part No.	Description	Qty.	Item	Part No.	Description	Qty.
--	122800GT	PLATFORM ASSEMBLY,4FT USA/CAN <i>(Word decals) USA and Canadian models</i>		11	56912GT	SPRING CLIP,1/4-20,.025-.15X.54,ZAG	
--	122801GT	PLATFORM ASSEMBLY,5FT USA/CAN <i>(Word decals) USA and Canadian models</i>		12	73931GT	GUARD,FOOTSWITCH,W/DECAL ALUM.....1 <i>USA/Canada/Australia; from SN 8000 to 8310</i>	
--	122802GT	PLATFORM ASSEMBLY,6FT USA/CAN <i>(Word decals) USA and Canadian models</i>		--	147221GT	GUARD,FOOTSWITCH,W/DECAL ALUM <i>USA/Canada/Australia; from SN 8311</i>	
--	122803GT	PLATFORM ASSEMBLY,8FT USA/CAN <i>(Word decals) USA and Canadian models</i>		--	63766GT	COVER,FOOT SWITCH <i>Europe/Asia/South America; from SN 8000 to 8310</i>	
--	122804GT	PLAT ASSEMBLY,4FT, AUSTRALIA <i>(Word decals) Australian models</i>		--	147121GT	COVER, FOOT SWITCH, LARGE <i>Europe/Asia/South America; from SN 8311</i>	
--	122805GT	PLAT ASSEMBLY,5FT, AUSTRALIA <i>(Word decals) Australian models</i>		13	54274GT	SCREW,STEP BOLT,1/4-20 X .75	
--	122806GT	PLAT ASSEMBLY,6FT, AUSTRALIA <i>(Word decals) Australian models</i>		14	4828GT	NUT,NYLOCK,3/8-16	
--	122807GT	PLAT ASSEMBLY,8FT, AUSTRALIA <i>(Word decals) Australian models</i>		15	6090GT	SCREW,HHC,1/4-20 X .75	
--	102547GT	PLAT.ASSY,4FT,S80 EUROPEAN <i>(Symbol decals) European models</i>		16	60160PGT	FLOORING,4 FT PLATFORM,PAINTED.....1	
--	102548GT	PLAT.ASSY,5FT,S80 EUROPEAN <i>(Symbol decals) European models</i>		--	54247-SGT	PLAT. FLOOR, 5FT, PAINTED	
--	102549GT	PLAT.ASSY,6FT,S80 EUROPEAN <i>(Symbol decals) European models</i>		--	73477PGT	FLOORING, 6'FT PLATFORM	
--	102550GT	PLAT.ASSY,8FT,S80 EUROPEAN <i>(Symbol decals) European models</i>		--	73478PGT	FLOORING,8 FT PLATFORM**	
--	102551GT	PLAT.ASSY,4FT,S80 ASIA/S.AMERI <i>(Symbol decals) Asia and South American models</i>		17	73610PGT	STEP PLATFORM ENTRY PAINTED*** .....1	
--	102552GT	PLAT.ASSY,5FT,S80 ASIA/S.AMERI <i>(Symbol decals) Asia and South American models</i>		18	111250GT	PLAT RAILW/DECALS,4FT,500LB AN.....1 <i>USA and Canadian models</i>	
--	102553GT	PLAT.ASSY,6FT,S80 ASIA/S.AMERI <i>(Symbol decals) Asia and South American models</i>		--	111251GT	PLAT RAILW/DECALS,5FT,500LB AN <i>USA and Canadian models</i>	
--	102554GT	PLAT.ASSY,8FT,S80 ASIA/S.AMERI <i>(Symbol decals) Asia and South American models</i>		--	111252GT	PLAT RAILW/DECALS 6FT 500LB AN <i>USA and Canadian models</i>	
1	7713GT	NUT, LP NYLOCK, 3/8-16		--	111253GT	PLAT RAILW/DECALS 8FT 500 ANSI <i>USA and Canadian models</i>	
2	5397GT	WASHER,FLAT,USS,5/16",Y		18A	60042-SGT	PLATFORM WELDMNT,4 FT.....1 <i>Australian models</i>	
3	6019GT	SCREW,HHC,3/8-16 X 1.25 GRD 5		--	101377GT	PLAT ASSEMBLY,5FT,AUSTRALIA*** <i>Australian models</i>	
4	228466GT	KIT, FOOTSWITCH, S40/S80.....1 <i>Pervious foot switch is no longer available. Order kit 228466 for first time replacement (kit includes foot switch 227516)</i>		--	73900GT	WELDMNT,6 FT PLATFORM <i>Australian models</i>	
--	227516GT	ASSEMBLY,FOOT SWITCH		--	101383GT	PLAT RAIL ASSY,8FT,AUSTRALIA** <i>Australian models</i>	
5	73587GT	SCREW,PHIL,10-24 X .75		18B	101373GT	PLATFORM ASSEMBLY,4FT,CE/UK.....1 <i>European models</i>	
6	6607GT	WASHER,LOCK,#10 PLTD		--	101376GT	PLATFORM ASSEMBLY,5FT,CE/UK <i>European models</i>	
7	73575GT	SPRING CLIP,10-24,.025-.125X.468,ZAG		--	101379GT	PLATFORM RAIL ASSY,6FT,CE/UK <i>European models</i>	
8	6888GT	SCREW,HHC,1/4-20 X 1		--	101382GT	PLATFORM RAIL ASSY,8FT,CE/UK <i>European models</i>	
9	6356GT	WASHER,LOCK,.25		18C	101375GT	PLAT ASSEMBLY,4FT,ASIA/S AM.....1 <i>Asia and South American models</i>	
10	6638GT	WASHER,FLAT,USS,1/4"Y		--	101378GT	PLAT ASSEMBLY,5FT,ASIA/S AM <i>Asia and South American models</i>	

### 601.1 Platform Installation (continued)

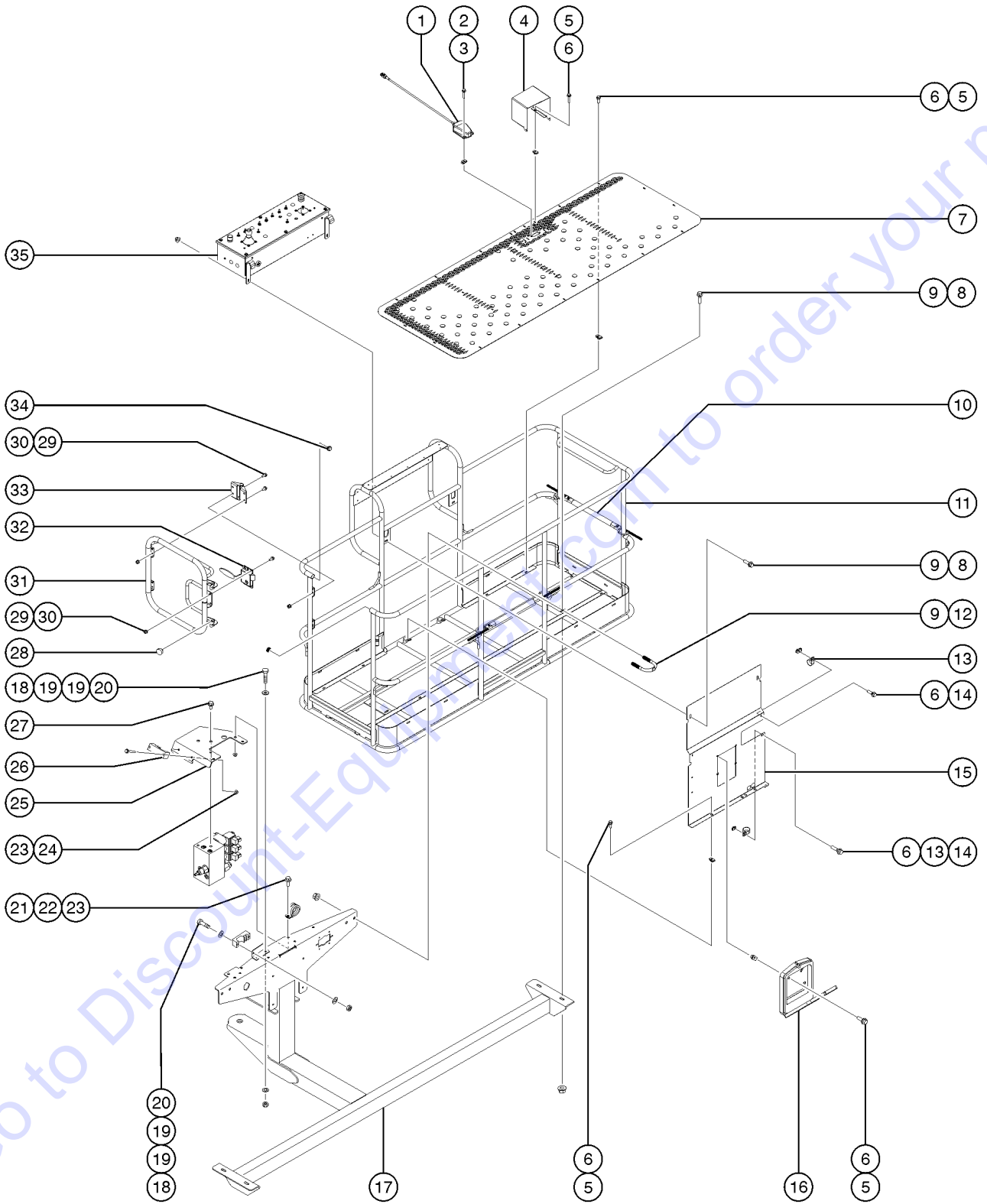
Item	Part No.	Description	Qty.
--	101381GT	PLAT ASSEMBLY,6FT,ASIA/S AM <i>Asia and South American models</i>	
--	101384GT	PLAT ASSEMBLY,8FT,ASIA/S AM <i>Asia and South American models</i>	
19	6550GT	U-BOLT,3/8 X 1 YZ	
20A	44743GT	MANUAL BOX W/DECALS***.....1 <i>USA/Canada/Australia</i>	
20B	24514GT	BOX,INSTRUCTION STORAGE <i>Europe/Asia/South America (decals required; refer to Section100)</i>	
21	122832GT	DECAL PLATE W/WORD DECALS80/85.....1	
--	102538GT	DECAL PLATE W/SYM DECAL S80Z80	
22	56424GT	CLAMP,1.25X.5 RUBBER-CUSHION	
23	94745PGT	TOEBOARD,ENTRY EUROPEAN PNTD**.....1	
24	102992GT	SLIDING MIDRAIL KIT,PTD.....1	
--	12443GT	MIDRAIL GUIDE ( HOOK )	
--	139451GT	TUBE,SLIDING MIDRAIL,PAINTED	
--	20973GT	WIRE LOOM,3/8 POLY SLIT	
--	21121GT	CABLE TIE,4" BLK,HEAT RESISTNT	
--	6888GT	SCREW,HHC,1/4-20 X 1	
--	6638GT	WASHER,FLAT,USS,1/4"Y	
--	6091GT	NUT,NYLOCK,1/4-20	
--	97815GT	DECAL,LABEL,LOWER MIDRAIL	
25	6091GT	NUT,NYLOCK,1/4-20	
26	6097GT	WASHER,FLAT,USS,3/8",Y	
27A	60370-SGT	PLATFORM SUPPORT WELDMNT-SERV*.....1 <i>ANSI models</i>	
27B	147347GT	WELDMNT, PLAT SUPPORT <i>For S-80X ANSI only, from SN 8500</i>	
27C	102679GT	OPTION,PLAT SUPPORT,4/5FT SRV	
27D		Ref. WELDMNT,PLATFORM SUPPORT,CE <i>CE models (refer to 821.1 )</i>	
28	6145GT	SCREW,HHC,1/4-20 X 1.5	
29	121419GT	SCREW,HHF,1/4-20 X .75	
30	13268GT	CLAMP,0.75,#12 X 1/4,RUB CUSH.....1	
31	121421GT	NUT,FLG,1/4-20	
32	121067GT	SCREW,HHC,FLG,1/4-20 X 2.00	
33	121582GT	CLAMP,CABLE STRAIN RELIEF.....1	
--	T115766GT	CLAMP,STRAIN RELIEF,WK LT <i>(Worklight option)</i>	
34	121766GT	FORMING,PLATFORM MANIFOLD MNT	
35	121763GT	SCREW,HHF,3/8-16X.75	

***This Page Intentionally Left Blank***

Go to [Discount-Equipment.com](http://Discount-Equipment.com) to order your parts



601.2 Platform Installation



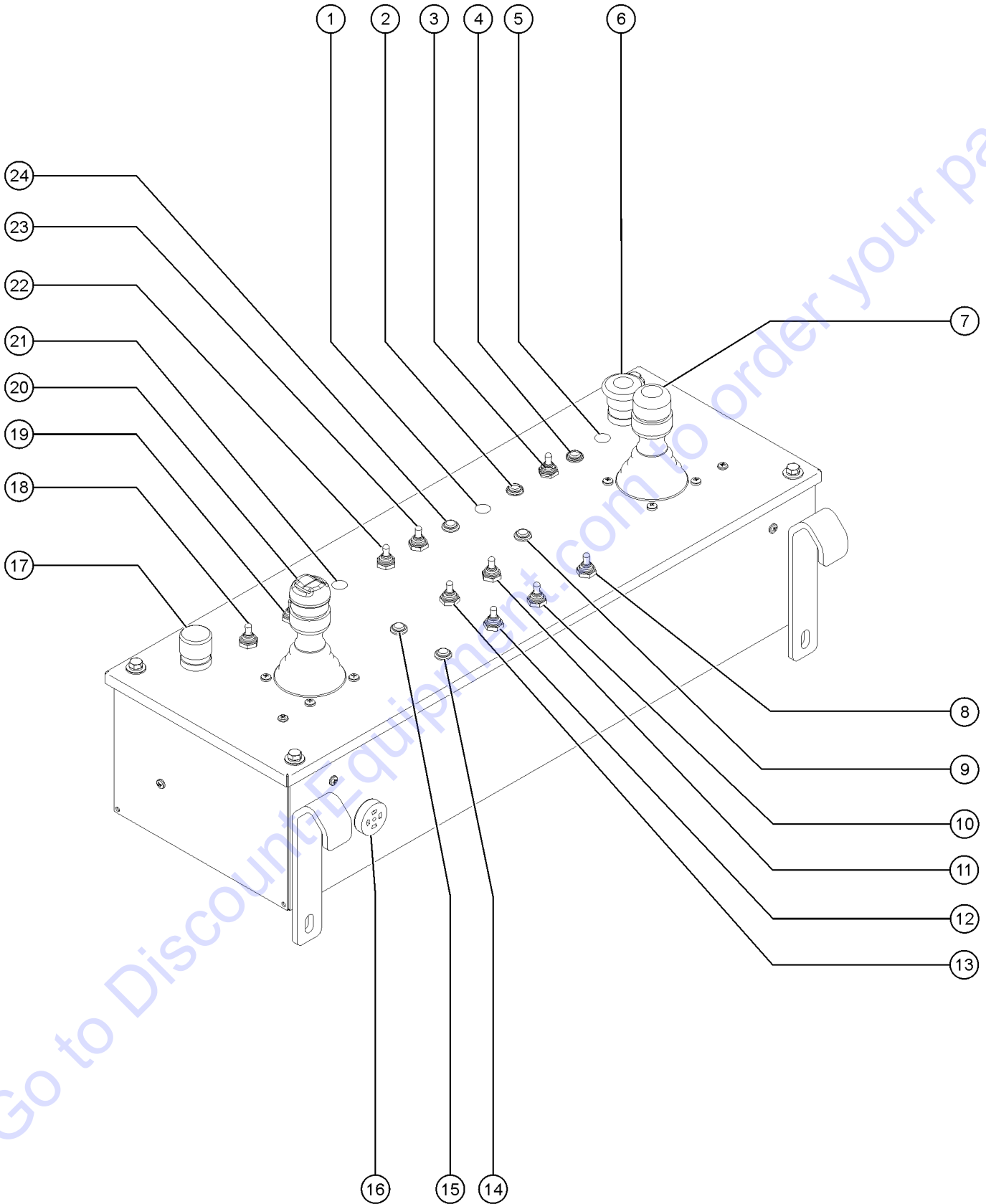
S-80, S-80X, S-85

Part No. 1272314

601.2 Platform Installation

Item	Part No.	Description	Qty.	Item	Part No.	Description	Qty.
--	1272304GT	ASSY,8FT PLAT TRI LG,BLANK W/SIDE SWING GATE <i>Complete 8' platform assembly</i>		25	121766GT	FORMING,PLATFORM MANIFOLD MNT	
--	1272303GT	ASSY,6FT PLAT DUAL LG,BLANK W/SIDE SWING GATE <i>Complete 6' platform assembly</i>		26	121582GT	CLAMP,CABLE STRAIN RELIEF.....1	
1	227516GT	ASSEMBLY,FOOT SWITCH.....1		--	T115766GT	CLAMP,STRAIN RELIEF,WK LT <i>(Worklight option)</i>	
2	1269641GT	SCREW,HHF-S,10-24X1,5,ZAG.....2		27	121763GT	SCREW,HHF,3/8-16X.75	
3	73575GT	SPRING CLIP,10-24,.025-.125X.468,ZAG.....2		28	43392GT	BUMPER,BATTERY BOX & RAILS.....2	
4	147121GT	COVER, FOOT SWITCH, LARGE.....1		29	824027GT	NUT,TL FLG,1/4-20,G,ZAG.....12	
5	824078GT	SCREW,HHF,1/4-20X.75,8,ZAG.....27		30	1256855GT	SCREW,HHF,1/4-20X.625,8,ZAG.....12	
6	56912GT	SPRING CLIP,1/4-20,.025-.15X.54,ZAG.....30		31	1272307GT	ASSY,SIDE SWING GATE <i>Complete side swing gate assembly (includes items 28 -33)</i>	
7A	73478PGT	FLOORING,8 FT PLATFORM**.....1 <i>for 8' platform</i>		--	1265397GT	WELDMNT, SWING GATE.....1	
7B	1267746GT	FLOORING, 6FT PLAT,SIDE.....1 <i>for 6' platform</i>		32	1267747GT	LATCH, SWING GATE.....1	
8	824091GT	SCREW,HHF,3/8-16X1.25,8,ZAG.....6		33	104804GT	HINGE, SPRING, LONG LEG.....1	
9	824029GT	NUT,TL FLG,3/8-16,G,ZAG.....10		34	55753GT	BUMPER, PLASTIC, 1.25 O.D.....2	
10A	102992GT	SLIDING MIDRAIL KIT,PTD.....2 <i>for 8' platform</i>		35		REF. PLATFORM CONTROL BOX ASSEMBLY <i>(refer to 605.2)</i>	
10B	102992GT	SLIDING MIDRAIL KIT,PTD.....1 <i>for 6' platform</i>					
11A	1274859GT	ASSY,8' PLAT WELDMNT W/SIDE GATE <i>for 8' platform (includes item 10) (order floor separately)</i>					
11B	1274858GT	ASSY,6' PLAT WELDMNT W/SIDE GATE <i>for 6' platform (includes item 10)</i>					
12	1251600GT	U-BOLT, FLATTENED, 1.5 X 3/8 UNC,ZAG.....2					
13	56424GT	CLAMP,1.25X.5 RUBBER-CUSHION....3					
14	824079GT	SCREW,HHF,1/4-20X1,8,ZAG.....3					
15	89377GT	PLATE,DOCUMENT BOX MOUNT.....1					
16	24514GT	BOX,INSTRUCTION STORAGE.....1					
17A		Ref.WELDMNT,PLATFORM SUPPORT,CE <i>CE models (refer to 821.1 )</i>					
17B	147347GT	WELDMNT, PLAT SUPPORT <i>For S-80X ANSI only,</i>					
17C	60370-SGT	PLATFORM SUPPORT WELDMNT-SERV* <i>ANSI models</i>					
18	6145GT	SCREW,HHC,1/4-20 X 1.5					
19	6638GT	WASHER,FLAT,USS,1/4"Y					
20	6091GT	NUT,NYLOCK,1/4-20					
21	121419GT	SCREW,HHF,1/4-20 X .75					
22	13268GT	CLAMP,0.75,#12 X 1/4,RUB CUSH.....1					
23	121421GT	NUT,FLG,1/4-20					
24	121067GT	SCREW,HHC,FLG,1/4-20 X 2.00					

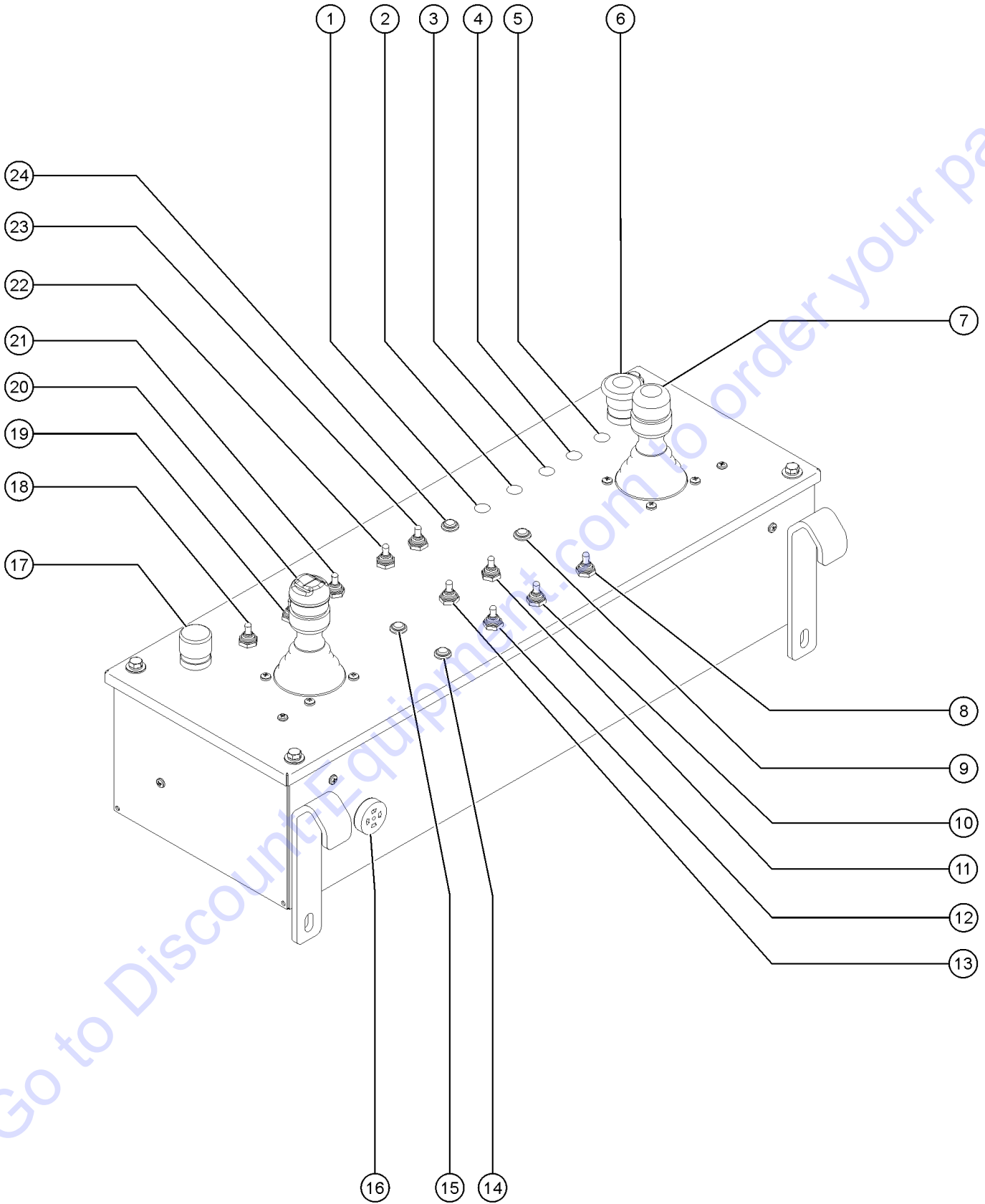
602.1 Platform Controls, S-80X and S80



## 602.1 Platform Controls, S-80X and S80

Item	Part No.	Description	Qty.	Item	Part No.	Description	Qty.
1	229567GT	PLUG,SANTOPRENE .5 BLACK DOME.....1 (Deutz TD 2.9L4)	1	14	824879GT	LIGHT,LED IND. RED 12V NH.....1	1
--	128204GT	SWITCH TOGGLE ASSY SPDT 2P MNT (Generator option)		15	824879GT	LIGHT,LED IND. RED 12V NH.....1	1
2A	824880GT	LIGHT,LED IND. AMBER 12V NH.....1 (Upper capacity range) (S-80X)	1	16	45383GT	ALARM,WARBLE TONE 5-30 VDC*** .....1 Does not include 72326 nut	1
--	824880GT	LIGHT,LED IND. AMBER 12V NH		--	72326GT	NUT - PLASTIC,RING FOR ALARMS	
2B	229567GT	PLUG,SANTOPRENE .5 BLACK DOME (S-80, S-85)	1	17	66813GT	BUTTON,PUSH,BLACK W/SEAL *** .....1 (Horn)	1
3A	128200GT	SWITCH TOGGLE ASSY SPDT 3P MOM.....1 (Capacity range select) (S-80X)	1	18	128200GT	SWITCH TOGGLE ASSY SPDT 3P MOM.....1 (Platform level up/down)	1
--	128580GT	SWITCH TOGGLE SPDT 3P MOM SHDR		19	128200GT	SWITCH TOGGLE ASSY SPDT 3P MOM.....1 (Platform rotate)	1
3B	229567GT	PLUG,SANTOPRENE .5 BLACK DOME.....1 (S-80, S-85)	1	20		Ref. JOYSTICK.....1 (Refer to 606.1)	1
4A	824880GT	LIGHT,LED IND. AMBER 12V NH.....1 (Lower capacity range) (S-80X)	1	21	229567GT	PLUG,SANTOPRENE .5 BLACK DOME.....1	1
--	824879GT	LIGHT,LED IND. RED 12V NH		22	128204GT	SWITCH TOGGLE ASSY SPDT 2P MNT.....1 (Drive speed select)	1
4B	229567GT	PLUG,SANTOPRENE .5 BLACK DOME.....1 (S-80, S-85)	1	23	128201GT	SWITCH TOGGLE ASSY DPDT 2P MOM.....1 (Auxiliary power)	1
5	229567GT	PLUG,SANTOPRENE .5 BLACK DOME.....1	1	24	824879GT	LIGHT,LED IND. RED 12V NH.....1 (Complete LED light assembly)	1
6	66812GT	BUTTON,PUSH,RED MUSHROOM HEAD.....1	1				
--	146478GT	BOOT(BELLOWS),E-STOP,BLACK					
7		Ref. JOYSTICK.....1 (Refer to 606.1)	1				
8	128200GT	SWITCH TOGGLE ASSY SPDT 3P MOM.....1 (Drive enable)	1				
9	824879GT	LIGHT,LED IND. RED 12V NH.....1	1				
10	128204GT	SWITCH TOGGLE ASSY SPDT 2P MNT.....1 (Engine speed slow/fast)	1				
11	229567GT	PLUG,SANTOPRENE .5 BLACK DOME.....1	1				
--	128200GT	SWITCH TOGGLE ASSY SPDT 3P MOM (DIESEL ONLY)					
--	1254804GT	LT.LAMP IND.AMBER 12V NH (Deutz TD 2.9L4 models)					
12	128204GT	SWITCH TOGGLE ASSY SPDT 2P MNT.....1 (GAS/LP ONLY)	1				
--	229567GT	PLUG,SANTOPRENE .5 BLACK DOME (Deutz TD 2.9L4)					
13	128200GT	SWITCH TOGGLE ASSY SPDT 3P MOM.....1 (ENGINE START)	1				

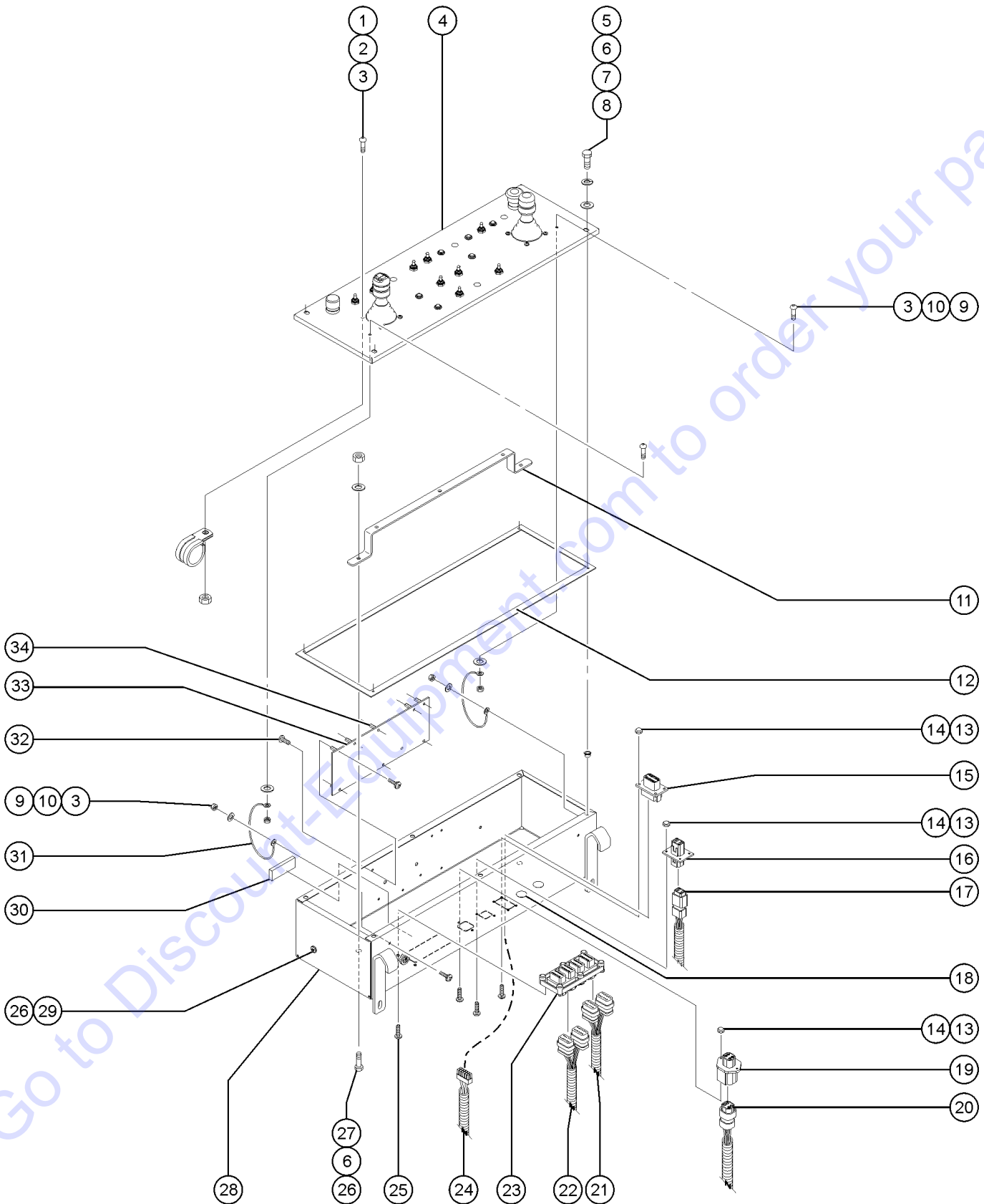
603.1 Platform Controls, S-85



603.1 Platform Controls, S-85

Item	Part No.	Description	Qty.	Item	Part No.	Description	Qty.
1	229567GT	PLUG,SANTOPRENE .5 BLACK DOME.....1 <i>(Deutz TD 2.9L4)</i>	1	18	128200GT	SWITCH TOGGLE ASSY SPDT 3P MOM.....1 <i>(Platform level up/down)</i>	1
--	128204GT	SWITCH TOGGLE ASSY SPDT 2P MNT <i>(Generator option)</i>		19	128200GT	SWITCH TOGGLE ASSY SPDT 3P MOM.....1 <i>(Platform rotate)</i>	1
2	229567GT	PLUG,SANTOPRENE .5 BLACK DOME.....1	1	20		Ref. JOYSTICK.....1 <i>(Refer to 606.1)</i>	1
3	229567GT	PLUG,SANTOPRENE .5 BLACK DOME.....1	1	21	128200GT	SWITCH TOGGLE ASSY SPDT 3P MOM.....1 <i>(Jib boom up/down)</i>	1
4	229567GT	PLUG,SANTOPRENE .5 BLACK DOME.....1	1	22	128204GT	SWITCH TOGGLE ASSY SPDT 2P MNT.....1 <i>(Drive speed select)</i>	1
5	229567GT	PLUG,SANTOPRENE .5 BLACK DOME.....1	1	23	128201GT	SWITCH TOGGLE ASSY DPDT 2P MOM.....1 <i>(Auxiliary power)</i>	1
6	66812GT	BUTTON,PUSH,RED MUSHROOM HEAD.....1	1	24	824879GT	LIGHT,LED IND. RED 12V NH.....1 <i>(Complete LED light assembly)</i>	1
--	146478GT	BOOT(BELLOWS),E-STOP,BLACK					
7		Ref. JOYSTICK.....1 <i>(Refer to 606.1)</i>	1				
8	128200GT	SWITCH TOGGLE ASSY SPDT 3P MOM.....1 <i>(Drive enable)</i>	1				
9	824879GT	LIGHT,LED IND. RED 12V NH.....1 <i>(Complete LED light assembly)</i>	1				
10	128204GT	SWITCH TOGGLE ASSY SPDT 2P MNT.....1 <i>(Engine speed slow/fast)</i>	1				
11	229567GT	PLUG,SANTOPRENE .5 BLACK DOME.....1	1				
--	128200GT	SWITCH TOGGLE ASSY SPDT 3P MOM <i>(Diesel only)</i>					
--	1254804GT	LT.LAMP IND.AMBER 12V NH <i>(Deutz TD 2.9L4 and Perkins 404F-22T models)</i>					
12	128204GT	SWITCH TOGGLE ASSY SPDT 2P MNT.....1 <i>(GAS/LP ONLY)</i>	1				
--	229567GT	PLUG,SANTOPRENE .5 BLACK DOME <i>(Deutz TD 2.9L4)</i>					
13	128200GT	SWITCH TOGGLE ASSY SPDT 3P MOM.....1 <i>(Engine start)</i>	1				
14	824879GT	LIGHT,LED IND. RED 12V NH.....1 <i>(Complete LED light assembly)</i>	1				
15	824879GT	LIGHT,LED IND. RED 12V NH.....1 <i>(Complete LED light assembly)</i>	1				
--	824879GT	LIGHT,LED IND. RED 12V NH					
16	45383GT	ALARM,WARBLE TONE 5-30 VDC*** .....1 <i>Does not include 72326 nut</i>	1				
--	72326GT	NUT - PLASTIC,RING FOR ALARMS					
17	66813GT	BUTTON,PUSH,BLACK W/SEAL *** .....1 <i>(Horn)</i>	1				

604.1 Platform Control Box, S-80X and S-80

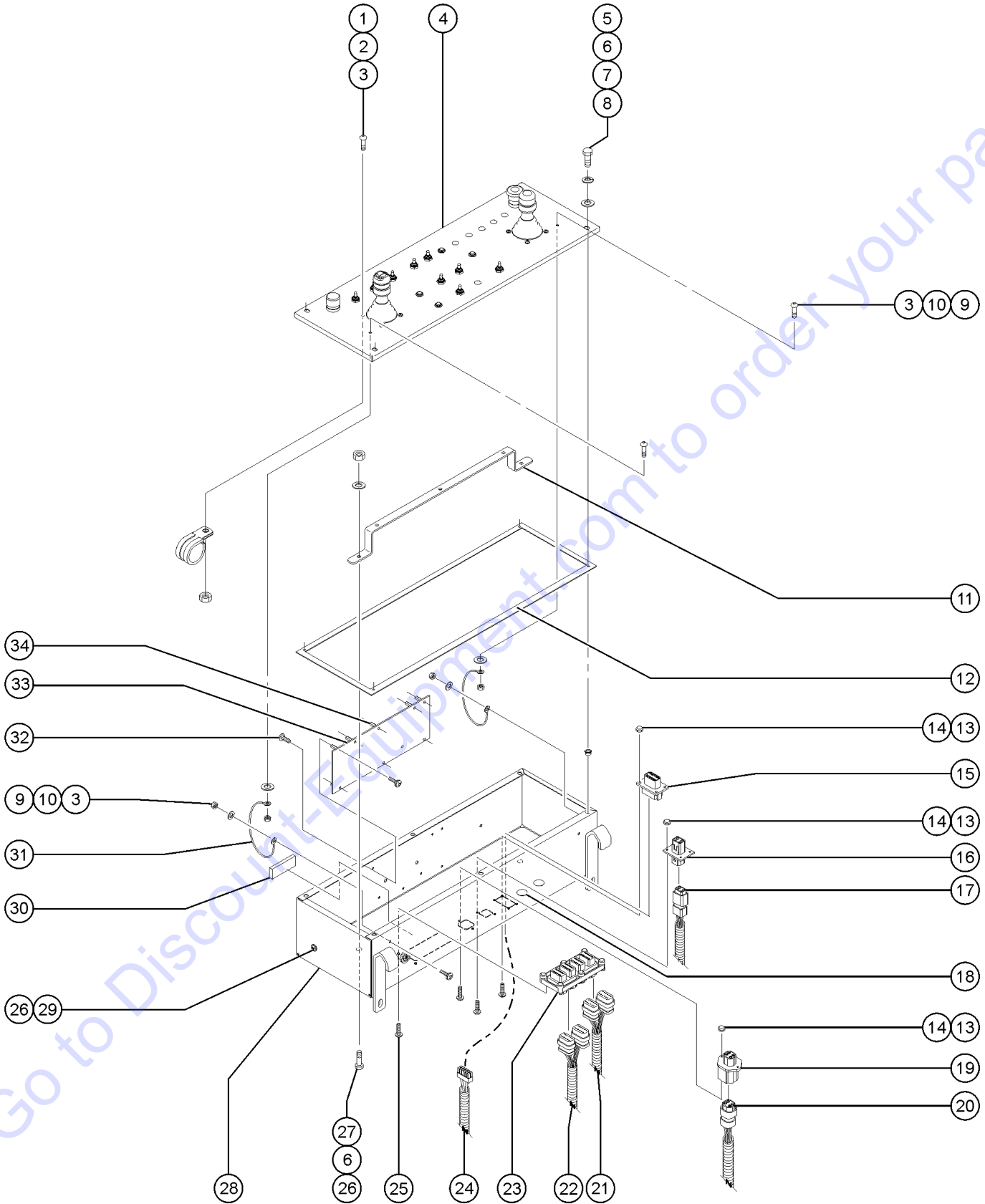


604.1 Platform Control Box, S-80X and S-80

Item	Part No.	Description	Qty.	Item	Part No.	Description	Qty.
--	121600GT	ASSY,PBOX,DIESEL,S80/85 2008.....1 <i>"Machine model and serial number required when ordering. Please contact Discount-equipment for assistance"</i>		25	73803GT	SCREW,SHM,PHP, #12 X .75	
--	121606GT	ASSY,PBOX,GAS/LP,S80/85 2008.....1 <i>"Machine model and serial number required when ordering. Please contact Discount-equipment for assistance"</i>		26	77048GT	SCREW,PHM,10-32X3/4,ST TYPE F	
--	824583GT	ASSY, PBOX, T4 DEUTZ 2.9L S80.....1 <i>"(Deutz TD 2.9L4 models); Machine model and serial number required when ordering. Please contact Discount-equipment for assistance"</i>		27	6178GT	NUT,NYLOCK,10-32.....1	
--	111413GT	JOYSTICK CONNECTOR ASSEM,DEUT		28	121720GT	WELDMENT,PLAT CONT BOX,2008	
--	111420GT	OPTION,ROCKER STEER		29	6178GT	NUT,NYLOCK,10-32	
--		Ref. PLATFORM BOX HARNESS <i>(Refer to 312.1)</i>		30	30997GT	CORROSION INHIBITOR,FOAM.....1	
1	139338GT	SCREW PH M5-0.8X20 DIN 7500CE.....8		31	77351GT	LANYARD,PLATFORM CONTROL BOX.....2	
2	18666GT	CLAMP,1.00,#16 X 1/4,RUB CUSH.....1		32	81551GT	SCREW,PHIL,PHM,6-32 X 1/4 SS	
3	104030GT	NUT HEX M5-0.8 CLASS 8 ZINC		33A	235322GT	ASSY,PCB,ALC500-2 S80VP V204.....1 <i>"to SN S85-110 Machine model and serial number required when ordering. Please contact Discount-equipment for assistance"</i>	
4	122395GT	PLAT BOX LID W/WORD DECAL.....1		33B	1260213GT	ASSY,PCB,ALC500-II,S80.....1 <i>"from SN S85-111 for Deutz TD 2.9L4 "</i>	
--	122386GT	PLATBOX LID W/SYMBOL DECALS		34	81550GT	STANDOFF,6-32 X 3/8L X 1/4 HEX.....10	
5	6090GT	SCREW,HHC,1/4-20 X .75					
6	6146GT	WASHER,FLAT,MS,#10,Y					
7	6638GT	WASHER,FLAT,USS,1/4"Y					
8	23404GT	NUTSERT,1/4-20,STEEL CAD PLTD.....4					
9	49819GT	SCREW,PHILLIPS,PHM,10-32 X .5					
10	6146GT	WASHER,FLAT,MS,#10,Y					
11	119644GT	BRACKET,PBOX WIRE SUPPORT.....1					
12	81488GT	GASKET,PLATFORM CONTROL BOX....1					
13	49820GT	SCREW,PHILLIPS,PHM,6-32 X .5					
14	12344GT	NUT,NYLOCK,6-32					
15	73730GT	CONN,RECEP 12 WAY,GRY FLANGE....1					
16	73723GT	CONN RECEP,FLANGED.....1					
17		"Ref. FOOT SWITCH WIRE HARNESS ASSEMBLY" <i>(Refer to 312.1)</i>					
18	15243GT	PLUG,NYLON .875 BLACK DOMED.....3					
19	73717GT	CONN,RECEP 4 WAY,12-14GA FL*** .....1					
20		Ref. HARNESS,12V TO PLAT,S80-2008 <i>(Refer to 312.1)</i>					
21		Ref. HARNESS,18/22 BOOM 2,S80-2008 <i>(Refer to 312.1)</i>					
22		Ref. S80 HARNESS BOOM CABLE 1 <i>(Refer to 312.1)</i>					
23	73736GT	CONN,RECEP 48 WAY,4 X 12.....1					
24		Ref. HARN,PLAT MANIFOLD,S80 <i>(Refer to 312.1)</i>					



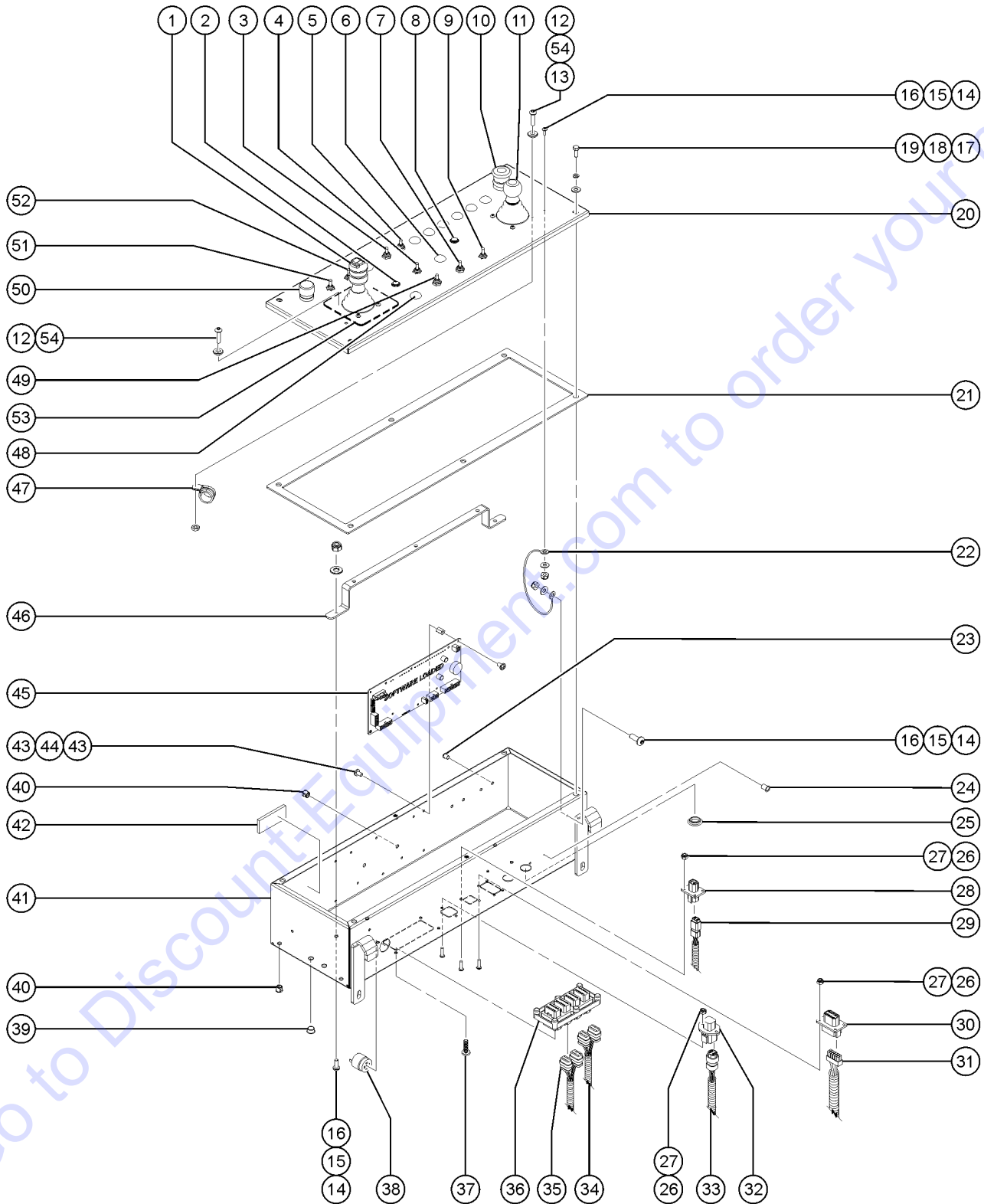
605.1 Platform Control Box, S-85



605.1 Platform Control Box, S-85

Item	Part No.	Description	Qty.	Item	Part No.	Description	Qty.
--	121600GT	ASSY,PBOX,DIESEL,S80/85 2008 <i>Machine model and serial number required when ordering. Please contact Discount-equipment for assistance</i>		25	73803GT	SCREW,SHM,PHP, #12 X .75	
--	121606GT	ASSY,PBOX,GAS/LP,S80/85 2008 <i>Machine model and serial number required when ordering. Please contact Discount-equipment for assistance</i>		26	77048GT	SCREW,PHM,10-32X3/4,ST TYPE F	
--	824583GT	ASSY, PBOX, T4 DEUTZ 2.9L S80 <i>(Deutz TD 2.9L4 models); Machine model and serial number required when ordering. Please contact Discount-equipment for assistance</i>		27	6178GT	NUT,NYLOCK,10-32.....1	
--	111413GT	JOYSTICK CONNECTOR ASSEM,DEUT		28	121720GT	WELDMENT,PLAT CONT BOX,2008	
--	111420GT	OPTION,ROCKER STEER		29	6178GT	NUT,NYLOCK,10-32	
G	1280764GT	HARNES, PBOX, T3		30	30997GT	CORROSION INHIBITOR,FOAM.....1	
--		Ref. PLATFORM BOX HARNESS <i>(Refer to 313.1)</i>		31	77351GT	LANYARD,PLATFORM CONTROL BOX.....2	
1	139338GT	SCREW PH M5-0.8X20 DIN 7500CE.....8		32	81551GT	SCREW,PHIL,PHM,6-32 X 1/4 SS	
2	18666GT	CLAMP,1.00,#16 X 1/4,RUB CUSH.....1		33	235322GT	ASSY,PCB,ALC500-2 S80VP V204.....1 <i>Machine model and serial number required when ordering. Please contact Discount-equipment for assistance</i>	
3	104030GT	NUT HEX M5-0.8 CLASS 8 ZINC		34	81550GT	STANDOFF,6-32 X 3/8L X 1/4 HEX.....10	
4	122395GT	PLAT BOX LID W/WORD DECAL.....1					
--	122386GT	PLATBOX LID W/SYMBOL DECALS					
5	6090GT	SCREW,HHC,1/4-20 X .75					
6	6146GT	WASHER,FLAT,MS,#10,Y					
7	6638GT	WASHER,FLAT,USS,1/4"Y					
8	23404GT	NUTSERT,1/4-20,STEEL CAD PLTD.....4					
9	49819GT	SCREW,PHILLIPS,PHM,10-32 X .5					
10	6146GT	WASHER,FLAT,MS,#10,Y					
11	119644GT	BRACKET,PBOX WIRE SUPPORT.....1					
12	81488GT	GASKET,PLATFORM CONTROL BOX....1					
13	49820GT	SCREW,PHILLIPS,PHM,6-32 X .5					
14	12344GT	NUT,NYLOCK,6-32					
15	73730GT	CONN,RECEP 12 WAY,GRY FLANGE....1					
16	73723GT	CONN RECEP,FLANGED.....1					
17		Ref. FOOT SWITCH WIRE HARNESS ASSEMBLY <i>(Refer to 313.1)</i>					
18	15243GT	PLUG,NYLON .875 BLACK DOMED.....3					
19	73717GT	CONN,RECEP 4 WAY,12-14GA FL*** .....1					
20		Ref. S85 POWER TO PLAT DC <i>(Refer to 313.1)</i>					
21		Ref. S85 HARNESS BOOM CABLE 2 <i>(Refer to 313.1)</i>					
22		Ref. S85 HARNESS BOOM CABLE 1 <i>(Refer to 313.1)</i>					
23	73736GT	CONN,RECEP 48 WAY,4 X 12.....1					
24		Ref. HARN,PLAT MANIFOLD,S85 <i>(Refer to 313.1)</i>					

605.2 Platform Control Box, S-80, S-80X and S-85



605.2 Platform Control Box, S-80, S-80X and S-85

Item	Part No.	Description	Qty.	Item	Part No.	Description	Qty.
--	1260214GT	ASSY,PBOX,GAS/LP,S80/85 <i>(Gas) Machine model and serial number required when ordering. Please contact Discount-equipment for assistance</i>		12	139338GT	SCREW PH M5-0.8X20 DIN 7500CE.....	8
--	1260215GT	ASSY,PBOX,DIESEL,S80/85 <i>(Deutz TD 2011L04i models) Machine model and serial number required when ordering. Please contact Discount-equipment for assistance</i>		13	104030GT	NUT HEX M5-0.8 CLASS 8 ZINC.....	3
--	824583GT	ASSY, PBOX, T4 DEUTZ 2.9L S80 <i>(Deutz TD 2.9L4 models) Machine model and serial number required when ordering. Please contact Discount-equipment for assistance</i>		14	54365GT	SCREW,PHIL,PHM,10-32 X .5,SSTL.....	7
--	121445GT	ASSY,PBOX JUMPER,GAS/LP <i>(Gas) Machine model and serial number required when ordering. Please contact Discount-equipment for assistance</i>		15	6146GT	WASHER,FLAT,MS,#10,Y.....	6
--	121444GT	ASSY,PBOX JUMPER,DISEL <i>(Diesel) Machine model and serial number required when ordering. Please contact Discount-equipment for assistance</i>		16	6178GT	NUT,NYLOCK,10-32.....	7
--	121456GT	HARN,PBOX,JOYSTICK,S80/85 2008		17	6090GT	SCREW,HHC,1/4-20 X .75.....	4
--	121725GT	HARNNESS,PBOX,S80/85 2008		18	6356GT	WASHER,LOCK,.25.....	4
1		Ref. JOYSTICK..... <i>(Refer to 606.1 or 607.1)</i>	1	19	6638GT	WASHER,FLAT,USS,1/4"Y.....	4
2	218165GT	LIGHT,INDICATOR,RED 12V H-BRI.....	1	20	147387GT	FORMING, PLAT. BOX LID.....	1
3	128204GT	SWITCH TOGGLE ASSY SPDT 2P MNT.....	1	21	81488GT	GASKET,PLATFORM CONTROL BOX....	1
4	128200GT	SWITCH TOGGLE ASSY SPDT 3P MOM.....	1	22	77351GT	LANYARD,PLATFORM CONTROL BOX.....	2
5	128201GT	SWITCH TOGGLE ASSY DPDT 2P MOM.....	1	23	42781GT	PLUG, NYLON .250 BLACK DOMED.....	6
6A	229567GT	PLUG,SANTOPRENE .5 BLACK DOME..... <i>(gas)</i>	1	24	42288GT	PLUG,NYLON .188 BLACK DOMED.....	3
6B	128200GT	SWITCH TOGGLE ASSY SPDT 3P MOM..... <i>(Deutz TD 2011L04i models)</i>	1	25	15243GT	PLUG,NYLON .875 BLACK DOMED.....	2
--	1254804GT	LT.LAMP IND.AMBER 12V NH <i>(Deutz TD 2.9L4 models)</i>		26	12344GT	NUT,NYLOCK,6-32.....	8
7	128204GT	SWITCH TOGGLE ASSY SPDT 2P MNT.....	1	27	49820GT	SCREW,PHILLIPS,PHM,6-32 X .5.....	8
8	218165GT	LIGHT,INDICATOR,RED 12V H-BRI.....	1	28	73723GT	CONN RECEPT,FLANGED.....	1
9	128200GT	SWITCH TOGGLE ASSY SPDT 3P MOM.....	1	29A		Ref. FOOT SWITCH WIRE HARNESS ASSEMBLY <i>S-80X and S-80 (refer to 312.1)</i>	
10	66812GT	BUTTON,PUSH,RED MUSHROOM HEAD.....	1	29B		Ref. FOOT SWITCH WIRE HARNESS ASSEMBLY <i>S-85 (refer to 313.1)</i>	
--	146478GT	BOOT(BELLOWS),E-STOP,BLACK		30	73730GT	CONN,RECEP 12 WAY,GRY FLANGE....	1
--	94506GT	BASE,W/3 NC CONTACTS		31A		Ref. HARN,PLAT MANIFOLD,S80 <i>S-80X and S-80 (refer to 312.1)</i>	
11		Ref.JOYSTICK..... <i>(Refer to 606.1 or 607.1)</i>	1	31B		Ref. HARN,PLAT MANIFOLD,S85 <i>S-85 (refer to 313.1)</i>	
				32	73717GT	CONN,RECEP 4 WAY,12-14GA FL***.....	1
				33A		Ref. HARNESS,12V TO PLAT,S80-2008 <i>S-80X and S-80 (refer to 312.1)</i>	
				33B		Ref. S85 POWER TO PLAT DC <i>S-85 (refer to 313.1)</i>	
				34A		Ref. HARNESS,18/22 BOOM 2,S80-2008 <i>S-80X and S-80 (refer to 312.1)</i>	
				34B		Ref.S85 HARNESS BOOM CABLE 2 <i>S-85 (refer to 313.1)</i>	
				35A		Ref.S80 HARNESS BOOM CABLE 1 <i>S-80X and S-80 (refer to 312.1)</i>	
				35B		Ref.S85 HARNESS BOOM CABLE 1 <i>S-85 (refer to 313.1)</i>	
				36	73736GT	CONN,RECEP 48 WAY,4 X 12.....	1
				37	73803GT	SCREW,SHM,PHP, #12 X .75.....	4
				38	45383GT	ALARM,WARBLE TONE 5-30 VDC***..... <i>Does not include 72326 nut</i>	1
				--	72326GT	NUT - PLASTIC,RING FOR ALARMS	



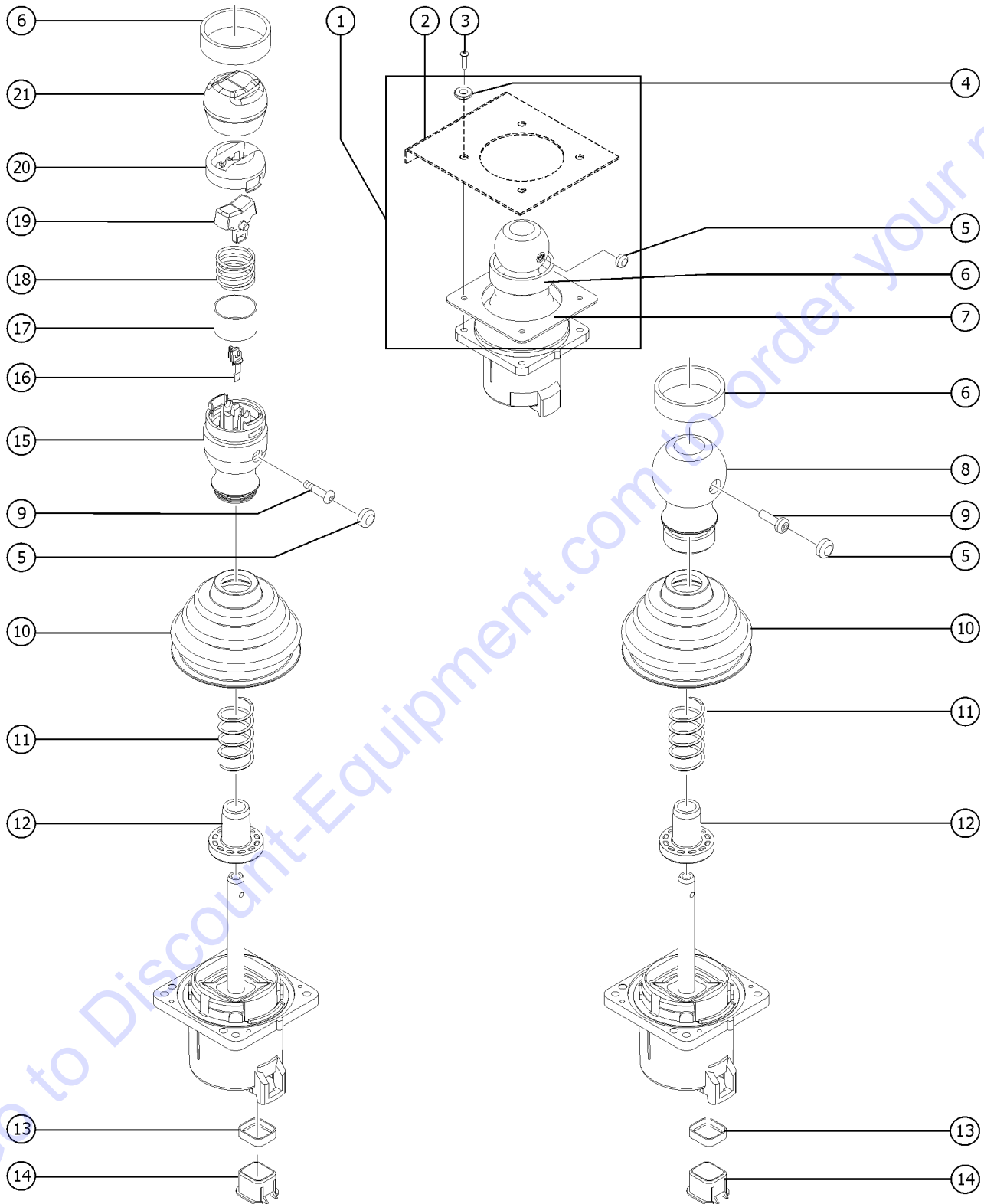
605.2 Platform Control Box, S-80, S-80X and S-85  
(continued)

Item	Part No.	Description	Qty.
39	21858GT	PLUG,NYLON .38 BLACK DOMED.....	2
40	30996GT	PLUG,NYLON .313 BLACK DOMED.....	4
41	121720GT	WELDMENT,PLAT CONT BOX,2008.....	1
42	30997GT	CORROSION INHIBITOR,FOAM.....	1
43	81551GT	SCREW,PHIL,PHM,6-32 X 1/4 SS.....	20
44	81550GT	STANDOFF,6-32 X 3/8L X 1/4 HEX.....	10
45	1260213GT	ASSY,PCB,ALC500-II,S80.....	1
46	119644GT	BRACKET,PBOX WIRE SUPPORT.....	1
47	18666GT	CLAMP,1.00,#16 X 1/4,RUB CUSH.....	1
48	229567GT	PLUG,SANTOPRENE .5 BLACK DOME.....	8
49A	128204GT	SWITCH TOGGLE ASSY SPDT 2P MNT..... (gas)	1
49B	229567GT	PLUG,SANTOPRENE .5 BLACK DOME..... (Deutz TD 2011L04i, Deutz TD 2.9L4 models)	1
50	66813GT	BUTTON,PUSH,BLACK W/SEAL***	1
--	66815GT	BASE, W/1 N.O. CONTACTS***	
51	128200GT	SWITCH TOGGLE ASSY SPDT 3P MOM.....	1
52	128200GT	SWITCH TOGGLE ASSY SPDT 3P MOM.....	1
53		GASKET, ISOLATION, JOYSTICK <i>For replacement please order kit 1269500GT (refer to 606.1)</i>	
--	1269500G	KIT, ISOLATION, 2 JOYSTICK	
54	1269498GT	SHOULDER WASHER, NYLON..... <i>(Included in Joystick isolation kit 1269500GT, refer to 606.1)</i>	8

***This Page Intentionally Left Blank***

Go to Discount-Equipment.com to order your parts

606.1 Joysticks

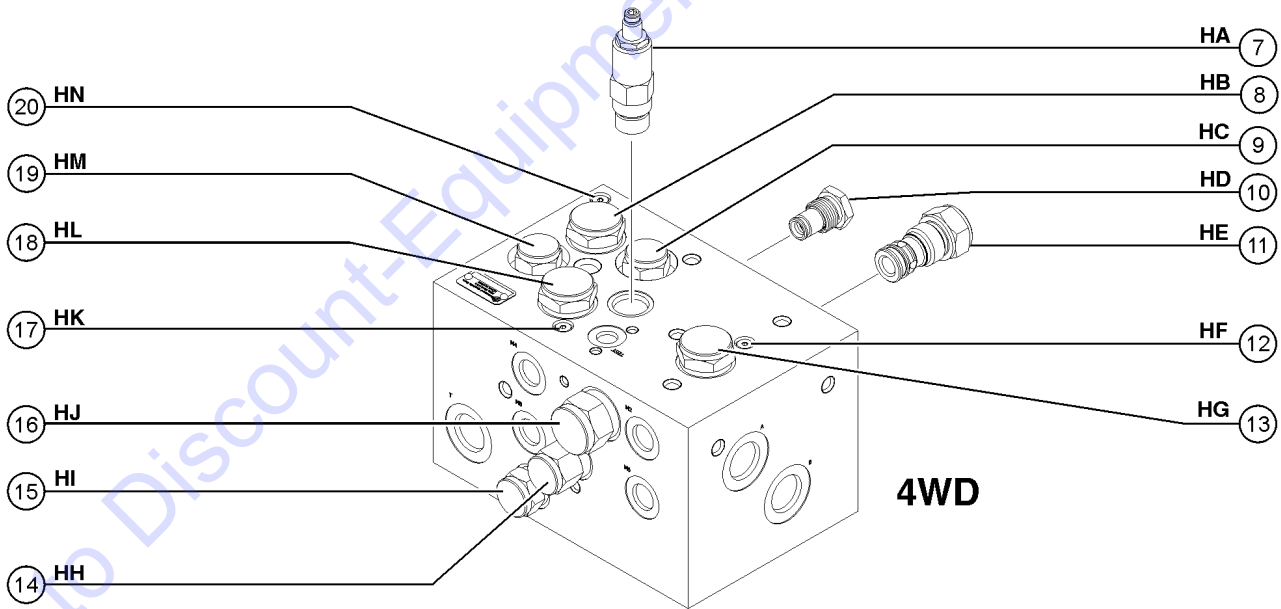
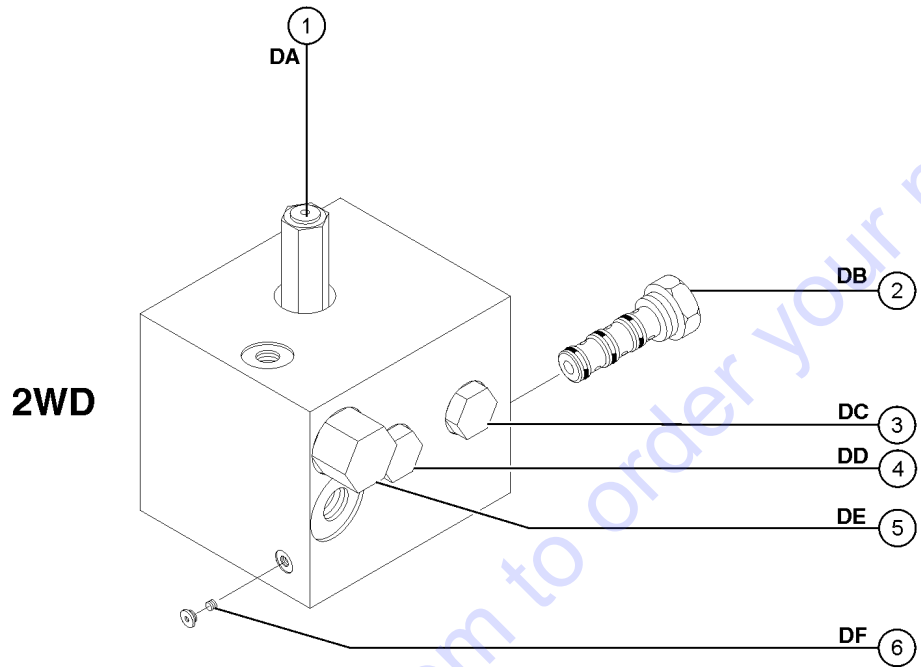


606.1 Joysticks

Item	Part No.	Description	Qty.	Item	Part No.	Description	Qty.
--		<i>If joystick handle is marked with blue band it is "isolated" and must be replaced with isolated joystick</i>		17	75447GT	SWITCH SHIELD,ROCK JOYSTK75565.....	1
--	101173GT	JOYSTICK,2 AXIS,ROCKER,DEUTSCH <i>(calibration required after replacement), OEM joystick</i>		18	75446GT	SPRING,SWITCH CENTERING,75565...	1
--	101173HGT	JOYSTICK,DUAL AXIS W/STEER <i>(calibration required after replacement), aftermarket joystick</i>		19	75445GT	ROCKER ASSY.,MAGNETIC 75565.....	1
--	101174GT	JOYSTICK,2 AXIS,DEUTSCH <i>(calibration required after replacement), OEM joystick</i>		20	75444GT	ROCKER,RETAINER, 75565.....	1
--	101174HGT	JOYSTICK,DUAL AXIS W/KNOB <i>(calibration required after replacement), aftermarket joystick</i>		21	75443GT	BOOT, ROCKER JOYSTICK 75565.....	1
--	101005GT	JOYSTICK,1 AXIS ROCKER,DEUTSCH <i>(calibration required after replacement), OEM joystick</i>					
--	101005HGT	JOYSTICK,SINGLE AXIS W/STEER <i>(calibration required after replacement), aftermarket joystick</i>					
--	119613GT	HARN JOYSTICK ADAPTOR JS100 <i>6-pin to 7-pin adapter (for 101174, 101175, 101005)</i>					
1	1269500GT	KIT, ISOLATION, 2 JOYSTICK.....	1				
		<i>(Includes items 4 - 7)</i>					
2		Ref. (EXISTING PLATFORM LID) <i>(Refer to 605.2)</i>					
3		Ref. (EXISTING SCREW PH M5-0.8X20) <i>(Refer to 605.2)</i>					
4	1269498GT	SHOULDER WASHER, NYLON.....	8				
		<i>(Included in kit 1269500GT)</i>					
5	1269499GT	PLUG, JOYSTICK HANDLE.....	2				
		<i>(Included in kit 1269500GT)</i>					
6	1271713GT	SHRINK TUBE,BLU,3:1,40MM.....	2				
		<i>(Included in kit 1269500GT)</i>					
7	1269497GT	GASKET, ISOLATION, JOYSTICK.....	2				
		<i>(Included in kit 1269500GT)</i>					
8	62392GT	KNOB,JOYSTICK, 62390/62391.....	1				
9	T112626GT	SCREW, PHM, #6-32 X .625 ZINC.....	1				
10	139598GT	BOOT,JOYSTICK.....	1				
11		SPRING,JOYSTK CENTR,62390/91 <i>no longer available from supplier</i>					
12	119915GT	COLLAR,JOYSTICK,CENTER.....	1				
13	128000GT	SEAL, CONNECTOR (DT JOYSTICKS).....	1				
14	128001GT	SLEEVE,CONNECTOR,DT JOYSTICKS.....	1				
15	75449GT	KNOB,ROCKER JOYSTICK 75565.....	1				
16	75448GT	SUPPORT,SENSOR,JOYSTICK.....	1				



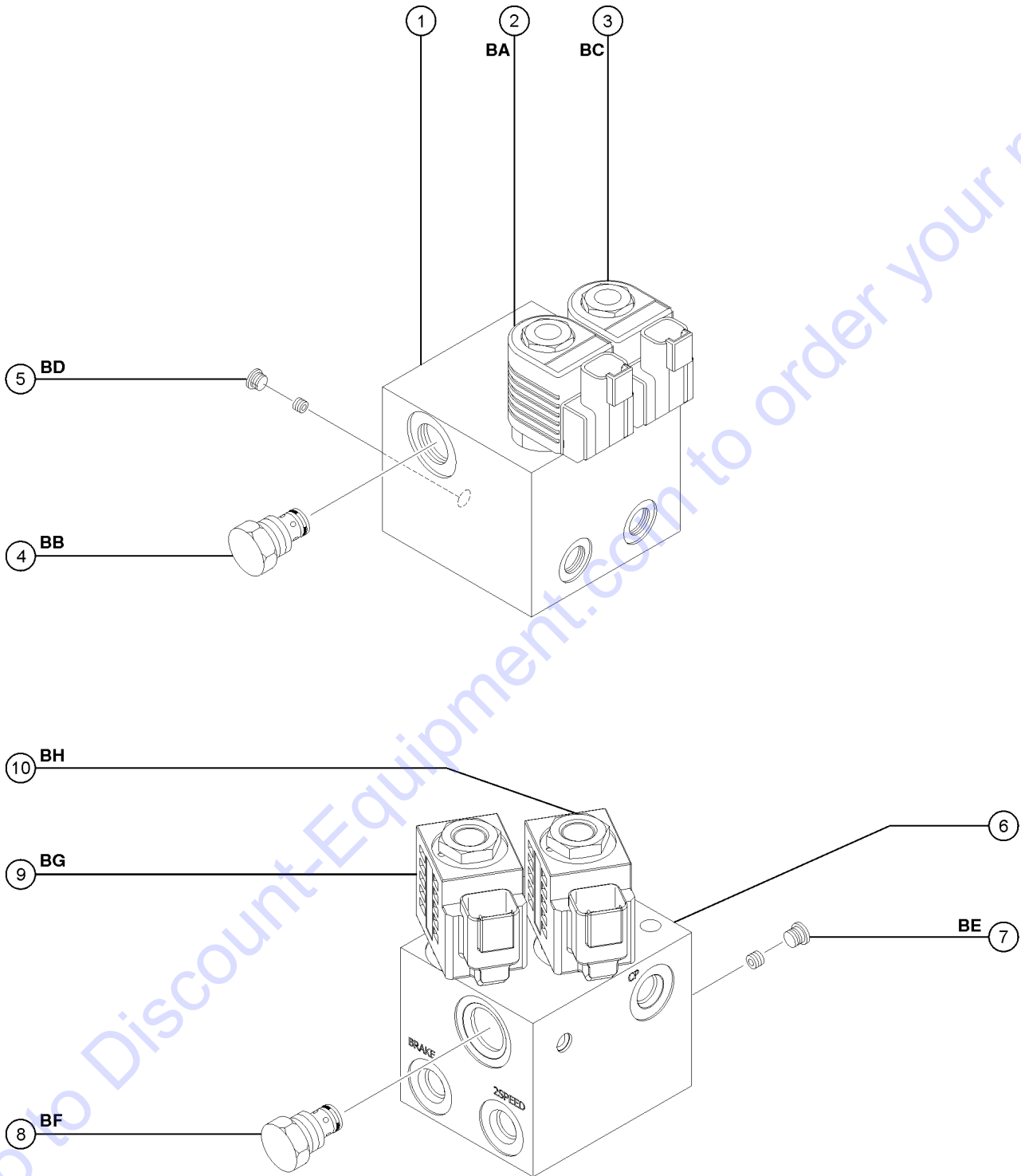
701.1 Traction Manifold



## 701.1 Traction Manifold

Item	Part No.	Description	Qty.	Item	Part No.	Description	Qty.
--	88783GT	MANIFOLD,TRACTION,2WD (complete)		13	139508GT	VALVE, FLOW DIVIDE/COMBINE 1:1 HG, Controls flow to flow divider/combiner valves 8 and 18	
--	1287434GT	PLUG,SAE #03 (139712) Plug for ORIFICE, 0.040"		--	139512GT	SEAL KIT, VALVE	
--	139712GT	MANIFOLD,TRACTION,4WD*** (complete)		14	139715GT	VALVE, SHUTTLE, FIXED HH, Steer end drive motor circuit	
--	28750GT	O-RING KIT,FIELD SVC,ALL PROD*		--	139512GT	SEAL KIT, VALVE	
--	49612GT	O-RING KIT (ORFS FITTINGS)		15	139527GT	VALVE, CHECK, 5PSI HI, Steer end drive motor circuit	
--	33994GT	PLUG AND CAP KIT-SERVICE,37 **		--	139528GT	SEAL KIT, VALVE	
--	49613GT	PLUG AND CAP KIT-SERVICE,ORFS*		16	139716GT	VALVE, CHECK HJ, Charge pressure circuit that directs hot oil out of low pressure side of drive pump	
1	94758GT	VALVE,RELIEF,280PSI DA, Charge pressure circuit		--	139727GT	SEAL KIT, VALVE	
--	110194GT	SEAL KIT, VALVE, #10		17	139719GT	ORIFICE, 0.040" HK, Equalizes pressure on both sides of flow divider/combiner valve 18	
2	52726GT	VALVE,FLOW DIVIDER/COMBINER DB, Controls flow to drive motors in forward and reverse		18	139717GT	VALVE, FLOW DIVIDE/COMB,24GPM HL, Controls flow to steer end drive motors in forward and reverse	
--	84135GT	SEAL KIT, VALVE		--	139512GT	SEAL KIT, VALVE	
3	27836GT	VALVE,CHECK,5 PSI DC, Drive circuit		19	139527GT	VALVE, CHECK, 5PSI HM, Non-steer end drive motor circuit	
--	110194GT	SEAL KIT, VALVE, #10		--	139528GT	SEAL KIT, VALVE	
4	27836GT	VALVE,CHECK,5 PSI DD, Drive circuit		20	139719GT	ORIFICE, 0.040" HN, Equalizes pressure on both sides of flow divider/combiner valve 8	
--	110194GT	SEAL KIT, VALVE, #10					
5	27761GT	VALVE,SHUTTLE GE, Controls flow to drive motors in forward and reverse					
--	84134GT	SEAL KIT, VALVE					
6	101440GT	ORIFICE PLUG, 0.070" DF, Equalizes flow across flow divider combiner valve 2					
7	139718GT	VALVE, RELIEF, 280PSI HA, Charge pressure circuit					
--	139512GT	SEAL KIT, VALVE					
8	139717GT	VALVE, FLOW DIVIDE/COMB,24GPM HB, Controls flow to non-steer end drive motors in forward and reverse					
--	139512GT	SEAL KIT, VALVE					
9	139527GT	VALVE, CHECK, 5PSI HC, Steer end drive motor circuit					
--	139528GT	SEAL KIT, VALVE					
10	139527GT	VALVE, CHECK, 5PSI HD, Non-steer end drive motor circuit					
--	139528GT	SEAL KIT, VALVE					
11	139716GT	VALVE, CHECK HE, Non-steer end drive motor circuit					
--	139727GT	SEAL KIT, VALVE					
12	139719GT	ORIFICE, 0.040" HF, Equalizes pressure on both sides of flow divider/combiner valve 13					

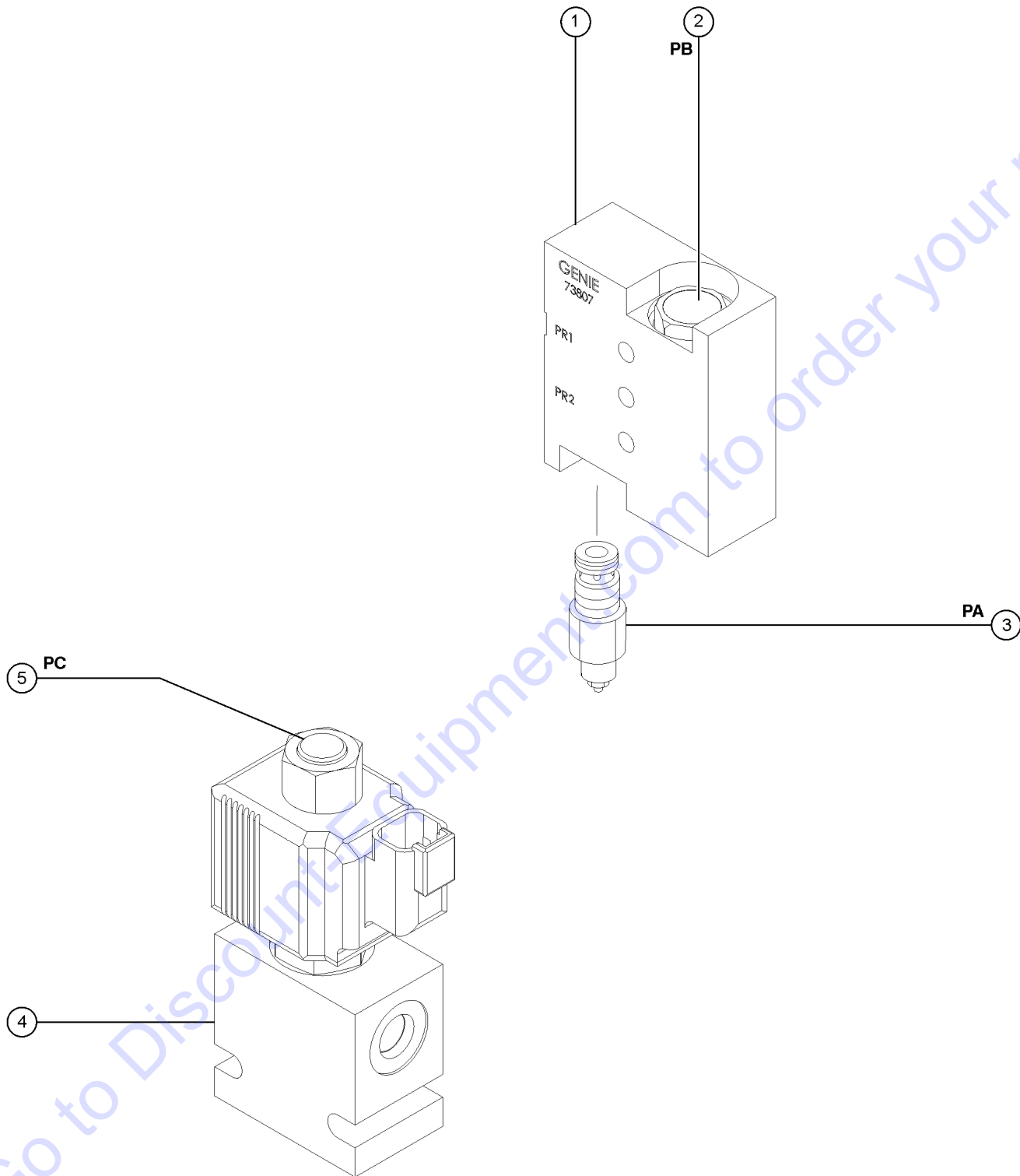
702.1 Two-Speed/Brake Manifold



## 702.1 Two-Speed/Brake Manifold

Item	Part No.	Description	Qty.
1	88785GT	MANIFOLD,BRAKE/2 SPD W/QD PLG* <i>(Complete)</i>	
2	94760GT	VALVE,SOLENOID,10V,W/OUT COIL* <i>BA, Brake release</i>	
--	94765GT	COIL-10V DC***	
--	94759GT	NUT,SOLENOID	
--	128419GT	Seal Kit	
3	94760GT	VALVE,SOLENOID,10V,W/OUT COIL* <i>BC, Two speed motor shift</i>	
--	94765GT	COIL-10V DC***	
--	94759GT	NUT,SOLENOID	
--	128419GT	Seal Kit	
4	94761GT	VALVE,CHECK <i>BB, Brake release circuit</i>	
--	128420GT	Seal Kit	
5	94764GT	ORIFICE,0.025" <i>BD, Turntable rotaton brake release</i>	
6	216602GT	MANIFOLD,BRAKE,2-SPEED <i>(Complete)</i>	
7	219245GT	ORIFICE PLUG .025 DIA. <i>BE, Turntable rotaton brake release</i>	
8	35726GT	VALVE,HYDRAULIC CHECK <i>BF, Brake release circuit</i>	
--	161145GT	SEAL KIT,CHECK VALVE 219246	
9	219243GT	COIL, SOLENOID VALVE, 10V <i>BG, Brake release</i>	
--	219247GT	VALVE, SOLENOID	
--	94759GT	NUT,SOLENOID	
--	161144GT	SEAL KIT,SOLENOID VALVE 219247	
10	219243GT	COIL, SOLENOID VALVE, 10V <i>BH, Two speed motor shift</i>	
--	219247GT	VALVE, SOLENOID	
--	94759GT	NUT,SOLENOID	
--	161144GT	SEAL KIT,SOLENOID VALVE 219247	

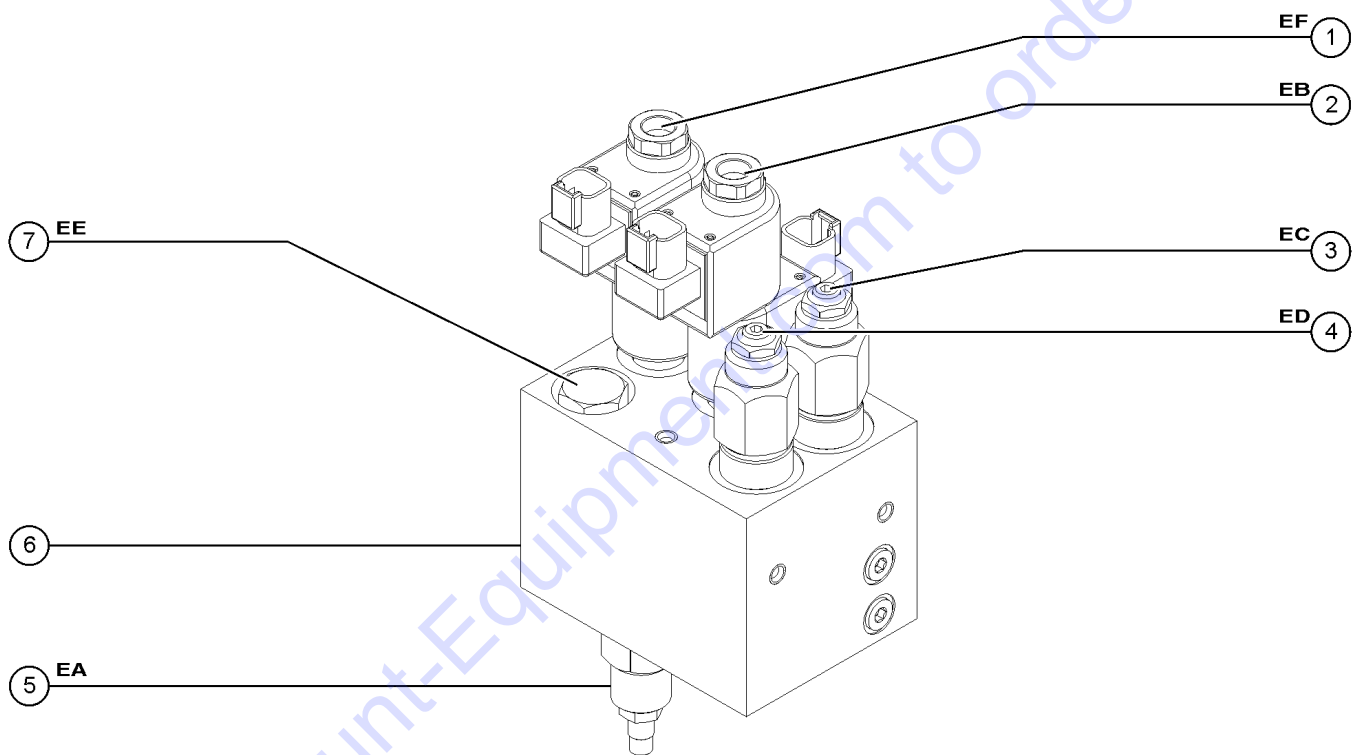
703.1 Function Enable Valve and Platform Rotator Manifold



## 703.1 Function Enable Valve and Platform Rotator Manifold

Item	Part No.	Description	Qty.
1	73807GT	MANIFOLD,ROTATOR,CB*** <i>(Complete)</i>	
--	62507GT	O-RING, ROTATOR MANIFOLD	
2	62506GT	VALVE - COUNTERBALANCE** <i>PB, Platform rotate left</i>	
--	43018GT	SEAL KIT (39345)	
3	62506GT	VALVE - COUNTERBALANCE** <i>PA, Platform rotate right</i>	
--	43018GT	SEAL KIT (39345)	
4	106454GT	VALVE,FUNCTION ENABLE <i>(Complete)</i>	
5	107742GT	VALVE,SOLENOID 2 POS 2 WAY <i>PC, Differential sensing</i>	
--	89733GT	COIL,SOLENOID VALVE***	
--	89770GT	SEAL KIT, SOLENOID VALVE	

704.1 Platform Manifold, S-80X and S-80



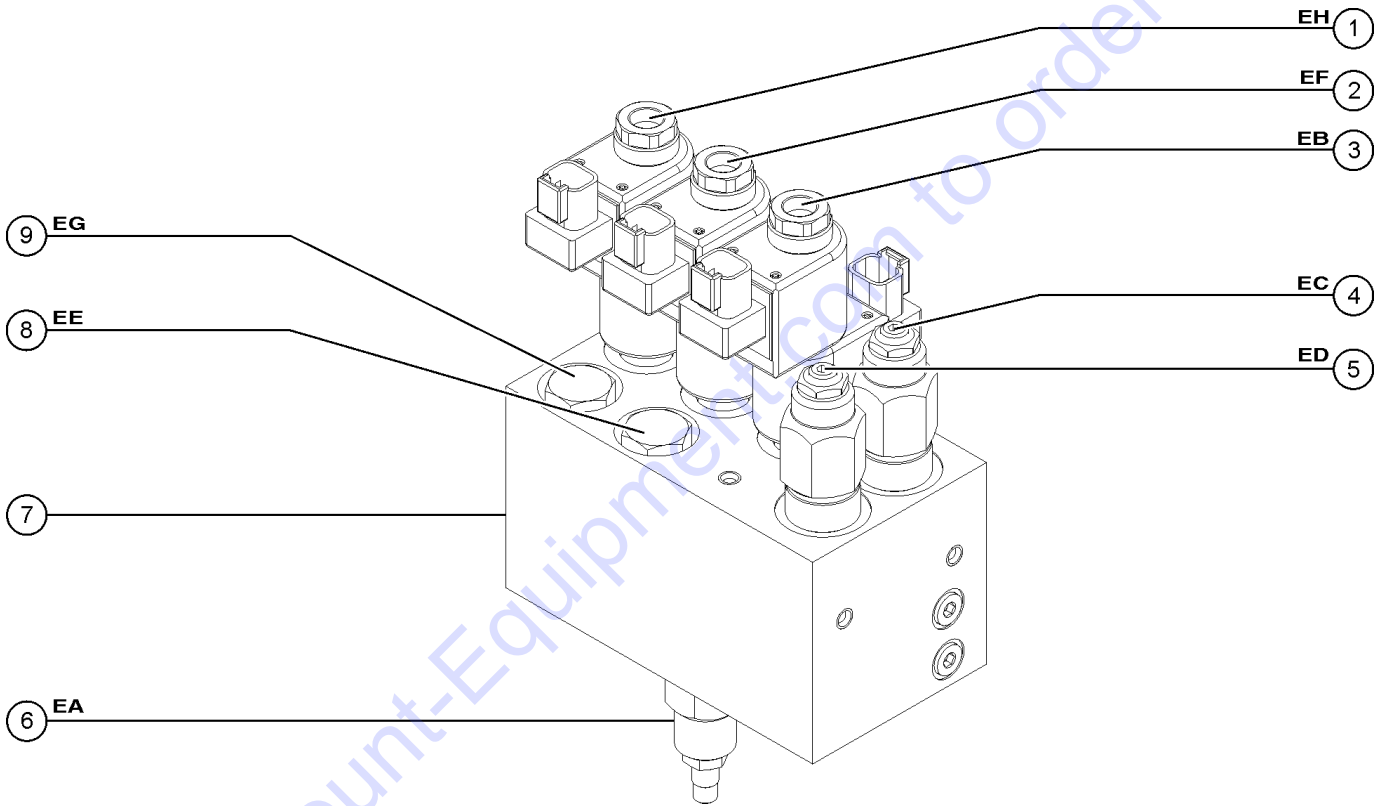
Go to Discount-Equipment.com to order your parts

## 704.1 Platform Manifold, S-80X and S-80

Item	Part No.	Description	Qty.
--	121707GT	MANIFOLD,PLATFORM,S80,2SEC <i>(Complete)</i>	
1	122121GT	SOLENOID VALVE <i>EF, Platform rotate CW/CCW</i>	
--	122120GT	SEAL KIT,SOLENOID VALVE	
--	122148GT	COIL,SOLENOID VALVE,20W	
--	52943GT	NUT,SOLENOID VALVE COIL	
2	122121GT	SOLENOID VALVE <i>EP, Platform level up/down</i>	
--	122120GT	SEAL KIT,SOLENOID VALVE	
--	122148GT	COIL,SOLENOID VALVE,20W	
--	52943GT	NUT,SOLENOID VALVE COIL	
3	50481GT	VALVE,COUNTERBALANCE,3500 PSI <i>EC, Platform level CB valve</i>	
--	43018GT	SEAL KIT (39345)	
4	50481GT	VALVE,COUNTERBALANCE,3500 PSI <i>ED, Platform level CB valve</i>	
--	43018GT	SEAL KIT (39345)	
5	62258GT	VALVE,NEEDLE*** <i>EA, Platform level</i>	
6	121707GT	MANIFOLD,PLATFORM,S80,2SEC	
7	1274553GT	PRESSURE COMP FLOW CONTROL 0.3GPM <i>EE, Platform rotate flow control</i>	
--	74902GT	SEAL KIT	



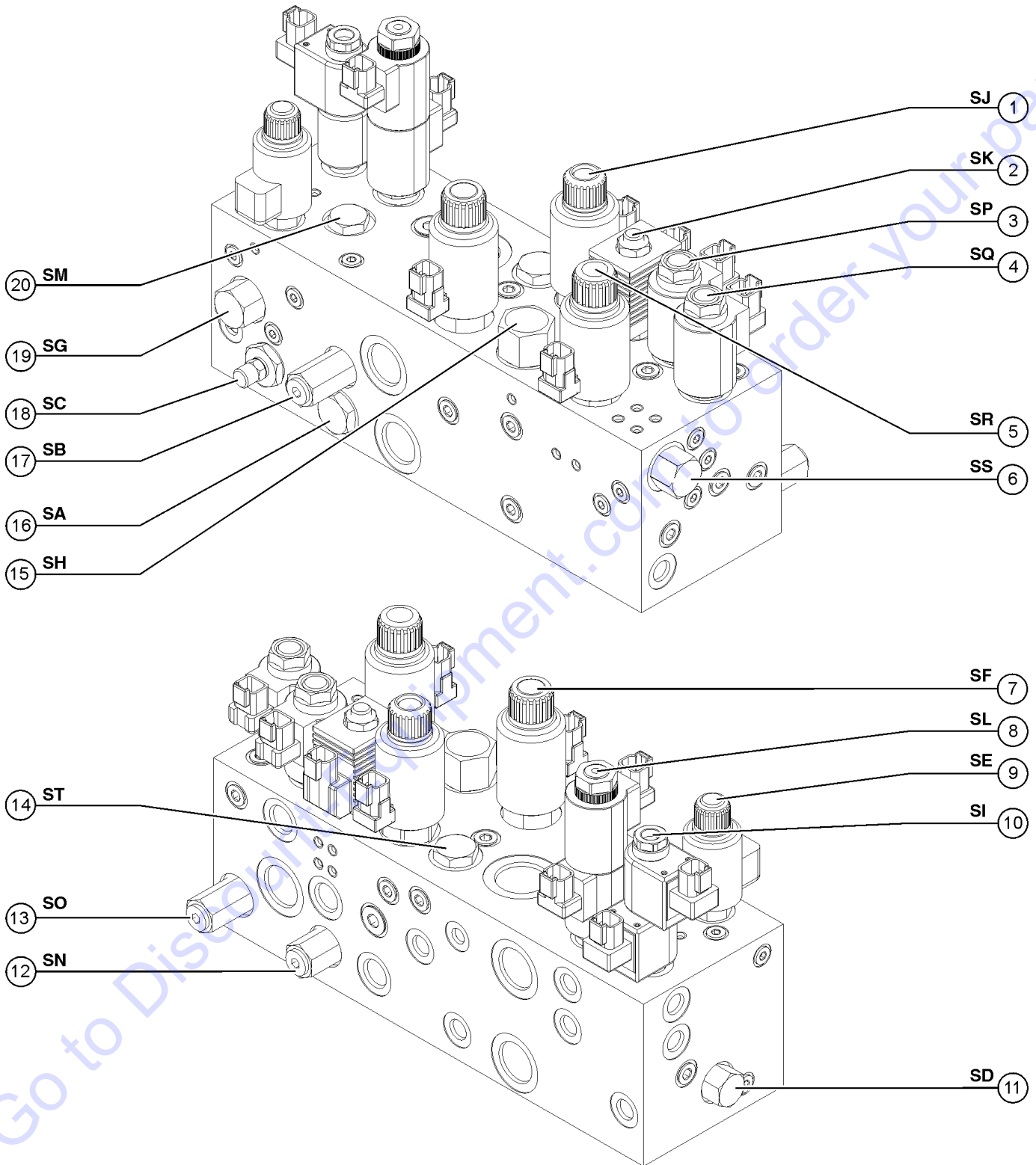
705.1 Platform Manifold, S-85



Go to Discount-Equipment.com to order your parts

Item	Part No.	Description	Qty.
--	121706GT	MANIFOLD,PLATFORM,S856,3 SEC <i>(Complete)</i>	
1	122121GT	SOLENOID VALVE <i>EH, Jib up/down</i>	
--	122120GT	SEAL KIT,SOLENOID VALVE	
--	122148GT	COIL,SOLENOID VALVE,20W	
--	52943GT	NUT,SOLENOID VALVE COIL	
2	122121GT	SOLENOID VALVE <i>EF, Platform rotate CW/CCW</i>	
--	122120GT	SEAL KIT,SOLENOID VALVE	
--	122148GT	COIL,SOLENOID VALVE,20W	
--	52943GT	NUT,SOLENOID VALVE COIL	
3	122121GT	SOLENOID VALVE <i>EB, Platform level up/down</i>	
--	122120GT	SEAL KIT,SOLENOID VALVE	
--	122148GT	COIL,SOLENOID VALVE,20W	
--	52943GT	NUT,SOLENOID VALVE COIL	
4	50481GT	VALVE,COUNTERBALANCE,3500 PSI <i>EC, Platform level CB valve</i>	
--	43018GT	SEAL KIT (39345)	
5	50481GT	VALVE,COUNTERBALANCE,3500 PSI <i>ED, Platform level CB valve</i>	
--	43018GT	SEAL KIT (39345)	
6	62258GT	VALVE,NEEDLE*** <i>EA, Platform level</i>	
7	121706GT	MANIFOLD,PLATFORM,S856,3 SEC	
8	1274553GT	PRESSURE COMP FLOW CONTROL 0.3GPM <i>(EE, Platform rotate flow control)</i>	
--	74902GT	SEAL KIT	
9	1274554GT	PRESSURE COMP FLOW CONTROL 0.8GPM <i>(EG, Jib flow control)</i>	
--	74902GT	SEAL KIT	

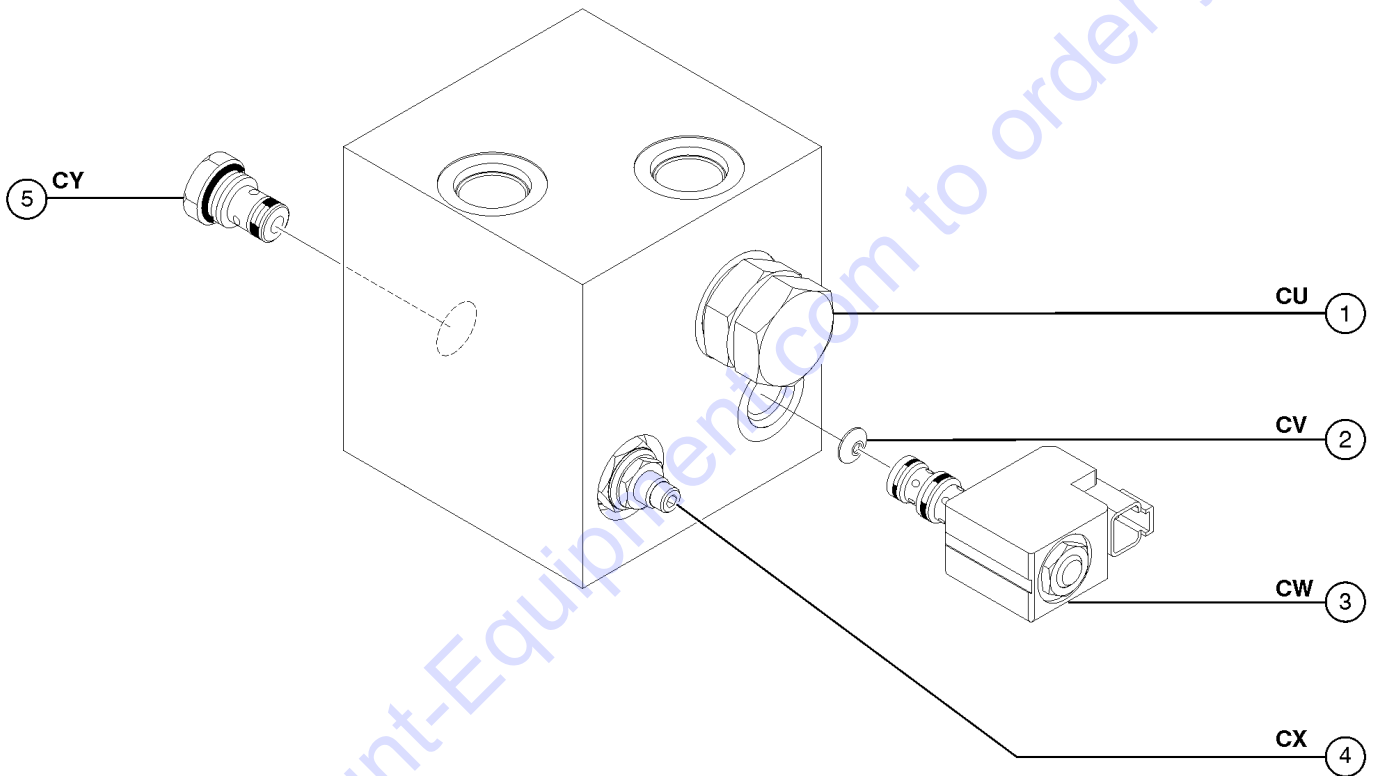
706.1 Function Manifold



## 706.1 Function Manifold

Item	Part No.	Description	Qty.	Item	Part No.	Description	Qty.
--	121708GT	MANIFOLD,SWING S80/85,5 SEC <i>(Complete)</i>		10	122645GT	SOLENOID VALVE,SPOOL TYPE <i>SI, Swing directional</i>	
1	122643GT	Valve-Solenid 2 Postion 3WA <i>SJ, Boom up</i>		--	89733GT	COIL,SOLENOID VALVE***	
--	122652GT	COIL, D14E 10 VDC DED		--	102940GT	NUT,SOLENOID VALVE	
--	45921GT	RETAINER-N.C.PROPOR.SOLENOID		--	122120GT	SEAL KIT,SOLENOID VALVE	
--	110198GT	SEAL KIT, VALVE, #12		11	19060GT	VALVE,FLOW REGULATOR <i>SD, Oscilate flow control</i>	
2	89309GT	VALVE - SOLENOID 2POSITION 3WA <i>SK, Boom down</i>		--	74902GT	SEAL KIT	
--	62275GT	Coil,10V		12	48415GT	VALVE,RELIEF <i>SN, Boom down relief</i>	
--	45912GT	NUT,SOLENOID VALVE 2P3W		--	74902GT	SEAL KIT	
--	89310GT	SEAL KIT, SOLENOID VALVE		13	110209GT	VALVE, RELIEF, 2400 PSI <i>SO, Boom extend relief</i>	
3	122649GT	VALVE,SOLENOID,NO,POPPET <i>SP, Retract</i>		--	74902GT	SEAL KIT	
--	111778GT	COIL,10V DC(D10,26 WATT)		14	122656GT	VALVE, CHECK, 30 PSI <i>ST, Return check valve</i>	
--	102940GT	NUT,SOLENOID VALVE		--	110194GT	SEAL KIT, VALVE, #10	
--	122657GT	Seal Kit		15	122650GT	VALV, DIFFERENTIAL SENSING <i>SH, Primary lift</i>	
4	122649GT	VALVE,SOLENOID,NO,POPPET <i>SP, Extend</i>		--	122660GT	Seal Kit	
--	111778GT	COIL,10V DC(D10,26 WATT)		16	122646GT	BYPASS VALVE RELIEF <i>SA, Back flow check function pump</i>	
--	102940GT	NUT,SOLENOID VALVE		--	110194GT	SEAL KIT, VALVE, #10	
--	122657GT	Seal Kit		17	52715GT	VALVE,RELIEF 3200 PSI <i>SB, System main relief</i>	
5	107753GT	VALVE,PROPORTIONAL <i>SR, Extend/Retract proportional</i>		--	74902GT	SEAL KIT	
--	58303GT	COIL,VALVE,PROPORTIONAL***		18	122644GT	PRESSURE REDUCING VALVE <i>SC, Oscilate pressure control</i>	
--	45912GT	NUT,SOLENOID VALVE 2P3W		19	52714GT	VALVE,DIFFERENTIAL SENSING <i>SG, Differential sensing. TT rotate</i>	
--	89310GT	SEAL KIT, SOLENOID VALVE		--	74902GT	SEAL KIT	
6	122651GT	VALV, DIFFERENTIAL SENSING <i>SS, Boom extend</i>		20	122641GT	VALVE,FLOW REGULATOR <i>SM, Steering flow control</i>	
--	122657GT	Seal Kit		--	74902GT	SEAL KIT	
7	107752GT	VALVE,PROPORTIONAL <i>SF, Boom up/down proportional</i>					
--	58303GT	COIL,VALVE,PROPORTIONAL***					
--	45921GT	RETAINER-N.C.PROPOR.SOLENOID					
--	110198GT	SEAL KIT, VALVE, #12					
8	122647GT	SOLENOID VALVE SPOOL TYPE <i>SL, Steering directional</i>					
--	111778GT	COIL,10V DC(D10,26 WATT)					
--	122653GT	Coil Nut					
--	122657GT	Seal Kit					
9	102528GT	VALVE,PROPORTIONAL <i>SE, Swing proportional</i>					
--	89737GT	COIL,PROPORTIONAL VALVE***					
--	89738GT	NUT, PROPORTIONAL VALVE					
--	89312GT	SEAL KIT, SOLENOID VALVE					
9	102526GT	O-RING, PROPORTIONAL VALVE <i>(between coil and nut)</i>					

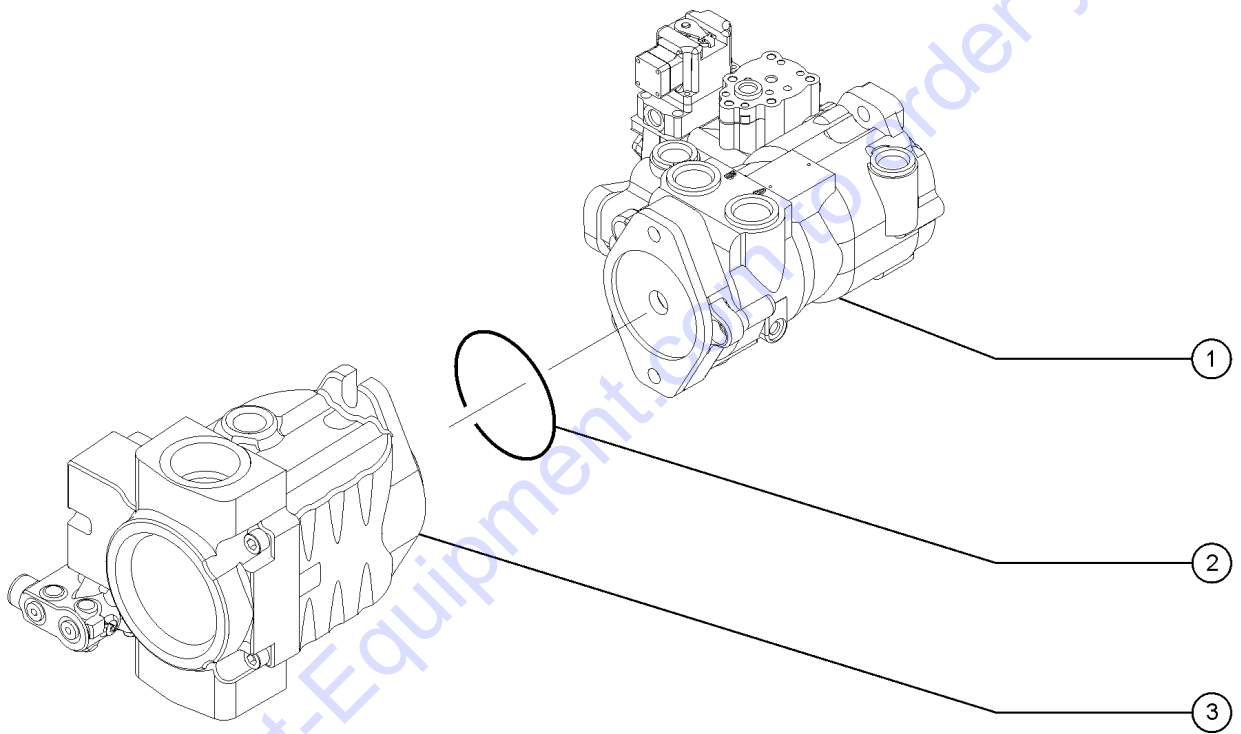
707.1 Oil Diverter Manifold (welder option)



## 707.1 Oil Diverter Manifold (welder option)

Item	Part No.	Description	Qty.
--	101516GT	MANIFOLD,DRIVE OIL DIVERTER <i>(Complete)</i>	
1	102746GT	VALVE,PILOT OPER DIRECTIONAL <i>CU, Diverter valve</i>	
2	106394GT	ORIFICE DISC,.030,CONE <i>CV, Delays shift to drive</i>	
3	94760GT	VALVE,SOLENOID,10V,W/OUT COIL* <i>CW, Pilot valve to diverter</i>	
--	94765GT	COIL-10V DC***	
--	94759GT	NUT,SOLENOID	
--	128419GT	Seal Kit	
4	122302GT	RELIEF,VALVE 270 PSI <i>CX, Charge pressure circuit</i>	
--	128416GT	Seal Kit	
5	94757GT	VALVE,CHECK,3 PSI*** <i>CY, Prevents oil flow to generator</i>	
--	128416GT	Seal Kit	

708.1 Pumps



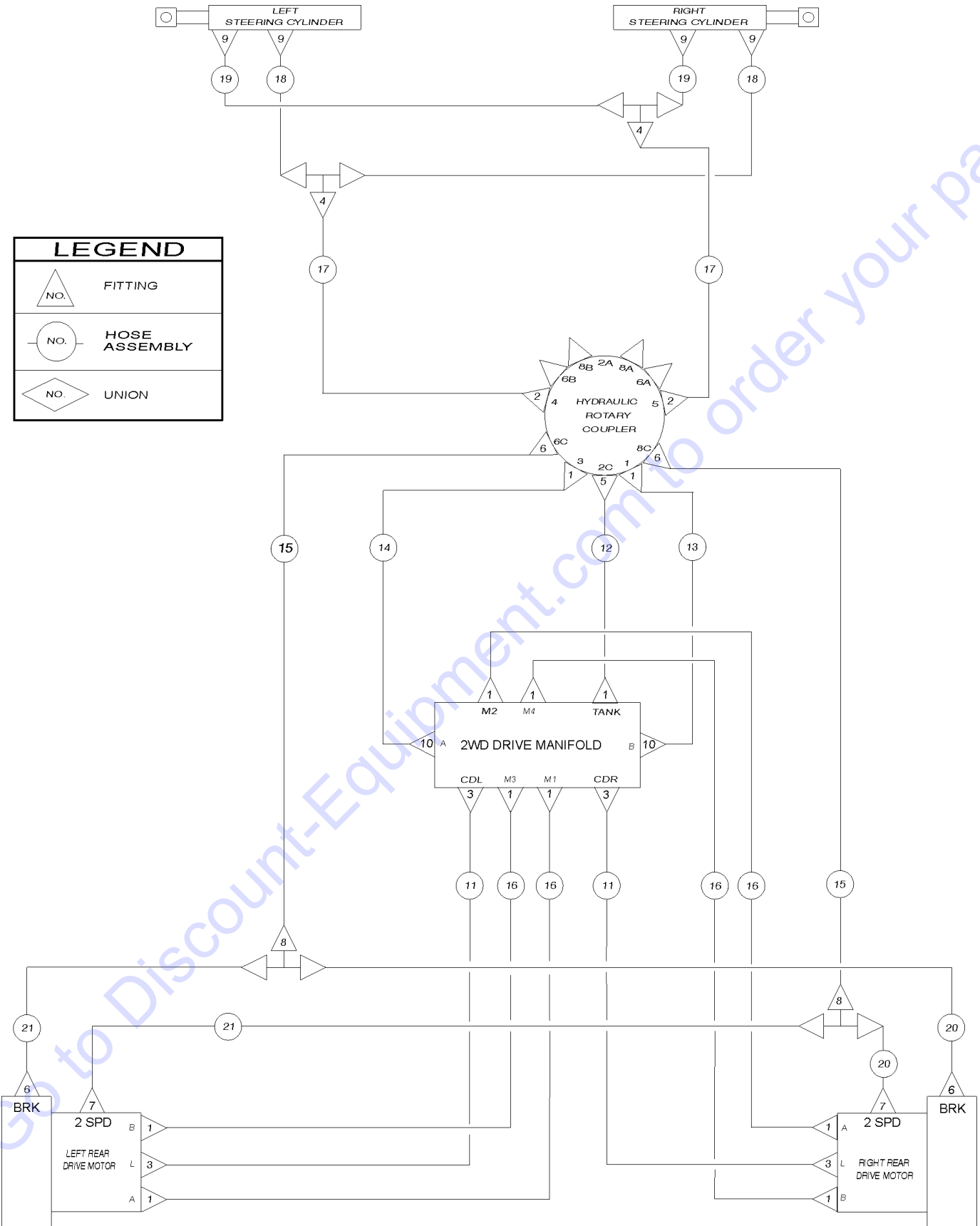
Go to Discount-Equipment.com to order your parts

Item	Part No.	Description	Qty.
1	101068GT	PUMP,PISTON,46CC,B MOUNT,13T**....1 (Drive pump)	1
--	29739GT	SEAL KIT,SAUER-DANFOSS M46***	
--	77819GT	EDC ASSY,SAUER M46***	
--	58290GT	VALVE,EDC,PILOT,SAUER,M46***	
2	52087GT	O-RING,2-044 BUNA*** .....	1
3	121310GT	PUMP,FUNCTION,38CC,LS.....	1
--	122669GT	Seal Kit	

Go to Discount-Equipment.com to order your parts



709.1 2WD Drive and Steer System



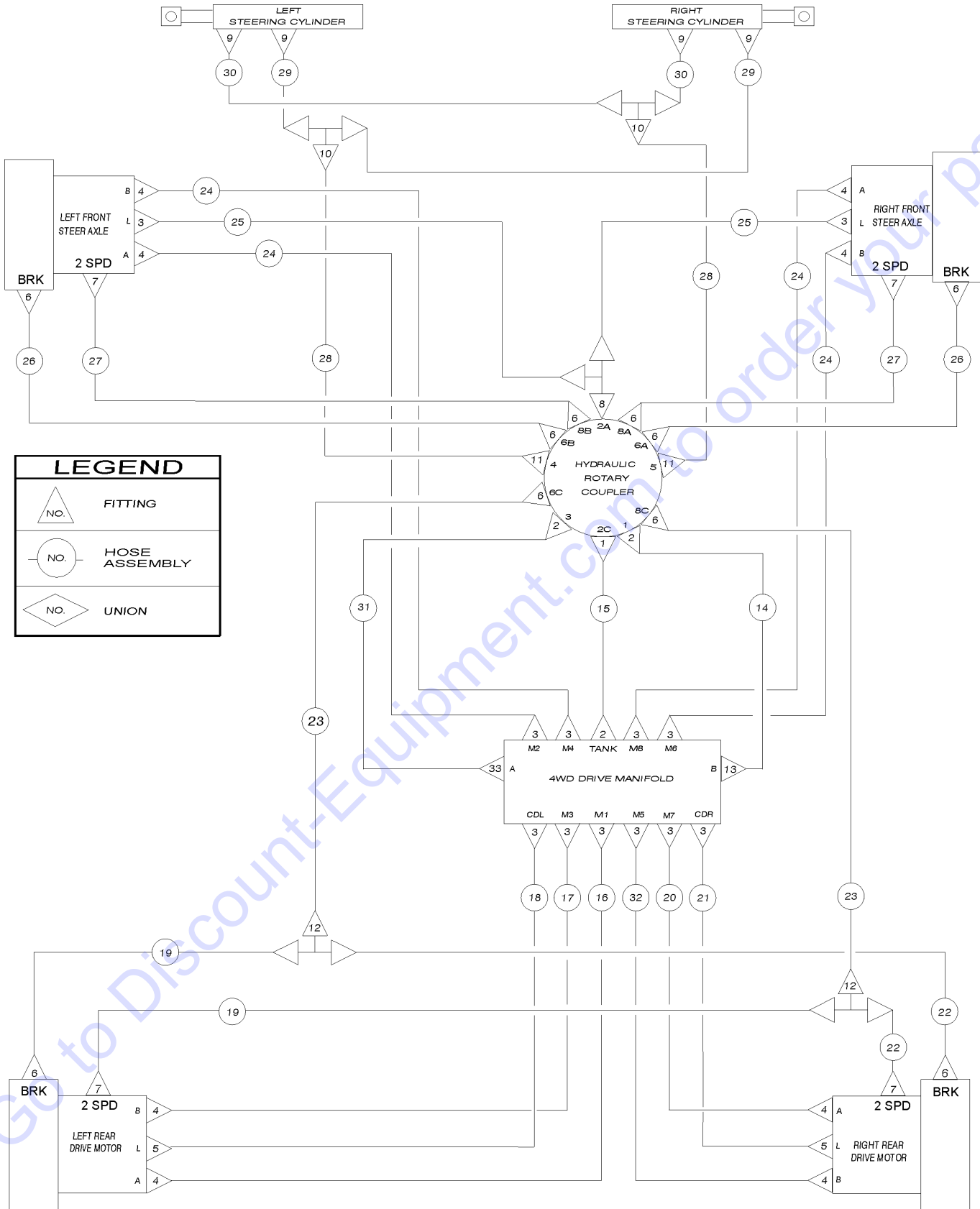
LEGEND	
	FITTING
	HOSE ASSEMBLY
	UNION



## 709.1 2WD Drive and Steer System

Item	Part No.	Description	Qty.
1	48960GT	FITTING,CONN,520120-12***.....	10
2	48916GT	CONN, 520120-6.....	2
3	48933GT	CONN,520120-8***.....	4
4	89449GT	FITTING, BRANCH BULKHEAD.....	2
5	48963GT	FITTING,ELBOW,45D,520320-12***.....	1
6	48905GT	CONNECTOR, 520120-4.....	4
7	48911GT	ELBOW,90D,520220-4-6***.....	2
8	48909GT	TEE,BULKHEAD,RUN,520958-4.....	2
9	48915GT	ELBOW,90D,520220-6.....	4
10	48959GT	FITTING,ELBOW,90D,520220-12.....	2
11	49143-5229GT	HOSE ASSY,1/2,90 FEM,STR FEM..... <i>Components: 48822, 48827 and 48756 @ 50 inches</i>	2
12	49149-2526GT	HOSE ASSY,3/4,STR FEM,STR FEM..... <i>Components: 48841, 48845 and 48761 @ 22 inches</i>	1
13	89871-2648GT	HOSE ASSY,3/4,STR FEM,STR FEM..... <i>Components: 48841, 48841 and 94358 @ 24 inches</i>	1
14	89871-2448GT	HOSE ASSY,3/4,STR FEM,STR FEM..... <i>Components: 48841, 48841 and 94358 @ 22 inches</i>	1
15	49116-3137GT	HOSE ASSY,1/4,45 FEM,STR FEM..... <i>Components: 48800, 48801 and 48751 @ 29 inches</i>	2
16	94374-5130GT	HOSE ASSY,3/4",90F,STR F..... <i>Components: 48841, 48846 and 9435 @ 48 inches</i>	4
17	49130-2957GT	HOSE ASSEMBLY,3/8..... <i>Components: 48812, 48812 and 48753 @ 27.75 inches</i>	2
18	49128-2409GT	HOSE ASSEMBLY,3/8"..... <i>Components: 48812, 48816 and 48753 @ 22 inches</i>	2
19	49128-3709GT	HOSE ASSEMBLY,3/8"..... <i>Components: 48816, 48812 and 48753 @ 35 inches</i>	2
20	49117-5391GT	HOSE ASSY,1/4,90 FEM,STR FEM..... <i>Components: 48800, 48802 and 48751 @ 52 inches</i>	2
21	217056GT	HOSE ASSY,1/4/STR FEM,STR FEM..... <i>Components: 48800, 48800 and 48751 @ 44 inches</i>	2

710.1 4WD Drive and Steer System



LEGEND	
	FITTING
	HOSE ASSEMBLY
	UNION

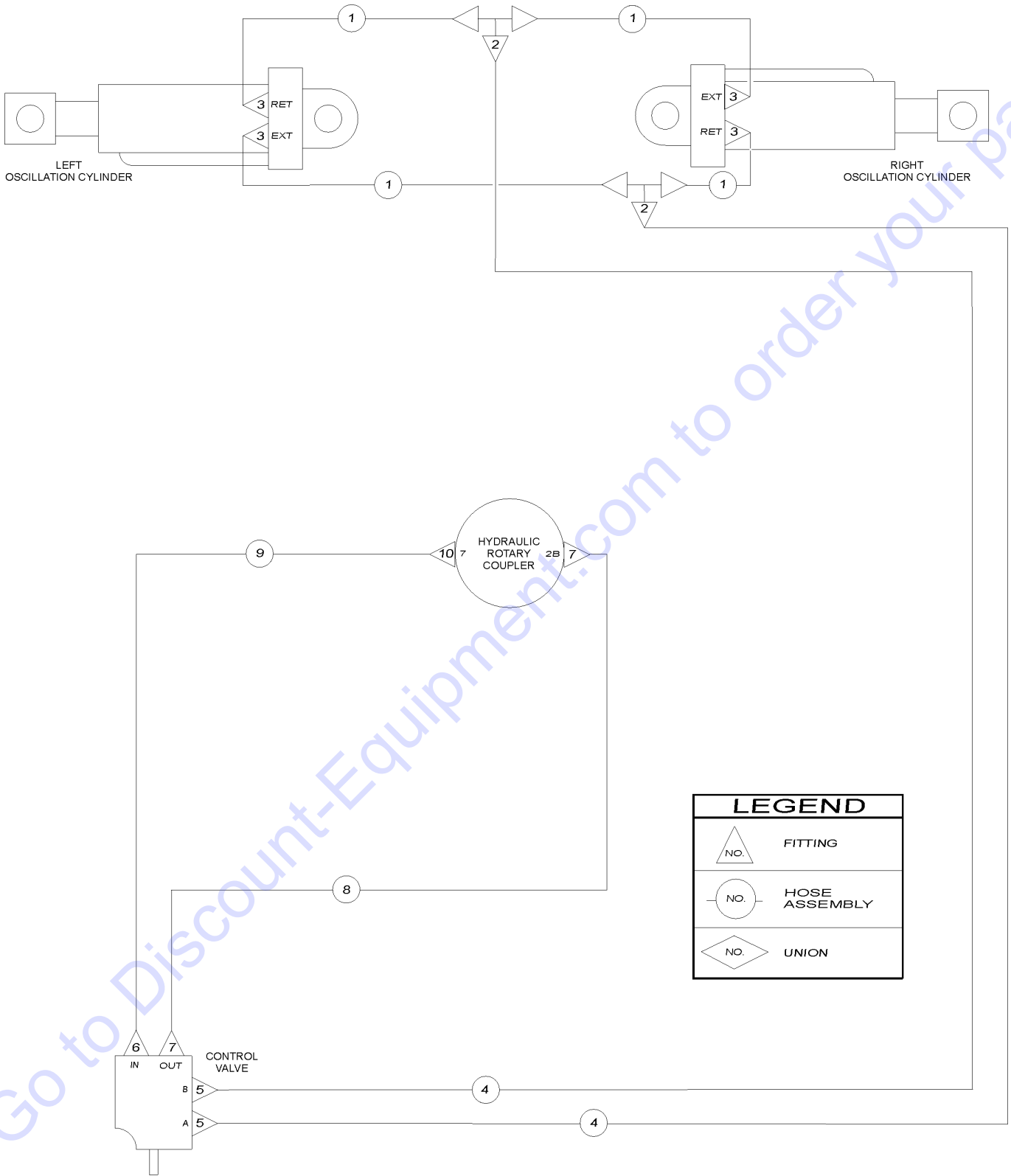


S-80, S-80X, S-85

## 710.1 4WD Drive and Steer System

Item	Part No.	Description	Qty.	Item	Part No.	Description	Qty.
1	48963GT	FITTING, ELBOW, 45D, 520320-12***.....	1	26	49117-11491GT	HOSE ASSY, 1/4, 90 FEM, STR FEM**.....	2
2	48960GT	FITTING, CONN, 520120-12***.....	3			Components: 48800, 48802 and 48751 @ 113 inches	
3	48933GT	CONN, 520120-8***.....	12	--	101790-11391GT	HOSE ASSY, 1/4, 90 FEM, STR FEM.....	2
4	48948GT	CONN, 520120-8-12.....	8			Components: 48822, 48826 and 101699 @ 112 inches (Arctic hose option)	
5	48932GT	FITTING, ELBOW, 90D, 520220-8***.....	2	27	49119-11378GT	HOSE ASSY, 1/4, STR FEM, STR FEM.....	2
6	48905GT	CONNECTOR, 520120-4.....	10			Components: 48800, 48800 and 48751 @ 112 inches	
7	48911GT	ELBOW, 90D, 520220-4-6***.....	4	--	101792-11378GT	HOSE ASSY, 1/4, STR FEM, STR FEM.....	2
8	48936GT	TEE, BRANCH, 520429-8.....	1			Components: 48822, 48826 and 101699 @ 112 inches (Arctic hose option)	
9	48915GT	ELBOW, 90D, 520220-6.....	4	28	49130-2957GT	HOSE ASSEMBLY, 3/8.....	2
10	89449GT	FITTING, BRANCH BULKHEAD.....	2			Components: 48812, 48812 and 48753 @ 27.75 inches	
11	48916GT	CONN, 520120-6.....	2	29	49128-2409GT	HOSE ASSEMBLY, 3/8".....	2
12	48909GT	TEE, BULKHEAD, RUN, 520958-4.....	2			Components: 48812, 48816 and 48753 @ 22 inches	
13	48959GT	FITTING, ELBOW, 90D, 520220-12.....	1	30	49128-3709GT	HOSE ASSEMBLY, 3/8".....	2
14	89871-2448GT	HOSE ASSY, 3/4, STR FEM, STR FEM.....	1			Components: 48816, 48812 and 48753 @ 35 inches	
15	823601GT	HOSE ASSY, 3/4, 45 FEM, STR, 25.26.....	1	31	89871-2448GT	HOSE ASSY, 3/4, STR FEM, STR FEM.....	1
		Components: 48841, 48845 and 48761 @ 22 inches				Components: 48841, 48841 and 94358 @ 22 inches; to SN 8757	
16	217051GT	HOSE ASSY, 1/2, 90 FEM, STR FEM.....	1	--	217065GT	HOSE ASSY, 3/4, 90 FEM, STR FEM.....	1
		Components: 48822, 48827 and 48758 @ 46 inches				Components: 48841, 48846 and 94358 @ 22 inches; from SN 8758	
17	217052GT	HOSE ASSY, 1/2, 90 FEM, STR FEM.....	1	32	49109-5029GT	HOSE ASSY, 1/2, 90 FEM, STR FEM**.....	1
		Components: 48822, 48827 and 48758 @ 50 inches				Components: 48822, 48827 and 48758 @ 48 inches	
18	217064GT	HOSE ASSY, 1/2, STR FEM, STR FEM.....	1	33	48960GT	FITTING, CONN, 520120-12***.....	1
		Components: 48822, 48822 and 48756 @ 49 inches					
19	217056GT	HOSE ASSY, 1/4, STR FEM, STR FEM.....	2				
		Components: 48800, 48800 and 48751 @ 44 inches					
20	217050GT	HOSE ASSY, 1/2, 90 FEM, STR FEM.....	1				
		Components: 48822, 48827 and 48758 @ 45 inches					
21	217063GT	HOSE ASSY, 1/2, STR FEM, STR FEM.....	1				
		Components: 48822, 48822 and 48758 @ 45 inches					
22	49117-5391GT	HOSE ASSY, 1/4, 90 FEM, STR FEM.....	2				
		Components: 48800, 48802 and 48751 @ 52 inches					
23	49116-3137GT	HOSE ASSY, 1/4, 45 FEM, STR FEM.....	2				
		Components: 48800, 48801 and 48751 @ 29 inches					
24	49110-14692GT	HOSE ASSY, 1/2, STR FEM, STR FEM.....	4				
		Components: 48822, 48822 and 48758 @ 145 inches					
25	823600GT	HOSE ASSY, 1/2, 45 FEM, STR, 114.6.....	2				
		Components: 48822, 48826 and 48756 @ 112 inches					
--	122441-11463GT	HOSE ASSY, 1/2, 45 FEM, STR FEM.....	2				
		Components: 48822, 48826 and 101699 @ 112 inches (Arctic hose option)					

711.1 Oscillate System



LEGEND	
	FITTING
	HOSE ASSEMBLY
	UNION

Item	Part No.	Description	Qty.
1	49128-4209GT	HOSE ASSY,3/8,90D.....4 <i>Components: 48812, 48816 and 48753 @ 40 inches</i>	4
2	89449GT	FITTING, BRANCH BULKHEAD.....2	2
3	48920GT	ELBOW,45D,520320-6.....4	4
4	49130-8382GT	HOSE ASSY,FEM SW,6-6.....2 <i>Components: 48812, 48812 and 48753 @ 82 inches</i>	2
5	48915GT	ELBOW,90D,520220-6.....2	2
6	48914GT	CONN,520120-4-8.....1	1
7	48930GT	CONN,520120-6-8.....2	2
8	49128-4509GT	HOSE ASSY,3/8" 90 FEM,STR FEM.....1 <i>Components: 48812, 48816 and 48753 @ 43 inches</i>	1
9	217054GT	HOSE ASSY,1/4,90 FEM,STR FEM.....1 <i>Components: 48800, 48802 and 48751 @ 47 inches</i>	1
10	48907GT	ELBOW,45D,520320-4.....1	1

# PARTS FINDER

**Search Website  
by Part Number**



**Search Manual  
Library For Parts  
Manual & Lookup Part  
Numbers – Purchase  
or Request Quote**

**Search Manuals**

Enter your information to help us find the right parts manual for your machine.

\* Brand:

\* Model:

\* Serial:

\* Part Number:

SEARCH

**Can't Find Part or  
Manual? Request Help  
by Manufacturer,  
Model & Description**

**Parts Order Form**

Please fill in the following information to help us find the right part for your machine.

Manufacturer:	<input type="text"/>
Model:	<input type="text"/>
Description:	<input type="text"/>
Part Number:	<input type="text"/>
Quantity:	<input type="text"/>
Notes:	<input type="text"/>

Submit

Discount-Equipment.com is your online resource for quality parts & equipment.

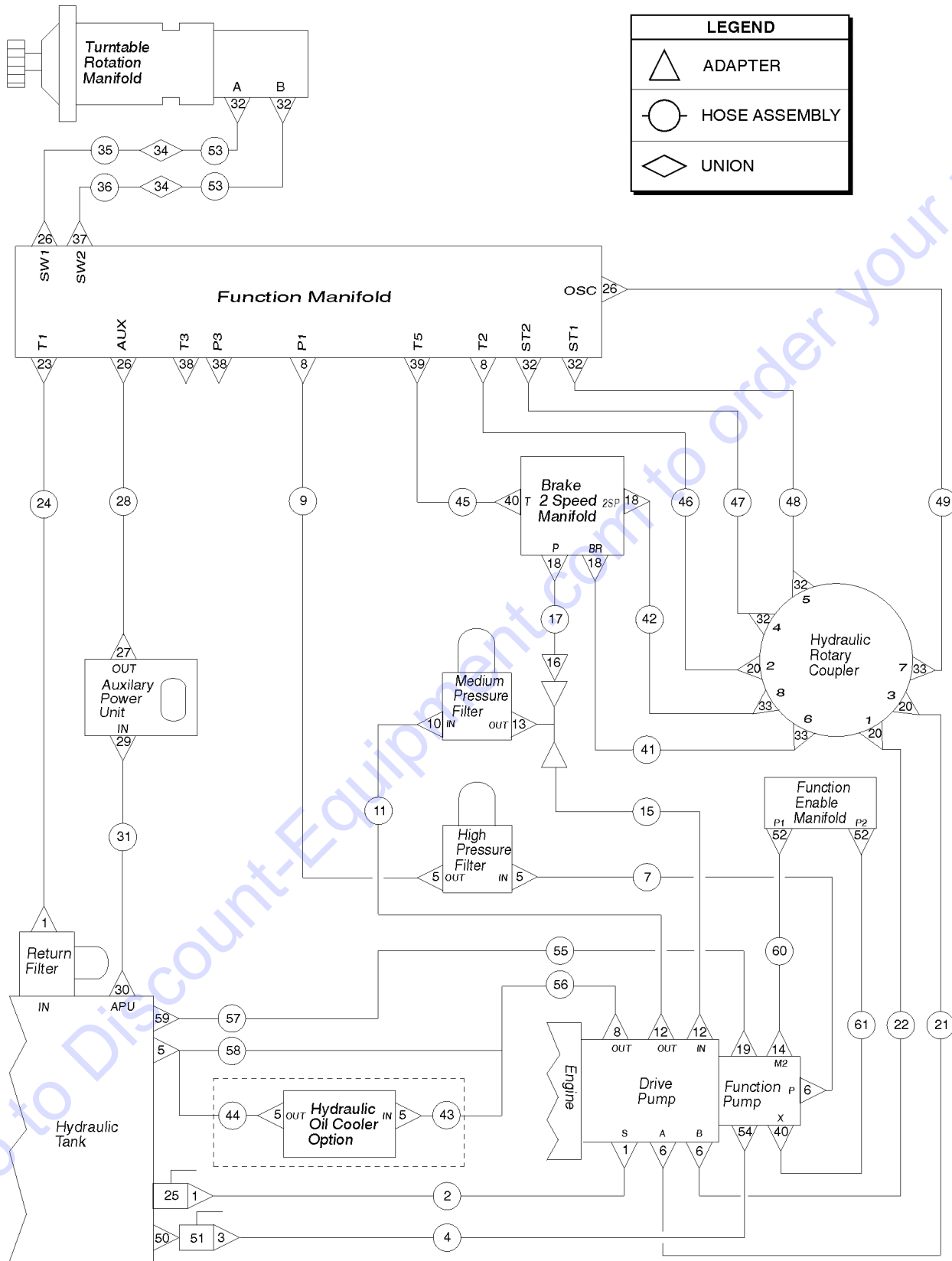
Florida: **561-964-4949** Outside Florida TOLL FREE: **877-690-3101**

**Need parts?**

Click on this link: <http://www.discount-equipment.com/category/5443-parts/> and choose one of the options to help get the right parts and equipment you are looking for. Please have the machine model and serial number available in order to help us get you the correct parts. If you don't find the part on the website or on one of the online manuals, please fill out the request form and one of our experienced staff members will get back to you with a quote for the right part that your machine needs.

We sell worldwide for the brands: Genie, Terex, JLG, MultiQuip, Mikasa, Essick, Whiteman, Mayco, Toro Stone, Diamond Products, Generac Magnum, Airman, Haulotte, Barreto, Power Blanket, Nifty Lift, Atlas Copco, Chicago Pneumatic, Allmand, Miller Curber, Skyjack, Lull, Skytrak, Tsurumi, Husquvarna Target, Stow, Wacker, Sakai, Mi-T-M, Sullair, Basic, Dynapac, MBW, Weber, Bartell, Bennar Newman, Haulotte, Ditch Runner, Menegotti, Morrison, Contec, Buddy, Crown, Edco, Wyco, Bomag, Laymor, EZ Trench, Bil-Jax, F.S. Curtis, Gehl Pavers, Heli, Honda, ICS/PowerGrit, IHI, Partner, Imer, Clipper, MMD, Koshin, Rice, CH&E, General Equipment, Amida, Coleman, NAC, Gradall, Square Shooter, Kent, Stanley, Tamco, Toku, Hatz, Kohler, Robin, Wisconsin, Northrock, Oztec, Toker TK, Rol-Air, APT, Wylie, Ingersoll Rand / Doosan, Innovatech, Con X, Ammann, Mecalac, Makinex, Smith Surface Prep, Small Line, Wanco, Yanmar

712.1 Turntable Components



LEGEND	
	ADAPTER
	HOSE ASSEMBLY
	UNION

Go to Discount-Equipment.com to order your parts



## 712.1 Turntable Components

Item	Part No.	Description	Qty.	Item	Part No.	Description	Qty.
1	48984GT	CONN,520120-16.....	3	27	48918GT	TEE,RUN,520428-6.....	1
2	88942-9554GT	HOSE ASSY,1",90 FEM,STR FEM..... <i>Components: 88938, 88939 and 88940 @ 92 inches</i>	1	28	49128-1509GT	HOSE ASSY,3/8,90 FEM,STR FEM..... <i>Components: 48816, 48812 and 48753 @ 13 inches</i>	1
3	61083GT	CONN,520120-24.....	1	29	48932GT	FITTING,ELBOW,90D,520220-8***.....	1
4	121608-9175GT	HOSE ASSY,1-1/2,STR,90D JIC..... <i>Components: 121778, 88476, 88473 and 61100 @ 83 inches</i>	1	30	48933GT	CONN,520120-8***.....	1
5	48959GT	FITTING,ELBOW,90D,520220-12.....	5	31	49183-2692GT	HOSE ASSY,1/2,STR FEM,STR FEM*.... <i>Components: 48822, 48822 and 48756 @ 24 inches</i>	1
6	48977GT	CONN,520120-12-16.....	3	32	48916GT	CONN, 520120-6.....	7
7	94374-4330GT	HOSE ASSY,3/4,90 FEM,STR FEM..... <i>Components: 48846, 48841 and 94358 @ 40 inches</i>	1	33	48928GT	ELBOW,45D,520320-6-4.....	3
8	48960GT	FITTING,CONN,520120-12***.....	3	34	61321GT	ELBOW,90D,BLKHD,ORFS-6-6 W/NUT.....	2
--	48959GT	FITTING,ELBOW,90D,520220-12 <i>(use with hose 49151-3548)</i>		35	121685GT	HYD TUBE,SWING DRIVE #1.....	1
9	89871-5348GT	HOSE ASSY,3/4,STR FEM,STR FEM..... <i>Components: 48841, 48841 and 94358 @ 51 inches</i>	1	36	121684GT	HYD TUBE,SWING DRIVE #2.....	1
10	48933GT	CONN,520120-8***.....	1	37	56003GT	ELBOW,90D,LONG,521520-6.....	1
11	217058GT	HOSE ASSY,1/2,90 FEM,STR FEM..... <i>Components: 48822, 48827 and 48756 @ 25 inches</i>	1	38	87172GT	PLUG,HEX SOCKET,090109B-12.....	2
12	42790GT	ELBOW,45D,520320-8-10.....	2	39	48905GT	CONNECTOR, 520120-4.....	1
13	48935GT	TEE,RUN,520428-8.....	1	40	48904GT	ELBOW, 90D, 520220-4..... <i>(Deutz and Perkins models)</i>	2
14	48912GT	CONN,520120-4-6***.....	1	--	48905GT	CONNECTOR, 520120-4 <i>(Continental models)</i>	
15	49143-4129GT	HOSE ASSY,1/2,90 FEM,STR FEM*.... <i>Components: 48822, 48827 and 48756 @ 39 inches</i>	1	41	121357GT	HYD TUBE,BRAKE..... <i>to SN 13038</i>	1
16	111572GT	REDUCER,520123-8-6.....	1	--	1256825GT	HYD TUBE,BRAKE <i>from SN 13039 to 13999</i>	
17	121337GT	HYD TUBE,BRAKE/2SPD PRESS LINE..... <i>to SN 13038</i>	1	42	121355GT	HYD TUBE,2-SPEED..... <i>to SN 13038</i>	1
--	1256206GT	HYD TUBE,BRAKE/2 SPD PRESS LINE <i>from SN 13039 to 13999</i>		--	1256824GT	HYD TUBE,2-SPEED <i>from SN 13039 to 13999</i>	
18	48927GT	CONN,520120-6-4.....	3	43	121370GT	HYD TUBE, DRIVE CASE COOLER.....	1
19	48946GT	CONN,520120-8-10.....	1	44	217059GT	HOSE ASSY,3/4,STR FEM,STR FEM..... <i>Components: 48841, 48841 and 48761 @ 16.50 inches</i>	1
20	48963GT	FITTING,ELBOW,45D,520320-12***.....	3	45	49117-6191GT	HOSE ASSY,1/4,90 FEM,STR FEM..... <i>Components: 48800, 48802 and 48751 @ 60 inches</i>	1
21	89871-5848GT	HOSE ASSY,3/4,STR FEM..... <i>Components: 48841, 48841 and 94358 @ 56 inches</i>	1	46	49149-3126GT	HOSE ASSY,3/4,45 FEM,STR FEM..... <i>Components: 48845, 48841 and 48761 @ 29 inches</i>	1
22	89871-5648GT	HOSE ASSY,3/4,STR FEM..... <i>Components: 48841, 48841 and 94358 @ 54 inches</i>	1	47	121682GT	HYD TUBE,STEER TUBE #2.....	1
23	48983GT	ELBOW,90D,520220-16.....	1	48	121683GT	HYD TUBE,STEER TUBE #1.....	1
24	88942-6754GT	HOSE ASSY,1,90 FEM,STR FEM..... <i>Components: 88938, 88939 and 88940 @ 64 inches</i>	1	49	121681GT	HYD TUBE,OSC TUBE.....	1
25	48996GT	VALVE,BALL,16 MSAE-16 FSAE***.....	1	50	75254GT	UNION,STR.THREAD 24***.....	1
26	48915GT	ELBOW,90D,520220-6.....	3	51	75256GT	VALVE BALL,24 FSAE-24 FSAE***.....	1
				52	48907GT	ELBOW,45D,520320-4..... <i>(Deutz and Perkins models)</i>	2
				--	48905GT	CONNECTOR, 520120-4 <i>(Continental models)</i>	

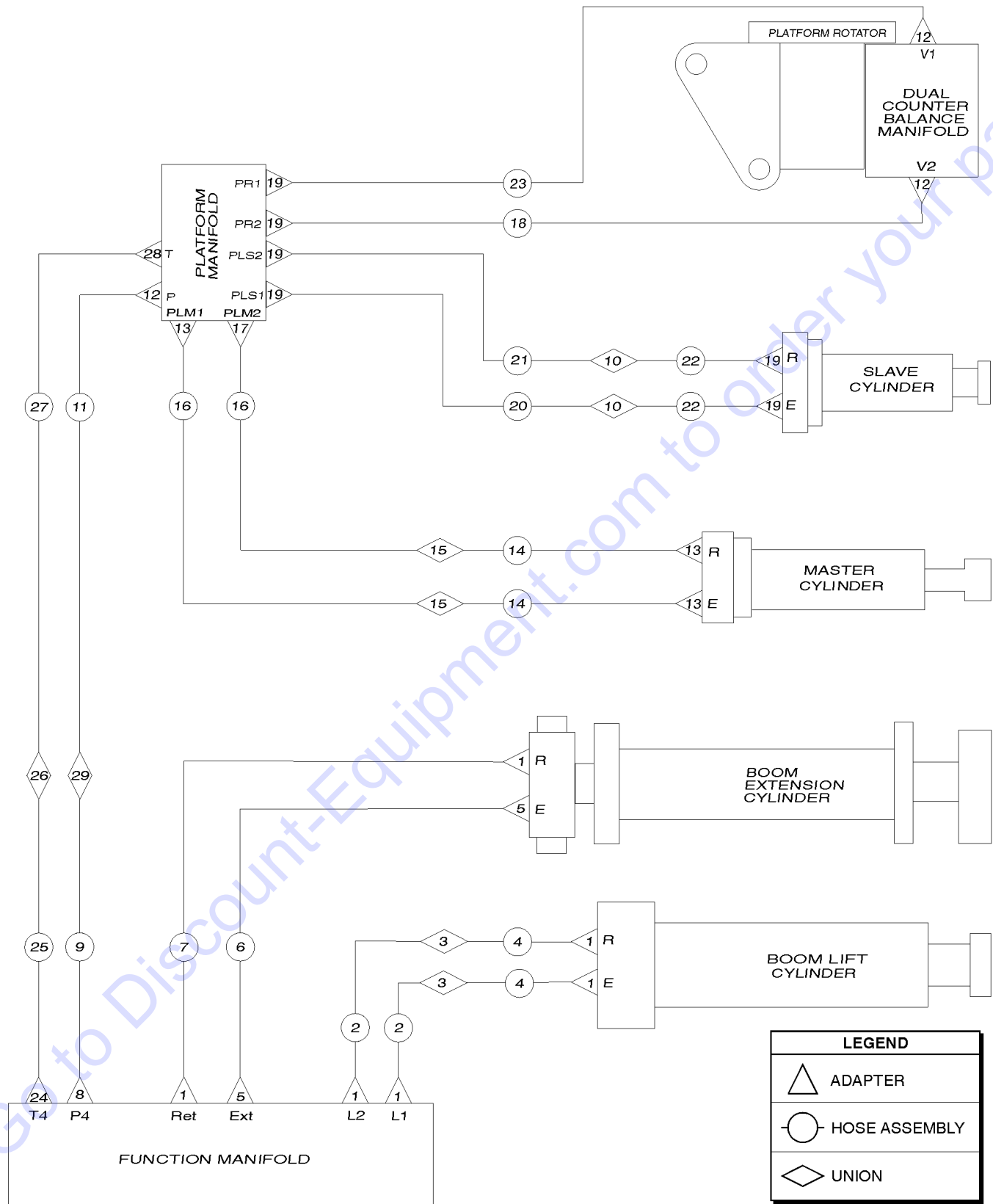
### 712.1 Turntable Components (continued)

Item	Part No.	Description	Qty.
53	217057GT	HOSE ASSY,3/8,90 FEM,STR FEM.....2 <i>Components: 48812, 48816 and 48753 @ 24 inches</i>	
54	121777GT	CONN,070121-24-24.....1	
55	49143-2829GT	HOSE ASSY,1/2,90 FEM,STR FEMM*....1 <i>Components: 48822, 48827 and 48756 @ 28.29 inches</i>	
--	104186GT	SEAL, ORFS TUBE FLANGE, 8PLS.....1	
56	49150-3730GT	HOSE ASSY,3/4,90 FEM,STR FEM.....1 <i>Components: 48841, 48846 and 48761 @ 37.30 inches; to SN 11648</i>	
--	121222GT	SEAL, ORFS TUBE FLANGE, 12 PLS....1 <i>use with hose 49150-3730, to SN 11648</i>	
--	49151-3548GT	HOSE ASSY,3/4,STR FEM,STR FEM <i>Components: 48841, 48841 and 48761 @ 33 inches; from SN 11649</i>	
57	121366GT	HYD TUBE,FUNCTION CASE.....1	
58	121365GT	HYD TUBE, DRIVE CASE.....1	
59	75614GT	ELBOW,90D,LONG,521520-8.....1	
60	49116-1437GT	HOSE ASSY,1/4,45 FEM,STR FEM.....1	
61	49119-1378GT	HOSE ASSY,1/4,STR FEM,STR FEM.....1	

*This Page Intentionally Left Blank*

Go to [Discount-Equipment.com](http://Discount-Equipment.com) to order your parts

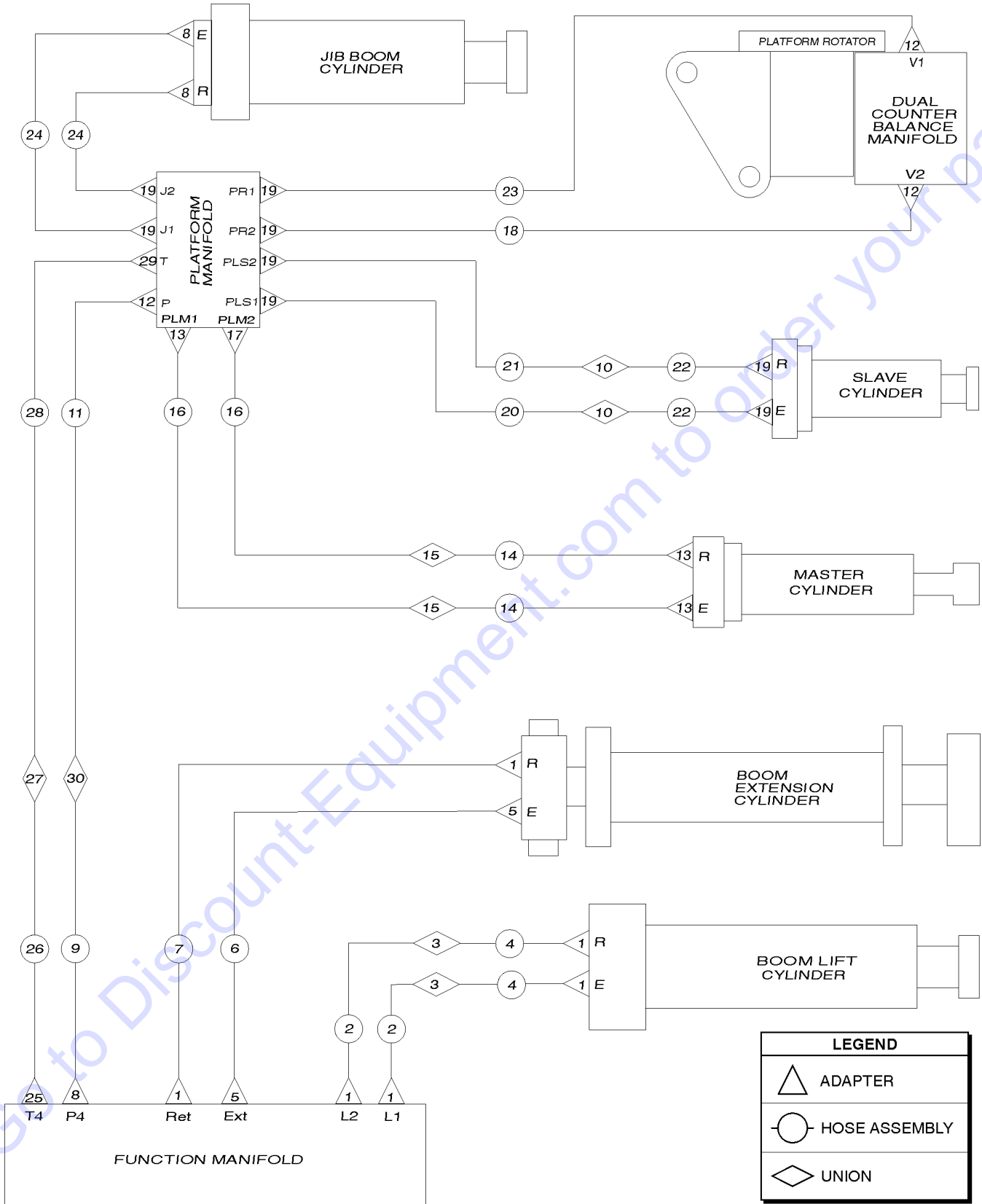
713.1 Boom, S-80X and S-80



713.1 Boom, S-80X and S-80

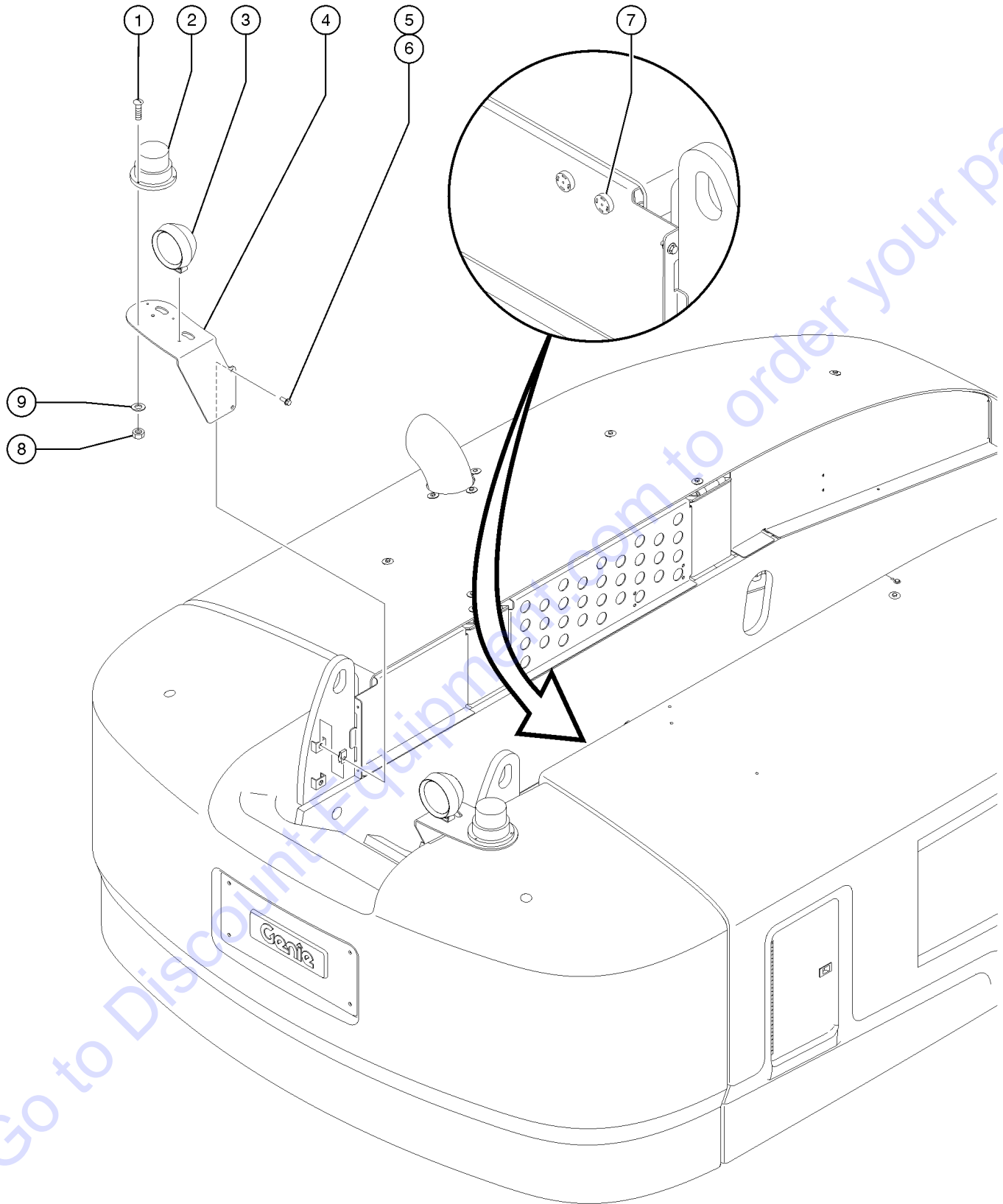
Item	Part No.	Description	Qty.	Item	Part No.	Description	Qty.
1	48933GT	CONN,520120-8***	6	23	49116-2437GT	HOSE ASSY,1/4,45 FEM,STR FEM.....1 <i>Components: 48800, 48801 and 48751 @ 22 inches</i>	1
2	49143-14429GT	HOSE ASSY,1/2,90 FEM,STR FEMM*...2 <i>Components: 48822, 48827 and 48756 @ 142 inches</i>	2	24	48916GT	CONN, 520120-6.....1	1
3	48894GT	CONN,BULKHEAD,520601-8.....2	2	25	49128-50409GT	HOSE ASSY,3/8,90 FEM,STR FEM.....1 <i>Components: 48816, 48812 and 48753 @ 502 inches</i>	1
4	49137-5041GT	HOSE ASSY,1/2,90L FEM,STR FEM.....2 <i>Components: 48822, 48824 and 48756 @ 48 inches</i>	2	26	61321GT	ELBOW,90D,BLKHD,ORFS-6-6 W/NUT.....1	1
5	48960GT	FITTING,CONN,520120-12***	2	27	49130-63782GT	HOSE ASSY,3/8",STR FEM/STR FEM....1 <i>Components: 48812, 48812 and 48753 @ 636 inches</i>	1
6	102313-17526GT	HOSE ASSY,3/4,45 FEM,STR FEM.....1 <i>Components: 48841, 48845 and 94358 @ 172 inches</i>	1	28	48920GT	ELBOW,45D,520320-6.....1	1
7	49141-17463GT	HOSE ASSY,1/2,45 FEM,STR FEM.....1 <i>Components: 48822, 48826 and 48756 @ 172 inches</i>	1	29	61079GT	ELBOW,90D,BULKHEAD,520701-4.....1	1
8	48912GT	CONN,520120-4-6***	1	--	61269GT	UNION,BULKHEAD,ORFS,520601,-4	
9	49117-50391GT	HOSE ASSY,1/4,90 FEM, STR FEM.....1 <i>Components: 48800, 48802 and 48751 @ 502 inches; to SN 8861</i>	1				
--	49119-51078GT	HOSE ASSY,1/4 STR FEM,STR FEM <i>Components: 48800, 48800 and 48751 @ 509 inches; from SN 8862</i>					
10	61079GT	ELBOW,90D,BULKHEAD,520701-4.....2	2				
11	49119-63778GT	HOSE ASSY,1/4,STR FEM,STR FEM....1 <i>Components: 48800, 48800 and 48751 @ 636 inches; to SN 8861</i>	1				
--	49119-66978GT	HOSE ASSY,1/4 STR FEM,STR FEM <i>Components: 48800, 48800 and 48751 @ 668 inches; from SN 8862</i>					
12	48907GT	ELBOW,45D,520320-4.....4	4				
13	48904GT	ELBOW, 90D, 520220-4.....3	3				
14	49119-34078GT	HOSE ASSY,1/4,STR FEM,STR FEM* <i>Components: 48800, 48800 and 48751 @ 339 inches</i>					
15	61269GT	UNION,BULKHEAD,ORFS,520601,-4					
16	49119-66978GT	HOSE ASSY,1/4 STR FEM,STR FEM <i>Components: 48800, 48800 and 48751 @ 668 inches</i>					
17	61259GT	ELBOW,90D,LONG,521520-4.....1	1				
18	49116-2637GT	HOSE ASSY,1/4,45 FEM,STR FEM.....1 <i>Components: 48800, 48801 and 48751 @ 24 inches</i>	1				
19	48905GT	CONNECTOR, 520120-4.....6	6				
20	49117-4691GT	HOSE ASSY,1/4,90 FEM,STR FEM.....1 <i>Components: 48800, 48802 and 48751 @ 45 inches</i>	1				
21	121787-4691GT	HOSE ASSY,1/4,90L FEM,STR FEM....1 <i>Components: 48800, 121788 and 48751 @ 45 inches</i>	1				
22	49117-2791GT	HOSE ASSY,1/4",90 FEM,STR FEM.....2	2				

714.1 Boom, S-85



Item	Part No.	Description	Qty.	Item	Part No.	Description	Qty.
1	48933GT	CONN,520120-8***	6	26	49128-50409GT	HOSE ASSY,3/8,90 FEM,STR FEM.....1 Components: 48816, 48812 and 48753 @ 502 inches	1
2	49143-14429GT	HOSE ASSY,1/2,90 FEM,STR FEMM*...2 Components: 48822, 48827 and 48756 @ 142 inches	2	27	61321GT	ELBOW,90D,BLKHD,ORFS-6-6 W/NUT.....1	1
3	48894GT	CONN,BULKHEAD,520601-8.....2	2	28	1286035GT	HOSE ASSY,HYD,3/8",STR FEM ORFS-6 X STR FEM ORFS-6 X 706".....1 Components: 48812, 48812 and 48753 @ 706 inches	1
4	49137-5041GT	HOSE ASSY,1/2,90L FEM,STR FEM.....2 Components: 48822, 48824 and 48756 @ 48 inches	2	29	48920GT	ELBOW,45D,520320-6.....1	1
5	48960GT	FITTING,CONN,520120-12***	2	30	61079GT	ELBOW,90D,BULKHEAD,520701-4.....1	1
6	102313-17526GT	HOSE ASSY,3/4,45 FEM,STR FEM.....1 Components: 48841, 48845 and 94358 @ 172 inches	1	--	61269GT	UNION,BULKHEAD,ORFS,520601,-4	
7	49141-17463GT	HOSE ASSY,1/2,45 FEM,STR FEM.....1 Components: 48822, 48826 and 48756 @ 172 inches	1				
8	48912GT	CONN,520120-4-6***	3				
9	49119-51078GT	HOSE ASSY,1/4 STR FEM,STR FEM Components: 48800, 48800 and 48751 @ 509 inches					
10	61079GT	ELBOW,90D,BULKHEAD,520701-4.....3	3				
11	49119-74578GT	HOSE ASSY,1/4 STR FEM,STR FEM Components: 48800, 48800 and 48751 @ 744 inches					
12	48907GT	ELBOW,45D,520320-4.....3	3				
13	48904GT	ELBOW, 90D, 520220-4.....3	3				
14	49119-34078GT	HOSE ASSY,1/4,STR FEM,STR FEM* Components: 48800, 48800 and 48751 @ 339 inches					
15	61269GT	UNION,BULKHEAD,ORFS,520601,-4					
16	49119-74578GT	HOSE ASSY,1/4 STR FEM,STR FEM Components: 48800, 48800 and 48751 @ 744 inches					
17	61259GT	ELBOW,90D,LONG,521520-4.....1	1				
18	49116-2637GT	HOSE ASSY,1/4,45 FEM,STR FEM.....1 Components: 48800, 48801 and 48751 @ 24 inches	1				
19	48905GT	CONNECTOR, 520120-4.....10	10				
20	49117-13291GT	HOSE ASSY,1/4,90 FEM,STR FEM.....1 Components: 48800, 48802 and 48751 @ 131 inches	1				
21	121787-13291GT	HOSE ASSY,1/4,90L FEM,STR FEM....1 Components: 48800, 121788 and 48751 @ 131 inches	1				
22	49117-2791GT	HOSE ASSY,1/4",90 FEM,STR FEM.....2	2				
23	49116-2437GT	HOSE ASSY,1/4,45 FEM,STR FEM.....1 Components: 48800, 48801 and 48751 @ 22 inches	1				
24	217055GT	HOSE ASSY,1/4,STR FEM,STR FEM.....2 Components: 48800, 48801 and 101697 @ 22 inches	2				
25	48916GT	CONN, 520120-6.....1	1				

801.1 Alarm and Beacon Package, Driving Lights

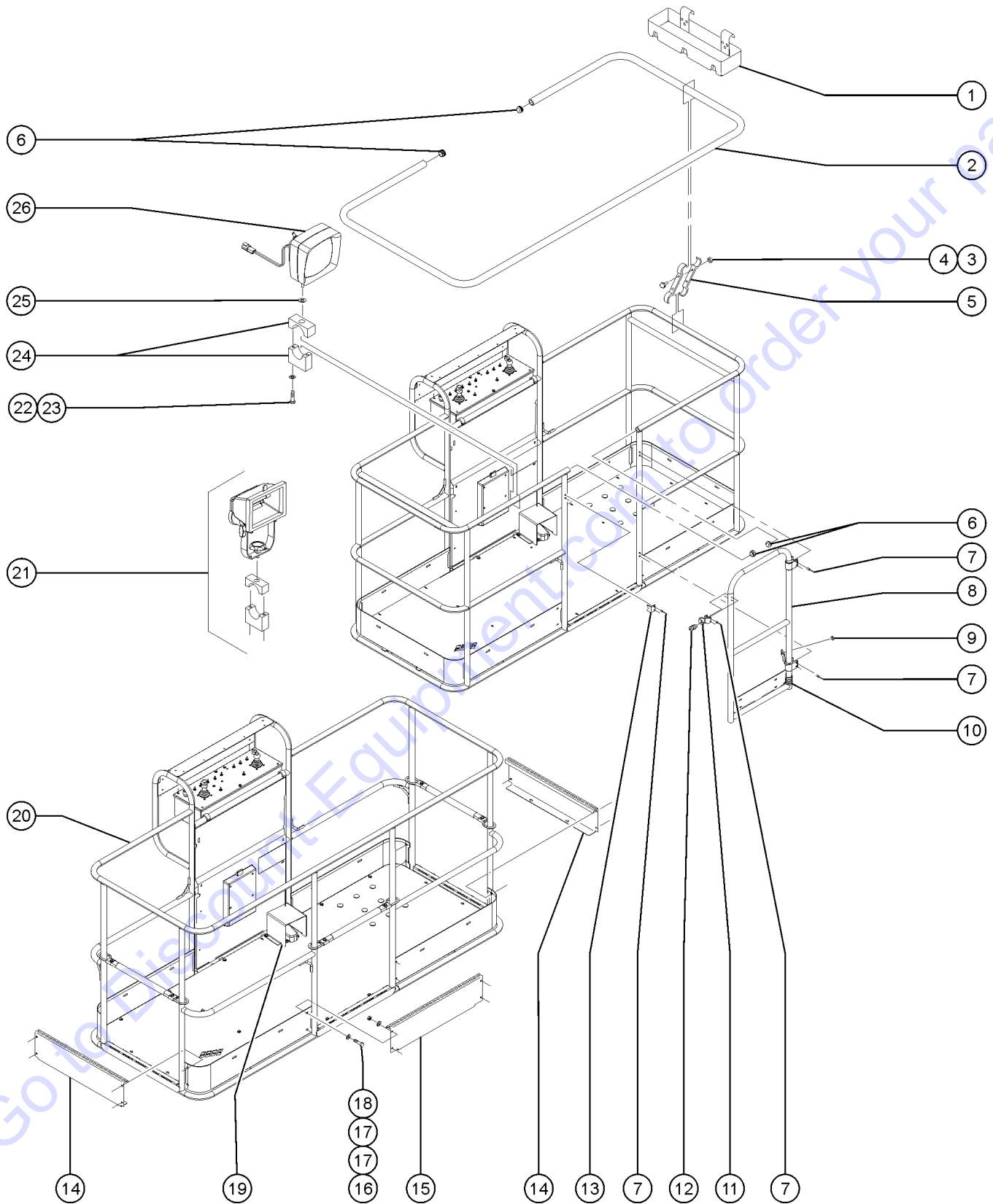




## 801.1 Alarm and Beacon Package, Driving Lights

Item	Part No.	Description	Qty.
1	6147GT	SCREW,RHM,10-32 X 1	
2	56704GT	STROBE,FIREBOLT,12-80VDC,AMB** <i>Replaced 20189</i>	
--	122019GT	FLASHTUBE,U SHAPED,360DEG,BULB	
--	226393GT	FLASHTUBE,STRAIGHT,360DEG,BULB	
--	72282GT	LENS,AMBER,STROBE,FIREBOLT	
--	121489GT	HARNESS,BEACON,S80/85 2008	
3	107857GT	LIGHT, 12 VOLT.....2	
--	35960GT	BULB,WORKLIGHT,12V 35W	
4	121589GT	FORMING,DRIVE LIGHT,RIGHT,S80....1	
--	121588GT	FORMING,DRIVELIGHT,LEFT,S80-85	
5	121066GT	SCREW,HHC,FLG,3/8-16 X 1 GR8	
6	29868GT	SPRING CLIP,3/8-16,.05-.20X.73,ZAG....4	
7	18963GT	ALARM,INTERMITTENT TONE 6-30V*...1 <i>(travel alarm, for descent alarm refer to 312.1 or 313.1) Does not include 72326 nut</i>	
--	72326GT	NUT - PLASTIC,RING FOR ALARMS.....1	
8	6178GT	NUT,NYLOCK,10-32	
9	6146GT	WASHER,FLAT,MS,#10,Y	

802.1 Platform Options

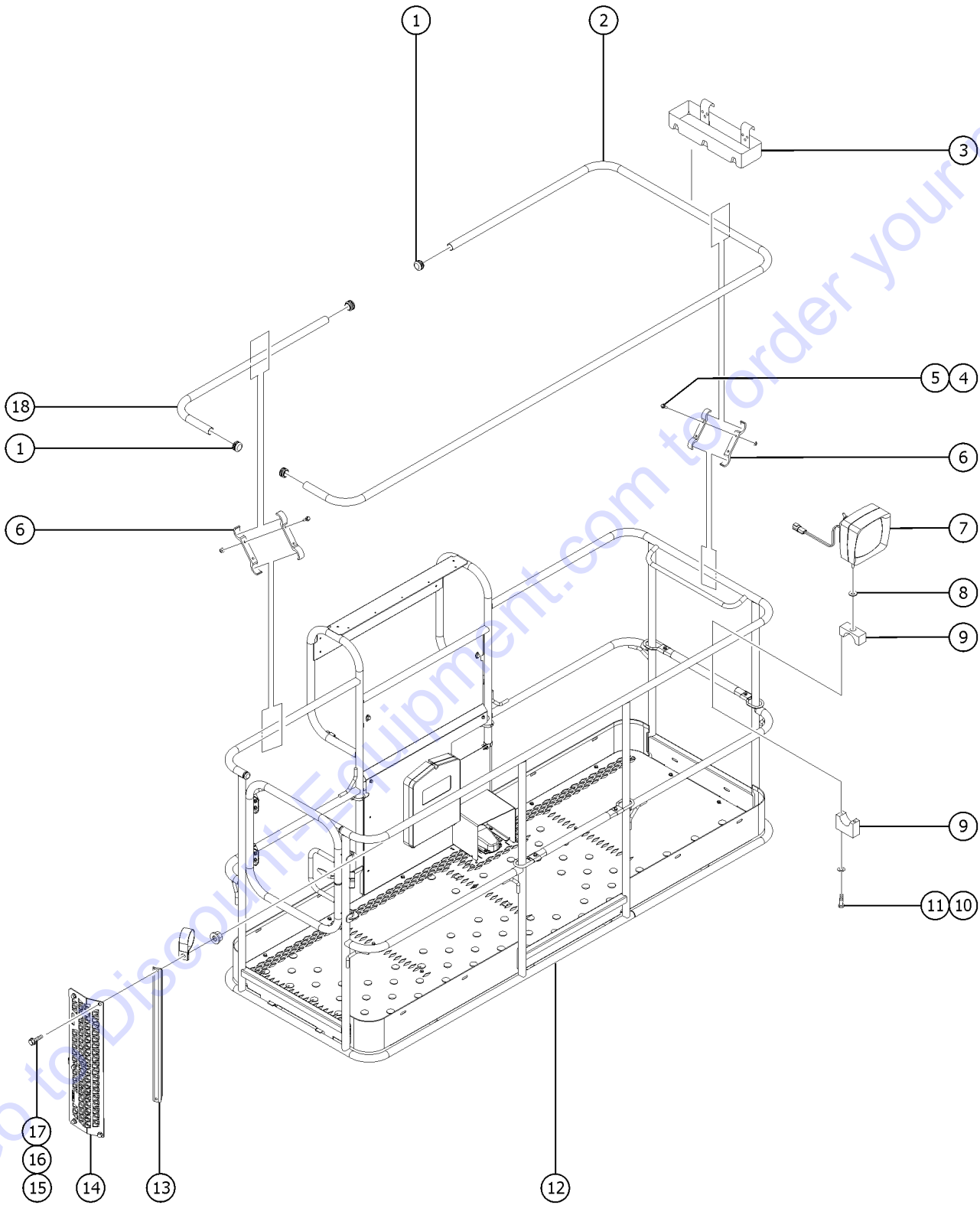


802.1 Platform Options

Item	Part No.	Description	Qty.	Item	Part No.	Description	Qty.
--	53808-SGT	AUX TOP RAIL,6'(1.25")SERVICE		14	102721PGT	TOEBOARD,8'TRI ENTRY.....	2
--	122278GT	AUX TOP RAIL,6',SWG GT, SRV		15	94745PGT	TOEBOARD,ENTRY EUROPEAN PNTD** .....	1
--	53807-SGT	AUX TOP RAIL,8'(1.25")SERVICE		16	6090GT	SCREW,HHC,1/4-20 X .75	
--	122279GT	AUX TOP RAIL,8',SWG GT, SRV		17	6638GT	WASHER,FLAT,USS,1/4"Y	
--	111486PGT	AUX TOP RAIL,8FT,PTD.....	2	18	6091GT	NUT,NYLOCK,1/4-20	
		<i>For use with swing gate</i>		19	128429GT	LARGE FOOT SWITCH COVER	
--	102721PGT	TOEBOARD,8'TRI ENTRY		20	111319GT	6' TRI-ENT RAIL W/DECALS ANSI <i>USA and Canadian models</i>	
--	122675GT	6' TRI-ENT ASSY W/DECALS ANSI <i>(Complete) USA and Canadian models</i>		--	111320GT	8' TRI-ENT RAIL W/DECALS ANSI <i>USA and Canadian models</i>	
--	122676GT	8' TRI-ENT ASSY W/DECALS ANSI <i>(Complete) USA and Canadian models</i>		--	107707GT	6' TRI-ENT RAIL W/DECALS AUSTR.....	1
--	122677GT	6' TRI-ENT ASSY W/DECALS AUSTR <i>(Complete) Australian models</i>				<i>Australian models</i>	
--	122678GT	8' TRI-ENT ASSY W/DECALS AUSTR <i>(Complete) Australian models</i>		--	107708GT	8' TRI-ENT RAIL W/DECALS AUSTR <i>Australian models</i>	
--	102439GT	8' TRI-ENT ASSY W/DECALS CE <i>(Complete) European models</i>		--	107706GT	8' TRI-ENT RAIL W/DECALS CE/UK.....	1
--	102436GT	6' TRI-ENT ASSY W/DECALS A/SOA <i>(Complete) Asia and South American models</i>				<i>European models</i>	
--	102440GT	8' TRI-ENT ASSY W/DECALS A/SOA <i>(Complete) Asia and South American models</i>		--	107709GT	6' TRI-ENT RAIL W/DECALS A/SOA.....	1
1	9599-SGT	TOOL TRAY ACCESSORY***.....	1			<i>Asia and South American models</i>	
2	1259704GT	PINCH GUARD RAIL,6' PLATFORM.....	1	21	1284764GT	WORKLIGHT,110V,250WATT,HALOGEN	
		<i>includes 55753 bumpers</i>		--	75519GT	CLAMP,WORKLIGHT	
--	52661GT	PINCH GUARD RAIL,8' PLATFORM**		22	6145GT	SCREW,HHC,1/4-20 X 1.5	
3	6889GT	NUT,LP NYLOCK,1/4-20		23	6356GT	WASHER,LOCK,.25	
4	122231GT	SCREW,BHSC,1/4-20 X 1		24	35956GT	BRACKET,WORK LIGHT MOUNT 5/16".....	2
5	122073GT	SUPPORT, RAILING.....	20	25	5397GT	WASHER,FLAT,USS,5/16",Y	
6	55753GT	BUMPER, PLASTIC, 1.25 O.D.....	4	26	71498GT	WORKLIGHT, 12V, DEUTSCH RECEPT.....	2
7	7265GT	RIVET,STEEL,P, .25 X .375.....	14				
8	128368GT	KIT,SWING GATE W/SPRING.....	1				
8A	119950GT	KIT,FIELD INSTALL,SWING GATE <i>Includes 128368</i>					
--	1488GT	RAILING CATCH CASTING--DRILLED					
--	1487GT	GATE LATCH CASTING--DRILLED					
--	33674GT	PIN,LOCK,SHORT***					
--	9596GT	HINGE CASTING <i>Special welding requirements for installation of this component. Strongly suggest ordering 128368 OR contact Discount-equipment for welding requirements.</i>					
9	43392GT	BUMPER,BATTERY BOX & RAILS.....	1				
10	42104GT	SPRING,SHORT PLATFORM GATE					
11	1487GT	GATE LATCH CASTING--DRILLED.....	1				
12	33674GT	PIN,LOCK,SHORT*** .....	1				
13	1488GT	RAILING CATCH CASTING--DRILLED...1					



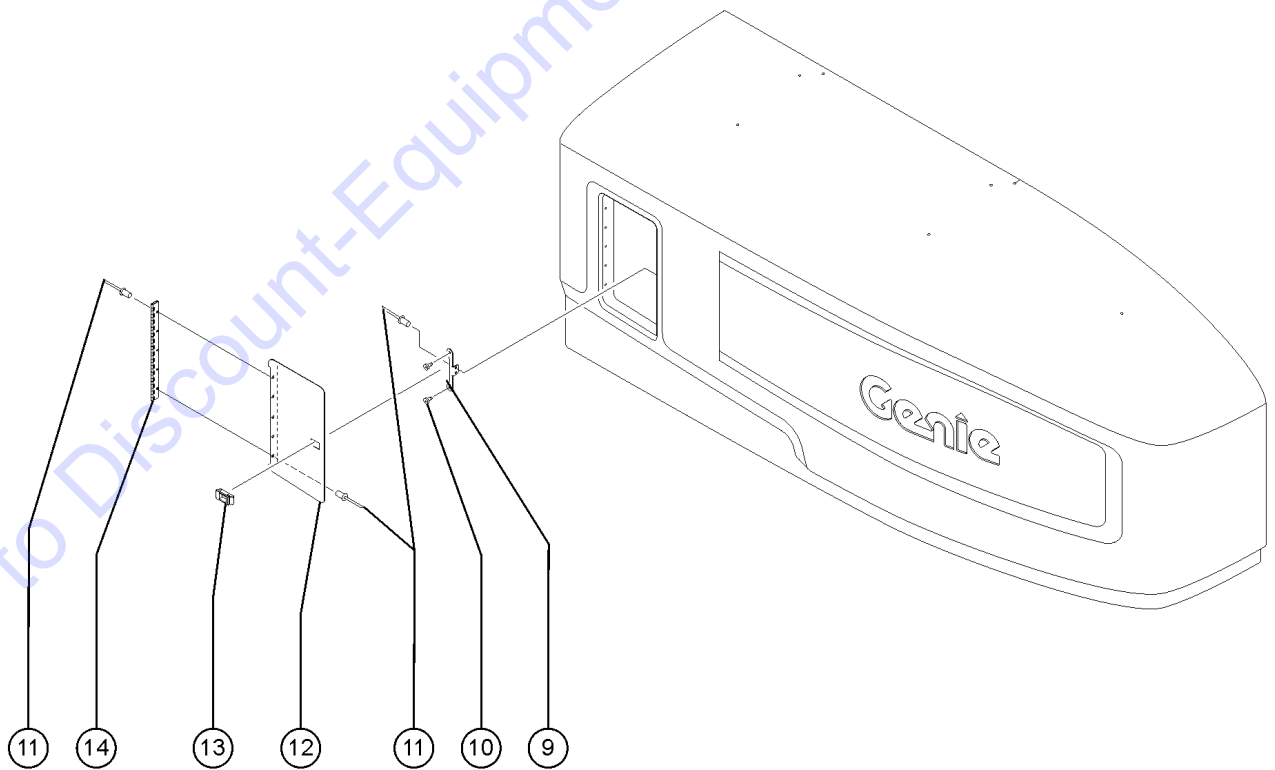
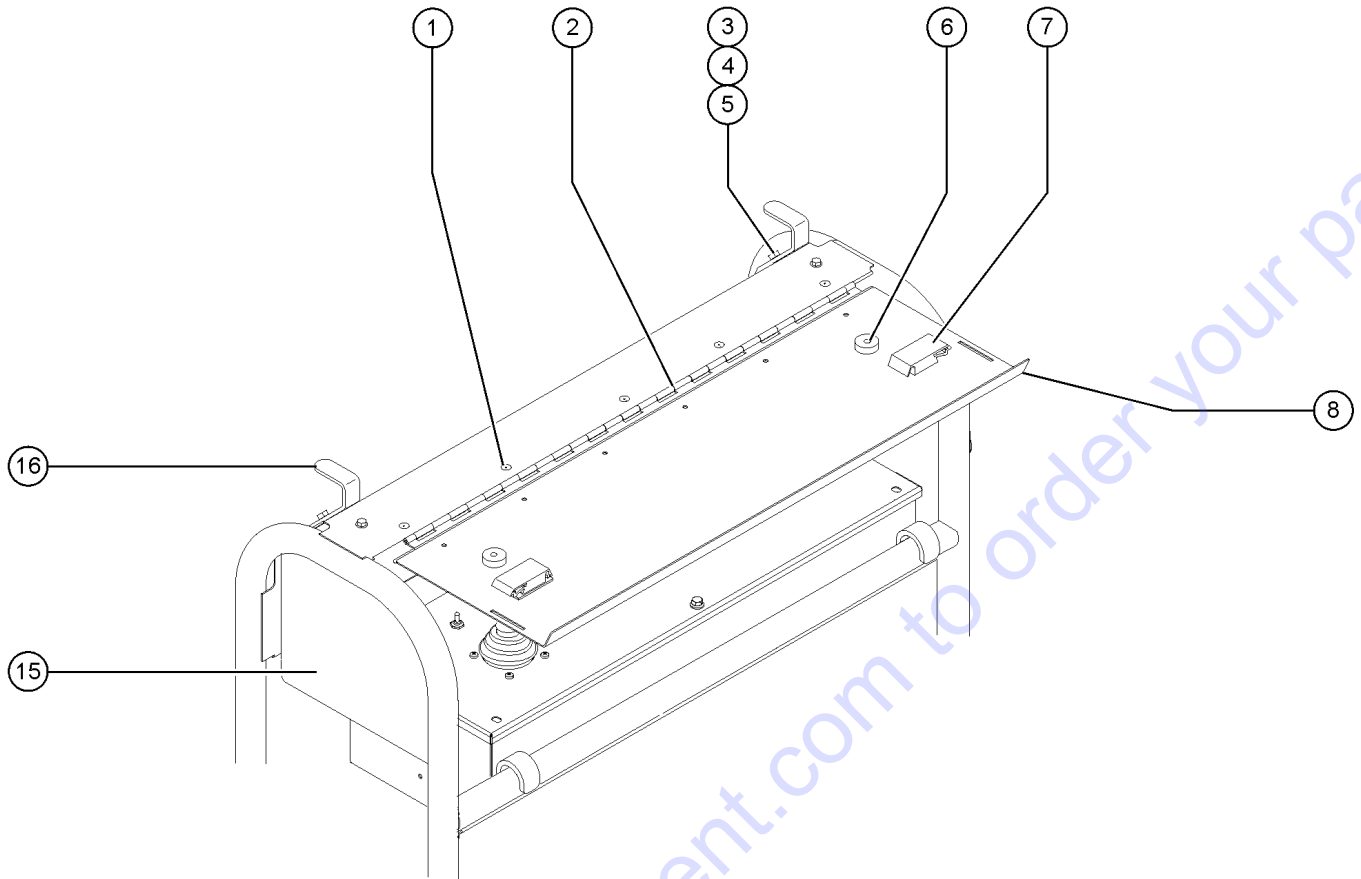
802.2 Platform Options



## 802.2 Platform Options

Item	Part No.	Description	Qty.
1	55753GT	BUMPER, PLASTIC, 1.25 O.D.....	4
2A	1271077GT	AUX RAIL, 8' PLAT, TRI-ENTRY..... (8 foot Platform)	1
2B	1270570GT	AUX RAIL, 6' PLAT, SIDE ENTRY..... (6 foot Platform)	1
3	9599-SGT	TOOL TRAY ACCESSORY***.....	1
4A	824079GT	SCREW,HHF,1/4-20X1,8,ZAG.....	26
		(8 foot Platform)	
4B	824079GT	SCREW,HHF,1/4-20X1,8,ZAG.....	22
		(6 foot Platform)	
5A	824027GT	NUT,TL FLG,1/4-20,G,ZAG.....	26
		(8 foot Platform)	
5B	824027GT	NUT,TL FLG,1/4-20,G,ZAG.....	22
		(6 foot Platform)	
6A	122073GT	SUPPORT, RAILING.....	26
		(8 foot Platform)	
6B	122073GT	SUPPORT, RAILING.....	22
		(6 foot Platform)	
7	71498GT	WORKLIGHT, 12V, DEUTSCH RECEPT.....	2
8	5397GT	WASHER,FLAT,USS,5/16",Y.....	2
9	35956GT	BRACKET,WORK LIGHT MOUNT 5/16".....	2
10	6145GT	SCREW,HHC,1/4-20 X 1.5.....	4
11	6356GT	WASHER,LOCK,.25.....	4
12		Ref.WELDMENT, PLATFORM..... (refer to 601.2)	1
13	1277966GT	TUBE,SQ,STL, 1.00 x 1.00 x .120.....	1
14	1277952GT	GUARD, SWING GATE.....	1
15	824086GT	SCREW,HHF,5/16-18X1,8,ZAG.....	5
16	56424GT	CLAMP,1.25X.5 RUBBER-CUSHION....	5
17	824028GT	NUT,TL FLG,5/16-18,G,ZAG.....	5
18A	1271078GT	AUX RAIL, 8' PLAT, TRI-ENTRY..... (8 foot Platform)	1
18B	1270571GT	AUX RAIL, 6' PLAT, SIDE ENTRY..... (6 foot Platform)	1

803.1 Hostile Environment Package - Ground and Platform Control Box Covers



## 803.1 Hostile Environment Package - Ground and Platform Control Box Covers

Item	Part No.	Description	Qty.
1	54486GT	RIVET,ALUM,ALUM,3/16BUTTONHEAD.11	
2	111526GT	HINGE,PLAT CONTROL BOX COVER...1	
3	6889GT	NUT,LP NYLOCK,1/4-20	
4	6638GT	WASHER,FLAT,USS,1/4"Y	
5	6888GT	SCREW,HHC,1/4-20 X 1	
6	43392GT	BUMPER,BATTERY BOX & RAILS.....2	
7	30468GT	LATCH,SLIDE, FLUSH MOUNT STYLE.....2	
8	102676GT	LID ASSY,CONTROL BOX COVER PLT.....1	
--	102785PGT	CONTROL BOX COVER,LID,PTD	
9	121832GT	FORMING,LATCH,GROUND BOX COVER.....1	
10	34619GT	BUMPER,RUBBER*** .....2	
11	53189GT	RIVET,ALUM,ALUM,P,.25X.375.....12	
12	121833GT	FORMING,GROUND BOX COVER	
13	30468GT	LATCH,SLIDE, FLUSH MOUNT STYLE	
14	121831GT	HINGE,GROUND BOX COVER.....1	
15	88607PGT	COVER,CONTROL BOX LEFT SIDE*** .....1	
--	88606PGT	COVER,CONTROL BOX RIGHT SIDE**	
16	102786PGT	FORMING,LATCH,CTRL BOX LID PTD.....2	

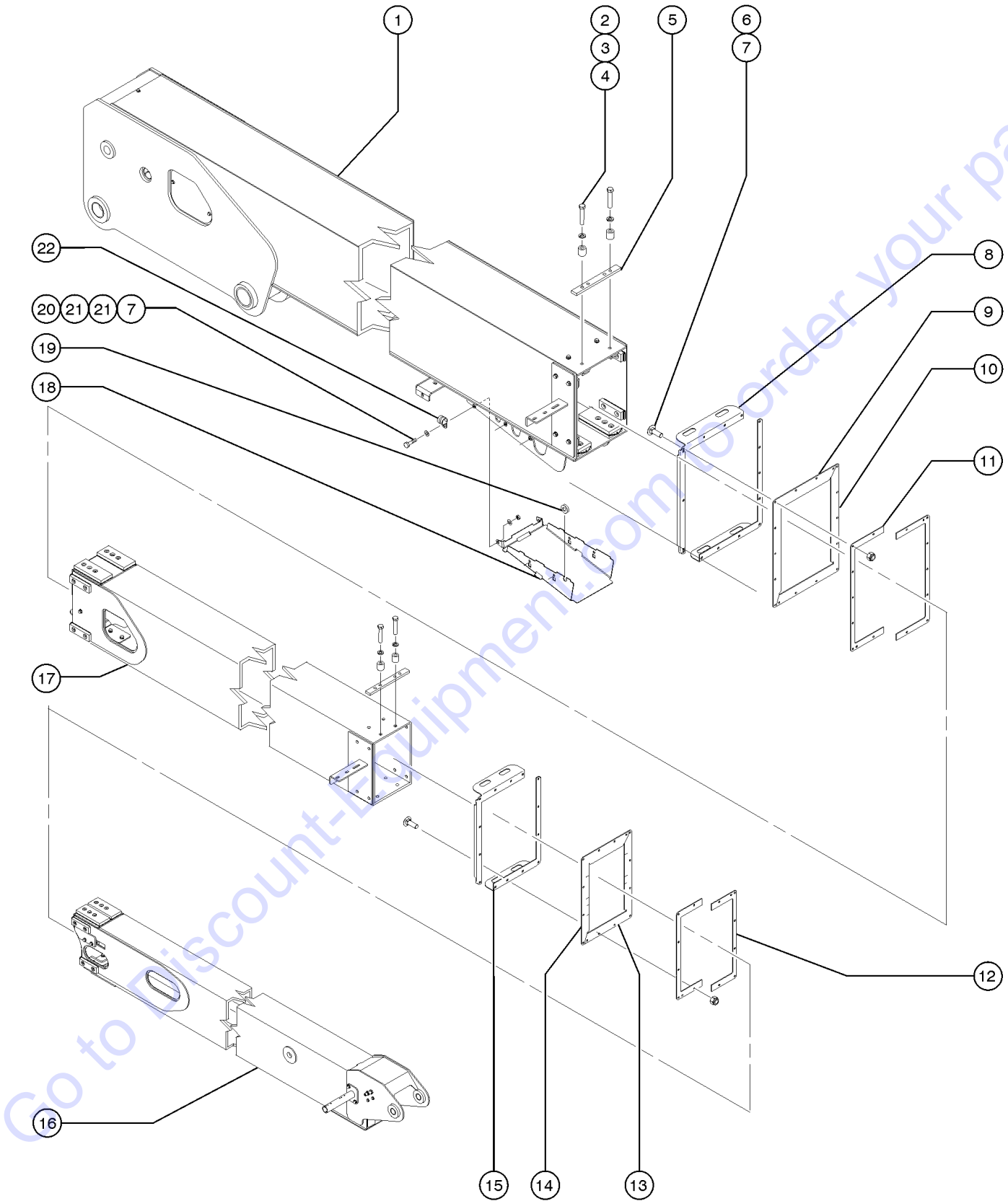




## 804.1 Hostile Environment Package - Booms, S-80X and S-80

Item	Part No.	Description	Qty.
1		Ref. BOOM TUBE 1 (Refer to 502.1)	
2	5224GT	SCREW,HHC,3/8-16 X 2	
3	6021GT	WASHER,LOCK,.375	
4	101932GT	TUBE,RD,STL,DOM,,.75X.38X.78.....8	
5	121173GT	SPACER,BOOM WIPER TOP.....2	
6	6878GT	BOLT,CARRIAGE,1/4-20 X .75,G2	
7	6091GT	NUT,NYLOCK,1/4-20	
8	121166GT	FORMING,BRKT,WIPER,BOOM #1.....2	
9	121659GT	WIPER,RUBBER,S80,SEC #1, TOP.....1	
10	121660GT	WIPER,RUBBER,S80,SEC #1,BOTTOM.....1	
11	121167GT	PLATE,WIPER BACKING,BOOM #1.....2	
12	121170GT	PLATE,BACKING WIPER 2 TO 3.....2	
13	121662GT	WIPER,RUBBER,S80,SEC #2,BOT.....1	
14	121661GT	WIPER,RUBBER,S80,SEC#2, TOP.....1	
15	121169GT	FORMING,BRKT,WIPER,BOOM #2.....2	
16		Ref. BOOM TUBE 3 (Refer to 504.1)	
17		Ref. BOOM TUBE 2 (Refer to 503.1)	
18	147784GT	COVER, LIMIT SWITCH ASSY, S80.....1 <i>For S-80X ANSI only, from SN 8500</i>	
19	42646GT	GROMMET,RUBBER .25 X .50"OD.....1 <i>For S-80X ANSI only, from SN 8500</i>	
20	6888GT	SCREW,HHC,1/4-20 X 1 <i>For S-80X ANSI only, from SN 8500</i>	
21	6638GT	WASHER,FLAT,USS,1/4"Y <i>For S-80X ANSI only, from SN 8500</i>	
22	6833GT	CLAMP,0.50,#8 X 1/4,RUB CUSH.....3 <i>For S-80X ANSI only, from SN 8500</i>	

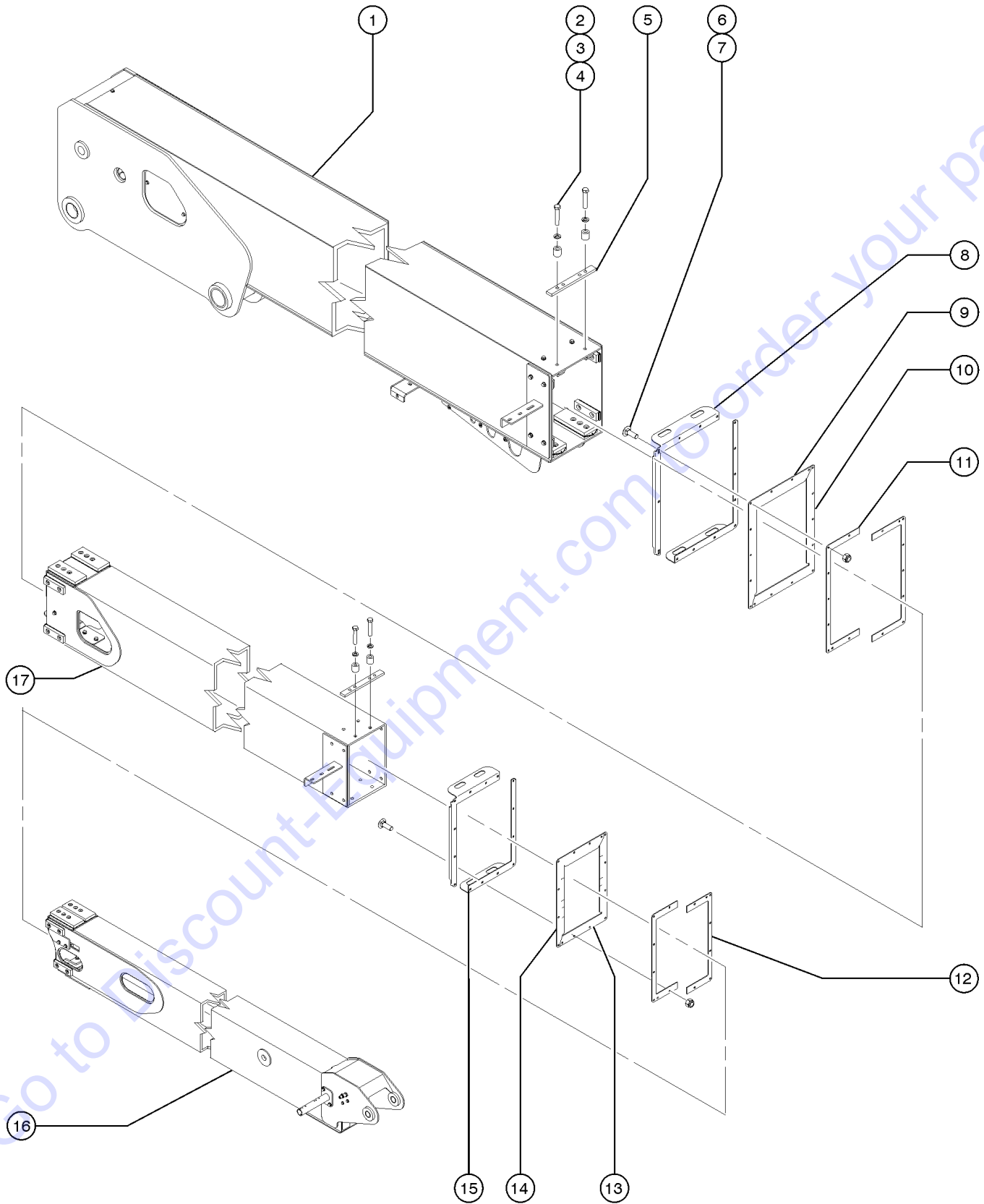
804.1 Hostile Environment Package - Booms, S-80X and S-80



## 804.1 Hostile Environment Package - Booms, S-80X and S-80

Item	Part No.	Description	Qty.
1		Ref. BOOM TUBE 1 (Refer to 502.1)	
2	5224GT	SCREW,HHC,3/8-16 X 2	
3	6021GT	WASHER,LOCK,.375	
4	101932GT	TUBE,RD,STL,DOM,,.75X.38X.78.....8	
5	121173GT	SPACER,BOOM WIPER TOP.....2	
6	6878GT	BOLT,CARRIAGE,1/4-20 X .75,G2	
7	6091GT	NUT,NYLOCK,1/4-20	
8	121166GT	FORMING,BRKT,WIPER,BOOM #1.....2	
9	121659GT	WIPER,RUBBER,S80,SEC #1,TOP.....1	
10	121660GT	WIPER,RUBBER,S80,SEC #1,BOTTOM.....1	
11	121167GT	PLATE,WIPER BACKING,BOOM #1.....2	
12	121170GT	PLATE,BACKING WIPER 2 TO 3.....2	
13	121662GT	WIPER,RUBBER,S80,SEC #2,BOT.....1	
14	121661GT	WIPER,RUBBER,S80,SEC#2, TOP.....1	
15	121169GT	FORMING,BRKT,WIPER,BOOM #2.....2	
16		Ref. BOOM TUBE 3 (Refer to 504.1)	
17		Ref. BOOM TUBE 2 (Refer to 503.1)	
18	147784GT	COVER, LIMIT SWITCH ASSY, S80.....1 <i>For S-80X ANSI only</i>	
19	42646GT	GROMMET,RUBBER .25 X .50"OD.....1 <i>For S-80X ANSI only</i>	
20	6888GT	SCREW,HHC,1/4-20 X 1 <i>For S-80X ANSI only</i>	
21	6638GT	WASHER,FLAT,USS,1/4"Y <i>For S-80X ANSI only</i>	
22	6833GT	CLAMP,0.50,#8 X 1/4,RUB CUSH.....3 <i>For S-80X ANSI only</i>	

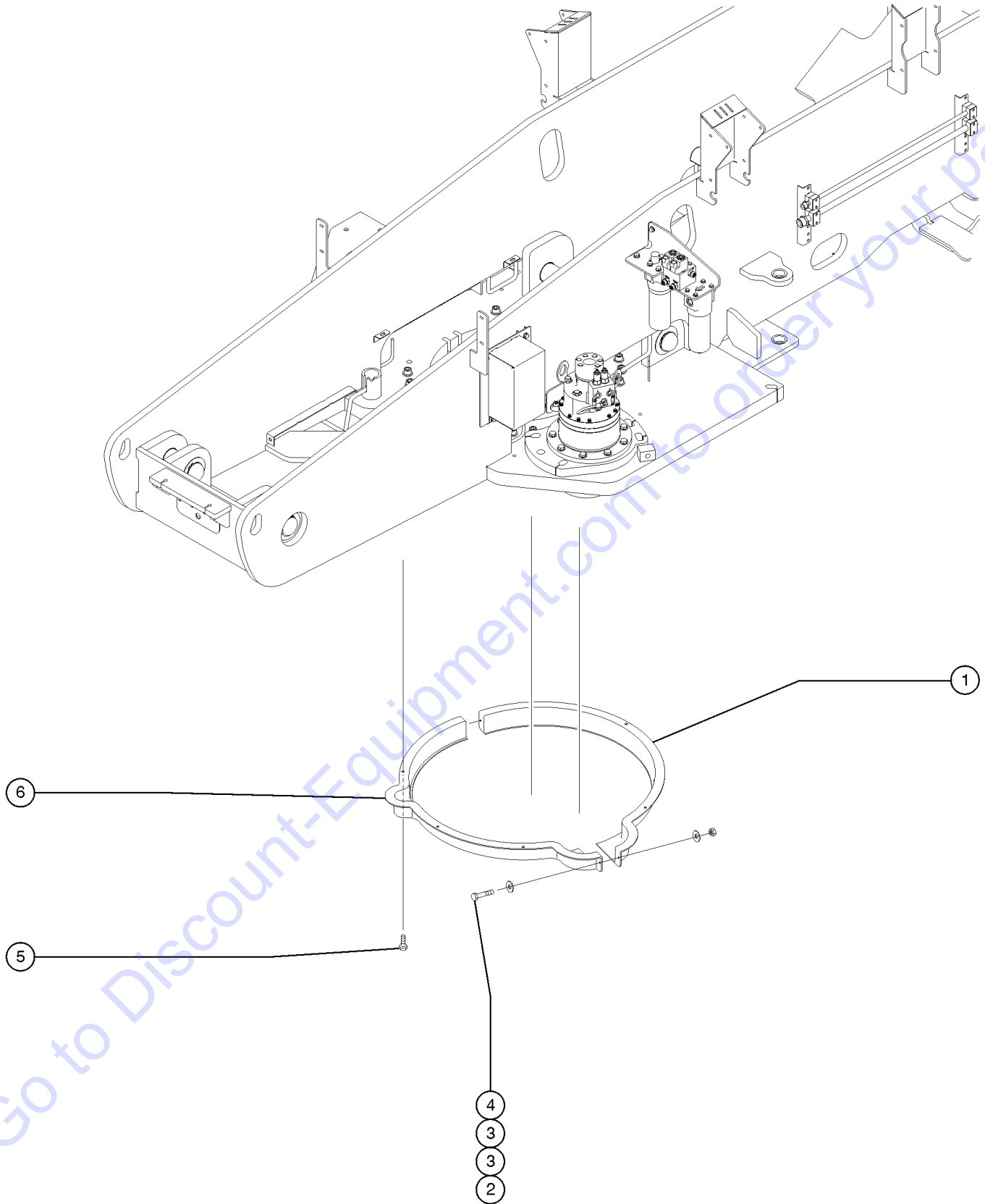
804.1 Hostile Environment Package - Booms, S-85



## 804.1 Hostile Environment Package - Booms, S-85

Item	Part No.	Description	Qty.
1		Ref. BOOM TUBE 1 (Refer to 502.1)	
2	5224GT	SCREW,HHC,3/8-16 X 2	
3	6021GT	WASHER,LOCK,.375	
4	101932GT	TUBE,RD,STL,DOM,.75X.38X.78.....	8
5	121173GT	SPACER,BOOM WIPER TOP.....	2
6	6878GT	BOLT,CARRIAGE,1/4-20 X .75,G2	
7	6091GT	NUT,NYLOCK,1/4-20	
8	121166GT	FORMING,BRKT,WIPER,BOOM #1.....	2
9	121659GT	WIPER,RUBBER,S80,SEC #1, TOP.....	1
10	121660GT	WIPER,RUBBER,S80,SEC #1,BOTTOM.....	1
11	121167GT	PLATE,WIPER BACKING,BOOM #1.....	2
12	121170GT	PLATE,BACKING WIPER 2 TO 3.....	2
13	121662GT	WIPER,RUBBER,S80,SEC #2,BOT.....	1
14	121661GT	WIPER,RUBBER,S80,SEC#2, TOP.....	1
15	121169GT	FORMING,BRKT,WIPER,BOOM #2.....	2
16		Ref. BOOM TUBE 3 (Refer to 504.1)	
17		Ref. BOOM TUBE 2 (Refer to 503.1)	

805.1 Hostile Environment Package - Turntable

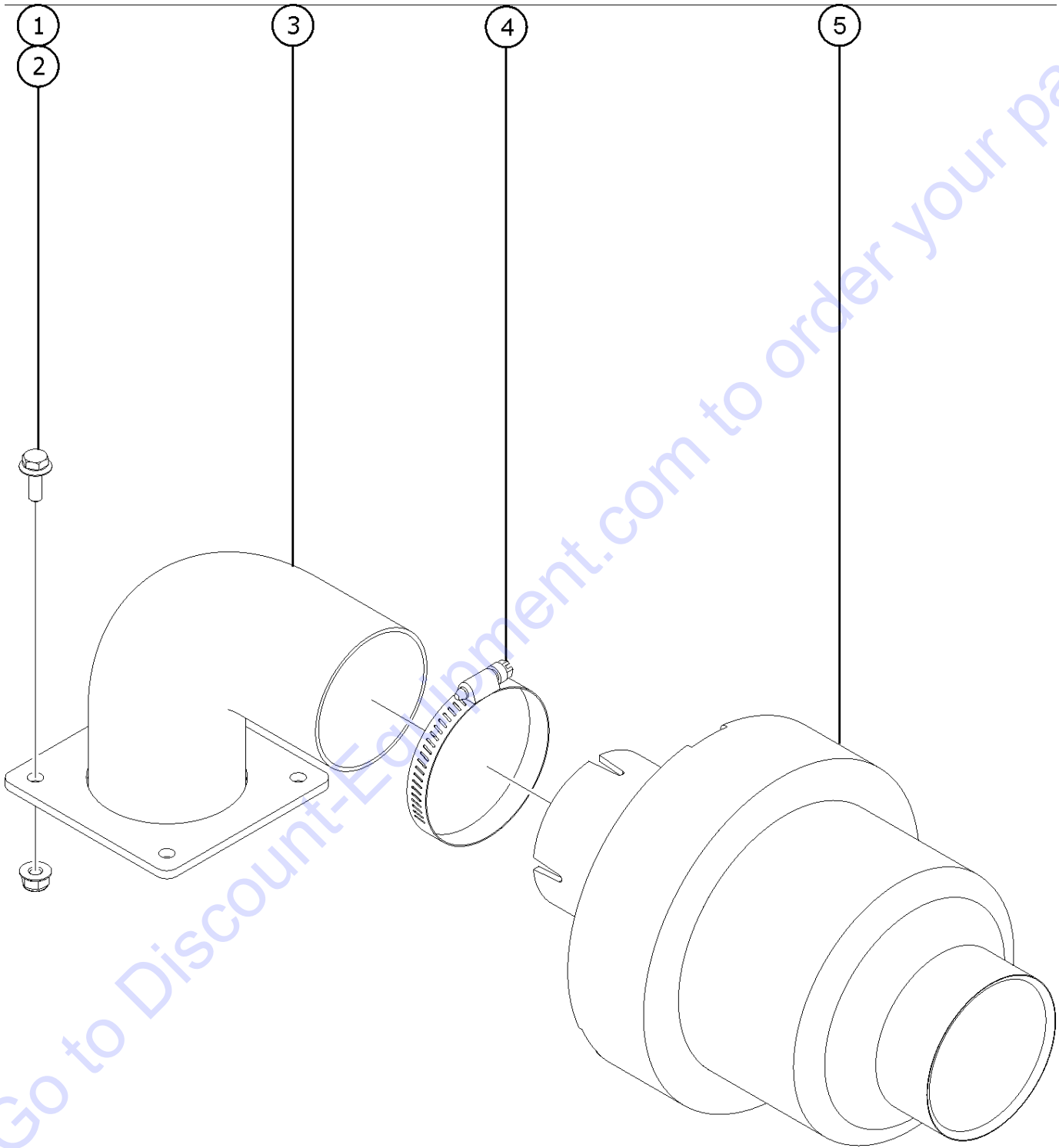


## 805.1 Hostile Environment Package - Turntable

Item	Part No.	Description	Qty.
1	121316GT	COVER,RING GEAR,FRONT.....	1
2	6090GT	SCREW,HHC,1/4-20 X .75	
3	6638GT	WASHER,FLAT,USS,1/4"Y	
4	6091GT	NUT,NYLOCK,1/4-20	
5	121066GT	SCREW,HHC,FLG,3/8-16 X 1 GR8.....	6
6	121317GT	COVER,RING GEAR,REAR.....	1

Go to Discount-Equipment.com to order your parts

806.1 Hostile Environment Package - Engine Air Cleaners



Go to Discount-Equipment.com to order your parts

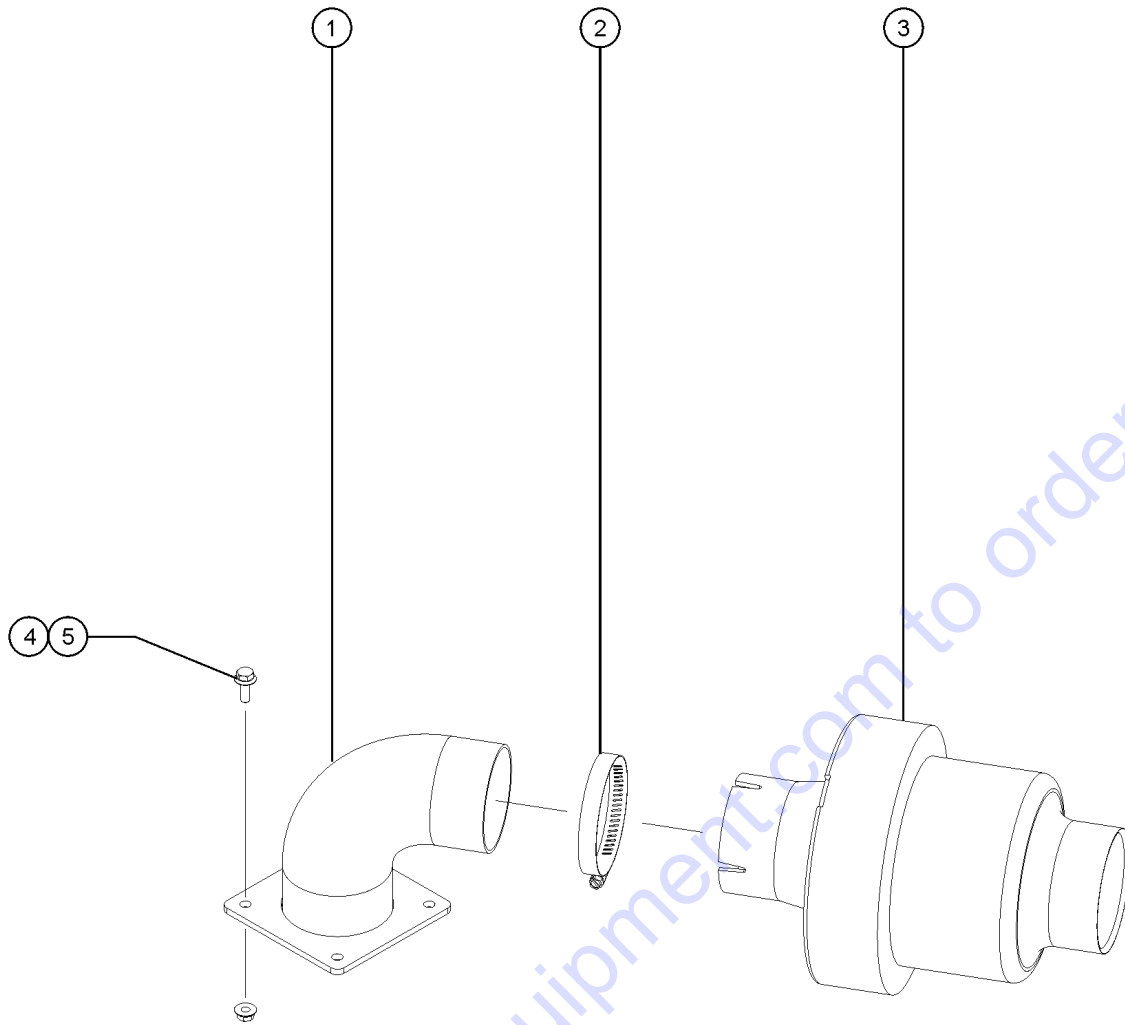


## 806.1 Hostile Environment Package - Engine Air Cleaners

Item	Part No.	Description	Qty.
4	30971GT	CLAMP,HOSE,3.00".....	3
5	89959GT	PRECLEANER,INLINE 3".....	1
1	121419GT	SCREW,HHF,1/4-20 X .75	
2	121421GT	NUT,FLG,1/4-20	
3	121413GT	WELDMENT,PRECLEANER MT,DEUTZ.....	1

Go to Discount-Equipment.com to order your parts

806.2 Engine Air Cleaners (Deutz TD 2.9L4)

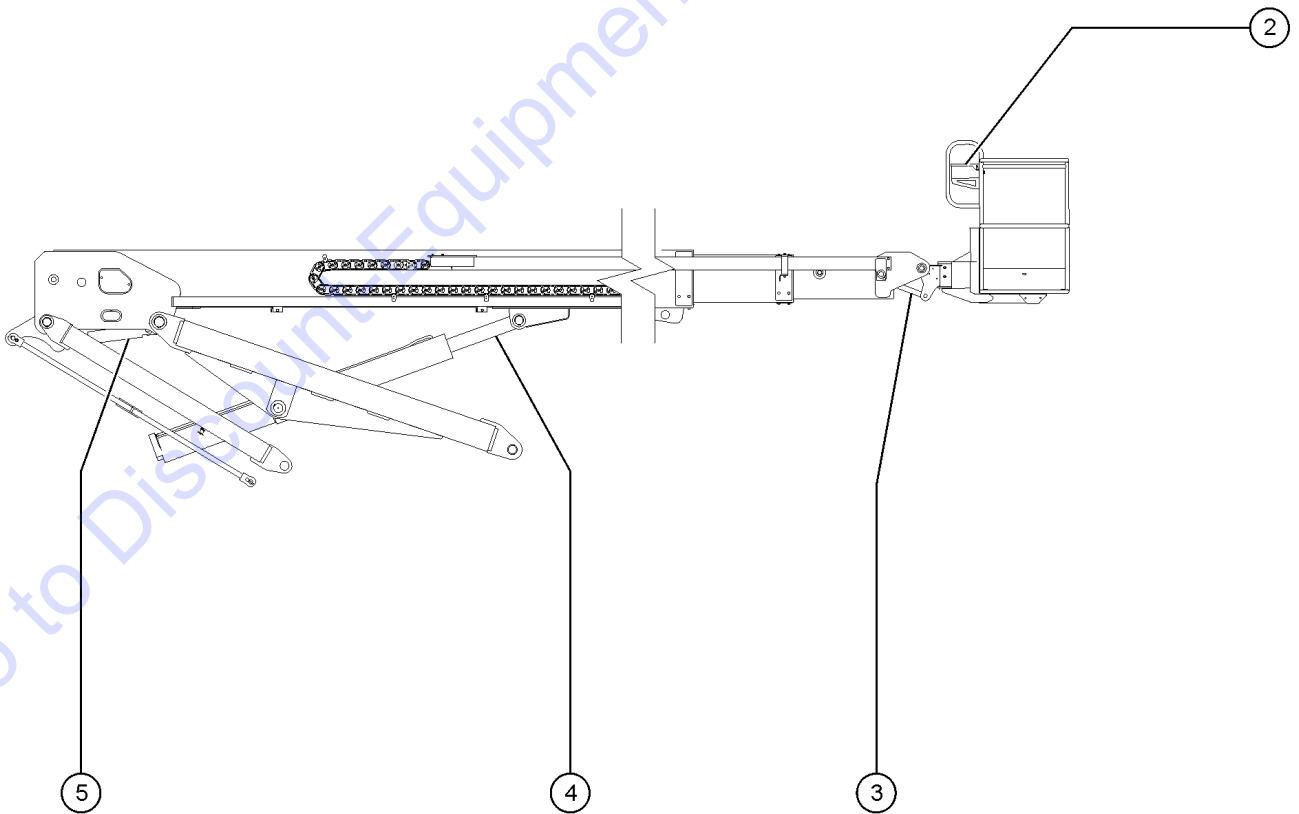
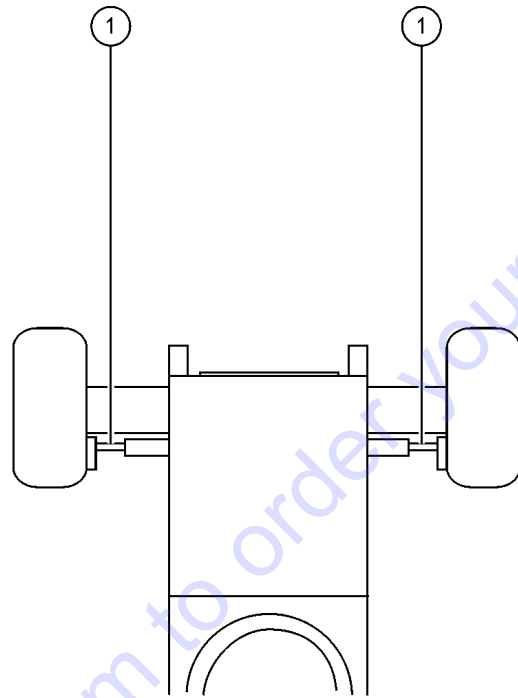
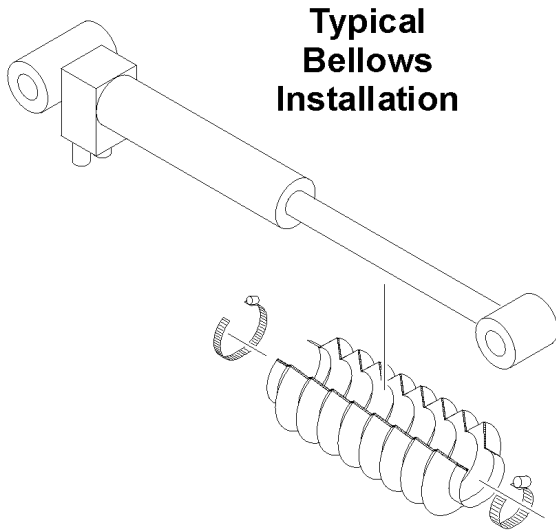


## 806.2 Engine Air Cleaners (Deutz TD 2.9L4)

Item	Part No.	Description	Qty.
1	825948GT	WELDMENT, PRECLEANER MT, DEUTZ/PERKINS.....	1
2	30971GT	CLAMP,HOSE,3.00".....	1
3	89959GT	PRECLEANER,INLINE 3".....	1
4	121419GT	SCREW,HHF,1/4-20 X .75	
5	121421GT	NUT,FLG,1/4-20	

Go to Discount-Equipment.com to order your parts

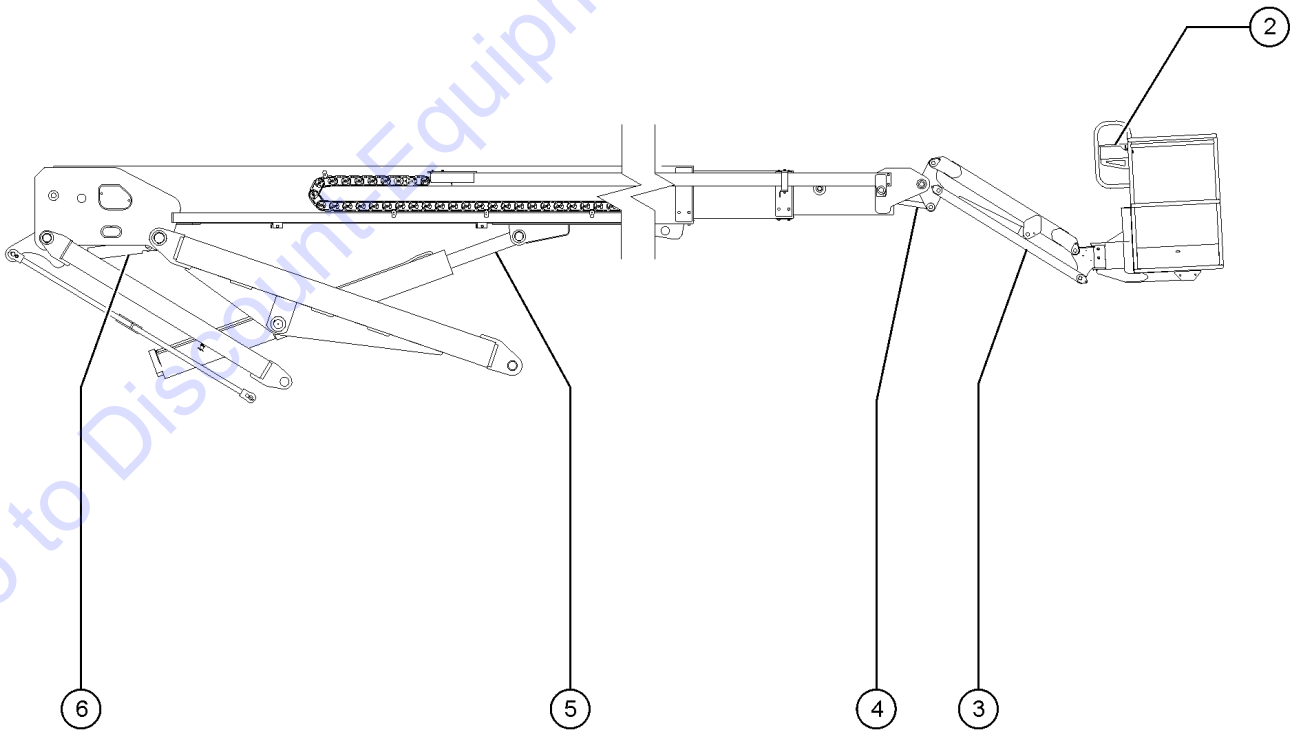
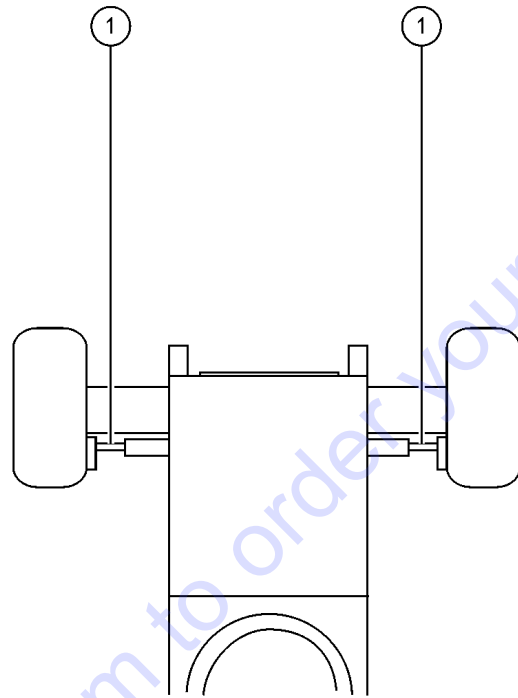
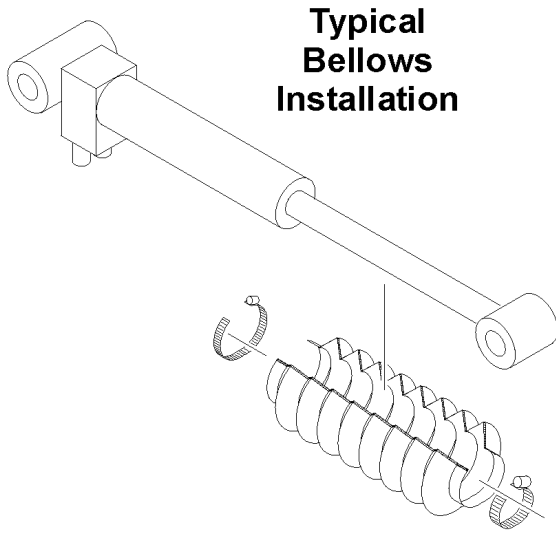
807.1 Hostile Environment Package - Cylinder Bellows, S-80X and S-80



## 807.1 Hostile Environment Package - Cylinder Bellows, S-80X and S-80

Item	Part No.	Description	Qty.
--	81700GT	COVER,PROTECTIVE,OSC.CYLINDER	
--	35432GT	CLAMP,HOSE,6.50	
--	45435GT	CLAMP,HOSE,2.50***	
1	34533GT	COVER,PROTECTIVE,STEER CYL.....2	
--	35434GT	CLAMP,HOSE,2.00***	
--	30971GT	CLAMP,HOSE,3.00"	
2	133307GT	DECAL,PROTECTOR,CLEAR.....1	
3	94537GT	BELLOWS,CYLINDER,PLAT LEVEL.....1	
--	30489GT	CLAMP,HOSE,3.50	
--	230995GT	COVER,HSE&CBL DLX HOSTILE	
--	49819GT	SCREW,PHILLIPS,PHM,10-32 X .5	
--	6146GT	WASHER,FLAT,MS,#10,Y	
--	23405GT	NUTSERT,10-32 STEEL CAD PLTD	
4	121178GT	BELLOWS,LIFT CLYINDER.....1	
--	34955GT	CLAMP,HOSE,5.00	
--	31523GT	CLAMP,HOSE,8.50 DIA***	
5	121177GT	BELLOWS,MASTER CYLINDER.....1	
--	22672GT	CLAMP,HOSE,1.75	
--	34955GT	CLAMP,HOSE,5.00	

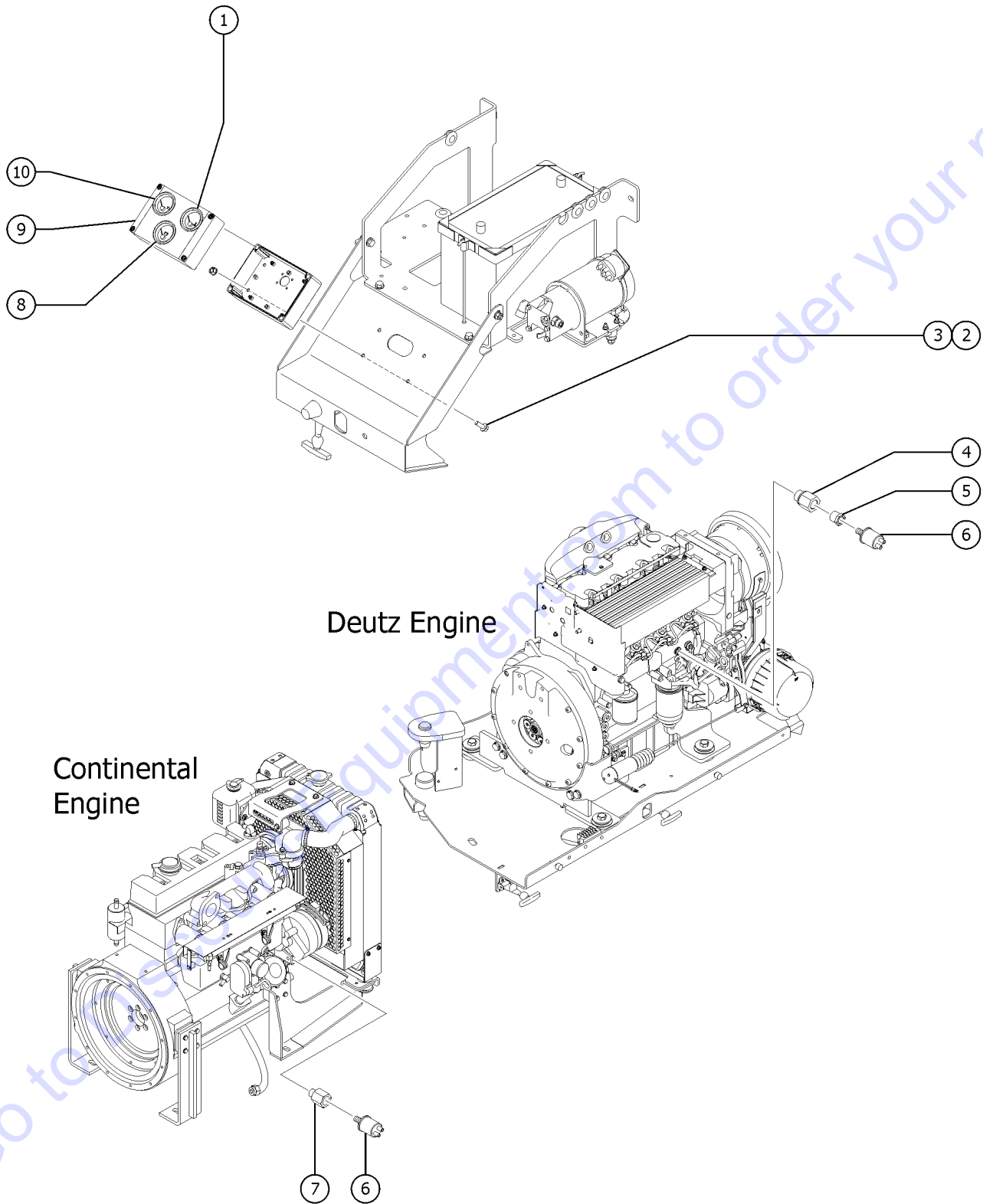
808.1 Hostile Environment Package - Cylinder Bellows, S-85



## 808.1 Hostile Environment Package - Cylinder Bellows, S-85

Item	Part No.	Description	Qty.
--	81700GT	COVER,PROTECTIVE,OSC.CYLINDER	
--	35432GT	CLAMP,HOSE,6.50	
--	45435GT	CLAMP,HOSE,2.50***	
1	34533GT	COVER,PROTECTIVE,STEER CYL.....2	
--	35434GT	CLAMP,HOSE,2.00***	
--	30971GT	CLAMP,HOSE,3.00"	
2	133307GT	DECAL,PROTECTOR,CLEAR.....1	
3	34505GT	COVER,PROTECTIVE,JIB CYLINDER...1	
--	35434GT	CLAMP,HOSE,2.00***	
--	30971GT	CLAMP,HOSE,3.00"	
4	94537GT	BELLOWS,CYLINDER,PLAT LEVEL.....1	
--	30489GT	CLAMP,HOSE,3.50	
--	230995GT	COVER,HSE&CBL DLX HOSTILE	
--	49819GT	SCREW,PHILLIPS,PHM,10-32 X .5	
--	6146GT	WASHER,FLAT,MS,#10,Y	
--	23405GT	NUTSERT,10-32 STEEL CAD PLTD	
5	121178GT	BELLOWS,LIFT CLYINDER.....1	
--	34955GT	CLAMP,HOSE,5.00	
--	31523GT	CLAMP,HOSE,8.50 DIA***	
6	121177GT	BELLOWS,MASTER CYLINDER.....1	
--	22672GT	CLAMP,HOSE,1.75	
--	34955GT	CLAMP,HOSE,5.00	

809.1 Full Gauge Option - Deutz

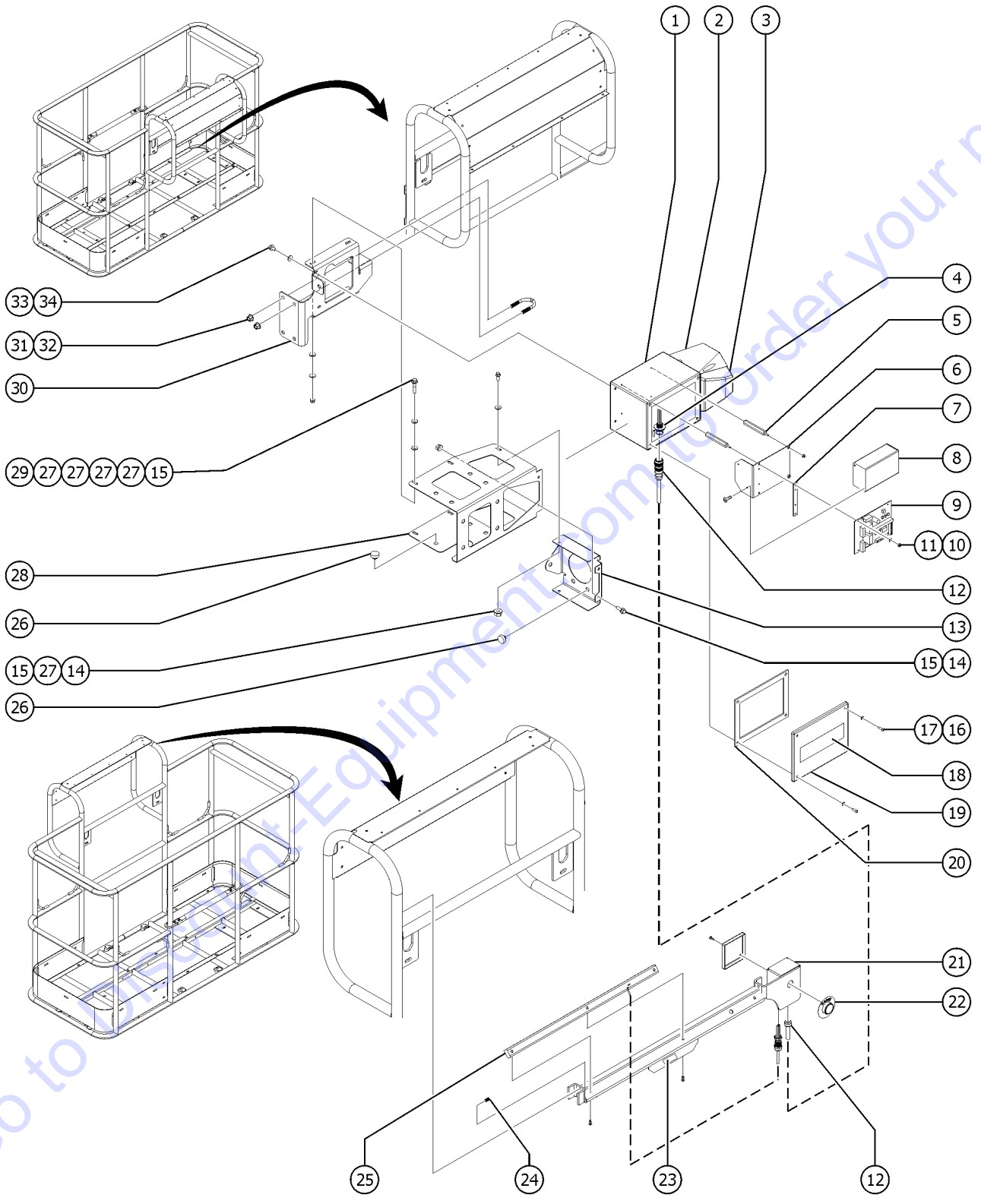




## 809.1 Full Gauge Option - Deutz

Item	Part No.	Description	Qty.
--	121512GT	OPT,FULL GAUGE, S80 DEUTZ	
--	121508GT	OPT,FULL GAUGE,S80 DUAL FUEL	
--		Ref. HARNESS,GAUGE OPT. S80/85 (Refer to 312.1 or 313.1)	
1A	53759-SGT	GAUGE,WATER TEMP.....1 (LPG models)	1
1B	53760-SGT	GAUGE,OIL TEMP (Deutz models)	
2	824059GT	SCREW,HHC,1/4-20X.75,8,ZAG.....4	4
3	824027GT	NUT,TL FLG,1/4-20,G,ZAG.....4	4
4	106034GT	ADAPTER,M18.....1	1
5	106033GT	ADAPTER,NPT 6-4.....1	1
6	30810GT	SENDING UNIT,OIL PRESSURE***.....3 <i>Dual-terminal sender</i>	3
7	28607GT	ADAPTER,140139-8-6.....2	2
8	53761-SGT	GAUGE,VOLTAGE.....1	1
9A	121490GT	ASSY,GAUGE OPT.WATER COOLED.....1 (LPG models)	1
9B	121482GT	ASSY,GAUGE OPT. OIL COOLED (Deutz models)	
9C	121491GT	ENCLOSURE BOX, GAUGE OPT.	
10	53758-SGT	GAUGE,OIL PRESSURE W/O SENDER.....1	1

810.1 Operators Protection Alarm (to January 2017)



## 810.1 Operators Protection Alarm (to January 2017)

Item	Part No.	Description	Qty.	Item	Part No.	Description	Qty.
B	1275537GT	ASSEMBLY, OPA PROTECTION CAGE.....	1	33	237238GT	SCREW,HHF,M6-1.0X12,DIN6921,10.....	2
1	1255018GT	BASE ENCLOSURE,RED,OPA.....	1	34	1257389GT	WASHER, FLAT, M6X18X1.6,DIN9021,ZAB.....	2
2	1255021GT	SOUNDER,MIDI,OPA.....	1				
3A	1255037GT	SOUNDER LENS, OPA, BLUE..... (standard lens fitted to OPA)	1				
3B	1270116GT	SOUNDER LENS, OPA, RED.....	1				
3C	1270117GT	SOUNDER LENS, OPA, AMBER.....	1				
3D	1270118GT	SOUNDER LENS, OPA, CLEAR.....	1				
4	1255033GT	HARN,PIGTAIL,TAPESWITCH,OPA.....	1				
5	1255028GT	STAND OFF,CONTROL UNIT.....	4				
6	1255024GT	BRACKET,CONTROL UNIT.....	1				
7	1255025GT	SPACER,HEAT SINK.....	1				
8	1255023GT	ASSY,MODULE,CONTROL UNIT,OPA....	1				
9	1255022GT	MODULE,CONTROL UNIT,PCB,OPA....	1				
10	1255067GT	NUT,M4 NYLOCK.....	4				
11	1255066GT	WASHER,M4 NYLON.....	4				
12	1255035GT	ASSEMBLY,CABLE,TAPESWITCH.....	1				
13	1275539GT	FORMING, OPA CAP.....	1				
14	824078GT	SCREW,HHF,1/4-20X.75,8,ZAG.....	5				
15	824027GT	NUT,TL FLG,1/4-20,G,ZAG.....	9				
16	1255038GT	SCREW,M5X16 BHD.....	4				
17	1255027GT	WASHER,M5 NYLON.....	4				
18	1255890GT	DECAL,COSMETIC,GENIE.....	1				
19	1255020GT	LID ENCLOSURE,RED,OPA.....	1				
20	1255019GT	GASKET,ENCLOSURE.....	1				
21	1255029GT	ASSEMBLY,TAPESWITCH..... "(6/8' platforms) (includes j-box and fasteners)"	1				
22	1255036GT	ASSEMBLY RESET SWITCH.....	1				
23	1255889GT	DECAL,SYMBOL-READ THE MANUAL.....	1				
24	1255068GT	SCREW,M6X8.....	2				
25	1255047GT	SENSOR,RUBBER EDGE..... (6/8' platforms)	1				
26	43392GT	BUMPER,BATTERY BOX & RAILS.....	17				
27	824113GT	WASHER,FLAT,USS,1/4,ZAG.....	19				
28	1275538GT	FORMING, OPA CAGE.....	1				
29	824080GT	SCREW,HHF,1/4-20X1.25,8,ZAG.....	4				
30	1275540GT	FORMING, OPA, BRACKET.....	1				
--	1271945GT	KIT, OPA WELDER BRACKET Complete assembly bracket with fasteners and U-Bolt 1251600; from SN 13485					
31	824029GT	NUT,TL FLG,3/8-16,G,ZAG.....	4				
32	1251600GT	U-BOLT, FLATTENED, 1.5 X 3/8 UNC,ZAG.....	2				

## Part Number Index

The Part Number Index is a numeric index of all part numbers included in this manual. The index shows what page(s) the part is used on.

Part Number	Page	Part Number	Page	Part Number	Page	Part Number	Page
07.4501.0291GT	85	106117GT	29, 31	119620GT	29	121287GT	29
1000262GT	19	106118GT	29, 31	119644GT	121, 123, 126	121307GT	29
100379GT	55-56	106122GT	37, 39	119915GT	129	121310GT	145
101005GT	129	106125GT	39	119950GT	163	121311GT	55-56
101005HGT	129	106211-300GT	83	121004GT	29	121316GT	175
101068GT	145	106211-600GT	83	121014GT	53	121317GT	175
101070GT	29, 31	106394GT	143	121015GT	53	121336GT	55-56
101173GT	129	106454GT	135	121028GT	89, 91, 99	121337GT	153-154
101173HGT	129	106555GT	67-68, 71-72	121029GT	89, 91	121349GT	31
101174GT	129	106637GT	47, 49-50	121031GT	101	121351GT	35
101174HGT	129	106923GT	85	121032GT	101	121353GT	56
101244GT	107	107706GT	163	121033GT	101	121355GT	153-154
101340GT	59	107707GT	163	121034GT	99	121357GT	153-154
101373GT	111-112	107708GT	163	121039GT	101	121365GT	154
101375GT	111-112	107709GT	163	121044GT	99	121366GT	154
101376GT	111-112	107710GT	163	121045GT	95	121370GT	153-154
101377GT	111-112	107742GT	135	121061GT	87	121371GT	29
101378GT	111-112	107752GT	141	121063GT	87	121384GT	75-76
101379GT	111-112	107753GT	141	121064GT	87	121386GT	42
101381GT	112	107857GT	161	121065GT	87	121387GT	103
101382GT	111-112	109802GT	55-56	121066GT	31, 41-42, 55-56, 87, 89, 91, 95, 97, 101, 161, 175	121388GT	103
101383GT	111-112	110194GT	131, 141	121067GT	33, 55-56, 112, 115	121391GT	103
101384GT	112	110198GT	141	121069GT	41-42, 85	121393GT	56
101440GT	131	110209GT	141	121070GT	87	121399GT	101, 103
101516GT	143	110345GT	41-42	121071GT	31	121403GT	53
101559GT	89, 91, 101	110382GT	41-42	121075GT	99	121404GT	53
101566GT	101	110771-11117GT	67-68, 103	121078GT	29, 89, 91, 99	121406GT	101
101599GT	103	110771-121C7GT	67-68, 71-72, 103	121079GT	55-56	121410GT	75-76
101633GT	76	110771-13107GT	67-68, 71-72, 103	121085GT	101	121413GT	177
101634GT	76	110876GT	89, 91	121087GT	101	121415GT	53
101638GT	75-76	111250GT	111-112	121089GT	101	121416GT	53
101640GT	83	111251GT	111-112	121093GT	87	121419GT	41-42, 53, 55-56, 81, 83, 85, 89, 91, 95, 99, 112, 115, 177, 179
101726GT	41-42	111252GT	111-112	121095GT	87	121420GT	53, 75-76, 83, 97, 103
101790-11391GT	149	111253GT	111-112	121140GT	101	121421GT	33, 42, 53, 75-76, 89, 91, 99, 103, 112, 115, 177, 179
101792-11378GT	149	111319GT	163	121142GT	99	121422GT	29, 55-56, 75-76, 87, 89, 91, 97, 99
101932GT	169, 171, 173	111320GT	163	121146GT	99	121423GT	55-56, 76
101943GT	29	111362GT	37	121147GT	99	121430GT	76
101964GT	53	111363GT	37, 39	121151GT	99	121433GT	85
102045GT	75-76, 85	111389GT	109	121155GT	99	121444GT	125-126
102313-17526GT	157, 159	111402GT	75-76	121156GT	99	121445GT	125-126
102406GT	47, 75-76	111413GT	121, 123	121160GT	97	121447GT	67-68, 71-72
102436GT	163	111420GT	121, 123	121163GT	97	121456GT	125-126
102439GT	163	111486PGT	163	121166GT	89, 91, 95	121461GT	67-68, 71-72
102440GT	163	111526GT	167	121169GT	169, 171, 173	121466GT	67-68, 71-72
102526GT	141	111566GT	53	121170GT	169, 171, 173	121467GT	55-56, 67-68, 71-72
102528GT	141	111570GT	53	121173GT	169, 171, 173	121471GT	75-76
102538GT	112	111572GT	153-154	121177GT	181, 183	121474GT	67-68, 71-72
102547GT	111-112	111578GT	41-42	121178GT	181, 183	121477GT	67-68
102548GT	111-112	111601GT	56	121180GT	89, 91	121478GT	67-68
102549GT	111-112	111602GT	59, 61	121189GT	99	121480GT	71-72
102550GT	111-112	111663GT	53	121216GT	55-56	121481GT	71-72
102551GT	111-112	111668GT	75-76	121217GT	55-56	121482GT	185
102552GT	111-112	111748GT	83	121218GT	55-56	121489GT	67-68, 71-72, 161
102553GT	111-112	111778GT	141	121219GT	55-56	121490GT	185
102554GT	111-112	111896GT	15	121222GT	154	121491GT	185
102581GT	79	114099GT	13, 15, 21, 23	121223GT	31	121492GT	67-68, 71-72
102589GT	11, 79	114247GT	25	121224GT	31	121499GT	67-68, 71-72, 103
10258GT	99	114249GT	21, 23	121224GT	31	121508GT	185
102593GT	79	114251GT	21	121232GT	63	121512GT	185
102676GT	167	114252GT	21, 25, 27	121233GT	65		
102679GT	112	114258GT	13	121234GT	105, 107		
102721PGT	163	114389GT	13, 19	121236GT	101		
102746GT	143	114390GT	13, 15	121258GT	41-42		
102785PGT	167	114416GT	19	121259GT	41-42		
102786PGT	167	114465GT	13, 21	121268GT	29		
102940GT	141	114473GT	27	121269GT	33		
102992GT	112, 115	119032GT	101	121270GT	29		
104030GT	121, 123, 125-126	119218GT	81	121271GT	29		
104186GT	154	119536PGT	107	121272GT	29		
104804GT	115	119542GT	107	121286GT	29		
106033GT	185	119613GT	129				
106034GT	185						
106051GT	59, 61						
106098GT	29						

Part Number	Page	Part Number	Page	Part Number	Page	Part Number	Page
121521GT	67-68, 71-72	122019GT	161	123166GT	31	1259219GT	67-68
121563GT	75-76	122073GT	163, 165	123167GT	31, 75-76, 83	1259704GT	163
121582GT	112, 115	122079GT	109	123444GT	121, 123, 125-126	1260213GT	121, 126
121588GT	161	122120GT	137, 139, 141		126	1260214GT	125-126
121589GT	161	122121GT	137, 139	123557GT	97	1260215GT	125-126
121593GT	101	122148GT	137, 139	12443GT	112	1260218GT	68, 72
121599GT	49-50	122209GT	55-56, 89, 91, 95	12461GT	101	1261239GT	85
121600GT	121, 123	122231GT	163	124962GT	85	1261984GT	41-42
121606GT	121, 123	122250GT	67-68, 71-72	1251496GT	85	1262047GT	11
121608-9175GT	153-154	122278GT	163	1251600GT	115, 187	1262484GT	11
121614GT	67-68, 71-72	122279GT	163	1251820GT	101	1262487GT	85
121615GT	75-76	122282GT	101	1251825GT	49-50	1262488GT	11
121617GT	67-68, 71-72	122302GT	143	1251928GT	83	1262866GT	11, 85
121618GT	67-68, 71-72	122380GT	53	1251983GT	83	1263187GT	41-42
121619GT	67-68, 71-72	122381GT	53	1251984GT	49-50	1263978GT	29
121621GT	67-68, 71-72	122382GT	56	1252684GT	49-50	1263979GT	29
121622GT	67-68, 71-72	122383GT	53	1252685GT	49-50	1264385GT	71-72
121646GT	101	122384GT	53	1252687GT	83	1264822GT	67-68, 71-72
121650GT	103	122386GT	121, 123	1253141GT	67-68, 71-72	1264834GT	67-68, 71-72
121651GT	103	122388GT	75-76	1253154GT	47, 49-50	1264947GT	68, 71-72
121658GT	95	122389GT	89	1253160GT	45, 49-50	1264969GT	41-42
121659GT	169, 171, 173	122390GT	89	1253210GT	67-68, 71-72	1265397GT	115
121660GT	169, 171, 173	122393GT	97	1253409GT	49-50	1265454GT	71-72
121661GT	169, 171, 173	122394GT	97	1254016GT	15	1265455GT	71-72
121662GT	169, 171, 173	122395GT	121, 123	1254594GT	81	1267746GT	115
121668GT	31	122399GT	67-68, 71-72	1254804GT	117, 119, 125-126	1267747GT	115
121670GT	99	122441-11463GT	149		126	1267807GT	55-56
121671GT	99	122457GT	101	1254823GT	81	1268229GT	55-56
121681GT	153-154	122458GT	101	1254826GT	75-76	1268921GT	81
121682GT	153-154	122460GT	35	1254949GT	83	1268GT	11
121683GT	153-154	122627GT	15	1255018GT	187	1269497GT	129
121684GT	153-154	122641GT	141	1255019GT	187	1269498GT	126, 129
121685GT	153-154	122643GT	141	1255020GT	187	1269499GT	129
121687GT	41-42	122644GT	141	1255021GT	187	1269500G	126
121688GT	75-76, 79, 85	122645GT	141	1255022GT	187	1269500GT	129
121690GT	41-42	122646GT	141	1255023GT	187	1269641GT	115
121694GT	79	122647GT	141	1255024GT	187	1270116GT	187
121706GT	139	122649GT	141	1255025GT	187	1270117GT	187
121707GT	137	122650GT	141	1255027GT	187	1270118GT	187
121708GT	141	122651GT	141	1255028GT	187	1270570GT	165
121720GT	121, 123, 126	122652GT	141	1255029GT	187	1270571GT	165
121725GT	125-126	122653GT	141	1255030GT	68, 72	1271077GT	165
121726GT	67-68	122656GT	141	1255033GT	187	1271078GT	165
121727GT	71-72	122657GT	141	1255035GT	187	1271652GT	11
121729GT	71-72	122660GT	141	1255036GT	187	1271713GT	129
121732GT	67-68	122661GT	87	1255037GT	187	1271945GT	187
121733GT	71-72	122662GT	87	1255038GT	187	1272303GT	115
121747GT	67-68	122663GT	87	1255047GT	187	1272304GT	115
121753GT	49-50, 67-68, 71-72	122664GT	87	1255066GT	187	1272307GT	115
		122665GT	87	1255067GT	187	1272624GT	81
121754GT	89, 91	122666GT	87	1255068GT	187	1274553GT	137, 139
121762GT	99	122668GT	87	1255113GT	41-42	1274554GT	139
121763GT	97, 112, 115	122669GT	145	1255452GT	101, 103	1274858GT	115
121766GT	112, 115	122670GT	29	1255555GT	68, 72	1274859GT	115
121777GT	154	122671GT	31	1255653GT	75-76, 81	1274900GT	81
121786GT	87	122673GT	45	1255768GT	55-56	1275537GT	187
121787-13291GT	159	122675GT	163	1255769GT	55-56	1275538GT	187
121787-4691GT	157	122676GT	163	1255770GT	55-56	1275539GT	187
121819GT	103	122677GT	163	1255771GT	55-56	1275540GT	187
121822GT	103	122678GT	163	1255772GT	55-56	1277952GT	165
121831GT	167	122680GT	15	1255773GT	56	1277966GT	165
121832GT	167	122800GT	111-112	1255889GT	187	1277974GT	81
121833GT	167	122801GT	111-112	1255890GT	187	1278108GT	68, 72
121836GT	67-68, 71-72	122802GT	111-112	1256206GT	153-154	1278714GT	11
121840GT	67-68, 71-72	122803GT	111-112	1256267GT	31	128000GT	129
121841GT	67-68, 71-72	122804GT	111-112	1256466GT	63, 65	128001GT	129
121842GT	67-68, 71-72	122805GT	111-112	1256824GT	153-154	128004GT	79, 83
121843GT	67-68, 71-72	122806GT	111-112	1256825GT	153-154	1280590GT	75-76
121846GT	47, 49-50	122807GT	111-112	1256855GT	115	1280591GT	75-76
121848GT	67-68, 71-72	122832GT	112	1257389GT	187	1280764GT	123
121857GT	107	122878GT	39	1257733GT	11	128200GT	45, 49-50, 117, 119, 125-126
121865GT	103	122879GT	39	1258567GT	11		
121870GT	87	122944GT	105, 107	1258641GT	85	128201GT	45, 50, 117, 119, 125-126
121871GT	87	122994GT	49-50	1258701GT	67-68, 71-72		125-126
121872GT	87	123162GT	55-56	1258771GT	85	128202GT	45, 49-50
121891GT	53	123163GT	56	1258972GT	15		

## Part Number Index (continued)

Part Number	Page	Part Number	Page	Part Number	Page	Part Number	Page
128204GT	45, 49–50, 117, 119, 125–126	139621GT	79	18963GT	161	229350GT	29
128268GT	107	139624GT	75–76	19060GT	141	229351GT	29
128368GT	163	139644-14B61GT	93	19274GT	47	229357GT	68
1283776GT	11	139666GT	75–76	19440GT	29	229358GT	71–72
1283995GT	81	139709GT	79	19506GT	45	229567GT	45, 47, 49–50, 117, 119, 125–126
128416GT	143	139712GT	131	20654GT	56		
1284188GT	103	139715GT	131	20973GT	112	229986GT	83
128419GT	133, 143	139716GT	131	21019GT	81	230995GT	181, 183
128420GT	133	139717GT	131	21121GT	112	232843GT	99
128429GT	163	139718GT	131	21130GT	33, 75–76	232844GT	99
1284532GT	89, 91	139719GT	131	21141GT	41–42	23404GT	45, 121, 123
128454PGT	107	139727GT	131	214228GT	11, 85	23405GT	181, 183
1284764GT	163	139983GT	75–76, 79	214393GT	41–42	235133GT	37
128482GT	107	146051GT	35, 37, 39	21465GT	41–42, 81	235135GT	35
128483GT	107	146052GT	35, 39	21496GT	33	235136GT	35
1285171GT	97	146058GT	99	215209GT	42	235137GT	35, 37, 39
128534GT	107	146059GT	101	215210GT	42	235138GT	35
1285689GT	68, 72	146060GT	101	215623GT	29, 31, 37	235139GT	37
128580GT	117	146061GT	79	216602GT	133	235140GT	37
1285811GT	68, 72	146180GT	41–42	216760GT	67–68, 71–72	235150GT	37
128583GT	47	146181GT	41–42	216791GT	47, 49–50	235151GT	37
1286035GT	159	146182GT	41–42	216793GT	47, 49–50	235152GT	37, 39
1286602GT	39	146478GT	117, 119, 125–126	217050GT	149	235153GT	37
1286604GT	29, 31, 37			217051GT	149	235154GT	39
1286605GT	29, 31, 37	147090GT	49–50	217052GT	149	235322GT	121, 123
128724GT	107	147094GT	45	217054GT	151	236251GT	85
1287434GT	131	147121GT	111–112, 115	217055GT	159	236259GT	85
128829GT	75–76	147221GT	111–112	217056GT	147, 149	236260GT	11, 85
128912GT	81	147223GT	41–42	217057GT	154	237068GT	41–42
128953GT	15	147347GT	112, 115	217058GT	153–154	237237GT	105, 107
128978GT	59	147370GT	105	217059GT	153–154	237238GT	187
12906GT	53	147387GT	125–126	217063GT	149	24038GT	81
13002GT	75–76, 83	147419GT	41–42	217064GT	149	24514GT	112, 115
13003GT	75–76, 85	147450GT	67–68, 71–72	217065GT	149	25683GT	105, 107
13064GT	55–56, 75–76, 81, 85	147485GT	105, 107	217370GT	67–68, 71–72	25817GT	29, 99
13097GT	67–68, 71–72	147505GT	93	217710GT	99	25926GT	85
13268GT	112, 115	147542GT	97	218165GT	125–126	25994GT	13
133067GT	21, 23	147543GT	97	218167GT	45	27204GT	15, 23
133177GT	13, 15	147544GT	97	218448GT	87	27205GT	13, 21
133209GT	15	147575GT	19, 27	21858GT	45, 85, 126	27206GT	13, 15, 21, 23
133232GT	13	147578GT	93	218715GT	81	27207GT	13, 15, 21, 23
133278GT	13	147603GT	19, 27	219144GT	41–42	27287GT	47, 49–50
133307GT	181, 183	147606GT	13, 19	219160GT	19, 27	27377GT	53
133308GT	13, 15, 21, 23	147613GT	19	219243GT	133	27581GT	11
133309GT	13, 15, 21, 23	147620GT	95	219245GT	133	27585GT	83, 85
133310GT	13	147622GT	67–68	219247GT	133	27697GT	89, 91
133372GT	13, 15	147628GT	93	219392GT	41–42	27698GT	29, 101
133374GT	13, 19	147631GT	93	219490GT	67–68, 71–72	27761GT	131
133386GT	21, 23	147653GT	67–68	219718GT	49–50	27836GT	131
133387GT	27	147659GT	17, 25	219723GT	13	28158GT	13, 21
133411GT	23	147662GT	93	22578GT	75–76	28159GT	13, 21
133413GT	21	147755GT	13, 21	226103GT	79	28160GT	13, 21
13918GT	93	147784GT	169, 171	226104GT	79	28161GT	15
139308GT	55–56	147789GT	21, 27	226105GT	79	28165GT	19
139309GT	55–56	147793GT	13, 19	226106GT	79	28174GT	15, 19, 23, 27
139310GT	56	147795GT	13	226393GT	161	28175GT	15
139311GT	56	1484GT	11	226517GT	13, 19	28176GT	19
139312GT	56	1487GT	163	226541GT	105	28177GT	19
139313GT	56	1488GT	163	226542GT	105	28181GT	17
139314GT	56	15086GT	81	22672GT	81, 181, 183	28235GT	15, 19, 23, 27
139315GT	55–56	15243GT	45, 49–50, 121, 123, 125–126	22699GT	83	28236GT	19
139321GT	75–76			227153GT	91	28301GT	53
139322GT	75–76	161144GT	133	227154GT	91	28607GT	185
139323GT	55–56	161145GT	133	227516GT	67–68, 71–72, 111–112, 115	28750GT	11, 131
139338GT	121, 123, 125–126	161938GT	81			29080GT	89, 91, 95, 97
139451GT	112	162207GT	85	227774GT	29, 35	29560GT	11, 75–76
139455GT	75–76	162208GT	85	227775GT	29, 31, 37	29739GT	145
139508GT	131	162209GT	85	227776GT	29, 31, 39	29746GT	101, 103
139512GT	131	162276GT	81	227778GT	29, 31	29764GT	109
139527GT	131	162283GT	81	227779GT	29, 31	29868GT	41–42, 59, 61, 81, 161
139528GT	131	162284GT	81	227785GT	56		
139598GT	129	16439GT	41–42	228466GT	111–112	30138GT	89, 91, 95, 97
139612GT	75–76	18596GT	75–76, 85, 87, 99	228891GT	87	30143GT	67–68, 71–72
		18605GT	93	228892GT	87	30144GT	41–42
		18666GT	47, 75–76, 121, 123, 126	229337GT	101	30199GT	29
				229338GT	101		



Part Number Index (continued)

Part Number	Page	Part Number	Page	Part Number	Page	Part Number	Page
30222GT	107	45383GT	117, 119, 125-126	49119-74578GT	159	54486GT	167
30255GT	105, 107			49128-1509GT	153-154	55753GT	115, 163, 165
30370GT	105	45385GT	49-50	49128-2409GT	147, 149	56003GT	153-154
30468GT	167	45435GT	83, 181, 183	49128-3709GT	147, 149	56057GT	47
30489GT	75-76, 79, 83, 181, 183	45454GT	75-76	49128-4209GT	151	56424GT	112, 115, 165
		45483GT	56	49128-4509GT	151	56704GT	161
30785-600GT	33	45495GT	55-56	49128-50409GT	157, 159	56912GT	31, 41-42, 55-56, 81, 83, 85, 89, 91, 95, 97, 101, 103, 107, 111-112, 115
30794GT	68, 72	45708GT	41-42	49130-2957GT	147, 149		
30810GT	185	45782GT	75-76	49130-63782GT	157	57201GT	109
30971GT	79, 83, 177, 179, 181, 183	45912GT	141	49130-8382GT	151	58222GT	55-56
		45921GT	141	49137-5041GT	157, 159	58223GT	55-56
30973GT	41-42, 53	46468GT	19	49141-17463GT	157, 159	58237GT	35, 39
30996GT	126	47222GT	93	49143-14429GT	157, 159	58249GT	75-76
30997GT	47, 49-50, 121, 123, 126	4828GT	41-42, 59, 61, 81, 83, 85, 93, 105, 107, 111-112	49143-2829GT	154	58256GT	75-76
31060GT	17			49143-4129GT	153-154	58290GT	145
31106GT	101	48415GT	141	49143-5229GT	147	58299GT	75-76
31523GT	181, 183	48425GT	81	49149-2526GT	147	58303GT	141
31779GT	11	48894GT	157, 159	49149-3126GT	153-154	58304GT	55-56
31788GT	13	48904GT	153-154, 157, 159	49150-3730GT	154	58387GT	56
32150GT	11			49151-3548GT	154	58412GT	11
32151GT	11	48905GT	147, 149, 153-154, 157, 159	49183-2692GT	153-154	58489GT	41-42
33278GT	55-56, 99			49407GT	75-76	58596GT	56
33418GT	75-76, 85	48907GT	151, 153-154, 157, 159	49410GT	83, 85	58597GT	56
33422GT	47, 49-50			49612GT	11, 131	58630GT	75-76
33428GT	29, 107	48909GT	147, 149	49613GT	131	58999GT	39
33441GT	35, 37, 39	48911GT	147, 149	49768GT	33	59370GT	29
33555GT	53	48912GT	153-154, 157, 159	49775GT	55-56	60042-SGT	111-112
33607GT	47, 49-50			49816GT	59, 61, 85	60160PGT	111-112
33608GT	47, 49-50	48914GT	151	49819GT	121, 123, 181, 183	6019GT	83, 87, 111-112
33674GT	163	48915GT	147, 149, 151, 153-154	49820GT	47, 49-50, 121, 123, 125-126	6021GT	93, 103, 107, 169, 171, 173
33990GT	35, 39	48916GT	147, 149, 153-154	49857GT	103, 109	6024GT	75-76, 81, 85
33994GT	11, 131			49915GT	79	60304GT	89, 91, 95, 97
34052GT	59, 61	48918GT	153-154	49924GT	11, 75-76, 81	60334GT	11, 55-56
34127GT	29	48920GT	151, 157, 159	50035GT	56	60370-SGT	112, 115
34505GT	183	48927GT	153-154	50160GT	87	60447GT	47
34533GT	181, 183	48928GT	153-154	50481GT	137, 139	60536GT	11, 59, 61
34619GT	167	48930GT	151	50560GT	89, 91, 101, 103	60555GT	29
34955GT	181, 183	48932GT	149, 153-154	50742GT	101, 103	60561GT	75-76
35432GT	181, 183	48933GT	147, 149, 153-154, 157, 159	50787-SGT	75-76	60575PGT	55-56
35434GT	81, 181, 183			51063GT	89, 91, 99, 103	60815GT	55-56
35675GT	107	48935GT	153-154	51144GT	29	60840GT	89, 91, 95, 97
35714GT	56	48936GT	149	52087GT	145	60857GT	11, 55-56
35726GT	133	48946GT	153-154	5224GT	41-42, 107, 169, 171, 173	60884GT	53
35956GT	163, 165	48948GT	149	52352GT	75-76	6090GT	31, 45, 47, 49-50, 53, 107, 111-112, 121, 123, 125-126, 163, 175
35960GT	161	48949GT	149	52661GT	163		
36208GT	81	48959GT	147, 149, 153-154	52714GT	141	6095GT	101
36294GT	101			52715GT	141	6097GT	41-42, 56, 59, 61, 81, 83, 85, 112
37052GT	19	48960GT	147, 149, 153-154, 157, 159	52726GT	131		
37187GT	41-42			52865GT	15	61079GT	157, 159
37192GT	41-42	48963GT	147, 149, 153-154	52866GT	75-76, 83	61083GT	153-154
37947GT	45, 49-50			52943GT	137, 139	61110GT	76, 83
38149GT	15	48977GT	153-154	52966GT	13, 21	61128GT	55-56
38620GT	89, 91, 95, 97	48983GT	153-154	52967GT	13, 21	61225GT	59
39882GT	55-56	48984GT	153-154	53189GT	167	61259GT	157, 159
40434GT	19, 27	48996GT	41-42, 153-154	53387GT	31	61269GT	157, 159
40614GT	47, 49-50	49109-5029GT	149	5365GT	75-76	6126GT	55-56, 99
41489GT	56	49110-14692GT	149	53707GT	53	61283GT	105, 107
41549GT	56	49116-1437GT	154	53758-SGT	185	61306-SGT	107
42079GT	87	49116-2437GT	157, 159	53759-SGT	185	61321GT	153-154, 157, 159
42104GT	163	49116-2637GT	157, 159	53760-SGT	185		
42288GT	47, 125-126	49116-3137GT	147, 149	53761-SGT	185	6145GT	41-42, 83, 105, 107, 112, 115, 163, 165
42646GT	169, 171	49117-11491GT	149	53807-SGT	163		
4266GT	55-56, 85	49117-13291GT	159	53808-SGT	163		
42781GT	45, 125-126	49117-2791GT	157, 159	5397GT	41-42, 53, 75-76, 83, 87, 93, 111-112, 163, 165		
42790GT	153-154	49117-4691GT	157				
43018GT	29, 99, 101, 105, 107, 135, 137, 139	49117-50391GT	157	54124GT	41-42		
		49117-5391GT	147, 149	54247-SGT	111-112		
43392GT	115, 163, 167, 187	49117-6191GT	153-154	54274GT	111-112		
		49119-11378GT	149	54365GT	47, 49-50, 125-126		
43594GT	19	49119-1378GT	154	54380GT	93		
44743GT	112	49119-34078GT	157, 159				
44981GT	15, 19, 23, 27	49119-51078GT	157, 159				
44986GT	19	49119-63778GT	157				
45363GT	53	49119-66978GT	157				

## Part Number Index (continued)

Part Number	Page	Part Number	Page	Part Number	Page	Part Number	Page
6146GT	53, 55-56, 81, 85, 89, 91, 99, 121, 123, 125- 126, 161, 181, 183	70444GT	76	77365GT	41-42	823703GT	83
6147GT	161	70445GT	79	77409GT	99	823751GT	81
6175GT	81	70448PGT	75-76	77519GT	29	823761GT	19
6178GT	47, 49-50, 53, 55-56, 59, 61, 85, 89, 91, 99, 103, 121, 123, 125-126, 161	70449GT	76	77537GT	31	823764GT	19
6198GT	101	70455GT	75-76	77538GT	31	824023GT	85
62258GT	137, 139	70456GT	79	77653GT	89, 91, 99	824027GT	115, 165, 185, 187
62275GT	141	70465GT	75-76	77656GT	99	824028GT	165
62392GT	129	70483GT	79	77694GT	41-42, 67-68, 71-72	824029GT	115, 187
62414GT	41-42	7056GT	45, 47, 49-50	77713PGT	97	824059GT	185
62420GT	11	71498GT	163, 165	77795GT	99	824075GT	109
62425GT	11, 75-76, 83	71911GT	76, 79, 81	77819GT	145	824078GT	115, 187
62476GT	79, 83	72255GT	75-76	77884GT	95	824079GT	115, 165
62506GT	135	72282GT	161	78736GT	41-42, 76, 83, 85	824080GT	187
62507GT	135	72326GT	117, 119, 125- 126, 161	79456GT	107	824086GT	165
62920GT	17, 25	7265GT	163	80716GT	45, 50	824091GT	115
62921GT	15, 23	72875GT	19	81164GT	29	824093GT	93
62922GT	17, 25	72999GT	13	81175GT	107	82410GT	19
62923GT	15, 23	73461GT	91, 95	81330GT	29	824113GT	187
63213GT	107	73477PGT	111-112	81340GT	87	824116GT	63, 65
63353GT	107	73478PGT	111-112, 115	81341GT	87	824132GT	81
6353GT	45	73575GT	111-112, 115	81342GT	87	824164GT	105, 107
6356GT	31, 49-50, 55- 56, 105, 111- 112, 125-126, 163, 165	73587GT	111-112	81347GT	97	824298GT	85
63766GT	111-112	73610PGT	111-112	81366GT	56	824351GT	85
65278GT	15, 23	73717GT	47, 49-50, 121, 123, 125-126	81378GT	31	824397GT	85
6550GT	112	73723GT	121, 123, 125- 126	81467GT	75-76, 83	824422GT	85
65616GT	56	73730GT	121, 123, 125- 126	81468GT	75-76, 83	824583GT	121, 123, 125- 126
65621GT	11	73736GT	47, 49-50, 121, 123, 125-126	81488GT	121, 123, 125- 126	824585GT	67-68, 71-72
65623GT	11	73753GT	47, 49-50	81498GT	31	824615GT	15
65626GT	11	73754GT	47, 49-50	81535GT	41-42	824673GT	85
65846GT	39	73803GT	47, 49-50, 121, 123, 125-126	81536GT	41-42	82472GT	23
6584GT	75-76	73807GT	135	81550GT	121, 123, 126	82473GT	23
6606GT	53	73900GT	111-112	81551GT	121, 123, 126	82481GT	21
6607GT	111-112	73928GT	109	81578GT	41-42	824879GT	45, 50, 117, 119
6637GT	31, 76, 85, 87, 93	73931GT	111-112	81609GT	31	82487GT	21, 27
6638GT	31, 41-42, 45, 47, 49-50, 53, 55-56, 75-76, 83, 85, 87, 93, 107, 111-112, 115, 121, 123, 125-126, 163, 167, 169, 171, 175	73939GT	29, 89, 91, 99	81610GT	31	824880GT	117
66399GT	11	74389GT	29, 89, 91, 99	81640GT	107	825019GT	29, 105, 107
66812GT	45, 50, 117, 119, 125-126	74902GT	137, 139, 141	81700GT	181, 183	825218GT	81
66813GT	45, 50, 117, 119, 126	74913GT	47, 49-50	81777GT	87	82547GT	27
66814GT	49-50	74917GT	47, 49-50	81986PGT	56	82548GT	27
66815GT	49-50, 126	75020GT	11	82161GT	13	825579GT	13
66816GT	49-50	75041GT	53	82237GT	15, 19	8255GT	107
66818GT	49-50	75051GT	29, 33, 42, 55- 56, 59, 61, 75- 76, 81, 103	82243GT	19	825628GT	85
66821GT	49-50	75073GT	53	823012GT	85	825759GT	29
6782GT	41-42, 53, 75- 76, 83, 93	75076GT	53	823013GT	85	825760GT	101, 103
6833GT	93, 169, 171	75254GT	41-42, 153-154	823135GT	85	825762GT	101
6878GT	169, 171, 173	75256GT	41-42, 153-154	823143GT	83	825796GT	99
6886GT	56	75257GT	41-42	823144GT	83	825939GT	83
6888GT	49-50, 93, 111- 112, 167, 169, 171	75289GT	76	823147GT	83	825948GT	179
6889GT	47, 49-50, 163, 167	75395GT	107	823229GT	81	82601GT	27
6935GT	49-50	75443GT	129	823239GT	83	82602GT	27
70381GT	79, 83	75444GT	129	823295GT	13	82604GT	27
		75445GT	129	823296GT	13	826345GT	13
		75446GT	129	823297GT	13	826357GT	85
		75447GT	129	823298GT	13	826379GT	89, 91, 99
		75448GT	129	823299GT	13	826559GT	41-42
		75449GT	129	823300GT	13	82671GT	23, 27
		75450GT	75-76, 83	823301GT	13	826793GT	109
		75451GT	75-76, 83	823302GT	13	826794GT	63, 65
		75519GT	163	823356GT	41-42	826795GT	81
		75614GT	154	823396GT	41-42	826825GT	81
		77048GT	121, 123	823420GT	41-42, 85	826832GT	81
		77069GT	41-42	823421GT	41-42, 85	826833GT	85
		7713GT	111-112	823435GT	21	826835GT	81
		77181GT	107	823436GT	21	826859GT	81
		77303GT	105, 107	823437GT	21	826860GT	85
		77351GT	121, 123, 125- 126	823438GT	21	826873GT	85
		77353GT	41-42	823439GT	21	826937GT	67-68, 71-72
		77354GT	41-42	823440GT	21	826938GT	67-68, 71-72
				823441GT	21	82862GT	19
				823442GT	21	83009GT	56
				823600GT	149	83093GT	45, 49-50
				823601GT	149	83131GT	45, 49-50
				823658GT	13	84134GT	131
				82366GT	13	84135GT	131



Part Number	Page	Part Number	Page
8516GT	85, 105, 107	94760GT	133, 143
87085GT	87	94761GT	133
87172GT	153-154	94764GT	133
87755GT	47, 49-50	94765GT	133, 143
88092GT	31	94937GT	55-56
88106PGT	53	94980GT	103
88159GT	59, 61	94982GT	41-42, 59, 61
88160GT	59, 61	9596GT	163
88162GT	59	9599-SGT	163, 165
88164GT	59, 61	96008-SGT	45, 49-50
88167GT	59	96009GT	45, 49-50
88212GT	55-56	97579GT	19
88241GT	29	97602GT	15
88261GT	29	97815GT	19, 27, 112
88315GT	45, 49-50	97875GT	15, 19
88345GT	105, 107	97887GT	19
88349GT	29	9990046GT	29, 31, 37
88356-13107GT	67-68, 71-72	9990109GT	29, 31, 37
88356-32163GT	67-68, 71-72	T106478GT	67-68, 93
88356-33103GT	67-68, 71-72	T106479GT	67-68, 93
88516GT	105, 107	T106954GT	55-56
88568GT	99	T106955GT	55-56
88576GT	105	T106957GT	55-56
88606PGT	167	T106961GT	55-56
88607PGT	167	T106962GT	55-56
88648GT	89, 91, 95, 97	T107193GT	67-68, 71-72,
88783GT	131		103
88785GT	133	T107194GT	67-68, 103
88827GT	50	T107744GT	45
88832GT	47	T108075GT	105, 107
88917GT	41-42	T108076GT	107
88942-6754GT	153-154	T108077GT	107
88942-9554GT	153-154	T108732GT	79
8915GT	53, 107	T108733GT	79
89309GT	141	T108734GT	79
89310GT	141	T111507GT	29, 31, 35, 39
89312GT	141	T112626GT	129
89377GT	115	T112773GT	19, 27
89449GT	147, 149, 151	T114678GT	75-76
89571GT	55-56	T115760GT	67-68, 71-72
89575GT	47, 49-50	T115763GT	87
89733GT	135, 141	T115764GT	87
89737GT	141	T115765GT	87
89738GT	141	T115766GT	112, 115
89770GT	135		
89801GT	107		
89871-2448GT	147, 149		
89871-2648GT	147		
89871-5348GT	153-154		
89871-5648GT	153-154		
89871-5848GT	153-154		
89959GT	177, 179		
89997GT	75-76		
89998GT	75-76		
93500GT	11		
94077GT	41-42		
94327GT	11, 59		
94374-4330GT	153-154		
94374-5130GT	147		
94397GT	107		
94398GT	105		
94506GT	125-126		
94510GT	99		
94526GT	41-42		
94537GT	181, 183		
94620GT	56		
94621GT	56		
94622GT	56		
94623GT	56		
94624GT	56		
94625GT	56		
94626GT	56		
94745PGT	112, 163		
94757GT	143		
94758GT	131		
94759GT	133, 143		

## Part Description Index

The Part Description Index is an alphabetical index of all part descriptions included in this manual. The index shows what page(s) the part is used on.

- "
- "Ref. FOOT SWITCH WIRE HARNESS ASSEMBLY".....121
- 2**
- 2 WD SPINDLE, IDLER.....35
- 3**
- 3/8 MALE NPT X 1/4 BARB.....41-42
- 6**
- 6' TRI-ENT ASSY W/DECALS A/SOA.....163  
 6' TRI-ENT ASSY W/DECALS ANSI.....163  
 6' TRI-ENT ASSY W/DECALS AUSTR.....163  
 6' TRI-ENT RAIL W/DECALS A/SOA.....163  
 6' TRI-ENT RAIL W/DECALS ANSI.....163  
 6' TRI-ENT RAIL W/DECALS AUSTR.....163
- 8**
- 8' TRI-ENT ASSY W/DECALS A/SOA.....163  
 8' TRI-ENT ASSY W/DECALS ANSI.....163  
 8' TRI-ENT ASSY W/DECALS AUSTR.....163  
 8' TRI-ENT ASSY W/DECALS CE.....163  
 8' TRI-ENT RAIL W/DECALS A/SOA.....163  
 8' TRI-ENT RAIL W/DECALS ANSI.....163  
 8' TRI-ENT RAIL W/DECALS AUSTR.....163  
 8' TRI-ENT RAIL W/DECALS CE/UK.....163
- A**
- ADAPTER, 140139-8-6.....185  
 ADAPTER, M18.....185  
 ADAPTER, NPT 6-4.....185  
 AIR CLEANER CLIPS, SUPERBOOM.....75-76, 83  
 AIR CLEANER COVER, SUPERBOOM\*.....75-76, 83  
 AIR CLEANER, NELSON.....75-76, 83  
 ALARM, INTERMITTENT TONE 6-30V\*.....161  
 ALARM, WARBLE TONE 5-30 VDC\*\*\*.....117, 119, 125-126  
 ALTERNATOR, DEUTZ, BF4L2011\*\*\*.....75-76  
 ALTERNATOR, 95 AMP, DEUTZ.....85  
 ALUMINUM FLAT CROSS BAR.....87  
 ANGLE, RELAY MOUNTING.....49-50  
 ASSEMBLY RESET SWITCH.....187  
 ASSEMBLY, AUX POWER UNIT, 12VD.....41-42  
 ASSEMBLY, OPA PROTECTION CAGE.....187  
 ASSEMBLY, TIMING LINK CAM.....101  
 ASSEMBLY, WELDMENT.....101  
 ASSEMBLY, CABLE, TAPESWITCH.....187  
 ASSEMBLY, FOOT SWITCH.....67-68, 71-72, 111-112, 115  
 ASSEMBLY, PIVOT PLATE.....89, 91  
 ASSEMBLY, TAPESWITCH.....187  
 ASSY, CIRCUIT BREAKER 15A.....45  
 ASSY, MED. PRESS. FILTER, SAE8.....55-56  
 ASSY, PBOX, T4 DEUTZ 2.9L S80.....121, 123, 125-126  
 ASSY, TERM RAIL, S80/85 2013.....47, 49-50  
 ASSY, 6' PLAT WELDMENT W/SIDE GATE.....115
- ASSY, 6FT PLAT DUAL LG, BLANK W/SIDE SWING GATE.....115  
 ASSY, 8' PLAT WELDMENT W/SIDE GATE.....115  
 ASSY, 8FT PLAT TRI LG, BLANK W/SIDE SWING GATE.....115  
 ASSY, DISPLAY, DP200 DEUTZ T4.....49-50  
 ASSY, FUEL PREFILTER, DEUTZ 2.9.....85  
 ASSY, GAUGE OPT. OIL COOLED.....185  
 ASSY, GAUGE OPT. WATER COOLED.....185  
 ASSY, LS, LOAD SENSE, 38.5 IN.....67-68, 71-72  
 ASSY, MODULE, CONTROL UNIT, OPA.....187  
 ASSY, PBOX JUMPER, DIESEL.....125-126  
 ASSY, PBOX JUMPER, GAS/LP.....125-126  
 ASSY, PBOX, DIESEL, S80/85.....125-126  
 ASSY, PBOX, DIESEL, S80/85 2008.....121, 123  
 ASSY, PBOX, GAS/LP, S80/85.....125-126  
 ASSY, PBOX, GAS/LP, S80/85 2008.....121, 123  
 ASSY, PCB, ALC500-2 S80VP V204.....121, 123  
 ASSY, PCB, ALC500-II, S80.....121, 126  
 ASSY, S-80 YOKE, W/BEARINGS, LFRR.....29  
 ASSY, S-80 YOKE, W/BEARINGS, RFLR.....29  
 ASSY, SIDE SWING GATE.....115  
 AUX RAIL, 6' PLAT, SIDE ENTRY.....165  
 AUX RAIL, 8' PLAT, TRI-ENTRY.....165  
 AUX TOP RAIL, 6'(1.25")SERVICE.....163  
 AUX TOP RAIL, 6', SWG GT, SRV.....163  
 AUX TOP RAIL, 8'(1.25")SERVICE.....163  
 AUX TOP RAIL, 8', SWG GT, SRV.....163  
 AUX TOP RAIL, 8FT, PTD.....163
- B**
- BACKING PLATE, HOSE BLOCK, JIB.....107  
 BALL STUD\*\*.....53  
 BAR, AXLE ROTATION STOP, OSC.....31  
 BAR, SPACER.....89, 91, 95  
 BASE ENCLOSURE, RED, OPA.....187  
 BASE, W/1 N.O. CONTACTS\*\*\*.....49-50, 126  
 BASE, W/3 NC CONTACTS.....125-126  
 BASE, WITH 2 N.O. CONTACTS\*\*\*.....49-50  
 BASE, WITHOUT CONTACTS.....49-50  
 BATTERY CABLE, NEG BK 116".....67-68  
 BATTERY HOLD DOWN, GROUP 31.....41-42  
 BATTERY, 12V DEEP CYC 5/16"STUD.....41-42, 67-68, 71-72  
 BATTERY, 12V, 1000 CCA GRP 31.....67-68, 71-72  
 BEARING KIT, INNER (88921).....56  
 BEARING KIT, OUTER (88921).....56  
 BEARING KIT, PLAT ROTATOR, SUPER.....107  
 BEARING KIT, WHEEL DRIVE W/BRAKE (227775).....29, 31, 37  
 BEARING NUT\*\*\*.....35, 37, 39  
 BEARING TURNTABLE SEAL\*\*\*.....56  
 BEARING, TAPERED - ASSY.....35, 37, 39  
 BEARING, 1.00IDX1.25ODX1.00L.....29, 99  
 BEARING, 1.25IDX1.50ODX1.50L.....89, 91, 101, 103  
 BEARING, 1.25IDX1.50ODX2.25L.....97  
 BEARING, 1.25IDX1.50DX1.00L.....105  
 BEARING, 1.5"ID X 1.75OD X 1.25L.....89, 91  
 BEARING, 1.75IDX2.00ODX1.25L.....29  
 BEARING, 1.75IDX2.00ODX1.50L.....29  
 BEARING, 2.50IDX2.75ODX1.25LG.....101, 103  
 BEARING, 2.50IDX2.75ODX1.50L.....89, 91
- BEARING, 2.50IDX2.75ODX2.00L.....29, 101  
 BEARING, 3.00IDX3.25ODX2.50LG.....101  
 BEARING, 3.00IDX3.50DX2.25LG.....89, 91  
 BEARING, FL, 1.25X1.5X2.13.....107  
 BEARING, FL, 1.25IDX1.41ODX1.50L.....107  
 BEARING, FL, 1.25IDX1.50DX1.25L.....107  
 BEARING, FL, 2.50IDX2.75ODX1.36L.....101  
 BEARING, FL, 2.50IDX2.75ODX1.61L.....89, 91, 101  
 BEARING, POLYGON, 20DU12.....105, 107  
 BEARING, THRUST WASHER\*\*\*.....39  
 BEARING, TURNTABLE.....56  
 BELLCRANK ASSY W/BEARINGS.....107  
 BELLCRANK W/BEARINGS.....107  
 BELLOW, CYLINDER, PLAT LEVEL.....181, 183  
 BELLOW, LIFT CYLINDER.....181, 183  
 BELLOW, MASTER CYLINDER.....181, 183  
 BELT, AIR PUMP, PERKINS 404F-22T.....85  
 BELT, ALTERNATOR, PERKINS 404D/F.....11  
 BELT-FAN, GM 3.0L ENGINE.....11  
 BLOCK, MAST SLIDER, GR20.....55-56  
 BOLT, CARRIAGE, 1/4-20 X .75, G2.....169, 171, 173  
 BOLT, CARRIAGE, 1/4-20 X 1.00, G2.....107  
 BOLT, CARRIAGE, 1/4-20 X 2.75, G2.....107  
 BOLT, FLANGE, 5/8-11X1.5"GR8 PLT.....81  
 BOLT, HEX-UNC(.250-20, .500G).....39  
 BOLT, HEX-UNC(.375-16).....37  
 BOLT, HEX-UNC(.375-16, 1.25g).....35  
 BOLT, WHEEL DRIVE CAP(106122).....37  
 BOOM TUBE #1 ASSY, S80, W/SYMB.....89  
 BOOM TUBE #1 ASSY, S80, W/WORD\*\*.....89  
 BOOM TUBE #1 ASSY, S85, W/SYMB.....91  
 BOOM TUBE #1 ASSY, S85, W/WORD.....91  
 BOOM TUBE 3 W/SYMBOL DECALS.....97  
 BOOM TUBE 3 W/WORD DECALS.....97  
 BOOM TUBE 3 WITH SYMBOL DECALS.....97  
 BOOM TUBE 3 WITH WORD DECALS.....97  
 BOOT(BELLOWS), E-STOP, BLACK.....117, 119, 125-126  
 BOOT, ROCKER JOYSTICK 75565.....129  
 BOOT, JOYSTICK.....129  
 BOX, INSTRUCTION STORAGE.....112, 115  
 BRACKET, STRUT BRACE.....83  
 BRACKET, CONTROL UNIT.....187  
 BRACKET, COVER, RELAY MODULE, DEUTZ 2.9L.....85  
 BRACKET, DP200 PANEL MOUNT.....49-50  
 BRACKET, EXPANSION TANK, LEFT M.....81  
 BRACKET, EXPANSION TANK, DEUTZ 2.....81  
 BRACKET, FUEL SYSTEM, DEUTZ 2.9L.....85  
 BRACKET, HOSE CLAMP, PAINTED.....107  
 BRACKET, HYD. ROTATOR MOUNT MNT.....55-56  
 BRACKET, INTAKE PIPE, MOUNT, DEUT.....81  
 BRACKET, LEG, RLY BLOCK.....59, 61  
 BRACKET, PBOX WIRE SUPPORT.....121, 123, 126  
 BRACKET, WORK LIGHT MOUNT 5/16".....163, 165  
 Brake Lining Kit.....37  
 BRAKE LINING KIT (121291).....39  
 BRAKE PORT HARDLINE.....56  
 Brake Replacement Kit.....37  
 Brake Seal Kit.....37  
 BRAKE TUBING.....56



## Part Description Index (continued)

- DECAL, LCD, TIER 4.....13  
 DECAL, OPER INST 6080X GRD.....13  
 DECAL, PLAT CNTL PNL.....19, 27  
 DECAL, PLAT CNTL PNL 60X 80X.....19, 27  
 DECAL, POWER TO PLATFORM 230V\*\*.....15, 19, 23, 27  
 DECAL, RELAY BLOCK, S80/85.....15  
 DECAL, SYMBOL - READ THE MANUAL...21, 27  
 DECAL, ANNUAL INSP\*\*\*.....15  
 DECAL, ARROW BLUE.....15, 23  
 DECAL, ARROW YELLOW LRG 9".....13, 21  
 DECAL, CAUTION, NO STEP.....15, 23  
 DECAL, CHEVRON RANDO HD.....13  
 DECAL, COSM GENIE S80X.....17, 25  
 DECAL, COSMETIC, 4 X 2.....13, 21  
 DECAL, COSMETIC, 4 X 4.....13, 21  
 DECAL, COSMETIC, GENIE.....187  
 DECAL, COSMETIC, GENIE S-80.....17, 25  
 DECAL, COSMETIC, GENIE S-85.....17, 25  
 DECAL, COSMETIC, S80.....15, 23  
 DECAL, COSMETIC, S85.....15, 23  
 DECAL, DANGER DO NOT ALTER SWTC.....17  
 DECAL, DANGER, BATTERY SAFETY\*\*\*.....13  
 DECAL, DANGER, ELEC. HAZ. STAY CLR.....21, 23  
 DECAL, DANGER, ELECT HAZARD\*\*\*.....13, 15  
 DECAL, DANGER, GENERAL SAFETY.....13, 19  
 DECAL, DANGER, HIGH VOLTAGE.....15, 19  
 DECAL, DANGER, MAX LOAD 340 KG.....27  
 DECAL, DANGER, MAX SIDE FRC, 667N.....27  
 DECAL, DANGER, NO SMOKING.....13  
 DECAL, DANGER, SIDE FRC 400N.....27  
 DECAL, DANGER, TIP OVER, PLAT.....19  
 DECAL, DANGER, TIP-OVER, WELDER\*\*.....19  
 DECAL, DANGER, TIPOVER, TILT.....19  
 DECAL, DANGER, TIPOVER, TILT, SYM.....27  
 DECAL, DANGER, TIPOVR, MAX CAP.....13, 19  
 DECAL, DANGER/LABEL, TIRE SPECFH.....13, 15  
 DECAL, DANGER/LABEL, TIRE SPECS.....13, 15  
 DECAL, DIESEL.....13, 21  
 DECAL, DRIVE ENABLE PATCH.....27  
 DECAL, EMERGENCY LOWERING.....21  
 DECAL, ENG. SPECS, CONTINENTAL.....15  
 DECAL, ENGINE SPEC, DEUTZ TD2.9.....15  
 DECAL, ENGINE SPEC, DEUTZ, TD2011.....15  
 DECAL, ENGINE SPEC, PERKINS.....15  
 DECAL, ENGINE SPEC, PERKINS 404F.....15  
 DECAL, EXPLOSION HAZARD.....15  
 DECAL, FIRE EXTINGUISHER.....19  
 DECAL, FUNCTION OVERRIDE.....19  
 DECAL, GR CNTL PNL 60X 80X.....13, 21  
 DECAL, GROUND BOX, TIER IV.....13  
 DECAL, INST PLAT CAP S80X.....13, 19  
 DECAL, INST, OPER INST, S80, AUS.....13, 19  
 DECAL, INST, OPER INST, S80.....13, 19  
 DECAL, INSTR, MAX SIDE FRC, ANSI.....19  
 DECAL, INSTR, SIDE FRC/WIND, AUS.....19  
 DECAL, INSTRUCT, FOOTSWITCH OPER.....19  
 DECAL, LABEL, AIR LINE 110 PSI.....15, 19, 23, 27  
 DECAL, LABEL, 106 DB\*\*\*.....23  
 DECAL, LABEL, AUX BATTERY.....13  
 DECAL, LABEL, ENG STRT& CONTROLS.....13  
 DECAL, LABEL, FALL HAZARD\*\*\*.....25
- DECAL, LABEL, LIQUID PROPANE.....13, 21  
 DECAL, LABEL, LOWER MIDRAIL...19, 27, 112  
 DECAL, LABEL, MANUAL NOT HERE.....19  
 DECAL, LABEL, MAX CAPACITY\*\*\*.....27  
 DECAL, LABEL, NO SMOKING, SYMB.....21  
 DECAL, LABEL, PATENTS.....15  
 DECAL, LABEL, PETRO CANADA\*\*\*.....13  
 DECAL, LABEL, TIP OVER LMT SWTCH.....21, 25, 27  
 DECAL, LABEL, TIPOVER, TIRES, SYMB.....21, 23  
 DECAL, LABEL, TRANSPORT DIAGRAM.....13, 15, 21, 23  
 DECAL, LABEL, UCON HYDROLUBE.....13  
 DECAL, LABEL, UNLEADED GAS ONLY.....13, 21  
 DECAL, LABEL, WELD LINE INST, SYM.....23, 27  
 DECAL, LABEL, WHEEL LOAD S80.....13, 15, 21, 23  
 DECAL, LABEL, WHEEL LOAD S85.....13, 15, 21, 23  
 DECAL, LANYARD ANCHORAGE POINT...19, 27  
 DECAL, LOW/ULTRA LOW SULFR FUEL.....13  
 DECAL, NOTICE, MAX LOAD 500 LBS.....19  
 DECAL, NOTICE, MAX LOAD 750 LBS.....19  
 DECAL, NOTICE, SHUTOFF VALVES.....13  
 DECAL, POWER TO PLATFORM 115V.....15, 19, 23, 27  
 DECAL, PROTECTOR, CLEAR.....181, 183  
 DECAL, SYMBOL-BATTERY SAFETY.....21  
 DECAL, SYMBOL-COMP ACCESS.....23  
 DECAL, SYMBOL-READ THE MANUAL.....187  
 DECAL, T3 ENGINE SPEC, PERKINS.....15  
 DECAL, TRIANGLE, BLUE.....13, 15, 21, 23  
 DECAL, TRIANGLE, YELLOW.....13, 15, 21, 23  
 DECAL, ULS DIESEL ONLY, TIER 4.....13  
 DECAL, WARN, CRUSH HAZARD HAND.....15  
 DECAL, WARN, CRUSH HAZARD PLAT.....19, 27  
 DECAL, WARN, FALL HAZARD.....17  
 DECAL, WARN, IMPROPER OPERATION.....19  
 DECAL, WARN, WELD LINE INST, WORD.....15, 19  
 DECAL, WARNING, CRUSHING HAZARD.....23  
 DECAL, WARNING, PANEL CRADLE.....19  
 DECAL, WARNING, PIPE CRADLE, BOOM.....19  
 DECAL, WARNING-COMPART ACCESS.....15  
 DESCENT ALARM, S80/85 2008.....67-68, 71-72  
 DEUTZ ENGINE SIDE BULKHEAD.....75-76  
 DEUTZ, AIRBOX WITH WORD DECALS.....75-76  
 DIN RAIL, 17".....47, 49-50  
 DIODE, 6 AMP, 200 PIV, BULK.....75-76  
 DIPSTICK-F3L1011F (DEUTZ).....75-76  
 DISENGAGE, ROD.....37, 39  
 Due to Tier 4 regulations, many engine replacement parts require the engine serial number at time of order placement. When ordering engine parts please have both machine and engine serial numbers available. For internal engine parts, contact engine d.....81, 83, 85
- ELBOW, 45D, 520320-4.....151, 153-154, 157, 159  
 ELBOW, 45D, 520320-6.....151, 157, 159  
 ELBOW, 45D, 520320-6-4.....153-154  
 ELBOW, 45D, 520320-8-10.....153-154  
 ELBOW, 90D, 520220-16.....153-154  
 ELBOW, 90D, 520220-4-6\*\*\*.....147, 149  
 ELBOW, 90D, 520220-6.....147, 149, 151, 153-154  
 ELBOW, 90D, BLKHD, ORFS-6-6 W/NUT.....153-154, 157, 159  
 ELBOW, 90D, BULKHEAD, 520701-4.....157, 159  
 ELBOW, 90D, LONG, 521520-4.....157, 159  
 ELBOW, 90D, LONG, 521520-6.....153-154  
 ELBOW, 90D, LONG, 521520-8.....154  
 ELBOW, AIR INTAKE, RUBBER.....75-76  
 ELBOW, INLET, CUMMINS.....75-76  
 ELEMENT-5 MIC, PAPER, W/ BYPASS.....55-56  
 ENCLOSURE BOX, GAUGE OPT.....185  
 END BRACKET, FIXED END.....87  
 END BRACKET, MOVING END.....87  
 END STOP, DIN RAIL, SCREW CLAMP.....47, 49-50  
 ENGINE SIDE COVER W/ SYM DECALS.....53  
 ENGINE SIDE CVR W/ WORD DECALS.....53  
 EVACUATOR VALVE-AIR CLEANER.....75-76, 83  
 EXHAUST PIPE GASKET.....75-76, 79  
 EXHAUST PIPE, 2.9L DEUTZ.....81  
 EXPANSION PLUG.....35  
 EXPANSION TANK, METAL, D2.9.....81
- ## F
- FAN BELT, ALTERNATOR.....11, 85  
 FAN, 10 BLADE, 17", DEUTZ 2.9L.....85  
 FILTER ASSY, HIGH PRESS SAE-12\*.....11, 55-56  
 FILTER ASSY, INTANK.....41-42  
 FILTER ASY, M PRESS, SAE8, WOIND\* (77139).....55-56  
 FILTER LID, RFM165.....41-42  
 FILTER, DEUTZ 2.9, FUEL.....11, 85  
 FILTER, FUEL, GM3.0L.....11  
 FILTER, AIR CLEANER, SUPERBOOM.....11, 75-76, 83  
 FILTER, AIR\*\*\*.....11  
 FILTER, ELEMENT, BETA(10)=200.....41-42  
 FILTER, ELEMENT, BETA(5)=1000.....11, 55-56  
 FILTER, FUEL/WTR SEP, DTZ 1008.....11, 75-76  
 FILTER, OIL, DEUTZ F4L1011F.....11, 75-76, 81  
 FILTER, OIL, DEUTZ, REPLACEMENT...75-76, 81  
 FILTER-FUEL, GM 3.0L ENGINE.....11  
 FILTER-OIL, GM 3.0L ENGINE.....11  
 FINGER, GUIDE, CABLE TRACK.....87  
 FITTING, BRANCH BULKHEAD.....147, 149, 151  
 FITTING, 45DEG, 1/2 HS X 3/4-16.....85  
 FITTING, CONN, 16MM-6MJ.....85  
 FITTING, CONN, 16MM-8MJ.....85  
 FITTING, CONN, 520120-12\*\*\*.....147, 149, 153-154, 157, 159  
 FITTING, ELBOW, 45D, 520320-12\*\*\*.....147, 149, 153-154  
 FITTING, ELBOW, 8GS-8FJX90S.....85
- ## E
- EDC ASSY, SAUER M46\*\*\*.....145  
 ELBOW, 90D, 520220-4.....153-154, 157, 159







LOCKNUT,ELEC,1/2".....49-50  
 LT.LAMP IND.AMBER 12V NH.....117, 119,  
 125-126

**M**

MACHINED BACKLASH.....56  
 MACHINED PIVOT PLATE WELDMENT.....99  
 MANIFOLD,BRAKE,2-SPEED.....133  
 MANIFOLD,BRAKE/2 SPD W/QD PLG\*.....133  
 MANIFOLD,DRIVE OIL DIVERTER.....143  
 MANIFOLD,PLATFORM,S80,2SEC.....137  
 MANIFOLD,PLATFORM,S856,3 SEC.....139  
 MANIFOLD,ROTATOR,CB\*\*\*.....135  
 MANIFOLD,SWING CB & BRAKE.....56  
 MANIFOLD,SWING S80/85,5 SEC.....141  
 MANIFOLD,TRACTION,2WD.....131  
 MANIFOLD,TRACTION,4WD\*\*\*.....131  
 MANUAL BOX W/DECALS\*\*\*.....112  
 MANUAL,AEM SAFETY.....11  
 MANUAL,RESPON,A92.5 BOOM.....11  
 MIDRAIL GUIDE ( HOOK ).....112  
 MODULE,CONTROL UNIT,PCB,OPA.....187  
 MODULE,IGNITION/START,12/24V.....47  
 MODULE,TIME DELAY ON BREAK 4S.....47,  
 49-50  
 MODULE,TIME DELAY ON BRK 30S...47, 75-  
 76  
 MOTOR, 12VDC, I-TERMINAL.....41-42  
 MOTOR,12VDC,77066.....41-42  
 MOTOR,PISTON,2 SPEED,45CC.....29, 31  
 MOTOR,PISTON,2 SPEED,45CC/18CC.....31  
 MOUNT,ENGINE,LEFT SIDE.....85  
 MOUNT,ENGINE,RIGHT SIDE.....85  
 MOUNTING BAND,AIR CLEANER.....75-76,  
 83  
 MUFFLER,2.5"INLET/OUTLET.....76  
 MUFFLER,CATALYTIC,2.5 I/O.....76  
 MUFFLER,SPARK ARREST,2.5 I/O.....76

**N**

NICKEL PLATED JAM NUT.....49-50  
 NON-STEER AXLE ASSY W/BEARINGS.....31  
 NUT - PLASTIC,RING FOR ALARMS.....117,  
 119, 125-126, 161  
 NUT HEX M5-0.8 CLASS 8 ZINC.....121, 123,  
 125-126  
 NUT, LP NYLOCK, 3/8-16.....111-112  
 NUT, PROPORTIONAL VALVE.....141  
 NUT,FLG,1/2-13.....55-56, 76  
 NUT,FLG,1/4-20.....33, 42, 53, 75-76, 89, 91,  
 99, 103, 112, 115, 177, 179  
 NUT,FLG-LRG,3/8-16,YZ.....81  
 NUT,HEX,1/4-28.....33  
 NUT,HEX,FLG,3/8-16.....29, 55-56, 75-76, 87,  
 89, 91, 97, 99  
 NUT,HEX,JAM,3/4-10.....55-56, 99  
 NUT,LP NYLOCK,1/4-20...47, 49-50, 163, 167  
 NUT,LUG,3/4-16 X 7/8 RADIUS.....29  
 NUT,M4 NYLOCK.....187  
 NUT,NYLOCK,1-8.....109  
 NUT,NYLOCK,1/2-13.....101  
 NUT,NYLOCK,1/4-20.....41-42, 53, 76, 83, 85,  
 87, 93, 107, 112, 115, 163, 169, 171, 173, 175  
 NUT,NYLOCK,10-24.....75-76  
 NUT,NYLOCK,10-32.....47, 49-50, 53, 55-56,  
 59, 61, 85, 89, 91, 99, 103, 121, 123, 125-126,  
 161  
 NUT,NYLOCK,3/4-10,GRD.2.....99

NUT,NYLOCK,3/8-16.....41-42, 59, 61, 81, 83,  
 85, 93, 105, 107, 111-112  
 NUT,NYLOCK,5/16-18.....41-42, 53, 75-76,  
 83, 93  
 NUT,NYLOCK,5/8-11.....75-76, 81, 85  
 NUT,NYLOCK,6-32.....121, 123, 125-126  
 NUT,NYLOCK,8-32.....93  
 NUT,SOLENOID.....133, 143  
 NUT,SOLENOID VALVE.....141  
 NUT,SOLENOID VALVE 2P3W.....141  
 NUT,SOLENOID VALVE COIL.....137, 139  
 NUT,TL FLG,1/4-20,G,ZAG.....115, 165, 185,  
 187  
 NUT,TL FLG,3/8-16,G,ZAG.....115, 187  
 NUT,TL FLG,5/16-18,G,ZAG.....165  
 NUT,TL,1-8,C,ZAG.....63, 65  
 NUTSERT,1/4-20,STEEL CAD PLTD.....45,  
 121, 123  
 NUTSERT,10-32 STEEL CAD PLTD.....181,  
 183

**O**

O-ring.....35  
 O-RING KIT (ORFS FITTINGS).....11, 131  
 O-RING KIT,FIELD SVC,ALL PROD\*.....11, 131  
 O-RING, FUEL LIFT PUMP.....75-76  
 O-RING, NBR70.....29, 31, 37  
 O-RING, PROPORTIONAL VALVE.....141  
 O-RING, ROTATOR MANIFOLD.....135  
 O-RING, TORQUE HUB COVER.....35, 39  
 O-RING,2-010,VITON.....29, 31  
 O-RING,2-044 BUNA\*\*\*.....145  
 O-RING,2-157,VITON\*\*\*.....29, 31  
 O-RING,DISCONNECT ROD (111060).....37,  
 39  
 O-RING,FILTER ASSY (60334)\*\*\*.....55-56  
 O-RING,MOTOR/BRAKE (88921)\*\*\*.....56  
 O-RING,MOTOR/BRAKE\*\*\*.....55-56  
 OIL FILTER,PERKINS 404D/F-22T.....11  
 OPT,CTE CUTOUT,S80/85 2008.....67-68, 71-  
 72  
 OPT,FULL GAUGE, S80 DEUTZ.....185  
 OPT,FULL GAUGE,S80 DUAL FUEL.....185  
 OPTION, SPARK ARREST.....75-76  
 OPTION,PLAT SUPPORT,4/5FT SRV.....112  
 OPTION,ROCKER STEER.....121, 123  
 ORIFICE DISC,.030,CONE.....143  
 ORIFICE PLUG .025 DIA.....133  
 ORIFICE PLUG, 0.070".....131  
 ORIFICE, 0.040".....131  
 ORIFICE,0.025".....133

**P**

PAD,BOOM REST.....56  
 PAINT, AEROSOL, TRAFFIC BLACK.....11  
 PAINT,AEROSOL,BRIGHT BLUE\*\*\*.....11  
 PAINT,AEROSOL,GENIE GRAY\*\*\*.....11  
 PAINT,WET,GENIE BLUE (1 GL)\*\*.....11  
 PAINT,WET,GENIE GRAY (1 GL)\*\*.....11  
 PAINT,WET,TRAFFIC BLACK (1 GL)\*\*.....11  
 PARKER DIGITAL PRESSURE GAUGE.....11  
 PIN, 3.00 X 21.50, 2 RINGS.....101  
 PIN,1.250 X 10.125, 2 RINGS.....105, 107  
 PIN,1.25DIAX14.45LG,2HOLE.....107  
 PIN,1.25DIAX3.75LG,1HOLE.....101, 103  
 PIN,1.25DIAX4.38LG,1HOLE.....101  
 PIN,1.25DIAX5.25LG,1HOLE.....105, 107  
 PIN,1.25DIAX7.00LG,1HOLE.....107

PIN,1.25DIAX7.88LG,1HOLE.....107  
 PIN,1.25DIAX8.26LG,2RING.....105, 107  
 PIN,1.500 X 15.000,2 RINGS.....99  
 PIN,1.75 DIAX4.50LG,THREADED.....29  
 PIN,1.75DIA X 10.50LG,2 RING.....29  
 PIN,1.75DIAX4.50LG,THREADED.....31  
 PIN,2.50 X 12.200,2 RINGS.....101  
 PIN,2.500 X 19.750,2 RINGS.....101  
 PIN,2.500X6.900,1 RING,1 HOLE.....101  
 PIN,2.50DIAX24.50,2RINGS,TAPER.....103  
 PIN,2.50DIAX27.63LG,1HOLE.....31  
 PIN,2.50DIAX7.00,2 RINGS,TAPER.....103  
 PIN,CLEVIS,1 X 2.5 LG.....29  
 PIN,CLEVIS,1X2.250,ZAG.....89, 91, 99  
 PIN,COTTER,.156 X 2.5.....87  
 PIN,DIA. 1.50 X 5.875.....99  
 PIN,LOCK,SHORT\*\*\*.....163  
 PINCH GUARD RAIL,6' PLATFORM.....163  
 PINCH GUARD RAIL,8' PLATFORM\*\*\*.....163  
 PINS,CONNECTOR,INJ HARNESS,D2.9.....81  
 PIPE PLUG, MAGN.....37  
 PLAT ASSEMBLY,4FT, AUSTRALIA.....111-  
 112  
 PLAT ASSEMBLY,4FT,ASIA/S AM.....111-112  
 PLAT ASSEMBLY,5FT, AUSTRALIA.....111-  
 112  
 PLAT ASSEMBLY,5FT,ASIA/S AM.....111-112  
 PLAT ASSEMBLY,5FT,AUSTRALIA\*\*\*.....111-  
 112  
 PLAT ASSEMBLY,6FT, AUSTRALIA.....111-  
 112  
 PLAT ASSEMBLY,6FT,ASIA/S AM.....112  
 PLAT ASSEMBLY,8FT, AUSTRALIA.....111-  
 112  
 PLAT ASSEMBLY,8FT,ASIA/S AM.....112  
 PLAT BOX LID W/WORD DECAL.....121, 123  
 PLAT RAIL ASSY,8FT,AUSTRALIA\*\*.....111-  
 112  
 PLAT RAILW/DECALS 6FT 500LB AN.....111-  
 112  
 PLAT RAILW/DECALS 8FT 500 ANSI.....111-  
 112  
 PLAT RAILW/DECALS,4FT,500LB AN.....111-  
 112  
 PLAT RAILW/DECALS,5FT,500LB AN.....111-  
 112  
 PLAT. FLOOR, 5FT, PAINTED.....111-112  
 PLAT.ASSY,4FT,S80 ASIA/S.AMERI.....111-  
 112  
 PLAT.ASSY,4FT,S80 EUROPEAN.....111-112  
 PLAT.ASSY,5FT,S80 ASIA/S.AMERI.....111-  
 112  
 PLAT.ASSY,5FT,S80 EUROPEAN.....111-112  
 PLAT.ASSY,6FT,S80 ASIA/S.AMERI.....111-  
 112  
 PLAT.ASSY,6FT,S80 EUROPEAN.....111-112  
 PLAT.ASSY,8FT,S80 ASIA/S.AMERI.....111-  
 112  
 PLAT.ASSY,8FT,S80 EUROPEAN.....111-112  
 PLATBOX LID W/SYMBOL DECALS.....121,  
 123  
 PLATE, RELAY BLOCK MOUNT.....59, 61  
 PLATE, TANK SIDE BULKHEAD.....42  
 PLATE,ANTIROTATION.....99  
 PLATE,BACKING WIPER 2 TO 3.....169, 171,  
 173  
 PLATE,CABLE BLOCK.....97  
 PLATE,DOCUMENT BOX MOUNT.....115  
 PLATE,RETRACT CABLE EQUALIZER.....99







# PARTS FINDER

**Search Website  
by Part Number**



**Search Manual  
Library For Parts  
Manual & Lookup Part  
Numbers – Purchase  
or Request Quote**

**Search Manuals**

Enter your information to help us find the right parts manual for your equipment.

\* Brand:

\* Model:

\* Serial:

\* Part Number:

SEARCH

**Can't Find Part or  
Manual? Request Help  
by Manufacturer,  
Model & Description**

**Parts Order Form**

Please fill in the following information to help us find the right part for your equipment.

Manufacturer:	<input type="text"/>
Model:	<input type="text"/>
Description:	<input type="text"/>
Part Number:	<input type="text"/>
Quantity:	<input type="text"/>
Notes:	<input type="text"/>

Submit

Discount-Equipment.com is your online resource for quality parts & equipment.

Florida: **561-964-4949** Outside Florida TOLL FREE: **877-690-3101**

**Need parts?**

Click on this link: <http://www.discount-equipment.com/category/5443-parts/> and choose one of the options to help get the right parts and equipment you are looking for. Please have the machine model and serial number available in order to help us get you the correct parts. If you don't find the part on the website or on one of the online manuals, please fill out the request form and one of our experienced staff members will get back to you with a quote for the right part that your machine needs.

We sell worldwide for the brands: Genie, Terex, JLG, MultiQuip, Mikasa, Essick, Whiteman, Mayco, Toro Stone, Diamond Products, Generac Magnum, Airman, Haulotte, Barreto, Power Blanket, Nifty Lift, Atlas Copco, Chicago Pneumatic, Allmand, Miller Curber, Skyjack, Lull, Skytrak, Tsurumi, Husquvarna Target, Stow, Wacker, Sakai, Mi-T-M, Sullair, Basic, Dynapac, MBW, Weber, Bartell, Bennar Newman, Haulotte, Ditch Runner, Menegotti, Morrison, Contec, Buddy, Crown, Edco, Wyco, Bomag, Laymor, EZ Trench, Bil-Jax, F.S. Curtis, Gehl Pavers, Heli, Honda, ICS/PowerGrit, IHI, Partner, Imer, Clipper, MMD, Koshin, Rice, CH&E, General Equipment, Amida, Coleman, NAC, Gradall, Square Shooter, Kent, Stanley, Tamco, Toku, Hatz, Kohler, Robin, Wisconsin, Northrock, Oztec, Toker TK, Rol-Air, APT, Wylie, Ingersoll Rand / Doosan, Innovatech, Con X, Ammann, Mecalac, Makinex, Smith Surface Prep, Small Line, Wanco, Yanmar

SCREW,PHM,10-32X3/4,ST TYPE F.....121, 123	SEAL,FILTER ASSY (60334)***.....55-56	SPRING KIT (121291).....39
SCREW,RHM,1/4-20 X .5.....45	SEAL,FILTER LID.....41-42	SPRING, .975"OD X 1.50"LG.....93
SCREW,RHM,10-32 X .75.....53	SENDING UNIT,OIL PRESS.,DEUTZ*.....75-76	SPRING,JOYSTK CENTR,62390/91.....129
SCREW,RHM,10-32 X 1.....161	SENDING UNIT,OIL PRESSURE***.....185	SPRING,SHORT PLATFORM GATE.....163
SCREW,SER FLNG3/8UNCX3/4ZNYEL.....29, 33, 42, 55-56, 59, 61, 75-76, 81, 103	SENSOR.....85	SPRING,SWITCH CENTERING,75565.....129
SCREW,SHC,3/4-10 X 3.00,A574.....55-56	SENSOR, LEVEL, 4.5 X 4.5 DEG.....41-42	STAND OFF,CONTROL UNIT.....187
SCREW,SHC,3/8 X 1.75 SHOULDER.....93	SENSOR, LEVEL,2.5 X 4.5 DEG.....41-42	STANDOFF, 3/8" BLACK.....41-42, 59, 61
SCREW,SHC,5/16-18 X 2,PLATED.....56	SENSOR,COOLANT LEVEL, DEUTZ.....81	STANDOFF,6-32 X 3/8L X 1/4 HEX...121, 123, 126
SCREW,SHC,5/8-11 X 3.00,A574.....55-56	SENSOR,DUAL OUTPUT,ANGLE***.....103	START BATTERY, HC 110 AGM,1100CCA.....41-42
SCREW,SHC,5/8-11 X 3.50,A574.....56	SENSOR,LEVEL,4.5 DEG.....41-42	STARTER, 12V.....79
SCREW,SHC,M10X1.5 X 60 GR8.8.....83	SENSOR,LOW PRESSURE,DEUTZ 2.9L.....85	STARTER,3.2KW,DEUTZ D2.9.....81
SCREW,SHC,M10X1.5X20MM (75090).....79, 83	SENSOR,RUBBER EDGE.....187	STEER AXLE ASSY W/BEARINGS.....29
SCREW,SHC,M10X1.5X30 GR 12.9.....76, 83	SEPARATOR,DUAL BATTERY,100A.....41-42	STEP PLATFORM ENTRY PAINTED***.....111-112
SCREW,SHM,PHP, #12 X .75.....47, 49-50, 121, 123, 125-126	SEPERATOR,PLASTIC.....87	STRAINER ASSY,#24 O-RING.....41-42
SCREW,SHS,1/4-20 X .25 ZINC.....45, 49-50	SEPRTR/FLTR,FUEL DSL,15GPH,.30.....11	STROBE,FIREBOLT,12-80VDC,AMB**.....161
SCREW,SHS,10-24 X .625.....75-76	SET SCREW***.....35, 39	STUD,WHEEL,3/4-16, ( 34115 ).....35, 37, 39
SCREW,SHS,3/4-10 X 1.5.....55-56	SHAFT,OUTPUT.....55-56	SUPPORT, RAILING.....163, 165
SCREW,STEP BOLT,1/4-20 X .75.....111-112	SHEAVE,EXTEND.....99	SUPPORT,SENSOR,JOYSTICK.....129
SEAL KIT.....137, 139, 141	SHEAVE,RETRACT CABLE(SMALLER).....99	SWING DRIVE ASSEMBLY.....55-56
Seal Kit.....133, 141, 143, 145	SHIM,AXLE ROTATION STOP,16G.....31	SWING MOTOR COMPLETE***.....55-56
SEAL KIT (121140).....101	SHIM,AXLE ROTATION STOP,22G.....31	SWING MOTOR,COMPLETE***.....56
SEAL KIT (121142).....99	SHIM,GALVANIZED STEER YOKE.....29	SWITCH SHIELD,ROCK JOYSTK75565.....129
SEAL KIT (121234).....105, 107	SHIM,WEAR PAD,5 X 1.5,14GA.....89, 91, 95, 97	SWITCH TOGGLE ASSY DPDT 2P MOM..45, 50, 117, 119, 125-126
SEAL KIT (121236).....101	SHIM,WEAR PAD,5X 1.5 16GA.....89, 91, 95, 97	SWITCH TOGGLE ASSY DPDT 3P MOM..45, 49-50
SEAL KIT (121291)***.....29, 31, 35, 39	SHIM,WEAR PAD,7 X 3,12GA.....89, 91, 95, 97	SWITCH TOGGLE ASSY SPDT 2P MNT....45, 49-50, 117, 119, 125-126
SEAL KIT (227775).....29, 31, 37	SHIM,WEAR PAD,7 X 3,16GA.....89, 91, 95, 97	SWITCH TOGGLE ASSY SPDT 3P MOM...45, 49-50, 117, 119, 125-126
SEAL KIT (39345).....29, 99, 101, 105, 107, 135, 137, 139	SHOCK MOUNT,SMALL.....81	SWITCH TOGGLE SPDT 2P MOM SHDR....47
SEAL KIT PWR WHL MOTOR.....56	SHOULDER WASHER, NYLON.....126, 129	SWITCH TOGGLE SPDT 3P MOM SHDR....47
SEAL KIT, 15K ROTATOR.....105	SHRINK TUBE,BLU,3:1,40MM.....129	SWITCH TOGGLE SPDT 3P MOM SHDR....47
SEAL KIT, 37185 PUMP.....41-42	SHROUD,17" FAN,6-CORE RADIATOR.....81	SWITCH TOGGLE SPDT 3P MOM SHDR....47
SEAL KIT, BRAKE, 4HP.....39	SHUTDOWN SOLENOID,12V, DEUTZ.....75-76	SWITCH TOGGLE SPDT 3P MOM SHDR....117
SEAL KIT, SOLENOID VALVE.....135, 141	SIGHT GLASS.....81	SWITCH, OIL PRESSURE 1.5 BAR.....75-76
SEAL KIT, SWING BRAKE.....55-56	SLEAVING,PARKER TEK,2.00".....105, 107	SWITCH,LIMIT TABULATED,BLUE.....67-68, 71-72
SEAL KIT, VALVE.....131	SLEEVE,CONNECTOR,DT JOYSTICKS.....129	SWITCH,LIMIT,TABULATE,BLUE.....67-68, 71-72
SEAL KIT, VALVE, #10.....131, 141	SLIDING MIDRAIL KIT,PTD.....112, 115	SWITCH,LIMIT,TABULATED,BLUE.....67-68, 71-72
SEAL KIT, VALVE, #12.....141	SNAP RING,EXTERNAL,1.25,ZAG.....105, 107	SWITCH,LIMIT,W/RLLR ARM,NO/NC.....67-68, 71-72, 103
SEAL KIT,15K ROTATOR.....105	SNAP RING,EXTERNAL,1.50,ZAG.....99	SWITCH,SELECTOR,BLACK.....45, 50
SEAL KIT,8-PORT SWIVEL.....55-56	SNAP RING,EXTERNAL,1.75,ZAG.....29	SWIVEL,HYD 8 PORT***.....55-56
SEAL KIT,8K ROTATOR***.....105, 107	SNAP RING,EXTERNAL,2.50,ZAG.....101, 103	
SEAL KIT,CHECK VALVE 219246.....133	SNAP RING,EXTERNAL,3.00,ZAG.....101	
SEAL KIT,CYL,S65 (63213).....107	SOLENOID CABLE ASSY***.....75-76	
SEAL KIT,MOTOR,LC/KC***.....29	SOLENOID VALVE.....137, 139	
SEAL KIT,OSC CYLINDER (81330)*.....29	SOLENOID VALVE SPOOL TYPE.....141	
SEAL KIT,SAUER-DANFOSS M46***.....145	SOLENOID VALVE,SPOOL TYPE.....141	
SEAL KIT,SOLENOID VALVE.....137, 139, 141	SOLENOID, APU.....41-42	
SEAL KIT,SOLENOID VALVE 219247.....133	SOLENOID-STARTR DEUTZF4L1011F*.....79	
SEAL KIT,STEER CYL***.....29	SOUNDER LENS, OPA, AMBER.....187	
SEAL KIT,SWING BRAKE.....56	SOUNDER LENS, OPA, BLUE.....187	
SEAL KIT,SWING BRAKE***.....56	SOUNDER LENS, OPA, CLEAR.....187	
SEAL KIT,SWING TORQ HUB***.....56	SOUNDER LENS, OPA, RED.....187	
SEAL KIT,WHEEL DRIVE W/BRAKE (101584/101585).....39	SOUNDER,MIDI,OPA.....187	
SEAL KIT,WHEEL DRIVE W/BRAKE (227775).....29, 31, 37	SPACER, FAN, DEUTZ, 38MM LNG.....85	
SEAL MARKER, CROSS CHECK,BLUE,TUBE.....11	SPACER,ALT PULLEY,DEUTZ BF4L2011.....75-76	
SEAL, CAP, NOTCHED.....55-56	SPACER,BOOM WIPER TOP.....169, 171, 173	
SEAL, CONNECTOR (DT JOYSTICKS).....129	SPACER,HEAT SINK.....187	
SEAL, O-RING ENERGIZER.....55-56	SPARK PLUG WIRE SET,GM 3.0.....11	
SEAL, O-RING LIP.....55-56	SPRING CLIP,1/4-20,.025-.15X.54,ZAG.....31, 41-42, 55-56, 81, 83, 85, 89, 91, 95, 97, 101, 103, 107, 111-112, 115	
SEAL, ORFS TUBE FLANGE, 12 PLS.....154	S P R I N G	
SEAL, ORFS TUBE FLANGE, 8PLS.....154	CLIP,10-24,.025-.125X.468,ZAG.....111-112, 115	
SEAL, POLY, CHAMFER.....55-56	SPRING CLIP,3/8-16,.05-.20X.73,ZAG.....41-42, 59, 61, 81, 161	
SEAL, SHAFT, 60511 APU.....41-42	Spring Kit.....37	

## T

TAILPIPE,DEUTZ BF4L2011.....75-76
TANK SIDE COVER W/ SYM DECALS.....53
TANK SIDE COVER W/ WORD DECALS.....53
TANK, HYDRAULIC 40 GAL.....41-42
TAPE, PROTECTIVE MASK.....19, 27
TEE,BRANCH,520429-8.....149
TEE,BULKHEAD,RUN,520958-4.....147, 149
TEE,RUN,520428-6.....153-154
TEE,RUN,520428-8.....153-154
TERMINAL BLOCK END PLATE.....47, 49-50
TERMINAL BLOCK,WIELAND.....47, 49-50
THREADED ROD,1/4-28 X 6 IN***.....33
THROTTLE LINKAGE, DSL.....75-76
THROTTLE SOLENOID ASSY, TROMB.....75-76
TIRE & WHEEL ASSY,FOAM NM,LH.....29
TIRE & WHEEL ASSY,FOAM NM,RH.....29
TIRE & WHEEL ASSY,RT LP FOAM,L.....29
TIRE & WHEEL ASSY,RT LP FOAM,R.....29
TIRE,18-625,16 PLY RT HBR,N-M.....29



***This Page Intentionally Left Blank***

Go to [Discount-Equipment.com](http://Discount-Equipment.com) to order your parts

## Fitting Cross References

Genie PN	Parker PN	Description	Genie PN	Parker PN	Description
12342	6-4 F5OX-S	CONNECTOR,STRAIGHT THREAD TO FLARE TUBE	42794	1 CR-S	ELBOW,90°,MALE PIPE
13757	4 R6X-S	RUN TEE,SWIVEL NUT,ORFS	42795	BV-0839	BALL VALVE
19685	12-10 C5OX-S	ELBOW,90°,STRAIGHT THREAD TO FLARE TUBE	42796	BV-0838	BALL VALVE
22664	12-10 C5OX	ELBOW,90°,STRAIGHT THREAD TO FLARE TUBE	42874	6-8 CLO-S	ELBOW,90°,MALE PIPE TO ORFS
27431	8-12 F5OX-S	CONNECTOR,STRAIGHT THREAD TO FLARE TUBE	42912	13943-6-4	HOSE END,90° FEMALE SWIVEL,JIC
28678	AS-B-33	SLEEVE,NYLON,1.81" ID	42920	BV-0840	BALL VALVE,90°
39871	6 WETX-WLN-S	UNION,90° BULKHEAD W/NUT,FLARE TUBE	42932	AS-B-17	SLEEVE,NYLON,1.22" ID
39872	4 R5OX-S	RUN TEE,STRAIGHT THREAD	42936	10243-2-4	HOSE END,FEMALE PIPE
39873	6 C5OX-S	ELBOW,90°,STRAIGHT THREAD TO FLARE TUBE	42953	1/2 DD-S	ELBOW,90°,FEMALE PIPE
39874	8-6 C5OX-S	ELBOW,90°,STRAIGHT THREAD TO FLARE TUBE	42956	6 WELO-WLNL-S	UNION,90° BULKHEAD W/NUT,ORFS
39875	4-6 C5OX-S	ELBOW,90°,STRAIGHT THREAD TO FLARE TUBE	45349	8 V5OX-S	ELBOW,45°,STRAIGHT THREAD TO FLARE TUBE
39876	6-8 C5OX-S	ELBOW,90°,STRAIGHT THREAD TO FLARE TUBE	45351	4 V5OX-S	ELBOW,45°,STRAIGHT THREAD TO FLARE TUBE
39877	4 F5OX-S	CONNECTOR,STRAIGHT THREAD TO FLARE TUBE	47223	10343-6-6	HOSE END,MALE,JIC
39878	6 F5OX-S	CONNECTOR,STRAIGHT THREAD TO FLARE TUBE	47419	PS690503-6-6	SWIVEL,90°,STRAIGHT THREAD TO 37° FLARE
39879	4-8 F5OX-S	CONNECTOR,STRAIGHT THREAD TO FLARE TUBE	48750	421-4	HOSE,1/4 INCH ID
39880	6-10 F5OX-S	CONNECTOR,STRAIGHT THREAD TO FLARE TUBE	48751	481TC-4	HOSE,1/4 INCH ID
39881	4-6 F5OX-S	CONNECTOR,STRAIGHT THREAD TO FLARE TUBE	48752	482TC-4	HOSE,1/4 INCH ID
39882	4-HP5ON-S	PLUG,STRAIGHT THREAD	48753	451TC-6	HOSE,3/8 INCH ID
39883	8-8 FTX-S	CONNECTOR,MALE PIPE TO FLARE TUBE	48754	482TC-6	HOSE,3/8 INCH ID
39885	269HB 12-12	ELBOW,90°,BEADED HOSE BARB TO MALE PIPE	48755	381-6	HOSE,3/8 INCH ID
39886	431-6	HOSE,3/8 INCH ID	48756	451TC-8	HOSE,1/2 INCH ID
39887	540N-2	HOSE,1/8 INCH ID	48757	482TC-8	HOSE,1/2 INCH ID
39888	801-8	HOSE,1/2 INCH ID	48758	381-8	HOSE,1/2 INCH ID
39889	801-12	HOSE,3/4 INCH ID	48759	381-10	HOSE,5/8 INCH ID
39890	10643-6-6	HOSE END,FEMALE SWIVEL,JIC	48760	451TC-10	HOSE,5/8 INCH ID
39891	13943-6-6	HOSE END,90° FEMALE SWIVEL,JIC	48761	482TC-12	HOSE,3/4 INCH ID
39892	13743-6-6	HOSE END,45° FEMALE SWIVEL,JIC	48762	451TC-12	HOSE,3/4 INCH ID
39894	30682-8-8	HOSE END,FEMALE SWIVEL,JIC	48763	772-12	HOSE,3/4 INCH ID
39895	30682-10-12	HOSE END,FEMALE SWIVEL,JIC	48764	881-16	HOSE,1 INCH ID
42286	8-8 CTX-S	ELBOW,90°,MALE PIPE TO FLARE TUBE	48765	772-16	HOSE,1 INCH ID
42756	8-12 CLO-S	ELBOW,90,MALE PIPE TO ORFS	48766	AS-B-15	SLEEVE,NYLON,1.06" ID
42757	8-12 FLO-S	CONNECTOR,MALE PIPE TO ORFS	48767	AS-B-22	SLEEVE,NYLON,1.42" ID
42758	4 JLO-S	UNION TEE,ORFS	48770	881-8	HOSE,1/2 INCH ID
42759	4-4 FLO-S	CONNECTOR,MALE PIPE TO ORFS			
42760	6-8 FLO-S	CONNECTOR,MALE PIPE TO ORFS			
42761	1J143-6-4	HOSE END,90° FEMALE SWIVEL,SEAL LOK			
42762	1J743-6-4	HOSE END,45° FEMALE SWIVEL,SEAL LOK			
42768	1JO43-4-4	HOSE END,MALE,SEAL LOK			
42776	601-8	HOSE,1/2 INCH ID			
42777	1J743-16-16	HOSE END,45° FEMALE SWIVEL,SEAL LOK			
42786	16 CLO-S	ELBOW,90°,MALE PIPE TO ORFS			
42787	16 R6LO-S	RUN TEE,SWIVEL NUT,ORFS			
42788	16-8 TRLO-BL-S	REDUCER,TUBE END TO SWIVEL,ORFS			
42789	6-6 CLO-S	ELBOW,90°,MALE PIPE TO ORFS			
42790	8-10 V5OLO-S	ELBOW,45°,STRAIGHT THREAD TO ORFS			
42791	3/4 CD-S	ELBOW,90°,MALE TO FEMALE PIPE			
42792	3/4 X 1/2 PTR-S	REDUCER,MALE TO FEMALE PIPE			
42793	1/2 CR-S	ELBOW,90°,MALE PIPE			



## Fitting Cross References (Continued)

Genie PN	Parker PN	Description	Genie PN	Parker PN	Description
48771	881-10	HOSE,5/8 INCH ID	48847	13943-12-12	HOSE END,90° FEMALE SWIVEL,JIC
48772	381-4	HOSE,1/4 INCH ID	48848	10543-12-12	HOSE END,MALE,STRAIGHT THREAD
48773	AS-B-13	SLEEVE,NYLON,.86" ID	48849	1JC71-12-12	HOSE END,FEMALE SWIVEL,SEAL LOK
48800	1JC43-4-4	HOSE END,FEMALE SWIVEL,SEAL LOK	48850	1JS71-12-12	HOSE END,FEMALE SWIVEL,SEAL LOK
48801	1J743-4-4	HOSE END,45° FEMALE SWIVEL,SEAL LOK	48851	1J171-12-12	HOSE END,90° FEMALE SWIVEL,SEAL LOK
48802	1J943-4-4	HOSE END,90° FEMALE SWIVEL,SEAL LOK	48852	1J771-12-12	HOSE END,45° FEMALE SWIVEL,SEAL LOK
48804	1JM43-4-4	HOSE END,MALE,SEAL LOK, NO O-RING	48853	1J971-12-12	HOSE END,90° FEMALE SWIVEL,SEAL LOK
48805	10643-4-4	HOSE END,FEMALE SWIVEL,JIC	48854	1JC43-16-16	HOSE END,FEMALE SWIVEL,SEAL LOK
48806	13943-4-4	HOSE END,90° FEMALE SWIVEL,JIC	48855	1J943-16-16	HOSE END,90° FEMALE SWIVEL,SEAL LOK
48807	1JS43-4-4	HOSE END,FEMALE SWIVEL,SEAL LOK	48856	1J171-16-16	HOSE END,90° FEMALE SWIVEL,SEAL LOK
48808	3JC82-8-8	HOSE END,FEMALE SWIVEL,SEAL LOK	48857	1J971-16-16	HOSE END,90° FEMALE SWIVEL,SEAL LOK
48809	3JC82-12-12	HOSE END,FEMALE SWIVEL,SEAL LOK	48859	1JS43-8-4	HOSE END,FEMALE SWIVEL,SEAL LOK
48810	1JC43-6-4	HOSE END,FEMALE SWIVEL,SEAL LOK	48867	PD36BTL	DIAGNOSTIC NIPPLE,SEAL-LOK SWIVEL
48811	1J943-6-4	HOSE END,90° FEMALE SWIVEL,SEAL LOK	48873	6 PNLO-S	PLUG,TUBE END,ORFS
48812	1JC43-6-6	HOSE END,FEMALE SWIVEL,SEAL LOK	48874	6 PNTX-S	PLUG,FLARE TUBE
48813	1J143-6-6	HOSE END,90° FEMALE SWIVEL,SEAL LOK	48875	6 R6LO-S	RUN TEE,SWIVEL NUT,ORFS
48814	1J543-6-6	HOSE END,90° FEMALE SWIVEL,SEAL LOK	48877	4 F5OLO-SW/.025	CONNECTOR,STRAIGHT THREAD TO ORFS, W/.025 ORI
48815	1J743-6-6	HOSE END,45° FEMALE SWIVEL,SEAL LOK	48878	16-12 C5OLO-S	ELBOW,90°,STRAIGHT THREAD TO ORFS
48816	1J943-6-6	HOSE END,90° FEMALE SWIVEL,SEAL LOK	48879	8 C6LO-S	ELBOW,90°,SWIVEL NUT ORFS
48817	1JS43-6-8	HOSE END,FEMALE SWIVEL,SEAL LOK	48880	PD6-285	CAP,DIAGNOSTIC NIPPLE
48818	1J943-8-4	HOSE END,90° FEMALE SWIVEL,SEAL LOK	48881	6 HLO-S	UNION,ORFS
48819	1JC43-8-6	HOSE END,FEMALE SWIVEL,SEAL LOK	48883	8 P5ON-S	PLUG,STRAIGHT THREAD
48820	1J743-8-6	HOSE END,45° FEMALE SWIVEL,SEAL LOK	48884	8M18F87OMLO-S	CONNECTOR,METRIC,STRAIGHT THREAD TO ORFS
48821	1J943-8-6	HOSE END,90° FEMALE SWIVEL,SEAL LOK	48885	4 WGTX-WLN-S	CONNECTOR,BULKHEAD,FEMALE PIPE TO FLARE TUBE
48822	1JC43-8-8	HOSE END,FEMALE SWIVEL,SEAL LOK	48886	4 F5OLO-SW/2MM	CONNECTOR,MACHINED STRAIGHT THREAD TO ORFS
48823	1JS43-8-8	HOSE END,FEMALE SWIVEL,SEAL LOK	48887	4 CTX-S	ELBOW,90°,MALE PIPE TO FLARE TUBE
48824	1J143-8-8	HOSE END,90° FEMALE SWIVEL,SEAL LOK	48888	10-12 V5OLO-S	ELBOW,45°,STRAIGHT THREAD TO ORFS
48825	1J543-8-8	HOSE END,90° FEMALE SWIVEL,SEAL LOK	48890	4 S5OLO-S	BRANCH TEE,STRAIGHT THREAD TO ORFS
48826	1J743-8-8	HOSE END,45° FEMALE SWIVEL,SEAL LOK	48891	4 S6LO-S	BRANCH TEE,SWIVEL NUT TO ORFS
48827	1J943-8-8	HOSE END,90° FEMALE SWIVEL,SEAL LOK			
48828	1JC43-10-8	HOSE END,FEMALE SWIVEL,SEAL LOK			
48829	1JS43-10-8	HOSE END,FEMALE SWIVEL,SEAL LOK			
48830	1J743-10-8	HOSE END,45° FEMALE SWIVEL,SEAL LOK			
48831	1J943-10-8	HOSE END,90° FEMALE SWIVEL,SEAL LOK			
48833	1JC43-10-10	HOSE END,FEMALE SWIVEL,SEAL LOK			
48834	1J943-10-10	HOSE END,90° FEMALE SWIVEL,SEAL LOK			
48835	1JS43-10-12	HOSE END,FEMALE SWIVEL,SEAL LOK			
48836	1JC43-12-8	HOSE END,FEMALE SWIVEL,SEAL LOK			
48837	1JS43-12-8	HOSE END,FEMALE SWIVEL,SEAL LOK			
48838	1J743-12-8	HOSE END,45° FEMALE SWIVEL,SEAL LOK			
48839	1J943-12-8	HOSE END,90° FEMALE SWIVEL,SEAL LOK			
48840	1J943-12-10	HOSE END,90° FEMALE SWIVEL,SEAL LOK			
48841	1JC43-12-12	HOSE END,FEMALE SWIVEL,SEAL LOK			
48842	1JO43-12-12	HOSE END,MALE,SEAL LOK			
48843	1J143-12-12	HOSE END,90° FEMALE SWIVEL,SEAL LOK			
48844	1J543-12-12	HOSE END,90° FEMALE SWIVEL,SEAL LOK			
48845	1J743-12-12	HOSE END,45° FEMALE SWIVEL,SEAL LOK			
48846	1J943-12-12	HOSE END,90° FEMALE SWIVEL,SEAL LOK			

## Fitting Cross References (Continued)

Genie PN	Parker PN	Description	Genie PN	Parker PN	Description
48892	6 C6LO-S	ELBOW,90°,SWIVEL NUT ORFS	48938	8 R6LO-S	RUN TEE,SWIVEL NUT,ORFS
48893	6 F5OHAO-S	UNION,STRAIGHT THREAD	48939	8 S6LO-S	BRANCH TEE,SWIVEL NUT TO ORFS
48894	8 WLO-WLNL-S	UNION,BULKHEAD,ORFS	48940	8 WJLO-WLNL-S	RUN TEE, BULKHEAD,ORFS
48895	DT-370-MSMO-5	VALVE,CHECK	48941	8-4 TRLO-S	REDUCER,TUBE END TO SWIVEL,ORFS
48896	6 JLO-S	UNION,TEE,ORFS	48942	8-6 C5OLO-S	ELBOW,90°,STRAIGHT THREAD TO ORFS
48897	DT-750-MSMS-5	VALVE,CHECK	48943	8-6 F5OLO-S	CONNECTOR,STRAIGHT THREAD TO ORFS
48898	DT-750-MOMS-5	VALVE,CHECK	48944	8-8 FLO-S	CONNECTOR,MALE PIPE TO ORFS
48899	DT-620-MOMS-5	VALVE,CHECK	48945	8 FTX-S	CONNECTOR,MALE PIPE TO FLARE TUBE
48900	4-6 F5OLO-SW/.035	CONNECTOR,STRAIGHT THREAD TO ORFS, W/.035 ORI	48946	8-10 F5OLO-S	CONNECTOR,STRAIGHT THREAD TO ORFS
48902	16-1 AOE4G-S	ELBOW,90° LONG,FEMALE PIPE TO STRAIGHT THREAD	48947	8-12 C5OLO-S	ELBOW,90°,STRAIGHT THREAD TO ORFS
48903	1 FF-S	NIPPLE,PIPE	48948	8-12 F5OLO-S	CONNECTOR,STRAIGHT THREAD TO ORFS
48904	4 C5OLO-S	ELBOW,90°,STRAIGHT THREAD TO ORFS	48949	8-16 F5OLO-S	CONNECTOR,STRAIGHT THREAD TO ORFS
48905	4 F5OLO-S	CONNECTOR,STRAIGHT THREAD TO ORFS	48950	10 C5OLO-S	ELBOW,90°,STRAIGHT THREAD TO ORFS
48906	4 R5OLO-S	RUN TEE,STRAIGHT THREAD	48951	10 CC5OLO-S	ELBOW,90° LONG,STRAIGHT THREAD TO ORFS
48907	4 V5OLO-S	ELBOW,45°,STRAIGHT THREAD TO ORFS	48952	10 F5OLO-S	CONNECTOR,STRAIGHT THREAD TO ORFS
48908	4 R6LO-S	RUN TEE,SWIVEL NUT,ORFS	48953	10 R5OLO-S	RUN TEE,STRAIGHT THREAD
48909	4 WJLO-WLNL-S	RUN TEE, BULKHEAD,ORFS	48954	10 S5OLO-S	BRANCH TEE,STRAIGHT THREAD TO ORFS
48910	4 GTX-S W/.030	CONNECTOR,FEMALE PIPE TO FLARE TUBE	48955	10 R6LO-S	RUN TEE,SWIVEL NUT,ORFS
48911	4-6 C5OLO-S	ELBOW,90°,STRAIGHT THREAD TO ORFS	48956	10-4 TRLO-BL-S	REDUCER,TUBE END TO SWIVEL,ORFS
48912	4-6 F5OLO-S	CONNECTOR,STRAIGHT THREAD TO ORFS	48957	10-6 TRLO-BL-S	REDUCER,TUBE END TO SWIVEL,ORFS
48913	4-6 F5OLO-SW/.030	CONNECTOR,STRAIGHT THREAD TO ORFS, W/.030 ORI	48958	10-12 F5OLO-S	CONNECTOR,STRAIGHT THREAD TO ORFS
48914	4-8 F5OLO-S	CONNECTOR,STRAIGHT THREAD TO ORFS	48959	12 C5OLO-S	ELBOW,90°,STRAIGHT THREAD TO ORFS
48915	6 C5OLO-S	ELBOW,90°,STRAIGHT THREAD TO ORFS	48960	12 F5OLO-S	CONNECTOR,STRAIGHT THREAD TO ORFS
48916	6 F5OLO-S	CONNECTOR,STRAIGHT THREAD TO ORFS	48961	12 R5OLO-S	RUN TEE,STRAIGHT THREAD
48917	6 FF5OLO-S	CONNECTOR,LONG,STRAIGHT THREAD TO ORFS	48962	12 S5OLO-S	BRANCH TEE,STRAIGHT THREAD TO ORFS
48918	6 R5OLO-S	RUN TEE,STRAIGHT THREAD	48963	12 V5OLO-S	ELBOW,45°,STRAIGHT THREAD TO ORFS
48919	6 S5OLO-S	BRANCH TEE,STRAIGHT THREAD TO ORFS	48964	12 R6LO-S	RUN TEE,SWIVEL NUT,ORFS
48920	6 V5OLO-S	ELBOW,45°,STRAIGHT THREAD TO ORFS	48965	12 CLO-S	ELBOW,90°,MALE PIPE TO ORFS
48921	6 FLO-S	CONNECTOR,MALE PIPE TO ORFS	48966	12 FLO-S	CONNECTOR,MALE PIPE TO ORFS
48922	6-6 FLO-S	CONNECTOR,MALE PIPE TO ORFS	48967	12 JLO-S	UNION TEE,ORFS
48923	6 P5ON-S	PLUG,STRAIGHT THREAD	48968	12 WLO-WLNL-S	UNION,BULKHEAD,ORFS
48925	6 WELO-S	UNION,90° BULKHEAD,ORFS	48969	12 WJLO-WLNL-S	RUN TEE, BULKHEAD,ORFS
48926	6-4 C5OLO-S	ELBOW,90°,STRAIGHT THREAD TO ORFS	48970	12 WELO-WLNL-S	UNION,90° BULKHEAD W/NUT,ORFS
48927	6-4 F5OLO-S	CONNECTOR,STRAIGHT THREAD TO ORFS			
48928	6-4 V5OLO-S	ELBOW,45°,STRAIGHT THREAD TO ORFS			
48929	6-8 C5OLO-S	ELBOW,90°,STRAIGHT THREAD TO ORFS			
48930	6-8 F5OLO-S	CONNECTOR,STRAIGHT THREAD TO ORFS			
48931	6-10 F5OLO-S	CONNECTOR,STRAIGHT THREAD TO ORFS			
48932	8 C5OLO-S	ELBOW,90°,STRAIGHT THREAD TO ORFS			
48933	8 F5OLO-S	CONNECTOR,STRAIGHT THREAD TO ORFS			
48934	8 FF5OLO-S	CONNECTOR,LONG,STRAIGHT THREAD TO ORFS			
48935	8 R5OLO-S	RUN TEE,STRAIGHT THREAD			
48936	8 S5OLO-S	BRANCH TEE,STRAIGHT THREAD TO ORFS			
48937	8 V5OLO-S	ELBOW,45°,STRAIGHT THREAD TO ORFS			

## Fitting Cross References (Continued)

Genie PN	Parker PN	Description	Genie PN	Parker PN	Description
48971	12 G5G5JG5-S	TEE,FEMALE STRAIGHT THREAD	49612	PKT02586	O-RING KIT (ORFS FITTINGS)
48972	12 XHL6-S	ADAPTER, 37° MALE TO SWIVEL ORFS	49613	PKT06276	PLUG AND CAP KIT-SERVICE,ORFS
48973	12-1/2 F5OG-S	ADAPTER,FEMALE PIPE TO STRAIGHT THREAD	49728	10143-12-12	HOSE END, MALE PIPE
48974	12-10 C5OLO-S	ELBOW,90°,STRAIGHT THREAD TO ORFS	49729	16-1 F5OG-S	ADAPTER,FEMALE PIPE TO STRAIGHT THREAD
48975	12-10 F5OLO-S	CONNECTOR,STRAIGHT THREAD TO ORFS	49814	12-8 FLO-S	CONNECTOR,MALE PIPE TO ORFS
48976	12-16 C5OLO-S	ELBOW,90°,STRAIGHT THREAD TO ORFS	49829	DT-500-MOMF-5	VALVE,CHECK
48977	12-16 F5OLO-S	CONNECTOR,STRAIGHT THREAD TO ORFS	49831	881-12	HOSE,3/4 INCH ID
48978	12-16 V5OLO-S	ELBOW,45°,STRAIGHT THREAD TO ORFS	49834	16 JLO-S	UNION TEE,ORFS
48980	12-16 FLO-S	CONNECTOR,MALE PIPE TO ORFS	49838	12-8 TRLO-BL-S	REDUCER,TUBE END TO SWIVEL,ORFS
48983	16 C5OLO-S	ELBOW,90°,STRAIGHT THREAD TO ORFS	49840	8 JLO-S	UNION TEE,ORFS
48984	16 F5OLO-S	CONNECTOR,STRAIGHT THREAD TO ORFS	49844	10-8 TRLO-BL-S	REDUCER,TUBE END TO SWIVEL,ORFS
48985	16 V5OLO-S	ELBOW,45°,STRAIGHT THREAD TO ORFS	49854	8 P5ON-S	PLUG,STRAIGHT THREAD
48986	16 FLO-S	CONNECTOR,MALE PIPE TO ORFS	49855	1JC43-16-12	HOSE END,FEMALE SWIVEL,SEAL LOK
48988	16 CD45-S	ELBOW,45°,MALE TO FEMALE PIPE	49859	4 P5ON-S	PLUG,STRAIGHT THREAD
48989	12 CD45-S	ELBOW,45°,MALE TO FEMALE PIPE	49861	4 FF5OLO-S	CONNECTOR, LONG, STRAIGHT THREAD TO ORFS
48990	8 CD45-S	ELBOW,45°,MALE TO FEMALE PIPE	49867	12-3/4 F5OG-S	ADAPTER,FEMALE PIPE TO STRAIGHT THREAD
48991	16-12 FLO-S	CONNECTOR,MALE PIPE TO ORFS	51152	6 R6X-S	RUN TEE,SWIVEL NUT,ORFS
48992	16-12 V5OLO-S	ELBOW,45°,STRAIGHT THREAD TO ORFS	51153	6-4 TRTX-S	REDUCER,TUBE END TO SWIVEL,ORFS
48993	XV501-12	BALL VALVE	51154	4-4 GTX	CONNECTOR,FEMALE PIPE TO FLARE TUBE
48994	XV501-16	BALL VALVE	51264	881-12	HOSE,3/4 INCH ID
48995	XV510P-12	BALL VALVE	51265	8 JLO-S	UNION TEE,ORFS
48996	XV510P-16	BALL VALVE	51508	6 BTX-S	NUT,FLARE TUBE
48997	PD341	DIAGNOSTIC NIPPLE, STRAIGHT THREAD	51580	12-8 TRLO-BL-S	TUBE END REDUCER,ORFS
48998	PD 361	DIAGNOSTIC NIPPLE, STRAIGHT THREAD	51628	6 R6X-S	RUN TEE,SWIVEL NUT,ORFS
48999	DT-500-MOMS-5	VALVE,CHECK	51735	3/8 HHP	PLUG,PIPE THREAD
49201	10 V5OLO-S	ELBOW,45°,STRAIGHT THREAD TO ORFS	51803	1J943-6-8	HOSE END,90° FEMALE SWIVEL,SEAL LOK
49202	1JC43-12-10	HOSE END,FEMALE SWIVEL,SEAL LOK	53023	125HBL-5-4	FITTING,HOSE BARB TO MALE PIPE
49203	10-8 V5OLO-S	ELBOW,45°,STRAIGHT THREAD TO ORFS	53497	PKT02585	O-RING KIT
49205	6 F5OHAO-S	UNION,STRAIGHT THREAD	53499	1JC71-16-16	HOSE END,FEMALE SWIVEL,SEAL LOK
49207	PD34BTL	DIAGNOSTIC NIPPLE,SEAL-LOK SWIVEL	53500	3-904	O-RING,STRAIGHT THREAD,-4
49209	8M18F870MX-S	CONNECTOR,METRIC,STRAIGHT THREAD TO FLARE TUBE	53501	3-906	O-RING,STRAIGHT THREAD,-6
49212	8 WGTX-WLN-S	CONNECTOR,BULKHEAD,FEMALE PIPE TO FLARE TUBE	53502	3-908	O-RING,STRAIGHT THREAD,-8
49213	30682-8-8	HOSE END,FEMALE SWIVEL,JIC	53503	3-910	O-RING,STRAIGHT THREAD,-10
49216	831-8	HOSE,1/2 INCH ID			
49217	33982-8-8	HOSE END,90° FEMALE SWIVEL,JIC			
49219	PS-B-35	SLEEVE,NYLON,2.19" ID			
49418	4-6 V5OLO-S	ELBOW,45°,STRAIGHT THREAD TO ORFS			
49511	DT370-MOMS-5	VALVE,CHECK			
49512	1 DD-S	ELBOW,90°,FEMALE PIPE			
49513	1 FF-S	NIPPLE,PIPE			
49514	10 HP5ON-S	PLUG,STRAIGHT THREAD			
49515	12-16 CLO-S	ELBOW,90°,MALE PIPE TO ORFS			
49517	6 HP5ON-S	PLUG,STRAIGHT THREAD			
49519	16-12 F5OLO-S	CONNECTOR,STRAIGHT THREAD TO ORFS			
49520	4 VTX-S	ELBOW,45°,MALE PIPE TO FLARE TUBE			
49530	16 C6LO-S	ELBOW,90°,SWIVEL NUT ORFS			



## Fitting Cross References (Continued)

Genie PN	Parker PN	Description	Genie PN	Parker PN	Description
53535	3-912	O-RING,STRAIGHT THREAD,-12	61083	24 F5OLO-S	CONNECTOR,STRAIGHT THREAD TO ORFS
53536	4-PNLO-S	PLUG,TUBE END,ORFS	61086	20 R5OLO-S	RUN TEE,STRAIGHT THREAD
53537	6 PNLO-S	PLUG,TUBE END,ORFS	61090	24-20 F5OLO-S	CONNECTOR,STRAIGHT THREAD TO ORFS
53538	8 PNLO-S	PLUG,TUBE END,ORFS	61091	1J943 24-24	HOSE END,90° FEMALE SWIVEL,SEAL LOK
53539	10 PNLO-S	PLUG,TUBE END,ORFS	61093	1J978-12-12	HOSE END,90° FEMALE SWIVEL,JIC
53540	12 PNLO-S	PLUG,TUBE END,ORFS	61095	1JS43-20-16	HOSE END,FEMALE SWIVEL,SEAL LOK
53946	129HB-5-4	FITTING,90° HOSE BARB TO MALE PIPE	61100	811-24	HOSE,11/2 INCH ID
53951	8-1/4F5OG-S	ADAPTER,FEMALE PIPE TO STRAIGHT THREAD	61130	1JS43-24-24	HOSE END,FEMALE SWIVEL,SEAL LOK
53980	6 S6LO-S	BRANCH TEE,SWIVEL NUT TO ORFS	61131	1JS78 12-12	HOSE END,FEMALE SWIVEL,SEAL LOK
54132	4 C6LO-S	ELBOW,90°,SWIVEL NUT ORFS	61132	1J778-12-12	HOSE END,45° FEMALE SWIVEL,JIC
54135	11343-16-16	HOSE END,MALE SWIVEL,PIPE	61152	139HB-6-4	ELBOW,45°,BARB TO MALE PIPE
54283	8-10 C5OLO-S	ELBOW,90°,STRAIGHT THREAD TO ORFS	61251	BV-0750	BALL VALVE
54428	8M18C870MLO-S	ELBOW, 90° METRIC, STRAIGHT THREAD TO ORFS	61259	4 CC5OLO-S	ELBOW,90° LONG,STRAIGHT THREAD TO ORFS
54803	FS-F-16-10	SLEEVE,FIRE,-96" ID	61260	20-12 TRLO-BL	REDUCER,TUBE END TO SWIVEL,ORFS
54954	10143-2-4	HOSE END, MALE PIPE	61262	12 C6LO-S	ELBOW,90°,SWIVEL NUT ORFS
55190	3/8 HP-S	PLUG,PIPE THREAD	61263	20 F5OHAO-S	UNION,STRAIGHT THREAD
55448	8 HLO-S	UNION,ORFS	61264	6-10 C5OLO-S	ELBOW,90°,STRAIGHT THREAD TO ORFS
55839	6 F65OX-S	CONNECTOR,STRAIGHT THREAD TO 37° SWIVEL	61265	6 WNLO-WLNL-S	UNION,BULKHEAD 45°,ORFS
55968	10 C5OX-S	ELBOW,90°,STRAIGHT THREAD TO FLARE TUBE	61268	4 WNLO-WLNL-S	UNION,BULKHEAD 45°,ORFS
56003	6 CC5OLO-S	ELBOW,90° LONG,STRAIGHT THREAD TO ORFS	61269	4 WLO-WLNL-S	UNION,BULKHEAD,ORFS
56166	BV-0837	BALL VALVE,90°	61272	12 AOEL6	ELBOW,90°,STRAIGHT THREAD TO ORFS SWIVEL
56188	10143-8-6	HOSE END, MALE PIPE	61316	482TC-16	HOSE,1 INCH ID
56233	2-011	O-RING,ORFS,-4	61321	6 JLO-S	UNION TEE,ORFS
56234	2-012	O-RING,ORFS,-6	61327	782-12	HOSE,3/4 INCH ID
56235	2-014	O-RING,ORFS,-8	61328	881-24	HOSE,11/2 INCH ID
56236	2-016	O-RING,ORFS,-10	61336	11943-20-24	HOSE END,90° FLANGE HEAD
56237	2-018	O-RING,ORFS,-12	61345	12 WJLO-WLNL-S	RUN TEE, BULKHEAD,ORFS
56238	2-021	O-RING,ORFS,-16	61346	8 WNLO-WLNL-S 4	UNION,BULKHEAD 45°,ORFS
56352	6 WLNL-S	LOCKNUT,BULKHEAD	61569	33782-8-8	HOSE END,45° FEMALE SWIVEL,JIC
56353	3J782-12-12	HOSE END,45° FEMALE SWIVEL,SEAL LOK	61610	12 FF5OLO-S	CONNECTOR,LONG,STRAIGHT THREAD TO ORFS
56354	3J982-12-12	HOSE END,90° FEMALE SWIVEL,SEAL LOK	61742	1/8 X 1.5 FFF	NIPPLE,PIPE
56604	10-8 F5OLO-S	CONNECTOR,STRAIGHT THREAD TO ORFS	63426	8 PNTX-S	PLUG,FLARE TUBE
56639	3JC82-10-10	HOSE END,FEMALE SWIVEL,SEAL LOK			
56640	3J982-10-10	HOSE END,90° FEMALE SWIVEL,SEAL LOK			
56655	3JC82-8-10	HOSE END,FEMALE SWIVEL,SEAL LOK			
56676	10-8 C5OLO-S	ELBOW,90°,STRAIGHT THREAD TO ORFS			
56776	471TC-6	HOSE,3/8 INCH ID			
56777	471TC-8	HOSE,1/2 INCH ID			
56789	811-16	HOSE,1 INCH ID			
57884	3/8 FF	NIPPLE,PIPE			
59335	6 FNL-S	CAP,TUBE END			
59342	4 FNL-S	CAP,TUBE END			
59371	8 HP5ON-S	PLUG,STRAIGHT THREAD			
60653	BV-0751	BALL VALVE			
60806	125HB-3-4	FITTING,HOSE BARB TO MALE PIPE			
61064	5-1/4 F5OG-S	ADAPTER,FEMALE PIPE TO STRAIGHT THREAD			
61079	4 WELO-WLNL-S	UNION,90° BULKHEAD W/NUT,ORFS			
61080	6 WLO-WLNL-S	UNION,BULKHEAD,ORFS			

## Fitting Cross References (Continued)

Genie PN	Parker PN	Description	Genie PN	Parker PN	Description
64271	4 WLO-WLNL-S	UNION,BULKHEAD,ORFS	75631	801-6	HOSE,3/8 INCH ID
64272	6 WLO-WLNL-S	UNION,BULKHEAD,ORFS	75654	20 F5OLO-S	CONNECTOR,STRAIGHT THREAD TO ORFS
65776	8 F65OL-S	CONNECTOR,STRAIGHT THREAD TO ORFS SWIVEL	75655	1J943-20-20	HOSE END,90° FEMALE SWIVEL,SEAL LOK
65880	6001012	O-RING KIT	75656	881-20	HOSE,1-1/4 INCH ID
66154	6 WTX-WLNS	UNION,BULKHEAD,FLARE TUBE	75971	8 F5OHAO-S	UNION,STRAIGHT THREAD
66155	6 WETX-S	UNION,BULKHEAD 90°,FLARE TUBE	77307	1JB43-8-8	HOSE END,BULKHEAD,SEAL LOK
66156	6 WLN-S	BULKHEAD LOCKNUT	77309	8 WLNL-S	BULKHEAD LOCKNUT
66389	6-8 F5OX-S	CONNECTOR,STRAIGHT THREAD TO FLARE TUBE	77379	8M18C87OMX-S	ELBOW,90° METRIC,STRAIGHT THREAD TO FLARE TUBE
66392	6 R5OX-S	RUN TEE,STRAIGHT THREAD	77703	3J982-8-8	HOSE END,90° FEMALE SWIVEL,SEAL LOK
66396	811-12	HOSE,3/4 INCH ID	77711	801-10	HOSE,5/8 INCH ID
66829	H3174PP	CLAMP,TUBE	77758	12 WNLO-WLNL-S	UNION,BULKHEAD 45°,ORFS
67217	4 KLO-S	UNION,CROSS,ORFS	78091	6 C6X-S	ELBOW,90°,SWIVEL NUT TO FLARE TUBE
67339	10-6 F5OX-S	CONNECTOR,STRAIGHT THREAD TO FLARE TUBE	78684	30582-8-8B	HOSE END,PUSH LOK,MALE
67357	13943-8-6	HOSE END,90° FEMALE SWIVEL,JIC	78852	549-2	HOSE,1/8 INCH ID
67358	10 HP5ON-S	PLUG,STRAIGHT THREAD	78855	10657-4-2	HOSE END,FEMALE SWIVEL,JIC
67371	12 S6LO-S	BRANCH TEE,SWIVEL NUT TO ORFS	79138	PS-B-37	SLEEVE,NYLON,2.38" ID
67498	4 FNL-S	CAP, TUBE END	79476	1JS43-6-8	HOSE END,FEMALE SWIVEL,SEAL LOK
67906	DC-370-F0F0-5	VALVE,CHECK	79847	12-3/4 A0EG-S	ELBOW,90°,STRAIGHT THREAD TO FEMALE PIPE
69316	8 FLO-S	CONNECTOR,MALE PIPE TO ORFS	80044	8 CLO-S	ELBOW,90°,MALE PIPE TO ORFS
69333	H3174PP	CLAMP,HYDRAULIC HOSE	80502	8 F5OX-S	CONNECTOR,STRAIGHT THREAD TO FLARE TUBE
69503	4 F65OX-S	CONNECTOR,STRAIGHT THREAD TO 37° SWIVEL	80503	8 C5OX-S	ELBOW,90°,STRAIGHT THREAD TO FLARE TUBE
69775	8 FNL-S	CAP, TUBE END	81010	AS-B-27	SLEEVE,NYLON,1.63" ID
71038	1/4X1/4F3HG-S	ADAPTER,CONVERSION	83052	821-6	HOSE,3/8 INCH ID
71196	12-8 F5OLO-S	CONNECTOR,STRAIGHT THREAD TO ORFS	83053	821-8	HOSE,1/2 INCH ID
71383	1/4 CD45-S	ELBOW,45°,MALE TO FEMALE PIPE	83054	821-12	HOSE,3/4 INCH ID
72270	12FNL-S	CAP, TUBE END	83055	30682-6-6	HOSE END,FEMALE SWIVEL,JIC
73436	60C-4	SLEEVE,COMPRESSION	83056	30682-12-12	HOSE END,FEMALE SWIVEL,JIC
73437	61C-4	NUT,COMPRESSION	83057	33782-6-6	HOSE END,45° FEMALE SWIVEL,JIC
73438	33482-4-4B	HOSE END,PUSH LOK,MALE	83058	33982-6-6	HOSE END,90° FEMALE SWIVEL,JIC
73767	1CD-S	ELBOW,90°,MALE TO FEMALE PIPE	83060	33982-12-12	HOSE END,90° FEMALE SWIVEL,JIC
73768	20-16-F5OG5-S	ADAPTER,FEMALE PIPE TO STRAIGHT THREAD	83063	13743-4-4	HOSE END,45° FEMALE SWIVEL,JIC
73769	16-20 F5OLO-S	CONNECTOR,STRAIGHT THREAD TO ORFS			
74660	6-8 F42EDMLO-S	CONNECTOR,MALE BSPP TO ORFS			
74661	8-8 F42EDMLO-S	CONNECTOR,MALE BSPP TO ORFS			
75007	4 FLO-S	CONNECTOR,MALE PIPE TO ORFS			
75008	1/8 HP-S	PLUG,PIPE THREAD			
75014	1/2 HP-S	PLUG,PIPE THREAD			
75042	8 WELO-WLNL-S	UNION,90° BULKHEAD W/NUT,ORFS			
75043	3/4 FF-S	NIPPLE,PIPE			
75254	24 F5OHAO-S	UNION,STRAIGHT THREAD			
75255	12 F5OHAO-S	UNION,STRAIGHT THREAD			
75256	XV506P-24	BALL VALVE			
75574	4 WLNL-S	BULKHEAD LOCKNUT			
75612	8 WJLO-WLNL-S	RUN TEE, BULKHEAD,ORFS			
75613	12-8 F5OG5-S	ADAPTER,FEMALE PIPE TO STRAIGHT THREAD			
75614	8 CC5OLO-S	ELBOW,90° LONG,STRAIGHT THREAD TO ORFS			
75628	1JB43-4-4	HOSE END,BULKHEAD,SEAL LOK			

## Fitting Cross References (Continued)

Genie PN	Parker PN	Description	Genie PN	Parker PN	Description
83064	13743-8-8	HOSE END,45° FEMALE SWIVEL,JIC	89449	6 WJLO-WLNL-S	RUN TEE, BULKHEAD,ORFS
83065	13743-12-12	HOSE END,45° FEMALE SWIVEL,JIC	89489	4 WJMLO-S	BRANCH TEE,BULKHEAD,ORFS
83066	13943-8-8	HOSE END,90° FEMALE SWIVEL,JIC	89551	1JB43-6-6	HOSE END,BULKHEAD,SEAL LOK
83067	14143-6-6	HOSE END,90° FEMALE SWIVEL,JIC	89552	1JB43-8-8	HOSE END,BULKHEAD,SEAL LOK
83068	14143-8-8	HOSE END,90° FEMALE SWIVEL,JIC	89593	20 C5OLO-S	ELBOW,90°,STRAIGHT THREAD TO ORFS
83069	14143-12-12	HOSE END,90° FEMALE SWIVEL,JIC	94161	8-8 CLO-S	ELBOW,90°,MALE PIPE TO ORFS
83070	772-8	HOSE,1/2 INCH ID	94358	351TC-12	HOSE,3/4 INCH ID
83071	10671-8-8	HOSE END,FEMALE SWIVEL,JIC	94418	20 FLO-S	CONNECTOR,MALE PIPE TO ORFS
83072	10671-12-12	HOSE END,FEMALE SWIVEL,JIC	96358	12 TX-S	SLEEVE,FLARE TUBE
83073	13771-8-8	HOSE END,45° FEMALE SWIVEL,JIC	96359	12 BTX-S	NUT,FLARE TUBE
83074	13771-12-12	HOSE END,45° FEMALE SWIVEL,JIC	96397	8 F5OX-S	CONNECTOR,STRAIGHT THREAD TO FLARE TUBE
83075	13971-8-8	HOSE END,90° FEMALE SWIVEL,JIC	96398	12-8 F5OX-S	CONNECTOR,STRAIGHT THREAD TO FLARE TUBE
83076	13971-12-12	HOSE END,90° FEMALE SWIVEL,JIC	96402	10343-6-6	HOSE END,MALE,JIC
83077	14171-8-8	HOSE END,90° FEMALE SWIVEL,JIC	96407	30382-6-6B	HOSE END,MALE,JIC
83078	14171-12-12	HOSE END,90° FEMALE SWIVEL,JIC			
83080	13943-16-16	HOSE END,90° FEMALE SWIVEL,JIC			
83103	10671-16-12	HOSE END,FEMALE SWIVEL,JIC			
83104	10671-10-12	HOSE END,FEMALE SWIVEL,JIC			
83112	1JC71-8-8	HOSE END,FEMALE SWIVEL,SEAL LOK			
83113	1JS71-16-12	HOSE END,FEMALE SWIVEL,SEAL LOK			
83114	1JS71-10-12	HOSE END,FEMALE SWIVEL,SEAL LOK			
83115	1J971-8-8	HOSE END,90° FEMALE SWIVEL,SEAL LOK			
83116	1J171-8-8	HOSE END,90° FEMALE SWIVEL,SEAL LOK			
83117	1J771-8-8	HOSE END,45° FEMALE SWIVEL,SEAL LOK			
83127	1J543-6-8	HOSE END,90° FEMALE SWIVEL,JIC			
83128	1JC43-6-8	HOSE END,FEMALE SWIVEL,SEAL LOK			
87033	12-6 TRLO-S	REDUCER,TUBE END TO SWIVEL,ORFS			
87034	3J782-8-8	HOSE END,45° FEMALE SWIVEL,SEAL LOK			
87172	12 HP5ON-S	PLUG,STRAIGHT THREAD			
87185	8 WNLO-WLNL-S	UNION,BULKHEAD 45°,ORFS			
87246	4 C6X-S	ELBOW,90°,SWIVEL NUT TO FLARE TUBE			
87679	6 LHP-S	FLANGE SEAL FITTING, MALE			
87681	6PLS N0702	BONDED SEAL			
88100	SR88100	ADAPTER,OIL DRAIN,GM 3.0L			
88311	1JS43-20-20	HOSE END,FEMALE SWIVEL,SEAL LOK			
88353	20 V5OLO-S	ELBOW,45°,STRAIGHT THREAD TO ORFS			
88474	10081-20	Crimp Shell, 1.25"			
88475	1988-20-24	HOSE END,90° FLANGE HEAD			
88476	JS88-24-24	HOSE END,FEMALE SWIVEL,SEAL LOK			
88477	1JC88-20-20	HOSE END,FEMALE SWIVEL,SEAL LOK			
88478	811-20	HOSE,11/4 INCH ID			
88936	20-16 F5OLO-S	CONNECTOR,STRAIGHT THREAD TO ORFS			
88937	20-16 FLO-S	CONNECTOR,MALE PIPE TO ORFS			
88938	1JC88-16-16	HOSE END,FEMALE SWIVEL,SEAL LOK			
88939	1J988-16-16	HOSE END,90° FEMALE SWIVEL,ORFS			
88940	811-16	HOSE,1 INCH ID			
88944	1J988-20-20	HOSE END,90° FEMALE SWIVEL,ORFS			
89403	16 VLO-S	ELBOW,45°,MALE PIPE TO ORFS			

California Proposition 65



Operating, servicing and maintaining this equipment can expose you to chemicals including engine exhaust, carbon monoxide, phthalates, and lead, which are known to the State of California to cause cancer and birth defects or other reproductive harm. These chemicals can be emitted from or contained in other various parts and systems, fluids and some component wear by-products. To minimize exposure, avoid breathing exhaust, do not idle the engine except as necessary, service your equipment and vehicle in a well-ventilated area and wear gloves or wash your hands frequently when servicing your equipment or vehicle and after operation. For more information go to [www.P65Warnings.ca.gov/passenger-vehicle](http://www.P65Warnings.ca.gov/passenger-vehicle).

Distributed By:

Go to [Discount-Equipment.com](http://Discount-Equipment.com) to order your parts

# PARTS FINDER

**Search Website  
by Part Number**



**Search Manual  
Library For Parts  
Manual & Lookup Part  
Numbers – Purchase  
or Request Quote**

**Search Manuals**

Enter your information to search for a manual or to purchase a manual or parts.

\* Brand:

\* Model:

\* Serial:

\* Part Number:

SEARCH

**Can't Find Part or  
Manual? Request Help  
by Manufacturer,  
Model & Description**

**Parts Order Form**

Please fill in the following information:

Manufacturer:

Model:

Description:

Quantity:

Part Number:

Part Name:

Part Description:

Part Category:

Part Location:

Part Status:

Part Condition:

Part Material:

Part Color:

Part Weight:

Part Dimensions:

Part Price:

Part Notes:

Submit

Discount-Equipment.com is your online resource for quality parts & equipment.

Florida: **561-964-4949** Outside Florida TOLL FREE: **877-690-3101**

**Need parts?**

Click on this link: <http://www.discount-equipment.com/category/5443-parts/> and choose one of the options to help get the right parts and equipment you are looking for. Please have the machine model and serial number available in order to help us get you the correct parts. If you don't find the part on the website or on one of the online manuals, please fill out the request form and one of our experienced staff members will get back to you with a quote for the right part that your machine needs.

We sell worldwide for the brands: Genie, Terex, JLG, MultiQuip, Mikasa, Essick, Whiteman, Mayco, Toro Stone, Diamond Products, Generac Magnum, Airman, Haulotte, Barreto, Power Blanket, Nifty Lift, Atlas Copco, Chicago Pneumatic, Allmand, Miller Curber, Skyjack, Lull, Skytrak, Tsurumi, Husquvarna Target, Stow, Wacker, Sakai, Mi-T-M, Sullair, Basic, Dynapac, MBW, Weber, Bartell, Bennar Newman, Haulotte, Ditch Runner, Menegotti, Morrison, Contec, Buddy, Crown, Edco, Wyco, Bomag, Laymor, EZ Trench, Bil-Jax, F.S. Curtis, Gehl Pavers, Heli, Honda, ICS/PowerGrit, IHI, Partner, Imer, Clipper, MMD, Koshin, Rice, CH&E, General Equipment, Amida, Coleman, NAC, Gradall, Square Shooter, Kent, Stanley, Tamco, Toku, Hatz, Kohler, Robin, Wisconsin, Northrock, Oztec, Toker TK, Rol-Air, APT, Wylie, Ingersoll Rand / Doosan, Innovatech, Con X, Ammann, Mecalac, Makinex, Smith Surface Prep, Small Line, Wanco, Yanmar