



A TEREX BRAND



Parts Manual

Serial Number Range

S-80X

from SN S80H-14098 to
S80H-15000

S-80

S-85

Part No. 1263385GT

Rev A5

November 2018

Go to Discount-Equipment.com to order your parts

PARTS FINDER

**Search Website
by Part Number**



**Search Manual
Library For Parts
Manual & Lookup Part
Numbers – Purchase
or Request Quote**

Search Manuals

Enter your information to help us find the right parts manual for your equipment.

* Brand:

* Model:

* Serial:

* Part Number:

SEARCH

**Can't Find Part or
Manual? Request Help
by Manufacturer,
Model & Description**

Parts Order Form

Please fill in the following information to help us find the right part for your equipment.

Manufacturer:	<input type="text"/>
Model:	<input type="text"/>
Description:	<input type="text"/>
Part Number:	<input type="text"/>
Quantity:	<input type="text"/>
Notes:	<input type="text"/>

Submit

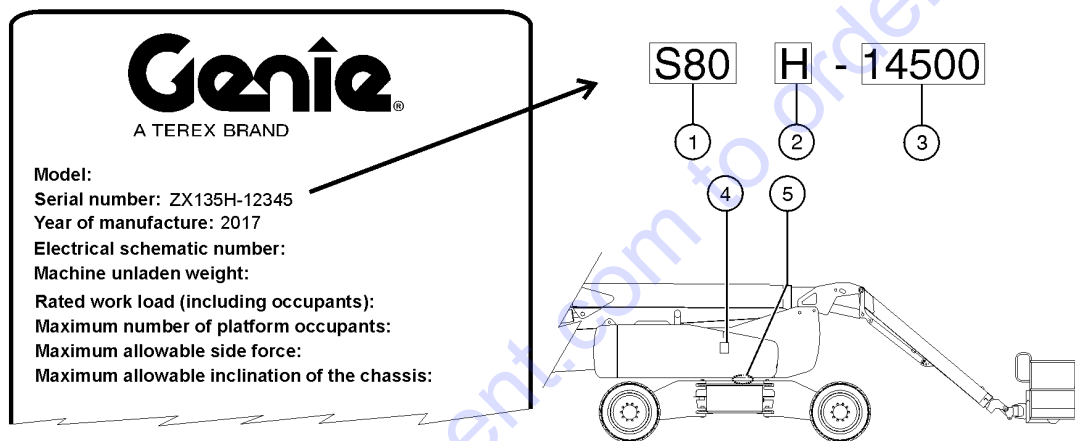
Discount-Equipment.com is your online resource for quality parts & equipment.

Florida: **561-964-4949** Outside Florida TOLL FREE: **877-690-3101**

Need parts?

Click on this link: <http://www.discount-equipment.com/category/5443-parts/> and choose one of the options to help get the right parts and equipment you are looking for. Please have the machine model and serial number available in order to help us get you the correct parts. If you don't find the part on the website or on one of the online manuals, please fill out the request form and one of our experienced staff members will get back to you with a quote for the right part that your machine needs.

We sell worldwide for the brands: Genie, Terex, JLG, MultiQuip, Mikasa, Essick, Whiteman, Mayco, Toro Stone, Diamond Products, Generac Magnum, Airman, Haulotte, Barreto, Power Blanket, Nifty Lift, Atlas Copco, Chicago Pneumatic, Allmand, Miller Curber, Skyjack, Lull, Skytrak, Tsurumi, Husquvarna Target, Stow, Wacker, Sakai, Mi-T-M, Sullair, Basic, Dynapac, MBW, Weber, Bartell, Bennar Newman, Haulotte, Ditch Runner, Menegotti, Morrison, Contec, Buddy, Crown, Edco, Wyco, Bomag, Laymor, EZ Trench, Bil-Jax, F.S. Curtis, Gehl Pavers, Heli, Honda, ICS/PowerGrit, IHI, Partner, Imer, Clipper, MMD, Koshin, Rice, CH&E, General Equipment, Amida, Coleman, NAC, Gradall, Square Shooter, Kent, Stanley, Tamco, Toku, Hatz, Kohler, Robin, Wisconsin, Northrock, Oztec, Toker TK, Rol-Air, APT, Wylie, Ingersoll Rand / Doosan, Innovatech, Con X, Ammann, Mecalac, Makinex, Smith Surface Prep, Small Line, Wanco, Yanmar



- 1 Model
- 2 Facility code
- 3 Sequence number
- 4 Serial label (located under cover)
- 5 Serial number (stamped on chassis)

Table of Contents

This manual is updated frequently. For the most up-to-date parts information, visit www.discount-equipment.com

How to Read Your Serial Number.....	3
Parts Stocking List.....	7

Electronic Version

Click on any page number to view the figure.

001 Parts Stocking List

001.1 Parts Stocking List.....	10
--------------------------------	----

100 Decals

101.1 Decals with Words, Hydraulic Tank Side - View 1.....	12
102.1 Decals with Words, Hydraulic Tank Side - View 2.....	14
103.1 Decals with Words, Engine Side.....	16
104.1 Decals with Words, Boom.....	18
105.1 Decals with Words, Platform.....	20
106.1 Decals with Symbols, Hydraulic Tank Side - View 1.....	22
107.1 Decals with Symbols, Hydraulic Tank Side - View 2.....	24
108.1 Decals with Symbols, Engine Side.....	26
109.1 Decals with Symbols, Boom.....	28
110.1 Decals with Symbols, Platform.....	30

200 Drive Chassis Components

201.1 Steer End.....	32
202.1 Axle Installation.....	34
203.1 Oscillation Control Valve.....	36
204.1 Hub Assembly - 2 WD Spindle.....	38
205.1 Drive Hub Assembly with Brake - Type 1.....	40
206.1 Drive Hub Assembly with Brake - Type 2.....	42

300 Turntable Components

301.1 Hydraulic and Fuel Tanks - Diesel Models.....	44
302.1 Hydraulic and Fuel Tanks - Gasoline/LPG Models.....	46
303.1 Hydraulic Tank Side Components.....	48
304.1 Turntable Covers - Hydraulic Tank Side.....	50
305.1 Turntable Covers - Engine Side.....	52
306.1 Turntable Components and Swivel Drive Assembly.....	54
307.1 Turntable Center Components.....	56

308.1 Ground Control Box - View 1.....	58
309.1 Ground Control Box - View 2.....	60
310.1 Ground Control Box - Deutz TD2.9L4.....	62
311.1 Turntable Components - Relay Panel, Diesel Models.....	66
312.1 Turntable Components - Relay Panel, Gasoline/LPG Models.....	68
313.1 Turntable Components - Relay Panel, Deutz TD 2.9L4.....	70
314.1 Turntable Components - Relay Panel, Perkins 404D-22T.....	72
315.1 Turntable Counterweight.....	74
316.1 Wire Harness Diagram, S-80X and S-80.....	76
317.1 Wire Harness Diagram, S-85.....	80

400 Engine Components

401.1 Deutz TD2011L04i Engine - View 1.....	82
402.1 Deutz TD2011L04i Engine - View 2.....	84
403.1 Deutz TD2011L04i Engine - View 3.....	86
404.1 Deutz TD2011L04i Engine - View 4.....	88
405.1 Deutz TD 2.9L4 Engine - View 1.....	90
406.1 Deutz TD 2.9L4 Engine - View 2.....	92
407.1 Deutz TD 2.9L4 Engine - View 3.....	94
408.1 Deutz TD 2.9L4 Engine - View 4.....	96
409.1 GM 3.0L Engine - View 1.....	98
410.1 GM 3.0L Engine - View 2.....	100
411.1 GM 3.0L Engine - View 3.....	102
412.1 GM 3.0L Engine - View 4.....	104
413.1 Perkins 404D-22T Engine - View 1.....	106
414.1 Perkins 404D-22T Engine - View 2.....	108
415.1 Perkins 404D-22T Engine - View 3.....	110
416.1 Perkins 404D-22T Engine - View 4.....	112
417.1 Engine Tray.....	114

500 Boom Components

501.1 Cable Track Installation.....	116
502.1 Extension Boom Tube 1, S-80 and S-85.....	118
503.1 Extension Boom Tube 1, S-80X.....	120
504.1 Extension Boom Tube 2.....	122
505.1 Extension Boom Tube 3.....	124
506.1 Cable Assembly and Primary Extension Cylinder.....	126
507.1 Boom Link Assembly - View 1.....	128
508.1 Boom Link Assembly - View 2.....	130
509.1 Platform Rotator, S-80X and S-80.....	132
510.1 Jib Boom and Platform Rotator, S-85.....	134
511.1 Platform Installation.....	136

600 Platform Components

601.1 Platform Installation.....	138
602.1 Platform Control Box.....	140
603.1 Joysticks.....	144

700 Hydraulic Components

701.1 Traction Manifold.....	146
702.1 Two-Speed/Brake Manifold.....	148
703.1 Function Enable Valve and Platform Rotator Manifold.....	150
704.1 Platform Manifold, S-80X and S-80.....	152
705.1 Platform Manifold, S-85.....	154
706.1 Function Manifold.....	156
707.1 Oil Diverter Manifold (welder option).....	158
708.1 Pumps.....	160
709.1 2WD Drive and Steer System.....	162
710.1 4WD Drive and Steer System.....	164
711.1 Oscillate System.....	166
712.1 Turntable Components.....	168
713.1 Boom, S-80X and S-80.....	172
714.1 Boom, S-85.....	174

800 Accessories

801.1 Alarm and Beacon Package, Driving Lights.....	176
802.1 Platform Options.....	178
803.1 Hostile Environment Package - Ground and Platform Control Box Covers.....	180
804.1 Hostile Environment Package - Booms.....	182
805.1 Hostile Environment Package - Turntable.....	184
806.1 Hostile Environment Package - Engine Air Cleaners.....	186
807.1 Hostile Environment Package - Cylinder Bellows, S-80, S-80X.....	188
808.1 Hostile Environment Package - Cylinder Bellows, S-85.....	190
809.1 Panel Cradle Option.....	192
810.1 Full Gauge Option.....	194
810.2 Full Gauge Option - Perkins 404D-22T.....	196
811.1 Hydraulic Oil Cooler Option.....	198
812.1 Half-Mesh and Pipe Cradle Option.....	200
813.1 Spare LPG Tank Option.....	202
814.1 Welder Option, Chassis Components - View 1.....	204
815.1 Welder Option, Platform Components - View 2.....	206
816.1 Welder Option, Hoses and Fittings - View 3.....	208
817.1 Platform Recirculating Hydraulic Oil Option.....	210
818.1 Belt Generator Option - View 1.....	212
818.2 Belt Generator Option (Perkins 404D-22T and Deutz TD 2.9L4) - View 1.....	214
819.1 Belt Generator Option - View 2.....	216

820.1 Platform Overload - European Models.....	218
821.1 Air Line and Weld Cables.....	220
822.1 Aircraft Protection Package.....	222
823.1 Operator Protection Structure.....	224
824.1 Cold Start Package.....	226
825.1 Arctic High Pressure Hose Kit, S-85.....	228
826.1 Arctic High Pressure Hose Kit, S-80, S-80X.....	230
827.1 Fall Arrest Bar.....	232
828.1 Lift Guard Contact Alarm Option (from January 2017).....	234
829.1 Remote Charging Option.....	236
830.1 Tow Package.....	238
831.1 Telematics Option.....	240

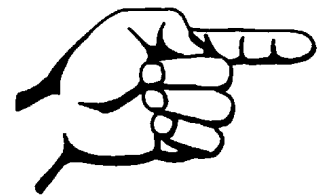
Indices

Part Number Index.....	242
Part Description Index.....	249

Cross References

Fittings Cross Reference.....	260
-------------------------------	-----

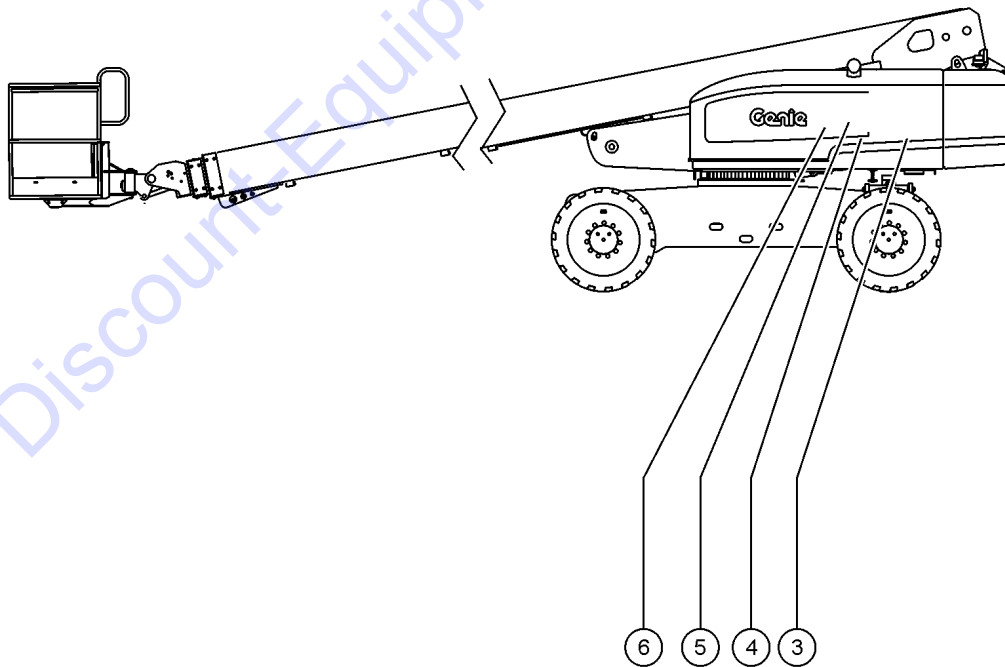
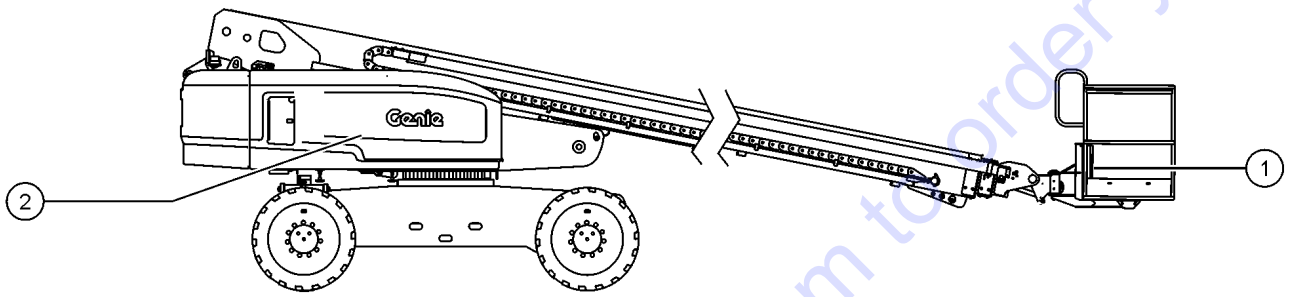
Please refer to section 001 for the Recommended Spare Parts List.



This page intentionally left blank.

Go to Discount-Equipment.com to order your parts

001.1 Parts Stocking List

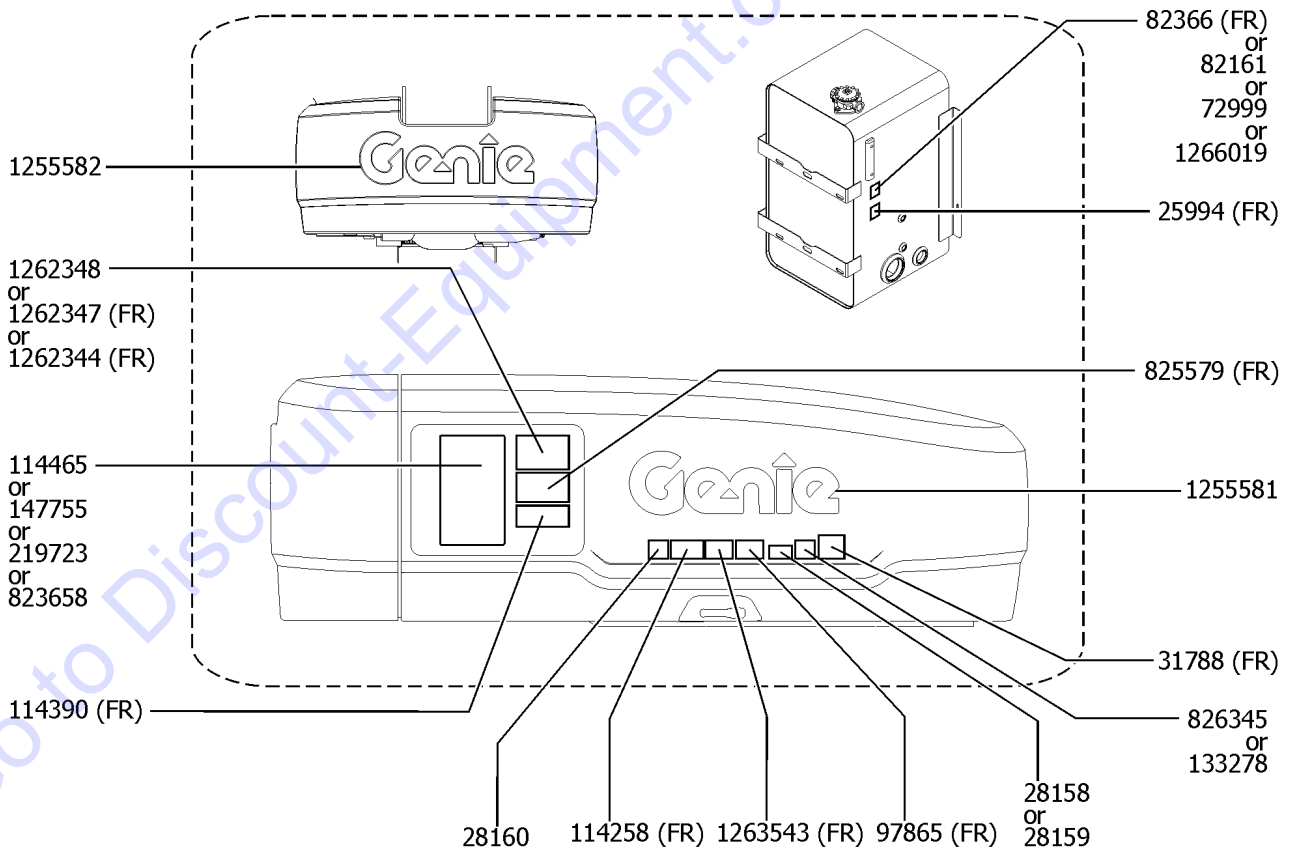
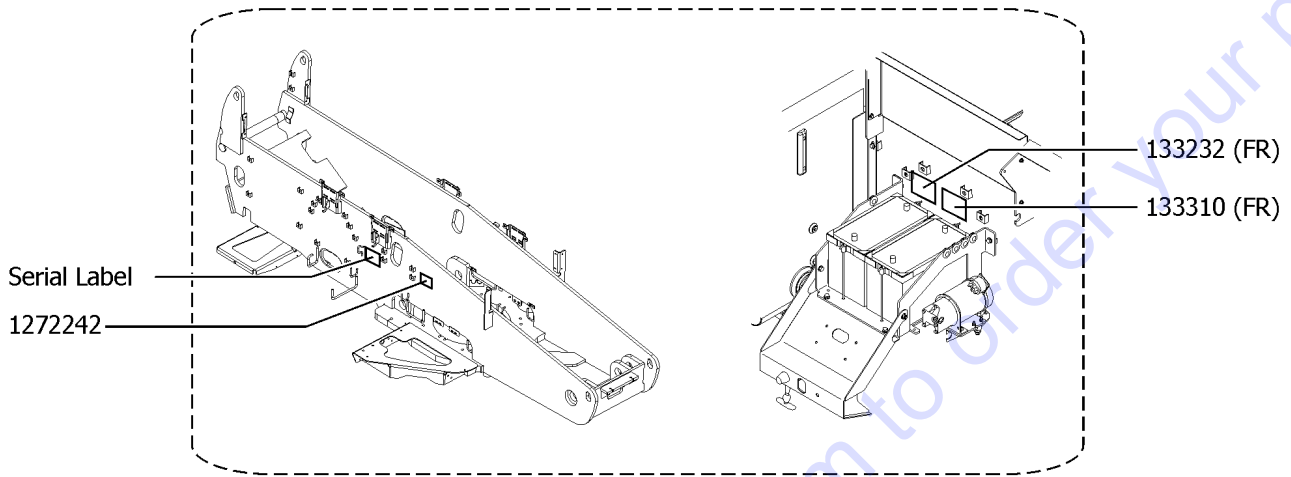


001.1 Parts Stocking List

Item	Part No.	Description	Qty.	Item	Part No.	Description	Qty.
A		—INSPECTION SERVICE KITS—		4		—Deutz TD 2.9L4 Models—	
--				--	1262866GT	FAN BELT, ALTERNATOR <i>(refer to 407.1)</i>	
--	1278714GT	KIT,ENGINE SERVICE,250 HOUR,DEUTZ TD2.9,S80/Z80		--	214228GT	FILTER, DEUTZ 2.9, FUEL <i>(refer to 408.1)</i>	
B		—GENERAL SERVICE PARTS—		--	236260GT	PRE-FILTER,FUEL,DEUTZ TCD3.6 <i>(refer to 408.1)</i>	
--				--	49924GT	FILTER,OIL,DEUTZ F4L1011F <i>(refer to 405.1)</i>	
--	1257733GT	PAINT,WET,TRAFFIC BLACK (1 GL)** <i>1-gallon</i>		--	62425GT	FILTER,AIR CLEANER,SUPERBOOM <i>(refer to 406.1)</i>	
--	1258567GT	PAINT, AEROSOL, TRAFFIC BLACK <i>12-ounce spray paint</i>		5		—GM 3.0L Models—	
--	1268GT	PAINT,AEROSOL,GENIE GRAY*** <i>12-ounce spray paint</i>		--	1271652GT	FILTER, FUEL, GM3.0L <i>(refer to 412.1)</i>	
--	1283776GT	SEAL MARKER,CROSS CHECK,BLUE,TUBE		--	58412GT	SPARK PLUG WIRE SET,GM 3.0 <i>(refer to 412.1)</i>	
--	1484GT	PAINT,AEROSOL,BRIGHT BLUE*** <i>12-ounce spray paint</i>		--	62420GT	FILTER,AIR*** <i>(refer to 409.1)</i>	
--	28750GT	O-RING KIT,FIELD SVC,ALL PROD* <i>O-ring kit, SAE</i>		--	65621GT	BELT-FAN, GM 3.0L ENGINE <i>(refer to 412.1)</i>	
--	32150GT	PAINT,WET,GENIE BLUE (1 GL)** <i>1-gallon</i>		--	65623GT	FILTER-OIL,GM 3.0L ENGINE <i>(refer to 412.1)</i>	
--	32151GT	PAINT,WET,GENIE GRAY (1 GL)** <i>1-gallon</i>		--	65626GT	FILTER-FUEL, GM 3.0L ENGINE <i>(refer to 412.1)</i>	
--	33994GT	PLUG AND CAP KIT-SERVICE,37 ** <i>Plug and cap kit, SAE</i>		6		—Perkins 404D-22T Models—	
--	49612GT	O-RING KIT (ORFS FITTINGS) <i>O-ring kit, Parker</i>		--	1262047GT	OIL FILTER,PERKINS 404D/F-22T <i>(refer to 415.1)</i>	
--	60334GT	FILTER ASSY,HIGH PRESS SAE-12*		--	1262484GT	FUEL FILTER ASSY,PERKINS 404D/ <i>(refer to 415.1)</i>	
--	60536GT	FUSE,20 AMP,MAXI <i>(refer to figure 311.1)</i>		--	1262488GT	BELT,ALTERNATOR,PERKINS 404D/F <i>(refer to 415.1)</i>	
--	66399GT	GREASE,DIELECTRIC 4 OZ**		--	62420GT	FILTER,AIR*** <i>(refer to 414.1)</i>	
--	93500GT	PARKER DIGITAL PRESSURE GAUGE		--	75020GT	SEPRTR/FLTR,FUEL DSL,15GPH,.30 <i>(refer to 413.1)</i>	
--	94327GT	FUSE,30 AMP <i>(refer to figure 311.1)</i>					
1		—MANUALS—					
--	27581GT	MANUAL,AEM SAFETY					
--	31779GT	MANUAL,RESPON,A92.5 BOOM					
2		—HYD FILTERS—					
--	60857GT	FILTER,ELEMENT,BETA(5)=1000 <i>All Models</i>					
3		—Deutz TD2011L04i Models—					
--	102589GT	V-BELT, DEUTZ F4L2011 <i>(refer to 409.1)</i>					
--	29560GT	FILTER,FUEL/WTR SEP, DTZ 1008 <i>(refer to 404.1)</i>					
--	49924GT	FILTER,OIL,DEUTZ F4L1011F <i>(refer to 404.1)</i>					
--	62425GT	FILTER,AIR CLEANER,SUPERBOOM <i>(refer to 408.1)</i>					

101.1 Decals with Words, Hydraulic Tank Side - View 1

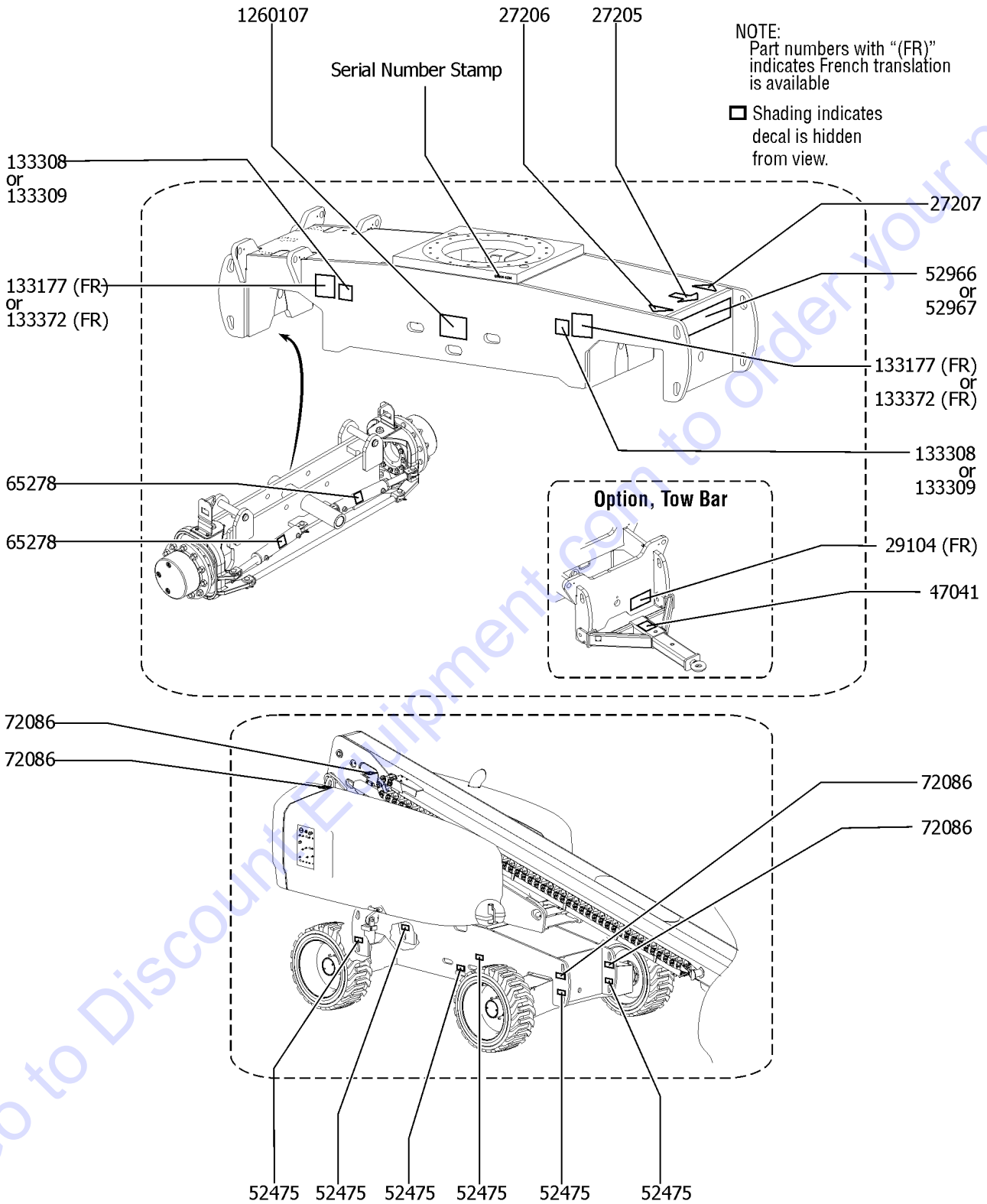
NOTE:
Part numbers with "(FR)"
indicates French translation
is available



101.1 Decals with Words, Hydraulic Tank Side - View 1

Item	Part No.	Description	Qty.	Item	Part No.	Description	Qty.
1	25994GT	DECAL,NOTICE,SHUTOFF VALVES.....1		28	1272242GT	DECAL,MACHINE REGISTRATION/OWNER TRANSFER....1	
2	28158GT	DECAL,LABEL,UNLEADED GAS ONLY.....1 <i>(fuel option)</i>					
3	28159GT	DECAL,DIESEL.....1 <i>(fuel option)</i>					
4	28160GT	DECAL,LABEL,LIQUID PROPANE.....1 <i>(LPG tank option)</i>					
5	31788GT	DECAL,DANGER,BATTERY SAFETY***.....1					
6	72999GT	DECAL,LABEL,PETRO CANADA***.....1 <i>(hydraulic oil option)</i>					
7	82161GT	DECAL,LABEL,UCON HYDROLUBE.....1 <i>(hydraulic oil option)</i>					
8	82366GT	DECAL,CHEVRON RANDO HD.....1 <i>(hydraulic oil option)</i>					
9	97865GT	DECAL,WARN,ELECTRO HAZARD.....1					
10	114258GT	DECAL,DANGER,NO SMOKING.....1					
11	114390GT	DECAL,DANGER,ELECT HAZARD***1					
12	114465GT	DECAL GROUND CONTROL BOX.....1 <i>(S-80 and S-85) Tier 3</i>					
13	133232GT	DECAL,LABEL,AUX BATTERY.....1					
14	133278GT	DECAL,LOW/ULTRA LOW SULFR FUEL.....1 <i>(TPEM/ROW) diesel models only</i>					
15	133310GT	DECAL,LABEL,ENG STRT& CONTROLS.....1					
16	147755GT	DECAL,GR CNTL PNL 60X 80X.....1 <i>(S-80X) Tier 3</i>					
17	219723GT	DECAL,GROUND BOX,TIER IV.....1 <i>(S-80 and S-85) Tier 4</i>					
18	823658GT	LABEL, GBOX, S60X TIER 4.....1 <i>(S-80X) Tier 4</i>					
19	825579GT	DECAL, LCD, TIER 4.....1 <i>(Tier 4 engines only)</i>					
20	826345GT	DECAL,ULS DIESEL ONLY,TIER 4.....1 <i>(Tier 4)</i>					
21	1255581GT	DECAL COSMETIC,10" GENIE BLUE...1					
22	1255582GT	DECAL COSMETIC,15" GENIE BLUE...1					
23	1262344GT	DECAL, OPERATING INSTRUCTIONS.....1 <i>(S-80X) ANSI</i>					
24	1262347GT	DECAL, OPERATING INSTRUCTIONS.....1 <i>(S-85) ANSI</i>					
25	1262348GT	DECAL, OPERATING INSTRUCTIONS.....1 <i>(S-80 and S-85) Australia</i>					
26	1263543GT	DECAL, IMPROPER OPERATION.....1					
27	1266019GT	DECAL, LABEL, SHELL TELLUS.....1 <i>(hydraulic oil option)</i>					

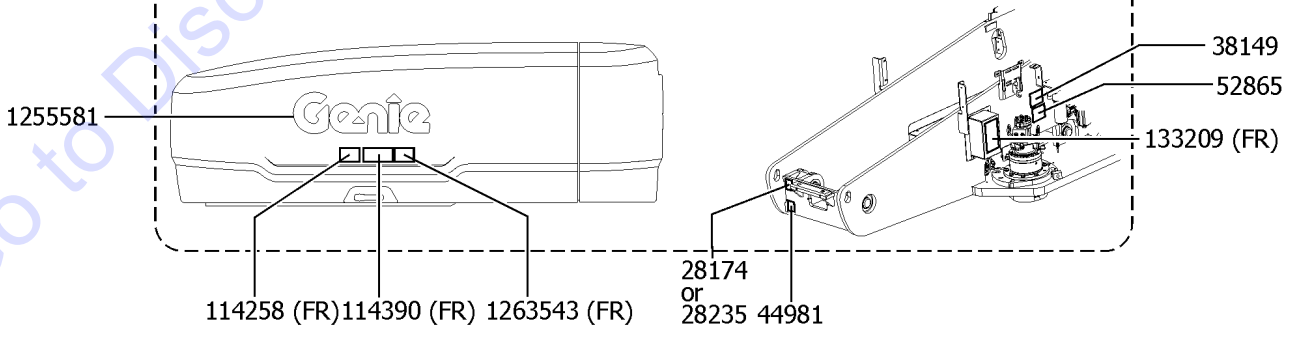
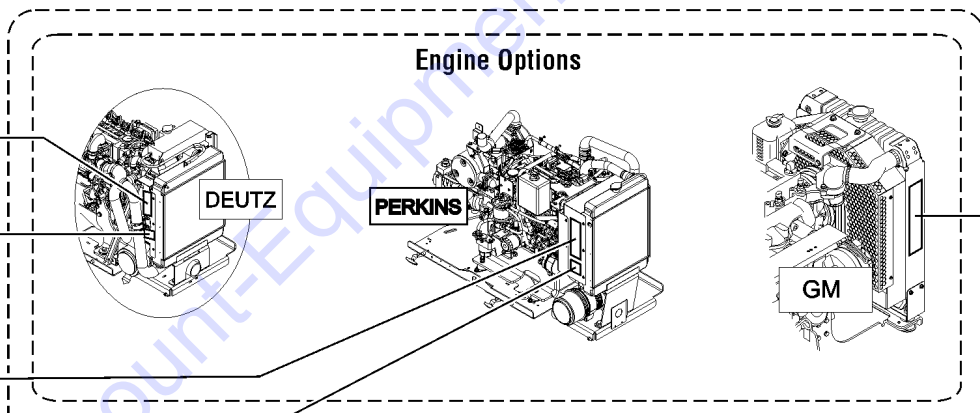
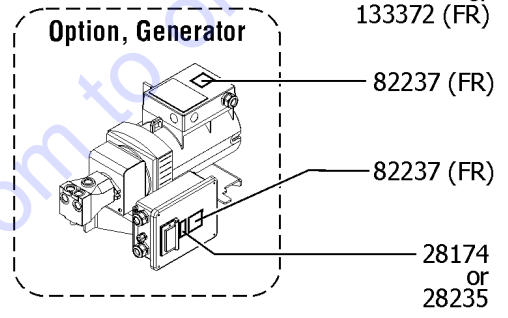
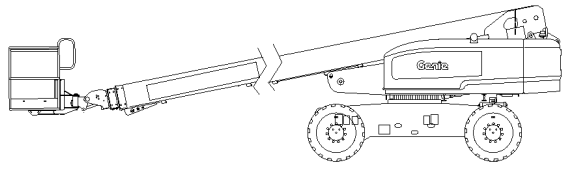
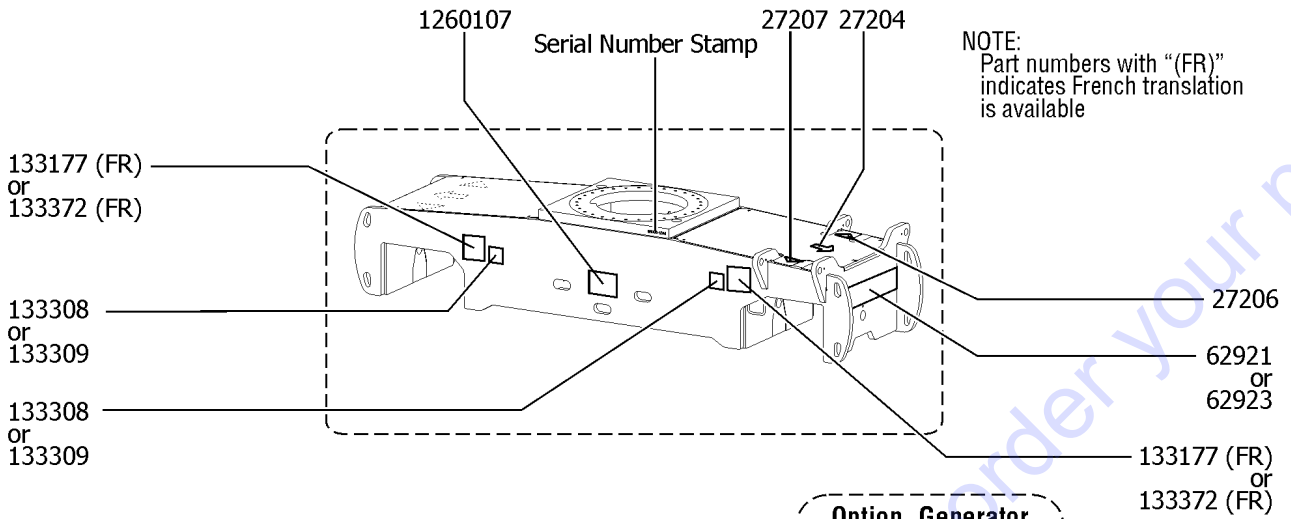
102.1 Decals with Words, Hydraulic Tank Side - View 2



102.1 Decals with Words, Hydraulic Tank Side - View 2

Item	Part No.	Description	Qty.
1	27205GT	DECAL,ARROW YELLOW LRG 9".....1	1
2	27206GT	DECAL,TRIANGLE,BLUE.....1	1
3	27207GT	DECAL,TRIANGLE,YELLOW.....1	1
4	29104GT	DECAL,TOWING INSTRUCTIONS.....1 <i>(tow option)</i>	1
5	47041GT	DECAL,CAUTION,TOWING SPEED.....1 <i>(tow option)</i>	1
6	52475GT	DECAL,LABEL,TRANSPORT TIEDOWN*.....6	6
7	52966GT	DECAL,COSMETIC,4 X 2.....1 <i>(tow option)</i>	1
8	52967GT	DECAL,COSMETIC,4 X 4.....1 <i>(tow option)</i>	1
9	65278GT	DECAL,CAUTION,NO STEP.....2	2
10	72086GT	DECAL,LABEL,LIFTING EYE.....4	4
11	133177GT	DECAL,DANGER/LABEL,TIRE SPECS.....2 <i>(foam filled)</i>	2
12	133308GT	DECAL,LABEL,WHEEL LOAD S80.....2 <i>(S-80 and S-80X)</i>	2
13	133309GT	DECAL,LABEL,WHEEL LOAD S85.....2 <i>(S-85)</i>	2
14	133372GT	DECAL,DANGER/LABEL,TIRE SPECHF.....2 <i>(ANSI only) hi-floatation tires</i>	2
15	1260107GT	DECAL, TRANSPORT/LIFTING, S60.....1	1

103.1 Decals with Words, Engine Side

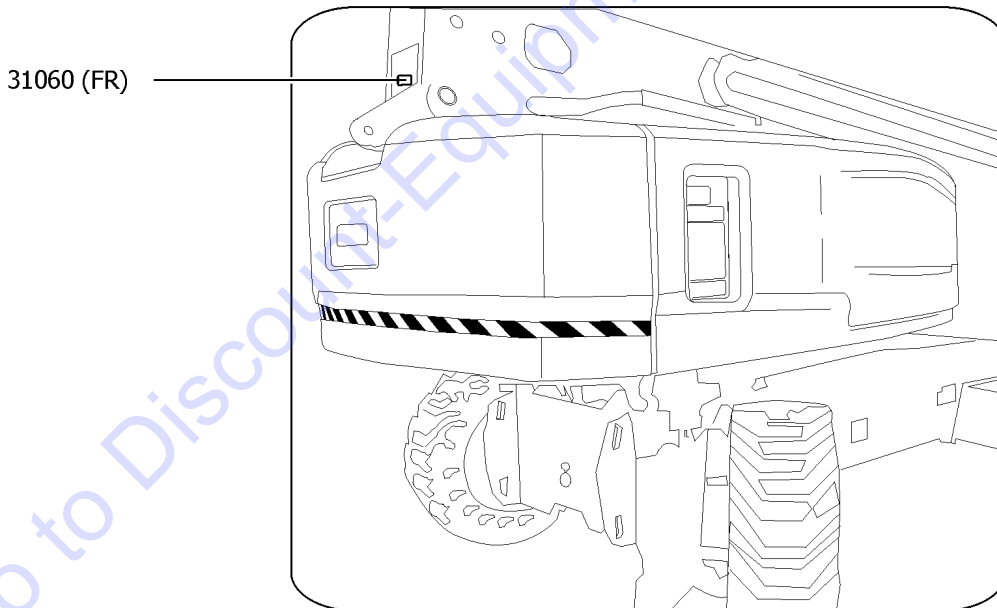
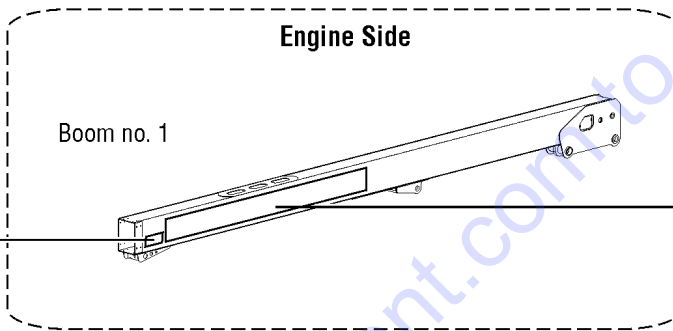
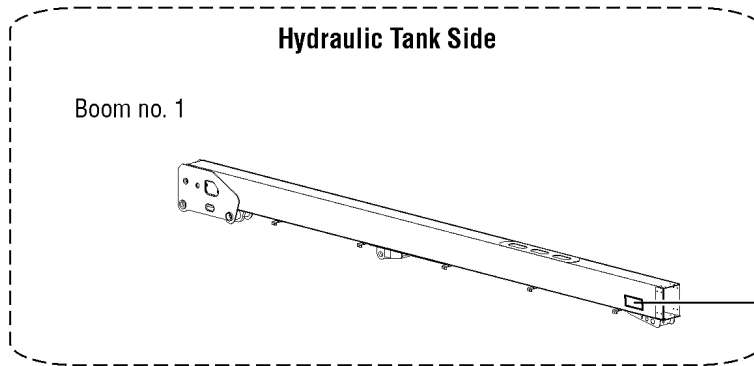


103.1 Decals with Words, Engine Side

Item	Part No.	Description	Qty.
1	27204GT	DECAL,ARROW BLUE.....	1
2	27206GT	DECAL,TRIANGLE,BLUE.....	1
3	27207GT	DECAL,TRIANGLE,YELLOW.....	1
4	28174GT	DECAL, POWER TO PLATFORM 230V**.....	2
5	28235GT	DECAL,POWER TO PLATFORM 115V...2	2
6	38149GT	DECAL,LABEL,PATENTS..... (US Only)	1
7	44981GT	DECAL,LABEL, AIR LINE 110 PSI..... (airline to platform option)	1
8	52865GT	DECAL,ANNUAL INSP***..... (US Only)	1
9	62921GT	DECAL,COSMETIC,S80..... (S-80)	1
10	62923GT	DECAL,COSMETIC,S85..... (S-85)	1
11	82237GT	DECAL,DANGER,HIGH VOLTAGE..... (generator option)	2
12	97602GT	DECAL,EXPLOSION HAZARD.....	1
13	114258GT	DECAL,DANGER,NO SMOKING.....	1
14	114390GT	DECAL,DANGER,ELECT HAZARD***.....	1
15	128953GT	DECAL,ENGINE SPEC,DEUTZ,TD2011..... (TD2011L04i) ROW	1
16	133177GT	DECAL,DANGER/LABEL,TIRE SPECS..... (foam filled)	2
17	133209GT	DECAL, RELAY BLOCK, S80/85.....	1
18	133308GT	DECAL,LABEL,WHEEL LOAD S80..... (S-80 and S-80X)	2
19	133309GT	DECAL,LABEL,WHEEL LOAD S85..... (S-85)	2
20	133372GT	DECAL,DANGER/LABEL,TIRE SPECHF..... (ANSI only) hi-floatation tires	2
21	824615GT	DECAL,ENGINE SPEC,DEUTZTD2.9.... (TD2.9 L4) Tier 4	1
22	1255581GT	DECAL COSMETIC,10" GENIE BLUE....	1
23	1258972GT	DECAL,ENGINE SPEC,PERKINS 404D-22T..... (404D-22T)	1
24	1260107GT	DECAL, TRANSPORT/LIFTING, S60.....	1
25	1263543GT	DECAL, IMPROPER OPERATION.....	1
26	1271397GT	DECAL, ENG, SPECS, GM 3.0L..... (GM 3.0L)	1

104.1 Decals with Words, Boom

NOTE:
Part numbers with "(FR)"
indicates French translation
is available



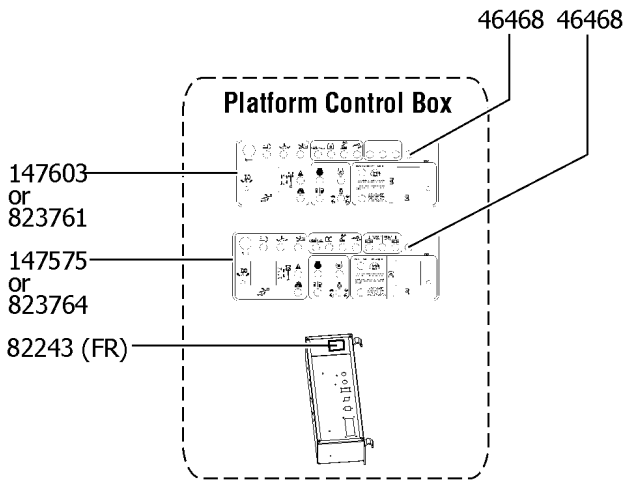
104.1 Decals with Words, Boom

Item	Part No.	Description	Qty.
1	31060GT	DECAL,DANGER DO NOT ALTER SWTC..... (S-80X Only)	3
2	62920GT	DECAL,COSMETIC,GENIE S-80..... (S-80)	1
3	62922GT	DECAL,COSMETIC,GENIE S-85..... (S-85)	1
4	147659GT	DECAL,COSM GENIE S80X..... (S-80X)	1

Go to Discount-Equipment.com to order your parts



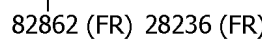
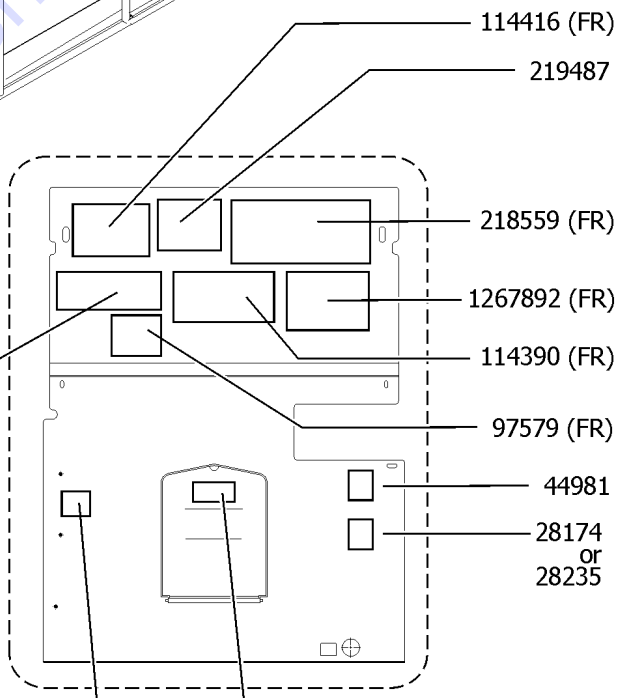
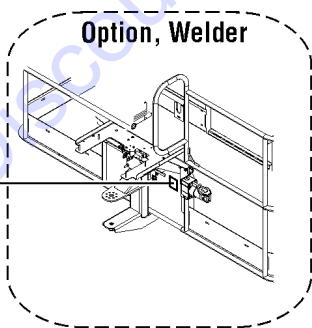
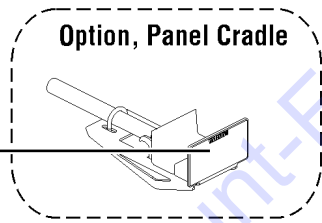
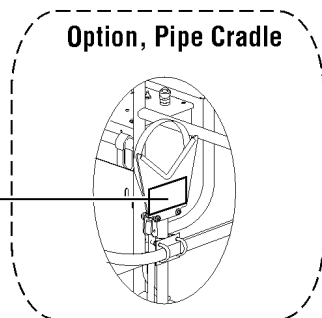
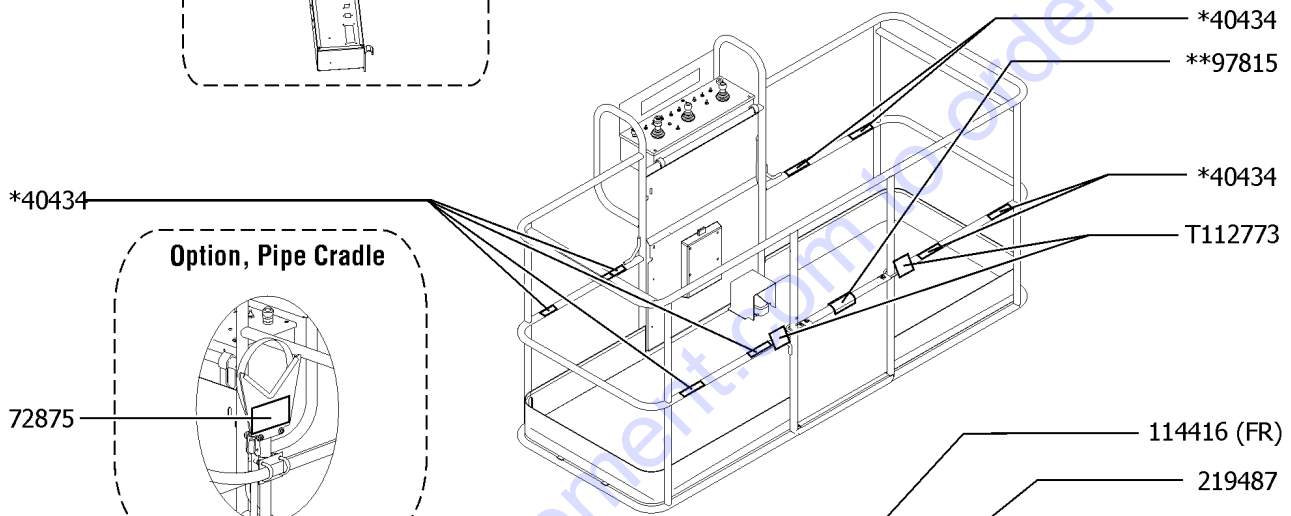
105.1 Decals with Words, Platform



NOTE:
Part numbers with "(FR)" indicates French translation is available

*apply this decal to all lanyard anchorage attachments on the platform.

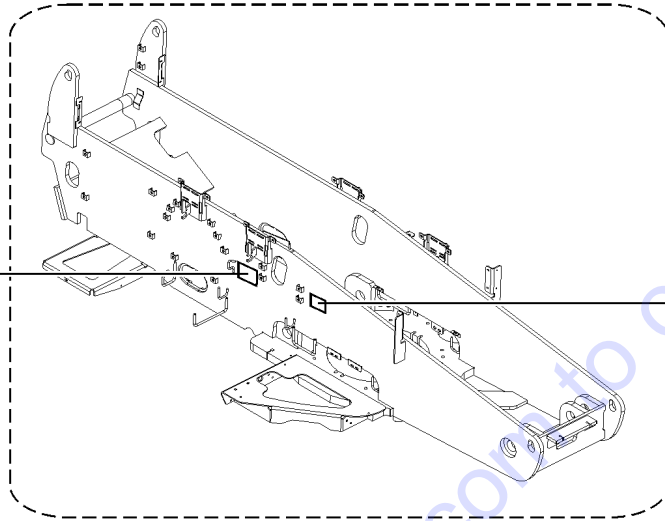
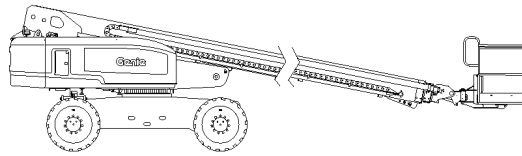
**apply to all three midrails on tri-entry platform.



105.1 Decals with Words, Platform

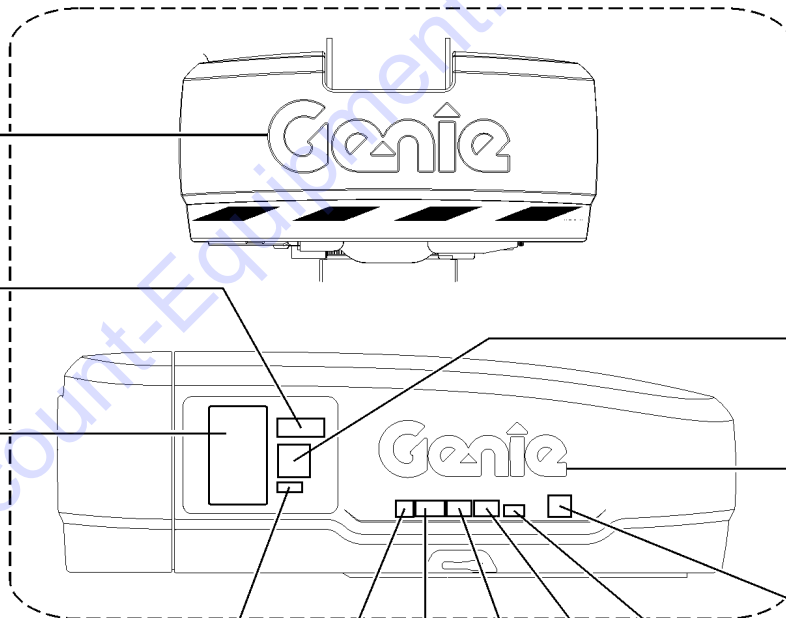
Item	Part No.	Description	Qty.
1	28174GT	DECAL, POWER TO PLATFORM 230V**.....	1
2	28235GT	DECAL,POWER TO PLATFORM 115V...1	1
3	28236GT	DECAL,WARN,IMPROPER OPERATION.....	1
4	40434GT	DECAL,LANYARD ANCHORAGE POINT.....	8
5	44981GT	DECAL,LABEL, AIR LINE 110 PSI.....1 (airline to platform option)	1
6	46468GT	DECAL,FUNCTION OVERRIDE.....1 (aircraft protection option)	1
7	72875GT	DECAL,WARNING,PIPE CRADLE,BOOM.....2 (pipe cradle option)	2
8	82237GT	DECAL,DANGER,HIGH VOLTAGE.....1 (welder option)	1
9	82243GT	DECAL FAULT CODE.....1	1
10	82410GT	DECAL,WARNING,PANEL CRADLE.....2 (panel cradle)	2
11	82862GT	DECAL,FIRE EXTINGUISHER.....1 (welder option)	1
12	97579GT	DECAL,DANGER,TIP-OVER,WELDER**1 (welder option)	1
13	97815GT	DECAL,LABEL,LOWER MIDRAIL.....1	1
14	114390GT	DECAL,DANGER,ELECT HAZARD***.....1	1
15	114416GT	DECAL,DANGER,TIPOVER,TILT.....1	1
16	147575GT	DECAL, PLAT CNTL PNL 60X 80X.....1 (S-80X) Tier 3	1
17	147603GT	DECAL, PLAT CNTL PNL.....1 (S-80 and S-85) Tier 3	1
18	218549GT	DECAL,DANGER,CAP,ANSI WORD.....1 (S-85) ANSI	1
19	218550GT	DECAL,DANGER,CAP,AUS WORD.....1 (S-80 and S-85) Australia	1
20	218559GT	DECAL,DANGER/WARNING COMBO...1	1
21	219487GT	DECAL,PLATFORM OVERLOAD.....1 Australia Only	1
22	823761GT	LABEL, PBOX, S65 TIER 4.....1 (S-80 and S-85) Tier 4	1
23	823764GT	LABEL, PBOX, S60X TIER 4.....1 (S-80X) Tier 4	1
24	1267891GT	DECAL, TIPOVER HAZARD, S80X.....1 (S-80X) ANSI	1
25	1267892GT	DECAL, RUNAWAY HAZARD.....1	1
26	T112773GT	TAPE, PROTECTIVE MASK.....2	2

106.1 Decals with Symbols, Hydraulic Tank Side - View 1



serial label

1272242



1255582

133067

114465
or
147755
or
219723
or
823658

133413

1255581

82481

82487

28160

114251

1263542

133205

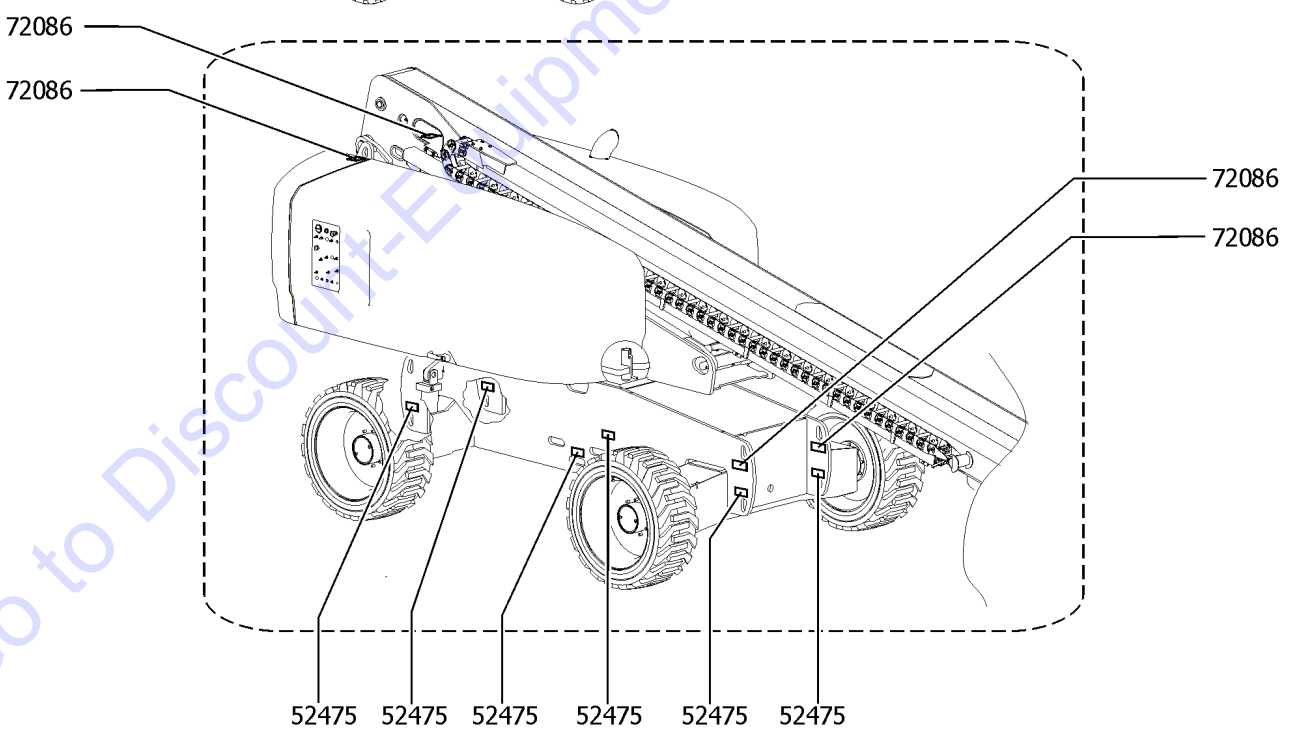
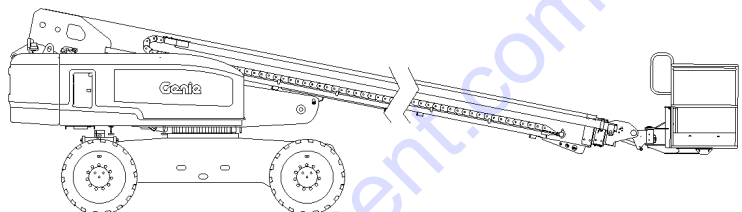
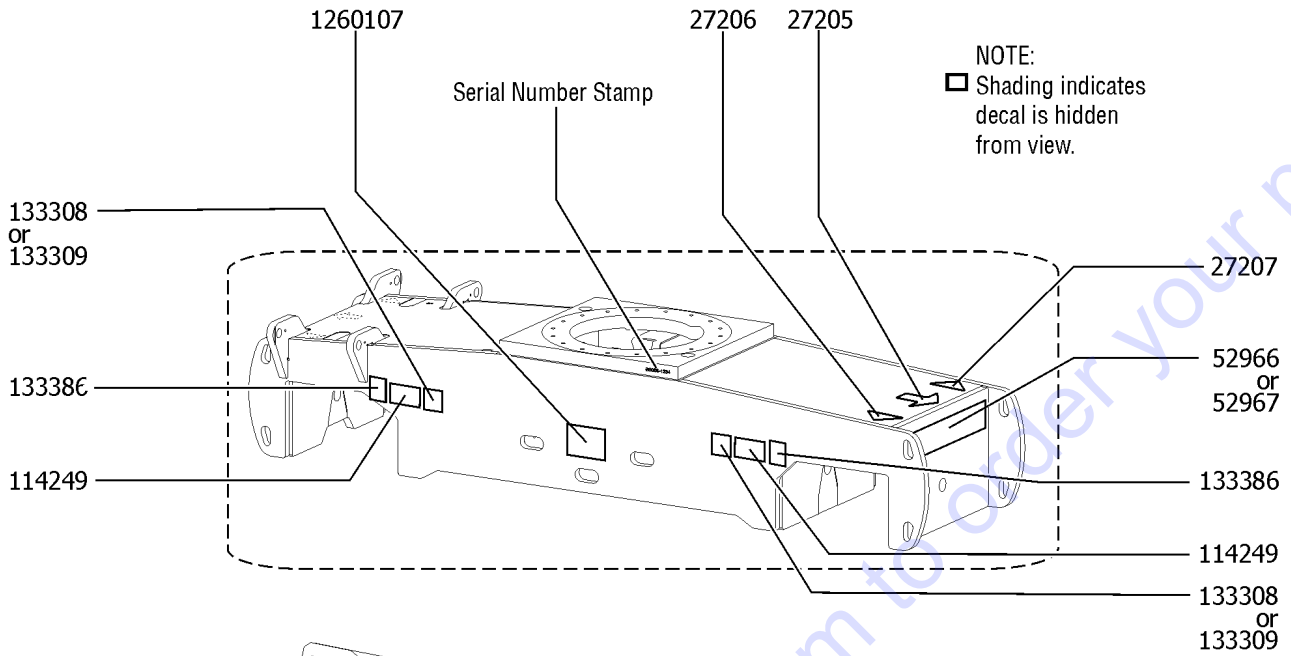
28158
or
28159



106.1 Decals with Symbols, Hydraulic Tank Side - View 1

Item	Part No.	Description	Qty.
1	28158GT	DECAL,LABEL,UNLEADED GAS ONLY.....1 (fuel option)	1
2	28159GT	DECAL,DIESEL.....1 (fuel option)	1
3	28160GT	DECAL,LABEL,LIQUID PROPANE.....1 (LPG Tank option)	1
4	82481GT	DECAL,SYMBOL-BATTERY SAFETY.....1	1
5	82487GT	DECAL, SYMBOL - READ THE MANUAL.....1	1
6	114251GT	DECAL,LABEL,NO SMOKING,SYMB.....1	1
7	114465GT	DECAL GROUND CONTROL BOX.....1 (S-80 & S-85) Tier 3	1
8	133067GT	DECAL,DANGER,ELEC.HAZ.STAY CLR.....1	1
9	133205GT	DECAL,LABEL, ELECTRO HAZARD.....1	1
10	133413GT	DECAL,EMERGENCY LOWERING.....1	1
11	147755GT	DECAL,GR CNTL PNL 60X 80X.....1 (S-80X) Tier 3	1
12	219723GT	DECAL,GROUND BOX,TIER IV.....1 (S-80 & S-85) Tier 4	1
13	823658GT	LABEL, GBOX, S60X TIER 4.....1 (S-80X) Tier 4	1
14	1255581GT	DECAL COSMETIC,10" GENIE BLUE....1	1
15	1255582GT	DECAL COSMETIC,15" GENIE BLUE....1	1
16	1263542GT	DECAL, COMPARTMENT ACCESS.....1	1
17	1272242GT	DECAL,MACHINE REGISTRATION/OWNER TRANSFER....1	1

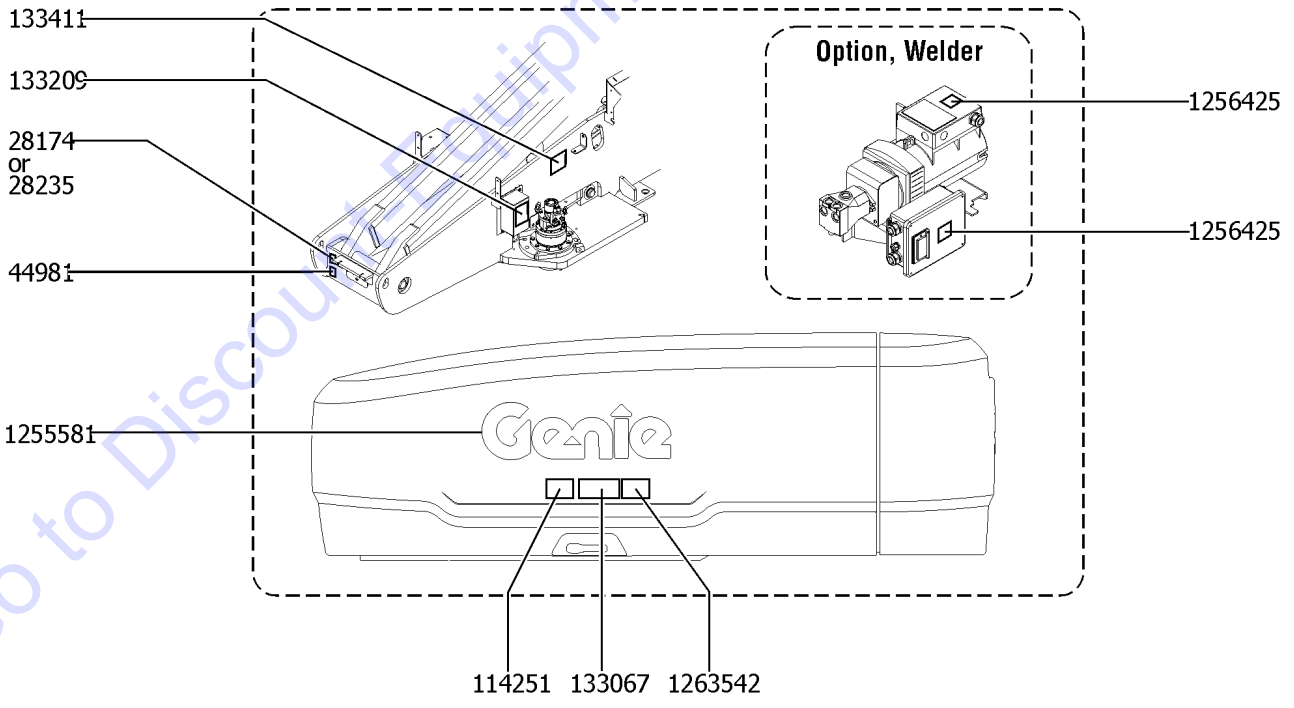
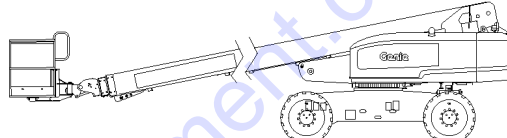
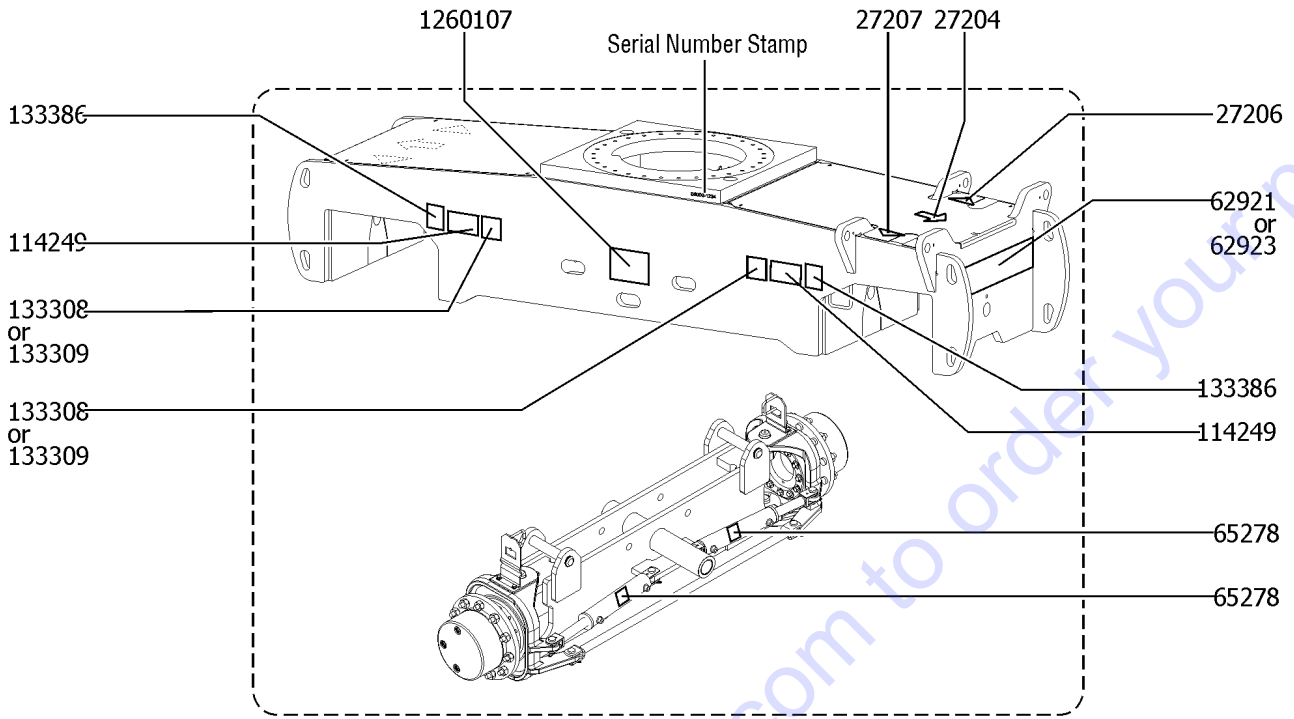
107.1 Decals with Symbols, Hydraulic Tank Side - View 2



107.1 Decals with Symbols, Hydraulic Tank Side - View 2

Item	Part No.	Description	Qty.
1	27205GT	DECAL,ARROW YELLOW LRG 9".....1	1
2	27206GT	DECAL,TRIANGLE,BLUE.....1	1
3	27207GT	DECAL,TRIANGLE,YELLOW.....1	1
4	52475GT	DECAL,LABEL,TRANSPORT TIEDOWN*.....6	6
5	52966GT	DECAL,COSMETIC,4 X 2.....1 (drive option)	1
6	52967GT	DECAL,COSMETIC,4 X 4.....1 (drive option)	1
7	72086GT	DECAL,LABEL,LIFTING EYE.....4	4
8	114249GT	DECAL,LABEL,TIPOVER,TIRES,SYMB.2	2
9	133308GT	DECAL,LABEL,WHEEL LOAD S80.....2 (S-80 and S-80X)	2
10	133309GT	DECAL,LABEL,WHEEL LOAD S85.....2 (S-85)	2
11	133386GT	LABEL,TIRE PRESSURE,HF.....2 (hi-floatation tires)	2
12	1260107GT	DECAL, TRANSPORT/LIFTING, S60.....1	1

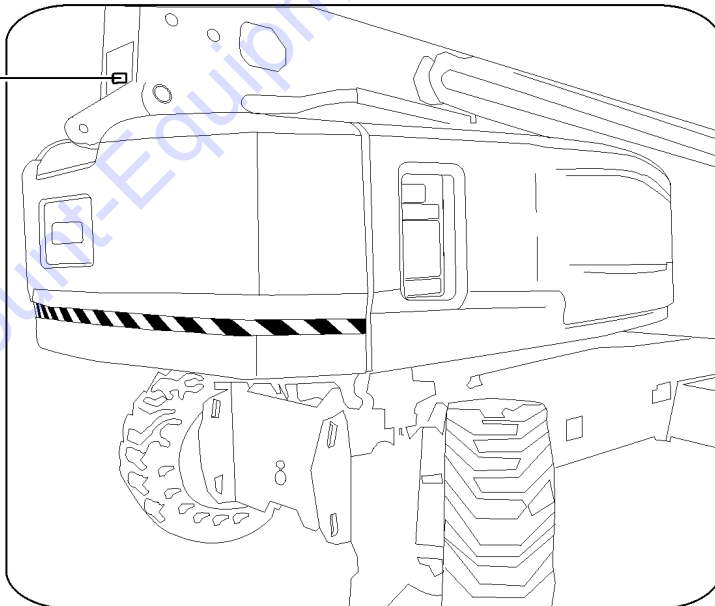
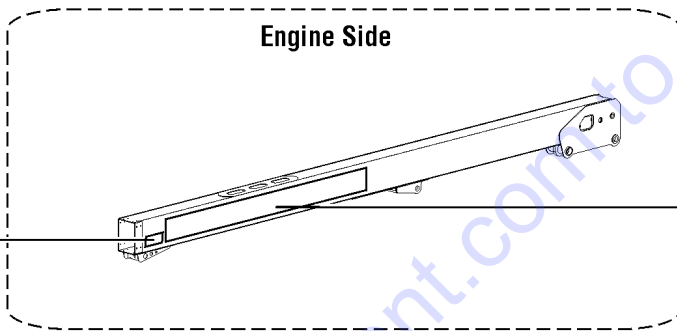
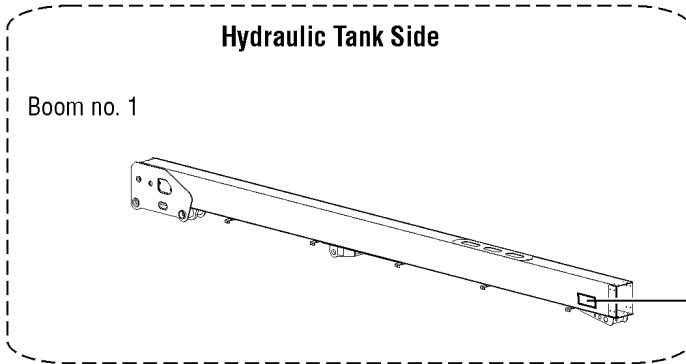
108.1 Decals with Symbols, Engine Side



108.1 Decals with Symbols, Engine Side

Item	Part No.	Description	Qty.
1	27204GT	DECAL,ARROW BLUE.....	1
2	27206GT	DECAL,TRIANGLE,BLUE.....	1
3	27207GT	DECAL,TRIANGLE,YELLOW.....	1
4	28174GT	DECAL, POWER TO PLATFORM 230V**.....	1
5	28235GT	DECAL,POWER TO PLATFORM 115V...1	1
6	44981GT	DECAL,LABEL, AIR LINE 110 PSI.....1 (<i>airline to platform</i>)	1
7	62921GT	DECAL,COSMETIC,S80.....1 (<i>S-80 and S-80X</i>)	1
8	62923GT	DECAL,COSMETIC,S85.....1 (<i>S-85</i>)	1
9	65278GT	DECAL,CAUTION,NO STEP.....2	2
10	114249GT	DECAL,LABEL,TIPOVER,TIRES,SYMB.2	2
11	114251GT	DECAL,LABEL,NO SMOKING,SYMB.....1	1
12	133067GT	DECAL,DANGER,ELEC.HAZ.STAY CLR.....	1
13	133209GT	DECAL, RELAY BLOCK, S80/85.....1	1
14	133308GT	DECAL,LABEL,WHEEL LOAD S80.....2 (<i>S-80 and S-80X</i>)	2
15	133309GT	DECAL,LABEL,WHEEL LOAD S85.....2 (<i>S-85</i>)	2
16	133386GT	LABEL,TIRE PRESSURE,HF.....2 (<i>hi-floatation tires option</i>)	2
17	133411GT	DECAL,LABEL,106 DB***.....1 (<i>CE Only</i>)	1
18	1255581GT	DECAL COSMETIC,10" GENIE BLUE...1	1
19	1256425GT	DECAL, DANGER, ELECTROCUTION HAZARD, SYMBOL.....2 (<i>welder option</i>)	2
20	1260107GT	DECAL, TRANSPORT/LIFTING, S60.....1	1
21	1263542GT	DECAL, COMPARTMENT ACCESS.....1	1

109.1 Decals with Symbols, Boom

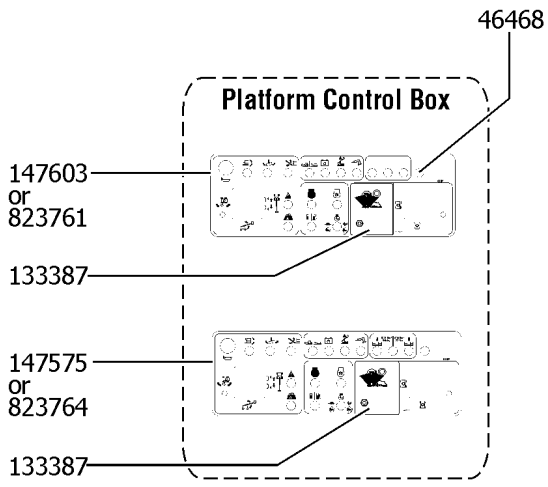


109.1 Decals with Symbols, Boom

Item	Part No.	Description	Qty.
1	62920GT	DECAL,COSMETIC,GENIE S-80.....1 (S-80)	1
2	62922GT	DECAL,COSMETIC,GENIE S-85.....1 (S-85)	1
3	114252GT	DECAL,LABEL,TIP OVER LMT SWTCH.....3 (S-80X Only)	3
4	147659GT	DECAL,COSM GENIE S80X.....1 (S-80X)	1

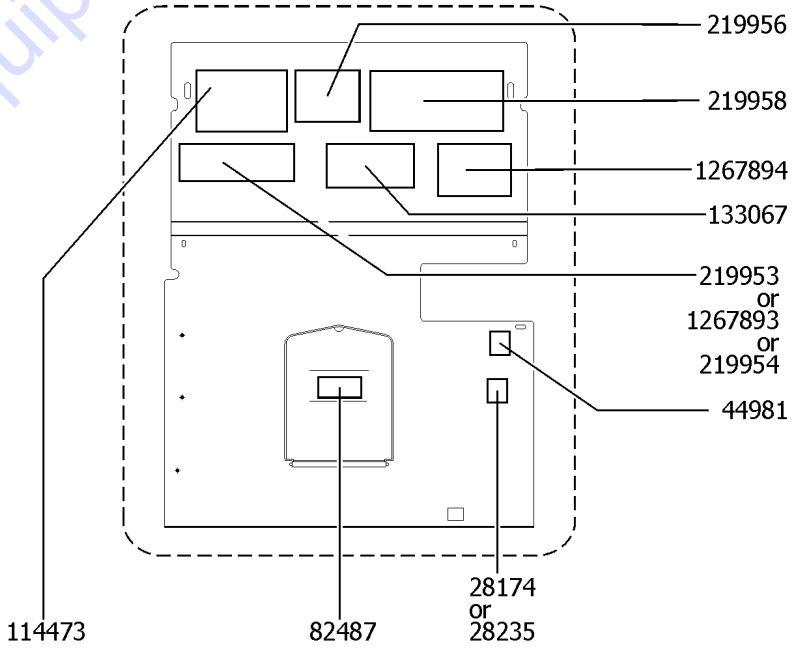
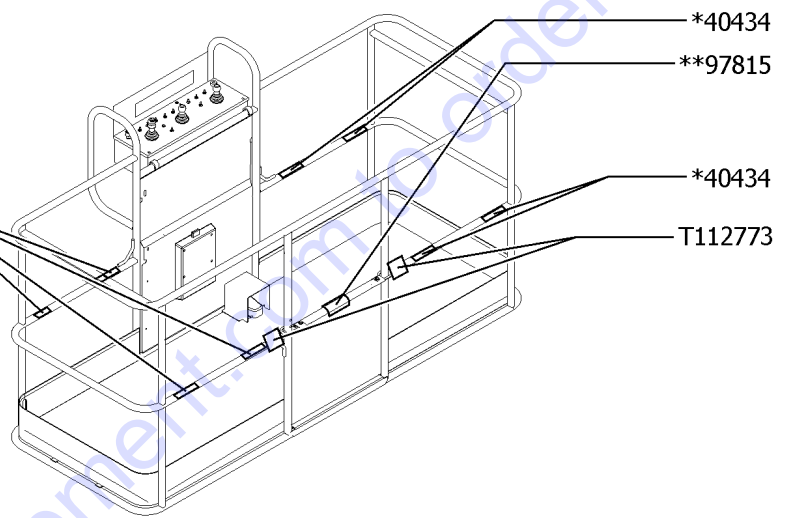
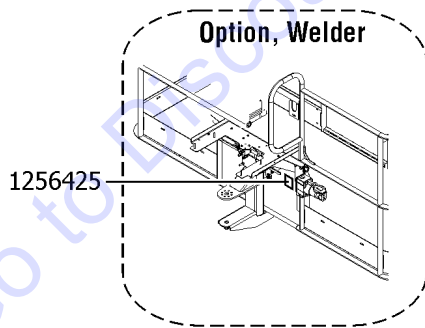
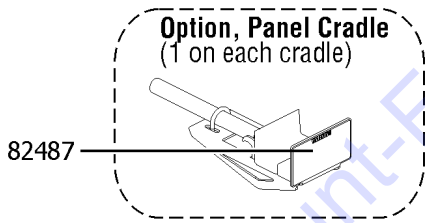
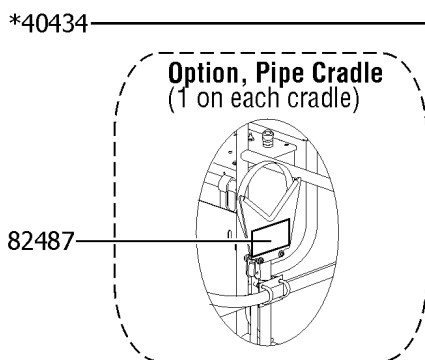
Go to Discount-Equipment.com to order your parts

110.1 Decals with Symbols, Platform



NOTE:
*apply this decal to all lanyard anchorage attachments on the platform.

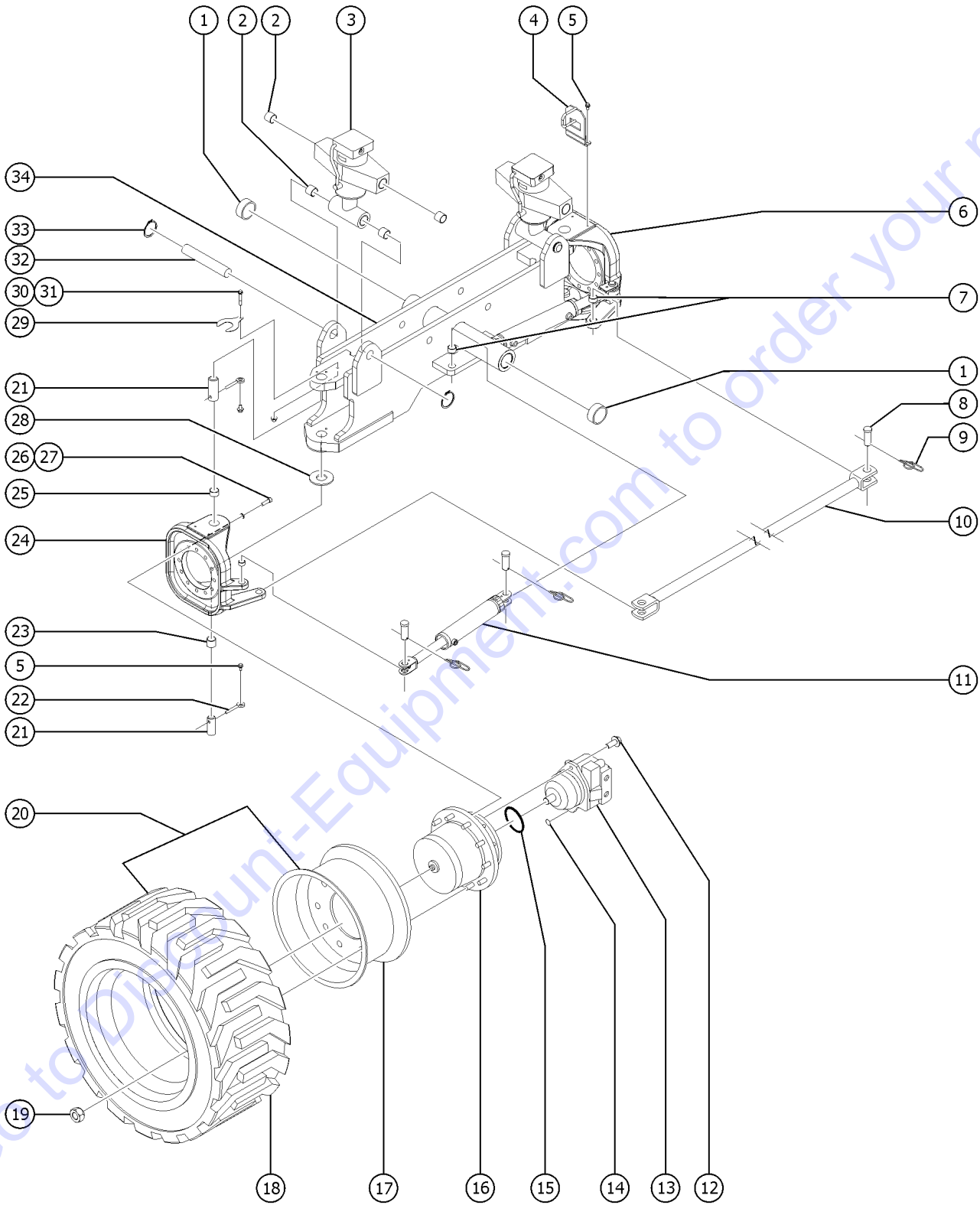
**apply to all three midrails on tri-entry platform.



110.1 Decals with Symbols, Platform

Item	Part No.	Description	Qty.
1	28174GT	DECAL, POWER TO PLATFORM 230V**.....	1
2	28235GT	DECAL,POWER TO PLATFORM 115V...1	1
3	40434GT	DECAL,LANYARD ANCHORAGE POINT.....	8
4	44981GT	DECAL,LABEL, AIR LINE 110 PSI.....1 <i>(airline to platform option)</i>	1
5	46468GT	DECAL,FUNCTION OVERRIDE.....1 <i>(aircraft protection option)</i>	1
6	82487GT	DECAL, SYMBOL - READ THE MANUAL.....	1
7	97815GT	DECAL,LABEL,LOWER MIDRAIL.....1	1
8	114473GT	DECAL,DANGER,TIPOVER,TILT,SYM...1	1
9	133067GT	DECAL,DANGER,ELEC.HAZ.STAY CLR.....	1
10	133387GT	DECAL,DRIVE ENABLE PATCH.....1	1
11	147575GT	DECAL, PLAT CNTL PNL 60X 80X.....1 <i>(S-80X) Tier 3</i>	1
12	147603GT	DECAL, PLAT CNTL PNL.....1 <i>(S-80 and S-85) Tier 3</i>	1
13	219953GT	DECAL,TIP-OVER HAZARD,ANSI.....1 <i>(S-85) ANSI</i>	1
14	219954GT	DECAL,TIP-OVER HAZARD,CE.....1 <i>(S-80 and S-85) CE</i>	1
15	219956GT	DECAL,PLATFORM OVERLOAD.....1 <i>CE Only</i>	1
16	219958GT	DECAL,TIP-OVER,CRUSH.....1	1
17	823761GT	LABEL, PBOX, S65 TIER 4.....1 <i>(S-80 and S-85) Tier 4</i>	1
18	823764GT	LABEL, PBOX, S60X TIER 4.....1 <i>(S-80X) Tier 4</i>	1
19	1256425GT	DECAL, DANGER, ELECTROCUTION HAZARD, SYMBOL.....1 <i>(welder option)</i>	1
20	1267893GT	DECAL, TIPOVER HAZARD, S80X, SYM.....	1
		<i>(S-80X) ANSI</i>	
21	1267894GT	NEW SLOPE RATING DECAL SYMBOL.....	1
22	T112773GT	TAPE, PROTECTIVE MASK.....	2

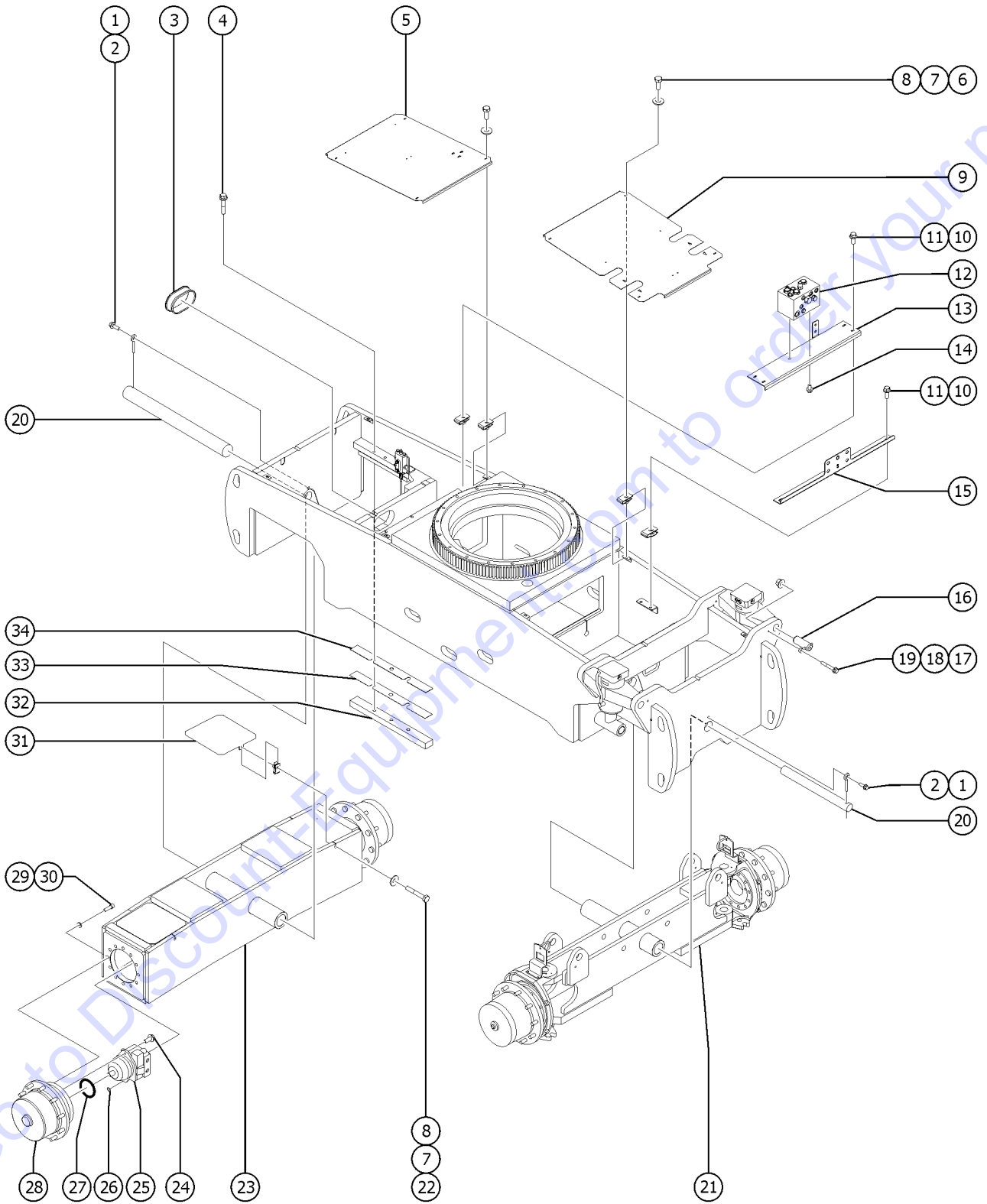
201.1 Steer End



201.1 Steer End

Item	Part No.	Description	Qty.	Item	Part No.	Description	Qty.
1	27698GT	BEARING,2.50IDX2.75ODX2.00L.....	2	--	121271GT	TIRE & WHEEL ASSY,FOAM NM,LH RT, Foam-filled, Non-marking, left	
2	30221GT	BEARING,1.75IDX2.00ODX1.50LG.....	8	--	121272GT	TIRE & WHEEL ASSY,FOAM NM,RH RT, Foam-filled, Non-marking, right	
3	81330GT	CYLINDER,OSCILLATE***.....	2	--	121280GT	ASSY,TIRE/WHEEL,HF,W/SEALANT Turf, Air-filled with sealant (includes items 17-18). For air-filled turf-tire replacement only. Air-filled turf-tires are intended for use only on machines factory equipped with this option. Contact Discount-equipment for additional details.	
--	33428GT	VALVE,COUNTERBALANCE					
--	43018GT	SEAL KIT (39345)					
--	77519GT	SEAL KIT,OSC CYLINDER (81330)*					
4	1268563GT	WELDMENT, GUIDE BRACKET, YOKE,.....	2	--	121281GT	ASSEMBLY,TIRE WHEEL,HF***** Turf, Air-filled (includes items 17-18). For air-filled turf-tire replacement only. Air-filled turf-tires are intended for use only on machines factory equipped with this option. Contact Discount-equipment for additional detail.	
5	824089GT	SCREW,HHF,3/8-16X.75,8,ZAG.....	8				
6	1269323GT	ASSY,S80YOKE,W/BEARINGS,RFLR,N.1					
7	25817GT	BEARING,1.00IDX1.25ODX1.00L.....	6				
8	824127GT	PIN,CLEVIS,1.0X2.41,SAE,ZAG.....	6				
9	824129GT	RUE RING,1.0,ZAG.....	6				
10	1268565GT	WELDMENT, TIE ROD, S80, NDL.....	1	--	121287GT	TIRE & WHEEL ASSY,RT LP FOAM,R RT, Foam-filled, right (11 holes)	
11	59370GT	CYLINDER,STEER.....	2	--	139828GT	TIRE WHEEL ASSY,LEFT,SOLID Solid, left	
--	88349GT	SEAL KIT,STEER CYL***					
12	824134GT	SCREW,HHF,M12-1.75X30,DIN6921,10.9,ZAB.4		--	139829GT	TIRE WHEEL ASSY,RIGHT,SOLID Solid, right	
13	101070GT	MOTOR,PISTON,2 SPEED,45CC.....	2				
		(4WD and High-flotation option)					
--	106098GT	SEAL KIT,MOTOR,LC/KC***		--	227804GT	TIRE & WHEEL ASSY,RT LP FOAM,L RT, Foam-filled RNU, left	
14	106117GT	O-RING,2-010,VITON.....	2	--	227805GT	TIRE & WHEEL ASSY,RT LP FOAM,R RT, Foam-filled RNU, right	
		(Mating O-ring for Brake Port)(Extremely small)					
15	106118GT	O-RING,2-157,VITON***.....	2	--	227985GT	TIRE & WHEEL ASSY,FOAM, NM,LH RT, Foam-filled RNU, Non-marking, left	
		(Motor to Hub O-ring)					
16A	227775GT	WHEEL DRIVE,W/BRAKE 57.49:1.....	2	--	228805GT	TIRE & WHEEL ASSY,FOAM NM,RH RT, Foam-filled RNU, Non-marking, right	
		4WD (Refer to 205.1)					
16B	227776GT	WHEEL DRIVE W/BRAKE 86.74:1.....	2	21	30199GT	PIN,1.75 DIA X 4.50LG,THREADED.....	4
		High-flotation option (refer to 206.1)		22	825019GT	ROD END,.375X3.69,ZAG.....	4
16C	227774GT	WHEEL DRIVE, IDLER.....	2	23	119620GT	BEARING,1.75IDX2.00ODX1.50L.....	2
		2WD (Refer to 204.1)		24	1269321GT	ASSY,S80 YOKE W/BEARINGS,L,NDL.....	1
17A	121270GT	WHEEL,HF,22.5 X 14.00 for 121281, 121280		25	51144GT	BEARING,1.75IDX2.00ODX1.25L.....	2
17B	121268GT	WHEEL,24.5 X 15.00 for 227804, 227805, 227985, 228805, 121286, 121287, 121271, 121272		26	1269593GT	SCREW,SHC,M16-2.0X55,DIN912,12.9,ZAB.24	
17C	139826GT	TIRE, 41 X 17-24 F2A,SOLID for 139828, 139829		27	825348GT	WASHER,FLAT,M16,DIN6916,HRD,ZAB.24	
18A	81164GT	TIRE,41/18LL X 22.5,14PR,TURF* for 121281, 121280		28	60555GT	WASHER,THRUST 5 X 1.81 BRONZE....	2
18B	101943GT	TIRE,18-625,16 PLY RT HBR,N-M for 227985, 228805, 121271, 121272		29	88241GT	SHIM,GALVANIZED STEER YOKE.....	2
18C	88261GT	TIRE,18-625,16 PLY,RT HBR for 227804, 227805, 121286, 121287		30	1256856GT	SCREW,HHF,3/8-16X2.5,8,ZAG.....	2
18D	139947GT	WHEEL, 15X24, SOLID, 11 HOLE for 139828, 139829		31	824029GT	NUT,TL FLG,3/8-16,G,ZAG.....	2
19	1259931GT	NUT,LUG,3/4-16 X 7/8 RADIUS,ZA.....	44	32	121371GT	PIN,1.75DIA X 10.50LG,2 RING.....	2
20	121286GT	TIRE & WHEEL ASSY,RT LP FOAM,L.... RT, Foam-filled, left (11 holes)	1	33	825759GT	SNAP RING,EXTERNAL,1.75,ZAG.....	4
				34	1269322GT	ASSY,STEER AXLE,W/BEARINGS,NDL.....	1

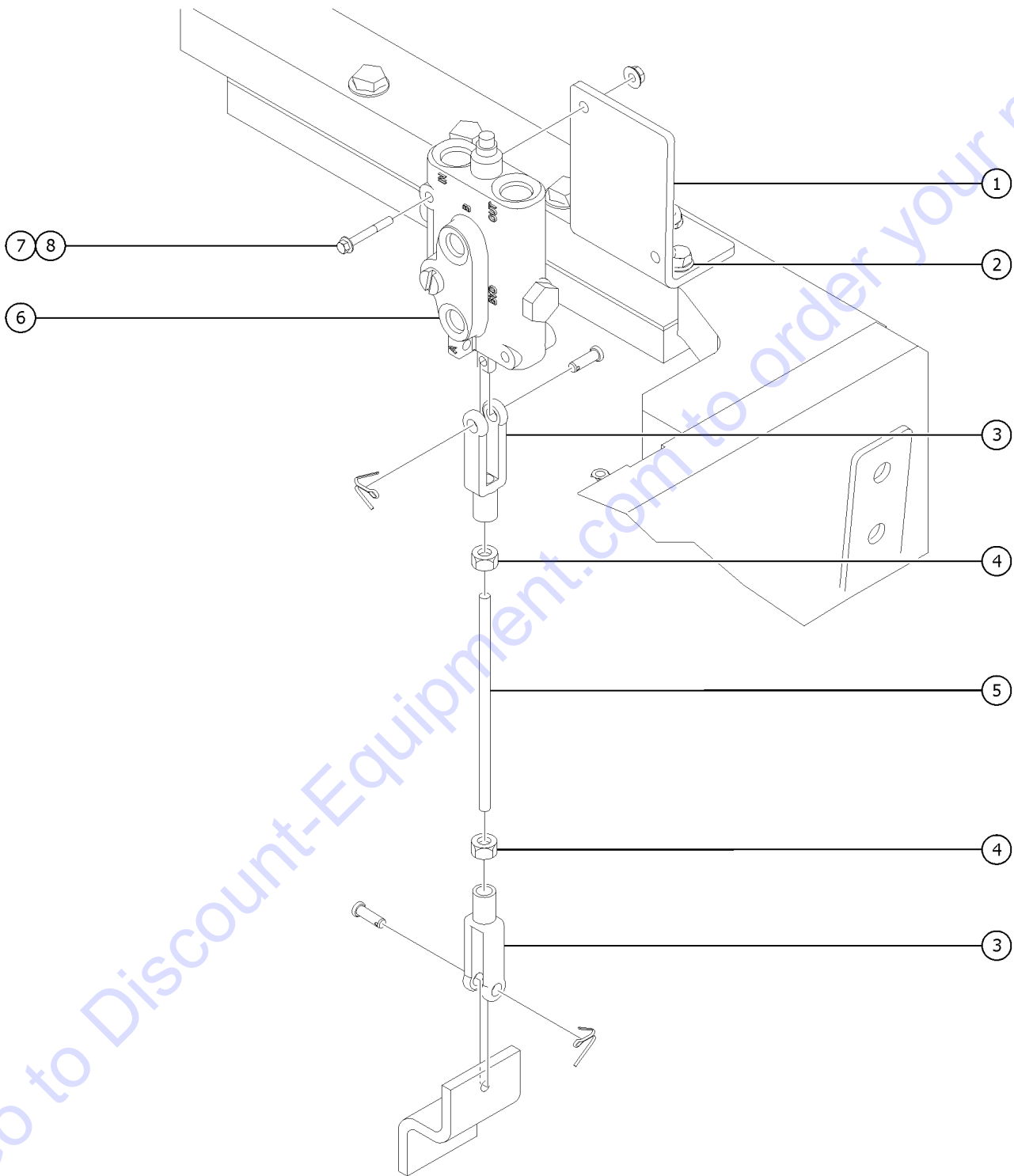
202.1 Axle Installation



202.1 Axle Installation

Item	Part No.	Description	Qty.	Item	Part No.	Description	Qty.
1	1253498GT	SCREW,HHF,1/2-13X1.5,8,ZAG.....	2	32	1268574GT	BAR, AXLE ROTATION STOP, OSC,N.....	2
2	1256267GT	ROD END,.5 X 3.75,ZAG.....	2	33	81609GT	SHIM,AXLE ROTATION STOP,22G.....	2
3	53387GT	GUARD, HOSE PROTECTOR.....	2	34	81610GT	SHIM,AXLE ROTATION STOP,16G.....	2
4	1255802GT	SCREW,HHF,1/2-13X2.5,8,ZAG.....	6				
5	1268568GT	COVER, DRIVE CHASSIS, REAR,NDL..	1				
6	824059GT	SCREW,HHC,1/4-20X.75,8,ZAG.....	8				
7	824113GT	WASHER,FLAT,USS,1/4,ZAG.....	12				
8	56912GT	SPRING CLIP,1/4-20,.025-.15X.54,ZAG.....	12				
9	1268569GT	COVER, DRIVE CHASSIS, FRONT,ND.....	1				
10	824090GT	SCREW,HHF,3/8-16X1.8,ZAG.....	6				
11	29868GT	SPRING CLIP,3/8-16,.05-.20X.73,ZAG...	6				
12		Ref. Traction Manifold (refer to 701.1)					
13	1268570GT	FORMING, TRAC. CONT. MAN. BRKT....	1				
14	237830GT	SCREW,HHF,1/2-13X1.8,ZAG.....	2				
15	1268571GT	FORMING, BULKHEAD BRKT, NDL.....	1				
16	81498GT	PIN,1.75DIAX4.50LG,THREADED.....	4				
17	1256856GT	SCREW,HHF,3/8-16X2.5,8,ZAG.....	4				
18	825019GT	ROD END,.375X3.69,ZAG.....	4				
19	824029GT	NUT,TL FLG,3/8-16,G,ZAG.....	4				
20	81378GT	PIN,2.50DIAX27.63LG,1HOLE.....	2				
21		Ref. Steer End (refer to 201.1)					
22	824063GT	SCREW,HHC,1/4-20X1.75,8,ZAG.....	4				
23	1269319GT	ASSY,NON-STEER AXLE W/BEARINGS.....	1				
24	824134GT	SCREW,HHF,M12-1.75X30,DIN6921,10.9,ZAB.4					
25A	101070GT	MOTOR,PISTON,2 SPEED,45CC.....	2				
		(4WD and High-flotation option)					
25B	121668GT	MOTOR,PISTON,2 SPEED,45CC/18CC.....	2				
		(2WD models)					
26	106117GT	O-RING,2-010,VITON.....	2				
		(mating O-ring for brake port) (extremely small)					
27	106118GT	O-RING,2-157,VITON***.....	2				
		(motor to Hub O-ring)					
28A	227775GT	WHEEL DRIVE,W/BRAKE 57.49:1.....	2				
		(refer to 205.1)					
28B	227776GT	WHEEL DRIVE W/BRAKE 86.74:1.....	2				
		(2WD and High-flotation option) (refer to 206.1)					
29	1269593GT	SCREW,SHC,M16-2.0X55,DIN912,12.9,ZAB.24					
30	825348GT	WASHER,FLAT,M16,DIN6916,HRD,ZAB.24					
31	1268573GT	FORMING, COVER, REAR AXLE, NDL.....	2				

203.1 Oscillation Control Valve

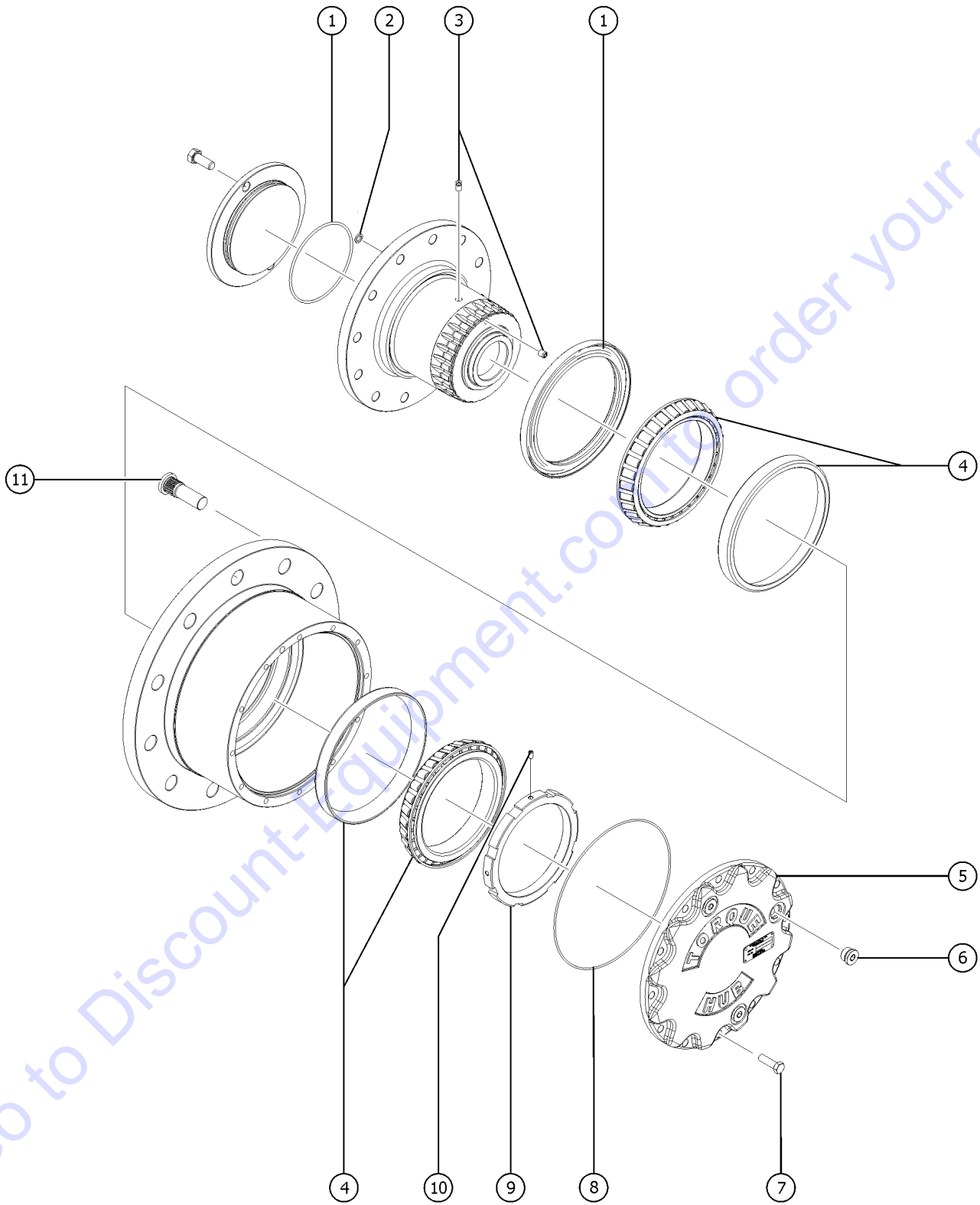


203.1 Oscillation Control Valve

Item	Part No.	Description	Qty.
1	1268575GT	FORMING, OSC. MANIFOLD MOUNT,N.....	1
2	824089GT	SCREW,HHF,3/8-16X.75,8,ZAG.....	2
3	21130GT	CLEVIS YOKE-1/4-28,PLTD W/PIN..... <i>(Includes clevis pin and cotter pin)</i>	2
4	824041GT	NUT,1/4-28,8,ZAG.....	2
5	1268606GT	ROD,THREADED,1/4-28X6,ZAG.....	1
6	49768GT	VLV,MAN,3 POS/4 WAY,CLOSE CTR*....	1
7	1253485GT	SCREW,HHF,1/4-20X2,8,ZAG.....	2
8	824027GT	NUT,TL FLG,1/4-20,G,ZAG.....	2

Go to Discount-Equipment.com to order your parts

204.1 Hub Assembly - 2 WD Spindle

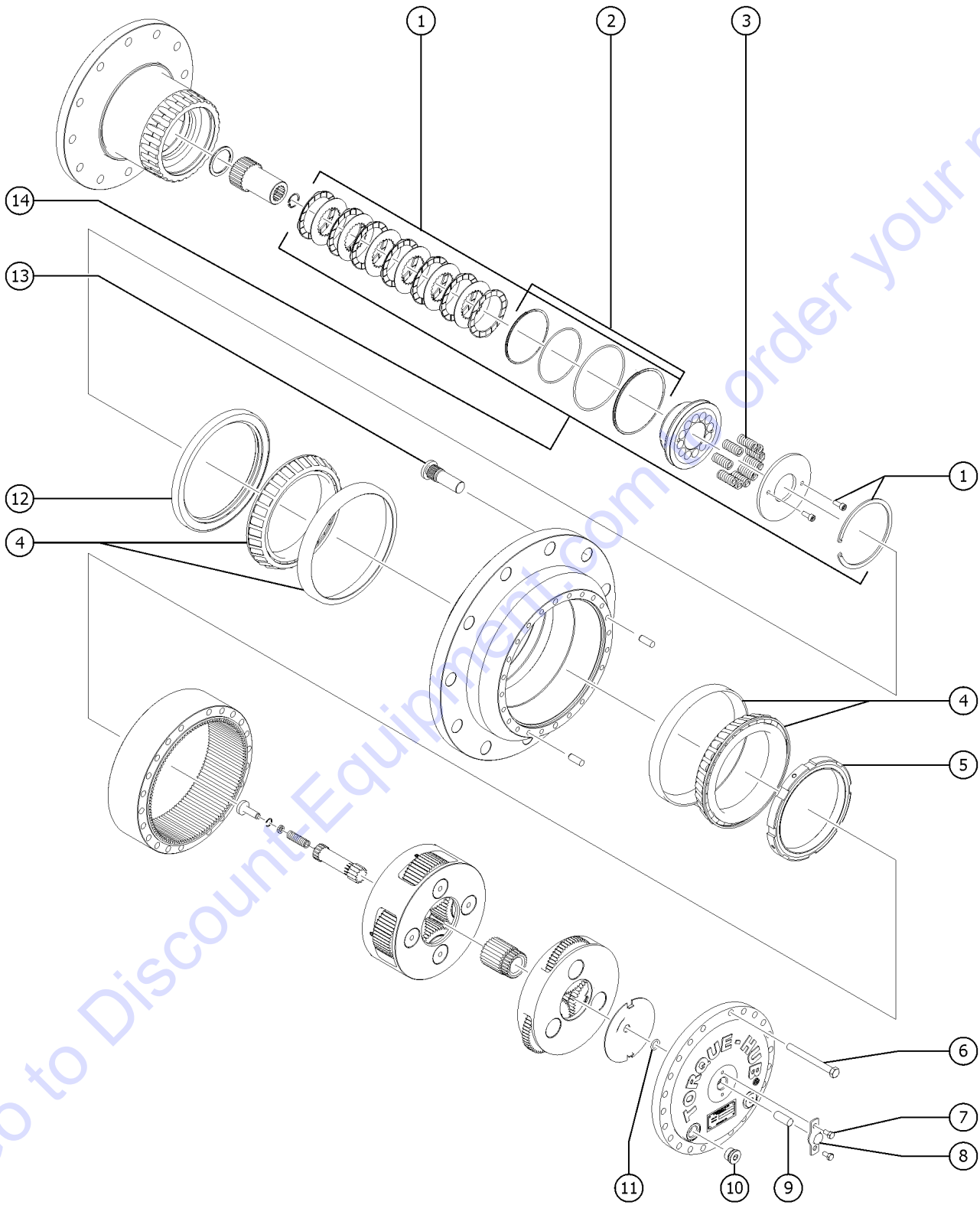


Go to Discount-Equipment.com to order your parts

204.1 Hub Assembly - 2 WD Spindle

Item	Part No.	Description	Qty.
A	227774GT	WHEEL DRIVE, IDLER.....	1
1	T111507GT	SEAL KIT (121291)*** (Includes O-ring part 33990)	
2	235135GT	O-ring.....	1
3	235136GT	EXPANSION PLUG.....	2
4	235137GT	BEARING, TAPERED - ASSY.....	2
5	122460GT	COVER PLATE (121351).....	1
6	58237GT	PLUG,TORQUE HUB,DRAIN***.....	3
7	235138GT	BOLT,HEX-UNC(.375-16,1.25g).....	12
8	33990GT	O-RING, TORQUE HUB COVER..... (part of seal kit T111507)	1
9	146051GT	BEARING NUT***.....	1
10	146052GT	SET SCREW***.....	1
11	33441GT	STUD,WHEEL,3/4-16, (34115).....	11

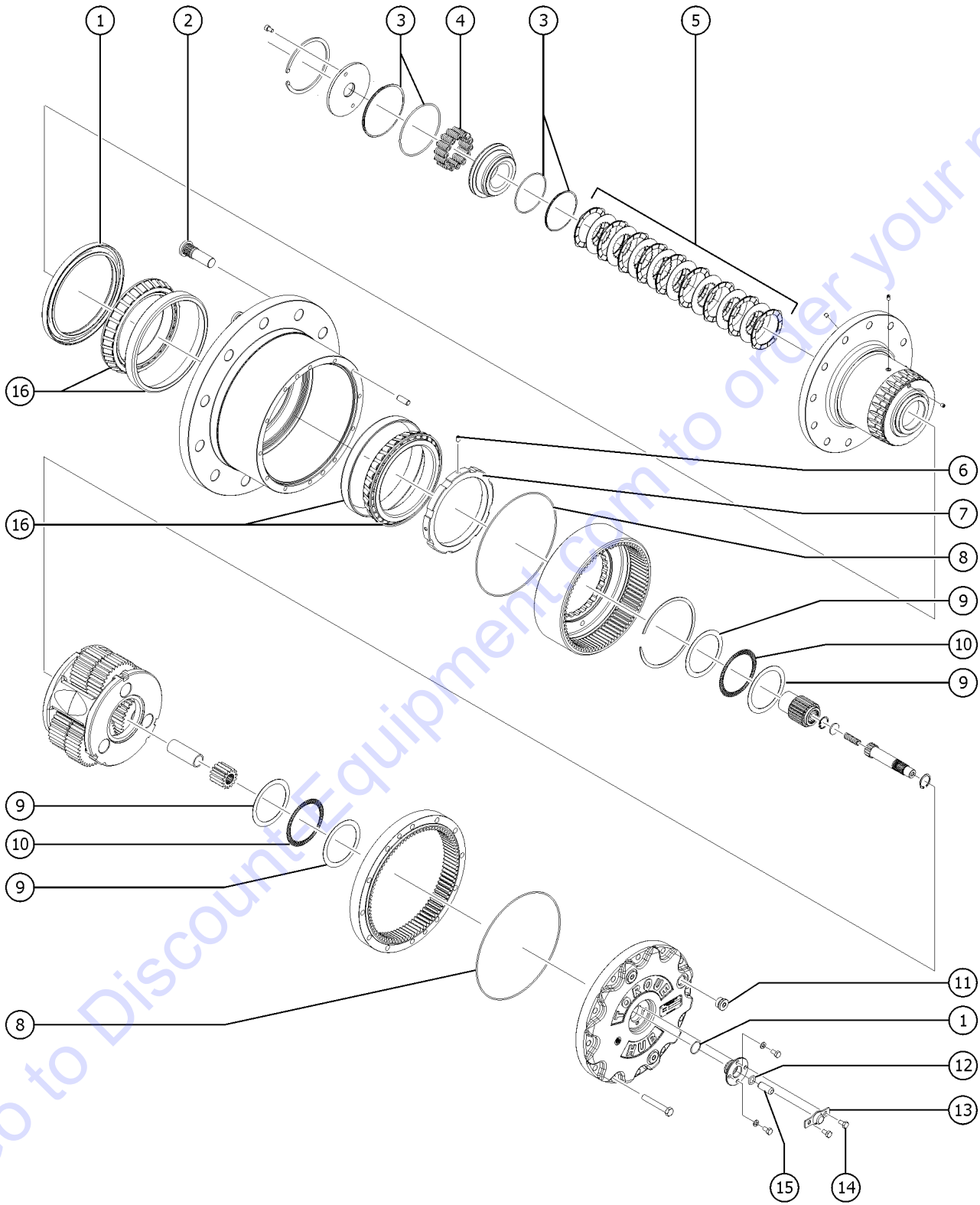
205.1 Drive Hub Assembly with Brake - Type 1



205.1 Drive Hub Assembly with Brake - Type 1

Item	Part No.	Description	Qty.
--	1286605GT	BEARING KIT,WHEEL DRIVE W/BRAKE (227775) <i>for 227775</i>	
--	215623GT	SEAL KIT (227775)	
--	227775GT	WHEEL DRIVE,W/BRAKE 57.49:1 <i>(shown)</i>	
1	235133GT	Brake Lining Kit.....	1
2	235139GT	Brake Seal Kit.....	1
3	235140GT	Spring Kit.....	1
4	235137GT	BEARING, TAPERED - ASSY.....	2
5	146051GT	BEARING NUT***	1
6	235151GT	BOLT,HEX-UNC(.375-16).....	22
7	111362GT	BOLT,WHEEL DRIVE CAP(106122).....	2
8	106122GT	CAP,DISENGAGE,4HP/4HB***	1
9	235152GT	DISENGAGE, ROD.....	1
10	235153GT	PIPE PLUG, MAGN.....	2
11	111363GT	O-RING,DISCONNECT ROD (111060)...	1
12	1286604GT	SEAL KIT,WHEEL DRIVE W/BRAKE (227775) <i>for 227775</i>	
12	215623GT	SEAL KIT (227775) <i>for 227775 (inventory limited to stock on hand as component is no longer available)</i>	
13	33441GT	STUD,WHEEL,3/4-16, (34115).....	11
14	235150GT	BRAKE REPLACEMENT KIT.....	1

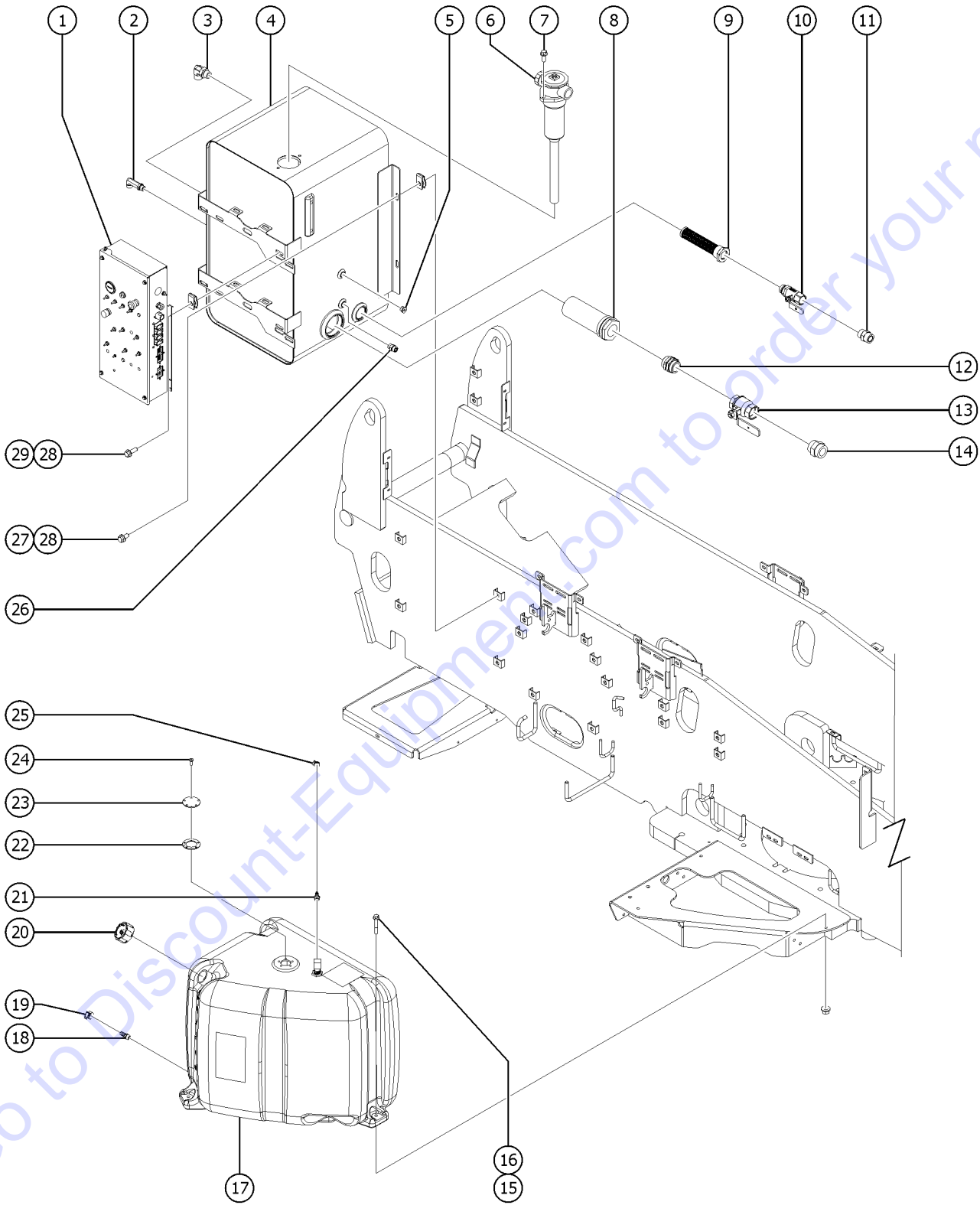
206.1 Drive Hub Assembly with Brake - Type 2



206.1 Drive Hub Assembly with Brake - Type 2

Item	Part No.	Description	Qty.
A	227776GT	WHEEL DRIVE W/BRAKE 86.74:1	
1	T111507GT	SEAL KIT (121291)***.....1 (Includes items 8 and 12)	1
2	33441GT	STUD,WHEEL,3/4-16, (34115).....11	11
3	106125GT	SEAL KIT, BRAKE, 4HP.....1	1
4	122879GT	SPRING KIT (121291).....1	1
5	122878GT	BRAKE LINING KIT (121291).....1	1
6	146052GT	SET SCREW***.....1	1
7	146051GT	BEARING NUT***.....1	1
8	33990GT	O-RING, TORQUE HUB COVER.....2 (part of seal kit T111507)	2
9	58999GT	WASHER, THRUST,(33434)**.....4	4
10	65846GT	BEARING, THRUST WASHER***.....2	2
11	58237GT	PLUG, TORQUE HUB, DRAIN***.....3	3
12	111363GT	O-RING, DISCONNECT ROD (111060)...1 (part of seal kit T111507)	1
13	106122GT	CAP, DISENGAGE, 4HP/4HB***.....1	1
14	235154GT	BOLT, HEX-UNC(.250-20, .500G).....4	4
15	235152GT	DISENGAGE, ROD.....1	1
16	235137GT	BEARING, TAPERED - ASSY.....2	2

301.1 Hydraulic and Fuel Tanks - Diesel Models



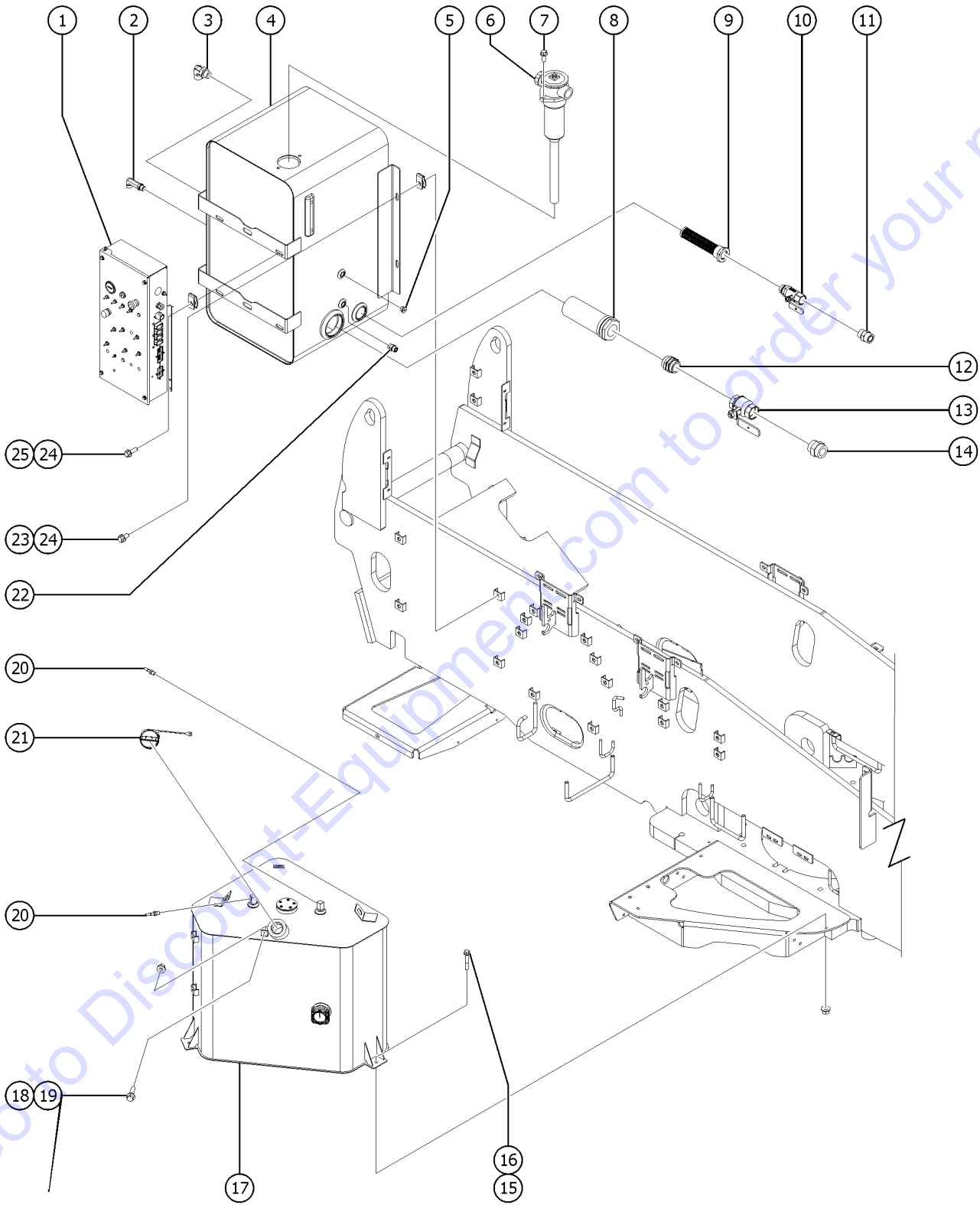
S-80X, S-80, S-85

Part No. 1263385GT

301.1 Hydraulic and Fuel Tanks - Diesel Models

Item	Part No.	Description	Qty.
1		Ref. GROUND CONTROL BOX.....1 (refer to 308.1, 309.1 or 310.1)	1
2	75614GT	ELBOW,90D,LONG,521520-8.....1	1
3	48959GT	FITTING,ELBOW,90D,520220-12.....1	1
4	111578GT	TANK, HYDRAULIC 40 GAL.....1	1
--	21141GT	GAUGE-SIGHT,LHA-LGTB***	
5	59371GT	PLUG, HEX SOCKET, 090109B-8*.....1	1
6A	110345GT	FILTER ASSY,INTANK.....1	1
--	147223GT	SEAL,FILTER LID	
6B	77353GT	KIT,ELEMENT**	
--	77354GT	FILTER LID,RFM165	
--	77365GT	BREATHER CAP,RFM165	
--	88917GT	FILTER,ELEMENT,BETA(10)=200	
--	94526GT	GASKET,RETURN FILTER-77353	
7	824090GT	SCREW,HHF,3/8-16X1,8,ZAG.....2	2
8	75257GT	STRAINER ASSY,#24 O-RING.....1	1
9	147419GT	KIT,STRAINER REPLACEMENT.....1	1
10	48996GT	VALVE,BALL,16 MSAE-16 FSAE***.....1	1
11	48984GT	CONN,520120-16.....2	2
12	75254GT	UNION,STR.THREAD 24***.....1	1
13	75256GT	VALVE BALL,24 FSAE-24 FSAE***.....1	1
14	61083GT	CONN,520120-24.....1	1
15	1253478GT	SCREW,HHF,3/8-16X2,8,ZAG.....3	3
16	824029GT	NUT,TL FLG,3/8-16,G,ZAG.....3	3
17	1274331GT	ASSY,FUEL TANK,35GAL,W/PROP SENSOR.....1	1
--	54324GT	FITTING,BULKHEAD,3/8NPT,FUELTK	
--	823356GT	TUBE,FUEL RETURN,3/8X3/8X23.5	
18	824471GT	FITTING,3/8 NPT TO 1/2 BARB.....1	1
19	46131GT	CLAMP,HOSE,.63" - 1.0" X .5".....1	1
20	101726GT	CAP,FUEL,DIESEL,1/8"VENT(GRN).....1	1
21	27901GT	HOSE END,BARBED,RIGID,-6-6.....1	1
22	1271773GT	GASKET, TANK, FUEL SENSOR.....1	1
23	1271772GT	CAP, TANK, FUEL SENSOR.....1	1
24	1251757GT	SCREW,PHPM,10-32X.50,ZAG.....5	5
25	81154GT	CLAMP,HOSE,SIZE .31 > .91.....1	1
26	48933GT	CONN,520120-8***.....1	1
27	824089GT	SCREW,HHF,3/8-16X.75,8,ZAG.....4	4
28	29868GT	SPRING CLIP,3/8-16,.05-.20X.73,ZAG...8	8
29	121419GT	SCREW,HHF,1/4-20 X .75.....4	4

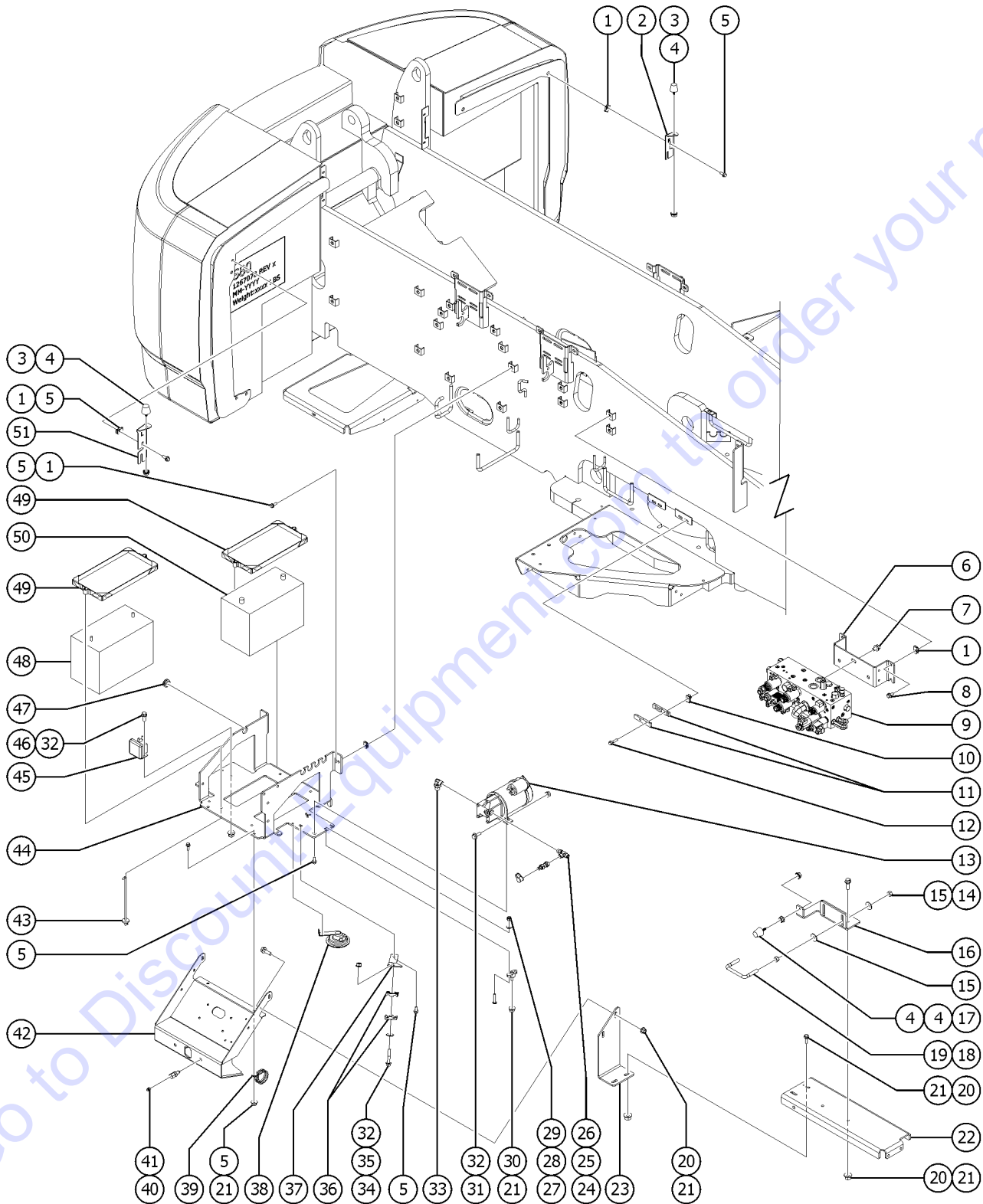
302.1 Hydraulic and Fuel Tanks - Gasoline/LPG Models



302.1 Hydraulic and Fuel Tanks - Gasoline/LPG Models

Item	Part No.	Description	Qty.
1		Ref. GROUND CONTROL BOX.....1 (refer to 308.1, 309.1 or 310.1)	1
2	75614GT	ELBOW,90D,LONG,521520-8.....1	1
3	48959GT	FITTING,ELBOW,90D,520220-12.....1	1
4	111578GT	TANK, HYDRAULIC 40 GAL.....1	1
--	21141GT	GAUGE-SIGHT,LHA-LGTB***	
5	59371GT	PLUG, HEX SOCKET, 090109B-8*.....1	1
6A	110345GT	FILTER ASSY,INTANK.....1	1
--	147223GT	SEAL,FILTER LID	
6B	77353GT	KIT,ELEMENT**	
--	77354GT	FILTER LID,RFM165	
--	77365GT	BREATHER CAP,RFM165	
--	88917GT	FILTER,ELEMENT,BETA(10)=200	
--	94526GT	GASKET,RETURN FILTER-77353	
7	824090GT	SCREW,HHF,3/8-16X1,8,ZAG.....2	2
8	75257GT	STRAINER ASSY,#24 O-RING.....1	1
9	147419GT	KIT,STRAINER REPLACEMENT.....1	1
10	48996GT	VALVE,BALL,16 MSAE-16 FSAE***.....1	1
11	48984GT	CONN,520120-16.....2	2
12	75254GT	UNION,STR.THREAD 24***.....1	1
13	75256GT	VALVE BALL,24 FSAE-24 FSAE***.....1	1
14	61083GT	CONN,520120-24.....1	1
15	1253478GT	SCREW,HHF,3/8-16X2,8,ZAG.....3	3
16	824029GT	NUT,TL FLG,3/8-16,G,ZAG.....3	3
17	146415GT	TANK ASSY, GAS, 30 GAL.....1	1
--	146413GT	GAUGE, FUEL LEVEL, 20/30 GAL	
--	146417GT	ASSY, FUEL PICKUP TUBE	
--	146551GT	GASKET, FUEL LEVEL SENDER, Z80	
--	146552GT	PLATE, COVER, FUEL LEVEL SNDR	
--	49826GT	SCREW,PHILLIPS,PHM,10-32 X.625	
18	824079GT	SCREW,HHF,1/4-20X1,8,ZAG.....1	1
19	824027GT	NUT,TL FLG,1/4-20,G,ZAG.....1	1
20	111818GT	FITTING,1/4 NPT X SAE J2044.....2	2
21	119918GT	CAP,FUEL,GASOLINE 3.5PSI.....1	1
22	48933GT	CONN,520120-8***.....1	1
23	824089GT	SCREW,HHF,3/8-16X.75,8,ZAG.....4	4
24	29868GT	SPRING CLIP,3/8-16,.05-.20X.73,ZAG...8	8
25	121419GT	SCREW,HHF,1/4-20 X .75.....4	4

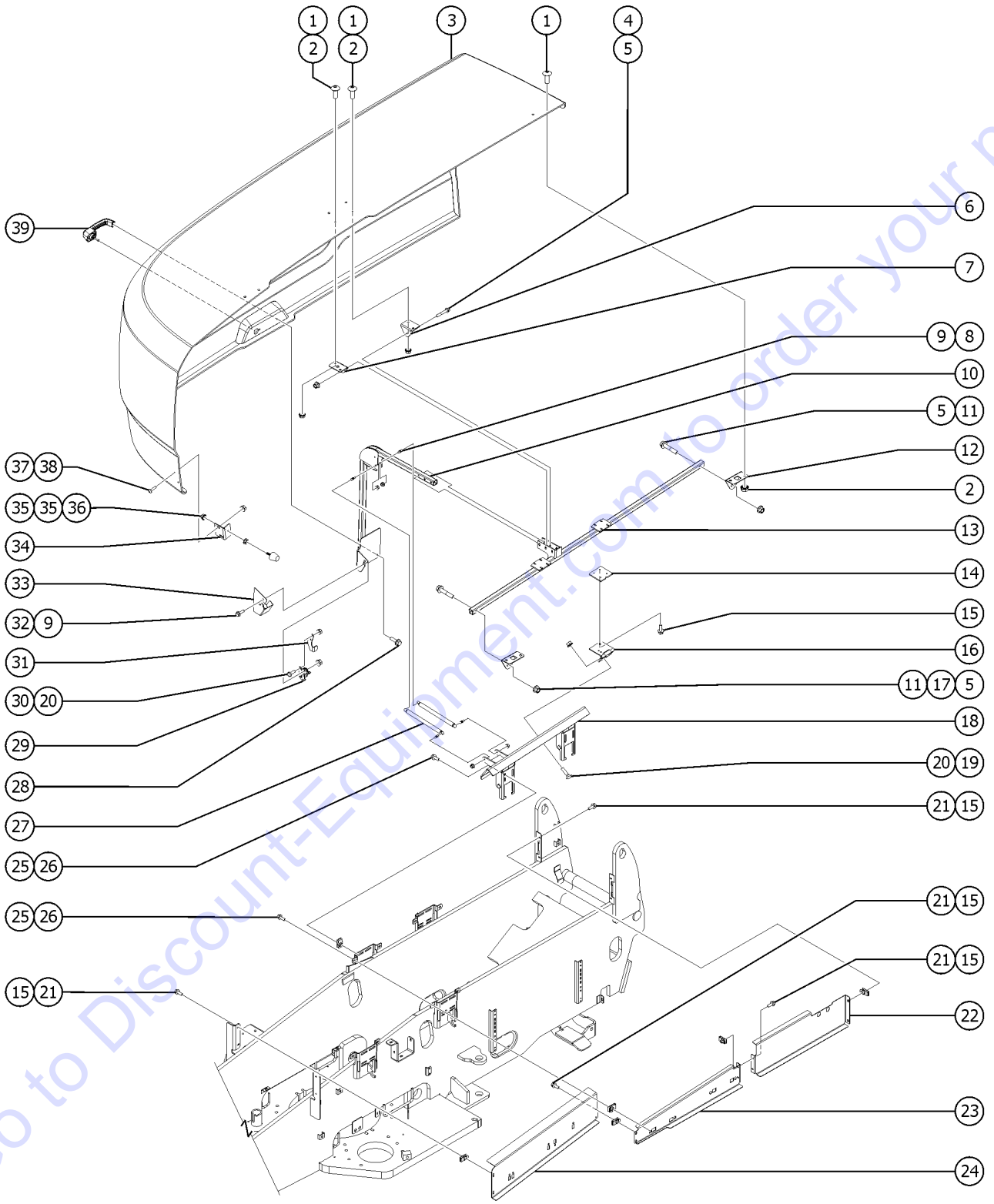
303.1 Hydraulic Tank Side Components



303.1 Hydraulic Tank Side Components

Item	Part No.	Description	Qty.	Item	Part No.	Description	Qty.
1	29868GT	SPRING CLIP,3/8-16,.05-.20X.73,ZAG.....	16	32	824027GT	NUT,TL FLG,1/4-20,G,ZAG.....	5
2	1272230GT	FORMING,BRKT,ENGINE COVER.....	2	33	48932GT	FITTING,ELBOW,90D,520220-8***.....	1
3	30973GT	BUMPER,RUBBER-1 X 1.25.....	4	34	824081GT	SCREW,HHF,1/4-20X1.5,8,ZAG.....	1
4	1255805GT	NUT,SERRATED,5/16-18,8,ZAG.....	6	35	824113GT	WASHER,FLAT,USS,1/4,ZAG.....	1
5	824090GT	SCREW,HHF,3/8-16X1,8,ZAG.....	18	36	78736GT	CLAMP,2 HOSE,PLASTIC,5/8.....	2
6	121687GT	FORMING,MANIFOLD MOUNT.....	1	37	219392GT	FORMING, BAT CABLE GUIDE.....	1
7	1257454GT	SCREW,HHF,1/2-13X.75,8,ZAG.....	3	38	81578GT	HORN,12VDC,SPADE TERMINALS***.....	1
8	824089GT	SCREW,HHF,3/8-16X.75,8,ZAG.....	4	39	61745GT	CLAMP,2.25,#36 X 3/8,RUB CUSH.....	1
9		Ref. FUNCTION MANIFOLD..... (refer to 706.1)	1	40	28646GT	ZERK,GREASE,1/8 NPT.....	1
10	56912GT	SPRING CLIP,1/4-20,.025-.15X.54,ZAG.....	4	41	48885GT	CONNECTOR,BULKHEAD,FEMALE-4...1	1
11	121690GT	CLAMP,HALF,HARDLINE,3/8.....	4	42	1267382GT	WELDMENT, HOOD LATCH MOUNT.....	1
12	824079GT	SCREW,HHF,1/4-20X1,8,ZAG.....	4	43	45708GT	HOOK,BATT HOLD DOWN,10".....	4
13A	146180GT	ASSEMBLY, AUX POWER UNIT, 12VD.....	1	44	1274198GT	FORMING, BATTERY TRAY, NDL.....	1
--	1264969GT	MOTOR, 12VDC, I-TERMINAL		45	237068GT	SEPARATOR,DUAL BATTERY,100A.....	1
--	146181GT	SOLENOID, APU		--	214393GT	KIT, BATT SEPARATOR, ANSI/CSA	
--	146182GT	GROUND WIRE,SOLENOID		--	215209GT	KIT, BATT SEPARATOR, CE	
--	37187GT	SEAL KIT, 37185 PUMP		--	215210GT	KIT, BATT SEPARATOR, AS	
--	37192GT	COUPLER, PUMP / MOTOR (36179)		46	824078GT	SCREW,HHF,1/4-20X.75,8,ZAG.....	3
--	58489GT	PUMP ASSY,AUX.POWER UNIT 89617		47	104570GT	GROMMET,RUBBER .688 X .25 X 1.....	5
--	62414GT	SEAL, SHAFT, 60511 APU		48	77694GT	BATTERY,12V DEEP CYC 5/16"STUD....	1
13B	81535GT	HARNESS,BATT.+ TO APU SOLENOID		--	824029GT	NUT,TL FLG,3/8-16,G,ZAG	
--	81536GT	HARNESS,APU GND TO ENGINE BLCK		49	30144GT	BATTERY HOLD DOWN,GROUP 31.....	2
14	1255804GT	NUT,JAM,1/2-13,A,ZAG.....	2	50	30143GT	BATTERY,12V,1000 CCA GRP 31.....	1
15	1255760GT	WASHER,FLAT,1/2,USS,ZAG.....	4	51	1272231GT	FORMING,BRKT,TANK COVER.....	2
16	1267071GT	FORMING,BRACKET,LATCH.....	1				
17	1261277GT	BUMPER, RUBBER, 1.25 X 1.25 IN.....	1				
18	1259855GT	UBOLT, 0.4724 IN D X 4 IN L.....	1				
19	1259106GT	NUT,1/2-13,8,ZAG.....	2				
20	824091GT	SCREW,HHF,3/8-16X1.25,8,ZAG.....	8				
21	824029GT	NUT,TL FLG,3/8-16,G,ZAG.....	13				
22	1267072GT	FORMING,BRACKET,LATCH.....	1				
23	1267073GT	FORMING,BRACKET,LATCH.....	1				
24	48918GT	TEE,RUN,520428-6.....	1				
25	48867GT	NIPPLE,DIAGNOSTIC.....	1				
26	48880GT	CAP,DIAGNOSTIC NIPPLE.....	1				
27	6178GT	NUT,NYLOCK,10-32.....	2				
28	1253185GT	WASHER,FLAT,#10,USS,ZAG.....	2				
29	75041GT	SCREW,PHILLIPS,PHM,10-32 X 1.....	2				
30	94982GT	STANDOFF, 3/8" BLACK.....	1				
31	121419GT	SCREW,HHF,1/4-20 X .75.....	1				

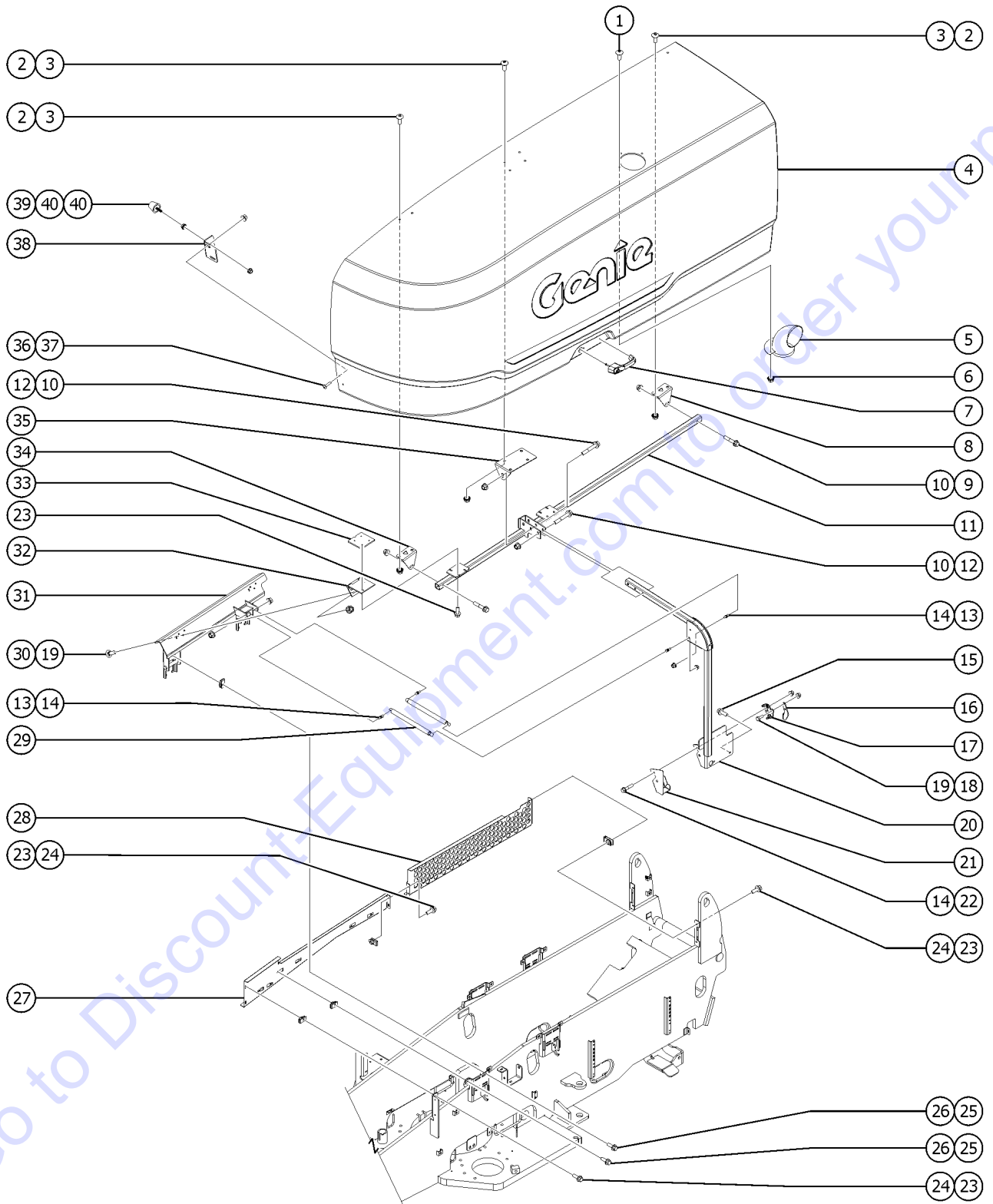
304.1 Turntable Covers - Hydraulic Tank Side



304.1 Turntable Covers - Hydraulic Tank Side

Item	Part No.	Description	Qty.	Item	Part No.	Description	Qty.
1	1261836GT	SCREW, THM, TORX, 3/8-16X1,SS.....	8	--	37947GT	KEYS,10 PACK*** <i>sold separately</i>	
2	1257628GT	NUT,SERRATED,3/8-16,8,ZAG.....	8	--	83093GT	KEY SINGLE*** <i>sold separately</i>	
3	1253265GT	COVER, SWING CHASSIS, TS.....	1				
4	1256856GT	SCREW,HHF,3/8-16X2.5,8,ZAG.....	3				
5	824029GT	NUT,TL FLG,3/8-16,G,ZAG.....	5				
6	1253831GT	MOUNT, COVER SUPPORT CTR 93DEG.....	1				
7	1253830GT	MOUNT, COVER SUPPORT CTR 86DEG.....	1				
8	33555GT	BALL STUD**.....	4				
9	824028GT	NUT,TL FLG,5/16-18,G,ZAG.....	6				
10	1266895GT	WLDMT, LOWER COVER SUPPORT.....	1				
11	1253478GT	SCREW,HHF,3/8-16X2,8,ZAG.....	2				
12	1258723GT	MOUNT, COVER SUPPORT FRONT.....	1				
13	1266897GT	WLDMT,HIGHER COVER SUPPORT,TS.....	1				
14	1258724GT	SUPPORT, TAPPED HINGE.....	2				
15	824078GT	SCREW,HHF,1/4-20X.75,8,ZAG.....	12				
16	1266902GT	HINGE,.375X.1875THK,SLOTTED.....	2				
17	1258722GT	MOUNT, COVER SUPPORT REAR.....	1				
18	1269080GT	WELDMENT, COVER SUPPORT,TANK SIDE.....	1				
19	1256127GT	BOLT,CARRIAGE,1/4-20X1.5,ZAG.....	6				
20	824027GT	NUT,TL FLG,1/4-20,G,ZAG.....	8				
21	56912GT	SPRING CLIP,1/4-20,.025-.15X.54,ZAG.....	8				
22	1267082GT	FORMING,COVER,RIGHT BACK.....	1				
23	1267083GT	FORMING,COVER,RIGHT MIDDLE.....	1				
24	1280379GT	FORMING,COVER,RIGHT FRONT.....	1				
25	824090GT	SCREW,HHF,3/8-16X1,8,ZAG.....	8				
26	29868GT	SPRING CLIP,3/8-16,.05-.20X.73,ZAG...	8				
27	28301GT	GAS STRUT,250 LBS FORCE***.....	2				
28	231532GT	SCREW,HHF,M6-1.0X20,DIN6921,10,9,ZAB.2					
29	215254GT	LATCH,ROTARY,ENGINE COVER.....	1				
30	824059GT	SCREW,HHC,1/4-20X.75,8,ZAG.....	2				
31	1262210GT	FORMING, LATCH TRIGGER, TS.....	1				
32	1255763GT	SCREW,HHF,5/16-18X1.5,8,ZAG.....	2				
33	1261244GT	FORMING,LATCH GUARD,TS.....	1				
34	1271984GT	BRACKET, BUMPER.....	1				
35	1255805GT	NUT,SERRATED,5/16-18,8,ZAG.....	2				
36	1261277GT	BUMPER, RUBBER, 1.25 X 1.25 IN.....	1				
37	1261837GT	SCREW, THM, TORX, M6X25, ZAB.....	2				
38	231513GT	NUT,TL FLG,M6-1.0,DIN6927,10,ZAB...2					
39	1256054GT	HANDLE,YELLOW LOCKING,CODE 455.....	1				

305.1 Turntable Covers - Engine Side



305.1 Turntable Covers - Engine Side

Item	Part No.	Description	Qty.	Item	Part No.	Description	Qty.
1	1261835GT	SCREW, THM, TORX, 1/4-20X1,SS.....	3	37	231513GT	NUT,TL FLG,M6-1.0,DIN6927,10,ZAB....	2
2	1261836GT	SCREW, THM, TORX, 3/8-16X1,SS.....	8	38	1271984GT	BRACKET, BUMPER.....	1
3	1257628GT	NUT,SERRATED,3/8-16,8,ZAG.....	8	39	1261277GT	BUMPER, RUBBER, 1.25 X 1.25 IN.....	1
4	1253264GT	COVER, SWING CHASSIS, ES.....	1	40	1255805GT	NUT,SERRATED,5/16-18,8,ZAG.....	2
5	101964GT	WELDMENT,EXHAUST TUBE.....	1				
6	1256679GT	NUT,SERRATED,1/4-20,8,ZAG.....	3				
7	1256054GT	HANDLE,YELLOW LOCKING,CODE 455.....	1				
--	37947GT	KEYS,10 PACK*** <i>sold separately</i>					
--	83093GT	KEY SINGLE*** <i>sold separately</i>					
8	1258723GT	MOUNT, COVER SUPPORT FRONT....	1				
9	1253478GT	SCREW,HHF,3/8-16X2,8,ZAG.....	2				
10	824029GT	NUT,TL FLG,3/8-16,G,ZAG.....	5				
11	1266916GT	WLDMT,HIGHER COVER SUPPORT,ES.....	1				
12	1256856GT	SCREW,HHF,3/8-16X2.5,8,ZAG.....	3				
13	33555GT	BALL STUD**.....	4				
14	824028GT	NUT,TL FLG,5/16-18,G,ZAG.....	6				
15	231532GT	SCREW,HHF,M6-1.0X20,DIN6921,10.9,ZAB.2					
16	1262211GT	FORMING, LATCH TRIGGER, ES.....	1				
17	215254GT	LATCH,ROTARY,ENGINE COVER.....	1				
18	824059GT	SCREW,HHC,1/4-20X.75,8,ZAG.....	2				
19	824027GT	NUT,TL FLG,1/4-20,G,ZAG.....	8				
20	1267309GT	WLDMT, LOWER COVER SUPPORT....	1				
21	1261245GT	FORMING,LATCH GUARD,ES.....	1				
22	1255763GT	SCREW,HHF,5/16-18X1.5,8,ZAG.....	2				
23	824078GT	SCREW,HHF,1/4-20X.75,8,ZAG.....	10				
24	56912GT	SPRING CLIP,1/4-20,.025-.15X.54,ZAG.....	6				
25	824090GT	SCREW,HHF,3/8-16X1,8,ZAG.....	8				
26	29868GT	SPRING CLIP,3/8-16,.05-.20X.73,ZAG...8					
27	1267081GT	FORMING,COVER,LEFT FRONT.....	1				
28	1267080GT	FORMING,COVER,LEFT BACK.....	1				
29	28301GT	GAS STRUT,250 LBS FORCE***.....	2				
30	1256127GT	BOLT,CARRIAGE,1/4-20X1.5,ZAG.....	6				
31	1269081GT	WELDMENT, COVER SUPPORT,ENGINE SIDE.....	1				
32	1266902GT	HINGE,.375X.1875THK,SLOTTED.....	2				
33	1258724GT	SUPPORT, TAPPED HINGE.....	2				
34	1258722GT	MOUNT, COVER SUPPORT REAR.....	1				
35	1278128GT	MOUNT, COVER SUPPORT, CENTER.....	1				
36	1261837GT	SCREW, THM, TORX, M6X25, ZAB.....	2				

PARTS FINDER

**Search Website
by Part Number**



**Search Manual
Library For Parts
Manual & Lookup Part
Numbers – Purchase
or Request Quote**

Search Manuals

Enter your information to help us find the right parts manual for your machine.

* Brand:

* Model:

* Serial:

* Part Number:

SEARCH

**Can't Find Part or
Manual? Request Help
by Manufacturer,
Model & Description**

Parts Order Form

Please fill in the following information to help us find the right part for your machine.

Manufacturer:	<input type="text"/>
Model:	<input type="text"/>
Description:	<input type="text"/>
Part Number:	<input type="text"/>
Quantity:	<input type="text"/>
Notes:	<input type="text"/>

Submit

Discount-Equipment.com is your online resource for quality parts & equipment.

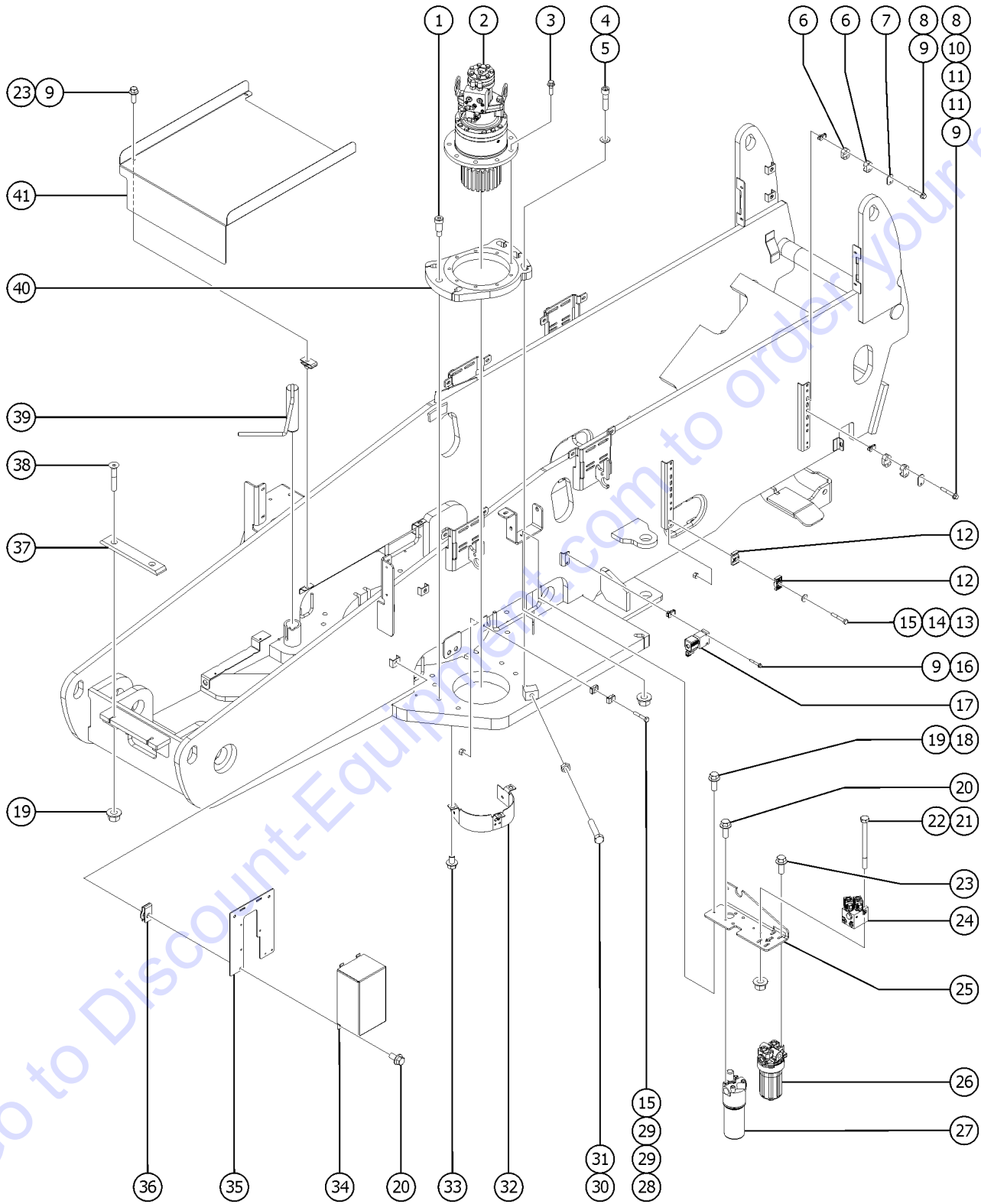
Florida: **561-964-4949** Outside Florida TOLL FREE: **877-690-3101**

Need parts?

Click on this link: <http://www.discount-equipment.com/category/5443-parts/> and choose one of the options to help get the right parts and equipment you are looking for. Please have the machine model and serial number available in order to help us get you the correct parts. If you don't find the part on the website or on one of the online manuals, please fill out the request form and one of our experienced staff members will get back to you with a quote for the right part that your machine needs.

We sell worldwide for the brands: Genie, Terex, JLG, MultiQuip, Mikasa, Essick, Whiteman, Mayco, Toro Stone, Diamond Products, Generac Magnum, Airman, Haulotte, Barreto, Power Blanket, Nifty Lift, Atlas Copco, Chicago Pneumatic, Allmand, Miller Curber, Skyjack, Lull, Skytrak, Tsurumi, Husquvarna Target, Stow, Wacker, Sakai, Mi-T-M, Sullair, Basic, Dynapac, MBW, Weber, Bartell, Bennar Newman, Haulotte, Ditch Runner, Menegotti, Morrison, Contec, Buddy, Crown, Edco, Wyco, Bomag, Laymor, EZ Trench, Bil-Jax, F.S. Curtis, Gehl Pavers, Heli, Honda, ICS/PowerGrit, IHI, Partner, Imer, Clipper, MMD, Koshin, Rice, CH&E, General Equipment, Amida, Coleman, NAC, Gradall, Square Shooter, Kent, Stanley, Tamco, Toku, Hatz, Kohler, Robin, Wisconsin, Northrock, Oztec, Toker TK, Rol-Air, APT, Wylie, Ingersoll Rand / Doosan, Innovatech, Con X, Ammann, Mecalac, Makinex, Smith Surface Prep, Small Line, Wanco, Yanmar

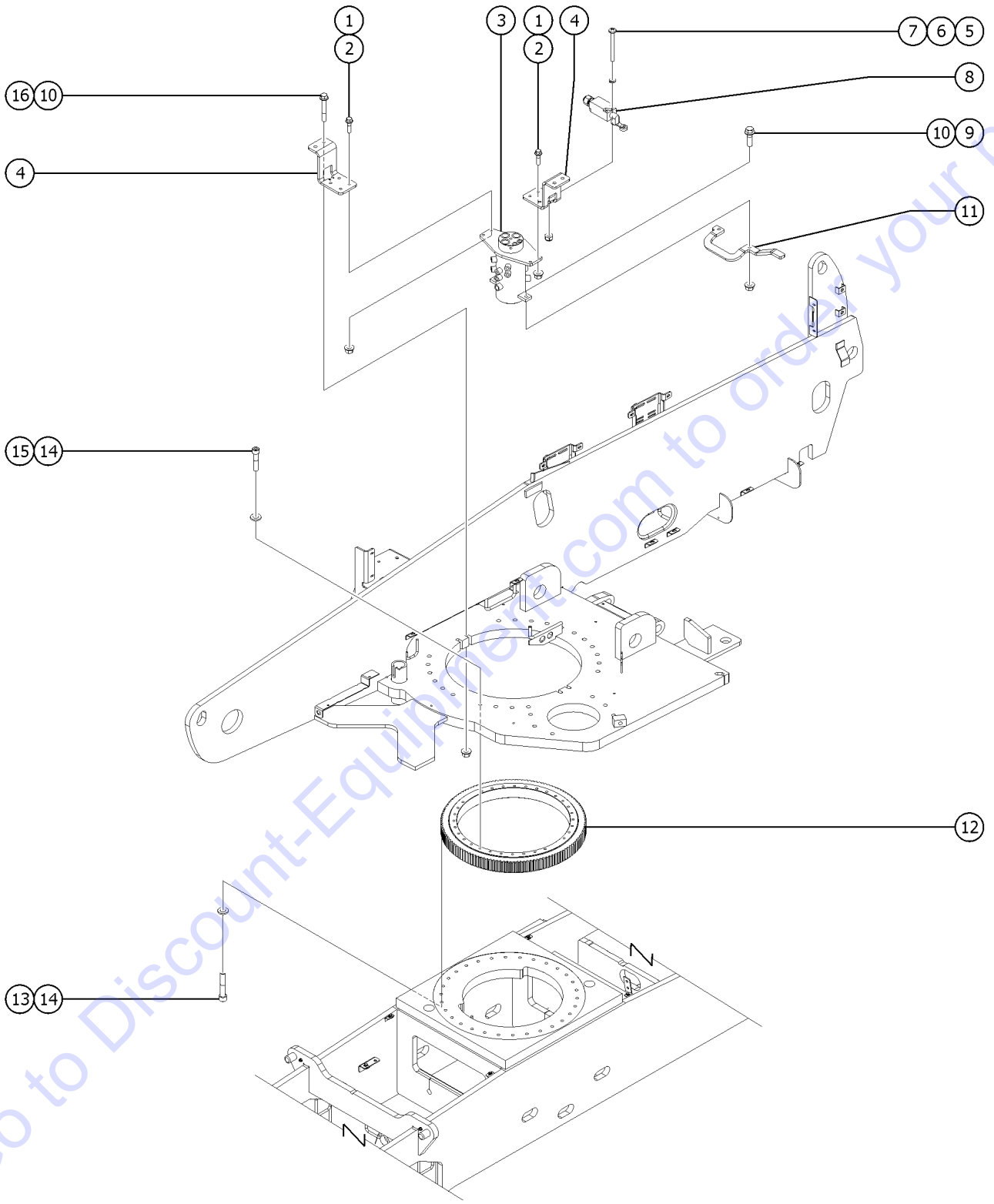
306.1 Turntable Components and Swivel Drive Assembly



306.1 Turntable Components and Swivel Drive Assembly

Item	Part No.	Description	Qty.	Item	Part No.	Description	Qty.
1	1269586GT	BOLT,SHS,1.0X1.5X3/4-10,ZAG.....1	1	25	121336GT	FORMING, FILTER MOUNT.....1	1
2	1255768GT	SWING DRIVE ASSEMBLY.....1	1	26	1267807GT	ASSY, MED. PRESS. FILTER, SAE8.....1	1
--	1255769GT	SEAL KIT, SWING BRAKE (used on swing drive 1255768)		27	60334GT	FILTER ASSY,HIGH PRESS SAE-12*.....1	1
--	1255770GT	KIT, FRICTION DISC (used on swing drive 1255768)		--	58222GT	O-RING,FILTER ASSY (60334)***	
--	1255771GT	KIT, BRAKE SPRING (used on swing drive 1255768)		--	58223GT	SEAL,FILTER ASSY (60334)***	
--	1255772GT	KIT, SWING BRAKE REBUILD (used on swing drive 1255768)		--	60857GT	FILTER,ELEMENT,BETA(5)=1000	
--	1255773GT	BRAKE TUBING (used on swing drive 1255768)		28	824062GT	SCREW,HHC,1/4-20X1.5,8,ZAG.....1	1
--	139308GT	SWING MOTOR COMPLETE*** (used on swing drive 1255768)		29	121215GT	CLAMP HALF, #6 DOUBLE TUBE.....2	2
--	139309GT	CBV ASSEMBLY*** (used on swing drive 1255768)		30	1256846GT	SCREW,HEX TAP,3/4-10X4,8,ZAG.....1	1
--	139315GT	O-RING,MOTOR/BRAKE*** (used on swing drive 1255768)		31	1256837GT	NUT,JAM,3/4-10,A, ZAG.....1	1
--	139323GT	VALVE,COUNTERBAL,CBCA-LIN*** (used on swing drive 1255768)		32	81986PGT	COVER,ROTATION GEAR PAINTED.....1	1
--	58304GT	SHAFT,OUTPUT (used on swing drive 1255768)		33	1257454GT	SCREW,HHF,1/2-13X.75,8,ZAG.....3	3
3	826171GT	SCREW,HHF,1/2-13X1.75,ZAG.....9	9	34	111601GT	FORMING,RELAY BLOCK COVER.....1	1
4	1256860GT	SCREW,SHC,3/4-10X3,A574,ZAG.....5	5	35	111602GT	PLATE, RELAY BLOCK MOUNT.....1	1
5	1256863GT	WASHER,FLAT,.75,SAE,HRD,ZAG.....5	5	36	29868GT	SPRING CLIP,3/8-16,.05-.20X.73,ZAG....3	3
6	121219GT	CLAMP HALF,#8 TUBE.....4	4	37	41549GT	PAD,BOOM REST.....1	1
7	121217GT	COVER PLATE,TUBE CLAMP #8.....2	2	38	1256842GT	SCREW,FHS,3/8-16X2.25,F835,ZAG....2	2
8	1257866GT	SCREW,HHF,1/4-20X2.25,8,ZAG.....8	8	39	121353GT	WELDMENT, TRANSPORT LOCK.....1	1
9	56912GT	SPRING CLIP,1/4-20,.025-.15X.54,ZAG.....14	14	40	121393GT	MACHINED BACKLASH.....1	1
10	121216GT	COVER PLATE, TUBE CLAMP #12.....2	2	41	121381GT	FORMING, COVER, SWIVEL.....1	1
11	121218GT	CLAMP HALF,#12 TUBE.....4	4				
12	78736GT	CLAMP,2 HOSE,PLASTIC,5/8.....2	2				
13	824063GT	SCREW,HHC,1/4-20X1.75,8,ZAG.....1	1				
14	824113GT	WASHER,FLAT,USS,1/4,ZAG.....1	1				
15	824024GT	NUT,TL,1/4-20,C,ZAG.....2	2				
16	824082GT	SCREW,HHF,1/4-20X1.75,8,ZAG.....2	2				
17		Ref. VALVE,FUNCTION ENABLE.....1 (refer to 703.1)	1				
18	824090GT	SCREW,HHF,3/8-16X1,8,ZAG.....2	2				
19	824029GT	NUT,TL FLG,3/8-16,G,ZAG.....4	4				
20	824089GT	SCREW,HHF,3/8-16X.75,8,ZAG.....7	7				
21	1256123GT	SCREW,HHC,1/4-20X3.25,8,ZAG.....2	2				
22	824027GT	NUT,TL FLG,1/4-20,G,ZAG.....2	2				
23	824078GT	SCREW,HHF,1/4-20X.75,8,ZAG.....8	8				
24		Ref. TWO SPEED BRAKE MANIFOLD....1 (refer to 702.1)	1				

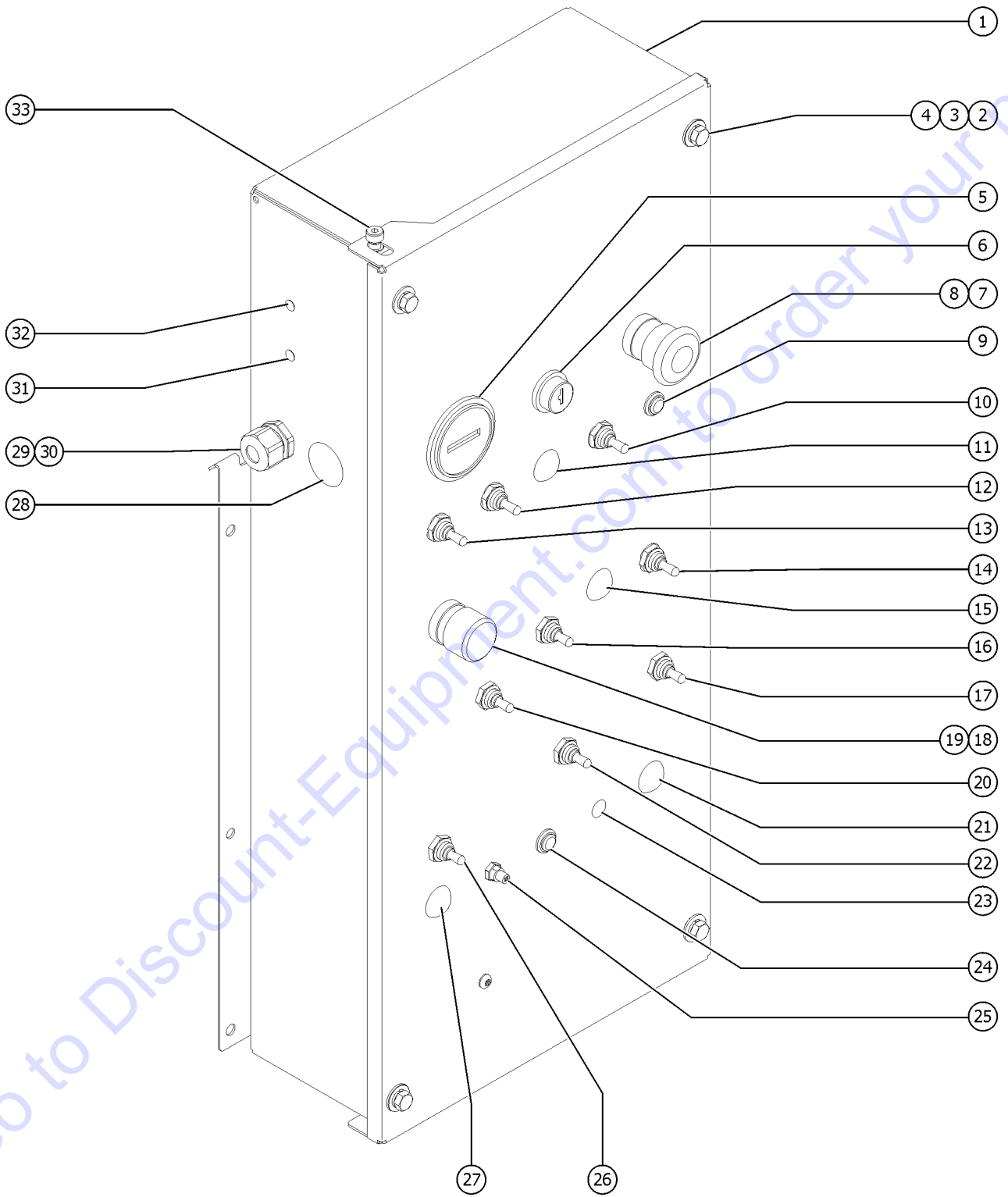
307.1 Turntable Center Components



307.1 Turntable Center Components

Item	Part No.	Description	Qty.
1	824092GT	SCREW,HHF,3/8-16X1.5,8,ZAG.....	4
2	824029GT	NUT,TL FLG,3/8-16,G,ZAG.....	4
3	89571GT	SWIVEL,HYD 8 PORT***	1
--	94937GT	SEAL KIT,8-PORT SWIVEL	
--	T106954GT	SEAL, O-RING LIP	
--	T106955GT	SEAL, POLY, CHAMFER	
--	T106957GT	SEAL, CAP, NOTCHED	
--	T106961GT	SEAL, O-RING ENERGIZER	
--	T106962GT	SEAL, CAP, NOTCHED	
4	60575PGT	BRACKET,HYD.ROTATOR MOUNT MNT.....	2
5	1256177GT	SCREW,PHPM,10-32X1.75,ZAG.....	2
6	1256312GT	WASHER,LOCK,#10,ZAG.....	2
7	6178GT	NUT,NYLOCK,10-32.....	2
8	121467GT	HARN,LS,DRIVE EN,S80/85 2008.....	1
9	826171GT	SCREW,HHF,1/2-13X1.75,ZAG.....	2
10	1251997GT	NUT,TL FLG,1/2-13,G,ZAG.....	6
11	1274153GT	FORMING, SWIVEL STOP, NDL.....	1
12	50035GT	BEARING,TURNTABLE.....	1
--	227785GT	BEARING TURNTABLE SEAL***	
13	1268596GT	SCREW,SHC,5/8-11X3.5,A574,ZAG.....	30
14	1256182GT	WASHER,FLAT,5/8,F436,HRD,ZAG.....	52
15	824107GT	SCREW,SHC,5/8-11X3,A574,ZAG.....	22
16	1256851GT	SCREW,HHF,1/2-13X3.5,8,ZAG.....	4

308.1 Ground Control Box - View 1

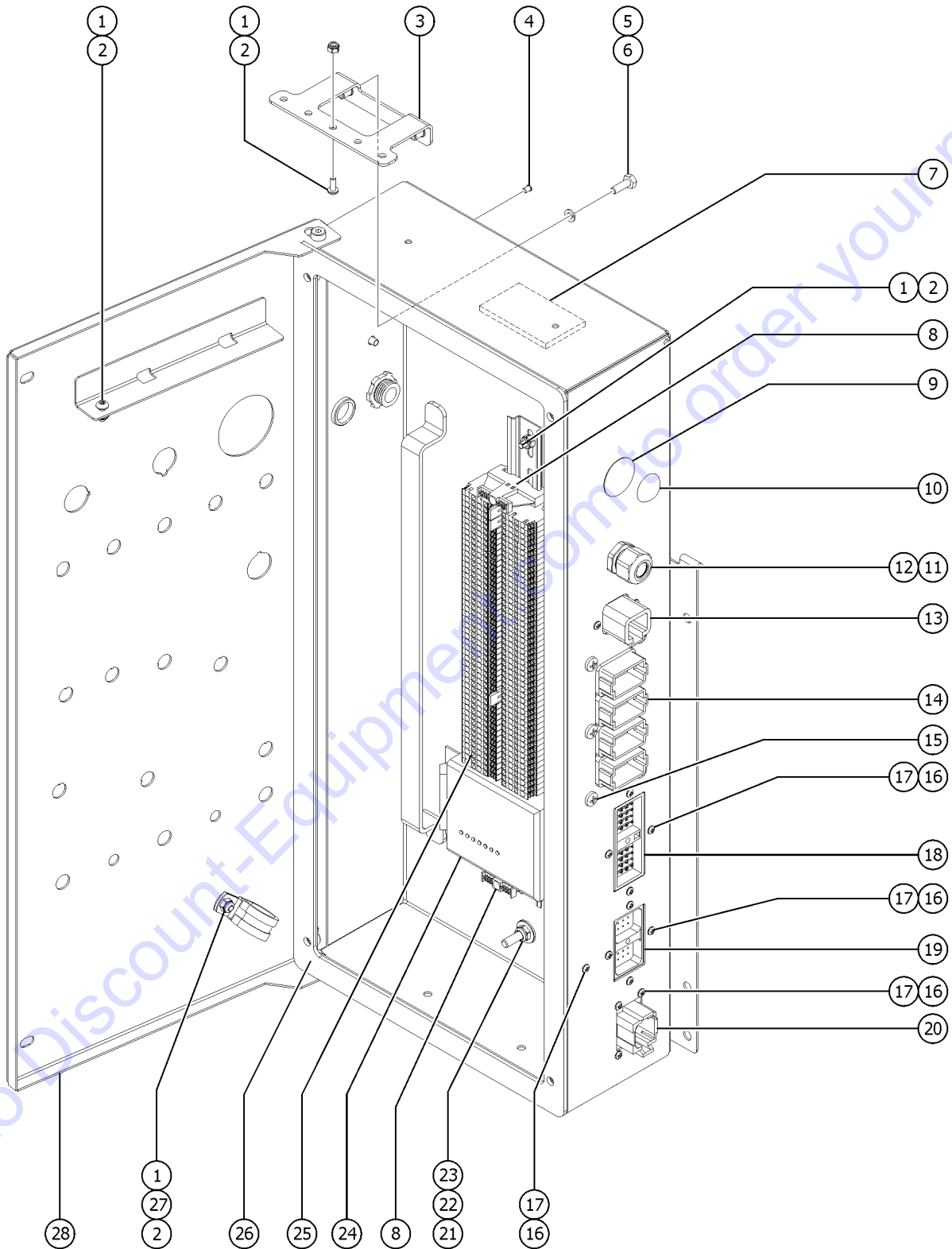


Go to Discount-Equipment.com to order your parts

308.1 Ground Control Box - View 1

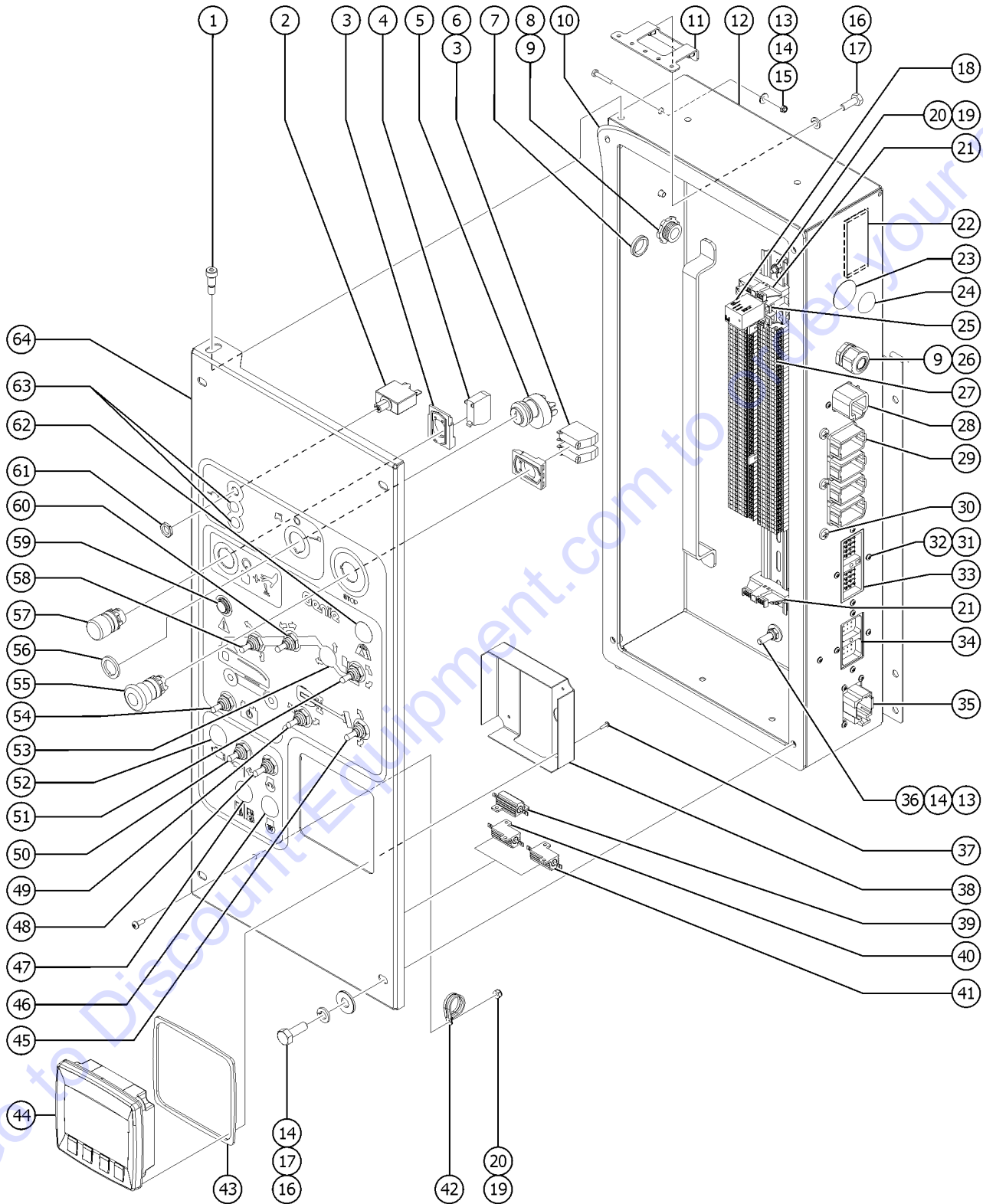
Item	Part No.	Description	Qty.	Item	Part No.	Description	Qty.
A	1258617GT	ASSY,GBOX,PERKINS 404D,S80/85.....1 (Perkins 404D-22T)	1	16	128202GT	SWITCH TOGGLE ASSY DPDT 3P MOM.....	1
B	1265463GT	ASSEMBLY, GBOX, LP/GAS, S80.....1 (GM 3.0L)	1	17	128200GT	SWITCH TOGGLE ASSY SPDT 3P MOM.....	1
C	1265460GT	ASSEMBLY, GBOX, DEUTZ2011,S80.....1 (Deutz TD2011L04i)	1	18	66813GT	BUTTON,PUSH,BLACK W/SEAL ***	1
1	1253160GT	WELDMENT, GBOX, S80/85 2013.....	1	19	66815GT	BASE, W/1 N.O. CONTACTS***	1
2	6090GT	SCREW,HHC,1/4-20 X .75.....	4	--	66816GT	CONTACT,N.O.***	
3	6356GT	WASHER,LOCK,.25.....	4	--	66821GT	BASE,WITHOUT CONTACTS	
4	6638GT	WASHER,FLAT,USS,1/4"Y.....	4	20	128202GT	SWITCH TOGGLE ASSY DPDT 3P MOM.....	1
5	19506GT	HOUR METER,10-80 VOLTS***	1	21	229567GT	PLUG,SANTOPRENE .5 BLACK DOME.....	1
6A	83131GT	KEYSWITCH,3 POS W/KEYS,LOCKING		22	128202GT	SWITCH TOGGLE ASSY DPDT 3P MOM.....	1
--	37947GT	KEYS,10 PACK***		23	21858GT	PLUG,NYLON .38 BLACK DOMED.....	1
--	83093GT	KEY SINGLE*** (Includes boot)		24	218165GT	LIGHT,INDICATOR,RED 12V H-BRI.....	1
--	88827GT	GASKET,KEYSWITCH,PLASTIC***	1	25	147094GT	ASSY, CIRCUIT BREAKER 15A.....	1
--	96008-SGT	KEYSWITCH,3 POS. W/KEYS***	1	26	128201GT	SWITCH TOGGLE ASSY DPDT 2P MOM.....	1
6B	217241GT	OPT, KEY SWITCH, STANDARD (not available for Australia)		27	229567GT	PLUG,SANTOPRENE .5 BLACK DOME.....	1
--	88827GT	GASKET,KEYSWITCH,PLASTIC***		28	15243GT	PLUG,NYLON .875 BLACK DOMED.....	1
7	66812GT	BUTTON,PUSH,RED MUSHROOM HEAD.....	1	29	121753GT	HARNES,ALARM/BEACON,S80 2008.....	1
8	73805GT	BASE,W/2 NC CONTACTS***	1	30	6935GT	LOCKNUT,ELEC,1/2".....	1
--	66818GT	CONTACT, N.C.		31	42781GT	PLUG, NYLON .250 BLACK DOMED.....	1
--	66821GT	BASE,WITHOUT CONTACTS		32A	42781GT	PLUG, NYLON .250 BLACK DOMED.....1 (Perkins 404D-22T, GM 3.0L)	1
9A	218167GT	LIGHT,INDICATOR,AMBER 12V ENGINE.....	1	32B	8915GT	SCREW,HHC,1/4-20 X 1.25.....1 (Deutz TD2011L04i)	1
9B	218165GT	LIGHT,INDICATOR,RED 12V H-BRI (Deutz TD2011L04i)	1	--	6638GT	WASHER,FLAT,USS,1/4"Y	
10	128204GT	SWITCH TOGGLE ASSY SPDT 2P MNT.....	1	--	6889GT	NUT,LP NYLOCK,1/4-20	
11A	229567GT	PLUG,SANTOPRENE .5 BLACK DOME.....	1	33	88315GT	SCREW,SHS,1/4-20 X .25 ZINC.....	2
11B	128204GT	SWITCH TOGGLE ASSY SPDT 2P MNT.....	1				
12A	128200GT	SWITCH TOGGLE ASSY SPDT 3P MOM.....	1				
12B	229567GT	PLUG,SANTOPRENE .5 BLACK DOME (GM 3.0L)	1				
13	128200GT	SWITCH TOGGLE ASSY SPDT 3P MOM.....	1				
14	128202GT	SWITCH TOGGLE ASSY DPDT 3P MOM.....	1				
15	229567GT	PLUG,SANTOPRENE .5 BLACK DOME.....	1				

309.1 Ground Control Box - View 2



Item	Part No.	Description	Qty.
1	54365GT	SCREW,PHIL,PHM,10-32 X .5,SSTL.....6	
2	6178GT	NUT,NYLOCK,10-32.....6	
3	1253409GT	ANGLE, RELAY MOUNTING.....1 (Perkins 404D-22T)	
4A	42288GT	PLUG,NYLON .188 BLACK DOMED.....1 (Perkins 404D-22T)	
4B	42781GT	PLUG, NYLON .250 BLACK DOMED (GM 3.0L, Deutz TD2011L04i)	
5	6090GT	SCREW,HHC,1/4-20 X .75.....2 (Perkins 404D-22T)	
6	6356GT	WASHER,LOCK,.25.....2 (Perkins 404D-22T)	
7	30997GT	CORROSION INHIBITOR,FOAM.....1	
8	74913GT	END STOP, DIN RAIL,SCREW CLAMP.....2	
9	45385GT	PLUG,NYLON 1.12 BLACK DOMED.....1	
10A	229567GT	PLUG,SANTOPRENE .5 BLACK DOME.....1 (Perkins 404D-22T, Deutz TD2011L04i)	
10B	128203GT	SWITCH TOGGLE ASSY SPDT 2P MOM.....1 (GM 3.0L)	
11	7056GT	CONN,SQUEEZE,1/2NPT .38-.50,SM...1	
12	6935GT	LOCKNUT,ELEC,1/2".....1	
13	73717GT	CONN,RECEP 4 WAY,12-14GA FL***.....1	
14	73736GT	CONN,RECEP 48 WAY,4 X 12.....1	
15	73803GT	SCREW,SHM,PHP, #12 X .75.....6	
16	49820GT	SCREW,PHILLIPS,PHM,6-32 X .5.....15	
17	12344GT	NUT,NYLOCK,6-32.....15	
18	73754GT	CONN,RECEP 40 WAY,W/FLANGE.....1	
19	73753GT	CONN,RECEP 24 WAY,W/FLANGE.....1	
20	87755GT	CONN,RECEP 8 WAY 14-18GA,FL.....1	
21	6889GT	NUT,LP NYLOCK,1/4-20.....1	
22	6638GT	WASHER,FLAT,USS,1/4"Y.....1	
23	6888GT	SCREW,HHC,1/4-20 X 1.....1	
24	56057GT	MODULE,IGNITION/START,12/24V.....1 (Perkins 404D-22T, Deutz TD2011L04i)	
25	1253154GT	ASSY, TERM RAIL, S80/85 2013.....1 (includes item 8)	
--	216791GT	TERMINAL BLOCK,WIELAND	
--	216793GT	TERMINAL BLOCK END PLATE	
--	33422GT	DIN RAIL,17"	
--	74917GT	JUMPER COMB, 2-WAY,WIELAND	
26	121599GT	GASKET,GBOX,S80/85 2008.....1	
27	18666GT	CLAMP,1.00,#16 X 1/4,RUB CUSH.....1	
28	121314GT	WELDMENT,LID,GBOX,S0/85 2008.....1	

310.1 Ground Control Box - Deutz TD2.9L4



310.1 Ground Control Box - Deutz TD2.9L4

Item	Part No.	Description	Qty.	Item	Part No.	Description	Qty.
A		Verify Engine Make and Model Before Ordering.		25	33608GT	RELAY, SOCKET, OMRON.....1 (welder option)	1
B	1265459GT	ASSEMBLY, GBOX, DEUTZ 2.9T, S80.....1		26	7056GT	CONN, SQUEEZE, 1/2NPT .38-.50, SM....1	1
C	121846GT	RELAY, TIME DELAY, 2 SEC, 10A (CE option)		27	1253154GT	ASSY, TERM RAIL, S80/85 2013.....1 (complete assembly)	1
1	88315GT	SCREW, SHS, 1/4-20 X .25 ZINC.....2		--	216791GT	TERMINAL BLOCK, WIELAND	
2	147090GT	CIRCUIT BREAKER, 15A.....1		--	216793GT	TERMINAL BLOCK END PLATE	
3	66821GT	BASE, WITHOUT CONTACTS.....2		--	33422GT	DIN RAIL, 17"	
4	66816GT	CONTACT, N.O.***.....1		--	74913GT	END STOP, DIN RAIL, SCREW CLAMP	
5	96008-SGT	KEYSWITCH, 3 POS. W/KEYS***.....1 (includes 1 pair of keys)		--	74917GT	JUMPER COMB, 2-WAY, WIELAND	
--	37947GT	KEYS, 10 PACK*** (use with keyswitch 96008-S)		28	73717GT	CONN, RECEP 4 WAY, 12-14GA FL***.....1	1
--	66814GT	BASE, WITH 2 N.O. CONTACTS*** (includes 2 each N.O. contacts)		29	73736GT	CONN, RECEP 48 WAY, 4 X 12.....1	1
--	66816GT	CONTACT, N.O.***		30	73803GT	SCREW, SHM, PHM, #12 X .75.....6	6
--	83093GT	KEY SINGLE*** (includes boot, use with keyswitch 96008-S)		31	49820GT	SCREW, PHILLIPS, PHM, 6-32 X .5.....15	15
--	83131GT	KEYSWITCH, 3 POS W/KEYS, LOCKING		32	12344GT	NUT, NYLOCK, 6-32.....15	15
--	96009GT	WASHER, NITRILE		33	73754GT	CONN, RECEP 40 WAY, W/FLANGE.....1	1
6	66818GT	CONTACT, N.C.....2		34	73753GT	CONN, RECEP 24 WAY, W/FLANGE.....1	1
7	15243GT	PLUG, NYLON .875 BLACK DOMED.....1		35	87755GT	CONN, RECEP 8 WAY 14-18GA, FL.....1	1
8	121753GT	HARNES, ALARM/BEACON, S80 2008.....1		36	6888GT	SCREW, HHC, 1/4-20 X 1.....1	1
9	6935GT	LOCKNUT, ELEC, 1/2".....2		37	1252684GT	SCREW, DP200 M3X10 4PACK.....4 (part of assembly 1251984)	4
10	121599GT	GASKET, GBOX, S80/85 2008.....1		38	219718GT	BRACKET, DP200 PANEL MOUNT.....1 (part of assembly 1251984)	1
11	1253409GT	ANGLE, RELAY MOUNTING.....1		39	89575GT	RESISTOR, 7.5 OHM, 25 WATT, 1PCNT....1	1
12	1253160GT	WELDMENT, GBOX, S80/85 2013.....1		40	27287GT	RESISTOR, 10 OHM, 25 WATT.....1	1
--	42288GT	PLUG, NYLON .188 BLACK DOMED		41	40614GT	RESISTOR, 5 OHM, 25W***.....1	1
--	42781GT	PLUG, NYLON .250 BLACK DOMED		42	21618GT	CLAMP, 1.13, #18 X 1/4, RUB CUSH.....1	1
--	96010GT	SCREW, PHILLIPS, PHM, 8-32 X .25**		43	1252685GT	GASKET, DP200 BLACK PANEL SEAL....1 (part of assembly 1251984)	1
13	6889GT	NUT, LP NYLOCK, 1/4-20.....2		44	1251984GT	ASSY, DISPLAY, DP200 DEUTZ T4.....1 (includes items 39, 40 and 45)	1
14	6638GT	WASHER, FLAT, USS, 1/4"Y.....6		45	128200GT	SWITCH TOGGLE ASSY SPDT 3P MOM.....1 (platform rotate switch)	1
15	6145GT	SCREW, HHC, 1/4-20 X 1.5.....1		46	229567GT	PLUG, SANTOPRENE .5 BLACK DOME.....1	1
16	6090GT	SCREW, HHC, 1/4-20 X .75.....6		47	229567GT	PLUG, SANTOPRENE .5 BLACK DOME.....1 (gasoline/LPG models - fuel select switch)	1
17	6356GT	WASHER, LOCK, .25.....6		48	128200GT	SWITCH TOGGLE ASSY SPDT 3P MOM.....1 (engine start switch)	1
18	33607GT	RELAY, OMRON, DPDT, 12V.....1 (welder option)		49	128202GT	SWITCH TOGGLE ASSY DPDT 3P MOM.....1 (turntable rotate switch)	1
19	6178GT	NUT, NYLOCK, 10-32.....6		50	128204GT	SWITCH TOGGLE ASSY SPDT 2P MNT.....1 (function enable switch)	1
20	54365GT	SCREW, PHIL, PHM, 10-32 X .5, SSTL....6					
21	74913GT	END STOP, DIN RAIL, SCREW CLAMP.....2					
22	30997GT	CORROSION INHIBITOR, FOAM.....1					
23	45385GT	PLUG, NYLON 1.12 BLACK DOMED.....1					
24	229567GT	PLUG, SANTOPRENE .5 BLACK DOME.....1					

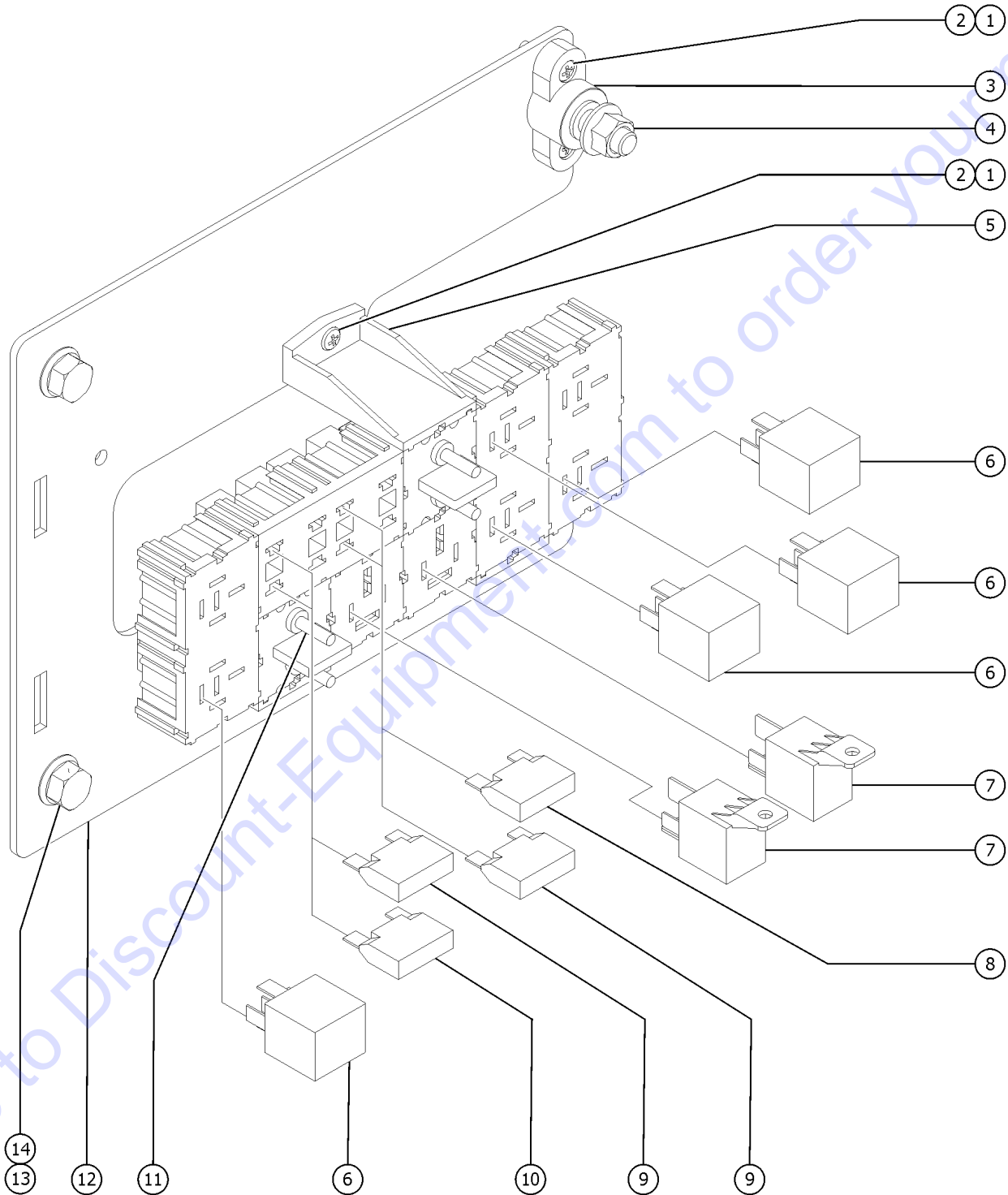
310.1 Ground Control Box - Deutz TD2.9L4 (continued)

Item	Part No.	Description	Qty.
51	128202GT	SWITCH TOGGLE ASSY DPDT 3P MOM.....1 <i>(platform level switch)</i>	1
52	229567GT	PLUG,SANTOPRENE .5 BLACK DOME.....1 <i>(check engine light)</i>	1
53A	229567GT	PLUG,SANTOPRENE .5 BLACK DOME.....1 <i>(S-80 and S-80X models)</i>	1
53B	128200GT	SWITCH TOGGLE ASSY SPDT 3P MOM.....1 <i>(S-85 models)</i>	1
54	128201GT	SWITCH TOGGLE ASSY DPDT 2P MOM.....1 <i>(emergency power switch)</i>	1
55	66812GT	BUTTON,PUSH,RED MUSHROOM HEAD.....1 <i>(red emergency stop button)</i>	1
56	88827GT	GASKET,KEYSWITCH,PLASTIC***.....1	1
57	66813GT	BUTTON,PUSH,BLACK W/SEAL***.....1 <i>(function enable) (models with push button) shown</i>	1
--	80716GT	SWITCH,SELECTOR,BLACK <i>(function enable) (models with selector switch) not shown</i>	
58	128202GT	SWITCH TOGGLE ASSY DPDT 3P MOM.....1 <i>(boom up/down switch)</i>	1
59	218165GT	LIGHT,INDICATOR,RED 12V H-BRI.....1 <i>(machine malfunction indicator light)</i>	1
60	128202GT	SWITCH TOGGLE ASSY DPDT 3P MOM.....1 <i>(boom extend/retract switch)</i>	1
61	122994GT	NICKEL PLATED JAM NUT.....1	1
62	229567GT	PLUG,SANTOPRENE .5 BLACK DOME.....1	1
63	21858GT	PLUG,NYLON .38 BLACK DOMED.....2	2
64	1251825GT	WELDMENT, LID, GBOX, TIER IV S80...1	1
--	6578GT	CABLE TIE,7 3/8"	

This Page Intentionally Left Blank

Go to Discount-Equipment.com to order your parts

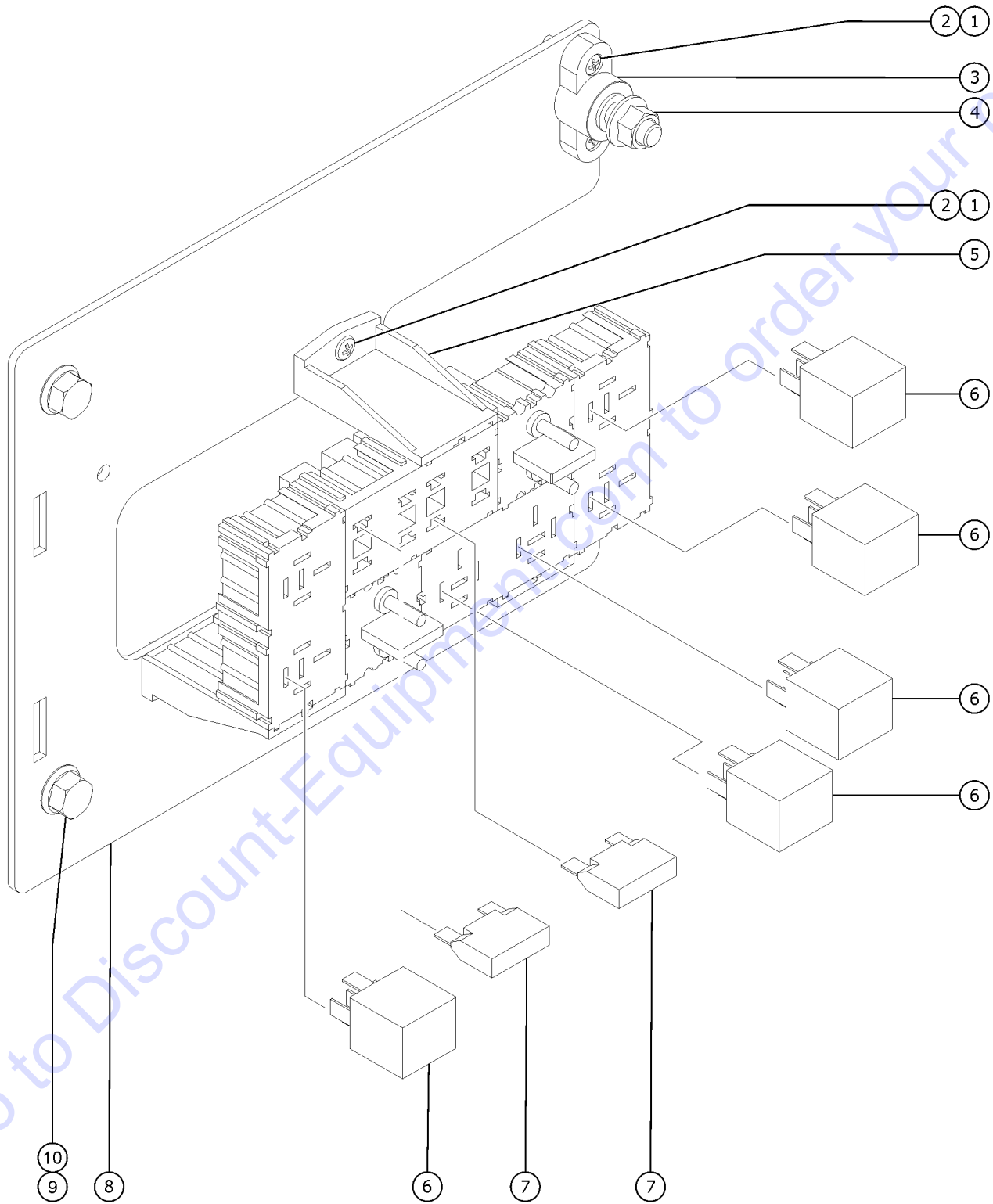
311.1 Turntable Components - Relay Panel, Diesel Models



311.1 Turntable Components - Relay Panel, Diesel Models

Item	Part No.	Description	Qty.
A	88159GT	LOCK,WEDGE,RLY 9.5MM	
1	49816GT	SCREW,PHILLIPS,PHM,10-32 X .75.....3	
2	6178GT	NUT,NYLOCK,10-32.....3	
3	94982GT	STANDOFF, 3/8" BLACK.....1	
4	824029GT	NUT,TL FLG,3/8-16,G,ZAG.....1	
5	88160GT	BRACKET,LEG,RLY BLOCK	
6	34052GT	RELAY,SPDT,12V(AUTO) PLUG IN**4	
--	88167GT	CONN,DUAL RLY MODULE,10 POS	
7	61225GT	RELAY,12VDC,70AMP,SEALED.....2	
--	88162GT	CONN,POWER RLY MODULE,4POS	
8	101340GT	FUSE,60 AMP,MAXI.....1	
--	88164GT	CONN MAXI FUSE MODULE,4POS	
9	94327GT	FUSE,30 AMP.....2	
--	88164GT	CONN MAXI FUSE MODULE,4POS	
10	60536GT	FUSE,20 AMP,MAXI.....1 (Deutz models)	
--	88164GT	CONN MAXI FUSE MODULE,4POS	
11	106051GT	CONN,FEED THRU STUD.....2	
--	88164GT	CONN MAXI FUSE MODULE,4POS	
12		REF. PLATE, RELAY BLOCK MOUNT.....1 (refer to 306.1)	
13	75051GT	SCREW,SER FLNG3/8UNCX3/4ZNYEL.....4	
14	29868GT	SPRING CLIP,3/8-16,.05-.20X.73,ZAG...3	

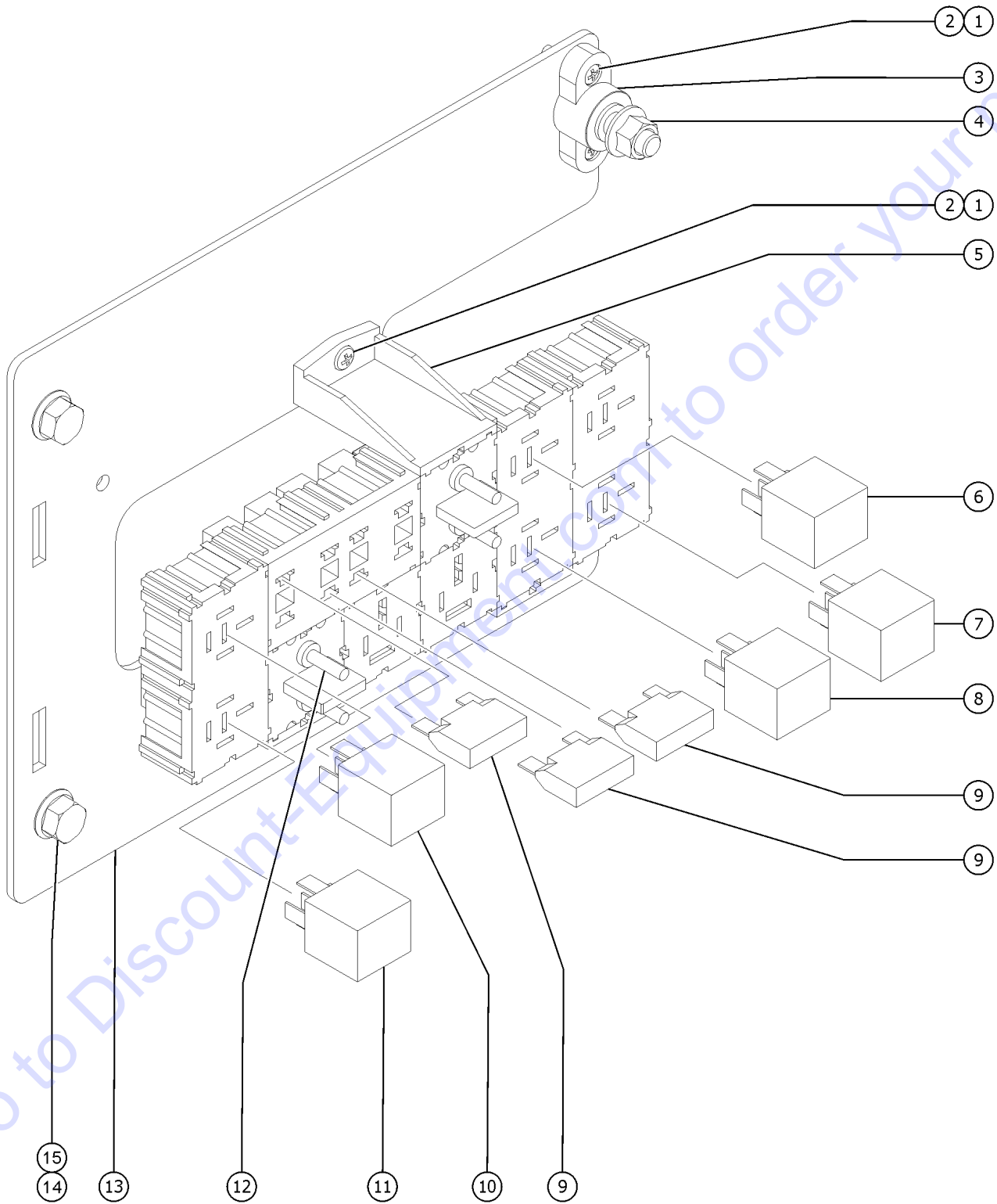
312.1 Turntable Components - Relay Panel, Gasoline/LPG Models



312.1 Turntable Components - Relay Panel, Gasoline/LPG Models

Item	Part No.	Description	Qty.
A	88159GT	LOCK,WEDGE,RLY 9.5MM	
1	49816GT	SCREW,PHILLIPS,PHM,10-32 X .75.....3	
2	6178GT	NUT,NYLOCK,10-32.....3	
3	94982GT	STANDOFF, 3/8" BLACK.....1	
4	824029GT	NUT,TL FLG,3/8-16,G,ZAG.....1	
5	88160GT	BRACKET,LEG,RLY BLOCK	
6	34052GT	RELAY,SPDT,12V(AUTO) PLUG IN**5	
--	88167GT	CONN,DUAL RLY MODULE,10 POS	
7	94327GT	FUSE,30 AMP.....2	
--	88164GT	CONN MAXI FUSE MODULE,4POS	
8		REF. PLATE, RELAY BLOCK MOUNT.....1 (refer to 306.1)	
9	75051GT	SCREW,SER FLNG3/8UNCX3/4ZNYEL.....4	
10	29868GT	SPRING CLIP,3/8-16,.05-.20X.73,ZAG....3	

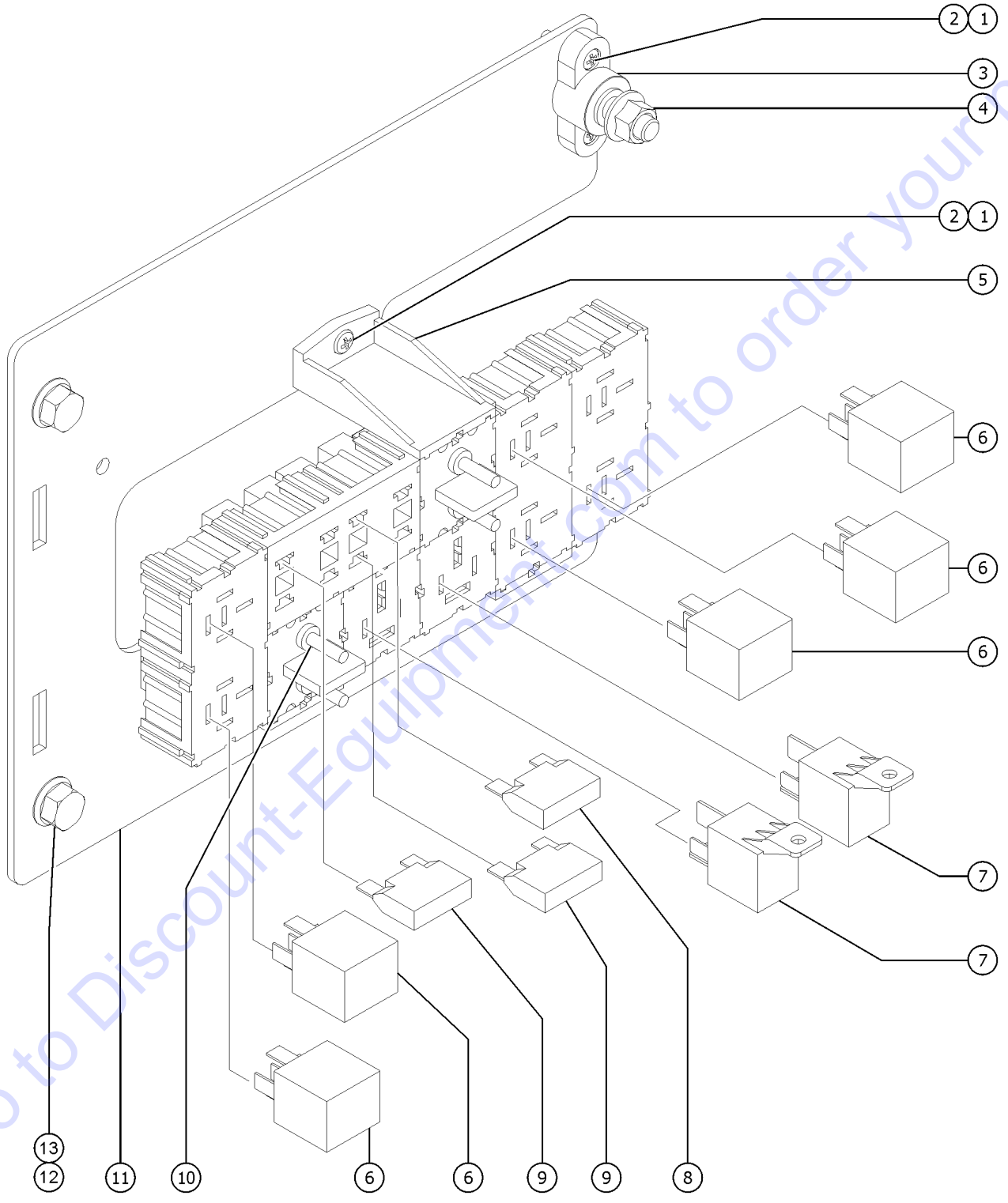
313.1 Turntable Components - Relay Panel, Deutz TD 2.9L4



313.1 Turntable Components - Relay Panel, Deutz TD 2.9L4

Item	Part No.	Description	Qty.
A	88159GT	LOCK,WEDGE,RLY 9.5MM	
1	49816GT	SCREW,PHILLIPS,PHM,10-32 X .75.....3	
2	6178GT	NUT,NYLOCK,10-32.....3	
3	94982GT	STANDOFF, 3/8" BLACK.....1	
4	824029GT	NUT,TL FLG,3/8-16,G,ZAG.....1	
5	88160GT	BRACKET,LEG,RLY BLOCK	
6	34052GT	RELAY,SPDT,12V(AUTO) PLUG IN**1 <i>CR2 (ENG/IGN RLY)</i>	
7	34052GT	RELAY,SPDT,12V(AUTO) PLUG IN**1 <i>CR6 (FUEL PUMP RLY)</i>	
8	34052GT	RELAY,SPDT,12V(AUTO) PLUG IN**1 <i>CR39 (VDROP RLY)</i>	
9	60536GT	FUSE,20 AMP,MAXI.....3	
--	88164GT	CONN MAXI FUSE MODULE,4POS	
10	34052GT	RELAY,SPDT,12V(AUTO) PLUG IN**1 <i>CR17 (OIL COOL RLY, OPTION)</i>	
11	34052GT	RELAY,SPDT,12V(AUTO) PLUG IN**1 <i>CR5 (HORN RLY)</i>	
12	106051GT	CONN,FEED THRU STUD.....2	
--	88164GT	CONN MAXI FUSE MODULE,4POS	
13		REF. PLATE, RELAY BLOCK MOUNT.....1 <i>(refer to 306.1)</i>	
14	75051GT	SCREW,SER FLNG3/8UNCX3/4ZNYEL.....4	
15	29868GT	SPRING CLIP,3/8-16,.05-.20X.73,ZAG....3	

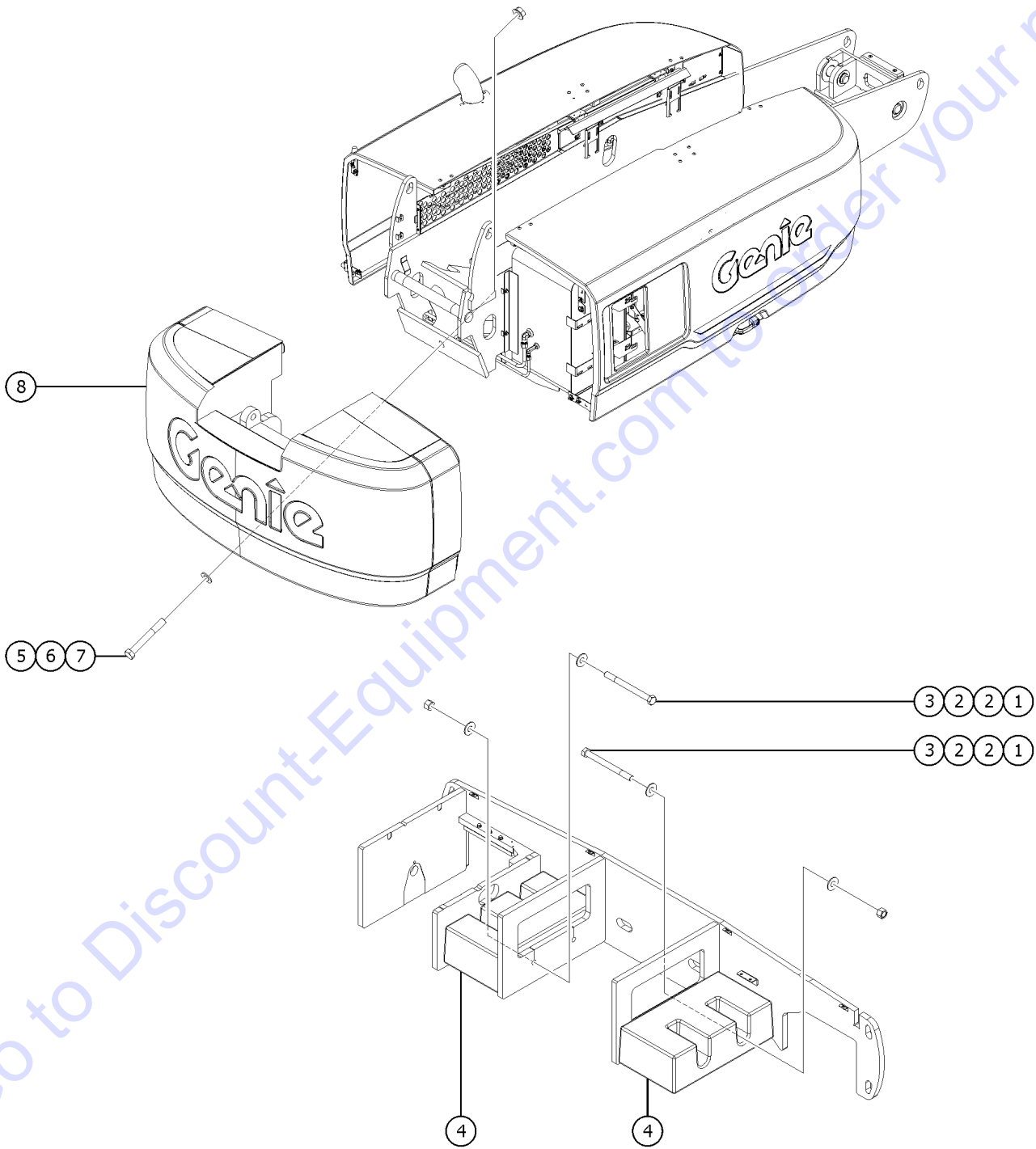
314.1 Turntable Components - Relay Panel, Perkins 404D-22T



314.1 Turntable Components - Relay Panel, Perkins 404D-22T

Item	Part No.	Description	Qty.
A	88159GT	LOCK,WEDGE,RLY 9.5MM	
1	49816GT	SCREW,PHILLIPS,PHM,10-32 X .75.....3	
2	6178GT	NUT,NYLOCK,10-32.....3	
3	94982GT	STANDOFF, 3/8" BLACK.....1	
4	824029GT	NUT,TL FLG,3/8-16,G,ZAG.....1	
5	88160GT	BRACKET,LEG,RLY BLOCK	
6	34052GT	RELAY,SPDT,12V(AUTO) PLUG IN**5	
--	88167GT	CONN,DUAL RLY MODULE,10 POS	
7	61225GT	RELAY,12VDC,70AMP,SEALED.....2	
--	88162GT	CONN,POWER RLY MODULE,4POS	
8	101340GT	FUSE,60 AMP,MAXI.....1	
--	88164GT	CONN MAXI FUSE MODULE,4POS	
9	60536GT	FUSE,20 AMP,MAXI.....2	
10	106051GT	CONN,FEED THRU STUD.....2	
--	88164GT	CONN MAXI FUSE MODULE,4POS	
11		REF. PLATE, RELAY BLOCK MOUNT.....1 (refer to 306.1)	
12	75051GT	SCREW,SER FLNG3/8UNCX3/4ZNYEL.....4	
13	29868GT	SPRING CLIP,3/8-16,.05-.20X.73,ZAG....3	

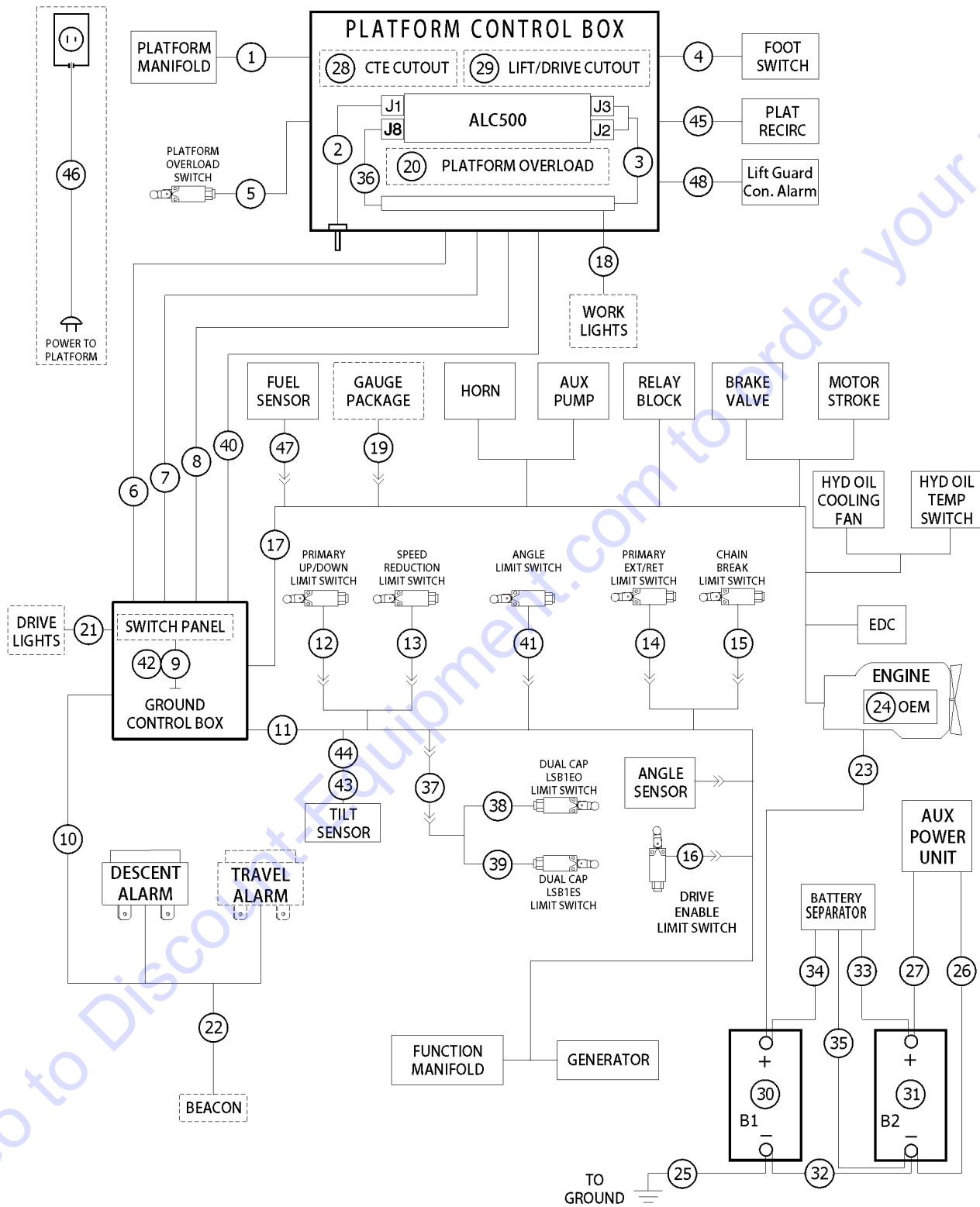
315.1 Turntable Counterweight



315.1 Turntable Counterweight

Item	Part No.	Description	Qty.
1	826792GT	SCREW,HHC,1-8X11,5,ZAG.....4 (S-80X and S-85)	4
2	1256469GT	WASHER,FLAT,1.0,USS,ZAG.....8 (S-80X and S-85)	8
3	826794GT	NUT,TL,1-8,C,ZAG.....4 (S-80X and S-85)	4
4	1274162GT	CASTING, CHASSIS WEIGHT, NDL.....2 (S-80X and S-85)	2
5	1273404GT	SCREW,HHC,1-8X7.5,8,ZAG.....1	1
6	824116GT	WASHER, FLAT, F436, 1.0, ZAG.....1	1
7	824031GT	NUT,TL FLG,1-8,G,ZAG.....1	1
8A	1267078GT	COUNTERWEIGHT,S80.....1 (S-80 and S-80X)	1
8B	1267079GT	COUNTERWEIGHT,S85.....1 (S-85)	1

316.1 Wire Harness Diagram, S-80X and S-80



316.1 Wire Harness Diagram, S-80X and S-80

Item	Part No.	Description	Qty.	Item	Part No.	Description	Qty.
--	1264822GT	KIT, TRC RETROFIT, STNDRD <i>Telematics (includes 1264834)</i>		18A	T115760GT	HARNESS,12V WORK LIGHTS.....1	
--	1264834GT	INSTRN, TRC RETROFIT, STNDRD		18B	T115761GT	HARNESS,12V WORK LIGHT RELAY....1 <i>(use with harness item T115760)</i>	
--	121456GT	HARN,PBOX,JOYSTICK,S80/85 2008		19	121492GT	HARNESS,GAUGE OPT. S80/85.....1	
--	228448GT	HARNESS,PROX.KILL		20	219490GT	HARNESS,LS W/RECOVERY.....1	
1	121726GT	HARN,PLAT MANIFOLD,S80.....1		21	121447GT	HARNESS,DRV LIGHTS,S80/85 2008....1	
2	1275802GT	HARNESS,PBOX,S80/85.....1 <i>(Deutz TD2011L04i, GM 3.0L and Perkins 404D-22T)</i>		22	121489GT	HARNESS,BEACON,S80/85 2008.....1	
3	1275803GT	HARN, PBOX, DEUTZ 2.9T, S80.....1 <i>(Deutz TD 2.9L4)</i>		23	121474GT	CABLE, BATTERY 2/0 POS RD 123"	
4	227516GT	ASSEMBLY,FOOT SWITCH.....1		24	122399GT	HARNESS, TD2011L04i, DEUTZ <i>(Deutz models)</i>	
5	121848GT	ASSY,LS,LOAD SENSE,38.5 IN.....1		25	217370GT	CABLE,BATTERY NEG,BK.....1	
6	121732GT	HARNESS,16/22 BOOM 1,S80-2008....1 <i>(green - brown)</i>		26	121619GT	HARNESS,BATT2 TO APU(+),S80.....1	
7	121477GT	HARNESS,18/22 BOOM 2,S80-2008....1 <i>(grey - black)</i>		27	121622GT	HARNESS,BATT2 TO APU(-),S80.....1	
8	121478GT	HARNESS,12V TO PLAT,S80-2008.....1		28	121521GT	OPT,CTE CUTOOUT,S80/85 2008.....1	
9A	1265454GT	HARNESS, GBOX, DEUTZ 2.9T, S80.....1 <i>(Deutz TD 2.9L4)</i>		29	1258701GT	HARNESS,CE OPTION,S80/85.....1	
9B	1265455GT	HARNESS, GBOX, DEUTZ2011,S80.....1 <i>(Deutz TD2011L04i)</i>		30	30143GT	BATTERY,12V,1000 CCA GRP 31	
9C	1265458GT	HARNESS, GBOX, CONINENTAL,S80....1 <i>(GM 3.0 L)</i>		31	77694GT	BATTERY,12V DEEP CYC 5/16"STUD	
9D	1258618GT	HARN,GBOX,PERKINS 404D,S80/85.....1 <i>(Perkins 404D-22T)</i>		32	106555GT	HARNESS,GND BATT 1 TO BATT 2	
10	121753GT	HARNESS,ALARM/BEACON,S80 2008.....1		33	121618GT	HARNESS,BATT2 TO SEPERATOR,S80	
11	1264385GT	HARNESS, MANIFOLD, FUNCTION.....1		34	121617GT	HARNESS,BATT1 TO SEPERATOR,S80	
12	121469GT	HARN,LS,BOOM ANGLE S80/85 2008...1		35	121621GT	HARNESS,SEPERATOR GND,S80	
--	110771-141C7GT	LIMIT SW.TAB,BLUE METAL		36	1259219GT	HARNESS,PBOX,DUAL CAP,S80X <i>S-80X only</i>	
13	T107193GT	HARN,LS OP PRI VEL LST30.....1		37	147653GT	HARN, LS CABLE,S80 DUAL CAP <i>S-80X only</i>	
--	110771-13107GT	SWITCH,LIMIT,W/RLLR ARM,NO/NC		38	147651GT	HARN,LSB1,DUAL CAP ASSY.....1 <i>S-80X only</i>	
14	121466GT	HARNESS,LS,BOOM RET S80/85.....1		39	T106479GT	HARN,LS SAFETY,PRI.DUAL CAP.....1 <i>S-80X only</i>	
--	88356-32163GT	SWITCH,LIMIT,TABULATED,BLUE		40	T106478GT	HARN,LS OP PRI.DUAL CAP.....1 <i>S-80X only</i>	
15	121468GT	HARNESS,LS,CHAIN BREAK S80/85.....1		41	T107194GT	HARN,LS SAFETY PRI VEL LST3S.....1 <i>S-80X only</i>	
--	88356-13107GT	SWITCH,LIMIT,TABULATE,BLUE		--	110771-11117GT	SWITCH,LIMIT,W/RLLR ARM,NO/NC	
16	121467GT	HARN,LS,DRIVE EN,S80/85 2008.....1		42	229357GT	HARNESS, LIGHT PACKAGE, S80	
--	88356-33103GT	SWITCH,LIMIT TABULATED,BLUE		43	1264947GT	KIT, LEVEL SENSOR, 6 PIN CONN. <i>(for ANSI/CSA models with 6-pin wire harness connector, includes instructions)</i>	
17A	216760GT	HARNESS, DEUTZ 2008.....1 <i>(Deutz TD2011L04i)</i>		44	1260218GT	HARNESS,TILT ALARM,12V <i>(for CSA models only)</i>	
17B	824585GT	HARN, ENG, TIER IV DEUTZ, S80.....1 <i>(Deutz TD 2.9L4)</i>		45	226550GT	HARNESS, PLAT RECIRC, S80/85.....1	
17C	1269050GT	HARNESS, ENG, GM3.0, S80.....1 <i>(GM 3.0 L)</i>		46	30794GT	WIRE,12/3 SJEOW,BK-WH-GR/YL.....1212-inches <i>power to platform cable option)</i>	
17D	1258619GT	HARNESS,ENG,PERKINS 404D,S80/85.....1 <i>(Perkins 404D-22T)</i>		47	1273602GT	HARNESS, LEVEL, FUEL, S80.....1	
				48	1278108GT	HARNESS, CONTACT ALARM, S40,S60,S80.....1	

316.1 Wire Harness Diagram, S-80X and S-80
(continued)

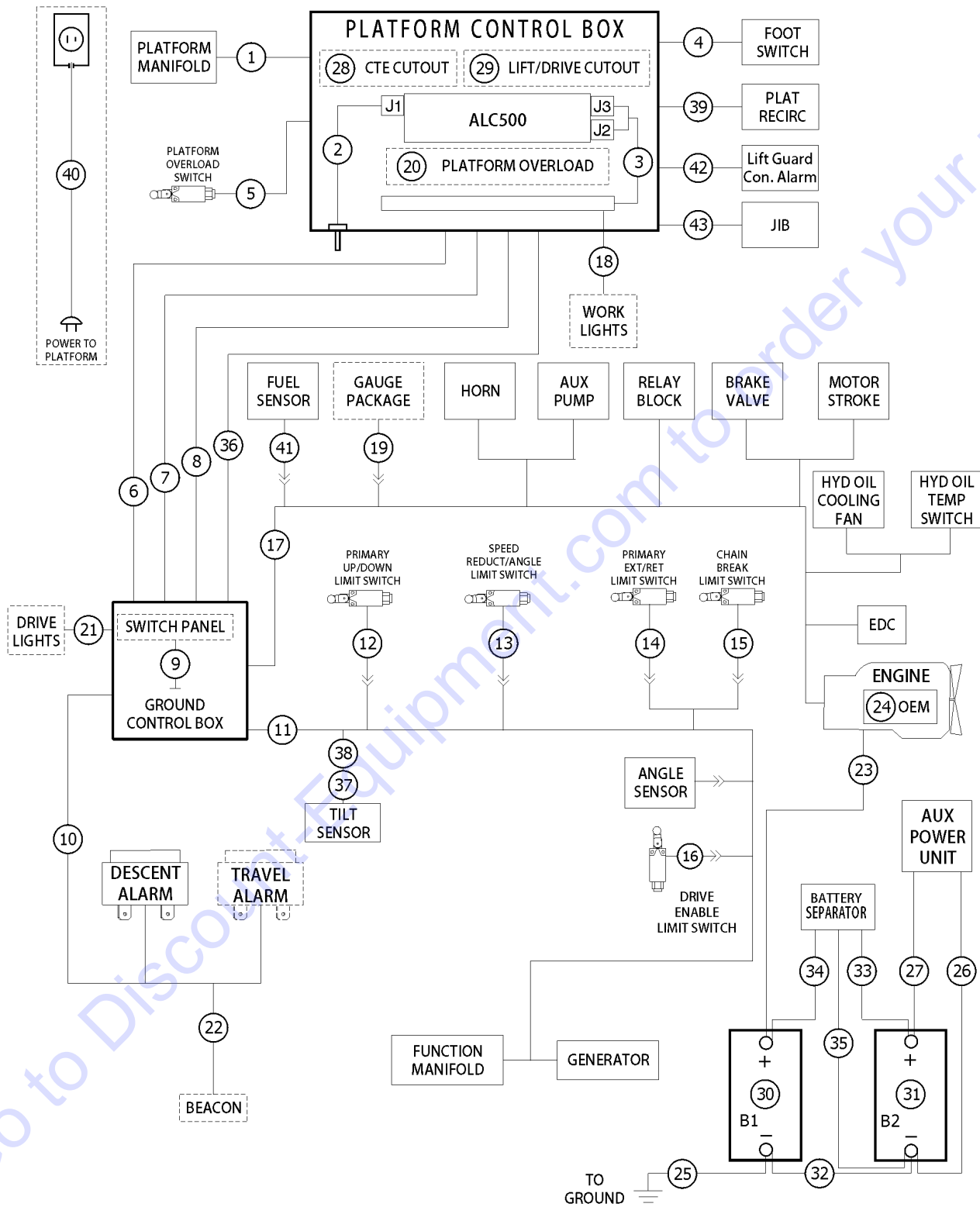
Item	Part No.	Description	Qty.
--	19274GT	RELAY,SPDT,12V(AUTO)** <i>(Use with harness item 1278108)</i>	

Go to Discount-Equipment.com to order your parts

This Page Intentionally Left Blank

Go to Discount-Equipment.com to order your parts

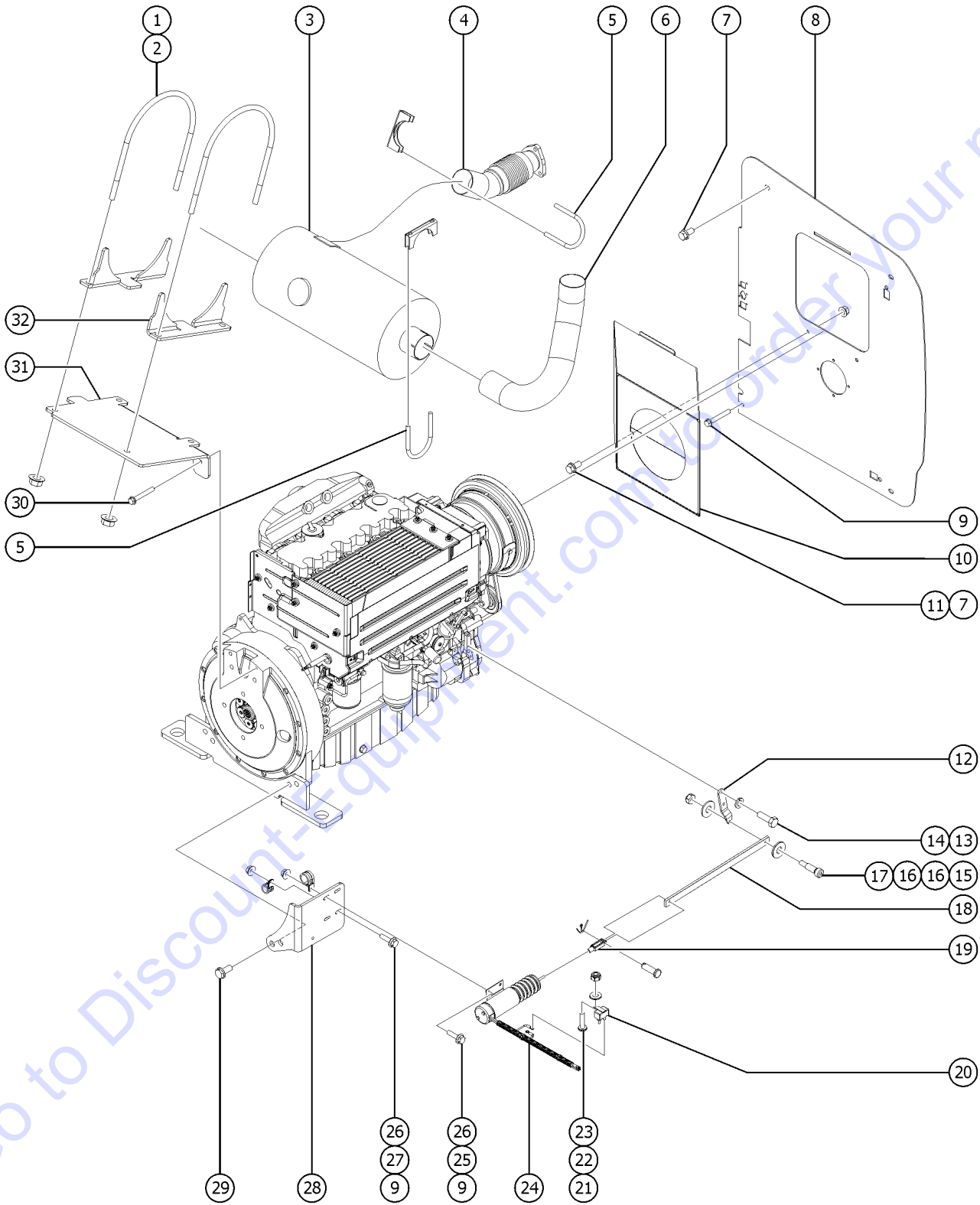
317.1 Wire Harness Diagram, S-85



317.1 Wire Harness Diagram, S-85

Item	Part No.	Description	Qty.	Item	Part No.	Description	Qty.
--	1264822GT	KIT, TRC RETROFIT, STNDRD <i>Telematics (includes 1264834)</i>		18A	T115760GT	HARNESS,12V WORK LIGHTS.....1	
--	1264834GT	INSTRN, TRC RETROFIT, STNDRD		18B	T115761GT	HARNESS,12V WORK LIGHT RELAY....1 <i>(use with harness item T115760)</i>	
--	121456GT	HARN,PBOX,JOYSTICK,S80/85 2008		19	121492GT	HARNESS,GAUGE OPT. S80/85.....1	
--	228448GT	HARNESS,PROX.KILL		20	219490GT	HARNESS,LS W/RECOVERY.....1	
1	121727GT	HARN,PLAT MANIFOLD,S85.....1		21	121447GT	HARNESS,DRV LIGHTS,S80/85 2008....1	
2	1275802GT	HARNESS,PBOX,S80/85.....1 <i>(Deutz TD2011L04i, GM 3.0L and Perkins 404D-22T)</i>		22	121489GT	HARNESS,BEACON,S80/85 2008.....1	
3	1275803GT	HARN, PBOX, DEUTZ 2.9T, S80.....1 <i>(Deutz TD 2.9L4)</i>		23	121474GT	CABLE, BATTERY 2/0 POS RD 123"	
4	227516GT	ASSEMBLY,FOOT SWITCH.....1		24	122399GT	HARNESS, TD2011L04i, DEUTZ <i>(Deutz models)</i>	
5	121848GT	ASSY,LS,LOAD SENSE,38.5 IN.....1		25	217370GT	CABLE,BATTERY NEG,BK.....1	
6	121733GT	HARNESS,16/22 BOOM 1,S85-2008....1 <i>(Green - Brown)</i>		26	121619GT	HARNESS,BATT2 TO APU(+),S80.....1	
7	121480GT	HARNESS,18/22 BOOM 2,S85-2008....1 <i>(Gray - Black)</i>		27	121622GT	HARNESS,BATT2 TO APU(-),S80.....1	
8	121481GT	HARNESS,12V TO PLAT,S85 2008.....1		28	121521GT	OPT,CTE CUTOUT,S80/85 2008.....1	
9A	1265454GT	HARNESS, GBOX, DEUTZ 2.9T, S80.....1 <i>(Deutz TD 2.9L4)</i>		29	1258701GT	HARNESS,CE OPTION,S80/85.....1	
9B	1265455GT	HARNESS, GBOX, DEUTZ2011,S80.....1 <i>(Deutz TD2011L04i)</i>		30	30143GT	BATTERY,12V,1000 CCA GRP 31	
9C	1265458GT	HARNESS, GBOX, CONINENTAL,S80....1 <i>(GM 3.0 L)</i>		31	77694GT	BATTERY,12V DEEP CYC 5/16"STUD	
9D	1258618GT	HARN,GBOX,PERKINS 404D,S80/85.....1 <i>(Perkins 404D-22T)</i>		32	106555GT	HARNESS,GND BATT 1 TO BATT 2	
10	121753GT	HARNESS,ALARM/BEACON,S80 2008.....1		33	121618GT	HARNESS,BATT2 TO SEPERATOR,S80	
11	1264385GT	HARNESS, MANIFOLD, FUNCTION.....1		34	121617GT	HARNESS,BATT1 TO SEPERATOR,S80	
12	121469GT	HARN,LS,BOOM ANGLE S80/85 2008...1		35	121621GT	HARNESS,SEPERATOR GND,S80	
--	110771-141C7GT	LIMIT SW.TAB,BLUE METAL		36	229358GT	HARNESS, LIGHT PACKAGE, S85	
13	T107193GT	HARN,LS OP PRI VEL LST30.....1		37	1264947GT	KIT, LEVEL SENSOR, 6 PIN CONN. <i>(for ANSI/CSA models with 6-pin wire harness connector, includes instructions)</i>	
--	110771-13107GT	SWITCH,LIMIT,W/RLLR ARM,NO/NC		38	1260218GT	HARNESS,TILT ALARM,12V <i>(for CSA models only)</i>	
14	121466GT	HARNESS,LS,BOOM RET S80/85.....1		39	226550GT	HARNESS, PLAT RECIRC, S80/85.....1	
--	88356-32163GT	SWITCH,LIMIT,TABULATED,BLUE		40	30794GT	WIRE,12/3 SJEOW,BK-WH-GR/YL.....1272-inches <i>(power to platform cable option)</i>	
15	121468GT	HARNESS,LS,CHAIN BREAK S80/85.....1		41	1273602GT	HARNESS, LEVEL, FUEL, S80.....1	
--	88356-13107GT	SWITCH,LIMIT,TABULATE,BLUE		42	1278108GT	HARNESS, CONTACT ALARM, S40,S60,S80.....1	
16	121467GT	HARN,LS,DRIVE EN,S80/85 2008.....1		--	19274GT	RELAY,SPDT,12V(AUTO)** <i>(use with harness item 1278108)</i>	
--	88356-33103GT	SWITCH,LIMIT TABULATED,BLUE		43	121735GT	HARNESS,JIB KIT,S85-2008.....1	
17A	216760GT	HARNESS, DEUTZ 2008.....1 <i>(Deutz TD2011L04i)</i>					
17B	824585GT	HARN, ENG, TIER IV DEUTZ, S80.....1 <i>(Deutz TD 2.9L4)</i>					
17C	1269050GT	HARNESS, ENG, GM3.0, S80.....1 <i>(GM 3.0 L)</i>					
17D	1258619GT	HARNESS,ENG,PERKINS 404D,S80/85.....1 <i>(Perkins 404D-22T)</i>					

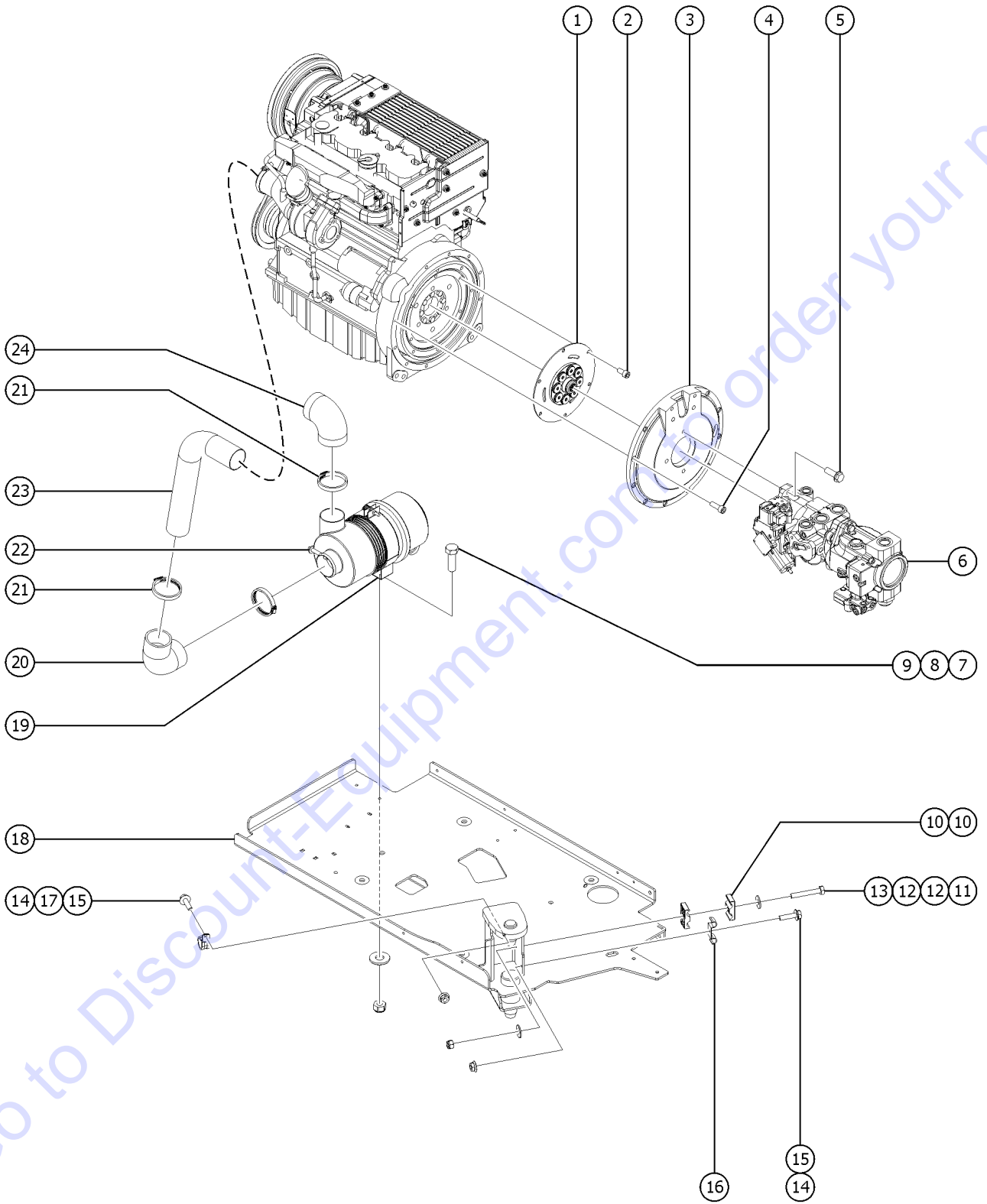
401.1 Deutz TD2011L04i Engine - View 1



401.1 Deutz TD2011L04i Engine - View 1

Item	Part No.	Description	Qty.
1	70449GT	U-BOLT,1/2-13 X 8.5.....	2
2	121423GT	NUT,FLG,1/2-13.....	4
3	70444GT	MUFFLER,2.5"INLET/OUTLET.....	1
4	70445GT	FLEX PIPE,EXHAUST,2.5" DIA.....	1
5	71911GT	CLAMP,MUFFLER, 2.50 INCH.....	2
6	70465GT	TAILPIPE,DEUTZ BF4L2011.....	1
7	75051GT	SCREW,SER FLNG3/8UNCX3/4ZNYEL.....	5
8	1274053GT	PLATE, BULKHEAD, DEUTZ TD2011.....	1
9	121420GT	SCREW,HHF,1/4-20 X 1.00.....	5
10	121410GT	WELDMENT,COOLING AIRBOX.....	1
11	121422GT	NUT,HEX,FLG,3/8-16.....	2
12	50787-SGT	LEVER, GOVERNOR ACTUATOR.....	1
13	22578GT	SCREW,HHC,M6 X 20MM,GR8.8.....	2
14	49407GT	WASHER,LOCK,M6.....	2
15	6584GT	SCREW,SHS,10-24 X .625.....	1
16	6638GT	WASHER,FLAT,USS,1/4"Y.....	2
17	5365GT	NUT,NYLOCK,10-24.....	1
18	139322GT	THROTTLE LINKAGE, DSL.....	1
19	21130GT	CLEVIS YOKE-1/4-28,PLTD W/PIN.....	1
20	128829GT	CIRCUIT BRKR 15A TYPE 2 METAL.....	1
21	49816GT	SCREW,PHILLIPS,PHM,10-32 X .75.....	1
22	6146GT	WASHER,FLAT,MS,#10,Y.....	1
23	6178GT	NUT,NYLOCK,10-32.....	1
24	121615GT	THROTTLE SOLENOID ASSY, TROMB.....	1
--	128829GT	CIRCUIT BRKR 15A TYPE 2 METAL	
25	18666GT	CLAMP,1.00,#16 X 1/4,RUB CUSH.....	1
26	121421GT	NUT,FLG,1/4-20.....	4
27	45454GT	CLAMP,RUB CUSH,0.75,#12 X 3/8*.....	1
28	139321GT	FORMING, SOLENOID MOUNT***.....	1
29	121688GT	SCREW,HHC,FLG,M14 X 35.....	2
30	121430GT	SCREW,FLG HD,M10 X 70 GR12.9.....	2
31	70448PGT	FORMING,MUFFLER MOUNT.....	1
32	70483GT	FORMING,8.5' MUFFLER MOUNT.....	2

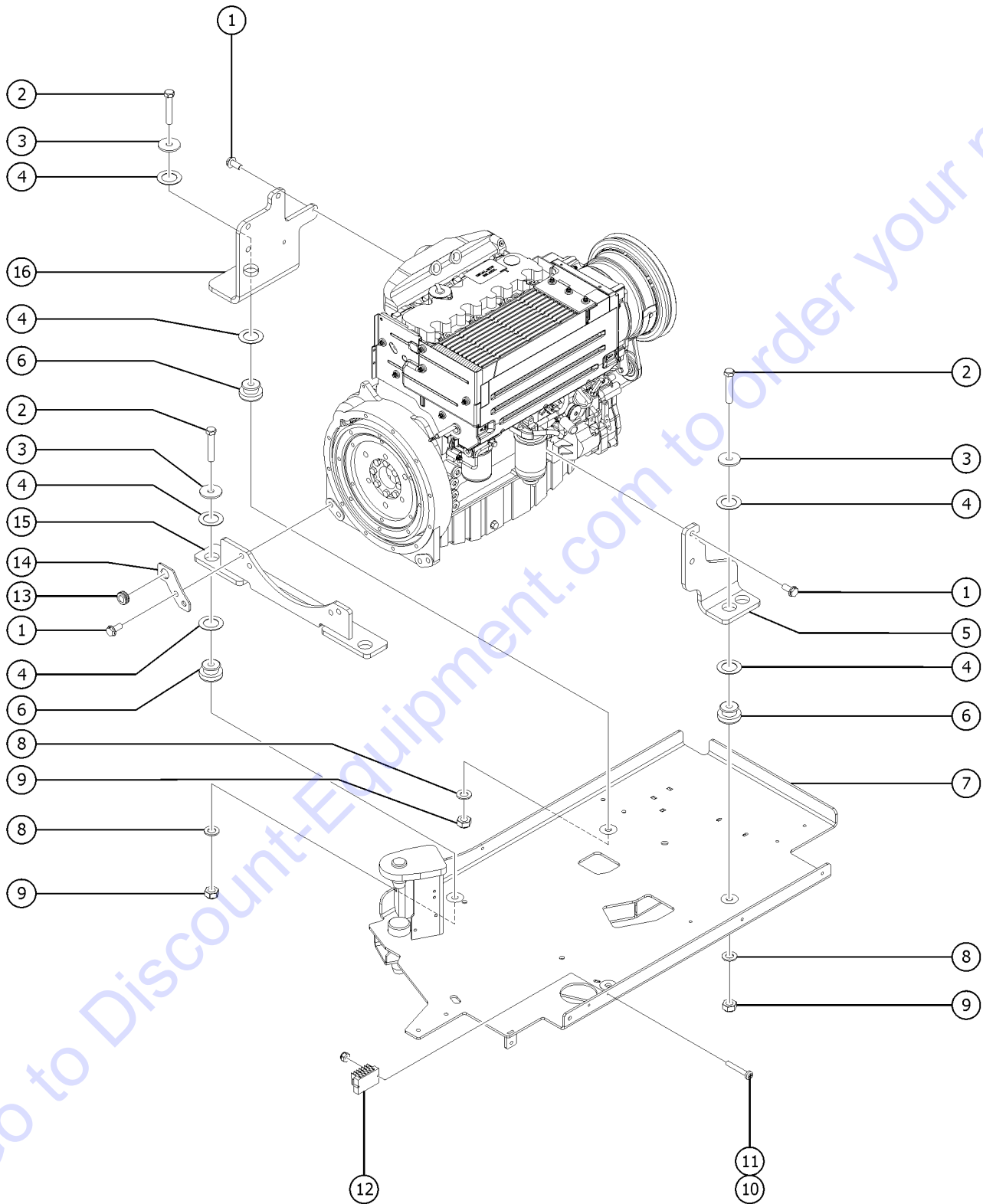
402.1 Deutz TD2011L04i Engine - View 2



402.1 Deutz TD2011L04i Engine - View 2

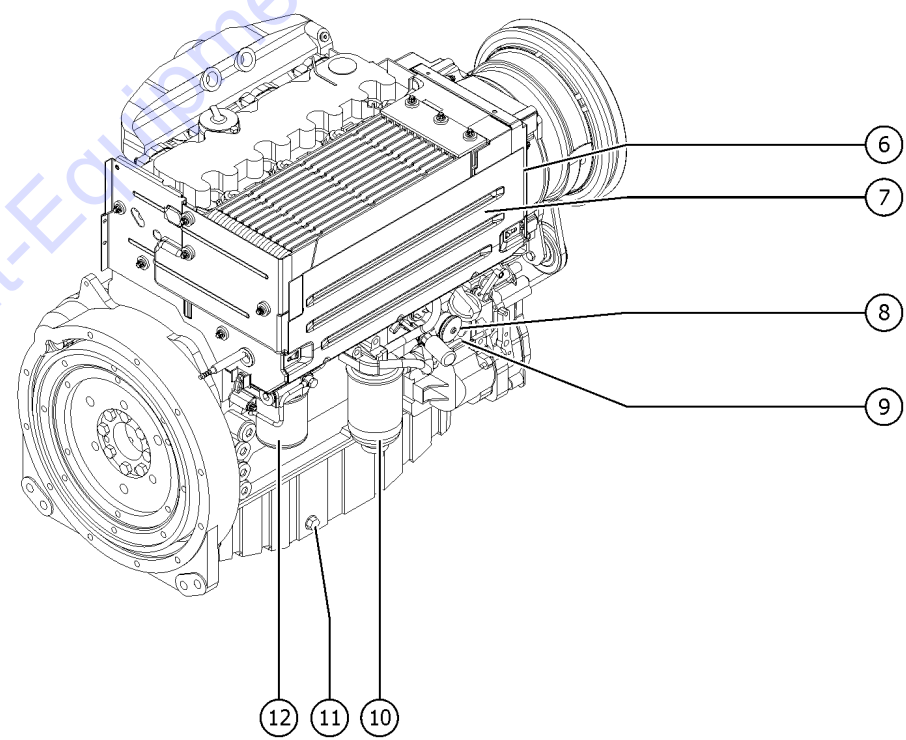
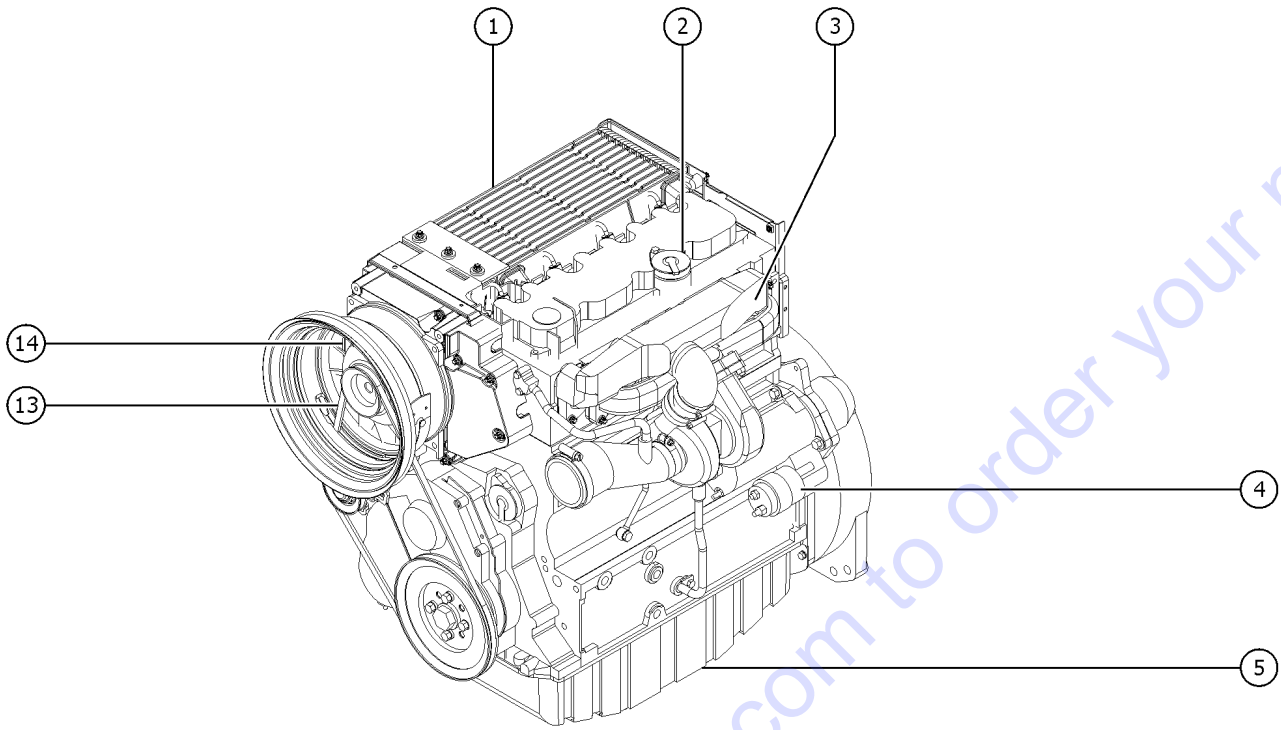
Item	Part No.	Description	Qty.
1	128004GT	COUPLER,15 TOOTH,FBA,SAE8***.....1	1
2	62476GT	SCREW,SHC,M10X1.5X20MM (75090).....6	6
3	70381GT	COVER,FLYWHEEL CASTING.....1	1
4	61110GT	SCREW,SHC,M10X1.5X30 GR 12.9.....9	9
5	123167GT	FLGHCS,1/2-13X1.50,GR8,BLK PH.....4	4
6		REF.DRIVE PUMP AND FUNCTION PUMP.....1 (refer to 708.1)	1
7	13002GT	SCREW,HHC,5/16-18 X 1 GR5.....2	2
8	5397GT	WASHER,FLAT,USS,5/16",Y.....2	2
9	6782GT	NUT,NYLOCK,5/16-18.....2	2
10	78736GT	CLAMP,2 HOSE,PLASTIC,5/8.....2	2
11	6637GT	SCREW,HHC,1/4-20 X 1.75.....1	1
12	6638GT	WASHER,FLAT,USS,1/4"Y.....2	2
13	6091GT	NUT,NYLOCK,1/4-20.....1	1
14	121420GT	SCREW,HHF,1/4-20 X 1.00.....2	2
15	121421GT	NUT,FLG,1/4-20.....2	2
16	75289GT	CLAMP,HOSE,1/2" DOUBLE.....1	1
17	18666GT	CLAMP,1.00,#16 X 1/4,RUB CUSH.....1	1
18		REF. WELDMENT,ENGINE TRAY.....1 (refer to 417.1)	1
19	81468GT	MOUNTING BAND,AIR CLEANER.....1	1
20	139455GT	ELBOW,AIR INTAKE,RUBBER.....1	1
21	30489GT	CLAMP,HOSE,3.50.....3	3
22	81467GT	AIR CLEANER,NELSON.....1	1
--	52866GT	EVACUATOR VALVE-AIR CLEANER	
--	62425GT	FILTER,AIR CLEANER,SUPERBOOM	
--	75450GT	AIR CLEANER CLIPS, SUPERBOOM	
--	75451GT	AIR CLEANER COVER, SUPERBOOM*	
23	121563GT	TUBE,AIR INTAKE,DEUTZ.....1	1
24	60561GT	ELBOW,INLET,CUMMINS.....1	1

403.1 Deutz TD2011L04i Engine - View 3



Item	Part No.	Description	Qty.
1	121688GT	SCREW,HHC,FLG,M14 X 35.....	7
2	13003GT	SCREW,HHC,5/8-11 X 3.5 GRD.8.....	4
3	33418GT	WASHER,FLAT,.625 X 2.25 X.15.....	4
4	18596GT	WASHER,FLAT,1.56 X 2.5 X .061.....	8
5	70455GT	FORMING,ENGINE MOUNT.....	1
6	102045GT	ISOLATOR,ENGINE VIBRATION.....	4
7		REF. WELDMENT,ENGINE TRAY..... (refer to 417.1)	1
8	13064GT	WASHER,FLAT,.625 HARDENED.....	4
9	6024GT	NUT,NYLOCK,5/8-11.....	4
10	49817GT	SCREW,PHILLIPS,PHM,10-32 X1.25.....	2
11	6178GT	NUT,NYLOCK,10-32.....	2
12	89997GT	RELAY MODULE(89996,89998).....	1
13	60584GT	GROMMET,RUBBER .75 X .19 X 1**.....	1
14	217203GT	PLATE,BRACKET,BATTERY CABLE.....	1
15	70456GT	WELDMENT,REAR ENGINE MOUNT.....	1
16	70454GT	FORMING,ENGINE MOUNT.....	1

404.1 Deutz TD2011L04i Engine - View 4

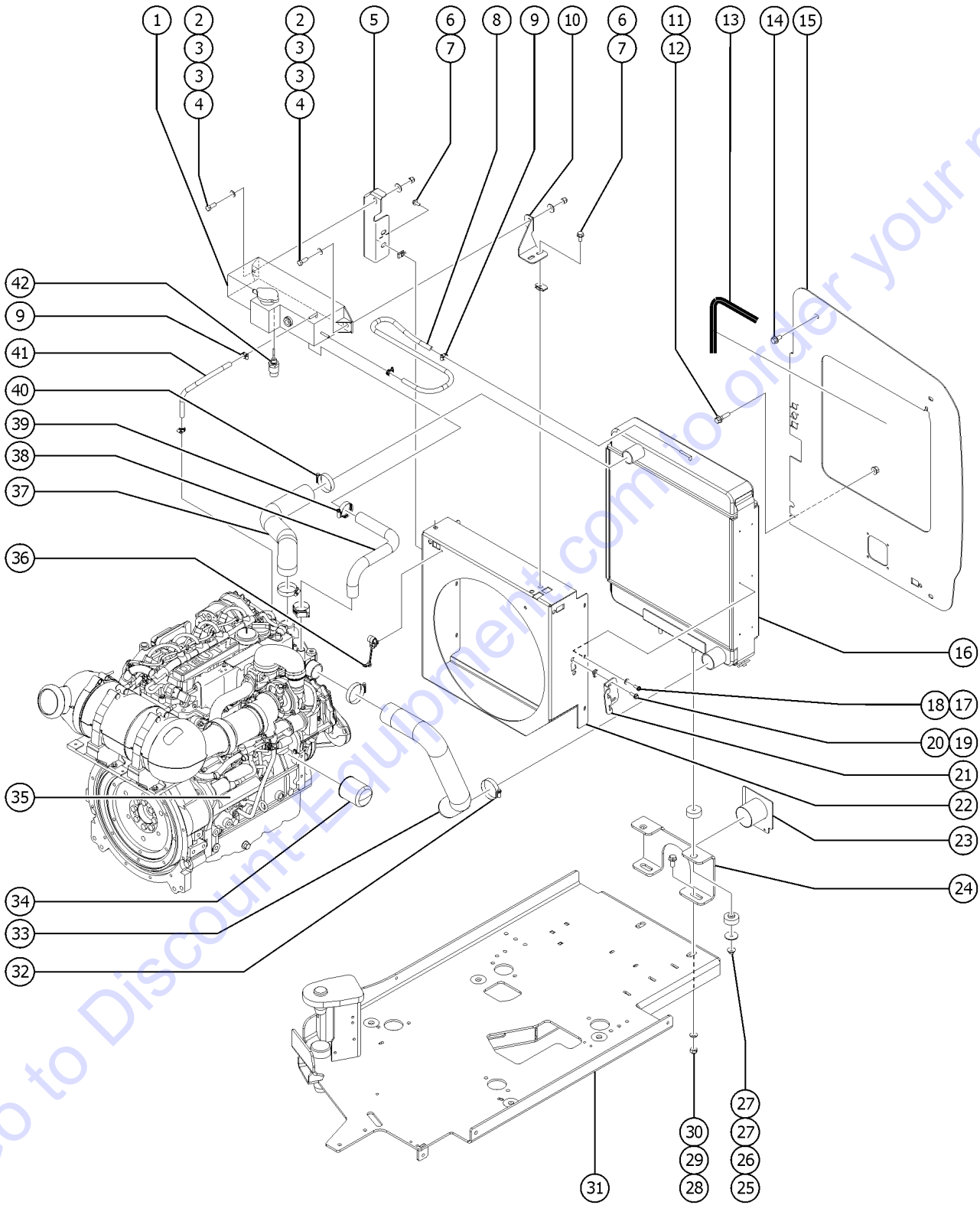


Go to Discount-Equipment.com to order your parts

404.1 Deutz TD2011L04i Engine - View 4

Item	Part No.	Description	Qty.
--	27089GT	HOSE,5/16 FUEL,SAE 30R7...108-inches (tank to engine input line)	
--	30490GT	HOSE,1/4 FUEL LINE,SAE 30R7.....101-inches (tank to engine return line)	
2	29557GT	CAP,OIL FILLER,DEUTZ,DIESEL ***.....1	
3	102590GT	EXHAUST MANIFOLD, DEUTZ F4L201.....1	
--	29559GT	GASKET,EXHAUST	
4	49915GT	SOLENOID-STARTR DEUTZF4L1011F*.....1	
5	102586GT	OIL PAN,DEUTZ F4L2011.....1	
6	102594GT	COVER, ENGINE,DEUTZ F4L2011.....1	
7	111445GT	SENDING UNIT,OIL TEMP SWCH,DTZ.....1	
8	58299GT	SENDING UNIT,OIL PRESS.,DEUTZ*....1	
9	52352GT	DIPSTICK-F3L1011F (DEUTZ)	
10	29560GT	FILTER,FUEL/WTR SEP, DTZ 1008 (Genie genuine part. see PN 1254826 for compatible aftermarket replacement)	
--	1254826GT	FUEL FILTER W/SEP,DEUTZ,1008 (Genie aftermarket part. filter for Deutz F3L 1011F engine)	
--	58566GT	FILTER HEAD (29560)	
11	102587GT	PLUG,ENGINE OIL,DEUTZ F4L2011.....1	
12	49924GT	FILTER,OIL,DEUTZ F4L1011F.....1 (Genie genuine part. See PN 1255653 for compatible aftermarket replacement)	
--	1255653GT	FILTER,OIL,DEUTZ,REPLACEMENT (Genie aftermarket part. compatible with Genie Genuine Part 49924)	
13	58630GT	V-BELT, DEUTZ TD2011LOAI	
14	58249GT	ALTERNATOR, DEUTZ,BF4L2011***	

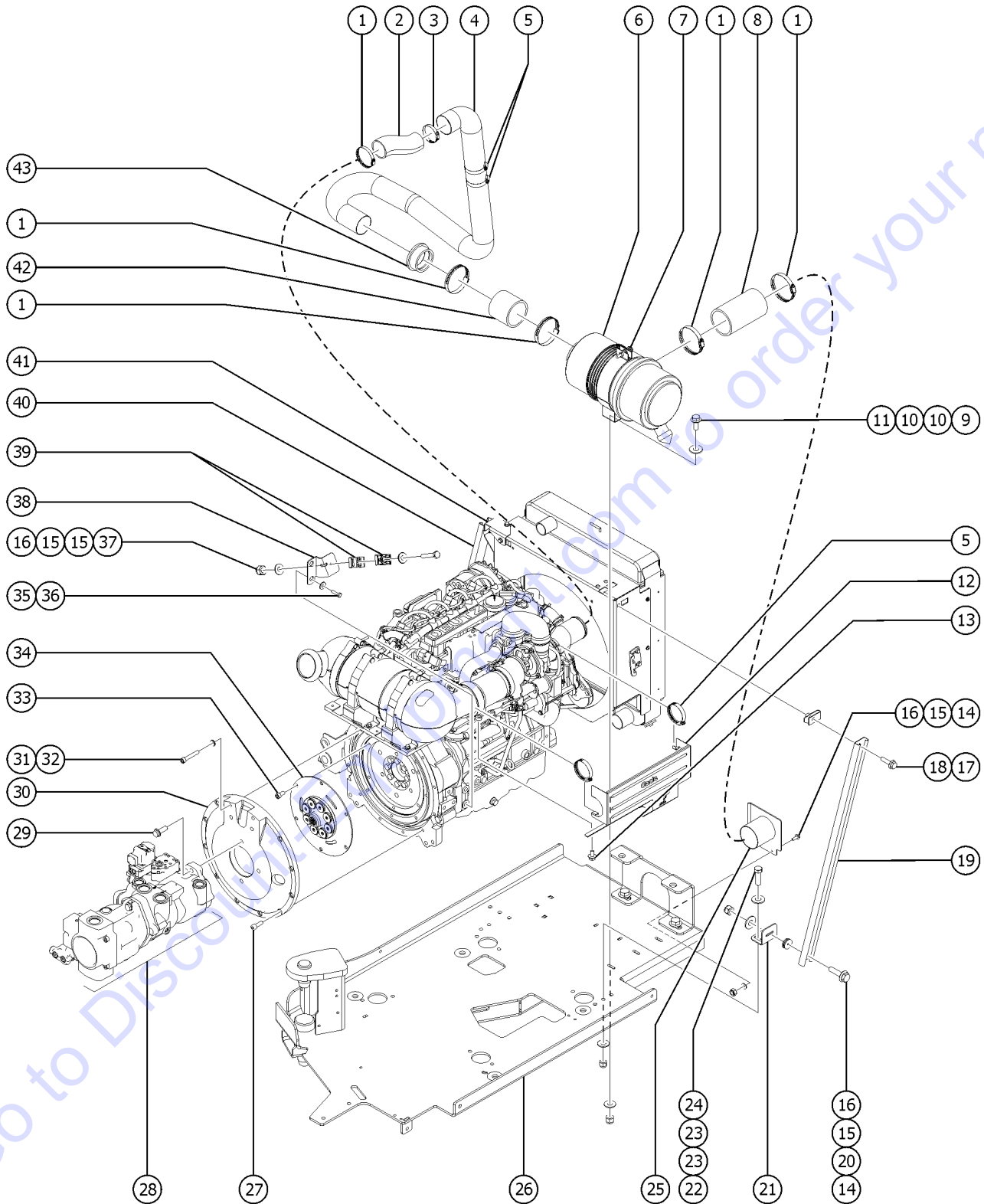
405.1 Deutz TD 2.9L4 Engine - View 1



405.1 Deutz TD 2.9L4 Engine - View 1

Item	Part No.	Description	Qty.	Item	Part No.	Description	Qty.
--		<i>Due to Tier 4 regulations, many engine replacement parts require engine serial number at time of order placement. When ordering engine parts please have both machine and engine serial numbers available. For internal engine parts, contact engine dealer.</i>		30	128912GT	BOLT,FLANGE,5/8-11X1.5"GR8 PLT.....	2
				31		REF. WELDMENT,ENGINE TRAY,2.9L DEUTZ.....	1
						(refer to 417.1)	
				32	35434GT	CLAMP,HOSE,2.00***.....	2
				33	162284GT	HOSE,LOWER RADIATOR, 2.9L DEUT.....	1
1	161938GT	EXPANSION TANK,METAL,D2.9.....	1	34A	49924GT	FILTER,OIL,DEUTZ F4L1011F.....	1
1B	1254823GT	CAP,RADIATOR,PERKINS(94232) for 161938		34B	1255653GT	FILTER,OIL,DEUTZ,REPLACEMENT.....	1
1B	1274900GT	SIGHT GLASS for 161938		35	1254594GT	STARTER,3.2KW,DEUTZ D2.9.....	1
2	6175GT	SCREW,HHC,3/8-16 X 1.....	2	36	219508GT	CLAMP,FIXED DIA, NYLON, 3/8".....	1
3	6097GT	WASHER,FLAT,USS,3/8",Y.....	4	37	162283GT	HOSE, UPPER RADIATOR, DEUTZ D....	1
4	4828GT	NUT,NYLOCK,3/8-16.....	2	38	823229GT	HOSE,EXPANSION TANK,COMPENSATION.....	1
5	826825GT	BRACKET,EXPANSION TANK, LEFT M.....	1	39	36208GT	CLAMP,HOSE,1.25***.....	2
6	75051GT	SCREW,SER FLNG3/8UNCX3/4ZNYEL.....	4	40	22672GT	CLAMP,HOSE,1.75.....	2
7	29868GT	SPRING CLIP,3/8-16,.05-.20X.73,ZAG....	4	41	1283995GT	HEATER HOSE,1/4".....	24-inches
8	1283995GT	HEATER HOSE,1/4".....	28-inches	42	162210GT	SENSOR,COOLANT LEVEL,DEUTZ.....	1
9	21465GT	CLAMP,HOSE,.25" - .63" X .3125.....	4	--	826152GT	WASHER,CRUSH,COOLANT SENSOR	
10	825218GT	BRACKET,EXPANSION TANK,DEUTZ 2.....	1				
11	824079GT	SCREW,HHF,1/4-20X1.8,ZAG.....	1				
12	824027GT	NUT,TL FLG,1/4-20,G,ZAG.....	1				
13	119218GT	TRIM,EDGE,1/8X3/4 SIDE BULB.....	1				
14	824089GT	SCREW,HHF,3/8-16X.75,8,ZAG.....	3				
15	1270963GT	PLATE,DEUTZ ENG SIDE BULKHEAD.....	1				
16	826795GT	RADIATOR,6-CORE,19.375W X 18.1.....	1				
17	21019GT	SCREW,PHIL,PHM,10-24 X.5,SEMS....	6				
18	6146GT	WASHER,FLAT,MS,#10,Y.....	6				
19	121419GT	SCREW,HHF,1/4-20 X .75.....	2				
20	56912GT	SPRING CLIP,1/4-20,.025-.15X.54,ZAG.....	2				
21	823751GT	BRACKET,INTAKE PIPE,MOUNT,DEUT.....	1				
22	826859GT	SHROUD,17" FAN,6-CORE RADIATOR.....	1				
23	1251928GT	WLDT, INTAKE, T4 DEUTZ, Z80/S80.....	1				
24	826835GT	FORMING,6-CORE RADIATOR MOUNT,.....	1				
25	48425GT	NUT,FLG-LRG,3/8-16,YZ.....	2				
26	15086GT	WASHER,FLAT,.375 X 1.5 X .125.....	2				
27	24038GT	SHOCK MOUNT,SMALL.....	4				
28	6024GT	NUT,NYLOCK,5/8-11.....	2				
29	13064GT	WASHER,FLAT,.625 HARDENED.....	2				

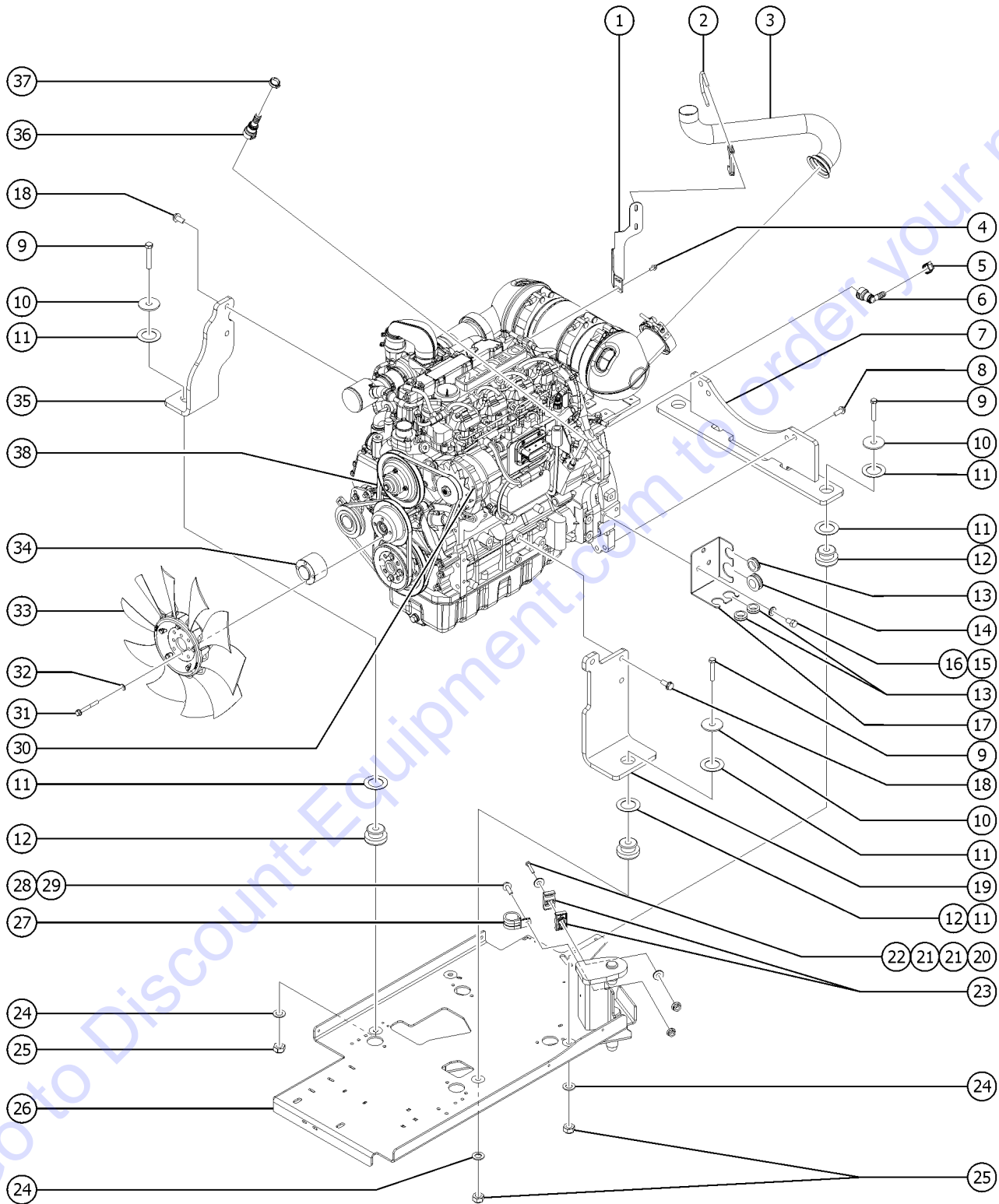
406.1 Deutz TD 2.9L4 Engine - View 2



406.1 Deutz TD 2.9L4 Engine - View 2

Item	Part No.	Description	Qty.	Item	Part No.	Description	Qty.
--		<i>Due to Tier 4 regulations, many engine replacement parts require engine serial number at time of order placement. When ordering engine parts please have both machine and engine serial numbers available. For internal engine parts, contact engine dealer.</i>		28		REF.DRIVE PUMP AND FUNCTION PUMP.....1 (refer to 708.1)	1
1	30489GT	CLAMP,HOSE,3.50.....	5	29	123167GT	FLGHCS,1/2-13X1.50,GR8,BLK PH.....	4
2	823703GT	HOSE,REDUCER,OFFSET,TURBO INLE.....	1	30	70381GT	COVER,FLYWHEEL CASTING.....	1
3	30971GT	CLAMP,HOSE,3.00".....	1	31	111748GT	SCREW,SHC,M10X1.5 X 60 GR8.8.....	2
4	823239GT	TUBE,INTAKE,DEUTZ 2.9L.....	1	32	22699GT	WASHER,FLAT,M10,ZINC PLTD.....	2
5	45435GT	CLAMP,HOSE,2.50"***.....	4	33	62476GT	SCREW,SHC,M10X1.5X20MM (75090).....	6
6	81467GT	AIR CLEANER,NELSON.....	1	34	128004GT	COUPLER,15 TOOTH,FBA,SAE8***.....	1
--	52866GT	EVACUATOR VALVE-AIR CLEANER		35	27585GT	SCREW,HHC,M12 X 20MM.....	2
--	62425GT	FILTER,AIR CLEANER,SUPERBOOM		36	49410GT	WASHER,FLAT,M12.....	2
--	75450GT	AIR CLEANER CLIPS, SUPERBOOM		37	6637GT	SCREW,HHC,1/4-20 X 1.75.....	1
--	75451GT	AIR CLEANER COVER, SUPERBOOM*		38	825939GT	FORMING, CLAMP, BATTERY CABLE...	1
7	81468GT	MOUNTING BAND,AIR CLEANER.....	1	39	78736GT	CLAMP,2 HOSE,PLASTIC,5/8.....	2
8	106211-600GT	HOSE,RUBBER 3"ID X .25 BLACK X 6.00 LG.....	1	40	823143GT	UNISTRUT,FAN SHROUD BRACE,L,DE.....	1
9	13002GT	SCREW,HHC,5/16-18 X 1 GR5.....	2	41	1252687GT	BRACKET, STRUT BRACE.....	1
10	5397GT	WASHER,FLAT,USS,5/16",Y.....	4	42	106211-300GT	HOSE,RUBBER 3"ID X .25 BLACK.....	1
11	6782GT	NUT,NYLOCK,5/16-18.....	2	43	101640GT	REDUCER,RUBBER 3.0 - 2.5.....	1
12	1254949GT	HEAT SHIELD,DEUTZ TD2.9L.....	1				
13	1251983GT	SCREW,HHF,M8-1.25X16,DIN6921,10.9,ZAB.4					
14	121420GT	SCREW,HHF,1/4-20 X 1.00					
15	6638GT	WASHER,FLAT,USS,1/4"Y					
16	6091GT	NUT,NYLOCK,1/4-20					
17	121419GT	SCREW,HHF,1/4-20 X .75.....	5				
18	56912GT	SPRING CLIP,1/4-20,.025-.15X.54,ZAG.....	5				
19	823144GT	UNISTRUT,FAN SHROUD BRACE,R,DE.....	1				
20	229986GT	GROMMET RUBBER .375X1.00X.1875.....	2				
21	823147GT	FORMING,FAN SHROUD STRUT MOUNT.....	2				
22	6019GT	SCREW,HHC,3/8-16 X 1.25 GRD 5.....	4				
23	6097GT	WASHER,FLAT,USS,3/8",Y.....	8				
24	4828GT	NUT,NYLOCK,3/8-16.....	4				
25		REF.WLDT, INTAKE, T4 DEUTZ, Z80/S8..... (refer to 405.1)	1				
26		REF.WELDMENT,ENGINE TRAY,2.9L DEUTZ..... (refer to 417.1)	1				
27	61110GT	SCREW,SHC,M10X1.5X30 GR 12.9.....	10				

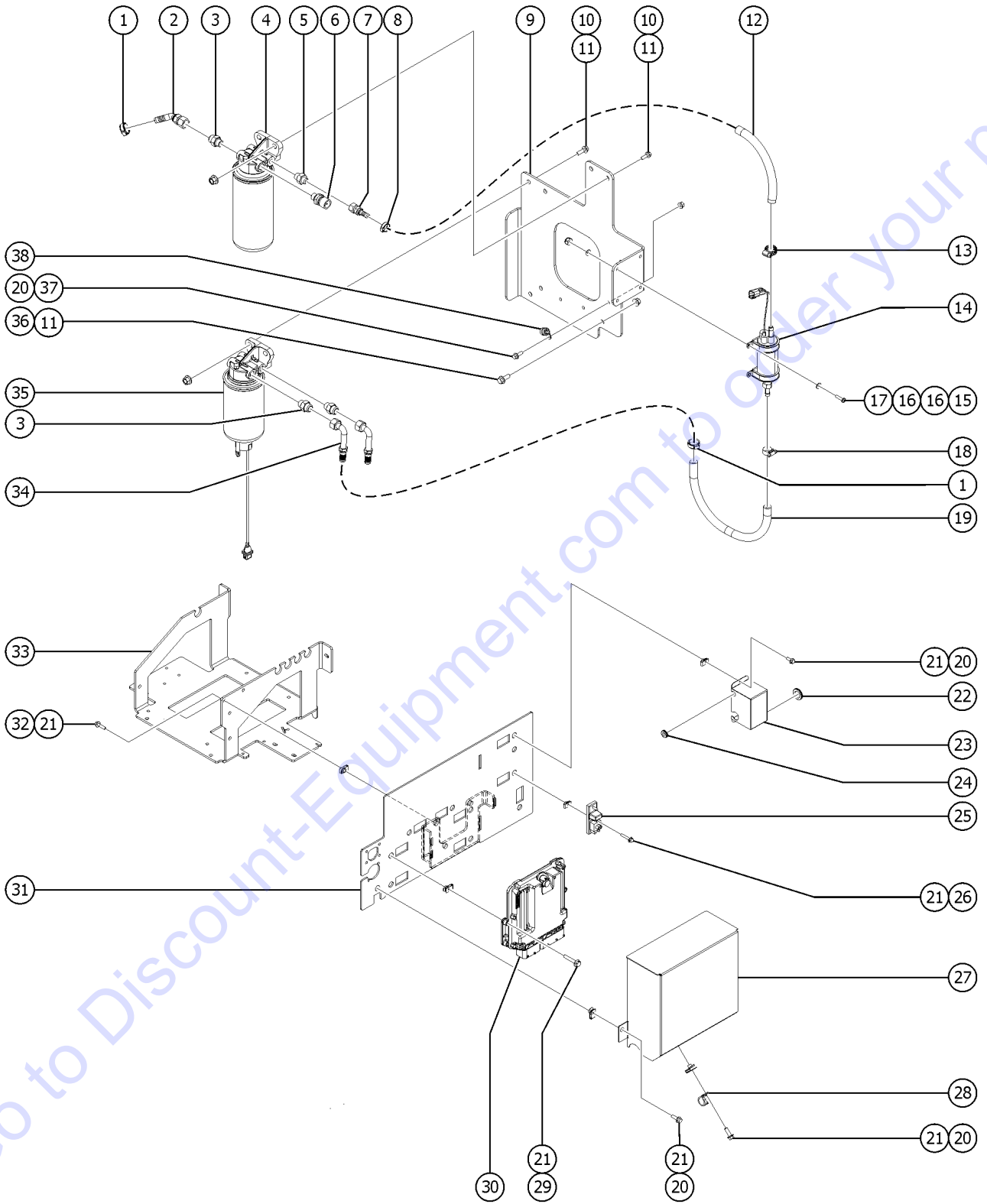
407.1 Deutz TD 2.9L4 Engine - View 3



407.1 Deutz TD 2.9L4 Engine - View 3

Item	Part No.	Description	Qty.	Item	Part No.	Description	Qty.
--		<i>Due to Tier 4 regulations, many engine replacement parts require engine serial number at time of order placement. When ordering engine parts please have both machine and engine serial numbers available. For internal engine parts, contact engine dealer.</i>		32	33277GT	WASHER,FLAT,M8,YELLOW ZINC.....4 <i>No longer used if replacing fan spacer 1258461GT</i>	4
1	1268921GT	FORMING,TAILPIPE SUPPORT,S80.....1		33	1251496GT	FAN,10 BLADE,17",DEUTZ 2.9L.....1	1
2	71911GT	CLAMP,MUFFLER, 2.50 INCH.....1		34	1258641GT	SPACER, FAN, DEUTZ, 38MM LNG.....1 <i>For first time replacement, order bolt 1258771GT x4 (no washer required)</i>	1
3A	162276GT	EXHAUST PIPE, 2.9L DEUTZ.....1		35	823013GT	MOUNT,ENGINE,RIGHT SIDE.....1	1
3B	825015GT	CLAMP, 50MM V		36	1255651GT	CONNECTOR,SAE12,QUICK CONNECT.....1	1
4	824132GT	SCREW,HHF,M8-1.25X20,DIN6921,10.9,ZAB.2		37	822087GT	CLAMP,HOSE,1EAR,25/32.....1	1
5	81154GT	CLAMP,HOSE,SIZE .31 > .91.....1		38	1262866GT	FAN BELT, ALTERNATOR.....1	1
6	826000GT	CONNECTOR, SAE10, QUICK CONN....1					
7	823135GT	WELDMENT, REAR MOUNT,ENGINE....1					
8	121433GT	SCREW,HHF, M14 X 40MM.....4					
9	13003GT	SCREW,HHC,5/8-11 X 3.5 GRD.8.....4					
10	33418GT	WASHER,FLAT,.625 X 2.25 X.15.....4					
11	18596GT	WASHER,FLAT,1.56 X 2.5 X .061.....8					
12	102045GT	ISOLATOR,ENGINE VIBRATION.....4					
13	124962GT	GROMMET,RUBBER,1.0 X 1.25X1.5.....3					
14	106923GT	GROMMET,RUBBER .38X1.38X1.0.....1					
15	27585GT	SCREW,HHC,M12 X 20MM.....3					
16	49410GT	WASHER,FLAT,M12.....3					
17	826873GT	FORMING, ENGINE HARNESS SUPPOR.....1					
18	121688GT	SCREW,HHC,FLG,M14 X 35.....5					
19	823012GT	MOUNT,ENGINE,LEFT SIDE.....1					
20	6637GT	SCREW,HHC,1/4-20 X 1.75.....1					
21	6638GT	WASHER,FLAT,USS,1/4"Y.....2					
22	6091GT	NUT,NYLOCK,1/4-20.....1					
23	78736GT	CLAMP,2 HOSE,PLASTIC,5/8.....2					
24	13064GT	WASHER,FLAT,.625 HARDENED.....4					
25	6024GT	NUT,NYLOCK,5/8-11.....4					
26		REF. WELDMENT,ENGINE TRAY,2.9L DEUTZ.....1					
27	18666GT	CLAMP,1.00,#16 X 1/4,RUB CUSH.....1					
28	121420GT	SCREW,HHF,1/4-20 X 1.00.....1					
29	121421GT	NUT,FLG,1/4-20.....1					
30	236251GT	ALTERNATOR,95 AMP,DEUTZ.....1					
31	1262219GT	SCREW,HHC,M8-1.25X65,DIN931,10....4 <i>Order bolt 1258771 if replacing fan spacer 1258641GT on first time</i>					
--	1258771GT	SCREW,HHF,M8-1.25X60,DIN6921,10.9,ZAB <i>Use only when replacing fan spacer 1258461GT. It doesn't require washer 33277GT</i>					

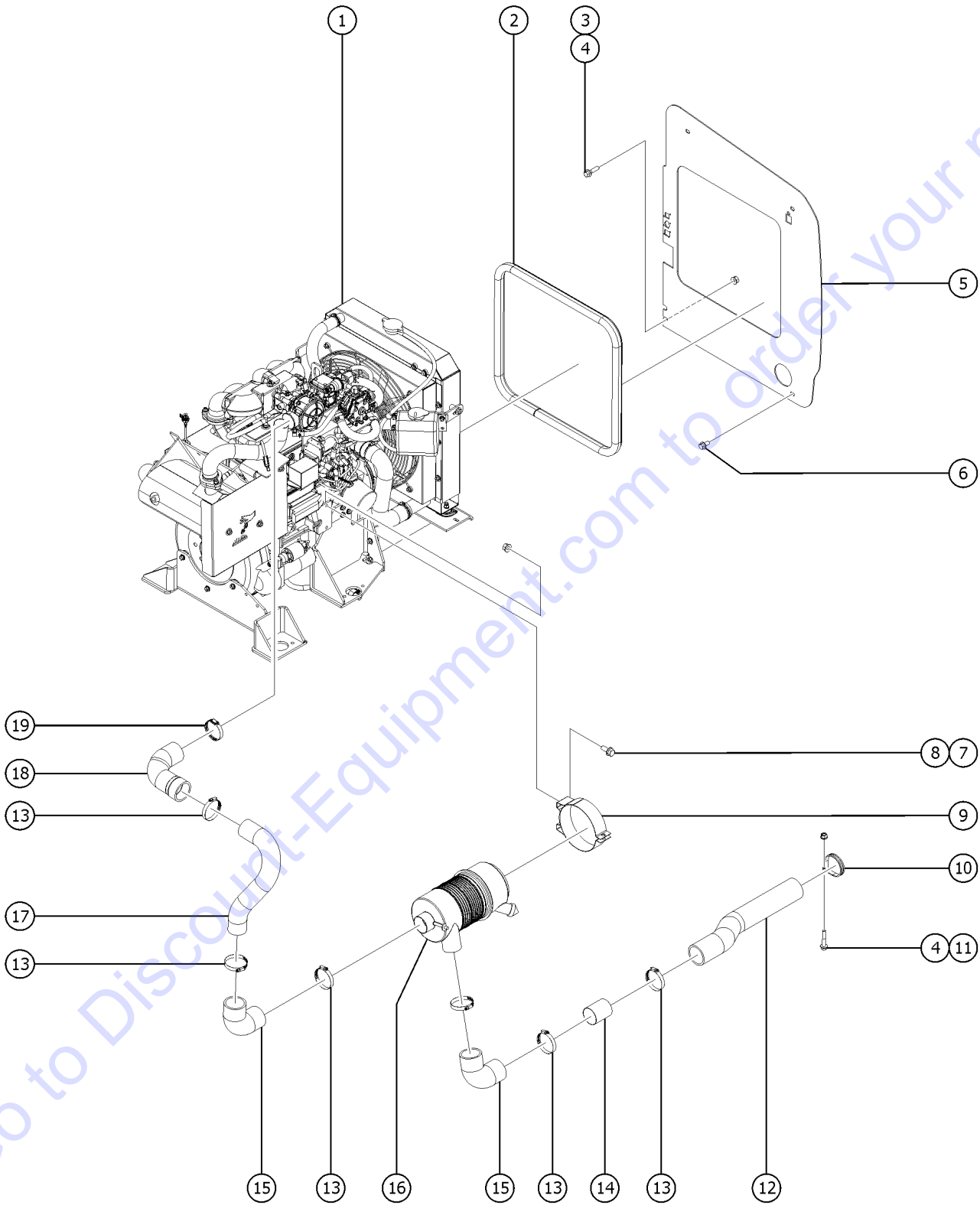
408.1 Deutz TD 2.9L4 Engine - View 4



408.1 Deutz TD 2.9L4 Engine - View 4

Item	Part No.	Description	Qty.	Item	Part No.	Description	Qty.
--		<i>Due to Tier 4 regulations, many engine replacement parts require engine serial number at time of order placement. When ordering engine parts please have both machine and engine serial numbers available. For internal engine parts, contact engine dealer.</i>		33	1274198GT	FORMING, BATTERY TRAY, NDL.....	1
1	822087GT	CLAMP,HOSE,1EAR,25/32.....	3	34	162207GT	FITTING,ELBOW,8GS-8FJX90S.....	2
2	826357GT	FITTING,45DEG,1/2 HS X 3/4-16,.....	1	35	1261239GT	ASSY,FUEL PREFILTER,DEUTZ 2.9.....	1
3	162209GT	FITTING,CONN,16MM-8MJ.....	3	--	236260GT	PRE-FILTER,FUEL,DEUTZ TCD3.6	
4	1261236GT	ASSY,FUEL FILTER,DEUTZ 2.9.....	1	36	824090GT	SCREW,HHF,3/8-16X1,8,ZAG.....	3
--	214228GT	FILTER, DEUTZ 2.9, FUEL		37	824027GT	NUT,TL FLG,1/4-20,G,ZAG.....	1
5	162208GT	FITTING,CONN,16MM-6MJ.....	1	38	6833GT	CLAMP,0.50,#8 X 1/4,RUB CUSH.....	1
6	824673GT	SENSOR,LOW PRESSURE,DEUTZ 2.9L.....	1				
7	824351GT	FITTING,STR,3/8 HS X 9/16-18,J.....	1				
8	96770GT	CLAMP, HOSE, 1 EAR, 11/16.....	1				
9	1267313GT	BRACKET,FUEL SYSTEM,DEUTZ 2.9L.....	1				
10	824091GT	SCREW,HHF,3/8-16X1.25,8,ZAG.....	4				
11	824029GT	NUT,TL FLG,3/8-16,G,ZAG.....	7				
12	823420GT	HOSE,FUEL,3/8,GATES RLA.....	1				
13	81154GT	CLAMP,HOSE,SIZE .31 > .91.....	1				
14	236259GT	LIFT PUMP,FUEL,DEUTZ.....	1				
15	49816GT	SCREW,PHILLIPS,PHM,10-32 X .75.....	4				
16	1253185GT	WASHER,FLAT,#10,USS,ZAG.....	8				
17	6178GT	NUT,NYLOCK,10-32.....	4				
18	46131GT	CLAMP,HOSE,.63" - 1.0" X .5".....	1				
19	823421GT	HOSE,FUEL,1/2,GATES RLA.....	1				
20	824078GT	SCREW,HHF,1/4-20X.75,8,ZAG.....	5				
21	56912GT	SPRING CLIP,1/4-20,.025-.15X.54,ZAG.....	12				
22	826860GT	RUBBER GROMMET 1.00 X 1.563 X.....	1				
23	824397GT	COVER,POWER RELAY MODULE,DEUTZ.....	1				
24	824422GT	GROMMET,RUBBER,.5 X .063 X .75.....	2				
25	824023GT	RELAY, POWER & FUSE MODULE.....	1				
26	1253485GT	SCREW,HHF,1/4-20X2,8,ZAG.....	1				
27	1274200GT	BRACKET,COVER, ECU, TIER IV.....	1				
28	18666GT	CLAMP,1.00,#16 X 1/4,RUB CUSH.....	1				
29	824080GT	SCREW,HHF,1/4-20X1.25,8,ZAG.....	4				
30	214795GT	ECM, Deutz D2.9..... (must contact Discount-equipment to order, SN information is required)	1				
31	1274201GT	WELDMENT, T4F MOUNT BRACKET, B.....	1				
32	824079GT	SCREW,HHF,1/4-20X1,8,ZAG.....	3				

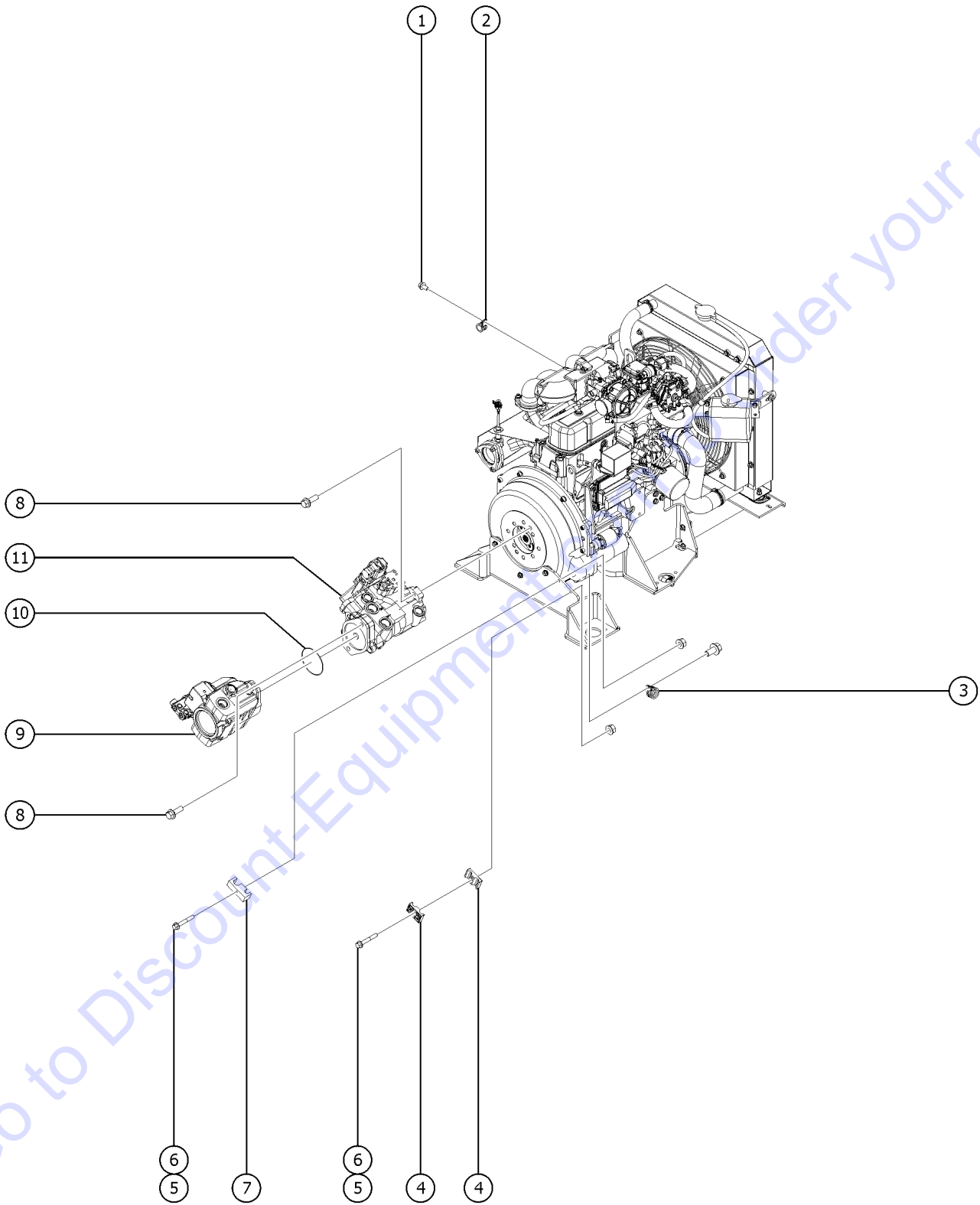
409.1 GM 3.0L Engine - View 1



409.1 GM 3.0L Engine - View 1

Item	Part No.	Description	Qty.
1		REF. KIT,ENGINE,GM3.0L,PSI,S80/Z80.....1 (refer to 412.1)	
2	60875-9600GT	TRIM, RUBBER "D" SEAL, 3/16 96.....1	
3	824079GT	SCREW,HHF,1/4-20X1,8,ZAG.....1	
4	824027GT	NUT,TL FLG,1/4-20,G,ZAG.....2	
5	1272467GT	PLATE, BULKHEAD, GM 3.0L.....1	
6	824089GT	SCREW,HHF,3/8-16X.75,8,ZAG.....3	
7	824085GT	SCREW,HHF,5/16-18X.75,8,ZAG.....2	
8	824028GT	NUT,TL FLG,5/16-18,G,ZAG.....2	
9	53952GT	BRKT,AIR CLEANER ORIENTATION**.....1	
10	70257GT	CLAMP,3.0,#48 X 1/4,RUB CUSH.....1	
11	824081GT	SCREW,HHF,1/4-20X1.5,8,ZAG.....1	
12	88846GT	HOSE,AIR INLET.....1	
13	30971GT	CLAMP,HOSE,3.00".....6	
14	94324-300GT	TUBE,RD,STL,ALM,2.50X.065X3.00.....1	
15	34164GT	ELBOW,90 DEGR,RUBBER,2.5" I.D.*.....2	
16	63463GT	AIR CLEANER,NELSON***.....1	
--	52866GT	EVACUATOR VALVE-AIR CLEANER	
--	58415GT	CLIP,AIR CLEANER END CAP*** <i>end cap not available separately</i>	
--	62420GT	FILTER,AIR***	
--	65810GT	BAFFLE, AIR CLEANER (27915)**	
17	70465GT	TAILPIPE,DEUTZ BF4L2011.....1	
18	1269549GT	HOSE,CLEANAIR,90DEG,2.25X2.5.....1	
19	45435GT	CLAMP,HOSE,2.50"***.....1	

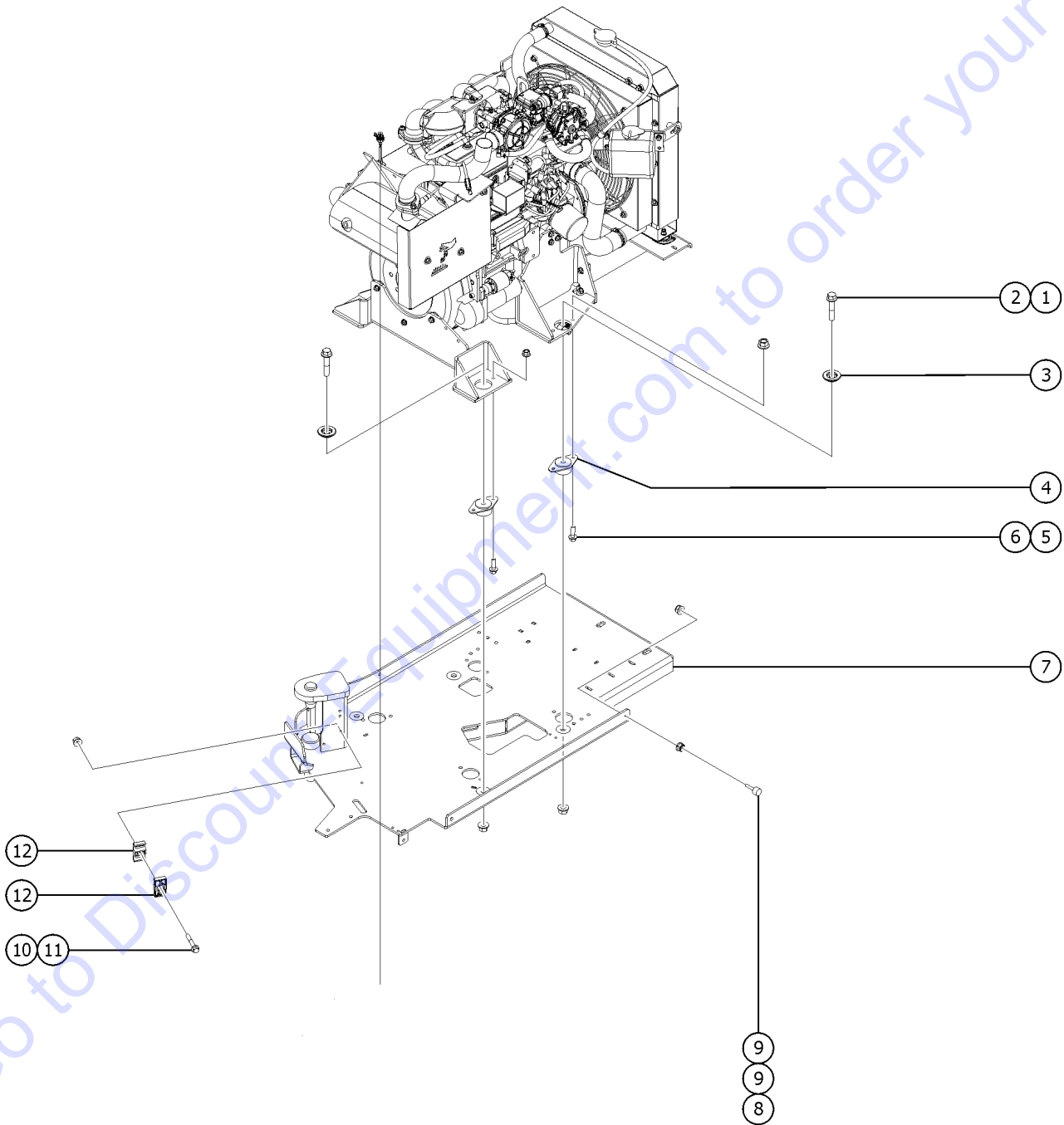
410.1 GM 3.0L Engine - View 2



Go to Discount-Equipment.com to order your parts

Item	Part No.	Description	Qty.
1	824089GT	SCREW,HHF,3/8-16X.75,8,ZAG.....1	1
2	45454GT	CLAMP,RUB CUSH,0.75,#12 X 3/8*.....1	1
3		REF. KIT,ENGINE,GM3.0L,PSI,S80/Z80.....1 (refer to 412.1)	1
4	13268GT	CLAMP,0.75,#12 X 1/4,RUB CUSH.....2	2
5	78736GT	CLAMP,2 HOSE,PLASTIC,5/8.....2	2
6	824082GT	SCREW,HHF,1/4-20X1.75,8,ZAG.....2	2
7	824027GT	NUT,TL FLG,1/4-20,G,ZAG.....2	2
8	121860GT	CLAMP, HOSE/CABLE.....1	1
9	1253498GT	SCREW,HHF,1/2-13X1.5,8,ZAG.....4	4
10	121310GT	PUMP,FUNCTION,38CC,LS.....1	1
11	52087GT	O-RING,2-044 BUNA***.....1	1
12A	101068GT	PUMP,PISTON,46CC,B MOUNT,13T**....1	1
--	29739GT	SEAL KIT,SAUER-DANFOSS M46***.....1	1
12B	52087GT	O-RING,2-044 BUNA***.....1 (installed between lift and drive pump)	1
12C	77819GT	EDC ASSY,SAUER M46***.....1	1

411.1 GM 3.0L Engine - View 3



PARTS FINDER

**Search Website
by Part Number**



**Search Manual
Library For Parts
Manual & Lookup Part
Numbers – Purchase
or Request Quote**

Search Manuals

Enter your information to help us find the right parts manual for your machine.

* Brand:

* Model:

* Serial:

* Part Number:

SEARCH

**Can't Find Part or
Manual? Request Help
by Manufacturer,
Model & Description**

Parts Order Form

Please fill in the following information to help us find the right part for your machine.

Manufacturer:	<input type="text"/>
Model:	<input type="text"/>
Description:	<input type="text"/>
Part Number:	<input type="text"/>
Quantity:	<input type="text"/>
Notes:	<input type="text"/>

Submit

Discount-Equipment.com is your online resource for quality parts & equipment.

Florida: **561-964-4949** Outside Florida TOLL FREE: **877-690-3101**

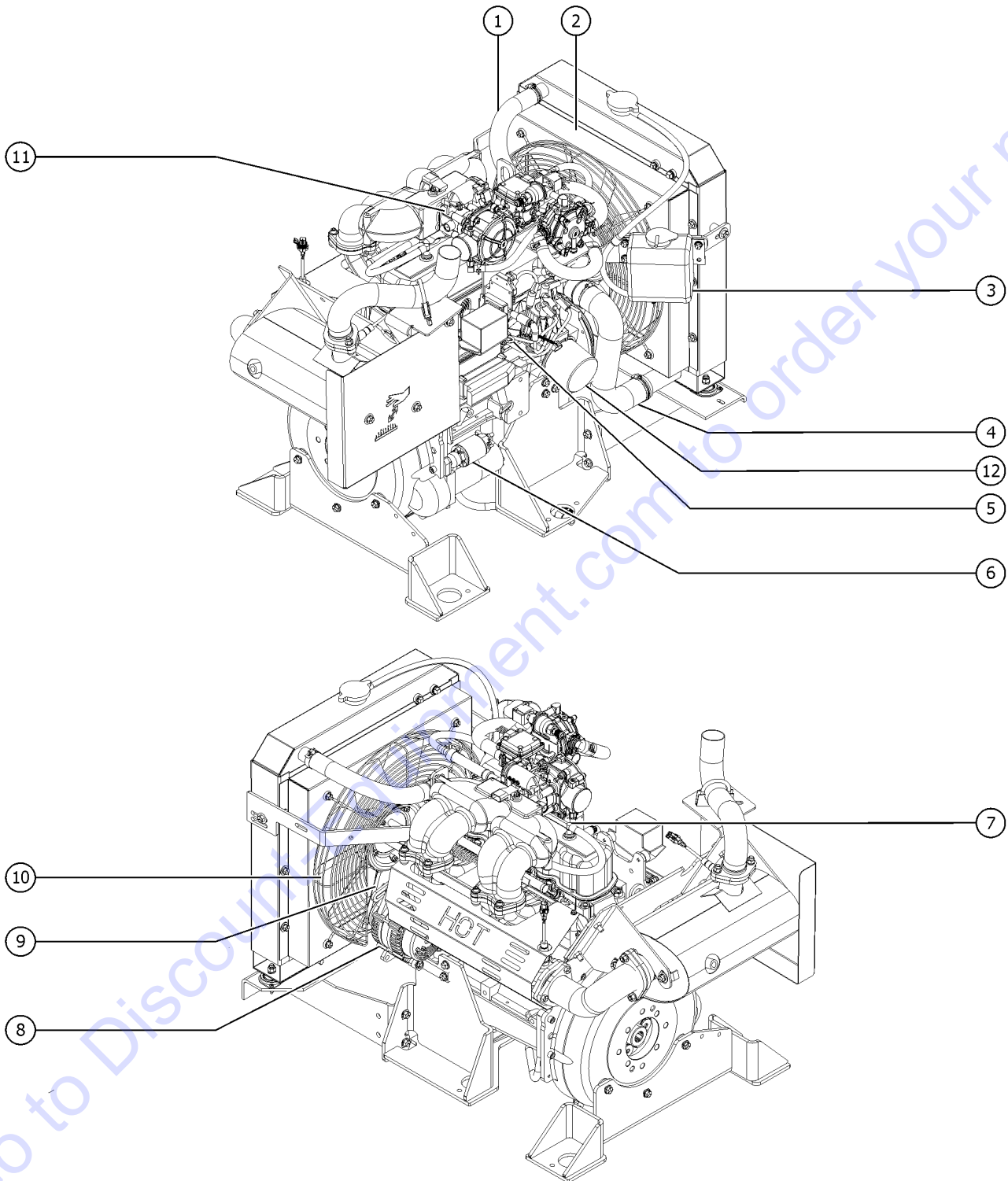
Need parts?

Click on this link: <http://www.discount-equipment.com/category/5443-parts/> and choose one of the options to help get the right parts and equipment you are looking for. Please have the machine model and serial number available in order to help us get you the correct parts. If you don't find the part on the website or on one of the online manuals, please fill out the request form and one of our experienced staff members will get back to you with a quote for the right part that your machine needs.

We sell worldwide for the brands: Genie, Terex, JLG, MultiQuip, Mikasa, Essick, Whiteman, Mayco, Toro Stone, Diamond Products, Generac Magnum, Airman, Haulotte, Barreto, Power Blanket, Nifty Lift, Atlas Copco, Chicago Pneumatic, Allmand, Miller Curber, Skyjack, Lull, Skytrak, Tsurumi, Husquvarna Target, Stow, Wacker, Sakai, Mi-T-M, Sullair, Basic, Dynapac, MBW, Weber, Bartell, Bennar Newman, Haulotte, Ditch Runner, Menegotti, Morrison, Contec, Buddy, Crown, Edco, Wyco, Bomag, Laymor, EZ Trench, Bil-Jax, F.S. Curtis, Gehl Pavers, Heli, Honda, ICS/PowerGrit, IHI, Partner, Imer, Clipper, MMD, Koshin, Rice, CH&E, General Equipment, Amida, Coleman, NAC, Gradall, Square Shooter, Kent, Stanley, Tamco, Toku, Hatz, Kohler, Robin, Wisconsin, Northrock, Oztec, Toker TK, Rol-Air, APT, Wylie, Ingersoll Rand / Doosan, Innovatech, Con X, Ammann, Mecalac, Makinex, Smith Surface Prep, Small Line, Wanco, Yanmar

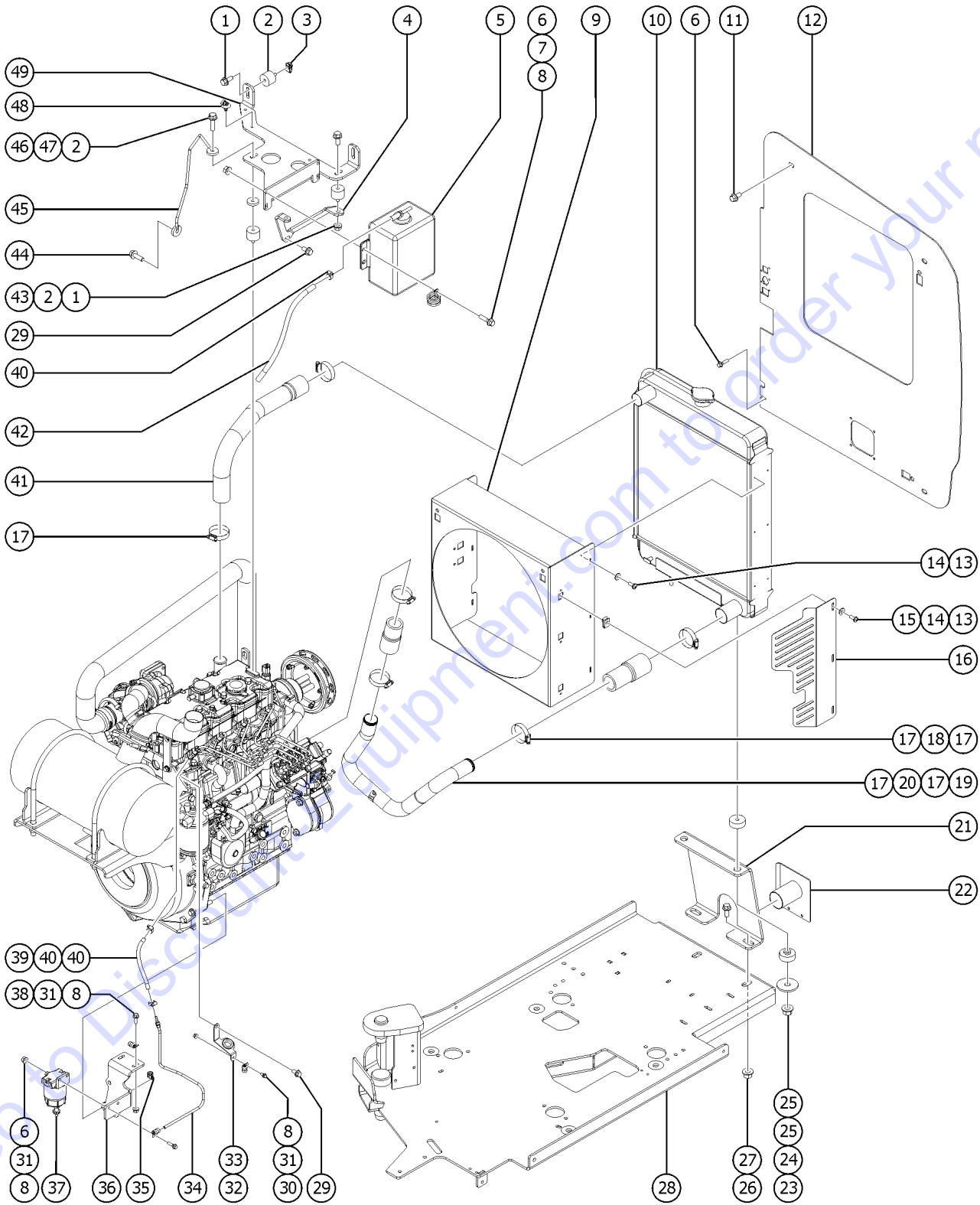
Item	Part No.	Description	Qty.
1	1255802GT	SCREW,HHF,1/2-13X2.5,8,ZAG.....	4
2	1251997GT	NUT,TL FLG,1/2-13,G,ZAG.....	4
3	1274069GT	CASTING, WASHER, ENGINE ISOLAT.....	4
4	70452GT	ISOLATOR,ENGINE VIBRATION***.....	4
5	824091GT	SCREW,HHF,3/8-16X1.25,8,ZAG.....	8
6	824029GT	NUT,TL FLG,3/8-16,G,ZAG.....	8
7		REF. WELDMENT,ENGINE TRAY,2.9L DEUT..... (refer to 417.1)	1
8	36388GT	BUMPER,RUBBER,.75 X .50H,STUD.....	1
9	1277924GT	NUT,NYLOCK FLG,1/4-20,F,ZAG.....	2
10	824082GT	SCREW,HHF,1/4-20X1.75,8,ZAG.....	1
11	824027GT	NUT,TL FLG,1/4-20,G,ZAG.....	1
12	78736GT	CLAMP,2 HOSE,PLASTIC,5/8.....	2

412.1 GM 3.0L Engine - View 4



Item	Part No.	Description	Qty.
B	65626GT	FILTER-FUEL, GM 3.0L ENGINE.....1	
C	1271652GT	FILTER, FUEL, GM3.0L.....1	
D	58412GT	SPARK PLUG WIRE SET,GM 3.0.....1	
E	1271825GT	ECM, SSI .79L / .97L.....1	
--			
1	81424GT	RADIATOR HOSE,UPPER-GM.....1	
2	1272060GT	RADIATOR, GM3.0L ENG.....1	
3	1272025GT	BOTTLE, OVERFLOW, GM3.0L ENG.....1	
4	81425GT	RADIATOR HOSE,LOWER-GM.....1	
5	1272026GT	DIPSTICK, GM3.0L ENG.....1	
6	1272069GT	STARTER, GM3.0L ENG.....1	
7	65620GT	PCV VALVE-GM 3.0L ENGINE.....1	
8	77822GT	ALTERNATOR, GM3.0L ENGINE.....1	
9	65621GT	BELT-FAN, GM 3.0L ENGINE.....1	
10	1272057GT	FAN, PULLER 18", GM3.0L ENG.....1	
11	1271837GT	THROTTLE BODY, 40MM.....1	
--	1272029GT	GASKET, GM3.0L ENG	
12	65623GT	FILTER-OIL,GM 3.0L ENGINE.....1	

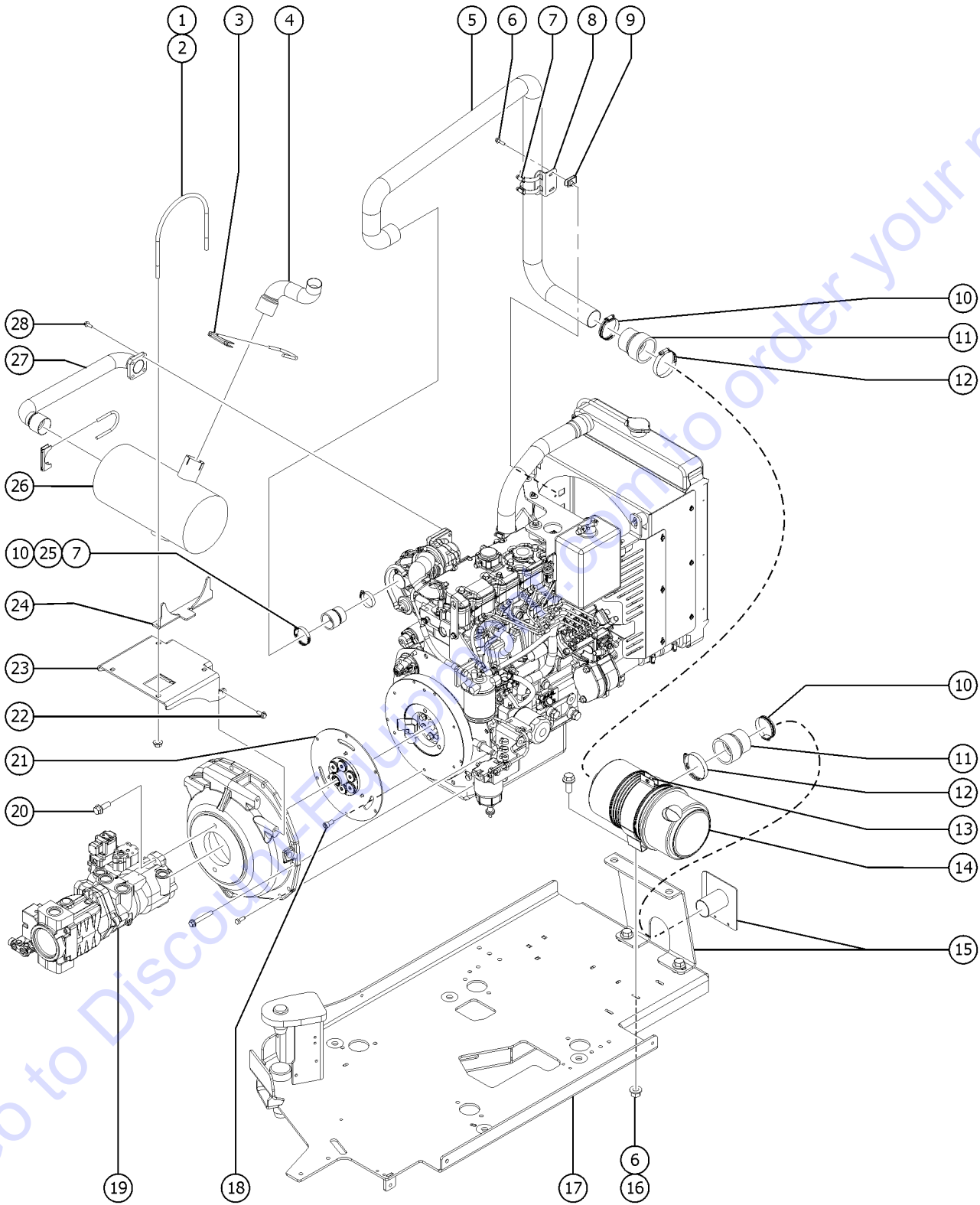
413.1 Perkins 404D-22T Engine - View 1



413.1 Perkins 404D-22T Engine - View 1

Item	Part No.	Description	Qty.	Item	Part No.	Description	Qty.
--		Due to Tier 4 regulations, many engine replacement parts require engine serial number at time of order placement. When ordering engine parts please have both machine and engine serial numbers available. For internal engine parts, contact engine dealer		17	22672GT	CLAMP,HOSE,1.75.....	6
--	1261963GT	BREATHER VALVE,PERKINS 404D-22T		18	1261204GT	HOSE COUPLING,RUBBER,LOWER RAD.....	1
--	1261964GT	DIPSTICK TUBE,PERKINS 404D-22T		19	1261882GT	WELDMENT,LOWER RADIATOR SSSL.....	1
--	1261966GT	PISTON AND RING KIT,PERKINS 404D-22T		20	1261205GT	HOSE COUPLING,RUBBER,LOWER RAD.....	1
--	1261969GT	PISTON RING KIT,PERKINS 404D-22T		21	1253193GT	BRACKET,LOWER RADIATOR.....	1
--	1262016GT	SPEED SENSOR,PERKINS 404D-22T		22	1253431GT	WELDMENT,INTAKE,PERKINS 404F-....	1
--	1262467GT	SOLENOID,PERKINS 404D-22T		23	824029GT	NUT,TL FLG,3/8-16,G,ZAG.....	2
--	1262469GT	OIL PRESSURE SWITCH,PERKINS 404D-22T		24	824120GT	WASHER,FLAT,.375X1.50X.125,ZAG....	2
--	1262490GT	GASKET,CYL HEAD COVER,PERKINS 404D-22T		25	24038GT	SHOCK MOUNT,SMALL.....	4
--	1262496GT	SEAL,ROCKER BOX,PERKINS 404D-22T		26	1253319GT	NUT,TL,FLG,5/8-11,G,ZAG.....	2
--	1262498GT	O-RING,LIFT PUMP,PERKINS 404D-22T		27	1253208GT	SCREW,HHF,5/8-11X1.5,8,ZAG.....	2
--	1262500GT	GASKET,EXHAUST MANIFOLD,PERKINS 404D-22T		28		REF. WELDMENT,ENGINE TRAY,2.9L DEUTZ..... (refer to 417.1)	1
--	1262589GT	GASKET,AIR PIPE HOUSING,PERKINS 404D		29	1251983GT	SCREW,HHF,M8-1.25X16,DIN6921,10.9,ZAB.2	
--	1262595GT	CYLINDER HEAD COVER,PERKINS 404D		30	824077GT	SCREW, HHF, 1/4-20 X .5, 8, ZAG.....	1
--	1262598GT	EXHAUST VALVE,PERKINS 404D		31	45470GT	CLAMP,0.31,#5 X 1/4,RUB CUSH.....	4
1	824132GT	SCREW,HHF,M8-1.25X20,DIN6921,10.9,ZAB.4		32	1259890GT	FORMING, SUPPORT, FUEL RETURN.....	1
2	60585GT	ISOLATOR,VIBRATION,M8 MALE/FEM.....	5	33	1260927GT	GROMMET, RUBBER, .75X.375X1.25....	1
3	230820GT	SPRING CLIP, M8-1.25, 0.8-4.0 X 13, ZAB.....	2	34	1259907GT	WELDMENT,FUEL RETURN LINE,404D.....	1
4	1253194GT	BRACE,UPPER RADIATOR SUPPORT.....	1	35	112043GT	CLAMP,0.63,#10 X 3/8,RUB CUSH.....	1
5	70367GT	BOTTLE,COOLANT RECOVERY,3.7***.....	1	36	128588GT	FORMING,SOLENOID MOUNT.....	1
6	824079GT	SCREW,HHF,1/4-20X1,8,ZAG.....	7	37	75020GT	SEPRTR/FLTR,FUEL DSL,15GPH,.30....	1
7	13268GT	CLAMP,0.75,#12 X 1/4,RUB CUSH.....	1	--	21465GT	CLAMP,HOSE,.25" - .63" X .3125	
8	824027GT	NUT,TL FLG,1/4-20,G,ZAG.....	8	--	54205GT	HOSE END,BARB,1/4 MNPTX5/16,90	
9	1253192GT	FAN SHROUD,PERKINS 404F-22T.....	1	38	824078GT	SCREW,HHF,1/4-20X.75,8,ZAG.....	1
10	110304GT	RADIATOR,FORD/PERKINS***.....	1	39	35418-0600GT	HOSE,FUEL,3/16,SAE 30R7,6IN LG....	1
11	824089GT	SCREW,HHF,3/8-16X.75,8,ZAG.....	3	40	21465GT	CLAMP,HOSE,.25" - .63" X .3125.....	7
12	1270964GT	PLATE, BULKHEAD, PERKINS 404F.....	1	41	1252979GT	HOSE,UPPER RADIATOR,PERK.....	1
13	824220GT	SCREW, PHPM SEMS ET, 10-24 X .5, ZAG.....	9	42	106226GT	TUBING,VINYL,1/2" CLEAR.....	1
14	1253185GT	WASHER,FLAT,#10,USS,ZAG.....	9	43	237832GT	NUT,TL FLG,M8-1.25,DIN6927,10,ZAB.....	2
15	73575GT	SPRING CLIP,10-24,.025-.125X.468,ZAG.....	3	44	824133GT	SCREW,HHF,M8-1.25X25,DIN6921,10.9,ZAB.1	
16	1254471GT	GUARD,FAN,PERKINS 404F-22T.....	1	45	1259264GT	WIRE MANAGEMENT,GUIDE ROD ASSY.....	1
				46	1255537GT	SCREW,HHF,M8-1.25X30,DIN6921,10.9,ZAB.1	
				47	1261722GT	WASHER, FLAT .394 X 1.25 X .25.....	1
				48	110149GT	CABLE TIE,DFT MOUNT,BLK,6.5".....	3
				49	1258071GT	BRACKET,UPPER RADIATOR MOUNT,4.....	1

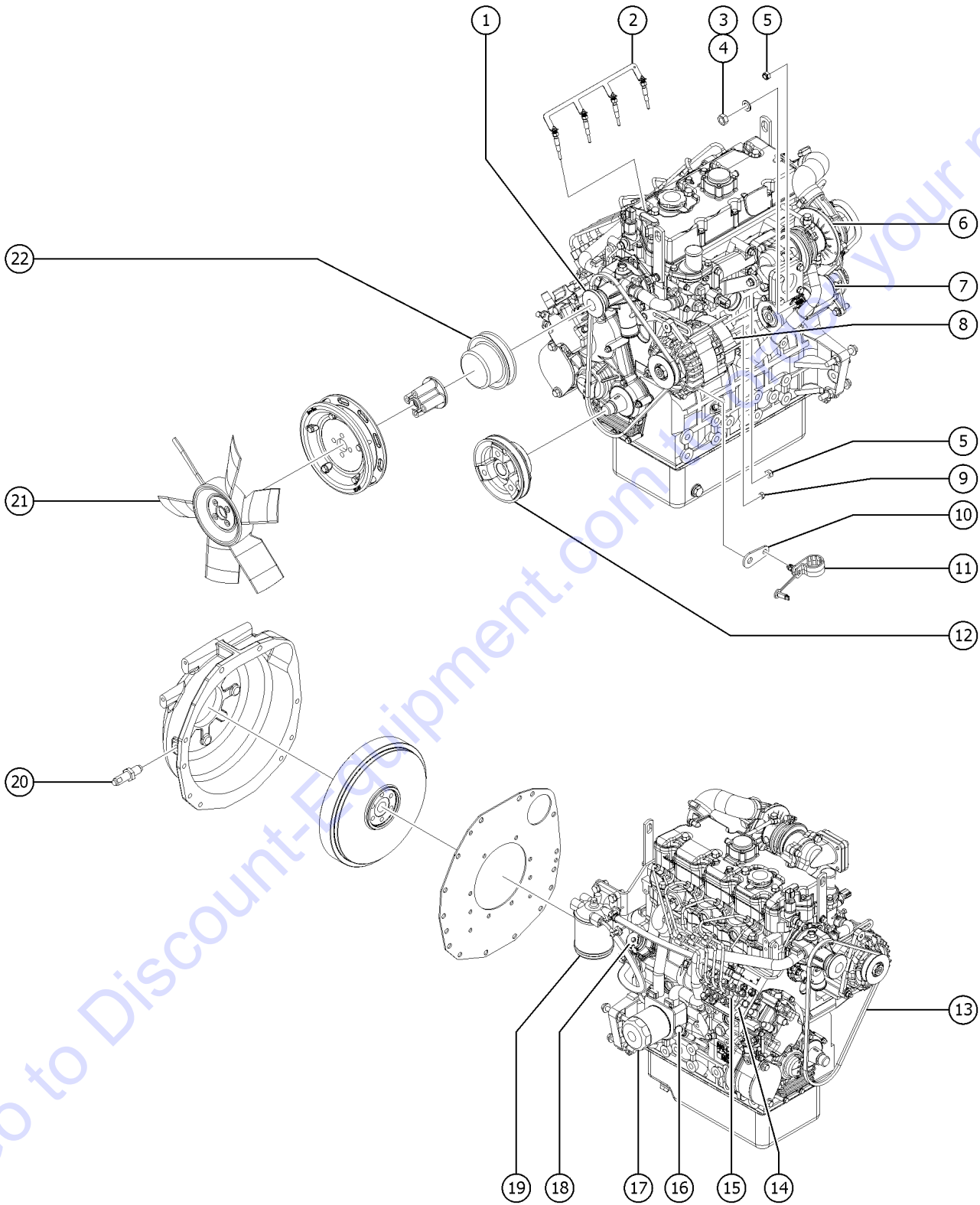
414.1 Perkins 404D-22T Engine - View 2



414.1 Perkins 404D-22T Engine - View 2

Item	Part No.	Description	Qty.	Item	Part No.	Description	Qty.
--		<i>Due to Tier 4 regulations, many engine replacement parts require engine serial number at time of order placement. When ordering engine parts please have both machine and engine serial numbers available. For internal engine parts, contact engine dealer.</i>		27	1257995GT	WELDMENT,EXHAUST PIPE,PERKINS.....	1
				28	824133GT	SCREW,HHF,M8-1.25X25,DIN6921,10.9,ZAB.4	
1	70449GT	U-BOLT,1/2-13 X 8.5.....	2				
2	1251997GT	NUT,TL FLG,1/2-13,G,ZAG.....	4				
3	71911GT	CLAMP,MUFFLER, 2.50 INCH.....	2				
4	1258014GT	TAILPIPE,404D-22T,S-80.....	1				
5	1256514GT	TUBE,INTAKE,PERKINS 404D-22T.....	1				
6	824079GT	SCREW,HHF,1/4-20X1,8,ZAG.....	4				
7	22672GT	CLAMP,HOSE,1.75.....	3				
8	823751GT	BRACKET,INTAKE PIPE,MOUNT,DEUT.....	1				
9	56912GT	SPRING CLIP,1/4-20,.025-.15X.54,ZAG.....	2				
10	45435GT	CLAMP,HOSE,2.50"***.....	3				
11	216150GT	ADAPTER,AIR HOSE,PERK 404F.....	2				
12	30971GT	CLAMP,HOSE,3.00".....	2				
13	53952GT	BRKT,AIR CLEANER ORIENTATION**.....	1				
14	63463GT	AIR CLEANER,NELSON***.....	1				
--	52866GT	EVACUATOR VALVE-AIR CLEANER					
--	58415GT	CLIP,AIR CLEANER END CAP*** <i>end cap not available separately</i>					
--	62420GT	FILTER,AIR***					
--	65810GT	BAFFLE, AIR CLEANER (27915)**					
15		REF. BRACKET,LOWER RADIATOR <i>(refer to 413.1)</i>					
16	824027GT	NUT,TL FLG,1/4-20,G,ZAG.....	2				
17		REF. WELDMENT,ENGINE TRAY,2.9L DEUTZ <i>(refer to 417.1)</i>					
18	62476GT	SCREW,SHC,M10X1.5X20MM (75090).....	6				
19		REF.DRIVE PUMP AND FUNCTION PUMP <i>(refer to 708.1)</i>					
20	1253498GT	SCREW,HHF,1/2-13X1.5,8,ZAG.....	4				
21	128003GT	COUPLER,15 TOOTH,FBA,PERKINS**.....	1				
22	231530GT	SCREW,HHF,M10-1.5X25,DIN6921,10.9,ZAB.4					
23	1258568GT	MOUNT,MUFFLER,PERKINS 404D-22T.....	1				
24	70483GT	FORMING,8.5' MUFFLER MOUNT.....	2				
25	1253487GT	ADAPTER, 2" TO 1.8", PERK 404F.....	1				
26	70444GT	MUFFLER,2.5"INLET/OUTLET.....	1				

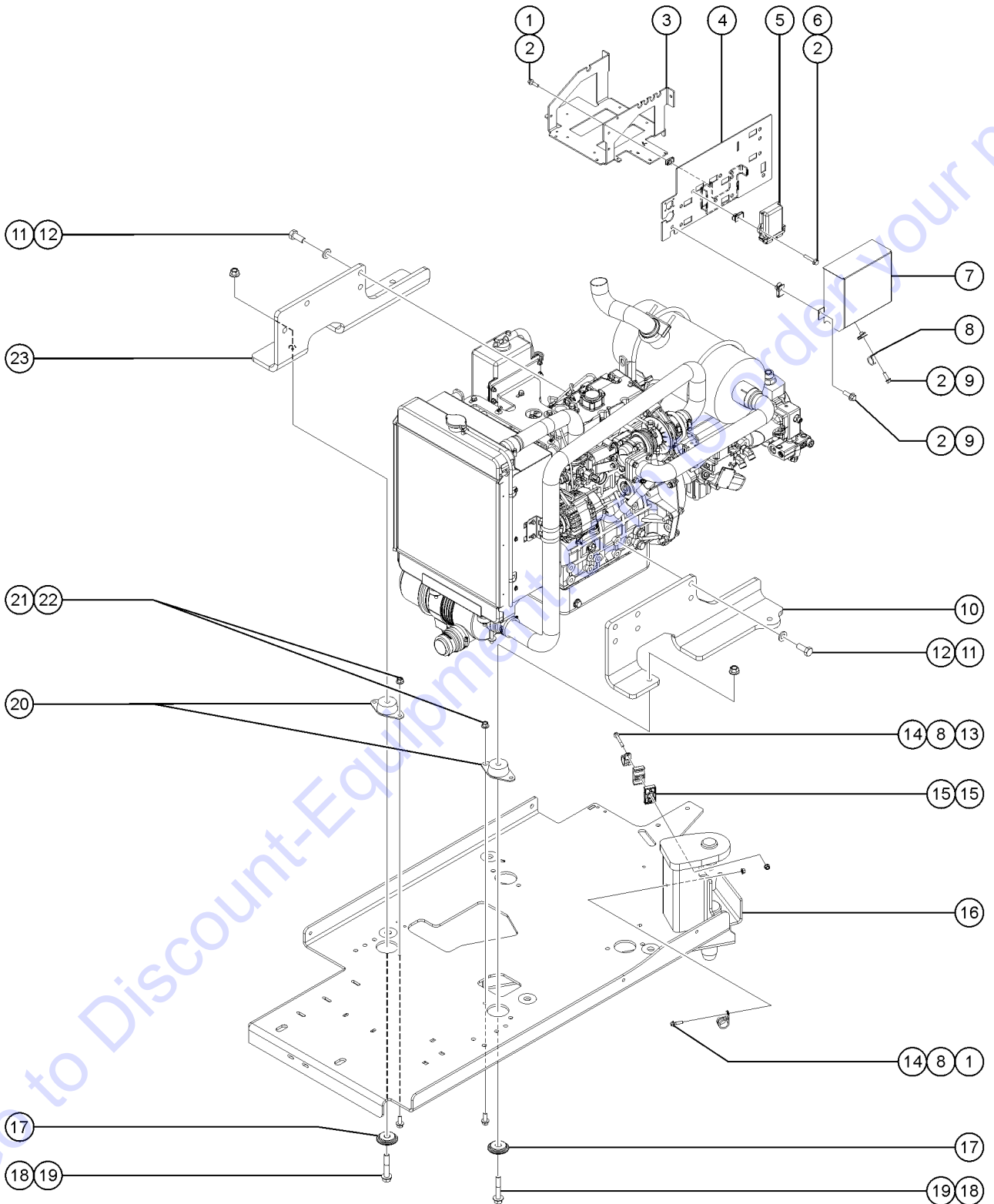
415.1 Perkins 404D-22T Engine - View 3



415.1 Perkins 404D-22T Engine - View 3

Item	Part No.	Description	Qty.
--		<i>Due to Tier 4 regulations, many engine replacement parts require engine serial number at time of order placement. When ordering engine parts please have both machine and engine serial numbers available. For internal engine parts, contact engine dealer.</i>	
1	1262503GT	WATER PUMP,PERKINS 404D-22T.....1	
2	1262471GT	GLOWPLUG,ENGINE,PERKINS 404D/F.....1	
3	22571GT	NUT,HEX,M8 X 1.25.....1	
4	33277GT	WASHER,FLAT,M8,YELLOW ZINC.....1	
5	49364GT	NUT,NYLOCK,M6X1.00.....2	
6	1262022GT	TURBOCHARGER,PERKINS 404D-22T.....1	
7	1262585GT	STARTER MOTOR,PERKINS 404D.....1	
8	1262486GT	ALTERNATOR,PERKINS 404D/F-22T.....1	
9	27082GT	NUT,NYLOCK,M5X.80.....2	
10	1259757GT	WIRE MANAGEMENT, WIRE LOOM SUP.....1	
11	121603GT	CLAMP,FIXED DIA.NYLON,.875".....1	
12	1262494GT	CRANKSHAFT PULLEY,PERKIS 404D-.....1	
13	1262488GT	BELT,ALTERNATOR,PERKINS 404D/F.....1	
14	1261980GT	FUEL INJECTOR PUMP,PERKINS 404.....1	
15	1262017GT	ATOMISER (FUEL INJECTOR),PERKI...1	
16	1262478GT	DIPSTICK,PERKINS 404D-22T.....1	
17	1262047GT	OIL FILTER,PERKINS 404D/F-22T.....2	
18	1261978GT	LIFT PUMP,PERKINS 404D-22T.....1	
19	1262484GT	FUEL FILTER ASSY,PERKINS 404D/.....1	
20	1281137GT	ASSEMBLY, SPEED SENSOR.....1	
21	1252686GT	FAN,10 BLADE,17",PERKINS 404F-.....1	
22	1262050GT	WATER PUMP PULLEY,PERKINS 404D.....1	

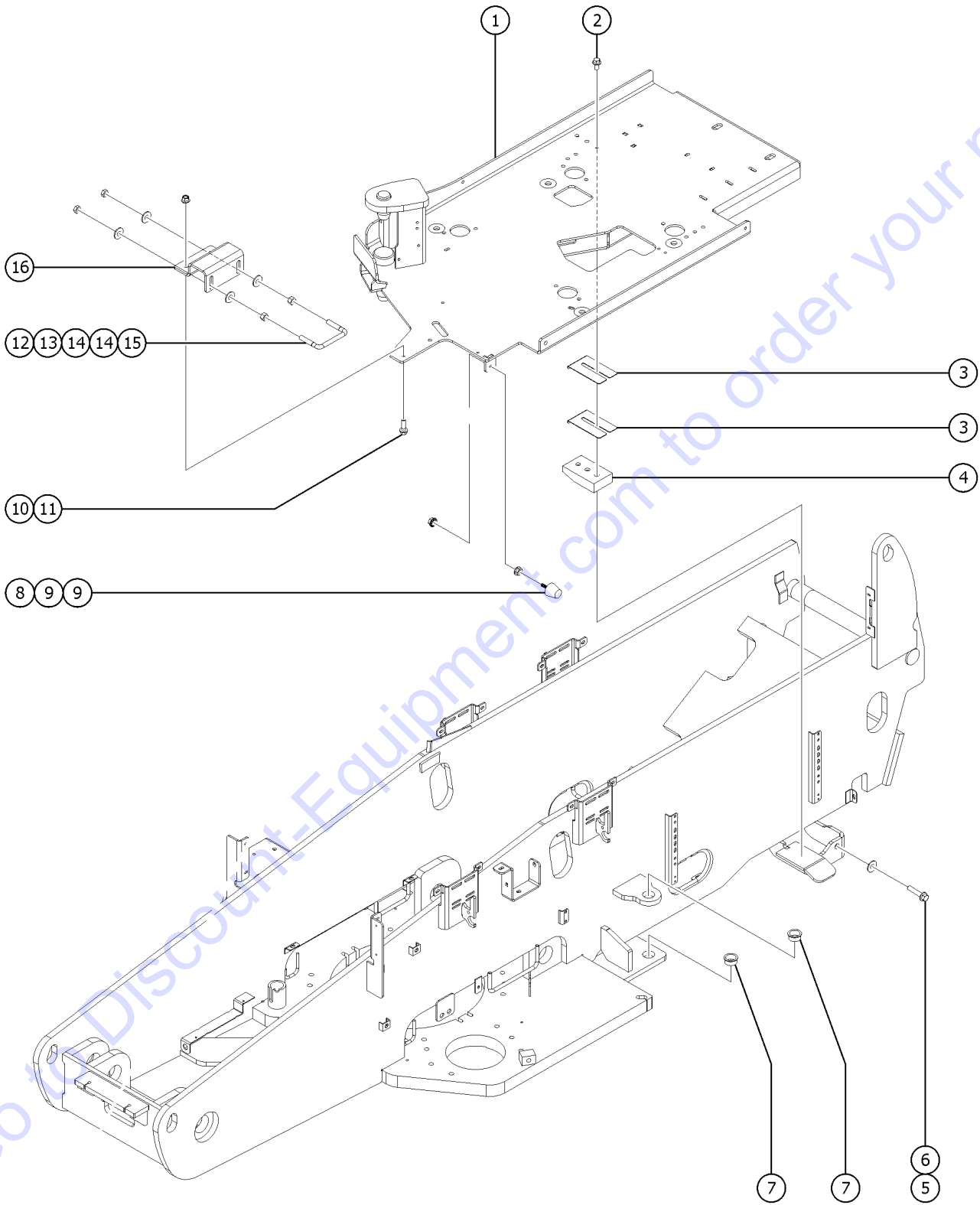
416.1 Perkins 404D-22T Engine - View 4



416.1 Perkins 404D-22T Engine - View 4

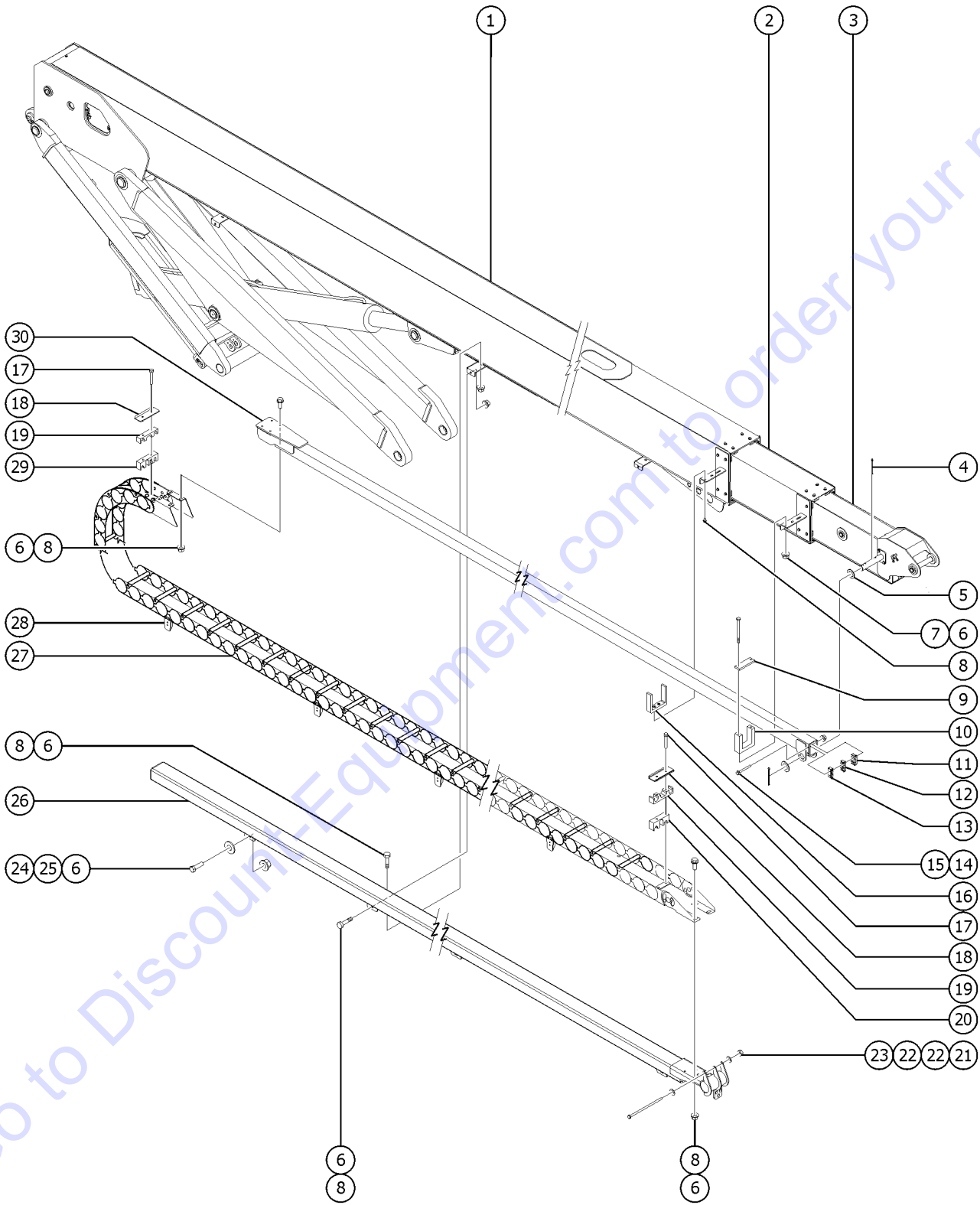
Item	Part No.	Description	Qty.
--		<i>Due to Tier 4 regulations, many engine replacement parts require engine serial number at time of order placement. When ordering engine parts please have both machine and engine serial numbers available. For internal engine parts, contact engine dealer.</i>	
1	824079GT	SCREW,HHF,1/4-20X1,8,ZAG.....	4
2	56912GT	SPRING CLIP,1/4-20,.025-.15X.54,ZAG.....	7
3	1274198GT	FORMING, BATTERY TRAY, NDL.....	1
4	1274201GT	WELDMENT, T4F MOUNT BRACKET, B.....	1
5	1262052GT	ENGINE CONTROL GOV,PERKINS 404.....	1
6	824080GT	SCREW,HHF,1/4-20X1.25,8,ZAG.....	2
7	1274200GT	BRACKET,COVER, ECU, TIER IV.....	1
8	18666GT	CLAMP,1.00,#16 X 1/4,RUB CUSH.....	3
9	824078GT	SCREW,HHF,1/4-20X.75,8,ZAG.....	2
10	1253574GT	FORMING, ENGINE MOUNT, LH.....	1
11	1257705GT	SCREW,HHC,M14-1.5X35,DIN960,10.9,ZAB.10	
12	1257810GT	WASHER,FLAT,M14,DIN6916,HRD,ZAB.10	
13	1257866GT	SCREW,HHF,1/4-20X2.25,8,ZAG.....	1
14	824027GT	NUT,TL FLG,1/4-20,G,ZAG.....	2
15	78736GT	CLAMP,2 HOSE,PLASTIC,5/8.....	2
16		REF. WELDMENT,ENGINE TRAY,2.9L DEUTZ (refer to 417.1)	
17	102066GT	CASTING,WASHER,REBOUND.....	4
18	1257862GT	SCREW,HHF,1/2-13X2.75,8,ZAG.....	4
19	1251997GT	NUT,TL FLG,1/2-13,G,ZAG.....	4
20	70452GT	ISOLATOR,ENGINE VIBRATION***.....	4
21	824029GT	NUT,TL FLG,3/8-16,G,ZAG.....	8
22	824090GT	SCREW,HHF,3/8-16X1,8,ZAG.....	8
23	1253573GT	FORMING, ENGINE MOUNT, RH.....	1

417.1 Engine Tray



Item	Part No.	Description	Qty.
1A	1267076GT	WELDMENT,ENGINE TRAY,2.9L DEUTZ.....1 (Deutz TD 2.9L4, GM 3.0L and Perkins 404D-22T)	1
1B	1267074GT	WELDMENT,ENGINE TRAY.....1 (Deutz TD2011L04i)	1
2	824089GT	SCREW,HHF,3/8-16X.75,8,ZAG.....2	2
3	34344GT	SHIM,SIDE PAD 16GA. 3 X 5.....2	2
4	81522GT	WEAR PAD,ENGINE TRAY.....1	1
5	1256126GT	SCREW,HHF,5/8-11X2,8,ZAG.....1	1
6	824115GT	WASHER, FLAT, USS, 5/8, ZAG.....1	1
7	41858GT	BEARING,FL,1.51X1.75X.84LG.....2	2
8	1261277GT	BUMPER, RUBBER, 1.25 X 1.25 IN.....1	1
9	1255805GT	NUT,SERRATED,5/16-18,8,ZAG.....2	2
10	824091GT	SCREW,HHF,3/8-16X1.25,8,ZAG.....2	2
11	824029GT	NUT,TL FLG,3/8-16,G,ZAG.....2	2
12	1259855GT	UBOLT, 0.4724 IN D X 4 IN L.....1	1
13	1259106GT	NUT,1/2-13,8,ZAG.....2	2
14	1255760GT	WASHER,FLAT,1/2,USS,ZAG.....4	4
15	1255804GT	NUT,JAM,1/2-13,A,ZAG.....2	2
16	1267070GT	FORMING,BRACKET,LATCH.....1	1

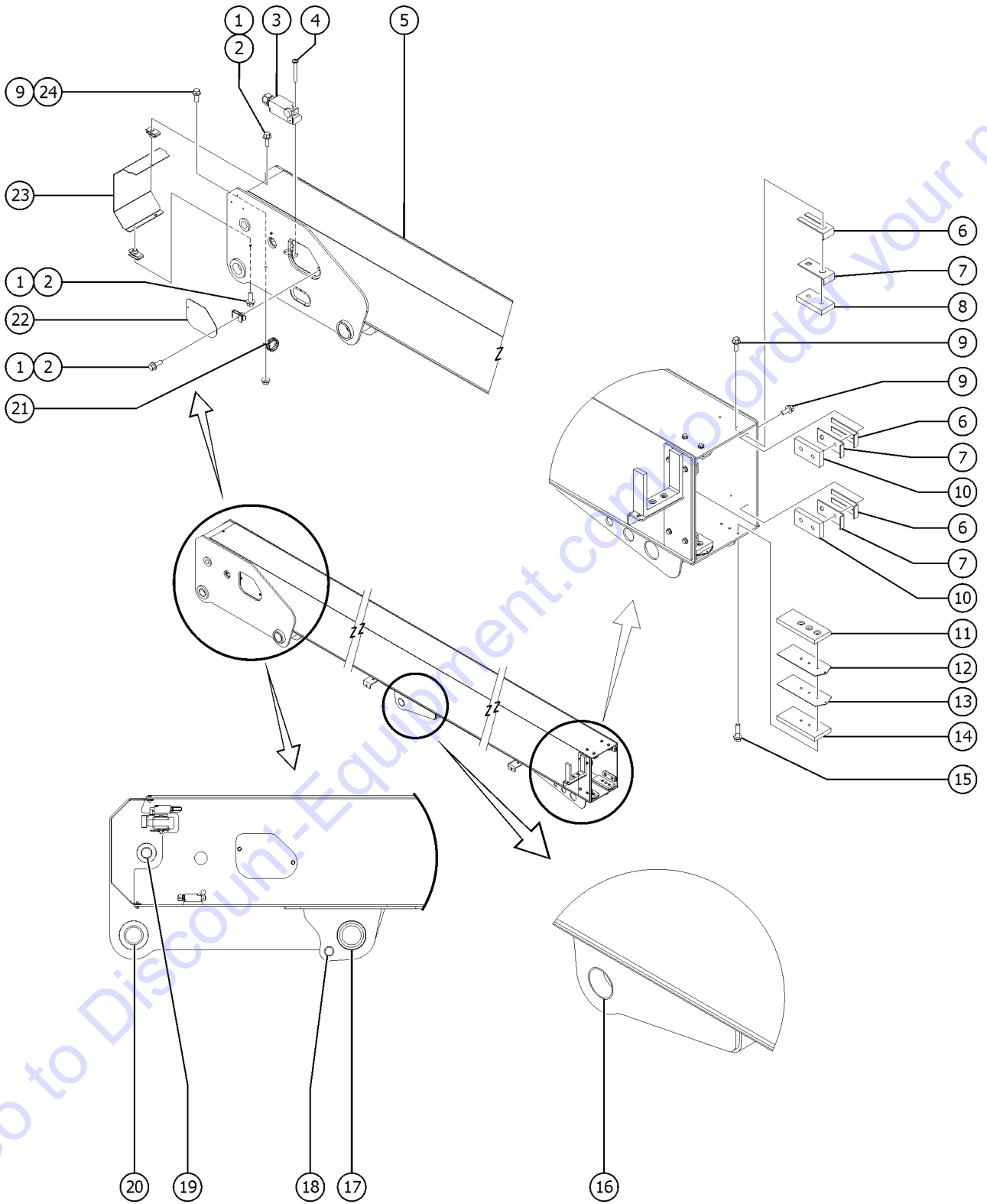
501.1 Cable Track Installation



501.1 Cable Track Installation

Item	Part No.	Description	Qty.	Item	Part No.	Description	Qty.
1		Ref. BOOM NUMBER 1.....1 (refer to 502.1)	1	--	122662GT	END BRACKET,MOVING END	
2		Ref. BOOM NUMBER 2.....1 (refer to 503.1)	1	--	122663GT	END BRACKET,FIXED END	
3		Ref. BOOM NUMBER 3.....1 (refer to 504.1)	1	--	122664GT	ALUMINUM FLAT CROSS BAR	
4	42079GT	PIN,COTTER,.156 X 2.5.....2	2	--	122665GT	FLAT BAR W/PEM NUTS	
5	1251565GT	WASHER,SHIM,1.56X2.5X.061,ZAG.....2	2	--	122666GT	SEPERATOR,PLASTIC	
6	824029GT	NUT,TL FLG,3/8-16,G,ZAG.....20	20	28	218448GT	FINGER,GUIDE,CABLE TRACK.....16	
7	1255391GT	SCREW,HHC,3/8-16X7,8,ZAG.....2	2	--	122668GT	GUIDE FINGER,PLASTIC	
8	824090GT	SCREW,HHF,3/8-16X1,8,ZAG.....19	19	--	87085GT	RIVET,ALUM,P,.188 X .25	
9	81342GT	WEAR PAD,5.5 X 1.75 X .5.....1	1	29	T115765GT	CLAMP,CABLE TRACK, WK LT.....1	
10	81341GT	WEAR PAD,CABLE TRACK PULL TUBE.....1	1	30	121063GT	WELDMENT,LONG,GUIDE TUBE.....1	
11	121872GT	CLAMP,PULL TUBE HOSES,RIGHT.....1	1				
12A	121871GT	CLAMP,PULL TUBE HOSES,MID.....1	1				
12B	T115764GT	CLAMP,PULL TUBE,RIGHT,WK LT.....1 (worklight option)	1				
12C	228891GT	CLAMP,PULL TUBE HOSES,RH.....1 (arctic high pressure hose kit)	1				
13A	121870GT	CLAMP,PULL TUBE HOSES,LEFT.....1	1				
13B	T115763GT	CLAMP,PULL TUBE,LEFT,WK LT.....1 (worklight option)	1				
13C	228892GT	CLAMP,PULL TUBE HOSES,LH.....1 (arctic high pressure hose kit)	1				
14	1257867GT	SCREW,HHF,1/4-20X3.5,8,ZAG.....2	2				
15	824027GT	NUT,TL FLG,1/4-20,G,ZAG.....2	2				
16	81340GT	WEAR PAD ASSEMBLY,CABLE TRACK.....1	1				
17A	1256123GT	SCREW,HHC,1/4-20X3.25,8,ZAG.....4	4				
17B	50160GT	SCREW,HHC,1/4-20 X 3.75 (welder and air line options)					
18	121065GT	FORMING,CLAMP,TOP,CABLE TRACK.....2	2				
19	121095GT	CLAMP, OPTIONS, CABLETRACK.....2	2				
20A	T115580GT	CLAMP,CABLE TRACK.....1	1				
20B	1257230GT	CLAMP,CABLE TRACK.....1 (arctic high pressure hose kit)	1				
21	824024GT	NUT,TL,1/4-20,C,ZAG.....1	1				
22	824113GT	WASHER,FLAT,USS,1/4,ZAG.....2	2				
23	1268605GT	SCREW,HHC,1/4-20X6,8,ZAG.....1	1				
24	6019GT	SCREW,HHC,3/8-16 X 1.25 GRD 5.....1	1				
25	6097GT	WASHER,FLAT,USS,3/8",Y.....1	1				
26	121061GT	WELDMENT,CABLE TRACK TRAY.....1	1				
27	121064GT	CABLE TRACK,SX,70 LNK.....1 (Include items 18 & 28)	1				
--	122661GT	REPAIR KIT,4 LINK,W/GUIDE					

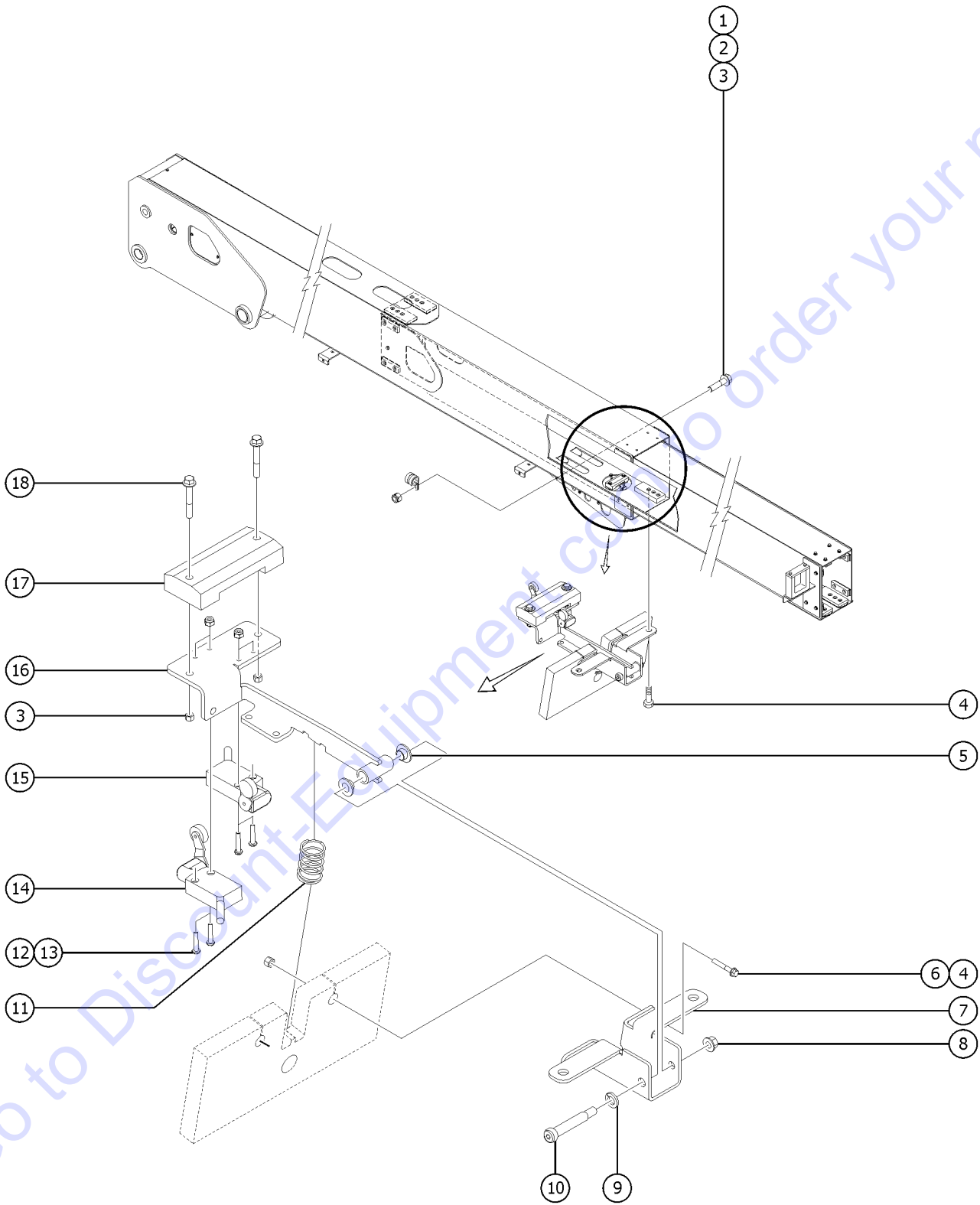
502.1 Extension Boom Tube 1, S-80 and S-85



502.1 Extension Boom Tube 1, S-80 and S-85

Item	Part No.	Description	Qty.
1	824078GT	SCREW,HHF,1/4-20X.75,8,ZAG.....7	
2	56912GT	SPRING CLIP,1/4-20,.025-.15X.54,ZAG.....7	
3		Ref. LIMIT SWITCH.....1 (refer to 316.1 and 317.1)	
4	51063GT	SCREW,PHILLIPS,RHM,10-32 X 1.5.....2	
5	121025GT	ASSEMBLY,BOOM SEC #1.....1	
6	29080GT	SHIM,WEAR PAD,5X 1.5 16GA.....8	
7	38620GT	SHIM,WEAR PAD,5 X 1.5,14GA.....6	
8	30138GT	WEAR PAD,5 X 1.5 X .625 W/NUTS.....2	
9	824090GT	SCREW,HHF,3/8-16X1,8,ZAG.....13	
10	73461GT	WEAR PAD,5 X 1.5 X .875 W/NUTS.....4	
11	88648GT	WEAR PAD,7X3X.625 W/NUTS.....2	
12	60304GT	SHIM,WEAR PAD,7 X 3,12GA.....2	
13	60840GT	SHIM,WEAR PAD,7 X 3,16GA.....2	
14	121164GT	BAR,SPACER.....2	
15	824092GT	SCREW,HHF,3/8-16X1.5,8,ZAG.....4	
16	27697GT	BEARING,2.50IDX2.75ODX1.50L.....2	
17	121754GT	BEARING,3.00IDX3.50DX2.25LG.....2	
18	50560GT	BEARING,1.25IDX1.50ODX1.50L.....1	
19	110876GT	BEARING,1.5"ID X 1.75OD X1.25L.....2	
20	101559GT	BEARING,FL,2.50IDX2.75ODX1.61L.....2	
21	61745GT	CLAMP,2.25,#36 X 3/8,RUB CUSH.....1	
22	121029GT	COVER PLATE,BOOM.....2	
23	1284532GT	FORMING,COVER,PRIM.Boom,PAINTED.1	
24	824029GT	NUT,TL FLG,3/8-16,G,ZAG.....1	

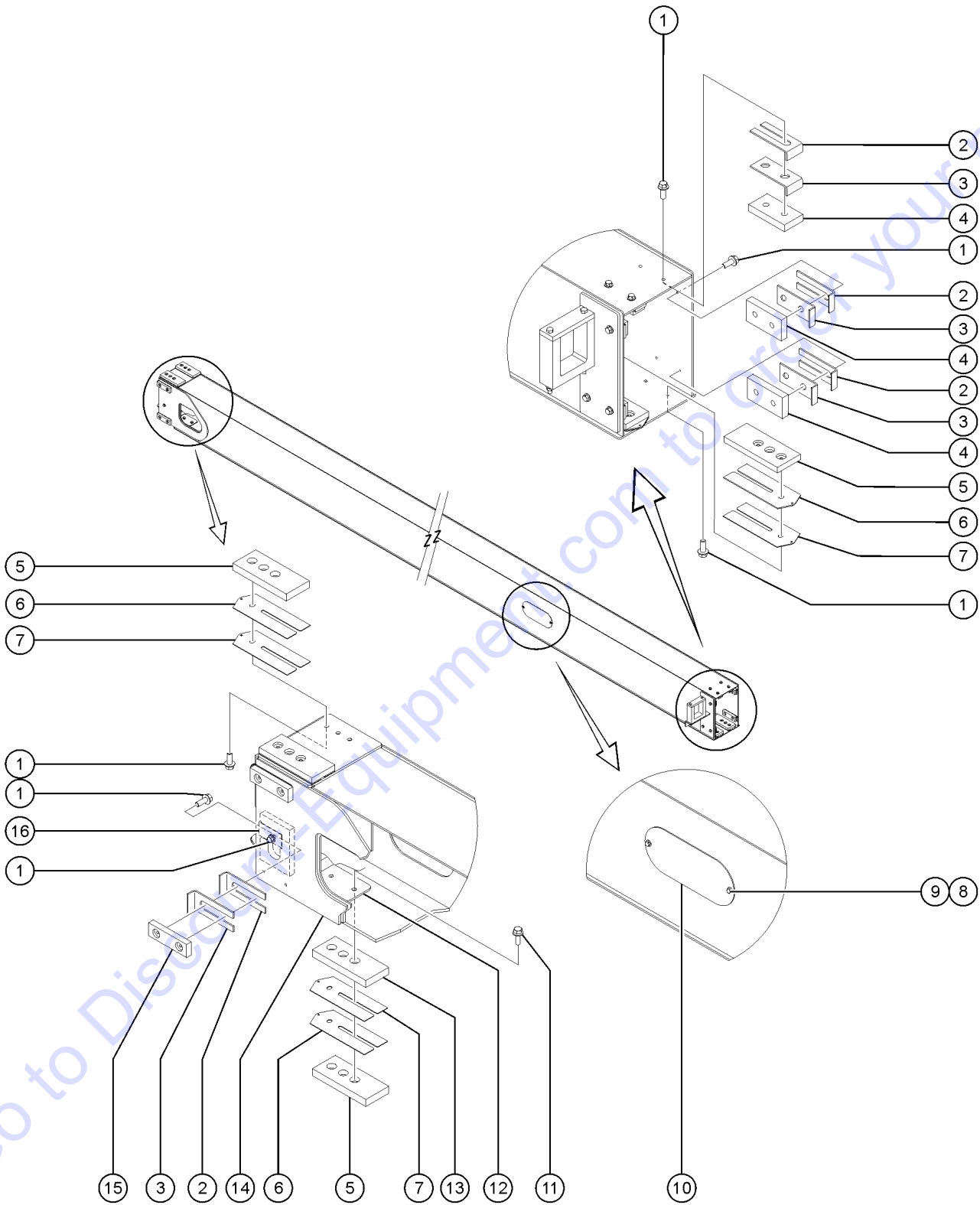
503.1 Extension Boom Tube 1, S-80X



503.1 Extension Boom Tube 1, S-80X

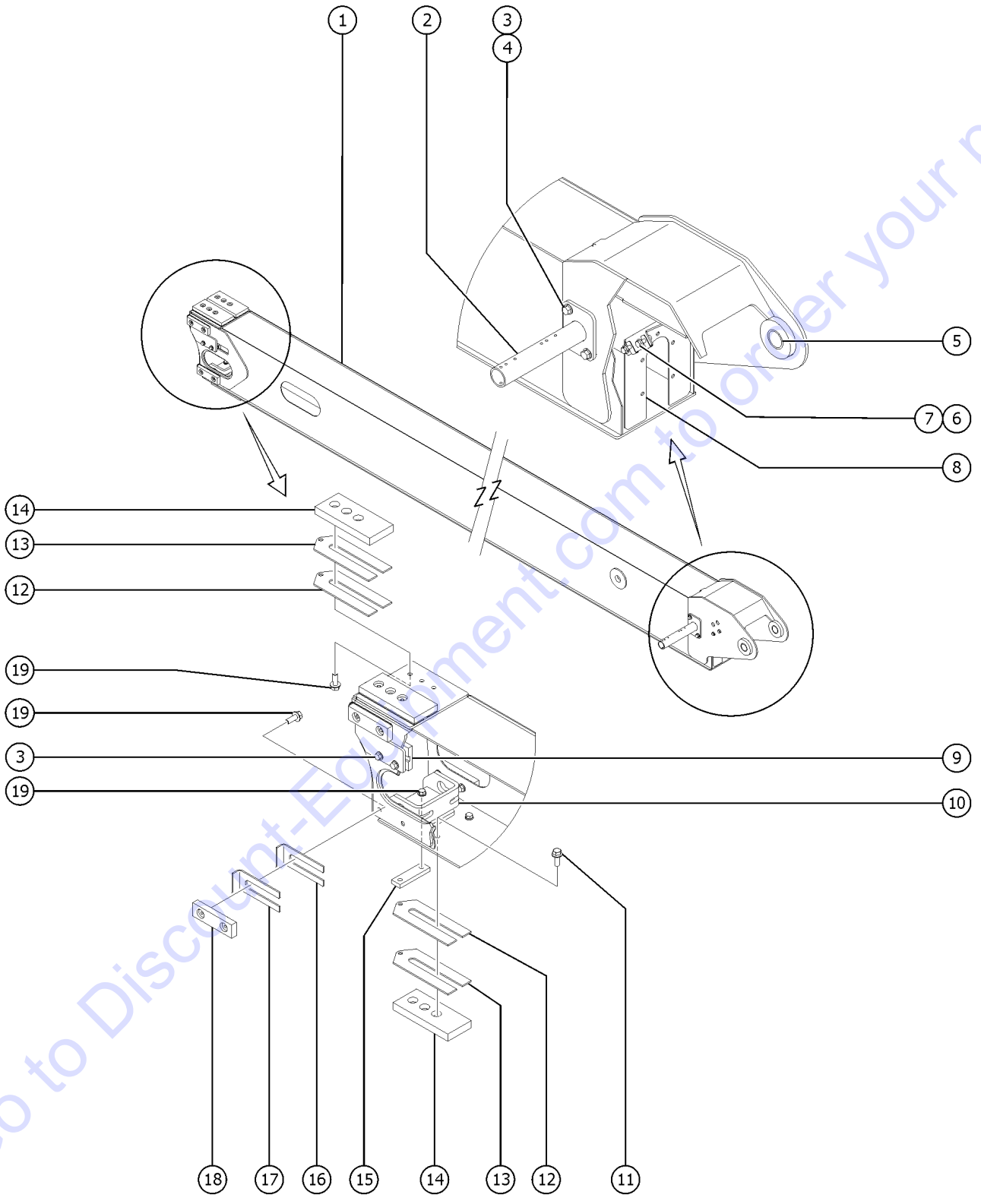
Item	Part No.	Description	Qty.
1	824079GT	SCREW,HHF,1/4-20X1,8,ZAG	
2	6833GT	CLAMP,0.50,#8 X 1/4,RUB CUSH.....3	
3	824024GT	NUT,TL,1/4-20,C,ZAG	
4	824093GT	SCREW,HHF,3/8-16X1.75,8,ZAG	
5	47222GT	WASHER,SHOULDER,NYLON.....2	
6	824025GT	NUT,TL,3/8-16,C,ZAG	
7	147628GT	COVER, LIMIT SWITCH ARM MOUNT...1	
8	824028GT	NUT,TL FLG,5/16-18,G,ZAG	
9	824110GT	WASHER,LOCK,3/8,ZAG	
10	1257863GT	BOLT,SHS,3/8X1.75X5/16-18,ZAG	
11	T112459GT	SPRING,0.984"OD X 1.50"LG.....1	
12	54380GT	SCREW,PHILLIPS,PHM,8-32 X .875	
13	18605GT	NUT,NYLOCK,8-32	
14	T106478GT	HARN,LS OP PRI.DUAL CAP.....1	
--	136644 14B61GT	LIMIT SWITCH,BLUE,MICRO	
15	T106479GT	HARN,LS SAFETY,PRI.DUAL CAP.....1	
--	136644 14B61GT	LIMIT SWITCH,BLUE,MICRO	
16	147631GT	WELDMENT, LIMIT SWITCH ARM.....1	
17	147505GT	WEARPAD, LIMIT SWITCH GUIDE.....1	
18	824082GT	SCREW,HHF,1/4-20X1.75,8,ZAG	

504.1 Extension Boom Tube 2



Item	Part No.	Description	Qty.
1	824090GT	SCREW,HHF,3/8-16X1,8,ZAG.....	29
2	29080GT	SHIM,WEAR PAD,5X 1.5 16GA.....	10
3	38620GT	SHIM,WEAR PAD,5 X 1.5,14GA.....	10
4	73461GT	WEAR PAD,5 X 1.5 X .875 W/NUTS.....	6
5	88648GT	WEAR PAD,7X3X.625 W/NUTS.....	5
6	60304GT	SHIM,WEAR PAD,7 X 3,12GA.....	5
7	60840GT	SHIM,WEAR PAD,7 X 3,16GA.....	5
8	824078GT	SCREW,HHF,1/4-20X.75,8,ZAG.....	4
9	56912GT	SPRING CLIP,1/4-20,.025-.15X.54,ZAG.....	4
10	77884GT	COVER,BOOM SECTION #2.....	2
11	824092GT	SCREW,HHF,3/8-16X1.5,8,ZAG.....	2
12	121045GT	FORMING,LS RAMP.....	1
13	121164GT	BAR,SPACER.....	1
14	147620GT	WELDMENT, BOOM SEC #2, S80 DC....	1
15	30138GT	WEAR PAD,5 X 1.5 X .625 W/NUTS.....	4
16	121658GT	CAP,EXTENSION.....	2

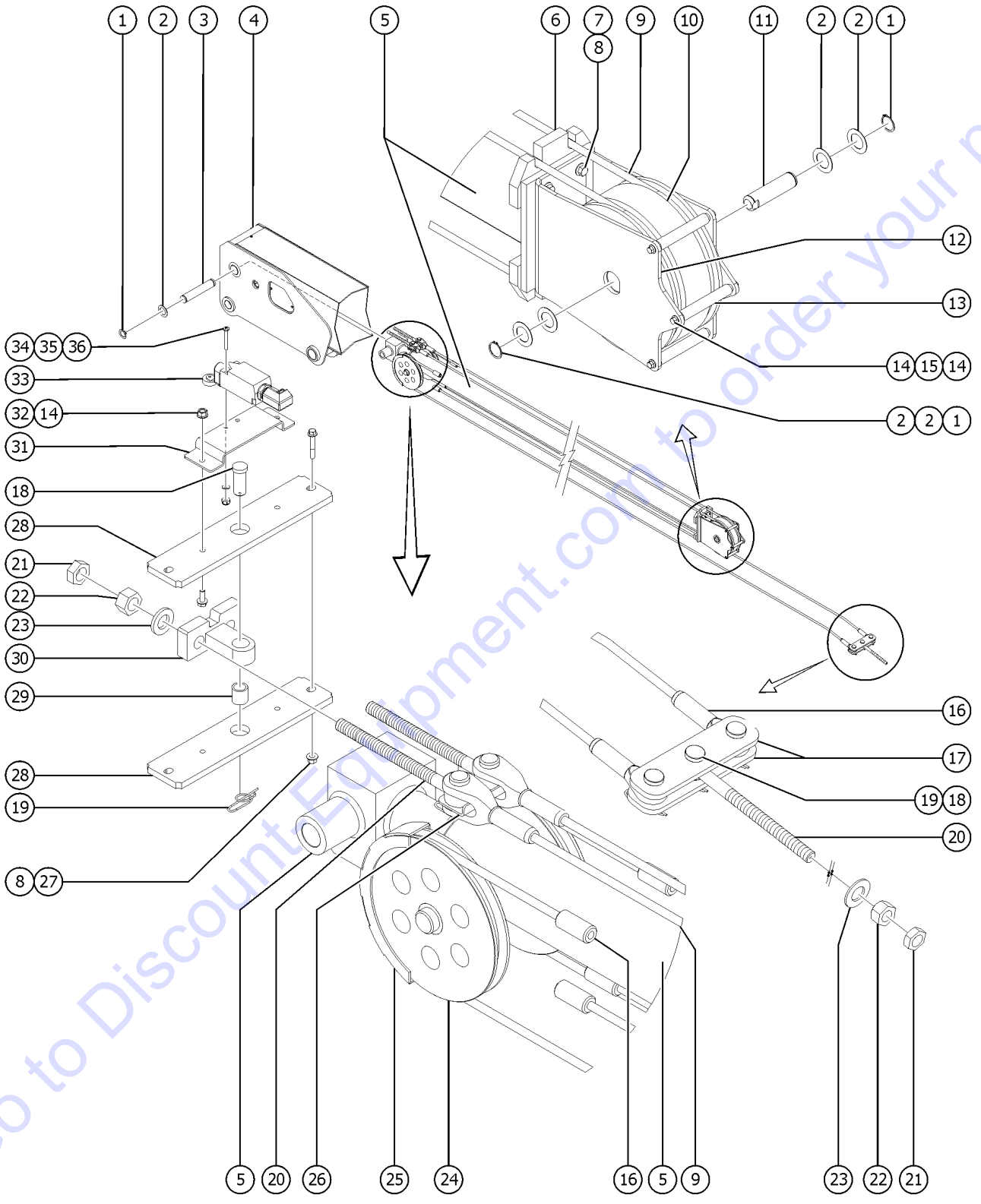
505.1 Extension Boom Tube 3



505.1 Extension Boom Tube 3

Item	Part No.	Description	Qty.
1	147484GT	WELDMENT,BOOM SEC #3.....	1
2	81347GT	WELDMENT,TRACK PULL TUBE PIVOT.....	1
3	824068GT	SCREW,HHC,3/8-16X1.25,8,ZAG.....	6
4	824029GT	NUT,TL FLG,3/8-16,G,ZAG.....	2
5	147544GT	BEARING,1.25IDX1.50ODX2.25L.....	2
6	824079GT	SCREW,HHF,1/4-20X1,8,ZAG.....	4
7	56912GT	SPRING CLIP,1/4-20,.025-.15X.54,ZAG.....	4
8	1285171GT	FORMNG,DEBRIS CVR #3,PAINTED,BLUE.....	1
9	121163GT	PLATE,CABLE BLOCK.....	2
10	121160GT	WELDMENT,EXTENSION BRACKET.....	1
11	824089GT	SCREW,HHF,3/8-16X.75,8,ZAG.....	4
12	60840GT	SHIM,WEAR PAD,7 X 3,16GA.....	4
13	60304GT	SHIM,WEAR PAD,7 X 3,12GA.....	4
14	88648GT	WEAR PAD,7X3X.625 W/NUTS.....	4
15	1264897GT	PLATE,TAP BLOCK.....	1
16	29080GT	SHIM,WEAR PAD,5X 1.5 16GA.....	4
17	38620GT	SHIM,WEAR PAD,5 X 1.5,14GA.....	4
18	30138GT	WEAR PAD,5 X 1.5 X .625 W/NUTS.....	4
19	824090GT	SCREW,HHF,3/8-16X1,8,ZAG.....	14

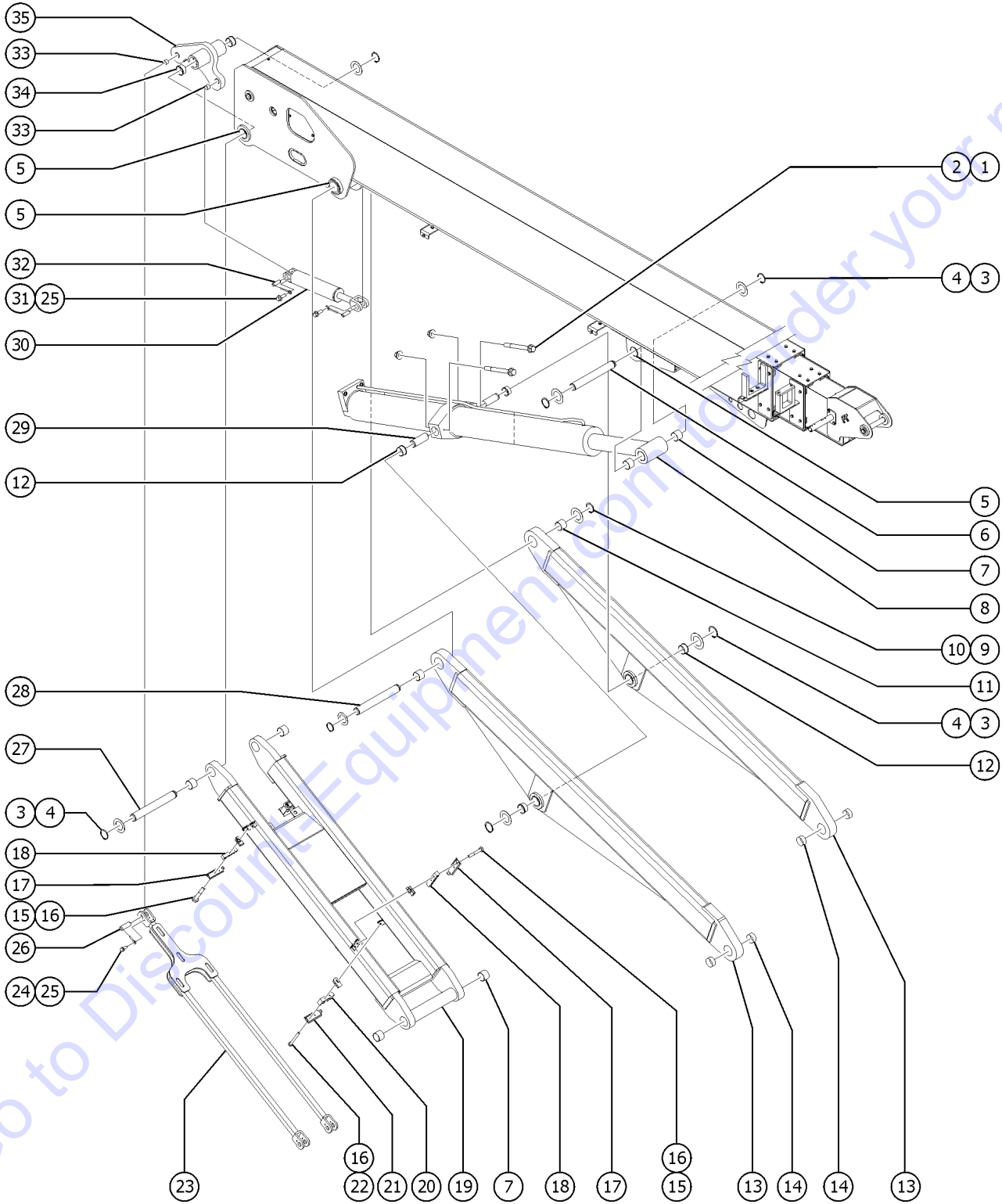
506.1 Cable Assembly and Primary Extension Cylinder



506.1 Cable Assembly and Primary Extension Cylinder

Item	Part No.	Description	Qty.	Item	Part No.	Description	Qty.
A	217710GT	KIT,EXT/RET CABLE REPLMNT,S80/85 (replaces all extension and retraction cables) (contains all necessary hardware and fasteners) (for easier installation, suggest ordering 94510, below)		28	121028GT	PLATE,ROCKER.....	2
B	94510GT	TOOL,CABLE GRIP, 7/16" (for installation of 217710)		29	25817GT	BEARING,1.00IDX1.25ODX1.00L.....	1
1	825796GT	SNAP RING,EXTERNAL,1.50,ZAG.....	4	30	121180GT	ASSEMBLY,PIVOT PLATE.....	1
2	1251565GT	WASHER,SHIM,1.56X2.5X.061,ZAG.....	6	--	121181GT	MACH.,PIVOT PLATE WELDMENT	
3	121034GT	PIN,1.500 X 15.000,2 RINGS.....	1	31	77653GT	FORMING,LIMIT SWITCH BRACKET.....	1
4		Ref. BOOM NUMBER 1..... (refer to 502.1)	1	32	824027GT	NUT,TL FLG,1/4-20,G,ZAG.....	2
5	121142GT	CYLINDER,PRIMARY EXTENSION***.....	1	33		Ref. HARNESS,LS,CHAIN BREAK S80/85..... (refer to 316.1 or 317.1)	1
--	121762GT	VALVE,COUNTERBALANCE,1000 ATM (extend valve)		34	51063GT	SCREW,PHILLIPS,RHM,10-32 X 1.5.....	2
--	146058GT	SEAL KIT (121142)		35	6146GT	WASHER,FLAT,MS,#10,Y.....	2
--	43018GT	SEAL KIT (39345) (used with valves 77409 and 121762)		36	6178GT	NUT,NYLOCK,10-32.....	2
--	77409GT	VALVE,COUNTERBALANCE,1000 ATM (retract valve)					
6	121155GT	GUIDE,EXT. CABLES.....	2				
7	1253478GT	SCREW,HHF,3/8-16X2,8,ZAG.....	4				
8	824029GT	NUT,TL FLG,3/8-16,G,ZAG.....	6				
9	121149GT	CABLE ASSY,EXTEND.....	2				
10	121147GT	SHEAVE,EXTEND.....	1				
11	121156GT	PIN,DIA. 1.50 X 5.875.....	1				
12	121146GT	FORMING,BRACKET,EXTEND SHEAVE.....	1				
13	121670GT	ROLLER,1/2" PVC.....	3				
14	824078GT	SCREW,HHF,1/4-20X.75,8,ZAG.....	8				
15	121671GT	ROLLER,1/2" ALUMINUM.....	3				
16	121150GT	CABLE ASSY,RETRACT.....	2				
17	121044GT	PLATE,RETRACT CABLE EQUALIZER.....	2				
18	826379GT	PIN,CLEVIS,1X2.250,ZAG.....	4				
19	824129GT	RUE RING,1.0,ZAG.....	6				
20	77656GT	ROD END,CABLE.....	3				
21	1256837GT	NUT,JAM,3/4-10,A, ZAG.....	3				
22	1268597GT	NUT,3/4-10,8,ZAG.....	3				
23	1256863GT	WASHER,FLAT,.75,SAE,HRD,ZAG.....	3				
24	88568GT	SHEAVE,RETRACT CABLE(SMALLER).....	2				
25	121151GT	WELDMENT,RETRACT SHEAVE COVER.....	1				
--	824078GT	SCREW,HHF,1/4-20X.75,8,ZAG					
26	121189GT	PLATE,ANTIROTATION.....	1				
27	1256856GT	SCREW,HHF,3/8-16X2.5,8,ZAG.....	2				

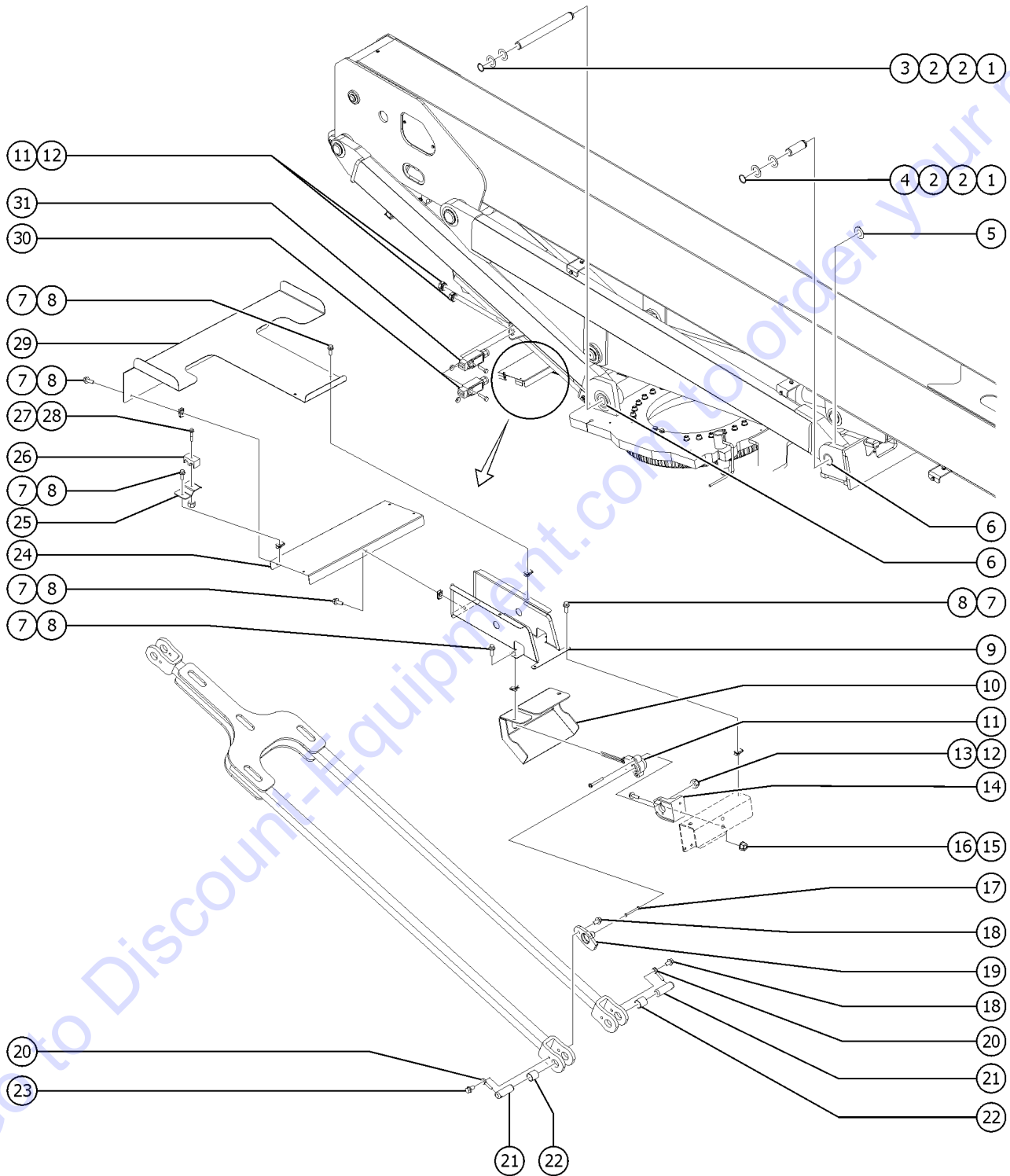
507.1 Boom Link Assembly - View 1



507.1 Boom Link Assembly - View 1

Item	Part No.	Description	Qty.	Item	Part No.	Description	Qty.
1	1268601GT	SCREW,HHF,1/2-13X5,8,ZAG.....	2	33	50560GT	BEARING,1.25IDX1.50ODX1.50L.....	2
2	1251997GT	NUT,TL FLG,1/2-13,G,ZAG.....	2	34	101566GT	BEARING,FL,2.50IDX2.75ODX1.36L.....	2
3	825760GT	SNAP RING,EXTERNAL,2.50,ZAG.....	6	35	121345GT	WELDMENT,PLATE,LEVER MAST CYL,.....	1
4	1256111GT	WASHER,SHIM,2.5X4X.062,ZAG.....	6				
5		Ref. BEARING (refer to 502.1)					
6	121031GT	PIN,2.50 X 12.200,2 RINGS.....	1				
7	27698GT	BEARING,2.50IDX2.75ODX2.00L.....	6				
8	121140GT	CYLINDER,LIFT,S80-85***.....	1				
--	1251820GT	GLAND NUT SEAL ASSY					
--	146059GT	SEAL KIT (121140)					
--	31106GT	VALVE,CNTERBAL,CBBB-LHN@3000**					
--	43018GT	SEAL KIT (39345) (used on valve 31106)					
9	825762GT	SNAP RING,EXTERNAL,3.00,ZAG.....	2				
10	1258728GT	WASHER,FLAT,3.062X4.5X.05,ZAG.....	2				
11	121406GT	BEARING,3.00IDX3.25ODX2.50LG.....	2				
12	101559GT	BEARING,FL,2.50IDX2.75ODX1.61L.....	4				
13	1254362GT	WELDMENT,LONG LINK,METRIC.....	2				
14	121399GT	BEARING,2.50IDX2.75OBX1.25LG.....	4				
15	824063GT	SCREW,HHC,1/4-20X1.75,8,ZAG.....	4				
16	56912GT	SPRING CLIP,1/4-20,.025-.15X.54,ZAG.....	8				
17	229338GT	CLAMP,TOP WELD OPT,SHORT LINK.....	2				
18	229337GT	CLAMP,ELEC.WELD OPT,SHORT LINK.....	2				
19	1254269GT	WELDMENT,SHORT LINK,METRIC.....	1				
20	121087GT	CLAMP,HYD,SHORT LINK.....	2				
--	229327GT	CLAMP,SHORT LINK (arctic high pressure hose kit)					
21	121089GT	CLAMP,TOP,SHORT LINK.....	2				
22	1256803GT	SCREW,HHC,1/4-20X2.75,8,ZAG.....	4				
23	121646GT	WELDMENT,MASTER LINK..... (angle sensor calibration required after replacement)	1				
24	122201GT	SCREW,FLANGE,HHC,3/8-16X1.00.....	1				
25	1255452GT	ROD END,.375 X 2.25,ZAG.....	3				
26	50742GT	PIN,1.25DIA X 3.75LG,1HOLE.....	1				
27	121032GT	PIN,2.500 X 19.750,2 RINGS.....	1				
28	121033GT	PIN, 3.00 X 21.50, 2 RINGS.....	1				
29	121039GT	PIN,2.500X6.900,1 RING,1 HOLE.....	2				
30	121236GT	CYLINDER,MASTER***.....	1				
--	146060GT	SEAL KIT (121236)					
31	824090GT	SCREW,HHF,3/8-16X1,8,ZAG.....	2				
32	119032GT	PIN,1.25DIA X 4.38LG,1HOLE.....	2				

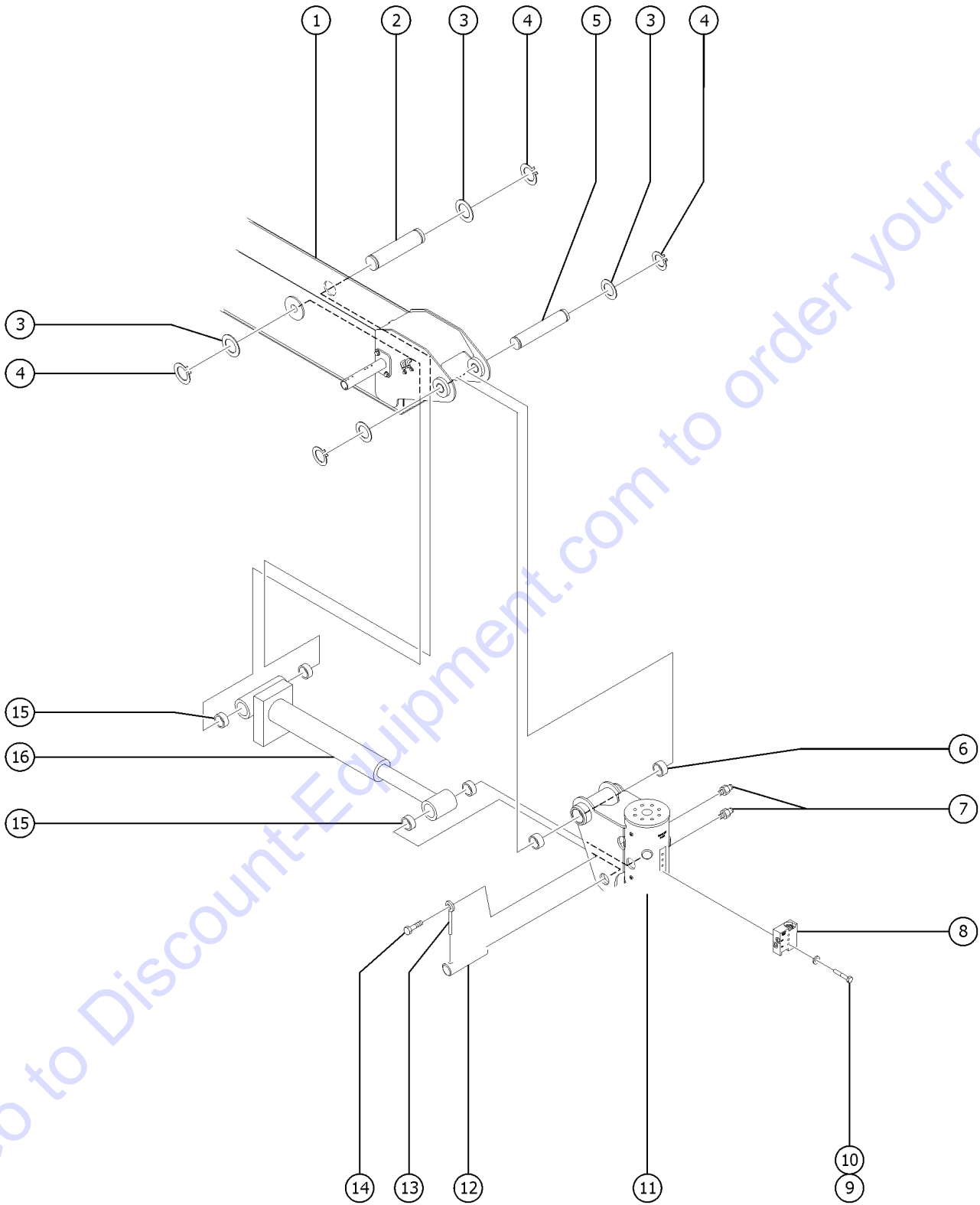
508.1 Boom Link Assembly - View 2



508.1 Boom Link Assembly - View 2

Item	Part No.	Description	Qty.
1	825760GT	SNAP RING,EXTERNAL,2.50,ZAG.....6	6
2	1256111GT	WASHER,SHIM,2.5X4X.062,ZAG.....12	12
3	121388GT	PIN,2.50DIAX24.50,2RINGS,TAPER.....1	1
4	121387GT	PIN,2.50DIAX7.00,2 RINGS,TAPER.....2	2
5	121869GT	FORMING,LINK THRUST WASHER.....4	4
6	121399GT	BEARING,2.50IDX2.75OBX1.25LG.....6	6
7	824078GT	SCREW,HHF,1/4-20X.75,8,ZAG.....13	13
8	56912GT	SPRING CLIP,1/4-20,.025-.15X.54,ZAG.....13	13
9	121822GT	WELDMENT,CABLE GUIDE.....1	1
10	121865GT	LIMIT SW COVER.....1	1
11	94980GT	SENSOR,DUAL OUTPUT,ANGLE***.....1 <i>(calibration required after replacement)</i>	1
12	15513GT	NUT,HEX,10-32	
13	75041GT	SCREW,PHILLIPS,PHM,10-32 X 1	
14	121391GT	INJECTION,ANGLE SENSOR BRACKET.....1	1
15	824027GT	NUT,TL FLG,1/4-20,G,ZAG.....2	2
16	824079GT	SCREW,HHF,1/4-20X1,8,ZAG.....2	2
17	101599GT	KEY,BALL POINT HEX.....1	1
18	824089GT	SCREW,HHF,3/8-16X.75,8,ZAG.....2	2
19	121650GT	INJECTION, 10 DEGREE LIMIT CAM.....1	1
20	1255452GT	ROD END,.375 X 2.25,ZAG.....2	2
21	50742GT	PIN,1.25DIAX3.75LG,1HOLE.....2	2
22	50560GT	BEARING,1.25IDX1.50ODX1.50L.....2	2
23	75051GT	SCREW,SER FLNG3/8UNCX3/4ZNYEL.....1	1
24	121819GT	FORMING,CABLE SUPPORT.....1	1
25	219393GT	FORMING,BRACKET BATTERY CABLE.....1	1
26	70289GT	CLAMPLINK,LH WELD WIRE.....1	1
27	824081GT	SCREW,HHF,1/4-20X1.5,8,ZAG.....1	1
28	824024GT	NUT,TL,1/4-20,C,ZAG.....1	1
29	1284188GT	FORMING,CABLE COVER,BLUE,S80/85.....1	1
30	T107193GT	HARN,LS OP PRI VEL LST3O.....1 <i>(refer to 316.1 or 317.1)</i>	1
--	110771-13107GT	SWITCH,LIMIT,W/RLLR ARM,NO/NC <i>(refer to 316.1 or 317.1)</i>	
31	T107194GT	HARN,LS SAFETY PRI VEL LST3S.....1 <i>(S-80X only) [when replacing, customer must calibrate Angle Sensor item 11 (94980)] (refer to 312.1)</i>	1
--	110771-11117GT	SWITCH,LIMIT,W/RLLR ARM,NO/NC	

509.1 Platform Rotator, S-80X and S-80

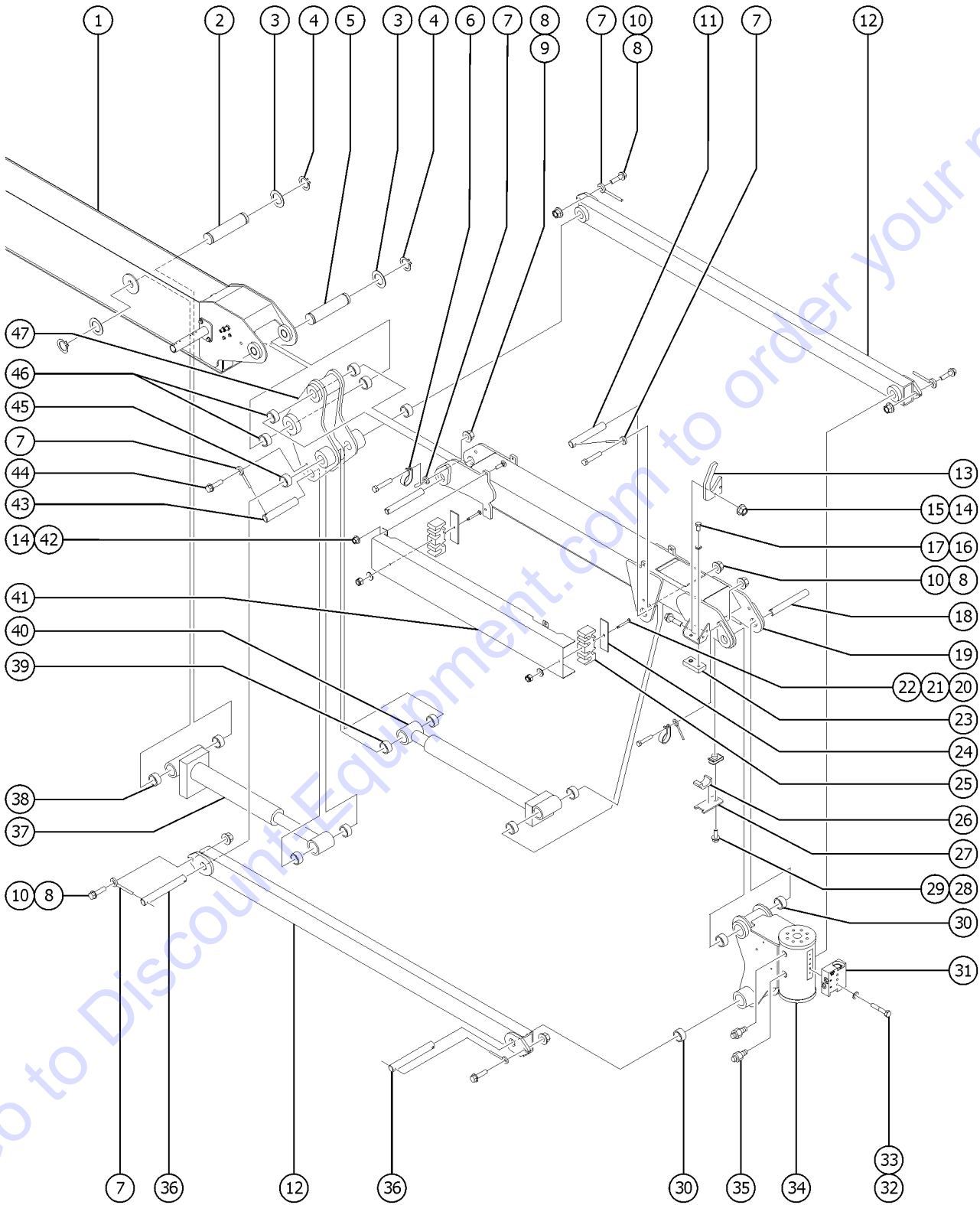


Go to Discount-Equipment.com to order your parts

509.1 Platform Rotator, S-80X and S-80

Item	Part No.	Description	Qty.
A	61283GT	SLEAVING,PARKER TEK,2.00"	
1		Ref., BOOM TUBE 3 (refer to 504.1)	
2	88345GT	PIN,1.25DIA X 8.26LG,2RING.....	1
3	824151GT	WASHER,SHIM,1.270X2.130X.062,Z....	4
4	824164GT	SNAP RING,EXTERNAL,1.25,ZAG.....	4
5	147485GT	PIN,1.250 X 10.125, 2 RINGS.....	1
6	30370GT	BEARING,1.25ID X 1.5OD X 1.00L.....	2
7	88516GT	SCREW,BLEEDER,M5X0.8.....	2
8		Ref., ROTATOR MANIFOLD (refer to 703.1)	
9	824062GT	SCREW,HHC,1/4-20X1.5,8,ZAG.....	3
10	824109GT	WASHER,LOCK,1/4,ZAG.....	3
11A	88576GT	ROTATOR,NON-JIB..... (S-80)	1
--	122944GT	SEAL KIT,8K ROTATOR*** (use with rotator 88576)	
11B	226541GT	ROTATOR,PLATFORM,15K..... (S-80X)	1
--	226542GT	SEAL KIT, 15K ROTATOR (use with rotator 226541)	
12	T108075GT	PIN,1.25DIA X 5.25LG,1HOLE.....	2
13	825019GT	ROD END,.375X3.69,ZAG.....	1
14	122209GT	SCREW,HHF,3/8-16 X1.50.....	1
15	47377GT	BEARING,1.25 ID X 1.5 OD X .75.....	4
16	121234GT	CYLINDER,LEVEL..... (includes item 15)	1
--	237237GT	SEAL KIT (121234)	
--	43018GT	SEAL KIT (39345) (use with valve 77303)	
--	77303GT	VALVE, CNTRBAL 3500 PSI, ATM VEN	

510.1 Jib Boom and Platform Rotator, S-85

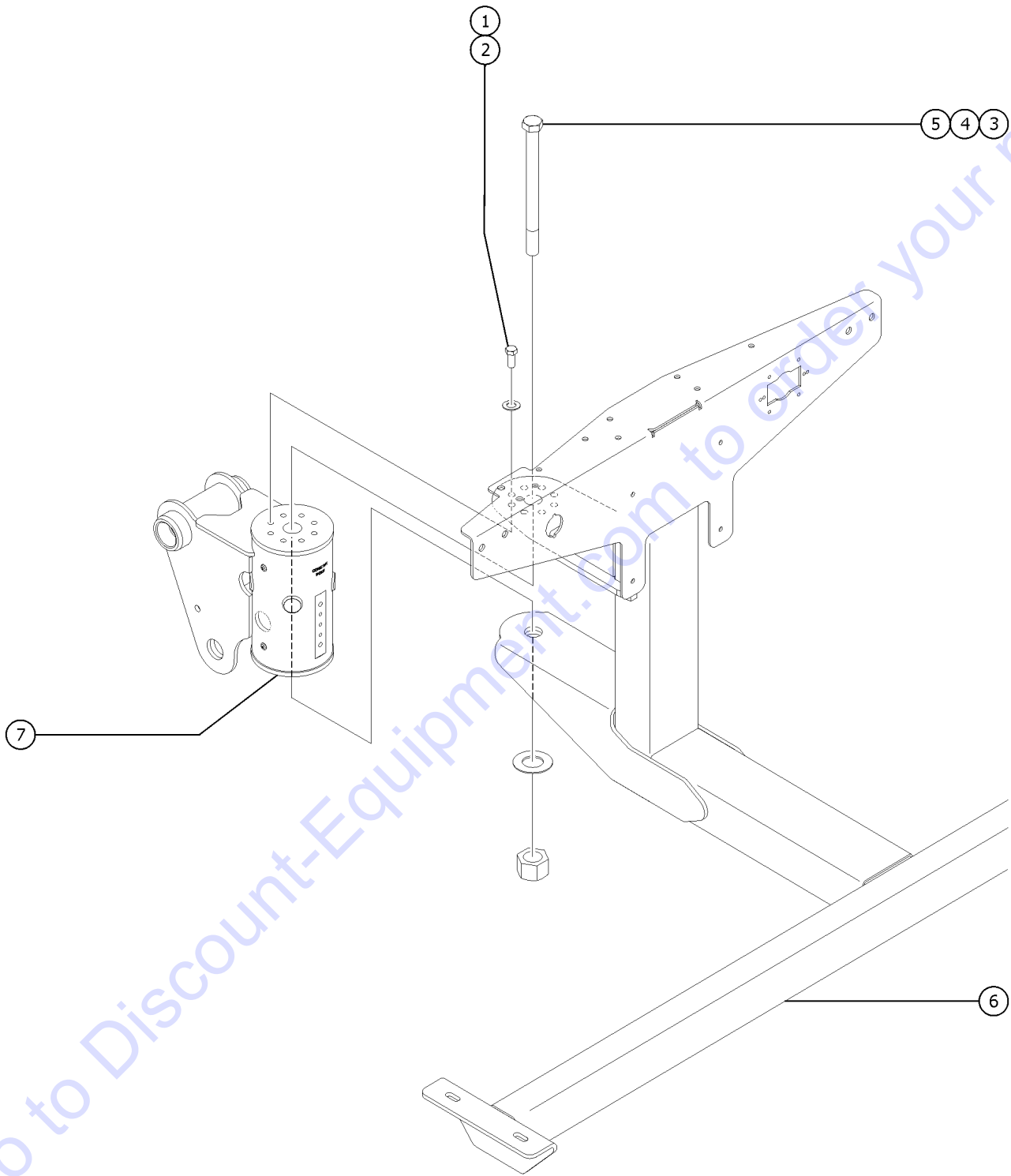


Go to DiscountEquipment.com to order your parts

510.1 Jib Boom and Platform Rotator, S-85

Item	Part No.	Description	Qty.	Item	Part No.	Description	Qty.
A	61283GT	SLEAVING,PARKER TEK,2.00".....24-inches		37	121234GT	CYLINDER,LEVEL.....1 (includes items 38)	
1		Ref., BOOM TUBE 3 (refer to 505.1)		--	237237GT	SEAL KIT (121234)	
2	88345GT	PIN,1.25DIAx8.26LG,2RING.....1		--	43018GT	SEAL KIT (39345) (use with valve 77303)	
3	824151GT	WASHER,SHIM,1.270X2.130X.062,Z....4		--	77303GT	VALVE, CNTRBAL 3500 PSI, ATM VEN	
4	824164GT	SNAP RING,EXTERNAL,1.25,ZAG.....4		38	47377GT	BEARING,1.25 ID X 1.5 OD X .75.....4	
5	147485GT	PIN,1.250 X 10.125, 2 RINGS.....1		39	47377GT	BEARING,1.25 ID X 1.5 OD X .75.....4	
6	77181GT	CLAMP,1.63,#26 X 3/8,RUB CUSH.....2		40	63213GT	CYLINDER,JIB (STICK BOOMS).....1 (includes items 39)	
7	825019GT	ROD END,.375X3.69,ZAG.....8		--	33428GT	VALVE,COUNTERBALANCE	
8	824029GT	NUT,TL FLG,3/8-16,G,ZAG.....7		--	43018GT	SEAL KIT (39345)	
9	5224GT	SCREW,HHC,3/8-16 X 2.....2		--	63353GT	SEAL KIT,CYL,S65 (63213)	
10	824092GT	SCREW,HHF,3/8-16X1.5,8,ZAG.....5		41	128454GT	COVER, JIB HOSES/CABLES**.....1	
11	T108077GT	PIN,1.25DIAx7.00LG,1HOLE.....1		42	1256127GT	BOLT,CARRIAGE,1/4-20X1.5,ZAG.....4	
12	61306-SGT	COMPR.LINK,MACHINED,GND CONTR*.....2		43	T108075GT	PIN,1.25DIAx5.25LG,1HOLE.....1	
13	128482GT	HOSE GUIDE, JIB.....1		44	122209GT	SCREW,HHF,3/8-16 X1.50.....1	
14	824027GT	NUT,TL FLG,1/4-20,G,ZAG.....6		45	128268GT	BEARING,FL, 1.25X1.5X2.13.....2	
15	824079GT	SCREW,HHF,1/4-20X1,8,ZAG.....2		46	35675GT	BEARING,FL,1.25IDx1.5ODx1.25L.....4	
16	1256109GT	SCREW,HHC,3/8-16X.75,8,ZAG.....4		47	77991GT	BELLCRANK WELDMENT,JIB.....1	
17	824110GT	WASHER,LOCK,3/8,ZAG.....4					
18	T108076GT	PIN,1.25DIAx7.88LG,1HOLE.....2					
19	128433GT	WELDMENT,5FT JIB BOOM.....1					
20	1256180GT	BOLT,CARRIAGE,1/4-20X2.75,5,ZAG....2					
21	824113GT	WASHER,FLAT,USS,1/4,ZAG.....2					
22	824024GT	NUT,TL,1/4-20,C,ZAG.....2					
23	81640GT	WEAR PAD,3 X 1.5 X.625 W/NUTS.....2					
24	128483GT	BACKING PLATE, HOSE BLOCK, JIB...2					
25	121857GT	CLAMP,JIB HOSE/CABLE.....2					
26	119542GT	CLAMP,TWO HOSE.....1					
27	119536PGT	BRACKET,HOSE CLAMP,PAINTED.....1					
28	824078GT	SCREW,HHF,1/4-20X.75,8,ZAG.....1					
29	56912GT	SPRING CLIP,1/4-20,.025-.15X.54,ZAG.....1					
30	30222GT	BEARING,FL,1.25IDx1.41ODx1.50L....4					
31		Ref. MANIFOLD (refer to 703.1)					
32	824062GT	SCREW,HHC,1/4-20X1.5,8,ZAG.....3					
33	824109GT	WASHER,LOCK,1/4,ZAG.....3					
34	94397GT	ROTATOR,PLAT JIB,160 DEG***.....1 (includes items 35)					
--	122944GT	SEAL KIT,8K ROTATOR***					
--	75395GT	BEARING KIT,PLAT ROTATOR,SUPER					
35	88516GT	SCREW,BLEEDER,M5X0.8.....2					
36	81175GT	PIN,1.25DIAx14.45LG,2HOLE.....2					

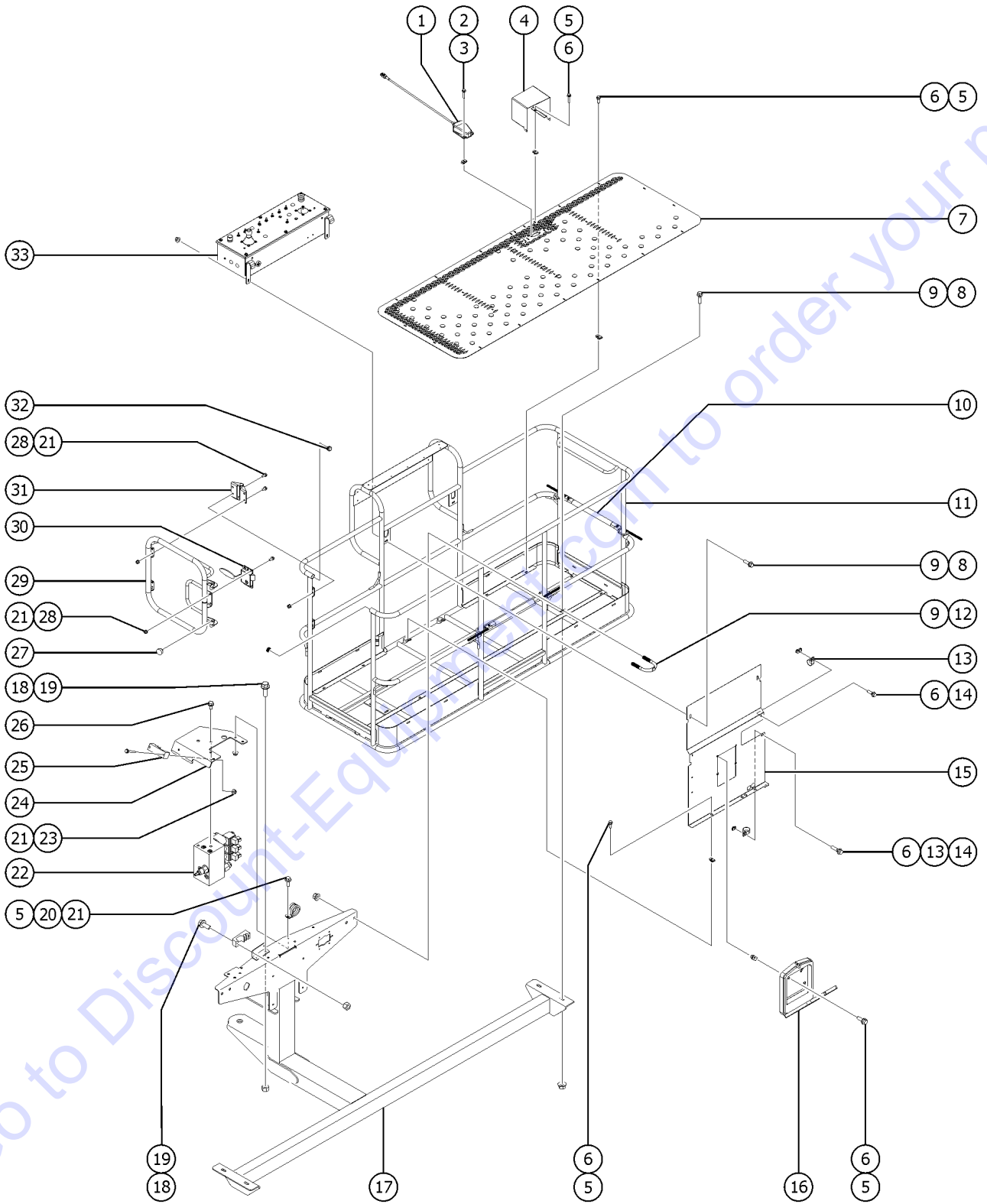
511.1 Platform Installation



Go to Discount-Equipment.com to order your parts

Item	Part No.	Description	Qty.
1A	1256843GT	SCREW,HHC,1/2-13X1.25,8,ZAG.....8 (S-80X, ANSI)	8
1B	826791GT	SCREW,HHC,3/8-16X.875,8,ZAG.....8 (S-80 & S-85)	8
2A	825353GT	WASHER,FLAT,1/2,SAE,HRD,ZAG.....8 (S-80X, ANSI)	8
2B	826793GT	WASHER,FLAT,3/8,SAE,HRD,ZAG.....8 (S-80 & S-85)	8
3A	824075GT	SCREW,HHC,1-8X12.75,5,ZAG.....1 (S-80X, ANSI)	1
3B	826792GT	SCREW,HHC,1-8X11,5,ZAG.....1 (S-80 & S-85)	1
4	824116GT	WASHER, FLAT, F436, 1.0, ZAG.....1	1
5	826794GT	NUT,TL,1-8,C,ZAG.....1	1
6		Ref. PLATFORM MOUNT (refer to 601.1)	
7		Ref. PLATFORM ROTATOR (refer to 509.1 or 510.1)	

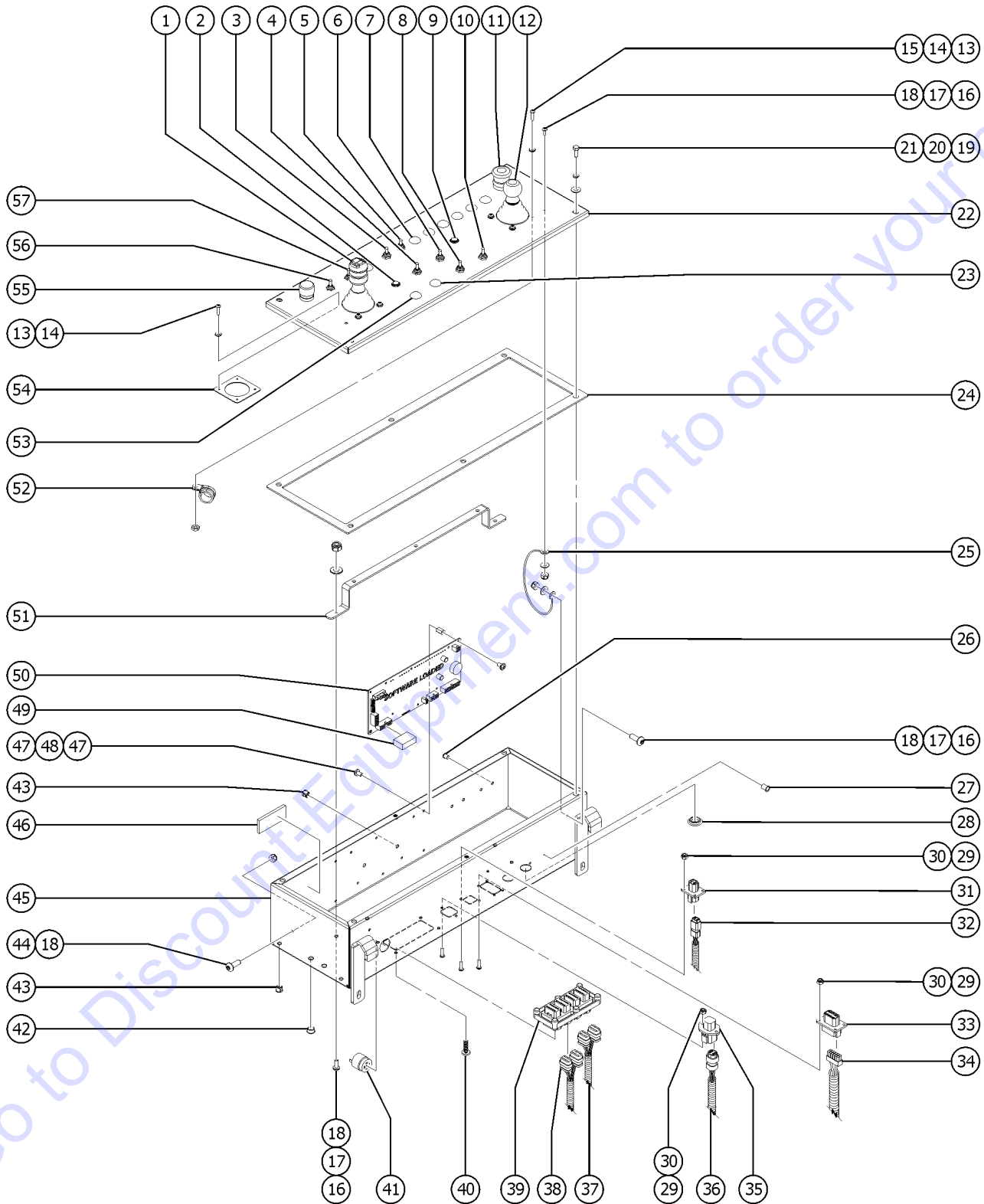
601.1 Platform Installation



601.1 Platform Installation

Item	Part No.	Description	Qty.	Item	Part No.	Description	Qty.
--	1272304GT	ASSY,8FT PLAT TRI LG,BLANK W/SIDE SWING GATE (complete 8' platform assembly)		22B		REF. MANIFOLD,PLATFORM (S-85) (refer to 705.1)	
--	1272303GT	ASSY,6FT PLAT DUAL LG,BLANK W/SIDE SWING GATE (complete 6' platform assembly)		23	1253485GT	SCREW,HHF,1/4-20X2,8,ZAG.....	2
1	227516GT	ASSEMBLY,FOOT SWITCH.....	1	24	121766GT	FORMING,PLATFORM MANIFOLD MNT	
2	1269641GT	SCREW,HHF-S,10-24X1,5,ZAG.....	2	25	121582GT	CLAMP,CABLE STRAIN RELIEF.....	1
3	73575GT	SPRING CLIP,10-24,.025-.125X.468,ZAG.....	2	--	T115766GT	CLAMP,STRAIN RELIEF,WK LT (worklight option)	
4	147121GT	COVER, FOOT SWITCH, LARGE.....	1	26	824089GT	SCREW,HHF,3/8-16X.75,8,ZAG.....	2
5	824078GT	SCREW,HHF,1/4-20X.75,8,ZAG		27	43392GT	BUMPER,BATTERY BOX & RAILS.....	2
6	56912GT	SPRING CLIP,1/4-20,.025-.15X.54,ZAG		28	1256855GT	SCREW,HHF,1/4-20X.625,8,ZAG.....	12
7A	73478PGT	FLOORING,8 FT PLATFORM**..... (for 8' platform)	1	29	1265397GT	WELDMENT, SWING GATE.....	1
7B	1267746GT	FLOORING, 6FT PLAT,SIDE..... (for 6' platform)	1	30	1267747GT	LATCH, SWING GATE.....	1
8	824091GT	SCREW,HHF,3/8-16X1.25,8,ZAG		31	104804GT	HINGE, SPRING, LONG LEG.....	2
9	824029GT	NUT,TL FLG,3/8-16,G,ZAG		32	55753GT	BUMPER, PLASTIC, 1.25 O.D.....	2
10A	102992GT	SLIDING MIDRAIL KIT,PTD..... (for 8' platform)	2	33		REF. PLATFORM CONTROL BOX ASSEMBLY (refer to 602.1)	
10B	102992GT	SLIDING MIDRAIL KIT,PTD..... (for 6' platform)	1				
11A	1274859GT	ASSY,8' PLAT WELDMENT W/SIDE GATE..... (for 8' platform (includes item 10) (order floor separately)	1				
11B	1274858GT	ASSY,6' PLAT WELDMENT W/SIDE GATE..... (for 6' platform) (includes item 10)	1				
12	1251600GT	U-BOLT, FLATTENED, 1.5 X 3/8 UNC,ZAG.....	2				
13	56424GT	CLAMP,1.25X.5 RUBBER-CUSHION....	3				
14	824079GT	SCREW,HHF,1/4-20X1,8,ZAG.....	3				
15	89377GT	PLATE,DOCUMENT BOX MOUNT.....	1				
16	24514GT	BOX,INSTRUCTION STORAGE.....	1				
17A		Ref. WELDMENT,PLATFORM SUPPORT,CE..... CE models (refer to 820.1)	1				
17B	147347GT	WELDMENT, PLAT SUPPORT..... (for S-80X ANSI only)	1				
17C	60370-SGT	PLATFORM SUPPORT WELDMNT-SERV*..... (ANSI models)	1				
18	824081GT	SCREW,HHF,1/4-20X1.5,8,ZAG					
19	824024GT	NUT,TL,1/4-20,C,ZAG					
20	13268GT	CLAMP,0.75,#12 X 1/4,RUB CUSH.....	1				
21	824027GT	NUT,TL FLG,1/4-20,G,ZAG					
22A		REF. MANIFOLD,PLATFORM (S-80 and S-80X) (refer to 704.1)					

602.1 Platform Control Box



602.1 Platform Control Box

Item	Part No.	Description	Qty.	Item	Part No.	Description	Qty.
--	1258620GT	ASSY,PBOX,PERKINS 404D,S80/85 (Perkins 404D-22T) Machine model and serial number required when ordering. Please contact Discount-equipment for assistance.		11	66812GT	BUTTON,PUSH,RED MUSHROOM HEAD.....	1
--	1260214GT	ASSY,PBOX,GAS/LP,S80/85 (Gas) Machine model and serial number required when ordering. Please contact Discount-equipment for assistance.		--	146478GT	BOOT(BELLOWS),E-STOP,BLACK	
--	1260215GT	ASSY,PBOX,DIESEL,S80/85 (Deutz TD 2011L04i models) Machine model and serial number required when ordering. Please contact Discount-equipment for assistance.		--	94506GT	BASE,W/3 NC CONTACTS	
--	824583GT	ASSY, PBOX, T4 DEUTZ 2.9L S80 (Deutz TD 2.9L4 models) Machine model and serial number required when ordering. Please contact Discount-equipment for assistance.		12		Ref. JOYSTICK.....	1 (refer to 603.1)
--	121445GT	ASSY,PBOX JUMPER,GAS/LP (Gas) Machine model and serial number required when ordering. Please contact Discount-equipment for assistance.		13	139338GT	SCREW PH M5-0.8X20 DIN 7500CE....	8
--	121444GT	ASSY,PBOX JUMPER,DISEL (Diesel) Machine model and serial number required when ordering. Please contact Discount-equipment for assistance.		14	1269498GT	SHOULDER WASHER, NYLON.....	8
1		Ref. JOYSTICK.....	1 (refer to 603.1)	15	104030GT	NUT HEX M5-0.8 CLASS 8 ZINC	
2	218165GT	LIGHT,INDICATOR,RED 12V H-BRI.....	1	16	54365GT	SCREW,PHIL,PHM,10-32 X .5,SSTL....	7
3	128204GT	SWITCH TOGGLE ASSY SPDT 2P MNT.....	1	17	6146GT	WASHER,FLAT,MS,#10,Y.....	6
4	128200GT	SWITCH TOGGLE ASSY SPDT 3P MOM.....	1	18	6178GT	NUT,NYLOCK,10-32.....	7
5	128201GT	SWITCH TOGGLE ASSY DPDT 2P MOM.....	1	19	6090GT	SCREW,HHC,1/4-20 X .75.....	4
6A	229567GT	PLUG,SANTOPRENE .5 BLACK DOME..... (Perkins 404D-22T)	1	20	6356GT	WASHER,LOCK,.25.....	4
6B	218165GT	LIGHT,INDICATOR,RED 12V H-BRI..... (Deutz TD 2.9L4, GM 3.0L and Deutz TD2011L04i)	1	21	6638GT	WASHER,FLAT,USS,1/4"Y.....	4
7A	128200GT	SWITCH TOGGLE ASSY SPDT 3P MOM..... Deutz TD2011L04i and Perkins 404D-22T)	1	22	1275805GT	FORMING, PLAT. BOX LID.....	1
7B	229567GT	PLUG,SANTOPRENE .5 BLACK DOME (GM 3.0L)		23A	229567GT	PLUG,SANTOPRENE .5 BLACK DOME (Deutz TD 2.9L4, Perkins 404D-22T and Deutz TD2011L04i)	
7C	825018GT	LIGHT,AMBER 12V INCANDESCENT (Deutz TD 2.9L4)		23B	128204GT	SWITCH TOGGLE ASSY SPDT 2P MNT (GM 3.0L)	
8	128204GT	SWITCH TOGGLE ASSY SPDT 2P MNT.....	1	24	81488GT	GASKET,PLATFORM CONTROL BOX....	1
9	218165GT	LIGHT,INDICATOR,RED 12V H-BRI.....	1	25	77351GT	LANYARD,PLATFORM CONTROL BOX.....	2
10	128200GT	SWITCH TOGGLE ASSY SPDT 3P MOM.....	1	26	42781GT	PLUG, NYLON .250 BLACK DOMED....	8
				27	42288GT	PLUG,NYLON .188 BLACK DOMED....	3
				28	15243GT	PLUG,NYLON .875 BLACK DOMED....	2
				29	12344GT	NUT,NYLOCK,6-32.....	8
				30	49820GT	SCREW,PHILLIPS,PHM,6-32 X .5.....	8
				31	73723GT	CONN RECEP,FLANGED.....	1
				32A		Ref. FOOT SWITCH WIRE HARNESS ASSEMBLY S-80 (refer to 315.1)	
				32B		Ref. FOOT SWITCH WIRE HARNESS ASSEMBLY S-85 (refer to 315.1)	
				33	73730GT	CONN,RECEP 12 WAY,GRY FLANGE....	1
				34A		Ref. HARN,PLAT MANIFOLD,S80 S-80 (refer to 315.1)	
				34B		Ref. HARN,PLAT MANIFOLD,S85 S-85 (refer to 315.1)	
				35	73717GT	CONN,RECEP 4 WAY,12-14GA FL***....	1
				36A		Ref. S80 POWER TO PLAT DC S-80 (refer to 315.1)	
				36B		Ref. S85 POWER TO PLAT DC S-85 (refer to 315.1)	
				37A		Ref. S80 HARNESS BOOM CABLE 2 S-80 (refer to 315.1)	

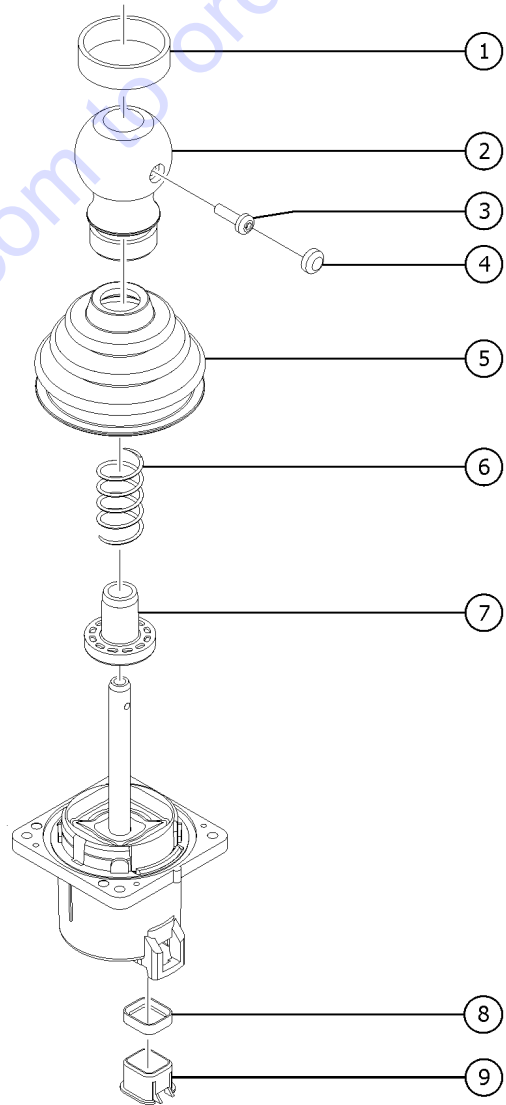
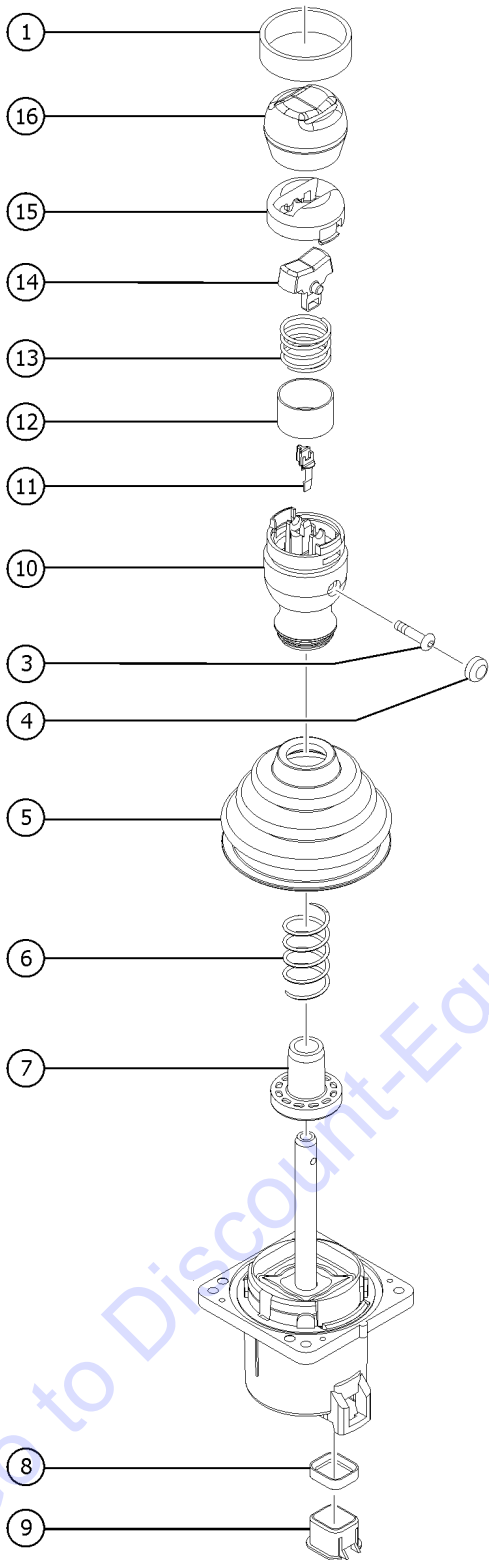
602.1 Platform Control Box (continued)

Item	Part No.	Description	Qty.
37B		Ref. S85 HARNESS BOOM CABLE 2 <i>S-85 (refer to 315.1)</i>	
38A		Ref. S80 HARNESS BOOM CABLE 1 <i>S-80 (refer to 315.1)</i>	
38B		Ref. S85 HARNESS BOOM CABLE 1 <i>S-85 (refer to 315.1)</i>	
39	73736GT	CONN,RECEP 48 WAY,4 X 12.....1	
40	73803GT	SCREW,SHM,PHP, #12 X .75.....4	
41	45383GT	ALARM,WARBLE TONE 5-30 VDC***.....1	
42	21858GT	PLUG,NYLON .38 BLACK DOMED.....2	
43	30996GT	PLUG,NYLON .313 BLACK DOMED.....4	
44A	77048GT	SCREW,PHM,10-32X3/4,ST TYPE F.....1 <i>(Deutz TD 2.9L4)</i>	
44B	54365GT	SCREW,PHIL,PHM,10-32 X .5,SSTL.....1 <i>(Deutz TD2011L04i, GM 3.0L and Perkins 404D-22T)</i>	
45	121720GT	WELDMENT,PLAT CONT BOX,2008.....1	
46	30997GT	CORROSION INHIBITOR,FOAM.....1	
47	81551GT	SCREW,PHIL,PHM,6-32 X 1/4 SS.....20	
48	81550GT	STANDOFF,6-32 X 3/8L X 1/4 HEX.....10	
49	121456GT	HARN,PBOX,JOYSTICK,S80/85 2008....1	
50	1260213GT	ASSY,PCB,ALC500-II,S80.....1	
51	119644GT	BRACKET,PBOX WIRE SUPPORT.....1	
52	18666GT	CLAMP,1.00,#16 X 1/4,RUB CUSH.....1	
53	229567GT	PLUG,SANTOPRENE .5 BLACK DOME	
54		GASKET, ISOLATION, JOYSTICK.....2 <i>For replacement please order kit 1269500GT</i>	
54	1269497GT	GASKET, ISOLATION, JOYSTICK.....2	
--	1269500GT	KIT, ISOLATION, 2 JOYSTICK.....1	
55	66813GT	BUTTON,PUSH,BLACK W/SEAL***.....1	
--	66815GT	BASE, W/1 N.O. CONTACTS***	
56	128200GT	SWITCH TOGGLE ASSY SPDT 3P MOM.....1	
57	128200GT	SWITCH TOGGLE ASSY SPDT 3P MOM.....1	

This Page Intentionally Left Blank

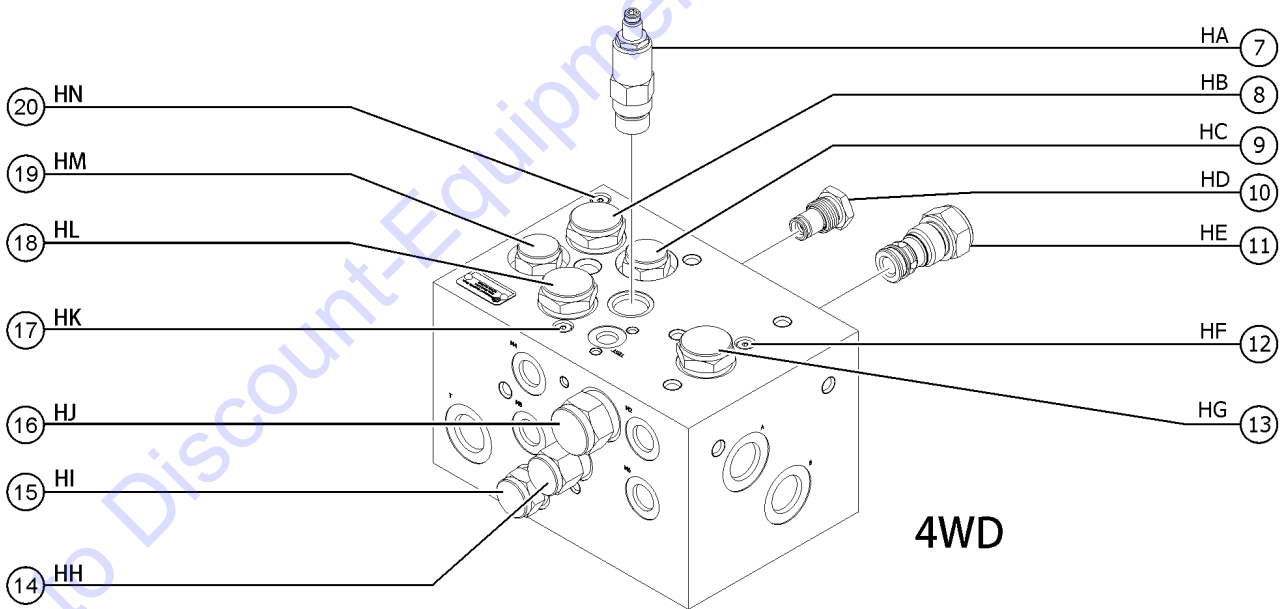
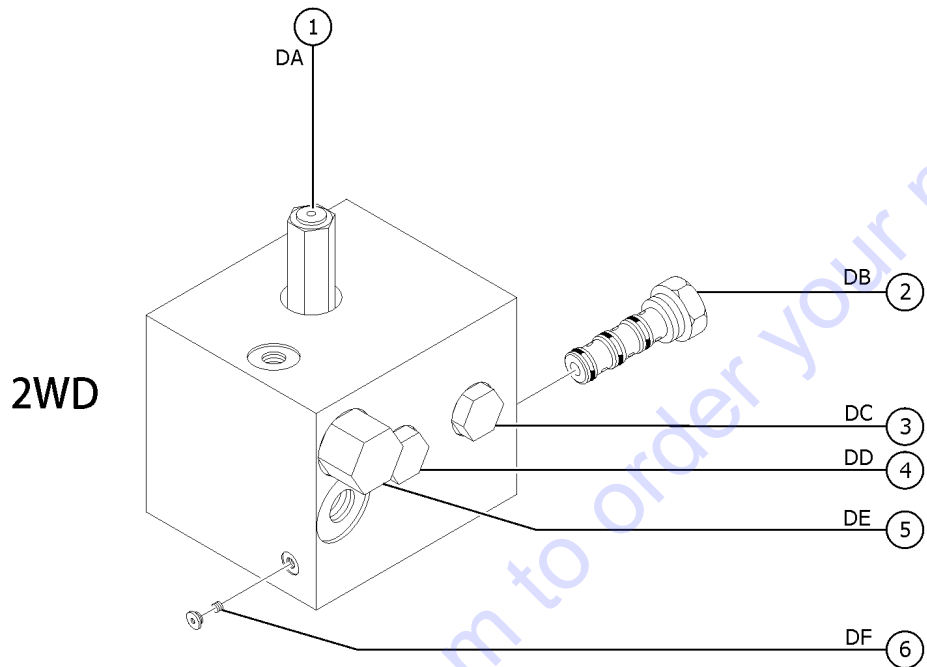
Go to Discount-Equipment.com to order your parts

603.1 Joysticks



Item	Part No.	Description	Qty.
--	1275259GT	JOYSTICK, ISOLATED, 2 AXIS ROCKER.....1 <i>OEM joystick (calibration required after replacement) includes gasket part 1269497 and shoulder washer part 1269498 (refer to 603.1)</i>	1
--	1275248GT	JOYSTICK, ISOLATED, 2 AXIS.....1 <i>OEM joystick (calibration required after replacement) includes gasket part 1269497 and shoulder washer part 1269498 (refer to 603.1)</i>	1
--	1275258GT	JOYSTICK, ISOLATED, 1 AXIS ROCKER.....1 <i>OEM joystick (calibration required after replacement) includes gasket part 1269497 and shoulder washer part 1269498 (refer to 603.1)</i>	1
--	83098GT	TERM,AMP MTE,SOC,22-26 GA BULK	
1	1271713GT	SHRINK TUBE,BLU,3:1,40MM.....2	2
2	62392GT	KNOB,JOYSTICK, 62390/62391.....1	1
3	T112626GT	SCREW, PHM, #6-32 X .625 ZINC.....1	1
4	1269499GT	PLUG, JOYSTICK HANDLE.....2	2
5	139598GT	BOOT,JOYSTICK.....1	1
6		SPRING,JOYSTK CENTR,62390/91 <i>(no longer available from supplier)</i>	
7	119915GT	COLLAR,JOYSTICK,CENTER.....1	1
8	128000GT	SEAL, CONNECTOR (DT JOYSTICKS).....1	1
9	128001GT	SLEEVE,CONNECTOR,DT JOYSTICKS.....1	1
10	75449GT	KNOB,ROCKER JOYSTICK 75565.....1	1
11	75448GT	SUPPORT,SENSOR,JOYSTICK.....1	1
12	75447GT	SWITCH SHIELD,ROCK JOYSTK75565.....1	1
13	75446GT	SPRING,SWITCH CENTERING,75565...1	1
14	75445GT	ROCKER ASSY.,MAGNETIC 75565.....1	1
15	75444GT	ROCKER,RETAINER, 75565.....1	1
16	75443GT	BOOT, ROCKER JOYSTICK 75565.....1	1

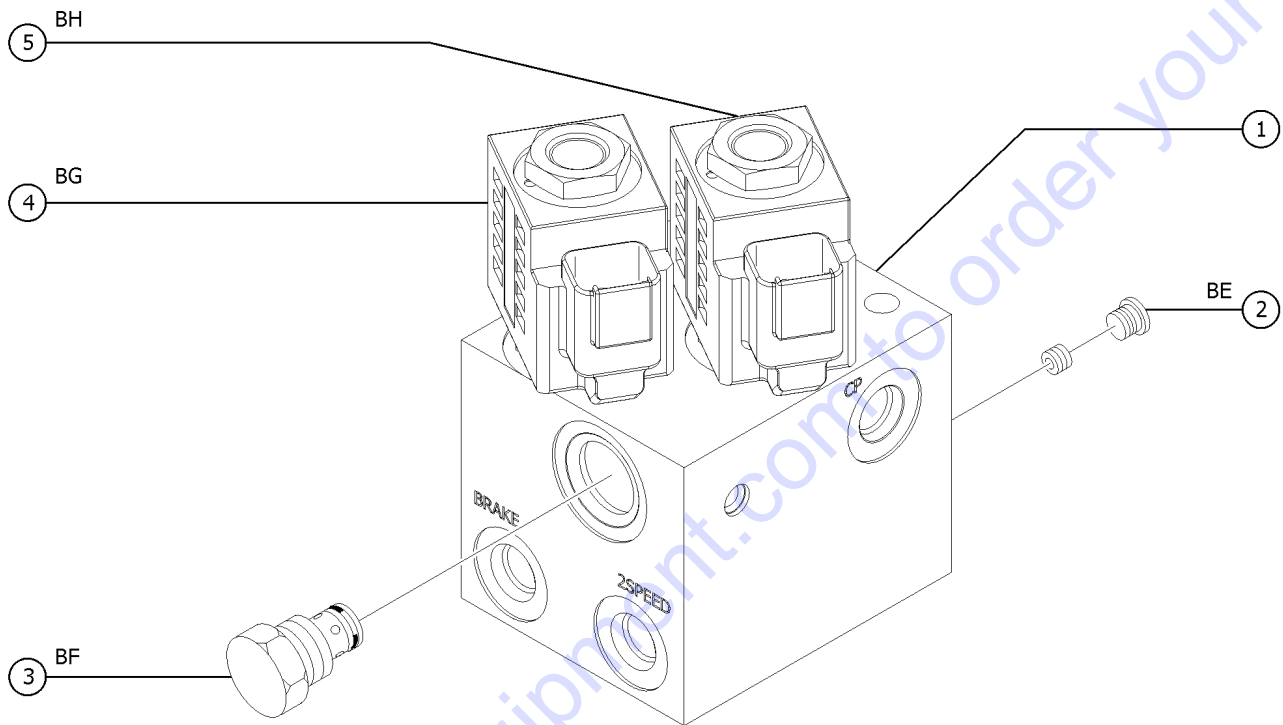
701.1 Traction Manifold



701.1 Traction Manifold

Item	Part No.	Description	Qty.	Item	Part No.	Description	Qty.
A	88783GT	MANIFOLD,TRACTION,2WD (complete)		13	139508GT	VALVE, FLOW DIVIDE/COMBINE 1:1 (HG, Controls flow to flow divider/combiner valves 8 and 18)	
--	1287434GT	PLUG,SAE #03 (139712) Plug for ORIFICE, 0.040"		--	139512GT	SEAL KIT, VALVE	
B	139712GT	MANIFOLD,TRACTION,4WD*** (complete)		14	139715GT	VALVE, SHUTTLE, FIXED (HH, Steer end drive motor circuit)	
C	28750GT	O-RING KIT,FIELD SVC,ALL PROD*		--	139512GT	SEAL KIT, VALVE	
D	49612GT	O-RING KIT (ORFS FITTINGS)		15	139527GT	VALVE, CHECK, 5PSI (HI, Steer end drive motor circuit)	
E	33994GT	PLUG AND CAP KIT-SERVICE,37 **		--	139528GT	SEAL KIT, VALVE	
F	49613GT	PLUG AND CAP KIT-SERVICE,ORFS*		16	139716GT	VALVE, CHECK (HJ, Charge pressure circuit that directs hot oil out of low pressure side of drive pump)	
1	94758GT	VALVE,RELIEF,280PSI (DA, Charge pressure circuit)		--	139727GT	SEAL KIT, VALVE	
--	110194GT	SEAL KIT, VALVE, #10		17	139719GT	ORIFICE, 0.040" (HK, Equalizes pressure on both sides of flow divider/combiner valve 18)	
2	52726GT	VALVE,FLOW DIVIDER/COMBINER (DB, Controls flow to drive motors in forward and reverse)		18	139717GT	VALVE, FLOW DIVIDE/COMB,24GPM (HL, Controls flow to steer end drive motors in forward and reverse)	
--	84135GT	SEAL KIT, VALVE		--	139512GT	SEAL KIT, VALVE	
3	27836GT	VALVE,CHECK,5 PSI (DC, Drive circuit)		19	139527GT	VALVE, CHECK, 5PSI (HM, Non-steer end drive motor circuit)	
--	110194GT	SEAL KIT, VALVE, #10		--	139528GT	SEAL KIT, VALVE	
4	27836GT	VALVE,CHECK,5 PSI (DD, Drive circuit)		20	139719GT	ORIFICE, 0.040" (HN, Equalizes pressure on both sides of flow divider/combiner valve 8)	
--	110194GT	SEAL KIT, VALVE, #10					
5	27761GT	VALVE,SHUTTLE (DE, Controls flow to drive motors in forward and reverse)					
--	84134GT	SEAL KIT, VALVE					
6	101440GT	ORIFICE PLUG, 0.070" (DF, Equalizes flow across flow divider combiner valve 2)					
7	139718GT	VALVE, RELIEF, 280PSI (HA, Charge pressure circuit)					
--	139512GT	SEAL KIT, VALVE					
8	139717GT	VALVE, FLOW DIVIDE/COMB,24GPM (HB, Controls flow to non-steer end drive motors in forward and reverse)					
--	139512GT	SEAL KIT, VALVE					
9	139527GT	VALVE, CHECK, 5PSI (HC, Steer end drive motor circuit)					
--	139528GT	SEAL KIT, VALVE					
10	139527GT	VALVE, CHECK, 5PSI (HD, Non-steer end drive motor circuit)					
--	139528GT	SEAL KIT, VALVE					
11	139716GT	VALVE, CHECK (HE, Non-steer end drive motor circuit)					
--	139727GT	SEAL KIT, VALVE					
12	139719GT	ORIFICE, 0.040" (HF, Equalizes pressure on both sides of flow divider/combiner valve 13)					

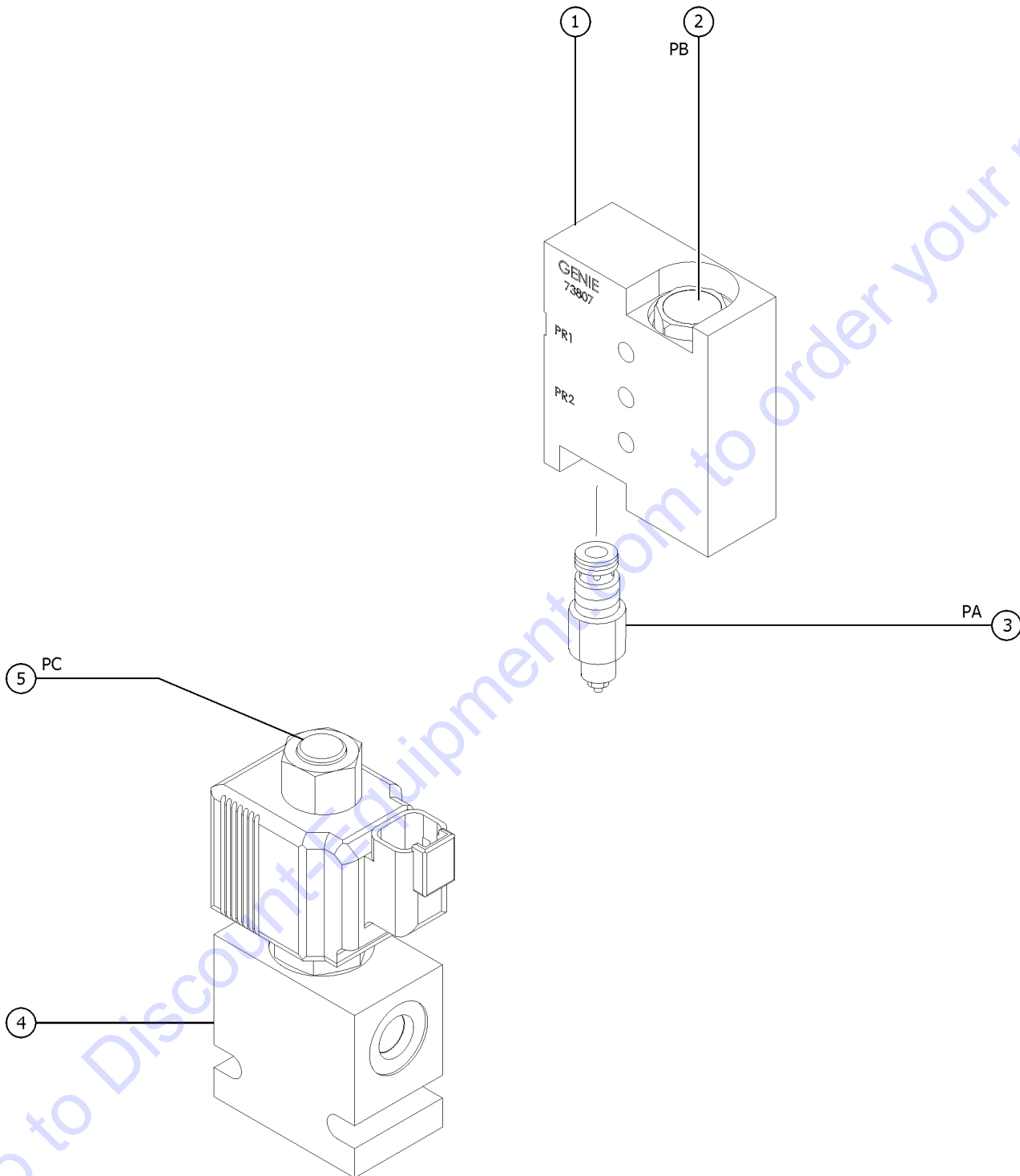
702.1 Two-Speed/Brake Manifold



702.1 Two-Speed/Brake Manifold

Item	Part No.	Description	Qty.
1	1283179GT	MANIFOLD,BRAKE,2-SPEED <i>(Complete)</i>	
2	219245GT	ORIFICE PLUG .025 DIA. <i>BE, Turntable rotaton brake release</i>	
3	35726GT	VALVE,HYDRAULIC CHECK <i>BF, Brake release circuit</i>	
--	161145GT	SEAL KIT,CHECK VALVE 219246	
4	219247GT	VALVE, SOLENOID	
--	161144GT	SEAL KIT,SOLENOID VALVE 219247	
--	219243GT	COIL, SOLENOID VALVE, 10V <i>BG, Brake release</i>	
--	94759GT	NUT,SOLENOID	
5	219247GT	VALVE, SOLENOID	
--	161144GT	SEAL KIT,SOLENOID VALVE 219247	
--	219243GT	COIL, SOLENOID VALVE, 10V <i>BH, Two speed motor shift;</i>	
--	94759GT	NUT,SOLENOID	

703.1 Function Enable Valve and Platform Rotator Manifold



703.1 Function Enable Valve and Platform Rotator Manifold

Item	Part No.	Description	Qty.
1	73807GT	MANIFOLD,ROTATOR,CB*** (complete)	
--	62507GT	O-RING, ROTATOR MANIFOLD	
2	62506GT	VALVE - COUNTERBALANCE** (PB, Platform rotate left)	
--	43018GT	SEAL KIT (39345)	
3	62506GT	VALVE - COUNTERBALANCE** (PA, Platform rotate right)	
--	43018GT	SEAL KIT (39345)	
4	106454GT	VALVE,FUNCTION ENABLE (complete)	
5	107742GT	VALVE,SOLENOID 2 POS 2 WAY (PC, Differential sensing)	
--	89733GT	COIL,SOLENOID VALVE***	
--	89770GT	SEAL KIT, SOLENOID VALVE	

PARTS FINDER

**Search Website
by Part Number**



**Search Manual
Library For Parts
Manual & Lookup Part
Numbers – Purchase
or Request Quote**

Search Manuals

Enter your information to help us find the right parts manual for your machine.

* Brand:

* Model:

* Serial:

* Part Number:

SEARCH

**Can't Find Part or
Manual? Request Help
by Manufacturer,
Model & Description**

Parts Order Form

Please fill in the following information to help us find the right part for your machine.

Manufacturer:	<input type="text"/>
Model:	<input type="text"/>
Description:	<input type="text"/>
Part Number:	<input type="text"/>
Quantity:	<input type="text"/>
Notes:	<input type="text"/>

Submit

Discount-Equipment.com is your online resource for quality parts & equipment.

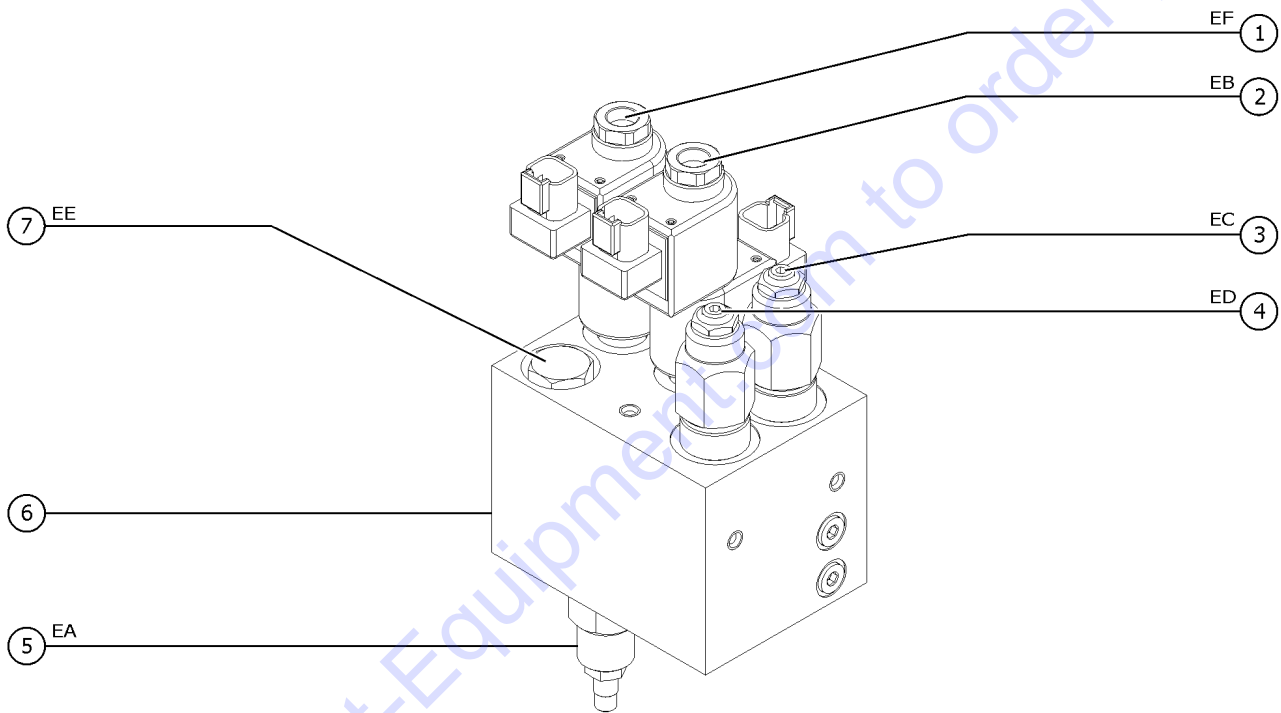
Florida: **561-964-4949** Outside Florida TOLL FREE: **877-690-3101**

Need parts?

Click on this link: <http://www.discount-equipment.com/category/5443-parts/> and choose one of the options to help get the right parts and equipment you are looking for. Please have the machine model and serial number available in order to help us get you the correct parts. If you don't find the part on the website or on one of the online manuals, please fill out the request form and one of our experienced staff members will get back to you with a quote for the right part that your machine needs.

We sell worldwide for the brands: Genie, Terex, JLG, MultiQuip, Mikasa, Essick, Whiteman, Mayco, Toro Stone, Diamond Products, Generac Magnum, Airman, Haulotte, Barreto, Power Blanket, Nifty Lift, Atlas Copco, Chicago Pneumatic, Allmand, Miller Curber, Skyjack, Lull, Skytrak, Tsurumi, Husquvarna Target, Stow, Wacker, Sakai, Mi-T-M, Sullair, Basic, Dynapac, MBW, Weber, Bartell, Bennar Newman, Haulotte, Ditch Runner, Menegotti, Morrison, Contec, Buddy, Crown, Edco, Wyco, Bomag, Laymor, EZ Trench, Bil-Jax, F.S. Curtis, Gehl Pavers, Heli, Honda, ICS/PowerGrit, IHI, Partner, Imer, Clipper, MMD, Koshin, Rice, CH&E, General Equipment, Amida, Coleman, NAC, Gradall, Square Shooter, Kent, Stanley, Tamco, Toku, Hatz, Kohler, Robin, Wisconsin, Northrock, Oztec, Toker TK, Rol-Air, APT, Wylie, Ingersoll Rand / Doosan, Innovatech, Con X, Ammann, Mecalac, Makinex, Smith Surface Prep, Small Line, Wanco, Yanmar

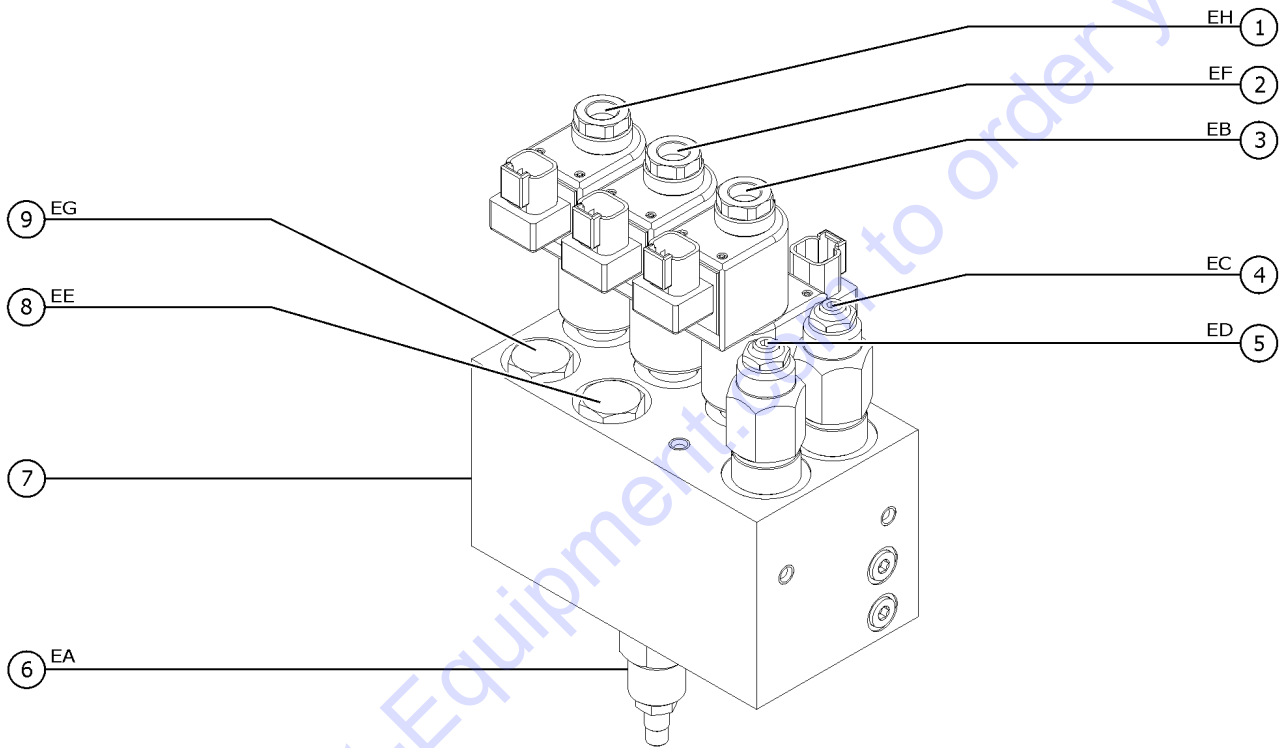
704.1 Platform Manifold, S-80X and S-80



704.1 Platform Manifold, S-80X and S-80

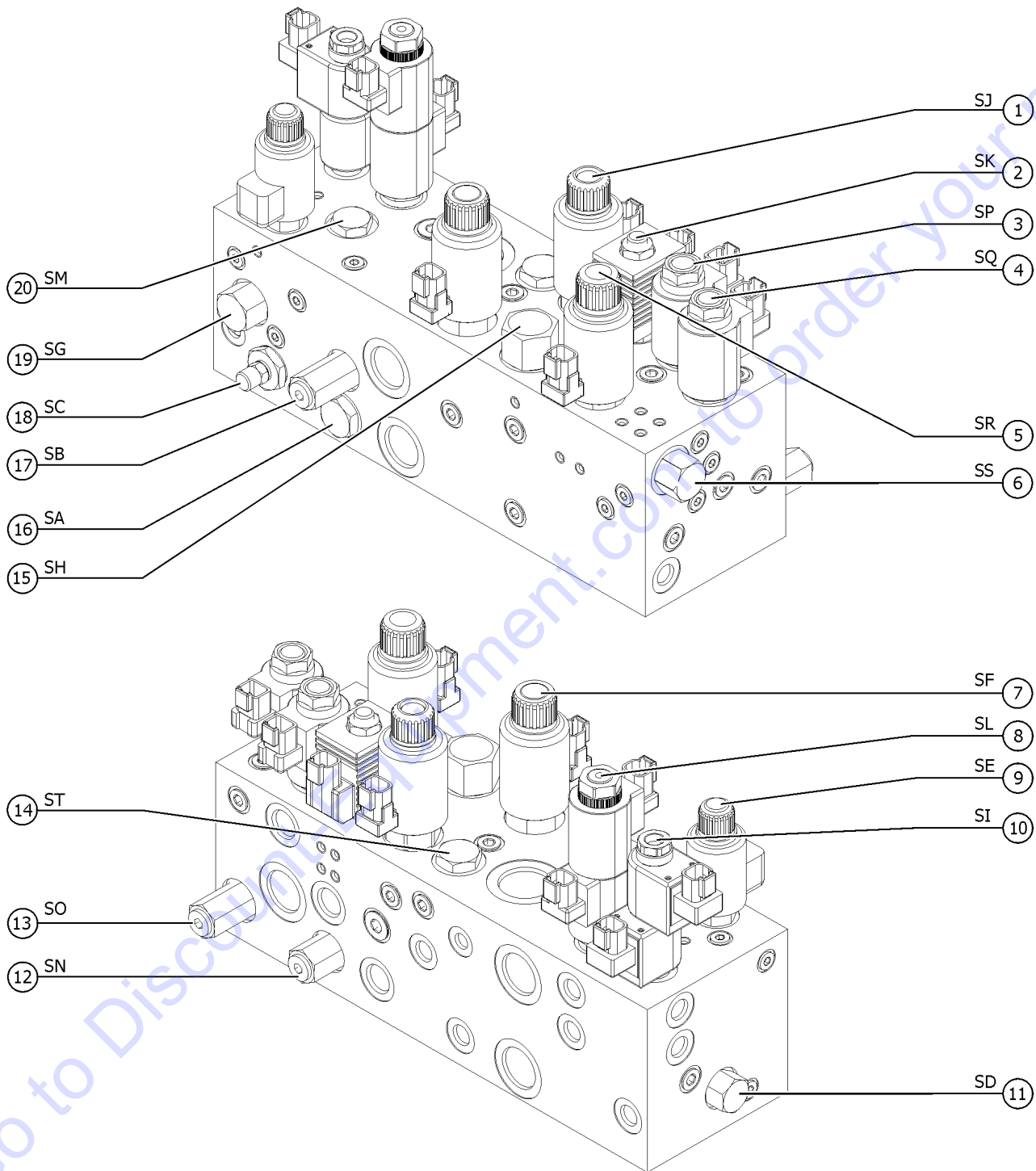
Item	Part No.	Description	Qty.
--	121707GT	MANIFOLD,PLATFORM,S80,2SEC <i>(Complete)</i>	
1	122121GT	SOLENOID VALVE <i>(EF, platform rotate CW/CCW)</i>	
--	122120GT	SEAL KIT,SOLENOID VALVE	
--	122148GT	COIL,SOLENOID VALVE,20W	
--	52943GT	NUT,SOLENOID VALVE COIL	
2	122121GT	SOLENOID VALVE <i>(EP, platform level up/down)</i>	
--	122120GT	SEAL KIT,SOLENOID VALVE	
--	122148GT	COIL,SOLENOID VALVE,20W	
--	52943GT	NUT,SOLENOID VALVE COIL	
3	50481GT	VALVE,COUNTERBALANCE,3500 PSI <i>(EC, platform level CB valve)</i>	
--	43018GT	SEAL KIT (39345)	
4	50481GT	VALVE,COUNTERBALANCE,3500 PSI <i>(ED, platform level CB valve)</i>	
--	43018GT	SEAL KIT (39345)	
5	62258GT	VALVE,NEEDLE*** <i>(EA, platform level)</i>	
6	121707GT	MANIFOLD,PLATFORM,S80,2SEC	
7	1274553GT	PRESSURE COMP FLOW CONTROL 0.3GPM <i>EE, Platform rotate flow control</i>	
--	74902GT	SEAL KIT	

705.1 Platform Manifold, S-85



Item	Part No.	Description	Qty.
--	121706GT	MANIFOLD,PLATFORM,S856,3 SEC (Complete)	
1	122121GT	SOLENOID VALVE (EH, Jib up/down)	
--	122120GT	SEAL KIT,SOLENOID VALVE	
--	122148GT	COIL,SOLENOID VALVE,20W	
--	52943GT	NUT,SOLENOID VALVE COIL	
2	122121GT	SOLENOID VALVE (EF, Platform rotate CW/CCW)	
--	122120GT	SEAL KIT,SOLENOID VALVE	
--	122148GT	COIL,SOLENOID VALVE,20W	
--	52943GT	NUT,SOLENOID VALVE COIL	
3	122121GT	SOLENOID VALVE (EB, Platform level up/down)	
--	122120GT	SEAL KIT,SOLENOID VALVE	
--	122148GT	COIL,SOLENOID VALVE,20W	
--	52943GT	NUT,SOLENOID VALVE COIL	
4	50481GT	VALVE,COUNTERBALANCE,3500 PSI (EC, Platform level CB valve)	
--	43018GT	SEAL KIT (39345)	
5	50481GT	VALVE,COUNTERBALANCE,3500 PSI (ED, Platform level CB valve)	
--	43018GT	SEAL KIT (39345)	
6	62258GT	VALVE,NEEDLE*** (EA, Platform level)	
7	121706GT	MANIFOLD,PLATFORM,S856,3 SEC	
8	1274553GT	PRESSURE COMP FLOW CONTROL 0.3GPM (EE, Platform rotate flow control)	
--	74902GT	SEAL KIT	
9	1274554GT	PRESSURE COMP FLOW CONTROL 0.8GPM (EG, Jib flow control)	
--	74902GT	SEAL KIT	

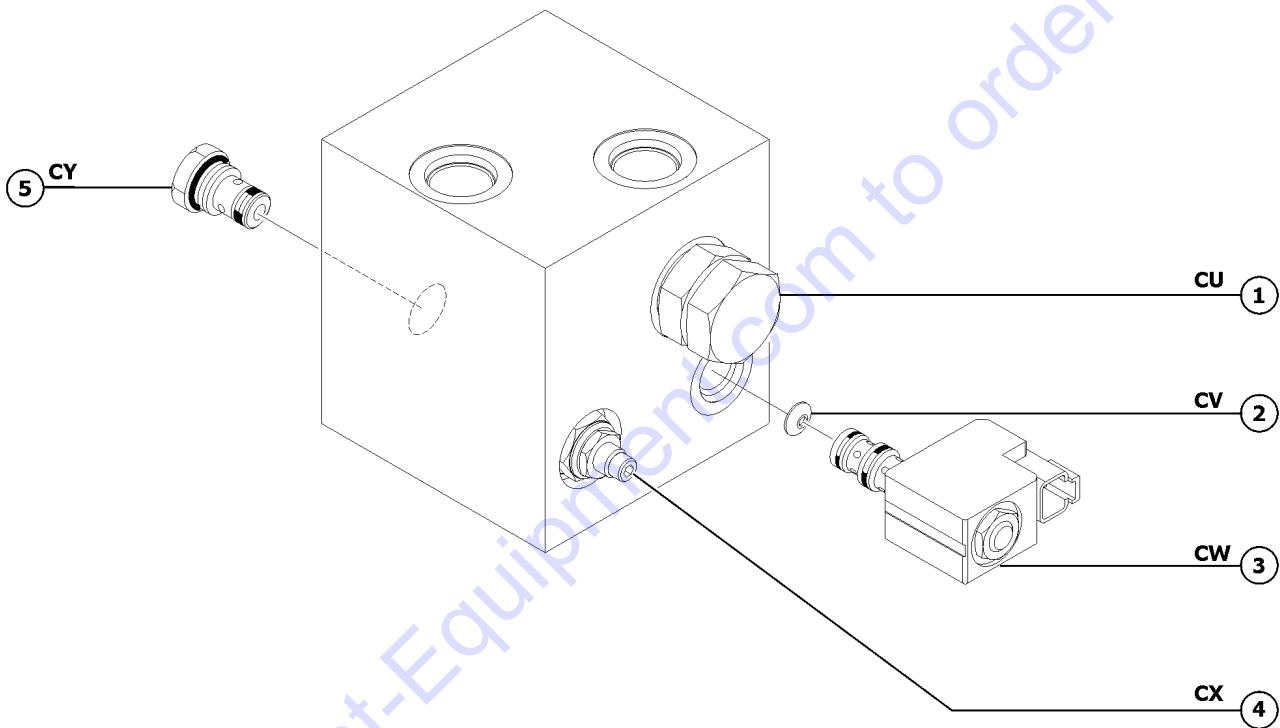
706.1 Function Manifold



706.1 Function Manifold

Item	Part No.	Description	Qty.	Item	Part No.	Description	Qty.
--	121708GT	MANIFOLD,SWING S80/85,5 SEC (complete)		10	122645GT	SOLENOID VALVE,SPOOL TYPE (SI, Swing directional)	
1	122643GT	Valve-Solenid 2 Postion 3WA (SJ, Boom up)		--	102940GT	NUT,SOLENOID VALVE	
--	110198GT	SEAL KIT, VALVE, #12		--	122120GT	SEAL KIT,SOLENOID VALVE	
--	122652GT	COIL, D14E 10 VDC DED		--	89733GT	COIL,SOLENOID VALVE***	
--	45921GT	RETAINER-N.C.PROPOR.SOLENOID		11	19060GT	VALVE,FLOW REGULATOR (SD, Oscilate flow control)	
2	89309GT	VALVE - SOLENOID 2POSITION 3WA (SK, Boom down)		--	74902GT	SEAL KIT	
--	45912GT	NUT,SOLENOID VALVE 2P3W		12	48415GT	VALVE,RELIEF (SN, Boom down relief)	
--	62275GT	Coil,10V		--	74902GT	SEAL KIT	
--	89310GT	SEAL KIT, SOLENOID VALVE		13	110209GT	VALVE, RELIEF, 2400 PSI (SO, Boom extend relief)	
3	122649GT	VALVE,SOLENOID,NO,POPPET (SP, Retract)		--	74902GT	SEAL KIT	
--	102940GT	NUT,SOLENOID VALVE		14	122656GT	VALVE, CHECK, 30 PSI (ST, Return check valve)	
--	111778GT	COIL,10V DC(D10,26 WATT)		--	110194GT	SEAL KIT, VALVE, #10	
--	122657GT	Seal Kit		15	122650GT	VALV, DIFFERENTIAL SENSING (SH, Primary lift)	
4	122649GT	VALVE,SOLENOID,NO,POPPET (SP, Extend)		--	122660GT	Seal Kit	
--	102940GT	NUT,SOLENOID VALVE		16	122646GT	BYPASS VALVE RELIEF (SA, Back flow check function pump)	
--	111778GT	COIL,10V DC(D10,26 WATT)		--	110194GT	SEAL KIT, VALVE, #10	
--	122657GT	Seal Kit		17	52715GT	VALVE,RELIEF 3200 PSI (SB, System main relief)	
5	107753GT	VALVE,PROPORTIONAL (SR, Extend/Retract proportional)		--	74902GT	SEAL KIT	
--	45912GT	NUT,SOLENOID VALVE 2P3W		18	122644GT	PRESSURE REDUCING VALVE (SC, Oscilate pressure control)	
--	58303GT	COIL,VALVE,PROPORTIONAL***		19	52714GT	VALVE,DIFFERENTIAL SENSING (SG, Differential sensing. TT rotate)	
--	89310GT	SEAL KIT, SOLENOID VALVE		--	74902GT	SEAL KIT	
6	122651GT	VALV, DIFFERENTIAL SENSING (SS, Boom extend)		20	122641GT	VALVE,FLOW REGULATOR (SM, Steering flow control)	
--	122657GT	Seal Kit		--	74902GT	SEAL KIT	
7	107752GT	VALVE,PROPORTIONAL (SF, Boom up/down proportional)					
--	110198GT	SEAL KIT, VALVE, #12					
--	45921GT	RETAINER-N.C.PROPOR.SOLENOID					
--	58303GT	COIL,VALVE,PROPORTIONAL***					
8	122647GT	SOLENOID VALVE SPOOL TYPE (SL, Steering directional)					
--	111778GT	COIL,10V DC(D10,26 WATT)					
--	122653GT	Coil Nut					
--	122657GT	Seal Kit					
9	102528GT	VALVE,PROPORTIONAL (SE, Swing proportional)					
--	102526GT	O-RING, PROPORTIONAL VALVE (between coil and nut)					
--	89312GT	SEAL KIT, SOLENOID VALVE					
--	89737GT	COIL,PROPORTIONAL VALVE***					
--	89738GT	NUT, PROPORTIONAL VALVE					

707.1 Oil Diverter Manifold (welder option)

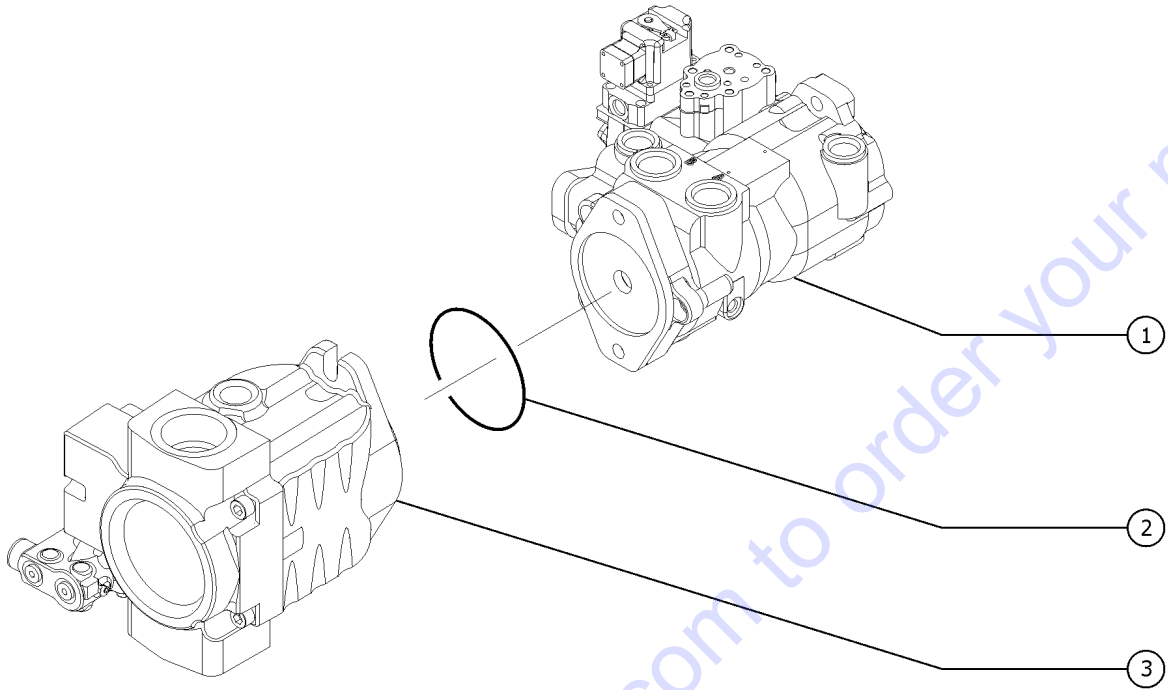


Go to Discount-Equipment.com to order your parts

707.1 Oil Diverter Manifold (welder option)

Item	Part No.	Description	Qty.
--	101516GT	MANIFOLD,DRIVE OIL DIVERTER (Complete)	
1	102746GT	VALVE,PILOT OPER DIRECTIONAL (CU, Diverter valve)	
2	106394GT	ORIFICE DISC,.030,CONE (CV, Delays shift to drive)	
3	94760GT	VALVE,SOLENOID,10V,W/OUT COIL* (CW, Pilot valve to diverter)	
--	128419GT	Seal Kit	
--	94759GT	NUT,SOLENOID	
--	94765GT	COIL-10V DC***	
4	122302GT	RELIEF,VALVE 270 PSI (CX, Charge pressure circuit)	
--	128416GT	Seal Kit	
5	94757GT	VALVE,CHECK,3 PSI*** (CY, Prevents oil flow to generator)	
--	128416GT	Seal Kit	

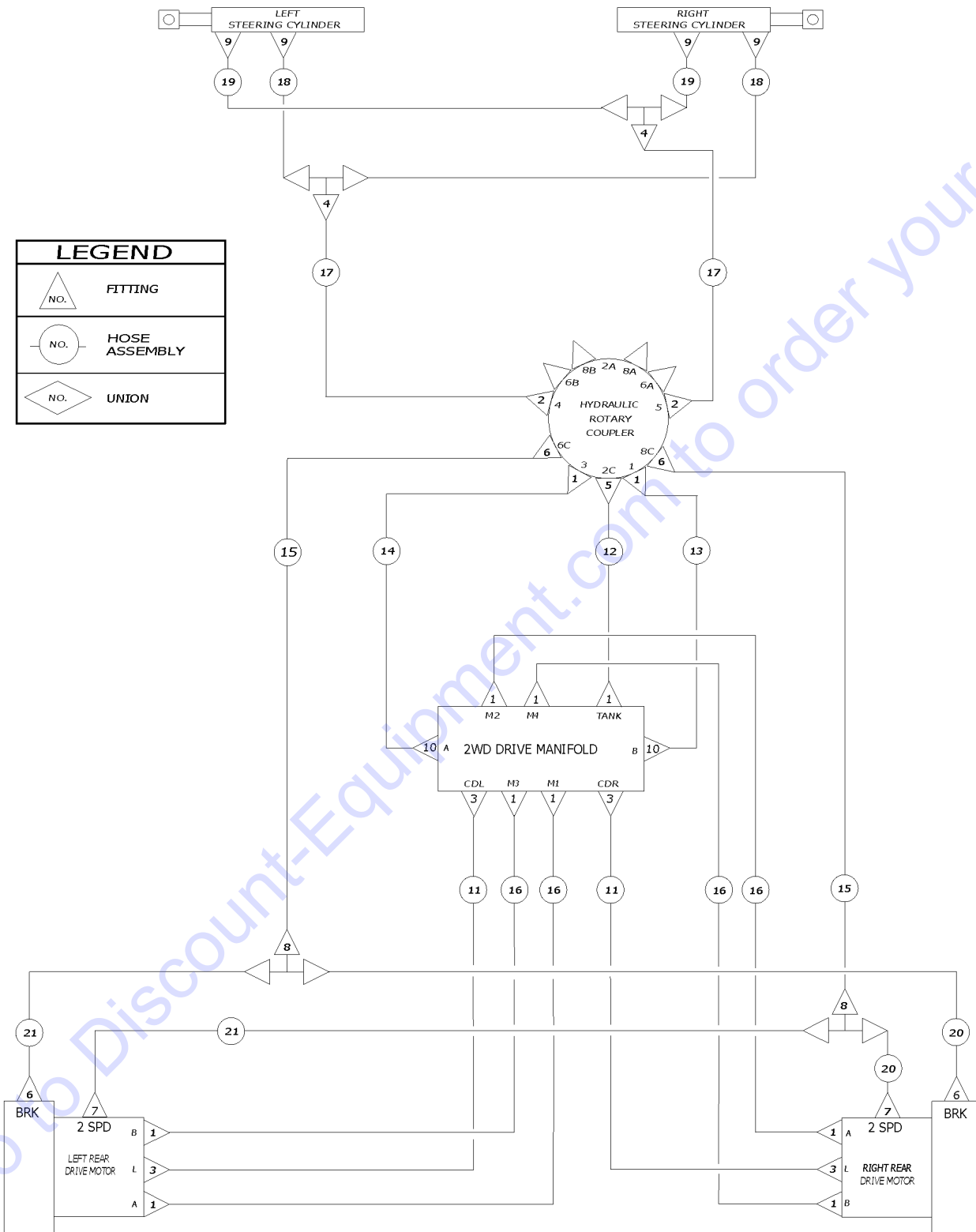
708.1 Pumps



Item	Part No.	Description	Qty.
1	101068GT	PUMP,PISTON,46CC,B MOUNT,13T**....1 (drive pump)	1
--	29739GT	SEAL KIT,SAUER-DANFOSS M46***	
--	58290GT	VALVE,EDC,PILOT,SAUER,M46***	
--	77819GT	EDC ASSY,SAUER M46***	
2	52087GT	O-RING,2-044 BUNA***	1
3	121310GT	PUMP,FUNCTION,38CC,LS.....	1
--	122669GT	Seal Kit	

Go to Discount-Equipment.com to order your parts

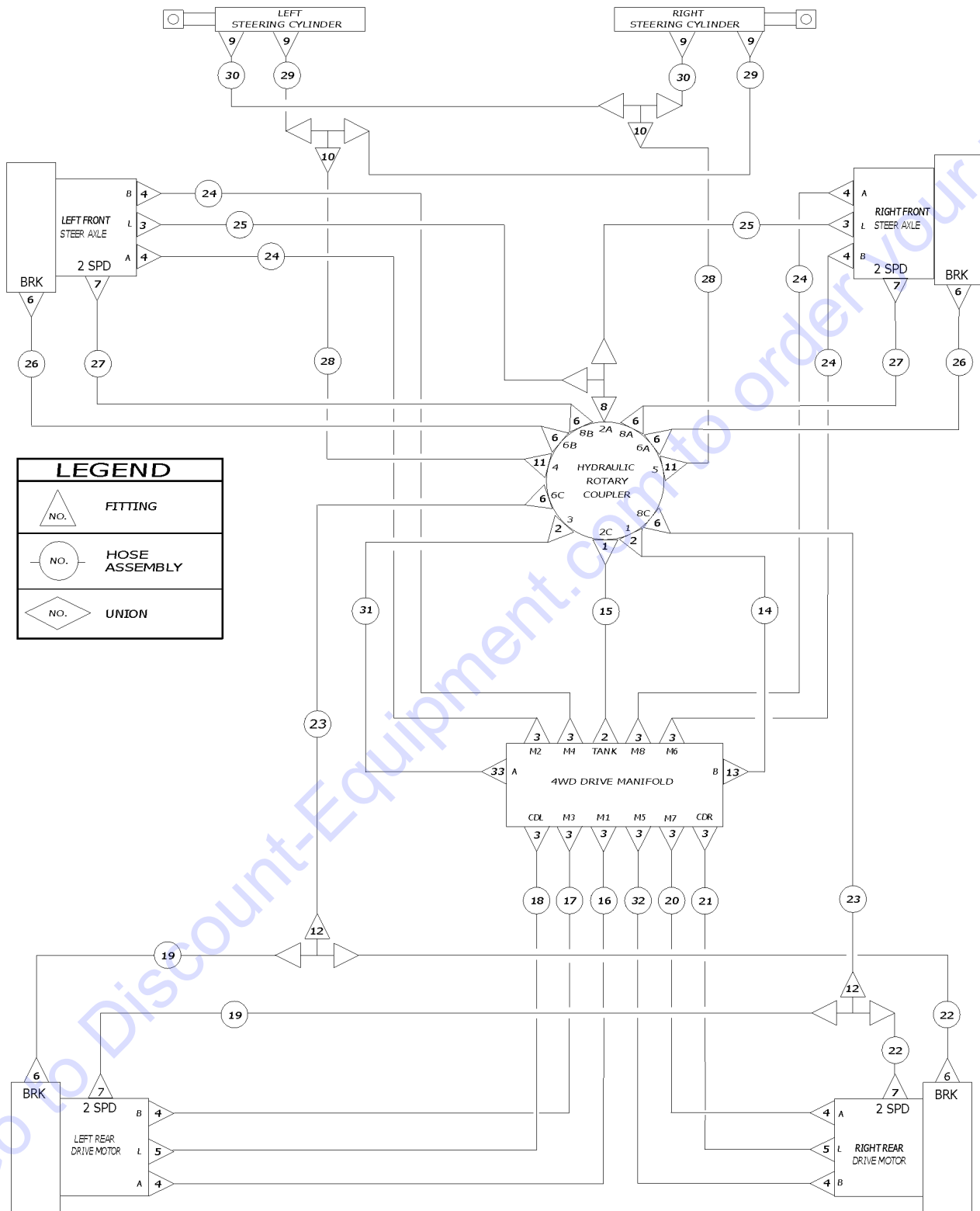
709.1 2WD Drive and Steer System



709.1 2WD Drive and Steer System

Item	Part No.	Description	Qty.
1	48960GT	FITTING,CONN,520120-12***.....	10
2	48916GT	CONN, 520120-6.....	2
3	48933GT	CONN,520120-8***.....	4
4	89449GT	FITTING, BRANCH BULKHEAD.....	2
5	48963GT	FITTING,ELBOW,45D,520320-12***.....	1
6	48905GT	CONN,520120-4***.....	4
7	48911GT	ELBOW,90D,520220-4-6***.....	2
8	48909GT	TEE,BULKHEAD,RUN,520958-4.....	2
9	48915GT	ELBOW,90D,520220-6.....	4
10	48959GT	FITTING,ELBOW,90D,520220-12.....	2
11	49143-5229GT	HOSE ASSY,1/2,90 FEM,STR FEM..... (components: 48822, 48827 and 48756 @ 50 inches)	2
12	49149-2526GT	HOSE ASSY,3/4,STR FEM,STR FEM..... (components: 48841, 48845 and 48761 @ 22 inches)	1
13	89871-2648GT	HOSE ASSY,3/4,STR FEM,STR FEM..... (components: 48841, 48841 and 94358 @ 24 inches)	1
14	89871-2448GT	HOSE ASSY,3/4,STR FEM,STR FEM..... (components: 48841, 48841 and 94358 @ 22 inches)	1
15	49116-3137GT	HOSE ASSY,1/4,45 FEM,STR FEM..... (components: 48800, 48801 and 48751 @ 29 inches)	2
16	94374-5130GT	HOSE ASSY,3/4",90F,STR F..... (components: 48841, 48846 and 9435 @ 48 inches)	4
17	49130-2957GT	HOSE ASSEMBLY,3/8..... (components: 48812, 48812 and 48753 @ 27.75 inches)	2
18	49128-2409GT	HOSE ASSEMBLY,3/8"..... (components: 48812, 48816 and 48753 @ 22 inches)	2
19	49128-3709GT	HOSE ASSEMBLY,3/8"..... (components: 48816, 48812 and 48753 @ 35 inches)	2
20	49117-5391GT	HOSE ASSY,1/4,90 FEM,STR FEM..... (components: 48800, 48802 and 48751 @ 52 inches)	2
21	217056GT	HOSE ASSY,1/4/STR FEM,STR FEM..... (components: 48800, 48800 and 48751 @ 44 inches)	2

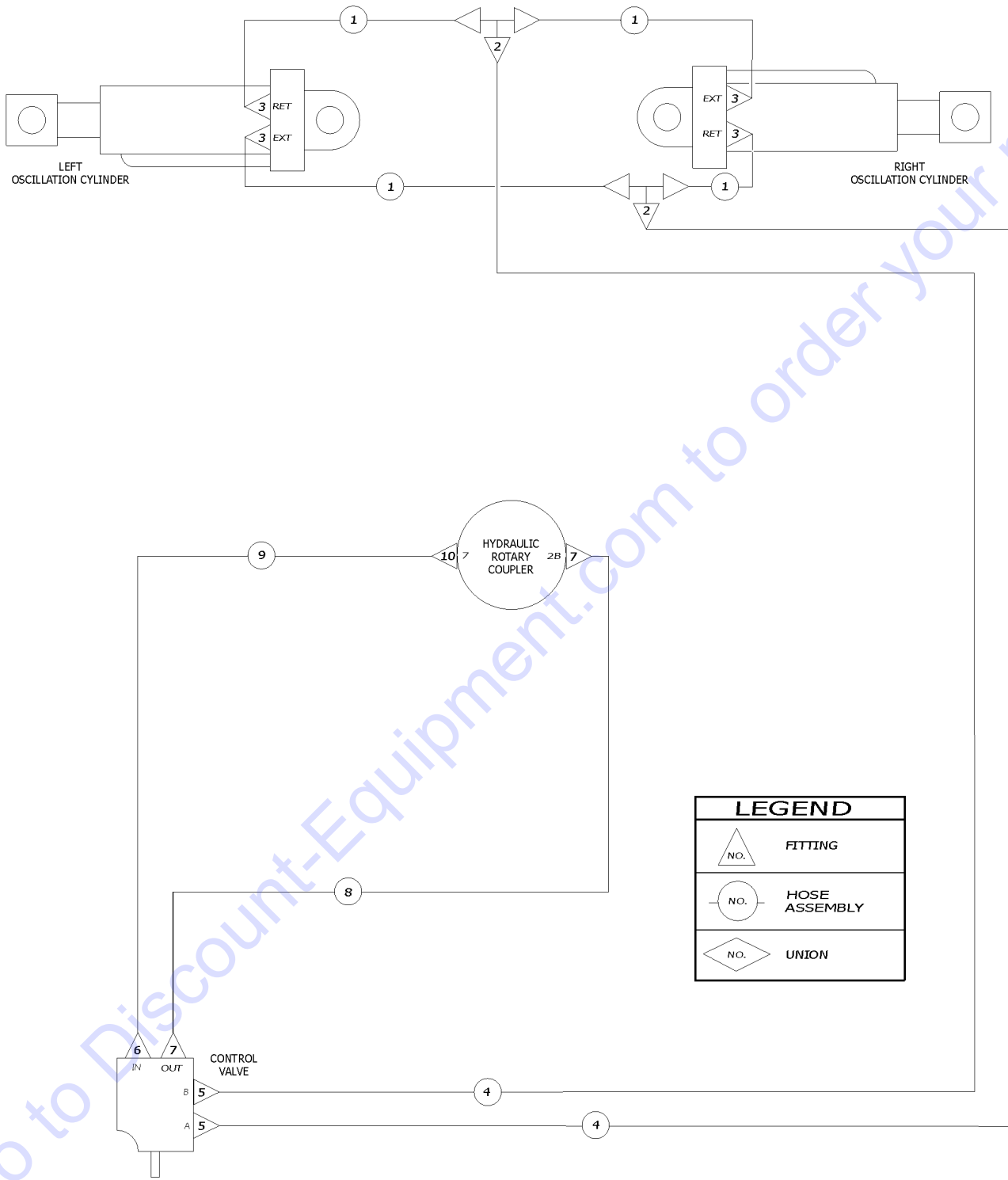
710.1 4WD Drive and Steer System



710.1 4WD Drive and Steer System

Item	Part No.	Description	Qty.	Item	Part No.	Description	Qty.
1	48963GT	FITTING, ELBOW, 45D, 520320-12***.....	1	27	49119-11378GT	HOSE ASSY, 1/4, STR FEM, STR FEM..... (components: 48800, 48800 and 48751 @ 112 inches)	2
2	48960GT	FITTING, CONN, 520120-12***.....	3	28	49130-2957GT	HOSE ASSEMBLY, 3/8..... (components: 48812, 48812 and 48753 @ 27.75 inches)	2
3	48933GT	CONN, 520120-8***.....	12	29	49128-2409GT	HOSE ASSEMBLY, 3/8"..... (components: 48812, 48816 and 48753 @ 22 inches)	2
4	48948GT	CONN, 520120-8-12.....	8	30	49128-3709GT	HOSE ASSEMBLY, 3/8"..... (components: 48816, 48812 and 48753 @ 35 inches)	2
5	48932GT	FITTING, ELBOW, 90D, 520220-8***.....	2	31	217065GT	HOSE ASSY, 3/4, 90 FEM, STR FEM (components: 48841, 48846 and 94358 @ 22 inches)	2
6	48905GT	CONN, 520120-4***.....	10	32	49109-5029GT	HOSE ASSY, 1/2, 90 FEM, STR FEM** (components: 48822, 48827 and 48758 @ 48 inches)	2
7	48911GT	ELBOW, 90D, 520220-4-6***.....	4	33	48960GT	FITTING, CONN, 520120-12***	2
8	48936GT	TEE, BRANCH, 520429-8.....	1				
9	48915GT	ELBOW, 90D, 520220-6.....	4				
10	89449GT	FITTING, BRANCH BULKHEAD.....	2				
11	48916GT	CONN, 520120-6.....	2				
12	48909GT	TEE, BULKHEAD, RUN, 520958-4.....	2				
13	48959GT	FITTING, ELBOW, 90D, 520220-12.....	1				
14	89871-2448GT	HOSE ASSY, 3/4, STR FEM, STR FEM.....	1				
15	823601GT	HOSE ASSY, 3/4, 45 FEM, STR, 25.26..... (components: 48841, 48845 and 48761 @ 22 inches)	1				
16	217051GT	HOSE ASSY, 1/2, 90 FEM, STR FEM..... (components: 48822, 48827 and 48758 @ 46 inches)	1				
17	217052GT	HOSE ASSY, 1/2, 90 FEM, STR FEM..... (components: 48822, 48827 and 48758 @ 50 inches)	1				
18	217064GT	HOSE ASSY, 1/2, STR FEM, STR FEM..... (components: 48822, 48822 and 48756 @ 49 inches)	1				
19	217056GT	HOSE ASSY, 1/4, STR FEM, STR FEM..... (components: 48800, 48800 and 48751 @ 44 inches)	2				
20	217050GT	HOSE ASSY, 1/2, 90 FEM, STR FEM..... (components: 48822, 48827 and 48758 @ 45 inches)	1				
21	217063GT	HOSE ASSY, 1/2, STR FEM, STR FEM..... (components: 48822, 48822 and 48758 @ 45 inches)	1				
22	49117-5391GT	HOSE ASSY, 1/4, 90 FEM, STR FEM..... (components: 48800, 48802 and 48751 @ 52 inches)	2				
23	49116-3137GT	HOSE ASSY, 1/4, 45 FEM, STR FEM..... (components: 48800, 48801 and 48751 @ 29 inches)	2				
24	49110-14692GT	HOSE ASSY, 1/2, STR FEM, STR FEM..... (components: 48822, 48822 and 48758 @ 145 inches)	4				
25	823600GT	HOSE ASSY, 1/2, 45 FEM, STR, 114.6..... (components: 48822, 48826 and 48756 @ 112 inches)	2				
26	49117-11491GT	HOSE ASSY, 1/4, 90 FEM, STR FEM**..... (components: 48800, 48802 and 48751 @ 113 inches)	2				

711.1 Oscillate System

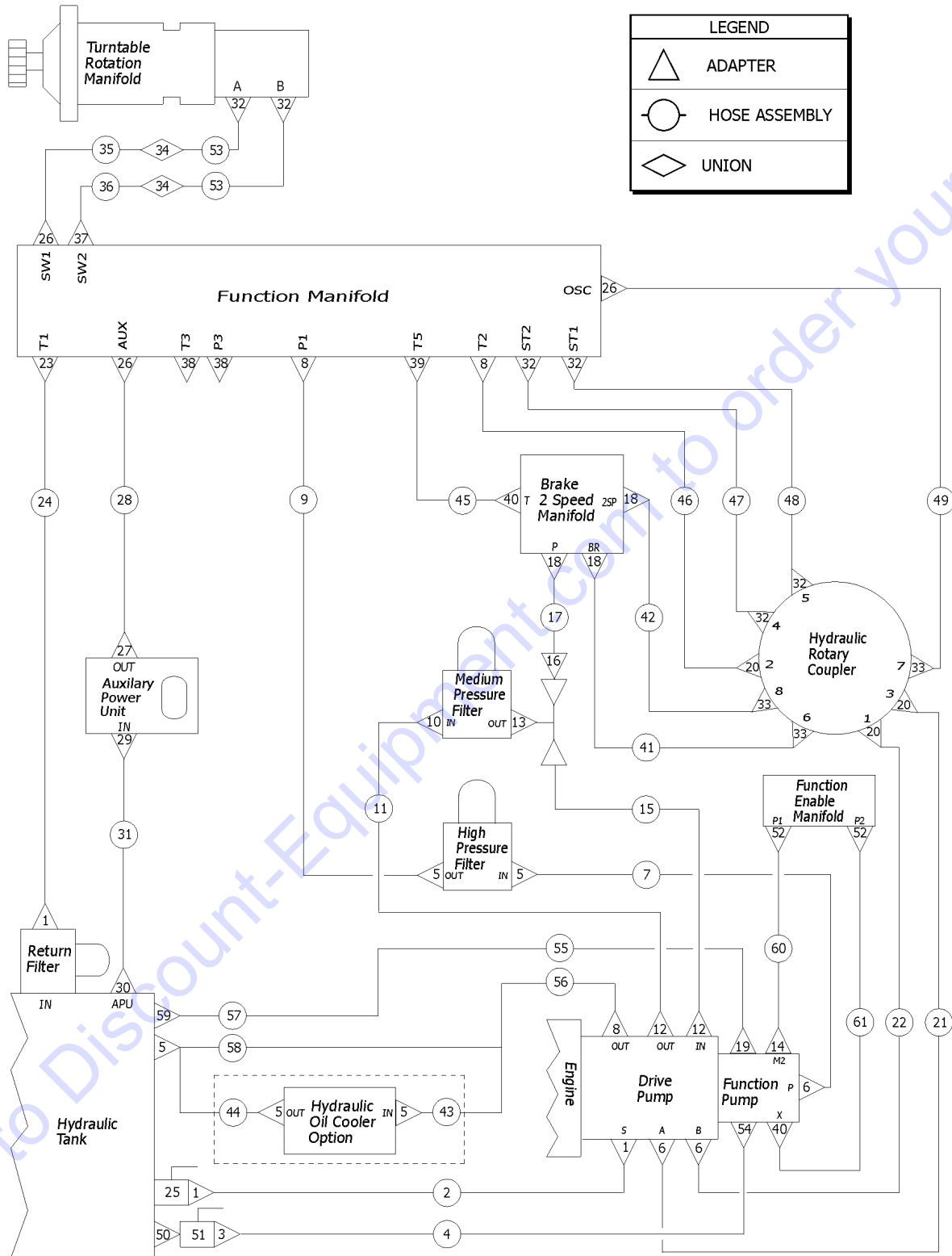


Go to Discount-Equipment.com to order your parts

Item	Part No.	Description	Qty.
1	49128-4209GT	HOSE ASSY,3/8,90D.....4 (components: 48812, 48816 and 48753 @ 40 inches)	4
2	89449GT	FITTING, BRANCH BULKHEAD.....2	2
3	48920GT	ELBOW,45D,520320-6.....4	4
4	49130-8382GT	HOSE ASSY,FEM SW,6-6.....2 (components: 48812, 48812 and 48753 @ 82 inches)	2
5	48915GT	ELBOW,90D,520220-6.....2	2
6	48914GT	CONN,520120-4-8.....1	1
7	48930GT	CONN,520120-6-8.....2	2
8	49128-4509GT	HOSE ASSY,3/8" 90 FEM,STR FEM.....1 (components: 48812, 48816 and 48753 @ 43 inches)	1
9	217054GT	HOSE ASSY,1/4,90 FEM,STR FEM.....1 (components: 48800, 48802 and 48751 @ 47 inches)	1
10	48907GT	ELBOW,45D,520320-4.....1	1

Go to Discount-Equipment.com to order your parts

712.1 Turntable Components



712.1 Turntable Components

Item	Part No.	Description	Qty.	Item	Part No.	Description	Qty.
1	48984GT	CONN,520120-16.....	3	26	48915GT	ELBOW,90D,520220-6.....	3
2	88942-9554GT	HOSE ASSY,1",90 FEM,STR FEM.....1 (components: 88938, 88939 and 88940 @ 92 inches)	1	27	48918GT	TEE,RUN,520428-6.....	1
3	61083GT	CONN,520120-24.....	1	28	49128-1509GT	HOSE ASSY,3/8,90 FEM,STR FEM.....1 (components: 48816, 48812 and 48753 @ 13 inches)	1
4	121608-9175GT	HOSE ASSY,1-1/2,STR,90D JIC.....1 (components: 121778, 88476, 88473 and 61100 @ 83 inches)	1	29	48932GT	FITTING,ELBOW,90D,520220-8***.....	1
5	48959GT	FITTING,ELBOW,90D,520220-12.....	5	30	48933GT	CONN,520120-8***.....	1
6	48977GT	CONN,520120-12-16.....	3	31	49183-2692GT	HOSE ASSY,1/2,STR FEM,STR FEM*.....1 (components: 48822, 48822 and 48756 @ 24 inches)	1
7	94374-4330GT	HOSE ASSY,3/4,90 FEM,STR FEM.....1 (components: 48846, 48841 and 94358 @ 40 inches)	1	32	48916GT	CONN, 520120-6.....	7
8	48960GT	FITTING,CONN,520120-12***.....	3	33	48928GT	ELBOW,45D,520320-6-4.....	3
--	48959GT	FITTING,ELBOW,90D,520220-12 (use with hose 49151-3548)		34	61321GT	ELBOW,90D,BLKHD,ORFS-6-6 W/NUT.....	2
--	48963GT	FITTING,ELBOW,45D,520320-12*** (welder option)		35	121685GT	HYD TUBE,SWING DRIVE #1.....	1
--	48964GT	FITTING,TEE,RUN,SWIVEL52043212 (welder option)		36	121684GT	HYD TUBE,SWING DRIVE #2.....	1
9	89871-5348GT	HOSE ASSY,3/4,STR FEM,STR FEM.....1 (components: 48841, 48841 and 94358 @ 51 inches)	1	37	56003GT	ELBOW,90D,LONG,521520-6.....	1
10	48933GT	CONN,520120-8***.....	1	38	87172GT	PLUG,HEX SOCKET,090109B-12.....	2
11	217058GT	HOSE ASSY,1/2,90 FEM,STR FEM.....1 (components: 48822, 48827 and 48756 @ 25 inches)	1	39	48905GT	CONN,520120-4***.....	1
12	42790GT	ELBOW,45D,520320-8-10.....	2	40	48904GT	ELBOW,90D,520220-4-4.....2 (Deutz and Perkins models)	2
13	48935GT	TEE,RUN,520428-8.....	1	41	1256825GT	HYD TUBE,BRAKE.....	1
14	48912GT	CONN,520120-4-6***.....	1	42	1256824GT	HYD TUBE,2-SPEED.....	1
15	49143-4129GT	HOSE ASSY,1/2,90 FEM,STR FEMM*.....1 (components: 48822, 48827 and 48756 @ 39 inches)	1	43	121370GT	HYD TUBE, DRIVE CASE COOLER.....	1
16	111572GT	REDUCER,520123-8-6.....	1	44	217059GT	HOSE ASSY,3/4,STR FEM,STR FEM.....1 (components: 48841, 48841 and 48761 @ 16.50 inches)	1
17	1256206GT	HYD TUBE,BRAKE/2 SPD PRESS LINE.....	1	45	49117-6191GT	HOSE ASSY,1/4,90 FEM,STR FEM.....1 (components: 48800, 48802 and 48751 @ 60 inches)	1
18	48927GT	CONN,520120-6-4.....	3	46	49149-3126GT	HOSE ASSY,3/4,45 FEM,STR FEM.....1 (components: 48845, 48841 and 48761 @ 29 inches)	1
19	48946GT	CONN,520120-8-10.....	1	47	121682GT	HYD TUBE,STEER TUBE #2.....	1
20	48963GT	FITTING,ELBOW,45D,520320-12***.....	3	48	121683GT	HYD TUBE,STEER TUBE #1.....	1
21	89871-5848GT	HOSE ASSY,3/4,STR FEM.....1 (components: 48841, 48841 and 94358 @ 56 inches)	1	49	121681GT	HYD TUBE,OSC TUBE.....	1
22	89871-5648GT	HOSE ASSY,3/4,STR FEM.....1 (components: 48841, 48841 and 94358 @ 54 inches)	1	50	75254GT	UNION,STR.THREAD 24***.....	1
23	48983GT	ELBOW,90D,520220-16.....	1	51	75256GT	VALVE BALL,24 FSAE-24 FSAE***.....	1
24	88942-6754GT	HOSE ASSY,1,90 FEM,STR FEM.....1 (components: 88938, 88939 and 88940 @ 64 inches)	1	52	48907GT	ELBOW,45D,520320-4.....2 (Deutz and Perkins models)	2
25	48996GT	VALVE,BALL,16 MSAE-16 FSAE***.....	1	53	217057GT	HOSE ASSY,3/8,90 FEM,STR FEM.....2 (components: 48812, 48816 and 48753 @ 24 inches)	2
				54	121777GT	CONN,070121-24-24.....	1
				55	49143-2829GT	HOSE ASSY,1/2,90 FEM,STR FEMM*.....1 (components: 48822, 48827 and 48756 @ 28.29 inches)	1
				--	104186GT	SEAL, ORFS TUBE FLANGE, 8PLS	

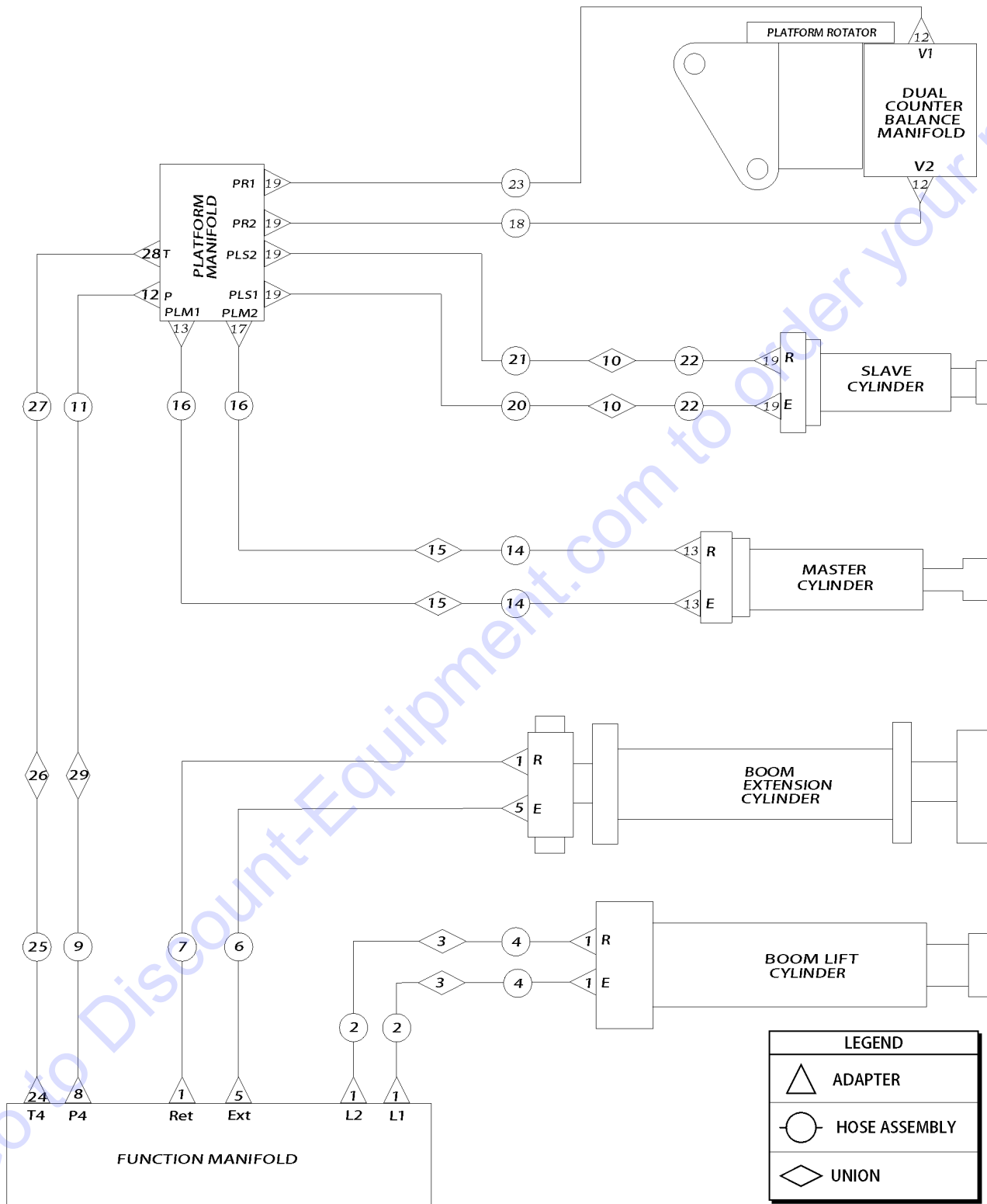
712.1 Turntable Components
(continued)

Item	Part No.	Description	Qty.
56	49151-3548GT	HOSE ASSY,3/4,STR FEM,STR FEM.....1 (components: 48841, 48841 and 48761 @ 33 inches)	
57	121366GT	HYD TUBE,FUNCTION CASE.....1	
58	121365GT	HYD TUBE, DRIVE CASE.....1	
59	75614GT	ELBOW,90D,LONG,521520-8.....1	
60	49116-1437GT	HOSE ASSY,1/4,45 FEM,STR FEM.....1	
61	49119-1378GT	HOSE ASSY,1/4,STR FEM,STR FEM.....1	

This Page Intentionally Left Blank

Go to Discount-Equipment.com to order your parts

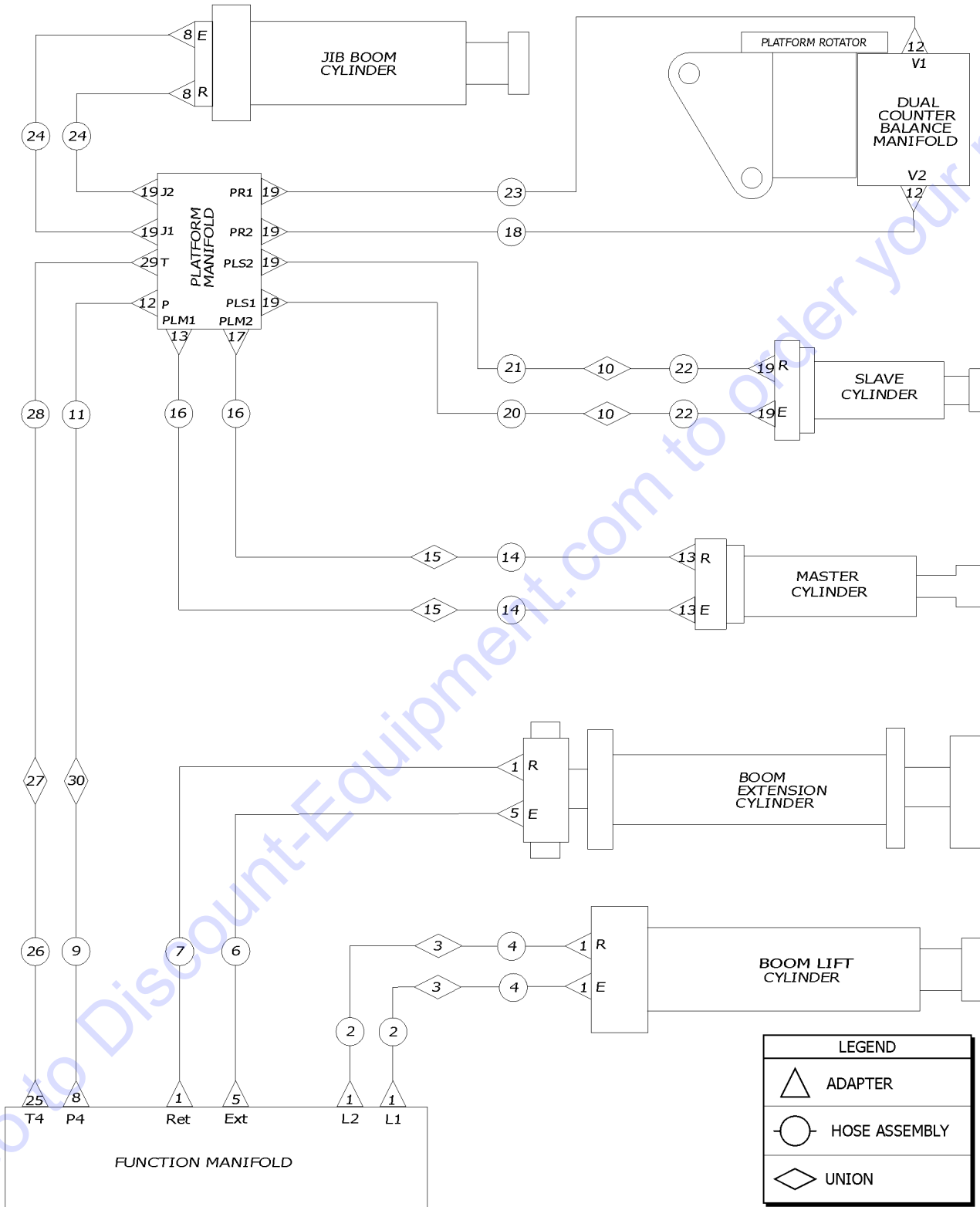
713.1 Boom, S-80X and S-80



713.1 Boom, S-80X and S-80

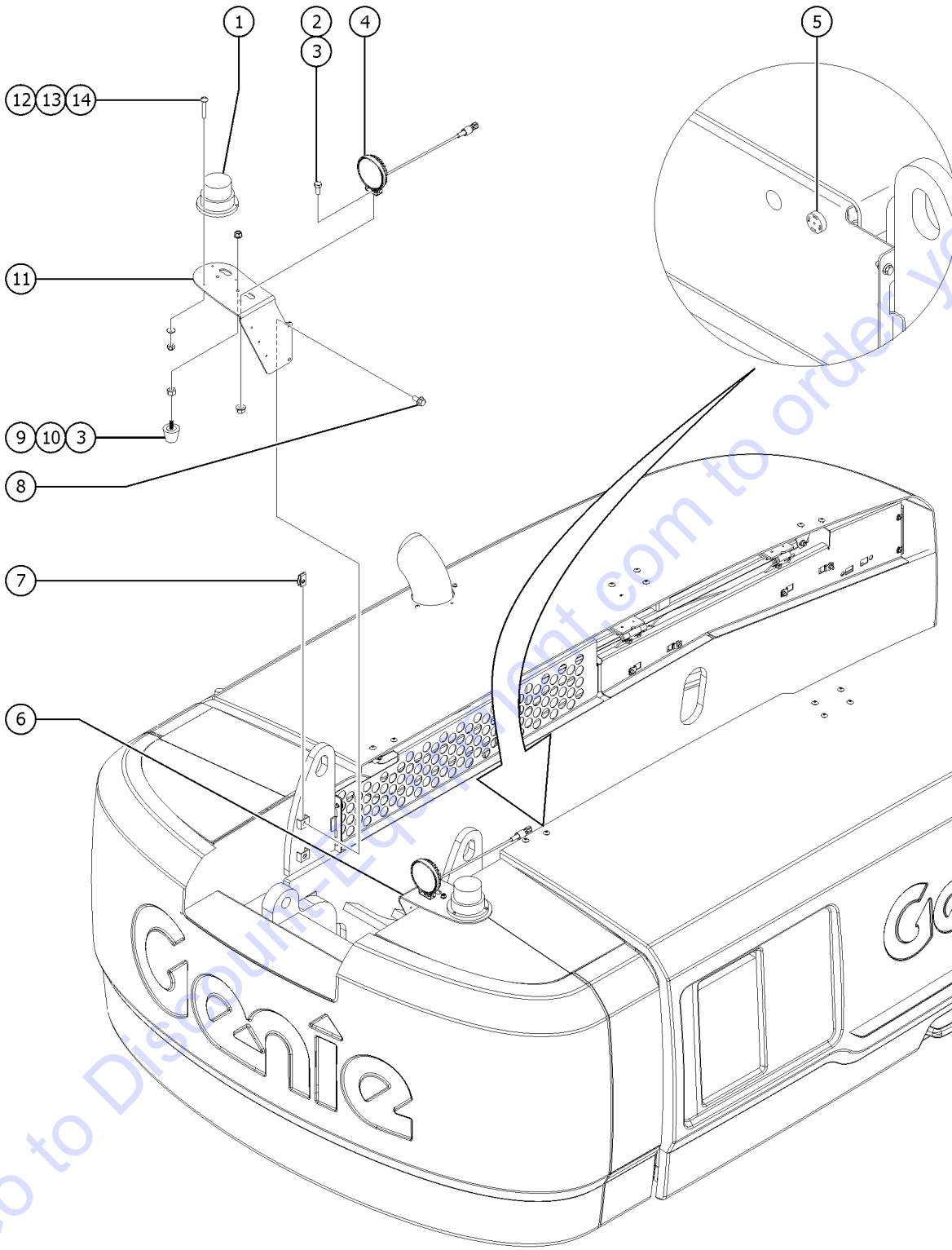
Item	Part No.	Description	Qty.	Item	Part No.	Description	Qty.
1	48933GT	CONN,520120-8***	6	26	61321GT	ELBOW,90D,BLKHD,ORFS-6-6 W/NUT	1
2	49143-14429GT	HOSE ASSY,1/2,90 FEM,STR FEMM* (components: 48822, 48827 and 48756 @ 142 inches)	2	27	49130-63782GT	HOSE ASSY,3/8",STR FEM/STR FEM* (components: 48812, 48812 and 48753 @ 636 inches)	1
3	48894GT	CONN,BULKHEAD,520601-8	2	28	48920GT	ELBOW,45D,520320-6	1
4	49137-5041GT	HOSE ASSY,1/2,90L FEM,STR FEM* (components: 48822, 48824 and 48756 @ 48 inches)	2	29	61269GT	UNION,BULKHEAD,ORFS,520601,-4	1
5	48960GT	FITTING,CONN,520120-12***	2				
6	102313-17526GT	HOSE ASSY,3/4,45 FEM,STR FEM* (components: 48841, 48845 and 94358 @ 172 inches)	1				
7	49141-17463GT	HOSE ASSY,1/2,45 FEM,STR FEM* (components: 48822, 48826 and 48756 @ 172 inches)	1				
8	48912GT	CONN,520120-4-6***	1				
9	49119-51078GT	HOSE ASSY,1/4 STR FEM,STR FEM* (components: 48800, 48800 and 48751 @ 509 inches)	1				
10	61079GT	ELBOW,90D,BULKHEAD,520701-4	2				
11	49119-66978GT	HOSE ASSY,1/4 STR FEM,STR FEM* (components: 48800, 48800 and 48751 @ 668 inches)	1				
12	48907GT	ELBOW,45D,520320-4	4				
13	48904GT	ELBOW,90D,520220-4-4	3				
14	49119-34078GT	HOSE ASSY,1/4,STR FEM,STR FEM* (components: 48800, 48800 and 48751 @ 339 inches)	2				
15	61269GT	UNION,BULKHEAD,ORFS,520601,-4	2				
16	49119-66978GT	HOSE ASSY,1/4 STR FEM,STR FEM* (components: 48800, 48800 and 48751 @ 668 inches)	2				
17	61259GT	ELBOW,90D,LONG,521520-4	1				
18	49116-2637GT	HOSE ASSY,1/4,45 FEM,STR FEM* (components: 48800, 48801 and 48751 @ 24 inches)	1				
19	48905GT	CONN,520120-4***	6				
20	49117-4691GT	HOSE ASSY,1/4,90 FEM,STR FEM* (components: 48800, 48802 and 48751 @ 45 inches)	1				
21	121787-4691GT	HOSE ASSY,1/4,90L FEM,STR FEM* (components: 48800, 121788 and 48751 @ 45 inches)	1				
22	49117-2791GT	HOSE ASSY,1/4",90 FEM,STR FEM* (components: 48800, 48801 and 4875 @ 22 inches)	2				
23	49116-2437GT	HOSE ASSY,1/4,45 FEM,STR FEM* (components: 48800, 48801 and 4875 @ 22 inches)	1				
24	48916GT	CONN, 520120-6	1				
25	49128-50409GT	HOSE ASSY,3/8,90 FEM,STR FEM* (components: 48816, 48812 and 48753 @ 502 inches)	1				

714.1 Boom, S-85



Item	Part No.	Description	Qty.	Item	Part No.	Description	Qty.
1	48933GT	CONN,520120-8***	6	26	49128-50409GT	HOSE ASSY,3/8,90 FEM,STR FEM.....1 (components: 48816, 48812 and 48753 @ 502 inches)	1
2	49143-14429GT	HOSE ASSY,1/2,90 FEM,STR FEMM*....2 (components: 48822, 48827 and 48756 @ 142 inches)	2	27	61321GT	ELBOW,90D,BLKHD,ORFS-6-6 W/NUT.....1	1
3	48894GT	CONN,BULKHEAD,520601-8.....2	2	28	1286035GT	HOSE ASSY,HYD,3/8",STR FEM ORFS-6 X STR FEM ORFS-6 X 706".....1 (components: 48812, 48812 and 48753 @ 706 inches)	1
4	49137-5041GT	HOSE ASSY,1/2,90L FEM,STR FEM.....2 (components: 48822, 48824 and 48756 @ 48 inches)	2	29	48920GT	ELBOW,45D,520320-6.....1	1
5	48960GT	FITTING,CONN,520120-12***	2	30	61269GT	UNION,BULKHEAD,ORFS,520601,-4.....1	1
6	102313-17526GT	HOSE ASSY,3/4,45 FEM,STR FEM.....1 (components: 48841, 48845 and 94358 @ 172 inches)	1				
7	49141-17463GT	HOSE ASSY,1/2,45 FEM,STR FEM.....1 (components: 48822, 48826 and 48756 @ 172 inches)	1				
8	48912GT	CONN,520120-4-6***	3				
9	49119-51078GT	HOSE ASSY,1/4 STR FEM,STR FEM.....1 (components: 48800, 48800 and 48751 @ 509 inches)	1				
10	61079GT	ELBOW,90D,BULKHEAD,520701-4.....3	3				
11	49119-74578GT	HOSE ASSY,1/4 STR FEM,STR FEM.....1 (components: 48800, 48800 and 48751 @ 744 inches)	1				
12	48907GT	ELBOW,45D,520320-4.....3	3				
13	48904GT	ELBOW,90D,520220-4-4.....3	3				
14	49119-34078GT	HOSE ASSY,1/4,STR FEM,STR FEM*....2 (components: 48800, 48800 and 48751 @ 339 inches)	2				
15	61269GT	UNION,BULKHEAD,ORFS,520601,-4.....2	2				
16	49119-74578GT	HOSE ASSY,1/4 STR FEM,STR FEM.....2 (components: 48800, 48800 and 48751 @ 744 inches)	2				
17	61259GT	ELBOW,90D,LONG,521520-4.....1	1				
18	49116-2637GT	HOSE ASSY,1/4,45 FEM,STR FEM.....1 (components: 48800, 48801 and 48751 @ 24 inches)	1				
19	48905GT	CONN,520120-4***	10				
20	49117-13291GT	HOSE ASSY,1/4,90 FEM,STR FEM.....1 (components: 48800, 48802 and 48751 @ 131 inches)	1				
21	121787-13291GT	HOSE ASSY,1/4,90L FEM,STR FEM.....1 (components: 48800, 121788 and 48751 @ 131 inches)	1				
22	49117-2791GT	HOSE ASSY,1/4",90 FEM,STR FEM.....2	2				
23	49116-2437GT	HOSE ASSY,1/4,45 FEM,STR FEM.....1 (components: 48800, 48801 and 48751 @ 22 inches)	1				
24	217055GT	HOSE ASSY,1/4,STR FEM,STR FEM.....2 (components: 48800, 48801 and 101697 @ 22 inches)	2				
25	48916GT	CONN, 520120-6.....1	1				

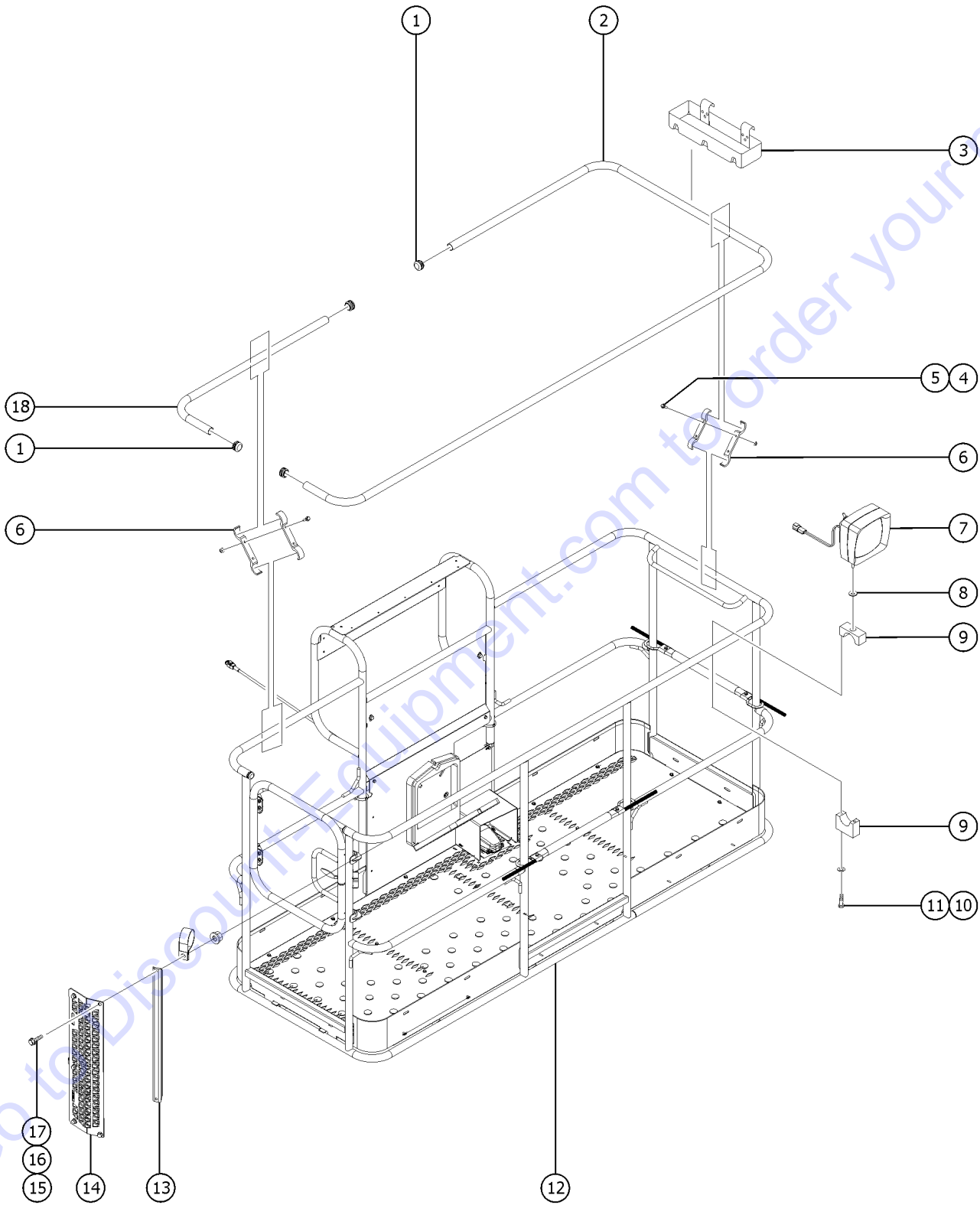
801.1 Alarm and Beacon Package, Driving Lights



801.1 Alarm and Beacon Package, Driving Lights

Item	Part No.	Description	Qty.
1	56704GT	STROBE,FIREBOLT,12-80VDC,AMB**...2	
--	121489GT	HARNESS,BEACON,S80/85 2008	
--	122019GT	FLASHTUBE,U SHAPED,360DEG,BULB	
--	226393GT	FLASHTUBE,STRAIGHT,360DEG,BULB	
--	72282GT	LENS,AMBER,STROBE,FIREBOLT	
2	1256464GT	SCREW,HHC,5/16-18X.75,8,ZAG.....2	
3	824028GT	NUT,TL FLG,5/16-18,G,ZAG.....4	
4	823520GT	ASSY, DRIVE LIGHT, 12V LED.....2	
5	45462GT	ALARM,CHIME TONE 5-25VDC***.....1 (does not include 72326 nut)	
--	72326GT	NUT - PLASTIC,RING FOR ALARMS	
6	121588GT	FORMING,DRIVELIGHT,LEFT,S80-85....1	
7	29868GT	SPRING CLIP,3/8-16,.05-.20X.73,ZAG...4	
8	824089GT	SCREW,HHF,3/8-16X.75,8,ZAG.....4	
9	30973GT	BUMPER,RUBBER-1 X 1.25.....2	
10	1261250GT	NUT,5/16-18,8,ZAG.....2	
11	121589GT	FORMING,DRIVE LIGHT,RIGHT,S80.....1	
12	6147GT	SCREW,RHM,10-32 X 1.....6	
13	1253185GT	WASHER,FLAT,#10,USS,ZAG.....6	
14	6178GT	NUT,NYLOCK,10-32.....6	

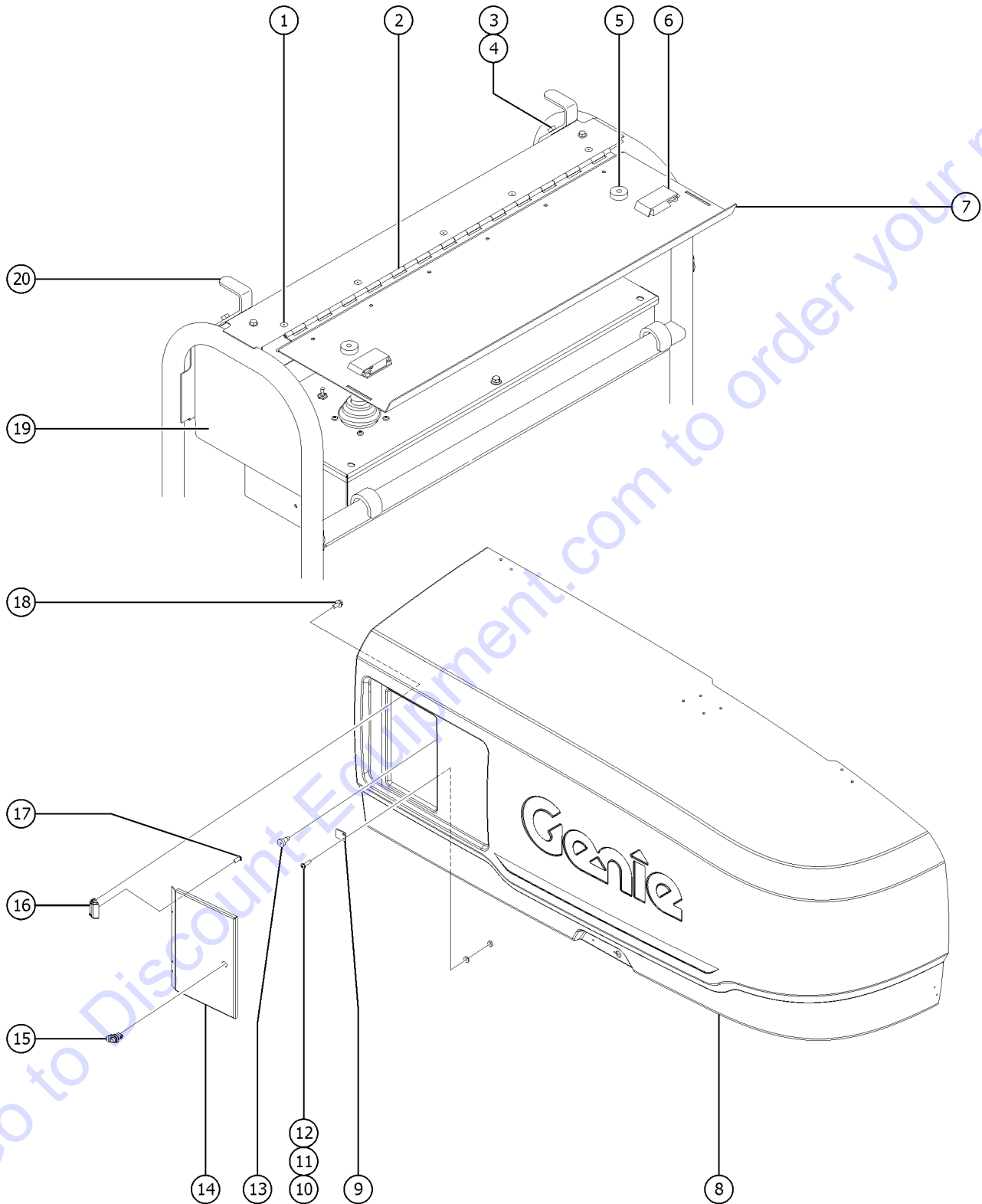
802.1 Platform Options



802.1 Platform Options

Item	Part No.	Description	Qty.
1	55753GT	BUMPER, PLASTIC, 1.25 O.D.....	4
2A	1271077GT	AUX RAIL, 8' PLAT, TRI-ENTRY..... (8 foot platform)	1
2B	1270570GT	AUX RAIL, 6' PLAT, SIDE ENTRY..... (6 foot platform)	1
3	9599-SGT	TOOL TRAY ACCESSORY***.....	1
4A	824079GT	SCREW,HHF,1/4-20X1,8,ZAG.....	26
		(8 foot platform)	
4B	824079GT	SCREW,HHF,1/4-20X1,8,ZAG.....	22
		(6 foot platform)	
5A	824027GT	NUT,TL FLG,1/4-20,G,ZAG.....	26
		(8 foot platform)	
5B	824027GT	NUT,TL FLG,1/4-20,G,ZAG.....	22
		(6 foot platform)	
6A	122073GT	SUPPORT, RAILING.....	26
		(8 foot platform)	
6B	122073GT	SUPPORT, RAILING.....	22
		(6 foot platform)	
7	71498GT	WORKLIGHT, 12V, DEUTSCH RECEPT.....	2
8	5397GT	WASHER,FLAT,USS,5/16",Y.....	2
9	35956GT	BRACKET,WORK LIGHT MOUNT 5/16".....	2
10	6145GT	SCREW,HHC,1/4-20 X 1.5.....	4
11	6356GT	WASHER,LOCK,.25.....	4
12		Ref.WELDMENT, PLATFORM..... (refer to 601.2)	1
13	1277966GT	TUBE,SQ,STL, 1.00 x 1.00 x .120.....	1
14	1277952GT	GUARD, SWING GATE.....	1
15	824086GT	SCREW,HHF,5/16-18X1,8,ZAG.....	5
16	56424GT	CLAMP,1.25X.5 RUBBER-CUSHION....	5
17	824028GT	NUT,TL FLG,5/16-18,G,ZAG.....	5
18A	1271078GT	AUX RAIL, 8' PLAT, TRI-ENTRY..... (8 foot platform)	1
18B	1270571GT	AUX RAIL, 6' PLAT, SIDE ENTRY..... (6 foot platform)	1

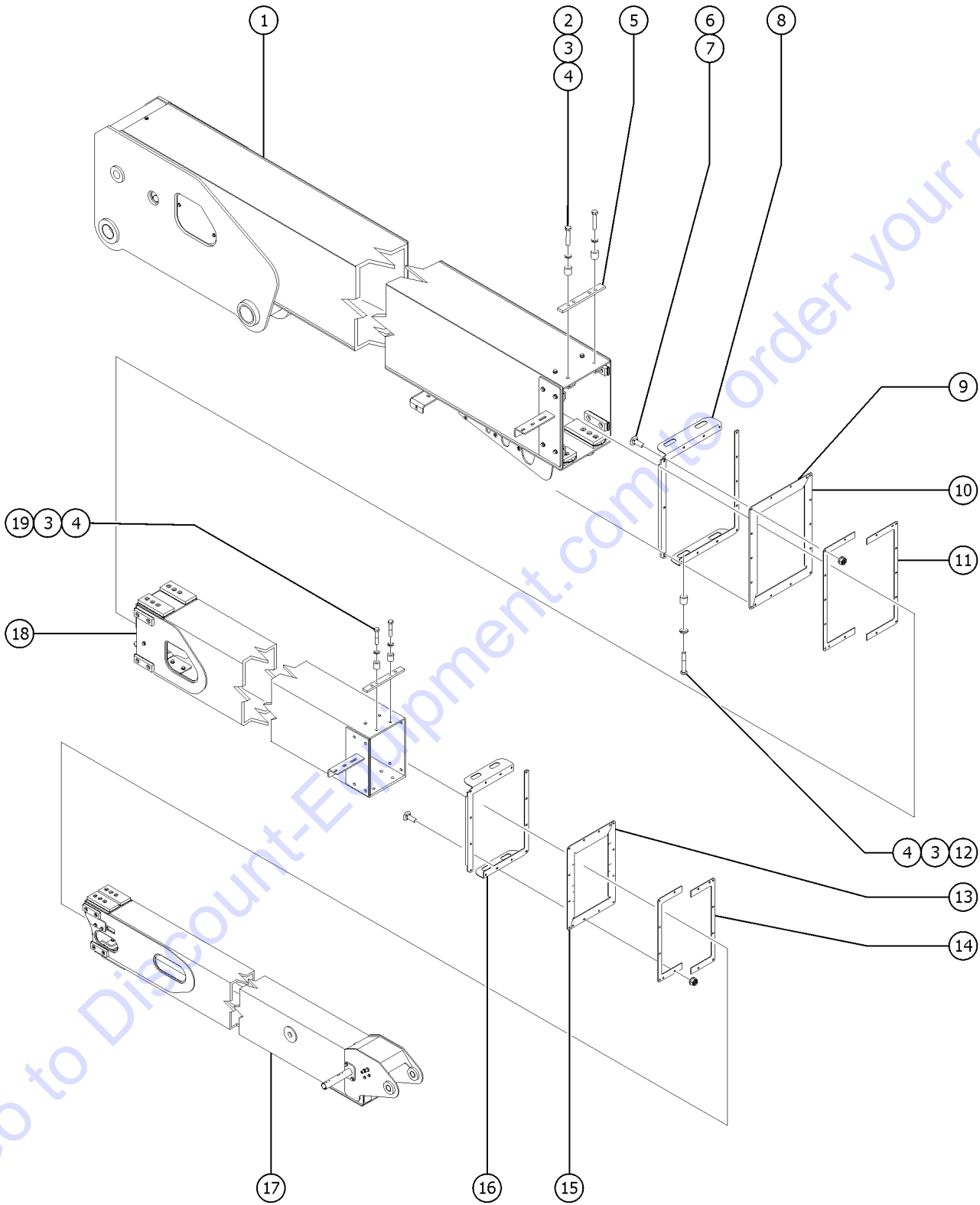
803.1 Hostile Environment Package - Ground and Platform Control Box Covers



803.1 Hostile Environment Package - Ground and Platform Control Box Covers

Item	Part No.	Description	Qty.
1	54486GT	RIVET,ALUM,ALUM,3/16BUTTONHEAD.11	
2	111526GT	HINGE,PLAT CONTROL BOX COVER...1	
3	824078GT	SCREW,HHF,1/4-20X.75,8,ZAG.....8	
4	824027GT	NUT,TL FLG,1/4-20,G,ZAG.....8	
5	43392GT	BUMPER,BATTERY BOX & RAILS.....2	
6	30468GT	LATCH,SLIDE, FLUSH MOUNT STYLE.....2	
7	102785PGT	CONTROL BOX COVER,LID,PTD.....1	
8		Ref. COVER, SWING CHASSIS, TS.....1 (refer to 304.1)	
9	1261001GT	STRIKER, LATCH.....1	
10	824215GT	SCREW,PHPM,10-32X.75,ZAG.....2	
11	1253185GT	WASHER,FLAT,#10,USS,ZAG.....2	
12	1256804GT	NUT,10-32,ZAG.....2	
13	34619GT	BUMPER,RUBBER***2	
14	1260980GT	FORMING, CONTROL BOX COVER....1	
15	1259583GT	LATCH,PUSH BUTTON.....1	
16	1259584GT	HINGE,CONSTANT TORQUE.....2	
17	229845GT	SCREW,BHSCS,M5X10,SS.....4	
18	218457GT	SCREW,HHF,M5X12,DIN6921,10.9,Z....4	
19	88607PGT	COVER,CONTROL BOX LEFT SIDE***1	
--	88606PGT	COVER,CONTROL BOX RIGHT SIDE**	
20	102786PGT	FORMING,LATCH,CTRL BOX LID PTD.....2	

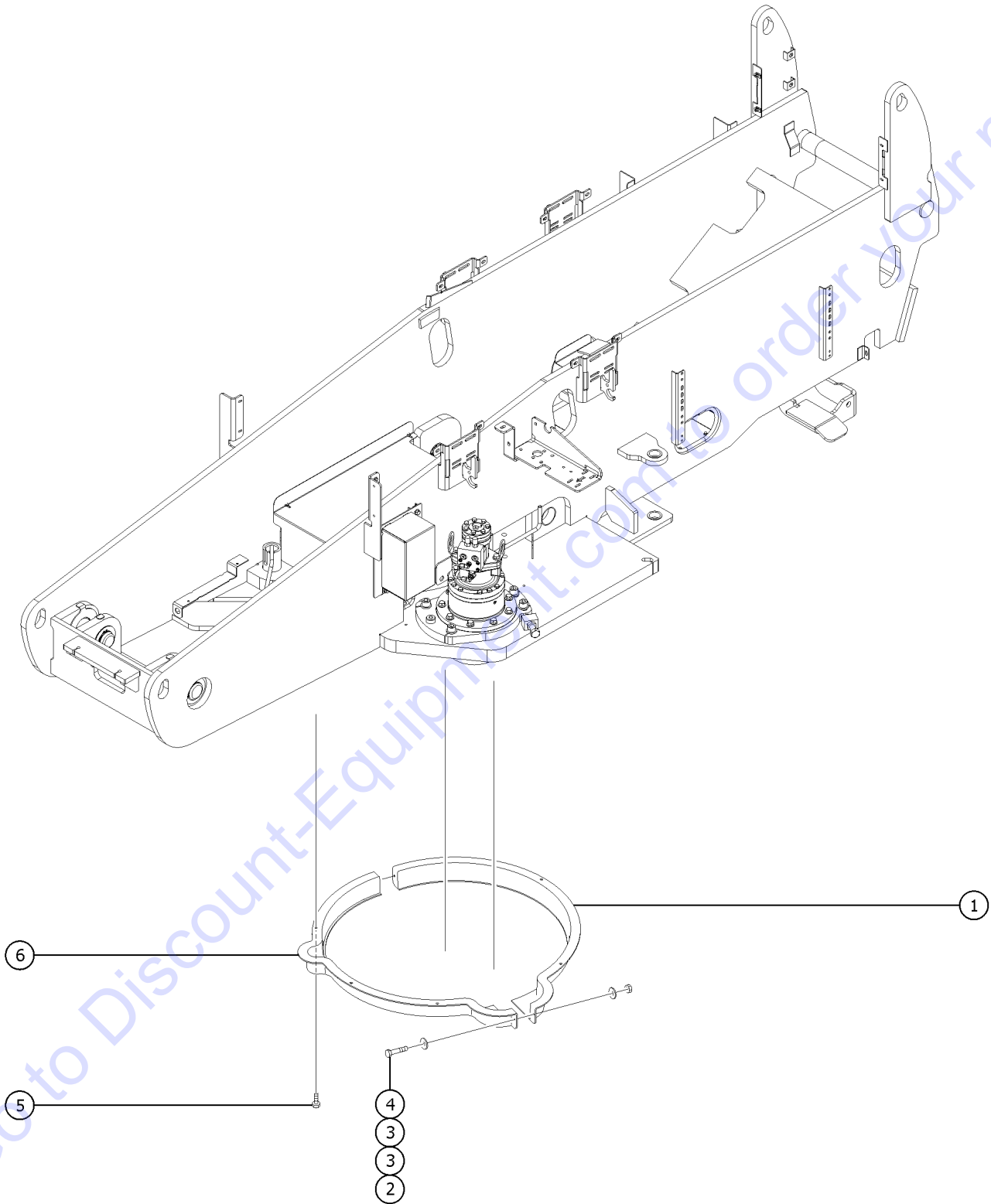
804.1 Hostile Environment Package - Booms



804.1 Hostile Environment Package - Booms

Item	Part No.	Description	Qty.
1		Ref. BOOM TUBE 1 (refer to 502.1)	
2	1252978GT	SCREW,HHC,3/8-16X2.25,8,ZAG.....	2
3	824110GT	WASHER,LOCK,3/8,ZAG.....	8
4	101932GT	TUBE,RD,STL,DOM,,.75X.38X.78.....	8
5	121173GT	SPACER,BOOM WIPER TOP.....	2
6	824124GT	BOLT,CARRIAGE,1/4-20X.75,5,ZAG.....	30
7	1277924GT	NUT,NYLOCK FLG,1/4-20,F,ZAG.....	30
8	121166GT	FORMING,BRKT,WIPER,BOOM #1.....	2
9	121659GT	WIPER,RUBBER,S80,SEC #1,TOP.....	1
10	121660GT	WIPER,RUBBER,S80,SEC #1,BOTTOM.....	1
11	121167GT	PLATE,WIPER BACKING,BOOM #1.....	2
12	824069GT	SCREW,HHC,3/8-16X2.5,8,ZAG.....	2
13	121662GT	WIPER,RUBBER,S80,SEC #2,BOT.....	1
14	121170GT	PLATE,BACKING WIPER 2 TO 3.....	2
15	121661GT	WIPER,RUBBER,S80,SEC#2, TOP.....	1
16	121169GT	FORMING,BRKT,WIPER,BOOM #2.....	2
17		Ref. BOOM TUBE 3 (refer to 505.1)	
18		Ref. BOOM TUBE 2 (refer to 504.1)	
19	1256108GT	SCREW,HHC,3/8-16X2,8,ZAG.....	4

805.1 Hostile Environment Package - Turntable

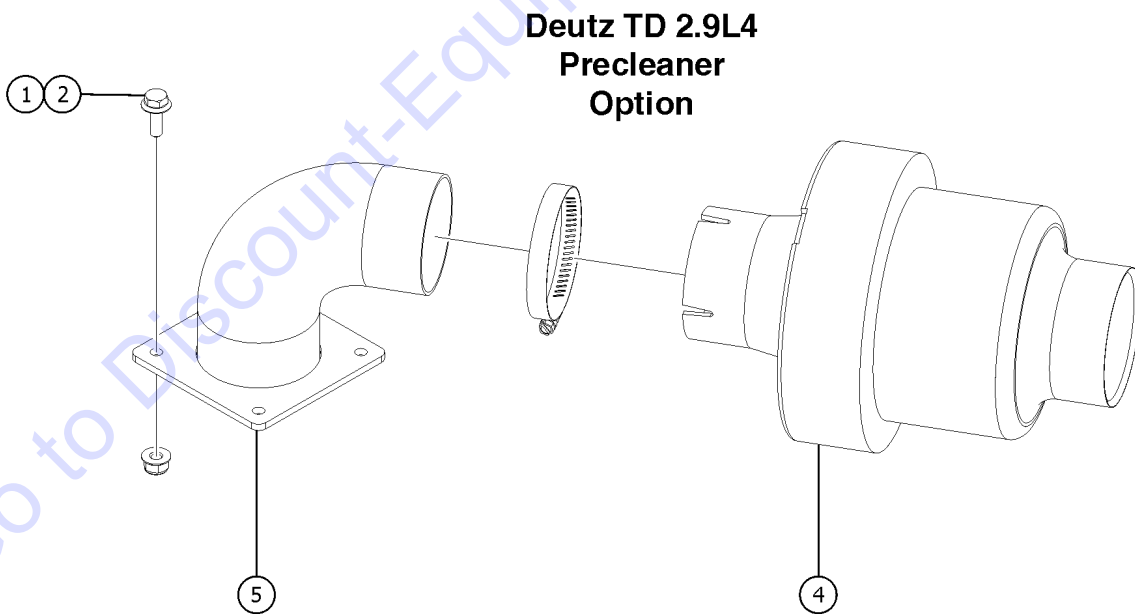
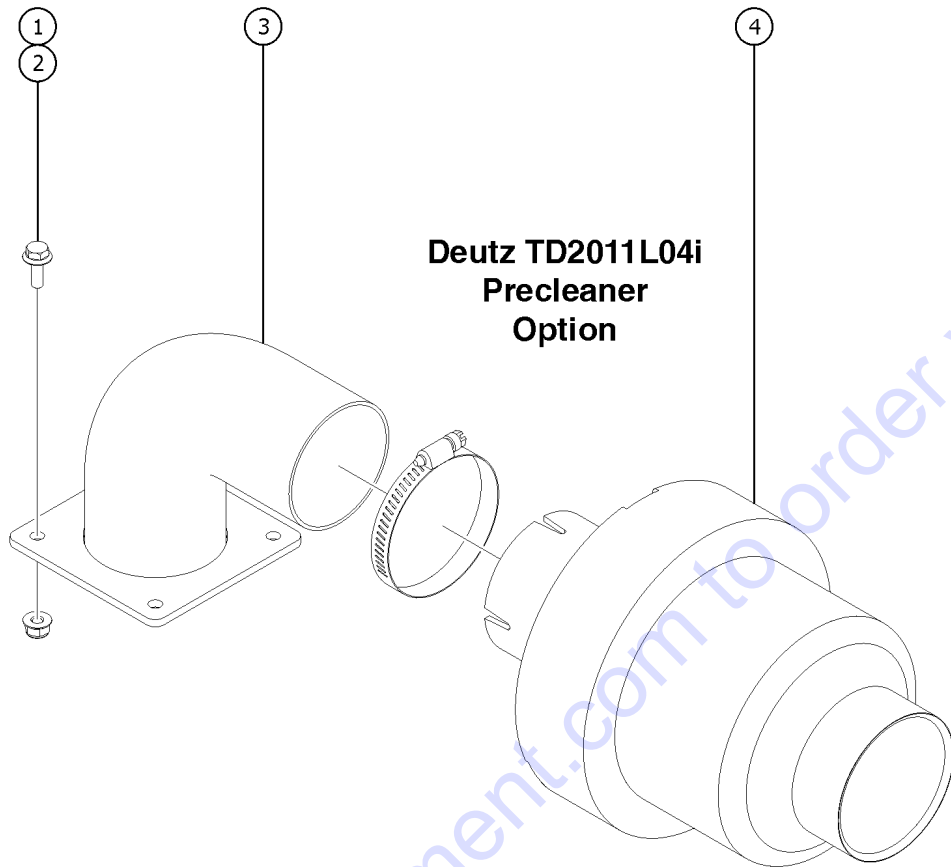


805.1 Hostile Environment Package - Turntable

Item	Part No.	Description	Qty.
1	121316GT	COVER,RING GEAR,FRONT.....	1
2	6090GT	SCREW,HHC,1/4-20 X .75	
3	6638GT	WASHER,FLAT,USS,1/4"Y	
4	6091GT	NUT,NYLOCK,1/4-20	
5	121066GT	SCREW,HHC,FLG,3/8-16 X 1 GR8.....	6
6	121317GT	COVER,RING GEAR,REAR.....	1

Go to Discount-Equipment.com to order your parts

806.1 Hostile Environment Package - Engine Air Cleaners



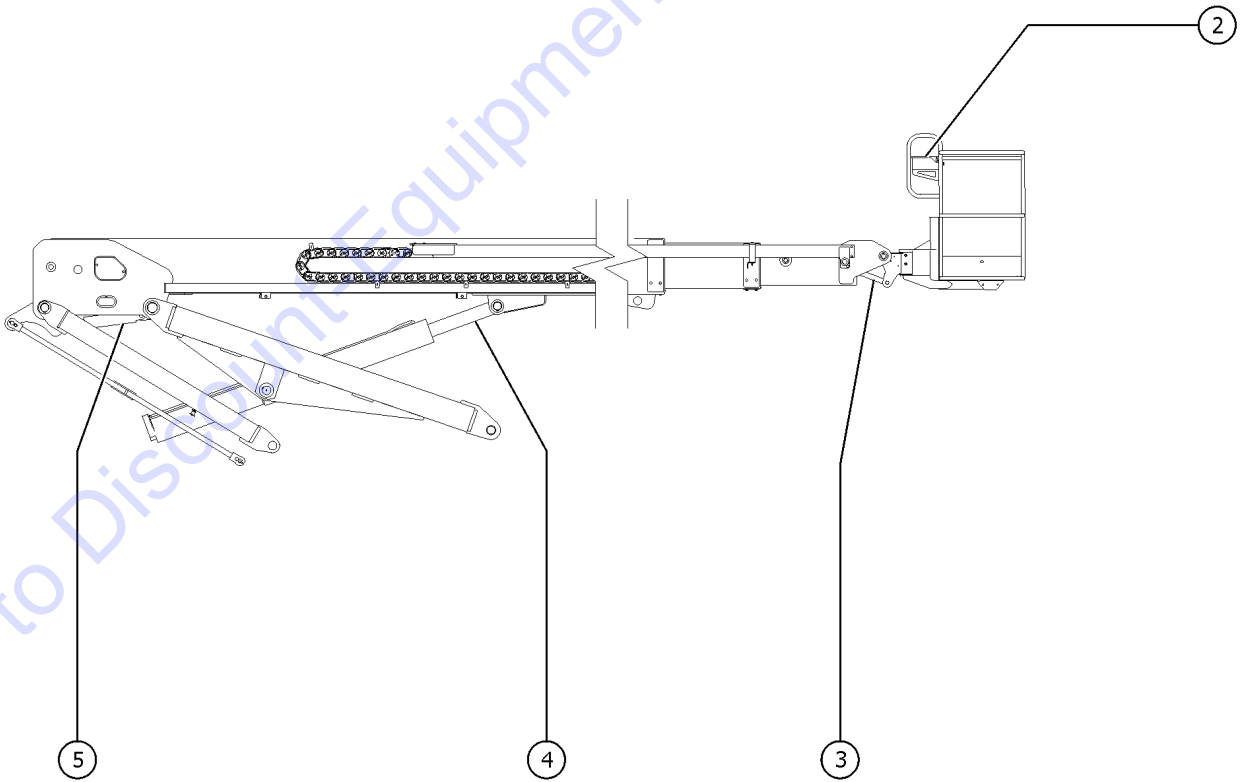
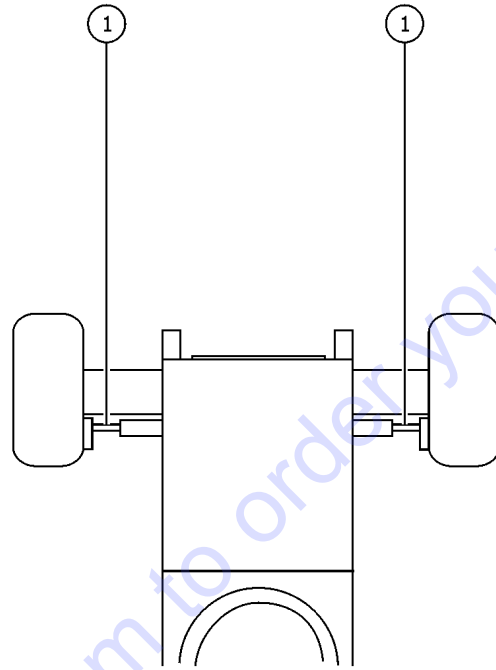
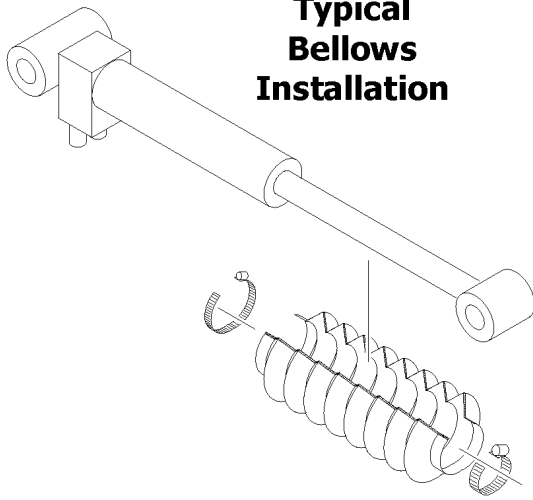
806.1 Hostile Environment Package - Engine Air Cleaners

Item	Part No.	Description	Qty.
1	824078GT	SCREW,HHF,1/4-20X.75,8,ZAG.....	4
2	1277924GT	NUT,NYLOCK FLG,1/4-20,F,ZAG.....	4
3	121413GT	WELDMENT,PRECLEANER MT,DEUTZ.....	1
4	89959GT	PRECLEANER,INLINE 3" <i>(Includes clamp)</i>	1
5	825948GT	WELDMENT, PRECLEANER MT, DEUTZ/PERKINS.....	1

Go to Discount-Equipment.com to order your parts

807.1 Hostile Environment Package - Cylinder Bellows, S-80, S-80X

**Typical
Bellows
Installation**

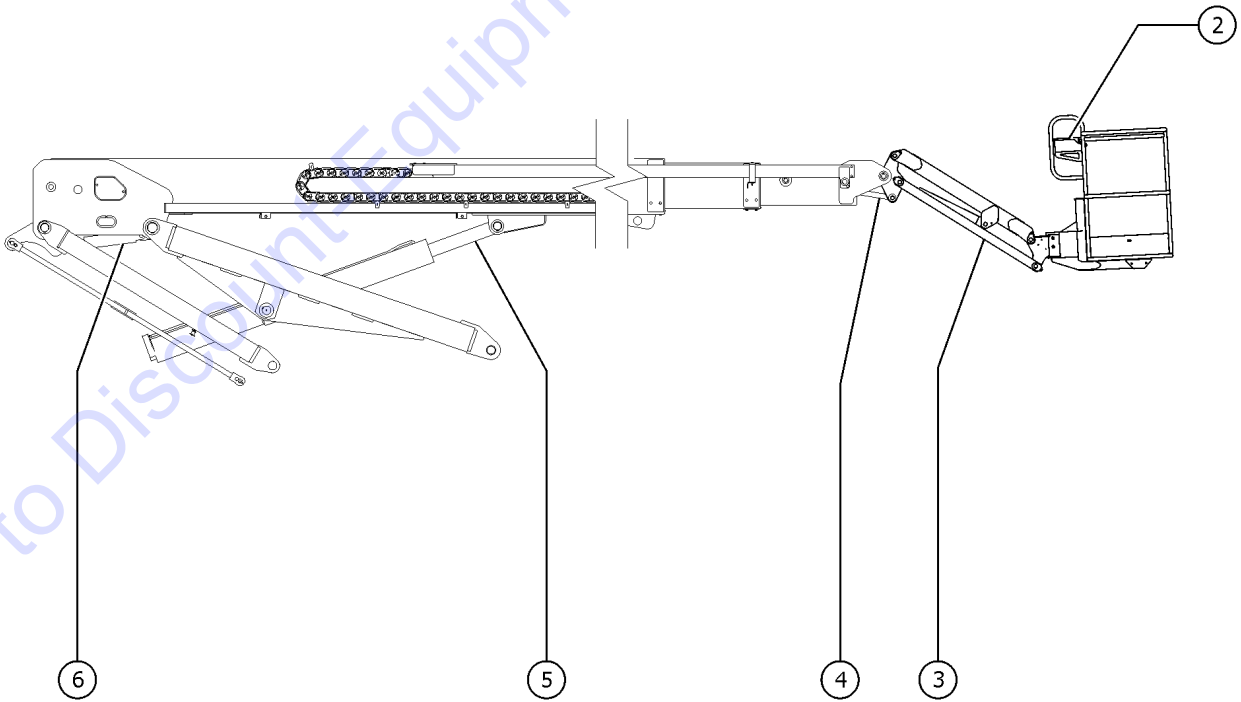
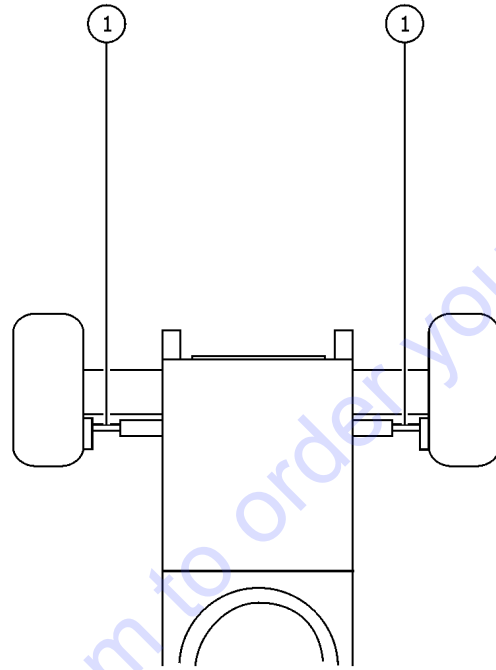
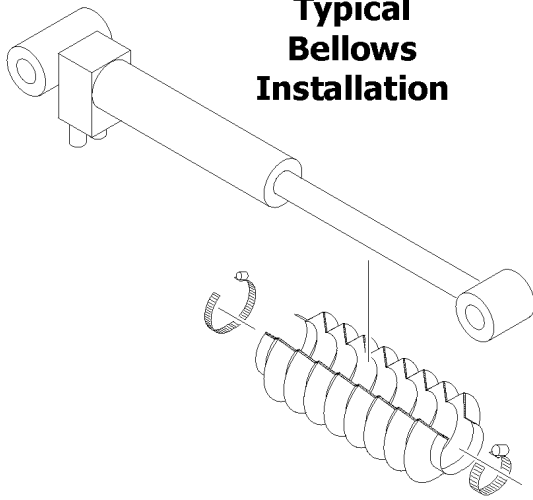


807.1 Hostile Environment Package - Cylinder Bellows, S-80, S-80X

Item	Part No.	Description	Qty.
A	81700GT	COVER,PROTECTIVE,OSC.CYLINDER	
B	35432GT	CLAMP,HOSE,6.50	
C	45435GT	CLAMP,HOSE,2.50***	
1	34533GT	COVER,PROTECTIVE,STEER CYL.....2	
--	30971GT	CLAMP,HOSE,3.00"	
--	35434GT	CLAMP,HOSE,2.00***	
2	T107895GT	DECAL,PROTECTOR,CLEAR.....1	
3	94537GT	BELLOWS,CYLINDER,PLAT LEVEL.....1	
--	230995GT	COVER,HSE&CBL DLX HOSTILE	
--	23405GT	NUTSERT,10-32 STEEL CAD PLTD	
--	30489GT	CLAMP,HOSE,3.50	
--	49819GT	SCREW,PHILLIPS,PHM,10-32 X .5	
--	6146GT	WASHER,FLAT,MS,#10,Y	
4	121178GT	BELLOWS,LIFT CLYINDER.....1	
--	31523GT	CLAMP,HOSE,8.50 DIA***	
--	34955GT	CLAMP,HOSE,5.00	
5	121177GT	BELLOWS,MASTER CYLINDER.....1	
--	22672GT	CLAMP,HOSE,1.75	
--	34955GT	CLAMP,HOSE,5.00	

808.1 Hostile Environment Package - Cylinder Bellows, S-85

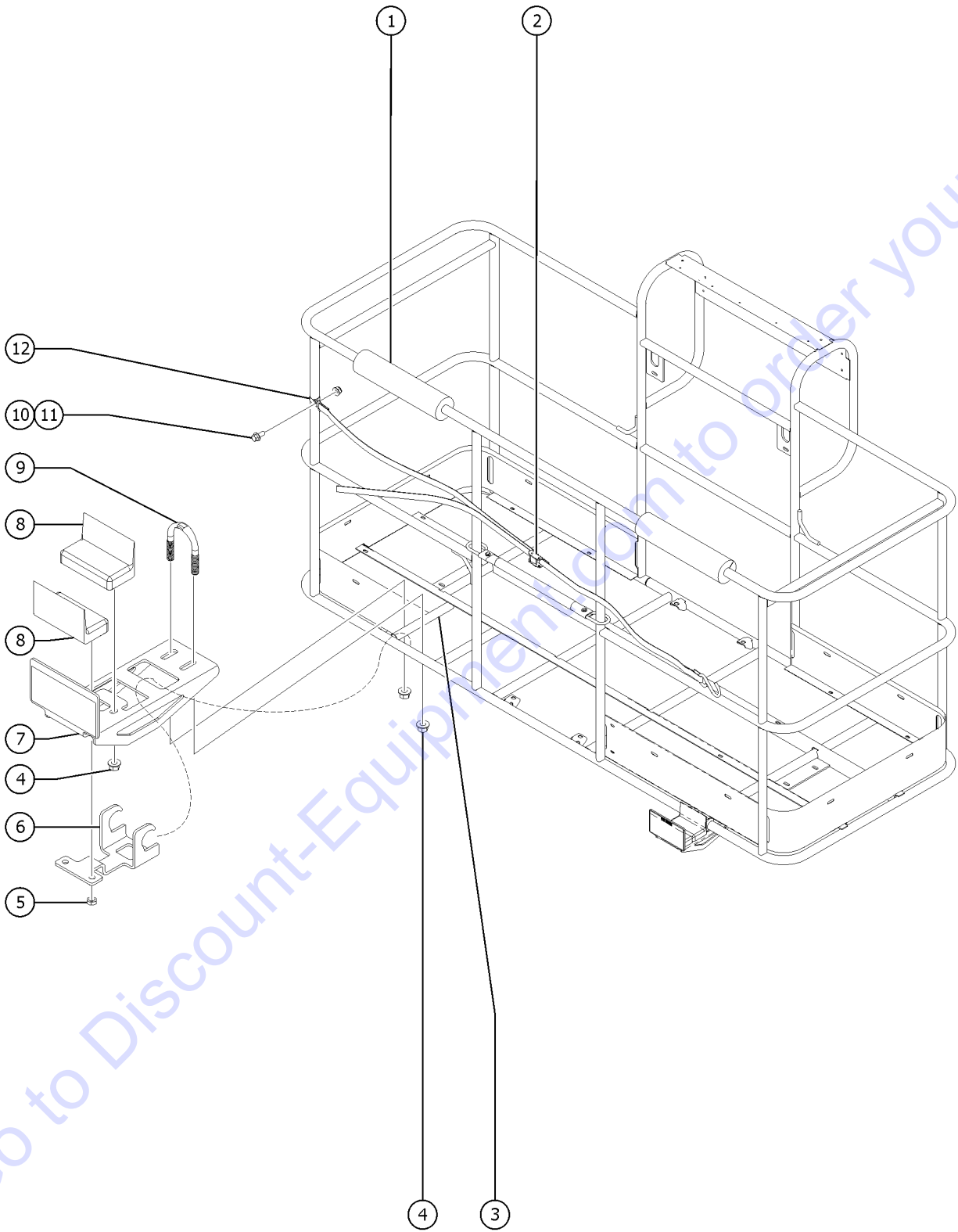
**Typical
Bellows
Installation**



808.1 Hostile Environment Package - Cylinder Bellows, S-85

Item	Part No.	Description	Qty.
A	81700GT	COVER,PROTECTIVE,OSC.CYLINDER	
B	35432GT	CLAMP,HOSE,6.50	
C	45435GT	CLAMP,HOSE,2.50***	
1	34533GT	COVER,PROTECTIVE,STEER CYL.....2	
--	30971GT	CLAMP,HOSE,3.00"	
--	35434GT	CLAMP,HOSE,2.00***	
2	T107895GT	DECAL,PROTECTOR,CLEAR.....1	
3	34505GT	COVER,PROTECTIVE,JIB CYLINDER...1	
--	30971GT	CLAMP,HOSE,3.00"	
--	35434GT	CLAMP,HOSE,2.00***	
4	94537GT	BELLOWS,CYLINDER,PLAT LEVEL.....1	
--	230995GT	COVER,HSE&CBL DLX HOSTILE	
--	23405GT	NUTSERT,10-32 STEEL CAD PLTD	
--	30489GT	CLAMP,HOSE,3.50	
--	49819GT	SCREW,PHILLIPS,PHM,10-32 X .5	
--	6146GT	WASHER,FLAT,MS,#10,Y	
5	121178GT	BELLOWS,LIFT CLYINDER.....1	
--	31523GT	CLAMP,HOSE,8.50 DIA***	
--	34955GT	CLAMP,HOSE,5.00	
6	121177GT	BELLOWS,MASTER CYLINDER.....1	
--	22672GT	CLAMP,HOSE,1.75	
--	34955GT	CLAMP,HOSE,5.00	

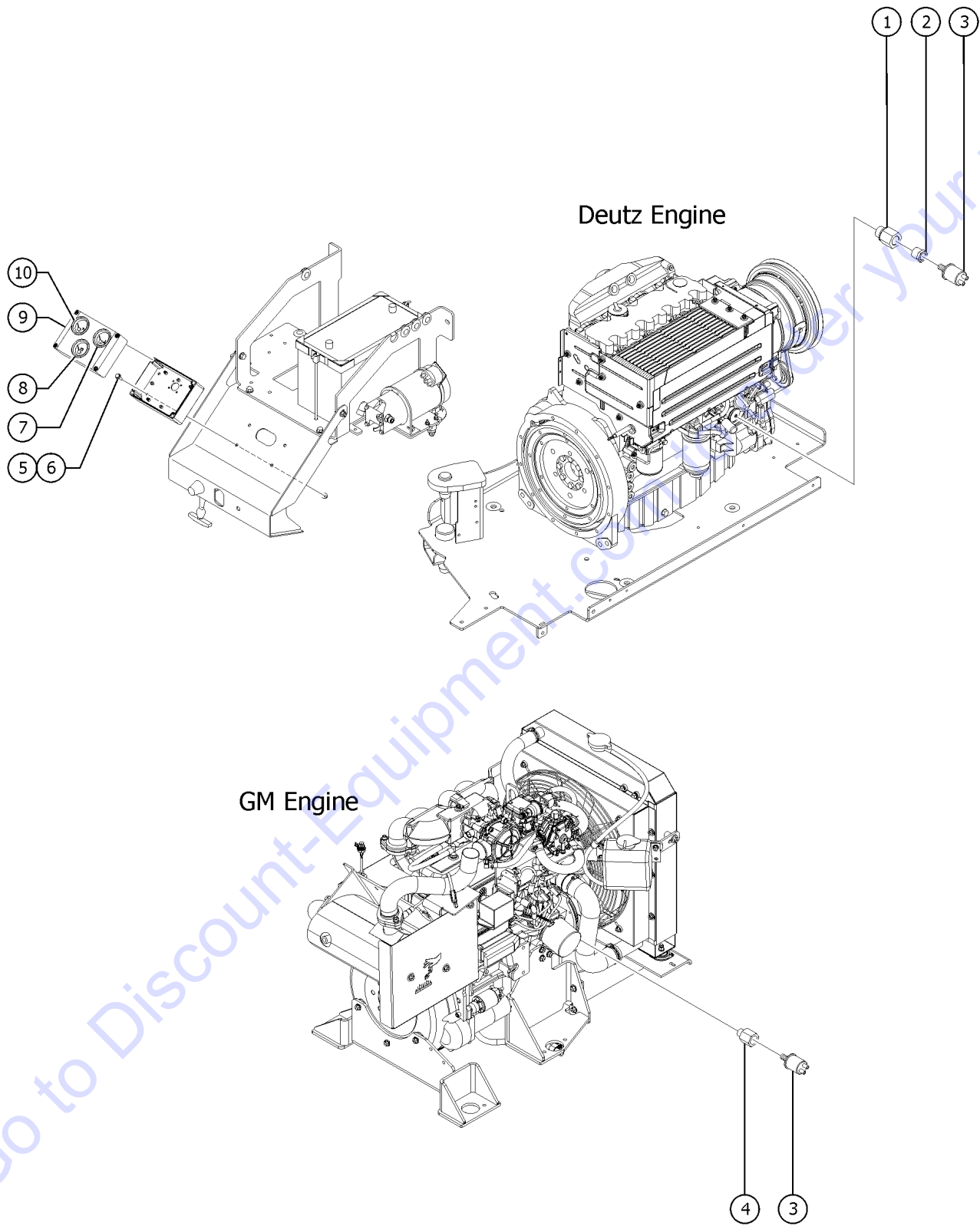
809.1 Panel Cradle Option



809.1 Panel Cradle Option

Item	Part No.	Description	Qty.
--	77683GT	ACCESSORY,PANEL CRADLE,ANSI (ANSI/CSA models)	
--	94493-SGT	KIT,PANEL CRADLE,CE (CE/AUS models)	
1	88377-1400GT	FOAM PAD, 3" OD X 1.25" ID X 14 IN.....2	
2	77664GT	ADJUSTABLE STRAP ASSY.....1	
3	1274322GT	NUT,NYLOCK FLG,3/8-16,F,ZAG.....8	
4	5397GT	WASHER,FLAT,USS,5/16",Y for machines before 2010	
5	228849GT	FORMING,SECONDARY SUPPORT.....2 77576P is no longer available. For machines before 2010, must install Qty 2 service kit 233992 (ANSI) or 233993 (CE) for initial replacement.	
6	228848GT	FORMING PANEL CRADLE.....2 89724 is no longer available. For machines before 2010, must install Qty 2 service kit 233992 (ANSI) or 233993 (CE) for initial replacement.	
--	233992GT	KIT,PANEL CRADLE BRACKET,WORD.....1 (ANSI/CSA models) (includes hook, panel support bracket and installation instructions)	
--	233993GT	KIT,PANEL CRADLE BRACKET,SYMBL.....1 (CE/AUS models) (includes hook, panel support bracket and installation instructions)	
7	56934GT	PAD,REST,1"THICK,FLANGED.....4	
7A	824038GT	NUT, TL JAM, 3/8-16, A, ZAG.....4 for 56934	
8	1251600GT	U-BOLT, FLATTENED, 1.5 X 3/8 UNC,ZAG.....2	
9	73463-1175GT	TUBE, RD, ALUM, 1.25 X .083 X 11.75...2	
10	1256855GT	SCREW,HHF,1/4-20X.625,8,ZAG.....1	
11	6638GT	WASHER,FLAT,USS,1/4"Y for machines before 2010	
12	1277924GT	NUT,NYLOCK FLG,1/4-20,F,ZAG.....1	
13	56424GT	CLAMP,1.25X.5 RUBBER-CUSHION.....1	

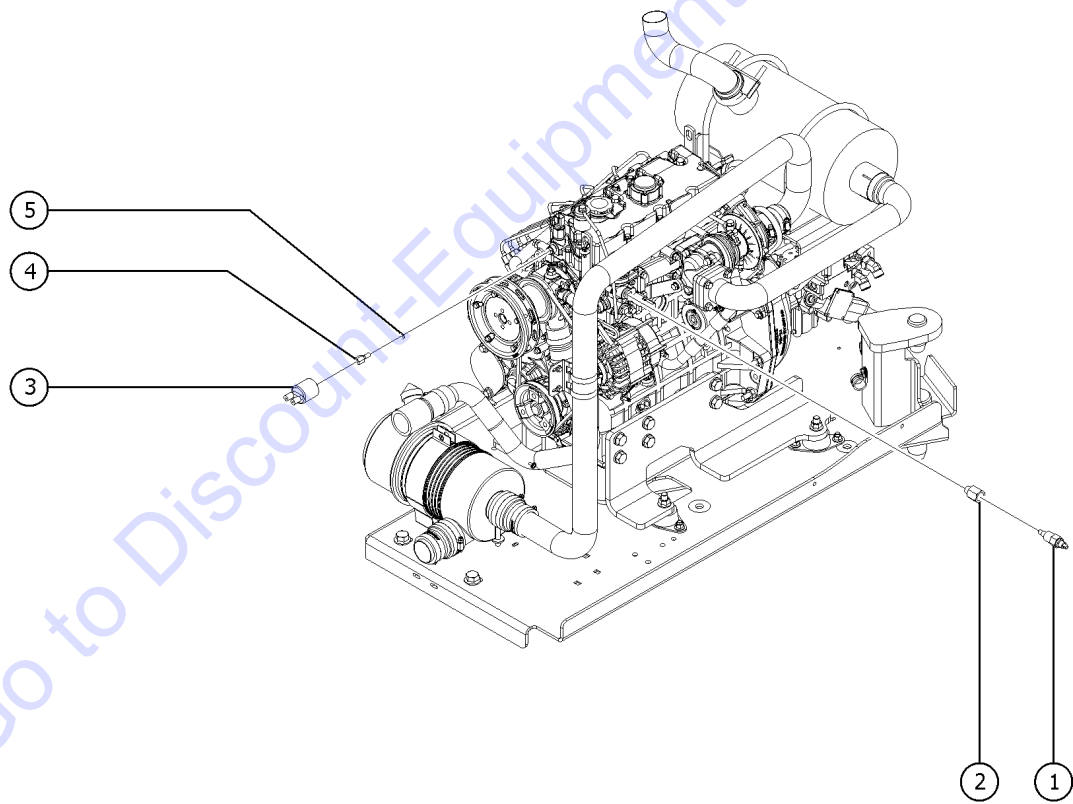
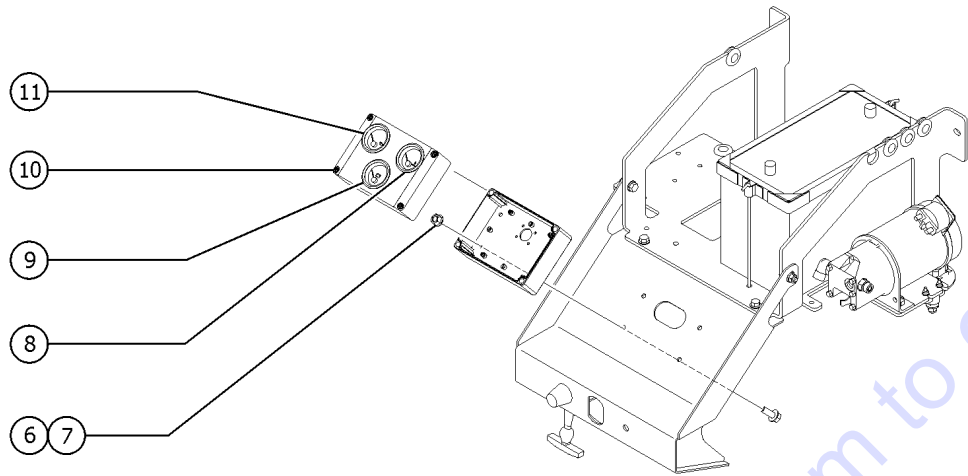
810.1 Full Gauge Option



810.1 Full Gauge Option

Item	Part No.	Description	Qty.
A	121512GT	OPT,FULL GAUGE, S80 DEUTZ	
B	121508GT	OPT,FULL GAUGE,S80 DUAL FUEL	
C		Ref. HARNESS,GAUGE OPT (refer to 316.1 or 317.1)	
1	106034GT	ADAPTER,M18.....	1
2	106033GT	ADAPTER,NPT 6-4.....	1
3	30810GT	SENDING UNIT,OIL PRESSURE***..... (dual-terminal sender)	1
4	28607GT	ADAPTER,140139-8-6.....	1
5	121419GT	SCREW,HHF,1/4-20 X .75.....	4
6	121421GT	NUT,FLG,1/4-20.....	4
7A	53759-SGT	GAUGE,WATER TEMP..... (dual fuel)	1
7B	53760-SGT	GAUGE,OIL TEMP..... (deutz models)	1
8	53761-SGT	GAUGE,VOLTAGE.....	1
9A	121490GT	ASSY,GAUGE OPT.WATER COOLED..... (dual fuel)	1
--	121491GT	ENCLOSURE BOX, GAUGE OPT.	
9B	121482GT	ASSY,GAUGE OPT. OIL COOLED..... (deutz models)	1
--	121491GT	ENCLOSURE BOX, GAUGE OPT.	
10	53758-SGT	GAUGE,OIL PRESSURE W/O SENDER.....	1

810.2 Full Gauge Option - Perkins 404D-22T

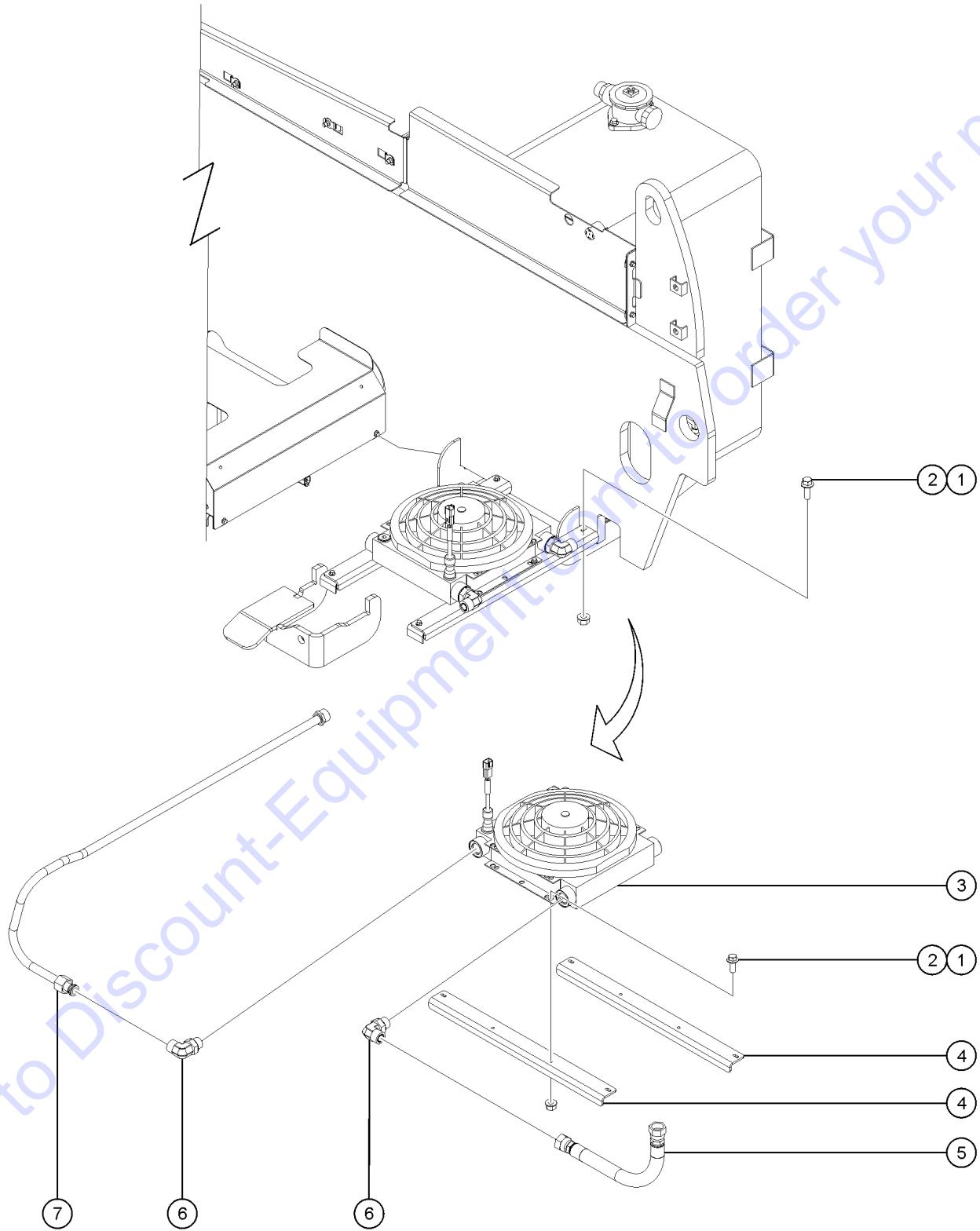


Go to Discount-Equipment.com to order your parts

810.2 Full Gauge Option - Perkins 404D-22T

Item	Part No.	Description	Qty.
A	1263553GT	OPT,FULL GAUGE,S80 PERKINS 404D-22T.....	1
1	34058GT	SENDING UNIT,TMP,FRD,GM,PRK704.....	1
2	1260414GT	ADAPTER, BSPT3/8"-19 TO NPTF1/2-14.....	1
3	102348GT	SENDING UNIT,OIL PRESS PERKINS...	1
4	139936GT	ADAPTER,EYEBOLT.....	1
5	101085GT	GASKET.....	1
6	824027GT	NUT,TL FLG,1/4-20,G,ZAG.....	4
7	824078GT	SCREW,HHF,1/4-20X.75,8,ZAG.....	4
8	53759-SGT	GAUGE,WATER TEMP.....	1
9	53761GT	GAUGE,VOLTAGE***.....	1
10	121490GT	ASSY,GAUGE OPT.WATER COOLED.....	1
--	121491GT	ENCLOSURE BOX, GAUGE OPT.	
11	53758-SGT	GAUGE,OIL PRESSURE W/O SENDER.....	1

811.1 Hydraulic Oil Cooler Option

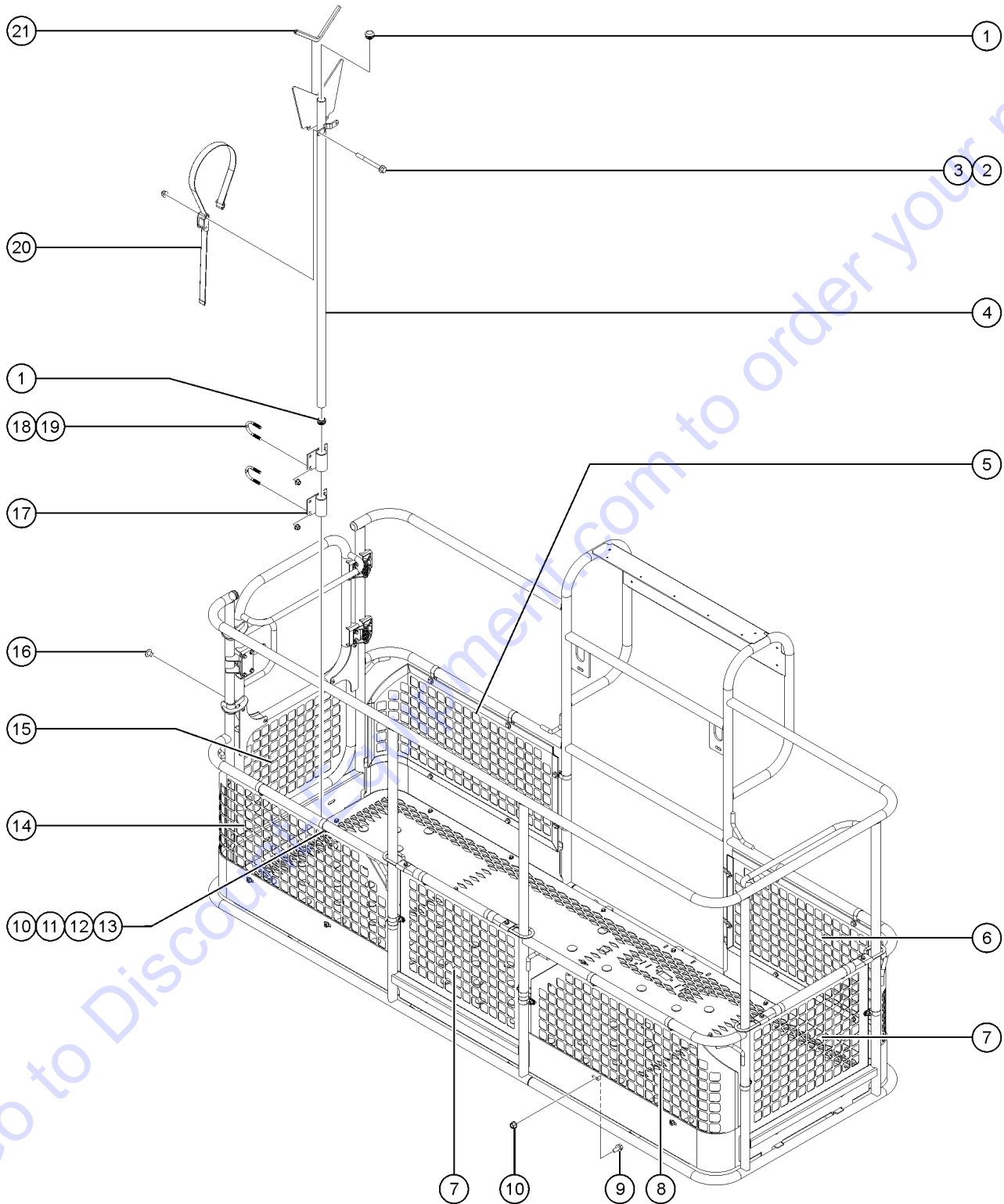


811.1 Hydraulic Oil Cooler Option

Item	Part No.	Description	Qty.
1	824078GT	SCREW,HHF,1/4-20X.75,8,ZAG.....	8
2	824027GT	NUT,TL FLG,1/4-20,G,ZAG.....	8
3	71259GT	OIL COOLER W/FAN, 12VDC.....	1
4	121389GT	FORMING,OIL COOLER SUPPORT.....	2
5	217059GT	HOSE ASSY,3/4,STR FEM,STR FEM.....	1
6	48959GT	FITTING,ELBOW,90D,520220-12.....	2
7	1269348GT	HYD TUBE, DRIVE COOLER, #12 FLANGED.....	1

Go to Discount-Equipment.com to order your parts

812.1 Half-Mesh and Pipe Cradle Option



PARTS FINDER

**Search Website
by Part Number**



**Search Manual
Library For Parts
Manual & Lookup Part
Numbers – Purchase
or Request Quote**

Search Manuals

Enter your information to help us find the right parts manual for your machine.

* Brand:

* Model:

* Serial:

* Part Number:

SEARCH

**Can't Find Part or
Manual? Request Help
by Manufacturer,
Model & Description**

Parts Order Form

Please fill in the following information to help us find the right part for your machine.

Manufacturer:	<input type="text"/>
Model:	<input type="text"/>
Description:	<input type="text"/>
Part Number:	<input type="text"/>
Quantity:	<input type="text"/>
Notes:	<input type="text"/>

Submit

Discount-Equipment.com is your online resource for quality parts & equipment.

Florida: **561-964-4949** Outside Florida TOLL FREE: **877-690-3101**

Need parts?

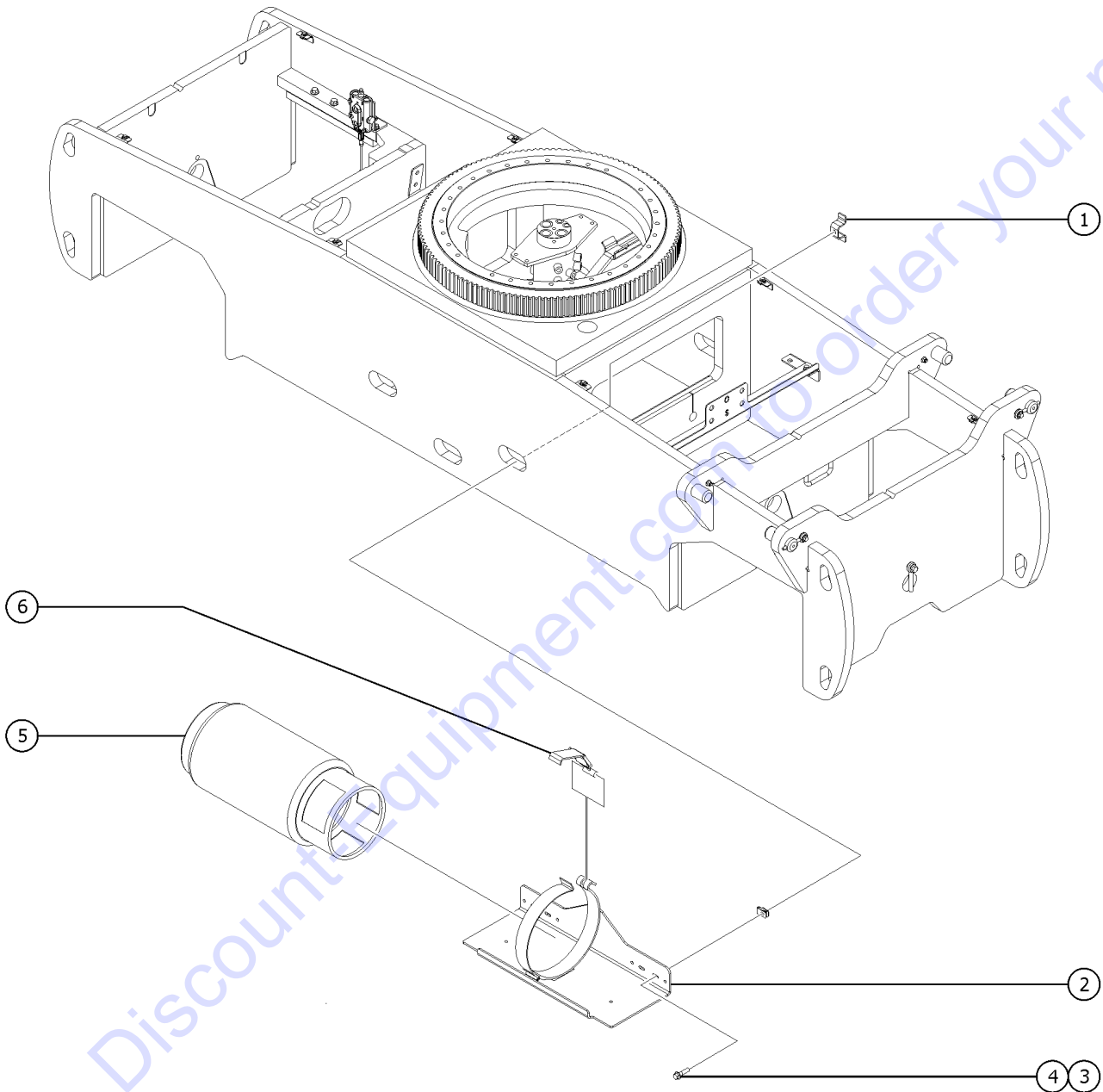
Click on this link: <http://www.discount-equipment.com/category/5443-parts/> and choose one of the options to help get the right parts and equipment you are looking for. Please have the machine model and serial number available in order to help us get you the correct parts. If you don't find the part on the website or on one of the online manuals, please fill out the request form and one of our experienced staff members will get back to you with a quote for the right part that your machine needs.

We sell worldwide for the brands: Genie, Terex, JLG, MultiQuip, Mikasa, Essick, Whiteman, Mayco, Toro Stone, Diamond Products, Generac Magnum, Airman, Haulotte, Barreto, Power Blanket, Nifty Lift, Atlas Copco, Chicago Pneumatic, Allmand, Miller Curber, Skyjack, Lull, Skytrak, Tsurumi, Husquvarna Target, Stow, Wacker, Sakai, Mi-T-M, Sullair, Basic, Dynapac, MBW, Weber, Bartell, Bennar Newman, Haulotte, Ditch Runner, Menegotti, Morrison, Contec, Buddy, Crown, Edco, Wyco, Bomag, Laymor, EZ Trench, Bil-Jax, F.S. Curtis, Gehl Pavers, Heli, Honda, ICS/PowerGrit, IHI, Partner, Imer, Clipper, MMD, Koshin, Rice, CH&E, General Equipment, Amida, Coleman, NAC, Gradall, Square Shooter, Kent, Stanley, Tamco, Toku, Hatz, Kohler, Robin, Wisconsin, Northrock, Oztec, Toker TK, Rol-Air, APT, Wylie, Ingersoll Rand / Doosan, Innovatech, Con X, Ammann, Mecalac, Makinex, Smith Surface Prep, Small Line, Wanco, Yanmar

812.1 Half-Mesh and Pipe Cradle Option

Item	Part No.	Description	Qty.	Item	Part No.	Description	Qty.
A	85300GT	PIPE CRADLE ASSY. SERV (ONE)** (ANSI & CE only) (This is a single assembly. Qty 2 of 85300GT required to complete a set)		16	824207GT	RIVET, STL, STL, DOME, 1/4 X .375, ZAG.....	8
--	65630GT	INSTRUCTIONS-PIPE CRADLE,BOOMS		17	81368GT	WELDMNT,PIPE CRADLE MOUNT.....	4
1	55753GT	BUMPER, PLASTIC, 1.25 O.D.....	4	18	1251600GT	U-BOLT, FLATTENED, 1.5 X 3/8 UNC,ZAG.....	8
2	824083GT	SCREW,HHF,1/4-20X2.5,8,ZAG.....	4	19	1274322GT	NUT,NYLOCK FLG,3/8-16,F,ZAG.....	16
3	1277924GT	NUT,NYLOCK FLG,1/4-20,F,ZAG.....	4	20	56570GT	STRAP, CONDUIT HOLDER 60****	2
4	56525GT	WELDMNT, PIPE CRADLE.....	2	21	19018-1100GT	TRIMLOCK,BLACK,5/32".....	2
5A	1270994GT	PANEL, HALF MESH..... (8 foot platform)	1				
5B	1270314GT	PANEL, HALF MESH..... (6 foot platform)	1				
6	1271019GT	PANEL, HALF MESH..... (8 foot platform)	1				
7A	1271061GT	PANEL, HALF MESH..... (8 foot platform)	2				
7B	1271061GT	PANEL, HALF MESH..... (6 foot platform)	1				
8A	1271018GT	PANEL, HALF MESH..... (8 foot platform)	1				
8B	1270313GT	PANEL, HALF MESH..... (6 foot platform)	1				
9	824085GT	SCREW,HHF,5/16-18X.75,8,ZAG.....	12				
10A	824028GT	NUT,TL FLG,5/16-18,G,ZAG..... (8 foot platform)	34				
10B	824028GT	NUT,TL FLG,5/16-18,G,ZAG..... (6 foot platform)	33				
11A	56424GT	CLAMP,1.25X.5 RUBBER-CUSHION.... (8 foot platform)	22				
11B	56424GT	CLAMP,1.25X.5 RUBBER-CUSHION.... (6 foot platform)	21				
12A	825358GT	WASHER,FLAT,5/16,USS,ZAG..... (8 foot platform)	22				
12B	825358GT	WASHER,FLAT,5/16,USS,ZAG..... (6 foot platform)	21				
13A	1264101GT	SCREW,HHC,5/16-18X1,8,ZAG..... (8 foot platform)	22				
13B	1264101GT	SCREW,HHC,5/16-18X1,8,ZAG..... (6 foot platform)	21				
14A	1271040GT	PANEL, HALF MESH..... (8 foot platform)	1				
14B	1270316GT	PANEL, HALF MESH..... (6 foot platform)	1				
15	1285700GT	WELDMNT,SWING GATE PANEL (used on 6' and 8' side entry platforms) (from SN 14876 to 15000 required to order Swing Gate Weldment, refer to 601.1)					
--	55753GT	BUMPER, PLASTIC, 1.25 O.D.					

813.1 Spare LPG Tank Option

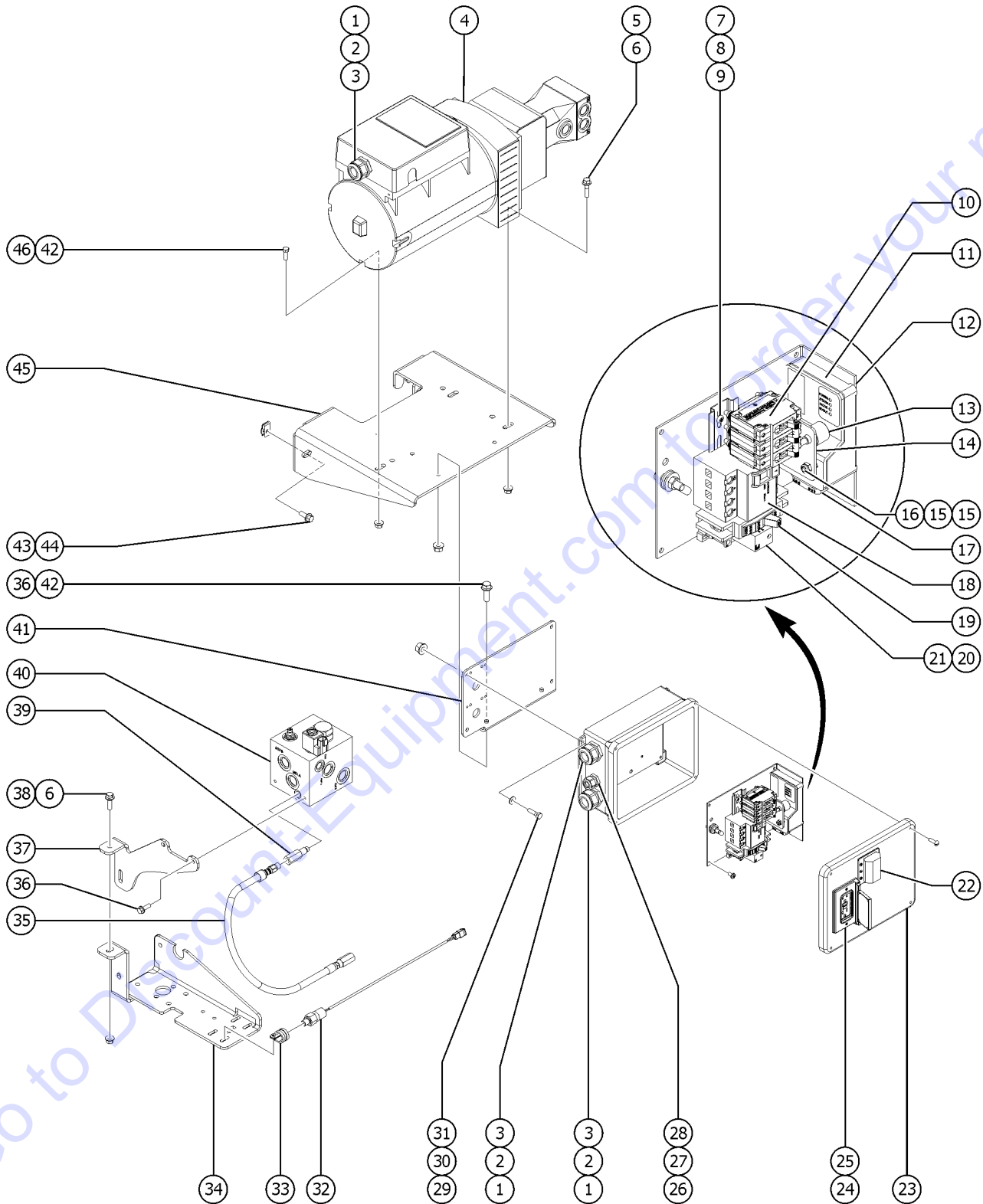


813.1 Spare LPG Tank Option

Item	Part No.	Description	Qty.
A	77853GT	OPTION,LP TANK 2ND	
1	77785GT	FORMING,LP BRACKET MOUNT.....	2
2	60143-SGT	WELD, LPG TANK MOUNT.....	1
3	824092GT	SCREW,HHF,3/8-16X1.5,8,ZAG.....	2
4	29868GT	SPRING CLIP,3/8-16,.05-.20X.73,ZAG...	2
5	53605GT	TANK, 7 GAL/33.5 POUND, LP.....	1
6	49000GT	L.P.TANK LATCH.....	1

Go to Discount-Equipment.com to order your parts

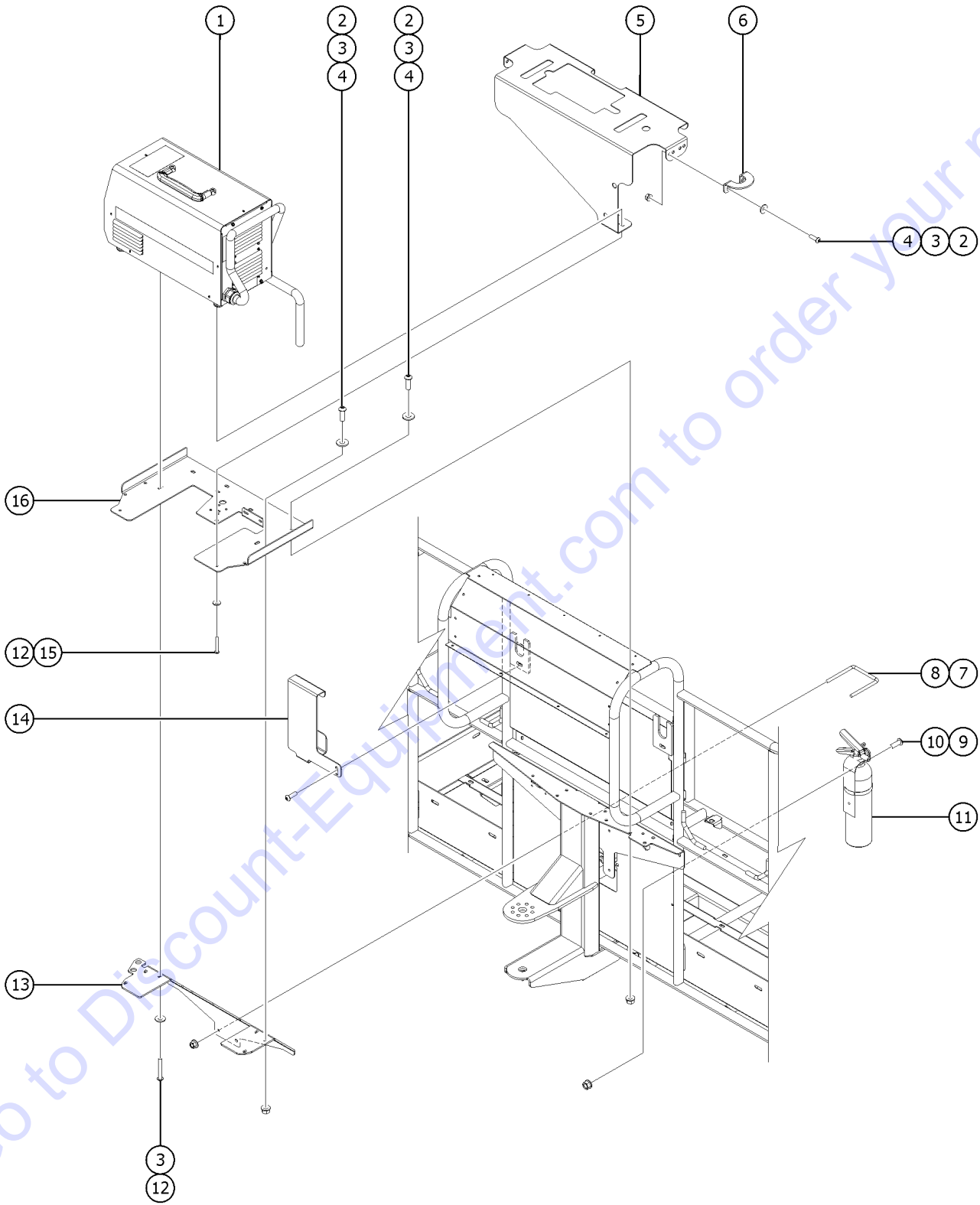
814.1 Welder Option, Chassis Components - View 1



814.1 Welder Option, Chassis Components - View 1

Item	Part No.	Description	Qty.	Item	Part No.	Description	Qty.
1	20776GT	CABLE SQUEEZE CONN.....	3	--	12344GT	NUT,NYLOCK,6-32	
2	106104GT	O-RING,SEAL RING,1" NPT (PKG OF 10).....	3	--	63375GT	SCREW,FHM,6-32 X .75	
3	18665GT	LOCKNUT,ELECTRIC,1" NPT.....	3	25	80543GT	RECEPTACLE, 120VAC, 20A, GFCI.....	1
4	106113GT	GENERATOR,HYDRO-12KEP-21-3.....	1	26	61278GT	CONN. SQZ,1/2NPT .56-.63.....	1
--	106274GT	GENERATOR,12.5 KW,W/O MOTOR***		27	56237GT	O-RING,ORFS,-12.....	1
--	110344GT	BRUSH BOX,ASSY,GEN***		28	6935GT	LOCKNUT,ELEC,1/2".....	1
--	122300GT	COVER,WELDER GENERATOR		29	824060GT	SCREW,HHC,1/4-20X1.8,ZAG.....	4
--	21187GT	PLUG,NYLON 1.38 BLACK DOMED		30	824113GT	WASHER,FLAT,USS,1/4,ZAG.....	4
--	T113655GT	COUPLING, 28MM (106113)		31	824027GT	NUT,TL FLG,1/4-20,G,ZAG.....	4
--	T114022GT	SPIDER (106113)		32A	146284GT	SWITCH,PRESS,#4NPT,200PSIF..... <i>for first time replacement, order service kit 1271398GT.</i>	1
--	T114023GT	COUPLING (106113)		32B	1271398GT	KIT,GEN. PRESSURE SWITCH <i>includes pressure switch, hose, fittings and installation instructions</i>	
5	824092GT	SCREW,HHF,3/8-16X1.5,8,ZAG.....	2	33	18666GT	CLAMP,1.00,#16 X 1/4,RUB CUSH.....	1
6	824029GT	NUT,TL FLG,3/8-16,G,ZAG.....	4	34		Ref. BULKHEAD <i>(refer to 306.1)</i>	
7	54365GT	SCREW,PHIL,PHM,10-32 X .5,SSTL.....	2	35	1271313GT	HOSE ASSEMBLY,1/4",3250PSI.....	1
8	42315GT	DIN RAIL,6.38".....	1	36	824086GT	SCREW,HHF,5/16-18X1.8,ZAG.....	2
9	6178GT	NUT,NYLOCK,10-32.....	2	37	1267315GT	FORMING,WELD GEN MANIFOLD MT.....	1
10	1276986GT	CIRCUIT BREAKER,MAGTRIP,3PH,40A.....	1	38	824091GT	SCREW,HHF,3/8-16X1.25,8,ZAG.....	2
11	106658GT	MODULE,SX CONTROLLER,LOW AMP.....	1	39	146285GT	CONN, SAE#4-1/4" NPT.....	1
--	102357GT	POTENTIOMETER ASSY, WELDER		40		Ref. MANIFOLD,DRIVE OIL DIVERTER <i>(refer to 707.1)</i>	
--	106140PGT	BRACKET,1K OHM 10-TURN POT,PNT		41	111576GT	FORMING,CONTROLBOX MT,WELD GEN.....	1
12	102314GT	PANEL, ENCLOSURE, LINCO WELDER.....	1	42	824028GT	NUT,TL FLG,5/16-18,G,ZAG.....	2
--	13000GT	SCREW,HHC,5/16-18 X 1.25		43	824090GT	SCREW,HHF,3/8-16X1.8,ZAG.....	4
--	43322GT	TERMINAL, #8 RING,5/16ID		44	29868GT	SPRING CLIP,3/8-16,.05-.20X.73,ZAG....	4
--	5397GT	WASHER,FLAT,USS,5/16",Y		45	1268186GT	BRACKET, GENERATOR 12 KW.....	1
--	6037GT	NUT,HEX,5/16-18,GR5		46	1264101GT	SCREW,HHC,5/16-18X1.8,ZAG.....	1
--	6886GT	WASHER,LOCK,.313					
13	101995GT	RESISTOR,POT,1K OHM,2-WATT.....	1				
14	106140GT	BRACKET,1K OHM 10-TURN POT**.....	1				
15	6889GT	NUT,LP NYLOCK,1/4-20.....	4				
16	36294GT	SCREW,HHC,1/4-20 X 2.75.....	2				
17	226503GT	HARNESS,WELD GEN ENCLOSURE....	1				
18	824617GT	CIRCUIT BREAKER,GFCI,3PH,63A,3....	1				
19	106073GT	CIRCUIT BREAKER,20A,SINGLE PH....	1				
20	33607GT	RELAY,OMRON,DPDT,12V.....	1				
21	33608GT	RELAY,SOCKET,OMRON.....	1				
22	1276672GT	BOOT, ENVIRO, 3PH CIRCUIT BREAKER.....	1				
23	1278673GT	ASSY, JBOX, 8X10.....	1				
--	1277599GT	COVER,JBOX W/SX,BREAKER RETRO KIT					
24	74006GT	COVER,GFCI,HORIZONTAL,WEATHER.1					

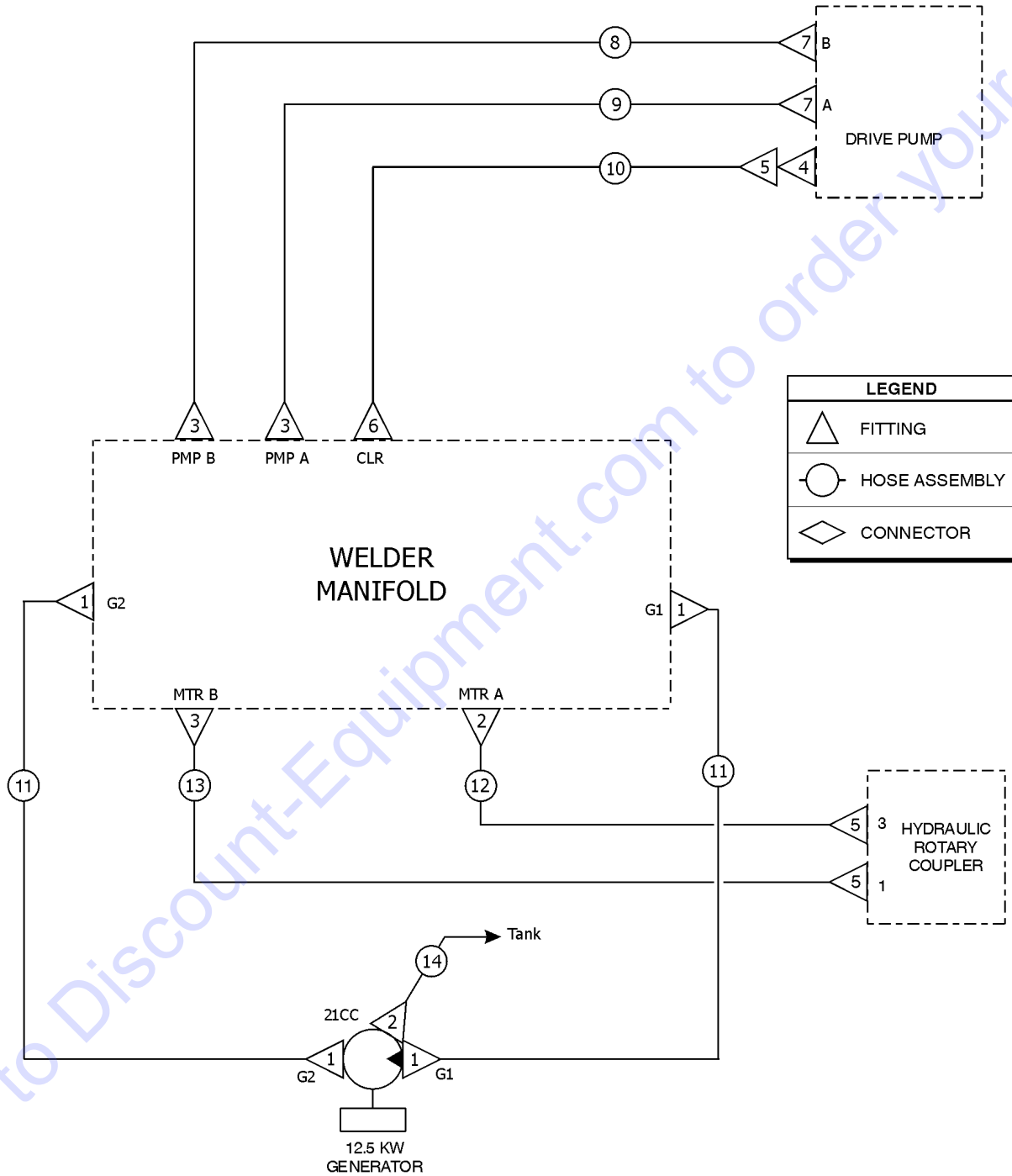
815.1 Welder Option, Platform Components - View 2



815.1 Welder Option, Platform Components - View 2

Item	Part No.	Description	Qty.
A	28443GT	CABLE TIE,11.5" BLACK	
B	110277-6100GT	FIRE SLEEVE, 2.0"	
C	110276-2300GT	FIRE SLEEVE, 1.25"	
D	110276-4300GT	FIRE SLEEVE, 1.25"	
E	214620GT	SOCKET,3P,30A,4 WIRE, FEM.....1	
F	214621GT	SOCKET, BOOT, 3P, 30A, 4 WIRE.....1	
G	214622GT	PLUG, BOOT, 3P, 30A, 4 WIRE.....1	
H	106183GT	FUSE,.6AMP,250V,WELDER,V275S	
I	106275GT	KIT,WELD LEADS ASSY,V275S	
J	214623GT	PLUG, 3P,30A, 4 WIRE, MALE,	
K	45454GT	CLAMP,RUB CUSH,0.75,#12 X 3/8*1	
1A	101525GT	WELDER,INVERTEC V275-S.....1	
1B	214619GT	WELDER, MILLER, CST 280.....1	
--	18666GT	CLAMP,1.00,#16 X 1/4,RUB CUSH	
2	128322GT	SCREW,5/16-18X1.00,SECURITY TO.....15	
3	825358GT	WASHER,FLAT,5/16,USS,ZAG	
4	824028GT	NUT,TL FLG,5/16-18,G,ZAG.....15	
5	101547GT	BRACKET,WELDER COVER.....1	
6	217366GT	BRACKET,WELDER TOP.....2	
7	106044GT	U-BOLT,3/8-16X4X4.63X3.00.....1	
8	824029GT	NUT,TL FLG,3/8-16,G,ZAG.....2	
9	1256124GT	SCREW,BHC,1/4-20X.75,F835,ZAG.....2	
10	824027GT	NUT,TL FLG,1/4-20,G,ZAG.....2	
11	88406GT	FIRE EXTINGUISHER.....1	
12	1253408GT	SCREW,BHTC-PIN,1/4-20X1.75,ZAG.....4	
13	102409GT	BRACKET,WELDER MOUNT SUPPORT.....1	
14	106204PGT	BRACKET,V275S WELD LEADS.....1	
15	824113GT	WASHER,FLAT,USS,1/4,ZAG.....1	
16	102408GT	BRACKET,LINCOLN WELDER,PNTD.....1	

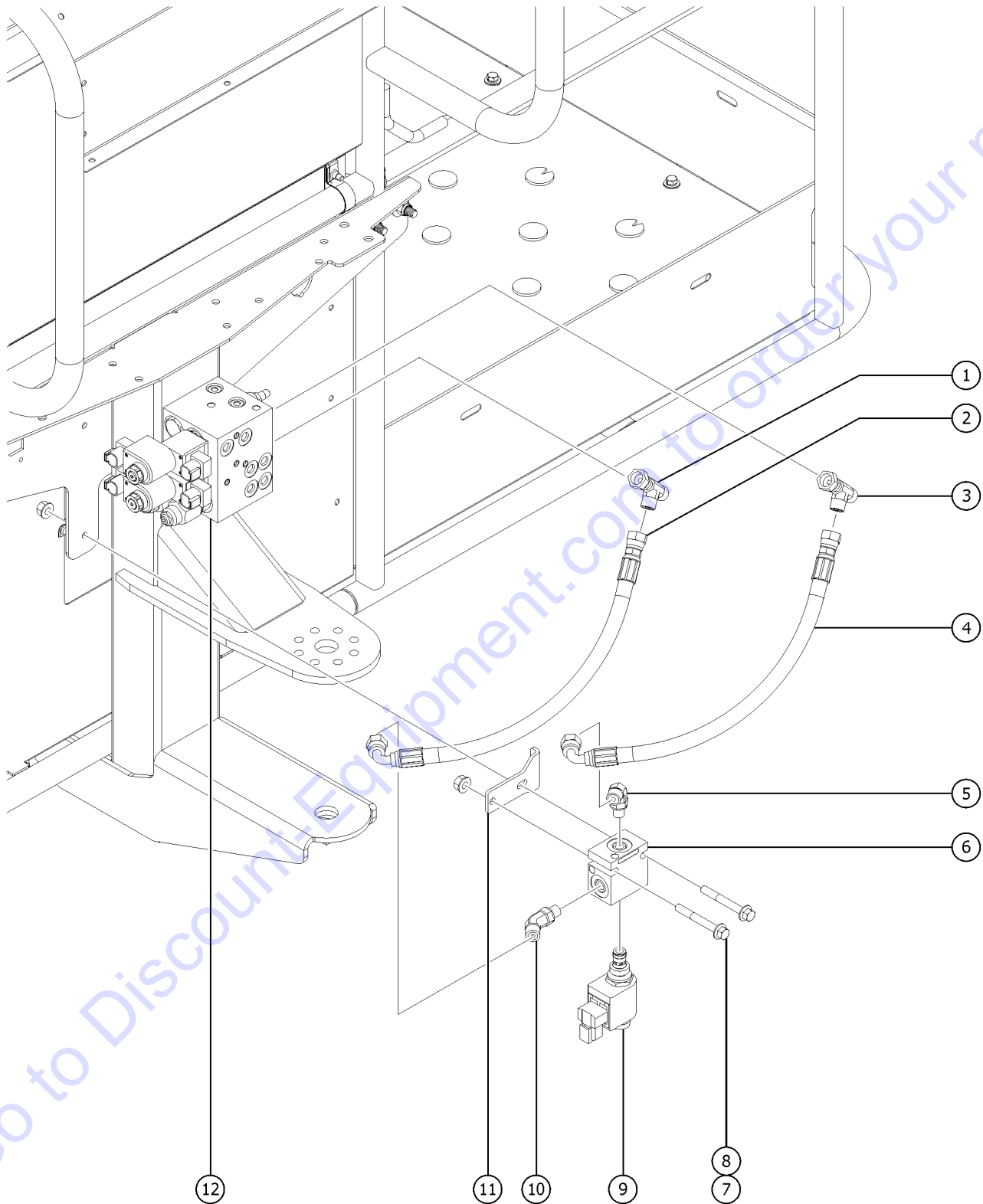
816.1 Welder Option, Hoses and Fittings - View 3



816.1 Welder Option, Hoses and Fittings - View 3

Item	Part No.	Description	Qty.
1	48959GT	FITTING,ELBOW,90D,520220-12.....	5
2	48948GT	CONN,520120-8-12.....	1
3	48960GT	FITTING,CONN,520120-12***.....	3
4	48964GT	FITTING,TEE,RUN,SWIVEL52043212....	1
5	48963GT	FITTING,ELBOW,45D,520320-12***.....	3
6	48933GT	CONN,520120-8***.....	1
7	48977GT	CONN,520120-12-16.....	2
8	102313-2826GT	HOSE ASSY,3/4" HYD,45F,STRF.....	1
9	102313-3126GT	HOSE ASSY,3/4" HYD,45F,STRF.....	1
10	121889GT	HOSE ASSY,1/2,45,36IN,STR 8-12.....	1
11	102312-9688GT	HOSE ASSY,3/4",10-12 90 F,ST F.....	2
12	89871-4398GT	HOSE ASSY,3/4"STR-STR.....	1
13	94374-4830GT	HOSE ASSY,3/4",90F,STR F.....	1
14	121890GT	HOSE ASSY,1/2,90MD,34IN,STR.....	1

817.1 Platform Recirculating Hydraulic Oil Option



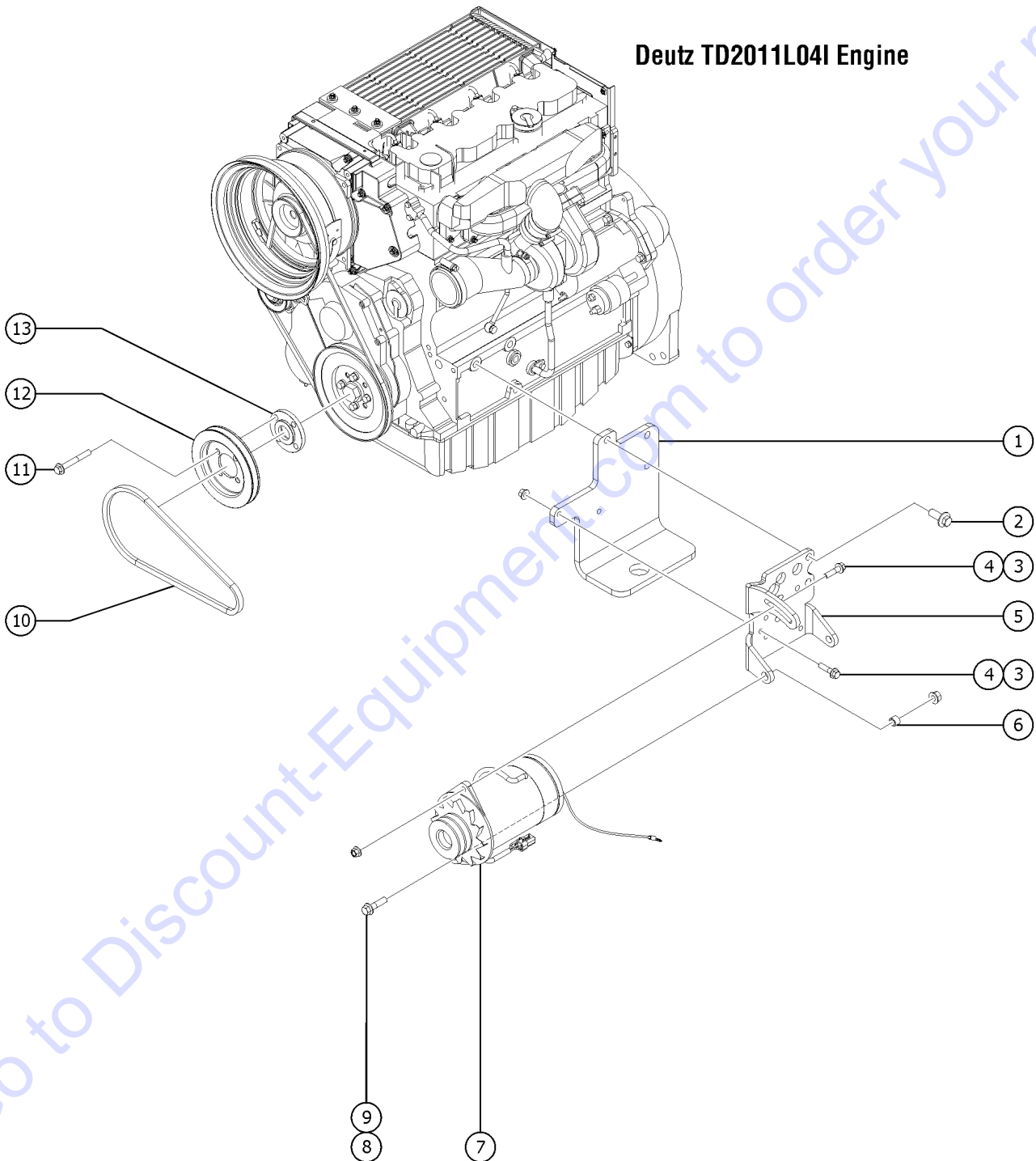
817.1 Platform Recirculating Hydraulic Oil Option

Item	Part No.	Description	Qty.
A	227777GT	ASSY, PLAT RECIRC, S80/85	
1	48908GT	FITTING, TEE, RUN, SWIVEL 520432-4.....1	1
2	49117-1491GT	HOSE ASSY, 1/4, 90 FEM, STR FEM.....1	1
3	48875GT	TEE, RUN, SWIVEL, 520432-6.....1	1
4	49163-1494GT	HOSE ASSY, 1/4, 90D FEM, STR FEM.....1	1
5	48904GT	ELBOW, 90D, 520220-4-4.....1	1
6	119907GT	CARTRIDGE, VALVE HOUSING.....1	1
7	1253485GT	SCREW, HHF, 1/4-20X2, 8, ZAG.....2	2
8	824027GT	NUT, TL FLG, 1/4-20, G, ZAG.....2	2
9	119908GT	VALVE, SOLENOID, NOR.....1	1
10	48907GT	ELBOW, 45D, 520320-4.....1	1
11	226534GT	FORMING, VALVE BRACKET.....1	1
12		Ref. Platform Manifold (refer to 704.1 and 705.1)	

Go to Discount-Equipment.com to order your parts

818.1 Belt Generator Option - View 1

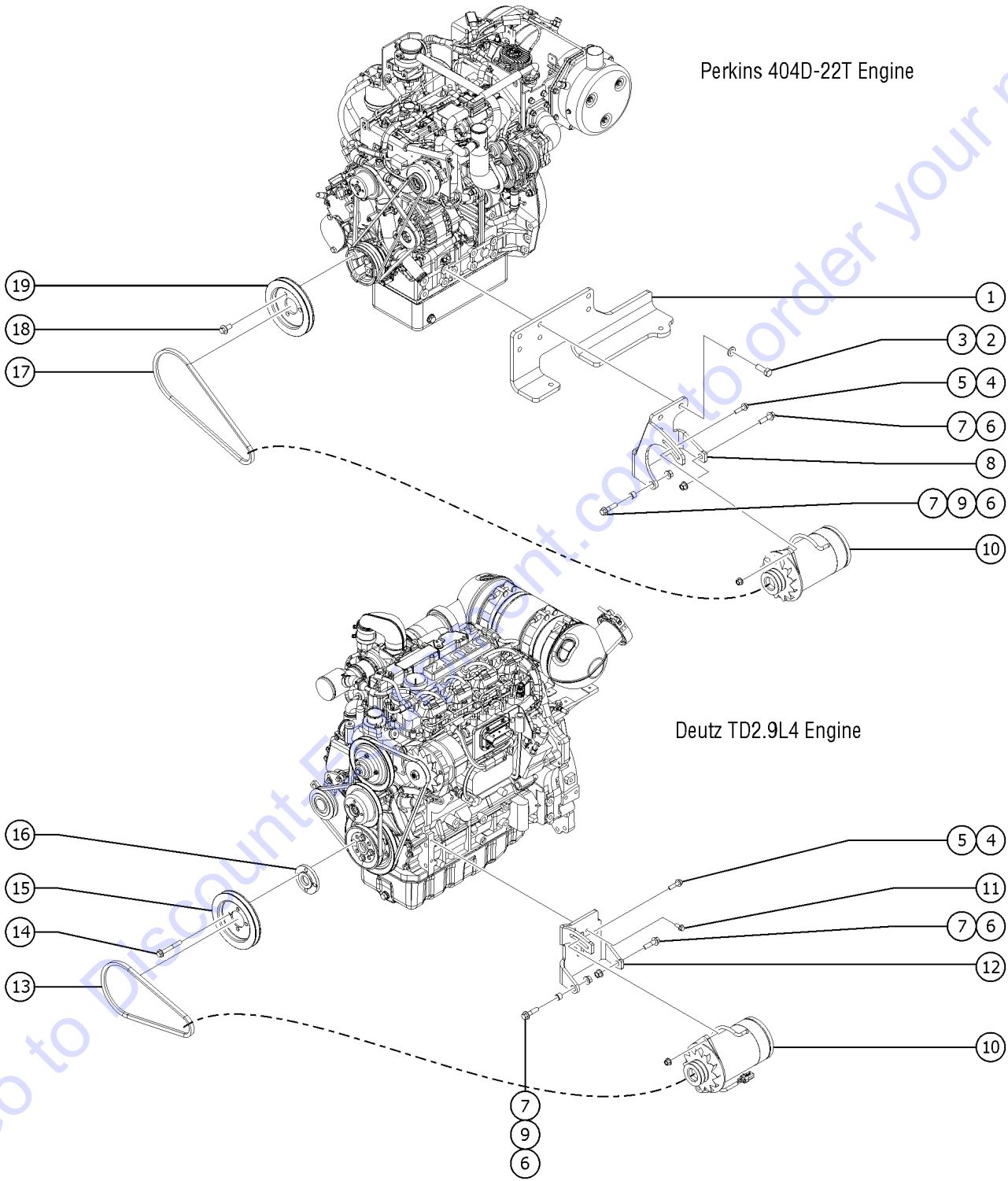
Deutz TD2011L04I Engine



818.1 Belt Generator Option - View 1

Item	Part No.	Description	Qty.
A	1254589GT	HARNESS,KIT,BD-GEN,S80	
1		Ref. FORMING, ENGINE MOUNT (refer to 403.1)	
2	1256776GT	SCREW,HHF,M14-2.0X35,DIN6921,10.9,ZAB.3	
3	824092GT	SCREW,HHF,3/8-16X1.5,8,ZAG.....3	
4	824029GT	NUT,TL FLG,3/8-16,G,ZAG.....3	
5	119533GT	FORMING,GENERATOR MOUNT***.....1	
6	45400GT	SPACER TUBE,.50 LG.....1	
7A	60707GT	GENERATOR,3500W,120V,60HZ**.....1	
7B	89908GT	GENERATOR,3000W,220V,50HZ***.....1	
8	1256765GT	SCREW,HHF,7/16-14X1.75,8,ZAG.....2	
9	1256766GT	NUT,TL FLG,7/16-14,G,ZAG.....2	
10	106535GT	BELT,AX33***.....1	
11	215816GT	SCREW, HHF, M1-1.5X80,ZAB.....4	
12	70389GT	PULLEY,DEUTZ.....1	
13	1253596GT	SPACER,PULLEY,DEUTZ TIER 4 GEN.....1	

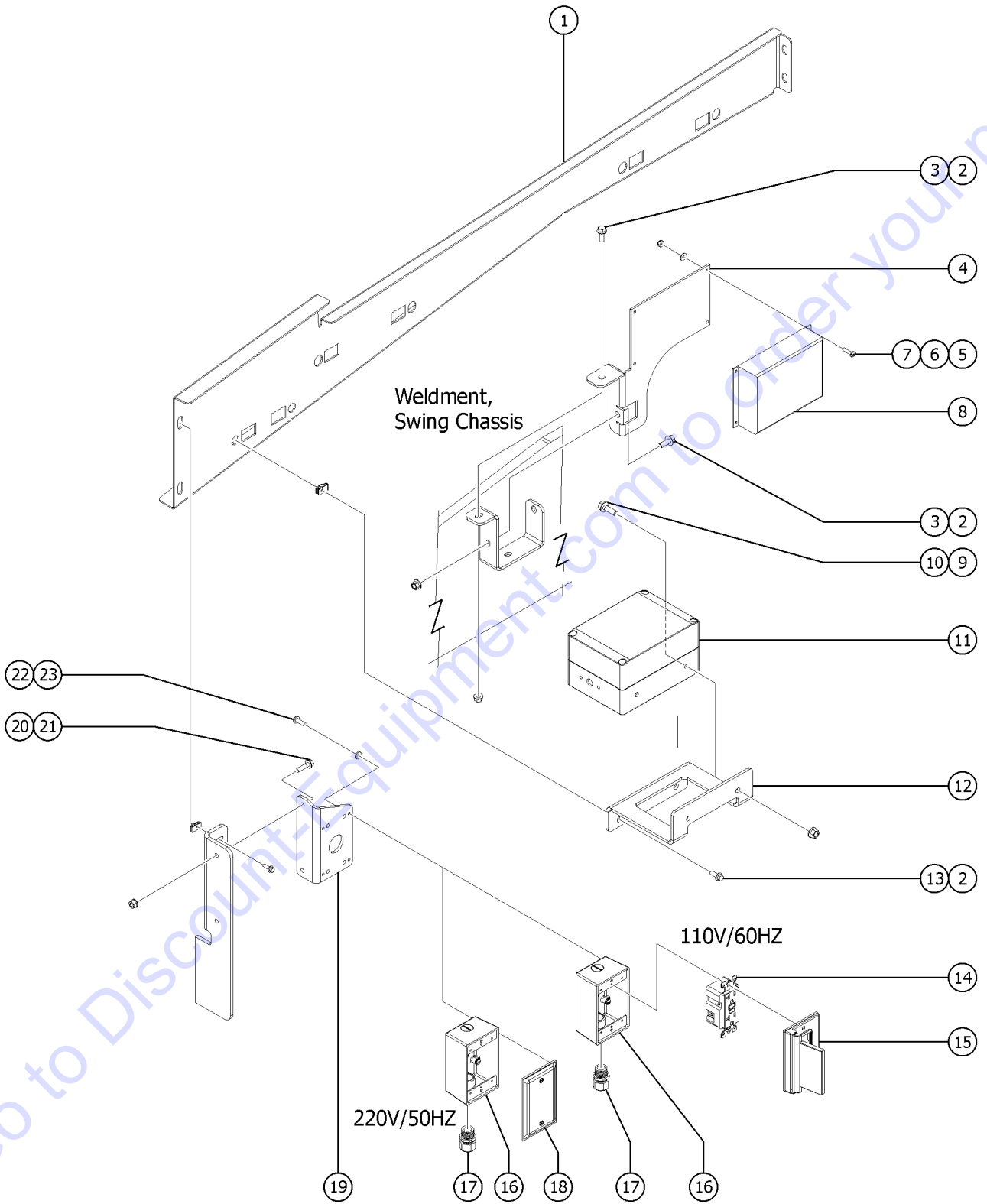
818.2 Belt Generator Option (Perkins 404D-22T and Deutz TD 2.9L4) - View 1



818.2 Belt Generator Option (Perkins 404D-22T and Deutz TD 2.9L4) - View 1

Item	Part No.	Description	Qty.
A	1254589GT	HARNESS,KIT,BD-GEN,S80.....1	
1		Ref. FORMING, ENGINE MOUNT, LH (refer to 416.1)	
2	54687GT	SCREW,HHC,M14 X 1.5X40MM,GR8.8.....3	
3	1257810GT	WASHER,FLAT,M14,DIN6916,HRD,ZAB.3	
4	824092GT	SCREW,HHF,3/8-16X1.5,8,ZAG.....1	
5	824029GT	NUT,TL FLG,3/8-16,G,ZAG.....1	
6	1256765GT	SCREW,HHF,7/16-14X1.75,8,ZAG.....2	
7	1256766GT	NUT,TL FLG,7/16-14,G,ZAG.....2	
8	1253175GT	FORMING, GENERATOR MOUNT.....1	
9	45400GT	SPACER TUBE,.50 LG.....1	
10A	60707GT	GENERATOR,3500W,120V,60HZ**1	
10B	89908GT	GENERATOR,3000W,220V,50HZ***	
11	824132GT	SCREW,HHF,M8-1.25X20,DIN6921,10.9,ZAB.2	
12	1251549GT	FORMING, GENERATOR MOUNT.....1	
13	1251542GT	V BELT, COGGED, AX32.....1	
14	215816GT	SCREW, HHF, M1-1.5X80,ZAB.....4	
15	1254367GT	PULLEY,DEUTZ T4 GENERATOR.....1	
16	1253596GT	SPACER,PULLEY,DEUTZ TIER 4 GEN.....1	
17	1253176GT	V BELT,COGGED,AX37.....1	
18	231087GT	SCREW,HHF,M12-1.75X25,DIN6921,10.9,ZAB.3	
19	1253177GT	PULLEY, PERKINS T4 GENERATOR.....1	

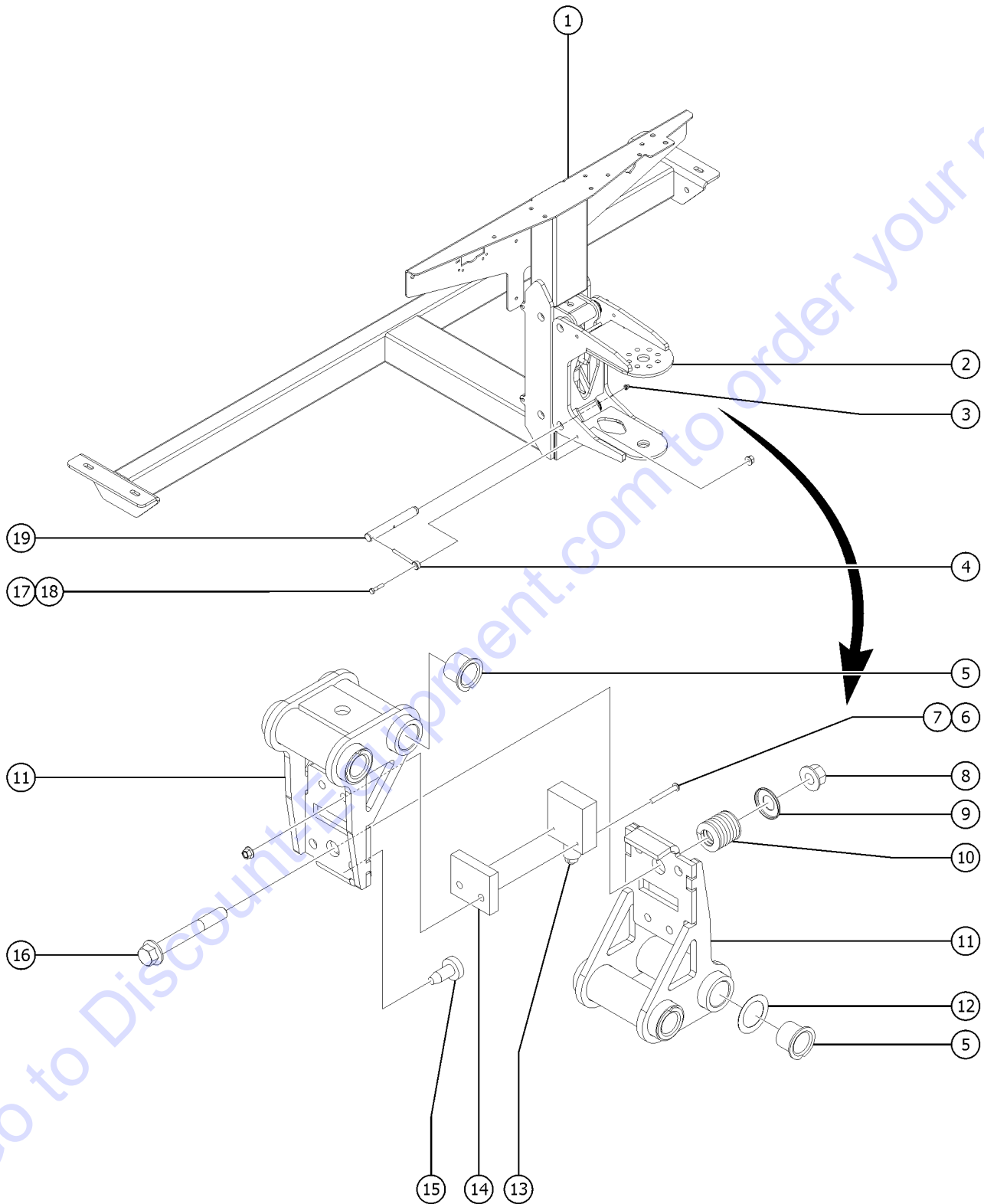
819.1 Belt Generator Option - View 2



819.1 Belt Generator Option - View 2

Item	Part No.	Description	Qty.
1		Ref. FORMING,COVER,LEFT FRONT (refer to 305.1)	
2	824090GT	SCREW,HHF,3/8-16X1,8,ZAG.....	4
3	824029GT	NUT,TL FLG,3/8-16,G,ZAG.....	2
4	1269584GT	FORMING,BD-GEN REGULATOR MT....	1
5	824215GT	SCREW,PHPM,10-32X.75,ZAG.....	4
6	1253185GT	WASHER,FLAT,#10,USS,ZAG.....	4
7	6178GT	NUT,NYLOCK,10-32.....	4
8A	60738GT	VOLTAGE REGULATOR,110V.....	1
8B	60739GT	VOLTAGE REGULATOR,220V.....	1
9	824086GT	SCREW,HHF,5/16-18X1,8,ZAG.....	2
10	824028GT	NUT,TL FLG,5/16-18,G,ZAG.....	2
11A	81558GT	HARNES for GENERATOR W/REGULATOR (Harness only, for BD generator)	
11B	81559GT	HARNES for GENERATOR W/REG.220V..... (Harness only, for BD generator)	1
12	1268183GT	BRACKET, GENERATOR BOX, MOUNT.....	1
13	29868GT	SPRING CLIP,3/8-16,.05-.20X.73,ZAG....	2
14	80543GT	RECEPTACLE, 120VAC, 20A, GFCI.....	1
15	74006GT	COVER,GFCI,HORIZONTAL,WEATHER.1 (North American models)	1
16	10775GT	T-BOX,2.75 X 4.5 X 2.0.....	1
17	7056GT	CONN,SQUEEZE,1/2NPT .38-.50,SM....	1
--	6935GT	LOCKNUT,ELEC,1/2"	
18	10777GT	COVER,BLANK.....	1
--	81458GT	GASKET, UK POWER TO PLAT	
19	1267316GT	JUNCTION BOX OUTLET BRACKET.....	1
20	824079GT	SCREW,HHF,1/4-20X1,8,ZAG.....	2
21	824027GT	NUT,TL FLG,1/4-20,G,ZAG.....	2
22	1257296GT	SCREW,PHPM-ST,8-32X.50,TYPE F,ZAG.....	4
23	1256312GT	WASHER,LOCK,#10,ZAG.....	4

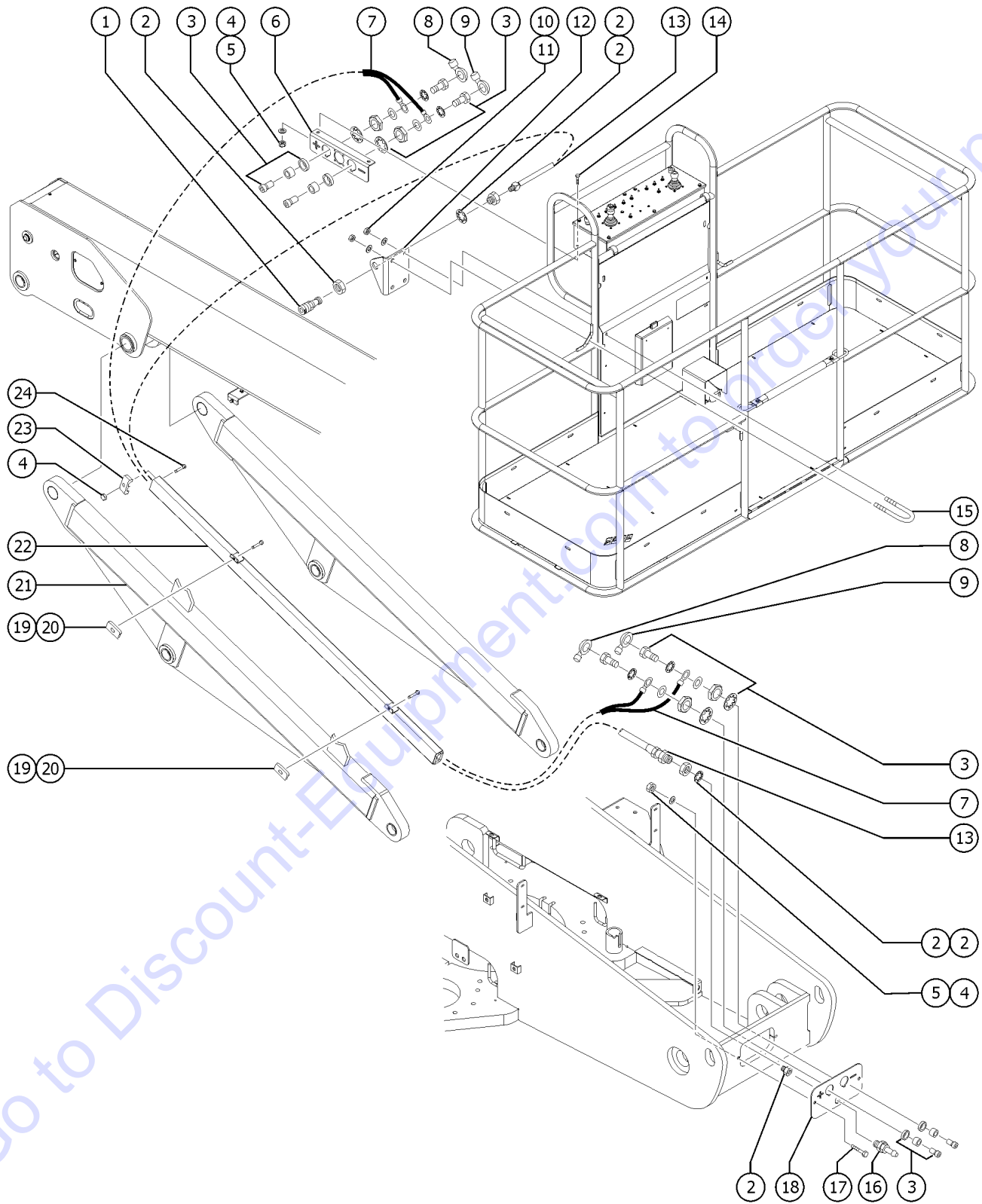
820.1 Platform Overload - European Models



820.1 Platform Overload - European Models

Item	Part No.	Description	Qty.
A	128045GT	MODULE,LOAD SENSE 2007	
B	121846GT	RELAY,TIME DELAY,2 SEC,10A <i>(part of load sense with recovery option)</i>	
C	121847GT	RELAY,TIME DELAY,2 SEC,30A <i>(part of load sense with recovery option)</i>	
1	61997GT	WELDMNT,PLATFORM SUPPORT,CE.....1 <i>(CE models)</i>	1
2	61804GT	WELDMNT,ROTATOR SUPPORT.....1	1
3	94643GT	ZERK,GREASE,5/16-24,STRAIT.....4	4
4	825020GT	ROD END, .25 X 2.75, ZAG.....4	4
5	25685GT	BEARING,GARLOCK,12FDU12.....8	8
6	1257264GT	SCREW,BHC,10-32X1.5,F835,ZAG.....2	2
7	824032GT	NUT,TL FLG,10-32,F,ZAG.....2	2
8	824029GT	NUT,TL FLG,3/8-16,G,ZAG.....1	1
9A	61975GT	RETAINER,SPRING,1.21 X .375.....1	1
9B	61977GT	RETAINER,SPRING,1.46 X .375.....1 <i>(load sense, 750 lb)</i>	1
10A	61974GT	SPRING,COMP,1" OD,232 LB/IN.....1	1
10B	61976GT	SPRING,COMP,1-1/4"OD 352 LB/IN.....1 <i>(load sense, 750 lb)</i>	1
11	61809GT	WELDMNT,LOAD SUPPORT.....2 <i>(includes item 5)</i>	2
12	110789GT	WASHER,SHIM .0151 THK.....16	16
13	121848GT	ASSY,LS,LOAD SENSE,38.5 IN.....1	1
14	61972GT	MOUNT,SWITCH.....1	1
15	34619GT	BUMPER,RUBBER***.....2	2
16	824095GT	SCREW,HHF,3/8-16X3,8,ZAG.....1	1
17	824061GT	SCREW,HHC,1/4-20X1.25,8,ZAG.....4	4
18	824027GT	NUT,TL FLG,1/4-20,G,ZAG.....4	4
19	61726GT	PIN,0.75DIA X 5.75LG,CHAMFER.....4	4

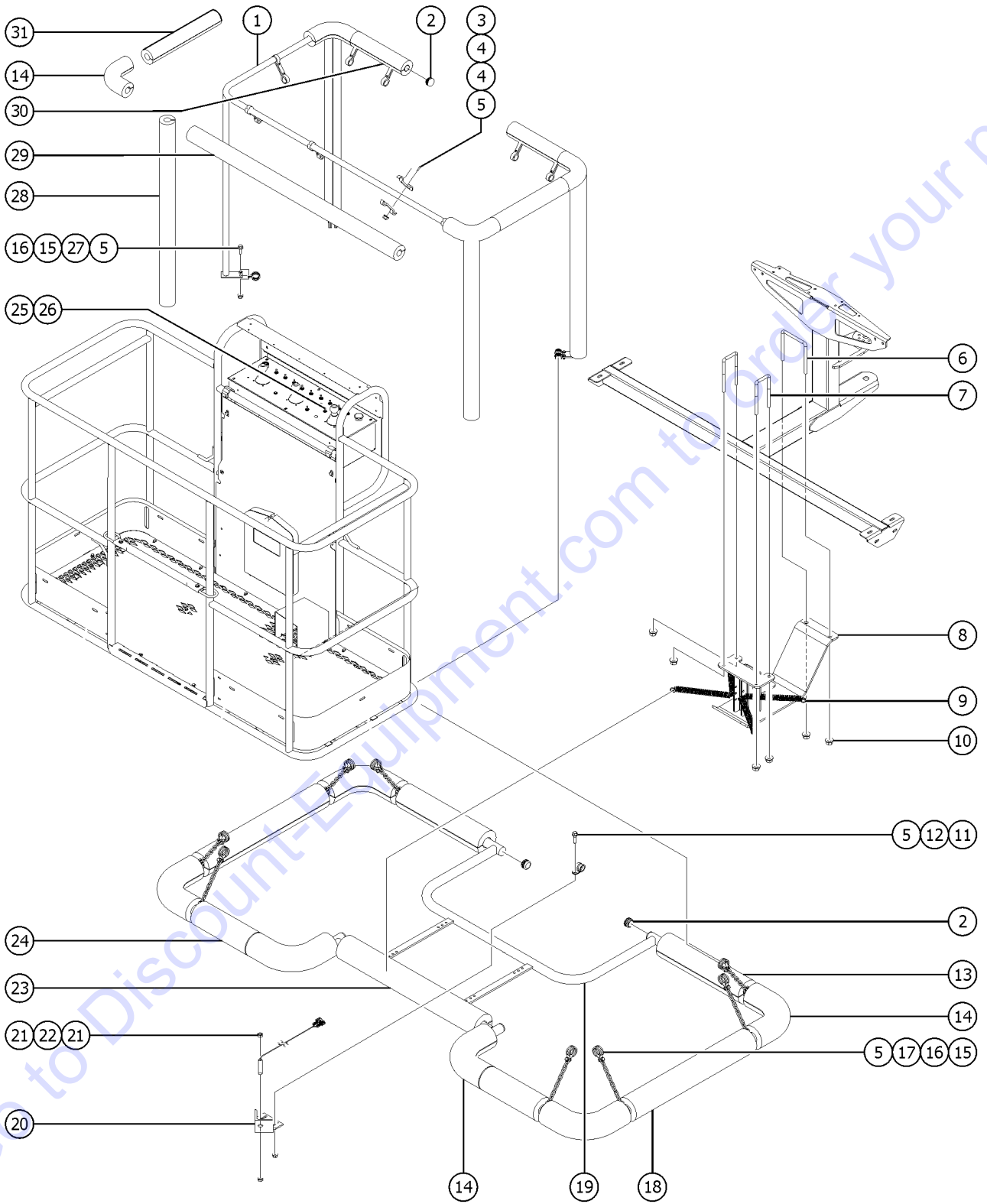
821.1 Air Line and Weld Cables



821.1 Air Line and Weld Cables

Item	Part No.	Description	Qty.
1	49215GT	MPT,CPLR,1/4"SER,3/8"X18.....1	1
2	49212GT	FEMALE BULKHEAD CONNECTOR-8...2	2
3	81130GT	RECEPTICLE,WELD CABLE,FEMALE...4	4
4	6091GT	NUT,NYLOCK,1/4-20	
5	6638GT	WASHER,FLAT,USS,1/4"Y	
6	88658GT	BRACKET,WELD OPTION.....1	1
7A	T109690GT	WELD CABLE ASSY, S85.....1203-Inches (includes parts 51147 and 89977)	
7B	T109691GT	WELD CABLE ASSY, S80.....1143-Inches (includes parts 51147 and 89977)	
8	51147GT	BOOT,CABLE TERMINAL,LG,RED,2/0...2	2
9	89977GT	BOOT,CABLE TERMINAL,BLACK,2/0.....2	2
10	4828GT	NUT,NYLOCK,3/8-16	
11	5397GT	WASHER,FLAT,USS,5/16",Y	
12	60886PGT	BRACKET,AIRLINE TO PLATFORM	
13A	T109692GT	AIRLINE ASSY, S85.....1214-Inches	
13B	T109693GT	AIR LINE ASSY, S80.....1154-Inches	
14	6090GT	SCREW,HHC,1/4-20 X .75	
15	122755GT	UBOLT,FLATTENED,1.5DIAX3/8 UNC....1	1
16	49214GT	MALE PIPE THD,1/4" SER,3/8"X18.....1	1
17	36294GT	SCREW,HHC,1/4-20 X 2.75	
18	121595GT	PLATE,WELD OPTION.....1	1
19	121899GT	PLATE,3/8-16 TAPPED.....2	2
20	122209GT	SCREW,HHF,3/8-16 X1.50	
21		(refer to 506.1)	
22	121781GT	WELDMENT,LONG LINK,CABLE COVER.....1	1
23	121785GT	CLAMP,OPTIONS,LONG LINK.....1	1
24	6145GT	SCREW,HHC,1/4-20 X 1.5	

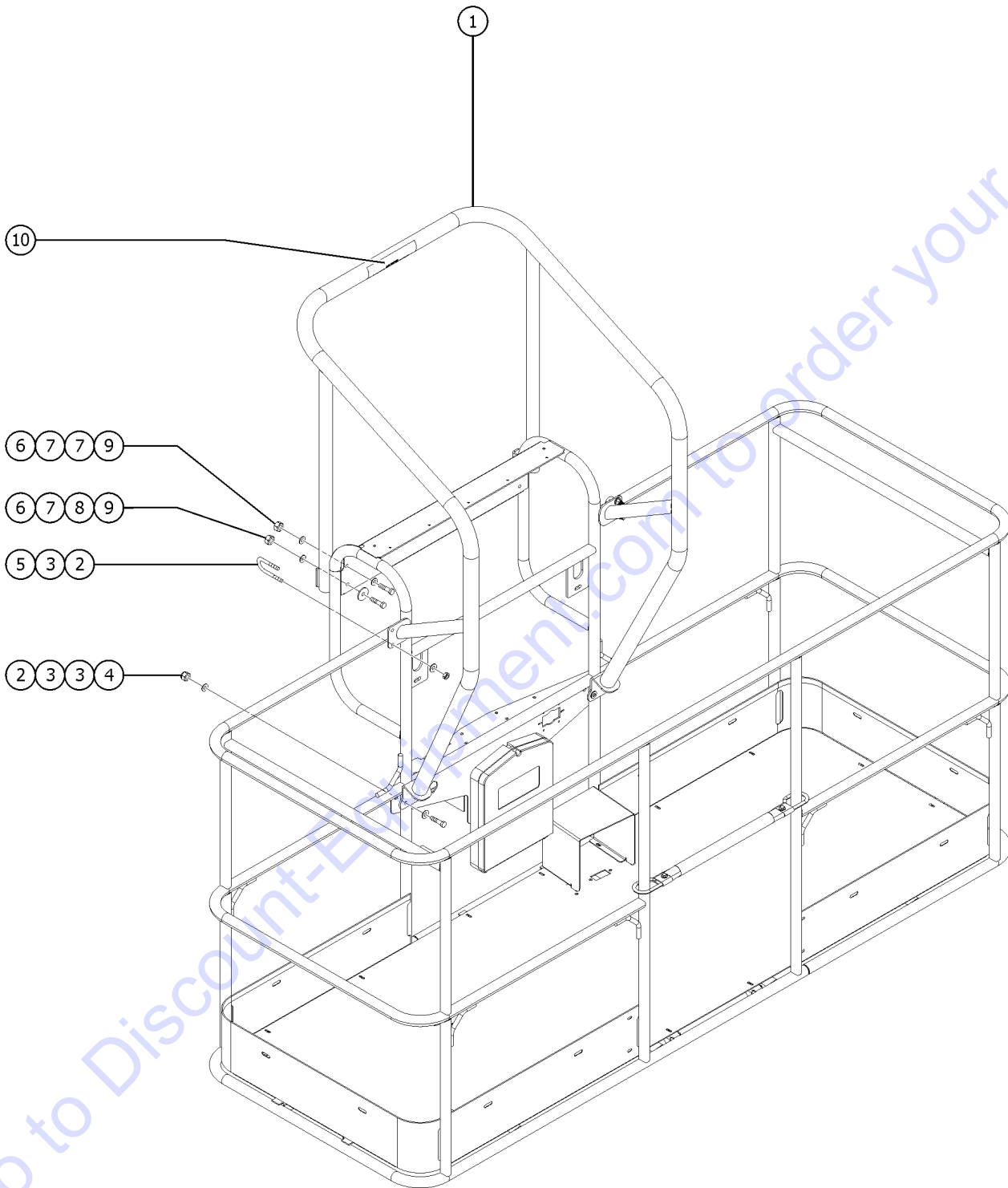
822.1 Aircraft Protection Package



822.1 Aircraft Protection Package

Item	Part No.	Description	Qty.
1	46188GT	WELDMENT, AIRCRAFT TOP BUMPER.....1 <i>(includes item 27)</i>	1
2	55753GT	BUMPER, PLASTIC, 1.25 O.D.....6	6
3	824227GT	SCREW, BHC, 1/4-20 X 1, ZAG.....20	20
4	122073GT	SUPPORT, RAILING.....20	20
5	824027GT	NUT, TL FLG, 1/4-20, G, ZAG.....46	46
6	106044GT	U-BOLT, 3/8-16X4X4.63X3.00.....1	1
7	66472GT	U-BOLT, SQR, 3/8-16X2X5, PLTD.....2	2
8	822764GT	WDMT, SKID PLATE.....1	1
9	822769GT	SPRING, EXTENSION, 1.92LB/IN.....4	4
10	824029GT	NUT, TL FLG, 3/8-16, G, ZAG.....6	6
11	824079GT	SCREW, HHF, 1/4-20X1.8, ZAG.....2	2
12	6833GT	CLAMP, 0.50, #8 X 1/4, RUB CUSH.....1	1
13	75617-1550GT	PADDING, FOAM 3.5"OD X 1.50"ID.....2	2
14	75636GT	PADDING, FOAM, 3.0"X1.50ID 90DEG.....10	10
15	21618GT	CLAMP, 1.13, #18 X 1/4, RUB CUSH.....24	24
16	824078GT	SCREW, HHF, 1/4-20X.75, 8, ZAG.....24	24
17	56426-700GT	CHAIN, NO.2 (11 LINKS).....8	8
18	75617-2275GT	PADDING, FOAM 3.5"OD X 1.50"ID.....2	2
19	822759GT	WDMT, AIRCRAFT SENSOR BUMPER...1	1
20	77797GT	WELDMENT, SENSOR MOUNT.....1	1
21	88390GT	NUT, HEX, M8, PLASTIC.....2	2
22	1261292GT	HARNESS ASSY, PCON, PROX KILL.....1 <i>(includes 27391 proximity sensor)</i>	1
--	128580GT	SWITCH TOGGLE SPDT 3P MOM SHDR	
--	27391GT	PROXIMITY SENSOR***	
23	822768GT	FOAM, AIRCRAFT PROTECTION.....1	1
24	75617-1025GT	PADDING, FOAM 3.5"OD X 1.50"ID.....2	2
25	128203GT	SWITCH TOGGLE ASSY SPDT 2P MOM.....1	1
26	27246GT	BOOT, TOGGLE SWITCH, SHORT*.....1	1
27	81802GT	PLATE, AIRCRAFT PROTECTION OPT.....4	4
28	1259329GT	PADDING, FOAM, 46.5".....4	4
29	75617-6275GT	PADDING, FOAM 3.5"OD X 1.50"ID.....1	1
30	1278629GT	PADDING, FOAM, 10.0".....2	2
31	75617-2075GT	PADDING, FOAM 3.5"OD X 1.50"ID.....2	2

823.1 Operator Protection Structure

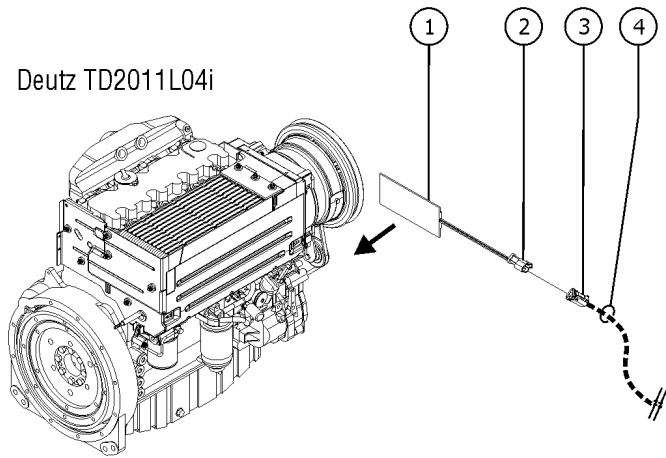


823.1 Operator Protection Structure

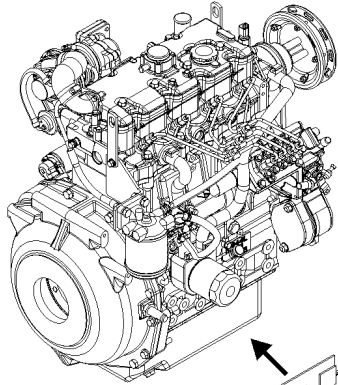
Item	Part No.	Description	Qty.
A		Fits all 6' and 8' Booms	
1	219158GT	ACCESSORY,OPERATOR PROT STRUCT.....1 <i>(complete) includes all fasteners</i>	1
2	1256468GT	NUT,3/8-16,8,ZAG.....8	8
3	1255758GT	WASHER,FLAT,3/8,USS,ZAG.....12	12
4	824069GT	SCREW,HHC,3/8-16X2.5,8,ZAG.....4	4
5	1251600GT	U-BOLT, FLATTENED, 1.5 X 3/8 UNC,ZAG.....4	4
6	1261184GT	NUT,1/4-20,8,ZAG.....4	4
7	824113GT	WASHER,FLAT,USS,1/4,ZAG.....6	6
8	824120GT	WASHER,FLAT,.375X1.50X.125,ZAG....2 <i>(use only with the platform control box cover option)</i>	2
9	824060GT	SCREW,HHC,1/4-20X1,8,ZAG.....4	4
10	1 <i>(refer to Section 100)</i>	1

824.1 Cold Start Package

Deutz TD2011L04i

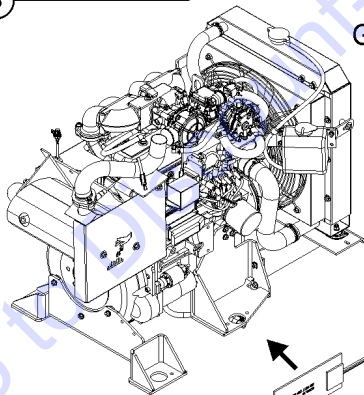


Perkins 404D-22T

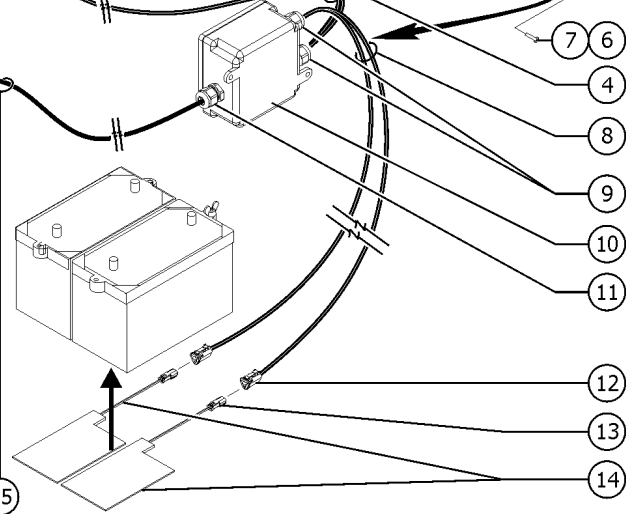
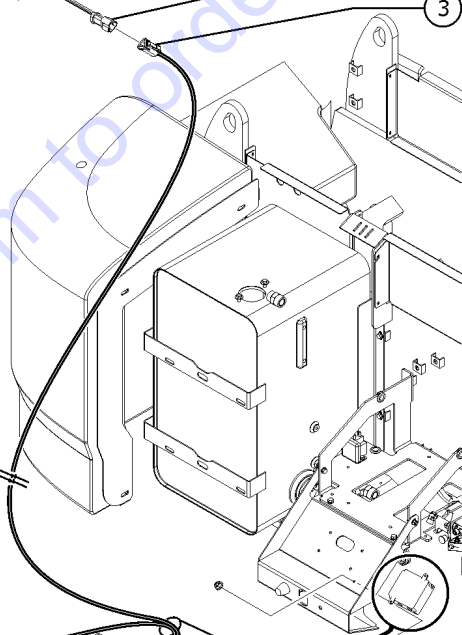
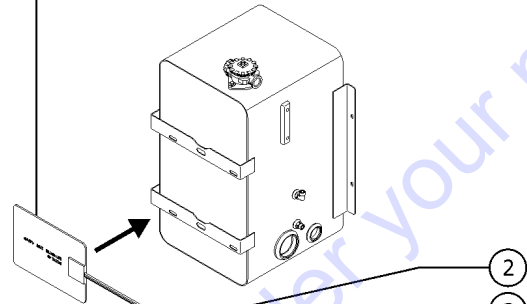


- 1
- 2
- 3

GM 3.0L



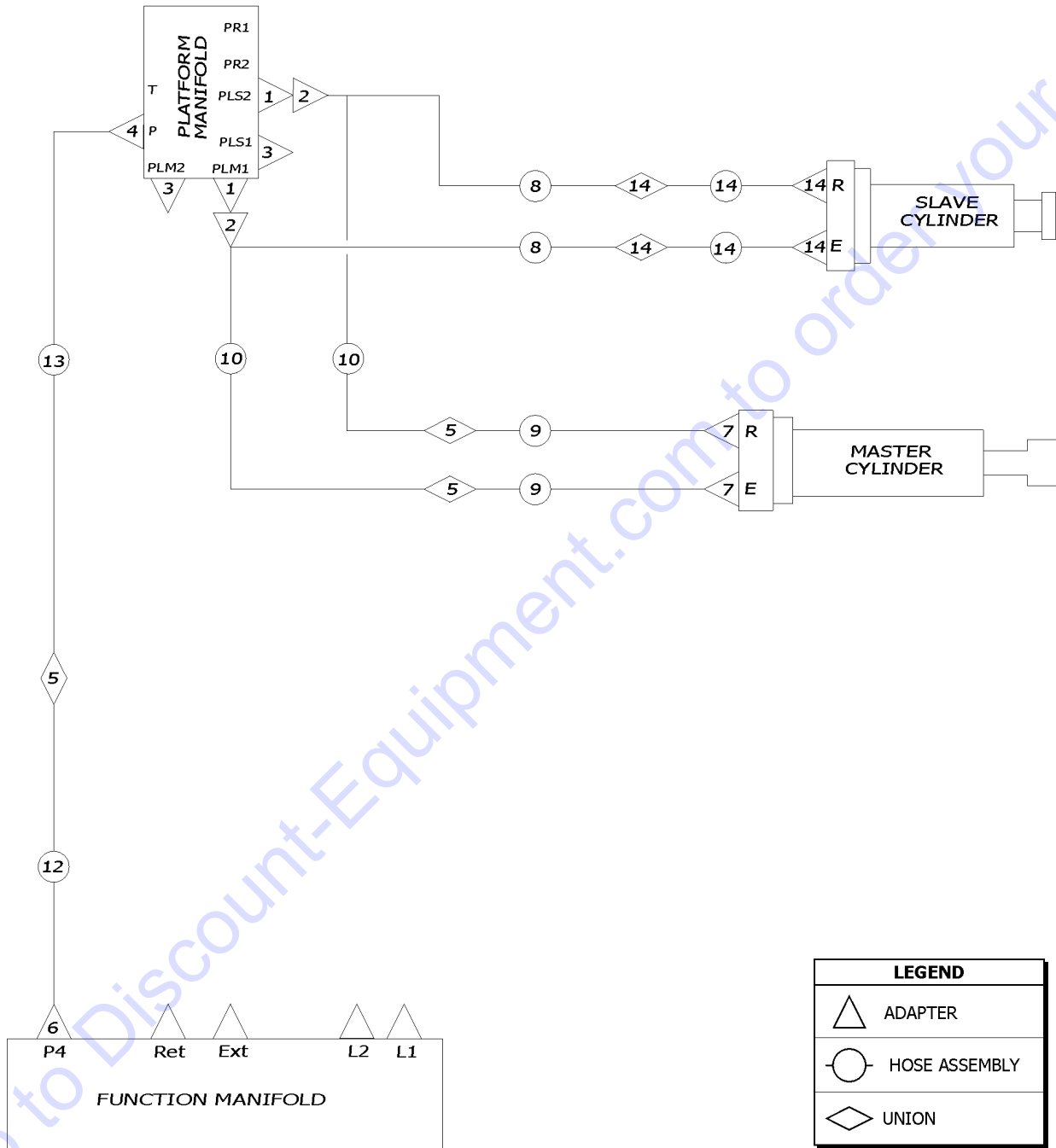
- 1
- 2
- 3
- 4
- 16
- 15



824.1 Cold Start Package

Item	Part No.	Description	Qty.	Item	Part No.	Description	Qty.
A	1275725GT	HARNESS,START ASSIST,404D (Perkins 404D-22T)		15A	216645GT	HARNESS, 120V POWER CORD, 12"....1 (120V) (includes items 11 and 16)	
B	237267GT	HARNESS,START ASSIST,S80 (Deutz TD2011L04i, Deutz TD 2.9L4 and GM 3.0L)		15B	216646GT	HARNESS, 240V POWER CORD, 12"....1 (240V) (includes item 11 only)	
1A	216615GT	ASSY HEATER, MODEL 18, 120V.....1 (120V)		16	119403GT	CONN,PLUG 120 AC/15A DOMESTIC...1 (part of wire harness)	
1B	216616GT	ASSY HEATER,MODEL 18,240V.....1 (240V)					
1C	1259661GT	ASSY,ENGINE HEATER,120V.....1 (120V) Deutz TD 2.9L4 models require two adhesive pads; use only one pad for other engines					
1D	1259708GT	ASSY,ENGINE HEATER,240V.....1 (240V) Deutz TD 2.9L4 models require two adhesive pads; use only one pad for other engines					
2	119066GT	CONN,RECEP 3 WAY ENDCAP DT.....2 (Part of heater assembly)					
3	119057GT	CONN PLUG 3 WAY ENDCAP DT.....2 (Part of wire harness)					
4A	216662GT	HARNESS,ENG/HYD HEATER,120V....1 (120V)					
4B	216683GT	HARNESS,ENG/HYD HEATER,240V....1 (240V)					
5A	216612GT	ASSY,120V HEATER, HYD TANK.....1 (120V)					
5B	216611GT	ASSY,240V HEATER, HYD TANK.....1 (240V)					
6	826516GT	SCREW, PHPM, 10-32 X 1.0, ZAG.....2					
7	824032GT	NUT,TL FLG,10-32,F,ZAG.....2					
8A	216659GT	HARNESS, 120V BATT CABLE, 36".....1 (120V)					
8B	216680GT	HARNESS, 240V BATT CABLE, 36".....1 (240V)					
9	99778GT	SQUEEZE CONNECTOR, 4 WIRE.....2 (part of of wire harness)					
--	238123GT	HUBBLE NUT, PG11					
10A	214249GT	COLD WEATHER 120V J BOX ASSY.....1 (120V)					
10B	237711GT	COLD WEATHER 240V J BOX ASSY.....1 (240V)					
11	214536GT	SQUEEZE CONN W/NUT, 2WIRE, 4MM.....1 (part of of wire harness)					
12	119056GT	CONN,PLUG 2 WAY,14-18GA.....1					
13	119065GT	CONN,RECEP 2 WAY ENDCAP DT.....1					
14A	216617GT	ASSY, BATTERY HEATER, 120V.....2 (120V)					
14B	216618GT	ASSY BATTERY HEATER,240V.....2 (240V)					

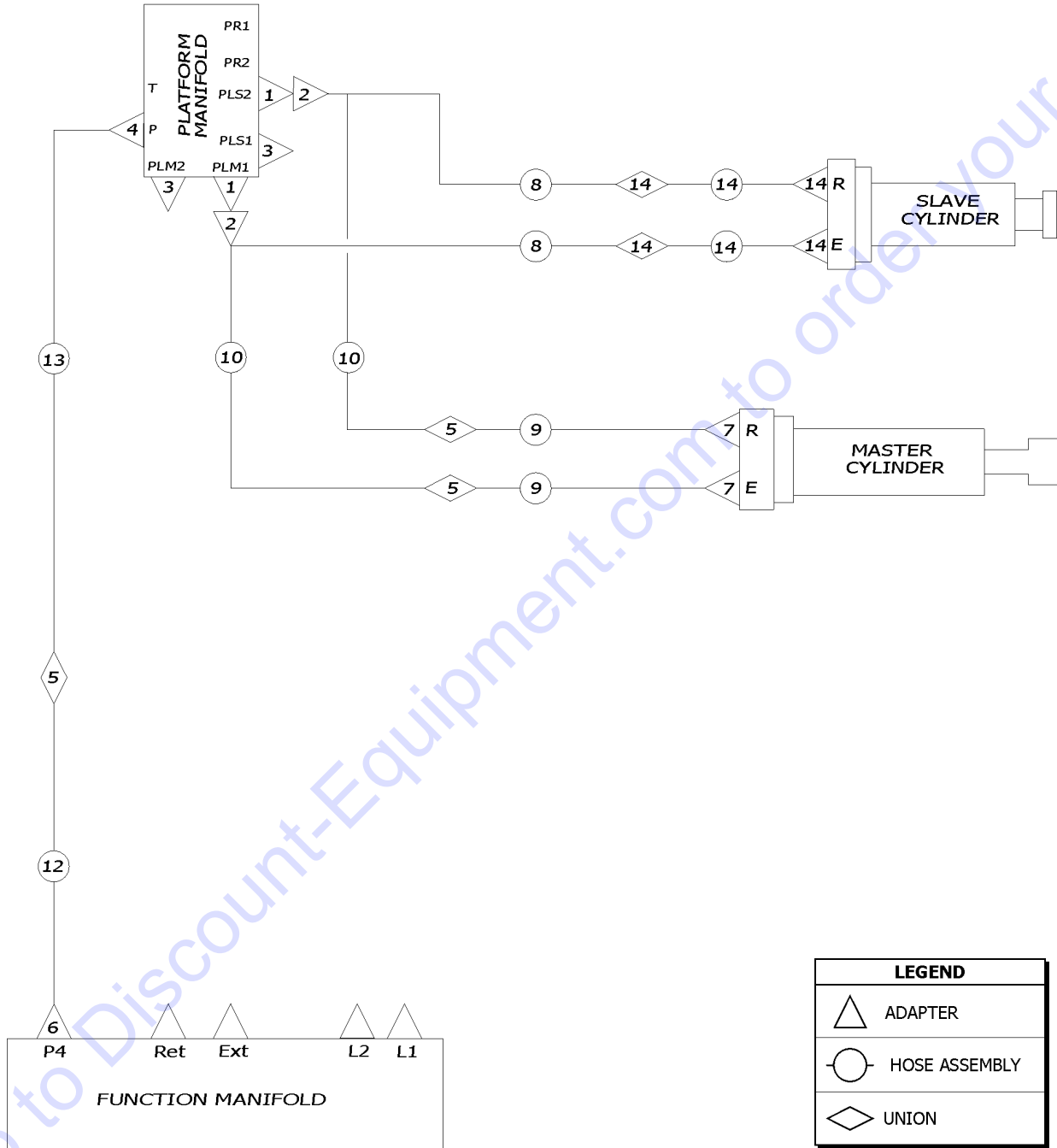
825.1 Arctic High Pressure Hose Kit, S-85



825.1 Arctic High Pressure Hose Kit, S-85

Item	Part No.	Description	Qty.
1	48927GT	CONN,520120-6-4.....	2
2	48875GT	TEE,RUN,SWIVEL,520432-6.....	2
3	39882GT	PLUG,HEX SOCKET,090109B-4.....	2
4	48928GT	ELBOW,45D,520320-6-4.....	1
5	61321GT	ELBOW,90D,BLKHD,ORFS-6-6 W/NUT.....	3
6	48916GT	CONN, 520120-6.....	1
7	48926GT	FITTING,ELBOW,90D,520220-6-4.....	2
8	234975GT	HOSE ASSY3/8,-4STRFEM,-6 90FEM...2	
9	49128-34109GT	HOSEASSY3/8,-6STRFEM,-6 90FEM....2	
10	49130-80582GT	HOSEASSY3/8,-6STRFEM,-6STRFEM..2	
12	49130-51082GT	HOSEASSY3/8,-6STRFEM,-6STRFEM..1	
13	49128-80609GT	HOSEASSY3/8,-6STRFEM,-6 90FEM....1	
14		Ref. HOSE (refer to 714.1)	

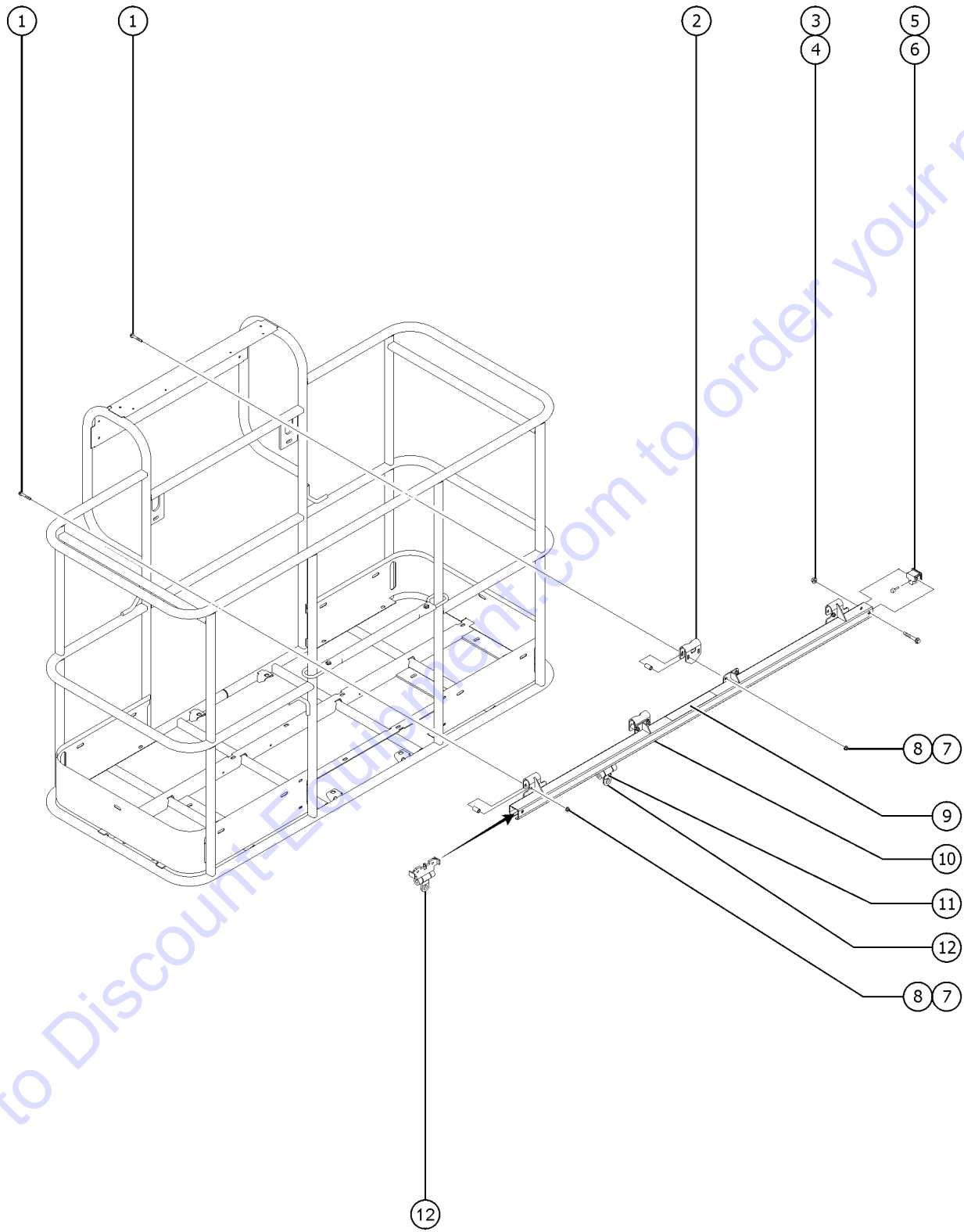
826.1 Arctic High Pressure Hose Kit, S-80, S-80X



826.1 Arctic High Pressure Hose Kit, S-80, S-80X

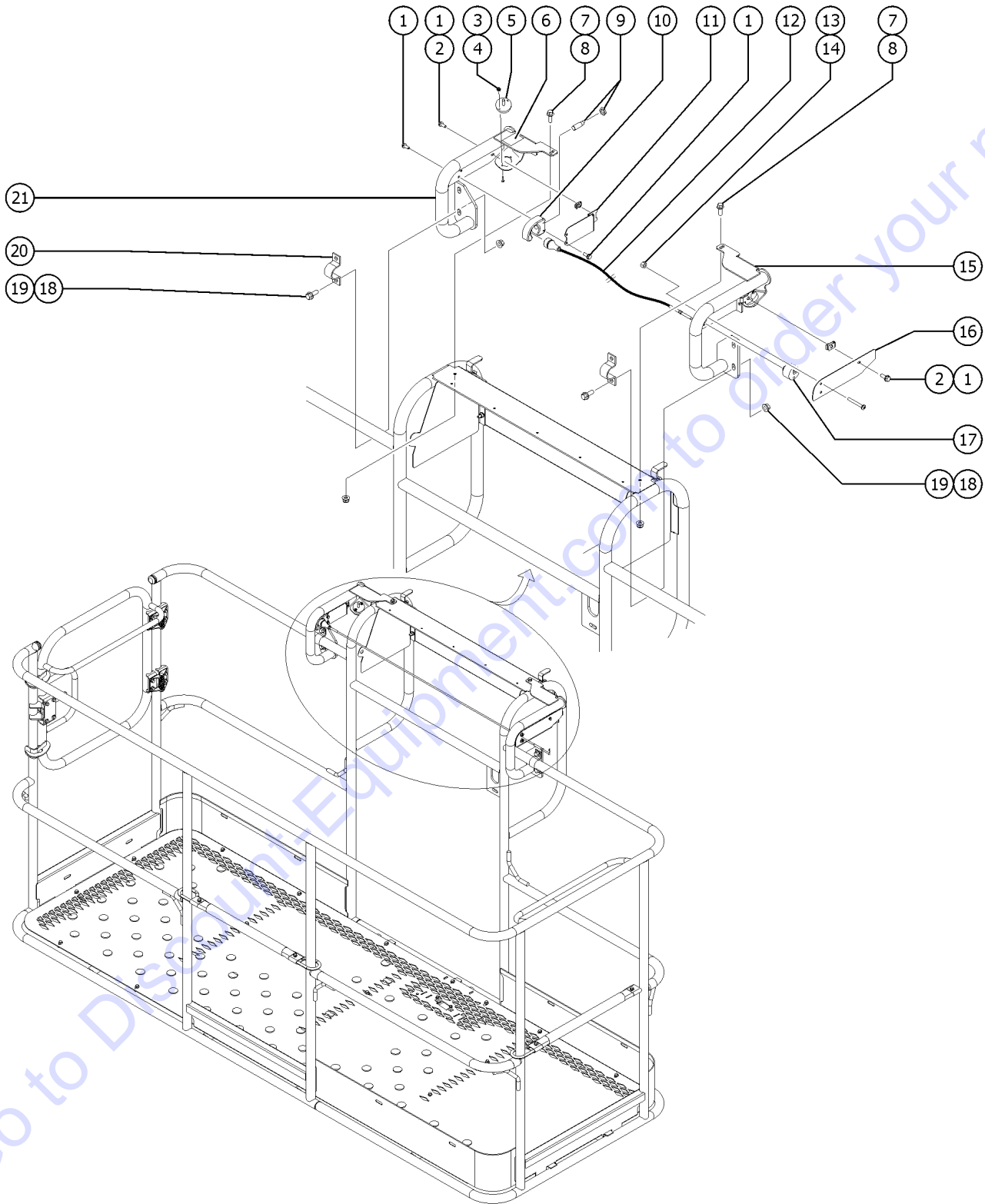
Item	Part No.	Description	Qty.
1	48927GT	CONN,520120-6-4.....	2
2	48875GT	TEE,RUN,SWIVEL,520432-6.....	2
3	39882GT	PLUG,HEX SOCKET,090109B-4.....	2
4	48928GT	ELBOW,45D,520320-6-4.....	1
5	61321GT	ELBOW,90D,BLKHD,ORFS-6-6 W/NUT.....	3
6	48916GT	CONN, 520120-6.....	1
7	48926GT	FITTING,ELBOW,90D,520220-6-4.....	2
8	228896GT	HOSEASSY3/8,-4STRFEM,-6 90FEM....	2
9	49128-34109GT	HOSEASSY3/8,-6STRFEM,-6 90FEM....	2
10	49130-66982GT	HOSEASSY3/8,-6STRFEM,-6STRFEM..	2
12	49130-51082GT	HOSEASSY3/8,-6STRFEM,-6STRFEM..	1
13	49128-67009GT	HOSEASSY3/8,-6STRFEM,-6 90FEM....	1
14		Ref. HOSE (refer to 713.1)	

827.1 Fall Arrest Bar



Item	Part No.	Description	Qty.
1	1256856GT	SCREW,HHF,3/8-16X2.5,8,ZAG.....	8
2	1256389GT	FORMING,INNER HANGER.....	2
3	1251997GT	NUT,TL FLG,1/2-13,G,ZAG.....	2
4	1256851GT	SCREW,HHF,1/2-13X3.5,8,ZAG.....	2
5	1260892GT	END STOP,TRACK,FALL ARREST BAR.....	2
6	36388GT	BUMPER,RUBBER,.75 X .50H,STUD....	2
7	1274322GT	NUT,NYLOCK FLG,3/8-16,F,ZAG.....	8
8	1256481GT	SPACER, HANGER BRACKET.....	8
9A	1256400GT	DECAL,TRACK,FALL ARREST BAR,WORD.....	1
9B	1260910GT	DECAL,TRACK,FALL ARREST BAR,SYMBOL.....	1
9C	1256400FRGT	DECAL,TRACK,FALL ARREST BAR,WORD FR.....	1
10A	1256377GT	ACC,FALL ARREST BAR,8FT WORD....	1
--	1256379GT	ASSY,TRACK,FALL ARREST BAR,8FT WORD (includes decals)	
10B	1261022GT	ACC,FALL ARREST BAR,8FT SYM.....	1
--	1261024GT	ASSY,TRACK,FALL ARREST BAR,8FT SYM (includes decals)	
10C	1261018GT	ACC,FALL ARREST BAR,8FT FR.....	1
--	1261020GT	ASSY,TRACK,FALL ARREST BAR,8FT FR (includes decals)	
10D	1256378GT	ACC,FALL ARREST BAR,6FT WORD....	1
--	1256380GT	ASSY,TRACK,FALL ARREST BAR,6FT WORD (includes decals)	
10E	1261023GT	ACC,FALL ARREST BAR,6FT SYM.....	1
--	1261025GT	ASSY,TRACK,FALL ARREST BAR,6FT SYM (includes decals)	
10F	1261019GT	ACC,FALL ARREST BAR,6FT FR.....	1
--	1261021GT	ASSY,TRACK,FALL ARREST BAR,6FT FR (includes decals)	
11	40434GT	DECAL,LANYARD ANCHORAGE POINT.....	1
12	1256439GT	TROLLEY, TRACK, FALL ARREST BAR.....	1

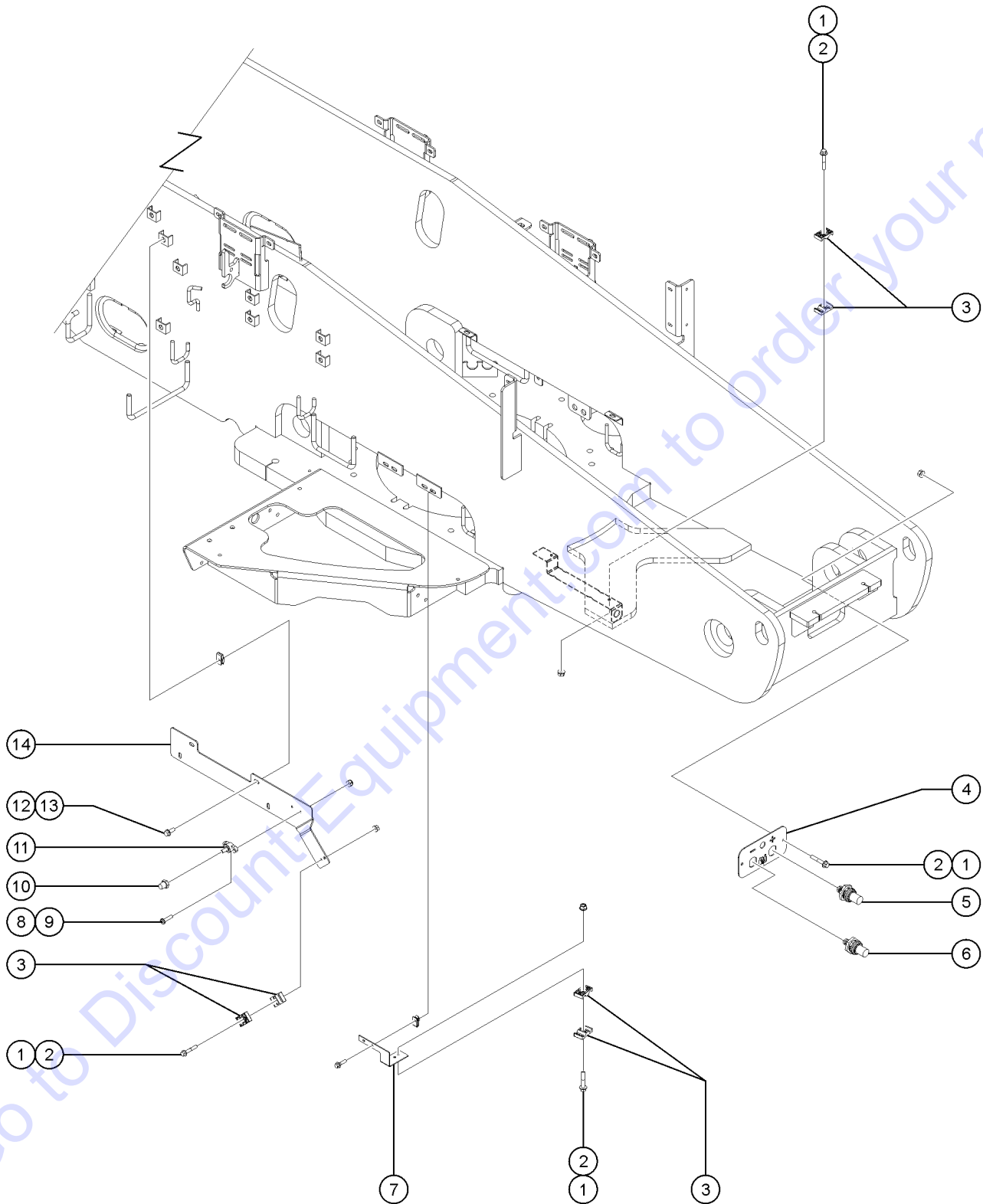
828.1 Lift Guard Contact Alarm Option (from January 2017)



828.1 Lift Guard Contact Alarm Option (from January 2017)

Item	Part No.	Description	Qty.
1	1264934GT	SCREW,HHF,10-24X.5.....	7
2	73575GT	SPRING CLIP,10-24,.025-.125X.468,ZAG.....	2
3	12344GT	NUT,NYLOCK,6-32.....	4
4	1256859GT	SCREW,PHPM,6-32X.875,ZAG.....	4
5	1278111GT	ASSEMBLY, LIGHT, CONTACT ALARM.....	2
6	1278542GT	DECAL, INSTRUCTION, CONTACT ALARM.....	1
7	824078GT	SCREW,HHF,1/4-20X.75,8,ZAG.....	2
8	1277924GT	NUT,NYLOCK FLG,1/4-20,F,ZAG.....	2
9	1278119GT	ASSEMBLY, SENSOR, PROX, CONTACT ALARM.....	1
10	1278433GT	ASSY, SENSOR W/HOUSING..... <i>(Includes holder item 1277877 and sensor part 1278119)</i>	1
--	1277877GT	HOLDER, SENSOR	
11	1277873GT	FORMING, SENSOR HOLDER.....	1
12	1278416GT	ASSEMBLY,CONTACT ALARM CABLE, LARGE.....	1
--	1261184GT	NUT,1/4-20,8,ZAG <i>(part of assembly 1278416)</i>	
--	1278124GT	MAGNET, 1/4-20, 15 LB. <i>(part of assembly 1278416)</i>	
--	1278368GT	GRIP, CABLE <i>(part of assembly 1278416)</i>	
--	1278458GT	CONTACT ALARM WIRE ASSY, LARGE <i>(part of assembly 1278416)</i>	
13	1274168GT	NUT,NYLOCK,10-32,A,ZAG.....	2
14	824216GT	SCREW,PHPM,10-32X1.5,ZAG.....	2
15	1278138GT	WELDMENT, RIGHT CONTACT ALARM, LARGE.....	1
--	1277924GT	NUT,NYLOCK FLG,1/4-20,F,ZAG	
--	824037GT	NUT,HH JAM,1/4-20,A,ZAG	
16	1277875GT	PLATE, CABLE AND WIRE COVER.....	1
17	1277876GT	GUIDE, CABLE.....	1
18	1274322GT	NUT,NYLOCK FLG,3/8-16,F,ZAG.....	4
19	824090GT	SCREW,HHF,3/8-16X1,8,ZAG.....	4
20	1278363GT	CLAMP, 1.25 INCH TUBE.....	2
21	1278144GT	WELDMENT, LEFT CONTACT ALARM, LARGE.....	1

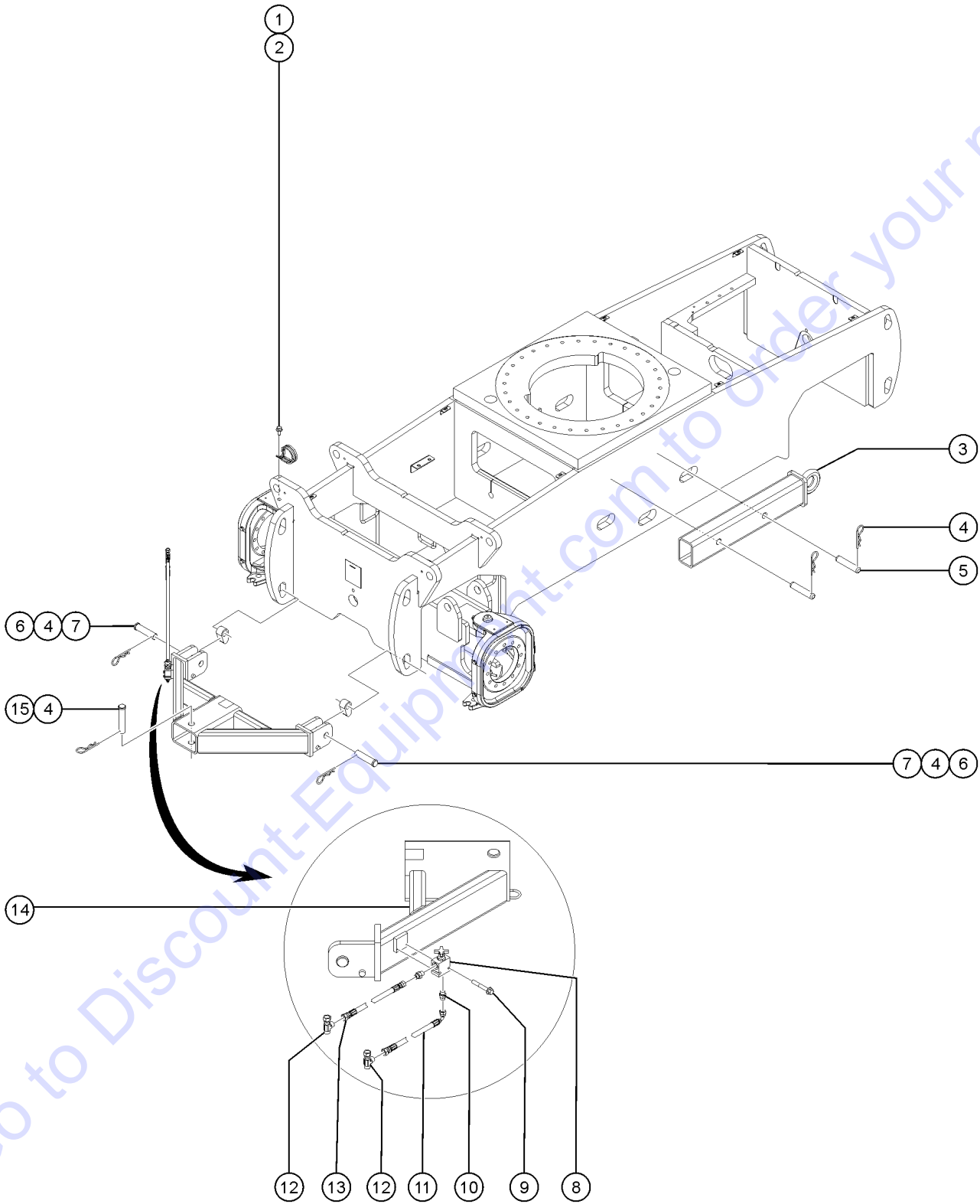
829.1 Remote Charging Option



829.1 Remote Charging Option

Item	Part No.	Description	Qty.
1	824081GT	SCREW,HHF,1/4-20X1.5,8,ZAG.....	6
2	824027GT	NUT,TL FLG,1/4-20,G,ZAG.....	6
3	78736GT	CLAMP,2 HOSE,PLASTIC,5/8.....	8
4	1271929GT	PLATE, MOUNTING, ACCESSORY.....	1
5	1270310GT	JUMPER TRMNL, BLACK, 3/8" POST....	1
6	1270309GT	JUMPER TRMNL, RED, 3/8" POST.....	1
7	1271375GT	FORMING, CLAMP, CABLE.....	1
8	49816GT	SCREW,PHILLIPS,PHM,10-32 X .75.....	2
9	6178GT	NUT,NYLOCK,10-32.....	2
10	1270131GT	TERMINAL, 3/8-16 STUD TO POST.....	1
11	94981GT	STUD,POWER 3/8" RED.....	1
12	121066GT	SCREW,HHC,FLG,3/8-16 X 1 GR8.....	4
13	29868GT	SPRING CLIP,3/8-16,.05-.20X.73,ZAG....	4
14	1270130GT	FORMING, STUD MOUNT, CABLE SUPPORT.....	1

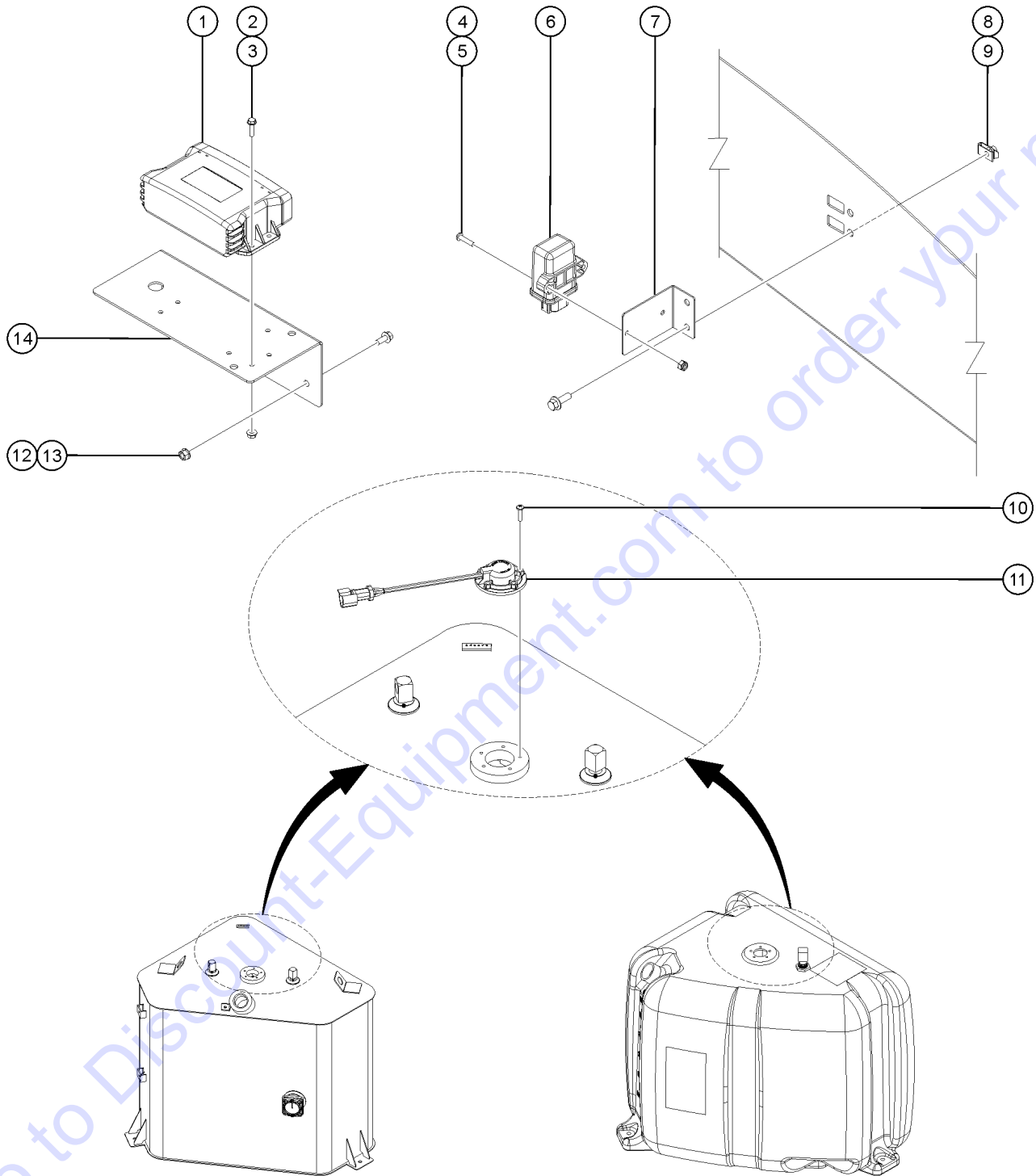
830.1 Tow Package



Item	Part No.	Description	Qty.
1	824089GT	SCREW,HHF,3/8-16X.75,8,ZAG.....	1
2	61745GT	CLAMP,2.25,#36 X 3/8,RUB CUSH.....	1
3	81973GT	WELDMENT,PULL BAR.....	1
4	42111GT	CLIP,HAIR PIN .243 X 5.25.....	5
5	47025GT	PIN,STORAGE,TOW PACKAGE.....	2
6	1257868GT	PIN,CLEVIS,1.25X5.0,ZAG.....	2
7	81975GT	PLATE,CHASSIS ATTACHMENT.....	2
8	25282GT	VALVE,NEEDLE,BRAKE RELEASE.....	1
9	824082GT	SCREW,HHF,1/4-20X1.75,8,ZAG.....	2
10	48912GT	CONN,520120-4-6***.....	2
11	49163-8594GT	HOSE ASSY,1/4" 90 FEM,STR FEM.....	1
12	48875GT	TEE,RUN,SWIVEL,520432-6.....	2
13	49120-7581GT	HOSE ASSY,1/4"STR FEM,STR FEM.....	1
14	81972GT	WELDMENT,TOW BAR.....	1
15	1257869GT	PIN,CLEVIS,1.25X6.0,ZAG.....	1

Go to Discount-Equipment.com to order your parts

831.1 Telematics Option



831.1 Telematics Option

Item	Part No.	Description	Qty.
A	1274342GT	HARNESS, TELEMATICS, M8, ZTR.....1	
B	1278630GT	HARNESS, LEVEL, FUEL, S80/85.....1 (diesel)	
C	1273602GT	HARNESS, LEVEL, FUEL, S80.....1 (gas)	
1	1272326GT	KIT,ZTR,M8HBZ.....1	
--	60757GT	PLUG,SEAL,12-18 GA	
--	87757GT	CONN,PLUG 8 WAY 14-18GA,BLK	
2	1262031GT	SCREW,HHF,10-24X.75,ZAG.....4	
3	1256467GT	NUT,TL FLG,10-24,F,ZAG.....4	
4	1253490GT	SCREW,PHPM,8-32 X .75,ZAG.....2	
5	18605GT	NUT,NYLOCK,8-32.....2	
6A	1274034GT	CAN CONVERTER, 1.71 - 4.50 V R.....1 (diesel)	
6B	1274038GT	CAN CONVERTER, 1.62 - 4.35 V R.....1 (gas)	
7	1274344GT	FORMING, MODULE, CAN, SENSING,.....1	
8	56912GT	SPRING CLIP,1/4-20,.025-.15X.54,ZAG.....2	
9A	824078GT	SCREW,HHF,1/4-20X.75,8,ZAG.....2 (gas)	
9B	1256855GT	SCREW,HHF,1/4-20X.625,8,ZAG.....2 (diesel)	
10	824215GT	SCREW,PHPM,10-32X.75,ZAG.....5	
11A	1271770GT	SENSOR, FUEL LEVEL, 30" DIESEL.....1 (diesel)	
11B	1271771GT	SENSOR, FUEL LEVEL, 24" GAS.....1 (gas)	
12	824027GT	NUT,TL FLG,1/4-20,G,ZAG.....2	
13	1256855GT	SCREW,HHF,1/4-20X.625,8,ZAG.....2	
14	1260521GT	FORMING,TELEMATICS, TOPCON,S80.1	

Part Number Index

The Part Number Index is a numeric index of all part numbers included in this manual. The index shows what page(s) the part is used on.

Part Number	Page	Part Number	Page	Part Number	Page	Part Number	Page
101068GT	101, 161	10777GT	217	121149GT	127	121482GT	195
101070GT	33, 35	110149GT	107	121150GT	127	121489GT	77-78, 81, 177
101085GT	197	110194GT	147, 157	121151GT	127	121490GT	195, 197
101340GT	67, 73	110198GT	157	121155GT	127	121491GT	195, 197
101440GT	147	110209GT	157	121156GT	127	121492GT	77-78, 81
101516GT	159	110276-2300GT	207	121160GT	125	121508GT	195
101525GT	207	110276-4300GT	207	121163GT	125	121512GT	195
101547GT	207	110277-6100GT	207	121164GT	119, 123	121521GT	77-78, 81
101559GT	119, 129	110304GT	107	121166GT	183	121563GT	85
101566GT	129	110344GT	205	121167GT	183	121582GT	139
101599GT	131	110345GT	45, 47	121169GT	183	121588GT	177
101640GT	93	110771-11117GT	77-78, 131	121170GT	183	121589GT	177
101726GT	45	110771-13107GT	77-78, 81, 131	121173GT	183	121595GT	221
101932GT	183	110771-141C7GT	77-78, 81	121177GT	189, 191	121599GT	61, 63-64
101943GT	33	110789GT	219	121178GT	189, 191	121603GT	111
101964GT	53	110876GT	119	121180GT	127	121608-9175GT	169-170
101995GT	205	111362GT	41	121181GT	127	121615GT	83
102045GT	87, 95	111363GT	41, 43	121189GT	127	121617GT	77-78, 81
102066GT	113	111445GT	89	121215GT	55	121618GT	77-78, 81
102312-9688GT	209	111526GT	181	121216GT	55	121619GT	77-78, 81
102313-17526GT	173, 175	111572GT	169-170	121217GT	55	121621GT	77-78, 81
102313-2826GT	209	111576GT	205	121218GT	55	121622GT	77-78, 81
102313-3126GT	209	111578GT	45, 47	121219GT	55	121646GT	129
102314GT	205	111601GT	55	121234GT	133, 135	121650GT	131
102348GT	197	111602GT	55	121236GT	129	121658GT	123
102357GT	205	111748GT	93	121268GT	33	121659GT	183
102408GT	207	111778GT	157	121270GT	33	121660GT	183
102409GT	207	111818GT	47	121271GT	33	121661GT	183
102526GT	157	112043GT	107	121272GT	33	121662GT	183
102528GT	157	114249GT	25, 27	121280GT	33	121668GT	35
102586GT	89	114251GT	23, 27	121281GT	33	121670GT	127
102587GT	89	114252GT	29	121286GT	33	121671GT	127
102589GT	11	114258GT	13, 17	121287GT	33	121681GT	169-170
102590GT	89	114390GT	13, 17, 21	121310GT	101, 161	121682GT	169-170
102594GT	89	114416GT	21	121314GT	61	121683GT	169-170
102746GT	159	114465GT	13, 23	121316GT	185	121684GT	169-170
102785PGT	181	114473GT	31	121317GT	185	121685GT	169-170
102786PGT	181	119032GT	129	121336GT	55	121687GT	49
102940GT	157	119056GT	227	121345GT	129	121688GT	83, 87, 95
102992GT	139	119057GT	227	121353GT	55	121690GT	49
104030GT	141-142	119065GT	227	121365GT	170	121706GT	155
104186GT	169-170	119066GT	227	121366GT	170	121707GT	153
104570GT	49	119218GT	91	121370GT	169-170	121708GT	157
104804GT	139	119403GT	227	121371GT	33	121720GT	142
106033GT	195	119533GT	213	121381GT	55	121726GT	77-78
106034GT	195	119536PGT	135	121387GT	131	121727GT	81
106044GT	207, 223	119542GT	135	121388GT	131	121732GT	77-78
106051GT	67, 71, 73	119620GT	33	121389GT	199	121733GT	81
106073GT	205	119644GT	142	121391GT	131	121735GT	81
106098GT	33	119907GT	211	121393GT	55	121753GT	59, 63-64, 77-78, 81
106104GT	205	119908GT	211	121399GT	129, 131	121754GT	119
106113GT	205	119915GT	145	121406GT	129	121762GT	127
106117GT	33, 35	119918GT	47	121410GT	83	121766GT	139
106118GT	33, 35	121025GT	119	121413GT	187	121777GT	169-170
106122GT	41, 43	121028GT	127	121419GT	45, 47, 49, 91, 93, 195	121781GT	221
106125GT	43	121029GT	119	121420GT	83, 85, 93, 95	121785GT	221
106140GT	205	121031GT	129	121421GT	83, 85, 95, 195	121787-13291GT	175
106140PGT	205	121032GT	129	121422GT	83	121787-4691GT	173
106183GT	207	121033GT	129	121423GT	83	121819GT	131
106204PGT	207	121034GT	127	121430GT	83	121822GT	131
106211-300GT	93	121039GT	129	121433GT	95	121846GT	63-64, 219
106211-600GT	93	121044GT	127	121444GT	141-142	121847GT	219
106226GT	107	121045GT	123	121445GT	141-142	121848GT	77-78, 81, 219
106274GT	205	121061GT	117	121447GT	77-78, 81	121857GT	135
106275GT	207	121063GT	117	121456GT	77-78, 81, 142	121860GT	101
106394GT	159	121064GT	117	121466GT	77-78, 81	121865GT	131
106454GT	151	121065GT	117	121467GT	57, 77-78, 81	121869GT	131
106535GT	213	121066GT	185, 237	121468GT	77-78, 81	121870GT	117
106555GT	77-78, 81	121087GT	129	121469GT	77-78, 81	121871GT	117
106658GT	205	121089GT	129	121474GT	77-78, 81	121872GT	117
106923GT	95	121095GT	117	121477GT	77-78	121889GT	209
107742GT	151	121140GT	129	121478GT	77-78	121890GT	209
107752GT	157	121142GT	127	121480GT	81	121899GT	221
107753GT	157	121146GT	127	121481GT	81	122019GT	177
10775GT	217	121147GT	127				

Part Number	Page	Part Number	Page	Part Number	Page	Part Number	Page
122073GT	179, 223	1253409GT	61, 63-64	1256824GT	169-170	1261025GT	233
122120GT	153, 155, 157	1253431GT	107	1256825GT	169-170	1261184GT	225, 235
122121GT	153, 155	1253478GT	45, 47, 51, 53,	1256837GT	55, 127	1261204GT	107
122148GT	153, 155		127	1256842GT	55	1261205GT	107
122201GT	129	1253485GT	37, 97, 139, 211	1256843GT	137	1261236GT	97
122209GT	133, 135, 221	1253487GT	109	1256846GT	55	1261239GT	97
122300GT	205	1253490GT	241	1256851GT	57, 233	1261244GT	51
122302GT	159	1253498GT	35, 101, 109	1256855GT	139, 193, 241	1261245GT	53
122399GT	77-78, 81	1253573GT	113	1256856GT	33, 35, 51, 53,	1261250GT	177
122460GT	39	1253574GT	113		127, 233	1261277GT	49, 51, 53, 115
122641GT	157	1253596GT	213, 215	1256859GT	235	1261292GT	223
122643GT	157	1253830GT	51	1256860GT	55	1261722GT	107
122644GT	157	1253831GT	51	1256863GT	55, 127	1261835GT	53
122645GT	157	1254269GT	129	1257230GT	117	1261836GT	51, 53
122646GT	157	1254362GT	129	1257264GT	219	1261837GT	51, 53
122647GT	157	1254367GT	215	1257296GT	217	1261882GT	107
122649GT	157	1254471GT	107	1257454GT	49, 55	1261963GT	107
122650GT	157	1254589GT	213, 215	1257628GT	51, 53	1261964GT	107
122651GT	157	1254594GT	91	1257705GT	113	1261966GT	107
122652GT	157	1254823GT	91	1257733GT	11	1261969GT	107
122653GT	157	1254826GT	89	1257810GT	113, 215	1261978GT	111
122656GT	157	1254949GT	93	1257862GT	113	1261980GT	111
122657GT	157	1255391GT	117	1257863GT	121	1262016GT	107
122660GT	157	1255452GT	129, 131	1257866GT	55, 113	1262017GT	111
122661GT	117	1255537GT	107	1257867GT	117	1262022GT	111
122662GT	117	1255581GT	13, 17, 23, 27	1257868GT	239	1262031GT	241
122663GT	117	1255582GT	13, 23	1257869GT	239	1262047GT	11, 111
122664GT	117	1255651GT	95	1257995GT	109	1262050GT	111
122665GT	117	1255653GT	89, 91	1258014GT	109	1262052GT	113
122666GT	117	1255758GT	225	1258071GT	107	1262210GT	51
122668GT	117	1255760GT	49, 115	1258567GT	11	1262211GT	53
122669GT	161	1255763GT	51, 53	1258568GT	109	1262219GT	95
122755GT	221	1255768GT	55	1258617GT	59	1262344GT	13
122878GT	43	1255769GT	55	1258618GT	77-78, 81	1262347GT	13
122879GT	43	1255770GT	55	1258619GT	77-78, 81	1262348GT	13
122944GT	133, 135	1255771GT	55	1258620GT	141-142	1262467GT	107
122994GT	64	1255772GT	55	1258641GT	95	1262469GT	107
123167GT	85, 93	1255773GT	55	1258701GT	77-78, 81	1262471GT	111
12344GT	61, 63-64, 141- 142, 205, 235	1255802GT	35, 103	1258722GT	51, 53	1262478GT	111
124962GT	95	1255804GT	49, 115	1258723GT	51, 53	1262484GT	11, 111
1251496GT	95	1255805GT	49, 51, 53, 115	1258724GT	51, 53	1262486GT	111
1251542GT	215	1256054GT	51, 53	1258728GT	129	1262488GT	11, 111
1251549GT	215	1256108GT	183	1258771GT	95	1262490GT	107
1251565GT	117, 127	1256109GT	135	1258972GT	17	1262494GT	111
1251600GT	139, 193, 201, 225	1256111GT	129, 131	1259106GT	49, 115	1262496GT	107
1251757GT	45	1256123GT	55, 117	1259219GT	77-78	1262498GT	107
1251820GT	129	1256124GT	207	1259264GT	107	1262500GT	107
1251825GT	64	1256126GT	115	1259329GT	223	1262503GT	111
1251928GT	91	1256127GT	51, 53, 135	1259583GT	181	1262585GT	111
1251983GT	93, 107	1256177GT	57	1259584GT	181	1262589GT	107
1251984GT	63-64	1256180GT	135	1259661GT	227	1262595GT	107
1251987GT	57, 103, 109, 113, 129, 233	1256182GT	57	1259708GT	227	1262598GT	107
1252684GT	63-64	1256206GT	169-170	1259757GT	111	1262866GT	11, 95
1252685GT	63-64	1256267GT	35	1259855GT	49, 115	1263542GT	23, 27
1252686GT	111	1256312GT	57, 217	1259890GT	107	1263543GT	13, 17
1252687GT	93	1256377GT	233	1259907GT	107	1263553GT	197
1252978GT	183	1256378GT	233	1259931GT	33	1264101GT	201, 205
1252979GT	107	1256379GT	233	1260107GT	15, 17, 25, 27	1264385GT	77-78, 81
1253154GT	61, 63-64	1256380GT	233	1260213GT	142	1264822GT	77-78, 81
1253160GT	59, 63-64	1256389GT	233	1260214GT	141-142	1264834GT	77-78, 81
1253175GT	215	1256400FRGT	233	1260215GT	141-142	1264897GT	125
1253176GT	215	1256400GT	233	1260218GT	77-78, 81	1264934GT	235
1253177GT	215	1256425GT	27, 31	1260414GT	197	1264947GT	77-78, 81
1253185GT	49, 97, 107, 177, 181, 217	1256439GT	233	1260521GT	241	1264969GT	49
1253192GT	107	1256464GT	177	1260892GT	233	1265397GT	139
1253193GT	107	1256467GT	241	1260910GT	233	1265454GT	77-78, 81
1253194GT	107	1256468GT	225	1260927GT	107	1265455GT	77-78, 81
1253208GT	107	1256469GT	75	1260980GT	181	1265458GT	77-78, 81
1253264GT	53	1256481GT	233	1261001GT	181	1265459GT	63-64
1253265GT	51	1256514GT	109	1261018GT	233	1265460GT	59
1253319GT	107	1256679GT	53	1261019GT	233	1265463GT	59
1253408GT	207	1256765GT	213, 215	1261020GT	233	1266019GT	13
		1256766GT	213, 215	1261021GT	233	1266895GT	51
		1256776GT	213	1261022GT	233	1266897GT	51
		1256803GT	129	1261023GT	233	1266902GT	51, 53
		1256804GT	181	1261024GT	233	1266916GT	53

Part Number Index (continued)

Part Number	Page	Part Number	Page	Part Number	Page	Part Number	Page
1267070GT	115	1271078GT	179	1278368GT	235	139527GT	147
1267071GT	49	1271313GT	205	1278416GT	235	139528GT	147
1267072GT	49	1271375GT	237	1278433GT	235	139598GT	145
1267073GT	49	1271397GT	17	1278458GT	235	139644-14B61GT	121
1267074GT	115	1271398GT	205	1278542GT	235	139712GT	147
1267076GT	115	1271652GT	11, 105	1278629GT	223	139715GT	147
1267078GT	75	1271713GT	145	1278630GT	241	139716GT	147
1267079GT	75	1271770GT	241	1278673GT	205	139717GT	147
1267080GT	53	1271771GT	241	1278714GT	11	139718GT	147
1267081GT	53	1271772GT	45	128000GT	145	139719GT	147
1267082GT	51	1271773GT	45	128001GT	145	139727GT	147
1267083GT	51	1271825GT	105	128003GT	109	139826GT	33
1267309GT	53	1271837GT	105	128004GT	85, 93	139828GT	33
1267313GT	97	1271929GT	237	1280379GT	51	139829GT	33
1267315GT	205	1271984GT	51, 53	128045GT	219	139936GT	197
1267316GT	217	1272025GT	105	1281137GT	111	139947GT	33
1267382GT	49	1272026GT	105	128200GT	59, 63-64, 141-142	146051GT	39, 41, 43
1267746GT	139	1272029GT	105		142	146052GT	39, 43
1267747GT	139	1272057GT	105	128201GT	59, 64, 141-142	146058GT	127
1267807GT	55	1272060GT	105	128202GT	59, 63-64	146059GT	129
1267891GT	21	1272069GT	105	128203GT	61, 223	146060GT	129
1267892GT	21	1272230GT	49	128204GT	59, 63-64, 141-142	146180GT	49
1267893GT	31	1272231GT	49		142	146181GT	49
1267894GT	31	1272242GT	13, 23	128268GT	135	146182GT	49
1268183GT	217	1272303GT	139	1283179GT	149	146284GT	205
1268186GT	205	1272304GT	139	128322GT	207	146285GT	205
1268563GT	33	1272326GT	241	1283776GT	11	146413GT	47
1268565GT	33	1272467GT	99	1283995GT	91	146415GT	47
1268568GT	35	1273404GT	75	128416GT	159	146417GT	47
1268569GT	35	1273602GT	77-78, 81, 241	1284188GT	131	146478GT	141-142
1268570GT	35	1274034GT	241	128419GT	159	146551GT	47
1268571GT	35	1274038GT	241	128433GT	135	146552GT	47
1268573GT	35	1274053GT	83	1284532GT	119	147090GT	63-64
1268574GT	35	1274069GT	103	128454GT	135	147094GT	59
1268575GT	37	1274153GT	57	128482GT	135	147121GT	139
1268596GT	57	1274162GT	75	128483GT	135	147223GT	45, 47
1268597GT	127	1274168GT	235	1285171GT	125	147347GT	139
1268601GT	129	1274198GT	49, 97, 113	1285700GT	201	147419GT	45, 47
1268605GT	117	1274200GT	97, 113	128580GT	223	147484GT	125
1268606GT	37	1274201GT	97, 113	128588GT	107	147485GT	133, 135
1268921GT	95	1274322GT	193, 201, 233,	1286035GT	175	147505GT	121
1268GT	11		235	1286604GT	41	147544GT	125
1269050GT	77-78, 81	1274331GT	45	1286605GT	41	147575GT	21, 31
1269080GT	51	1274342GT	241	1287434GT	147	147603GT	21, 31
1269081GT	53	1274344GT	241	128829GT	83	147620GT	123
1269319GT	35	1274553GT	153, 155	128912GT	91	147628GT	121
1269321GT	33	1274554GT	155	128953GT	17	147631GT	121
1269322GT	33	1274858GT	139	13000GT	205	147651GT	77-78
1269323GT	33	1274859GT	139	13002GT	85, 93	147653GT	77-78
1269348GT	199	1274900GT	91	13003GT	87, 95	147659GT	19, 29
1269497GT	142	1275248GT	145	13064GT	87, 91, 95	147755GT	13, 23
1269498GT	141-142	1275258GT	145	13268GT	101, 107, 139	1484GT	11
1269499GT	145	1275259GT	145	133067GT	23, 27, 31	15086GT	91
1269500GT	142	1275725GT	227	133177GT	15, 17	15243GT	59, 63-64, 141-142
1269549GT	99	1275802GT	77-78, 81	133205GT	23		142
1269584GT	217	1275803GT	77-78, 81	133209GT	17, 27	15513GT	131
1269586GT	55	1275805GT	141-142	133232GT	13	161144GT	149
1269593GT	33, 35	1276672GT	205	133278GT	13	161145GT	149
1269641GT	139	1276986GT	205	133308GT	15, 17, 25, 27	161938GT	91
1270130GT	237	1277599GT	205	133309GT	15, 17, 25, 27	162207GT	97
1270131GT	237	1277873GT	235	133310GT	13	162208GT	97
1270309GT	237	1277875GT	235	133372GT	15, 17	162209GT	97
1270310GT	237	1277876GT	235	133386GT	25, 27	162210GT	91
1270313GT	201	1277877GT	235	133387GT	31	162276GT	95
1270314GT	201	1277924GT	103, 183, 187,	133411GT	27	162283GT	91
1270316GT	201		193, 201, 235	133413GT	23	162284GT	91
1270570GT	179	1277952GT	179	139308GT	55	18596GT	87, 95
1270571GT	179	1277966GT	179	139309GT	55	18605GT	121, 241
1270963GT	91	1278108GT	77-78, 81	139315GT	55	18665GT	205
1270964GT	107	1278111GT	235	139321GT	83	18666GT	61, 83, 85, 95,
1270994GT	201	1278119GT	235	139322GT	83		97, 113, 142,
1271018GT	201	1278124GT	235	139323GT	55		205, 207
1271019GT	201	1278128GT	53	139338GT	141-142	19018-1100GT	201
1271040GT	201	1278138GT	235	139455GT	85	19060GT	157
1271061GT	201	1278144GT	235	139508GT	147	19274GT	78, 81
1271077GT	179	1278363GT	235	139512GT	147	19506GT	59

Part Number	Page	Part Number	Page	Part Number	Page	Part Number	Page
20776GT	205	219956GT	31	27082GT	111	34505GT	191
21019GT	91	219958GT	31	27089GT	89	34533GT	189, 191
21130GT	37, 83	22571GT	111	27204GT	17, 27	34619GT	181, 219
21141GT	45, 47	22578GT	83	27205GT	15, 25	34955GT	189, 191
21187GT	205	226393GT	177	27206GT	15, 17, 25, 27	35418-0600GT	107
214228GT	11, 97	226503GT	205	27207GT	15, 17, 25, 27	35432GT	189, 191
214249GT	227	226534GT	211	27246GT	223	35434GT	91, 189, 191
214393GT	49	226541GT	133	27287GT	63-64	35675GT	135
214536GT	227	226542GT	133	27391GT	223	35726GT	149
214619GT	207	226550GT	77-78, 81	27581GT	11	35956GT	179
214620GT	207	22672GT	91, 107, 109, 189, 191	27585GT	93, 95	36208GT	91
214621GT	207			27697GT	119	36294GT	205, 221
214622GT	207	22699GT	93	27698GT	33, 129	36388GT	103, 233
214623GT	207	227516GT	77-78, 81, 139	27761GT	147	37187GT	49
21465GT	91, 107	227774GT	33, 39	27836GT	147	37192GT	49
214795GT	97	227775GT	33, 35, 41	27901GT	45	37947GT	51, 53, 59, 63-64
215209GT	49	227776GT	33, 35, 43	28158GT	13, 23	38149GT	17
215210GT	49	227777GT	211	28159GT	13, 23	38620GT	119, 123, 125
215254GT	51, 53	227785GT	57	28160GT	13, 23	39882GT	229, 231
215623GT	41	227804GT	33	28174GT	17, 21, 27, 31	40434GT	21, 31, 233
215816GT	213, 215	227805GT	33	28235GT	17, 21, 27, 31	40614GT	63-64
216150GT	109	227985GT	33	28236GT	21	41549GT	55
21618GT	63-64, 223	228448GT	77-78, 81	28301GT	51, 53	41858GT	115
216611GT	227	228805GT	33	28443GT	207	42079GT	117
216612GT	227	228848GT	193	28607GT	195	42111GT	239
216615GT	227	228849GT	193	28646GT	49	42288GT	61, 63-64, 141-142
216616GT	227	228891GT	117	28750GT	11, 147		142
216617GT	227	228892GT	117	29080GT	119, 123, 125	42315GT	205
216618GT	227	228896GT	231	29104GT	15	42781GT	59, 61, 63-64, 141-142
216645GT	227	229327GT	129	29557GT	89		169-170
216646GT	227	229337GT	129	29559GT	89	42790GT	169-170
216659GT	227	229338GT	129	29560GT	11, 89	43018GT	33, 127, 129, 133, 135, 151, 153, 155
216662GT	227	229357GT	77-78	29739GT	101, 161		205
216680GT	227	229358GT	81	29868GT	35, 45, 47, 49, 51, 53, 55, 67, 69, 71, 73, 91, 177, 203, 205, 217, 237	43322GT	139, 181
216683GT	227	229567GT	59, 61, 63-64, 141-142			43392GT	17, 21, 27, 31
216760GT	77-78, 81					44981GT	142
216791GT	61, 63-64	229845GT	181			45385GT	61, 63-64
216793GT	61, 63-64	229986GT	93	30138GT	119, 123, 125	45400GT	213, 215
217050GT	165	230820GT	107	30143GT	49, 77-78, 81	45435GT	93, 99, 109, 189, 191
217051GT	165	230995GT	189, 191	30144GT	49		83, 101, 207
217052GT	165	231087GT	215	30199GT	33	45454GT	177
217054GT	167	231513GT	51, 53	30221GT	33	45470GT	107
217055GT	175	231530GT	109	30222GT	135	45708GT	49
217056GT	163, 165	231532GT	51, 53	30370GT	133	45912GT	157
217057GT	169-170	233992GT	193	30370GT	133	45921GT	157
217058GT	169-170	233993GT	193	30468GT	181	46131GT	45, 97
217059GT	169-170, 199	23405GT	189, 191	30489GT	85, 93, 189, 191	46188GT	223
217063GT	165	234975GT	229	30490GT	89	46468GT	21, 31
217064GT	165	235133GT	41	30794GT	77-78, 81	47025GT	239
217065GT	165	235135GT	39	30810GT	195	47041GT	15
217203GT	87	235136GT	39	30971GT	93, 99, 109, 189, 191	47222GT	121
217241GT	59	235137GT	39, 41, 43			47377GT	133, 135
217366GT	207	235138GT	39	30973GT	49, 177	4828GT	91, 93, 221
217370GT	77-78, 81	235139GT	41	30996GT	142	48415GT	157
217710GT	127	235140GT	41	30997GT	61, 63-64, 142	48425GT	91
218165GT	59, 64, 141-142	235150GT	41	31060GT	19	48867GT	49
218167GT	59	235151GT	41	31106GT	129	48875GT	211, 229, 231, 239
218448GT	117	235152GT	41, 43	31523GT	189, 191		49
218457GT	181	235153GT	41	31779GT	11	48880GT	49
218549GT	21	235154GT	43	31788GT	13	48885GT	49
218550GT	21	236251GT	95	32150GT	11	48894GT	173, 175
218559GT	21	236259GT	97	32151GT	11	48904GT	169-170, 173, 175, 211
21858GT	59, 64, 142	236260GT	11, 97	33277GT	95, 111	48905GT	163, 165, 169-170, 173, 175
219158GT	225	237068GT	49	33418GT	87, 95		167, 169-170, 173, 175, 211
219243GT	149	237237GT	133, 135	33422GT	61, 63-64	48907GT	167, 169-170, 173, 175, 211
219245GT	149	237267GT	227	33428GT	33, 135		211
219247GT	149	237711GT	227	33441GT	39, 41, 43	48908GT	211
219392GT	49	237830GT	35	33555GT	51, 53	48909GT	163, 165
219393GT	131	237832GT	107	33607GT	63-64, 205	48911GT	163, 165
219487GT	21	238123GT	227	33608GT	63-64, 205	48912GT	169-170, 173, 175, 239
219490GT	77-78, 81	24038GT	91, 107	33990GT	39, 43		167
219508GT	91	24514GT	139	33994GT	11, 147		
219718GT	63-64	25282GT	239	34052GT	67, 69, 71, 73		
219723GT	13, 23	25685GT	219	34058GT	197		
219953GT	31	25817GT	33, 127	34164GT	99		
219954GT	31	25994GT	13	34344GT	115		

Part Number Index (continued)

Part Number	Page	Part Number	Page	Part Number	Page	Part Number	Page
48915GT	163, 165, 167, 169-170	49149-2526GT	163		109, 113, 119, 123, 125, 129, 131, 135, 139, 241	61975GT	219
48916GT	163, 165, 169-170, 173, 175, 229, 231	49149-3126GT	169-170			61976GT	219
48918GT	49, 169-170	49151-3548GT	170			61977GT	219
48920GT	167, 173, 175	49163-1494GT	211	56934GT	193	61997GT	219
48926GT	229, 231	49163-8594GT	239	58222GT	55	62258GT	153, 155
48927GT	169-170, 229, 231	49183-2692GT	169-170	58223GT	55	62275GT	157
48928GT	169-170, 229, 231	49212GT	221	58237GT	39, 43	62392GT	145
48930GT	167	49214GT	221	58249GT	89	62414GT	49
48932GT	49, 165, 169-170	49215GT	221	58290GT	161	62420GT	11, 99, 109
48933GT	45, 47, 163, 165, 169-170, 173, 175, 209	49364GT	111	58299GT	89	62425GT	11, 85, 93
48935GT	169-170	49407GT	83	58303GT	157	62476GT	85, 93, 109
48936GT	165	49410GT	93, 95	58304GT	55	62506GT	151
48946GT	169-170	49612GT	11, 147	58412GT	11, 105	62507GT	19, 29
48948GT	165, 209	49613GT	147	58415GT	99, 109	62921GT	17, 27
48959GT	45, 47, 163, 165, 169-170, 199, 209	49768GT	37	58489GT	49	62922GT	19, 29
48960GT	163, 165, 169-170, 173, 175, 209	49816GT	67, 69, 71, 73, 83, 97, 237	58566GT	89	62923GT	17, 27
48963GT	163, 165, 169-170, 209	49817GT	87	58630GT	89	63213GT	135
48964GT	169-170, 209	49819GT	189, 191	58999GT	43	63353GT	135
48977GT	169-170, 209	49820GT	61, 63-64, 141-142	59370GT	33	63375GT	205
48983GT	169-170	49826GT	47	59371GT	45, 47	63463GT	99, 109
48984GT	45, 47, 169-170	49915GT	89	60143-SGT	203	6356GT	59, 61, 63-64, 141-142, 179
48996GT	45, 47, 169-170	49924GT	11, 89, 91	6019GT	93, 117	65278GT	15, 27
49000GT	203	49924GT	11, 89, 91	6024GT	87, 91, 95	65620GT	105
49109-5029GT	165	50035GT	57	60304GT	119, 123, 125	65621GT	11, 105
49110-14692GT	165	50160GT	117	60334GT	11, 55	65623GT	11, 105
49116-1437GT	170	50481GT	153, 155	60370-SGT	139	65626GT	11, 105
49116-2437GT	173, 175	50560GT	119, 129, 131	6037GT	205	65630GT	201
49116-2637GT	173, 175	50742GT	129, 131	60536GT	11, 67, 71, 73	6578GT	64
49116-3137GT	163, 165	50787-SGT	83	60555GT	33	65810GT	99, 109
49117-11491GT	165	51063GT	119, 127	60561GT	85	65846GT	43
49117-13291GT	175	51144GT	33	60575PGT	57	65847GT	83
49117-1491GT	211	51147GT	221	60584GT	87	6637GT	85, 93, 95
49117-2791GT	173, 175	5147GT	101, 161	60585GT	107	6638GT	59, 61, 63-64, 83, 85, 93, 95, 141-142, 185, 193, 221
49117-4691GT	173	52087GT	101, 161	60707GT	213, 215	66399GT	11
49117-5391GT	163, 165	5224GT	135	60738GT	217	66472GT	223
49117-6191GT	169-170	52352GT	89	60739GT	217	66812GT	59, 64, 141-142
49119-11378GT	165	52475GT	15, 25	60757GT	241	66813GT	59, 64, 142
49119-1378GT	170	52714GT	157	60840GT	119, 123, 125	66814GT	63-64
49119-34078GT	173, 175	52715GT	157	60857GT	11, 55	66815GT	59, 142
49119-51078GT	173, 175	52726GT	147	60875-9600GT	99	66816GT	59, 63-64
49119-66978GT	173	52865GT	17	60886PGT	221	66818GT	59, 63-64
49119-74578GT	175	52866GT	85, 93, 99, 109	6090GT	59, 61, 63-64, 141-142, 185, 221	66821GT	59, 63-64
49120-7581GT	239	52943GT	153, 155	6091GT	85, 93, 95, 185, 221	6782GT	85, 93
49128-1509GT	169-170	52966GT	15, 25	6097GT	91, 93, 117	6833GT	97, 121, 223
49128-2409GT	163, 165	53387GT	35	61079GT	173, 175	6886GT	205
49128-34109GT	229, 231	53605GT	203	61083GT	45, 47, 169-170	6888GT	61, 63-64
49128-3709GT	163, 165	5365GT	83	61110GT	85, 93	6889GT	59, 61, 63-64, 205
49128-4209GT	167	53758-SGT	195, 197	61225GT	67, 73	6935GT	59, 61, 63-64, 205, 217
49128-4509GT	167	53759-SGT	195, 197	61259GT	173, 175	70257GT	99
49128-50409GT	173, 175	53760-SGT	195	61269GT	173, 175	70289GT	131
49128-67009GT	231	53761-SGT	195	61278GT	205	70367GT	107
49128-80609GT	229	53761GT	197	61283GT	133, 135	70381GT	85, 93
49130-2957GT	163, 165	53952GT	99, 109	61306-SGT	135	70389GT	213
49130-51082GT	229, 231	5397GT	85, 93, 179, 193, 205, 221	61321GT	169-170, 173, 175, 229, 231	70444GT	83, 109
49130-63782GT	173	54205GT	107	6145GT	63-64, 179, 221	70445GT	83
49130-66982GT	231	54324GT	45	6146GT	83, 91, 127, 141-142, 189, 191	70448PGT	83
49130-80582GT	229	54365GT	61, 63-64, 141-142, 205	6147GT	177	70449GT	83, 109
49130-8382GT	167	54380GT	121	61726GT	219	70452GT	103, 113
49137-5041GT	173, 175	54486GT	181	61745GT	49, 119, 239	70454GT	87
49141-17463GT	173, 175	54687GT	215	6175GT	91	70456GT	87
49143-14429GT	173, 175	55753GT	139, 179, 201, 223	6178GT	49, 57, 61, 63-64, 67, 69, 71, 73, 83, 87, 97, 127, 141-142, 177, 205, 217, 237	70465GT	83, 99
49143-2829GT	169-170	56003GT	169-170	61804GT	219	70483GT	83, 109
49143-4129GT	169-170	56057GT	61	61809GT	219	7056GT	61, 63-64, 217
49143-5229GT	163	56237GT	205	61972GT	219	71259GT	199
		56424GT	139, 179, 193, 201	61974GT	219	71498GT	179
		56426-700GT	223			71911GT	83, 95, 109
		56525GT	201			72086GT	15, 25
		56570GT	201			72282GT	177
		56704GT	177				
		56912GT	35, 49, 51, 53, 55, 91, 93, 97,				

Part Number Index (continued)

Part Number	Page	Part Number	Page	Part Number	Page	Part Number	Page
72326GT	177	81330GT	33	824029GT	33, 35, 45, 47,	824151GT	133, 135
72875GT	21	81340GT	117		49, 51, 53, 55,	824164GT	133, 135
72999GT	13	81341GT	117		57, 67, 69, 71,	824207GT	201
73461GT	119, 123	81342GT	117		73, 97, 103, 107,	824215GT	181, 217, 241
73463-1175GT	193	81347GT	125		113, 115, 117,	824216GT	235
73478PGT	139	81368GT	201		119, 125, 127,	824220GT	107
73575GT	107, 139, 235	81378GT	35		135, 139, 205,	824227GT	223
73717GT	61, 63-64, 141-142	81424GT	105		207, 213, 215,	824351GT	97
		81425GT	105		217, 219, 223	824397GT	97
73723GT	141-142	81458GT	217	824031GT	75	824422GT	97
73730GT	141-142	81467GT	85, 93	824032GT	219, 227	824471GT	45
73736GT	61, 63-64, 142	81468GT	85, 93	824037GT	235	824583GT	141-142
73753GT	61, 63-64	81488GT	141-142	824038GT	193	824585GT	77-78, 81
73754GT	61, 63-64	81498GT	35	824041GT	37	824615GT	17
73803GT	61, 63-64, 142	81522GT	115	824059GT	35, 51, 53	824617GT	205
73805GT	59	81535GT	49	824060GT	205, 225	824673GT	97
73807GT	151	81536GT	49	824061GT	219	82481GT	23
74006GT	205, 217	81550GT	142	824062GT	55, 133, 135	82487GT	23, 31
74902GT	153, 155, 157	81551GT	142	824063GT	35, 55, 129	825015GT	95
74913GT	61, 63-64	81558GT	217	824068GT	125	825018GT	141-142
74917GT	61, 63-64	81559GT	217	824069GT	183, 225	825019GT	33, 35, 133, 135
75020GT	11, 107	81578GT	49	824075GT	137	825020GT	219
75041GT	49, 131	81609GT	35	824077GT	107	825218GT	91
75051GT	67, 69, 71, 73, 83, 91, 131	81610GT	35	824078GT	49, 51, 53, 55,	825348GT	33, 35
		81640GT	135		97, 107, 113,	825353GT	137
75254GT	45, 47, 169-170	81700GT	189, 191		119, 123, 127,	825358GT	201, 207
75256GT	45, 47, 169-170	81802GT	223		131, 135, 139,	825579GT	13
75257GT	45, 47	81972GT	239		181, 187, 197,	825759GT	33
75289GT	85	81973GT	239		199, 223, 235,	825760GT	129, 131
75395GT	135	81975GT	239		241	825762GT	129
75443GT	145	81986PGT	55	824079GT	47, 49, 91, 97,	825796GT	127
75444GT	145	82161GT	13		99, 107, 109,	825939GT	93
75445GT	145	822087GT	95, 97		113, 121, 125,	825948GT	187
75446GT	145	82237GT	17, 21		131, 135, 139,	826000GT	95
75447GT	145	82243GT	21		179, 217, 223	826152GT	91
75448GT	145	822759GT	223	824080GT	97, 113	826171GT	55, 57
75449GT	145	822764GT	223	824081GT	49, 99, 131, 139,	826345GT	13
75450GT	85, 93	822768GT	223		237	826357GT	97
75451GT	85, 93	822769GT	223	824082GT	55, 101, 103,	826379GT	127
75614GT	45, 47, 170	823012GT	95		121, 239	826516GT	227
75617-1025GT	223	823013GT	95	824083GT	201	826791GT	137
75617-1550GT	223	823135GT	95	824085GT	99, 201	826792GT	75, 137
75617-2075GT	223	823143GT	93	824086GT	179, 205, 217	826793GT	137
75617-2275GT	223	823144GT	93	824089GT	33, 37, 45, 47,	826794GT	75, 137
75617-6275GT	223	823147GT	93		49, 55, 91, 99,	826795GT	91
75636GT	223	823229GT	91		101, 107, 115,	826825GT	91
77048GT	142	823239GT	93		125, 131, 139,	826835GT	91
77181GT	135	823356GT	45		177, 239	826859GT	91
77303GT	133, 135	823420GT	97	824090GT	35, 45, 47, 49,	826860GT	97
77351GT	141-142	823421GT	97		51, 53, 55, 97,	826873GT	95
77353GT	45, 47	823520GT	177		113, 117, 119,	82862GT	21
77354GT	45, 47	823600GT	165		123, 125, 129,	83093GT	51, 53, 59, 63-64
77365GT	45, 47	823601GT	165		205, 217, 235	83098GT	145
77409GT	127	823658GT	13, 23	824091GT	49, 97, 103, 115,	83131GT	59, 63-64
77519GT	33	82366GT	13		139, 205	84134GT	147
77653GT	127	823703GT	93	824092GT	57, 119, 123,	84135GT	147
77656GT	127	823751GT	91, 109		135, 203, 205,	85300GT	201
77664GT	193	823761GT	21, 31		213, 215	87085GT	117
77683GT	193	823764GT	21, 31	824093GT	121	87172GT	169-170
77694GT	49, 77-78, 81	824023GT	97	824095GT	219	87755GT	61, 63-64
77785GT	203	824024GT	55, 117, 121,	824107GT	57	87757GT	241
77797GT	223		131, 135, 139	824109GT	133, 135	88159GT	67, 69, 71, 73
77819GT	101, 161	824025GT	121	82410GT	21	88160GT	67, 69, 71, 73
77822GT	105	824027GT	37, 47, 49, 51,	824110GT	121, 135, 183	88162GT	67, 73
77853GT	203		53, 55, 91, 97,	824113GT	35, 49, 55, 117,	88164GT	67, 69, 71, 73
77884GT	123		99, 101, 103,		135, 205, 207,	88167GT	67, 69, 73
77991GT	135		107, 109, 113,		225	88241GT	33
78736GT	49, 55, 85, 93,		117, 127, 131,	824115GT	115	88261GT	33
	95, 101, 103,		135, 139, 179,	824116GT	75, 137	88315GT	59, 63-64
	113, 237		181, 197, 199,	824120GT	107, 225	88345GT	133, 135
80543GT	205, 217		205, 207, 211,	824124GT	183	88349GT	33
80716GT	64		217, 219, 223,	824127GT	33	88356-13107GT	77-78, 81
81130GT	221		237, 241	824129GT	33, 127	88356-32163GT	77-78, 81
81154GT	45, 95, 97	824028GT	51, 53, 99, 121,	824132GT	95, 107, 215	88356-33103GT	77-78, 81
81164GT	33		177, 179, 201,	824133GT	107, 109	88377-1400GT	193
81175GT	135		205, 207, 217	824134GT	33, 35	88390GT	223

Part Number Index (continued)

Part Number	Page	Part Number	Page
88406GT	207	T107194GT	77-78, 131
88516GT	133, 135	T107895GT	189, 191
88568GT	127	T108075GT	133, 135
88576GT	133	T108076GT	135
88606PGT	181	T108077GT	135
88607PGT	181	T109690GT	221
88648GT	119, 123, 125	T109691GT	221
88658GT	221	T109692GT	221
88783GT	147	T109693GT	221
88827GT	59, 64	T111507GT	39, 43
88846GT	99	T112459GT	121
88917GT	45, 47	T112626GT	145
88942-6754GT	169-170	T112773GT	21, 31
88942-9554GT	169-170	T113655GT	205
8915GT	59	T114022GT	205
89309GT	157	T114023GT	205
89310GT	157	T115580GT	117
89312GT	157	T115760GT	77-78, 81
89377GT	139	T115761GT	77-78, 81
89449GT	163, 165, 167	T115763GT	117
89571GT	57	T115764GT	117
89575GT	63-64	T115765GT	117
89733GT	151, 157	T115766GT	139
89737GT	157		
89738GT	157		
89770GT	151		
89871-2448GT	163, 165		
89871-2648GT	163		
89871-4398GT	209		
89871-5348GT	169-170		
89871-5648GT	169-170		
89871-5848GT	169-170		
89908GT	213, 215		
89959GT	187		
89977GT	221		
89997GT	87		
93500GT	11		
94324-300GT	99		
94327GT	11, 67, 69		
94374-4330GT	169-170		
94374-4830GT	209		
94374-5130GT	163		
94397GT	135		
94493-SGT	193		
94506GT	141-142		
94510GT	127		
94526GT	45, 47		
94537GT	189, 191		
94643GT	219		
94757GT	159		
94758GT	147		
94759GT	149, 159		
94760GT	159		
94765GT	159		
94937GT	57		
94980GT	131		
94981GT	237		
94982GT	49, 67, 69, 71, 73		
9599-SGT	179		
96008-SGT	59, 63-64		
96009GT	63-64		
96010GT	63-64		
96770GT	97		
97579GT	21		
97602GT	17		
97815GT	21, 31		
97865GT	13		
99778GT	227		
T106478GT	77-78, 121		
T106479GT	77-78, 121		
T106954GT	57		
T106955GT	57		
T106957GT	57		
T106961GT	57		
T106962GT	57		
T107193GT	77-78, 81, 131		

The Part Description Index is an alphabetical index of all part descriptions included in this manual. The index shows what page(s) the part is used on.

A

- ACC,FALL ARREST BAR,6FT FR.....233
 ACC,FALL ARREST BAR,6FT SYM.....233
 ACC,FALL ARREST BAR,6FT WORD.....233
 ACC,FALL ARREST BAR,8FT FR.....233
 ACC,FALL ARREST BAR,8FT SYM.....233
 ACC,FALL ARREST BAR,8FT WORD.....233
 ACCESSORY,OPERATOR PROT STRUCT.....225
 ACCESSORY,PANEL CRADLE,ANSI.....193
 ADAPTER, 2" TO 1.8", PERK 404F.....109
 ADAPTER, BSPT3/8"-19 TO NPTF1/2-14...197
 ADAPTER,140139-8-6.....195
 ADAPTER,AIR HOSE,PERK 404F.....109
 ADAPTER,EYEBOLT.....197
 ADAPTER,M18.....195
 ADAPTER,NPT 6-4.....195
 ADJUSTABLE STRAP ASSY.....193
 AIR CLEANER CLIPS, SUPERBOOM.....85, 93
 AIR CLEANER COVER, SUPERBOOM*.....85, 93
 AIR CLEANER,NELSON.....85, 93
 AIR CLEANER,NELSON***.....99, 109
 AIR LINE ASSY, S80.....221
 AIRLINE ASSY, S85.....221
 ALARM,CHIME TONE 5-25VDC***.....177
 ALARM,WARBLE TONE 5-30 VDC***.....142
 ALTERNATOR, DEUTZ,BF4L2011***.....89
 ALTERNATOR, GM3.0L ENGINE.....105
 ALTERNATOR,95 AMP,DEUTZ.....95
 ALTERNATOR,PERKINS 404D/F-22T.....111
 ALUMINUM FLAT CROSS BAR.....117
 ANGLE, RELAY MOUNTING.....61, 63-64
 ASSEMBLY, AUX POWER UNIT, 12VD.....49
 ASSEMBLY, GBOX, DEUTZ 2.9T,S80.....63-64
 ASSEMBLY, GBOX, DEUTZ2011,S80.....59
 ASSEMBLY, GBOX, LP/GAS, S80.....59
 ASSEMBLY, LIGHT, CONTACT ALARM.....235
 ASSEMBLY, SENSOR, PROX, CONTACT ALARM.....235
 ASSEMBLY, SPEED SENSOR.....111
 ASSEMBLY,BOOM SEC #1.....119
 ASSEMBLY,CONTACT ALARM CABLE, LARGE.....235
 ASSEMBLY,FOOT SWITCH.....77-78, 81, 139
 ASSEMBLY,PIVOT PLATE.....127
 ASSEMBLY,TIRE WHEEL,HF*****.....33
 ASSY BATTERY HEATER,240V.....227
 ASSY HEATER, MODEL 18, 120V.....227
 ASSY HEATER,MODEL 18,240V.....227
 ASSY, BATTERY HEATER, 120V.....227
 ASSY, CIRCUIT BREAKER 15A.....59
 ASSY, DRIVE LIGHT, 12V LED.....177
 ASSY, FUEL PICKUP TUBE.....47
 ASSY, JBOX, 8X10.....205
 ASSY, MED. PRESS. FILTER, SAE8.....55
 ASSY, PBOX, T4 DEUTZ 2.9L S80.....141-142
 ASSY, PLAT RECIRC, S80/85.....211
 ASSY, SENSOR W/HOUSING.....235
 ASSY, TERM RAIL, S80/85 2013.....61, 63-64
 ASSY,120V HEATER, HYD TANK.....227
 ASSY,240V HEATER, HYD TANK.....227
 ASSY,6' PLAT WELDMNT W/SIDE GATE.....139
 ASSY,6FT PLAT DUAL LG,BLANK W/SIDE SWING GATE.....139
 ASSY,8' PLAT WELDMNT W/SIDE GATE.....139
 ASSY,8FT PLAT TRI LG,BLANK W/SIDE SWING GATE.....139
 ASSY,DISPLAY,DP200 DEUTZ T4.....63-64
 ASSY,ENGINE HEATER,120V.....227
 ASSY,ENGINE HEATER,240V.....227
 ASSY,FUEL FILTER,DEUTZ 2.9.....97
 ASSY,FUEL PREFILTER,DEUTZ 2.9.....97
 ASSY,FUEL TANK,35GAL,W/PROP SENSOR.....45
 ASSY,GAUGE OPT. OIL COOLED.....195
 ASSY,GAUGE OPT.WATER COOLED.....195, 197
 ASSY,GBOX,PERKINS 404D,S80/85.....59
 ASSY,LS,LOAD SENSE,38.5 IN.....77-78, 81, 219
 ASSY,NON-STEER AXLE W/BEARINGS.....35
 ASSY,PBOX JUMPER,DISEL.....141-142
 ASSY,PBOX JUMPER,GAS/LP.....141-142
 ASSY,PBOX,DIESEL,S80/85.....141-142
 ASSY,PBOX,GAS/LP,S80/85.....141-142
 ASSY,PBOX,PERKINS 404D,S80/85.....141-142
 ASSY,PCB,ALC500-II,S80.....142
 ASSY,S80 YOKE W/BEARINGS,L,NDL.....33
 ASSY,S80YOKE,W/BEARINGS,RFLR,N.....33
 ASSY,STEER AXLE,W/BEARINGS,NDL.....33
 ASSY,TIRE/WHEEL,HF,W/SEALANT.....33
 ASSY,TRACK,FALL ARREST BAR,6FT FR.....233
 ASSY,TRACK,FALL ARREST BAR,6FT SYM.....233
 ASSY,TRACK,FALL ARREST BAR,6FT WORD.....233
 ASSY,TRACK,FALL ARREST BAR,8FT FR.....233
 ASSY,TRACK,FALL ARREST BAR,8FT SYM.....233
 ASSY,TRACK,FALL ARREST BAR,8FT WORD.....233
 ATOMISER (FUEL INJECTOR),PERKI.....111
 AUX RAIL, 6' PLAT, SIDE ENTRY.....179
 AUX RAIL, 8' PLAT, TRI-ENTRY.....179

B

- BACKING PLATE, HOSE BLOCK, JIB.....135
 BAFFLE, AIR CLEANER (27915)**.....99, 109
 BALL STUD**.....51, 53
 BAR, AXLE ROTATION STOP, OSC,N.....35
 BAR,SPACER.....119, 123
 BASE, W/1 N.O. CONTACTS***.....59, 142
 BASE,W/2 NC CONTACTS***.....59
 BASE,W/3 NC CONTACTS.....141-142
 BASE,WITH 2 N.O. CONTACTS***.....63-64
 BASE,WITHOUT CONTACTS.....59, 63-64
 BATTERY HOLD DOWN,GROUP 31.....49
 BATTERY,12V DEEP CYC 5/16"STUD.....49, 77-78, 81
 BATTERY,12V,1000 CCA GRP 31.....49, 77-78, 81
 BEARING KIT,PLAT ROTATOR,SUPER.....135
 BEARING KIT,WHEEL DRIVE W/BRAKE (227775).....41
 BEARING NUT***.....39, 41, 43
 BEARING TURNABLE SEAL***.....57
 BEARING, TAPERED - ASSY.....39, 41, 43
 BEARING,1.00IDX1.25ODX1.00L.....33, 127
 BEARING,1.25 ID X 1.5 OD X .75.....133, 135
 BEARING,1.25IDX1.50ODX1.50L.....119, 129, 131
 BEARING,1.25IDX1.50ODX2.25L.....125
 BEARING,1.25IDX1.50DX1.00L.....133
 BEARING,1.5"ID X 1.75OD X1.25L.....119
 BEARING,1.75IDX2.00ODX1.25L.....33
 BEARING,1.75IDX2.00ODX1.50L.....33
 BEARING,1.75IDX2.00ODX1.50LG.....33
 BEARING,2.50IDX2.75OBX1.25LG.....129, 131
 BEARING,2.50IDX2.75ODX1.50L.....119
 BEARING,2.50IDX2.75ODX2.00L.....33, 129
 BEARING,3.00IDX3.25ODX2.50LG.....129
 BEARING,3.00IDX3.50DX2.25LG.....119
 BEARING,FL, 1.25X1.5X2.13.....135
 BEARING,FL,1.25IDX1.41ODX1.50L.....135
 BEARING,FL,1.25IDX1.50DX1.25L.....135
 BEARING,FL,1.51X1.75X.84LG.....115
 BEARING,FL,2.50IDX2.75ODX1.36L.....129
 BEARING,FL,2.50IDX2.75ODX1.61L.....119, 129
 BEARING,GARLOCK,12FDU12.....219
 BEARING,THRUST WASHER***.....43
 BEARING,TURNABLE.....57
 BELLCRANK WELDMNT,JIB.....135
 BELLOWS,CYLINDER,PLAT LEVEL.....189, 191
 BELLOWS,LIFT CLYINDER.....189, 191
 BELLOWS,MASTER CYLINDER.....189, 191
 BELT,ALTERNATOR,PERKINS 404D/F.....11, 111
 BELT,AX33***.....213
 BELT-FAN, GM 3.0L ENGINE.....11, 105
 BOLT,CARRIAGE,1/4-20X.75,5,ZAG.....183
 BOLT,CARRIAGE,1/4-20X1.5,ZAG.....51, 53, 135
 BOLT,CARRIAGE,1/4-20X2.75,5,ZAG.....135
 BOLT,FLANGE,5/8-11X1.5"GR8 PLT.....91
 BOLT,HEX-UNC(.250-20, .500G).....43
 BOLT,HEX-UNC(.375-16).....41
 BOLT,HEX-UNC(.375-16,1.25g).....39
 BOLT,SHS,1.0X1.5X3/4-10,ZAG.....55
 BOLT,SHS,3/8X1.75X5/16-18,ZAG.....121
 BOLT,WHEEL DRIVE CAP(106122).....41
 BOOT(BELLOWS),E-STOP,BLACK.....141-142
 BOOT, ENVIRO, 3PH CIRCUIT BREAKER.....205
 BOOT,ROCKER JOYSTICK 75565.....145
 BOOT,CABLE TERMINAL,BLACK,2/0.....221
 BOOT,CABLE TERMINAL,LG,RED,2/0.....221
 BOOT,JOYSTICK.....145
 BOOT,TOGGLE SWITCH,SHORT*.....223
 BOTTLE, OVERFLOW, GM3.0L ENG.....105
 BOTTLE,COOLANT RECOVERY,3.7***.....107
 BOX,INSTRUCTION STORAGE.....139
 BRACE,UPPER RADIATOR SUPPORT.....107
 BRACKET, BUMPER.....51, 53
 BRACKET, GENERATOR 12 KW.....205
 BRACKET, GENERATOR BOX, MOUNT.....217
 BRACKET, STRUT BRACE.....93
 BRACKET,1K OHM 10-TURN POT**.....205
 BRACKET,1K OHM 10-TURN POT,PNT.....205
 BRACKET,AIRLINE TO PLATFORM.....221

PARTS FINDER

**Search Website
by Part Number**



**Search Manual
Library For Parts
Manual & Lookup Part
Numbers – Purchase
or Request Quote**

Search Manuals

Enter your information to help us find the right parts manual for your machine.

* Brand:

* Model:

* Serial:

* Part Number:

SEARCH

**Can't Find Part or
Manual? Request Help
by Manufacturer,
Model & Description**

Parts Order Form

Please fill in the following information to help us find the right part for your machine.

Manufacturer:	<input type="text"/>
Model:	<input type="text"/>
Description:	<input type="text"/>
Part Number:	<input type="text"/>
Quantity:	<input type="text"/>
Notes:	<input type="text"/>

Discount-Equipment.com is your online resource for quality parts & equipment.

Florida: **561-964-4949** Outside Florida TOLL FREE: **877-690-3101**

Need parts?

Click on this link: <http://www.discount-equipment.com/category/5443-parts/> and choose one of the options to help get the right parts and equipment you are looking for. Please have the machine model and serial number available in order to help us get you the correct parts. If you don't find the part on the website or on one of the online manuals, please fill out the request form and one of our experienced staff members will get back to you with a quote for the right part that your machine needs.

We sell worldwide for the brands: Genie, Terex, JLG, MultiQuip, Mikasa, Essick, Whiteman, Mayco, Toro Stone, Diamond Products, Generac Magnum, Airman, Haulotte, Barreto, Power Blanket, Nifty Lift, Atlas Copco, Chicago Pneumatic, Allmand, Miller Curber, Skyjack, Lull, Skytrak, Tsurumi, Husquvarna Target, Stow, Wacker, Sakai, Mi-T-M, Sullair, Basic, Dynapac, MBW, Weber, Bartell, Bennar Newman, Haulotte, Ditch Runner, Menegotti, Morrison, Contec, Buddy, Crown, Edco, Wyco, Bomag, Laymor, EZ Trench, Bil-Jax, F.S. Curtis, Gehl Pavers, Heli, Honda, ICS/PowerGrit, IHI, Partner, Imer, Clipper, MMD, Koshin, Rice, CH&E, General Equipment, Amida, Coleman, NAC, Gradall, Square Shooter, Kent, Stanley, Tamco, Toku, Hatz, Kohler, Robin, Wisconsin, Northrock, Oztec, Toker TK, Rol-Air, APT, Wylie, Ingersoll Rand / Doosan, Innovatech, Con X, Ammann, Mecalac, Makinex, Smith Surface Prep, Small Line, Wanco, Yanmar

Part Description Index (continued)

BRACKET,COVER, ECU, TIER IV.....97, 113	CASTING, WASHER, ENGINE ISOLAT.....103	CLAMP,RUB CUSH,0.75,#12 X 3/8*....83, 101, 207
BRACKET,DP200 PANEL MOUNT.....63-64	CASTING,WASHER,REBOUND.....113	CLAMP,SHORT LINK.....129
BRACKET,EXPANSION TANK, LEFT M.....91	CBV ASSEMBLY***.....55	CLAMP,STRAIN RELIEF,WK LT.....139
BRACKET,EXPANSION TANK,DEUTZ 2.....91	CHAIN,NO.2 (11 LINKS).....223	CLAMP,TOP WELD OPT,SHORT LINK.....129
BRACKET,FUEL SYSTEM,DEUTZ 2.9L.....97	CIRCUIT BREAKER, 15A.....63-64	CLAMP,TOP,SHORT LINK.....129
BRACKET,HOSE CLAMP,PAINTED.....135	CIRCUIT BREAKER,20A,SINGLE PH.....205	CLAMP,TWO HOSE.....135
BRACKET,HYD.ROTATOR MOUNT MNT.....57	CIRCUIT BREAKER,GFCI,3PH,63A,3.....205	CLEVIS YOKE-1/4-28,PLTD W/PIN.....37, 83
BRACKET,INTAKE PIPE,MOUNT,DEUT.....91, 109	CIRCUIT BREAKER,MAGTRIP,3PH,40A.....205	CLIP,AIR CLEANER END CAP***.....99, 109
BRACKET,LEG,RLY BLOCK.....67, 69, 71, 73	CIRCUIT BRKR 15A TYPE 2 METAL.....83	CLIP,HAIR PIN .243 X 5.25.....239
BRACKET,LINCOLN WELDER,PNTD.....207	CLAMP HALF,#6 DOUBLE TUBE.....55	Coil Nut.....157
BRACKET,LOWER RADIATOR.....107	CLAMP HALF,#12 TUBE.....55	COIL, D14E 10 VDC DED.....157
BRACKET,PBOX WIRE SUPPORT.....142	CLAMP HALF,#8 TUBE.....55	COIL, SOLENOID VALVE, 10V.....149
BRACKET,UPPER RADIATOR MOUNT,4.....107	CLAMP, 1.25 INCH TUBE.....235	Coil,10V.....157
BRACKET,V275S WELD LEADS.....207	CLAMP, 50MM V.....95	COIL,10V DC(D10,26 WATT).....157
BRACKET,WELD OPTION.....221	CLAMP, HOSE, 1 EAR, 11/16.....97	COIL,PROPORTIONAL VALVE***.....157
BRACKET,WELDER COVER.....207	CLAMP, HOSE/CABLE.....101	COIL,SOLENOID VALVE***.....151, 157
BRACKET,WELDER MOUNT SUPPORT.....207	CLAMP, OPTIONS, CABLETRACK.....117	COIL,SOLENOID VALVE,20W.....153, 155
BRACKET,WELDER TOP.....207	CLAMP,0.31,#5 X 1/4,RUB CUSH.....107	COIL,VALVE,PROPORTIONAL***.....157
BRACKET,WORK LIGHT MOUNT 5/16".....179	CLAMP,0.50,#8 X 1/4,RUB CUSH.....97, 121, 223	COIL-10V DC***.....159
Brake Lining Kit.....41	CLAMP,0.63,#10 X 3/8,RUB CUSH.....107	COLD WEATHER 120V J BOX ASSY.....227
BRAKE LINING KIT (121291).....43	CLAMP,0.75,#12 X 1/4,RUB CUSH...101, 107, 139	COLD WEATHER 240V J BOX ASSY.....227
BRAKE REPLACEMENT KIT.....41	CLAMP,1.00,#16 X 1/4,RUB CUSH.....61, 83, 85, 95, 97, 113, 142, 205, 207	COLLAR,JOYSTICK,CENTER.....145
Brake Seal Kit.....41	CLAMP,1.13,#18 X 1/4,RUB CUSH.....63-64, 223	COMPR.LINK,MACHINED,GND CONTR*..135
BRAKE TUBING.....55	CLAMP,1.25X.5 RUBBER-CUSHION.....139, 179, 193, 201	CONN MAXI FUSE MODULE,4POS.....67, 69, 71, 73
BREATHER CAP,RFM165.....45, 47	CLAMP,1.63,#26 X 3/8,RUB CUSH.....135	CONN PLUG 3 WAY ENDCAP DT.....227
BREATHER VALVE,PERKINS 404D-22T....107	CLAMP,2 HOSE,PLASTIC,5/8.....49, 55, 85, 93, 95, 101, 103, 113, 237	CONN RECEPT,FLANGED.....141-142
BRKT,AIR CLEANER ORIENTATION**.....99, 109	CLAMP,2.25,#36 X 3/8,RUB CUSH.....49, 119, 239	CONN, 520120-6.....163, 165, 169-170, 173, 175, 229, 231
BRUSH BOX,ASSY,GEN***.....205	CLAMP,3.0,#48 X 1/4,RUB CUSH.....99	CONN, SAE#4-1/4" NPT.....205
BUMPER, PLASTIC, 1.25 O.D.....139, 179, 201, 223	CLAMP,CABLE STRAIN RELIEF.....139	CONN,070121-24-24.....169-170
BUMPER, RUBBER, 1.25 X 1.25 IN.....49, 51, 53, 115	CLAMP,CABLE TRACK.....117	CONN,520120-12-16.....169-170, 209
BUMPER,BATTERY BOX & RAILS.....139, 181	CLAMP,CABLE TRACK, WK LT.....117	CONN,520120-16.....45, 47, 169-170
BUMPER,RUBBER***.....181, 219	CLAMP,ELEC.WELD OPT,SHORT LINK.....129	CONN,520120-24.....45, 47, 169-170
BUMPER,RUBBER,.75 X .50H,STUD.....103, 233	CLAMP,FIXED DIA, NYLON, 3/8".....91	CONN,520120-4***.....163, 165, 169-170, 173, 175
BUMPER,RUBBER-1 X 1.25.....49, 177	CLAMP,FIXED DIA,NYLON,.875".....111	CONN,520120-4-6***...169-170, 173, 175, 239
BUTTON,PUSH,BLACK W/SEAL***.....59, 64, 142	CLAMP,HALF,HARDLINE,3/8.....49	CONN,520120-4-8.....167
BUTTON,PUSH,RED MUSHROOM HEAD.....59, 64, 141-142	CLAMP,HOSE,.25" - .63" X .3125.....91, 107	CONN,520120-6-4.....169-170, 229, 231
BYPASS VALVE RELIEF.....157	CLAMP,HOSE,.63" - 1.0" X .5".....45, 97	CONN,520120-6-8.....167
	CLAMP,HOSE,1.25***.....91	CONN,520120-8***.....45, 47, 163, 165, 169-170, 173, 175, 209
	CLAMP,HOSE,1.75.....91, 107, 109, 189, 191	CONN,520120-8-10.....169-170
	CLAMP,HOSE,1/2" DOUBLE.....85	CONN,520120-8-12.....165, 209
	CLAMP,HOSE,1EAR,25/32.....95, 97	CONN,BULKHEAD,520601-8.....173, 175
	CLAMP,HOSE,2.00***.....91, 189, 191	CONN,DUAL RLY MODULE,10 POS.....67, 69, 73
	CLAMP,HOSE,2.50***.....93, 99, 109, 189, 191	CONN,FEED THRU STUD.....67, 71, 73
	CLAMP,HOSE,3.00".....93, 99, 109, 189, 191	CONN,PLUG 120 AC/15A DOMESTIC.....227
	CLAMP,HOSE,3.50.....85, 93, 189, 191	CONN,PLUG 2 WAY,14-18GA.....227
	CLAMP,HOSE,5.00.....189, 191	CONN,PLUG 8 WAY 14-18GA,BLK.....241
	CLAMP,HOSE,6.50.....189, 191	CONN,POWER RLY MODULE,4POS.....67, 73
	CLAMP,HOSE,8.50 DIA***.....189, 191	CONN,RECEP 12 WAY,GRY FLANGE.....141-142
	CLAMP,HOSE,SIZE .31 > .91.....45, 95, 97	CONN,RECEP 2 WAY ENDCAP DT.....227
	CLAMP,HYD,SHORT LINK.....129	CONN,RECEP 24 WAY,W/FLANGE.....61, 63-64
	CLAMP,JIB HOSE/CABLE.....135	CONN,RECEP 3 WAY ENDCAP DT.....227
	CLAMP,LINK,LH WELD WIRE.....131	CONN,RECEP 4 WAY,12-14GA FL***.....61, 63-64, 141-142
	CLAMP,MUFFLER, 2.50 INCH.....83, 95, 109	CONN,RECEP 40 WAY,W/FLANGE.....61, 63-64
	CLAMP,OPTIONS,LONG LINK.....221	CONN,RECEP 48 WAY,4 X 12.....61, 63-64, 142
	CLAMP,PULL TUBE HOSES,LEFT.....117	CONN,RECEP 8 WAY 14-18GA,FL.....61, 63-64
	CLAMP,PULL TUBE HOSES,LH.....117	CONN,SQUEEZE,1/2NPT .38-50,SM.....61, 63-64, 217
	CLAMP,PULL TUBE HOSES,MID.....117	
	CLAMP,PULL TUBE HOSES,RH.....117	
	CLAMP,PULL TUBE HOSES,RIGHT.....117	
	CLAMP,PULL TUBE,LEFT,WK LT.....117	
	CLAMP,PULL TUBE,RIGHT,WK LT.....117	

C

CABLE ASSY,EXTEND.....127
 CABLE ASSY,RETRACT.....127
 CABLE SQUEEZE CONN.....205
 CABLE TIE,11.5" BLACK.....207
 CABLE TIE,7 3/8".....64
 CABLE TIE,DFT MOUNT,BLK,6.5".....107
 CABLE TRACK,SX,70 LNK.....117
 CABLE, BATTERY 2/0 POS RD 123".....77-78, 81
 CABLE,BATTERY NEG,BK.....77-78, 81
 CAN CONVERTER, 1.62 - 4.35 V R.....241
 CAN CONVERTER, 1.71 - 4.50 V R.....241
 CAP,TANK, FUEL SENSOR.....45
 CAP,DIAGNOSTIC NIPPLE.....49
 CAP,DISENGAGE,4HP/4HB***.....41, 43
 CAPEXTENSION.....123
 CAP,FUEL,DIESEL,1/8"VENT(GRN).....45
 CAP,FUEL,GASOLINE 3.5PSI.....47
 CAP,OIL FILLER,DEUTZ,DIESEL***.....89
 CAP,RADIATOR,PERKINS(94232).....91
 CARTRIDGE,VALVE HOUSING.....211
 CASTING, CHASSIS WEIGHT, NDL.....75

CONN. SQZ,1/2NPT .56-.63.....205	DECAL, DANGER, ELECTROCUTION HAZARD, SYMBOL.....27, 31	DECAL,LABEL,ENG STRT& CONTROLS.....13
CONNECTOR, SAE10, QUICK CONN.....95	DECAL, ENG, SPECS, GM 3.0L.....17	DECAL,LABEL,LIFTING EYE.....15, 25
CONNECTOR,BULKHEAD,FEMALE-4.....49	DECAL, IMPROPER OPERATION.....13, 17	DECAL,LABEL,LIQUID PROPANE.....13, 23
CONNECTOR,SAE12,QUICK CONNECT.....95	DECAL, INSTRUCTION, CONTACT ALARM.....235	DECAL,LABEL,LOWER MIDRAIL.....21, 31
CONTACT ALARM WIRE ASSY, LARGE.....235	DECAL, LABEL, SHELL TELLUS.....13	DECAL,LABEL,NO SMOKING,SYMB.....23, 27
CONTACT, N.C.....59, 63-64	DECAL, LCD, TIER 4.....13	DECAL,LABEL,PATENTS.....17
CONTACT,N.O.***.....59, 63-64	DECAL, OPERATING INSTRUCTIONS.....13	DECAL,LABEL,PETRO CANADA***.....13
CONTROL BOX COVER,LID,PTD.....181	DECAL, PLAT CNTL PNL.....21, 31	DECAL,LABEL,TIP OVER LMT SWTCH.....29
CORROSION INHIBITOR,FOAM.....61, 63-64, 142	DECAL, PLAT CNTL PNL 60X 80X.....21, 31	DECAL,LABEL,TIPOVER,TIRES,SYMB.....25, 27
COUNTERWEIGHT,S80.....75	DECAL, POWER TO PLATFORM 230V**.....17, 21, 27, 31	DECAL,LABEL,TRANSPORT TIEDOWN*.....15, 25
COUNTERWEIGHT,S85.....75	DECAL, RELAY BLOCK, S80/85.....17, 27	DECAL,LABEL,UCON HYDROLUBE.....13
COUPLER, PUMP / MOTOR (36179).....49	DECAL, RUNAWAY HAZARD.....21	DECAL,LABEL,UNLEADED GAS ONLY.....13, 23
COUPLER,15 TOOTH,FBA,PERKINS**.....109	DECAL, SYMBOL - READ THE MANUAL.....23, 31	DECAL,LABEL,WHEEL LOAD S80.....15, 17, 25, 27
COUPLER,15 TOOTH,FBA,SAE8***.....85, 93	DECAL, TIPOVER HAZARD, S80X.....21	DECAL,LABEL,WHEEL LOAD S85.....15, 17, 25, 27
COUPLING (106113).....205	DECAL, TIPOVER HAZARD, S80X, SYM.....31	DECAL,LANYARD ANCHORAGE POINT.....21, 31, 233
COUPLING, 28MM (106113).....205	DECAL, TRANSPORT/LIFTING, S60.....15, 17, 25, 27	DECAL,LOW/ULTRA LOW SULFR FUEL.....13
COVER PLATE (121351).....39	DECAL,ANNUAL INSP***.....17	DECAL,MACHINE REGISTRATION/OWNER TRANSFER.....13, 23
COVER PLATE, TUBE CLAMP #12.....55	DECAL,ARROW BLUE.....17, 27	DECAL,NOTICE,SHUTOFF VALVES.....13
COVER PLATE,BOOM.....119	DECAL,ARROW YELLOW LRG 9".....15, 25	DECAL,PLATFORM OVERLOAD.....21, 31
COVER PLATE,TUBE CLAMP #8.....55	DECAL,CAUTION,NO STEP.....15, 27	DECAL,POWER TO PLATFORM 115V.....17, 21, 27, 31
COVER, DRIVE CHASSIS, FRONT,ND.....35	DECAL,CAUTION,TOWING SPEED.....15	DECAL,PROTECTOR,CLEAR.....189, 191
COVER, DRIVE CHASSIS, REAR,NDL.....35	DECAL,CHEVRON RANDO HD.....13	DECAL,SYMBOL-BATTERY SAFETY.....23
COVER, ENGINE,DEUTZ F4L2011.....89	DECAL,COSM GENIE S80X.....19, 29	DECAL,TIP-OVER HAZARD,ANSI.....31
COVER, FOOT SWITCH, LARGE.....139	DECAL,COSMETIC,4 X 2.....15, 25	DECAL,TIP-OVER HAZARD,CE.....31
COVER, JIB HOSES/CABLES**.....135	DECAL,COSMETIC,4 X 4.....15, 25	DECAL,TIP-OVER,CRUSH.....31
COVER, LIMIT SWITCH ARM MOUNT.....121	DECAL,COSMETIC,GENIE S-80.....19, 29	DECAL,TOWING INSTRUCTIONS.....15
COVER, SWING CHASSIS, ES.....53	DECAL,COSMETIC,GENIE S-85.....19, 29	DECAL,TRACK,FALL ARREST BAR,SYMBOL.....233
COVER, SWING CHASSIS, TS.....51	DECAL,COSMETIC,S80.....17, 27	DECAL,TRACK,FALL ARREST BAR,WORD.....233
COVER,BLANK.....217	DECAL,COSMETIC,S85.....17, 27	DECAL,TRACK,FALL ARREST BAR,WORD FR.....233
COVER,BOOM SECTION #2.....123	DECAL,DANGER DO NOT ALTER SWTC.....19	DECAL,TRIANGLE,BLUE.....15, 17, 25, 27
COVER,CONTROL BOX LEFT SIDE***.....181	DECAL,DANGER,BATTERY SAFETY***.....13	DECAL,TRIANGLE,YELLOW.....15, 17, 25, 27
COVER,CONTROL BOX RIGHT SIDE***.....181	DECAL,DANGER,CAP,ANSI WORD.....21	DECAL,ULS DIESEL ONLY,TIER 4.....13
COVER,FLYWHEEL CASTING.....85, 93	DECAL,DANGER,CAP,AUS WORD.....21	DECAL,WARN,ELECTRO HAZARD.....13
COVER,GFCI,HORIZONTAL,WEATHER.....205, 217	DECAL,DANGER,ELEC.HAZ.STAY CLR.....23, 27, 31	DECAL,WARN,IMPROPER OPERATION.....21
COVER,HSE&CBL DLX HOSTILE.....189, 191	DECAL,DANGER,ELECT HAZARD***.....13, 17, 21	DECAL,WARNING,PANEL CRADLE.....21
COVER,JBOX W/SX,BREAKER RETRO KIT.....205	DECAL,DANGER,HIGH VOLTAGE.....17, 21	DECAL,WARNING,PIPE CRADLE,BOOM.....21
C O V E R , P O W E R R E L A Y M O D U L E , D E U T Z 97	DECAL,DANGER,NO SMOKING.....13, 17	DIN RAIL,17".....61, 63-64
COVER,PROTECTIVE,JIB CYLINDER.....191	DECAL,DANGER,TIP-OVER,WELDER**.....21	DIN RAIL,6.38".....205
COVER,PROTECTIVE,OSC.CYLINDER.....189, 191	DECAL,DANGER,TIPOVER,TILT.....21	DIPSTICK TUBE,PERKINS 404D-22T.....107
COVER,PROTECTIVE,STEER CYL.....189, 191	DECAL,DANGER,TIPOVER,TILT,SYM.....31	DIPSTICK, GM3.0L ENG.....105
COVER,RING GEAR,FRONT.....185	DECAL,DANGER/LABEL,TIRE SPECHF.....15, 17	DIPSTICK,PERKINS 404D-22T.....111
COVER,RING GEAR,REAR.....185	DECAL,DANGER/LABEL,TIRE SPECS.....15, 17	DIPSTICK-F3L1011F (DEUTZ).....89
COVER,ROTATION GEAR PAINTED.....55	DECAL,DANGER/WARNING COMBO.....21	DISENGAGE, ROD.....41, 43
COVER,WELDER GENERATOR.....205	DECAL,DIESEL.....13, 23	Due to Tier 4 regulations, many engine replacement parts require engine serial number at time of order placement. When ordering engine parts please have both machine and engine serial numbers available. For internal engine parts, contact engine dealer.....107
CRANKSHAFT PULLEY,PERKIS 404D.....111	DECAL,DRIVE ENABLE PATCH.....31	
CYLINDER HEAD COVER,PERKINS 404D.....107	DECAL,EMERGENCY LOWERING.....23	
CYLINDER,JIB (STICK BOOMS).....135	DECAL,ENGINE SPEC,DEUTZ TD2.9.....17	
CYLINDER,LEVEL.....133, 135	DECAL,ENGINE SPEC,DEUTZ,TD2011.....17	
CYLINDER,LIFT,S80-85***.....129	DECAL,ENGINE SPEC,PERKINS 404D-22T.....17	
CYLINDER,MASTER***.....129	DECAL,EXPLOSION HAZARD.....17	
CYLINDER,OSCILLATE***.....33	DECAL,FIRE EXTINGUISHER.....21	
CYLINDER,PRIMARY EXTENSION***.....127	DECAL,FUNCTION OVERRIDE.....21, 31	
CYLINDER,STEER.....33	DECAL,GR CNTL PNL 60X 80X.....13, 23	
	DECAL,GROUND BOX,TIER IV.....13, 23	
	DECAL,LABEL, AIR LINE 110 PSI.....17, 21, 27, 31	
	DECAL,LABEL, ELECTRO HAZARD.....23	
	DECAL,LABEL,106 DB***.....27	
	DECAL,LABEL,AUX BATTERY.....13	
		E
		ECM, Deutz D2.9.....97
		ECM, SSI .79L / .97L.....105
		EDC ASSY,SAUER M46***.....101, 161
		ELBOW,45D,520320-4.....167, 169-170, 173, 175, 211
		ELBOW,45D,520320-6.....167, 173, 175
		ELBOW,45D,520320-6-4.....169-170, 229, 231

D**E**

Part Description Index (continued)

- ELBOW,45D,520320-8-10.....169-170
 ELBOW,90 DEGR,RUBBER,2.5" I.D.*.....99
 ELBOW,90D,520220-16.....169-170
 ELBOW,90D,520220-4-4.....169-170, 173, 175, 211
 ELBOW,90D,520220-4-6***.....163, 165
 ELBOW,90D,520220-6.....163, 165, 167, 169-170
 ELBOW,90D,BLKHD,ORFS-6-6 W/NUT.....169-170, 173, 175, 229, 231
 ELBOW,90D,BULKHEAD,520701-4.....173, 175
 ELBOW,90D,LONG,521520-4.....173, 175
 ELBOW,90D,LONG,521520-6.....169-170
 ELBOW,90D,LONG,521520-8.....45, 47, 170
 ELBOW,AIR INTAKE,RUBBER.....85
 ELBOW,INLET,CUMMINS.....85
 ENCLOSURE BOX, GAUGE OPT.....195, 197
 END BRACKET,FIXED END.....117
 END BRACKET,MOVING END.....117
 END STOP, DIN RAIL,SCREW CLAMP.....61, 63-64
 END STOP,TRACK,FALL ARREST BAR.....233
 ENGINE CONTROL GOV,PERKINS 404.....113
 EVACUATOR VALVE-AIR CLEANER.....85, 93, 99, 109
 EXHAUST MANIFOLD, DEUTZ F4L201.....89
 EXHAUST PIPE, 2.9L DEUTZ.....95
 EXHAUST VALVE,PERKINS 404D.....107
 EXPANSION PLUG.....39
 EXPANSION TANK,METAL,D2.9.....91
- F**
- FAN BELT, ALTERNATOR.....11, 95
 FAN SHROUD,PERKINS 404F-22T.....107
 FAN, PULLER 18", GM3.0L ENG.....105
 FAN,10 BLADE,17",DEUTZ 2.9L.....95
 FAN,10 BLADE,17",PERKINS 404F.....111
 FEMALE BULKHEAD CONNECTOR-8.....221
 FILTER ASSY,HIGH PRESS SAE-12*.....11, 55
 FILTER ASSY,INTANK.....45, 47
 FILTER HEAD (29560).....89
 FILTER LID,RFM165.....45, 47
 FILTER, DEUTZ 2.9, FUEL.....11, 97
 FILTER, FUEL, GM3.0L.....11, 105
 FILTER,AIR CLEANER,SUPERBOOM.....11, 85, 93
 FILTER,AIR***.....11, 99, 109
 FILTER,ELEMENT,BETA(10)=200.....45, 47
 FILTER,ELEMENT,BETA(5)=1000.....11, 55
 FILTER,FUEL/WTR SEP, DTZ 1008.....11, 89
 FILTER,OIL,DEUTZ F4L1011F.....11, 89, 91
 FILTER,OIL,DEUTZ,REPLACEMENT.....89, 91
 FILTER-FUEL, GM 3.0L ENGINE.....11, 105
 FILTER-OIL,GM 3.0L ENGINE.....11, 105
 FINGER,GUIDE,CABLE TRACK.....117
 FIRE EXTINGUISHER.....207
 FIRE SLEEVE, 1.25".....207
 FIRE SLEEVE, 2.0".....207
 Fits all 6' and 8' Booms.....225
 FITTING, BRANCH BULKHEAD.....163, 165, 167
 FITTING,1/4 NPT X SAE J2044.....47
 FITTING,3/8 NPT TO 1/2 BARB.....45
 FITTING,45DEG,1/2 HS X 3/4-16.....97
 FITTING,BULKHEAD,3/8NPT,FUETK.....45
 FITTING,CONN,16MM-6MJ.....97
 FITTING,CONN,16MM-8MJ.....97
 FITTING,CONN,520120-12***.....163, 165, 169-170, 173, 175, 209
 FITTING,ELBOW,45D,520320-12***.....163, 165, 169-170, 209
 FITTING,ELBOW,8GS-8FJX90S.....97
 FITTING,ELBOW,90D,520220-12.....45, 47, 163, 165, 169-170, 199, 209
 FITTING,ELBOW,90D,520220-6-4.....229, 231
 FITTING,ELBOW,90D,520220-8***.....49, 165, 169-170
 FITTING,STR,3/8 HS X 9/16-18,J.....97
 FITTING,TEE,RUN,SWIVEL520432-4.....211
 FITTING,TEE,RUN,SWIVEL52043212.....169-170, 209
 FLASHTUBE,STRAIGHT,360DEG,BULB....177
 FLASHTUBE,U SHAPED,360DEG,BULB...177
 FLAT BAR W/PEM NUTS.....117
 FLEX PIPE,EXHAUST,2.5" DIA.....83
 FLGHCS,1/2-13X1.50,GR8,BLK PH.....85, 93
 FLOORING, 6FT PLAT,SIDE.....139
 FLOORING,8 FT PLATFORM*.....139
 FOAM PAD, 3" OD X 1.25" ID X 14 IN.....193
 FOAM,AIRCRAFT PROTECTION.....223
 FORMING PANEL CRADLE.....193
 FORMING, BAT CABLE GUIDE.....49
 FORMING, BATTERY TRAY, NDL.....49, 97, 113
 FORMING, BULKHEAD BRKT, NDL.....35
 FORMING, CLAMP, BATTERY CABLE.....93
 FORMING, CLAMP, CABLE.....237
 FORMING, CONTROL BOX COVER.....181
 FORMING, COVER, REAR AXLE, NDL.....35
 FORMING, COVER, SWIVEL.....55
 FORMING, ENGINE HARNESS SUPPOR...95
 FORMING, ENGINE MOUNT, LH.....113
 FORMING, ENGINE MOUNT, RH.....113
 FORMING, FILTER MOUNT.....55
 FORMING, GENERATOR MOUNT.....215
 FORMING, LATCH TRIGGER, ES.....53
 FORMING, LATCH TRIGGER, TS.....51
 FORMING, MODULE, CAN, SENSING.....241
 FORMING, OSC. MANIFOLD MOUNT,N.....37
 FORMING, PLAT. BOX LID.....141-142
 FORMING, SENSOR HOLDER.....235
 FORMING, SOLENOID MOUNT***.....83
 FORMING, STUD MOUNT, CABLE SUPPORT.....237
 FORMING, SUPPORT, FUEL RETURN.....107
 FORMING, SWIVEL STOP, NDL.....57
 FORMING, TRAC. CONT. MAN. BRKT.....35
 FORMING,6-CORE RADIATOR MOUNT.....91
 FORMING,8.5' MUFFLER MOUNT.....83, 109
 FORMING,BD-GEN REGULATOR MT.....217
 FORMING,BRACKET BATTERY CABLE.....131
 FORMING,BRACKET,EXTEND SHEAVE...127
 FORMING,BRACKET,LATCH.....49, 115
 FORMING,BRKT,ENGINE COVER.....49
 FORMING,BRKT,TANK COVER.....49
 FORMING,BRKT,WIPER,BOOM #1.....183
 FORMING,BRKT,WIPER,BOOM #2.....183
 FORMING,CABLE COVER,BLUE,S80/85...131
 FORMING,CABLE SUPPORT.....131
 FORMING,CLAMP,TOP,CABLE TRACK.....117
 FORMING,CONTROLBOX MT,WELD GEN.....205
 FORMING,COVER,LEFT BACK.....53
 FORMING,COVER,LEFT FRONT.....53
 FORMING,COVER,PRIM.Boom,PAINTED.119
 FORMING,COVER,RIGHT BACK.....51
 FORMING,COVER,RIGHT FRONT.....51
 FORMING,COVER,RIGHT MIDDLE.....51
 FORMING,DRIVE LIGHT,RIGHT,S80.....177
 FORMING,DRIVELIGHT,LEFT,S80-85.....177
 FORMING,ENGINE MOUNT.....87
 FORMING,FAN SHROUD STRUT MOUNT..93
 FORMING,GENERATOR MOUNT***.....213
 FORMING,INNER HANGER.....233
 FORMING,LATCH GUARD,ES.....53
 FORMING,LATCH GUARD,TS.....51
 FORMING,LATCH,CTRL BOX LID PTD.....181
 FORMING,LIMIT SWITCH BRACKET.....127
 FORMING,LINK THRUST WASHER.....131
 FORMING,LP BRACKET MOUNT.....203
 FORMING,LS RAMP.....123
 FORMING,MANIFOLD MOUNT.....49
 FORMING,MUFFLER MOUNT.....83
 FORMING,OIL COOLER SUPPORT.....199
 FORMING,PLATFORM MANIFOLD MNT...139
 FORMING,RELAY BLOCK COVER.....55
 FORMING,SECONDARY SUPPORT.....193
 FORMING,SOLENOID MOUNT.....107
 FORMING,TAIPIPE SUPPORT,S80.....95
 FORMING,TELEMATICS, TOPCON,S80.....241
 FORMING,VALVE BRACKET.....211
 FORMING,WELD GEN MANIFOLD MT.....205
 F O R M I N G , D E B R I S C V R
 #3,PAINTED,BLUE.....125
 FUEL FILTER ASSY,PERKINS 404D/.....11, 111
 FUEL FILTER W/SEP,DEUTZ,1008.....89
 FUEL INJECTOR PUMP,PERKINS 404.....111
 FUSE,.6AMP,250V,WELDER,V275S.....207
 FUSE,20 AMP,MAXI.....11, 67, 71, 73
 FUSE,30 AMP.....11, 67, 69
 FUSE,60 AMP,MAXI.....67, 73
- G**
- GAS STRUT,250 LBS FORCE***.....51, 53
 GASKET.....197
 GASKET, FUEL LEVEL SENDER, Z80.....47
 GASKET, GM3.0L ENG.....105
 GASKET, ISOLATION, JOYSTICK.....142
 GASKET, TANK, FUEL SENSOR.....45
 GASKET, UK POWER TO PLAT.....217
 GASKET,AIR PIPE HOUSING,PERKINS 404D.....107
 GASKET,CYL HEAD COVER,PERKINS 404D-22T.....107
 GASKET,DP200 BLACK PANEL SEAL.....63-64
 GASKET,EXHAUST.....89
 GASKET,EXHAUST MANIFOLD,PERKINS 404D-22T.....107
 GASKET,GBOX,S80/85 2008.....61, 63-64
 GASKET,KEYSWITCH,PLASTIC***.....59, 64
 GASKET,PLATFORM CONTROL BOX.....141-142
 GASKET,RETURN FILTER-77353.....45, 47
 GAUGE, FUEL LEVEL, 20/30 GAL.....47
 GAUGE,OIL PRESSURE W/O SENDER..195, 197
 GAUGE,OIL TEMP.....195
 GAUGE,VOLTAGE.....195
 GAUGE,VOLTAGE***.....197
 GAUGE,WATER TEMP.....195, 197
 GAUGE-SIGHT,LHA-LGTB***.....45, 47
 GENERATOR,12.5 KW,W/O MOTOR***.....205
 GENERATOR,3000W,220V,50HZ***.....213, 215
 GENERATOR,3500W,120V,60HZ**.....213, 215

GENERATOR, HYDRO-12KEP-21-3.....205	HARNESS, MANIFOLD, FUNCTION.....77-78, 81	HOSE ASSY, 1/2, 45 FEM, STR FEM....173, 175
GLAND NUT SEAL ASSY.....129	HARNESS, PLAT RECIRC, S80/85.....77-78, 81	HOSE ASSY, 1/2, 45 FEM, STR, 114.6.....165
GLOWPLUG, ENGINE, PERKINS 404D/F....111	HARNESS, TD2011L04I, DEUTZ.....77-78, 81	HOSE ASSY, 1/2, 45, 36IN, STR 8-12.....209
GREASE, DIELECTRIC 4 OZ**.....11	HARNESS, TELEMATICS, M8, ZTR.....241	HOSE ASSY, 1/2, 90 FEM, STR FEM.....163, 165, 169-170
GRIP, CABLE.....235	HARNESS, 12V TO PLAT, S80-2008.....77-78	HOSE ASSY, 1/2, 90 FEM, STR FEM**.....165
GROMMET RUBBER .375X1.00X.1875.....93	HARNESS, 12V TO PLAT, S85 2008.....81	HOSE ASSY, 1/2, 90 FEM, STR FEMM*.....169-170, 173, 175
GROMMET, RUBBER, .75X.375X1.25.....107	HARNESS, 12V WORK LIGHT RELAY.....77-78, 81	HOSE ASSY, 1/2, 90MD, 34IN, STR.....209
GROMMET, RUBBER .38X1.38X1.0.....95	HARNESS, 16/22 BOOM 1, S80-2008.....77-78	HOSE ASSY, 1/2, STR FEM, STR FEM.....165
GROMMET, RUBBER .688 X .25 X 1.....49	HARNESS, 16/22 BOOM 1, S85-2008.....81	HOSE ASSY, 1/2, STR FEM, STR FEM*.....169-170
GROMMET, RUBBER .75 X .19 X 1**.....87	HARNESS, 18/22 BOOM 2, S80-2008.....77-78	HOSE ASSY, 1/4 STR FEM, STR FEM.....173, 175
GROMMET, RUBBER, .5 X .063 X .75.....97	HARNESS, 18/22 BOOM 2, S85-2008.....81	HOSE ASSY, 1/4" 90 FEM, STR FEM.....239
GROMMET, RUBBER, 1.0 X 1.25X1.5.....95	HARNESS, ALARM/BEACON, S80 2008.....59, 63-64, 77-78, 81	HOSE ASSY, 1/4", 90 FEM, STR FEM.....173, 175
GROUND WIRE, SOLENOID.....49	HARNESS, APU GND TO ENGINE BLCK.....49	HOSE ASSY, 1/4" STR FEM, STR FEM.....239
GUARD, HOSE PROTECTOR.....35	HARNESS, BATT.+ TO APU SOLENOID.....49	HOSE ASSY, 1/4, 45 FEM, STR FEM.....163, 165, 170, 173, 175
GUARD, SWING GATE.....179	HARNESS, BATT1 TO SEPERATOR, S80.....77-78, 81	HOSE ASSY, 1/4, 90 FEM, STR FEM.....163, 165, 169-170, 173, 175
GUARD, FAN, PERKINS 404F-22T.....107	HARNESS, BATT2 TO APU(+), S80.....77-78, 81	HOSE ASSY, 1/4, 90 FEM, STR FEM.....163, 165, 169-170, 173, 175, 211
GUIDE FINGER, PLASTIC.....117	HARNESS, BATT2 TO APU(-), S80.....77-78, 81	HOSE ASSY, 1/4, 90 FEM, STR FEM**.....165
GUIDE, CABLE.....235	HARNESS, BATT2 TO SEPERATOR, S80.....77-78, 81	HOSE ASSY, 1/4, 90D FEM, STR FEM.....211
GUIDE, EXT. CABLES.....127	HARNESS, BEACON, S80/85 2008.....77-78, 81, 177	HOSE ASSY, 1/4, 90L FEM, STR FEM.....173, 175
	HARNESS, CE OPTION, S80/85.....77-78, 81	HOSE ASSY, 1/4, STR FEM, STR FEM.....165, 170, 175
H	HARNESS, DRV LIGHTS, S80/85 2008.....77-78, 81	HOSE ASSY, 1/4, STR FEM, STR FEM*.....173, 175
HANDLE, YELLOW LOCKING, CODE 455...51, 53	HARNESS, ENG, PERKINS 404D, S80/85....77-78, 81	HOSE ASSY, 1/4/STR FEM, STR FEM.....163, 165
HARN, ENG, TIER IV DEUTZ, S80.....77-78, 81	HARNESS, ENG/HYD HEATER, 120V.....227	HOSE ASSY, 3/4, 90 FEM, STR FEM...169-170
HARN, LS CABLE, S80 DUAL CAP.....77-78	HARNESS, ENG/HYD HEATER, 240V.....227	HOSE ASSY, 3/4" HYD, 45F, STRF.....209
HARN, PBOX, DEUTZ 2.9T, S80.....77-78, 81	HARNESS, GAUGE OPT. S80/85.....77-78, 81	HOSE ASSY, 3/4", 10-12 90 F, ST F.....209
HARN, GBOX, PERKINS 404D, S80/85.....77-78, 81	HARNESS, GND BATT 1 TO BATT 2.....77-78, 81	HOSE ASSY, 3/4", 90F, STR F.....163, 209
HARN, LS OP PRI VEL LST3O.....77-78, 81, 131	HARNESS, JIB KIT, S85-2008.....81	HOSE ASSY, 3/4" STR-STR.....209
HARN, LS OP PRI DUAL CAP.....77-78, 121	HARNESS, KIT, BD-GEN, S80.....213, 215	HOSE ASSY, 3/4, 45 FEM, STR FEM.....169-170, 173, 175
HARN, LS SAFETY PRI VEL LST3S.....77-78, 131	HARNESS, LS W/RECOVERY.....77-78, 81	HOSE ASSY, 3/4, 45 FEM, STR, 25.26.....165
HARN, LS SAFETY, PRI DUAL CAP.....77-78, 121	HARNESS, LS, BOOM RET S80/85.....77-78, 81	HOSE ASSY, 3/4, 90 FEM, STR FEM.....165
HARN, LS, BOOM ANGLE S80/85 2008.....77-78, 81	HARNESS, LS, CHAIN BREAK S80/85.....77-78, 81	HOSE ASSY, 3/4, STR FEM.....169-170
HARN, LS, DRIVE EN, S80/85 2008.....57, 77-78, 81	HARNESS, PBOX, DUAL CAP, S80X.....77-78	HOSE ASSY, 3/4, STR FEM, STR FEM.....163, 165, 169-170, 199
HARN, LSB1, DUAL CAP ASSY.....77-78	HARNESS, PBOX, S80/85.....77-78, 81	HOSE ASSY, 3/8" 90 FEM, STR FEM.....167
HARN, PBOX, JOYSTICK, S80/85 2008.....77-78, 81, 142	HARNESS, PROX.KILL.....77-78, 81	HOSE ASSY, 3/8", STR FEM/STR FEM.....173
HARN, PLAT MANIFOLD, S80.....77-78	HARNESS, SEPERATOR GND, S80.....77-78, 81	HOSE ASSY, 3/8, 90 FEM, STR FEM.....169-170, 173, 175
HARN, PLAT MANIFOLD, S85.....81	HARNESS, START ASSIST, 404D.....227	HOSE ASSY, 3/8, 90D.....167
HARNESS ASSY, PCON, PROX KILL.....223	HARNESS, START ASSIST, S80.....227	HOSE ASSY, FEM SW, 6-6.....167
HARNESS for GENERATOR	HARNESS, TILT ALARM, 12V.....77-78, 81	HOSE ASSY, HYD, 3/8", STR FEM ORFS-6 X STR FEM ORFS-6 X 706".....175
W/REG. 220V.....217	HARNESS, WELD GEN ENCLOSURE.....205	HOSE ASSY, 3/8, -4STRFEM, -6 90FEM.....229
HARNESS for GENERATOR	HEAT SHIELD, DEUTZ TD2.9L.....93	HOSE COUPLING, RUBBER, LOWER RAD.....107
W/REGULATOR.....217	HEATER HOSE, 1/4".....91	HOSE END, BARB, 1/4 MNPTX5/16, 90.....107
HARNESS, 120V BATT CABLE, 36".....227	HINGE, SPRING, LONG LEG.....139	HOSE END, BARBED, RIGID, 6-6.....45
HARNESS, 120V POWER CORD, 12".....227	HINGE, .375X.1875THK, SLOTTED.....51, 53	HOSE GUIDE, JIB.....135
HARNESS, 240V BATT CABLE, 36".....227	HINGE, CONSTANT TORQUE.....181	HOSE, UPPER RADIATOR, DEUTZ D.....91
HARNESS, 240V POWER CORD, 12".....227	HINGE, PLAT CONTROL BOX COVER.....181	HOSE, 1/4 FUEL LINE, SAE 30R7.....89
HARNESS, CONTACT ALARM, S40, S60, S80.....77-78, 81	HOLDER, SENSOR.....235	HOSE, 5/16 FUEL, SAE 30R7.....89
HARNESS, DEUTZ 2008.....77-78, 81	HOOK, BATT HOLD DOWN, 10".....49	HOSE, AIR INLET.....99
HARNESS, ENG, GM3.0, S80.....77-78, 81	HORN, 12VDC, SPADE TERMINALS***.....49	HOSE, CLEANAIR, 90DEG, 2.25X2.5.....99
HARNESS, GBOX, CONINENTAL, S80.....77-78, 81	HOSE ASSEMBLY, 1/4", 3250PSI.....205	H O S E , E X P A N S I O N
HARNESS, GBOX, DEUTZ 2.9T, S80.....77-78, 81	HOSE ASSEMBLY, 3/8.....163, 165	TANK, COMPENSATION.....91
HARNESS, GBOX, DEUTZ2011, S80.....77-78, 81	HOSE ASSEMBLY, 3/8".....163, 165	HOSE, FUEL, 1/2, GATES RLA.....97
HARNESS, LEVEL, FUEL, S80.....77-78, 81, 241	HOSE ASSY, 1", 90 FEM, STR FEM.....169-170	HOSE, FUEL, 3/16, SAE 30R7, 6IN LG.....107
HARNESS, LEVEL, FUEL, S80/85.....241	HOSE ASSY, 1, 90 FEM, STR FEM.....169-170	
HARNESS, LIGHT PACKAGE, S80.....77-78	HOSE ASSY, 1-1/2, STR, 90D JIC.....169-170	
HARNESS, LIGHT PACKAGE, S85.....81		

Part Description Index (continued)

- HOSE,FUEL,3/8,GATES RLA.....97
HOSE,LOWER RADIATOR, 2.9L DEUT.....91
HOSE,REDUCER,OFFSET,TURBO INLE.....93
HOSE,RUBBER 3"ID X .25 BLACK.....93
HOSE,RUBBER 3"ID X .25 BLACK X 6.00 LG.....93
HOSE,UPPER RADIATOR,PERK.....107
HOSEASSY3/8,-4STRFEM,-6 90FEM.....231
HOSEASSY3/8,-6STRFEM,-6 90FEM.....229, 231
HOSEASSY3/8,-6STRFEM,-6STRFEM.....229, 231
HOUR METER,10-80 VOLTS***.....59
HUBBLE NUT, PG11.....227
HYD TUBE, DRIVE CASE.....170
HYD TUBE, DRIVE CASE COOLER...169-170
HYD TUBE, DRIVE COOLER, #12 FLANGED.....199
HYD TUBE,2-SPEED.....169-170
HYD TUBE,BRAKE.....169-170
HYD TUBE,BRAKE/2 SPD PRESS LINE..169-170
HYD TUBE,FUNCTION CASE.....170
HYD TUBE,OSC TUBE.....169-170
HYD TUBE,STEER TUBE #1.....169-170
HYD TUBE,STEER TUBE #2.....169-170
HYD TUBE,SWING DRIVE #1.....169-170
HYD TUBE,SWING DRIVE #2.....169-170
- I**
- INJECTION, 10 DEGREE LIMIT CAM.....131
INJECTION,ANGLE SENSOR BRACKET...131
INSTRN, TRC RETROFIT, STNDRD.....77-78, 81
INSTRUCTIONS-PIPE CRADLE,BOOMS...201
ISOLATOR,ENGINE VIBRATION.....87, 95
ISOLATOR,ENGINE VIBRATION***.....103, 113
ISOLATOR,VIBRATION,M8 MALE/FEM.....107
- J**
- JOYSTICK, ISOLATED, 1 AXIS ROCKER...145
JOYSTICK, ISOLATED, 2 AXIS.....145
JOYSTICK, ISOLATED, 2 AXIS ROCKER...145
JUMPER COMB, 2-WAY,WIELAND.....61, 63-64
JUMPER TRMNL, BLACK, 3/8" POST.....237
JUMPER TRMNL, RED, 3/8" POST.....237
JUNCTION BOX OUTLET BRACKET.....217
- K**
- KEY SINGLE***.....51, 53, 59, 63-64
KEY,BALL POINT HEX.....131
KEYS,10 PACK***.....51, 53, 59, 63-64
KEYSWITCH,3 POS W/KEYS,LOCKING.....59, 63-64
KEYSWITCH,3 POS. W/KEYS***.....59, 63-64
KIT, BATT SEPARATOR, ANSI/CSA.....49
KIT, BATT SEPARATOR, AS.....49
KIT, BATT SEPARATOR, CE.....49
KIT, BRAKE SPRING.....55
KIT, FRICTION DISC.....55
KIT, ISOLATION, 2 JOYSTICK.....142
KIT, LEVEL SENSOR, 6 PIN CONN.....77-78, 81
KIT, SWING BRAKE REBUILD.....55
KIT, TRC RETROFIT, STNDRD.....77-78, 81
KIT,ELEMENT***.....45, 47
- KIT,ENGINE SERVICE,250 HOUR,DEUTZ TD2.9,S80/Z80.....11
KIT,EXT/RET CABLE REPLMNT,S80/85.....127
KIT,GEN. PRESSURE SWITCH.....205
KIT,PANEL CRADLE BRACKET,SYMBL.....193
KIT,PANEL CRADLE BRACKET,WORD.....193
KIT,PANEL CRADLE,CE.....193
KIT,STRAINER REPLACEMENT.....45, 47
KIT,WELD LEADS ASSY,V275S.....207
KIT,ZTR,M8HBZ.....241
KNOB,JOYSTICK, 62390/62391.....145
KNOB,ROCKER JOYSTICK 75565.....145
- L**
- L.P.TANK LATCH.....203
LABEL, GBOX, S60X TIER 4.....13, 23
LABEL, PBOX, S60X TIER 4.....21, 31
LABEL, PBOX, S65 TIER 4.....21, 31
LABEL,TIRE PRESSURE,HF.....25, 27
LANYARD,PLATFORM CONTROL BOX...141-142
LATCH, SWING GATE.....139
LATCH,PUSH BUTTON.....181
LATCH,ROTARY,ENGINE COVER.....51, 53
LATCH,SLIDE, FLUSH MOUNT STYLE.....181
LENS,AMBER,STROBE,FIREBOLT.....177
LEVER, GOVERNOR ACTUATOR.....83
LIFT PUMP,FUEL,DEUTZ.....97
LIFT PUMP,PERKINS 404D-22T.....111
LIGHT,AMBER 12V INCANDESCENT.....141-142
LIGHT,INDICATOR,AMBER 12V ENGINE.....59
LIGHT,INDICATOR,RED 12V H-BRI.....59, 64, 141-142
LIMIT SW COVER.....131
LIMIT SW.TAB,BLUE METAL.....77-78, 81
LIMIT SWITCH,BLUE,MICRO.....121
LOCK,WEDGE,RLY 9.5MM.....67, 69, 71, 73
LOCKNUT,ELEC,1/2".....59, 61, 63-64, 205, 217
LOCKNUT,ELECTRIC,1" NPT.....205
- M**
- MACH.,PIVOT PLATE WELDMENT.....127
MACHINED BACKLASH.....55
MAGNET, 1/4-20, 15 LB.....235
MALE PIPE THD,1/4" SER,3/8"X18.....221
MANIFOLD,BRAKE,2-SPEED.....149
MANIFOLD,DRIVE OIL DIVERTER.....159
MANIFOLD,PLATFORM,S80,2SEC.....153
MANIFOLD,PLATFORM,S856,3 SEC.....155
MANIFOLD,ROTATOR,CB***.....151
MANIFOLD,SWING S80/85,5 SEC.....157
MANIFOLD,TRACTION,2WD.....147
MANIFOLD,TRACTION,4WD***.....147
MANUAL,AEM SAFETY.....11
MANUAL,RESPON,A92.5 BOOM.....11
MODULE,IGNITION/START,12/24V.....61
MODULE,LOAD SENSE 2007.....219
MODULE,SX CONTROLLER,LOW AMP.....205
MOTOR, 12VDC, I-TERMINAL.....49
MOTOR,PISTON,2 SPEED,45CC.....33, 35
MOTOR,PISTON,2 SPEED,45CC/18CC.....35
MOUNT, COVER SUPPORT CTR 86DEG.....51
MOUNT, COVER SUPPORT CTR 93DEG.....51
MOUNT, COVER SUPPORT FRONT.....51, 53
MOUNT, COVER SUPPORT REAR.....51, 53
MOUNT, COVER SUPPORT, CENTER.....53
- MOUNT,ENGINE,LEFT SIDE.....95
MOUNT,ENGINE,RIGHT SIDE.....95
MOUNT,MUFFLER,PERKINS 404D-22T....109
MOUNT,SWITCH.....219
MOUNTING BAND,AIR CLEANER.....85, 93
MPT,CPLR,1/4"SER,3/8"X18.....221
MUFFLER,2.5"INLET/OUTLET.....83, 109
- N**
- NEW SLOPE RATING DECAL SYMBOL.....31
NICKEL PLATED JAM NUT.....64
NIPPLE,DIAGNOSTIC.....49
NUT - PLASTIC,RING FOR ALARMS.....177
NUT HEX M5-0.8 CLASS 8 ZINC.....141-142
NUT, PROPORTIONAL VALVE.....157
NUT, TL JAM, 3/8-16, A, ZAG.....193
NUT,1/2-13,8,ZAG.....49, 115
NUT,1/4-20,8,ZAG.....225, 235
NUT,1/4-28,8,ZAG.....37
NUT,10-32,ZAG.....181
NUT,3/4-10,8,ZAG.....127
NUT,3/8-16,8,ZAG.....225
NUT,5/16-18,8,ZAG.....177
NUT,FLG,1/2-13.....83
NUT,FLG,1/4-20.....83, 85, 95, 195
NUT,FLG-LRG,3/8-16,YZ.....91
NUT,HEX,10-32.....131
NUT,HEX,5/16-18,GR5.....205
NUT,HEX,FLG,3/8-16.....83
NUT,HEX,M8 X 1.25.....111
NUT,HEX,M8,PLASTIC.....223
NUT,HH JAM,1/4-20,A,ZAG.....235
NUT,JAM,1/2-13,A,ZAG.....49, 115
NUT,JAM,3/4-10,A, ZAG.....55, 127
NUT,LP NYLOCK,1/4-20.....59, 61, 63-64, 205
NUT,LUG,3/4-16 X 7/8 RADIUS,ZA.....33
NUT,NYLOCK FLG,1/4-20,F,ZAG.....103, 183, 187, 193, 201, 235
NUT,NYLOCK FLG,3/8-16,F,ZAG.....193, 201, 233, 235
NUT,NYLOCK,1/4-20.....85, 93, 95, 185, 221
NUT,NYLOCK,10-24.....83
NUT,NYLOCK,10-32.....49, 57, 61, 63-64, 67, 69, 71, 73, 83, 87, 97, 127, 141-142, 177, 205, 217, 237
NUT,NYLOCK,10-32,A,ZAG.....235
NUT,NYLOCK,3/8-16.....91, 93, 221
NUT,NYLOCK,5/16-18.....85, 93
NUT,NYLOCK,5/8-11.....87, 91, 95
NUT,NYLOCK,6-32.....61, 63-64, 141-142, 205, 235
NUT,NYLOCK,8-32.....121, 241
NUT,NYLOCK,M5X.80.....111
NUT,NYLOCK,M6X1.00.....111
NUT,SERRATED,1/4-20,8,ZAG.....53
NUT,SERRATED,3/8-16,8,ZAG.....51, 53
NUT,SERRATED,5/16-18,8,ZAG.....49, 51, 53, 115
NUT,SOLENOID.....149, 159
NUT,SOLENOID VALVE.....157
NUT,SOLENOID VALVE 2P3W.....157
NUT,SOLENOID VALVE COIL.....153, 155
NUT,TL FLG,1-8,G,ZAG.....75
NUT,TL FLG,1/2-13,G,ZAG.....57, 103, 109, 113, 129, 233
NUT,TL FLG,1/4-20,G,ZAG.....37, 47, 49, 51, 53, 55, 91, 97, 99, 101, 103, 107, 109, 113, 117, 127, 131, 135, 139, 179, 181, 197, 199, 205, 207, 211, 217, 219, 223, 237, 241

NUT,TL FLG,10-24,F,ZAG.....241
 NUT,TL FLG,10-32,F,ZAG.....219, 227
 NUT,TL FLG,3/8-16,G,ZAG.....33, 35, 45, 47,
 49, 51, 53, 55, 57, 67, 69, 71, 73, 97, 103, 107,
 113, 115, 117, 119, 125, 127, 135, 139, 205,
 207, 213, 215, 217, 219, 223
 NUT,TL FLG,5/16-18,G,ZAG...51, 53, 99, 121,
 177, 179, 201, 205, 207, 217
 NUT,TL FLG,7/16-14,G,ZAG.....213, 215
 NUT,TL FLG,M6-1.0,DIN6927,10,ZAB.....51, 53
 NUT,TL FLG,M8-1.25,DIN6927,10,ZAB.....107
 NUT,TL,1-8,C,ZAG.....75, 137
 NUT,TL,1/4-20,C,ZAG.....55, 117, 121, 131,
 135, 139
 NUT,TL,3/8-16,C,ZAG.....121
 NUT,TL,FLG,5/8-11,G,ZAG.....107
 NUTSERT,10-32 STEEL CAD PLTD.....189,
 191

O

O-ring.....39
 O-RING KIT (ORFS FITTINGS).....11, 147
 O-RING KIT,FIELD SVC,ALL PROD*.....11, 147
 O-RING, PROPORTIONAL VALVE.....157
 O-RING, ROTATOR MANIFOLD.....151
 O-RING, TORQUE HUB COVER.....39, 43
 O-RING,2-010,VITON.....33, 35
 O-RING,2-044 BUNA***.....101, 161
 O-RING,2-157,VITON***.....33, 35
 O-RING,DISCONNECT ROD (111060).....41,
 43
 O-RING,FILTER ASSY (60334)***.....55
 O-RING,LIFT PUMP,PERKINS 404D-22T...107
 O-RING,MOTOR/BRAKE***.....55
 O-RING,ORFS,-12.....205
 O-RING,SEAL RING,1" NPT (PKG OF
 10).....205
 OIL COOLER W/FAN, 12VDC.....199
 OIL FILTER,PERKINS 404D/F-22T.....11, 111
 OIL PAN,DEUTZ F4L2011.....89
 OIL PRESSURE SWITCH,PERKINS
 404D-22T.....107
 OPT, KEY SWITCH, STANDARD.....59
 OPT,CTE CUTOUT,S80/85 2008.....77-78, 81
 OPT,FULL GAUGE, S80 DEUTZ.....195
 OPT,FULL GAUGE,S80 DUAL FUEL.....195
 OPT,FULL GAUGE,S80 PERKINS
 404D-22T.....197
 OPTION,LP TANK 2ND.....203
 ORIFICE DISC,.030,CONE.....159
 ORIFICE PLUG .025 DIA.....149
 ORIFICE PLUG, 0.070".....147
 ORIFICE, 0.040".....147

P

PAD,BOOM REST.....55
 PAD,REST,1"THICK,FLANGED.....193
 PADDING, FOAM, 46.5".....223
 PADDING,FOAM 3.5"OD X 1.50"ID.....223
 PADDING,FOAM, 10.0".....223
 PADDING,FOAM,3.0"X1.50ID 90DEG.....223
 PAINT, AEROSOL, TRAFFIC BLACK.....11
 PAINT,AEROSOL,BRIGHT BLUE***.....11
 PAINT,AEROSOL,GENIE GRAY***.....11
 PAINT,WET,GENIE BLUE (1 GL)**.....11
 PAINT,WET,GENIE GRAY (1 GL)**.....11
 PAINT,WET,TRAFFIC BLACK (1 GL)**.....11
 PANEL, ENCLOSURE, LINCO WELDER....205

PANEL, HALF MESH.....201
 PARKER DIGITAL PRESSURE GAUGE.....11
 PCV VALVE-GM 3.0L ENGINE.....105
 PIN, 3.00 X 21.50, 2 RINGS.....129
 PIN,0.75DIAX5.75LG,CHAMFER.....219
 PIN,1.250 X 10.125, 2 RINGS.....133, 135
 PIN,1.25DIAX14.45LG,2HOLE.....135
 PIN,1.25DIAX3.75LG,1HOLE.....129, 131
 PIN,1.25DIAX4.38LG,1HOLE.....129
 PIN,1.25DIAX5.25LG,1HOLE.....133, 135
 PIN,1.25DIAX7.00LG,1HOLE.....135
 PIN,1.25DIAX7.88LG,1HOLE.....135
 PIN,1.25DIAX8.26LG,2RING.....133, 135
 PIN,1.500 X 15.000,2 RINGS.....127
 PIN,1.75 DIA X 10.50LG,2 RING.....33
 PIN,1.75DIAX4.50LG,THREADED.....35
 PIN,2.50 X 12.200,2 RINGS.....129
 PIN,2.500 X 19.750,2 RINGS.....129
 PIN,2.500X6.900,1 RING,1 HOLE.....129
 PIN,2.50DIAX24.50,2RINGS,TAPER.....131
 PIN,2.50DIAX27.63LG,1HOLE.....35
 PIN,2.50DIAX7.00,2 RINGS,TAPER.....131
 PIN,CLEVIS,1.0X2.41,SAE,ZAG.....33
 PIN,CLEVIS,1.25X5.0,ZAG.....239
 PIN,CLEVIS,1.25X6.0,ZAG.....239
 PIN,CLEVIS,1X2.250,ZAG.....127
 PIN,COTTER,.156 X 2.5.....117
 PIN,DIA. 1.50 X 5.875.....127
 PIN,STORAGE,TOW PACKAGE.....239
 PIPE CRADLE ASSY. SERV (ONE)**.....201
 PIPE PLUG, MAGN.....41
 PISTON AND RING KIT,PERKINS
 404D-22T.....107
 PISTON RING KIT,PERKINS 404D-22T.....107
 PLATE, AIRCRAFT PROTECTION OPT.....223
 PLATE, BULKHEAD, DEUTZ TD2011.....83
 PLATE, BULKHEAD, GM 3.0L.....99
 PLATE, BULKHEAD, PERKINS 404F.....107
 PLATE, CABLE AND WIRE COVER.....235
 PLATE, COVER, FUEL LEVEL SNDR.....47
 PLATE, MOUNTING, ACCESSORY.....237
 PLATE, RELAY BLOCK MOUNT.....55
 PLATE, 3/8-16 TAPPED.....221
 PLATE,ANTIROTATION.....127
 PLATE,BACKING WIPER 2 TO 3.....183
 PLATE,BRACKET,BATTERY CABLE.....87
 PLATE,CABLE BLOCK.....125
 PLATE,CHASSIS ATTACHMENT.....239
 PLATE,DEUTZ ENG SIDE BULKHEAD.....91
 PLATE,DOCUMENT BOX MOUNT.....139
 PLATE,RETRACT CABLE EQUALIZER.....127
 PLATE,ROCKER.....127
 PLATE,TAP BLOCK.....125
 PLATE,WELD OPTION.....221
 PLATE,WIPER BACKING,BOOM #1.....183
 P L A T F O R M S U P P O R T
 WELDMNT-SERV*.....139
 PLUG AND CAP KIT-SERVICE,37 **.....11, 147
 PLUG AND CAP KIT-SERVICE,ORFS*.....147
 PLUG, 3P,30A, 4 WIRE, MALE.....207
 PLUG, BOOT, 3P, 30A, 4 WIRE.....207
 PLUG, HEX SOCKET, 090109B-8*.....45, 47
 PLUG, JOYSTICK HANDLE.....145
 PLUG, NYLON .250 BLACK DOMED.....59, 61,
 63-64, 141-142
 PLUG,ENGINE OIL,DEUTZ F4L2011.....89
 PLUG,HEX SOCKET,090109B-12.....169-170
 PLUG,HEX SOCKET,090109B-4.....229, 231

PLUG,NYLON .188 BLACK DOMED.....61, 63-
 64, 141-142
 PLUG,NYLON .313 BLACK DOMED.....142
 PLUG,NYLON .38 BLACK DOMED.....59, 64,
 142
 PLUG,NYLON .875 BLACK DOMED.....59, 63-
 64, 141-142
 PLUG,NYLON 1.12 BLACK DOMED.....61, 63-
 64
 PLUG,NYLON 1.38 BLACK DOMED.....205
 PLUG,SAE #03 (139712).....147
 PLUG,SANTOPRENE .5 BLACK DOME.....59,
 61, 63-64, 141-142
 PLUG,SEAL,12-18 GA.....241
 PLUG,TORQUE HUB,DRAIN***.....39, 43
 POTENTIOMETER ASSY, WELDER.....205
 PRE-FILTER,FUEL,DEUTZ TCD3.6.....11, 97
 PRECLEANER,INLINE 3".....187
 PRESSURE COMP FLOW CONTROL
 0.3GPM.....153, 155
 PRESSURE COMP FLOW CONTROL
 0.8GPM.....155
 PRESSURE REDUCING VALVE.....157
 PROXIMITY SENSOR***.....223
 PULLEY, PERKINS T4 GENERATOR.....215
 PULLEY,DEUTZ.....213
 PULLEY,DEUTZ T4 GENERATOR.....215
 PUMP ASSY,AUX.POWER UNIT 89617.....49
 PUMP,FUNCTION,38CC,LS.....101, 161
 PUMP,PISTON,46CC,B MOUNT,13T**.....101,
 161

R

RADIATOR HOSE,LOWER-GM.....105
 RADIATOR HOSE,UPPER-GM.....105
 RADIATOR, GM3.0L ENG.....105
 RADIATOR,6-CORE,19.375W X 18.1.....91
 RADIATOR,FORD/PERKINS***.....107
 RECEPTACLE, 120VAC, 20A, GFCI.....205,
 217
 RECEPTICLE,WELD CABLE,FEMALE.....221
 REDUCER,520123-8-6.....169-170
 REDUCER,RUBBER 3.0 - 2.5.....93
 REF. BRACKET,LOWER RADIATOR.....109
 REF. KIT,ENGINE,GM3.0L,PSI,S80/Z80.....99,
 101
 REF. MANIFOLD,PLATFORM.....139
 REF. PLATE, RELAY BLOCK MOUNT.....67,
 69, 71, 73
 REF. PLATFORM CONTROL BOX
 ASSEMBLY.....139
 REF. WELDMNT,ENGINE TRAY.....85, 87
 REF. WELDMNT,ENGINE TRAY,2.9L
 DEUT.....103
 REF. WELDMNT,ENGINE TRAY,2.9L
 DEUTZ.....91, 93, 95, 107, 109, 113
 REF. WLDT, INTAKE, T4 DEUTZ, Z80/S8.....93
 REF.DRIVE PUMP AND FUNCTION
 PUMP.....85, 93, 109
 RELAY MODULE(89996,89998).....87
 RELAY, POWER & FUSE MODULE.....97
 RELAY,12VDC,70AMP,SEALED.....67, 73
 RELAY,OMRON,DPDT,12V.....63-64, 205
 RELAY,SOCKET,OMRON.....63-64, 205
 RELAY,SPDT,12V(AUTO) PLUG IN**.....67,
 69, 71, 73
 RELAY,SPDT,12V(AUTO)**.....78, 81
 RELAY,TIME DELAY,2 SEC,10A.....63-64, 219
 RELAY,TIME DELAY,2 SEC,30A.....219

Part Description Index (continued)

RELIEF,VALVE 270 PSI.....159	SCREW,HHC,1/4-20X1.25,8,ZAG.....219	SCREW,HHF,3/8-16X1.5,8,ZAG.....57, 119,
REPAIR KIT,4 LINK,W/GUIDE.....117	SCREW,HHC,1/4-20X1.5,8,ZAG...55, 133, 135	123, 135, 203, 205, 213, 215
RESISTOR,10 OHM,25 WATT.....63-64	SCREW,HHC,1/4-20X1.75,8,ZAG....35, 55, 129	SCREW,HHF,3/8-16X1.75,8,ZAG.....121
RESISTOR,5 OHM,25W***.....63-64	SCREW,HHC,1/4-20X2.75,8,ZAG.....129	SCREW,HHF,3/8-16X2,8,ZAG.....45, 47, 51,
RESISTOR,7.5 OHM,25 WATT,1PCNT.....63-64	SCREW,HHC,1/4-20X3.25,8,ZAG.....55, 117	53, 127
RESISTOR,POT,1K OHM,2-WATT.....205	SCREW,HHC,1/4-20X6,8,ZAG.....117	SCREW,HHF,3/8-16X2.5,8,ZAG.....33, 35, 51,
RETAINER,SPRING,1.21 X .375.....219	SCREW,HHC,3/8-16 X 1.....91	53, 127, 233
RETAINER,SPRING,1.46 X .375.....219	SCREW,HHC,3/8-16 X 1.25 GRD 5.....93, 117	SCREW,HHF,3/8-16X3,8,ZAG.....219
RETAINER-N.C.PROPOR.SOLENOID.....157	SCREW,HHC,3/8-16 X 2.....135	SCREW,HHF,5/16-18X.75,8,ZAG.....99, 201
RIVET, STL, STL, DOME, 1/4 X .375, ZAG.....201	SCREW,HHC,3/8-16X.75,8,ZAG.....135	SCREW,HHF,5/16-18X1,8,ZAG.....179, 205,
RIVET,ALUM,ALUM,3/16BUTTONHEAD....181	SCREW,HHC,3/8-16X.875,8,ZAG.....137	217
RIVET,ALUM,P,188 X .25.....117	SCREW,HHC,3/8-16X1.25,8,ZAG.....125	SCREW,HHF,5/16-18X1.5,8,ZAG.....51, 53
ROCKER ASSY,MAGNETIC 75565.....145	SCREW,HHC,3/8-16X2,8,ZAG.....183	SCREW,HHF,5/8-11X1.5,8,ZAG.....107
ROCKER,RETAINER, 75565.....145	SCREW,HHC,3/8-16X2.25,8,ZAG.....183	SCREW,HHF,5/8-11X2,8,ZAG.....115
ROD END, .25 X 2.75, ZAG.....219	SCREW,HHC,3/8-16X2.5,8,ZAG.....183, 225	SCREW,HHF,7/16-14X1.75,8,ZAG.....213, 215
ROD END,.375 X 2.25,ZAG.....129, 131	SCREW,HHC,3/8-16X7,8,ZAG.....117	SCREW,HHF,M10-1.5X25,DIN6921,10.9,ZAB.109
ROD END,.375X3.69,ZAG.....33, 35, 133, 135	SCREW,HHC,5/16-18 X 1 GR5.....85, 93	SCREW,HHF,M12-1.75X25,DIN6921,10.9,ZAB.215
ROD END,.5 X 3.75,ZAG.....35	SCREW,HHC,5/16-18 X 1.25.....205	SCREW,HHF,M12-1.75X30,DIN6921,10.9,ZAB.33,
ROD END,CABLE.....127	SCREW,HHC,5/16-18X.75,8,ZAG.....177	35
ROD,THREADED,1/4-28X6,ZAG.....37	SCREW,HHC,5/16-18X1,8,ZAG.....201, 205	SCREW,HHF,M14-2.0X35,DIN6921,10.9,ZAB.213
ROLLER,1/2" ALUMINUM.....127	SCREW,HHC,5/8-11 X 3.5 GRD.8.....87, 95	SCREW,HHF,M5X12,DIN6921,10.9,Z.....181
ROLLER,1/2" PVC.....127	SCREW,HHC,FLG,3/8-16 X 1 GR8.....185, 237	SCREW,HHF,M6-1.0X20,DIN6921,10.9,ZAB.51,
ROTATOR,NON-JIB.....133	SCREW,HHC,FLG,M14 X 35.....83, 87, 95	53
ROTATOR,PLAT JIB,160 DEG***.....135	SCREW,HHC,M12 X 20MM.....93, 95	SCREW,HHF,M8-1.25X16,DIN6921,10.9,ZAB.93,
ROTATOR,PLATFORM,15K.....133	SCREW,HHC,M14 X 1.5X40MM,GR8.8.....215	107
RUBBER GROMMET 1.00 X 1.563 X.....97	SCREW,HHC,M14-1.5X35,DIN960,10.9,ZAB.113	SCREW,HHF,M8-1.25X20,DIN6921,10.9,ZAB.95,
RUE RING,1.0,ZAG.....33, 127	SCREW,HHC,M6 X 20MM,GR8.8.....83	107, 215
	SCREW,HHC,M8-1.25X65,DIN931,10.....95	SCREW,HHF,M8-1.25X25,DIN6921,10.9,ZAB.107,
	SCREW,HHF, M14 X 40MM.....95	109
	SCREW,HHF,1/2-13X.75,8,ZAG.....49, 55	SCREW,HHF,M8-1.25X30,DIN6921,10.9,ZAB.107
	SCREW,HHF,1/2-13X1,8,ZAG.....35	SCREW,HHF,M8-1.25X60,DIN6921,10.9,ZAB.95
	SCREW,HHF,1/2-13X1.5,8,ZAG.....35, 101, 109	SCREW,HHF-S,10-24X1.5,ZAG.....139
	SCREW,HHF,1/2-13X1.75,ZAG.....55, 57	SCREW,PHIL,PHM,10-24 X.5,SEMS.....91
	SCREW,HHF,1/2-13X2.5,8,ZAG.....35, 103	SCREW,PHIL,PHM,10-32 X .5,SSTL....61, 63-
	SCREW,HHF,1/2-13X2.75,8,ZAG.....113	64, 141-142, 205
	SCREW,HHF,1/2-13X3.5,8,ZAG.....57, 233	SCREW,PHIL,PHM,6-32 X 1/4 SS.....142
	SCREW,HHF,1/2-13X5,8,ZAG.....129	SCREW,PHILLIPS,PHM,10-32 X .5.....189, 191
	SCREW,HHF,1/4-20 X .75.....45, 47, 49, 91,	SCREW,PHILLIPS,PHM,10-32 X .75....67, 69,
	93, 195	71, 73, 83, 97, 237
	SCREW,HHF,1/4-20 X 1.00.....83, 85, 93, 95	SCREW,PHILLIPS,PHM,10-32 X 1.....49, 131
	SCREW,HHF,1/4-20X.625,8,ZAG.....139, 193,	SCREW,PHILLIPS,PHM,10-32 X.625.....47
	241	SCREW,PHILLIPS,PHM,10-32 X1.25.....87
	SCREW,HHF,1/4-20X.75,8,ZAG.....49, 51, 53,	SCREW,PHILLIPS,PHM,6-32 X .5.....61, 63-
	55, 97, 107, 113, 119, 123, 127, 131, 135, 139,	64, 141-142
	181, 187, 197, 199, 223, 235, 241	SCREW,PHILLIPS,PHM,8-32 X .875.....121
	SCREW,HHF,1/4-20X1,8,ZAG.....47, 49, 91,	SCREW,PHILLIPS,PHM,8-32 X.25**.....63-64
	97, 99, 107, 109, 113, 121, 125, 131, 135, 139,	SCREW,PHILLIPS,RHM,10-32 X 1.5.....119,
	179, 217, 223	127
	SCREW,HHF,1/4-20X1.25,8,ZAG.....97, 113	SCREW,PHM,10-32X3/4,ST TYPE F.....142
	SCREW,HHF,1/4-20X1.5,8,ZAG.....49, 99, 131,	SCREW,PHPM,10-32X.50,ZAG.....45
	139, 237	SCREW,PHPM,10-32X.75,ZAG.....181, 217,
	SCREW,HHF,1/4-20X1.75,8,ZAG.....55, 101,	241
	103, 121, 239	SCREW,PHPM,10-32X1.5,ZAG.....235
	SCREW,HHF,1/4-20X2,8,ZAG.....37, 97, 139,	SCREW,PHPM,10-32X1.75,ZAG.....57
	211	SCREW,PHPM,6-32X.875,ZAG.....235
	SCREW,HHF,1/4-20X2.25,8,ZAG.....55, 113	SCREW,PHPM,8-32 X .75,ZAG.....241
	SCREW,HHF,1/4-20X2.5,8,ZAG.....201	SCREW,PHPM-ST,8-32 X.50,TYPE F,ZAG.....217
	SCREW,HHF,1/4-20X3.5,8,ZAG.....117	SCREW,RHM,10-32 X 1.....177
	SCREW,HHF,10-24X.5.....235	SCREW,SER FLNG3/8UNCX3/4ZNYEL.....67,
	SCREW,HHF,10-24X.75,ZAG.....241	69, 71, 73, 83, 91, 131
	SCREW,HHF,3/8-16 X1.50.....133, 135, 221	SCREW,SHC,3/4-10X3,A574,ZAG.....55
	SCREW,HHF,3/8-16X.75,8,ZAG.....33, 37, 45,	SCREW,SHC,5/8-11X3,A574,ZAG.....57
	47, 49, 55, 91, 99, 101, 107, 115, 125, 131,	SCREW,SHC,5/8-11X3.5,A574,ZAG.....57
	139, 177, 239	SCREW,SHC,M10X1.5 X 60 GR8.8.....93
	SCREW,HHF,3/8-16X1,8,ZAG.....35, 45, 47,	SCREW,SHC,M10X1.5X20MM (75090).....85,
	49, 51, 53, 55, 97, 113, 117, 119, 123, 125,	93, 109
	129, 205, 217, 235	SCREW,SHC,M10X1.5X30 GR 12.9.....85, 93
	SCREW,HHF,3/8-16X1.25,8,ZAG.....49, 97,	
	103, 115, 139, 205	

S

SCREW PH M5-0.8X20 DIN 7500CE.....141-142

SCREW, BHC, 1/4-20 X 1, ZAG.....223

SCREW, HHF, 1/4-20 X .5, 8, ZAG.....107

SCREW, HHF, M1-1.5X80,ZAB.....213, 215

SCREW, PHM, #6-32 X .625 ZINC.....145

SCREW, PHPM SEMS ET, 10-24 X .5, ZAG.....107

SCREW, PHPM, 10-32 X 1.0, ZAG.....227

SCREW, THM, TORX, 1/4-20X1,SS.....53

SCREW, THM, TORX, 3/8-16X1,SS.....51, 53

SCREW, THM, TORX, M6X25, ZAB.....51, 53

SCREW,5/16-18X1.00,SECURITY TO.....207

SCREW,BHC,1/4-20X.75,F835,ZAG.....207

SCREW,BHC,10-32X1.5,F835,ZAG.....219

SCREW,BHSCS,M5X10,SS.....181

SCREW,BHTC-PIN,1/4-20X1.75,ZAG.....207

SCREW,BLEEDER,M5X0.8.....133, 135

SCREW,DP200 M3X10 4PACK.....63-64

SCREW,FHM,6-32 X .75.....205

SCREW,FHS,3/8-16X2.25,F835,ZAG.....55

SCREW,FLANGE,HHC,3/8-16X1.00.....129

SCREW,FLG HD,M10 X 70 GR12.9.....83

SCREW,HEX TAP,3/4-10X4,8,ZAG.....55

SCREW,HHC,1-8X11,5,ZAG.....75, 137

SCREW,HHC,1-8X12,75,5,ZAG.....137

SCREW,HHC,1-8X7,5,8,ZAG.....75

SCREW,HHC,1/2-13X1.25,8,ZAG.....137

SCREW,HHC,1/4-20 X .75.....59, 61, 63-64, 141-142, 185, 221

SCREW,HHC,1/4-20 X 1.....61, 63-64

SCREW,HHC,1/4-20 X 1.25.....59

SCREW,HHC,1/4-20 X 1.5.....63-64, 179, 221

SCREW,HHC,1/4-20 X 1.75.....85, 93, 95

SCREW,HHC,1/4-20 X 2.75.....205, 221

SCREW,HHC,1/4-20 X 3.75.....117

SCREW,HHC,1/4-20X.75,8,ZAG.....35, 51, 53

SCREW,HHC,1/4-20X1,8,ZAG.....205, 225

SCREW,SHC,M16-2.0X55,DIN912,12.9,ZAB.33, 35	SHIM,GALVANIZED STEER YOKE.....33	STUD,WHEEL,3/4-16, (34115).....39, 41, 43
SCREW,SHM,PHP, #12 X .75....61, 63-64, 142	SHIM,SIDE PAD 16GA. 3 X 5.....115	SUPPORT, RAILING.....179, 223
SCREW,SHS,1/4-20 X .25 ZINC.....59, 63-64	SHIM,WEAR PAD,5 X 1.5,14GA.....119, 123, 125	SUPPORT, TAPPED HINGE.....51, 53
SCREW,SHS,10-24 X .625.....83	SHIM,WEAR PAD,5X 1.5 16GA.....119, 123, 125	SUPPORT,SENSOR,JOYSTICK.....145
SEAL KIT.....153, 155, 157	SHIM,WEAR PAD,7 X 3,12GA.....119, 123, 125	SWING DRIVE ASSEMBLY.....55
Seal Kit.....157, 159, 161	SHIM,WEAR PAD,7 X 3,16GA.....119, 123, 125	SWING MOTOR COMPLETE***.....55
SEAL KIT (121140).....129	SHOCK MOUNT,SMALL.....91, 107	SWITCH SHIELD,ROCK JOYSTK75565.....145
SEAL KIT (121142).....127	SHOULDER WASHER, NYLON.....141-142	SWITCH TOGGLE ASSY DPDT 2P MOM..59, 64, 141-142
SEAL KIT (121234).....133, 135	SHRINK TUBE,BLU,3:1,40MM.....145	SWITCH TOGGLE ASSY DPDT 3P MOM..59, 63-64
SEAL KIT (121236).....129	SHROUD,17" FAN,6-CORE RADIATOR.....91	SWITCH TOGGLE ASSY SPDT 2P MNT...59, 63-64, 141-142
SEAL KIT (121291)***.....39, 43	SIGHT GLASS.....91	SWITCH TOGGLE ASSY SPDT 2P MOM...61, 223
SEAL KIT (227775).....41	SLEAVING,PARKER TEK,2.00".....133, 135	SWITCH TOGGLE ASSY SPDT 3P MOM...59, 63-64, 141-142
SEAL KIT (39345).....33, 127, 129, 133, 135, 151, 153, 155	SLEEVE,CONNECTOR,DT JOYSTICKS.....145	SWITCH TOGGLE SPDT 3P MOM SHDR.....223
SEAL KIT, 15K ROTATOR.....133	SLIDING MIDRAIL KIT,PTD.....139	SWITCH,LIMIT TABULATED,BLUE.....77-78, 81
SEAL KIT, 37185 PUMP.....49	SNAP RING,EXTERNAL,1.25,ZAG.....133, 135	SWITCH,LIMIT,TABULATE,BLUE.....77-78, 81
SEAL KIT, BRAKE, 4HP.....43	SNAP RING,EXTERNAL,1.50,ZAG.....127	SWITCH,LIMIT,TABULATED,BLUE.....77-78, 81
SEAL KIT, SOLENOID VALVE.....151, 157	SNAP RING,EXTERNAL,1.75,ZAG.....33	SWITCH,LIMIT,W/RLLR ARM,NO/NC.....77-78, 81, 131
SEAL KIT, SWING BRAKE.....55	SNAP RING,EXTERNAL,2.50,ZAG.....129, 131	SWITCH,PRESS,#4NPT,200PSIF.....205
SEAL KIT, VALVE.....147	SNAP RING,EXTERNAL,3.00,ZAG.....129	SWITCH,SELECTOR,BLACK.....64
SEAL KIT, VALVE, #10.....147, 157	SOCKET, BOOT, 3P, 30A, 4 WIRE.....207	SWIVEL,HYD 8 PORT***.....57
SEAL KIT, VALVE, #12.....157	SOCKET,3P,30A,4 WIRE, FEM.....207	
SEAL KIT,8-PORT SWIVEL.....57	SOLENOID VALVE.....153, 155	
SEAL KIT,8K ROTATOR***.....133, 135	SOLENOID VALVE SPOOL TYPE.....157	
SEAL KIT,CHECK VALVE 219246.....149	SOLENOID VALVE,SPOOL TYPE.....157	
SEAL KIT,CYL,S65 (63213).....135	SOLENOID, APU.....49	
SEAL KIT,MOTOR,LC/KC***.....33	SOLENOID,PERKINS 404D-22T.....107	
SEAL KIT,OSC CYLINDER (81330)*.....33	SOLENOID-STARTR DEUTZF4L1011F*.....89	
SEAL KIT,SAUER-DANFOSS M46***.....101, 161	SPACER TUBE,.50 LG.....213, 215	
SEAL KIT,SOLENOID VALVE.....153, 155, 157	SPACER, FAN, DEUTZ, 38MM LNG.....95	
SEAL KIT,SOLENOID VALVE 219247.....149	SPACER, HANGER BRACKET.....233	
SEAL KIT,STEER CYL***.....33	SPACER,BOOM WIPER TOP.....183	
SEAL KIT,WHEEL DRIVE W/BRAKE (227775).....41	SPACER,PULLEY,DEUTZ TIER 4 GEN.....213, 215	
S E A L M A R K E R , C R O S S	SPARK PLUG WIRE SET,GM 3.0.....11, 105	
CHECK,BLUE,TUBE.....11	SPEED SENSOR,PERKINS 404D-22T.....107	
SEAL, CAP, NOTCHED.....57	SPIDER (106113).....205	
SEAL, CONNECTOR (DT JOYSTICKS).....145	SPRING CLIP, M8-1.25, 0.8-4.0 X 13, ZAB.....107	
SEAL, O-RING ENERGIZER.....57	SPRING CLIP,1/4-20,.025-.15X.54,ZAG.....35, 49, 51, 53, 55, 91, 93, 97, 109, 113, 119, 123, 125, 129, 131, 135, 139, 241	
SEAL, O-RING LIP.....57	S P R I N G	
SEAL, ORFS TUBE FLANGE, 8PLS...169-170	CLIP,10-24,.025-.125X.468,ZAG.....107, 139, 235	
SEAL, POLY, CHAMFER.....57	SPRING CLIP,3/8-16,.05-.20X.73,ZAG.....35, 45, 47, 49, 51, 53, 55, 67, 69, 71, 73, 91, 177, 203, 205, 217, 237	
SEAL, SHAFT, 60511 APU.....49	Spring Kit.....41	
SEAL,FILTER ASSY (60334)***.....55	SPRING KIT (121291).....43	
SEAL,FILTER LID.....45, 47	SPRING,0.984"OD X 1.50"LG.....121	
SEAL,ROCKER BOX,PERKINS 404D-22T.....107	SPRING,COMP,1" OD,232 LB/IN.....219	
SENDING UNIT,OIL PRESS PERKINS.....197	SPRING,COMP,1-1/4"OD 352 LB/IN.....219	
SENDING UNIT,OIL PRESS,DEUTZ*.....89	SPRING,EXTENSION,1.92LB/IN.....223	
SENDING UNIT,OIL PRESSURE***.....195	SPRING,JOYSTK CENTR,62390/91.....145	
SENDING UNIT,OIL TEMP SWCH,DTZ.....89	SPRING,SWITCH CENTERING,75565.....145	
SENDING UNIT,TMP,FRD,GM,PRK704.....197	SQUEEZE CONN W/NUT, 2WIRE, 4MM.....227	
SENSOR, FUEL LEVEL, 24" GAS.....241	SQUID CONNECTOR, 4 WIRE.....227	
SENSOR, FUEL LEVEL, 30" DIESEL.....241	STANDOFF, 3/8" BLACK.....49, 67, 69, 71, 73	
SENSOR,COOLANT LEVEL,DEUTZ.....91	STANDOFF,6-32 X 3/8L X 1/4 HEX.....142	
SENSOR,DUAL OUTPUT,ANGLE***.....131	STARTER MOTOR,PERKINS 404D.....111	
SENSOR,LOW PRESSURE,DEUTZ 2.9L.....97	STARTER, GM3.0L ENG.....105	
SEPARATOR,DUAL BATTERY,100A.....49	STARTER,3.2KW,DEUTZ D2.9.....91	
SEPERATOR,PLASTIC.....117	STRAINER ASSY,#24 O-RING.....45, 47	
SEPRTR/FLTR,FUEL DSL,15GPH,.30.....11, 107	STRAP, CONDUIT HOLDER 60****.....201	
SET SCREW***.....39, 43	STRIKER, LATCH.....181	
SHAFT,OUTPUT.....55	STROBE,FIREBOLT,12-80VDC,AMB***.....177	
SHEAVE,EXTEND.....127	STUD,POWER 3/8" RED.....237	
SHEAVE,RETRACT CABLE(SMALLER).....127		
SHIM,AXLE ROTATION STOP,16G.....35		
SHIM,AXLE ROTATION STOP,22G.....35		

T

T-BOX,2.75 X 4.5 X 2.0.....217
TAILPIPE,404D-22T,S-80.....109
TAILPIPE,DEUTZ BF4L2011.....83, 99
TANK ASSY, GAS, 30 GAL.....47
TANK, 7 GAL/33.5 POUND, LP.....203
TANK, HYDRAULIC 40 GAL.....45, 47
TAPE, PROTECTIVE MASK.....21, 31
TEE,BRANCH,520429-8.....165
TEE,BULKHEAD,RUN,520958-4.....163, 165
TEE,RUN,520428-6.....49, 169-170
TEE,RUN,520428-8.....169-170
TEE,RUN,SWIVEL,520432-6.....211, 229, 231, 239
TERM,AMP MTE,SOC,22-26 GA BULK.....145
TERMINAL BLOCK END PLATE.....61, 63-64
TERMINAL BLOCK,WIELAND.....61, 63-64
TERMINAL, #8 RING,5/16ID.....205
TERMINAL, 3/8-16 STUD TO POST.....237
THROTTLE BODY, 40MM.....105
THROTTLE LINKAGE, DSL.....83
THROTTLE SOLENOID ASSY, TROMB.....83
TIRE & WHEEL ASSY,FOAM NM,LH.....33
TIRE & WHEEL ASSY,FOAM NM,RH.....33
TIRE & WHEEL ASSY,FOAM, NM,LH.....33
TIRE & WHEEL ASSY,RT LP FOAM,L.....33
TIRE & WHEEL ASSY,RT LP FOAM,R.....33
TIRE WHEEL ASSY,LEFT,SOLID.....33
TIRE WHEEL ASSY,RIGHT,SOLID.....33
TIRE, 41 X 17-24 F2A,SOLID.....33
TIRE,18-625,16 PLY RT HBR,N-M.....33
TIRE,18-625,16 PLY,RT HBR.....33
TIRE,41/18LL X 22.5,14PR,TURF*.....33
TOOL TRAY ACCESSORY***.....179
TOOL,CABLE GRIP, 7/16".....127
TRIM, RUBBER "D" SEAL, 3/16 96.....99
TRIM,EDGE,1/8X3/4 SIDE BULB.....91
TRIMLOCK,BLACK,5/32".....201
TROLLEY, TRACK, FALL ARREST BAR.....233

Part Description Index (continued)

TUBE, RD, ALUM, 1.25 X .083 X 11.75.....193	VALVE,RELIEF,280PSI.....147	WATER PUMP,PERKINS 404D-22T.....111
TUBE,AIR INTAKE,DEUTZ.....85	VALVE,SHUTTLE.....147	WDMT,AIRCRAFT SENSOR BUMPER.....223
TUBE,FUEL RETURN,3/8X3/8X23.5.....45	VALVE,SOLENOID 2 POS 2 WAY.....151	WDMT,SKID PLATE.....223
TUBE,INTAKE,DEUTZ 2.9L.....93	VALVE,SOLENOID,10V,W/OUT COIL*.....159	WEAR PAD ASSEMBLY,CABLE TRACK.....117
TUBE,INTAKE,PERKINS 404D-22T.....109	VALVE,SOLENOID,NO,POPET.....157	WEAR PAD,3 X 1.5 X .625 W/NUTS.....135
TUBE,RD,STL,ALM,2.50X.065X3.00.....99	VALVE,SOLENOID,NOR.....211	WEAR PAD,5 X 1.5 X .625 W/NUTS.....119, 123, 125
TUBE,RD,STL,DOM,.75X.38X.78.....183	Valve-Solenid 2 Postion 3WA.....157	WEAR PAD,5 X 1.5 X .875 W/NUTS...119, 123
TUBE,SQ,STL, 1.00 x 1.00 x .120.....179	Verify Engine Make and Model Before Ordering.....63-64	WEAR PAD,5.5 X 1.75 X .5.....117
TUBING,VINYL,1/2" CLEAR.....107	VLV,MAN,3 POS/4 WAY,CLOSE CTR*.....37	WEAR PAD,7X3X.625 W/NUTS.....119, 123, 125
TURBOCHARGER,PERKINS 404D-22T.....111	VOLTAGE REGULATOR,110V.....217	WEAR PAD,CABLE TRACK PULL TUBE.....117
	VOLTAGE REGULATOR,220V.....217	WEAR PAD,ENGINE TRAY.....115
		WEARPAD, LIMIT SWITCH GUIDE.....121
U	W	WELD CABLE ASSY, S80.....221
U-BOLT, FLATTENED, 1.5 X 3/8	WASHER, FLAT .394 X 1.25 X .25.....107	WELD CABLE ASSY, S85.....221
UNC,ZAG.....139, 193, 201, 225	WASHER, FLAT, F436, 1.0, ZAG.....75, 137	WELD, LPG TANK MOUNT.....203
U-BOLT, SQR, 3/8-16X2X5, PLTD.....223	WASHER, FLAT, USS, 5/8, ZAG.....115	WELDER, MILLER, CST 280.....207
U-BOLT,1/2-13 X 8.5.....83, 109	WASHER,CRUSH,COOLANT SENSOR.....91	WELDER,INVERTEC V275-S.....207
U-BOLT,3/8-16X4X4.63X3.00.....207, 223	WASHER,FLAT,#10,USS,ZAG.....49, 97, 107, 177, 181, 217	WELDMENT, AIRCRAFT TOP BUMPER.....223
UBOLT, 0.4724 IN D X 4 IN L.....49, 115	WASHER,FLAT,.375 X 1.5 X .125.....91	WELDMENT, BOOM SEC #2, S80 DC.....123
UBOLT,FLATTENED,1.5DIA3/8 UNC.....221	WASHER,FLAT,.375X1.50X.125,ZAG.....107, 225	WELDMENT, COVER SUPPORT,ENGINE SIDE.....53
UNION,BULKHEAD,ORFS,520601,-4.....173, 175	WASHER,FLAT,.625 HARDENED.....87, 91, 95	WELDMENT, COVER SUPPORT,TANK SIDE.....51
UNION,STR.THREAD 24***.....45, 47, 169-170	WASHER,FLAT,.625 X 2.25 X .15.....87, 95	WELDMENT, GBOX, S80/85 2013.....59, 63-64
UNISTRUT,FAN SHROUD BRACE,L,DE.....93	WASHER,FLAT,.75,SAE,HRD,ZAG.....55, 127	WELDMENT, GUIDE BRACKET, YOKE.....33
UNISTRUT,FAN SHROUD BRACE,R,DE.....93	WASHER,FLAT,1.0,USS,ZAG.....75	WELDMENT, HOOD LATCH MOUNT.....49
	WASHER,FLAT,1.56 X 2.5 X .061.....87, 95	WELDMENT, LEFT CONTACT ALARM, LARGE.....235
	WASHER,FLAT,1/2,SAE,HRD,ZAG.....137	WELDMENT, LID, GBOX, TIER IV S80.....64
	WASHER,FLAT,1/2,USS,ZAG.....49, 115	WELDMENT, LIMIT SWITCH ARM.....121
	WASHER,FLAT,3.062X4.5X.05,ZAG.....129	WELDMENT, PIPE CRADLE.....201
	WASHER,FLAT,3/8,SAE,HRD,ZAG.....137	WELDMENT, PLAT SUPPORT.....139
	WASHER,FLAT,3/8,USS,ZAG.....225	WELDMENT, PRECLEANER MT, DEUTZ/PERKINS.....187
	WASHER,FLAT,5/16,USS,ZAG.....201, 207	WELDMENT, REAR MOUNT,ENGINE.....95
	WASHER,FLAT,5/8,F436,HRD,ZAG.....57	WELDMENT, RIGHT CONTACT ALARM, LARGE.....235
	WASHER,FLAT,M10,ZINC PLTD.....93	WELDMENT, SENSOR MOUNT.....223
	WASHER,FLAT,M12.....93, 95	WELDMENT, SWING GATE.....139
	WASHER,FLAT,M14,DIN6916,HRD,ZAB...113, 215	WELDMENT, T4F MOUNT BRACKET, B....97, 113
	WASHER,FLAT,M16,DIN6916,HRD,ZAB.....33, 35	WELDMENT, TIE ROD, S80, NDL.....33
	WASHER,FLAT,M8,YELLOW ZINC.....95, 111	WELDMENT, TRANSPORT LOCK.....55
	WASHER,FLAT,MS,#10,Y.....83, 91, 127, 141-142, 189, 191	WELDMENT,5FT JIB BOOM.....135
	WASHER,FLAT,USS,1/4"Y.....59, 61, 63-64, 83, 85, 93, 95, 141-142, 185, 193, 221	WELDMENT,BOOM SEC #3.....125
	WASHER,FLAT,USS,1/4,ZAG.....35, 49, 55, 117, 135, 205, 207, 225	WELDMENT,CABLE GUIDE.....131
	WASHER,FLAT,USS,3/8",Y.....91, 93, 117	WELDMENT,CABLE TRACK TRAY.....117
	WASHER,FLAT,USS,5/16",Y.....85, 93, 179, 193, 205, 221	WELDMENT,COOLING AIRBOX.....83
	WASHER,LOCK,#10,ZAG.....57, 217	WELDMENT,ENGINE TRAY.....115
	WASHER,LOCK,.25..59, 61, 63-64, 141-142, 179	WELDMENT,ENGINE TRAY,2.9L DEUTZ...115
	WASHER,LOCK,.313.....205	WELDMENT,EXHAUST PIPE,PERKINS.....109
	WASHER,LOCK,1/4,ZAG.....133, 135	WELDMENT,EXHAUST TUBE.....53
	WASHER,LOCK,3/8,ZAG.....121, 135, 183	WELDMENT,EXTENSION BRACKET.....125
	WASHER,LOCK,M6.....83	WELDMENT,FUEL RETURN LINE,404D....107
	WASHER,NITRILE.....63-64	WELDMENT,INTAKE,PERKINS 404F.....107
	WASHER,SHIM .0151 THK.....219	WELDMENT,LID,GBOX,S0/85 2008.....61
	WASHER,SHIM,1.270X2.130X.062,Z.....133, 135	WELDMENT,LOAD SUPPORT.....219
	WASHER,SHIM,1.56X2.5X.061,ZAG.....117, 127	WELDMENT,LONG LINK,CABLE COVER.....221
	WASHER,SHIM,2.5X4X.062,ZAG.....129, 131	WELDMENT,LONG LINK,METRIC.....129
	WASHER,SHOULDER,NYLON.....121	WELDMENT,LONG,GUIDE TUBE.....117
	WASHER,THRUST 5 X 1.81 BRONZE.....33	WELDMENT,LOWER RADIATOR SSTL.....107
	WASHER,THRUST,(33434)**.....43	WELDMENT,MASTER LINK.....129
	WATER PUMP PULLEY,PERKINS 404D.....111	WELDMENT,PIPE CRADLE MOUNT.....201
		WELDMENT,PLAT CONT BOX,2008.....142
		WELDMENT,PLATE,LEVER MAST CYL.....129

WELDMENT,PLATFORM SUPPORT,CE.....219
 WELDMENT,PRECLEANER MT,DEUTZ.....187
 WELDMENT,PULL BAR.....239
 WELDMENT,REAR ENGINE MOUNT.....87
 WELDMENT,RETRACT SHEAVE
 COVER.....127
 WELDMENT,ROTATOR SUPPORT.....219
 WELDMENT,SHORT LINK,METRIC.....129
 WELDMENT,SWING GATE PANEL.....201
 WELDMENT,TOW BAR.....239
 WELDMENT,TRACK PULL TUBE PIVOT....125
 WHEEL DRIVE W/BRAKE 86.74:1.....33, 35,
 43
 WHEEL DRIVE, IDLER.....33, 39
 WHEEL DRIVE,W/BRAKE 57.49:1.....33, 35,
 41
 WHEEL, 15X24, SOLID, 11 HOLE.....33
 WHEEL,24.5 X 15.00.....33
 WHEEL,HF,22.5 X 14.00.....33
 WIPER,RUBBER,S80,SEC #1,BOTTOM....183
 WIPER,RUBBER,S80,SEC #1,TOP.....183
 WIPER,RUBBER,S80,SEC #2,BOT.....183
 WIPER,RUBBER,S80,SEC#2,TOP.....183
 WIRE MANAGEMENT, WIRE LOOM
 SUP.....111
 WIRE MANAGEMENT,GUIDE ROD
 ASSY.....107
 WIRE,12/3 SJEOW,BK-WH-GR/YL.....77-78,
 81
 WLDMT, LOWER COVER SUPPORT.....51, 53
 WLDMT,HIGHER COVER SUPPORT,ES.....53
 WLDMT,HIGHER COVER SUPPORT,TS.....51
 WLDT, INTAKE, T4 DEUTZ, Z80/S80.....91
 WORKLIGHT, 12V, DEUTSCH RECEP.....179

Z

ZERK,GREASE,1/8 NPT.....49
 ZERK,GREASE,5/16-24,STRAIT.....219

—
 —Deutz TD 2.9L4 Models—.....11
 —Deutz TD2011L04i Models—.....11
 —GENERAL SERVICE PARTS—.....11
 —GM 3.0L Models—.....11
 —HYD FILTERS—.....11
 —INSPECTION SERVICE KITS—.....11
 —MANUALS—.....11
 —Perkins 404D-22T Models—.....11

Fitting Cross References

Genie PN	Parker PN	Description	Genie PN	Parker PN	Description
12342	6-4 F5OX-S	CONNECTOR, STRAIGHT THREAD TO FLARE TUBE	42794	1 CR-S	ELBOW, 90°, MALE PIPE
13757	4 R6X-S	RUN TEE, SWIVEL NUT, ORFS	42795	BV-0839	BALL VALVE
19685	12-10 C5OX-S	ELBOW, 90°, STRAIGHT THREAD TO FLARE TUBE	42796	BV-0838	BALL VALVE
22664	12-10 C5OX	ELBOW, 90°, STRAIGHT THREAD TO FLARE TUBE	42874	6-8 CLO-S	ELBOW, 90°, MALE PIPE TO ORFS
27431	8-12 F5OX-S	CONNECTOR, STRAIGHT THREAD TO FLARE TUBE	42912	13943-6-4	HOSE END, 90° FEMALE SWIVEL, JIC
28678	AS-B-33	SLEEVE, NYLON, 1.81" ID	42920	BV-0840	BALL VALVE, 90°
39871	6 WETX-WLN-S	UNION, 90° BULKHEAD W/NUT, FLARE TUBE	42932	AS-B-17	SLEEVE, NYLON, 1.22" ID
39872	4 R5OX-S	RUN TEE, STRAIGHT THREAD	42936	10243-2-4	HOSE END, FEMALE PIPE
39873	6 C5OX-S	ELBOW, 90°, STRAIGHT THREAD TO FLARE TUBE	42953	1/2 DD-S	ELBOW, 90°, FEMALE PIPE
39874	8-6 C5OX-S	ELBOW, 90°, STRAIGHT THREAD TO FLARE TUBE	42956	6 WELO-WLNL-S	UNION, 90° BULKHEAD W/NUT, ORFS
39875	4-6 C5OX-S	ELBOW, 90°, STRAIGHT THREAD TO FLARE TUBE	45349	8 V5OX-S	ELBOW, 45°, STRAIGHT THREAD TO FLARE TUBE
39876	6-8 C5OX-S	ELBOW, 90°, STRAIGHT THREAD TO FLARE TUBE	45351	4 V5OX-S	ELBOW, 45°, STRAIGHT THREAD TO FLARE TUBE
39877	4 F5OX-S	CONNECTOR, STRAIGHT THREAD TO FLARE TUBE	47223	10343-6-6	HOSE END, MALE, JIC
39878	6 F5OX-S	CONNECTOR, STRAIGHT THREAD TO FLARE TUBE	47419	PS690503-6-6	SWIVEL, 90°, STRAIGHT THREAD TO 37° FLARE
39879	4-8 F5OX-S	CONNECTOR, STRAIGHT THREAD TO FLARE TUBE	48750	421-4	HOSE, 1/4 INCH ID
39880	6-10 F5OX-S	CONNECTOR, STRAIGHT THREAD TO FLARE TUBE	48751	481TC-4	HOSE, 1/4 INCH ID
39881	4-6 F5OX-S	CONNECTOR, STRAIGHT THREAD TO FLARE TUBE	48752	482TC-4	HOSE, 1/4 INCH ID
39882	4-HP5ON-S	PLUG, STRAIGHT THREAD	48753	451TC-6	HOSE, 3/8 INCH ID
39883	8-8 FTX-S	CONNECTOR, MALE PIPE TO FLARE TUBE	48754	482TC-6	HOSE, 3/8 INCH ID
39885	269HB 12-12	ELBOW, 90°, BEADED HOSE BARB TO MALE PIPE	48755	381-6	HOSE, 3/8 INCH ID
39886	431-6	HOSE, 3/8 INCH ID	48756	451TC-8	HOSE, 1/2 INCH ID
39887	540N-2	HOSE, 1/8 INCH ID	48757	482TC-8	HOSE, 1/2 INCH ID
39888	801-8	HOSE, 1/2 INCH ID	48758	381-8	HOSE, 1/2 INCH ID
39889	801-12	HOSE, 3/4 INCH ID	48759	381-10	HOSE, 5/8 INCH ID
39890	10643-6-6	HOSE END, FEMALE SWIVEL, JIC	48760	451TC-10	HOSE, 5/8 INCH ID
39891	13943-6-6	HOSE END, 90° FEMALE SWIVEL, JIC	48761	482TC-12	HOSE, 3/4 INCH ID
39892	13743-6-6	HOSE END, 45° FEMALE SWIVEL, JIC	48762	451TC-12	HOSE, 3/4 INCH ID
39894	30682-8-8	HOSE END, FEMALE SWIVEL, JIC	48763	772-12	HOSE, 3/4 INCH ID
39895	30682-10-12	HOSE END, FEMALE SWIVEL, JIC	48764	881-16	HOSE, 1 INCH ID
42286	8-8 CTX-S	ELBOW, 90°, MALE PIPE TO FLARE TUBE	48765	772-16	HOSE, 1 INCH ID
42756	8-12 CLO-S	ELBOW, 90°, MALE PIPE TO ORFS	48766	AS-B-15	SLEEVE, NYLON, 1.06" ID
42757	8-12 FLO-S	CONNECTOR, MALE PIPE TO ORFS	48767	AS-B-22	SLEEVE, NYLON, 1.42" ID
42758	4 JLO-S	UNION TEE, ORFS	48770	881-8	HOSE, 1/2 INCH ID
42759	4-4 FLO-S	CONNECTOR, MALE PIPE TO ORFS			
42760	6-8 FLO-S	CONNECTOR, MALE PIPE TO ORFS			
42761	1J143-6-4	HOSE END, 90° FEMALE SWIVEL, SEAL LOK			
42762	1J743-6-4	HOSE END, 45° FEMALE SWIVEL, SEAL LOK			
42768	1JO43-4-4	HOSE END, MALE, SEAL LOK			
42776	601-8	HOSE, 1/2 INCH ID			
42777	1J743-16-16	HOSE END, 45° FEMALE SWIVEL, SEAL LOK			
42786	16 CLO-S	ELBOW, 90°, MALE PIPE TO ORFS			
42787	16 R6LO-S	RUN TEE, SWIVEL NUT, ORFS			
42788	16-8 TRLO-BL-S	REDUCER, TUBE END TO SWIVEL, ORFS			
42789	6-6 CLO-S	ELBOW, 90°, MALE PIPE TO ORFS			
42790	8-10 V5OLO-S	ELBOW, 45°, STRAIGHT THREAD TO ORFS			
42791	3/4 CD-S	ELBOW, 90°, MALE TO FEMALE PIPE			
42792	3/4 X 1/2 PTR-S	REDUCER, MALE TO FEMALE PIPE			
42793	1/2 CR-S	ELBOW, 90°, MALE PIPE			

Fitting Cross References (Continued)

Genie PN	Parker PN	Description	Genie PN	Parker PN	Description
48771	881-10	HOSE,5/8 INCH ID	48847	13943-12-12	HOSE END,90° FEMALE SWIVEL,JIC
48772	381-4	HOSE,1/4 INCH ID	48848	10543-12-12	HOSE END,MALE,STRAIGHT THREAD
48773	AS-B-13	SLEEVE,NYLON,.86" ID	48849	1JC71-12-12	HOSE END,FEMALE SWIVEL,SEAL LOK
48800	1JC43-4-4	HOSE END,FEMALE SWIVEL,SEAL LOK	48850	1JS71-12-12	HOSE END,FEMALE SWIVEL,SEAL LOK
48801	1J743-4-4	HOSE END,45° FEMALE SWIVEL,SEAL LOK	48851	1J171-12-12	HOSE END,90° FEMALE SWIVEL,SEAL LOK
48802	1J943-4-4	HOSE END,90° FEMALE SWIVEL,SEAL LOK	48852	1J771-12-12	HOSE END,45° FEMALE SWIVEL,SEAL LOK
48804	1JM43-4-4	HOSE END,MALE,SEAL LOK, NO O-RING	48853	1J971-12-12	HOSE END,90° FEMALE SWIVEL,SEAL LOK
48805	10643-4-4	HOSE END,FEMALE SWIVEL,JIC	48854	1JC43-16-16	HOSE END,FEMALE SWIVEL,SEAL LOK
48806	13943-4-4	HOSE END,90° FEMALE SWIVEL,JIC	48855	1J943-16-16	HOSE END,90° FEMALE SWIVEL,SEAL LOK
48807	1JS43-4-4	HOSE END,FEMALE SWIVEL,SEAL LOK	48856	1J171-16-16	HOSE END,90° FEMALE SWIVEL,SEAL LOK
48808	3JC82-8-8	HOSE END,FEMALE SWIVEL,SEAL LOK	48857	1J971-16-16	HOSE END,90° FEMALE SWIVEL,SEAL LOK
48809	3JC82-12-12	HOSE END,FEMALE SWIVEL,SEAL LOK	48859	1JS43-8-4	HOSE END,FEMALE SWIVEL,SEAL LOK
48810	1JC43-6-4	HOSE END,FEMALE SWIVEL,SEAL LOK	48867	PD36BTL	DIAGNOSTIC NIPPLE,SEAL-LOK SWIVEL
48811	1J943-6-4	HOSE END,90° FEMALE SWIVEL,SEAL LOK	48873	6 PNLO-S	PLUG,TUBE END,ORFS
48812	1JC43-6-6	HOSE END,FEMALE SWIVEL,SEAL LOK	48874	6 PNTX-S	PLUG,FLARE TUBE
48813	1J143-6-6	HOSE END,90° FEMALE SWIVEL,SEAL LOK	48875	6 R6LO-S	RUN TEE,SWIVEL NUT,ORFS
48814	1J543-6-6	HOSE END,90° FEMALE SWIVEL,SEAL LOK	48877	4 F5OLO-SW/.025	CONNECTOR,STRAIGHT THREAD TO ORFS, W/.025 ORI
48815	1J743-6-6	HOSE END,45° FEMALE SWIVEL,SEAL LOK	48878	16-12 C5OLO-S	ELBOW,90°,STRAIGHT THREAD TO ORFS
48816	1J943-6-6	HOSE END,90° FEMALE SWIVEL,SEAL LOK	48879	8 C6LO-S	ELBOW,90°,SWIVEL NUT ORFS
48817	1JS43-6-8	HOSE END,FEMALE SWIVEL,SEAL LOK	48880	PD6-285	CAP,DIAGNOSTIC NIPPLE
48818	1J943-8-4	HOSE END,90° FEMALE SWIVEL,SEAL LOK	48881	6 HLO-S	UNION,ORFS
48819	1JC43-8-6	HOSE END,FEMALE SWIVEL,SEAL LOK	48883	8 P5ON-S	PLUG,STRAIGHT THREAD
48820	1J743-8-6	HOSE END,45° FEMALE SWIVEL,SEAL LOK	48884	8M18F87OMLO-S	CONNECTOR,METRIC,STRAIGHT THREAD TO ORFS
48821	1J943-8-6	HOSE END,90° FEMALE SWIVEL,SEAL LOK	48885	4 WGTX-WLN-S	CONNECTOR,BULKHEAD,FEMALE PIPE TO FLARE TUBE
48822	1JC43-8-8	HOSE END,FEMALE SWIVEL,SEAL LOK	48886	4 F5OLO-SW/2MM	CONNECTOR,MACHINED STRAIGHT THREAD TO ORFS
48823	1JS43-8-8	HOSE END,FEMALE SWIVEL,SEAL LOK	48887	4 CTX-S	ELBOW,90°,MALE PIPE TO FLARE TUBE
48824	1J143-8-8	HOSE END,90° FEMALE SWIVEL,SEAL LOK	48888	10-12 V5OLO-S	ELBOW,45°,STRAIGHT THREAD TO ORFS
48825	1J543-8-8	HOSE END,90° FEMALE SWIVEL,SEAL LOK	48890	4 S5OLO-S	BRANCH TEE,STRAIGHT THREAD TO ORFS
48826	1J743-8-8	HOSE END,45° FEMALE SWIVEL,SEAL LOK	48891	4 S6LO-S	BRANCH TEE,SWIVEL NUT TO ORFS
48827	1J943-8-8	HOSE END,90° FEMALE SWIVEL,SEAL LOK			
48828	1JC43-10-8	HOSE END,FEMALE SWIVEL,SEAL LOK			
48829	1JS43-10-8	HOSE END,FEMALE SWIVEL,SEAL LOK			
48830	1J743-10-8	HOSE END,45° FEMALE SWIVEL,SEAL LOK			
48831	1J943-10-8	HOSE END,90° FEMALE SWIVEL,SEAL LOK			
48833	1JC43-10-10	HOSE END,FEMALE SWIVEL,SEAL LOK			
48834	1J943-10-10	HOSE END,90° FEMALE SWIVEL,SEAL LOK			
48835	1JS43-10-12	HOSE END,FEMALE SWIVEL,SEAL LOK			
48836	1JC43-12-8	HOSE END,FEMALE SWIVEL,SEAL LOK			
48837	1JS43-12-8	HOSE END,FEMALE SWIVEL,SEAL LOK			
48838	1J743-12-8	HOSE END,45° FEMALE SWIVEL,SEAL LOK			
48839	1J943-12-8	HOSE END,90° FEMALE SWIVEL,SEAL LOK			
48840	1J943-12-10	HOSE END,90° FEMALE SWIVEL,SEAL LOK			
48841	1JC43-12-12	HOSE END,FEMALE SWIVEL,SEAL LOK			
48842	1JO43-12-12	HOSE END,MALE,SEAL LOK			
48843	1J143-12-12	HOSE END,90° FEMALE SWIVEL,SEAL LOK			
48844	1J543-12-12	HOSE END,90° FEMALE SWIVEL,SEAL LOK			
48845	1J743-12-12	HOSE END,45° FEMALE SWIVEL,SEAL LOK			
48846	1J943-12-12	HOSE END,90° FEMALE SWIVEL,SEAL LOK			

Fitting Cross References (Continued)

Genie PN	Parker PN	Description	Genie PN	Parker PN	Description
48892	6 C6LO-S	ELBOW,90°,SWIVEL NUT ORFS	48938	8 R6LO-S	RUN TEE,SWIVEL NUT,ORFS
48893	6 F5OHAO-S	UNION,STRAIGHT THREAD	48939	8 S6LO-S	BRANCH TEE,SWIVEL NUT TO ORFS
48894	8 WLO-WLNL-S	UNION,BULKHEAD,ORFS	48940	8 WJLO-WLNL-S	RUN TEE, BULKHEAD,ORFS
48895	DT-370-MSMO-5	VALVE,CHECK	48941	8-4 TRLO-S	REDUCER,TUBE END TO SWIVEL,ORFS
48896	6 JLO-S	UNION,TEE,ORFS	48942	8-6 C5OLO-S	ELBOW,90°,STRAIGHT THREAD TO ORFS
48897	DT-750-MSMS-5	VALVE,CHECK	48943	8-6 F5OLO-S	CONNECTOR,STRAIGHT THREAD TO ORFS
48898	DT-750-MOMS-5	VALVE,CHECK	48944	8-8 FLO-S	CONNECTOR,MALE PIPE TO ORFS
48899	DT-620-MOMS-5	VALVE,CHECK	48945	8 FTX-S	CONNECTOR,MALE PIPE TO FLARE TUBE
48900	4-6 F5OLO-SW/.035	CONNECTOR,STRAIGHT THREAD TO ORFS, W/.035 ORI	48946	8-10 F5OLO-S	CONNECTOR,STRAIGHT THREAD TO ORFS
48902	16-1 AOE4G-S	ELBOW,90° LONG,FEMALE PIPE TO STRAIGHT THREAD	48947	8-12 C5OLO-S	ELBOW,90°,STRAIGHT THREAD TO ORFS
48903	1 FF-S	NIPPLE,PIPE	48948	8-12 F5OLO-S	CONNECTOR,STRAIGHT THREAD TO ORFS
48904	4 C5OLO-S	ELBOW,90°,STRAIGHT THREAD TO ORFS	48949	8-16 F5OLO-S	CONNECTOR,STRAIGHT THREAD TO ORFS
48905	4 F5OLO-S	CONNECTOR,STRAIGHT THREAD TO ORFS	48950	10 C5OLO-S	ELBOW,90°,STRAIGHT THREAD TO ORFS
48906	4 R5OLO-S	RUN TEE,STRAIGHT THREAD	48951	10 CC5OLO-S	ELBOW,90° LONG,STRAIGHT THREAD TO ORFS
48907	4 V5OLO-S	ELBOW,45°,STRAIGHT THREAD TO ORFS	48952	10 F5OLO-S	CONNECTOR,STRAIGHT THREAD TO ORFS
48908	4 R6LO-S	RUN TEE,SWIVEL NUT,ORFS	48953	10 R5OLO-S	RUN TEE,STRAIGHT THREAD
48909	4 WJLO-WLNL-S	RUN TEE, BULKHEAD,ORFS	48954	10 S5OLO-S	BRANCH TEE,STRAIGHT THREAD TO ORFS
48910	4 GTX-S W/.030	CONNECTOR,FEMALE PIPE TO FLARE TUBE	48955	10 R6LO-S	RUN TEE,SWIVEL NUT,ORFS
48911	4-6 C5OLO-S	ELBOW,90°,STRAIGHT THREAD TO ORFS	48956	10-4 TRLO-BL-S	REDUCER,TUBE END TO SWIVEL,ORFS
48912	4-6 F5OLO-S	CONNECTOR,STRAIGHT THREAD TO ORFS	48957	10-6 TRLO-BL-S	REDUCER,TUBE END TO SWIVEL,ORFS
48913	4-6 F5OLO-SW/.030	CONNECTOR,STRAIGHT THREAD TO ORFS, W/.030 ORI	48958	10-12 F5OLO-S	CONNECTOR,STRAIGHT THREAD TO ORFS
48914	4-8 F5OLO-S	CONNECTOR,STRAIGHT THREAD TO ORFS	48959	12 C5OLO-S	ELBOW,90°,STRAIGHT THREAD TO ORFS
48915	6 C5OLO-S	ELBOW,90°,STRAIGHT THREAD TO ORFS	48960	12 F5OLO-S	CONNECTOR,STRAIGHT THREAD TO ORFS
48916	6 F5OLO-S	CONNECTOR,STRAIGHT THREAD TO ORFS	48961	12 R5OLO-S	RUN TEE,STRAIGHT THREAD
48917	6 FF5OLO-S	CONNECTOR,LONG,STRAIGHT THREAD TO ORFS	48962	12 S5OLO-S	BRANCH TEE,STRAIGHT THREAD TO ORFS
48918	6 R5OLO-S	RUN TEE,STRAIGHT THREAD	48963	12 V5OLO-S	ELBOW,45°,STRAIGHT THREAD TO ORFS
48919	6 S5OLO-S	BRANCH TEE,STRAIGHT THREAD TO ORFS	48964	12 R6LO-S	RUN TEE,SWIVEL NUT,ORFS
48920	6 V5OLO-S	ELBOW,45°,STRAIGHT THREAD TO ORFS	48965	12 CLO-S	ELBOW,90°,MALE PIPE TO ORFS
48921	6 FLO-S	CONNECTOR,MALE PIPE TO ORFS	48966	12 FLO-S	CONNECTOR,MALE PIPE TO ORFS
48922	6-6 FLO-S	CONNECTOR,MALE PIPE TO ORFS	48967	12 JLO-S	UNION TEE,ORFS
48923	6 P5ON-S	PLUG,STRAIGHT THREAD	48968	12 WLO-WLNL-S	UNION,BULKHEAD,ORFS
48925	6 WELO-S	UNION,90° BULKHEAD,ORFS	48969	12 WJLO-WLNL-S	RUN TEE, BULKHEAD,ORFS
48926	6-4 C5OLO-S	ELBOW,90°,STRAIGHT THREAD TO ORFS	48970	12 WELO-WLNL-S	UNION,90° BULKHEAD W/NUT,ORFS
48927	6-4 F5OLO-S	CONNECTOR,STRAIGHT THREAD TO ORFS			
48928	6-4 V5OLO-S	ELBOW,45°,STRAIGHT THREAD TO ORFS			
48929	6-8 C5OLO-S	ELBOW,90°,STRAIGHT THREAD TO ORFS			
48930	6-8 F5OLO-S	CONNECTOR,STRAIGHT THREAD TO ORFS			
48931	6-10 F5OLO-S	CONNECTOR,STRAIGHT THREAD TO ORFS			
48932	8 C5OLO-S	ELBOW,90°,STRAIGHT THREAD TO ORFS			
48933	8 F5OLO-S	CONNECTOR,STRAIGHT THREAD TO ORFS			
48934	8 FF5OLO-S	CONNECTOR,LONG,STRAIGHT THREAD TO ORFS			
48935	8 R5OLO-S	RUN TEE,STRAIGHT THREAD			
48936	8 S5OLO-S	BRANCH TEE,STRAIGHT THREAD TO ORFS			
48937	8 V5OLO-S	ELBOW,45°,STRAIGHT THREAD TO ORFS			

Fitting Cross References (Continued)

Genie PN	Parker PN	Description	Genie PN	Parker PN	Description
48971	12 G5G5JG5-S	TEE,FEMALE STRAIGHT THREAD	49612	PKT02586	O-RING KIT (ORFS FITTINGS)
48972	12 XHL6-S	ADAPTER, 37° MALE TO SWIVEL ORFS	49613	PKT06276	PLUG AND CAP KIT-SERVICE,ORFS
48973	12-1/2 F5OG-S	ADAPTER,FEMALE PIPE TO STRAIGHT THREAD	49728	10143-12-12	HOSE END, MALE PIPE
48974	12-10 C5OLO-S	ELBOW,90°,STRAIGHT THREAD TO ORFS	49729	16-1 F5OG-S	ADAPTER,FEMALE PIPE TO STRAIGHT THREAD
48975	12-10 F5OLO-S	CONNECTOR,STRAIGHT THREAD TO ORFS	49814	12-8 FLO-S	CONNECTOR,MALE PIPE TO ORFS
48976	12-16 C5OLO-S	ELBOW,90°,STRAIGHT THREAD TO ORFS	49829	DT-500-MOMF-5	VALVE,CHECK
48977	12-16 F5OLO-S	CONNECTOR,STRAIGHT THREAD TO ORFS	49831	881-12	HOSE,3/4 INCH ID
48978	12-16 V5OLO-S	ELBOW,45°,STRAIGHT THREAD TO ORFS	49834	16 JLO-S	UNION TEE,ORFS
48980	12-16 FLO-S	CONNECTOR,MALE PIPE TO ORFS	49838	12-8 TRLO-BL-S	REDUCER,TUBE END TO SWIVEL,ORFS
48983	16 C5OLO-S	ELBOW,90°,STRAIGHT THREAD TO ORFS	49840	8 JLO-S	UNION TEE,ORFS
48984	16 F5OLO-S	CONNECTOR,STRAIGHT THREAD TO ORFS	49844	10-8 TRLO-BL-S	REDUCER,TUBE END TO SWIVEL,ORFS
48985	16 V5OLO-S	ELBOW,45°,STRAIGHT THREAD TO ORFS	49854	8 P5ON-S	PLUG,STRAIGHT THREAD
48986	16 FLO-S	CONNECTOR,MALE PIPE TO ORFS	49855	1JC43-16-12	HOSE END,FEMALE SWIVEL,SEAL LOK
48988	16 CD45-S	ELBOW,45°,MALE TO FEMALE PIPE	49859	4 P5ON-S	PLUG,STRAIGHT THREAD
48989	12 CD45-S	ELBOW,45°,MALE TO FEMALE PIPE	49861	4 FF5OLO-S	CONNECTOR, LONG, STRAIGHT THREAD TO ORFS
48990	8 CD45-S	ELBOW,45°,MALE TO FEMALE PIPE	49867	12-3/4 F5OG-S	ADAPTER,FEMALE PIPE TO STRAIGHT THREAD
48991	16-12 FLO-S	CONNECTOR,MALE PIPE TO ORFS	51152	6 R6X-S	RUN TEE,SWIVEL NUT,ORFS
48992	16-12 V5OLO-S	ELBOW,45°,STRAIGHT THREAD TO ORFS	51153	6-4 TRTX-S	REDUCER,TUBE END TO SWIVEL,ORFS
48993	XV501-12	BALL VALVE	51154	4-4 GTX	CONNECTOR,FEMALE PIPE TO FLARE TUBE
48994	XV501-16	BALL VALVE	51264	881-12	HOSE,3/4 INCH ID
48995	XV510P-12	BALL VALVE	51265	8 JLO-S	UNION TEE,ORFS
48996	XV510P-16	BALL VALVE	51508	6 BTX-S	NUT,FLARE TUBE
48997	PD341	DIAGNOSTIC NIPPLE, STRAIGHT THREAD	51580	12-8 TRLO-BL-S	TUBE END REDUCER,ORFS
48998	PD 361	DIAGNOSTIC NIPPLE, STRAIGHT THREAD	51628	6 R6X-S	RUN TEE,SWIVEL NUT,ORFS
48999	DT-500-MOMS-5	VALVE,CHECK	51735	3/8 HHP	PLUG,PIPE THREAD
49201	10 V5OLO-S	ELBOW,45°,STRAIGHT THREAD TO ORFS	51803	1J943-6-8	HOSE END,90° FEMALE SWIVEL,SEAL LOK
49202	1JC43-12-10	HOSE END,FEMALE SWIVEL,SEAL LOK	53023	125HBL-5-4	FITTING,HOSE BARB TO MALE PIPE
49203	10-8 V5OLO-S	ELBOW,45°,STRAIGHT THREAD TO ORFS	53497	PKT02585	O-RING KIT
49205	6 F5OHAO-S	UNION,STRAIGHT THREAD	53499	1JC71-16-16	HOSE END,FEMALE SWIVEL,SEAL LOK
49207	PD34BTL	DIAGNOSTIC NIPPLE,SEAL-LOK SWIVEL	53500	3-904	O-RING,STRAIGHT THREAD,-4
49209	8M18F870MX-S	CONNECTOR,METRIC,STRAIGHT THREAD TO FLARE TUBE	53501	3-906	O-RING,STRAIGHT THREAD,-6
49212	8 WGTX-WLN-S	CONNECTOR,BULKHEAD,FEMALE PIPE TO FLARE TUBE	53502	3-908	O-RING,STRAIGHT THREAD,-8
49213	30682-8-8	HOSE END,FEMALE SWIVEL,JIC	53503	3-910	O-RING,STRAIGHT THREAD,-10
49216	831-8	HOSE,1/2 INCH ID			
49217	33982-8-8	HOSE END,90° FEMALE SWIVEL,JIC			
49219	PS-B-35	SLEEVE,NYLON,2.19" ID			
49418	4-6 V5OLO-S	ELBOW,45°,STRAIGHT THREAD TO ORFS			
49511	DT370-MOMS-5	VALVE,CHECK			
49512	1 DD-S	ELBOW,90°,FEMALE PIPE			
49513	1 FF-S	NIPPLE,PIPE			
49514	10 HP5ON-S	PLUG,STRAIGHT THREAD			
49515	12-16 CLO-S	ELBOW,90°,MALE PIPE TO ORFS			
49517	6 HP5ON-S	PLUG,STRAIGHT THREAD			
49519	16-12 F5OLO-S	CONNECTOR,STRAIGHT THREAD TO ORFS			
49520	4 VTX-S	ELBOW,45°,MALE PIPE TO FLARE TUBE			
49530	16 C6LO-S	ELBOW,90°,SWIVEL NUT ORFS			

Fitting Cross References (Continued)

Genie PN	Parker PN	Description	Genie PN	Parker PN	Description
53535	3-912	O-RING,STRAIGHT THREAD,-12	61083	24 F5OLO-S	CONNECTOR,STRAIGHT THREAD TO ORFS
53536	4-PNLO-S	PLUG,TUBE END,ORFS	61086	20 R5OLO-S	RUN TEE,STRAIGHT THREAD
53537	6 PNLO-S	PLUG,TUBE END,ORFS	61090	24-20 F5OLO-S	CONNECTOR,STRAIGHT THREAD TO ORFS
53538	8 PNLO-S	PLUG,TUBE END,ORFS	61091	1J943 24-24	HOSE END,90° FEMALE SWIVEL,SEAL LOK
53539	10 PNLO-S	PLUG,TUBE END,ORFS	61093	1J978-12-12	HOSE END,90° FEMALE SWIVEL,JIC
53540	12 PNLO-S	PLUG,TUBE END,ORFS	61095	1JS43-20-16	HOSE END,FEMALE SWIVEL,SEAL LOK
53946	129HB-5-4	FITTING,90° HOSE BARB TO MALE PIPE	61100	811-24	HOSE,11/2 INCH ID
53951	8-1/4F50G-S	ADAPTER,FEMALE PIPE TO STRAIGHT THREAD	61130	1JS43-24-24	HOSE END,FEMALE SWIVEL,SEAL LOK
53980	6 S6LO-S	BRANCH TEE,SWIVEL NUT TO ORFS	61131	1JS78 12-12	HOSE END,FEMALE SWIVEL,SEAL LOK
54132	4 C6LO-S	ELBOW,90°,SWIVEL NUT ORFS	61132	1J778-12-12	HOSE END,45° FEMALE SWIVEL,JIC
54135	11343-16-16	HOSE END,MALE SWIVEL,PIPE	61152	139HB-6-4	ELBOW,45°,BARB TO MALE PIPE
54283	8-10 C5OLO-S	ELBOW,90°,STRAIGHT THREAD TO ORFS	61251	BV-0750	BALL VALVE
54428	8M18C870MLO-S	ELBOW, 90° METRIC, STRAIGHT THREAD TO ORFS	61259	4 CC5OLO-S	ELBOW,90° LONG,STRAIGHT THREAD TO ORFS
54803	FS-F-16-10	SLEEVE,FIRE,-96" ID	61260	20-12 TRLO-BL	REDUCER,TUBE END TO SWIVEL,ORFS
54954	10143-2-4	HOSE END, MALE PIPE	61262	12 C6LO-S	ELBOW,90°,SWIVEL NUT ORFS
55190	3/8 HP-S	PLUG,PIPE THREAD	61263	20 F5OHAO-S	UNION,STRAIGHT THREAD
55448	8 HLO-S	UNION,ORFS	61264	6-10 C5OLO-S	ELBOW,90°,STRAIGHT THREAD TO ORFS
55839	6 F65OX-S	CONNECTOR,STRAIGHT THREAD TO 37° SWIVEL	61265	6 WNLO-WLNL-S	UNION,BULKHEAD 45°,ORFS
55968	10 C5OX-S	ELBOW,90°,STRAIGHT THREAD TO FLARE TUBE	61268	4 WNLO-WLNL-S	UNION,BULKHEAD 45°,ORFS
56003	6 CC5OLO-S	ELBOW,90° LONG,STRAIGHT THREAD TO ORFS	61269	4 WLO-WLNL-S	UNION,BULKHEAD,ORFS
56166	BV-0837	BALL VALVE,90°	61272	12 AOEL6	ELBOW,90°,STRAIGHT THREAD TO ORFS SWIVEL
56188	10143-8-6	HOSE END, MALE PIPE	61316	482TC-16	HOSE,1 INCH ID
56233	2-011	O-RING,ORFS,-4	61321	6 JLO-S	UNION TEE,ORFS
56234	2-012	O-RING,ORFS,-6	61327	782-12	HOSE,3/4 INCH ID
56235	2-014	O-RING,ORFS,-8	61328	881-24	HOSE,11/2 INCH ID
56236	2-016	O-RING,ORFS,-10	61336	11943-20-24	HOSE END,90° FLANGE HEAD
56237	2-018	O-RING,ORFS,-12	61345	12 WJLO-WLNL-S	RUN TEE, BULKHEAD,ORFS
56238	2-021	O-RING,ORFS,-16	61346	8 WNLO-WLNL-S 4	UNION,BULKHEAD 45°,ORFS
56352	6 WLNL-S	LOCKNUT,BULKHEAD	61569	33782-8-8	HOSE END,45° FEMALE SWIVEL,JIC
56353	3J782-12-12	HOSE END,45° FEMALE SWIVEL,SEAL LOK	61610	12 FF5OLO-S	CONNECTOR,LONG,STRAIGHT THREAD TO ORFS
56354	3J982-12-12	HOSE END,90° FEMALE SWIVEL,SEAL LOK	61742	1/8 X 1.5 FFF	NIPPLE,PIPE
56604	10-8 F5OLO-S	CONNECTOR,STRAIGHT THREAD TO ORFS	63426	8 PNTX-S	PLUG,FLARE TUBE
56639	3JC82-10-10	HOSE END,FEMALE SWIVEL,SEAL LOK			
56640	3J982-10-10	HOSE END,90° FEMALE SWIVEL,SEAL LOK			
56655	3JC82-8-10	HOSE END,FEMALE SWIVEL,SEAL LOK			
56676	10-8 C5OLO-S	ELBOW,90°,STRAIGHT THREAD TO ORFS			
56776	471TC-6	HOSE,3/8 INCH ID			
56777	471TC-8	HOSE,1/2 INCH ID			
56789	811-16	HOSE,1 INCH ID			
57884	3/8 FF	NIPPLE,PIPE			
59335	6 FNL-S	CAP,TUBE END			
59342	4 FNL-S	CAP,TUBE END			
59371	8 HP5ON-S	PLUG,STRAIGHT THREAD			
60653	BV-0751	BALL VALVE			
60806	125HB-3-4	FITTING,HOSE BARB TO MALE PIPE			
61064	5-1/4 F50G-S	ADAPTER,FEMALE PIPE TO STRAIGHT THREAD			
61079	4 WELO-WLNL-S	UNION,90° BULKHEAD W/NUT,ORFS			
61080	6 WLO-WLNL-S	UNION,BULKHEAD,ORFS			

Fitting Cross References (Continued)

Genie PN	Parker PN	Description	Genie PN	Parker PN	Description
64271	4 WLO-WLNL-S	UNION,BULKHEAD,ORFS	75631	801-6	HOSE,3/8 INCH ID
64272	6 WLO-WLNL-S	UNION,BULKHEAD,ORFS	75654	20 F5OLO-S	CONNECTOR,STRAIGHT THREAD TO ORFS
65776	8 F65OL-S	CONNECTOR,STRAIGHT THREAD TO ORFS SWIVEL	75655	1J943-20-20	HOSE END,90° FEMALE SWIVEL,SEAL LOK
65880	6001012	O-RING KIT	75656	881-20	HOSE,1-1/4 INCH ID
66154	6 WTX-WLNS	UNION,BULKHEAD,FLARE TUBE	75971	8 F5OHAO-S	UNION,STRAIGHT THREAD
66155	6 WETX-S	UNION,BULKHEAD 90°,FLARE TUBE	77307	1JB43-8-8	HOSE END,BULKHEAD,SEAL LOK
66156	6 WLN-S	BULKHEAD LOCKNUT	77309	8 WLNL-S	BULKHEAD LOCKNUT
66389	6-8 F5OX-S	CONNECTOR,STRAIGHT THREAD TO FLARE TUBE	77379	8M18C87OMX-S	ELBOW,90° METRIC,STRAIGHT THREAD TO FLARE TUBE
66392	6 R5OX-S	RUN TEE,STRAIGHT THREAD	77703	3J982-8-8	HOSE END,90° FEMALE SWIVEL,SEAL LOK
66396	811-12	HOSE,3/4 INCH ID	77711	801-10	HOSE,5/8 INCH ID
66829	H3174PP	CLAMP,TUBE	77758	12 WNLO-WLNL-S	UNION,BULKHEAD 45°,ORFS
67217	4 KLO-S	UNION,CROSS,ORFS	78091	6 C6X-S	ELBOW,90°,SWIVEL NUT TO FLARE TUBE
67339	10-6 F5OX-S	CONNECTOR,STRAIGHT THREAD TO FLARE TUBE	78684	30582-8-8B	HOSE END,PUSH LOK,MALE
67357	13943-8-6	HOSE END,90° FEMALE SWIVEL,JIC	78852	549-2	HOSE,1/8 INCH ID
67358	10 HP5ON-S	PLUG,STRAIGHT THREAD	78855	10657-4-2	HOSE END,FEMALE SWIVEL,JIC
67371	12 S6LO-S	BRANCH TEE,SWIVEL NUT TO ORFS	79138	PS-B-37	SLEEVE,NYLON,2.38" ID
67498	4 FNL-S	CAP, TUBE END	79476	1JS43-6-8	HOSE END,FEMALE SWIVEL,SEAL LOK
67906	DC-370-F0F0-5	VALVE,CHECK	79847	12-3/4 A0EG-S	ELBOW,90°,STRAIGHT THREAD TO FEMALE PIPE
69316	8 FLO-S	CONNECTOR,MALE PIPE TO ORFS	80044	8 CLO-S	ELBOW,90°,MALE PIPE TO ORFS
69333	H3174PP	CLAMP,HYDRAULIC HOSE	80502	8 F5OX-S	CONNECTOR,STRAIGHT THREAD TO FLARE TUBE
69503	4 F65OX-S	CONNECTOR,STRAIGHT THREAD TO 37° SWIVEL	80503	8 C5OX-S	ELBOW,90°,STRAIGHT THREAD TO FLARE TUBE
69775	8 FNL-S	CAP, TUBE END	81010	AS-B-27	SLEEVE,NYLON,1.63" ID
71038	1/4X1/4F3HG-S	ADAPTER,CONVERSION	83052	821-6	HOSE,3/8 INCH ID
71196	12-8 F5OLO-S	CONNECTOR,STRAIGHT THREAD TO ORFS	83053	821-8	HOSE,1/2 INCH ID
71383	1/4 CD45-S	ELBOW,45°,MALE TO FEMALE PIPE	83054	821-12	HOSE,3/4 INCH ID
72270	12FNL-S	CAP, TUBE END	83055	30682-6-6	HOSE END,FEMALE SWIVEL,JIC
73436	60C-4	SLEEVE,COMPRESSION	83056	30682-12-12	HOSE END,FEMALE SWIVEL,JIC
73437	61C-4	NUT,COMPRESSION	83057	33782-6-6	HOSE END,45° FEMALE SWIVEL,JIC
73438	33482-4-4B	HOSE END,PUSH LOK,MALE	83058	33982-6-6	HOSE END,90° FEMALE SWIVEL,JIC
73767	1CD-S	ELBOW,90°,MALE TO FEMALE PIPE	83060	33982-12-12	HOSE END,90° FEMALE SWIVEL,JIC
73768	20-16-F5OG5-S	ADAPTER,FEMALE PIPE TO STRAIGHT THREAD	83063	13743-4-4	HOSE END,45° FEMALE SWIVEL,JIC
73769	16-20 F5OLO-S	CONNECTOR,STRAIGHT THREAD TO ORFS			
74660	6-8 F42EDMLO-S	CONNECTOR,MALE BSPP TO ORFS			
74661	8-8 F42EDMLO-S	CONNECTOR,MALE BSPP TO ORFS			
75007	4 FLO-S	CONNECTOR,MALE PIPE TO ORFS			
75008	1/8 HP-S	PLUG,PIPE THREAD			
75014	1/2 HP-S	PLUG,PIPE THREAD			
75042	8 WELO-WLNL-S	UNION,90° BULKHEAD W/NUT,ORFS			
75043	3/4 FF-S	NIPPLE,PIPE			
75254	24 F5OHAO-S	UNION,STRAIGHT THREAD			
75255	12 F5OHAO-S	UNION,STRAIGHT THREAD			
75256	XV506P-24	BALL VALVE			
75574	4 WLNL-S	BULKHEAD LOCKNUT			
75612	8 WJLO-WLNL-S	RUN TEE, BULKHEAD,ORFS			
75613	12-8 F5OG5-S	ADAPTER,FEMALE PIPE TO STRAIGHT THREAD			
75614	8 CC5OLO-S	ELBOW,90° LONG,STRAIGHT THREAD TO ORFS			
75628	1JB43-4-4	HOSE END,BULKHEAD,SEAL LOK			

Fitting Cross References (Continued)

Genie PN	Parker PN	Description	Genie PN	Parker PN	Description
83064	13743-8-8	HOSE END,45° FEMALE SWIVEL,JIC	89449	6 WJLO-WLNL-S	RUN TEE, BULKHEAD,ORFS
83065	13743-12-12	HOSE END,45° FEMALE SWIVEL,JIC	89489	4 WJMLO-S	BRANCH TEE,BULKHEAD,ORFS
83066	13943-8-8	HOSE END,90° FEMALE SWIVEL,JIC	89551	1JB43-6-6	HOSE END,BULKHEAD,SEAL LOK
83067	14143-6-6	HOSE END,90° FEMALE SWIVEL,JIC	89552	1JB43-8-8	HOSE END,BULKHEAD,SEAL LOK
83068	14143-8-8	HOSE END,90° FEMALE SWIVEL,JIC	89593	20 C5OLO-S	ELBOW,90°,STRAIGHT THREAD TO ORFS
83069	14143-12-12	HOSE END,90° FEMALE SWIVEL,JIC	94161	8-8 CLO-S	ELBOW,90°,MALE PIPE TO ORFS
83070	772-8	HOSE,1/2 INCH ID	94358	351TC-12	HOSE,3/4 INCH ID
83071	10671-8-8	HOSE END,FEMALE SWIVEL,JIC	94418	20 FLO-S	CONNECTOR,MALE PIPE TO ORFS
83072	10671-12-12	HOSE END,FEMALE SWIVEL,JIC	96358	12 TX-S	SLEEVE,FLARE TUBE
83073	13771-8-8	HOSE END,45° FEMALE SWIVEL,JIC	96359	12 BTX-S	NUT,FLARE TUBE
83074	13771-12-12	HOSE END,45° FEMALE SWIVEL,JIC	96397	8 F5OX-S	CONNECTOR,STRAIGHT THREAD TO FLARE TUBE
83075	13971-8-8	HOSE END,90° FEMALE SWIVEL,JIC	96398	12-8 F5OX-S	CONNECTOR,STRAIGHT THREAD TO FLARE TUBE
83076	13971-12-12	HOSE END,90° FEMALE SWIVEL,JIC	96402	10343-6-6	HOSE END,MALE,JIC
83077	14171-8-8	HOSE END,90° FEMALE SWIVEL,JIC	96407	30382-6-6B	HOSE END,MALE,JIC
83078	14171-12-12	HOSE END,90° FEMALE SWIVEL,JIC			
83080	13943-16-16	HOSE END,90° FEMALE SWIVEL,JIC			
83103	10671-16-12	HOSE END,FEMALE SWIVEL,JIC			
83104	10671-10-12	HOSE END,FEMALE SWIVEL,JIC			
83112	1JC71-8-8	HOSE END,FEMALE SWIVEL,SEAL LOK			
83113	1JS71-16-12	HOSE END,FEMALE SWIVEL,SEAL LOK			
83114	1JS71-10-12	HOSE END,FEMALE SWIVEL,SEAL LOK			
83115	1J971-8-8	HOSE END,90° FEMALE SWIVEL,SEAL LOK			
83116	1J171-8-8	HOSE END,90° FEMALE SWIVEL,SEAL LOK			
83117	1J771-8-8	HOSE END,45° FEMALE SWIVEL,SEAL LOK			
83127	1J543-6-8	HOSE END,90° FEMALE SWIVEL,JIC			
83128	1JC43-6-8	HOSE END,FEMALE SWIVEL,SEAL LOK			
87033	12-6 TRLO-S	REDUCER,TUBE END TO SWIVEL,ORFS			
87034	3J782-8-8	HOSE END,45° FEMALE SWIVEL,SEAL LOK			
87172	12 HP5ON-S	PLUG,STRAIGHT THREAD			
87185	8 WNLO-WLNL-S	UNION,BULKHEAD 45°,ORFS			
87246	4 C6X-S	ELBOW,90°,SWIVEL NUT TO FLARE TUBE			
87679	6 LHP-S	FLANGE SEAL FITTING, MALE			
87681	6PLS N0702	BONDED SEAL			
88100	SR88100	ADAPTER,OIL DRAIN,GM 3.0L			
88311	1JS43-20-20	HOSE END,FEMALE SWIVEL,SEAL LOK			
88353	20 V5OLO-S	ELBOW,45°,STRAIGHT THREAD TO ORFS			
88474	10081-20	Crimp Shell, 1.25"			
88475	1988-20-24	HOSE END,90° FLANGE HEAD			
88476	JS88-24-24	HOSE END,FEMALE SWIVEL,SEAL LOK			
88477	1JC88-20-20	HOSE END,FEMALE SWIVEL,SEAL LOK			
88478	811-20	HOSE,11/4 INCH ID			
88936	20-16 F5OLO-S	CONNECTOR,STRAIGHT THREAD TO ORFS			
88937	20-16 FLO-S	CONNECTOR,MALE PIPE TO ORFS			
88938	1JC88-16-16	HOSE END,FEMALE SWIVEL,SEAL LOK			
88939	1J988-16-16	HOSE END,90° FEMALE SWIVEL,ORFS			
88940	811-16	HOSE,1 INCH ID			
88944	1J988-20-20	HOSE END,90° FEMALE SWIVEL,ORFS			
89403	16 VLO-S	ELBOW,45°,MALE PIPE TO ORFS			

California Proposition 65



Operating, servicing and maintaining this equipment can expose you to chemicals including engine exhaust, carbon monoxide, phthalates, and lead, which are known to the State of California to cause cancer and birth defects or other reproductive harm. These chemicals can be emitted from or contained in other various parts and systems, fluids and some component wear by-products. To minimize exposure, avoid breathing exhaust, do not idle the engine except as necessary, service your equipment and vehicle in a well-ventilated area and wear gloves or wash your hands frequently when servicing your equipment or vehicle and after operation. For more information go to www.P65Warnings.ca.gov/passenger-vehicle.

Breathing diesel engine exhaust exposes you to chemicals known to the State of California to cause cancer and birth defects or other reproductive harm.

- Always start and operate the engine in a well-ventilated area.
- If in an enclosed area, vent the exhaust to the outside.
- Do not modify or tamper with the exhaust system.
- Do not idle the engine except as necessary.

For more information go to www.P65warnings.ca.gov/diesel.

Distributed By:

www.P65Warnings.ca.gov to order your parts

PARTS FINDER

**Search Website
by Part Number**



**Search Manual
Library For Parts
Manual & Lookup Part
Numbers – Purchase
or Request Quote**

Search Manuals

Enter your information to help us find the right parts manual for your machine.

* Brand:

* Model:

* Serial:

* Part Number:

SEARCH

**Can't Find Part or
Manual? Request Help
by Manufacturer,
Model & Description**

Parts Order Form

Please fill in the following information to help us find the right part for your machine.

MANUFACTURER:

MODEL:

DESCRIPTION:

SEARCH

Discount-Equipment.com is your online resource for quality parts & equipment.

Florida: **561-964-4949** Outside Florida TOLL FREE: **877-690-3101**

Need parts?

Click on this link: <http://www.discount-equipment.com/category/5443-parts/> and choose one of the options to help get the right parts and equipment you are looking for. Please have the machine model and serial number available in order to help us get you the correct parts. If you don't find the part on the website or on one of the online manuals, please fill out the request form and one of our experienced staff members will get back to you with a quote for the right part that your machine needs.

We sell worldwide for the brands: Genie, Terex, JLG, MultiQuip, Mikasa, Essick, Whiteman, Mayco, Toro Stone, Diamond Products, Generac Magnum, Airman, Haulotte, Barreto, Power Blanket, Nifty Lift, Atlas Copco, Chicago Pneumatic, Allmand, Miller Curber, Skyjack, Lull, Skytrak, Tsurumi, Husquvarna Target, Stow, Wacker, Sakai, Mi-T-M, Sullair, Basic, Dynapac, MBW, Weber, Bartell, Bennar Newman, Haulotte, Ditch Runner, Menegotti, Morrison, Contec, Buddy, Crown, Edco, Wyco, Bomag, Laymor, EZ Trench, Bil-Jax, F.S. Curtis, Gehl Pavers, Heli, Honda, ICS/PowerGrit, IHI, Partner, Imer, Clipper, MMD, Koshin, Rice, CH&E, General Equipment, Amida, Coleman, NAC, Gradall, Square Shooter, Kent, Stanley, Tamco, Toku, Hatz, Kohler, Robin, Wisconsin, Northrock, Oztec, Toker TK, Rol-Air, APT, Wylie, Ingersoll Rand / Doosan, Innovatech, Con X, Ammann, Mecalac, Makinex, Smith Surface Prep, Small Line, Wanco, Yanmar