



A TEREX BRAND



Parts Manual

Serial Number Range

SX-180

from SN SX18013-005 to
SX18015-292

Part No. 235134

Rev B20

November 2018

Go to Discount-Equipment.com to order your parts

PARTS FINDER

**Search Website
by Part Number**



**Search Manual
Library For Parts
Manual & Lookup Part
Numbers – Purchase
or Request Quote**

Search Manuals

Enter your information to help us find the right parts manual for your machine.

* Brand:

* Model:

* Serial:

* Part Number:

SEARCH

**Can't Find Part or
Manual? Request Help
by Manufacturer,
Model & Description**

Parts Order Form

Please fill in the following information to help us find the right part for your machine.

Manufacturer:	<input type="text"/>
Model:	<input type="text"/>
Description:	<input type="text"/>
Part Number:	<input type="text"/>
Quantity:	<input type="text"/>
Notes:	<input type="text"/>

Submit

Discount-Equipment.com is your online resource for quality parts & equipment.

Florida: **561-964-4949** Outside Florida TOLL FREE: **877-690-3101**

Need parts?

Click on this link: <http://www.discount-equipment.com/category/5443-parts/> and choose one of the options to help get the right parts and equipment you are looking for. Please have the machine model and serial number available in order to help us get you the correct parts. If you don't find the part on the website or on one of the online manuals, please fill out the request form and one of our experienced staff members will get back to you with a quote for the right part that your machine needs.

We sell worldwide for the brands: Genie, Terex, JLG, MultiQuip, Mikasa, Essick, Whiteman, Mayco, Toro Stone, Diamond Products, Generac Magnum, Airman, Haulotte, Barreto, Power Blanket, Nifty Lift, Atlas Copco, Chicago Pneumatic, Allmand, Miller Curber, Skyjack, Lull, Skytrak, Tsurumi, Husquvarna Target, Stow, Wacker, Sakai, Mi-T-M, Sullair, Basic, Dynapac, MBW, Weber, Bartell, Bennar Newman, Haulotte, Ditch Runner, Menegotti, Morrison, Contec, Buddy, Crown, Edco, Wyco, Bomag, Laymor, EZ Trench, Bil-Jax, F.S. Curtis, Gehl Pavers, Heli, Honda, ICS/PowerGrit, IHI, Partner, Imer, Clipper, MMD, Koshin, Rice, CH&E, General Equipment, Amida, Coleman, NAC, Gradall, Square Shooter, Kent, Stanley, Tamco, Toku, Hatz, Kohler, Robin, Wisconsin, Northrock, Oztec, Toker TK, Rol-Air, APT, Wylie, Ingersoll Rand / Doosan, Innovatech, Con X, Ammann, Mecalac, Makinex, Smith Surface Prep, Small Line, Wanco, Yanmar



A TEREX BRAND

Model: SX-180
Serial number: SX18013-12345
Model year: 2013 Manufacture date: 12/12/13
Electrical schematic number: ES0555
Machine unladen weight:

Rated work load (including occupants): 750 lb / 340 kg

Maximum number of platform occupants: 2

Maximum allowable side force : 150 lb / 670 N

Maximum allowable inclination of the chassis:
0 deg

Maximum wind speed : 28 mph/ 12.5 m/s

Maximum platform height : 180 ft/ 54.83 m

Maximum platform reach : 80 ft / 24.4 m

Gradeability: 45%

Country of manufacture: USA

This machine complies with:

ANSI A92.5

CAN B.354.4



PN - 77055

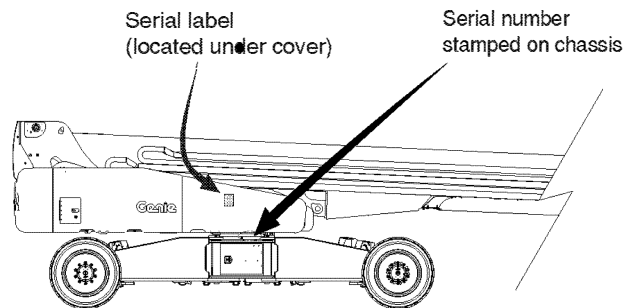
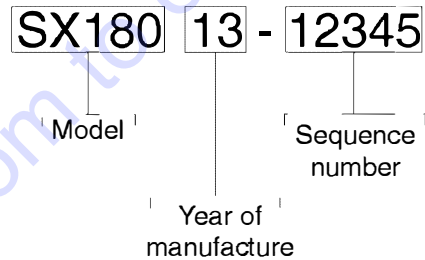


Table of Contents

This manual is updated frequently. For the most up-to-date parts information, visit www.discount-equipment.com

How to Read Your Serial Number.....	3
Parts Stocking List.....	7

Electronic Version

Click on any page number to view the figure.

100 Decals

101.1 Decals with Words, Hydraulic Tank Side.....	10
102.1 Decals with Words, Hydraulic Tank Side (chassis).....	12
103.1 Decals with Words, Engine Side, ANSI.....	14
104.1 Decals with Words, Engine Side, AUS.....	16
105.1 Decals with Words, Engine Side (chassis).....	18
106.1 Decals with Words, Boom.....	20
107.1 Decals with Words, Platform, ANSI & CSA.....	22
108.1 Decals with Words, Platform, AUS.....	24
109.1 Decals with Symbols, Hydraulic Tank Side, ANSI.....	26
110.1 Decals with Symbols, Hydraulic Tank Side, CE.....	28
111.1 Decals with Symbols, Hydraulic Tank Side (chassis).....	30
112.1 Decals with Symbols, Engine Side.....	32
113.1 Decals with Symbols, Engine Side (chassis).....	34
114.1 Decals with Symbols, Boom.....	36
115.1 Decals with Symbols, Platform, ANSI.....	38
116.1 Decals with Symbols, Platform, CE.....	40

200 Drive Chassis Components

201.1 Chassis Components, Top View.....	42
202.1 Chassis Components, Bottom View.....	44
203.1 Chassis Components, Tank Side.....	46
204.1 Chassis Components, Engine Side.....	48
205.1 Steer Yoke, Wheel Drive and Motor.....	50

300 Turntable Components

301.1 Turntable Center Components - View 1.....	52
302.1 Turntable Center Components - View 2.....	54
303.1 Turntable Covers - Engine Side.....	56
304.1 Engine Side Components, Fuel Tank.....	58

305.1 Engine Side, Hose Clamps and Guides.....	60
306.1 Engine Side, Welder GEN. Bulkhead Assembly.....	62
307.1 Engine Side, Relay Fuse Assembly.....	64
307.2 Engine Side, Relay Fuse Assembly, Deutz TD 2.9L4.....	66
308.1 Welder Generator Enclosure (7.5 kW, 208/120 60HZ).....	68
308.2 Welder Generator Enclosure (12 kW, 208/120 60HZ).....	70
308.3 Welder Generator Enclosure (7.5 kW, 110/55 50HZ).....	72
308.4 Welder Generator Enclosure (7.5 kW, 240/415 50HZ).....	74
309.1 Tank Side, Turntable Covers.....	76
310.1 Tank Side, Swing Drive, Hose Clamps and Guides.....	78
311.1 Tank Side, Battery Bulkhead Assembly.....	80
312.1 Hydraulic Tank Components.....	82
313.1 Ground Control Box - View 1.....	84
313.2 Ground Control Box - View 2.....	86
314.1 Ground Control Box, Deutz TD 2.9L4 - View 1.....	88
314.2 Ground Control Box, Deutz TD 2.9L4 - View 2.....	90
315.1 Wire Harness Diagram - View 1.....	92
316.1 Wire Harness Diagram - View 2.....	94

400 Engine Components

401.1 Deutz TD2011-L04i Engine - View 1.....	96
402.1 Deutz TD2011-L04i Engine - View 2.....	98
403.1 Deutz TD2011-L04i Engine - View 3.....	100
404.1 Deutz Engine Attached Components.....	102
405.1 Deutz TD 2.9L4 Engine - View 1.....	104
406.1 Deutz TD 2.9L4 Engine - View 2.....	106
407.1 Deutz TD 2.9L4 Engine - View 3.....	108
408.1 Deutz TD 2.9L4 Engine - View 4.....	110
409.1 Perkins 1104D-44T Engine - View 1.....	112
410.1 Perkins 1104D-44T Engine - View 2.....	114
411.1 Perkins 1104D-44T Engine - View 3.....	116
412.1 Perkins Engine Attached Components.....	118

500 Boom Components

501.1 Boom Components.....	120
502.1 Boom Lift Cylinder.....	122
503.1 Cable Track Installation.....	124
504.1 Secondary Extend Cylinder.....	126
505.1 Primary Extend Cylinder.....	128
506.1 Cable Assembly - View 1.....	130
507.1 Cable Assembly - View 2.....	132
508.1 Cable Assembly - View 3.....	134
509.1 Boom Tube Zero - Wear Pads.....	136

510.1 Boom Tube Zero - Inner Cable Track.....	138	816.1 Fall Arrest Bar.....	228
511.1 Boom Tube One - Wear Pads.....	140	817.1 Operators Protection Alarm.....	230
512.1 Boom Tube Two - Wear Pads.....	142		
513.1 Boom Tube Three - Wear Pads, View 1.....	144	Indices	
514.1 Boom Tube Three - Wear Pads, View 2.....	146	Part Number Index.....	232
515.1 Boom Tube Four - Wear Pads.....	148	Part Description Index.....	239
516.1 Jib Rotator Installation.....	150	Cross References	
517.1 Jib Rotator Housing.....	152	Fittings Cross Reference.....	250
518.1 Jib Boom and Platform Rotator.....	154		
600 Platform Components			
601.1 Platform Installation - View 1.....	156		
602.1 Platform Installation - View 2.....	158		
603.1 Platform Controls.....	160		
604.1 Platform J Box Assembly.....	164		
605.1 Joysticks.....	166		
700 Hydraulic Components			
701.1 Traction Manifold.....	168		
702.1 Steer and Axle Manifold.....	170		
703.1 Function Manifold - View 1.....	172		
703.2 Function Manifold - View 2.....	174		
704.1 Jib, Level and Rotation Manifolds.....	176		
705.1 Generator Manifold and Function Enable Valve.....	178		
706.1 Hydraulic Pumps.....	180		
707.1 Hydraulic Hoses and Fittings, Drive System.....	182		
708.1 Hydraulic Hoses and Fittings, Steering System.....	184		
709.1 Hydraulic Hoses and Fittings - Turntable.....	186		
710.1 Hydraulic Hoses and Fittings - Turntable.....	190		
711.1 Hydraulic Hoses and Fittings - Boom Components..	192		
800 Accessories			
801.1 Platform Accessories.....	196		
802.1 Half-Mesh and Pipe Cradle Options.....	198		
803.1 Operator Protection Structure.....	200		
804.1 Drive and Work Light Package.....	202		
805.1 Platform Control Box Cover.....	204		
806.1 Engine Air Precleaner.....	206		
807.1 Air Line to Platform.....	208		
808.1 Load Sense.....	210		
809.1 Cold Start Package.....	212		
810.1 Cold Start Heater.....	214		
811.1 Ground Control LCD Heater.....	216		
812.1 Platform Level Recovery and Rocker Joystick.....	218		
813.1 Welder Option.....	220		
814.1 Anemometer Option.....	222		
815.1 Hostile Package - View 1.....	224		
815.2 Hostile Package - View 2.....	226		

Required Parts

The following parts are required to perform maintenance procedures as outlined in the Genie SX-180 Service Manual.

Deutz TD2011-L04i Models

Description	Part No.
Filter Element - Medium and High Pressure	60857
FILTER ELEMENT,10 MICRON	131323
Filter Element - Tank Return	236037
Engine Oil Filter - Deutz Models	49924
Fuel Filter - Deutz Models	108543
FILTER,FUELA/WTR SEP, DTZ 1008	29560
Air Filter Element	62425
Dielectric Grease	66339

Perkins 1104D-44T Models:

Description	Part No.
Filter Element - Medium and High Pressure	60857
FILTER ELEMENT,10 MICRON	131323
Filter Element - Tank Return	236037
Engine Oil Filter - Perkins Models	102632
Fuel Filter/Separator - Perkins Models	62433
Fuel Filter - Perkins Models	102639
Air Filter Element	62425
Dielectric Grease	66339

Recommended Parts

Description	Part No.
Genie Blue Paint, 1 Gallon	32150
Genie Blue Paint, 12 Ounce Aerosol	1484
Genie Gray Paint, 1 Gallon	32151
Genie Gray Paint, 12 Ounce Aerosol	1268
Kit, Annual Inspection, S105/125/135/180 to SN SX18015-292	1285455
20 Amp fuse	60536
30 Amp fuse	94327
Alarm connector kit	58253
Dielectric Grease	66399
Digital level	58351
Foot Pedal assy	13482
Handle	60884
Hydraulic pressure gauges	93500
Latch Flexible	45363
Latch Panel	60964
O ring kit, Parker	49612
O ring kit, SAE	28750

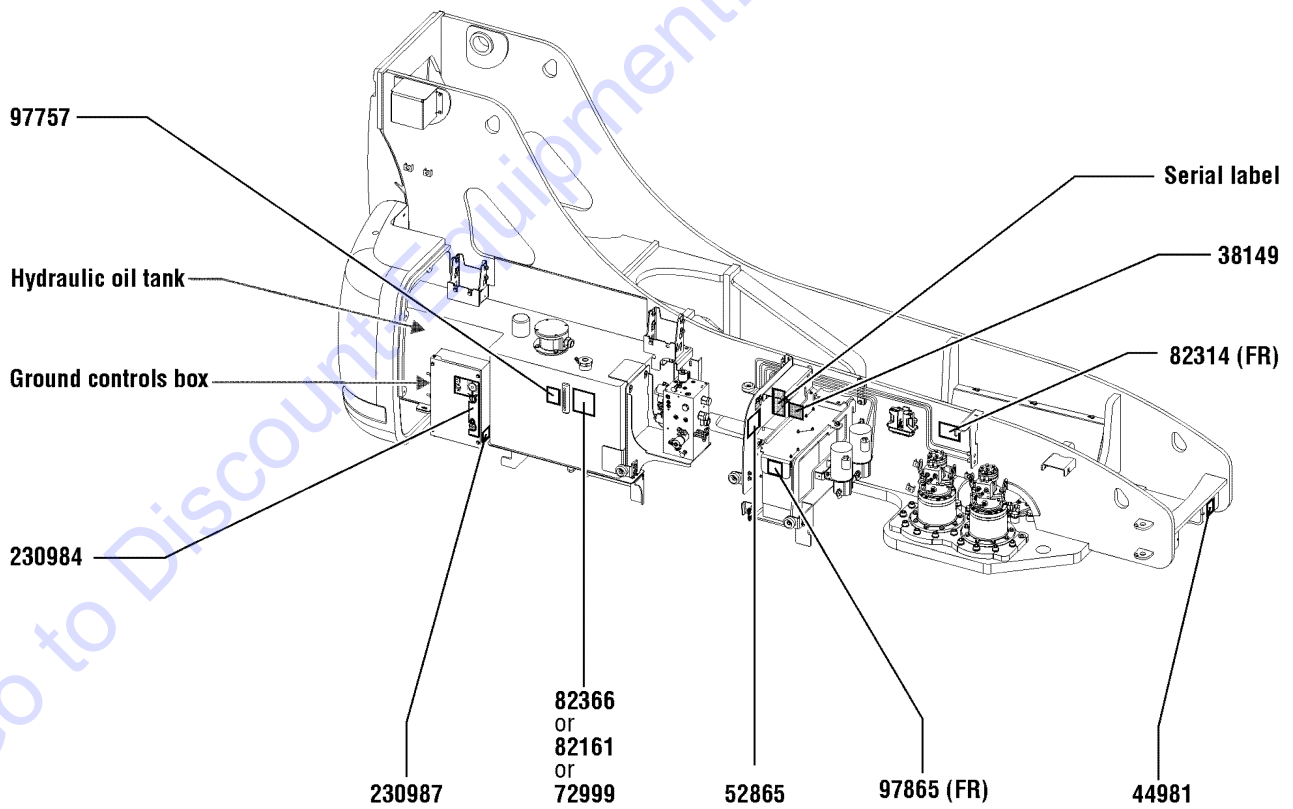
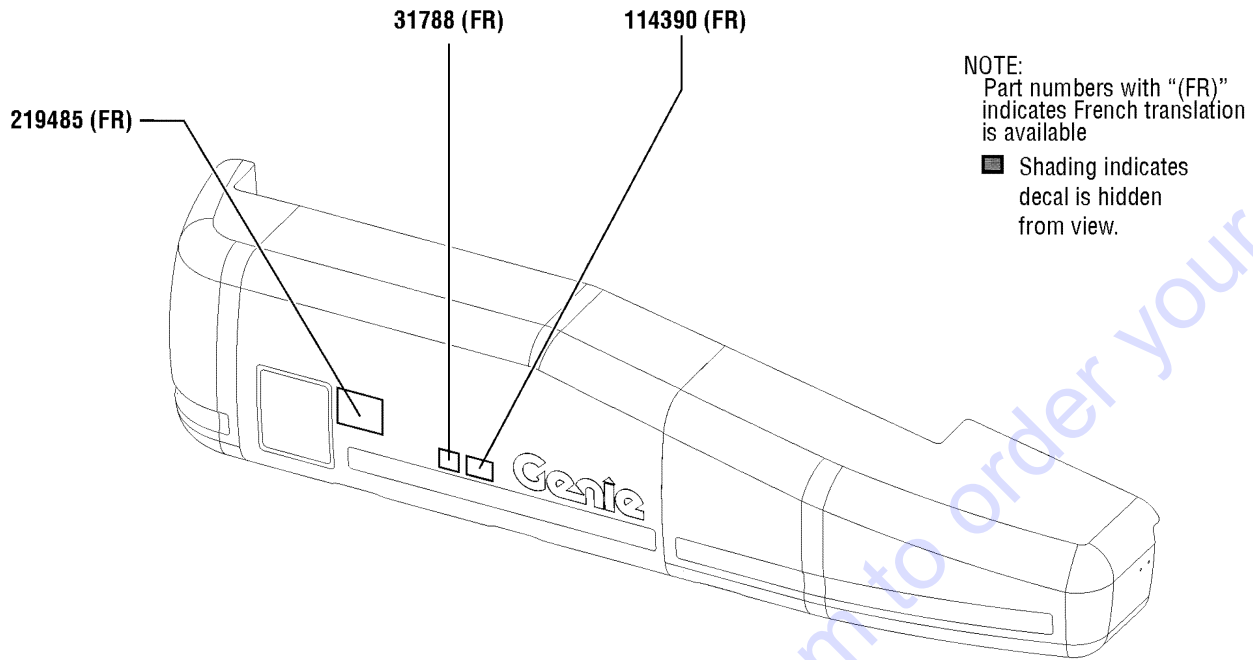
Description	Part No.
Platform Joysticks	101171- 2Axis
Platform Joysticks	101175- 1Axis
Plug and cap kit, SAE	33994
Rubber Bumper	80974
Sentry Seal	90319
Steer Sensor	232993
Sw Assm Axle Safety	236392
Switch	236393
Switch	236395
Table Kit	1252202
Tilt Sensor	50813
Toggle Switches	128200
Tool Holder	60476
Web GPI	215336

Manuals

Genie Industries offers the following support documents for these models:

Title	Part No.
EMI Safety Manual	27581
Manual of Responsibilities ANSI A92.5	31779

101.1 Decals with Words, Hydraulic Tank Side



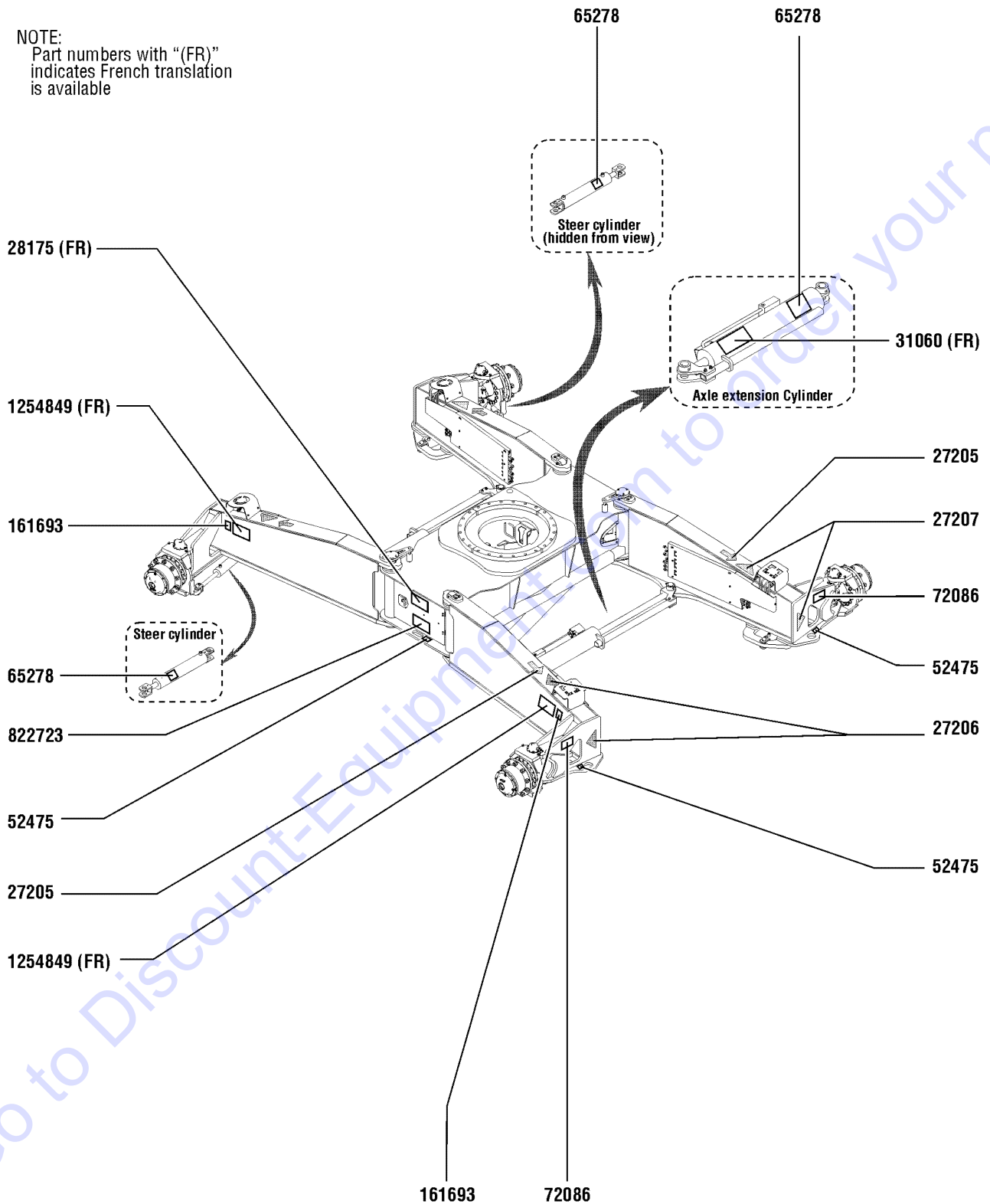
101.1 Decals with Words, Hydraulic Tank Side

Item	Part No.	Description	Qty.
1	31788GT	DECAL,DANGER,BATTERY SAFETY***.....1	1
2	38149GT	DECAL,LABEL,PATENTS.....1 (ANSI Only)	1
3	44981GT	DECAL,LABEL, AIR LINE 110 PSI.....1	1
4	52865GT	DECAL,ANNUAL INSP***.....1	1
5	72999GT	DECAL,LABEL,PETRO CANADA***.....1	1
6	82161GT	DECAL,LABEL,UCON HYDROLUBE.....1	1
7	82314GT	DECAL,DANGER,TIP-OVER.....1	1
8	82366GT	DECAL,CHEVRON RANDO HD.....1	1
9	97757GT	DECAL,LABEL,OIL LEVEL IND.....1	1
10	97865GT	DECAL,WARN,ELECTRO HAZARD.....1	1
11	114390GT	DECAL,DANGER,ELECT HAZARD***.....1	1
12	219485GT	DECAL,OPER INST, GROUND CONT....1	1
13	230984GT	DECAL, GROUND CONTROL SPX.....1	1
14	230987GT	DECAL, SERVICE RECOVERY SWITCH.....1	1

Go to Discount-Equipment.com to order your parts

102.1 Decals with Words, Hydraulic Tank Side (chassis)

NOTE:
Part numbers with "(FR)"
indicates French translation
is available

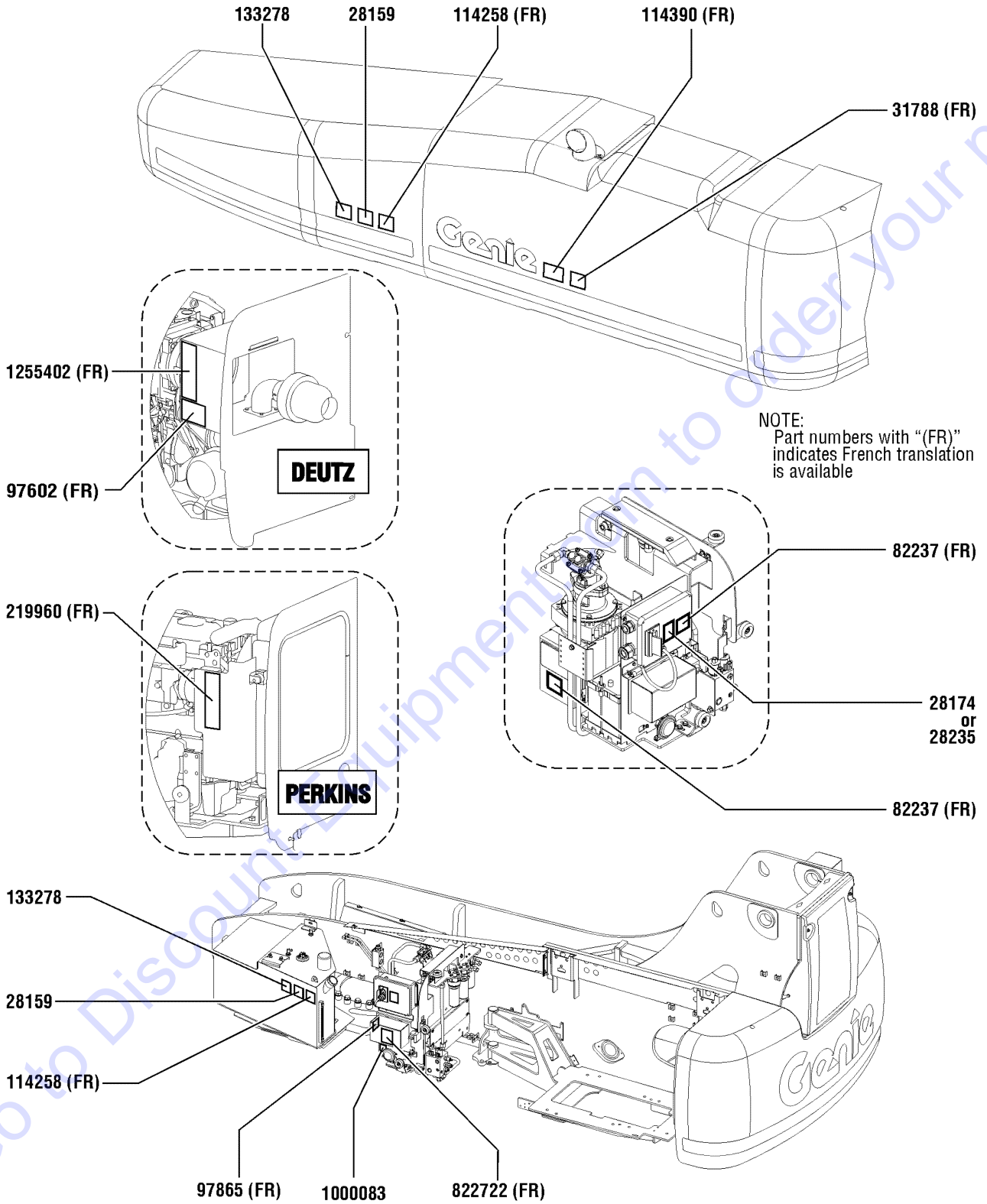


102.1 Decals with Words, Hydraulic Tank Side (chassis)

Item	Part No.	Description	Qty.
1	27205GT	DECAL,ARROW YELLOW LRG 9".....	2
2	27206GT	DECAL,TRIANGLE,BLUE.....	2
3	27207GT	DECAL,TRIANGLE,YELLOW.....	2
4	28175GT	DECAL,WARNING-COMPART ACCESS.....	1
5	31060GT	DECAL,DANGER DO NOT ALTER SWTC.....	1
6	52475GT	DECAL,LABEL,TRANSPORT TIEDOWN*.....	3
7	65278GT	DECAL,CAUTION,NO STEP.....	3
8	72086GT	DECAL,LABEL,LIFTING EYE.....	2
9	161693GT	DECAL,WHEEL LOAD, SX-180.....	2
10	822723GT	DECAL,TRANSPORT DIAGRAM,SX-180.....	1
11	1254849GT	DECAL,DANGER/NOTICE,TIRESPECS,SX180.	2

Go to Discount-Equipment.com to order your parts

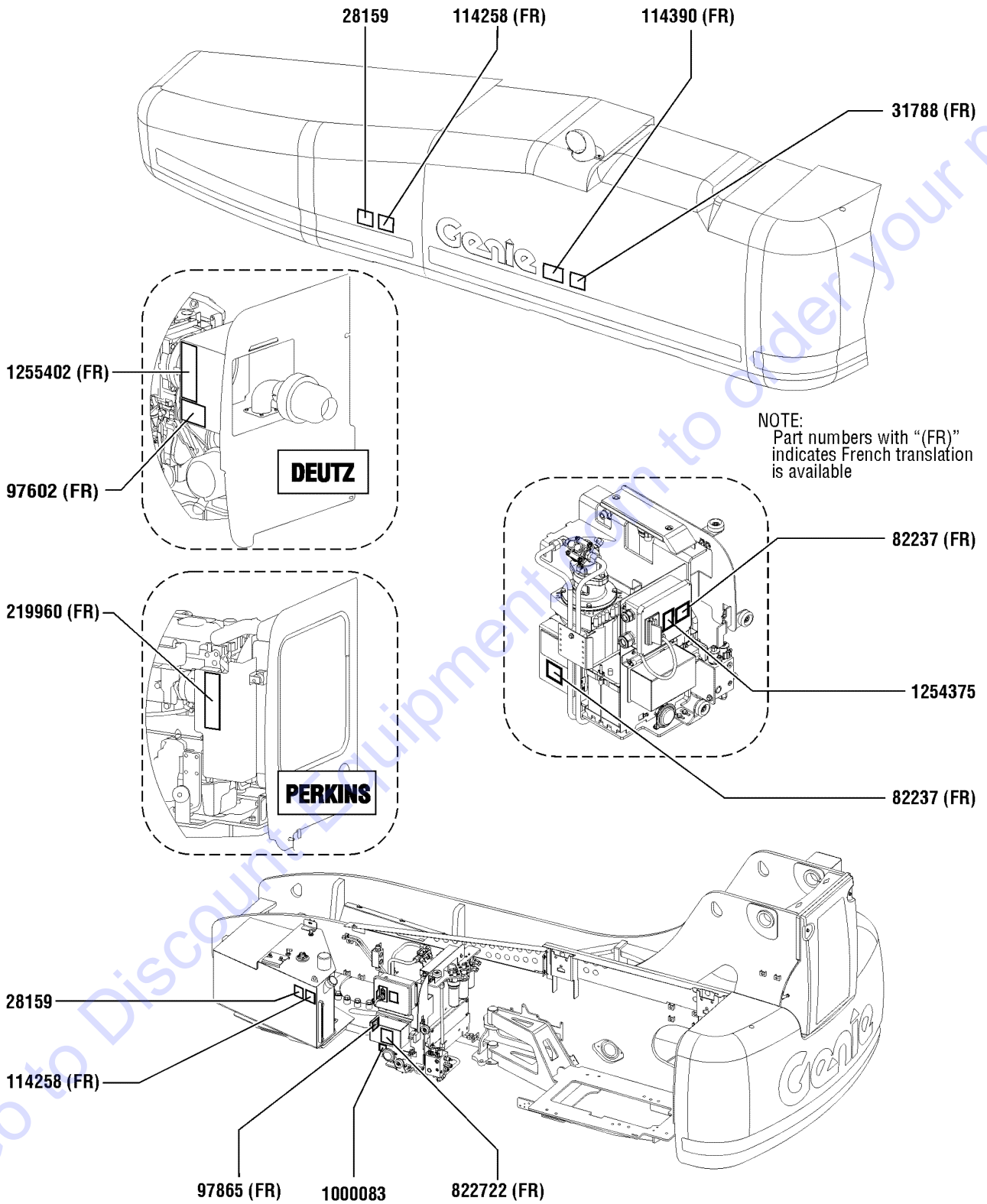
103.1 Decals with Words, Engine Side, ANSI



103.1 Decals with Words, Engine Side, ANSI

Item	Part No.	Description	Qty.
1	28159GT	DECAL,DIESEL.....	2
2	28174GT	DECAL, POWER TO PLATFORM 230V**.....	1
3	28235GT	DECAL,POWER TO PLATFORM 115V...1	1
4	31788GT	DECAL,DANGER,BATTERY SAFETY***.....	1
5	82237GT	DECAL,DANGER,HIGH VOLTAGE.....	2
6	97602GT	DECAL,EXPLOSION HAZARD.....	1
7	97865GT	DECAL,WARN,ELECTRO HAZARD.....	1
8	114258GT	DECAL,DANGER,NO SMOKING.....	2
9	114390GT	DECAL,DANGER,ELECT HAZARD***.....	1
10	133278GT	DECAL,LOW/ULTRA LOW SULFR FUEL.....	2
11	219960GT	DECAL,NOTICE,PERKINS ENGINE.....	1
12	822722GT	DECAL, LABEL, FUSE RELAY PANEL...1	1
13	1000083GT	DECAL,NOTICE,START/CONTRL BATT.....	1
14	1255402GT	DECAL,ENGINE SPEC,DEUTZ TD2011.....	1

104.1 Decals with Words, Engine Side, AUS



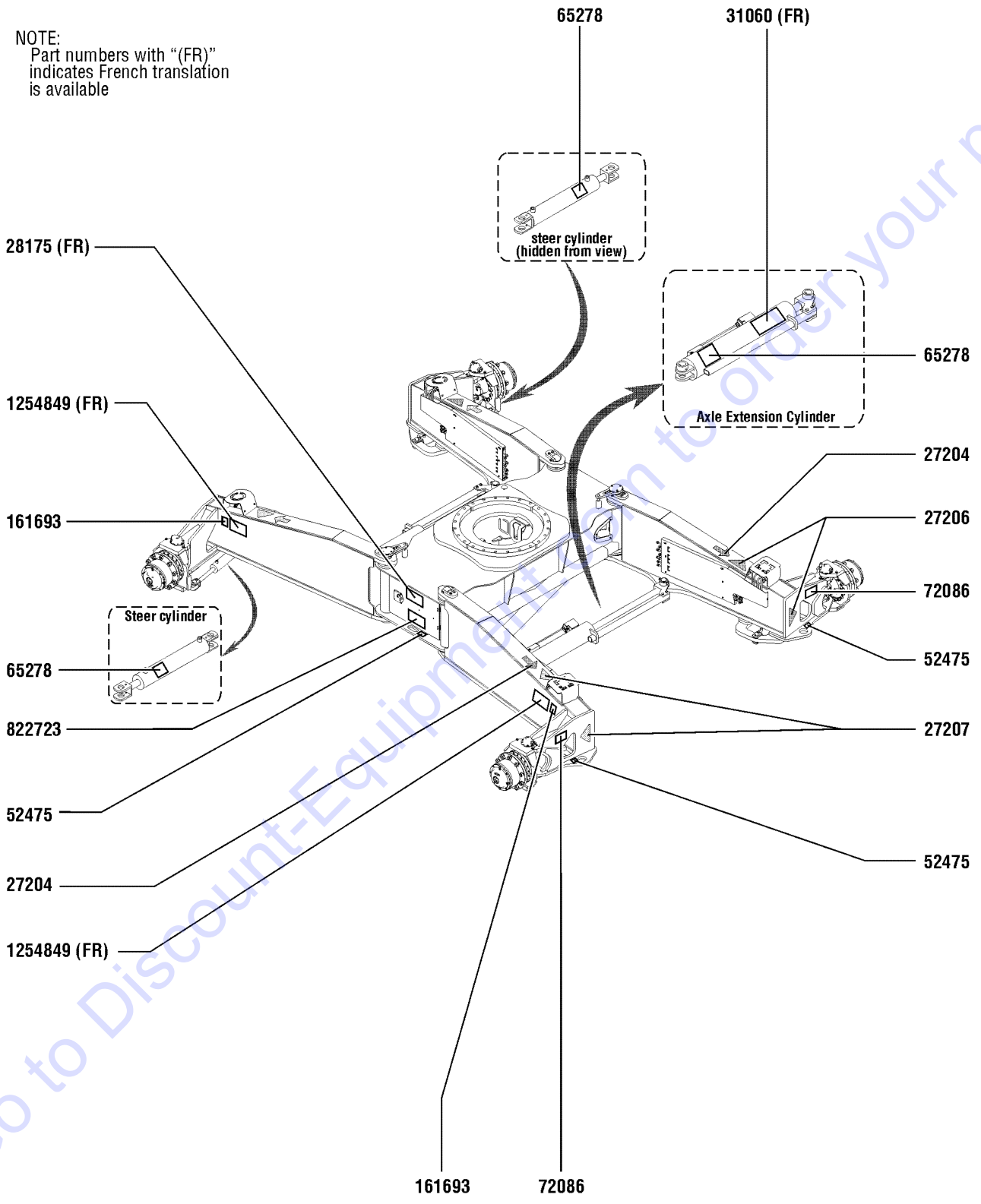
104.1 Decals with Words, Engine Side, AUS

Item	Part No.	Description	Qty.
1	28159GT	DECAL,DIESEL.....	2
2	31788GT	DECAL,DANGER,BATTERY SAFETY***.....	1
3	82237GT	DECAL,DANGER,HIGH VOLTAGE.....	2
4	97602GT	DECAL,EXPLOSION HAZARD.....	1
5	97865GT	DECAL,WARN,ELECTRO HAZARD.....	1
6	114258GT	DECAL,DANGER,NO SMOKING.....	2
7	114390GT	DECAL,DANGER,ELECT HAZARD***....	1
8	219960GT	DECAL,NOTICE,PERKINS ENGINE.....	1
9	822722GT	DECAL, LABEL, FUSE RELAY PANEL...	1
10	1000083GT	DECAL,NOTICE,START/CONTRL BATT.....	1
11	1254375GT	DECAL, 240V/415VRING.....	1
12	1255402GT	DECAL,ENGINE SPEC,DEUTZ TD2011.....	1

Go to Discount-Equipment.com to order your parts

105.1 Decals with Words, Engine Side (chassis)

NOTE:
Part numbers with "(FR)"
indicates French translation
is available

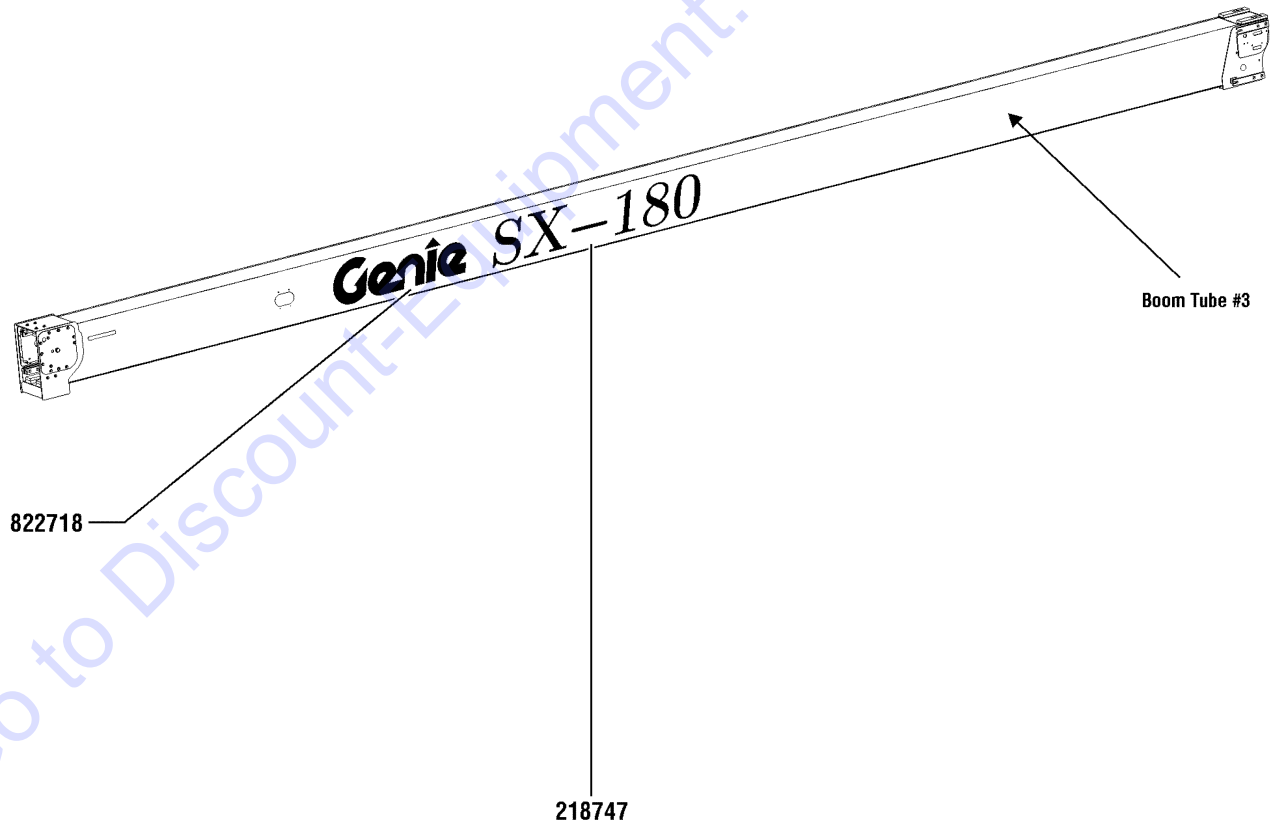
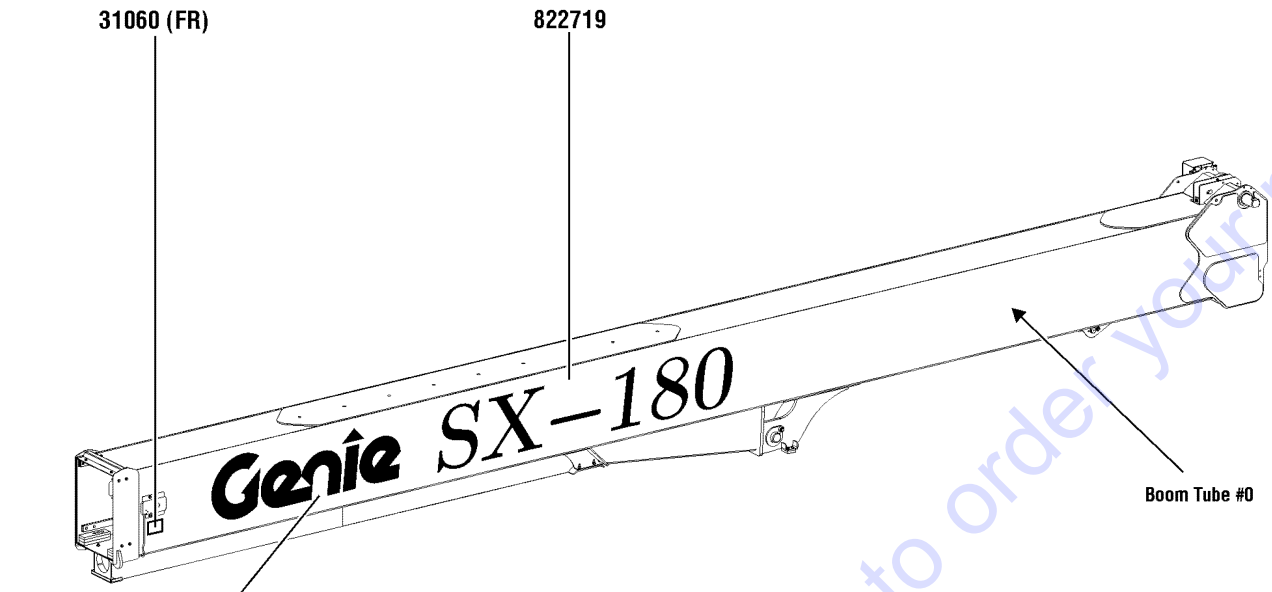


105.1 Decals with Words, Engine Side (chassis)

Item	Part No.	Description	Qty.
1	27204GT	DECAL,ARROW BLUE.....	2
2	27206GT	DECAL,TRIANGLE,BLUE.....	2
3	27207GT	DECAL,TRIANGLE,YELLOW.....	2
4	28175GT	DECAL,WARNING-COMPART ACCESS.....	1
5	31060GT	DECAL,DANGER DO NOT ALTER SWTC.....	1
6	52475GT	DECAL,LABEL,TRANSPORT TIEDOWN*.....	3
7	65278GT	DECAL,CAUTION,NO STEP.....	3
8	72086GT	DECAL,LABEL,LIFTING EYE.....	2
9	161693GT	DECAL,WHEEL LOAD, SX-180.....	2
10	822723GT	DECAL,TRANSPORT DIAGRAM,SX-180.....	1
11	1254849GT	DECAL,DANGER/NOTICE,TIRESPECS,SX180.	2

Go to Discount-Equipment.com to order your parts

106.1 Decals with Words, Boom



106.1 Decals with Words, Boom

Item	Part No.	Description	Qty.
1	31060GT	DECAL,DANGER DO NOT ALTER SWTC.....	1
2	218746GT	DECAL, GENIE.....	1
3	218747GT	DECAL, SUPER BOOM.....	1
4	822718GT	DECAL,COSMETIC,GENIE,12".....	1
5	822719GT	DECAL, COSMETIC,SX-180.....	1

Go to Discount-Equipment.com to order your parts



107.1 Decals with Words, Platform, ANSI & CSA

NOTE:

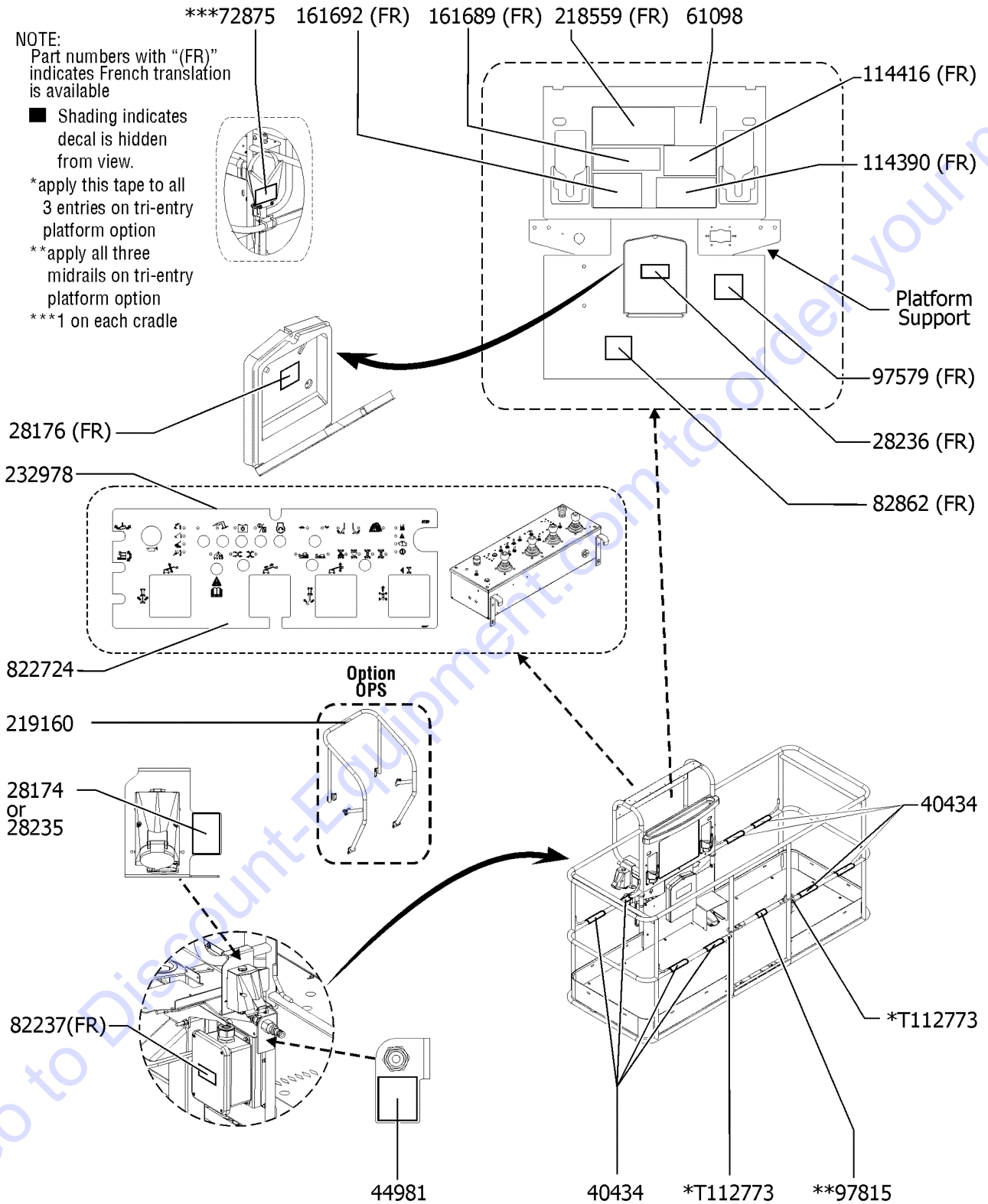
Part numbers with "(FR)" indicates French translation is available

■ Shading indicates decal is hidden from view.

*apply this tape to all 3 entries on tri-entry platform option

**apply all three midrails on tri-entry platform option

***1 on each cradle



107.1 Decals with Words, Platform, ANSI & CSA

Item	Part No.	Description	Qty.
1	28174GT	DECAL, POWER TO PLATFORM 230V**.....	1
2	28176GT	DECAL,LABEL,MANUAL NOT HERE.....	1
3	28235GT	DECAL,POWER TO PLATFORM 115V...1	1
4	28236GT	DECAL,WARN,IMPROPER OPERATION.....	1
5	40434GT	DECAL,LANYARD ANCHORAGE POINT.....	8
6	44981GT	DECAL,LABEL, AIR LINE 110 PSI.....	1
7	61098GT	DECAL,BLACK,DECAL PLATE.....	1
8	72875GT	DECAL,WARNING,PIPE CRADLE,BOOM.....	2
9	82237GT	DECAL,DANGER,HIGH VOLTAGE.....	1
10	82862GT	DECAL,FIRE EXTINGUISHER.....	1
11	97579GT	DECAL,DANGER,TIP-OVER,WELDER**.	1
12	97815GT	DECAL,LABEL,LOWER MIDRAIL.....	1
13	114390GT	DECAL,DANGER,ELECT HAZARD*** ..	1
14	114416GT	DECAL,DANGER,TIPOVER,TILT.....	1
15	161689GT	DECAL,MAX CAP SIDE FORCE WORD.....	1
16	161692GT	DECAL,SLOPE RATING WORD.....	1
17	218559GT	DECAL,DANGER/WARNING COMBO....	1
18	219160GT	DECAL, INSTRUCTION, OPS..... <i>option</i>	1
19	232978GT	DECAL, PCON LID, SUPER X.....	1
20	822724GT	DECAL, PROTECTIVE COVER,SX-180.....	1
21	T112773GT	TAPE, PROTECTIVE MASK.....	2

108.1 Decals with Words, Platform, AUS

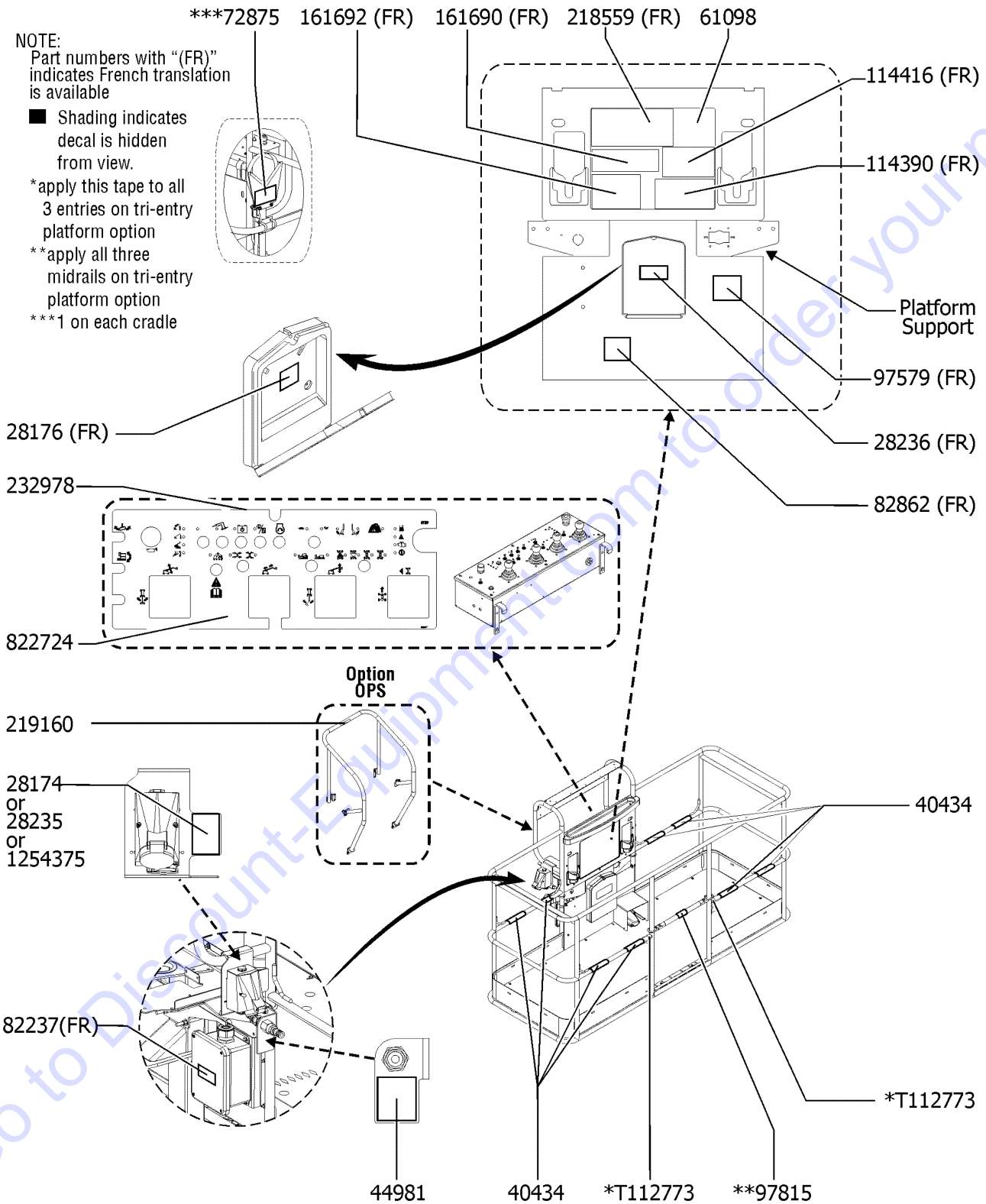
NOTE:
Part numbers with "(FR)" indicates French translation is available

■ Shading indicates decal is hidden from view.

*apply this tape to all 3 entries on tri-entry platform option

**apply all three midrails on tri-entry platform option

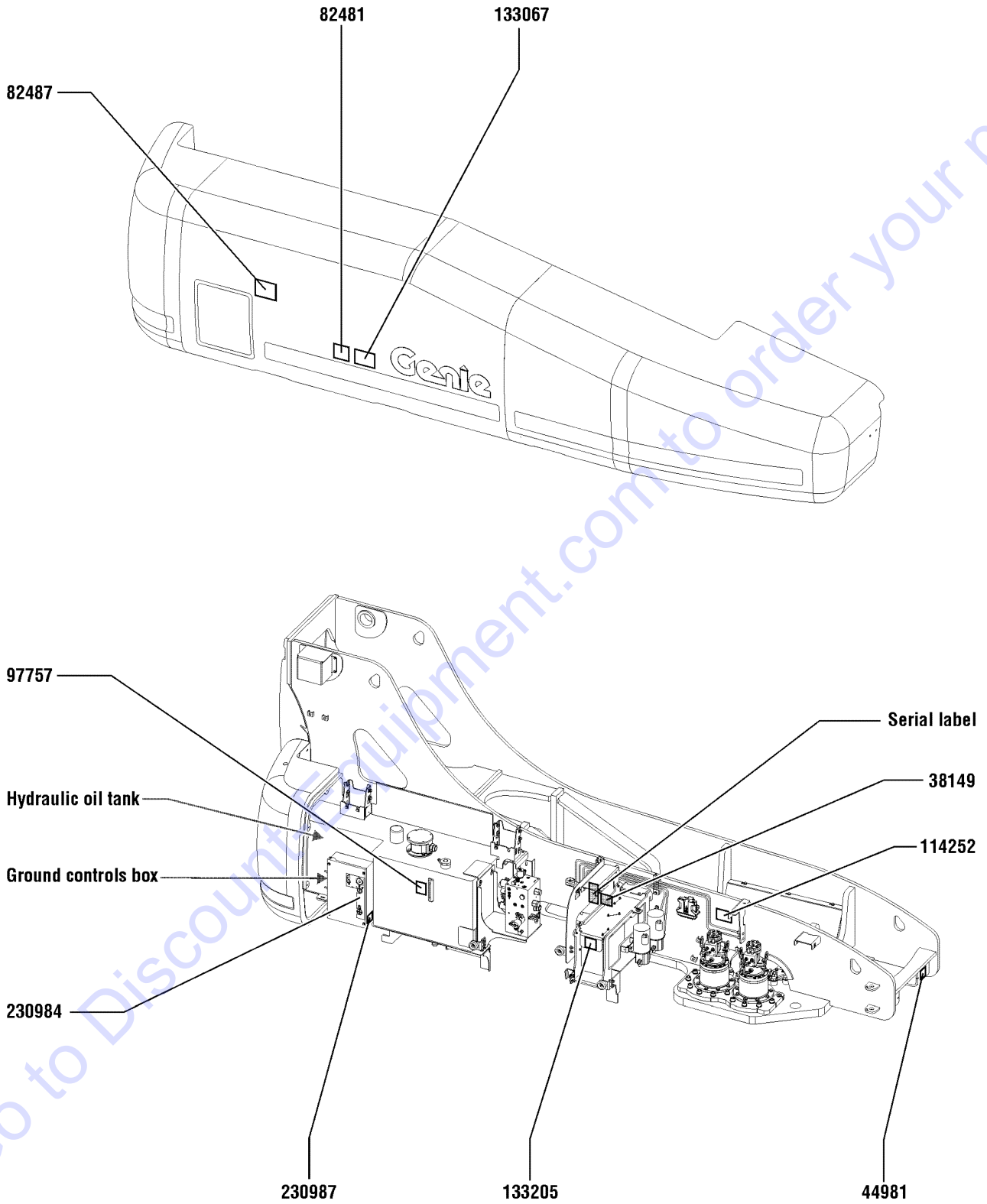
***1 on each cradle



108.1 Decals with Words, Platform, AUS

Item	Part No.	Description	Qty.
1	28174GT	DECAL, POWER TO PLATFORM 230V**.....	1
2	28176GT	DECAL,LABEL,MANUAL NOT HERE.....	1
3	28235GT	DECAL,POWER TO PLATFORM 115V...1	1
4	28236GT	DECAL,WARN,IMPROPER OPERATION.....	1
5	40434GT	DECAL,LANYARD ANCHORAGE POINT.....	8
6	44981GT	DECAL,LABEL, AIR LINE 110 PSI.....	1
7	61098GT	DECAL,BLACK,DECAL PLATE.....	1
8	72875GT	DECAL,WARNING,PIPE CRADLE,BOOM.....	2
9	82237GT	DECAL,DANGER,HIGH VOLTAGE.....	1
10	82862GT	DECAL,FIRE EXTINGUISHER.....	1
11	97579GT	DECAL,DANGER,TIP-OVER,WELDER**..1	1
12	97815GT	DECAL,LABEL,LOWER MIDRAIL.....	1
13	114390GT	DECAL,DANGER,ELECT HAZARD***...1	1
14	114416GT	DECAL,DANGER,TIPOVER,TILT.....	1
15	161690GT	DECAL,MAX CAP SIDE FORCE WORD.....	1
16	161692GT	DECAL,SLOPE RATING WORD.....	1
17	218559GT	DECAL,DANGER/WARNING COMBO...1	1
18	219160GT	DECAL, INSTRUCTION, OPS..... <i>option</i>	1
19	232978GT	DECAL, PCON LID, SUPER X.....	1
20	822724GT	DECAL, PROTECTIVE COVER,SX-180.....	1
21	1254375GT	DECAL, 240V/415VRING.....	1
22	T112773GT	TAPE, PROTECTIVE MASK.....	2

109.1 Decals with Symbols, Hydraulic Tank Side, ANSI

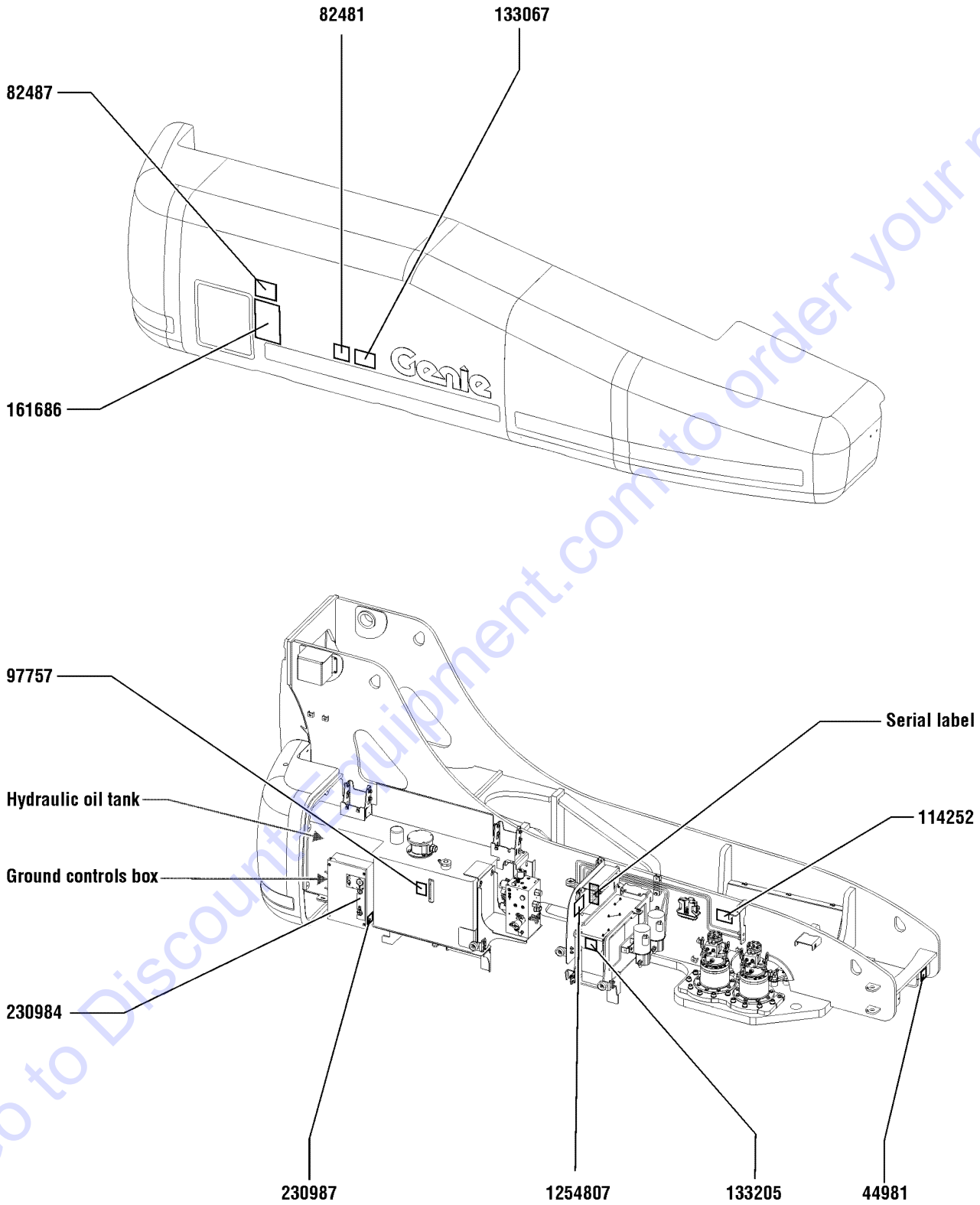


109.1 Decals with Symbols, Hydraulic Tank Side, ANSI

Item	Part No.	Description	Qty.
1	38149GT	DECAL,LABEL,PATENTS.....	1
2	44981GT	DECAL,LABEL, AIR LINE 110 PSI.....	1
3	82481GT	DECAL,SYMBOL-BATTERY SAFETY.....	1
4	82487GT	DECAL, SYMBOL - READ THE MANUAL.....	1
5	97757GT	DECAL,LABEL,OIL LEVEL IND.....	1
6	114252GT	DECAL,LABEL,TIP OVER LMT SWTCH.....	1
7	133067GT	DECAL,DANGER,ELEC.HAZ.STAY CLR.....	1
8	133205GT	DECAL,LABEL, ELECTRO HAZARD.....	1
9	230984GT	DECAL, GROUND CONTROL SPX.....	1
10	230987GT	DECAL, SERVICE RECOVERY SWITCH.....	1

Go to Discount-Equipment.com to order your parts

110.1 Decals with Symbols, Hydraulic Tank Side, CE

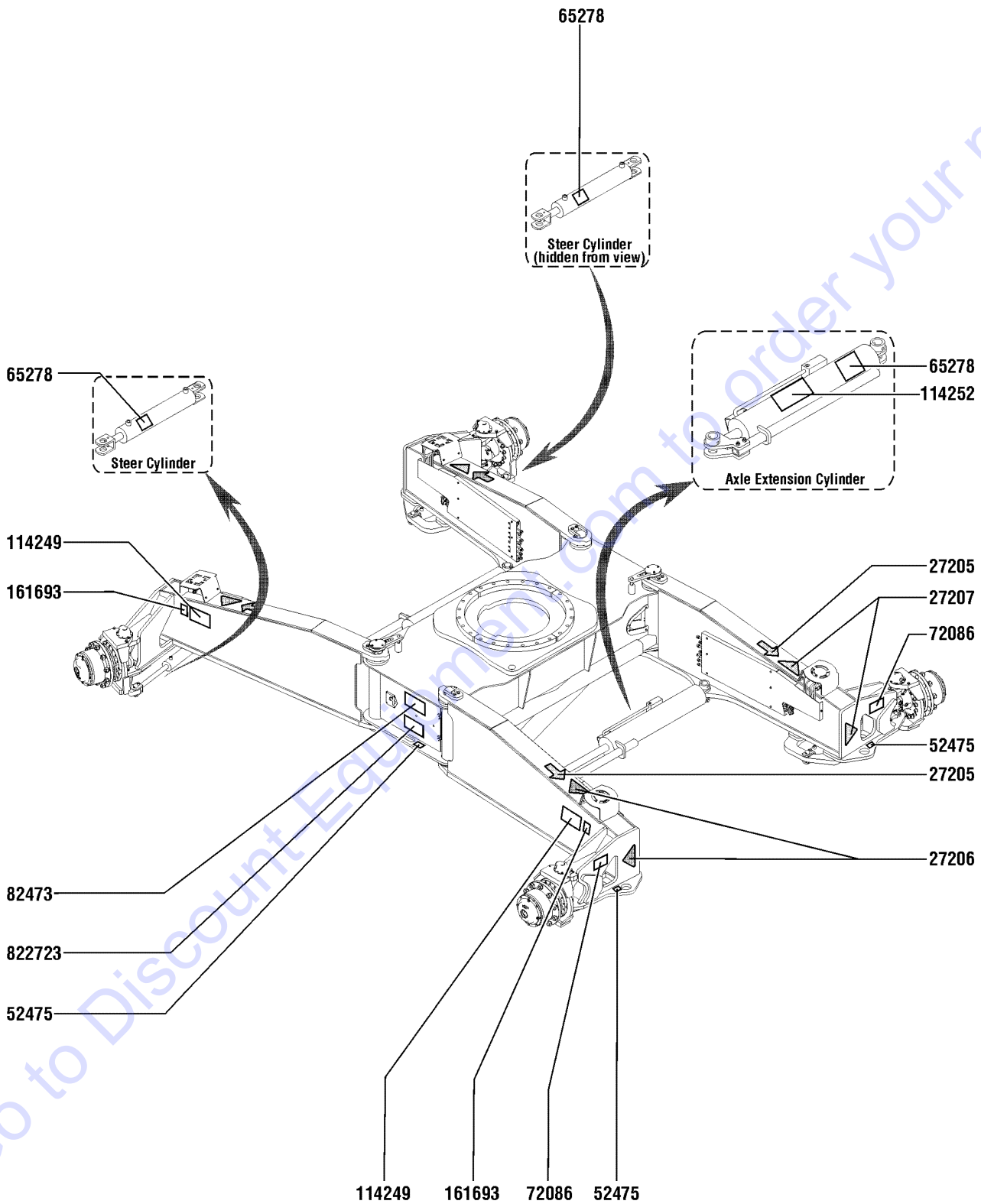


110.1 Decals with Symbols, Hydraulic Tank Side, CE

Item	Part No.	Description	Qty.
1	44981GT	DECAL,LABEL, AIR LINE 110 PSI.....1	1
2	82481GT	DECAL,SYMBOL-BATTERY SAFETY.....1	1
3	82487GT	DECAL, SYMBOL - READ THE MANUAL.....1	1
4	97757GT	DECAL,LABEL,OIL LEVEL IND.....1	1
5	114252GT	DECAL,LABEL,TIP OVER LMT SWTCH.....1	1
6	133067GT	DECAL,DANGER,ELEC.HAZ.STAY CLR.....1	1
7	133205GT	DECAL,LABEL, ELECTRO HAZARD.....1	1
8	161686GT	DECAL, E DOWN PROCEDURE SYM....1	1
9	230984GT	DECAL, GROUND CONTROL SPX.....1	1
10	230987GT	DECAL, SERVICE RECOVERY SWITCH.....1	1
11	1254807GT	DECAL,LABEL,112 DBNG.....1	1

Go to Discount-Equipment.com to order your parts

111.1 Decals with Symbols, Hydraulic Tank Side (chassis)

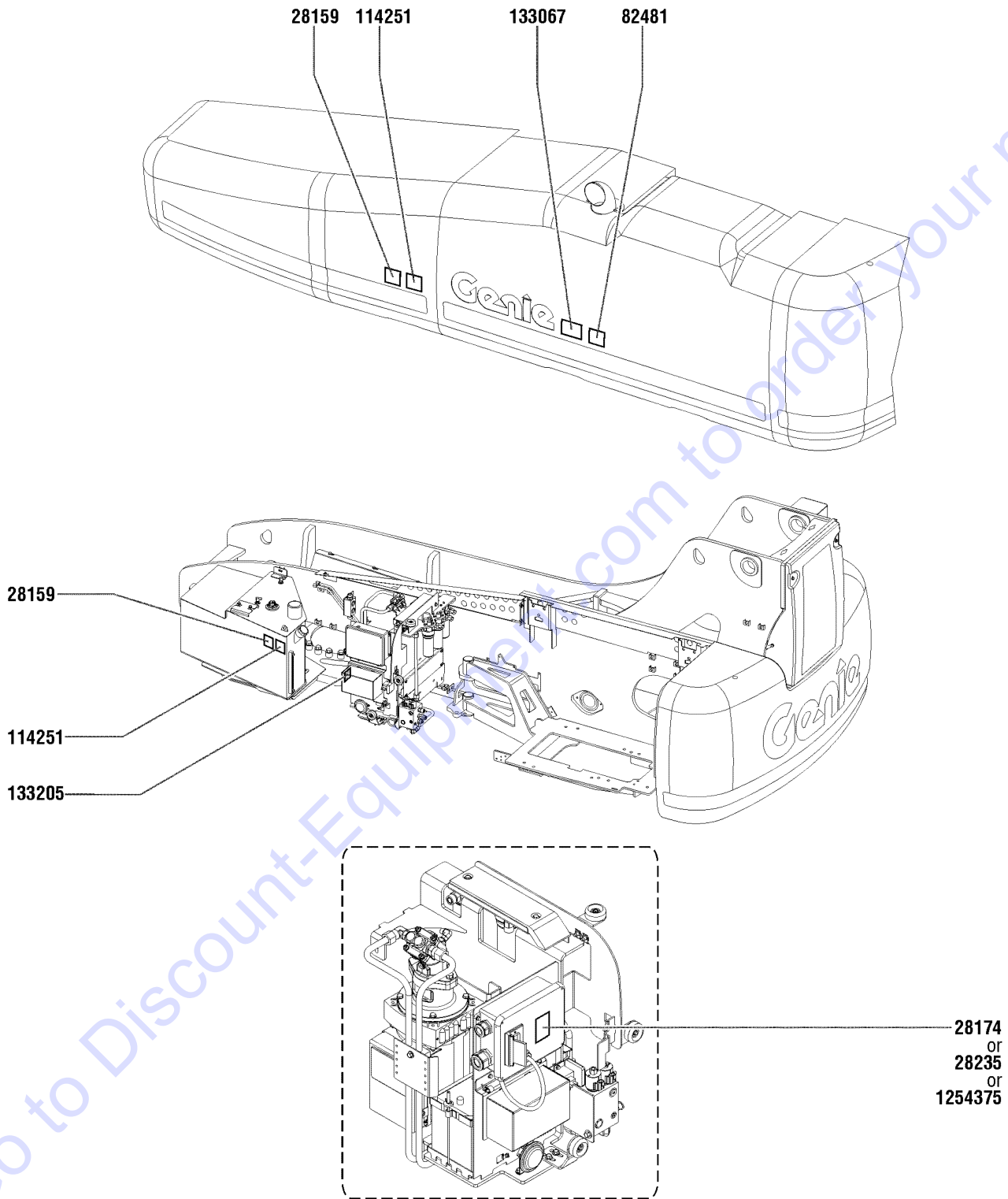


111.1 Decals with Symbols, Hydraulic Tank Side (chassis)

Item	Part No.	Description	Qty.
1	27205GT	DECAL,ARROW YELLOW LRG 9".....	2
2	27206GT	DECAL,TRIANGLE,BLUE.....	2
3	27207GT	DECAL,TRIANGLE,YELLOW.....	2
4	52475GT	DECAL,LABEL,TRANSPORT TIEDOWN*.....	3
5	65278GT	DECAL,CAUTION,NO STEP.....	3
6	72086GT	DECAL,LABEL,LIFTING EYE.....	2
7	82473GT	DECAL,SYMBOL-COMP ACCESS.....	1
8	114249GT	DECAL,LABEL,TIPOVER,TIRES,SYMB.	2
9	114252GT	DECAL,LABEL,TIP OVER LMT SWTCH.....	1
10	161693GT	DECAL,WHEEL LOAD, SX-180.....	2
11	822723GT	DECAL,TRANSPORT DIAGRAM,SX-180.....	1

Go to Discount-Equipment.com to order your parts

112.1 Decals with Symbols, Engine Side

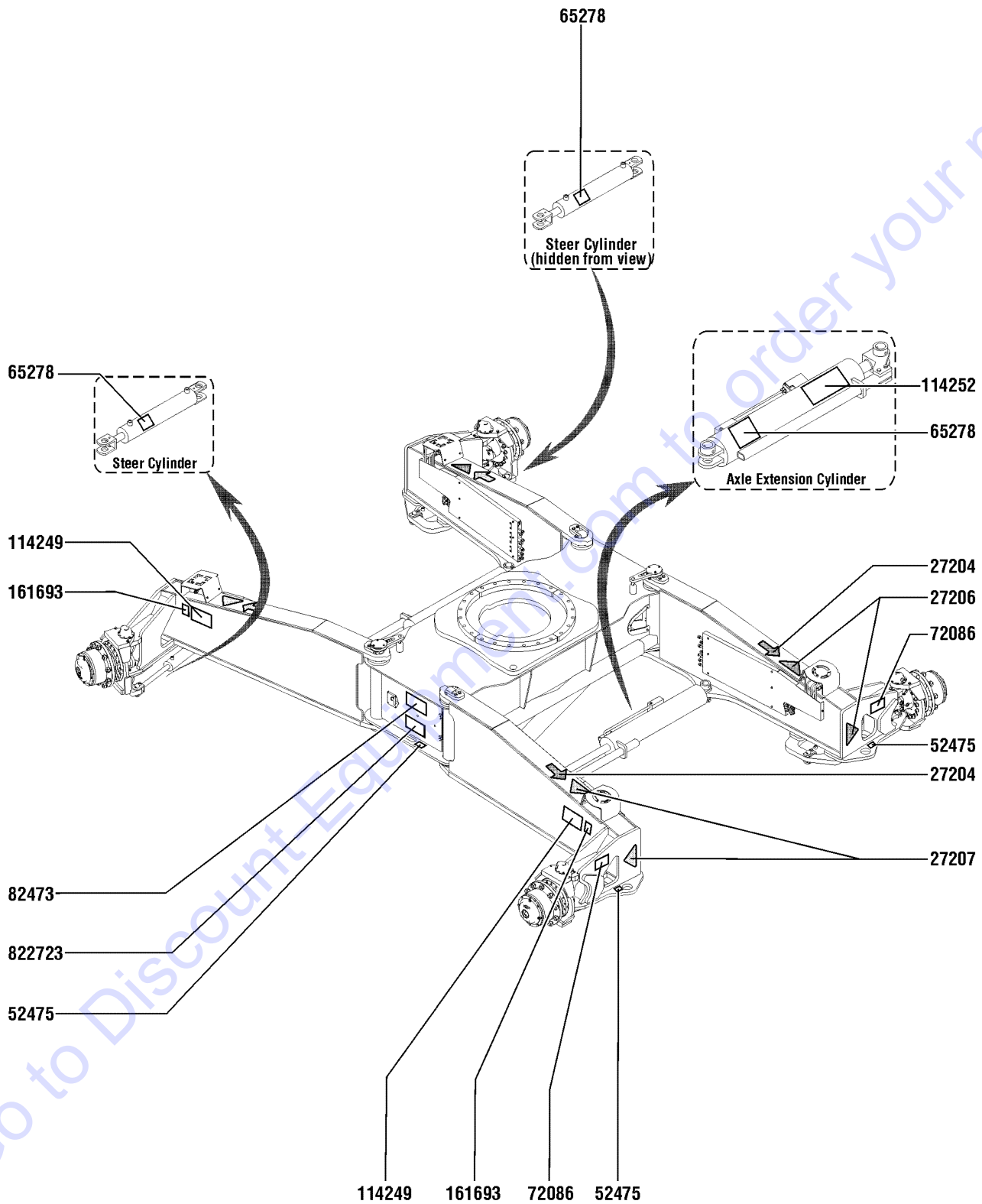


112.1 Decals with Symbols, Engine Side

Item	Part No.	Description	Qty.
1	28159GT	DECAL,DIESEL.....	2
2	28174GT	DECAL, POWER TO PLATFORM 230V**.....	1
3	28235GT	DECAL,POWER TO PLATFORM 115V...1	
4	82481GT	DECAL,SYMBOL-BATTERY SAFETY.....1	
5	114251GT	DECAL,LABEL,NO SMOKING,SYMB.....2	
6	133067GT	DECAL,DANGER,ELEC.HAZ.STAY CLR.....	1
7	133205GT	DECAL,LABEL, ELECTRO HAZARD.....1	
8	1254375GT	DECAL, 240V/415VRING.....	1

Go to Discount-Equipment.com to order your parts

113.1 Decals with Symbols, Engine Side (chassis)

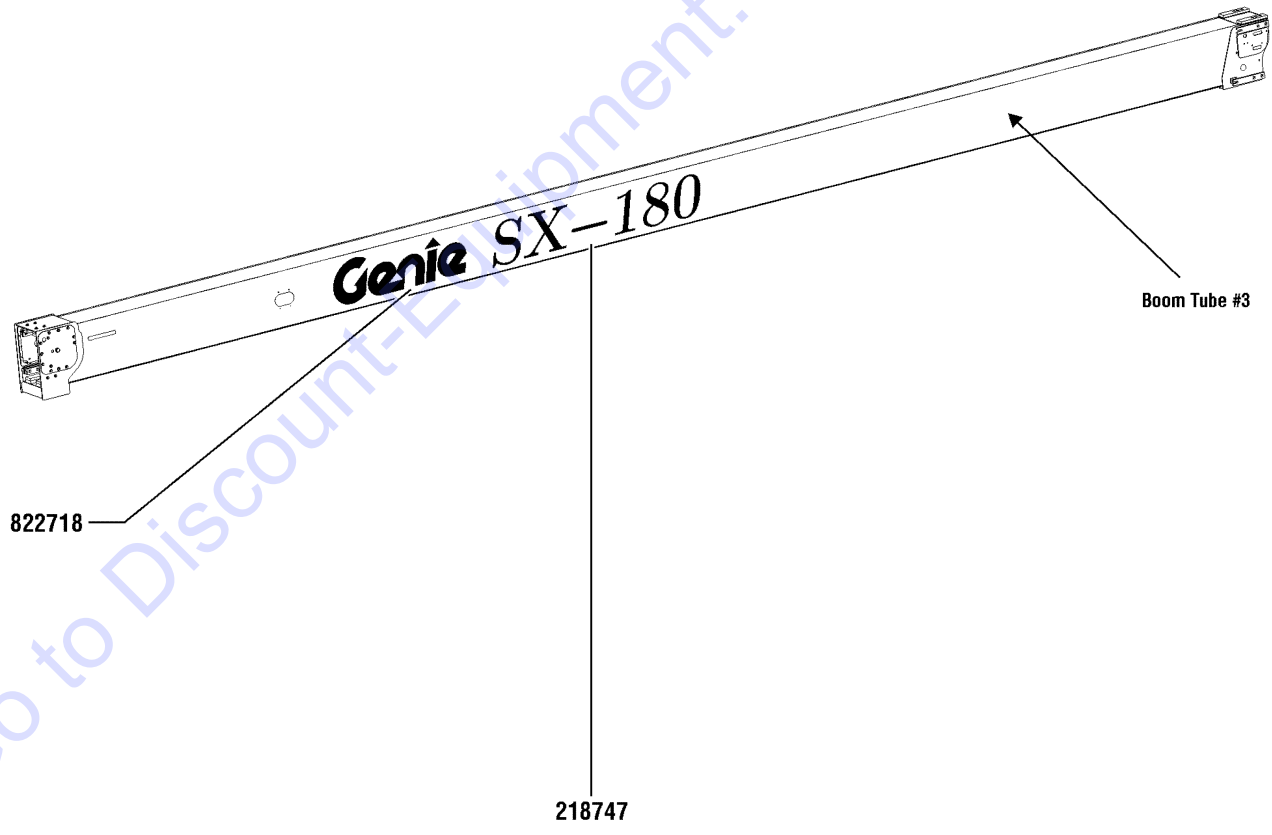
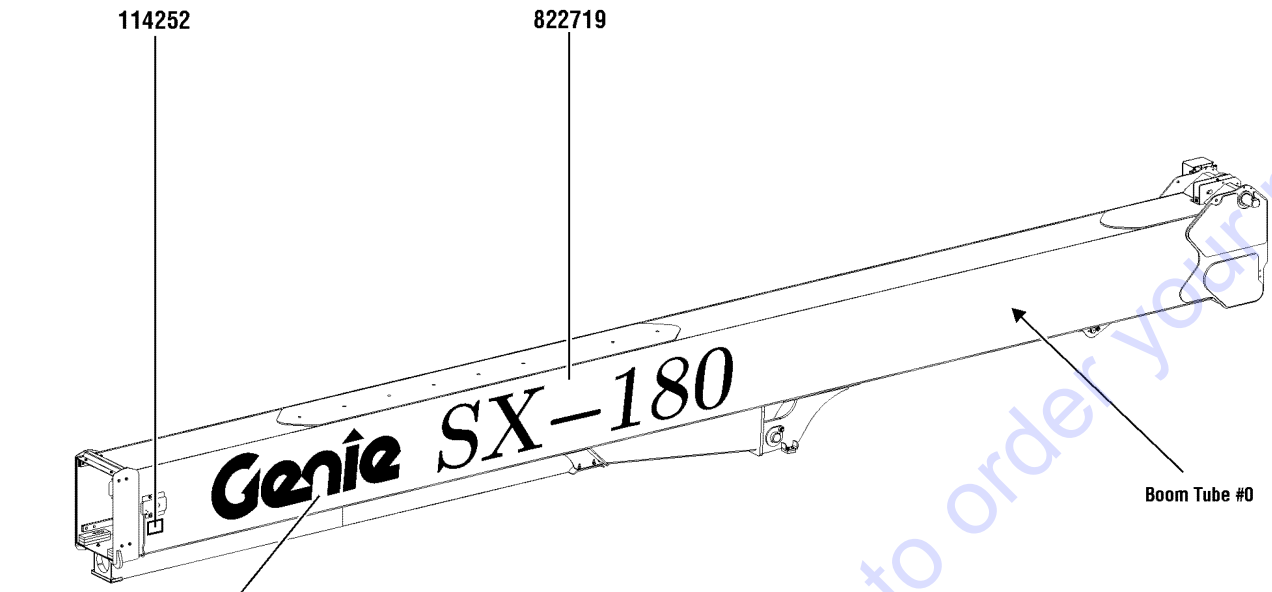


113.1 Decals with Symbols, Engine Side (chassis)

Item	Part No.	Description	Qty.
1	27204GT	DECAL,ARROW BLUE.....	2
2	27206GT	DECAL,TRIANGLE,BLUE.....	2
3	27207GT	DECAL,TRIANGLE,YELLOW.....	2
4	52475GT	DECAL,LABEL,TRANSPORT TIEDOWN*.....	3
5	65278GT	DECAL,CAUTION,NO STEP.....	3
6	72086GT	DECAL,LABEL,LIFTING EYE.....	2
7	82473GT	DECAL,SYMBOL-COMP ACCESS.....	1
8	114249GT	DECAL,LABEL,TIPOVER,TIRES,SYMB.	2
9	114252GT	DECAL,LABEL,TIP OVER LMT SWTCH.....	1
10	161693GT	DECAL,WHEEL LOAD, SX-180.....	2
11	822723GT	DECAL,TRANSPORT DIAGRAM,SX-180.....	1

Go to Discount-Equipment.com to order your parts

114.1 Decals with Symbols, Boom



Go to Discount-Equipment.com to order your parts

114.1 Decals with Symbols, Boom

Item	Part No.	Description	Qty.
1	114252GT	DECAL,LABEL,TIP OVER LMT SWTCH.....	1
2	218746GT	DECAL, GENIE.....	1
3	218747GT	DECAL, SUPER BOOM.....	1
4	822718GT	DECAL,COSMETIC,GENIE,12".....	1
5	822719GT	DECAL, COSMETIC,SX-180.....	1

Go to Discount-Equipment.com to order your parts

115.1 Decals with Symbols, Platform, ANSI

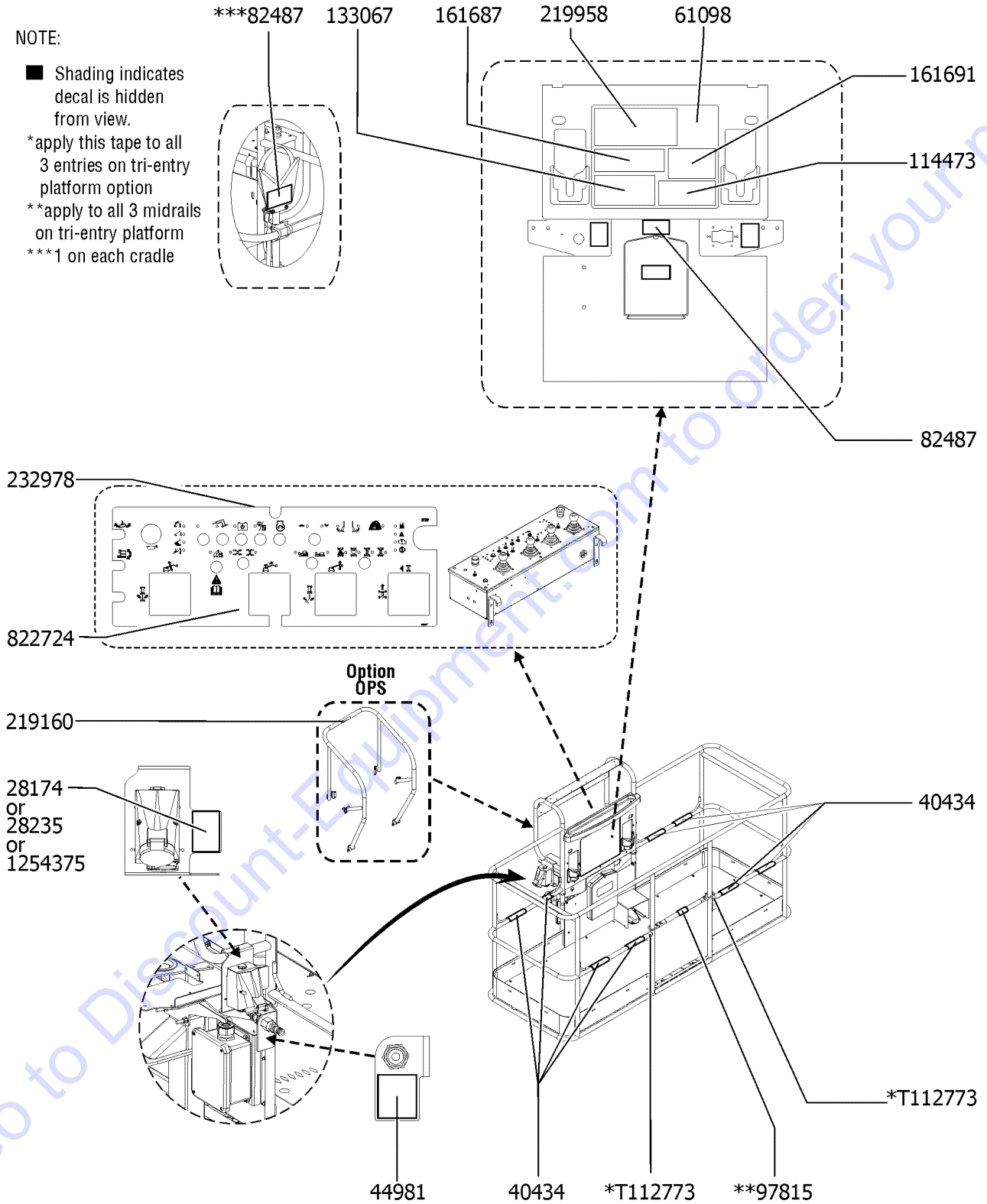
NOTE:

■ Shading indicates decal is hidden from view.

*apply this tape to all 3 entries on tri-entry platform option

**apply to all 3 midrails on tri-entry platform

***1 on each cradle



115.1 Decals with Symbols, Platform, ANSI

Item	Part No.	Description	Qty.
1	28174GT	DECAL, POWER TO PLATFORM 230V**.....	1
2	28235GT	DECAL,POWER TO PLATFORM 115V...	1
3	40434GT	DECAL,LANYARD ANCHORAGE POINT.....	8
4	44981GT	DECAL,LABEL, AIR LINE 110 PSI.....	1
5	61098GT	DECAL,BLACK,DECAL PLATE.....	1
6	82487GT	DECAL, SYMBOL - READ THE MANUAL.....	3
7	97815GT	DECAL,LABEL,LOWER MIDRAIL.....	1
8	114473GT	DECAL,DANGER,TIPOVER,TILT,SYM....	1
9	133067GT	DECAL,DANGER,ELEC.HAZ.STAY CLR.....	1
10	161687GT	DECAL,MAX CAP SIDE FORCE SYM A.....	1
11	161691GT	DECAL,SLOPE RATING SYM.....	1
12	219160GT	DECAL, INSTRUCTION, OPS..... <i>option</i>	1
13	219958GT	DECAL,TIP-OVER,CRUSH.....	1
14	232978GT	DECAL, PCON LID, SUPER X.....	1
15	822724GT	DECAL, PROTECTIVE COVER,SX-180.....	1
16	1254375GT	DECAL, 240V/415VRING.....	1
17	T112773GT	TAPE, PROTECTIVE MASK.....	1

116.1 Decals with Symbols, Platform, CE

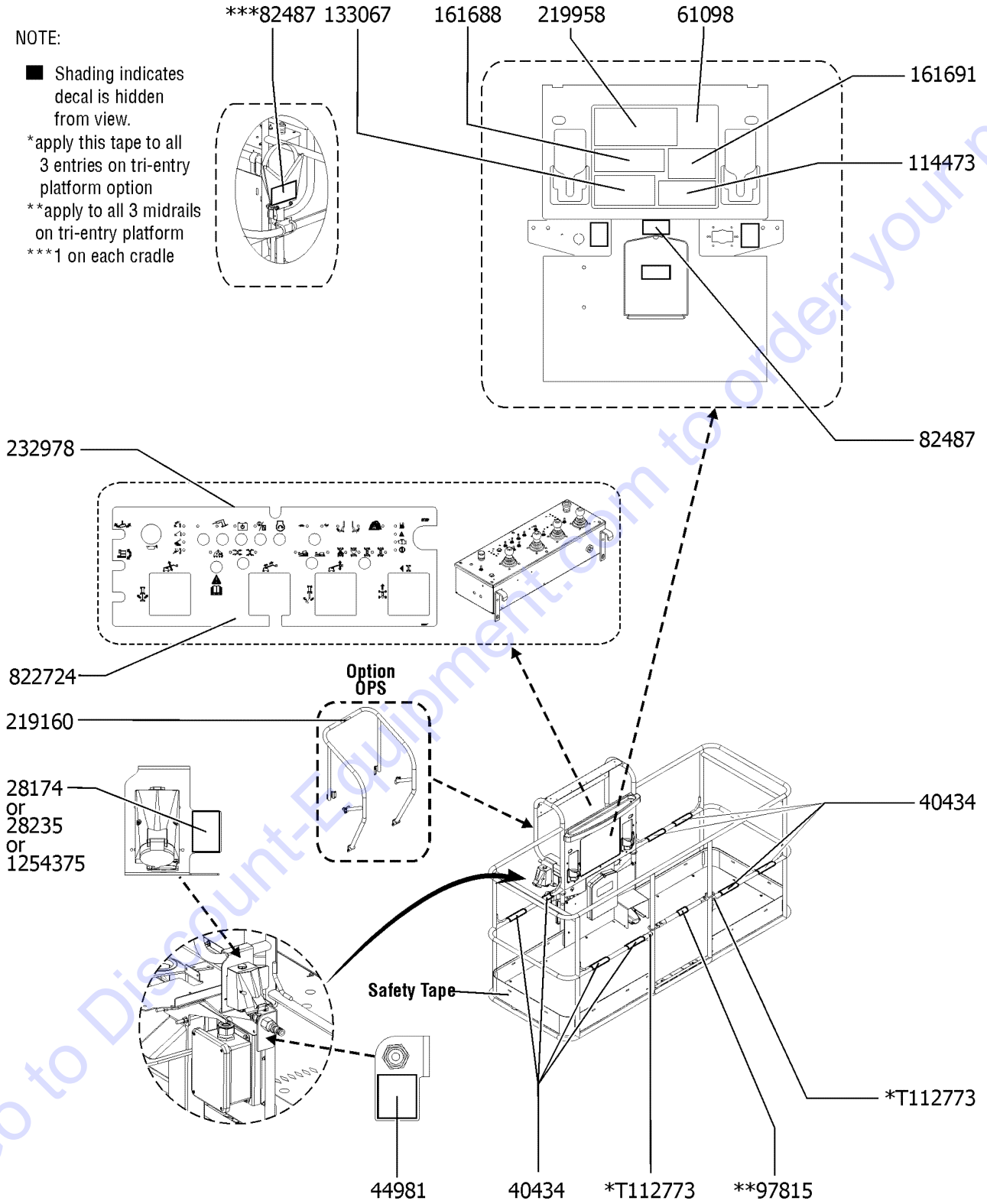
NOTE:

■ Shading indicates decal is hidden from view.

*apply this tape to all 3 entries on tri-entry platform option

**apply to all 3 midrails on tri-entry platform

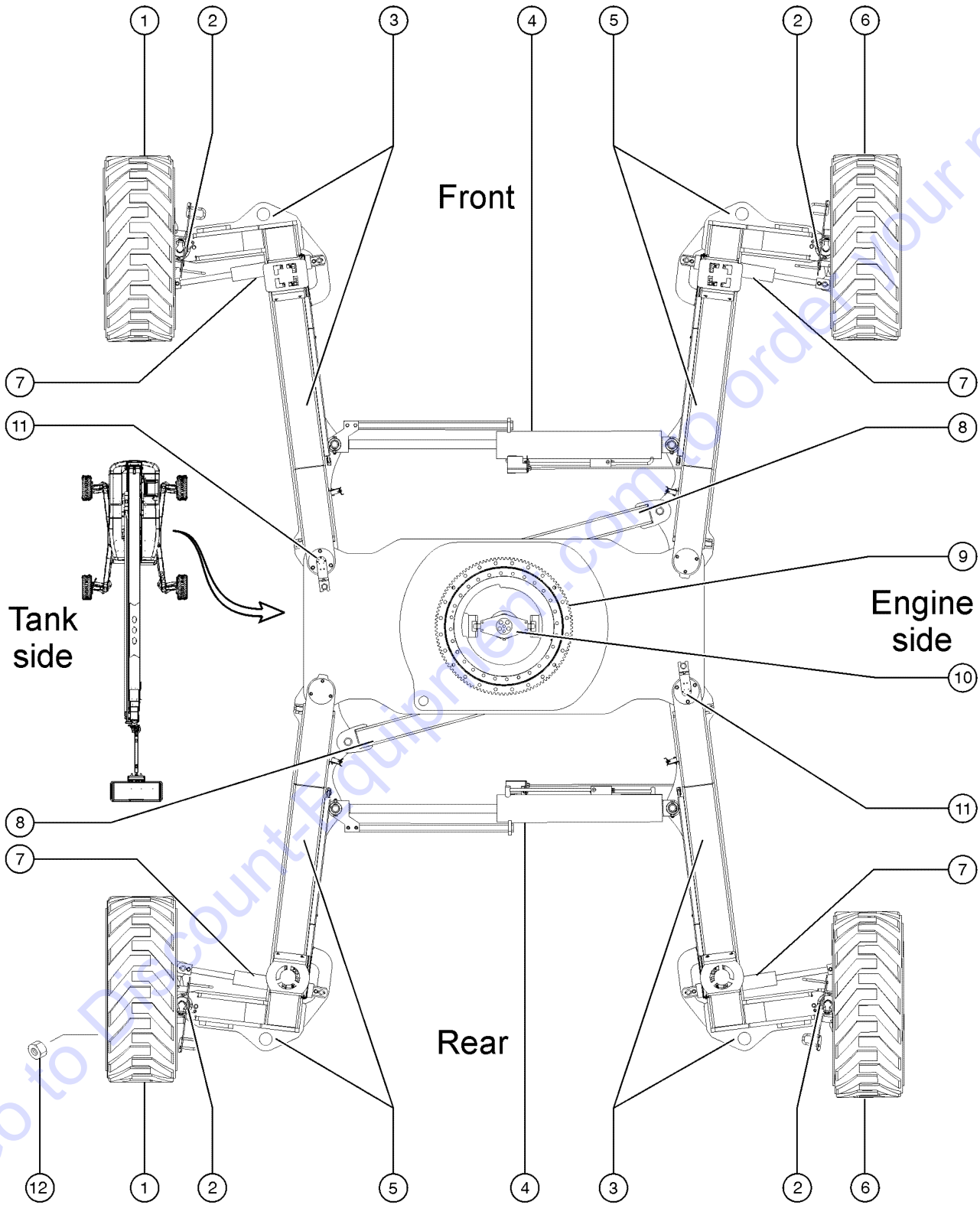
***1 on each cradle



116.1 Decals with Symbols, Platform, CE

Item	Part No.	Description	Qty.
1	28174GT	DECAL, POWER TO PLATFORM 230V**.....	1
2	28235GT	DECAL,POWER TO PLATFORM 115V...1	1
3	40434GT	DECAL,LANYARD ANCHORAGE POINT.....	8
4	44981GT	DECAL,LABEL, AIR LINE 110 PSI.....	1
5	61098GT	DECAL,BLACK,DECAL PLATE.....	1
6	82487GT	DECAL, SYMBOL - READ THE MANUAL.....	3
7	97815GT	DECAL,LABEL,LOWER MIDRAIL.....	1
8	114473GT	DECAL,DANGER,TIPOVER,TILT,SYM....	1
9	133067GT	DECAL,DANGER,ELEC.HAZ.STAY CLR.....	1
10	161688GT	DECAL,MAX CAP SIDE FORCE SYM C.....	1
11	161691GT	DECAL,SLOPE RATING SYM.....	1
12	219160GT	DECAL, INSTRUCTION, OPS..... <i>option</i>	1
13	219958GT	DECAL,TIP-OVER,CRUSH.....	1
14	232978GT	DECAL, PCON LID, SUPER X.....	1
15	822724GT	DECAL, PROTECTIVE COVER,SX-180.....	1
16	1254375GT	DECAL, 240V/415VRING.....	1
17	T112773GT	TAPE, PROTECTIVE MASK.....	2

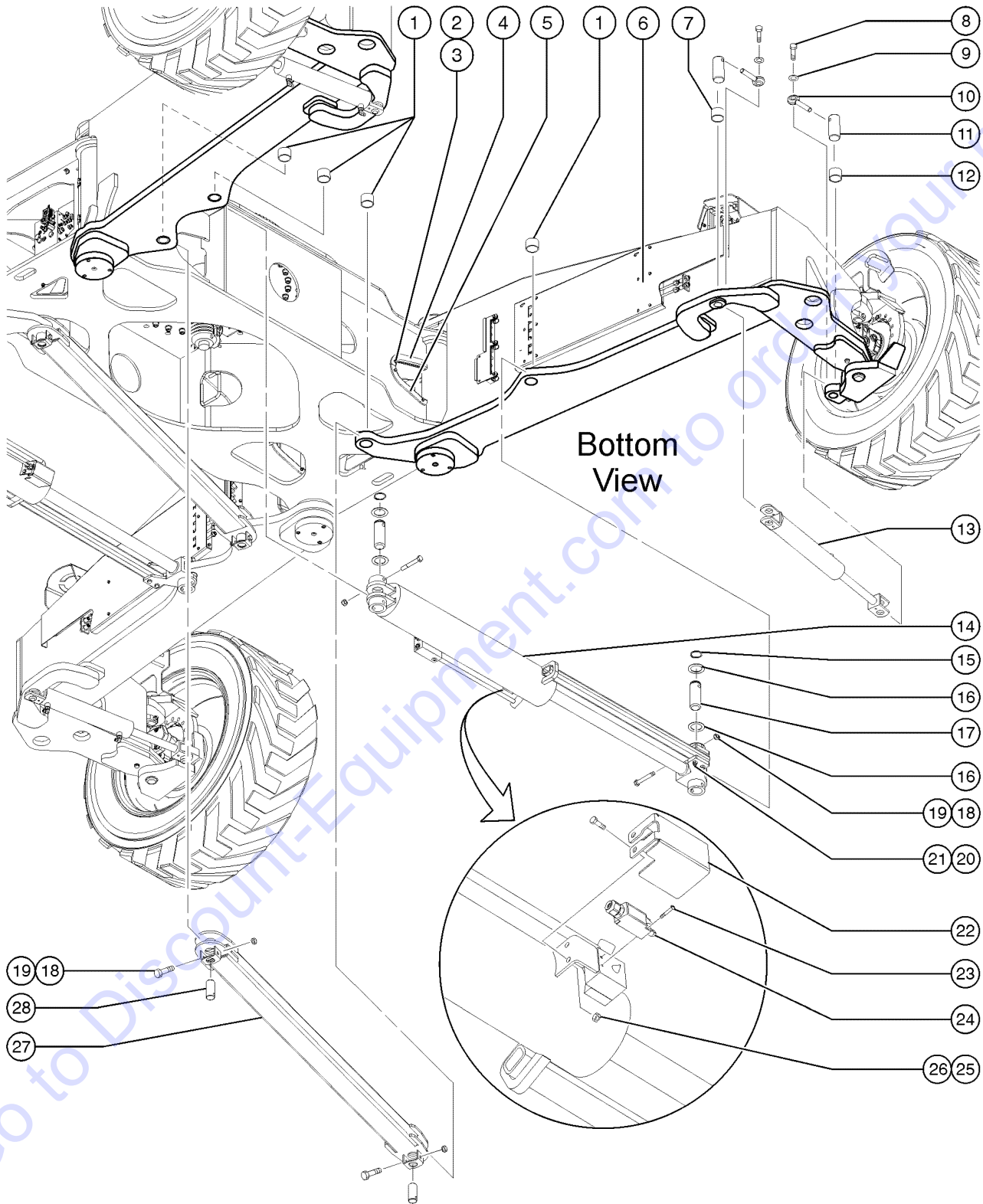
201.1 Chassis Components, Top View



201.1 Chassis Components, Top View

Item	Part No.	Description	Qty.
1	1255639GT	ASSY,TIRE,445D50/710,HD,LH.....2 <i>Tank side only</i>	
--	101234GT	TIRE,445D50/710,18PR	
--	T111704GT	WHEEL,28 X 15 X.875 OFFSET	
2		Ref. ASSY, ANGLE SENSOR AND COVER.....4 <i>(Refer to 205.1)</i>	
3	217184GT	ASSY,SUPERX AXLE LFRR, W/BRNG...2	
4		Ref. CYLINDER, AXLE EXTEND.....2 <i>(Refer to 202.1)</i>	
5	217185GT	ASSY,SUPERX AXLE, RFLR, W/BRNG...2	
6	1275103GT	ASSY,TIRE,445D50/710,HD,CRM,RH....2 <i>Engine side only</i>	
--	101234GT	TIRE,445D50/710,18PR	
--	T111704GT	WHEEL,28 X 15 X.875 OFFSET	
7		Ref. CYLINDER, STEER.....4 <i>(Refer to 202.1)</i>	
8		Ref. WELDMENT, TIMING LINK.....2 <i>(Refer to 202.1)</i>	
9		Ref. BEARING, TURNTABLE. <i>(Refer to 309.1)</i>	
10		Ref. HYDRAULIC SWIVEL.....1 <i>(Refer to 309.1)</i>	
11		Ref. Axle sensors.....2 <i>(Refer to 203.1)</i>	
12	1259931GT	NUT,LUG,3/4-16 X 7/8 RADIUS,ZA.....40	

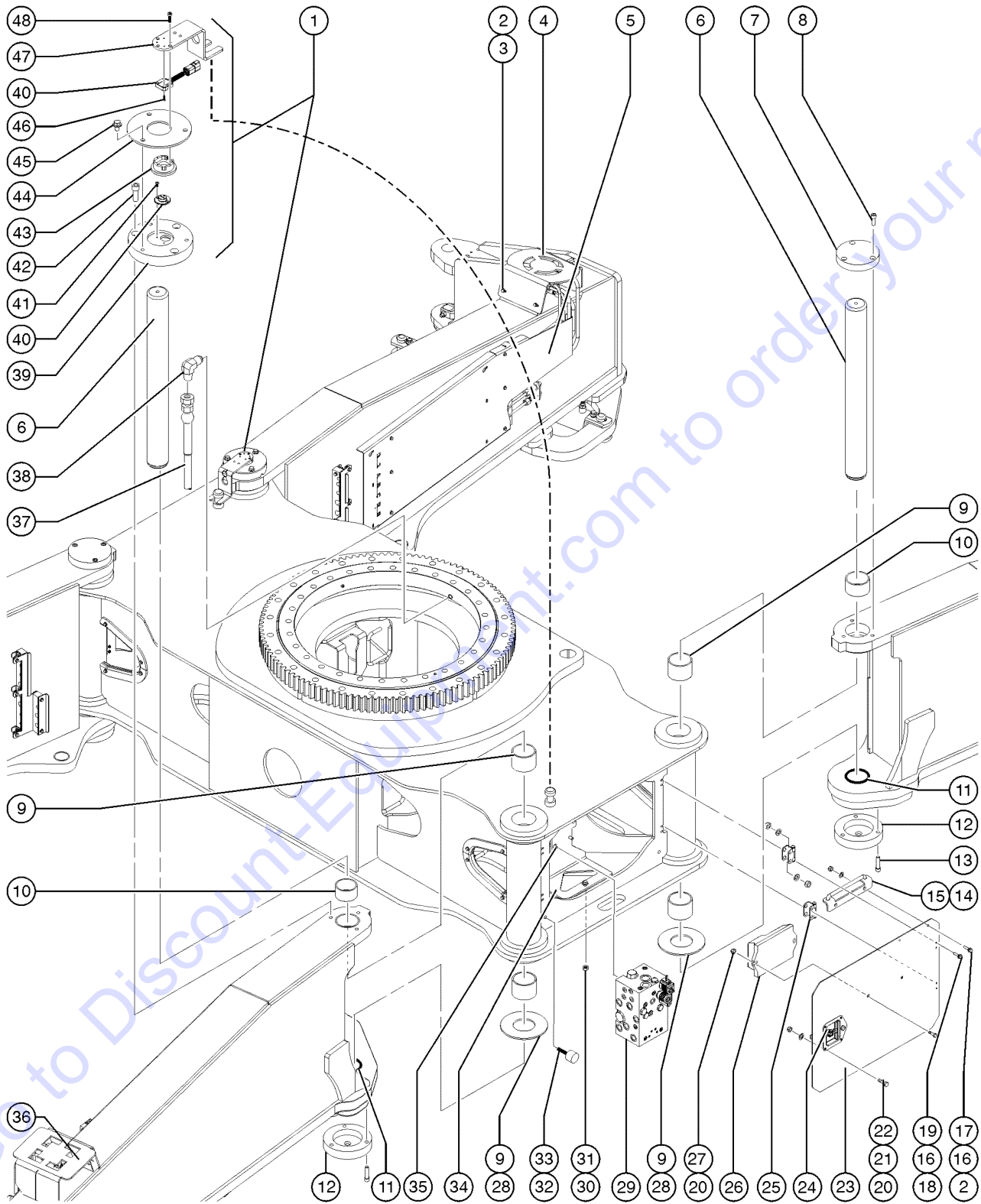
202.1 Chassis Components, Bottom View



202.1 Chassis Components, Bottom View

Item	Part No.	Description	Qty.
1	229532GT	BEARING, 50ID X 58OD X 40LG.....8	8
2	232886GT	SCREW,HHF,M6X40,DIN6921,10.9,	
3	231513GT	NUT,TL FLG,M6-1.0,DIN6927,10,ZAB	
4	217481GT	WEAR GUARD,PLASTIC,HYD HOSE,1.....8	8
5	217482GT	WEAR GUARD,PLASTIC,HYD HOSE,2.....8	8
6		Ref. FORMING, HYD TUBE COVER (Refer to 204.1)	
7	235314GT	BEARING, 35ID X 41OD X 52LG	
8	825351GT	SCREW,HHC,M10-1.5X20,DIN933,10.9,ZAB	
9	824142GT	WASHER,LOCK,M10,ZAB	
10	1255452GT	ROD END,.375 X 2.25,ZAG.....8	8
11	229462GT	PIN, 35MM X 105MM, 1 HOLE.....8	8
12	229466GT	BEARING,35ID X 41OD X 40LG.....4	4
13	229461GT	CYLINDER, STEER.....4	4
--	237819GT	SEAL KIT	
14	229463GT	CYLINDER, AXLE EXTEND.....2	2
--	106742GT	SEAL KIT,CYL (98147)*** for cylinder 229463	
--	110481GT	LIMIT SWITCH ACTUATOR BLOCK Block only; for T107366	
--	110482GT	LS ACTUATOR BLOCK SEAL KIT Seal kit for actuator block part 110481	
--	33428GT	VALVE,COUNTERBALANCE	
--	43018GT	SEAL KIT (39345) Seal kit for valve part 33428	
--	T107366GT	ASSY,LIM.SW.ACTUATOR BLOCK*** Includes actuator part 110481 and seal kit part 110482	
15	1253816GT	SNAP RING,EXTERNAL,M50,ZAB.....4	4
16	237827GT	WASHER,FLAT,2.00X3.00X.075,ZAG	
17	229465GT	PIN, 50MM DIA X 140MM, 1HOLE.....4	4
18	1255658GT	NUT,TL,M14-2.0,DIN980,10,ZAB	
19	237828GT	SCREW,HHC,M14X100,DIN931,8.8,Y	
20	49366GT	NUT,NYLOCK,M12X1.75	
21	76364GT	SCREW,HHC,M12 X 100	
22	106070GT	FORMING,LIMIT SWITCH GUARD.....2	2
23	825352GT	SCREW,PHPM,10-32X1.25,ZAG	
24	236392GT	SWITCH ASSY, AXLE SAFETY.....2	2
--	1107165R3GT	LIMIT SW.TAB,BLUE METAL	
--	119762GT	CONN PLUG 4 WAY EXTEND DT	
25	237832GT	NUT,TL FLG,M8-1.25,DIN6927,10,ZAB	
26	824133GT	SCREW,HHF,M8-1.25X25,DIN6921,10.9,ZAB	
27	229512GT	WELDMENT,TIMING LINK,XS.....2	2
28	235317GT	PIN, 50MM DIA X 119MM L, 1HOLE.....4	4

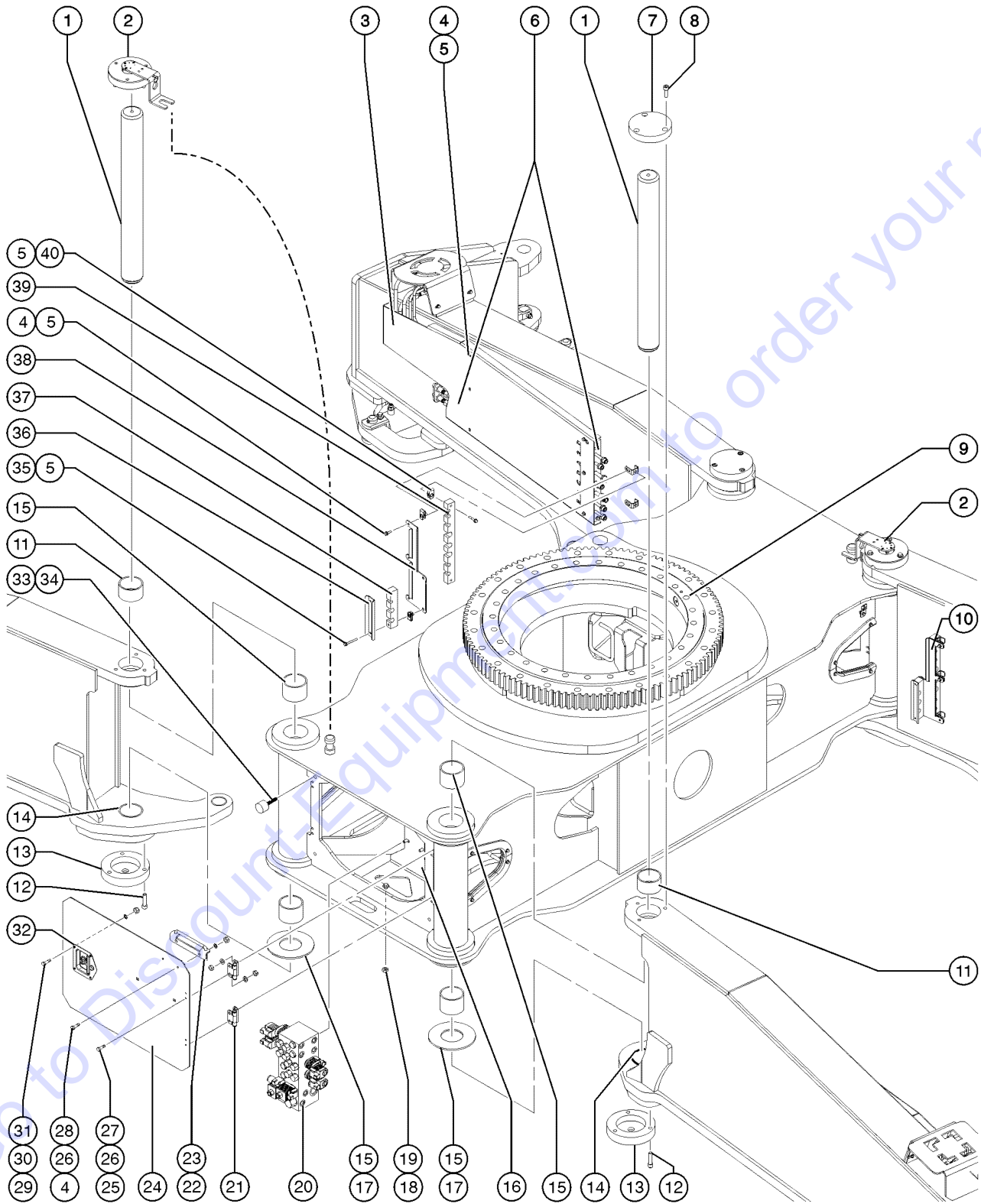
203.1 Chassis Components, Tank Side



203.1 Chassis Components, Tank Side

Item	Part No.	Description	Qty.	Item	Part No.	Description	Qty.
1	160733GT	ASSY, AXLE SENSOR, SX/ZX135.....2 (complete) Includes items from 39 to 48	2	38	48887GT	ELBOW,90D, 070202-4.....1	1
2	231532GT	SCREW,HHF,M6-1.0X20,DIN6921,10.9,ZAB		39	219302GT	MACHINED, TOP CAP, AXL PIN.....2	2
3	230073GT	SPRING CLIP,M6-1.0,0.8-4MM PAN		40	216058GT	SENSOR, ANGLE, 40 DEG, CCW.....2 Sensor and magnet are matched and must be replaced at the same time. Machine calibration is required after installation.	2
4	237460GT	FORMING,DIRECTIONAL CIRCLE.....1		41	237242GT	SCREW,FHS,M3-0.5X8,DIN7991,10.9,ZAB	
5		Ref. FORMING, HYD TUBE COVER (Refer to 204.1)		42	237352GT	SCREW,HHF,M10-1.5X16,DIN6921,10.9,ZAB	
6	219304GT	PIN, 80MM X 780MM, AXLE.....2	2	43	226492GT	MACHINED, ANGLE SENSOR HOLDER.....2	2
7	160825GT	MACHINED, TOP CAP, AXLE PIN.....2	2	44	219300GT	PLATE, RETAINER, AXL SENS.....2	2
8	160732GT	SCREW, SHCS M12-1.75X35		45	237352GT	SCREW,HHF,M10-1.5X16,DIN6921,10.9,ZAB	
9	235309GT	BEARING,80ID X 90OD X 65LG.....4	4	46	237241GT	SCREW,FHS,M3-0.5X14,DIN7991,10.9,ZAB	
10	237854GT	BEARING, 80ID X 90OD X 52LG.....2	2	47	160592GT	PLATE, CONTACT, HARD STOP.....2	2
11	160502GT	BEARING, 80ID X 90OD X 80LG.....2	2	48	217219GT	SCREW,SHC,M4-0.7X14 DIN912,12.9,ZAB	
12	219288GT	MACHINED, LOWER CAP, AXL PIN.....2	2				
13	160736GT	SCREW, SHCS M12-1.75X50 GR12.9					
14	230824GT	FORMING,LOCK COVER BRKT.....1	1				
15	230825GT	FORMING, COVER LOCK BAR.....1	1				
16	826215GT	WASHER,FLAT,M5,DIN125,ZAB					
17	49364GT	NUT,NYLOCK,M6X1.00					
18	218457GT	SCREW,HHF,M5X12,DIN6921,10.9,Z					
19	826214GT	NUT,TL,M5-0.8,DIN980,10,ZAB					
20	235315GT	SCREW,PHPM,M4-0.7X16,DIN7985,ZAB					
21	49412GT	WASHER,FLAT,M4					
22	49363GT	NUT,NYLOCK,M4X.70					
23	217420GT	ASSY,CHASSIS DOOR,ZX135 SPX.....1 Includes items 14 - 25	1				
24	74245GT	LATCH,FLUSH CUP LEFT HAND.....1 Includes mounting hardware and 1 pair of keys	1				
--	29314GT	KEY,LATCH, 1 PAIR (28125)					
25	217477GT	HINGE, OFFSET 12MM.....2	2				
26	101004GT	MODULE,DCON.....1	1				
27	230826GT	BOLT,CARRIAGE,M8X35,DIN603,8.8					
28	229530GT	WASHER, THRUST.....2	2				
29		Ref. MANIFOLD,TRACTION,4WD.....1 (Refer to 701.1)	1				
30	237820GT	SCREW,HHF,M8-1.25X40,DIN6921,10.9,ZAB					
31	237832GT	NUT,TL FLG,M8-1.25,DIN6927,10,ZAB					
32	111663GT	BUMPER,RUB,1.00DX.75X31-18X1.2....2	2				
33	824028GT	NUT,TL FLG,5/16-18,G,ZAG (Not shown)					
34	229527GT	FORMING,MANIFOLD MOUNT.....1	1				
35	237830GT	SCREW,HHF,1/2-13X1,8,ZAG					
36	237552GT	FORMING,DIRECTIONAL SQUARE.....1	1				
37	49189-9738GT	HOSE ASSY,1/4",STR FEM,STR FEM....1	1				

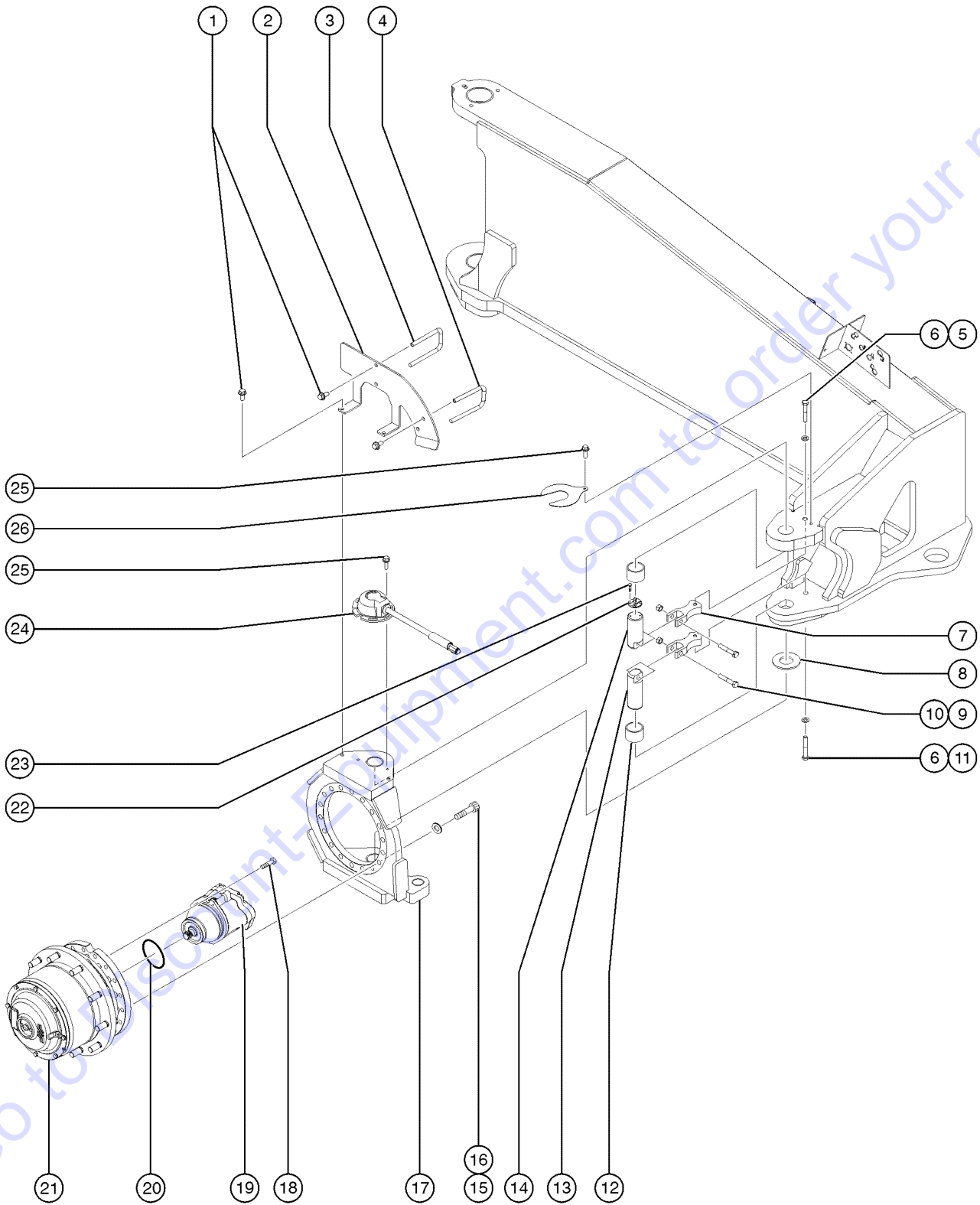
204.1 Chassis Components, Engine Side



204.1 Chassis Components, Engine Side

Item	Part No.	Description	Qty.	Item	Part No.	Description	Qty.
1	219304GT	PIN, 80MM X 780MM, AXLE.....	2	35	216597GT	SCREW,HHF,M6-1.0X50,DIN6921,10.9,ZAB	
2	160733GT	ASSY, AXLE SENSOR, SX/ZX135..... <i>(Refer to 203.1)</i>	2	36	217479GT	FORMING, HOSE CLAMP COVER.....	1
3	237461GT	FORMING, HYD TUBE COVER, AXLE... <i>Front right and rear left</i>	1	37	162291GT	CLAMP, HYD TUBE, AXLE	
--	237562GT	FORMING, HYD TUBE COVER, AXLE <i>Front left and rear right</i>		38	162290GT	FORMING, HOSE CLAMP COVER..... <i>Front right and rear left</i>	2
4	231532GT	SCREW,HHF,M6-1.0X20,DIN6921,10.9,ZAB		39	229543GT	CLAMP, PLASTIC, HYD HOSE.....	1
5	230073GT	SPRING CLIP,M6-1.0,0.8-4MM PAN		40	232886GT	SCREW,HHF,M6X40,DIN6921,10.9,	
6	237458GT	CLAMP, HYD TUBE, AXLE.....	2				
7	160825GT	MACHINED, TOP CAP, AXLE PIN.....	2				
8	160732GT	SCREW, SHCS M12-1.75X35					
9	226710GT	BEARING,TURNTABLE,MTE-705..... <i>(For top bolts on swing refer to 301.1)</i>	1				
10	162296GT	FORMING, HOSE CLAMP COVER <i>Front left and rear right</i>					
11	237854GT	BEARING, 80ID X 90OD X 52LG.....	2				
12	160736GT	SCREW, SHCS M12-1.75X50 GR12.9					
13	219288GT	MACHINED, LOWER CAP, AXL PIN.....	2				
14	160502GT	BEARING, 80ID X 90OD X 80LG.....	2				
15	235309GT	BEARING,80ID X 90OD X 65LG.....	4				
16	229527GT	FORMING,MANIFOLD MOUNT.....	1				
17	229530GT	WASHER, THRUST.....	2				
18	237832GT	NUT,TL FLG,M8-1.25,DIN6927,10,ZAB					
19	237820GT	SCREW,HHF,M8-1.25X40,DIN6921,10.9,ZAB					
20		Ref. MANIFOLD,STEER/AXLE..... <i>(Refer to 702.1)</i>	1				
21	217477GT	HINGE, OFFSET 12MM.....	2				
22	230824GT	FORMING,LOCK COVER BRKT					
23	230825GT	FORMING, COVER LOCK BAR					
24	217420GT	ASSY,CHASSIS DOOR,ZX135 SPX..... <i>Includes items 21 - 32</i>	1				
25	218457GT	SCREW,HHF,M5X12,DIN6921,10.9,Z					
26	826215GT	WASHER,FLAT,M5,DIN125,ZAB					
27	826214GT	NUT,TL,M5-0.8,DIN980,10,ZAB					
28	49364GT	NUT,NYLOCK,M6X1.00					
29	235315GT	SCREW,PHPM,M4-0.7X16,DIN7985,ZAB					
30	49412GT	WASHER,FLAT,M4					
31	49363GT	NUT,NYLOCK,M4X.70					
32	74245GT	LATCH,FLUSH CUP LEFT HAND..... <i>Includes mounting hardware and 1 pair of keys</i>	1				
--	29314GT	KEY,LATCH, 1 PAIR (28125)					
33	111663GT	BUMPER,RUB,1.00DX.75X31-18X1.2....	2				
34	824028GT	NUT,TL FLG,5/16-18,G,ZAG <i>(Not shown)</i>					

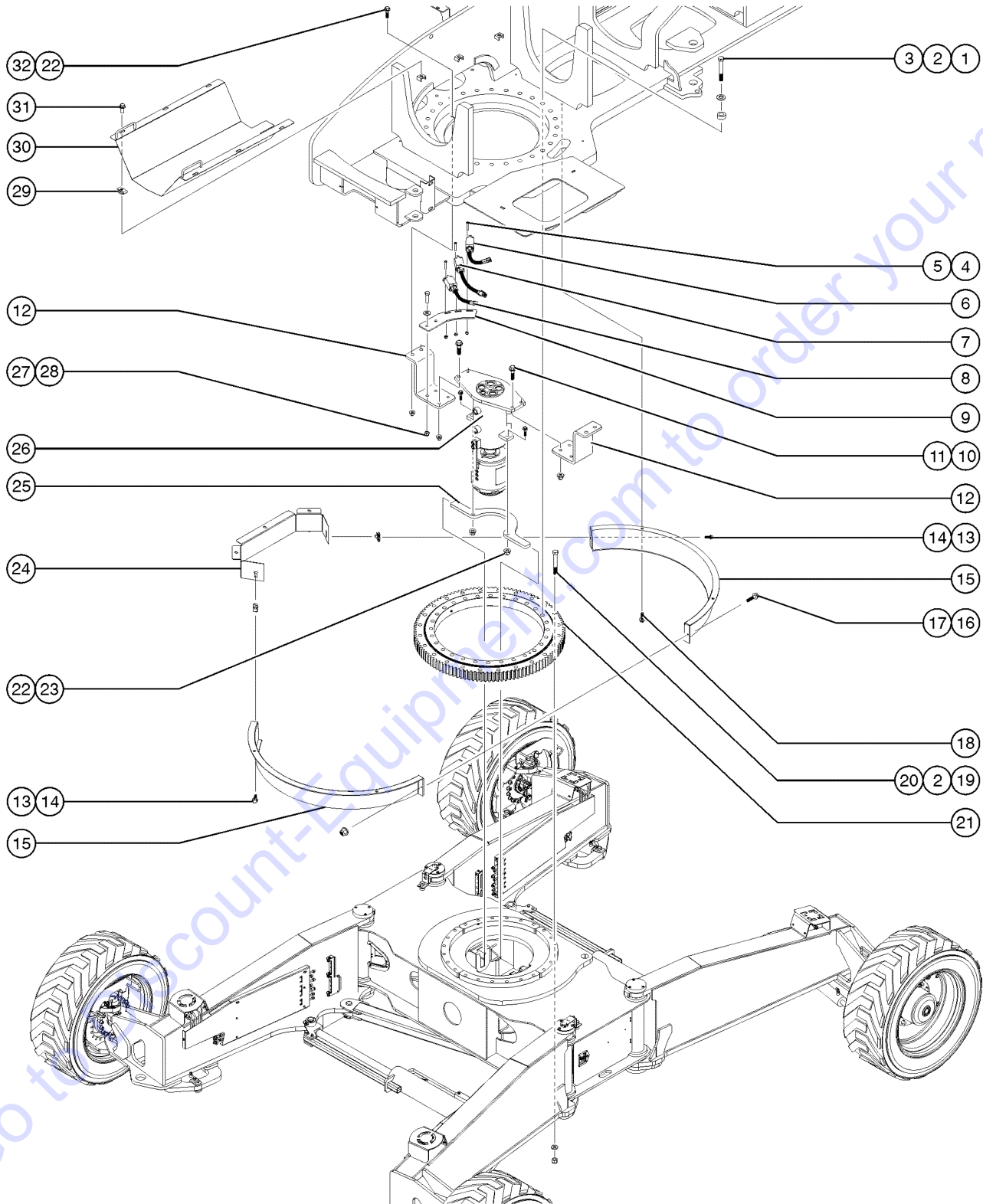
205.1 Steer Yoke, Wheel Drive and Motor



205.1 Steer Yoke, Wheel Drive and Motor

Item	Part No.	Description	Qty.
1	237352GT	SCREW,HHF,M10-1.5X16,DIN6921,10.9,ZAB	
2	217473GT	FORMING, HOSE BRACKET, AXLE 2...1 <i>Front right and rear left (shown)</i>	
--	217474GT	FORMING, HOSE BRACKET, AXLE 1 <i>Front left and rear right</i>	
3	217476GT	BAR, HOSE GUIDE, LONG.....1	
4	217475GT	BAR, HOSE GUIDE, SHORT.....1	
5	218456GT	SCREW,HHC,M12X70,DIN931,10.9,Y	
6	217484GT	WASHER,FLAT,M12,DIN125-A,300HV	
7	217486GT	NITRIDED, YOKE PIN LOCK.....2	
8	229526GT	WASHER,THRUST.....1-as-needed	
9	218456GT	SCREW,HHC,M12X70,DIN931,10.9,Y	
10	237835GT	NUT,NYLOCK,M12,DIN985,G10,YZ	
11	216159GT	SCREW,HHC,M12-1.75X80,DIN931,10.9,ZAB	
12	229532GT	BEARING, 50ID X 58OD X 40LG.....2	
13	229541GT	PIN, KING, AXLE, BOTTOM.....1	
14	229540GT	PIN, KING, AXLE, TOP.....1	
15	826172GT	SCREW,SHC,M16-2.0X50,DIN912,12...18	
16	825348GT	WASHER,FLAT,M16,DIN6916,HRD,ZAB.18	
17	217183GT	ASSY,SUPERX YOKE,RFLR,W/BRNG....1 <i>Front right and rear left</i>	
--	217182GT	ASSY,SUPERX YOKE,LFRR,W/BRNG <i>Front left and rear right</i>	
18	826171GT	SCREW,HHF,1/2-13X1.75,ZAG.....2	
19	102717GT	MOTOR,PISTON,HYD,45CC/19.5CC.....1	
--	106098GT	SEAL KIT,MOTOR,LC/KC***	
20	106118GT	O-RING,2-157,VITON***.....1	
21	218496GT	WHEEL DRIVE W/BRAKE,76:1,BREVI...1	
--	1259484GT	SEAL KIT,BREVINI (218496)	
--	1259485GT	BEARING KIT,BREVINI (218496)	
--	1259486GT	BRAKE KIT,BREVINI (218496)	
--	1259487GT	STUD,WHEEL, 3/4-16 (218496)	
--	1259950GT	DISCONNECT KIT, BREVINI (21849)	
--	1259951GT	COVER KIT, BREVINI (218496)	
--	1284032GT	PLUG,M18X1,5DIN908,MAGNI,O-RING <i>for 1259951</i>	
22	60618GT	ACTIVATOR,STEER SENSOR.....1	
23	825349GT	SCREW,PHPM,10-32X.38,ZAG	
24	232993GT	SUBASSY, STEER SENSOR.....1 <i>(Calibration required after replacement)</i>	
--	219646GT	SENSOR, MODIFIED STEER ANGLE	
--	60609GT	COVER,STEERING SENSOR	
--	60746GT	BUSHING, STRAIN RELIEF, 1"	
25	231532GT	SCREW,HHF,M6-1.0X20,DIN6921,10.9,ZAB	
26	217470GT	SHIM, STEER YOKE	

301.1 Turntable Center Components - View 1



301.1 Turntable Center Components - View 1

Item	Part No.	Description	Qty.	Item	Part No.	Description	Qty.
1	237682GT	SCREW,HHC,7/8-9X6.5,8,ZAG.....	28	--	1253698GT	MACHINED, SWIVEL ANTI-ROTATION	
2	232862GT	WASHER,FLAT,7/8,F436,HRD,ZAG.....	52	--	10107GT	SCREW,HHC,5/16-18 X .75	
3	237706GT	TUBE,SPACER,YZ.....	28	--	1253709GT	SCREW,SHC,7/16-14X1.25,A574,YZ	
4	824216GT	SCREW,PHPM,10-32X1.5,ZAG		--	1253697GT	MACHINED, SWIVEL MOUNTING	
5	824032GT	NUT,TL FLG,10-32,F,ZAG		27	4828GT	NUT,NYLOCK,3/8-16	
6	237807GT	SWITCH ASSY,DRV ENABLE,LEFT,SU.....	1	28	8516GT	SCREW, HCC, 3/8-16 X 1.50	
--	110771-43103GT	SWITCH LIMIT W/ROLLER NO/NC		29	230074GT	SPRING CLIP,M10-1.5,1-6X19,ZAB.....	6
--	43960-4500GT	WIRE CABLE,16GA/4 CON.TPE JKT*		30	219624GT	WELDMENT,SWIVEL COVER,SWING...1	
--	119067GT	CONN,RECEP 4 WAY ENDCAP DT		31	231530GT	SCREW,HHF,M10-1.5X25,DIN6921,10.9,ZAB	
--	60443GT	LOCK,RECEP 4 WAY,14-18GA		32	232869GT	SCREW,HHF,M12X50,DIN6921, 10.9	
7	237809GT	SWITCH ASSY,DRV,ENABLE,SAFE,SU.....	1				
--	110771-43103GT	SWITCH LIMIT W/ROLLER NO/NC					
--	43960-4500GT	WIRE CABLE,16GA/4 CON.TPE JKT*					
--	119762GT	CONN PLUG 4 WAY EXTEND DT					
--	60429GT	LOCK,PLUG 4 WAY,14-18GA					
8	237808GT	SWITCH ASSY,DRV,ENABLE,RIGHT,S.....	1				
--	110771-43103GT	SWITCH LIMIT W/ROLLER NO/NC					
--	43960-4500GT	WIRE CABLE,16GA/4 CON.TPE JKT*					
--	119065GT	CONN,RECEP 2 WAY ENDCAP DT					
--	60439GT	LOCK,RECEP 2 WAY, 14-18GA					
9	217689GT	BRACKET, LS, DRIVE ROT.					
10	232871GT	SCREW,HHF,M10-1.5X40,DIN6921,10.9,ZAB					
11	231529GT	NUT,TL FLG,M10-1.5,DIN6927,10,ZAB					
12	232867GT	FORMING,SWIVEL MOUNT.....	2				
13	231532GT	SCREW,HHF,M6-1.0X20,DIN6921,10.9,ZAB					
14	230073GT	SPRING CLIP,M6-1.0,0.8-4MM PAN					
15	238390GT	COVER,SLEW RING.....	2				
16	231512GT	SCREW,HHF,M6-1.0X25,DIN6921,10.9,ZAB					
17	231513GT	NUT,TL FLG,M6-1.0,DIN6927,10,ZAB					
18	231511GT	SCREW,HHF,M12-1.75X35,DIN6921,10.9,ZAB					
19	214593GT	SCREW,HHC, 7/8-9 X 8, 8, ZAG.....	24				
20	237833GT	NUT,7/8-9,8,ZAG.....	24				
21	226710GT	BEARING,TURNTABLE,MTE-705.....	1				
22	232868GT	NUT,TL,FLG,M12-1.75,DIN6927,10					
23	232869GT	SCREW,HHF,M12X50,DIN6921, 10.9					
24	238389GT	FORMING, PINION GUARD					
25	106498GT	HYDRAULIC SWIVEL SUPPORT.....	1				
26	1253702GT	ASSY, HYD/ELEC 5 PORT/10 CONT..... (complete)	1				
--	1253699GT	ASSY., HYDRAULIC SWIVEL, 5 POR					
--	1253696GT	ASSY., ELECTRIC SWIVEL, 10 CON					

PARTS FINDER

**Search Website
by Part Number**



**Search Manual
Library For Parts
Manual & Lookup Part
Numbers – Purchase
or Request Quote**

Search Manuals

Enter your information to help us find the right parts manual for your machine.

* Brand:

* Model:

* Serial:

* Part Number:

SEARCH

**Can't Find Part or
Manual? Request Help
by Manufacturer,
Model & Description**

Parts Order Form

Please fill in the following information to help us find the right part for your machine.

Manufacturer:	<input type="text"/>
Model:	<input type="text"/>
Description:	<input type="text"/>
Part Number:	<input type="text"/>
Quantity:	<input type="text"/>
Notes:	<input type="text"/>

Submit

Discount-Equipment.com is your online resource for quality parts & equipment.

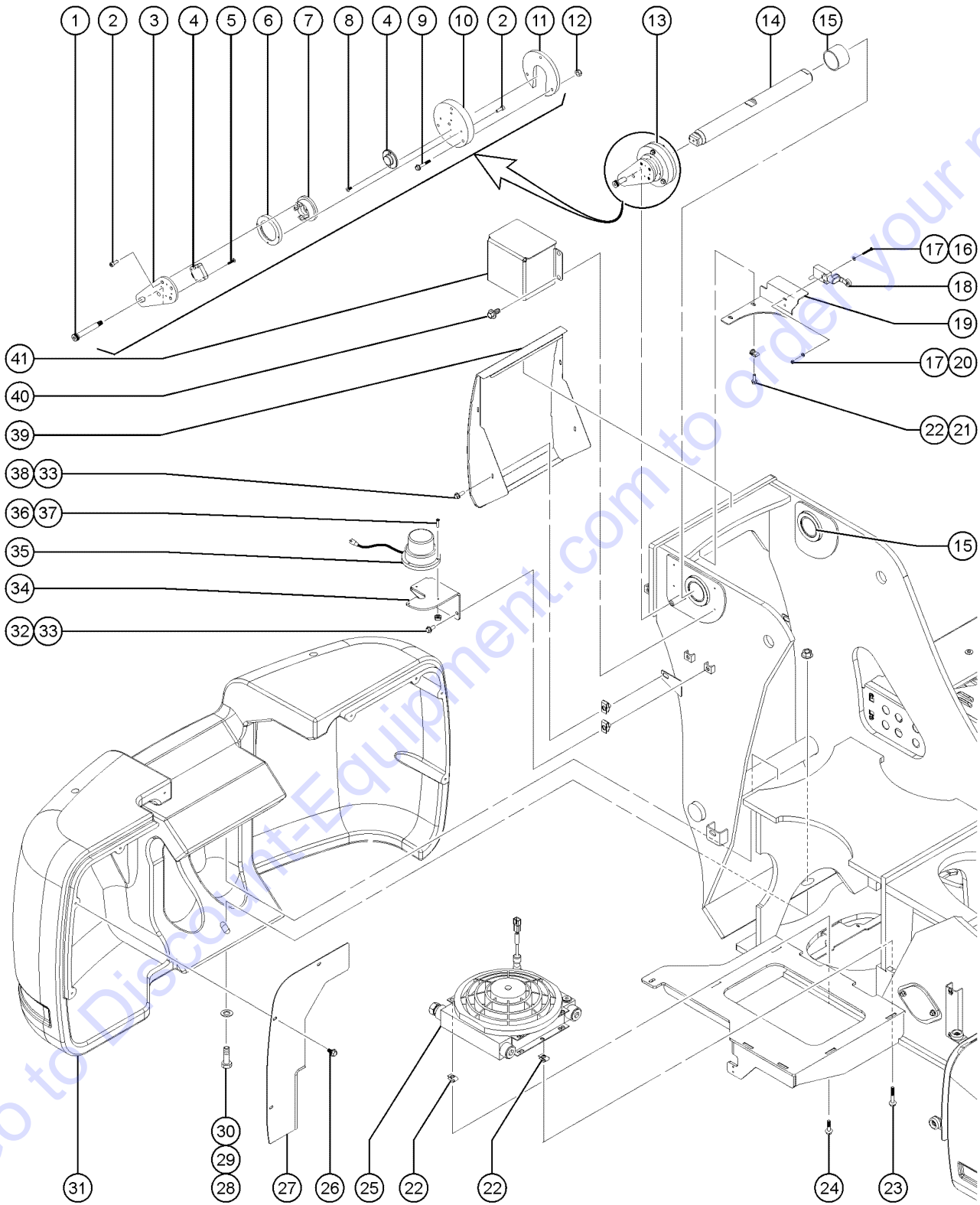
Florida: **561-964-4949** Outside Florida TOLL FREE: **877-690-3101**

Need parts?

Click on this link: <http://www.discount-equipment.com/category/5443-parts/> and choose one of the options to help get the right parts and equipment you are looking for. Please have the machine model and serial number available in order to help us get you the correct parts. If you don't find the part on the website or on one of the online manuals, please fill out the request form and one of our experienced staff members will get back to you with a quote for the right part that your machine needs.

We sell worldwide for the brands: Genie, Terex, JLG, MultiQuip, Mikasa, Essick, Whiteman, Mayco, Toro Stone, Diamond Products, Generac Magnum, Airman, Haulotte, Barreto, Power Blanket, Nifty Lift, Atlas Copco, Chicago Pneumatic, Allmand, Miller Curber, Skyjack, Lull, Skytrak, Tsurumi, Husquvarna Target, Stow, Wacker, Sakai, Mi-T-M, Sullair, Basic, Dynapac, MBW, Weber, Bartell, Bennar Newman, Haulotte, Ditch Runner, Menegotti, Morrison, Contec, Buddy, Crown, Edco, Wyco, Bomag, Laymor, EZ Trench, Bil-Jax, F.S. Curtis, Gehl Pavers, Heli, Honda, ICS/PowerGrit, IHI, Partner, Imer, Clipper, MMD, Koshin, Rice, CH&E, General Equipment, Amida, Coleman, NAC, Gradall, Square Shooter, Kent, Stanley, Tamco, Toku, Hatz, Kohler, Robin, Wisconsin, Northrock, Oztec, Toker TK, Rol-Air, APT, Wylie, Ingersoll Rand / Doosan, Innovatech, Con X, Ammann, Mecalac, Makinex, Smith Surface Prep, Small Line, Wanco, Yanmar

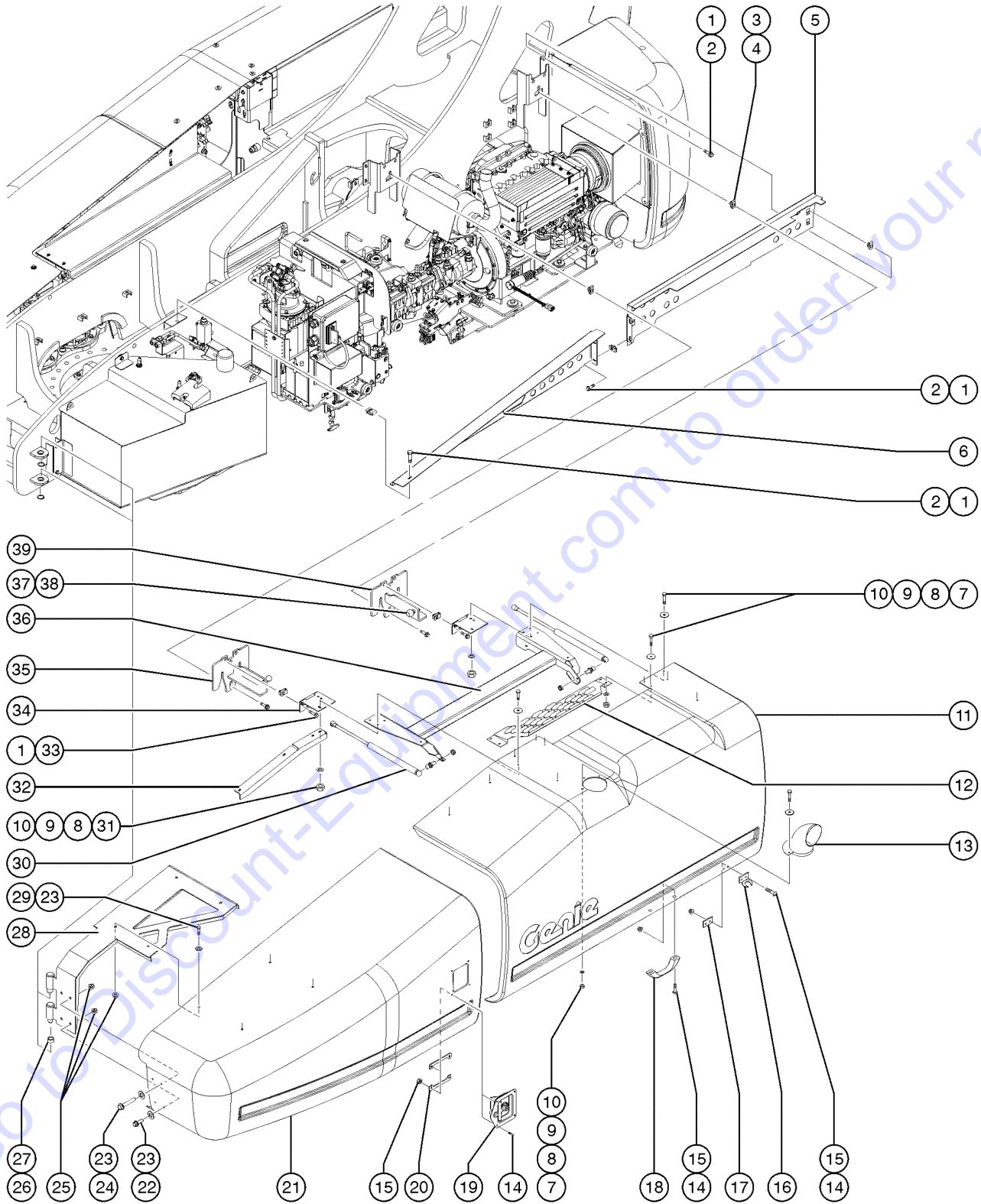
302.1 Turntable Center Components - View 2



302.1 Turntable Center Components - View 2

Item	Part No.	Description	Qty.	Item	Part No.	Description	Qty.
1	237239GT	BOLT,SHS,12X70XM10-1.5,ISO7379,12.9,ZAB.1		33	230074GT	SPRING CLIP,M10-1.5,1-6X19,ZAB	
2	217219GT	SCREW,SHC,M4-0.7X14 DIN912,12.9,ZAB		34	75250GT	BRACKET,BEACON,DRIVE LIGHTS,LH.....2	
3	215751GT	MACHINED, SENSOR MOUNT PLATE.....1		35	121804GT	ASSY,FLASHING BEACON 2008.....2 (complete)	
4	216059GT	SENSOR, ANGLE, 105 DEG, CW.....1 <i>Sensor and magnet are matched and must be replaced at the same time. Machine calibration is required after installation.</i>		--	122019GT	FLASHTUBE,U SHAPED,360DEG,BULB	
5	237241GT	SCREW,FHS,M3-0.5X14,DIN7991,10.9,ZAB		--	226393GT	FLASHTUBE,STRAIGHT,360DEG,BULB	
6	226491GT	MACHINED, ANGLE SENSOR RACE.....1		--	56704GT	STROBE,FIREBOLT,12-80VDC,AMB**	
7	226492GT	MACHINED, ANGLE SENSOR HOLDER.....1		--	72282GT	LENS,AMBER,STROBE,FIREBOLT	
8	237242GT	SCREW,FHS,M3-0.5X8,DIN7991,10.9,ZAB		36	826783GT	SCREW,FHPM,10-32X.1,00,ZAG	
9	232886GT	SCREW,HHF,M6X40,DIN6921,10.9,		37	824036GT	NUT,TL,10-32,A,ZAG	
10	215530GT	MACHINED,BOOM PIVOT PIN CAP.....1		38	232874GT	SCREW,HHF,M10-1.5X30,DIN6921,10.9,ZAB	
11	215531GT	MACHINED,CLAMP,PIVOT,SENSOR.....1		39	161953GT	WLDT, REAR MAST COVER.....1	
12	825667GT	NUT,TLFLG, M6-1.0,ZAB		40	237238GT	SCREW,HHF,M6-1.0X12,DIN6921,10	
13	237243GT	ASSEMBLY, ANGLE SENSOR, BOOM...1 (Complete assembly) includes items 1 - 12		41	232883GT	FORMING, COVER, ANGLE SENSOR...1	
14	231546GT	PIN, 80 MM DIA X 855MM LG.....1					
15	231480GT	BEARING, 80ID X 90OD X 60L.....2					
16	822353GT	SCREW,PHPM,M4-0.7X30,ZAB					
17	825357GT	WASHER,FLAT,M4,DIN125,ZAB					
18	236397GT	SWITCH ASSY, 10 DEG OPER, SUPER-X.....1					
--	119065GT	CONN,RECEP 2 WAY ENDCAP DT					
--	1364413 13B11GT	LIMIT SWITCH,TAB,BLUE,MICRO					
--	60439GT	LOCK,RECEP 2 WAY, 14-18GA					
19	1253166GT	FORMING, LSB1DO MOUNT.....2					
20	825686GT	NUT, TL, M4-0.7, DIN980, 8, ZAB					
21	231532GT	SCREW,HHF,M6-1.0X20,DIN6921,10.9,ZAB					
22	230073GT	SPRING CLIP,M6-1.0,0.8-4MM PAN.....1					
23	232886GT	SCREW,HHF,M6X40,DIN6921,10.9,					
24	231532GT	SCREW,HHF,M6-1.0X20,DIN6921,10.9,ZAB.2					
25	71259GT	OIL COOLER W/FAN, 12VDC.....1					
--	75854GT	FAN - VENTED					
--	75855GT	THERMOSTAT -OIL COOLER (71259)					
26	231088GT	SCREW,HHF,M10-1.5X20,DIN6921,10.9,ZAB					
27	219912GT	WLDT,BAFFLE PL.,CW,TANK SIDE.....1					
--	219911GT	BAR,HARNESS/CABLE GUIDE					
28	237731GT	SCREW,HHC,1-8X5,5,ZAG.....1					
29	824116GT	WASHER, FLAT, F436, 1.0, ZAG.....1					
30	824031GT	NUT,TL FLG,1-8,G,ZAG.....1					
31	230831GT	COUNTERWEIGHT,CAST,5090LBS.....1					
32	231530GT	SCREW,HHF,M10-1.5X25,DIN6921,10.9,ZAB					

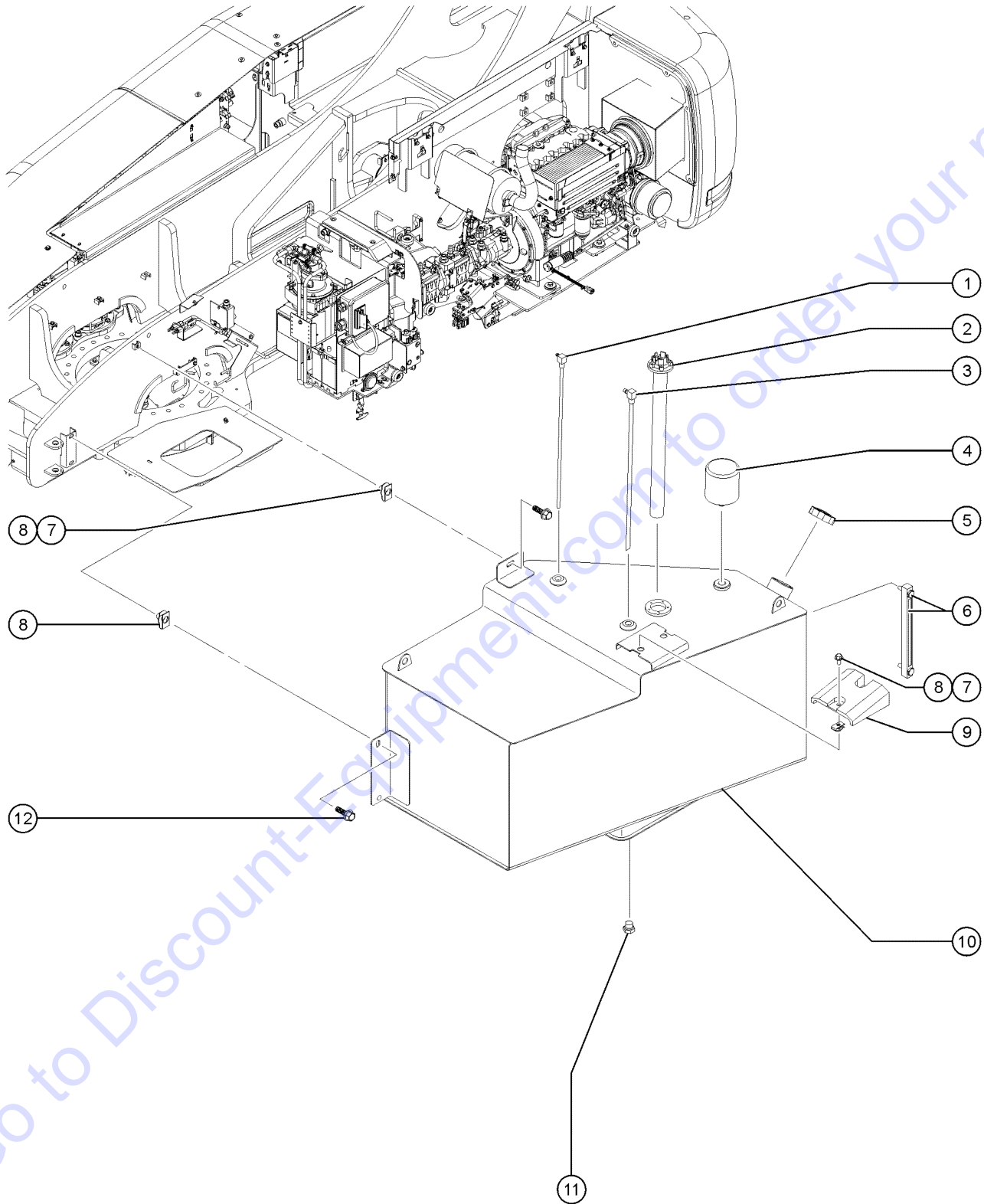
303.1 Turntable Covers - Engine Side



303.1 Turntable Covers - Engine Side

Item	Part No.	Description	Qty.
1	231532GT	SCREW,HHF,M6-1.0X20,DIN6921,10.9,ZAB	
2	230073GT	SPRING CLIP,M6-1.0,0.8-4MM PAN	
3	230074GT	SPRING CLIP,M10-1.5,1-6X19,ZAB	
4	231533GT	SCREW,HHF,M10-1.5X35,DIN6921,10.9,ZAB	
5	237645GT	FORMING, COVER, FRONT, RIGHT.....1	
6	237646GT	FORMING, COVER, REAR, RIGHT.....1	
7	6888GT	SCREW,HHC,1/4-20 X 1	
8	12906GT	WASHER,FENDER,.25 X 1.25 X.062	
9	6638GT	WASHER,FLAT,USS,1/4"Y	
10	6091GT	NUT,NYLOCK,1/4-20	
11	60481GT	COVER,TURNTABLE,ENGINE SIDE.....1	
12	60595GT	SUPPORT,ENGINE COVER.....1	
13	1260056GT	WELDMENT, EXHAUST TUBE.....1	
14	824215GT	SCREW,PHPM,10-32X.75,ZAG	
15	824036GT	NUT,TL,10-32,A,ZAG	
16	75076GT	KEEPER,LATCH (45363).....3	
17	50790GT	PLATE,COVER LATCH BACKING.....3	
18	60884GT	HANDLE,GRAB.....3	
19	74245GT	LATCH,FLUSH CUP LEFT HAND.....1	
20	1256615GT	PLATE,BACKING,T-HANDLE LOCK.....2	
21	232864GT	COVER, NOSE CONE, RIGHT SIDE.....1	
22	232871GT	SCREW,HHF,M10-1.5X40,DIN6921,10.9,ZAB	
23	233509GT	WASHER,FLAT,M10X30X2.5,DIN9021,ZAB	
24	238347GT	SCREW,HHF,M10-1.5X70,DIN6921,10.9,ZAB	
25	231529GT	NUT,TL FLG,M10-1.5,DIN6927,10,ZAB	
26	238341GT	BEARING FL, 25IDX30ODX14L.....2	
27	232942GT	SNAP RING, EXTERNAL,M25,SS.....2	
28	232916GT	NOSE CONE SUPPORT WLDT, RH.....1	
29	232874GT	SCREW,HHF,M10-1.5X30,DIN6921,10.9,ZAB	
30	122272GT	GAS STRUT,202 LBS FORCE.....2 <i>ball studs are not included</i>	
31	8915GT	SCREW,HHC,1/4-20 X 1.25	
32	60872GT	SUPPORT,COVER (61112,61117).....1	
33	219697GT	SPRING CLIP,M6-1.0,3.4-6.3MMX1	
34	75073GT	HINGE,.375X.120THK.,SLOTTED.....2	
35	238290GT	WELDMENT, COVER MOUNT, REAR....1	
36	60578GT	COVER SUPPORT,WELDMENT.....1	
37	33555GT	BALL STUD**.....4	
38	6002GT	NUT,LP NYLOCK,5/16-18.....4	
39	1260078GT	WELDMENT, COVER MOUNT, FRONT.....1	

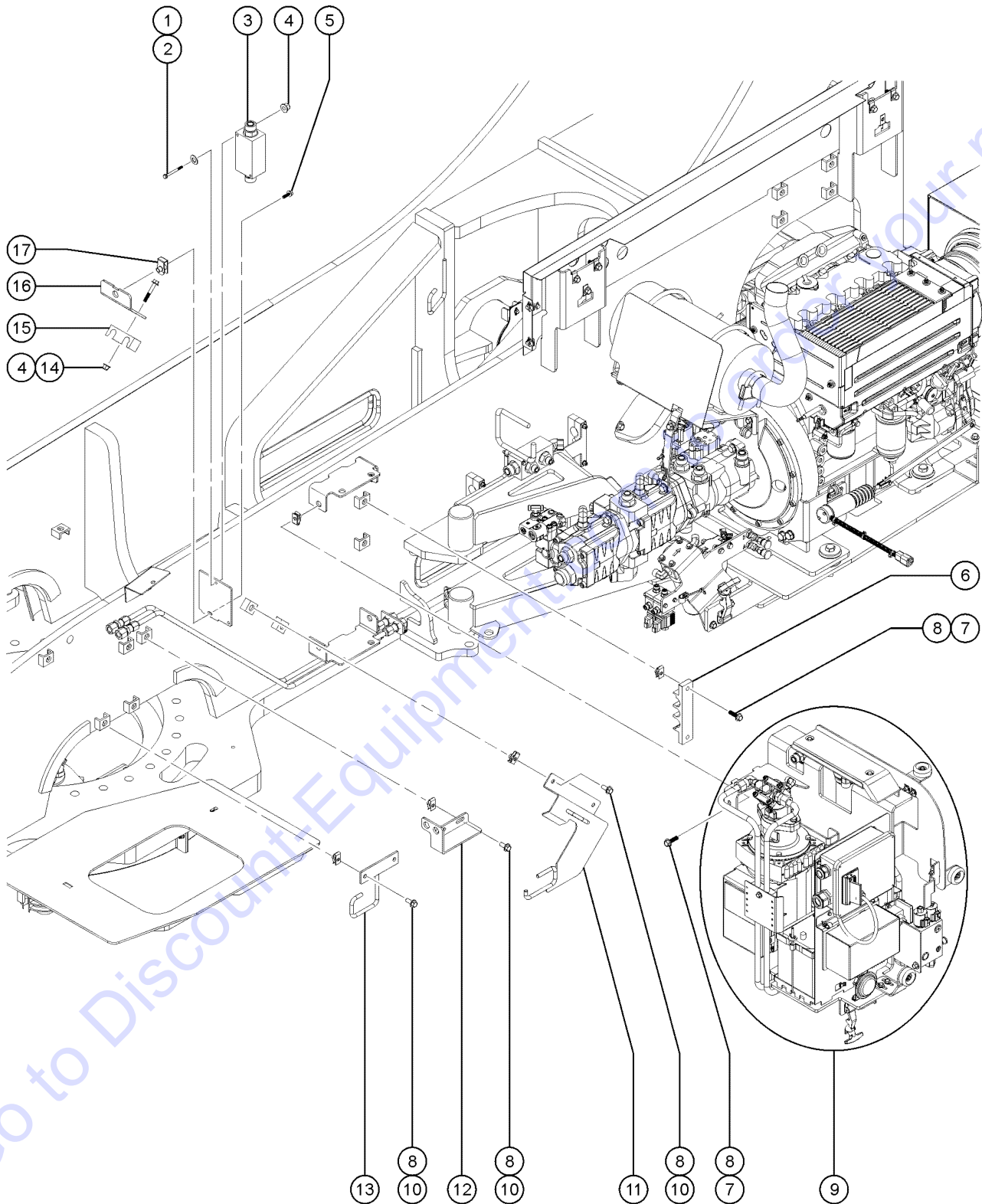
304.1 Engine Side Components, Fuel Tank



304.1 Engine Side Components, Fuel Tank

Item	Part No.	Description	Qty.
1	237697GT	TUBE ASSY, RETURN 19.375".....1	1
2	235716GT	SENDER, LOW FUEL INDICATOR.....1	1
3	237696GT	TUBE ASSY, SUPPLY, 21.875".....1	1
4	60559GT	BREATHER,RESERVOIR 3 MICRON***1	1
5	215727GT	CAP, FUEL, DIESEL, LENZ LC-6NV.....1	1
6	235717GT	SIGHT GLASS LEVEL INDICATOR.....1 <i>Includes fasteners</i>	1
7	231530GT	SCREW,HHF,M10-1.5X25,DIN6921,10,9,ZAB	
8	230074GT	SPRING CLIP,M10-1.5,1-6X19,ZAB	
9	216273GT	WEAR PAD, NOSE CONE SUPPORT	
10	235705GT	ASSEMBLY, FUEL TANK 50 GAL.....1 <i>(Complete assembly), includes items 1 - 6 and 11</i>	1
--	235704GT	WELDMENT, FUEL TANK 50 GAL <i>Part of assembly 235705</i>	
11	218727GT	PLUG, HEX HD, O-RING SAE #12.....1	1
12	232874GT	SCREW,HHF,M10-1.5X30,DIN6921,10,9,ZAB	

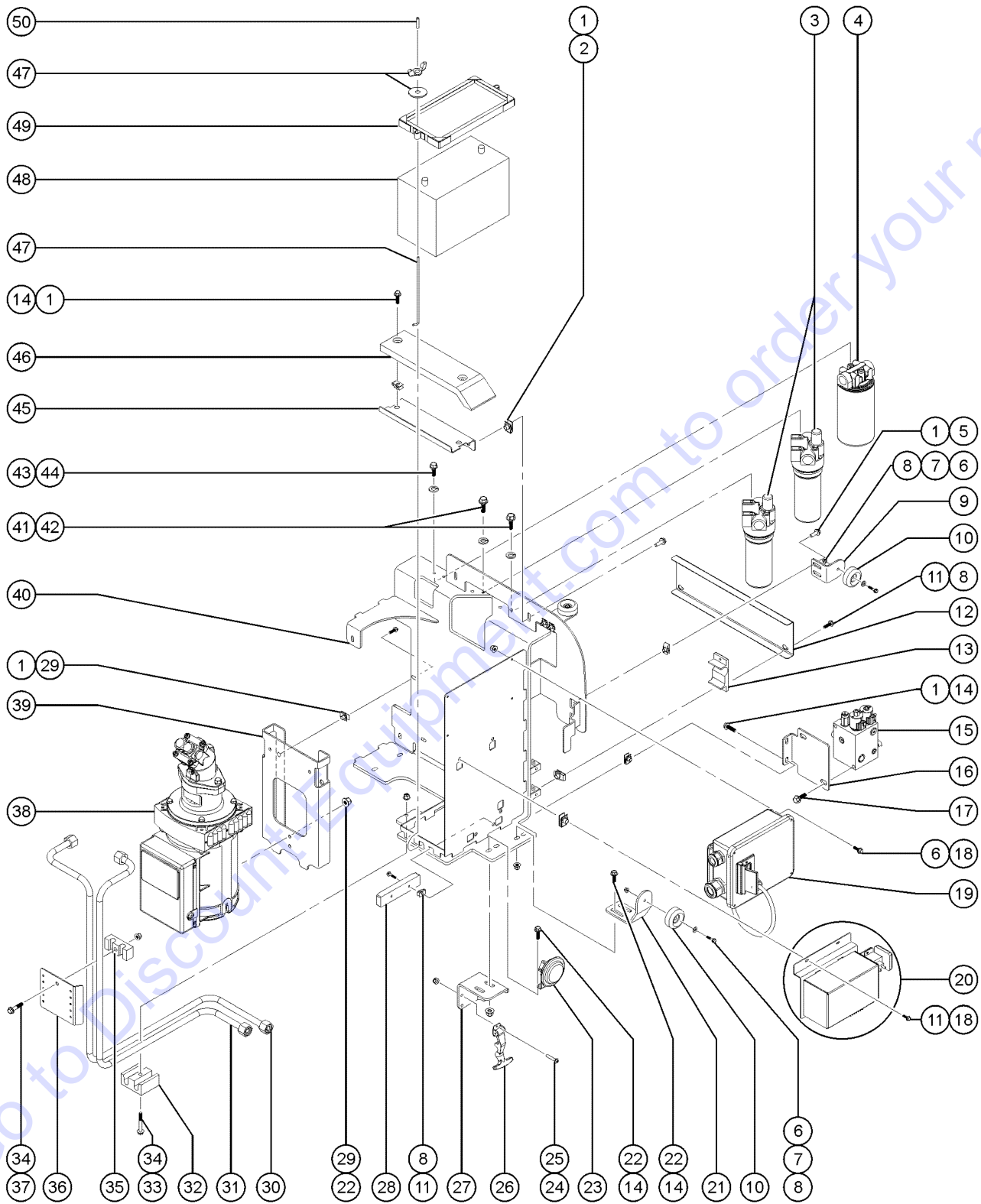
305.1 Engine Side, Hose Clamps and Guides



305.1 Engine Side, Hose Clamps and Guides

Item	Part No.	Description	Qty.
1	161410GT	SCREW,HHC,M6X70,DIN931,10.9,YZ....2	
2	824143GT	WASHER,FLAT,M6,DIN125,ZAB	
3	236240GT	MANIFOLD, RETURN BLOCK.....1	
4	231513GT	NUT,TL FLG,M6-1.0,DIN6927,10,ZAB	
5	231532GT	SCREW,HHF,M6-1.0X20,DIN6921,10.9,ZAB	
6	219065GT	CLAMP,HYD. HOSE, 3 X .75".....1	
7	231533GT	SCREW,HHF,M10-1.5X35,DIN6921,10.9,ZAB	
8	230074GT	SPRING CLIP,M10-1.5,1-6X19,ZAB	
9		Ref. GEN. BULKHEAD ASSEMBLY.....1 (Refer to 306.1)	
10	231530GT	SCREW,HHF,M10-1.5X25,DIN6921,10.9,ZAB	
11	160726GT	WELDMENT, CABLE/HOSE GUIDE.....1	
12	218061GT	FORMING, FUEL FILTER MOUNT.....1	
13	219907GT	WELDMENT,HOSE/CABLE GUIDE.....1	
14	232886GT	SCREW,HHF,M6X40,DIN6921,10.9,	
15	218064GT	CLAMP, FUEL LINE.....1	
16	218060GT	FORMING, HOSE CLAMP MOUNT	
17	230073GT	SPRING CLIP,M6-1.0,0.8-4MM PAN	

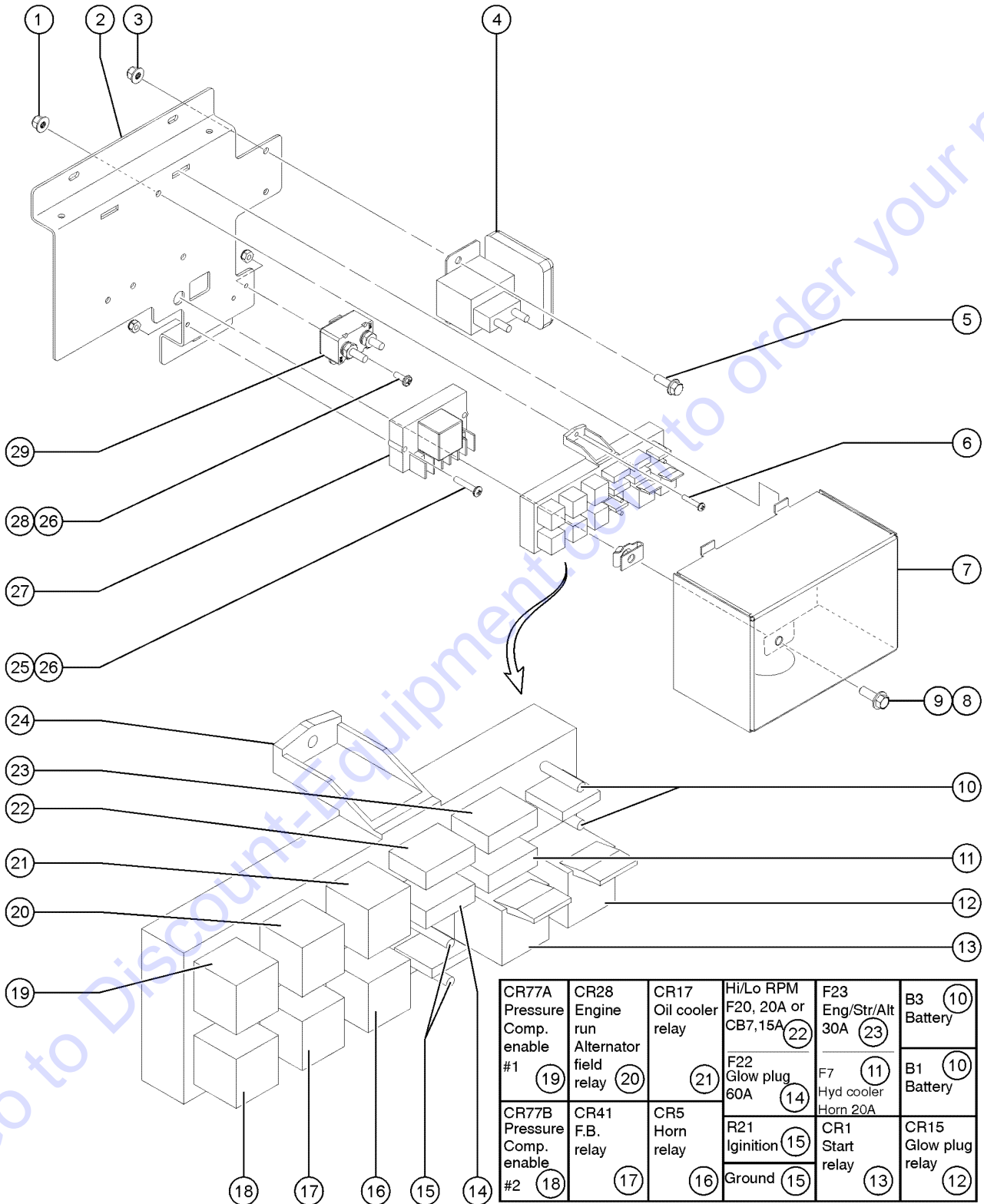
306.1 Engine Side, Welder GEN. Bulkhead Assembly



306.1 Engine Side, Welder GEN. Bulkhead Assembly

Item	Part No.	Description	Qty.	Item	Part No.	Description	Qty.
1	230074GT	SPRING CLIP,M10-1.5,1-6X19,ZAB		36	160635GT	FORMING,GENERATOR, CABLE RAMP.....1	1
2	232874GT	SCREW,HHF,M10-1.5X30,DIN6921,10.9,ZAB		37	232952GT	SCREW,HHF,M10-1.5X50,DIN6921,10.9,ZAB	
3	60334GT	FILTER ASSY,HIGH PRESS SAE-12*.....2		38	216566GT	GENERATOR,7.5KW,208/120/60HZ,3PH,12CC <i>USA/CSA models</i>	
--	60857GT	FILTER,ELEMENT,BETA(5)=1000		--	218137GT	GEN.,7.5KW,110/55VAC,1PH,50HZ, <i>UK models</i>	
4	87070GT	FILTER ASSY,SAE 12 NO INDICAT*.....1		--	218138GT	GEN.,7.5KW,240/415/50HZ,3PH,EU <i>EU/AUS models</i>	
--	1259055GT	FILTER ELEMENT, 10 MICRON <i>Genie aftermarket</i>		--	218173GT	GENERATOR,12kW, 208/120/60HZ,3PH,18CC <i>USA/CSA models</i>	
--	131323GT	FILTER ELEMENT,10 MICRON <i>Genie genuine part</i>		39	215723GT	FORMING,WELDER MOUNT.....1	1
5	232874GT	SCREW,HHF,M10-1.5X30,DIN6921,10.9,ZAB		40	215192GT	WELDMENT, GENERATOR BULKHEAD	
6	231513GT	NUT,TL FLG,M6-1.0,DIN6927,10,ZAB		41	8255GT	SCREW,HHC,3/8-16 X .75	
7	6638GT	WASHER,FLAT,USS,1/4"Y		42	6021GT	WASHER,LOCK,.375	
8	231531GT	SCREW,HHF,M6-1.0X30,DIN6921,10.9,ZAB		43	6090GT	SCREW,HHC,1/4-20 X .75	
9	231520GT	FORMING,COVER STOP.....2	2	44	6356GT	WASHER,LOCK,.25	
10	50974GT	BUMPER,RUBBER,COVERS.....3	3	45	219156GT	FORMING, NOSE CONE SUPPORT.....1	1
11	230073GT	SPRING CLIP,M6-1.0,0.8-4MM PAN		46	219157GT	WEAR PAD, NOSE CONE, ENG SIDE....1	1
12	215197GT	FORMING,HARNESS COVER.....1	1	47	45708GT	HOOK,BATT HOLD DOWN,10".....2	2
13	216275GT	CLAMP, GEN BATTERY CABLES.....2	2	48	30143GT	BATTERY,12V,1000 CCA GRP 31.....1	1
14	231533GT	SCREW,HHF,M10-1.5X35,DIN6921,10.9,ZAB		49	30144GT	BATTERY HOLD DOWN,GROUP 31.....1	1
15		Ref. MANIFOLD, GENERATOR <i>(Refer to 705.1)</i>		50	823397GT	CAP,VINYL,0.25ID X 1.50.....2	2
16	215196GT	FORMING,GENERATOR MANIFOLD MT					
17	231087GT	SCREW,HHF,M12-1.75X25,DIN6921,10.9,ZAB					
18	231532GT	SCREW,HHF,M6-1.0X20,DIN6921,10.9,ZAB					
19		Ref. J-BOX,CIRCUIT BREAKERS, 10X8 <i>(Refer to 308.1 - 308.4)</i>					
20		Ref. RELAY FUSE, ASSY <i>(Refer to 307.1)</i>					
21	232876GT	FORMING, MOUNT, RUBBER BUMPER.....1	1				
22	231529GT	NUT,TL FLG,M10-1.5,DIN6927,10,ZAB					
23	81578GT	HORN,12VDC,SPADE TERMINALS***.....1	1				
24	73587GT	SCREW,PHIL,10-24 X .75					
25	5365GT	NUT,NYLOCK,10-24					
26	45363GT	LATCH,FLEXIBLE DRAW W/O KEEPER					
27	218086GT	FORMING, PULL LATCH MOUNT.....1	1				
28	219520GT	UHMW, BATTERY SPACER.....1	1				
29	231533GT	SCREW,HHF,M10-1.5X35,DIN6921,10.9,ZAB.3 <i>(Not shown)</i>	3				
30	215201GT	HARDLINE, GENERATOR RETURN.....1	1				
31	215200GT	HARDLINE, GENERATOR SUPPLY.....1	1				
32	216274GT	CLAMP, GENERATOR HARDLINE.....1	1				
33	238347GT	SCREW,HHF,M10-1.5X70,DIN6921,10.9,ZAB					
34	231529GT	NUT,TL FLG,M10-1.5,DIN6927,10,ZAB					
35	160636GT	CLAMP,GENERATOR HARDLINE,UPPER.....1	1				

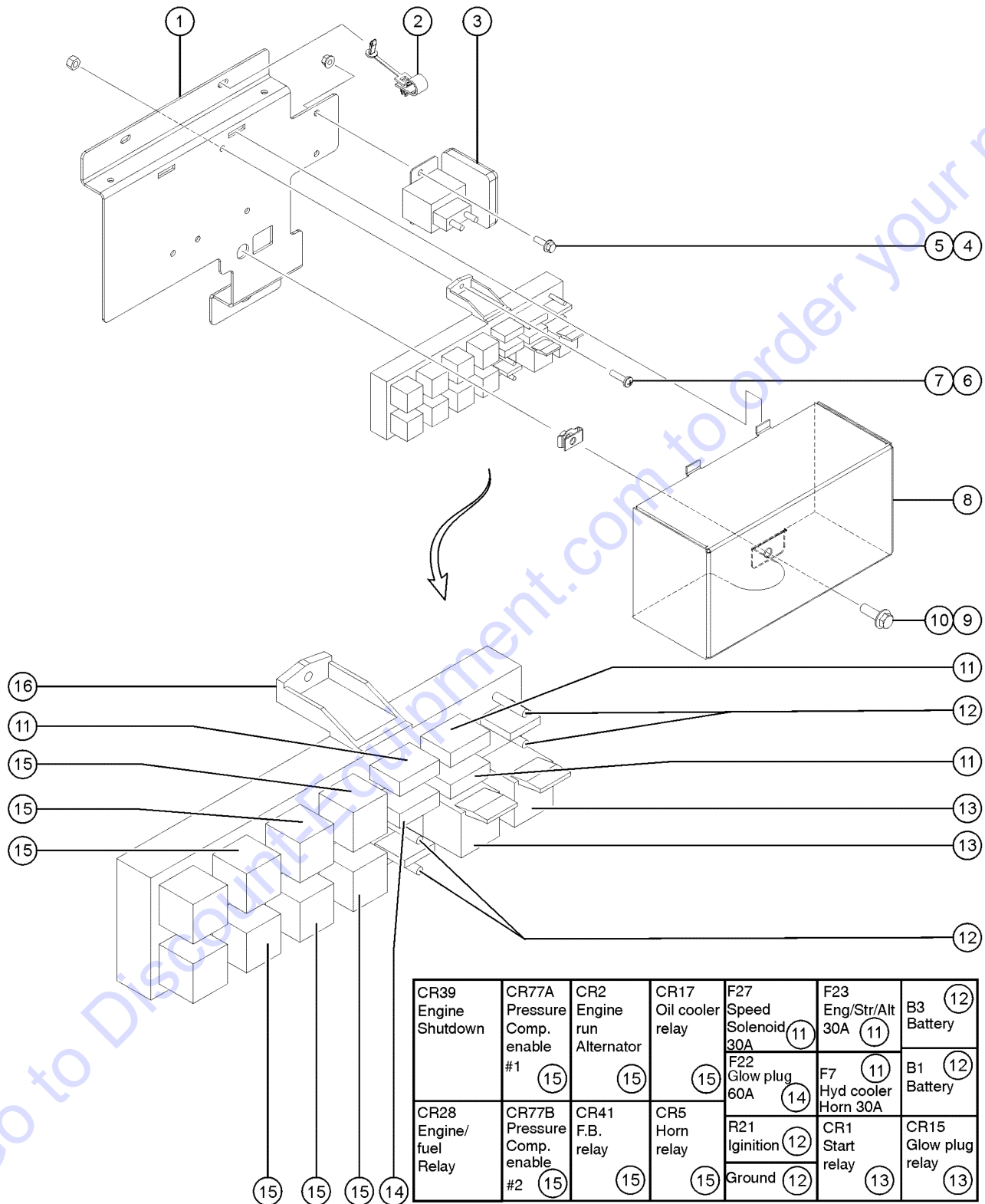
307.1 Engine Side, Relay Fuse Assembly



307.1 Engine Side, Relay Fuse Assembly

Item	Part No.	Description	Qty.	Item	Part No.	Description	Qty.
--		<i>For models with Deutz TD 2.9L4 Engine refer to 307.2 and 307.3</i>		23	94327GT	FUSE,30 AMP (F23) Eng/Str/Alt, 30A	
1	6178GT	NUT,NYLOCK,10-32		24	88160GT	BRACKET,LEG,RLY BLOCK.....3	
2	236337GT	FORMING,RELAY MOUNT.....1		25	75041GT	SCREW,PHILLIPS,PHM,10-32 X 1	
3	231513GT	NUT,TL FLG,M6-1.0,DIN6927,10,ZAB		26	6178GT	NUT,NYLOCK,10-32	
4	237068GT	SEPARATOR,DUAL BATTERY,100A.....1		27	89997GT	RELAY MODULE(89996,89998).....1	
5	231532GT	SCREW,HHF,M6-1.0X20,DIN6921,10.9,ZAB		28	49819GT	SCREW,PHILLIPS,PHM,10-32 X .5	
6	49816GT	SCREW,PHILLIPS,PHM,10-32 X .75		29	128829GT	CIRCUIT BRKR 15A TYPE 2 METAL.....1	
7	217189GT	COVER,RELAY		--	15513GT	NUT,HEX,10-32	
8	232874GT	SCREW,HHF,M10-1.5X30,DIN6921,10.9,ZAB					
9	230074GT	SPRING CLIP,M10-1.5,1-6X19,ZAB					
10	106051GT	CONN,FEED THRU STUD.....1 (B3) Battery / (B1) Battery					
--	88164GT	CONN MAXI FUSE MODULE,4POS					
11	60536GT	FUSE,20 AMP,MAXI.....1 (F7) Hyd cooler / Horn, 20A					
12	61225GT	RELAY,12VDC,70AMP,SEALED.....1 (CR15) Glow plug					
--	88162GT	CONN,POWER RLY MODULE,4POS					
13	61225GT	RELAY,12VDC,70AMP,SEALED.....1 (CR1) Start relay					
--	88162GT	CONN,POWER RLY MODULE,4POS					
14	101340GT	FUSE,60 AMP,MAXI.....1 (F22) Glow plug, 60A					
15	106051GT	CONN,FEED THRU STUD.....1 (R21) Ignition / Ground					
--	88164GT	CONN MAXI FUSE MODULE,4POS					
16	34052GT	RELAY,SPDT,12V(AUTO) PLUG IN**1 (CR5) Horn relay					
--	88167GT	CONN,DUAL RLY MODULE,10 POS					
17	34052GT	RELAY,SPDT,12V(AUTO) PLUG IN**1 (CR41) Flashing beacon relay					
--	88167GT	CONN,DUAL RLY MODULE,10 POS					
18	34052GT	RELAY,SPDT,12V(AUTO) PLUG IN**1 (CR77B) Pressure Comp. enable #2					
--	88167GT	CONN,DUAL RLY MODULE,10 POS					
19	34052GT	RELAY,SPDT,12V(AUTO) PLUG IN**1 (CR77A) Pressure Comp. enable #1					
--	88167GT	CONN,DUAL RLY MODULE,10 POS					
20	34052GT	RELAY,SPDT,12V(AUTO) PLUG IN**1 (CR28) Engine run Alternator field relay					
--	88167GT	CONN,DUAL RLY MODULE,10 POS					
21	34052GT	RELAY,SPDT,12V(AUTO) PLUG IN**1 (CR17) Oil cooler relay					
--	88167GT	CONN,DUAL RLY MODULE,10 POS					
22	60536GT	FUSE,20 AMP,MAXI (F20) Hi/Lo RPM, 20A					

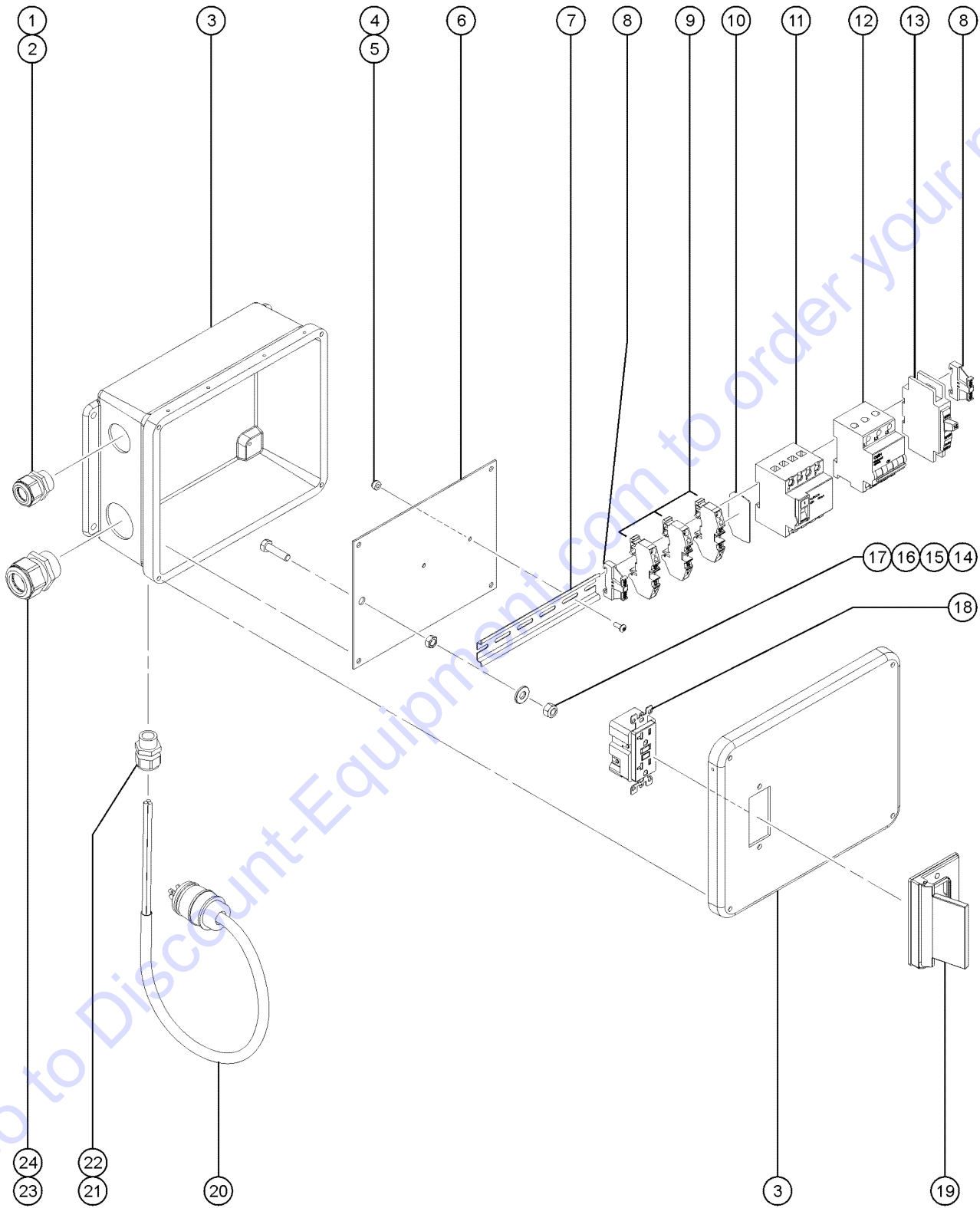
307.2 Engine Side, Relay Fuse Assembly, Deutz TD 2.9L4



307.2 Engine Side, Relay Fuse Assembly, Deutz TD 2.9L4

Item	Part No.	Description	Qty.
--	1258553GT	ASSY, TIER4 RELAY FUSE	
1	1258551GT	FORMING, RELAY MOUNT.....1	1
2	121601GT	CLAMP, FIXED DIA., NYLON, 1/2".....2	2
3	237068GT	SEPARATOR, DUAL BATTERY, 100A.....1	1
4	231532GT	SCREW, HHF, M6-1.0X20, DIN6921, 10.9, ZAB.2	2
5	231513GT	NUT, TL FLG, M6-1.0, DIN6927, 10, ZAB....2	2
6	235315GT	SCREW, PHPM, M4-0.7X16, DIN7985, ZAB.3	3
7	825686GT	NUT, TL, M4-0.7, DIN980, 8, ZAB.....3	3
8	1258552GT	FORMING, RELAY COVER.....1	1
9	232874GT	SCREW, HHF, M10-1.5X30, DIN6921, 10.9, ZAB.1	1
10	230074GT	SPRING CLIP, M10-1.5, 1-6X19, ZAB.....1	1
11	94327GT	FUSE, 30 AMP.....3	3
12	106051GT	CONN, FEED THRU STUD.....4	4
--	88164GT	CONN MAXI FUSE MODULE, 4POS	
13	61225GT	RELAY, 12VDC, 70AMP, SEALED.....2	2
--	88162GT	CONN, POWER RLY MODULE, 4POS	
14	101340GT	FUSE, 60 AMP, MAXI.....1	1
15	34052GT	RELAY, SPDT, 12V(AUTO) PLUG IN**6	6
--	88167GT	CONN, DUAL RLY MODULE, 10 POS	
16	88160GT	BRACKET, LEG, RLY BLOCK.....3	3

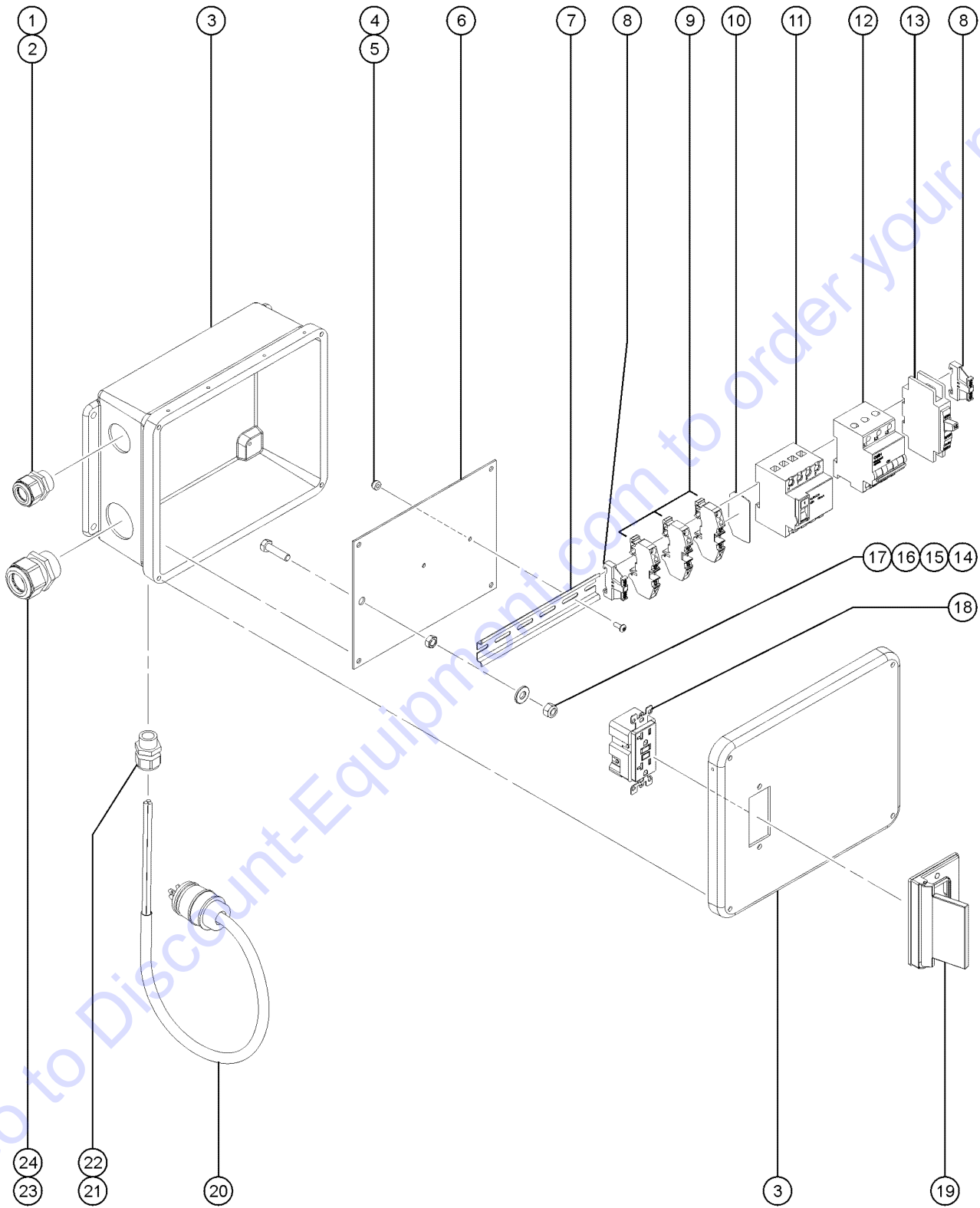
308.1 Welder Generator Enclosure (7.5 kW, 208/120 60HZ)



308.1 Welder Generator Enclosure (7.5 kW, 208/120 60HZ)

Item	Part No.	Description	Qty.
--	161212GT	ASSY, ENCLOSURE, WELDER GEN <i>(Complete assembly for GEN 7.5 kW, 208/120 60HZ) including items 1 - 24</i>	
1	20776GT	CABLE SQUEEZE CONN.....	1
2	18665GT	LOCKNUT,ELECTRIC,1" NPT.....	1
3	161206GT	BOX,J, CIRCUIT BREAKERS.....	1
4	6178GT	NUT,NYLOCK,10-32	
5	54365GT	SCREW,PHIL,PHM,10-32 X .5,SSTL	
6	161207GT	PANEL, ENCLOSURE, BACK	
7	822548GT	DIN RAIL, 7.375".....	1
8	74913GT	END STOP, DIN RAIL,SCREW CLAMP.....	2
9	161208GT	TERMINAL BLOCKRING.....	3
10	822103GT	DIN RAIL, PARTITION PLATE.....	1
11	824617GT	CIRCUIT BREAKER,GFCI,3PH,63A,3....	1
12	219233GT	CIRCUIT BREAKER, 3 PHASE, 25A.....	1
13	219232GT	CIRCUIT BREAKER, SINGLE PH,.....	1
14	6782GT	NUT,NYLOCK,5/16-18	
15	5397GT	WASHER,FLAT,USS,5/16",Y	
16	6037GT	NUT,HEX,5/16-18,GR5	
17	13000GT	SCREW,HHC,5/16-18 X 1.25	
18	80543GT	RECEPTACLE, 120VAC, 20A, GFCI.....	1
19	74006GT	COVER,GFCI,HORIZONTAL,WEATHER	
20	161588GT	HARNES, GENERATOR J-BOX..... <i>Includes part 119403</i>	1
--	119403GT	CONN,PLUG 120 AC/15A DOMESTIC	
21	7057GT	CONN. SQZ,1/2NPT .39-.56 MED.....	1
22	6935GT	LOCKNUT,ELEC,1/2".....	1
23	822222GT	CABLE SQUEEZE CONN., 1.25".....	1
24	822223GT	LOCKNUT, ELECTRIC, 1.25" NPT.....	1

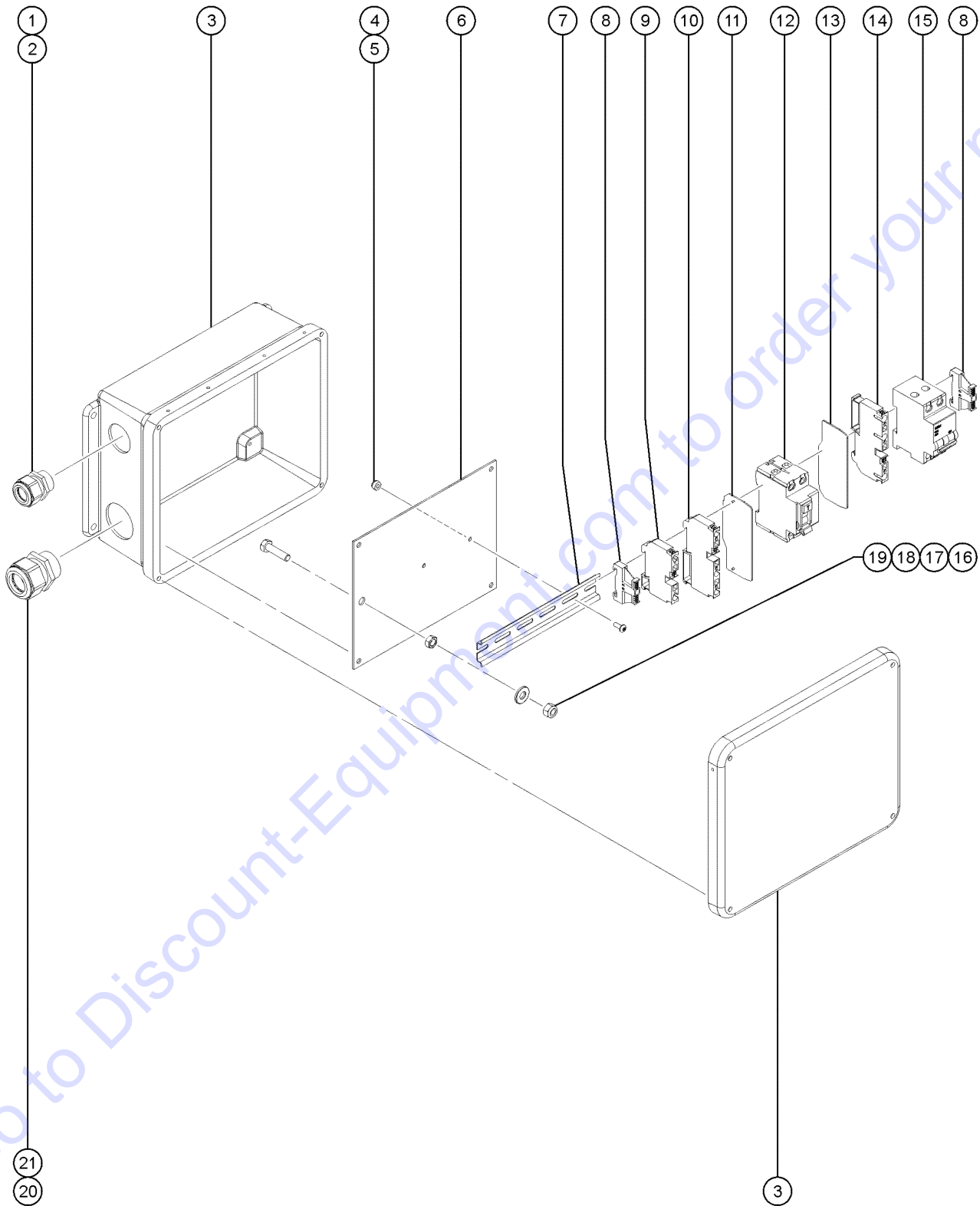
308.2 Welder Generator Enclosure (12 kW, 208/120 60HZ)



308.2 Welder Generator Enclosure (12 kW, 208/120 60HZ)

Item	Part No.	Description	Qty.
--	1256276GT	ASSY,ENCLOSURE,WELDER GEN,12 KW (Complete assembly for GEN 12 kW, 208/120 60HZ) including items 1 - 24	
1	20776GT	CABLE SQUEEZE CONN.....	1
2	18665GT	LOCKNUT,ELECTRIC,1" NPT.....	1
3	161206GT	BOX,J, CIRCUIT BREAKERS.....	1
4	6178GT	NUT,NYLOCK,10-32	
5	54365GT	SCREW,PHIL,PHM,10-32 X .5,SSTL	
6	161207GT	PANEL, ENCLOSURE, BACK	
7	822548GT	DIN RAIL, 7.375".....	1
8	74913GT	END STOP, DIN RAIL,SCREW CLAMP.....	2
9	161208GT	TERMINAL BLOCKRING.....	3
10	822103GT	DIN RAIL, PARTITION PLATE.....	1
11	824617GT	CIRCUIT BREAKER,GFCI,3PH,63A,3....	1
12	1256153GT	CIRCUIT BREAKER,40A,3P.....	1
13	219232GT	CIRCUIT BREAKER, SINGLE PH,.....	1
14	6782GT	NUT,NYLOCK,5/16-18	
15	5397GT	WASHER,FLAT,USS,5/16",Y	
16	6037GT	NUT,HEX,5/16-18,GR5	
17	13000GT	SCREW,HHC,5/16-18 X 1.25	
18	80543GT	RECEPTACLE, 120VAC, 20A, GFCI.....	1
19	74006GT	COVER,GFCI,HORIZONTAL,WEATHER	
20	161588GT	HARNESS, GENERATOR J-BOX..... <i>Includes part 119403</i>	1
--	119403GT	CONN,PLUG 120 AC/15A DOMESTIC	
21	7057GT	CONN. SQZ,1/2NPT .39-.56 MED.....	1
22	6935GT	LOCKNUT,ELEC,1/2".....	1
23	822222GT	CABLE SQUEEZE CONN., 1.25".....	1
24	822223GT	LOCKNUT, ELECTRIC, 1.25" NPT.....	1

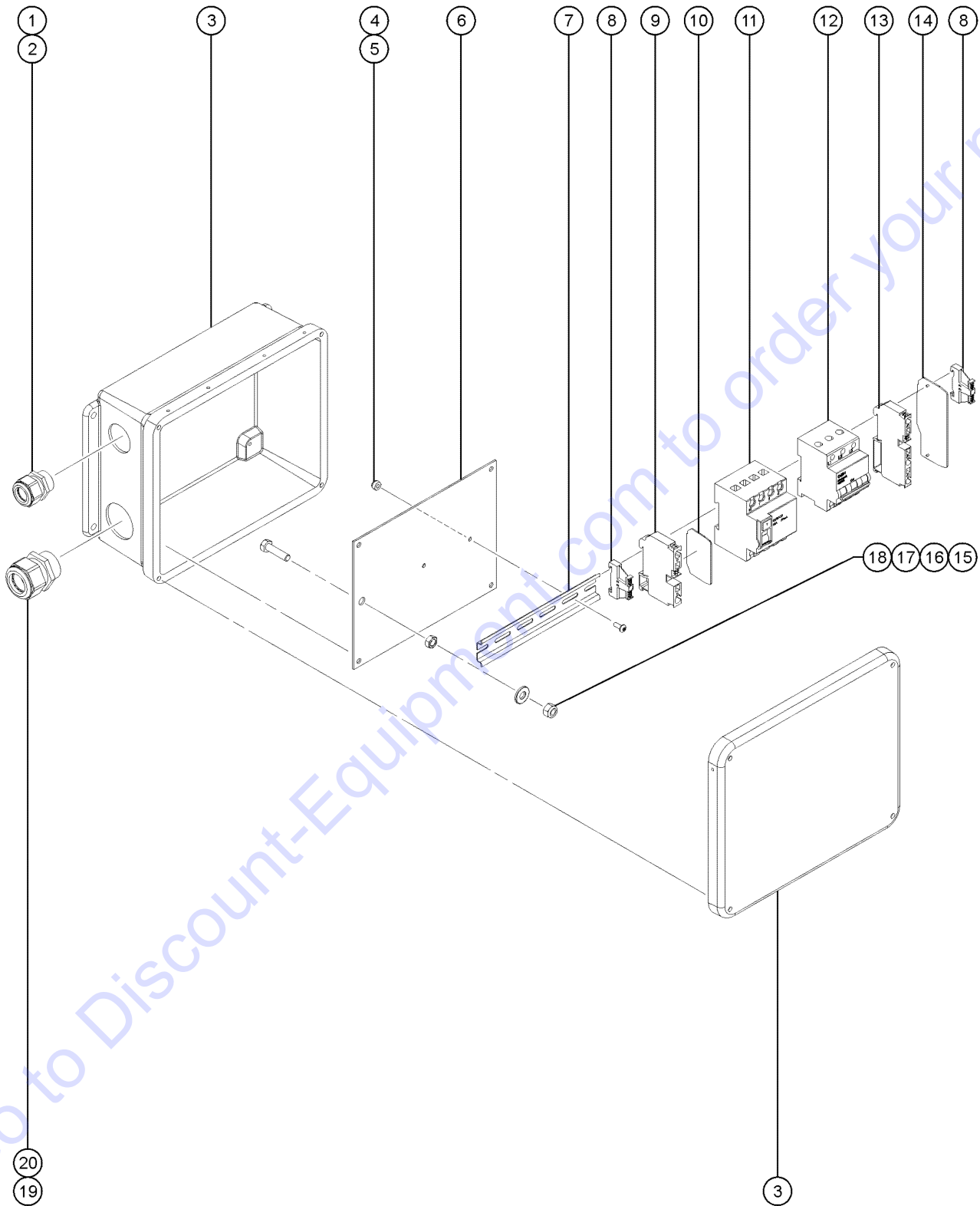
308.3 Welder Generator Enclosure (7.5 kW, 110/55 50HZ)



308.3 Welder Generator Enclosure (7.5 kW, 110/55 50HZ)

Item	Part No.	Description	Qty.
--	825557GT	ASSY, ENCLOSURE, WELDER GEN UK <i>(Complete assembly for GEN 7.5 kW, 110/55 50HZ) including items 1 - 21</i>	
1	20776GT	CABLE SQUEEZE CONN.....	1
2	18665GT	LOCKNUT,ELECTRIC,1" NPT.....	1
3	825558GT	BOX,J, CIRCUIT BREAKERS.....	1
4	6178GT	NUT,NYLOCK,10-32	
5	54365GT	SCREW,PHIL,PHM,10-32 X .5,SSTL	
6	161207GT	PANEL, ENCLOSURE, BACK.....	1
7	822548GT	DIN RAIL, 7.375".....	1
8	74913GT	END STOP, DIN RAIL,SCREW CLAMP.....	2
9	825797GT	BLOCK,DIN FEED THRU,16-6.....	1
10	825588GT	BLOCK,DIN FEED THRU 3 POS.....	1
11	825589GT	PARTITION,DIN RAIL BLUE PLATE.....	1
12	1257181GT	CIRCUIT BREAKER,GFCI,2P,30MA TRIP.....	1
13	825587GT	PARTITION,DIN RAIL GREY PLATE.....	1
14	825586GT	BLOCK,DIN FEED THRU 3 POS TERM.....	1
15	825585GT	CIRCUIT BREAKER, 2 POLE, 16A.....	1
16	6782GT	NUT,NYLOCK,5/16-18.....	1
17	5397GT	WASHER,FLAT,USS,5/16",Y.....	1
18	6037GT	NUT,HEX,5/16-18,GR5.....	1
19	13000GT	SCREW,HHC,5/16-18 X 1.25.....	1
20	822222GT	CABLE SQUEEZE CONN., 1.25".....	1
21	822223GT	LOCKNUT, ELECTRIC, 1.25" NPT.....	1

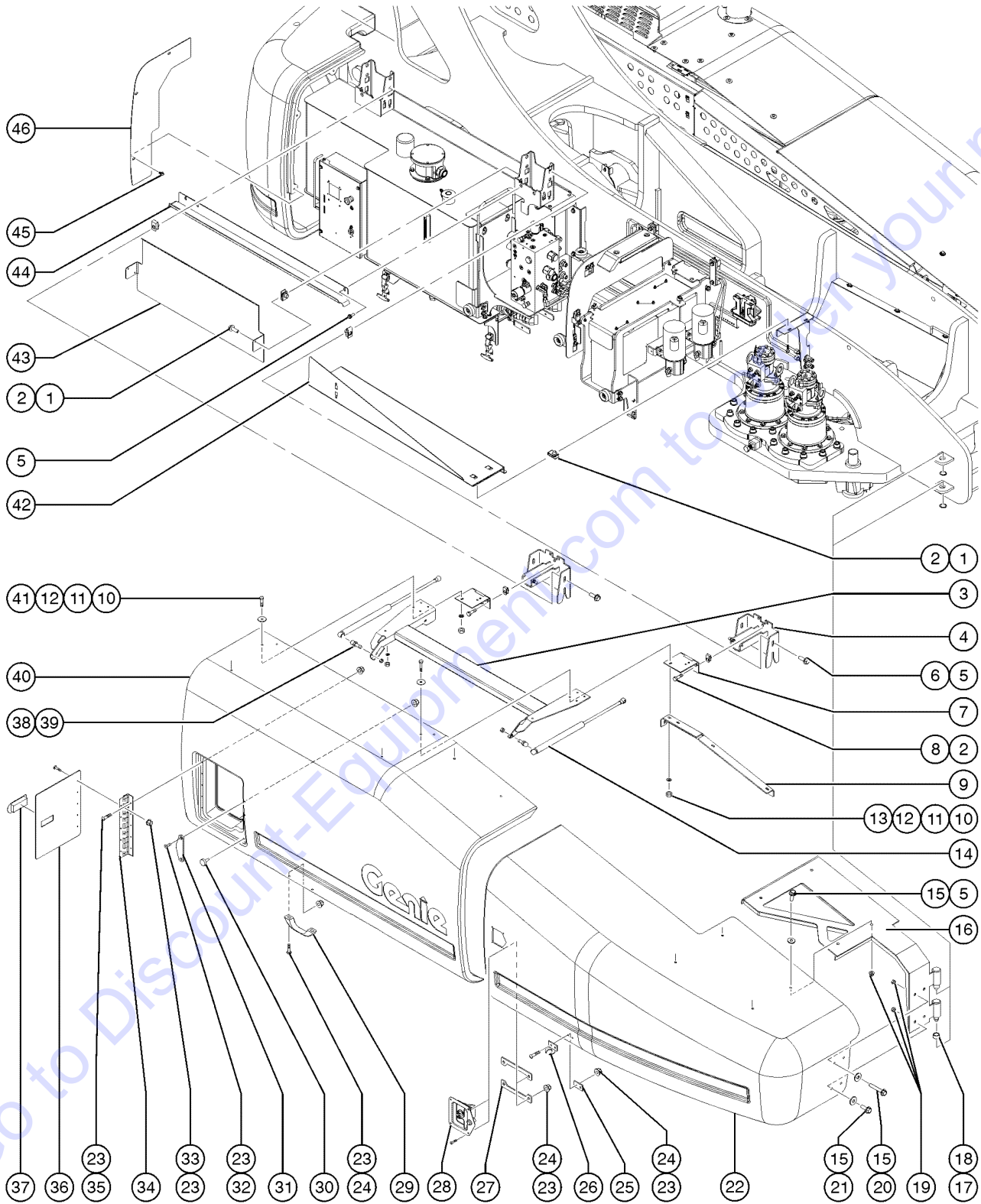
308.4 Welder Generator Enclosure (7.5 kW, 240/415 50HZ)



308.4 Welder Generator Enclosure (7.5 kW, 240/415 50HZ)

Item	Part No.	Description	Qty.
--	825556GT	ASSY, ENCLOSURE, WELDER GEN EU <i>(Complete assembly for GEN 7.5 kW, 240/415 50HZ) including items 1 - 20</i>	
1	20776GT	CABLE SQUEEZE CONN.....	1
2	18665GT	LOCKNUT,ELECTRIC,1" NPT.....	1
3	825558GT	BOX,J, CIRCUIT BREAKERS.....	1
4	6178GT	NUT,NYLOCK,10-32	
5	54365GT	SCREW,PHIL,PHM,10-32 X .5,SSTL	
6	161207GT	PANEL, ENCLOSURE, BACK.....	1
7	822548GT	DIN RAIL, 7.375".....	1
8	74913GT	END STOP, DIN RAIL,SCREW CLAMP.....	2
9	825797GT	BLOCK,DIN FEED THRU,16-6	
10	825810GT	PARTITION,DIN RAIL GREY PLATE	
11	824617GT	CIRCUIT BREAKER,GFCI,3PH,63A,3....	1
12	825736GT	CIRCUIT BREAKER, 3 PHASE, 10A	
13	825586GT	BLOCK,DIN FEED THRU 3 POS TERM	
14	825587GT	PARTITION,DIN RAIL GREY PLATE	
15	6782GT	NUT,NYLOCK,5/16-18	
16	5397GT	WASHER,FLAT,USS,5/16",Y	
17	6037GT	NUT,HEX,5/16-18,GR5	
18	13000GT	SCREW,HHC,5/16-18 X 1.25	
19	822222GT	CABLE SQUEEZE CONN., 1.25".....	1
20	822223GT	LOCKNUT, ELECTRIC, 1.25" NPT.....	1

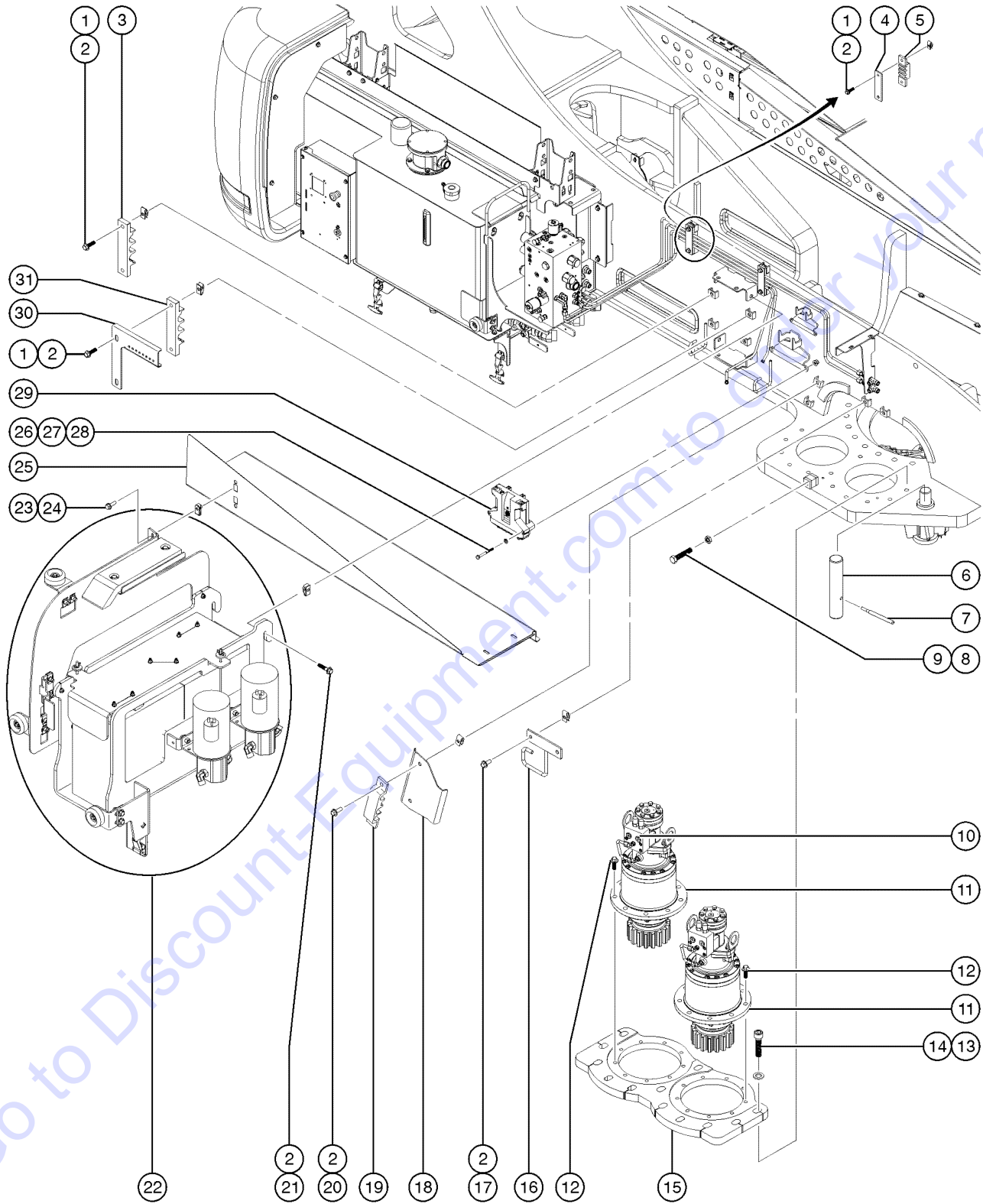
309.1 Tank Side, Turntable Covers



309.1 Tank Side, Turntable Covers

Item	Part No.	Description	Qty.	Item	Part No.	Description	Qty.
1	219697GT	SPRING CLIP,M6-1.0,3.4-6.3MMX1		41	6888GT	SCREW,HHC,1/4-20 X 1	
2	231532GT	SCREW,HHF,M6-1.0X20,DIN6921,10.9,ZAB		42	217692GT	FORMING, COVER, REAR LEFT.....1	
3	60578GT	COVER SUPPORT,WELDMENT		43	217691GT	FORMING, COVER, MIDDLE LEFT.....1	
4	214374GT	WELDMENT, TANKSIDE COVER MOUNT.....2		44	216251GT	HYDRAULIC TANK CABLE TRAY.....1	
5	232874GT	SCREW,HHF,M10-1.5X30,DIN6921,10.9,ZAB		45	231088GT	SCREW,HHF,M10-1.5X20,DIN6921,10.9,ZAB	
6	230074GT	SPRING CLIP,M10-1.5,1-6X19,ZAB		46	219912GT	WLDT,BAFFLE PL.,CW,TANK SIDE.....1	
7	75073GT	HINGE,.375X.120THK.,SLOTTED.....2					
8	219697GT	SPRING CLIP,M6-1.0,3.4-6.3MMX1					
9	60872GT	SUPPORT,COVER (61112,61117)					
10	6091GT	NUT,NYLOCK,1/4-20					
11	6638GT	WASHER,FLAT,USS,1/4"Y					
12	12906GT	WASHER,FENDER,.25 X 1.25 X.062					
13	8915GT	SCREW,HHC,1/4-20 X 1.25					
14	122272GT	GAS STRUT,202 LBS FORCE.....2 <i>ball studs are not included</i>					
15	233509GT	WASHER,FLAT,M10X30X2.5,DIN9021,ZAB					
16	232909GT	NOSE CONE SUPPORT WLDT LH					
17	238341GT	BEARING FL, 25IDX30ODX14L					
18	232942GT	SNAP RING, EXTERNAL,M25,SS					
19	231529GT	NUT,TL FLG,M10-1.5,DIN6927,10,ZAB					
20	238347GT	SCREW,HHF,M10-1.5X70,DIN6921,10.9,ZAB					
21	232871GT	SCREW,HHF,M10-1.5X40,DIN6921,10.9,ZAB					
22	232863GT	COVER, NOSE CONE, LEFT SIDE.....1					
23	824036GT	NUT,TL,10-32,A,ZAG					
24	824215GT	SCREW,PHPM,10-32X.75,ZAG					
25	50790GT	PLATE,COVER LATCH BACKING.....3					
26	75076GT	KEEPER,LATCH (45363).....3					
27	1256615GT	PLATE,BACKING,T-HANDLE LOCK.....2					
28	74245GT	LATCH,FLUSH CUP LEFT HAND.....1					
29	60884GT	HANDLE,GRAB.....2					
30	34619GT	BUMPER,RUBBER***.....2					
31	60892GT	LATCH,PLATE,CONTROL BOX COVER.....1					
32	6873GT	SCREW,FHM,10-32 X 1					
33	5094GT	SCREW,RHM,10-32 X .5					
34	60893GT	HINGE,SWING CONTROL BOX.....1					
35	6147GT	SCREW,RHM,10-32 X 1					
36	60966GT	COVER,TURNTABLE COVER ACCESS.....1					
37	60964GT	LATCH,PANEL.....1					
38	33555GT	BALL STUD**.....2					
39	6002GT	NUT,LP NYLOCK,5/16-18.....2					
40	61112GT	COVER ASSY,TANK SIDE.....1					

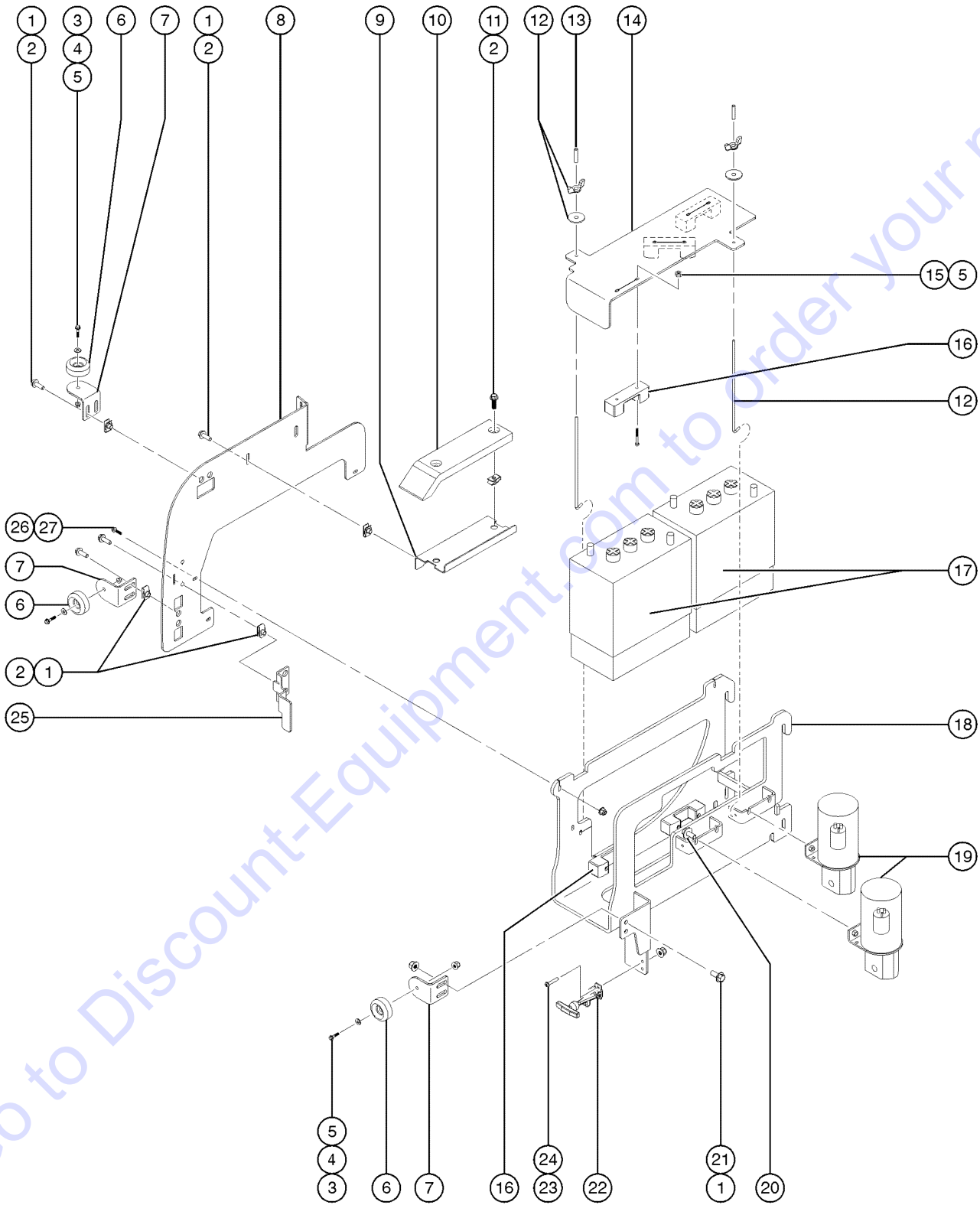
310.1 Tank Side, Swing Drive, Hose Clamps and Guides



310.1 Tank Side, Swing Drive, Hose Clamps and Guides

Item	Part No.	Description	Qty.	Item	Part No.	Description	Qty.
1	231533GT	SCREW,HHF,M10-1.5X35,DIN6921,10,9,ZAB		29	236705GT	MODULE, SCON, SPX.....	1
2	230074GT	SPRING CLIP,M10-1.5,1-6X19,ZAB		--	822225GT	SLEEVE RETAINER, DTM, GREY	
3	219065GT	CLAMP,HYD. HOSE, 3 X .75".....	1	--	822227GT	SLEEVE RETAINER, DTM, GREEN	
4	218767GT	PLATE, HARDLINE CLAMP.....	2	--	822229GT	SEAL, INTERNAL, 12-PIN, DTM (used for DTM retainers)	
5	218766GT	GUIDE, HARDLINE.....	2	30	822822GT	FORMING,APU CABLE CLAMP.....	1
6	231472GT	PIN, TRANSPORT STORAGE LOCK.....	1	31	219065GT	CLAMP,HYD. HOSE, 3 X .75"	
7	61223GT	PIN,TRANSPORT STORAGE HANDLE.....	1				
8	231514GT	SCREW,HHC,M20-2.5X100,DIN933,1....	1				
9	231515GT	NUT,HEX,JAM,M20-2.5,DIN439,ZAB....	1				
10	139309GT	CBV ASSEMBLY***.....	2				
--	139310GT	BRAKE TUBING***					
--	139323GT	VALVE,COUNTERBAL,CBCA-LIN***					
11	230960GT	SWING DRIVE ASSEMBLY..... <i>Includes items 10</i>	2				
--	1288969GT	SEAL KIT,SWING DRIVE (230960) <i>for 230960</i>					
--	139308GT	SWING MOTOR COMPLETE***					
--	139311GT	KIT,FRICITION DISC***					
--	139312GT	KIT,BRAKE SPRING***					
--	139313GT	SEAL KIT,SWING BRAKE***					
--	139314GT	KIT,SWING BRAKE REBUILD***					
--	139315GT	O-RING,MOTOR/BRAKE***					
--	230961GT	PINION GEAR/SHAFT,SWING DRIVE					
--	94620GT	SEAL KIT,SWING TORQ HUB***					
12	231511GT	SCREW,HHF,M12-1.75X35,DIN6921,10,9,ZAB.18					
13	231509GT	SCREW,HHC,M20-2.5X80,DIN933,10..12					
14	231510GT	WASHER,FLAT,M20,DIN6916,HRD,ZAB.12					
15	230909GT	MACHINED, BACKLASH ADJ. PLATE.....	1				
16	219907GT	WELDMENT,HOSE/CABLE GUIDE.....	1				
17	231530GT	SCREW,HHF,M10-1.5X25,DIN6921,10,9,ZAB					
18	160724GT	FORMING, CABLE GUIDE.....	1				
19	160725GT	CLAMP, CABLE/HARNESS.....	1				
20	232874GT	SCREW,HHF,M10-1.5X30,DIN6921,10,9,ZAB					
21	215706GT	SCREW,HHF,M10-1.5X45,DIN6921,10,9,ZAB					
22		Ref. ASSY,TANK SIDE BATTERY BULKHEAD <i>(Refer to 311.1)</i>					
23	231532GT	SCREW,HHF,M6-1.0X20,DIN6921,10,9,ZAB					
24	230073GT	SPRING CLIP,M6-1.0,0.8-4MM PAN					
25		Ref. FORMING,COVER,TANK SIDE,REAR <i>(Refer to 309.1)</i>					
26	825624GT	SCREW,HHC,M6-1.0X65,DIN931					
27	824143GT	WASHER,FLAT,M6,DIN125,ZAB					
28	231513GT	NUT,TL FLG,M6-1.0,DIN6927,10,ZAB					

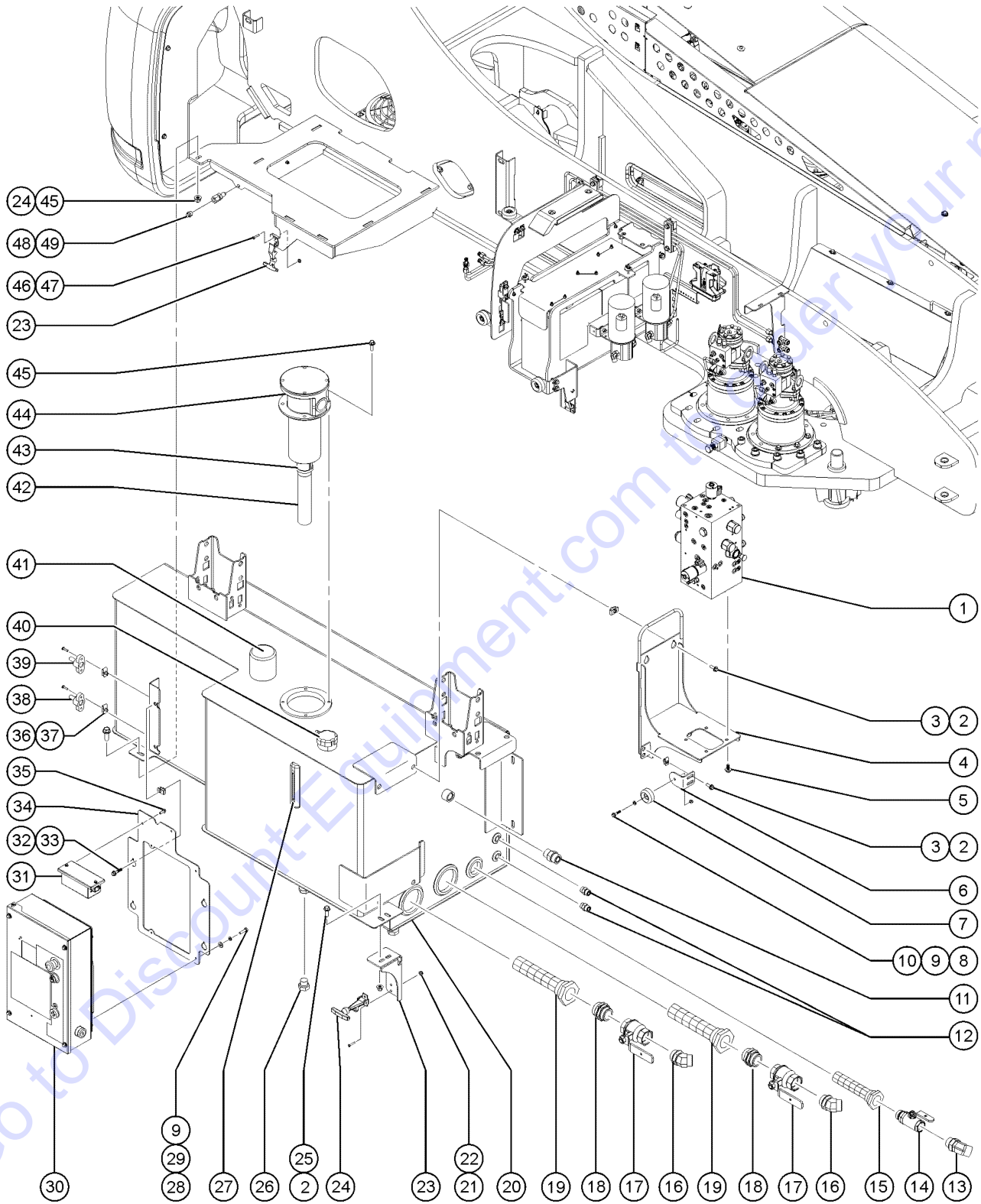
311.1 Tank Side, Battery Bulkhead Assembly



311.1 Tank Side, Battery Bulkhead Assembly

Item	Part No.	Description	Qty.
1	232874GT	SCREW,HHF,M10-1.5X30,DIN6921,10.9,ZAB	
2	230074GT	SPRING CLIP,M10-1.5,1-6X19,ZAB	
3	231531GT	SCREW,HHF,M6-1.0X30,DIN6921,10.9,ZAB	
4	6638GT	WASHER,FLAT,USS,1/4"Y	
5	231513GT	NUT,TL FLG,M6-1.0,DIN6927,10,ZAB	
6	50974GT	BUMPER,RUBBER,COVERS	
7	231520GT	FORMING,COVER STOP.....	3
8	231518GT	FORMING,BULKHEAD,TANK SIDE.....	1
9	232980GT	FORMING,NOSE CONE REAR SUPPORT.....	1
10	219560GT	WEAR PAD, NOSE CONE, TANK SIDE.....	1
11	231533GT	SCREW,HHF,M10-1.5X35,DIN6921,10.9,ZAB	
12	45708GT	HOOK,BATT HOLD DOWN,10".....	2
13	823397GT	CAP,VINYL,0.25ID X 1.50.....	2
14	215926GT	FORMING,BATTERY COVER.....	1
15	215580GT	SCREW,SHC,M6X50,DIN 912,12.9,B	
16	215927GT	SPACER, BATTERY.....	3
17	56462GT	BATTERY, J 305GH, 315AH.....	2
18	231516GT	WLDT, BATTERY MOUNT, TANKSIDE.....	1
19	101361GT	POWER UNIT,AUX PUMP 12 VDC.....	2
--	58489GT	PUMP ASSY,AUX.POWER UNIT 89617	
--	62412GT	SOLENOID,MOTOR START,60511,APU	
20	6175GT	SCREW,HHC,3/8-16 X 1	
21	231529GT	NUT,TL FLG,M10-1.5,DIN6927,10,ZAB	
22	45363GT	LATCH,FLEXIBLE DRAW W/O KEEPER.....	1
23	75041GT	SCREW,PHILLIPS,PHM,10-32 X 1	
24	6178GT	NUT,NYLOCK,10-32	
25	823101GT	FORMING,LATCH STOP,TANK SIDE.....	1
26	231512GT	SCREW,HHF,M6-1.0X25,DIN6921,10.9,ZAB	
27	231513GT	NUT,TL FLG,M6-1.0,DIN6927,10,ZAB	

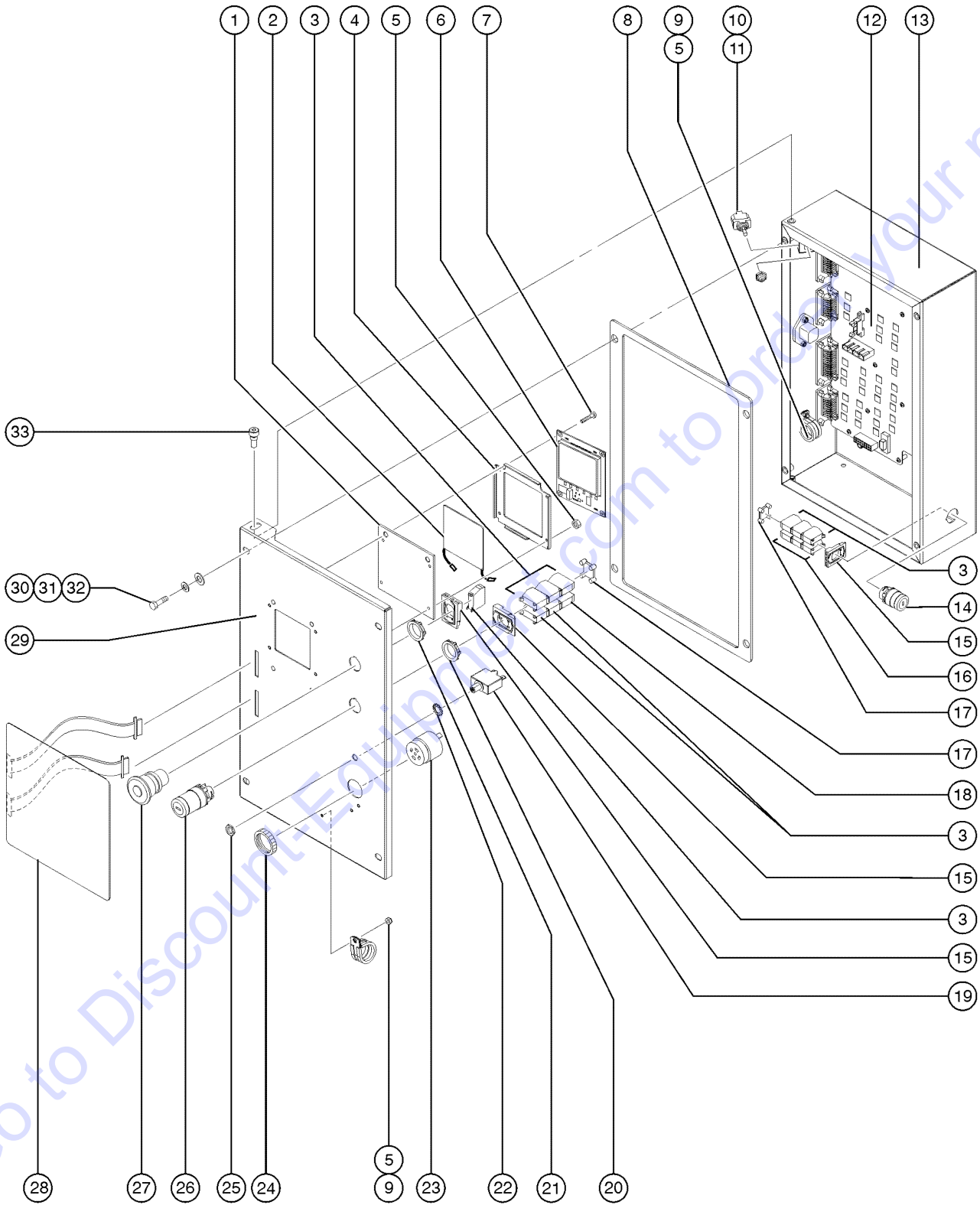
312.1 Hydraulic Tank Components



312.1 Hydraulic Tank Components

Item	Part No.	Description	Qty.	Item	Part No.	Description	Qty.
1		Ref. MANIFOLD,FUNCTION SX (Refer to 703.1 and 703.2)		39	94981GT	STUD,POWER 3/8" RED	
2	232874GT	SCREW,HHF,M10-1.5X30,DIN6921,10.9,ZAB		40	218593GT	CAP,HYD NON VENTED W/LOCK TAB.....1	1
3	230074GT	SPRING CLIP,M10-1.5,1-6X19,ZAB		41	60559GT	BREATHER,RESERVOIR 3 MICRON***.....1	1
4	217835GT	WELDMENT, FUNCTION MAN. MNT.....1		42	218592GT	PIPE TOE SCH 40 1.50X10.00 P&O	
5	231087GT	SCREW,HHF,M12-1.75X25,DIN6921,10.9,ZAB		43	218591GT	COUPLING, FULL 1 1/2" NPT	
6	231520GT	FORMING,COVER STOP		44	232882GT	FILTER ASSY., IN TANK.....1	1
7	50974GT	BUMPER,RUBBER,COVERS		--	236037GT	RETURN FILTER, ELEMENT, 10 MIC	
8	231531GT	SCREW,HHF,M6-1.0X30,DIN6921,10.9,ZAB		45	232874GT	SCREW,HHF,M10-1.5X30,DIN6921,10.9,ZAB	
9	6638GT	WASHER,FLAT,USS,1/4"Y		46	826516GT	SCREW, PHPM, 10-32 X 1.0, ZAG	
10	231513GT	NUT,TL FLG,M6-1.0,DIN6927,10,ZAB		47	824032GT	NUT,TL FLG,10-32,F,ZAG	
11	48960GT	FITTING,CONN,520120-12***		48	28646GT	ZERK,GREASE,1/8 NPT.....1	1
12	48933GT	CONN,520120-8***.....2	2	49	48885GT	CONNECTOR,BULKHEAD,FEMALE-4...1	1
13	48985GT	ELBOW,45D,520320-16.....1	1				
14	48996GT	VALVE,BALL,16 MSAE-16 FSAE***.....1	1				
15	75253GT	STRAINER ASSY,#16 O-RING.....1	1				
16	88354GT	ELBOW,45D,520320-24.....2	2				
17	75256GT	VALVE BALL,24 FSAE-24 FSAE***.....2	2				
18	75254GT	UNION,STR.THREAD 24***.....2	2				
19	75257GT	STRAINER ASSY,#24 O-RING.....2	2				
20	231534GT	TANK, HYDRAULIC 110 GAL <i>Includes items 26, 27 and 38</i>					
21	5365GT	NUT,NYLOCK,10-24					
22	73587GT	SCREW,PHIL,10-24 X .75					
23	232877GT	WELDMENT, LATCH MOUNT					
24	45363GT	LATCH,FLEXIBLE DRAW W/O KEEPER					
25	231529GT	NUT,TL FLG,M10-1.5,DIN6927,10,ZAB					
26	218727GT	PLUG, HEX HD, O-RING SAE #12					
27	21141GT	GAUGE-SIGHT,LHA-LGTB***.....1	1				
28	6090GT	SCREW,HHC,1/4-20 X .75					
29	6356GT	WASHER,LOCK,.25					
30		Ref. ASSY,CONTROL BOX, SUPERX (Refer to 313.1 and 314.1)					
31	1253314GT	ASSY, TELEMATICS CONN. BOX.....1 <i>from SN 150</i>	1				
--	34052GT	RELAY,SPDT,12V(AUTO) PLUG IN**					
--	34053GT	ASSY,RELAY SOCKET, AUTO					
32	231531GT	SCREW,HHF,M6-1.0X30,DIN6921,10.9,ZAB					
33	219697GT	SPRING CLIP,M6-1.0,3.4-6.3MMX1					
34	232872GT	PLATE, GROUND CTRL BOX MNT					
35	824078GT	SCREW,HHF,1/4-20X.75,8,ZAG					
36	73575GT	SPRING CLIP,10-24,.025-.125X.468,ZAG					
37	73587GT	SCREW,PHIL,10-24 X .75					
38	94982GT	STANDOFF, 3/8" BLACK					

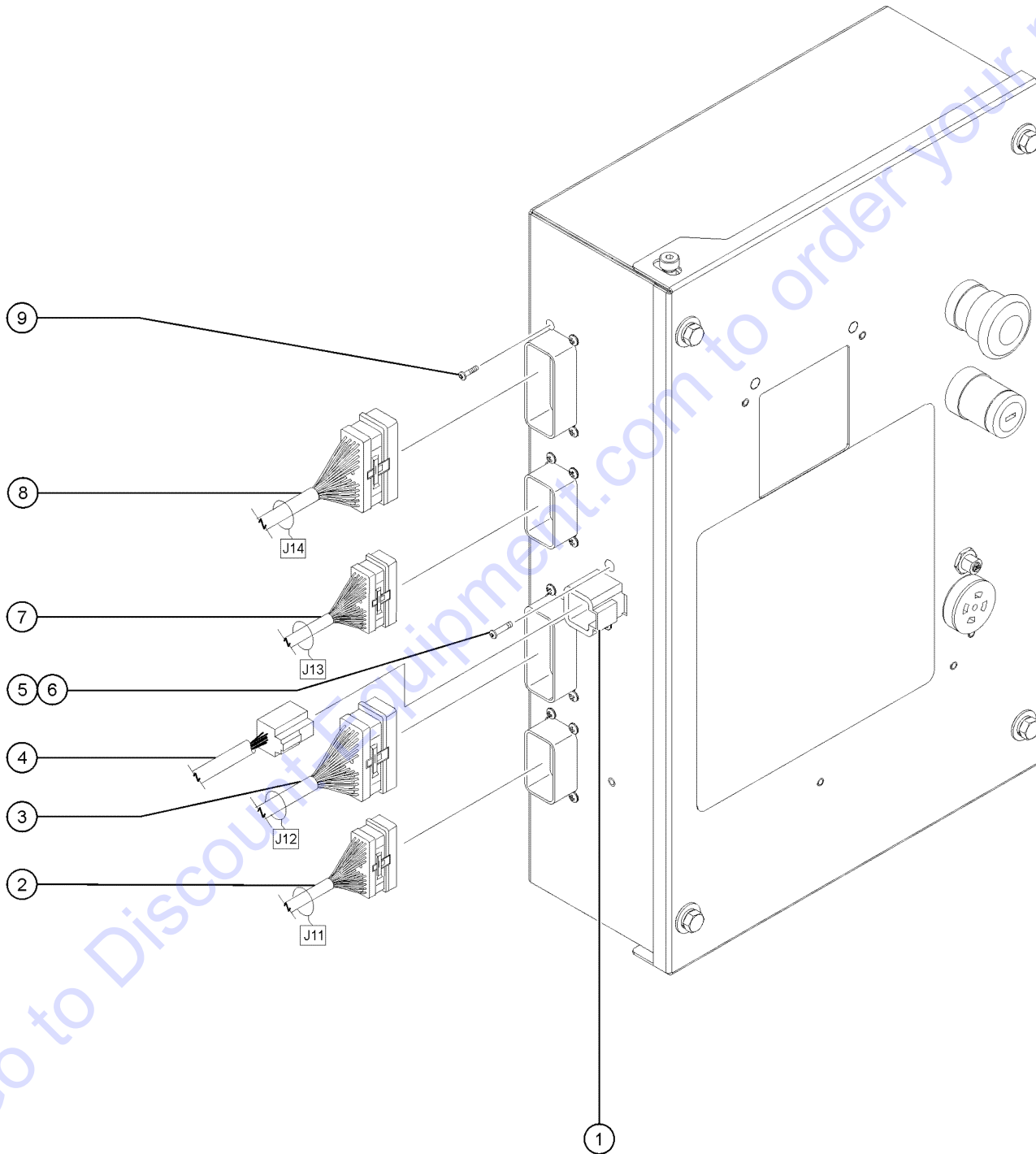
313.1 Ground Control Box - View 1



313.1 Ground Control Box - View 1

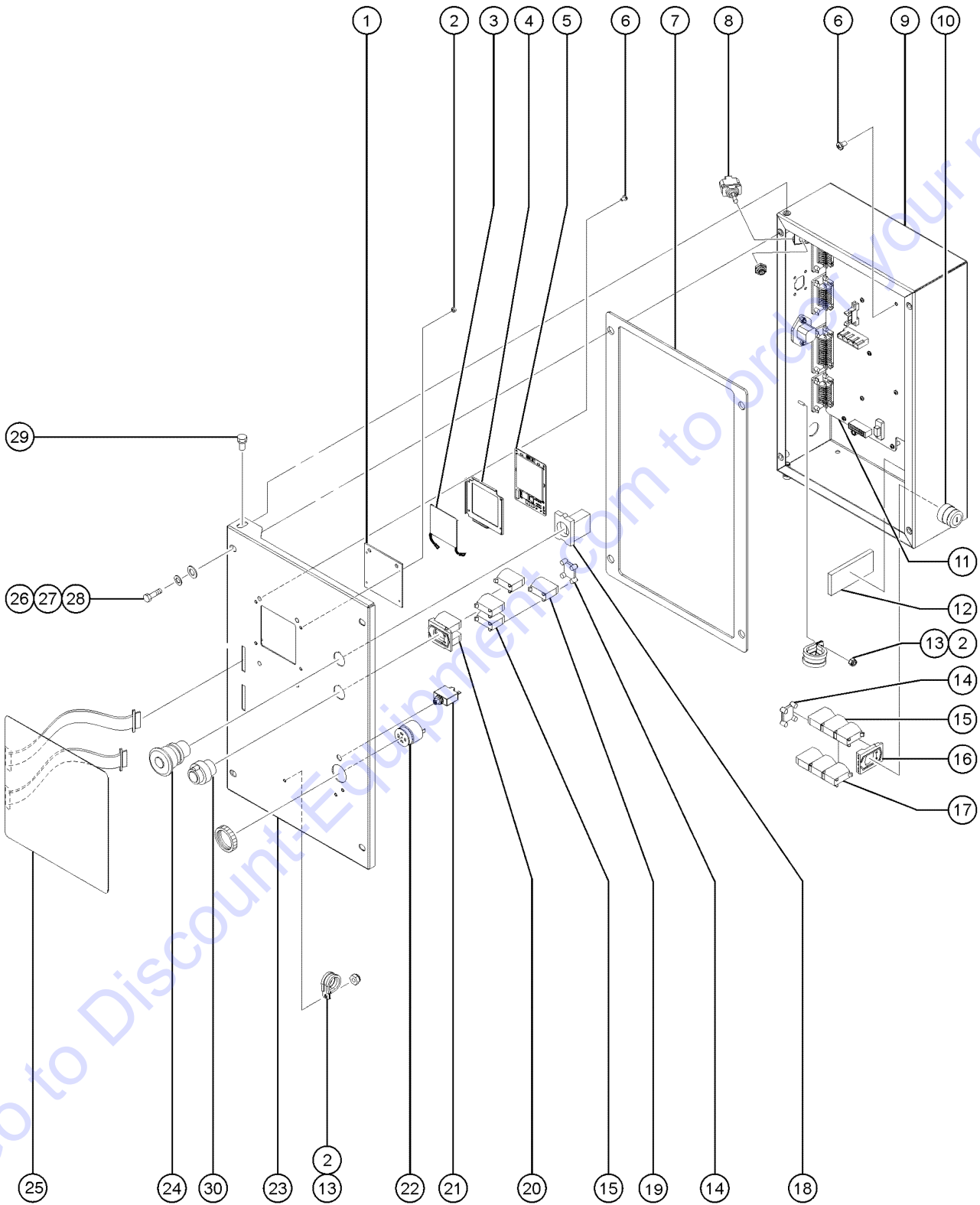
Item	Part No.	Description	Qty.	Item	Part No.	Description	Qty.
--		<i>For models with Deutz TD 2.9L4 Engine refer to 314.1 and 314.2</i>		33	88315GT	SCREW,SHS,1/4-20 X .25 ZINC	
1	62374GT	LENS,LCD,GRND.CONTROL.....1	1				
2		Ref. Ground Control LCD Heater OPTION.....1 <i>(Refer to 811.1)</i>	1				
3	66818GT	CONTACT, N.C.....9 <i>NORMALLY CLOSED (N/C)</i>	9				
4	62375GT	CLIP,LCD,GRND.CONTROL.....1	1				
5	12344GT	NUT,NYLOCK,6-32.....1	1				
6	88056GT	PCB.ASSY,LCD,GROUND.....1	1				
7	81551GT	SCREW,PHIL,PHM,6-32 X 1/4 SS					
8	88177GT	GASKET,GROUND CONTROL BOX.....1	1				
9	13268GT	CLAMP,0.75,#12 X 1/4,RUB CUSH.....2	2				
10	128204GT	SWITCH TOGGLE ASSY SPDT 2P MNT.....1 <i>includes part 27246</i>	1				
11	27246GT	BOOT,TOGGLE SWITCH,SHORT*.....1	1				
12	214339GT	PCB ASSY ECM GROUND SPX V2.01...1	1				
13	1258466GT	BOX, GROUND CONTROL, SX.....1	1				
14	88150GT	KEYSWITCH,3 POS.MOM.DR,W/KEY**.....1	1				
15	66821GT	BASE,WITHOUT CONTACTS.....3	3				
16	66816GT	CONTACT,N.O.***.....3 <i>NORMALLY OPEN (N/O)</i>	3				
17	122366GT	KEYSWITCH,CONTACTS LOCK.....2	2				
18	122367GT	KEYSWITCH,DUMMY BLOCK.....1	1				
19	147095GT	ASSY, CIRCUIT BREAKER 20A.....1 <i>includes parts 6700 and 122994</i>	1				
20		PART OF KEYSWITCH 66811					
21	58627GT	NUT					
22	6700GT	WASHER,STAR,EXTERNAL,,375					
23	62379GT	ALARM,AUDIO,SUPERBOOM***.....1	1				
24	72326GT	NUT - PLASTIC,RING FOR ALARMS....1	1				
25	122994GT	NICKEL PLATED JAM NUT					
26	66811GT	KEYSWITCH,3POS.MNTND.DR WKEY**.....1 <i>Includes keyswitch and two keys, not included: base and contacts.</i>	1				
27	66812GT	BUTTON,PUSH,RED MUSHROOM HEAD.....1 <i>includes part 58627</i>	1				
28	226673GT	DECAL, MEMBRANE, GROUND CONTRO.....1	1				
29	231001GT	LID,GROUND CONTROL,Z135					
30	6888GT	SCREW,HHC,1/4-20 X 1					
31	6356GT	WASHER,LOCK,.25					
32	6638GT	WASHER,FLAT,USS,1/4"Y					

313.2 Ground Control Box - View 2



Item	Part No.	Description	Qty.
--		<i>For models with Deutz TD 2.9L4 Engine refer to 314.1 and 314.2</i>	
1	73717GT	CONN,RECEP 4 WAY,12-14GA FL***	
2	236265GT	HARNESS, LOWER BOOM CABLE, (J11)	
--	60512GT	CONN,PLUG 23 WAY,16-20 GA BLK	
3	232991GT	HARNESS, LOWER LS / SCON, SUPE (J12)	
--	60514GT	CONN,PLUG 35 WAY,16-20GA BLK	
4	236405GT	HARNESS, TCON J15 POWER	
5	49820GT	SCREW,PHILLIPS,PHM,6-32 X .5	
6	12344GT	NUT,NYLOCK,6-32	
7	232988GT	HARNESS, DEUTZ ENGINE, TD2011L (J13) <i>Deutz</i>	
--	232989GT	HARNESS, PERKINS ENGINE, 1104D (J13) <i>Perkins</i>	
--	60512GT	CONN,PLUG 23 WAY,16-20 GA BLK	
8	232990GT	HARNESS, FUNCTION MANIFOLD, SU (J14)	
--	60515GT	CONN,PLUG 35 WAY, 16-20GA WHT	
9	122351GT	SCREW,#4X1/4,HI-LO,PH PHIL,TAP	

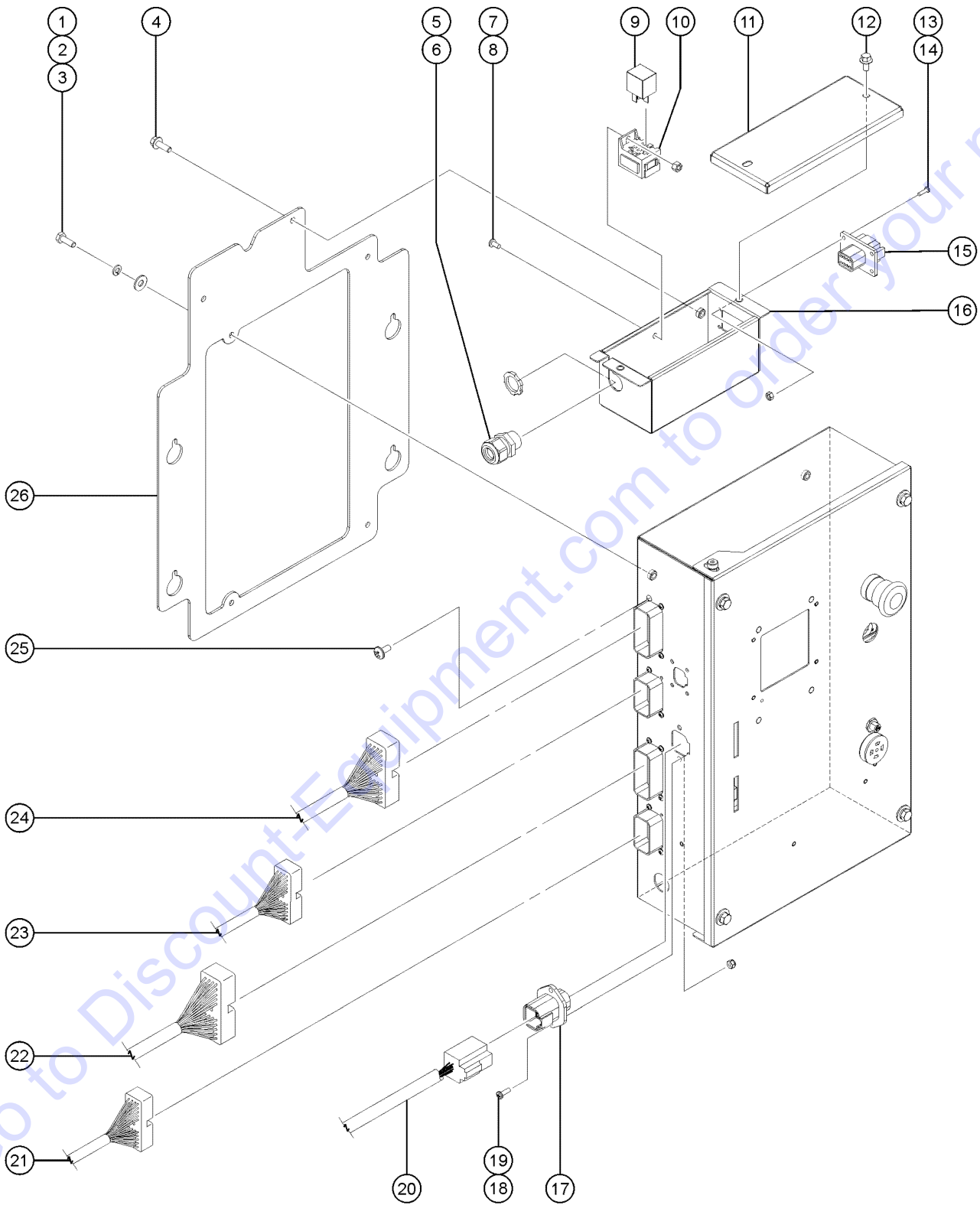
314.1 Ground Control Box, Deutz TD 2.9L4 - View 1



314.1 Ground Control Box, Deutz TD 2.9L4 - View 1

Item	Part No.	Description	Qty.
--	1257983GT	ASSY, GROUND CONTROL BOX, SX....1	
1	62374GT	LENS,LCD,GRND.CONTROL.....1	
2	12344GT	NUT,NYLOCK,6-32	
3		Ref. Ground Control LCD Heater OPTION (Refer to 811.1)	
4	62375GT	CLIP,LCD,GRND.CONTROL	
5	1253317GT	PCB,ASSY,ECM,CAN GATEWAY,Z135.....1	
6	81551GT	SCREW,PHIL,PHM,6-32 X 1/4 SS.....16	
7	88177GT	GASKET,GROUND CONTROL BOX.....1	
8	128204GT	SWITCH TOGGLE ASSY SPDT 2P MNT.....1	
--	128584-SGT	SWITCH TOGGLE SPDT 2P MNT SHDR	
--	27246GT	BOOT,TOGGLE SWITCH,SHORT*	
9	1258069GT	BOX, GROUND CONTROL, SX.....1	
10	88150GT	KEYSWITCH,3 POS.MOM.DR,W/KEY**.....1	
11	214339GT	PCB ASSY ECM GROUND SPX V2.01...1	
12	30997GT	CORROSION INHIBITOR,FOAM.....1	
13	13268GT	CLAMP,0.75,#12 X 1/4,RUB CUSH.....2	
14	122366GT	KEYSWITCH,CONTACTS LOCK.....2	
15	66818GT	CONTACT, N.C.....6	
16	66821GT	BASE,WITHOUT CONTACTS.....1	
17	66816GT	CONTACT,N.O.***3	
18	66817GT	BASE WITH 1 NC CONTACT, E-STOP...1	
19	122367GT	KEYSWITCH,DUMMY BLOCK.....1	
20	73805GT	BASE,W/2 NC CONTACTS***1	
21	147095GT	ASSY, CIRCUIT BREAKER 20A.....1	
--	122994GT	NICKEL PLATED JAM NUT	
--	6700GT	WASHER,STAR,EXTERNAL,,375	
22	62379GT	ALARM,AUDIO,SUPERBOOM***1	
23	1261765GT	LID, GROUND CONTROL BOX.....1	
24	66812GT	BUTTON,PUSH,RED MUSHROOM HEAD.....1	
25	226673GT	DECAL, MEMBRANE, GROUND CONTRO.....1	
26	6888GT	SCREW,HHC,1/4-20 X 1.....4	
27	6356GT	WASHER,LOCK,.25.....4	
28	6638GT	WASHER,FLAT,USS,1/4"Y.....4	
29	88315GT	SCREW,SHS,1/4-20 X .25 ZINC.....2	
30	66811GT	KEYSWITCH,3POS.MNTND.DR WKEY**	
--	218155GT	KEYSWITCH, LOCKING, 3 POS, W/KEY	
--	218169GT	OPT, KEY SWITCH, RETAINED	

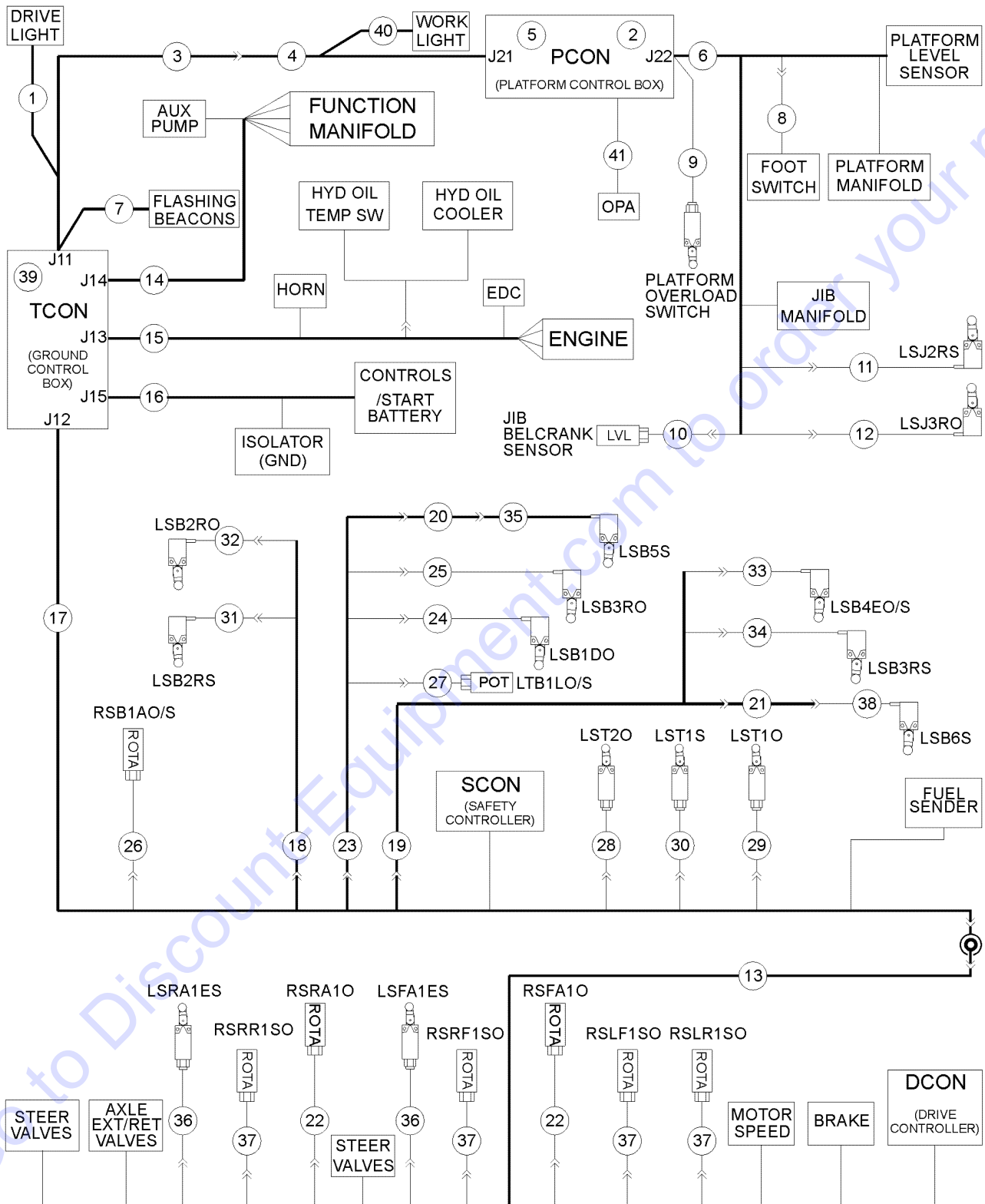
314.2 Ground Control Box, Deutz TD 2.9L4 - View 2



314.2 Ground Control Box, Deutz TD 2.9L4 - View 2

Item	Part No.	Description	Qty.
--	1253314GT	ASSY, TELEMATICS CONN. BOX.....4 <i>(items include 4, 7-10, 11-14 and 16)</i>	4
1	824059GT	SCREW,HHC,1/4-20X.75,8,ZAG.....4	4
2	824109GT	WASHER,LOCK,1/4,ZAG.....4	4
3	824113GT	WASHER,FLAT,USS,1/4,ZAG.....2	2
4	824078GT	SCREW,HHF,1/4-20X.75,8,ZAG.....2	2
5	7057GT	CONN. SQZ,1/2NPT .39-.56 MED.....1	1
6	6935GT	LOCKNUT,ELEC,1/2".....1	1
7	825349GT	SCREW,PHPM,10-32X.38,ZAG.....1	1
8	824036GT	NUT,TL,10-32,A,ZAG.....1	1
9	34052GT	RELAY,SPDT,12V(AUTO) PLUG IN**.....1	1
10	34053GT	ASSY,RELAY SOCKET, AUTO.....1	1
--	58319GT	RELAY SOCKET,AUTO,RETAINER***.....1	1
11	1253238GT	WELDMENT, TELEMATICS CONN. COV.....2	2
12	824077GT	SCREW, HHF, 1/4-20 X .5, 8, ZAG.....4	4
13	824214GT	SCREW,PHPM,6-32X.5,ZAG.....4	4
14	824019GT	NUT,TL,6-32,A,ZAG.....1	1
15	87755GT	CONN,RECEP 8 WAY 14-18GA,FL.....1	1
16	1253236GT	WELDMENT, TELEMATICS BOX	
17	1257982GT	HARNESS, GROUND CONTROL BOX, SX.....2	2
18	49820GT	SCREW,PHILLIPS,PHM,6-32 X .5.....2	2
19	12344GT	NUT,NYLOCK,6-32.....1	1
20	236405GT	HARNESS, TCON J15 POWER.....1	1
21	236265GT	HARNESS, LOWER BOOM CABLE,.....1	1
22	232991GT	HARNESS, LOWER LS / SCON, SUPE.....1	1
23	1257246GT	HARN, DEUTZ 2.9, TIER 4, SX.....1	1
24	232990GT	HARNESS, FUNCTION MANIFOLD, SU.....1	1
25	122351GT	SCREW,#4X1/4,HI-LO,PH PHIL,TAP.....1	1
26	1261766GT	PLATE, GROUND CTRL BOX	

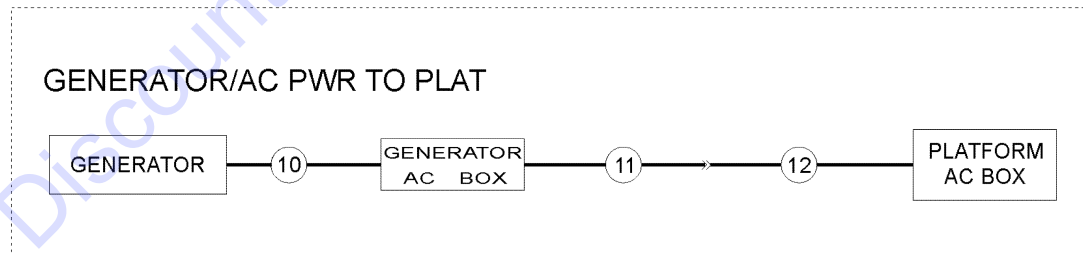
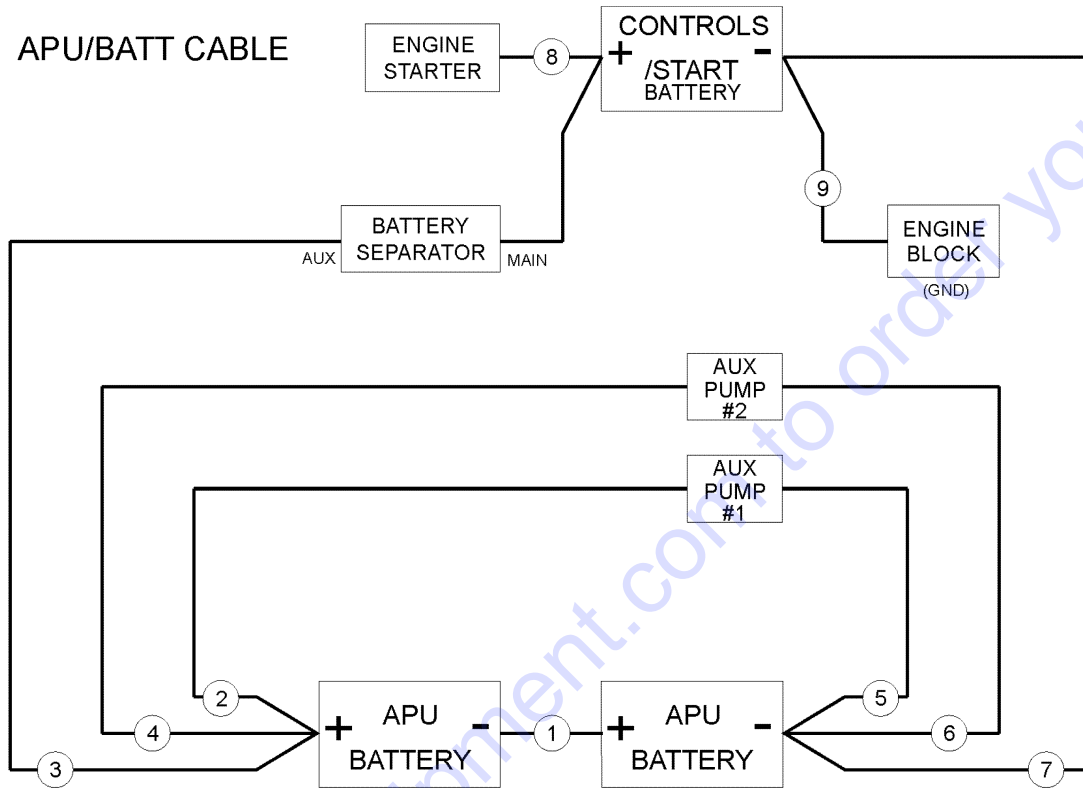
315.1 Wire Harness Diagram - View 1



315.1 Wire Harness Diagram - View 1

Item	Part No.	Description	Qty.	Item	Part No.	Description	Qty.
B	1264824GT	KIT, TRC RETROFIT,ALC1000ML <i>Telematics (includes 1264836)</i>		28	237807GT	SWITCH ASSY,DRV ENABLE,LEFT,SU.....	1
--	1264836GT	INSTRN, TRC RETROFIT,ALC1000ML		29	237808GT	SWITCH ASSY,DRV,ENABLE,RIGHT,S.....	1
1	823521GT	HARNESS, LIGHTS, SUPER X.....	1	30	237809GT	SWITCH ASSY,DRV,ENABLE,SAFE,SU.....	1
--	19274GT	RELAY,SPDT,12V(AUTO)**.....	1	31	236402GT	SWITCH ASSY, 151FT RET SAFETY,.....	1
--	67505GT	FUSE,10 AMP,ATC.....	1	32	236401GT	SWITCH ASSY, 151FT RET OPER, S....	1
2	214332GT	HARNESS, PCON TOGGLE SWITCH, S.....	1	33	236400GT	SWITCH ASSY, 150FT EXT OPER/SA...1	
3	236265GT	HARNESS, LOWER BOOM CABLE,.....	1	34	236399GT	SWITCH ASSY, 3.5FT EXT SAFETY,.....	1
4	236263GT	HARNESS, UPPER BOOM CABLE,.....	1	35	236395GT	SWITCH ASSY, CABLE TENSION #1,....	1
5	214331GT	HARNESS, PCON JOYSTICK, SUPER...1		36	236392GT	SWITCH ASSY, AXLE SAFETY.....	2
6	236408GT	HARNESS, PLATFORM/JIB, SUPER X.....	1	37	232993GT	SUBASSY, STEER SENSOR.....	4
7	236409GT	HARNESS, FLASHING BEACON.....	1	38	236396GT	SWITCH ASSY, CABLE TENSION #2,....	1
8	61322GT	FOOT SWITCH W/PIGTAIL.....	1	39	214330GT	HARNESS, GROUND CONTROL BOX...1	
9	146399GT	ASSY, LS, LOAD SENSE, ALC1000.....	1	40	823522GT	HARNESS, WORK LIGHTS, SUPER X...1 <i>(option)</i>	
10	50813GT	SENSOR,TILT,PCON (PLASTIC)****.....	1	41A	1255556GT	HARN,PLATFORM,OPA,ALC1000.....	1
11	236393GT	SWITCH ASSY, JIB ROTATED CW, S....	1	41B	1255030GT	PLUG,BLANKING.....	1
12	236394GT	SWITCH ASSY, JIB ROTATED CCW,....	1				
13	232987GT	HARNESS, DRIVE, SUPER X.....	1				
14	232990GT	HARNESS, FUNCTION MANIFOLD, SU.....	1				
15	232988GT	HARNESS, DEUTZ ENGINE, TD2011L.....	1				
--	232989GT	HARNESS, PERKINS ENGINE, 1104D..1 <i>(Perkins models)</i>					
16	236405GT	HARNESS, TCON J15 POWER.....	1				
17	232991GT	HARNESS, LOWER LS / SCON, SUPE.....	1				
18	236327GT	HARNESS, LSB2RO/LSB2RS BOOM,....	1				
19	232992GT	HARNESS, UPPER LIMIT SWITCH,.....	1				
20	236410GT	HARNESS, CABLE TENSION #1,.....	1				
21	236411GT	HARNESS, CABLE TENSION #2,.....	1				
22	216058GT	SENSOR, ANGLE, 40 DEG, CCW.....	2				
		<i>Sensor and magnet are matched and must be replaced at the same time. Machine calibration is required after installation.</i>					
23	238005GT	HARNESS, ZERO TUBE LIMIT.....	1				
24	236397GT	SWITCH ASSY, 10 DEG OPER, SUPER-X.....	1				
25	236398GT	SWITCH ASSY, 3FT EXT OPER, SUP...1					
26	216059GT	SENSOR, ANGLE, 105 DEG, CW.....	1				
		<i>Sensor and magnet are matched and must be replaced at the same time. Machine calibration is required after installation.</i>					
27	236403GT	LENGTH TRANSDUCER, 800",DUAL CHANNEL.....	1				

316.1 Wire Harness Diagram - View 2

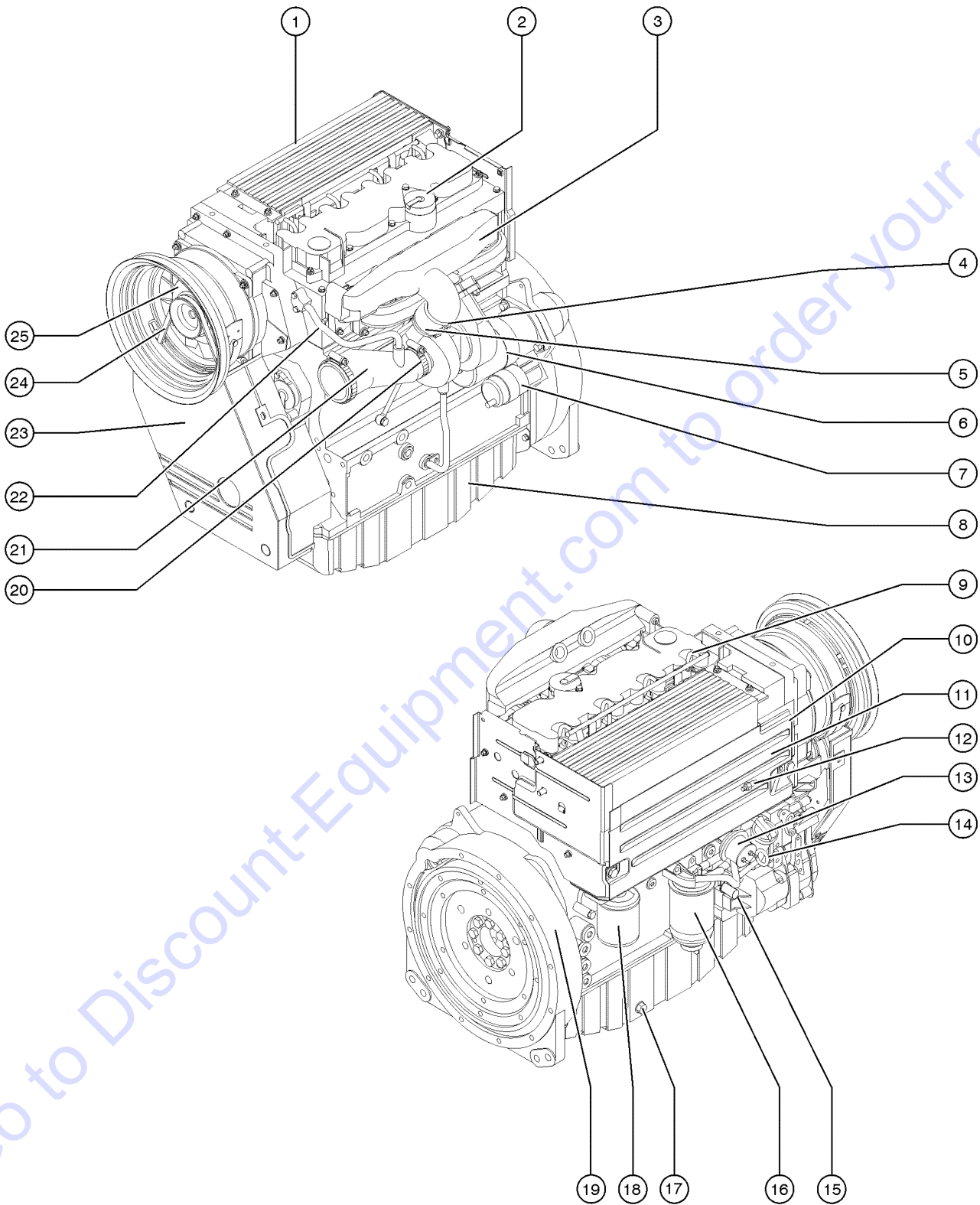


316.1 Wire Harness Diagram - View 2

Item	Part No.	Description	Qty.
1	101185GT	CABLE ASSY,AUX BATT JUMPER,RED.....	1
2	238301GT	CABLE ASSY, AUX, RED, 21.5".....	1
3	238302GT	CABLE ASSY, AUX, RED, 112".....	1
4	238300GT	CABLE ASSY, AUX, RED, 13.5".....	1
5	238303GT	CABLE ASSY, AUX, BLACK, 15.5".....	1
6	238304GT	CABLE ASSY, AUX, BLACK, 22.5".....	1
7	238305GT	CABLE ASSY, AUX, BLACK, 116.5".....	1
8	236703GT	BATTERY CABLE, 2/0 GA, RED,..... <i>(Deutz models)</i>	1
--	236707GT	BATTERY CABLE, 2/0 GA, RED, 10..... <i>(Perkins models)</i>	1
9	236704GT	BATTERY CABLE, 2/0 GA, BLACK,.....	1
--	236708GT	BATTERY CABLE, 2/0 GA, BLACK,	
10	824518GT	CABLE, GENERATOR TO J-BOX.....	1
11	237881GT	HARNESS, LOWER AC/3P PWR.....	1
12	237880GT	HARNESS, LOWER AC/3P PWR.....	1

Go to Discount-Equipment.com to order your parts

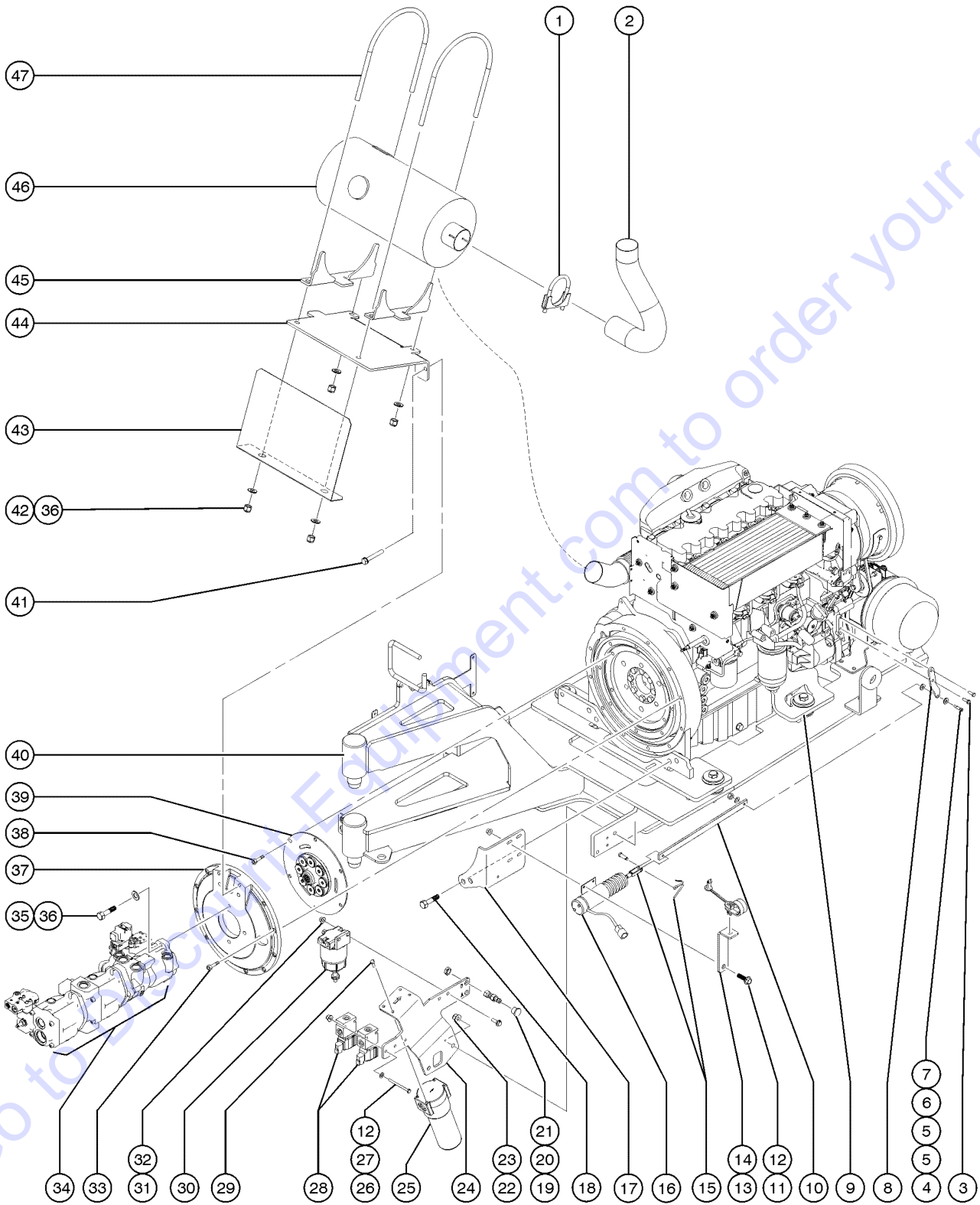
401.1 Deutz TD2011-L04i Engine - View 1



401.1 Deutz TD2011-L04i Engine - View 1

Item	Part No.	Description	Qty.	Item	Part No.	Description	Qty.
--	102581GT	PUMP,FUEL INJ,DEUTZ BF4L20 <i>Class A injection pump; provide SN of engine to service to get correct injection pump (A, B, C, D)</i>		15	111668GT	PUMP,FUEL 2011 DEUTZ ***	
--	T108732GT	PUMP,FUEL INJ,DEUTZ BF4L20 <i>Class B injection pump; provide SN of engine to service to get correct injection pump (A, B, C, D)</i>		--	111402GT	O-RING, FUEL LIFT PUMP	
--	T108733GT	PUMP,FUEL INJ,DEUTZ BF4L20 <i>Class C injection pump; provide SN of engine to service to get correct injection pump (A, B, C, D)</i>		16	29560GT	FILTER,FUEL/WTR SEP, DTZ 1008.....1 <i>Genie Genuine Part. See PN 1254826 for compatible aftermarket replacement.</i>	
--	T108734GT	PUMP,FUEL INJ,DEUTZ BF4L20 <i>Class D injection pump; provide SN of engine to service to get correct injection pump (A, B, C, D)</i>		--	1254826GT	FUEL FILTER W/SEP,DEUTZ,1008.....1 <i>Genie Aftermarket Part. Filter for Deutz F3L 1011F Engine.</i>	
2	29557GT	CAP,OIL FILLER,DEUTZ,DIESEL ***.....1		--	58566GT	FILTER HEAD (29560)	
3	102590GT	EXHAUST MANIFOLD, DEUTZ F4L201.....1		17	102587GT	PLUG,ENGINE OIL,DEUTZ F4L2011.....1	
--	29559GT	GASKET,EXHAUST		18	49924GT	FILTER,OIL,DEUTZ F4L1011F.....1 <i>Genie Genuine Part. See PN 1255653 for compatible aftermarket replacement.</i>	
4	102593GT	CLAMP, 3 INCH.....2		--	1255653GT	FILTER,OIL,DEUTZ,REPLACEMENT.....1 <i>Genie Aftermarket Part. Compatible with Genie Genuine Part 49924.</i>	
5	226106GT	RUBBER SLEEVES, TD 2011L041		19	102580GT	FLYWHEEL HOUSING DEUTZ F4L2011.....1	
6	139709GT	STARTER, 12V.....1		20	30971GT	CLAMP,HOSE,3.00"	
--	139621GT	KIT, HEAT GUARD, DEUTZ STARTER		21	226103GT	INLET REDUCER,TD 2011L04I	
7	49915GT	SOLENOID-STARTR DEUTZF4L1011F*.....1		22	226104GT	BREATHER PIPE, TD 2011L04I	
8	102586GT	OIL PAN,DEUTZ F4L2011.....1		--	226105GT	GASKET,BREATHER PIPE (226104)	
9	102595GT	FUEL LINE-INJECTOR, DEUTZ BF4L....4		23	146061GT	V-BELT GUARD, DEUTZ 2011.....1	
--	102581GT	PUMP,FUEL INJ,DEUTZ BF4L20		24	58630GT	V-BELT, DEUTZ TD2011LOAI	
--	102582GT	GASKET, FUEL INJEC PUMP DUTZ		25	58249GT	ALTERNATOR, DEUTZ,BF4L2011***1	
--	102584GT	SEAL,INJECTOR,DEUTZ F4L2011		--	1280590GT	PULLEY,ALTERNATOR,DEUTZ BF4L2011 for 58249	
--	102592GT	FUEL LINE, DEUTZ F4L2011		--	1280591GT	SPACER,ALT PULLEY,DEUTZ BF4L2011 for 58249	
--	102596GT	CYLINDER HEAD CVR.DEUTZ BF4L20					
--	102597GT	GASKET,CYL.COVR. DEUTZ BF4L201					
--	1288561GT	O-RING,FUEL INJECTOR,DEUTZ (89792) for 89792					
--	88091GT	FUEL RETURN,DAPCO 1/4"					
--	89792GT	INJECTOR, FUEL(DEUTZ F3L2011F)					
10	102594GT	COVER, ENGINE,DEUTZ F4L2011.....1					
11	111445GT	SENDING UNIT,OIL TEMP SWCH,DTZ.....1					
12	T114678GT	SHUTDOWN SOLENOID,12V, DEUTZ....1 <i>(includes o-ring)</i>					
--	45782GT	DIODE,6 AMP,200 PIV,BULK					
--	58256GT	SOLENOID CABLE ASSY***					
--	72255GT	CONNECTOR, DEUTZ FUEL SHUTOFF* <i>Does not include 45782 DIODE</i>					
13	58299GT	SENDING UNIT,OIL PRESS.,DEUTZ*....1					
14	52352GT	DIPSTICK-F3L1011F (DEUTZ)					

402.1 Deutz TD2011-L04i Engine - View 2

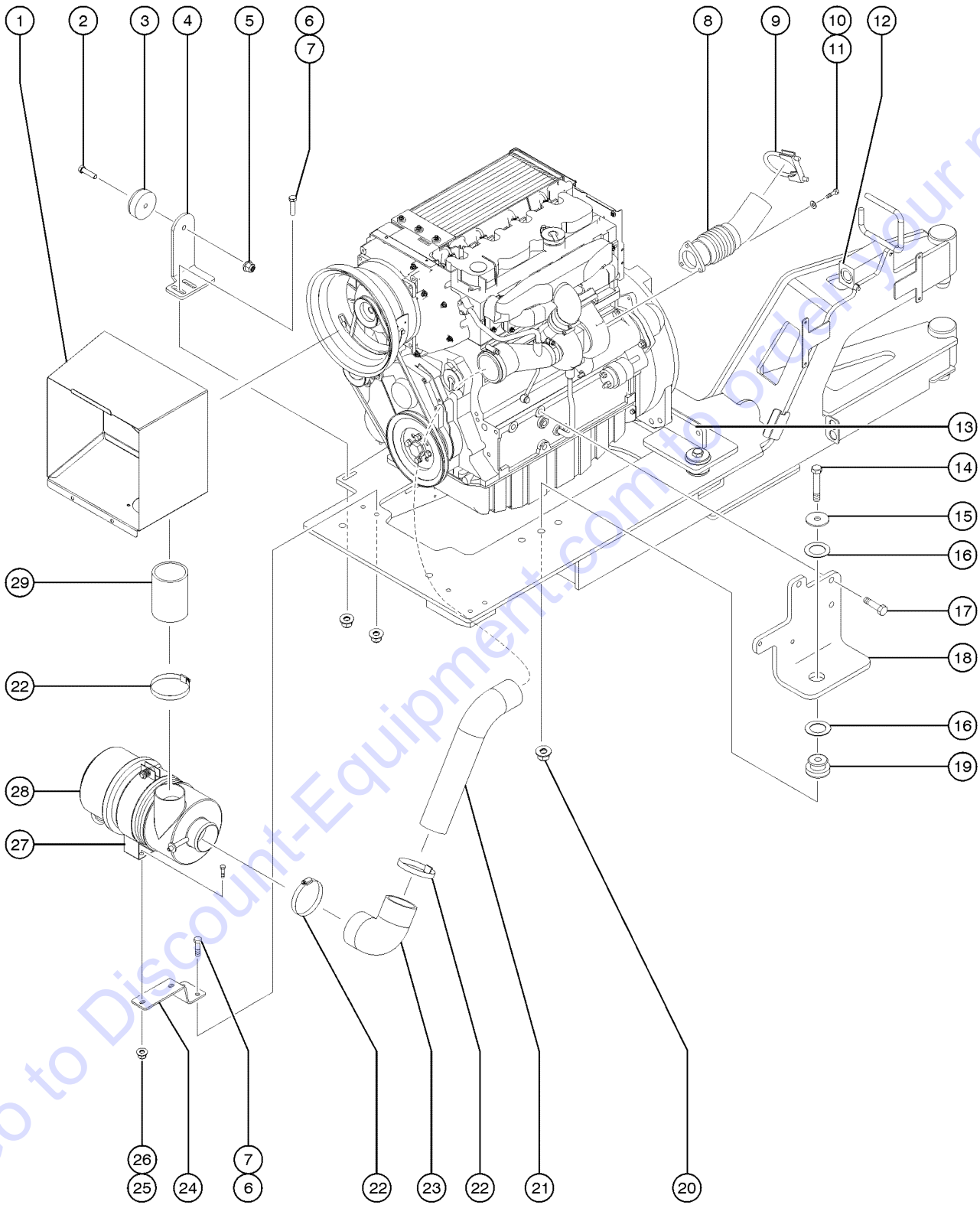


Go to www.genieequipment.com to order your parts

402.1 Deutz TD2011-L04i Engine - View 2

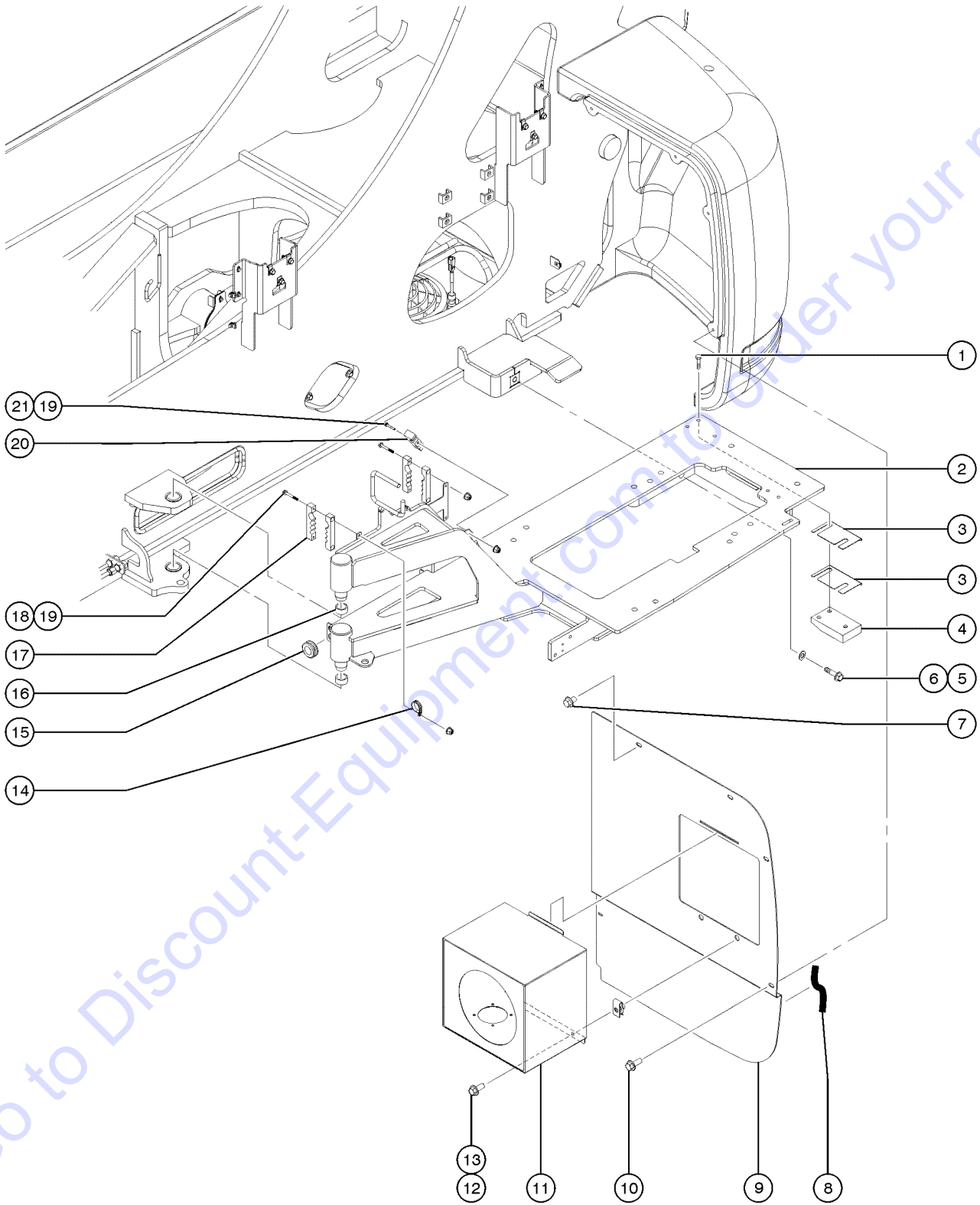
Item	Part No.	Description	Qty.	Item	Part No.	Description	Qty.
1	71911GT	CLAMP,MUFFLER, 2.50 INCH.....	1	30	75020GT	SEPRTTR/FLTR,FUEL DSL,15GPH,..30....	1
2	70447GT	TAIL PIPE,DEUTZ.....	1	--	62433GT	FILTER,ELEMENT,30 MIC,75020	
3	231532GT	SCREW,HHF,M6-1.0X20,DIN6921,10.9,ZAB.2		31	237832GT	NUT,TL FLG,M8-1.25,DIN6927,10,ZAB	
4	6584GT	SCREW,SHS,10-24 X .625		32	1255537GT	SCREW,HHF,M8-1.25X30,DIN6921,10.9,ZAB	
5	822955GT	WASHER,FLAT,NYLON.257X.5X.032		33	1255666GT	SCREW,SHC,M10-1.5X30,DIN912,12.9,ZAB.10	
6	15436GT	WASHER,FLAT,NYLON.25 X.68 X.03		34		Ref. PUMP, DRIVE, AND FUNCTION, (Refer to 706.1)	
7	1251566GT	NUT, TL, 10-24, A, ZAG		35	1253498GT	SCREW,HHF,1/2-13X1.5,8,ZAG.....	2
8	50787-SGT	LEVER, GOVERNOR ACTUATOR.....	1	36	13066GT	WASHER,FLAT,5 HARDENED.....	2
9	70439PGT	FORMING,ENGINE MOUNT PAINTED...1		37	70381GT	COVER,FLYWHEEL CASTING	
10	139322GT	THROTTLE LINKAGE, DSL.....	1	38	62476GT	SCREW,SHC,M10X1.5X20MM (75090).....	6
11	231531GT	SCREW,HHF,M6-1.0X30,DIN6921,10.9,ZAB		39	128004GT	COUPLER,15 TOOTH,FBA,SAE8***.....	1
12	231513GT	NUT,TL FLG,M6-1.0,DIN6927,10,ZAB		40		Ref. WELDMENT, ENGINE TRAY (Refer to 404.1)	
13	822921GT	FORMING,DEUTZ ENGINE WIRE LOOM.....	1	41	238347GT	SCREW,HHF,M10-1.5X70,DIN6921,10.9,ZAB.2	
14	121602GT	CLAMP,FIXED DIA,NYLON,3/4"		42	66777GT	NUT, TOP LOCK, 1/2-13	
15	21130GT	CLEVIS YOKE-1/4-28,PLTD W/PIN.....1 <i>Includes clevis, pin and cotter pin</i>		43	102237GT	FORMING,HEAT SHIELD,MUFFLER***.....	1
--	824041GT	NUT,1/4-28,8,ZAG		44	160363GT	WELDMENT, MUFFLER MOUNT.....	1
16	101957GT	SOLENOID,THROTTLE,ASSY.TROMB...1		45	70483GT	FORMING,8.5' MUFFLER MOUNT.....	2
--	60525GT	CONN,RECEP 4 WAY,12-14GA		46	70444GT	MUFFLER,2.5"INLET/OUTLET	
--	60526GT	LOCK,RECEP 4 WAY,12-14GA		47	70449GT	U-BOLT,1/2-13 X 8.5	
--	60757GT	PLUG,SEAL,12-18 GA					
--	73711GT	TERM,DEUTSCH, PIN #12-14					
--	89996GT	SOLENOID,21LB,3 WIRE,TROMB.***					
17	139321GT	FORMING, SOLENOID MOUNT***.....	1				
18	1251899GT	SCREW,HHF,M14-2.0X40,DIN6921,10.9,ZAB					
19	48880GT	CAP,DIAGNOSTIC NIPPLE					
20	49207GT	NIPPLE,DIAGNOSTIC,ORFS,FM,SWIV					
21	75574GT	NUT,BULKHEAD,520118-4					
22	231529GT	NUT,TL FLG,M10-1.5,DIN6927,10,ZAB					
23	231533GT	SCREW,HHF,M10-1.5X35,DIN6921,10.9,ZAB					
24	215517GT	FORMING, CHARGE FILTER MOUNT...1					
25		FILTER ASY,M PRESS,SAE8,WOIND* (77139)..... <i>component no longer available</i>	1				
--	60857GT	FILTER,ELEMENT,BETA(5)=1000 <i>for 77139</i>					
25A	1267807GT	ASSY, MED. PRESS. FILTER, SAE8					
--	1268229GT	ELEMENT-5 MIC, PAPER, W/ BYPASS <i>for 1267807</i>					
26	1251902GT	SCREW,HHC,M6-1.0X80,DIN931,10.					
27	825355GT	WASHER,FLAT,M6,DIN125,ZAB					
28		Ref. VALVE, FUNCTION ENABLE..... (Refer to 705.1)	2				
29	824078GT	SCREW,HHF,1/4-20X.75,8,ZAG					

403.1 Deutz TD2011-L04i Engine - View 3



Item	Part No.	Description	Qty.
1	122266GT	WELDMENT, AIR BOX, DEUTZ.....1	1
2	231531GT	SCREW,HHF,M6-1.0X30,DIN6921,10.9,ZAB	
3	50974GT	BUMPER,RUBBER,COVERS.....1	1
4	60778-SGT	FORMING,COVER STOP.....1	1
5	231513GT	NUT,TL FLG,M6-1.0,DIN6927,10,ZAB	
6	231533GT	SCREW,HHF,M10-1.5X35,DIN6921,10.9,ZAB	
7	231529GT	NUT,TL FLG,M10-1.5,DIN6927,10,ZAB	
8	70445GT	FLEX PIPE,EXHAUST,2.5" DIA.....1	1
8B	139983GT	EXHAUST PIPE GASKET	
8B	71911GT	CLAMP,MUFFLER, 2.50 INCH	
9	71911GT	CLAMP,MUFFLER, 2.50 INCH.....1	1
10	6175GT	SCREW,HHC,3/8-16 X 1	
11	5397GT	WASHER,FLAT,USS,5/16",Y	
12	236240GT	MANIFOLD, RETURN BLOCK.....1	1
13	70440GT	WELDMENT,REAR ENGINE MOUNT.....1	1
14	1256583GT	SCREW,HHF,5/8-11X3.5,8,ZAG.....4 <i>Bolts engine mounts to engine tray</i>	4
15	824123GT	WASHER,FLAT,.625X2.25X.188,ZAG.....4	4
16	1251565GT	WASHER,SHIM,1.56X2.5X.061,ZAG.....8	8
17	1256776GT	SCREW,HHF,M14-2.0X35,DIN6921,10.9,ZAB.5 <i>Bolts engine mounts to engine</i>	
18	70438GT	FORMING,ENGINE MOUNT***	
19	217500GT	ISOLATOR, ENGINE VIBRATION	
20	1251893GT	NUT,TL,FLG,M16-2.0,DIN6927,10,ZAB	
21	102208GT	TUBE,AIR INTAKE,DEUTZ.....1	1
22	30489GT	CLAMP,HOSE,3.50.....3	3
23	139455GT	ELBOW,AIR INTAKE,RUBBER.....1	1
24	102209GT	FORMING,AIR CLEANER MOUNT**.....1	1
25	237832GT	NUT,TL FLG,M8-1.25,DIN6927,10,ZAB	
26	824132GT	SCREW,HHF,M8-1.25X20,DIN6921,10.9,ZAB	
27	81468GT	MOUNTING BAND,AIR CLEANER	
28	81467GT	AIR CLEANER,NELSON	
--	52866GT	EVACUATOR VALVE-AIR CLEANER <i>for 81467</i>	
--	62425GT	FILTER,AIR CLEANER,SUPERBOOM <i>for 81467</i>	
--	75450GT	AIR CLEANER CLIPS, SUPERBOOM <i>for 81467</i>	
--	75451GT	AIR CLEANER COVER, SUPERBOOM* <i>for 81467</i>	
29	106211-475GT	HOSE,RUBBER 3"ID X .25 BLACK.....1	1

404.1 Deutz Engine Attached Components



Go to Discount-Equipment.com to order your parts

PARTS FINDER

**Search Website
by Part Number**



**Search Manual
Library For Parts
Manual & Lookup Part
Numbers – Purchase
or Request Quote**

Search Manuals

Enter your information to search for a manual or to purchase a manual or parts.

* Brand:

* Model:

* Serial:

* Part Number:

SEARCH

**Can't Find Part or
Manual? Request Help
by Manufacturer,
Model & Description**

Parts Order Form

Please fill in the following information:

Manufacturer:

Model:

Description:

Quantity:

Part Number:

Part Name:

Part Description:

Part Category:

Part Location:

Part Status:

Part Color:

Part Material:

Part Weight:

Part Dimensions:

Part Price:

Part Availability:

Part Lead Time:

Part Notes:

Submit

Discount-Equipment.com is your online resource for quality parts & equipment.

Florida: **561-964-4949** Outside Florida TOLL FREE: **877-690-3101**

Need parts?

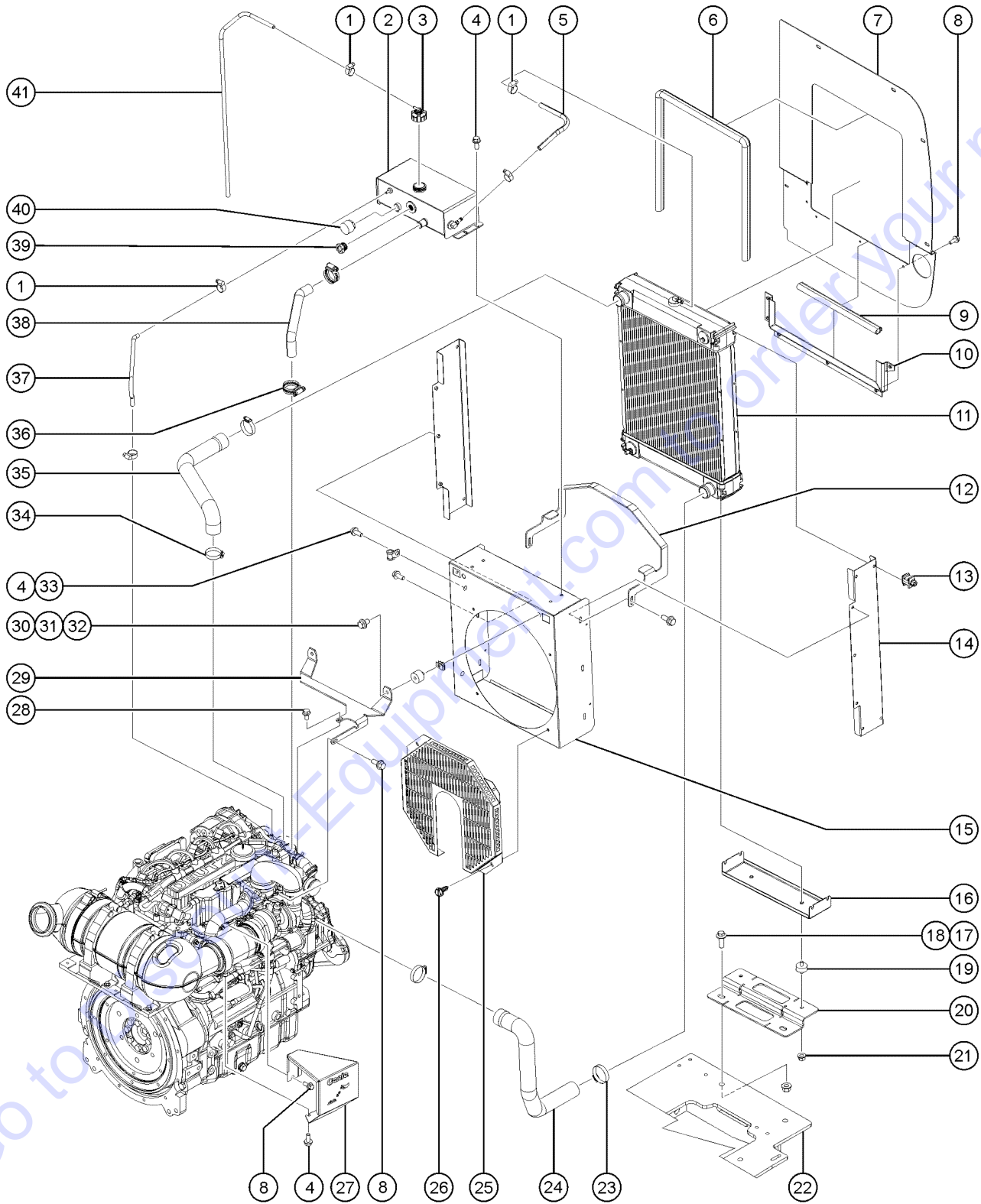
Click on this link: <http://www.discount-equipment.com/category/5443-parts/> and choose one of the options to help get the right parts and equipment you are looking for. Please have the machine model and serial number available in order to help us get you the correct parts. If you don't find the part on the website or on one of the online manuals, please fill out the request form and one of our experienced staff members will get back to you with a quote for the right part that your machine needs.

We sell worldwide for the brands: Genie, Terex, JLG, MultiQuip, Mikasa, Essick, Whiteman, Mayco, Toro Stone, Diamond Products, Generac Magnum, Airman, Haulotte, Barreto, Power Blanket, Nifty Lift, Atlas Copco, Chicago Pneumatic, Allmand, Miller Curber, Skyjack, Lull, Skytrak, Tsurumi, Husquvarna Target, Stow, Wacker, Sakai, Mi-T-M, Sullair, Basic, Dynapac, MBW, Weber, Bartell, Bennar Newman, Haulotte, Ditch Runner, Menegotti, Morrison, Contec, Buddy, Crown, Edco, Wyco, Bomag, Laymor, EZ Trench, Bil-Jax, F.S. Curtis, Gehl Pavers, Heli, Honda, ICS/PowerGrit, IHI, Partner, Imer, Clipper, MMD, Koshin, Rice, CH&E, General Equipment, Amida, Coleman, NAC, Gradall, Square Shooter, Kent, Stanley, Tamco, Toku, Hatz, Kohler, Robin, Wisconsin, Northrock, Oztec, Toker TK, Rol-Air, APT, Wylie, Ingersoll Rand / Doosan, Innovatech, Con X, Ammann, Mecalac, Makinex, Smith Surface Prep, Small Line, Wanco, Yanmar

404.1 Deutz Engine Attached Components

Item	Part No.	Description	Qty.
1	824091GT	SCREW,HHF,3/8-16X1.25,8,ZAG.....	3
2	235758GT	WELDMENT, ENGINE TRAY.....	1
3	60826GT	SHIM,WEAR PAD ENGINE TRAY.....	2
4	60637GT	WEAR PAD,ENGINE SUPPORT.....	1
5	231509GT	SCREW,HHC,M20-2.5X80,DIN933,10....	1
6	231510GT	WASHER,FLAT,M20,DIN6916,HRD,ZAB.1	
7	237352GT	SCREW,HHF,M10-1.5X16,DIN6921,10.9,ZAB	
8	60875-6600GT	TRIM MOULDING..... (Deutz TD2011-L04i)	2
9A	238335GT	FORMING,BAFFLE,DEUTZ..... (Deutz TD2011-L04i)	1
9B	1251516GT	FORMING,DEUTZ 2.9L COUNTER WEI (Deutz TD 2.9L4)	
10	231532GT	SCREW,HHF,M6-1.0X20,DIN6921,10.9,ZAB (Deutz TD2011-L04i)	
11		Ref. WELDMENT,AIR BOX,DEUTZ (Deutz TD2011-L04i) (Refer to 403.1)	
12	231530GT	SCREW,HHF,M10-1.5X25,DIN6921,10.9,ZAB (Deutz TD2011-L04i)	
13	230074GT	SPRING CLIP,M10-1.5,1-6X19,ZAB (Deutz TD2011-L04i)	
14	6653GT	CLAMP,1.88,#30 X 1/4,RUB CUSH..... (Deutz TD 2.9L4)	1
15	60584GT	GROMMET,RUBBER .75 X .19 X 1**	
16	236766GT	BEARING,FL.,40IDX48ODX28L.....	2
17	216818GT	CABLE CLAMP, BATTERY.....	4
18	216597GT	SCREW,HHF,M6-1.0X50,DIN6921,10.9,ZAB.4	
19	231513GT	NUT,TL FLG,M6-1.0,DIN6927,10,ZAB....	5
20	216819GT	CABLE CLAMP, FUEL LINE.....	1
21	232886GT	SCREW,HHF,M6X40,DIN6921,10.9,.....	1

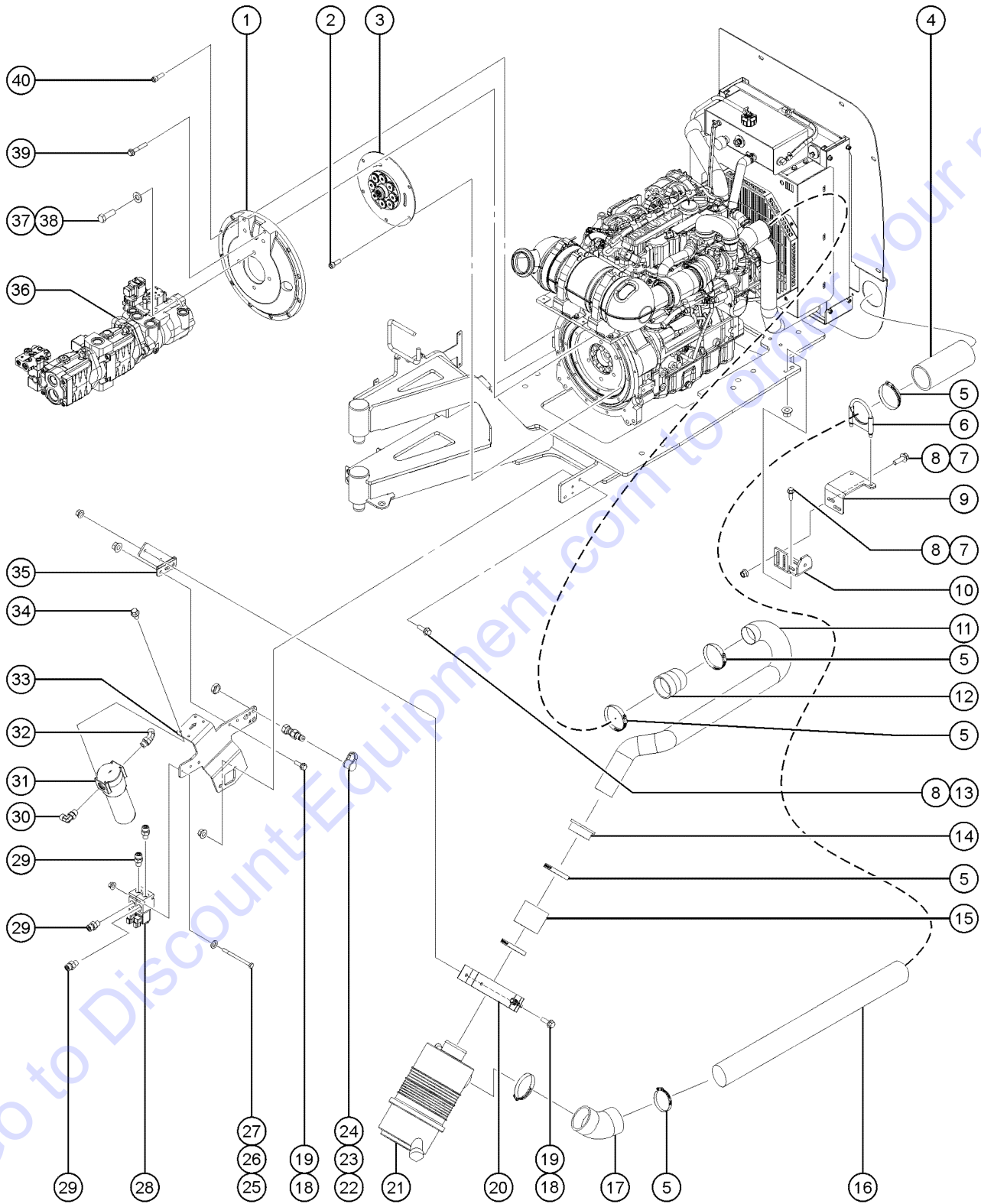
405.1 Deutz TD 2.9L4 Engine - View 1



405.1 Deutz TD 2.9L4 Engine - View 1

Item	Part No.	Description	Qty.	Item	Part No.	Description	Qty.
--		<i>Due to Tier 4 regulations, many engine replacement parts require the engine serial number at time of order placement. When ordering engine parts please have both machine and engine serial numbers available. For internal engine parts, contact engine dealer</i>		27	1254949GT	HEAT SHIELD,DEUTZ TD2.9L.....	1
--	1262866GT	FAN BELT, ALTERNATOR		28	1251983GT	SCREW,HHF,M8-1.25X16,DIN6921,10.9,ZAB.1	1
--	1262487GT	BELT,AIR PUMP,PERKINS 404F-22T		29	1255342GT	FORMING,RADIATOR SUPPORT.....	1
--	237730GT	ENGINE KIT, DEUTZ TD 2.9		30	237352GT	SCREW,HHF,M10-1.5X16,DIN6921,10.9,ZAB.2	2
--	1257246GT	HARN, DEUTZ 2.9, TIER 4, SX		31	1255451GT	ISOLATOR, VIBRATION DAMPENER.....	2
--	1252014GT	COOLING SYSTEM RCP-13-077 <i>(includes items 2-4, 11-15,22-24, 32, 35-36 and 38)</i>		32	230074GT	SPRING CLIP,M10-1.5,1-6X19,ZAB.....	2
--	1277974GT	PINS,CONNECTOR,INJ HARNESS,D2.9		33	1257844GT	CLAMP,TUBE/HOSE, LOOP/OFFSET, 12.7 OD.....	4
1	21465GT	CLAMP,HOSE,.25" - .63" X .3125.....	5	34	22672GT	CLAMP,HOSE,1.75.....	2
2	1252016GT	ASSY, DEGAS TANK, AL, RCP-13-077.....	1	35	1252017GT	HOSE, 20R4, UPPER.....	1
3	1254081GT	PRESSURE CAP RCP.....	1	36	32066GT	CLAMP,HOSE,KUBOTA WG750.....	2
4	824132GT	SCREW,HHF,M8-1.25X20,DIN6921,10.9,ZAB.8		37	1283995GT	HEATER HOSE,1/4".....	14-inches
5	823420-1400GT	HOSE,HEATER,3/8" 14".....	1	38	1252019GT	HOSE, DEGAS RETURN, 22MM ID.....	1
6	1256163GT	TRIM,RUBBER D SEAL, 3/16, 62".....	1	39	1254418GT	SIGHT GLASS DEGAS RCP.....	1
7	1251516GT	FORMING,DEUTZ 2.9L COUNTER WEI.....	1	40	218715GT	SENSOR,COOLANT LEVEL, DEUTZ.....	1
8	824131GT	SCREW,HHF,M6-1.0X16,DIN6921,10.9,ZAB		41	1283995GT	HEATER HOSE,1/4".....	43-inches
9	1256164GT	TRIM,RUBBER D SEAL, 3/16, 18.2.....	1				
10	1254948GT	FORMING,GASKET HOLDER.....	1				
11	1252015GT	RADIATOR RCP.....	1				
12	1261890GT	FORMING,DEUTZ RAD CAP PROTECTO.....	1				
13	1253233GT	ISOLATOR ASSY RCP RADIATOR.....	8				
14	1253231GT	FORMING RADIATOR SIDE MOUNT.....	2				
15	1253230GT	FORMING FAN SHROUD RCP 2.9T.....	1				
16	1253232GT	FORMING RADIATOR BOTTOM MOUNT RCP.....	1				
17	1251894GT	SCREW,HHF,M16-2.0X45,DIN6921,10.9,ZAB.2					
18	1251893GT	NUT,TL,FLG,M16-2.0,DIN6927,10,ZAB.2					
19	1255631GT	ISOLATOR, M10-1.50, 5/8" HIGH.....	2				
20	1251720GT	WELDMENT, RADIATOR MOUNT.....	1				
21	231529GT	NUT,TL FLG,M10-1.5,DIN6927,10,ZAB.....	2				
22		Ref. Engine Tray <i>(refer to 408.1)</i>					
23	35434GT	CLAMP,HOSE,2.00***.....	2				
24	1252018GT	HOSE, 20R4, LOWER.....	1				
25	1253218GT	FORMING FAN SHROUD RCP.....	1				
26	1253234GT	SCREW SHEET METAL HHF X1/2 X .18OD.....	4				

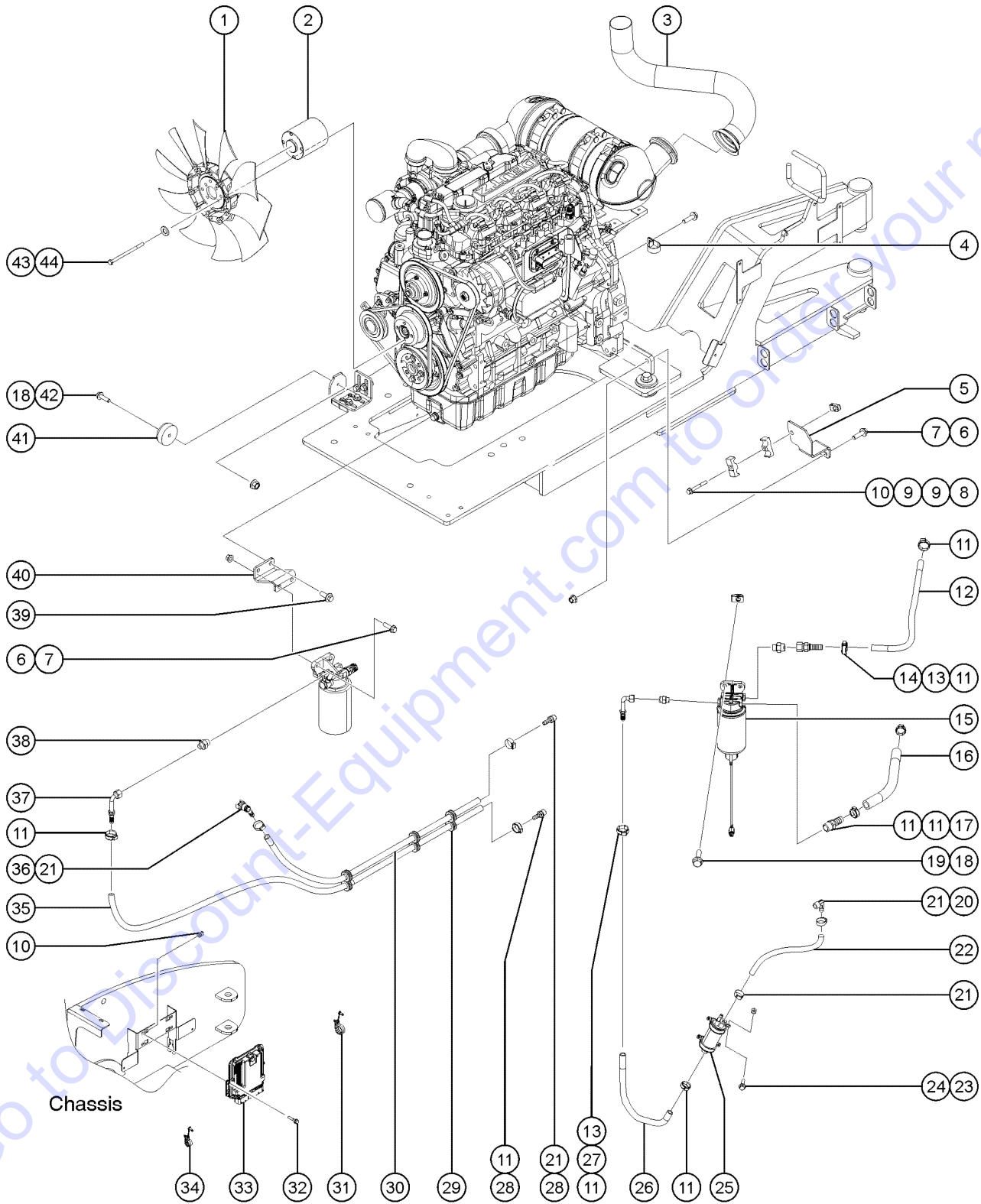
406.1 Deutz TD 2.9L4 Engine - View 2



406.1 Deutz TD 2.9L4 Engine - View 2

Item	Part No.	Description	Qty.	Item	Part No.	Description	Qty.
--		<i>Due to Tier 4 regulations, many engine replacement parts require the engine serial number at time of order placement. When ordering engine parts please have both machine and engine serial numbers available. For internal engine parts, contact engine dealer</i>		29	48905GT	CONN,520120-4***.....	4
				30	48932GT	FITTING,ELBOW,90D,520220-8***.....	2
				31		FILTER ASY,M PRESS,SAE8,WIND* (77139).....	1
						<i>component no longer available</i>	
				--	60857GT	FILTER,ELEMENT,BETA(5)=1000 for 77139	
1	70381GT	COVER,FLYWHEEL CASTING.....	1	31A	1267807GT	ASSY, MED. PRESS. FILTER, SAE8	
2	1255665GT	SCREW,SHC,M10-1.5X20,DIN912,12.9,ZAB.6		--	1268229GT	ELEMENT-5 MIC, PAPER, W/ BYPASS for 1267807	
3	128004GT	COUPLER,15 TOOTH,FBA,SAE8***.....	1	32	48937GT	ELBOW,45D,520320-8.....	1
4	106211-800GT	HOSE,RUBBER 3"ID X .25 X 8" BLACK.....	1	33	215517GT	FORMING, CHARGE FILTER MOUNT...1	
5	30971GT	CLAMP,HOSE,3.00".....	6	34	824077GT	SCREW, HHF, 1/4-20 X .5, 8, ZAG.....	4
6	122414GT	U-BOLT,GUILLOTINE,3".....	1	35	1251708GT	FORMING AIR CLEANER.....	1
7	232874GT	SCREW,HHF,M10-1.5X30,DIN6921,10.9,ZAB.4		36		Ref. Pump Assembly	
8	231529GT	NUT,TL FLG,M10-1.5,DIN6927,10,ZAB.....	4	37	54177GT	SCREW,HHC,1/2-13 X 1.5 GRD 8.....	2
9	1257728GT	FORMING,INTAKE SUPPORT.....	1	38	825353GT	WASHER,FLAT,1/2,SAE,HRD,ZAG.....	2
10	1254669GT	FORMING, COVER STOP.....	1	39	216036GT	SCREW,HHF,M10-1.5X60,DIN6921,10.9,ZAB.4	
11	826352GT	TUBE,INTAKE,DEUTZ 2.9L.....	1	40	1255666GT	SCREW,SHC,M10-1.5X30,DIN912,12.9,ZAB.10	
12	826351GT	HOSE,REDUCER,TURBO INLET,DEUTZ.....	1				
13	231533GT	SCREW,HHF,M10-1.5X35,DIN6921,10.9,ZAB.2					
14	101640GT	REDUCER,RUBBER 3.0 - 2.5.....	1				
15	106211-475GT	HOSE,RUBBER 3"ID X .25 BLACK.....	1				
16	215512GT	TUBE,INTAKE, FILTER.....	1				
17	61270GT	ELBOW,45 DEG,INLET.....	1				
18	824133GT	SCREW,HHF,M8-1.25X25,DIN6921,10.9,ZAB.2					
19	237832GT	NUT,TL FLG,M8-1.25,DIN6927,10,ZAB.....	2				
20	81468GT	MOUNTING BAND,AIR CLEANER.....	1				
21	81467GT	AIR CLEANER,NELSON.....	1				
--	52866GT	EVACUATOR VALVE-AIR CLEANER for 81467					
--	62425GT	FILTER,AIR CLEANER,SUPERBOOM for 81467					
--	75450GT	AIR CLEANER CLIPS, SUPERBOOM for 81467					
--	75451GT	AIR CLEANER COVER, SUPERBOOM* for 81467					
22	48880GT	CAP,DIAGNOSTIC NIPPLE.....	1				
23	49207GT	NIPPLE,DIAGNOSTIC,ORFS,FM,SWIV..1					
24	75574GT	NUT,BULKHEAD,520118-4.....	1				
25	825581GT	SCREW,HHC,M6-1.0X85,DIN931,10.9,ZAB.2					
26	825355GT	WASHER,FLAT,M6,DIN125,ZAB.....	2				
27	231513GT	NUT,TL FLG,M6-1.0,DIN6927,10,ZAB....	2				
28	218144GT	VALVE, FUNCTION ENABLE.....	1				

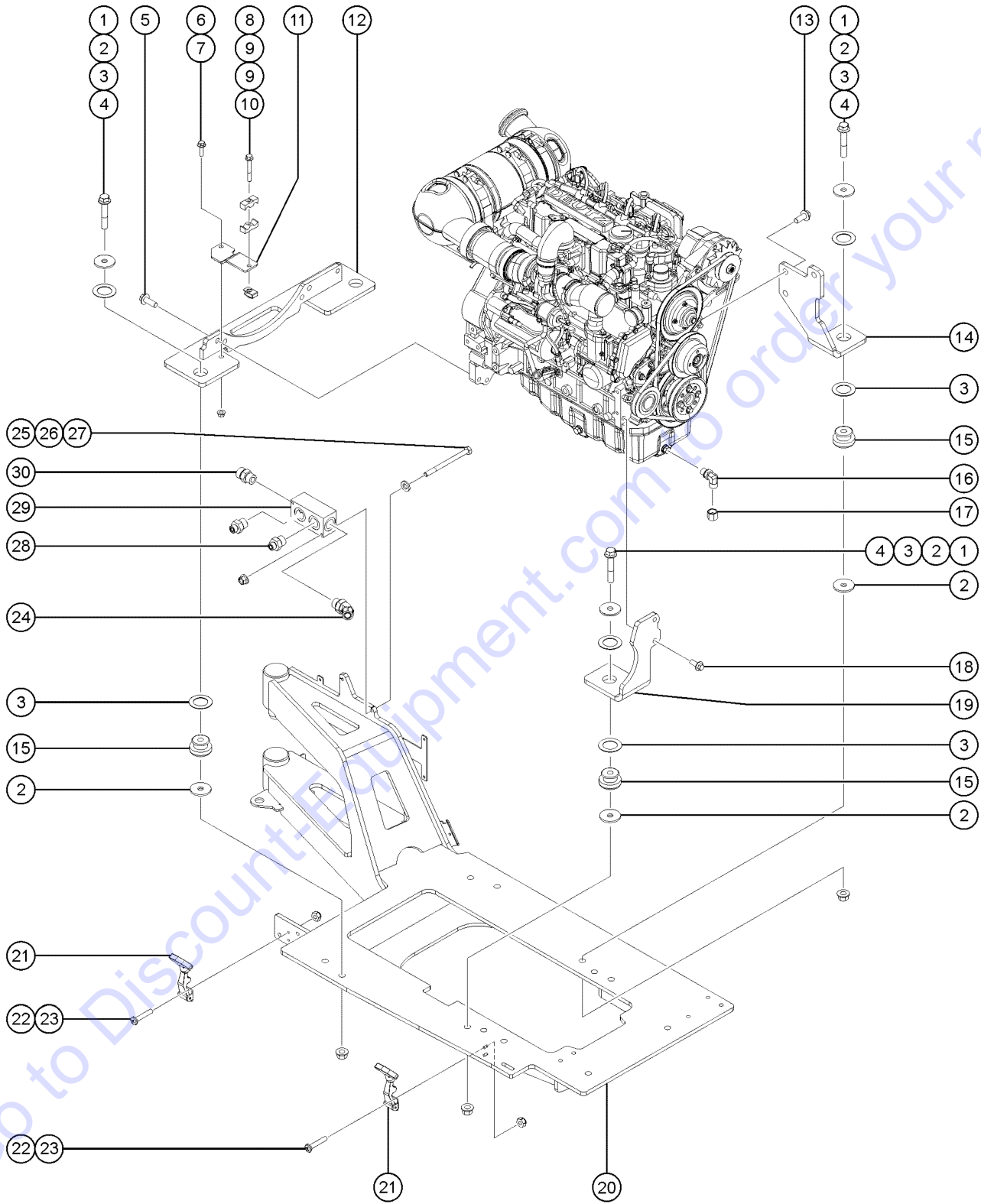
407.1 Deutz TD 2.9L4 Engine - View 3



407.1 Deutz TD 2.9L4 Engine - View 3

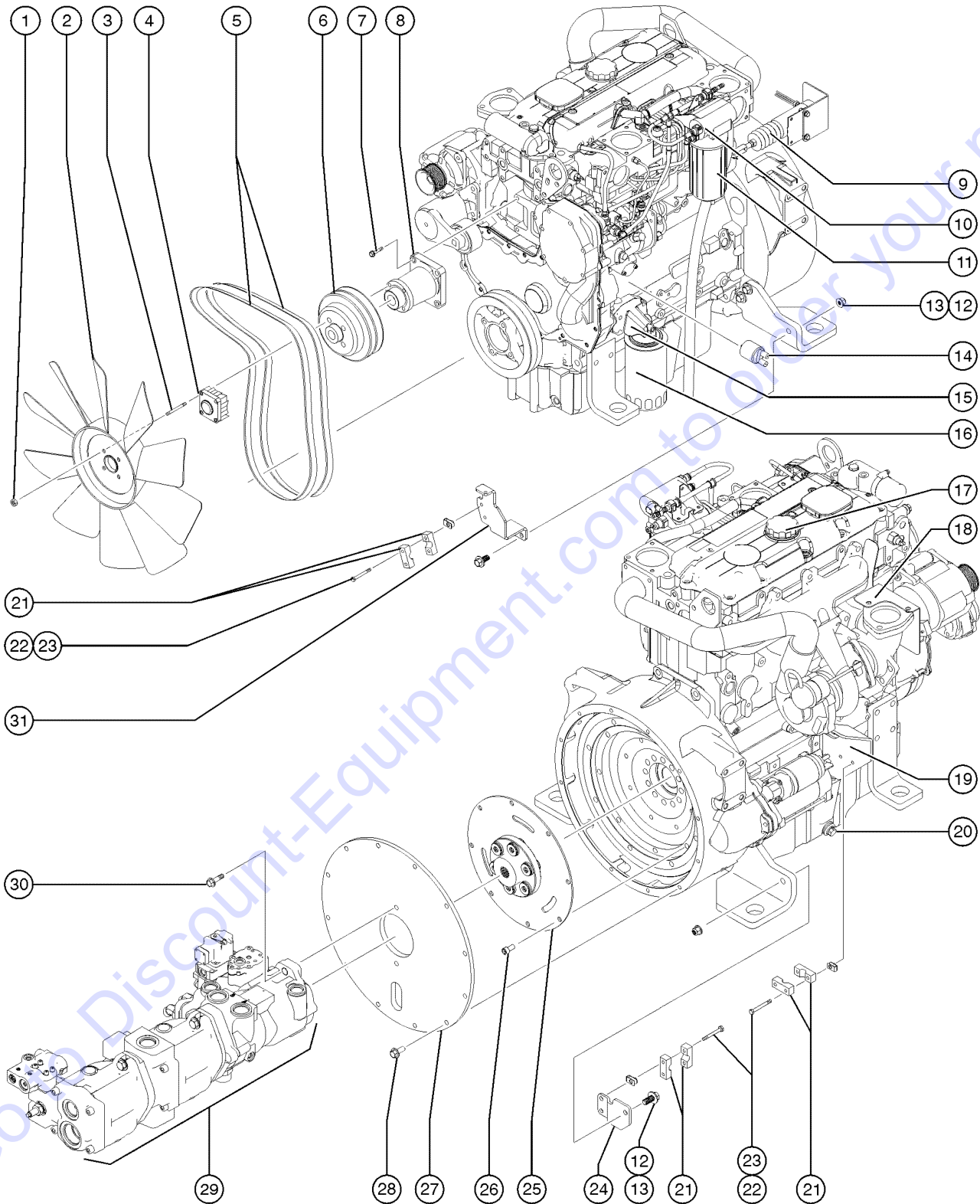
Item	Part No.	Description	Qty.	Item	Part No.	Description	Qty.
--		<i>Due to Tier 4 regulations, many engine replacement parts require the engine serial number at time of order placement. When ordering engine parts please have both machine and engine serial numbers available. For internal engine parts, contact engine dealer</i>		33		ECU.....1 <i>Models with Deutz D2.9 engines (This part is serialized, contact Discount-equipment with full model and SN of both the unit and engine)</i>	1
1	1251496GT	FAN,10 BLADE,17",DEUTZ 2.9L.....1		34	121602GT	CLAMP,FIXED DIA,NYLON,3/4".....1	1
2	1252004GT	FAN SPACER,4",DEUTZ 2.9L.....1 <i>to SN 278</i>		35	1252896GT	HOSE,FUEL,3/8,GATES RLA,66.25".....1	1
--	1257753GT	FAN SPACER,DEUTZ 2.9L <i>from SN 279</i>		36	826000GT	CONNECTOR, SAE 10, QUICK CONN....1	1
3	826348GT	EXHAUST PIPE, 2.9L DEUTZ.....3		37	162206GT	FITTING,ELBOW,6GS-6FJX90S.....1	1
4	56424GT	CLAMP,1.25X.5 RUBBER-CUSHION....1		38	162208GT	FITTING,CONN,16MM-6MJ.....1	1
5	217457GT	FORMING, BATTERY CABLE MOUNT...1		39	231088GT	SCREW,HHF,M10-1.5X20,DIN6921,10,9,ZAB.2	2
6	231533GT	SCREW,HHF,M10-1.5X35,DIN6921,10,9,ZAB.3		40	1256911GT	FORMING FUEL FILTER DEUTZ.....1	1
7	231529GT	NUT,TL FLG,M10-1.5,DIN6927,10,ZAB.....3		41	50974GT	BUMPER,RUBBER,COVERS.....1	1
8	216597GT	SCREW,HHF,M6-1.0X50,DIN6921,10,9,ZAB.1		42	231513GT	NUT,TL FLG,M6-1.0,DIN6927,10,ZAB....1	1
9	217460GT	CLAMP,BATTERY CABLE.....2		43	1254603GT	SCREW,HHC,M8-1.25X130,DIN931,1....4 <i>to SN 278</i>	4
10	219697GT	SPRING CLIP,M6-1.0,3.4-6.3MMX1.....1		--	1257774GT	SCREW,HHC,M8-1.25X95,DIN931,10 <i>from SN 279</i>	10
11	822087GT	CLAMP,HOSE,1EAR,25/32.....2		44	824144GT	WASHER,FLAT,M8,DIN125,ZAB.....4	4
12	1253181GT	HOSE,FUEL,1/2" GATES RLA,20.62.....1					
13	824635GT	FITTING,STR,1/2 HS X 3/4-16,JI.....1					
14	162209GT	FITTING,CONN,16MM-8MJ.....1					
15	1261239GT	ASSY,FUEL PREFILTER,DEUTZ 2.9.....1					
--	074501.0291GT	SENSOR					
--	236260GT	PRE-FILTER,FUEL,DEUTZ TCD3.6					
16	1253183GT	HOSE,FUEL,1/2" GATES RLA,7.625.....1					
17	824471GT	FITTING,3/8 NPT TO 1/2 BARB.....1					
18	1255537GT	SCREW,HHF,M8-1.25X30,DIN6921,10,9,ZAB.2					
19	230820GT	SPRING CLIP, M8-1.25, 0.8-4.0 X 13, ZAB.....2					
20	27904GT	HOSE END,BARBED,RIGID,90DEG6-6.....1					
21	1253613GT	CLAMP, STEPLESS EAR, 15.3-18.5M....4					
22	1253179GT	HOSE,FUEL,3/8" GATES RLA,15.75.....1					
23	218458GT	SCREW,HHF,M5-0.8X20,DIN6921,10,9,ZAB.4					
24	826214GT	NUT,TL,M5-0.8,DIN980,10,ZAB.....4					
25	236259GT	LIFT PUMP,FUEL,DEUTZ.....1					
26	1254848GT	HOSE,FUEL,1/2" GATES RLA,16.75.....1					
27	162207GT	FITTING,ELBOW,8GS-8FJX90S.....1					
28	27901GT	HOSE END,BARBED,RIGID,-6-6.....1					
29	60584GT	GROMMET,RUBBER .75 X .19 X 1**....2					
30	1252898GT	HOSE,FUEL,3/8",GATES RLA,53.25.....1					
31	219510GT	CLAMP, FIXED DIA, NYLON, 1-1/4.....1					
32	231531GT	SCREW,HHF,M6-1.0X30,DIN6921,10,9,ZAB.4					

408.1 Deutz TD 2.9L4 Engine - View 4



Item	Part No.	Description	Qty.
--		<i>Due to Tier 4 regulations, many engine replacement parts require the engine serial number at time of order placement. When ordering engine parts please have both machine and engine serial numbers available. For internal engine parts, contact engine dealer</i>	
1	1256583GT	SCREW,HHF,5/8-11X3.5,8,ZAG.....	4
2	824123GT	WASHER,FLAT,.625X2.25X.188,ZAG....	8
3	1251565GT	WASHER,SHIM,1.56X2.5X.061,ZAG....	8
4	1253319GT	NUT,TL,FLG,5/8-11,G,ZAG.....	4
5	1251899GT	SCREW,HHF,M14-2.0X40,DIN6921,10.9,ZAB.4	4
6	231533GT	SCREW,HHF,M10-1.5X35,DIN6921,10.9,ZAB.2	2
7	231529GT	NUT,TL FLG,M10-1.5,DIN6927,10,ZAB.....	2
8	216597GT	SCREW,HHF,M6-1.0X50,DIN6921,10.9,ZAB.1	1
9	217460GT	CLAMP,BATTERY CABLE.....	2
10	219697GT	SPRING CLIP,M6-1.0,3.4-6.3MMX1.....	4
11	217458GT	FORMING, BATTERY CABLE GUIDE....	2
12	70440GT	WELDMENT,REAR ENGINE MOUNT.....	1
13	1256776GT	SCREW,HHF,M14-2.0X35,DIN6921,10.9,ZAB.2	2
14	1256805GT	MOUNT,ENGINE,LEFT SIDE.....	1
15	217500GT	ISOLATOR, ENGINE VIBRATION.....	4
16	54428GT	FITTING,HYDRAULIC,90DEG,O-RING...1	1
17	69775GT	CAP,520112-8.....	1
18	824134GT	SCREW,HHF,M12-1.75X30,DIN6921,10.9,ZAB.2	2
19	1251705GT	FORMING, ENGINE MOUNT.....	1
20	235758GT	WELDMENT, ENGINE TRAY.....	1
21	45363GT	LATCH,FLEXIBLE DRAW W/O KEEPER.....	2
22	77677GT	SCREW,PHILLIPS,PHM,10-24 X 1.....	4
23	5365GT	NUT,NYLOCK,10-24.....	4
24	48963GT	FITTING,ELBOW,45D,520320-12***.....	1
25	1251902GT	SCREW,HHC,M6-1.0X80,DIN931,10.....	2
26	825355GT	WASHER,FLAT,M6,DIN125,ZAB.....	2
27	231513GT	NUT,TL FLG,M6-1.0,DIN6927,10,ZAB...2	2
28	48948GT	CONN,520120-8-12.....	1
29	236240GT	MANIFOLD, RETURN BLOCK.....	1
30	48960GT	FITTING,CONN,520120-12***.....	1

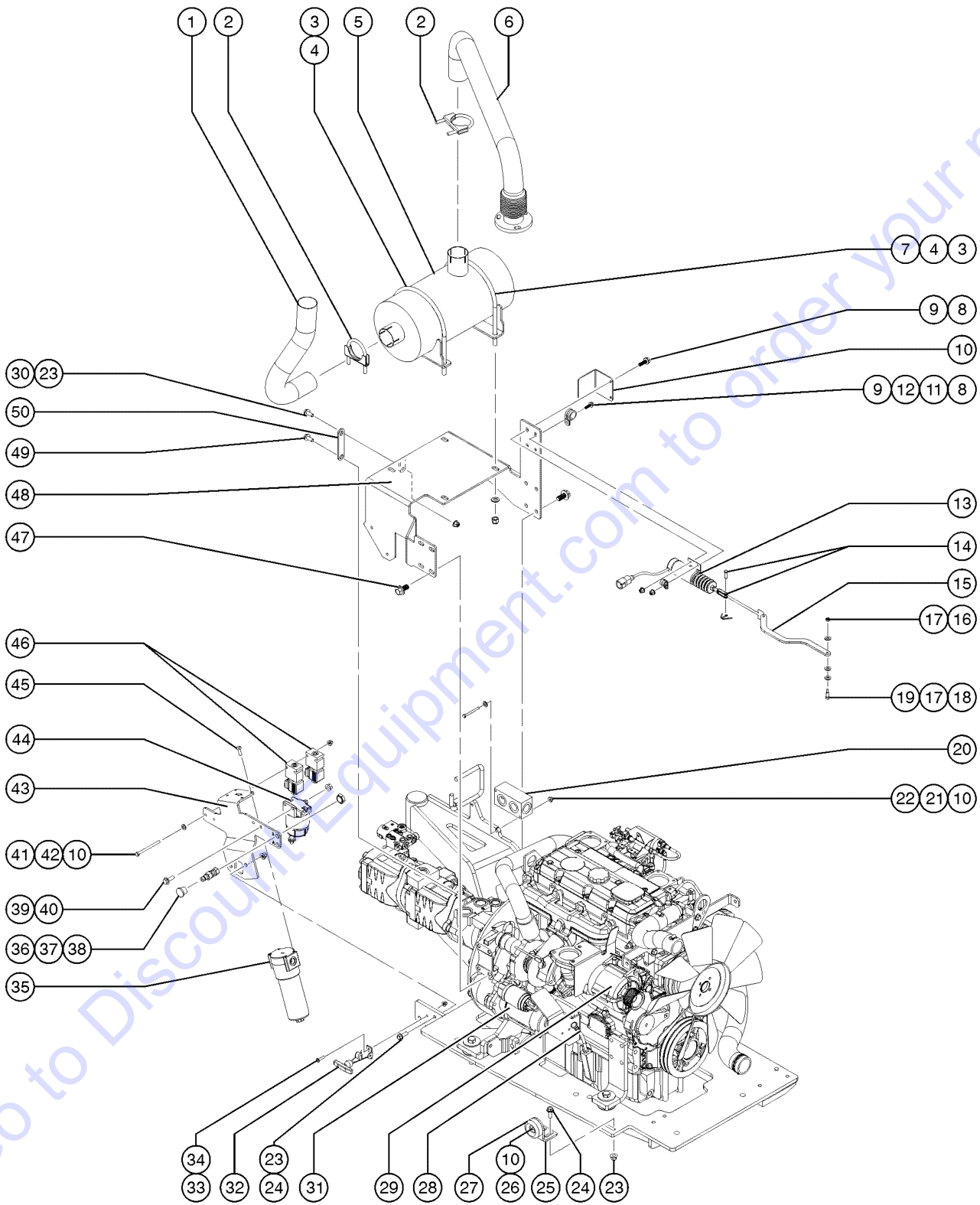
409.1 Perkins 1104D-44T Engine - View 1



409.1 Perkins 1104D-44T Engine - View 1

Item	Part No.	Description	Qty.
1	75326GT	NUT,FAN BLADE,PERKINS 1004-42	
2	75328GT	FAN,PULLER,PERKINS,1004-42.....1	
3	75327GT	STUD,FAN SPACR,PERKINS 1004-42....4	
4	130187GT	FAN SPACER,PERKINS,1.5".....1	
5	102598GT	BELT,V,(2) PERKINS 1104C-44.....2 <i>Serviced in pairs</i>	
6	75330GT	PULLEY,FAN,PERKINS 1004-42.....1	
7	75304GT	SCREW,PERKINS 1004-42.....4	
8	123351GT	FAN DRIVE HOUSING.....1	
9		Ref. THROTTLE SOLENOID ASSY, TROMB.....1 <i>(Refer to 410.1)</i>	
10	102638GT	ADAPTER-FUEL FILTER, PERK 1104	
11	102639GT	FILTER,FUEL, PERKINS 1104C	
12	231529GT	NUT,TL FLG,M10-1.5,DIN6927,10,ZAB	
13	231533GT	SCREW,HHF,M10-1.5X35,DIN6921,10.9,ZAB	
14	102348GT	SENDING UNIT,OIL PRESS PERKINS...1	
15	123084GT	HEAD / OIL FILTER.....1	
16	102632GT	FILTER,OIL,PERKINS 1104C-44.....1	
17	T114346GT	CAP,VALVE COVER,OIL FILLER,PRK	
18	216286GT	FORMING, HEAT SHIELD, 1104D-44.....1	
19	217459GT	FORMING,BATTERY CABLE,STARTER.....1	
20	75342GT	PLUG,ENGINE OIL,PERKIN 1004-42....1	
21	217460GT	CLAMP,BATTERY CABLE.....6	
22	216597GT	SCREW,HHF,M6-1.0X50,DIN6921,10.9,ZAB	
23	230073GT	SPRING CLIP,M6-1.0,0.8-4MM PAN	
24	217458GT	FORMING, BATTERY CABLE GUIDE....1	
25	216564GT	FLYWHEEL, COUPLER 15 TOOTH SAE 10.....1	
26	217232GT	SCREW,SHC,3/8-24 X .75,BO.....8	
27	60322-SGT	PLATE,PUMP MOUNT.....1	
28	231530GT	SCREW,HHF,M10-1.5X25,DIN6921,10.9,ZAB.12	
29		Ref. PUMP, DRIVE, AND FUNCTION, <i>(Refer to 706.1)</i>	
30	1253498GT	SCREW,HHF,1/2-13X1.5,8,ZAG.....2	
31	217457GT	FORMING, BATTERY CABLE MOUNT...1	

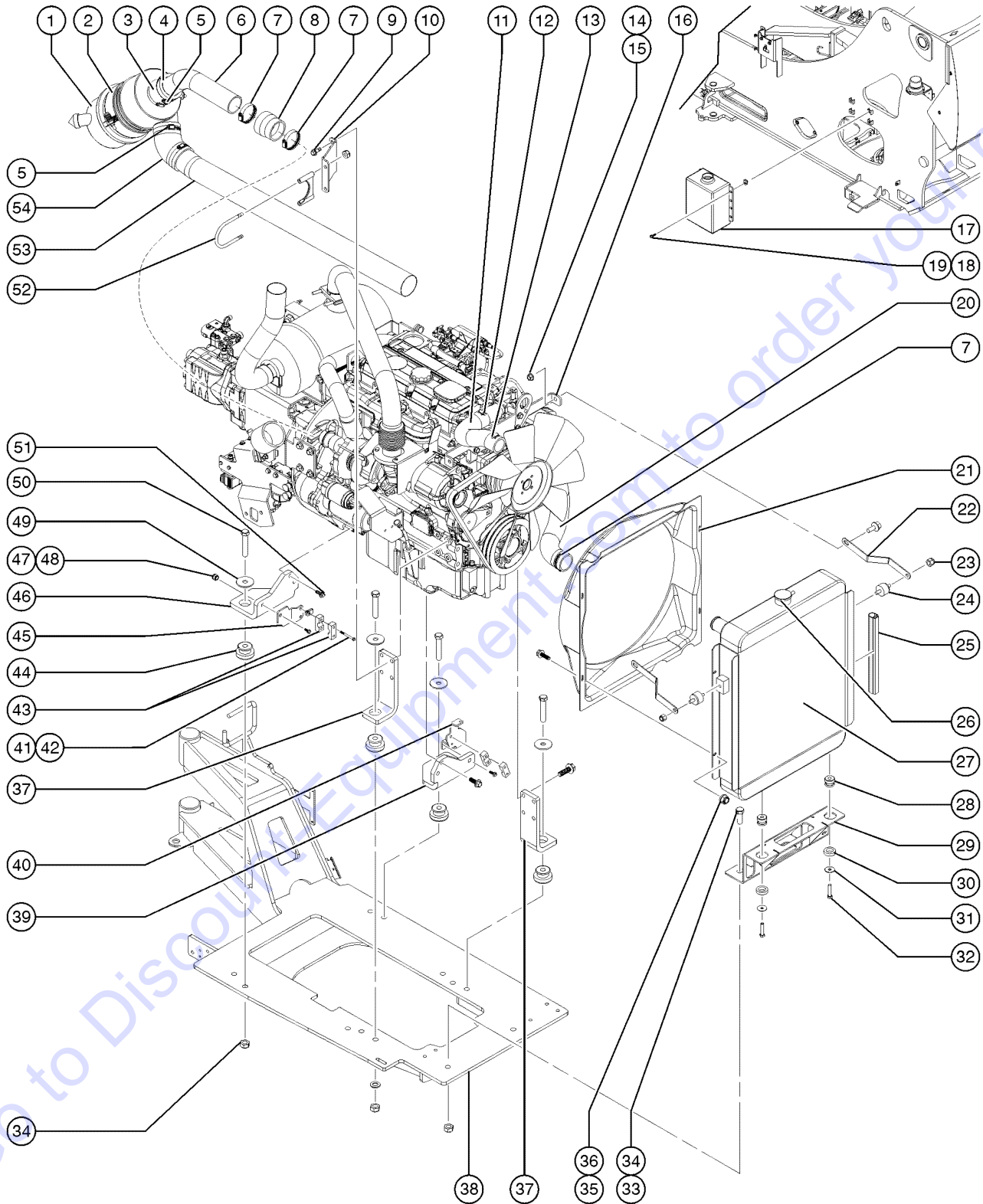
410.1 Perkins 1104D-44T Engine - View 2



410.1 Perkins 1104D-44T Engine - View 2

Item	Part No.	Description	Qty.	Item	Part No.	Description	Qty.
1	215496GT	TAIL PIPE,PERKINS 1104.....	1	--	60857GT	FILTER,ELEMENT,BETA(5)=1000..... <i>for 77139</i>	1
2	71911GT	CLAMP,MUFFLER, 2.50 INCH		35A	1267807GT	ASSY, MED. PRESS. FILTER, SAE8	
3	70449GT	U-BOLT,1/2-13 X 8.5.....	2	--	1268229GT	ELEMENT-5 MIC, PAPER, W/ BYPASS <i>for 1267807</i>	
4	70483GT	FORMING,8.5' MUFFLER MOUNT.....	2	36	48880GT	CAP,DIAGNOSTIC NIPPLE.....	2
5	70444GT	MUFFLER,2.5"INLET/OUTLET.....	1	37	49207GT	NIPPLE,DIAGNOSTIC,ORFS,FM,SWIV..	2
--	101634GT	MUFFLER,CATALYTIC,2.5 I/O		38	75574GT	NUT,BULKHEAD,520118-4.....	2
6	215500GT	WELDMENT,HEADER PIPE, PERKINS.....	1	39	824133GT	SCREW,HHF,M8-1.25X25,DIN6921,10,9,ZAB	
7	1251997GT	NUT,TL FLG,1/2-13,G,ZAG		40	237832GT	NUT,TL FLG,M8-1.25,DIN6927,10,ZAB	
8	231532GT	SCREW,HHF,M6-1.0X20,DIN6921,10,9,ZAB		41	825581GT	SCREW,HHC,M6-1.0X85,DIN931,10,9,ZAB	
9	231513GT	NUT,TL FLG,M6-1.0,DIN6927,10,ZAB		42	825355GT	WASHER,FLAT,M6,DIN125,ZAB	
10	215513GT	FORMING,HEAT SHIELD.....	1	43	215517GT	FORMING, CHARGE FILTER MOUNT...1	
11	67897GT	CLAMP,0.56,#9 X 3/8,RUB CUSH.....	1	44	75020GT	SEPRTR/FLTR,FUEL DSL,15GPH,.30...1	
12	61109GT	CLAMP,1.25,#20 X 7/16,RUB CSH.....	2	--	62433GT	FILTER,ELEMENT,30 MIC,75020	
13	101957GT	SOLENOID,THROTTLE,ASSY.TROMB...1		45	824080GT	SCREW,HHF,1/4-20X1.25,8,ZAG	
14	21130GT	CLEVIS YOKE-1/4-28,PLTD W/PIN..... <i>Includes clevis, pin and cotter pin</i>	1	46		Ref. VALVE, FUNCTION ENABLE..... <i>(Refer to 705.1)</i>	2
15	216758GT	THROTTLE LINKAGE, PERKINS 1104...1		47	231087GT	SCREW,HHF,M12-1.75X25,DIN6921,10,9,ZAB	
16	5365GT	NUT,NYLOCK,10-24		48	215509GT	WELDMENT, MUFFLER MOUNT.....	1
17	822955GT	WASHER,FLAT,NYLON.257X.5X.032		49	1253498GT	SCREW,HHF,1/2-13X1.5,8,ZAG	
18	6584GT	SCREW,SHS,10-24 X .625.....	1	50	215510GT	PLATE,PUMP STRUT.....	1
19	15436GT	WASHER,FLAT,NYLON.25 X.68 X.03					
20	236240GT	MANIFOLD, RETURN BLOCK.....	1				
21	825355GT	WASHER,FLAT,M6,DIN125,ZAB					
22	1251902GT	SCREW,HHC,M6-1.0X80,DIN931,10.					
23	231529GT	NUT,TL FLG,M10-1.5,DIN6927,10,ZAB					
24	231533GT	SCREW,HHF,M10-1.5X35,DIN6921,10,9,ZAB					
25	60729GT	FORMING,COVER STOP***.....	1				
26	231531GT	SCREW,HHF,M6-1.0X30,DIN6921,10,9,ZAB					
27	50974GT	BUMPER,RUBBER,COVERS.....	1				
28	130341GT	DIPSTICK,OIL,PERKINS 1104C-44T.....	1				
--	123081GT	ASSY / OIL TUBE <i>Includes tube and nut only</i>					
29	102646GT	ALTERNATOR,PERKINS 1104C-44.....	1				
30	231530GT	SCREW,HHF,M10-1.5X25,DIN6921,10,9,ZAB.1					
31	226627GT	STARTER,ENG,PERK T3 6/8/10K.....	1				
32	45363GT	LATCH,FLEXIBLE DRAW W/O KEEPER.....	1				
33	826516GT	SCREW, PHPM, 10-32 X 1.0, ZAG					
34	824032GT	NUT,TL FLG,10-32,F,ZAG					
35		FILTER ASY,M PRESS,SAE8,WOIND* (77139)..... <i>component no longer available</i>	1				
--	58222GT	O-RING,FILTER ASSY (60334)***					
--	58223GT	SEAL,FILTER ASSY (60334)***					

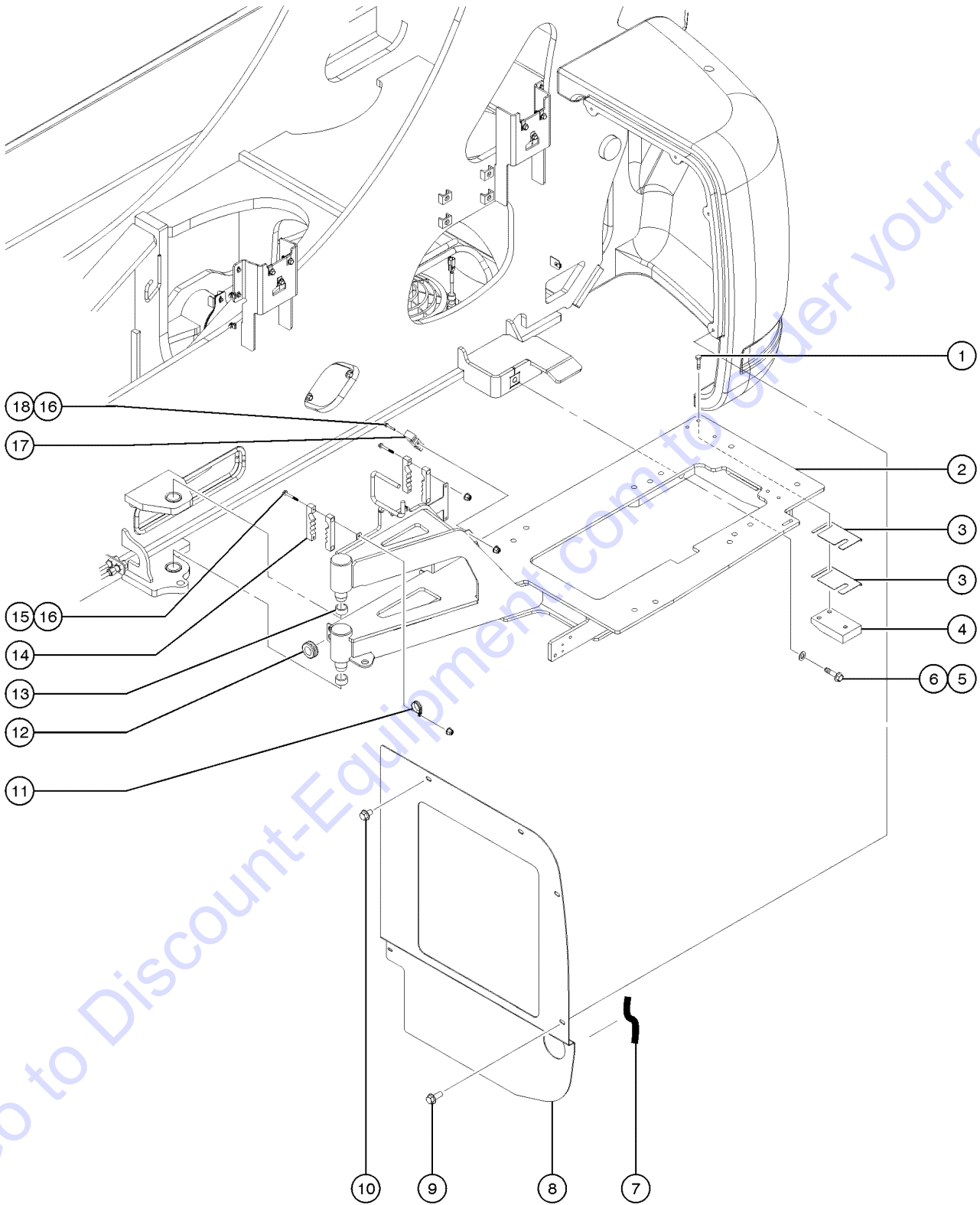
411.1 Perkins 1104D-44T Engine - View 3



411.1 Perkins 1104D-44T Engine - View 3

Item	Part No.	Description	Qty.	Item	Part No.	Description	Qty.
1	81467GT	AIR CLEANER,NELSON.....	1	36	231532GT	SCREW,HHF,M6-1.0X20,DIN6921,10.9,ZAB	
--	52866GT	EVACUATOR VALVE-AIR CLEANER for 81467		37	60564GT	BRACKET,ENG.MOUNT,FRT.PERKINS..2	
--	62425GT	FILTER,AIR CLEANER,SUPERBOOM for 81467		38		Ref. WELDMENT, ENGINE TRAY (Refer to 412.1)	
--	75450GT	AIR CLEANER CLIPS, SUPERBOOM for 81467		39	101930PGT	MOUNT,PERKINS 1104 LF PAINTED.....1	
--	75451GT	AIR CLEANER COVER, SUPERBOOM* for 81467		40	217457GT	FORMING, BATTERY CABLE MOUNT...1	
2	81468GT	MOUNTING BAND,AIR CLEANER.....	1	41	216597GT	SCREW,HHF,M6-1.0X50,DIN6921,10.9,ZAB	
3	106211-300GT	HOSE,RUBBER 3"ID X .25 BLACK.....	1	42	230073GT	SPRING CLIP,M6-1.0,0.8-4MM PAN	
4	101640GT	REDUCER,RUBBER 3.0 - 2.5.....	1	43	217460GT	CLAMP,BATTERY CABLE.....	4
5	30489GT	CLAMP,HOSE,3.50.....	2	44	217500GT	ISOLATOR, ENGINE VIBRATION.....	4
6	215511GT	TUBE,INTAKE, FILTER TO TURBO.....	1	45	217458GT	FORMING, BATTERY CABLE GUIDE.....	1
7	45435GT	CLAMP,HOSE,2.50***	4	46	101931PGT	MOUNT,PERKINS 1104 RH PAINTED....	1
8	215918GT	REDUCER, RUBBER, 2.5 TO 2.25.....	1	47	231529GT	NUT,TL FLG,M10-1.5,DIN6927,10,ZAB	
9	121431GT	SCREW,HHF,M12X30 GR12.9		48	231533GT	SCREW,HHF,M10-1.5X35,DIN6921,10.9,ZAB	
10	215514GT	FORMING,INTAKE TUBE MOUNT.....	1	49	824123GT	WASHER,FLAT,.625X2.25X.188,ZAG....	4
11	60576GT	RADIATOR HOSE,UPPER-PERKINS.....	1	50	1251897GT	SCREW,HHF,M16-2.0X90,DIN6921,10.9,ZAB.4	
12	35434GT	CLAMP,HOSE,2.00***	1	51	231511GT	SCREW,HHF,M12-1.75X35,DIN6921,10.9,ZAB	
13	22672GT	CLAMP,HOSE,1.75.....	1	52	122414GT	U-BOLT,GUILLOTINE,3".....	1
14	231529GT	NUT,TL FLG,M10-1.5,DIN6927,10,ZAB		53	215512GT	TUBE,INTAKE, FILTER.....	1
15	232874GT	SCREW,HHF,M10-1.5X30,DIN6921,10.9,ZAB		54	61270GT	ELBOW,45 DEG,INLET.....	1
16	215515GT	FORMING,RADIATOR SUPPORT.....	1				
17	60721GT	COOLANT,RECOVERY BOTTLE, 4 QT*.....	1				
18	231512GT	SCREW,HHF,M6-1.0X25,DIN6921,10.9,ZAB					
19	219697GT	SPRING CLIP,M6-1.0,3.4-6.3MMX1.....	4				
20	75555GT	RADIATOR HOSE,LOWER-PERKINS.....	1				
21	60649GT	SHROUD,FAN (FIBERGLASS).....	1				
22	215516GT	PLATE,RADIATOR,STRUT.....	2				
23	824029GT	NUT,TL FLG,3/8-16,G,ZAG					
24	75260GT	ISOLATOR,FLEX-BOLT SANDWICH***	2				
25	60875GT	TRIM MOLDING					
26	65473GT	CAP,RADIATOR,PERKINS/FORD.....	1				
27	70518GT	RADIATOR.....	1				
28	75259GT	ISOLATOR,CENTER BONDED.....	2				
29	75297GT	WELDMENT,RADIATOR MOUNT**.....	1				
30	75274GT	TUBE,RADIATOR MOUNT.....	2				
31	824122GT	WASHER,FLAT,.375X1.25X.062,ZAG					
32	824093GT	SCREW,HHF,3/8-16X1.75,8,ZAG					
33	1251894GT	SCREW,HHF,M16-2.0X45,DIN6921,10.9,ZAB					
34	1251893GT	NUT,TL,FLG,M16-2.0,DIN6927,10,ZAB					
35	231513GT	NUT,TL FLG,M6-1.0,DIN6927,10,ZAB					

412.1 Perkins Engine Attached Components

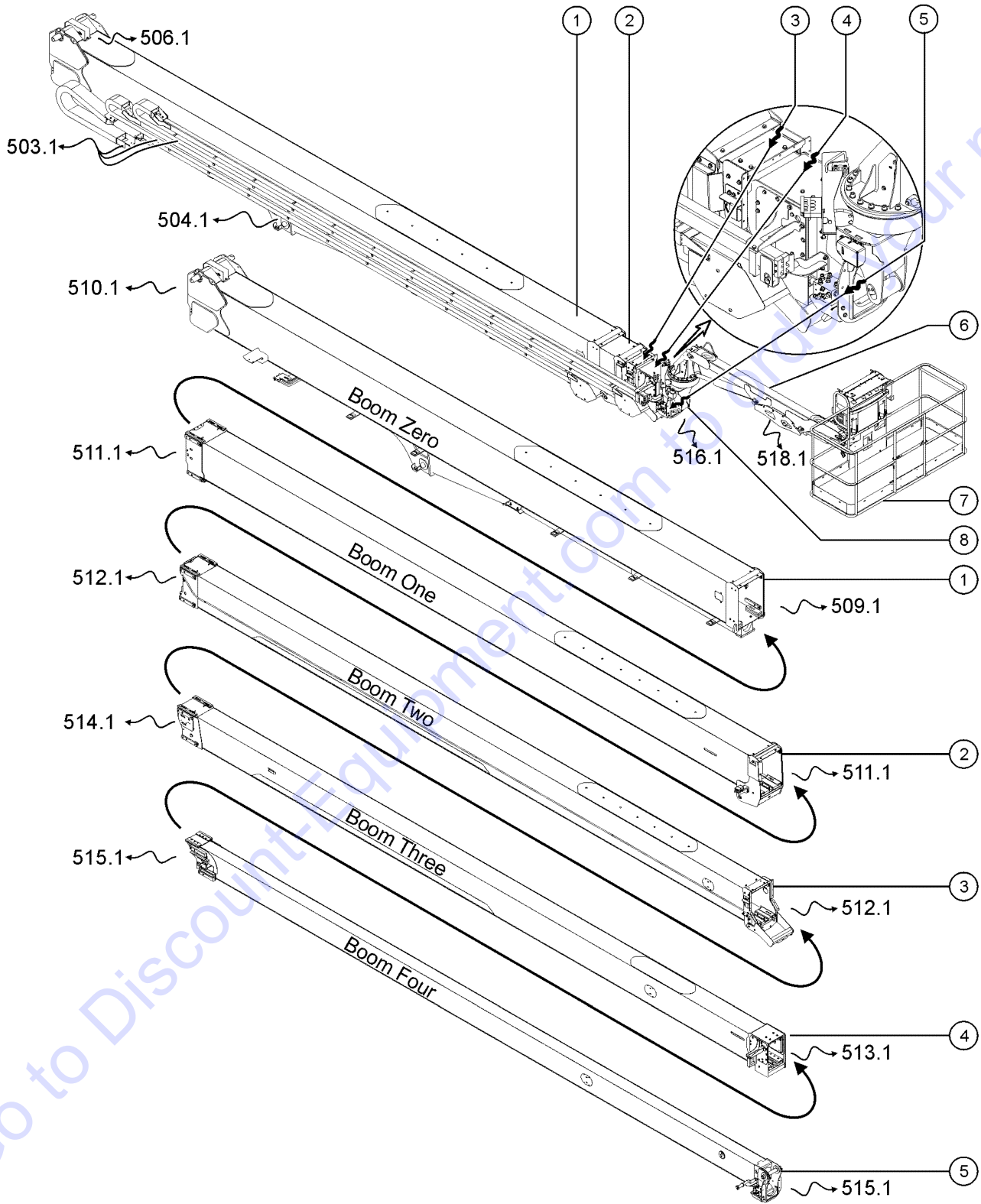


Go to Discount-Equipment.com to order your parts

412.1 Perkins Engine Attached Components

Item	Part No.	Description	Qty.
1	824091GT	SCREW,HHF,3/8-16X1.25,8,ZAG.....	3
2	235758GT	WELDMENT, ENGINE TRAY.....	1
3	60826GT	SHIM,WEAR PAD ENGINE TRAY.....	2
4	60637GT	WEAR PAD,ENGINE SUPPORT.....	1
5	231509GT	SCREW,HHC,M20-2.5X80,DIN933,10....	1
6	231510GT	WASHER,FLAT,M20,DIN6916,HRD,ZAB.1	
7	60875-6600GT	TRIM MOULDING (Perkins 1104D-44T)	
8	215518GT	FORMING,BAFFLE,PERKINS 1104 (Perkins 1104D-44T)	
9	231532GT	SCREW,HHF,M6-1.0X20,DIN6921,10.9,ZAB (Perkins 1104D-44T)	
10	237352GT	SCREW,HHF,M10-1.5X16,DIN6921,10.9,ZAB	
11	6653GT	CLAMP,1.88,#30 X 1/4,RUB CUSH.....	1
12	60584GT	GROMMET,RUBBER .75 X .19 X 1**	
13	236766GT	BEARING,FL.,40IDX48ODX28L.....	2
14	216818GT	CABLE CLAMP, BATTERY.....	4
15	216597GT	SCREW,HHF,M6-1.0X50,DIN6921,10.9,ZAB.4	
16	231513GT	NUT,TL FLG,M6-1.0,DIN6927,10,ZAB....	5
17	216819GT	CABLE CLAMP, FUEL LINE.....	1
18	232886GT	SCREW,HHF,M6X40,DIN6921,10.9,.....	1

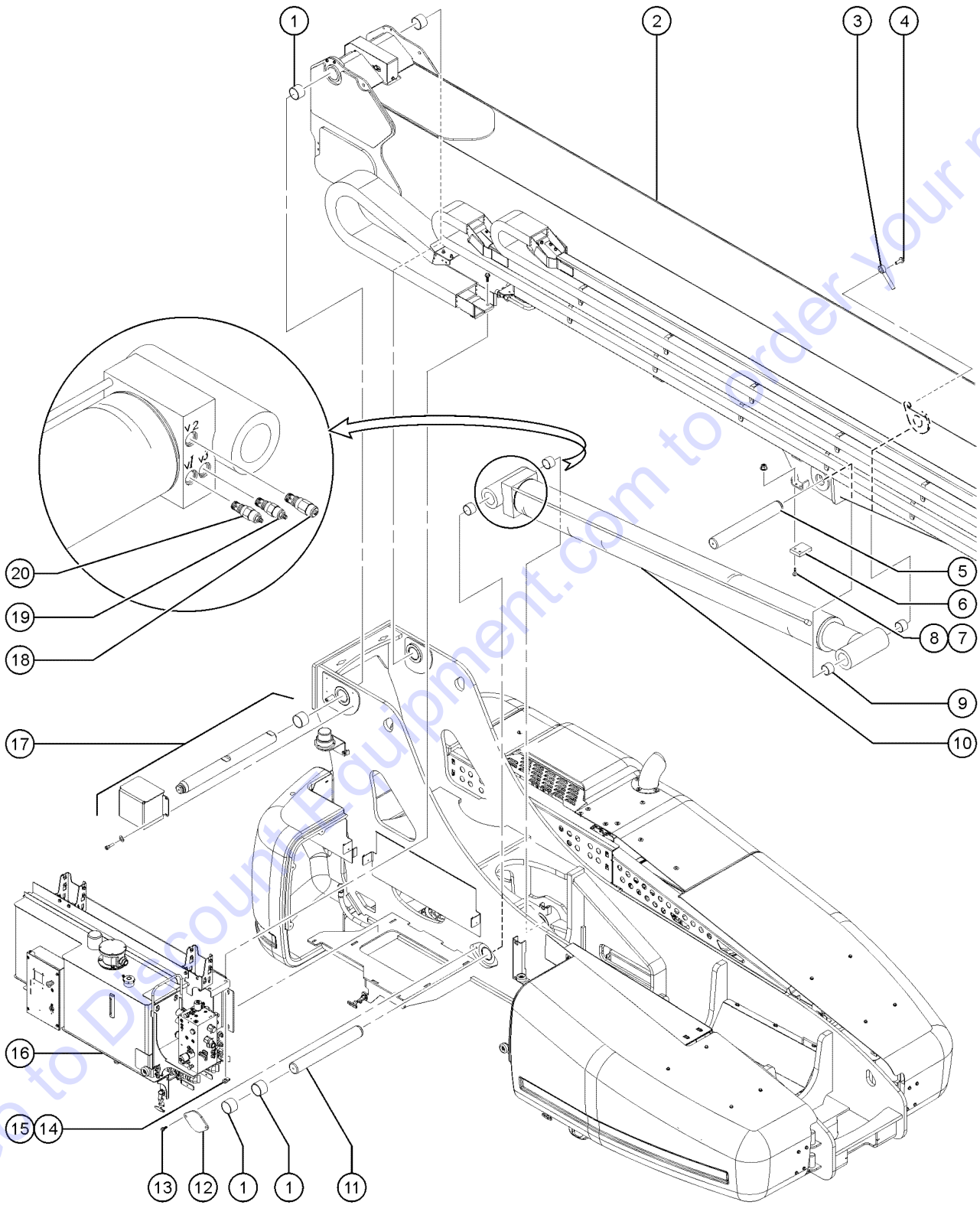
501.1 Boom Components



Item	Part No.	Description	Qty.
1		Ref. WELDMENT,BOOM #0 <i>(Refer to 509.1 and 510.1)</i>	
2		Ref. WELDMENT,BOOM #1 <i>(Refer to 511.1)</i>	
3		Ref. WELDMENT,BOOM #2 <i>(Refer to 512.1)</i>	
4		Ref. WELDMENT,EXT. BOOM #3 <i>(Refer to 513.1 and 514.1)</i>	
5		Ref. WELDMENT,EXT. BOOM #4 <i>(Refer to 515.1)</i>	
6		Ref. WELDMENT, 10FT JIB <i>(Refer to 518.1)</i>	
7		Ref. WELDMENT, 8 FT PLATFORM <i>(Refer to 602.1)</i>	
8		Ref. BELLCRANK AND JIB ROTATOR <i>(Refer to 516.1 and 517.1)</i>	

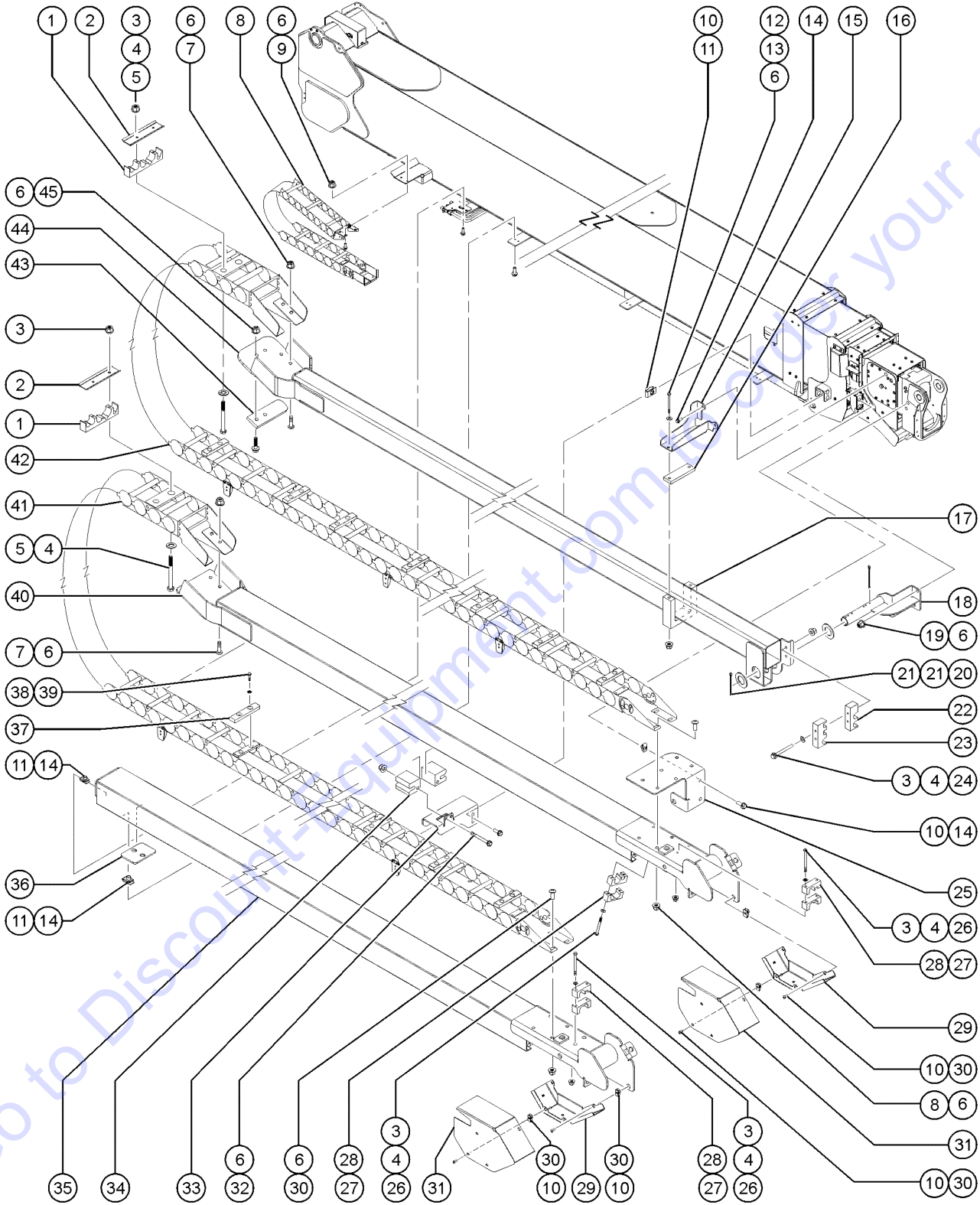
Go to Discount-Equipment.com to order your parts

502.1 Boom Lift Cylinder



Item	Part No.	Description	Qty.
1	231480GT	BEARING, 80ID X 90OD X 60L.....	6
2		Ref. WELDMENT,BOOM #0 (Refer to 509.1 and 510.1)	
3	61341GT	ROD END,.75 X 5.00.....	1
4	232884GT	SCREW,HHF, M10-1.5X25,ZAB	
5	231545GT	PIN, 80 MM DIA X 510 MM LG.....	1
6	822605GT	WEAR PAD, 93X75X20.....	2
7	231533GT	SCREW,HHF,M10-1.5X35,DIN6921,10.9,ZAB	
8	231529GT	NUT,TL FLG,M10-1.5,DIN6927,10,ZAB	
9	231480GT	BEARING, 80ID X 90OD X 60L.....	4
10	226761GT	CYLINDER, PRIMARY LIFT.....	1
--	231309GT	SEAL KIT	
11	232858GT	PIN,80MM DIA.X 619MM LG.....	1
12	226766GT	PLATE, PIN RETAINER.....	2
13	231511GT	SCREW,HHF,M12-1.75X35,DIN6921,10.9,ZAB	
14	230074GT	SPRING CLIP,M10-1.5,1-6X19,ZAB	
15	215820GT	SCREW,BHC,M10-1.50 X 30,10.9,ZAB	
16		Ref. TANK, HYDRAULIC 110 GAL..... (Refer to 312.1)	1
17		Ref. COVER AND ANGLE SENSOR..... (Refer to 302.1)	1
18	216256GT	COUNTERBALANCE VALVE - CBBB-LJN-4500..... V2 (RETRACT SIDE)	1
19	216257GT	COUNTERBALANCE VALVE - CBDB-LHN-3500..... V3 (EXTEND SIDE)	1
20	216258GT	COUNTERBALANCE VALVE - CWEG-LGN-4500..... V1 (EXTEND SIDE)	1

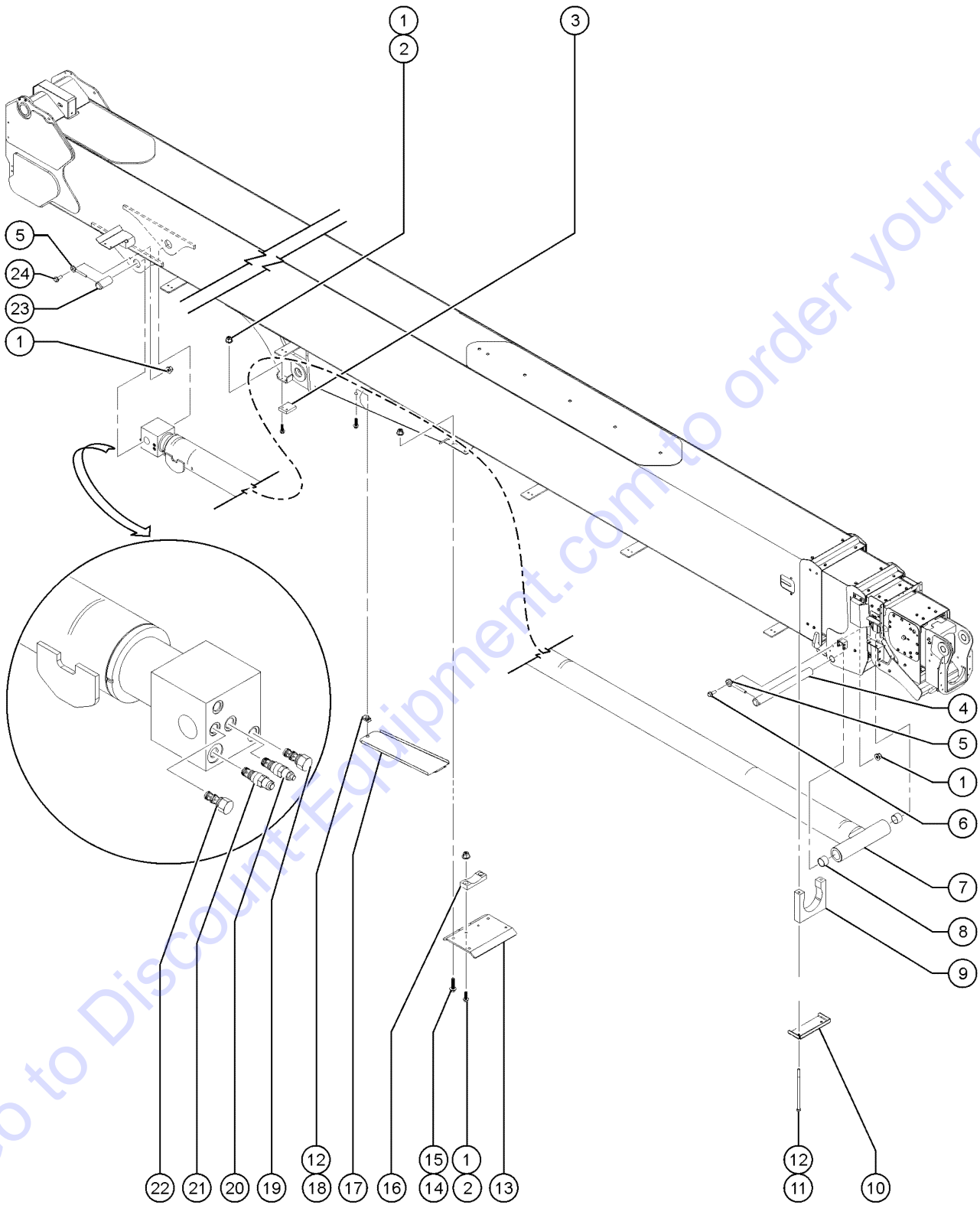
503.1 Cable Track Installation



503.1 Cable Track Installation

Item	Part No.	Description	Qty.	Item	Part No.	Description	Qty.
1	215489GT	CABLE CLAMP, IN TRACK.....	2	35	231290GT	WELDMENT, ALUMINUM, B0 C T TRAY.....	1
2	1256290GT	STEEL TOP PLATE CLAMP.....	2	36	822603GT	PLATE, B0 CT TRAY HOLD DOWN.....	5
3	231513GT	NUT,TL FLG,M6-1.0,DIN6927,10,ZAB		37	1257116GT	UHMW BLOCK, CABLE TRACK.....	23
4	825355GT	WASHER,FLAT,M6,DIN125,ZAB		38	6090GT	SCREW,HHC,1/4-20 X .75	
5	825624GT	SCREW,HHC,M6-1.0X65,DIN931		39	6097GT	WASHER,FLAT,USS,3/8",Y	
6	231529GT	NUT,TL FLG,M10-1.5,DIN6927,10,ZAB		40	231289GT	WELDMENT, ALUMINUM, B2 PULL TU.....	1
7	215820GT	SCREW,BHC,M10-1.50 X 30,10.9,ZAB		41	226763GT	CABLETRACK, SRC-110,97 LINKS.....	1
8	226764GT	CABLETRACK, LRC-200, 19 LINKS.....	1	--	1256244GT	ASSEMBLY, CABLE TRACK SRC-110, 4 LINK	
--	1256240GT	ASSEMBLY, CABLE TRACK LRC-200, 4 LINK		--	1256245GT	BRACKETS, CABLE TRACK SRC-110, MOVING END	
--	1256241GT	BRACKETS, CABLE TRACK LRC-200,MOVING END		--	1256246GT	BRACKETS, CABLE TRACK SRC-110, FIXED END	
--	1256242GT	BRACKETS, CABLE TRACK LRC-200, FIXED END		--	1256247GT	KIT, PIN AND RING, SRC-110	
--	1256243GT	KIT, PIN AND RING, LRC-200		--	1257116GT	UHMW BLOCK, CABLE TRACK	
9	825597GT	BOLT,CARRIAGE,M10-1.5X30,DIN603,8.8,ZAB		--	1257117GT	KIT, FINGER GUIDE, CABLE TRACK	
10	230074GT	SPRING CLIP,M10-1.5,1-6X19,ZAB		--	1257123GT	UHMW BLOCK, CABLE TRACK	
11	231530GT	SCREW,HHF,M10-1.5X25,DIN6921,10.9,ZAB		42	226762GT	CABLETRACK, SRC-110,101 LINKS.....	1
12	236406GT	SCREW,HHC,M10-1.5X170,DIN931,10.9,ZAB		--	1256244GT	ASSEMBLY, CABLE TRACK SRC-110, 4 LINK	
13	824145GT	WASHER,FLAT,M10,DIN125,ZAB		--	1256245GT	BRACKETS, CABLE TRACK SRC-110, MOVING END	
14	232874GT	SCREW,HHF,M10-1.5X30,DIN6921,10.9,ZAB		--	1256246GT	BRACKETS, CABLE TRACK SRC-110, FIXED END	
15	216689GT	FORMING, CT GUIDE MOUNT, B3.....	1	--	1256247GT	KIT, PIN AND RING, SRC-110	
16	81342GT	WEAR PAD,5.5 X 1.75 X .5.....	1	--	1257116GT	UHMW BLOCK, CABLE TRACK	
17	81341GT	WEAR PAD,CABLE TRACK PULL TUBE.....	1	--	1257117GT	KIT, FINGER GUIDE, CABLE TRACK	
18	162381GT	WELDMENT,PULL TUBE PIVOT.....	2	--	1257123GT	UHMW BLOCK, CABLE TRACK	
19	231533GT	SCREW,HHF,M10-1.5X35,DIN6921,10.9,ZAB <i>Not shown (Refer to 515.1)</i>		43	825413GT	WEAR PAD,50X10X150NG.....	1
20	42079GT	PIN,COTTER, .156 X 2.5		44	231279GT	WELDMENT,ALUMINUM, B4 PULL TUBE.....	1
21	18596GT	WASHER,FLAT,1.56 X 2.5 X .061.....	2	45	232871GT	SCREW,HHF,M10-1.5X40,DIN6921,10.9,ZAB	
22	215494GT	CABLE CLAMP, ELECTRICAL.....	1				
23	215493GT	CABLE CLAMP, HYDRAULIC.....	1				
24	825580GT	SCREW,HHC,M6-1.0X100,DIN931,10.9,ZAB					
25	216688GT	FORMING, CABLE TRACK MOUNT, B2.....	1				
26	825581GT	SCREW,HHC,M6-1.0X85,DIN931,10.9,ZAB					
27	215492GT	CABLE CLAMP, AIRLINE AND LS.....	2				
28	215491GT	CABLE CLAMP, ELECTRICAL.....	2				
29	162089GT	FORMING,CABLE TRACK COVER BOT.....	2				
30	237735GT	SCREW,BHC,M10-1.50X25,10.9,ZAB					
31	162090GT	FORMING,CABLE TRACK COVER SIDE.....	2				
32	215818GT	SCREW,HHF,M10-1.5X100,DIN6921,					
33	216690GT	FORMING, CT GUIDE MOUNT, B1.....	1				
34	237546GT	WEAR PAD,PULL TUBE RETAINER.....	2				

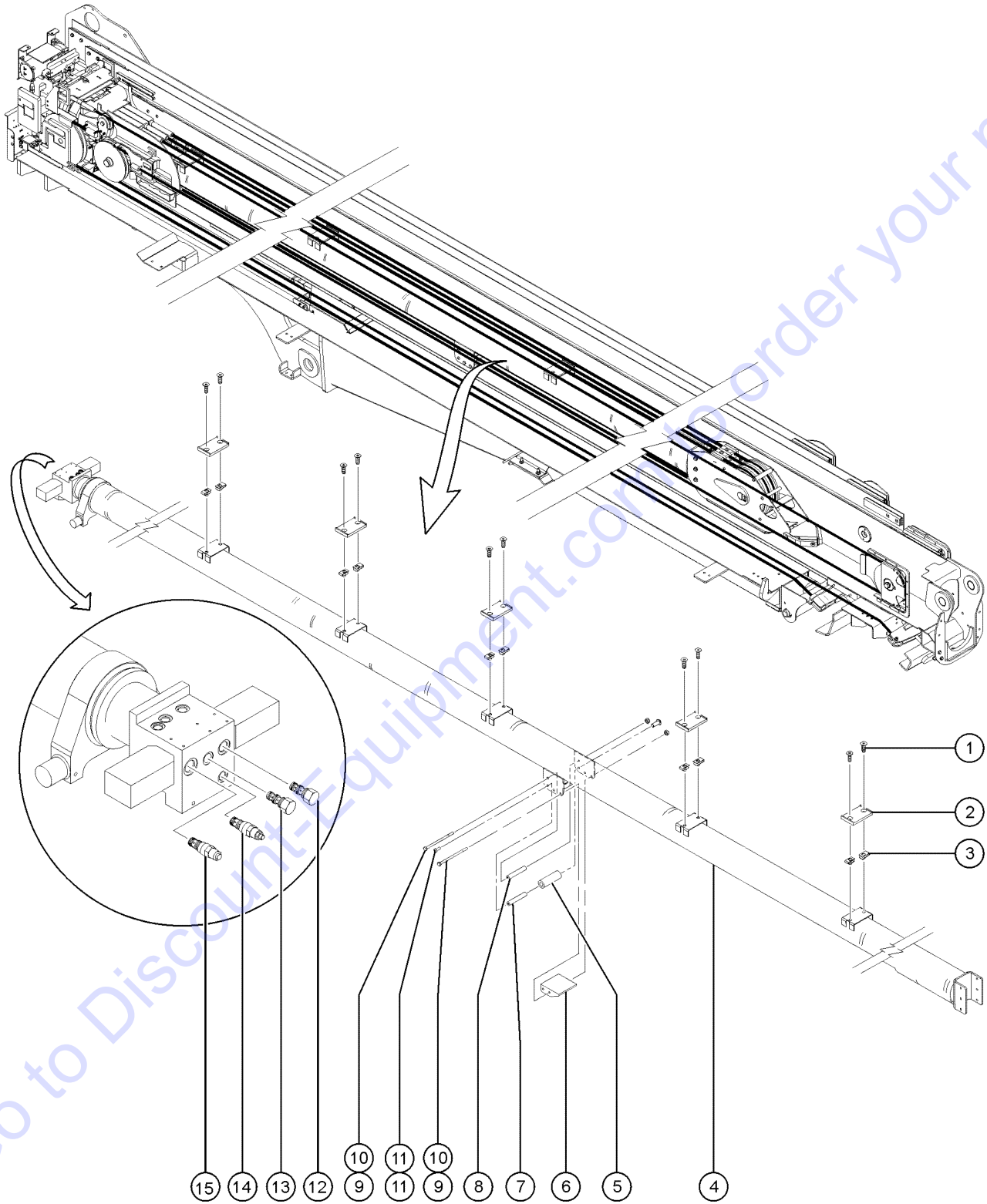
504.1 Secondary Extend Cylinder



504.1 Secondary Extend Cylinder

Item	Part No.	Description	Qty.
1	231529GT	NUT,TL FLG,M10-1.5,DIN6927,10,ZAB	
2	231533GT	SCREW,HHF,M10-1.5X35,DIN6921,10.9,ZAB	
3	822605GT	WEAR PAD, 93X75X20	
4	231541GT	PIN,50MM DIA.X 510MM LG,1HOLE.....1	
5	825019GT	ROD END,.375X3.69,ZAG.....3	
6	232871GT	SCREW,HHF,M10-1.5X40,DIN6921,10.9,ZAB	
7	226760GT	CYLINDER, SECONDARY EXTEND.....1	
--	231308GT	SEAL KIT (226760)	
8	1256274GT	BEARING, 50ID X 58OD X 35L.....2	
9	236354GT	WEAR PAD, SEC EXT CYL SUPPORT.....1	
10	215893GT	FORMING, SEC EXT SUPPORT.....1	
11	215880GT	SCREW, HHC, M12-1.75X260,ZAB.....2	
12	825632GT	NUT, TL FLG, M12-1.75, ZAB	
13	215900GT	FORMING, SEC EXT WP SUPPORT.....1	
14	232869GT	SCREW,HHF,M12X50,DIN6921, 10.9	
15	232868GT	NUT,TL,FLG,M12-1.75,DIN6927,10	
16	215752GT	WEAR PAD, SEC EXT CYL SUPPORT.....1	
17	215895GT	FORMING, SEC EXT COVER 2.....1	
18	230073GT	SPRING CLIP,M6-1.0,0.8-4MM PAN	
19	226757GT	VALVE,CHECK,PILOT CLSD CODA-XCN.....1	
20	226756GT	VALVE,COUNTERBAL,CBEJ-LIN@700..1	
21	60331GT	VALVE,COUNTERBAL.CWCA-LIN@600*.1	
22	226758GT	VALVE,CHECK CXDA-XCN.....1	
23	232865GT	PIN, 50 MM DIA X 70 MM LG.....2	
24	231088GT	SCREW,HHF,M10-1.5X20,DIN6921,10.9,ZAB	

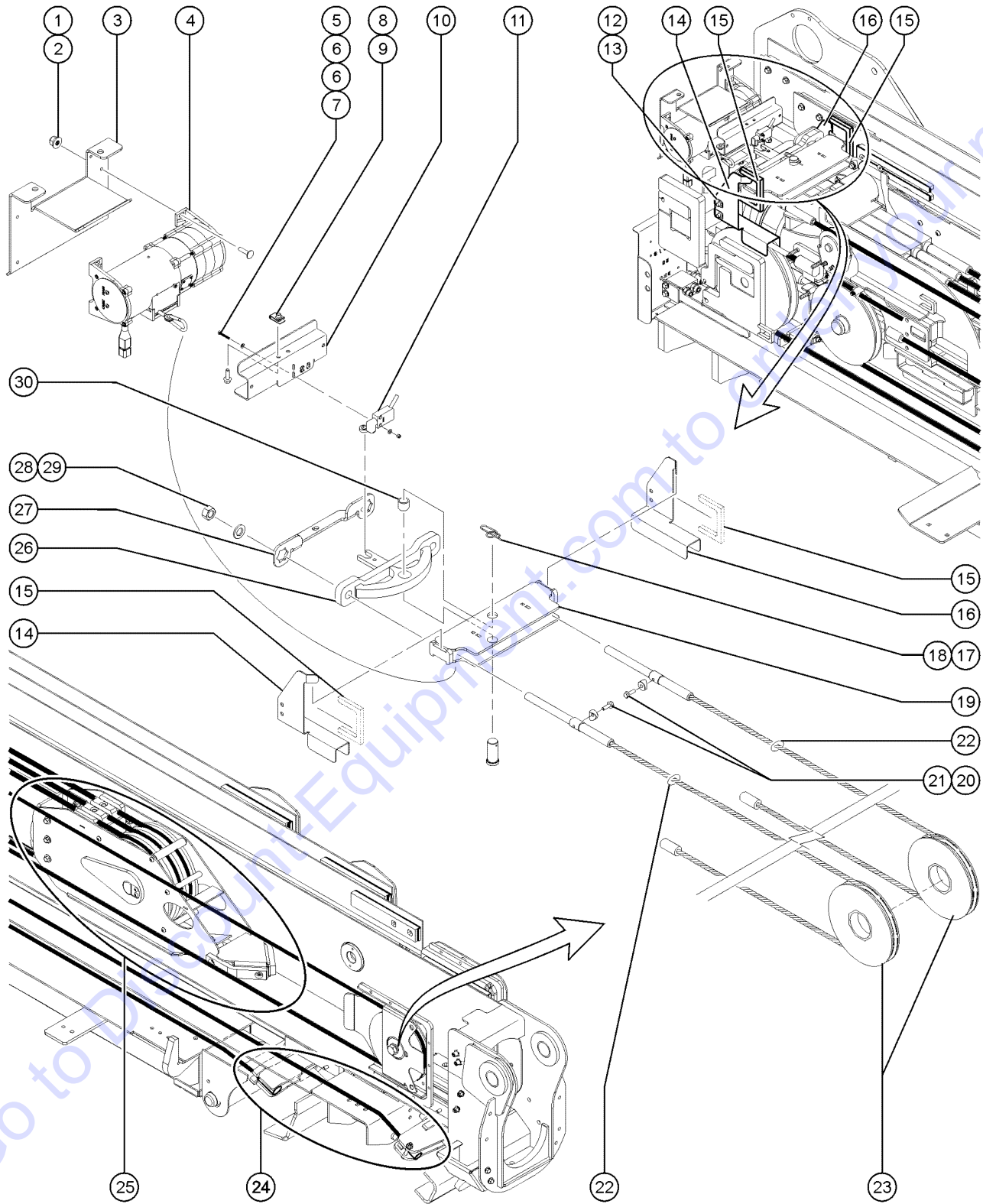
505.1 Primary Extend Cylinder



505.1 Primary Extend Cylinder

Item	Part No.	Description	Qty.
1	219967GT	SCREW,FHS,M10-1.5X25,DIN7991,10.9,ZAB	
2	236287GT	WEAR PAD,PRI EXT CYL,UPR,CBL.....5	
3	230074GT	SPRING CLIP,M10-1.5,1-6X19,ZAB.....4	
4	226759GT	CYLINDER, PRIMARY EXTEND.....1 (Refer to 507.1 and 508.1)	
--	231307GT	SEAL KIT.....1	
5	236289GT	WEAR PAD,CBL ROLLER,SHORT.....1	
6	236286GT	WEAR PAD,PRI EXT CYL,LOWER.....1	
7	826007GT	SHAFT,WEAR PAD ROLLER.....1	
8	236391GT	ROLLER, PRI EXT LOWER.....1	
9	236406GT	SCREW,HHC,M10-1.5X170,DIN931,10.9,ZAB.3	
10	232951GT	NUT, TL, M10-1.5,DIN980, ZAB.....3	
11	237735GT	SCREW,BHC,M10-1.50X25,10.9,ZAB	
12	226758GT	VALVE,CHECK CXDA-XCN.....1	
13	226757GT	VALVE,CHECK,PILOT CLSD CODA-XCN.....1	
14	60331GT	VALVE,COUNTERBAL.CWCA-LIN@600*.1	
15	226756GT	VALVE,COUNTERBAL,CBEJ-LIN@700..1	

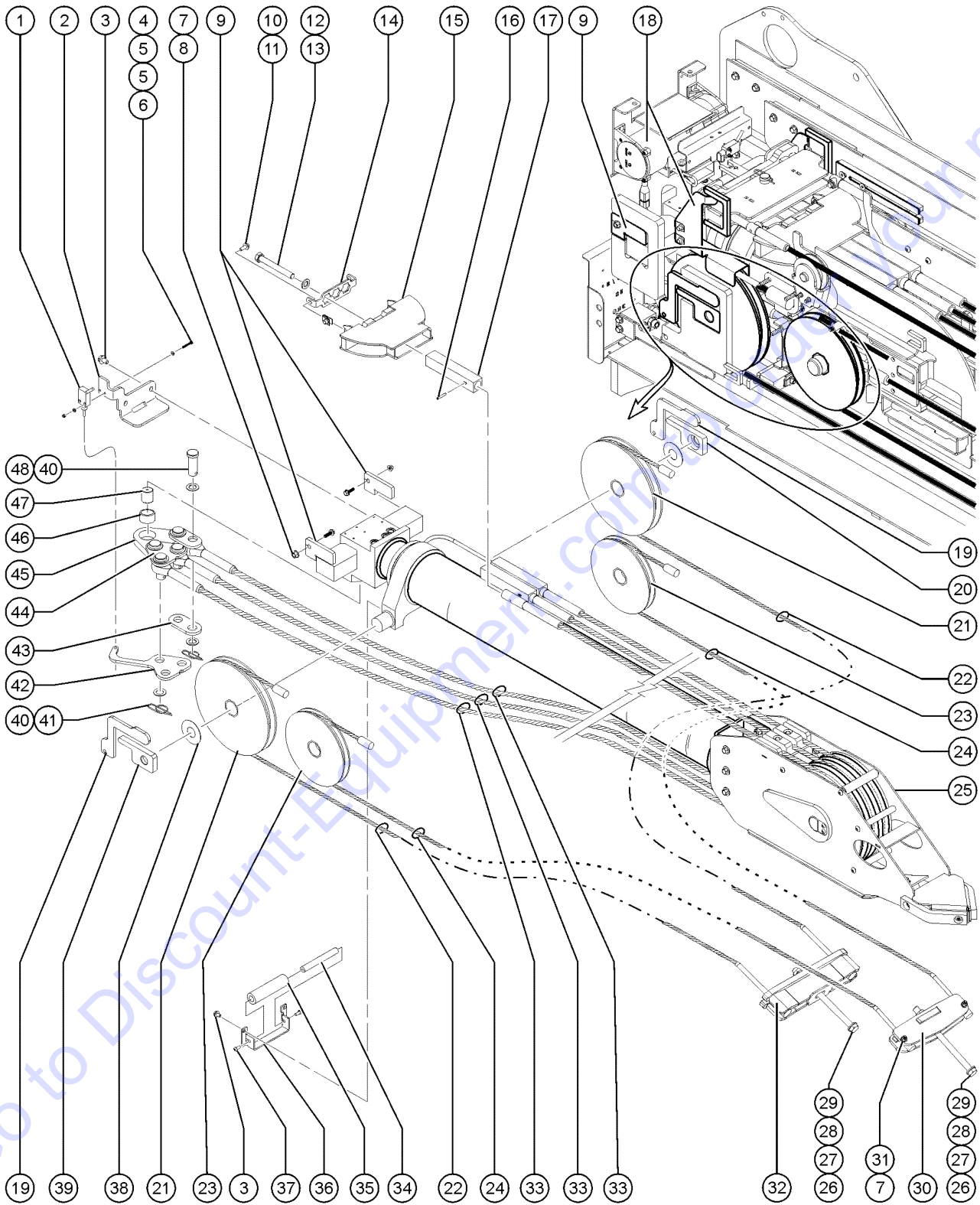
506.1 Cable Assembly - View 1



506.1 Cable Assembly - View 1

Item	Part No.	Description	Qty.
1	231513GT	NUT,TL FLG,M6-1.0,DIN6927,10,ZAB	
2	216028GT	BOLT, CARRIAGE,M6=1.0X25,ZAB	
3	215898GT	FORMING,STRING POT MOUNT	
4	236403GT	LENGTH TRANSDUCER, 800",DUAL CHANNEL.....1	
--	633144GT	BEARING	
5	822353GT	SCREW,PHPM,M4-0.7X30,ZAB	
6	825357GT	WASHER,FLAT,M4,DIN125,ZAB	
7	825686GT	NUT, TL, M4-0.7, DIN980, 8, ZAB	
8	219697GT	SPRING CLIP,M6-1.0,3.4-6.3MMX1	
9	231532GT	SCREW,HHF,M6-1.0X20,DIN6921,10.9,ZAB	
10	216021GT	FORMING, B2, LSB6S MOUNT.....1	
11	236396GT	SWITCH ASSY, CABLE TENSION #2,....1	
--	13644 141JGT	LIMIT SWITCH,TAB,BLUE,MICRO	
12	230074GT	SPRING CLIP,M10-1.5,1-6X19,ZAB	
13	231530GT	SCREW,HHF,M10-1.5X25,DIN6921,10.9,ZAB	
14	826157GT	FORMING,B2,SHEAVE GUIDE,CT SID.....1 <i>Tank side (Refer to 512.1, item 5 for location)</i>	
15		Ref. EXT CBL MNT.....2 <i>Part of boom #2 weldment (Refer to 512.1, item 5 for location)</i>	
16	826156GT	FORMING,B2,SHEAVE GUIDE,ENG SI.....1 <i>Engine side (Refer to 512.1, item 5 for location)</i>	
17	824129GT	RUE RING,1.0,ZAG.....1	
18	826379GT	PIN,CLEVIS,1X2.250,ZAG.....1	
19	232960GT	WELDMENT, #4 EXT CABLE ADJ MNT.....1	
20	824133GT	SCREW,HHF,M8-1.25X25,DIN6921,10.9,ZAB	
21	236484GT	SPACER, CURVED, 1IN TUBE.....2	
22	1256234GT	SET, CABLE, B4 EXTEND.....1 <i>(Set contains two cables)</i>	
23	231303GT	SHEAVE, EXTEND B4.....2 <i>(Refer to 513.1)</i>	
24		Ref. EQUILIZER ASSEMBLIES <i>(Refer to 507.1)</i>	
25		Ref. PRIMARY EXTEND SHEAVE MOUNT, ASSY <i>Bolted to BOOM #4 (Refer to 507.1 and 508.1)</i>	
26	232966GT	ASSEMBLY,#4 EXT CABLE ADJ PIVO....1	
27	232967GT	FORMING,#4 EXT CABLE NUT RETAI...1	
28	215814GT	NUT,M20-2.5,DIN934,10,ZAB.....2	
29	231510GT	WASHER,FLAT,M20,DIN6916,HRD,ZAB.2	
30	25817GT	BEARING,1.00IDX1.25ODX1.00L.....1 <i>Included in assembly 232966</i>	

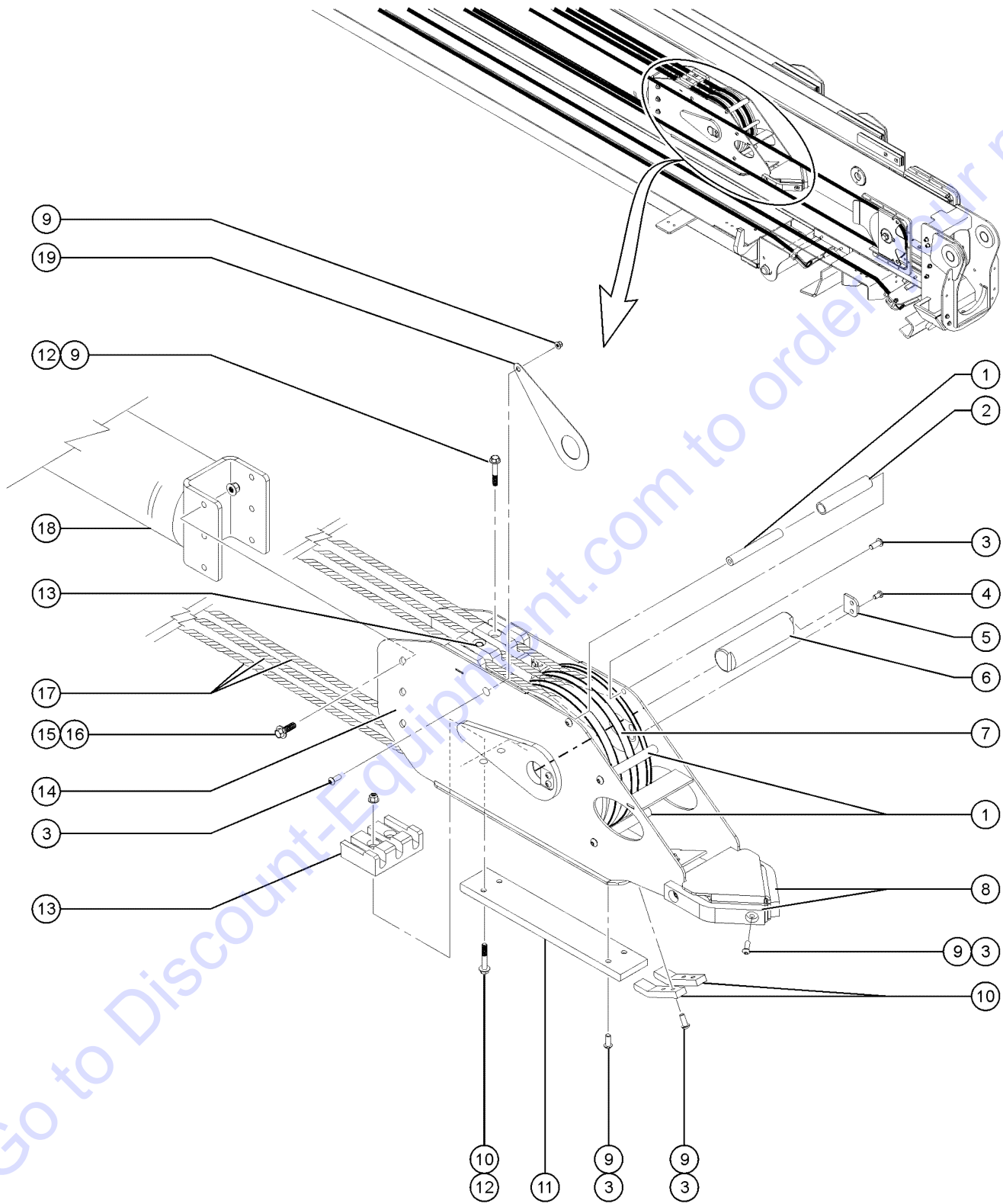
507.1 Cable Assembly - View 2



507.1 Cable Assembly - View 2

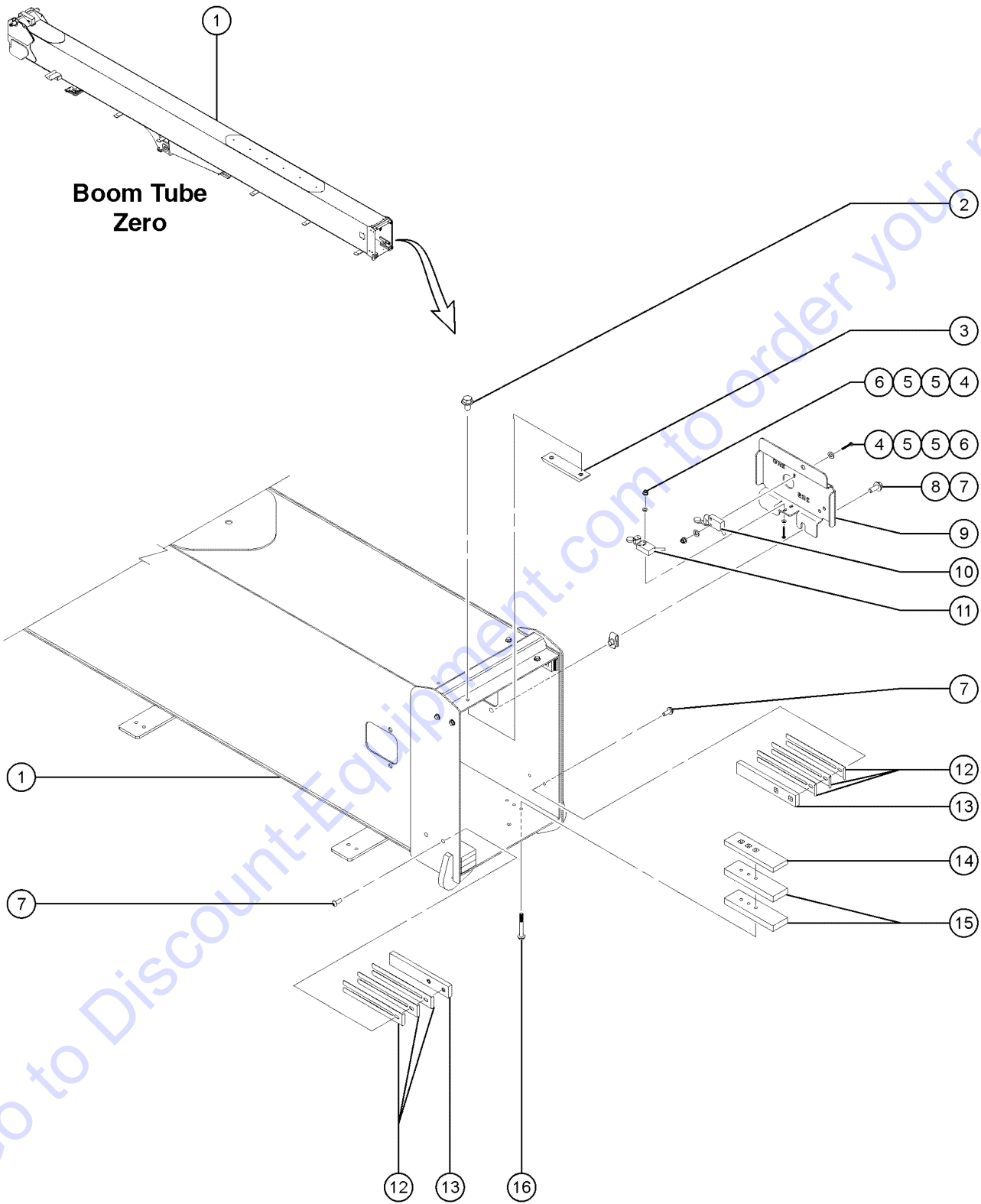
Item	Part No.	Description	Qty.	Item	Part No.	Description	Qty.
1	236395GT	SWITCH ASSY, CABLE TENSION #1,....1		34	826440GT	SHAFT,WEAR PAD ROLLER.....1	1
2	216025GT	FORMING. PRI EXT, LSB5S MOUNT.....1		35	236288GT	WEAR PAD,CBL ROLLER,LONG.....1	1
3	237352GT	SCREW,HHF,M10-1.5X16,DIN6921,10.9,ZAB		36	215897GT	FORMING, REAR CABLE ROLLER MOU.....1	1
4	822353GT	SCREW,PHPM,M4-0.7X30,ZAB		37	237735GT	SCREW,BHC,M10-1.50X25,10.9,ZAB....2	2
5	825357GT	WASHER,FLAT,M4,DIN125,ZAB		38	826004GT	SPACER,EXTEND SHEAVE.....2	2
6	825686GT	NUT, TL, M4-0.7, DIN980, 8, ZAB		39	218242GT	MACHINED, PRI EXT BARREL MNT,....1 (Tank side)	1
7	231529GT	NUT,TL FLG,M10-1.5,DIN6927,10,ZAB		40	233108GT	RUE RING 1.25,ZAG.....5	5
8	232874GT	SCREW,HHF,M10-1.5X30,DIN6921,10.9,ZAB		41	96390GT	WASHER,FLAT, 1.27 X 2.13 X .13.....10	10
9	232922GT	MACHINED,PRI EXT CYL LOCK PLT.....2 <i>Locks Primary EXT cylinder to Boom #1</i>		42	215890GT	PLATE, B3 EXT CABLE LINK, LS H.....1	1
10	231530GT	SCREW,HHF,M10-1.5X25,DIN6921,10.9,ZAB		43	231527GT	PLATE, B3 EXT CABLE LINK.....2	2
11	230074GT	SPRING CLIP,M10-1.5,1-6X19,ZAB		44	231528GT	PLATE, B3 EXT CABLE LINK, 2 CA.....1	1
12	232941GT	SCREW,HHC,M20-2.5X160,DIN933,10.9,ZAB.3		45	231525GT	MACHINED, B3 EXT CABLE EQUALIZ...1 <i>Does not include bushing T114803</i>	1
13	231510GT	WASHER,FLAT,M20,DIN6916,HRD,ZAB.3		46	T114803GT	BUSHING,58OD X 50ID X 25LG.....1	1
14	826002GT	FORMING,BOLT LOCK.....1		47	232923GT	PIN,50MM DIA. X 55MM LG.....1	1
15	232947GT	WELDMENT,#3 EXT CABLE ADJUSTME.....1		48	236481GT	PIN,CLEVIS,1.25 X 3,ZAG.....5	5
16	10665GT	PIN,ROLL, .25 X 1.5***3					
17	231521GT	COUPLING, EXT. CABLE ADJUSTMENT.....3					
18		Ref. FORMING,B2,SHEAVE GUIDE,CT SIDE (Refer to 506.1)					
19	826154GT	PLATE,B2,CYLINDER LOCK.....2 (Refer to 512.1, item 35)					
20	218241GT	MACHINED, PRI EXT BARREL MNT,....1 (Engine side)					
21	231300GT	SHEAVE, RETRACT B3.....2					
22	1256232GT	SET, CABLE, B3 RETRACT.....1 (Set contains two cables)					
23	231301GT	SHEAVE, RETRACT B4.....2					
24	1256235GT	SET, CABLE, B4 RETRACT.....1 (Set contains two cables)					
25		Ref. PRIMARY EXTEND SHEAVE MOUNT, ASSY (Refer to 508.1)					
26	215815GT	SCREW,HHC,M20-2.5X300,DIN933,10.9,ZAB.2					
27	231510GT	WASHER,FLAT,M20,DIN6916,HRD,ZAB.2					
28	215814GT	NUT,M20-2.5,DIN934,10,ZAB.....2					
29	231515GT	NUT,HEX,JAM,M20-2.5,DIN439,ZAB....2					
30	162194GT	WELDMENT, B4 RET CABLE EQUALIZ.....1					
31	238347GT	SCREW,HHF,M10-1.5X70,DIN6921,10.9,ZAB					
32	162190GT	WELDMENT, B3 RET CABLE EQUALIZ.....1					
33	1256233GT	SET, CABLE, B3 EXTEND.....1 (Set contains three cables)					

508.1 Cable Assembly - View 3



Item	Part No.	Description	Qty.
1	215667GT	BAR,ROUND.....	3
2	215892GT	ROLLER, PRI EXT TOP.....	1
3	237735GT	SCREW,BHC,M10-1.50X25,10.9,ZAB	
4	217711GT	SCREW,BHC,M8-1.25X16,10.9,ZAB	
5	162196GT	PLATE, PIN ANTI SPIN.....	2
6	231542GT	PIN,50MM DIA X 179MM LG.....	1
7	231302GT	SHEAVE, EXTEND B3.....	1
8	237542GT	WEAR PAD,SHEAVE WLDMNT SIDE GU.....	2
9	231529GT	NUT,TL FLG,M10-1.5,DIN6927,10,ZAB	
10	237541GT	WEAR PAD,SHEAVE WLDMNT FRT GUI.....	2
11	237540GT	WEAR PAD,SHEAVE WLDMNT GUIDE.....	1
12	232952GT	SCREW,HHF,M10-1.5X50,DIN6921,10.9,ZAB	
13	237543GT	WEAR PAD, CABLE GUIDE.....	2
14	215658GT	WELDMNT, EXTEND SHEAVE..... (Refer to 507.1)	1
15	231511GT	SCREW,HHF,M12-1.75X35,DIN6921,10.9,ZAB	
16	232868GT	NUT,TL,FLG,M12-1.75,DIN6927,10	
17		Ref. CABLE, B3 EXTEND..... (Refer to 507.1)	3
18		Ref. CYLINDER, PRIMARY EXTEND (Refer to 505.1)	
19	826140GT	SHIM,PRI EXTD SHEAVE MOUNT	

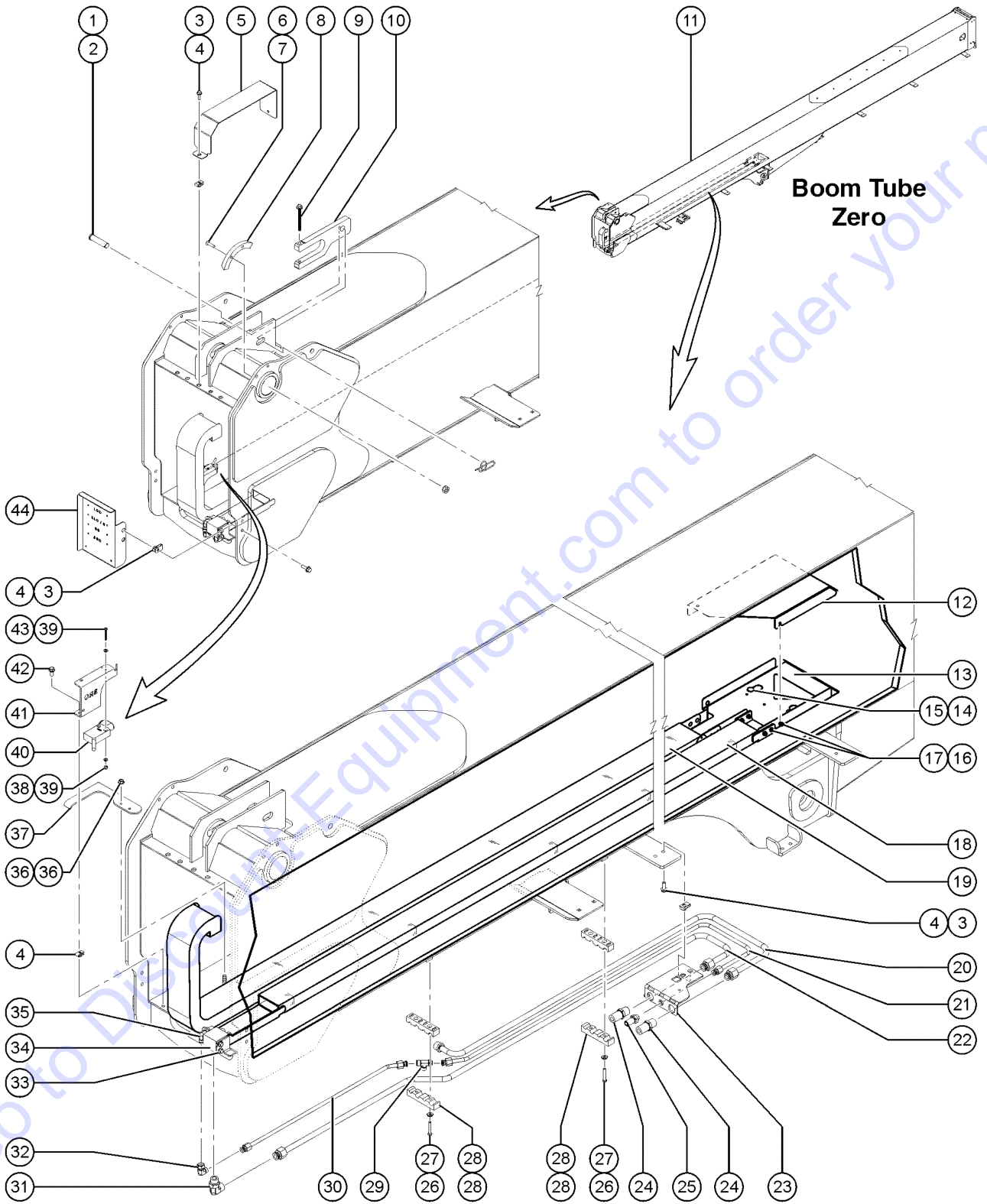
509.1 Boom Tube Zero - Wear Pads



509.1 Boom Tube Zero - Wear Pads

Item	Part No.	Description	Qty.
1	226713GT	WELDMENT,BOOM #0.....1 (Refer to 510.1)	1
2	237352GT	SCREW,HHF,M10-1.5X16,DIN6921,10.9,ZAB	
3	215889GT	WEAR PAD, 200X50X12.....2	2
4	825686GT	NUT, TL, M4-0.7, DIN980, 8, ZAB	
5	825357GT	WASHER,FLAT,M4,DIN125,ZAB	
6	822353GT	SCREW,PHPM,M4-0.7X30,ZAB	
7	231530GT	SCREW,HHF,M10-1.5X25,DIN6921,10.9,ZAB	
8	230074GT	SPRING CLIP,M10-1.5,1-6X19,ZAB	
9	215899GT	FORMING, B0 LSB2RO&RS MOUNT.....1	1
10	236401GT	SWITCH ASSY, 151FT RET OPER, S....1 (Calibration required after replacement)	1
--	1364412 120K1GT	LIMIT SWITCH,TAB,BLUE,MICRO	
11	236402GT	SWITCH ASSY, 151FT RET SAFETY,.....1 (Calibration required after replacement)	1
--	1364421 21B1GT	LIMIT SWITCH,TAB,BLUE,MICRO	
12	822602GT	SHIM, WEAR PAD, 300 X 50	
13	236237GT	WEAR PAD, 300X50X20.....4	4
14	1253500GT	WEAR PAD,250X75X20NG.....2	2
15	236226GT	SPACER, WEARPAD, 250X76X25.....4	4
16	215816GT	SCREW, HHF, M1-1.5X80,ZAB	

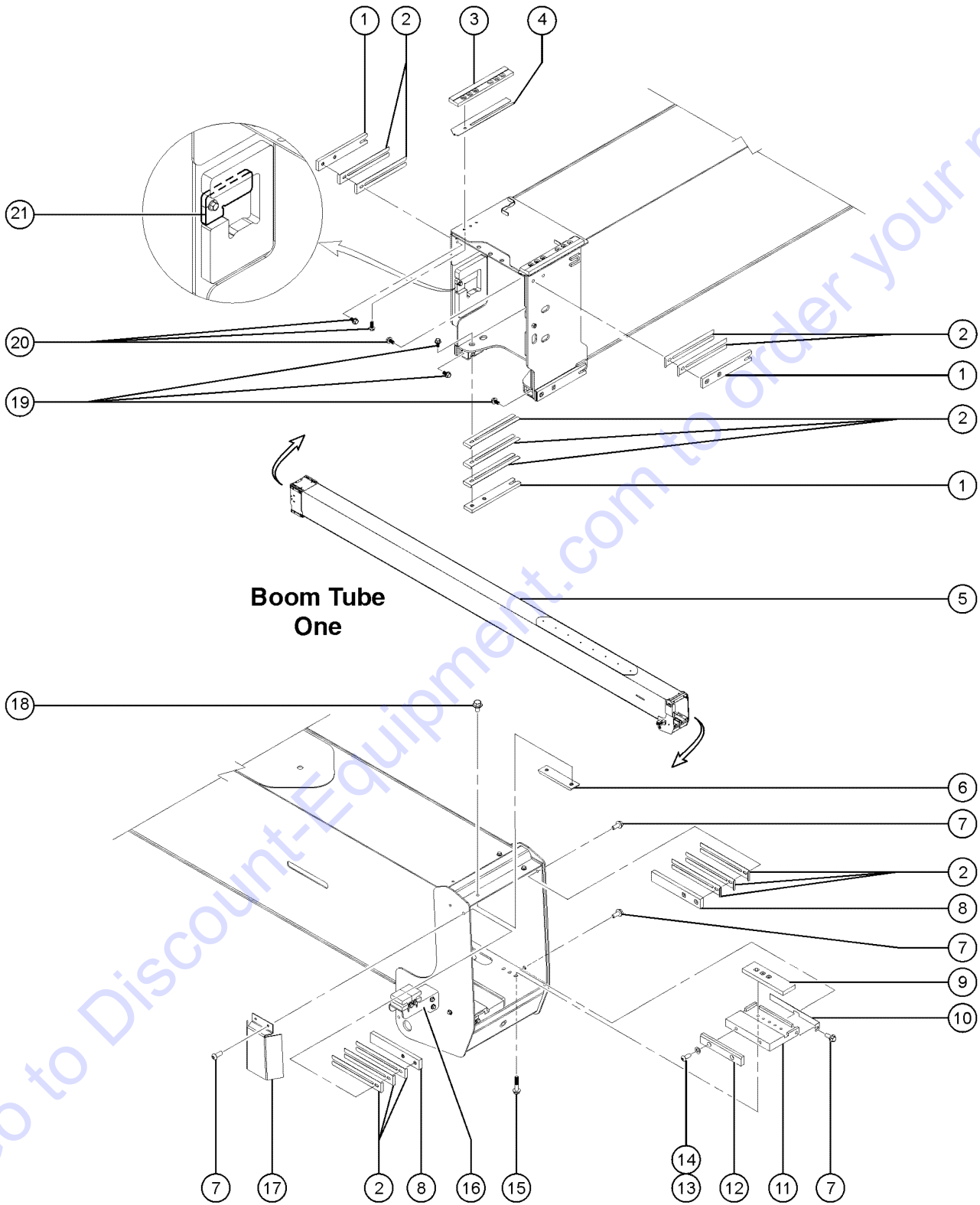
510.1 Boom Tube Zero - Inner Cable Track



510.1 Boom Tube Zero - Inner Cable Track

Item	Part No.	Description	Qty.	Item	Part No.	Description	Qty.
1	237245GT	PIN, CLEVIS, 1X4, ZAG.....	1	36	216028GT	BOLT, CARRIAGE,M6=1.0X25,ZAB	
2	824129GT	RUE RING,1.0,ZAG.....	1	37	215902GT	FORMING, B2, LSB3RO RAMP	
3	232874GT	SCREW,HHF,M10-1.5X30,DIN6921,10.9,ZAB		38	825686GT	NUT, TL, M4-0.7, DIN980, 8, ZAB	
4	230074GT	SPRING CLIP,M10-1.5,1-6X19,ZAB		39	825357GT	WASHER,FLAT,M4,DIN125,ZAB	
5	231491GT	FORMING, CLAMP COVER.....	1	40	236398GT	SWITCH ASSY, 3FT EXT OPER, SUP....1 (Calibration required after replacement)	
6	216036GT	SCREW,HHF,M10-1.5X60,DIN6921,10.9,ZAB.1		--	1364414B60GT	LIMIT SWITCH,TAB,BLUE,MICRO	
7	232951GT	NUT, TL, M10-1.5,DIN980, ZAB		41	215901GT	FORMING, B0, LSB3RO MOUNT.....	1
8	1253165GT	WEAR PAD,LSB1DO CAM.....	1	42	231530GT	SCREW,HHF,M10-1.5X25,DIN6921,10.9,ZAB	
9	237244GT	SCREW,HHF,M12-1.75X120,IFI536,10.9,ZAB		43	822353GT	SCREW,PHPM,M4-0.7X30,ZAB	
10	231488GT	MACHINE, MAIN PIN CLAMP.....	1	44	822604GT	FORMING,B0, HARNESS CONN PLATE.....	1
11		Ref. WELDMENT,BOOM #0 (Refer to 509.1)					
12	822000GT	FORMING, B0 HOSE COVER TOP.....	1				
13	822001GT	FORMING, B0 HOSE COVER BOTTOM.....	1				
14	825597GT	BOLT,CARRIAGE,M10-1.5X30,DIN603,8.8,ZAB					
15	231529GT	NUT,TL FLG,M10-1.5,DIN6927,10,ZAB					
16	231513GT	NUT,TL FLG,M6-1.0,DIN6927,10,ZAB					
17	822352GT	BOLT, CARRIAGE,M6=1.0X16,ZAB					
18	218237GT	WELDMENT, ALUM, INN. CBL TRACK.....	1				
19	226765GT	CABLE TRACK.....	1				
--	1256251GT	ASSEMBLY, 4 LINK REPAIR KIT, SC-75					
--	1256252GT	BRACKETS, CABLE TRACK SC-75, MOVING END					
--	1256253GT	BRACKETS, CABLE TRACK SC-75, FIXED END					
--	1256254GT	KIT, PIN AND RING, SC-75					
20	218594GT	HARDLINE,SEC. EXTEND,BOOM #0....	1				
21	218597GT	HARDLINE,SEC. RETURN, BOOM #0....	1				
22	218596GT	HARDLINE,PRI. EXTEND,BOOM #0.....	1				
23	215896GT	FORMING, EXTEND BULKHEAD MOUNT.....	1				
24	48968GT	CONN,BULKHEAD,520601-12.....	2				
25	48894GT	CONN,BULKHEAD,520601-8.....	1				
26	825674GT	SCREW, HHC, 5/16-18X2,8,ZAG					
27	825358GT	WASHER,FLAT,5/16,USS,ZAG					
28	218618GT	CLAMP, HARDLINE, BO.....	4				
29	51265GT	TEE,UNION,520401-8.....	1				
30	218595GT	HARDLINE,PRI. RETURN, BOOM #0....	1				
31	48959GT	FITTING,ELBOW,90D,520220-12.....	1				
32	48879GT	ELBOW,SWIVEL 90D, 520221-8.....	1				
33	231088GT	SCREW,HHF,M10-1.5X20,DIN6921,10.9,ZAB					
34	237326GT	MANIFOLD, PRIMARY EXT, BO.....	1				
35	75042GT	ELBOW,BULKHEAD UNION 520701-8...1					

511.1 Boom Tube One - Wear Pads

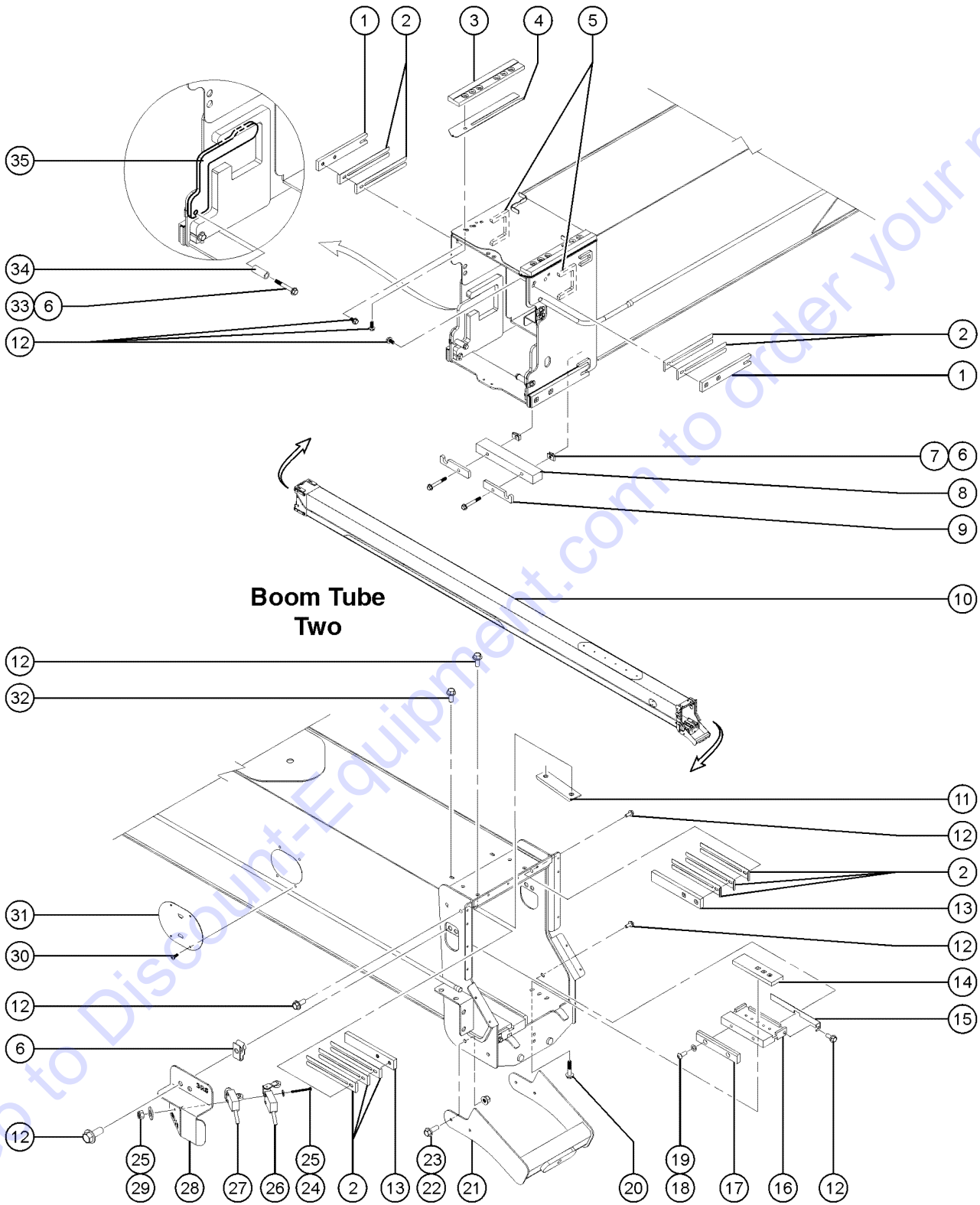


Boom Tube One

511.1 Boom Tube One - Wear Pads

Item	Part No.	Description	Qty.
1	236236GT	WEAR PAD, 300X50X15, BLACK.....	6
2	822602GT	SHIM, WEAR PAD, 300 X 50	
3	236234GT	WEAR PAD,340X55X20.....	2
4	822600GT	SHIM, WEAR PAD, 340 X 55, 16G.....	1-as-needed
5	226725GT	WELDMENT,BOOM #1	
6	215889GT	WEAR PAD, 200X50X12.....	2
7	231530GT	SCREW,HHF,M10-1.5X25,DIN6921,10.9,ZAB	
8	236237GT	WEAR PAD, 300X50X20.....	2
9	125350GT	WEAR PAD,250X75X20NG.....	2
10	823068GT	SHIM,CHANNEL WEARPAD, LEFT,16G.....	2-as-needed
11	822091GT	MACHINING, B1 WEARPAD FIXTURE...2	
12	822092GT	WEARPAD, 1.75" X .75" X 250MM.....	2
13	237735GT	SCREW,BHC,M10-1.50X25,10.9,ZAB	
14	824145GT	WASHER,FLAT,M10,DIN125,ZAB	
15	232952GT	SCREW,HHF,M10-1.5X50,DIN6921,10.9,ZAB	
16		Ref. FORMING, CT GUIDE MOUNT, B1..... (Refer to 503.1, item 33)	1
17	825936GT	FORMING,CABLE TUBE GUIDE SX.....	1
18	237352GT	SCREW,HHF,M10-1.5X16,DIN6921,10.9,ZAB	
19	231088GT	SCREW,HHF,M10-1.5X20,DIN6921,10.9,ZAB	
20	231530GT	SCREW,HHF,M10-1.5X25,DIN6921,10.9,ZAB	
21		Ref. PLATE, PRI EXT CYL LOCK (Refer to 507.1, item 9)	

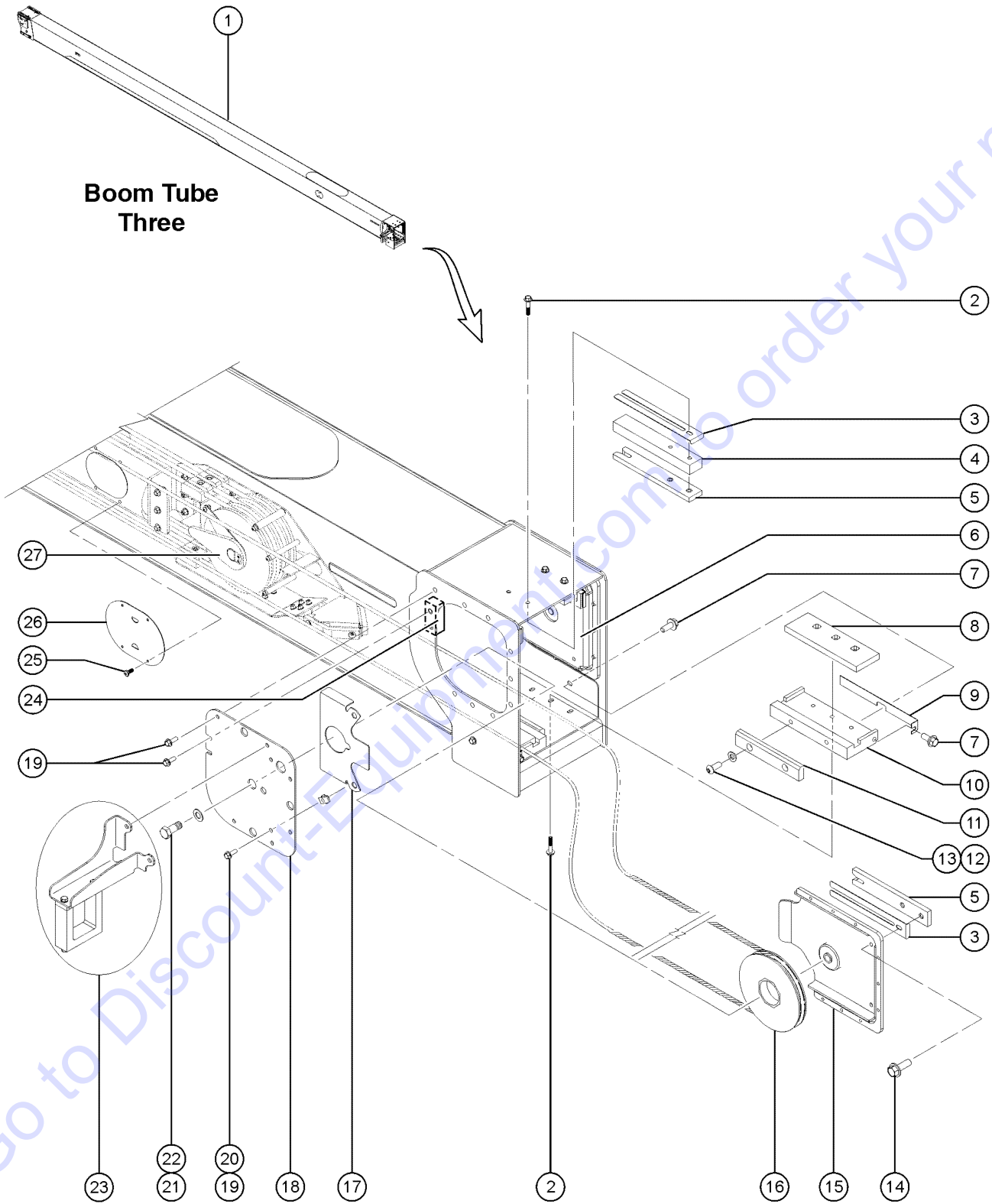
512.1 Boom Tube Two - Wear Pads



512.1 Boom Tube Two - Wear Pads

Item	Part No.	Description	Qty.
1	236236GT	WEAR PAD, 300X50X15, BLACK.....	6
2	822602GT	SHIM, WEAR PAD, 300 X 50	
3	236234GT	WEAR PAD,340X55X20.....	2
4	822600GT	SHIM, WEAR PAD, 340 X 55, 16G	
5		Ref. EXT CBL MNT.....	2
		<i>Part of boom #2 weldment (refer to 506.1, item 15)</i>	
6	230074GT	SPRING CLIP,M10-1.5,1-6X19,ZAB	
7	215816GT	SCREW, HHF, M1-1.5X80,ZAB	
8	236293GT	WEAR PAD, FRONT LOWER, B2.....	1
9	826155GT	PLATE, B2, B3 RET CABLE GUIDE.....	2
10	226738GT	WELDMENT,BOOM #2.....	1
11	215889GT	WEAR PAD, 200X50X12.....	2
12	231530GT	SCREW,HHF,M10-1.5X25,DIN6921,10.9,ZAB	
13	236237GT	WEAR PAD, 300X50X20.....	2
14	236233GT	WEAR PAD, 250X75X20.....	2
15	823069GT	SHIM,CHANNEL WEARPAD,RIGHT,16G	
16	822090GT	MACHINING, B2 WEARPAD FIXTURE...2	
17	822092GT	WEARPAD, 1.75" X .75" X 250MM.....	2
18	237735GT	SCREW,BHC,M10-1.50X25,10.9,ZAB	
19	824145GT	WASHER,FLAT,M10,DIN125,ZAB	
20	232952GT	SCREW,HHF,M10-1.5X50,DIN6921,10.9,ZAB	
21	226697GT	WELDMENT, B2, #4 RET CABLE MNT...1	
22	232874GT	SCREW,HHF,M10-1.5X30,DIN6921,10.9,ZAB	
23	231529GT	NUT,TL FLG,M10-1.5,DIN6927,10,ZAB	
24	826523GT	SCREW,PHPM,M4-0.7X45,DIN7985,ZAB	
25	825357GT	WASHER,FLAT,M4,DIN125,ZAB	
26	236399GT	SWITCH ASSY, 3.5FT EXT SAFETY,.....	1
--	128636GT	ROLLER,ARM,LIMIT SWITCH,ZCY500	
--	1364424 1240GT	LIMIT SWITCH,TAB,BLUE,MICRO	
27	236400GT	SWITCH ASSY, 150FT EXT OPER/SA...1	
--	128636GT	ROLLER,ARM,LIMIT SWITCH,ZCY500	
--	1364412 1240GT	LIMIT SWITCH,TAB,BLUE,MICRO	
28	232919GT	FORMING,BOOM #2,LSB3RS MOUNT.....	1
29	825686GT	NUT, TL, M4-0.7, DIN980, 8, ZAB	
30	826173GT	SCREW,PHPM-ST,M6-1.0X12,DIN750	
31	232895GT	PLATE, INSPECTION COVER.....	2
32	237352GT	SCREW,HHF,M10-1.5X16,DIN6921,10.9,ZAB	
33	826008GT	SCREW,HHF,M10-1.5X75,DIN6921,10.9,ZAB.2	
34	825943GT	TUBE,SPACER.....	2
35	826154GT	PLATE,B2,CYLINDER LOCK.....	2
		<i>(Refer to 507.1, item 19)</i>	

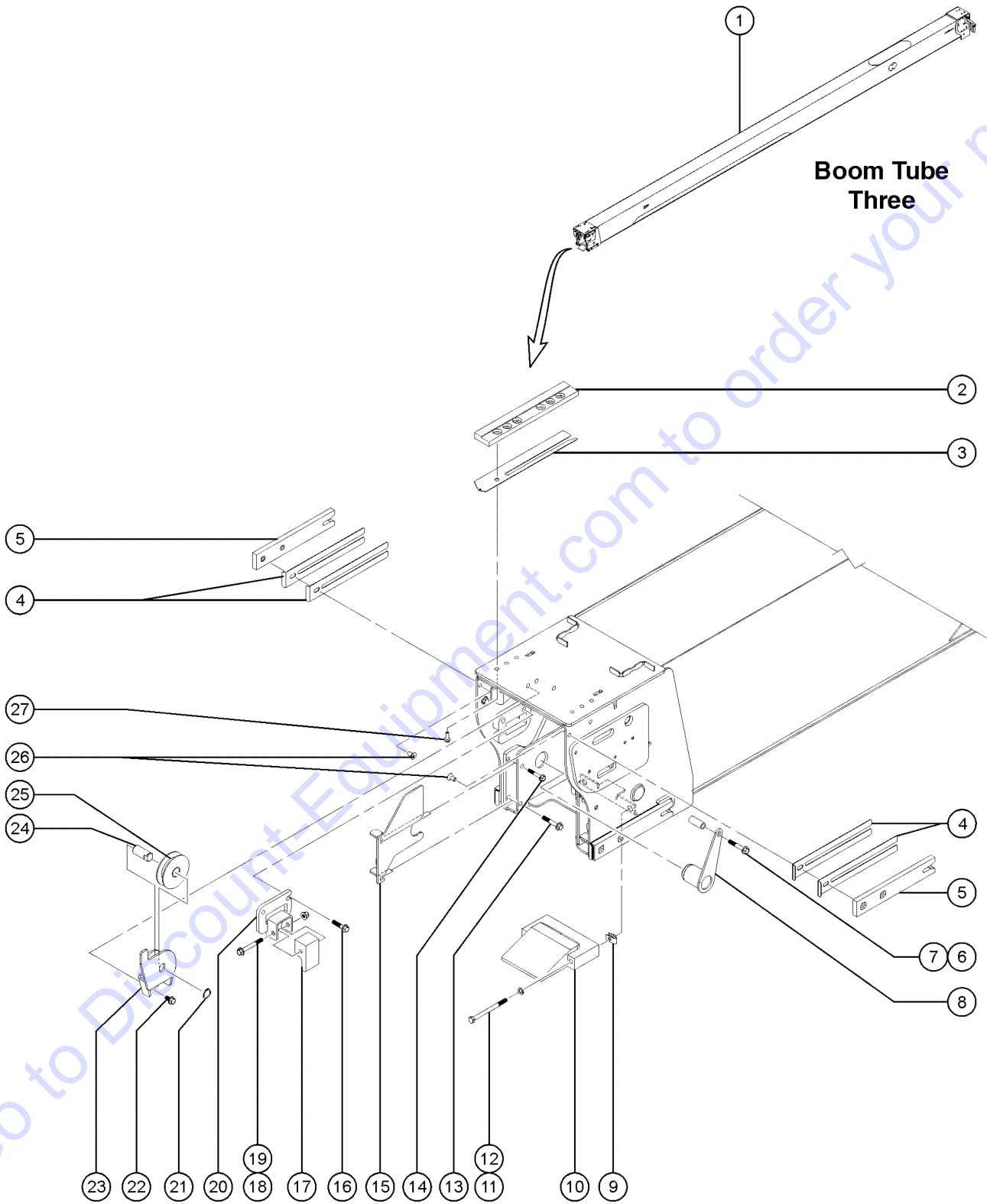
513.1 Boom Tube Three - Wear Pads, View 1



513.1 Boom Tube Three - Wear Pads, View 1

Item	Part No.	Description	Qty.
1	230891GT	WELDMENT,EXT. BOOM #3.....1	
2	232952GT	SCREW,HHF,M10-1.5X50,DIN6921,10.9,ZAB	
3	822602GT	SHIM, WEAR PAD, 300 X 50	
4	236229GT	SPACER,WEAR PAD,300 X 50 X 25.....2	
5	236236GT	WEAR PAD, 300X50X15, BLACK.....4	
6	232903GT	WELDMENT,RT B4 EXT SHV MNT,IN....1 (Engine side)	
7	231530GT	SCREW,HHF,M10-1.5X25,DIN6921,10.9,ZAB	
8	825542GT	WEARPAD,280MM X 90MM X 3/4IN.....2	
9	823069GT	SHIM,CHANNEL WEARPAD,RIGHT,16G	
10	823145GT	MACHINING, B3 WEARPAD FIXTURE...2	
11	822092GT	WEARPAD, 1.75" X .75" X 250MM.....2	
12	237735GT	SCREW,BHC,M10-1.50X25,10.9,ZAB	
13	824145GT	WASHER,FLAT,M10,DIN125,ZAB	
14	231088GT	SCREW,HHF,M10-1.5X20,DIN6921,10.9,ZAB	
15	232902GT	WELDMENT,LT B4 EXT SHV MNT,IN.....1 (Tank side)	
16		Ref. SHEAVE, EXTEND B4.....2 (Refer to 506.1)	
17	232918GT	FORMING,SHEAVE SPACER.....2 (Same part on engine side)	
18	232908GT	PLATE,B3 REAR,B4 EXT SHEAVE CV...2 (Same part on engine side)	
19	232874GT	SCREW,HHF,M10-1.5X30,DIN6921,10.9,ZAB.4	
20	230074GT	SPRING CLIP,M10-1.5,1-6X19,ZAB.....4	
21	232984GT	SCREW,HHC,M20-2.5X50,DIN933,10....2	
22	231510GT	WASHER,FLAT,M20,DIN6916,HRD,ZAB.2	
23		Ref. FORMING, CT GUIDE MOUNT, B3 (Refer to 503.1, item 15)	
24	236290GT	WEAR PAD,SPACER,CBL GUIDE.....2 (Same part on engine side)	
25	826173GT	SCREW,PHPM-ST,M6-1.0X12,DIN750	
26	232895GT	PLATE, INSPECTION COVER.....2	
27		Ref. PRIMARY EXTEND SHEAVE MOUNT, ASSY Bolted to BOOM #4 (Refer to 507.1 and 508.1)	

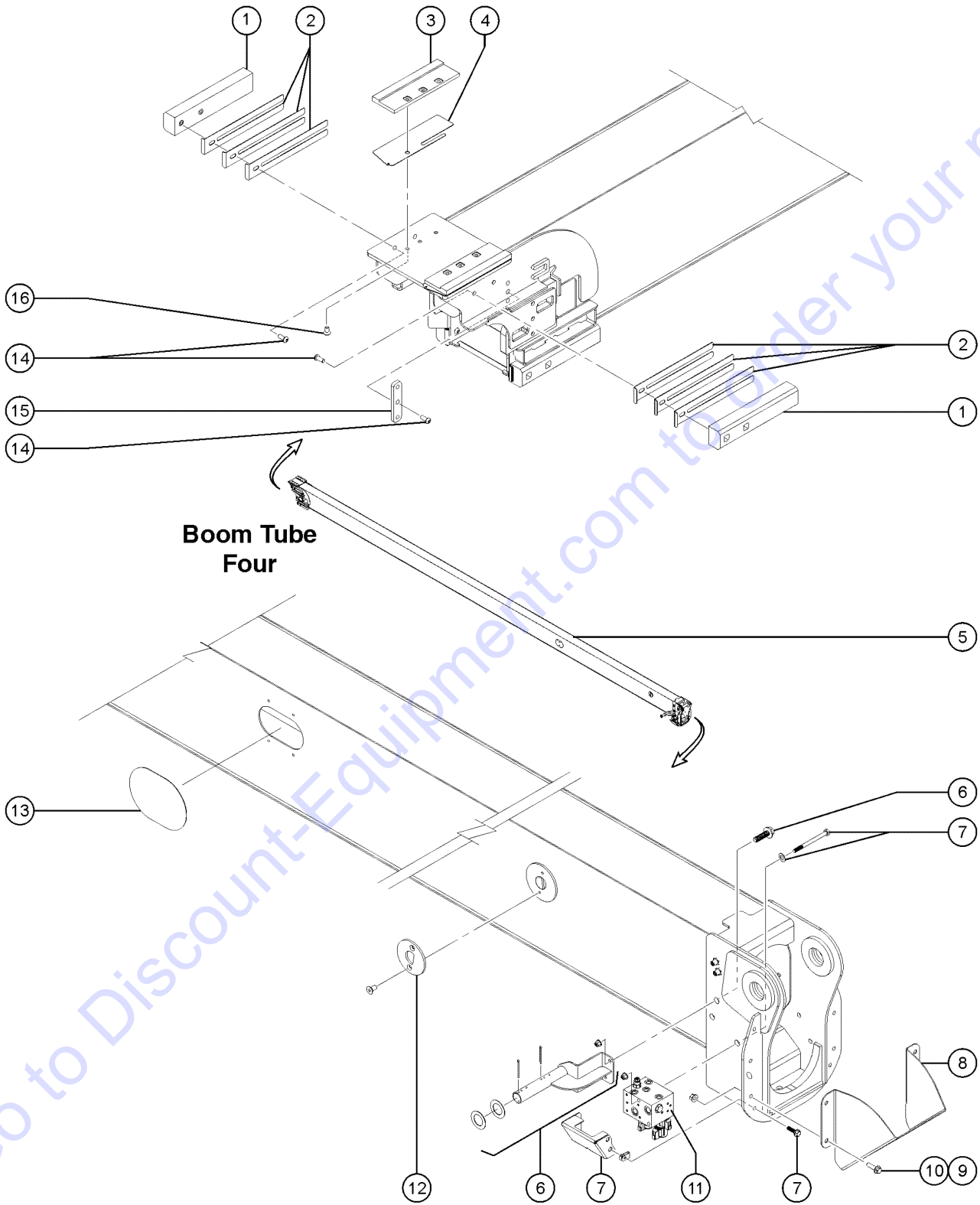
514.1 Boom Tube Three - Wear Pads, View 2



514.1 Boom Tube Three - Wear Pads, View 2

Item	Part No.	Description	Qty.
1		Ref. WELDMENT,EXT. BOOM #3.....1 (Refer to 513.1)	1
2	236234GT	WEAR PAD,340X55X20.....2	2
3	822600GT	SHIM, WEAR PAD, 340 X 55, 16G	
4	822602GT	SHIM, WEAR PAD, 300 X 50	
5	236236GT	WEAR PAD, 300X50X15, BLACK.....4	4
6	216036GT	SCREW,HHF,M10-1.5X60,DIN6921,10.9,ZAB	
7	825943GT	TUBE,SPACER.....2	2
8	236792GT	WELDMENT,PIN,B3,#4 RET SHEAVE....2	2
9	230074GT	SPRING CLIP,M10-1.5,1-6X19,ZAB	
10	236292GT	WEAR PAD,FRONT LOWER,B3.....1	1
11	216165GT	SCREW,HHC,M10-1.5X130,10.9,ZAB	
12	824145GT	WASHER,FLAT,M10,DIN125,ZAB	
13	826008GT	SCREW,HHF,M10-1.5X75,DIN6921,10.9,ZAB	
14	216036GT	SCREW,HHF,M10-1.5X60,DIN6921,10.9,ZAB	
15	219135GT	WELDMENT,B3,#4 SHEAVE SPACER....1 (shown)	1
--	219134GT	WELDMENT, B3, #4 SHEAVE SPACER.....1 (other side)	1
16	215706GT	SCREW,HHF,M10-1.5X45,DIN6921,10.9,ZAB	
17	237545GT	WEAR PAD,B3,EXT CYL GUIDE.....2	2
18	215816GT	SCREW, HHF, M1-1.5X80,ZAB	
19	231529GT	NUT,TL FLG,M10-1.5,DIN6927,10,ZAB.....2	2
20	216024GT	WELDMENT, B2 RET CABLE RETAINERS.....2	2
21	232942GT	SNAP RING, EXTERNAL,M25,SS.....2	2
22	231088GT	SCREW,HHF,M10-1.5X20,DIN6921,10.9,ZAB	
23	232971GT	WELDMENT,#4 EXT,GUIDE SHEAVE R.....1	1
23	232972GT	WELDMENT,#4 EXT,GUIDE SHEAVE L	
24	231543GT	PIN,25MM DIA.X56MM LG,1 RING,2.....2	2
25	231304GT	SHEAVE, EXTEND SUPPORT B4.....2	2
26	232924GT	SCREW,FHS,M10-1.5X20,DIN7991,1	
27	231530GT	SCREW,HHF,M10-1.5X25,DIN6921,10.9,ZAB	

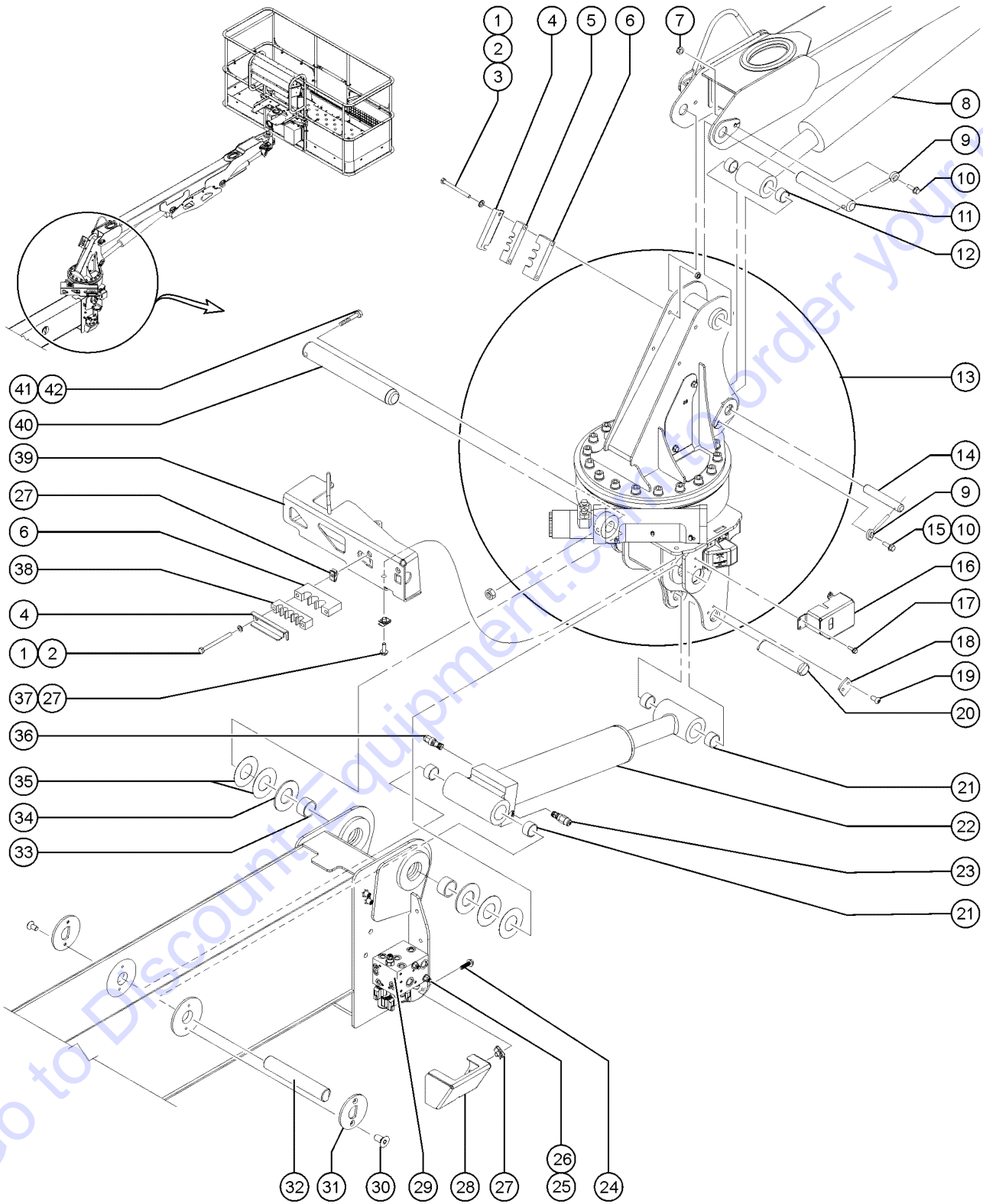
515.1 Boom Tube Four - Wear Pads



515.1 Boom Tube Four - Wear Pads

Item	Part No.	Description	Qty.
1	236428GT	WEAR PAD, 300X60X44.....	4
2	822602GT	SHIM, WEAR PAD, 300 X 50	
3	216752GT	WEAR PAD, 250X85X15, BLACK.....	2
4	822601GT	SHIM, WEAR PAD, 250 X 85, 16GA	
5	230939GT	WELDMENT,EXT. BOOM #4.....	1
6		Ref. WELDMENT,PULLTUBE PIVOT AND FASTENERS (Refer to 503.1)	
7		Ref. COVER,,JIB MANIFOLD AND FASTENERS (Refer to 516.1)	
8	1253436GT	FORMING, #4 BOOM TIP COVER.....	1
9	231533GT	SCREW,HHFM10-1.5X35,DIN6921,10.9,ZAB	
10	231529GT	NUT,TL FLG,M10-1.5,DIN6927,10,ZAB	
11		Ref. JIB MANIFOLD (Refer to 704.1)	
12		Ref. PLATE, BELLCRANK PIN RETAINER AND FASTENERS (Refer to 516.1)	
13	1258651GT	COVER,INSPECTION WINDOW.....	2
14	237735GT	SCREW,BHC,M10-1.50X25,10.9,ZAB	
15	232894GT	PLATE, B4 CABLE RETAINER.....	2
16	232924GT	SCREW,FHS,M10-1.5X20,DIN7991,1	

516.1 Jib Rotator Installation



516.1 Jib Rotator Installation

Item	Part No.	Description	Qty.	Item	Part No.	Description	Qty.
1	825682GT	SCREW,HHC,M10-1.5X120,DIN931,1		--	43018GT	SEAL KIT (39345)	
2	824145GT	WASHER,FLAT,M10,DIN125,ZAB		37	232874GT	SCREW,HHF,M10-1.5X30,DIN6921,10,9,ZAB	
3	232951GT	NUT, TL, M10-1.5,DIN980, ZAB		38	219920GT	CLAMP,-6 AND ELEC,BELLCRANK	
4	822802GT	FORMING,CLAMP COVER		39	161392GT	WELDMENT,WORMDRIVE COVER	
5	161027GT	CLAMP,-6 AND ELEC,JIB ROTATOR.....1		40	231537GT	PIN, 50 DIA X 370 LG, 1 HOLE.....1	
6	219919GT	CLAMP,PAIR AND ELECTRIC.....1		41	218052GT	SCREW,HHC,M12-1.75x110,ZAB	
7	232951GT	NUT, TL, M10-1.5,DIN980, ZAB		42	1251713GT	NUT,TL,M12-1.75,DIN980,10,ZAB	
8		Ref. CYLINDER, JIB LIFT (Refer to 518.1)					
9	825019GT	ROD END,.375X3.69,ZAG					
10	231533GT	SCREW,HHF,M10-1.5X35,DIN6921,10,9,ZAB					
11	231544GT	PIN,35MM DIA.X 205MM LG,1HOLE.....1					
12	231524GT	BEARING,35IDX41ODX25L.....2					
13		Ref. BELLCRANK AND JIB ROTATOR (Refer to 517.1)					
14	231538GT	PIN,35MM DIA.X 162MM LG,1HOLE.....1					
15	232951GT	NUT, TL, M10-1.5,DIN980, ZAB					
16	161046GT	FORMING,TILTSENSOR COVER.....1					
17	237238GT	SCREW,HHF,M6-1.0X12,DIN6921,10					
18	219315GT	PLATE,PIN RETAINER,BELLCRANK C.....2					
19	217711GT	SCREW,BHC,M8-1.25X16,10,9,ZAB					
20	231536GT	PIN,40MMDIA.X 190MM LG,2 FLATS.....1					
21	217563GT	BEARING,40IDX48ODX35L.....4					
22	230958GT	CYLINDER, BELLCRANK LEVEL.....1					
--	231310GT	SEAL KIT					
--	48912GT	CONN,520120-4-6***					
23	54065GT	VALVE,COUNTERBALANCE,3500***.....1					
--	43018GT	SEAL KIT (39345)					
24	231533GT	SCREW,HHF,M10-1.5X35,DIN6921,10,9,ZAB					
25	231529GT	NUT,TL FLG,M10-1.5,DIN6927,10,ZAB.....2					
26	216165GT	SCREW,HHC,M10-1.5X130,10,9,ZAB.....2					
27	230074GT	SPRING CLIP,M10-1.5,1-6X19,ZAB					
28	162115GT	COVER, JIB MANIFOLD					
29		Ref. JIB MANIFOLD (Refer to 515.1 and 704.1)					
30	232983GT	SCREW, FHS, M8-1.25 X 16, DIN7.....4					
31	232893GT	PLATE, BELL CRANK PIN RETAINER....2 (Refer to 514.1)					
32	231540GT	PIN, 40 DIA X 240 LG, 2 FLATS.....1					
33	229532GT	BEARING, 50ID X 58OD X 40LG.....2					
34	218021GT	WASHER,THRUST,50MMX100MM.2-as-needed					
35	218020GT	WASHER,THRUST,50MMX100MM.4-as-needed					
36	61602GT	VALVE,COUNTERBAL.CBBB-LHN@3500.1					

PARTS FINDER

**Search Website
by Part Number**



**Search Manual
Library For Parts
Manual & Lookup Part
Numbers – Purchase
or Request Quote**

Search Manuals

Enter your information to help us find the right parts manual for your machine.

* Brand:

* Model:

* Serial:

* Part Number:

SEARCH

**Can't Find Part or
Manual? Request Help
by Manufacturer,
Model & Description**

Parts Order Form

Please fill in the following information to help us find the right part for your machine.

Manufacturer:	<input type="text"/>
Model:	<input type="text"/>
Description:	<input type="text"/>
Part Number:	<input type="text"/>
Quantity:	<input type="text"/>
Notes:	<input type="text"/>

Submit

Discount-Equipment.com is your online resource for quality parts & equipment.

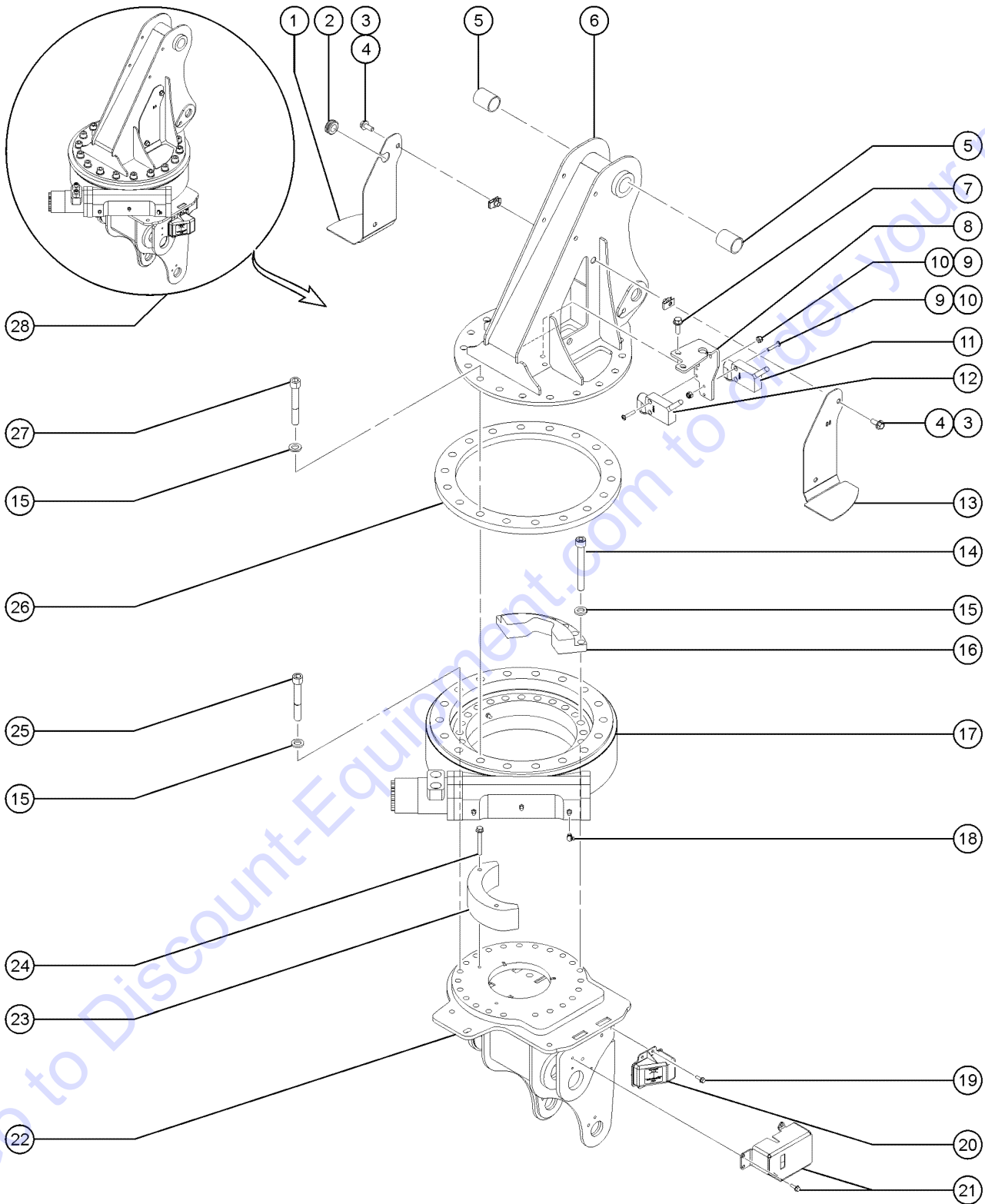
Florida: **561-964-4949** Outside Florida TOLL FREE: **877-690-3101**

Need parts?

Click on this link: <http://www.discount-equipment.com/category/5443-parts/> and choose one of the options to help get the right parts and equipment you are looking for. Please have the machine model and serial number available in order to help us get you the correct parts. If you don't find the part on the website or on one of the online manuals, please fill out the request form and one of our experienced staff members will get back to you with a quote for the right part that your machine needs.

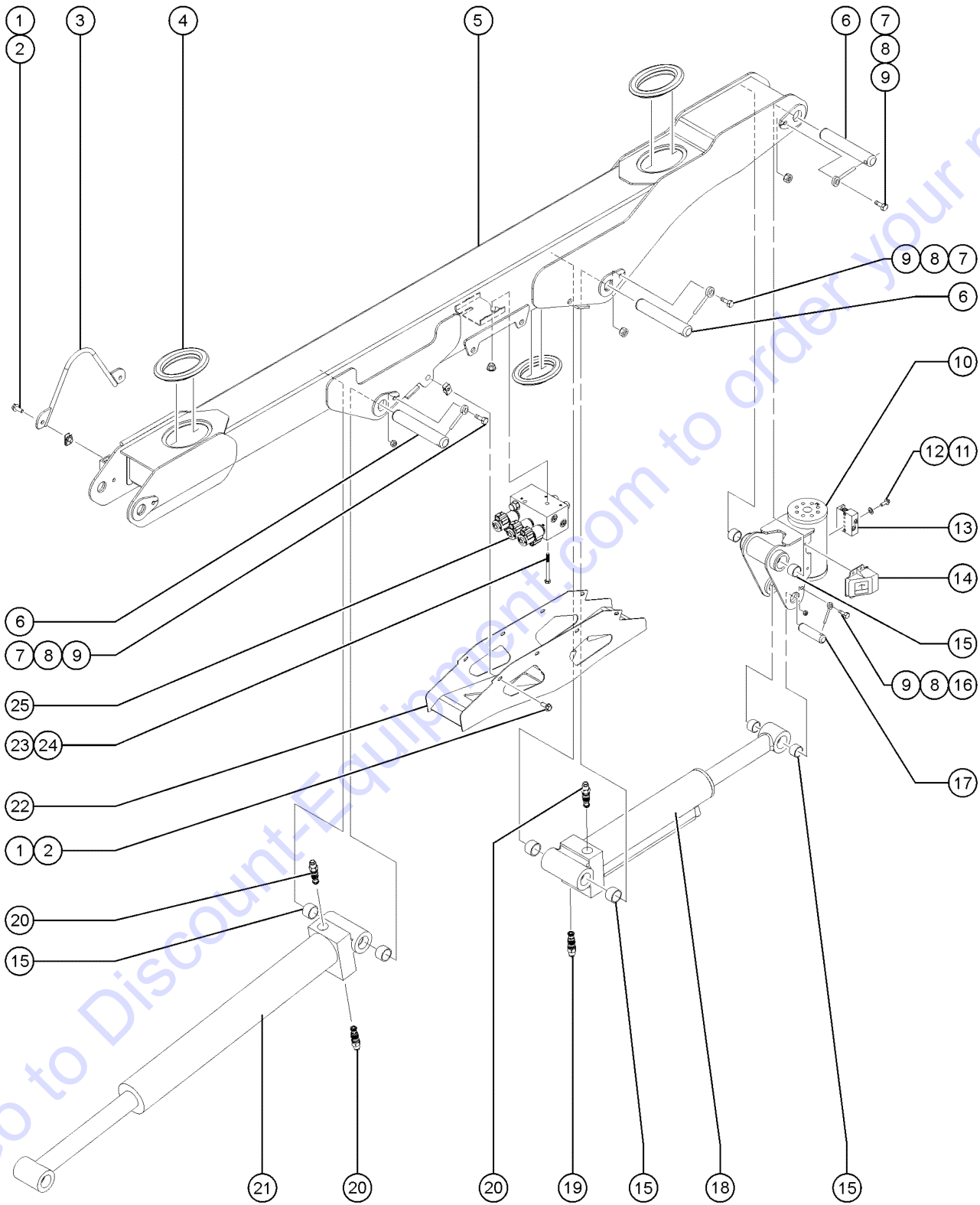
We sell worldwide for the brands: Genie, Terex, JLG, MultiQuip, Mikasa, Essick, Whiteman, Mayco, Toro Stone, Diamond Products, Generac Magnum, Airman, Haulotte, Barreto, Power Blanket, Nifty Lift, Atlas Copco, Chicago Pneumatic, Allmand, Miller Curber, Skyjack, Lull, Skytrak, Tsurumi, Husquvarna Target, Stow, Wacker, Sakai, Mi-T-M, Sullair, Basic, Dynapac, MBW, Weber, Bartell, Bennar Newman, Haulotte, Ditch Runner, Menegotti, Morrison, Contec, Buddy, Crown, Edco, Wyco, Bomag, Laymor, EZ Trench, Bil-Jax, F.S. Curtis, Gehl Pavers, Heli, Honda, ICS/PowerGrit, IHI, Partner, Imer, Clipper, MMD, Koshin, Rice, CH&E, General Equipment, Amida, Coleman, NAC, Gradall, Square Shooter, Kent, Stanley, Tamco, Toku, Hatz, Kohler, Robin, Wisconsin, Northrock, Oztec, Toker TK, Rol-Air, APT, Wylie, Ingersoll Rand / Doosan, Innovatech, Con X, Ammann, Mecalac, Makinex, Smith Surface Prep, Small Line, Wanco, Yanmar

517.1 Jib Rotator Housing



Item	Part No.	Description	Qty.
1	219286GT	FORMING,JIB ROTATOR COVER R.....1	
2	60584GT	GROMMET,RUBBER .75 X .19 X 1**.....1	
3	231530GT	SCREW,HHF,M10-1.5X25,DIN6921,10.9,ZAB	
4	230074GT	SPRING CLIP,M10-1.5,1-6X19,ZAB	
5	231486GT	BEARING,35IDX41ODX50L.....2	
6	218467GT	MACHINED,JIB ROTATOR.....1	
7	237831GT	SCREW,HHF,M8-1.25X25,DIN6921,8	
8	218664GT	FORMING,LIMIT SWITCH MOUNT.....1	
9	825686GT	NUT, TL, M4-0.7, DIN980, 8, ZAB	
10	822353GT	SCREW,PHPM,M4-0.7X30,ZAB	
11	236393GT	SWITCH ASSY, JIB ROTATED CW, S	
--	128636GT	ROLLER,ARM,LIMIT SWITCH,ZCY500	
--	1364414B30GT	LIMIT SWITCH,TAB,BLUE,MICRO	
--	89756GT	NECK/HEAD-LIMIT SWITCH (88356)	
12	236394GT	SWITCH ASSY, JIB ROTATED CCW,	
--	128636GT	ROLLER,ARM,LIMIT SWITCH,ZCY500	
--	89756GT	NECK/HEAD-LIMIT SWITCH (88356)	
13	219287GT	FORMING,JIB ROTATOR COVER L	
14	218678GT	SCREW,SHC,M16-2.0X130,DIN912,1.....7	
15	825348GT	WASHER,FLAT,M16,DIN6916,HRD,ZAB.41	
16	218660GT	MACHINED,HARDSTOP,BELLCRANK	
17	217186GT	ROTATOR,WORMDRIVE,57K.....1	
--	1268304GT	ROTATOR,WORMDRIVE,57K for 217186	
--	1268305GT	SEAL KIT (217186) for 217186	
--	1268314GT	MOTOR,HYDRAULIC,BH160 for 217186	
18	822830GT	ZERK,GREASE,1/8NPT,90DEG	
19	237238GT	SCREW,HHF,M6-1.0X12,DIN6921,10	
20	50813GT	SENSOR,TILT,PCON (PLASTIC)****.....1	
21		Ref. FORMING,TILTSSENSOR COVER (Refer to 516.1, item 16)	
22	219293GT	MACHINED,BELLCRANK.....1	
23	218663GT	UHMW,LIMIT SWITCH CAM CCW.....1	
24	230836GT	SCREW,HHF,M8-1.25X70,DIN6921,8.....2	
25	218565GT	SCREW,SHC,M16-2.0X110,DIN912,1...16	
26	218477GT	MACHINED,JIB ROTATOR SPACER.....1	
27	219257GT	SCREW,SHC,M16-2.0X90,DIN912,12...18	
28		Ref. BELLCRANK AND JIB ROTATOR (Refer to 516.1 for location)	

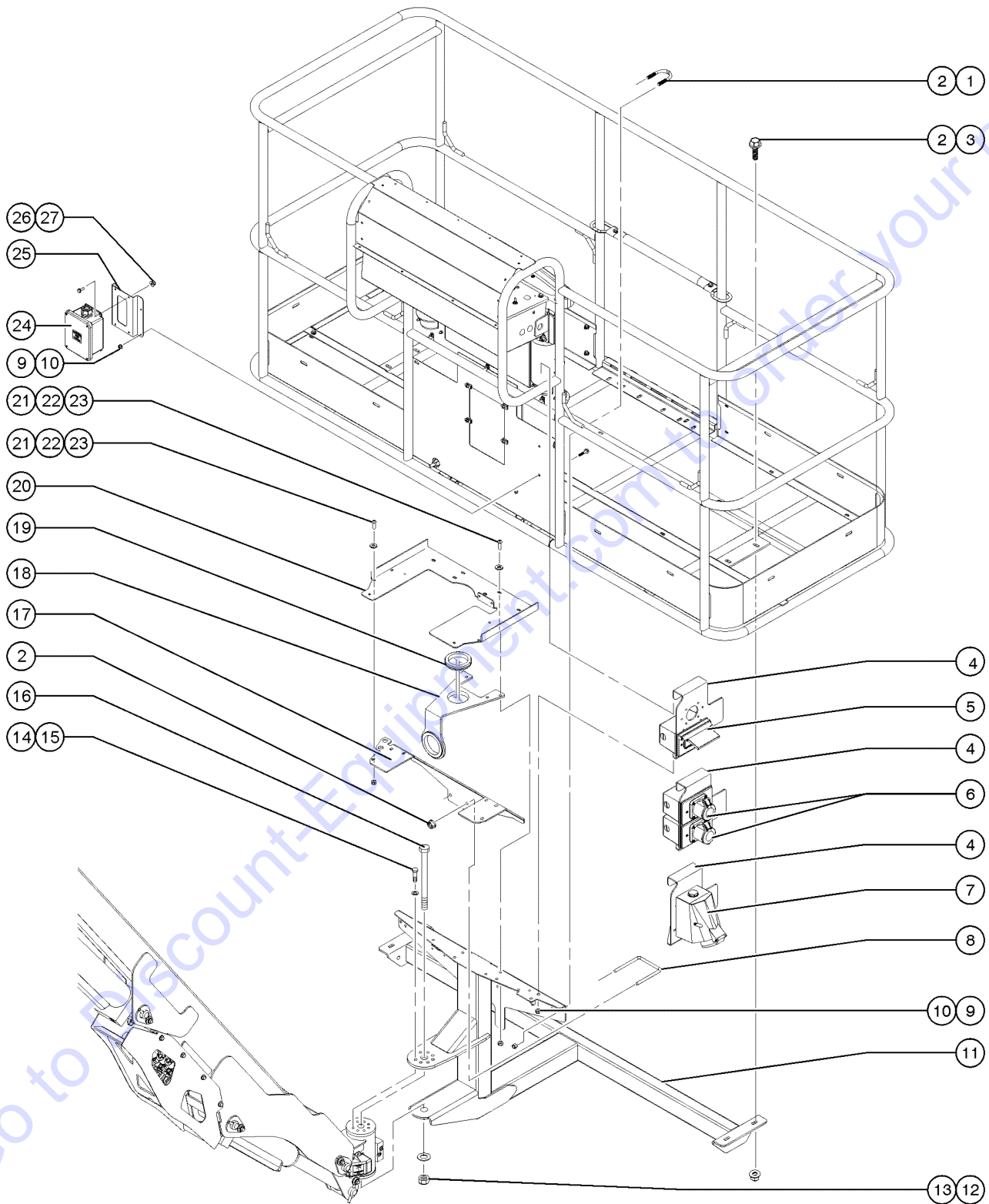
518.1 Jib Boom and Platform Rotator



518.1 Jib Boom and Platform Rotator

Item	Part No.	Description	Qty.
1	231530GT	SCREW,HHF,M10-1.5X25,DIN6921,10,9,ZAB	
2	230074GT	SPRING CLIP,M10-1.5,1-6X19,ZAB	
3	161099GT	WELDMENT,HOSE GUIDE JIB.....1	
4	226746GT	UHMW,JIB HOSE GUARD.....3	
5	226700GT	WELDMENT,10FT JIB.....1	
6	231544GT	PIN,35MM DIA.X 205MM LG,1HOLE....3	
7	231533GT	SCREW,HHF,M10-1.5X35,DIN6921,10,9,ZAB	
8	825019GT	ROD END,.375X3.69,ZAG.....4	
9	232951GT	NUT, TL, M10-1.5,DIN980, ZAB	
10		Ref. ROTATOR,PLAT,8.2K.....1 <i>(Previous rotator 231523 is no longer available, for replacement order rotator 1257835)</i>	
--	1257835GT	ROTATOR,PLAT,8.2KING	
--	216253GT	KIT,SEAL,ROTATOR(231523)8.2K	
--	88516GT	SCREW,BLEEDER,M5X0.8.....2	
11	824062GT	SCREW,HHC,1/4-20X1.5,8,ZAG	
12	824109GT	WASHER,LOCK,1/4,ZAG	
13		Ref. MANIFOLD,ROTATOR,CB*** <i>(Refer to 704.1)</i>	
14	50813GT	SENSOR,TILT,PCON (PLASTIC)****.....1	
15	231524GT	BEARING,35IDX41ODX25L.....8	
16	231533GT	SCREW,HHF,M10-1.5X35,DIN6921,10,9,ZAB	
17	231539GT	PIN,35MM DIA.X 130MM LG,1HOLE....1	
18	226712GT	CYLINDER, PLATFORM LEVEL.....1	
--	231306GT	SEAL KIT	
19	61602GT	VALVE,COUNTERBAL,CBBB-LHN@3500.1	
--	43018GT	SEAL KIT (39345)	
20	54065GT	VALVE,COUNTERBALANCE,3500***3	
--	43018GT	SEAL KIT (39345)	
21	226711GT	CYLINDER, JIB LIFT.....1	
--	231305GT	SEAL KIT	
22	161712GT	WELDMENT,JIB COVER	
23	215818GT	SCREW,HHF,M10-1.5X100,DIN6921,.....2	
24	231529GT	NUT,TL FLG,M10-1.5,DIN6927,10,ZAB	
25		Ref. MANIFOLD,PLAT LVL,PLAT ROT,JIB <i>(Refer to 704.1)</i>	

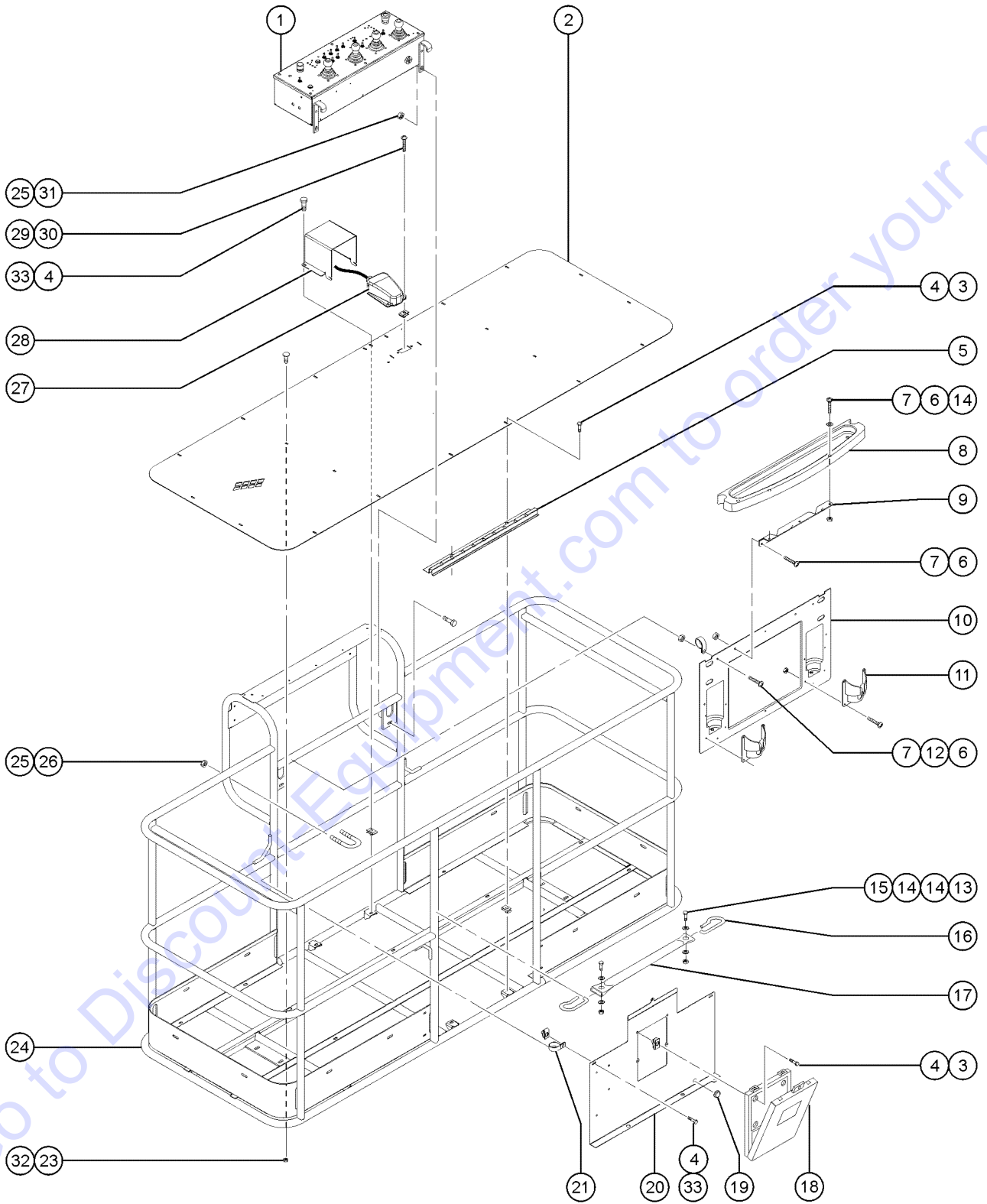
601.1 Platform Installation - View 1



601.1 Platform Installation - View 1

Item	Part No.	Description	Qty.
1	1251600GT	U-BOLT, FLATTENED, 1.5 X 3/8 UNC,ZAG	
2	824029GT	NUT,TL FLG,3/8-16,G,ZAG	
3	824091GT	SCREW,HHF,3/8-16X1.25,8,ZAG	
4	826624GT	FORMING,POWER TO PLAT	
5	75069GT	T-BOX 2.75 X 4.5 X 2.5.....1 <i>USA/CSA models</i>	
--	13585GT	OUTLET, 110V.....1	
--	74006GT	COVER,GFCI,HORIZONTAL,WEATHER.1	
--	74052GT	GASKET,COVER,GFCI,WEATHERPROOF.1	
6	75069GT	T-BOX 2.75 X 4.5 X 2.5.....2 <i>UK models</i>	
--	74052GT	GASKET,COVER,GFCI,WEATHERPROOF.4	
--	T112560GT	RECEPTACLE,UK,110V.....2	
--	T112561GT	PLATE,UK,POWER TO PLAT.....2	
7	1252696GT	RECEPTACLE,400/230V,AC,EU.....1 <i>EU/AUS models</i>	
--	12960GT	CABLE SQUEEZE CONN.,XTRA LRG...1	
--	14041GT	LOCKNUT,ELECTRIC,3/4".....1	
8	826896GT	U-BOLT,3/8-16 X 4 X 5,ZAG	
9	824027GT	NUT,TL FLG,1/4-20,G,ZAG	
10	824078GT	SCREW,HHF,1/4-20X.75,8,ZAG	
11	60370-SGT	PLATFORM SUPPORT WELDMNT-SERV*	
--		Ref. WELDMENT,PLATFORM SUPPORT,CE <i>(Refer to 808.1)</i>	
12	826794GT	NUT,TL,1-8,C,ZAG.....1	
13	824116GT	WASHER, FLAT, F436, 1.0, ZAG.....1	
14	826791GT	SCREW,HHC,3/8-16X.875,8,ZAG.....8	
15	826793GT	WASHER,FLAT,3/8,SAE,HRD,ZAG.....8	
16	826792GT	SCREW,HHC,1-8X11,5,ZAG.....1	
17	101701GT	BRACKET,WELDER MOUNT SUPPORT.....1	
18	106163GT	FORMING,CABLE GUIDE.....1 <i>order 55067 grommet separately</i>	
19	55067GT	GROMMET,RUBBER 3 X .19 X 3.5.....2	
20	106109PGT	BRACKET,WELDER COVER,PNTD	
21	106043GT	SCREW,SECURITY,5/16-18X1.00	
22	828358GT	WASHER, FLAT, .313	
23	824028GT	NUT,TL FLG,5/16-18,G,ZAG	
24		Ref. J BOX ASSEMBLY <i>(Refer to 604.1)</i>	
25	161388GT	FORMING,WELDER JBOX MOUNT	
26	231513GT	NUT,TL FLG,M6-1.0,DIN6927,10,ZAB	
27	231532GT	SCREW,HHF,M6-1.0X20,DIN6921,10,9,ZAB	

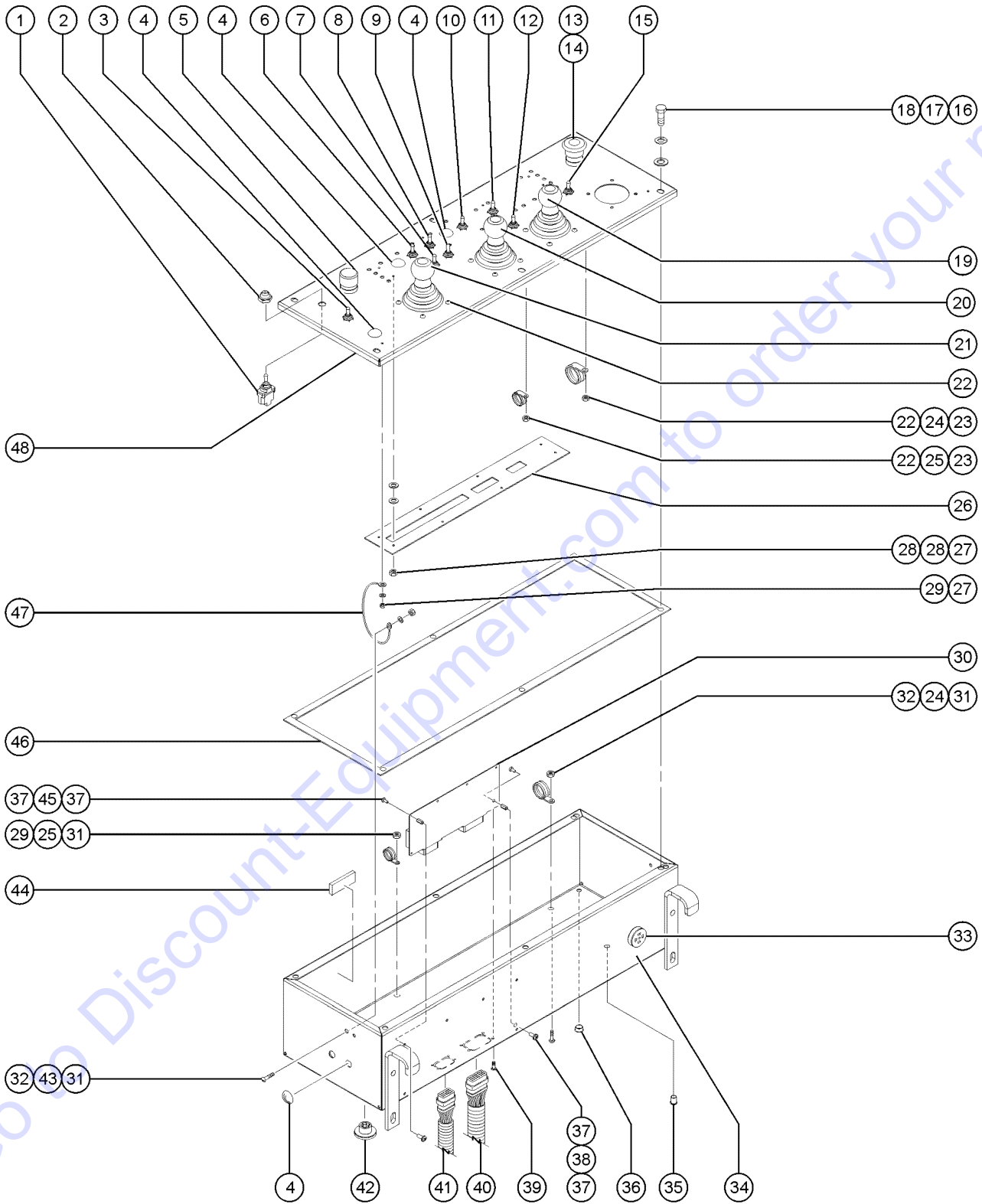
602.1 Platform Installation - View 2



602.1 Platform Installation - View 2

Item	Part No.	Description	Qty.	Item	Part No.	Description	Qty.
--		Ref. SWING GATE (Refer to 801.1)		27	227515GT	ASSEMBLY,FOOT SWITCH.....	1
--	826579GT	OPTION,6 FT PLATFORM Complete standard platform, no decals (includes items 2 – 30)		--	33576GT	CONN,SQZ,BLK,1/2NPT,.38-.50,SM	
--	826580GT	OPTION,8 FT PLATFORM Complete standard platform, no decals (includes items 2– 30)		28	147221GT	GUARD,FOOTSWITCH,W/DECAL ALUM.....	1
1		Ref. Platform Controls (Refer to 603.1)		--	147121GT	COVER, FOOT SWITCH, LARGE Europe/Asia/South America	
2	73478PGT	FLOORING,8 FT PLATFORM**.....	1	29	1269641GT	SCREW,HHF-S,10-24X1.5,ZAG	
--	73477PGT	FLOORING, 6'FT PLATFORM		30	73575GT	SPRING CLIP,10-24,.025-.125X.468,ZAG.....	2
3	824078GT	SCREW,HHF,1/4-20X.75,8,ZAG		31	824092GT	SCREW,HHF,3/8-16X1.5,8,ZAG	
4	56912GT	SPRING CLIP,1/4-20,.025-.15X.54,ZAG.....	21	32	824027GT	NUT,TL FLG,1/4-20,G,ZAG.....	5
5	73610PGT	STEP PLATFORM ENTRY PAINTED***.....	1	33	824079GT	SCREW,HHF,1/4-20X1.8,ZAG.....	4
6	1262031GT	SCREW,HHF,10-24X.75,ZAG					
7	1256467GT	NUT,TL FLG,10-24,F,ZAG					
8	60476GT	TOOL HOLDER,PLASTIC.....	1				
9	60475GT	GUSSET,TOOL HOLDER,PLASTIC.....	1				
10	60477GT	PLATE,DECAL,PLASTIC.....	1				
11	60474GT	CUP HOLDER,PLASTIC.....	2				
12	60478GT	CLAMP,1.25"DIA NON-CUSHIONED.....	5				
13	824060GT	SCREW,HHC,1/4-20X1.8,ZAG					
14	1253185GT	WASHER,FLAT,#10,USS,ZAG					
15	824024GT	NUT,TL,1/4-20,C,ZAG					
16	12443GT	MIDRAIL GUIDE (HOOK).....	2				
17	102992GT	SLIDING MIDRAIL KIT,PTD.....	1				
--	12443GT	MIDRAIL GUIDE (HOOK)					
--	139451GT	TUBE,SLIDING MIDRAIL,PAINTED					
--	20973GT	WIRE LOOM,3/8 POLY SLIT					
18A	44743GT	MANUAL BOX W/DECALS***.....	1				
		USA/Canada/Australia					
18B	24514GT	BOX,INSTRUCTION STORAGE Europe/Asia/South America (decal required; refer to Section100)					
19	229768GT	GROMMET,RUBBER,1.0X0.094X1.375..	1				
20	75537PGT	PLATE,DOCUMENT BOX MOUNT,PAINT.....	1				
21	56424GT	CLAMP,1.25X.5 RUBBER-CUSHION.....	5				
23	824124GT	BOLT,CARRIAGE,1/4-20X.75,5,ZAG					
24A	73910GT	WELDMNT,8 FT PLATFORM.....	1				
24B	73900GT	WELDMNT,6 FT PLATFORM					
25	824029GT	NUT,TL FLG,3/8-16,G,ZAG					
26	1251600GT	U-BOLT, FLATTENED, 1.5 X 3/8 UNC,ZAG.....	2				

603.1 Platform Controls



603.1 Platform Controls

Item	Part No.	Description	Qty.	Item	Part No.	Description	Qty.
--	1257984GT	ASSY, PLAT CONTROL BOX, SX (complete) Including all items from 1 - 40 and 43 - 47. Contact the Discount- equipment to order according to your current version of software.		18	6638GT	WASHER,FLAT,USS,1/4"Y.....	6
--	214331GT	HARNESS, PCON JOYSTICK, SUPER		19	101174GT	JOYSTICK,2 AXIS,DEUTSCH.....1 Jib Up/Down and Jib Rotate Joystick. OEM joystick (calibration required after replacement). Refer to 605.1	1
--	214332GT	HARNESS, PCON TOGGLE SWITCH, S		--	101174HGT	JOYSTICK,DUAL AXIS W/KNOB Aftermarket joystick (calibration required after replacement)	
--	119613GT	HARN JOYSTICK ADAPTOR JS100 6-pin to 7-pin adapter (for 101174, 101175, 101005)		20	101175GT	JOYSTICK,1 AXIS,DEUTSCH.....1 Boom Extend/Retract Joystick. OEM joystick (calibration required after replacement). Refer to 605.1	1
1	128200GT	SWITCH TOGGLE ASSY SPDT 3P MOM.....1 Platform Rotate Toggle Switch	1	--	101175HGT	JOYSTICK,SINGLE AXIS W/KNOB Aftermarket joystick (calibration required after replacement)	
2	27246GT	BOOT,TOGGLE SWITCH,SHORT*.....12 Part of toggle switch 128200	12	21	101174GT	JOYSTICK,2 AXIS,DEUTSCH.....1 Boom Up/Down and Turntable Rotate Joystick. OEM joystick (calibration required after replacement). Refer to 605.1	1
3	128200GT	SWITCH TOGGLE ASSY SPDT 3P MOM.....1 Platform Level Toggle Switch	1	--	101174HGT	JOYSTICK,DUAL AXIS W/KNOB Aftermarket joystick (calibration required after replacement)	
4	229567GT	PLUG,SANTOPRENE .5 BLACK DOME.....5	5	22	139338GT	SCREW PH M5-0.8X20 DIN 7500CE....	16
5	66813GT	BUTTON,PUSH,BLACK W/SEAL***.....1	1	23	104030GT	NUT HEX M5-0.8 CLASS 8 ZINC.....4	4
--	66815GT	BASE, W/1 N.O. CONTACTS***		24	13268GT	CLAMP,0.75,#12 X 1/4,RUB CUSH.....3	3
6	128200GT	SWITCH TOGGLE ASSY SPDT 3P MOM.....1 Generator ON/OFF Toggle Switch	1	25	6833GT	CLAMP,0.50,#8 X 1/4,RUB CUSH.....2	2
7	128200GT	SWITCH TOGGLE ASSY SPDT 3P MOM.....1 Drive Enable Toggle Switch	1	26	232975GT	PCB, LED/TOGGLE SWITCH, ALC100...1	1
8	128200GT	SWITCH TOGGLE ASSY SPDT 3P MOM.....1 Auxiliary Power Toggle Switch	1	27	12344GT	NUT,NYLOCK,6-32.....10	10
9	128200GT	SWITCH TOGGLE ASSY SPDT 3P MOM.....1 Axle Extend/Retract Toggle Switch	1	28	822224GT	WASHER, NYLON #10, 0.093.....8	8
10	128200GT	SWITCH TOGGLE ASSY SPDT 3P MOM.....1 Engine Start Toggle Switch	1	29	35461GT	WASHER,FLAT,MS,#8,Y.....2	2
11	128200GT	SWITCH TOGGLE ASSY SPDT 3P MOM.....1 Hi/Low RPM Toggle Switch	1	30	214340GT	PCB, ASSY, ECM, PLATFORM, SPX V2.13.....1	1
12	128200GT	SWITCH TOGGLE ASSY SPDT 3P MOM.....1 Drive Speed Toggle Switch	1	31	6178GT	NUT,NYLOCK,10-32.....4	4
13	66812GT	BUTTON,PUSH,RED MUSHROOM HEAD.....1	1	32	54365GT	SCREW,PHIL,PHM,10-32 X .5,SSTL....4	4
--	66817GT	BASE WITH 1 NC CONTACT, E-STOP		33	62379GT	ALARM,AUDIO,SUPERBOOM***.....1	1
14	146478GT	BOOT(BELLOWS),E-STOP,BLACK.....1	1	--	72326GT	NUT - PLASTIC,RING FOR ALARMS	
15	128200GT	SWITCH TOGGLE ASSY SPDT 3P MOM.....1 Steer Mode Toggle Switch	1	34	822477GT	WELDMENT, PLATFORM CONTROL BOX (Empty control box only)	
16	6090GT	SCREW,HHC,1/4-20 X .75.....6	6	35	42288GT	PLUG,NYLON .188 BLACK DOMED.....1	1
17	6356GT	WASHER,LOCK,.25.....6	6	36	21858GT	PLUG,NYLON .38 BLACK DOMED.....4	4
				37	81551GT	SCREW,PHIL,PHM,6-32 X 1/4 SS.....12	12
				38	88287GT	STANDOFF,6-32 X 1/2L X 1/4 HEX.....2	2
				39	122351GT	SCREW,#4X1/4,HI-LO,PH PHIL,TAP.....8	8
				40	236408GT	HARNESS, PLATFORM/JIB, SUPER X.....1	1
				41	236263GT	HARNESS, UPPER BOOM CABLE,.....1	1
				42	106495GT	PLUG,1/2" HUBBLE.....1	1
				43	6146GT	WASHER,FLAT,MS,#10,Y.....2	2
				44	30997GT	CORROSION INHIBITOR,FOAM.....1	1

603.1 Platform Controls
(continued)

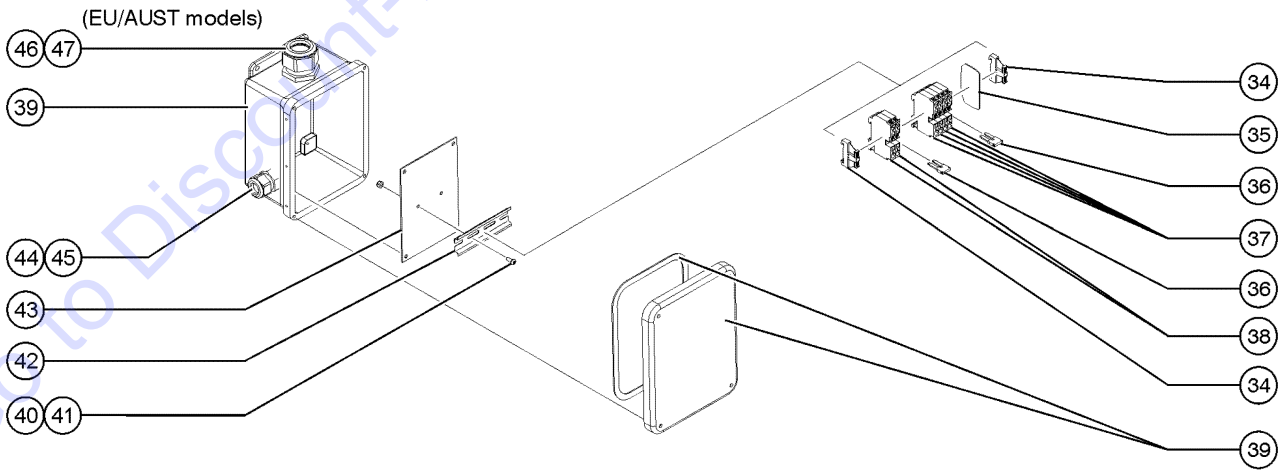
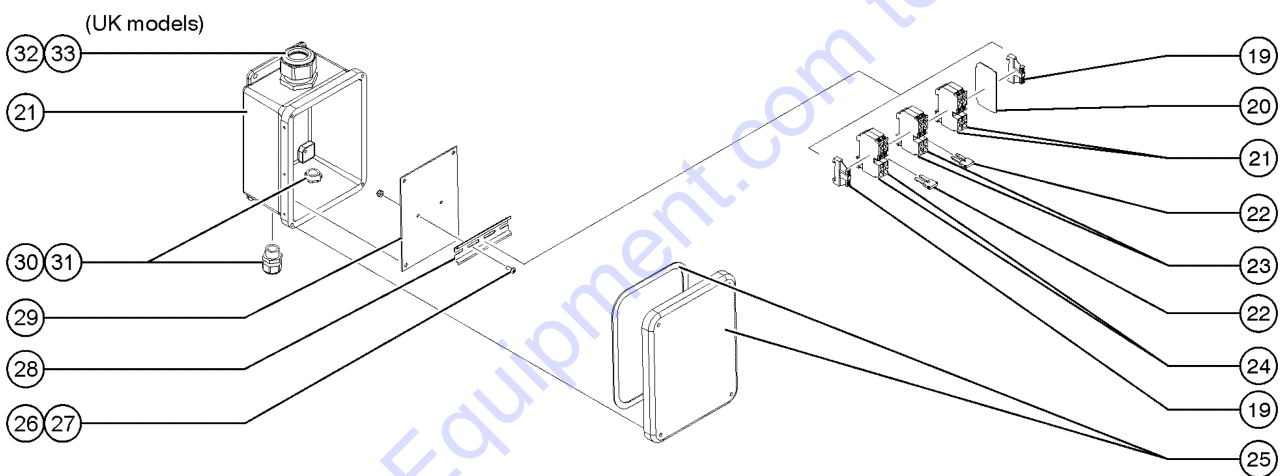
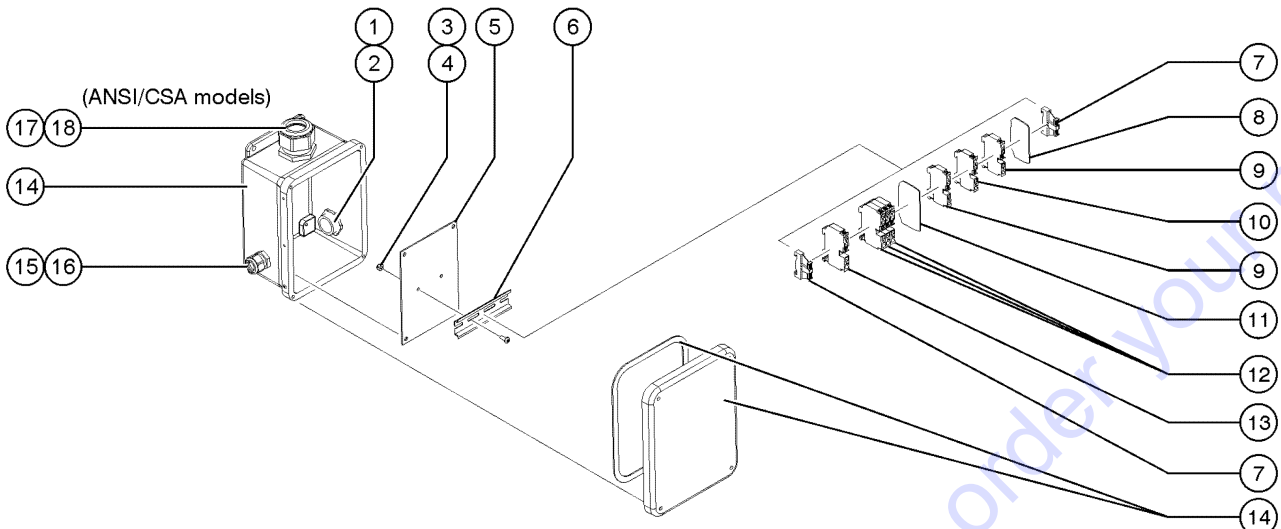
Item	Part No.	Description	Qty.
45	110229GT	STANDOFF,6-32X1/2LX1/4 HEX NYL.....	4
46	81488GT	GASKET,PLATFORM CONTROL BOX....	1
47	77351GT	LANYARD,PLATFORM CONTROL BOX.....	2
48	236710GT	LID, PLAT BOX, 4 JOYSTICK, SX..... <i>(Excluding all items from 1 to 46)</i>	1

Go to Discount-Equipment.com to order your parts

This Page Intentionally Left Blank

Go to Discount-Equipment.com to order your parts

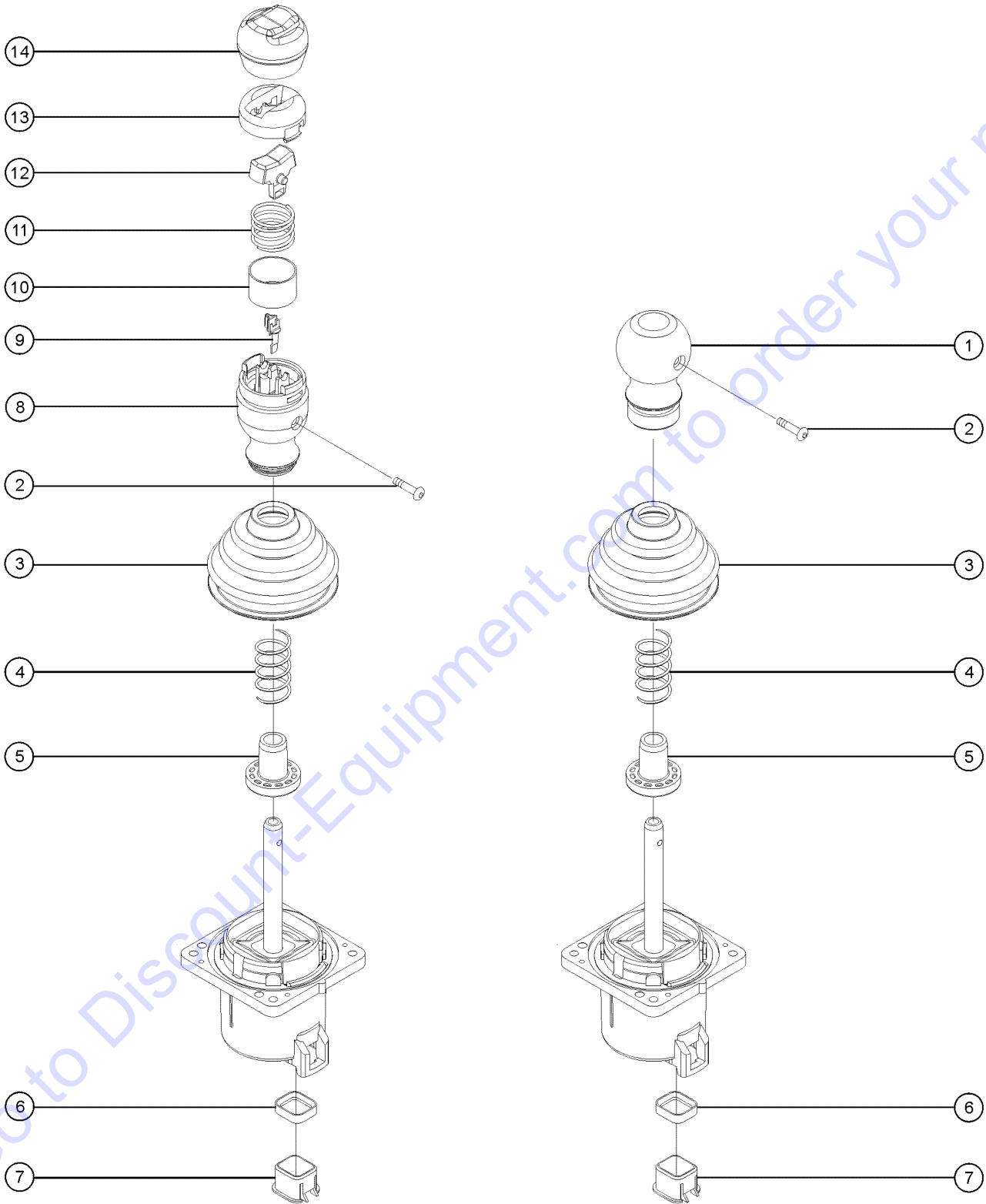
604.1 Platform J Box Assembly



604.1 Platform J Box Assembly

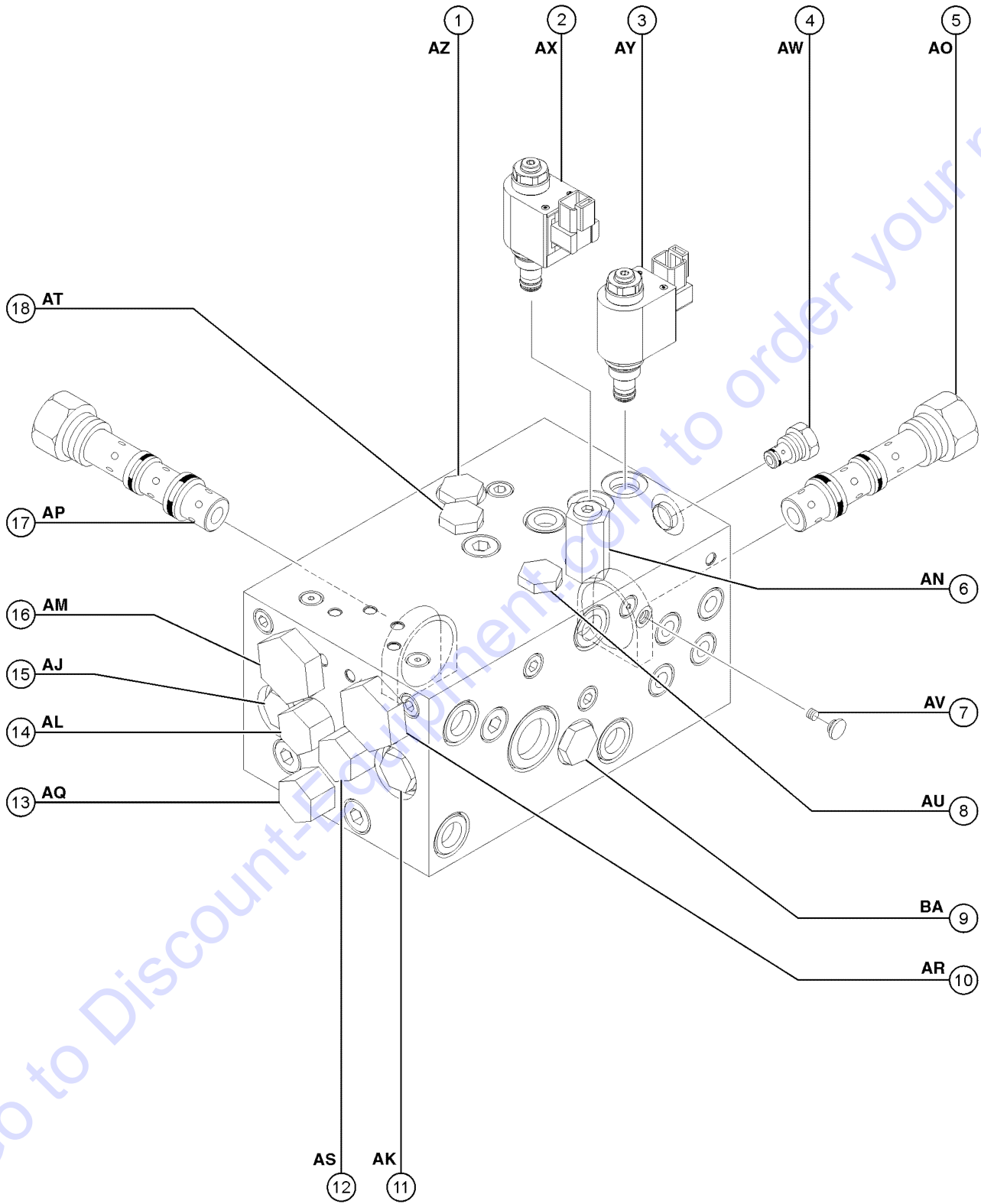
Item	Part No.	Description	Qty.	Item	Part No.	Description	Qty.
--	825763GT	BOX,ASSY PLATFORM,J,UK <i>UK models (complete, including 19 - 33)</i>		35	822103GT	DIN RAIL, PARTITION PLATE.....	1
--	825775GT	BOX,ASSY PLATFORM,J,EU <i>EU/AUST models (complete, including 34 - 47)</i>		36	825849GT	JUMPER,2 PIN DIN RAIL TERMINAL....	2
--	825776GT	BOX,ASSY PLATFORM,J,ANSI/CSA <i>ANSI/CSA models (complete, including 1 - 18)</i>		37	825795GT	BLOCK,DIN FEED THRU,16-6.....	4
1	20776GT	CABLE SQUEEZE CONN.....	1	38	825797GT	BLOCK,DIN FEED THRU,16-6.....	2
2	18665GT	LOCKNUT,ELECTRIC,1" NPT.....	1	39	825748GT	BOX,J,CIRCUIT BREAKERS EU.....	1
3	6178GT	NUT,NYLOCK,10-32.....	1	40	54365GT	SCREW,PHIL,PHM,10-32 X .5,SSTL	
4	54365GT	SCREW,PHIL,PHM,10-32 X .5,SSTL		41	6178GT	NUT,NYLOCK,10-32	
5	825761GT	PANEL, ENCLOSURE, BACK		42	825737GT	DIN RAIL,4.60".....	1
6	825737GT	DIN RAIL,4.60".....	1	43	825761GT	PANEL, ENCLOSURE, BACK.....	1
7	74913GT	END STOP, DIN RAIL,SCREW CLAMP.....	2	44	12960GT	CABLE SQUEEZE CONN.,XTRA LRG...1	
8	822103GT	DIN RAIL, PARTITION PLATE.....	1	45	14041GT	LOCKNUT,ELECTRIC,3/4".....	1
9	825807GT	BLOCK,DIN FEED THRU,24-8.....	2	46	822222GT	CABLE SQUEEZE CONN., 1.25".....	1
10	825806GT	BLOCK,DIN FEED THRU,24-8.....	1	47	822223GT	LOCKNUT, ELECTRIC, 1.25" NPT.....	1
11	825810GT	PARTITION,DIN RAIL GREY PLATE.....	1				
12	825795GT	BLOCK,DIN FEED THRU,16-6.....	3				
13	825797GT	BLOCK,DIN FEED THRU,16-6.....	1				
14	825746GT	BOX,J,CIRCUIT BREAKERS.....	1				
15	12960GT	CABLE SQUEEZE CONN.,XTRA LRG...1					
16	14041GT	LOCKNUT,ELECTRIC,3/4".....	1				
17	822222GT	CABLE SQUEEZE CONN., 1.25".....	1				
18	822223GT	LOCKNUT, ELECTRIC, 1.25" NPT.....	1				
19	74913GT	END STOP, DIN RAIL,SCREW CLAMP.....	2				
20	825810GT	PARTITION,DIN RAIL GREY PLATE.....	1				
21	825795GT	BLOCK,DIN FEED THRU,16-6.....	2				
22	825849GT	JUMPER,2 PIN DIN RAIL TERMINAL....	2				
23	825747GT	BLOCK,DIN FEED THRU BLUE TERMINAL.....	2				
24	825797GT	BLOCK,DIN FEED THRU,16-6.....	2				
25	825749GT	BOX,J,CIRCUIT BREAKERS UK.....	1				
26	54365GT	SCREW,PHIL,PHM,10-32 X .5,SSTL					
27	6178GT	NUT,NYLOCK,10-32					
28	825737GT	DIN RAIL,4.60".....	1				
29	825761GT	PANEL, ENCLOSURE, BACK.....	1				
30	7057GT	CONN. SQZ,1/2NPT .39-.56 MED.....	2				
31	6935GT	LOCKNUT,ELEC,1/2".....	2				
32	822222GT	CABLE SQUEEZE CONN., 1.25".....	1				
33	822223GT	LOCKNUT, ELECTRIC, 1.25" NPT.....	1				
34	74913GT	END STOP, DIN RAIL,SCREW CLAMP.....	2				

605.1 Joysticks



Item	Part No.	Description	Qty.
--		For joystick location refer to 603.1	
--	1269500GT	KIT, ISOLATION, 2 JOYSTICK	
--	1269501GT	KIT, ISOLATION, 3 JOYSTICK	
1	62392GT	KNOB,JOYSTICK, 62390/62391	
2	T112626GT	SCREW, PHM, #6-32 X .625 ZINC	
--	1269499GT	PLUG, JOYSTICK HANDLE	
3	139598GT	BOOT,JOYSTICK	
4		SPRING,JOYSTK CENTR,62390/91.....1 <i>no longer available from supplier</i>	
5	119915GT	COLLAR,JOYSTICK,CENTER	
6	128000GT	SEAL, CONNECTOR (DT JOYSTICKS)	
7	128001GT	SLEEVE,CONNECTOR,DT JOYSTICKS	
8	75449GT	KNOB,ROCKER JOYSTICK 75565	
9	75448GT	SUPPORT,SENSOR,JOYSTICK	
10	75447GT	SWITCH SHIELD,ROCK JOYSTK75565	
11	75446GT	SPRING,SWITCH CENTERING,75565	
12	75445GT	ROCKER ASSY.,MAGNETIC 75565	
13	75444GT	ROCKER,RETAINER, 75565	
14	75443GT	BOOT, ROCKER JOYSTICK 75565	

701.1 Traction Manifold

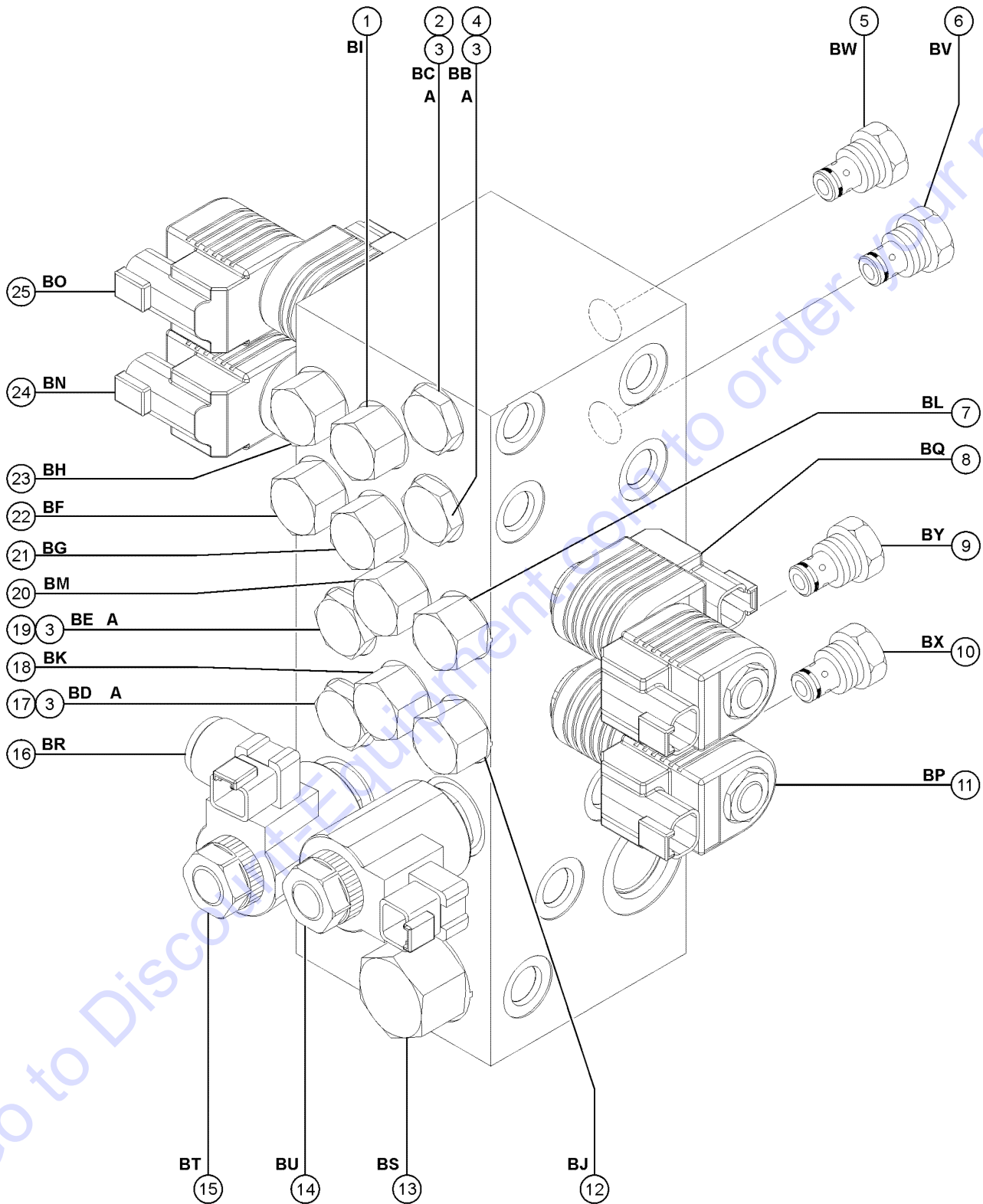


Go to Discount-Equipment.com to order your parts

701.1 Traction Manifold

Item	Part No.	Description	Qty.	Item	Part No.	Description	Qty.
--	218145GT	MANIFOLD,TRACTION,4WD		14	73084GT	VALVE FLOW CONTROL 3.0 GPM.....1 <i>AL, Equalizes pressure on both sides of flow divider/combiner (A)</i>	1
1	27836GT	VALVE,CHECK,5 PSI <i>AZ, Drive motor anti-cavitation</i>		--	89310GT	SEAL KIT, SOLENOID VALVE	
--	110194GT	SEAL KIT, VALVE, #10.....1	1	15	231037GT	CHECK VALVE,BALL TYPE,NORMAL....1 <i>AJ, Drive motor anti-cavitation</i>	1
2	161534GT	VALVE, SOLENOID, 2POS 3WAY <i>AX, 2 speed drive motor shift (includes valve and coil)</i>		--	74902GT	SEAL KIT	
--	122148GT	COIL,SOLENOID VALVE,20W <i>Coil only</i>		16	107729GT	VALVE, FLOW DIVIDER/COMBINER.....1 <i>AM, Controls flow to circle end. Drive motors in forw. and rev.</i>	1
--	237236GT	SEAL KIT,VALVE.....1	1	--	84135GT	SEAL KIT, VALVE	
3	161534GT	VALVE, SOLENOID, 2POS 3WAY <i>AY, Brake Release (includes valve and coil)</i>		17	52726GT	VALVE,FLOW DIVIDER/COMBINER.....1 <i>AP, Controls flow to flow divider / combiner valve</i>	1
--	122148GT	COIL,SOLENOID VALVE,20W <i>Coil only</i>		--	84135GT	SEAL KIT, VALVE	
--	237236GT	SEAL KIT,VALVE.....1	1	18	231037GT	CHECK VALVE,BALL TYPE,NORMAL....1 <i>AT, Drive motor anti-cavitation</i>	1
4	231037GT	CHECK VALVE,BALL TYPE,NORMAL <i>AW, Brake circuit</i>		--	74902GT	SEAL KIT	
--	74902GT	SEAL KIT.....1	1				
5	27761GT	VALVE,SHUTTLE.....1 <i>AO, Hot oil shuttle (charge pressure)</i>	1				
--	84134GT	SEAL KIT, VALVE					
6	62253GT	VALVE,RELIEF,250 PSI.....1 <i>AN, Charge pressure circute</i>	1				
--	74902GT	SEAL KIT					
7	102496GT	ORIFICE,PLUG 0.030.....1 <i>AV, Brake release and 2 - speed motor shift circute</i>	1				
8	231037GT	CHECK VALVE,BALL TYPE,NORMAL....1 <i>AU, Drive motor anti-cavitation</i>	1				
--	74902GT	SEAL KIT					
9	27836GT	VALVE,CHECK,5 PSI.....1 <i>BA, Drive motor anti-cavitation</i>	1				
--	110194GT	SEAL KIT, VALVE, #10					
10	107729GT	VALVE, FLOW DIVIDER/COMBINER.....1 <i>AR, Controls flow to square end. Drive motors in forw. and rev.</i>	1				
--	84135GT	SEAL KIT, VALVE					
11	231037GT	CHECK VALVE,BALL TYPE,NORMAL....1 <i>AK, Drive motor anti-cavitation</i>	1				
--	74902GT	SEAL KIT					
12	73084GT	VALVE FLOW CONTROL 3.0 GPM.....1 <i>AS, Equalizes pressure on both sides of flow divider/combiner (C)</i>	1				
--	89310GT	SEAL KIT, SOLENOID VALVE					
13	73084GT	VALVE FLOW CONTROL 3.0 GPM.....1 <i>AQ, Equalizes pressure on both sides of flow divider/combiner (B)</i>	1				
--	89310GT	SEAL KIT, SOLENOID VALVE					

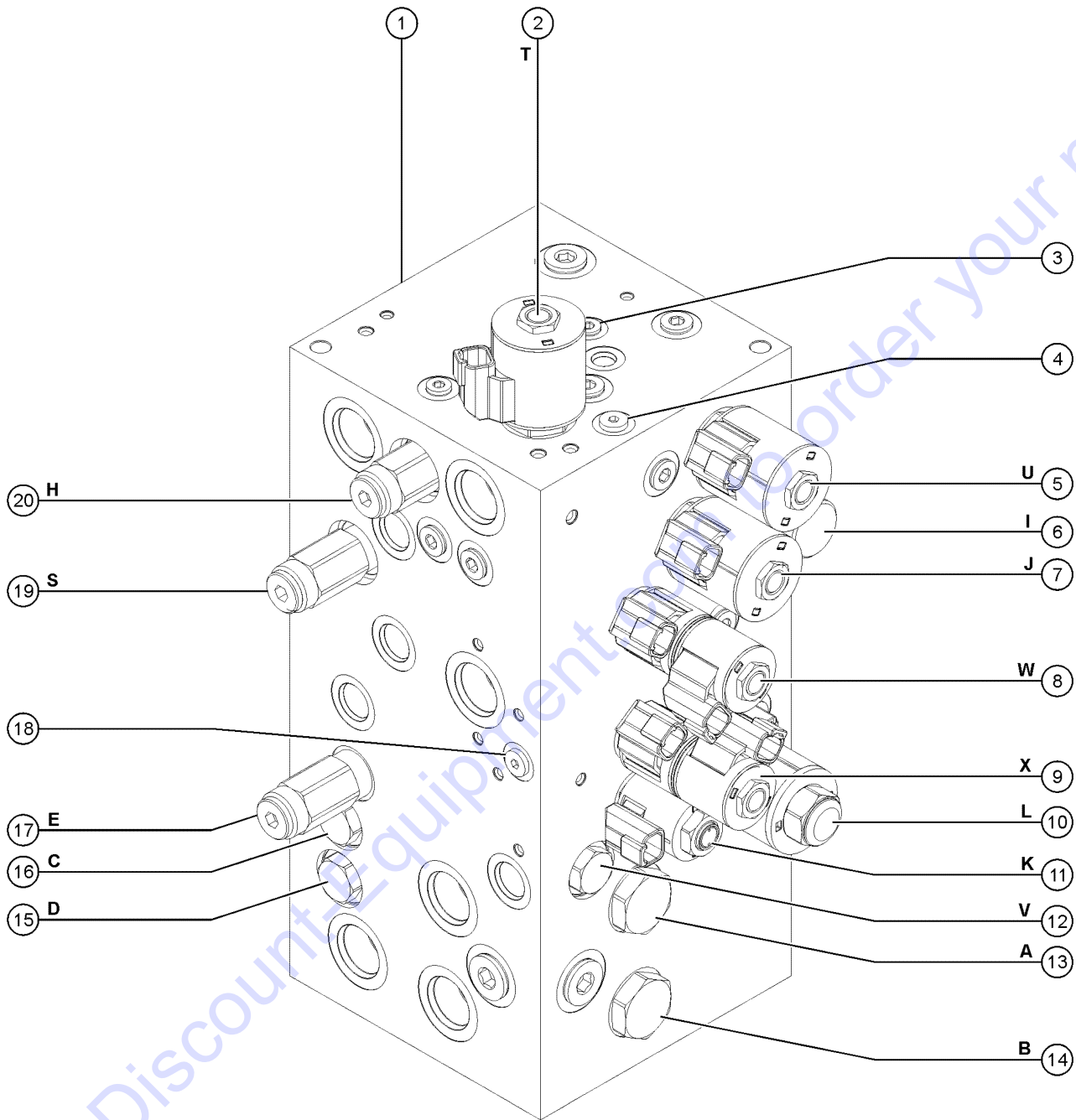
702.1 Steer and Axle Manifold



702.1 Steer and Axle Manifold

Item	Part No.	Description	Qty.	Item	Part No.	Description	Qty.
--	218142GT	MANIFOLD,STEER/AXLE,ZX/SX (complete)		--	110195GT	SEAL KIT, VALVE, #12	
1	107731GT	VALVE, FLOW CONTROL 1.5GPM.....1 <i>Bl, Right front steer cylinder retract circuit</i>		14	107745GT	VALVE,SOLENOID 2 POS 3 WAY.....1 <i>BU, Axle retract</i>	
--	74902GT	SEAL KIT		--	119112GT	COIL,12V, DEUTSCH	
2	161538GT	VALVE, CHECK, 65 PSI.....1 <i>BC, Prevents right front steer cylinder from moving when not steering</i>		--	119116GT	NUT,COIL (107745)	
--	74902GT	SEAL KIT		--	89310GT	SEAL KIT, SOLENOID VALVE	
3	107733GT	PISTON, PILOT OPERATED CHECK.....4 <i>A, (not shown) PO CHECK</i>		15	107745GT	VALVE,SOLENOID 2 POS 3 WAY.....1 <i>BT, Axle extend</i>	
4	161538GT	VALVE, CHECK, 65 PSI.....1 <i>BB, Prevents left front steer cylinder from moving when not steering</i>		--	119112GT	COIL,12V, DEUTSCH	
--	74902GT	SEAL KIT		--	119116GT	NUT,COIL (107745)	
5	161538GT	VALVE, CHECK, 65 PSI.....1 <i>BW, Prevents right front steer cylinder from moving when not steering</i>		--	89310GT	SEAL KIT, SOLENOID VALVE	
--	74902GT	SEAL KIT		16	161539GT	VALVE, PRESS REDUCING, 2400PSI....1 <i>BR, Axle extend/retract circuit</i>	
6	161538GT	VALVE, CHECK, 65 PSI.....1 <i>BV, Prevents left front steer cylinder from moving when not steering</i>		--	161923GT	SEAL KIT, VALVE	
--	74902GT	SEAL KIT		17	161538GT	VALVE, CHECK, 65 PSI.....1 <i>BD, Prevents left rear steer cylinder from moving when not steering</i>	
7	107734GT	VALVE, FLOW CONTROL 2.1GPM.....1 <i>BL, Right rear steer cylinder extend circuit</i>		--	74902GT	SEAL KIT	
--	74902GT	SEAL KIT		18	107731GT	VALVE, FLOW CONTROL 1.5GPM.....1 <i>BK, Left rear steer cylinder retract circuit</i>	
8	122121GT	SOLENOID VALVE.....1 <i>BQ, Steer left/right, right rear steer cylinder</i>		--	74902GT	SEAL KIT	
--	122120GT	SEAL KIT,SOLENOID VALVE		19	161538GT	VALVE, CHECK, 65 PSI.....1 <i>BE, Prevents right rear steer cylinder from moving when not steering</i>	
--	122148GT	COIL,SOLENOID VALVE,20W		--	74902GT	SEAL KIT	
--	52943GT	NUT,SOLENOID VALVE COIL		20	107731GT	VALVE, FLOW CONTROL 1.5GPM.....1 <i>BM, Right rear steer cylinder retract circuit</i>	
9	161538GT	VALVE, CHECK, 65 PSI.....1 <i>BY, Prevents right rear steer cylinder from moving when not steering</i>		--	74902GT	SEAL KIT	
--	74902GT	SEAL KIT		21	107731GT	VALVE, FLOW CONTROL 1.5GPM.....1 <i>BG, Left front steer cylinder retract circuit</i>	
10	161538GT	VALVE, CHECK, 65 PSI.....1 <i>BX, Prevents left rear steer cylinder from moving when not steering</i>		--	74902GT	SEAL KIT	
--	74902GT	SEAL KIT		22	107734GT	VALVE, FLOW CONTROL 2.1GPM.....1 <i>BF, Left front steer cylinder extend circuit</i>	
11	122121GT	SOLENOID VALVE.....1 <i>BP, Steer left/right, left rear steer cylinder</i>		--	74902GT	SEAL KIT	
--	122120GT	SEAL KIT,SOLENOID VALVE		23	107734GT	VALVE, FLOW CONTROL 2.1GPM.....1 <i>BH, Right front steer cylinder extend circuit</i>	
--	122148GT	COIL,SOLENOID VALVE,20W		--	74902GT	SEAL KIT	
--	52943GT	NUT,SOLENOID VALVE COIL		24	122121GT	SOLENOID VALVE.....1 <i>BN, Steer left/right, left front steer cylinder</i>	
12	107734GT	VALVE, FLOW CONTROL 2.1GPM.....1 <i>BJ, Left rear steer cylinder extend circuit</i>		--	122120GT	SEAL KIT,SOLENOID VALVE	
--	74902GT	SEAL KIT		--	122148GT	COIL,SOLENOID VALVE,20W	
13	1256314GT	VALVE,FLOW CONTROL,9.0GPM.....1 <i>BS, Axle extend/retract circuit</i>		--	52943GT	NUT,SOLENOID VALVE COIL	
				25	122121GT	SOLENOID VALVE.....1 <i>BO, Steer left/right, right front steer cylinder</i>	
				--	122120GT	SEAL KIT,SOLENOID VALVE	
				--	122148GT	COIL,SOLENOID VALVE,20W	
				--	52943GT	NUT,SOLENOID VALVE COIL	

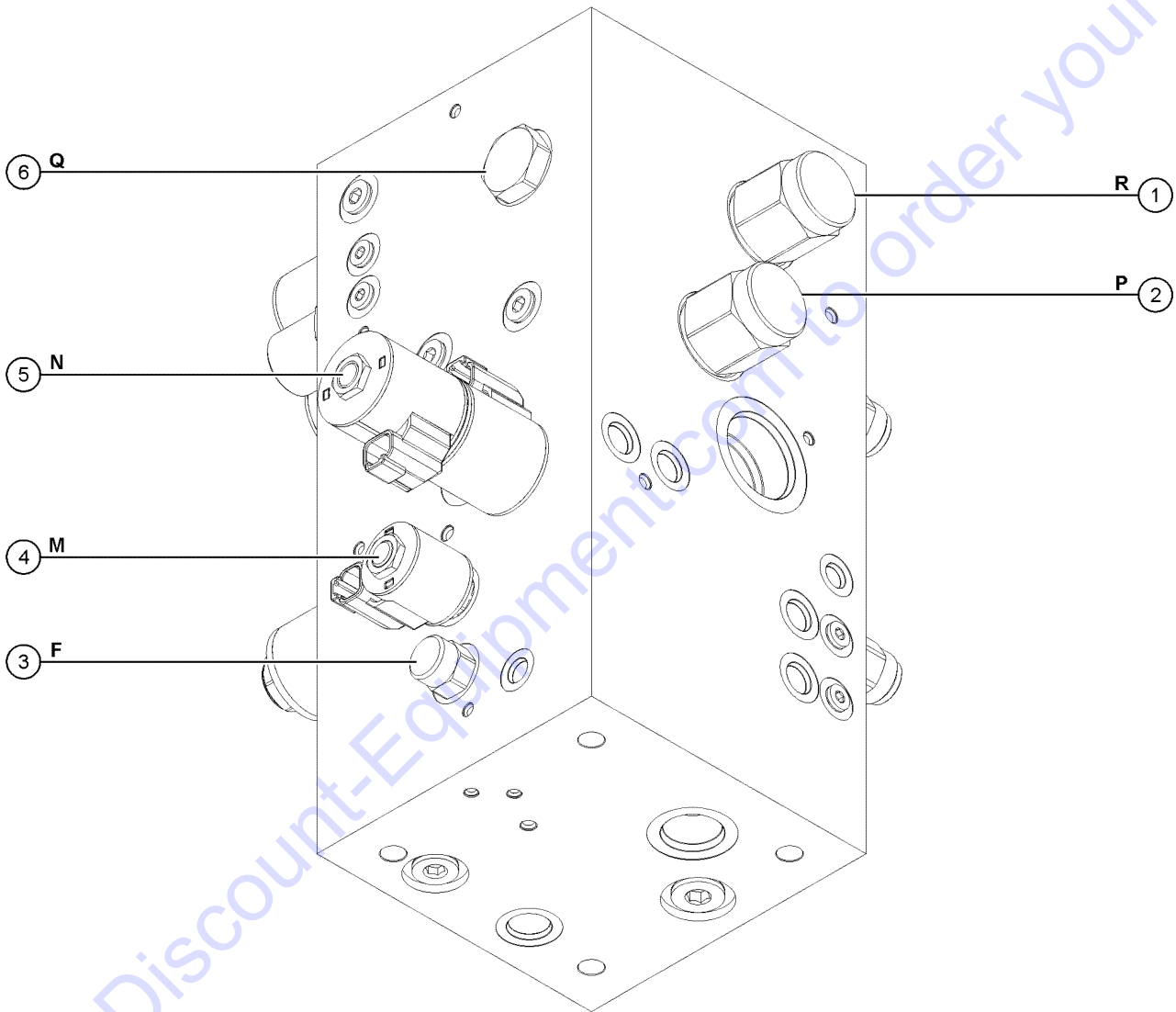
703.1 Function Manifold - View 1



703.1 Function Manifold - View 1

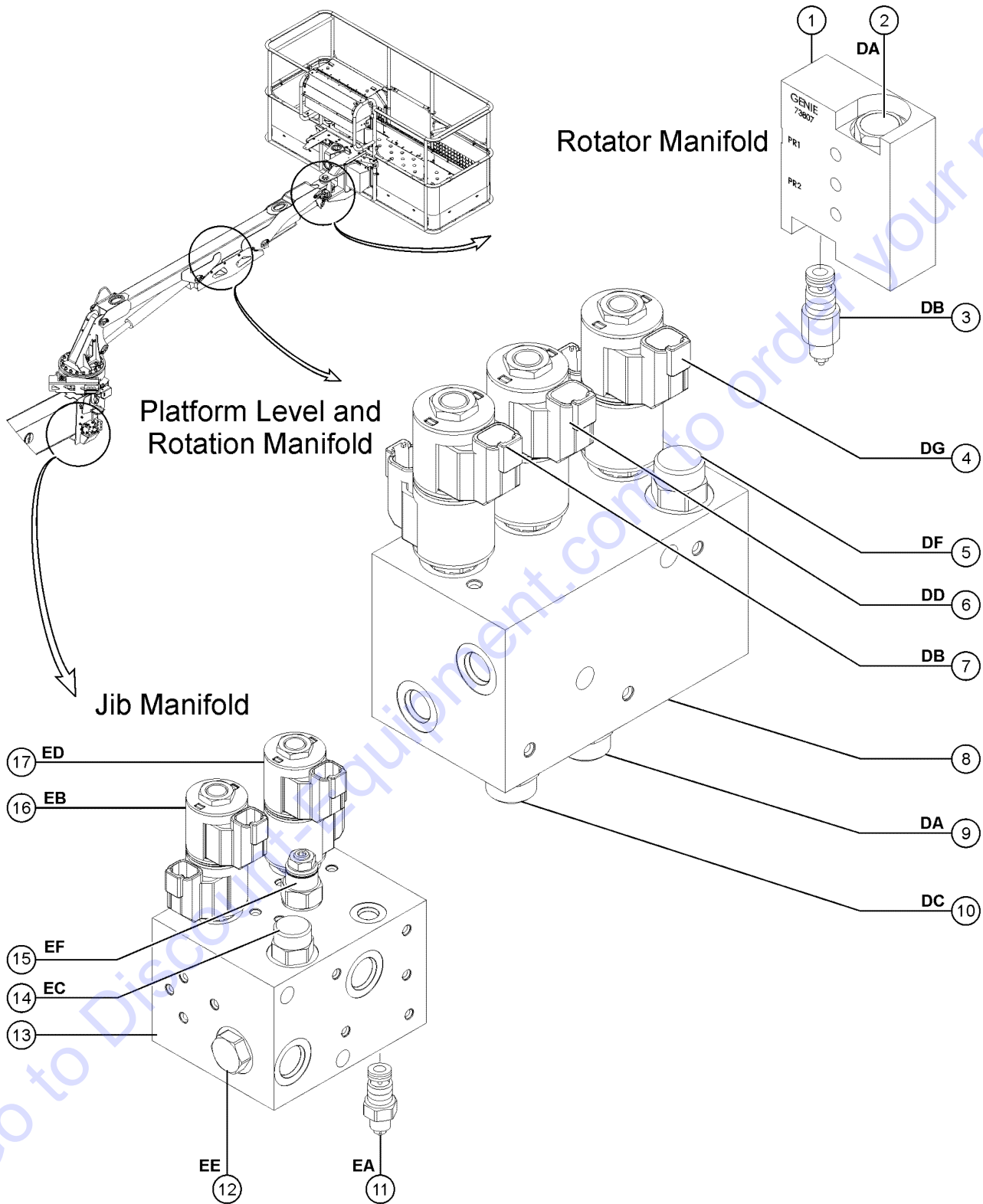
Item	Part No.	Description	Qty.	Item	Part No.	Description	Qty.
1	226709GT	MANIFOLD, FUNCTION SX.....1 (complete)	1	--	62349GT	NUT,COIL,PROPORTNL.VALVE	
2	62328GT	VALVE,SOLENOID,NC,POPPET*.....1 T, Primary boom cylinder retract	1	12	46216GT	VALVE,CHECK,IWP-S/CWP PWR ASSI.....1 V, Prevents hyd oil drainage	1
--	104760GT	COIL,12VDC #10DTSCH IP69 ECOIL		--	44227GT	SEAL KIT, VALVE	
--	44174GT	NUT-COIL SHORT		13	75456GT	VALVE-CHECK SIZE 12(SUPRBOOM)*.....1 A, Pressure circuit #2	1
--	62338GT	SEAL KIT,62328,SIZE 12,2 PORT		--	62338GT	SEAL KIT,62328,SIZE 12,2 PORT	
3	44177GT	ORIFICE PLUG,.025" **		14	75456GT	VALVE-CHECK SIZE 12(SUPRBOOM)*.....1 B, Pressure circuit #1	1
4	44177GT	ORIFICE PLUG,.025" **		--	62338GT	SEAL KIT,62328,SIZE 12,2 PORT	
5	62328GT	VALVE,SOLENOID,NC,POPPET*.....1 U, Secondary boom cylinder extend	1	15	46216GT	VALVE,CHECK,IWP-S/CWP PWR ASSI.....1 D, Prevents hyd pressure from flowing back to APU # 2	1
--	104760GT	COIL,12VDC #10DTSCH IP69 ECOIL		--	44227GT	SEAL KIT, VALVE	
--	44174GT	NUT-COIL SHORT		16	46216GT	VALVE,CHECK,IWP-S/CWP PWR ASSI.....1 C, Prevents hyd pressure from flowing back to APU # 1	1
--	62338GT	SEAL KIT,62328,SIZE 12,2 PORT		--	44227GT	SEAL KIT, VALVE	
6	237214GT	Compensator, 160 PSI.....1 I, Primary boom extend/retract circuit	1	17	237212GT	Relief Valve, 3200 PSI.....1 E, System relief	1
--	62339GT	SEAL KIT,62329,SIZE 12, 3 WAY		--	44224GT	SEAL KIT, VALVE	
7	237218GT	Proportional Valve, 2-Way.....1 J, Boom extend/retract, proportional speed control	1	18	44177GT	ORIFICE PLUG,.025" **	
--	235148GT	SEAL KIT		19	52374GT	VALVE,RELIEF,3000PSI,GS68PUMP1....1 S, Primary extend thermal pressure limit	1
--	237213GT	12VDC Deutsch No Diode, Size10		--	44224GT	SEAL KIT, VALVE	
--	44174GT	NUT-COIL SHORT		20	237216GT	Relief Valve, 2,350 PSI.....1 H, Primary and secondary retract pressure limit	1
8	39346GT	VALVE,SOLENOID 3 POS.4 WAY***.....1 W, Primary boom extend/retract	1	--	52378GT	SEAL KIT,SOLENOID(52377)	
--	228866GT	COIL,SOLENOID VALVE.....2	2				
--	44174GT	NUT-COIL SHORT					
--	44229GT	SEAL KIT, VALVE					
--	97372GT	E-COIL WASHER,#8,DUAL COIL					
9	39346GT	VALVE,SOLENOID 3 POS.4 WAY***.....1 X, Primary boom lift cylinder up/down circuit	1				
--	228866GT	COIL,SOLENOID VALVE.....2	2				
--	44174GT	NUT-COIL SHORT					
--	44229GT	SEAL KIT, VALVE					
--	97372GT	E-COIL WASHER,#8,DUAL COIL					
10	62327GT	VALVE,SOLENOID,PROPORT. N.C.*.....1 L, Primary boom lift cylinder up/down high speed control	1				
--	104761GT	COIL,PROP,12VDC,#10 IP69,DTSCH					
--	52373GT	SEAL KIT,52372,SOLENOID VALVE					
--	52466GT	NUT,PROPORTNL. COIL,52372,GS68					
--	97372GT	E-COIL WASHER,#8,DUAL COIL					
11	101057GT	VALVE,PRESS COMP,PROP DIRECT....1 K, Primary boom lift cylinder up/down low speed control	1				
--	1257411GT	COIL,PROP,12VDC,METRI-PACK 150					
--	52371GT	SEAL KIT, VALVE					

703.2 Function Manifold - View 2



Item	Part No.	Description	Qty.
1	237217GT	Pilot Operated Directional Valve.....1 <i>R, Boom cylinder extend/retract circuit</i>	1
--	115204GT	SEAL KIT	
2	237217GT	Pilot Operated Directional Valve.....1 <i>P, Boom lift cylinder up/down circuit</i>	1
--	115204GT	SEAL KIT	
3	237209GT	Compensator, 150 PSI.....1 <i>F, Turntable rotate circuit</i>	1
3	52371GT	SEAL KIT, VALVE	
4	97181GT	VALVE-SOLENOID, 2POS 3WAY.....1 <i>M, Turntable rotate speed control</i>	1
--	107768GT	COIL, 12VDC #8 DTSCH W/O DIODE	
--	44174GT	NUT-COIL SHORT	
--	44227GT	SEAL KIT, VALVE	
5	62330GT	VALVE,SOLENOID,3POS 4WAY***.....1 <i>N, Turntable rotate circuit</i>	1
--	104760GT	COIL, 12VDC #10DTSCH IP69 ECOIL....2	2
--	44174GT	NUT-COIL SHORT	
--	44230GT	SEAL KIT-P.N.44169,44172,44171	
--	97372GT	E-COIL WASHER,#8,DUAL COIL	
6	237211GT	VALVE-CHECK SIZE 12 (60 psi) <i>Q, Holds hyd oil in boom extend circuit</i>	
--	62338GT	SEAL KIT,62328,SIZE 12,2 PORT	

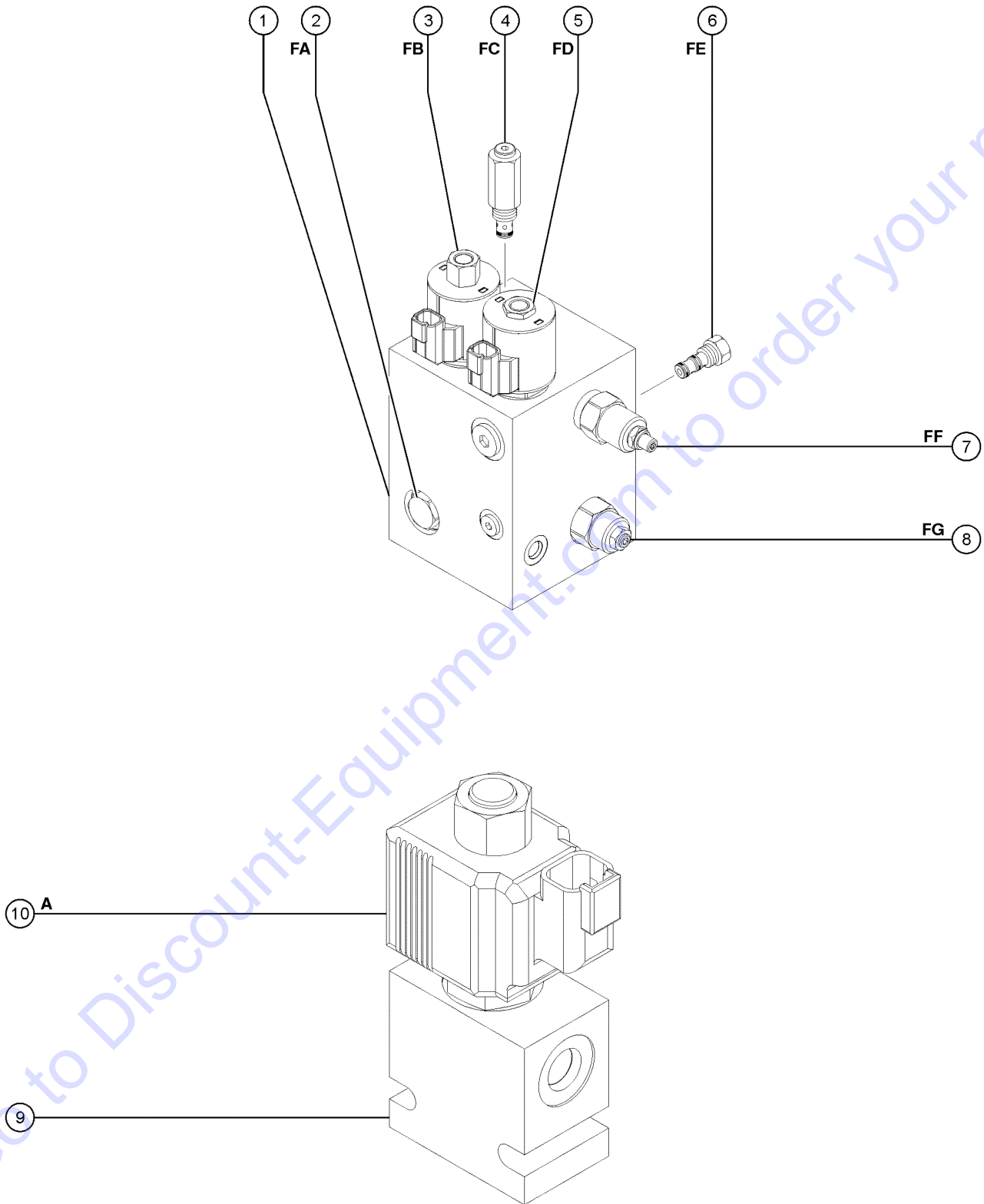
704.1 Jib, Level and Rotation Manifolds



704.1 Jib, Level and Rotation Manifolds

Item	Part No.	Description	Qty.	Item	Part No.	Description	Qty.
1	73807GT	MANIFOLD,ROTATOR,CB*** (complete) includes items 1 to 3		14	237209GT	Compensator, 150 PSI.....1 EC, Jib boom rotate circuit	1
--	43018GT	SEAL KIT (39345)		--	52371GT	SEAL KIT, VALVE	
--	62507GT	O-RING, ROTATOR MANIFOLD		15	62506GT	VALVE - COUNTERBALANCE**.....1 EF,	1
2	62506GT	VALVE - COUNTERBALANCE**.....1 DA, Platform rotate left	1	16	229410GT	PRO.DIR.CNRL,VLV,5WY,3POS.....1 EB, Jib boom bellcrank rotate left/right	1
3	62506GT	VALVE - COUNTERBALANCE**.....1 DB, Platform rotate right	1	--	229411GT	VALVE COIL 10V.....2	2
4	229407GT	PRO.DIR.CTRL,VLV,5WY,3POS.....1 DG, Jib up/down	1	--	230983GT	VITON SEAL KIT, VALVE	
--	229411GT	VALVE COIL 10V.....2	2	--	44174GT	NUT-COIL SHORT	
--	230983GT	VITON SEAL KIT, VALVE		--	97372GT	E-COIL WASHER,#8,DUAL COIL Coil spacer	
--	44174GT	NUT-COIL SHORT		17	107788GT	VALVE,PROPORTIONAL 3 POS 4 WY...1 ED, Jib boom level up/down	1
--	97372GT	E-COIL WASHER,#8,DUAL COIL Coil spacer		--	229411GT	VALVE COIL 10V.....2	2
5	237209GT	Compensator, 150 PSI.....1 DF, Jib up/down circuit	1	--	44174GT	NUT-COIL SHORT	
--	52371GT	SEAL KIT, VALVE		--	44229GT	SEAL KIT, VALVE	
6	107816GT	VALVE,PROPORTIONAL 3 POS 4 WY*.....1 DD, Platform level up/down	1	--	97372GT	E-COIL WASHER,#8,DUAL COIL Coil spacer	
--	229411GT	VALVE COIL 10V.....2	2	7	39346GT	VALVE,SOLENOID 3 POS.4 WAY***.....1 DB, Platform rotate left/right	1
--	44174GT	NUT-COIL SHORT		--	228866GT	COIL,SOLENOID VALVE.....2	2
--	44229GT	SEAL KIT, VALVE		--	44174GT	NUT-COIL SHORT	
--	97372GT	E-COIL WASHER,#8,DUAL COIL Coil spacer		--	44229GT	SEAL KIT, VALVE	
7	39346GT	VALVE,SOLENOID 3 POS.4 WAY***.....1 DB, Platform rotate left/right	1	--	97372GT	E-COIL WASHER,#8,DUAL COIL Coil spacer	
--	228866GT	COIL,SOLENOID VALVE.....2	2	8	1282965GT	MANIFOLD, PLAT LVL, PLAT ROT, JIB, PLUGGED (complete) includes items 4 to 10	
--	44174GT	NUT-COIL SHORT		9	107741GT	VALVE, FLOW REGULATOR.....1 DA, Platform rotate left/right circuit	1
--	44229GT	SEAL KIT, VALVE		--	44228GT	SEAL KIT, VALVE	
10	107741GT	VALVE, FLOW REGULATOR.....1 DC, Platform rotate left/right circuit	1	10	107741GT	VALVE, FLOW REGULATOR.....1 DC, Platform rotate left/right circuit	1
--	44228GT	SEAL KIT, VALVE		--	44228GT	SEAL KIT, VALVE	
11	62506GT	VALVE - COUNTERBALANCE**.....1 EA,	1	11	62506GT	VALVE - COUNTERBALANCE**.....1 EA,	1
12	107740GT	VALVE, CHECK 25 PSI.....1 EE, Tank Line Return Check	1	12	107740GT	VALVE, CHECK 25 PSI.....1 EE, Tank Line Return Check	1
12	44227GT	SEAL KIT, VALVE		12	44227GT	SEAL KIT, VALVE	
13	1282964GT	MANIFOLD, JIB LEVEL/JIB ROTATE,PLUGGED (complete) includes items from 11 to 15		13	1282964GT	MANIFOLD, JIB LEVEL/JIB ROTATE,PLUGGED (complete) includes items from 11 to 15	

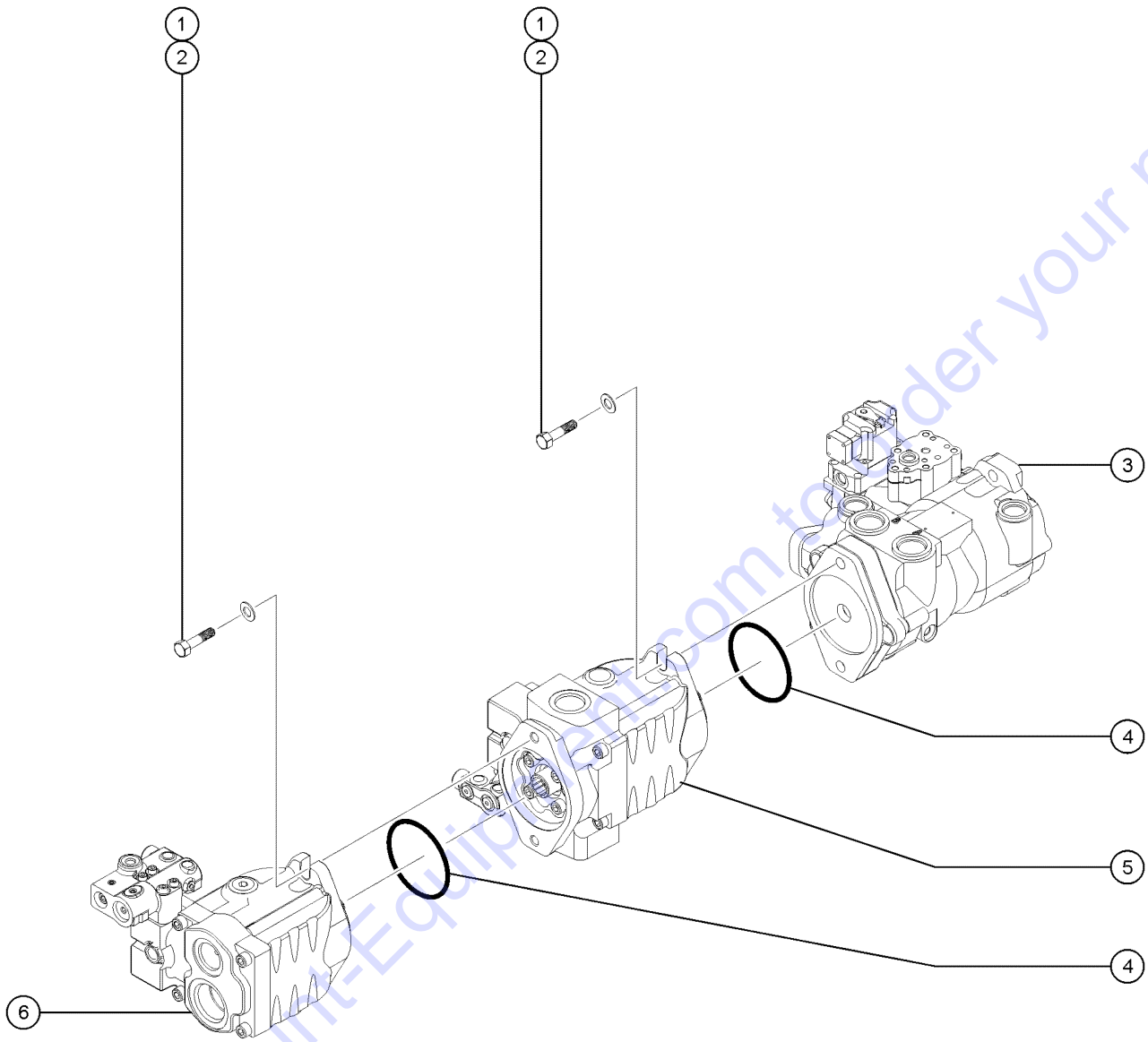
705.1 Generator Manifold and Function Enable Valve



705.1 Generator Manifold and Function Enable Valve

Item	Part No.	Description	Qty.
1	236224GT	MANIFOLD, GENERATOR <i>(complete) includes items 2 to 8</i>	
2	107740GT	VALVE, CHECK 25 PSI.....1 <i>FA, Diverter valve</i>	1
3	235147GT	VALVE,SOLENOID,NC,POPPET* <i>FB, Pilot valve to diverter</i>	
--	104760GT	COIL,12VDC #10DTSCH IP69 ECOIL	
--	235148GT	SEAL KIT	
--	52484GT	NUT-COIL(SCISSORS) TALL	
4	237212GT	Relief Valve, 3200 PSI <i>FC, System relief</i>	
4	44224GT	SEAL KIT, VALVE	
5	62328GT	VALVE,SOLENOID,NC,POPPET* <i>FD, Charge pressure circuit</i>	
--	104760GT	COIL,12VDC #10DTSCH IP69 ECOIL	
--	44174GT	NUT-COIL SHORT	
--	62338GT	SEAL KIT,62328,SIZE 12,2 PORT	
6	235145GT	VALVE, CHECK 5 PSI <i>FE, Prevents oil to generator</i>	
7	235143GT	Needle Valve <i>FF, Charge pressure circuit</i>	
--	235149GT	SEAL KIT	
8	235144GT	CB VALVE 4:5:1, 2000 PSI <i>FG, Add back pressure to stabilize generator</i>	
--	102685GT	SEAL KIT,SUN T-2A CP VALVE	
9	218144GT	VALVE, FUNCTION ENABLE <i>(complete) includes item 10</i>	
10	161533GT	VALVE, SOLENOID, 2 POS 2 WAY <i>A, Differential sensing</i>	
--	89733GT	COIL,SOLENOID VALVE***	
--	89735GT	NUT ASSY (89769)***	
--	89770GT	SEAL KIT, SOLENOID VALVE	

706.1 Hydraulic Pumps

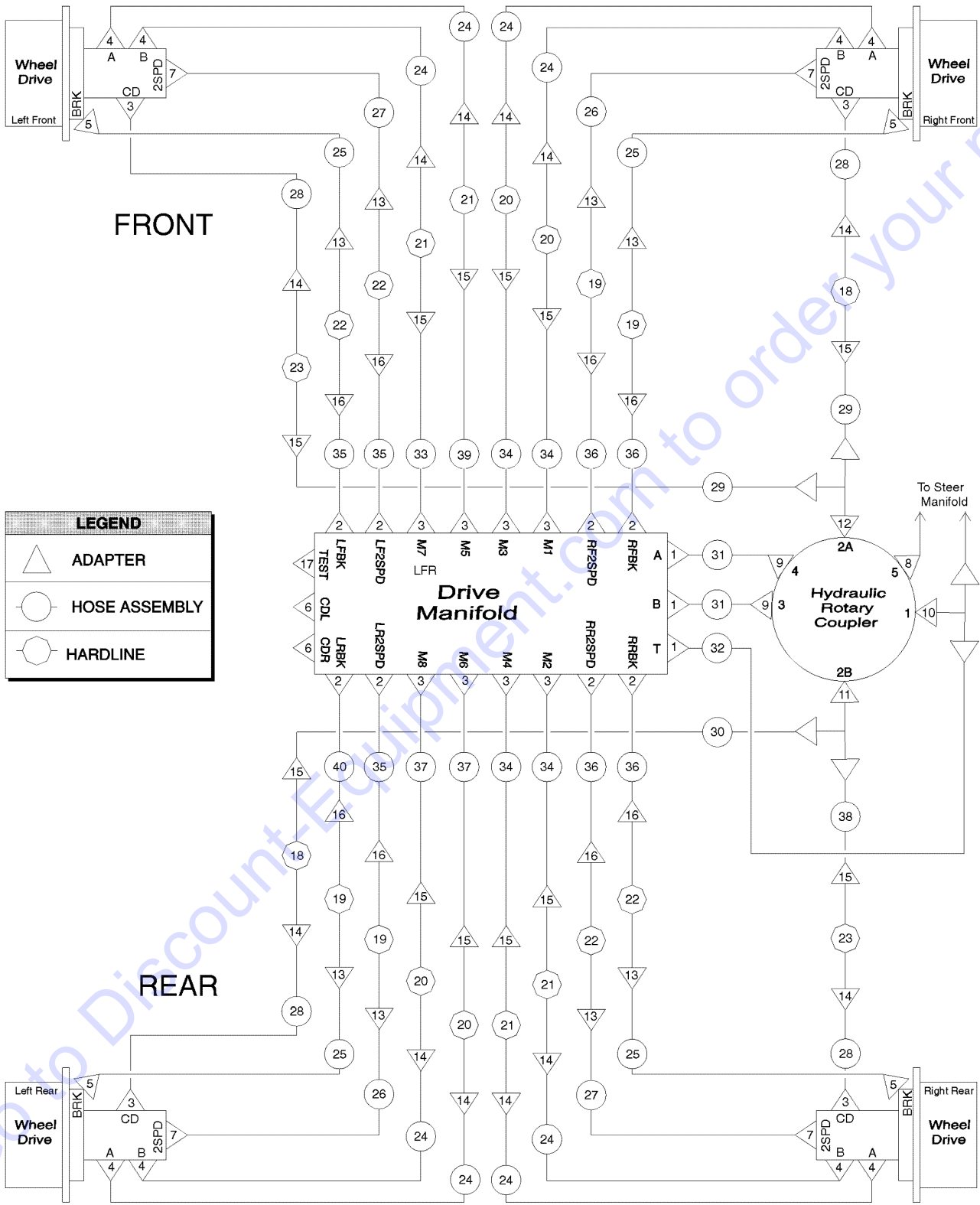


Go to DiscountEquip.com to order your parts

Item	Part No.	Description	Qty.
1	54177GT	SCREW,HHC,1/2-13 X 1.5 GRD 8.....	4
2	13066GT	WASHER,FLAT,.5 HARDENED.....	4
3	101068GT	PUMP,PISTON,46CC,B MOUNT,13T**....	1
--	29739GT	SEAL KIT,SAUER-DANFOSS M46***	
--	58290GT	VALVE,EDC,PILOT,SAUER,M46***	
--	77819GT	EDC ASSY,SAUER M46***	
4	52087GT	O-RING,2-044 BUNA ***	2
5	226671GT	PUMP,FUNCTION,30CC,LS,MID.....	1
6	226670GT	PUMP,FUNCTION,30CC,LS,END.....	1

Go to Discount-Equipment.com to order your parts

707.1 Hydraulic Hoses and Fittings, Drive System

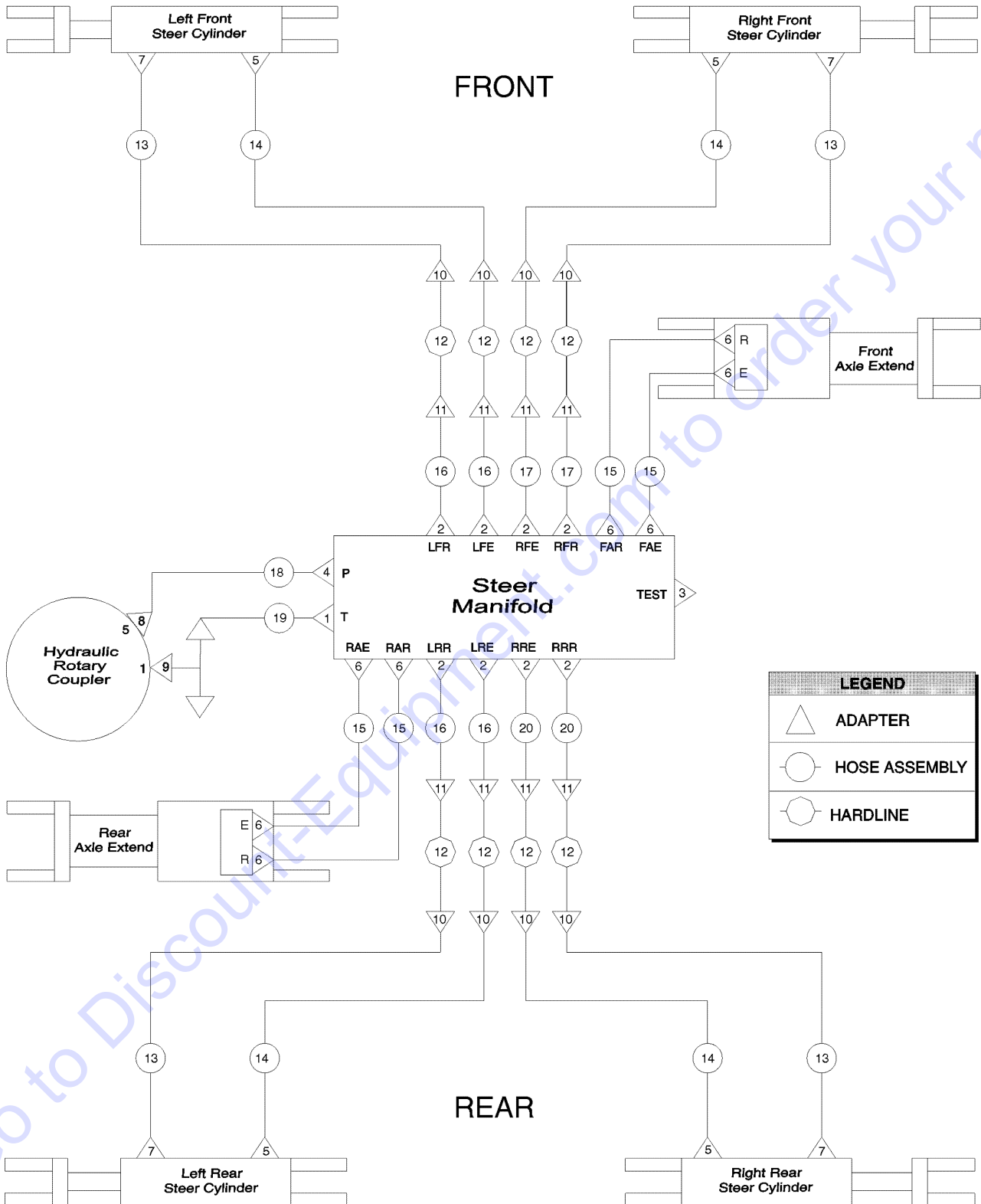


LEGEND	
	ADAPTER
	HOSE ASSEMBLY
	HARDLINE

707.1 Hydraulic Hoses and Fittings, Drive System

Item	Part No.	Description	Qty.	Item	Part No.	Description	Qty.
1	48960GT	FITTING,CONN,520120-12***.....	3	32	61072-4326GT	HOSE ASSY,3/4,45 FEM,STR FEM..... <i>Components: 48841, 48845 and 48762 @ 40 inches</i>	1
2	48905GT	CONN,520120-4***.....	8	33	81812-3692GT	HOSE ASSY,1/2,STR FEM,STR FEM..... <i>Components: 48822, 48822 and 56777 @ 35 inches</i>	1
3	48933GT	CONN,520120-8***.....	12	34	81812-11292GT	HOSE ASSY,1/2,STR FEM,STR FEM..... <i>Components: 48822, 48822 and 56777 @ 111 inches</i>	4
4	48948GT	CONN,520120-8-12.....	4	35	49120-3881GT	HOSE ASSEMBLY-1/4"***..... <i>Components: 48800, 48810 and 48751 @ 37 inches</i>	3
5	48912GT	CONN,520120-4-6***.....	4	36	49120-11381GT	HOSE ASSY,1/4" STR FEM STR FEM.... <i>Components: 48800, 48810 and 48751 @ 112 inches</i>	4
6	59371GT	PLUG, HEX SOCKET, 090109B-8*.....	2	37	81812-3792GT	HOSE ASSY,1/2,STR FEM,STR FEM..... <i>Components: 48822, 48822 and 56777 @ 36 inches</i>	2
7	48911GT	ELBOW,90D,520220-4-6***.....	4	38	106819-6213GT	HOSE ASSY,1/2,STR FEM STR MALE... <i>Components: 48822, 106815 and 48756 @ 60 inches</i>	1
8	48937GT	ELBOW,45D,520320-8..... <i>(Refer to 708.1)</i>	1	39	81812-3592GT	HOSE ASSY,1/2,STR FEM,STR FEM.... <i>Components: 48822, 48822 and 56777 @ 4 inches</i>	1
9	48963GT	FITTING,ELBOW,45D,520320-12***.....	2	40	49120-3781GT	HOSE ASSY,1/4" STR FEM STR FEM.... <i>Components: 48800, 48810 and 48751 @ 36 inches</i>	1
10	48961GT	TEE,RUN,520428-12..... <i>(Refer to 708.1)</i>	1				
11	48935GT	TEE,RUN,520428-8.....	1				
12	48936GT	TEE,BRANCH,520429-8.....	1				
13	48924GT	CONN,BULKHEAD,520601-6.....	8				
14	48894GT	CONN,BULKHEAD,520601-8.....	12				
15	104186GT	SEAL,ORFS TUBE FLANGE, 8PLS.....	12				
16	214345GT	SEAL,ORING-6.....	8				
17	48998GT	NIPPLE,DIAGNOSTIC,#6 PORT***.....	1				
18	237457GT	HYD TUBE, DRIVE CASE, AXLE 2.....	2				
19	237456GT	HYD TUBE, BRAKE 2SP, AXLE 2.....	4				
20	214256GT	HYD TUBE, BRAKE 2SP, AXLE 2.....	4				
21	214255GT	HYD TUBE, DRIVE A B, AXLE 1.....	4				
22	237560GT	HYD TUBE, BRAKE 2SP, AXLE 1.....	4				
23	237561GT	HYD TUBE, DRIVE CASE, AXLE 1.....	2				
24	81812-5792GT	HOSE ASSY,1/2,STR FEM,STR FEM.... <i>Components: 48822, 48822 and 56777 @ 56 inches</i>	8				
25	49181-5990GT	HOSE ASSY,1/4",45,FEM STR FEM.... <i>Components: 48801, 48810 and 48751 @ 57.5 inches</i>	4				
26	49120-6381GT	HOSE ASSY,1/4" STR FEM STR FEM.... <i>Components: 48800, 48810 and 48751 @ 62 inches</i>	2				
27	49163-6994GT	HOSE ASSY,1/4,90D FEM/STR FEM.... <i>Components: 48802, 48810 and 48751 @ 68 inches</i>	2				
28	49141-5863GT	HOSE ASSY,1/2,45 FEM,STR FEM**.... <i>Components: 48822, 48826 and 48756 @ 56 inches</i>	4				
29	216247-6684GT	HOSE ASSY,1/2,45 FEM, STR MALE.... <i>Components: 106815, 48826 and 48756 @ 64 inches</i>	4				
30	106819-7013GT	HOSE ASSY,1/2,STR FEM STR MALE... <i>Components: 48822, 106815 and 48756 @ 68 inches</i>	1				
31	94374-6030GT	HOSE ASSY,3/4,90 FEM,STR FEM..... <i>Components: 48841, 48846 and 94358 @ 57 inches</i>	2				



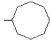
708.1 Hydraulic Hoses and Fittings, Steering System

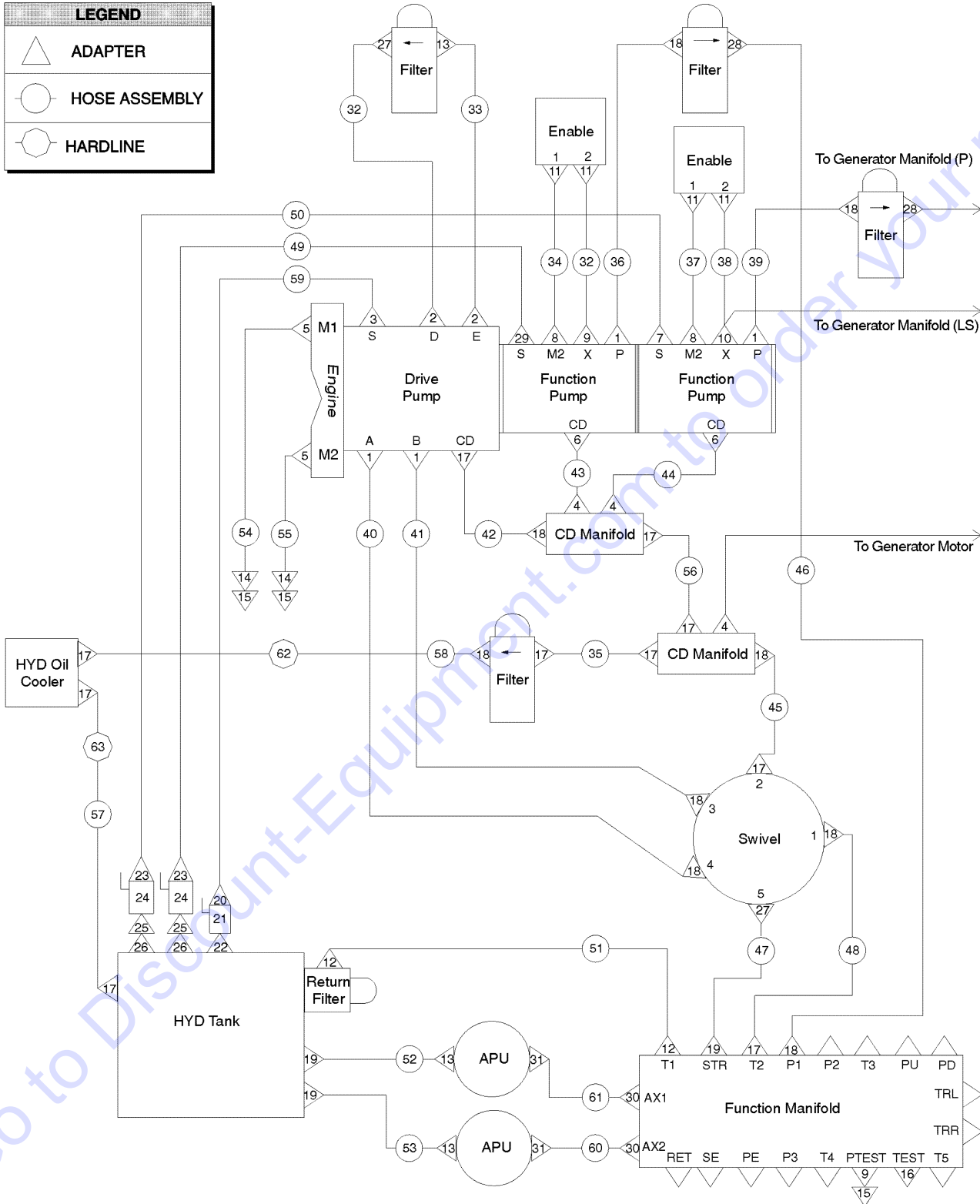


708.1 Hydraulic Hoses and Fittings, Steering System

Item	Part No.	Description	Qty.
1	48960GT	FITTING,CONN,520120-12***.....1	1
2	48905GT	CONN,520120-4***.....8	8
3	48998GT	NIPPLE,DIAGNOSTIC,#6 PORT***.....1	1
4	48948GT	CONN,520120-8-12.....1	1
5	48912GT	CONN,520120-4-6***.....4	4
6	48916GT	CONN, 520120-6.....8	8
7	48911GT	ELBOW,90D,520220-4-6***.....4	4
8	48937GT	ELBOW,45D,520320-8.....1	1
9	48961GT	TEE,RUN,520428-12.....1	1
10	48924GT	CONN,BULKHEAD,520601-6.....8	8
11	214345GT	SEAL,ORING-6.....8	8
12	237553GT	HYD TUBE, STEER.....8	8
13	49181-3440GT	HOSE ASSY,1/4",45,FEM STR FEM....4 <i>Components: 48801, 48810 and 48751 @ 32 inches</i>	4
14	49120-1481GT	HOSE ASSY, 1/4", STR.....4 <i>Components: 48800, 48810 and 48751 @ 13 inches</i>	4
15	49130-5482GT	HOSE ASSY, 3/8,STR FEM,STR FEM...4 <i>Components: 48812, 48812 and 48751 @ 53 inches</i>	4
16	49120-10981GT	HOSE ASSY,1/4" STR FEM STR FEM...4 <i>Components: 48800, 48810 and 48751 @ 108 inches</i>	4
17	49120-4181GT	HOSE ASSY,1/4" STR FEM STR FEM...2 <i>Components: 48800, 48810 and 48751 @ 40 inches</i>	2
18	49183-5992GT	HOSE ASSY,1/2,STR FEM,STR FEM....1 <i>Components: 48822, 48822 and 48756 @ 58 inches</i>	1
19	61074-5528GT	HOSE ASSY,3/4,STR FEM,STR FEM....1 <i>Components: 48841, 48841 and 48762 @ 53 inches</i>	1
20	49120-3881GT	HOSE ASSEMBLY-1/4"***.....2 <i>Components: 48800, 48810 and 48751 @ 37 inches</i>	2

709.1 Hydraulic Hoses and Fittings - Turntable

LEGEND	
	ADAPTER
	HOSE ASSEMBLY
	HARDLINE



709.1 Hydraulic Hoses and Fittings - Turntable

Item	Part No.	Description	Qty.	Item	Part No.	Description	Qty.
1	48977GT	CONN,520120-12-16.....	2	37	49117-2191GT	HOSE ASSY,1/4,90 FEM,STR FEM.....1 (components: 48800, 48802, and 48751 @ 20 inches)	1
2	48946GT	CONN,520120-8-10.....	2	38	49117-2391GT	HOSE ASSY 1/4.90 FEM STR FEM.....1 (components: 48800, 48802, and 48751 @ 22 inches)	1
3	48984GT	CONN,520120-16.....	1	39	61073-4930GT	HOSE ASSY,3/4,90 FEM,STR FEM**.....1 (components: 48841, 48846, and 48762 @ 46 inches)	1
4	48948GT	CONN,520120-8-12.....	4	40	94374-10530GT	HOSE ASSY,3/4,90 FEM,STR FEM.....1 (components: 48841, 48846, and 94358 @ 102 inches)	1
5	48912GT	CONN,520120-4-6***.....	2	41	94374-10530GT	HOSE ASSY,3/4,90 FEM,STR FEM.....1 (components: 48841, 48846, and 94358 @ 102 inches)	1
6	54283GT	ELBOW,90D,520220-8-10.....	2	42	61073-2030GT	HOSE,3/4,90 FEM,STR FEM.....1 (components: 48841, 48846, and 48762 @ 17 inches)	1
7	121777GT	CONN,070121-24-24.....	1	43	49141-1963GT	HOSE ASSY 1/2.45 FEM STR FEM.....1 (components: 48822, 48826, and 48756 @ 17 inches)	1
8	48911GT	ELBOW,90D,520220-4-6***.....	2	44	49141-1563GT	HOSE ASSY 1/2.45 FEM STR FEM.....1 (components: 48822, 48826, and 48756 @ 13 inches)	1
9	48904GT	ELBOW,90D,520220-4-4.....	2	45	61072-3926GT	HOSE ASSY,3/4,45 FEM,STR FEM.....1 (components: 48841, 48845, and 48762 @ 36 inches)	1
10	48890GT	FITTING,TEE,BRANCH,520429-4***.....	1	46	61074-8828GT	HOSE ASSY,3/4,STR FEM,STR FEM.....1 (components: 48841, 48841, and 48762 @ 86 inches)	1
11	48905GT	CONN,520120-4***.....	5	47	49143-8929GT	HOSE ASSY,1/2,90 FEM,STR FEM**.....1 (components: 48822, 48827, and 48756 @ 87 inches)	1
12	75654GT	CONN,520120-20.....	2	48	61073-8330GT	HOSE ASSY,3/4,90 FEM,STR FEM**.....1 (components: 48841, 48845, and 48762 @ 80 inches)	1
13	48932GT	FITTING,ELBOW,90D,520220-8***.....	3	49	219701-6246GT	HOSE ASSEMBLY,1.5".....1 (components: 88476, 88476, and 61100 @ 59 inches)	1
14	48880GT	CAP,DIAGNOSTIC NIPPLE.....	6	50	121608-7175GT	HOSE ASSY, 1-1/2, STR, 90D.....1 (components: 121778, 88476, and 61100 @ 66 inches)	1
15	49207GT	NIPPLE,DIAGNOSTIC,ORFS,FM,SWIV..	3	51	88943-4586GT	HOSE ASSY,1.25",90 FEM,STR FEM.....1 (components: 88477, 88944, and 88478 @ 42 inches)	1
16	48997GT	NIPPLE,DIAGNOSTIC,#4.....	3	52	49141-5663GT	HOSE ASSY,1/2 STR FEM,45 DEG**.....1 (components: 48822, 48826, and 48756 @ 54 inches)	1
17	48960GT	FITTING,CONN,520120-12***.....	21	53	49141-6063GT	HOSE ASSY,1/2,45 FEM,STR FEM.....1 (components: 48822, 48826, and 48756 @ 58 inches)	1
18	48963GT	FITTING,ELBOW,45D,520320-12***.....	12	54	101793-2573GT	HOSE ASSY,1/4,STR FEM,STR MAL.....1 (components: 48800, 75628, and 101697 @ 23 inches)	1
19	48933GT	CONN,520120-8***.....	3				
20	48985GT	ELBOW,45D,520320-16.....	1				
21	48996GT	VALVE,BALL,16 MSAE-16 FSAE***.....	1				
22	75253GT	STRAINER ASSY,#16 O-RING.....	1				
23	88354GT	ELBOW,45D,520320-24.....	2				
24	75256GT	VALVE BALL,24 FSAE-24 FSAE***.....	2				
25	75254GT	UNION,STR.THREAD 24***.....	2				
26	75257GT	STRAINER ASSY,#24 O-RING.....	2				
27	48937GT	ELBOW,45D,520320-8.....	2				
28	48959GT	FITTING,ELBOW,90D,520220-12.....	1				
29	219355GT	ELBOW, 90, 24 C5OLO-S.....	1				
30	48916GT	CONN, 520120-6.....	2				
31	48920GT	ELBOW,45D,520320-6.....	2				
32	49141-2263GT	HOSE ASSY,1/4,45 FEM,STR FEM.....2 (components: 48822, 48826, and 48756 @ 20 inches)	2				
33	49141-1963GT	HOSE ASSY 1/2.45 FEM STR FEM.....1 (components: 48822, 48826, and 48756 @ 17 inches)	1				
34	49117-1791GT	HOSE ASSY 1/4.90 FEM STR FEM.....1 (components: 48800, 48802, and 48751 @ 16 inches)	1				
35	61073-2830GT	HOSE ASSY,3/4",90 FEM, STR FEM.....1 (components: 48841, 48846, and 48762 @ 25 inches)	1				
36	61073-3130GT	HOSE ASSY,3/4,90 FEM,STR FEM.....1 (components: 48841, 48846, and 48762 @ 28 inches)	1				



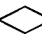
709.1 Hydraulic Hoses and Fittings - Turntable (continued)

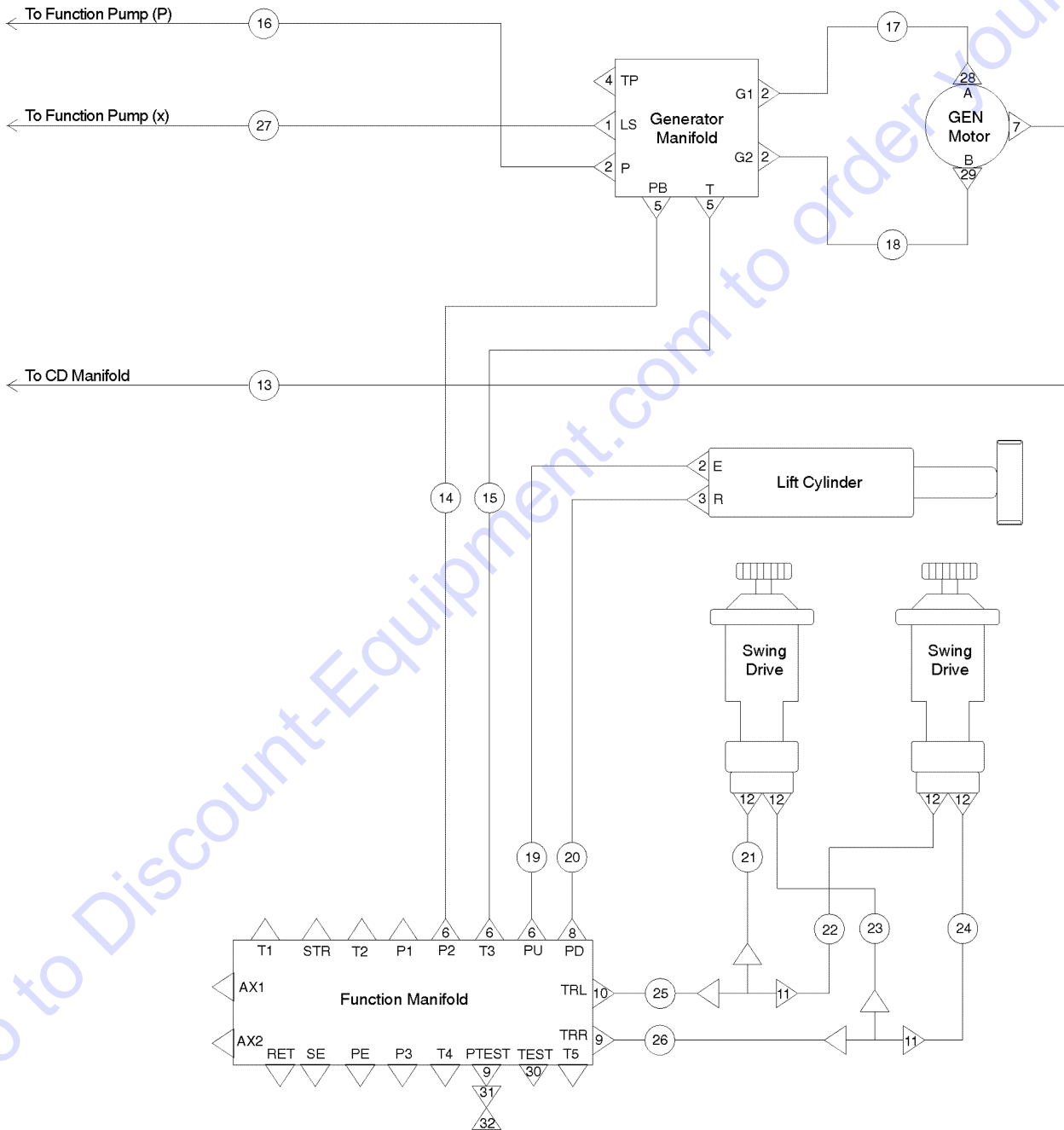
Item	Part No.	Description	Qty.
55	101793-2573GT	HOSE ASSY,1/4,STR FEM,STR MAL.....1 (components: 48800, 75628, and 1287113 @ 23 inches)	
56	61074-4328GT	HOSE ASSY,3/4,STR FEM,STR FEM.....1 (components: 48841, 48841, and 48762 @ 41 inches)	
57	61072-4526GT	HOSE ASSY,3/4,STR FEM,STR FEM.....1 (components: 48841, 48845, and 48762 @ 42 inches)	
58	61074-5428GT	HOSE ASSY,3/4,STR FEM,STR FEM.....1 (components: 48841, 48841, and 48762 @ 52 inches)	
59	49159-6218GT	HOSE ASSEMBLY,1".....1 (components: 48854, 48855, and 48764 @ 58 inches)	
60	218774GT	HYD. TUBE, APU2.....1	
61	218773GT	HYD. TUBE, APU1.....1	
62	219153GT	HYD. TUBE, OIL COOLER, TANK SI.....1	
63	219154GT	HYD. TUBE, OIL COOLER, ENG. SI.....1	

This Page Intentionally Left Blank

Go to Discount-Equipment.com to order your parts

710.1 Hydraulic Hoses and Fittings - Turntable



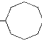
LEGEND	
	ADAPTER
	HOSE ASSEMBLY
	UNION

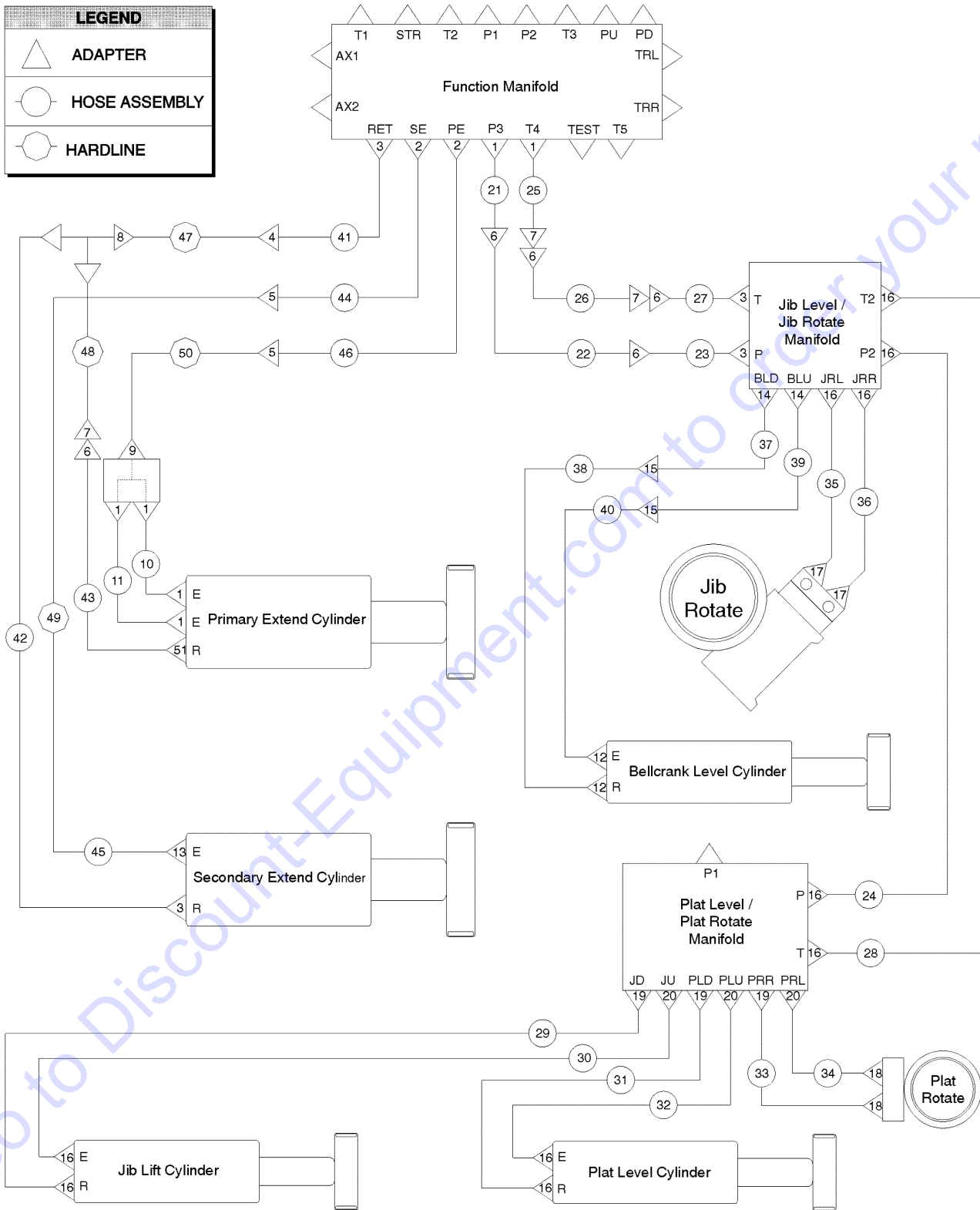


710.1 Hydraulic Hoses and Fittings - Turntable

Item	Part No.	Description	Qty.	Item	Part No.	Description	Qty.
1	48913GT	CONN, 520120-4-6 0.030 ORIFICE.....1	1	29	48995GT	VALVE,BALL,12 MSAE-12 FSAE.....1	1
2	48959GT	FITTING,ELBOW,90D,520220-12.....4	4	30	48997GT	NIPPLE,DIAGNOSTIC,#4.....1	1
3	48932GT	FITTING,ELBOW,90D,520220-8***.....1	1	31	49207GT	NIPPLE,DIAGNOSTIC,ORFS,FM,SWIV..1	1
4	48997GT	NIPPLE,DIAGNOSTIC,#4.....1	1	32	48880GT	CAP,DIAGNOSTIC NIPPLE.....1	1
5	48960GT	FITTING,CONN,520120-12***.....2	2				
6	48963GT	FITTING,ELBOW,45D,520320-12***.....3	3				
7	48942GT	ELBOW,90D,520220-8-6.....1	1				
8	48937GT	ELBOW,45D,520320-8.....1	1				
9	48904GT	ELBOW,90D,520220-4-4.....1	1				
10	48915GT	ELBOW,90D,520220-6.....1	1				
11	227614GT	TEE,BULKHEAD,RUN,520120-6.....2	2				
12	48916GT	CONN, 520120-6.....4	4				
13	49137-2541GT	HOSE ASSY,1/2, 90L FEM,STR FEM....1 (components: 48822, 48824, and 48756 @ 23 inches)	1				
14	61074-7828GT	HOSE ASSY,3/4,STR FEM,STR FEM....1 (components: 48841, 48841, and 48762 @ 76 inches)	1				
15	61074-7628GT	HOSE ASSY,3/4,STR FEM,STR FEM....1 (components: 48841, 48841, and 48762 @ 74 inches)	1				
16	215202GT	HARDLINE, GENERATOR PRESSURE.....1	1				
17	215200GT	HARDLINE, GENERATOR SUPPLY.....1	1				
18	215201GT	HARDLINE, GENERATOR RETURN.....1	1				
19	61072-10026GT	HOSE ASSY,3/4,45 FEM,STR FEM.....1 (components: 48841, 48845, and 48762 @ 97 inches)	1				
20	49141-9963GT	HOSE ASSY,1/2,45 FEM,STR FEM.....1 (components: 48822, 48826, and 48756 @ 97 inches)	1				
21	49128-2809GT	HOSE ASSY,3/8,90 FEM,STR FEM.....1 (components: 48812, 48816, and 48753 @ 26 inches)	1				
22	49128-2809GT	HOSE ASSY,3/8,90 FEM,STR FEM.....1 (components: 48812, 48816, and 48753 @ 26 inches)	1				
23	49128-2809GT	HOSE ASSY,3/8,90 FEM,STR FEM.....1 (components: 48812, 48816, and 48753 @ 26 inches)	1				
24	49128-2809GT	HOSE ASSY,3/8,90 FEM,STR FEM.....1 (components: 48812, 48816, and 48753 @ 26 inches)	1				
25	218776GT	HYD, TUBE, TRL.....1	1				
26	218775GT	HYD, TUBE, TRR.....1	1				
27	49117-3091GT	HOSE ASSY 1/4.90 FEM STR FEM.....1 (components: 48000, 48802, and 48751 @ 29 inches)	1				
28	48974GT	ELBOW,90D,520220-12-10.....1	1				

711.1 Hydraulic Hoses and Fittings - Boom Components

LEGEND	
	ADAPTER
	HOSE ASSEMBLY
	HARDLINE



711.1 Hydraulic Hoses and Fittings - Boom Components

Item	Part No.	Description	Qty.	Item	Part No.	Description	Qty.
1	48933GT	CONN,520120-8***.....	7	29	49130-2082GT	HOSE ASSY, 3/8,STR FEM,STR FEM....1 (components:48812, 48812, and 48753 @ 19 inches)	1
2	48963GT	FITTING,ELBOW,45D,520320-12***.....	2	30	49130-1882GT	HOSE ASSY, 3/8,STR FEM,STR FEM....1 (components:48812, 48812, and 48753 @ 17 inches)	1
3	48937GT	ELBOW,45D,520320-8.....	4	31	49130-1782GT	HOSE ASSY, 3/8,STR FEM,STR FEM....1 (components:48812, 48812, and 48753 @ 16 inches)	1
4	48894GT	CONN,BULKHEAD,520601-8.....	1	32	49130-1882GT	HOSE ASSY, 3/8,STR FEM,STR FEM....1 (components:48812, 48812, and 48753 @ 17 inches)	1
5	48968GT	CONN,BULKHEAD,520601-12.....	2	33	49163-7194GT	HOSE ASSY,1/4,90 FEM,STR FEM.....1 (components:48802, 48810, and 48751 @ 70 inches)	1
6	75042GT	ELBOW,BULKHEAD UNION 520701-8...5	5	34	49163-7194GT	HOSE ASSY,1/4,90 FEM,STR FEM.....1 (components:48802, 48810, and 48751 @ 70 inches)	1
7	48879GT	ELBOW,SWIVEL 90D, 520221-8.....	3	35	49128-3734GT	HOSE ASSY,3/8" 90 FEM STR FEM.....1 (components:48812, 48816, and 48753 @ 35.25 inches)	1
8	51265GT	TEE,UNION,520401-8.....	1	36	49128-3809GT	HOSE ASSY,3/8" 90 FEM STR FEM.....1 (components:48812, 48816, and 48753 @ 36 inches)	1
9	48959GT	FITTING,ELBOW,90D,520220-12.....	1	37	49116-1937GT	HOSE ASSY,1/4,45 FEM,STR FEM.....1 (components:48800, 48801, and 48751 @ 17 inches)	1
10	49143-41229GT	HOSE ASSY,1/2,90 FEM, STR FEM....1 (components: 48822, 48827, and 48756 @ 410 inches)	1	38	49117-2591GT	HOSE ASSY,1/4,90 FEM,STR FEM**.....1 (components:48800, 48802, and 48751 @ 24 inches)	1
11	49143-41629GT	HOSE ASSY,1/2,90 FEM, STR FEM....1 (components: 48822, 48827, and 48756 @ 414 inches)	1	39	49116-1937GT	HOSE ASSY,1/4,45 FEM,STR FEM.....1 (components:48800, 48801, and 48751 @ 17 inches)	1
12	48912GT	CONN,520120-4-6***.....	6	40	49117-2591GT	HOSE ASSY,1/4,90 FEM,STR FEM**.....1 (components:48800, 48802, and 48751 @ 24 inches)	1
13	48960GT	FITTING,CONN,520120-12***.....	1	41	49183-15792GT	HOSE ASSY,1/2,STR FEM,STR FEM....1 (components: 48822, 48822, and 48756 @ 156 inches)	1
14	48904GT	ELBOW,90D,520220-4-4.....	2	42	49141-2563GT	HOSE ASSY,1/2,45 FEM,STR FEM.....1 (components: 48822, 48826, and 48756 @ 23 inches)	1
15	61269GT	UNION,BULKHEAD,ORFS,520601,-4....	2	43	49180-41116GT	HOSE ASSY,1/2,90 FEM, STR FEM.....1 (components: 48816, 48819, and 48753 @ 409 inches)	1
16	48916GT	CONN, 520120-6.....	10	44	61074-15228GT	HOSE ASSY,3/4,STR FEM,STR FEM....1 (components: 48841, 48841, and 48762 @ 150 inches)	1
17	48931GT	CONN,520120-6-10.....	2	45	61072-2226GT	HOSE ASSY,3/4,45 FEM,STR FEM.....1 (components: 48841, 48845, and 48762 @ 19 inches)	1
18	48905GT	CONN,520120-4***.....	2	46	61074-15228GT	HOSE ASSY,3/4,STR FEM,STR FEM....1 (components: 48841, 48841, and 48762 @ 150 inches)	1
19	56003GT	ELBOW,90D,LONG,521520-6.....	3				
20	48915GT	ELBOW,90D,520220-6.....	3				
21	49183-51792GT	HOSE ASSY,1/2,STR FEM,STR FEM....1 (components: 48822, 48822, and 48756 @ 516 inches)	1				
22	49183-85992GT	HOSE ASSY,1/2,STR FEM,STR FEM....1 (components: 48822, 48822, and 48756 @ 858 inches)	1				
23	49183-87392GT	HOSE ASSY,1/2,STR FEM,STR FEM....1 (components: 48822, 48822, and 48756 @ 872 inches)	1				
24	49130-17182GT	HOSE ASSY, 3/8,STR FEM,STR FEM....1 (components:48812, 48812, and 48753 @ 170 inches)	1				
25	49183-51792GT	HOSE ASSY,1/2,STR FEM,STR FEM....1 (components: 48822, 48822, and 48753 @ 516 inches)	1				
26	49183-79692GT	HOSE ASSY,1/2,STR FEM,STR FEM....1 (components: 48822, 48822, and 48756 @ 795 inches)	1				
27	49183-82392GT	HOSE ASSY,1/2,STR FEM,STR FEM....1 (components: 48822, 48822, and 48756 @ 822 inches)	1				
28	49130-17182GT	HOSE ASSY, 3/8,STR FEM,STR FEM....1 (components:48812, 48812, and 48753 @ 170 inches)	1				

711.1 Hydraulic Hoses and Fittings - Boom Components
(continued)

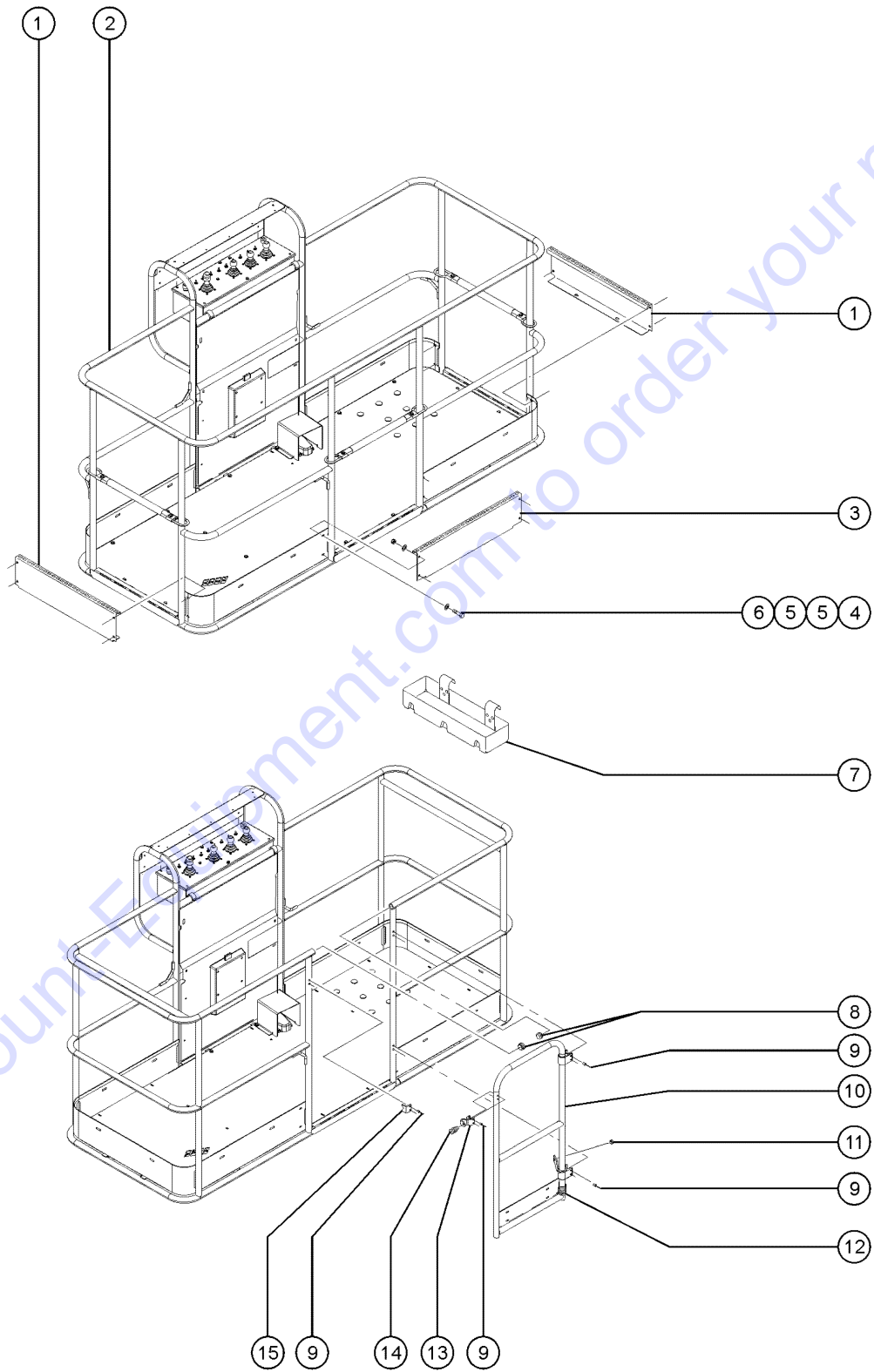
Item	Part No.	Description	Qty.
47	218597GT	HARDLINE,SEC. RETURN, BOOM #0....1	
48	218595GT	HARDLINE,PRI. RETURN, BOOM #0....1	
49	218594GT	HARDLINE,SEC. EXTEND,BOOM #0.....1	
50	218596GT	HARDLINE,PRI. EXTEND,BOOM #0.....1	
51	48930GT	CONN,520120-6-8.....1	

Go to Discount-Equipment.com to order your parts

This Page Intentionally Left Blank

Go to Discount-Equipment.com to order your parts

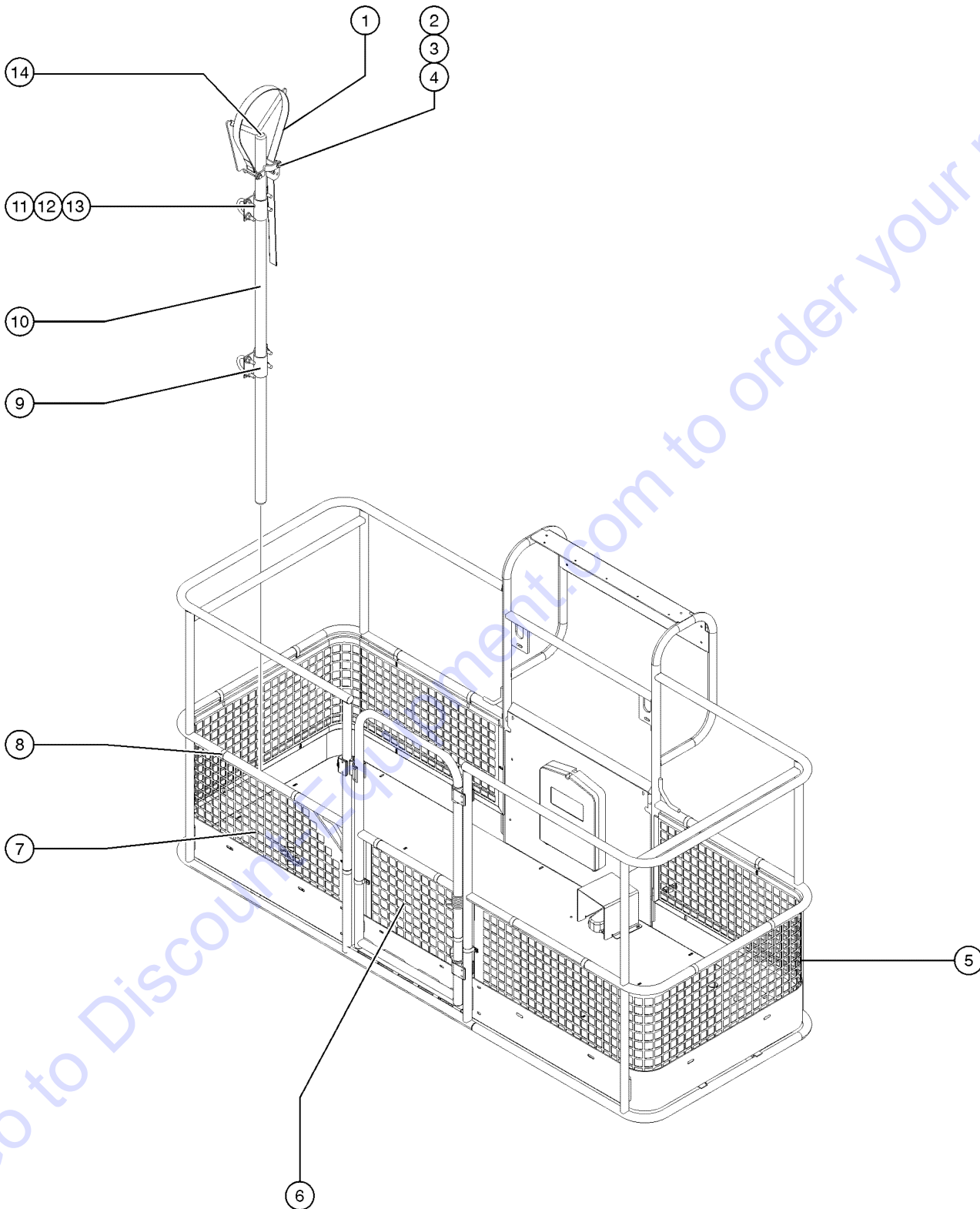
801.1 Platform Accessories



801.1 Platform Accessories

Item	Part No.	Description	Qty.
1	102721PGT	TOEBOARD,8'TRI ENTRY.....	2
--	139438GT	TOEBOARD, TRI ENTRY 6', EURO	
2	101973GT	WELDMENT,6 FT TRI ENTRY PLAT	
--	94869GT	WELDMENT,8FT TRI ENTRY PLAT	
3	94745PGT	TOEBOARD,ENTRY EUROPEAN PNTD**	1
4	6090GT	SCREW,HHC,1/4-20 X .75	
5	6638GT	WASHER,FLAT,USS,1/4"Y	
6	6091GT	NUT,NYLOCK,1/4-20	
7	9599-SGT	TOOL TRAY ACCESSORY***	1
8	55753GT	BUMPER, PLASTIC, 1.25 O.D.....	2
9	7265GT	RIVET,STEEL,P, .25 X .375.....	14
10	128368GT	KIT,SWING GATE W/SPRING.....	1
--	119950GT	KIT,FIELD INSTALL,SWING GATE (Complete swing gate assembly) includes 128368	
--	1487GT	GATE LATCH CASTING--DRILLED	
--	1488GT	RAILING CATCH CASTING--DRILLED	
--	33674GT	PIN,LOCK,SHORT***	
--	9596GT	HINGE CASTING <i>Special welding requirements for installation of this component. Strongly suggest ordering 128368 OR contact Discount-equipment for welding requirements.</i>	
11	43392GT	BUMPER,BATTERY BOX & RAILS.....	1
12	42104GT	SPRING,SHORT PLATFORM GATE	
13	1487GT	GATE LATCH CASTING--DRILLED.....	1
14	33674GT	PIN,LOCK,SHORT***	1
15	1488GT	RAILING CATCH CASTING--DRILLED...	1

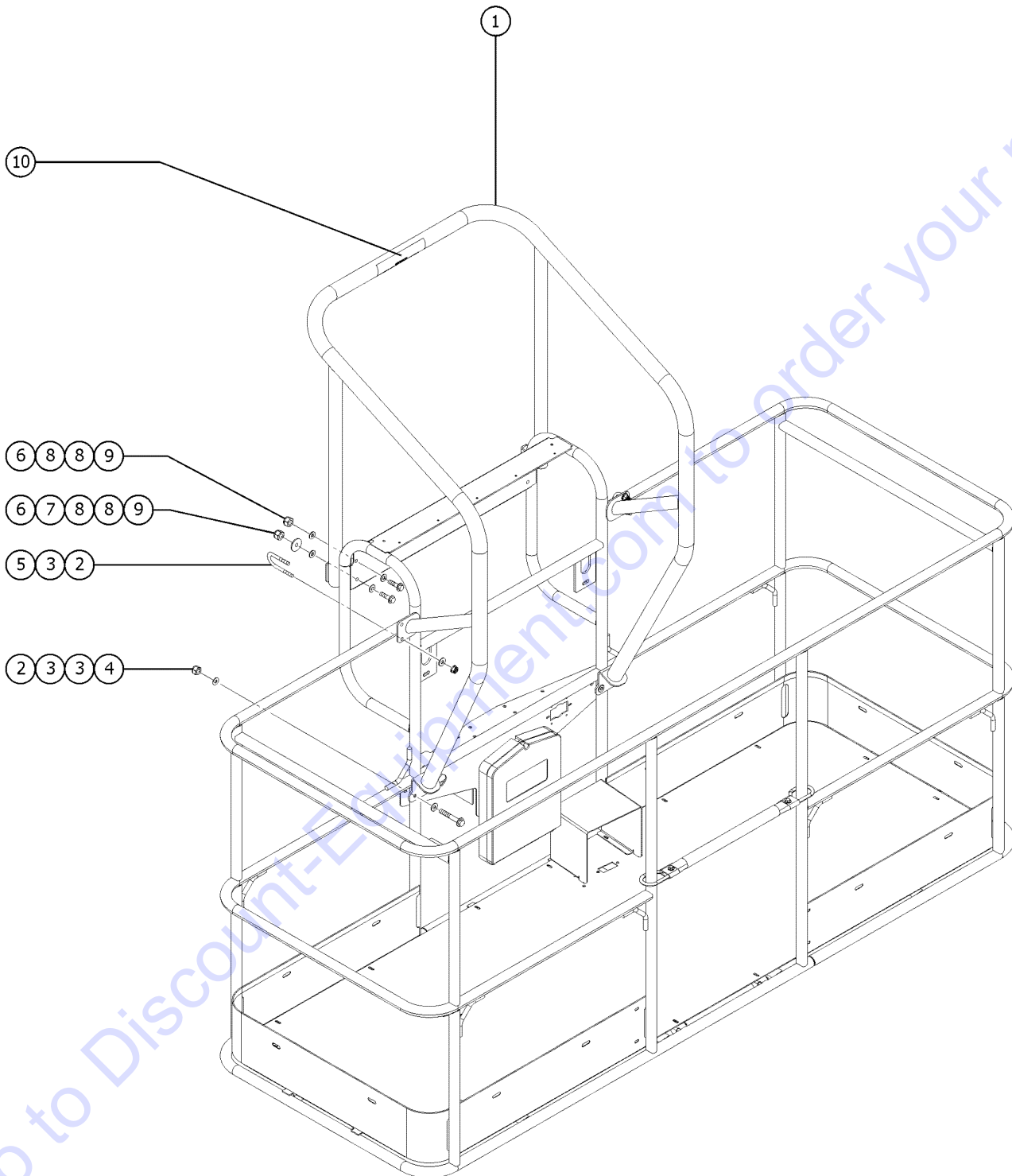
802.1 Half-Mesh and Pipe Cradle Options



802.1 Half-Mesh and Pipe Cradle Options

Item	Part No.	Description	Qty.
--		Ref. SWING GATE, COMPLETE (refer to 801.1)	
1	56570GT	STRAP, CONDUIT HOLDER 60****	1
--	65630GT	INSTRUCTIONS-PIPE CRADLE,BOOMS	
2	824083GT	SCREW,HHF,1/4-20X2.5,8,ZAG	
3			
4	1277924GT	NUT,NYLOCK FLG,1/4-20,F,ZAG	
5	73500GT	HALF MESH,8'PLATFORM,RH***	1
--	54465GT	MESH,HALF,RH,6'PLATFORM	
6	54457GT	MESH,HALF,SWING GATE***	1
7	73501GT	HALF MESH,8'PLATFORM,LH.....	1
--	54458GT	MESH,HALF,LH,6'PLATFORM	
8	56424GT	CLAMP,1.25X.5 RUBBER-CUSHION	
--	6090GT	SCREW,HHC,1/4-20 X .75	
--	6091GT	NUT,NYLOCK,1/4-20	
--	6638GT	WASHER,FLAT,USS,1/4"Y	
9	81368GT	WELDMENT,PIPE CRADLE MOUNT.....	1
10	56525GT	WELDMENT, PIPE CRADLE.....	1
11	1251600GT	U-BOLT, FLATTENED, 1.5 X 3/8 UNC,ZAG.....	8
12	1274322GT	NUT,NYLOCK FLG,3/8-16,F,ZAG	
13	5397GT	WASHER,FLAT,USS,5/16",Y	
14	55753GT	BUMPER, PLASTIC, 1.25 O.D.....	4

803.1 Operator Protection Structure



Go to Discount-Equipment.com to order your parts

PARTS FINDER

**Search Website
by Part Number**



**Search Manual
Library For Parts
Manual & Lookup Part
Numbers – Purchase
or Request Quote**

Search Manuals

Enter your information to search for a manual or to purchase a manual or parts.

* Brand:

* Model:

* Serial:

* Part Number:

SEARCH

**Can't Find Part or
Manual? Request Help
by Manufacturer,
Model & Description**

Parts Order Form

Please fill in the following information:

Manufacturer:

Model:

Description:

Quantity:

Part Number:

Part Name:

Part Description:

Part Location:

Part Condition:

Part Status:

Part Color:

Part Material:

Part Weight:

Part Dimensions:

Part Price:

Part Notes:

Submit

Discount-Equipment.com is your online resource for quality parts & equipment.

Florida: **561-964-4949** Outside Florida TOLL FREE: **877-690-3101**

Need parts?

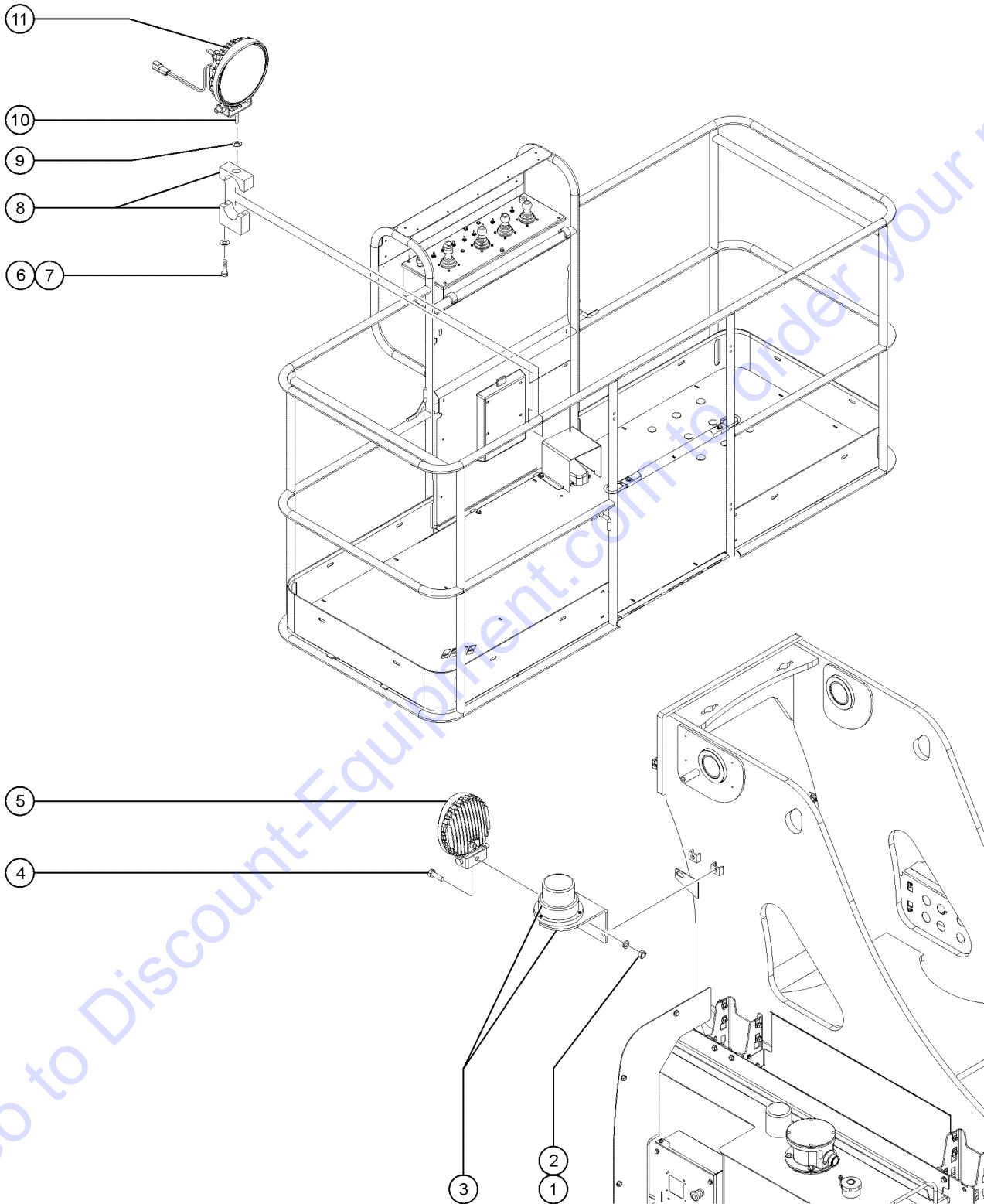
Click on this link: <http://www.discount-equipment.com/category/5443-parts/> and choose one of the options to help get the right parts and equipment you are looking for. Please have the machine model and serial number available in order to help us get you the correct parts. If you don't find the part on the website or on one of the online manuals, please fill out the request form and one of our experienced staff members will get back to you with a quote for the right part that your machine needs.

We sell worldwide for the brands: Genie, Terex, JLG, MultiQuip, Mikasa, Essick, Whiteman, Mayco, Toro Stone, Diamond Products, Generac Magnum, Airman, Haulotte, Barreto, Power Blanket, Nifty Lift, Atlas Copco, Chicago Pneumatic, Allmand, Miller Curber, Skyjack, Lull, Skytrak, Tsurumi, Husquvarna Target, Stow, Wacker, Sakai, Mi-T-M, Sullair, Basic, Dynapac, MBW, Weber, Bartell, Bennar Newman, Haulotte, Ditch Runner, Menegotti, Morrison, Contec, Buddy, Crown, Edco, Wyco, Bomag, Laymor, EZ Trench, Bil-Jax, F.S. Curtis, Gehl Pavers, Heli, Honda, ICS/PowerGrit, IHI, Partner, Imer, Clipper, MMD, Koshin, Rice, CH&E, General Equipment, Amida, Coleman, NAC, Gradall, Square Shooter, Kent, Stanley, Tamco, Toku, Hatz, Kohler, Robin, Wisconsin, Northrock, Oztec, Toker TK, Rol-Air, APT, Wylie, Ingersoll Rand / Doosan, Innovatech, Con X, Ammann, Mecalac, Makinex, Smith Surface Prep, Small Line, Wanco, Yanmar

803.1 Operator Protection Structure

Item	Part No.	Description	Qty.
--		<i>Fits all 6' and 8' Booms</i>	
1	219158GT	ACCESSORY, OPERATOR PROT STRUCT.....1 <i>(Complete) includes all fasteners</i>	1
2	1256468GT	NUT, 3/8-16, 8, ZAG.....8	8
3	1255758GT	WASHER, FLAT, 3/8, USS, ZAG.....12	12
4	824069GT	SCREW, HHC, 3/8-16X2.5, 8, ZAG.....4	4
5	1251600GT	U-BOLT, FLATTENED, 1.5 X 3/8 UNC, ZAG.....4	4
6	1261184GT	NUT, 1/4-20, 8, ZAG.....4	4
7	824120GT	WASHER, FLAT, .375X1.50X.125, ZAG.....2 <i>Use only with the platform control box cover option</i>	2
8	824113GT	WASHER, FLAT, USS, 1/4, ZAG.....6	6
9	824060GT	SCREW, HHC, 1/4-20X1, 8, ZAG.....4	4
10		Ref. DECAL, INSTRUCTION, OPS.....1 <i>refer to Section 1</i>	1

804.1 Drive and Work Light Package

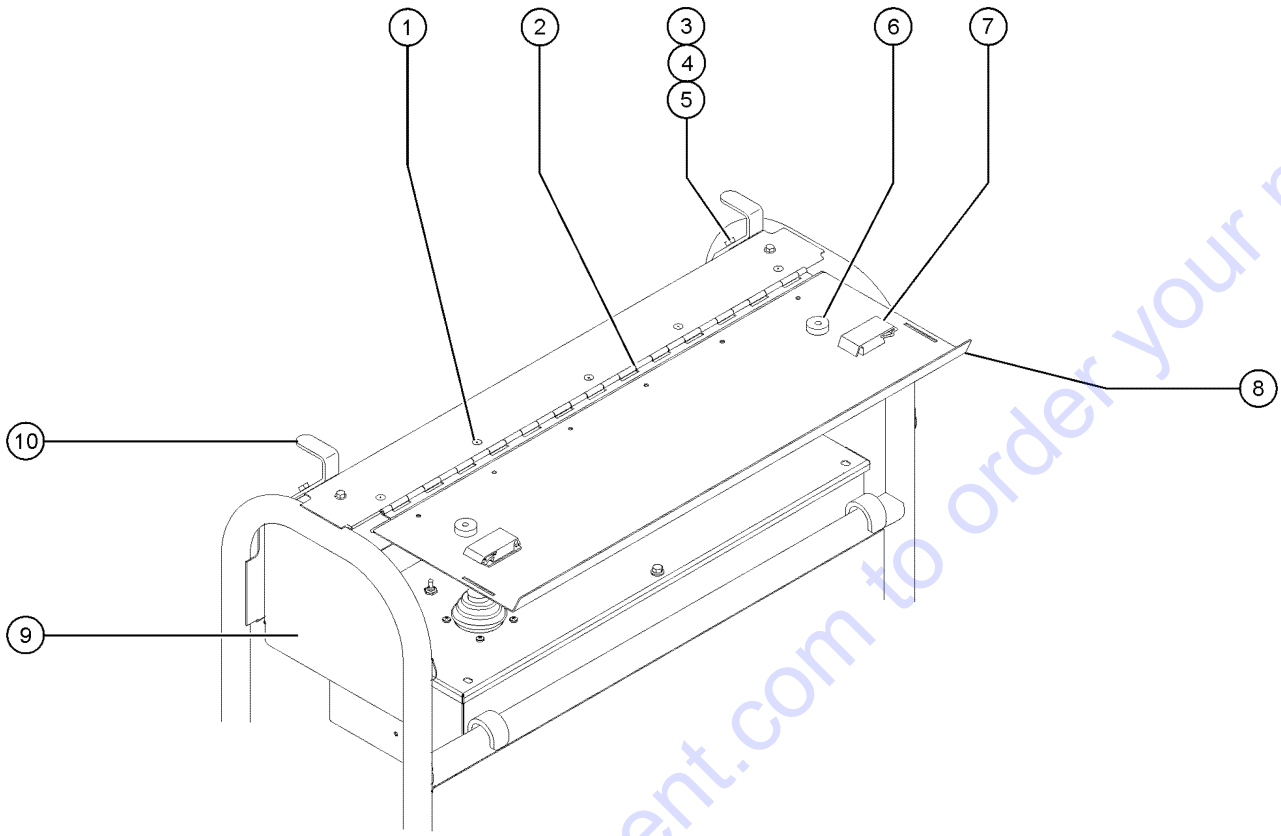


804.1 Drive and Work Light Package

Item	Part No.	Description	Qty.
1	22571GT	NUT,HEX,M8 X 1.25	
2	49408GT	WASHER,LOCK,M8	
3		Ref. Bracket and Strobe (Refer to 302.1)	
4	49379GT	SCREW,HHC,M8 X 1.25 X 25	
5	823520GT	ASSY, DRIVE LIGHT, 12V LED.....	2
6	6145GT	SCREW,HHC,1/4-20 X 1.5	
7	6356GT	WASHER,LOCK,.25	
8	35956GT	BRACKET,WORK LIGHT MOUNT 5/16".....	2
9	6036GT	WASHER,LOCK,.625 PLTD	
10	10107GT	SCREW,HHC,5/16-18 X .75	
11	1282993GT	ASSY,WORK LIGHT,12V LED.....	2

Go to Discount-Equipment.com to order your parts

805.1 Platform Control Box Cover



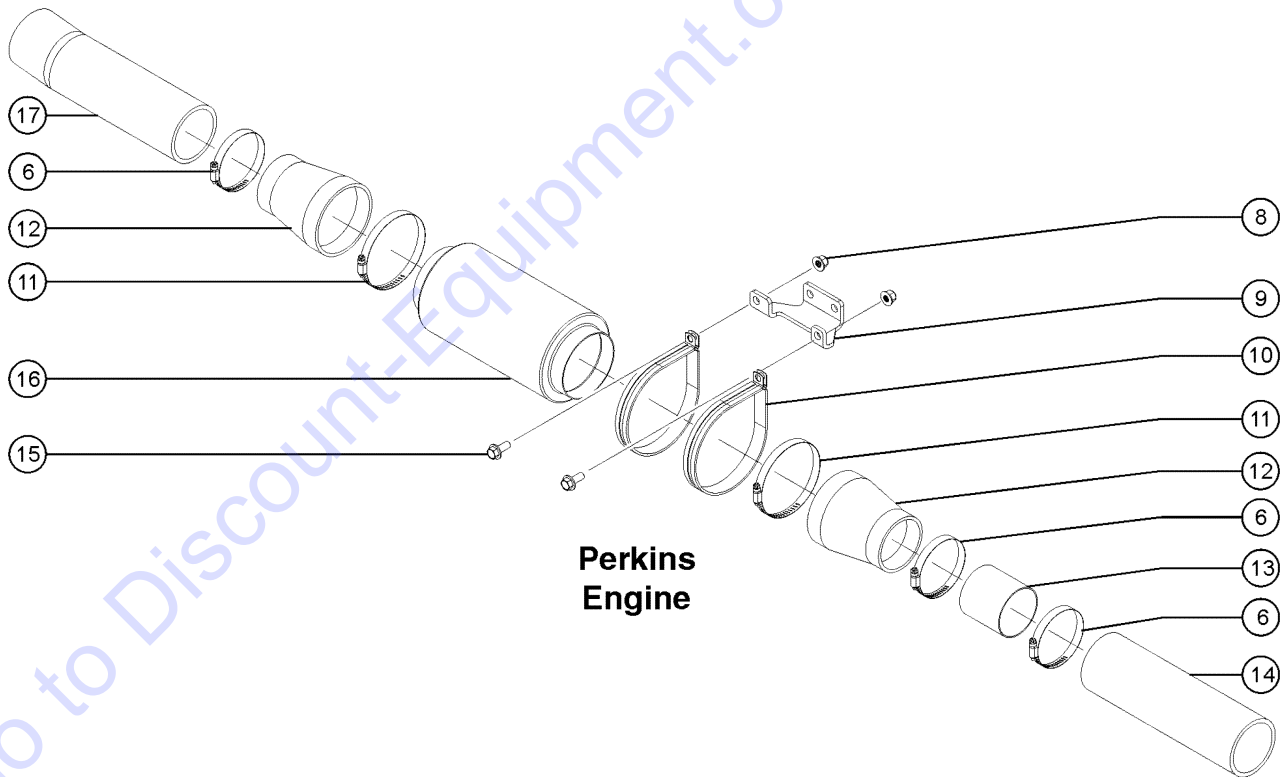
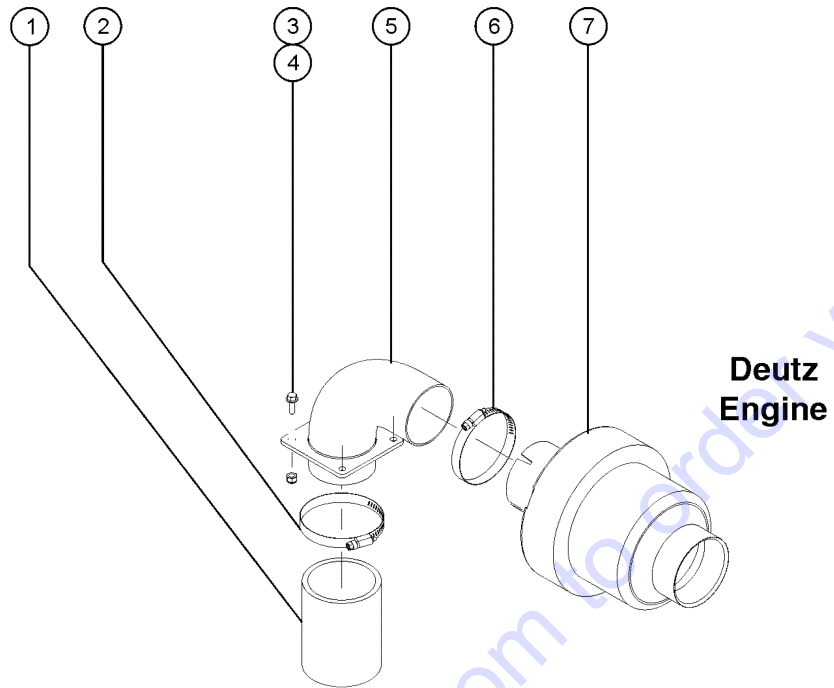
Go to Discount-Equipment.com to order your parts

805.1 Platform Control Box Cover

Item	Part No.	Description	Qty.
1	54486GT	RIVET,ALUM,ALUM,3/16BUTTONHEAD.11	
2	111526GT	HINGE,PLAT CONTROL BOX COVER...1	
3	6889GT	NUT,LP NYLOCK,1/4-20	
4	6638GT	WASHER,FLAT,USS,1/4"Y	
5	6888GT	SCREW,HHC,1/4-20 X 1	
6	43392GT	BUMPER,BATTERY BOX & RAILS.....2	
7	30468GT	LATCH,SLIDE, FLUSH MOUNT STYLE.....2	
8	102676GT	LID ASSY,CONTROL BOX COVER PLT.....1	
--	102785PGT	CONTROL BOX COVER,LID,PTD	
9	88607PGT	COVER,CONTROL BOX LEFT SIDE***.....1	
--	88606PGT	COVER,CONTROL BOX RIGHT SIDE** <i>Shown</i>	
10	102786PGT	FORMING,LATCH,CTRL BOX LID PTD.....2	

Go to Discount-Equipment.com to order your parts

806.1 Engine Air Precleaner

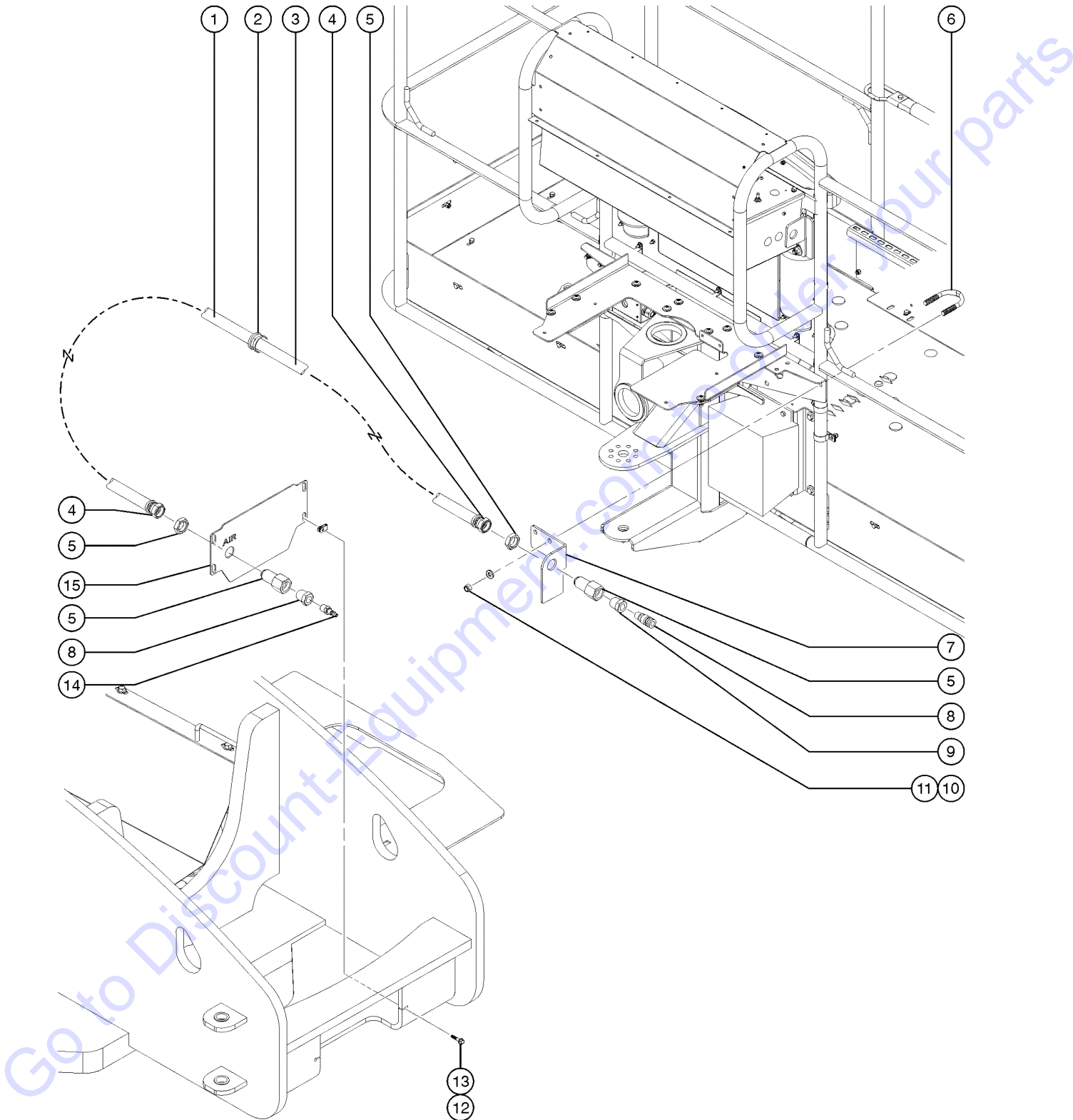


806.1 Engine Air Precleaner

Item	Part No.	Description	Qty.
1	106211-400GT	HOSE,RUBBER 3"ID X .25 BLACK.....1	1
2	30489GT	CLAMP,HOSE,3.50.....4	4
3	824132GT	SCREW,HHF,M8-1.25X20,DIN6921,10.9,ZAB	
4	237832GT	NUT,TL FLG,M8-1.25,DIN6927,10,ZAB	
5	102220GT	WELDMENT,PRECLEANER,DEUTZ.....1	1
6	30971GT	CLAMP,HOSE,3.00".....4	4
7	89959GT	PRECLEANER,INLINE 3".....2	2
8	231529GT	NUT,TL FLG,M10-1.5,DIN6927,10,ZAB	
9	217230GT	FORMING, PREFILTER BRACKET.....1	1
10	101639GT	CLAMP,5.38,#86 X 3/8,RUB CUSH.....2	2
11	34955GT	CLAMP,HOSE,5.00.....2	2
12	122432GT	REDUCER,RUBBER,4.0 X 3.0.....2	2
13	217233GT	TUBE,INTAKE, ADAPTER.....1	1
14	106211-1150GT	HOSE,RUBBER 3"ID X .25 X 11.5".....1	1
15	231530GT	SCREW,HHF,M10-1.5X25,DIN6921,10.9,ZAB	
16	88493GT	PRECLEANER,AIR INTAKE.....1	1
17	217231GT	TUBE,INTAKE, FILTER.....1	1

Go to Discount-Equipment.com to order your parts

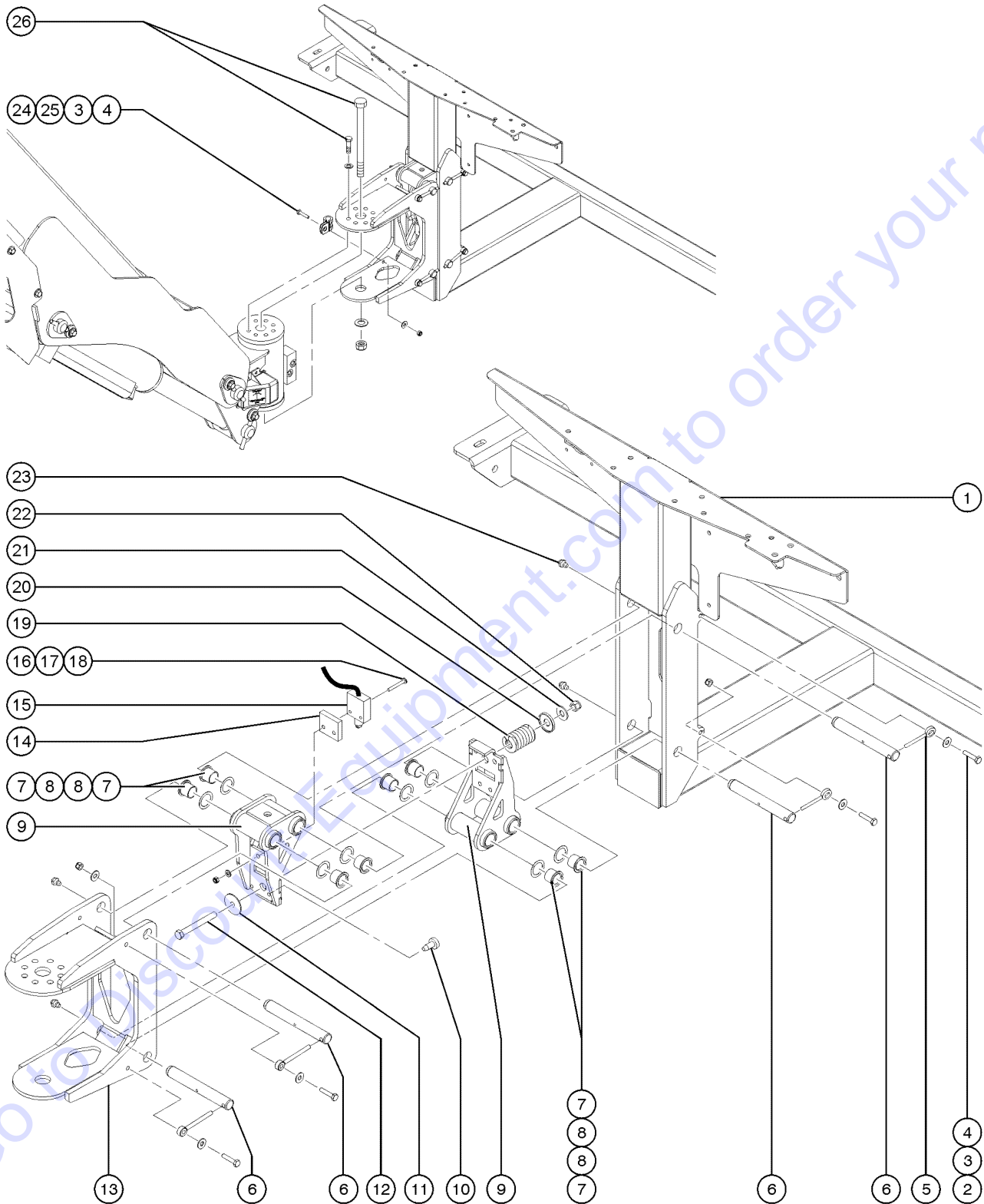
807.1 Air Line to Platform



807.1 Air Line to Platform

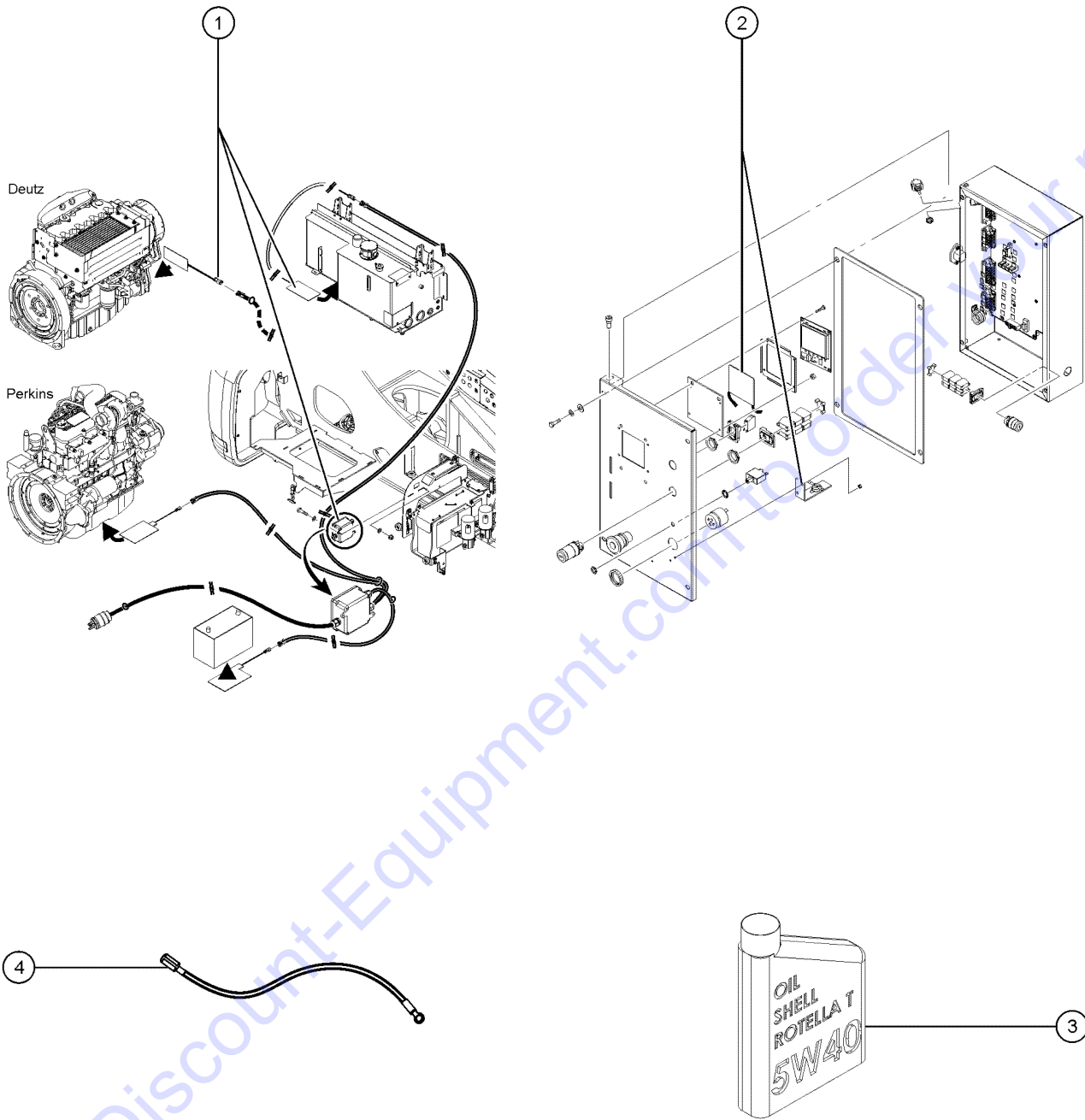
Item	Part No.	Description	Qty.
1	824945GT	HOSE,3/4,LOW PRESSURE,1440 IN.....1	
2	824961GT	FITTING,3/4,HOSE UNION.....1	
3	824947GT	HOSE,3/4,LOW PRESSURE,1104 IN.....1	
4	824960GT	FITTING,3/4,HOSE TO FEMALE.....2	
5	824959GT	FITTING,3/4MPT,37 DEG BULKHEAD....2 (Includes shown retaining nut)	
6	122755GT	UBOLT,FLATTENED,1.5DIAX3/8 UNC....1	
7	822902GT	FORMING,AIR TO PLAT1	
8	49215GT	MPT,CPLR,1/4"SER,3/8"X18.....1	
9	824946GT	REDUCER,3/4MPTX3/8FPT,STEEL.....2	
10	4828GT	NUT,NYLOCK,3/8-16	
11	5397GT	WASHER,FLAT,USS,5/16",Y	
12	231531GT	SCREW,HHF,M6-1.0X30,DIN6921,10.9,ZAB	
13	230073GT	SPRING CLIP,M6-1.0,0.8-4MM PAN	
14	49214GT	MALE PIPE THD,1/4" SER,3/8"X18.....1	
15	822823GT	PLATE, AIR LINE ACCESS.....1	

808.1 Load Sense



Item	Part No.	Description	Qty.
1	61997GT	WELDMENT,PLATFORM SUPPORT,CE.....1 <i>CE models</i>	1
2	8915GT	SCREW,HHC,1/4-20 X 1.25	
3	6638GT	WASHER,FLAT,USS,1/4"Y	
4	6091GT	NUT,NYLOCK,1/4-20	
5	45748GT	ROD END,.250 X 2.75 LG.....4	4
6	61726GT	PIN,0.75DIA X 5.75LG,CHAMFER.....4	4
7	25685GT	BEARING,GARLOCK,12FDU12.....8	8
8	110789GT	WASHER,SHIM .0151 THK.	
9	89755GT	LOAD SUPPORT W/BEARINGS.....2 <i>includes items 7 & 8</i>	2
10	34619GT	BUMPER,RUBBER***.....2	2
11	80605GT	WASHER,FLAT,3/8X1.5X.06.....1	1
12	21604GT	SCREW,HHC,3/8-16 X 3.25.....1	1
13	61804GT	WELDMENT,ROTATOR SUPPORT.....1	1
14	61972GT	MOUNT,SWITCH	
15	146399GT	ASSY, LS, LOAD SENSE, ALC1000	
16	51063GT	SCREW,PHILLIPS,RHM,10-32 X 1.5.....2	2
17	6146GT	WASHER,FLAT,MS,#10,Y	
18	6178GT	NUT,NYLOCK,10-32	
19	61976GT	SPRING,COMP,1-1/4"OD 352 LB/IN.....1	1
20	61977GT	RETAINER,SPRING,1.46 X .375.....1	1
21	6097GT	WASHER,FLAT,USS,3/8",Y	
22	4828GT	NUT,NYLOCK,3/8-16	
23	94643GT	ZERK,GREASE,5/16-24,STRAIT.....4	4
24	8915GT	SCREW,HHC,1/4-20 X 1.25	
25	45470GT	CLAMP,0.31,#5 X 1/4,RUB CUSH.....1	1
26		<i>(Refer to 601.1)</i>	

809.1 Cold Start Package



Go to Discount-Equipment.com to order your parts

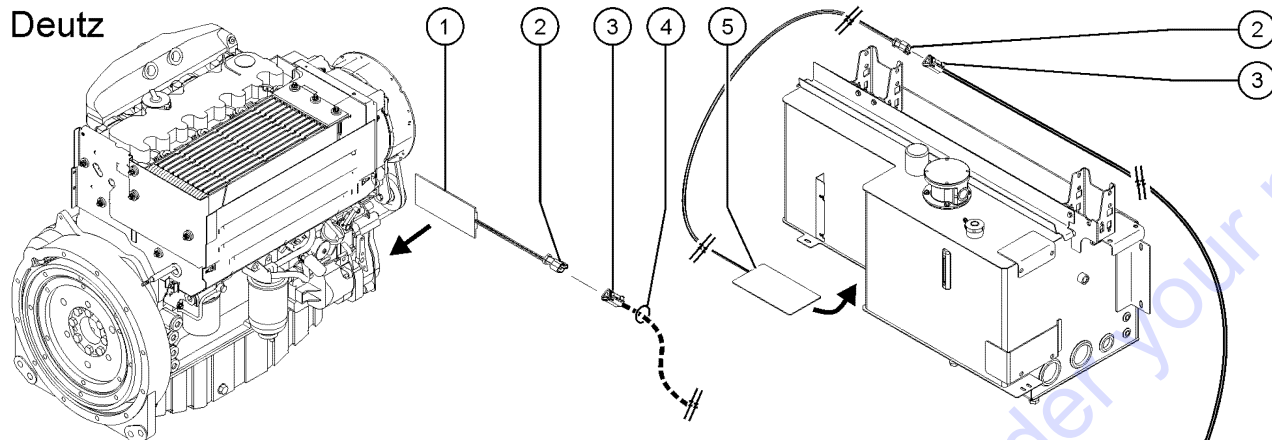
809.1 Cold Start Package

Item	Part No.	Description	Qty.
1		Ref. Cold Start Heater (Refer to 810.1)	
2		Ref. Ground Control LCD Heater (Refer to 811.1)	
3		OIL,ENG 5W-40 SYN***.....7.5-QT <i>Perkins models</i>	
--		OIL,ENG 5W-40 SYN***.....12.8-QT <i>Deutz models</i>	
4	1256806GT	HARNES, START ASSIST.....1 (Deutz) Connects starter to battery separator	

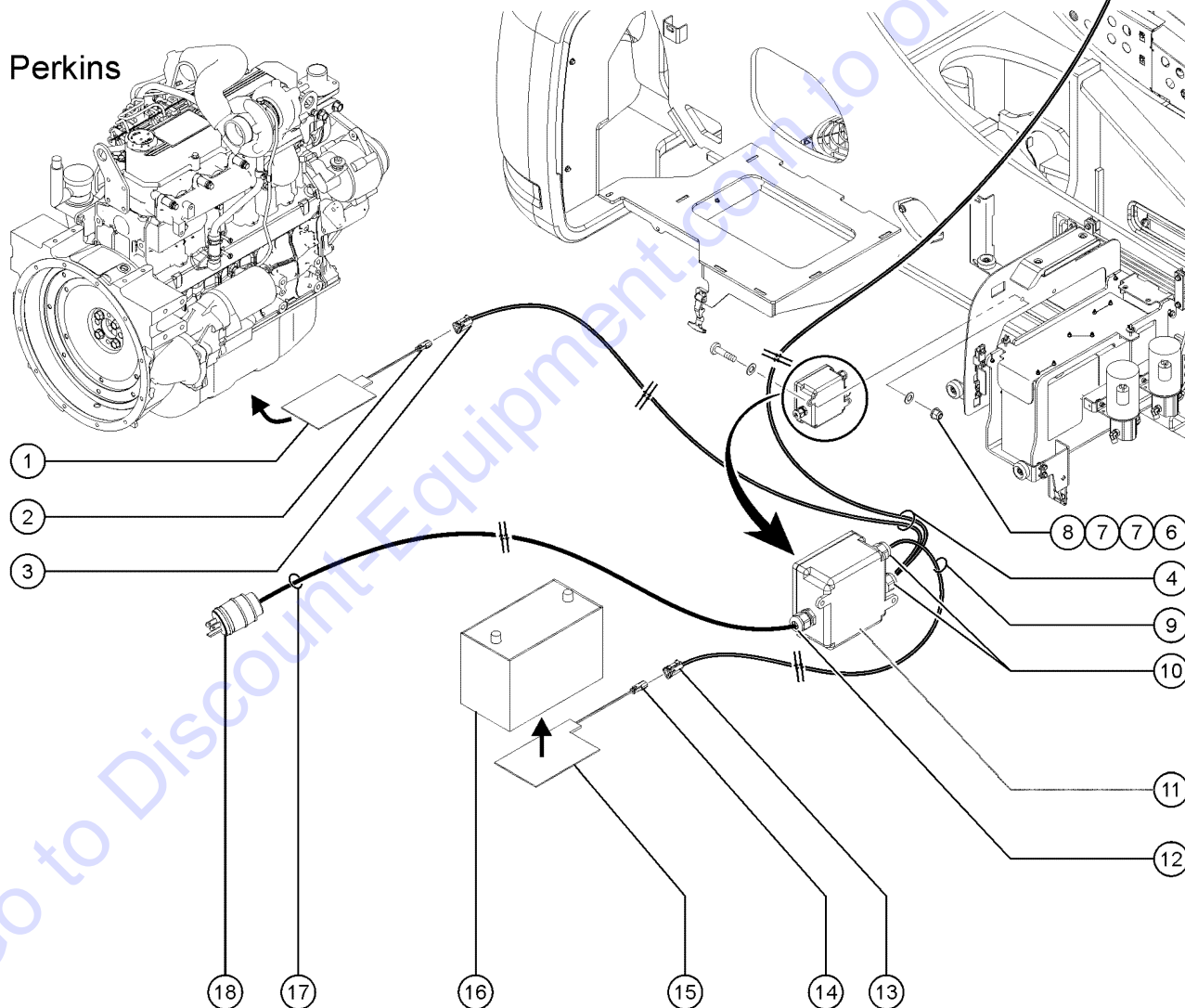
Go to Discount-Equipment.com to order your parts

810.1 Cold Start Heater

Deutz



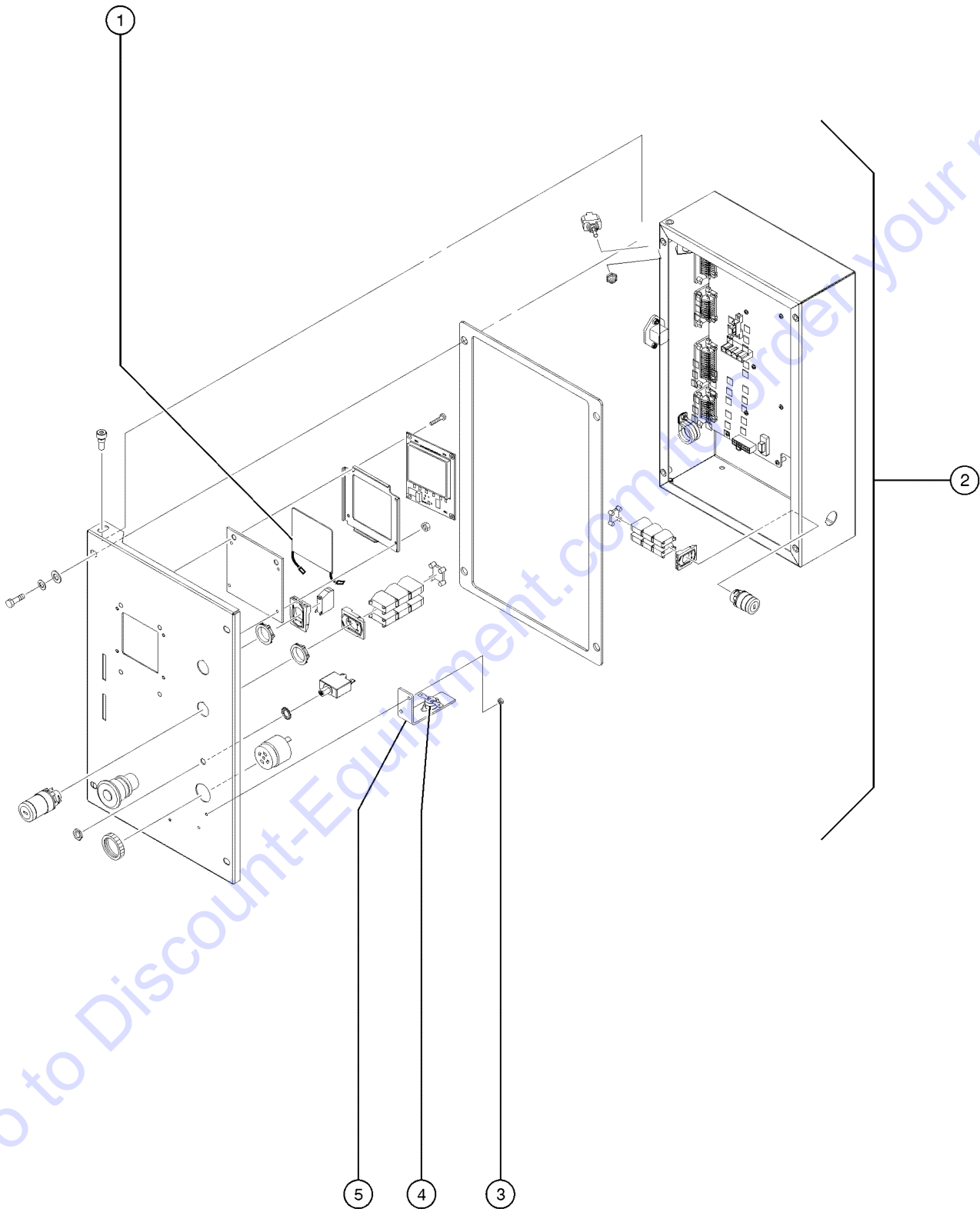
Perkins



810.1 Cold Start Heater

Item	Part No.	Description	Qty.
--		Ref. Cold Start Heater <i>Part of the Cold Start Package (Refer to 809.1)</i>	
1	216615GT	ASSY HEATER, MODEL 18, 120V.....1 (120V)	
--	216616GT	ASSY HEATER,MODEL 18,240V (240V)	
2	119066GT	CONN,RECEP 3 WAY ENDCAP DT.....2	
3	119057GT	CONN PLUG 3 WAY ENDCAP DT.....2	
4	1256749GT	HARNES,ENG/HYD HEATER, 120V.....1 (120V)	
--	1256750GT	HARNES,ENG/HYD HEATER, 240V (240V)	
5	824259GT	ASSY,120V HEATER,HYD TANK.....1 (120V)	
--	824261GT	ASSY,240V HEATER,HYD TANK,SUPER X (240V)	
6	14392GT	NUT,LP NYLOCK,10-32	
7	6146GT	WASHER,FLAT,MS,#10,Y	
8	75041GT	SCREW,PHILLIPS,PHM,10-32 X 1	
9	1254763GT	HARNES, BATT CABLE, 120V, 120".....1 (120V)	
--	1254764GT	HARNES, BATT CABLE, 240V, 120" (240V)	
10	99778GT	SQUEEZE CONNECTOR, 4 WIRE.....2	
11	214249GT	COLD WEATHER 120V J BOX ASSY.....1 (120V)	
--	237711GT	COLD WEATHER 240V J BOX ASSY (240V)	
12	214536GT	SQUEEZE CONN W/NUT, 2WIRE, 4MM.....1	
13	119056GT	CONN,PLUG 2 WAY,14-18GA.....1	
14	119065GT	CONN,RECEP 2 WAY ENDCAP DT.....1	
15	216617GT	ASSY, BATTERY HEATER, 120V.....1	
--	216618GT	ASSY BATTERY HEATER,240V	
16		Ref. <i>(Refer to 306.1)</i>	
17	216606GT	HARNES, 120V POWER CORD, 24" (120V)	
--	216607GT	HARNES, 240V POWER CORD, 24" (240V)	
18	119403GT	CONN,PLUG 120 AC/15A DOMESTIC (120V)	

811.1 Ground Control LCD Heater

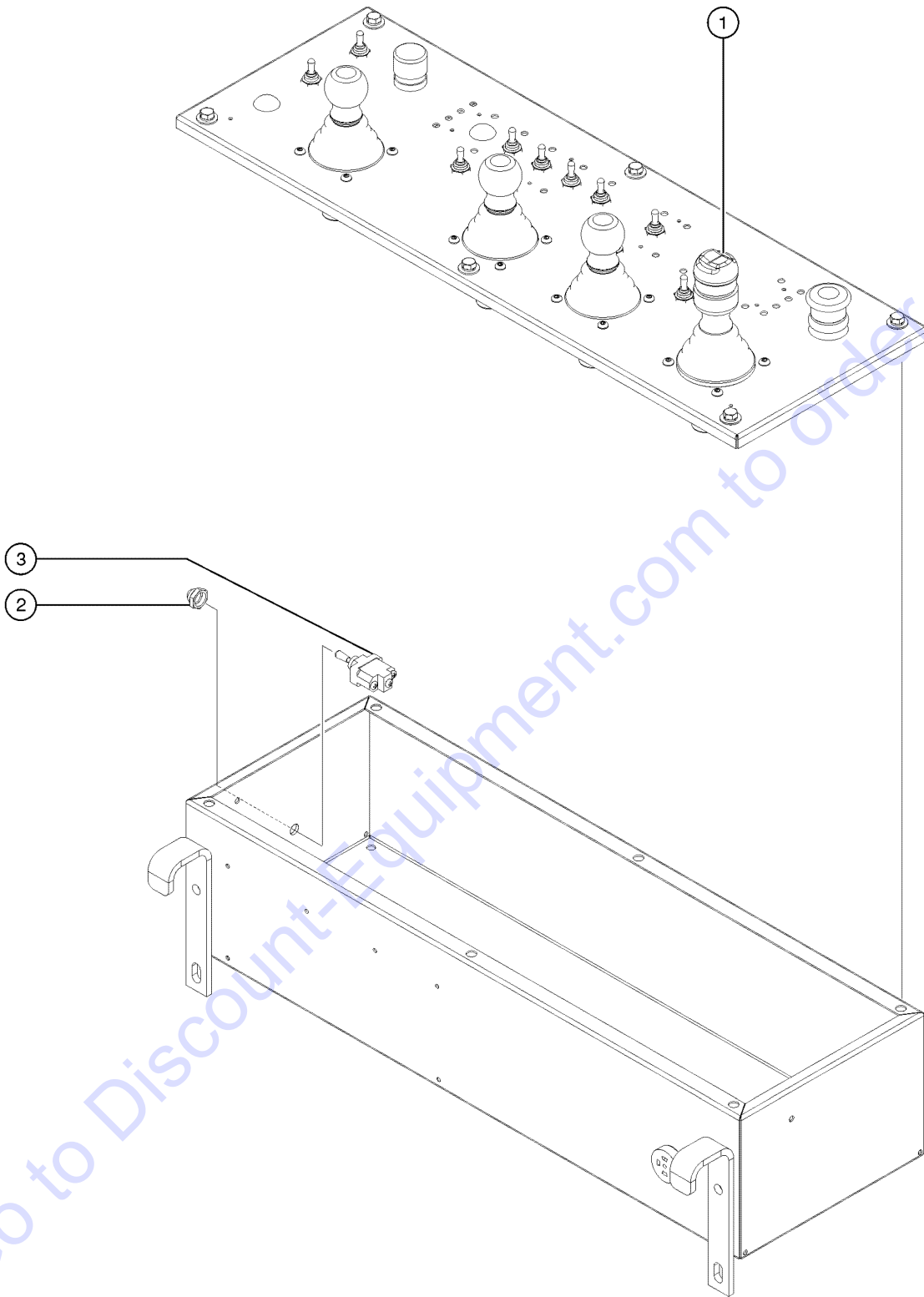


811.1 Ground Control LCD Heater

Item	Part No.	Description	Qty.
1		Ground Control LCD Heater.....1 <i>Part of the Cold Start Package (Refer to 809.1)</i>	
1	122406GT	ASSEMBLY,LCD HEATER ALC1000.....1	
2		Ref. Ground Control Box.....1 <i>(Refer to 313.1)</i>	
3	12344GT	NUT,NYLOCK,6-32	
4	122793GT	SWITCH,THERMOSTAT 60F OPEN.....1	
5	231020GT	ASSY,BRACKET,CONTACT BLOCK.....1 <i>Includes switch part 122793 and rivets</i>	
--	6272GT	RIVET,STL,STL,P,.125 X .25	

Go to Discount-Equipment.com to order your parts

812.1 Platform Level Recovery and Rocker Joystick

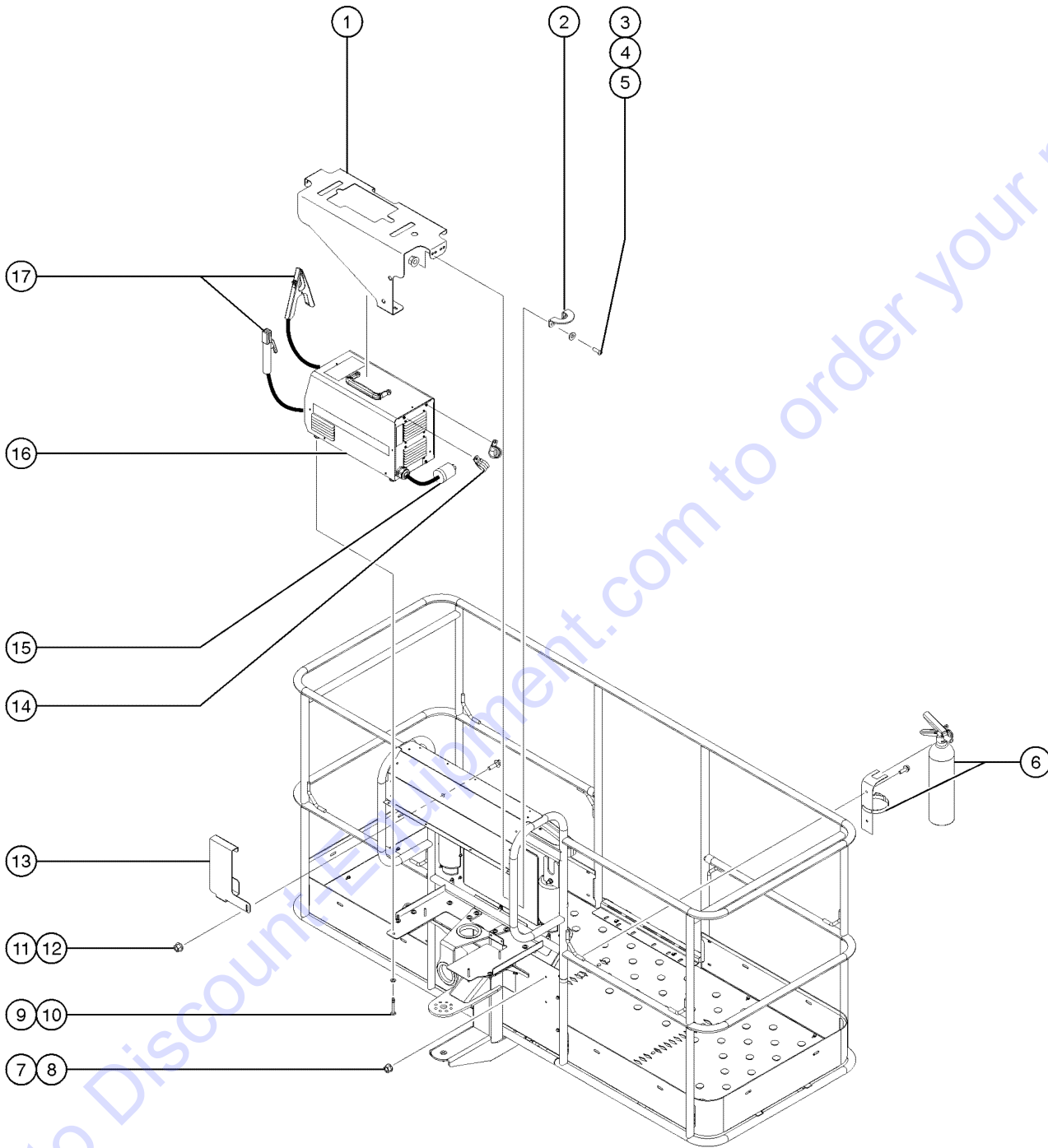


Go to Discount-Equipment.com to order your parts

812.1 Platform Level Recovery and Rocker Joystick

Item	Part No.	Description	Qty.
--	122362GT	FIELD KIT,PL LVL REC,ALC1000 <i>Platform level recovery. (not part of the Cold Start Package)</i>	
1	101005GT	JOYSTICK,1 AXIS ROCKER,DEUTSCH.....1 <i>Rocker Steer/Propel Joystick. OEM joystick (calibration required after replacement). Refer to 605.1</i>	
--	101005HGT	JOYSTICK,SINGLE AXIS W/STEER <i>Aftermarket joystick (calibration required after replacement)</i>	
2	27246GT	BOOT,TOGGLE SWITCH,SHORT*.....1	
3	128203GT	SWITCH TOGGLE ASSY SPDT 2P MOM.....1 <i>Platform level recovery (Includes item 2 only)</i>	
--	122343GT	DECAL,PLAT LVL.RECOVERY	
--	122461GT	HARNESS,PLAT LEVEL RECOVERY	

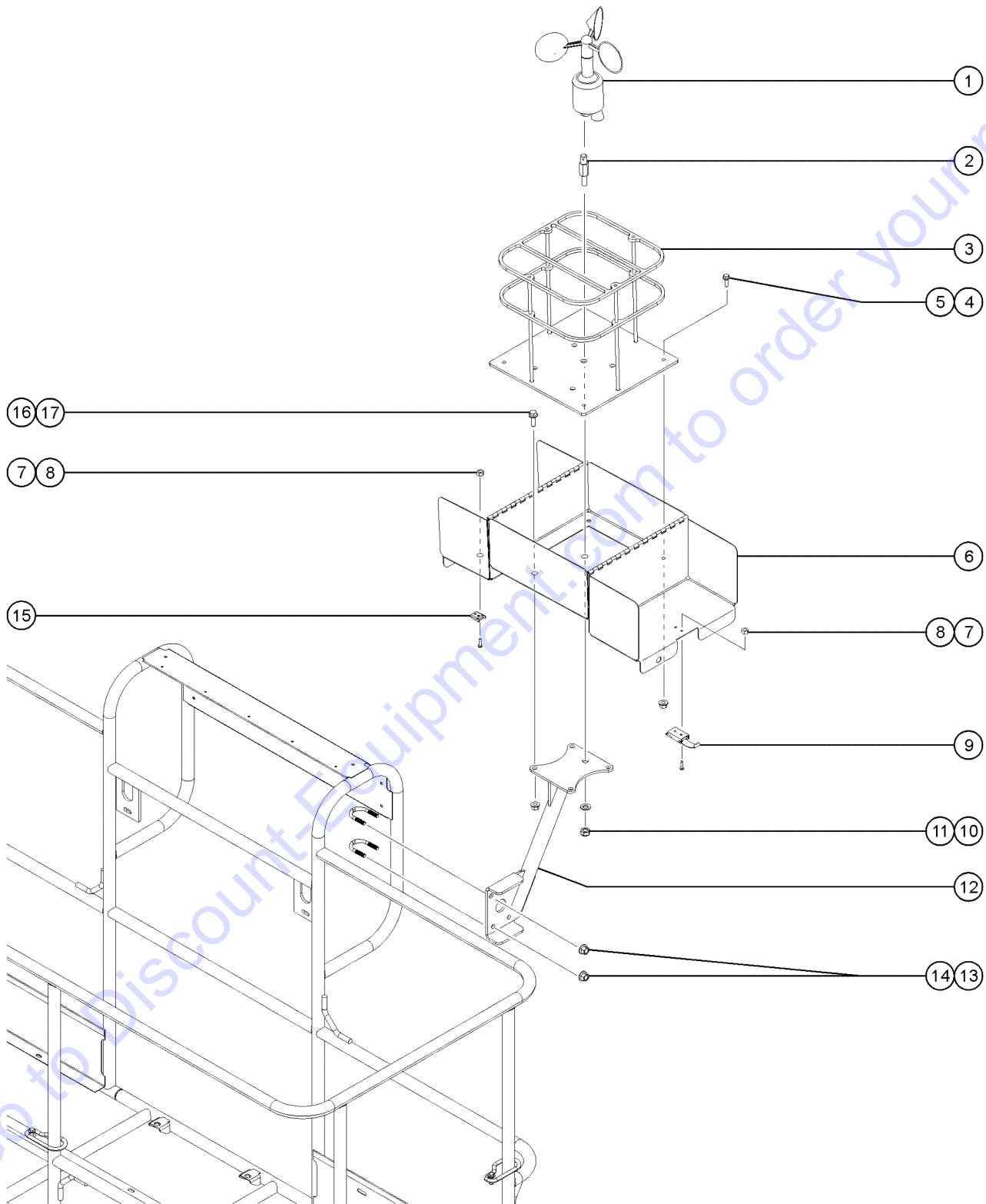
813.1 Welder Option



Go to DiscountEquipment.com to order your parts

Item	Part No.	Description	Qty.
--	110276-5000GT	FIRE SLEEVE, 1.25".....50-inches (Qty of 3)	
--	110277-4500GT	FIRE SLEEVE, 2.0".....45-inches (Qty of 1)	
1	101547PGT	BRACKET,WELDER SUPPORT,PNT.....1	
2	217366GT	BRACKET,WELDER TOP.....2	
3	128322GT	SCREW,5/16-18X1.00,SECURITY TO	
4	825358GT	WASHER,FLAT,5/16,USS,ZAG	
5	824028GT	NUT,TL FLG,5/16-18,G,ZAG	
6	88406GT	FIRE EXTINGUISHER.....1	
7	824027GT	NUT,TL FLG,1/4-20,G,ZAG	
8	824078GT	SCREW,HHF,1/4-20X.75,8,ZAG	
9	106141GT	SCREW,SECURITY,1/4-20 X 1.75LG	
10	824113GT	WASHER,FLAT,USS,1/4,ZAG	
11	824029GT	NUT,TL FLG,3/8-16,G,ZAG	
12	824091GT	SCREW,HHF,3/8-16X1.25,8,ZAG	
13	106204PGT	BRACKET,V275S WELD LEADS.....1	
14	18666GT	CLAMP,1.00,#16 X 1/4,RUB CUSH.....2	
15	214623GT	PLUG, 3P,30A, 4 WIRE, MALE,.....1	
16	101525GT	WELDER,INVERTEC V275-S.....1	
--	106183GT	FUSE,.6AMP,250V,WELDER,V275S	
17	106275GT	KIT,WELD LEADS ASSY,V275S.....1	

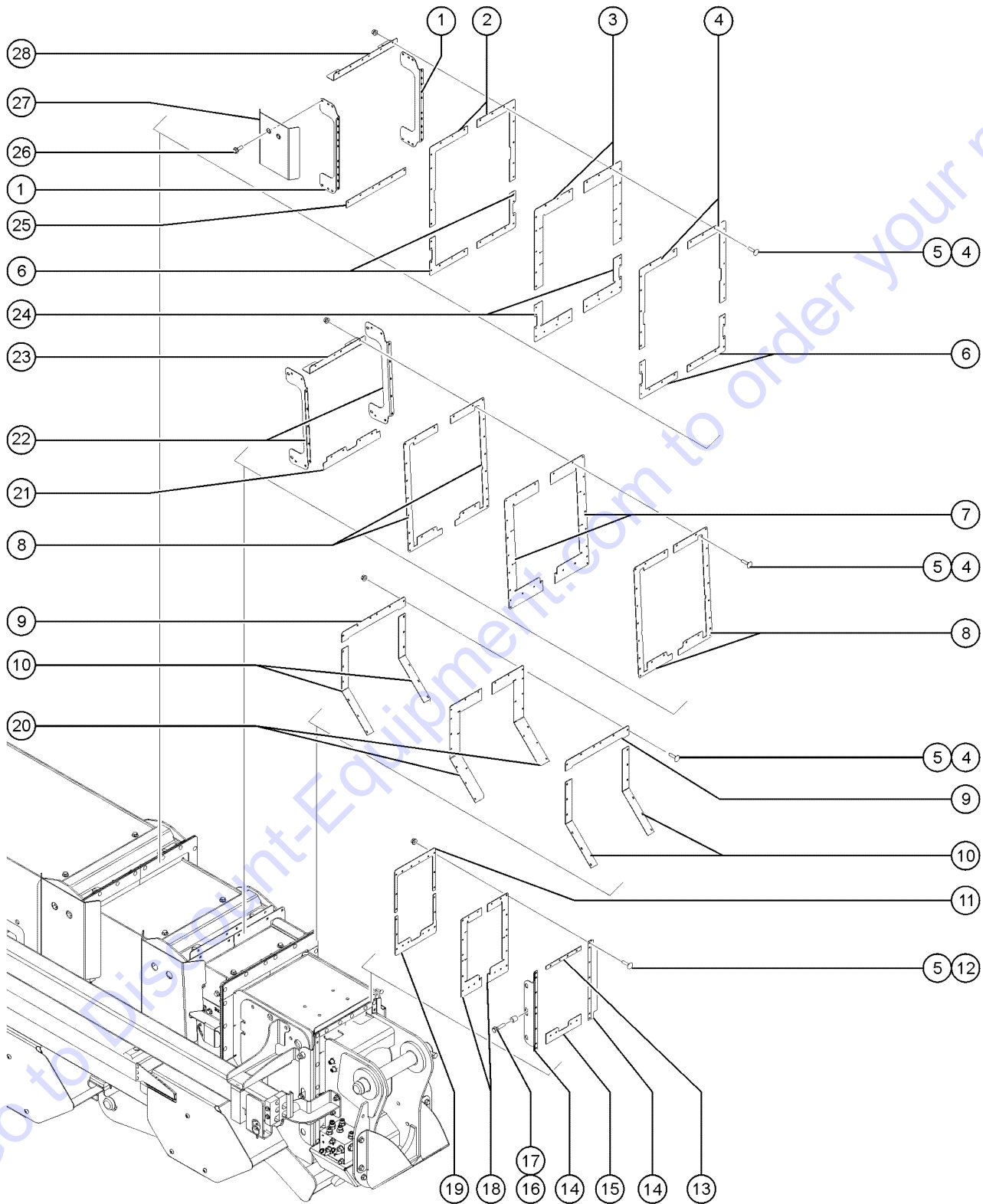
814.1 Anemometer Option



814.1 Anemometer Option

Item	Part No.	Description	Qty.
--	1256642GT	ASSY,COMPLETE ANEMOMETER <i>includes items 1-17</i>	
1	826571GT	ANEMOMETER, BUILT IN ALARM.....1	
2	826574GT	ROD,ANEMOMETER MTG.....1	
3	1256628GT	WELDMENT,ANEMOMETER AL CAGE.....1	
4	231532GT	SCREW,HHF,M6-1.0X20,DIN6921,10.9,ZAB	
5	231513GT	NUT,TL FLG,M6-1.0,DIN6927,10,ZAB	
6	826553GT	ASSY,ANEMOMETER COVER.....1	
7	825686GT	NUT, TL, M4-0.7, DIN980, 8, ZAB	
8	235315GT	SCREW,PHPM,M4-0.7X16,DIN7985,ZAB	
9	61625GT	LATCH,DRAW.....1	
10	22736GT	NUT,NYLOCK,M10X1.50	
11	824145GT	WASHER,FLAT,M10,DIN125,ZAB	
12	1256626GT	WELDMENT,ANEMOMETER MTG TUBE.....1	
13	824029GT	NUT,TL FLG,3/8-16,G,ZAG	
14	122755GT	UBOLT,FLATTENED,1.5DIA X 3/8 UNC...2	
15	62819GT	KEEPER, OVER CENTER LATCH TMZ.....1	
16	824133GT	SCREW,HHF,M8-1.25X25,DIN6921,10.9,ZAB	
17	237832GT	NUT,TL FLG,M8-1.25,DIN6927,10,ZAB	

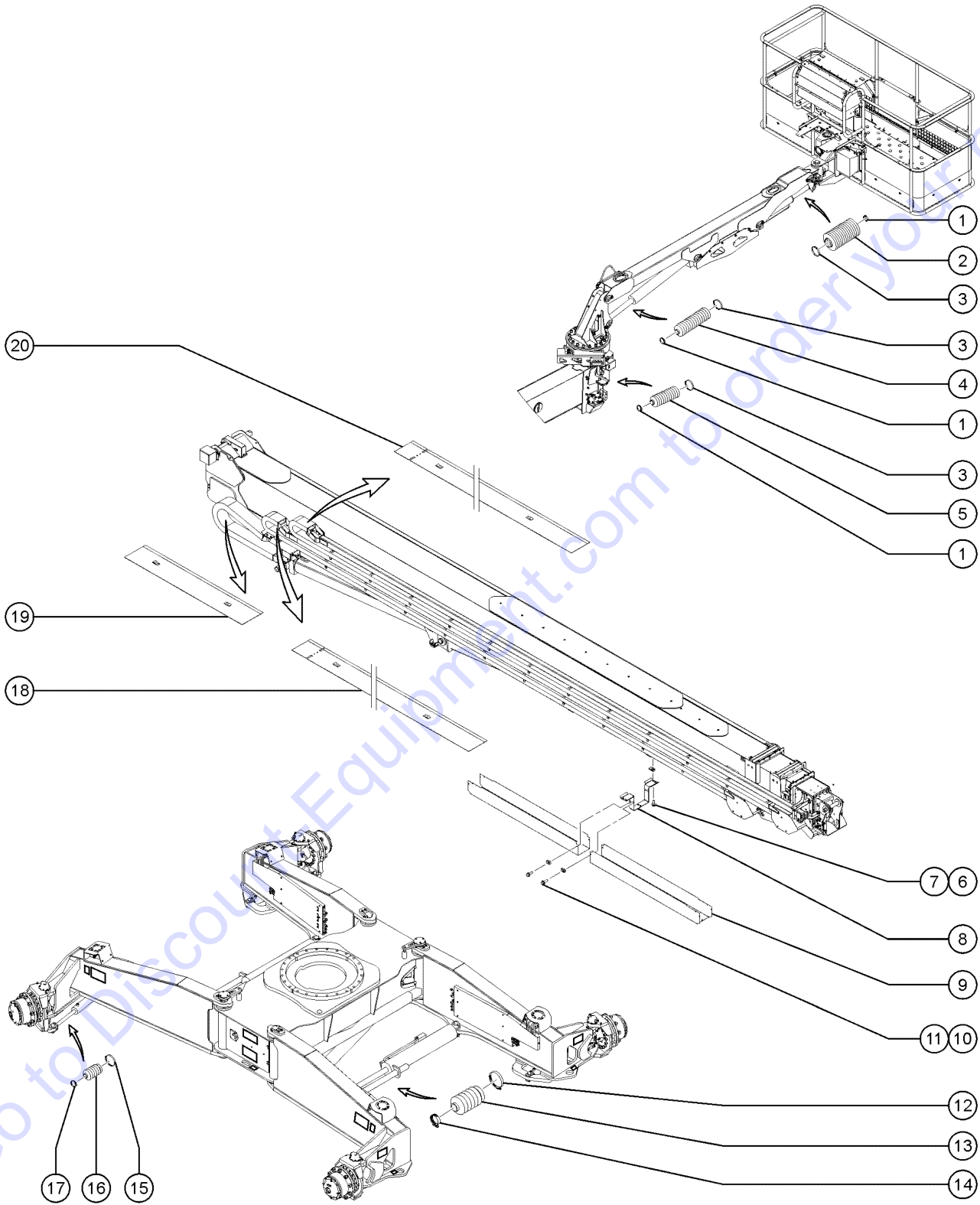
815.1 Hostile Package - View 1



815.1 Hostile Package - View 1

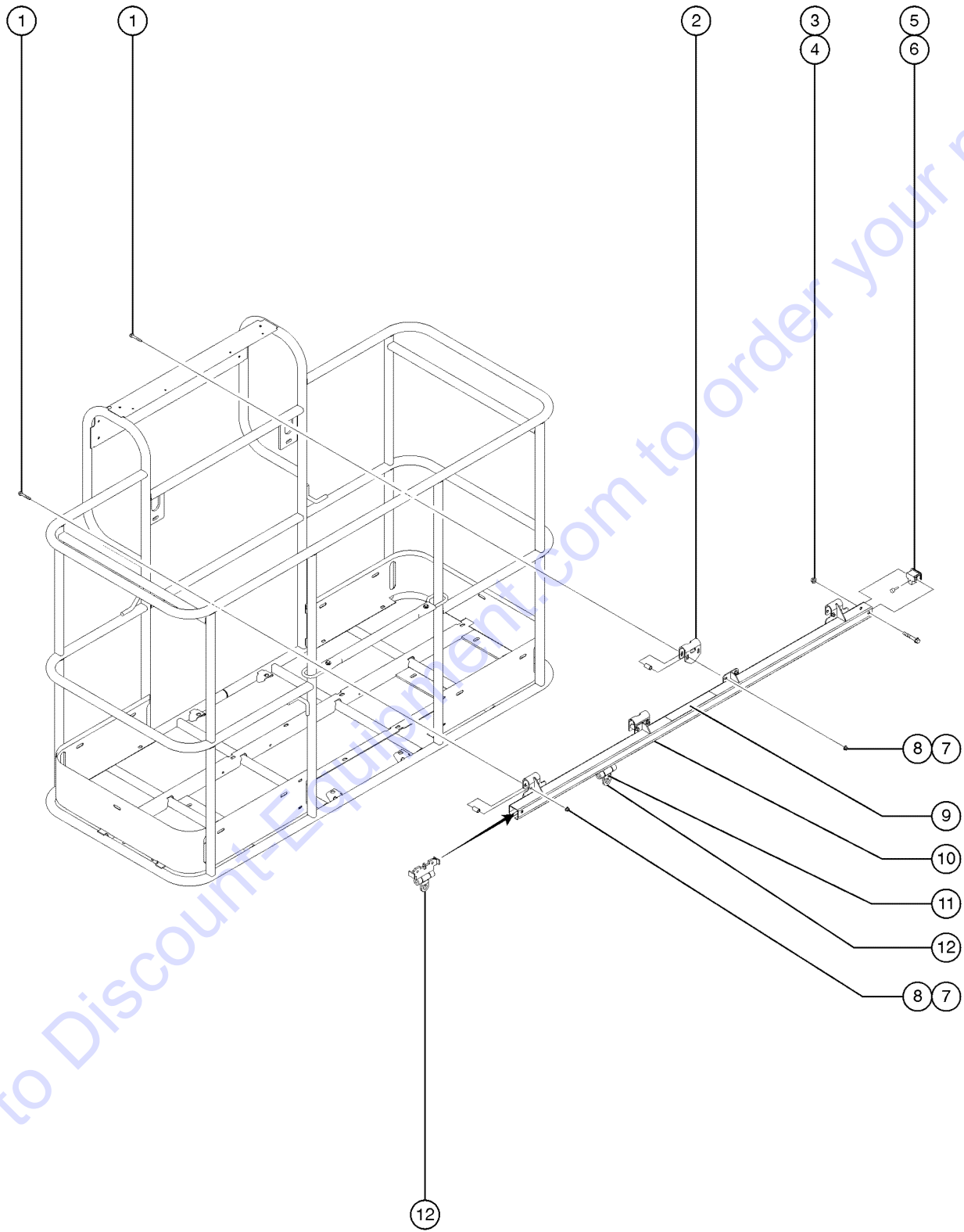
Item	Part No.	Description	Qty.
--		Ref. Engine Air Precleaner <i>Included in the Hostile Package (Refer to 806.1)</i>	
--	61325GT	AIR CLEANER,SECONDARY ELEMENT <i>Included in the Hostile Package</i>	
1	1255227GT	FORMING,WIPER,SX #0 SIDE.....1	
2	1255229GT	PLATE,WIPER,SX #0 TOP.....2	
3	1255232GT	WIPER,RUBBER,SX #0 TOP.....4	
4	216028GT	BOLT, CARRIAGE,M6=1.0X25,ZAB	
5	231513GT	NUT,TL FLG,M6-1.0,DIN6927,10,ZAB	
6	1255230GT	PLATE,WIPER,SX #0 SIDE.....4	
7	1255240GT	WIPER,RUBBER,SX #1.....2	
8	1255237GT	PLATE,WIPER,SX #1 SIDE-BACK.....4	
9	1253439GT	PLATE, WIPER, SX #2 TOP.....2	
10	1253438GT	FORMING, WIPER, SX #2 SIDE.....4	
11	1253441GT	PLATE, WIPER, SX #3 TOP-BACK.....1	
12	822352GT	BOLT, CARRIAGE,M6=1.0X16,ZAB	
13	1253445GT	PLATE, WIPER, SX #3 TOP.....1	
14	1253443GT	FORMING, WIPER, SX #3 SIDE.....2	
15	1253444GT	PLATE, WIPER, SX #3 LOWER.....1	
16	215706GT	SCREW,HHFM10-1.5X45,DIN6921,10.9,ZAB	
17	101932GT	TUBE,RD,STL,DOM,.75X.38X.78	
18	1253440GT	WIPER, RUBBER, SX #3.....2	
19	1253442GT	PLATE, WIPER, SX #3 BOTTOM.....1	
20	1253437GT	WIPER, RUBBER, SX #2.....2	
21	1255239GT	PLATE,WIPER,SX #1 BOTTOM-BACK...1	
22	1255234GT	FORMING,WIPER, SX #1 SIDE.....2	
23	1255235GT	FORMING,WIPER,SX #1 TOP.....1	
24	1255233GT	WIPER,RUBBER,SX #0 BOTTOM.....2	
25	1255231GT	PLATE,WIPER,SX #0 BOTTOM.....1	
26	232874GT	SCREW,HHFM10-1.5X30,DIN6921,10.9,ZAB	
27	1255261GT	FORMING,CABLE TUBE GUIDE SX #0.....1	
28	1255228GT	FORMING,WIPER,SX #0 TOP.....1	

815.2 Hostile Package - View 2



Item	Part No.	Description	Qty.
1	45435GT	CLAMP,HOSE,2.50"***	3
2	825042GT	BELLOWS, CYLINDER, PLATFORM LE.....	1
3	34955GT	CLAMP,HOSE,5.00.....	3
4	825040GT	BELLOWS, CYLINDER, JIB LIFT.....	1
5	825041GT	BELLOWS, CYLINDER, BELLCRANK L.....	1
6	231530GT	SCREW,HHF,M10-1.5X25,DIN6921,10.9,ZAB	
7	230074GT	SPRING CLIP,M10-1.5,1-6X19,ZAB	
8	1254819GT	FORMING, B0 SEC EXT COVER MNT...1	
9	215894GT	FORMING, B0 SEC EXT COVER.....	2
10	231512GT	SCREW,HHF,M6-1.0X25,DIN6921,10.9,ZAB	
11	219697GT	SPRING CLIP,M6-1.0,3.4-6.3MMX1	
12	35432GT	CLAMP,HOSE,6.50.....	2
13	229464GT	BELLOWS,AXLE EXTEND CYLINDER...2	
14	45435GT	CLAMP,HOSE,2.50"***	2
15	30971GT	CLAMP,HOSE,3.00".....	4
16	229467GT	BELLOWS,STEER CYLINDER.....	4
17	36208GT	CLAMP,HOSE,1.25***	4
18	826850GT	COVER,97 LINK TRACK.....	1
19	826852GT	COVER,19 LINK TRACK.....	1
20	826851GT	COVER,101 LINK TRACK.....	1

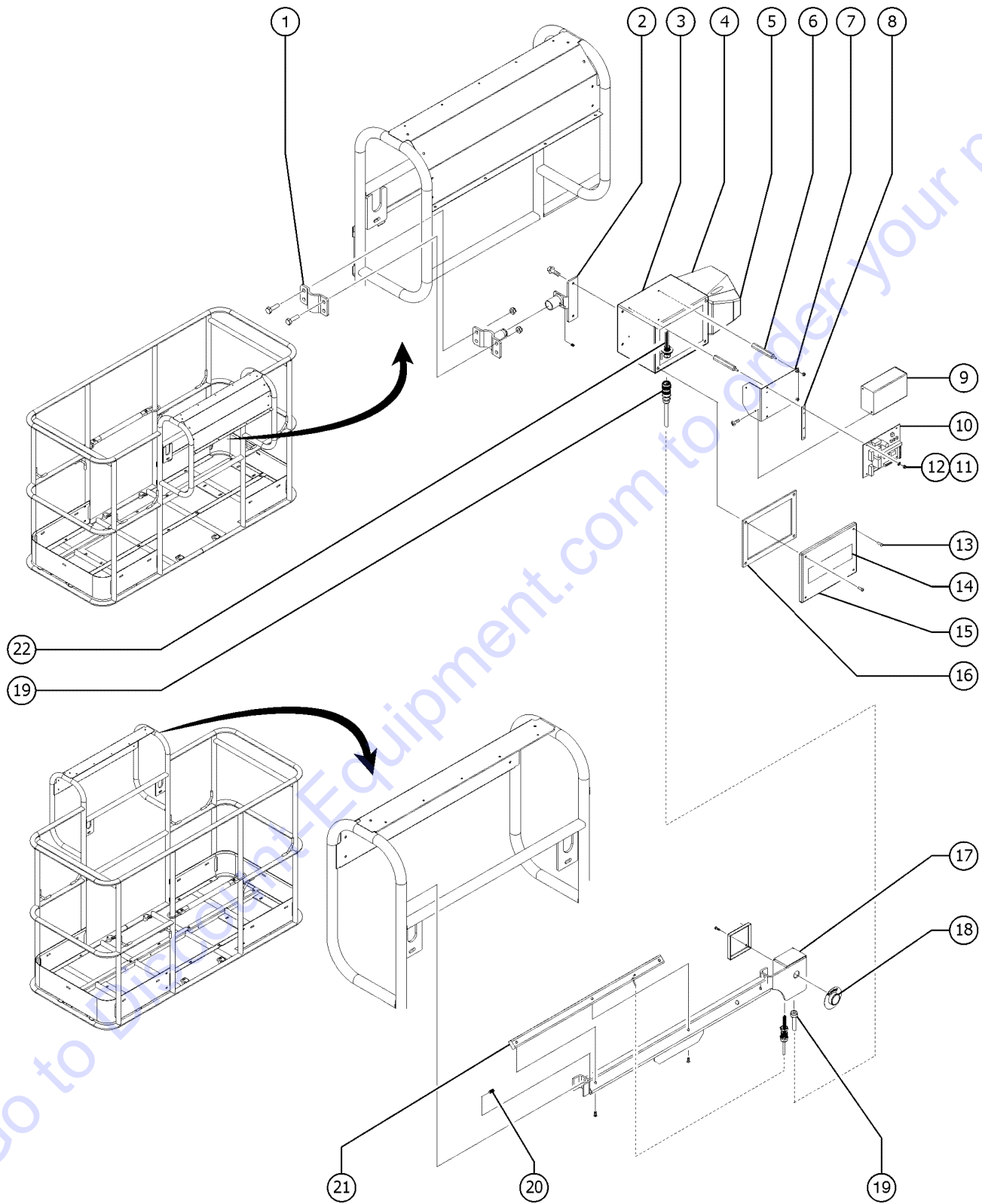
816.1 Fall Arrest Bar



816.1 Fall Arrest Bar

Item	Part No.	Description	Qty.
1	1256856GT	SCREW,HHF,3/8-16X2.5,8,ZAG.....	4
2	1256389GT	FORMING,INNER HANGER.....	2
3	1251997GT	NUT,TL FLG,1/2-13,G,ZAG.....	2
4	1256851GT	SCREW,HHF,1/2-13X3.5,8,ZAG.....	2
5	1260892GT	END STOP,TRACK,FALL ARREST BAR.....	2
6	36388GT	BUMPER,RUBBER,.75 X .50H,STUD....	2
7	1274322GT	NUT,NYLOCK FLG,3/8-16,F,ZAG.....	8
8	1256481GT	SPACER, HANGER BRACKET.....	8
9A	1256400GT	DECAL,TRACK,FALL ARREST BAR,WORD.....	1
9B	1260910GT	DECAL,TRACK,FALL ARREST BAR,SYMBOL.....	1
9C	1256400FRGT	DECAL,TRACK,FALL ARREST BAR,WORD FR.....	1
10A	1256377GT	ACC,FALL ARREST BAR,8FT WORD....	1
--	1256379GT	ASSY,TRACK,FALL ARREST BAR,8FT WORD <i>includes decals</i>	
10B	1261022GT	ACC,FALL ARREST BAR,8FT SYM.....	1
--	1261024GT	ASSY,TRACK,FALL ARREST BAR,8FT SYM <i>includes decals</i>	
10C	1261018GT	ACC,FALL ARREST BAR,8FT FR.....	1
--	1261020GT	ASSY,TRACK,FALL ARREST BAR,8FT FR <i>includes decals</i>	
10D	1256378GT	ACC,FALL ARREST BAR,6FT WORD....	1
--	1256380GT	ASSY,TRACK,FALL ARREST BAR,6FT WORD <i>includes decals</i>	
10E	1261023GT	ACC,FALL ARREST BAR,6FT SYM.....	1
--	1261025GT	ASSY,TRACK,FALL ARREST BAR,6FT SYM <i>includes decals</i>	
10F	1261019GT	ACC,FALL ARREST BAR,6FT FR.....	1
--	1261021GT	ASSY,TRACK,FALL ARREST BAR,6FT FR <i>includes decals</i>	
11	40434GT	DECAL,LANYARD ANCHORAGE POINT.....	1
12	1256439GT	TROLLEY, TRACK, FALL ARREST BAR.....	1

817.1 Operators Protection Alarm



817.1 Operators Protection Alarm

Item	Part No.	Description	Qty.
1	1255032GT	CLAMP,HAND RAIL,OPA,6'-8'.....1 <i>(includes fasteners)</i>	1
2	1255026GT	ASSY,BRKT,CNTRL BOX W/FASTNRS.....1	1
3	1255018GT	BASE ENCLOSURE,RED,OPA.....1	1
4	1255021GT	SOUNDER,MIDI,OPA.....1	1
5A	1255037GT	SOUNDER LENS, OPA, BLUE.....1 <i>(standard lens fitted to OPA)</i>	1
5B	1270116GT	SOUNDER LENS, OPA, RED	
5C	1270117GT	SOUNDER LENS, OPA, AMBER	
5D	1270118GT	SOUNDER LENS, OPA, CLEAR	
6	1255028GT	STAND OFF,CONTROL UNIT.....1	1
7	1255024GT	BRACKET,CONTROL UNIT.....1	1
8	1255025GT	SPACER,HEAT SINK.....1	1
9	1255023GT	ASSY,MODULE,CONTROL UNIT,OPA....1	1
10	1255022GT	MODULE,CONTROL UNIT,PCB,OPA....1	1
11	1255067GT	NUT,M4 NYLOCK.....4	4
12	1255066GT	WASHER,M4 NYLON.....4	4
13	1255038GT	SCREW,M5X16 BHD.....4	4
14	1255890GT	DECAL,COSMETIC,GENIE.....1	1
15	1255020GT	LID ENCLOSURE,RED,OPA.....1	1
16	1255019GT	GASKET,ENCLOSURE.....1	1
17	1255029GT	ASSEMBLY,TAPESWITCH.....1 <i>(6'/8' platforms) (includes j-box and fasteners)</i>	1
18	1255036GT	ASSEMBLY RESET SWITCH.....1	1
19	1255035GT	ASSEMBLY,CABLE,TAPESWITCH.....1	1
20	1255068GT	SCREW,M6X8.....2	2
21	1255047GT	SENSOR,RUBBER EDGE.....1 <i>(6'/8' platforms)</i>	1
22	1255033GT	HARN,PIGTAIL,TAPESWITCH,OPA.....1	1

Part Number Index

The Part Number Index is a numeric index of all part numbers included in this manual. The index shows what page(s) the part is used on.

Part Number	Page	Part Number	Page	Part Number	Page	Part Number	Page
07.4501.0291GT109	106211-400GT207	122461GT219	1254375GT17, 25, 33, 39, 41
1000083GT15, 17	106211-475GT101, 107	122755GT209, 223	1254418GT105
101004GT47	106211-800GT107	122793GT217	1254603GT109
101005GT219	106275GT221	122994GT85, 89	1254669GT107
101005HGT219	106495GT161-162	123081GT115	1254763GT215
101057GT173	106498GT53	123084GT113	1254764GT215
101068GT181	10665GT133	123351GT113	1254807GT29
10107GT53, 203	106742GT45	12344GT85, 87, 89, 91, 161-162, 217	1254819GT227
101174GT161-162	106819-6213GT183	12443GT159	1254826GT97
101174HGT161-162	106819-7013GT183	1251496GT109	1254848GT109
101175GT161-162	107729GT169	1251516GT103, 105	1254849GT13, 19
101175HGT161-162	107731GT171	1251565GT101, 111	1254948GT105
101185GT95	107733GT171	1251566GT99	1254949GT105
101234GT43	107734GT171	1251600GT157, 159, 199, 201	1255018GT231
101340GT65, 67	107740GT177, 179	1251705GT111	1255019GT231
101361GT81	107741GT177	1251708GT107	1255020GT231
101525GT221	107745GT171	1251713GT151	1255021GT231
101547PGT221	107768GT175	1251720GT105	1255022GT231
101634GT115	107788GT177	1251893GT101, 105, 117	1255023GT231
101639GT207	107816GT177	1251894GT105, 117	1255024GT231
101640GT107, 117	110194GT169	1251897GT117	1255025GT231
101701GT157	110195GT171	1251899GT99, 111	1255026GT231
101793-2573GT187-188	110229GT162	1251902GT99, 111, 115	1255028GT231
101930PGT117	110276-5000GT221	1251983GT105	1255029GT231
101931PGT117	110277-4500GT221	1251997GT115, 229	1255030GT93
101932GT225	110481GT45	1252004GT109	1255032GT231
101957GT99, 115	110482GT45	1252014GT105	1255033GT231
101973GT197	110771-43103GT53	1252015GT105	1255035GT231
102208GT101	110771-665R3GT45	1252016GT105	1255036GT231
102209GT101	110789GT211	1252017GT105	1255037GT231
102220GT207	111402GT97	1252018GT105	1255038GT231
102237GT99	111445GT97	1252019GT105	1255047GT231
102348GT113	111526GT205	1252696GT157	1255066GT231
102496GT169	111663GT47, 49	1252896GT109	1255067GT231
102580GT97	111668GT97	1252898GT109	1255068GT231
102581GT97	114249GT31, 35	1253165GT139	1255227GT225
102582GT97	114251GT33	1253166GT55	1255228GT225
102584GT97	114252GT27, 29, 31, 35, 37	1253179GT109	1255229GT225
102586GT97	114258GT15, 17	1253181GT109	1255230GT225
102587GT97	114390GT11, 15, 17, 23, 25	1253183GT109	1255231GT225
102590GT97	114416GT23, 25	1253185GT159	1255232GT225
102592GT97	114473GT39, 41	1253218GT105	1255233GT225
102593GT97	115204GT175	1253230GT105	1255234GT225
102594GT97	119056GT215	1253231GT105	1255235GT225
102595GT97	119057GT215	1253232GT105	1255237GT225
102596GT97	119065GT53, 55, 215	1253233GT105	1255239GT225
102597GT97	119066GT215	1253234GT105	1255240GT225
102598GT113	119067GT53	1253236GT91	1255261GT225
102632GT113	119112GT171	1253238GT91	1255342GT105
102638GT113	119116GT171	1253314GT83, 91	1255402GT15, 17
102639GT113	119403GT69, 71, 215	1253317GT89	1255451GT105
102646GT115	119613GT161-162	1253319GT111	1255452GT45
102676GT205	119762GT45, 53	1253436GT149	1255537GT99, 109
102685GT179	119915GT167	1253437GT225	1255556GT93
102717GT51	119950GT197	1253438GT225	1255631GT105
102721PGT197	121431GT117	1253439GT225	1255639GT43
102785PGT205	121601GT67	1253440GT225	1255653GT97
102786PGT205	121602GT99, 109	1253441GT225	1255658GT45
102992GT159	121608-7175GT187-188	1253442GT225	1255665GT107
104030GT161-162	121777GT187-188	1253443GT225	1255666GT99, 107
104186GT183	121804GT55	1253444GT225	1255758GT201
104760GT173, 175, 179	122019GT55	1253445GT225	1255890GT231
104761GT173	122120GT171	1253498GT99, 113, 115	1256153GT71
106043GT157	122121GT171	1253500GT137, 141	1256163GT105
106051GT65, 67	122148GT169, 171	1253613GT109	1256164GT105
106070GT45	122266GT101	1253696GT53	1256232GT133
106098GT51	122272GT57, 77	1253697GT53	1256233GT133
106109PGT157	122343GT219	1253698GT53	1256234GT131
106118GT51	122351GT87, 91, 161-162	1253699GT53	1256235GT133
106141GT221	122362GT219	1253702GT53	1256240GT125
106163GT157	122366GT85, 89	1253709GT53	1256241GT125
106183GT221	122367GT85, 89	1253816GT45	1256242GT125
106204PGT221	122406GT217	1254081GT105	1256243GT125
106211-1150GT207	122414GT107, 117			1256244GT125
106211-300GT117	122432GT207			1256245GT125

Part Number	Page	Part Number	Page	Part Number	Page	Part Number	Page
1256246GT	125	1261765GT	89	139644-141J0GT	131	20776GT	69, 71, 73, 75,
1256247GT	125	1261766GT	91	139644-14B30GT	153		165
1256251GT	139	1261890GT	105	139644-14B60GT	139	20973GT	159
1256252GT	139	1262031GT	159	139644-21B61GT	137	21130GT	99, 115
1256253GT	139	1262487GT	105	139644-24CLOGT	143	21141GT	83
1256254GT	139	1262866GT	105	139709GT	97	214249GT	215
1256274GT	127	1264824GT	93	139983GT	101	214255GT	183
1256276GT	71	1264836GT	93	14041GT	157, 165	214256GT	183
1256290GT	125	1267807GT	99, 107, 115	14392GT	215	214330GT	93
1256314GT	171	1268229GT	99, 107, 115	146061GT	97	214331GT	93, 161-162
1256377GT	229	1268304GT	153	146399GT	93, 211	214332GT	93, 161-162
1256378GT	229	1268305GT	153	146478GT	161-162	214339GT	85, 89
1256379GT	229	1268314GT	153	147095GT	85, 89	214340GT	161-162
1256380GT	229	1269499GT	167	147121GT	159	214345GT	183, 185
1256389GT	229	1269500GT	167	147221GT	159	214374GT	77
1256400FRGT	229	1269501GT	167	1487GT	197	214536GT	215
1256400GT	229	1269641GT	159	1488GT	197	214593GT	53
1256439GT	229	1270116GT	231	15436GT	99, 115	214623GT	221
1256467GT	159	1270117GT	231	15513GT	65	21465GT	105
1256468GT	201	1270118GT	231	160363GT	99	215192GT	63
1256481GT	229	1274322GT	199, 229	160502GT	47, 49	215196GT	63
1256583GT	101, 111	1275103GT	43	160592GT	47	215197GT	63
1256615GT	57, 77	1277924GT	199	160635GT	63	215200GT	63, 191
1256626GT	223	1277974GT	105	160636GT	63	215201GT	63, 191
1256628GT	223	128000GT	167	160724GT	79	215202GT	191
1256642GT	223	128001GT	167	160725GT	79	215489GT	125
1256749GT	215	128004GT	99, 107	160726GT	61	215491GT	125
1256750GT	215	1280590GT	97	160732GT	47, 49	215492GT	125
1256776GT	101, 111	1280591GT	97	160733GT	47, 49	215493GT	125
1256805GT	111	128200GT	161-162	160736GT	47, 49	215494GT	125
1256806GT	213	128203GT	219	160825GT	47, 49	215496GT	115
1256851GT	229	128204GT	85, 89	161027GT	151	215500GT	115
1256856GT	229	1282964GT	177	161046GT	151	215509GT	115
1256911GT	109	1282965GT	177	161099GT	155	215510GT	115
1257116GT	125	1282993GT	203	161206GT	69, 71	215511GT	117
1257117GT	125	128322GT	221	161207GT	69, 71, 73, 75	215512GT	107, 117
1257123GT	125	128368GT	197	161208GT	69, 71	215513GT	115
1257181GT	73	1283995GT	105	161212GT	69	215514GT	117
1257246GT	91, 105	1284032GT	51	161388GT	157	215515GT	117
1257411GT	173	128584-SGT	89	161392GT	151	215516GT	117
1257728GT	107	128636GT	143, 153	161410GT	61	215517GT	99, 107, 115
1257753GT	109	128829GT	65	161533GT	179	215518GT	119
1257774GT	109	1288561GT	97	161534GT	169	215530GT	55
1257835GT	155	1288969GT	79	161538GT	171	215531GT	55
1257844GT	105	12906GT	57, 77	161539GT	171	215580GT	81
1257982GT	91	12960GT	157, 165	161588GT	69, 71	215658GT	135
1257983GT	89	13000GT	69, 71, 73, 75	161686GT	29	215667GT	135
1257984GT	161-162	130187GT	113	161687GT	39	215706GT	79, 147, 225
1258069GT	89	130341GT	115	161688GT	41	215723GT	63
1258466GT	85	13066GT	99, 181	161689GT	23	215727GT	59
1258551GT	67	131323GT	63	161690GT	25	215751GT	55
1258552GT	67	13268GT	85, 89, 161-162	161691GT	39, 41	215752GT	127
1258553GT	67	133067GT	27, 29, 33, 39, 41	161692GT	23, 25	215814GT	131, 133
1258651GT	149	133205GT	27, 29, 33	161693GT	13, 19, 31, 35	215815GT	133
1259055GT	63	133278GT	15	161712GT	155	215816GT	137, 143, 147
1259484GT	51	13585GT	157	161923GT	171	215818GT	125, 155
1259485GT	51	139308GT	79	161953GT	55	215820GT	123, 125
1259486GT	51	139309GT	79	162089GT	125	215880GT	127
1259487GT	51	139310GT	79	162090GT	125	215889GT	137, 141, 143
1259931GT	43	139311GT	79	162115GT	151	215890GT	133
1259950GT	51	139312GT	79	162190GT	133	215892GT	135
1259951GT	51	139313GT	79	162194GT	133	215893GT	127
1260056GT	57	139314GT	79	162196GT	135	215894GT	227
1260078GT	57	139315GT	79	162206GT	109	215895GT	127
1260892GT	229	139321GT	99	162207GT	109	215896GT	139
1260910GT	229	139322GT	99	162208GT	109	215897GT	133
1261018GT	229	139323GT	79	162209GT	109	215898GT	131
1261019GT	229	139338GT	161-162	162290GT	49	215899GT	137
1261020GT	229	139438GT	197	162291GT	49	215900GT	127
1261021GT	229	139451GT	159	162296GT	49	215901GT	139
1261022GT	229	139455GT	101	162381GT	125	215902GT	139
1261023GT	229	139598GT	167	18596GT	125	215918GT	117
1261024GT	229	139621GT	97	18665GT	69, 71, 73, 75,	215926GT	81
1261025GT	229	139644-12B40GT	143		165	215927GT	81
1261184GT	201	139644-12CK1GT	137	18666GT	221	216021GT	131
1261239GT	109	139644-13B11GT	55	19274GT	93	216024GT	147

Part Number Index (continued)

Part Number	Page	Part Number	Page	Part Number	Page	Part Number	Page
216025GT	133	218061GT	61	219907GT	61, 79		143, 145, 147,
216028GT	131, 139, 225	218064GT	61	219911GT	55		151, 153, 155,
216036GT	107, 139, 147	218086GT	63	219912GT	55, 77		227
21604GT	211	218137GT	63	219919GT	151	230820GT	109
216058GT	47, 93	218138GT	63	219920GT	151	230824GT	47, 49
216059GT	55, 93	218142GT	171	219958GT	39, 41	230825GT	47, 49
216159GT	51	218144GT	107, 179	219960GT	15, 17	230826GT	47
216165GT	147, 151	218145GT	169	219967GT	129	230831GT	55
216247-6684GT	183	218155GT	89	22571GT	203	230836GT	153
216251GT	77	218169GT	89	226103GT	97	230891GT	145
216253GT	155	218173GT	63	226104GT	97	230909GT	79
216256GT	123	218237GT	139	226105GT	97	230939GT	149
216257GT	123	218241GT	133	226106GT	97	230958GT	151
216258GT	123	218242GT	133	226393GT	55	230960GT	79
216273GT	59	218456GT	51	226491GT	55	230961GT	79
216274GT	63	218457GT	47, 49	226492GT	47, 55	230983GT	177
216275GT	63	218458GT	109	226627GT	115	230984GT	11, 27, 29
216286GT	113	218467GT	153	226670GT	181	230987GT	11, 27, 29
216564GT	113	218477GT	153	226671GT	181	231001GT	85
216566GT	63	218496GT	51	226673GT	85, 89	231020GT	217
216597GT	49, 103, 109, 111, 113, 117, 119	218559GT	23, 25	226697GT	143	231037GT	169
		218565GT	153	226700GT	155	231087GT	63, 83, 115
216606GT	215	21858GT	161-162	226709GT	173	231088GT	55, 77, 109, 127, 139, 141, 145, 147
216607GT	215	218591GT	83	226710GT	49, 53		
216615GT	215	218592GT	83	226711GT	155	231279GT	125
216616GT	215	218593GT	83	226712GT	155	231289GT	125
216617GT	215	218594GT	139, 194	226713GT	137	231290GT	125
216618GT	215	218595GT	139, 194	226725GT	141	231300GT	133
216618GT	215	218596GT	139, 194	22672GT	105, 117	231301GT	133
216688GT	125	218597GT	139, 194	226738GT	143	231302GT	135
216689GT	125	218618GT	139	226746GT	155	231303GT	131
216690GT	125	218660GT	153	226756GT	127, 129	231304GT	147
216752GT	149	218663GT	153	226757GT	127, 129	231305GT	155
216758GT	115	218664GT	153	226758GT	127, 129	231306GT	155
216818GT	103, 119	218678GT	153	226759GT	129	231307GT	129
216819GT	103, 119	218715GT	105	226760GT	127	231308GT	127
217182GT	51	218727GT	59, 83	226761GT	123	231309GT	123
217183GT	51	218746GT	21, 37	226762GT	125	231310GT	151
217184GT	43	218747GT	21, 37	226763GT	125	231472GT	79
217185GT	43	218766GT	79	226764GT	125	231480GT	55, 123
217186GT	153	218767GT	79	226765GT	139	231486GT	153
217189GT	65	218773GT	188	226766GT	123	231488GT	139
217219GT	47, 55	218774GT	188	22736GT	223	231491GT	139
217230GT	207	218775GT	191	227515GT	159	231509GT	79, 103, 119
217231GT	207	218776GT	191	227614GT	191	231510GT	79, 103, 119, 131, 133, 145
217232GT	113	219065GT	61, 79	228866GT	173, 177	231511GT	53, 79, 117, 123, 135
217233GT	207	219134GT	147	229407GT	177		
217366GT	221	219135GT	147	229410GT	177	231512GT	53, 81, 117, 227
217420GT	47, 49	219153GT	188	229411GT	177	231513GT	45, 53, 61, 63, 65, 67, 79, 81, 83, 99, 101, 103, 107, 109, 111, 115, 117, 119, 125, 131, 139, 157, 223, 225
217457GT	109, 113, 117	219154GT	188	229461GT	45		
217458GT	111, 113, 117	219156GT	63	229462GT	45		
217459GT	113	219157GT	63	229463GT	45		
217460GT	109, 111, 113, 117	219158GT	201	229464GT	227		
		219160GT	23, 25, 39, 41	229465GT	45		
217470GT	51	219232GT	69, 71	229466GT	45		
217473GT	51	219233GT	69	229467GT	227		
217474GT	51	219257GT	153	229512GT	45		
217475GT	51	219286GT	153	229526GT	51	231514GT	79
217476GT	51	219287GT	153	229527GT	47, 49	231515GT	79, 133
217477GT	47, 49	219288GT	47, 49	229530GT	47, 49	231516GT	81
217479GT	49	219293GT	153	229532GT	45, 51, 151	231518GT	81
217481GT	45	219300GT	47	229540GT	51	231520GT	63, 81, 83
217482GT	45	219302GT	47	229541GT	51	231521GT	133
217484GT	51	219304GT	47, 49	229543GT	49	231524GT	151, 155
217486GT	51	219315GT	151	229567GT	161-162	231525GT	133
217500GT	101, 111, 117	219355GT	187-188	229768GT	159	231527GT	133
217563GT	151	219485GT	11	230073GT	47, 49, 53, 55, 57, 61, 63, 79, 113, 117, 127, 209	231528GT	133
217689GT	53	219510GT	109			231529GT	53, 57, 63, 77, 81, 83, 99, 101, 105, 107, 109, 111, 113, 115, 117, 123, 125, 127, 133, 135, 139, 143, 147, 149, 151, 155, 207
217691GT	77	219520GT	63				
217692GT	77	219560GT	81				
217711GT	135, 151	219624GT	53	230074GT	53, 55, 57, 59, 61, 63, 65, 67, 77, 79, 81, 83, 103, 105, 123, 125, 129, 131, 133, 137, 139,		
217835GT	83	219646GT	51				
218020GT	151	219697GT	57, 77, 83, 109, 111, 117, 131, 227				
218021GT	151						
218052GT	151						
218060GT	61	219701-6246GT	187-188				

Part Number	Page	Part Number	Page	Part Number	Page	Part Number	Page
231530GT	53, 55, 59, 61, 79, 103, 113, 115, 125, 131, 133, 137, 139, 141, 143, 145, 147, 153, 155, 207, 227	232952GT	63, 135, 141, 143, 145	236409GT	93	237835GT	51
231531GT	63, 81, 83, 99, 101, 109, 115, 209	232960GT	131	236410GT	93	237854GT	47, 49
231532GT	47, 49, 51, 53, 55, 57, 61, 63, 65, 67, 77, 79, 99, 103, 115, 117, 119, 131, 157, 223	232966GT	131	236411GT	93	237880GT	95
231533GT	57, 61, 63, 79, 81, 99, 101, 107, 109, 111, 113, 115, 117, 123, 125, 127, 149, 151, 155	232967GT	131	236428GT	149	237881GT	95
231534GT	83	232971GT	147	236481GT	133	238005GT	93
231536GT	151	232972GT	147	236484GT	131	238290GT	57
231537GT	151	232975GT	161-162	236703GT	95	238300GT	95
231538GT	151	232978GT	23, 25, 39, 41	236704GT	95	238301GT	95
231539GT	155	232980GT	81	236705GT	79	238302GT	95
231540GT	151	232983GT	151	236707GT	95	238303GT	95
231541GT	127	232984GT	145	236708GT	95	238304GT	95
231542GT	135	232987GT	93	236710GT	162	238305GT	95
231543GT	147	232988GT	87, 93	236766GT	103, 119	238335GT	103
231544GT	151, 155	232989GT	87, 93	236792GT	147	238341GT	57, 77
231545GT	123	232990GT	87, 91, 93	237068GT	65, 67	238347GT	57, 63, 77, 99, 133
231546GT	55	232991GT	87, 91, 93	237209GT	175, 177	238389GT	53
232858GT	123	232992GT	93	237211GT	175	238390GT	53
232862GT	53	232993GT	51, 93	237212GT	173, 179	24514GT	159
232863GT	77	233108GT	133	237213GT	173	25685GT	211
232864GT	57	233509GT	57, 77	237214GT	173	25817GT	131
232865GT	127	235143GT	179	237216GT	173	27204GT	19, 35
232866GT	53	235144GT	179	237217GT	175	27205GT	13, 31
232867GT	53	235145GT	179	237218GT	173	27206GT	13, 19, 31, 35
232868GT	53, 127, 135	235147GT	179	237236GT	169	27207GT	13, 19, 31, 35
232869GT	53, 127	235148GT	173, 179	237238GT	55, 151, 153	27246GT	85, 89, 161-162, 219
232871GT	53, 57, 77, 125, 127	235149GT	179	237239GT	55	27761GT	169
232872GT	83	235309GT	47, 49	237241GT	47, 55	27836GT	169
232874GT	55, 57, 59, 63, 65, 67, 77, 79, 81, 83, 107, 117, 125, 133, 139, 143, 145, 151, 225	235314GT	45	237242GT	47, 55	27901GT	109
232876GT	63	235315GT	47, 49, 67, 223	237243GT	55	27904GT	109
232877GT	83	235317GT	45	237244GT	139	28159GT	15, 17, 33
232882GT	83	235319GT	45	237245GT	139	28174GT	15, 23, 25, 33, 39, 41
232883GT	55	235704GT	59	237326GT	139	28175GT	13, 19
232884GT	123	235705GT	59	237352GT	47, 51, 103, 105, 119, 133, 137, 141, 143	28176GT	23, 25
232886GT	45, 49, 55, 61, 103, 119	235716GT	59	237456GT	183	28235GT	15, 23, 25, 33, 39, 41
232893GT	151	235717GT	59	237457GT	183	28236GT	23, 25
232894GT	149	235758GT	103, 111, 119	237458GT	49	28646GT	83
232895GT	143, 145	236037GT	83	237460GT	47	29314GT	47, 49
232902GT	145	236224GT	179	237461GT	49	29557GT	97
232903GT	145	236226GT	137	237540GT	135	29559GT	97
232908GT	145	236229GT	145	237541GT	135	29560GT	97
232909GT	77	236233GT	143	237542GT	135	29739GT	181
232916GT	57	236234GT	141, 143, 147	237543GT	135	30143GT	63
232918GT	145	236236GT	141, 143, 145, 147	237544GT	147	30144GT	63
232919GT	143	236237GT	137, 141, 143	237546GT	125	30468GT	205
232922GT	133	236240GT	61, 101, 111, 115	237552GT	47	30489GT	101, 117, 207
232923GT	133	236259GT	109	237553GT	185	30971GT	97, 107, 207, 227
232924GT	147, 149	236260GT	109	237556GT	183	30997GT	89, 161-162
232941GT	133	236263GT	93, 161-162	237560GT	183	31060GT	13, 19, 21
232942GT	57, 77, 147	236265GT	87, 91, 93	237561GT	183	31788GT	11, 15, 17
232947GT	133	236286GT	129	237562GT	49	32066GT	105
232951GT	129, 139, 151, 155	236287GT	129	237645GT	57	33428GT	45
		236288GT	133	237646GT	57	33555GT	57, 77
		236289GT	129	237682GT	53	33576GT	159
		236290GT	145	237696GT	59	33674GT	197
		236292GT	147	237697GT	59	34052GT	65, 67, 83, 91
		236293GT	143	237706GT	53	34053GT	83, 91
		236327GT	93	237711GT	215	34619GT	77, 211
		236337GT	65	237730GT	105	34955GT	207, 227
		236354GT	127	237731GT	55	35432GT	227
		236391GT	129	237735GT	125, 129, 133, 135, 141, 143, 145, 149	35434GT	105, 117
		236392GT	45, 93	237807GT	53, 93	35461GT	161-162
		236393GT	93, 153	237808GT	53, 93	35956GT	203
		236394GT	93, 153	237809GT	53, 93	36208GT	227
		236395GT	93, 133	237819GT	45	36388GT	229
		236396GT	93, 131	237820GT	47, 49	38149GT	11, 27
		236397GT	55, 93	237827GT	45	39346GT	173, 177
		236398GT	93, 139	237828GT	45	40434GT	23, 25, 39, 41, 229
		236399GT	93, 143	237830GT	47	42079GT	125
		236400GT	93, 143	237831GT	153	42104GT	197
		236401GT	93, 137	237832GT	45, 47, 49, 99, 101, 107, 115, 207, 223	42288GT	161-162
		236402GT	93, 137	237833GT	53	43018GT	45, 151, 155, 177
		236403GT	93, 131				
		236405GT	87, 91, 93				
		236406GT	125, 129				
		236408GT	93, 161-162				

Part Number Index (continued)

Part Number	Page	Part Number	Page	Part Number	Page	Part Number	Page
43392GT	197, 205	48996GT	83, 187-188	52373GT	173	60637GT	103, 119
43960-4500GT	53	48997GT	187-188, 191	52374GT	173	60649GT	117
44174GT	173, 175, 177, 179	48998GT	183, 185	52378GT	173	60721GT	117
44177GT	173	49116-1937GT	193-194	52466GT	173	60729GT	115
44224GT	173, 179	49117-1791GT	187-188	52475GT	13, 19, 31, 35	60746GT	51
44227GT	173, 175, 177	49117-2191GT	187-188	52484GT	179	60757GT	99
44228GT	177	49117-2391GT	187-188	52726GT	169	60778-SGT	101
44229GT	173, 177	49117-2591GT	193-194	52865GT	11	60826GT	103, 119
44230GT	175	49117-3091GT	191	52866GT	101, 107, 117	60857GT	63, 99, 107, 115
44743GT	159	49120-10981GT	185	52943GT	171	60872GT	57, 77
44981GT	11, 23, 25, 27, 29, 39, 41	49120-11381GT	183	5365GT	63, 83, 111, 115	60875-6600GT	103, 119
45363GT	63, 81, 83, 111, 115	49120-1481GT	185	5397GT	69, 71, 73, 75, 101, 199, 209	60875GT	117
45435GT	117, 227	49120-3781GT	183	54065GT	151, 155	60884GT	57, 77
45470GT	211	49120-3881GT	183, 185	54177GT	107, 181	60892GT	77
45708GT	63, 81	49120-4181GT	185	54283GT	187-188	60893GT	77
45748GT	211	49120-6381GT	183	54365GT	69, 71, 73, 75, 161-162, 165	6090GT	63, 83, 125, 161-162, 197, 199
45782GT	97	49128-2809GT	191	54428GT	111	6091GT	57, 77, 197, 199, 211
46216GT	173	49128-3734GT	193-194	54457GT	199	60964GT	77
4828GT	53, 209, 211	49128-3809GT	193-194	54458GT	199	60966GT	77
48879GT	139, 193-194	49130-17182GT	193-194	54465GT	199	6097GT	125, 211
48880GT	99, 107, 115, 187-188, 191	49130-1782GT	193-194	54465GT	199	61072-10026GT	191
48885GT	83	49130-1882GT	193-194	54486GT	205	61072-2226GT	193-194
48887GT	47	49130-2082GT	193-194	55067GT	157	61072-3926GT	187-188
48890GT	187-188	49130-5482GT	185	55753GT	197, 199	61072-4326GT	183
48894GT	139, 183, 193-194	49137-2541GT	191	56003GT	193-194	61072-4526GT	188
48904GT	187-188, 191, 193-194	49141-1563GT	187-188	56424GT	109, 159, 199	61073-2030GT	187-188
48905GT	107, 183, 185, 187-188, 193-194	49141-1963GT	187-188	56462GT	81	61073-2830GT	187-188
48911GT	183, 185, 187-188	49141-2263GT	187-188	56525GT	199	61073-3130GT	187-188
48912GT	151, 183, 185, 187-188, 193-194	49141-2563GT	193-194	56570GT	199	61073-4930GT	187-188
48913GT	191	49141-5663GT	187-188	56704GT	55	61073-8330GT	187-188
48915GT	191, 193-194	49141-5863GT	183	56912GT	159	61074-15228GT	193-194
48916GT	185, 187-188, 191, 193-194	49141-6063GT	187-188	58222GT	115	61074-4328GT	188
48920GT	187-188	49141-9963GT	191	58223GT	115	61074-5428GT	188
48924GT	183, 185	49143-41229GT	193-194	58249GT	97	61074-5528GT	185
48930GT	194	49143-41629GT	193-194	58256GT	97	61074-7628GT	191
48931GT	193-194	49143-8929GT	187-188	58290GT	181	61074-7828GT	191
48932GT	107, 187-188, 191	49159-6218GT	188	58299GT	97	61074-8828GT	187-188
48933GT	83, 183, 187-188, 193-194	49163-6994GT	183	58319GT	91	61098GT	23, 25, 39, 41
48935GT	183	49163-7194GT	193-194	58489GT	81	61109GT	115
48936GT	183	49180-41116GT	193-194	58566GT	97	61112GT	77
48937GT	107, 183, 185, 187-188, 191, 193-194	49181-3440GT	185	58627GT	85	61223GT	79
48942GT	191	49181-5990GT	183	58630GT	97	61225GT	65, 67
48946GT	187-188	49183-15792GT	193-194	59371GT	183	61269GT	193-194
48948GT	111, 183, 185, 187-188	49183-51792GT	193-194	6002GT	57, 77	61270GT	107, 117
48959GT	139, 187-188, 191, 193-194	49183-5992GT	185	6021GT	63	61322GT	93
48960GT	83, 111, 183, 185, 187-188, 191, 193-194	49183-79692GT	193-194	60322-SGT	113	61325GT	225
48961GT	183, 185	49183-82392GT	193-194	60331GT	127, 129	61341GT	123
48963GT	111, 183, 187-188, 191, 193-194	49183-85992GT	193-194	60334GT	63	6145GT	203
48968GT	139, 193-194	49183-87392GT	193-194	6036GT	203	6146GT	161-162, 211, 215
48974GT	191	49189-9738GT	47	60370-SGT	157	6147GT	77
48977GT	187-188	49207GT	99, 107, 115, 187-188, 191	6037GT	69, 71, 73, 75	61602GT	151, 155
48984GT	187-188	49214GT	209	60429GT	53	61625GT	223
48985GT	83, 187-188	49215GT	209	60439GT	53, 55	61726GT	211
48995GT	191	49363GT	47, 49	60443GT	53	6175GT	81, 101
		49364GT	47, 49	60474GT	159	6178GT	65, 69, 71, 73, 75, 81, 161-162, 165, 211
		49366GT	45	60475GT	159	61804GT	211
		49379GT	203	60476GT	159	61972GT	211
		49408GT	203	60477GT	159	61976GT	211
		49412GT	47, 49	60478GT	159	61977GT	211
		49816GT	65	60481GT	57	61997GT	211
		49819GT	65	60512GT	87	62253GT	169
		49820GT	87, 91	60514GT	87	62327GT	173
		49915GT	97	60515GT	87	62328GT	173, 179
		49924GT	97	60525GT	99	62330GT	175
		50787-SGT	99	60526GT	99	62338GT	173, 175, 179
		50790GT	57, 77	60536GT	65	62339GT	173
		50813GT	93, 153, 155	60559GT	59, 83	62349GT	173
		5094GT	77	60564GT	117	62374GT	85, 89
		50974GT	63, 81, 83, 101, 109, 115	60576GT	117	62375GT	85, 89
		51063GT	211	60578GT	57, 77	62379GT	85, 89, 161-162
		51265GT	139, 193-194	60584GT	103, 109, 119, 153	62392GT	167
		52087GT	181	60595GT	57		
		52352GT	97	60609GT	51		
		52371GT	173, 175, 177	60618GT	51		

Part Number	Page	Part Number	Page	Part Number	Page	Part Number	Page
62412GT	81	74245GT	47, 49, 57, 77	822352GT	139, 225	824145GT	125, 141, 143,
62425GT	101, 107, 117	74902GT	169, 171	822353GT	55, 131, 133,		145, 147, 151,
62433GT	99, 115	74913GT	69, 71, 73, 75,		137, 139, 153		223
62476GT	99		165	82237GT	15, 17, 23, 25	824214GT	91
62506GT	177	75020GT	99, 115	822477GT	161-162	824215GT	57, 77
62507GT	177	75041GT	65, 81, 215	822548GT	69, 71, 73, 75	824216GT	53
6272GT	217	75042GT	139, 193-194	822600GT	141, 143, 147	824259GT	215
62819GT	223	75069GT	157	822601GT	149	824261GT	215
633144GT	131	75073GT	57, 77	822602GT	137, 141, 143,	824471GT	109
6356GT	63, 83, 85, 89,	75076GT	57, 77		145, 147, 149	824518GT	95
	161-162, 203	75250GT	55	822603GT	125	824617GT	69, 71, 75
65278GT	13, 19, 31, 35	75253GT	83, 187-188	822604GT	139	824635GT	109
65473GT	117	75254GT	83, 187-188	822605GT	123, 127	82473GT	31, 35
65630GT	199	75256GT	83, 187-188	822718GT	21, 37	82481GT	27, 29, 33
6584GT	99, 115	75257GT	83, 187-188	822719GT	21, 37	82487GT	27, 29, 39, 41
6638GT	57, 63, 77, 81,	75259GT	117	822722GT	15, 17	824945GT	209
	83, 85, 89, 161-	75260GT	117	822723GT	13, 19, 31, 35	824946GT	209
	162, 197, 199,	75274GT	117	822724GT	23, 25, 39, 41	824947GT	209
	205, 211	75297GT	117	822802GT	151	824959GT	209
6653GT	103, 119	75304GT	113	822822GT	79	824960GT	209
66777GT	99	75326GT	113	822823GT	209	824961GT	209
66811GT	85, 89	75327GT	113	822830GT	153	825019GT	127, 151, 155
66812GT	85, 89, 161-162	75328GT	113	822902GT	209	825040GT	227
66813GT	161-162	75330GT	113	822921GT	99	825041GT	227
66815GT	161-162	75342GT	113	822955GT	99, 115	825042GT	227
66816GT	85, 89	75443GT	167	823068GT	141	825348GT	51, 153
66817GT	89, 161-162	75444GT	167	823069GT	143, 145	825349GT	51, 91
66818GT	85, 89	75445GT	167	823101GT	81	825351GT	45
66821GT	85, 89	75446GT	167	823145GT	145	825352GT	45
6700GT	85, 89	75447GT	167	82314GT	11	825353GT	107
67505GT	93	75448GT	167	823397GT	63, 81	825355GT	99, 107, 111,
6782GT	69, 71, 73, 75	75449GT	167	823420-1400GT	105		115, 125
67897GT	115	75450GT	101, 107, 117	823520GT	203	825357GT	55, 131, 133,
6833GT	161-162	75451GT	101, 107, 117	823521GT	93		137, 139, 143
6873GT	77	75456GT	173	823522GT	93	825358GT	139, 221
6888GT	57, 77, 85, 89,	75537PGT	159	82366GT	11	825413GT	125
	205	75555GT	117	824019GT	91	825542GT	145
6889GT	205	75574GT	99, 107, 115	824024GT	159	825556GT	75
6935GT	69, 71, 91, 165	75654GT	187-188	824027GT	157, 159, 221	825557GT	73
69775GT	111	75854GT	55	824028GT	47, 49, 157, 221	825558GT	73, 75
70381GT	99, 107	75855GT	55	824029GT	117, 157, 159,	825580GT	125
70438GT	101	76364GT	45		221, 223	825581GT	107, 115, 125
70439PGT	99	77351GT	162	824031GT	55	825585GT	73
70440GT	101, 111	77677GT	111	824032GT	53, 83, 115	825586GT	73, 75
70444GT	99, 115	77819GT	181	824036GT	55, 57, 77, 91	825587GT	73, 75
70445GT	101	80543GT	69, 71	824041GT	99	825588GT	73
70447GT	99	80605GT	211	824059GT	91	825589GT	73
70449GT	99, 115	81341GT	125	824060GT	159, 201	825597GT	125, 139
70483GT	99, 115	81342GT	125	824062GT	155	8255GT	63
70518GT	117	81368GT	199	824069GT	201	825624GT	79, 125
7057GT	69, 71, 91, 165	81467GT	101, 107, 117	824077GT	91, 107	825632GT	127
71259GT	55	81468GT	101, 107, 117	824078GT	83, 91, 99, 157,	825667GT	55
71911GT	99, 101, 115	81488GT	162		159, 221	825674GT	139
72086GT	13, 19, 31, 35	81551GT	85, 89, 161-162	824079GT	159	825682GT	151
72255GT	97	81578GT	63	824080GT	115	825686GT	55, 67, 131, 133,
72282GT	55	81812-11292GT	183	824083GT	199		137, 139, 143,
72326GT	85, 161-162	81812-3592GT	183	824091GT	103, 119, 157,		153, 223
7265GT	197	81812-3692GT	183		221	825736GT	75
72875GT	23, 25	81812-3792GT	183	824092GT	159	825737GT	165
72999GT	11	81812-5792GT	183	824093GT	117	825746GT	165
73084GT	169	82161GT	11	824109GT	91, 155	825747GT	165
73477PGT	159	822000GT	139	824113GT	91, 201, 221	825748GT	165
73478PGT	159	822001GT	139	824116GT	55, 157	825749GT	165
73500GT	199	822087GT	109	824120GT	201	825761GT	165
73501GT	199	822090GT	143	824122GT	117	825763GT	165
73575GT	83, 159	822091GT	141	824123GT	101, 111, 117	825775GT	165
73587GT	63, 83	822092GT	141, 143, 145	824124GT	159	825776GT	165
73610PGT	159	822103GT	69, 71, 165	824129GT	131, 139	825795GT	165
73711GT	99	822222GT	69, 71, 73, 75,	824131GT	105	825797GT	73, 75, 165
73717GT	87		165	824132GT	101, 105, 207	825806GT	165
73805GT	89	822223GT	69, 71, 73, 75,	824133GT	45, 107, 115,	825807GT	165
73807GT	177		165		131, 223	825810GT	75, 165
73900GT	159	822224GT	161-162	824134GT	111	825849GT	165
73910GT	159	822225GT	79	824142GT	45	825936GT	141
74006GT	69, 71, 157	822227GT	79	824143GT	61, 79	825943GT	143, 147
74052GT	157	822229GT	79	824144GT	109	826000GT	109

Part Number Index (continued)

Part Number	Page	Part Number	Page
826002GT	133	94745PGT	197
826004GT	133	94869GT	197
826007GT	129	94981GT	83
826008GT	143, 147	94982GT	83
826140GT	135	9596GT	197
826154GT	133, 143	9599-SGT	197
826155GT	143	96390GT	133
826156GT	131	97181GT	175
826157GT	131	97372GT	173, 175, 177
826171GT	51	97579GT	23, 25
826172GT	51	97602GT	15, 17
826173GT	143, 145	97757GT	11, 27, 29
826214GT	47, 49, 109	97815GT	23, 25, 39, 41
826215GT	47, 49	97865GT	11, 15, 17
826348GT	109	99778GT	215
826351GT	107	T107366GT	45
826352GT	107	T108732GT	97
826379GT	131	T108733GT	97
826440GT	133	T108734GT	97
826516GT	83, 115	T111704GT	43
826523GT	143	T112560GT	157
826553GT	223	T112561GT	157
826571GT	223	T112626GT	167
826574GT	223	T112773GT	23, 25, 39, 41
826579GT	159	T114346GT	113
826580GT	159	T114678GT	97
826624GT	157	T114803GT	133
826783GT	55		
826791GT	157		
826792GT	157		
826793GT	157		
826794GT	157		
826850GT	227		
826851GT	227		
826852GT	227		
826896GT	157		
828358GT	157		
82862GT	23, 25		
84134GT	169		
84135GT	169		
8516GT	53		
87070GT	63		
87755GT	91		
88056GT	85		
88091GT	97		
88150GT	85, 89		
88160GT	65, 67		
88162GT	65, 67		
88164GT	65, 67		
88167GT	65, 67		
88177GT	85, 89		
88287GT	161-162		
88315GT	85, 89		
88354GT	83, 187-188		
88406GT	221		
88493GT	207		
88516GT	155		
88606PGT	205		
88607PGT	205		
88943-4586GT	187-188		
8915GT	57, 77, 211		
89310GT	169, 171		
89733GT	179		
89735GT	179		
89755GT	211		
89756GT	153		
89770GT	179		
89792GT	97		
89959GT	207		
89996GT	99		
89997GT	65		
94327GT	65, 67		
94374-10530GT	187-188		
94374-6030GT	183		
94620GT	79		
94643GT	211		

The Part Description Index is an alphabetical index of all part descriptions included in this manual. The index shows what page(s) the part is used on.

- 1**
12VDC Deutsch No Diode, Size10.....173
- A**
- ACC,FALL ARREST BAR,6FT FR.....229
ACC,FALL ARREST BAR,6FT SYM.....229
ACC,FALL ARREST BAR,6FT WORD.....229
ACC,FALL ARREST BAR,8FT FR.....229
ACC,FALL ARREST BAR,8FT SYM.....229
ACC,FALL ARREST BAR,8FT WORD.....229
ACCESSORY,OPERATOR PROT STRUCT.....201
ACTIVATOR,STEER SENSOR.....51
ADAPTER-FUEL FILTER, PERK 1104.....113
AIR CLEANER CLIPS, SUPERBOOM.....101, 107, 117
AIR CLEANER COVER, SUPERBOOM*..101, 107, 117
AIR CLEANER,NELSON.....101, 107, 117
AIR CLEANER,SECONDARY ELEMENT...225
ALARM,AUDIO,SUPERBOOM***.....85, 89, 161-162
ALTERNATOR, DEUTZ,BF4L2011***.....97
ALTERNATOR,PERKINS 1104C-44.....115
ANEMOMETER, BUILT IN ALARM.....223
ASSEMBLY RESET SWITCH.....231
ASSEMBLY, 4 LINK REPAIR KIT, SC-75.....139
ASSEMBLY, ANGLE SENSOR, BOOM.....55
ASSEMBLY, CABLE TRACK LRC-200, 4 LINK.....125
ASSEMBLY, CABLE TRACK SRC-110, 4 LINK.....125
ASSEMBLY, FUEL TANK 50 GAL.....59
ASSEMBLY,#4 EXT CABLE ADJ PIVO.....131
ASSEMBLY,CABLE,TAPESWITCH.....231
ASSEMBLY,FOOT SWITCH.....159
ASSEMBLY,LCD HEATER ALC1000.....217
ASSEMBLY,TAPESWITCH.....231
ASSY / OIL TUBE.....115
ASSY BATTERY HEATER,240V.....215
ASSY HEATER, MODEL 18, 120V.....215
ASSY HEATER,MODEL 18,240V.....215
ASSY, AXLE SENSOR, SX/ZX135.....47, 49
ASSY, BATTERY HEATER, 120V.....215
ASSY, CIRCUIT BREAKER 20A.....85, 89
ASSY, DEGAS TANK, AL, RCP-13-077.....105
ASSY, DRIVE LIGHT, 12V LED.....203
ASSY, ENCLOSURE, WELDER GEN.....69
ASSY, ENCLOSURE, WELDER GEN EU.....75
ASSY, ENCLOSURE, WELDER GEN UK.....73
ASSY, GROUND CONTROL BOX, SX.....89
ASSY, HYD/ELEC 5 PORT/10 CONT.....53
ASSY, LS, LOAD SENSE, ALC1000.....93, 211
ASSY, MED. PRESS. FILTER, SAE8.....99, 107, 115
ASSY, PLAT CONTROL BOX, SX.....161-162
ASSY, TELEMATICS CONN. BOX.....83, 91
ASSY, TIER4 RELAY FUSE.....67
ASSY,120V HEATER,HYD TANK.....215
ASSY,240V HEATER,HYD TANK,SUPER X.....215
ASSY,ANEMOMETER COVER.....223
ASSY,BRACKET,CONTACT BLOCK.....217
ASSY,BRKT,CNTRL BOX W/FASTNRS.....231
ASSY,CHASSIS DOOR,ZX135 SPX.....47, 49
ASSY,COMPLETE ANEMOMETER.....223
ASSY,ENCLOSURE,WELDER GEN,12 KW.....71
ASSY,FLASHING BEACON 2008.....55
ASSY,FUEL PREFILTER,DEUTZ 2.9.....109
ASSY,LIM.SW.ACTUATOR BLOCK***.....45
ASSY,MODULE,CONTROL UNIT,OPA.....231
ASSY,RELAY SOCKET, AUTO.....83, 91
ASSY,SUPERX AXLE LFRR, W/BRNG.....43
ASSY,SUPERX AXLE, RFLR, W/BRNG.....43
ASSY,SUPERX YOKE,LFRR,W/BRNG.....51
ASSY,SUPERX YOKE,RFLR,W/BRNG.....51
ASSY,TIRE,445D50/710,HD,CRM,RH.....43
ASSY,TIRE,445D50/710,HD,LH.....43
ASSY,TRACK,FALL ARREST BAR,6FT FR.....229
ASSY,TRACK,FALL ARREST BAR,6FT SYM.....229
ASSY,TRACK,FALL ARREST BAR,6FT WORD.....229
ASSY,TRACK,FALL ARREST BAR,8FT FR.....229
ASSY,TRACK,FALL ARREST BAR,8FT SYM.....229
ASSY,TRACK,FALL ARREST BAR,8FT WORD.....229
ASSY,WORK LIGHT,12V LED.....203
ASSY, ELECTRIC SWIVEL, 10 CON.....53
ASSY, HYDRAULIC SWIVEL, 5 POR.....53
- B**
- BALL STUD**.....57, 77
BAR, HOSE GUIDE, LONG.....51
BAR, HOSE GUIDE, SHORT.....51
BAR,HARNESS/CABLE GUIDE.....55
BAR,ROUND.....135
BASE ENCLOSURE,RED,OPA.....231
BASE WITH 1 NC CONTACT, E-STOP.....89, 161-162
BASE, W/1 N.O. CONTACTS***.....161-162
BASE, W/2 NC CONTACTS***.....89
BASE,WITHOUT CONTACTS.....85, 89
BATTERY CABLE, 2/0 GA, BLACK.....95
BATTERY CABLE, 2/0 GA, RED.....95
BATTERY CABLE, 2/0 GA, RED, 10.....95
BATTERY HOLD DOWN,GROUP 31.....63
BATTERY, J 305GH, 315AH.....81
BATTERY,12V,1000 CCA GRP 31.....63
BEARING.....131
BEARING FL, 25IDX30ODX14L.....57, 77
BEARING KIT,BREVINI (218496).....51
BEARING, 35ID X 41OD X 52LG.....45
BEARING, 50ID X 58OD X 35L.....127
BEARING, 50ID X 58OD X 40LG.....45, 51, 151
BEARING, 80ID X 90OD X 52LG.....47, 49
BEARING, 80ID X 90OD X 60L.....55, 123
BEARING, 80ID X 90OD X 80LG.....47, 49
BEARING,1.00IDX1.25ODX1.00L.....131
BEARING,35ID X 41OD X 40LG.....45
BEARING,35IDX41ODX25L.....151, 155
BEARING,35IDX41ODX50L.....153
BEARING,40IDX48ODX35L.....151
BEARING,80ID X 90OD X 65LG.....47, 49
BEARING,FL.,40IDX48ODX28L.....103, 119
BEARING,GARLOCK,12FDU12.....211
BEARING,TURNTABLE,MTE-705.....49, 53
BELLOWS, CYLINDER, BELLCRANK L.....227
BELLOWS, CYLINDER, JIB LIFT.....227
BELLOWS, CYLINDER, PLATFORM LE.....227
BELLOWS,AXLE EXTEND CYLINDER.....227
BELLOWS,STEER CYLINDER.....227
BELT,AIR PUMP,PERKINS 404F-22T.....105
BELT,V,(2) PERKINS 1104C-44.....113
BLOCK,DIN FEED THRU 3 POS.....73
BLOCK,DIN FEED THRU 3 POS TERM.....73, 75
BLOCK,DIN FEED THRU BLUE TERMINAL.....165
BLOCK,DIN FEED THRU,16-6.....73, 75, 165
BLOCK,DIN FEED THRU,24-8.....165
BOLT, CARRIAGE,M6=1.0X16,ZAB....139, 225
BOLT, CARRIAGE,M6=1.0X25,ZAB.....131, 139, 225
BOLT,CARRIAGE,1/4-20X.75,5,ZAG.....159
BOLT,CARRIAGE,M10-1.5X30,DIN603,8.8,ZAB,125, 139
BOLT,CARRIAGE,M8X35,DIN603,8.8.....47
BOLT,SHS,12X70XM10-1.5,ISO7379,12.9,ZAB.55
BOOT(BELLOWS),E-STOP,BLACK.....161-162
BOOT, ROCKER JOYSTICK 75565.....167
BOOT,JOYSTICK.....167
BOOT,TOGGLE SWITCH,SHORT*.....85, 89, 161-162, 219
BOX, GROUND CONTROL, SX.....85, 89
BOX,ASSY PLATFORM,J,ANSI/CSA.....165
BOX,ASSY PLATFORM,J,EU.....165
BOX,ASSY PLATFORM,J,UK.....165
BOX,INSTRUCTION STORAGE.....159
BOX,J, CIRCUIT BREAKERS.....69, 71, 73, 75
BOX,J,CIRCUIT BREAKERS.....165
BOX,J,CIRCUIT BREAKERS EU.....165
BOX,J,CIRCUIT BREAKERS UK.....165
BRACKET, LS, DRIVE ROT.....53
BRACKET,BEACON,DRIVE LIGHTS,LH.....55
BRACKET,CONTROL UNIT.....231
BRACKET,ENG.MOUNT,FRT.PERKINS.....117
BRACKET,LEG,RLY BLOCK.....65, 67
BRACKET,V275S WELD LEADS.....221
BRACKET,WELDER COVER,PNTD.....157
BRACKET,WELDER MOUNT SUPPORT....157
BRACKET,WELDER SUPPORT,PNT.....221
BRACKET,WELDER TOP.....221
BRACKET,WORK LIGHT MOUNT 5/16".....203
BRACKETS, CABLE TRACK LRC-200, FIXED END.....125
BRACKETS, CABLE TRACK LRC-200,MOVING END.....125
BRACKETS, CABLE TRACK SC-75, FIXED END.....139
BRACKETS, CABLE TRACK SC-75, MOVING END.....139
BRACKETS, CABLE TRACK SRC-110, FIXED END.....125
BRACKETS, CABLE TRACK SRC-110, MOVING END.....125
BRAKE KIT,BREVINI (218496).....51
BRAKE TUBING***.....79
BREATHER PIPE, TD 2011L04I.....97
BREATHER,RESERVOIR 3 MICRON***.....59, 83
BUMPER, PLASTIC, 1.25 O.D.....197, 199
BUMPER,BATTERY BOX & RAILS.....197, 205
BUMPER,RUB,1.00DX.75X31-18X1.2.....47, 49

Part Description Index (continued)

BUMPER,RUBBER***.....77, 211	CLAMP,-6 AND ELEC,JIB ROTATOR.....151	CONN,BULKHEAD,520601-12.....139, 193-194
BUMPER,RUBBER,.75 X .50H,STUD.....229	CLAMP,0.31,#5 X 1/4,RUB CUSH.....211	CONN,BULKHEAD,520601-6.....183, 185
BUMPER,RUBBER,COVERS.....63, 81, 83, 101, 109, 115	CLAMP,0.50,#8 X 1/4,RUB CUSH.....161-162	CONN,BULKHEAD,520601-8.....139, 183, 193- 194
BUSHING, STRAIN RELIEF, 1".....51	CLAMP,0.56,#9 X 3/8,RUB CUSH.....115	CONN,DUAL RLY MODULE,10 POS.....65, 67
BUSHING,58OD X 50ID X 25LG.....133	CLAMP,0.75,#12 X 1/4,RUB CUSH.....85, 89, 161-162	CONN,FEED THRU STUD.....65, 67
BUTTON,PUSH,BLACK W/SEAL ***161-162	CLAMP,1.00,#16 X 1/4,RUB CUSH.....221	CONN,PLUG 120 AC/15A DOMESTIC.....69, 71, 215
BUTTON,PUSH,RED MUSHROOM	CLAMP,1.25"DIA NON-CUSHIONED.....159	CONN,PLUG 2 WAY,14-18GA.....215
HEAD.....85, 89, 161-162	CLAMP,1.25,#20 X 7/16,RUB CSH.....115	CONN,PLUG 23 WAY,16-20 GA BLK.....87
	CLAMP,1.25X.5 RUBBER-CUSHION.....109, 159, 199	CONN,PLUG 35 WAY, 16-20GA WHT.....87
	CLAMP,1.88,#30 X 1/4,RUB CUSH.....103, 119	CONN,PLUG 35 WAY,16-20GA BLK.....87
	CLAMP,5.38,#86 X 3/8,RUB CUSH.....207	CONN,POWER RLY MODULE,4POS.....65, 67
	CLAMP,AIR AND ELECTRIC.....151	CONN,RECEP 2 WAY ENDCAP DT.....53, 55, 215
	CLAMP,BATTERY CABLE.....109, 111, 113, 117	CONN,RECEP 3 WAY ENDCAP DT.....215
	CLAMP,FIXED DIA,NYLON,3/4".....99, 109	CONN,RECEP 4 WAY ENDCAP DT.....53
	CLAMP,FIXED DIA.,NYLON,1/2".....67	CONN,RECEP 4 WAY,12-14GA.....99
	CLAMP,GENERATOR HARDLINE,UPPER...63	CONN,RECEP 4 WAY,12-14GA FL***.....87
	CLAMP,HAND RAIL,OPA,6'-8'.....231	CONN,RECEP 8 WAY 14-18GA,FL.....91
	CLAMP,HOSE,.25" - .63" X .3125.....105	CONN,SQZ,BLK,1/2NPT,.38-.50,SM.....159
	CLAMP,HOSE,1.25***.....227	CONN. SQZ,1/2NPT .39-.56 MED.....69, 71, 91, 165
	CLAMP,HOSE,1.75.....105, 117	CONNECTOR, DEUTZ FUEL SHUTOFF*.....97
	CLAMP,HOSE,1EAR,25/32.....109	CONNECTOR, SAE10, QUICK CONN.....109
	CLAMP,HOSE,2.00***.....105, 117	CONNECTOR,BULKHEAD,FEMALE-4.....83
	CLAMP,HOSE,2.50****.....117, 227	CONTACT, N.C.....85, 89
	CLAMP,HOSE,3.00".....97, 107, 207, 227	CONTACT,N.O***.....85, 89
	CLAMP,HOSE,3.50.....101, 117, 207	CONTROL BOX COVER,LID,PTD.....205
	CLAMP,HOSE,5.00.....207, 227	COOLANT,RECOVERY BOTTLE, 4 QT*.....117
	CLAMP,HOSE,6.50.....227	COOLING SYSTEM RCP-13-077.....105
	CLAMP,HOSE,KUBOTA WG750.....105	CORROSION INHIBITOR,FOAM.....89, 161- 162
	CLAMP,HYD. HOSE, 3 X .75".....61, 79	COUNTERBALANCE VALVE -
	CLAMP,MUFFLER, 2.50 INCH.....99, 101, 115	CBBD-LJN-4500.....123
	CLEVIS YOKE-1/4-28,PLTD W/PIN.....99, 115	COUNTERBALANCE VALVE -
	CLIP,LCD,GRND.CONTROL.....85, 89	CBDB-LHN-3500.....123
	COIL,12V, DEUTSCH.....171	COUNTERBALANCE VALVE -
	COIL,12VDC #10DTSCH IP69 ECOIL.....173, 175, 179	CWEG-LGN-4500.....123
	COIL,12VDC #8 DTSCH W/O DIODE.....175	COUNTERWEIGHT,CAST,5090LBS.....55
	COIL,PROP,12VDC,#10 IP69,DTSCH.....173	COUPLER,15 TOOTH,FBA,SAE8***.....99, 107
	COIL,PROP,12VDC,METRI-PACK 150.....173	COUPLING, EXT. CABLE ADJUSTMENT...133
	COIL,SOLENOID VALVE.....173, 177	COUPLING, FULL 1 1/2" NPT.....83
	COIL,SOLENOID VALVE***.....179	COVER ASSY,TANK SIDE.....77
	COIL,SOLENOID VALVE,20W.....169, 171	COVER KIT, BREVINI (218496).....51
	COLD WEATHER 120V J BOX ASSY.....215	COVER SUPPORT,WELDMNT.....57, 77
	COLD WEATHER 240V J BOX ASSY.....215	COVER, ENGINE,DEUTZ F4L2011.....97
	COLLAR,JOYSTICK,CENTER.....167	COVER, FOOT SWITCH, LARGE.....159
	Compensator, 150 PSI.....175, 177	COVER, JIB MANIFOLD.....151
	Compensator, 160 PSI.....173	COVER, NOSE CONE, LEFT SIDE.....77
	CONN MAXI FUSE MODULE,4POS.....65, 67	COVER, NOSE CONE, RIGHT SIDE.....57
	CONN PLUG 3 WAY ENDCAP DT.....215	COVER,101 LINK TRACK.....227
	CONN PLUG 4 WAY EXTEND DT.....45, 53	COVER,19 LINK TRACK.....227
	CONN, 520120-4-6 0.030 ORIFICE.....191	COVER,97 LINK TRACK.....227
	CONN, 520120-6.....185, 187-188, 191, 193- 194	COVER,CONTROL BOX LEFT SIDE***.....205
	CONN,070121-24-24.....187-188	COVER,CONTROL BOX RIGHT SIDE**.....205
	CONN,520120-12-16.....187-188	COVER,FLYWHEEL CASTING.....99, 107
	CONN,520120-16.....187-188	COVER,GFCI,HORIZONTAL,WEATHER....69, 71, 157
	CONN,520120-20.....187-188	COVER,INSPECTION WINDOW.....149
	CONN,520120-4***.....107, 183, 185, 187-188, 193-194	COVER,RELAY.....65
	CONN,520120-4-6***.....151, 183, 185, 187- 188, 193-194	COVER,SLEW RING.....53
	CONN,520120-6-10.....193-194	COVER,STEERING SENSOR.....51
	CONN,520120-6-8.....194	COVER,TURNTABLE COVER ACCESS.....77
	CONN,520120-8***.....83, 183, 187-188, 193- 194	COVER,TURNTABLE,ENGINE SIDE.....57
	CONN,520120-8-10.....187-188	CUP HOLDER,PLASTIC.....159
	CONN,520120-8-12.....111, 183, 185, 187-188	CYLINDER HEAD CVR.DEUTZ BF4L20.....97
		CYLINDER, AXLE EXTEND.....45
		CYLINDER, BELLCRANK LEVEL.....151

C

CABLE ASSY, AUX, BLACK, 116.5".....95
 CABLE ASSY, AUX, BLACK, 15.5".....95
 CABLE ASSY, AUX, BLACK, 22.5".....95
 CABLE ASSY, AUX, RED, 112".....95
 CABLE ASSY, AUX, RED, 13.5".....95
 CABLE ASSY, AUX, RED, 21.5".....95
 CABLE ASSY,AUX BATT JUMPER,RED.....95
 CABLE CLAMP, AIRLINE AND LS.....125
 CABLE CLAMP, BATTERY.....103, 119
 CABLE CLAMP, ELECTRICAL.....125
 CABLE CLAMP, FUEL LINE.....103, 119
 CABLE CLAMP, HYDRAULIC.....125
 CABLE CLAMP, IN TRACK.....125
 CABLE SQUEEZE CONN.....69, 71, 73, 75,
 165
 CABLE SQUEEZE CONN., 1.25".....69, 71, 73,
 75, 165
 CABLE SQUEEZE CONN.,XTRA LRG.....157,
 165
 CABLE TRACK.....139
 CABLE, GENERATOR TO J-BOX.....95
 CABLETRACK, LRC-200, 19 LINKS.....125
 CABLETRACK, SRC-110,101 LINKS.....125
 CABLETRACK, SRC-110,97 LINKS.....125
 CAP, FUEL, DIESEL, LENZ LC-6NV.....59
 CAP,520112-8.....111
 CAP,DIAGNOSTIC NIPPLE.....99, 107, 115,
 187-188, 191
 CAP,HYD NON VENTED W/LOCK TAB.....83
 CAP,OIL FILLER,DEUTZ,DIESEL ***.....97
 CAP,RADIATOR,PERKINS/FORD.....117
 CAP,VALVE COVER,OIL FILLER,PRK.....113
 CAP,VINYL,0.25ID X 1.50.....63, 81
 CB VALVE 4:5:1, 2000 PSI.....179
 CBV ASSEMBLY***.....79
 CHECK VALVE,BALL TYPE,NORMAL.....169
 CIRCUIT BREAKER, 2 POLE, 16A.....73
 CIRCUIT BREAKER, 3 PHASE, 10A.....75
 CIRCUIT BREAKER, 3 PHASE, 25A.....69
 CIRCUIT BREAKER, SINGLE PH.....69, 71
 CIRCUIT BREAKER,40A,3P.....71
 CIRCUIT BREAKER,GFCI,2P,30MA TRIP.....73
 CIRCUIT BREAKER,GFCI,3PH,63A,3.....69,
 71, 75
 CIRCUIT BRKR 15A TYPE 2 METAL.....65
 CLAMP, 3 INCH.....97
 CLAMP, CABLE/HARNESS.....79
 CLAMP, FIXED DIA, NYLON, 1-1/4.....109
 CLAMP, FUEL LINE.....61
 CLAMP, GEN BATTERY CABLES.....63
 CLAMP, GENERATOR HARDLINE.....63
 CLAMP, HARDLINE, BO.....139
 CLAMP, HYD TUBE, AXLE.....49
 CLAMP, PLASTIC, HYD HOSE.....49
 CLAMP, STEPLESS EAR,15.3-18.5M.....109
 CLAMP, TUBE/HOSE, LOOP/OFFSET, 12.7
 OD.....105
 CLAMP,-6 AND ELEC,BELLCRANK.....151

CYLINDER, JIB LIFT.....155
 CYLINDER, PLATFORM LEVEL.....155
 CYLINDER, PRIMARY EXTEND.....129
 CYLINDER, PRIMARY LIFT.....123
 CYLINDER, SECONDARY EXTEND.....127
 CYLINDER, STEER.....45

D

DECAL, 240V/415VRING.....17, 25, 33, 39, 41
 DECAL, COSMETIC,SX-180.....21, 37
 DECAL, E DOWN PROCEDURE SYM.....29
 DECAL, GENIE.....21, 37
 DECAL, GROUND CONTROL SPX.....11, 27, 29
 DECAL, INSTRUCTION, OPS.....23, 25, 39, 41
 DECAL, LABEL, FUSE RELAY PANEL.....15, 17
 DECAL, MEMBRANE, GROUND CONTRO.....85, 89
 DECAL, PCON LID, SUPER X.....23, 25, 39, 41
 DECAL, POWER TO PLATFORM 230V*...15, 23, 25, 33, 39, 41
 DECAL, PROTECTIVE COVER,SX-180.....23, 25, 39, 41
 DECAL, SERVICE RECOVERY SWITCH...11, 27, 29
 DECAL, SUPER BOOM.....21, 37
 DECAL, SYMBOL - READ THE MANUAL...27, 29, 39, 41
 DECAL, ANNUAL INSP***.....11
 DECAL, ARROW BLUE.....19, 35
 DECAL, ARROW YELLOW LRG 9".....13, 31
 DECAL, BLACK, DECAL PLATE.....23, 25, 39, 41
 DECAL, CAUTION, NO STEP.....13, 19, 31, 35
 DECAL, CHEVRON RANDO HD.....11
 DECAL, COSMETIC, GENIE.....231
 DECAL, COSMETIC, GENIE, 12".....21, 37
 DECAL, DANGER DO NOT ALTER SWTC.....13, 19, 21
 DECAL, DANGER, BATTERY SAFETY***.....11, 15, 17
 DECAL, DANGER, ELEC. HAZ. STAY CLR.....27, 29, 33, 39, 41
 DECAL, DANGER, ELECT HAZARD***.....11, 15, 17, 23, 25
 DECAL, DANGER, HIGH VOLTAGE.....15, 17, 23, 25
 DECAL, DANGER, NO SMOKING.....15, 17
 DECAL, DANGER, TIP-OVER.....11
 DECAL, DANGER, TIP-OVER, WELDER**.....23, 25
 DECAL, DANGER, TIPOVER, TILT.....23, 25
 DECAL, DANGER, TIPOVER, TILT, SYM.....39, 41
 DECAL, DANGER/NOTICE, TIRESPECS, SX180.13, 19
 DECAL, DANGER/WARNING COMBO.....23, 25
 DECAL, DIESEL.....15, 17, 33
 DECAL, ENGINE SPEC, DEUTZ TD2011.....15, 17
 DECAL, EXPLOSION HAZARD.....15, 17
 DECAL, FIRE EXTINGUISHER.....23, 25
 DECAL, LABEL, AIR LINE 110 PSI.....11, 23, 25, 27, 29, 39, 41
 DECAL, LABEL, ELECTRO HAZARD....27, 29, 33
 DECAL, LABEL, 112 DBNG.....29

DECAL, LABEL, LIFTING EYE.....13, 19, 31, 35
 DECAL, LABEL, LOWER MIDRAIL...23, 25, 39, 41
 DECAL, LABEL, MANUAL NOT HERE.....23, 25
 DECAL, LABEL, NO SMOKING, SYMB.....33
 DECAL, LABEL, OIL LEVEL IND.....11, 27, 29
 DECAL, LABEL, PATENTS.....11, 27
 DECAL, LABEL, PETRO CANADA***.....11
 DECAL, LABEL, TIP OVER LMT SWTCH.....27, 29, 31, 35, 37
 DECAL, LABEL, TIPOVER, TIRES, SYMB.....31, 35
 DECAL, LABEL, TRANSPORT TIEDOWN*..13, 19, 31, 35
 DECAL, LABEL, UCON HYDROLUBE.....11
 DECAL, LANYARD ANCHORAGE POINT...23, 25, 39, 41, 229
 DECAL, LOW/ULTRA LOW SULFR FUEL.....15
 DECAL, MAX CAP SIDE FORCE SYM A.....39
 DECAL, MAX CAP SIDE FORCE SYM C.....41
 DECAL, MAX CAP SIDE FORCE WORD.....23, 25
 DECAL, NOTICE, PERKINS ENGINE.....15, 17
 DECAL, NOTICE, START/CONTRL BATT.....15, 17
 DECAL, OPER INST, GROUND CONT.....11
 DECAL, PLAT LVL. RECOVERY.....219
 DECAL, POWER TO PLATFORM 115V.....15, 23, 25, 33, 39, 41
 DECAL, SLOPE RATING SYM.....39, 41
 DECAL, SLOPE RATING WORD.....23, 25
 DECAL, SYMBOL-BATTERY SAFETY.....27, 29, 33
 DECAL, SYMBOL-COMP ACCESS.....31, 35
 DECAL, TIP-OVER, CRUSH.....39, 41
 DECAL, TRACK, FALL ARREST BAR, SYMBOL.....229
 DECAL, TRACK, FALL ARREST BAR, WORD.....229
 DECAL, TRACK, FALL ARREST BAR, WORD FR.....229
 DECAL, TRANSPORT DIAGRAM, SX-180...13, 19, 31, 35
 DECAL, TRIANGLE, BLUE.....13, 19, 31, 35
 DECAL, TRIANGLE, YELLOW.....13, 19, 31, 35
 DECAL, WARN, ELECTRO HAZARD.....11, 15, 17
 DECAL, WARN, IMPROPER OPERATION...23, 25
 D E C A L , W A R N I N G , P I P E CRADLE, BOOM.....23, 25
 DECAL, WARNING-COMPART ACCESS.....13, 19
 DECAL, WHEEL LOAD, SX-180.....13, 19, 31, 35
 DIN RAIL, 7.375".....69, 71, 73, 75
 DIN RAIL, PARTITION PLATE.....69, 71, 165
 DIN RAIL, 4.60".....165
 DIODE, 6 AMP, 200 PIV, BULK.....97
 DIPSTICK, OIL, PERKINS 1104C-44T.....115
 DIPSTICK-F3L1011F (DEUTZ).....97
 DISCONNECT KIT, BREVINI (21849).....51

E

E-COIL WASHER, #8, DUAL COIL.....173, 175, 177
 ECU.....109
 EDC ASSY, SAUER M46***.....181
 ELBOW, 90, 24 C5OLO-S.....187-188

ELBOW, 45 DEG, INLET.....107, 117
 ELBOW, 45D, 520320-16.....83, 187-188
 ELBOW, 45D, 520320-24.....83, 187-188
 ELBOW, 45D, 520320-6.....187-188
 ELBOW, 45D, 520320-8.....107, 183, 185, 187-188, 191, 193-194
 ELBOW, 90D, 070202-4.....47
 ELBOW, 90D, 520220-12-10.....191
 ELBOW, 90D, 520220-4-4.....187-188, 191, 193-194
 ELBOW, 90D, 520220-4-6***.....183, 185, 187-188
 ELBOW, 90D, 520220-6.....191, 193-194
 ELBOW, 90D, 520220-8-10.....187-188
 ELBOW, 90D, 520220-8-6.....191
 ELBOW, 90D, LONG, 521520-6.....193-194
 ELBOW, AIR INTAKE, RUBBER.....101
 ELBOW, BULKHEAD UNION 520701-8.....139, 193-194
 ELBOW, SWIVEL 90D, 520221-8.....139, 193-194
 ELEMENT-5 MIC, PAPER, W/ BYPASS.....99, 107, 115
 END STOP, DIN RAIL, SCREW CLAMP.....69, 71, 73, 75, 165
 END STOP, TRACK, FALL ARREST BAR.....229
 ENGINE KIT, DEUTZ TD 2.9.....105
 EVACUATOR VALVE-AIR CLEANER.....101, 107, 117
 EXHAUST MANIFOLD, DEUTZ F4L201.....97
 EXHAUST PIPE GASKET.....101
 EXHAUST PIPE, 2.9L DEUTZ.....109

F

FAN - VENTED.....55
 FAN BELT, ALTERNATOR.....105
 FAN DRIVE HOUSING.....113
 FAN SPACER, 4", DEUTZ 2.9L.....109
 FAN SPACER, DEUTZ 2.9L.....109
 FAN SPACER, PERKINS, 1.5".....113
 FAN, 10 BLADE, 17", DEUTZ 2.9L.....109
 FAN, PULLER, PERKINS, 1004-42.....113
 FIELD KIT, PL LVL REC, ALC1000.....219
 FILTER ASSY, HIGH PRESS SAE-12*.....63
 FILTER ASSY, SAE 12 NO INDICAT*.....63
 FILTER ASSY., IN TANK.....83
 FILTER ASY, M PRESS, SAE8, WOIND* (77139).....99, 107, 115
 FILTER ELEMENT, 10 MICRON.....63
 FILTER ELEMENT, 10 MICRON.....63
 FILTER HEAD (29560).....97
 FILTER, AIR CLEANER, SUPERBOOM.....101, 107, 117
 FILTER, ELEMENT, 30 MIC, 75020.....99, 115
 FILTER, ELEMENT, BETA(5)=1000.....63, 99, 107, 115
 FILTER, FUEL, PERKINS 1104C.....113
 FILTER, FUEL/WTR SEP, DTZ 1008.....97
 FILTER, OIL, DEUTZ F4L1011F.....97
 FILTER, OIL, DEUTZ, REPLACEMENT.....97
 FILTER, OIL, PERKINS 1104C-44.....113
 FIRE EXTINGUISHER.....221
 FIRE SLEEVE, 1.25".....221
 FIRE SLEEVE, 2.0".....221
 FITTING, 3/4, HOSE TO FEMALE.....209
 FITTING, 3/4, HOSE UNION.....209
 FITTING, 3/4MPT, 37 DEG BULKHEAD.....209
 FITTING, 3/8 NPT TO 1/2 BARB.....109
 FITTING, CONN, 16MM-6MJ.....109

Part Description Index (continued)

FITTING,CONN,16MM-8MJ.....109	FORMING, MOUNT, RUBBER BUMPER.....63	FORMING,SWIVEL MOUNT.....53
FITTING,CONN,520120-12***.....83, 111, 183, 185, 187-188, 191, 193-194	FORMING, NOSE CONE SUPPORT.....63	FORMING,TILTSENSOR COVER.....151
FITTING,ELBOW,45D,520320-12***.....111, 183, 187-188, 191, 193-194	FORMING, PINION GUARD.....53	FORMING,WELDER JBOX MOUNT.....157
FITTING,ELBOW,6GS-6FJX90S.....109	FORMING, PREFILTER BRACKET.....207	FORMING,WELDER MOUNT.....63
FITTING,ELBOW,8GS-8FJX90S.....109	FORMING, PULL LATCH MOUNT.....63	FORMING,WIPER, SX #1 SIDE.....225
FITTING,ELBOW,90D,520220-12.....139, 187- 188, 191, 193-194	FORMING, REAR CABLE ROLLER MOU..133	FORMING,WIPER,SX #0 SIDE.....225
FITTING,ELBOW,90D,520220-8***.....107, 187- 188, 191	FORMING, RELAY COVER.....67	FORMING,WIPER,SX #0 TOP.....225
FITTING,HYDRAULIC,90DEG,O-RING.....111	FORMING, RELAY MOUNT.....67	FORMING,WIPER,SX #1 TOP.....225
FITTING,STR,1/2 HS X 3/4-16,JL.....109	FORMING, SEC EXT COVER 2.....127	FORMING, PRI EXT, LSB5S MOUNT.....133
FITTING,TEE,BRANCH,520429-4***.....187- 188	FORMING, SEC EXT SUPPORT.....127	FORMINNG AIR CLEANER.....107
FLASHTUBE,STRAIGHT,360DEG,BULB.....55	FORMING, SEC EXT WP SUPPORT.....127	FUEL FILTER W/SEP,DEUTZ,1008.....97
FLASHTUBE,U SHAPED,360DEG,BULB.....55	FORMING, SOLENOID MOUNT***.....99	FUEL LINE, DEUTZ F4L2011.....97
FLEX PIPE,EXHAUST,2.5" DIA.....101	FORMING, WIPER, SX #2 SIDE.....225	FUEL LINE-INJECTOR, DEUTZ BF4L.....97
FLOORING, 6'FT PLATFORM.....159	FORMING, WIPER, SX #3 SIDE.....225	FUEL RETURN,DAPCO 1/4".....97
FLOORING, 8 FT PLATFORM**.....159	FORMING,#4 EXT CABLE NUT RETAI.....131	FUSE,.6AMP,250V,WELDER,V275S.....221
FLYWHEEL HOUSING DEUTZ F4L2011.....97	FORMING,8.5' MUFFLER MOUNT.....99, 115	FUSE,10 AMP,ATC.....93
FLYWHEEL, COUPLER 15 TOOTH SAE 10.....113	FORMING,AIR CLEANER MOUNT**.....101	FUSE,20 AMP,MAXI.....65
FOOT SWITCH W/PIGTAIL.....93	FORMING,AIR TO PLAT.....209	FUSE,30 AMP.....65, 67
For joystick location refer to 603.1.....167	FORMING,APU CABLE CLAMP.....79	FUSE,60 AMP,MAXI.....65, 67
FORMING FAN SHROUD RCP.....105	FORMING,B0, HARNESS CONN PLATE.....139	
FORMING FAN SHROUD RCP 2.9T.....105	FORMING,B2,SHEAVE GUIDE,CT SID.....131	
FORMING FUEL FILTER DEUTZ.....109	FORMING,B2,SHEAVE GUIDE,ENG SI.....131	
FORMING RADIATOR BOTTOM MOUNT RCP.....105	FORMING,BAFFLE,DEUTZ.....103	
FORMING RADIATOR SIDE MOUNT.....105	FORMING,BAFFLE,PERKINS 1104.....119	
FORMING, #4 BOOM TIP COVER.....149	FORMING,BATTERY CABLE,STARTER.....113	
FORMING, B0 HOSE COVER BOTTOM.....139	FORMING,BATTERY COVER.....81	
FORMING, B0 HOSE COVER TOP.....139	FORMING,BOLT LOCK.....133	
FORMING, B0 LSB2RO&RS MOUNT.....137	FORMING,BOOM #2,LSB3RS MOUNT.....143	
FORMING, B0 SEC EXT COVER.....227	FORMING,BULKHEAD,TANK SIDE.....81	
FORMING, B0 SEC EXT COVER MNT.....227	FORMING,CABLE GUIDE.....157	
FORMING, B0, LSB3RO MOUNT.....139	FORMING,CABLE TRACK COVER BOT.....125	
FORMING, B2, LSB3RO RAMP.....139	FORMING,CABLE TRACK COVER SIDE.....125	
FORMING, B2, LSB6S MOUNT.....131	FORMING,CABLE TUBE GUIDE SX.....141	
FORMING, BATTERY CABLE GUIDE.....111, 113, 117	FORMING,CABLE TUBE GUIDE SX #0.....225	
FORMING, BATTERY CABLE MOUNT.....109, 113, 117	FORMING,CLAMP COVER.....151	
FORMING, CABLE GUIDE.....79	FORMING,COVER STOP.....63, 81, 83, 101	
FORMING, CABLE TRACK MOUNT, B2.....125	FORMING,COVER STOP***.....115	
FORMING, CHARGE FILTER MOUNT.....99, 107, 115	FORMING,DEUTZ 2.9L COUNTER WEI..103, 105	
FORMING, CLAMP COVER.....139	FORMING,DEUTZ ENGINE WIRE LOOM.....99	
FORMING, COVER LOCK BAR.....47, 49	FORMING,DEUTZ RAD CAP PROTECTO.....105	
FORMING, COVER STOP.....107	FORMING,DIRECTIONAL CIRCLE.....47	
FORMING, COVER, ANGLE SENSOR.....55	FORMING,DIRECTIONAL SQUARE.....47	
FORMING, COVER, FRONT, RIGHT.....57	FORMING,ENGINE MOUNT PAINTED.....99	
FORMING, COVER, MIDDLE LEFT.....77	FORMING,ENGINE MOUNT***.....101	
FORMING, COVER, REAR LEFT.....77	FORMING,GASKET HOLDER.....105	
FORMING, COVER, REAR, RIGHT.....57	FORMING,GENERATOR MANIFOLD MT.....63	
FORMING, CT GUIDE MOUNT, B1.....125	FORMING,GENERATOR, CABLE RAMP.....63	
FORMING, CT GUIDE MOUNT, B3.....125	FORMING,HARNESS COVER.....63	
FORMING, ENGINE MOUNT.....111	FORMING,HEAT SHIELD.....115	
FORMING, EXTEND BULKHEAD MOUNT.....139	FORMING,HEAT SHIELD,MUFFLER***.....99	
FORMING, FUEL FILTER MOUNT.....61	FORMING,INNER HANGER.....229	
FORMING, HEAT SHIELD, 1104D-44.....113	FORMING,INTAKE SUPPORT.....107	
FORMING, HOSE BRACKET, AXLE 1.....51	FORMING,INTAKE TUBE MOUNT.....117	
FORMING, HOSE BRACKET, AXLE 2.....51	FORMING,JIB ROTATOR COVER L.....153	
FORMING, HOSE CLAMP COVER.....49	FORMING,JIB ROTATOR COVER R.....153	
FORMING, HOSE CLAMP MOUNT.....61	FORMING,LATCH STOP,TANK SIDE.....81	
FORMING, HYD TUBE COVER, AXLE.....49	FORMING,LATCH,CTRL BOX LID PTD.....205	
FORMING, LSB1DO MOUNT.....55	FORMING,LIMIT SWITCH GUARD.....45	
	FORMING,LIMIT SWITCH MOUNT.....153	
	FORMING,LOCK COVER BRKT.....47, 49	
	FORMING,MANIFOLD MOUNT.....47, 49	
	FORMING,NOSE CONE REAR SUPPORT..81	
	FORMING,POWER TO PLAT.....157	
	FORMING,RADIATOR SUPPORT.....105, 117	
	FORMING,RELAY MOUNT.....65	
	FORMING,SHEAVE SPACER.....145	
	FORMING,STRING POT MOUNT.....131	

G

GAS STRUT,202 LBS FORCE.....57, 77
GASKET, FUEL INJEC PUMP DUTZ.....97
GASKET,BREATHER PIPE (226104).....97
GASKET,COVER,GFCL,WEATHERPROOF.157
GASKET,CYL.COVR.DEUTZ BF4L201.....97
GASKET,ENCLOSURE.....231
GASKET,EXHAUST.....97
GASKET,GROUND CONTROL BOX.....85, 89
GASKET,PLATFORM CONTROL BOX.....162
GATE LATCH CASTING--DRILLED.....197
GAUGE-SIGHT,LHA-LGTB***.....83
GEN.,7.5KW,110/55VAC,1PH,50HZ.....63
GEN.,7.5KW,240/415/50HZ,3PH,EU.....63
GENERATOR,12KW, 208/120/60HZ,3PH, 18CC.....63
GENERATOR,7.5KW,208/120/60HZ,3PH, 12CC.....63
GROMMET,RUBBER .75 X .19 X 1**.....103, 109, 119, 153
GROMMET,RUBBER 3 X .19 X 3.5.....157
GROMMET,RUBBER,1.0X0.094X1.375.....159
Ground Control LCD Heater.....217
GUARD,FOOTSWITCH,W/DECAL ALUM...159
GUIDE, HARDLINE.....79
GUSSET,TOOL HOLDER,PLASTIC.....159

H

HALF MESH,8'PLATFORM,LH.....199
HALF MESH,8'PLATFORM,RH***.....199
HANDLE,GRAB.....57, 77
HARDLINE, GENERATOR PRESSURE.....191
HARDLINE, GENERATOR RETURN.....63, 191
HARDLINE, GENERATOR SUPPLY.....63, 191
HARDLINE,PRI. EXTEND,BOOM #0.....139, 194
HARDLINE,PRI. RETURN, BOOM #0.....139, 194
HARDLINE,SEC. EXTEND,BOOM #0.....139, 194
HARDLINE,SEC. RETURN, BOOM #0.....139, 194
HARN JOYSTICK ADAPTOR JS100.....161- 162
HARN, DEUTZ 2.9, TIER 4, SX.....91, 105
HARN,PIGTAIL,TAPESWITCH,OPA.....231
HARN,PLATFORM,OPA,ALC1000.....93
HARNESS, 120V POWER CORD, 24".....215

- HARNESS, 240V POWER CORD, 24".....215
 HARNESS, BATT CABLE, 120V, 120".....215
 HARNESS, BATT CABLE, 240V, 120".....215
 HARNESS, CABLE TENSION #1,.....93
 HARNESS, CABLE TENSION #2,.....93
 HARNESS, DEUTZ ENGINE, TD2011L.....87, 93
 HARNESS, DRIVE, SUPER X.....93
 HARNESS, FLASHING BEACON.....93
 HARNESS, FUNCTION MANIFOLD, SU.....87, 91, 93
 HARNESS, GENERATOR J-BOX.....69, 71
 HARNESS, GROUND CONTROL BOX.....93
 HARNESS, GROUND CONTROL BOX, SX.....91
 HARNESS, LIGHTS, SUPER X.....93
 HARNESS, LOWER AC/3P PWR.....95
 HARNESS, LOWER BOOM CABLE,.....87, 91, 93
 HARNESS, LOWER LS / SCON, SUPE.....87, 91, 93
 HARNESS, LSB2RO/LSB2RS BOOM,.....93
 HARNESS, PCON JOYSTICK, SUPER.....93, 161-162
 HARNESS, PCON TOGGLE SWITCH, S.....93, 161-162
 HARNESS, PERKINS ENGINE, 1104D.....87, 93
 HARNESS, PLATFORM/JIB, SUPER X.....93, 161-162
 HARNESS, START ASSIST.....213
 HARNESS, TCON J15 POWER.....87, 91, 93
 HARNESS, UPPER BOOM CABLE,.....93, 161-162
 HARNESS, UPPER LIMIT SWITCH,.....93
 HARNESS, WORK LIGHTS, SUPER X.....93
 HARNESS, ZERO TUBE LIMIT.....93
 HARNESS,ENG/HYD HEATER, 120V.....215
 HARNESS,ENG/HYD HEATER, 240V.....215
 HARNESS,PLAT LEVEL RECOVERY.....219
 HEAD / OIL FILTER.....113
 HEAT SHIELD,DEUTZ TD2.9L.....105
 HEATER HOSE,1/4".....105
 HINGE CASTING.....197
 HINGE, OFFSET 12MM.....47, 49
 HINGE, .375X.120THK.,SLOTTED.....57, 77
 HINGE,PLAT CONTROL BOX COVER.....205
 HINGE,SWING CONTROL BOX.....77
 HOOK,BATT HOLD DOWN,10".....63, 81
 HORN,12VDC,SPADE TERMINALS***.....63
 HOSE ASSEMBLY,1".....188
 HOSE ASSEMBLY,1.5".....187-188
 HOSE ASSEMBLY-1/4"***.....183, 185
 HOSE ASSY 1/2.45 FEM STR FEM.....187-188
 HOSE ASSY 1/4.90 FEM STR FEM.....187-188, 191
 HOSE ASSY, 1-1/2, STR, 90D.....187-188
 HOSE ASSY, 1/4", STR.....185
 HOSE ASSY, 3/8,STR FEM,STR FEM.....185, 193-194
 HOSE ASSY,1.25",90 FEM,STR FEM.....187-188
 HOSE ASSY,1/2 STR FEM,45 DEG**.....187-188
 HOSE ASSY,1/2, 90L FEM,STR FEM.....191
 HOSE ASSY,1/2,45 FEM, STR MALE.....183
 HOSE ASSY,1/2,45 FEM,STR FEM.....187-188, 191, 193-194
 HOSE ASSY,1/2,45 FEM,STR FEM**.....183
 HOSE ASSY,1/2,90 FEM, STR FEM...193-194
 HOSE ASSY,1/2,90 FEM,STR FEM**.....187-188
 HOSE ASSY,1/2,STR FEM STR MALE.....183
 HOSE ASSY,1/2,STR FEM,STR FEM.....183, 185, 193-194
 HOSE ASSY,1/4" STR FEM STR FEM.....183, 185
 HOSE ASSY,1/4",STR FEM,STR FEM.....47
 HOSE ASSY,1/4,45 FEM,STR FEM.....187-188, 193-194
 HOSE ASSY,1/4,90 FEM,STR FEM.....187-188, 193-194
 HOSE ASSY,1/4,90 FEM,STR FEM**.....193-194
 HOSE ASSY,1/4,90D FEM/STR FEM.....183
 HOSE ASSY,1/4,STR FEM,STR MAL.....187-188
 HOSE ASSY,3/4",90 FEM, STR FEM.....187-188
 HOSE ASSY,3/4,45 FEM,STR FEM.....183, 187-188, 191, 193-194
 HOSE ASSY,3/4,90 FEM,STR FEM.....183, 187-188
 HOSE ASSY,3/4,90 FEM,STR FEM**.....187-188
 HOSE ASSY,3/4,STR FEM,STR FEM.....185, 187-188, 191, 193-194
 HOSE ASSY,3/8" 90 FEM STR FEM.....193-194
 HOSE ASSY,3/8,90 FEM,STR FEM.....191
 HOSE ASSY.1/4",45,FEM STR FEM.....183, 185
 HOSE END,BARBED,RIGID,-6-6.....109
 HOSE END,BARBED,RIGID,90DEG6-6.....109
 HOSE, 20R4, LOWER.....105
 HOSE, 20R4, UPPER.....105
 HOSE, DEGAS RETURN, 22MM ID.....105
 HOSE,3/4,90 FEM,STR FEM.....187-188
 HOSE,3/4,LOW PRESSURE,1104 IN.....209
 HOSE,3/4,LOW PRESSURE,1440 IN.....209
 HOSE,FUEL,1/2" GATES RLA,16.75.....109
 HOSE,FUEL,1/2" GATES RLA,20.62.....109
 HOSE,FUEL,1/2" GATES RLA,7.625.....109
 HOSE,FUEL,3/8" GATES RLA,15.75.....109
 HOSE,FUEL,3/8",GATES RLA,53.25.....109
 HOSE,FUEL,3/8,GATES RLA,66.25".....109
 HOSE,HEATER,3/8" 14".....105
 HOSE,REDUCER,TURBO INLET,DEUTZ...107
 HOSE,RUBBER 3"ID X .25 BLACK...101, 107, 117, 207
 HOSE,RUBBER 3"ID X .25 X 11.5".....207
 HOSE,RUBBER 3"ID X .25 X 8" BLACK.....107
 HYD TUBE, BRAKE 2SP, AXLE 1.....183
 HYD TUBE, BRAKE 2SP, AXLE 2.....183
 HYD TUBE, DRIVE A B, AXLE 1.....183
 HYD TUBE, DRIVE CASE, AXLE 1.....183
 HYD TUBE, DRIVE CASE, AXLE 2.....183
 HYD TUBE, STEER.....185
 HYD, TUBE, TRL.....191
 HYD, TUBE, TRR.....191
 HYD. TUBE, APU1.....188
 HYD. TUBE, APU2.....188
 HYD. TUBE, OIL COOLER, ENG. SI.....188
 HYD. TUBE, OIL COOLER, TANK SI.....188
 HYDRAULIC SWIVEL SUPPORT.....53
 HYDRAULIC TANK CABLE TRAY.....77
- I**
- INJECTOR, FUEL(DEUTZ F3L2011F).....97
 INLET REDUCER,TD 2011L04L.....97
 INSTRN, TRC RETROFIT,ALC1000ML.....93
 INSTRUCTIONS-PIPE CRADLE,BOOMS...199
 ISOLATOR ASSY RCP RADIATOR.....105
 ISOLATOR, ENGINE VIBRATION.....101, 111, 117
 ISOLATOR, M10-1.50, 5/8" HIGH.....105
 ISOLATOR, VIBRATION DAMPENR.....105
 ISOLATOR,CENTER BONDED.....117
 ISOLATOR,FLEX-BOLT SANDWICH***.....117
- J**
- JOYSTICK,1 AXIS ROCKER,DEUTSCH.....219
 JOYSTICK,1 AXIS,DEUTSCH.....161-162
 JOYSTICK,2 AXIS,DEUTSCH.....161-162
 JOYSTICK,DUAL AXIS W/KNOB.....161-162
 JOYSTICK,SINGLE AXIS W/KNOB.....161-162
 JOYSTICK,SINGLE AXIS W/STEER.....219
 JUMPER,2 PIN DIN RAIL TERMINAL.....165
- K**
- KEEPER, OVER CENTER LATCH TMZ.....223
 KEEPER,LATCH (45363).....57, 77
 KEY,LATCH, 1 PAIR (28125).....47, 49
 KEYSWITCH, LOCKING, 3 POS, W/KEY.....89
 KEYSWITCH,3 POS.MOM.DR,W/KEY**.....85, 89
 KEYSWITCH,3POS.MNTND.DR WKEY**...85, 89
 KEYSWITCH,CONTACTS LOCK.....85, 89
 KEYSWITCH,DUMMY BLOCK.....85, 89
 KIT, FINGER GUIDE, CABLE TRACK.....125
 KIT, HEAT GUARD, DEUTZ STARTER.....97
 KIT, ISOLATION, 2 JOYSTICK.....167
 KIT, ISOLATION, 3 JOYSTICK.....167
 KIT, PIN AND RING, LRC-200.....125
 KIT, PIN AND RING, SC-75.....139
 KIT, PIN AND RING, SRC-110.....125
 KIT, TRC RETROFIT,ALC1000ML.....93
 KIT,BRAKE SPRING**.....79
 KIT,FIELD INSTALL,SWING GATE.....197
 KIT,FRICITION DISC***.....79
 KIT,SEAL,ROTATOR(231523)8.2K.....155
 KIT,SWING BRAKE REBUILD***.....79
 KIT,SWING GATE W/SPRING.....197
 KIT,WELD LEADS ASSY,V275S.....221
 KNOB,JOYSTICK, 62390/62391.....167
 KNOB,ROCKER JOYSTICK 75565.....167
- L**
- LANYARD,PLATFORM CONTROL BOX.....162
 LATCH,DRAW.....223
 LATCH,FLEXIBLE DRAW W/O KEEPER....63, 81, 83, 111, 115
 LATCH,FLUSH CUP LEFT HAND...47, 49, 57, 77
 LATCH,PANEL.....77
 LATCH,PLATE,CONTROL BOX COVER.....77
 LATCH,SLIDE, FLUSH MOUNT STYLE.....205
 LENGTH TRANSDUCER, 800",DUAL CHANNEL.....93, 131
 LENS,AMBER,STROBE,FIREBOLT.....55
 LENS,LCD,GRND.CONTROL.....85, 89
 LEVER, GOVERNOR ACTUATOR.....99
 LID ASSY,CONTROL BOX COVER PLT.....205

Part Description Index (continued)

LID ENCLOSURE,RED,OPA.....231
 LID, GROUND CONTROL BOX.....89
 LID, PLAT BOX, 4 JOYSTICK, SX.....162
 LID,GROUND CONTROL,Z135.....85
 LIFT PUMP,FUEL,DEUTZ.....109
 LIMIT SW.TAB,BLUE METAL.....45
 LIMIT SWITCH ACTUATOR BLOCK.....45
 LIMIT SWITCH,TAB,BLUE,MICRO.....55, 131,
 137, 139, 143, 153
 LOAD SUPPORT W/BEARINGS.....211
 LOCK,PLUG 4 WAY,14-18GA.....53
 LOCK,RECEP 2 WAY, 14-18GA.....53, 55
 LOCK,RECEP 4 WAY,12-14GA.....99
 LOCK,RECEP 4 WAY,14-18GA.....53
 LOCKNUT, ELECTRIC, 1.25" NPT.....69, 71,
 73, 75, 165
 LOCKNUT,ELEC,1/2".....69, 71, 91, 165
 LOCKNUT,ELECTRIC,1" NPT.....69, 71, 73,
 75, 165
 LOCKNUT,ELECTRIC,3/4".....157, 165
 LS ACTUATOR BLOCK SEAL KIT.....45

M

MACHINE, MAIN PIN CLAMP.....139
 MACHINED, ANGLE SENSOR HOLDER.....47,
 55
 MACHINED, ANGLE SENSOR RACE.....55
 MACHINED, B3 EXT CABLE EQUALIZ.....133
 MACHINED, BACKLASH ADJ. PLATE.....79
 MACHINED, LOWER CAP, AXL PIN.....47, 49
 MACHINED, PRI EXT BARREL MNT.....133
 MACHINED, SENSOR MOUNT PLATE.....55
 MACHINED, SWIVEL ANTI-ROTATION.....53
 MACHINED, SWIVEL MOUNTING.....53
 MACHINED, TOP CAP, AXL PIN.....47
 MACHINED, TOP CAP, AXLE PIN.....47, 49
 MACHINED,BELLCRANK.....153
 MACHINED,BOOM PIVOT PIN CAP.....55
 MACHINED,CLAMP,PIVOT,SENSOR.....55
 MACHINED,HARDSTOP,BELLCRANK.....153
 MACHINED,JIB ROTATOR.....153
 MACHINED,JIB ROTATOR SPACER.....153
 MACHINED,PRI EXT CYL LOCK PLT.....133
 MACHINING, B1 WEARPAD FIXTURE.....141
 MACHINING, B2 WEARPAD FIXTURE.....143
 MACHINING, B3 WEARPAD FIXTURE.....145
 MALE PIPE THD,1/4" SER,3/8"X18.....209
 MANIFOLD, FUNCTION SX.....173
 MANIFOLD, GENERATOR.....179
 MANIFOLD, JIB LEVEL/JIB
 ROTATE,PLUGGED.....177
 MANIFOLD, PLAT LVL, PLAT ROT, JIB,
 PLUGGED.....177
 MANIFOLD, PRIMARY EXT, BO.....139
 MANIFOLD, RETURN BLOCK.....61, 101, 111,
 115
 MANIFOLD,ROTATOR,CB***.....177
 MANIFOLD,STEER/AXLE,ZX/SX.....171
 MANIFOLD,TRACTION,4WD.....169
 MANUAL BOX W/DECALS***.....159
 MESH,HALF,LH,6"PLATFORM.....199
 MESH,HALF,RH,6"PLATFORM.....199
 MESH,HALF,SWING GATE***.....199
 MIDRAIL GUIDE (HOOK).....159
 MODULE, SCON, SPX.....79
 MODULE,CONTROL UNIT,PCB,OPA.....231
 MODULE,DCON.....47
 MOTOR,HYDRAULIC,BH160.....153
 MOTOR,PISTON,HYD,45CC/19.5CC.....51

MOUNT,ENGINE,LEFT SIDE.....111
 MOUNT,PERKINS 1104 LF PAINTED.....117
 MOUNT,PERKINS 1104 RH PAINTED.....117
 MOUNT,SWITCH.....211
 MOUNTING BAND,AIR CLEANER.....101, 107,
 117
 MPT,CPLR,1/4"SER,3/8"X18.....209
 MUFFLER,2.5"INLET/OUTLET.....99, 115
 MUFFLER,CATALYTIC,2.5 I/O.....115

N

NECK/HEAD-LIMIT SWITCH (88356).....153
 Needle Valve.....179
 NICKEL PLATED JAM NUT.....85, 89
 NIPPLE,DIAGNOSTIC,#4.....187-188, 191
 NIPPLE,DIAGNOSTIC,#6 PORT***.....183, 185
 NIPPLE,DIAGNOSTIC,ORFS,FM,SWIV.....99,
 107, 115, 187-188, 191
 NITRIDED, YOKE PIN LOCK.....51
 NOSE CONE SUPPORT WLDT LH.....77
 NOSE CONE SUPPORT WLDT, RH.....57
 NUT.....85
 NUT - PLASTIC,RING FOR ALARMS.....85,
 161-162
 NUT ASSY (89769)***.....179
 NUT HEX M5-0.8 CLASS 8 ZINC.....161-162
 NUT, TL FLG, M12-1.75, ZAB.....127
 NUT, TL, 10-24, A, ZAG.....99
 NUT, TL, M10-1.5,DIN980, ZAB.....129, 139,
 151, 155
 NUT, TL, M4-0.7, DIN980, 8, ZAB.....55, 67,
 131, 133, 137, 139, 143, 153, 223
 NUT,1/4-20,8,ZAG.....201
 NUT,1/4-28,8,ZAG.....99
 NUT,3/8-16,8,ZAG.....201
 NUT,7/8-9,8,ZAG.....53
 NUT,BULKHEAD,520118-4.....99, 107, 115
 NUT,COIL (107745).....171
 NUT,COIL,PROPORNAL VALVE.....173
 NUT,FAN BLADE,PERKINS 1004-42.....113
 NUT,HEX,10-32.....65
 NUT,HEX,5/16-18,GR5.....69, 71, 73, 75
 NUT,HEX,JAM,M20-2.5,DIN439,ZAB.....79, 133
 NUT,HEX,M8 X 1.25.....203
 NUT,LP NYLOCK,1/4-20.....205
 NUT,LP NYLOCK,10-32.....215
 NUT,LP NYLOCK,5/16-18.....57, 77
 NUT,LUG,3/4-16 X 7/8 RADIUS,ZA.....43
 NUT,M20-2.5,DIN934,10,ZAB.....131, 133
 NUT,M4 NYLOCK.....231
 NUT,NYLOCK FLG,1/4-20,F,ZAG.....199
 NUT,NYLOCK FLG,3/8-16,F,ZAG.....199, 229
 NUT,NYLOCK,1/4-20.....57, 77, 197, 199, 211
 NUT,NYLOCK,10-24.....63, 83, 111, 115
 NUT,NYLOCK,10-32.....65, 69, 71, 73, 75, 81,
 161-162, 165, 211
 NUT,NYLOCK,3/8-16.....53, 209, 211
 NUT,NYLOCK,5/16-18.....69, 71, 73, 75
 NUT,NYLOCK,6-32.....85, 87, 89, 91, 161-162,
 217
 NUT,NYLOCK,M10X1.50.....223
 NUT,NYLOCK,M12,DIN985,G10,YZ.....51
 NUT,NYLOCK,M12X1.75.....45
 NUT,NYLOCK,M4X.70.....47, 49
 NUT,NYLOCK,M6X1.00.....47, 49
 NUT,PROPORNAL COIL,52372,GS68.....173
 NUT,SOLENOID VALVE COIL.....171
 NUT,TL FLG,1-8,G,ZAG.....55
 NUT,TL FLG,1/2-13,G,ZAG.....115, 229

NUT,TL FLG,1/4-20,G,ZAG.....157, 159, 221
 NUT,TL FLG,10-24,F,ZAG.....159
 NUT,TL FLG,10-32,F,ZAG.....53, 83, 115
 NUT,TL FLG,3/8-16,G,ZAG.....117, 157, 159,
 221, 223
 NUT,TL FLG,5/16-18,G,ZAG.....47, 49, 157, 221
 NUT,TL FLG,M10-1.5,DIN6927,10,ZAB.....53,
 57, 63, 77, 81, 83, 99, 101, 105, 107, 109, 111,
 113, 115, 117, 123, 125, 127, 133, 135, 139,
 143, 147, 149, 151, 155, 207
 NUT,TL FLG,M6-1.0,DIN6927,10,ZAB.....45,
 53, 61, 63, 65, 67, 79, 81, 83, 99, 101, 103,
 107, 109, 111, 115, 117, 119, 125, 131, 139,
 157, 223, 225
 NUT,TL FLG,M8-1.25,DIN6927,10,ZAB.....45,
 47, 49, 99, 101, 107, 115, 207, 223
 NUT,TL,1-8,C,ZAG.....157
 NUT,TL,1/4-20,C,ZAG.....159
 NUT,TL,10-32,A,ZAG.....55, 57, 77, 91
 NUT,TL,6-32,A,ZAG.....91
 NUT,TL,FLG,5/8-11,G,ZAG.....111
 NUT,TL,FLG,M12-1.75,DIN6927,10.....53, 127,
 135
 NUT,TL,FLG,M16-2.0,DIN6927,10,ZAB.....101,
 105, 117
 NUT,TL,M12-1.75,DIN980,10,ZAB.....151
 NUT,TL,M14-2.0,DIN980,10,ZAB.....45
 NUT,TL,M5-0.8,DIN980,10,ZAB.....47, 49, 109
 NUT,TLFLG, M6-1.0,ZAB.....55
 NUT,TOP LOCK,1/2-13.....99
 NUT-COIL SHORT.....173, 175, 177, 179
 NUT-COIL(SCISSORS) TALL.....179

O

O-RING, FUEL LIFT PUMP.....97
 O-RING, ROTATOR MANIFOLD.....177
 O-RING,2-044 BUNA***.....181
 O-RING,2-157,VITON***.....51
 O-RING,FILTER ASSY (60334)***.....115
 O-RING,FUEL INJECTOR,DEUTZ (89792)..97
 O-RING,MOTOR/BRAKE***.....79
 OIL COOLER W/FAN, 12VDC.....55
 OIL PAN,DEUTZ F4L2011.....97
 OIL,ENG 5W-40 SYN***.....213
 OPT, KEY SWITCH, RETAINED.....89
 OPTION,6 FT PLATFORM.....159
 OPTION,8 FT PLATFORM.....159
 ORIFICE PLUG,.025" *.....173
 ORIFICE,PLUG 0.030.....169
 OUTLET, 110V.....157

P

PANEL, ENCLOSURE, BACK...69, 71, 73, 75,
 165
 PART OF KEYSWITCH 66811.....85
 PARTITION,DIN RAIL BLUE PLATE.....73
 PARTITION,DIN RAIL GREY PLATE.....73, 75,
 165
 PCB ASSY ECM GROUND SPX V2.01.....85,
 89
 PCB, ASSY, ECM, PLATFORM, SPX
 V2.13.....161-162
 PCB, LED/TOGGLE SWITCH, ALC100.....161-
 162
 PCB,ASSY,ECM,CAN GATEWAY,Z135.....89
 PCB,ASSY,LCD,GROUND.....85
 Pilot Operated Directional Valve.....175
 PIN, 35MM X 105MM, 1 HOLE.....45

PIN, 40 DIA X 240 LG, 2 FLATS.....151	PLATE,WIPER,SX #1 BOTTOM-BACK.....225	ROD,ANEMOMETER MTG.....223
PIN, 50 DIA X 370 LG, 1 HOLE.....151	PLATE,WIPER,SX #1 SIDE-BACK.....225	ROLLER, PRI EXT LOWER.....129
PIN, 50 MM DIA X 70 MM LG.....127	P L A T F O R M S U P P O R T	ROLLER, PRI EXT TOP.....135
PIN, 50MM DIA X 119MM L, 1HOLE.....45	WELDMNT-SERV*.....157	ROLLER,ARM,LIMIT SWITCH,ZCY500.....143, 153
PIN, 50MM DIA X 140MM, 1HOLE.....45	PLUG, 3P,30A, 4 WIRE, MALE.....221	ROTATOR,PLAT,8.2KING.....155
PIN, 80 MM DIA X 510 MM LG.....123	PLUG, HEX HD, O-RING SAE #12.....59, 83	ROTATOR,WORMDRIVE,57K.....153
PIN, 80 MM DIA X 855MM LG.....55	PLUG, HEX SOCKET, 090109B-8*.....183	RUBBER SLEEVES, TD 2011L041.....97
PIN, 80MM X 780MM, AXLE.....47, 49	PLUG, JOYSTICK HANDLE.....167	RUE RING 1.25,ZAG.....133
PIN, CLEVIS, 1X4, ZAG.....139	PLUG, 1/2" HUBBLE.....161-162	RUE RING,1.0,ZAG.....131, 139
PIN, KING, AXLE, BOTTOM.....51	PLUG,BLANKING.....93	
PIN, KING, AXLE, TOP.....51	PLUG,ENGINE OIL,DEUTZ F4L2011.....97	S
PIN, TRANSPORT STORAGE LOCK.....79	PLUG,ENGINE OIL,PERKIN 1004-42.....113	SCREW PH M5-0.8X20 DIN 7500CE.....161-162
PIN,0.75DIA X 5.75LG,CHAMFER.....211	PLUG,M18X1,5DIN908,MAGNI,O-RING.....51	SCREW SHEET METAL HHF X1/2 X .180D.....105
PIN,25MM DIA.X56MM LG,1 RING,2.....147	PLUG,NYLON .188 BLACK DOMED.....161-162	SCREW, FHS, M8-1.25 X 16, DIN7.....151
PIN,35MM DIA.X 130MM LG,1HOLE.....155	PLUG,NYLON .38 BLACK DOMED.....161-162	SCREW, HCC, 3/8-16 X 1.50.....53
PIN,35MM DIA.X 162MM LG,1HOLE.....151	PLUG,SANTOPRENE .5 BLACK DOME...161-162	SCREW, HHC, 5/16-18X2.8,ZAG.....139
PIN,35MM DIA.X 205MM LG,1HOLE.....151, 155	PLUG,SEAL,12-18 GA.....99	SCREW, HHC, M12-1.75X260,ZAB.....127
PIN,40MMDIA.X 190MM LG,2 FLATS.....151	POWER UNIT,AUX PUMP 12 VDC.....81	SCREW, HHF, 1/4-20 X .5, 8, ZAG.....91, 107
PIN,50MM DIA X 179MM LG.....135	PRE-FILTER,FUEL,DEUTZ TCD3.6.....109	SCREW, HHF, M1-1.5X80,ZAB.....137, 143, 147
PIN,50MM DIA. X 55MM LG.....133	PRECLEANER,AIR INTAKE.....207	SCREW, PHM, #6-32 X .625 ZINC.....167
PIN,50MM DIA.X 510MM LG,1HOLE.....127	PRECLEANER,INLINE 3".....207	SCREW, PHPM, 10-32 X 1.0, ZAG.....83, 115
PIN,80MM DIA.X 619MM LG.....123	PRESSURE CAP RCP.....105	SCREW, SHCS M12-1.75X35.....47, 49
PIN,CLEVIS,1.25 X 3,ZAG.....133	PRO.DIR.CNRL,VLV,5WY,3POS.....177	SCREW, SHCS M12-1.75X50 GR12.9.....47, 49
PIN,CLEVIS,1X2.250,ZAG.....131	PRO.DIR.CTRL,VLV,5WY,3POS.....177	SCREW,#4X1/4,HI-LO,PH PHIL,TAP....87, 91, 161-162
PIN,COTTER,.156 X 2.5.....125	Proportional Valve, 2-Way.....173	SCREW,5/16-18X1.00,SECURITY TO.....221
PIN,LOCK,SHORT***.....197	P U L L E Y , A L T E R N A T O R , D E U T Z	SCREW,BHC,M10-1.50 X 30,10.9,ZAB.....123, 125
PIN,ROLL,.25 X 1.5***.....133	BF4L2011.....97	SCREW,BHC,M10-1.50X25,10.9,ZAB.....125, 129, 133, 135, 141, 143, 145, 149
PIN,TRANSPORT STORAGE HANDLE.....79	PULLEY,FAN,PERKINS 1004-42.....113	SCREW,BHC,M8-1.25X16,10.9,ZAB.....135, 151
PINION GEAR/SHAFT,SWING DRIVE.....79	PUMP ASSY,AUX.POWER UNIT 89617.....81	SCREW,BLEEDER,M5X0.8.....155
PINS,CONNECTOR,INJ HARNESS,D2.9...105	PUMP,FUEL 2011 DEUTZ ***.....97	SCREW,FHM,10-32 X 1.....77
PIPE TOE SCH 40 1.50X10.00 P&O.....83	PUMP,FUEL INJ,DEUTZ BF4L20.....97	SCREW,FHPM,10-32X.1,00,ZAG.....55
PISTON, PILOT OPERATED CHECK.....171	PUMP,FUNCTION,30CC,LS,END.....181	SCREW,FHS,M10-1.5X20,DIN7991,1.....147, 149
PLATE, AIR LINE ACCESS.....209	PUMP,FUNCTION,30CC,LS,MID.....181	SCREW,FHS,M10-1.5X25,DIN7991,10.9,ZAB.129
PLATE, B0 CT TRAY HOLD DOWN.....125	PUMP,PISTON,46CC,B MOUNT,13T*.....181	SCREW,FHS,M3-0.5X14,DIN7991,10.9,ZAB.47, 55
PLATE, B2, B3 RET CABLE GUIDE.....143		SCREW,FHS,M3-0.5X8,DIN7991,10.9,ZAB.47, 55
PLATE, B3 EXT CABLE LINK.....133	R	SCREW,HHC, 7/8-9 X 8, 8, ZAG.....53
PLATE, B3 EXT CABLE LINK, 2 CA.....133	RADIATOR.....117	SCREW,HHC,1-8X11,5,ZAG.....157
PLATE, B3 EXT CABLE LINK, LS H.....133	RADIATOR HOSE,LOWER-PERKINS.....117	SCREW,HHC,1-8X5,5,ZAG.....55
PLATE, B4 CABLE RETAINER.....149	RADIATOR HOSE,UPPER-PERKINS.....117	SCREW,HHC,1/2-13 X 1.5 GRD 8.....107, 181
PLATE, BELL CRANK PIN RETAINER.....151	RADIATOR RCP.....105	SCREW,HHC,3/8-16 X 1.25.....57, 77, 211
PLATE, CONTACT, HARD STOP.....47	RAILING CATCH CASTING--DRILLED.....197	SCREW,HHC,1/4-20X.75,8,ZAG.....91
PLATE, GROUND CTRL BOX.....91	RECEPTACLE, 120VAC, 20A, GFCI.....69, 71	SCREW,HHC,1/4-20X1.8,ZAG.....159, 201
PLATE, GROUND CTRL BOX MNT.....83	RECEPTACLE,400/230V,AC,EU.....157	SCREW,HHC,1/4-20X1.5,8,ZAG.....155
PLATE, HARDLINE CLAMP.....79	RECEPTACLE,UK,110V.....157	SCREW,HHC,3/8-16 X .75.....63
PLATE, INSPECTION COVER.....143, 145	REDUCER, RUBBER, 2.5 TO 2.25.....117	SCREW,HHC,3/8-16 X 1.....81, 101
PLATE, PIN ANTI SPIN.....135	REDUCER, 3/4MPTX3/8FPT,STEEL.....209	SCREW,HHC,3/8-16 X 3.25.....211
PLATE, PIN RETAINER.....123	REDUCER,RUBBER 3.0 - 2.5.....107, 117	SCREW,HHC,3/8-16X.875,8,ZAG.....157
PLATE, RETAINER, AXL SENS.....47	REDUCER,RUBBER,4.0 X 3.0.....207	SCREW,HHC,3/8-16X2.5,8,ZAG.....201
PLATE, WIPER, SX #2 TOP.....225	RELAY MODULE(89996,89998).....65	SCREW,HHC,5/16-18 X .75.....53, 203
PLATE, WIPER, SX #3 BOTTOM.....225	RELAY SOCKET,AUTO,RETAINER***.....91	SCREW,HHC,5/16-18 X 1.25.....69, 71, 73, 75
PLATE, WIPER, SX #3 LOWER.....225	RELAY,12VDC,70AMP,SEALED.....65, 67	SCREW,HHC,7/8-9X6.5,8,ZAG.....53
PLATE, WIPER, SX #3 TOP.....225	RELAY,SPDT,12V(AUTO) PLUG IN**.....65, 67, 83, 91	SCREW,HHC,M10-1.5X120,DIN931,1.....151
PLATE, WIPER, SX #3 TOP-BACK.....225	RELAY,SPDT,12V(AUTO)**.....93	
PLATE,B2,CYLINDER LOCK.....133, 143	Relief Valve, 2,350 PSI.....173	
PLATE,B3 REAR,B4 EXT SHEAVE CV.....145	Relief Valve, 3200 PSI.....173, 179	
PLATE,BACKING,T-HANDLE LOCK.....57, 77	RETAINER,SPRING,1.46 X .375.....211	
PLATE,COVER LATCH BACKING.....57, 77	RETURN FILTER, ELEMENT, 10 MIC.....83	
PLATE,DECAL,PLASTIC.....159	RIVET,ALUM,ALUM,3/16BUTTONHEAD.....205	
P L A T E , D O C U M E N T B O X	RIVET,STEEL,P,.25 X .375.....197	
MOUNT,PAINT.....159	RIVET,STL,STL,P,.125 X .25.....217	
PLATE,PIN RETAINER,BELLCRANK C.....151	ROCKER ASSY,MAGNETIC 75565.....167	
PLATE,PUMP MOUNT.....113	ROCKER,RETAINER, 75565.....167	
PLATE,PUMP STRUT.....115	ROD END,.250 X 2.75 LG.....211	
PLATE,RADIATOR,STRUT.....117	ROD END,.375 X 2.25,ZAG.....45	
PLATE,UK,POWER TO PLAT.....157	ROD END,.375X3.69,ZAG.....127, 151, 155	
PLATE,WIPER,SX #0 BOTTOM.....225	ROD END,.75 X 5.00.....123	
PLATE,WIPER,SX #0 SIDE.....225		
PLATE,WIPER,SX #0 TOP.....225		

Part Description Index (continued)

SCREW,HHC,M10-1.5X130,10.9,ZAB.....147, 151	SCREW,HHF,M10-1.5X75,DIN6921,10.9,ZAB.143, 147	SCREW,PHPM,M4-0.7X30,ZAB.....55, 131, 133, 137, 139, 153
SCREW,HHC,M10-1.5X170,DIN931,10.9,ZAB.125, 129	SCREW,HHF,M12-1.75X120,IFI536,10.9,ZAB.139	SCREW,PHPM,M4-0.7X45,DIN7985,ZAB...143
SCREW,HHC,M10-1.5X20,DIN933,10.9,ZAB.45	SCREW,HHF,M12-1.75X25,DIN6921,10.9,ZAB.63, 83, 115	SCREW,PHPM-ST,M6-1.0X12,DIN750.....143, 145
SCREW,HHC,M12 X 100.....45	SCREW,HHF,M12-1.75X30,DIN6921,10.9,ZAB.111	SCREW,RHM,10-32 X .5.....77
SCREW,HHC,M12-1.75X110,ZAB.....151	SCREW,HHF,M12-1.75X35,DIN6921,10.9,ZAB.53, 79, 117, 123, 135	SCREW,RHM,10-32 X 1.....77
SCREW,HHC,M12-1.75X80,DIN931,10.9,ZAB.51	SCREW,HHF,M12X30 GR12.9.....117	SCREW,SECURITY,1/4-20 X 1.75LG.....221
SCREW,HHC,M12X70,DIN931,10.9,Y.....51	SCREW,HHF,M12X50,DIN6921, 10.9.....53, 127	SCREW,SECURITY,5/16-18X1.00.....157
SCREW,HHC,M14X100,DIN931,8.8,Y.....45	SCREW,HHF,M14-2.0X35,DIN6921,10.9,ZAB.101, 111	SCREW,SHC,3/8-24 X .75,BO.....113
SCREW,HHC,M20-2.5X100,DIN933,1.....79	SCREW,HHF,M14-2.0X40,DIN6921,10.9,ZAB.99, 111	SCREW,SHC,7/16-14X1.25,A574,YZ.....53
SCREW,HHC,M20-2.5X160,DIN933,10.9,ZAB.133	SCREW,HHF,M16-2.0X45,DIN6921,10.9,ZAB.105, 117	SCREW,SHC,M10-1.5X20,DIN912,12.9,ZAB.107
SCREW,HHC,M20-2.5X300,DIN933,10.9,ZAB.133	SCREW,HHF,M16-2.0X90,DIN6921,10.9,ZAB.117	SCREW,SHC,M10-1.5X30,DIN912,12.9,ZAB.99, 107
SCREW,HHC,M20-2.5X50,DIN933,10.....145	SCREW,HHF,M5-0.8X20,DIN6921,10.9,ZAB.109	SCREW,SHC,M16-2.0X110,DIN912,1.....153
SCREW,HHC,M20-2.5X80,DIN933,10.....79, 103, 119	SCREW,HHF,M6-1.0X12,DIN6921,10.....55, 151, 153	SCREW,SHC,M16-2.0X130,DIN912,1.....153
SCREW,HHC,M6-1.0X100,DIN931,10.9,ZAB.125	SCREW,HHF,M6-1.0X16,DIN6921,10.9,ZAB.105	SCREW,SHC,M16-2.0X50,DIN912,12.....51
SCREW,HHC,M6-1.0X65,DIN931.....79, 125	SCREW,HHF,M6-1.0X20,DIN6921,10.9,ZAB.47, 49, 51, 53, 55, 57, 61, 63, 65, 67, 77, 79, 99, 103, 115, 117, 119, 131, 157, 223	SCREW,SHC,M16-2.0X90,DIN912,12.....153
SCREW,HHC,M6-1.0X80,DIN931,10.....99, 111, 115	SCREW,HHF,M6-1.0X25,DIN6921,10.9,ZAB.53, 81, 117, 227	S C R E W , S H C , M 4 - 0 . 7 X 1 4 DIN912,12.9,ZAB....47, 55
SCREW,HHC,M6-1.0X85,DIN931,10.9,ZAB.107, 115, 125	SCREW,HHF,M6-1.0X30,DIN6921,10.9,ZAB.63, 81, 83, 99, 101, 109, 115, 209	SCREW,SHC,M6X50,DIN 912,12.9,B.....81
SCREW,HHC,M6X70,DIN931,10.9,YZ.....61	SCREW,HHF,M6-1.0X50,DIN6921,10.9,ZAB.49, 103, 109, 111, 113, 117, 119	SCREW,SHS,1/4-20 X .25 ZINC.....85, 89
SCREW,HHC,M8 X 1.25 X 25.....203	SCREW,HHF,M6X40,DIN6921,10.9.....45, 49, 55, 61, 103, 119	SCREW,SHS,10-24 X .625.....99, 115
SCREW,HHC,M8-1.25X130,DIN931,1.....109	SCREW,HHF,M8-1.25X16,DIN6921,10.9,ZAB.105	SEAL KIT.....45, 123, 129, 151, 155, 169, 171, 173, 175, 179
SCREW,HHC,M8-1.25X95,DIN931,10.....109	SCREW,HHF,M8-1.25X25,DIN6921,10.9,ZAB.45, 107, 115, 131, 223	SEAL KIT (217186).....153
SCREW,HHF, M10-1.5X25,ZAB.....123	SCREW,HHF,M8-1.25X30,DIN6921,10.9,ZAB.99, 109	SEAL KIT (226760).....127
SCREW,HHF,1/2-13X1.8,ZAG.....47	SCREW,HHF,M8-1.25X40,DIN6921,10.9,ZAB.47, 49	SEAL KIT (39345).....45, 151, 155, 177
SCREW,HHF,1/2-13X1.5,8,ZAG.....99, 113, 115	SCREW,HHF,M8-1.25X70,DIN6921,8.....153	SEAL KIT, SOLENOID VALVE.....169, 171, 179
SCREW,HHF,1/2-13X1.75,ZAG.....51	SCREW,HHF,S,10-24X1.5,ZAG.....159	SEAL KIT, VALVE.....169, 171, 173, 175, 177, 179
SCREW,HHF,1/2-13X3.5,8,ZAG.....229	SCREW,M5X16 BHD.....231	SEAL KIT, VALVE, #10.....169
SCREW,HHF,1/4-20X.75,8,ZAG.....83, 91, 99, 157, 159, 221	SCREW,M6X8.....231	SEAL KIT, VALVE, #12.....171
SCREW,HHF,1/4-20X1.8,ZAG.....159	SCREW,PERKINS 1004-42.....113	SEAL KIT,52372,SOLENOID VALVE.....173
SCREW,HHF,1/4-20X1.25,8,ZAG.....115	SCREW,PHIL,10-24 X .75.....63, 83	SEAL KIT,62328,SIZE 12,2 PORT.....173, 175, 179
SCREW,HHF,1/4-20X2.5,8,ZAG.....199	SCREW,PHIL,PHM,10-32 X .5,SSTL.....69, 71, 73, 75, 161-162, 165	SEAL KIT,62329,SIZE 12, 3 WAY.....173
SCREW,HHF,10-24X.75,ZAG.....159	SCREW,PHIL,PHM,6-32 X 1/4 SS.....85, 89, 161-162	SEAL KIT,BREVINI (218496).....51
SCREW,HHF,3/8-16X1.25,8,ZAG.....103, 119, 157, 221	SCREW,PHILLIPS,PHM,10-24 X 1.....111	SEAL KIT,CYL (98147)***.....45
SCREW,HHF,3/8-16X1.5,8,ZAG.....159	SCREW,PHILLIPS,PHM,10-32 X .5.....65	SEAL KIT,MOTOR,LC/KC***.....51
SCREW,HHF,3/8-16X1.75,8,ZAG.....117	SCREW,PHILLIPS,PHM,10-32 X .75.....65	SEAL KIT,SAUER-DANFOSS M46***.....181
SCREW,HHF,3/8-16X2.5,8,ZAG.....229	SCREW,PHILLIPS,PHM,10-32 X 1.....65, 81, 215	SEAL KIT,SOLENOID VALVE.....171
SCREW,HHF,5/8-11X3.5,8,ZAG.....101, 111	SCREW,PHILLIPS,PHM,6-32 X .5.....87, 91	SEAL KIT,SOLENOID(52377).....173
SCREW,HHF,M10-1.5X100,DIN6921,.....125, 155	SCREW,PHILLIPS,RHM,10-32 X 1.5.....211	SEAL KIT,SUN T-2A CP VALVE.....179
SCREW,HHF,M10-1.5X16,DIN6921,10.9,ZAB.47, 51, 103, 105, 119, 133, 137, 141, 143	SCREW,PHPM,10-32X.38,ZAG.....51, 91	SEAL KIT,SWING BRAKE***.....79
SCREW,HHF,M10-1.5X20,DIN6921,10.9,ZAB.55, 77, 109, 127, 139, 141, 145, 147	SCREW,PHPM,10-32X.75,ZAG.....57, 77	SEAL KIT,SWING DRIVE (230960).....79
SCREW,HHF,M10-1.5X25,DIN6921,10.9,ZAB.53, 55, 59, 61, 79, 103, 113, 115, 125, 131, 133, 137, 139, 141, 143, 145, 147, 153, 155, 207, 227	SCREW,PHPM,10-32X1.25,ZAG.....45	SEAL KIT,SWING TORQ HUB***.....79
SCREW,HHF,M10-1.5X30,DIN6921,10.9,ZAB.55, 57, 59, 63, 65, 67, 77, 79, 81, 83, 107, 117, 125, 133, 139, 143, 145, 151, 225	SCREW,PHPM,10-32X1.5,ZAG.....53	SEAL KIT,VALVE.....169
SCREW,HHF,M10-1.5X35,DIN6921,10.9,ZAB.57, 61, 63, 79, 81, 99, 101, 107, 109, 111, 113, 115, 117, 123, 125, 127, 149, 151, 155	SCREW,PHPM,6-32X.5,ZAG.....91	SEAL KIT-P.N.44169,44172,44171.....175
SCREW,HHF,M10-1.5X40,DIN6921,10.9,ZAB.53, 57, 77, 125, 127	SCREW,PHPM,M4-0.7X16,DIN7985,ZAB...47, 49, 67, 223	SEAL, CONNECTOR (DT JOYSTICKS).....167
SCREW,HHF,M10-1.5X45,DIN6921,10.9,ZAB.79, 147, 225		SEAL, INTERNAL, 12-PIN, DTM.....79
SCREW,HHF,M10-1.5X50,DIN6921,10.9,ZAB.63, 135, 141, 143, 145		SEAL, ORFS TUBE FLANGE, 8PLS.....183
SCREW,HHF,M10-1.5X60,DIN6921,10.9,ZAB.107, 139, 147		SEAL,FILTER ASSY (60334)***.....115
SCREW,HHF,M10-1.5X70,DIN6921,10.9,ZAB.57, 63, 77, 99, 133		SEAL,INJECTOR,DEUTZ F4L2011.....97
		SEAL,ORING-6.....183, 185
		SENDER, LOW FUEL INDICATOR.....59
		SENDING UNIT,OIL PRESS PERKINS.....113
		SENDING UNIT,OIL PRESS.,DEUTZ*.....97
		SENDING UNIT,OIL TEMP SWCH,DTZ.....97
		SENSOR.....109
		SENSOR, ANGLE, 105 DEG, CW.....55, 93
		SENSOR, ANGLE, 40 DEG, CCW.....47, 93
		SENSOR, MODIFIED STEER ANGLE.....51
		SENSOR,COOLANT LEVEL, DEUTZ.....105
		SENSOR,RUBBER EDGE.....231
		SENSOR,TILT,PCON (PLASTIC)****.....93, 153, 155
		SEPARATOR,DUAL BATTERY,100A.....65, 67

SEPRTR/FLTR,FUEL DSL,15GPH,..30.....99, 115	SPRING,SHORT PLATFORM GATE.....197	TEE,RUN,520428-12.....183, 185
SET, CABLE, B3 EXTEND.....133	SPRING,SWITCH CENTERING,75565.....167	TEE,RUN,520428-8.....183
SET, CABLE, B3 RETRACT.....133	SQUEEZE CONN W/NUIT, 2WIRE, 4MM.....215	TEE,UNION,520401-8.....139, 193-194
SET, CABLE, B4 EXTEND.....131	SQUEEZE CONNECTOR, 4 WIRE.....215	TERM,DEUTSCH, PIN #12-14.....99
SET, CABLE, B4 RETRACT.....133	STAND OFF,CONTROL UNIT.....231	TERMINAL BLOCKERRING.....69, 71
SHAFT,WEAR PAD ROLLER.....129, 133	STANDOFF, 3/8" BLACK.....83	THERMOSTAT -OIL COOLER (71259).....55
SHEAVE, EXTEND B3.....135	STANDOFF,6-32 X 1/2L X 1/4 HEX.....161-162	THROTTLE LINKAGE, DSL.....99
SHEAVE, EXTEND B4.....131	STANDOFF,6-32X1/2LX1/4 HEX NYL.....162	THROTTLE LINKAGE, PERKINS 1104.....115
SHEAVE, EXTEND SUPPORT B4.....147	STARTER, 12V.....97	TIRE,445D50/710,18PR.....43
SHEAVE, RETRACT B3.....133	STARTER,ENG,PERK T3 6/8/10K.....115	TOEBOARD, TRI ENTRY 6', EURO.....197
SHEAVE, RETRACT B4.....133	STEEL TOP PLATE CLAMP.....125	TOEBOARD,8'TRI ENTRY.....197
SHIM, STEER YOKE.....51	STEP PLATFORM ENTRY PAINTED***159	TOEBOARD,ENTRY EUROPEAN PNTD**.....197
SHIM, WEAR PAD, 250 X 85, 16GA.....149	STRAINER ASSY,#16 O-RING.....83, 187-188	TOOL HOLDER,PLASTIC.....159
SHIM, WEAR PAD, 300 X 50.....137, 141, 143, 145, 147, 149	STRAINER ASSY,#24 O-RING.....83, 187-188	TOOL TRAY ACCESSORY***.....197
SHIM, WEAR PAD, 340 X 55, 16G.....141, 143, 147	STRAP, CONDUIT HOLDER 60****.....199	TRIM MOLDING.....117
SHIM,CHANNEL WEARPAD, LEFT,16G.....141	STROBE,FIREBOLT,12-80VDC,AMB**.....55	TRIM MOULDING.....103, 119
S H I M , C H A N N E L WEARPAD,RIGHT,16G.....143, 145	STUD,FAN SPACR,PERKINS 1004-42.....113	TRIM,RUBBER D SEAL, 3/16, 18.2.....105
SHIM,PRI EXT SHEAVE MOUNT.....135	STUD,POWER 3/8" RED.....83	TRIM,RUBBER D SEAL, 3/16, 62".....105
SHIM,WEAR PAD ENGINE TRAY.....103, 119	STUD,WHEEL, 3/4-16 (218496).....51	TROLLEY,TRACK, FALL ARREST BAR.....229
SHROUD,FAN (FIBERGLASS).....117	SUBASSY, STEER SENSOR.....51, 93	TUBE ASSY, RETURN 19.375".....59
SHUTDOWN SOLENOID,12V, DEUTZ.....97	SUPPORT,COVER (61112,61117).....57, 77	TUBE ASSY, SUPPLY, 21.875".....59
SIGHT GLASS DEGAS RCP.....105	SUPPORT,ENGINE COVER.....57	TUBE,AIR INTAKE,DEUTZ.....101
SIGHT GLASS LEVEL INDICATOR.....59	SUPPORT,SENSOR,JOYSTICK.....167	TUBE,INTAKE, ADAPTER.....207
SLEEVE RETAINER, DTM, GREEN.....79	SWING DRIVE ASSEMBLY.....79	TUBE,INTAKE, FILTER.....107, 117, 207
SLEEVE RETAINER, DTM, GREY.....79	SWING MOTOR COMPLETE***.....79	TUBE,INTAKE, FILTER TO TURBO.....117
SLEEVE,CONNECTOR,DT JOYSTICKS.....167	SWITCH ASSY, 10 DEG OPER, SUPER-X.....55, 93	TUBE,INTAKE,DEUTZ 2.9L.....107
SLIDING MIDRAIL KIT,PTD.....159	SWITCH ASSY, 150FT EXT OPER/SA.....93, 143	TUBE,RADIATOR MOUNT.....117
SNAP RING, EXTERNAL,M25,SS.....57, 77, 147	SWITCH ASSY, 151FT RET OPER, S.....93, 137	TUBE,RD,STL,DOM.,75X.38X.78.....225
SNAP RING,EXTERNAL,M50,ZAB.....45	SWITCH ASSY, 151FT RET SAFETY,.....93, 137	TUBE,SLIDING MIDRAIL,PAINTED.....159
SOLENOID CABLE ASSY***.....97	SWITCH ASSY, 3.5FT EXT SAFETY,.....93, 143	TUBE,SPACER.....143, 147
SOLENOID VALVE.....171	SWITCH ASSY, 3FT EXT OPER, SUP.....93, 139	TUBE,SPACER,YZ.....53
SOLENOID,21LB,3 WIRE,TROMB.**...99	SWITCH ASSY, AXLE SAFETY.....45, 93	
SOLENOID,MOTOR START,60S11,APU.....81	SWITCH ASSY, CABLE TENSION #1,.....93, 133	U
SOLENOID,THROTTLE,ASSY.TROMB.....99, 115	SWITCH ASSY, CABLE TENSION #2,.....93, 131	U-BOLT, FLATTENED, 1.5 X 3/8 UNC,ZAG.....157, 159, 199, 201
SOLENOID-STARTR DEUTZF4L1011F*.....97	SWITCH ASSY, JIB ROTATED CCW,.....93, 153	U-BOLT,1/2-13 X 8.5.....99, 115
SOUNDER LENS, OPA, AMBER.....231	SWITCH ASSY, JIB ROTATED CW, S.....93, 153	U-BOLT,3/8-16 X 4 X 5,ZAG.....157
SOUNDER LENS, OPA, BLUE.....231	SWITCH ASSY,DRV ENABLE,LEFT,SU.....53, 93	U-BOLT,GUILLOTINE,3".....107, 117
SOUNDER LENS, OPA, CLEAR.....231	SWITCH ASSY,DRV,ENABLE,RIGHT,S.....53, 93	UBOLT,FLATTENED,1.5DIAX3/8 UNC.....209, 223
SOUNDER LENS, OPA, RED.....231	SWITCH ASSY,DRV,ENABLE,SAFE,SU.....53, 93	UHMW BLOCK, CABLE TRACK.....125
SOUNDER,MIDI,OPA.....231	SWITCH LIMIT W/ROLLER NO/NC.....53	UHMW, BATTERY SPACER.....63
SPACER, BATTERY.....81	SWITCH SHIELD,ROCK JOYSTK75565.....167	UHMW,JIB HOSE GUARD.....155
SPACER, CURVED, 1IN TUBE.....131	SWITCH TOGGLE ASSY SPDT 2P MNT....85, 89	UHMW,LIMIT SWITCH CAM CCW.....153
SPACER, HANGER BRACKET.....229	SWITCH TOGGLE ASSY SPDT 2P MOM...219	UNION,BULKHEAD,ORFS,520601,-4.....193- 194
SPACER, WEARPAD, 250X76X25.....137	SWITCH TOGGLE ASSY SPDT 3P MOM.....161-162	UNION,STR.THREAD 24***.....83, 187-188
SPACER,ALT PULLEY,DEUTZ BF4L2011.....97	SWITCH TOGGLE SPDT 2P MNT SHDR.....89	
SPACER,EXTEND SHEAVE.....133	SWITCH,THERMOSTAT 60F OPEN.....217	V
SPACER,HEAT SINK.....231		V-BELT GUARD, DEUTZ 2011.....97
SPACER,WEAR PAD,300 X 50 X 25.....145	T	V-BELT, DEUTZ TD2011LOAI.....97
SPRING CLIP, M8-1.25, 0.8-4.0 X 13, ZAB.....109	T-BOX 2.75 X 4.5 X 2.5.....157	VALVE - COUNTERBALANCE**.....177
SPRING CLIP,1/4-20,.025-.15X.54,ZAG.....159	TAIL PIPE,DEUTZ.....99	VALVE BALL,24 FSAE-24 FSAE***.....83, 187- 188
SPRING CLIP,10-24,.025-.125X.468,ZAG...83, 159	TAIL PIPE,PERKINS 1104.....115	VALVE COIL 10V.....177
SPRING CLIP,M10-1.5,1-6X19,ZAB.....53, 55, 57, 59, 61, 63, 65, 67, 77, 79, 81, 83, 103, 105, 123, 125, 129, 131, 133, 137, 139, 143, 145, 147, 151, 153, 155, 227	TANK, HYDRAULIC 110 GAL.....83	VALVE FLOW CONTROL 3.0 GPM.....169
SPRING CLIP,M6-1.0,0.8-4MM PAN.....47, 49, 53, 55, 57, 61, 63, 79, 113, 117, 127, 209	TAPE, PROTECTIVE MASK.....23, 25, 39, 41	VALVE, CHECK 25 PSI.....177, 179
SPRING CLIP,M6-1.0,3.4-6.3MMX1.....57, 77, 83, 109, 111, 117, 131, 227	TEE,BRANCH,520429-8.....183	VALVE, CHECK 5 PSI.....179
SPRING,COMP,1-1/4"OD 352 LB/IN.....211	TEE,BULKHEAD,RUN,520120-6.....191	VALVE, CHECK, 65 PSI.....171
SPRING,JOYSTK CENTR,62390/91.....167		VALVE, FLOW CONTROL 1.5GPM.....171

Part Description Index (continued)

VALVE,BALL,12 MSAE-12 FSAE.....191	WASHER,FLAT,M4,DIN125,ZAB.....55, 131,	WEARPAD, 1.75" X .75" X 250MM.....141, 143,
VALVE,BALL,16 MSAE-16 FSAE***83, 187-188	133, 137, 139, 143	145
VALVE,CHECK CXDA-XCN.....127, 129	WASHER,FLAT,M5,DIN125,ZAB.....47, 49	WEARPAD,280MM X 90MM X 3/4IN.....145
VALVE,CHECK,5 PSI.....169	WASHER,FLAT,M6,DIN125,ZAB.....61, 79, 99,	WELDER,INVERTEC V275-S.....221
VALVE,CHECK,IWP-S/CWP PWR ASSI.....173	107, 111, 115, 125	WELDMNT, #4 EXT CABLE ADJ MNT.....131
VALVE,CHECK,PILOT CLSD	WASHER,FLAT,M8,DIN125,ZAB.....109	WELDMNT, AIR BOX, DEUTZ.....101
CODA-XCN.....127, 129	WASHER,FLAT,MS,#10,Y.....161-162, 211,	WELDMNT, ALUM, INN. CBL TRACK.....139
VALVE,COUNTERBAL,CBCA-LIN***.....79	215	WELDMNT, ALUMINUM, B0 C T TRAY....125
VALVE,COUNTERBAL,CBEJ-LIN@700.....127,	WASHER,FLAT,MS,#8,Y.....161-162	WELDMNT, ALUMINUM, B2 PULL TU.....125
129	WASHER,FLAT,NYLON.25 X.68 X.03.....99,	WELDMNT, B2 RET CABLE RETAINE.....147
VALVE,COUNTERBAL.CBBB-LHN@3500.151,	115	WELDMNT, B2, #4 RET CABLE MNT.....143
155	WASHER,FLAT,NYLON.257X.5X.032.....99,	WELDMNT, B3 RET CABLE EQUALIZ.....133
VALVE,COUNTERBAL.CWCA-LIN@600*.127,	115	WELDMNT, B3, #4 SHEAVE SPACER.....147
129	WASHER,FLAT,USS,1/4"Y.....57, 63, 77, 81,	WELDMNT, B4 RET CABLE EQUALIZ.....133
VALVE,COUNTERBALANCE.....45	83, 85, 89, 161-162, 197, 199, 205, 211	WELDMNT, CABLE/HOSE GUIDE.....61
VALVE,COUNTERBALANCE,3500***151,	WASHER,FLAT,USS,1/4,ZAG.....91, 201, 221	WELDMNT, COVER MOUNT, FRONT.....57
155	WASHER,FLAT,USS,3/8",Y.....125, 211	WELDMNT, COVER MOUNT, REAR.....57
VALVE,EDC,PILOT,SAUER,M46***.....181	WASHER,FLAT,USS,5/16",Y.....69, 71, 73, 75,	WELDMNT, ENGINE TRAY.....103, 111, 119
VALVE,FLOW CONTROL,9.0GPM.....171	101, 199, 209	WELDMNT, EXHAUST TUBE.....57
VALVE,FLOW DIVIDER/COMBINER.....169	WASHER,LOCK,.25.63, 83, 85, 89, 161-162,	WELDMNT, EXTEND SHEAVE.....135
VALVE,PRESS COMP,PROP DIRECT.....173	203	WELDMNT, FUEL TANK 50 GAL.....59
VALVE,PROPORTIONAL 3 POS 4 WY.....177	WASHER,LOCK,.375.....63	WELDMNT, FUNCTION MAN. MNT.....83
VALVE,PROPORTIONAL 3 POS 4 WY*.....177	WASHER,LOCK,625 PLTD.....203	WELDMNT, GENERATOR BULKHEAD.....63
VALVE,RELIEF,250 PSI.....169	WASHER,LOCK,1/4,ZAG.....91, 155	WELDMNT, LATCH MOUNT.....83
VALVE,RELIEF,3000PSI,GS68PUMP1.....173	WASHER,LOCK,M10,ZAB.....45	WELDMNT, MUFLER MOUNT.....99, 115
VALVE,SHUTTLE.....169	WASHER,LOCK,M8.....203	WELDMNT, PIPE CRADLE.....199
VALVE,SOLENOID 2 POS 3 WAY.....171	WASHER,M4 NYLON.....231	WELDMNT, PLATFORM CONTROL
VALVE,SOLENOID 3 POS.4 WAY***173,	WASHER,SHIM .0151 THK.....211	BOX.....161-162
177	WASHER,SHIM,1.56X2.5X.061,ZAG.....101,	WELDMNT, RADIATOR MOUNT.....105
VALVE,SOLENOID,3POS 4WAY***175	111	WELDMNT, TANKSIDE COVER MOUNT....77
VALVE,SOLENOID,NC,POPPET*.....173, 179	WASHER,STAR,EXTERNAL,.375.....85, 89	WELDMNT, TELEMATICS BOX.....91
VALVE,SOLENOID,PROPORT. N.C.*.....173	WASHER,THRUST.....51	WELDMNT, TELEMATICS CONN. COV.....91
VALVE-CHECK SIZE 12 (60 psi).....175	WASHER,THRUST,50MMX100MM.....151	WELDMNT,#3 EXT CABLE ADJUSTME...133
VALVE-CHECK SIZE 12(SUPRBOOM)*.....173	WEAR GUARD,PLASTIC,HYD HOSE,1.....45	WELDMNT,#4 EXT,GUIDE SHEAVE L.....147
VALVE-SOLENOID, 2POS 3WAY.....175	WEAR GUARD,PLASTIC,HYD HOSE,2.....45	WELDMNT,#4 EXT,GUIDE SHEAVE R.....147
VITON SEAL KIT, VALVE.....177	WEAR PAD, 200X50X12.....137, 141, 143	WELDMNT,10FT JIB.....155
	WEAR PAD, 250X75X20.....143	WELDMNT,6 FT TRI ENTRY PLAT.....197
	WEAR PAD, 250X85X15, BLACK.....149	WELDMNT,8 FT PLATFORM.....159
	WEAR PAD, 300X50X15, BLACK.....141, 143,	WELDMNT,8FT TRI ENTRY PLAT.....197
	145, 147	WELDMNT,ALUMINUM, B4 PULL
	WEAR PAD, 300X50X20.....137, 141, 143	TUBE.....125
	WEAR PAD, 300X60X44.....149	WELDMNT,ANEMOMETER AL CAGE.....223
	WEAR PAD, 93X75X20.....123, 127	WELDMNT,ANEMOMETER MTG TUBE...223
	WEAR PAD, CABLE GUIDE.....135	WELDMNT,B3,#4 SHEAVE SPACER.....147
	WEAR PAD, FRONT LOWER, B2.....143	WELDMNT,BOOM #0.....137
	WEAR PAD, NOSE CONE SUPPORT.....59	WELDMNT,BOOM #1.....141
	WEAR PAD, NOSE CONE, ENG SIDE.....63	WELDMNT,BOOM #2.....143
	WEAR PAD, NOSE CONE, TANK SIDE.....81	WELDMNT,EXT. BOOM #3.....145
	WEAR PAD, SEC EXT CYL SUPPORT.....127	WELDMNT,EXT. BOOM #4.....149
	WEAR PAD,250X75X20NG.....137, 141	WELDMNT,HEADER PIPE, PERKINS.....115
	WEAR PAD,340X55X20.....141, 143, 147	WELDMNT,HOSE GUIDE JIB.....155
	WEAR PAD,5.5 X 1.75 X .5.....125	WELDMNT,HOSE/CABLE GUIDE.....61, 79
	WEAR PAD,50X10X150NG.....125	WELDMNT,JIB COVER.....155
	WEAR PAD,B3,EXT CYL GUIDE.....147	WELDMNT,LT B4 EXT SHV MNT,IN.....145
	WEAR PAD,CABLE TRACK PULL TUBE.....125	WELDMNT,PIN,B3,#4 RET SHEAVE.....147
	WEAR PAD,CBL ROLLER, LONG.....133	WELDMNT,PIPE CRADLE MOUNT.....199
	WEAR PAD,CBL ROLLER, SHORT.....129	WELDMNT,PLATFORM SUPPORT,CE.....211
	WEAR PAD,ENGINE SUPPORT.....103, 119	WELDMNT,PRECLEANER,DEUTZ.....207
	WEAR PAD,FRONT LOWER,B3.....147	WELDMNT,PULL TUBE PIVOT.....125
	WEAR PAD,LSB1DO CAM.....139	WELDMNT,RADIATOR MOUNT*.....117
	WEAR PAD,PRI EXT CYL,LOWER.....129	WELDMNT,REAR ENGINE MOUNT.....101,
	WEAR PAD,PRI EXT CYL,UPR,CBL.....129	111
	WEAR PAD,PULL TUBE RETAINER.....125	WELDMNT,ROTATOR SUPPORT.....211
	WEAR PAD,SHEAVE WLDMNT FRT GUI...135	WELDMNT,RT B4 EXT SHV MNT,IN.....145
	WEAR PAD,SHEAVE WLDMNT GUIDE.....135	WELDMNT,SWIVEL COVER,SWING.....53
	WEAR PAD,SHEAVE WLDMNT SIDE	WELDMNT,TIMING LINK,XS.....45
	GU.....135	WELDMNT,WORMDRIVE COVER.....151
	WEAR PAD,SPACER,CBL GUIDE.....145	WELDMNT,6 FT PLATFORM.....159
		WHEEL DRIVE W/BRAKE,76:1,BREVI.....51

W

WASHER, FLAT, .313.....157	WEAR PAD, 300X50X20.....137, 141, 143
WASHER, FLAT, F436, 1.0, ZAG.....55, 157	WEAR PAD, 300X60X44.....149
WASHER, NYLON #10, 0.093.....161-162	WEAR PAD, 93X75X20.....123, 127
WASHER, THRUST.....47, 49	WEAR PAD, CABLE GUIDE.....135
WASHER,FENDER,.25 X 1.25 X.062.....57, 77	WEAR PAD, FRONT LOWER, B2.....143
WASHER,FLAT, 1.27 X 2.13 X .13.....133	WEAR PAD, NOSE CONE SUPPORT.....59
WASHER,FLAT,#10,USS,ZAG.....159	WEAR PAD, NOSE CONE, ENG SIDE.....63
WASHER,FLAT,.375X1.25X.062,ZAG.....117	WEAR PAD, NOSE CONE, TANK SIDE.....81
WASHER,FLAT,.375X1.50X.125,ZAG.....201	WEAR PAD, SEC EXT CYL SUPPORT.....127
WASHER,FLAT,.5 HARDENED.....99, 181	WEAR PAD,250X75X20NG.....137, 141
WASHER,FLAT,.625X2.25X.188,ZAG.....101,	WEAR PAD,340X55X20.....141, 143, 147
111, 117	WEAR PAD,5.5 X 1.75 X .5.....125
WASHER,FLAT,1.56 X 2.5 X .061.....125	WEAR PAD,50X10X150NG.....125
WASHER,FLAT,1/2,SAE,HRD,ZAG.....107	WEAR PAD,B3,EXT CYL GUIDE.....147
WASHER,FLAT,2.00X3.00X.075,ZAG.....45	WEAR PAD,CABLE TRACK PULL TUBE.....125
WASHER,FLAT,3/8,SAE,HRD,ZAG.....157	WEAR PAD,CBL ROLLER, LONG.....133
WASHER,FLAT,3/8,USS,ZAG.....201	WEAR PAD,CBL ROLLER, SHORT.....129
WASHER,FLAT,3/8X1.5X.06.....211	WEAR PAD,ENGINE SUPPORT.....103, 119
WASHER,FLAT,5/16,USS,ZAG.....139, 221	WEAR PAD,FRONT LOWER,B3.....147
WASHER,FLAT,7/8,F436,HRD,ZAG.....53	WEAR PAD,LSB1DO CAM.....139
WASHER,FLAT,M10,DIN125,ZAB.....125, 141,	WEAR PAD,PRI EXT CYL,LOWER.....129
143, 145, 147, 151, 223	WEAR PAD,PRI EXT CYL,UPR,CBL.....129
WASHER,FLAT,M10X30X2.5,DIN9021,ZAB.57,	WEAR PAD,PULL TUBE RETAINER.....125
77	WEAR PAD,SHEAVE WLDMNT FRT GUI...135
WASHER,FLAT,M12,DIN125-A,300HV.....51	WEAR PAD,SHEAVE WLDMNT GUIDE.....135
WASHER,FLAT,M16,DIN6916,HRD,ZAB.....51,	WEAR PAD,SHEAVE WLDMNT SIDE
153	GU.....135
WASHER,FLAT,M20,DIN6916,HRD,ZAB.....79,	WEAR PAD,SPACER,CBL GUIDE.....145
103, 119, 131, 133, 145	
WASHER,FLAT,M4.....47, 49	

WHEEL,28 X 15 X.875 OFFSET.....43
WIPER, RUBBER, SX #2.....225
WIPER, RUBBER, SX #3.....225
WIPER,RUBBER,SX #0 BOTTOM.....225
WIPER,RUBBER,SX #0 TOP.....225
WIPER,RUBBER,SX #1.....225
WIRE CABLE,16GA/4 CON.TPE JKT*.....53
WIRE LOOM,3/8 POLY SLIT.....159
WLDT, BATTERY MOUNT, TANKSIDE.....81
WLDT, REAR MAST COVER.....55
WLDT,BAFFLE PL.,CW,TANK SIDE.....55, 77

Z

ZERK,GREASE,1/8 NPT.....83
ZERK,GREASE,1/8NPT,90DEG.....153
ZERK,GREASE,5/16-24,STRAIT.....211

Go to Discount-Equipment.com to order your parts

PARTS FINDER

**Search Website
by Part Number**



**Search Manual
Library For Parts
Manual & Lookup Part
Numbers – Purchase
or Request Quote**

Search Manuals

Enter your information to help us find the right parts manual for your machine.

* Brand:

* Model:

* Serial:

* Part Number:

SEARCH

**Can't Find Part or
Manual? Request Help
by Manufacturer,
Model & Description**

Parts Order Form

Please fill in the following information to help us find the right part for your machine.

Manufacturer:	<input type="text"/>
Model:	<input type="text"/>
Description:	<input type="text"/>
Part Number:	<input type="text"/>
Quantity:	<input type="text"/>
Notes:	<input type="text"/>

Submit

Discount-Equipment.com is your online resource for quality parts & equipment.

Florida: **561-964-4949** Outside Florida TOLL FREE: **877-690-3101**

Need parts?

Click on this link: <http://www.discount-equipment.com/category/5443-parts/> and choose one of the options to help get the right parts and equipment you are looking for. Please have the machine model and serial number available in order to help us get you the correct parts. If you don't find the part on the website or on one of the online manuals, please fill out the request form and one of our experienced staff members will get back to you with a quote for the right part that your machine needs.

We sell worldwide for the brands: Genie, Terex, JLG, MultiQuip, Mikasa, Essick, Whiteman, Mayco, Toro Stone, Diamond Products, Generac Magnum, Airman, Haulotte, Barreto, Power Blanket, Nifty Lift, Atlas Copco, Chicago Pneumatic, Allmand, Miller Curber, Skyjack, Lull, Skytrak, Tsurumi, Husquvarna Target, Stow, Wacker, Sakai, Mi-T-M, Sullair, Basic, Dynapac, MBW, Weber, Bartell, Bennar Newman, Haulotte, Ditch Runner, Menegotti, Morrison, Contec, Buddy, Crown, Edco, Wyco, Bomag, Laymor, EZ Trench, Bil-Jax, F.S. Curtis, Gehl Pavers, Heli, Honda, ICS/PowerGrit, IHI, Partner, Imer, Clipper, MMD, Koshin, Rice, CH&E, General Equipment, Amida, Coleman, NAC, Gradall, Square Shooter, Kent, Stanley, Tamco, Toku, Hatz, Kohler, Robin, Wisconsin, Northrock, Oztec, Toker TK, Rol-Air, APT, Wylie, Ingersoll Rand / Doosan, Innovatech, Con X, Ammann, Mecalac, Makinex, Smith Surface Prep, Small Line, Wanco, Yanmar

Fitting Cross References

Genie PN	Parker PN	Description	Genie PN	Parker PN	Description
12342	6-4 F5OX-S	CONNECTOR,STRAIGHT THREAD TO FLARE TUBE	42794	1 CR-S	ELBOW,90°,MALE PIPE
13757	4 R6X-S	RUN TEE,SWIVEL NUT,ORFS	42795	BV-0839	BALL VALVE
19685	12-10 C5OX-S	ELBOW,90°,STRAIGHT THREAD TO FLARE TUBE	42796	BV-0838	BALL VALVE
22664	12-10 C5OX	ELBOW,90°,STRAIGHT THREAD TO FLARE TUBE	42874	6-8 CLO-S	ELBOW,90°,MALE PIPE TO ORFS
27431	8-12 F5OX-S	CONNECTOR,STRAIGHT THREAD TO FLARE TUBE	42912	13943-6-4	HOSE END,90° FEMALE SWIVEL,JIC
28678	AS-B-33	SLEEVE,NYLON,1.81" ID	42920	BV-0840	BALL VALVE,90°
39871	6 WETX-WLN-S	UNION,90° BULKHEAD W/NUT,FLARE TUBE	42932	AS-B-17	SLEEVE,NYLON,1.22" ID
39872	4 R5OX-S	RUN TEE,STRAIGHT THREAD	42936	10243-2-4	HOSE END,FEMALE PIPE
39873	6 C5OX-S	ELBOW,90°,STRAIGHT THREAD TO FLARE TUBE	42953	1/2 DD-S	ELBOW,90°,FEMALE PIPE
39874	8-6 C5OX-S	ELBOW,90°,STRAIGHT THREAD TO FLARE TUBE	42956	6 WELO-WLNL-S	UNION,90° BULKHEAD W/NUT,ORFS
39875	4-6 C5OX-S	ELBOW,90°,STRAIGHT THREAD TO FLARE TUBE	45349	8 V5OX-S	ELBOW,45°,STRAIGHT THREAD TO FLARE TUBE
39876	6-8 C5OX-S	ELBOW,90°,STRAIGHT THREAD TO FLARE TUBE	45351	4 V5OX-S	ELBOW,45°,STRAIGHT THREAD TO FLARE TUBE
39877	4 F5OX-S	CONNECTOR,STRAIGHT THREAD TO FLARE TUBE	47223	10343-6-6	HOSE END,MALE,JIC
39878	6 F5OX-S	CONNECTOR,STRAIGHT THREAD TO FLARE TUBE	47419	PS690503-6-6	SWIVEL,90°,STRAIGHT THREAD TO 37° FLARE
39879	4-8 F5OX-S	CONNECTOR,STRAIGHT THREAD TO FLARE TUBE	48750	421-4	HOSE,1/4 INCH ID
39880	6-10 F5OX-S	CONNECTOR,STRAIGHT THREAD TO FLARE TUBE	48751	481TC-4	HOSE,1/4 INCH ID
39881	4-6 F5OX-S	CONNECTOR,STRAIGHT THREAD TO FLARE TUBE	48752	482TC-4	HOSE,1/4 INCH ID
39882	4-HP5ON-S	PLUG,STRAIGHT THREAD	48753	451TC-6	HOSE,3/8 INCH ID
39883	8-8 FTX-S	CONNECTOR,MALE PIPE TO FLARE TUBE	48754	482TC-6	HOSE,3/8 INCH ID
39885	269HB 12-12	ELBOW,90°,BEADED HOSE BARB TO MALE PIPE	48755	381-6	HOSE,3/8 INCH ID
39886	431-6	HOSE,3/8 INCH ID	48756	451TC-8	HOSE,1/2 INCH ID
39887	540N-2	HOSE,1/8 INCH ID	48757	482TC-8	HOSE,1/2 INCH ID
39888	801-8	HOSE,1/2 INCH ID	48758	381-8	HOSE,1/2 INCH ID
39889	801-12	HOSE,3/4 INCH ID	48759	381-10	HOSE,5/8 INCH ID
39890	10643-6-6	HOSE END,FEMALE SWIVEL,JIC	48760	451TC-10	HOSE,5/8 INCH ID
39891	13943-6-6	HOSE END,90° FEMALE SWIVEL,JIC	48761	482TC-12	HOSE,3/4 INCH ID
39892	13743-6-6	HOSE END,45° FEMALE SWIVEL,JIC	48762	451TC-12	HOSE,3/4 INCH ID
39894	30682-8-8	HOSE END,FEMALE SWIVEL,JIC	48763	772-12	HOSE,3/4 INCH ID
39895	30682-10-12	HOSE END,FEMALE SWIVEL,JIC	48764	881-16	HOSE,1 INCH ID
42286	8-8 CTX-S	ELBOW,90°,MALE PIPE TO FLARE TUBE	48765	772-16	HOSE,1 INCH ID
42756	8-12 CLO-S	ELBOW,90,MALE PIPE TO ORFS	48766	AS-B-15	SLEEVE,NYLON,1.06" ID
42757	8-12 FLO-S	CONNECTOR,MALE PIPE TO ORFS	48767	AS-B-22	SLEEVE,NYLON,1.42" ID
42758	4 JLO-S	UNION TEE,ORFS	48770	881-8	HOSE,1/2 INCH ID
42759	4-4 FLO-S	CONNECTOR,MALE PIPE TO ORFS			
42760	6-8 FLO-S	CONNECTOR,MALE PIPE TO ORFS			
42761	1J143-6-4	HOSE END,90° FEMALE SWIVEL,SEAL LOK			
42762	1J743-6-4	HOSE END,45° FEMALE SWIVEL,SEAL LOK			
42768	1JO43-4-4	HOSE END,MALE,SEAL LOK			
42776	801-8	HOSE,1/2 INCH ID			
42777	1J743-16-16	HOSE END,45° FEMALE SWIVEL,SEAL LOK			
42786	16 CLO-S	ELBOW,90°,MALE PIPE TO ORFS			
42787	16 R8LO-S	RUN TEE,SWIVEL NUT,ORFS			
42788	16-8 TRLO-BL-S	REDUCER,TUBE END TO SWIVEL,ORFS			
42789	6-6 CLO-S	ELBOW,90°,MALE PIPE TO ORFS			
42790	8-10 V5OLO-S	ELBOW,45°,STRAIGHT THREAD TO ORFS			
42791	3/4 CD-S	ELBOW,90°,MALE TO FEMALE PIPE			
42792	3/4 X 1/2 PTR-S	REDUCER,MALE TO FEMALE PIPE			
42793	1/2 CR-S	ELBOW,90°,MALE PIPE			

Fitting Cross References (Continued)

Genie PN	Parker PN	Description	Genie PN	Parker PN	Description
48771	881-10	HOSE,5/8 INCH ID	48847	13943-12-12	HOSE END,90° FEMALE SWIVEL,JIC
48772	381-4	HOSE,1/4 INCH ID	48848	10543-12-12	HOSE END,MALE,STRAIGHT THREAD
48773	AS-B-13	SLEEVE,NYLON,.86" ID	48849	1JC71-12-12	HOSE END,FEMALE SWIVEL,SEAL LOK
48800	1JC43-4-4	HOSE END,FEMALE SWIVEL,SEAL LOK	48850	1JS71-12-12	HOSE END,FEMALE SWIVEL,SEAL LOK
48801	1J743-4-4	HOSE END,45° FEMALE SWIVEL,SEAL LOK	48851	1J171-12-12	HOSE END,90° FEMALE SWIVEL,SEAL LOK
48802	1J943-4-4	HOSE END,90° FEMALE SWIVEL,SEAL LOK	48852	1J771-12-12	HOSE END,45° FEMALE SWIVEL,SEAL LOK
48804	1JM43-4-4	HOSE END,MALE,SEAL LOK, NO O-RING	48853	1J971-12-12	HOSE END,90° FEMALE SWIVEL,SEAL LOK
48805	10643-4-4	HOSE END,FEMALE SWIVEL,JIC	48854	1JC43-16-16	HOSE END,FEMALE SWIVEL,SEAL LOK
48806	13943-4-4	HOSE END,90° FEMALE SWIVEL,JIC	48855	1J943-16-16	HOSE END,90° FEMALE SWIVEL,SEAL LOK
48807	1JS43-4-4	HOSE END,FEMALE SWIVEL,SEAL LOK	48856	1J171-16-16	HOSE END,90° FEMALE SWIVEL,SEAL LOK
48808	3JC82-8-8	HOSE END,FEMALE SWIVEL,SEAL LOK	48857	1J971-16-16	HOSE END,90° FEMALE SWIVEL,SEAL LOK
48809	3JC82-12-12	HOSE END,FEMALE SWIVEL,SEAL LOK	48859	1JS43-8-4	HOSE END,FEMALE SWIVEL,SEAL LOK
48810	1JC43-6-4	HOSE END,FEMALE SWIVEL,SEAL LOK	48867	PD36BTL	DIAGNOSTIC NIPPLE,SEAL-LOK SWIVEL
48811	1J943-6-4	HOSE END,90° FEMALE SWIVEL,SEAL LOK	48873	6 PNLO-S	PLUG,TUBE END,ORFS
48812	1JC43-6-6	HOSE END,FEMALE SWIVEL,SEAL LOK	48874	6 PNTX-S	PLUG,FLARE TUBE
48813	1J143-6-6	HOSE END,90° FEMALE SWIVEL,SEAL LOK	48875	6 R6LO-S	RUN TEE,SWIVEL NUT,ORFS
48814	1J543-6-6	HOSE END,90° FEMALE SWIVEL,SEAL LOK	48877	4 F5OLO-SW/.025	CONNECTOR,STRAIGHT THREAD TO ORFS, W/.025 ORI
48815	1J743-6-6	HOSE END,45° FEMALE SWIVEL,SEAL LOK	48878	16-12 C5OLO-S	ELBOW,90°,STRAIGHT THREAD TO ORFS
48816	1J943-6-6	HOSE END,90° FEMALE SWIVEL,SEAL LOK	48879	8 C8LO-S	ELBOW,90°,SWIVEL NUT ORFS
48817	1JS43-6-8	HOSE END,FEMALE SWIVEL,SEAL LOK	48880	PD6-285	CAP,DIAGNOSTIC NIPPLE
48818	1J943-8-4	HOSE END,90° FEMALE SWIVEL,SEAL LOK	48881	6 HLO-S	UNION,ORFS
48819	1JC43-8-6	HOSE END,FEMALE SWIVEL,SEAL LOK	48883	8 P5ON-S	PLUG,STRAIGHT THREAD
48820	1J743-8-6	HOSE END,45° FEMALE SWIVEL,SEAL LOK	48884	8M18F87OMLO-S	CONNECTOR,METRIC,STRAIGHT THREAD TO ORFS
48821	1J943-8-6	HOSE END,90° FEMALE SWIVEL,SEAL LOK	48885	4 WGTX-WLN-S	CONNECTOR,BULKHEAD,FEMALE PIPE TO FLARE TUBE
48822	1JC43-8-8	HOSE END,FEMALE SWIVEL,SEAL LOK	48886	4 F5OLO-SW/2MM	CONNECTOR,MACHINED STRAIGHT THREAD TO ORFS
48823	1JS43-8-8	HOSE END,FEMALE SWIVEL,SEAL LOK	48887	4 CTX-S	ELBOW,90°,MALE PIPE TO FLARE TUBE
48824	1J143-8-8	HOSE END,90° FEMALE SWIVEL,SEAL LOK	48888	10-12 V5OLO-S	ELBOW,45°,STRAIGHT THREAD TO ORFS
48825	1J543-8-8	HOSE END,90° FEMALE SWIVEL,SEAL LOK	48890	4 S5OLO-S	BRANCH TEE,STRAIGHT THREAD TO ORFS
48826	1J743-8-8	HOSE END,45° FEMALE SWIVEL,SEAL LOK	48891	4 S8LO-S	BRANCH TEE,SWIVEL NUT TO ORFS
48827	1J943-8-8	HOSE END,90° FEMALE SWIVEL,SEAL LOK			
48828	1JC43-10-8	HOSE END,FEMALE SWIVEL,SEAL LOK			
48829	1JS43-10-8	HOSE END,FEMALE SWIVEL,SEAL LOK			
48830	1J743-10-8	HOSE END,45° FEMALE SWIVEL,SEAL LOK			
48831	1J943-10-8	HOSE END,90° FEMALE SWIVEL,SEAL LOK			
48833	1JC43-10-10	HOSE END,FEMALE SWIVEL,SEAL LOK			
48834	1J943-10-10	HOSE END,90° FEMALE SWIVEL,SEAL LOK			
48835	1JS43-10-12	HOSE END,FEMALE SWIVEL,SEAL LOK			
48836	1JC43-12-8	HOSE END,FEMALE SWIVEL,SEAL LOK			
48837	1JS43-12-8	HOSE END,FEMALE SWIVEL,SEAL LOK			
48838	1J743-12-8	HOSE END,45° FEMALE SWIVEL,SEAL LOK			
48839	1J943-12-8	HOSE END,90° FEMALE SWIVEL,SEAL LOK			
48840	1J943-12-10	HOSE END,90° FEMALE SWIVEL,SEAL LOK			
48841	1JC43-12-12	HOSE END,FEMALE SWIVEL,SEAL LOK			
48842	1JO43-12-12	HOSE END,MALE,SEAL LOK			
48843	1J143-12-12	HOSE END,90° FEMALE SWIVEL,SEAL LOK			
48844	1J543-12-12	HOSE END,90° FEMALE SWIVEL,SEAL LOK			
48845	1J743-12-12	HOSE END,45° FEMALE SWIVEL,SEAL LOK			
48846	1J943-12-12	HOSE END,90° FEMALE SWIVEL,SEAL LOK			

Fitting Cross References (Continued)

Genie PN	Parker PN	Description	Genie PN	Parker PN	Description
48892	6 C6LO-S	ELBOW,90°,SWIVEL NUT ORFS	48938	8 R6LO-S	RUN TEE,SWIVEL NUT,ORFS
48893	6 F5OHAO-S	UNION,STRAIGHT THREAD	48939	8 S6LO-S	BRANCH TEE,SWIVEL NUT TO ORFS
48894	8 WLO-WLNL-S	UNION,BULKHEAD,ORFS	48940	8 WJLO-WLNL-S	RUN TEE, BULKHEAD,ORFS
48895	DT-370-MSMO-5	VALVE,CHECK	48941	8-4 TRLO-S	REDUCER,TUBE END TO SWIVEL,ORFS
48896	6 JLO-S	UNION,TEE,ORFS	48942	8-6 C5OLO-S	ELBOW,90°,STRAIGHT THREAD TO ORFS
48897	DT-750-MSMS-5	VALVE,CHECK	48943	8-6 F5OLO-S	CONNECTOR,STRAIGHT THREAD TO ORFS
48898	DT-750-MOMS-5	VALVE,CHECK	48944	8-8 FLO-S	CONNECTOR,MALE PIPE TO ORFS
48899	DT-620-MOMS-5	VALVE,CHECK	48945	8 FTX-S	CONNECTOR,MALE PIPE TO FLARE TUBE
48900	4-6 F5OLO-SW/.035	CONNECTOR,STRAIGHT THREAD TO ORFS, W/.035 ORI	48946	8-10 F5OLO-S	CONNECTOR,STRAIGHT THREAD TO ORFS
48902	16-1 AOE4G-S	ELBOW,90° LONG,FEMALE PIPE TO STRAIGHT THREAD	48947	8-12 C5OLO-S	ELBOW,90°,STRAIGHT THREAD TO ORFS
48903	1 FF-S	NIPPLE,PIPE	48948	8-12 F5OLO-S	CONNECTOR,STRAIGHT THREAD TO ORFS
48904	4 C5OLO-S	ELBOW,90°,STRAIGHT THREAD TO ORFS	48949	8-16 F5OLO-S	CONNECTOR,STRAIGHT THREAD TO ORFS
48905	4 F5OLO-S	CONNECTOR,STRAIGHT THREAD TO ORFS	48950	10 C5OLO-S	ELBOW,90°,STRAIGHT THREAD TO ORFS
48906	4 R5OLO-S	RUN TEE,STRAIGHT THREAD	48951	10 CC5OLO-S	ELBOW,90° LONG,STRAIGHT THREAD TO ORFS
48907	4 V5OLO-S	ELBOW,45°,STRAIGHT THREAD TO ORFS	48952	10 F5OLO-S	CONNECTOR,STRAIGHT THREAD TO ORFS
48908	4 R6LO-S	RUN TEE,SWIVEL NUT,ORFS	48953	10 R5OLO-S	RUN TEE,STRAIGHT THREAD
48909	4 WJLO-WLNL-S	RUN TEE, BULKHEAD,ORFS	48954	10 S5OLO-S	BRANCH TEE,STRAIGHT THREAD TO ORFS
48910	4 GTX-S W/.030	CONNECTOR,FEMALE PIPE TO FLARE TUBE	48955	10 R6LO-S	RUN TEE,SWIVEL NUT,ORFS
48911	4-6 C5OLO-S	ELBOW,90°,STRAIGHT THREAD TO ORFS	48956	10-4 TRLO-BL-S	REDUCER,TUBE END TO SWIVEL,ORFS
48912	4-6 F5OLO-S	CONNECTOR,STRAIGHT THREAD TO ORFS	48957	10-6 TRLO-BL-S	REDUCER,TUBE END TO SWIVEL,ORFS
48913	4-6 F5OLO-SW/.030	CONNECTOR,STRAIGHT THREAD TO ORFS, W/.030 ORI	48958	10-12 F5OLO-S	CONNECTOR,STRAIGHT THREAD TO ORFS
48914	4-8 F5OLO-S	CONNECTOR,STRAIGHT THREAD TO ORFS	48959	12 C5OLO-S	ELBOW,90°,STRAIGHT THREAD TO ORFS
48915	6 C5OLO-S	ELBOW,90°,STRAIGHT THREAD TO ORFS	48960	12 F5OLO-S	CONNECTOR,STRAIGHT THREAD TO ORFS
48916	6 F5OLO-S	CONNECTOR,STRAIGHT THREAD TO ORFS	48961	12 R5OLO-S	RUN TEE,STRAIGHT THREAD
48917	6 FF5OLO-S	CONNECTOR,LONG,STRAIGHT THREAD TO ORFS	48962	12 S5OLO-S	BRANCH TEE,STRAIGHT THREAD TO ORFS
48918	6 R5OLO-S	RUN TEE,STRAIGHT THREAD	48963	12 V5OLO-S	ELBOW,45°,STRAIGHT THREAD TO ORFS
48919	6 S5OLO-S	BRANCH TEE,STRAIGHT THREAD TO ORFS	48964	12 R6LO-S	RUN TEE,SWIVEL NUT,ORFS
48920	6 V5OLO-S	ELBOW,45°,STRAIGHT THREAD TO ORFS	48965	12 CLO-S	ELBOW,90°,MALE PIPE TO ORFS
48921	6 FLO-S	CONNECTOR,MALE PIPE TO ORFS	48966	12 FLO-S	CONNECTOR,MALE PIPE TO ORFS
48922	6-6 FLO-S	CONNECTOR,MALE PIPE TO ORFS	48967	12 JLO-S	UNION TEE,ORFS
48923	6 P5ON-S	PLUG,STRAIGHT THREAD	48968	12 WLO-WLNL-S	UNION,BULKHEAD,ORFS
48925	6 WELO-S	UNION,90° BULKHEAD,ORFS	48969	12 WJLO-WLNL-S	RUN TEE, BULKHEAD,ORFS
48926	6-4 C5OLO-S	ELBOW,90°,STRAIGHT THREAD TO ORFS	48970	12 WELO-WLNL-S	UNION,90° BULKHEAD W/NUT,ORFS
48927	6-4 F5OLO-S	CONNECTOR,STRAIGHT THREAD TO ORFS			
48928	6-4 V5OLO-S	ELBOW,45°,STRAIGHT THREAD TO ORFS			
48929	6-8 C5OLO-S	ELBOW,90°,STRAIGHT THREAD TO ORFS			
48930	6-8 F5OLO-S	CONNECTOR,STRAIGHT THREAD TO ORFS			
48931	6-10 F5OLO-S	CONNECTOR,STRAIGHT THREAD TO ORFS			
48932	8 C5OLO-S	ELBOW,90°,STRAIGHT THREAD TO ORFS			
48933	8 F5OLO-S	CONNECTOR,STRAIGHT THREAD TO ORFS			
48934	8 FF5OLO-S	CONNECTOR,LONG,STRAIGHT THREAD TO ORFS			
48935	8 R5OLO-S	RUN TEE,STRAIGHT THREAD			
48936	8 S5OLO-S	BRANCH TEE,STRAIGHT THREAD TO ORFS			
48937	8 V5OLO-S	ELBOW,45°,STRAIGHT THREAD TO ORFS			

Fitting Cross References (Continued)

Genie PN	Parker PN	Description	Genie PN	Parker PN	Description
48971	12 G5G5JG5-S	TEE,FEMALE STRAIGHT THREAD	49612	PKT02586	O-RING KIT (ORFS FITTINGS)
48972	12 XHL6-S	ADAPTER, 37° MALE TO SWIVEL ORFS	49613	PKT06276	PLUG AND CAP KIT-SERVICE,ORFS
48973	12-1/2 F5OG-S	ADAPTER,FEMALE PIPE TO STRAIGHT THREAD	49728	10143-12-12	HOSE END, MALE PIPE
48974	12-10 C5OLO-S	ELBOW,90°,STRAIGHT THREAD TO ORFS	49729	16-1 F5OG-S	ADAPTER,FEMALE PIPE TO STRAIGHT THREAD
48975	12-10 F5OLO-S	CONNECTOR,STRAIGHT THREAD TO ORFS	49814	12-8 FLO-S	CONNECTOR,MALE PIPE TO ORFS
48976	12-16 C5OLO-S	ELBOW,90°,STRAIGHT THREAD TO ORFS	49829	DT-500-MOMF-5	VALVE,CHECK
48977	12-16 F5OLO-S	CONNECTOR,STRAIGHT THREAD TO ORFS	49831	881-12	HOSE,3/4 INCH ID
48978	12-16 V5OLO-S	ELBOW,45°,STRAIGHT THREAD TO ORFS	49834	16 JLO-S	UNION TEE,ORFS
48980	12-16 FLO-S	CONNECTOR,MALE PIPE TO ORFS	49838	12-8 TRLO-BL-S	REDUCER,TUBE END TO SWIVEL,ORFS
48983	16 C5OLO-S	ELBOW,90°,STRAIGHT THREAD TO ORFS	49840	8 JLO-S	UNION TEE,ORFS
48984	16 F5OLO-S	CONNECTOR,STRAIGHT THREAD TO ORFS	49844	10-8 TRLO-BL-S	REDUCER,TUBE END TO SWIVEL,ORFS
48985	16 V5OLO-S	ELBOW,45°,STRAIGHT THREAD TO ORFS	49854	8 P5ON-S	PLUG,STRAIGHT THREAD
48986	16 FLO-S	CONNECTOR,MALE PIPE TO ORFS	49855	1JC43-16-12	HOSE END,FEMALE SWIVEL,SEAL LOK
48988	16 CD45-S	ELBOW,45°,MALE TO FEMALE PIPE	49859	4 P5ON-S	PLUG,STRAIGHT THREAD
48989	12 CD45-S	ELBOW,45°,MALE TO FEMALE PIPE	49861	4 FF5OLO-S	CONNECTOR, LONG, STRAIGHT THREAD TO ORFS
48990	8 CD45-S	ELBOW,45°,MALE TO FEMALE PIPE	49867	12-3/4 F5OG-S	ADAPTER,FEMALE PIPE TO STRAIGHT THREAD
48991	16-12 FLO-S	CONNECTOR,MALE PIPE TO ORFS	51152	6 R6X-S	RUN TEE,SWIVEL NUT,ORFS
48992	16-12 V5OLO-S	ELBOW,45°,STRAIGHT THREAD TO ORFS	51153	6-4 TRTX-S	REDUCER,TUBE END TO SWIVEL,ORFS
48993	XV501-12	BALL VALVE	51154	4-4 GTX	CONNECTOR,FEMALE PIPE TO FLARE TUBE
48994	XV501-16	BALL VALVE	51264	881-12	HOSE,3/4 INCH ID
48995	XV510P-12	BALL VALVE	51265	8 JLO-S	UNION TEE,ORFS
48996	XV510P-16	BALL VALVE	51508	6 BTX-S	NUT,FLARE TUBE
48997	PD341	DIAGNOSTIC NIPPLE, STRAIGHT THREAD	51580	12-8 TRLO-BL-S	TUBE END REDUCER,ORFS
48998	PD 361	DIAGNOSTIC NIPPLE, STRAIGHT THREAD	51628	6 R6X-S	RUN TEE,SWIVEL NUT,ORFS
48999	DT-500-MOMS-5	VALVE,CHECK	51735	3/8 HHP	PLUG,PIPE THREAD
49201	10 V5OLO-S	ELBOW,45°,STRAIGHT THREAD TO ORFS	51803	1J943-6-8	HOSE END,90° FEMALE SWIVEL,SEAL LOK
49202	1JC43-12-10	HOSE END,FEMALE SWIVEL,SEAL LOK	53023	125HBL-5-4	FITTING,HOSE BARB TO MALE PIPE
49203	10-8 V5OLO-S	ELBOW,45°,STRAIGHT THREAD TO ORFS	53497	PKT02585	O-RING KIT
49205	6 F5OHAO-S	UNION,STRAIGHT THREAD	53499	1JC71-16-16	HOSE END,FEMALE SWIVEL,SEAL LOK
49207	PD34BTL	DIAGNOSTIC NIPPLE,SEAL-LOK SWIVEL	53500	3-904	O-RING,STRAIGHT THREAD,-4
49209	8M18F870MX-S	CONNECTOR,METRIC,STRAIGHT THREAD TO FLARE TUBE	53501	3-906	O-RING,STRAIGHT THREAD,-6
49212	8 WGTX-WLN-S	CONNECTOR,BULKHEAD,FEMALE PIPE TO FLARE TUBE	53502	3-908	O-RING,STRAIGHT THREAD,-8
49213	30682-8-8	HOSE END,FEMALE SWIVEL,JIC	53503	3-910	O-RING,STRAIGHT THREAD,-10
49216	831-8	HOSE,1/2 INCH ID			
49217	33982-8-8	HOSE END,90° FEMALE SWIVEL,JIC			
49219	PS-B-35	SLEEVE,NYLON,2.19" ID			
49418	4-6 V5OLO-S	ELBOW,45°,STRAIGHT THREAD TO ORFS			
49511	DT370-MOMS-5	VALVE,CHECK			
49512	1 DD-S	ELBOW,90°,FEMALE PIPE			
49513	1 FF-S	NIPPLE,PIPE			
49514	10 HP5ON-S	PLUG,STRAIGHT THREAD			
49515	12-16 CLO-S	ELBOW,90°,MALE PIPE TO ORFS			
49517	6 HP5ON-S	PLUG,STRAIGHT THREAD			
49519	16-12 F5OLO-S	CONNECTOR,STRAIGHT THREAD TO ORFS			
49520	4 VTX-S	ELBOW,45°,MALE PIPE TO FLARE TUBE			
49530	16 C6LO-S	ELBOW,90°,SWIVEL NUT ORFS			

Fitting Cross References (Continued)

Genie PN	Parker PN	Description	Genie PN	Parker PN	Description
53535	3-912	O-RING,STRAIGHT THREAD,-12	61083	24 F5OLO-S	CONNECTOR,STRAIGHT THREAD TO ORFS
53536	4-PNLO-S	PLUG,TUBE END,ORFS	61086	20 R5OLO-S	RUN TEE,STRAIGHT THREAD
53537	6 PNLO-S	PLUG,TUBE END,ORFS	61090	24-20 F5OLO-S	CONNECTOR,STRAIGHT THREAD TO ORFS
53538	8 PNLO-S	PLUG,TUBE END,ORFS	61091	1J943 24-24	HOSE END,90° FEMALE SWIVEL,SEAL LOK
53539	10 PNLO-S	PLUG,TUBE END,ORFS	61093	1J978-12-12	HOSE END,90° FEMALE SWIVEL,JIC
53540	12 PNLO-S	PLUG,TUBE END,ORFS	61095	1JS43-20-16	HOSE END,FEMALE SWIVEL,SEAL LOK
53946	129HB-5-4	FITTING,90° HOSE BARB TO MALE PIPE	61100	811-24	HOSE,11/2 INCH ID
53951	8-1/4F50G-S	ADAPTER,FEMALE PIPE TO STRAIGHT THREAD	61130	1JS43-24-24	HOSE END,FEMALE SWIVEL,SEAL LOK
53980	6 S6LO-S	BRANCH TEE,SWIVEL NUT TO ORFS	61131	1JS78 12-12	HOSE END,FEMALE SWIVEL,SEAL LOK
54132	4 C6LO-S	ELBOW,90°,SWIVEL NUT ORFS	61132	1J778-12-12	HOSE END,45° FEMALE SWIVEL,JIC
54135	11343-16-16	HOSE END,MALE SWIVEL,PIPE	61152	139HB-6-4	ELBOW,45°,BARB TO MALE PIPE
54283	8-10 C5OLO-S	ELBOW,90°,STRAIGHT THREAD TO ORFS	61251	BV-0750	BALL VALVE
54428	8M18C870MLO-S	ELBOW, 90° METRIC, STRAIGHT THREAD TO ORFS	61259	4 CC5OLO-S	ELBOW,90° LONG,STRAIGHT THREAD TO ORFS
54803	FS-F-16-10	SLEEVE,FIRE,.96" ID	61260	20-12 TRLO-BL	REDUCER,TUBE END TO SWIVEL,ORFS
54954	10143-2-4	HOSE END, MALE PIPE	61262	12 C6LO-S	ELBOW,90°,SWIVEL NUT ORFS
55190	3/8 HP-S	PLUG,PIPE THREAD	61263	20 F5OHAO-S	UNION,STRAIGHT THREAD
55448	8 HLO-S	UNION,ORFS	61264	6-10 C5OLO-S	ELBOW,90°,STRAIGHT THREAD TO ORFS
55839	6 F65OX-S	CONNECTOR,STRAIGHT THREAD TO 37° SWIVEL	61265	6 WNLO-WLNL-S	UNION,BULKHEAD 45°,ORFS
55968	10 C5OX-S	ELBOW,90°,STRAIGHT THREAD TO FLARE TUBE	61268	4 WNLO-WLNL-S	UNION,BULKHEAD 45°,ORFS
56003	6 CC5OLO-S	ELBOW,90° LONG,STRAIGHT THREAD TO ORFS	61269	4 WLO-WLNL-S	UNION,BULKHEAD,ORFS
56166	BV-0837	BALL VALVE,90°	61272	12 AOEL6	ELBOW,90°,STRAIGHT THREAD TO ORFS SWIVEL
56188	10143-8-6	HOSE END, MALE PIPE	61316	482TC-16	HOSE,1 INCH ID
56233	2-011	O-RING,ORFS,-4	61321	6 JLO-S	UNION TEE,ORFS
56234	2-012	O-RING,ORFS,-6	61327	782-12	HOSE,3/4 INCH ID
56235	2-014	O-RING,ORFS,-8	61328	881-24	HOSE,11/2 INCH ID
56236	2-016	O-RING,ORFS,-10	61336	11943-20-24	HOSE END,90° FLANGE HEAD
56237	2-018	O-RING,ORFS,-12	61345	12 WJLO-WLNL-S	RUN TEE, BULKHEAD,ORFS
56238	2-021	O-RING,ORFS,-16	61346	8 WNLO-WLNL-S 4	UNION,BULKHEAD 45°,ORFS
56352	6 WLNL-S	LOCKNUT,BULKHEAD	61569	33782-8-8	HOSE END,45° FEMALE SWIVEL,JIC
56353	3J782-12-12	HOSE END,45° FEMALE SWIVEL,SEAL LOK	61610	12 FF5OLO-S	CONNECTOR,LONG,STRAIGHT THREAD TO ORFS
56354	3J982-12-12	HOSE END,90° FEMALE SWIVEL,SEAL LOK	61742	1/8 X 1.5 FFF	NIPPLE,PIPE
56604	10-8 F5OLO-S	CONNECTOR,STRAIGHT THREAD TO ORFS	63426	8 PNTX-S	PLUG,FLARE TUBE
56639	3JC82-10-10	HOSE END,FEMALE SWIVEL,SEAL LOK			
56640	3J982-10-10	HOSE END,90° FEMALE SWIVEL,SEAL LOK			
56655	3JC82-8-10	HOSE END,FEMALE SWIVEL,SEAL LOK			
56676	10-8 C5OLO-S	ELBOW,90°,STRAIGHT THREAD TO ORFS			
56776	471TC-6	HOSE,3/8 INCH ID			
56777	471TC-8	HOSE,1/2 INCH ID			
56789	811-16	HOSE,1 INCH ID			
57884	3/8 FF	NIPPLE,PIPE			
59335	6 FNL-S	CAP,TUBE END			
59342	4 FNL-S	CAP,TUBE END			
59371	8 HP5ON-S	PLUG,STRAIGHT THREAD			
60653	BV-0751	BALL VALVE			
60806	125HB-3-4	FITTING,HOSE BARB TO MALE PIPE			
61064	5-1/4 F50G-S	ADAPTER,FEMALE PIPE TO STRAIGHT THREAD			
61079	4 WELO-WLNL-S	UNION,90° BULKHEAD W/NUT,ORFS			
61080	6 WLO-WLNL-S	UNION,BULKHEAD,ORFS			

Fitting Cross References (Continued)

Genie PN	Parker PN	Description	Genie PN	Parker PN	Description
64271	4 WLO-WLNL-S	UNION,BULKHEAD,ORFS	75631	801-6	HOSE,3/8 INCH ID
64272	6 WLO-WLNL-S	UNION,BULKHEAD,ORFS	75654	20 F5OLO-S	CONNECTOR,STRAIGHT THREAD TO ORFS
65776	8 F65OL-S	CONNECTOR,STRAIGHT THREAD TO ORFS SWIVEL	75655	1J943-20-20	HOSE END,90° FEMALE SWIVEL,SEAL LOK
65880	6001012	O-RING KIT	75656	881-20	HOSE,1-1/4 INCH ID
66154	6 WTX-WLNS	UNION,BULKHEAD,FLARE TUBE	75971	8 F5OHAO-S	UNION,STRAIGHT THREAD
66155	6 WETX-S	UNION,BULKHEAD 90°,FLARE TUBE	77307	1JB43-8-8	HOSE END,BULKHEAD,SEAL LOK
66156	6 WLN-S	BULKHEAD LOCKNUT	77309	8 WLNL-S	BULKHEAD LOCKNUT
66389	6-8 F5OX-S	CONNECTOR,STRAIGHT THREAD TO FLARE TUBE	77379	8M18C87OMX-S	ELBOW,90° METRIC,STRAIGHT THREAD TO FLARE TUBE
66392	6 R5OX-S	RUN TEE,STRAIGHT THREAD	77703	3J982-8-8	HOSE END,90° FEMALE SWIVEL,SEAL LOK
66396	811-12	HOSE,3/4 INCH ID	77711	801-10	HOSE,5/8 INCH ID
66829	H3174PP	CLAMP,TUBE	77758	12 WNLO-WLNL-S	UNION,BULKHEAD 45°,ORFS
67217	4 KLO-S	UNION,CROSS,ORFS	78091	6 C6X-S	ELBOW,90°,SWIVEL NUT TO FLARE TUBE
67339	10-6 F5OX-S	CONNECTOR,STRAIGHT THREAD TO FLARE TUBE	78684	30582-8-8B	HOSE END,PUSH LOK,MALE
67357	13943-8-6	HOSE END,90° FEMALE SWIVEL,JIC	78852	549-2	HOSE,1/8 INCH ID
67358	10 HP5ON-S	PLUG,STRAIGHT THREAD	78855	10657-4-2	HOSE END,FEMALE SWIVEL,JIC
67371	12 S6LO-S	BRANCH TEE,SWIVEL NUT TO ORFS	79138	PS-B-37	SLEEVE,NYLON,2.38" ID
67498	4 FNL-S	CAP, TUBE END	79476	1JS43-6-8	HOSE END,FEMALE SWIVEL,SEAL LOK
67906	DC-370-F0F0-5	VALVE,CHECK	79847	12-3/4 A0EG-S	ELBOW,90°,STRAIGHT THREAD TO FEMALE PIPE
69316	8 FLO-S	CONNECTOR,MALE PIPE TO ORFS	80044	8 CLO-S	ELBOW,90°,MALE PIPE TO ORFS
69333	H3174PP	CLAMP,HYDRAULIC HOSE	80502	8 F5OX-S	CONNECTOR,STRAIGHT THREAD TO FLARE TUBE
69503	4 F65OX-S	CONNECTOR,STRAIGHT THREAD TO 37° SWIVEL	80503	8 C5OX-S	ELBOW,90°,STRAIGHT THREAD TO FLARE TUBE
69775	8 FNL-S	CAP, TUBE END	81010	AS-B-27	SLEEVE,NYLON,1.63" ID
71038	1/4X1/4F3HG-S	ADAPTER,CONVERSION	83052	821-6	HOSE,3/8 INCH ID
71196	12-8 F5OLO-S	CONNECTOR,STRAIGHT THREAD TO ORFS	83053	821-8	HOSE,1/2 INCH ID
71383	1/4 CD45-S	ELBOW,45°,MALE TO FEMALE PIPE	83054	821-12	HOSE,3/4 INCH ID
72270	12FNL-S	CAP, TUBE END	83055	30682-6-6	HOSE END,FEMALE SWIVEL,JIC
73436	60C-4	SLEEVE,COMPRESSION	83056	30682-12-12	HOSE END,FEMALE SWIVEL,JIC
73437	61C-4	NUT,COMPRESSION	83057	33782-6-6	HOSE END,45° FEMALE SWIVEL,JIC
73438	33482-4-4B	HOSE END,PUSH LOK,MALE	83058	33982-6-6	HOSE END,90° FEMALE SWIVEL,JIC
73767	1CD-S	ELBOW,90°,MALE TO FEMALE PIPE	83060	33982-12-12	HOSE END,90° FEMALE SWIVEL,JIC
73768	20-16-F5OG5-S	ADAPTER,FEMALE PIPE TO STRAIGHT THREAD	83063	13743-4-4	HOSE END,45° FEMALE SWIVEL,JIC
73769	16-20 F5OLO-S	CONNECTOR,STRAIGHT THREAD TO ORFS			
74660	6-8 F42EDMLO-S	CONNECTOR,MALE BSPP TO ORFS			
74661	8-8 F42EDMLO-S	CONNECTOR,MALE BSPP TO ORFS			
75007	4 FLO-S	CONNECTOR,MALE PIPE TO ORFS			
75008	1/8 HP-S	PLUG,PIPE THREAD			
75014	1/2 HP-S	PLUG,PIPE THREAD			
75042	8 WELO-WLNL-S	UNION,90° BULKHEAD W/NUT,ORFS			
75043	3/4 FF-S	NIPPLE,PIPE			
75254	24 F5OHAO-S	UNION,STRAIGHT THREAD			
75255	12 F5OHAO-S	UNION,STRAIGHT THREAD			
75256	XV506P-24	BALL VALVE			
75574	4 WLNL-S	BULKHEAD LOCKNUT			
75612	8 WJLO-WLNL-S	RUN TEE, BULKHEAD,ORFS			
75613	12-8 F5OG5-S	ADAPTER,FEMALE PIPE TO STRAIGHT THREAD			
75614	8 CC5OLO-S	ELBOW,90° LONG,STRAIGHT THREAD TO ORFS			
75628	1JB43-4-4	HOSE END,BULKHEAD,SEAL LOK			

Fitting Cross References (Continued)

Genie PN	Parker PN	Description	Genie PN	Parker PN	Description
83064	13743-8-8	HOSE END,45° FEMALE SWIVEL,JIC	89449	6 WJLO-WLNL-S	RUN TEE, BULKHEAD,ORFS
83065	13743-12-12	HOSE END,45° FEMALE SWIVEL,JIC	89489	4 WJMLO-S	BRANCH TEE,BULKHEAD,ORFS
83066	13943-8-8	HOSE END,90° FEMALE SWIVEL,JIC	89551	1JB43-6-6	HOSE END,BULKHEAD,SEAL LOK
83067	14143-6-6	HOSE END,90° FEMALE SWIVEL,JIC	89552	1JB43-8-8	HOSE END,BULKHEAD,SEAL LOK
83068	14143-8-8	HOSE END,90° FEMALE SWIVEL,JIC	89593	20 C5OLO-S	ELBOW,90°,STRAIGHT THREAD TO ORFS
83069	14143-12-12	HOSE END,90° FEMALE SWIVEL,JIC	94161	8-8 CLO-S	ELBOW,90°,MALE PIPE TO ORFS
83070	772-8	HOSE,1/2 INCH ID	94358	351TC-12	HOSE,3/4 INCH ID
83071	10671-8-8	HOSE END,FEMALE SWIVEL,JIC	94418	20 FLO-S	CONNECTOR,MALE PIPE TO ORFS
83072	10671-12-12	HOSE END,FEMALE SWIVEL,JIC	96358	12 TX-S	SLEEVE,FLARE TUBE
83073	13771-8-8	HOSE END,45° FEMALE SWIVEL,JIC	96359	12 BTX-S	NUT,FLARE TUBE
83074	13771-12-12	HOSE END,45° FEMALE SWIVEL,JIC	96397	8 F5OX-S	CONNECTOR,STRAIGHT THREAD TO FLARE TUBE
83075	13971-8-8	HOSE END,90° FEMALE SWIVEL,JIC	96398	12-8 F5OX-S	CONNECTOR,STRAIGHT THREAD TO FLARE TUBE
83076	13971-12-12	HOSE END,90° FEMALE SWIVEL,JIC	96402	10343-6-6	HOSE END,MALE,JIC
83077	14171-8-8	HOSE END,90° FEMALE SWIVEL,JIC	96407	30382-6-6B	HOSE END,MALE,JIC
83078	14171-12-12	HOSE END,90° FEMALE SWIVEL,JIC			
83080	13943-16-16	HOSE END,90° FEMALE SWIVEL,JIC			
83103	10671-16-12	HOSE END,FEMALE SWIVEL,JIC			
83104	10671-10-12	HOSE END,FEMALE SWIVEL,JIC			
83112	1JC71-8-8	HOSE END,FEMALE SWIVEL,SEAL LOK			
83113	1JS71-16-12	HOSE END,FEMALE SWIVEL,SEAL LOK			
83114	1JS71-10-12	HOSE END,FEMALE SWIVEL,SEAL LOK			
83115	1J971-8-8	HOSE END,90° FEMALE SWIVEL,SEAL LOK			
83116	1J171-8-8	HOSE END,90° FEMALE SWIVEL,SEAL LOK			
83117	1J771-8-8	HOSE END,45° FEMALE SWIVEL,SEAL LOK			
83127	1J543-6-8	HOSE END,90° FEMALE SWIVEL,JIC			
83128	1JC43-6-8	HOSE END,FEMALE SWIVEL,SEAL LOK			
87033	12-6 TRLO-S	REDUCER,TUBE END TO SWIVEL,ORFS			
87034	3J782-8-8	HOSE END,45° FEMALE SWIVEL,SEAL LOK			
87172	12 HP5ON-S	PLUG,STRAIGHT THREAD			
87185	8 WNLO-WLNL-S	UNION,BULKHEAD 45°,ORFS			
87246	4 C6X-S	ELBOW,90°,SWIVEL NUT TO FLARE TUBE			
87679	6 LHP-S	FLANGE SEAL FITTING, MALE			
87681	6PLS N0702	BONDED SEAL			
88100	SR88100	ADAPTER,OIL DRAIN,GM 3.0L			
88311	1JS43-20-20	HOSE END,FEMALE SWIVEL,SEAL LOK			
88353	20 V5OLO-S	ELBOW,45°,STRAIGHT THREAD TO ORFS			
88474	10081-20	Crimp Shell, 1.25"			
88475	1988-20-24	HOSE END,90° FLANGE HEAD			
88476	JS88-24-24	HOSE END,FEMALE SWIVEL,SEAL LOK			
88477	1JC88-20-20	HOSE END,FEMALE SWIVEL,SEAL LOK			
88478	811-20	HOSE,11/4 INCH ID			
88936	20-16 F5OLO-S	CONNECTOR,STRAIGHT THREAD TO ORFS			
88937	20-16 FLO-S	CONNECTOR,MALE PIPE TO ORFS			
88938	1JC88-16-16	HOSE END,FEMALE SWIVEL,SEAL LOK			
88939	1J988-16-16	HOSE END,90° FEMALE SWIVEL,ORFS			
88940	811-16	HOSE,1 INCH ID			
88944	1J988-20-20	HOSE END,90° FEMALE SWIVEL,ORFS			
89403	16 VLO-S	ELBOW,45°,MALE PIPE TO ORFS			

California Proposition 65



Operating, servicing and maintaining this equipment can expose you to chemicals including engine exhaust, carbon monoxide, phthalates, and lead, which are known to the State of California to cause cancer and birth defects or other reproductive harm. These chemicals can be emitted from or contained in other various parts and systems, fluids and some component wear by-products. To minimize exposure, avoid breathing exhaust, do not idle the engine except as necessary, service your equipment and vehicle in a well-ventilated area and wear gloves or wash your hands frequently when servicing your equipment or vehicle and after operation. For more information go to www.P65Warnings.ca.gov/passenger-vehicle.

Breathing diesel engine exhaust exposes you to chemicals known to the State of California to cause cancer and birth defects or other reproductive harm.

- Always start and operate the engine in a well-ventilated area.
- If in an enclosed area, vent the exhaust to the outside.
- Do not modify or tamper with the exhaust system.
- Do not idle the engine except as necessary.

For more information go to www.P65warnings.ca.gov/diesel.

Distributed By:

www.P65Warnings.ca.gov to order your parts

PARTS FINDER

**Search Website
by Part Number**



**Search Manual
Library For Parts
Manual & Lookup Part
Numbers – Purchase
or Request Quote**

Search Manuals

Enter your information to help us find the right parts manual for your machine.

* Brand:

* Model:

* Serial:

* Part Number:

SEARCH

**Can't Find Part or
Manual? Request Help
by Manufacturer,
Model & Description**

Parts Order Form

Please fill in the following information to help us find the right part for your machine.

MANUFACTURER:

MODEL:

DESCRIPTION:

DATE:

TIME:

PHONE:

EMAIL:

ADDRESS:

CITY:

STATE:

ZIP:

COUNTRY:

SEARCH

Discount-Equipment.com is your online resource for quality parts & equipment.

Florida: **561-964-4949** Outside Florida TOLL FREE: **877-690-3101**

Need parts?

Click on this link: <http://www.discount-equipment.com/category/5443-parts/> and choose one of the options to help get the right parts and equipment you are looking for. Please have the machine model and serial number available in order to help us get you the correct parts. If you don't find the part on the website or on one of the online manuals, please fill out the request form and one of our experienced staff members will get back to you with a quote for the right part that your machine needs.

We sell worldwide for the brands: Genie, Terex, JLG, MultiQuip, Mikasa, Essick, Whiteman, Mayco, Toro Stone, Diamond Products, Generac Magnum, Airman, Haulotte, Barreto, Power Blanket, Nifty Lift, Atlas Copco, Chicago Pneumatic, Allmand, Miller Curber, Skyjack, Lull, Skytrak, Tsurumi, Husquvarna Target, Stow, Wacker, Sakai, Mi-T-M, Sullair, Basic, Dynapac, MBW, Weber, Bartell, Bennar Newman, Haulotte, Ditch Runner, Menegotti, Morrison, Contec, Buddy, Crown, Edco, Wyco, Bomag, Laymor, EZ Trench, Bil-Jax, F.S. Curtis, Gehl Pavers, Heli, Honda, ICS/PowerGrit, IHI, Partner, Imer, Clipper, MMD, Koshin, Rice, CH&E, General Equipment, Amida, Coleman, NAC, Gradall, Square Shooter, Kent, Stanley, Tamco, Toku, Hatz, Kohler, Robin, Wisconsin, Northrock, Oztec, Toker TK, Rol-Air, APT, Wylie, Ingersoll Rand / Doosan, Innovatech, Con X, Ammann, Mecalac, Makinex, Smith Surface Prep, Small Line, Wanco, Yanmar