



A TEREX BRAND



Parts Manual

Serial Number Range

SX-135 XC

from SN SX135H-101

Part No. 1263381
Rev: C9
September 2019

Go to Discount-Equipment.com to order your parts

PARTS FINDER

**Search Website
by Part Number**



**Search Manual
Library For Parts
Manual & Lookup Part
Numbers – Purchase
or Request Quote**

Search Manuals

Enter your information to help us find the right parts manual for your machine.

* Brand:

* Model:

* Serial:

* Part Number:

SEARCH

**Can't Find Part or
Manual? Request Help
by Manufacturer,
Model & Description**

Parts Order Form

Please fill in the following information to help us find the right part for your machine.

Manufacturer:	<input type="text"/>
Model:	<input type="text"/>
Description:	<input type="text"/>
Part Number:	<input type="text"/>
Quantity:	<input type="text"/>
Notes:	<input type="text"/>

Submit

Discount-Equipment.com is your online resource for quality parts & equipment.

Florida: **561-964-4949** Outside Florida TOLL FREE: **877-690-3101**

Need parts?

Click on this link: <http://www.discount-equipment.com/category/5443-parts/> and choose one of the options to help get the right parts and equipment you are looking for. Please have the machine model and serial number available in order to help us get you the correct parts. If you don't find the part on the website or on one of the online manuals, please fill out the request form and one of our experienced staff members will get back to you with a quote for the right part that your machine needs.

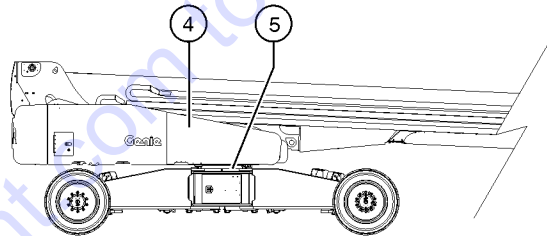
We sell worldwide for the brands: Genie, Terex, JLG, MultiQuip, Mikasa, Essick, Whiteman, Mayco, Toro Stone, Diamond Products, Generac Magnum, Airman, Haulotte, Barreto, Power Blanket, Nifty Lift, Atlas Copco, Chicago Pneumatic, Allmand, Miller Curber, Skyjack, Lull, Skytrak, Tsurumi, Husquvarna Target, Stow, Wacker, Sakai, Mi-T-M, Sullair, Basic, Dynapac, MBW, Weber, Bartell, Bennar Newman, Haulotte, Ditch Runner, Menegotti, Morrison, Contec, Buddy, Crown, Edco, Wyco, Bomag, Laymor, EZ Trench, Bil-Jax, F.S. Curtis, Gehl Pavers, Heli, Honda, ICS/PowerGrit, IHI, Partner, Imer, Clipper, MMD, Koshin, Rice, CH&E, General Equipment, Amida, Coleman, NAC, Gradall, Square Shooter, Kent, Stanley, Tamco, Toku, Hatz, Kohler, Robin, Wisconsin, Northrock, Oztec, Toker TK, Rol-Air, APT, Wylie, Ingersoll Rand / Doosan, Innovatech, Con X, Ammann, Mecalac, Makinex, Smith Surface Prep, Small Line, Wanco, Yanmar

Genie
A TEREX BRAND

Model:
Serial number: SX135H-12345
Year of manufacture: 2016
Electrical schematic number:
Machine unladen weight:
Rated work load (including occupants):
Maximum number of platform occupants:
Maximum allowable side force :
Maximum allowable inclination of the chassis:

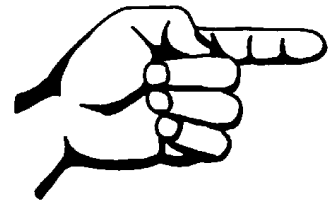
SX135 H -12345

1 2 3



- 1 Model
- 2 Facility code
- 3 Sequence number
- 4 Serial label (located under cover)
- 5 Serial number (stamped on chassis)

Please refer to section 001 for the Recommended
Spare Parts List.



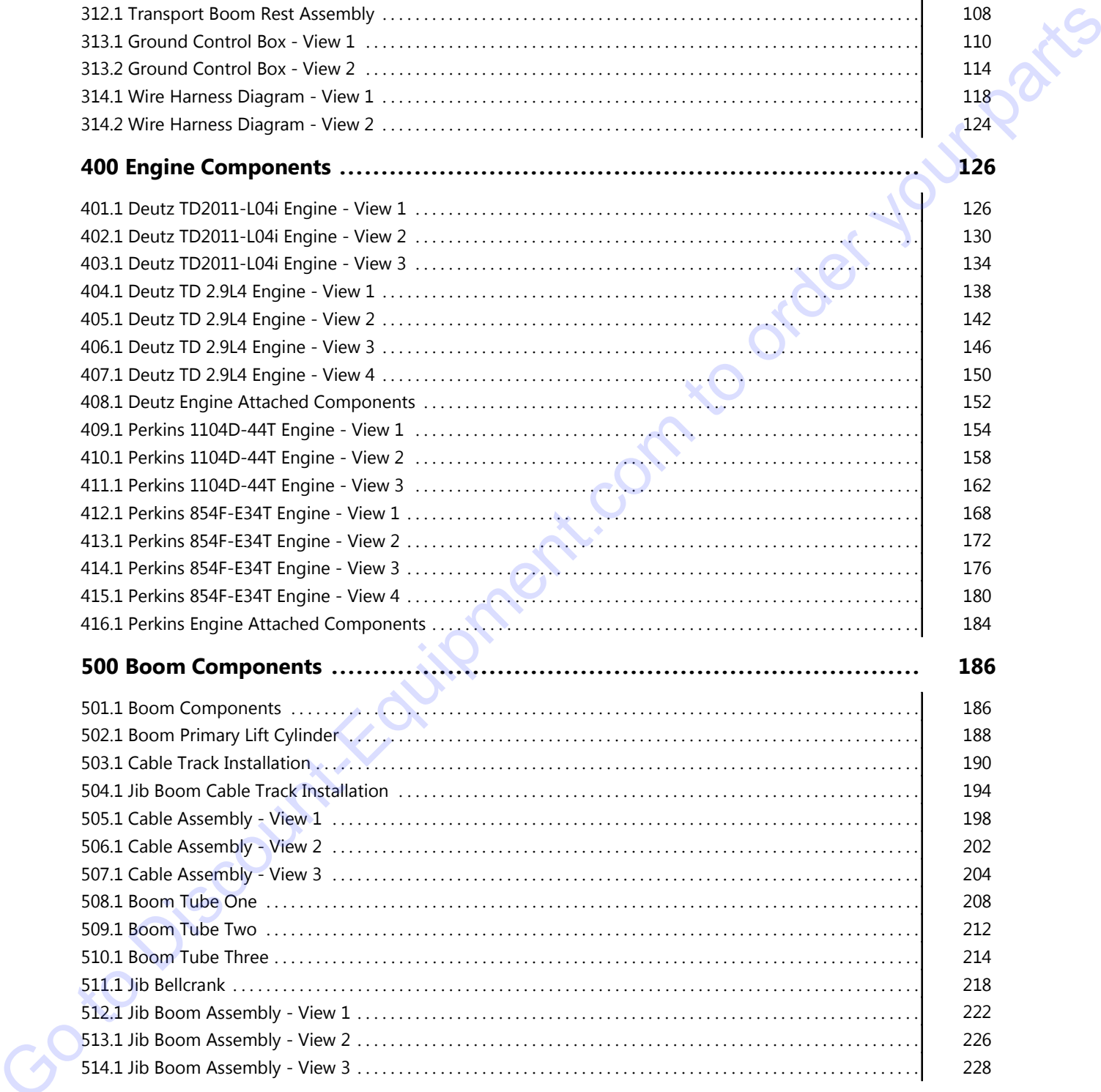
This page intentionally left blank.

Go to Discount-Equipment.com to order your parts

Description	Page
001 Parts Stocking List	12
001.1 Parts Stocking List	12
100 Decal	16
101.1 Decals with Words, Hydraulic Tank Side (ANSI & Australia)	16
102.1 Decals with Words, Hydraulic Tank Side (chassis) (ANSI & Australia)	18
103.1 Decals with Words, Engine Side (ANSI & Australia)	20
104.1 Decals with Words, Engine Side (chassis) (ANSI & Australia)	24
105.1 Decals with Words, Boom (ANSI & Australia)	26
106.1 Decals with Words, Platform (ANSI & Australia)	28
107.1 Decals with Symbols, Hydraulic Tank Side (ANSI & CE)	30
108.1 Decals with Symbols, Hydraulic Tank Side (chassis) (ANSI & CE)	32
109.1 Decals with Symbols, Engine Side (ANSI & CE)	34
110.1 Decals with Symbols, Engine Side (chassis) (ANSI & CE)	36
111.1 Decals with Symbols, Boom (ANSI & CE)	38
112.1 Decals with Symbols, Platform (ANSI & CE)	40
200 Chassis Components	42
201.1 Chassis Components, Top View	42
202.1 Chassis Components, Bottom View	44
203.1 Chassis Components, Tank Side	48
204.1 Chassis Components, Engine Side	52
205.1 Steer Yoke, Wheel Drive and Motor	56
300 Turntable Components	60
301.1 Turntable Center Components - View 1	60
302.1 Turntable Center Components - View 2	64
303.1 Turntable Covers - Engine Side	68
303.2 Turntable Covers - Engine Side	70
304.1 Engine Side Components, Fuel Tank	74
305.1 Engine Side, Hose Clamps and Guides	76
306.1 Engine Side, Welder GEN. Bulkhead Assembly	78
307.1 Welder Generator Enclosure (7.5 kW, 208/120 60HZ)	84
307.2 Welder Generator Enclosure (12 kW, 208/120 60HZ)	86
307.3 Welder Generator Enclosure (7.5 KW,230VAC,1PH,50HZ,AU)	88
307.4 Generator Enclosure (3.0 kW)	90
308.1 Turntable Covers - Tank Side	92
308.2 Turntable Covers - Tank Side	94
309.1 Tank Side, Swing Drive, Hose Clamps and Guides	98
310.1 Tank Side, Battery Bulkhead Assembly	102
311.1 Hydraulic Tank Components	104

Table of Contents

Description	Page
312.1 Transport Boom Rest Assembly	108
313.1 Ground Control Box - View 1	110
313.2 Ground Control Box - View 2	114
314.1 Wire Harness Diagram - View 1	118
314.2 Wire Harness Diagram - View 2	124
400 Engine Components	126
401.1 Deutz TD2011-L04i Engine - View 1	126
402.1 Deutz TD2011-L04i Engine - View 2	130
403.1 Deutz TD2011-L04i Engine - View 3	134
404.1 Deutz TD 2.9L4 Engine - View 1	138
405.1 Deutz TD 2.9L4 Engine - View 2	142
406.1 Deutz TD 2.9L4 Engine - View 3	146
407.1 Deutz TD 2.9L4 Engine - View 4	150
408.1 Deutz Engine Attached Components	152
409.1 Perkins 1104D-44T Engine - View 1	154
410.1 Perkins 1104D-44T Engine - View 2	158
411.1 Perkins 1104D-44T Engine - View 3	162
412.1 Perkins 854F-E34T Engine - View 1	168
413.1 Perkins 854F-E34T Engine - View 2	172
414.1 Perkins 854F-E34T Engine - View 3	176
415.1 Perkins 854F-E34T Engine - View 4	180
416.1 Perkins Engine Attached Components	184
500 Boom Components	186
501.1 Boom Components	186
502.1 Boom Primary Lift Cylinder	188
503.1 Cable Track Installation	190
504.1 Jib Boom Cable Track Installation	194
505.1 Cable Assembly - View 1	198
506.1 Cable Assembly - View 2	202
507.1 Cable Assembly - View 3	204
508.1 Boom Tube One	208
509.1 Boom Tube Two	212
510.1 Boom Tube Three	214
511.1 Jib Bellcrank	218
512.1 Jib Boom Assembly - View 1	222
513.1 Jib Boom Assembly - View 2	226
514.1 Jib Boom Assembly - View 3	228
600 Platform Components	230
601.1 Platform Installation - View 1	230



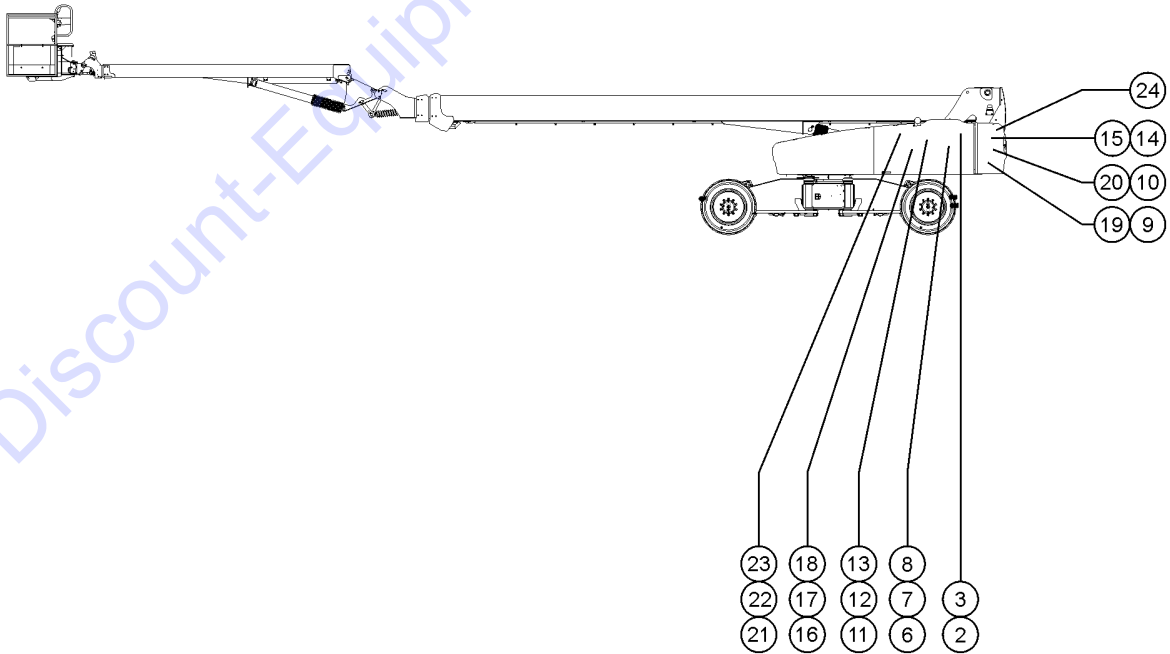
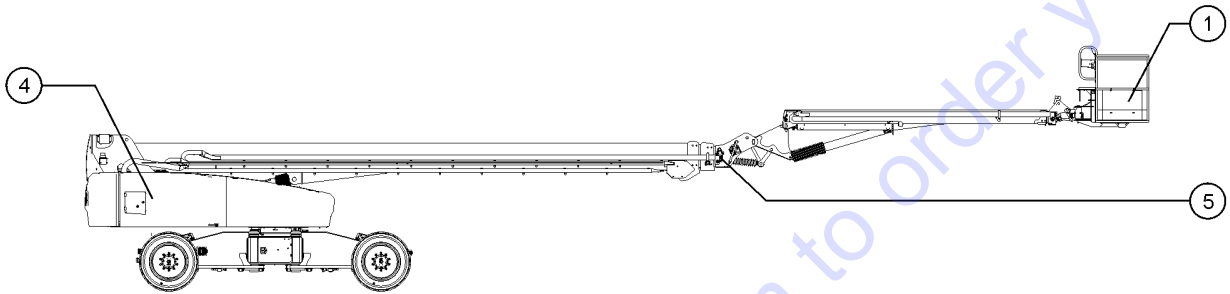
Description	Page
602.1 Platform Installation - View 2	234
602.2 Platform Installation (From SX135H-404)	238
603.1 Platform Controls	242
604.1 Platform J Box Assembly	248
605.1 Joysticks	250
700 Hydraulic Components	252
701.1 Traction Manifold	252
702.1 Steer and Axle Manifold	256
703.1 Function Manifold	262
704.1 Jib and Rotation Manifolds	266
705.1 Generator Manifold and Function Enable Valve	270
706.1 Platform Manifold	272
707.1 Hydraulic Components	274
708.1 Hydraulic Hoses and Fittings - Drive System	276
709.1 Hydraulic Hoses and Fittings - Steering System	280
710.1 Hydraulic Hoses and Fittings - Turntable	282
711.1 Hydraulic Hoses and Fittings - Turntable	288
712.1 Hydraulic Hoses and Fittings - Boom Components	292
800 Accessories	296
801.1 Platform Accessories	296
801.2 Half-Mesh and Pipe Cradle Options	298
802.1 Operator Protection Structure	300
803.1 Platform Control Box Cover	302
804.1 Drive and Work Light Package	304
805.1 Engine Air Precleaner	306
806.1 Air Line to Platform	308
806.2 Airline to Platform	310
807.1 Cold Start Package	312
808.1 Ground Control LCD Heater	314
809.1 Platform Level Recovery and Rocker Joystick	316
810.1 Welder Option	318
811.1 Fall Arrest Bar	322
812.1 Operators Protection Alarm (to January 2017)	324
812.2 Lift Guard Contact Alarm Option (from January 2017)	328
813.1 Panel Cradle Option	332
814.1 Hostile Package - View 1	334
815.1 Hostile Package - View 2	336
816.1 Aircraft Protection Package	338
817.1 Aircraft Protection Package with Swing Gate	342
818.1 Pass Option, Deutz TD2.9	346

Table of Contents

Description	Page
Part Number Index	348

Go to Discount-Equipment.com to order your parts

001.1 Parts Stocking List

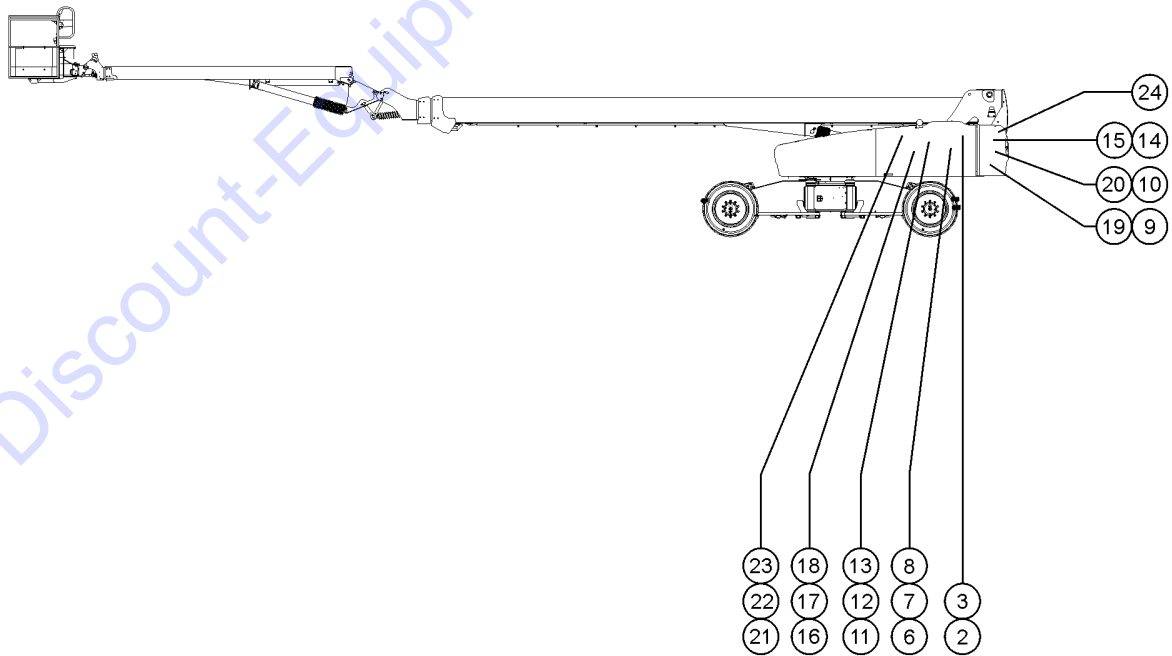
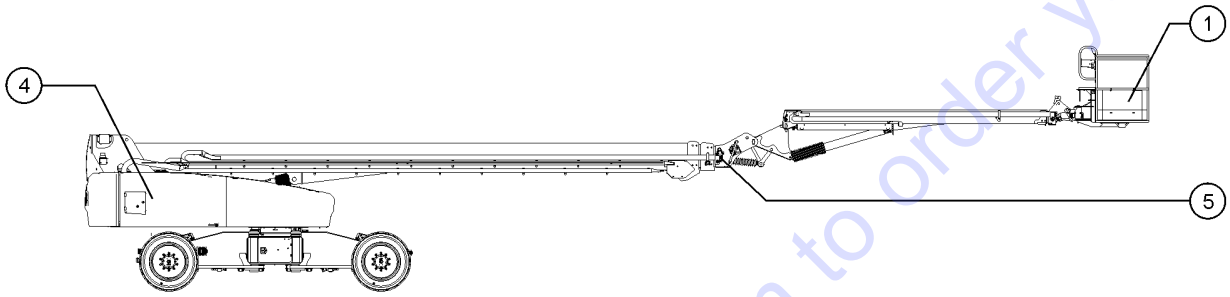


Go to Discount-Equipment.com to order your parts

Item	Part No.	Description	Qty.
A-	1484GT	PAINT,AEROSOL,BRIGHT BLUE*** 12-ounce spray paint	
A-	1268GT	PAINT,AEROSOL,GENIE GRAY*** 12-ounce spray paint	
A-	1258567GT	PAINT, AEROSOL, TRAFFIC BLACK 12-ounce spray paint	
A-	32150GT	PAINT,WET,GENIE BLUE (1 GL)** 1-gallon	
A-	32151GT	PAINT,WET,GENIE GRAY (1 GL)** 1-gallon	
A-	1257733GT	PAINT,WET,TRAFFIC BLACK (1 GL)** 1-gallon	
A-	60536GT	FUSE,20 AMP,MAXI (refer to figure 307.1)	
A-	94327GT	FUSE,30 AMP (refer to figure 307.1)	
A-	66399GT	GREASE,DIELECTRIC 4 OZ**	
A-	1283776GT	SEAL MARKER,CROSS CHECK,BLUE,TUBE	
A-	93500GT	PARKER DIGITAL PRESSURE GAUGE	
A-	49612GT	O-RING KIT (ORFS FITTINGS) O-ring kit, Parker	
A-	28750GT	O-RING KIT,FIELD SVC,ALL PROD* O-ring kit, SAE	
A-	33994GT	PLUG AND CAP KIT-SERVICE,37 ** Plug and cap kit, SAE	
1	27581GT	MANUAL,AEM SAFETY	
1-	31779GT	MANUAL,RESPON,A92.5 BOOM	
2	60857GT	FILTER,ELEMENT,BETA(5)=1000 All Models	
3	131323GT	FILTER ELEMENT,10 MICRON All Models	
4	236037GT	RETURN FILTER, ELEMENT, 10 MIC All Models	
5	1271917GT	KIT,ELEMENT-5MIC (55) All Models (Located on Boom # 3, refer to 510.1)	
		Deutz TD2011-L04i Models	
6	49924GT	FILTER,OIL,DEUTZ F4L1011F Deutz TD2011-L04i Models (refer to 401.1)	
7	108543GT	FILTER / FUEL / SPIN-ON Deutz TD2011-L04i Models (refer to 402.1)	
8	29560GT	FILTER,FUEL/WTR SEP, DTZ 1008 Deutz TD2011-L04i Models (refer to 401.1)	
9	62425GT	FILTER,AIR CLEANER, SUPERBOOM Deutz TD2011-L04i Models (refer to 403.1)	
		Deutz TD 2.9L4 Models	



001.1 Parts Stocking List



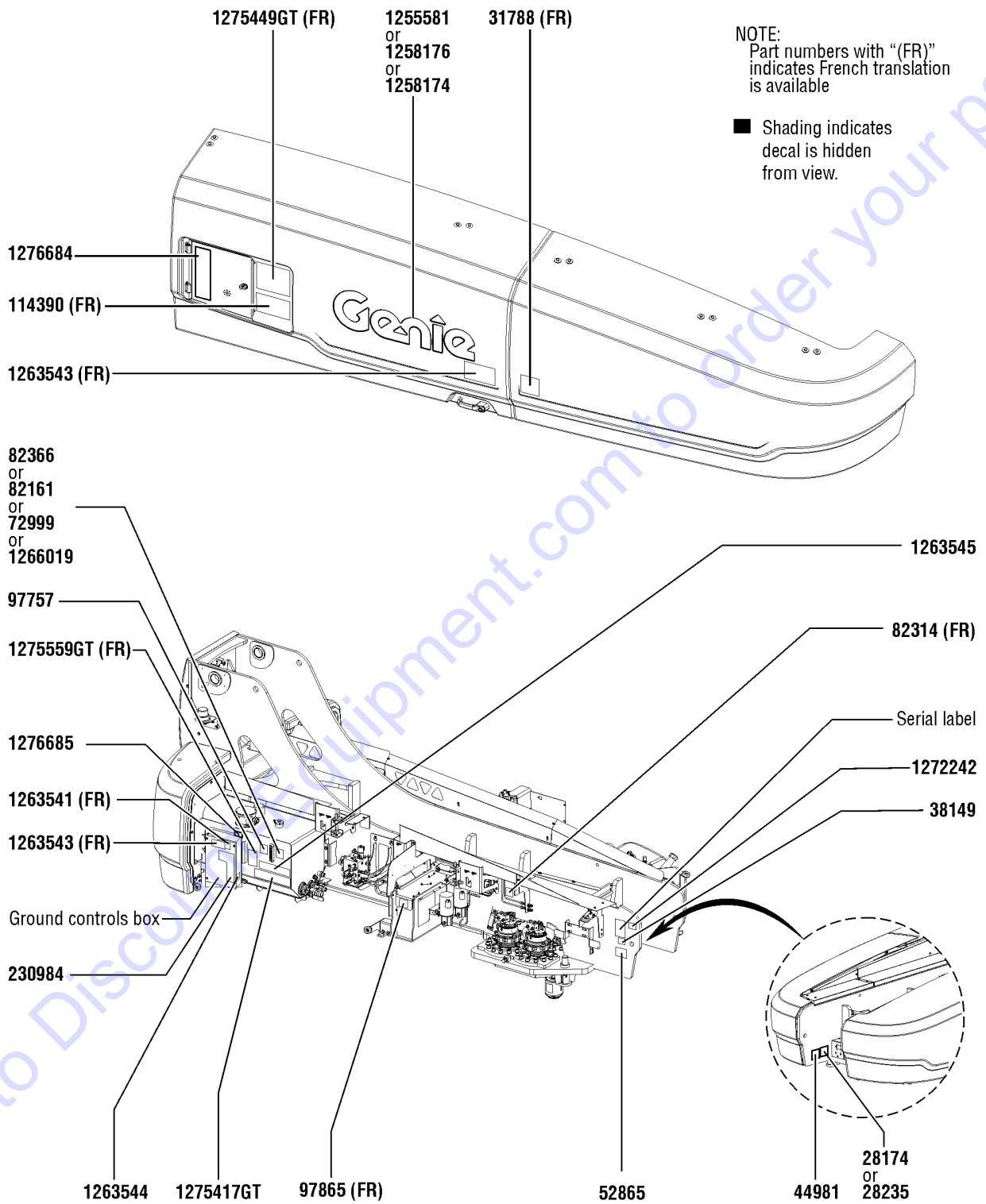
Go to Discount-Equipment.com to order your parts

Item	Part No.	Description	Qty.
10	62420GT	FILTER,AIR*** Deutz TD 2.9L4 Models (refer to 406.1)	
11	214228GT	FILTER, DEUTZ 2.9, FUEL Deutz TD 2.9L4 Models (refer to 406.1)	
12	236260GT	PRE-FILTER,FUEL,DEUTZ TCD3.6 Deutz TD 2.9L4 Models (refer to 407.1)	
13	49924GT	FILTER,OIL,DEUTZ F4L1011F Deutz TD 2.9L4 Models (refer to 407.1)	
14	1262866GT	FAN BELT, ALTERNATOR Deutz TD 2.9L4 Models (refer to 404.1)	
15	1262867GT	V-BELT, DEUTZ Deutz TD 2.9L4 Models (refer to 404.1)	
.....			
Perkins 1104D-44T Models			
16	102632GT	FILTER,OIL,PERKINS 1104C-44 Perkins 1104D-44T Models (refer to 409.1)	
17	62433GT	FILTER,ELEMENT,30 MIC,75020 Perkins 1104D-44T Models (refer to 410.1)	
18	102639GT	FILTER,FUEL, PERKINS 1104C Perkins 1104D-44T Models (refer to 409.1)	
19	62425GT	FILTER,AIR CLEANER, SUPERBOOM Perkins 1104D-44T Models (refer to 410.1)	
20	62420GT	FILTER,AIR*** Perkins 854F-E34T Models (refer to 411.1)	
.....			
Perkins 854F-E34T Models			
21	218811GT	PRE-FILTER,FUEL,854E-E34TA Perkins 854F-E34T Models (refer to 414.1)	
22	218835GT	FILTER,OIL,854E-E34TA Perkins 854F-E34T Models (refer to 414.1)	
23	218809GT	FILTER,FUEL,854E-E34TA Perkins 854F-E34T Models (refer to 414.1)	
24	218834GT	BELT,DRIVE,854E-E34TA Perkins 854F-E34T Models (refer to 415.1)	

Go to DiscountElement.com to order your parts



101.1 Decals with Words, Hydraulic Tank Side (ANSI & Australia)



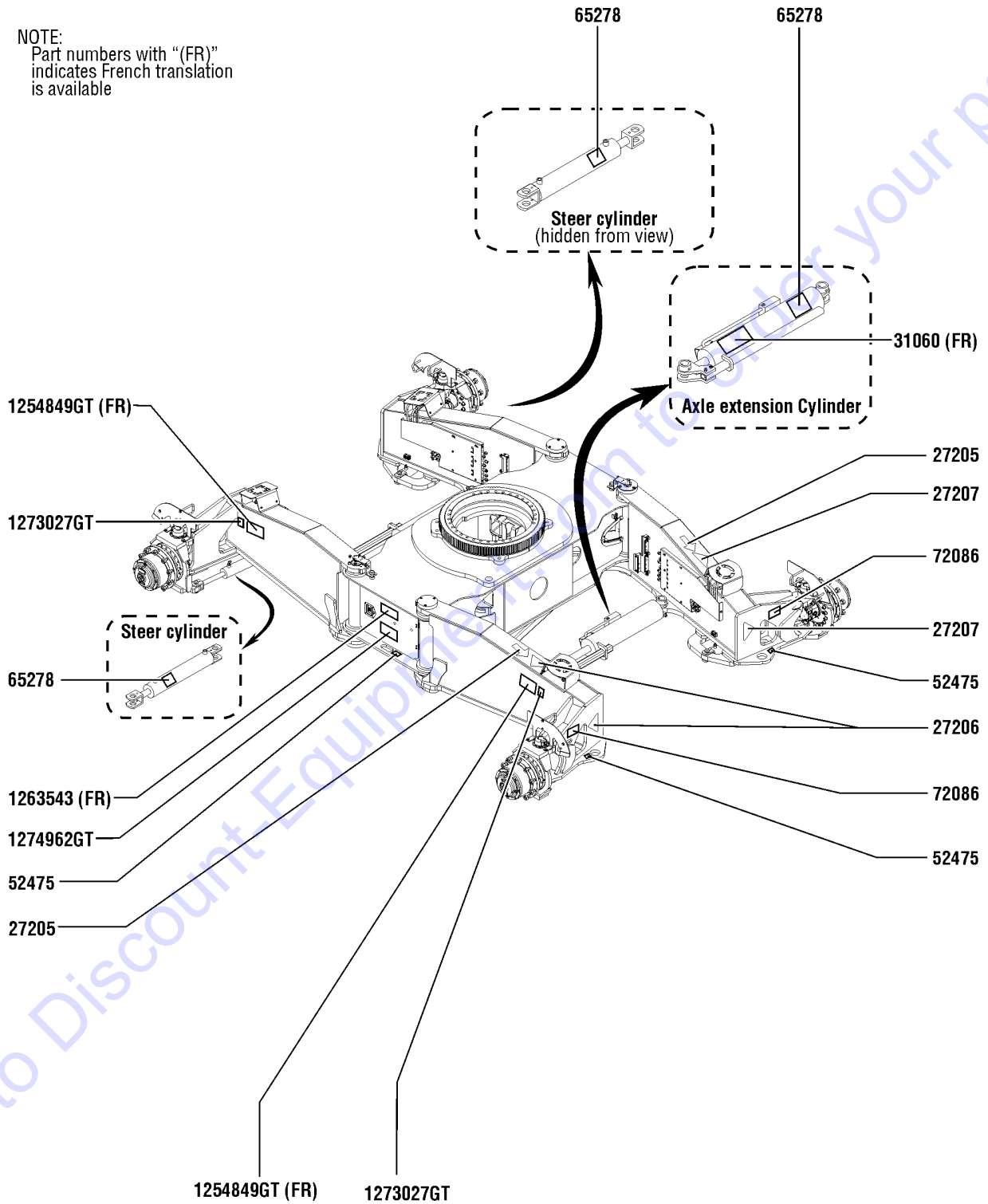
101.1 Decals with Words, Hydraulic Tank Side (ANSI & Australia)

Item	Part No.	Description	Qty.
1	28174GT	DECAL,POWER TO PLATFORM 230V Option, Power to Platform	1
2	28235GT	DECAL,POWER TO PLATFORM 115V Option, Power to Platform	1
3	31788GT	DECAL,DANGER,BATTERY SAFETY***	1
4	38149GT	DECAL,LABEL,PATENTS	1
5	44981GT	DECAL,LABEL,AIRLINE 110 PSI Option, airline to platform	1
6	52865GT	DECAL,ANNUAL INSP***	1
7	72999GT	DECAL,LABEL,PETRO CANADA*** Option, hydraulic oil	1
8	82161GT	DECAL,LABEL,UCON HYDROLUBE Option, hydraulic oil	1
9	82314GT	DECAL,DANGER,TIP-OVER	1
10	82366GT	DECAL,CHEVRON RANDO HD Option, hydraulic oil	1
11	97757GT	DECAL,LABEL,OIL LEVEL IND	1
12	97865GT	DECAL,WARN,ELECTRO HAZARD	1
13	114390GT	DECAL,DANGER,ELECT HAZARD***	1
14	230984GT	DECAL, GROUND CONTROL SPX	1
15	1255581GT	DECAL COSMETIC,10" GENIE BLUE	1
16	1258174GT	DECAL COSMETIC,10" GENIE WHITE	1
17	1258176GT	DECAL COSMETIC,10" GENIE BLACK	1
18	1263541GT	DECAL, TIP OVER HAZARD	1
19	1263543GT	DECAL,COMPARTMENT ACCESS	2
20	1263544GT	DECAL, BYPASS KEY SWITCH	1
21	1263545GT	DECAL, INSTR-BYPASS KEY SWITCH	1
22	1266019GT	DECAL, LABEL, SHELL TELLUS Option, hydraulic oil	1
23	1275417GT	DECAL,LABEL,TRANSPORT STOWING,SX-135XC	1
24	1275449GT	DECAL,OPERATING INSTRUCTIONS	1
25	1275559GT	DECAL,DANGER,ELECT HAZARD	1
26	1276684GT	DECAL, STOW PROCEDURE, GROUND BOX	1
27	1276685GT	DECAL, STOW LIGHT	1
28	1272242GT	DECAL,MACHINE REGISTRATION/OWN	1



102.1 Decals with Words, Hydraulic Tank Side (chassis) (ANSI & Australia)

NOTE:
Part numbers with "(FR)"
indicates French translation
is available



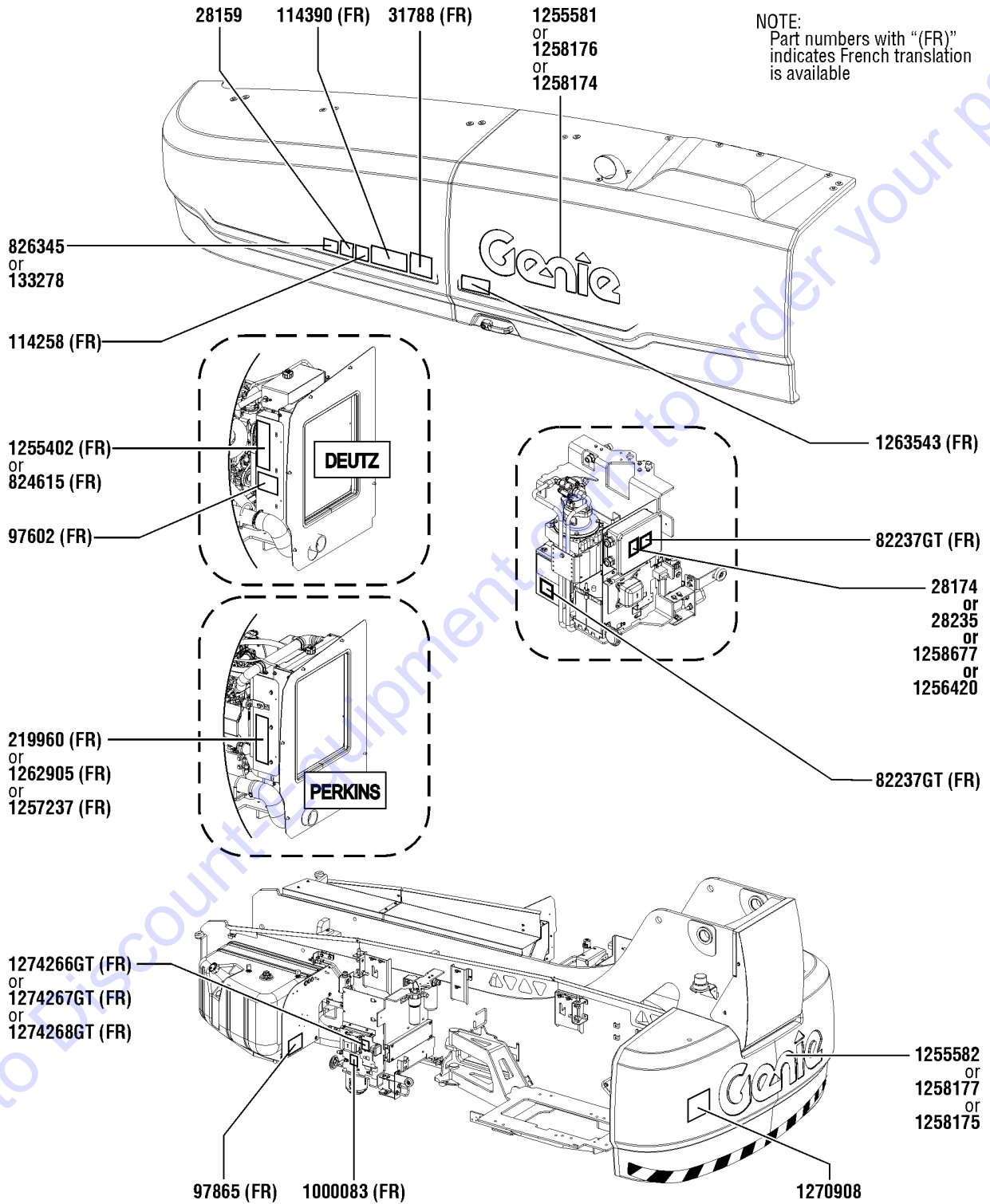
102.1 Decals with Words, Hydraulic Tank Side (chassis) (ANSI & Australia)
Qty.

Item	Part No.	Description	Qty.
1	27205GT	DECAL,ARROW YELLOW LRG 9"	2
2	27206GT	DECAL,TRIANGLE,BLUE	2
3	27207GT	DECAL,TRIANGLE,YELLOW	2
4	31060GT	DECAL,DANGER DO NOT ALTER SWTC	1
5	52475GT	DECAL,LABEL,TRANSPORT TIEDOWN*	3
6	65278GT	DECAL,CAUTION,NO STEP	3
7	72086GT	DECAL,LABEL,LIFTING EYE	2
8	1263543GT	DECAL,COMPARTMENT ACCESS	1
9	1254849GT	DECAL,DANGER/NOTICE,TIRESPECS,SX180	2
10	1273027GT	DECAL,LABEL,WHEEL LOAD,SX-135	2
11	1274962GT	DECAL,LABEL,TRANSPORT DIAGRAM,SUPER X	1

Go to Discount-Equipment.com to order your parts



103.1 Decals with Words, Engine Side (ANSI & Australia)

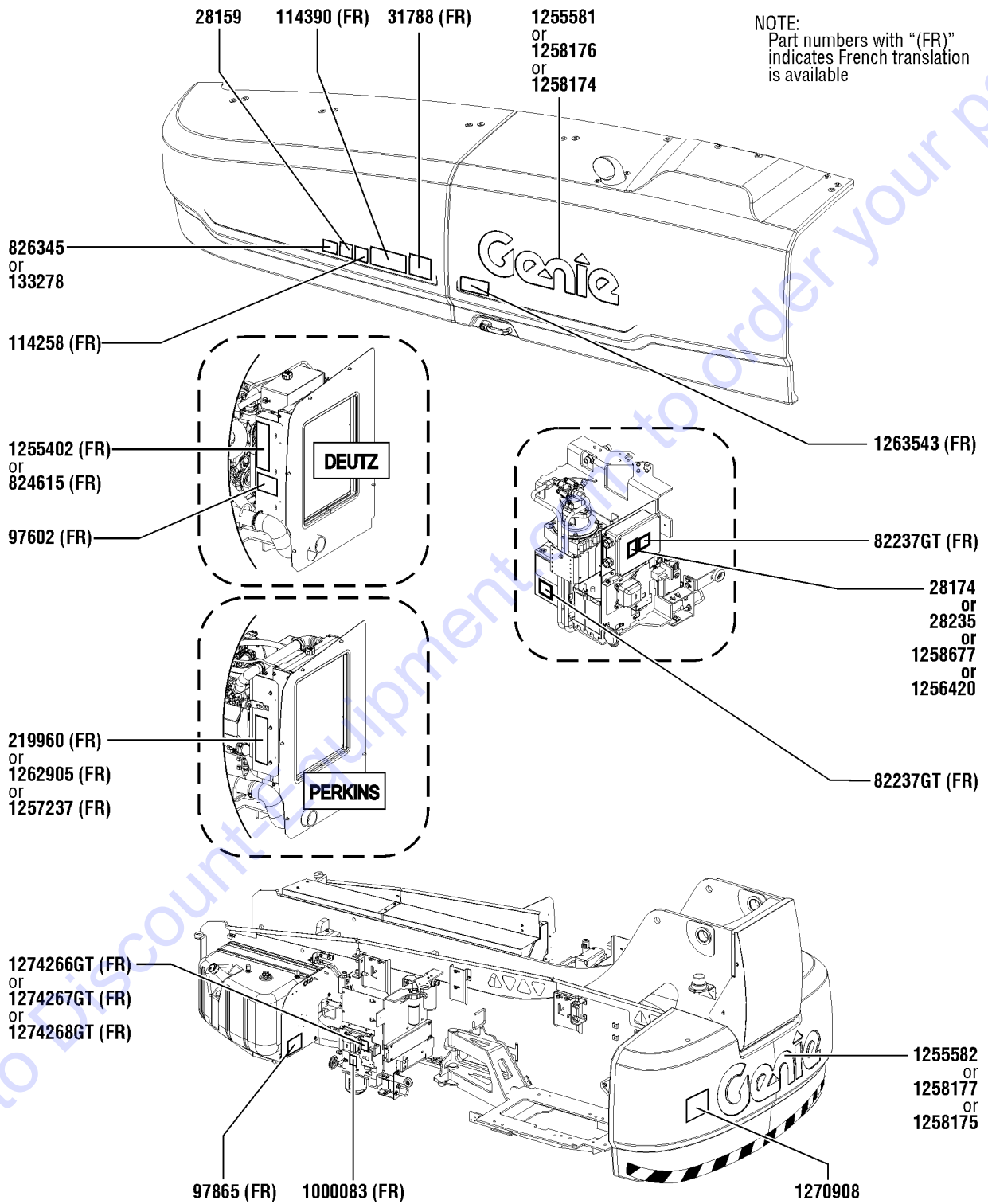


103.1 Decals with Words, Engine Side (ANSI & Australia)

Item	Part No.	Description	Qty.
1	28159GT	DECAL,DIESEL	1
2	28174GT	DECAL,POWER TO PLATFORM 230V Option, Power to Platform	1
3	28235GT	DECAL,POWER TO PLATFORM 115V Option, Power to Platform	1
4	31788GT	DECAL,DANGER,BATTERY SAFETY***	1
5	97602GT	DECAL,EXPLOSION HAZARD	1
6	97865GT	DECAL,WARN,ELECTRO HAZARD	1
7	114258GT	DECAL,DANGER,NO SMOKING	1
8	114390GT	DECAL,DANGER,ELECT HAZARD***	1
9	133278GT	DECAL,LOW/ULTRA LOW SULFR FUEL Perkins 1104D-44T, Deutz TD201104i	1
10	219960GT	DECAL,NOTICE,PERKINS ENGINE Perkins 1104D-44T	1
11	824615GT	DECAL,ENGINE SPEC,DEUTZ TD2.9 Deutz D 2.9i4	1
12	826345GT	DECAL,ULS DIESEL ONLY,TIER 4 Perkins 854TF, Deutz D 2.9i4	1
13	1000083GT	DECAL,NOTICE,START/CONTRL BATT	1
14	1255402GT	DECAL,ENGINE SPEC,DEUTZ TD2011 Deutz TD201104i	1
15	1255581GT	DECAL COSMETIC,10" GENIE BLUE	1
16	1255582GT	DECAL COSMETIC,15" GENIE BLUE	1
17	1257237GT	DECAL,ENGINE SPEC,854TF,TIER IV	1
18	1258174GT	DECAL COSMETIC,10" GENIE WHITE	1
19	1258175GT	DECAL COSMETIC,15" GENIE WHITE	1
20	1258176GT	DECAL COSMETIC,10" GENIE BLACK	1
21	1258177GT	DECAL COSMETIC,15" GENIE BLACK	1
22	1262905GT	DECAL,NOTICE,PERKINS ENGINE	1
23	1263543GT	DECAL,COMPARTMENT ACCESS	1
24	1270908GT	GENIE '50 YEARS" 11 X 10,GENIE	1
25	1274266GT	DECAL,VEC,DEUTZ 2.9	1
26	1274267GT	DECAL,VEC,PERKINS 854	1
27	1274268GT	DECAL,VEC,DEUTZTD2011/PERK1104	1
28	82237GT	DECAL,DANGER,HIGH VOLTAGE Option, generator	2



103.1 Decals with Words, Engine Side (ANSI & Australia)



103.1 Decals with Words, Engine Side (ANSI & Australia)

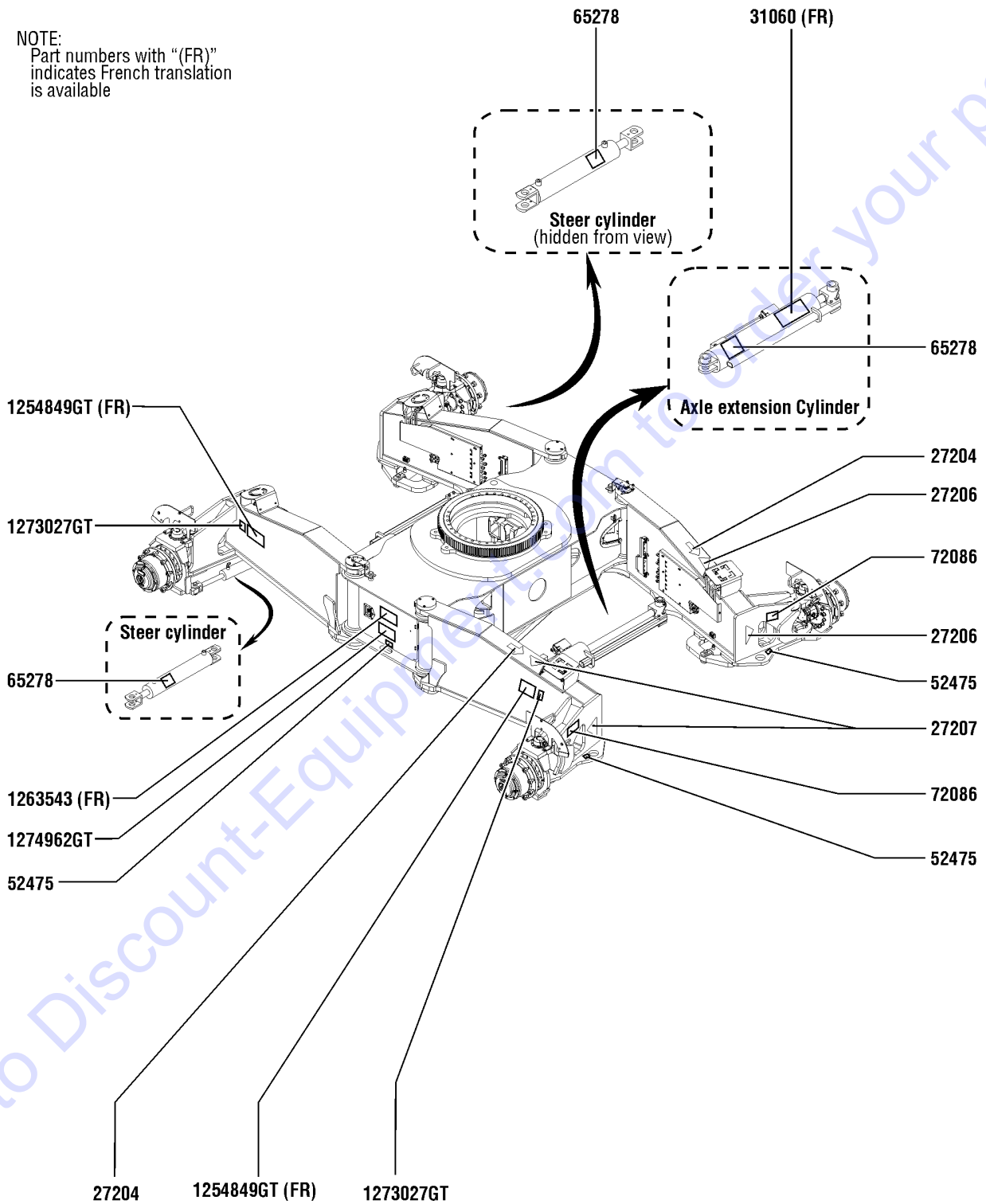
<i>Item</i>	<i>Part No.</i>	<i>Description</i>	<i>Qty.</i>
29	1258677GT	DECAL, POWER TO PLATFORM, 240V 50HZ	1
30	1256420GT	DECAL, POWER TO PLATFORM, 208V/115V 60HZ	1

Go to Discount-Equipment.com to order your parts



104.1 Decals with Words, Engine Side (chassis) (ANSI & Australia)

NOTE:
Part numbers with "(FR)"
indicates French translation
is available



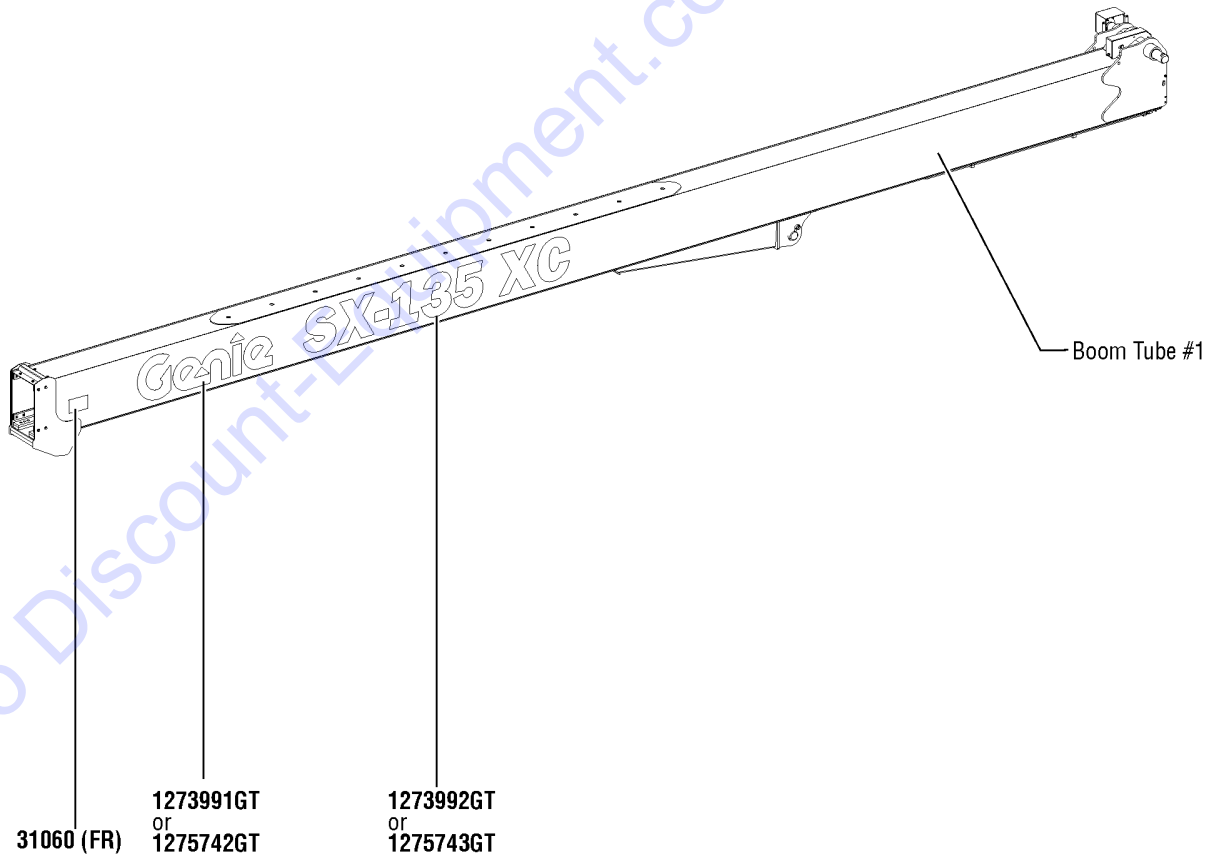
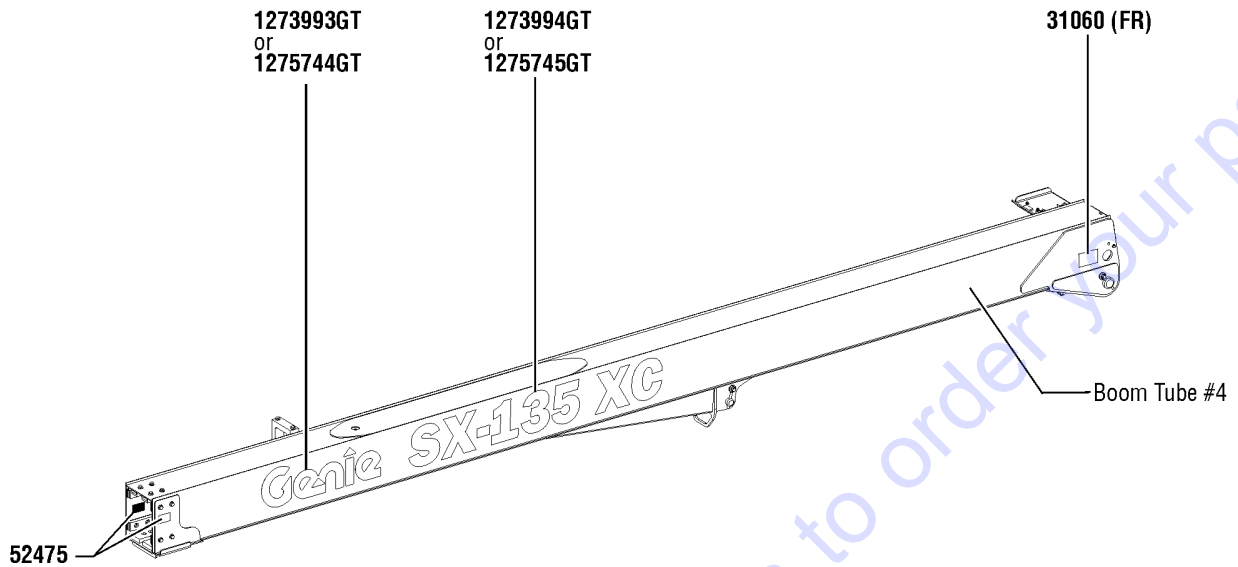
104.1 Decals with Words, Engine Side (chassis) (ANSI & Australia)

Item	Part No.	Description	Qty.
1	27204GT	DECAL,ARROW BLUE	2
2	27206GT	DECAL,TRIANGLE,BLUE	2
3	27207GT	DECAL,TRIANGLE,YELLOW	2
4	31060GT	DECAL,DANGER DO NOT ALTER SWTC	1
5	52475GT	DECAL,LABEL,TRANSPORT TIEDOWN*	3
6	65278GT	DECAL,CAUTION,NO STEP	3
7	72086GT	DECAL,LABEL,LIFTING EYE	2
8	1263543GT	DECAL,COMPARTMENT ACCESS	1
9	1254849GT	DECAL,DANGER/NOTICE,TIRESPECS,SX180	2
10	1273027GT	DECAL,LABEL,WHEEL LOAD,SX-135	2
11	1274962GT	DECAL,LABEL,TRANSPORT DIAGRAM,SUPER X	1

Go to Discount-Equipment.com to order your parts



105.1 Decals with Words, Boom (ANSI & Australia)



105.1 Decals with Words, Boom (ANSI & Australia)

Item	Part No.	Description	Qty.
1	31060GT	DECAL,DANGER DO NOT ALTER SWTC	2
2	52475GT	DECAL,LABEL,TRANSPORT TIEDOWN*	2
3	1273991GT	DECAL,WHITE COSMETIC,GENIE	1
4	1273992GT	DECAL,WHITE COSMETIC,SX-135	1
5	1273993GT	DECAL,WHITE COSMETIC,GENIE	1
6	1273994GT	DECAL,WHITE COSMETIC,SX-135	1
7	1275742GT	DECAL,BLUE COSMETIC,GENIE	1
8	1275743GT	DECAL,BLUE COSMETIC,SX-135	1
9	1275744GT	DECAL,BLUE COSMETIC,GENIE	1
10	1275745GT	DECAL,BLUE COSMETIC,SX-135	1

Go to Discount-Equipment.com to order your parts

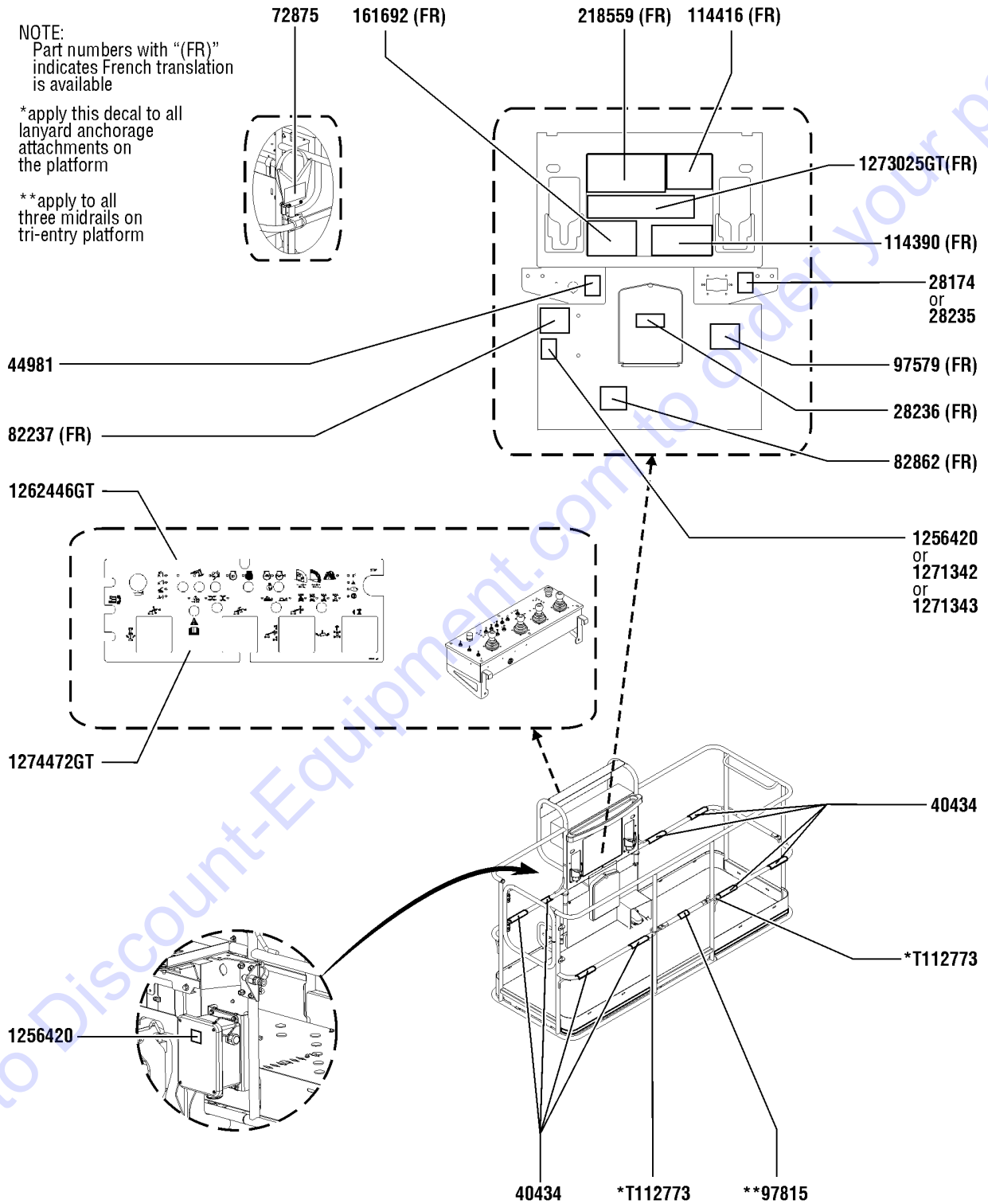


106.1 Decals with Words, Platform (ANSI & Australia)

NOTE:
Part numbers with "(FR)" indicates French translation is available

* apply this decal to all lanyard anchorage attachments on the platform

** apply to all three midrails on tri-entry platform

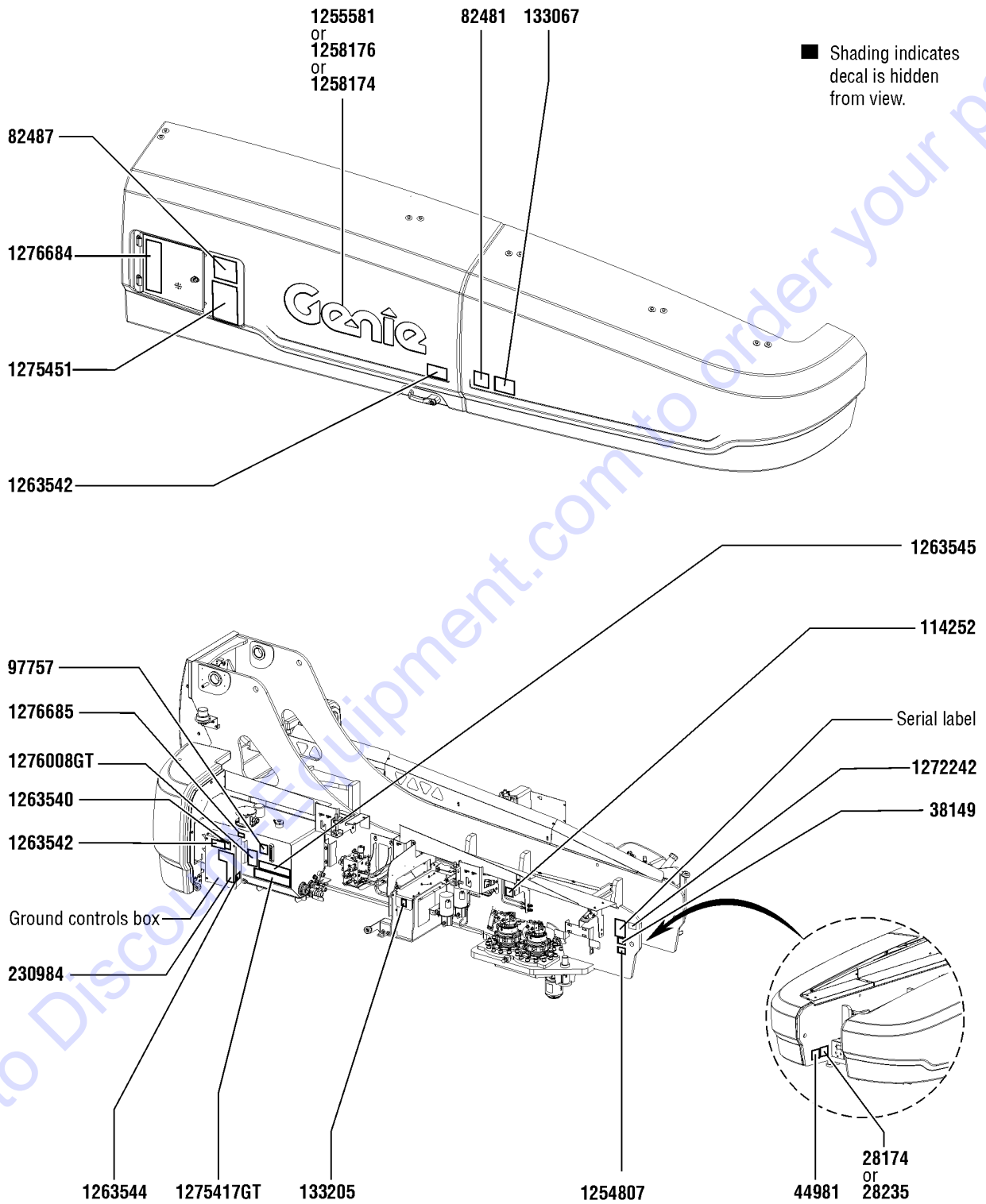


106.1 Decals with Words, Platform (ANSI & Australia)

Item	Part No.	Description	Qty.
1	28174GT	DECAL,POWER TO PLATFORM 230V Option, power to platform	1
2	28235GT	DECAL,POWER TO PLATFORM 115V Option, power to platform	1
3	28236GT	DECAL,WARN,IMPROPER OPERATION	1
4	40434GT	DECAL,LANYARD ANCHORAGE POINT	8
5	44981GT	DECAL,LABEL,AIRLINE 110 PSI Option, airline to platform	1
6	72875GT	DECAL,WARNING,PIPE CRADLE,BOOM Option, pipe cradle	1
7	82237GT	DECAL,DANGER,HIGH VOLTAGE Option, generator	1
8	82862GT	DECAL,FIRE EXTINGUISHER Option, welder	1
9	97579GT	DECAL,DANGER,TIP-OVER,WELDER** Option, welder	1
10	97815GT	DECAL,LABEL,LOWER MIDRAIL	1
11	114390GT	DECAL,DANGER,ELECT HAZARD***	1
12	114416GT	DECAL,DANGER,TIPOVER,TILT	1
13	161692GT	DECAL,SLOPE RATING WORD	1
14	218559GT	DECAL,DANGER/WARNING COMBO	1
15	1256420GT	DECAL, POWER TO PLATFORM, 208V/115V 60HZ Option, AUS generator	2
16	1271342GT	GEN,SX135,7.5kW,208V/120 60Hz Option, AUS generator	1
17	1271343GT	GEN,SX135,12kW,208/120V 60Hz Option, AUS generator	1
18	1262446GT	DECAL,PCON,SX135	1
19	1273025GT	DECAL,TIP-OVER HAZARD	1
20	1274472GT	DECAL,PROTECTIVE COVER,SX-135	1
21	T112773GT	TAPE, PROTECTIVE MASK	2



107.1 Decals with Symbols, Hydraulic Tank Side (ANSI & CE)

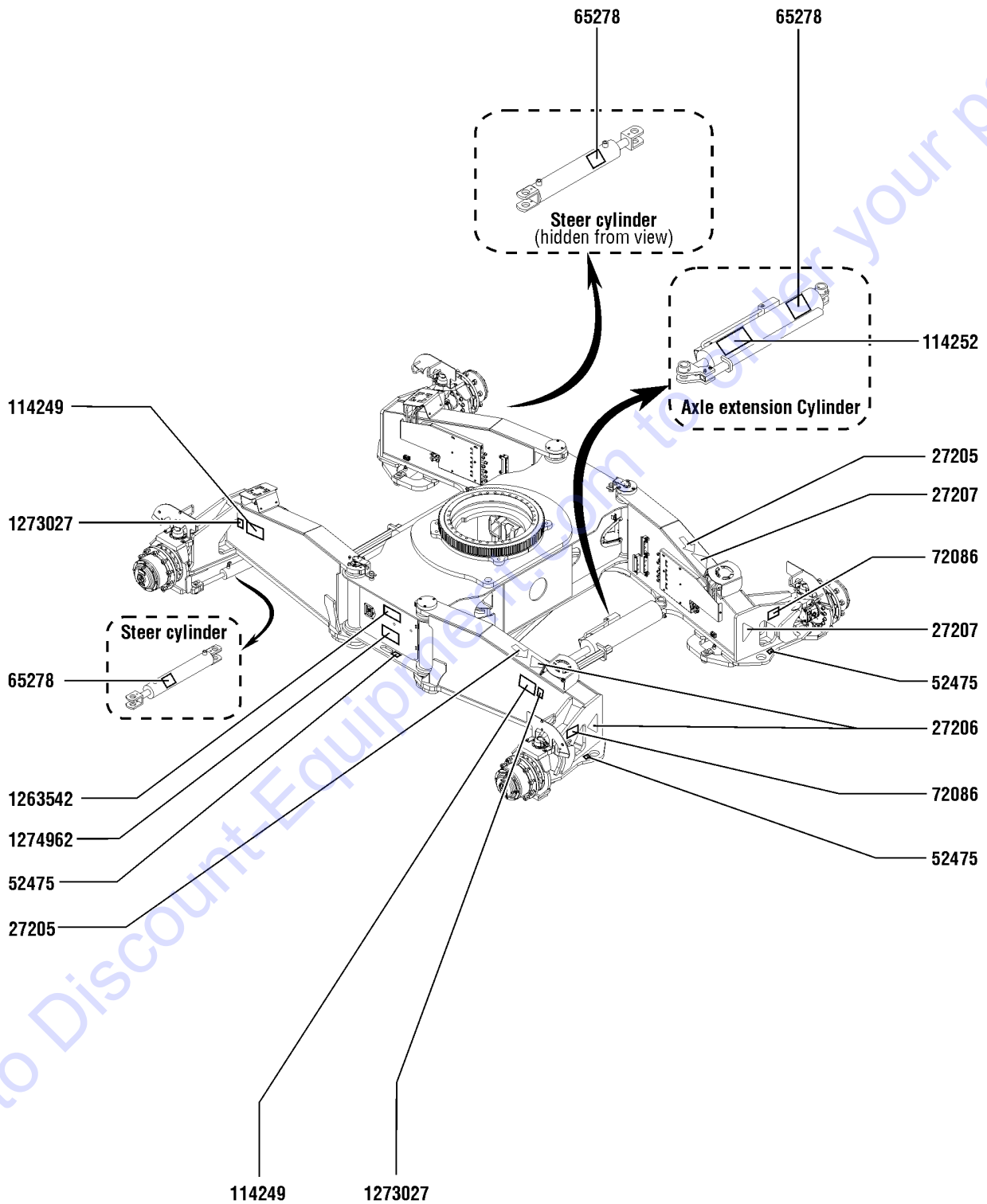


107.1 Decals with Symbols, Hydraulic Tank Side (ANSI & CE)

Item	Part No.	Description	Qty.
1	28174GT	DECAL,POWER TO PLATFORM 230V Option, Power to Platform	1
2	28235GT	DECAL,POWER TO PLATFORM 115V Option, Power to Platform	1
3	38149GT	DECAL,LABEL,PATENTS	1
4	44981GT	DECAL,LABEL,AIRLINE 110 PSI Option, airline to platform	1
5	82481GT	DECAL,SYMBOL-BATTERY SAFETY	1
6	82487GT	DECAL,SYMBOL-READ THE MANUAL	1
7	97757GT	DECAL,LABEL,OIL LEVEL IND	1
8	114252GT	DECAL,LABEL,TIP OVER LMT SWTCH	1
9	133067GT	DECAL,DANGER,ELEC.HAZ.STAY CLR	1
10	133205GT	DECAL,LABEL, ELECTRO HAZARD	1
11	230984GT	DECAL, GROUND CONTROL SPX	1
12	1254807GT	DECAL,LABEL,112 DBNG CE only	1
13	1255581GT	DECAL COSMETIC,10" GENIE BLUE	1
14	1258174GT	DECAL COSMETIC,10" GENIE WHITE	1
15	1258176GT	DECAL COSMETIC,10" GENIE BLACK	1
16	1263540GT	DECAL, TIP OVER HAZARD	1
17	1263542GT	DECAL, COMPARTMENT ACCESS	2
18	1263544GT	DECAL, BYPASS KEY SWITCH	1
19	1263545GT	DECAL, INSTR-BYPASS KEY SWITCH	1
20	1275451GT	DECAL,LABEL,EMERGENCY LOWERING INST CE only	1
21	1275417GT	DECAL,LABEL,TRANSPORT STOWING,SX-135XC	1
22	1276008GT	DECAL,DANGER,ELECT HAZARD,SYMBOL	1
23	1276684GT	DECAL, STOW PROCEDURE, GROUND BOX	1
24	1276685GT	DECAL, STOW LIGHT	1
25	1272242GT	DECAL,MACHINE REGISTRATION/OWN	1



108.1 Decals with Symbols, Hydraulic Tank Side (chassis) (ANSI & CE)



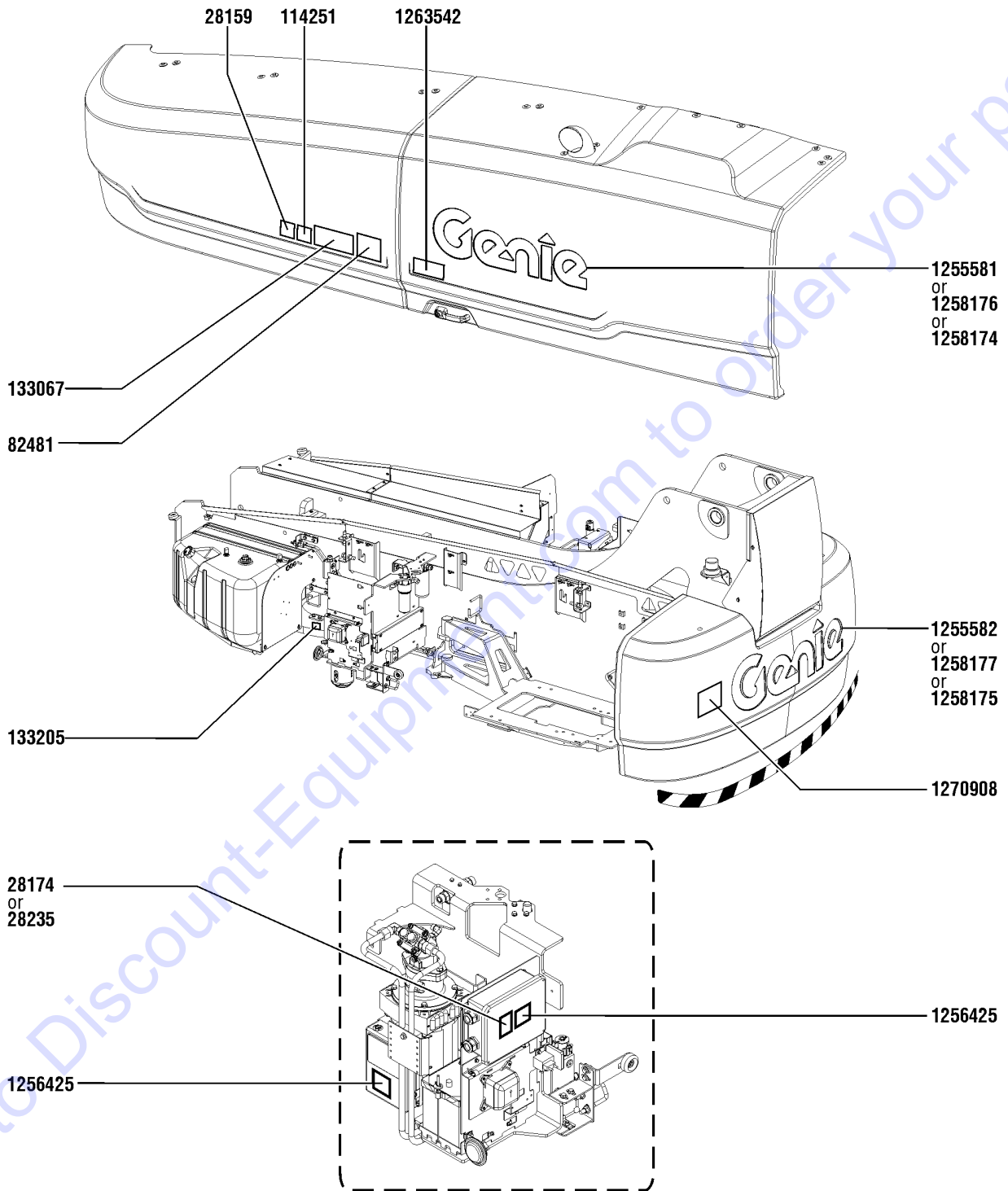
108.1 Decals with Symbols, Hydraulic Tank Side (chassis) (ANSI & CE)

Item	Part No.	Description	Qty.
1	27205GT	DECAL,ARROW YELLOW LRG 9"	2
2	27206GT	DECAL,TRIANGLE,BLUE	2
3	27207GT	DECAL,TRIANGLE,YELLOW	2
4	52475GT	DECAL,LABEL,TRANSPORT TIEDOWN*	3
5	65278GT	DECAL,CAUTION,NO STEP	3
6	72086GT	DECAL,LABEL,LIFTING EYE	2
7	114249GT	DECAL,LABEL,TIPOVER,TIRES,SYMB	2
8	114252GT	DECAL,LABEL,TIP OVER LMT SWITCH	1
9	1263542GT	DECAL, COMPARTMENT ACCESS	1
10	1273027GT	DECAL,LABEL,WHEEL LOAD,SX-135	2
11	1274962GT	DECAL,LABEL,TRANSPORT DIAGRAM,SUPER X	1

Go to Discount-Equipment.com to order your parts



109.1 Decals with Symbols, Engine Side (ANSI & CE)



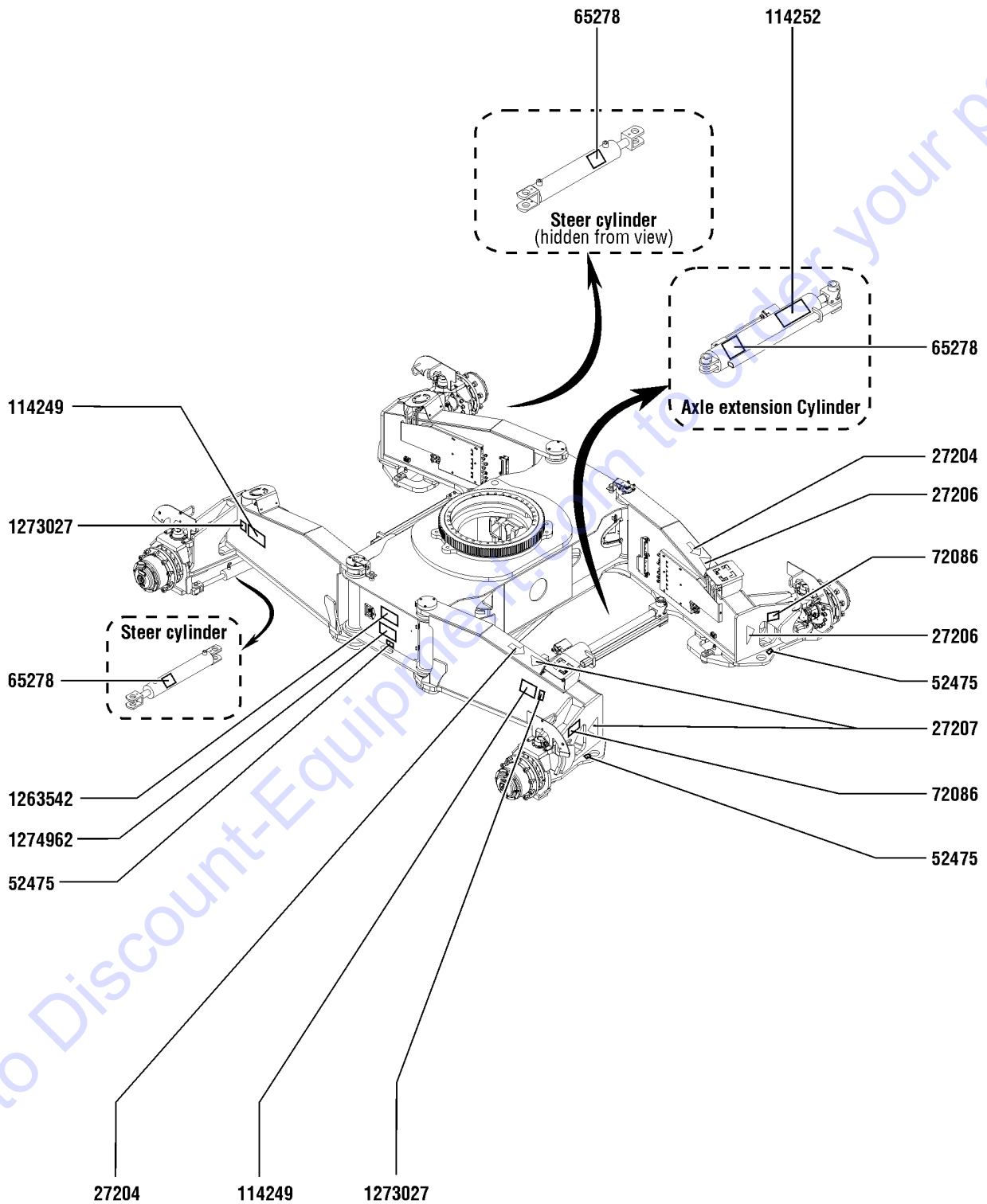
109.1 Decals with Symbols, Engine Side (ANSI & CE)

Item	Part No.	Description	Qty.
1	28159GT	DECAL,DIESEL	1
2	28174GT	DECAL,POWER TO PLATFORM 230V Option, Power to Platform	1
3	28235GT	DECAL,POWER TO PLATFORM 115V Option, Power to Platform	1
4	82481GT	DECAL,SYMBOL-BATTERY SAFETY	1
5	114251GT	DECAL,LABEL,NO SMOKING,SYMB	1
6	133067GT	DECAL,DANGER,ELEC.HAZ.STAY CLR	1
7	133205GT	DECAL,LABEL, ELECTRO HAZARD	1
8	1255581GT	DECAL COSMETIC,10" GENIE BLUE	1
9	1255582GT	DECAL COSMETIC,15" GENIE BLUE	1
10	1256425GT	DECAL, DANGER, ELECTROCUTION H	2
11	1258174GT	DECAL COSMETIC,10" GENIE WHITE	1
12	1258175GT	DECAL COSMETIC,15" GENIE WHITE	1
13	1258176GT	DECAL COSMETIC,10" GENIE BLACK	1
14	1258177GT	DECAL COSMETIC,15" GENIE BLACK	1
15	1263542GT	DECAL, COMPARTMENT ACCESS	1
16	1270908GT	GENIE '50 YEARS" 11 X 10,GENIE	1

Go to Discount-Equipment.com to order your parts



110.1 Decals with Symbols, Engine Side (chassis) (ANSI & CE)



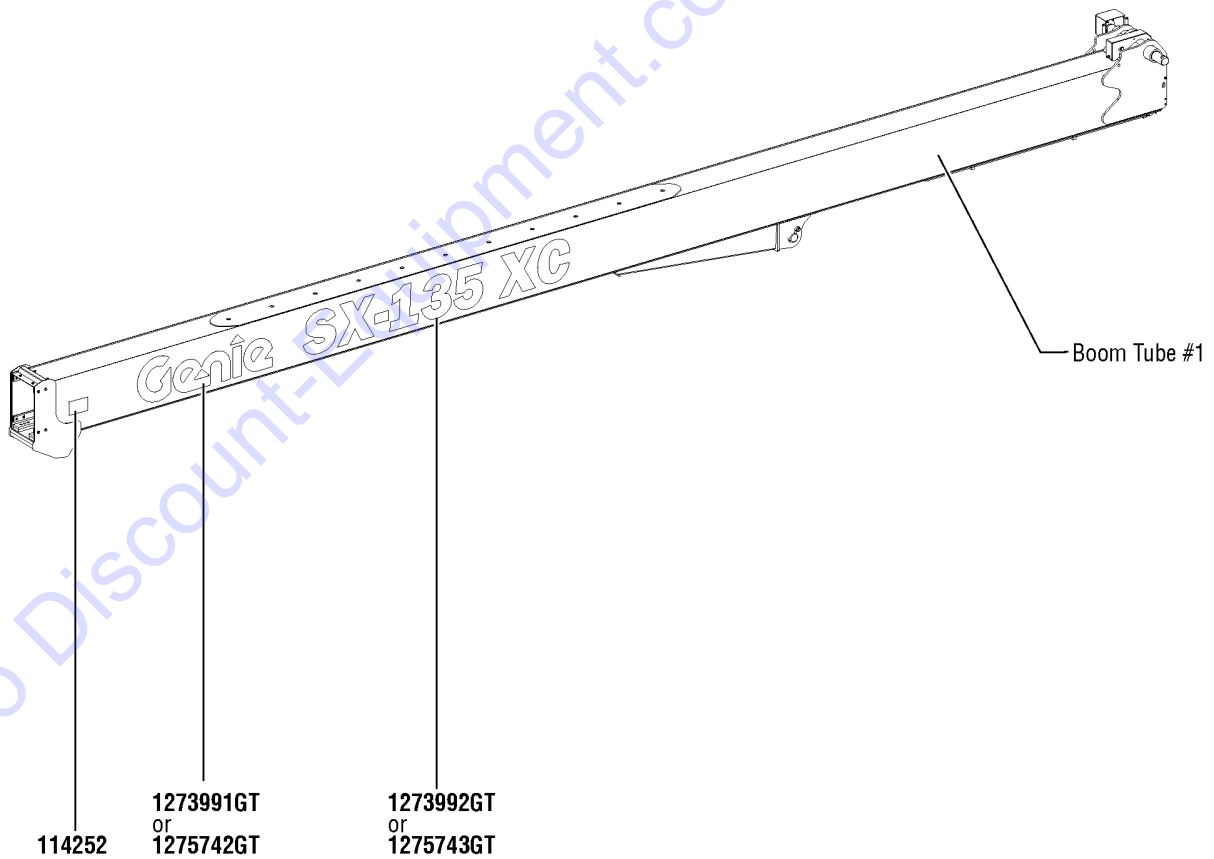
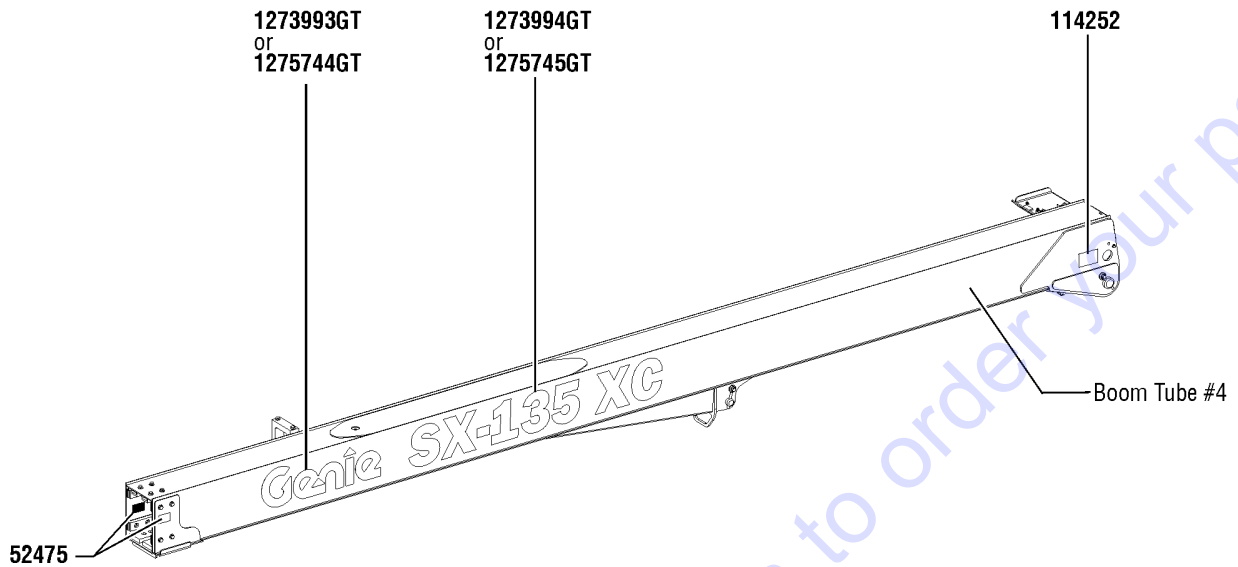
110.1 Decals with Symbols, Engine Side (chassis) (ANSI & CE)

Item	Part No.	Description	Qty.
1	27204GT	DECAL,ARROW BLUE	2
2	27206GT	DECAL,TRIANGLE,BLUE	2
3	27207GT	DECAL,TRIANGLE,YELLOW	2
4	52475GT	DECAL,LABEL,TRANSPORT TIEDOWN*	2
5	65278GT	DECAL,CAUTION,NO STEP	3
6	72086GT	DECAL,LABEL,LIFTING EYE	2
7	114249GT	DECAL,LABEL,TIPOVER,TIRES,SYMB	2
8	114252GT	DECAL,LABEL,TIP OVER LMT SWTCH	1
9	1263542GT	DECAL, COMPARTMENT ACCESS	1
10	1273027GT	DECAL,LABEL,WHEEL LOAD,SX-135	2
11	1274962GT	DECAL,LABEL,TRANSPORT DIAGRAM,SUPER X	1

Go to Discount-Equipment.com to order your parts



111.1 Decals with Symbols, Boom (ANSI & CE)



111.1 Decals with Symbols, Boom (ANSI & CE)

Item	Part No.	Description	Qty.
1	52475GT	DECAL,LABEL,TRANSPORT TIEDOWN*	2
2	114252GT	DECAL,LABEL,TIP OVER LMT SWTCH	2
3	1273993GT	DECAL,WHITE COSMETIC,GENIE	1
4	1275744GT	DECAL,BLUE COSMETIC,GENIE	1
5	1273994GT	DECAL,WHITE COSMETIC,SX-135	1
6	1275745GT	DECAL,BLUE COSMETIC,SX-135	1
7	1273992GT	DECAL,WHITE COSMETIC,SX-135	1
8	1275743GT	DECAL,BLUE COSMETIC,SX-135	1
9	1273991GT	DECAL,WHITE COSMETIC,GENIE	1
10	1275742GT	DECAL,BLUE COSMETIC,GENIE	1

Go to Discount-Equipment.com to order your parts

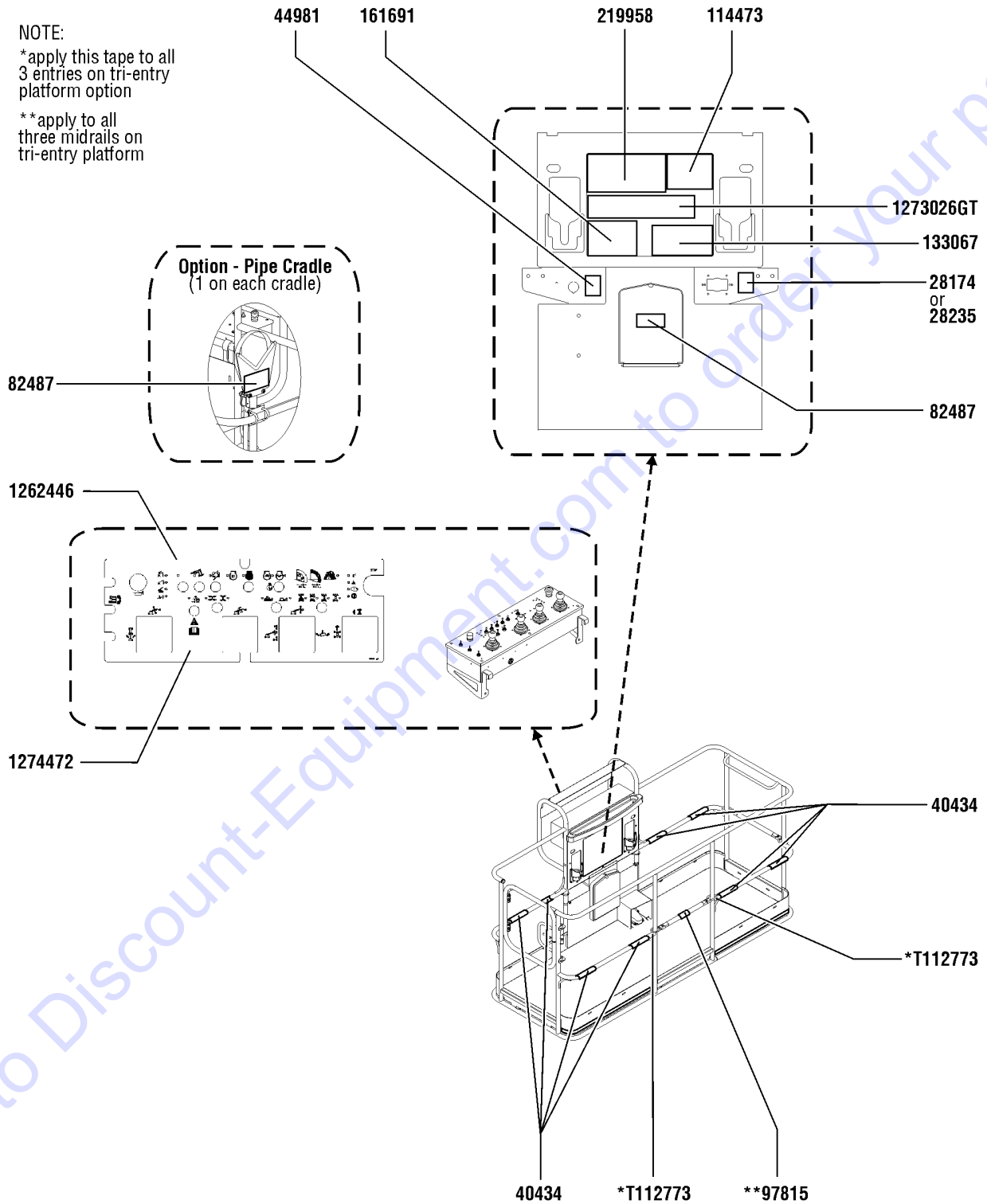


112.1 Decals with Symbols, Platform (ANSI & CE)

NOTE:

*apply this tape to all 3 entries on tri-entry platform option

**apply to all three midrails on tri-entry platform



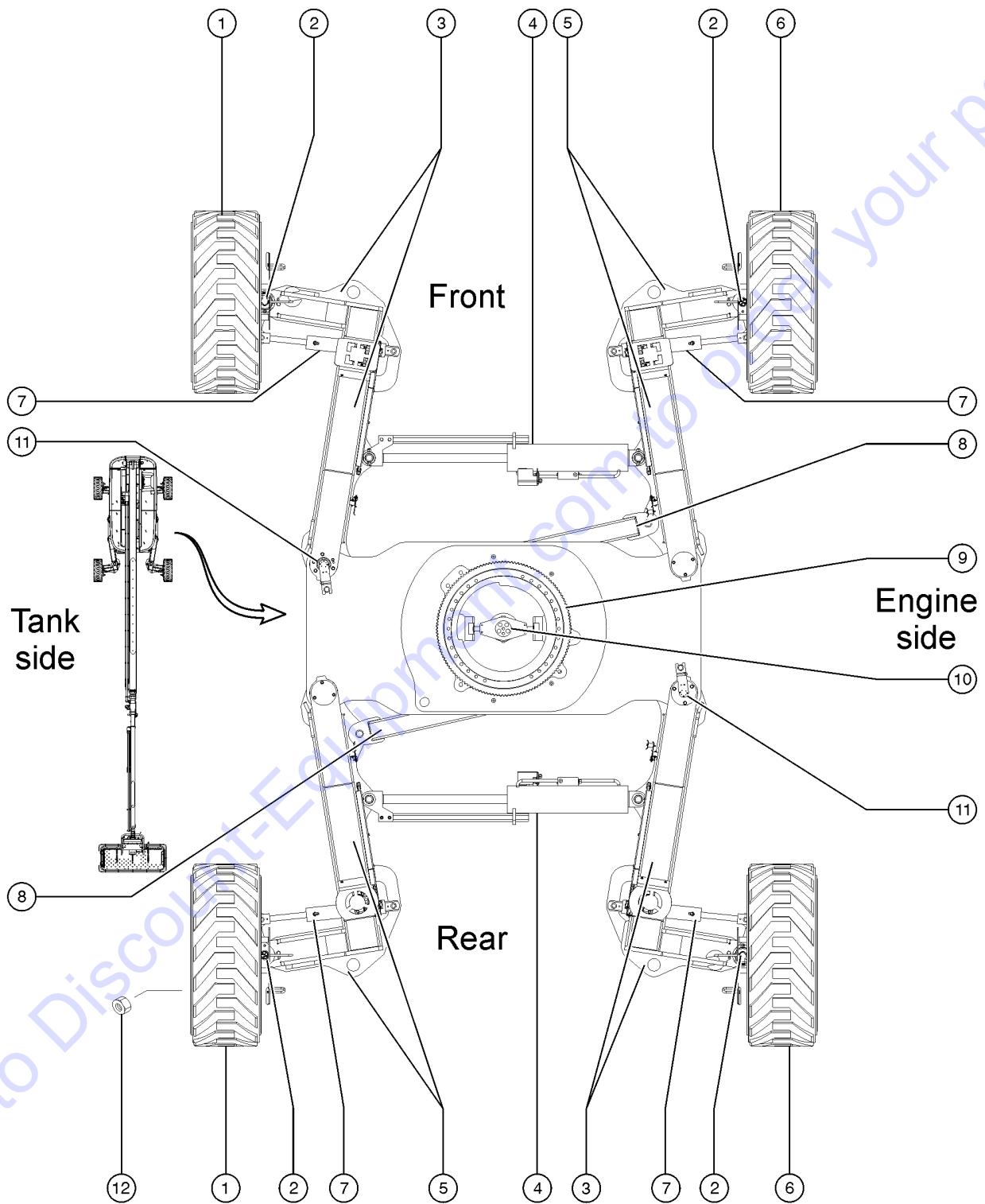
112.1 Decals with Symbols, Platform (ANSI & CE)

Item	Part No.	Description	Qty.
1	28174GT	DECAL,POWER TO PLATFORM 230V Option, power to platform	1
2	28235GT	DECAL,POWER TO PLATFORM 115V Option, power to platform	1
3	40434GT	DECAL,LANYARD ANCHORAGE POINT	8
4	44981GT	DECAL,LABEL,AIRLINE 110 PSI Option, airline to platform	1
5	82487GT	DECAL,SYMBOL-READ THE MANUAL Option, pipe cradle	2
6	97815GT	DECAL,LABEL,LOWER MIDRAIL	1
7	114473GT	DECAL,DANGER,TIPOVER,TILT,SYM	1
8	133067GT	DECAL,DANGER,ELEC.HAZ.STAY CLR	1
9	161691GT	DECAL,SLOPE RATING SYM	1
10	219958GT	DECAL,TIP-OVER,CRUSH	1
11	1262446GT	DECAL,PCON,SX135	1
12	1274472GT	DECAL,PROTECTIVE COVER,SX-135	1
13	1273026GT	DECAL,TIP-OVER HAZARD,SYM	1
14	T112773GT	TAPE, PROTECTIVE MASK	2

Go to Discount-Equipment.com to order your parts



201.1 Chassis Components, Top View



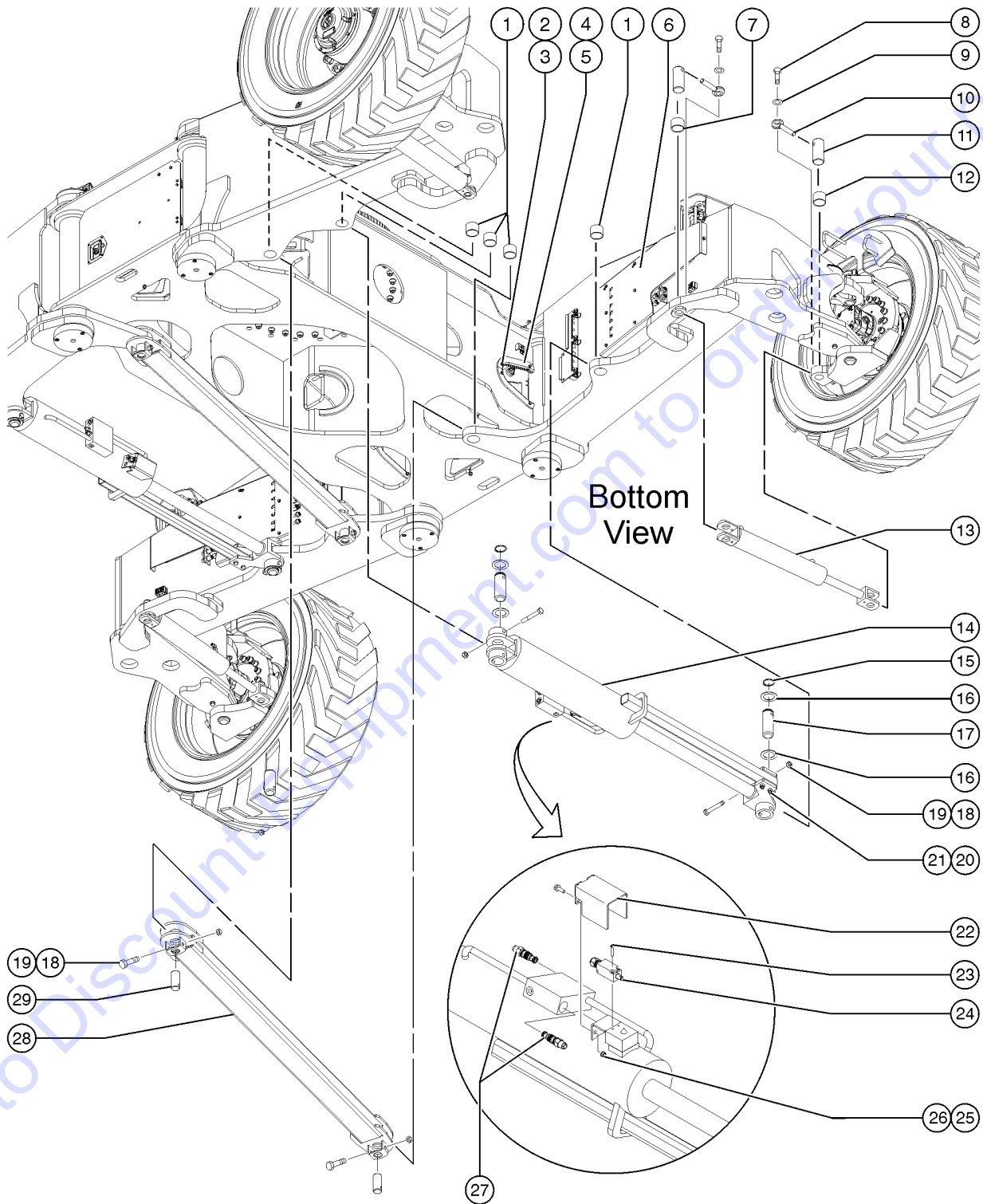
201.1 Chassis Components, Top View

Item	Part No.	Description	Qty.
1	1275102GT	ASSY,TIRE,445D50/710,HD,CRM,LH Tank side only	2
1-	T111704GT	WHEEL,28 X 15 X.875 OFFSET	
1-	101234GT	TIRE,445D50/710,18PR	
2		Ref. ASSY, ANGLE SENSOR AND COVER (Refer to 205.1)	4
3	1263488GT	ASSY,SX/ZX AXLE AND YOKE, LFRR	2
4		Ref. ASSEMBLY,CYL,AXLE EXTEND,SX/ZX (Refer to 202.1)	2
5	1263487GT	ASSY,SX/ZX AXLE AND YOKE, RFLR	2
6	1275103GT	ASSY,TIRE,445D50/710,HD,CRM,RH Engine side only	2
6-	T111704GT	WHEEL,28 X 15 X.875 OFFSET	
6-	101234GT	TIRE,445D50/710,18PR	
7		Ref. ASSEMBLY,CYL,STEER,SX/ZX (Refer to 202.1)	4
8		Ref. WELDMENT, TIMING LINK (Refer to 202.1)	2
9		Ref. BEARING,TURNTABLE. (Refer to 309.1)	
10		Ref. HYDRAULIC SWIVEL (Refer to 309.1)	1
11		Ref. Axle sensors (Refer to 203.1)	2
12	1259931GT	NUT,LUG,3/4-16 X 7/8 RADIUS,ZA	40

Go to Discount-Equipment.com to order your parts



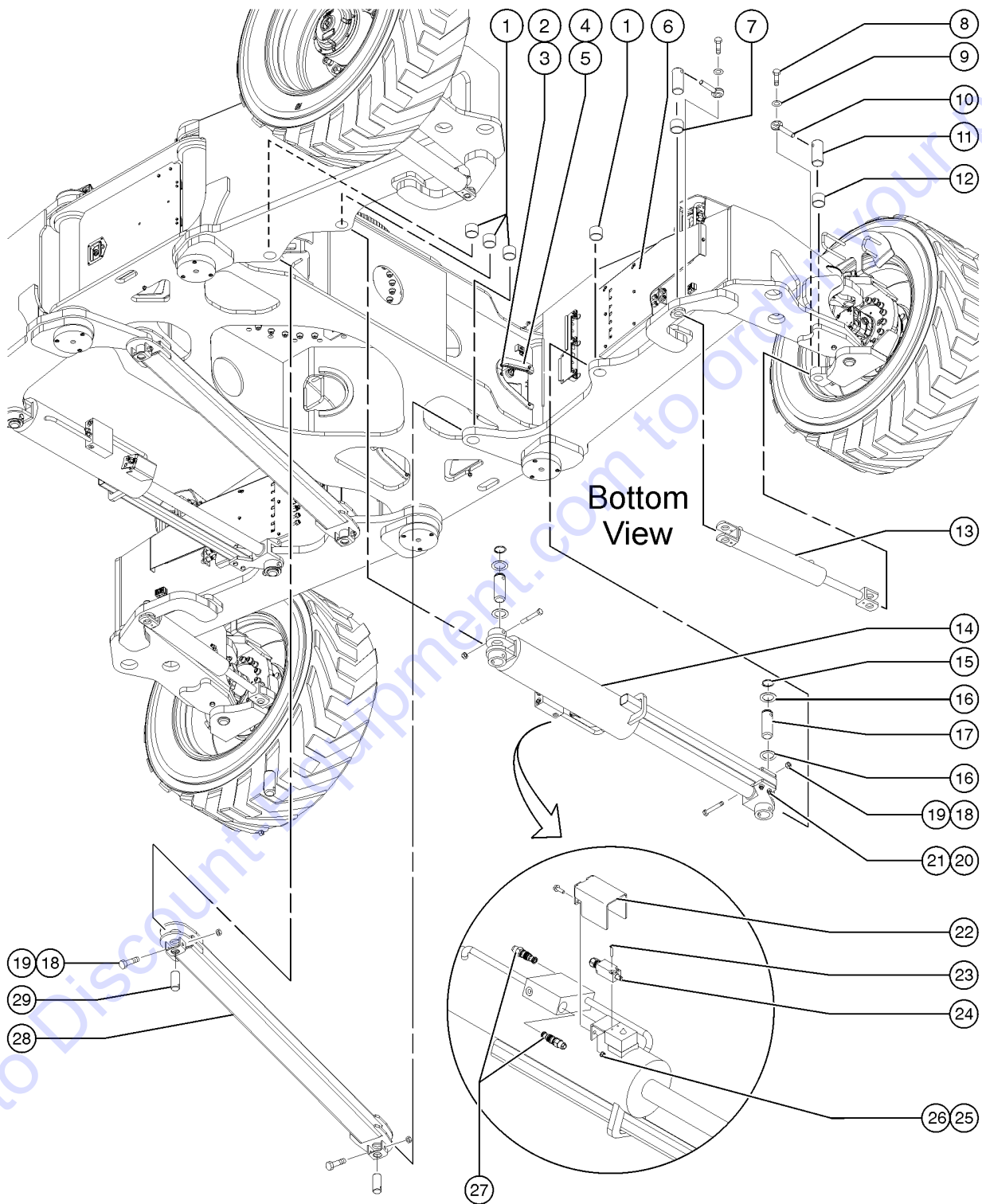
202.1 Chassis Components, Bottom View



202.1 Chassis Components, Bottom View

Item	Part No.	Description	Qty.
1	229532GT	BEARING, 50ID X 58OD X 40LG	8
2	232886GT	SCREW,HHF,M6X40,DIN6921,10.9,	
3	231513GT	NUT,TL FLG,M6-1.0,DIN6927,10,Z	
4	217481GT	WEAR GUARD,PLASTIC,HYD HOSE,1	8
		(Top wear guard)	
5	217482GT	WEAR GUARD,PLASTIC,HYD HOSE,2	8
		(Bottom wear guard)	
6		Ref. FORMING, HYD TUBE COVER	
		(Refer to 204.1)	
7	235314GT	BEARING, 35ID X 41OD X 52LG	4
8	825351GT	SCREW,HHC,M10-1.5X20,DIN933,10.9,ZAB	
9	824142GT	WASHER,LOCK,M10,ZAB	
10	1255452GT	ROD END,,375 X 2.25,ZAG	8
11	229462GT	PIN, 35MM X 105MM, 1 HOLE	8
12	229466GT	BEARING,35ID X 41OD X 40LG	4
13	229461GT	CYLINDER, STEER	4
13-	237819GT	SEAL KIT	
14	1263453GT	CYLINDER, AXLE EXTEND, SX	2
14A-	106742GT	SEAL KIT,CYL (98147)***	
		for cylinder 1263453	
14A-	T107366GT	ASSY,LIM.SW.ACTUATOR BLOCK***	
		Includes actuator part 110481 and seal kit part 110482	
14A-	110481GT	LIMIT SWITCH ACTUATOR BLOCK	
		Block only; for T107366	
14A-	110482GT	LS ACTUATOR BLOCK SEAL KIT	
		Seal kit for actuator block part 110481	
15	1253816GT	SNAP RING,EXTERNAL,M50,ZAB	4
16	237827GT	WASHER,FLAT,2.000X3.000X.075,Y	
17	229465GT	PIN, 50MM DIA X 140MM, 1HOLE,	4
18	1255658GT	NUT,TL,M14-2.0,DIN980,10,ZAB	
19	237828GT	SCREW,HHC,M14X100,DIN931,8.8,Y	
20	49366GT	NUT,NYLOCK,M12X1.75	
21	76364GT	SCREW,HHC,M12 X 100	
22	1259989GT	FORMING,LIMIT SWITCH GUARD	2
23	825352GT	SCREW,PHPM,10-32X1.25,ZAG	

202.1 Chassis Components, Bottom View



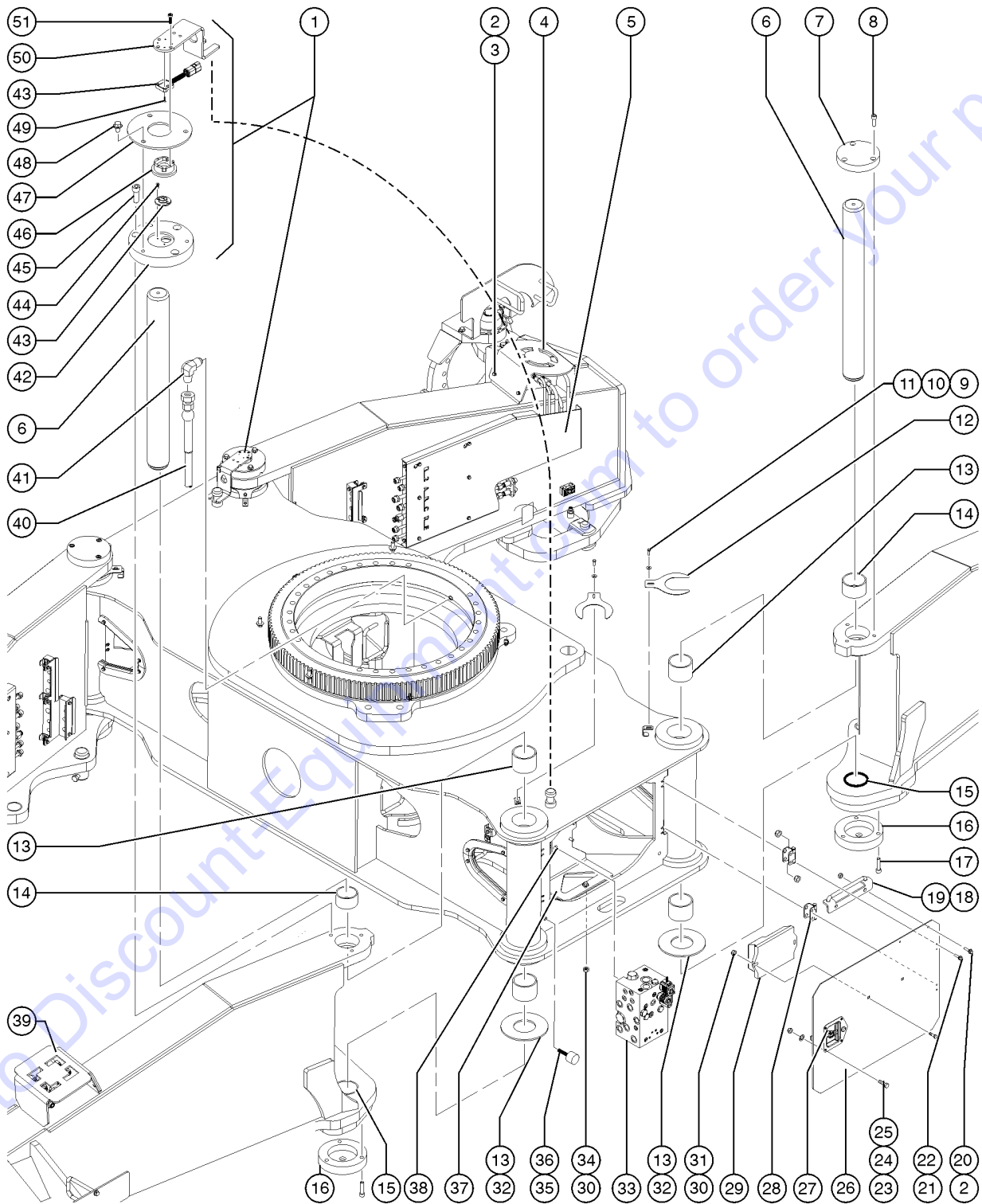
202.1 Chassis Components, Bottom View

Item	Part No.	Description	Qty.
24	236392GT	SWITCH ASSY, AXLE SAFETY	2
24-	110771-665R3GT	LIMIT SW.TAB,BLUE METAL	
24-	119762GT	CONN PLUG 4 WAY EXTEND DT	
25	237832GT	NUT,TL,FLG,M8-1.25,DIN6927,10,	
26	824133GT	SCREW,HHF,M8-1.25X25,DIN6921,10.9,ZAB	
27	33428GT	VALVE,COUNTERBALANCE	2
27-	43018GT	SEAL KIT (39345) Seal kit for valve part 33428	
28	1262851GT	WELDMENT, TIMING LINK	2
29	235317GT	PIN, 50MM DIA X 119MM L, 1HOLE	4

Go to Discount-Equipment.com to order your parts



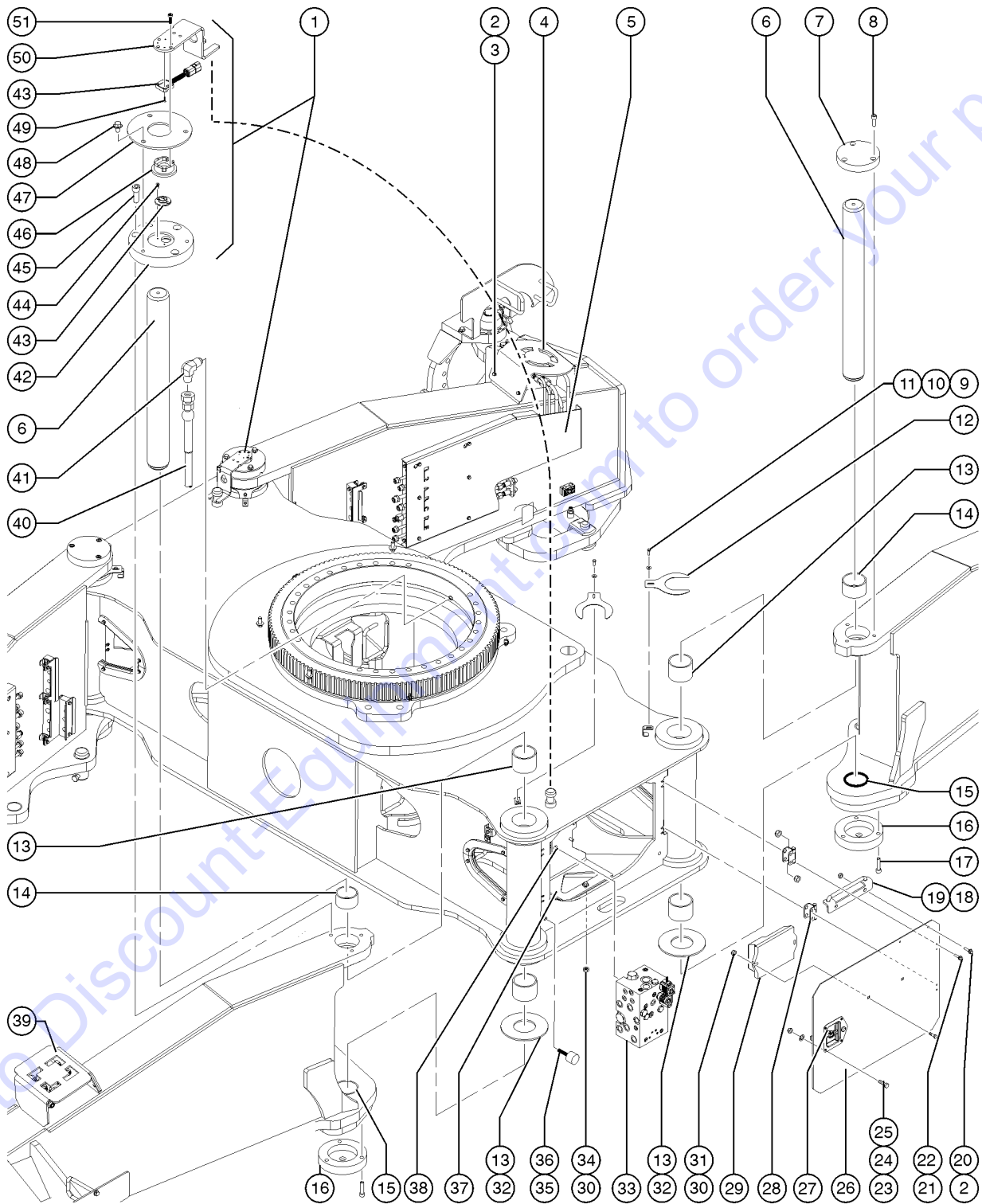
203.1 Chassis Components, Tank Side



203.1 Chassis Components, Tank Side

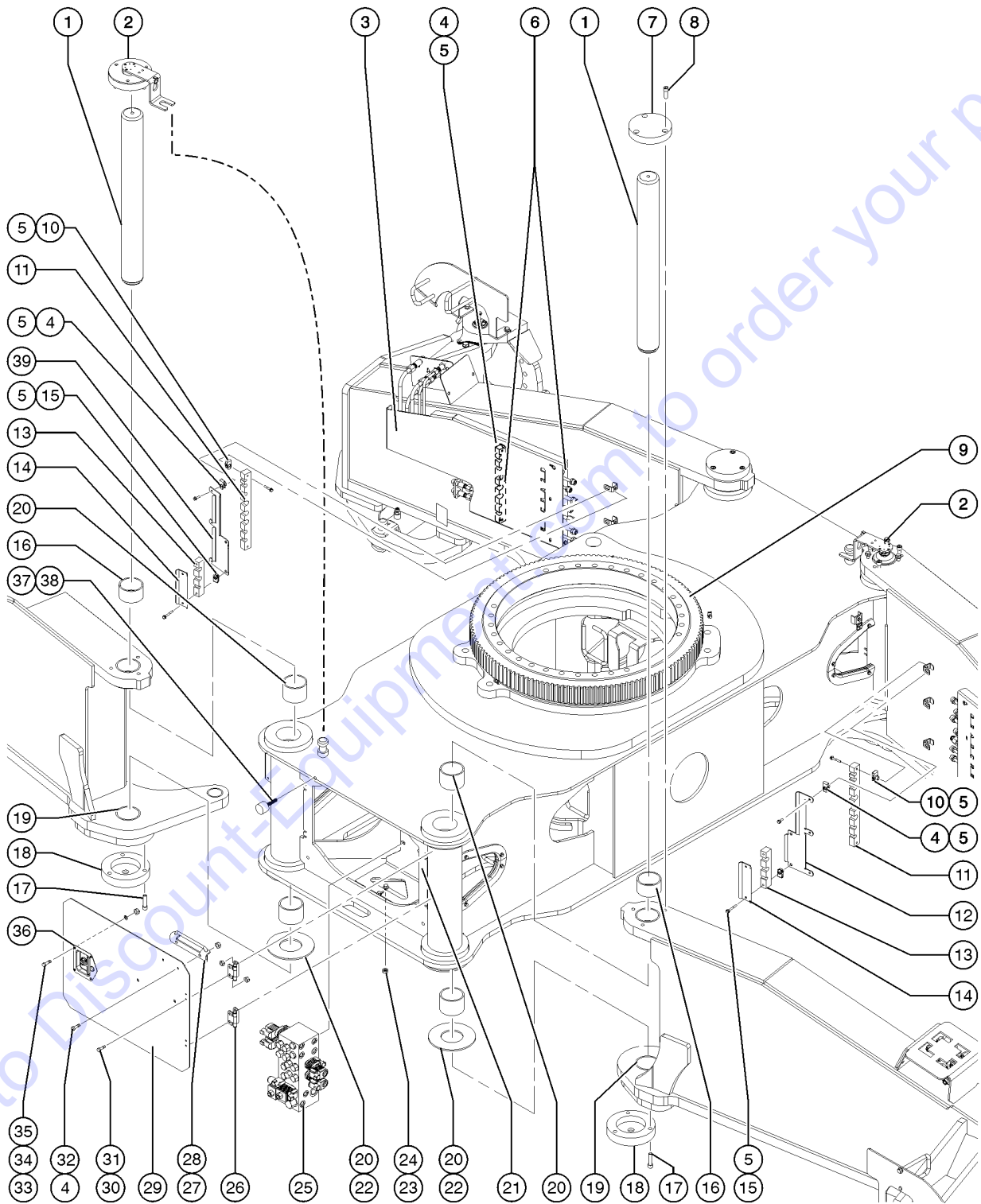
Item	Part No.	Description	Qty.
1	1267909GT	ASSY,AXLE SENSOR,SX/ZX135 (complete) Includes items from 42 to 51	2
2	231532GT	SCREW,HHF,M6-1.0X20,DIN6921,10.9,ZAB	
3	230073GT	SPRING CLIP,M6-1.0,0.8-4MM PAN	
4	1259975GT	FORMING,DIRECTIONAL CIRCLE	1
5		Ref. FORMING, HYD TUBE COVER (Refer to 204.1)	
6	219304GT	PIN, 80MM X 780MM, AXLE	2
7	1259976GT	MACHINED, TOP CAP, AXLE PIN	2
8	160732GT	SCREW, SHCS M12-1.75X35	
9	1256450GT	SCREW,HHC,M6-1.0X20,DIN933,10.9,ZAB to SN SX135H-258	
9-	231512GT	SCREW,HHF,M6-1.0X25,DIN6921,10.9,ZAB from SN SX135H-259	
10	1257389GT	WASHER, FLAT, M6X18X1.6,DIN9021,ZAB	
11	231513GT	NUT,TL FLG,M6-1.0,DIN6927,10,Z (not shown); to SN SX135H-258	
11-	230073GT	SPRING CLIP,M6-1.0,0.8-4MM PAN from SN SX135H-259	
12	218112GT	SHIM, DROP-IN, 80MM	
13	235309GT	BEARING,80ID X 90OD X 65LG	4
14	237854GT	BEARING, 80ID X 90OD X 52LG	2
15	160502GT	BEARING, 80ID X 90OD X 80LG	2
16	1259978GT	MACHINED, LOWER CAP, AXL PIN	2
17	160736GT	SCREW, SHCS M12-1.75X50 GR12.9	
18	1259986GT	FORMING,LOCK COVER BRKT	1
19	230825GT	FORMING, COVER LOCK BAR	1
20	231513GT	NUT,TL FLG,M6-1.0,DIN6927,10,Z	-
21	218457GT	SCREW,HHF,M5X12,DIN6921,10.9,Z	
22	1255753GT	NUT,FLG,M5-0.8,DIN6923,8,ZAB	-
23	235315GT	SCREW,PHPM,M4-0.7X16,DIN7985,ZAB	
24	825357GT	WASHER,FLAT,M4,DIN125,ZAB	
25	825686GT	NUT, TL, M4-0.7, DIN980, 8, ZAB	-
26	1260070GT	ASSY,CHASSIS DOOR,ZX135 SX Includes items 14 - 24	1

203.1 Chassis Components, Tank Side



Item	Part No.	Description	Qty.
27	74245GT	LATCH,FLUSH CUP LEFT HAND Includes mounting hardware and 1 pair of keys	1
27-	29314GT	KEY,LATCH, 1 PAIR (28125)	
28	217477GT	HINGE, OFFSET 12MM	2
29	101004GT	MODULE,DCON	1
30	237832GT	NUT,TL,FLG,M8-1.25,DIN6927,10,	
31	230826GT	BOLT,CARRIAGE,M8X35,DIN603,8.8	
32	229530GT	WASHER, THRUST	2
33		Ref. MANIFOLD,TRACTION,4WD (Refer to 701.1)	1
34	237820GT	SCREW,HHF,M8-1.25X40,DIN6921,10.9,ZAB	
35	111663GT	BUMPER,RUB,1.00DX.75X31-18X1.2	2
36	824028GT	NUT,TL FLG,5/16-18,G,ZAG (Not shown)	
37	1259987GT	FORMING,MANIFOLD MOUNT	1
38	237830GT	SCREW,HHF,1/2-13X1,8,ZAG	
39	1259972GT	FORMING,DIRECTIONAL SQUARE	1
40	49189-9738GT	HOSE ASSY,1/4",STR FEM,STR FEM	1
41	48887GT	ELBOW,90D, 070202-4	1
42	219302GT	MACHINED, TOP CAP, AXL PIN	2
43	216058GT	SENSOR, ANGLE, 40 DEG, CCW	2
44	237242GT	SCREW,FHS,M3-0.5X8,DIN7991,10.9,ZAB	
45	237352GT	SCREW,HHF,M10-1.5X16,DIN6921,10.9,ZAB	
46	226492GT	MACHINED, ANGLE SENSOR HOLDER	2
47	1259977GT	PLATE, RETAINER, AXL SENS	2
48	237352GT	SCREW,HHF,M10-1.5X16,DIN6921,10.9,ZAB	
49	237241GT	SCREW,FHS,M3-0.5X14,DIN7991,10	
50	1267910GT	MACHINED, ROT. ARM, AXL SENS	2
51	217219GT	SCREW,SHC,M4-0.7X14 DIN912,12.9,ZAB	

204.1 Chassis Components, Engine Side



204.1 Chassis Components, Engine Side

Item	Part No.	Description	Qty.
1	219304GT	PIN, 80MM X 780MM, AXLE	2
2	1267909GT	ASSY, AXLE SENSOR, SX/ZX135	1
		Complete (refer to 203.1 item 1)	
3	1263637GT	FORMING, HYD TUBE COVER, RFLR	1
		Right front and left rear	
3-	1263638GT	FORMING, HYD TUBE COVER, LFRR	1
		Left front and right rear	
4	231532GT	SCREW, HHF, M6-1.0X20, DIN6921, 10.9, ZAB	
5	230073GT	SPRING CLIP, M6-1.0, 0.8-4MM PAN	
6	237458GT	CLAMP, HYD TUBE, AXLE	4
7	1259976GT	MACHINED, TOP CAP, AXLE PIN	4
8	160732GT	SCREW, SHCS M12-1.75X35	
9	101572GT	BEARING, TURNTABLE	1
		(For top bolts on swing refer to 301.1)	
10	232886GT	SCREW, HHF, M6X40, DIN6921, 10.9,	
11	229543GT	CLAMP, PLASTIC, HYD HOSE	2
12	1259983GT	FORMING, HOSE CLAMP COVER, LFRR	1
		Left front and right rear	
13	162291GT	CLAMP, HYD TUBE, AXLE	2
14	1259979GT	FORMING, HOSE CLAMP COVER, OUTE	2
15	216597GT	SCREW, HHF, M6-1.0X50, DIN6921, 10.9, ZAB	
16	237854GT	BEARING, 80ID X 90OD X 52LG	2
17	160736GT	SCREW, SHCS M12-1.75X50 GR12.9	
18	1259978GT	MACHINED, LOWER CAP, AXL PIN	2
19	160502GT	BEARING, 80ID X 90OD X 80LG	2
20	235309GT	BEARING, 80ID X 90OD X 65LG	4
21	1259987GT	FORMING, MANIFOLD MOUNT	1
22	229530GT	WASHER, THRUST	2
23	237832GT	NUT, TL, FLG, M8-1.25, DIN6927, 10,	
24	237820GT	SCREW, HHF, M8-1.25X40, DIN6921, 10.9, ZAB	
25		Ref. MANIFOLD, STEER/AXLE	1
		(Refer to 702.1)	
26	217477GT	HINGE, OFFSET 12MM	2
27	1259986GT	FORMING, LOCK COVER BRKT	

PARTS FINDER

**Search Website
by Part Number**



**Search Manual
Library For Parts
Manual & Lookup Part
Numbers – Purchase
or Request Quote**

Search Manuals

Enter your information to help us find the right parts manual for your machine.

* Brand:

* Model:

* Serial:

* Part Number:

SEARCH

**Can't Find Part or
Manual? Request Help
by Manufacturer,
Model & Description**

Parts Order Form

Please fill in the following information to help us find the right part for your machine.

MANUFACTURER:

MODEL:

DESCRIPTION:

DATE:

TIME:

PHONE:

EMAIL:

ADDRESS:

CITY:

STATE:

ZIP:

COUNTRY:

SEARCH

Discount-Equipment.com is your online resource for quality parts & equipment.

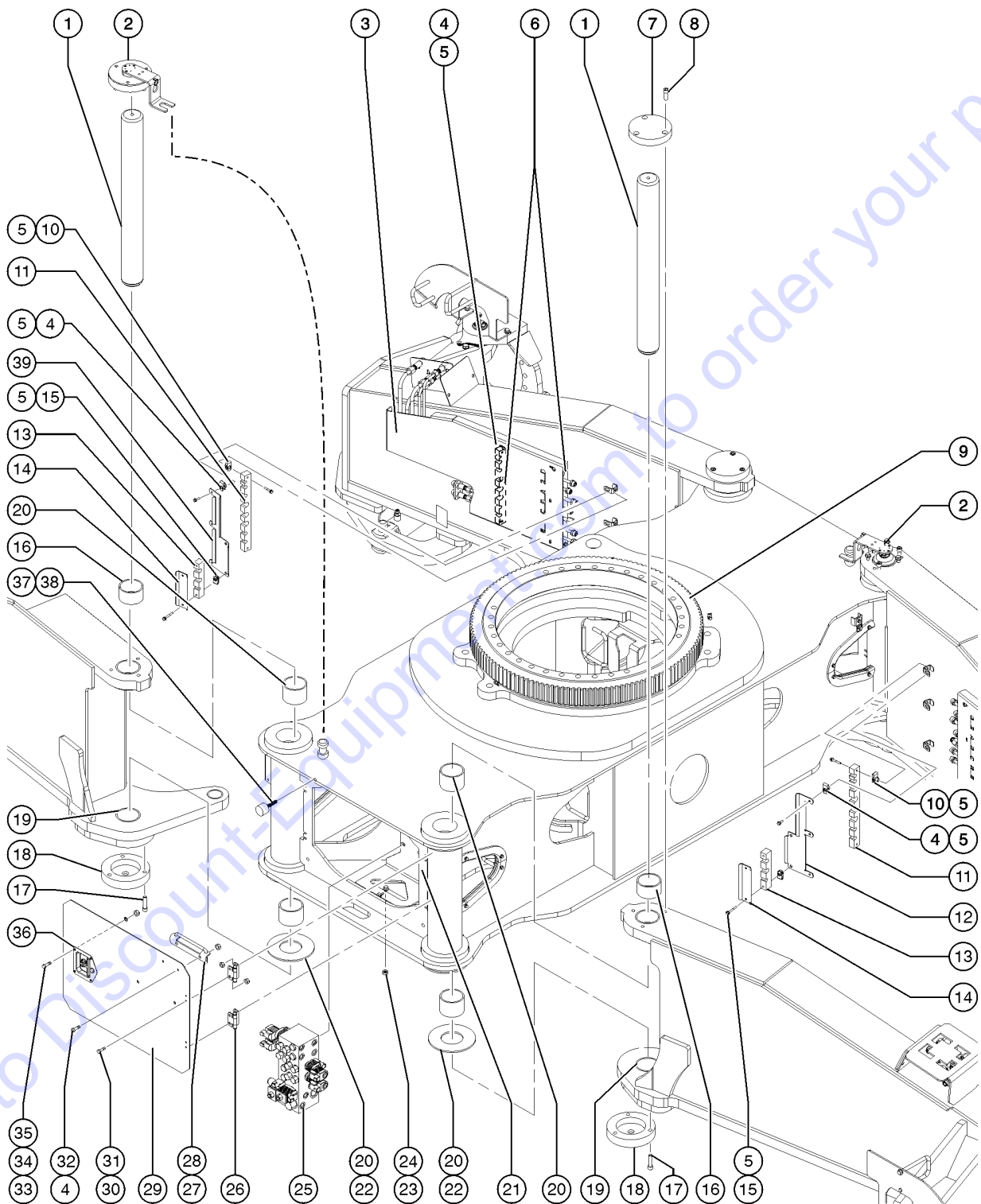
Florida: **561-964-4949** Outside Florida TOLL FREE: **877-690-3101**

Need parts?

Click on this link: <http://www.discount-equipment.com/category/5443-parts/> and choose one of the options to help get the right parts and equipment you are looking for. Please have the machine model and serial number available in order to help us get you the correct parts. If you don't find the part on the website or on one of the online manuals, please fill out the request form and one of our experienced staff members will get back to you with a quote for the right part that your machine needs.

We sell worldwide for the brands: Genie, Terex, JLG, MultiQuip, Mikasa, Essick, Whiteman, Mayco, Toro Stone, Diamond Products, Generac Magnum, Airman, Haulotte, Barreto, Power Blanket, Nifty Lift, Atlas Copco, Chicago Pneumatic, Allmand, Miller Curber, Skyjack, Lull, Skytrak, Tsurumi, Husquvarna Target, Stow, Wacker, Sakai, Mi-T-M, Sullair, Basic, Dynapac, MBW, Weber, Bartell, Bennar Newman, Haulotte, Ditch Runner, Menegotti, Morrison, Contec, Buddy, Crown, Edco, Wyco, Bomag, Laymor, EZ Trench, Bil-Jax, F.S. Curtis, Gehl Pavers, Heli, Honda, ICS/PowerGrit, IHI, Partner, Imer, Clipper, MMD, Koshin, Rice, CH&E, General Equipment, Amida, Coleman, NAC, Gradall, Square Shooter, Kent, Stanley, Tamco, Toku, Hatz, Kohler, Robin, Wisconsin, Northrock, Oztec, Toker TK, Rol-Air, APT, Wylie, Ingersoll Rand / Doosan, Innovatech, Con X, Ammann, Mecalac, Makinex, Smith Surface Prep, Small Line, Wanco, Yanmar

204.1 Chassis Components, Engine Side



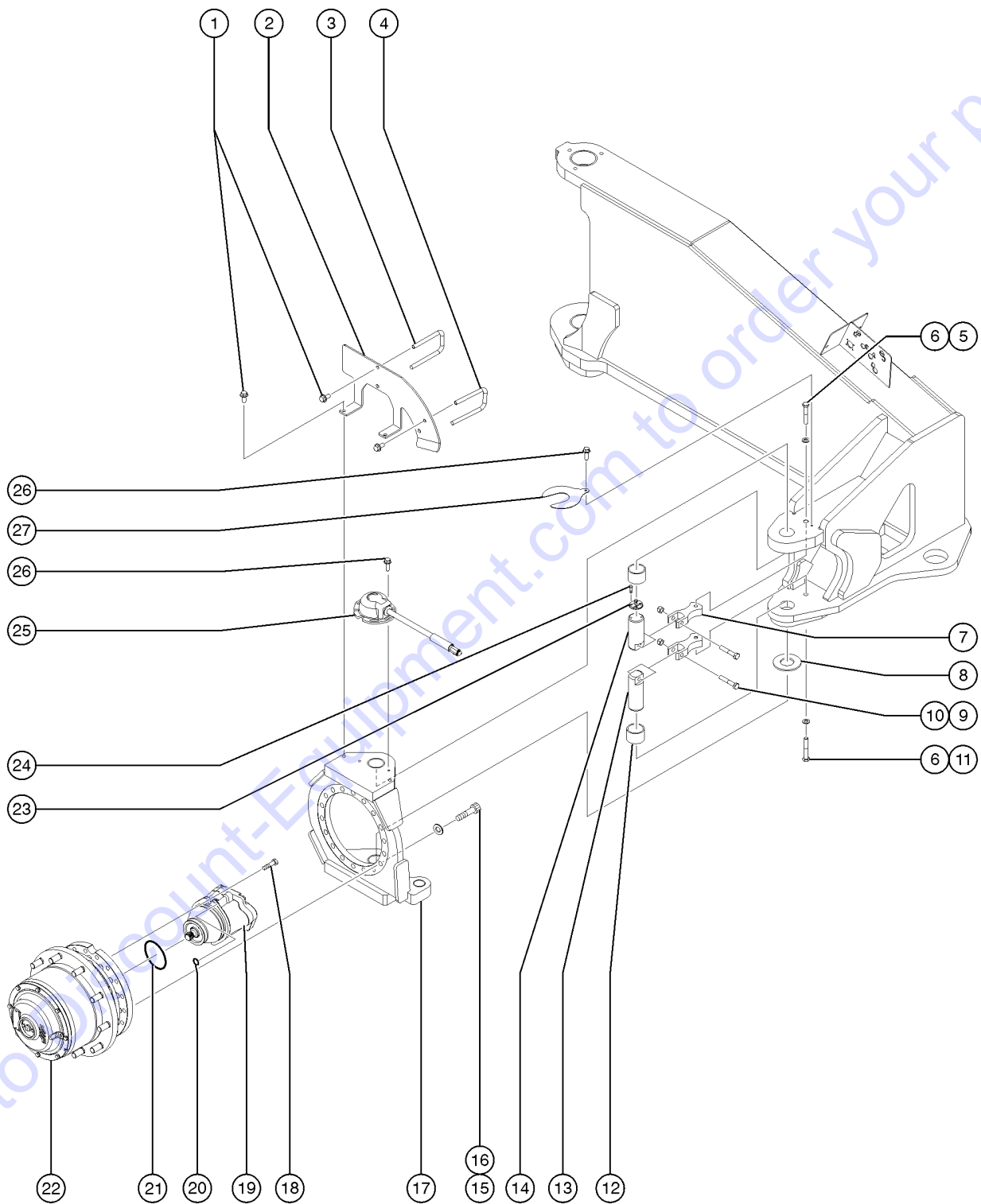
204.1 Chassis Components, Engine Side

Item	Part No.	Description	Qty.
28	230825GT	FORMING, COVER LOCK BAR	
29	1260070GT	ASSY, CHASSIS DOOR, ZX135 SX	1
		Includes items 26 - 36	
30	218457GT	SCREW, HHF, M5X12, DIN6921, 10.9, Z	
31	1255753GT	NUT, FLG, M5-0.8, DIN6923, 8, ZAB	
32	231513GT	NUT, TL FLG, M6-1.0, DIN6927, 10, Z	
33	235315GT	SCREW, PHPM, M4-0.7X16, DIN7985, ZAB	
34	825357GT	WASHER, FLAT, M4, DIN125, ZAB	
35	825686GT	NUT, TL, M4-0.7, DIN980, 8, ZAB	
36	74245GT	LATCH, FLUSH CUP LEFT HAND	1
		Includes mounting hardware and 1 pair of keys	
36-	29314GT	KEY, LATCH, 1 PAIR (28125)	
37	111663GT	BUMPER, RUB, 1.00DX.75X31-18X1.2	2
38	824028GT	NUT, TL FLG, 5/16-18, G, ZAG	
		(Not shown)	
39	1259984GT	FORMING, HOSE CLAMP COVER, RFLR	1
		Right front and left rear	
40		Ref. SHIM, DROP-IN, 80MM	
		(Refer to 203.1)	

Go to Discount-Equipment.com to order your parts



205.1 Steer Yoke, Wheel Drive and Motor

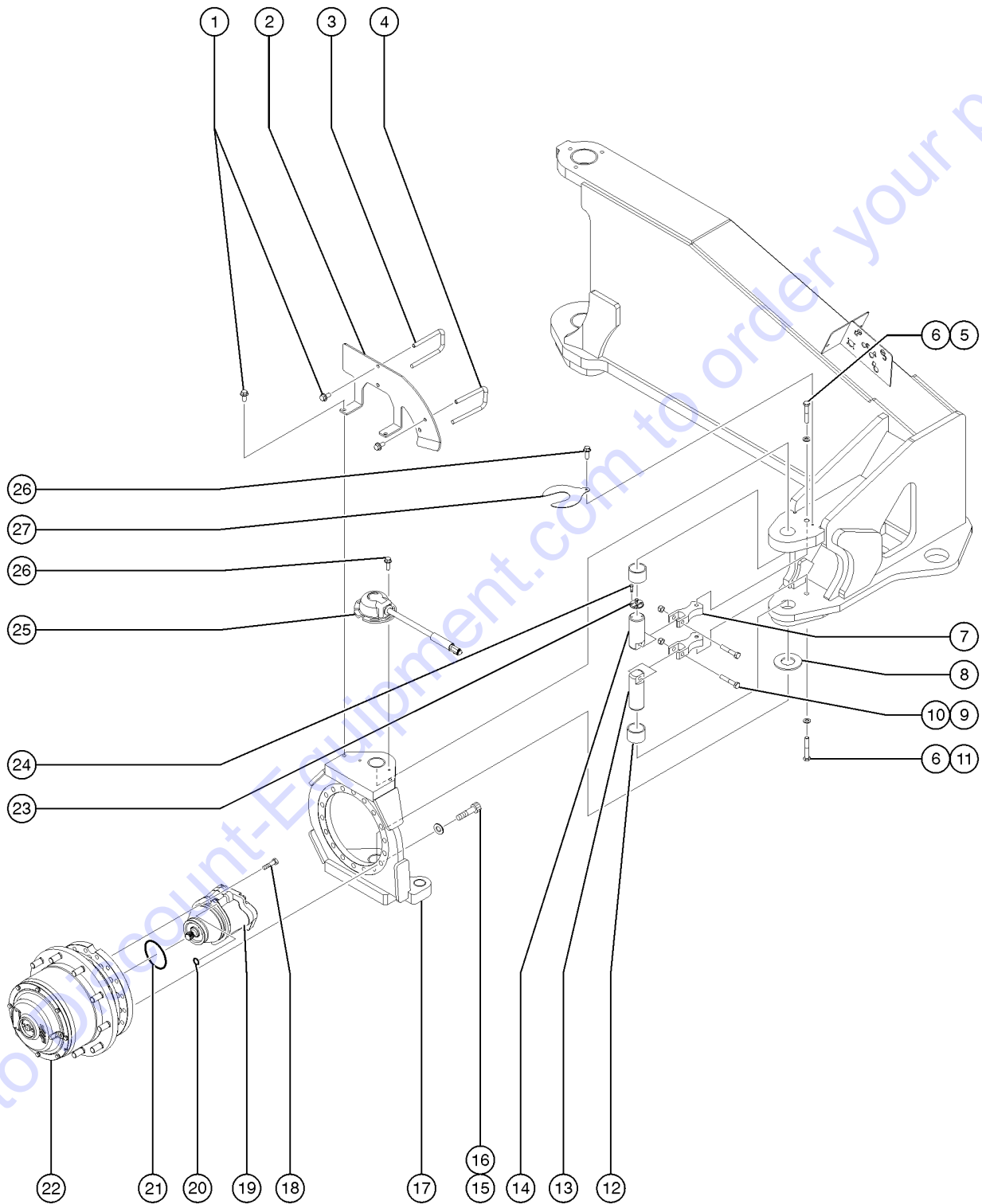


205.1 Steer Yoke, Wheel Drive and Motor

Item	Part No.	Description	Qty.
1	237352GT	SCREW,HHF,M10-1.5X16,DIN6921,10.9,ZAB	
2	1259969GT	FORMING, HOSE BRACKET, AXLE 2	1
		Right front and left rear (shown)	
2-	1259980GT	FORMING, HOSE BRACKET, AXLE 1	
		Left front and right rear	
3	1259971GT	BAR, HOSE GUIDE, LONG	1
4	1259970GT	BAR, HOSE GUIDE, SHORT	1
5	218456GT	SCREW,HHC,M12X70,DIN931,10.9,Y	
6	824146GT	WASHER, FLAT, DIN125, M12, ZAB	
7	217486GT	NITRIDED, YOKE PIN LOCK	2
8	229526GT	WASHER,THRUST	
9	218456GT	SCREW,HHC,M12X70,DIN931,10.9,Y	
10	1251713GT	NUT,TL,M12-1.75,DIN980,10,ZAB	
11	216159GT	SCREW,HHC,M12-1.75X80,DIN931,10.9,ZAB	
12	229532GT	BEARING, 50ID X 58OD X 40LG	2
13	229541GT	PIN, KING, AXLE, BOTTOM	1
14	229540GT	PIN, KING, AXLE, TOP	1
15	826172GT	SCREW,SHC,M16-2.0X50,DIN912,12	18
16	825348GT	WASHER,FLAT,M16,DIN6916,HRD,ZAB	18
17	1260067GT	ASSY,SUPERX YOKE,RFLR,W/BRNG	1
		Right front and left rear (shown)	
17-	1260068GT	ASSY,SUPERX YOKE,LFRR,W/BRNG	
		Left front and right rear	
18	1255469GT	SCREW,HHF,1/2-13X1.25,8,ZAG	2
19	101070GT	MOTOR,PISTON,2 SPEED,45CC	1
19-	106098GT	SEAL KIT,MOTOR,LC/KC***	
20	106117GT	O-RING,2-010,VITON	1
21	106118GT	O-RING,2-157,VITON***	1
22	218496GT	WHEEL DRIVE W/BRAKE,76:1,BREVI	1
22-	1259484GT	SEAL KIT,BREVINI (218496)	
22-	1259485GT	BEARING KIT,BREVINI (218496)	
22-	1259486GT	BRAKE KIT,BREVINI (218496)	



205.1 Steer Yoke, Wheel Drive and Motor



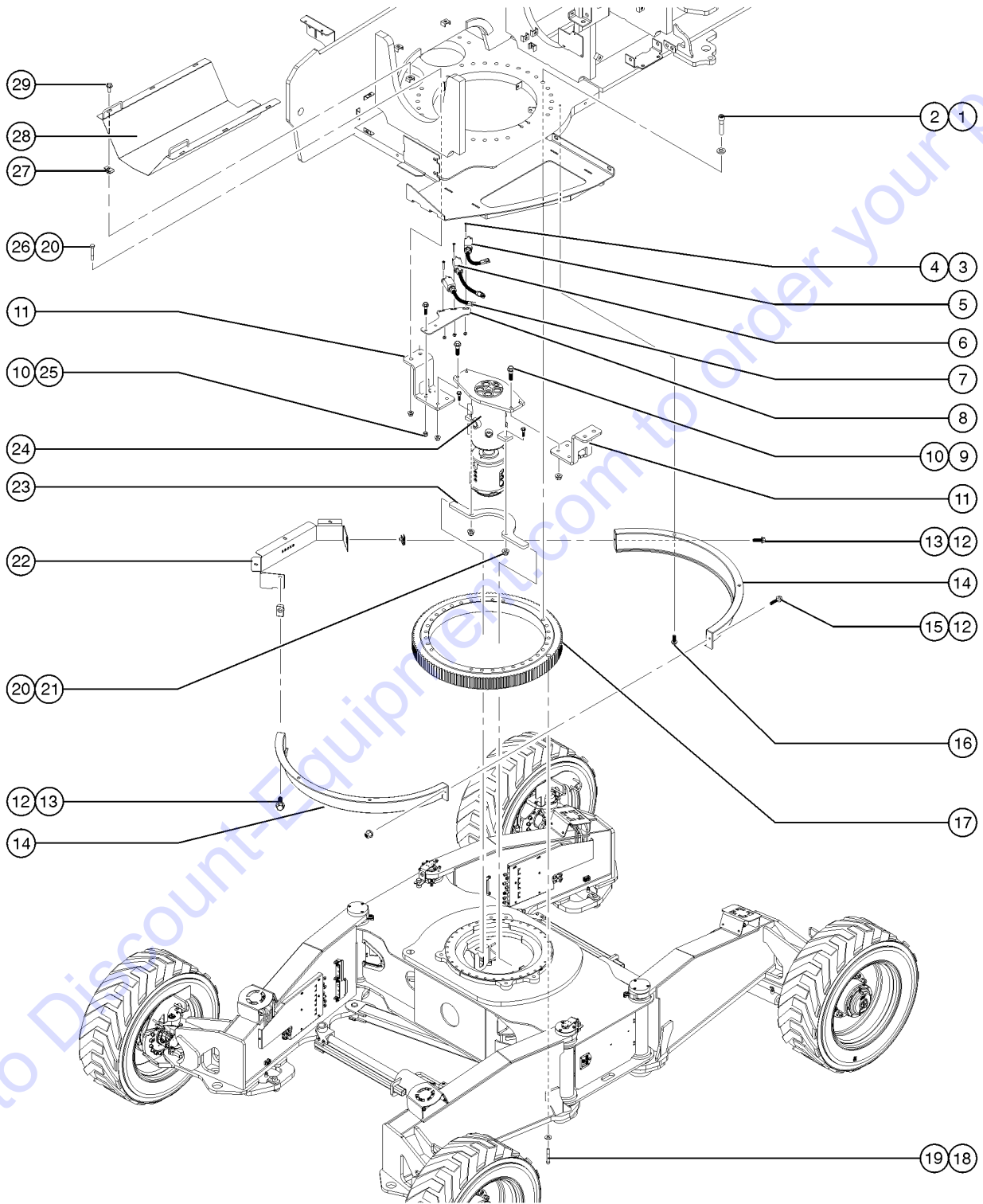
205.1 Steer Yoke, Wheel Drive and Motor

Item	Part No.	Description	Qty.
22-	1259487GT	STUD,WHEEL, 3/4-16 (218496)	
22-	1259950GT	DISCONNECT KIT, BREVINI (21849)	
22-	1259951GT	COVER KIT, BREVINI (218496)	
22-	1284032GT	PLUG,M18X1,5DIN908,MAGNI,O-RING for 1259951	
23	60618GT	ACTIVATOR,STEER SENSOR	1
24	825349GT	SCREW,PHPM,10-32X.38,ZAG	
25	232993GT	SUBASSY, STEER SENSOR (Calibration required after replacement)	1
25-	219646GT	SENSOR, MODIFIED STEER ANGLE	
25-	60609GT	COVER,STEERING SENSOR	
25-	60746GT	BUSHING, STRAIN RELIEF, 1"	
26	231532GT	SCREW,HHF,M6-1.0X20,DIN6921,10.9,ZAB	
27	217470GT	SHIM, STEER YOKE	

Go to Discount-Equipment.com to order your parts



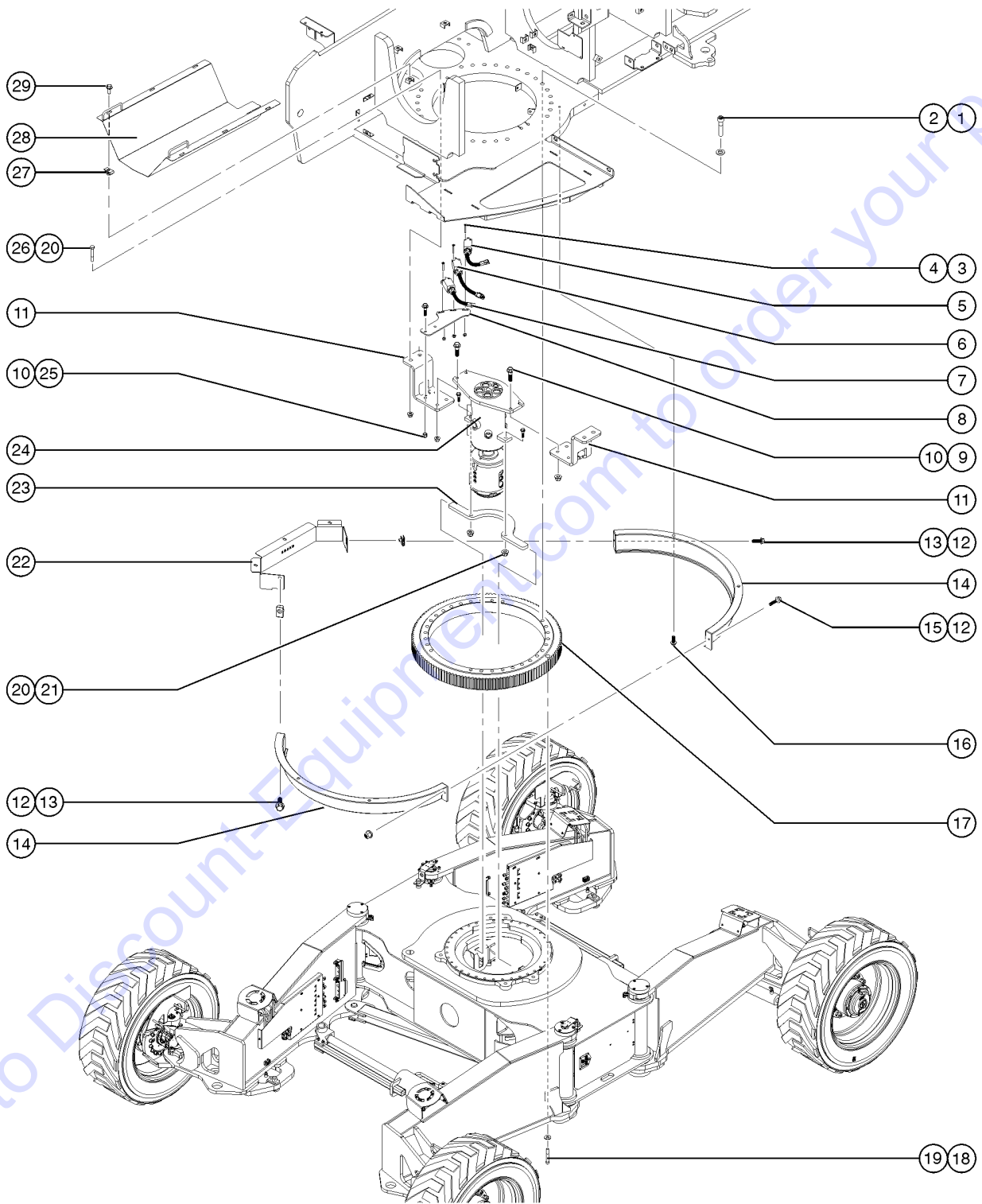
301.1 Turntable Center Components - View 1



Item	Part No.	Description	Qty.
1	1256861GT	SCREW,SHC,3/4-10X3.5,A574,ZAG	28
2	1256863GT	WASHER,FLAT,.75,SAE,HRD,ZAG	28
3	824216GT	SCREW,PHPM,10-32X1.5,ZAG	
4	824032GT	NUT,TL FLG,10-32,F,ZAG	
5	237807GT	SWITCH ASSY,DRV ENABLE,LEFT,SU	1
5A-	110771-43103GT	SWITCH LIMIT W/ROLLER NO/NC	
5B-	43960-4500GT	WIRE CABLE,16GA/4 CON.TPE JKT*	
5C-	119067GT	CONN,RECEP 4 WAY ENDCAP DT	
5D-	60443GT	LOCK, RECEP 4WAY, 14-18GA	
6	237809GT	SWITCH ASSY,DRV,ENABLE,SAFE,SU	1
6A-	110771-43103GT	SWITCH LIMIT W/ROLLER NO/NC	
6B-	43960-4500GT	WIRE CABLE,16GA/4 CON.TPE JKT*	
6C-	119762GT	CONN PLUG 4 WAY EXTEND DT	
6D-	60429GT	LOCK,PLUG 4 WAY,14-18GA	
7	237808GT	SWITCH ASSY,DRV,ENABLE,RIGHT,S	1
7A-	110771-43103GT	SWITCH LIMIT W/ROLLER NO/NC	
7B-	43960-4500GT	WIRE CABLE,16GA/4 CON.TPE JKT*	
7C-	119065GT	CONN,RECEP 2 WAY ENDCAP DT	
7D-	60439GT	LOCK,RECEP 2 WAY, 14-18GA	
8	217689GT	BRACKET, LS, DRIVE ROT.	
9	232871GT	SCREW,HHF,M10-1.5X40,DIN6921,1	
10	231529GT	NUT,TL FLG,M10-1.5,DIN6927,10,	
11	60575PGT	BRACKET,HYD.ROTATOR MOUNT MNT	
12	231532GT	SCREW,HHF,M6-1.0X20,DIN6921,10.9,ZAB	
13	230073GT	SPRING CLIP,M6-1.0,0.8-4MM PAN	
14	1270638GT	COVER, SLEW RING (part of the Hostile Option)	2
15	231513GT	NUT,TL FLG,M6-1.0,DIN6927,10,Z	
16	231087GT	SCREW,HHF,M12 X 1.75 X 25	



301.1 Turntable Center Components - View 1

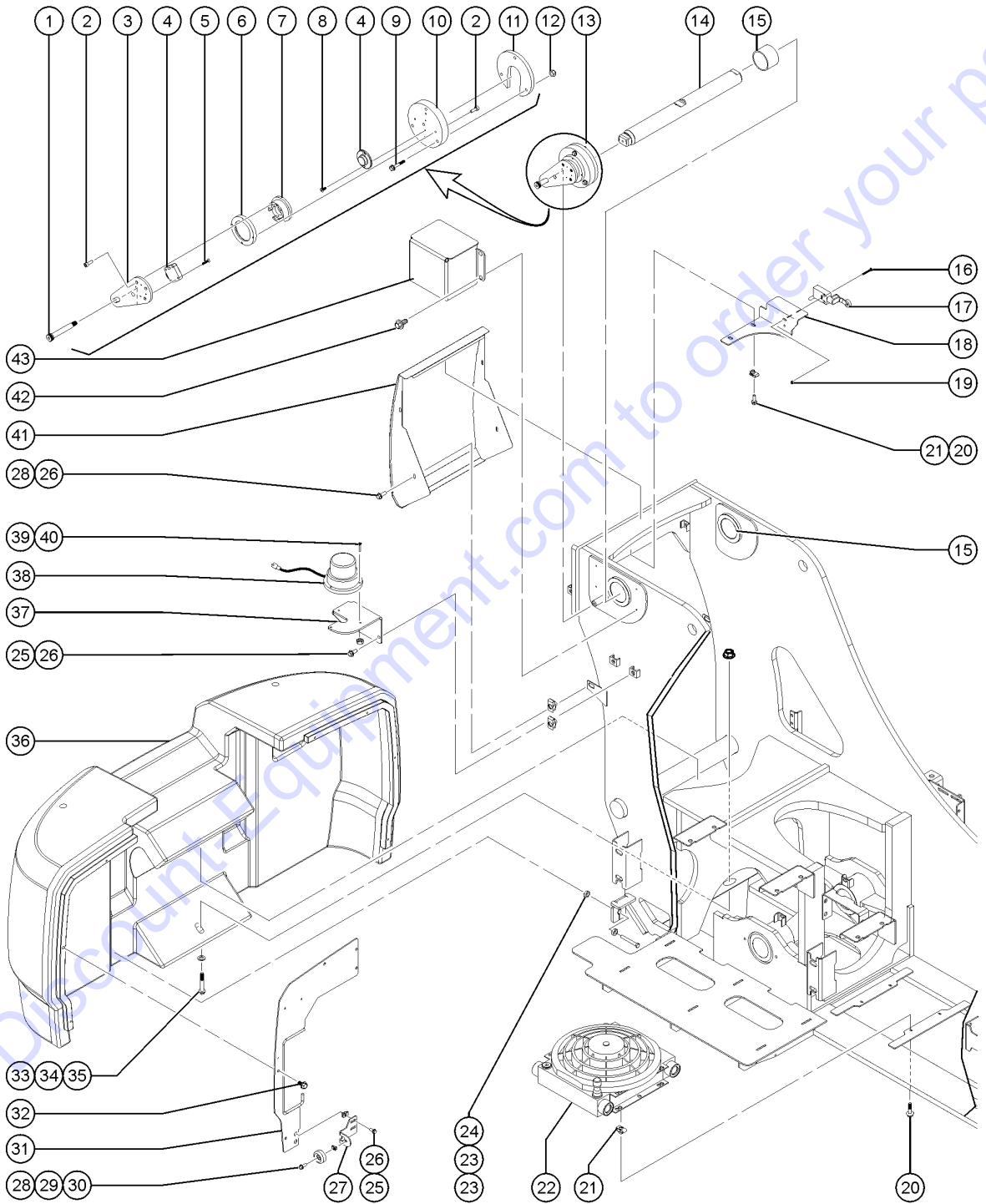


Item	Part No.	Description	Qty.
17	101572GT	BEARING,TURNTABLE	1
18	1255654GT	SCREW,SHC,5/8-11X4.75,A574,ZAG	36
19	825348GT	WASHER,FLAT,M16,DIN6916,HRD,ZAB	36
20	825632GT	NUT, TL FLG, M12-1.75, ZAB	
21	232869GT	SCREW,HHF,M12X50,DIN6921, 10.9	
22	1270637GT	FORMING, PINION GUARD	
23	106498GT	HYDRAULIC SWIVEL SUPPORT	1
24	1253702GT	ASSY, HYD/ELEC 5 PORT/10 CONT (complete)	1
24A-	1253699GT	ASSY., HYDRAULIC SWIVEL, 5 POR	
24B-	1276830GT	SEAL KIT,HYDRAULIC SWIVEL(1253699) for 1253699	
24C-	1253696GT	ASSY., ELECTRIC SWIVEL, 10 CON	
24D-	1253698GT	MACHINED, SWIVEL ANTI-ROTATION	
24E-	10107GT	SCREW,HHC,5/16-18 X .75	
24F-	1253709GT	SCREW,SHC,7/16-14X1.25,A574,YZ	
24G-	1253697GT	MACHINED, SWIVEL MOUNTING	
25	232874GT	SCREW, HHF, M10-1.5X30,DIN6921	
26	216159GT	SCREW,HHC,M12-1.75X80,DIN931,10.9,ZAB	
27	230074GT	SPRING CLIP,M10-1.5,1-6X19,ZAB	6
28	219624GT	WELDMENT,SWIVEL COVER,SWING	1
29	231530GT	SCREW,HHF,M10-1.5X25,DIN6921,10.9,ZAB	

Go to DiscountEquipment.com to order your parts

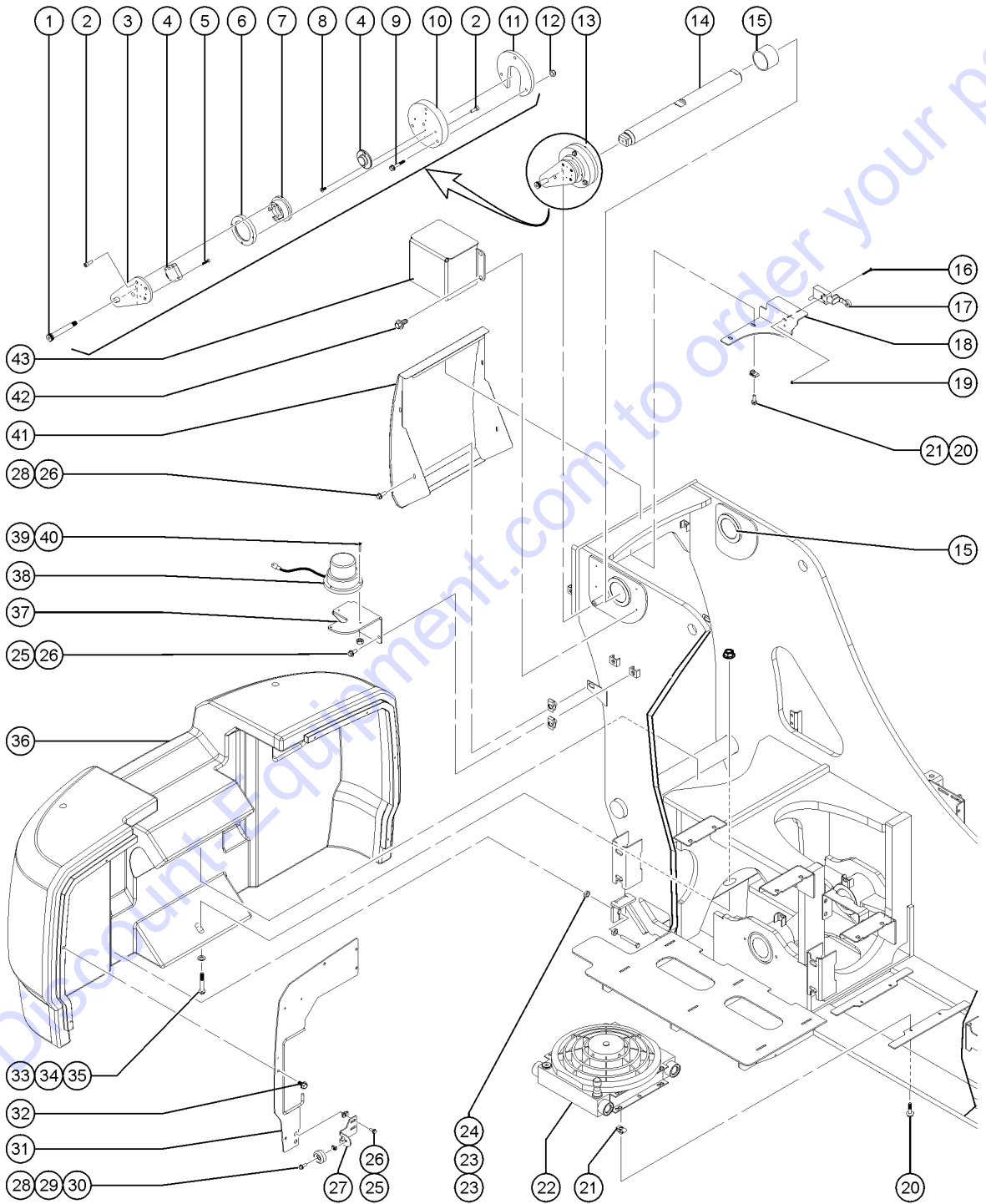


302.1 Turntable Center Components - View 2



Item	Part No.	Description	Qty.
1	237239GT	BOLT,SHS,12X70XM10-1.5,ISO7379,12.9,ZAB	1
2	217219GT	SCREW,SHC,M4-0.7X14 DIN912,12.9,ZAB	
3	215751GT	MACHINED, SENSOR MOUNT PLATE	1
4	1271482GT	ANGLE SENSOR,360DEG,CAN ID40	1
		(Calibration required after replacement)	
5	237241GT	SCREW,FHS,M3-0.5X14,DIN7991,10	
6	226491GT	MACHINED, ANGLE SENSOR RACE	1
7	226492GT	MACHINED, ANGLE SENSOR HOLDER	1
8	237242GT	SCREW,FHS,M3-0.5X8,DIN7991,10.9,ZAB	
9	232886GT	SCREW,HHF,M6X40,DIN6921,10.9,	
10	215530GT	MACHINED,BOOM PIVOT PIN CAP	1
11	215531GT	MACHINED,CLAMP,PIVOT,SENSOR	1
12	825667GT	NUT,TLFLG, M6-1.0,ZAB	
13	1272841GT	ASSY, ANGLE SEN,CAN BUS,BOOM PIVOT	1
		(Complete assembly) includes items 1 - 12	
14	231546GT	PIN, 80 MM DIA X 855MM LG	1
15	231480GT	BEARING, 80ID X 90OD X 60L	2
16	822353GT	SCREW,PHPM,M4-0.7X30,DIN7985,ZAB	
17	236397GT	SWITCH ASSY, 10 DEG OPER, SUPER-X	1
17-	139644-13B11GT	LIMIT SWITCH,TAB,BLUE,MICRO	
17-	60439GT	LOCK,RECEP 2 WAY, 14-18GA	
17-	119065GT	CONN,RECEP 2 WAY ENDCAP DT	
18	1253166GT	FORMING, LSB1DO MOUNT	2
19	825686GT	NUT, TL, M4-0.7, DIN980, 8, ZAB	
20	231532GT	SCREW,HHF,M6-1.0X20,DIN6921,10.9,ZAB	
21	230073GT	SPRING CLIP,M6-1.0,0.8-4MM PAN	1
23	231515GT	NUT,HEX,JAM,M20-2.5,DIN439,ZAB	4
24	232941GT	SCREW,HHC,M20-2.5X160,DIN933,10.9,ZAB	2
22	71259GT	OIL COOLER W/FAN, 12VDC	1
22-	75855GT	THERMOSTAT -OIL COOLER (71259)	

302.1 Turntable Center Components - View 2

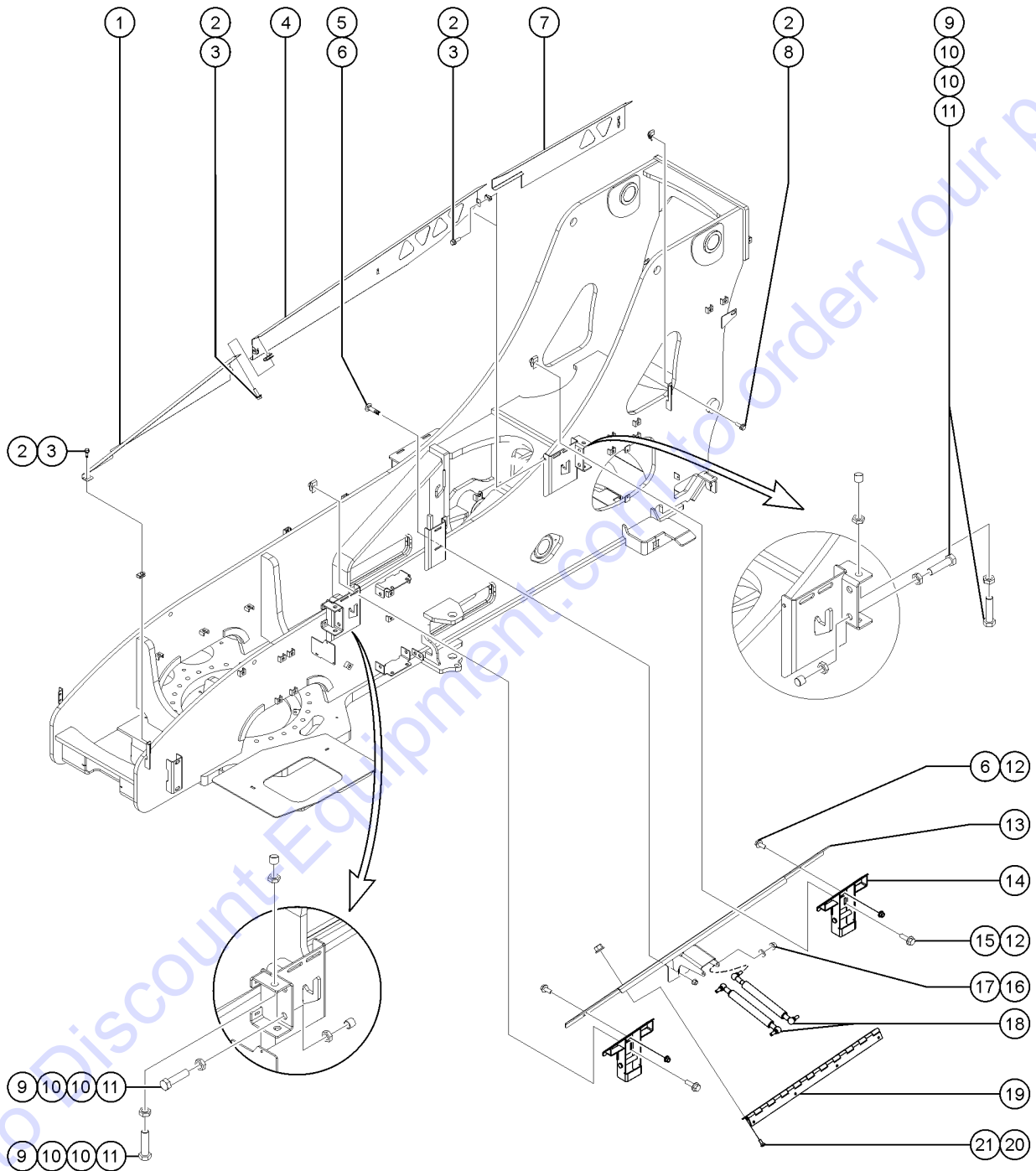


Go to DiscountEquipment.com to order your parts

Item	Part No.	Description	Qty.
22-	75854GT	FAN - VENTED	
25	231530GT	SCREW,HHF,M10-1.5X25,DIN6921,10.9,ZAB	
26	230074GT	SPRING CLIP,M10-1.5,1-6X19,ZAB	
27	1261948GT	FORMING,CNTRWT BUMPER STOP	1
28	231531GT	SCREW,HHF,M6-1.0X30,DIN6921,10.9,ZAB	
29	50974GT	BUMPER,RUBBER,COVERS	1
30	219697GT	SPRING CLIP,M6-1.0,3.4-6.3MMX1	
31	1260161GT	WLDT,BAFFLE PL.,CW,TANK SIDE	1
32	231088GT	SCREW,HHF,M10-1.5X20,DIN6921,1	
33	237731GT	SCREW,HHC,1-8X5,5,ZAG	1
34	824116GT	WASHER,FLAT,1.0,F436,HRD,ZAG	1
35	824031GT	NUT,TL FLG,1-8,G,ZAG	1
36	1265021GT	COUNTERWEIGHT,CAST,9500 LBS	1
36-	1262147GT	SHIM, COUNTERWEIGHT	
37	75250GT	BRACKET,BEACON,DRIVE LIGHTS,LH	2
38	121804GT	ASSY,FLASHING BEACON 2008 (complete)	2
38-	56704GT	STROBE,FIREBOLT,12-80VDC,AMB**	
38-	122019GT	FLASHTUBE,U SHAPED,360DEG,BULB	
38-	226393GT	FLASHTUBE,STRAIGHT,360DEG,BULB	
38-	72282GT	LENS,AMBER,STROBE,FIREBOLT	
39	826783GT	SCREW,FHPM,10-32X.1,00,ZAG	
40	824036GT	NUT, TL, 10-32, A, ZAG	
41	161953GT	WLDT, REAR MAST COVER	1
42	237238GT	SCREW,HHF,M6-1.0X12,DIN6921,10	
43	232883GT	FORMING, COVER, ANGLE SENSOR	1



303.1 Turntable Covers - Engine Side



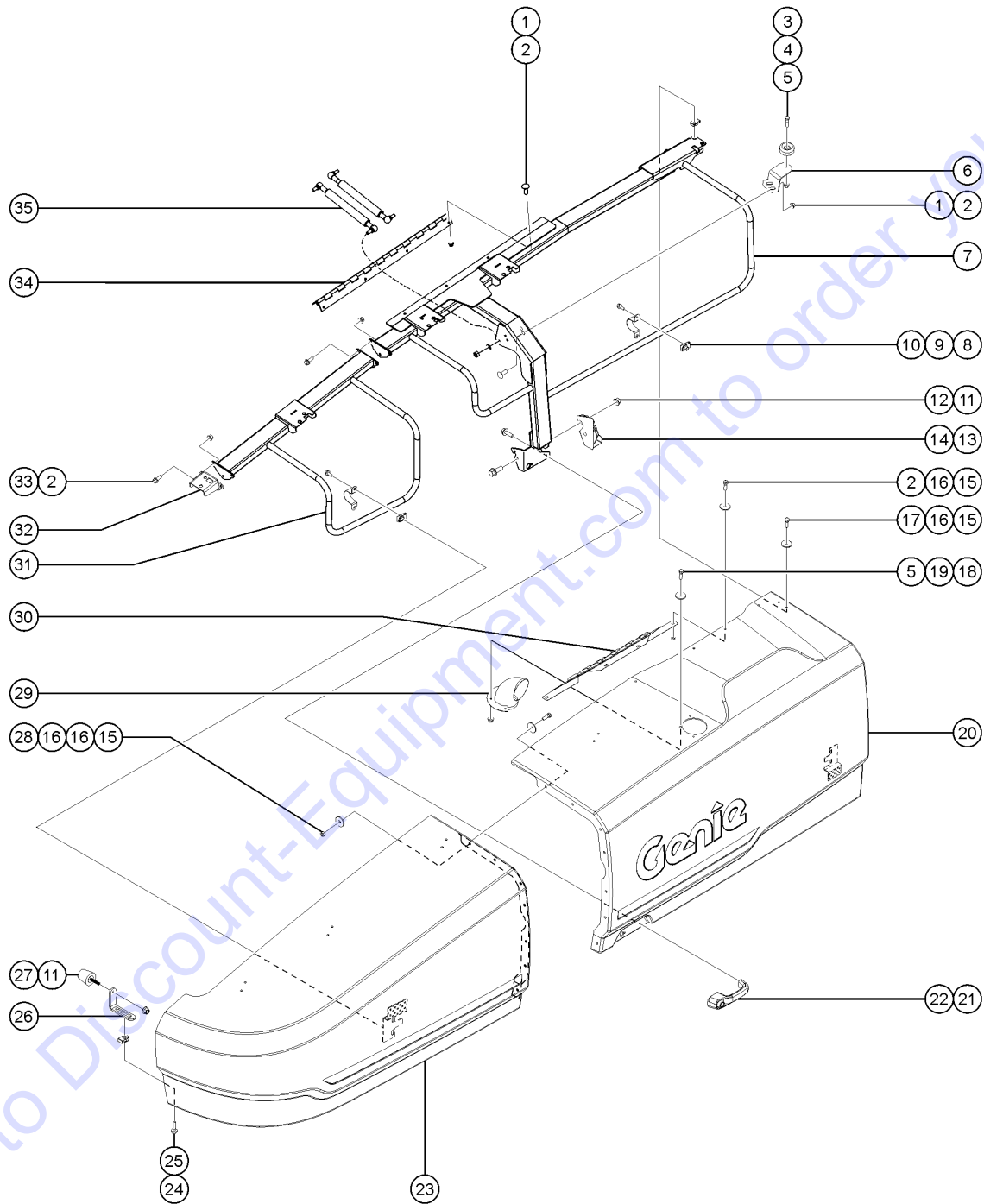
303.1 Turntable Covers - Engine Side

Item	Part No.	Description	Qty.
1	1267877GT	FORMING, COVER, ES REAR	1
2	231532GT	SCREW,HHF,M6-1.0X20,DIN6921,10.9,ZAB	
3	219697GT	SPRING CLIP,M6-1.0,3.4-6.3MMX1	
4	1260538GT	FORMING, COVER, ES MIDDLE	1
5	825597GT	BOLT,CARRIAGE,M10-1.5X30,DIN603,8.8,ZAB	
6	231529GT	NUT,TL FLG,M10-1.5,DIN6927,10,	
7	1260537GT	FORMING, COVER, ES FRONT	1
8	230073GT	SPRING CLIP,M6-1.0,0.8-4MM PAN	
9	231509GT	SCREW,HHC,M20-2.5X80,DIN933,10	4
10	231515GT	NUT,HEX,JAM,M20-2.5,DIN439,ZAB	8
11	1261917GT	THREADED CAP, M20-1.5	4
12	231530GT	SCREW,HHF,M10-1.5X25,DIN6921,10.9,ZAB	
13	1259831GT	WELDMENT, HINGE MOUNT ES	1
14	1259348GT	WELDMENT, SUPPORT ES NOSE	2
15	230074GT	SPRING CLIP,M10-1.5,1-6X19,ZAB	
16	232951GT	NUT, TL, M10-1.5,DIN980, ZAB	
17	824145GT	WASHER, FLAT, DIN125, M10, ZAB	
18	1259706GT	GAS STRUT,390 LB	2
19	1259705GT	HINGE,COVER,40IN	1
20	824125GT	BOLT,CARRIAGE,3/8-16X1,5,ZAG	
21	824029GT	NUT,TL FLG,3/8-16,G,ZAG	

Go to DiscountEquipment.com to order your parts



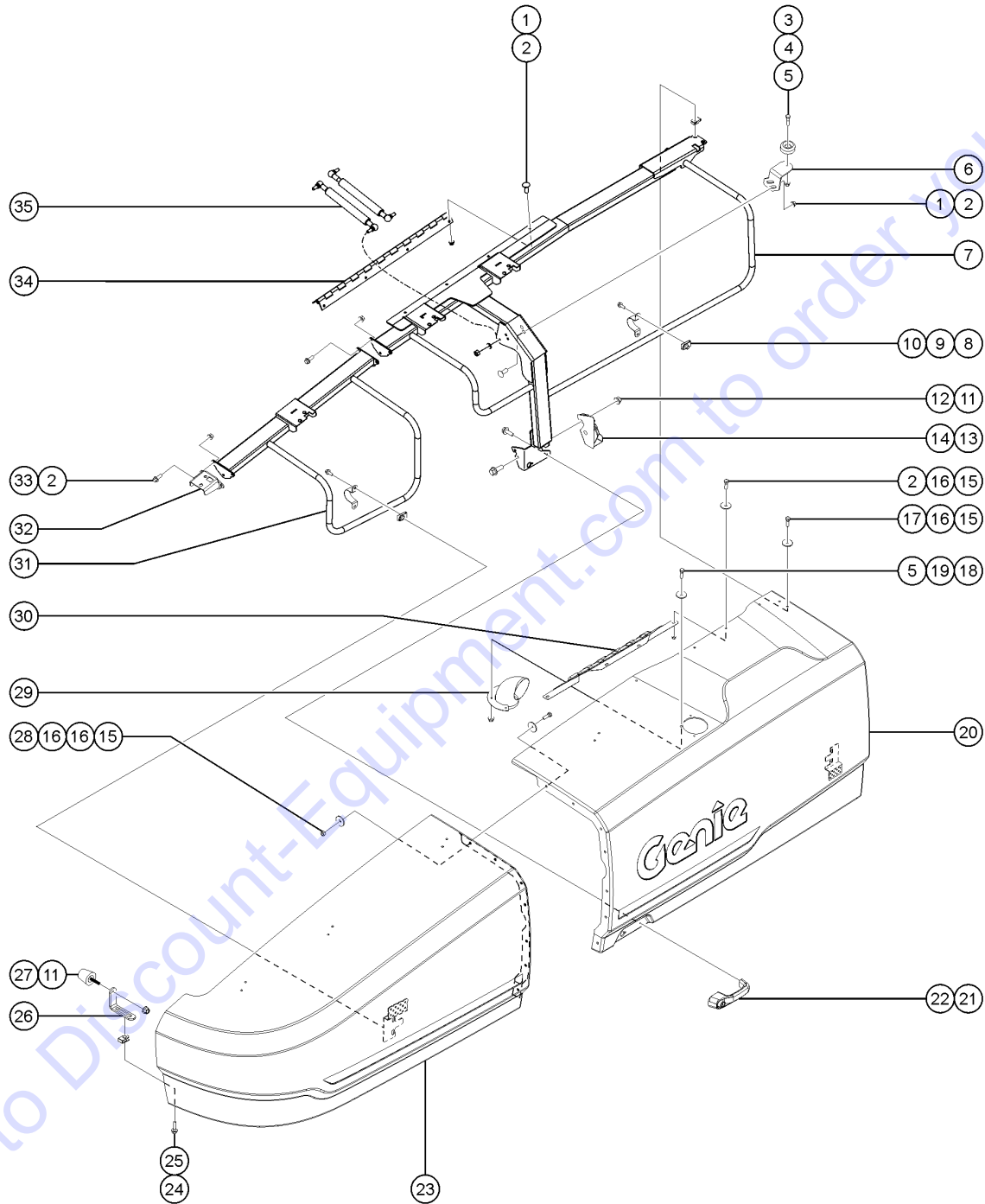
303.2 Turntable Covers - Engine Side



Item	Part No.	Description	Qty.
1	824125GT	BOLT,CARRIAGE,3/8-16X1,5,ZAG	
2	824029GT	NUT,TL FLG,3/8-16,G,ZAG	
3	824061GT	SCREW,HHC,1/4-20X1.25,8,ZAG	
4	50974GT	BUMPER,RUBBER,COVERS	1
5	824027GT	NUT,TL FLG,1/4-20,G,ZAG	
6	1261813GT	FORMING,BUMPER,SIDE	1
7	1259038GT	WELDMENT,COVER SUPPORT,ENG	1
8	56912GT	SPRING CLIP,1/4-20,.025-.15X.5	
9	1260158GT	CLAMP,TUBE,1 -5/16,TWO HOLE	2
10	824078GT	SCREW,HHF,1/4-20X.75,8,ZAG	
11	824028GT	NUT,TL FLG,5/16-18,G,ZAG	
12	824087GT	SCREW,HHF,5/16-18X1.25,8,ZAG	
13	1261245GT	FORMING, LATCH GUARD, ES	1
14	215254GT	LATCH,ROTARY,ENGINE COVER Not shown	1
14-	1260683GT	FORMING,LATCH TRIGGER BRKT,RH	
15	824068GT	SCREW,HHC,3/8-16X1.25,8,ZAG	
16	824120GT	WASHER,FLAT,.375X1.50X.125,ZAG	
17	29868GT	SPRING CLIP,3/8-16,.05-.20X.73,ZAG	
18	824059GT	SCREW,HHC,1/4-20X.75,8,ZAG	
19	824119GT	WASHER,FLAT,.25X1.25X.062,ZAG	
20	1259674GT	ASSEMBLY,COVER,ENG MOUNT Includes item 30 and mounting fasteners	
21	1256054GT	HANDLE,YELLOW LOCKING,CODE 455	1
21-	37947GT	KEYS,10 PACK*** sold separately	
21-	83093GT	KEY SINGLE*** sold separately	
22	231532GT	SCREW,HHF,M6-1.0X20,DIN6921,10.9,ZAB	
23	1259032GT	ASSEMBLY,COVER,ENG NOSE MOUNT	1
24	231512GT	SCREW,HHF,M6-1.0X25,DIN6921,10.9,ZAB	
25	219697GT	SPRING CLIP,M6-1.0,3.4-6.3MMX1	



303.2 Turntable Covers - Engine Side



Go to Discount-Equipment.com to order your parts

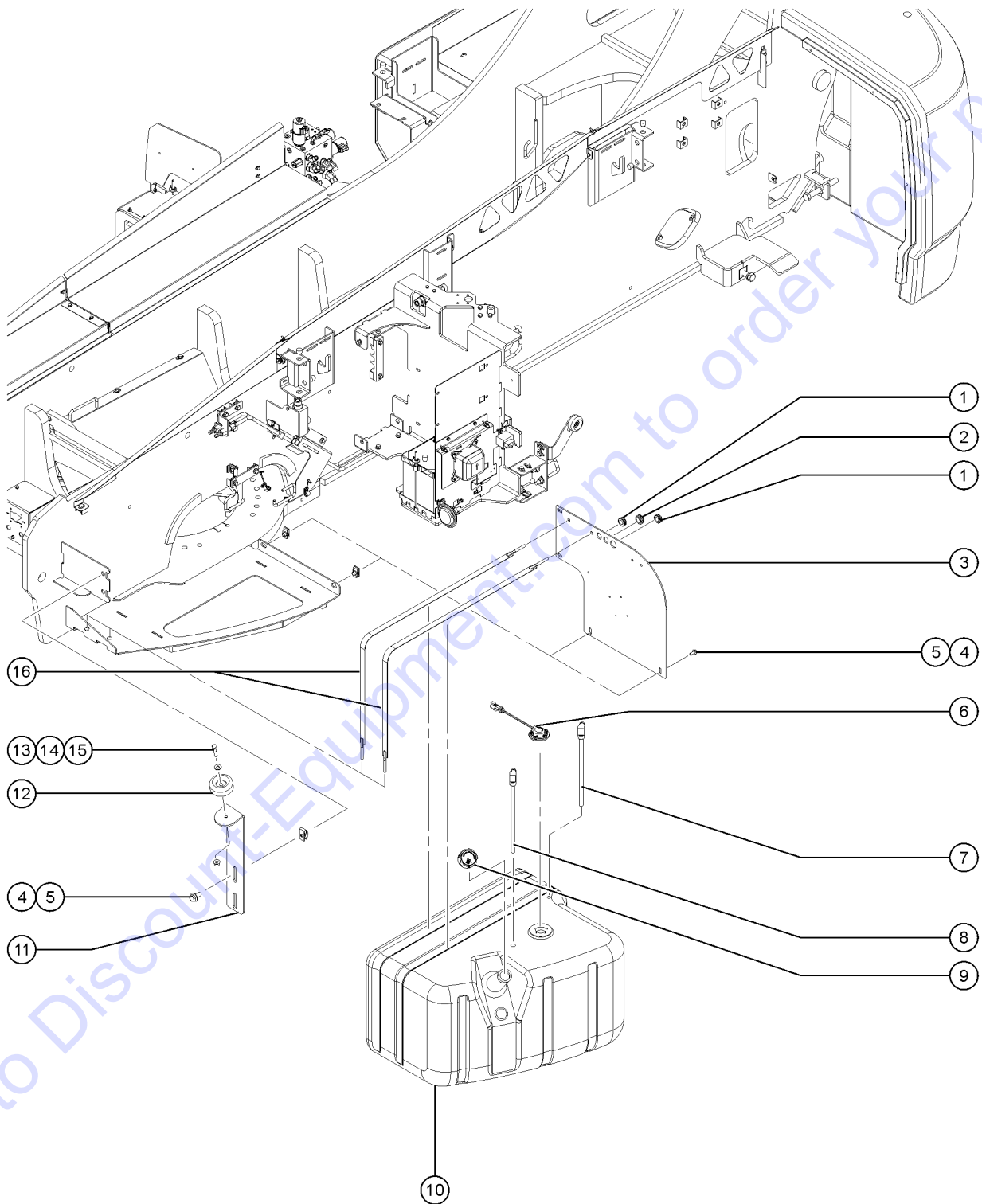
303.2 Turntable Covers - Engine Side

Item	Part No.	Description	Qty.
26	1261814GT	FORMING,BUMPER,NOSE	
27	111580GT	BUMPER,RUBBER,1.19DX1.5X.31-18	1
28	1256468GT	NUT,3/8-16,8,ZAG	
29	1260056GT	WELDMENT, EXHAUST TUBE	1
30	1260058GT	FORMING,ENGINE COVER SUPPORT	1
31	1259036GT	WELDMENT,COVER SUPPORT,NOSE,EN	1
32	1259013GT	FORMING,COVER MOUNT,REAR	1
33	824090GT	SCREW,HHF,3/8-16X1,8,ZAG	
34		Ref. HINGE,COVER,40IN	
		(Refer to 303.1)	
35		Ref. GAS STRUT,390 LB	
		(Refer to 303.1)	

Go to Discount-Equipment.com to order your parts



304.1 Engine Side Components, Fuel Tank



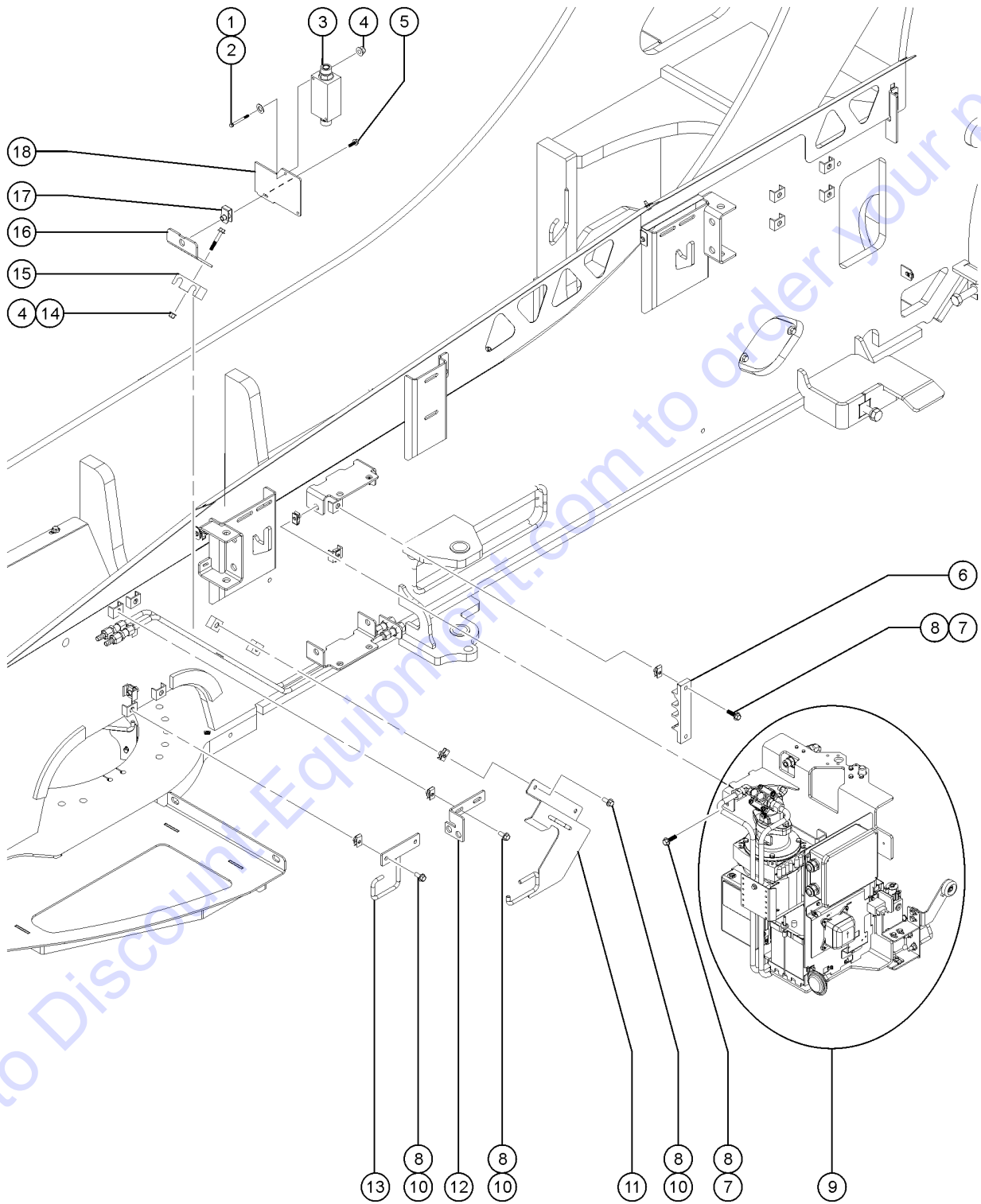
304.1 Engine Side Components, Fuel Tank

Item	Part No.	Description	Qty.
1	60584GT	GROMMET,RUBBER .75 X .19 X 1**	2
2	124962GT	GROMMET,RUBBER,1.0 X 1.25X1.5	1
3	1265787GT	PLATE, FUEL TANK BULKHEAD	1
4	231530GT	SCREW,HHF,M10-1.5X25,DIN6921,10.9,ZAB	
5	230074GT	SPRING CLIP,M10-1.5,1-6X19,ZAB	
6	1271770GT	SENSOR, FUEL LEVEL, 30" DIESEL	1
7	1253476GT	TUBE,FUEL RETURN,3/8X3/8 NPT X 20.5	1
8	1251722GT	TUBE,FUEL PICK UP,3/8X3/8 NPT	1
9	101726GT	CAP,FUEL,DIESEL,1/8"VENT(GRN)	1
10	1272872GT	ASSEMBLY, FUEL TANK, 40 GAL Including items 6 -9	1
11	1261897GT	FORMING,BUMPER MOUNT,NOSE	1
12	50974GT	BUMPER,RUBBER,COVERS	1
13	231531GT	SCREW,HHF,M6-1.0X30,DIN6921,10.9,ZAB	
14	1257389GT	WASHER, FLAT, M6X18X1.6,DIN9021,ZAB	
15	231513GT	NUT,TL FLG,M6-1.0,DIN6927,10,Z	
16	1275309GT	STRAP ASSEMBLY, 55"	2

Go to Discount-Equipment.com to order your parts



305.1 Engine Side, Hose Clamps and Guides



Go to Discount-Equipment.com to order your parts

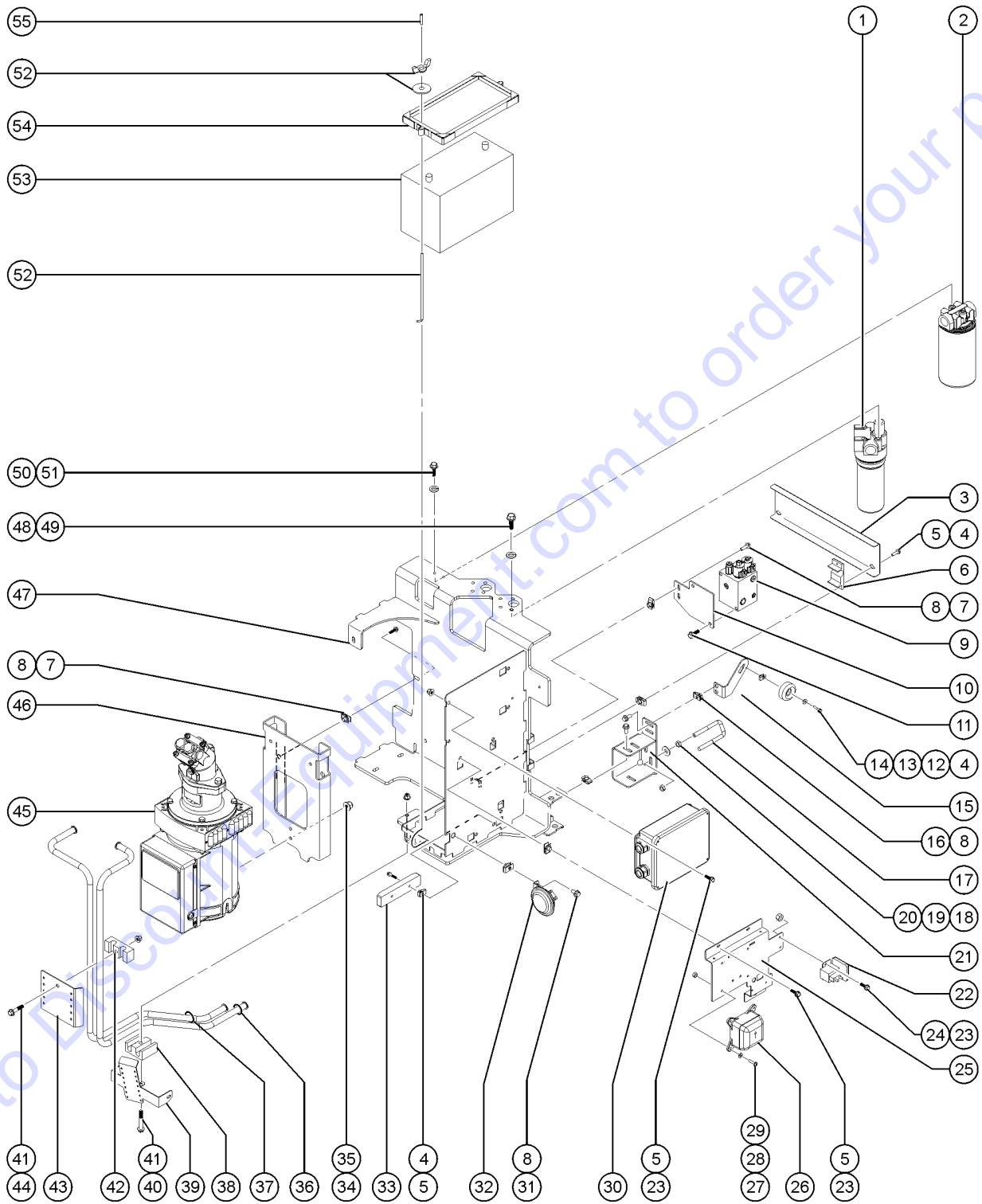
305.1 Engine Side, Hose Clamps and Guides

Item	Part No.	Description	Qty.
1	161410GT	SCREW,HHC,M6X70,DIN931,10.9,YZ	2
2	824143GT	WASHER,FLAT,M6,DIN125,ZAB	
3	236240GT	MANIFOLD, RETURN BLOCK	1
4	231513GT	NUT,TL FLG,M6-1.0,DIN6927,10,Z	
5	231532GT	SCREW,HHF,M6-1.0X20,DIN6921,10.9,ZAB	
6	219065GT	CLAMP,HYD. HOSE, 3 X .75"	1
7	231533GT	SCREW,HHF,M10-1.5X35,DIN6921,10.9,ZAB	
8	230074GT	SPRING CLIP,M10-1.5,1-6X19,ZAB	
9		Ref. GEN. BULKHEAD ASSEMBLY	1
		(Refer to 306.1)	
10	231530GT	SCREW,HHF,M10-1.5X25,DIN6921,10.9,ZAB	
11	160726GT	WELDMENT, CABLE/HOSE GUIDE	1
12	1265788GT	FORMING, FUEL FITTING MOUNT	1
13	219907GT	WELDMENT,HOSE/CABLE GUIDE	1
14	232886GT	SCREW,HHF,M6X40,DIN6921,10.9,	
15	218064GT	CLAMP, FUEL LINE	1
16	218060GT	FORMING, HOSE CLAMP MOUNT	
17	230073GT	SPRING CLIP,M6-1.0,0.8-4MM PAN	
18	237988GT	PLATE,MANIFOLD MOUNT	1

Go to Discount-Equipment.com to order your parts



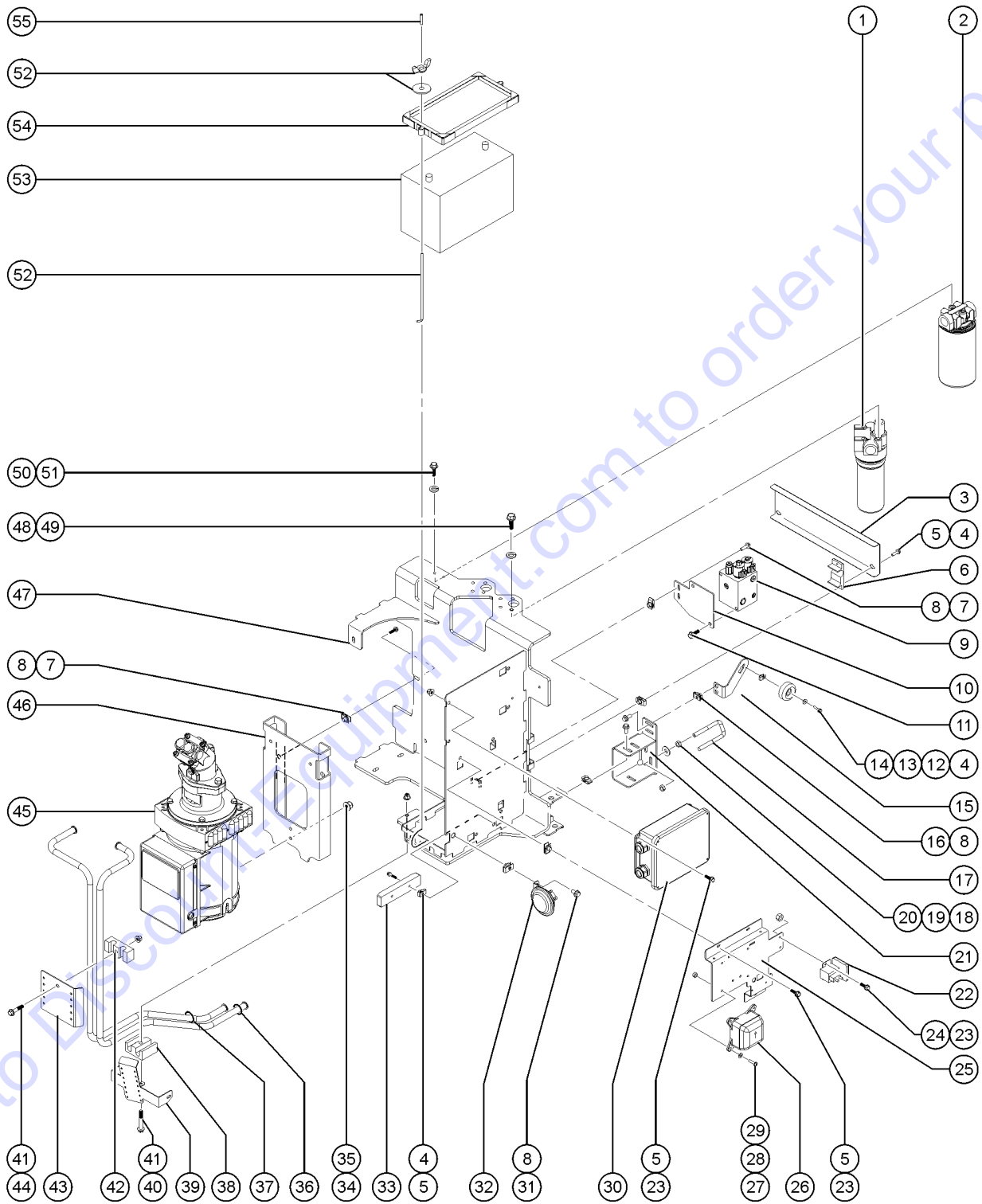
306.1 Engine Side, Welder GEN. Bulkhead Assembly



Item	Part No.	Description	Qty.
1	60334GT	FILTER ASSY,HIGH PRESS SAE-12*	1
1-	60857GT	FILTER,ELEMENT,BETA(5)=1000	
2	87070GT	FILTER ASSY,SAE 12 NO INDICAT*	1
2-	131323GT	FILTER ELEMENT,10 MICRON	
		Genie genuine part	
2-	1259055GT	FILTER ELEMENT, 10 MICRON	
		Genie aftermarket	
3	215197GT	FORMING,HARNES COVER	1
4	231531GT	SCREW,HHF,M6-1.0X30,DIN6921,10.9,ZAB	
5	230073GT	SPRING CLIP,M6-1.0,0.8-4MM PAN	
6	216275GT	CLAMP, GEN BATTERY CABLES	2
7	231533GT	SCREW,HHF,M10-1.5X35,DIN6921,10.9,ZAB	
8	230074GT	SPRING CLIP,M10-1.5,1-6X19,ZAB	
9		Ref. MANIFOLD, GENERATOR	
		(Refer to 705.1)	
10	1259119GT	PLATE,GEN. MANIFOLD MNT	1
11	231087GT	SCREW,HHF,M12 X 1.75 X 25	
12	1257389GT	WASHER, FLAT, M6X18X1.6,DIN9021,ZAB	
13	50974GT	BUMPER,RUBBER,COVERS	1
14	219697GT	SPRING CLIP,M6-1.0,3.4-6.3MMX1	
15	1261894GT	FORMING,BUMPER STOP MID,ES	
16	231530GT	SCREW,HHF,M10-1.5X25,DIN6921,10.9,ZAB	
17	1254805GT	BOLT,U-BOLT,LATCH STRIKER,TRAY	1
18	1255804GT	NUT,JAM,1/2-13,A,ZAG	
19	1255760GT	WASHER,FLAT,1/2,USS,ZAG	
20	1251997GT	NUT,TL FLG,1/2-13,G,ZAG	
21	1259637GT	WLDT,LATCH STRIKE,ENG SIDE	
22	237068GT	SEPARATOR,DUAL BATTERY,100A	1
23	231532GT	SCREW,HHF,M6-1.0X20,DIN6921,10.9,ZAB	
24	231513GT	NUT,TL FLG,M6-1.0,DIN6927,10,Z	
25	1258551GT	FORMING, RELAY MOUNT	1



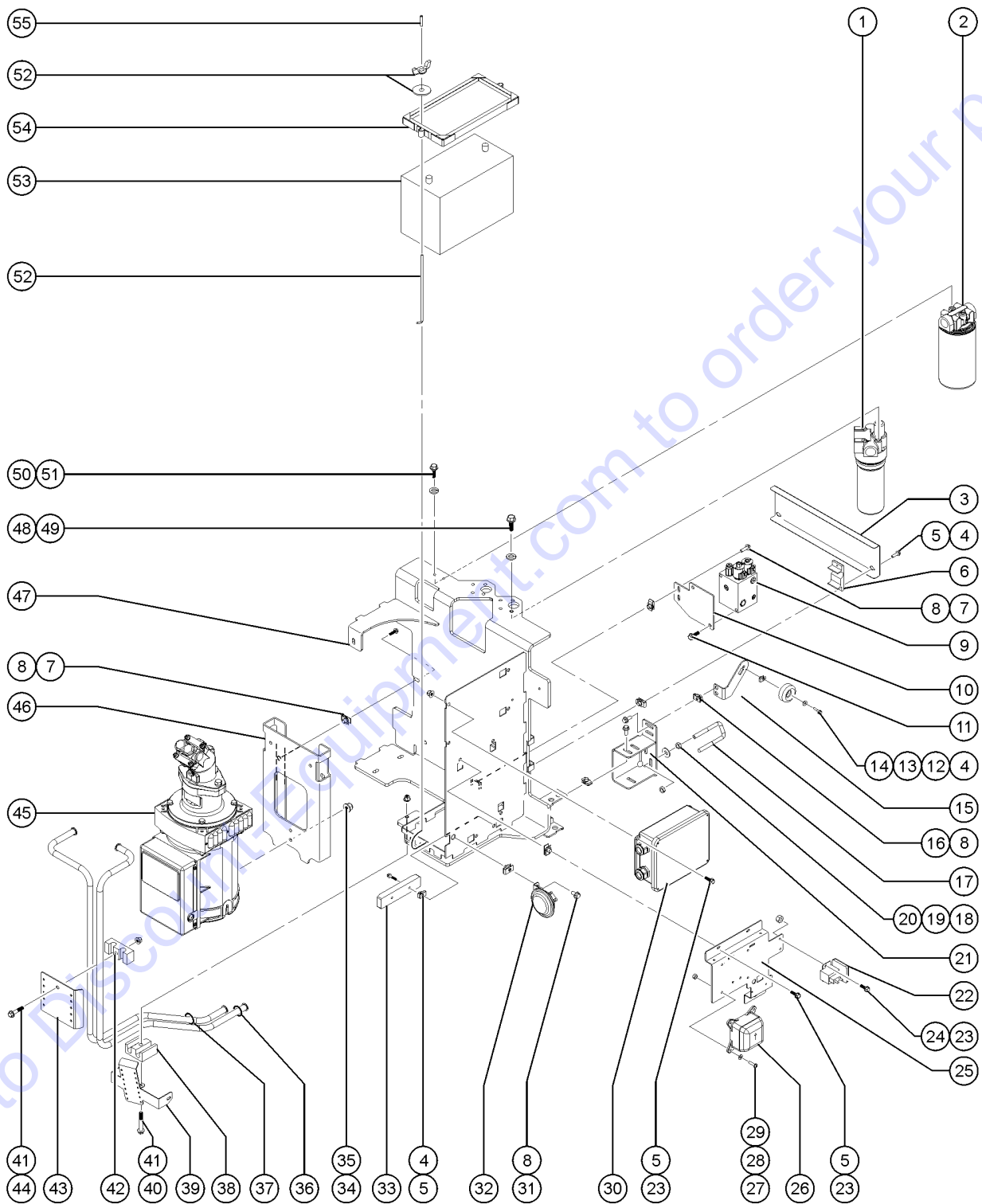
306.1 Engine Side, Welder GEN. Bulkhead Assembly



Item	Part No.	Description	Qty.
26		Re. MODULE, VEC, RELAY BLOCK (Refer to 314.1)	1
27	235315GT	SCREW,PHPM,M4-0.7X16,DIN7985,ZAB	
28	825357GT	WASHER,FLAT,M4,DIN125,ZAB	
29	825686GT	NUT, TL, M4-0.7, DIN980, 8, ZAB	
30		Ref. ASSY,GEN J-BOX (Refer to 307.1 to 307.4)	1
31	231088GT	SCREW,HHF,M10-1.5X20,DIN6921,1	
32	81578GT	HORN,12VDC,SPADE TERMINALS***	1
33	219520GT	UHMW, BATTERY SPACER	1
34	237832GT	NUT,TL,FLG,M8-1.25,DIN6927,10,	
35	1255538GT	SCREW,HHC,M8-1.25X30,DIN933,10.9,ZAB (Not shown)	
36	1259124GT	HARDLINE,GENERATOR RETURN Used only on 7.5/12 KW Generator Option	1
37	1259123GT	HARDLINE, GENERATOR SUPPLY Used only on 7.5/12 KW Generator Option	1
38	216274GT	CLAMP, GENERATOR HARDLINE	1
39	1276543GT	FORMING, CABLE CLAMP, GEN Used only on 3Kw or "No Generator Option"	1
40	238347GT	SCREW,HHF,M10-1.5X70,DIN6921,10.9,ZAB	
41	231529GT	NUT,TL FLG,M10-1.5,DIN6927,10,	
42	160636GT	CLAMP,GENERATOR HARDLINE,UPPER Used only on 7.5/12 KW Generator Option	1
43	160635GT	FORMING,GENERATOR, CABLE RAMP Used only on 7.5/12 KW Generator Option	1
44	232952GT	SCREW,HHF,M10-1.5X50,DIN6921,10.9,ZAB	
45A	216566GT	GENERATOR,7.5KW,208/120/60HZ,3PH, 12CC USA/CSA models	1
45B	218173GT	GENERATOR,12kW, 208/120/60HZ,3PH, 18CC USA/CSA models	1
45C	1272433GT	GEN, 3.0 KW, 120V/60HZ UK models	1
45D	1272434GT	GEN, 3.0 KW, 230V/50HZ UK models	1
45E	1272435GT	GEN, 3.0 KW, 115V/50HZ UK models	1
45F	1257739GT	GEN.,7.5KW,230VAC,1PH,50HZ,AU EU/AUS models	1
46	215723GT	FORMING,WELDER MOUNT	1
47	1259097GT	WELDMENT, GENERATOR BULKHEAD	1
48	1256109GT	SCREW,HHC,3/8-16X.75,8,ZAG	



306.1 Engine Side, Welder GEN. Bulkhead Assembly

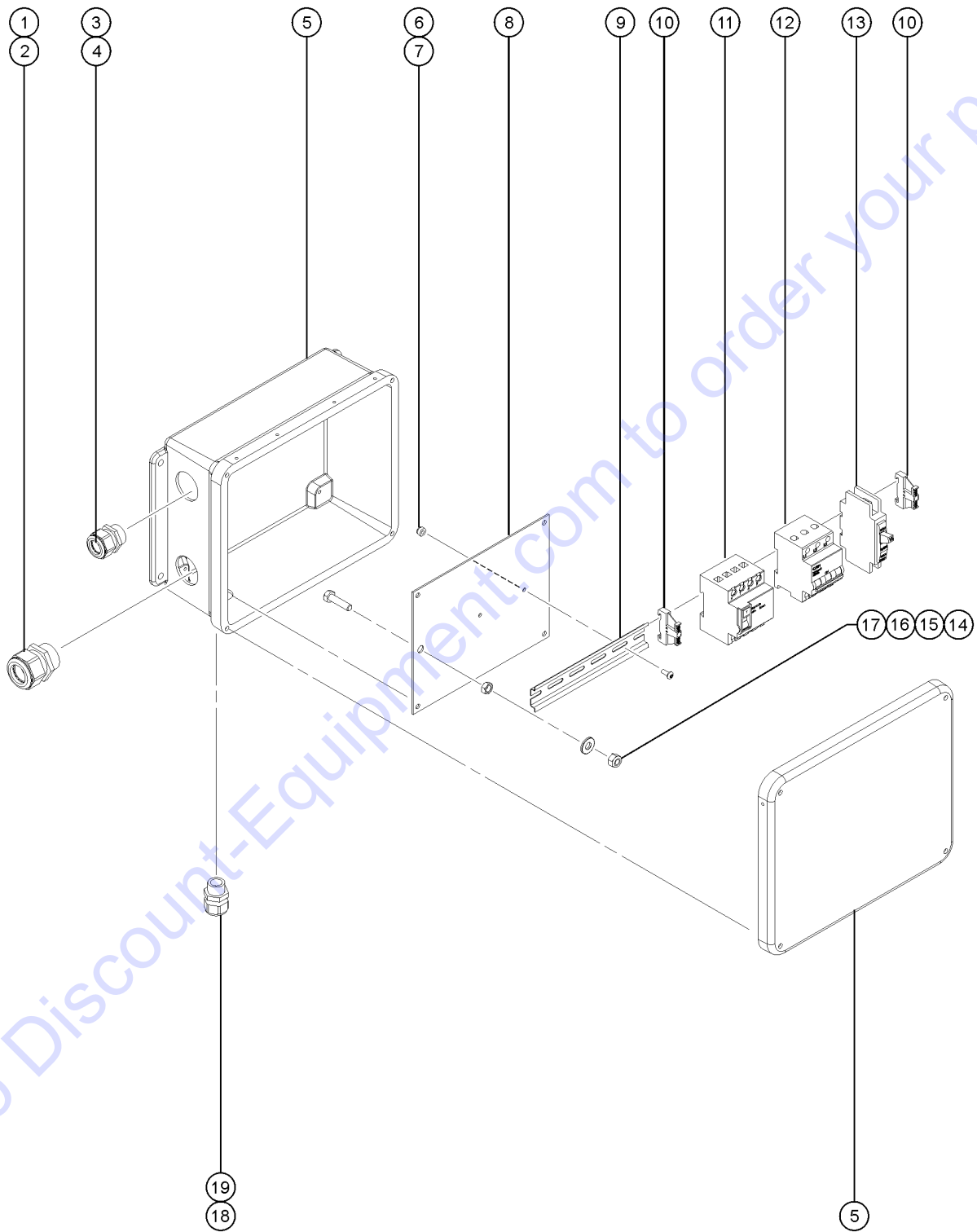


Item	Part No.	Description	Qty.
49	824110GT	WASHER,LOCK,3/8,ZAG	
50	824059GT	SCREW,HHC,1/4-20X.75,8,ZAG	
51	824109GT	WASHER,LOCK,1/4,ZAG	
52	45708GT	HOOK,BATT HOLD DOWN,10"	2
53	30143GT	BATTERY,12V,1000 CCA GRP 31	1
54	30144GT	BATTERY HOLD DOWN,GROUP 31	1
55	823397GT	CAP,VINYL,0.25ID X 1.50	2

Go to Discount-Equipment.com to order your parts



307.1 Welder Generator Enclosure (7.5 kW, 208/120 60HZ)



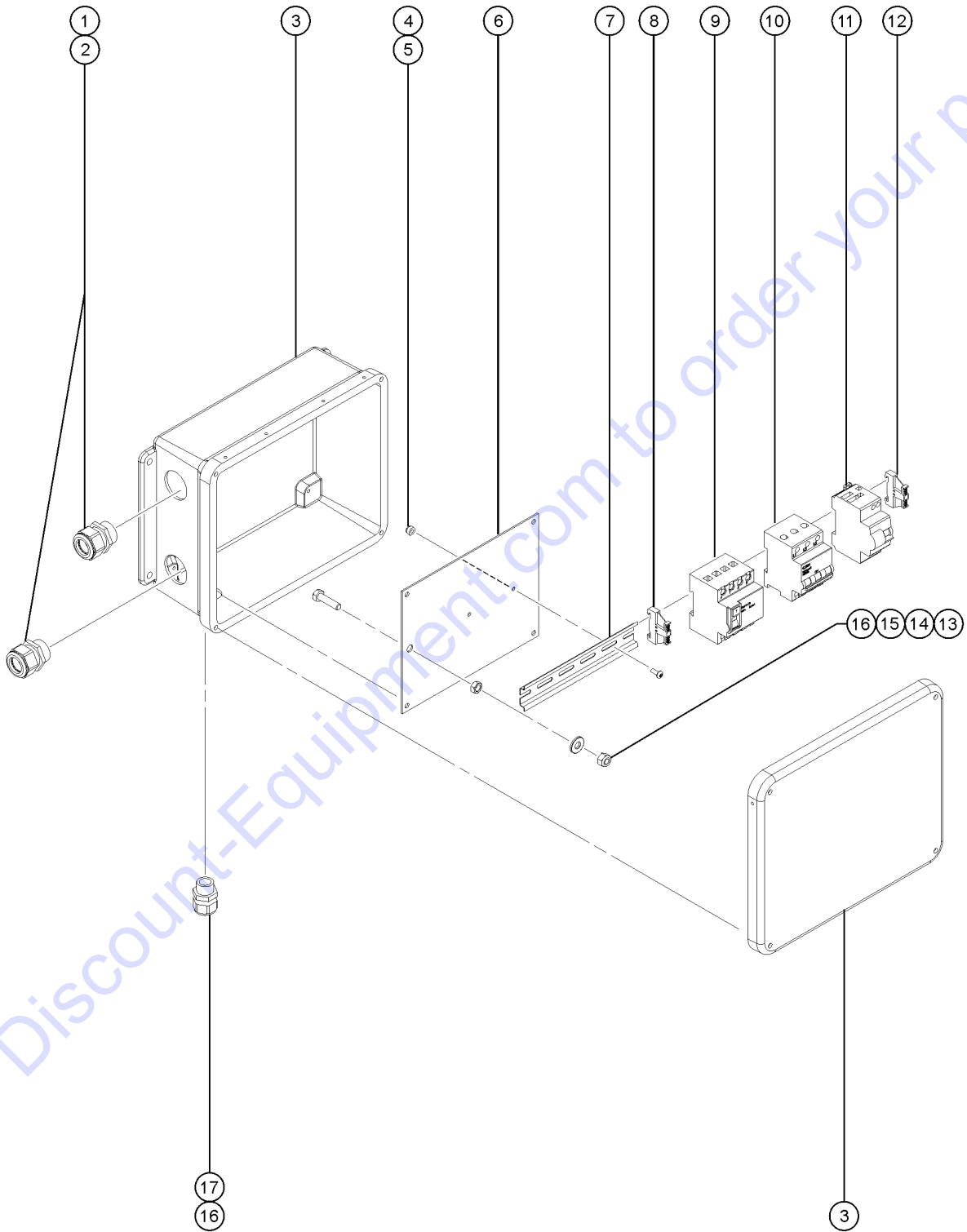
307.1 Welder Generator Enclosure (7.5 kW, 208/120 60HZ)

Item	Part No.	Description	Qty.
A-	1271452GT	ASSY, GEN J-BOX, 7.5 KW, ANSI-CSA (to SN 238) (Complete assembly for GEN 7.5 kW, 208/120 60HZ) including items 1 - 20	1
B-	1279857GT	ASSY, GEN J-BOX, 7.5kW, ANSI-CSA, MAG (from SN 239) (Complete assembly for GEN 7.5 kW, 208/120 60HZ) including items 1 - 20	1
1	822222GT	CABLE SQUEEZE CONN., 1.25"	1
2	822223GT	LOCKNUT, ELECTRIC, 1.25" NPT	1
3	20776GT	CABLE SQUEEZE CONN.	1
4	18665GT	LOCKNUT, ELECTRIC, 1" NPT	1
5	1270722GT	BOX, J, CIRCUIT BREAKERS	1
6	6178GT	NUT, NYLOCK, 10-32	1
7	54365GT	SCREW, PHIL, PHM, 10-32 X .5, SSTL	1
8	161207GT	PANEL, ENCLOSURE, BACK	1
9	822548GT	DIN RAIL, 7.375"	1
10	74913GT	END STOP, DIN RAIL, SCREW CLAMP	2
11	824617GT	CIRCUIT BREAKER, GFCI, 3PH, 63A, 3	1
12	219233GT	CIRCUIT BREAKER, 3 PHASE, 25A	1
13	219232GT	CIRCUIT BREAKER, SINGLE PH,	1
14	6782GT	NUT, NYLOCK, 5/16-18	1
15	5397GT	WASHER, FLAT, USS, 5/16", Y	1
16	6037GT	NUT, HEX, 5/16-18, GR5	1
17	13000GT	SCREW, HHC, 5/16-18 X 1.25	1
18	7057GT	CONN. SQZ, 1/2NPT .39-.56 MED.	1
19	6935GT	LOCKNUT, ELEC, 1/2"	1

Go to DiscountEquipment.com to order your parts



307.2 Welder Generator Enclosure (12 kW, 208/120 60HZ)

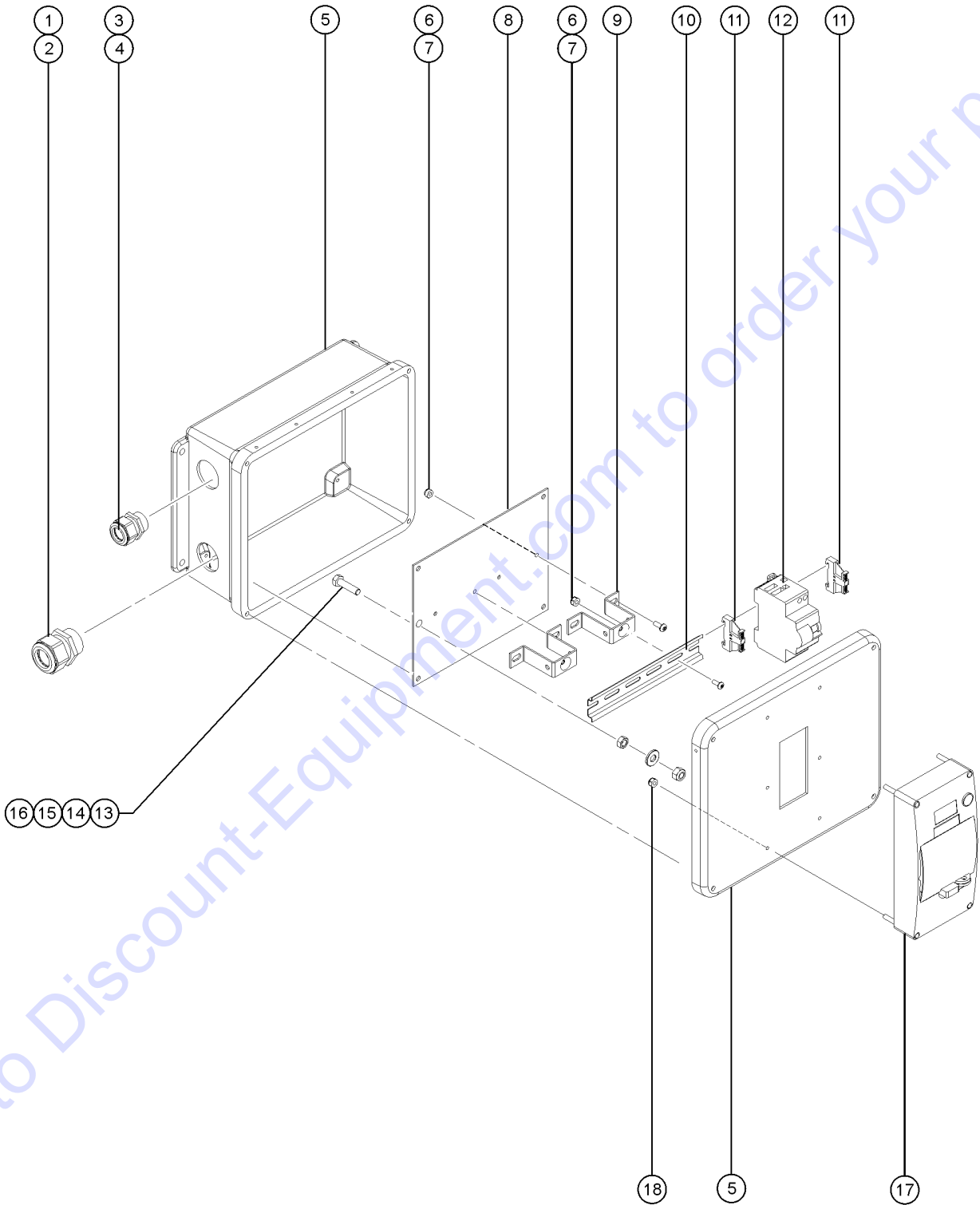


Go to Discount-Equipment.com to order your parts

Item	Part No.	Description	Qty.
A-	1271453GT	ASSY, GEN J-BOX, 12 KW, ANSI-CSA (to SN 238) (Complete assembly for GEN 12 kW, 208/120 60HZ) including items 1 - 20	1
B-	1279866GT	ASSY, GEN J-BOX, 12kW, ANSI-CSA, MAG (from SN 239) (Complete assembly for GEN 12 kW, 208/120 60HZ) including items 1 - 20	1
C-	1275342GT	JUMPERS, GENERATOR J-BOX, ANSI, SX135XC/ZX135	1
1	20776GT	CABLE SQUEEZE CONN.	1
2	18665GT	LOCKNUT, ELECTRIC, 1" NPT	1
3	1270722GT	BOX, J, CIRCUIT BREAKERS	1
4	6178GT	NUT, NYLOCK, 10-32	1
5	54365GT	SCREW, PHIL, PHM, 10-32 X .5, SSTL	1
6	161207GT	PANEL, ENCLOSURE, BACK	1
7	822548GT	DIN RAIL, 7.375"	1
8	74913GT	END STOP, DIN RAIL, SCREW CLAMP	2
9	824617GT	CIRCUIT BREAKER, GFCI, 3PH, 63A, 3	1
10	1256153GT	CIRCUIT BREAKER, 40A, 3P	1
11	1258674GT	RCBO, 16A/30MA TRIP, 1P	1
12	6782GT	NUT, NYLOCK, 5/16-18	1
13	5397GT	WASHER, FLAT, USS, 5/16", Y	1
14	6037GT	NUT, HEX, 5/16-18, GR5	1
15	13000GT	SCREW, HHC, 5/16-18 X 1.25	1
16	7057GT	CONN. SQZ, 1/2NPT .39-.56 MED.	1
17	6935GT	LOCKNUT, ELEC, 1/2"	1



307.3 Welder Generator Enclosure (7.5 KW,230VAC,1PH,50HZ,AU)



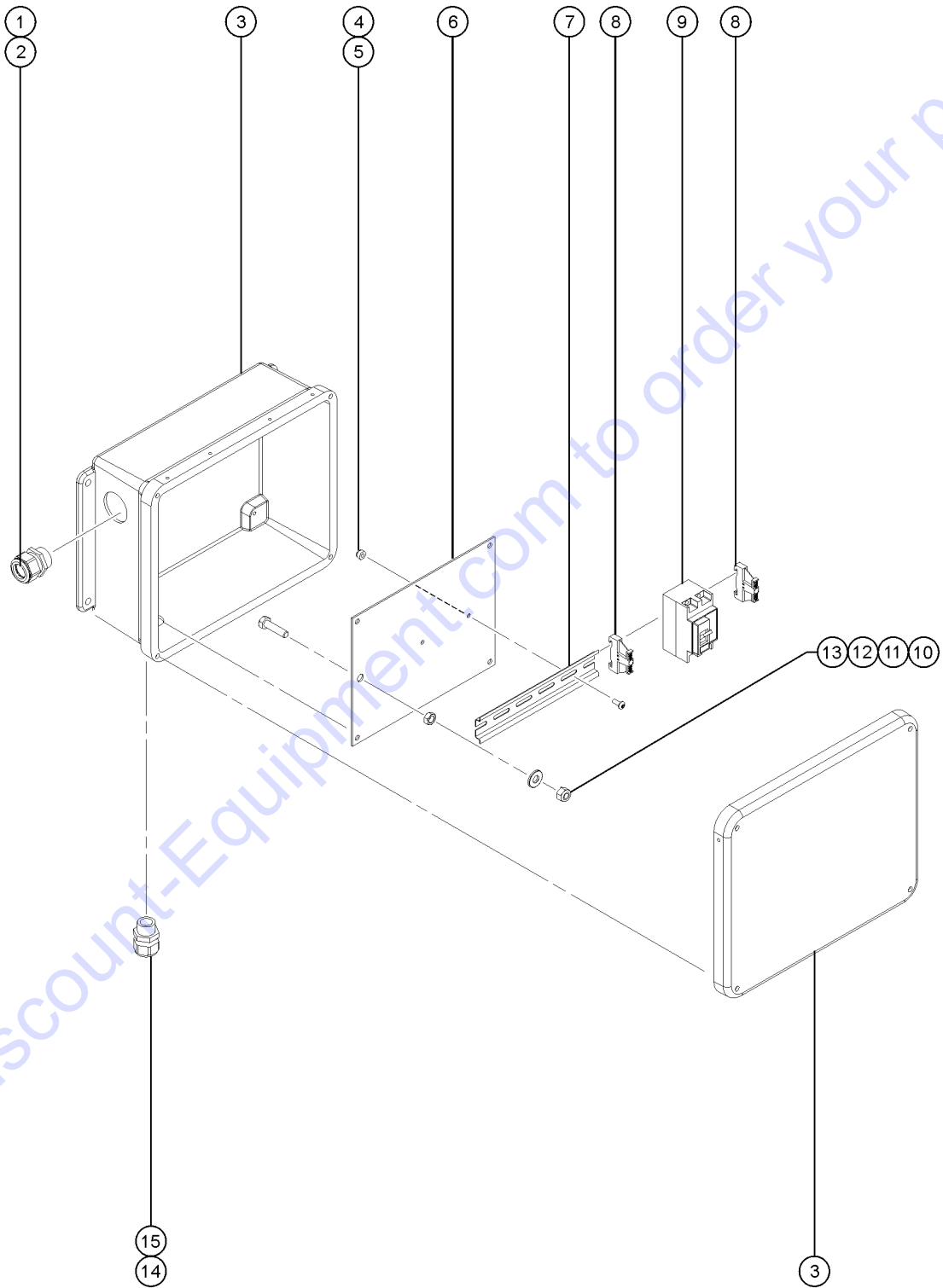
307.3 Welder Generator Enclosure (7.5 KW,230VAC,1PH,50HZ,AU)

Item	Part No.	Description	Qty.
-	1258690GT	ASSY, AUSTRALIAN J BOX (Complete assembly for GEN 7.5 KW,230VAC,1PH,50HZ,AU) including items 1 - 16	1
1	822222GT	CABLE SQUEEZE CONN., 1.25"	1
2	822223GT	LOCKNUT, ELECTRIC, 1.25" NPT	1
3	20776GT	CABLE SQUEEZE CONN.	1
4	18665GT	LOCKNUT,ELECTRIC,1" NPT	1
5	1258680GT	BOX,J,CIRCUIT BREAKERS	1
6	6178GT	NUT,NYLOCK,10-32	
7	54365GT	SCREW,PHIL,PHM,10-32 X .5,SSTL	
8	1258688GT	PANEL,AUSSY ENCLOSURE BACK	1
9	1258689GT	BRACKET,DIN RAIL SUPPORT	2
10	822548GT	DIN RAIL, 7.375"	1
11	74913GT	END STOP, DIN RAIL,SCREW CLAMP	2
12	1258674GT	RCBO, 16A/30MA TRIP, 1P	1
13	6782GT	NUT,NYLOCK,5/16-18	
14	5397GT	WASHER,FLAT,USS,5/16",Y	
15	6037GT	NUT,HEX,5/16-18,GR5	
16	13000GT	SCREW,HHC,5/16-18 X 1.25	
17	1258687GT	MOUNTING COVER KIT WITH NEON	1
18	12344GT	NUT,NYLOCK,6-32	6

Go to Discount-Equipment.com to order your parts



307.4 Generator Enclosure (3.0 kW)

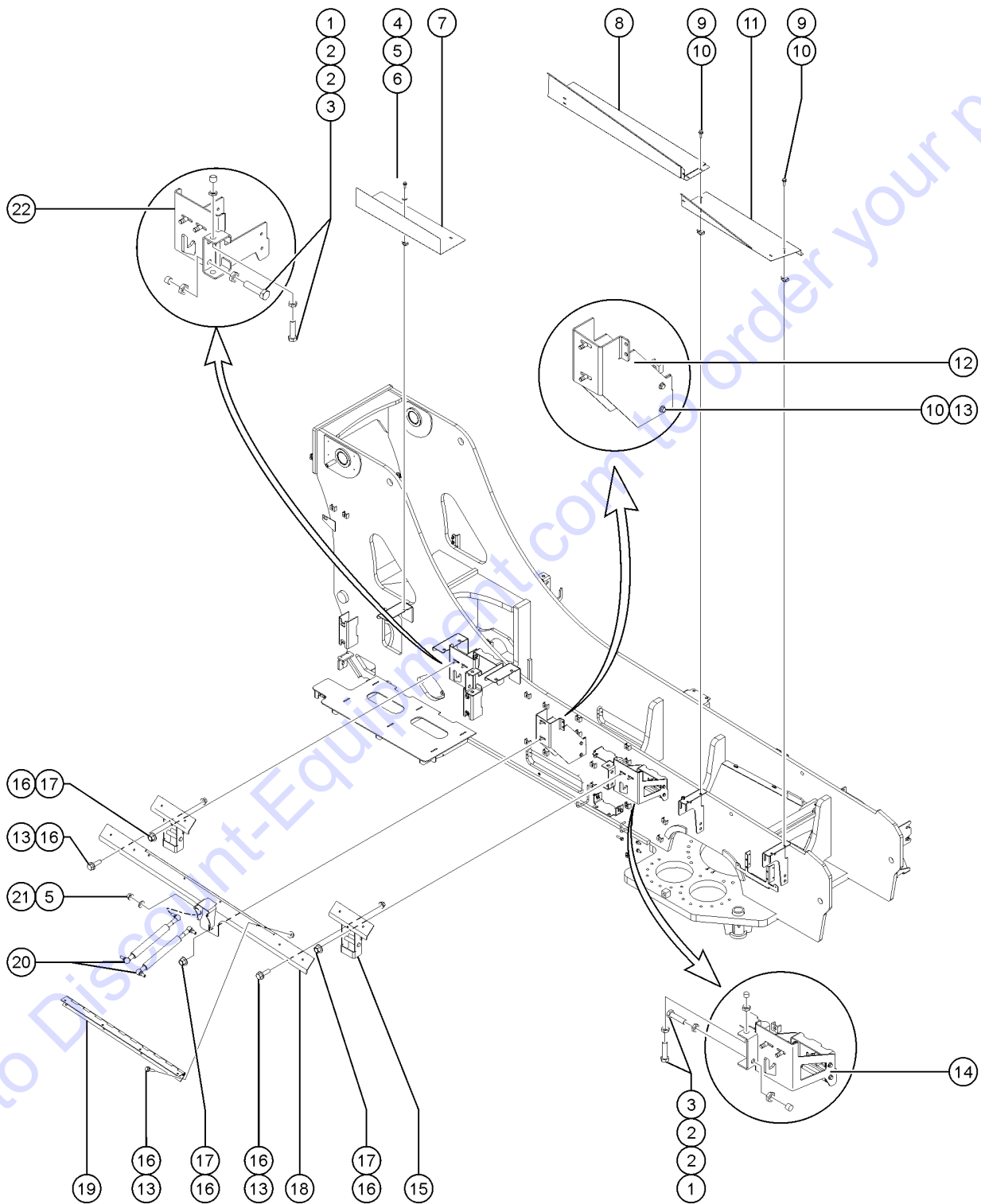


Item	Part No.	Description	Qty.
-	1272537GT	ASSY,GEN J-BOX, 3.0 KW (Complete assembly for GEN 3.0 KW, 120V/60HZ, or 3.0 KW, 230V/50HZ, or 3.0 KW, 115V/50HZ) including items 1 - 15	1
1	61278GT	CONN. SQZ,1/2NPT .56-.63.	1
2	6935GT	LOCKNUT,ELEC,1/2"	1
3	1272509GT	BOX,J, CIRCUIT BREAKERS	1
4	6178GT	NUT,NYLOCK,10-32	
5	54365GT	SCREW,PHIL,PHM,10-32 X .5,SSTL	
6	161207GT	PANEL, ENCLOSURE, BACK	
7	822548GT	DIN RAIL, 7.375"	1
8	74913GT	END STOP, DIN RAIL,SCREW CLAMP	2
9	1272538GT	RCB, 2 POLE, 30mA, 25 A	1
10	6782GT	NUT,NYLOCK,5/16-18	
11	5397GT	WASHER,FLAT,USS,5/16",Y	
12	6037GT	NUT,HEX,5/16-18,GR5	
13	13000GT	SCREW,HHC,5/16-18 X 1.25	
14	7057GT	CONN. SQZ,1/2NPT .39-.56 MED.	1
15	6935GT	LOCKNUT,ELEC,1/2"	1

Go to Discount-Equipment.com to order your parts



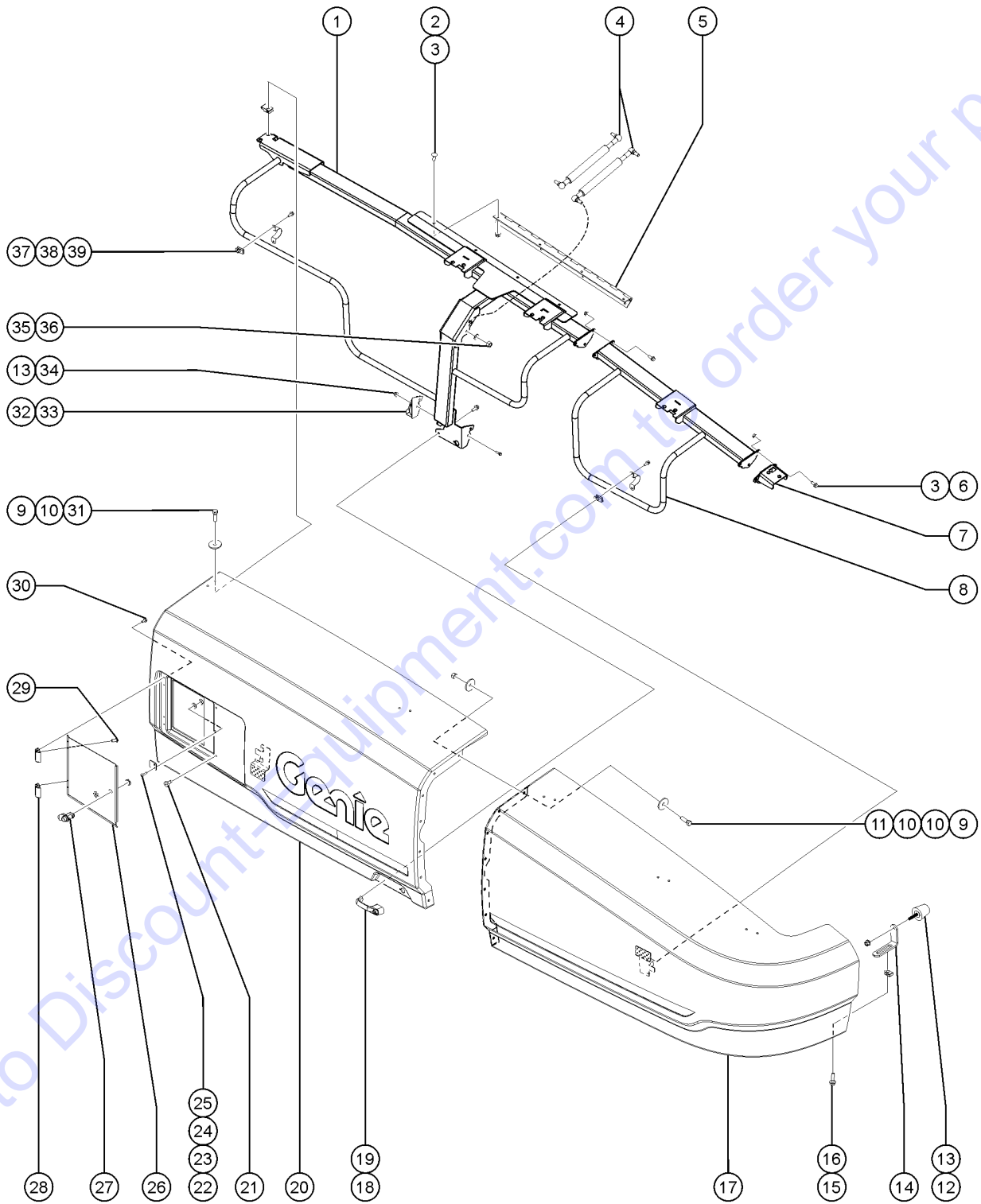
308.1 Turntable Covers - Tank Side



Item	Part No.	Description	Qty.
1	231509GT	SCREW,HHC,M20-2.5X80,DIN933,10	
2	231515GT	NUT,HEX,JAM,M20-2.5,DIN439,ZAB	
3	1261917GT	THREADED CAP, M20-1.5	4
4	237735GT	SCREW,BHC,M10-1.50X25,10.9,ZAB	
5	824145GT	WASHER, FLAT, DIN125, M10, ZAB	
6	230074GT	SPRING CLIP,M10-1.5,1-6X19,ZAB	
7	1265784GT	FORMING, COVER, HYD TANK	1
8	1260541GT	FORMING, COVER, TS MIDDLE	1
9	231532GT	SCREW,HHF,M6-1.0X20,DIN6921,10.9,ZAB	
10	219697GT	SPRING CLIP,M6-1.0,3.4-6.3MMX1	
11	1267876GT	FORMING, COVER, TS REAR	1
12	1259362GT	FORMING, GAS STRUT SUPPORT TS	1
13	231530GT	SCREW,HHF,M10-1.5X25,DIN6921,10.9,ZAB	
14	1259356GT	FORMING, SUPPORT MOUNT TS NOSE	1
15	1259350GT	WELDMENT, SUPPORT TS	2
16	231529GT	NUT,TL FLG,M10-1.5,DIN6927,10,	
17	825597GT	BOLT,CARRIAGE,M10-1.5X30,DIN603,8.8,ZAB	
18	1259340GT	FORMING, HINGE MOUNT,TS	1
19	1259705GT	HINGE,COVER,40IN	1
20	1259706GT	GAS STRUT,390 LB	2
21	232951GT	NUT, TL, M10-1.5,DIN980, ZAB	
22	1265782GT	WELDMENT, TS COVER MOUNT, REAR	1



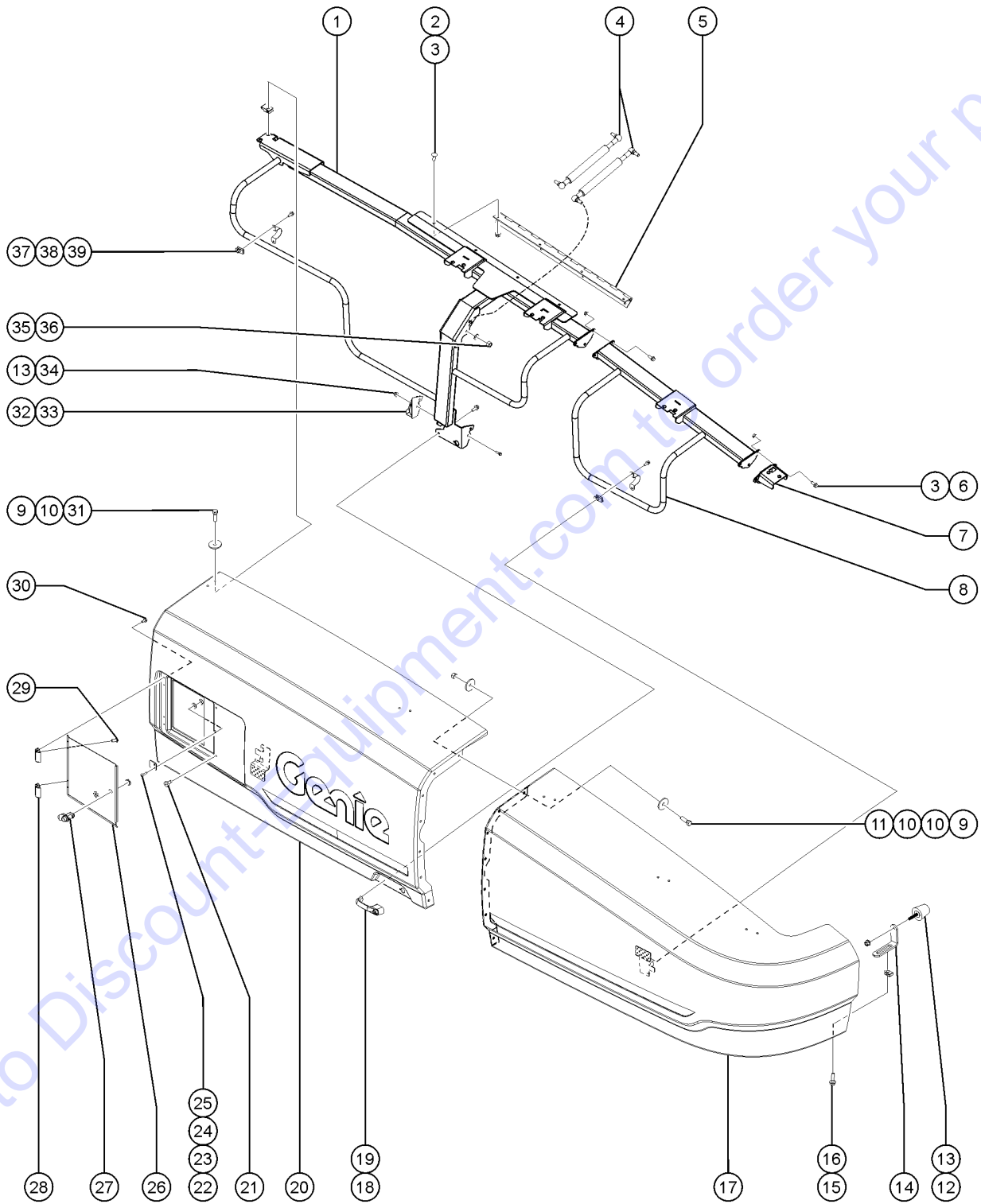
308.2 Turntable Covers - Tank Side



Item	Part No.	Description	Qty.
1	1259037GT	WELDMENT,COVER SUPPORT,TANK	1
2	824125GT	BOLT,CARRIAGE,3/8-16X1,5,ZAG	
3	824029GT	NUT,TL FLG,3/8-16,G,ZAG	
4		Ref. GAS STRUT,390 LB	2
		(Refer to 308.1)	
5		Ref. HINGE,COVER,40IN	1
		(Refer to 308.1)	
6	824090GT	SCREW,HHF,3/8-16X1,8,ZAG	
7	1259013GT	FORMING,COVER MOUNT,REAR	1
8	1259035GT	WELDMENT,COVER SUPPPORT,NOSE,T	1
9	824068GT	SCREW,HHC,3/8-16X1.25,8,ZAG	
10	824120GT	WASHER,FLAT,,375X1.50X.125,ZAG	
11	1256468GT	NUT,3/8-16,8,ZAG	1
12	111580GT	BUMPER,RUBBER,1.19DX1.5X.31-18	1
13	824028GT	NUT,TL FLG,5/16-18,G,ZAG	1
14	1261814GT	FORMING,BUMPER,NOSE	1
15	231512GT	SCREW,HHF,M6-1.0X25,DIN6921,10.9,ZAB	
16	219697GT	SPRING CLIP,M6-1.0,3.4-6.3MMX1	
17	1259031GT	ASSEMBLY,COVER,TANK NOSE MOUNT	1
18	1256054GT	HANDLE,YELLOW LOCKING,CODE 455	1
18-	37947GT	KEYS,10 PACK*** sold separately	
18-	83093GT	KEY SINGLE*** sold separately	
19	231532GT	SCREW,HHF,M6-1.0X20,DIN6921,10.9,ZAB	
20	1259672GT	ASSEMBLY,COVER,TANK MOUNT	1
		Includes 1255367, 1261798, 1259010, 60874-5625	
20-	1255367GT	COVER,SWING CHASSIS,TANK SIDE	
		Excluding Ground Control Cover, forming, and trim lock	
20-	1261798GT	ASSY,GROUND CONTROL COVER	
20-	1259010GT	FORMING,COVER TUBE MOUNT	
		attaches to 1259672 using Plexus MA300 Adhesive	
20-	60874-5625GT	TRIM LOCK,1/4"	
		installs on rear edge of 1259672	
21	34619GT	BUMPER,RUBBER***	2
22	824215GT	SCREW,PHPM,10-32X.75,ZAG	



308.2 Turntable Covers - Tank Side



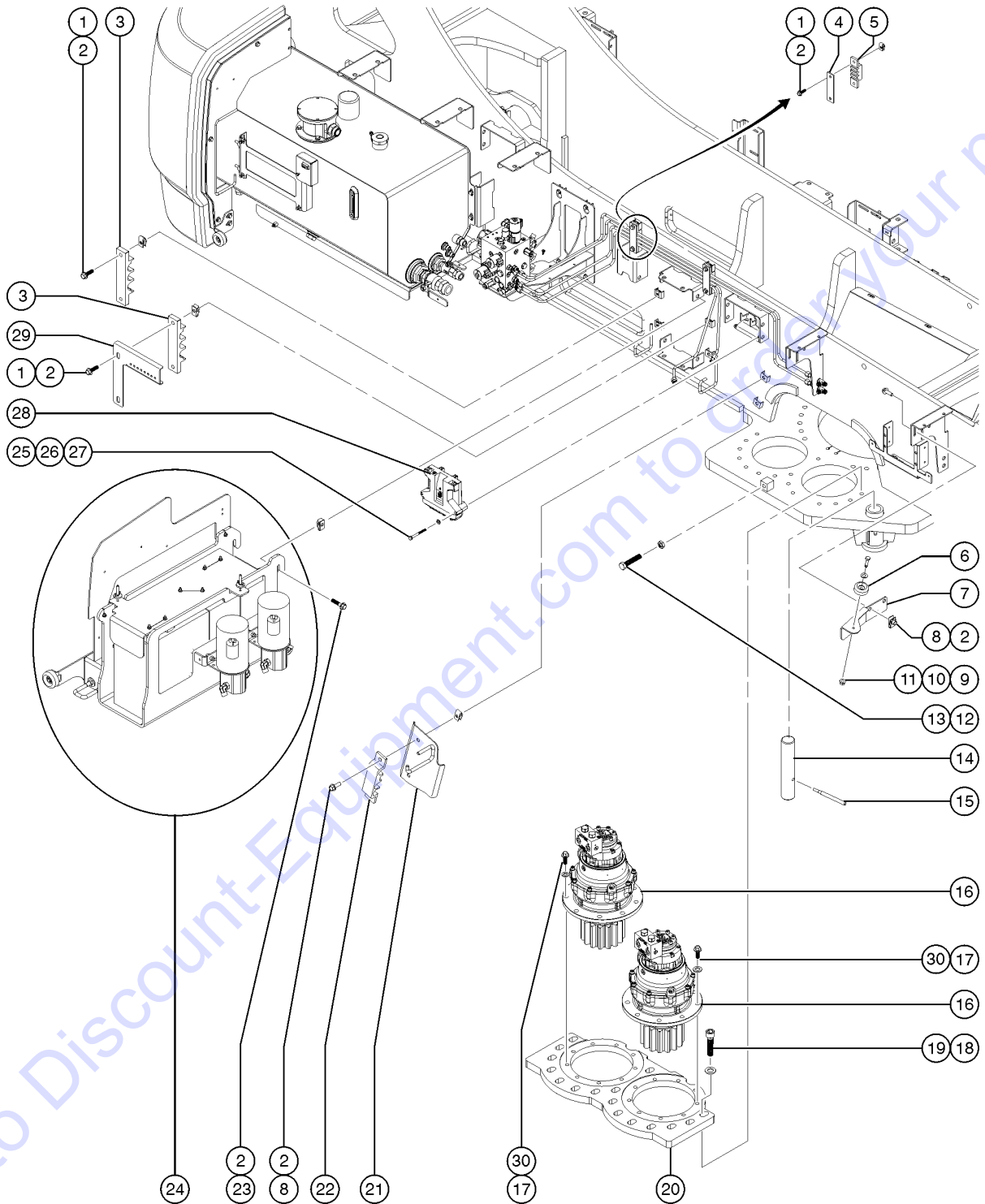
Go to Discount-Equipment.com to order your parts

Item	Part No.	Description	Qty.
23	823748GT	LATCH STRIKER	1
24	1253185GT	WASHER,FLAT,#10,USS,ZAG	
25	1256804GT	NUT,10-32,ZAG	
26	1261797GT	FORMING,CONTROL COVER	1
27	1259583GT	LATCH, PUSH BUTTON	1
28	1259584GT	HINGE, CONSTANT TORQUE	2
29	229845GT	SCREW,BHSCS,M5X10,SS	
30	218457GT	SCREW,HHF,M5X12,DIN6921,10.9,Z	
31	29868GT	SPRING CLIP,3/8-16,.05-.20X.73,ZAG	
32	1261244GT	FORMING, TS LATCH GUARD	1
33	215254GT	LATCH,ROTARY,ENGINE COVER	1
33-	1260682GT	FORMING,LATCH TRIGGER BRKT,LH	
34	824087GT	SCREW,HHF,5/16-18X1.25,8,ZAG	
35	232951GT	NUT, TL, M10-1.5,DIN980, ZAB	
36	824145GT	WASHER, FLAT, DIN125, M10, ZAB	
37	56912GT	SPRING CLIP,1/4-20,.025-.15X.5	
38	1260158GT	CLAMP,TUBE,1 -5/16,TWO HOLE	
39	824078GT	SCREW,HHF,1/4-20X.75,8,ZAG	

Go to Discount-Equipment.com to order your parts



309.1 Tank Side, Swing Drive, Hose Clamps and Guides



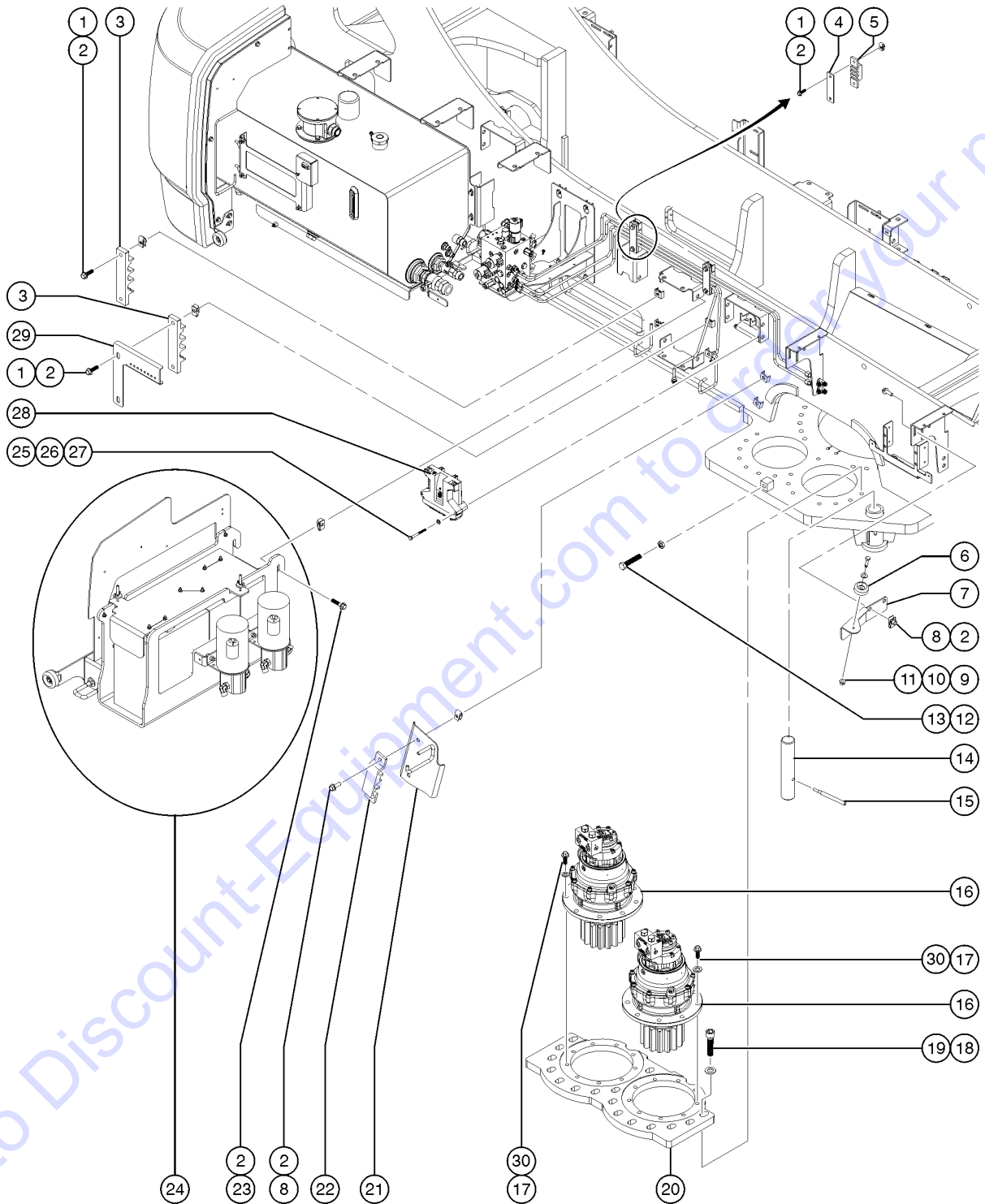
309.1 Tank Side, Swing Drive, Hose Clamps and Guides



Item	Part No.	Description	Qty.
1	231533GT	SCREW,HHF,M10-1.5X35,DIN6921,10.9,ZAB	
2	230074GT	SPRING CLIP,M10-1.5,1-6X19,ZAB	
3	219065GT	CLAMP,HYD. HOSE, 3 X .75"	2
4	218767GT	PLATE, HARDLINE CLAMP	2
5	218766GT	GUIDE, HARDLINE	2
6	50974GT	BUMPER,RUBBER,COVERS	1
7	1260528GT	FORMING,BUMPER,TOP	1
8	232874GT	SCREW, HHF, M10-1.5X30,DIN6921	
9	824027GT	NUT,TL FLG,1/4-20,G,ZAG	
10	824113GT	WASHER,FLAT,1/4,USS,ZAG	
11	824061GT	SCREW,HHC,1/4-20X1.25,8,ZAG	
12	231514GT	SCREW,HHC,M20-2.5X100,DIN933,1	1
13	231515GT	NUT,HEX,JAM,M20-2.5,DIN439,ZAB	1
14	231472GT	PIN, TRANSPORT STORAGE LOCK	1
15	61223GT	PIN,TRANSPORT STORAGE HANDLE	1
16	1264680GT	SWING DRIVE ASSEMBLY (Complete, Brevini Swing Drive); to SN SX-135XCH-109	2
16A-	1274106GT	PINION GEAR, SWING DRIVE (Used on swing drive 1264680)	
16A-	1274107GT	HYDRAULIC MOTOR, SWING DRIVE (Used on swing drive 1264680)	
16A-	1274108GT	CB VALVE ASSY, SWING DRIVE (Used on swing drive 1264680)	
16A-	1274109GT	SEAL KIT, TORQUE HUB, SWING DRIVE (Used on swing drive 1264680)	
16A-	1274110GT	SEAL KIT, BRAKE, SWING DRIVE (Used on swing drive 1264680)	
16A-	1274111GT	KIT, FRICTION DIS, SWING DRIVE (Used on swing drive 1264680)	
16A-	1274112GT	SERVICE KIT, BRAKE SPRING, SWING DRIVE (Used on swing drive 1264680)	
16A-	1274113GT	O-RING KIT, BRAKE MOTOR, SWING DRIVE (Used on swing drive 1264680)	
16A-	1274114GT	REBUILD KIT, BRAKE, SWING DRIVE (Used on swing drive 1264680)	
16B	1255768GT	SWING DRIVE ASSEMBLY (Complete, Fairfield Swing Drive); from SN SX-135XCH-110	2
16B-	139308GT	SWING MOTOR COMPLETE*** (Used on swing drive 1255768)	
16B-	139309GT	CBV ASSEMBLY*** (Used on swing drive 1255768)	



309.1 Tank Side, Swing Drive, Hose Clamps and Guides

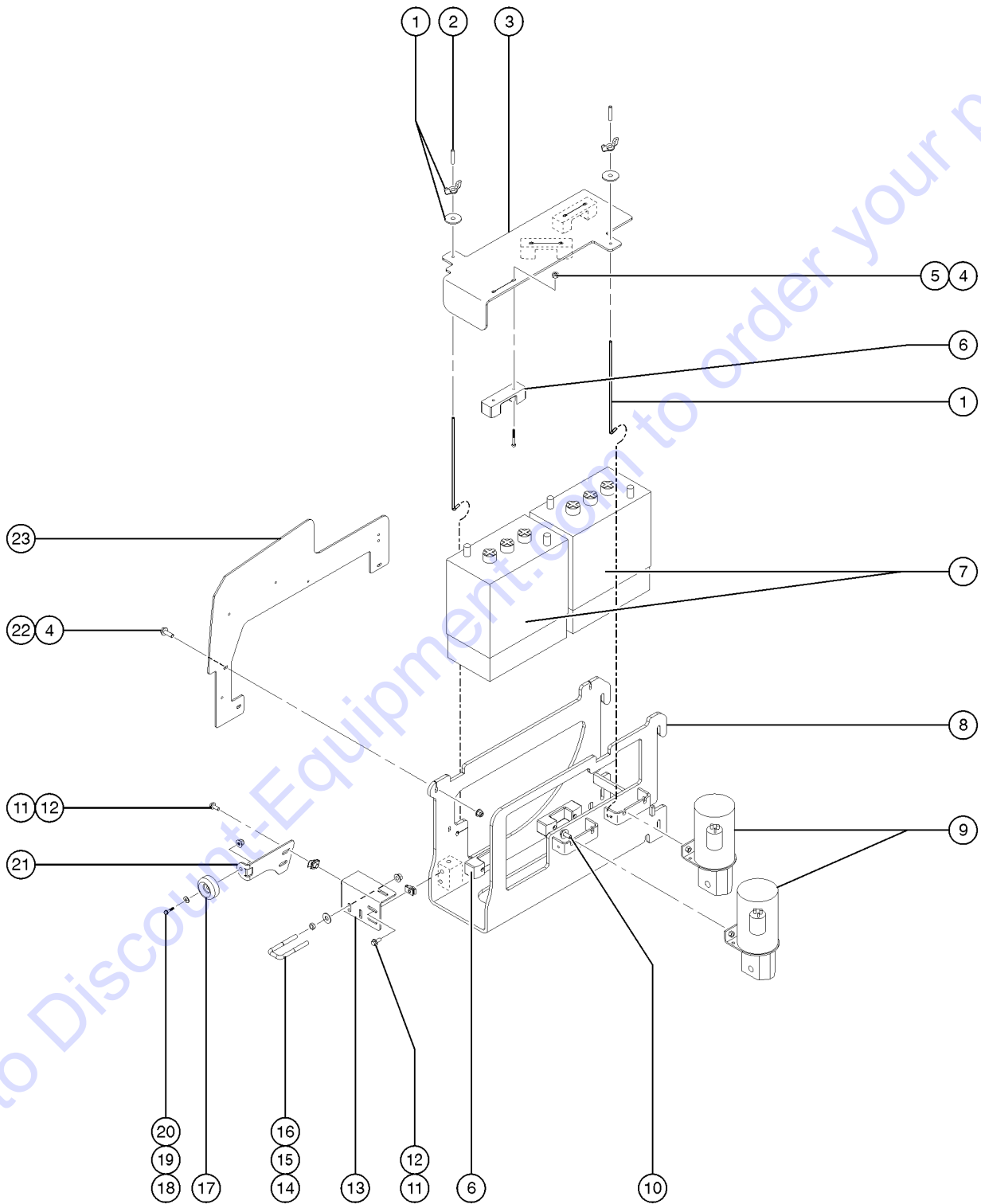


309.1 Tank Side, Swing Drive, Hose Clamps and Guides



Item	Part No.	Description	Qty.
16B-	139323GT	VALVE,COUNTERBAL,CBCA-LIN*** (Used on swing drive 1255768)	
16B-	139315GT	O-RING,MOTOR/BRAKE*** (Used on swing drive 1255768)	
16B-	58304GT	SHAFT,OUTPUT (Used on swing drive 1255768)	
16B-	1255769GT	SEAL KIT, SWING BRAKE (Used on swing drive 1255768)	
16B-	1255770GT	KIT, FRICTION DISC (Used on swing drive 1255768)	
16B-	1255771GT	KIT, BRAKE SPRING (Used on swing drive 1255768)	
16B-	1255772GT	KIT, SWING BRAKE REBUILD (Used on swing drive 1255768)	
16B-	1255773GT	BRAKE TUBING (Used on swing drive 1255768)	
17	1253498GT	SCREW,HHF,1/2-13X1.5,8,ZAG To SN SX135H-481	18
17-	1256844GT	SCREW,HHC,1/2-13X1.5,8,ZAG From SN SX135H-482	18
18	1256860GT	SCREW,SHC,3/4-10X3,A574,ZAG	
19	1256863GT	WASHER,FLAT,.75,SAE,HRD,ZAG	
20	101955GT	MACHINED,BACKLASH ADJ.PLATE	1
21	1270609GT	WELDMENT, CABLE/HOSE GUIDE	1
22	160725GT	CLAMP, CABLE/HARNESS	
23	215706GT	SCREW,HHF,M10-1.5X45,DIN6921,10.9,ZAB	
24		Ref. ASSY,TANK SIDE BATTERY BULKHEAD (Refer to 310.1)	
25	825624GT	SCREW,HHC,M6-1.0X65,DIN931	
26	824143GT	WASHER,FLAT,M6,DIN125,ZAB	
27	231513GT	NUT,TL FLG,M6-1.0,DIN6927,10,Z (Not Shown)	
28	1271474GT	MODULE, SCON, SX135	1
28-	822225GT	SLEEVE RETAINER, DTM, GREY	
28-	822226GT	SLEEVE RETAINER, DTM, BLACK	
28-	822229GT	SEAL, INTERNAL, 12-PIN, DTM (used for DTM retainers)	
29	822822GT	FORMING,APU CABLE CLAMP	1
30	825353GT	WASHER,FLAT,1/2,SAE,HRD,ZAG From SN SX135H-482	18

310.1 Tank Side, Battery Bulkhead Assembly



PARTS FINDER

**Search Website
by Part Number**



**Search Manual
Library For Parts
Manual & Lookup Part
Numbers – Purchase
or Request Quote**

Search Manuals

Enter your information to help us find the right parts manual for your machine.

* Brand:

* Model:

* Serial:

* Part Number:

SEARCH

**Can't Find Part or
Manual? Request Help
by Manufacturer,
Model & Description**

Parts Order Form

Please fill in the following information to help us find the right part for your machine.

Manufacturer:	<input type="text"/>
Model:	<input type="text"/>
Description:	<input type="text"/>
Part Number:	<input type="text"/>
Quantity:	<input type="text"/>
Notes:	<input type="text"/>

Submit

Discount-Equipment.com is your online resource for quality parts & equipment.

Florida: **561-964-4949** Outside Florida TOLL FREE: **877-690-3101**

Need parts?

Click on this link: <http://www.discount-equipment.com/category/5443-parts/> and choose one of the options to help get the right parts and equipment you are looking for. Please have the machine model and serial number available in order to help us get you the correct parts. If you don't find the part on the website or on one of the online manuals, please fill out the request form and one of our experienced staff members will get back to you with a quote for the right part that your machine needs.

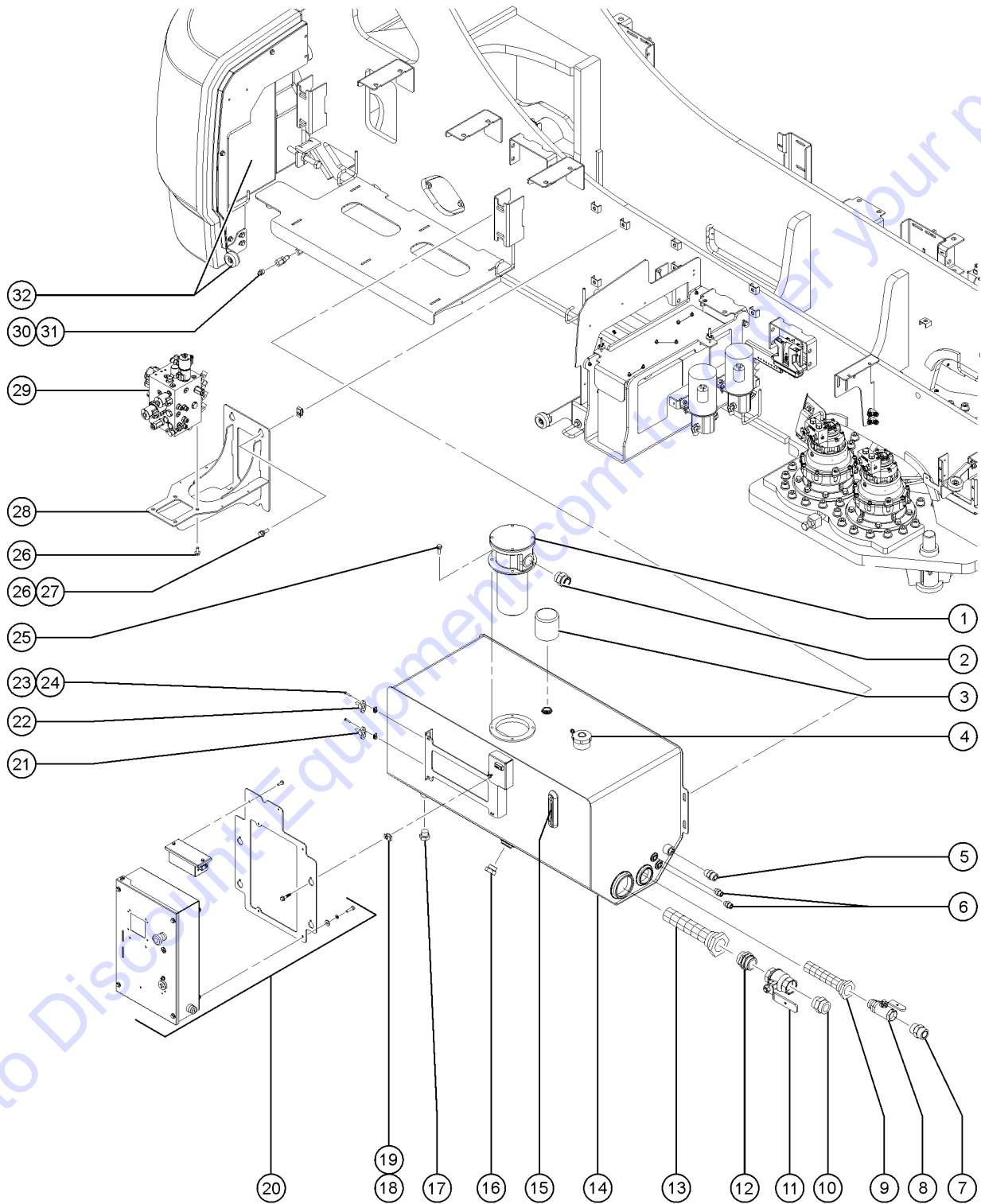
We sell worldwide for the brands: Genie, Terex, JLG, MultiQuip, Mikasa, Essick, Whiteman, Mayco, Toro Stone, Diamond Products, Generac Magnum, Airman, Haulotte, Barreto, Power Blanket, Nifty Lift, Atlas Copco, Chicago Pneumatic, Allmand, Miller Curber, Skyjack, Lull, Skytrak, Tsurumi, Husquvarna Target, Stow, Wacker, Sakai, Mi-T-M, Sullair, Basic, Dynapac, MBW, Weber, Bartell, Bennar Newman, Haulotte, Ditch Runner, Menegotti, Morrison, Contec, Buddy, Crown, Edco, Wyco, Bomag, Laymor, EZ Trench, Bil-Jax, F.S. Curtis, Gehl Pavers, Heli, Honda, ICS/PowerGrit, IHI, Partner, Imer, Clipper, MMD, Koshin, Rice, CH&E, General Equipment, Amida, Coleman, NAC, Gradall, Square Shooter, Kent, Stanley, Tamco, Toku, Hatz, Kohler, Robin, Wisconsin, Northrock, Oztec, Toker TK, Rol-Air, APT, Wylie, Ingersoll Rand / Doosan, Innovatech, Con X, Ammann, Mecalac, Makinex, Smith Surface Prep, Small Line, Wanco, Yanmar

310.1 Tank Side, Battery Bulkhead Assembly

Item	Part No.	Description	Qty.
1	45708GT	HOOK,BATT HOLD DOWN,10"	2
2	823397GT	CAP,VINYL,0.25ID X 1.50	2
3	215926GT	FORMING,BATTERY COVER	1
4	231513GT	NUT,TL FLG,M6-1.0,DIN6927,10,Z	
5	215580GT	SCREW,SHC,M6X50,DIN 912,12.9,B	
6	215927GT	SPACER, BATTERY	3
7	56462GT	BATTERY, J 305GH, 315AH	2
8	1259005GT	WLDT,BATTERY MOUNT,TANK SIDE	1
9	101361GT	POWER UNIT,AUX PUMP 12 VDC	2
9-	58489GT	PUMP ASSY,AUX.POWER UNIT 89617	
9-	62412GT	SOLENOID,MOTOR START,60511,APU	
10	824090GT	SCREW,HHF,3/8-16X1,8,ZAG	
11	231530GT	SCREW,HHF,M10-1.5X25,DIN6921,10.9,ZAB	
12	230074GT	SPRING CLIP,M10-1.5,1-6X19,ZAB	
13	1259633GT	WLDT,LATCH STRIKE,TANK SIDE	1
14	1254805GT	BOLT,U-BOLT,LATCH STRIKER,TRAY	1
15	1255804GT	NUT,JAM,1/2-13,A,ZAG	
16	1255760GT	WASHER,FLAT,1/2,USS,ZAG	
17	50974GT	BUMPER,RUBBER,COVERS	1
18	231531GT	SCREW,HHF,M6-1.0X30,DIN6921,10.9,ZAB	
19	1257389GT	WASHER, FLAT, M6X18X1.6,DIN9021,ZAB	
20	219697GT	SPRING CLIP,M6-1.0,3.4-6.3MMX1	
21	1261858GT	FORMING,BUMPER STOP MID,TS	1
22	231512GT	SCREW,HHF,M6-1.0X25,DIN6921,10.9,ZAB	
23	1259006GT	PLATE,BULKHEAD,TANK SIDE	1



311.1 Hydraulic Tank Components

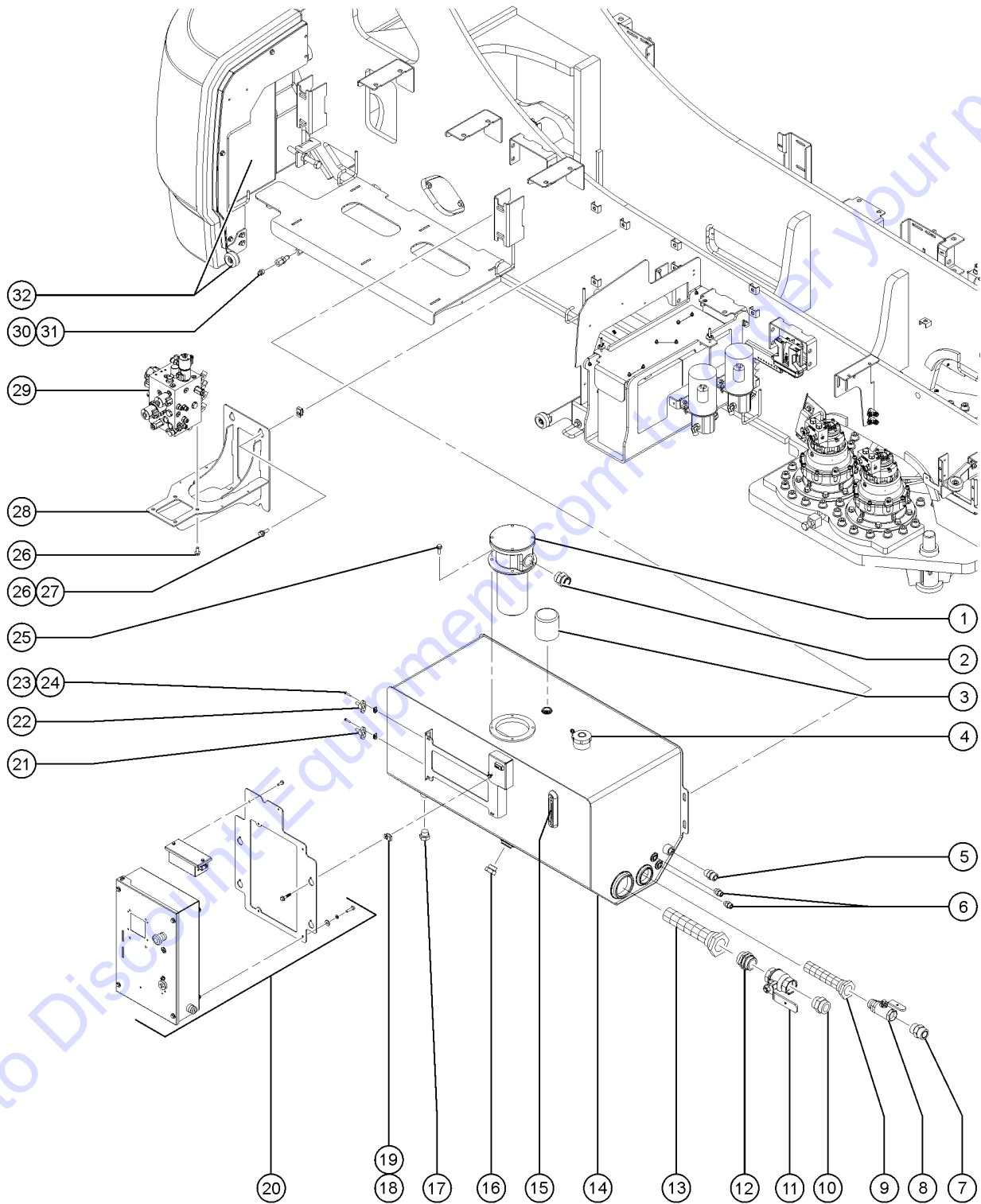


Go to DiscountEquipment.com to get your parts

Item	Part No.	Description	Qty.
A	1289561GT	BRACKET, TELEMATICS	
A	1289520GT	MODULE, TELEMATICS, ZTR, M7, NORTH AMERICA	
A	1289521GT	MODULE, TELEMATICS, ZTR, M7, EMEA/APAC	
1	232882GT	FILTER ASSY., IN TANK	1
1-	236037GT	RETURN FILTER, ELEMENT, 10 MIC	
2	75654GT	CONN,520120-20	1
3	60559GT	BREATHER,RESERVOIR 3 MICRON***	1
4	218593GT	CAP,HYD NON VENTED W/LOCK TAB	1
5	48960GT	FITTING,CONN,520120-12	1
6	48933GT	CONN,520120-8***	2
7	48984GT	CONN,520120-16	1
8	48996GT	VALVE,BALL,16 MSAE-16 FSAE***	1
9	75253GT	STRAINER ASSY,#16 O-RING	1
10	61083GT	CONN,520120-24	1
11	75256GT	VALVE BALL,24 FSAE-24 FSAE***	1
12	75254GT	UNION,STR.THREAD 24***	1
13	75257GT	STRAINER ASSY,#24 O-RING	1
14	1264839GT	ASSY, HYD TANK,60 GAL Includes items 1, 4, 15-17 and 31	1
15	1260983GT	SIGHT GAUGE,220-312	1
16	1265079GT	PLUG,HEX HD. O-RING SAE #16,ZP	1
17	218727GT	PLUG, HEX HD, O-RING SAE #12	1
18	219697GT	SPRING CLIP,M6-1.0,3.4-6.3MMX1	
19	231512GT	SCREW,HHF,M6-1.0X25,DIN6921,10.9,ZAB	
20		Ref. Ground Control Box (Refer to 313.1 and 313.2)	
21	94981GT	STUD,POWER 3/8" RED	1
22	94982GT	STANDOFF, 3/8" BLACK	1
23	1256460GT	SCREW,PHPM,10-24X1,ZAG	
24	73575GT	SPRING CLIP,10-24,ZINC	



311.1 Hydraulic Tank Components



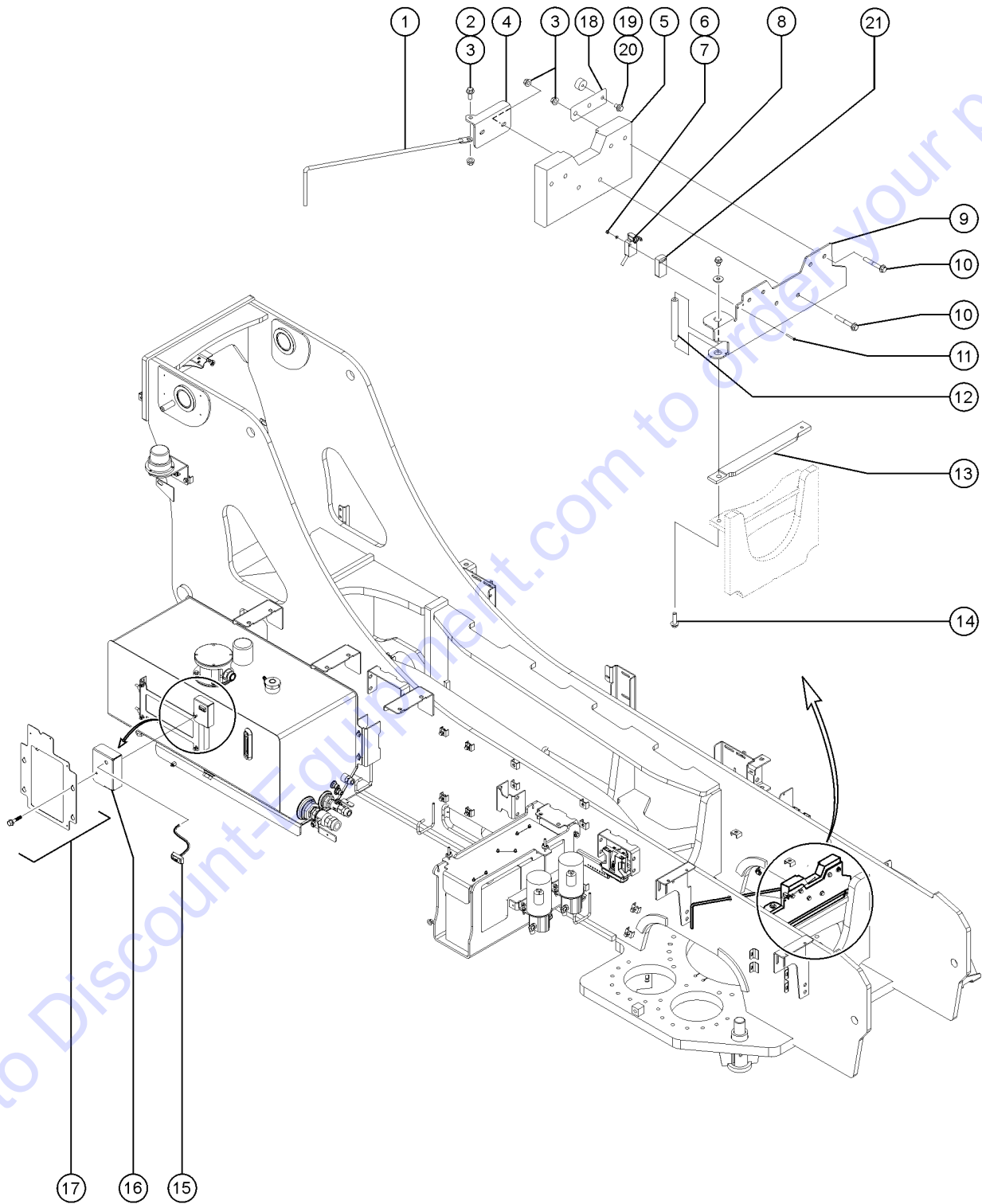
311.1 Hydraulic Tank Components

Item	Part No.	Description	Qty.
25	232874GT	SCREW, HHF, M10-1.5X30,DIN6921	
26	231530GT	SCREW,HHF,M10-1.5X25,DIN6921,10.9,ZAB	
27	230074GT	SPRING CLIP,M10-1.5,1-6X19,ZAB	
28	1265777GT	WELDMENT, FUNCTION MAN. MNT	1
29		Ref. MANIFOLD,FUNCTION SX	
		(Refer to 703.1)	
30	28646GT	ZERK,GREASE,1/8 NPT	1
31	48885GT	CONNECTOR,BULKHEAD,FEMALE-4	1
32		Ref. WLDT,BAFFLE PL.,CW,TANK SIDE	
		(Refer to 302.1)	

Go to Discount-Equipment.com to order your parts



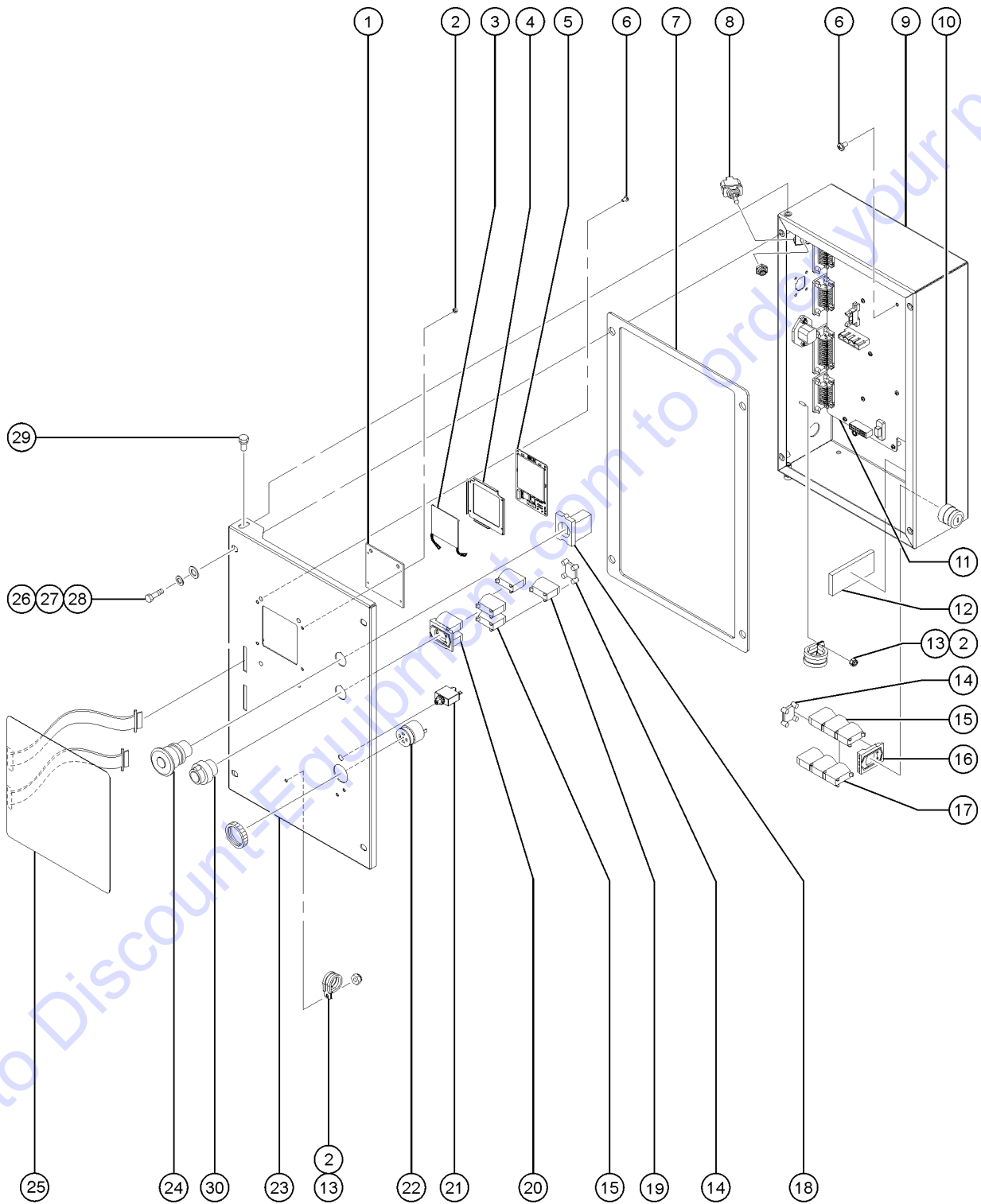
312.1 Transport Boom Rest Assembly



Item	Part No.	Description	Qty.
-	1279842GT	KIT,TRANSPORT BOOM REST,CHOCK (Machines before SN 230 can order this kit for first time use)	
1	1279844GT	BAR,FORMING FLATTENED,HANDLE	1
2A	231530GT	SCREW,HHF,M10-1.5X25,DIN6921,10.9,ZAB (to SN 229)	
2B	231532GT	SCREW,HHF,M6-1.0X20,DIN6921,10.9,ZAB (from SN 230)	
3A	231529GT	NUT,TL FLG,M10-1.5,DIN6927,10, (to SN 229)	
3B	231513GT	NUT,TL FLG,M6-1.0,DIN6927,10,Z (from SN 230)	
4	1275969GT	FORMING,TRANSPORT HANDLE	1
5	1275964GT	WEAR PAD,BOOM REST	1
6	49363GT	NUT,NYLOCK,M4X.70	
7	825357GT	WASHER,FLAT,M4,DIN125,ZAB	
8	1271489GT	SWITCH ASSY,LST3DO,139644-137M2	1
8-	106433GT	LS SPRING WAND (ZCY91)	
8-	89756GT	NECK/HEAD-LIMIT SWITCH (88356)	
9	1275963GT	FORMING,BOOM REST	1
10	238347GT	SCREW,HHF,M10-1.5X70,DIN6921,10.9,ZAB	
11A	822353GT	SCREW,PHPM,M4-0.7X30,DIN7985,ZAB (to SN 229)	
11B	826523GT	SCREW,PHPM,M4-0.7X45,DIN7985,ZAB (from SN 230)	
12	215667GT	BAR,ROUND	1
13	1268547GT	UHMW,BOOM REST PAD	1
14A	231533GT	SCREW,HHF,M10-1.5X35,DIN6921,10.9,ZAB (to SN 229)	
14B	215706GT	SCREW,HHF,M10-1.5X45,DIN6921,10.9,ZAB (from SN 230)	
15	1276729GT	ASSY,3 LED,BLUE MARKER,12.8 VDC	1
16	1275968GT	FORMING, TRANSPORT LED	1
17		Ref. SCREW,HHF,M6X25,DIN6921,10.9,Y (Refer to 311.1)	
18	1280645GT	FORMING,MAGNET CLOSED (from SN 230)	1
19	824077GT	SCREW,HHF,1/4-20X.5,8,ZAG (from SN 230)	
20	1278124GT	MAGNET, 1/4-20, 15 LB. (from SN 230)	3
21	1279843GT	UHMW,LIMIT SWITCH SPACER (from SN 230)	1



313.1 Ground Control Box - View 1

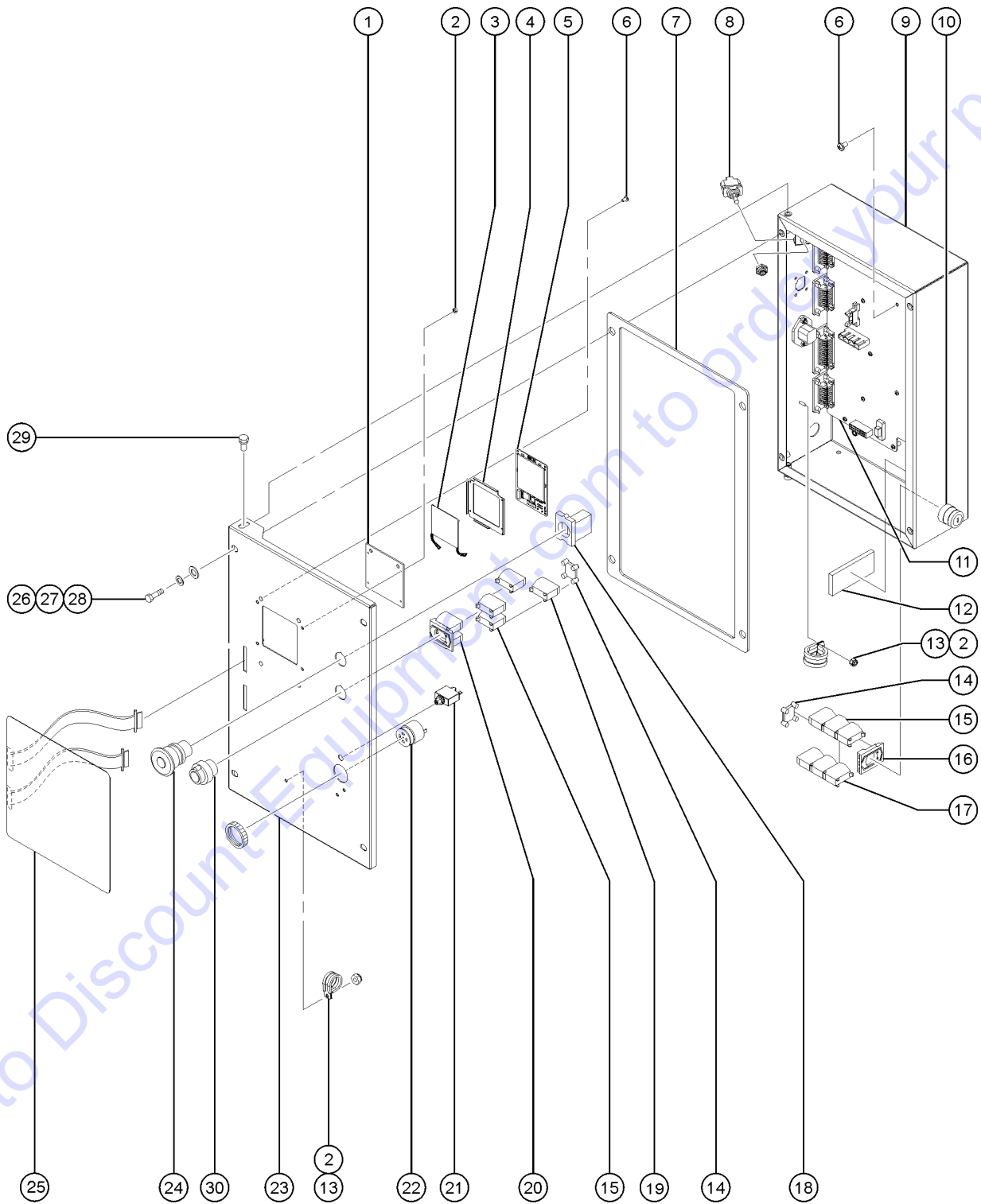


Go to DiscountEquipment.com to order your parts

Item	Part No.	Description	Qty.
A-	1271484GT	ASSY, GROUND CONTROL BOX, T4	1
1	62374GT	LENS,LCD,GRND.CONTROL	1
2	12344GT	NUT,NYLOCK,6-32	
3		Ref. Ground Control LCD Heater OPTION	1
		(Refer to 808.1)	
4	62375GT	CLIP,LCD,GRND.CONTROL	
5	1253317GT	PCB,ASSY,ECM,CAN GATEWAY,Z135	1
6	81551GT	SCREW,PHIL,PHM,6-32 X 1/4 SS	16
7	88177GT	GASKET,GROUND CONTROL BOX	1
8	128204GT	SWITCH TOGGLE ASSY SPDT 2P MNT	1
8A-	128584-SGT	SWITCH TOGGLE SPDT 2P MNT SHDR	
8B-	27246GT	BOOT,TOGGLE SWITCH,SHORT*	
9	1258069GT	BOX, GROUND CONTROL, SX	1
10	88150GT	KEYSWITCH,3 POS.MOM.DR,W/KEY**	1
11	1271473GT	PCB, ASSY, ECM, GROUND, SX135	1
12	30997GT	CORROSION INHIBITOR,FOAM	1
13	13268GT	CLAMP,0.75,#12 X 1/4,RUB CUSH	2
14	122366GT	KEYSWITCH,CONTACTS LOCK	2
15	66818GT	CONTACT,NC	6
16	66821GT	BASE,WITHOUT CONTACTS	1
17	66816GT	CONTACT,N.O.	3
18	66817GT	BASE WITH 1 NC CONTACT, E-STOP	1
19	122367GT	KEYSWITCH,DUMMY BLOCK	1
20	73805GT	BASE,W/2 NC CONTACTS***	1
21	147095GT	ASSY, CIRCUIT BREAKER 20A	1
21-	6700GT	WASHER, STAR, EXTERNAL, .375	
21-	122994GT	NICKEL PLATED JAM NUT	
22	62379GT	ALARM,AUDIO,SUPERBOOM***	1
23	1261765GT	LID, GROUND CONTROL BOX	1



313.1 Ground Control Box - View 1



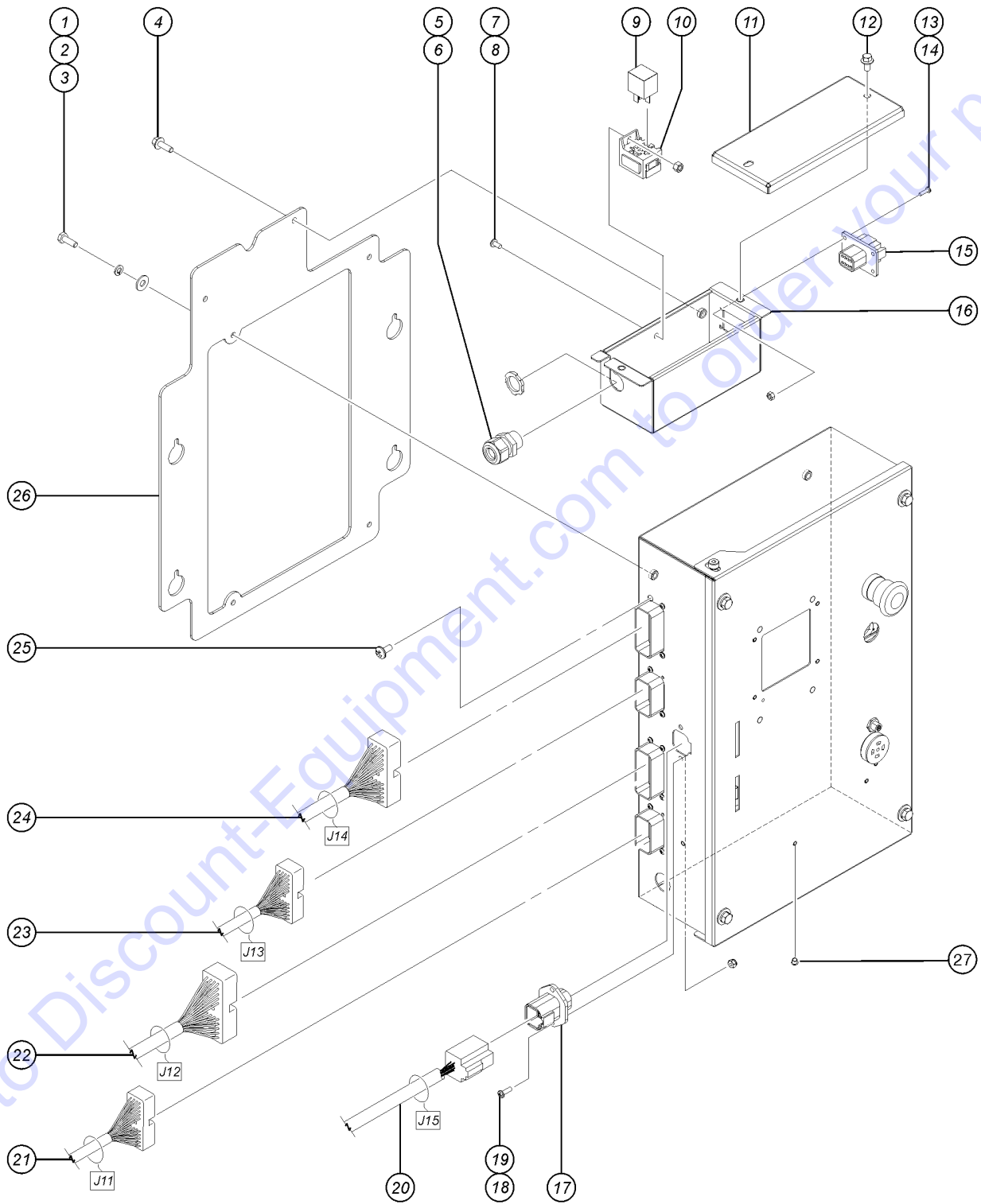
Go to DiscountEquipment.com to order your parts

Item	Part No.	Description	Qty.
24	66812GT	BUTTON,PUSH,RED MUSHROOM HEAD	1
25	1262447GT	DECAL,MEMBRANE,TCON, SX135	1
26	6888GT	SCREW,HHC,1/4-20 X 1	4
27	6356GT	WASHER,LOCK,.25	4
28	6638GT	WASHER,FLAT,USS,1/4"Y	4
29	88315GT	SCREW,SHS,1/4-20 X .25 ZINC	2
30	66811GT	KEYSWITCH,3POS.MNTND.DR WKEY**	1
30-	218155GT	KEYSWITCH, LOCKING, 3 POS, W/KEY	
30-	218169GT	OPT, KEY SWITCH, RETAINED	

Go to Discount-Equipment.com to order your parts



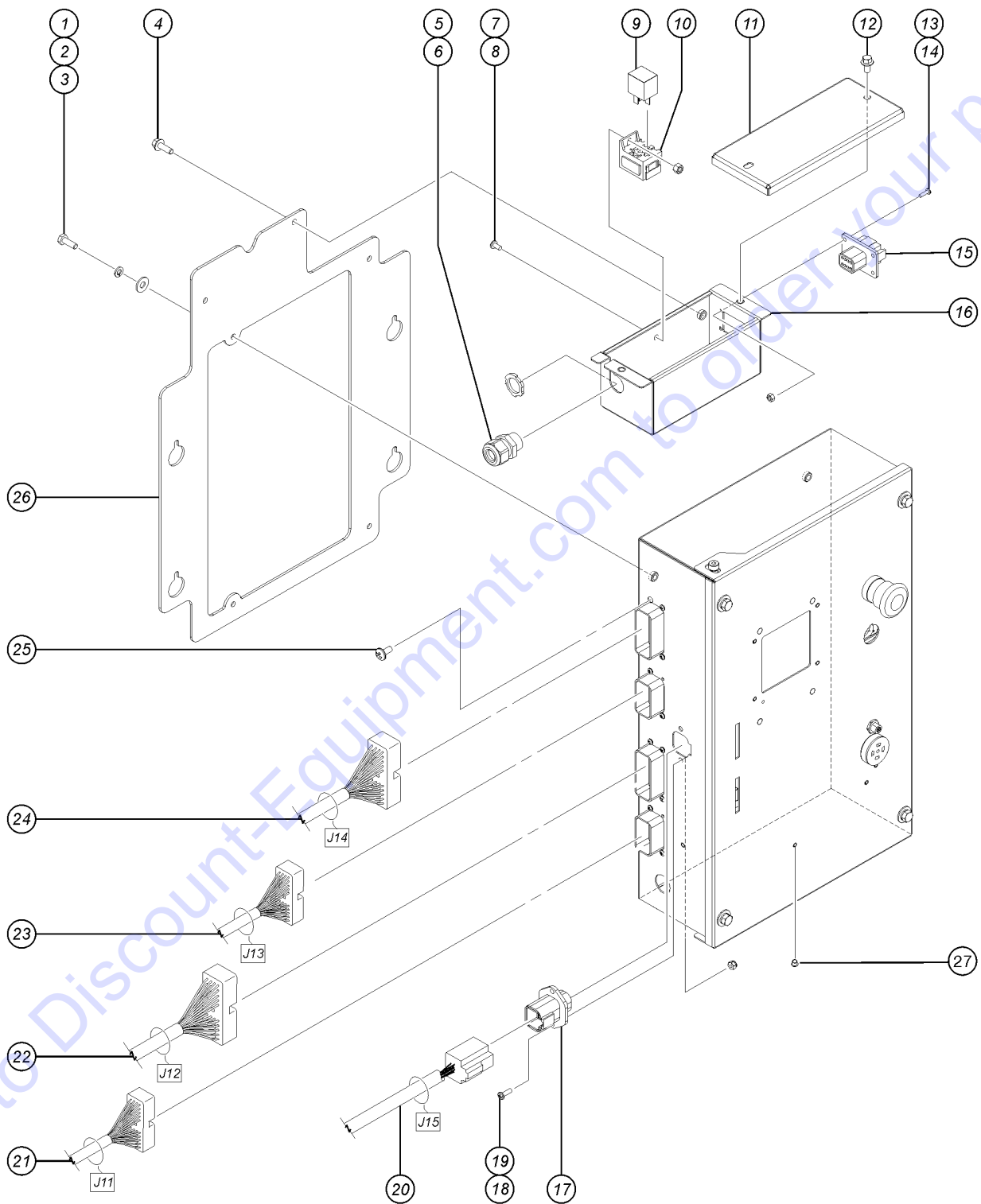
313.2 Ground Control Box - View 2



Item	Part No.	Description	Qty.
1	824059GT	SCREW,HHC,1/4-20X.75,8,ZAG	4
2	824109GT	WASHER,LOCK,1/4,ZAG	4
3	824113GT	WASHER,FLAT,1/4,USS,ZAG	2
4	824078GT	SCREW,HHF,1/4-20X.75,8,ZAG	2
5	7057GT	CONN. SQZ,1/2NPT .39-.56 MED.	1
6	6935GT	LOCKNUT,ELEC,1/2"	1
7	825349GT	SCREW,PHPM,10-32X.38,ZAG	1
8	824036GT	NUT, TL, 10-32, A, ZAG	1
9	34052GT	RELAY,SPDT,12V(AUTO) PLUG IN**	1
10	34053GT	ASSY,RELAY SOCKET, AUTO	1
10-	58319GT	RELAY SOCKET,AUTO,RETAINER***	1
11	1253238GT	WELDMENT, TELEMATICS CONN. COV	2
12	824077GT	SCREW,HHF,1/4-20X.5,8,ZAG	4
13	824214GT	SCREW,PHPM,6-32X.5,ZAG	4
14	824019GT	NUT,TL,6-32,A,ZAG	1
15	87755GT	CONN,RECEP 8 WAY 14-18GA,FL	1
16	1253314GT	ASSY, TELEMATICS CONN. BOX (Complete) (includes items 7-15) To SN135XCH-446	1
16-	1290797GT	ASSY,TELEMATICS 2.0 CONN,BOX (Complete) (includes items 7-15) To SN135XCH-447	
16-	1253236GT	WELDMENT, TELEMATICS BOX	
17	1257982GT	HARNESS, GROUND CONTROL BOX, SX	1
18	49820GT	SCREW,PHILLIPS,PHM,6-32 X .5	2
19	12344GT	NUT,NYLOCK,6-32	1
20	236405GT	HARNESS, TCON J15 POWER (J15) (CONTROLS BATTERY TO TCON - 12V POWER)	1
21	1271507GT	HARNESS,BOOM CABLE,PRIMARY (J11) (TCON TO PCON PWR/COMM)	1
21-	60512GT	CONN,PLUG 23 WAY,16-20 GA BLK	
22	1271505GT	HARNESS, LOWER LS/SCON, SX-135 (J12) (TCON TO SCON/DCON/SENSORS/BOOM CABLES)	1
22-	60515GT	CONN,PLUG 35 WAY, 16-20GA WHT	
23A	1271500GT	HARNESS,ENGINE,DEUTZ 2.9 (J13) (TCON TO DEUTZ 2.9 ENGINE/RELAY BLOCK) TO SN SX135XCH-446	1



313.2 Ground Control Box - View 2

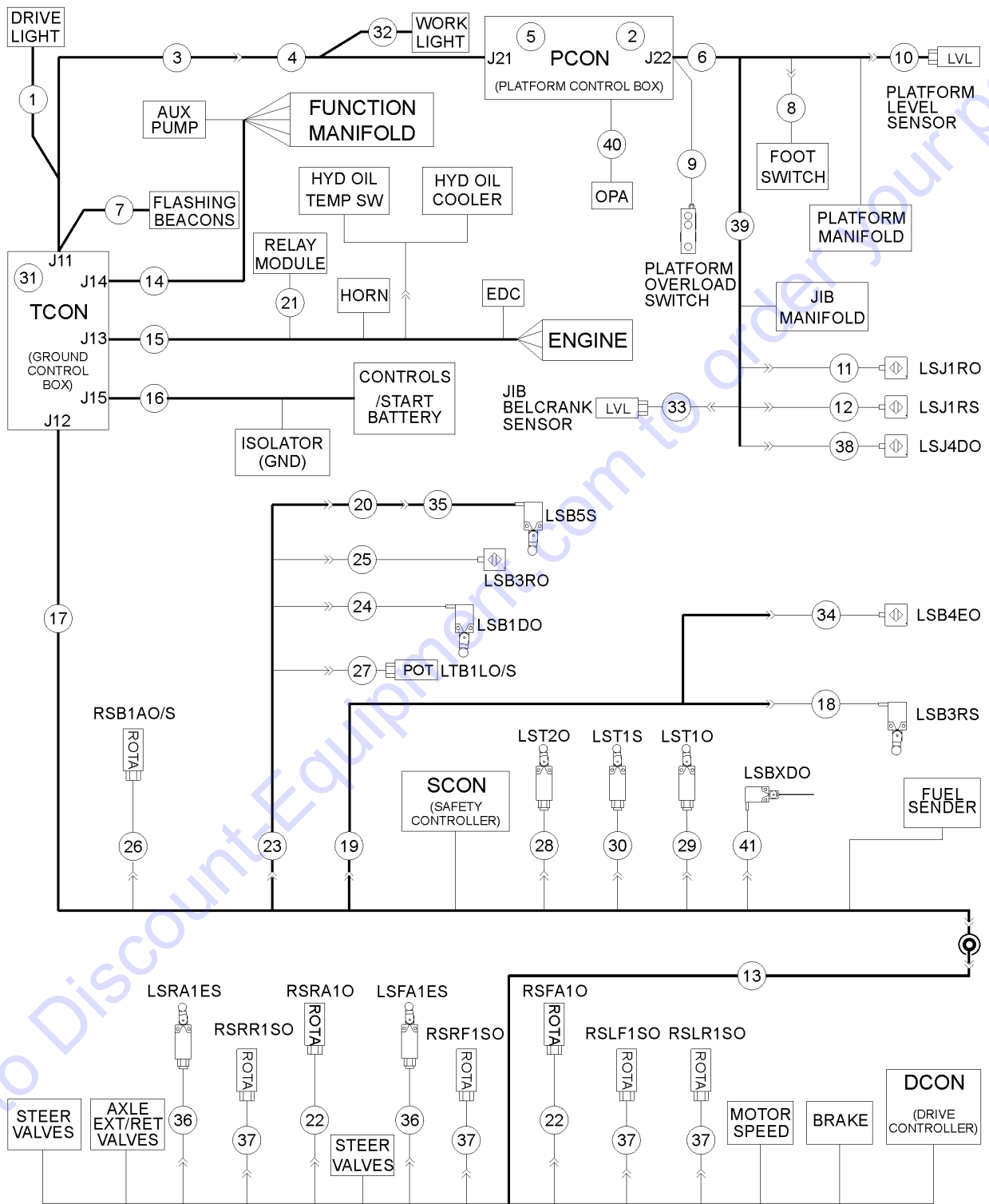


Item	Part No.	Description	Qty.
23-	1291215GT	HARNESS, ENGINE, DEUTZ 2.9, SX135 (J13) (TCON TO DEUTZ 2.9 ENGINE/RELAY BLOCK) TO SN SX135XCH-447	
23B	1271501GT	HARNESS, ENGINE, PERKINS 854F (J13) (TCON TO PERKINS 854F ENGINE/RELAY BLOCK) To SN SX135XCH-446	1
23-	1291261GT	HARNESS, ENGINE PERKINS 854F (J13) (TCON TO PERKINS 854F ENGINE/RELAY BLOCK) To SN SX135XCH-447	
23C	1271502GT	HARNESS, ENGINE, DEUTZ TD2011L04I (J13) (TCON TO DEUTZ TD2011L04I ENGINE/RELAY BLOCK/ECU) TO SN SX135XCH-446	
23-	1291266GT	HARNESS, ENGINE, DEUTZ TD2011 (J13) (TCON TO DEUTZ TD2011L04I ENGINE/RELAY BLOCK/ECU) TO SN SX135XCH-447	
23D	1271503GT	HARNESS, ENGINE, PERKINS 1104 (J13) (TCON TO PERKINS 1104 ENGINE/RELAY BLOCK/ECM) TO SN SX135XCH-446	
23-	1291267GT	HARNESS, ENGINE, PERKINS 1104 (J13) (TCON TO PERKINS 1104 ENGINE/RELAY BLOCK/ECM) TO SN SX135XCH-447	
24	1271504GT	HARNESS, FUNCTION MANIFOLD, SX-135 (J14) (TCON TO VALVES/AUX)	1
24-	60515GT	CONN, PLUG 35 WAY, 16-20GA WHT	
25	122351GT	SCREW, #4X1/4, HI-LO, PH PHIL, TAP	1
26	1261766GT	PLATE, GROUND CTRL BOX	
27	30996GT	PLUG, NYLON .313 BLACK DOMED (from SN SX135-447)	

Go to Discount-Equipment.com to order your parts



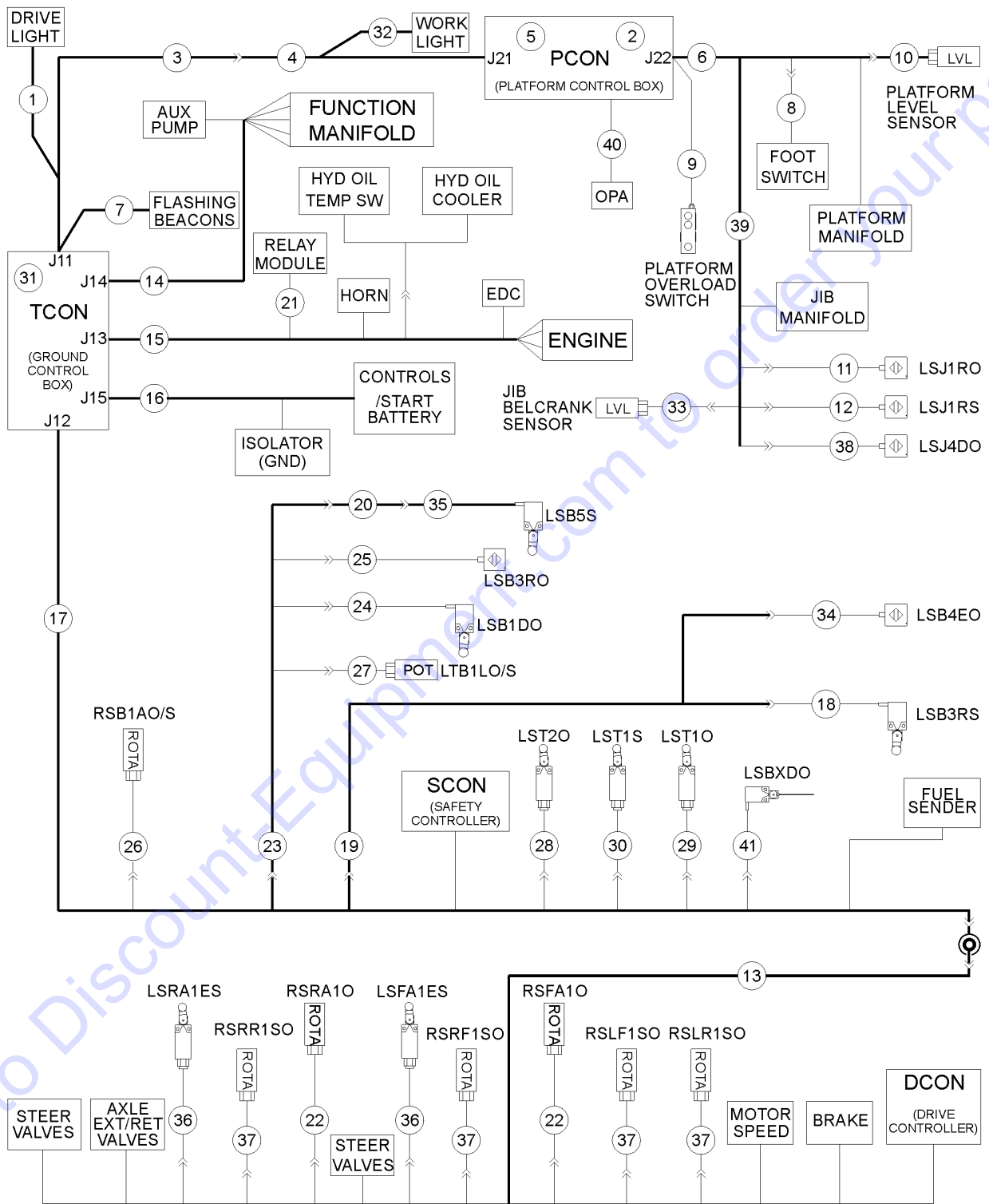
314.1 Wire Harness Diagram - View 1



Item	Part No.	Description	Qty.
A	1271259GT	CABLE, UPPER, 10/3 PWR CABLE Part of the power to platform option (not shown)	1
B	1271260GT	CABLE, LOWER, 10/3 PWR CABLE Part of the power to platform option (not shown)	1
1	823521GT	HARNESS, LIGHTS, SUPER X	1
1-	19274GT	RELAY,SPDT,12V(AUTO)**	1
1-	67505GT	FUSE,10 AMP,ATC	1
2	1271513GT	HARNESS, PCON TOGGLE SWITCH	1
3	1271507GT	HARNESS,BOOM CABLE,PRIMARY	1
4	1271508GT	HARNESS,BOOMCABLE, JIB, SX135	1
5	1271512GT	HARNESS, PCON JOYSTICK	1
6	1271510GT	HARNESS,PLAT MANIFOLD, SX135	1
7	236409GT	HARNESS, FLASHING BEACON	1
8	61322GT	FOOT SWITCH W/PIGTAIL	1
9	1270278GT	LOAD CELL,J1939,650KG/1433LB LSP1LS NOTE: install with arrows pointing downwards (Calibration required after replacement)	1
10	50813GT	SENSOR,TILT,PCON (PLASTIC)****	1
11	1271493GT	SWITCH ASSY,LSJ1RO,N.O.PROX LSJ1RO	1
12	1271494GT	SWITCH ASSY,LSJ1RS,N.C.PROX LSJ1RS	1
13	232987GT	HARNESS, DRIVE, SUPER X	1
14	1271504GT	HARNESS, FUNCTION MANIFOLD,SX-135	1
15	1271500GT	HARNESS,ENGINE,DEUTZ 2.9 (Deutz TD 2.9L4 models) To SN SX135XCH-446	1
15-	1291215GT	HARNESS, ENGINE, DEUTZ 2.9, SX135 (Deutz TD 2.9L4 models) To SN SX135XCH-447	1
15B	1271502GT	HARNESS,ENGINE,DEUTZ TD2011L04I (Deutz TD2011 models) To SN SX135XCH-446	1
15-	1291266GT	HARNESS, ENGINE, DEUTZ TD2011 (Deutz TD2011 models) From SN SX135XCH-447	1
15C	1271501GT	HARNESS,ENGINE,PERKINS 854F (Perkins 854F-E34T models) To SN 135XCH-446	1
15-	1291261GT	HARNESS, ENGINE PERKINS 854F (Perkins 854F-E34T models) To SN 135XCH-447	1
15D	1271503GT	HARNESS,ENGINE,PERKINS 1104 (Perkins 1104D models) To SN SX135XCH-446	1
15-	1291267GT	HARNESS, ENGINE, PERKINS 1104 (Perkins 1104D models) To SN SX135XCH-447	1
16	236405GT	HARNESS, TCON J15 POWER	1
17	1271505GT	HARNESS, LOWER LS/SCON, SX-135	1

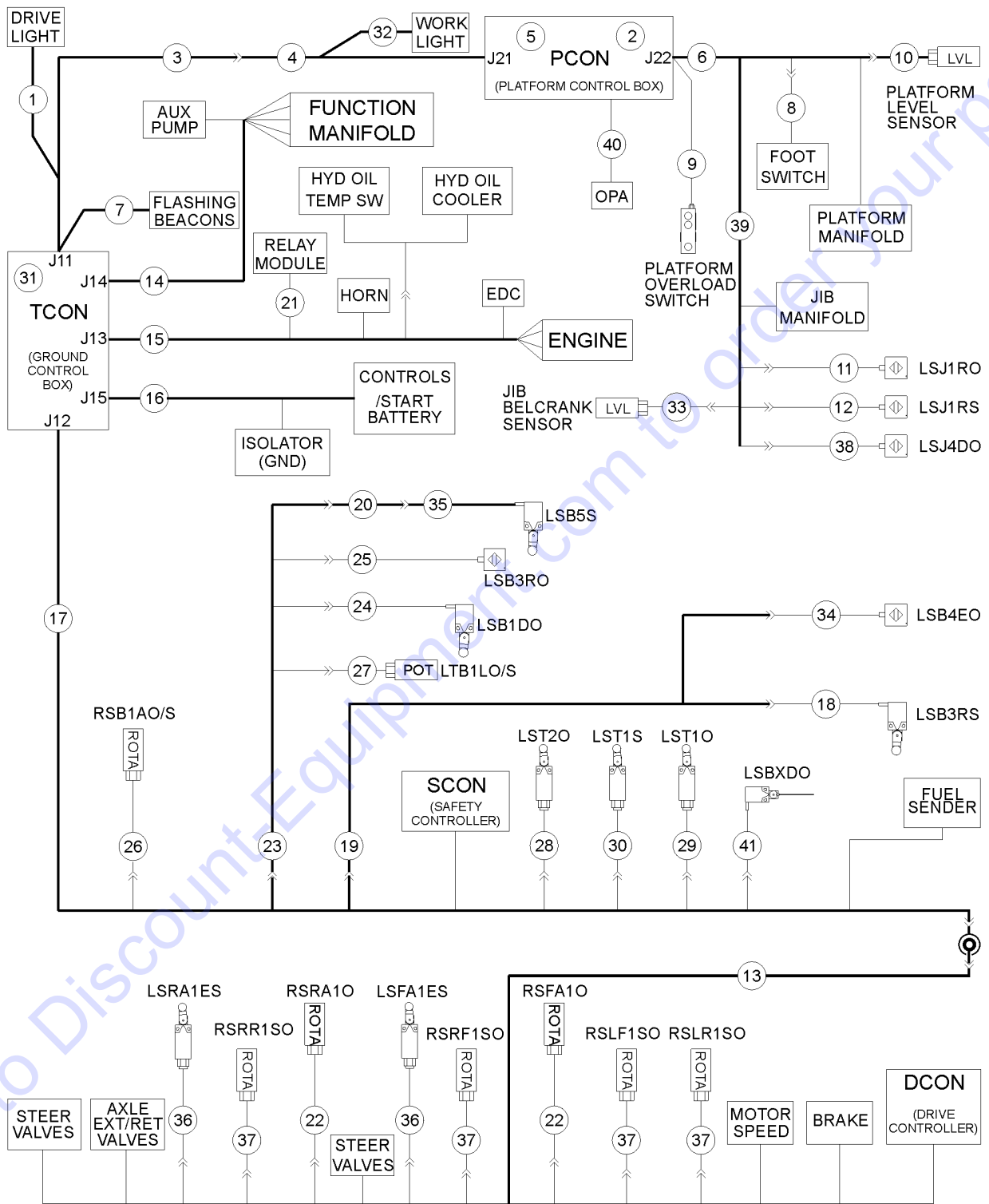


314.1 Wire Harness Diagram - View 1



Item	Part No.	Description	Qty.
18	1271498GT	SWITCH ASSY,LSB3RS,139644-21C40 LSB3RS	1
19	1271506GT	HARNESS, UPPER LIMIT SWITCH,SX-135	1
20	1257711GT	HARNESS, CABLE TENSION #1, SX-150	1
21	1264110GT	MODULE,FUSE&RELAY (Refer to 306.1)	1
21-	1251501GT	FUSE, ATM, 30AMP	7
21-	1251502GT	FUSE, ATM, 10AMP	2
21-	1251503GT	RELAY, 12V MICRO, 35AMP	4
21-	1251504GT	DIODE, 6A 22903-6V	1
21-	1271519GT	FUSE, ATM, 2AMP	2
21-	1271520GT	RELAY,12V MICRO, 20AMP	4
21-	1251505GT	TOOL, FUSE PULLER, ATM	1
22	216058GT	SENSOR, ANGLE, 40 DEG, CCW RSFA10. Sensor and magnet are matched and must be replaced at the same time. Machine calibration is required after installation.	2
23	1271509GT	HARNESS, ZERO TUBE LIMIT SWITCH	1
24	236397GT	SWITCH ASSY, 10 DEG OPER, SUPER-X LSB1DO	1
25	1271492GT	SWITCH ASSY, 3FT EXT OPER LSB3RO	1
26	1271482GT	ANGLE SENSOR,360DEG,CAN ID40 RSB1AO/S. Sensor and magnet are matched and must be replaced at the same time. Machine calibration is required after installation.	1
27	1271483GT	LENGTH TRANSDUCER,400 IN,CAN ID15 LTB1LO/S	1
28	237807GT	SWITCH ASSY,DRV ENABLE,LEFT,SU	1
29	237808GT	SWITCH ASSY,DRV,ENABLE,RIGHT,S	1
30	237809GT	SWITCH ASSY,DRV,ENABLE,SAFE,SU	1
31	214330GT	HARNESS, GROUND CONTROL BOX	1
31-	1257982GT	HARNESS, GROUND CONTROL BOX, SX	
32	823522GT	HARNESS, WORK LIGHTS, SUPER X (option)	1
33	216061GT	SENSOR, ANGLE, 180 DEG, CW RSJ1AO	
34	1271496GT	SWITCH ASSY,LSB4EO,N.C.PROX LSB4EO	1
35	1271497GT	SWITCH ASSY,LSB5S,139644-14BJ0 LSB5S	1
36	236392GT	SWITCH ASSY, AXLE SAFETY LSFA1ES	2

314.1 Wire Harness Diagram - View 1

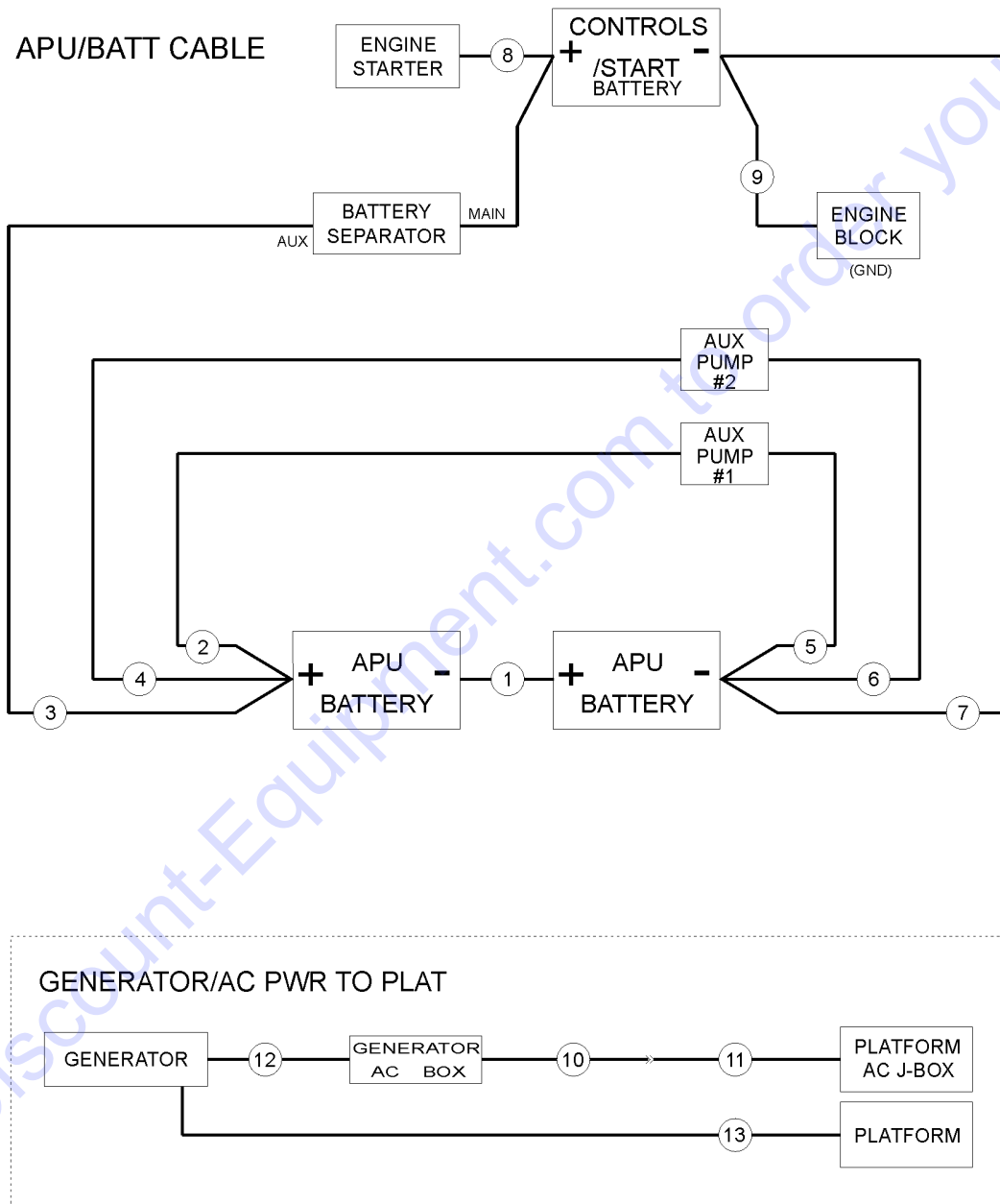


Item	Part No.	Description	Qty.
37	232993GT	SUBASSY, STEER SENSOR RSRR1SO	4
38	1271495GT	SWITCH ASSY,LSJ1DO,N.O.PROX LSJ1DO	
39	1271511GT	HARNASS, JIB MANIFOLD	
40A	1255556GT	HARN,PLATFORM,OPA,ALC1000	1
40B	1255030GT	PLUG,BLANKING	1
41	1271489GT	SWITCH ASSY,LST3DO,139644-137M2	

Go to Discount-Equipment.com to order your parts



314.2 Wire Harness Diagram - View 2

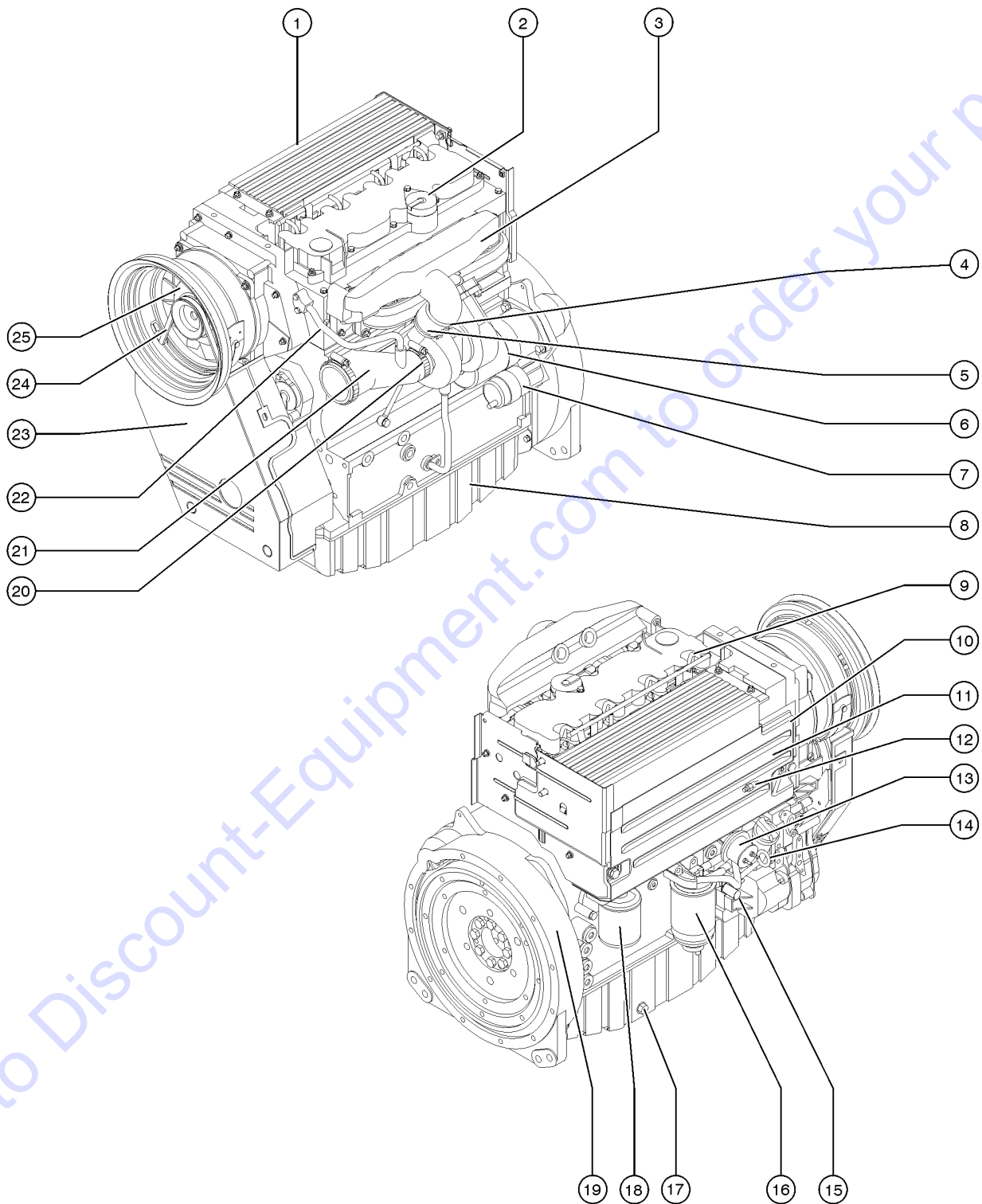


Item	Part No.	Description	Qty.
1	101185GT	CABLE ASSY,AUX BATT JUMPER,RED	1
2	238301GT	CABLE ASSY, AUX, RED, 21.5"	1
3	238302GT	CABLE ASSY, AUX, RED, 112"	1
4	238300GT	CABLE ASSY, AUX, RED, 13.5"	1
5	238303GT	CABLE ASSY, AUX, BLACK, 15.5"	1
6	238304GT	CABLE ASSY, AUX, BLACK, 22.5"	1
7	238305GT	CABLE ASSY, AUX, BLACK, 116.5"	1
8	236703GT	BATTERY CABLE, 2/0 GA, RED, (Deutz models)	1
8-	236707GT	BATTERY CABLE, 2/0 GA, RED, 10 (Perkins models)	1
9	236704GT	BATTERY CABLE, 2/0 GA, BLACK,	1
9-	236708GT	BATTERY CABLE, 2/0 GA, BLACK,	1
10	1271257GT	CABLE, LOWER, 6/4 PWR CABLE	1
11	1271258GT	CABLE, UPPER, 6/4 PWR CABLE	1
12	824518GT	CABLE, GENERATOR TO J-BOX	1
13	1272652GT	WIRE ASSY, GND STRAPS, SX135	1

Go to Discount-Equipment.com to order your parts



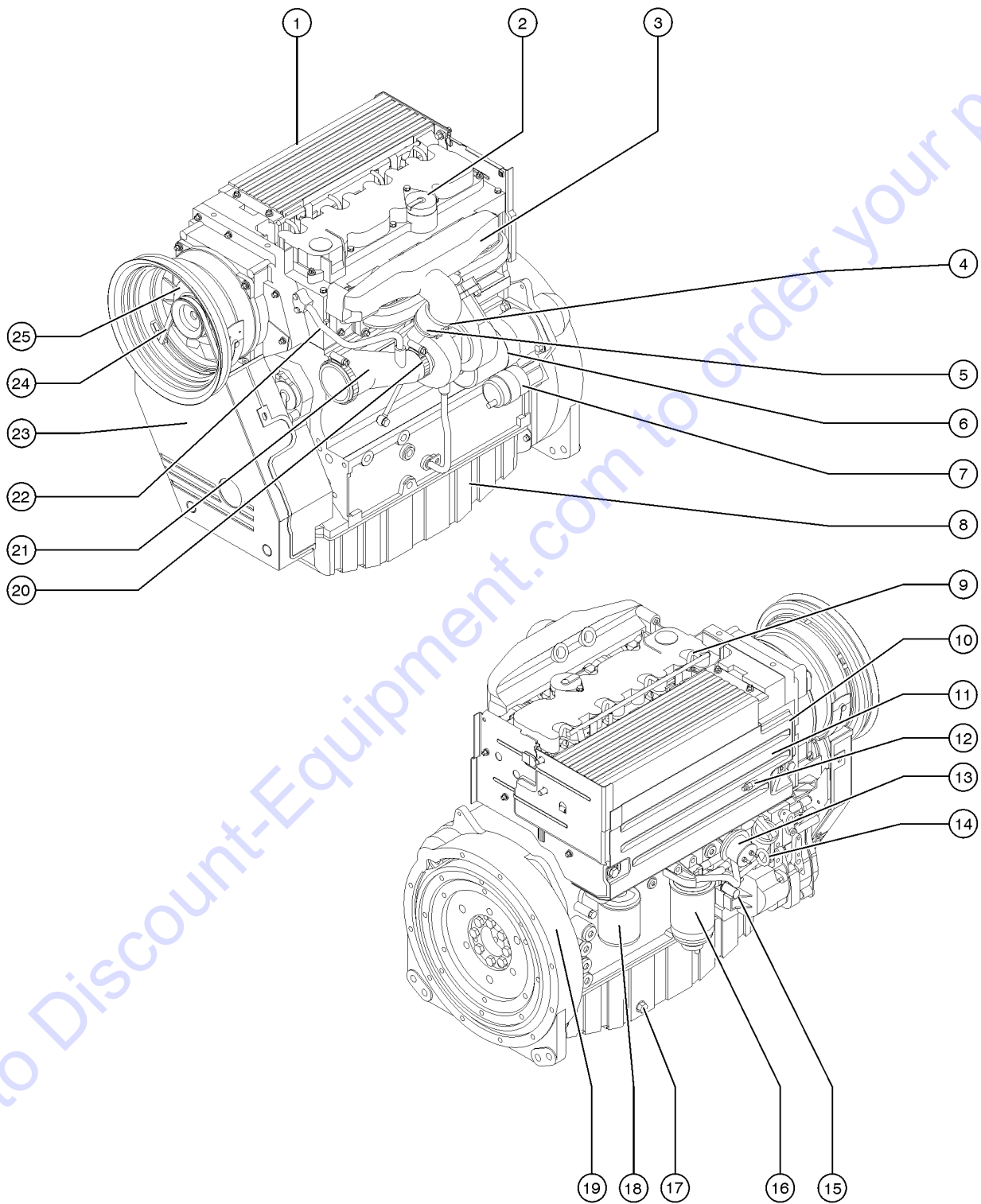
401.1 Deutz TD2011-L04i Engine - View 1



Item	Part No.	Description	Qty.
-		Verify Engine Make and Model Before Ordering	
-		For internal engine parts, contact engine dealer	
A-	102581GT	PUMP,FUEL INJ,DEUTZ BF4L20 Class A injection pump; provide SN of engine to service to get correct injection pump (A, B, C, D)	
B-	T108732GT	PUMP,FUEL INJ,DEUTZ BF4L20 Class B injection pump; provide SN of engine to service to get correct injection pump (A, B, C, D)	
C-	T108733GT	PUMP,FUEL INJ,DEUTZ BF4L20 Class C injection pump; provide SN of engine to service to get correct injection pump (A, B, C, D)	
D-	T108734GT	PUMP,FUEL INJ,DEUTZ BF4L20 Class D injection pump; provide SN of engine to service to get correct injection pump (A, B, C, D)	
2	29557GT	CAP,OIL FILLER,DEUTZ,DIESEL***	1
3	102590GT	EXHAUST MANIFOLD, DEUTZ F4L201	1
3-	29559GT	GASKET,EXHAUST	
4	102593GT	CLAMP, 3 INCH	2
5	226106GT	RUBBER SLEEVES, TD 2011L041	
6	139709GT	STARTER, 12V	1
6-	139621GT	KIT, HEAT GUARD, DEUTZ STARTER	
7	49915GT	SOLENOID-STARTR DEUTZF4L1011F*	1
8	102586GT	OIL PAN,DEUTZ F4L2011	1
9	102595GT	FUEL LINE-INJECTOR, DEUTZ BF4L	4
9-	102592GT	FUEL LINE, DEUTZ F4L2011	
9-	88091GT	FUEL RETURN,DAPCO 1/4"	
9-	102581GT	PUMP,FUEL INJ,DEUTZ BF4L20	
9-	89792GT	INJECTOR, FUEL(DEUTZ F3L2011F)	
9-	1288561GT	O-RING,FUEL INJECTOR,DEUTZ (89792) for 89792	
9-	102584GT	SEAL,INJECTOR,DEUTZ F4L2011	
9-	102596GT	CYLINDER HEAD CVR.DEUTZ BF4L20	
9-	102597GT	GASKET,CYL.COVR. DEUTZ BF4L201	
9-	102582GT	GASKET, FUEL INJEC PUMP DUTZ	
10	1289103GT	COVER,ENGINE,TD2011 L04I	1
11	111445GT	SENDING UNIT,OIL TEMP SWCH,DTZ	1



401.1 Deutz TD2011-L04i Engine - View 1

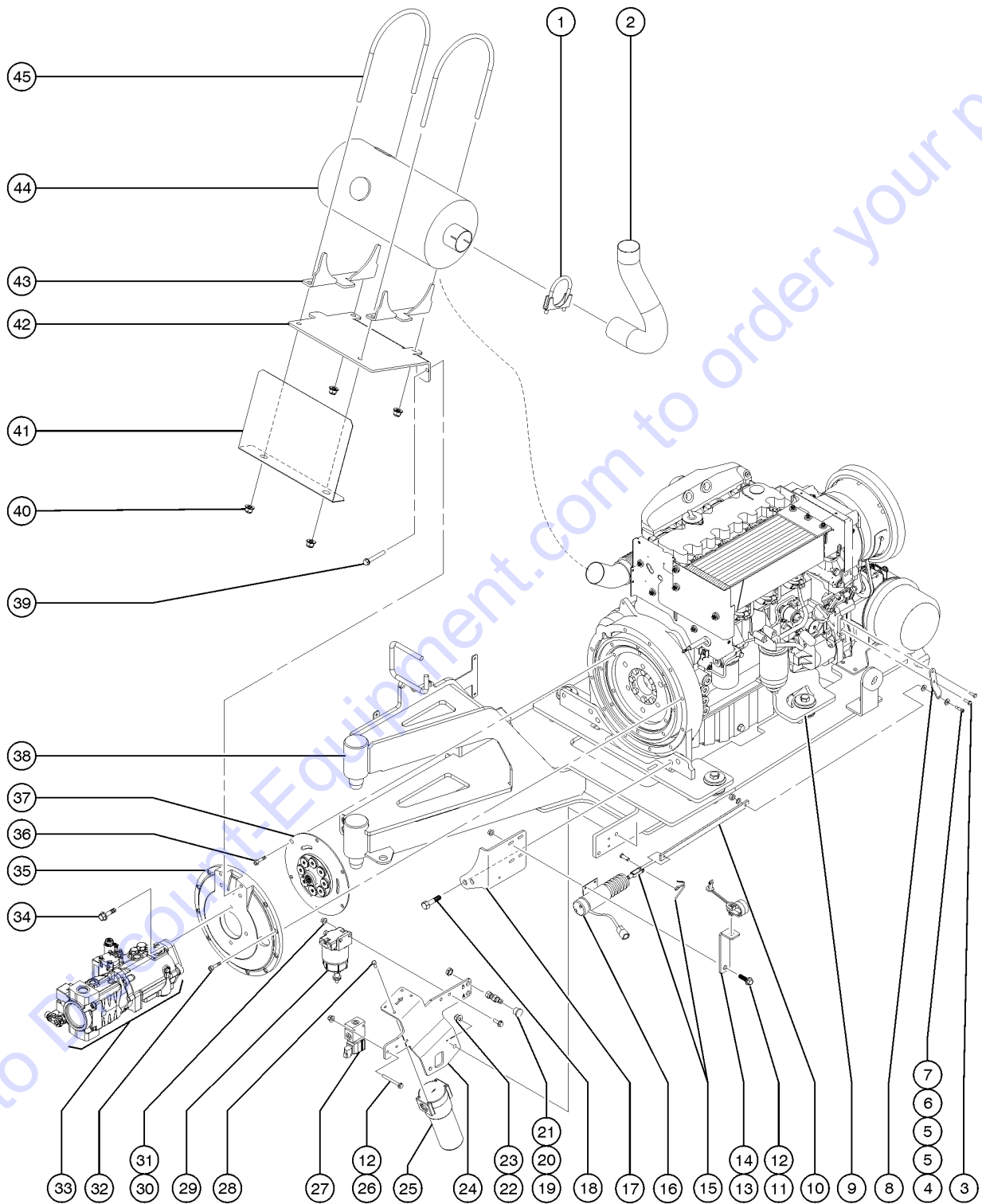


Go to Discount-Equipment.com to order your parts

Item	Part No.	Description	Qty.
12	T114678GT	SHUTDOWN SOLENOID,12V, DEUTZ (includes o-ring)	1
12-	58256GT	SOLENOID CABLE ASSY***	
12-	72255GT	CONNECTOR, DEUTZ FUEL SHUTOFF* Does not include 45782 DIODE	
12-	45782GT	DIODE,6 AMP,200 PIV,BULK	
13	58299GT	SENDING UNIT,OIL PRESS.,DEUTZ*	1
14	52352GT	DIPSTICK-F3L1011F (DEUTZ)	
15	111668GT	PUMP,FUEL 2011 DEUTZ ***	
15-	111402GT	O-RING, FUEL LIFT PUMP	
16	29560GT	FILTER,FUEL/WTR SEP, DTZ 1008 Genie Genuine Part. See PN 1254826 for compatible aftermarket replacement.	1
16-	58566GT	FILTER HEAD (29560)	
16-	1254826GT	FUEL FILTER W/SEP,DEUTZ,1008 Genie Aftermarket Part. Filter for Deutz F3L 1011F Engine.	1
17	102587GT	PLUG,ENGINE OIL,DEUTZ F4L2011	1
18	49924GT	FILTER,OIL,DEUTZ F4L1011F Genie Genuine Part. See PN 1255653 for compatible aftermarket replacement.	1
18-	1255653GT	FILTER,OIL,DEUTZ,REPLACEMENT Genie Aftermarket Part. Compatible with Genie Genuine Part 49924.	1
19	102580GT	FLYWHEEL HOUSING DEUTZ F4L2011	1
20	30971GT	CLAMP,HOSE,3.00"	
21	226103GT	INLET REDUCER,TD 2011L04I	
22	226104GT	BREATHER PIPE, TD 2011L04I	
22-	226105GT	GASKET,BREATHER PIPE (226104)	
23	146061GT	V-BELT GUARD, DEUTZ 2011	1
24	58630GT	V-BELT, DEUTZ TD2011LOAI	
25	58249GT	ALTERNATOR, DEUTZ,BF4L2011 ***	1
25-	1280590GT	PULLEY,ALTERNATOR,DEUTZ BF4L2011 for 58249	
25-	1280591GT	SPACER,ALT PULLEY,DEUTZ BF4L2011 for 58249	



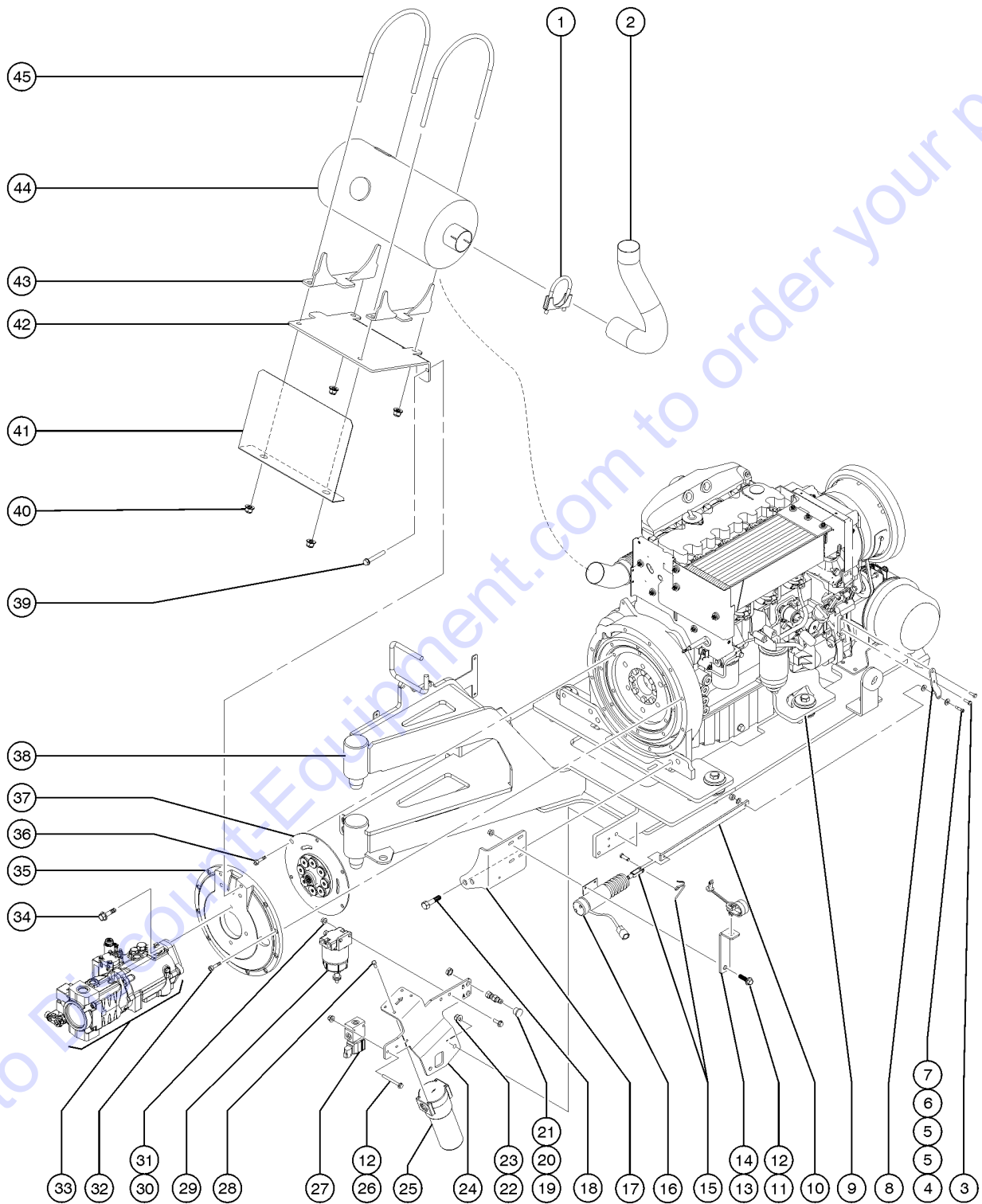
402.1 Deutz TD2011-L04i Engine - View 2



Item	Part No.	Description	Qty.
-		Verify Engine Make and Model Before Ordering	
-		For internal engine parts, contact engine dealer	
1	71911GT	CLAMP,MUFFLER, 2.50 INCH	1
2	70447GT	TAIL PIPE,DEUTZ	1
3	231532GT	SCREW,HHF,M6-1.0X20,DIN6921,10.9,ZAB	2
4	6584GT	SCREW,SHS,10-24 X .625	
5	822955GT	WASHER,FLAT,NYLON.257X.5X.032	
6	15436GT	WASHER,FLAT,NYLON.25 X.68 X.03	
7	1251566GT	NUT, TL, 10-24, A, ZAG	
8	50787-SGT	LEVER, GOVERNOR ACTUATOR	1
9	70439PGT	FORMING,ENGINE MOUNT PAINTED	1
10	139322GT	THROTTLE LINKAGE, DSL	1
11	231531GT	SCREW,HHF,M6-1.0X30,DIN6921,10.9,ZAB	
12	231513GT	NUT,TL FLG,M6-1.0,DIN6927,10,Z	
13	822921GT	FORMING,DEUTZ ENGINE WIRE LOOM	1
14	121602GT	CLAMP,FIXED DIA,NYLON,3/4"	
15	21130GT	CLEVIS YOKE-1/4-28,PLTD W/PIN Includes clevis, pin and cotter pin	1
15-	824041GT	NUT, 1/4-28, 8, ZAG	
16	101957GT	SOLENOID,THROTTLE,ASSY.TROMB	1
16-	89998GT	KIT,SERVICE,SOLENOID MODULE	
16-	60525GT	CONN,RECEP 4 WAY,12-14GA	
16-	60526GT	LOCK,RECEP 4 WAY,12-14GA	
16-	60757GT	PLUG,SEAL,12-18 GA	
16-	73711GT	TERM,DEUTSCH, PIN #12-14	
17	139321GT	FORMING, SOLENOID MOUNT***	1
18	1251899GT	SCREW,HHF,M14-2.0 X 40,DIN 692	
19	48880GT	CAP,DIAGNOSTIC NIPPLE	
20	49207GT	NIPPLE,DIAGNOSTIC,ORFS,FM,SWIV	



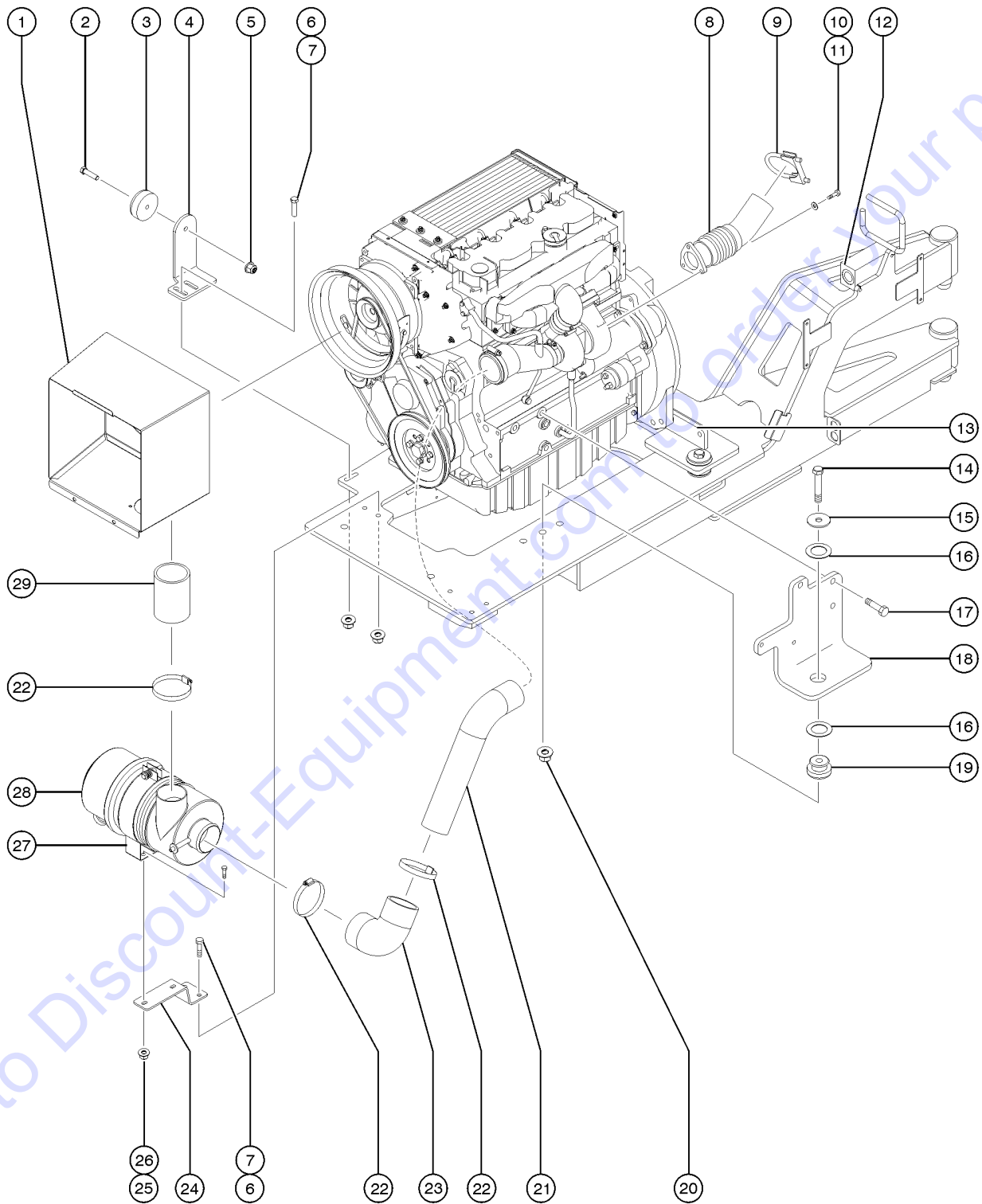
402.1 Deutz TD2011-L04i Engine - View 2



Item	Part No.	Description	Qty.
21	75574GT	NUT, LOCK, SAE #4 ORFS	
22	231529GT	NUT,TL FLG,M10-1.5,DIN6927,10,	
23	231533GT	SCREW,HHF,M10-1.5X35,DIN6921,10.9,ZAB	
24	215517GT	FORMING, CHARGE FILTER MOUNT	1
25	1267807GT	ASSEMBLY, MED. PRESS. FILTER,	
25-	1268229GT	ELEMENT-5 MIC, PAPER, W/ BYPASS	
26	1251902GT	SCREW,HHC,M6-1.0X80,DIN931,10.	
27		Ref. VALVE, FUNCTION ENABLE	1
		(Refer to 705.1)	
28	824078GT	SCREW,HHF,1/4-20X.75,8,ZAG	
29	75020GT	SEPRTR/FLTR,FUEL DSL,15GPH,.30	1
29-	62433GT	FILTER,ELEMENT,30 MIC,75020	
30	237832GT	NUT,TL,FLG,M8-1.25,DIN6927,10,	
31	1255537GT	SCREW,HHF,M8-1.25X30,DIN6921,10.9,ZAB	
32	1255666GT	SCREW,SHC,M10-1.50X30,DIN912,12.9,ZAB	10
33		Ref. PUMP, DRIVE, AND FUNCTION,	
		(Refer to 707.1)	
34	1253498GT	SCREW,HHF,1/2-13X1.5,8,ZAG	2
35	70381GT	COVER,FLYWHEEL CASTING	
36	62476GT	SCREW,SHC,M10X1.5X20MM (75090)	6
37	128004GT	COUPLER,15 TOOTH,FBA,SAE8***	1
38		Ref. WELDMENT, ENGINE TRAY	
		(Refer to 408.1)	
39	238347GT	SCREW,HHF,M10-1.5X70,DIN6921,10.9,ZAB	2
40	66777GT	NUT, TOP LOCK,1/2-13	
41	102237PGT	FORMING,HEAT SHIELD,MUFFLER	1
42	160363GT	WELDMENT, MUFFLER MOUNT	1
43	70483GT	FORMING,8.5' MUFFLER MOUNT	2
44	70444GT	MUFFLER,2.5"INLET/OUTLET	
45	70449GT	U-BOLT,1/2-13 X 8.5	



403.1 Deutz TD2011-L04i Engine - View 3

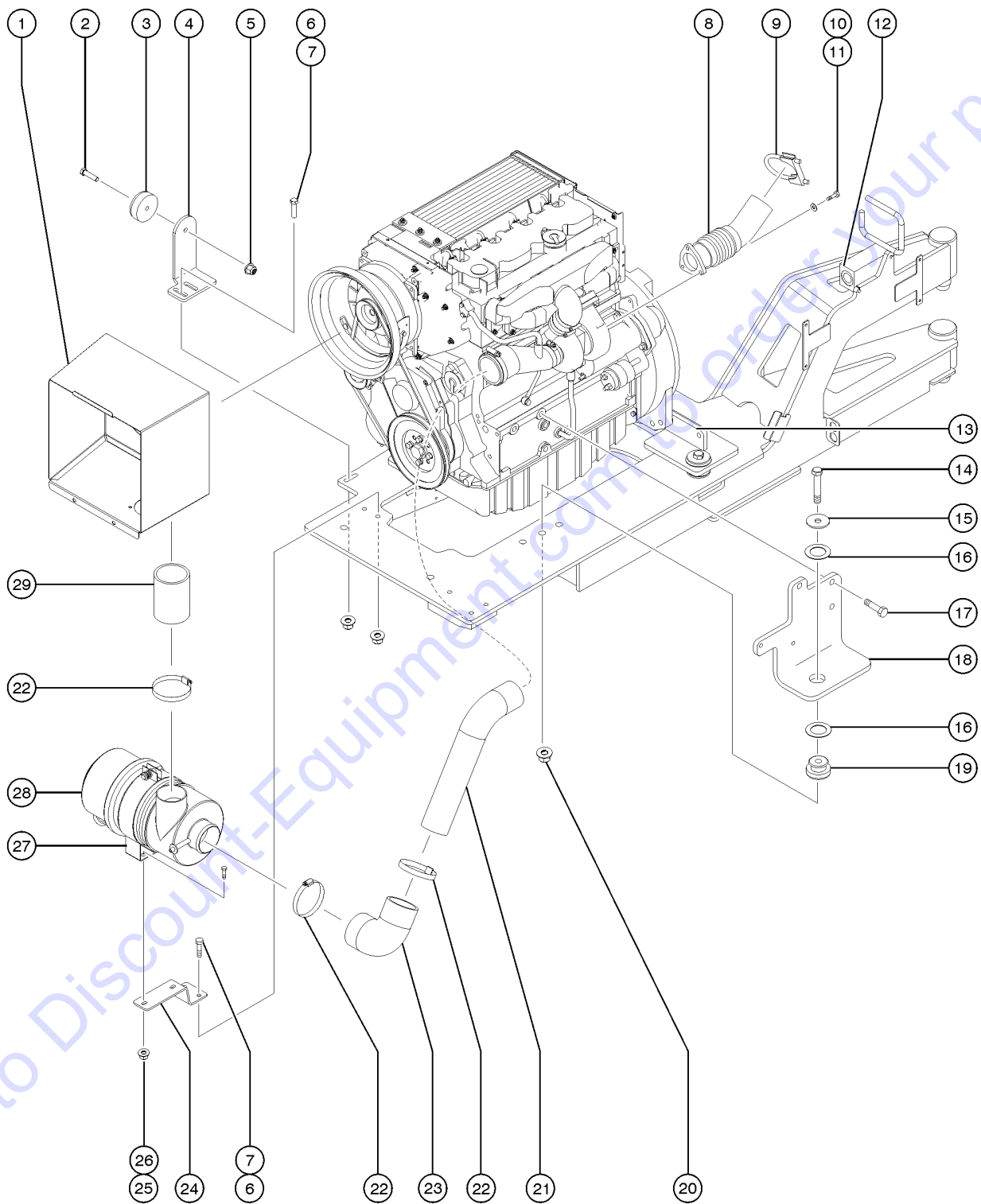


Go to Discount-Equipment.com to Order Your parts

Item	Part No.	Description	Qty.
-		Verify Engine Make and Model Before Ordering	
-		For internal engine parts, contact engine dealer	
1	122266GT	WELDMENT, AIR BOX, DEUTZ	1
2	231531GT	SCREW,HHF,M6-1.0X30,DIN6921,10.9,ZAB	
3	50974GT	BUMPER,RUBBER,COVERS	1
4	60778-SGT	FORMING,COVER STOP	1
5	231513GT	NUT,TL FLG,M6-1.0,DIN6927,10,Z	
6	231533GT	SCREW,HHF,M10-1.5X35,DIN6921,10.9,ZAB	
7	231529GT	NUT,TL FLG,M10-1.5,DIN6927,10,	
8	70445GT	FLEX PIPE,EXHAUST,2.5" DIA	1
9	71911GT	CLAMP,MUFFLER, 2.50 INCH	1
10	6175GT	SCREW,HHC,3/8-16 X 1	
11	5397GT	WASHER,FLAT,USS,5/16",Y	
12	236240GT	MANIFOLD, RETURN BLOCK	1
13	70440GT	WELDMENT,REAR ENGINE MOUNT	1
14	1256583GT	SCREW,HHF,5/8-11X3.5,8,ZAG Bolts engine mounts to engine tray	4
15	824123GT	WASHER,FLAT, .625X2.25X.188,ZAG	4
16	1251565GT	WASHER,SHIM,1.56X2.5X0.061,ZAG	8
17	1256776GT	SCREW,HHF,M14-2.0X35,DIN6921,10.9,ZAB Bolts engine mounts to engine	5
18	70438GT	FORMING,ENGINE MOUNT***	
19	217500GT	ISOLATOR, ENGINE VIBRATION	
20	1251893GT	NUT,TL,FLG,M16-2.0,DIN6927,10,ZAB	
21	102208GT	TUBE,AIR INTAKE,DEUTZ	1
22	30489GT	CLAMP,HOSE,3.50	3
23	139455GT	ELBOW,AIR INTAKE,RUBBER	1
24	102209GT	FORMING,AIR CLEANER MOUNT**	1
25	237832GT	NUT,TL,FLG,M8-1.25,DIN6927,10,	
26	824132GT	SCREW,HHF,M8-1.25X20,DIN6921,10.9,ZAB	



403.1 Deutz TD2011-L04i Engine - View 3



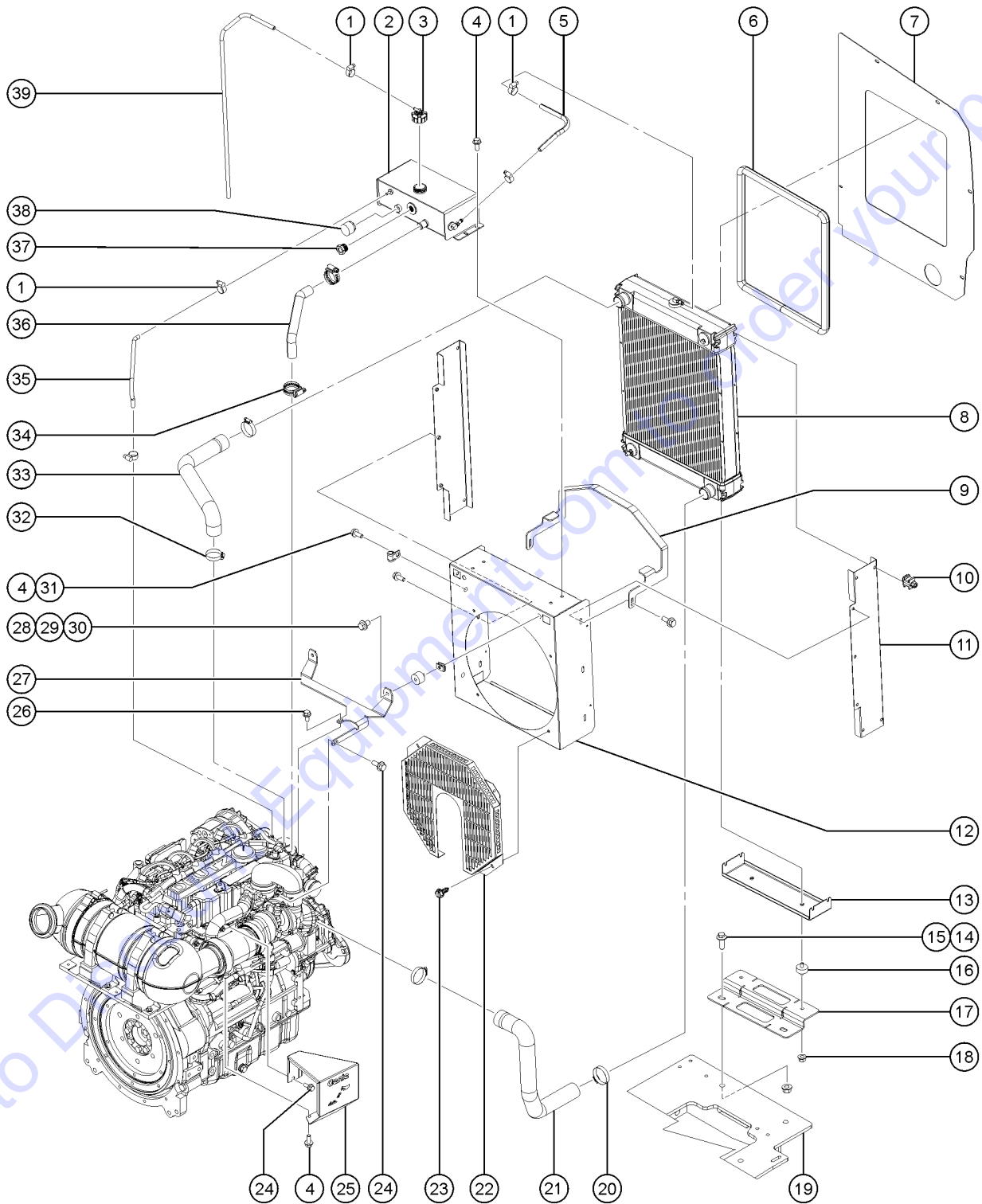
Go to Discount-Equipment.com to Order Your parts

Item	Part No.	Description	Qty.
27	81468GT	MOUNTING BAND,AIR CLEANER	
28	81467GT	AIR CLEANER,NELSON	
28-	75450GT	AIR CLEANER CLIPS, SUPERBOOM for 81467	
28-	75451GT	AIR CLEANER COVER, SUPERBOOM* for 81467	
28-	52866GT	EVACUATOR VALVE-AIR CLEANER for 81467	
28-	62425GT	FILTER,AIR CLEANER, SUPERBOOM for 81467	
28-	62425GT	FILTER,AIR CLEANER, SUPERBOOM	
29	106211-475GT	HOSE,RUBBER 3"ID X .25 BLACK	1

Go to Discount-Equipment.com to order your parts



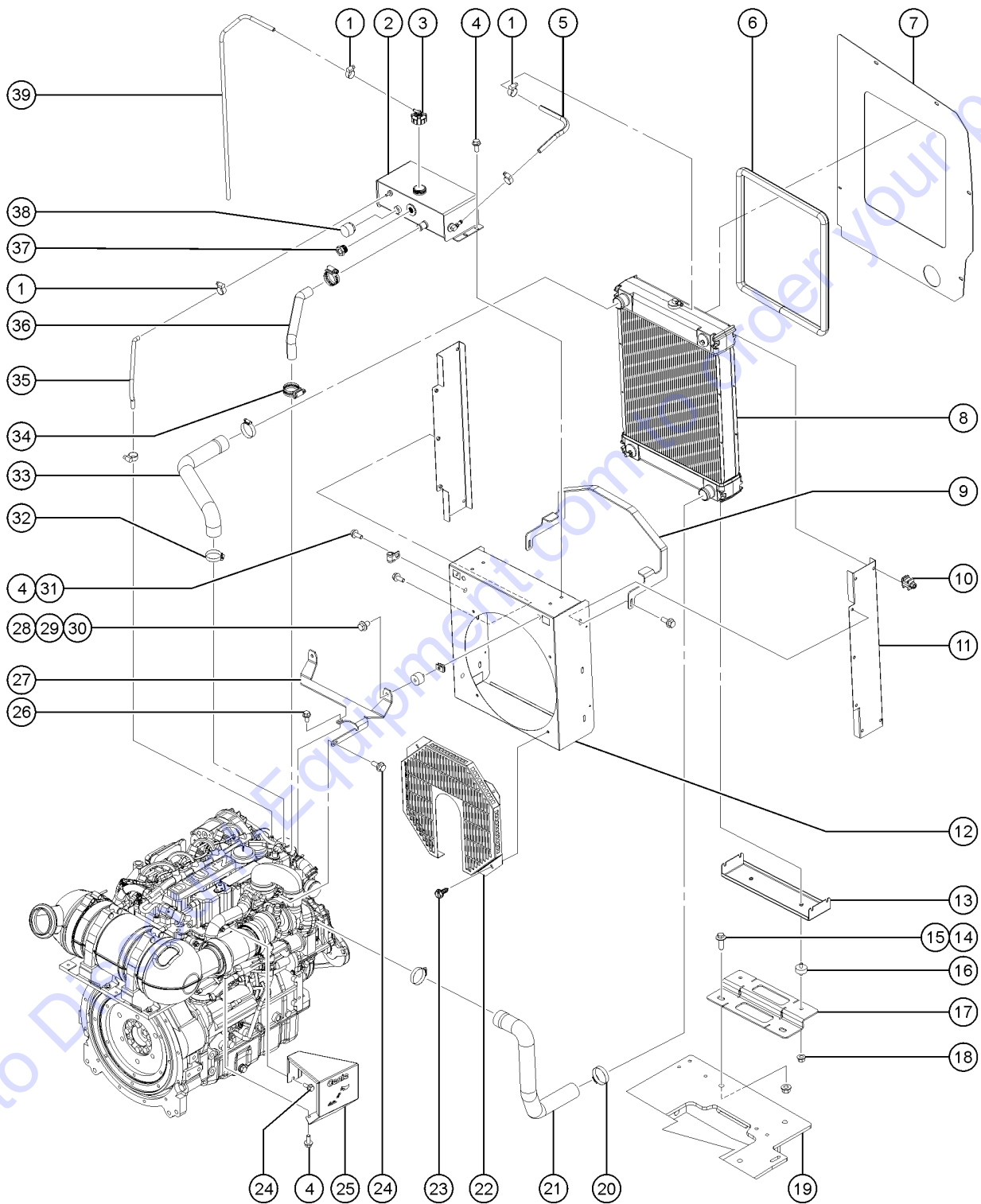
404.1 Deutz TD 2.9L4 Engine - View 1



Item	Part No.	Description	Qty.
A-		Due to Tier 4 regulations, many engine replacement parts require the engine serial number at time of order placement. When ordering engine parts please have both machine and engine serial numbers available. For internal engine parts, contact engine dealer	
B-	1262867GT	V-BELT, DEUTZ	
C-	1262866GT	FAN BELT, ALTERNATOR	
D-	237730GT	ENGINE KIT, DEUTZ TD 2.9	
E-	1257246GT	HARN, DEUTZ 2.9, TIER 4, SX	
F-	1252014GT	COOLING SYSTEM RCP-13-077 (includes items 2-4, 8-12, 19-21, 30, 33-34 and 36)	
G-	1277974GT	PINS,CONNECTOR,INJ HARNESS,D2.9	
H-		(DEUTZ OXIDATION CATALYST/MUFFLER)(contact Discount-equipment; engine serial number required)	
1	21465GT	CLAMP,HOSE,SIZE .25 TO .63	5
2		ASSY, DEGAS TANK, AL, RCP-13-077	1
3	1254081GT	PRESSURE CAP RCP	1
4	824132GT	SCREW,HHF,M8-1.25X20,DIN6921,10.9,ZAB	8
5	823420-1400GT	HOSE,HEATER,3/8" 14"	1
6	1261077GT	TRIM, RUBBER "D" SEAL, 3/16	1
7		PLATE,DEUTZ 2.9L CW BAFFLE	1
		(Refer to 408.1)	
8	1252015GT	RADIATOR RCP	1
9	1261890GT	FORMING,DEUTZ RAD CAP PROTECTO	1
10	1253233GT	ISOLATOR ASSY RCP RADIATOR	8
11	1253231GT	FORMING RADIATOR SIDE MOUNT	2
12	1253230GT	FORMING FAN SHROUD RCP 2.9T	1
13	1253232GT	FORMING RADIATOR BOTTOM MOUNT RCP	1
14	1251894GT	SCREW,HHF,M16-2.0X45,DIN6921,10.9,ZAB	2
15	1251893GT	NUT,TL,FLG,M16-2.0,DIN6927,10,ZAB	2
16	1255631GT	ISOLATOR, M10-1.50, 5/8" HIGH	2
17	1251720GT	WELDMENT, RADIATOR MOUNT	1
18	231529GT	NUT,TL FLG,M10-1.5,DIN6927,10,	2
19		Ref. WELDMENT, ENGINE TRAY	
		(Refer to 408.1)	

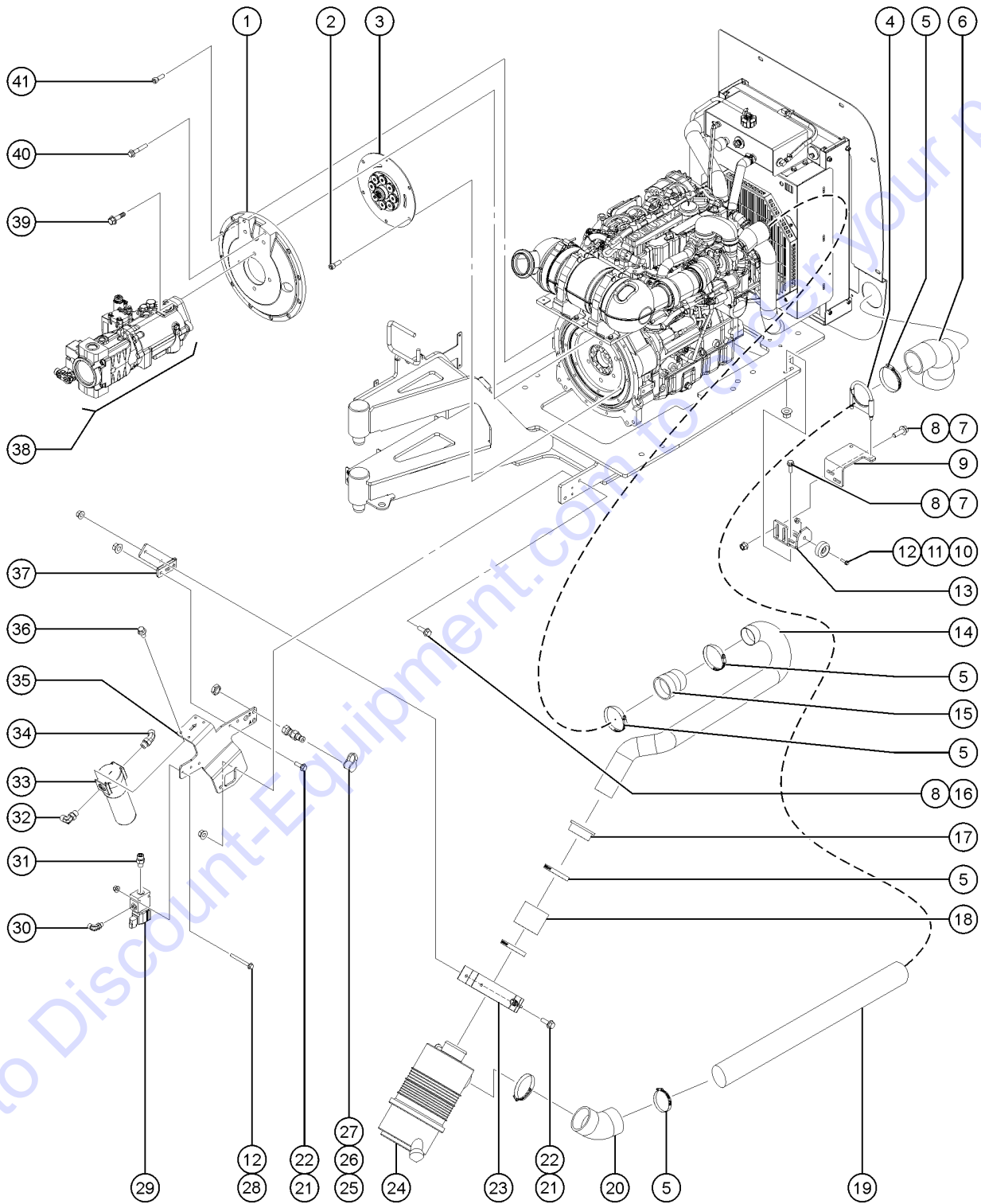


404.1 Deutz TD 2.9L4 Engine - View 1



Item	Part No.	Description	Qty.
20	35434GT	CLAMP,HOSE,2.00***	2
21	1252018GT	HOSE, 20R4, LOWER	1
22	1253218GT	FORMING FAN SHROUD RCP	1
23	1253234GT	SCREW SHEET METAL HHF X1/2 X .18OD	4
24	824131GT	SCREW,HHF,M6-1.0X16,DIN6921,10	
25	1254949GT	HEAT SHIELD,DEUTZ TD2.9L	1
26	1251983GT	SCREW,HHF,M8-1.25X16,DIN6921,10.9,ZAB	1
27	1255342GT	FORMING,RADIATOR SUPPORT	1
28	237352GT	SCREW,HHF,M10-1.5X16,DIN6921,10.9,ZAB	2
29	1255451GT	ISOLATOR, VIBRATION DAMPENER	2
30	230074GT	SPRING CLIP,M10-1.5,1-6X19,ZAB	2
31	1257844GT	CLAMP, TUBE/HOSE, LOOP/OFFSET, 12.7 OD	4
32	22672GT	CLAMP,HOSE,1.75	2
33	1252017GT	HOSE, 20R4, UPPER	1
34	32066GT	CLAMP,HOSE,KUBOTA WG750	2
35	1283995GT	HEATER HOSE,1/4"	14
36	1252019GT	HOSE, DEGAS RETURN, 22MM ID	1
37	1254418GT	SIGHT GLASS DEGAS RCP	1
38	218715GT	SENSOR,COOLANT LEVEL, DEUTZ	1
39	1283995GT	HEATER HOSE,1/4"	43

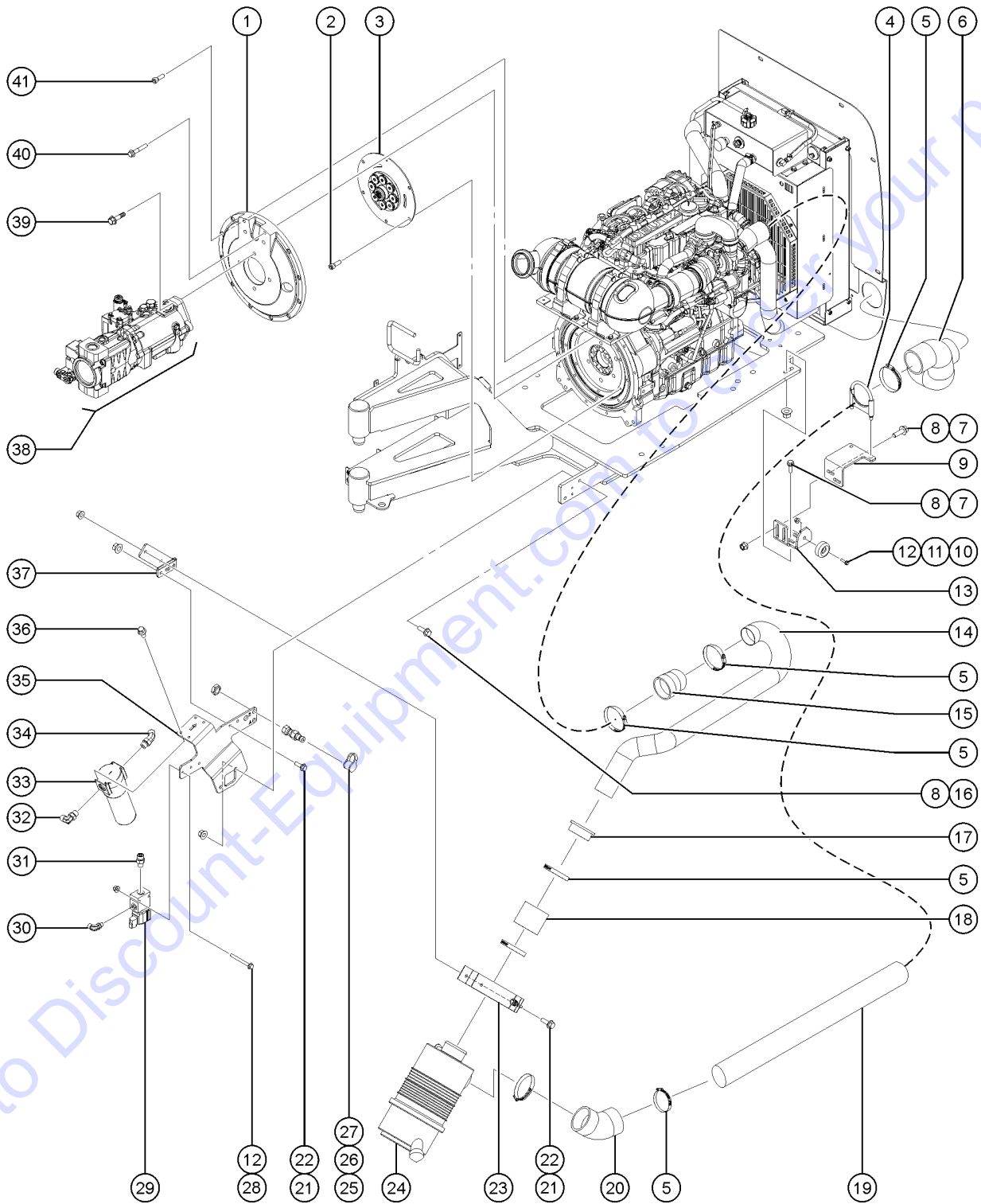
405.1 Deutz TD 2.9L4 Engine - View 2



Item	Part No.	Description	Qty.
-		Due to Tier 4 regulations, many engine replacement parts require the engine serial number at time of order placement. When ordering engine parts please have both machine and engine serial numbers available. For internal engine parts, contact engine dealer	
1	70381GT	COVER,FLYWHEEL CASTING	1
2	1255665GT	SCREW,SHC,M10-1.5X20,DIN912,12.9,ZAB	6
3	128004GT	COUPLER,15 TOOTH,FBA,SAE8***	1
4	122414GT	U-BOLT,GUILLOTINE,3"	1
5	30971GT	CLAMP,HOSE,3.00"	6
6	1261243GT	HOSE,3" ID FORMED INTAKE	1
7	232874GT	SCREW, HHF, M10-1.5X30,DIN6921	4
8	231529GT	NUT,TL FLG,M10-1.5,DIN6927,10,	4
9	1257728GT	FORMING,INTAKE SUPPORT	1
10	1255537GT	SCREW,HHF,M8-1.25X30,DIN6921,10.9,ZAB	
11	50974GT	BUMPER,RUBBER,COVERS	
12	231513GT	NUT,TL FLG,M6-1.0,DIN6927,10,Z	2
13	1254669GT	FORMING, COVER STOP	1
14	826352GT	TUBE,INTAKE,DEUTZ 2.9L	1
15	826351GT	HOSE,REDUCER,TURBO INLET,DEUTZ	1
16	231533GT	SCREW,HHF,M10-1.5X35,DIN6921,10.9,ZAB	2
17	101640GT	REDUCER,RUBBER 3.0 - 2.5	1
18	106211-475GT	HOSE,RUBBER 3"ID X .25 BLACK	1
19	215512GT	TUBE,INTAKE, FILTER	1
20	61270GT	ELBOW,45 DEG,INLET	1
21	824133GT	SCREW,HHF,M8-1.25X25,DIN6921,10.9,ZAB	2
22	237832GT	NUT,TL,FLG,M8-1.25,DIN6927,10,	2
23	81468GT	MOUNTING BAND,AIR CLEANER	1
24	81467GT	AIR CLEANER,NELSON	1
24-	75450GT	AIR CLEANER CLIPS, SUPERBOOM for 81467	
24-	75451GT	AIR CLEANER COVER, SUPERBOOM* for 81467	



405.1 Deutz TD 2.9L4 Engine - View 2



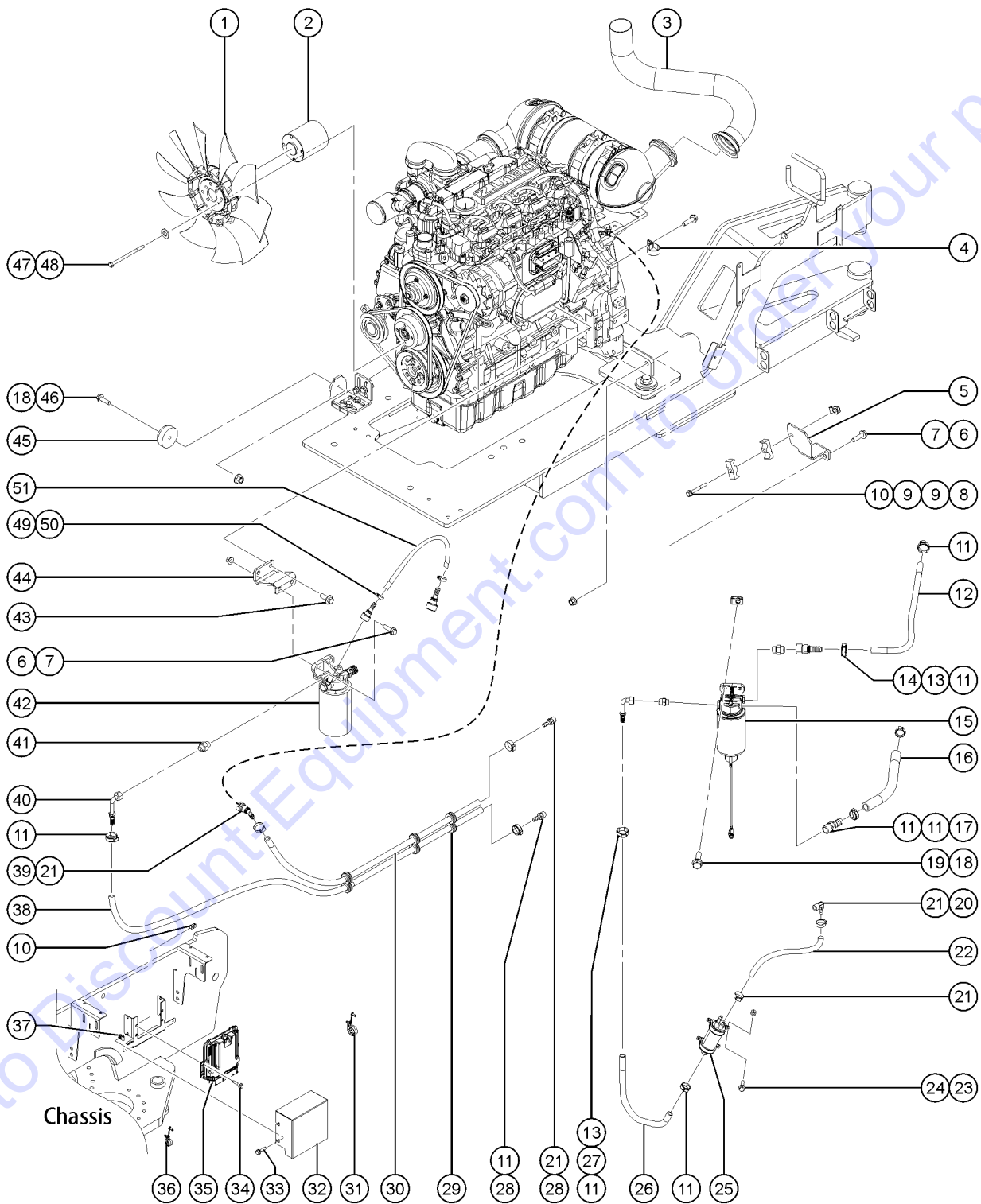
Go to Discount-Equipment.com for your parts

Item	Part No.	Description	Qty.
24-	52866GT	EVACUATOR VALVE-AIR CLEANER for 81467	
24-	62425GT	FILTER,AIR CLEANER, SUPERBOOM for 81467	
25	48880GT	CAP,DIAGNOSTIC NIPPLE	1
26	49207GT	NIPPLE,DIAGNOSTIC,ORFS,FM,SWIV	1
27	75574GT	NUT, LOCK, SAE #4 ORFS	1
28	825581GT	SCREW,HHC,M6-1.0X85,DIN931,10.9,ZAB	2
29		Ref. VALVE, FUNCTION ENABLE (Refer to 705.1)	1
30	48904GT	ELBOW,90D,520220-4-4	1
31	48905GT	CONN,520120-4***	3
32	48932GT	FITTING,ELBOW,90D,520220-8***	2
33	1267807GT	ASSEMBLY, MED. PRESS. FILTER,	
33-	1268229GT	ELEMENT-5 MIC, PAPER, W/ BYPASS	
34	48937GT	ELBOW,45D,520320-8	1
35	215517GT	FORMING, CHARGE FILTER MOUNT	1
36	824077GT	SCREW,HHF,1/4-20X.5,8,ZAG	4
37	1251708GT	FORMINNG AIR CLEANER	1
38		Ref. PUMP, DRIVE, AND FUNCTION, (Refer to 707.1)	
39	54177GT	SCREW,HHC,1/2-13 X 1.5 GRD 8	2
40	216036GT	SCREW,HHF,M10-1.5X60,DIN6921,10.9,ZAB	4
41	1255666GT	SCREW,SHC,M10-1.50X30,DIN912,12.9,ZAB	10

Go to DiscountEquipment.com to order your parts



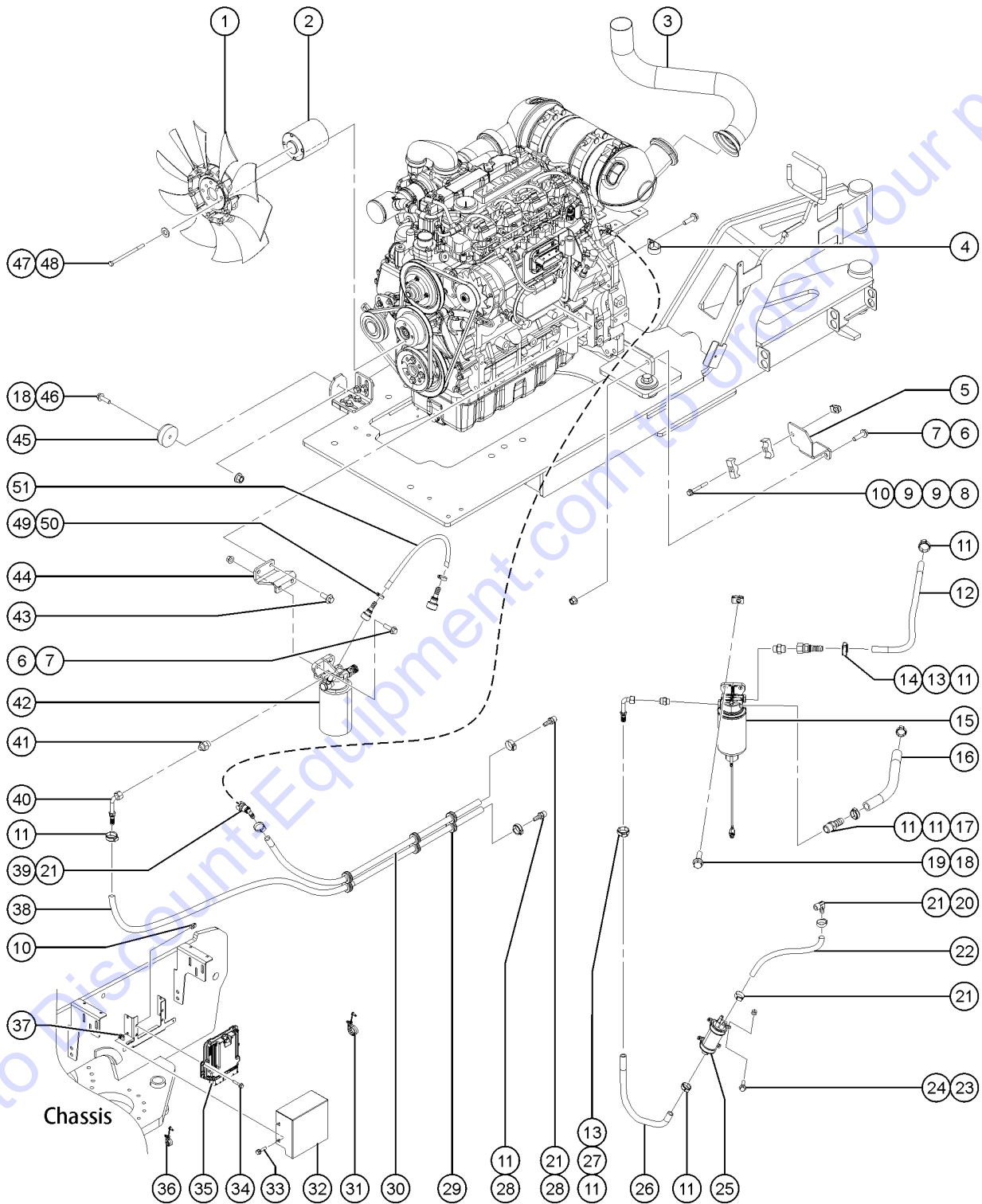
406.1 Deutz TD 2.9L4 Engine - View 3



Item	Part No.	Description	Qty.
-		Due to Tier 4 regulations, many engine replacement parts require the engine serial number at time of order placement. When ordering engine parts please have both machine and engine serial numbers available. For internal engine parts, contact engine dealer	
1	1251496GT	FAN,10 BLADE,17",DEUTZ 2.9L	1
2	1257753GT	FAN SPACER,DEUTZ 2.9L	1
3	826348GT	EXHAUST PIPE, 2.9L DEUTZ	3
3-	825015GT	CLAMP, 50MM V	
4	56424GT	CLAMP,1.25X.5 RUBBER-CUSHION	1
5	217457GT	FORMING, BATTERY CABLE MOUNT	1
6	231533GT	SCREW,HHF,M10-1.5X35,DIN6921,10.9,ZAB	3
7	231529GT	NUT,TL FLG,M10-1.5,DIN6927,10,	3
8	216597GT	SCREW,HHF,M6-1.0X50,DIN6921,10.9,ZAB	1
9	217460GT	CLAMP,BATTERY CABLE	2
10	219697GT	SPRING CLIP,M6-1.0,3.4-6.3MMX1	1
11	822087GT	CLAMP,HOSE,1EAR,25/32	2
12	1253181GT	HOSE,FUEL,1/2" GATES RLA,20.62	1
13	824635GT	FITTING,STR,1/2 HS X 3/4-16,JI	1
14	162209GT	FITTING,CONN,16MM-8MJ	1
15	236260GT	PRE-FILTER,FUEL,DEUTZ TCD3.6	1
16	1253183GT	HOSE,FUEL,1/2" GATES RLA,7.625	1
17	824471GT	FITTING,3/8 NPT TO 1/2 BARB	1
18	1255537GT	SCREW,HHF,M8-1.25X30,DIN6921,10.9,ZAB	2
19	230820GT	SPRING CLIP, M8-1.25, 0.8-4.0	2
20	27904GT	HOSE END,BARBED,RIGID,90DEG6-6	1
21	1253613GT	CLAMP, STEPLESS EAR,15.3-18.5M	4
22	1253179GT	HOSE,FUEL,3/8" GATES RLA,15.75	1
23	218458GT	SCREW,HHF,M5-0.8X20,DIN6921,10.9,ZAB	4
24	826214GT	NUT,TL,M5-0.8,DIN980,10,ZAB	4
25	236259GT	LIFT PUMP,FUEL,DEUTZ	1

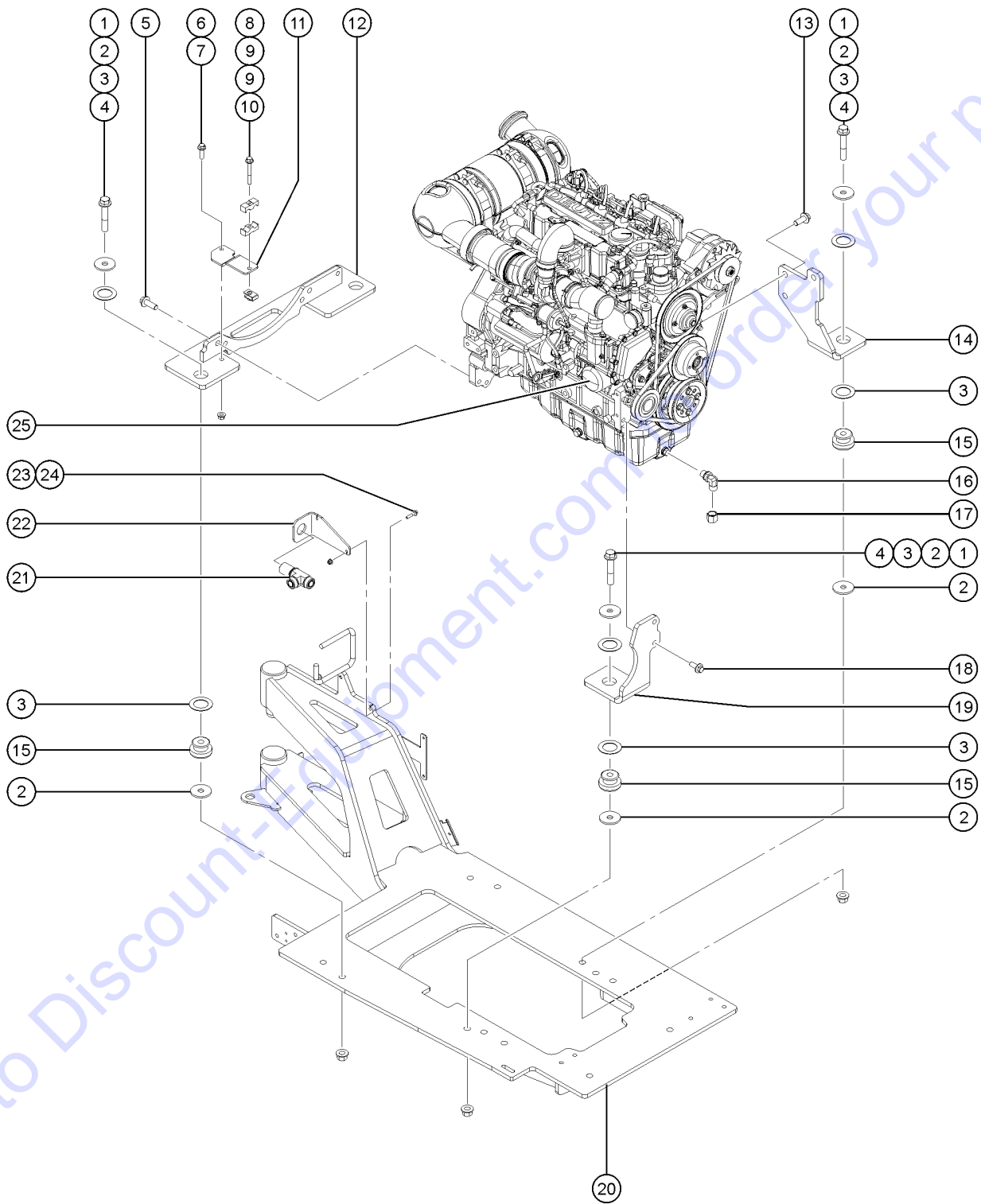


406.1 Deutz TD 2.9L4 Engine - View 3



Item	Part No.	Description	Qty.
26	1254848GT	HOSE,FUEL,1/2" GATES RLA,16.75	1
27	162207GT	FITTING,ELBOW,8GS-8FJX90S	1
28	27901GT	HOSE END,BARBED,RIGID,-6-6	1
29	60584GT	GROMMET,RUBBER .75 X .19 X 1**	2
30	1252898GT	HOSE,FUEL,3/8",GATES RLA,53.25	1
31	219510GT	CLAMP, FIXED DIA, NYLON, 1-1/4	1
32	1267411GT	FORMING, ECM COVER	
33	231512GT	SCREW,HHF,M6-1.0X25,DIN6921,10.9,ZAB	
34	231531GT	SCREW,HHF,M6-1.0X30,DIN6921,10.9,ZAB	4
35		ECM, DEUTZ D2.9 (This part is serialized, contact Discount-equipment with full model and SN of both the unit and engine)	1
36	121602GT	CLAMP,FIXED DIA,NYLON,3/4"	1
37	230073GT	SPRING CLIP,M6-1.0,0.8-4MM PAN	
38	1252896GT	HOSE,FUEL,3/8,GATES RLA,66.25"	1
39	826000GT	CONNECTOR, SAE10, QUICK CONN	1
40	162206GT	FITTING,ELBOW,6GS-6FJX90S	1
41	162208GT	FITTING,CONN,16MM-6MJ	1
42	214228GT	FILTER, DEUTZ 2.9, FUEL	1
43	231088GT	SCREW,HHF,M10-1.5X20,DIN6921,1	2
44	1256911GT	FORMING FUEL FILTER DEUTZ	1
45	50974GT	BUMPER,RUBBER,COVERS	1
46	231513GT	NUT,TL FLG,M6-1.0,DIN6927,10,Z	1
47	1257774GT	SCREW,HHC,M8-1.25X95,DIN931,10	4
48	824144GT	WASHER,FLAT,M8,DIN125,ZAB	4
49	1270282GT	CLAMP, HOSE, 1 EAR, 22.6MM	2
50	1255651GT	CONNECTOR,SAE12,QUICK CONNECT	2
51	1269690-2700GT	HOSE ASSEMBLY - 1/2" FUEL GATES,STR FEM,STR FEM Hose assembly (includes 1270282GT and 1255651GT)	1

407.1 Deutz TD 2.9L4 Engine - View 4



Item	Part No.	Description	Qty.
-		Due to Tier 4 regulations, many engine replacement parts require the engine serial number at time of order placement. When ordering engine parts please have both machine and engine serial numbers available. For internal engine parts, contact engine dealer	
1	1256583GT	SCREW,HHF,5/8-11X3.5,8,ZAG	4
2	824123GT	WASHER,FLAT,.625X2.25X.188,ZAG	8
3	1251565GT	WASHER,SHIM,1.56X2.5X0.061,ZAG	8
4	1253319GT	NUT,TL FLG,5/8-11,G,ZAG	4
5	1251899GT	SCREW,HHF,M14-2.0 X 40,DIN 692	4
6	231533GT	SCREW,HHF,M10-1.5X35,DIN6921,10.9,ZAB	2
7	231529GT	NUT,TL FLG,M10-1.5,DIN6927,10,	2
8	216597GT	SCREW,HHF,M6-1.0X50,DIN6921,10.9,ZAB	1
9	217460GT	CLAMP,BATTERY CABLE	2
10	219697GT	SPRING CLIP,M6-1.0,3.4-6.3MMX1	4
11	217458GT	FORMING, BATTERY CABLE GUIDE	2
12	70440GT	WELDMENT,REAR ENGINE MOUNT	1
13	1256776GT	SCREW,HHF,M14-2.0X35,DIN6921,10.9,ZAB	2
14	1256805GT	MOUNT,ENGINE,LEFT SIDE	1
15	217500GT	ISOLATOR, ENGINE VIBRATION	4
16	54428GT	FITTING,HYDRAULIC,90DEG,O-RING	1
17	69775GT	CAP,520112-8	1
18	824134GT	SCREW,HHF,M12-1.75X30,DIN6921,	2
19	1251705GT	FORMING, ENGINE MOUNT	1
20		Ref. WELDMENT, ENGINE TRAY	
		(Refer to 408.1)	
21	48969GT	TEE,BULKHEAD,RUN,520958-12	1
22	1266126GT	FORMING, MOUNT, CASE DRAIN	1
23	231531GT	SCREW,HHF,M6-1.0X30,DIN6921,10.9,ZAB	
24	231513GT	NUT,TL FLG,M6-1.0,DIN6927,10,Z	
25	49924GT	FILTER,OIL,DEUTZ F4L1011F	1



PARTS FINDER

**Search Website
by Part Number**



**Search Manual
Library For Parts
Manual & Lookup Part
Numbers – Purchase
or Request Quote**

Search Manuals

Enter your information to help us find the right parts manual for your machine.

* Brand:

* Model:

* Serial:

* Part Number:

SEARCH

**Can't Find Part or
Manual? Request Help
by Manufacturer,
Model & Description**

Parts Order Form

Please fill in the following information to help us find the right part for your machine.

Manufacturer:	<input type="text"/>
Model:	<input type="text"/>
Description:	<input type="text"/>
Part Number:	<input type="text"/>
Quantity:	<input type="text"/>
Notes:	<input type="text"/>

Submit

Discount-Equipment.com is your online resource for quality parts & equipment.

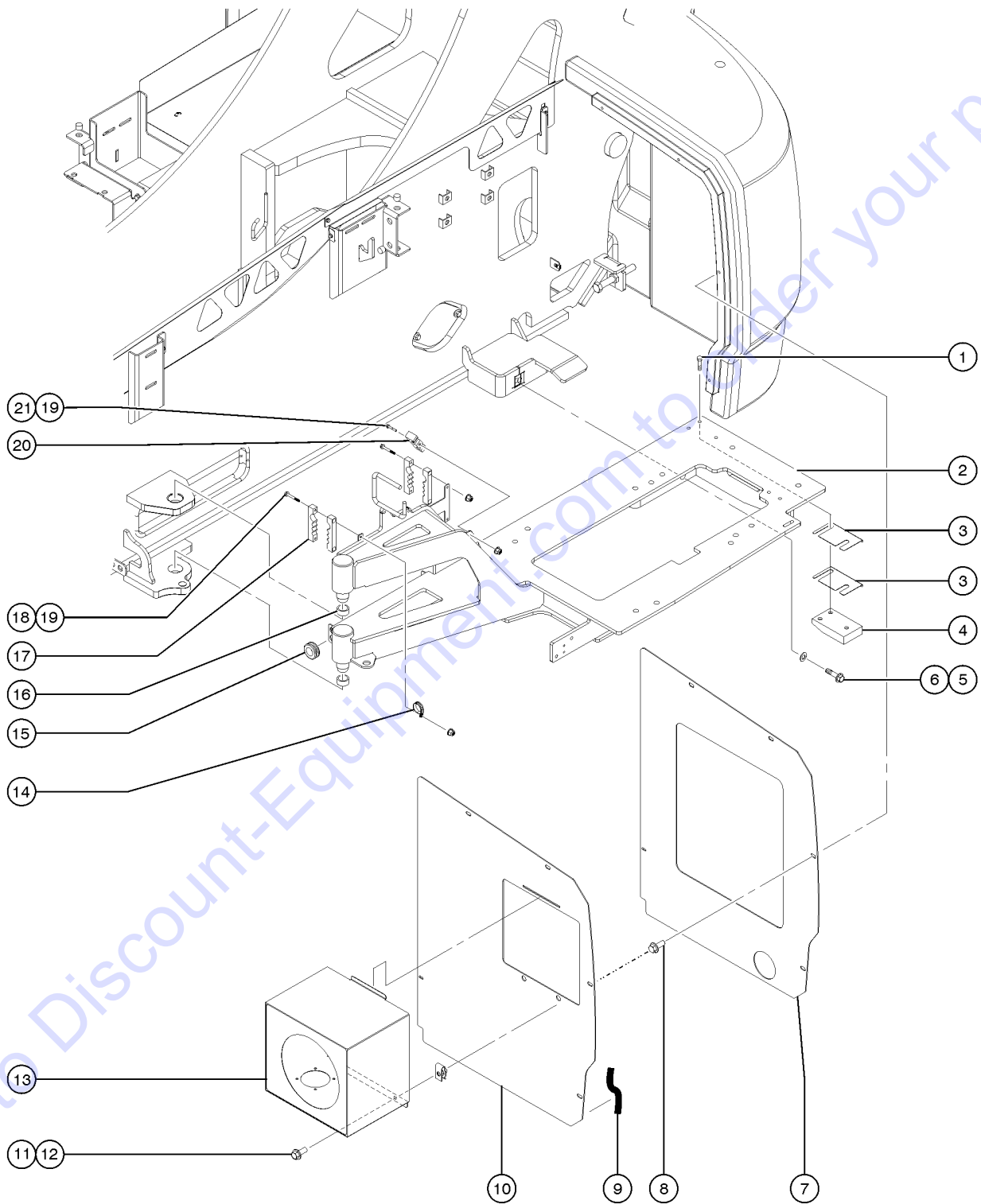
Florida: **561-964-4949** Outside Florida TOLL FREE: **877-690-3101**

Need parts?

Click on this link: <http://www.discount-equipment.com/category/5443-parts/> and choose one of the options to help get the right parts and equipment you are looking for. Please have the machine model and serial number available in order to help us get you the correct parts. If you don't find the part on the website or on one of the online manuals, please fill out the request form and one of our experienced staff members will get back to you with a quote for the right part that your machine needs.

We sell worldwide for the brands: Genie, Terex, JLG, MultiQuip, Mikasa, Essick, Whiteman, Mayco, Toro Stone, Diamond Products, Generac Magnum, Airman, Haulotte, Barreto, Power Blanket, Nifty Lift, Atlas Copco, Chicago Pneumatic, Allmand, Miller Curber, Skyjack, Lull, Skytrak, Tsurumi, Husquvarna Target, Stow, Wacker, Sakai, Mi-T-M, Sullair, Basic, Dynapac, MBW, Weber, Bartell, Bennar Newman, Haulotte, Ditch Runner, Menegotti, Morrison, Contec, Buddy, Crown, Edco, Wyco, Bomag, Laymor, EZ Trench, Bil-Jax, F.S. Curtis, Gehl Pavers, Heli, Honda, ICS/PowerGrit, IHI, Partner, Imer, Clipper, MMD, Koshin, Rice, CH&E, General Equipment, Amida, Coleman, NAC, Gradall, Square Shooter, Kent, Stanley, Tamco, Toku, Hatz, Kohler, Robin, Wisconsin, Northrock, Oztec, Toker TK, Rol-Air, APT, Wylie, Ingersoll Rand / Doosan, Innovatech, Con X, Ammann, Mecalac, Makinex, Smith Surface Prep, Small Line, Wanco, Yanmar

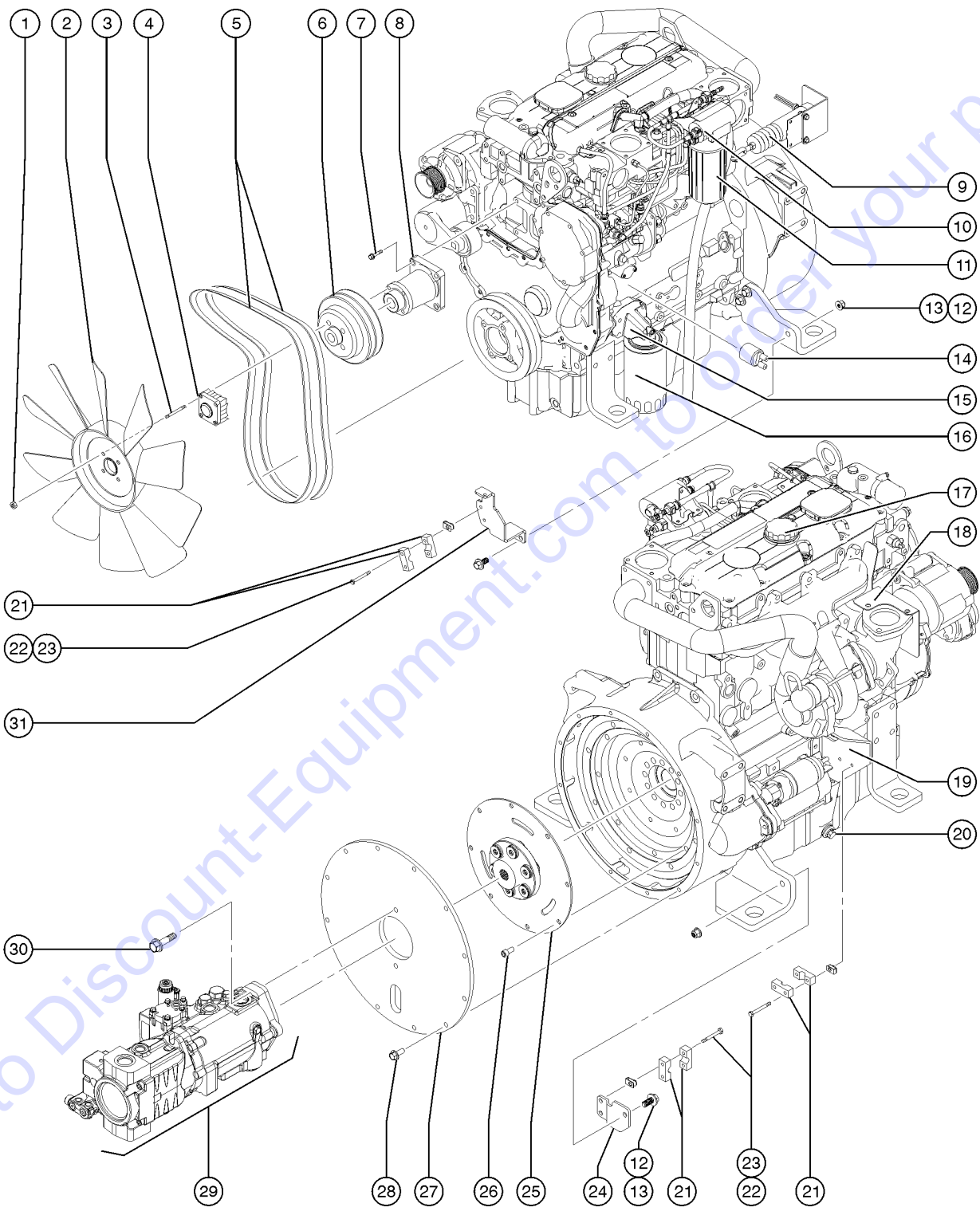
408.1 Deutz Engine Attached Components



408.1 Deutz Engine Attached Components

Item	Part No.	Description	Qty.
1	824091GT	SCREW,HHF,3/8-16X1.25,8,ZAG	3
2	235758GT	WELDMENT, ENGINE TRAY	1
3	60826GT	SHIM,WEAR PAD ENGINE TRAY	2
4	60637GT	WEAR PAD,ENGINE SUPPORT	1
5	231514GT	SCREW,HHC,M20-2.5X100,DIN933,1	1
6	231510GT	WASHER,FLAT,M20,DIN6916,HRD,ZAB	1
7	1259873GT	FORMING,DEUTZ 2.9L COUNTER WEI (Deutz TD 2.9L4) (Refer to 404.1)	
8	237352GT	SCREW,HHF,M10-1.5X16,DIN6921,10.9,ZAB	
9	1261077GT	TRIM, RUBBER "D" SEAL, 3/16 (Deutz TD2011-L04i)	
10	1261548GT	FORMING,BAFFLE,DEUTZ (Deutz TD2011-L04i)	1
11	231530GT	SCREW,HHF,M10-1.5X25,DIN6921,10.9,ZAB (Deutz TD2011-L04i)	
12	230074GT	SPRING CLIP,M10-1.5,1-6X19,ZAB (Deutz TD2011-L04i)	
13		Ref. WELDMENT,AIR BOX,DEUTZ (Deutz TD2011-L04i) (Refer to 403.1)	
14	6653GT	CLAMP,1.88,#30 X 1/4,RUB CUSH	1
15	60584GT	GROMMET,RUBBER .75 X .19 X 1**	
16	236766GT	BEARING,FL.,40IDX48ODX28L	2
17	216818GT	CABLE CLAMP, BATTERY	4
18	216597GT	SCREW,HHF,M6-1.0X50,DIN6921,10.9,ZAB	4
19	231513GT	NUT,TL FLG,M6-1.0,DIN6927,10,Z	5
20	216819GT	CABLE CLAMP, FUEL LINE	1
21	232886GT	SCREW,HHF,M6X40,DIN6921,10.9,	1

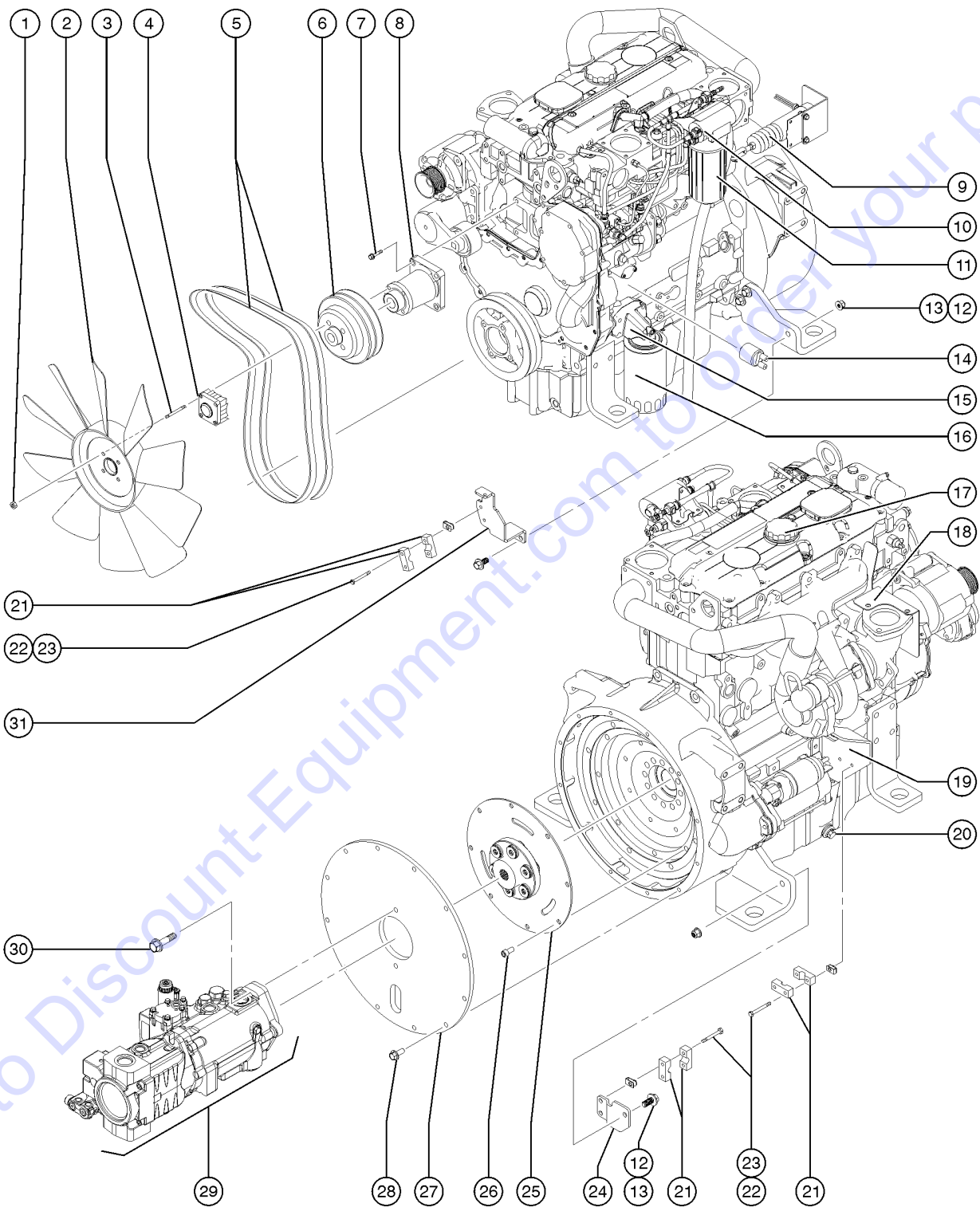
409.1 Perkins 1104D-44T Engine - View 1



Go to Discount-Equipment.com to order your parts

Item	Part No.	Description	Qty.
-		Verify Engine Make and Model Before Ordering	
-		For internal engine parts, contact engine dealer	
1	75326GT	NUT,FAN BLADE,PERKINS 1004-42	
2	75328GT	FAN,PULLER,PERKINS,1004-42	1
3	75327GT	STUD,FAN SPACR,PERKINS 1004-42	4
4	130187GT	FAN SPACER,PERKINS,1.5"	1
5	102598GT	BELT,V,(2) PERKINS 1104C-44 Serviced in pairs	2
6	75330GT	PULLEY,FAN,PERKINS 1004-42	1
7	75304GT	SCREW,PERKINS 1004-42	4
8	123351GT	FAN DRIVE HOUSING	1
9		Ref. THROTTLE SOLENOID ASSY, TROMB. (Refer to 410.1)	1
10	102638GT	ADAPTER-FUEL FILTER, PERK 1104	
11	102639GT	FILTER,FUEL, PERKINS 1104C	
12	231529GT	NUT,TL FLG,M10-1.5,DIN6927,10,	
13	231533GT	SCREW,HHF,M10-1.5X35,DIN6921,10.9,ZAB	
14	102348GT	SENDING UNIT,OIL PRESS PERKINS	1
15	123084GT	HEAD / OIL FILTER	1
16	102632GT	FILTER,OIL,PERKINS 1104C-44	1
17	T114346GT	CAP,VALVE COVER,OIL FILLER,PRK	
18	216286GT	FORMING, HEAT SHIELD, 1104D-44	1
19	217459GT	FORMING,BATTERY CABLE,STARTER	1
20	75342GT	PLUG,ENGINE OIL,PERKIN 1004-42	1
21	217460GT	CLAMP,BATTERY CABLE	6
22	216597GT	SCREW,HHF,M6-1.0X50,DIN6921,10.9,ZAB	
23	230073GT	SPRING CLIP,M6-1.0,0.8-4MM PAN	
24	217458GT	FORMING, BATTERY CABLE GUIDE	1
25	216564GT	FLYWHEEL, COUPLER 15 TOOTH SAE 10	1
26	217232GT	SCREW,SHC,3/8-24 X .75,BO	8

409.1 Perkins 1104D-44T Engine - View 1



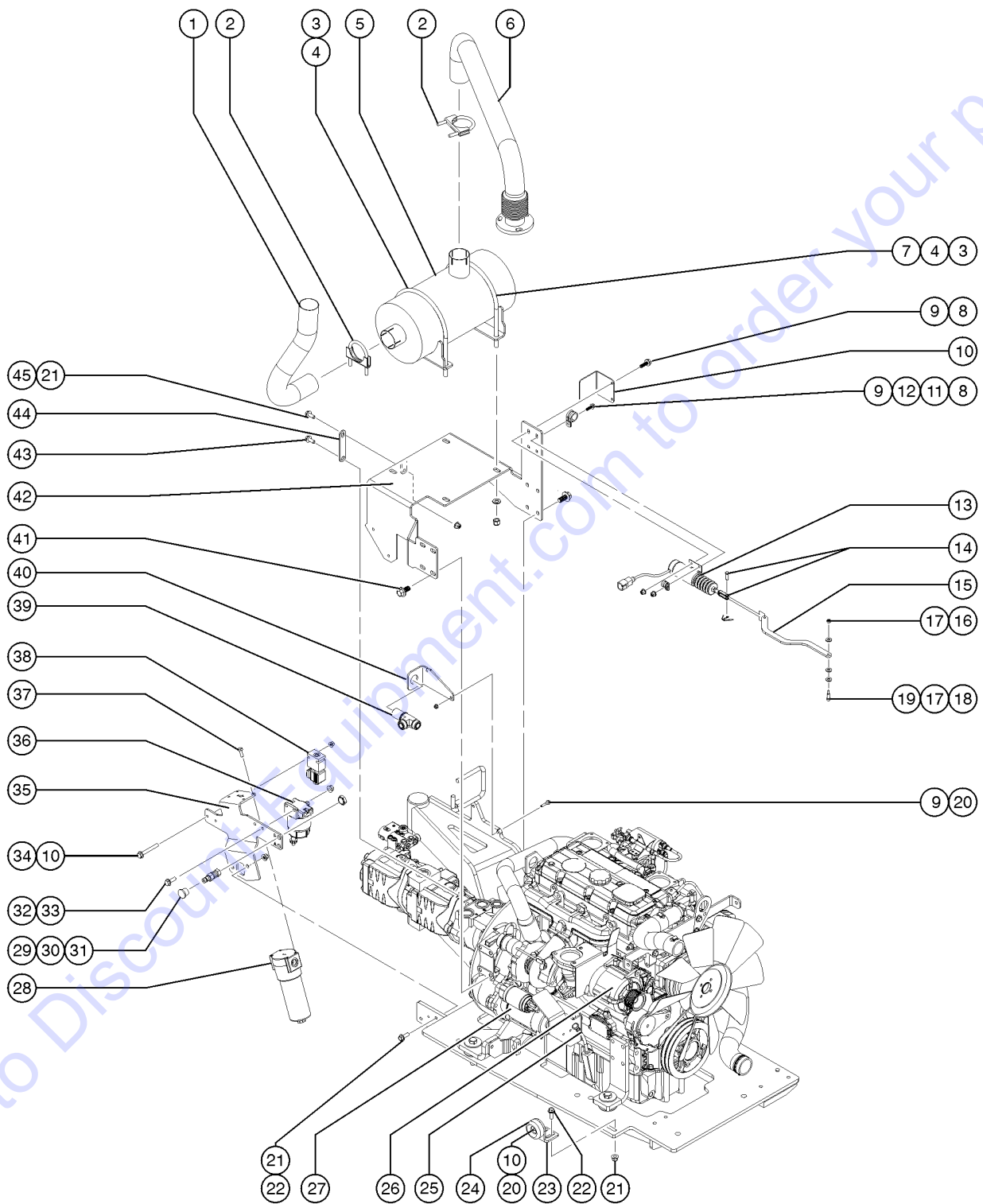
Go to Discount-Equipment.com to order your parts

<i>Item</i>	<i>Part No.</i>	<i>Description</i>	<i>Qty.</i>
27	60322-SGT	PLATE,PUMP MOUNT	1
28	231530GT	SCREW,HHF,M10-1.5X25,DIN6921,10.9,ZAB	12
29		Ref. PUMP, DRIVE, AND FUNCTION,	
		(Refer to 707.1)	
30	1253498GT	SCREW,HHF,1/2-13X1.5,8,ZAG	2
31	217457GT	FORMING, BATTERY CABLE MOUNT	1

Go to Discount-Equipment.com to order your parts



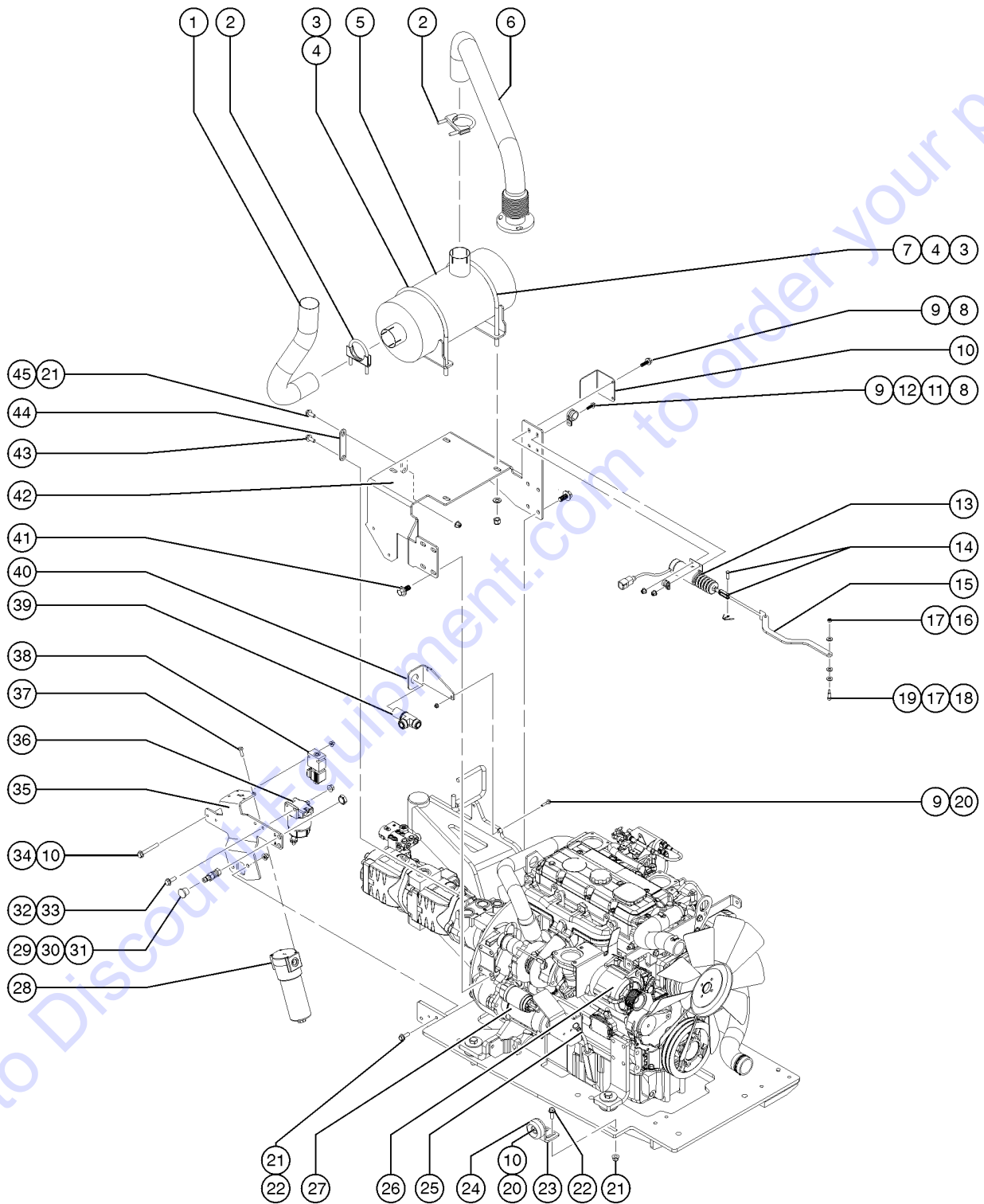
410.1 Perkins 1104D-44T Engine - View 2



Item	Part No.	Description	Qty.
-		Verify Engine Make and Model Before Ordering	
-		For internal engine parts, contact engine dealer	
1	215496GT	TAIL PIPE,PERKINS 1104	1
2	71911GT	CLAMP,MUFFLER, 2.50 INCH	
3	70449GT	U-BOLT,1/2-13 X 8.5	2
4	70483GT	FORMING,8.5' MUFFLER MOUNT	2
5	70444GT	MUFFLER,2.5"INLET/OUTLET	1
5-	101634GT	MUFFLER,CATALYTIC,2.5 I/O	
6	215500GT	WELDMENT,HEADER PIPE, PERKINS	1
7	1251997GT	NUT,TL FLG,1/2-13,G,ZAG	
8	231532GT	SCREW,HHF,M6-1.0X20,DIN6921,10.9,ZAB	
9	231513GT	NUT,TL FLG,M6-1.0,DIN6927,10,Z	
10	215513GT	FORMING,HEAT SHIELD	1
11	67897GT	CLAMP,0.56,#9 X 3/8,RUB CUSH	1
12	61109GT	CLAMP,1.25,#20 X 7/16,RUB CSH	2
13	101957GT	SOLENOID,THROTTLE,ASSY.TROMB	1
14	21130GT	CLEVIS YOKE-1/4-28,PLTD W/PIN Includes clevis, pin and cotter pin	1
15	216758GT	THROTTLE LINKAGE, PERKINS 1104	1
16	5365GT	NUT,NYLOCK,10-24	
17	822955GT	WASHER,FLAT,NYLON.257X.5X.032	
18	6584GT	SCREW,SHS,10-24 X .625	1
19	15436GT	WASHER,FLAT,NYLON.25 X.68 X.03	
20	231531GT	SCREW,HHF,M6-1.0X30,DIN6921,10.9,ZAB	
21	231529GT	NUT,TL FLG,M10-1.5,DIN6927,10,	
22	231533GT	SCREW,HHF,M10-1.5X35,DIN6921,10.9,ZAB	
23	60729GT	FORMING,COVER STOP***	1
24	50974GT	BUMPER,RUBBER,COVERS	1
25	130341GT	DIPSTICK,OIL,PERKINS 1104C-44T	1

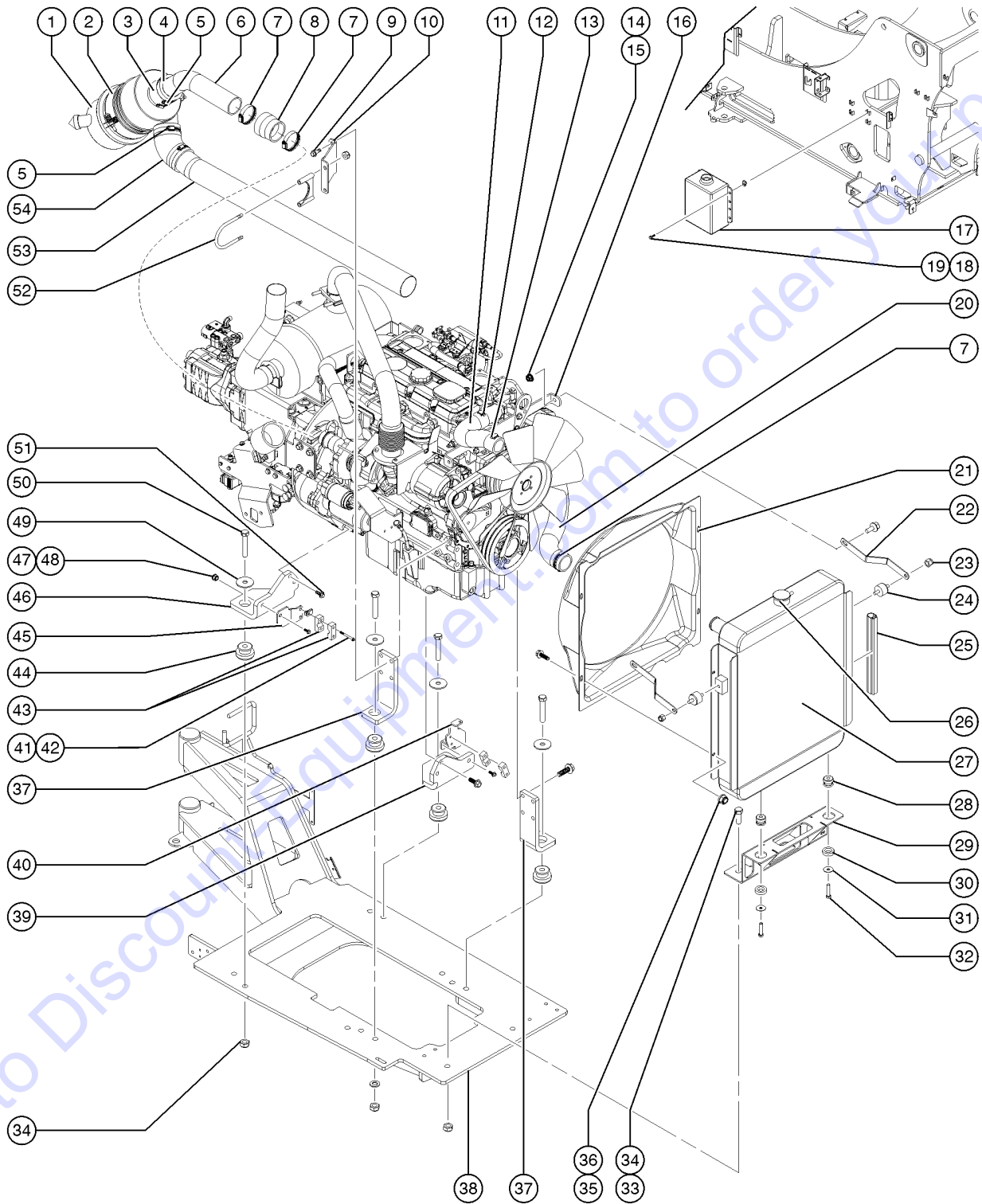


410.1 Perkins 1104D-44T Engine - View 2



Item	Part No.	Description	Qty.
25-	123081GT	ASSY / OIL TUBE Includes tube and nut only	
26	102646GT	ALTERNATOR,PERKINS 1104C-44	1
27	226627GT	STARTER,ENG,PERK T3 6/8/10K	1
28	1267807GT	ASSEMBLY, MED. PRESS. FILTER,	
28-	1268229GT	ELEMENT-5 MIC, PAPER, W/ BYPASS	
29	48880GT	CAP,DIAGNOSTIC NIPPLE	2
30	49207GT	NIPPLE,DIAGNOSTIC,ORFS,FM,SWIV	2
31	75574GT	NUT, LOCK, SAE #4 ORFS	2
32	824133GT	SCREW,HHF,M8-1.25X25,DIN6921,10.9,ZAB	
33	237832GT	NUT,TL,FLG,M8-1.25,DIN6927,10,	
34	825581GT	SCREW,HHC,M6-1.0X85,DIN931,10.9,ZAB	
35	215517GT	FORMING, CHARGE FILTER MOUNT	1
36	75020GT	SEPRTR/FLTR,FUEL DSL,15GPH,.30	1
36-	62433GT	FILTER,ELEMENT,30 MIC,75020	
37	824080GT	SCREW,HHF,1/4-20X1.25,8,ZAG	
38		Ref. VALVE, FUNCTION ENABLE (Refer to 705.1)	1
39	48969GT	TEE,BULKHEAD,RUN,520958-12	
40	1266126GT	FORMING, MOUNT, CASE DRAIN	
41	231087GT	SCREW,HHF,M12 X 1.75 X 25	
42	215509GT	WELDMENT, MUFFLER MOUNT	1
43	1253498GT	SCREW,HHF,1/2-13X1.5,8,ZAG	
44	215510GT	PLATE,PUMP STRUT	1
45	231530GT	SCREW,HHF,M10-1.5X25,DIN6921,10.9,ZAB	1

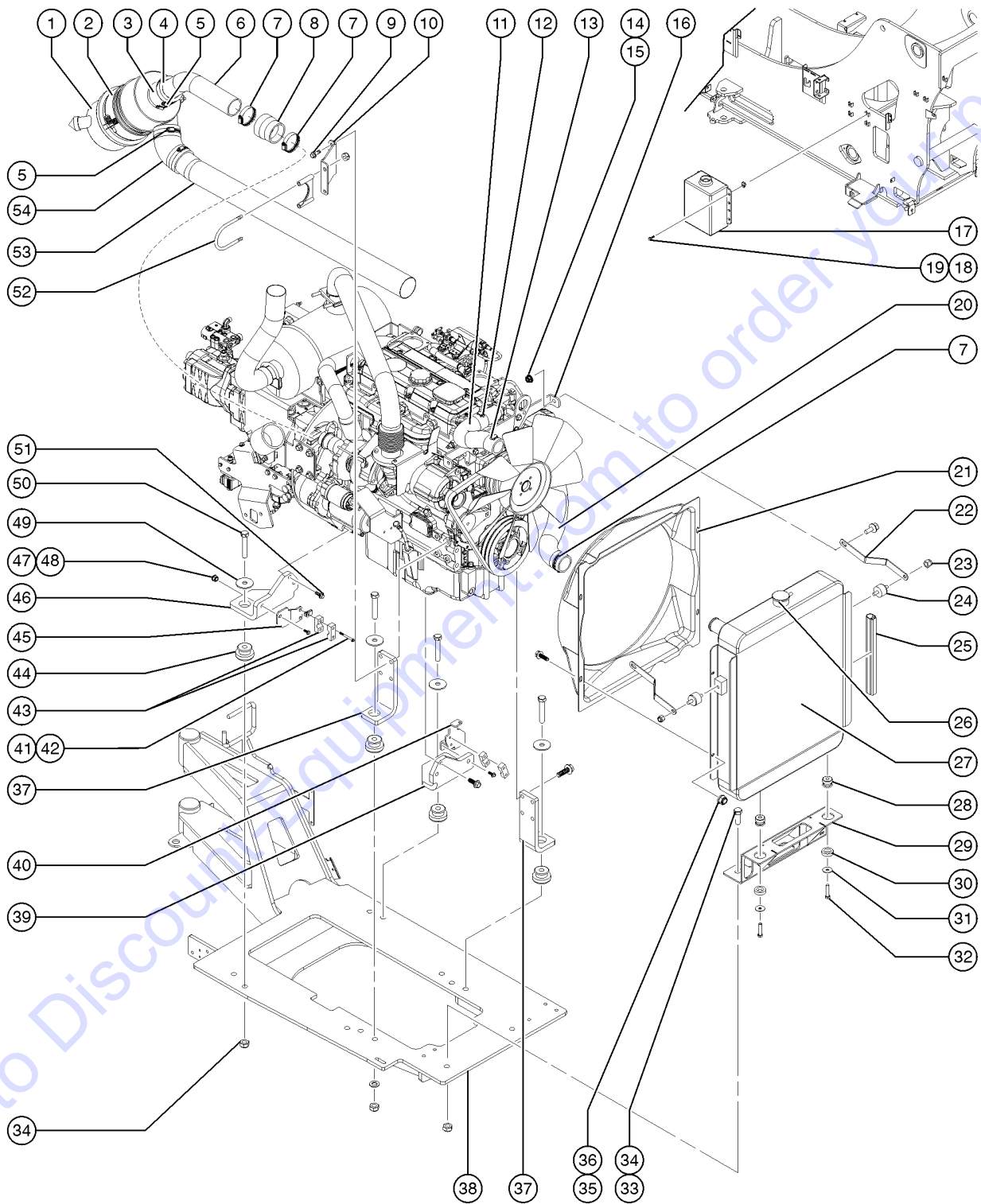
411.1 Perkins 1104D-44T Engine - View 3



Item	Part No.	Description	Qty.
-		Verify Engine Make and Model Before Ordering	
-		For internal engine parts, contact engine dealer	
1	81467GT	AIR CLEANER,NELSON	1
1-	75450GT	AIR CLEANER CLIPS, SUPERBOOM for 81467	
1-	75451GT	AIR CLEANER COVER, SUPERBOOM* for 81467	
1-	52866GT	EVACUATOR VALVE-AIR CLEANER for 81467	
1-	62425GT	FILTER,AIR CLEANER, SUPERBOOM for 81467	
2	81468GT	MOUNTING BAND,AIR CLEANER	1
3	106211-300GT	HOSE,RUBBER 3"ID X .25 BLACK	1
4	101640GT	REDUCER,RUBBER 3.0 - 2.5	1
5	30489GT	CLAMP,HOSE,3.50	2
6	215511GT	TUBE,INTAKE, FILTER TO TURBO	1
7	45435GT	CLAMP,HOSE,2.50"	4
8	215918GT	REDUCER, RUBBER, 2.5 TO 2.25	1
9	121431GT	SCREW,HHF,M12X30 GR12.9	
10	215514GT	FORMING,INTAKE TUBE MOUNT	1
11	60576GT	RADIATOR HOSE,UPPER-PERKINS	1
12	35434GT	CLAMP,HOSE,2.00***	1
13	22672GT	CLAMP,HOSE,1.75	1
14	231529GT	NUT,TL FLG,M10-1.5,DIN6927,10,	
15	232874GT	SCREW, HHF, M10-1.5X30,DIN6921	
16	215515GT	FORMING,RADIATOR SUPPORT	1
17	60721GT	COOLANT,RECOVERY BOTTLE, 4 QT*	1
18	231512GT	SCREW,HHF,M6-1.0X25,DIN6921,10.9,ZAB	
19	219697GT	SPRING CLIP,M6-1.0,3.4-6.3MMX1	4
20	75555GT	RADIATOR HOSE,LOWER-PERKINS	1
21	60649GT	SHROUD,FAN (FIBERGLASS)	1
22	215516GT	PLATE,RADIATOR,STRUT	2

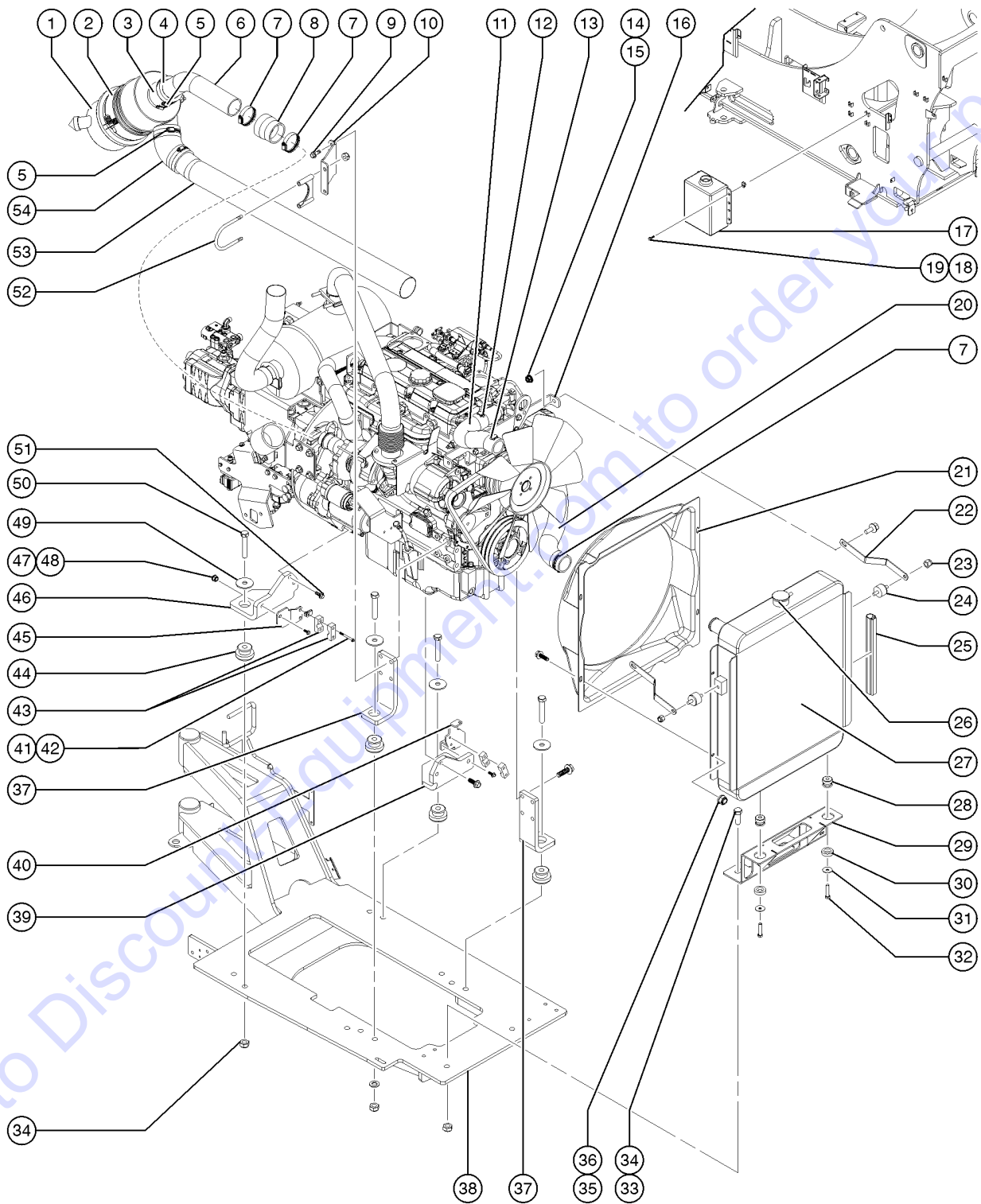


411.1 Perkins 1104D-44T Engine - View 3



Item	Part No.	Description	Qty.
23	824029GT	NUT,TL FLG,3/8-16,G,ZAG	
24	75260GT	ISOLATOR,FLEX-BOLT SANDWICH***	2
25	60875GT	TRIM MOLDING	
26	65473GT	CAP,RADIATOR,PERKINS/FORD	1
27	70518GT	RADIATOR	1
28	75259GT	ISOLATOR,CENTER BONDED	2
29	75297GT	WELDMENT,RADIATOR MOUNT**	1
30	75274GT	TUBE,RADIATOR MOUNT	2
31	824122GT	WASHER, FLAT, .375 X 1.25 X .062, ZAG	
32	824093GT	SCREW,HHF,3/8-16X1.75,8,ZAG	
33	1251894GT	SCREW,HHF,M16-2.0X45,DIN6921,10.9,ZAB	
34	1253319GT	NUT,TL FLG,5/8-11,G,ZAG	
35	231513GT	NUT,TL FLG,M6-1.0,DIN6927,10,Z	
36	231532GT	SCREW,HHF,M6-1.0X20,DIN6921,10.9,ZAB	
37	60564GT	BRACKET,ENG.MOUNT,FRT.PERKINS	2
38		Ref. WELDMENT, ENGINE TRAY	
		(Refer to 416.1)	
39	101930PGT	MOUNT,PERKINS 1104 LF PAINTED	1
40	217457GT	FORMING, BATTERY CABLE MOUNT	1
41	216597GT	SCREW,HHF,M6-1.0X50,DIN6921,10.9,ZAB	
42	230073GT	SPRING CLIP,M6-1.0,0.8-4MM PAN	
43	217460GT	CLAMP,BATTERY CABLE	4
44	217500GT	ISOLATOR, ENGINE VIBRATION	4
45	217458GT	FORMING, BATTERY CABLE GUIDE	1
46	101931PGT	MOUNT,PERKINS 1104 RH PAINTED	1
47	231529GT	NUT,TL FLG,M10-1.5,DIN6927,10,	
48	231533GT	SCREW,HHF,M10-1.5X35,DIN6921,10.9,ZAB	
49	824123GT	WASHER,FLAT,.625X2.25X.188,ZAG	4
50	1256583GT	SCREW,HHF,5/8-11X3.5,8,ZAG	4

411.1 Perkins 1104D-44T Engine - View 3

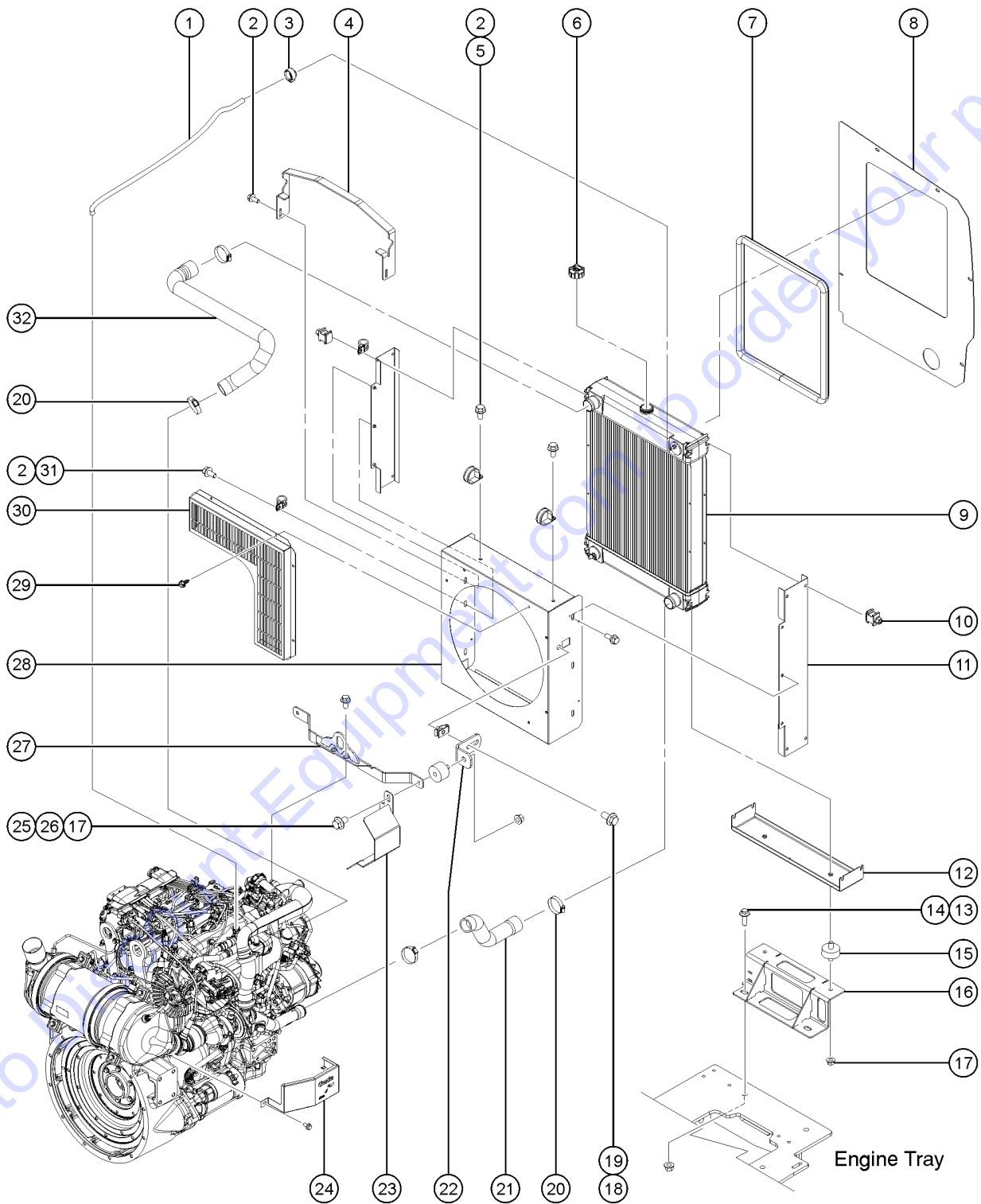


<i>Item</i>	<i>Part No.</i>	<i>Description</i>	<i>Qty.</i>
51	231511GT	SCREW,HHF,M12-1.75X35,DIN6921,10.9,ZAB	
52	122414GT	U-BOLT,GUILLOTINE,3"	1
53	215512GT	TUBE,INTAKE, FILTER	1
54	61270GT	ELBOW,45 DEG,INLET	1

Go to Discount-Equipment.com to order your parts



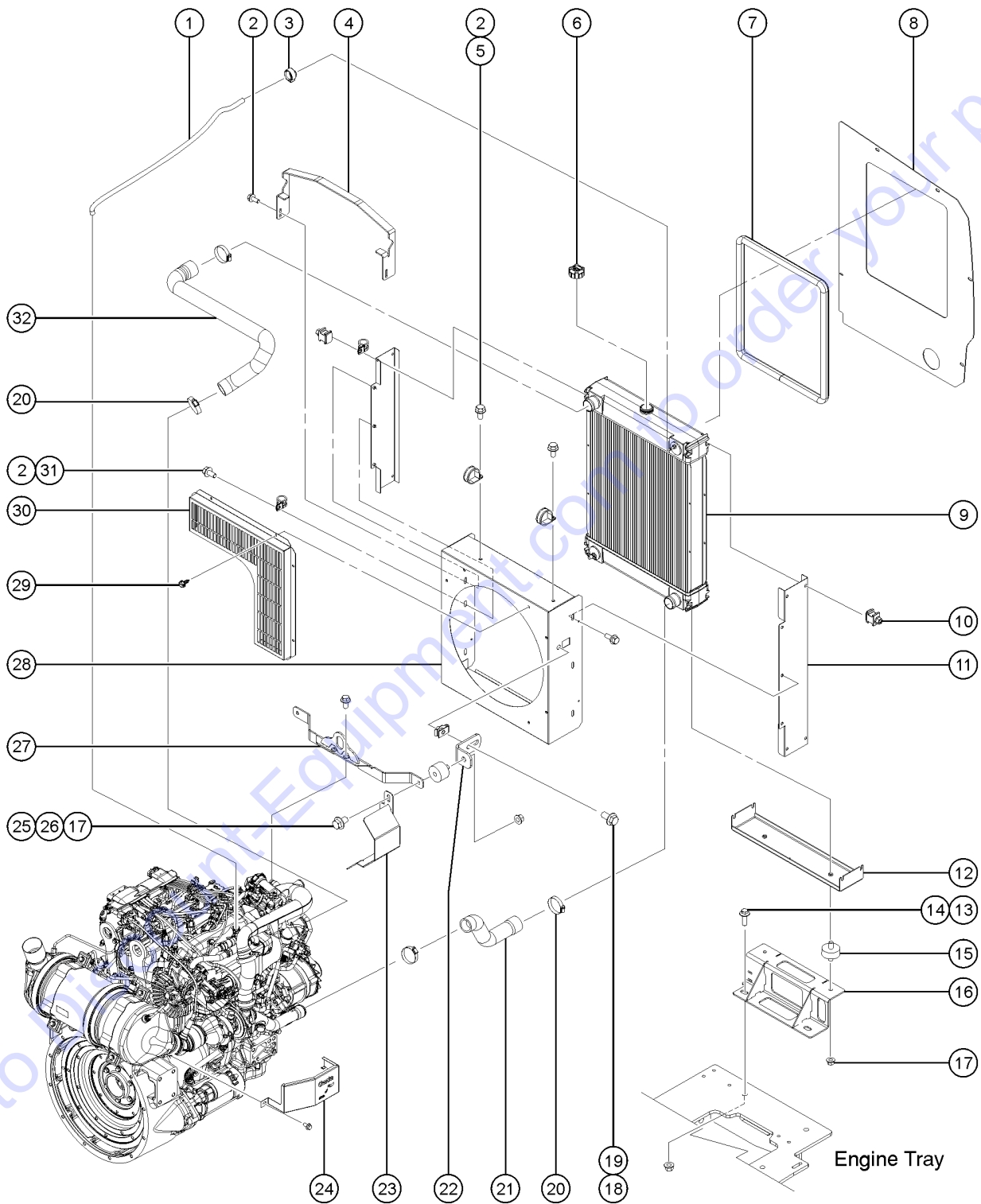
412.1 Perkins 854F-E34T Engine - View 1



Item	Part No.	Description	Qty.
-		Due to Tier 4 regulations, many engine replacement parts require the engine serial number at time of order placement. When ordering engine parts please have both machine and engine serial numbers available. For internal engine parts, contact engine dealer	
A-	823604GT	KIT, PERKINS 854TF TIER IV	
B-	1253308GT	COOLING SYSTEM RCP 854	
1	1258503GT	1/4" ID SILICON HOSE GTH3051	1
2	1251983GT	SCREW,HHF,M8-1.25X16,DIN6921,10.9,ZAB	4
3	1258923GT	CLAMP,HOSE,1 EAR,13.3 MM	2
4	1261960GT	FORMING,PERKINS RAD CAP PROTECTOR	1
5	1254095GT	P CLAMP CUSH	2
6	1254081GT	PRESSURE CAP RCP	1
7	1261077GT	TRIM, RUBBER "D" SEAL, 3/16	
8	1259874GT	PLATE,PERKINS 854 TIER4 CW BAF	
9	1254075GT	RADIATOR RCP	1
10	1253233GT	ISOLATOR ASSY RCP RADIATOR	8
11	1253231GT	FORMING RADIATOR SIDE MOUNT	2
12	1254074GT	FORMING BOTTOM MOUNT	1
13	1251894GT	SCREW,HHF,M16-2.0X45,DIN6921,10.9,ZAB	2
14	1251893GT	NUT,TL,FLG,M16-2.0,DIN6927,10,ZAB	2
15	1255631GT	ISOLATOR, M10-1.50, 5/8" HIGH	2
16	1256445GT	WELDMENT, RADIATOR MOUNT	1
17	231529GT	NUT,TL FLG,M10-1.5,DIN6927,10,	4
18	231530GT	SCREW,HHF,M10-1.5X25,DIN6921,10.9,ZAB	2
19	230074GT	SPRING CLIP,M10-1.5,1-6X19,ZAB	2
20	35434GT	CLAMP,HOSE,2.00***	4
21	1254090GT	HOSE, RADIATOR LOWER	1
22	1256271GT	FORMING RADIATOR SUPPORT	2
23	1260289GT	FORMING,PERKINS ALTERNATOR GUARD	1
24	1256391GT	HEAT SHIELD,PERKINS 854TF	1



412.1 Perkins 854F-E34T Engine - View 1

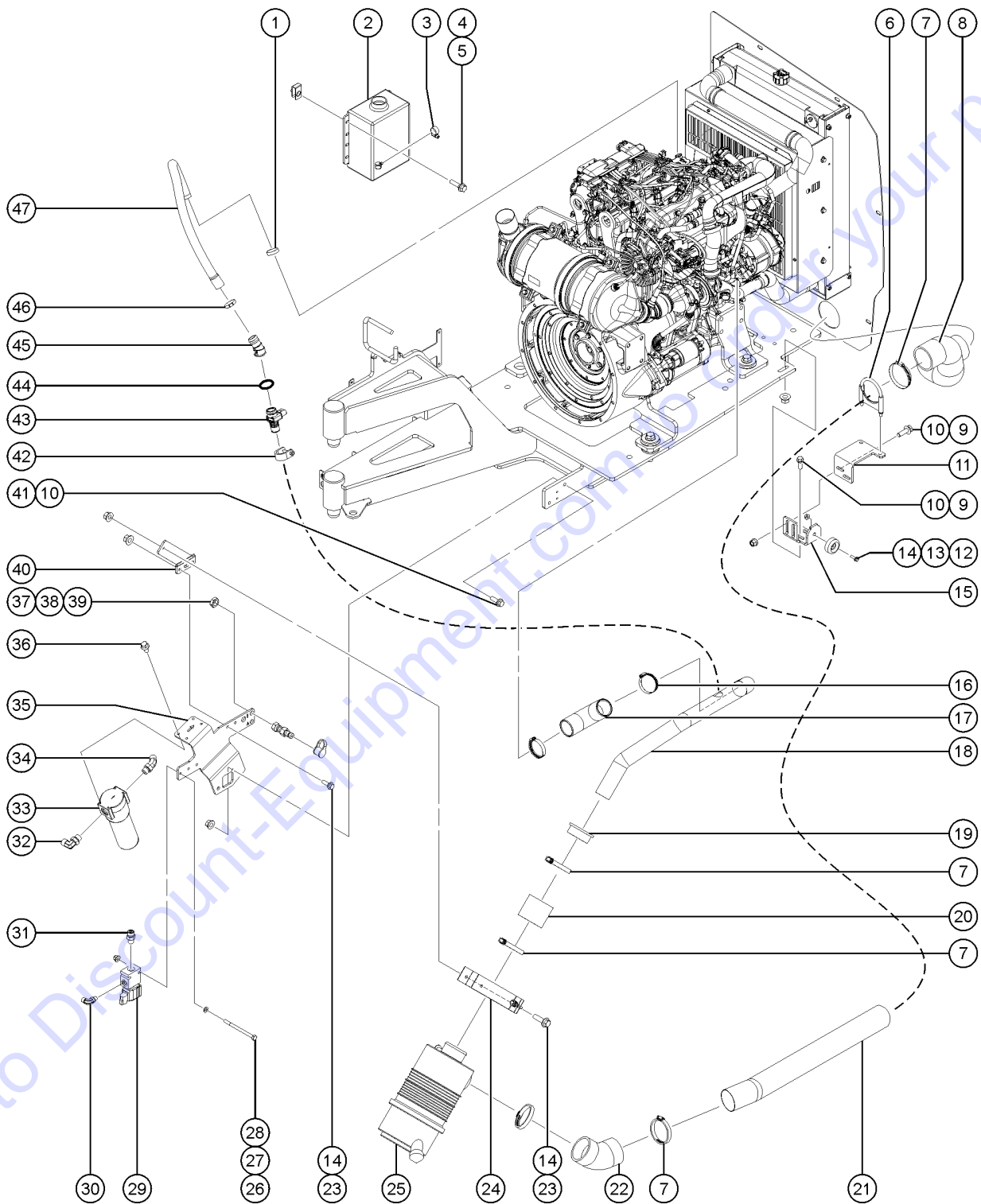


Item	Part No.	Description	Qty.
25	237352GT	SCREW,HHF,M10-1.5X16,DIN6921,10.9,ZAB	2
26	1255451GT	ISOLATOR, VIBRATION DAMPENER	2
27	1253411GT	BRACKET,RAD SUPPORT,854TF	1
28	1253307GT	FORMING FAN SHROUD RCP 854	1
29	1253234GT	SCREW SHEET METAL HHF X1/2 X .18OD	4
30	1254080GT	FORMING FAN GUARD	1
31	45454GT	CLAMP,RUB CUSH,0.75,#12 X 3/8*	1
32	1254092GT	HOSE, RADIATOR UPPER	1

Go to Discount-Equipment.com to order your parts



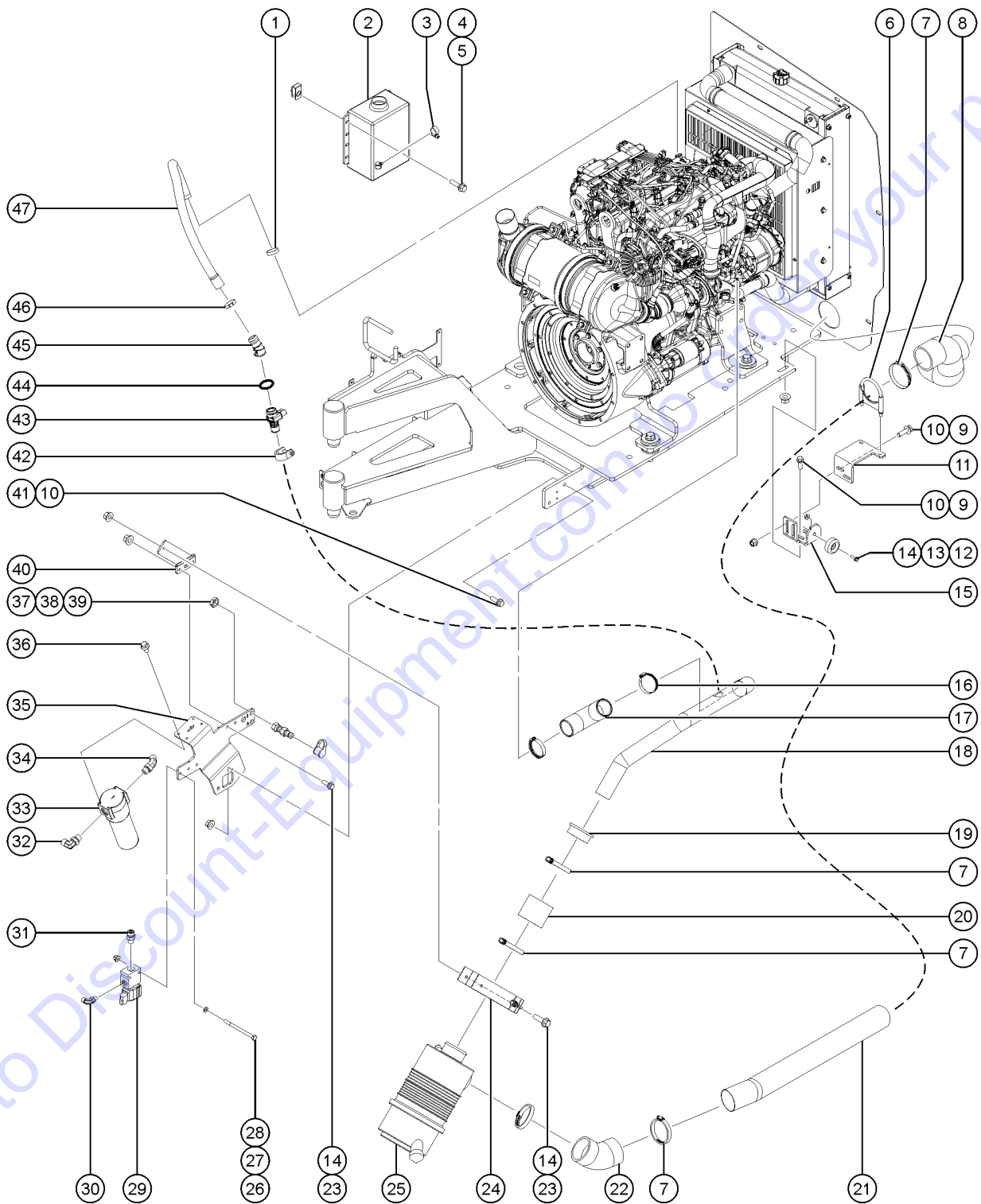
413.1 Perkins 854F-E34T Engine - View 2



Item	Part No.	Description	Qty.
-		Due to Tier 4 regulations, many engine replacement parts require the engine serial number at time of order placement. When ordering engine parts please have both machine and engine serial numbers available. For internal engine parts, contact engine dealer	
1	1258525GT	CLAMP 28.6 GTH3087	1
2	60721GT	COOLANT,RECOVERY BOTTLE, 4 QT*	1
3	21465GT	CLAMP,HOSE,SIZE .25 TO .63	1
4	231512GT	SCREW,HHF,M6-1.0X25,DIN6921,10.9,ZAB	4
5	219697GT	SPRING CLIP,M6-1.0,3.4-6.3MMX1	4
6	122414GT	U-BOLT,GUILLOTINE,3"	1
7	30489GT	CLAMP,HOSE,3.50	5
8	1261243GT	HOSE,3" ID FORMED INTAKE	1
9	232874GT	SCREW, HHF, M10-1.5X30,DIN6921	4
10	231529GT	NUT,TL FLG,M10-1.5,DIN6927,10,	6
11	1257728GT	FORMING,INTAKE SUPPORT	1
12	1255537GT	SCREW,HHF,M8-1.25X30,DIN6921,10.9,ZAB	1
13	50974GT	BUMPER,RUBBER,COVERS	1
14	237832GT	NUT,TL,FLG,M8-1.25,DIN6927,10,	5
15	1254669GT	FORMING, COVER STOP	1
16	T114379GT	CLAMP,HOSE,2 3/4,PERKINS 127HP	2
17	1258465GT	2" 90 DEGREE ELBOW GTH3016	1
18	1251724GT	PIPE,AIR CLEANER-TO-TURBO,854T	1
19	218806GT	ADAPTER,PIPE,2"-3"	1
20	106211-300GT	HOSE,RUBBER 3"ID X .25 BLACK	1
21	215512GT	TUBE,INTAKE, FILTER	1
22	61270GT	ELBOW,45 DEG,INLET	1
23	824133GT	SCREW,HHF,M8-1.25X25,DIN6921,10.9,ZAB	4
24	81468GT	MOUNTING BAND,AIR CLEANER	1
25	81467GT	AIR CLEANER,NELSON	1
25-	75450GT	AIR CLEANER CLIPS, SUPERBOOM for 81467	



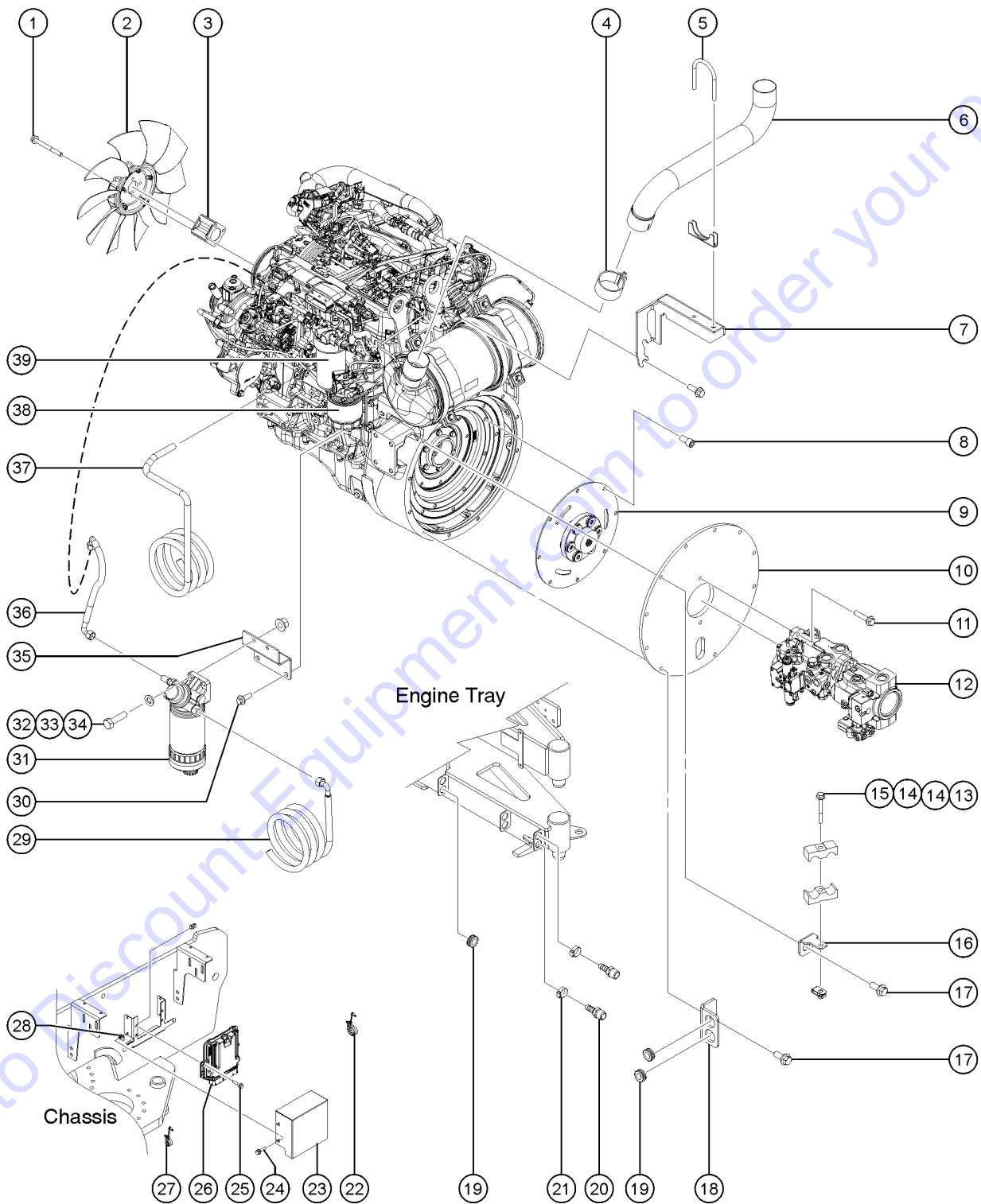
413.1 Perkins 854F-E34T Engine - View 2



Go to Discount-Equipment.com to buy your parts

Item	Part No.	Description	Qty.
25-	75451GT	AIR CLEANER COVER, SUPERBOOM* for 81467	
25-	52866GT	EVACUATOR VALVE-AIR CLEANER for 81467	
25-	62425GT	FILTER,AIR CLEANER, SUPERBOOM for 81467	
26	825581GT	SCREW,HHC,M6-1.0X85,DIN931,10.9,ZAB	2
27	825355GT	WASHER,FLAT,M6,DIN125,ZAB	2
28	231513GT	NUT,TL FLG,M6-1.0,DIN6927,10,Z	2
29		Ref. VALVE, FUNCTION ENABLE (Refer to 705.1)	1
30	48904GT	ELBOW,90D,520220-4-4	1
31	48905GT	CONN,520120-4***	3
32	48932GT	FITTING,ELBOW,90D,520220-8***	2
33	1267807GT	ASSEMBLY, MED. PRESS. FILTER,	
33-	1268229GT	ELEMENT-5 MIC, PAPER, W/ BYPASS	
34	48937GT	ELBOW,45D,520320-8	1
35	215517GT	FORMING, CHARGE FILTER MOUNT	1
36	824077GT	SCREW,HHF,1/4-20X.5,8,ZAG	4
37	75574GT	NUT, LOCK, SAE #4 ORFS	2
38	49207GT	NIPPLE,DIAGNOSTIC,ORFS,FM,SWIV	2
39	48880GT	CAP,DIAGNOSTIC NIPPLE	2
40	1251708GT	FORMINNG AIR CLEANER	1
41	231533GT	SCREW,HHF,M10-1.5X35,DIN6921,10.9,ZAB	2
42	219188GT	CLAMP,T-BOLT,27-29MM	1
43	1258541GT	PERKINS_BREATHER_HEATER	1
44	1258542GT	3.5X22 METRIC O-RING BUNA-70 G	1
45	1258540GT	CONNECTOR, BREATHER HEATER	1
46	1258538GT	CLAMP OETIKER 31.6MM GTH3088	1
47	1258504GT	3/4 ID HOSE 25FT R	1

414.1 Perkins 854F-E34T Engine - View 3



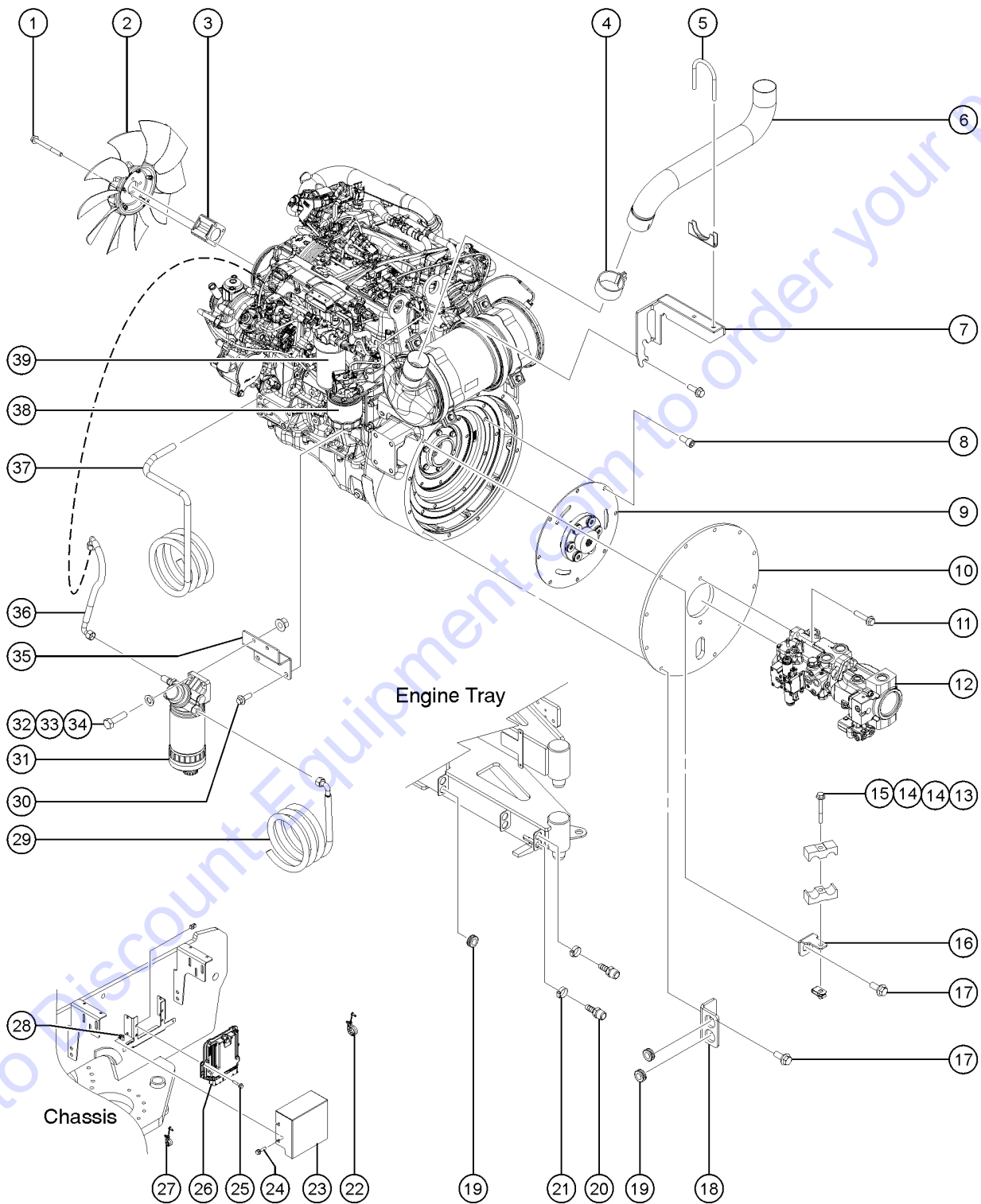
Engine Tray

Chassis

Item	Part No.	Description	Qty.
-		Due to Tier 4 regulations, many engine replacement parts require the engine serial number at time of order placement. When ordering engine parts please have both machine and engine serial numbers available. For internal engine parts, contact engine dealer	
1	1257419GT	SCREW,HHF,M8-1.25X80,DIN6921,10.9,ZAB	4
2	1252047GT	FAN,10 BLADE,17",PERKINS	1
3	1258817GT	SPACER,RAD. FAN,2.5",854F	1
4	219130GT	CLAMP,EXHAUST,854E-E34TA	1
5	71911GT	CLAMP,MUFFLER, 2.50 INCH	1
6	823958GT	EXHAUST PIPE 854 PERKINS	1
7	1253806GT	WELDMENT, EXHAUST SUPPORT	1
8	1256444GT	SCREW,SHC,3/8-24X.75,A574,ZAG	8
9	216564GT	FLYWHEEL, COUPLER 15 TOOTH SAE 10	1
10	60322-SGT	PLATE,PUMP MOUNT	1
11	1253498GT	SCREW,HHF,1/2-13X1.5,8,ZAG	2
12		Ref. PUMP, DRIVE, AND FUNCTION, (Refer to 707.1)	
13	216597GT	SCREW,HHF,M6-1.0X50,DIN6921,10.9,ZAB	1
14	217460GT	CLAMP,BATTERY CABLE	2
15	230073GT	SPRING CLIP,M6-1.0,0.8-4MM PAN	1
16	1256480GT	FORMING, WIRE LOOM SUPPORT	1
17	231530GT	SCREW,HHF,M10-1.5X25,DIN6921,10.9,ZAB	12
18	217505GT	BRACKET, CABLE MOUNT	1
19	60584GT	GROMMET,RUBBER .75 X .19 X 1**	8
20	27901GT	HOSE END,BARBED,RIGID,-6-6	2
21	1253613GT	CLAMP, STEPLESS EAR,15.3-18.5M	2
22	219510GT	CLAMP, FIXED DIA, NYLON, 1-1/4	1
23	1267411GT	FORMING, ECM COVER	
24	231512GT	SCREW,HHF,M6-1.0X25,DIN6921,10.9,ZAB	
25	231531GT	SCREW,HHF,M6-1.0X30,DIN6921,10.9,ZAB	4
26		ECM, DEUTZ D2.9 (This part is serialized, contact Discount-equipment with full model and SN of both the unit and engine)	1



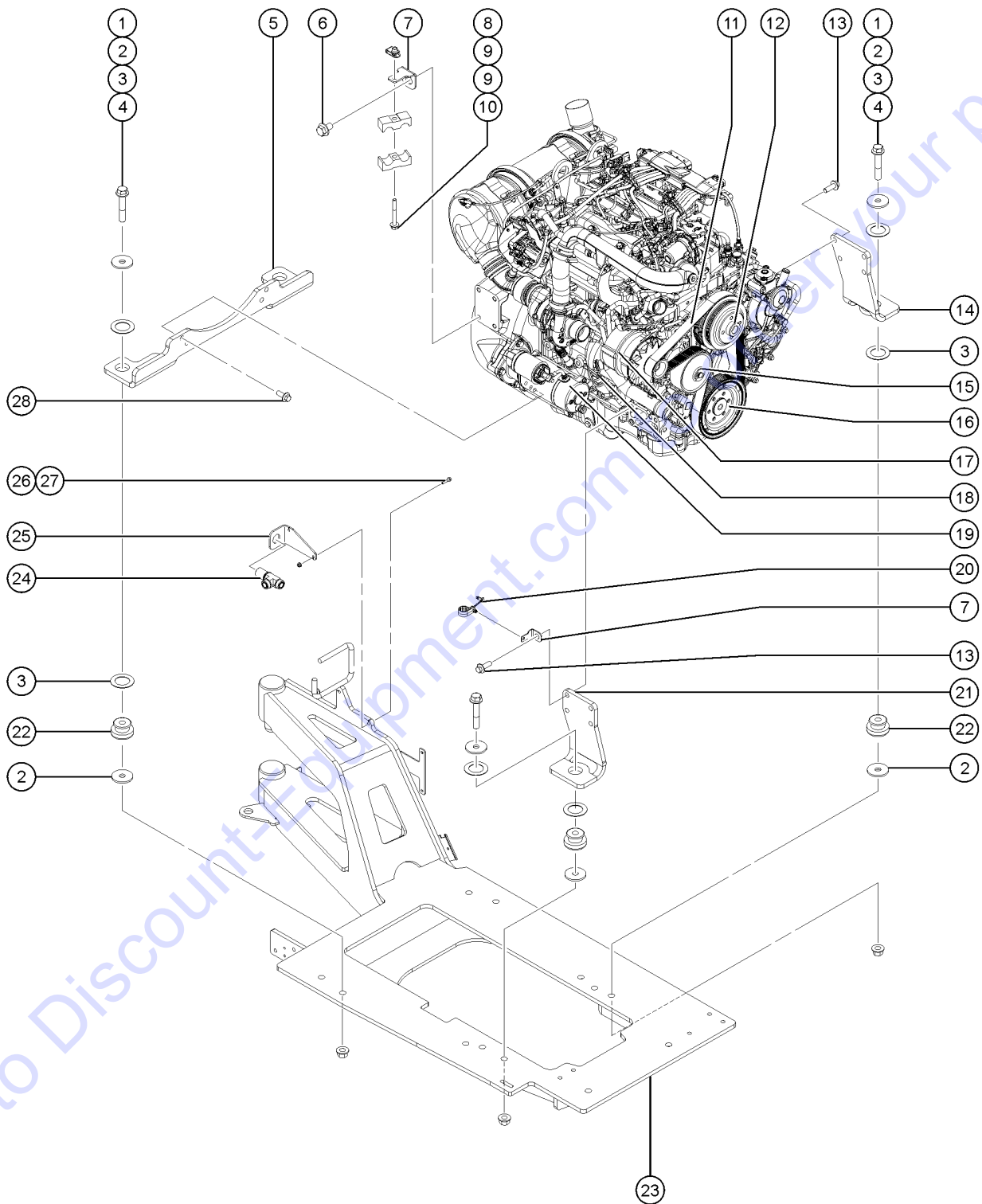
414.1 Perkins 854F-E34T Engine - View 3



Item	Part No.	Description	Qty.
27	121602GT	CLAMP, FIXED DIA, NYLON, 3/4"	1
28	230073GT	SPRING CLIP, M6-1.0, 0.8-4MM PAN	
29	1258459GT	SUPPLY FUEL LINE ASSEMBLY GTH3072	1
30	1255806GT	SCREW, HHF, M12-1.75X20, DIN6921, 10.9, ZAB	2
31	218811GT	PRE-FILTER, FUEL, 854E-E34TA	1
32	1255538GT	SCREW, HHC, M8-1.25X30, DIN933, 10.9, ZAB	2
33	824144GT	WASHER, FLAT, M8, DIN125, ZAB	2
34	237832GT	NUT, TL, FLG, M8-1.25, DIN6927, 10,	
35	219030GT	ASSEMBLY, FUEL FILTER BRACKET	1
36	1258464GT	FUEL LINE ASSY. FILTER XFER PU	1
37	1258458GT	RETURN FUEL LINE ASSEMBLY GTH3073	1
38	218835GT	FILTER, OIL, 854E-E34TA	1
39	218809GT	FILTER, FUEL, 854E-E34TA	1

Go to Discount-Equipment.com to order your parts

415.1 Perkins 854F-E34T Engine - View 4

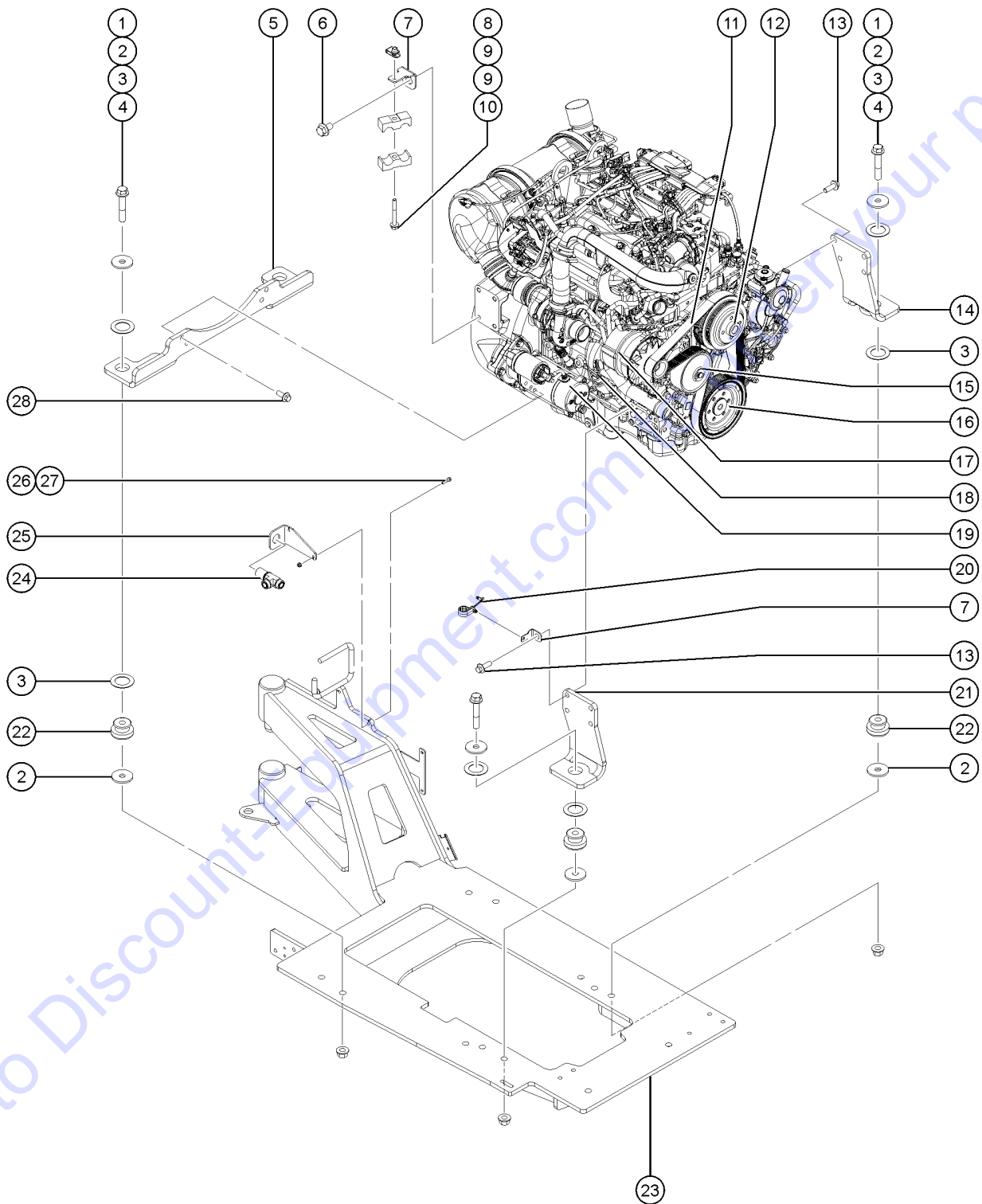


Go to Discount-Equipment.com for your parts

Item	Part No.	Description	Qty.
-		Due to Tier 4 regulations, many engine replacement parts require the engine serial number at time of order placement. When ordering engine parts please have both machine and engine serial numbers available. For internal engine parts, contact engine dealer	
1	1256583GT	SCREW,HHF,5/8-11X3.5,8,ZAG	4
2	824123GT	WASHER,FLAT,.625X2.25X.188,ZAG	8
3	1251565GT	WASHER,SHIM,1.56X2.5X0.061,ZAG	8
4	1253319GT	NUT,TL FLG,5/8-11,G,ZAG	4
5	1253199GT	FORMING ENGINE MOUNT	1
6	237352GT	SCREW,HHF,M10-1.5X16,DIN6921,10.9,ZAB	1
7	1256480GT	FORMING, WIRE LOOM SUPPORT	2
8	216597GT	SCREW,HHF,M6-1.0X50,DIN6921,10.9,ZAB	1
9	217460GT	CLAMP,BATTERY CABLE	2
10	230073GT	SPRING CLIP,M6-1.0,0.8-4MM PAN	1
11	218834GT	BELT,DRIVE,854E-E34TA	
12	218793GT	PULLEY ASSEMBLY,RADIATOR,854	
13	231511GT	SCREW,HHF,M12-1.75X35,DIN6921,10.9,ZAB	8
14	824236GT	ENGINE MOUNT PERKINS 854	1
15	218837GT	WATER PUMP,854E-E34TA	
16	218792GT	PULLEY,CRANKSHAFT,854E-E34TA	
17	102646GT	ALTERNATOR,PERKINS 1104C-44	
17-	217774GT	TENSION ARM,ALT,1104D-E44TA T3	
18	218832GT	DIPSTICK,OIL,854E-E34TA	
19	218798GT	STARTER,854E-E34TA	
20	121603GT	CLAMP,FIXED DIA.NYLON,.875"	1
21	824234GT	ENGINE MOUNT PERKINS 854	1
22	217500GT	ISOLATOR, ENGINE VIBRATION	4
23		Ref. WELDMENT, ENGINE TRAY	
		(Refer to 416.1)	
24	48969GT	TEE,BULKHEAD,RUN,520958-12	1
25	1266126GT	FORMING, MOUNT, CASE DRAIN	1



415.1 Perkins 854F-E34T Engine - View 4



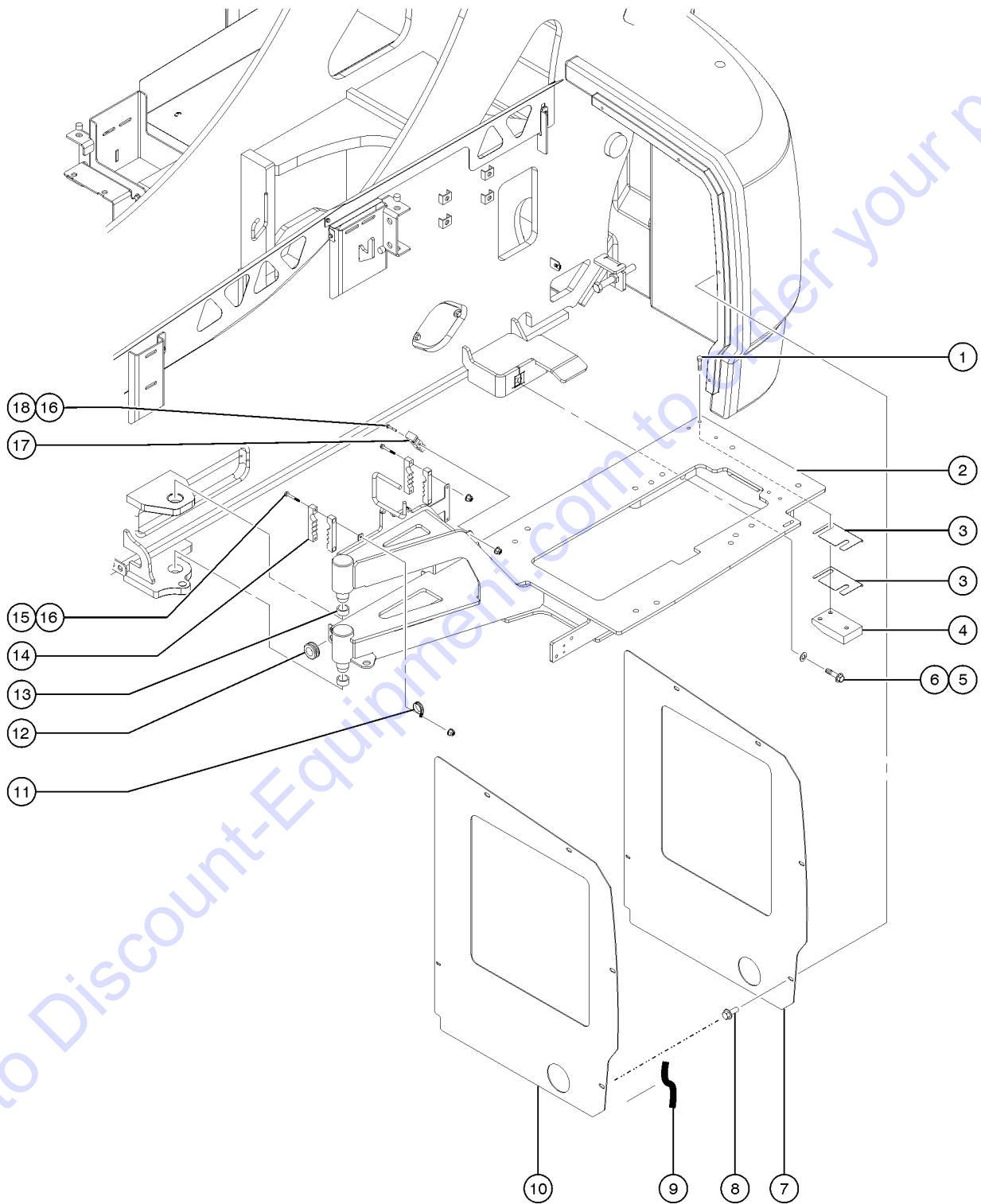
Go to Discount-Equipment.com for your parts

<i>Item</i>	<i>Part No.</i>	<i>Description</i>	<i>Qty.</i>
26	231531GT	SCREW,HHF,M6-1.0X30,DIN6921,10.9,ZAB	
27	231513GT	NUT,TL FLG,M6-1.0,DIN6927,10,Z	
28	824134GT	SCREW,HHF,M12-1.75X30,DIN6921,	4

Go to Discount-Equipment.com to order your parts



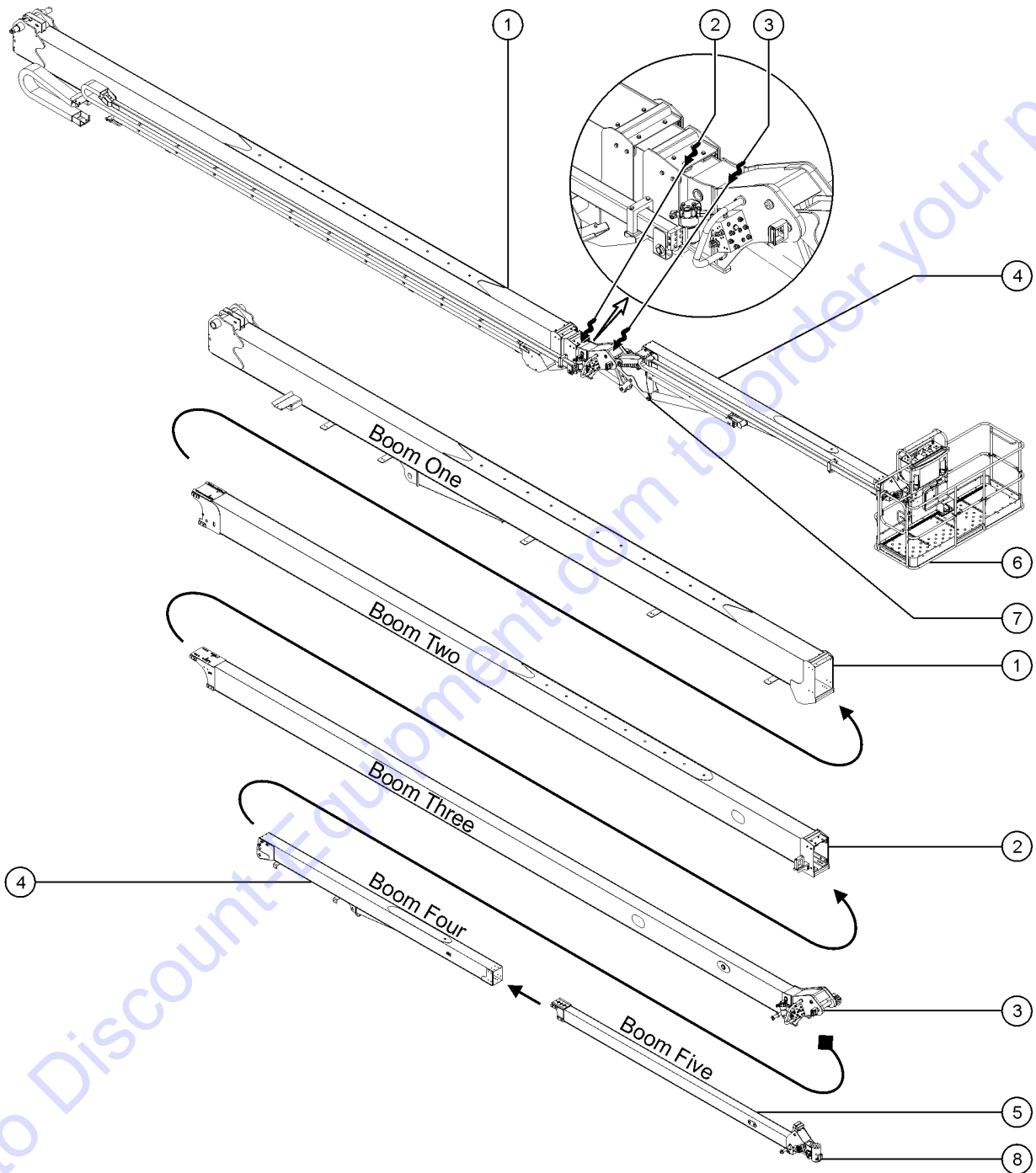
416.1 Perkins Engine Attached Components



416.1 Perkins Engine Attached Components

Item	Part No.	Description	Qty.
1	824091GT	SCREW,HHF,3/8-16X1.25,8,ZAG	3
2	235758GT	WELDMENT, ENGINE TRAY	1
3	60826GT	SHIM,WEAR PAD ENGINE TRAY	2
4	60637GT	WEAR PAD,ENGINE SUPPORT	1
5	231514GT	SCREW,HHC,M20-2.5X100,DIN933,1	1
6	231510GT	WASHER,FLAT,M20,DIN6916,HRD,ZAB	1
7	1259874GT	PLATE,PERKINS 854 TIER4 CW BAF (Perkins 854F-E34T) (Refer to 412.1)	1
8	237352GT	SCREW,HHF,M10-1.5X16,DIN6921,10.9,ZAB	
9	1261077GT	TRIM, RUBBER "D" SEAL, 3/16 (Perkins 1104D-44T)	
10	1261547GT	PLATE,PERKINS 1104TD-44 CW BAF	1
11	6653GT	CLAMP,1.88,#30 X 1/4,RUB CUSH	1
12	60584GT	GROMMET,RUBBER .75 X .19 X 1**	
13	236766GT	BEARING,FL.,40IDX48ODX28L	2
14	216818GT	CABLE CLAMP, BATTERY	4
15	216597GT	SCREW,HHF,M6-1.0X50,DIN6921,10.9,ZAB	4
16	231513GT	NUT,TL FLG,M6-1.0,DIN6927,10,Z	5
17	216819GT	CABLE CLAMP, FUEL LINE	1
18	232886GT	SCREW,HHF,M6X40,DIN6921,10.9,	1

501.1 Boom Components



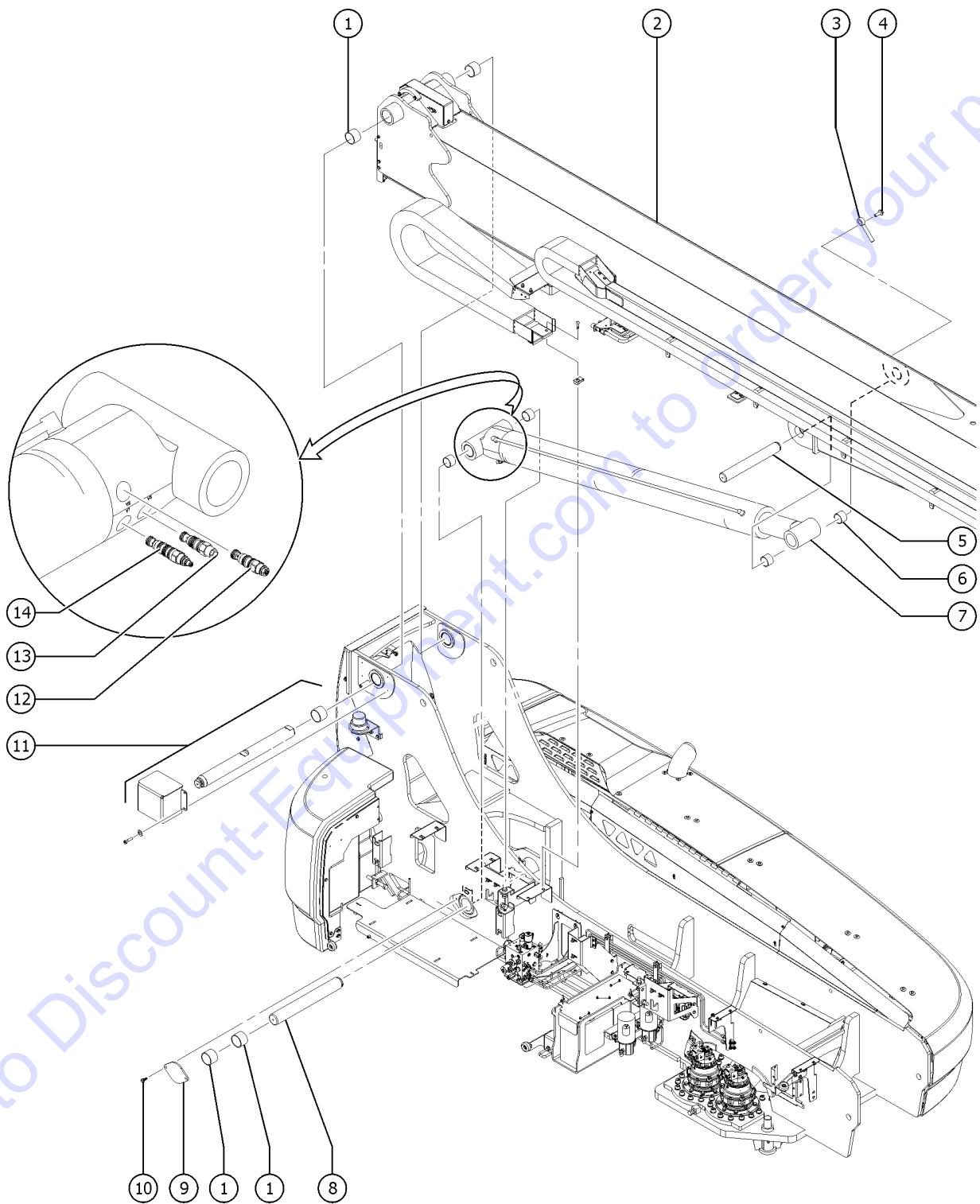
Go to DiscountEquipment.com to order your parts

Item	Part No.	Description	Qty.
1		Ref. WELDMENT, BOOM #1 (Refer to 508.1)	
2		Ref. WELDMENT, BOOM #2 (Refer to 509.1)	
3		Ref. WELDMENT, EXT. BOOM #3 (Refer to 510.1)	
4		WELDMENT, BOOM 4, MAST WELDED (Refer to 513.1 and 514.1)	
5		WELDMENT, BOOM #5 (Refer to 512.1 and 514.1)	
6		Ref. WELDMENT, 8 FT PLATFORM (Refer to 602.1)	
7		Ref. BELLCRANK (Refer to 511.1)	
8		ROTATOR, PLATFORM, 15K (Refer to 512.1)	

Go to Discount-Equipment.com to order your parts



502.1 Boom Primary Lift Cylinder



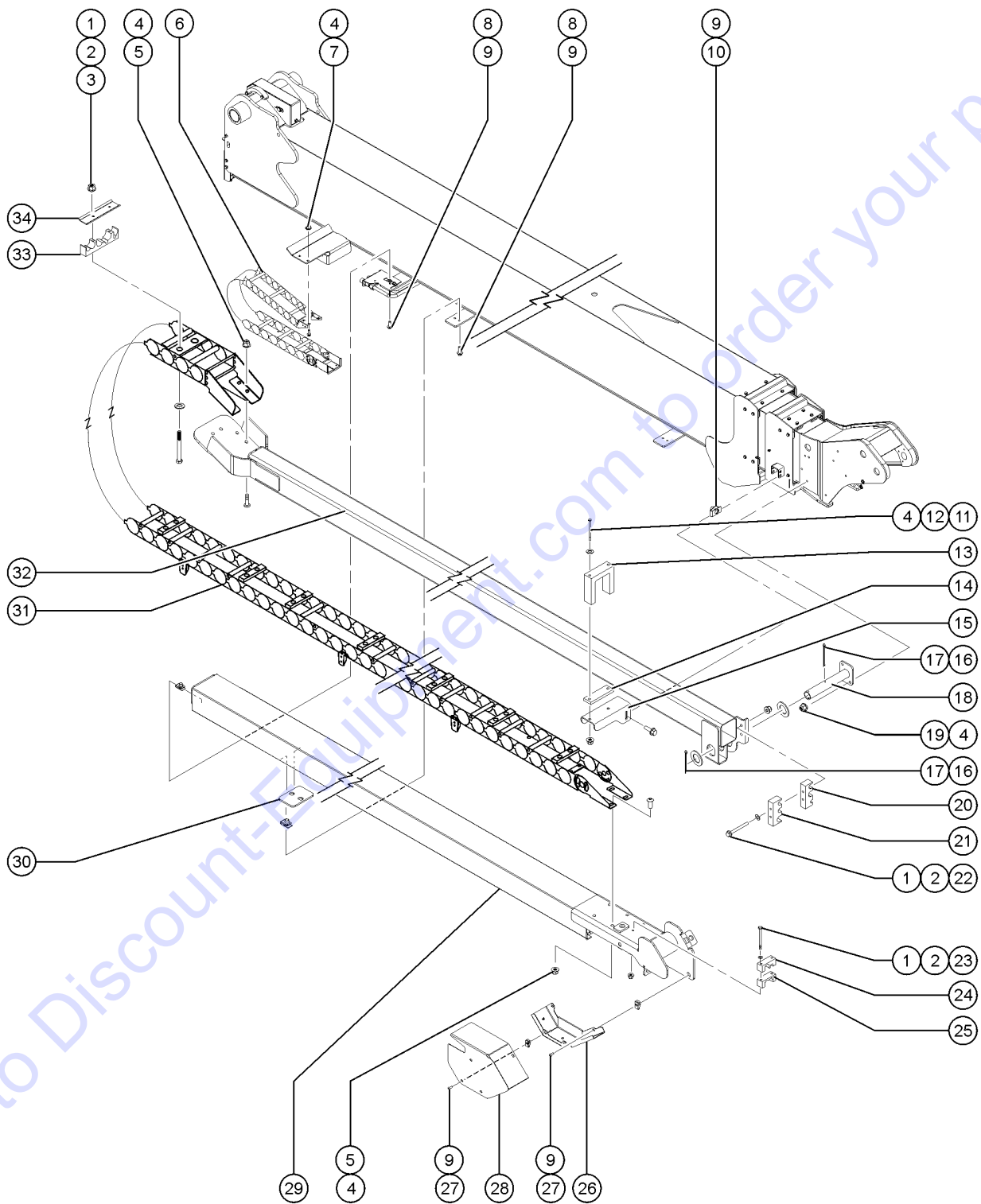
502.1 Boom Primary Lift Cylinder

Item	Part No.	Description	Qty.
1	231480GT	BEARING, 80ID X 90OD X 60L	6
2		Ref. WELDMENT, BOOM #1	
		(Refer to 508.1)	
3	61341GT	ROD END, .75 X 5.00	1
4	232884GT	SCREW, HHF, M10-1.5X25, ZAB	
5	1265077GT	PIN, 80MM DIA. X 360 LG, 1HOLE	
6	231481GT	BEARING, 80ID, 90OD, 75L	2
7	1263736GT	CYLINDER, PRIMARY LIFT	
7-	1274026GT	SEAL KIT, 1263736	
		for 1263736	
8	232858GT	PIN, 80MM DIA. X 619MM LG	1
9	226766GT	PLATE, PIN RETAINER	2
10	231511GT	SCREW, HHF, M12-1.75X35, DIN6921, 10.9, ZAB	
11		Ref. COVER AND ANGLE SENSOR	1
		(Refer to 302.1)	
12	60984GT	VALVE COUNTERBAL. CBBB-LJN@5000	
		V2	
13	61602GT	VALVE, COUNTERBAL. CBBB-LHN@3500	
		V3	
14	75064GT	VALVE, COUNTERBALANCE, CWCG-LGN.5000	
		V1	

Go to Discount-Equipment.com to order your parts



503.1 Cable Track Installation

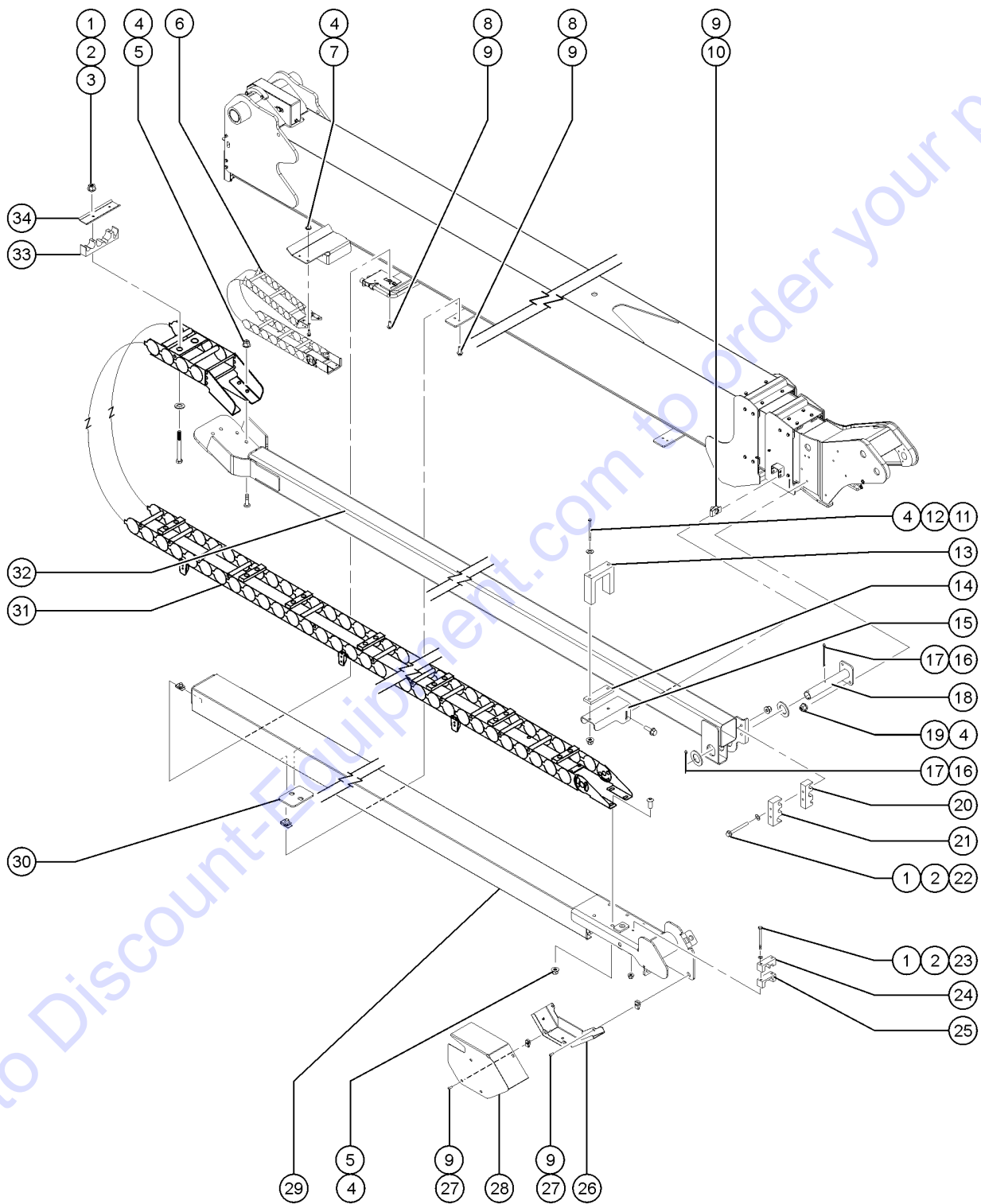


Go to Discount-Equipment.com to order your parts

Item	Part No.	Description	Qty.
1	231513GT	NUT,TL FLG,M6-1.0,DIN6927,10,Z	
2	1257389GT	WASHER, FLAT, M6X18X1.6,DIN9021,ZAB	
3	825624GT	SCREW,HHC,M6-1.0X65,DIN931	
4	231529GT	NUT,TL FLG,M10-1.5,DIN6927,10,	
5	215820GT	SCREW,BHC,M10-1.50 X 30,10.9,ZAB	
6	226764GT	CABLETRACK, LRC-200, 19 LINKS	1
6-	1256240GT	ASSEMBLY, CABLE TRACK LRC-200, 4 LINK	
6-	1256241GT	BRACKETS, CABLE TRACK LRC-200,MOVING END	
6-	1256242GT	BRACKETS, CABLE TRACK LRC-200, FIXED END	
6-	1256243GT	KIT, PIN AND RING, LRC-200	
7	825597GT	BOLT,CARRIAGE,M10-1.5X30,DIN603,8.8,ZAB	
8	232874GT	SCREW, HHF, M10-1.5X30,DIN6921	
9	230074GT	SPRING CLIP,M10-1.5,1-6X19,ZAB	
10	231530GT	SCREW,HHF,M10-1.5X25,DIN6921,10.9,ZAB	
11	236406GT	SCREW,HHC,M10-1.5X170,DIN931,10.9,ZAB	
12	824145GT	WASHER, FLAT, DIN125, M10, ZAB	
13	81341GT	WEAR PAD,CABLE TRACK PULL TUBE	1
14	81342GT	WEAR PAD,5.5 X 1.75 X .5	1
15	1269383GT	FORMING,CT GUIDE MOUNT, #2	1
16	42079GT	PIN,COTTER,.156 X 2.5	2
17	1251565GT	WASHER,SHIM,1.56X2.5X0.061,ZAG	2
18	1269385GT	WELDMENT,CT PULL TUBE PIVOT	1
19	231533GT	SCREW,HHF,M10-1.5X35,DIN6921,10.9,ZAB Not shown	
20	1270321GT	CABLE CLAMP, ELECTRICAL	1
21	215493GT	CABLE CLAMP, HYDRAULIC	1
22	825580GT	SCREW,HHC,M6-1.0X100,DIN931,10.9,ZAB	
23	825581GT	SCREW,HHC,M6-1.0X85,DIN931,10.9,ZAB	
24	215492GT	CABLE CLAMP, AIRLINE AND LS	1



503.1 Cable Track Installation



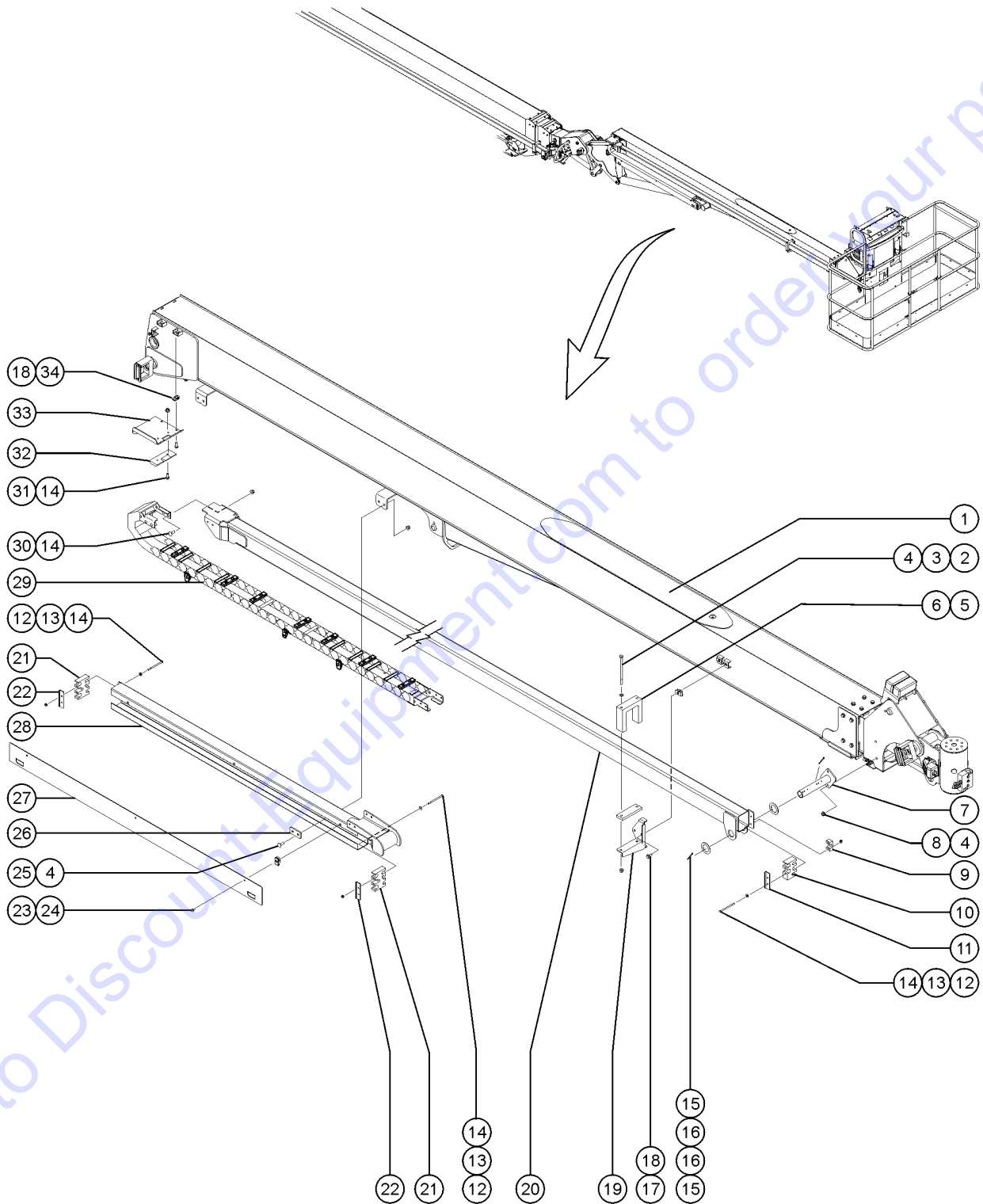
503.1 Cable Track Installation

Item	Part No.	Description	Qty.
25	215491GT	CABLE CLAMP, ELECTRICAL	1
26	162089GT	FORMING,CABLE TRACK COVER BOT	1
27	237735GT	SCREW,BHC,M10-1.50X25,10.9,ZAB	
28	162090GT	FORMING,CABLE TRACK COVER SIDE	1
29	231290GT	WELDMENT, ALUMINUM, B0 C T TRAY	1
30	822603GT	PLATE, B0 CT TRAY HOLD DOWN	5
31	226763GT	CABLETRACK, SRC-110,97 LINKS	1
31-	1256244GT	ASSEMBLY, CABLE TRACK SRC-110, 4 LINK	
31-	1256245GT	BRACKETS, CABLE TRACK SRC-110, MOVING END	
31-	1256246GT	BRACKETS, CABLE TRACK SRC-110, FIXED END	
31-	1256247GT	KIT, PIN AND RING, SRC-110	
31-	1257116GT	UHMW BLOCK, CABLE TRACK (Kit to replace uhmw block and fasteners on cable track)	
31-	1257117GT	KIT, FINGER GUIDE, CABLE TRACK (Kit to replace finger guides and fasteners on cable track)	
31-	1257123GT	UHMW BLOCK, CABLE TRACK	
32	231279GT	WELDMENT,ALUMINUM, B4 PULL TUBE	1
33	215489GT	CABLE CLAMP, IN TRACK	1
34	1256290GT	STEEL TOP PLATE CLAMP	1

Go to Discount-Equipment.com to order your parts



504.1 Jib Boom Cable Track Installation

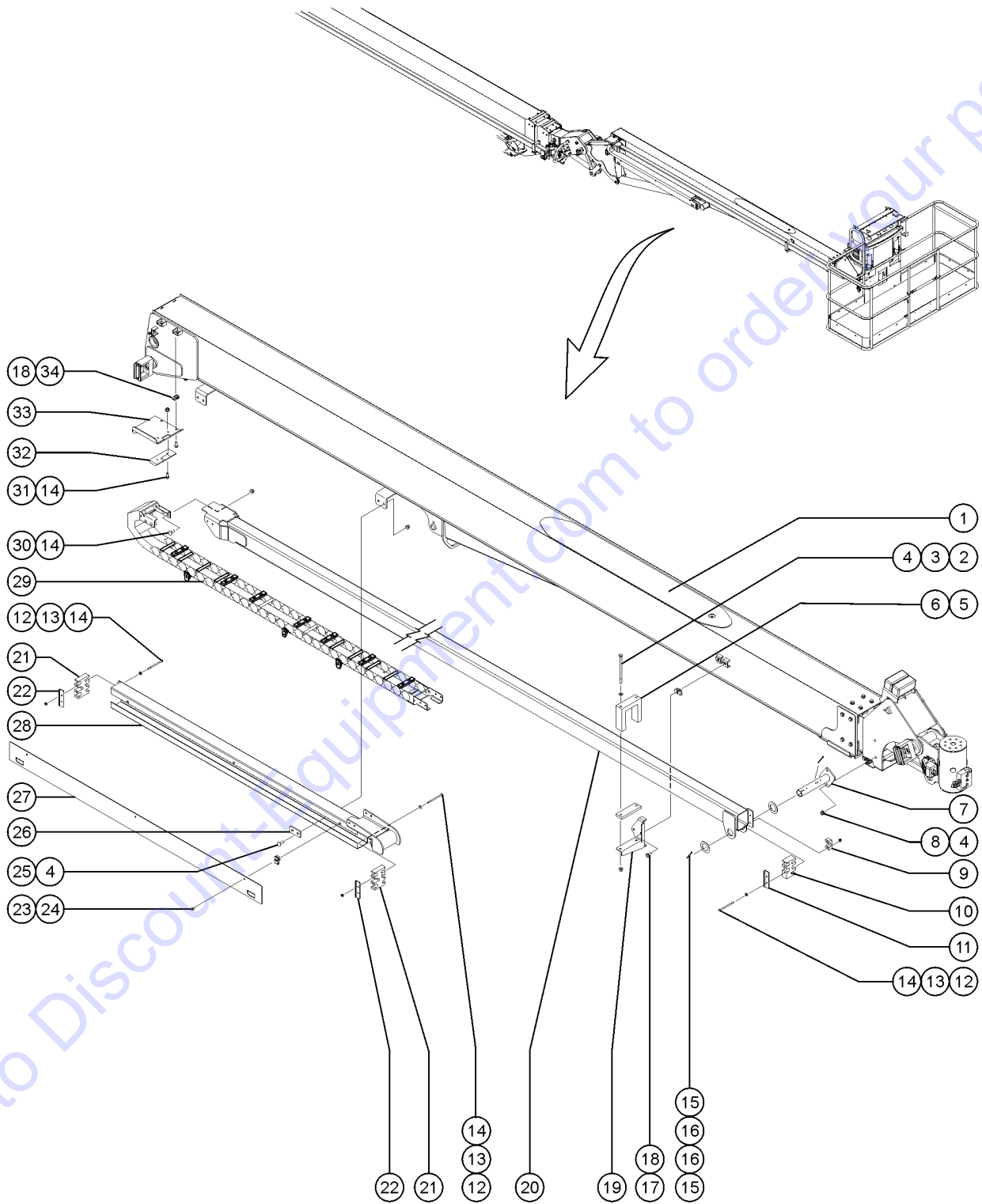


Go to DiscountEquipment.com to order your parts

Item	Part No.	Description	Qty.
1		JIB BOOM ASSYMBLY (Refer to 512.1 and 513.1)	
2	236406GT	SCREW,HHC,M10-1.5X170,DIN931,10.9,ZAB	
3	824145GT	WASHER, FLAT, DIN125, M10, ZAB	
4	231529GT	NUT,TL FLG,M10-1.5,DIN6927,10,	
5	81341GT	WEAR PAD,CABLE TRACK PULL TUBE	1
6	81342GT	WEAR PAD,5.5 X 1.75 X .5	1
7	81347GT	WELDMENT,TRACK PULL TUBE PIVOT	1
8	231530GT	SCREW,HHF,M10-1.5X25,DIN6921,10.9,ZAB Not shown	
9	1272984GT	CABLE CLAMP,HYD HOSE	1
10	1272983GT	CABLE CLAMP	1
11	107868GT	PLATE,REINFORCED CLAMP STACK**	1
12	825580GT	SCREW,HHC,M6-1.0X100,DIN931,10.9,ZAB	
13	1257389GT	WASHER, FLAT, M6X18X1.6,DIN9021,ZAB	
14	231513GT	NUT,TL FLG,M6-1.0,DIN6927,10,Z	
15	42079GT	PIN,COTTER,.156 X 2.5	2
16	1251565GT	WASHER,SHIM,1.56X2.5X0.061,ZAG	2
17	231088GT	SCREW,HHF,M10-1.5X20,DIN6921,1	
18	230074GT	SPRING CLIP,M10-1.5,1-6X19,ZAB	
19	1265057GT	FORMING,SUPPORT,CBL TRK	1
20	1265047GT	WELDMENT,ALUMINUM,PULL TUBE	1
21	1270322GT	CABLE CLAMP	2
22	107868GT	PLATE,REINFORCED CLAMP STACK**	2
23	824131GT	SCREW,HHF,M6-1.0X16,DIN6921,10	
24	230073GT	SPRING CLIP,M6-1.0,0.8-4MM PAN	
25	825597GT	BOLT,CARRIAGE,M10-1.5X30,DIN603,8.8,ZAB	
26	101104GT	PLATE,CABLE TRACK MOUNT	2
27	1267776GT	FORMING,COVER,CABLE TRAY	1
28	1267203GT	WELDMENT, CABLE TRACK SUPPORT	1



504.1 Jib Boom Cable Track Installation



Go to DiscountEquipment.com to order your parts

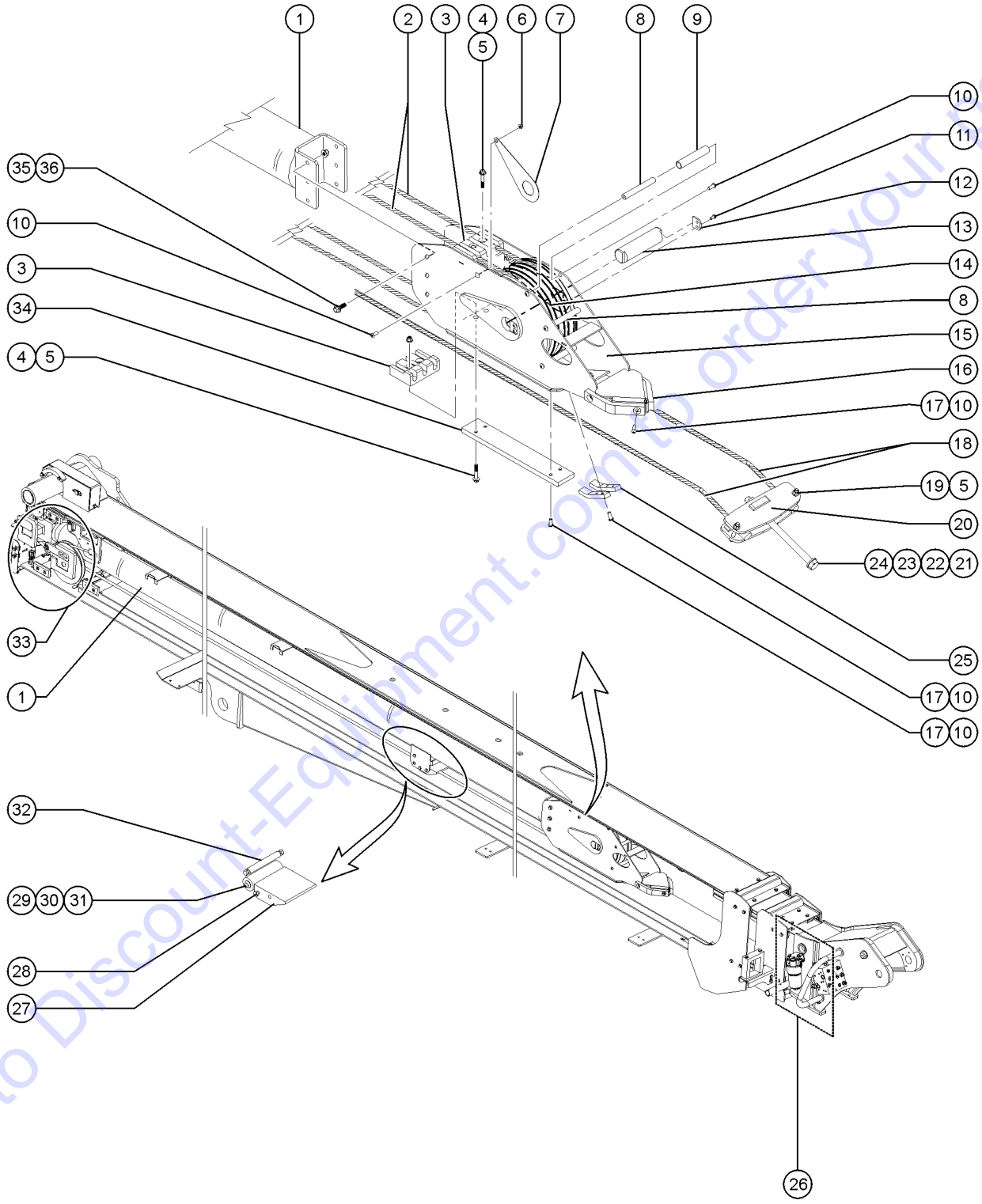
504.1 Jib Boom Cable Track Installation

<i>Item</i>	<i>Part No.</i>	<i>Description</i>	<i>Qty.</i>
29	1265048GT	CABLETRACK,MA450-75,32 LINKS	1
30	822352GT	BOLT, CARRIAGE,M6=1.0X16,ZAB	
31	231532GT	SCREW,HHF,M6-1.0X20,DIN6921,10.9,ZAB	
32	1271089GT	WEARPAD, CABLE TRACK	1
33	1265042GT	FORMING,JIB,CBL TRK SUPPORT	1
34	237735GT	SCREW,BHC,M10-1.50X25,10.9,ZAB	

Go to Discount-Equipment.com to order your parts



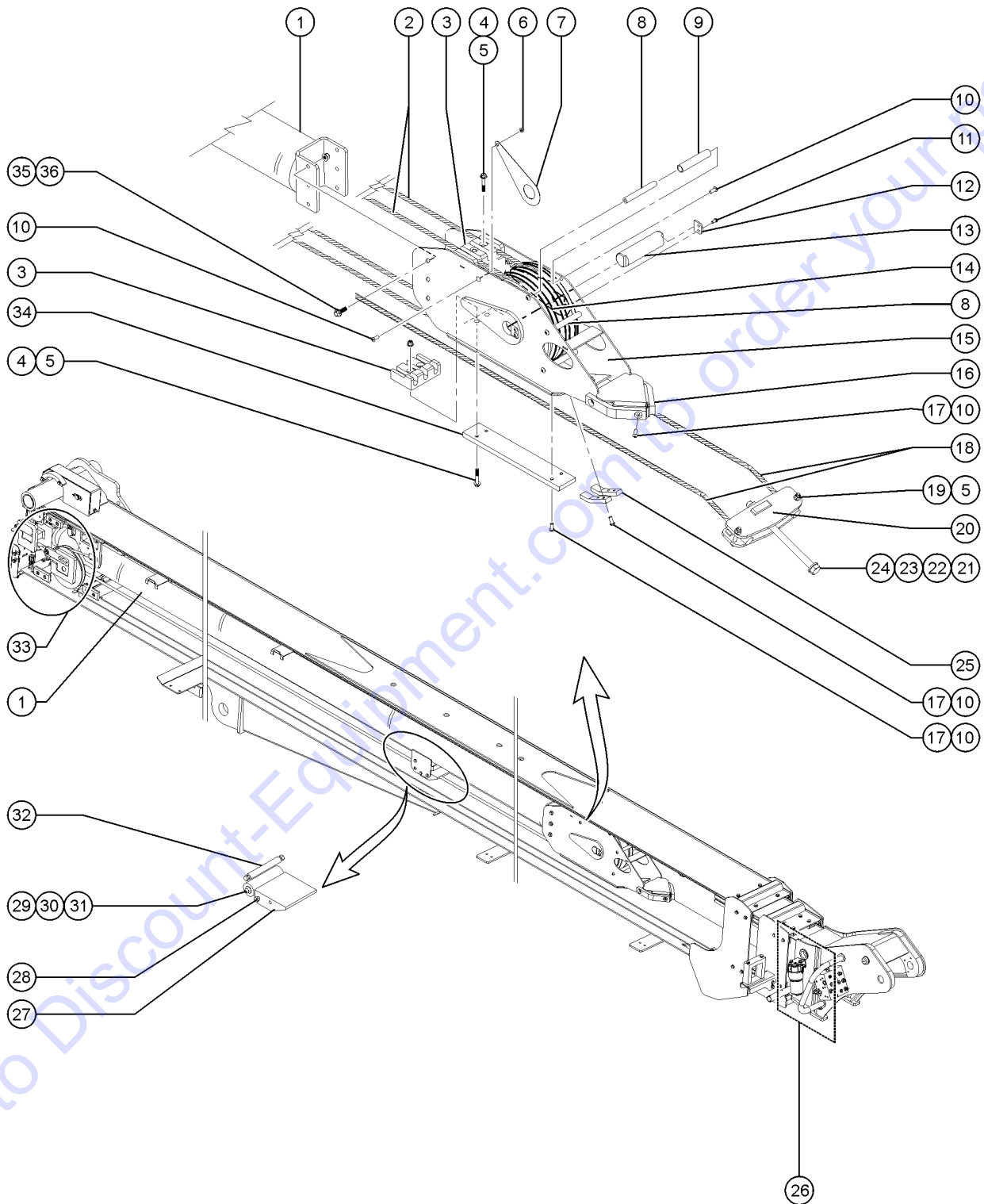
505.1 Cable Assembly - View 1



Item	Part No.	Description	Qty.
1		CYLINDER, PRIMARY EXTEND (Refer to 507.1)	1
2	1265039GT	WIRE ROPE, B3 EXT (Must replace both cables at same time)	2
3	237543GT	WEAR PAD, CABLE GUIDE	2
4	232952GT	SCREW,HHF,M10-1.5X50,DIN6921,10.9,ZAB	
5	231529GT	NUT,TL FLG,M10-1.5,DIN6927,10,	
6	231529GT	NUT,TL FLG,M10-1.5,DIN6927,10,	
7	826140GT	SHIM,PRI EXTD SHEAVE MOUNT	
8	215667GT	BAR,ROUND	3
9	215892GT	ROLLER, PRI EXT TOP	1
10	237735GT	SCREW,BHC,M10-1.50X25,10.9,ZAB	
11	217711GT	SCREW,BHC,M8-1.25X16,10.9,ZAB	
12	162196GT	PLATE, PIN ANTI SPIN	2
13	231542GT	PIN,50MM DIA X 179MM LG	1
14	231302GT	SHEAVE, EXTEND B3	1
15	215658GT	WELDMENT, EXTEND SHEAVE	1
16	237542GT	WEAR PAD,SHEAVE WLDMNT SIDE GU	2
17	231529GT	NUT,TL FLG,M10-1.5,DIN6927,10,	
18	1265040GT	WIRE ROPE, B3 RET (Must replace both cables at same time)	2
19	238347GT	SCREW,HHF,M10-1.5X70,DIN6921,10.9,ZAB	
20	1269628GT	WELDMENT,EQUALIZER,RET CABLE	1
21	215815GT	SCREW,HHC,M20-2.5X300,DIN933,10.9,ZAB	
22	231510GT	WASHER,FLAT,M20,DIN6916,HRD,ZAB	
23	215814GT	NUT,M20-2.5,DIN934,10,ZAB	
24	231515GT	NUT,HEX,JAM,M20-2.5,DIN439,ZAB	
25	237541GT	WEAR PAD,SHEAVE WLDMNT FRT GUI	2
26		(Refer to 510.1)	
27	1269625GT	WEAR PAD,PRI EXT CYL,LOWER	1
28	236406GT	SCREW,HHC,M10-1.5X170,DIN931,10.9,ZAB	



505.1 Cable Assembly - View 1



Go to Discount-Equipment.com to order your parts

PARTS FINDER

**Search Website
by Part Number**



**Search Manual
Library For Parts
Manual & Lookup Part
Numbers – Purchase
or Request Quote**

Search Manuals

Enter your information to help us find the right parts manual for your machine.

* Brand:

* Model:

* Serial:

* Part Number:

SEARCH

**Can't Find Part or
Manual? Request Help
by Manufacturer,
Model & Description**

Parts Order Form

Please fill in the following information to help us find the right part for your machine.

MANUFACTURER:

MODEL:

DESCRIPTION:

SEARCH

Discount-Equipment.com is your online resource for quality parts & equipment.

Florida: **561-964-4949** Outside Florida TOLL FREE: **877-690-3101**

Need parts?

Click on this link: <http://www.discount-equipment.com/category/5443-parts/> and choose one of the options to help get the right parts and equipment you are looking for. Please have the machine model and serial number available in order to help us get you the correct parts. If you don't find the part on the website or on one of the online manuals, please fill out the request form and one of our experienced staff members will get back to you with a quote for the right part that your machine needs.

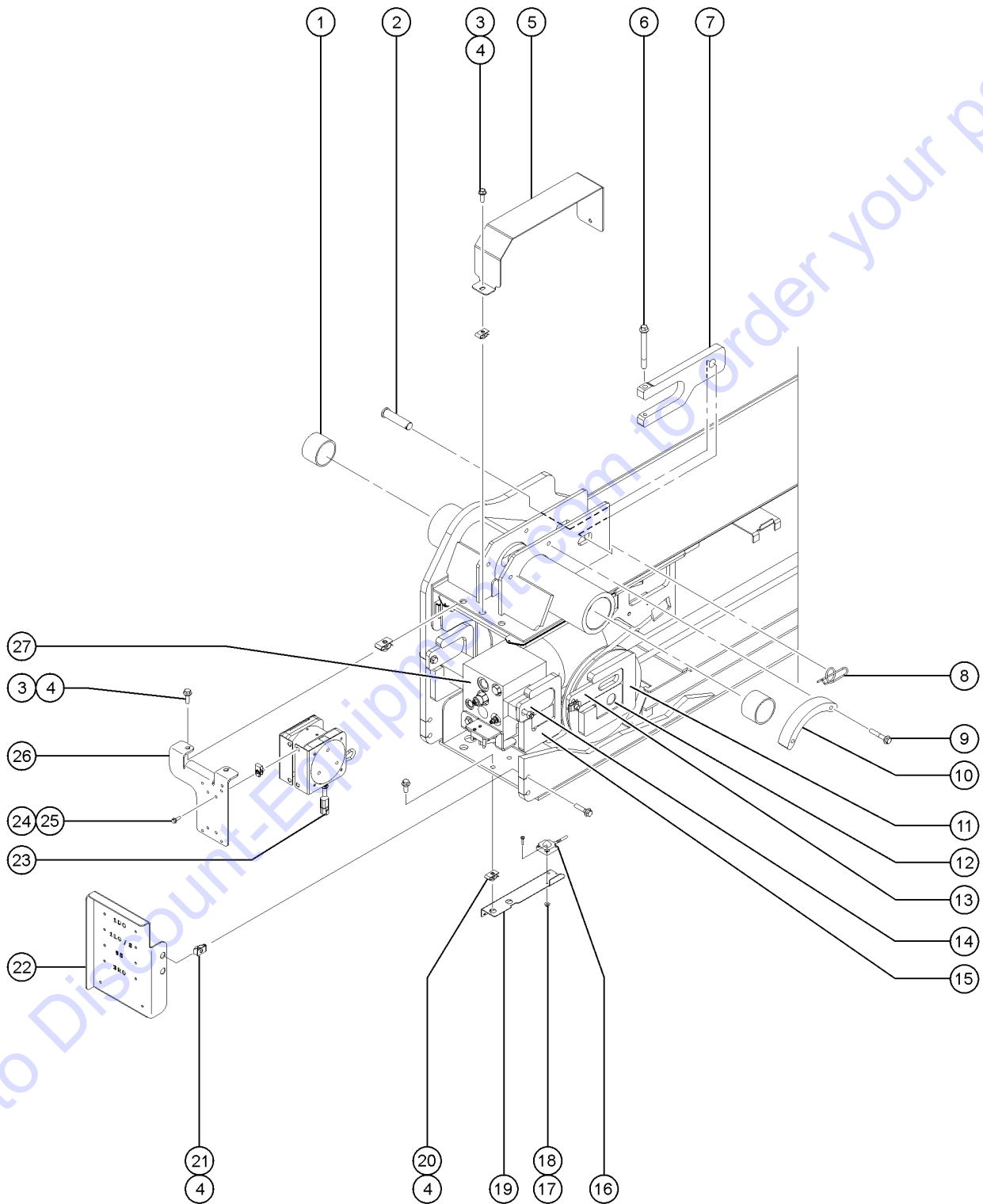
We sell worldwide for the brands: Genie, Terex, JLG, MultiQuip, Mikasa, Essick, Whiteman, Mayco, Toro Stone, Diamond Products, Generac Magnum, Airman, Haulotte, Barreto, Power Blanket, Nifty Lift, Atlas Copco, Chicago Pneumatic, Allmand, Miller Curber, Skyjack, Lull, Skytrak, Tsurumi, Husquvarna Target, Stow, Wacker, Sakai, Mi-T-M, Sullair, Basic, Dynapac, MBW, Weber, Bartell, Bennar Newman, Haulotte, Ditch Runner, Menegotti, Morrison, Contec, Buddy, Crown, Edco, Wyco, Bomag, Laymor, EZ Trench, Bil-Jax, F.S. Curtis, Gehl Pavers, Heli, Honda, ICS/PowerGrit, IHI, Partner, Imer, Clipper, MMD, Koshin, Rice, CH&E, General Equipment, Amida, Coleman, NAC, Gradall, Square Shooter, Kent, Stanley, Tamco, Toku, Hatz, Kohler, Robin, Wisconsin, Northrock, Oztec, Toker TK, Rol-Air, APT, Wylie, Ingersoll Rand / Doosan, Innovatech, Con X, Ammann, Mecalac, Makinex, Smith Surface Prep, Small Line, Wanco, Yanmar

Item	Part No.	Description	Qty.
29	237735GT	SCREW,BHC,M10-1.50X25,10.9,ZAB	
30	826007GT	SHAFT,WEAR PAD ROLLER	1
31	236289GT	WEAR PAD,CBL ROLLER,SHORT	1
32	236391GT	ROLLER, PRI EXT LOWER	1
33		(Refer to 505.1 and 506.1)	
34	237540GT	WEAR PAD,SHEAVE WLDMNT GUIDE	1
35	231511GT	SCREW,HHF,M12-1.75X35,DIN6921,10.9,ZAB	
36	825632GT	NUT, TL FLG, M12-1.75, ZAB	

Go to Discount-Equipment.com to order your parts



506.1 Cable Assembly - View 2

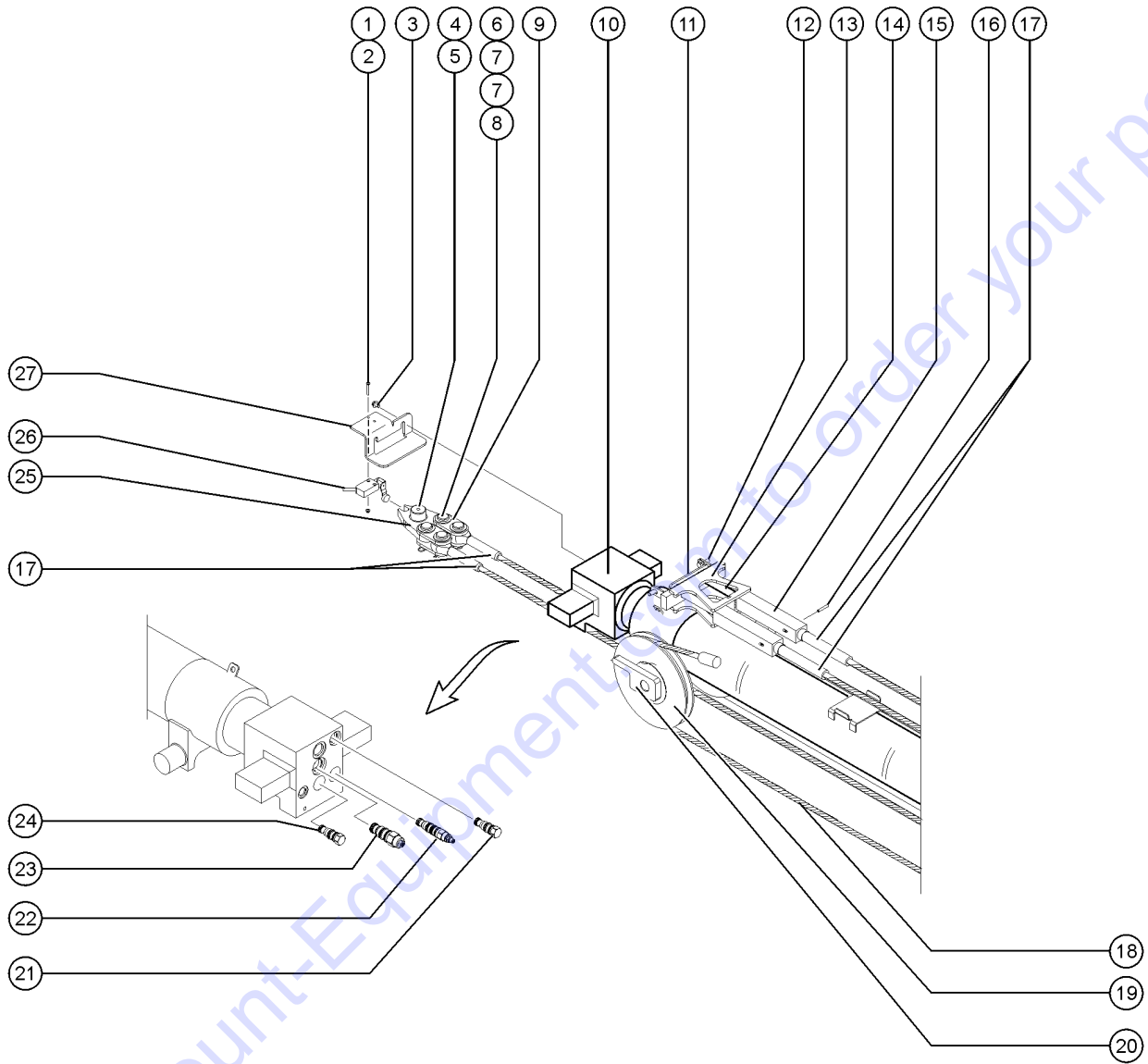


Go to Discount-Equipment.com to order your parts

Item	Part No.	Description	Qty.
1	231480GT	BEARING, 80ID X 90OD X 60L	2
2	237245GT	PIN, CLEVIS, 1X4, ZAG	1
3	232874GT	SCREW, HHF, M10-1.5X30,DIN6921	
4	230074GT	SPRING CLIP,M10-1.5,1-6X19,ZAB	
5	231491GT	FORMING, CLAMP COVER	1
6	237244GT	SCREW,HHF,M12-1.75X120,IFI536,10.9,ZAB	1
7	231488GT	MACHINE, MAIN PIN CLAMP	1
8	824129GT	RUE RING,1.0,ZAG	
9	216036GT	SCREW,HHF,M10-1.5X60,DIN6921,10.9,ZAB	
10	1253165GT	WEAR PAD,LSB1DO CAM	1
11		(Part of Boom #2 weldment)	
12	218242GT	MACHINED, PRI EXT BARREL MNT,	2
13	1269379GT	PLATE,B2,CYLINDER LOCK	2
14	1269378GT	PLATE,B1,CYLINDER LOCK	2
15		(Part of Boom #1 weldment)	
16	1271490GT	PROX SWITCH, 15MM, 3WIRE, NO	1
17	1255752GT	NUT,FLG,M4-0.7,DIN6923,8,ZAB	
18	235315GT	SCREW,PHPM,M4-0.7X16,DIN7985,ZAB	
19	1268980GT	FORMING,B1,LSB3RO MOUNT,SX135	1
20	231530GT	SCREW,HHF,M10-1.5X25,DIN6921,10.9,ZAB	
21	215706GT	SCREW,HHF,M10-1.5X45,DIN6921,10.9,ZAB	
22	822604GT	FORMING,B0, HARNESS CONN PLATE	1
23	1271483GT	LENGTH TRANSDUCER,400 IN,CAN ID15	1
24	231532GT	SCREW,HHF,M6-1.0X20,DIN6921,10.9,ZAB	
25	230073GT	SPRING CLIP,M6-1.0,0.8-4MM PAN	
26	1270157GT	FORMING, STRING POT MOUNT	1
27		CYLINDER, PRIMARY EXTEND	1
		(Refer to 507.1)	

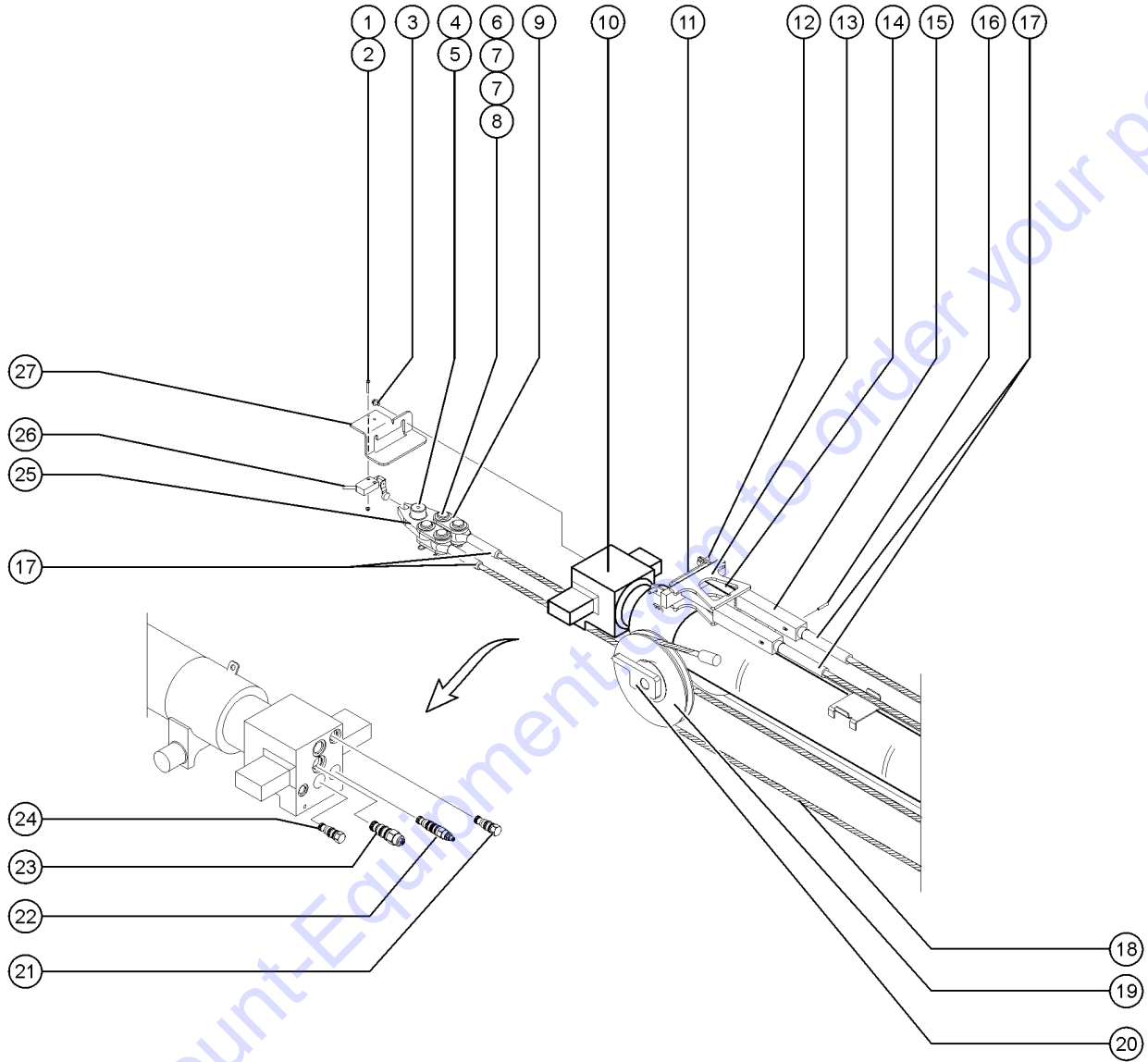


507.1 Cable Assembly - View 3



Item	Part No.	Description	Qty.
1	822353GT	SCREW,PHPM,M4-0.7X30,DIN7985,ZAB	
2	1255752GT	NUT,FLG,M4-0.7,DIN6923,8,ZAB	
3	237352GT	SCREW,HHF,M10-1.5X16,DIN6921,10.9,ZAB	
4	232923GT	PIN,50MM DIA. X 55MM LG	1
5	T114803GT	BUSHING,58OD X 50ID X 25LG.	1
6	236481GT	PIN,CLEVIS,1.25 X 3,ZAG	4
7	1251799GT	WASHER,SHIM, 1.27X2.13X.13,ZAG	8
8	233108GT	RUE RING 1.25,ZAG	8
9	231527GT	PLATE, B3 EXT CABLE LINK	4
10	1263737GT	CYLINDER, PRIMARY EXTEND	1
10-	1274027GT	SEAL KIT, 1263737 for 1263737	
11	1269634GT	FORMING,BOLT LOCK (mounts to CABLE RETAINER on Boom 3, refer to 510.1)	1
12	231530GT	SCREW,HHF,M10-1.5X25,DIN6921,10.9,ZAB	
13	1269631GT	WELDMENT,CABLE TENSION	1
14	232941GT	SCREW,HHC,M20-2.5X160,DIN933,10.9,ZAB	
15	231521GT	COUPLING, EXT. CABLE ADJUSTMENT	2
16	10665GT	PIN,ROLL,.25 X 1.5***	2
17		WIRE ROPE, B3 EXT (refer to 505.1)	
18		WIRE ROPE, B3 RET (refer to 505.1)	
19	231301GT	SHEAVE, RETRACT B4	2
20		MACHINED, PRI EXT BARREL MNT, (refer to 506.1)	
21	226757GT	VALVE,CHECK,PILOT CLSD CODA-XCN	
22	60331GT	VALVE,COUNTERBAL.CWCA-LIN@600*	
22-	62449GT	SEAL KIT,SUN "CWCA" CB VALVES*	
23	88027GT	VALVE,COUNTERBALANCE @1000***	
23-	102685GT	SEAL KIT,SUN T-2A CP VALVE	
24	226758GT	VALVE,CHECK CXDA-XCN	
25	1269627GT	PLATE, B3 EXT CABLE EQUALIZER	1

507.1 Cable Assembly - View 3



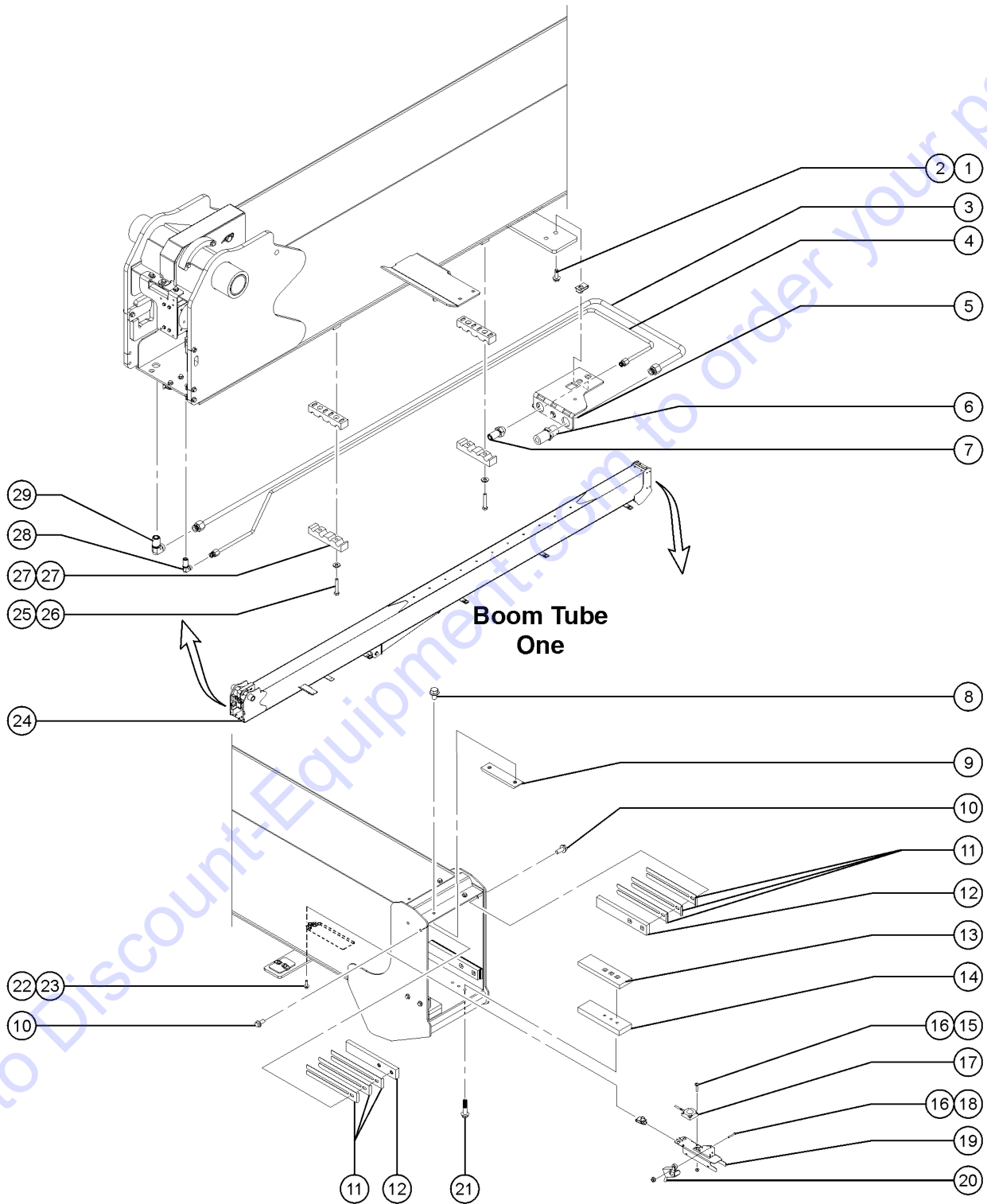
Go to Discount-Equipment.com to order your parts

<i>Item</i>	<i>Part No.</i>	<i>Description</i>	<i>Qty.</i>
26	1271497GT	SWITCH ASSY,LSB5S,139644-14BJ0	1
27	1269635GT	FORMING, PRI EXT, LSB5S MOUNT	1

Go to Discount-Equipment.com to order your parts

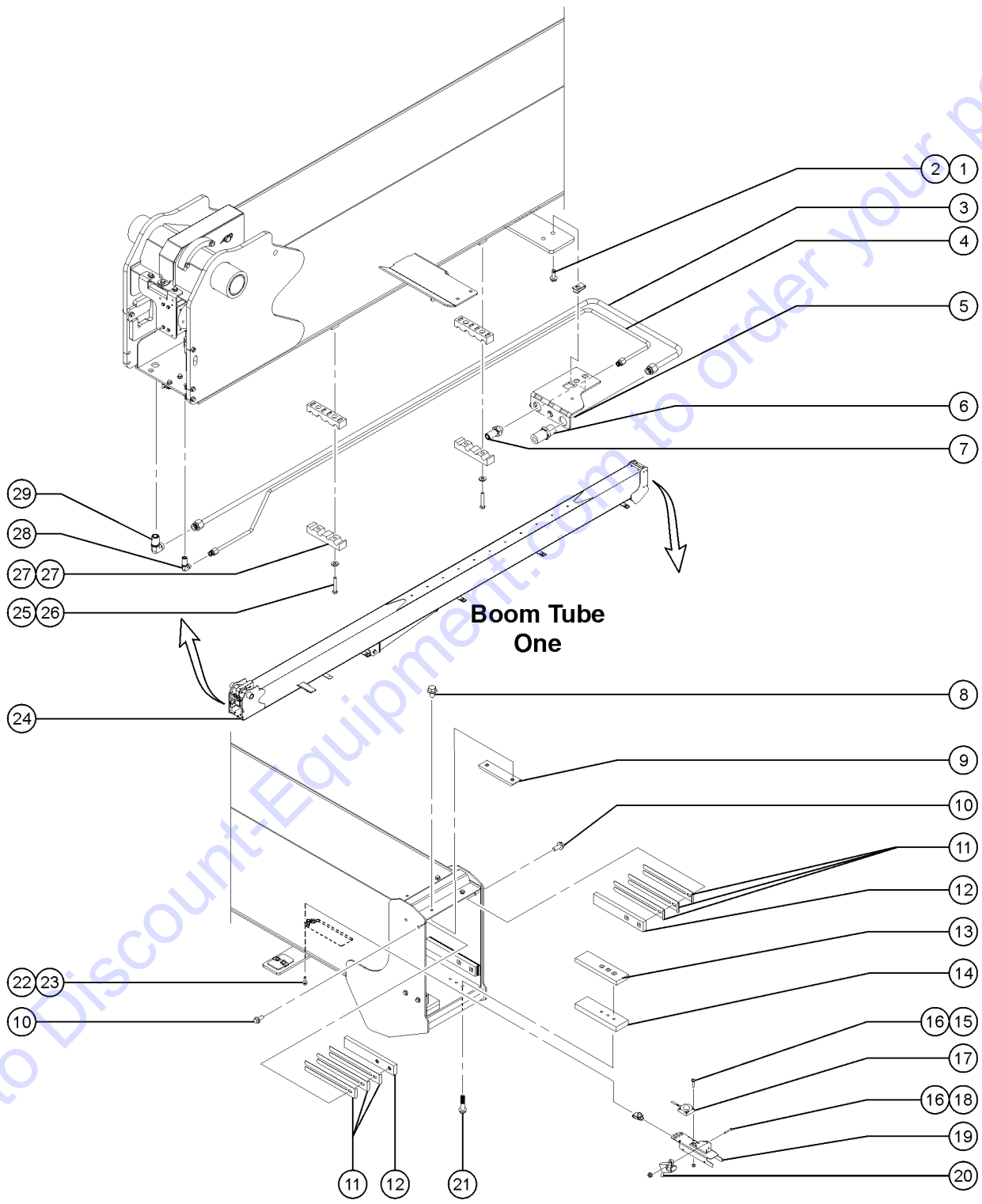


508.1 Boom Tube One



Item	Part No.	Description	Qty.
1	232874GT	SCREW, HHF, M10-1.5X30,DIN6921	
2	230074GT	SPRING CLIP,M10-1.5,1-6X19,ZAB	
3	1268470GT	HARDLINE,PRI. EXTEND,BOOM #1	1
4	1268471GT	HARDLINE,PRIMARY RETURN, BOOM #1	1
5	215896GT	FORMING, EXTEND BULKHEAD MOUNT	1
6	48968GT	CONN,BULKHEAD,520601-12	1
7	48894GT	CONN,BULKHEAD,520601-8	1
7-	77309GT	NUT,BULKHEAD,520118-8	
8	237352GT	SCREW,HHF,M10-1.5X16,DIN6921,10.9,ZAB	
9	215889GT	WEAR PAD, 200X50X12	2
10	237352GT	SCREW,HHF,M10-1.5X16,DIN6921,10.9,ZAB	
11	822602GT	SHIM, WEAR PAD, 300 X 50	
12	236237GT	WEAR PAD, 300X50X20	4
13	236233GT	WEAR PAD, 250X75X20	2
14	1274559GT	MACHINED, RETAINER, WEARPAD 250X75	2
15	235315GT	SCREW,PHPM,M4-0.7X16,DIN7985,ZAB	
16	1255752GT	NUT,FLG,M4-0.7,DIN6923,8,ZAB	
17	1271496GT	SWITCH ASSY,LSB4EO,N.C.PROX	1
18	822353GT	SCREW,PHPM,M4-0.7X30,DIN7985,ZAB	
19	1269636GT	FORMING,MOUNT,LSB3RS LSB4EO	1
20	1271498GT	SWITCH ASSY,LSB3RS,139644-21C40	1
21	215706GT	SCREW,HHF,M10-1.5X45,DIN6921,10.9,ZAB	
22	231532GT	SCREW,HHF,M6-1.0X20,DIN6921,10.9,ZAB	
23	230073GT	SPRING CLIP,M6-1.0,0.8-4MM PAN	
24	1274558GT	ASSEMBLY,BOOM #1,WLDMNT W BRNGS	
25	825674GT	SCREW, HHC, 5/16-18X2,8,ZAG	
26	825358GT	WASHER,FLAT,5/16,USS,ZAG	
27	218618GT	CLAMP, HARDLINE, BO	4

508.1 Boom Tube One



Go to Discount-Equipment.com to order your parts

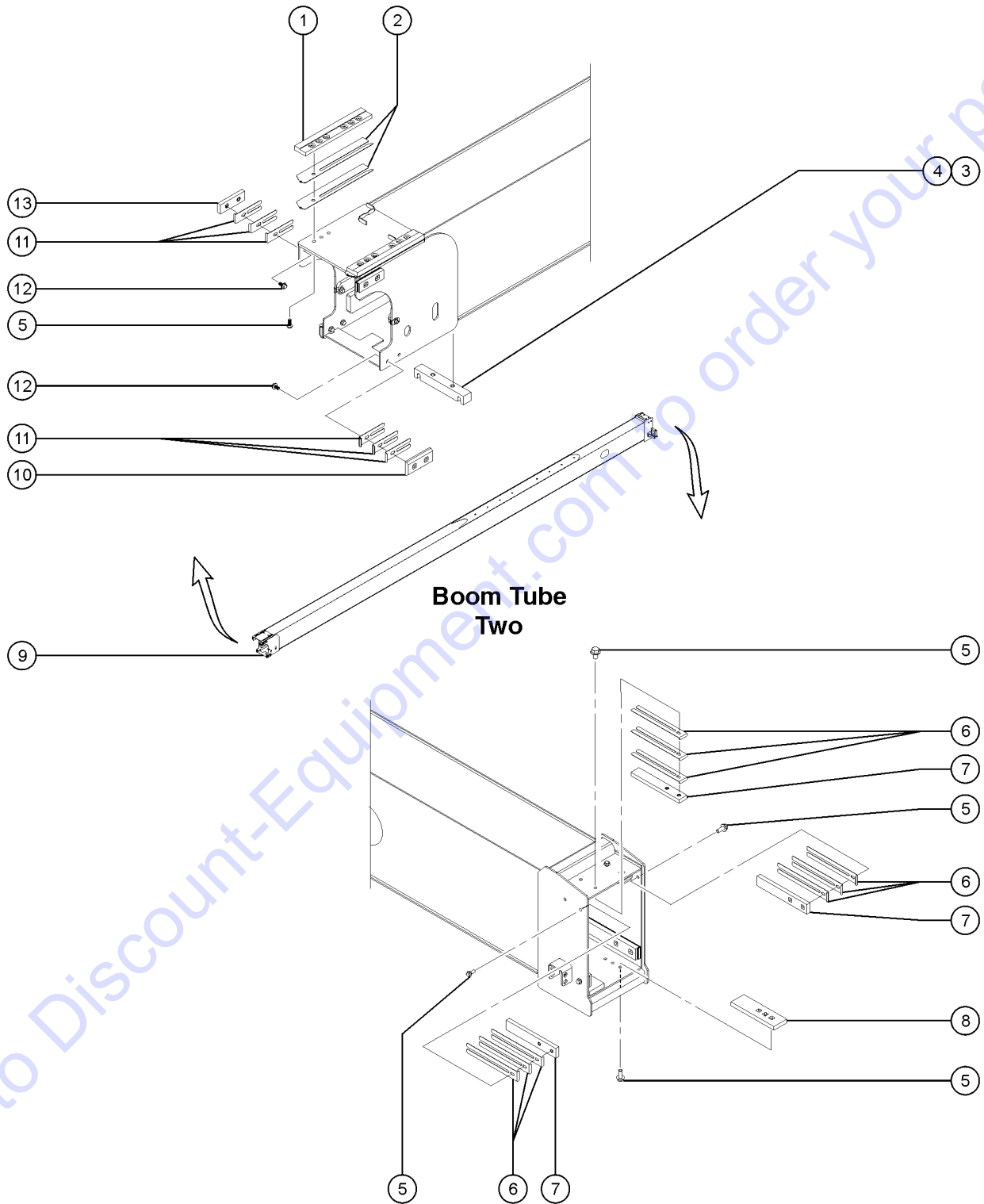
508.1 Boom Tube One

<i>Item</i>	<i>Part No.</i>	<i>Description</i>	<i>Qty.</i>
28	75042GT	ELBOW,BULKHEAD UNION 520701-8	1
29	48970GT	ELBOW,90D,BULKHEAD,520701-12	1

Go to Discount-Equipment.com to order your parts



509.1 Boom Tube Two



**Boom Tube
Two**

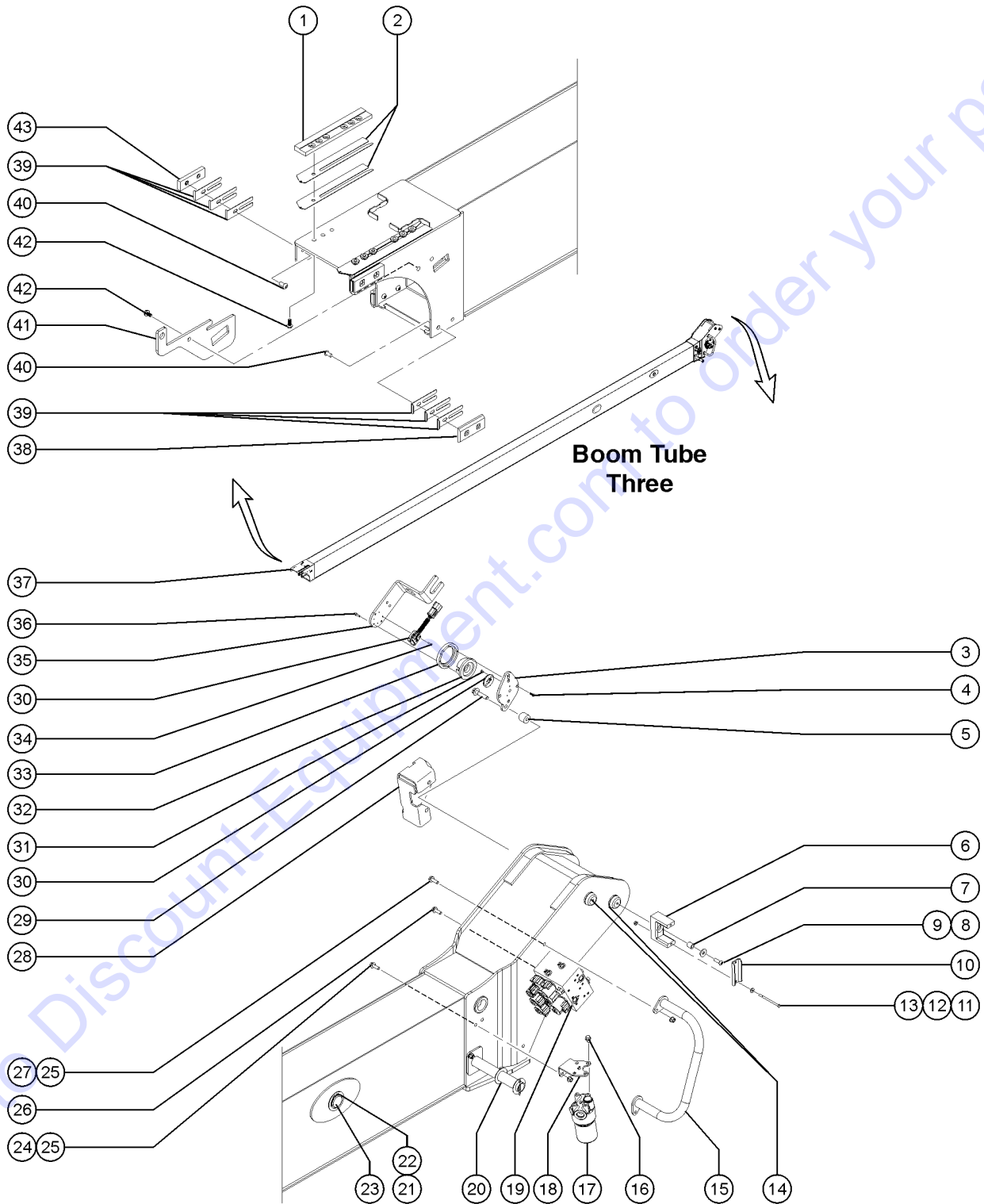
Go to Discount-Equipment.com to order your parts

Item	Part No.	Description	Qty.
1	236234GT	WEAR PAD,340X55X20	2
2	822600GT	SHIM, WEAR PAD, 340 X 55, 16G	
3	1269381GT	WEAR PAD,CABLE GUIDE,#2	1
4	231088GT	SCREW,HHF,M10-1.5X20,DIN6921,1 (Not shown)	
5	231530GT	SCREW,HHF,M10-1.5X25,DIN6921,10.9,ZAB	
6	822602GT	SHIM, WEAR PAD, 300 X 50	
7	236237GT	WEAR PAD, 300X50X20	4
8	236233GT	WEAR PAD, 250X75X20	2
9	1265052GT	WELDMENT,BOOM #2	
10	1267153GT	WEAR PAD, 125X60X15, BLACK	2
11	1265014GT	FORMING,SHIM,WP,125X40	
12	231088GT	SCREW,HHF,M10-1.5X20,DIN6921,1	
13	1267152GT	WEAR PAD, 125X40X15, BLACK	2

Go to Discount-Equipment.com to order your parts



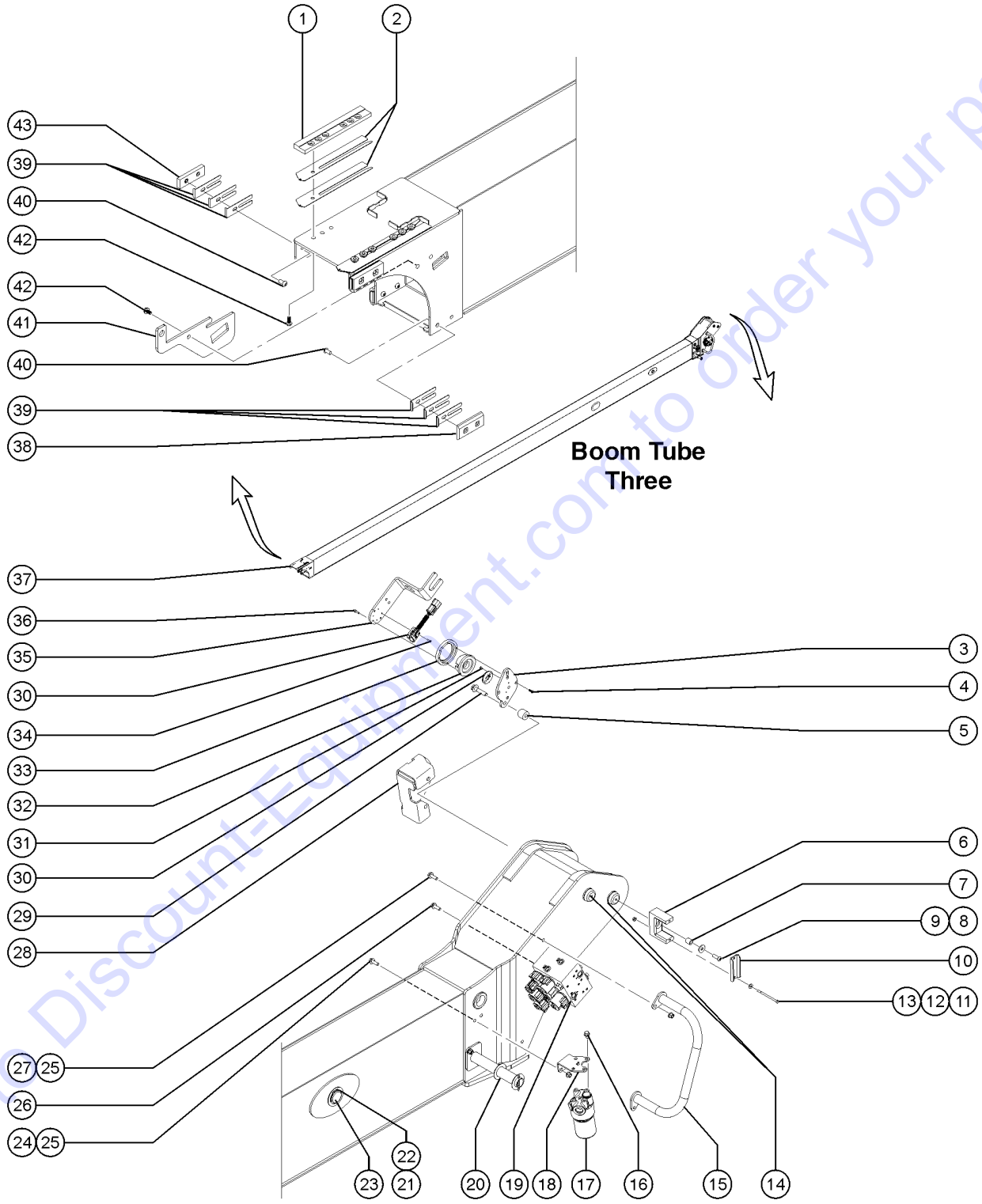
510.1 Boom Tube Three



Item	Part No.	Description	Qty.
1	236234GT	WEAR PAD,340X55X20	2
2	822600GT	SHIM, WEAR PAD, 340 X 55, 16G	
3	217432GT	PLATE, BELL CR SEN. BASE	1
4	217217GT	SCREW,FHSCS,M4-0.7X14 CL10.9	
5	1270896GT	TUBE,RD,ALUMINUM,1.00X.406X.810LG	2
6	1265018GT	UHMW,CABLE GUIDE	1
7	101932GT	TUBE,RD,STL,DOM,.75X.38X.78	1
8	215820GT	SCREW,BHC,M10-1.50 X 30,10.9,ZAB	
9	233509GT	WASHER,FLAT,M10 PLDT,FW	
10	1265019GT	FORMING,CABLE GUIDE	1
11	825580GT	SCREW,HHC,M6-1.0X100,DIN931,10.9,ZAB	
12	1257389GT	WASHER, FLAT, M6X18X1.6,DIN9021,ZAB	
13	231513GT	NUT,TL FLG,M6-1.0,DIN6927,10,Z	
14	1269352GT	PIN,50MM DIA.X 340MM LG,1HOLE	2
15	1271820GT	WELDMENT, PROTECTION BAR	
16	1256857GT	SCREW,HHF,3/8-16X.625,8,ZAG	
17	1271913GT	FILTER,ASSY,HIGH PRESS SAE-12(55)	1
17-	1271917GT	KIT,ELEMENT-5MIC (55)	
18	1269384GT	FORMING,FILTER MOUNT	1
19		MANIFOLD, JIB, SX135	
		(Refer to 704.1)	
20		WELDMENT,CT PULL TUBE PIVOT	
		(Refer to 703.1)	
21	1253816GT	SNAP RING,EXTERNAL,M50,ZAB	
22	237827GT	WASHER,FLAT,2.000X3.000X.075,Y	
23	1265074GT	PIN,50MM DIA.X 254MM LG,2 RINGS	1
24	231533GT	SCREW,HHF,M10-1.5X35,DIN6921,10.9,ZAB	
25	231529GT	NUT,TL FLG,M10-1.5,DIN6927,10,	
26	231530GT	SCREW,HHF,M10-1.5X25,DIN6921,10.9,ZAB	
27	232874GT	SCREW, HHF, M10-1.5X30,DIN6921	



510.1 Boom Tube Three

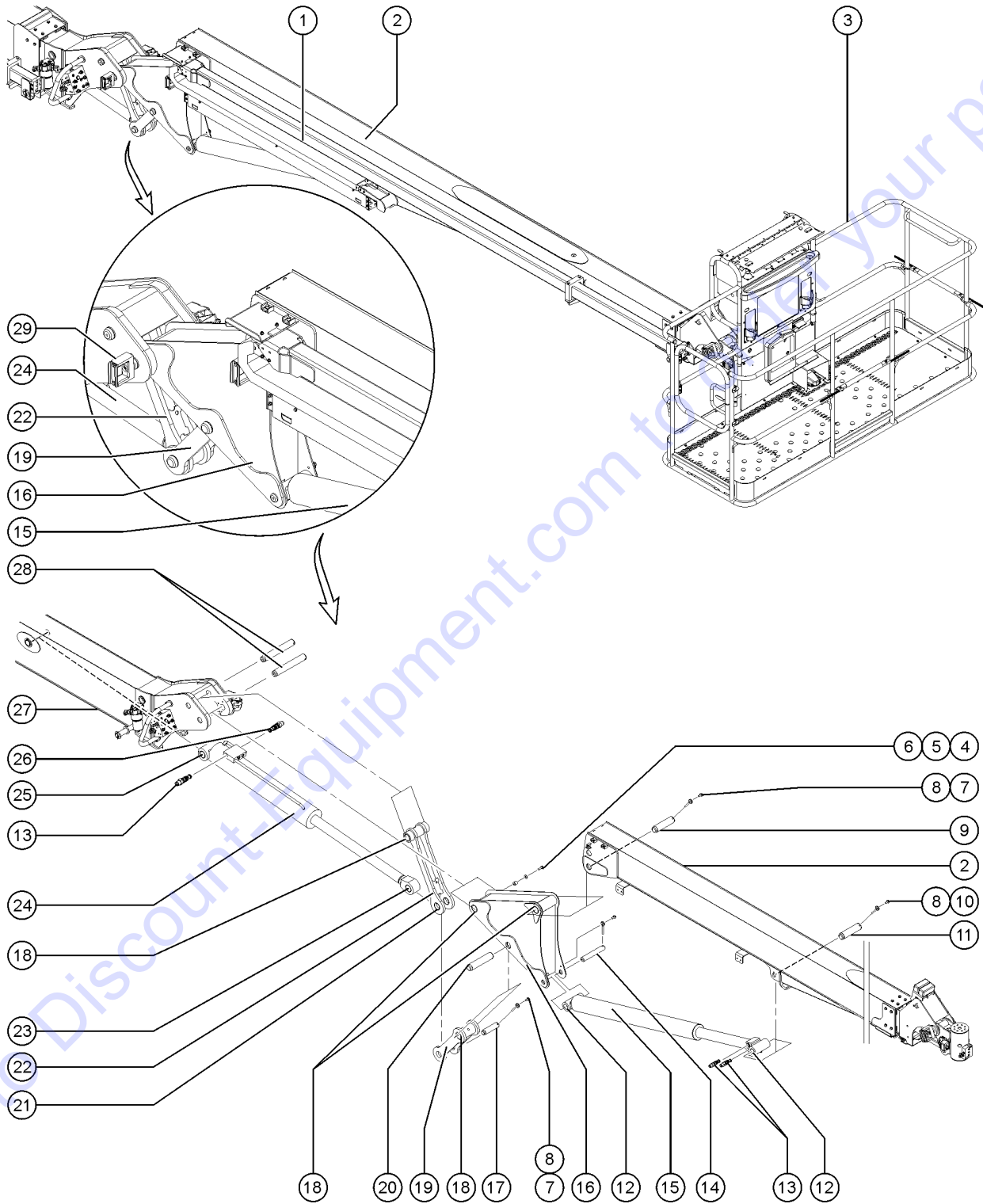


Item	Part No.	Description	Qty.
28	1272839GT	FORMING,COVER,ANGLE SENSOR	1
29	215706GT	SCREW,HHF,M10-1.5X45,DIN6921,10.9,ZAB	
30		(Ref.) SENSOR, ANGLE, 180 DEG, CW Sensor is very difficult to service individually. Order complete sensor kit assembly no. 1272840, includes items 3, 4, 31-36. (Calibration required after replacement)	1
30-	1272840GT	ASSY,ANGLE SEN.,SX135 BELL CR Complete sensor kit assembly no. 1272840, includes items 3, 4, 31-36. (Calibration required after replacement)	
31	237242GT	SCREW,FHS,M3-0.5X8,DIN7991,10.9,ZAB	
32	226492GT	MACHINED, ANGLE SENSOR HOLDER	1
33	226491GT	MACHINED, ANGLE SENSOR RACE	1
34	237241GT	SCREW,FHS,M3-0.5X14,DIN7991,10	
35	160592GT	PLATE, CONTACT, HARD STOP	1
36	217219GT	SCREW,SHC,M4-0.7X14 DIN912,12.9,ZAB	
37	1265053GT	WELDMENT,BOOM #3	1
38	1267153GT	WEAR PAD, 125X60X15, BLACK	2
39	1265014GT	FORMING,SHIM,WP,125X40	
40	1270898GT	SCREW,BHC,M10-1.50X20,10.9,ZAB	
41	1269380GT	PLATE,CABLE RETAINER,#3	2
42	231088GT	SCREW,HHF,M10-1.5X20,DIN6921,1	
43	1267152GT	WEAR PAD, 125X40X15, BLACK	2

Go to Discount-Equipment.com to order your parts



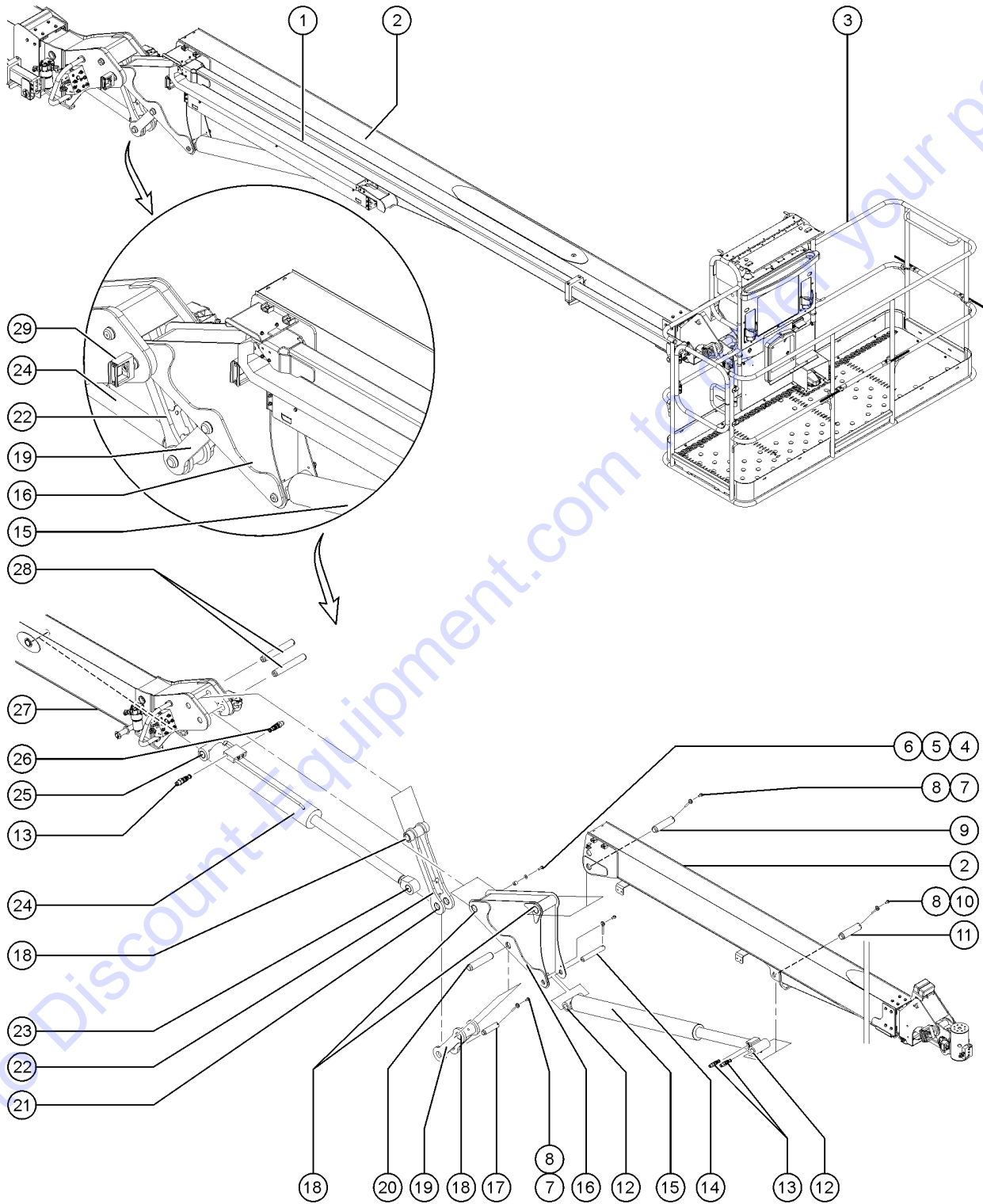
511.1 Jib Bellcrank



Item	Part No.	Description	Qty.
1		Jib Boom Cable Track (Refer to 504.1)	
2		JIB BOOM ASSYMBLY (Refer to 512.1, 513.1 and 514.1)	
3		Platform Installation (Refer to 601.1 and 602.1)	
4	231533GT	SCREW,HHF,M10-1.5X35,DIN6921,10.9,ZAB	
5	233509GT	WASHER,FLAT,M10 PLDT,FW	
6	1270896GT	TUBE,RD,ALUMINUM,1.00X.406X.810LG	1
7	231530GT	SCREW,HHF,M10-1.5X25,DIN6921,10.9,ZAB	
8	825019GT	ROD END,.375X3.69,ZAG	
9	1265073GT	PIN,50MM DIA.X 280MM LG,1HOLE	1
10	232871GT	SCREW,HHF,M10-1.5X40,DIN6921,1	
11	231544GT	PIN,35MM DIA.X 205MM LG,1HOLE	1
12	231524GT	BEARING,35IDX41ODX25L	4
13	61602GT	VALVE,COUNTERBAL.CBBB-LHN@3500	2
13-	43018GT	SEAL KIT (39345)	
14	1265072GT	PIN,35MM DIA.X 225MM LG,1HOLE	1
15	1263738GT	CYLINDER, JIB LIFT	1
15-	1274028GT	SEAL KIT, 1263738 for 1263738	
16	1273834GT	ASSEMBLY,BELLCRANK,BRNGS (Includes bearings)	1
17	1265070GT	PIN,50MM DIA.X 195MM LG,1HOLE	1
18	T114804GT	BUSHING, 58OD X 50ID X 50LG	8
19	1273836GT	ASSY,BELLCRANK LINK,LOWER,BRNGS (Includes bearings)	1
20	1265071GT	PIN,50MM DIA.X 235MM LG,1HOLE	1
21	1273833GT	BEARING,50IDX58ODX19LG	2
22	1273835GT	ASSY,BELLCRANK LINK,VERTICAL,BRNGS (Includes bearings)	1
23	1265087GT	BEARING, 50ID X 58OD X 70LG	1
24	1263740GT	CYLINDER, BELLCRANK LEVEL	1
24-	1274030GT	SEAL KIT, 1263740 for 1263740	
25	229532GT	BEARING, 50ID X 58OD X 40LG	2



511.1 Jib Bellcrank



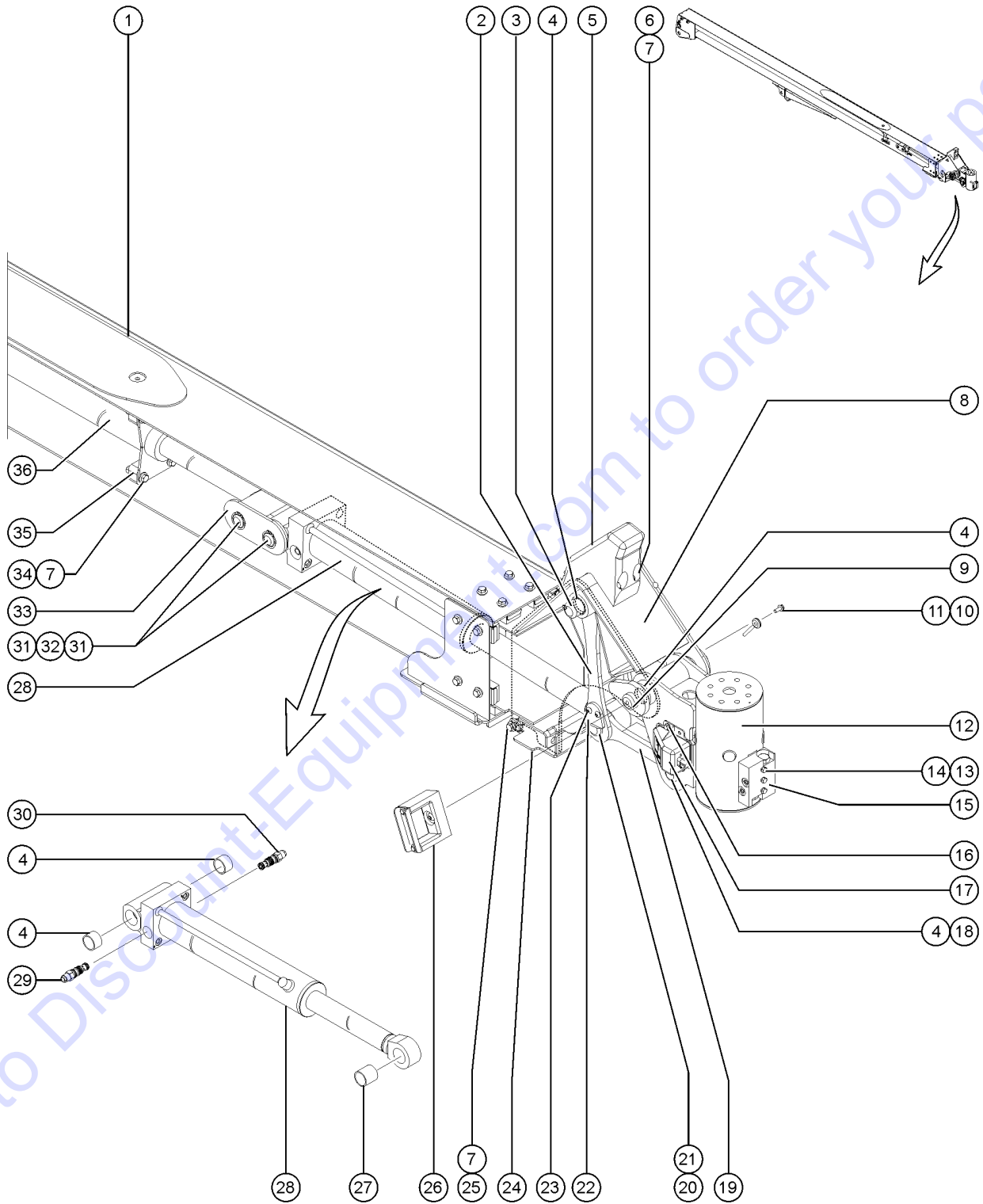
511.1 Jib Bellcrank

Item	Part No.	Description	Qty.
26	54065GT	VALVE,COUNTERBALANCE,3500***	1
26-	43018GT	SEAL KIT (39345)	
27		Boom Tube Three	
		(Refer to 510.1)	
28		PIN,50MM DIA.X 340MM LG,1HOLE	
		(Refer to 510.1)	
29		UHMW,CABLE GUIDE	
		(Refer to 510.1)	

Go to Discount-Equipment.com to order your parts

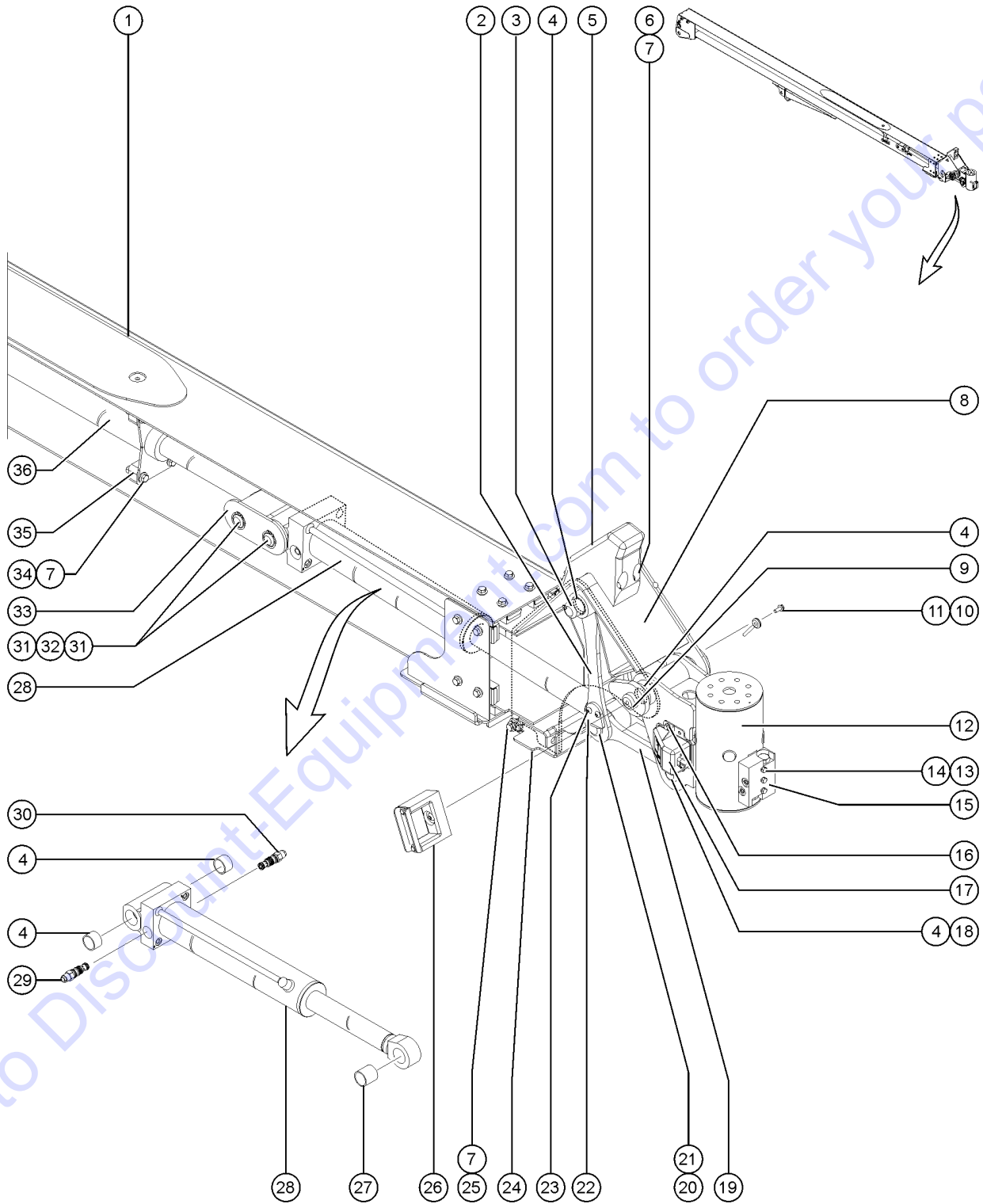


512.1 Jib Boom Assembly - View 1



Item	Part No.	Description	Qty.
1		Ref. WELDMENT, BOOM 4, MAST WELDED (Refer to 513.1 and 514.1)	1
2	1273837GT	ASSEMBLY, PLAT LINK, VERTICAL, BRNGS (Includes bearings 231524)	1
3	231544GT	PIN, 35MM DIA. X 205MM LG, 1HOLE	1
4	231524GT	BEARING, 35IDX41ODX25L	6
5	1275062GT	TIP, JIB, TRANSPORT REST PAD	1
6	232871GT	SCREW, HHF, M10-1.5X40, DIN6921, 1	
7	231529GT	NUT, TL FLG, M10-1.5, DIN6927, 10,	
8		Ref. WELDMENT, BOOM #5 (Refer to 514.1)	1
9	1265072GT	PIN, 35MM DIA. X 225MM LG, 1HOLE	1
10	215706GT	SCREW, HHF, M10-1.5X45, DIN6921, 10.9, ZAB	
11	825019GT	ROD END, .375X3.69, ZAG	
12	1264988GT	ROTATOR, PLATFORM, 15K (Includes bearings 231524)	1
12	226542GT	SEAL KIT, 15K ROTATOR	
12-	88516GT	SCREW, BLEEDER, M5X0.8	
13	824063GT	SCREW, HHC, 1/4-20 X 1.75, 8, ZAG	
14	824109GT	WASHER, LOCK, 1/4, ZAG	
15	1270810GT	MANIFOLD, ROTATOR, CB	1
15-	62506GT	VALVE - COUNTERBALANCE**	2
16	237238GT	SCREW, HHF, M6-1.0X12, DIN6921, 10	
17	50813GT	SENSOR, TILT, PCON (PLASTIC)**** (Calibration required after replacement)	1
18	231539GT	PIN, 35MM DIA. X 130MM LG, 1HOLE	1
19	1273838GT	ASSEMBLY, PLAT LINK, LOWER, BRNGS (Includes bearings 231524 and 1273832)	1
20	1265075GT	PIN, 35MM DIA. X 114MM LG, 2 FLATS	1
21	1273832GT	BEARING, 35IDX41ODX12.7L	2
22	1264895GT	PLATE, PIN RETAINER, LINK	2
23	217711GT	SCREW, BHC, M8-1.25X16, 10.9, ZAB	
24	1271088GT	FORMING, FITTING COVER	1
25	231530GT	SCREW, HHF, M10-1.5X25, DIN6921, 10.9, ZAB	

512.1 Jib Boom Assembly - View 1

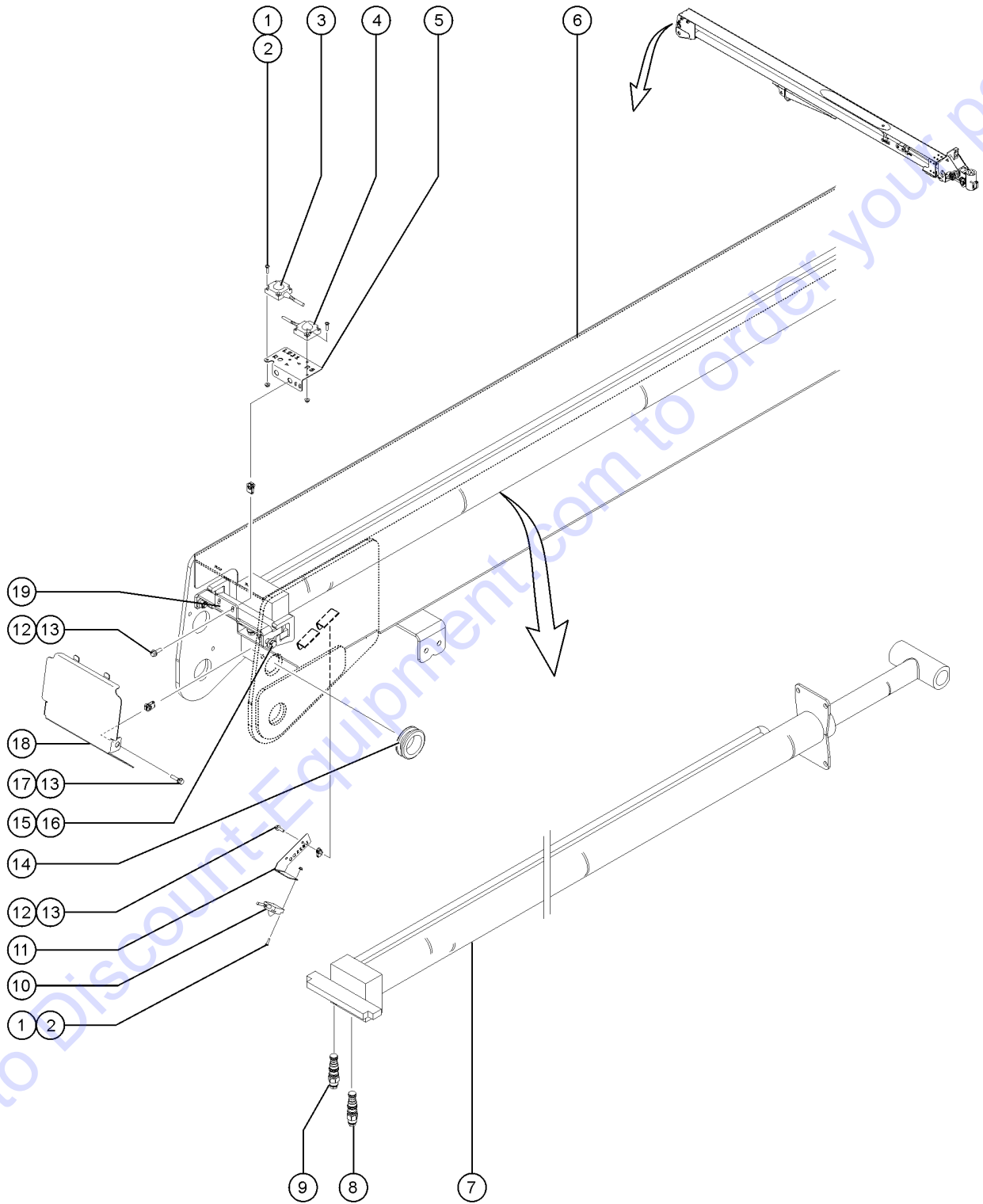


Item	Part No.	Description	Qty.
26		Ref. UHMW,CABLE GUIDE (Refer to 510.1)	
27	229466GT	BEARING,35ID X 41OD X 40LG	1
28	1263741GT	CYLINDER, PLATFORM LEVEL	1
28-	1274031GT	SEAL KIT, 1263741 for 1263741	
29	61602GT	VALVE,COUNTERBAL.CBBB-LHN@3500	1
30	54065GT	VALVE,COUNTERBALANCE,3500***	1
31	228399GT	SNAP RING,EXTERNAL,35MM,ZAB	4
32	1265076GT	PIN,35MM DIA.X 185MM LG,2 RINGS	2
33	1264798GT	MACHINING, BOSS, JIB	2
34	215706GT	SCREW,HHF,M10-1.5X45,DIN6921,10.9,ZAB	
35	71858GT	WEAR PAD,4.25 X 1.5 X 1	2
36		Ref. CYLINDER, JIB EXTEND (Refer to 513.1)	

Go to Discount-Equipment.com to order your parts



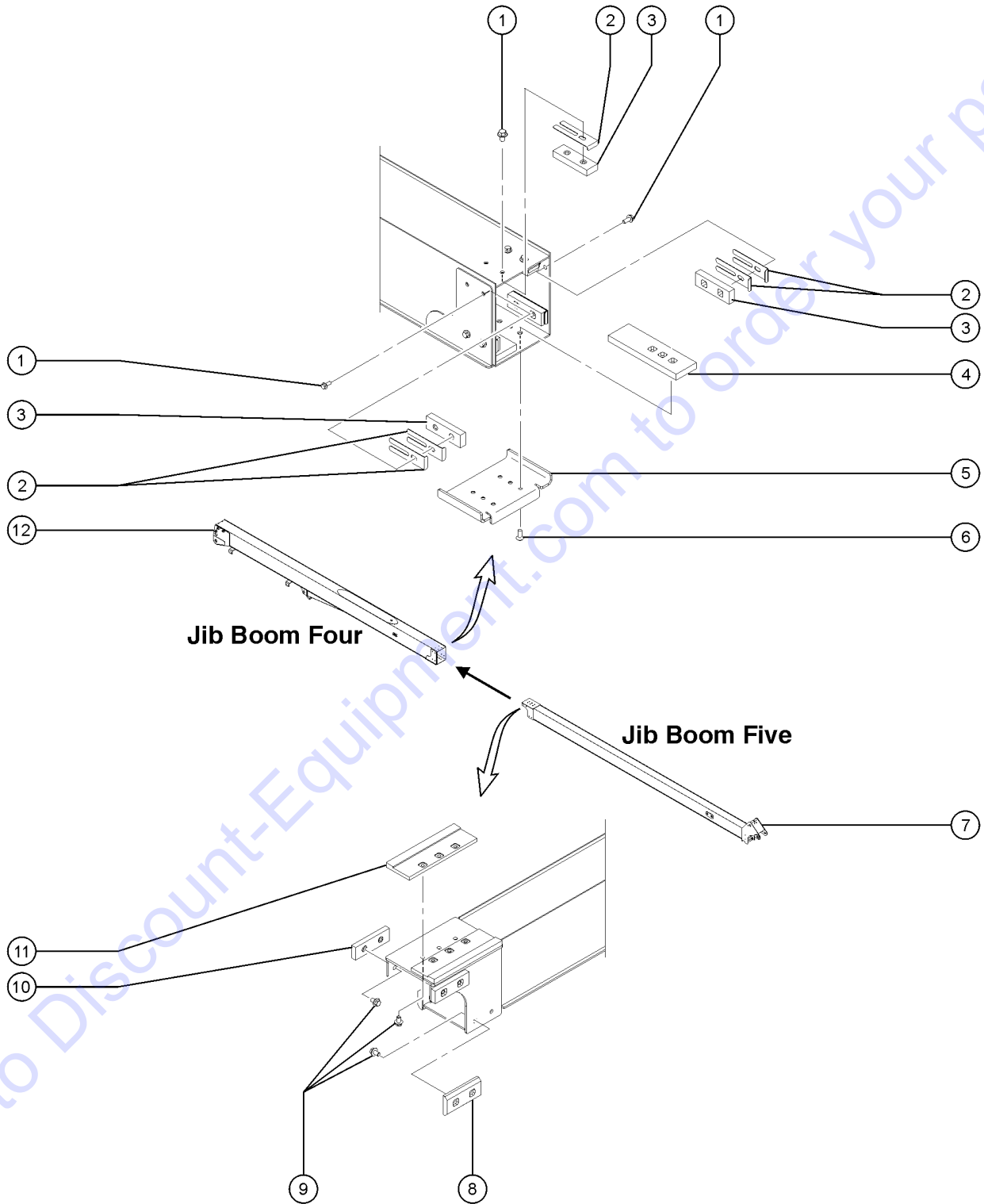
513.1 Jib Boom Assembly - View 2



Go to Discount-Equipment.com to order your parts

Item	Part No.	Description	Qty.
1	1265054GT	WELDMENT, BOOM 4, MAST WELDED	1
1	235315GT	SCREW,PHPM,M4-0.7X16,DIN7985,ZAB	
2	1255752GT	NUT,FLG,M4-0.7,DIN6923,8,ZAB	
3	1271493GT	SWITCH ASSY,LSJ1RO,N.O.PROX	1
		(Calibration required after replacement)	
4	1271494GT	SWITCH ASSY,LSJ1RS,N.C.PROX	1
		(Calibration required after replacement)	
5	1265059GT	FORMING,MOUNT,LSJ1RO/RS	1
6		Ref. WELDMENT, BOOM 4, MAST WELDED	
		(Refer to 512.1 and 514.1)	
7	1263739GT	CYLINDER, JIB EXTEND	1
7-	1274029GT	SEAL KIT, 1263739	
		for 1263739	
8	119955GT	VALVE,COUNTERBALANCE	1
9	62419GT	VALVE,CB.CBBC-LHN@2200*	1
10	1271495GT	SWITCH ASSY,LSJ1DO,N.O.PROX	1
		(Calibration required after replacement)	
11	1265041GT	FORMING,LSJ1DO MOUNT,TUCKED	1
12	231532GT	SCREW,HHF,M6-1.0X20,DIN6921,10.9,ZAB	
13	230073GT	SPRING CLIP,M6-1.0,0.8-4MM PAN	
14	106924GT	GROMMET,RUBBER .38X.2X1.75	1
15	232874GT	SCREW, HHF, M10-1.5X30,DIN6921	
16	231529GT	NUT,TL FLG,M10-1.5,DIN6927,10,	
17	231512GT	SCREW,HHF,M6-1.0X25,DIN6921,10.9,ZAB	
18	1265056GT	FORMING,COVER,#4 END	1
19	1265058GT	FORMING,EXT CYL RETAINER,JIB	1

514.1 Jib Boom Assembly - View 3

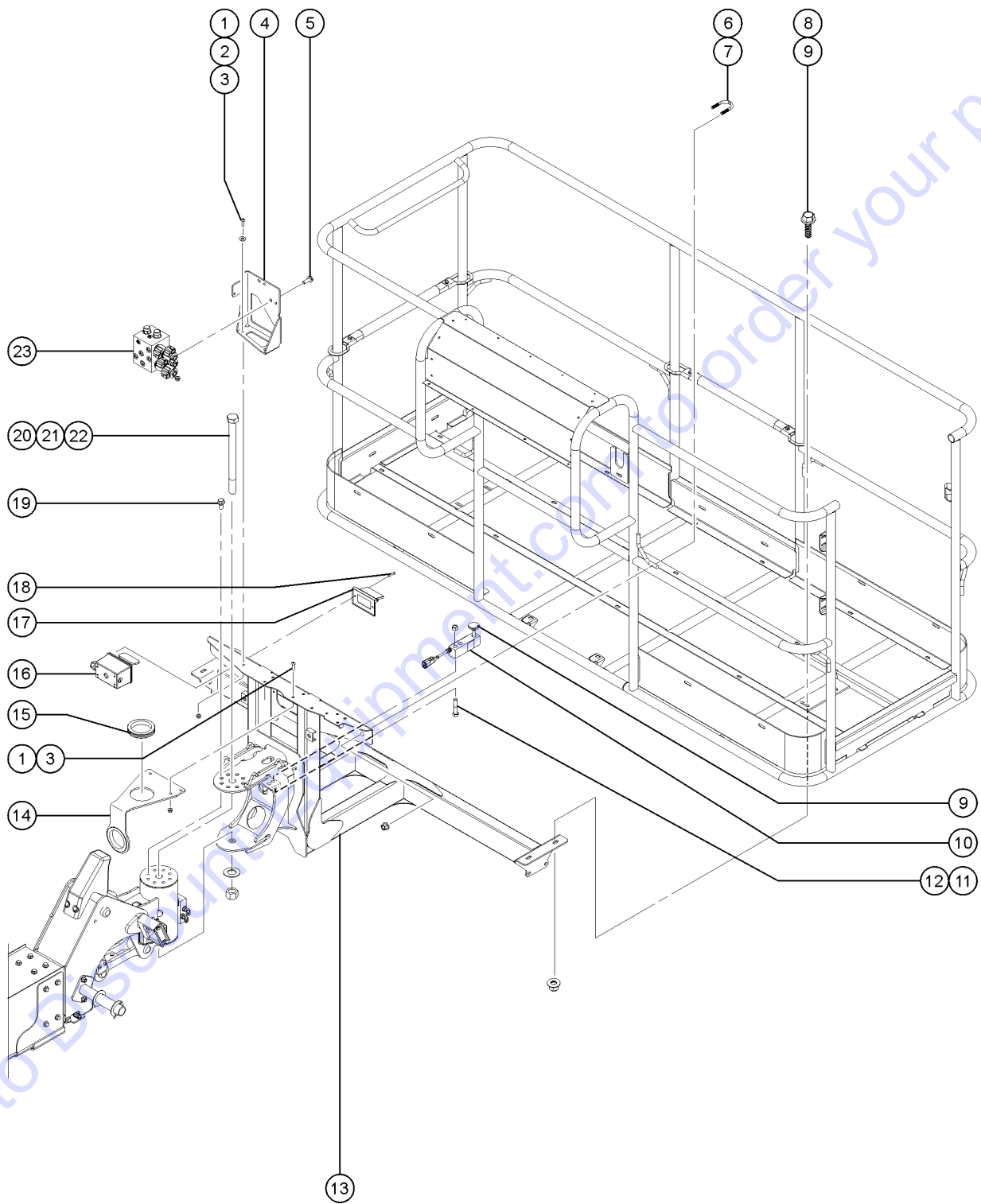


Item	Part No.	Description	Qty.
1	231088GT	SCREW,HHF,M10-1.5X20,DIN6921,1	
2	1265014GT	FORMING,SHIM,WP,125X40	
3	1267154GT	WEAR PAD, 125X40X19, BLACK	6
4	236233GT	WEAR PAD, 250X75X20	2
5	1272837GT	FORMING,TIE DOWN,JIB	1
6	219967GT	SCREW,FHS,M10-1.5X25,DIN7991,10.9,ZAB	
7	1265055GT	WELDMENT, BOOM #5	1
		(Refer to 512.1)	
8	1267153GT	WEAR PAD, 125X60X15, BLACK	4
9	237352GT	SCREW,HHF,M10-1.5X16,DIN6921,10.9,ZAB	
10	1267152GT	WEAR PAD, 125X40X15, BLACK	2
11	216752GT	WEAR PAD, 250X85X15, BLACK	2
12	1265054GT	WELDMENT, BOOM 4, MAST WELDED	1
		(Refer to 512.1 and 513.1)	

Go to Discount-Equipment.com to order your parts



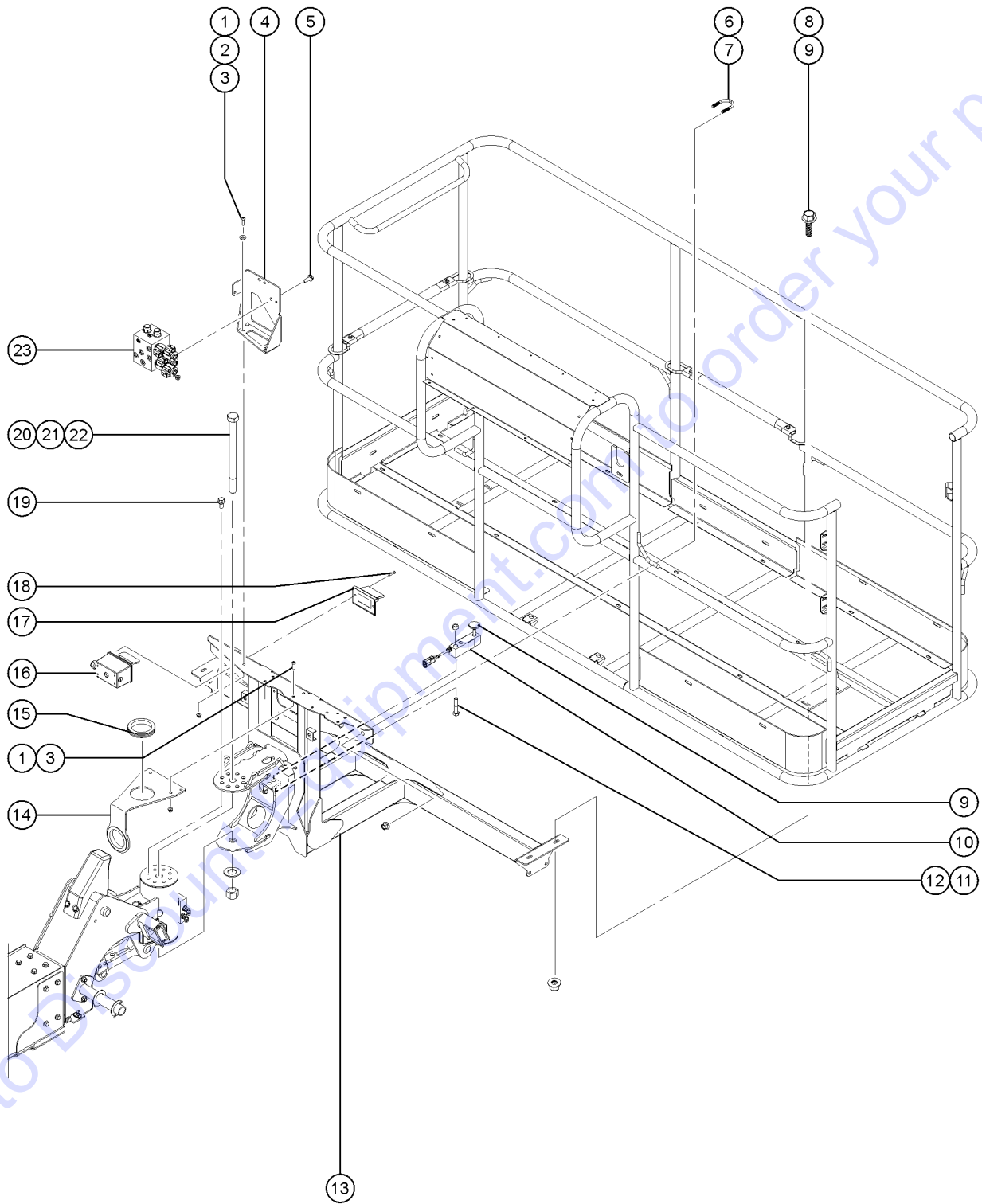
601.1 Platform Installation - View 1



Go to www.genie.com to order your parts

Item	Part No.	Description	Qty.
1	1291194GT	SCREW,5/16-18X1.25,SECURITY TO	
2	825358GT	WASHER,FLAT,5/16,USS,ZAG	
3	1274167GT	NUT,NYLOCK FLG,5/16-18,G,ZAG	
4	1260641GT	WELDMENT,MANIFOLD MOUNT	1
5	824089GT	SCREW,HHF,3/8-16X.75,8,ZAG	
6	1251600GT	U-BOLT, FLATTENED, 1.5 X 3/8	2
7	824029GT	NUT,TL FLG,3/8-16,G,ZAG	
8	824091GT	SCREW,HHF,3/8-16X1.25,8,ZAG	
9	1270337GT	LEVELING MOUNT, SWIVEL, 1/2-20	1
10	1270278GT	LOAD CELL,J1939,650KG/1433LB NOTE: install with arrows pointing downwards (Calibration required after replacement)	1
11	1257464GT	SCREW,HHC,1/2-13X2.5,8,ZAG	
12	1259106GT	NUT,1/2-13,8,ZAG	
13	1273734GT	WELDMENT, PLATFORM SUPPORT, 15	1
14	1274065GT	FORMING, CABLE GUIDE	1
15	55067GT	GROMMET,RUBBER 3 X .19 X 3.5	2
16A	75069GT	T-BOX 2.75 X 4.5 X 2.5	1
		USA/CSA models	
16A-	13585GT	OUTLET,110V GFCI***	1
16A-	74052GT	GASKET,COVER,GFCI,WEATHERPROOF	
16B	75069GT	T-BOX 2.75 X 4.5 X 2.5	2
		UK models	
16B-	T112560GT	RECEPTACLE,UK,110V	2
16B-	T112561GT	PLATE,UK,POWER TO PLAT	2
16B-	74052GT	GASKET,COVER,GFCI,WEATHERPROOF	4
16C	1252696GT	RECEPTACLE,400/230V,AC,EU	1
		EU/AUS models	
16C-	12960GT	CABLE SQUEEZE CONN.,XTRA LRG	1
16C-	14041GT	LOCKNUT,ELECTRIC,3/4"	1
17	74006GT	COVER,GFCI,HORIZONTAL,WEATHER	1
		USA/CSA models	
18	1253489GT	SCREW,FHPM,6-32 X .75,ZAG	
19	237830GT	SCREW,HHF,1/2-13X1,8,ZAG	8

601.1 Platform Installation - View 1



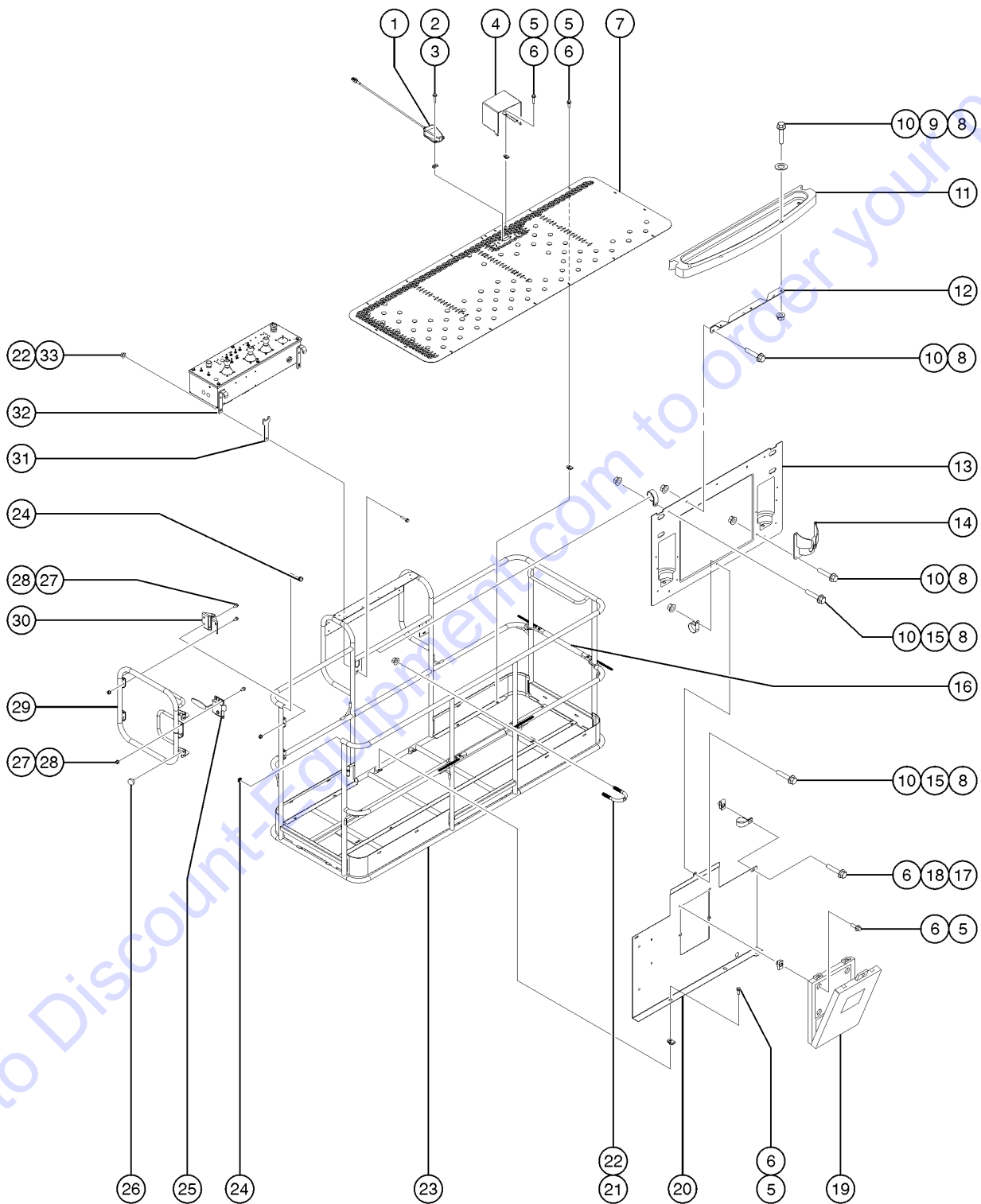
Go to www.genie.com to order your parts

<i>Item</i>	<i>Part No.</i>	<i>Description</i>	<i>Qty.</i>
20	824075GT	SCREW,HHC,1-8X12.75,5,ZAG	1
21	826794GT	NUT,TL,1-8,C,ZAGRING	1
22	824116GT	WASHER,FLAT,1.0,F436,HRD,ZAG	1
23		Ref. MANIFOLD, PLATFORM	
		(Refer to 706.1)	

Go to Discount-Equipment.com to order your parts

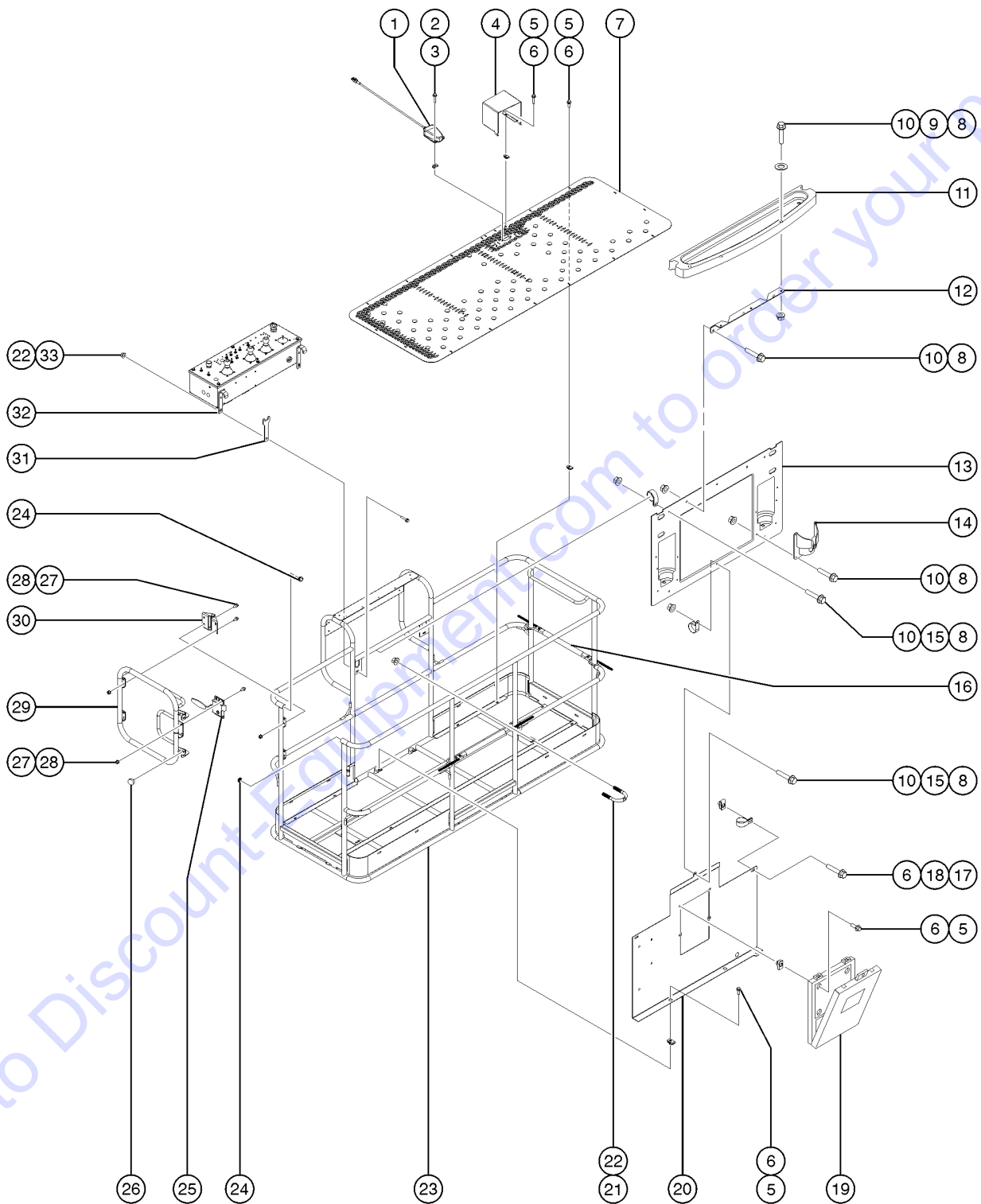


602.1 Platform Installation - View 2



Item	Part No.	Description	Qty.
A	1272306GT	ASSY,8FT PLAT TRI XL,BLANK W/SIDE SWING GATE Warning tape & decals not included, refer to section 100 Decals	
B	1272305GT	ASSY,6FT PLAT DUAL XL,BLANK W/SIDE SWING GATE Warning tape & decals not included, refer to section 100 Decals	
1	227515GT	ASSEMBLY,FOOT SWITCH	1
2	1269641GT	SCREW,HHF-S,10-24X1.5,ZAG	2
3	73575GT	SPRING CLIP,10-24,ZINC	2
4	147121GT	COVER, FOOT SWITCH, LARGE	1
5	824078GT	SCREW,HHF,1/4-20X.75,8,ZAG	27
6	56912GT	SPRING CLIP,1/4-20,.025-.15X.5	29
7A	73478GT	FLOORING, 8 FT PLATFORM*** for 8' platform	1
7B	1267746GT	FLOORING, 72X30 PLATFORM for 6' platform	1
8	1262031GT	SCREW,HHF-S,10-24X.75,ZAG	20
9	1253185GT	WASHER,FLAT,#10,USS,ZAG	2
10	1256467GT	NUT,TL FLG,10-24,F,ZAG	20
11	60476GT	TOOL HOLDER,PLASTIC	1
12	60475GT	GUSSET,TOOL HOLDER,PLASTIC	1
13	60477GT	PLATE,DECAL,PLASTIC	1
14	60474GT	CUP HOLDER,PLASTIC	2
15	60478GT	CLAMP,1.25"DIA NON-CUSHIONED	7
16A	102992GT	SLIDING MIDRAIL KIT,PTD for 8' platform	2
16B	102992GT	SLIDING MIDRAIL KIT,PTD for 6' platform	1
17	824079GT	SCREW,HHF,1/4-20X1.8,ZAG	2
18	56424GT	CLAMP,1.25X.5 RUBBER-CUSHION	2
19	24514GT	BOX,INSTRUCTION STORAGE	1
20	75537PGT	PLATE,DOCUMENT BOX MOUNT,PAINT	1
21	1251600GT	U-BOLT, FLATTENED, 1.5 X 3/8	2
22	824029GT	NUT,TL FLG,3/8-16,G,ZAG	6
23A	1274859GT	ASSY,8' PLAT WELDMNT W/SIDE GATE for 8' platform (includes item 16A) (order floor separately)	
23B	1274858GT	ASSY,6' PLAT WELDMNT W/SIDE GATE for 6' platform (includes item 16B)	

602.1 Platform Installation - View 2



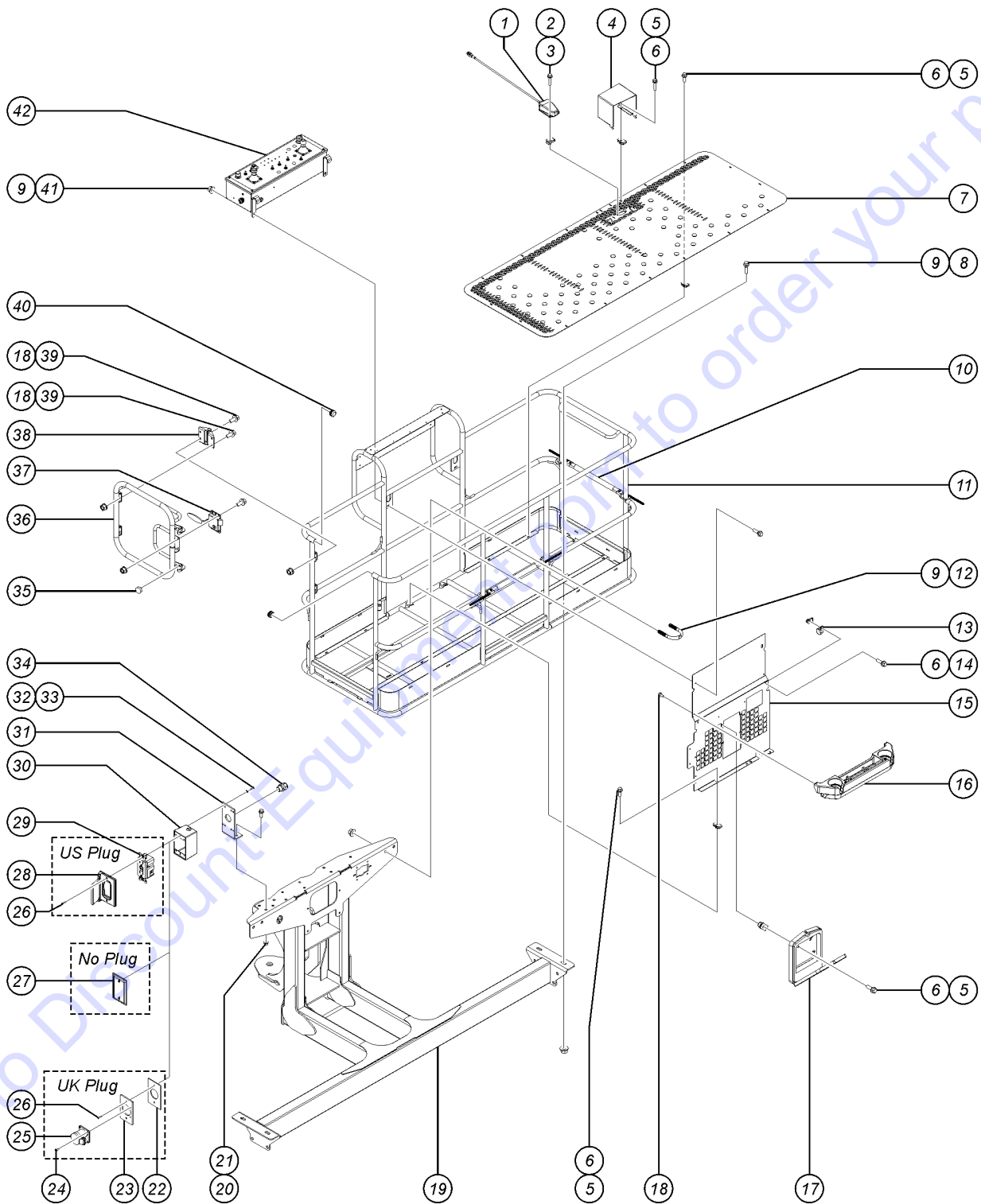
Go to DiscountEquipment.com to order your parts

Item	Part No.	Description	Qty.
24	55753GT	BUMPER, PLASTIC, 1.25 O.D.	2
25	1267747GT	LATCH, SWING GATE	1
26	43392GT	BUMPER,BATTERY BOX & RAILS	2
27	824027GT	NUT,TL FLG,1/4-20,G,ZAG	12
28	1256855GT	SCREW,HHF,1/4-20X.625,8,ZAG	12
29	1272307GT	ASSY,SIDE SWING GATE Complete side swing gate assembly (includes items 25 -30)	
29-	1265397GT	WELDMENT, SWING GATE	1
30	104804GT	HINGE, SPRING, LONG LEG	2
31	107860GT	PLATE,PLAT.CONTROL BOX SPACER	2
32		REF. PLATFORM CONTROL BOX ASSEMBLY	1
		(Refer to 603.1)	
33	824092GT	SCREW,HHF,3/8-16X1.5,8,ZAG	2

Go to Discount-Equipment.com to order your parts

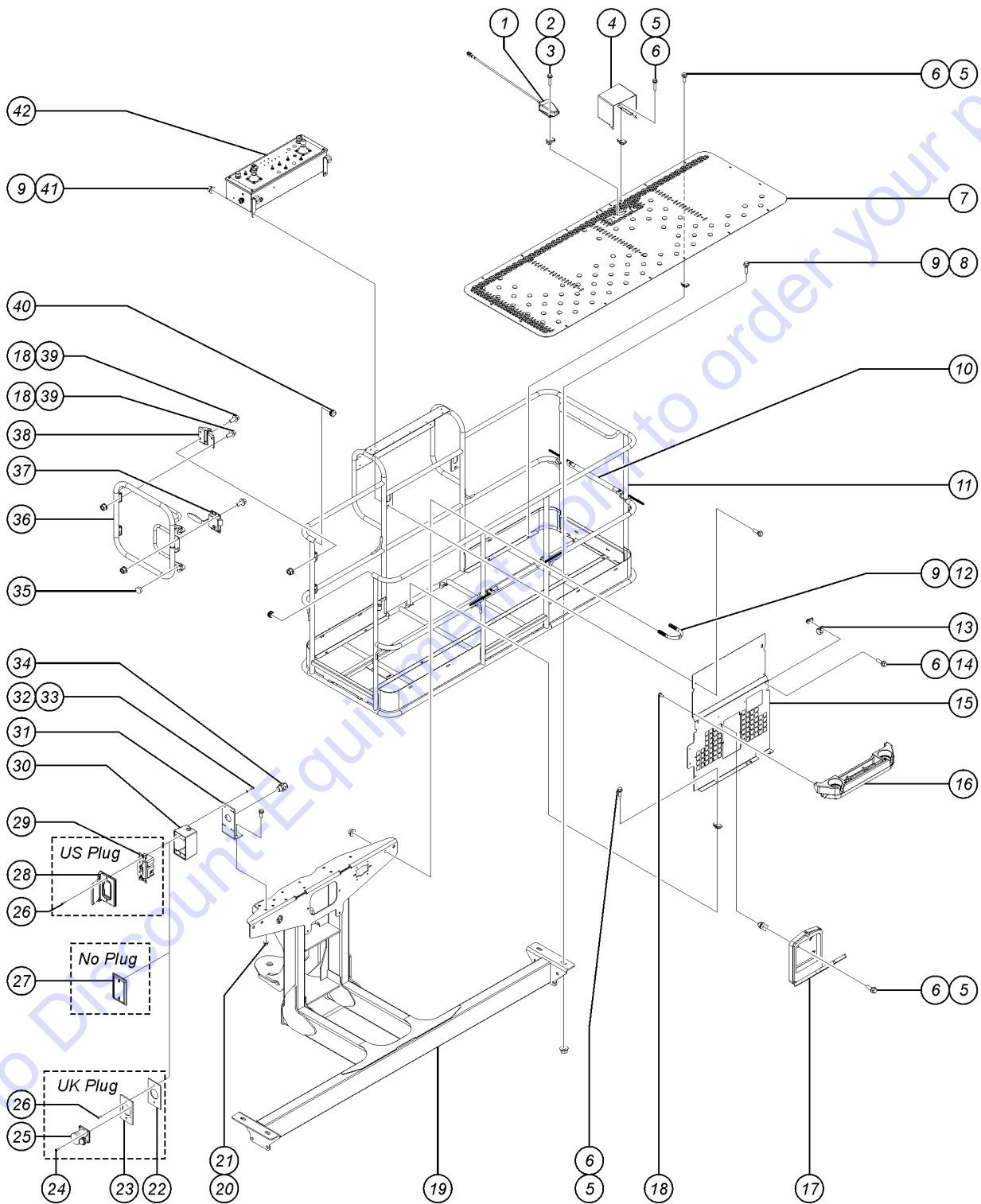


602.2 Platform Installation (From SX135H-404)



Item	Part No.	Description	Qty.
A	1269113GT	OPTION, 8' PLATFORM W/SIDE SWING GATE (8 feet platform)	
B	1272303GT	ASSY, 6FT PLAT DUAL LG,BLANK W/SIDE SWING GATE (6 feet platform)	
1	227515GT	ASSEMBLY,FOOT SWITCH	1
2	1269641GT	SCREW,HHF-S,10-24X1.5,ZAG	2
3	73575GT	SPRING CLIP,10-24,ZINC	2
4	147121GT	COVER, FOOT SWITCH, LARGE	1
5	824078GT	SCREW,HHF,1/4-20X.75,8,ZAG	
6	56912GT	SPRING CLIP,1/4-20,.025-.15X.5	
7	73478GT	FLOORING, 8 FT PLATFORM*** (8 feet platform)	1
7B	1267746GT	FLOORING, 72X30 PLATFORM (6 feet platform)	1
8	824091GT	SCREW,HHF,3/8-16X1.25,8,ZAG	4
9	824029GT	NUT,TL FLG,3/8-16,G,ZAG	10
10	12448GT	SLIDING MIDRAIL ASSY-STD (8 feet platform)	2
10B	12448GT	SLIDING MIDRAIL ASSY-STD (6 feet platform)	1
11	1265372GT	WELDMENT, 96X36, TRI ENTRY PLA (8 feet platform) (includes item 10)	1
11B	1265826GT	WELDMENT, 72X30, DUAL ENTRY PL (6 feet platform) (includes item 10)	1
12	1251600GT	U-BOLT, FLATTENED, 1.5 X 3/8	2
13	56424GT	CLAMP,1.25X.5 RUBBER-CUSHION	2
14	824079GT	SCREW,HHF,1/4-20X1.8,ZAG	2
15	1275088GT	FORMING, ALUM. DECAL PLATE	1
16	1289552GT	KIT, PLATFORM WORK TRAY	1
17	24514GT	BOX,INSTRUCTION STORAGE	1
18	1256855GT	SCREW,HHF,1/4-20X.625,8,ZAG	16
19		Ref. PLATFORM SUPPORT (refer to 601.1)	1
20	1274322GT	NUT,NYLOCK FLG,3/8-16,G,ZAG	2
21	824090GT	SCREW,HHF,3/8-16X1.8,ZAG	2
22	74052GT	GASKET,COVER,GFCI,WEATHERPROOF	1
23	T112561GT	PLATE,UK,POWER TO PLAT	1

602.2 Platform Installation (From SX135H-404)

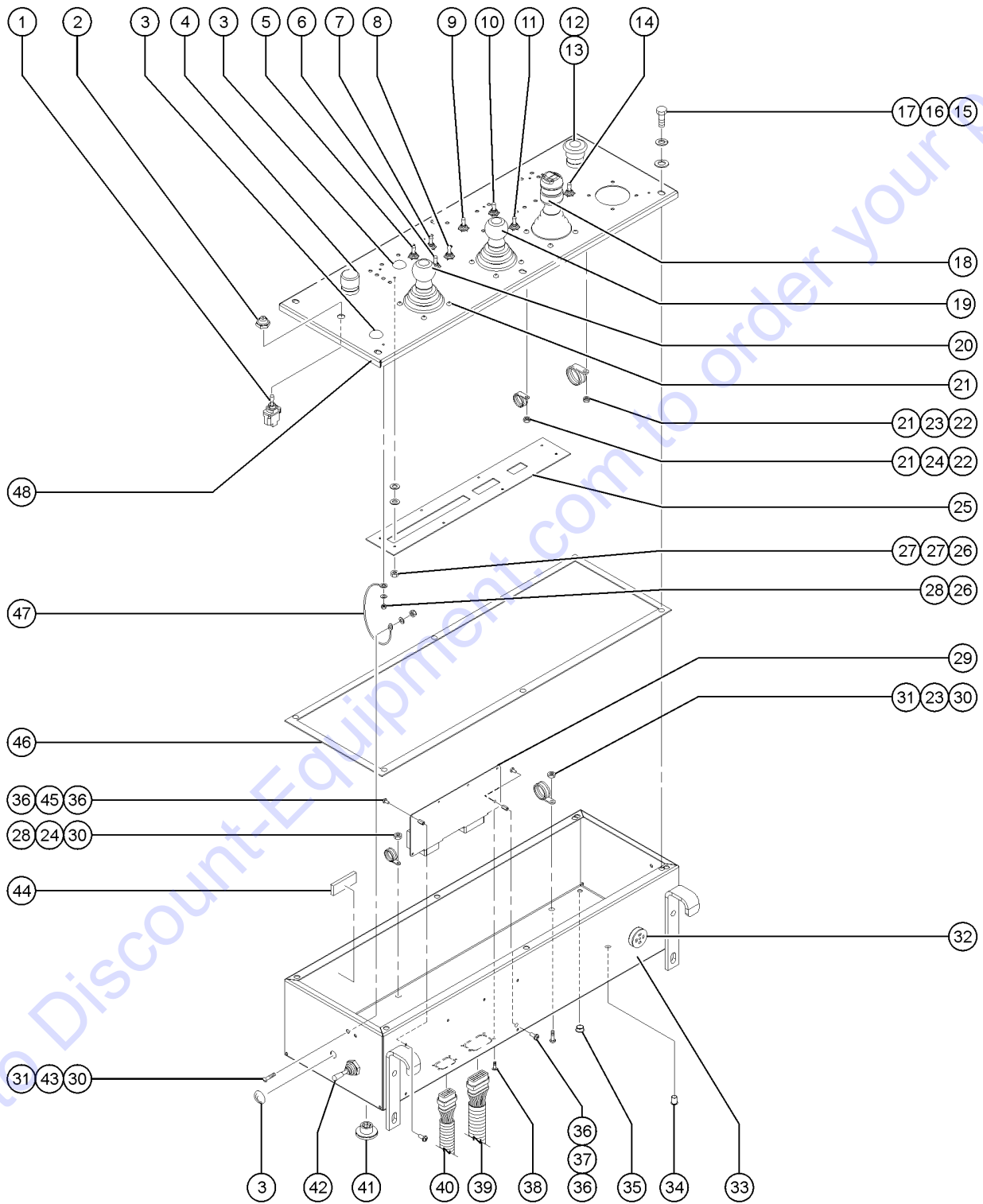


Item	Part No.	Description	Qty.
24	1255788GT	SCREW,FHPM,8-32X.375,ZAG	4
25	T112560GT	RECEPTACLE,UK,110V	1
26	1253489GT	SCREW,FHPM,6-32 X .75,ZAG	2
27	10777GT	COVER,BLANK	1
28	74006GT	COVER,GFCI,HORIZONTAL,WEATHER	1
29	13585GT	OUTLET,110V GFCI***	1
30	75069GT	T-BOX 2.75 X 4.5 X 2.5	1
31	81096GT	BRACKET,POWER TO PLAT, DOM.	1
32	1257296GT	SCREW,PHPM-ST,8.32X.50,TYPE F,	4
33	1257390GT	WASHER,FLAT,#8,SAE,ZAG	4
34	7057GT	CONN. SQZ,1/2NPT .39-.56 MED.	1
35	43392GT	BUMPER,BATTERY BOX & RAILS	2
36	1265397GT	WELDMENT, SWING GATE	1
37	1267747GT	LATCH, SWING GATE	1
38	104804GT	HINGE, SPRING, LONG LEG	2
39	1277924GT	NUT,NYLOCK FLG,1/4-20,F,ZAG	12
40	55753GT	BUMPER, PLASTIC, 1.25 O.D.	2
41	824092GT	SCREW,HHF,3/8-16X1.5,8,ZAG	2
42		Ref. PLATFORM CONTROL BOX ASSEMBLY (refer to 603.1)	1

Go to DiscountEquipment.com to order your parts



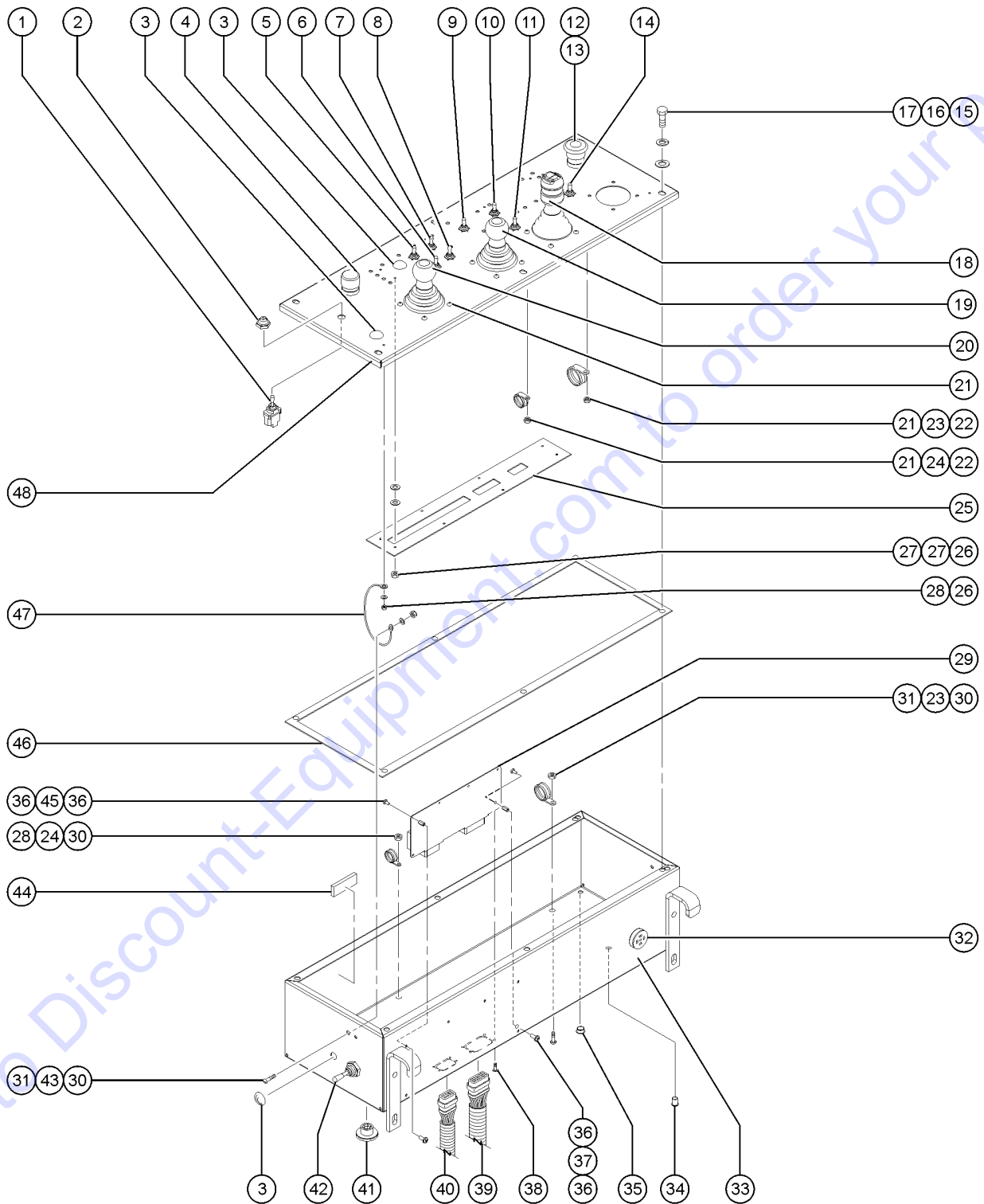
603.1 Platform Controls



Item	Part No.	Description	Qty.
A-	1271472GT	ASSY, PLATFORM CONTROL BOX Complete assembly, includes 1 - 38 and 41 - 48 only. Order your specific steer drive joystick separately. (Refer to 809.1)
B-	119613GT	HARN JOYSTICK ADAPTOR JS100 6-pin to 7-pin adapter (for 101174, 101175, 101005)
1	128200GT	SWITCH TOGGLE ASSY SPDT 3P MOM Platform Rotate Toggle Switch	1
2	27246GT	BOOT,TOGGLE SWITCH,SHORT* Part of toggle switch 128200	12
3	229567GT	PLUG, SANTOPRENE .5 BLACK DOME	5
4	66813GT	BUTTON,PUSH,BLACK W/SEAL***	1
4-	66815GT	BASE, W/1 N.O. CONTACTS***
5	128200GT	SWITCH TOGGLE ASSY SPDT 3P MOM Generator ON/OFF Toggle Switch	1
6	128200GT	SWITCH TOGGLE ASSY SPDT 3P MOM Drive Enable Toggle Switch	1
7	128200GT	SWITCH TOGGLE ASSY SPDT 3P MOM Auxiliary Power Toggle Switch	1
8	128200GT	SWITCH TOGGLE ASSY SPDT 3P MOM Axle Extend/Retract Toggle Switch	1
9	128200GT	SWITCH TOGGLE ASSY SPDT 3P MOM Engine Start Toggle Switch	1
10	128200GT	SWITCH TOGGLE ASSY SPDT 3P MOM Hi/Low RPM Toggle Switch	1
11	128200GT	SWITCH TOGGLE ASSY SPDT 3P MOM Drive Speed Toggle Switch	1
12	66812GT	BUTTON,PUSH,RED MUSHROOM HEAD	1
12-	66817GT	BASE WITH 1 NC CONTACT, E-STOP
13	146478GT	BOOT(BELLOWS),E-STOP,BLACK	1
14	128200GT	SWITCH TOGGLE ASSY SPDT 3P MOM Steer Mode Toggle Switch	1
15	6090GT	SCREW,HHC,1/4-20 X .75	6
16	6356GT	WASHER,LOCK,.25	6
17	6638GT	WASHER,FLAT,USS,1/4"Y	6
18	101173GT	JOYSTICK,2 AXIS,ROCKER,DEUTSCH Jib Up/Down and Platform Rotate Joystick. OEM joystick (calibration required after replacement). Refer to 605.1	1
18-	101173HGT	JOYSTICK,DUAL AXIS W/STEER Aftermarket joystick (calibration required after replacement)
19	101175GT	JOYSTICK,1 AXIS,DEUTSCH Boom Extend/Retract Joystick. OEM joystick (calibration required after replacement). Refer to 605.1	1
19-	101175HGT	JOYSTICK,SINGLE AXIS W/KNOB Aftermarket joystick (calibration required after replacement)
20	101174GT	JOYSTICK,2 AXIS,DEUTSCH Boom Up/Down and Turntable Rotate Joystick. OEM joystick (calibration required after replacement). Refer to 605.1	1
20-	101174HGT	JOYSTICK,DUAL AXIS W/KNOB Aftermarket joystick (calibration required after replacement)

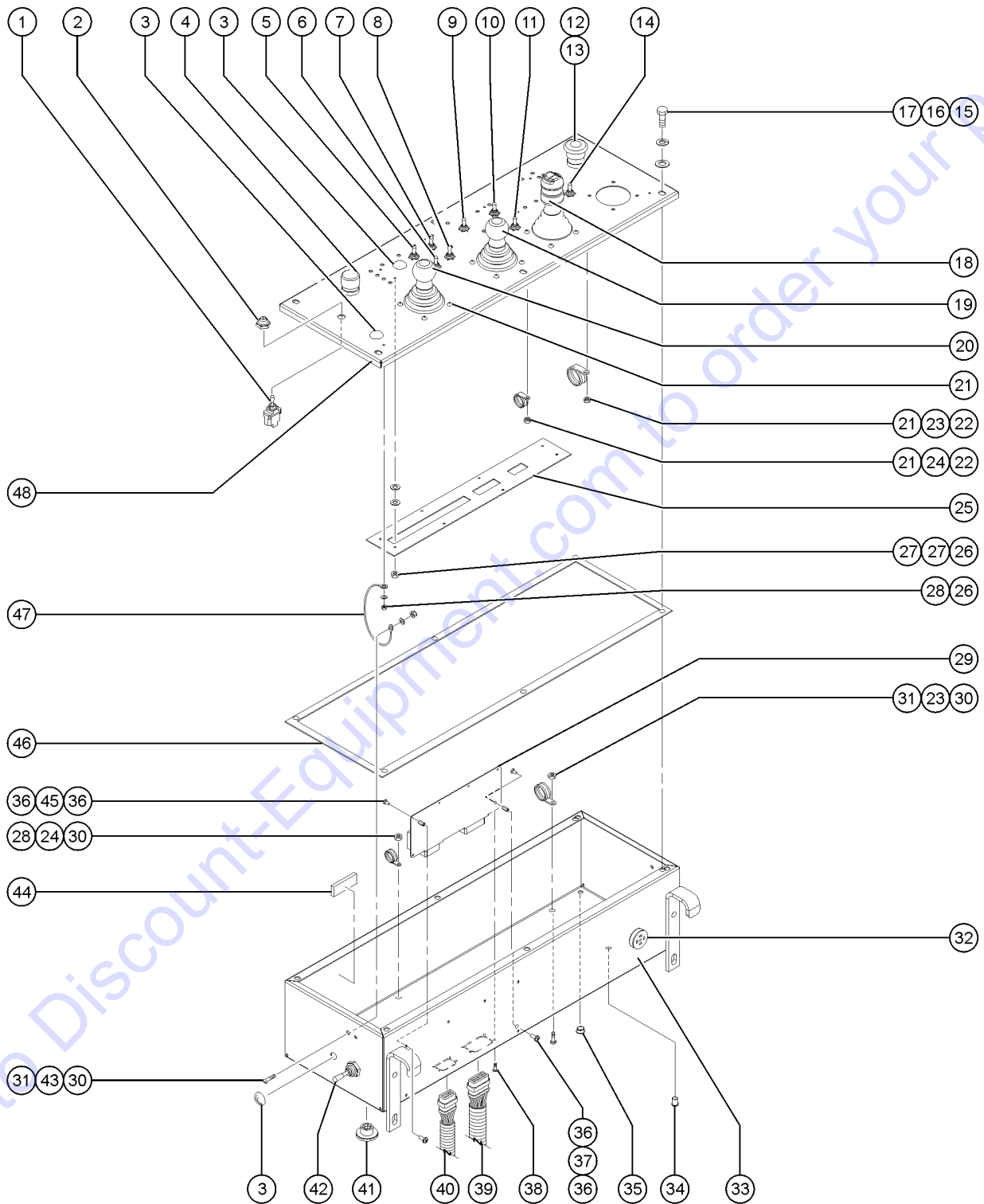


603.1 Platform Controls



Item	Part No.	Description	Qty.
21	139338GT	SCREW PH M5-0.8X20 DIN 7500CE	16
22	104030GT	NUT HEX M5-0.8 CLASS 8 ZINC	4
23	13268GT	CLAMP,0.75,#12 X 1/4,RUB CUSH	3
24	6833GT	CLAMP,0.50,#8 X 1/4,RUB CUSH	2
25	232975GT	PCB, LED/TOGGLE SWITCH, ALC100	1
26	12344GT	NUT,NYLOCK,6-32	10
27	822224GT	WASHER, NYLON #10, 0.093	8
28	35461GT	WASHER,FLAT,MS,#8,Y	2
29	1271475GT	PCB, ASSY, ECM, PLATFORM, SX135	1
30	6178GT	NUT,NYLOCK,10-32	4
31	54365GT	SCREW,PHIL,PHM,10-32 X .5,SSTL	4
32	62379GT	ALARM,AUDIO,SUPERBOOM***	1
32-	72326GT	NUT - PLASTIC, RING FOR ALARMS	
33	1271485GT	WELDMENT, PLATFORM CONTROL BOX (Empty control box only)	
34	42288GT	PLUG,NYLON .188 BLACK DOMED	1
35	21858GT	PLUG,NYLON .38 BLACK DOMED	4
36	81551GT	SCREW,PHIL,PHM,6-32 X 1/4 SS	12
37	88287GT	STANDOFF,6-32 X 1/2L X 1/4 HEX	2
38	122351GT	SCREW,#4X1/4,HI-LO,PH PHIL,TAP	8
39	1271510GT	HARNESS,PLAT MANIFOLD, SX135	1
40	1271508GT	HARNESS,BOOMCABLE, JIB, SX135	1
41	106495GT	PLUG,1/2" HUBBLE	2
42		Ref. SWITCH TOGGLE ASSY SPDT 3P MOM Platform level recovery option (refer to 809.1)	1
43	6146GT	WASHER,FLAT,MS,#10,Y	2
44	30997GT	CORROSION INHIBITOR,FOAM	1
45	110229GT	STANDOFF,6-32X1/2LX1/4 HEX NYL	4
46	81488GT	GASKET,PLATFORM CONTROL BOX	1
47	77351GT	LANYARD,PLATFORM CONTROL BOX	2

603.1 Platform Controls

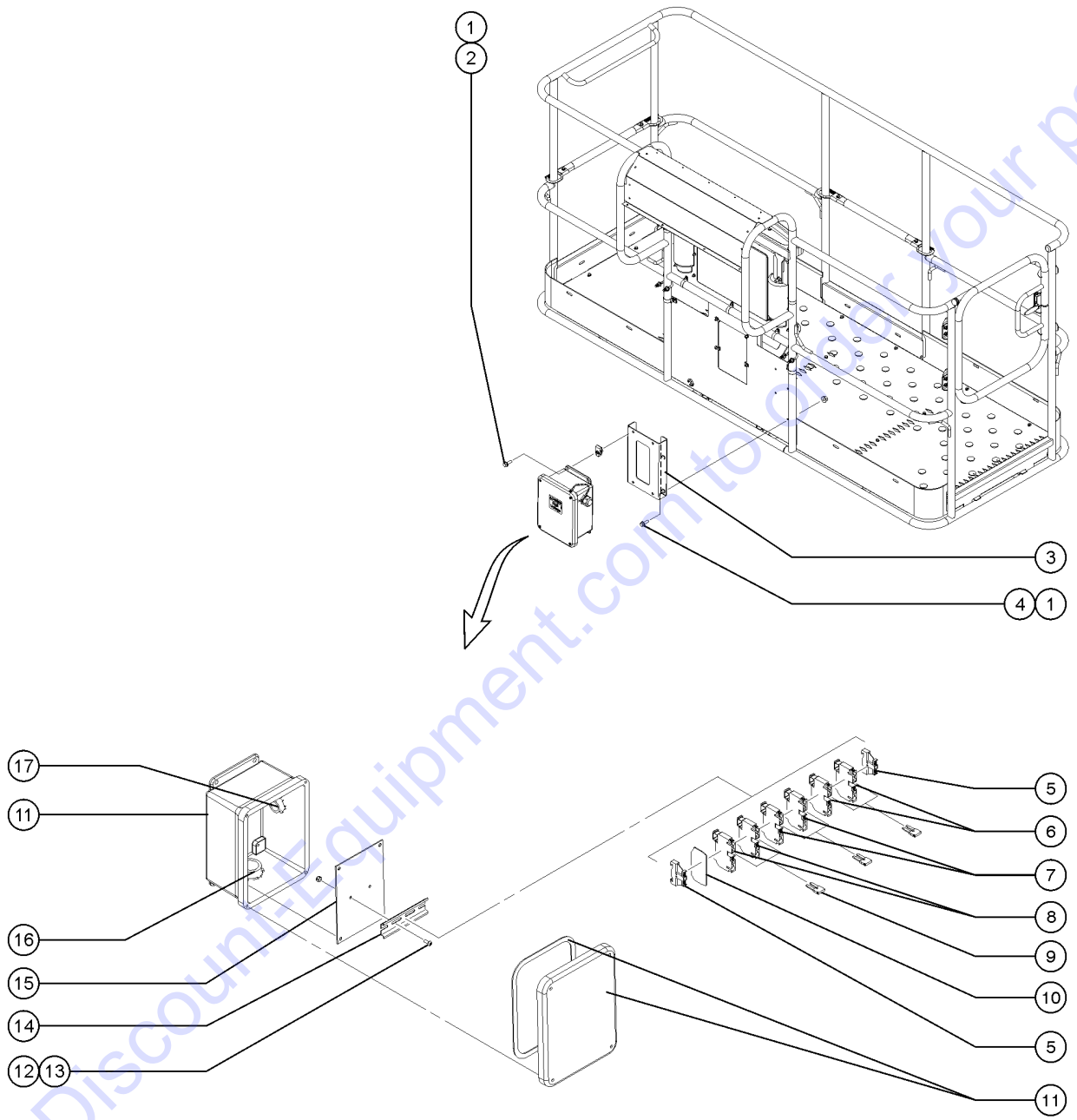


<i>Item</i>	<i>Part No.</i>	<i>Description</i>	<i>Qty.</i>
48	1271471GT	LID, PLATFORM CONTROL BOX (Excluding all items from 1 to 47)	1

Go to Discount-Equipment.com to order your parts



604.1 Platform J Box Assembly



Item	Part No.	Description	Qty.
-	1258000GT	BOX,ASSY PLATFORM,J,AU/SK Australia models only (complete, including 1 - 17)	
1	231532GT	SCREW,HHF,M6-1.0X20,DIN6921,10.9,ZAB	
2	230073GT	SPRING CLIP,M6-1.0,0.8-4MM PAN	
3	1275825GT	FORMING, PLAT JBOX MOUNT	1
4	231513GT	NUT,TL FLG,M6-1.0,DIN6927,10,Z	
5	74913GT	END STOP, DIN RAIL,SCREW CLAMP	2
6	825797GT	BLOCK,DIN FEED THRU,16-6	2
7	825747GT	BLOCK,DIN FEED THRU BLUE	2
8	825795GT	BLOCK,DIN FEED THRU,16-6	2
9	825849GT	JUMPER,2 PIN DIN RAIL TERMINAL	3
10	822103GT	DIN RAIL, PARTITION PLATE	1
11	825748GT	BOX,J,CIRCUIT BREAKERS EU	1
12	54365GT	SCREW,PHIL,PHM,10-32 X .5,SSTL	
13	6178GT	NUT,NYLOCK,10-32	
14	825737GT	DIN RAIL, 4.60"	1
15	825761GT	PANEL, ENCLOSURE, BACK	1
16	1269460GT	CABLE SQUEEZE CONN, M40X1.5	
16-	822222GT	CABLE SQUEEZE CONN., 1.25"	
17	12960GT	CABLE SQUEEZE CONN.,XTRA LRG	1
17-	14041GT	LOCKNUT,ELECTRIC,3/4"	

Go to DiscountEquipment.com to order your parts



PARTS FINDER

**Search Website
by Part Number**



**Search Manual
Library For Parts
Manual & Lookup Part
Numbers – Purchase
or Request Quote**

Search Manuals

Enter your information to help us find the right parts manual for your machine.

* Brand:

* Model:

* Serial:

* Part Number:

SEARCH

**Can't Find Part or
Manual? Request Help
by Manufacturer,
Model & Description**

Parts Order Form

Please fill in the following information to help us find the right part for your machine.

Manufacturer:	<input type="text"/>
Model:	<input type="text"/>
Description:	<input type="text"/>
Part Number:	<input type="text"/>
Quantity:	<input type="text"/>
Notes:	<input type="text"/>

Submit

Discount-Equipment.com is your online resource for quality parts & equipment.

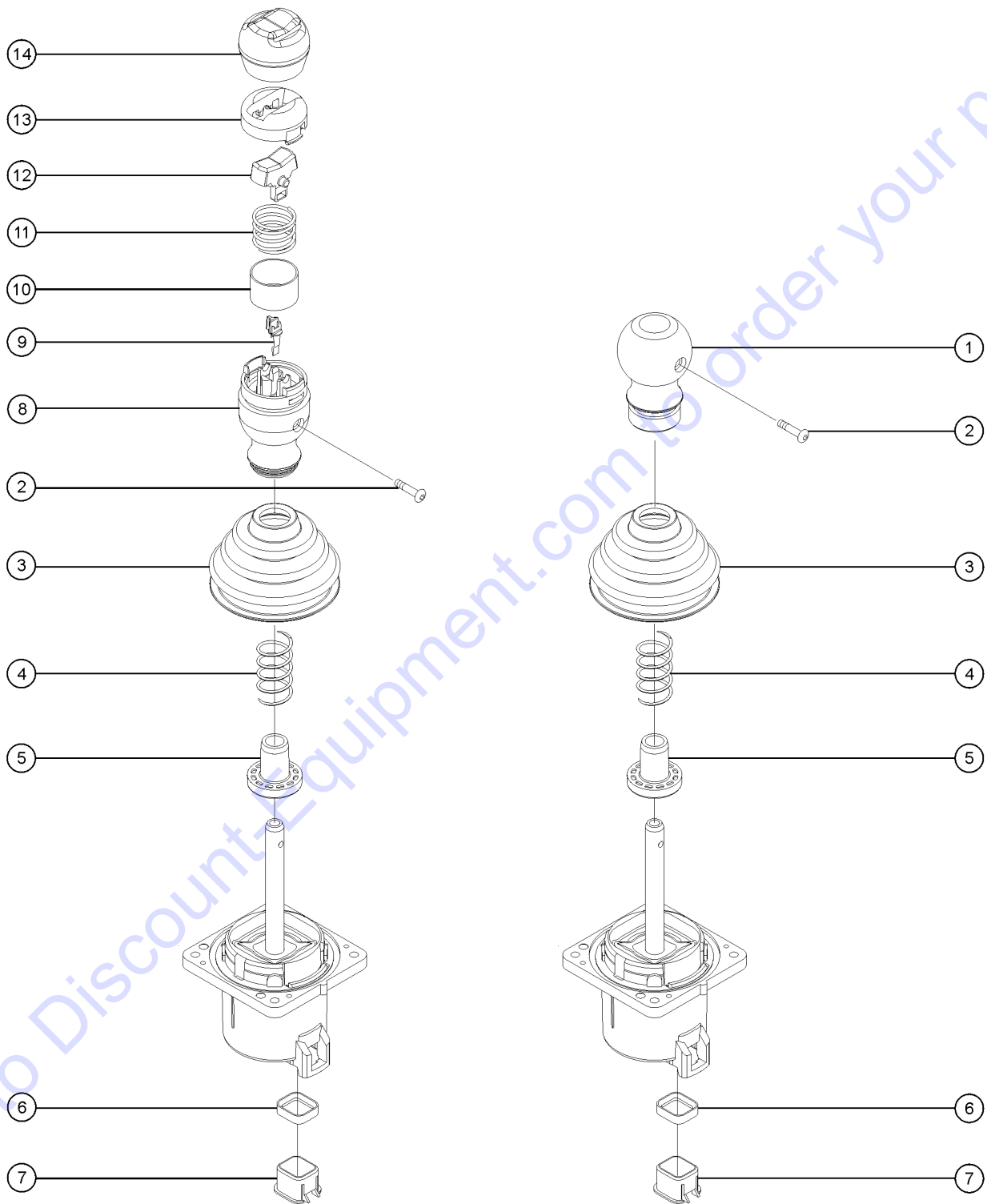
Florida: **561-964-4949** Outside Florida TOLL FREE: **877-690-3101**

Need parts?

Click on this link: <http://www.discount-equipment.com/category/5443-parts/> and choose one of the options to help get the right parts and equipment you are looking for. Please have the machine model and serial number available in order to help us get you the correct parts. If you don't find the part on the website or on one of the online manuals, please fill out the request form and one of our experienced staff members will get back to you with a quote for the right part that your machine needs.

We sell worldwide for the brands: Genie, Terex, JLG, MultiQuip, Mikasa, Essick, Whiteman, Mayco, Toro Stone, Diamond Products, Generac Magnum, Airman, Haulotte, Barreto, Power Blanket, Nifty Lift, Atlas Copco, Chicago Pneumatic, Allmand, Miller Curber, Skyjack, Lull, Skytrak, Tsurumi, Husquvarna Target, Stow, Wacker, Sakai, Mi-T-M, Sullair, Basic, Dynapac, MBW, Weber, Bartell, Bennar Newman, Haulotte, Ditch Runner, Menegotti, Morrison, Contec, Buddy, Crown, Edco, Wyco, Bomag, Laymor, EZ Trench, Bil-Jax, F.S. Curtis, Gehl Pavers, Heli, Honda, ICS/PowerGrit, IHI, Partner, Imer, Clipper, MMD, Koshin, Rice, CH&E, General Equipment, Amida, Coleman, NAC, Gradall, Square Shooter, Kent, Stanley, Tamco, Toku, Hatz, Kohler, Robin, Wisconsin, Northrock, Oztec, Toker TK, Rol-Air, APT, Wylie, Ingersoll Rand / Doosan, Innovatech, Con X, Ammann, Mecalac, Makinex, Smith Surface Prep, Small Line, Wanco, Yanmar

605.1 Joysticks



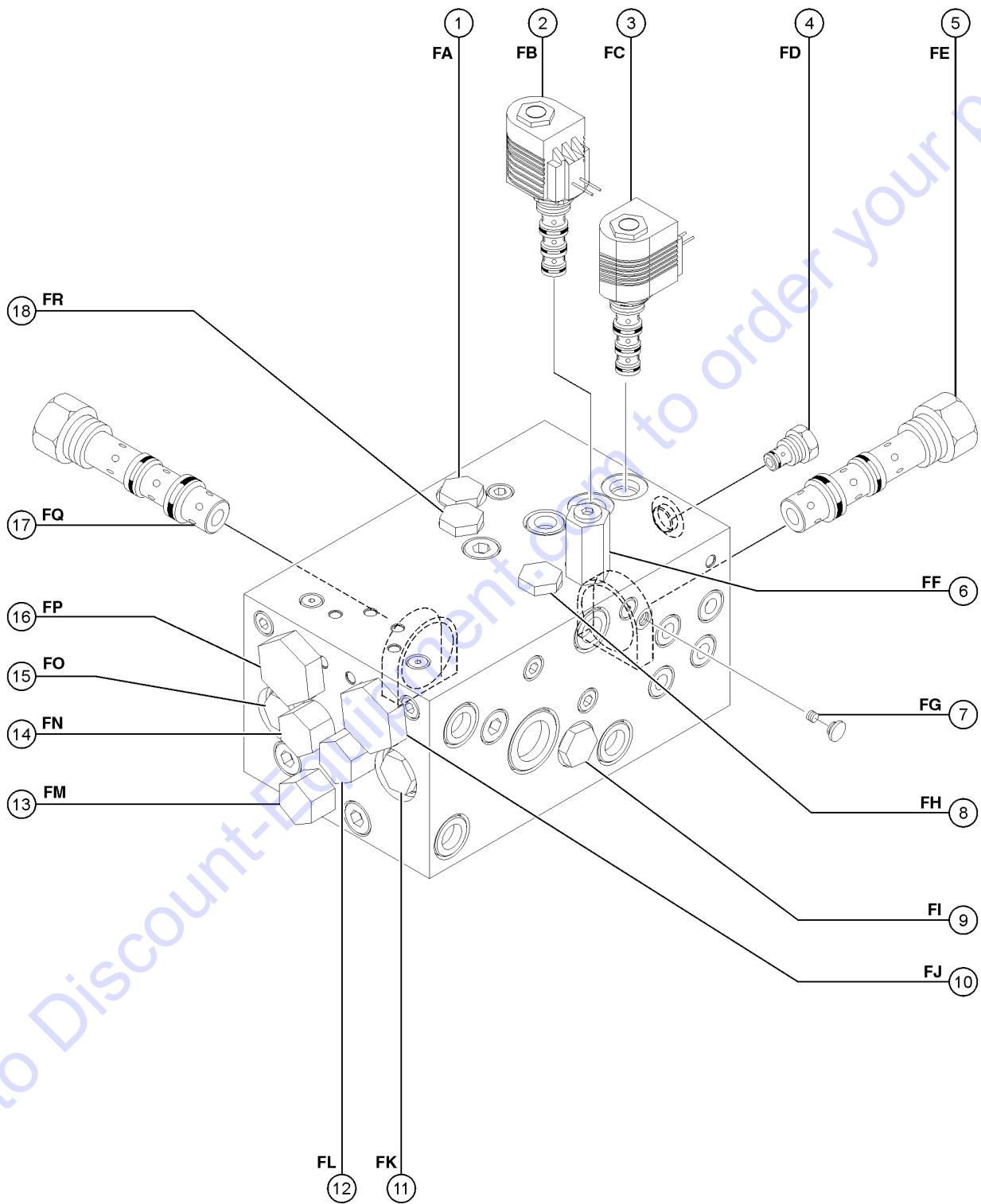
605.1 Joysticks

Item	Part No.	Description	Qty.
-		For joystick location refer to 603.1	
1	62392GT	KNOB,JOYSTICK, 62390/62391	
2	T112626GT	SCREW, PHM, #6-32 X .625 ZINC	
3	139598GT	BOOT,JOYSTICK	
4		Ref. SPRING,JOYSTK CENTR,62390/91	1
		No longer available from supplier	
5	119915GT	COLLAR,JOYSTICK,CENTER	
6	128000GT	SEAL, CONNECTOR (DT JOYSTICKS)	
7	128001GT	SLEEVE,CONNECTOR,DT JOYSTICKS	
8	75449GT	KNOB,ROCKER JOYSTICK 75565	
9	75448GT	SUPPORT,SENSOR,JOYSTICK	
10	75447GT	SWITCH SHIELD,ROCK JOYSTK75565	
11	75446GT	SPRING,SWITCH CENTERING,75565	
12	75445GT	ROCKER ASSY.,MAGNETIC 75565	
13	75444GT	ROCKER,RETAINER, 75565	
14	75443GT	BOOT, ROCKER JOYSTICK 75565	

Go to Discount-Equipment.com to order your parts



701.1 Traction Manifold

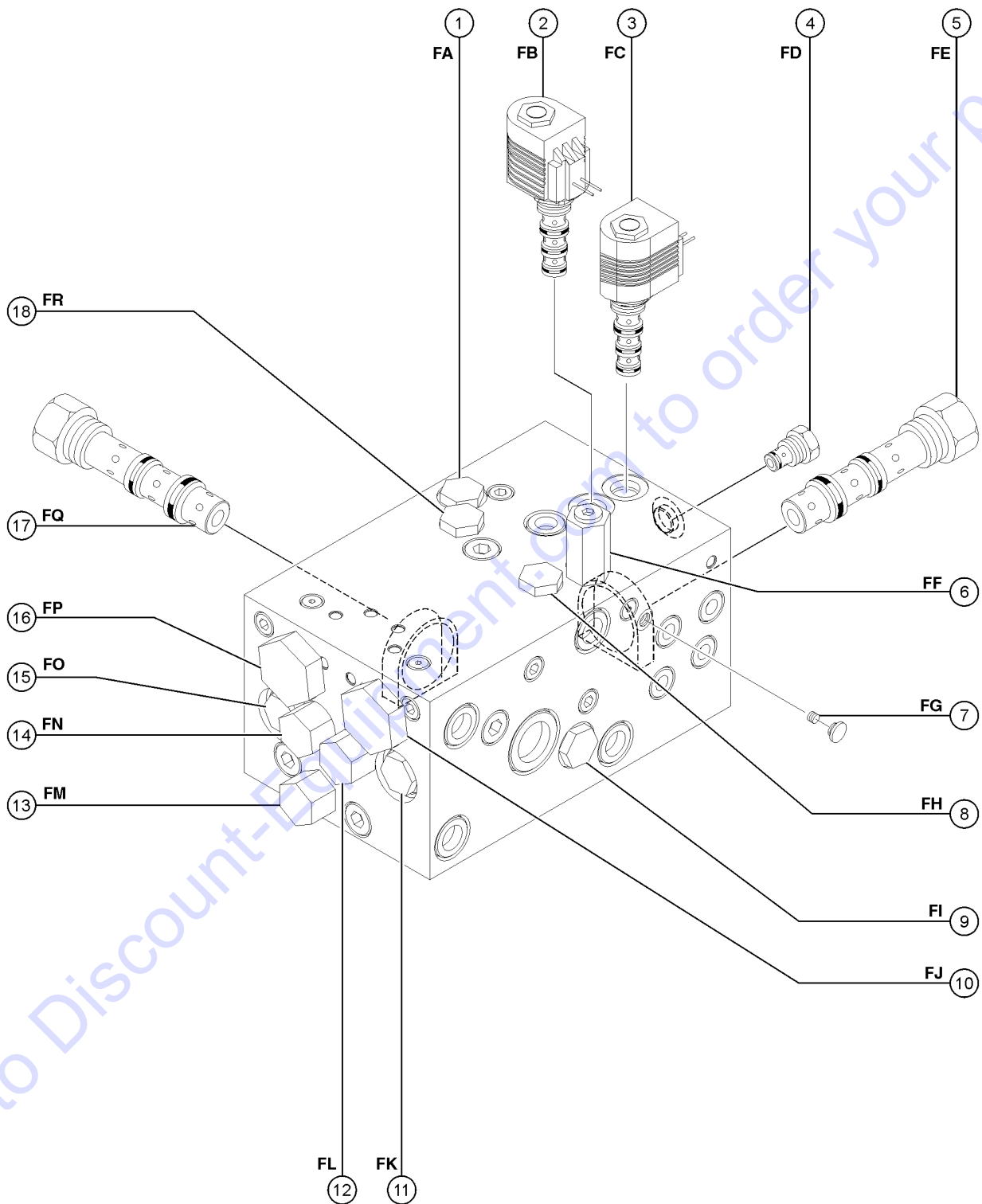


Go to Discount-Furniture.com to order your parts

Item	Part No.	Description	Qty.
A-	70241GT	MANIFOLD,TRACTION,4WD (Complete)	
1	27836GT	VALVE,CHECK,5 PSI FA, Drive motor anti-cavitation	
2	77489GT	VALVE,SOLENOID 2 POS.3 WAY FB, Two-speed drive motor shift	
2-	72043GT	SEAL KIT,SOLENOID VALVE	
2-	77735GT	COIL, SOLENOID VALVE	
2-	52943GT	NUT SOLENOID VALVE COIL	
3	77489GT	VALVE,SOLENOID 2 POS.3 WAY FC, Brake release	
3-	72043GT	SEAL KIT,SOLENOID VALVE	
3-	77735GT	COIL, SOLENOID VALVE	
3-	52943GT	NUT SOLENOID VALVE COIL	
4	69873GT	VALVE, CHECK FD, Keeps brakes released in case of temporary loss of charge pressure	
4-	74902GT	SEAL KIT	
5	27761GT	VALVE,SHUTTLE FE, Charge pressure circuit that directs hot oil out of low pressure side of drive pump	
5-	84134GT	SEAL KIT, VALVE	
6	62253GT	VALVE,RELIEF,250 PSI FF, Charge pressure circuit	
6-	74902GT	SEAL KIT	
7	102496GT	ORIFICE,PLUG 0.030 FG, Brake and two-speed circuit	
8	69873GT	VALVE, CHECK FH, Drive motor anti-cavitation	
8-	74902GT	SEAL KIT	
9	27836GT	VALVE,CHECK,5 PSI FI, Drive motor anti-cavitation	
10	62252GT	VALVE, FLOW DIVIDER COMBINER FJ, Controls flow to square-end drive motors in forward and reverse	
10-	84135GT	SEAL KIT, VALVE	
11	69873GT	VALVE, CHECK FK, Drive motor anti-cavitation	
12	52723GT	VALVE-FLOW REGULATOR 2 GPM FL, Equalizes pressure on both sides of divider/combiner valve FJ	
12-	89310GT	SEAL KIT, SOLENOID VALVE	
13	52723GT	VALVE-FLOW REGULATOR 2 GPM FM, Equalizes pressure on both sides of divider/combiner valve FQ	
13-	89310GT	SEAL KIT, SOLENOID VALVE	
14	52723GT	VALVE-FLOW REGULATOR 2 GPM FN, Equalizes pressure on both sides of divider/combiner valve FP	



701.1 Traction Manifold



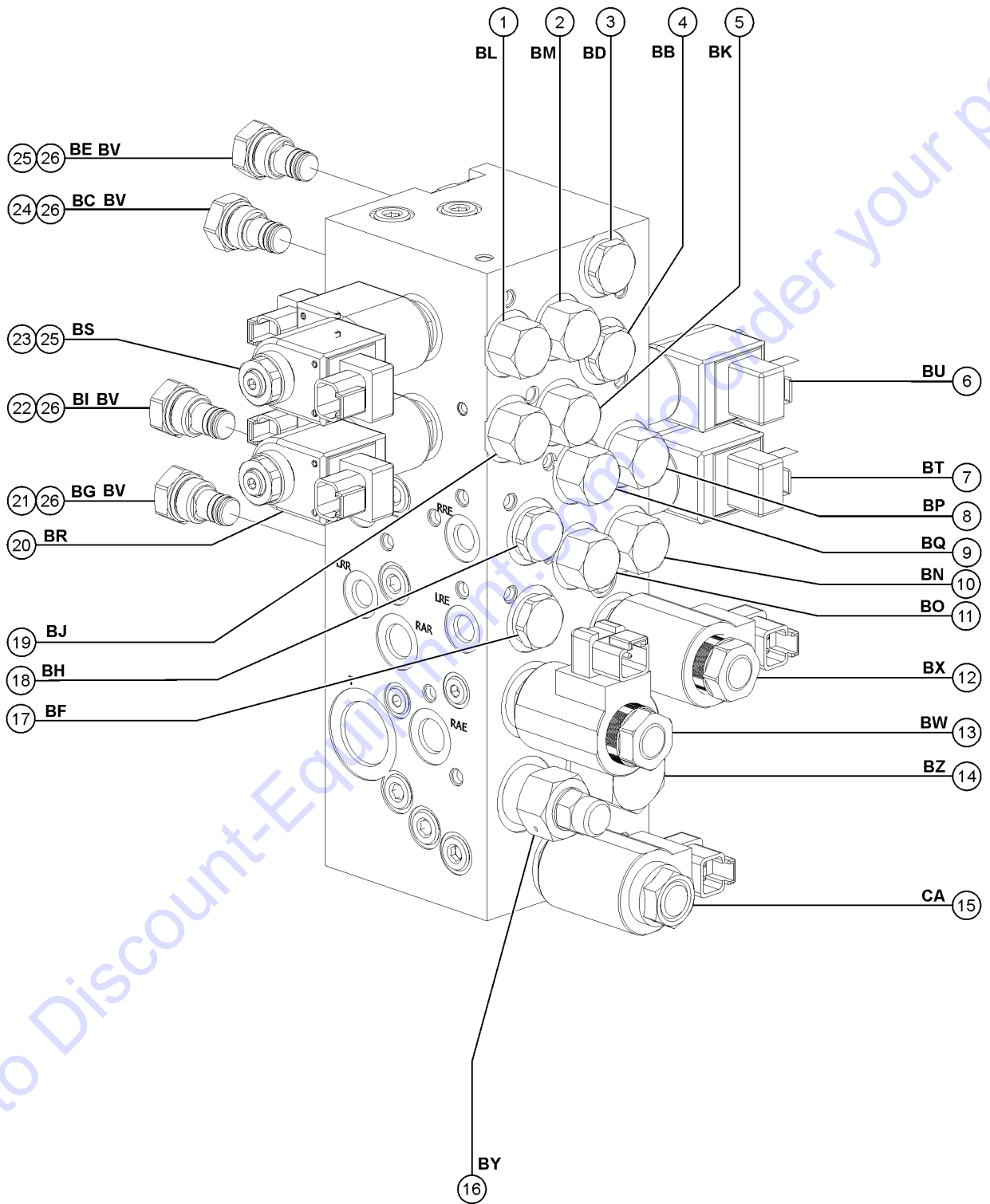
Go to Discount-Furniture.com to order your parts

Item	Part No.	Description	Qty.
14-	89310GT	SEAL KIT, SOLENOID VALVE	
15	69873GT	VALVE, CHECK FO, Drive motor anti-cavitation	
15-	74902GT	SEAL KIT	
16	62252GT	VALVE, FLOW DIVIDER COMBINER FP, Controls flow to circle end drive motors in forward and reverse	
16-	84135GT	SEAL KIT, VALVE	
17	52726GT	VALVE, FLOW DIVIDER/COMBINER FQ, Controls flow to divider/combiner valves FJ and FP	
17-	84135GT	SEAL KIT, VALVE	
18	69873GT	VALVE, CHECK FR, Drive motor anti-cavitation	
18-	74902GT	SEAL KIT	

Go to Discount-Equipment.com to order your parts



702.1 Steer and Axle Manifold

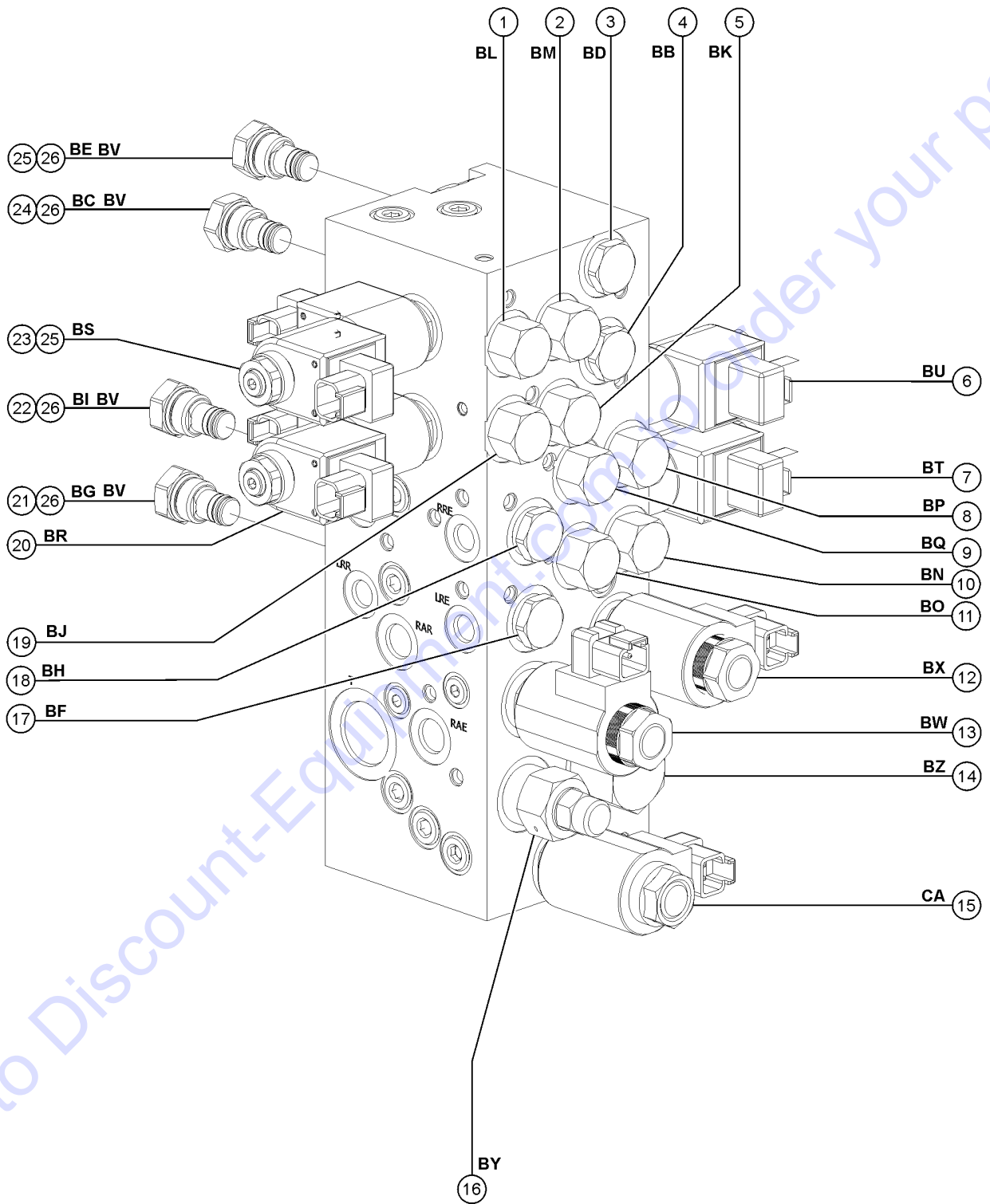


Go to Discount-Equipment.com to order your parts

Item	Part No.	Description	Qty.
A-	1271347GT	MANIFOLD,STEER/AXLE,X CHASSIS (Complete)	
1	107734GT	VALVE, FLOW CONTROL 2.1GPM BL, Right front steer cylinder extend circuit	
1-	74902GT	SEAL KIT	
2	107731GT	VALVE, FLOW CONTROL 1.5GPM BM, Right front steer cylinder retract circuit	
2-	74902GT	SEAL KIT	
3	161538GT	VALVE, CHECK, 65 PSI BD, Prevents right front steer cylinder from moving when not steering	
3-	74902GT	SEAL KIT	
4	161538GT	VALVE, CHECK, 65 PSI BB, Prevents left front steer cylinder from moving when not steering	
4-	74902GT	SEAL KIT	
5	107731GT	VALVE, FLOW CONTROL 1.5GPM BK, Left front steer cylinder retract circuit	
5-	74902GT	SEAL KIT	
6	122121GT	SOLENOID VALVE BU, Steer left/right, right rear steer cylinder	
6-	122120GT	SEAL KIT, SOLENOID VALVE	
6-	122148GT	COIL, SOLENOID VALVE, 20W	
6-	52943GT	NUT SOLENOID VALVE COIL	
7	122121GT	SOLENOID VALVE BT, Steer left/right, left rear steer cylinder	
7-	122120GT	SEAL KIT, SOLENOID VALVE	
7-	122148GT	COIL, SOLENOID VALVE, 20W	
7-	52943GT	NUT SOLENOID VALVE COIL	
8	107734GT	VALVE, FLOW CONTROL 2.1GPM BP, Right rear steer cylinder extend circuit	
8-	74902GT	SEAL KIT	
9	107731GT	VALVE, FLOW CONTROL 1.5GPM BQ, Right rear steer cylinder retract circuit	
9-	74902GT	SEAL KIT	
10	107734GT	VALVE, FLOW CONTROL 2.1GPM BN, Left rear steer cylinder extend circuit	
10-	74902GT	SEAL KIT	
11	107731GT	VALVE, FLOW CONTROL 1.5GPM BO, Left rear steer cylinder retract circuit	
11-	74902GT	SEAL KIT	
12	1291059GT	VALVE, SOLENOID, 2 POS 3 WAY BX, Axle retract	



702.1 Steer and Axle Manifold

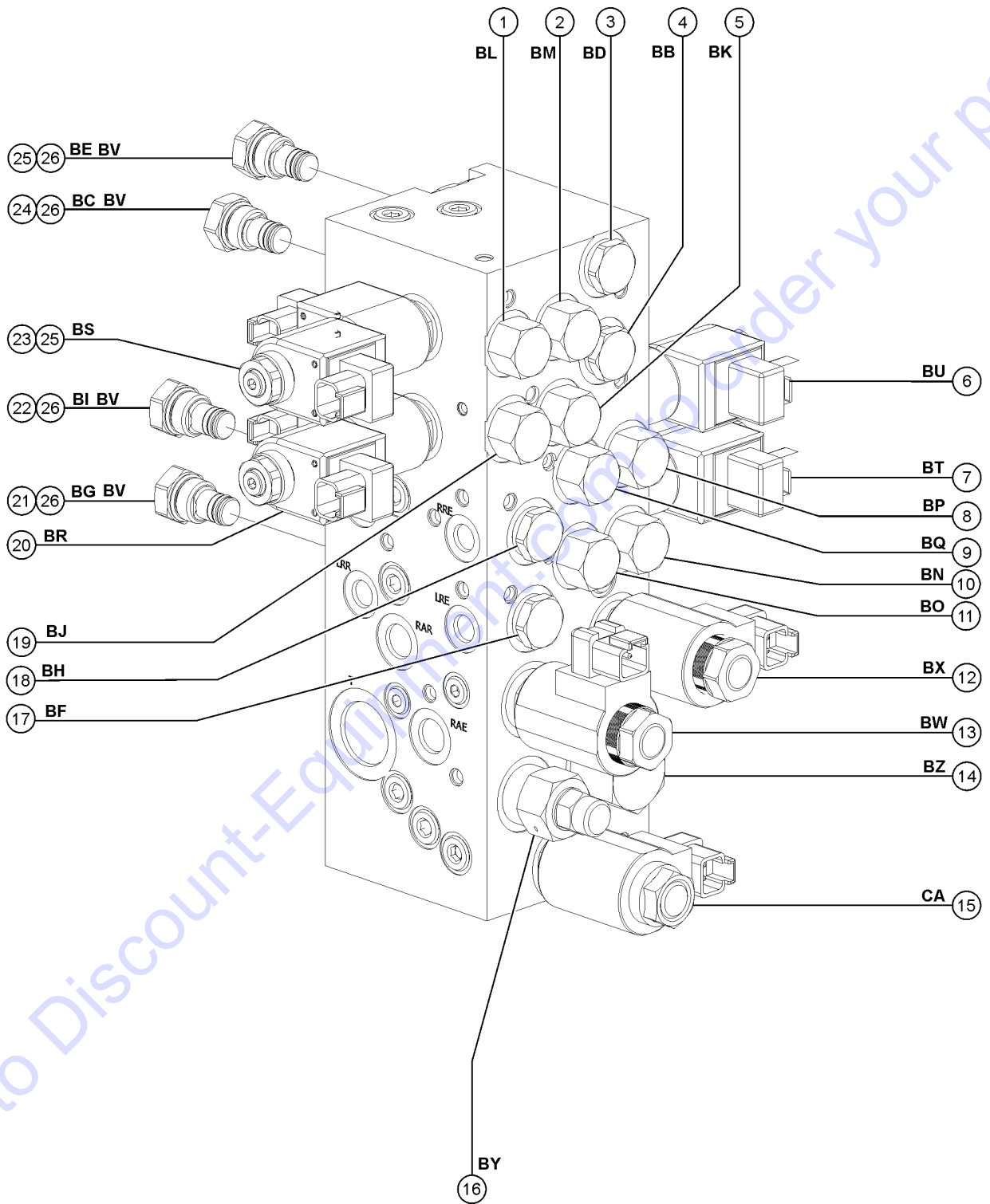


Go to Discount-Equipment.com to order your parts

Item	Part No.	Description	Qty.
12-	89310GT	SEAL KIT, SOLENOID VALVE	
12-	119112GT	COIL, 12V, DEUTSCH	
12-	119116GT	NUT,COIL (107745)	
13	1291059GT	VALVE, SOLENOID, 2 POS 3 WAY	
		BW, Axle extend	
13-	89310GT	SEAL KIT, SOLENOID VALVE	
13-	119112GT	COIL, 12V, DEUTSCH	
13-	119116GT	NUT,COIL (107745)	
14	1256314GT	VALVE,FLOW CONTROL,9.0GPM	
		BZ, Axle extend/retract circuit	
14-	110195GT	SEAL KIT, VALVE, #12	
15	1274833GT	VALVE,SOLENOID	
		CA, Axle retract enable valve	
15-	1274870GT	SEAL KIT, VALVE	
15-	119112GT	COIL, 12V, DEUTSCH	
15-	119116GT	NUT,COIL (107745)	
16	161539GT	VALVE, PRESS REDUCING, 2400PSI	
		BY, Axle extend/retract circuit	
16-	161923GT	SEAL KIT, VALVE	
17	161538GT	VALVE, CHECK, 65 PSI	
		BF, Prevents left rear steer cylinder from moving when not steering	
17-	74902GT	SEAL KIT	
18	161538GT	VALVE, CHECK, 65 PSI	
		BH, Prevents right rear steer cylinder from moving when not steering	
18-	74902GT	SEAL KIT	
19	107734GT	VALVE, FLOW CONTROL 2.1GPM	
		BJ, Left front steer cylinder extend circuit	
19-	74902GT	SEAL KIT	
20	122121GT	SOLENOID VALVE	
		BR, Steer left/right, left front steer cylinder	
20-	122120GT	SEAL KIT, SOLENOID VALVE	
20-	122148GT	COIL, SOLENOID VALVE, 20W	
20-	52943GT	NUT SOLENOID VALVE COIL	
21	161538GT	VALVE, CHECK, 65 PSI	
		BG, Prevents left rear steer cylinder from moving when not steering	
21-	74902GT	SEAL KIT	
22	161538GT	VALVE, CHECK, 65 PSI	
		BI, Prevents right rear steer cylinder from moving when not steering	



702.1 Steer and Axle Manifold

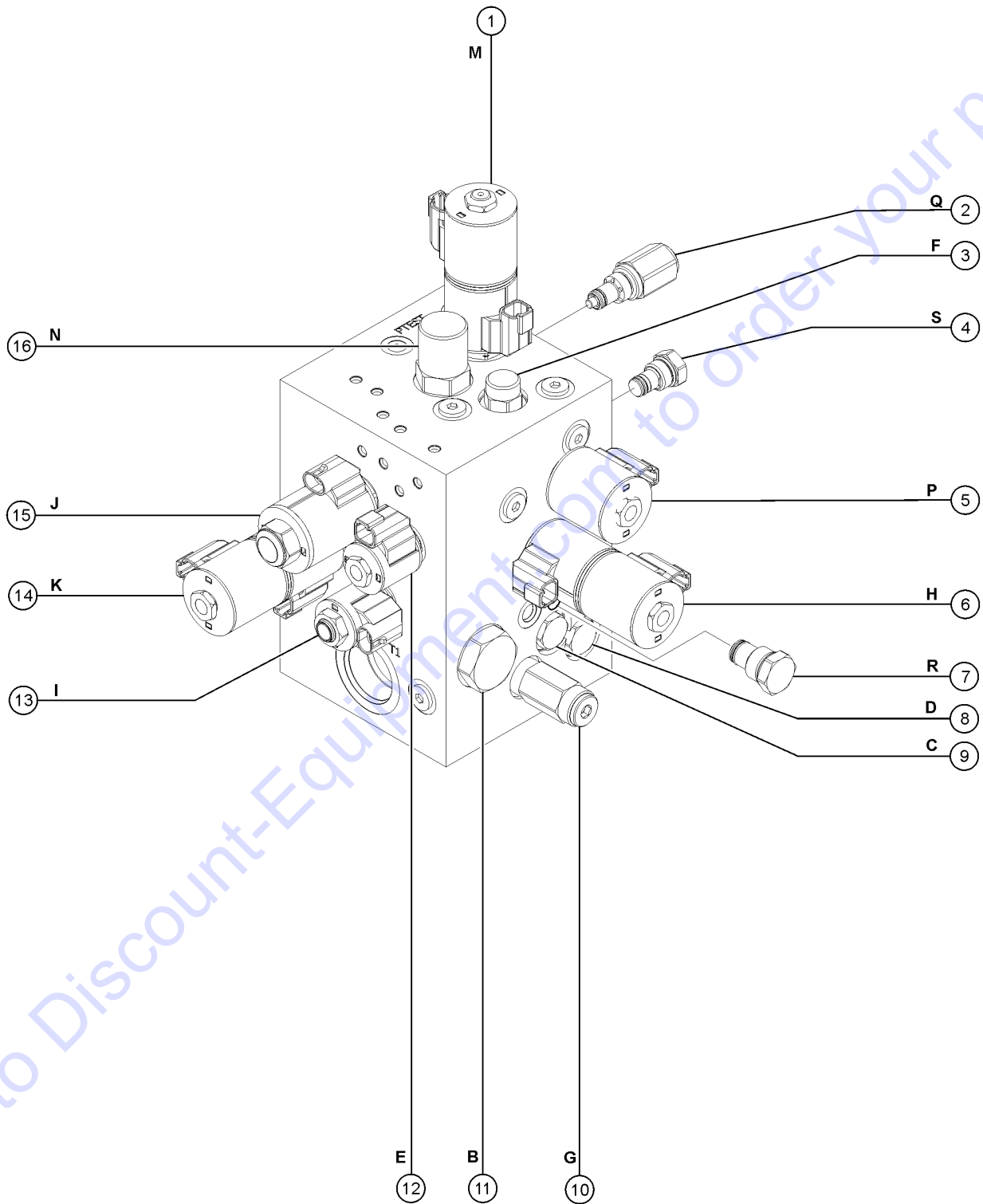


Item	Part No.	Description	Qty.
22-	74902GT	SEAL KIT	
23	122121GT	SOLENOID VALVE BS, Steer left/right, right front steer cylinder	
23-	122120GT	SEAL KIT, SOLENOID VALVE	
23-	122148GT	COIL, SOLENOID VALVE, 20W	
23-	52943GT	NUT SOLENOID VALVE COIL	
24	161538GT	VALVE, CHECK, 65 PSI BC, Prevents left front steer cylinder from moving when not steering	
24-	74902GT	SEAL KIT	
25	161538GT	VALVE, CHECK, 65 PSI BE, Prevents right front steer cylinder from moving when not steering	
25-	74902GT	SEAL KIT	
26	107733GT	PISTON, PILOT OPERATED CHECK BV, (not shown) PO CHECK	

Go to Discount-Equipment.com to order your parts



703.1 Function Manifold

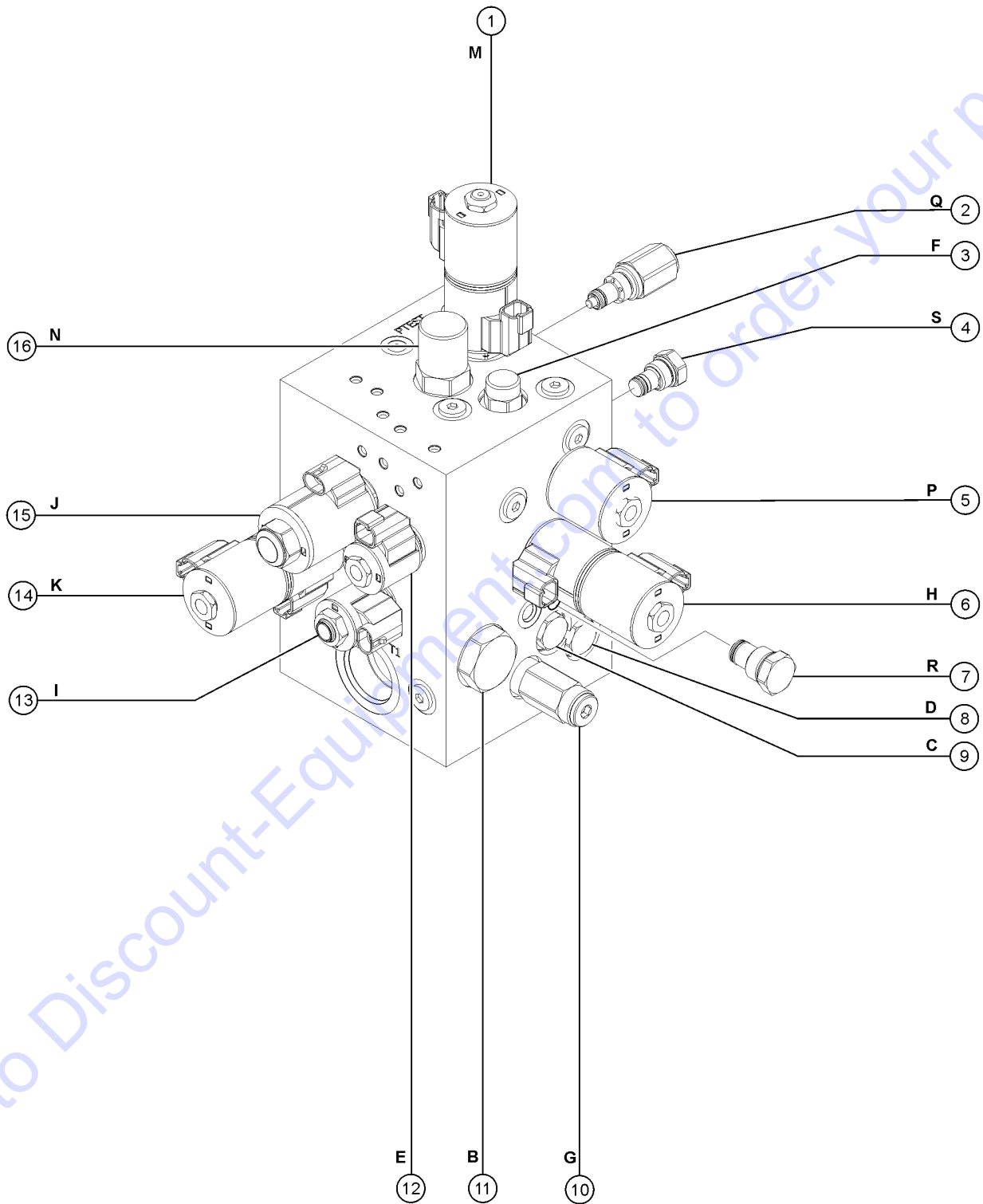


Go to Discount-Equipment.com to order your parts

Item	Part No.	Description	Qty.
A-	1265210GT	MANIFOLD, FUNCTION, SX135 (Complete)	
1	1272616GT	VALVE-SOLENOID M, Boom Extend/Retract Directional	
1-	1274857GT	SEAL KIT, VALVE	
1-	237213GT	12VDC Deutsch No Diode, Size10	
1-	44174GT	NUT-COIL SHORT	
1-	97373GT	E-COIL WASHER,#10,DUAL COIL	
2	1272618GT	Valv, HRVD08 Q, Boom Extend Relief	
2-	1274854GT	SEAL KIT, VALVE	
3	237209GT	COMPENSATOR, 150 PSI F, Turntable Rotate Comp	
3-	52371GT	SEAL KIT, VALVE	
4	218730GT	VALVE,CHECK,10 PSI S, Check valve	
4-	44227GT	SEAL KIT, VALVE	
5	1272614GT	VALVE-SOLENOID P, Boom Extend Flow Control	
5-	44224GT	SEAL KIT, VALVE	
5-	237213GT	12VDC Deutsch No Diode, Size10	
5-	44174GT	NUT-COIL SHORT	
6	62330GT	VALVE,SOLENOID,3POS 4WAY*** H, Turntable Rotate Directional	
6-	44230GT	SEAL KIT-P.N.44169,44172,44171	
6-	104760GT	COIL,12VDC #10DTSCH IP69 ECOIL	
6-	44174GT	NUT-COIL SHORT	
6-	97373GT	E-COIL WASHER,#10,DUAL COIL	
7	1272621GT	Valve, CV10 R, Check Valve Boom Extend/Retract	
7-	44224GT	SEAL KIT, VALVE	
8	218730GT	VALVE,CHECK,10 PSI D, AUX 2 Reverse Flow Check	
8-	44227GT	SEAL KIT, VALVE	
9	218730GT	VALVE,CHECK,10 PSI C, AUX 1 Reverse Flow Check	
9-	44227GT	SEAL KIT, VALVE	
10	237212GT	Relief Valve, 3200 PSI G, Relief, System	



703.1 Function Manifold

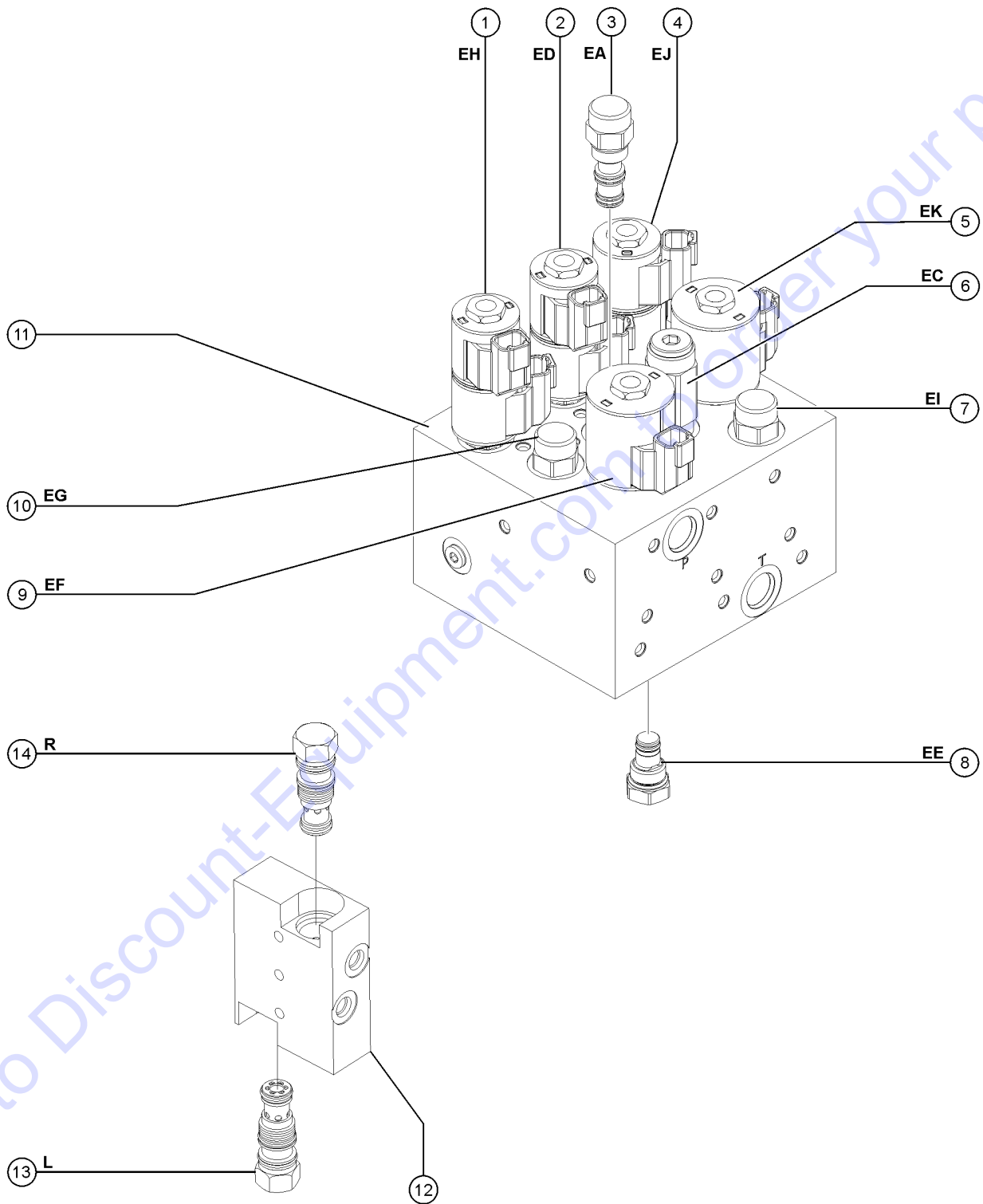


Item	Part No.	Description	Qty.
10-	44224GT	SEAL KIT, VALVE	
11	1272620GT	Valve, CV16 B, Function Pump Reverse Flow Check	
11-	1274855GT	SEAL KIT, VALVE	
12	97181GT	VALVE-SOLENOID, 2POS 3WAY	
		E, Turntable Rotate Flow Control	
12-	44227GT	SEAL KIT, VALVE	
12-	107768GT	COIL,12VDC #8 DTSCH W/O DIODE	
12-	44174GT	NUT-COIL SHORT	
13	62326GT	VALVE,PROPORTIONAL SOLENOID*	
		I, Boom Lift Low Flow Control	
13-	52371GT	SEAL KIT, VALVE	
13-	1257411GT	COIL,PROP,12VDC,METRI-PACK 150	
13-	62349GT	NUT,COIL,PROPORNL.VALVE	
14	1272617GT	Valve, HSV10	
		K, Boom Up/Down Directional	
14-	1261888GT	SEAL KIT (84384)	
14-	237213GT	12VDC Deutsch No Diode, Size10	
14-	44174GT	NUT-COIL SHORT	
14-	97373GT	E-COIL WASHER,#10,DUAL COIL	
15	1272615GT	Valve, PV70	
		J, Boom Lift High Flow Control	
15-	62337GT	SEAL KIT, VALVE	
15-	104761GT	COIL,PROP,12VDC,#10 IP69,DTSCH	
15-	52466GT	NUT,PROPORNL. COIL,52372,GS68	
16	1272619GT	Valve, EC12	
		N, Boom Extend/Retract Comp	
16-	62339GT	SEAL KIT,62329,SIZE 12, 3 WAY	

Go to DiscountEquipment.com to order your parts



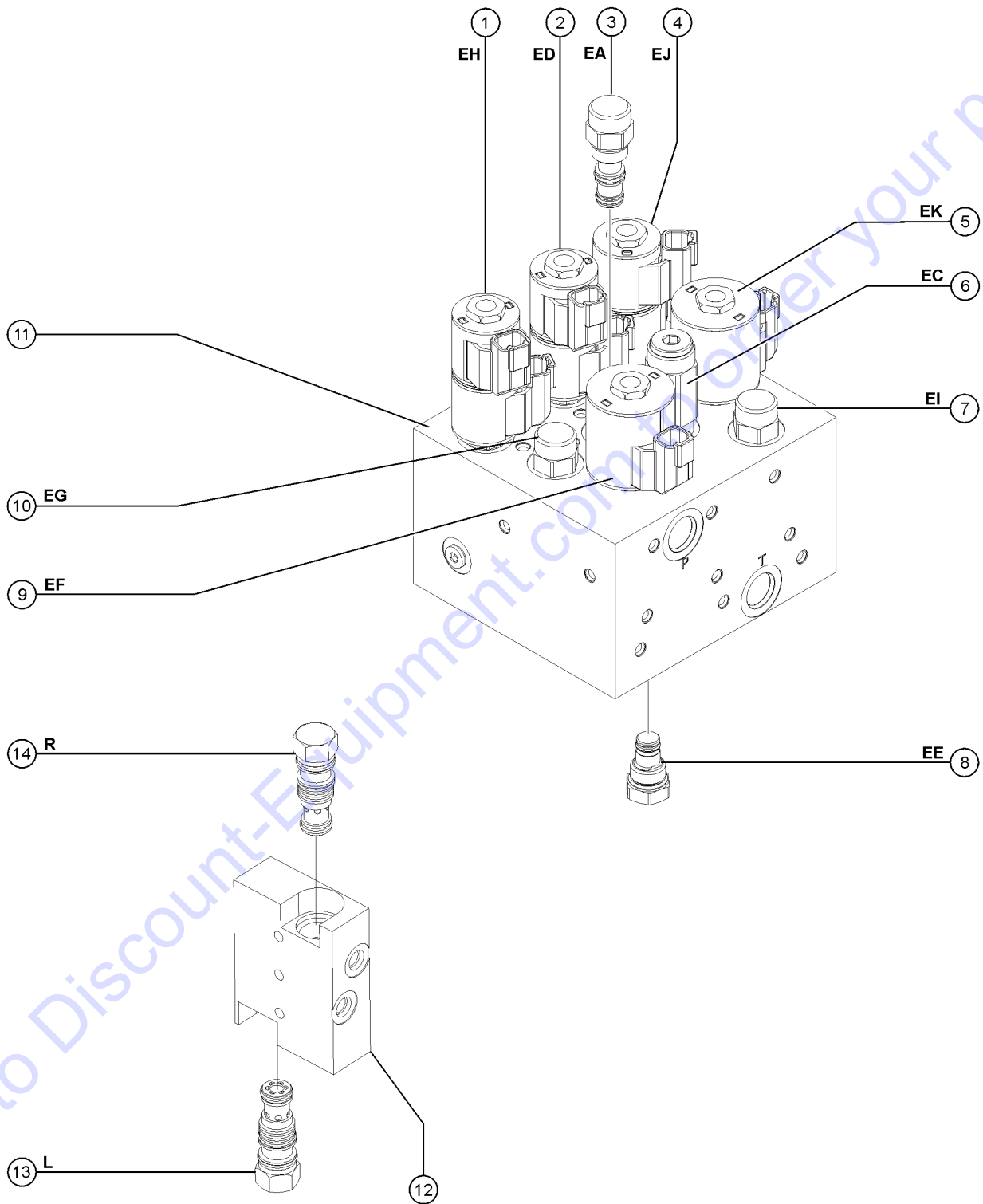
704.1 Jib and Rotation Manifolds



Item	Part No.	Description	Qty.
1	107788GT	VALVE,PROPORTIONAL 3 POS 4 WY EH, Jib Up/Down Directional Proportional	
1-	44229GT	SEAL KIT, VALVE	
1-	229411GT	VALVE COIL 10V	
1-	44174GT	NUT-COIL SHORT	
1-	97372GT	E-COIL WASHER,#8,DUAL COIL	
2	107788GT	VALVE,PROPORTIONAL 3 POS 4 WY ED, Jib Extend/Retract Directional Proportional	
2-	44229GT	SEAL KIT, VALVE	
2-	229411GT	VALVE COIL 10V	
2-	44174GT	NUT-COIL SHORT	
2-	97372GT	E-COIL WASHER,#8,DUAL COIL	
3	237209GT	COMPENSATOR, 150 PSI EA, Jib Extend/Retract Comp	
3-	52371GT	SEAL KIT, VALVE	
4	107788GT	VALVE,PROPORTIONAL 3 POS 4 WY EJ, Bellcrank Level Up/Down	
4-	44229GT	SEAL KIT, VALVE	
4-	229411GT	VALVE COIL 10V	
4-	44174GT	NUT-COIL SHORT	
4-	97372GT	E-COIL WASHER,#8,DUAL COIL	
5	84160GT	VALVE-SOLENOID 2-POS 2-WAY,NO EK, Bellcrank Enable	
5-	52378GT	SEAL KIT,SOLENOID(52377)	
5-	97469GT	COIL#10 E-COIL,10V ZENER DIODE	
5-	44174GT	NUT-COIL SHORT	
6	1272623GT	VALVE, RV08-22H-0-N-13/11 EC, Jib Extend Relief	
6-	44227GT	SEAL KIT, VALVE	
7	237209GT	COMPENSATOR, 150 PSI EF, Bellcrank Level Up/Down Comp	
7-	52371GT	SEAL KIT, VALVE	
8	107740GT	VALVE, CHECK 25 PSI EE, Tank Line Return Check	
8-	44227GT	SEAL KIT, VALVE	
9	84160GT	VALVE-SOLENOID 2-POS 2-WAY,NO EF, Jib Extend/Retract Enable	



704.1 Jib and Rotation Manifolds

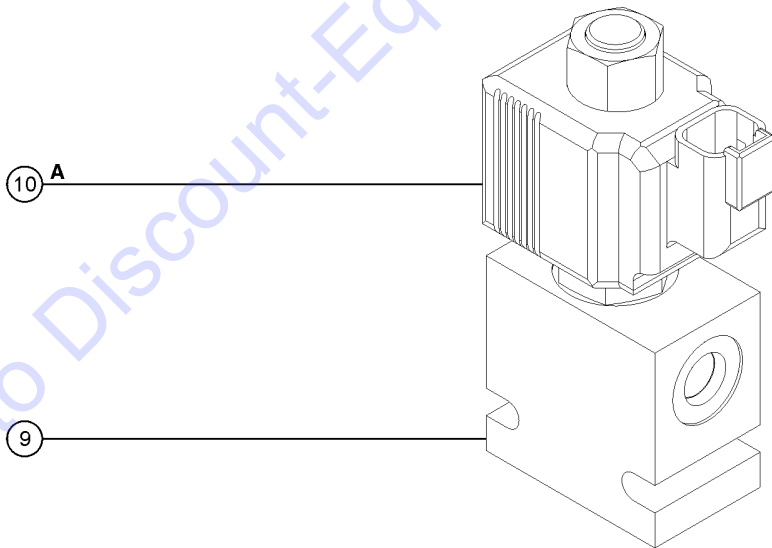
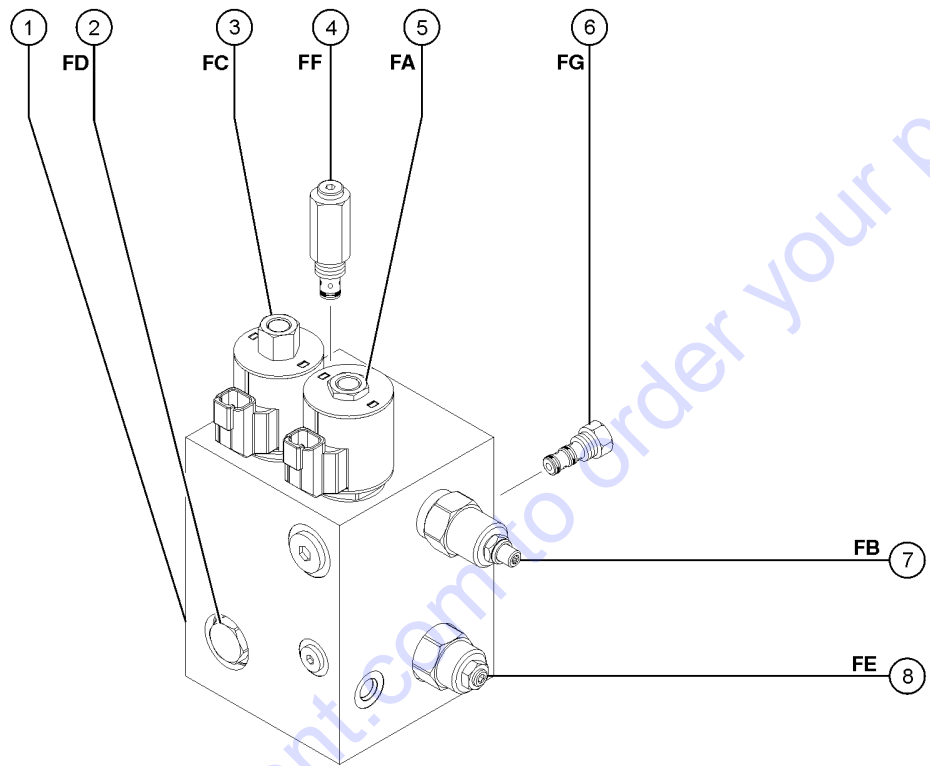


Item	Part No.	Description	Qty.
9-	52378GT	SEAL KIT,SOLENOID(52377)	
9-	97469GT	COIL#10 E-COIL,10V ZENER DIODE	
9-	44174GT	NUT-COIL SHORT	
10	237209GT	COMPENSATOR, 150 PSI	
		EG, Jib Up/Down Comp	
10-	52371GT	SEAL KIT, VALVE	
11	1265211GT	MANIFOLD, JIB, SX135	
		(Complete) includes items 1-10	
12	1270810GT	MANIFOLD, ROTATOR, CB	
		(Complete) includes items 13 and 14	
12-	62507GT	O-RING, ROTATOR MANIFOLD	
13	62506GT	VALVE - COUNTERBALANCE**	
		L, Platform rotate left	
13-	43018GT	SEAL KIT (39345)	
14	62506GT	VALVE - COUNTERBALANCE**	
		R, Platform rotate right	
14-	43018GT	SEAL KIT (39345)	

Go to Discount-Equipment.com to order your parts



705.1 Generator Manifold and Function Enable Valve



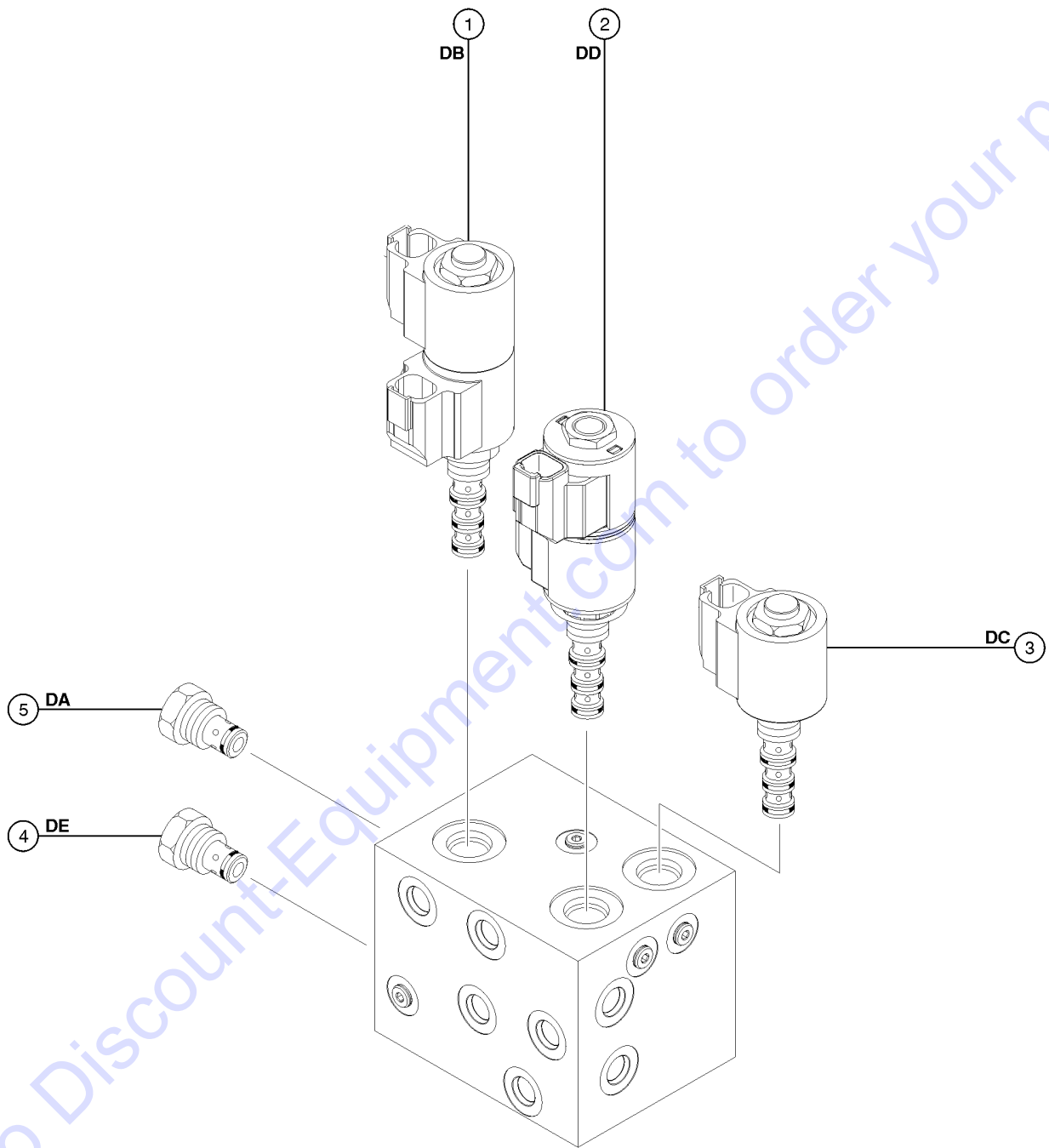
Go to Discount-Equipment.com to order your parts

705.1 Generator Manifold and Function Enable Valve

Item	Part No.	Description	Qty.
1	236224GT	MANIFOLD, GENERATOR (complete) includes items 2 to 8	
2	107740GT	VALVE, CHECK 25 PSI FD, Diverter valve	1
3	235147GT	VALVE, SOLENOID, NC, POPPET* FC, Pilot valve to diverter	
3-	104760GT	COIL, 12VDC #10DTSCH IP69 ECOIL	
3-	235148GT	SEAL KIT	
3-	52484GT	NUT-COIL(SCISSORS) TALL	
4	237212GT	Relief Valve, 3200 PSI FF, System relief	
4-	44224GT	SEAL KIT, VALVE	
5	62328GT	VALVE, SOLENOID, NC, POPPET* FA, Charge pressure circuit	
5-	104760GT	COIL, 12VDC #10DTSCH IP69 ECOIL	
5-	62338GT	SEAL KIT, 62328, SIZE 12, 2 PORT	
5-	44174GT	NUT-COIL SHORT	
6	235145GT	VALVE, CHECK 5 PSI FG, Prevents oil to generator	
7	235143GT	Needle Valve FB, Charge pressure circuit	
7-	235149GT	SEAL KIT	
8	235144GT	CB VALVE 4:5:1, 2000 PSI FE, Add back pressure to stabilize generator	
8-	102685GT	SEAL KIT, SUN T-2A CP VALVE	
9	218144GT	VALVE, FUNCTION ENABLE (complete) includes item 10	
10	161533GT	VALVE, SOLENOID, 2 POS 2 WAY A, Differential sensing	
10-	89733GT	COIL SOLENOID VALVE***	
10-	89770GT	SEAL KIT, SOLENOID VALVE	
10-	89735GT	NUT ASSY (89769)***	



706.1 Platform Manifold

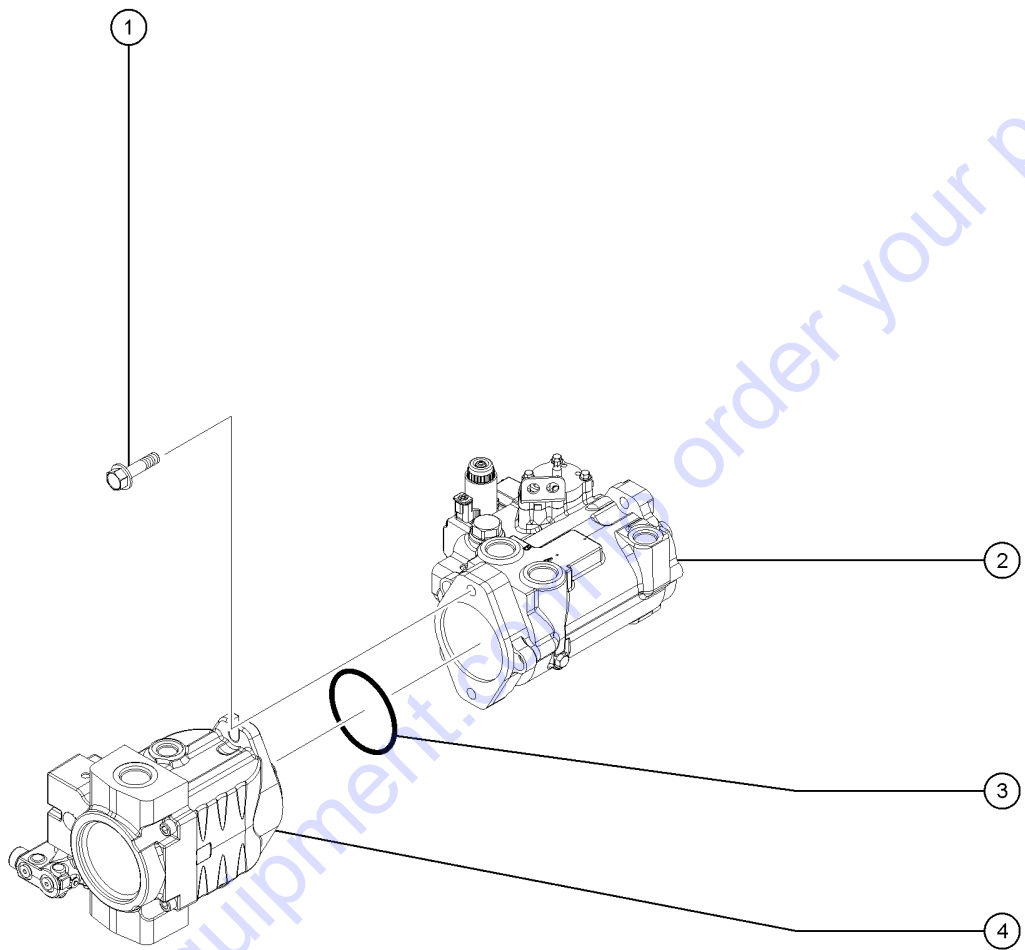


Item	Part No.	Description	Qty.
-	1260663GT	MANIFOLD,PLATFORM	
1	39346GT	VALVE,SOLENOID 3 POS.4 WAY*** DB, Platform Left/Right Circuit	1
1-	104759GT	COIL,12VDC #8 DTSCH IP69 ECOIL	
1-	97372GT	E-COIL WASHER,#8,DUAL COIL	
1-	44174GT	NUT-COIL SHORT	
1-	44229GT	SEAL KIT, VALVE	
2	107816GT	VALVE,PROPORTIONAL 3 POS 4 WY* DD, Platform Up/Down Circuit	1
2-	107768GT	COIL,12VDC #8 DTSCH W/O DIODE	
2-	97372GT	E-COIL WASHER,#8,DUAL COIL	
2-	44174GT	NUT-COIL SHORT	
2-	44229GT	SEAL KIT, VALVE	
3	44170GT	VALVE-SOLENOID N.O.(SCISSORS)* DC, Platform Level Loop Lock Valve	1
3-	228866GT	COIL,SOLENOID VALVE	
3-	44228GT	SEAL KIT, VALVE	
3-	44174GT	NUT-COIL SHORT	
4	107741GT	VALVE, FLOW REGULATOR DE, Regulates flow in Up/Down Circuit	1
4-	44228GT	SEAL KIT, VALVE	
5	107741GT	VALVE, FLOW REGULATOR DA, Regulates flow in Left/Right Circuit	1
5-	44228GT	SEAL KIT, VALVE	

Go to Discount-Equipment.com to order your parts



707.1 Hydraulic Components



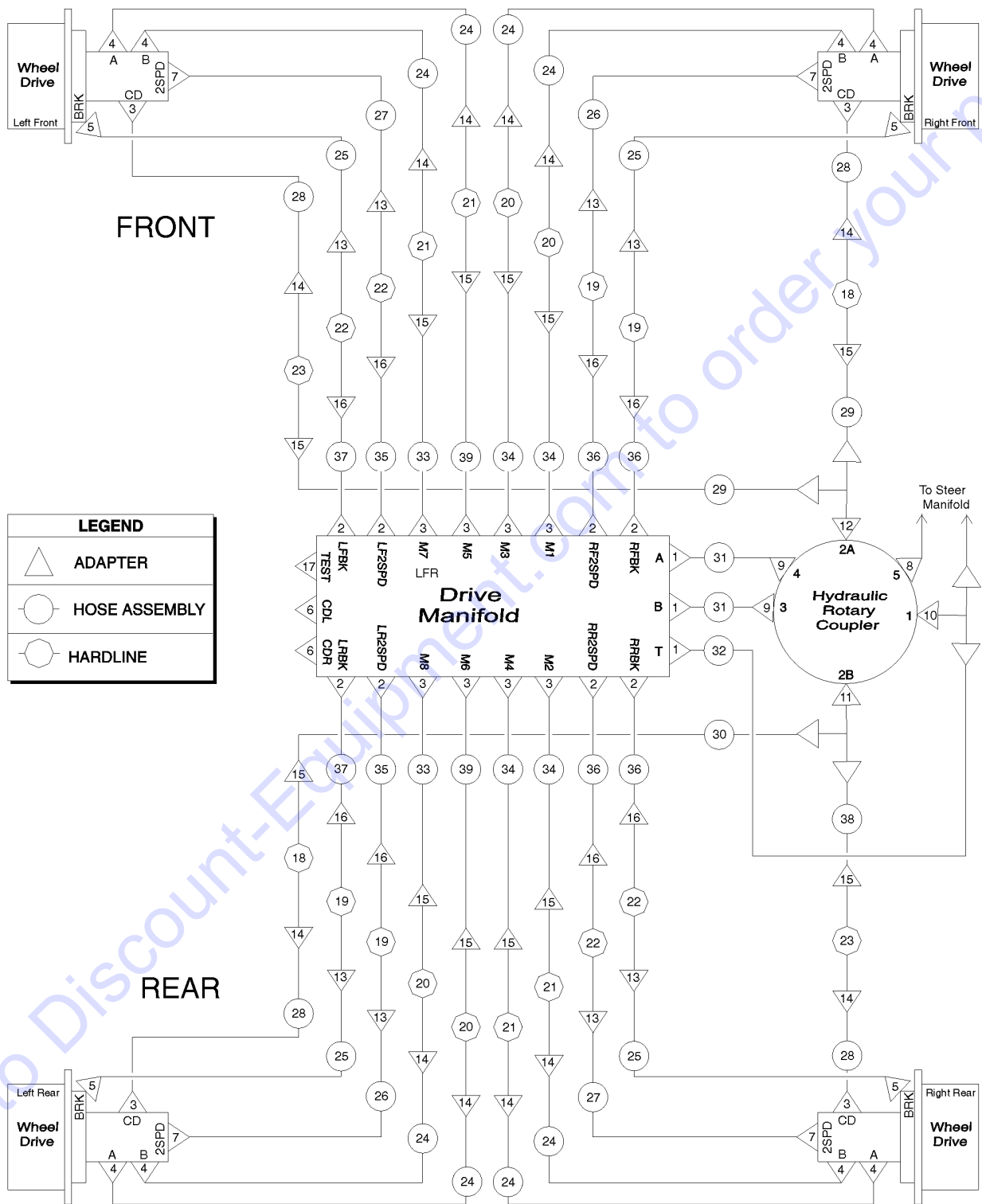
707.1 Hydraulic Components

<i>Item</i>	<i>Part No.</i>	<i>Description</i>	<i>Qty.</i>
1	54177GT	SCREW,HHC,1/2-13 X 1.5 GRD 8	4
2	1270946GT	PUMP, DRIVE, M46 HC	1
2-	29739GT	SEAL KIT,SAUER-DANFOSS M46***	
2-	1272536GT	KIT, EDC REPLACEMENT, SAUER M46	
3	52087GT	O-RING,2-044 BUNA***	1
4	1272553GT	PUMP,FUNCTION,45CC	1

Go to Discount-Equipment.com to order your parts



708.1 Hydraulic Hoses and Fittings - Drive System

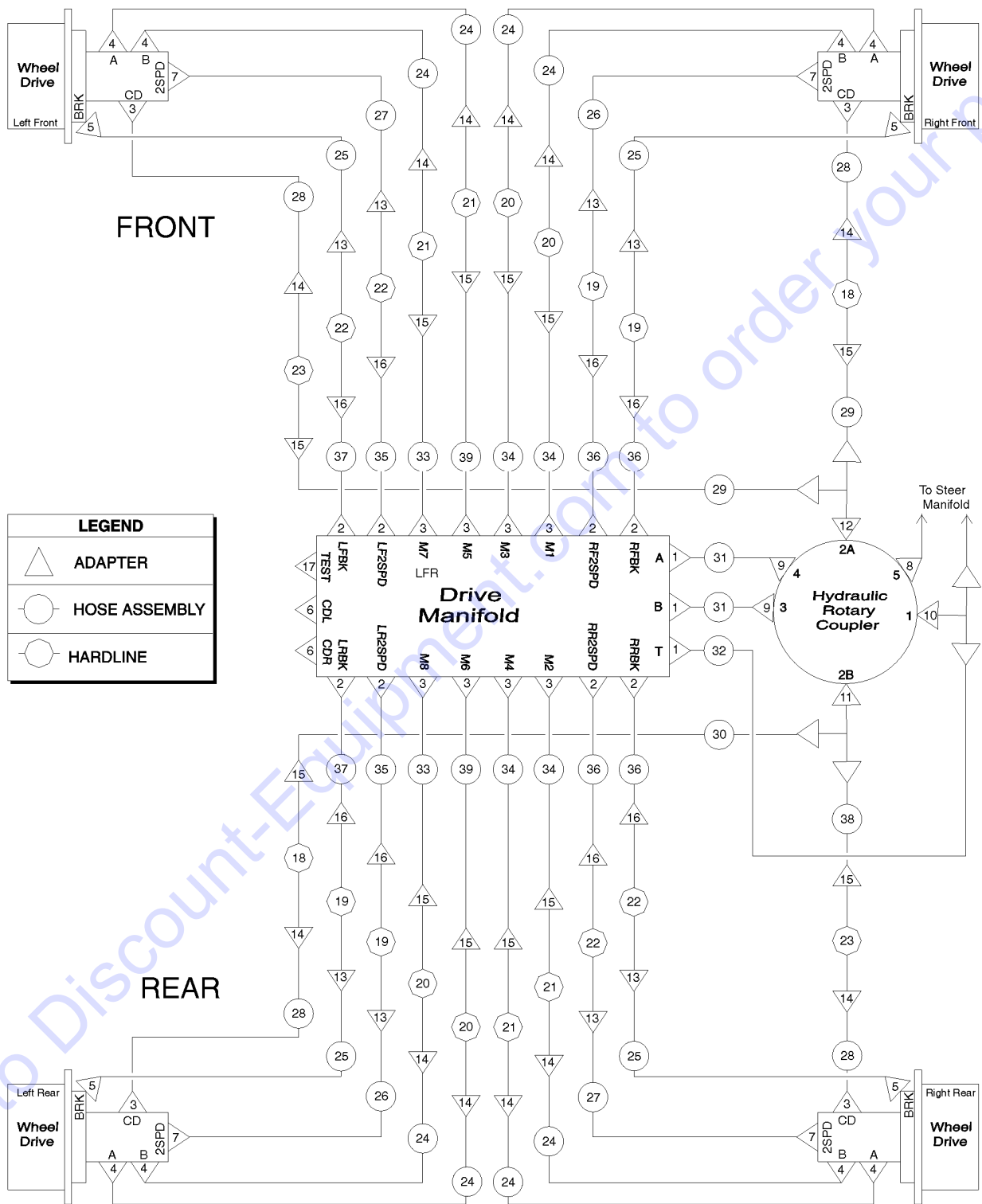


708.1 Hydraulic Hoses and Fittings - Drive System

Item	Part No.	Description	Qty.
1	48960GT	FITTING,CONN,520120-12	3
2	48905GT	CONN,520120-4***	8
3	48933GT	CONN,520120-8***	12
4	48948GT	CONN,520120-8-12	4
5	48912GT	CONN,520120-4-6***	4
6	59371GT	PLUG, HEX SOCKET, 090109B-8*	2
7	48911GT	ELBOW,90D,520220-4-6***	4
8	48937GT	ELBOW,45D,520320-8	1
		(Refer to 709.1)	
9	48963GT	FITTING,ELBOW,45D,520320-12***	2
10	48961GT	TEE,RUN,520428-12	1
		(Refer to 709.1)	
11	48935GT	TEE,RUN,520428-8	1
12	48936GT	TEE,BRANCH,520429-8	1
13	48924GT	CONN,BULKHEAD,520601-6	8
14	48894GT	CONN,BULKHEAD,520601-8	12
15	104186GT	SEAL, ORFS TUBE FLANGE, 8PLS	12
16	214345GT	SEAL,ORING-6	8
17	48998GT	NIPPLE,DIAGNOSTIC,#6 PORT***	1
18	1263411GT	HYD TUBE, CASE RF, LR	2
19	1263409GT	HYD TUBE, BRAKE 2 SP RF, LR	4
20	1263410GT	HYD TUBE, DRIVE A&B RF, LR	4
21	1263464GT	HYD TUBE, DRIVE A&B LF, RR	4
22	1263463GT	HYD TUBE, BRAKE 2 SP LF, RR	4
23	1263465GT	HYD TUBE, CASE LF, RR	2
24	81812-5792GT	HOSE ASSY,1/2,STR FEM,STR FEM Components: 48822, 48822 and 56777 @ 56 inches	8
25	49181-5990GT	HOSE ASSY.1/4",45,FEM STR FEM Components: 48801, 48810 and 48751 @ 57.5 inches	4
26	49120-6381GT	HOSE ASSY,1/4" STR FEM STR FEM Components: 48800, 48810 and 48751 @ 62 inches	2
27	49163-6994GT	HOSE ASSY,1/4,90D FEM/STR FEM Components: 48802, 48810 and 48751 @ 68 inches	2
28	49141-5863GT	HOSE ASSY,1/2,45 FEM,STR FEM** Components: 48822, 48826 and 48756 @ 56 inches	4



708.1 Hydraulic Hoses and Fittings - Drive System



LEGEND	
	ADAPTER
	HOSE ASSEMBLY
	HARDLINE

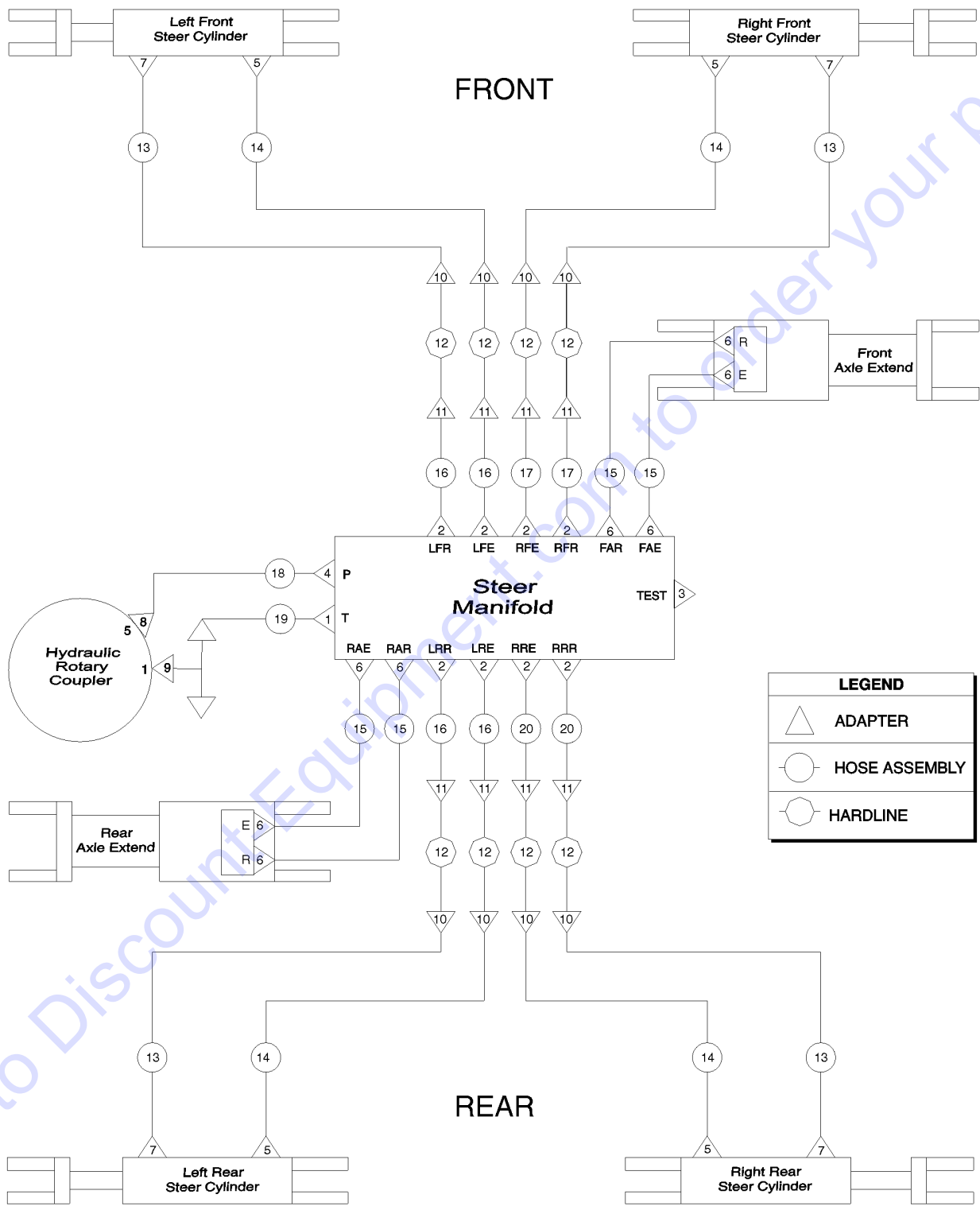
708.1 Hydraulic Hoses and Fittings - Drive System

Item	Part No.	Description	Qty.
29	216247-6684GT	HOSE ASSY,1/2,45 FEM, STR MALE Components: 106815, 48826 and 48756 @ 64 inches	4
30	106819-7013GT	HOSE ASSY,1/2,STR FEM STR MALE Components: 48822, 106815 and 48756 @ 68 inches	1
31	94374-6030GT	HOSE ASSY,3/4,90 FEM,STR FEM Components: 48841, 48846 and 94358 @ 57 inches	2
32	61072-4326GT	HOSE ASSY,3/4,45 FEM,STR FEM Components: 48841, 48845 and 48762 @ 40 inches	1
33	81812-3692GT	HOSE ASSY,1/2,STR FEM,STR FEM Components: 48822, 48822 and 56777 @ 35 inches	2
34	81812-11292GT	HOSE ASSY,1/2,STR FEM,STR FEM Components: 48822, 48822 and 56777 @ 111 inches	4
35	49120-3881GT	HOSE ASSEMBLY-1/4"**** Components: 48800, 48810 and 48751 @ 37 inches	2
36	49120-11381GT	HOSE ASSY,1/4" STR FEM STR FEM Components: 48800, 48810 and 48751 @ 112 inches	4
37	49120-3781GT	HOSE ASSY,1/4" STR FEM STR FEM Components: 48800, 48810 and 48751 @ 36 inches	2
38	106819-6213GT	HOSE ASSY,1/2,STR FEM STR MALE Components: 48822, 106815 and 48756 @ 60 inches	1
39	81812-3592GT	HOSE ASSY,1/2,STR FEM,STR FEM Components: 48822, 48822 and 56777 @ 4 inches	2

Go to Discount-Equipment.com to order your parts



709.1 Hydraulic Hoses and Fittings - Steering System



LEGEND	
	ADAPTER
	HOSE ASSEMBLY
	HARDLINE

709.1 Hydraulic Hoses and Fittings - Steering System

Item	Part No.	Description	Qty.
1	48960GT	FITTING,CONN,520120-12	1
2	48905GT	CONN,520120-4***	8
3	48998GT	NIPPLE,DIAGNOSTIC,#6 PORT***	1
4	48948GT	CONN,520120-8-12	1
5	48912GT	CONN,520120-4-6***	4
6	48916GT	FITTING,CONN,520120-6	8
7	48911GT	ELBOW,90D,520220-4-6***	4
8	48937GT	ELBOW,45D,520320-8	1
9	48961GT	TEE,RUN,520428-12	1
10	48924GT	CONN,BULKHEAD,520601-6	8
11	214345GT	SEAL,ORING-6	8
12	1263412GT	HYD TUBE, STEER	8
13	49181-3440GT	HOSE ASSY.1/4",45,FEM STR FEM Components: 48801, 48810 and 48751 @ 32 inches	4
14	49120-1481GT	HOSE ASSY, 1/4", STR Components: 48800, 48810 and 48751 @ 13 inches	4
15	49130-5482GT	HOSE ASSY, 3/8,STR FEM,STR FEM Components: 48812, 48812 and 48751 @ 53 inches	4
16	49120-10981GT	HOSE ASSY,1/4" STR FEM STR FEM Components: 48800, 48810 and 48751 @ 108 inches	4
17	49120-4181GT	HOSE ASSY,1/4" STR FEM STR FEM Components: 48800, 48810 and 48751 @ 40 inches	2
18	49183-5992GT	HOSE ASSY,1/2,STR FEM,STR FEM Components: 48822, 48822 and 48756 @ 58 inches	1
19	61074-5528GT	HOSE ASSY,3/4,STR FEM,STR FEM Components: 48841, 48841 and 48762 @ 53 inches	1
20	49120-3881GT	HOSE ASSEMBLY-1/4"*** Components: 48800, 48810 and 48751 @ 37 inches	2

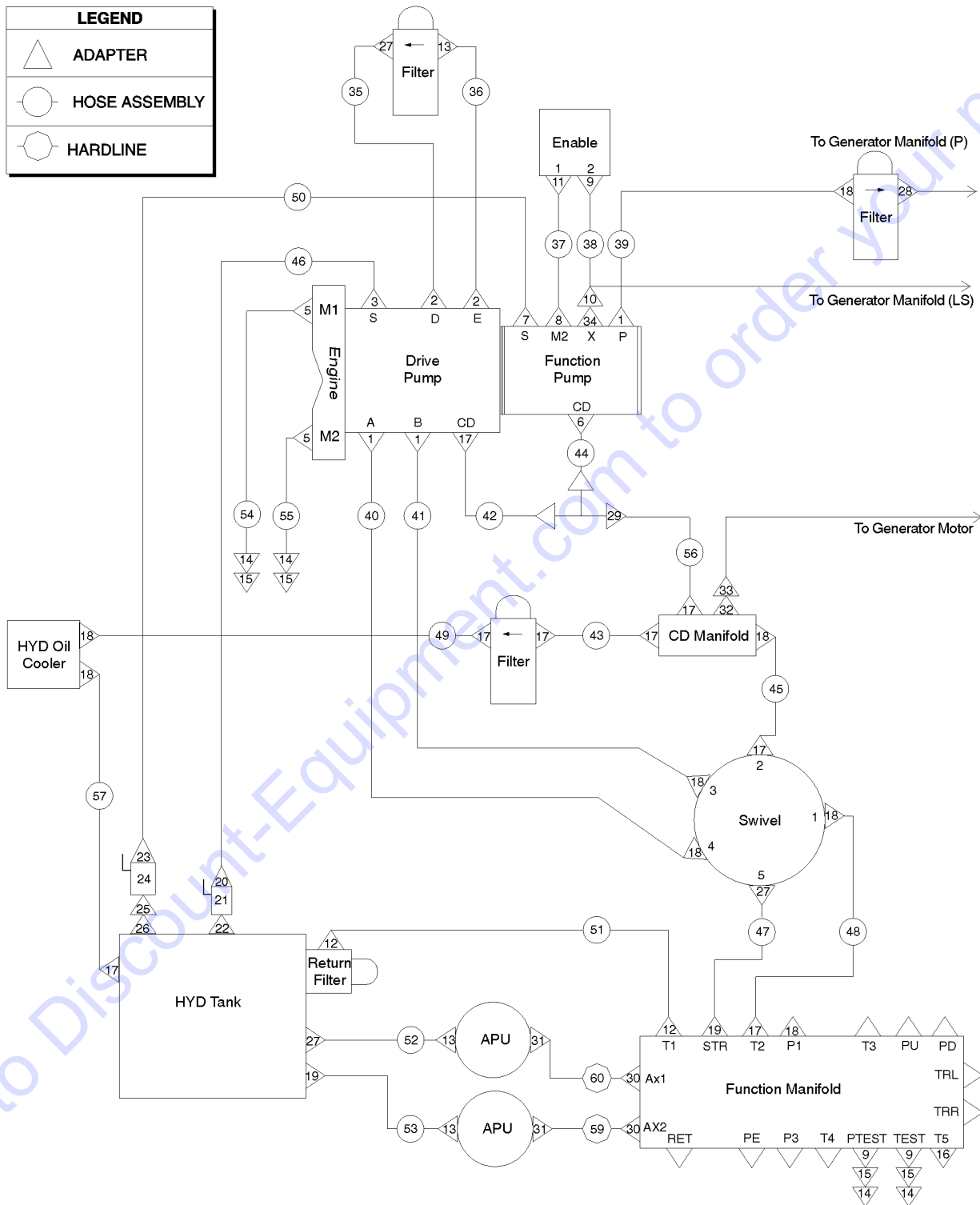


710.1 Hydraulic Hoses and Fittings - Turntable

Item	Part No.	Description	Qty.
1	48977GT	CONN,520120-12-16	1
2	48946GT	CONN,520120-8-10	2
3	106382GT	CONN,520120-16 LONG	1
4	48948GT	CONN,520120-8-12	1
5	48912GT	CONN,520120-4-6***	2
6	48974GT	ELBOW,90D,520220-12-10	1
7	219355GT	ELBOW, 90, 24 C5OLO-S	1
8	48911GT	ELBOW,90D,520220-4-6***	1
9	48904GT	ELBOW,90D,520220-4-4	3
10	48890GT	FITTING,TEE,BRANCH,520429-4*** Used on all Generator Options	1
11	48905GT	CONN,520120-4***	1
12	75654GT	CONN,520120-20	2
13	48932GT	FITTING,ELBOW,90D,520220-8***	3
14	48880GT	CAP,DIAGNOSTIC NIPPLE	9
15	49207GT	NIPPLE,DIAGNOSTIC,ORFS,FM,SWIV	3
16	48997GT	NIPPLE,DIAGNOSTIC,#4	2
17	48960GT	FITTING,CONN,520120-12	17
18	48963GT	FITTING,ELBOW,45D,520320-12***	11
19	48933GT	CONN,520120-8***	1
20	48984GT	CONN,520120-16	1
21	48996GT	VALVE,BALL,16 MSAE-16 FSAE***	1
22	75253GT	STRAINER ASSY,#16 O-RING	1
23	61083GT	CONN,520120-24	1
24	75256GT	VALVE BALL,24 FSAE-24 FSAE***	1
25	75254GT	UNION,STR.THREAD 24***	1
26	75257GT	STRAINER ASSY,#24 O-RING	1
27	48937GT	ELBOW,45D,520320-8	3
28	48959GT	FITTING,ELBOW,90D,520220-12	1



710.1 Hydraulic Hoses and Fittings - Turntable



Go to Discount-Equipment.com to order your parts

710.1 Hydraulic Hoses and Fittings - Turntable

Item	Part No.	Description	Qty.
29	48969GT	TEE,BULKHEAD,RUN,520958-12	1
30	48916GT	FITTING,CONN,520120-6	2
31	48920GT	ELBOW,45D,520320-6	2
32	48943GT	FITTING,CONN,520120-8-6	1
		Used only on "No Generator Option"	
33	48948GT	CONN,520120-8-12	1
		Used on all Generator Options	
34	48904GT	ELBOW,90D,520220-4-4	1
		Used only on "No Generator Option"	
35	49141-2263GT	HOSE ASSY,1/4,45 FEM,STR FEM	1
		(components: 48822, 48826, and 48756 @ 20 inches)	
36	49141-1963GT	HOSE ASSY 1/2.45 FEM STR FEM	1
		(components: 48822, 48826, and 48756 @ 17 inches)	
37	49117-1991GT	HOSE ASSY,1/4,90 FEM,STR FEM	1
		(components: 48800, 48802, and 48751 @ 18 inches)	
38	49117-1491GT	HOSE ASSY,1/4,90 FEM,STR FEM	1
		(components: 48800, 48802, and 48751 @ 13 inches)	
39	61073-3130GT	HOSE ASSY,3/4,90 FEM,STR FEM	1
		(components: 48841, 48846, and 48762 @ 28 inches)	
40	94374-10530GT	HOSE ASSY,3/4,90 FEM,STR FEM	1
		(components: 48841, 48846, and 94358 @ 102 inches)	
41	94374-10530GT	HOSE ASSY,3/4,90 FEM,STR FEM	1
		(components: 48841, 48846, and 94358 @ 102 inches)	
42	61073-2930GT	HOSE ASSY,1/2, 90D FEM,SWIV FE	1
		(components: 48841, 48846, and 48762 @ 26 inches)	
43	61073-2830GT	HOSE ASSY,3/4", 90 FEM, STR FEM	1
		(components: 48841, 48846, and 48762 @ 25 inches)	
44	61070-1350GT	HOSE ASSY,1/2, 90D FEM,SWIV FE	1
		(components: 48827, 48836, and 48756 @ 11 inches)	
45	61072-3926GT	HOSE ASSY,3/4,45 FEM,STR FEM	1
		(components: 48841, 48845, and 48762 @ 36 inches)	
46	49159-8318GT	HOSE ASSY, 1,90D FEM, STR FEM	1
		(components: 48854, 48855, and 48764 @ 79 inches)	
47	49183-8392GT	HOSE ASSY,1/2,STR FEM,STR FEM	1
		(components: 48822, 48822, and 48756 @ 82 inches)	
48	61074-8528GT	HOSE ASSY,3/4,STR FEM,STR FEM	1
		(components: 48841, 48841, and 48762 @ 83 inches)	
49	61073-6330GT	HOSE ASSY,3/4,90D FEM,STR FEM	1
		(components: 48846, 48841, and 48762 @ 60 inches)	
50	1291916-8566GT	ASSY, HOSE, HYD, -24, 150, STR, STR	1
51	88441-4140GT	HOSE ASSY,1 1/4"STR FEM,STR FE	1
		(components: 88477, 88944, and 88478 @ 38 inches)	
52	49141-6963GT	HOSE ASSY,1/2,45 FEM,STR FEM**	1
		(components: 48822, 48826, and 48756 @ 67 inches)	
53	49141-7463GT	HOSE ASSY,1/2,STR FEM,STR FEM	1
		(components: 48822, 48826, and 48756 @ 72 inches)	
54	101793-2573GT	HOSE ASSY,1/4,STR FEM,STR MAL	1
		(components: 48800, 75628, and 101697 @ 23 inches)	
55	101793-2573GT	HOSE ASSY,1/4,STR FEM,STR MAL	1
		(components: 48800, 75628, and 1287113 @ 23 inches)	
56	61074-4328GT	HOSE ASSY,3/4,STR FEM,STR FEM	1
		(components: 48841, 48841, and 48762 @ 41 inches)	





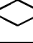
710.1 Hydraulic Hoses and Fittings - Turntable

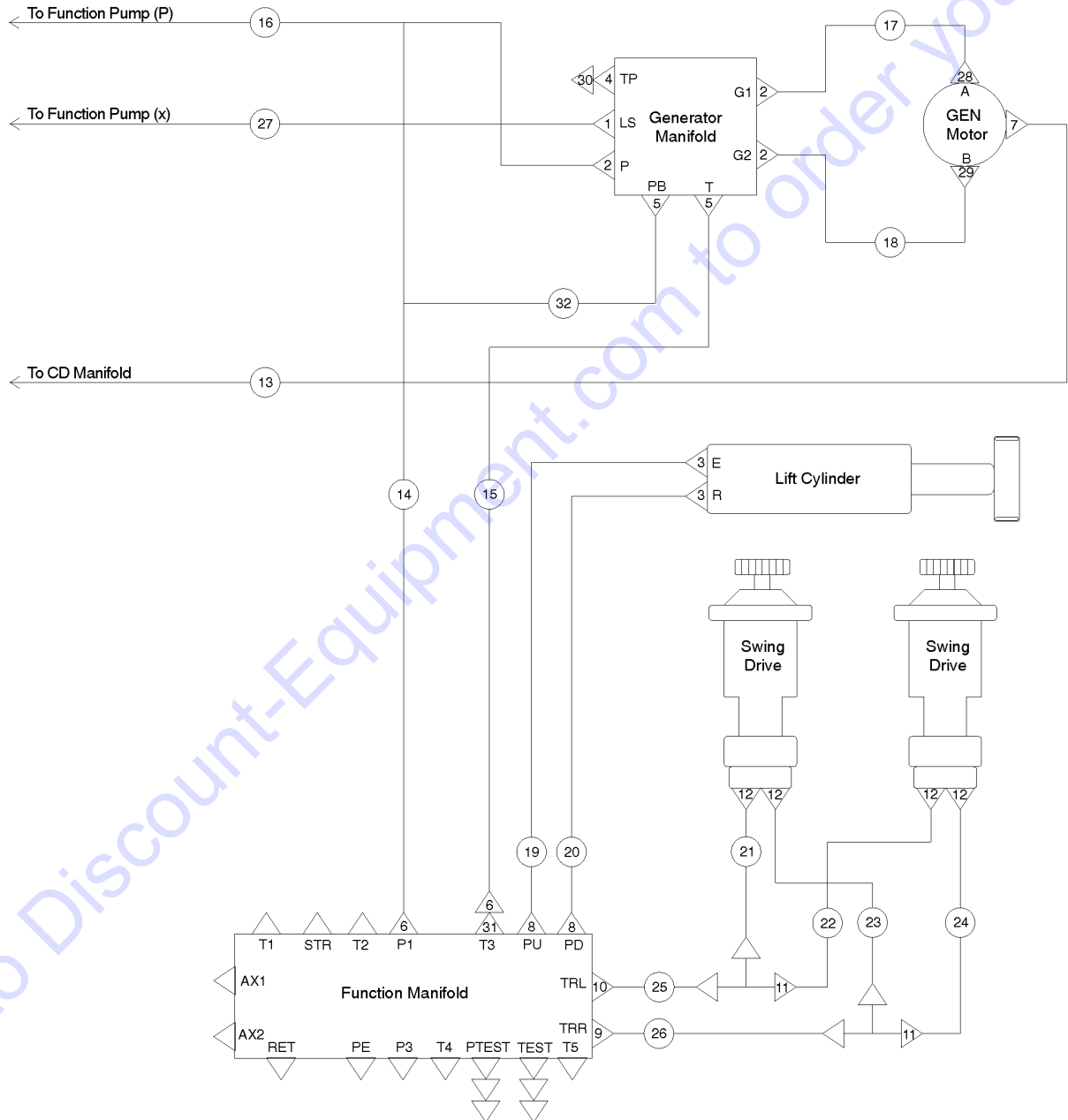
Item	Part No.	Description	Qty.
57	61074-4528GT	HOSE ASSY,3/4,STR FEM,STR FEM (components: 48841, 48841, and 48762 @ 43 inches)	1
58	61073-6330GT	HOSE ASSY,3/4,90D FEM,STR FEM (components: 48846, 48841, and 48762 @ 60 inches)	1
59	1268328GT	HYD. TUBE, APU2	1
60	1268329GT	HYD. TUBE, APU1	1

Go to Discount-Equipment.com to order your parts



711.1 Hydraulic Hoses and Fittings - Turntable

LEGEND	
	ADAPTER
	HOSE ASSEMBLY
	UNION





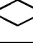
Go to Discount-Equipment.com to order your parts

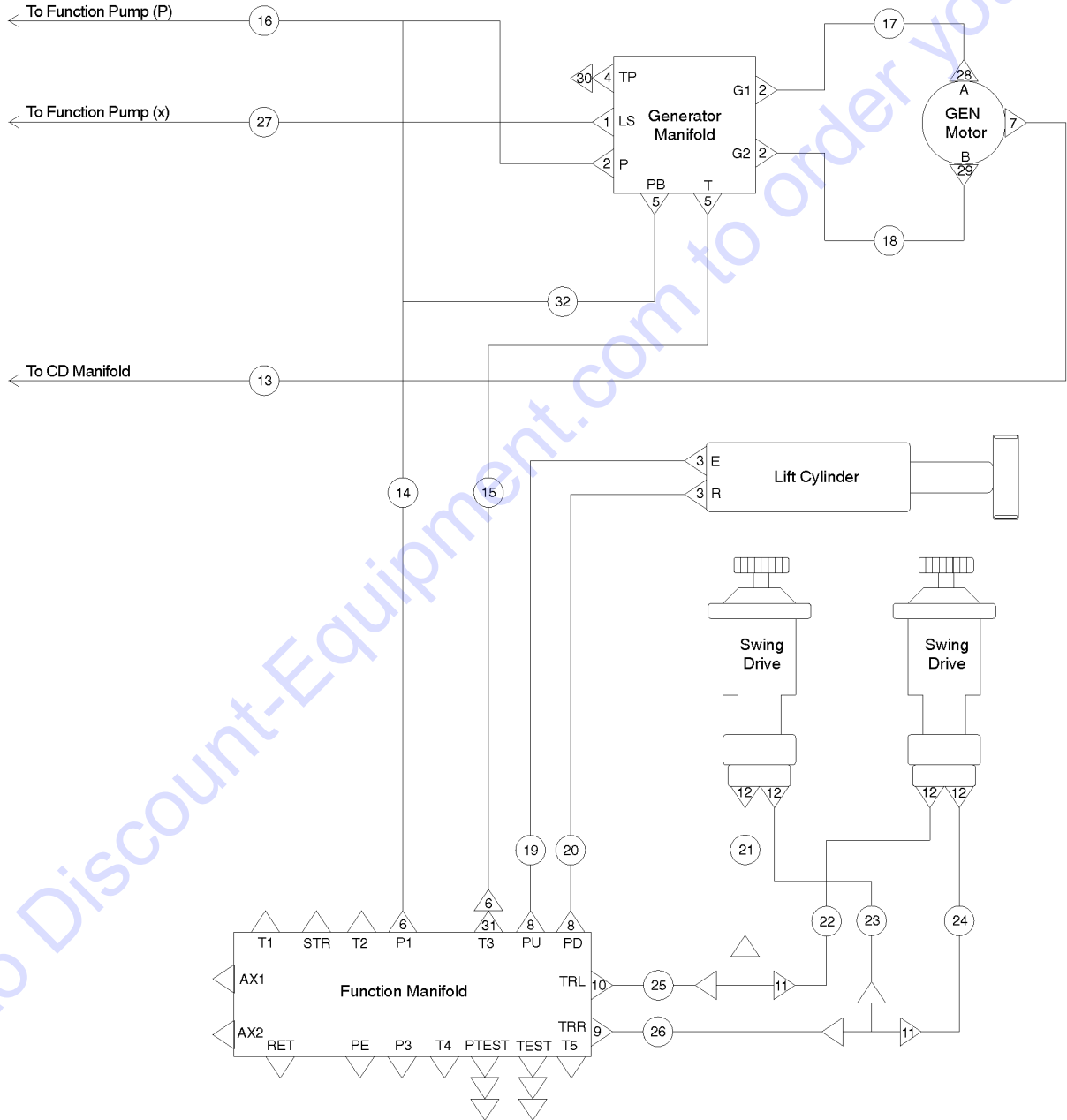
711.1 Hydraulic Hoses and Fittings - Turntable

Item	Part No.	Description	Qty.
1	48913GT	CONN, 520120-4-6 0.030 ORIFICE Used on all Generator Options	1
2	48959GT	FITTING, ELBOW, 90D, 520220-12 Used on all Generator Options	4
3	48932GT	FITTING, ELBOW, 90D, 520220-8***	2
4	48997GT	NIPPLE, DIAGNOSTIC, #4 Used on all Generator Options	1
5	48960GT	FITTING, CONN, 520120-12 Used on all Generator Options	2
6	48963GT	FITTING, ELBOW, 45D, 520320-12*** Used on all Generator Options	2
7A	48942GT	ELBOW, 90D, 520220-8-6 Used only on 7.5/12 KW Generator Option	1
7B	48915GT	ELBOW, 90D, 520220-6 Used only on 3 KW Generator Option	1
8	48937GT	ELBOW, 45D, 520320-8	2
9	56003GT	ELBOW, 90D, LONG, 521520-6	1
10	48915GT	ELBOW, 90D, 520220-6	1
11	227614GT	TEE, BULKHEAD, RUN, 520120-6	2
12	48916GT	FITTING, CONN, 520120-6	4
13	49137-2541GT	HOSE ASSY, 1/2, 90L FEM, STR FEM (components: 48822, 48824, and 48756 @ 23 inches); Used only on 7.5/12 KW Generator Option	1
13B	1273655GT	HOSE ASSY, 3KW GENERATOR CASE (components: 48819, 48816, and 4875 @ 18 inches); Used only on 3 KW Generator Option	1
13B	49180-2016GT	ASSY, HOSE, HYD, -6, 3000, STR, 90	1
14	61074-8228GT	HOSE ASSY, 3/4, STR FEM, STR FEM (components: 48841, 48841, and 48762 @ 80 inches); Used only on "No Generator Option"	1
15	61074-6628GT	HOSE ASSY, 3/4, STR FEM, STR FEM (components: 48841, 48841, and 48762 @ 64 inches); Used on all Generator Options	1
16	1259122GT	HARDLINE, GENERATOR PRESSURE Used only on 7.5/12 KW Generator Option	1
18B	61074-1698GT	ASSY, HOSE, HYD, -12, 3000, STR, STR	1
17	1259123GT	HARDLINE, GENERATOR SUPPLY Used only on 7.5/12 KW Generator Option	1
17B	61070-4555GT	ASSY, HOSE, HYD, -8, 3000, STR, 90	1
18	1259124GT	HARDLINE, GENERATOR RETURN Used only on 7.5/12 KW Generator Option	1
19	49183-9592GT	HOSE ASSY, 1/2, STR FEM, STR FEM (components: 48822, 48822, and 48756 @ 94 inches)	1
20	49183-9592GT	HOSE ASSY, 1/2, STR FEM, STR FEM (components: 48822, 48822, and 48756 @ 94 inches)	1
21	49128-2809GT	HOSE ASSY, 3/8, 90 FEM, STR FEM (components: 48812, 48816, and 48753 @ 26 inches)	1
22	49128-2809GT	HOSE ASSY, 3/8, 90 FEM, STR FEM (components: 48812, 48816, and 48753 @ 26 inches)	1
23	49128-2809GT	HOSE ASSY, 3/8, 90 FEM, STR FEM (components: 48812, 48816, and 48753 @ 26 inches)	1



711.1 Hydraulic Hoses and Fittings - Turntable

LEGEND	
	ADAPTER
	HOSE ASSEMBLY
	UNION



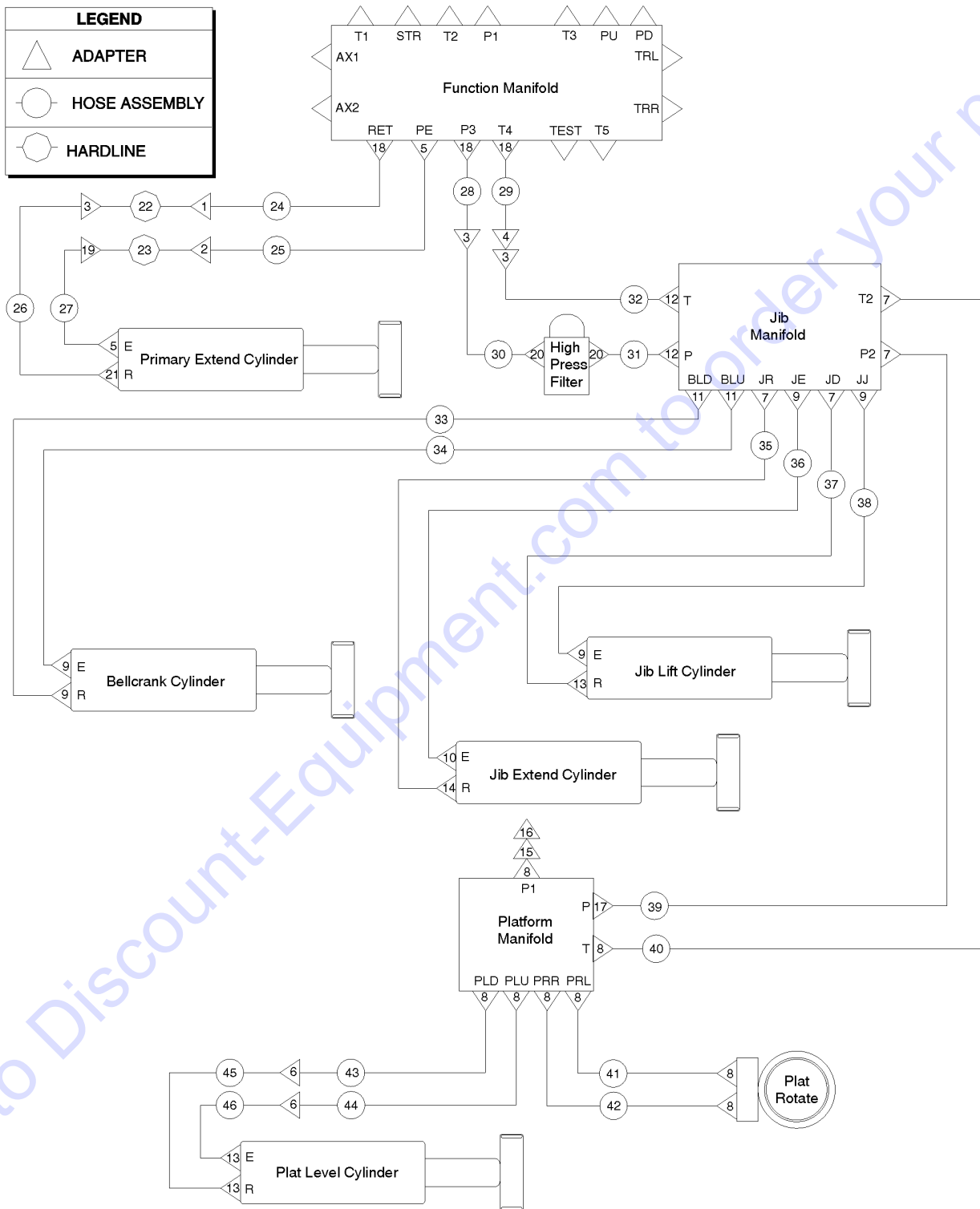
711.1 Hydraulic Hoses and Fittings - Turntable

Item	Part No.	Description	Qty.
24	49128-2809GT	HOSE ASSY,3/8,90 FEM,STR FEM (components: 48812, 48816, and 48753 @ 26 inches)	1
25	1268331GT	HYD, TUBE,TRL	1
26	1268330GT	HYD, TUBE, TRR	1
27	49117-2691GT	HOSE ASSY, 1/4, 90D FEM, STR F (components: 48000, 48802, and 48751 @ 25 inches); Used on all Generator Options	1
28	48974GT	ELBOW,90D,520220-12-10 Used only on 7.5/12 KW Generator Option	1
28B	56604GT	CONN,520120-10-8 Used only on 3 KW Generator Option	
29	48975GT	CONN,520120-12-10 Used only on 7.5/12 KW Generator Option	1
29B	56604GT	CONN,520120-10-8 Used only on 3 KW Generator Option	
30	48880GT	CAP,DIAGNOSTIC NIPPLE Used on all Generator Options	
31	48943GT	FITTING,CONN,520120-8-6 Used only on "No Generator Option"	1
32	61074-6728GT	HOSE ASSY, 3/4, STR FEM, STR F (components: 48841, 48841, and 48762 @ 65 inches); Used on all Generator Options	1

Go to Discount-Equipment.com to order your parts



712.1 Hydraulic Hoses and Fittings - Boom Components



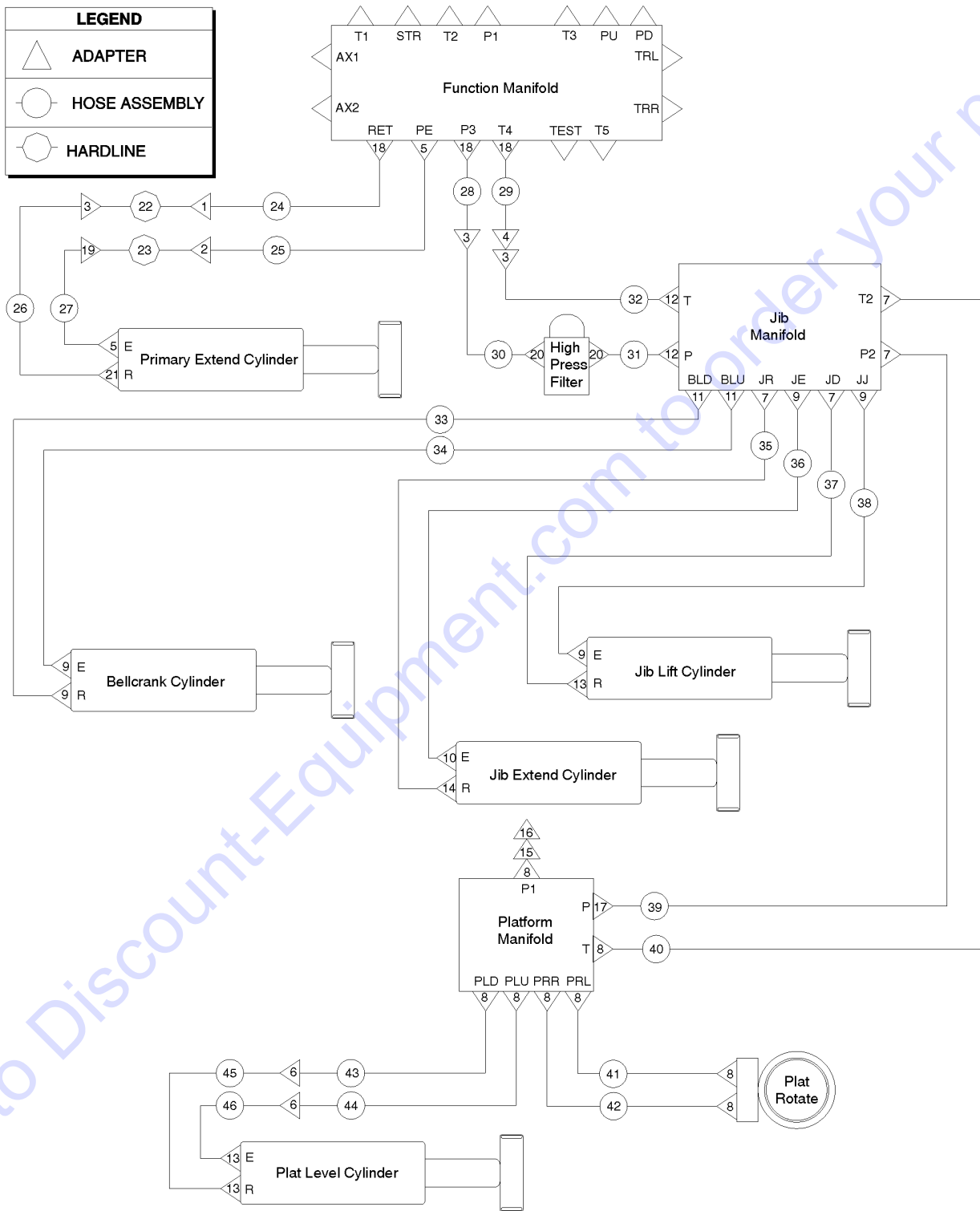
Go to Discount-Equipment.com to order your parts

712.1 Hydraulic Hoses and Fittings - Boom Components

Item	Part No.	Description	Qty.
1	48894GT	CONN,BULKHEAD,520601-8	1
2	48968GT	CONN,BULKHEAD,520601-12	1
3	75042GT	ELBOW,BULKHEAD UNION 520701-8	3
4	48879GT	ELBOW,SWIVEL 90D, 520221-8	1
5	48963GT	FITTING,ELBOW,45D,520320-12***	2
6	61079GT	ELBOW,90D,BULKHEAD,520701-4	2
7	48912GT	CONN,520120-4-6***	4
8	48904GT	ELBOW,90D,520220-4-4	8
9	48916GT	FITTING,CONN,520120-6	5
10	56003GT	ELBOW,90D,LONG,521520-6	1
11	48915GT	ELBOW,90D,520220-6	2
12	48932GT	FITTING,ELBOW,90D,520220-8***	2
13	48905GT	CONN,520120-4***	4
14	48907GT	ELBOW,45D,520320-4	1
15	49207GT	NIPPLE,DIAGNOSTIC,ORFS,FM,SWIV	1
16	48880GT	CAP,DIAGNOSTIC NIPPLE	1
17	61259GT	ELBOW,90D,LONG,521520-4	1
18	48937GT	ELBOW,45D,520320-8	4
19	48970GT	ELBOW,90D,BULKHEAD,520701-12	1
20	48947GT	ELBOW,90D,520220-8-12	2
21	48933GT	CONN,520120-8***	1
22	1268471GT	HARDLINE,PRIMARY RETURN, BOOM #1	1
23	1268470GT	HARDLINE,PRI. EXTEND,BOOM #1	1
24	49183-14292GT	HOSE ASSY,1/2,STR FEM,STR FEM (components: 48822, 48822, and 48756 @ 141 inches)	1
25	61074-14328GT	HOSE ASSEMBLY 3/4" STR-STR (components: 48841, 48841, and 48762 @ 141 inches)	1
26	49143-1429GT	HOSE ASSY,1/2,90 FEM,STR FEM (components: 48822, 48827, and 48756 @ 12 inches)	1
27	61073-1630GT	HOSE ASSY.,3/4",90°FEM,STR FEM (components: 48841, 48853, and 48762 @ 13 inches)	1
28	49183-51192GT	HOSE ASSY,1/2,STR FEM,STR FEM (components: 48822, 48822, and 48756 @ 510 inches)	1



712.1 Hydraulic Hoses and Fittings - Boom Components



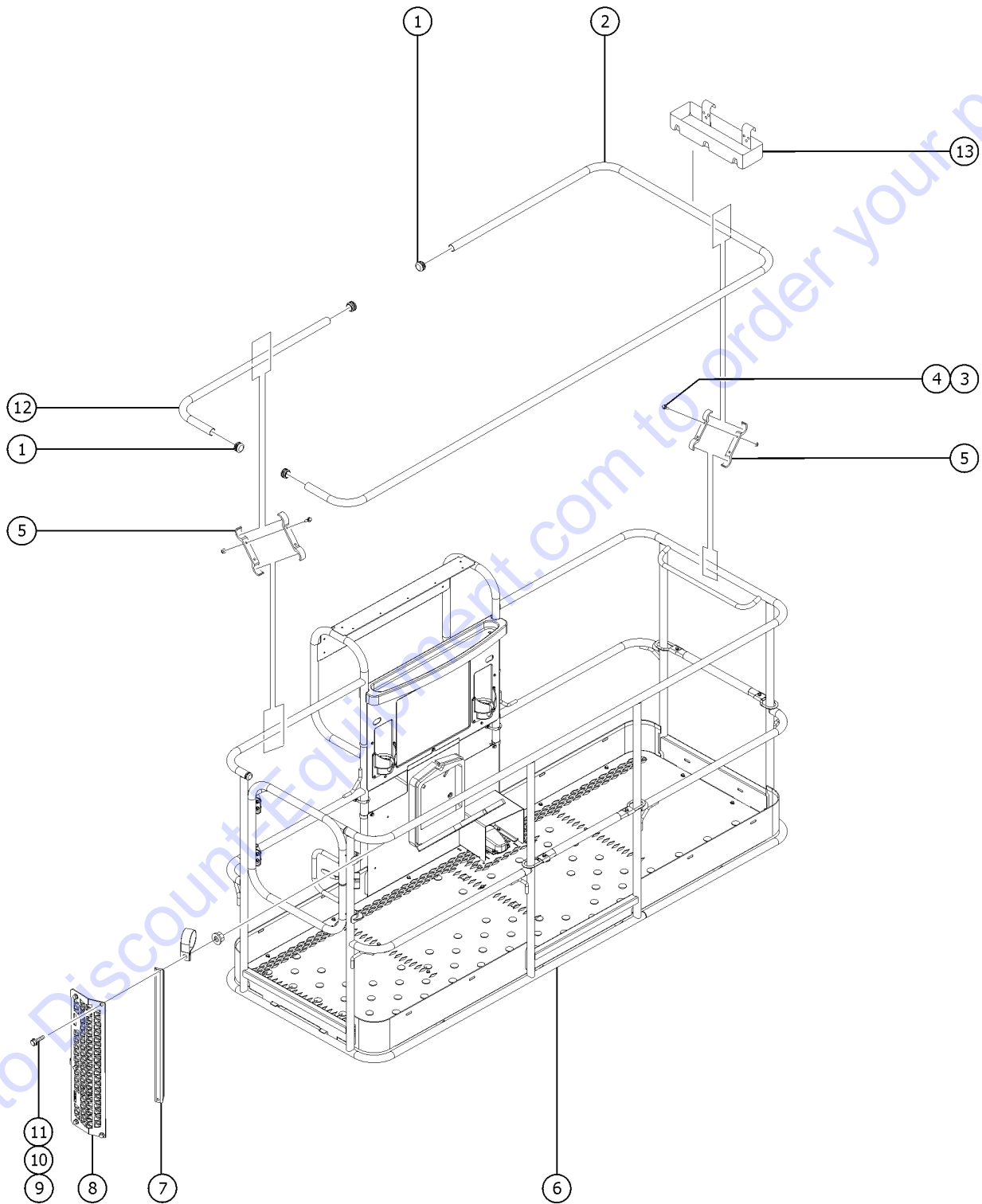
Go to Discount-Equipment.com to order your parts

712.1 Hydraulic Hoses and Fittings - Boom Components

Item	Part No.	Description	Qty.
29	49183-50692GT	HOSE ASSY,1/2,STR FEM,STR FEM (components: 48822, 48822, and 48756 @ 505 inches)	1
30	49183-86192GT	HOSE ASSY,1/2,STR FEM,STR FEM (components: 48822, 48822, and 48756 @ 860 inches)	1
31	49183-1592GT	HOSE ASSY,1/2,STR FEM,STR FEM (components: 48822, 48822, and 48756 @ 14 inches)	1
32	49183-80792GT	HOSE ASSY,1/2,STR FEM,STR FEM (components: 48822, 48822, and 48756 @ 806 inches)	1
33	49130-5182GT	HOSE ASSY,3/8 STR FEM-STR FEM (components:48812, 48812, and 48753 @ 50 inches)	1
34	49130-5182GT	HOSE ASSY,3/8 STR FEM-STR FEM (components:48812, 48812, and 48753 @ 50 inches)	1
35	49117-5691GT	HOSE ASSY,1/4,90 FEM,STR FEM** (components:48800, 48802, and 48751 @ 55 inches)	1
36	49130-5782GT	HOSE ASSY 3/8, STR FEM,STR FEM (components:48812, 48812, and 48753 @ 56 inches)	1
37	49119-14578GT	HOSE ASSY,1/4,STR FEM,STR FEM (components:48800, 48800, and 48751 @ 144 inches)	1
38	49130-14482GT	HOSE ASSY,3/8 STR FEM-STR FEM (components:48812, 48812, and 48753 @ 143 inches)	1
39	49119-47378GT	HOSE ASSY,1/4,STR FEM,STR FEM (components:48800, 48800, and 48751 @ 472 inches)	1
40	49119-48178GT	HOSE ASSY,1/4,STR FEM,STR FEM (components:48800, 48800, and 48751 @ 480 inches)	1
41	49119-3678GT	HOSE ASSY,1/4,STR FEM,STR FEM (components:48800, 48800, and 48751 @ 35 inches)	1
42	49116-3537GT	HOSE ASSY,1/4,45 FEM,STR FEM (components:48800, 48801, and 48751 @ 33 inches)	1
43	49117-6191GT	HOSE ASSY,1/4,90 FEM,STR FEM (components:48800, 48802, and 48751 @ 60 inches)	1
44	49117-5691GT	HOSE ASSY,1/4,90 FEM,STR FEM** (components:48800, 48802, and 48751 @ 55 inches)	1
45	49119-2978GT	HOSE ASSY 1/4,STR FEM,STR FEM* (components:48800, 48802, and 48751 @ 55 inches)	1
46	49119-2978GT	HOSE ASSY 1/4,STR FEM,STR FEM* (components:48800, 48802, and 48751 @ 55 inches)	1



801.1 Platform Accessories

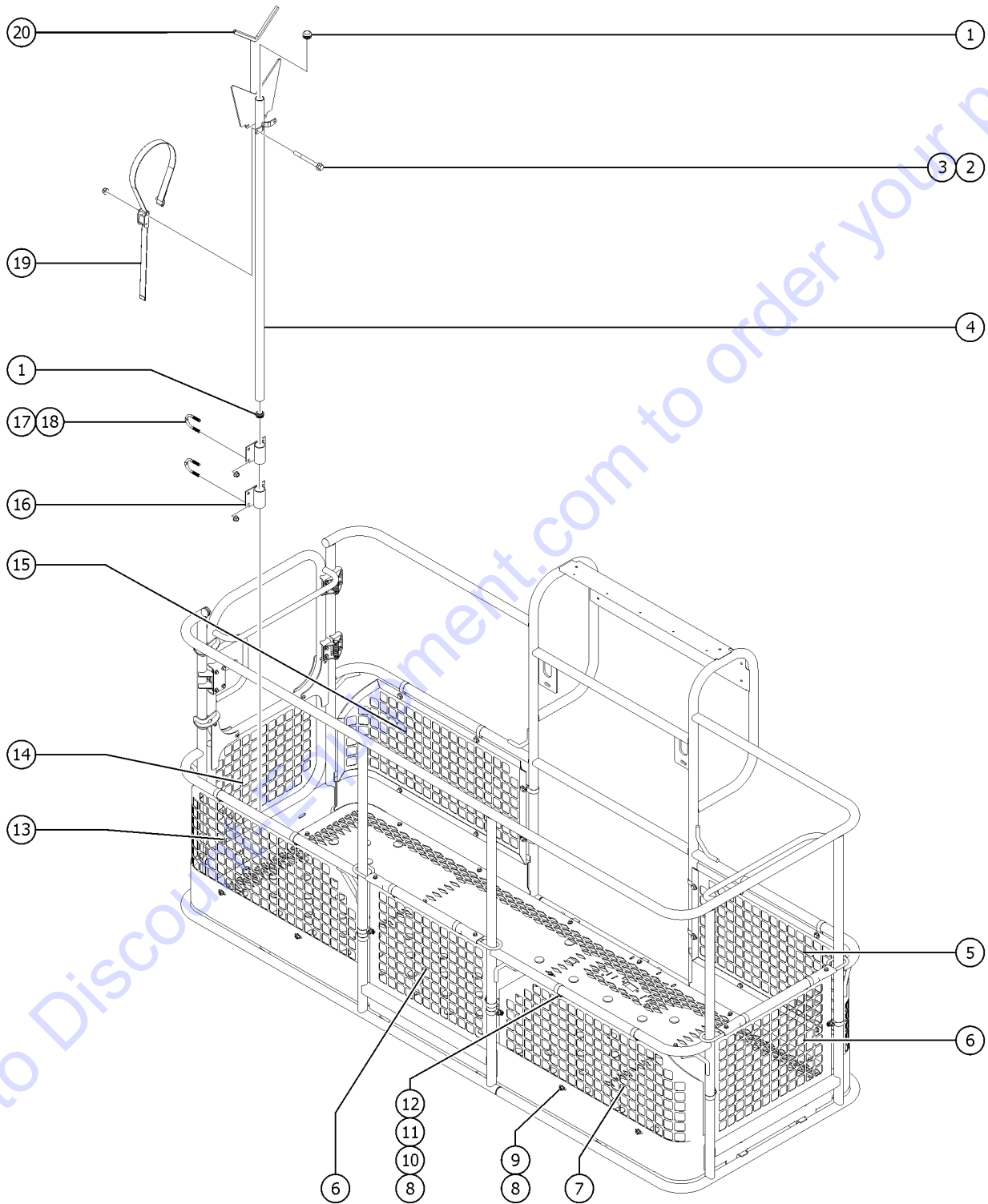


801.1 Platform Accessories

Item	Part No.	Description	Qty.
1	55753GT	BUMPER, PLASTIC, 1.25 O.D.	4
2A	1271077GT	AUX RAIL, 8' PLAT., TRI ENTRY (8 foot Platform)	1
2B	1270570GT	AUX RAIL, 6' PLAT, SIDE ENTRY (6 foot Platform)	1
3A	824079GT	SCREW,HHF,1/4-20X1,8,ZAG (8 foot Platform)	26
3B	824079GT	SCREW,HHF,1/4-20X1,8,ZAG (6 foot Platform)	22
4A	824027GT	NUT,TL FLG,1/4-20,G,ZAG (8 foot Platform)	26
4B	824027GT	NUT,TL FLG,1/4-20,G,ZAG (6 foot Platform)	22
5A	122073GT	SUPPORT, RAILING (8 foot Platform)	26
5B	122073GT	SUPPORT, RAILING (6 foot Platform)	22
6		Ref.WELDMENT, PLATFORM (refer to 602.1)	1
7	1277966GT	TUBE,SQ,STL, 1.00 x 1.00 x .120	1
8	1277952GT	GUARD, SWING GATE	1
9	824086GT	SCREW,HHF,5/16-18X1,8,ZAG	5
10	56424GT	CLAMP,1.25X.5 RUBBER-CUSHION	5
11	824028GT	NUT,TL FLG,5/16-18,G,ZAG	5
12A	1271078GT	AUX RAIL, 8' PLAT., TRI ENTRY (8 foot Platform)	1
12B	1270571GT	AUX RAIL, 6' PLAT, SIDE ENTRY (6 foot Platform)	1
13	9599-SGT	TOOL TRAY ACCESSORY***	1
13-	7746GT	BRACKET-TOOL TRAY MOUNTING	



801.2 Half-Mesh and Pipe Cradle Options



Go to DiscountGenie.com to order your parts

PARTS FINDER

**Search Website
by Part Number**



**Search Manual
Library For Parts
Manual & Lookup Part
Numbers – Purchase
or Request Quote**

Search Manuals

Enter your information to help us find the right parts manual for your machine.

* Brand:

* Model:

* Serial:

* Part Number:

SEARCH

**Can't Find Part or
Manual? Request Help
by Manufacturer,
Model & Description**

Parts Order Form

Please fill in the following information to help us find the right part for your machine.

Manufacturer:	<input type="text"/>
Model:	<input type="text"/>
Description:	<input type="text"/>
Part Number:	<input type="text"/>
Quantity:	<input type="text"/>
Notes:	<input type="text"/>

Submit

Discount-Equipment.com is your online resource for quality parts & equipment.

Florida: **561-964-4949** Outside Florida TOLL FREE: **877-690-3101**

Need parts?

Click on this link: <http://www.discount-equipment.com/category/5443-parts/> and choose one of the options to help get the right parts and equipment you are looking for. Please have the machine model and serial number available in order to help us get you the correct parts. If you don't find the part on the website or on one of the online manuals, please fill out the request form and one of our experienced staff members will get back to you with a quote for the right part that your machine needs.

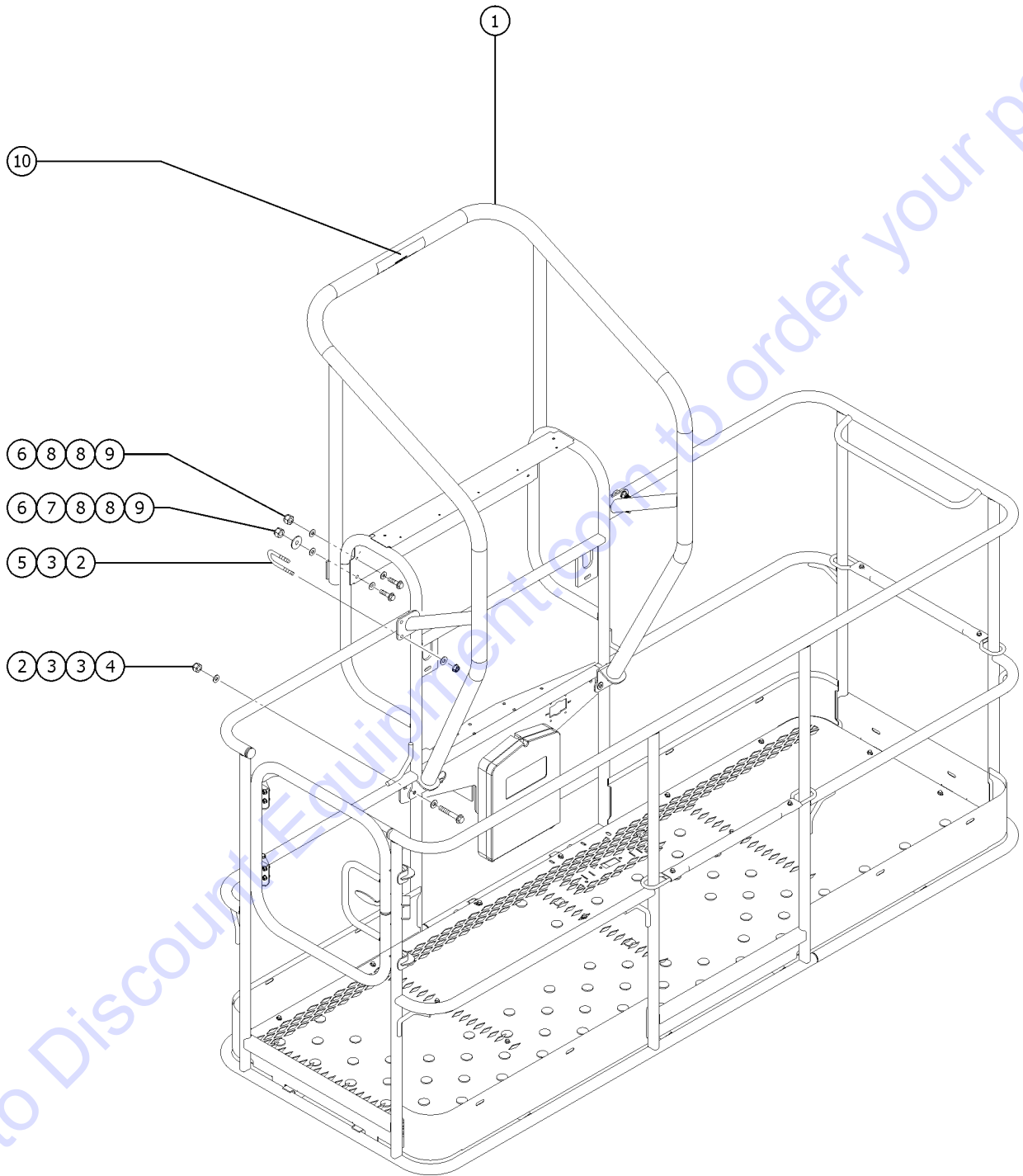
We sell worldwide for the brands: Genie, Terex, JLG, MultiQuip, Mikasa, Essick, Whiteman, Mayco, Toro Stone, Diamond Products, Generac Magnum, Airman, Haulotte, Barreto, Power Blanket, Nifty Lift, Atlas Copco, Chicago Pneumatic, Allmand, Miller Curber, Skyjack, Lull, Skytrak, Tsurumi, Husquvarna Target, Stow, Wacker, Sakai, Mi-T-M, Sullair, Basic, Dynapac, MBW, Weber, Bartell, Bennar Newman, Haulotte, Ditch Runner, Menegotti, Morrison, Contec, Buddy, Crown, Edco, Wyco, Bomag, Laymor, EZ Trench, Bil-Jax, F.S. Curtis, Gehl Pavers, Heli, Honda, ICS/PowerGrit, IHI, Partner, Imer, Clipper, MMD, Koshin, Rice, CH&E, General Equipment, Amida, Coleman, NAC, Gradall, Square Shooter, Kent, Stanley, Tamco, Toku, Hatz, Kohler, Robin, Wisconsin, Northrock, Oztec, Toker TK, Rol-Air, APT, Wylie, Ingersoll Rand / Doosan, Innovatech, Con X, Ammann, Mecalac, Makinex, Smith Surface Prep, Small Line, Wanco, Yanmar

801.2 Half-Mesh and Pipe Cradle Options

Item	Part No.	Description	Qty.
A	85300GT	PIPE CRADLE ASSY. SERV (ONE)** (ANSI & CE only) (This is a single assembly. Qty 2 of 85300GT required to complete a set)	
A-	65630GT	INSTRUCTIONS-PIPE CRADLE,BOOMS	
1	55753GT	BUMPER, PLASTIC, 1.25 O.D.	4
2	824083GT	SCREW,HHF,1/4-20X2.5,8,ZAG	4
3	1277924GT	NUT,NYLOCK FLG,1/4-20,F,ZAG	4
4	56525GT	WELDMENT, PIPE CRADLE	2
5	1271019GT	PANEL, HALF MESH (8 foot Platform)	1
6	1271061GT	PANEL, HALF MESH (8 and 6 foot Platform)	1
7	1271018GT	PANEL, HALF MESH (8 foot Platform)	1
7-	1270313GT	PANEL, HALF MESH (6 foot Platform)	
8	824028GT	NUT,TL FLG,5/16-18,G,ZAG	
9	824085GT	SCREW,HHF,5/16-18X.75,8,ZAG	
10	56424GT	CLAMP,1.25X.5 RUBBER-CUSHION	
11	825358GT	WASHER,FLAT,5/16,USS,ZAG	
12	1264101GT	SCREW,HHC,5/16-18X1,8,ZAG	
13	1271040GT	PANEL, HALF MESH (8 foot Platform)	1
13-	1270316GT	PANEL, HALF MESH (6 foot Platform)	
14	1285700GT	WELDMENT,SWING GATE PANEL (used on 6' and 8' side entry platforms) (models from SN SX135H-271 to SX135H-296 required to order Swing Gate Weldment, refer to 602.2)	
14-	55753GT	BUMPER, PLASTIC, 1.25 O.D.	2
15	1270994GT	PANEL, HALF MESH (8 foot Platform)	1
15-	1270314GT	PANEL, HALF MESH (6 foot Platform)	
16	81368GT	WELDMENT,PIPE CRADLE MOUNT	4
17	1251600GT	U-BOLT, FLATTENED, 1.5 X 3/8	8
18	1274322GT	NUT,NYLOCK FLG,3/8-16,G,ZAG	16
19	56570GT	STRAP, CONDUIT HOLDER 60"****	2
20	19018-1100GT	TRIMLOCK,BLACK,5/32"	2



802.1 Operator Protection Structure



Go to DiscountEquipment.com to order your parts

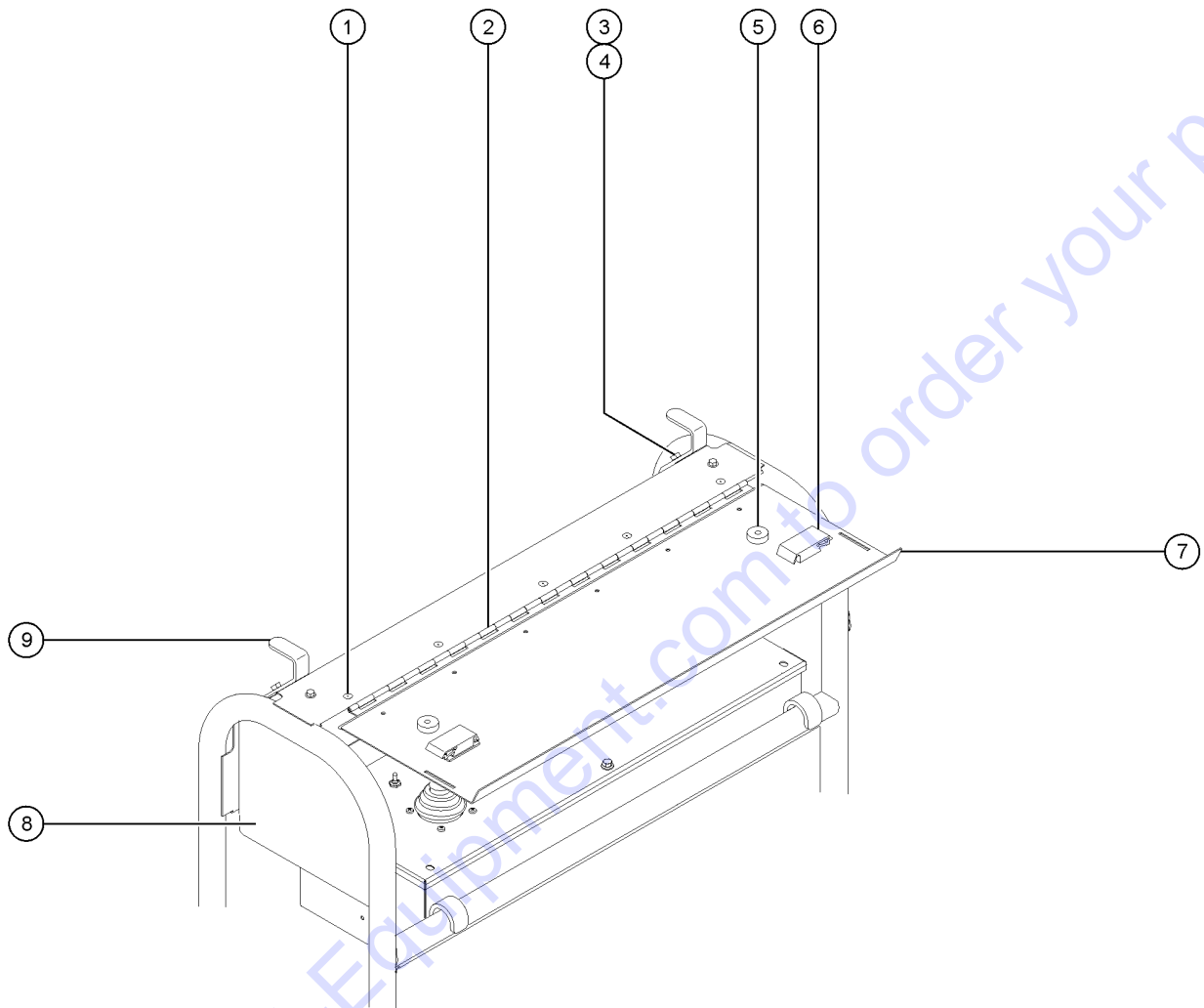
802.1 Operator Protection Structure

Item	Part No.	Description	Qty.
		Fits all 6' and 8' Booms	
1	219158GT	ACCESSORY, OPERATOR PROT STRUCT (Complete) includes all fasteners	1
2	1256468GT	NUT, 3/8-16, 8, ZAG	8
3	1255758GT	WASHER, FLAT, 3/8, USS, ZAG	12
4	824069GT	SCREW, HHC, 3/8-16X2.5, 8, ZAG	4
5	1251600GT	U-BOLT, FLATTENED, 1.5 X 3/8	4
6	1261184GT	NUT, 1/4-20, 8, ZAG	4
7	824120GT	WASHER, FLAT, .375X1.50X.125, ZAG Use only with the platform control box cover option	2
8	824113GT	WASHER, FLAT, 1/4, USS, ZAG	6
9	824060GT	SCREW, HHC, 1/4-20X1, 8, ZAG	4
10		Ref. DECAL, INSTRUCTION, OPS Refer to Section 1	1

Go to Discount-Equipment.com to order your parts



803.1 Platform Control Box Cover



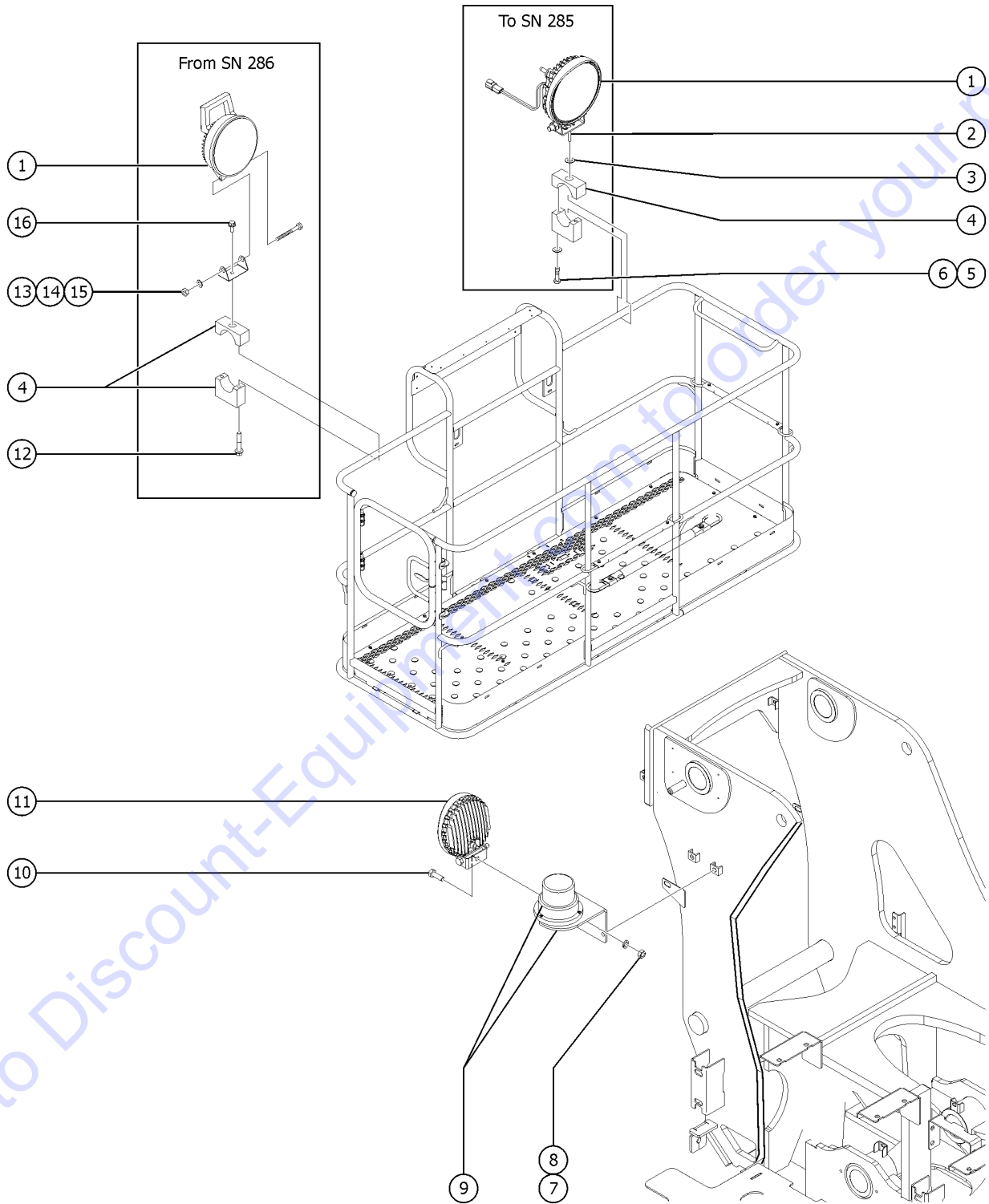
803.1 Platform Control Box Cover

Item	Part No.	Description	Qty.
1	54486GT	RIVET,ALUM,ALUM,3/16BUTTONHEAD	11
2	111526GT	HINGE,PLAT CONTROL BOX COVER	1
3	824078GT	SCREW,HHF,1/4-20X.75,8,ZAG	8
4	824027GT	NUT,TL FLG,1/4-20,G,ZAG	8
5	43392GT	BUMPER,BATTERY BOX & RAILS	2
6	30468GT	LATCH,SLIDE, FLUSH MOUNT STYLE	2
7	102676GT	LID ASSY,CONTROL BOX COVER PLT	1
7-	102785PGT	CONTROL BOX COVER,LID,PTD	
8	88607PGT	COVER,CONTROL BOX LEFT SIDE***	1
8-	88606PGT	COVER,CONTROL BOX RIGHT SIDE** shown	
9	102786PGT	FORMING,LATCH,CTRL BOX LID PTD	2

Go to Discount-Equipment.com to order your parts



804.1 Drive and Work Light Package



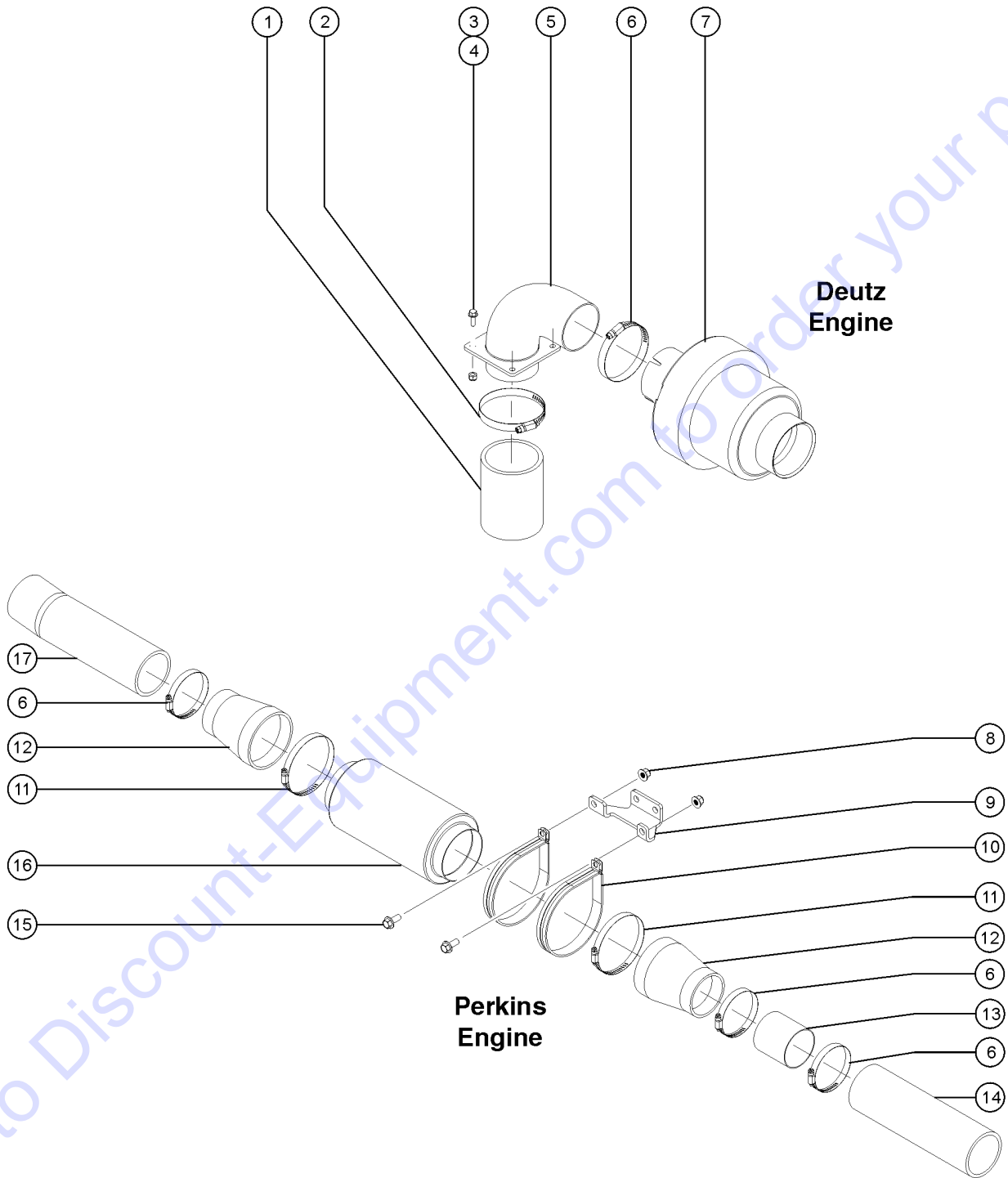
804.1 Drive and Work Light Package

Item	Part No.	Description	Qty.
1B	1282993GT	ASSY, WORK LIGHT, 12V LED items 13, 14, 15 included	2
2	10107GT	SCREW,HHC,5/16-18 X .75 (to SN SX135H-285)	
3	6036GT	WASHER,LOCK,.625 PLTD (to SN SX135H-285)	
4	35956GT	BRACKET,WORK LIGHT MOUNT 5/16"	2
5	6145GT	SCREW,HHC,1/4-20 X 1.5 (to SN SX135H-285)	
6	6356GT	WASHER,LOCK,.25 (to SN SX135H-285)	
7	22571GT	NUT,HEX,M8 X 1.25	
8	49408GT	WASHER,LOCK,M8	
9		Ref. Bracket and Strobe (Refer to 302.1)	
10	49379GT	SCREW,HHC,M8 X 1.25 X 25	
11	823520GT	ASSY, DRIVE LIGHT, 12V LED	2
12	824081GT	SCREW,HHF,1/4-20X1.5,8,ZAG (from SN SX135H-286)	4
13	22571GT	NUT,HEX,M8 X 1.25	2
14	49408GT	WASHER,LOCK,M8	2
15	75185GT	SCREW,HHC,M8X1.25X 70MM,GR8.8	2
16	824085GT	SCREW,HHF,5/16-18X.75,8,ZAG (from SN SX135H-286)	2

Go to Discount-Equipment.com to order your parts



805.1 Engine Air Precleaner



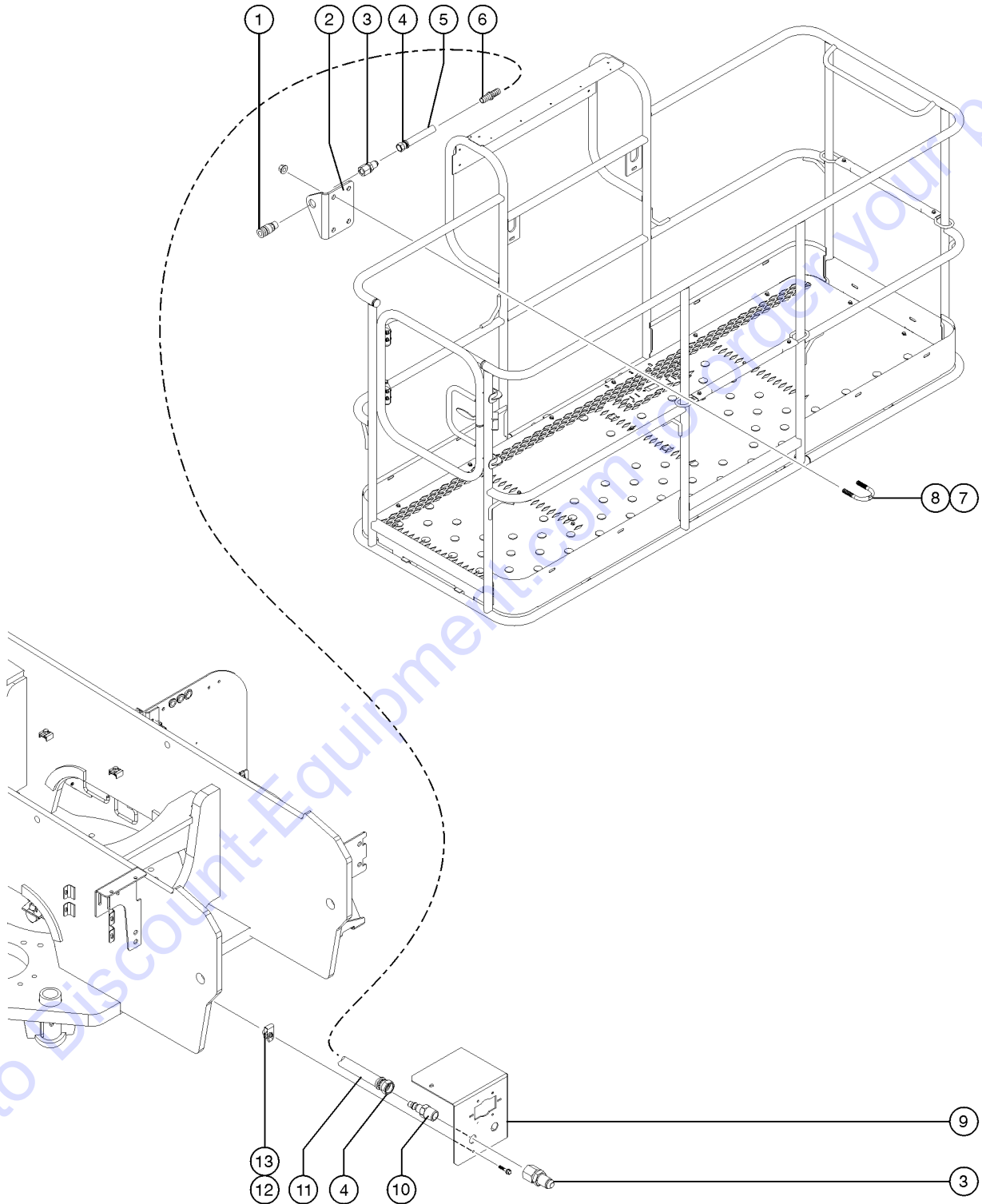
805.1 Engine Air Precleaner

Item	Part No.	Description	Qty.
1	106211-400GT	HOSE,RUBBER 3"ID X .25 BLACK	1
2	30489GT	CLAMP,HOSE,3.50	4
3	824132GT	SCREW,HHF,M8-1.25X20,DIN6921,10.9,ZAB	
4	237832GT	NUT,TL,FLG,M8-1.25,DIN6927,10,	
5	102220GT	WELDMENT,PRECLEANER,DEUTZ	1
6	30971GT	CLAMP,HOSE,3.00"	4
7	89959GT	PRECLEANER,INLINE 3"	2
8	231529GT	NUT,TL FLG,M10-1.5,DIN6927,10,	
9	217230GT	FORMING, PREFILTER BRACKET	1
10	101639GT	CLAMP,5.38,#86 X 3/8,RUB CUSH	2
11	34955GT	CLAMP,HOSE,5.00	2
12	122432GT	REDUCER,RUBBER,4.0 X 3.0	2
13	217233GT	TUBE,INTAKE, ADAPTER	1
14	106211-1150GT	HOSE,RUBBER 3"ID X .25 X 11.5"	1
15	231530GT	SCREW,HHF,M10-1.5X25,DIN6921,10.9,ZAB	
16	88493GT	PRECLEANER,AIR INTAKE	1
17	217231GT	TUBE,INTAKE, FILTER	1

Go to Discount-Equipment.com to order your parts



806.1 Air Line to Platform



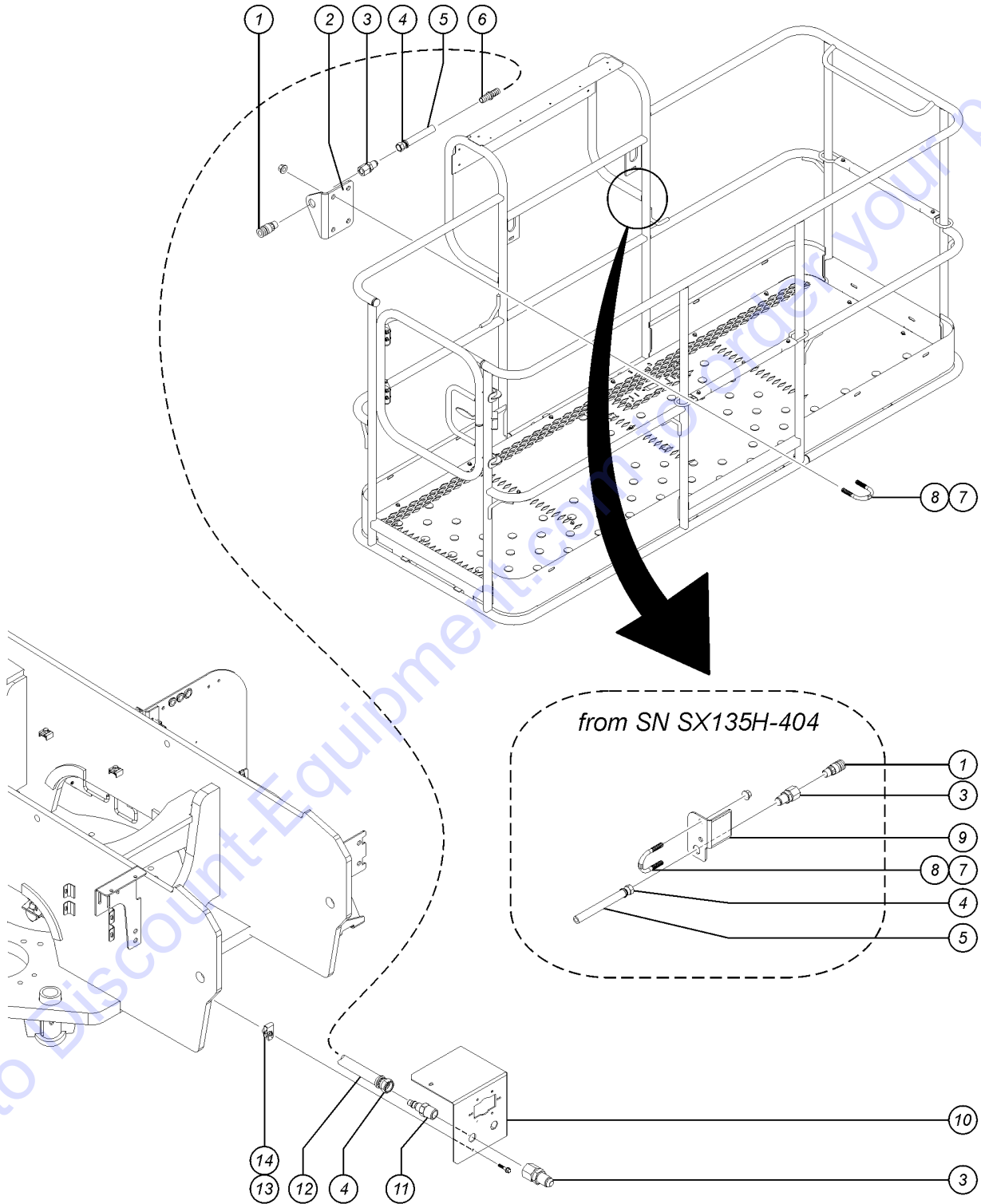
806.1 Air Line to Platform

Item	Part No.	Description	Qty.
1	49215GT	MPT,CPLR,1/4"SER,3/8"X18	1
2	60886PGT	BRACKET,AIRLINE TO PLATFORM	1
3	49212GT	FEMALE BULKHEAD CONNECTOR-8	2
4	49213GT	HOSE END,BARBED,SWIVEL,JIC,8-8	2
		Sold separately	
5	39888-152100GT	HOSE, 1/2, LOW PRESSURE, 801-8,1521.0"	1
		Does not include fitting part 49213	
6	107549GT	UNION,PUSH-LOK, -8-8	1
7	1251600GT	U-BOLT, FLATTENED, 1.5 X 3/8	1
8	824029GT	NUT,TL FLG,3/8-16,G,ZAG	
9	1270108GT	FORMING, MOUNT, PANEL	1
10	49214GT	MALE PIPE THD,1/4" SER,3/8"X18	1
11	39888-38800GT	HOSE, 1/2, LOW PRESSURE, 801-8,388.0"	1
		Does not include fitting part 49213	
12	230073GT	SPRING CLIP,M6-1.0,0.8-4MM PAN	
13	231532GT	SCREW,HHF,M6-1.0X20,DIN6921,10.9,ZAB	

Go to Discount-Equipment.com to order your parts



806.2 Airline to Platform



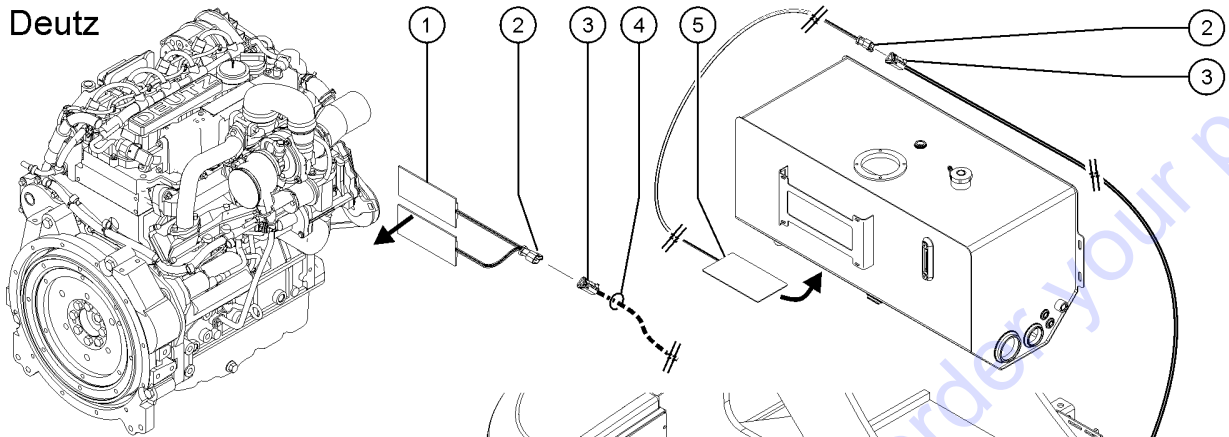
Item	Part No.	Description	Qty.
1	49215GT	MPT,CPLR,1/4"SER,3/8"X18	1
2	60886PGT	BRACKET,AIRLINE TO PLATFORM	1
		(to SN SX135H-403)	
3	49212GT	FEMALE BULKHEAD CONNECTOR-8	2
4	49213GT	HOSE END,BARBED,SWIVEL,JIC,8-8	2
		Sold separately	
5	39888-152100GT	HOSE, 1/2, LOW PRESSURE, 801-8,1521.0"	1
		Does not include fitting part 49213	
6	107549GT	UNION,PUSH-LOK, -8-8	1
7	1251600GT	U-BOLT, FLATTENED, 1.5 X 3/8	2
		(to SN SX135H-403)	
7B	1251600GT	U-BOLT, FLATTENED, 1.5 X 3/8	1
		(from SN SX135H-404)	
8	824029GT	NUT,TL FLG,3/8-16,G,ZAG	4
		(to SN SX135H-403)	
8B	824029GT	NUT,TL FLG,3/8-16,G,ZAG	2
		(from SN SX135H-404)	
9	1275087GT	FORMING, AIR TO PLAT	1
		(from SN SX135H-404)	
10	1270108GT	FORMING, MOUNT, PANEL	1
11	49214GT	MALE PIPE THD,1/4" SER,3/8"X18	1
12	39888-38800GT	HOSE, 1/2, LOW PRESSURE, 801-8,388.0"	1
		Does not include fitting part 49213	
13	230073GT	SPRING CLIP,M6-1.0,0.8-4MM PAN	
14	231532GT	SCREW,HHF,M6-1.0X20,DIN6921,10.9,ZAB	

Go to Discount-Equipment.com to order your parts

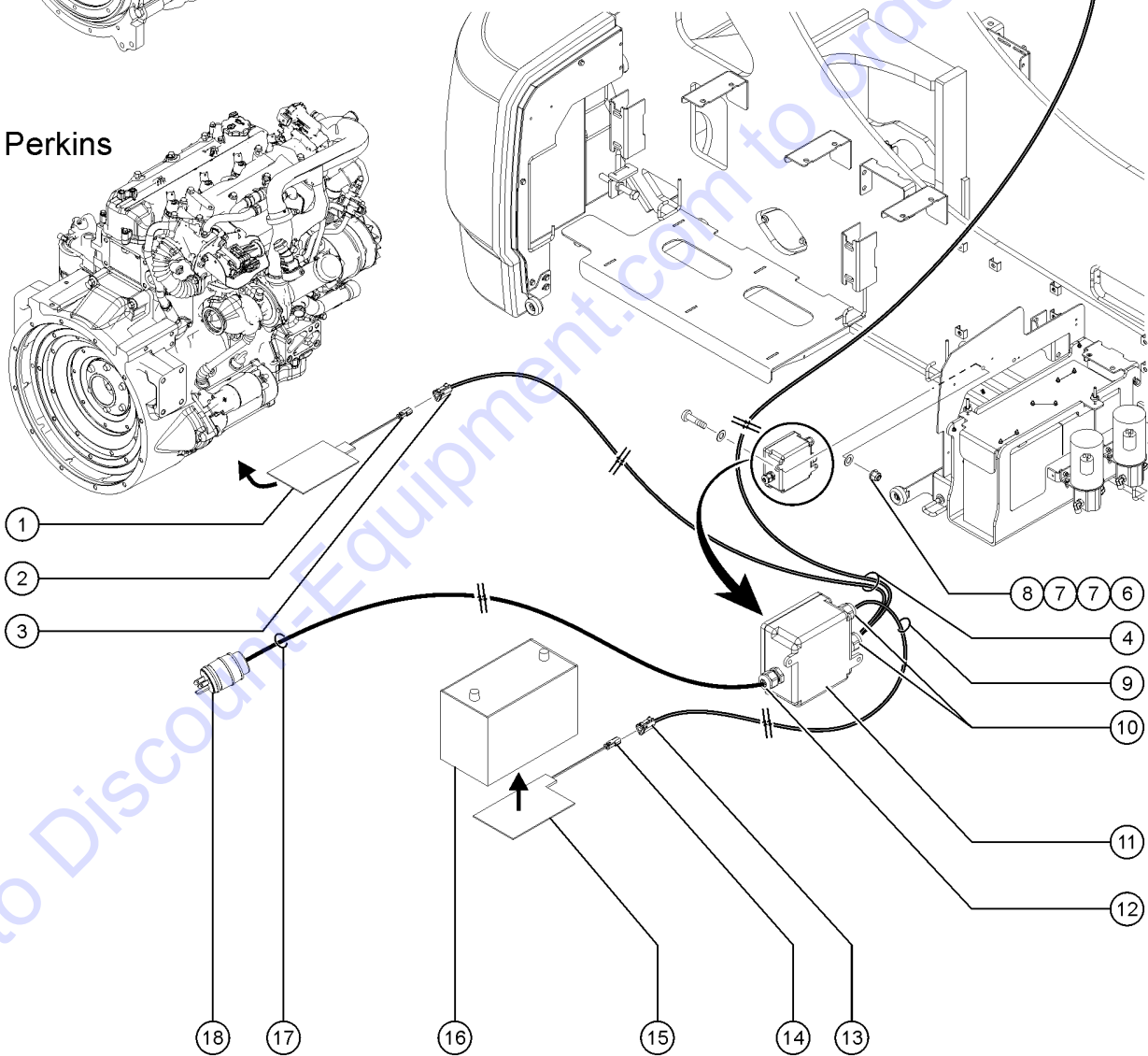


807.1 Cold Start Package

Deutz



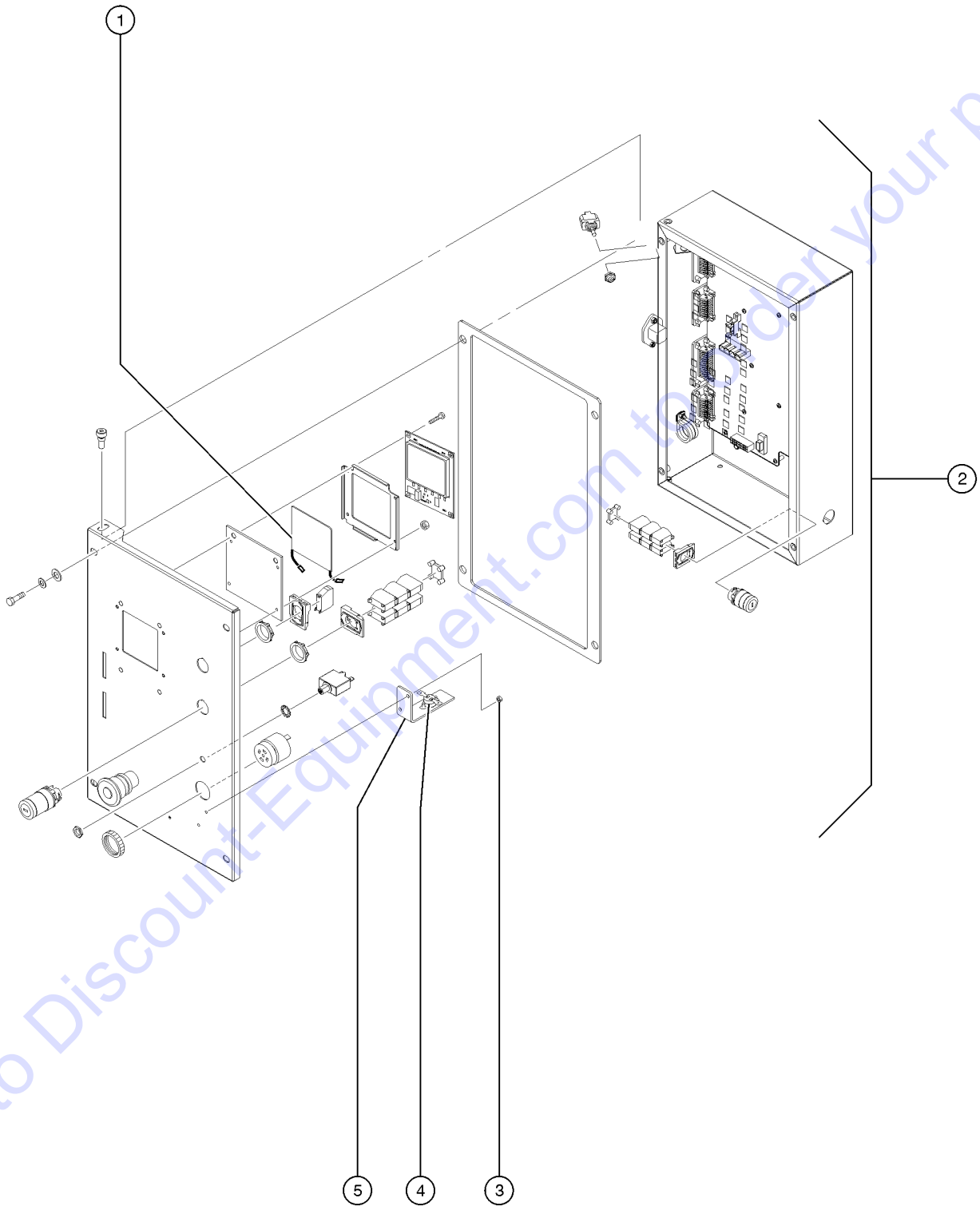
Perkins



Item	Part No.	Description	Qty.
-		Ref. Ground Control LCD Heater Part of the Cold Start Package (Refer to 808.1)	
1A	1259661GT	ASSY,ENGINE HEATER,120V (120V) Only Deutz TD 2.9L4 models, includes two adhesive pads	
1B-	216615GT	ASSY HEATER, MODEL 18, 120V (120V)	1
1C-	1259708GT	ASSY,ENGINE HEATER,240V (240V) Only Deutz TD 2.9L4 models, includes two adhesive pads	
1D-	216616GT	ASSY HEATER, MODEL 18, 240V (240V)	
2	119066GT	CONN,RECEP 3 WAY ENDCAP DT	2
3	119057GT	CONN PLUG 3 WAY ENDCAP DT	2
4	1256749GT	HARNESS,ENG/HYD HEATER, 120V (120V)	1
4-	1256750GT	HARNESS,ENG/HYD HEATER, 240V (240V)	
5	824259GT	ASSY,120V HEATER,HYD TANK (120V)	1
5-	824261GT	ASSY,240V HEATER,HYD TANK,SUPER X (240V)	
6	14392GT	NUT,LP NYLOCK,10-32	
7	6146GT	WASHER,FLAT,MS,#10,Y	
8	75041GT	SCREW,PHILLIPS,PHM,10-32 X 1	
9	1254763GT	HARNESS, BATT CABLE, 120V, 120" (120V)	1
9-	1254764GT	HARNESS, BATT CABLE, 240V, 120" (240V)	
10	99778GT	CABLE SQUEEZE CONN,4 WIRE	2
11	214249GT	COLD WEATHER 120V J BOX ASSY (120V)	1
11-	237711GT	COLD WEATHER 240V J BOX ASSY (240V)	
12	214536GT	SQUEEZE CONN W/NUT, 2WIRE, 4MM	1
13	119056GT	CONN PLUG 2 WAY ENDCAP DT	1
14	119065GT	CONN,RECEP 2 WAY ENDCAP DT	1
15	216617GT	ASSY, BATTERY HEATER, 120V	1
15-	216618GT	ASSY, BATTERY HEATER, 240V	
16		Ref. (Refer to 306.1)	
17	216606GT	HARNESS, 120V POWER CORD, 24" (120V)	
17-	216607GT	HARNESS, 240V POWER CORD, 24" (240V)	
18	119403GT	CONN,PLUG 120 AC/15A DOMESTIC (120V)	



808.1 Ground Control LCD Heater



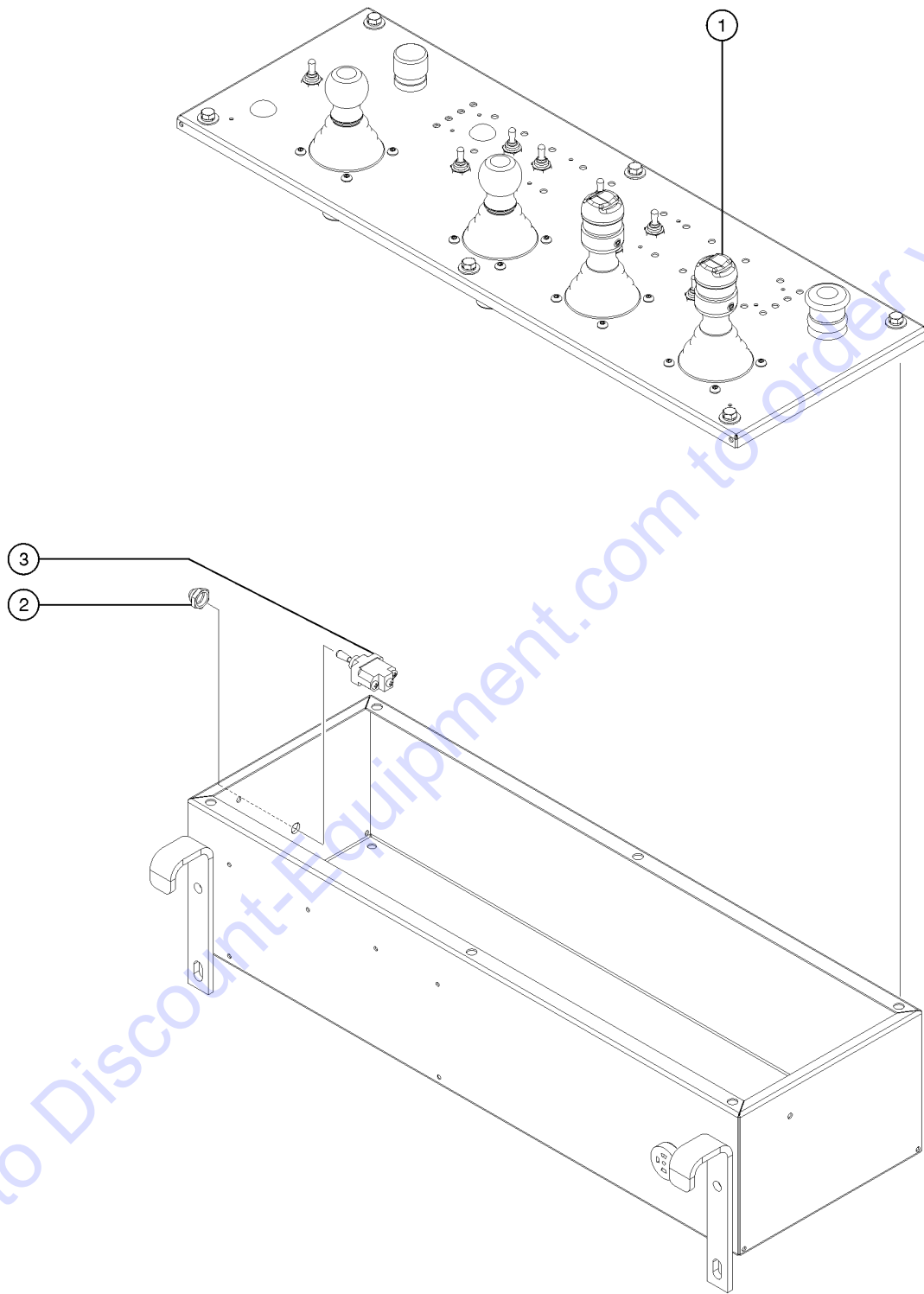
808.1 Ground Control LCD Heater

Item	Part No.	Description	Qty.
-		Ref. Cold Start Heater Package Part of the Cold Start Package (Refer to 807.1)	
1	122406GT	ASSEMBLY,LCD HEATER ALC1000	1
1-	231023GT	FIELD KIT,LCD HEATER,Z80 Z135	
2		Ref. Ground Control Box (Refer to 312.1 and 312.2)	1
3	12344GT	NUT,NYLOCK,6-32	
4	122793GT	SWITCH,THERMOSTAT 60F OPEN	1
5	231020GT	ASSY,BRACKET,CONTACT BLOCK Includes switch part 122793 and rivets	1
5-	6272GT	RIVET,STL,STL,P,.125 X .25	

Go to Discount-Equipment.com to order your parts



809.1 Platform Level Recovery and Rocker Joystick



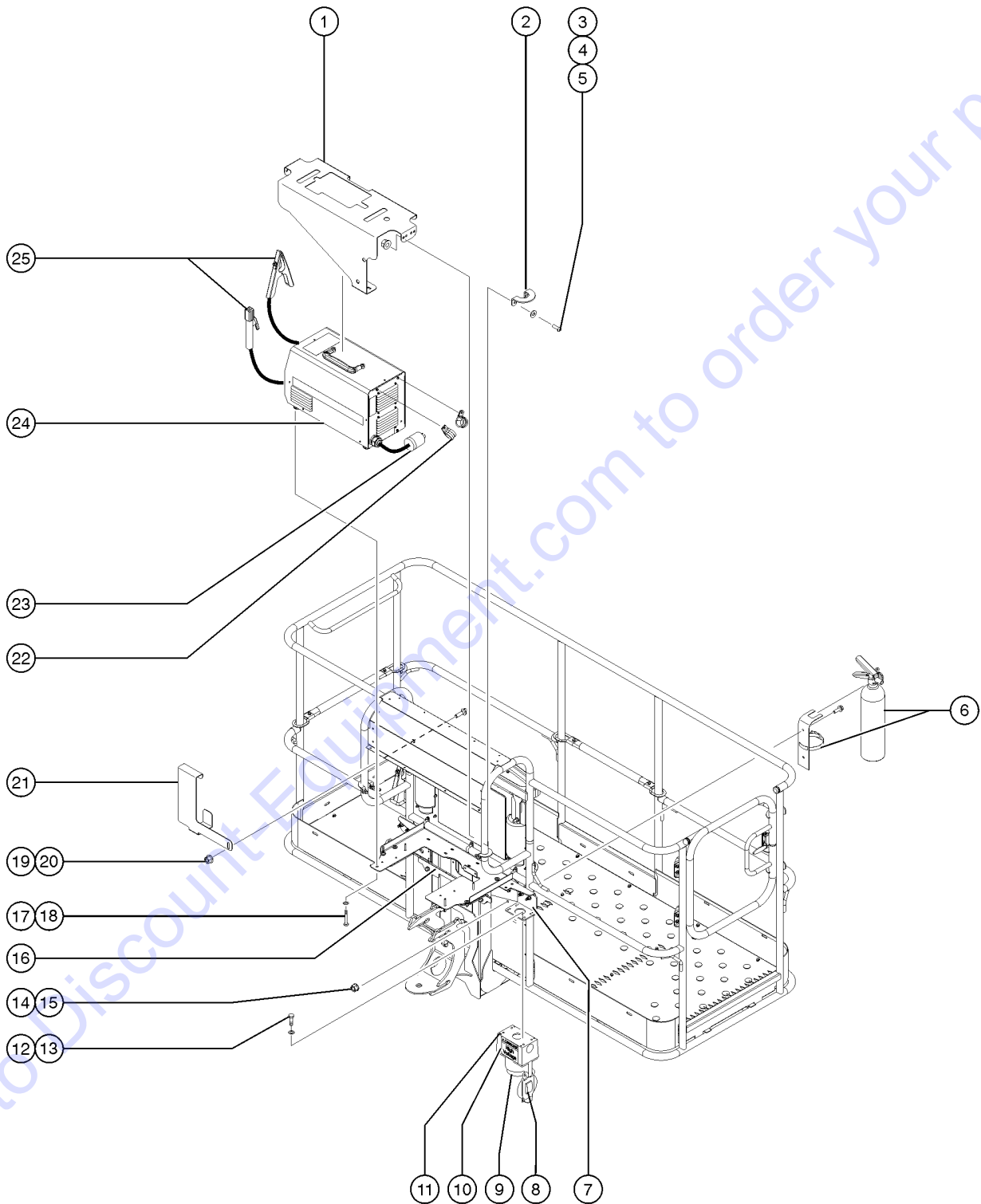
809.1 Platform Level Recovery and Rocker Joystick

Item	Part No.	Description	Qty.
A-	122362GT	FIELD KIT,PL LVL REC,ALC1000 Platform level recovery. (not part of the Cold Start Package)	
B-	119613GT	HARN JOYSTICK ADAPTOR JS100 6-pin to 7-pin adapter (for 101174, 101175, 101005)	
1A	101005GT	JOYSTICK,1 AXIS ROCKER,DEUTSCH Rocker Steer and Drive Joystick. OEM joystick (calibration required after replacement). Refer to 605.1	1
1A-	101005HGT	JOYSTICK,SINGLE AXIS W/STEER Aftermarket joystick (calibration required after replacement)	
1B	101174GT	JOYSTICK,2 AXIS,DEUTSCH Drive and Steer functions. OEM joystick (calibration required after replacement). Refer to 605.1	
1B-	101174HGT	JOYSTICK,DUAL AXIS W/KNOB Aftermarket joystick (calibration required after replacement)	
2	27246GT	BOOT,TOGGLE SWITCH,SHORT*	1
3	128203GT	SWITCH TOGGLE ASSY SPDT 2P MOM Platform level recovery (Includues item 2 only)	1
3-	122461GT	HARNESS,PLAT LEVEL RECOVERY	
3-	122343GT	DECAL,PLAT LVL.RECOVERY	

Go to Discount-Equipment.com to order your parts



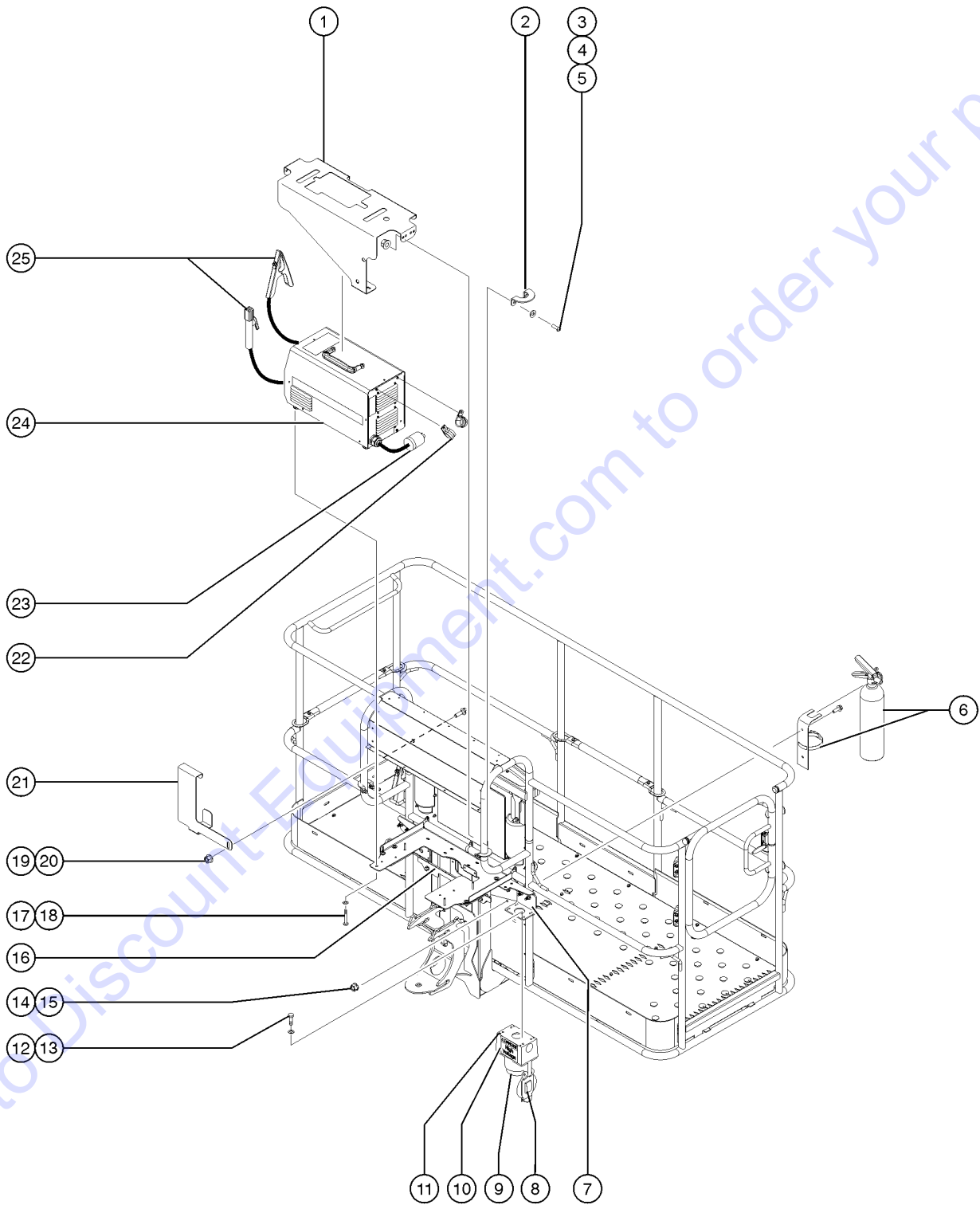
810.1 Welder Option



Item	Part No.	Description	Qty.
A	110276-2600GT	FIRE SLEEVE, 1.25" (Qty of 1)	26 inches
B	110277-2800GT	FIRE SLEEVE, 2.0" (Qty of 1)	28 inches
C	28443GT	CABLE TIE,11.5" BLACK	
D	128323GT	BIT,TORX SOCKET,SECURITY	1
1	101547PGT	BRACKET,WELDER SUPPORT,PNT	1
2	217366GT	BRACKET,WELDER TOP	2
3	128322GT	SCREW,5/16-18X1.00,SECURITY TO	5
4	825358GT	WASHER,FLAT,5/16,USS,ZAG	5
5	824028GT	NUT,TL FLG,5/16-18,G,ZAG	5
6	88406GT	FIRE EXTINGUISHER	1
7	101731PGT	BRACKET,POWER TO PLAT TBOX,PNT	1
7-	4828GT	NUT,NYLOCK,3/8-16	
7-	5397GT	WASHER,FLAT,USS,5/16",Y	
7-	122755GT	UBOLT,FLATTENED,1.5DIAX3/8 UNC	
8	101732GT	COVER,WEATHERPROOF 3-PHASE	1
9	106111GT	RECEPTCL,LOCK 3-PH,50A,4 WIRE Used only on 12 KW Generator Option	1
10	82237GT	DECAL,DANGER,HIGH VOLTAGE	2
11	106110GT	T-BOX,2.75X4.5X2.63,3PH	1
12	47363GT	SCREW,RHM,8-32 X .50	
13	35461GT	WASHER,FLAT,MS,#8,Y	
14	824027GT	NUT,TL FLG,1/4-20,G,ZAG	2
15	824078GT	SCREW,HHF,1/4-20X.75,8,ZAG	2
16	1274025GT	FORMING, WELDER MOUNT SUPPORT	1
17	106141GT	SCREW,SECURITY,1/4-20 X 1.75LG	
18	824113GT	WASHER,FLAT,1/4,USS,ZAG	
19	824029GT	NUT,TL FLG,3/8-16,G,ZAG	1
20	824092GT	SCREW,HHF,3/8-16X1.5,8,ZAG	1



810.1 Welder Option

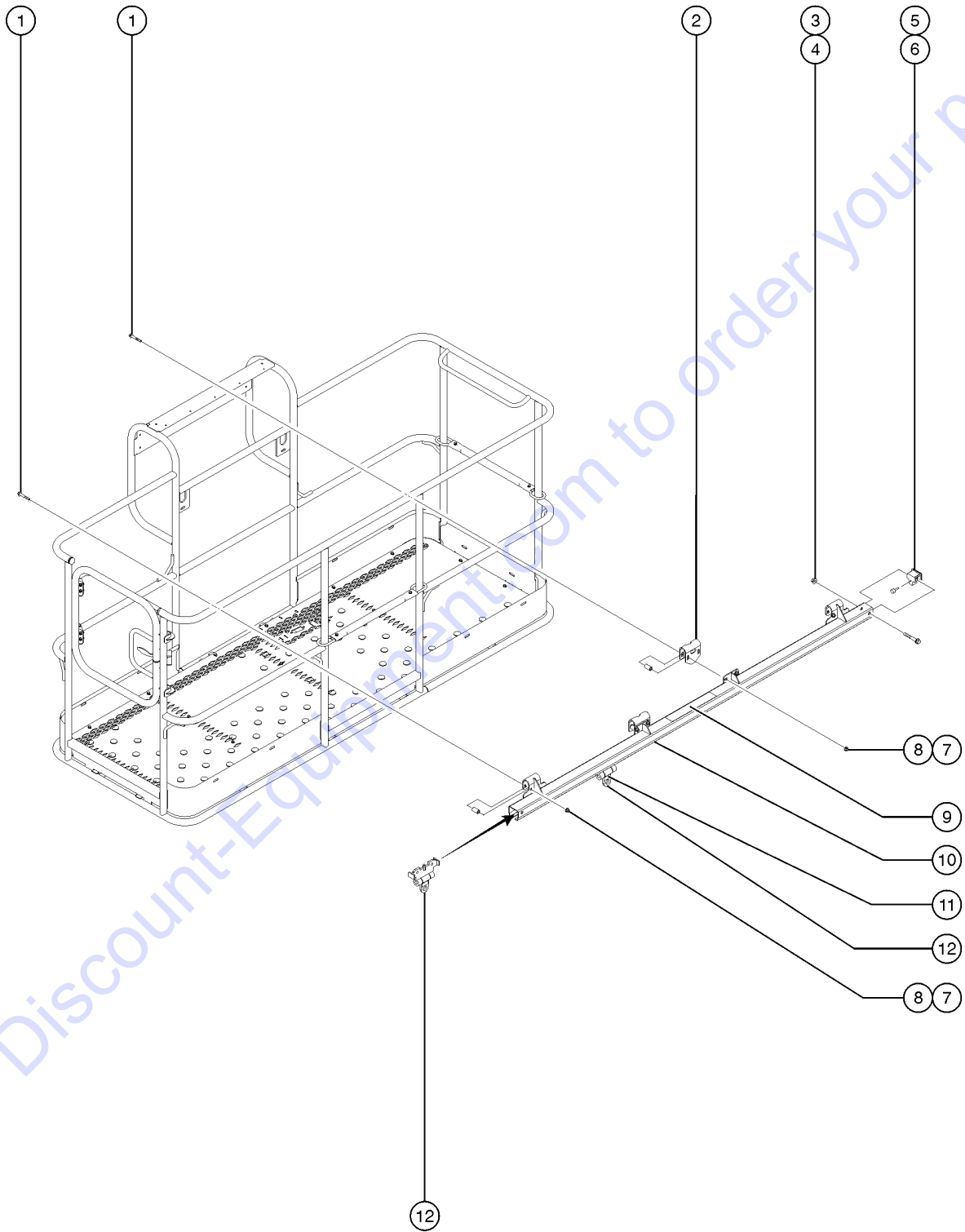


Item	Part No.	Description	Qty.
21	106204PGT	BRACKET,V275S WELD LEADS	1
22	18666GT	CLAMP,1.00,#16 X 1/4,RUB CUSH	2
23A	214623GT	PLUG, 3P,30A, 4 WIRE, MALE, Used only on 7.5 KW Generator Option	1
23A-	1257211GT	SOCKET,3P,30A,4 WIRE,SEALED Used only on 7.5 KW Generator Option (femal plug, connects to weld cable from swing)	1
23B	106112GT	PLUG,4-WIRE,3-PHASE,50A,MALE	1
		Used only on 12 KW Generator Option	
24A	101525GT	WELDER,INVERTEC V275-S	1
24A-	106183GT	FUSE,.6AMP,250V,WELDER,V275S	1
24B	214619GT	WELDER, MILLER, CST 280	1
25	106275GT	KIT,WELD LEADS ASSY,V275S	1

Go to Discount-Equipment.com to order your parts



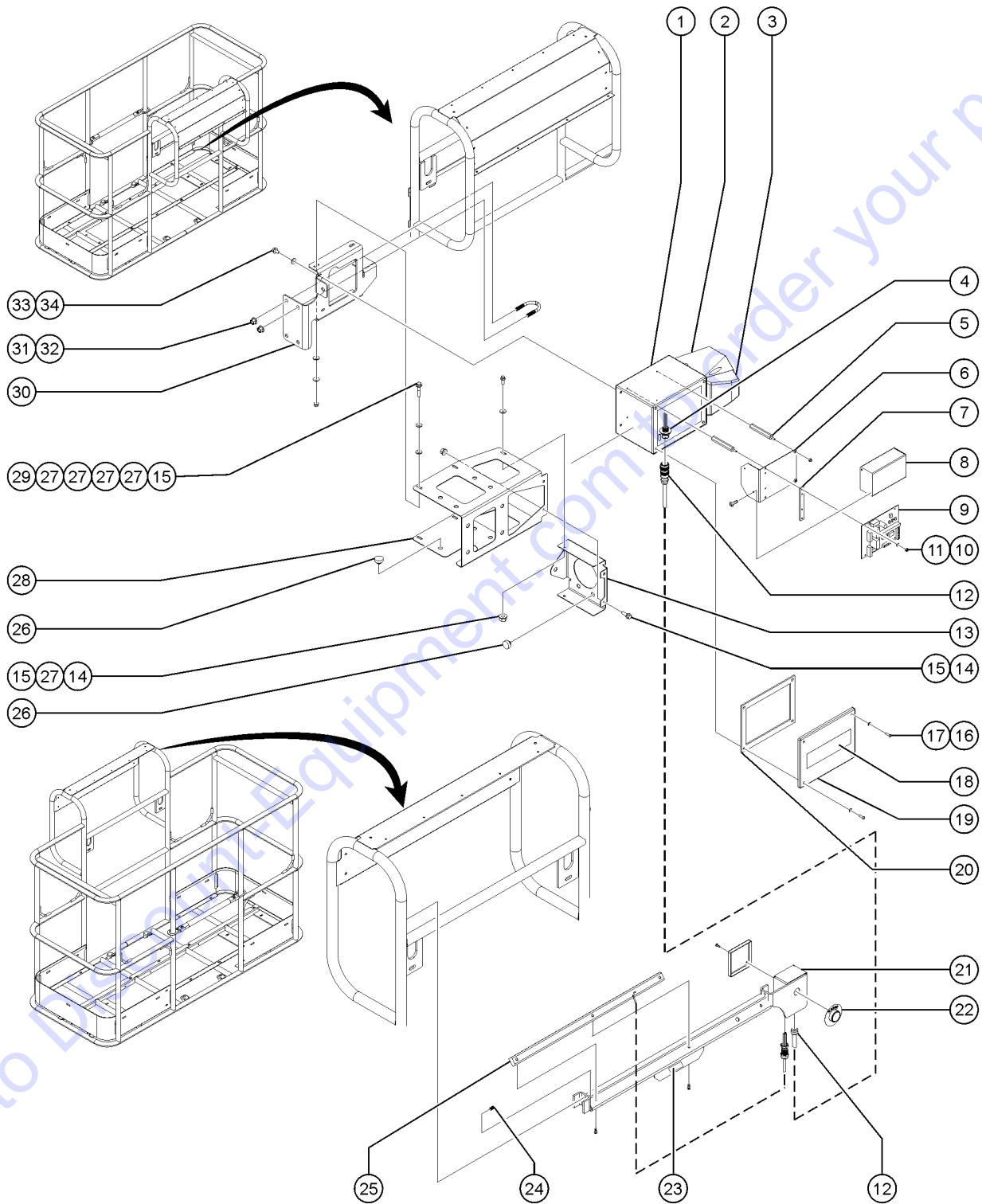
811.1 Fall Arrest Bar



Item	Part No.	Description	Qty.
1	1256856GT	SCREW,HHF,3/8-16X2.5,8,ZAG	4
2	1256389GT	FORMING,INNER HANGER	2
3	1251997GT	NUT,TL FLG,1/2-13,G,ZAG	2
4	1256851GT	SCREW,HHF,1/2-13X3.5,8,ZAG	2
5	1260892GT	END STOP. TFAAS TRACK	2
6	36388GT	BUMPER,RUBBER,.75 X .50H,STUD	2
7	1274322GT	NUT,NYLOCK FLG,3/8-16,G,ZAG	8
8	1256481GT	SPACER, HANGER BRACKET	8
9A	1256400GT	DECAL,TFAAS TRACK,WORD	1
9B	1260910GT	DECAL,TFAAS TRACK,SYMBOL	1
9C	1256400FRGT	DECAL,TFAAS TRACK,WORD FR	1
10A	1256377GT	ACC,TFAAS FALL ARREST,8FT WORD Includes instructions and decals	1
10A-	1256379GT	ASSY,TFAAS TRACK,8FT WORD Includes decals	
10B	1261022GT	ACC,TFAAS FALL ARREST,8FT SYM Includes instructions and decals	1
10B-	1261024GT	ASSY,TFAAS TRACK,8FT SYM Includes decals	
10C	1261018GT	ACC,TFAAS FALL ARREST,8FT FR Includes instructions and decals	1
10C-	1261020GT	ASSY,TFAAS TRACK,8FT FR Includes decals	
10D	1256378GT	ACC,TFAAS FALL ARREST,6FT WORD Includes instructions and decals	1
10D-	1256380GT	ASSY,TFAAS TRACK,6FT WORD Includes decals	
10E	1261023GT	ACC,TFAAS FALL ARREST,6FT SYM Includes instructions and decals	1
10E-	1261025GT	ASSY,TFAAS TRACK,6FT SYM Includes decals	
10F	1261019GT	ACC,TFAAS FALL ARREST,6FT FR Includes instructions and decals	1
10F-	1261021GT	ASSY,TFAAS TRACK,6FT FR Includes decals	
11	40434GT	DECAL,LANYARD ANCHORAGE POINT	1
12	1256439GT	TROLLEY, TFAAS TRACK	1



812.1 Operators Protection Alarm (to January 2017)

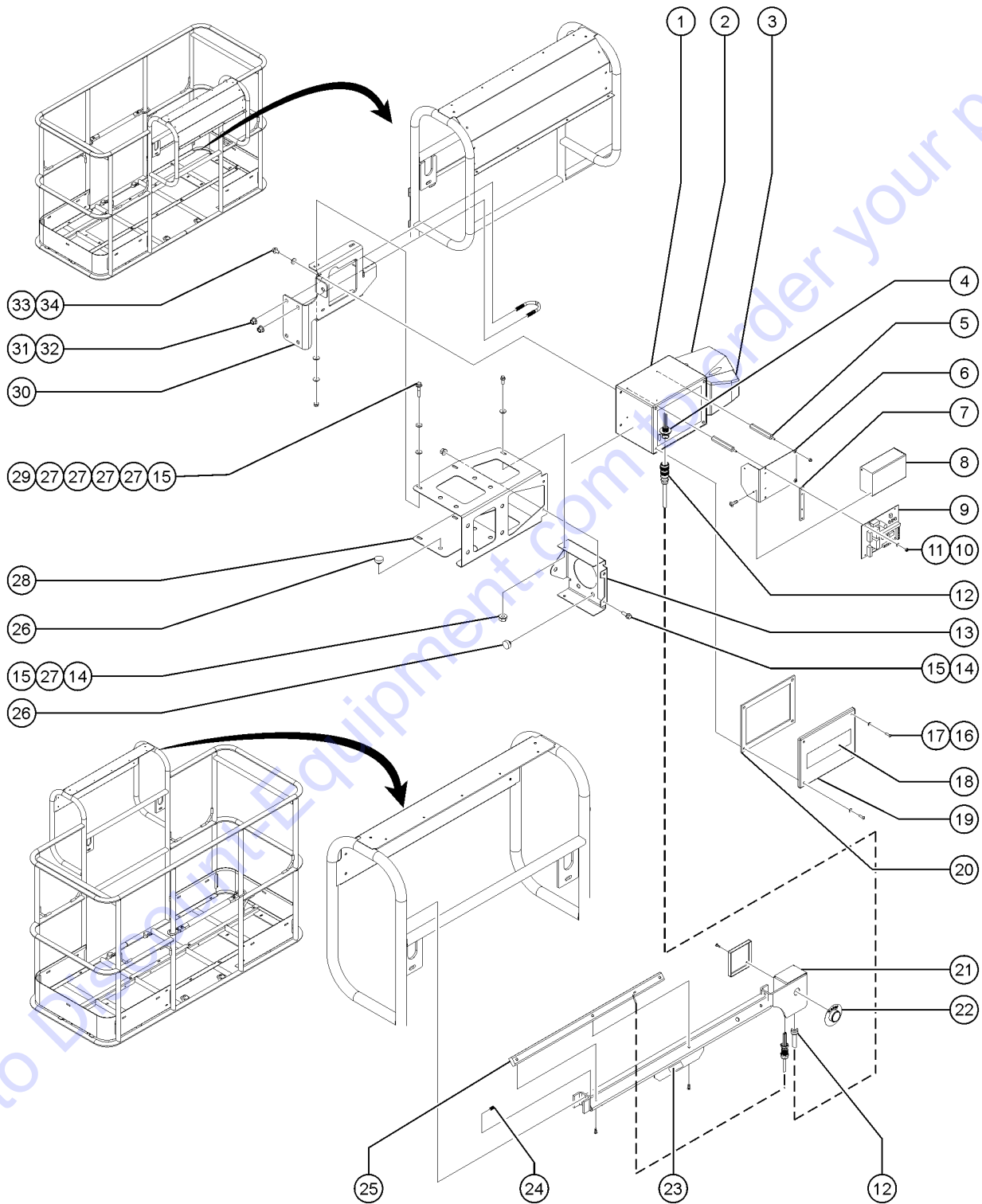


812.1 Operators Protection Alarm (to January 2017)

Item	Part No.	Description	Qty.
B	1275537GT	ASSEMBLY, OPA PROTECTION CAGE	1
1	1255018GT	BASE ENCLOSURE,RED,OPA	1
2	1255021GT	SOUNDER,MIDI,OPA	1
3A	1255037GT	SOUNDER LENS, OPA, BLUE (standard lens fitted to OPA)	1
3B	1270116GT	SOUNDER LENS, OPA, RED	1
3C	1270117GT	SOUNDER LENS, OPA, AMBER	1
3D	1270118GT	SOUNDER LENS, OPA, CLEAR	1
4	1255033GT	HARN,PIGTAIL,TAPESWITCH,OPA	1
5	1255028GT	STAND OFF,CONTROL UNIT	4
6	1255024GT	BRACKET,CONTROL UNIT	1
7	1255025GT	SPACER,HEAT SINK	1
8	1255023GT	ASSY,MODULE,CONTROL UNIT,OPA	1
9	1255022GT	MODULE,CONTROL UNIT,PCB,OPA	1
10	1255067GT	NUT,M4 NYLOCK	4
11	1255066GT	WASHER,M4 NYLON	4
12	1255035GT	ASSEMBLY,CABLE,TAPESWITCH	1
13	1275539GT	FORMING, OPA CAP	1
14	824078GT	SCREW,HHF,1/4-20X.75,8,ZAG	5
15	824027GT	NUT,TL FLG,1/4-20,G,ZAG	9
16	1255038GT	SCREW,M5X16 BHD	4
17	1255027GT	WASHER,M5 NYLON	4
18	1255890GT	DECAL,COSMETIC,GENIE	1
19	1255020GT	LID ENCLOSURE,RED,OPA	1
20	1255019GT	GASKET,ENCLOSURE	1
21	1255029GT	ASSEMBLY,TAPESWITCH (6/8' platforms) (includes j-box and fasteners)	1
22	1255036GT	ASSEMBLY RESET SWITCH	1
23	1255889GT	DECAL,SYMBOL-READ THE MANUAL	1
24	1255068GT	SCREW,M6X8	2



812.1 Operators Protection Alarm (to January 2017)



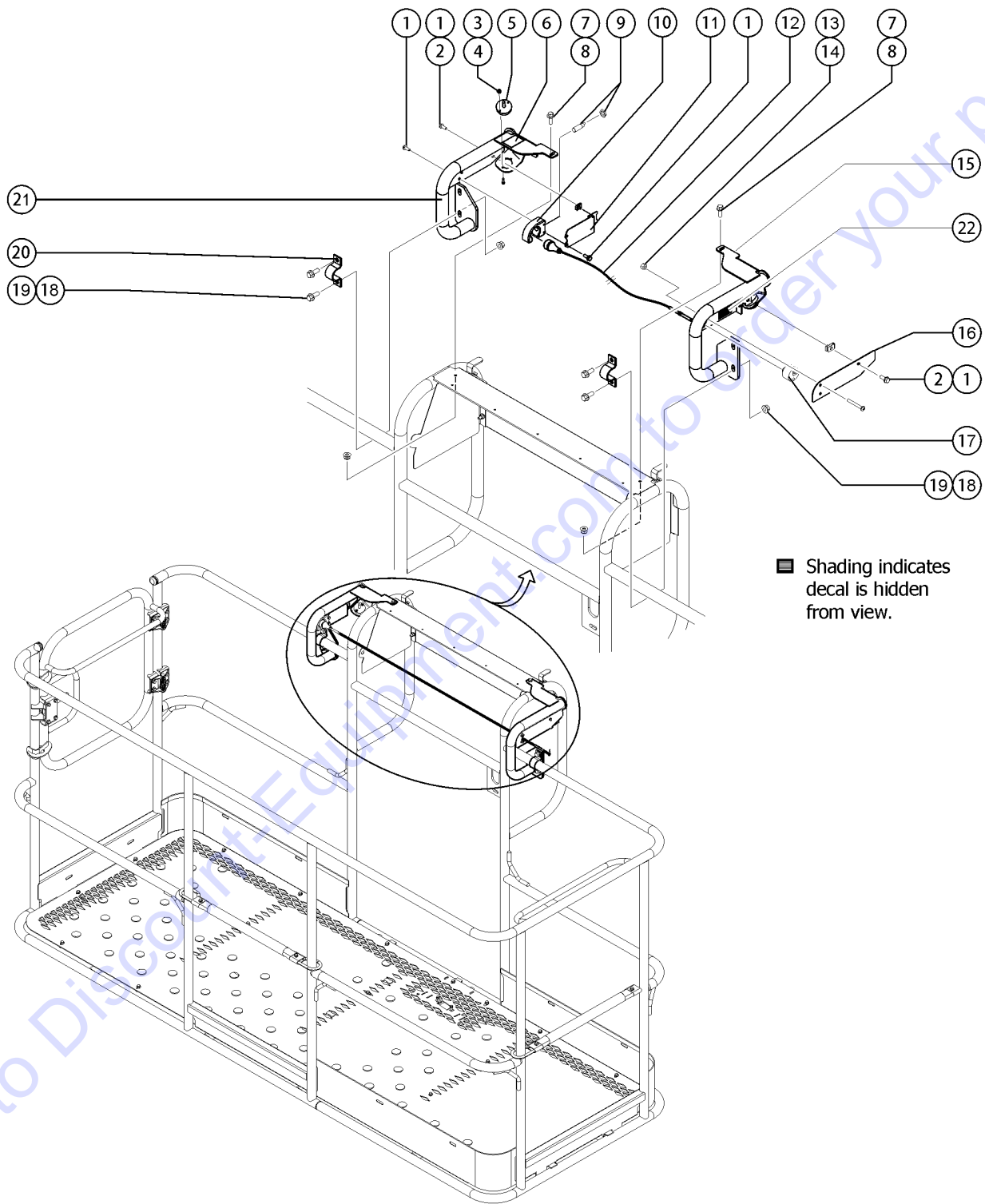
812.1 Operators Protection Alarm (to January 2017)

Item	Part No.	Description	Qty.
25	1255047GT	SENSOR,RUBBER EDGE (6'8' platforms)	1
26	43392GT	BUMPER,BATTERY BOX & RAILS	17
27	824113GT	WASHER,FLAT,1/4,USS,ZAG	19
28	1275538GT	FORMING, OPA CAGE	1
29	824080GT	SCREW,HHF,1/4-20X1.25,8,ZAG	4
30	1275540GT	FORMING, OPA, BRACKET	1
31	824029GT	NUT,TL FLG,3/8-16,G,ZAG	4
32	1251600GT	U-BOLT, FLATTENED, 1.5 X 3/8	2
33	237238GT	SCREW,HHF,M6-1.0X12,DIN6921,10	2
34	1257389GT	WASHER, FLAT, M6X18X1.6,DIN9021,ZAB	2

Go to Discount-Equipment.com to order your parts



812.2 Lift Guard Contact Alarm Option (from January 2017)



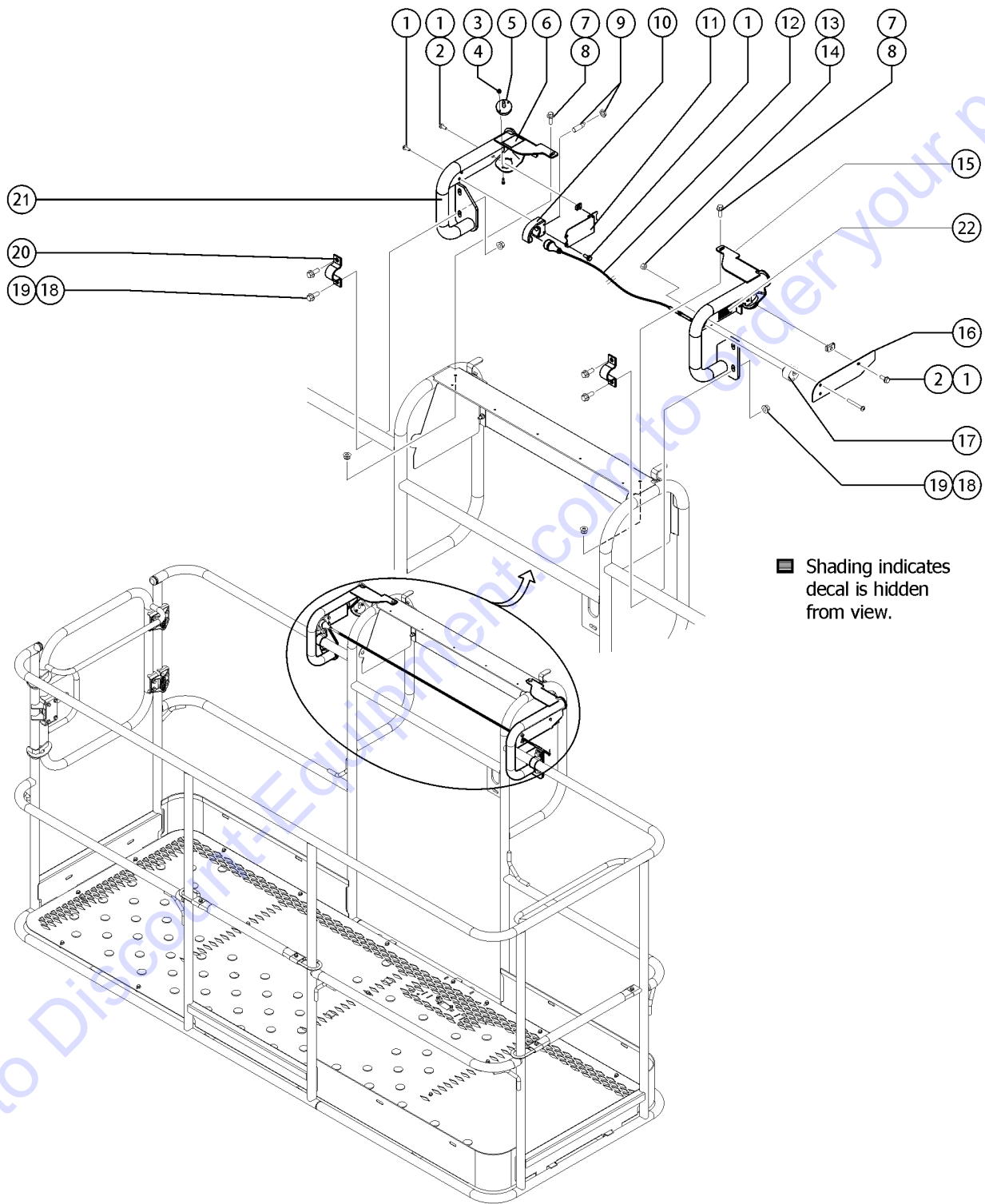
■ Shading indicates decal is hidden from view.

812.2 Lift Guard Contact Alarm Option (from January 2017)

Item	Part No.	Description	Qty.
A-		From January 2017, this option became a standard installation on all models unless the customer specifically request not to have it installed.	...
B-	1279134GT	KIT, LIFT GUARD CONTACT ALARM,6'-8' PLATFORM,ALC1000	
C-	1278117GT	HARNESS, CONTACT ALARM, ALC1000	
D-	19274GT	RELAY,SPDT,12V(AUTO)**	
E-	1278121GT	MODULE PLUS+1 CONTACT ALARM located inside the Platform Control Box	
1	1264934GT	SCREW, HHF, 10-24 X .5	
2	73575GT	SPRING CLIP,10-24,ZINC	
3	12344GT	NUT,NYLOCK,6-32	
4	1256859GT	SCREW,PHPM,6-32X7/8,ZAG	
5	1278111GT	ASSEMBLY, LIGHT, CONTACT ALARM	2
5B	1285850GT	ASSEMBLY,AMBER LIGHT,CONTACT ALARM	
6	1278542GT	DECAL, INSTRUCTION, CONTACT ALARM	
7	824078GT	SCREW,HHF,1/4-20X.75,8,ZAG	
8	1277924GT	NUT,NYLOCK FLG,1/4-20,F,ZAG	
9	1278119GT	ASSEMBLY SENSOR PROX OPA2	1
10	1278433GT	ASSY SENSOR W/HOUSING (Includes holder item 1277877 and sensor part 1278119)	
10-	1277877GT	HOLDER, SENSOR	1
11	1277873GT	FORMING, SENSOR HOLDER	1
12	1278416GT	ASSEMBLY OPA CABLE LARGE	1
12-	1278124GT	MAGNET, 1/4-20, 15 LB. Part of assembly 1278416	
12-	1278458GT	CONTACT ALARM WIRE ASSY, LARGE Part of assembly 1278416	
12-	1278368GT	GRIP, CABLE Part of assembly 1278416	
12-	1261184GT	NUT,1/4-20,8,ZAG Part of assembly 1278416	
13	1274168GT	NUT,NYLOCK,10-32,A,ZAG	
14	824216GT	SCREW,PHPM,10-32X1.5,ZAG	
15	1278138GT	WELDMENT, RIGHT CONTACT ALARM, LARGE	1
16	1277875GT	PLATE, CABLE AND WIRE COVER	1
17	1277876GT	GUIDE, CABLE	1



812.2 Lift Guard Contact Alarm Option (from January 2017)



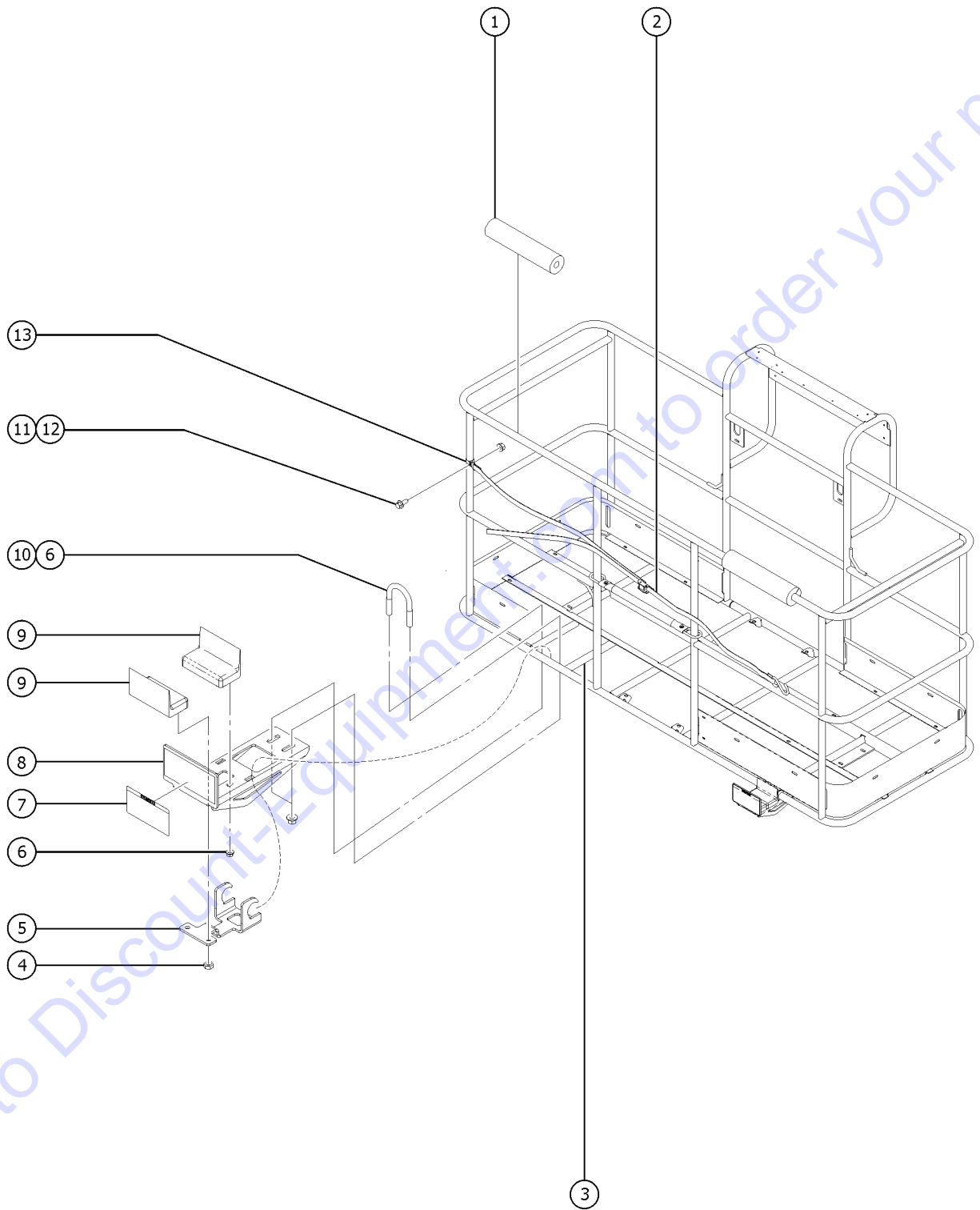
812.2 Lift Guard Contact Alarm Option (from January 2017)

<i>Item</i>	<i>Part No.</i>	<i>Description</i>	<i>Qty.</i>
18	1274322GT	NUT,NYLOCK FLG,3/8-16,G,ZAG	
19	824090GT	SCREW,HHF,3/8-16X1,8,ZAG	
20	1278363GT	CLAMP, 1.25 INCH TUBE	2
21	1278144GT	WELDMENT, LEFT CONTACT ALARM, LARGE	1
22	1278982GT	DECAL, INSTRUCTION, ACTUATOR SWITCH SOCKET	1

Go to Discount-Equipment.com to order your parts



813.1 Panel Cradle Option

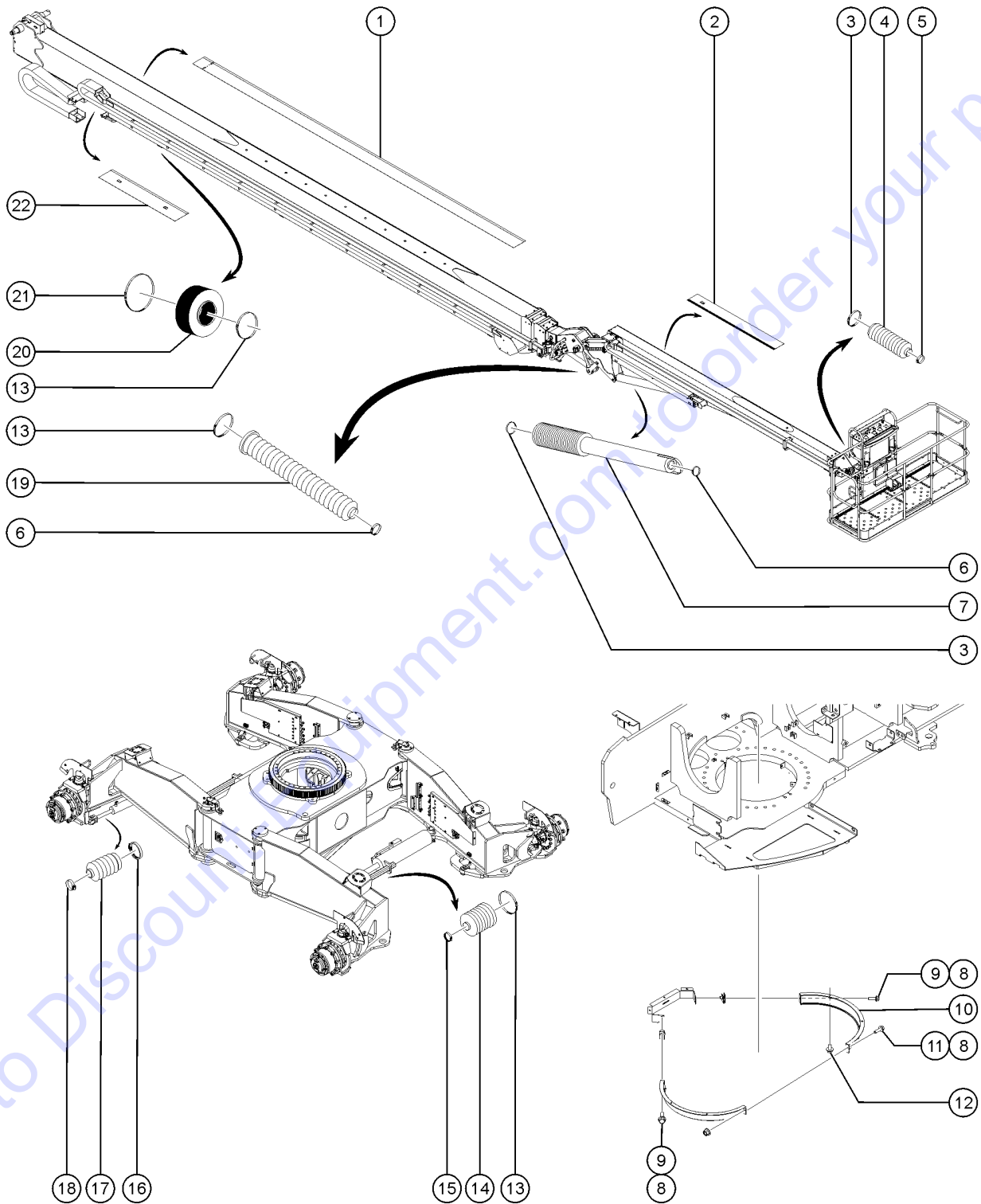


Item	Part No.	Description	Qty.
A-	77683GT	ACCESSORY,PANEL CRADLE,ANSI (ANSI/CSA models)	
B-	94493-SGT	KIT,PANEL CRADLE,CE (CE models) (not approved for use in the AUS market)	
1	88377-1400GT	FOAM PAD***	2
2	77664GT	ADJUSTABLE STRAP ASSY	1
3	73463-1175GT	TUBE, RD, ALUM, 1.25 X .083 X 11.75	2
4	824038GT	NUT,TL JAM,3/8-16,A,ZAG	4
5	228849GT	FORMING,SECONDARY SUPPORT	2
6	1274322GT	NUT,NYLOCK FLG,3/8-16,G,ZAG	8
7A	82410GT	DECAL,WARNING,PANEL CRADLE (ANSI/CSA models)	2
7B	82487GT	DECAL,SYMBOL-READ THE MANUAL (CE models)	2
8	228848GT	FORMING PANEL CRADLE	2
9	56934GT	PAD,REST,1"THICK,FLANGED	4
10	1251600GT	U-BOLT, FLATTENED, 1.5 X 3/8	2
11	1256855GT	SCREW,HHF,1/4-20X.625,8,ZAG	1
12	1277924GT	NUT,NYLOCK FLG,1/4-20,F,ZAG	1
13	56424GT	CLAMP,1.25X.5 RUBBER-CUSHION	1

Go to Discount-Equipment.com to order your parts



814.1 Hostile Package - View 1

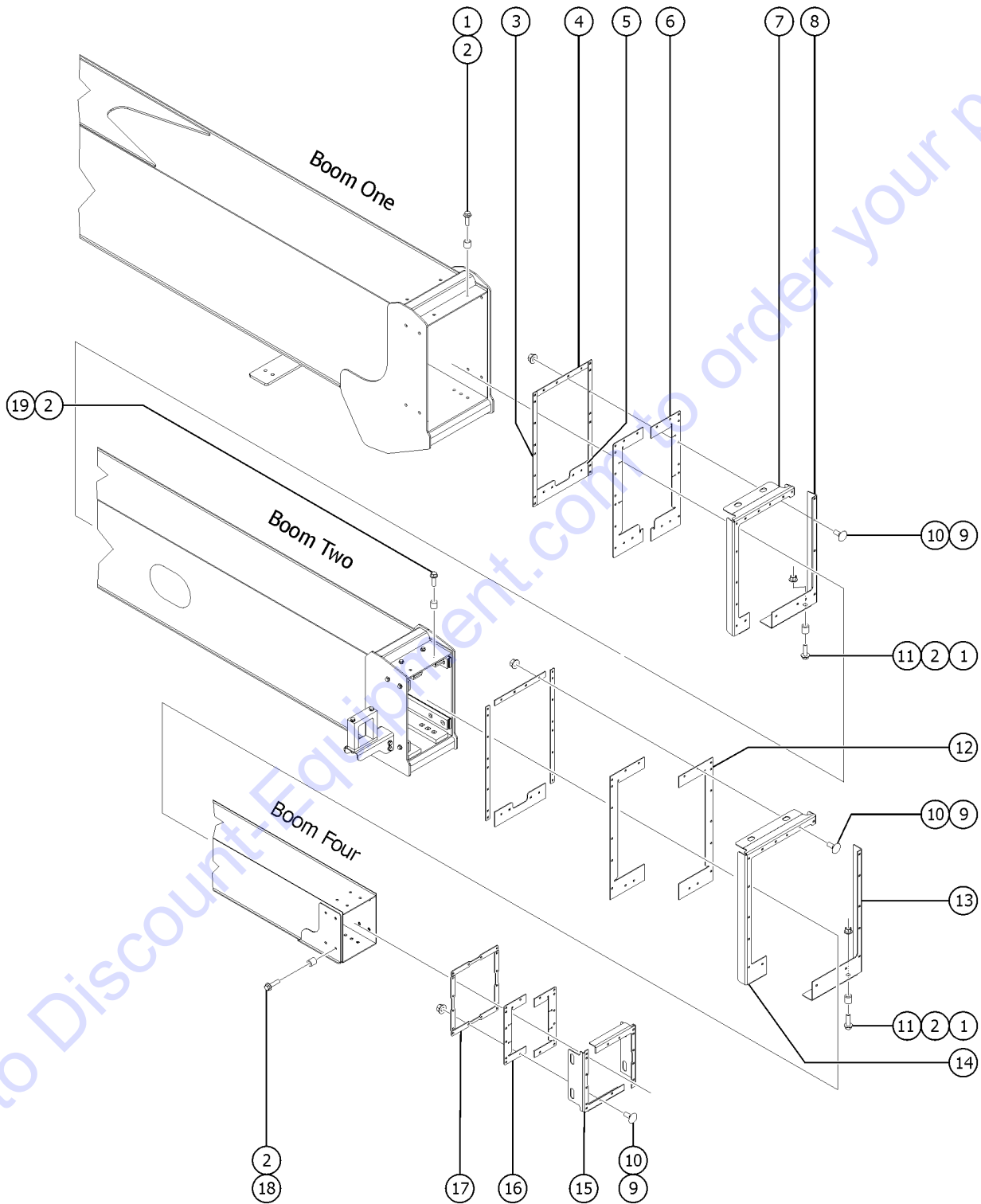


Go to DiscountEquipment.com to order your parts

Item	Part No.	Description	Qty.
1	826850GT	COVER,97 LINK TRACK	1
2	1278646GT	COVER, HOSE & CABLE, HOSTILE	1
3	34955GT	CLAMP,HOSE,5.00	2
4	1267276GT	BELLOWS,CYLINDER,PLATFORM LVL	1
5	35434GT	CLAMP,HOSE,2.00***	1
6	30971GT	CLAMP,HOSE,3.00"	2
7	1267275GT	BELLOWS,CYLINDER,JIB LIFT	1
8	231532GT	SCREW,HHF,M6-1.0X20,DIN6921,10.9,ZAB	3
9	230073GT	SPRING CLIP,M6-1.0,0.8-4MM PAN	2
10	1270638GT	COVER, SLEW RING	2
11	231513GT	NUT,TL FLG,M6-1.0,DIN6927,10,Z	1
12	231087GT	SCREW,HHF,M12 X 1.75 X 25	4
13	35432GT	CLAMP,HOSE,6.50	4
14	229464GT	BELLOWS,AXLE EXTEND CYLINDER	2
15	45435GT	CLAMP,HOSE,2.50"	2
16	30489GT	CLAMP,HOSE,3.50	4
17	229467GT	BELLOWS,STEER CYLINDER	4
18	22672GT	CLAMP,HOSE,1.75	4
19	1267274GT	BELLOWS,CYLINDER,BELLCRANK LVL	1
20	1267273GT	BELLOWS,CYLINDER,PRIMARY LIFT	1
21	31523GT	CLAMP,HOSE,8.50 DIA***	1
22	826852GT	COVER,19 LINK TRACK	1



815.1 Hostile Package - View 2

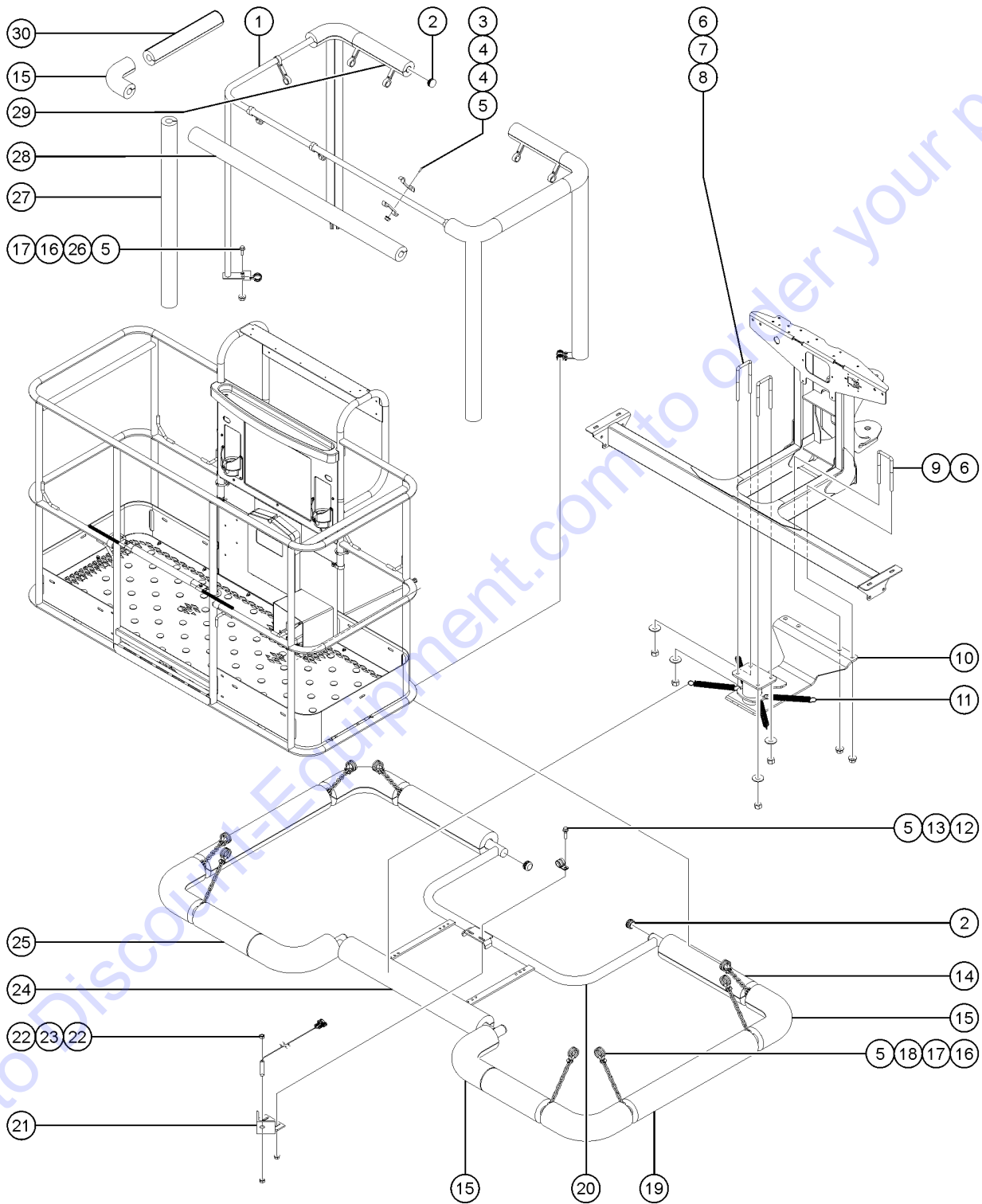


Item	Part No.	Description	Qty.
1	231533GT	SCREW,HHF,M10-1.5X35,DIN6921,10.9,ZAB	6
2	101932GT	TUBE,RD,STL,DOM,.75X.38X.78	12
3	1277013GT	PLATE, WIPER BACKING, SX135 #1	4
4	1253445GT	PLATE, WIPER, SX #3 TOP	2
5	1253444GT	PLATE, WIPER, SX #3 LOWER	2
6	1277011GT	WIPER, RUBBER, SX135 #1	2
7	1277007GT	FORMING,WIPER,SX-135 #1 TOP	1
8	1277008GT	FORMING, WIPER, SX-135 #1 BOTTOM	1
9	822352GT	BOLT, CARRIAGE,M6=1.0X16,ZAB	54
10	231513GT	NUT,TL FLG,M6-1.0,DIN6927,10,Z	54
11	231529GT	NUT,TL FLG,M10-1.5,DIN6927,10,	4
12	1253440GT	WIPER, RUBBER, SX #3	2
13	1277006GT	FORMING, WIPER, SX-135 #2 BOTTOM	1
14	1277005GT	FORMING,WIPER,SX-135 #2 TOP	1
15	1277009GT	FORMING, WIPER, SX135 #4	2
16	1277010GT	WIPER, RUBBER, SX135 #4	2
17	1277012GT	PLATE, WIPER BACKING, SX135 #4	4
18	232871GT	SCREW,HHF,M10-1.5X40,DIN6921,1	4
19	215706GT	SCREW,HHF,M10-1.5X45,DIN6921,10.9,ZAB	2

Go to Discount-Equipment.com to order your parts



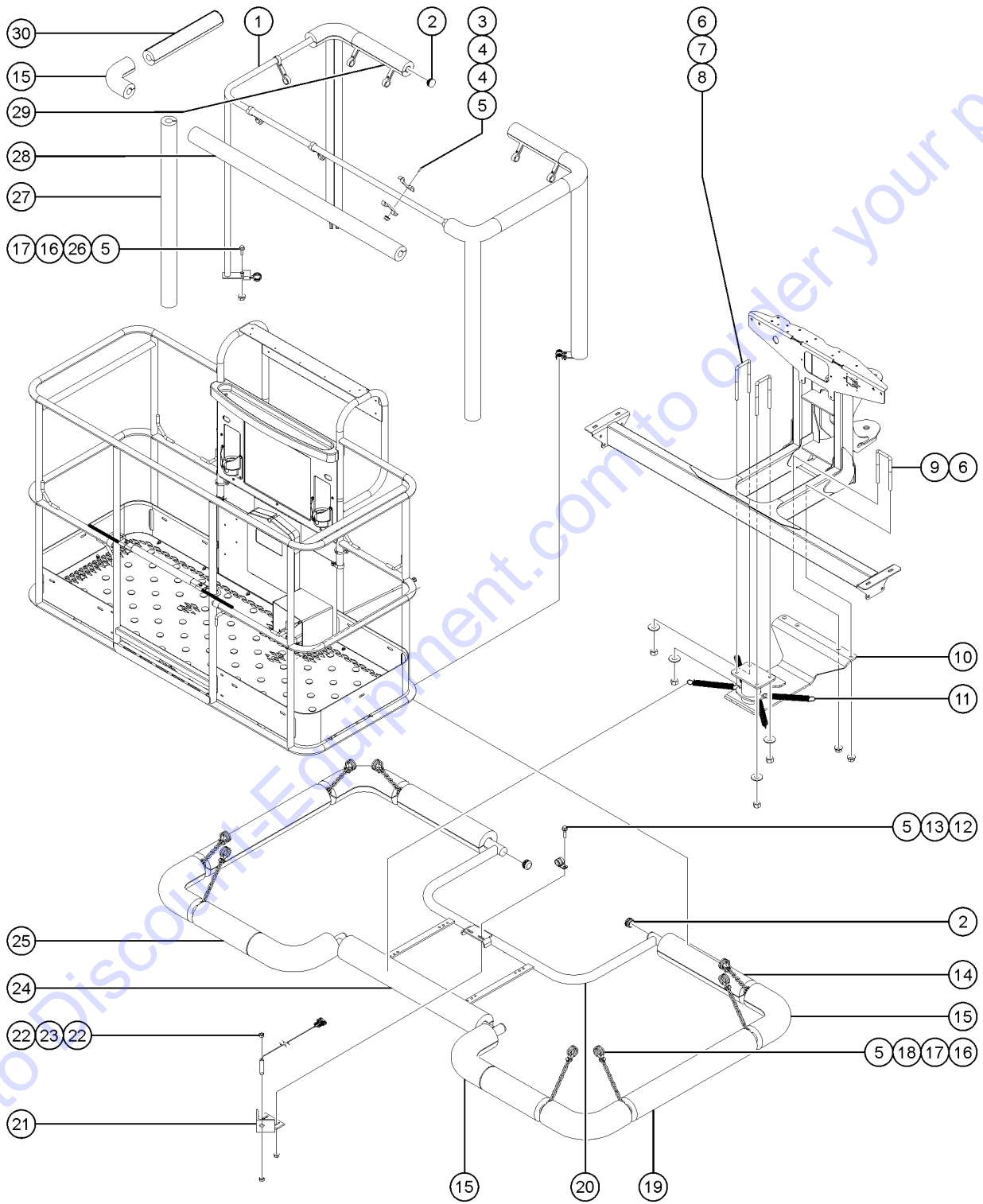
816.1 Aircraft Protection Package



Item	Part No.	Description	Qty.
A	1271516GT	HARNES,AIRCRAFT PROTECTION (not shown)	
B	128200GT	SWITCH TOGGLE ASSY SPDT 3P MOM (not shown)	1
1	46188GT	WELDMENT, AIRCRAFT TOP BUMPER Include items 26	1
2	55753GT	BUMPER, PLASTIC, 1.25 O.D.	6
3	824227GT	SCREW,BHC,1/4-20X1,F835,ZAG	20
4	122073GT	SUPPORT, RAILING	20
5	824027GT	NUT,TL FLG,1/4-20,G,ZAG	46
6	66472GT	U-BOLT, SQR, 3/8-16X2X5, PLTD	4
7	1255758GT	WASHER,FLAT,3/8,USS,ZAG	4
8	824038GT	NUT,TL JAM,3/8-16,A,ZAG	4
9	824029GT	NUT,TL FLG,3/8-16,G,ZAG	4
10	1274645GT	WELDMENT, SKID PLATE	1
11	822769GT	SPRING,EXTENSION,1.92LB/IN	4
12	824079GT	SCREW,HHF,1/4-20X1,8,ZAG	2
13	6833GT	CLAMP,0.50,#8 X 1/4,RUB CUSH	1
14	75617-1550GT	PADDING,FOAM 3.5"OD X 1.50"ID	2
15	75636GT	PADDING,FOAM,3.0"X1.50ID 90DEG	10
16	21618GT	CLAMP,1.13,#18 X 1/4,RUB CUSH	24
17	824078GT	SCREW,HHF,1/4-20X.75,8,ZAG	24
18	56426-700GT	CHAIN,NO.2 (11 LINKS)	8
19	75617-2275GT	PADDING,FOAM 3.5"OD X 1.50"ID	2
20	822759GT	WDMT,AIRCRAFT SENSOR BUMPER	1
21	77797GT	WELDMENT, SENSOR MOUNT	1
22	88390GT	NUT,HEX,M8,PLASTIC	2
23	128504GT	ASSY, ARCFT SENSOR, DEUTSCH (includes 27391 proximity sensor)	1
23-	27391GT	PROXIMITY SENSOR***	
23-	29261GT	MAGNET,NEODYMIUM,.375 X .100	
24	822768GT	FOAM,AIRCRAFT PROTECTION	1



816.1 Aircraft Protection Package



Go to DiscountEquipment.com to order your parts

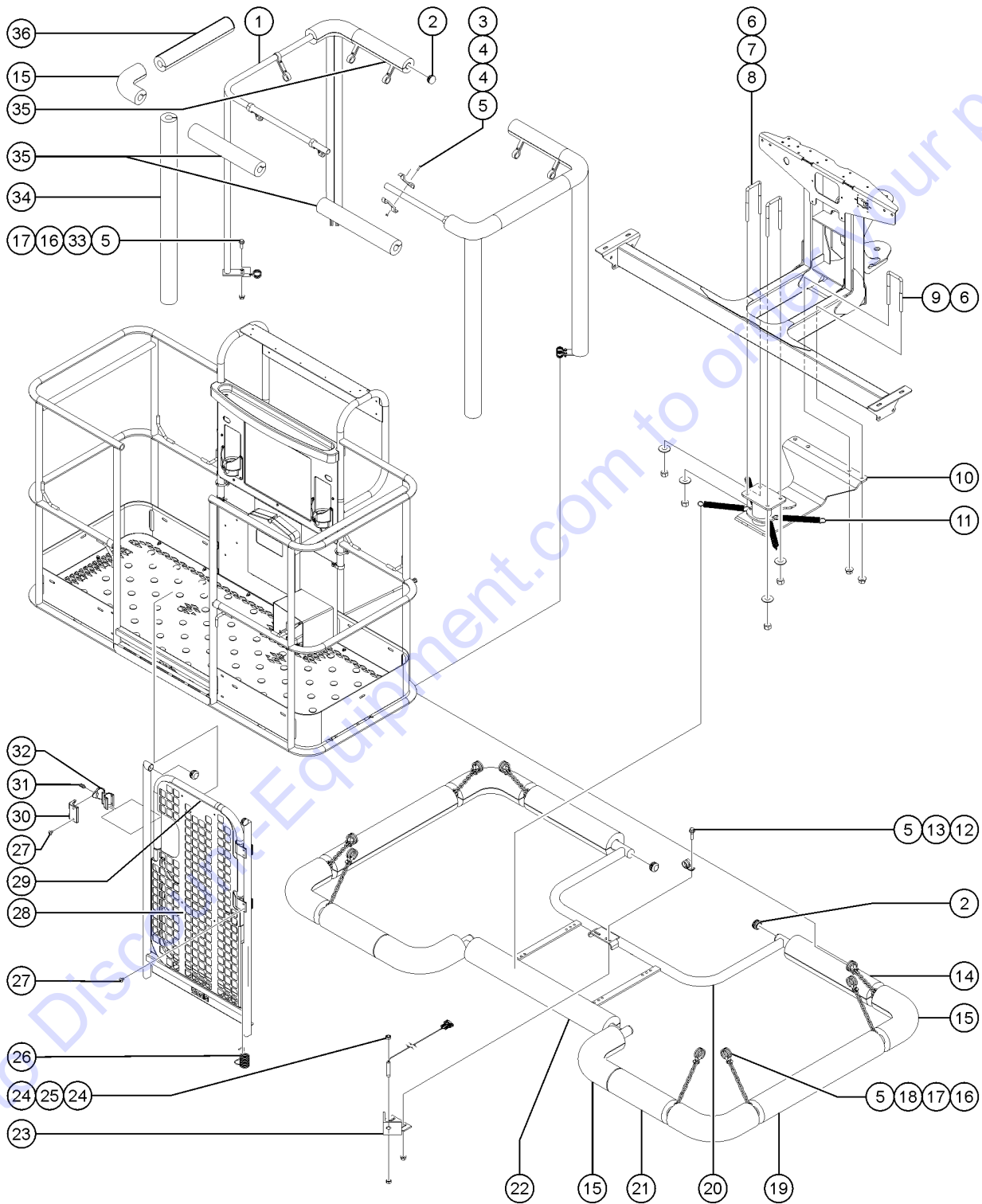
816.1 Aircraft Protection Package

<i>Item</i>	<i>Part No.</i>	<i>Description</i>	<i>Qty.</i>
25	75617-1025GT	PADDING,FOAM 3.5"OD X 1.50"ID	2
26	81802GT	PLATE, AIRCRAFT PROTECTION OPT	4
27	1259329GT	PADDING, FOAM, 46.5"	4
28	75617-6275GT	PADDING,FOAM 3.5"OD X 1.50"ID	1
29	1278629GT	PADDING,FOAM, 10.0"	2
30	75617-2075GT	PADDING,FOAM 3.5"OD X 1.50"ID	2

Go to Discount-Equipment.com to order your parts



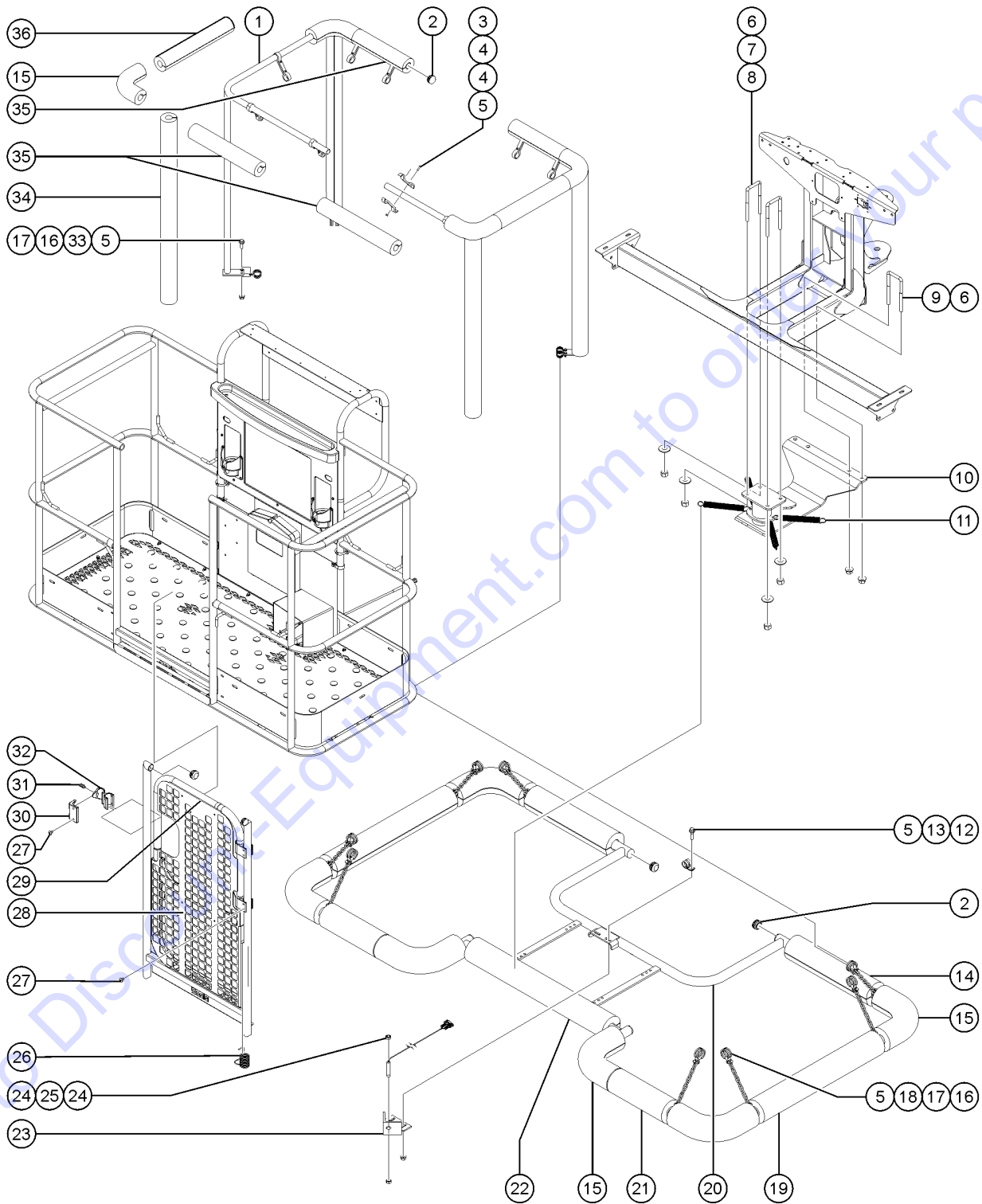
817.1 Aircraft Protection Package with Swing Gate



817.1 Aircraft Protection Package with Swing Gate

Item	Part No.	Description	Qty.
A	128200GT	SWITCH TOGGLE ASSY SPDT 3P MOM (not shown)	1
1	822771GT	WDMT,FRAME,AIRCRAFT PROTECTION (Include item 33)	2
2	55753GT	BUMPER, PLASTIC, 1.25 O.D.	10
3	824227GT	SCREW,BHC,1/4-20X1,F835,ZAG	20
4	122073GT	SUPPORT, RAILING	20
5	824027GT	NUT,TL FLG,1/4-20,G,ZAG	46
6	66472GT	U-BOLT, SQR, 3/8-16X2X5, PLTD	4
7	1255758GT	WASHER,FLAT,3/8,USS,ZAG	4
8	824038GT	NUT,TL JAM,3/8-16,A,ZAG	4
9	824029GT	NUT,TL FLG,3/8-16,G,ZAG	4
10	1274645GT	WELDMENT, SKID PLATE	1
11	822769GT	SPRING,EXTENSION,1.92LB/IN	4
12	824079GT	SCREW,HHF,1/4-20X1,8,ZAG	2
13	6833GT	CLAMP,0.50,#8 X 1/4,RUB CUSH	1
14	75617-1550GT	PADDING,FOAM 3.5"OD X 1.50"ID	2
15	75636GT	PADDING,FOAM,3.0"X1.50ID 90DEG	10
16	21618GT	CLAMP,1.13,#18 X 1/4,RUB CUSH	24
17	824078GT	SCREW,HHF,1/4-20X.75,8,ZAG	24
18	56426-700GT	CHAIN,NO.2 (11 LINKS)	8
19	75617-2275GT	PADDING,FOAM 3.5"OD X 1.50"ID	2
20	822759GT	WDMT,AIRCRAFT SENSOR BUMPER	1
21	75617-1025GT	PADDING,FOAM 3.5"OD X 1.50"ID	2
22	822768GT	FOAM,AIRCRAFT PROTECTION	1
23	77797GT	WELDMENT, SENSOR MOUNT	1
24	88390GT	NUT,HEX,M8,PLASTIC	2
25	128504GT	ASSY, ARCFT SENSOR, DEUTSCH (includes 27391 proximity sensor)	1
25-	27391GT	PROXIMITY SENSOR***	
25-	29261GT	MAGNET,NEODYMIUM,.375 X .100	

817.1 Aircraft Protection Package with Swing Gate



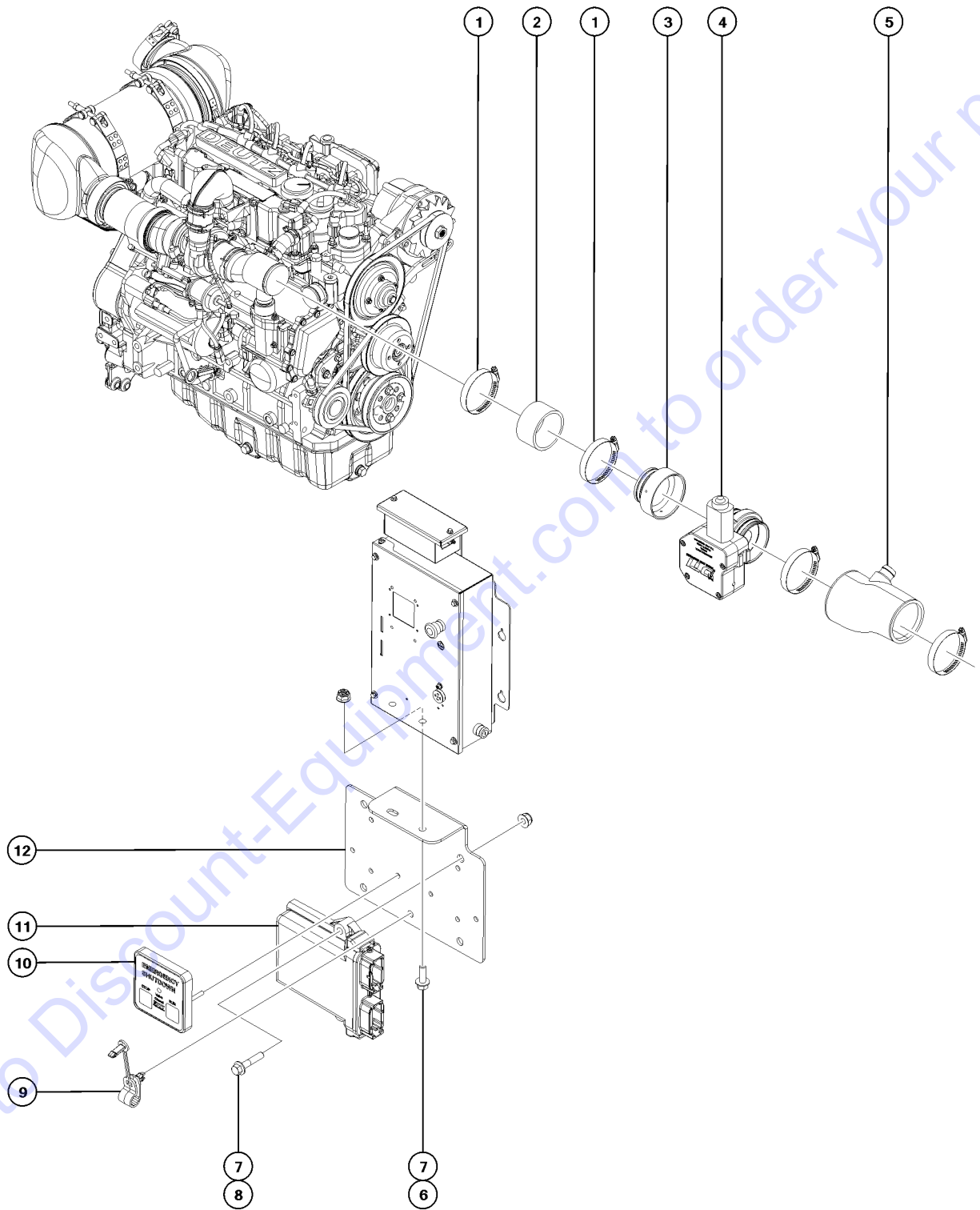
817.1 Aircraft Protection Package with Swing Gate

Item	Part No.	Description	Qty.
26	42104GT	SPRING,SHORT PLATFORM GATE	1
27	824207GT	RIVET,STL,STL,DOME,1/4X.375,Z	14
28	1278793GT	WELDMENT,PLATFORM MESH GATE	1
29	1283880GT	WELDMENT,ALUM HALF GATE	1
29-	56424GT	CLAMP,1.25X.5 RUBBER-CUSHION	
29-	43392GT	BUMPER,BATTERY BOX & RAILS	
30	1488GT	RAILING CATCH CASTING--DRILLED	1
31	33674GT	PIN,LOCK,SHORT***	1
32	1487GT	GATE LATCH CASTING--DRILLED	1
33	81802GT	PLATE, AIRCRAFT PROTECTION OPT	4
34	1259329GT	PADDING, FOAM, 46.5"	4
35	1278629GT	PADDING,FOAM, 10.0"	4
36	75617-2075GT	PADDING,FOAM 3.5"OD X 1.50"ID	2

Go to Discount-Equipment.com to order your parts



818.1 Pass Option, Deutz TD2.9



Go to Discount-Equipment.com to order your parts

Item	Part No.	Description	Qty.
-	1290849GT	HARNESS, CONTROL, PASS	1
1	30971GT	CLAMP,HOSE,3.00"	2
2	1289823GT	HOSE, INTAKE SILICONE 2.5" ID X 1.54" LG	1
3	1289837GT	NOZZLE 3" TO 2.5"	1
4	1289536GT	VALVE, PASS DEUTZ T4	1
5	1289853GT	HOSE,REDUCER,OFFSET,TURBO INLET, DEUTZ 2.9L	1
6	824078GT	SCREW,HHF,1/4-20X.75,8,ZAG	2
7	1277924GT	NUT,NYLOCK FLG,1/4-20,F,ZAG	4
8	824080GT	SCREW,HHF,1/4-20X1.25,8,ZAG	2
9	219508GT	CLAMP,FIXED DIA, NYLON, 3/8"	1
10	1290107GT	HARNESS, MODULE, ESTOP, PASS	1
11	1291573GT	CONTROLLER, VCU, DEUTZ 2.9	1
12	1264229GT	BRACKET, POSITIVE AIR SHUTOFF	1

Go to Discount-Equipment.com to order your parts



PARTS FINDER

**Search Website
by Part Number**



**Search Manual
Library For Parts
Manual & Lookup Part
Numbers – Purchase
or Request Quote**

Search Manuals

Enter your information to help us find the right parts manual for your machine.

* Brand:

* Model:

* Serial:

* Part Number:

SEARCH

**Can't Find Part or
Manual? Request Help
by Manufacturer,
Model & Description**

Parts Order Form

Please fill in the following information to help us find the right part for your machine.

Manufacturer:	<input type="text"/>
Model:	<input type="text"/>
Description:	<input type="text"/>
Part Number:	<input type="text"/>
Quantity:	<input type="text"/>
Notes:	<input type="text"/>

Submit

Discount-Equipment.com is your online resource for quality parts & equipment.

Florida: **561-964-4949** Outside Florida TOLL FREE: **877-690-3101**

Need parts?

Click on this link: <http://www.discount-equipment.com/category/5443-parts/> and choose one of the options to help get the right parts and equipment you are looking for. Please have the machine model and serial number available in order to help us get you the correct parts. If you don't find the part on the website or on one of the online manuals, please fill out the request form and one of our experienced staff members will get back to you with a quote for the right part that your machine needs.

We sell worldwide for the brands: Genie, Terex, JLG, MultiQuip, Mikasa, Essick, Whiteman, Mayco, Toro Stone, Diamond Products, Generac Magnum, Airman, Haulotte, Barreto, Power Blanket, Nifty Lift, Atlas Copco, Chicago Pneumatic, Allmand, Miller Curber, Skyjack, Lull, Skytrak, Tsurumi, Husquvarna Target, Stow, Wacker, Sakai, Mi-T-M, Sullair, Basic, Dynapac, MBW, Weber, Bartell, Bennar Newman, Haulotte, Ditch Runner, Menegotti, Morrison, Contec, Buddy, Crown, Edco, Wyco, Bomag, Laymor, EZ Trench, Bil-Jax, F.S. Curtis, Gehl Pavers, Heli, Honda, ICS/PowerGrit, IHI, Partner, Imer, Clipper, MMD, Koshin, Rice, CH&E, General Equipment, Amida, Coleman, NAC, Gradall, Square Shooter, Kent, Stanley, Tamco, Toku, Hatz, Kohler, Robin, Wisconsin, Northrock, Oztec, Toker TK, Rol-Air, APT, Wylie, Ingersoll Rand / Doosan, Innovatech, Con X, Ammann, Mecalac, Makinex, Smith Surface Prep, Small Line, Wanco, Yanmar

<u>Part no.</u>	<u>Page Number</u>	<u>Part no.</u>	<u>Page Number</u>	<u>Part no.</u>	<u>Page Number</u>
1268GT	13	19274GT	119, 329	31523GT	335
1484GT	13	20776GT	85, 87, 89	31779GT	13
1487GT	345	21130GT	131, 159	31788GT	17, 21
1488GT	345	21465GT	139, 173	32066GT	141
4828GT	319	21618GT	339, 343	32150GT	13
5365GT	159	21858GT	245	32151GT	13
5397GT	85, 87, 89, 91, 135, 219	22571GT	305	33428GT	47
6036GT	305	22672GT	141, 163, 335	33674GT	345
6037GT	85, 87, 89, 91	24514GT	235, 239	33994GT	13
6090GT	243	27204GT	25, 37	34052GT	115
6145GT	305	27205GT	19, 33	34053GT	115
6146GT	245, 313	27206GT	19, 25, 33, 37	34619GT	95
6175GT	135	27207GT	19, 25, 33, 37	34955GT	307, 335
6178GT	85, 87, 89, 91, 245, 249	27246GT	111, 243, 317	35432GT	335
6272GT	315	27391GT	339, 343	35434GT	141, 163, 169, 335
6356GT	113, 243, 305	27581GT	13	35461GT	245, 319
6584GT	131, 159	27761GT	253	35956GT	305
6638GT	113, 243	27836GT	253	36388GT	323
6653GT	153, 185	27901GT	149, 177	37947GT	71, 95
6700GT	111	27904GT	147	38149GT	17, 31
6782GT	85, 87, 89, 91	28159GT	21, 35	39346GT	273
6833GT	245, 339, 343	28174GT	17, 21, 29, 31, 35, 41	39888-38800GT	309, 311
6888GT	113	28235GT	17, 21, 29, 31, 35, 41	39888-152100GT	309, 311
6935GT	85, 87, 91, 115	28236GT	29	40434GT	29, 41, 323
7057GT	85, 87, 91, 115, 241	28443GT	319	42079GT	191, 195
7746GT	297	28646GT	107	42104GT	345
9599-SGT	297	28750GT	13	42288GT	245
10107GT	63, 305	29261GT	339, 343	43018GT	47, 219, 221, 269
10665GT	205	29314GT	51, 55	43392GT	237, 241, 303, 327, 345
10777GT	241	29557GT	127	43960-4500GT	61
12344GT	89, 111, 115, 245, 315, 329	29559GT	127	44170GT	273
12448GT	239	29560GT	13, 129	44174GT	263, 265, 267, 269, 271, 273
12960GT	231, 249	29739GT	275	44224GT	263, 265, 271
13000GT	85, 87, 89, 91	29868GT	71, 97	44227GT	263, 265, 267
13268GT	111, 245	30143GT	83	44228GT	273
13585GT	231, 241	30144GT	83	44229GT	267, 273
14041GT	231, 249	30468GT	303	44230GT	263
14392GT	313	30489GT	135, 163, 173, 307, 335	44981GT	17, 29, 31, 41
15436GT	131, 159	30971GT	129, 143, 307, 335, 347	45435GT	163, 335
18665GT	85, 87, 89	30996GT	117	45454GT	171
18666GT	321	30997GT	111, 245	45708GT	83, 103
19018-1100GT	299	31060GT	19, 25, 27	45782GT	129

<u>Part no.</u>	<u>Page Number</u>	<u>Part no.</u>	<u>Page Number</u>	<u>Part no.</u>	<u>Page Number</u>
46188GT	339	49116-3537GT	295	49183-80792GT	295
47363GT	319	49117-1491GT	285	49183-86192GT	295
48879GT	293	49117-1991GT	285	49189-9738GT	51
48880GT	131, 145, 161, 175, 283 291	49117-2691GT	291	49207GT	131, 145, 161, 175, 283 293
48885GT	107	49117-5691GT	295	49212GT	309, 311
48887GT	51	49117-6191GT	295	49213GT	309, 311
48890GT	283	49119-2978GT	295	49214GT	309, 311
48894GT	209, 277, 293	49119-3678GT	295	49215GT	309, 311
48904GT	145, 175, 283, 285, 293	49119-14578GT	295	49363GT	109
48905GT	145, 175, 277, 281, 283 293	49119-47378GT	295	49366GT	45
48907GT	293	49119-48178GT	295	49379GT	305
48911GT	277, 281, 283	49120-1481GT	281	49408GT	305
48912GT	277, 281, 283, 293	49120-3781GT	279	49612GT	13
48913GT	289	49120-3881GT	279, 281	49820GT	115
48915GT	289, 293	49120-4181GT	281	49915GT	127
48916GT	281, 285, 289, 293	49120-6381GT	277	49924GT	13, 15, 129, 151
48920GT	285	49120-10981GT	281	50787-SGT	131
48924GT	277, 281	49120-11381GT	279	50813GT	119, 223
48932GT	145, 175, 283, 289, 293	49128-2809GT	289, 291	50974GT	67, 71, 75, 79, 99, 103
48933GT	105, 277, 283, 293	49130-5182GT	295	52087GT	275
48935GT	277	49130-5482GT	281	52352GT	129
48936GT	277	49130-5782GT	295	52371GT	263, 265, 267, 269
48937GT	145, 175, 277, 281, 283 289	49130-14482GT	295	52378GT	267, 269
48942GT	289	49137-2541GT	289	52466GT	265
48943GT	285, 291	49141-1963GT	285	52475GT	19, 25, 27, 33, 37, 39
48946GT	283	49141-2263GT	285	52484GT	271
48947GT	293	49141-5863GT	277	52723GT	253
48948GT	277, 281, 283, 285	49141-6963GT	285	52726GT	255
48959GT	283, 289	49141-7463GT	285	52865GT	17
48960GT	105, 277, 281, 283, 289	49143-1429GT	293	52866GT	137, 145, 163, 175
48961GT	277, 281	49159-8318GT	285	52943GT	253, 257, 259, 261
48963GT	277, 283, 289, 293	49163-6994GT	277	54065GT	221, 225
48968GT	209, 293	49180-2016GT	289	54177GT	145, 275
48969GT	151, 161, 181, 285	49181-3440GT	281	54365GT	85, 87, 89, 91, 245, 249
48970GT	211, 293	49181-5990GT	277	54428GT	151
48974GT	283, 291	49183-1592GT	295	54486GT	303
48975GT	291	49183-5992GT	281	55067GT	231
48977GT	283	49183-8392GT	285	55753GT	237, 241, 297, 299, 339 343
48984GT	105, 283	49183-9592GT	289	56003GT	289, 293
48996GT	105, 283	49183-14292GT	293	56424GT	147, 235, 239, 297, 299 333
48997GT	283, 289	49183-50692GT	295	56426-700GT	339, 343
48998GT	277, 281	49183-51192GT	293	56462GT	103

<u>Part no.</u>	<u>Page Number</u>	<u>Part no.</u>	<u>Page Number</u>	<u>Part no.</u>	<u>Page Number</u>
56525GT	299	60746GT	59	62337GT	265
56570GT	299	60757GT	131	62338GT	271
56604GT	291	60778-SGT	135	62339GT	265
56704GT	67	60826GT	153, 185	62349GT	265
56912GT	71, 97, 235, 239	60857GT	13, 79	62374GT	111
56934GT	333	60874-5625GT	95	62375GT	111
58249GT	129	60875GT	165	62379GT	111, 245
58256GT	129	60886PGT	309, 311	62392GT	251
58299GT	129	60984GT	189	62412GT	103
58304GT	101	61070-1350GT	285	62419GT	227
58319GT	115	61070-4555GT	289	62420GT	15
58489GT	103	61072-3926GT	285	62425GT	13, 15, 137, 145, 163, 175
58566GT	129	61072-4326GT	279	62433GT	15, 133, 161
58630GT	129	61073-1630GT	293	62449GT	205
59371GT	277	61073-2830GT	285	62476GT	133
60322-SGT	157, 177	61073-2930GT	285	62506GT	223, 269
60331GT	205	61073-3130GT	285	62507GT	269
60334GT	79	61073-6330GT	285, 287	65278GT	19, 25, 33, 37
60429GT	61	61074-1698GT	289	65473GT	165
60439GT	61, 65	61074-4328GT	285	65630GT	299
60443GT	61	61074-4528GT	287	66399GT	13
60474GT	235	61074-5528GT	281	66472GT	339, 343
60475GT	235	61074-6628GT	289	66777GT	133
60476GT	235	61074-6728GT	291	66811GT	113
60477GT	235	61074-8228GT	289	66812GT	113, 243
60478GT	235	61074-8528GT	285	66813GT	243
60512GT	115	61074-14328GT	293	66815GT	243
60515GT	115, 117	61079GT	293	66816GT	111
60525GT	131	61083GT	105, 283	66817GT	111, 243
60526GT	131	61109GT	159	66818GT	111
60536GT	13	61223GT	99	66821GT	111
60559GT	105	61259GT	293	67505GT	119
60564GT	165	61270GT	143, 167, 173	67897GT	159
60575PGT	61	61278GT	91	69775GT	151
60576GT	163	61322GT	119	69873GT	253, 255
60584GT	75, 149, 153, 177, 185	61341GT	189	70241GT	253
60609GT	59	61602GT	189, 219, 225	70381GT	133, 143
60618GT	59	62252GT	253, 255	70438GT	135
60637GT	153, 185	62253GT	253	70439PGT	131
60649GT	163	62326GT	265	70440GT	135, 151
60721GT	163, 173	62328GT	271	70444GT	133, 159
60729GT	159	62330GT	263	70445GT	135

<u>Part no.</u>	<u>Page Number</u>	<u>Part no.</u>	<u>Page Number</u>	<u>Part no.</u>	<u>Page Number</u>
70447GT	131	75328GT	155	81802GT	341, 345
70449GT	133, 159	75330GT	155	81812-3592GT	279
70483GT	133, 159	75342GT	155	81812-3692GT	279
70518GT	165	75443GT	251	81812-5792GT	277
71259GT	65	75444GT	251	81812-11292GT	279
71858GT	225	75445GT	251	82161GT	17
71911GT	131, 135, 159, 177	75446GT	251	82237GT	21, 29, 319
72043GT	253	75447GT	251	82314GT	17
72086GT	19, 25, 33, 37	75448GT	251	82366GT	17
72255GT	129	75449GT	251	82410GT	333
72282GT	67	75450GT	137, 143, 163, 173	82481GT	31, 35
72326GT	245	75451GT	137, 143, 163, 175	82487GT	31, 41, 333
72875GT	29	75537PGT	235	82862GT	29
72999GT	17	75555GT	163	83093GT	71, 95
73463-1175GT	333	75574GT	133, 145, 161, 175	84134GT	253
73478GT	235, 239	75617-1025GT	341, 343	84135GT	253, 255
73575GT	105, 235, 239, 329	75617-1550GT	339, 343	84160GT	267
73711GT	131	75617-2075GT	341, 345	85300GT	299
73805GT	111	75617-2275GT	339, 343	87070GT	79
74006GT	231, 241	75617-6275GT	341	87755GT	115
74052GT	231, 239	75636GT	339, 343	88027GT	205
74245GT	51, 55	75654GT	105, 283	88091GT	127
74902GT	253, 255, 257, 259, 261	75854GT	67	88150GT	111
74913GT	85, 87, 89, 91, 249	75855GT	65	88177GT	111
75020GT	133, 161	76364GT	45	88287GT	245
75041GT	313	77309GT	209	88315GT	113
75042GT	211, 293	77351GT	245	88377-1400GT	333
75064GT	189	77489GT	253	88390GT	339, 343
75069GT	231, 241	77664GT	333	88406GT	319
75185GT	305	77683GT	333	88441-4140GT	285
75250GT	67	77735GT	253	88493GT	307
75253GT	105, 283	77797GT	339, 343	88516GT	223
75254GT	105, 283	81096GT	241	88606PGT	303
75256GT	105, 283	81341GT	191, 195	88607PGT	303
75257GT	105, 283	81342GT	191, 195	89310GT	253, 255, 259
75259GT	165	81347GT	195	89733GT	271
75260GT	165	81368GT	299	89735GT	271
75274GT	165	81467GT	137, 143, 163, 173	89756GT	109
75297GT	165	81468GT	137, 143, 163, 173	89770GT	271
75304GT	155	81488GT	245	89792GT	127
75326GT	155	81551GT	111, 245	89959GT	307
75327GT	155	81578GT	81	89998GT	131

<u>Part no.</u>	<u>Page Number</u>	<u>Part no.</u>	<u>Page Number</u>	<u>Part no.</u>	<u>Page Number</u>
93500GT	13	101931PGT	165	106117GT	57
94327GT	13	101932GT	215, 337	106118GT	57
94374-6030GT	279	101955GT	101	106141GT	319
94374-10530GT	285	101957GT	131, 159	106183GT	321
94493-SGT	333	102208GT	135	106204PGT	321
94981GT	105	102209GT	135	106211-300GT	163, 173
94982GT	105	102220GT	307	106211-400GT	307
97181GT	265	102237PGT	133	106211-475GT	137, 143
97372GT	267, 273	102348GT	155	106211-1150GT	307
97373GT	263, 265	102496GT	253	106275GT	321
97469GT	267, 269	102580GT	129	106382GT	283
97579GT	29	102581GT	127	106433GT	109
97602GT	21	102582GT	127	106495GT	245
97757GT	17, 31	102584GT	127	106498GT	63
97815GT	29, 41	102586GT	127	106742GT	45
97865GT	17, 21	102587GT	129	106819-6213GT	279
99778GT	313	102590GT	127	106819-7013GT	279
101004GT	51	102592GT	127	106924GT	227
101005GT	317	102593GT	127	107549GT	309, 311
101005HGT	317	102595GT	127	107731GT	257
101070GT	57	102596GT	127	107733GT	261
101104GT	195	102597GT	127	107734GT	257, 259
101173GT	243	102598GT	155	107740GT	267, 271
101173HGT	243	102632GT	15, 155	107741GT	273
101174GT	243, 317	102638GT	155	107768GT	265, 273
101174HGT	243, 317	102639GT	15, 155	107788GT	267
101175GT	243	102646GT	161, 181	107816GT	273
101175HGT	243	102676GT	303	107860GT	237
101185GT	125	102685GT	205, 271	107868GT	195
101234GT	43	102785PGT	303	108543GT	13
101361GT	103	102786PGT	303	110195GT	259
101525GT	321	102992GT	235	110229GT	245
101547PGT	319	104030GT	245	110276-2600GT	319
101572GT	53, 63	104186GT	277	110277-2800GT	319
101634GT	159	104759GT	273	110481GT	45
101639GT	307	104760GT	263, 271	110482GT	45
101640GT	143, 163	104761GT	265	110771-665R3GT	47
101726GT	75	104804GT	237, 241	110771-43103GT	61
101731PGT	319	106098GT	57	111402GT	129
101732GT	319	106110GT	319	111445GT	127
101793-2573GT	285	106111GT	319	111526GT	303
101930PGT	165	106112GT	321	111580GT	73, 95

<u>Part no.</u>	<u>Page Number</u>	<u>Part no.</u>	<u>Page Number</u>	<u>Part no.</u>	<u>Page Number</u>
111663GT	51, 55	122994GT	111	160725GT	101
111668GT	129	123081GT	161	160726GT	77
114249GT	33, 37	123084GT	155	160732GT	49, 53
114251GT	35	123351GT	155	160736GT	49, 53
114252GT	31, 33, 37, 39	124962GT	75	161207GT	85, 87, 91
114258GT	21	128000GT	251	161410GT	77
114390GT	17, 21, 29	128001GT	251	161533GT	271
114416GT	29	128004GT	133, 143	161538GT	257, 259, 261
114473GT	41	128200GT	243, 339, 343	161539GT	259
119056GT	313	128203GT	317	161691GT	41
119057GT	313	128204GT	111	161692GT	29
119065GT	61, 65, 313	128322GT	319	161923GT	259
119066GT	313	128323GT	319	161953GT	67
119067GT	61	128504GT	339, 343	162089GT	193
119112GT	259	128584-SGT	111	162090GT	193
119116GT	259	130187GT	155	162196GT	199
119403GT	313	130341GT	159	162206GT	149
119613GT	243, 317	131323GT	13, 79	162207GT	149
119762GT	47, 61	133067GT	31, 35, 41	162208GT	149
119915GT	251	133205GT	31, 35	162209GT	147
119955GT	227	133278GT	21	162291GT	53
121431GT	163	139308GT	99	214228GT	15, 149
121602GT	131, 149, 179	139309GT	99	214249GT	313
121603GT	181	139315GT	101	214330GT	121
121804GT	67	139321GT	131	214345GT	277, 281
122019GT	67	139322GT	131	214536GT	313
122073GT	297, 339, 343	139323GT	101	214619GT	321
122120GT	257, 259, 261	139338GT	245	214623GT	321
122121GT	257, 259, 261	139455GT	135	215197GT	79
122148GT	257, 259, 261	139598GT	251	215254GT	71, 97
122266GT	135	139621GT	127	215489GT	193
122343GT	317	139644-13B11GT	65	215491GT	193
122351GT	117, 245	139709GT	127	215492GT	191
122362GT	317	146061GT	129	215493GT	191
122366GT	111	146478GT	243	215496GT	159
122367GT	111	147095GT	111	215500GT	159
122406GT	315	147121GT	235, 239	215509GT	161
122414GT	143, 167, 173	160363GT	133	215510GT	161
122432GT	307	160502GT	49, 53	215511GT	163
122461GT	317	160592GT	217	215512GT	143, 167, 173
122755GT	319	160635GT	81	215513GT	159
122793GT	315	160636GT	81	215514GT	163

<u>Part no.</u>	<u>Page Number</u>	<u>Part no.</u>	<u>Page Number</u>	<u>Part no.</u>	<u>Page Number</u>
215515GT	163	217219GT	51, 65, 217	218793GT	181
215516GT	163	217230GT	307	218798GT	181
215517GT	133, 145, 161, 175	217231GT	307	218806GT	173
215530GT	65	217232GT	155	218809GT	15, 179
215531GT	65	217233GT	307	218811GT	15, 179
215580GT	103	217366GT	319	218832GT	181
215658GT	199	217432GT	215	218834GT	15, 181
215667GT	109, 199	217457GT	147, 157, 165	218835GT	15, 179
215706GT	101, 109, 203, 209, 217 222	217458GT	151, 155, 165	218837GT	181
215723GT	81	217459GT	155	219030GT	179
215751GT	65	217460GT	147, 151, 155, 165, 177 181	219065GT	77, 99
215814GT	199	217470GT	59	219130GT	177
215815GT	199	217477GT	51, 53	219158GT	301
215820GT	191, 215	217481GT	45	219188GT	175
215889GT	209	217482GT	45	219232GT	85
215892GT	199	217486GT	57	219233GT	85
215896GT	209	217500GT	135, 151, 165, 181	219302GT	51
215918GT	163	217505GT	177	219304GT	49, 53
215926GT	103	217689GT	61	219355GT	283
215927GT	103	217711GT	199, 223	219508GT	347
216036GT	145, 203	217774GT	181	219510GT	149, 177
216058GT	51, 121	218060GT	77	219520GT	81
216061GT	121	218064GT	77	219624GT	63
216159GT	57, 63	218112GT	49	219646GT	59
216247-6684GT	279	218144GT	271	219697GT	67, 69, 71, 79, 93, 95...
216274GT	81	218155GT	113	219907GT	77
216275GT	79	218169GT	113	219958GT	41
216286GT	155	218173GT	81	219960GT	21
216564GT	155, 177	218242GT	203	219967GT	229
216566GT	81	218456GT	57	226103GT	129
216597GT	53, 147, 151, 153, 155, 165	218457GT	49, 55, 97	226104GT	129
216606GT	313	218458GT	147	226105GT	129
216607GT	313	218496GT	57	226106GT	127
216615GT	313	218559GT	29	226393GT	67
216616GT	313	218593GT	105	226491GT	65, 217
216617GT	313	218618GT	209	226492GT	51, 65, 217
216618GT	313	218715GT	141	226542GT	223
216752GT	229	218727GT	105	226627GT	161
216758GT	159	218730GT	263	226757GT	205
216818GT	153, 185	218766GT	99	226758GT	205
216819GT	153, 185	218767GT	99	226763GT	193
217217GT	215	218792GT	181	226764GT	191

<u>Part no.</u>	<u>Page Number</u>	<u>Part no.</u>	<u>Page Number</u>	<u>Part no.</u>	<u>Page Number</u>
226766GT	189	231510GT	153, 185, 199	235314GT	45
227515GT	235, 239	231511GT	167, 181, 189, 201	235315GT	49, 55, 81, 203, 209, 227
227614GT	289	231512GT	49, 71, 95, 103, 105, 149	235317GT	47
228399GT	225	231513GT	45, 49, 55, 61, 75, 77...	235758GT	153, 185
228848GT	333	231514GT	99, 153, 185	236037GT	13, 105
228849GT	333	231515GT	65, 69, 93, 99, 199	236224GT	271
228866GT	273	231521GT	205	236233GT	209, 213, 229
229411GT	267	231524GT	219, 223	236234GT	213, 215
229461GT	45	231527GT	205	236237GT	209, 213
229462GT	45	231529GT	61, 69, 81, 93, 109, 133	236240GT	77, 135
229464GT	335	231530GT	63, 67, 69, 75, 77, 79... 67, 75, 79, 103, 131, 135	236259GT	147
229465GT	45	231531GT	49, 53, 59, 61, 65, 69... 77, 79, 99, 109, 133, 135	236260GT	15, 147
229466GT	45, 225	231532GT	223	236289GT	201
229467GT	335	231533GT	199	236391GT	201
229526GT	57	231539GT	219, 223	236392GT	47, 121
229530GT	51, 53	231542GT	65	236397GT	65, 121
229532GT	45, 57, 219	231544GT	189	236405GT	115, 119
229540GT	57	231546GT	63	236406GT	191, 195, 199
229541GT	57	232858GT	63	236409GT	119
229543GT	53	232869GT	61, 219, 223, 337 63, 99, 107, 143, 163, 173	236481GT	205
229567GT	243	232871GT	105	236703GT	125
229845GT	97	232874GT	67	236704GT	125
230073GT	49, 53, 61, 65, 69, 77...	232882GT	189	236707GT	125
230074GT	63, 67, 69, 75, 77, 79...	232883GT	45, 53, 65, 77, 153, 185	236708GT	125
230820GT	147	232884GT	205	236766GT	153, 185
230825GT	49, 55	232886GT	65, 205	237068GT	79
230826GT	51	232923GT	69, 93, 97	237209GT	263, 267, 269
230984GT	17, 31	232941GT	81, 199	237212GT	263, 271
231020GT	315	232951GT	245	237213GT	263, 265
231023GT	315	232952GT	119	237238GT	67, 223, 327
231087GT	61, 79, 161, 335 67, 81, 149, 195, 213, 217	232975GT	59, 123	237239GT	65
231088GT	217	232987GT	205	237241GT	51, 65, 217
231279GT	193	232993GT	215, 219	237242GT	51, 65, 217
231290GT	193	233108GT	271	237244GT	203
231301GT	205	233509GT	271	237245GT	203
231302GT	199	235143GT	271	237352GT	51, 57, 141, 153, 171, 181
231472GT	99	235144GT	271	237458GT	53
231480GT	65, 189, 203	235145GT	271	237540GT	201
231481GT	189	235147GT	271	237541GT	199
231488GT	203	235148GT	271	237542GT	199
231491GT	203	235149GT	271	237543GT	199
231509GT	69, 93	235309GT	49, 53	237711GT	313

<u>Part no.</u>	<u>Page Number</u>	<u>Part no.</u>	<u>Page Number</u>	<u>Part no.</u>	<u>Page Number</u>
237730GT	139	822955GT	131, 159	824116GT	67, 233
237731GT	67	823397GT	83, 103	824119GT	71
237735GT	93, 193, 197, 199, 201	823420-1400GT	139	824120GT	71, 95, 301
237807GT	61, 121	823520GT	305	824122GT	165
237808GT	61, 121	823521GT	119	824123GT	135, 151, 165, 181
237809GT	61, 121	823522GT	121	824125GT	69, 71, 95
237819GT	45	823604GT	169	824129GT	203
237820GT	51, 53	823748GT	97	824131GT	141, 195
237827GT	45, 215	823958GT	177	824132GT	135, 139, 307
237828GT	45	824019GT	115	824133GT	47, 143, 161, 173
237830GT	51, 231	824027GT	71, 99, 237, 297, 303,	824134GT	151, 183
237832GT	47, 51, 53, 81, 133, 135	824028GT	219, 55, 71, 95, 297,	824142GT	45
237854GT	49, 53	824029GT	290, 71, 95, 165, 231,	824143GT	77, 101
237988GT	77	824031GT	235, 67	824144GT	149, 179
238300GT	125	824032GT	61	824145GT	69, 93, 97, 191, 195
238301GT	125	824036GT	67, 115	824146GT	57
238302GT	125	824038GT	333, 339, 343	824207GT	345
238303GT	125	824041GT	131	824214GT	115
238304GT	125	824059GT	71, 83, 115	824215GT	95
238305GT	125	824060GT	301	824216GT	61, 329
238347GT	81, 109, 133, 199	824061GT	71, 99	824227GT	339, 343
822087GT	147	824063GT	223	824234GT	181
822103GT	249	824068GT	71, 95	824236GT	181
822222GT	85, 89, 249	824069GT	301	824259GT	313
822223GT	85, 89	824075GT	233	824261GT	313
822224GT	245	824077GT	109, 115, 145, 175	824471GT	147
822225GT	101	824078GT	71, 97, 115, 133, 235,	824518GT	125
822226GT	101	824079GT	239, 239, 297, 339,	824615GT	21
822229GT	101	824080GT	343, 161, 327, 347	824617GT	85, 87
822352GT	197, 337	824081GT	305	824635GT	147
822353GT	65, 109, 205, 209	824083GT	299	825015GT	147
822548GT	85, 87, 89, 91	824085GT	299, 305	825019GT	219, 223
822600GT	213, 215	824086GT	297	825348GT	57, 63
822602GT	209, 213	824087GT	71, 97	825349GT	59, 115
822603GT	193	824089GT	231	825351GT	45
822604GT	203	824090GT	73, 95, 103, 239, 331	825352GT	45
822759GT	339, 343	824091GT	153, 185, 231, 239	825353GT	101
822768GT	339, 343	824092GT	237, 241, 319	825355GT	175
822769GT	339, 343	824093GT	165	825357GT	49, 55, 81, 109
822771GT	343	824109GT	83, 115, 223	825358GT	209, 231, 299, 319
822822GT	101	824110GT	83	825580GT	191, 195, 215
822921GT	131	824113GT	99, 115, 301, 319, 327	825581GT	145, 161, 175, 191

<u>Part no.</u>	<u>Page Number</u>	<u>Part no.</u>	<u>Page Number</u>	<u>Part no.</u>	<u>Page Number</u>
825597GT	69, 93, 191, 195	1251724GT	173	1253489GT	231, 241
825624GT	101, 191	1251799GT	205	1253498GT	101, 133, 157, 161, 177
825632GT	63, 201	1251893GT	135, 139, 169	1253613GT	147, 177
825667GT	65	1251894GT	139, 165, 169	1253696GT	63
825674GT	209	1251899GT	131, 151	1253697GT	63
825686GT	49, 55, 65, 81	1251902GT	133	1253698GT	63
825737GT	249	1251983GT	141, 169	1253699GT	63
825747GT	249	1251997GT	79, 159, 323	1253702GT	63
825748GT	249	1252014GT	139	1253709GT	63
825761GT	249	1252015GT	139	1253806GT	177
825795GT	249	1252017GT	141	1253816GT	45, 215
825797GT	249	1252018GT	141	1254074GT	169
825849GT	249	1252019GT	141	1254075GT	169
826000GT	149	1252047GT	177	1254080GT	171
826007GT	201	1252696GT	231	1254081GT	139, 169
826140GT	199	1252896GT	149	1254090GT	169
826172GT	57	1252898GT	149	1254092GT	171
826214GT	147	1253165GT	203	1254095GT	169
826345GT	21	1253166GT	65	1254418GT	141
826348GT	147	1253179GT	147	1254669GT	143, 173
826351GT	143	1253181GT	147	1254763GT	313
826352GT	143	1253183GT	147	1254764GT	313
826523GT	109	1253185GT	97, 235	1254805GT	79, 103
826783GT	67	1253199GT	181	1254807GT	31
826794GT	233	1253218GT	141	1254826GT	129
826850GT	335	1253230GT	139	1254848GT	149
826852GT	335	1253231GT	139, 169	1254849GT	19, 25
1000083GT	21	1253232GT	139	1254949GT	141
1251496GT	147	1253233GT	139, 169	1255018GT	325
1251501GT	121	1253234GT	141, 171	1255019GT	325
1251502GT	121	1253236GT	115	1255020GT	325
1251503GT	121	1253238GT	115	1255021GT	325
1251504GT	121	1253307GT	171	1255022GT	325
1251505GT	121	1253308GT	169	1255023GT	325
1251565GT	135, 151, 181, 191, 195	1253314GT	115	1255024GT	325
1251566GT	131	1253317GT	111	1255025GT	325
1251600GT	231, 235, 239, 299, 301, 309	1253319GT	151, 165, 181	1255027GT	325
1251705GT	151	1253411GT	171	1255028GT	325
1251708GT	145, 175	1253440GT	337	1255029GT	325
1251713GT	57	1253444GT	337	1255030GT	123
1251720GT	139	1253445GT	337	1255033GT	325
1251722GT	75	1253476GT	75	1255035GT	325

<u>Part no.</u>	<u>Page Number</u>	<u>Part no.</u>	<u>Page Number</u>	<u>Part no.</u>	<u>Page Number</u>
1255036GT	325	1256153GT	87	1256859GT	329
1255037GT	325	1256240GT	191	1256860GT	101
1255038GT	325	1256241GT	191	1256861GT	61
1255047GT	327	1256242GT	191	1256863GT	61, 101
1255066GT	325	1256243GT	191	1256911GT	149
1255067GT	325	1256244GT	193	1257116GT	193
1255068GT	325	1256245GT	193	1257117GT	193
1255342GT	141	1256246GT	193	1257123GT	193
1255367GT	95	1256247GT	193	1257211GT	321
1255402GT	21	1256271GT	169	1257237GT	21
1255451GT	141, 171	1256290GT	193	1257246GT	139
1255452GT	45	1256314GT	259	1257296GT	241
1255469GT	57	1256377GT	323	1257389GT	49, 75, 79, 103, 191, 195
1255537GT	133, 143, 147, 173	1256378GT	323	1257390GT	241
1255538GT	81, 179	1256379GT	323	1257411GT	265
1255556GT	123	1256380GT	323	1257419GT	177
1255581GT	17, 21, 31, 35	1256389GT	323	1257464GT	231
1255582GT	21, 35	1256391GT	169	1257711GT	121
1255631GT	139, 169	1256400FRGT	323	1257728GT	143, 173
1255651GT	149	1256400GT	323	1257733GT	13
1255653GT	129	1256420GT	23, 29	1257739GT	81
1255654GT	63	1256425GT	35	1257753GT	147
1255658GT	45	1256439GT	323	1257774GT	149
1255665GT	143	1256444GT	177	1257844GT	141
1255666GT	133, 145	1256445GT	169	1257982GT	115, 121
1255752GT	203, 205, 209, 227	1256450GT	49	1258000GT	249
1255753GT	49, 55	1256460GT	105	1258069GT	111
1255758GT	301, 339, 343	1256467GT	235	1258174GT	17, 21, 31, 35
1255760GT	79, 103	1256468GT	73, 95, 301	1258175GT	21, 35
1255768GT	99	1256480GT	177, 181	1258176GT	17, 21, 31, 35
1255769GT	101	1256481GT	323	1258177GT	21, 35
1255770GT	101	1256583GT	135, 151, 165, 181	1258458GT	179
1255771GT	101	1256749GT	313	1258459GT	179
1255772GT	101	1256750GT	313	1258464GT	179
1255773GT	101	1256776GT	135, 151	1258465GT	173
1255788GT	241	1256804GT	97	1258503GT	169
1255804GT	79, 103	1256805GT	151	1258504GT	175
1255806GT	179	1256844GT	101	1258525GT	173
1255889GT	325	1256851GT	323	1258538GT	175
1255890GT	325	1256855GT	237, 239, 333	1258540GT	175
1256054GT	71, 95	1256856GT	323	1258541GT	175
1256109GT	81	1256857GT	215	1258542GT	175

<u>Part no.</u>	<u>Page Number</u>	<u>Part no.</u>	<u>Page Number</u>	<u>Part no.</u>	<u>Page Number</u>
1258551GT	79	1259661GT	313	1260683GT	71
1258567GT	13	1259672GT	95	1260892GT	323
1258674GT	87, 89	1259674GT	71	1260910GT	323
1258677GT	23	1259705GT	69, 93	1260983GT	105
1258680GT	89	1259706GT	69, 93	1261018GT	323
1258687GT	89	1259708GT	313	1261019GT	323
1258688GT	89	1259831GT	69	1261020GT	323
1258689GT	89	1259873GT	153	1261021GT	323
1258690GT	89	1259874GT	169, 185	1261022GT	323
1258817GT	177	1259931GT	43	1261023GT	323
1258923GT	169	1259950GT	59	1261024GT	323
1259005GT	103	1259951GT	59	1261025GT	323
1259006GT	103	1259969GT	57	1261077GT	139, 153, 169, 185
1259010GT	95	1259970GT	57	1261184GT	301, 329
1259013GT	73, 95	1259971GT	57	1261243GT	143, 173
1259031GT	95	1259972GT	51	1261244GT	97
1259032GT	71	1259975GT	49	1261245GT	71
1259035GT	95	1259976GT	49, 53	1261547GT	185
1259036GT	73	1259977GT	51	1261548GT	153
1259037GT	95	1259978GT	49, 53	1261765GT	111
1259038GT	71	1259979GT	53	1261766GT	117
1259055GT	79	1259980GT	57	1261797GT	97
1259097GT	81	1259983GT	53	1261798GT	95
1259106GT	231	1259984GT	55	1261813GT	71
1259119GT	79	1259986GT	49, 53	1261814GT	73, 95
1259122GT	289	1259987GT	51, 53	1261858GT	103
1259123GT	81, 289	1259989GT	45	1261888GT	265
1259124GT	81, 289	1260056GT	73	1261890GT	139
1259329GT	341, 345	1260058GT	73	1261894GT	79
1259340GT	93	1260067GT	57	1261897GT	75
1259348GT	69	1260068GT	57	1261917GT	69, 93
1259350GT	93	1260070GT	49, 55	1261948GT	67
1259356GT	93	1260158GT	71, 97	1261960GT	169
1259362GT	93	1260161GT	67	1262031GT	235
1259484GT	57	1260289GT	169	1262147GT	67
1259485GT	57	1260528GT	99	1262446GT	29, 41
1259486GT	57	1260537GT	69	1262447GT	113
1259487GT	59	1260538GT	69	1262851GT	47
1259583GT	97	1260541GT	93	1262866GT	15, 139
1259584GT	97	1260641GT	231	1262867GT	15, 139
1259633GT	103	1260663GT	273	1262905GT	21
1259637GT	79	1260682GT	97	1263409GT	277

<u>Part no.</u>	<u>Page Number</u>	<u>Part no.</u>	<u>Page Number</u>	<u>Part no.</u>	<u>Page Number</u>
1263410GT	277	1265052GT	213	1267807GT	133, 145, 161, 175
1263411GT	277	1265053GT	217	1267876GT	93
1263412GT	281	1265054GT	227, 229	1267877GT	69
1263453GT	45	1265055GT	229	1267909GT	49, 53
1263463GT	277	1265056GT	227	1267910GT	51
1263464GT	277	1265057GT	195	1268229GT	133, 145, 161, 175
1263465GT	277	1265058GT	227	1268328GT	287
1263487GT	43	1265059GT	227	1268329GT	287
1263488GT	43	1265070GT	219	1268330GT	291
1263540GT	31	1265071GT	219	1268331GT	291
1263541GT	17	1265072GT	219, 223	1268470GT	209, 293
1263542GT	31, 33, 35, 37	1265073GT	219	1268471GT	209, 293
1263543GT	17, 19, 21, 25	1265074GT	215	1268547GT	109
1263544GT	17, 31	1265075GT	223	1268980GT	203
1263545GT	17, 31	1265076GT	225	1269113GT	239
1263637GT	53	1265077GT	189	1269352GT	215
1263638GT	53	1265079GT	105	1269378GT	203
1263736GT	189	1265087GT	219	1269379GT	203
1263737GT	205	1265210GT	263	1269380GT	217
1263738GT	219	1265211GT	269	1269381GT	213
1263739GT	227	1265372GT	239	1269383GT	191
1263740GT	219	1265397GT	237, 241	1269384GT	215
1263741GT	225	1265777GT	107	1269385GT	191
1264101GT	299	1265782GT	93	1269460GT	249
1264110GT	121	1265784GT	93	1269625GT	199
1264229GT	347	1265787GT	75	1269627GT	205
1264680GT	99	1265788GT	77	1269628GT	199
1264798GT	225	1265826GT	239	1269631GT	205
1264839GT	105	1266019GT	17	1269634GT	205
1264895GT	223	1266126GT	151, 161, 181	1269635GT	207
1264934GT	329	1267152GT	213, 217, 229	1269636GT	209
1264988GT	223	1267153GT	213, 217, 229	1269641GT	235, 239
1265014GT	213, 217, 229	1267154GT	229	1269690-2700GT	149
1265018GT	215	1267203GT	195	1270108GT	309, 311
1265019GT	215	1267273GT	335	1270116GT	325
1265021GT	67	1267274GT	335	1270117GT	325
1265039GT	199	1267275GT	335	1270118GT	325
1265040GT	199	1267276GT	335	1270157GT	203
1265041GT	227	1267411GT	149, 177	1270278GT	119, 231
1265042GT	197	1267746GT	235, 239	1270282GT	149
1265047GT	195	1267747GT	237, 241	1270313GT	299
1265048GT	197	1267776GT	195	1270314GT	299

<u>Part no.</u>	<u>Page Number</u>	<u>Part no.</u>	<u>Page Number</u>	<u>Part no.</u>	<u>Page Number</u>
1270316GT	299	1271489GT	109, 123	1272553GT	275
1270321GT	191	1271490GT	203	1272614GT	263
1270322GT	195	1271492GT	121	1272615GT	265
1270337GT	231	1271493GT	119, 227	1272616GT	263
1270570GT	297	1271494GT	119, 227	1272617GT	265
1270571GT	297	1271495GT	123, 227	1272618GT	263
1270609GT	101	1271496GT	121, 209	1272619GT	265
1270637GT	63	1271497GT	121, 207	1272620GT	265
1270638GT	61, 335	1271498GT	121, 209	1272621GT	263
1270722GT	85, 87	1271500GT	115, 119	1272623GT	267
1270810GT	223, 269	1271501GT	117, 119	1272652GT	125
1270896GT	215, 219	1271502GT	117, 119	1272837GT	229
1270898GT	217	1271503GT	117, 119	1272839GT	217
1270908GT	21, 35	1271504GT	117, 119	1272840GT	217
1270946GT	275	1271505GT	115, 119	1272841GT	65
1270994GT	299	1271506GT	121	1272872GT	75
1271018GT	299	1271507GT	115, 119	1272983GT	195
1271019GT	299	1271508GT	119, 245	1272984GT	195
1271040GT	299	1271509GT	121	1273025GT	29
1271061GT	299	1271510GT	119, 245	1273026GT	41
1271077GT	297	1271511GT	123	1273027GT	19, 25, 33, 37
1271078GT	297	1271512GT	119	1273655GT	289
1271088GT	223	1271513GT	119	1273734GT	231
1271089GT	197	1271516GT	339	1273832GT	223
1271257GT	125	1271519GT	121	1273833GT	219
1271258GT	125	1271520GT	121	1273834GT	219
1271259GT	119	1271770GT	75	1273835GT	219
1271260GT	119	1271820GT	215	1273836GT	219
1271342GT	29	1271913GT	215	1273837GT	223
1271343GT	29	1271917GT	13, 215	1273838GT	223
1271347GT	257	1272242GT	17, 31	1273991GT	27, 39
1271452GT	85	1272303GT	239	1273992GT	27, 39
1271453GT	87	1272305GT	235	1273993GT	27, 39
1271471GT	247	1272306GT	235	1273994GT	27, 39
1271472GT	243	1272307GT	237	1274025GT	319
1271473GT	111	1272433GT	81	1274026GT	189
1271474GT	101	1272434GT	81	1274027GT	205
1271475GT	245	1272435GT	81	1274028GT	219
1271482GT	65, 121	1272509GT	91	1274029GT	227
1271483GT	121, 203	1272536GT	275	1274030GT	219
1271484GT	111	1272537GT	91	1274031GT	225
1271485GT	245	1272538GT	91	1274065GT	231

<u>Part no.</u>	<u>Page Number</u>	<u>Part no.</u>	<u>Page Number</u>	<u>Part no.</u>	<u>Page Number</u>
1274106GT	99	1275742GT	27, 39	1278433GT	329
1274107GT	99	1275743GT	27, 39	1278458GT	329
1274108GT	99	1275744GT	27, 39	1278542GT	329
1274109GT	99	1275745GT	27, 39	1278629GT	341, 345
1274110GT	99	1275825GT	249	1278646GT	335
1274111GT	99	1275963GT	109	1278793GT	345
1274112GT	99	1275964GT	109	1278982GT	331
1274113GT	99	1275968GT	109	1279134GT	329
1274114GT	99	1275969GT	109	1279842GT	109
1274167GT	231	1276008GT	31	1279843GT	109
1274168GT	329	1276543GT	81	1279844GT	109
1274266GT	21	1276684GT	17, 31	1279857GT	85
1274267GT	21	1276685GT	17, 31	1279866GT	87
1274268GT	21	1276729GT	109	1280590GT	129
1274322GT	239, 299, 323, 331, 333	1276830GT	63	1280591GT	129
1274472GT	29, 41	1277005GT	337	1280645GT	109
1274558GT	209	1277006GT	337	1282993GT	305
1274559GT	209	1277007GT	337	1283776GT	13
1274645GT	339, 343	1277008GT	337	1283880GT	345
1274833GT	259	1277009GT	337	1283995GT	141
1274854GT	263	1277010GT	337	1284032GT	59
1274855GT	265	1277011GT	337	1285700GT	299
1274857GT	263	1277012GT	337	1285850GT	329
1274858GT	235	1277013GT	337	1288561GT	127
1274859GT	235	1277873GT	329	1289103GT	127
1274870GT	259	1277875GT	329	1289520GT	105
1274962GT	19, 25, 33, 37	1277876GT	329	1289521GT	105
1275062GT	223	1277877GT	329	1289536GT	347
1275087GT	311	1277924GT	241, 299, 329, 333, 347	1289552GT	239
1275088GT	239	1277952GT	297	1289561GT	105
1275102GT	43	1277966GT	297	1289823GT	347
1275103GT	43	1277974GT	139	1289837GT	347
1275309GT	75	1278111GT	329	1289853GT	347
1275342GT	87	1278117GT	329	1290107GT	347
1275417GT	17, 31	1278119GT	329	1290797GT	115
1275449GT	17	1278121GT	329	1290849GT	347
1275451GT	31	1278124GT	109, 329	1291059GT	257, 259
1275537GT	325	1278138GT	329	1291194GT	231
1275538GT	327	1278144GT	331	1291215GT	117, 119
1275539GT	325	1278363GT	331	1291261GT	117, 119
1275540GT	327	1278368GT	329	1291266GT	117, 119
1275559GT	17	1278416GT	329	1291267GT	117, 119

<u>Part no.</u>	<u>Page Number</u>	<u>Part no.</u>	<u>Page Number</u>	<u>Part no.</u>	<u>Page Number</u>
1291573GT	347				
1291916-8566GT	285				
T107366GT	45				
T108732GT	127				
T108733GT	127				
T108734GT	127				
T111704GT	43				
T112560GT	231, 241				
T112561GT	231, 239				
T112626GT	251				
T112773GT	29, 41				
T114346GT	155				
T114379GT	173				
T114678GT	129				
T114803GT	205				
T114804GT	219				

Go to Discount-Equipment.com to order your parts



California Proposition 65

 **WARNING**

Operating, servicing and maintaining this equipment, passenger vehicle or off-highway motor vehicle can expose you to chemicals including engine exhaust, carbon monoxide, phthalates, and lead, which are known to the State of California to cause cancer and birth defects or other reproductive harm. These chemicals can be emitted from or contained in other various parts and systems, fluids and some component wear by-products. To minimize exposure, avoid breathing exhaust, do not idle the engine except as necessary, service your equipment and vehicle in a well-ventilated area and wear gloves or wash your hands frequently when servicing your equipment or vehicle and after operation. For more information go to www.P65Warnings.ca.gov/passenger-vehicle.

Breathing diesel engine exhaust exposes you to chemicals known to the State of California to cause cancer and birth defects or other reproductive harm.

- Always start and operate the engine in a well-ventilated area.
- If in an enclosed area, vent the exhaust to the outside.
- Do not modify or tamper with the exhaust system.
- Do not idle the engine except as necessary.

For more information go to www.P65warnings.ca.gov/diesel.

Distributed By:

www.GS-Parts.com to order your parts

PARTS FINDER

**Search Website
by Part Number**



**Search Manual
Library For Parts
Manual & Lookup Part
Numbers – Purchase
or Request Quote**

Search Manuals

Enter your information to help us find the right parts manual for your machine.

* Brand:

* Model:

* Serial:

* Part Number:

SEARCH

**Can't Find Part or
Manual? Request Help
by Manufacturer,
Model & Description**

Parts Order Form

Please fill in the following information to help us find the right part for your machine.

Manufacturer:	<input type="text"/>
Model:	<input type="text"/>
Description:	<input type="text"/>
Part Number:	<input type="text"/>
Quantity:	<input type="text"/>
Notes:	<input type="text"/>

Submit

Discount-Equipment.com is your online resource for quality parts & equipment.

Florida: **561-964-4949** Outside Florida TOLL FREE: **877-690-3101**

Need parts?

Click on this link: <http://www.discount-equipment.com/category/5443-parts/> and choose one of the options to help get the right parts and equipment you are looking for. Please have the machine model and serial number available in order to help us get you the correct parts. If you don't find the part on the website or on one of the online manuals, please fill out the request form and one of our experienced staff members will get back to you with a quote for the right part that your machine needs.

We sell worldwide for the brands: Genie, Terex, JLG, MultiQuip, Mikasa, Essick, Whiteman, Mayco, Toro Stone, Diamond Products, Generac Magnum, Airman, Haulotte, Barreto, Power Blanket, Nifty Lift, Atlas Copco, Chicago Pneumatic, Allmand, Miller Curber, Skyjack, Lull, Skytrak, Tsurumi, Husquvarna Target, Stow, Wacker, Sakai, Mi-T-M, Sullair, Basic, Dynapac, MBW, Weber, Bartell, Bennar Newman, Haulotte, Ditch Runner, Menegotti, Morrison, Contec, Buddy, Crown, Edco, Wyco, Bomag, Laymor, EZ Trench, Bil-Jax, F.S. Curtis, Gehl Pavers, Heli, Honda, ICS/PowerGrit, IHI, Partner, Imer, Clipper, MMD, Koshin, Rice, CH&E, General Equipment, Amida, Coleman, NAC, Gradall, Square Shooter, Kent, Stanley, Tamco, Toku, Hatz, Kohler, Robin, Wisconsin, Northrock, Oztec, Toker TK, Rol-Air, APT, Wylie, Ingersoll Rand / Doosan, Innovatech, Con X, Ammann, Mecalac, Makinex, Smith Surface Prep, Small Line, Wanco, Yanmar