



Husqvarna®



Husqvarna K 535i

EN Operator's manual
ES-MX Manual del usuario
FR-CA Manuel d'utilisation

2-25
26-51
52-77



www.Discount-Equipment.com

TO PURCHASE THIS PRODUCT PLEASE CONTACT US



**Equipment Financing and
Extended Warranties Available**



**Discount-Equipment.com is your online resource for
commercial and industrial quality parts and equipment sales.**

561-964-4949

visit us on line @ www.discount-equipment.com

Select an option below to find your Equipment

Search by Manufacturer

Search by Product Type

Request a Quote

We sell worldwide for the brands: Genie, Terex, JLG, MultiQuip, Mikasa, Essick, Whiteman, Mayco, Toro Stone, Diamond Products, Generac Magnum, Airman, Haulotte, Barreto, Power Blanket, Nifty Lift, Atlas Copco, Chicago Pneumatic, Allmand, Miller Curber, Skyjack, Lull, Skytrak, Tsurumi, Husquvarna Target, Stow, Wacker, Sakai, Mi-T-M, Sullair, Basic, Dynapac, MBW, Weber, Bartell, Bennar Newman, Haulotte, Ditch Runner, Menegotti, Morrison, Contec, Buddy, Crown, Edco, Wyco, Bomag, Laymor, EZ Trench, Bil-Jax, F.S. Curtis, Gehl Pavers, Heli, Honda, ICS/PowerGrit, IHI, Partner, Imer, Clipper, MMD, Koshin, Rice, CH&E, General Equipment, Amida, Coleman, NAC, Gradall, Square Shooter, Kent, Stanley, Tamco, Toku, Hatz, Kohler, Robin, Wisconsin, Northrock, Oztec, Toker TK, Rol-Air, APT, Wylie, Ingersoll Rand / Doosan, Innovatech, Con X, Ammann, Mecalac, Makinex, Smith Surface Prep, Small Line, Wanco, Yanmar

Contents

Introduction.....	2	Troubleshooting.....	22
Safety.....	4	Transportation, storage and disposal.....	22
Assembly.....	10	Technical data.....	23
Operation.....	14	Accessories.....	24
Maintenance.....	20	Warranty.....	25

Introduction

Owner responsibility



WARNING: Cutting, especially when DRY cutting, generates dust that comes from the material being cut, which frequently contains silica. Silica is a basic component of sand, quartz, brick clay, granite and numerous other minerals and rocks. Exposure to excessive amount of such dust can cause:

Respiratory disease (affecting your ability to breath), including chronic bronchitis, silicosis and pulmonary fibrosis from exposure to silica. These diseases may be fatal;

Skin irritation and rash.

Cancer according to NTP* and IARC* */ National Toxicology Program, International Agency for Research on Cancer.

Take precautionary steps:

Avoid inhalation of and skin contact with dust, mist and fumes.

Wear and ensure that all bystanders wear appropriate respiratory protection such as dust masks designed to filter out microscopic particles. (See OSHA 29 CFR Part 1926.1153)

To minimize dust emissions, wet cut when feasible. If dry cutting is necessary, use an appropriate dust extractor.

It is the owner's/employer's responsibility that the operator has sufficient knowledge about how to use the product safely. Supervisors and operators must have read and understood the Operator's Manual. They must be aware of:

- The products' safety instructions.
- The products' range of applications and limitations.
- How the product is to be used and maintained.

National/Local regulations could restrict the use of this product. Find out what regulations are applicable where you work before you start using the product.

Product description

Husqvarna K 535i is a portable handheld cut-off machine. The product is energized by a battery.

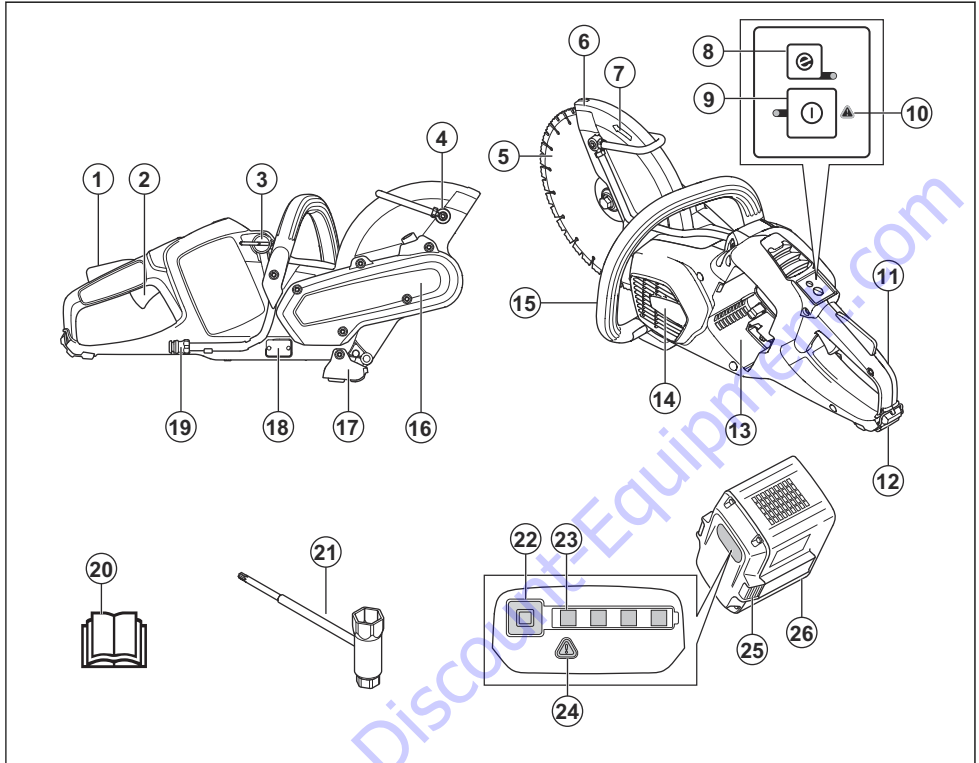
Work is constantly in progress to increase your safety and efficiency during operation. Speak to your servicing dealer for more information.

Intended use

This product is used to cut roof tiles, garden plates and light concrete.

Note: National regulations can limit the operation of the product.

Product overview



1. Power trigger lockout
2. Power trigger
3. Water valve
4. Water nozzle
5. Cutting blade
6. Blade guard
7. Blade rotation
8. SavE button
9. Start and stop button
10. Warning indicator
11. Rear handle with right hand guard
12. Rear ground support with a rope eyelet
13. Battery slot
14. Fan housing
15. Front handle
16. Belt guard
17. Front ground support
18. Type plate
19. Water connection with filter
20. Operator's manual
21. Combination wrench

22. Button, battery status
23. Battery status
24. Warning indicator
25. Battery release button
26. Battery (not included)

Symbols on the product



Risk of serious injury or death to the operator or others. Be careful and use the product correctly.



Read the manual carefully and make sure you understand the instructions before using the product.



Wear approved protective helmet, breathing protection, hearing and eye protection.



This product obey applicable EC Directives.



Fume from cutting can cause injuries if breathed in. Use an approved breathing protection. Prevent breathe exhaust fumes. Make sure that the airflow is sufficient.



Sparks from the cutting blade can cause fire in flammable materials such as: gasoline, wood, clothes and dry grass.



Kickbacks can be sudden, fast and can cause injuries. Read and understand the instructions in the manual before using the product.



Make sure the blade is not cracked or damaged.



Do not use circular saw blades.



Environmental mark. The product or package of the product is not domestic waste. Recycle it at a recycling location for electrical and electronic equipment.

	Direction of blade rotation
yyyywwxxxx	The rating plate shows serial number. yyyy is the production year, ww is the production week.
∅	Maximum outside blade diameter
d.c.	Direct Current

n	Rated speed
---	-------------

Note: Other symbols/decals on the product refer to certification requirements for some markets.

Symbols on the battery and/or on the battery charger



Recycle this product at a recycling station for electrical and electronic equipment. (Applies to Europe only)



Fail-safe transformer.



Use and keep the battery charger indoors only.



Double insulation.

Product liability

As referred to in the product liability laws, we are not liable for damages that our product causes if:

- the product is incorrectly repaired.
- the product is repaired with parts that are not from the manufacturer or not approved by the manufacturer.
- the product has an accessory that is not from the manufacturer or not approved by the manufacturer.
- the product is not repaired at an approved service center or by an approved authority.

Safety

Safety definitions

Warnings, cautions and notes are used to point out specially important parts of the manual.



WARNING: Used if there is a risk of injury or death for the operator or bystanders if the instructions in the manual are not obeyed.



CAUTION: Used if there is a risk of damage to the product, other materials or the

adjacent area if the instructions in the manual are not obeyed.

Note: Used to give more information that is necessary in a given situation.

General power tool safety warnings



WARNING: Read all safety warnings and all instructions. Failure to follow the warnings

and instructions may result in electric shock, fire and/or serious injury.

Note: Save all warnings and instructions for future reference. The term "power tool" in the warnings refers to your mains-operated (corded) power tool or battery-operated (cordless) power tool.

Work area safety

- **Keep work area clean and well lit.** Cluttered or dark areas invite accidents.
- **Do not operate power tools in explosive atmospheres, such as in the presence of flammable liquids, gases or dust.** Power tools create sparks which may ignite the dust or fumes.
- **Keep children and bystanders away while operating a power tool.** Distractions can cause you to lose control.

Electrical safety

- **Power tool plugs must match the outlet. Never modify the plug in any way. Do not use any adapter plugs with earthed (grounded) power tools.** Unmodified plugs and matching outlets will reduce risk of electric shock.
- **Avoid body contact with earthed or grounded surfaces, such as pipes, radiators, ranges and refrigerators.** There is an increased risk of electric shock if your body is earthed or grounded.
- **Do not expose power tools to rain or wet conditions.** Water entering a power tool will increase the risk of electric shock.
- **Do not abuse the cord.** Never use the cord for carrying, pulling or unplugging the power tool. Keep cord away from heat, oil, sharp edges or moving parts. Damaged or entangled cords increase the risk of electric shock.
- **When operating a power tool outdoors, use an extension cord suitable for outdoor use.** Use of a cord suitable for outdoor use reduces the risk of electric shock.
- **If operating a power tool in a damp location is unavoidable, use a residual circuit interrupter (RCD) protected supply.** Use of a RCD reduces the risk of electric shock



CAUTION: Do not pressure wash the machine, as water can enter the electrical system or the engine and cause damage to the machine or short circuit.

Personal safety

- **Stay alert, watch what you are doing and use common sense when operating a power tool. Do not use a power tool while you are tired or under the influence of drugs, alcohol or medication. A**

moment of inattention while operating power tools may result in serious personal injury.

- **Use personal protective equipment. Always wear eye protection.** Protective equipment such as dust mask, non-skid safety shoes, hard hat, or hearing protection used for appropriate conditions will reduce personal injuries.
- **Prevent unintentional starting. Ensure the switch is in the OFF-position before connecting to a power source and/or battery pack, picking up or carrying the tool.** Carrying power tools with your finger on the switch or energising power tools that have the switch on invites accidents.
- **Remove any adjusting key or wrench before turning the power tool on.** A wrench or a key left attached to a rotating part of the power tool may result in personal injury.
- **Do not overreach. Keep proper footing and balance at all times.** This enables better control of the power tool in unexpected situations.
- **Dress properly. Do not wear loose clothing or jewellery. Keep your hair, clothing and gloves away from moving parts.** Loose clothes, jewellery or long hair can be caught in moving parts.
- **If devices are provided for the connection of dust extraction and collection facilities, ensure these are connected and properly used.** Use of dust collection can reduce dust-related hazards.
- **The vibration emission during actual use of the power tool can differ from the declared total value depending on the ways in which the tool is used.** Operators should identify safety measures to protect themselves that are based on an estimation of exposure in the actual conditions of use (taking account of all parts of the operating cycle such as the times when the tool is switched off and when it is running idle in addition to the trigger).
- **Remain at a distance from the blade when the engine is running.**

Power tool use and care

- **Do not force the power tool. Use the correct power tool for your application.** The correct power tool will do the job better and safer at the rate for which it was designed.
- **Do not use the power tool if the switch does not turn it on and off.** Any power tool that cannot be controlled with the switch is dangerous and must be repaired.
- **Disconnect the plug from the power source and/or the battery pack from the power tool before making any adjustments, changing accessories, or storing power tools.** Such preventive safety measures reduce the risk of starting the power tool accidentally.
- **Store idle power tools out of the reach of children and do not allow persons unfamiliar with the power tool or these instructions to**

operate the power tool. Power tools are dangerous in the hands of untrained users.

- **Maintain power tools. Check for misalignment or binding of moving parts, breakage of parts and any other condition that may affect the power tool's operation. If damaged, have the power tool repaired before use.** Many accidents are caused by poorly maintained power tools.
- **Keep cutting tools sharp and clean.** Properly maintained cutting tools with sharp cutting edges are less likely to bind and are easier to control.
- **Use the power tool, accessories and tool bits etc. in accordance with these instructions, taking into account the working conditions and the work to be performed.** Use of the power tool for operations different from those intended could result in a hazardous situation.
- **Under no circumstances should you modify the original design of the machine without approval from the manufacturer.** Always use original spare parts. Unauthorized modifications and/or accessories may lead to serious injury or death to the user or others.
- **Make sure that no pipes or electrical cables are routed in the working area or in the material to be cut.**
- **Always check and mark out where gas pipes are routed.** Cutting close to gas pipes always entails danger. Make sure that sparks are not caused when cutting in view of the risk of explosion. Remain concentrated and focused on the task. Carelessness can result in serious personal injury or death.

Battery tool use and care

- **Recharge only with the charger specified by the manufacturer.** A charger that is suitable for one type of battery pack may create a risk of fire when used with another battery pack.
- **Use power tools only with specifically designated battery packs.** Use of any other battery packs may create a risk of injury and fire.
- **When battery pack is not in use, keep it away from other metal objects, like paper clips, coins, keys, nails, screws or other small metal objects, that can make a connection from one terminal to another.** Shorting the battery terminals together may cause burns or a fire.
- **Under abusive conditions, liquid may be ejected from the battery; avoid contact. If contact accidentally occurs, flush with water. If liquid contacts eyes, additionally seek medical help.** Liquid ejected from the battery may cause irritations or burns.

Service

- **Have your power tool serviced by a qualified repair person using only identical replacement parts.** This will ensure that the safety of the power tool is maintained.

Cut-off machine safety warning

- **The guard provided with the tool must be securely attached to the power tool and positioned for maximum safety so the least amount of wheel is exposed towards the operator.** Position yourself and bystanders away from the plane of the rotating wheel. The guard helps to protect operator from broken wheel fragments and accidental contact with the wheel.
- **Use only bonded reinforced or diamond cut-off wheels for your power tool.** Just because an accessory can be attached to your power tool, it does not assure safe operation.
- **The rated speed of the accessory must be at least equal to the maximum speed marked on the power tool.** Accessories running faster than their rated speed can break and fly apart.
- **Wheels must be used only for recommended applications. For example, do not grind with the side of the cut-off wheel.** Abrasive cut-off wheels are intended for peripheral grinding, side forces applied to these wheels may cause them to shatter.
- **Always use undamaged wheel flanges that are of correct diameter for your selected wheel.** Proper wheel flanges support the wheel thus reducing the possibility of wheel breakage.
- **Do not use worn down reinforced wheels from larger power tools.** Wheels intended for a larger power tool are not suitable for the higher speed of a smaller tool and may burst.
- **The outside diameter and the thickness of your accessory must be within the capacity rating of your power tool.** Incorrectly sized accessories cannot be adequately guarded or controlled.
- **The arbour size of wheels and flanges must properly fit the spindle of the power tool.** Wheels and flanges with arbour holes that do not match the mounting hardware of the power tool will run out of balance, vibrate excessively and may cause loss of control.
- **Do not use damaged wheels. Before each use, inspect wheels for chips and cracks. If power tool or wheel is dropped, inspect for damage or install an undamaged wheel. After inspecting and installing the wheel, position yourself and bystanders away from the plane of the rotating wheel and run the power tool at maximum no load speed for one minute.** Damaged wheels will normally break apart during this test time.
- **Wear personal protective equipment. Depending on application, use face shield, safety goggles or safety glasses. As appropriate, wear dust mask, hearing protectors, gloves and shop apron capable of stopping small abrasive or workpiece fragments.** The eye protection must be capable of stopping flying debris generated by various operations. The dust mask or respirator must be capable of filtrating particles generated by your

operation. Prolonged exposure to high intensity noise may cause hearing loss.

- **Keep bystanders a safe distance away from work area. Anyone entering the work area must wear personal protective equipment.** Fragments of workpiece or a broken wheel may fly away and cause injury beyond immediate area of operation.
- **Hold the power tool by insulated gripping surfaces only, when performing an operation where the cutting accessory may contact hidden wiring.** Cutting accessory contacting a "live" wire may make exposed metal parts of the power tool "live" and could give the operator an electric shock.
- **Never lay the power tool down until the accessory has come to a complete stop.** The spinning wheel may grab the surface and pull the power tool out of your control.
- **Do not run the power tool while carrying it at your side.** Accidental contact with the spinning accessory could snag your clothing, pulling the accessory into your body.
- **Regularly clean the power tool's air vents.** The motor's fan will draw the dust inside the housing and excessive accumulation of powdered metal may cause electrical hazards.
- **Do not operate the power tool near flammable materials.** Sparks could ignite these materials.

Kickback and related warnings

- **Kickback is a sudden reaction to a pinched or snagged rotating wheel.** Pinching or snagging causes rapid stalling of the rotating wheel which in turn causes the uncontrolled power tool to be forced in the direction opposite of the wheel's rotation at the point of the binding.
- **For example, if an abrasive wheel is snagged or pinched by the workpiece, the edge of the wheel that is entering into the pinch point can dig into the surface of the material causing the wheel to climb out or kick out.** The wheel may either jump toward or away from the operator, depending on direction of the wheel's movement at the point of pinching. Abrasive wheels may also break under these conditions.
- **Kickback is the result of power tool misuse and/or incorrect operating procedures or conditions and can be avoided by taking proper precautions as given below.**
- **Maintain a firm grip on the power tool and position your body and arm to allow you to resist kickback forces.** Always use auxiliary handle, if provided, for maximum control over kickback or torque reaction during start-up. The operator can control torque reactions or kickback forces, if proper precautions are taken.
- **Never place your hand near the rotating accessory.** Accessory may kickback over your hand.

- **Do not position your body in line with the rotating wheel.** Kickback will propel the tool in direction opposite to the wheel's movement at the point of snagging.
- **Use special care when working corners, sharp edges etc.** Avoid bouncing and snagging the accessory. Corners, sharp edges or bouncing have a tendency to snag the rotating accessory and cause loss of control or kickback.
- **Do not attach a saw chain, woodcarving blade, segmented diamond wheel with a peripheral gap greater than 10 mm or toothed saw blade.** Such blades create frequent kickback and loss of control.
- **Do not "jam" the wheel or apply excessive pressure.** Do not attempt to make an excessive depth of cut. Overstressing the wheel increases the loading and susceptibility to twisting or binding of the wheel in the cut and the possibility of kickback or wheel breakage.
- **When wheel is binding or when interrupting a cut for any reason, switch off the power tool and hold the power tool motionless until the wheel comes to a complete stop.** Never attempt to remove the wheel from the cut while the wheel is in motion otherwise kickback may occur. Investigate and take corrective action to eliminate the cause of wheel binding.
- **Do not restart the cutting operation in the workpiece.** Let the wheel reach full speed and carefully re-enter the cut. The wheel may bind, walk up or kickback if the power tool is restarted in the workpiece.
- **Support panels or any oversized workpiece to minimize the risk of wheel pinching and kickback.** Large workpieces tend to sag under their own weight. Supports must be placed under the workpiece near the line of cut and near the edge of the workpiece on both sides of the wheel.
- **Use extra caution when making a "pocket cut" into existing walls or other blind areas.** The protruding wheel may cut gas or water pipes, electrical wiring or objects that can cause kickback.

General safety instructions



WARNING: Read the warning instructions that follow before you use the product.

- This product is a dangerous tool and can cause serious injury if it is not used careful or if used incorrectly. It is very important that you read and understand the contents of this manual.
- Do not change the product without an approval from the manufacturer. Do not use a product that has been changed by others and always use original accessories. Changes that are not approved from the manufacturer can result in serious injury or death to the operator or others.

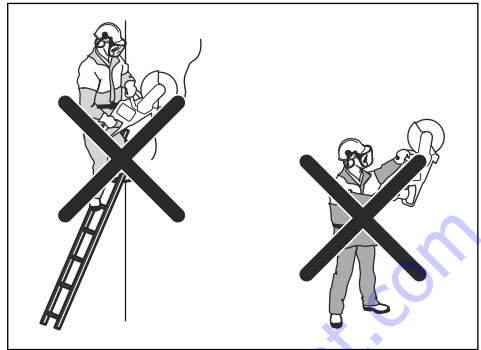
- Keep the product clean. Signs and decals must be fully visible.
- This product produces an electromagnetic field during operation. This field may under some circumstances interfere with active or passive medical implants. To decrease the risk of serious injury or death, we recommend persons with medical implants to turn to their physician and the medical implant manufacturer before operating this product.

- Do not use the product above shoulder height.

Safety instructions for operation



WARNING: Read all safety warnings and all instructions. Failure to follow the warnings and instructions may result in electrical shock, fire and/or serious injury.



- If you are not careful, the risk of kickback increases.



- Do not hold the product with one hand. This product is not safely controlled with one hand.
- Do not use a product in a situation where you can not get for support if an accident occurs.
- Make sure that you can move around safely. Examine the conditions and the terrain around you for possible obstacles.
- Overexposure to vibration can lead to circulatory damage or nerve damage in people who have impaired circulation. Contact your doctor if you experience symptoms of overexposure to vibration. Such symptoms include numbness, loss of feeling, tingling, pricking, pain, loss of strength, changes in skin colour or condition. These symptoms normally appear in the fingers, hands or wrists. These symptoms may be increased in cold temperatures.
- It is not possible to include each possible situation you can face when you use this product. Always be careful and use your common sense.
- **Note:** After operating the tool, hearing protection must be lifted immediately when sawing is completed to hear sounds and warning signals can be heard.

Personal protective equipment



WARNING: Read all safety warnings and all instructions. Failure to follow the warnings and instructions may result in electrical shock, fire and/or serious injury.

- You must use approved personal protective equipment during operation. Personal protective equipment does not give you full protection from injuries but it decreases the degree of injury if an accident occurs. Speak to your servicing dealer for recommendations about which equipment to use.
- Your clothing must be close-fitting but not limit your movements. Regularly do a check of the condition of the personal protective equipment.
- Use an approved protective helmet.
- Use approved respiratory protection.
- Use approved hearing protection. Long-term exposure to noise can result in permanent damage to the hearing.
- Use protective glasses or a face visor to decrease the risk of injury from particles and dust. This can result in serious injury, especially to the eyes.
- Use heavy duty protective gloves.
- Use boots with steel toe-cap and non-slip sole.
- Always have a first aid kit with you.

Safety devices on the product

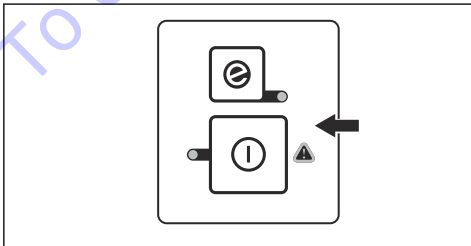


WARNING: Read all safety warnings and all instructions. Failure to follow the warnings and instructions may result in electrical shock, fire and/or serious injury.

- Do not use a product with damaged safety components. The safety equipment must go through inspection and maintenance regularly. Turn to your servicing dealer for repair if an inspection of a safety device is not approved.

Keypad

The warning indicator flashes if there is a risk of overload. The overload protection temporarily stops the product and you can not use the product until the temperature restores. If the indicator shows a solid light, turn to your servicing dealer.

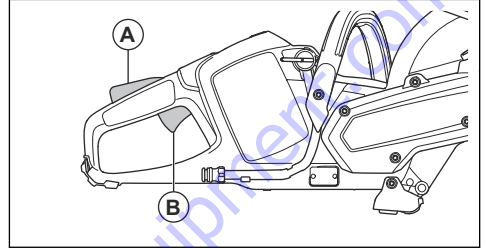


The automatic stop function

The product has an automatic stop function that stops the product if you do not use it for one minute.

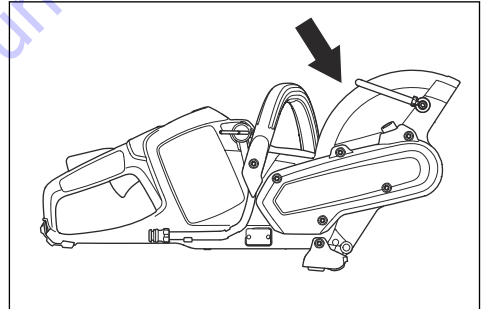
Power trigger lockout

The power trigger lockout prevents accidental operation of the power trigger. If you put your hand around the handle and press the power trigger lockout (A), it releases the power trigger (B). If you release the handle, the power trigger and the power trigger lockout move back to their initial positions.



Blade guard

The blade guard protects the cutting particles to damage the user. The protection prevents parts from loosening and damaging the user.



Battery safety



WARNING: Read all safety warnings and all instructions. Failure to follow the warnings and instructions may result in electrical shock, fire and/or serious injury.

- Only use the Husqvarna BLi batteries that we recommend for your product. The batteries are software encrypted.
- Use the Husqvarna BLi batteries that are rechargeable as a power supply for the related Husqvarna products only. To prevent injury, do not use the battery as a power supply for other devices.
- Risk of electrical shock. Do not connect the battery terminals to keys, screws or other metal. This can cause a short circuit of the battery.

- Do not use batteries that are non-rechargeable.
- Do not put objects into the air slots of the battery.
- Keep the battery away from sunlight, heat or open flame. The battery can blow up and cause burns and/or chemical burns.
- Keep the battery away from rain and wet conditions.
- Keep the battery away from microwaves and high pressure.
- Do not try to disassemble or break the battery.
- Do not let battery acid touch your skin. Battery acid causes injuries to the skin, corrosion and burns. If you get battery acid in your eyes, do not rub but flush with water for minimum 15 minutes. If battery acid has touched your skin, you must clean the skin with a large quantity of water and soap. Get medical aid.
- Use the battery in temperatures between -10 °C (14 °F) and 40 °C (104 °F).
- Do not clean the battery or the battery charger with water. See *To clean the battery and the battery charger on page 20*.
- Do not use a defective or damaged battery.
- Keep batteries in storage away from metal objects such as nails, screws or jewelry.
- Keep the battery away from children.
- Do not use the battery charger near flammable materials or materials that can cause corrosion. Make sure that the battery charger is not covered. Pull out the plug to the battery charger if there is smoke or fire.
- Only charge the battery indoors in a location with good airflow and away from sunlight. Do not charge the battery outdoors. Do not charge the battery in wet conditions.
- Only use the battery charger where the temperature is between 5 °C (41 °F) and 40 °C (104 °F). Use the charger in an environment which has a good airflow, dry and free from dust.
- Do not put objects into the air slots of the battery charger.
- Do not connect the battery charger terminals to metal objects as this can short circuit the battery charger.
- Do not charge non-rechargeable batteries in the battery charger or use them in the machine.
- Use approved mains sockets that are not damaged.

Safety instructions for maintenance



WARNING: Read the warning instructions that follow before you do maintenance on the product.

Battery charger safety



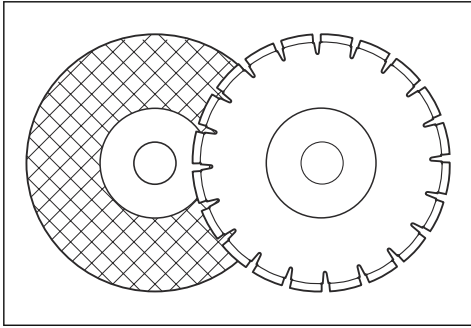
WARNING: Read all safety warnings and all instructions. Failure to follow the warnings and instructions may result in electrical shock, fire and/or serious injury.

- Risk of electrical shock or short circuit if the safety instructions are not obeyed.
- Do not use other battery chargers than the one supplied for your product. Only use Husqvarna QC chargers when you charge Husqvarna replacement batteries BLi.
- Do not try to disassemble the battery charger.
- Do not use a defective or damaged battery charger.
- Do not lift the battery charger by the power cord. To disconnect the battery charger from a mains socket, pull out the plug. Do not pull the power cord.
- Keep all cables and extension leads away from water, oil and sharp edges. Make sure that the cable is not caught between doors, fences or equivalent.
- Remove the battery before you do maintenance, other checks or assemble the product.
- The operator must only do the maintenance and servicing shown in this operator's manual. Turn to your servicing dealer for maintenance and servicing of a larger extension.
- Do not clean the battery or the battery charger with water. Strong detergent can cause damage to the plastic.
- If you do not do maintenance, it decreases the life cycle of the product and increases the risk of accidents.
- Special training is necessary for all servicing and repair work, especially for the safety devices on the product. If not all checks in this operator's manual are approved after you have done maintenance, turn to your servicing dealer. We guarantee that there are professional repairs and servicing available for your product.
- Only use original spare parts.

Assembly

Applicable cutting blades

Cutting blades for Husqvarna K 535i are available in two basic models: abrasive blades and diamond blades.



Cutting blades for handheld high speed power cutters



WARNING: Only use diamond blades and abrasive blades for concrete. Do not use blades with serrations such as circular wood cutting blades or blades with carbide tips. The risk of kickback is increased and carbide tips can come off and be thrown at high speed. This can result in injury or death.



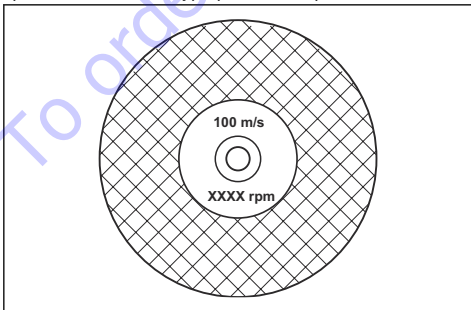
WARNING: Incorrect use can cause the blade to become too hot. A blade that is too hot can cause malfunction, which can cause damage and injury.



WARNING: Do not use a cutting blade with a lower maximum speed than that of the power cutter. Only use cutting blades that are in compliance with national or regional standards.

Note: Only cut materials approved in the instruction supplied with the blade.

Check that the blade is approved for the same or higher speed written on the type plate of the power cutter.



Blade vibration



CAUTION: If you use the product with too much force, the blade can get too hot, bend and cause vibrations. Use the product with less force. If the vibrations continues, replace the blade.

Abrasive blades



WARNING: Do not use abrasive blades with water. The strength is impaired when abrasive blades are exposed to water or moisture, which results in an increased risk of the blade breaking.

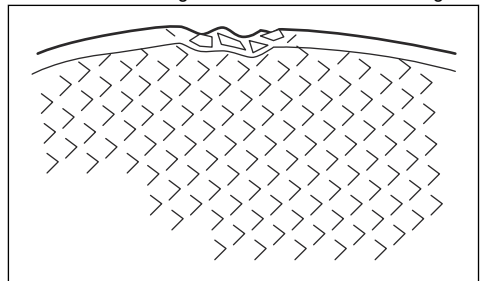


CAUTION: Cutting with abrasive blade is not allowed with the Vac attachment. Use of abrasive blades causes unnatural wear on the Vac attachment.

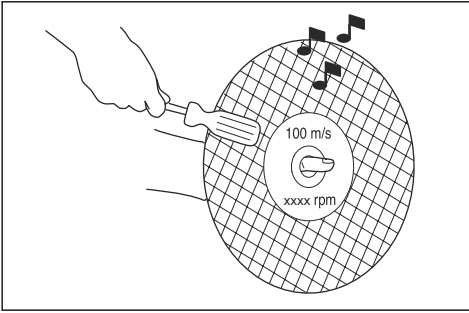


CAUTION: Do not use abrasive blades with thickness exceeding maximum recommended thickness, refer to *Technical data on page 23*

- Do not use worn reinforced wheels from larger power tools. Wheels intended for a larger power tool are not suitable for the higher speed of a smaller tool and may burst.
- The cutting material on abrasive blades consists of a grit bonded agent using an organic binder. Reinforced blades are made up of a fabric or fibre base that prevents total breakage at maximum working speed if the blade should be cracked or damaged.
- A cutting blade's performance is determined by the type and size of abrasive corn, and the type and hardness of the bonding agent.
- Ensure the cutting blade is not cracked or damaged.



- Test the abrasive blade by hanging it on your finger and tapping it lightly with a screwdriver or the like. If the blade does not produce a resonant, ringing sound it is damaged.



- Ensure that correct abrasive blade is used on the intended material.

Diamond blades



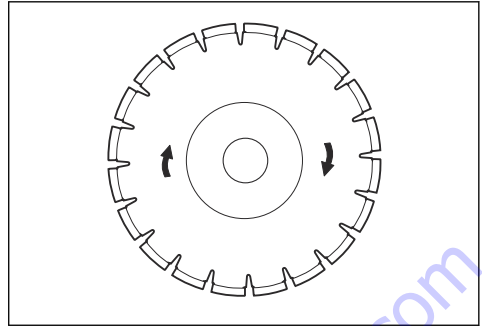
WARNING: Never use a diamond blade to cut plastic material. The heat produced during cutting may melt the plastic and it can stick to the cutting blade and cause a kickback.



WARNING: Diamond blades become very hot when used. An overheated blade is a result of improper use, and may cause deformation of the blade, resulting in damage and injuries.

Note: Sharpen the blade by cutting soft material such as sandstone or block.

- Always use a sharp diamond blade.
- Diamond blades can become dull when the wrong feeding pressure is used or when cutting certain materials such as heavily reinforced concrete. Working with a dull diamond blade causes overheating, which can result in the diamond segments coming loose.
- Diamond blades consist of a steel core provided with segments that contain industrial diamonds.
- Diamond blades are ideal for masonry, concrete and other composite materials.
- When using diamond blade make sure that it rotates in the direction indicated by the arrow on the blade.



Wet cutting



CAUTION: Do not use Vac equipment together with the wet system.

- Diamond blades for wet cutting must be used with the wet system.
- Water cool the blade and increases its service life while also decrease the dust.
- When wet cutting, make sure to collect the waste water safely.

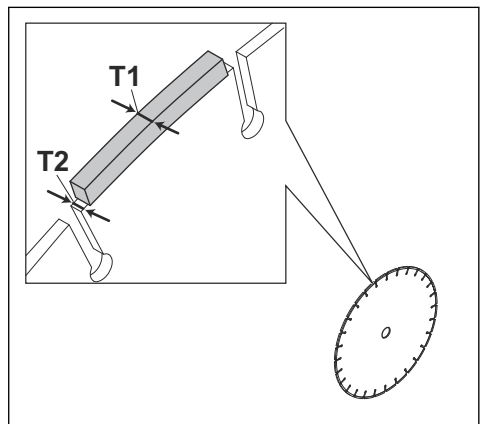
Dry cutting

- When dry cutting, lift the blade out from the cut each 30–60 seconds and let it rotate in the air for 10 seconds to let it cool.
- Use Vac equipment if possible.

Diamond blade - requirements

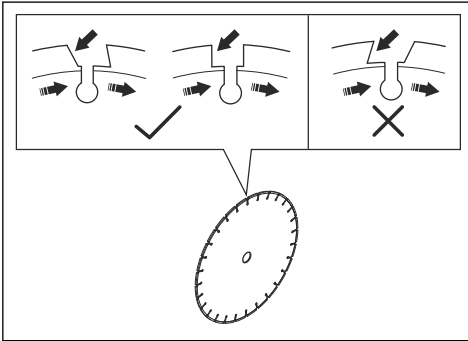


WARNING: Make sure the diamond segment (T1) is wider than the blade (T2). This is to prevent pinching in the cutting slot and a kickback.

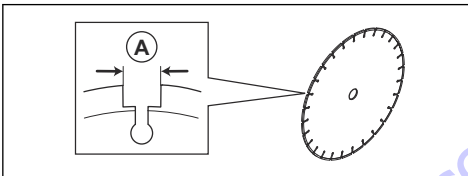




CAUTION: Do not use diamond blades with positive rake angles.



CAUTION: Do not use diamond blades with greater gap between segments than max 10 mm (A).



CAUTION: Do not use diamond blades with greater blade thickness than recommended maximum, refer to *Technical data on page 23*.



CAUTION: Some cutting situations and worn blades may cause increased wear on the side of the segments. Replace the blade before it is worn out.

To examine the spindle shaft and flange washers

Examine the flange washers and the spindle shaft when the blade is replaced.



CAUTION: Use only flange washers supplied by Husqvarna with minimum diameter 60 mm/2.4 in.

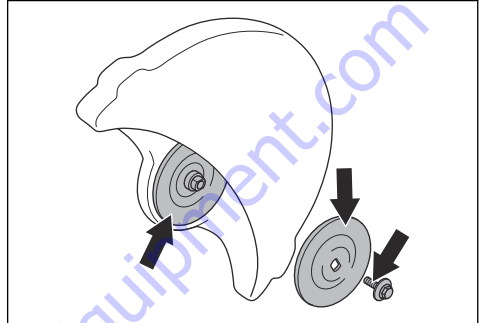


CAUTION: Do not use damaged, defective or dirty flange washers.



CAUTION: Do not use different dimensions of flange washers.

- Make sure that the threads on the spindle shaft are not damaged.
- Make sure that the surfaces on the blade and the flange washers are not damaged, of the correct dimension, clean, and that they run correctly on the spindle shaft.

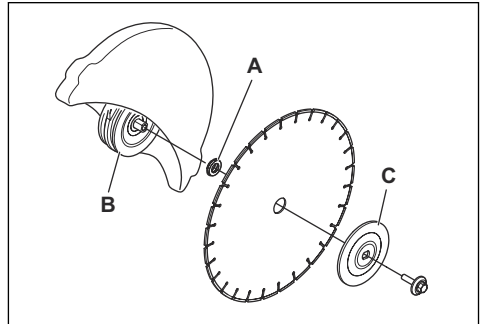


To examine the arbor bushing

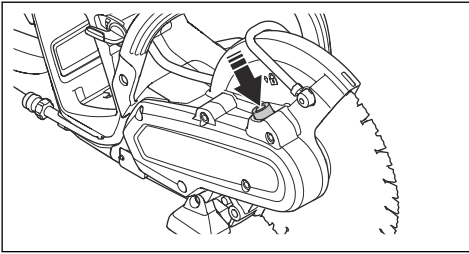
- Use only Husqvarna arbor bushings.
- Make sure that the arbor bushing has the correct dimension for the cutting blade. The correct dimension is printed on the cutting blade.

To attach the cutting blade

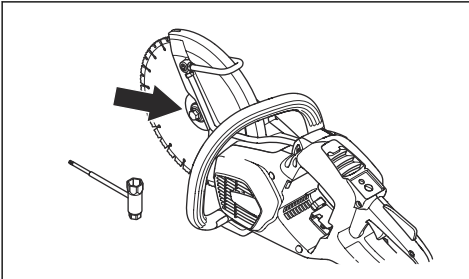
1. The cutting blade is put on the bushing (A) between the inner flange washer (B) and the flange washer (C). The flange washer is turned to attach to the axle.



2. Lock the shaft.



3. Tighten the bolt. The tightening torque for the bolt holding the cutting blade is 30 Nm (18,5 ft-lbs).



To examine the blade and the blade guard



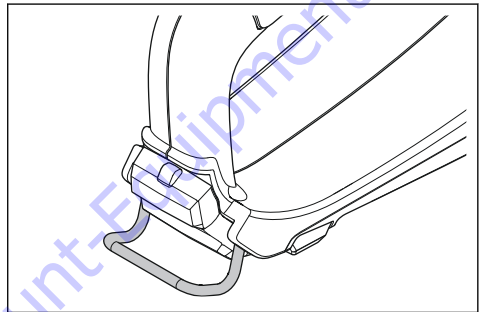
WARNING: A damaged cutting blade can cause injury.

1. Make sure that the cutting blade is attached correctly and does not show signs of damage.
2. Make sure that the blade guard has no cracks or is damaged.
3. Replace the blade guard if it is damaged. See *To attach the cutting blade on page 13*

Rope eyelet

The product has a rope eyelet. The rope eyelet can be used to lift and lowering the product. Attach an applicable strop to the rope eyelet to use it for lift and lowering.

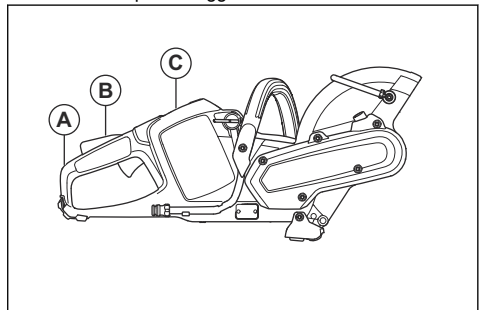
The rope eyelet can be used to attach the product to a solid object to prevent it from fall and damage persons or equipment.



Operation

To do a function check before you use the product

1. Do a check of the rear right hand guard (A) to make sure that it is not damaged.
2. Do a check of the power trigger lockout (B) to make sure that it operates correctly and that it is not damaged.
3. Do a check of the keypad (C) to make sure that it operates correctly.
4. Do a check to make sure that all parts and guards are correctly attached and not damaged or missing.
5. Charge the battery and make sure that it is correctly attached to the product.
6. Make sure that the power cutter stops when you release the power trigger.



To connect the battery charger

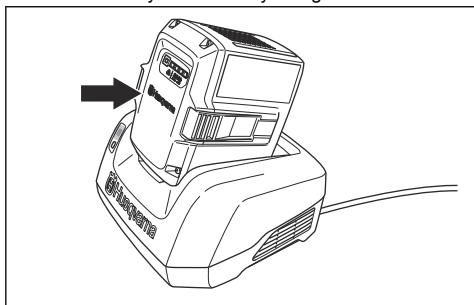
1. Connect the battery charger to the voltage and frequency that is specified on the rating plate.
2. Put the plug in a grounded socket outlet. The LED on the battery charger flashes green one time.

Note: The battery does not charge if the battery temperature is more than 50 °C/122 °F. If the temperature is more than 50 °C/122 °F, the battery charger makes the battery become cool before the battery charges.

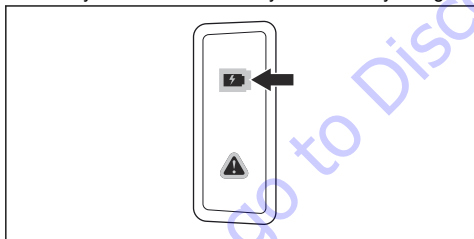
To connect the battery to the battery charger

Note: Charge the battery if it is the first time that you use it. A new battery is only 30% charged.

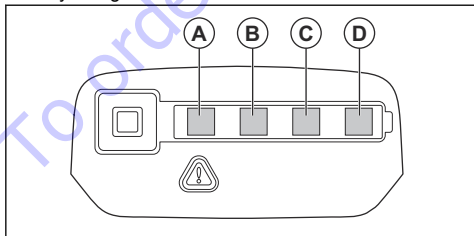
1. Make sure that the battery is dry.
2. Put the battery in the battery charger.



3. Make sure that the green charging light on the battery charger comes on. That means that the battery is connected correctly to the battery charger.



4. When all LEDs on the battery come on, the battery is fully charged.

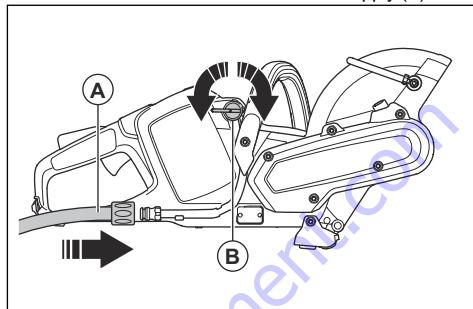


5. To disconnect the battery charger from the mains socket, pull the plug. Do not pull the cable.
6. Remove the battery from the battery charger.

Note: Refer to the battery and battery charger manuals for more information.

To connect coolant water

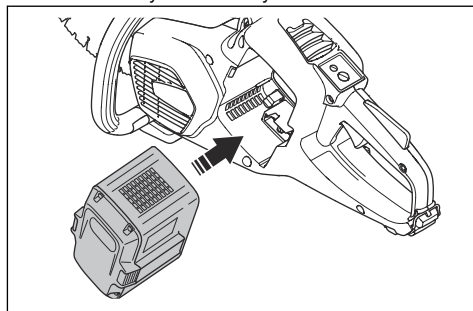
1. Connect the water hose to the water supply (A).



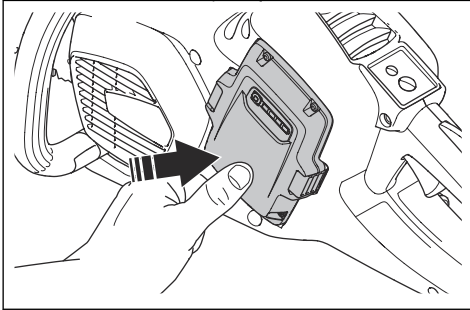
2. Turn the water tap (B) to let the water go or stop.
3. Examine if leakage occurs in the water connection or the hose.
4. Make sure water pressure do not go by maximum permitted water pressure, refer to *Technical data*.

To start the product

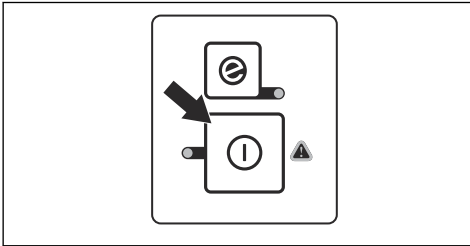
1. Do a check of the power trigger and power trigger lockout. See *To do a check of the power trigger lockout on page 20*.
2. Put the battery in the battery holder.



3. Press on the lower part of the battery until you hear a click sound. If the battery does not move into the battery holder easily, it is not attached correctly into the battery holder.

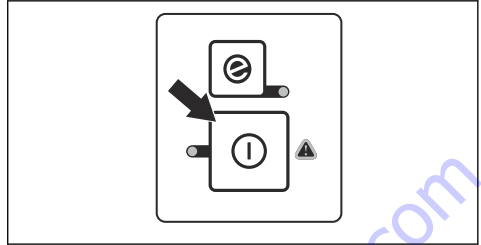


4. Press and hold the start/stop button until the green LED light comes on.

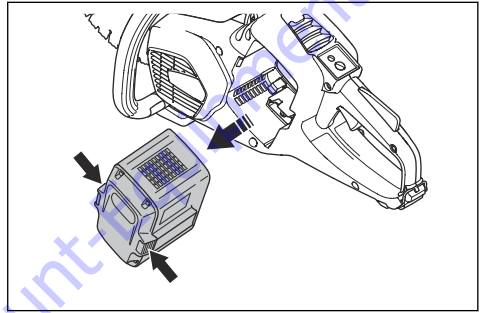


To stop the product

1. Press and hold the start/stop button on the keypad until the green LED light goes out.



2. Press the battery release buttons and remove the battery from the battery holder.

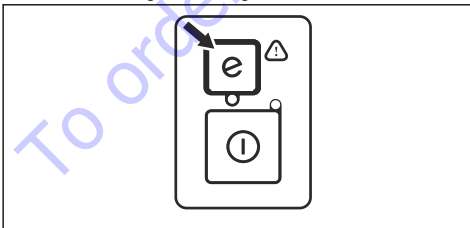


To use the SavE function

This product has a power saving function, SavE. The SavE function decreases the blade speed and gives the longest operation time from the battery.

Note: The SavE function does not decrease the cutting power of the product.

1. Press the SavE button on the keypad.
2. Make sure that the green LED comes on.
3. Press the SavE button again to disconnect the function. The green LED goes out.



WARNING: Remove the battery when you do not use or when you do not have full vision of the product. This is to prevent accidental start.

Basic working techniques



WARNING: Do not move the power cutter to the side. This can prevent the free movement of the blade and cause the blade to break, which can cause an injury.



WARNING: Do not use the side of the blade. The blade can become damaged and broken, which can cause an injury. Use only the cutting edge.

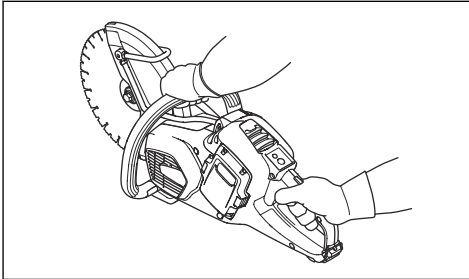


WARNING: Do not use a diamond blade to cut plastic material. The heat that occurs can melt the plastic. Melted plastic can attach to the cutting blade and cause a kickback.

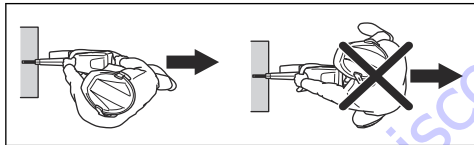
- The product is made for high speed diamond blades approved for handheld power cutters.
- The product is made to cut in to tiles, light concrete and stone. Use only for this type of operation.
- Make sure that the cutting blade does not show signs of damage and that it is attached correctly, see

Abrasive blades on page 11 and To attach the cutting blade on page 13.

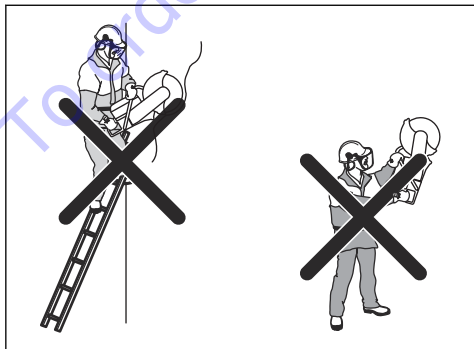
- Make sure to use the correct cutting blade for the type of operation, see *Cutting blades for handheld high speed power cutters on page 11.*
- Do not cut asbestos material.
- Always hold the power cutter with 2 hands. Always hold the product tightly with thumbs and fingers around the handles. Always hold the rear handle with the right hand and the front handle with the left hand.



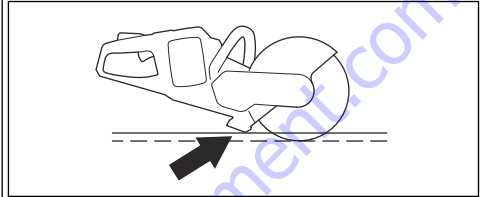
- Always be parallel to the cutting blade. Do not be linearly behind the cutting blade. If there is a kickback, the power cutter moves in the plane of the cutting blade.



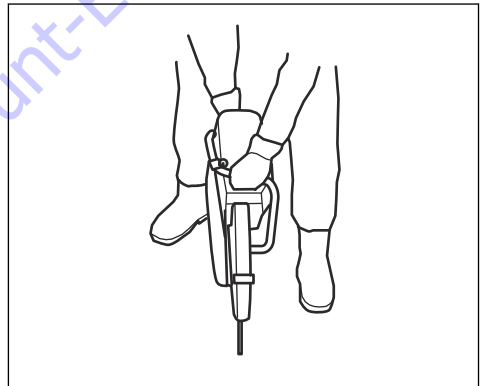
- Keep a safe distance to the cutting blade when the engine operates.
- Make sure that you are in a stable position during operation.
- Keep applicable distance from the object you are cutting.
- Do not operate above shoulder height. Use a platform or scaffold if the cutting operation is above shoulder height. Do not overreach.
- Do not operate from a ladder.



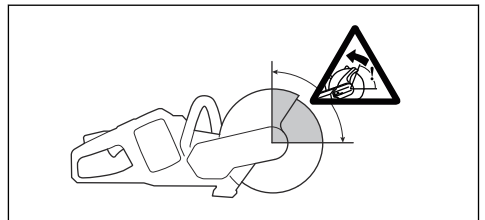
- Make sure that the cutting blade is free when the engine is started.
- Always monitor the product when the engine operates.
- Do not move the product when the cutting blade rotates. The product has a electrical retarder to decrease the blade stop time.
- Make sure that the front ground support is flush with the work piece at the rear. The blade guard collects spray and dust and moves them away from the operator.



- Cut with full throttle. Keep full rotating speed until the cutting operation is completed.
- Push the cutting blade lightly against the object you are cutting. Do not use force.
- Align the cutting blade with the cut.



- Move the cutting blade slowly forward and rearward to decrease the area between the cutting blade and the material. This decreases the temperature of the cutting blade.



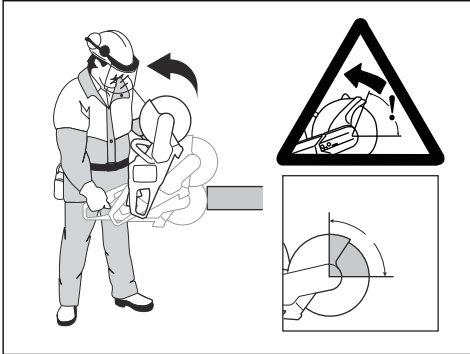
- Do not cut with the kickback zone of the blade, see *Kickback on page 18.*

Kickback



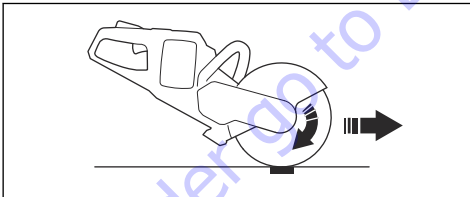
WARNING: Kickbacks are sudden and can be very dangerous. The product can be moved up and rearward in the direction of the operator in a rotating movement. Injury or death is a possible result of a kickback. Make sure you understand the causes of kickbacks and how to prevent them before you use the product.

A kickback occurs when the blade is pinched in the kickback zone. Usually they are not dangerous but a strong kickback can cause injury or death.



Reactive force

- A reactive force pulls the product in the opposite direction of the blade movement. Most of the time this force is not strong. If the blade is pinched the strength of the reactive force can cause a kickback.

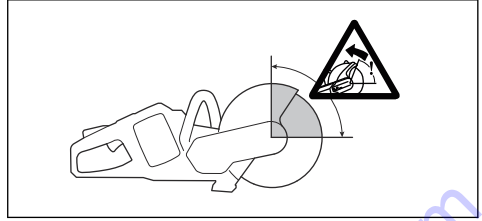


- Do not tilt the product when the cutting equipment rotates. Centrifugal forces can decrease movement.

Kickback zone

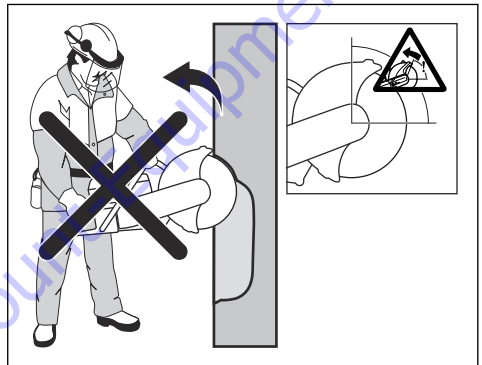
- Do not cut with the kickback zone of the cutting blade. If the blade is pinched in the kickback zone,

the reactive force rotates the product up and back. It can hit the operator and can result in injury or death.



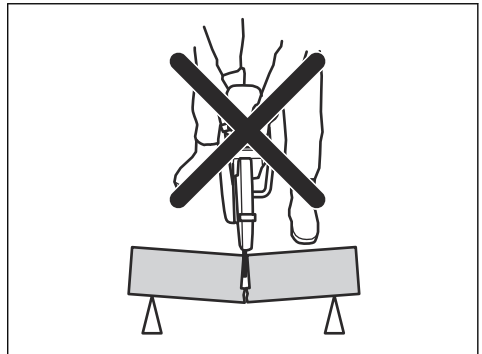
Climbing kickback,

- Do not use the kickback zone. When the kickback zone is used for cutting, the reactive force moves the blade up into the cut. Use the lower part of the blade to prevent climbing kickback.



Pinching kickback

- A blade is pinched when the cut closes and stops the turning of the blade. If the blade is pinched, the strength of the reactive force can cause loss a kickback.



- Make sure that the work piece is held to keep the cut open during a cutting operation. Make an estimate of the possible movement of the work piece during last phase of the cutting operation. Make sure that the

cut opens during the cutting operation. A cut that closes can cause a pinching kickback.

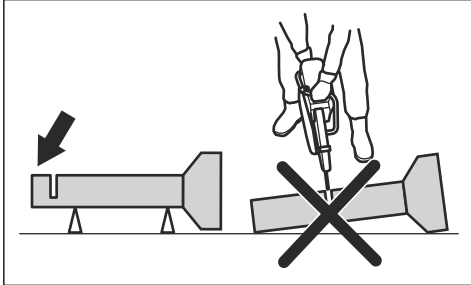
To cut into pipes



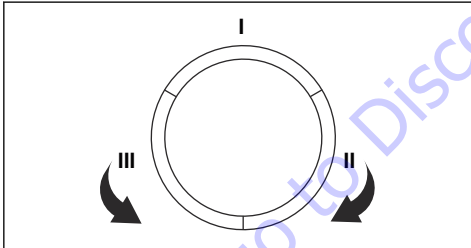
WARNING: If the blade is pinched in the kickback zone it will cause a kickback.

Be careful when cutting in pipes. The pipe is must kept in place correctly and the cut kept open through out the cutting. If not, the blade can be pinched. Be especially careful when cutting a pipe with a bell end or a pipe in a ditch. If it does not have correct support the blade can be pinched.

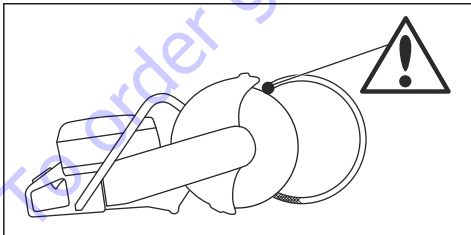
1. Make sure the pipe does not move during cutting.



2. Cut with section "I".



3. Make sure that the cut opens to prevent pinching.



4. Move to side II and cut from section I to the bottom of the pipe.
5. Move to side III and cut the remaining part of the pipe.
6. Make sure the pipe is kept in place correctly. The end of the pipe must move down during the cutting.

To prevent pinching

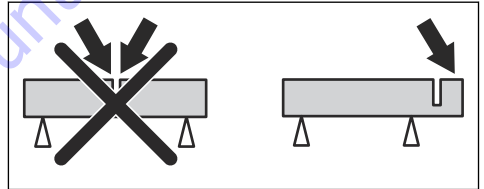


WARNING: Do not let the cut close during a cutting operation. A cut that closes can cause pinching, which can cause a kickback or damage to the cutting blade.



WARNING: Be careful when the cutting blade is put in a cut that was there before.

- Make sure that the work piece cannot move during a cutting operation.
- Make sure that the work piece is held to keep the cut open during a cutting operation.
- Make an estimate of the possible movement of the work piece during the last phase of the cutting operation.
- Make sure that the cut opens during the cutting operation.



To manage dust

- The product has a low flushing water kit. Use wet cutting when possible. See instructions in *To connect coolant water on page 15*. The correct flow is different for different types of tasks. If the water hose comes off at the supply source, the supplied water pressure can be too high. See *Technical data on page 23* for recommended water pressure.
- Adjust the water flow with the valve.

Maintenance

Introduction



WARNING: Read and understand the safety chapter before you do maintenance work on the product.



WARNING: Remove the battery before you do maintenance on the product.

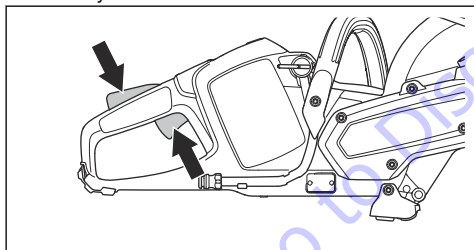


WARNING: Failure to do maintenance correctly can decrease the product life cycle and increase the risk of accidents. All servicing and/or repair work must also be done by a professional. Turn to your servicing dealer for more information.

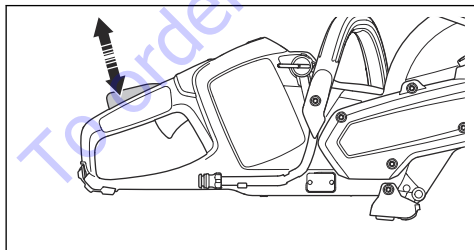
Maintenance and checks of the safety devices on the product

To do a check of the power trigger lockout

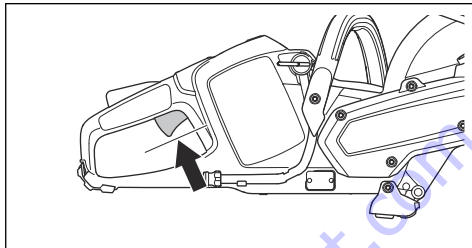
1. Make sure that the power trigger and power trigger lockout move freely and that the return spring works correctly.



2. Press down the power trigger lockout and make sure that it goes back to its initial position when you release it.



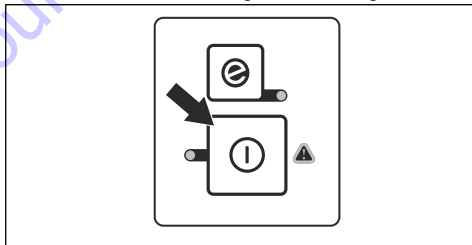
3. Make sure that the power trigger is locked at the idle position when the power trigger lockout is released.



4. Start the product and apply full power.
5. Release the power trigger and make sure that the cutting blade stops. If the cutting blade rotates when the power trigger is in the idle position, turn to your servicing dealer.

To do a check of the keypad

1. Start the product. See *To do a check of the power trigger lockout on page 20*
2. Press the start/stop button again.
3. Make sure that the product stops when you press and hold the button. The green LED will go off.



To clean the battery and the battery charger

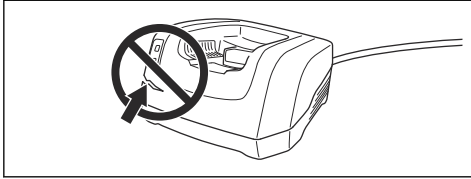


CAUTION: Do not clean the battery or the battery charger with water.

- Make sure that the battery and the battery charger are clean and dry before you put the battery into the battery charger.
- Clean the battery terminals with compressed air or use a soft and dry cloth.
- Clean the surfaces of the battery and the battery charger with a soft and dry cloth.

To do a check of the battery charger

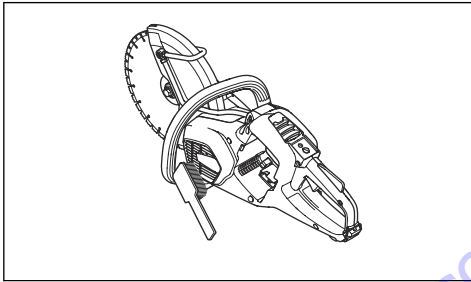
1. Make sure that the battery charger and the power supply cord are not damaged. Look for cracks and other defects.



To clean the cooling system

The product has a cooling system that keeps the temperature of the product as low as possible.

The cooling system includes an air intake on the left side of the product and a fan on the motor.



1. Clean the cooling system with a brush weekly or more frequently if necessary.
2. Make sure that the cooling system is not dirty or blocked.



CAUTION: A dirty or blocked cooling system can cause the product to become too hot.

Maintenance schedule



WARNING: Remove the battery before you do maintenance.

The following is a list of the maintenance steps that you must do on the product.

Maintenance	Before use	Weekly	Monthly
Clean the external parts of the product.	X		
Make sure that the power trigger and the power trigger lockout function correctly from a safety point of view.	X		
Do a check of the cutting blade. Look for cracks and make sure that the cutting blade is not unusually worn. Replace if necessary.	X		
Clean the fan housing on the product.	X		
Make sure that the screws and nuts are tight.	X		
Make sure that the keypad works correctly and that it is not damaged.	X		
Do a check of the connections between the battery and the product. Do a check of the connection between the battery and the battery charger.			X
Blow through the product and battery soft with compressed air.			X

Troubleshooting

Keypad

Problem	Cause	Solution
Warning indicator flashing.	Temperature deviation.	Let the product to cool down.
	Overload. Cutting attachment is clogged.	Clean the cutting attachment.
	The power trigger and the start button are pressed at the same time.	Release the power trigger.
Green LED flashing.	Low battery voltage.	Charge the battery.
Warning indicator is on.	Service.	Turn to your servicing dealer.

Battery

Problem	Cause	Solution
Warning indicator flashing.	The battery is not charged.	Charge the battery.
	Temperature deviation.	Use the battery in an environment where temperature are between -10 °C/14°F and 40°C/104°F.
	To high voltage.	Check that the voltage on the battery is the same as the voltage on the rating plate on the product. Remove the battery from the battery charger.
Warning indicator is on.	Battery cells difference is too much (1V).	Turn to your servicing dealer.

Battery charger

Problem	Casue	Solution
Warning indicator flashing.	Temperature deviation.	Use the battery an environment where temperatures are between 5°C/41°F and 40°C/104°F.
Warning indicator is on.		Turn to your servicing dealer.

Transportation, storage and disposal

Transportation and storage

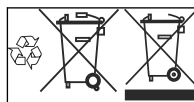
- The supplied Li-ion batteries obey the Dangerous Goods Legislation requirements.
- Obey the special requirement on package and labels for commercial transportation, including by third parties and forwarding agents.
- Speak to a person with special training in dangerous material before you send the product. Obey all applicable national regulations.

- Use tape on open contacts when you put the battery in a package. Put the battery in the package tightly to prevent movement.
- Remove the battery for storage or transportation.
- Put the battery and the battery charger in a space that is dry and free from moisture and frost.
- Do not keep the battery in an area where static electricity can occur. Do not keep the battery in a metal box.
- Put the battery in storage where the temperature is between 5 °C (41 °F) and 25 °C (77 °F) and away from open sunlight.
- Put the battery charger in storage where the temperature is between 5 °C (41 °F) and 45 °C (113 °F) and away from open sunlight.
- Charge the battery 30% to 50% before you put it in storage for long periods.
- Put the battery charger in storage in a space that is closed and dry.
- Keep the battery away from the battery charger during storage. Do not let children and other not approved persons to touch the equipment. Keep the equipment in a space that you can lock.
- Clean the product and do a full servicing before you put the product in storage for a long time.
- Use the transportation guard on the product to prevent injuries or damage on the product during transportation and storage.
- Attach the product safely during transportation.

Disposal of the battery, battery charger and product

The symbol below means that the product is not domestic waste. Recycle it at a recycling station for electrical and electronic equipment. This helps to prevent damage to the environment and to persons.

Speak to local authorities, domestic waste service or your dealer for more information.



Note: The symbol shows on the product or package of the product.

Technical data

Technical data

Husqvarna K 535i				
Voltage		36V		
Weight, kg (lbs)		3.5 (7.7)		
Blade diameter, mm (in.)		230 (9)		
Max blade thickness, mm (in.)	Abrasive blades		3.0 (0.1)	
	Diamond blades		1.8 (0.07)	
Unit rated speed		5940 rpm		
Water cooling				
Water cooling of blade		Yes		
Connecting nipple		Type "Gardena"		
Recommended water pressure, bar (psi)		0.5 - 6 (7.3 - 87)		
Maximum water pressure, bar (psi)		6 (87)		
	Vibration levels, a_{hveq} ¹		Noise emissions ²	
	Front/Left	Rear Right	LpA	LwA
	m/s ²	m/s ²	dB(A)	dB(A)
BLi200	1.9	2.3		

Husqvarna K 535i				
BLi300	2.1	2.5	100.5	111.5
¹ The declared vibration total value has been measured in accordance with EN 60745-2-22 and may be used for comparing one tool with another. The declared vibration total value may also be used in a preliminary assessment of exposure.				
² The noise emission are measured in accordance with EN 60745-2-22. <ul style="list-style-type: none"> • Uncertainty for the A-weighted sound power level K_{pA} is 3 dB(A). • Uncertainty for the A-weighted sound pressure level K_{pA} is 3 dB(A). 				

Accessories

Approved batteries for the product

Battery	BLi200	BLi300
Type	Lithium-ion	Lithium-ion
Battery capacity, Ah	5.2	9.4
Nominal voltage, V	36	36
Weight, kg / lb	1.3 / 2.9	1.9 / 4.2

Approved battery chargers for the product

Battery charger	QC330
Mains voltage, V	100-240
Frequency, Hz	50-60
Power, W	330

Warranty

Warranty policy

All warranty claims will be determined after inspection at a designated facility. A Returned Goods Authorization is required for all warranty claims. Contact Husqvarna Customer Service Department at 800-845-1312 for an RGA. The customer must prepay the freight and absorb any labor expense required to return or replace a product submitted for warranty consideration. Husqvarna will pay return shipping expenses for repaired or approved replacement products.

EQUIPMENT

Equipment manufactured by Husqvarna is warranted to be free from manufacturing defects in normal service for a period of two (2) years from date of purchase by the original consumer purchaser. Component manufacturers offer separate warranty periods. Call Technical Services at 800-288-5040 for complete information.

Our obligation under this warranty is expressly limited to the replacement or repair at Husqvarna Construction Products North America, Olathe, Kansas 66061, or at a service facility designated by us, of such part or parts as inspection shall disclose to have been defective.

This warranty does not apply to defects caused by damage, unreasonable use, faulty repairs made by others than an approved Husqvarna servicing dealer, or defects caused by failure to provide reasonable maintenance, while in the possession of the consumer. Further, the warranty is void if the product, or any of its components, are altered or modified by the consumer purchaser, or if the product is used in an inappropriate manner or with tools not recommended by the manufacturer.

Exceptions: Drill motors - 3 months, Wall saws - 1 year, Power cutters - 3 months, DM230 - 1 year, DM225 - 3 months, Gyro systems - 1 year, CD40 system - 1 year, DS160 C - 1 year, Smart box - 1 year, CS2515 - 1 year, PP455 E - 1 year, PP345 E - 1 year, HP40 - 1 year.

Wear items: Filters, spark plugs, bearings*, belts, wheels** and wear pads.

*Except IntelliSeal™ system. **Except delamination.

TO PURCHASE THIS PRODUCT PLEASE CONTACT US



**Equipment Financing and
Extended Warranties Available**



**Discount-Equipment.com is your online resource for
commercial and industrial quality parts and equipment sales.**

561-964-4949

visit us on line @ www.discount-equipment.com

Select an option below to find your Equipment

Search by Manufacturer

Search by Product Type

Request a Quote

We sell worldwide for the brands: Genie, Terex, JLG, MultiQuip, Mikasa, Essick, Whiteman, Mayco, Toro Stone, Diamond Products, Generac Magnum, Airman, Haulotte, Barreto, Power Blanket, Nifty Lift, Atlas Copco, Chicago Pneumatic, Allmand, Miller Curber, Skyjack, Lull, Skytrak, Tsurumi, Husquvarna Target, Stow, Wacker, Sakai, Mi-T-M, Sullair, Basic, Dynapac, MBW, Weber, Bartell, Bennar Newman, Haulotte, Ditch Runner, Menegotti, Morrison, Contec, Buddy, Crown, Edco, Wyco, Bomag, Laymor, EZ Trench, Bil-Jax, F.S. Curtis, Gehl Pavers, Heli, Honda, ICS/PowerGrit, IHI, Partner, Imer, Clipper, MMD, Koshin, Rice, CH&E, General Equipment, Amida, Coleman, NAC, Gradall, Square Shooter, Kent, Stanley, Tamco, Toku, Hatz, Kohler, Robin, Wisconsin, Northrock, Oztec, Toker TK, Rol-Air, APT, Wylie, Ingersoll Rand / Doosan, Innovatech, Con X, Ammann, Mecalac, Makinex, Smith Surface Prep, Small Line, Wanco, Yanmar

Contenido

Introducción.....	26	Solución de problemas.....	47
Seguridad.....	28	Transporte, almacenamiento y eliminación de residuos.....	48
Montaje.....	35	Datos técnicos.....	49
Funcionamiento.....	39	Accesorios.....	50
Mantenimiento.....	45	Garantía.....	51

Introducción

Responsabilidad del propietario



ADVERTENCIA: Cuando corta con la máquina, especialmente cuando se corta EN SECO, el material que corta produce polvo que con frecuencia contiene sílice. El sílice es un componente básico de la arena, el cuarzo, la arcilla de los ladrillos, el granito y otros numerosos minerales y rocas. La exposición a una cantidad excesiva de ese polvo puede causar:

Enfermedades respiratorias, como la bronquitis crónica, la silicosis y la fibrosis pulmonar. Estas enfermedades pueden ser mortales.

Irritación cutánea y sarpullido.

Cáncer, según el NTP* y la IARC* */National Toxicology Program (Programa Nacional de Toxicología) y Centro Internacional de Investigaciones sobre el Cáncer.

Tome medidas preventivas:

Evite inhalar y que su piel entre en contacto con el polvo, el vaho y los gases.

Utilice artículos apropiados para la protección respiratoria como máscaras contra polvo diseñadas para filtrar partículas microscópicas, y asegúrese de que todas las personas que se encuentren cerca también lo hagan. (Consulte la normativa OSHA 29 CFR Parte 1926.1153)

Corte en húmedo cuando sea posible para reducir al mínimo las emisiones de polvo. Si

es necesario un corte en seco, use un extractor de polvo adecuado.

Es responsabilidad del propietario o empleador que el usuario tenga los conocimientos necesarios sobre cómo utilizar el producto de forma segura. Los supervisores y usuarios deben haber leído y comprendido el manual de usuario. Deben tener conocimiento de lo siguiente:

- Las instrucciones de seguridad de los productos.
- La gama de aplicaciones y limitaciones de los productos.
- Cómo el producto se va a utilizar y mantener.

El uso de este producto podría estar restringido por normas nacionales o locales. Infórmese sobre qué normas se aplican en el lugar donde trabaja antes de comenzar a utilizar el producto.

Descripción de la máquina

Husqvarna K 535i es una máquina cortadora manual. El producto se activa con una batería.

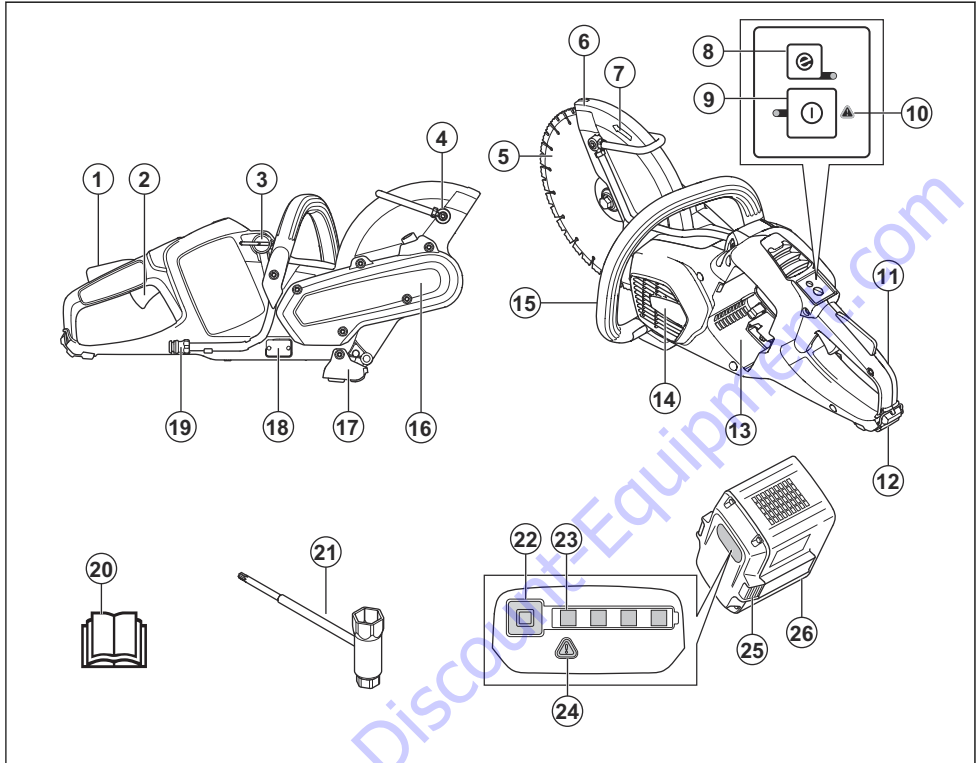
Se realiza un trabajo constante para aumentar su seguridad y la eficiencia durante la operación. Comuníquese con su taller de servicio para obtener más información.

Uso específico

Este producto se utiliza para cortar tejas, placas de jardín y hormigón ligero.

Tenga en cuenta: Las normativas nacionales pueden restringir el funcionamiento del producto.

Descripción general de la máquina



1. Bloqueo del gatillo de alimentación
2. Gatillo de alimentación
3. Válvula de agua
4. Boquilla de agua
5. Disco de corte
6. Protector de la cuchilla
7. Rotación de la cuchilla
8. Botón SavE
9. Botón de arranque y detención
10. Indicador de advertencia
11. Mango trasero con protección de la mano derecha
12. Parte trasera del soporte de suelo con un cáncamo de la cuerda
13. Ranura de la batería
14. Carcasa de ventilador
15. Mango delantero
16. Protección de la correa
17. Soporte de suelo delantero
18. Placa de identificación
19. Conexión de agua con filtro
20. Manual del usuario

21. Llave combinada
22. Botón, estado de la batería
23. Estado de la batería
24. Indicador de advertencia
25. Botón de liberación de la batería
26. Batería (no incluida)

Símbolos en el producto



Este producto puede causar daños graves o la muerte al operador o a otras personas. Tenga cuidado y utilice el producto correctamente.



Lea atentamente el manual y asegúrese de entender las instrucciones antes de utilizar el producto.



Utilice casco protector, protección respiratoria, protección ocular y auditiva aprobados.



Este producto cumple con las directivas CE pertinentes.



La inhalación del polvo generado por el corte puede causar lesiones. Utilice una protección respiratoria aprobada. Evite respirar gases de escape. Asegúrese de que el flujo de aire sea suficiente.



Las chispas del disco de corte pueden provocar fuego en materiales inflamables tales como gasolina, madera, ropa y hierba seca.



Las reculadas pueden ser repentinas, rápidas y pueden causar lesiones. Lea y entienda las instrucciones del manual de instrucciones antes de utilizar el producto.



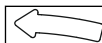
Asegúrese de que el disco de corte no tenga grietas ni daños.



No utilice discos de sierra circulares.



Marca medioambiental. El producto o paquete del producto no es residuo doméstico. Recíclelo en una ubicación de reciclaje para equipos eléctricos y electrónicos.



Sentido de rotación de la cuchilla

yyyywwxxxx

La placa de características muestra el número de serie. **yyyy** es el año de fabricación y **ww** es la semana de producción.

∅

Diámetro exterior máximo de la cuchilla

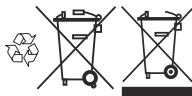
c.c.

Corriente continua

n	Velocidad nominal
---	-------------------

Tenga en cuenta: Otros símbolos o etiquetas en la máquina hacen referencia a requisitos de certificación para algunos mercados.

Símbolos en la batería o en el cargador de la batería



Recicle este producto en una planta de reciclaje para equipo eléctrico y electrónico. (Rige solo para Europa)



Transformador a prueba de fallas.



Use y mantenga el cargador de batería únicamente en interiores.



Doble aislamiento.

Responsabilidad del fabricante

Como se menciona en las leyes de responsabilidad del fabricante, no nos hacemos responsables de los daños que cause nuestro producto si:

- el producto se repara incorrectamente
- el producto se repara con piezas que no son del fabricante o que este no autoriza
- el producto tiene un accesorio que no es del fabricante o que este no autoriza
- el producto no se repara en un centro de servicio autorizado o por una autoridad aprobada.

Seguridad

Definiciones de seguridad

Las advertencias, precauciones y notas se utilizan para señalar las piezas particularmente importantes del manual.



ADVERTENCIA: Se utilizan para señalar el riesgo de lesiones graves o mortales para el operador o para aquellos que se encuentren

cerca si no se siguen las instrucciones del manual.



AVISO: Se utilizan para señalar el riesgo de dañar la máquina, otros materiales o el área adyacente si no se siguen las instrucciones del manual.

Tenga en cuenta: Se utilizan para entregar más información necesaria en situaciones particulares.

Advertencias de seguridad generales de la herramienta eléctrica



ADVERTENCIA: Lea todas las advertencias de seguridad y todas las instrucciones. En caso de no seguir las advertencias ni las instrucciones se pueden producir sacudidas eléctricas, incendios o daños graves.

Tenga en cuenta: Guarde todas las advertencias e instrucciones para futuras referencias. El término "herramienta eléctrica" que se indica en las advertencias hace referencia a la herramienta eléctrica (con cable) operada con corriente o a la herramienta eléctrica operada con baterías (inalámbrica).

Seguridad en el área de trabajo

- **Mantenga el área de trabajo limpia y bien iluminada.** Las áreas desordenadas u oscuras pueden generar accidentes.
- **No opere herramientas eléctricas en atmósferas explosivas, como ante presencia de gases, polvo o líquidos inflamables.** Las herramientas eléctricas generan chispas que pueden encender el polvo o humos.
- **Mantenga alejados a niños y transeúntes mientras opera una herramienta eléctrica.** Las distracciones pueden hacerle perder el control.

Seguridad eléctrica

- **Los enchufes de la herramienta eléctrica deben coincidir con la toma de corriente. Nunca modifique el enchufe de ninguna forma. No utilice enchufes con adaptador con herramientas eléctricas conectadas a tierra.** Los enchufes sin modificaciones y las tomas correspondientes reducen el riesgo de sacudida eléctrica.
- **Evite el contacto corporal con superficies conectadas a tierra, como tuberías, radiadores, estufas y refrigeradores.** Existe un mayor riesgo de sacudida eléctrica si su cuerpo está conectado a tierra.
- **No exponga las herramientas eléctricas a la lluvia o a la humedad.** Si entra agua en una herramienta eléctrica, aumenta el riesgo de sacudida eléctrica.
- **No haga mal uso del cable.** Nunca utilice el cable para transportar, tirar o desconectar la herramienta eléctrica. Mantenga el cable alejado del calor, el aceite, los bordes afilados o las piezas en movimiento. Cables dañados o enredados aumentan el riesgo de sacudida eléctrica.
- **Al operar una herramienta eléctrica en exteriores, utilice un cable de extensión apto**

para su uso al aire libre. La utilización de un cable apto para el uso al aire libre reduce el riesgo de sacudida eléctrica.

- **Si no se puede evitar el uso de una herramienta eléctrica en un lugar húmedo, utilice un suministro con protección de un interruptor de circuito diferencial (RCD, por su sigla en inglés).** El uso de un RCD reduce el riesgo de sacudida eléctrica.
-



AVISO: No lave la máquina con agua a presión, ya que el agua puede entrar en el sistema eléctrico o al motor, lo que causa daños a la máquina o un cortocircuito.

Seguridad personal

- **Permanezca alerta, vea lo que está haciendo y use el sentido común cuando opere una herramienta eléctrica. No utilice una herramienta eléctrica si está cansado o bajo la influencia de drogas, alcohol o medicamentos.** Un momento de distracción a la hora de operar una herramienta eléctrica puede generar daños personales graves.
- **Utilice equipo de protección personal. Siempre utilice protección ocular.** El equipo de protección (como máscara contra polvo, calzado de seguridad antideslizante, casco o protectores auriculares) que se utiliza en condiciones pertinentes reducirá los daños personales.
- **Evite el arranque accidental. Asegúrese de que el interruptor esté en la posición de apagado antes de conectar la herramienta a una fuente de energía o insertar una batería, así como cuando recoja o transporte la herramienta.** Al transportar herramientas eléctricas con su dedo en el interruptor o al suministrarles corriente con el interruptor en la posición de encendido, se pueden provocar accidentes.
- **Quite cualquier llave de ajuste antes de encender la herramienta eléctrica.** Una llave conectada a una pieza giratoria de la herramienta eléctrica puede causar daños personales.
- **No se estire demasiado. Mantenga una posición y un equilibrio adecuados en todo momento.** Esto permite un mejor control de la herramienta eléctrica en situaciones inesperadas.
- **Vístase adecuadamente. No use ropa suelta ni joyas. Mantenga su cabello, su ropa y sus guantes alejados de las piezas en movimiento.** La ropa suelta, las joyas o el cabello largo pueden quedar atrapados en las partes que se mueven.
- **Si se proporcionan dispositivos para la conexión de instalaciones de recolección y extracción de polvo, asegúrese de que estos se conecten y utilicen de manera pertinente.** El uso de recolectores de polvo puede reducir los peligros relacionados con el polvo.
- **La emisión de vibración durante el uso de la herramienta eléctrica puede ser diferente del**

valor total indicado en función de la forma en que se utilice la herramienta. El usuario debe conocer las medidas de seguridad para protegerse a sí mismo, las que se basan en una estimación de la exposición en condiciones de uso reales (teniendo en cuenta todas las partes del ciclo de funcionamiento, como el período en que la herramienta está apagada y cuando esté funcionando en ralentí además del gatillo).

- **Manténgase a una distancia del disco de corte cuando el motor esté funcionando.**

Uso y cuidado de la herramienta eléctrica

- **No fuerce la herramienta eléctrica. Utilice la herramienta eléctrica correcta según su aplicación.** Con la herramienta eléctrica correcta, hará el trabajo mejor y de manera más segura a razón del propósito para la cual fue diseñada.
- **No utilice la herramienta eléctrica si no se puede encender o apagar con el interruptor.** Cualquier herramienta eléctrica que no se puede controlar con el interruptor conlleva peligros y se debe reparar.
- **Desconecte el enchufe de la fuente de energía o retire la unidad de batería de la herramienta eléctrica antes de hacer ajustes, cambiar accesorios o almacenar la herramienta eléctrica.** Tales medidas de seguridad preventivas reducen el riesgo de arranque accidental de la herramienta eléctrica.
- **Almacene las herramientas eléctricas inactivas fuera del alcance de los niños y no permita que personas que no estén familiarizadas con la herramienta eléctrica o con estas instrucciones operen la herramienta eléctrica.** Las herramientas eléctricas conllevan peligros en manos de usuarios inexpertos.
- **Realice mantenimiento a las herramientas eléctricas.** Revise en busca de atascamiento o desalineación de las piezas móviles, rotura de piezas o cualquier otra condición que pueda afectar el funcionamiento de la herramienta eléctrica. Si se daña, repare la herramienta eléctrica antes de su uso. Muchos de los accidentes se deben a herramientas eléctricas con un mal mantenimiento.
- **Mantenga las herramientas de corte afiladas y limpias.** Las herramientas de corte con un mantenimiento correcto y bordes cortantes afilados son menos propensas a atascamientos y más fáciles de controlar.
- **Utilice la herramienta eléctrica, los accesorios, las barrenas, etc. de acuerdo con estas instrucciones, conforme a las condiciones de trabajo y la tarea que se debe realizar.** El uso de la herramienta eléctrica en operaciones distintas de las previstas podría generar una situación peligrosa.
- **Bajo ninguna circunstancia debe modificar el diseño original de la máquina sin la aprobación del fabricante.** Utilice siempre piezas de repuesto

originales. Las modificaciones o los accesorios no autorizados pueden provocar graves lesiones o incluso la muerte al usuario u otras personas.

- **Asegúrese de que no haya tuberías ni cables eléctricos en la zona de trabajo o en el material que se va a cortar.**
- **Siempre revise y marque la ubicación de las tuberías de gas.** Cortar cerca de las tuberías de gas siempre implica un peligro. Debido al riesgo de explosión, asegúrese de que no se produzcan chispas durante el corte. Manténgase concentrado y centrado en la tarea. Un descuido puede provocar lesiones personales graves o la muerte.

Uso y cuidado de la herramienta a batería

- **Recargue únicamente con el cargador especificado por el fabricante.** Un cargador apto para un tipo de unidad de batería puede implicar riesgo de incendio si se usa con otra unidad de batería distinta.
- **Utilice las herramientas eléctricas únicamente con las unidades de batería específicas para ellas.** El uso de otras unidades de batería puede implicar riesgo de lesiones e incendio.
- **Cuando la unidad de batería no esté en uso, manténgala alejada de otros objetos metálicos, como sujetapapeles, monedas, llaves, clavos, tornillos u otros objetos metálicos pequeños que puedan provocar una conexión entre los terminales.** Si hace un puente entre los terminales de la batería, puede causar quemaduras o un incendio.
- **En condiciones extremas, la batería puede expulsar líquido; evite el contacto. Si se produjera un contacto accidentalmente, enjuáguese con agua. Si el líquido entra en contacto con los ojos, además, acuda a un médico.** El líquido expulsado de la batería puede causar irritaciones o quemaduras.

Servicio

- **Asegúrese de que un experto calificado realice la reparación de la herramienta eléctrica solo con piezas de repuesto idénticas.** Esto garantizará que se mantenga la seguridad de la herramienta eléctrica.

Advertencia de seguridad de la máquina cortadora

- **La protección proporcionada con la herramienta se debe fijar de manera segura a la herramienta eléctrica y colocar con la máxima seguridad, de modo que el operador quede lo menos expuesto posible a la hoja.** Mantenga el plano de la hoja que gira alejado de usted y de los transeúntes. La protección ayuda a proteger al operador de los fragmentos rotos de la hoja y del contacto accidental con la hoja.

- **Utilice solo discos de corte de diamante o reforzados para su herramienta eléctrica.** El simple hecho de que un accesorio se pueda fijar a su herramienta de trabajo no garantiza un funcionamiento seguro.
- **La velocidad nominal del accesorio debe ser al menos igual al régimen máximo señalado en la herramienta eléctrica.** Los accesorios que funcionan más rápido que su velocidad nominal se pueden romper y desprender.
- **Las hojas se deben utilizar solo para aplicaciones recomendadas. Por ejemplo, no lije con el costado del disco de corte.** Los discos de corte por abrasión están previstos para el lijado periférico; las fuerzas laterales aplicadas a estas hojas pueden provocar que se rompan.
- **Siempre utilice bridas de hojas sin daños con el diámetro correcto para su hoja elegida.** Las bridas de hojas adecuadas sostienen la hoja, lo que reduce la posibilidad de que se rompa.
- **No use ruedas reforzadas que estén gastadas de herramientas eléctricas más grandes.** Las ruedas que están diseñadas para una herramienta eléctrica más grande no son adecuadas para una velocidad mayor de una herramienta más pequeña y podría estallar.
- **El diámetro exterior y el grosor de su accesorio deben ser adecuados para la capacidad de su herramienta eléctrica.** Los accesorios de tamaños incorrectos no se pueden proteger ni controlar adecuadamente.
- **El tamaño del eje giratorio de las hojas y las bridas debe calzar adecuadamente en el eje de la herramienta eléctrica.** Las hojas y bridas con agujeros de cenador que no coincidan con la tornillería de montaje de la herramienta eléctrica funcionarán sin equilibrio, vibrarán excesivamente y podrían causar la pérdida de control.
- **No utilice ruedas dañadas. Antes de cada uso, inspeccione las ruedas para detectar astillas y grietas. Si la herramienta eléctrica o la hoja caen, inspeccione si se produjeron daños o instale una hoja sin daños. Después de inspeccionar e instalar la hoja, coloque el plano de la hoja que gira alejado de usted y de los transeúntes, y encienda la herramienta eléctrica a velocidad máxima sin carga durante un minuto.** Generalmente, las hojas se rompen durante este tiempo de prueba.
- **Use equipo de protección personal. Según la aplicación, utilice una máscara de protección, antiparras y lentes de seguridad. Según corresponda, utilice una máscara contra polvo, protectores auriculares, guantes y un delantal capaz de detener fragmentos pequeños abrasivos o de piezas de trabajo.** La protección ocular debe ser capaz de detener los restos eyectados generados por diversas operaciones. La máscara contra polvo o el respirador deben ser capaces de filtrar las partículas generadas por la operación. La exposición prolongada a ruidos de alta intensidad puede causar pérdida de la audición.
- **Mantenga a los transeúntes a una distancia segura de la zona de trabajo. Cualquiera persona que ingrese a la zona de trabajo debe utilizar equipo de protección personal.** Los fragmentos de piezas de trabajo o una hoja rota podrían salir eyectados y causar lesiones fuera del área inmediata de trabajo.
- **Manipule la herramienta eléctrica solo en superficies de sujeción aisladas durante una operación, ya que el accesorio de corte puede entrar en contacto con cableado oculto.** Si el accesorio de corte entra en contacto con un cable con corriente, es posible que las piezas metálicas expuestas de la herramienta eléctrica reciban tensión y que el operador reciba una sacudida eléctrica.
- **Nunca deje la herramienta eléctrica en el suelo hasta que el accesorio haya dejado de funcionar completamente.** La hoja giratoria puede entrar en contacto con la superficie y hacer perder el control de la herramienta eléctrica.
- **No encienda la herramienta eléctrica mientras la carga a su lado.** El contacto accidental con el accesorio giratorio podría engancharse con la ropa, lo que lo haría entrar en contacto con su cuerpo.
- **Limpie periódicamente los conductos de ventilación de la herramienta eléctrica.** El ventilador del motor atrae el polvo hacia la carcasa y la acumulación excesiva de metal pulverizado podría provocar peligros eléctricos.
- **No opere la herramienta eléctrica cerca de materiales inflamables.** Las chispas podrían encender estos materiales.

Reculada y advertencias relacionadas

- **La reculada es una reacción repentina de una hoja que gira enganchada o comprimida.** La obstrucción o el enganche causan la detención rápida de la hoja que gira, lo que causa que la herramienta eléctrica fuera de control se fuerce en la dirección opuesta de la rotación de la hoja en el punto de obstrucción.
- **Por ejemplo, si una pieza de trabajo engancha o comprime una hoja abrasiva, el borde de la hoja que entra en el punto de obstrucción puede perforar la superficie del material, lo que puede causar que la hoja se salga o se desprenda.** La hoja puede salir eyectada hacia el operador o no, según la dirección del movimiento de la hoja en el momento de la obstrucción. Las hojas abrasivas también podrían romperse en estas condiciones.
- **La reculada es el resultado de un mal uso de la herramienta eléctrica o de procedimientos o condiciones de funcionamiento incorrectos, y se puede evitar con las precauciones pertinentes, según se indica a continuación.**

- **Mantenga un agarre firme de la herramienta eléctrica y coloque el cuerpo y el brazo de modo que pueda resistir las fuerzas de las reculadas.** Siempre utilice una manilla auxiliar, si está disponible, para tener el máximo control de la reculada o reacción del par durante el arranque. El operador puede controlar las reacciones del par o las fuerzas de la reculada si se toman las precauciones adecuadas.
- **Nunca coloque su mano cerca del accesorio que gira.** El accesorio puede recular contra la mano.
- **No coloque el cuerpo en línea con la hoja que gira.** La reculada impulsará la herramienta en la dirección contraria del movimiento de la hoja en el momento del enganche.
- **Tenga especial cuidado cuando trabaje en esquinas, bordes afilados, etc.** Evite que el accesorio rebote o se enganche. Las esquinas, los bordes afilados o el rebote tienden a enganchar el accesorio que gira y causar la pérdida del control o reculadas.
- **No fije una cadena de sierra, una hoja de tallado de madera, una hoja de diamante segmentada con un espacio periférico mayor que 10 mm o una hoja de sierra dentada.** Esas hojas pueden generar reculadas frecuentes y pérdida del control.
- **No “atasque” la hoja ni aplique presión excesiva.** No intente aplicar una profundidad excesiva de corte. Ejercer demasiada presión de la rueda aumenta la carga y la susceptibilidad de contorsión o fijación en el corte, así como la posibilidad de que se generen reculadas o de que se rompa la rueda.
- **Cuando la hoja se obstruye o cuando interrumpe el corte por cualquier motivo, apague la herramienta eléctrica y manténgala inmóvil hasta que la hoja se detenga completamente.** Nunca intente extraer la hoja mientras esté en movimiento para evitar que se produzca una reculada. Investigue y tome medidas correctivas para eliminar la causa de la obstrucción de la hoja.
- **No reinicie la operación de corte en la pieza de trabajo.** Deje que la hoja alcance la máxima velocidad y vuelva a realizar con cuidado el corte. El disco se puede obstruir, detener o recular si la herramienta de trabajo se inicia en la pieza de trabajo.
- **Sostenga los paneles o cualquier pieza de trabajo de tamaño excesivo para minimizar el riesgo de obstrucción o reculada de la hoja.** Las piezas de trabajo grandes tienden a caerse por su propio peso. Los soportes se deben colocar en la pieza de trabajo cerca de la línea de corte y cerca del borde de la pieza de trabajo en ambos lados de la hoja.
- **Tenga cuidado adicional cuando haga un “corte recto” en muros existentes u otras zonas ciegas.** El disco que sobresale puede cortar tuberías de agua o de gas, cableado eléctrico u objetos que pueden provocar una reculada.

Instrucciones generales de seguridad



ADVERTENCIA: Lea atentamente las instrucciones de advertencia siguientes antes de usar el producto.

- Este producto es una herramienta peligrosa y puede causar lesiones graves si no se utiliza con cuidado o de manera incorrecta. Es muy importante que lea y comprenda el contenido de este manual.
- No cambie el producto sin la aprobación del fabricante. No utilice un producto que haya sido modificado por otras personas y utilice siempre los accesorios originales. Los cambios que no estén aprobados por el fabricante pueden tener como consecuencia lesiones graves o la muerte del operador u otras personas.
- Mantenga la máquina limpia. Los avisos y las etiquetas deben ser perfectamente visibles.
- En este producto se genera un campo electromagnético durante su funcionamiento. Este campo puede, en determinadas circunstancias, interferir con implantes médicos activos o pasivos. Para reducir el riesgo de daños graves o mortales, recomendamos que las personas con implantes médicos consulten a su médico y al fabricante del implante médico antes de usar este producto.

Instrucciones de seguridad para el funcionamiento

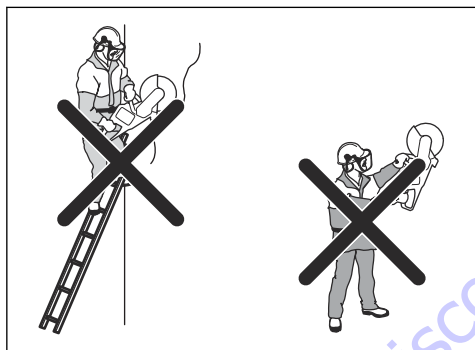


ADVERTENCIA: Lea todas las advertencias de seguridad y todas las instrucciones. Si no respeta las advertencias ni sigue las instrucciones, se pueden producir sacudidas eléctricas, incendios o daños graves.

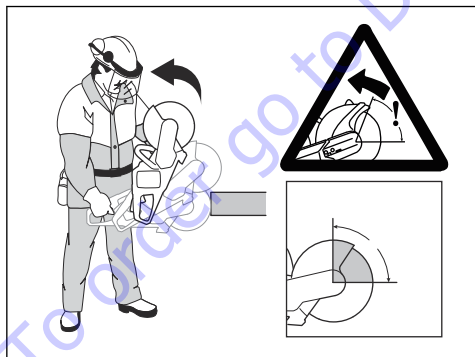
- No corte materiales de asbesto.
- Durante el corte seco, asegúrese de que el polvo se extraiga de forma segura.
- La información proporcionada en este manual no reemplaza la experiencia y el conocimiento profesional. Si no se siente seguro en alguna situación, detenga el producto. No utilice el producto en situaciones desconocidas.
- En caso de dudas acerca del funcionamiento del producto, acuda a su taller de servicio o a Husqvarna. Podemos ofrecerle información sobre cómo operar el producto de forma efectiva y segura.
- No utilice un producto, la batería o el cargador de batería si funcionan defectuosamente.
- No toque un disco de corte que gira. Puede causar lesiones graves o la muerte.
- No utilice el producto en condiciones climáticas desfavorables, como nieblas densas, lluvias abundantes, vientos fuertes o fríos intensos. El mal tiempo agrega riesgos como hielo en el suelo.

- No arranque un producto, a menos que todas las cubiertas y protecciones estén correctamente montadas.
- Mire a su alrededor. Asegúrese de que no haya riesgo de que personas o animales toquen el producto o influyan en su control sobre este.
- No deje que los niños se acerquen al producto ni que lo usen. El producto es fácil de arrancar. Esto puede significar riesgo de daños graves.
- Retire la batería cuando no tenga una vista completa del producto. Retire la batería si no va a utilizar el producto durante un tiempo prolongado.
- Debe tener estabilidad de pie para tener un control pleno del producto. No utilice el producto si se encuentra en una escalera. No utilice el producto si no está sobre un terreno estable.
- No utilice el producto por encima de la altura de los hombros.
- La sobreexposición a las vibraciones puede producir trastornos vasculares o nerviosos en personas que padecen de trastornos circulatorios. Póngase en contacto con su médico si experimenta síntomas de la sobreexposición a las vibraciones. Estos síntomas son entumecimiento, pérdida de sensibilidad, hormigueo, ardor, dolor, pérdida de fuerza, cambios en el color o el estado de la piel. Normalmente, estos síntomas se presentan en los dedos, manos o muñecas. Estos síntomas pueden empeorar con bajas temperaturas.
- No es posible incluir todas las situaciones posibles que puede enfrentar cuando utiliza este producto. Sea siempre cuidadoso y use el sentido común.

Tenga en cuenta: Después de operar la herramienta, los protectores auriculares deben quitarse inmediatamente cuando se finaliza el aserrado para que se puedan escuchar los sonidos y las señales de advertencia.



- Si no tiene cuidado, aumenta el riesgo de reculada.



- No sostenga el producto con una sola mano. Este producto no puede controlarse de manera segura con una sola mano.
- No utilice un producto en una situación en que no pueda pedir ayuda si se produce un accidente.
- Asegúrese de que puede moverse alrededor con seguridad. Examine las condiciones y el terreno que lo rodea para detectar posibles obstáculos.

Equipo de protección personal



ADVERTENCIA: Lea todas las advertencias de seguridad y todas las instrucciones. Si no respeta las advertencias ni sigue las instrucciones, se pueden producir sacudidas eléctricas, incendios o daños graves.

- Debe utilizar equipo de protección personal homologado durante el funcionamiento. El equipo de protección personal no otorga protección total contra lesiones, pero disminuye el grado de las lesiones si ocurre un accidente. Consulte a su concesionario de servicio para conocer las recomendaciones sobre qué equipo utilizar.
- La ropa debe ser ajustada, pero no debe limitar sus movimientos. Realice periódicamente una comprobación del estado del equipo de protección personal.
- Utilice un casco protector aprobado.
- Use protección respiratoria aprobada.
- Use protección auricular aprobada. La exposición prolongada al ruido puede causar daños permanentes de audición.
- Utilice gafas protectoras o un visor para el rostro a fin de reducir el riesgo de sufrir lesiones a causa de partículas y polvo. Esto puede provocar daños (lesiones) graves, sobre todo en los ojos.
- Utilice guantes protectores resistentes.
- Utilice botas con punta de acero y suela antideslizante.
- Tenga siempre un botiquín de primeros auxilios.

Dispositivos de seguridad en el producto

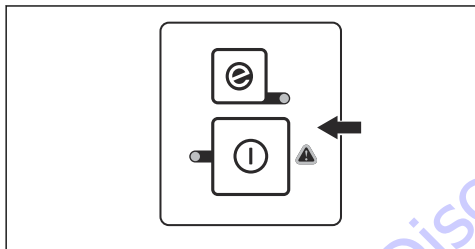


ADVERTENCIA: Lea todas las advertencias de seguridad y todas las instrucciones. Si no respeta las advertencias ni sigue las instrucciones, se pueden producir sacudidas eléctricas, incendios o daños graves.

- No use el producto si algunos de sus componentes de seguridad están dañados. El equipo de seguridad debe pasar por inspección y mantenimiento regularmente. Consulte a su taller de servicio por tareas de reparación si la inspección de un dispositivo de seguridad no se aprueba.

Teclado

El indicador de advertencia parpadea si hay riesgo de sobrecarga. La protección contra sobrecarga detiene temporalmente el producto, por lo que no lo puede utilizar hasta que la temperatura se restablezca. Si el indicador muestra una luz fija, consulte a su taller de servicio.

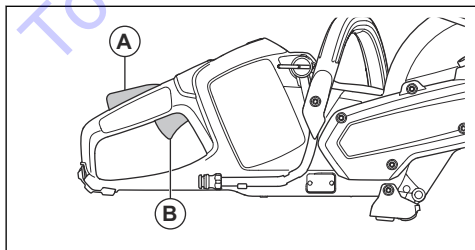


Función de parada automática

El producto cuenta con una función de parada automática que detiene el producto si no lo usa durante un minuto.

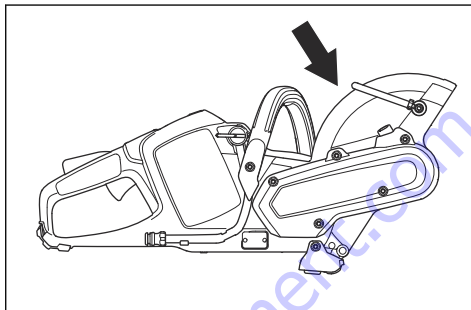
Bloqueo del gatillo de alimentación

El bloqueo del gatillo de alimentación está diseñado para evitar el funcionamiento accidental del gatillo. Si coloca la mano alrededor del mango y presiona el bloqueo del gatillo de alimentación (A), se libera el gatillo (B). Si suelta el mango, el gatillo de alimentación y el bloqueo del gatillo de alimentación volverán a sus posiciones iniciales.



Protector de la cuchilla

La protección de la hoja protege al usuario de sufrir lesiones por partículas cortantes. La protección evita que se suelten piezas y que provoquen lesiones al usuario.



Seguridad de la batería



ADVERTENCIA: Lea todas las advertencias de seguridad y todas las instrucciones. Si no respeta las advertencias ni sigue las instrucciones, se pueden producir sacudidas eléctricas, incendios o daños graves.

- Utilice solo las baterías Husqvarna BLi que recomendamos para su producto. Las baterías cuentan con un software cifrado.
- Utilice baterías Husqvarna BLi recargables como fuente de alimentación solo para productos Husqvarna relacionados. Para evitar daños, no utilice la batería como fuente de alimentación en otros dispositivos.
- Riesgo de sacudida eléctrica. No conecte los terminales de la batería a llaves, tornillos ni a otros objetos metálicos. Esto puede provocar un cortocircuito de la batería.
- No utilice baterías no recargables.
- No introduzca objetos en las ranuras de aire de la batería.
- Mantenga la batería alejada de la luz solar, del calor o de llamas. La batería puede explotar y causar quemaduras o quemaduras químicas.
- Mantenga la batería alejada de condiciones húmedas y de la lluvia.
- Mantenga la batería alejada de microondas y de alta presión.
- No intente desarmar o romper la batería.
- No deje que el ácido de la batería entre en contacto con la piel. El ácido de la batería provoca lesiones, corrosión y quemaduras en la piel. Si le entra ácido de la batería a los ojos, no los frote, enjuáguese con agua por lo menos 15 minutos. Si el ácido de la batería toca su piel, debe limpiar la piel con una gran cantidad de agua y jabón. Busque asistencia médica.

- Utilice la batería en niveles de temperatura entre -10 °C (14 °F) y 40 °C (104 °F).
- No limpie con agua la batería o el cargador de batería. Consulte *Para limpiar la batería y el cargador de batería en la página 46*.
- No utilice una batería dañada o defectuosa.
- Almacene las baterías en compartimientos alejados de objetos metálicos, como clavos, tornillos o joyas.
- Mantenga las baterías alejadas de los niños.
- Solo utilice el cargador de la batería cuando la temperatura esté entre 5 °C (41 °F) y 40 °C (104 °F). Utilice el cargador en un entorno que cuente con un buen flujo de aire, seco y sin polvo.
- No ingrese objetos en las ranuras de aire del cargador de la batería.
- No conecte los terminales del cargador de la batería a objetos metálicos, ya que esto puede causar cortocircuitos en el cargador de la batería.
- No cargue baterías no recargables en el cargador de la batería ni las utilice en la máquina.
- Utilice tomas de corriente aprobadas que no presenten daños.

Seguridad del cargador de batería



ADVERTENCIA: Lea todas las advertencias de seguridad y todas las instrucciones. Si no respeta las advertencias ni sigue las instrucciones, se pueden producir sacudidas eléctricas, incendios o daños graves.

- Existe riesgo de sacudidas eléctricas o cortocircuitos si no se siguen las instrucciones de seguridad.
- No utilice otros cargadores de batería además del proporcionado para su producto. Solo utilice cargadores QC Husqvarna cuando cargue las baterías BLi Husqvarna de repuesto.
- No intente desarmar el cargador de batería.
- No utilice un cargador de batería dañado o defectuoso.
- No levante el cargador de batería tirando del cable de alimentación. Para desconectar el cargador de batería de la toma de corriente, tire del enchufe. No tire del cable de alimentación.
- Mantenga todos los cables y extensiones alejados del agua, aceite y bordes afilados. Asegúrese de que el cable no quede atrapado entre puertas, cercos u objetos similares.
- No utilice el cargador de batería cerca de materiales inflamables o materiales que puedan causar corrosión. Asegúrese de que el cargador de la batería no esté cubierto. Desconecte el cargador de batería del enchufe en caso de incendio o humo.
- Cargue la batería solo en un lugar bajo techo con buena ventilación y lejos de la luz solar. No cargue la batería al aire libre. No cargue la batería en condiciones húmedas.

Instrucciones de seguridad para el mantenimiento



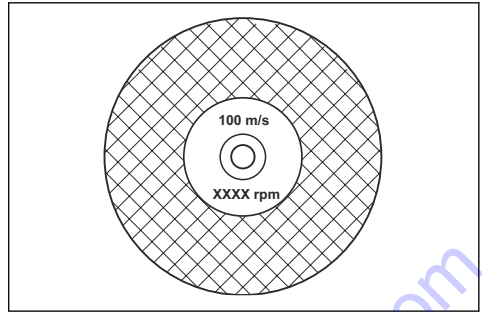
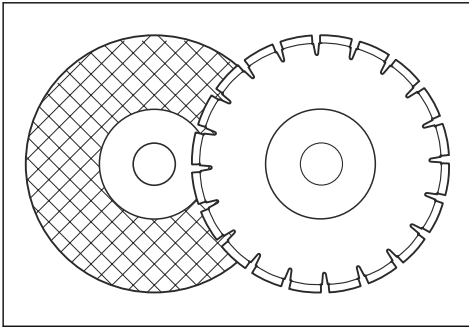
ADVERTENCIA: Lea atentamente las instrucciones de advertencia antes de realizar mantenimiento al producto.

- Retire la batería antes de hacer el mantenimiento, otras revisiones o el armado del producto.
- El operador solo debe hacer el mantenimiento y el servicio que se indica en el manual del usuario. Acuda a su concesionario de servicio cuando deba realizar mantenimiento y servicio a mayor escala.
- No limpie con agua la batería o el cargador de batería. Los detergentes fuertes pueden dañar el plástico.
- Si no realiza el mantenimiento, disminuye la vida útil del producto y aumenta el riesgo de accidentes.
- Se necesita capacitación especial para todos los trabajos de servicio y reparación, especialmente de los dispositivos de seguridad del producto. Si no se aprueban todas las comprobaciones establecidas en este manual del usuario después de realizar el mantenimiento, acuda al concesionario de servicio. Garantizamos que existen reparaciones y servicios profesionales disponibles para su producto.
- Solo utilice piezas de repuesto originales.

Montaje

Discos de corte aplicables

Los discos de corte para Husqvarna K 535i están disponibles en dos modelos básicos: hojas abrasivas y hojas de diamante.



Discos de corte para cortadoras manuales de alta velocidad



ADVERTENCIA: Utilice solo hojas de diamante y hojas abrasivas para hormigón. No utilice hojas con bordes dentados, tales como discos de corte de madera circulares u hojas con puntas de carburo. Aumenta el riesgo de reculada y las puntas de carburo se pueden desprender y salir eyectadas a gran velocidad. Esto puede provocar lesiones o la muerte.



ADVERTENCIA: El uso incorrecto puede provocar que la hoja se caliente demasiado. Un disco que se calienta demasiado puede provocar un mal funcionamiento, lo que puede causar daños y lesiones.



ADVERTENCIA: No utilice un disco de corte con un régimen máximo menor que el de la cortadora. Utilice solo discos de corte que cumplan con las normas nacionales o regionales.

Tenga en cuenta: Solo corte materiales aprobados en las instrucciones que se proporcionan con la hoja.

Compruebe que la hoja está aprobada para la misma velocidad o para una velocidad mayor según la placa de identificación de la cortadora.

Vibración de la cuchilla



AVISO: Si utiliza el producto con demasiada fuerza, la hoja se puede calentar demasiado, doblar y provocar vibraciones. Utilice el producto con menos fuerza. Si las vibraciones continúan, reemplace la hoja.

Cuchillas abrasivas



ADVERTENCIA: No utilice cuchillas de corte abrasivo con agua. La fuerza disminuye cuando las cuchillas de corte abrasivo se exponen al agua o a la humedad, lo que provoca un aumento en el riesgo de quiebre de la cuchilla.



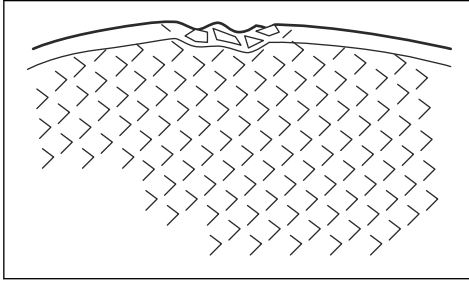
AVISO: No se permiten cuchillas de corte abrasivo con el accesorio de aspiradora. El uso de cuchillas de corte abrasivo causa un desgaste anormal en el accesorio de aspiradora.



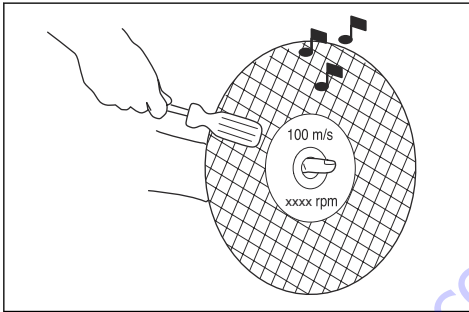
AVISO: No utilice cuchillas abrasivas con espesor que supere el máximo recomendado de espesor, consulte la sección *Datos técnicos en la página 49*

- No utilice ruedas reforzadas gastadas de herramientas eléctricas más grandes. Las ruedas que están diseñadas para una herramienta eléctrica más grande no son adecuadas para una velocidad mayor de una herramienta más pequeña y podría estallar.
- El material de corte de las cuchillas de corte abrasivo consiste en un agente adherido de granos abrasivos que utiliza un adherente orgánico. Los discos reforzados están fabricados de una base de tejido o de fibra que impide el quiebre total a la máxima velocidad de trabajo si el disco se agrieta o se daña.
- El rendimiento de un disco de corte se determina por el tipo y tamaño de los granos abrasivos, y el tipo y solidez del aglomerante orgánico.

- Asegúrese de que el disco de corte no está agrietado ni dañado.



- Pruebe la cuchilla de corte abrasivo colgándola de un dedo y golpeándola suavemente con un destornillador o algo similar. Si la cuchilla no produce un sonido de zumbido resonante, entonces está dañada.



- Asegúrese de que se utiliza la cuchilla de corte abrasivo correcta en el material previsto.

Cuchillas de diamante



ADVERTENCIA: Nunca utilice una cuchilla de diamante para cortar material de plástico. El calor producido durante el corte podría derretir el plástico, que se podría pegar al disco de corte y causar una reculada.



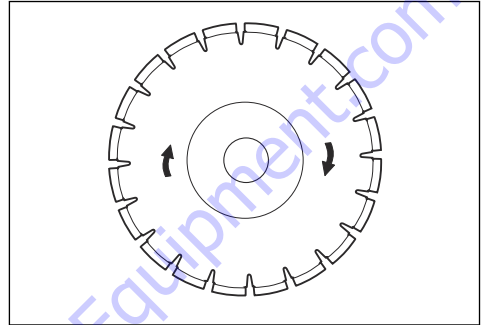
ADVERTENCIA: Las cuchillas de diamante pueden calentarse bastante cuando se utilizan. Una cuchilla sobrecalentada es consecuencia de un uso incorrecto y puede ocasionar la deformación de la cuchilla, lo que puede provocar daños y heridas.

Tenga en cuenta: Afile la cuchilla cortando material blando como arenisca o adoquín.

- Utilice siempre una cuchilla de diamante afilada.
- Las cuchillas de diamante pueden desafilarse cuando se utiliza la presión de alimentación equivocada o cuando se cortan ciertos materiales como el concreto altamente reforzado. Trabajar con una cuchilla de diamante desafilada genera un

recalentamiento, lo que puede provocar que se suelten segmentos de diamante.

- Las cuchillas de diamante están compuestas por un núcleo de acero provisto de segmentos que contienen diamantes industriales.
- Las hojas de diamante son ideales para la mampostería, el hormigón y otros materiales compuestos.
- Cuando utilice una cuchilla de diamante, asegúrese de que gire en el sentido indicado por la flecha de la cuchilla.



Corte húmedo



AVISO: No utilice equipos de aspiración con el sistema húmedo.

- Las hojas de diamante para corte húmedo se deben utilizar con el sistema húmedo.
- El agua enfría la hoja y aumenta la vida útil a la vez que reduce la formación de polvo.
- Durante el corte húmedo, asegúrese de recolectar el agua residual de forma segura.

Corte seco

- Durante el corte seco, levante el disco de corte cada 30-60 segundos y déjelo girar en el aire durante 10 segundos para que se enfríe.
- Utilice el equipo de aspiración si es posible.

Hoja de diamante: requisitos



ADVERTENCIA: Asegúrese de que el segmento de diamante (T1) sea más ancho que la hoja (T2). Esto tiene la finalidad de evitar la obstrucción en la ranura de corte y una reculada.

Cambie la hoja antes de que se desgaste por completo.

Para examinar el eje del husillo y las arandelas de brida

Examine las arandelas de brida y el eje del husillo cuando se reemplace la cuchilla.



AVISO: Utilice solamente las arandelas de brida suministradas por Husqvarna con un diámetro mínimo de 60 mm/2,4 pulg.

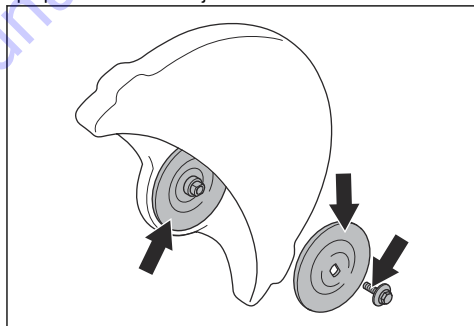


AVISO: No utilice arandelas de brida dañadas, defectuosas o sucias.



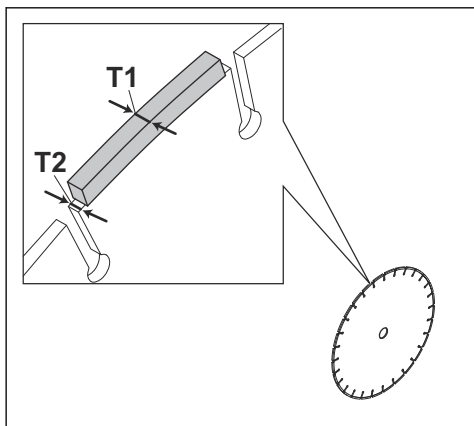
AVISO: No utilice distintos tamaños de arandelas de brida.

- Asegúrese de que las roscas del eje del husillo no estén dañadas.
- Asegúrese de que las superficies de la hoja y de las arandelas de brida no estén dañadas, que sean del tamaño correcto, que estén limpias y que funcionen apropiadamente en el eje del husillo.

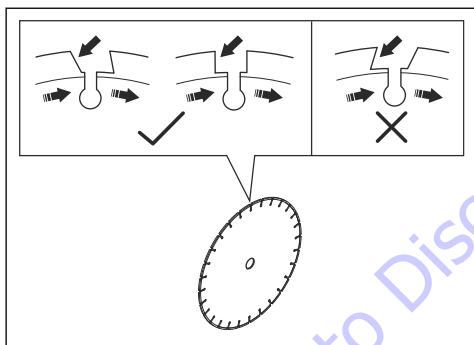


Para examinar el buje del eje giratorio

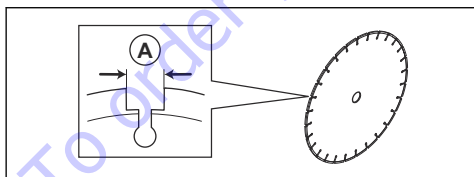
- Utilice solo bujes del eje giratorio de Husqvarna.
- Asegúrese de que el buje del eje giratorio tenga la dimensión correcta para el disco de corte. Las dimensiones correctas están impresas en el disco de corte.



AVISO: No utilice hojas de diamante con ángulos de inclinación positivos.



AVISO: No utilice hojas de diamante con un espacio mayor entre los segmentos de un máximo de 10 mm (A).



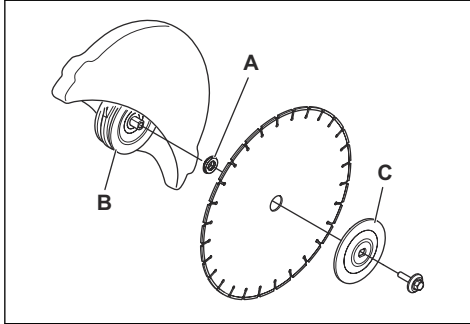
AVISO: No utilice hojas de diamante con mayor espesor de hoja que el máximo recomendado, consulte la sección *Datos técnicos* en la página 49.



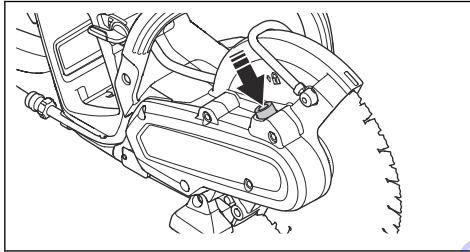
AVISO: Algunas situaciones de corte y hojas gastadas pueden aumentar el desgaste del lado de los segmentos.

Fijación del disco de corte

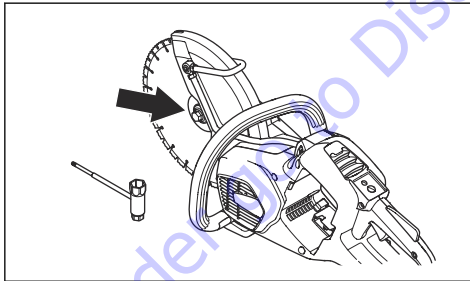
1. El disco de corte se coloca en el buje (A) entre la arandela de brida interna (B) y la arandela de brida (C). La arandela de brida se gira para fijarla al eje.



2. Bloquee el eje.



3. Apriete el perno. El par de apriete del perno que sujeta el disco de corte es de 30 Nm (18,5 lb-pie).



Examinar la batería y la protección de la hoja



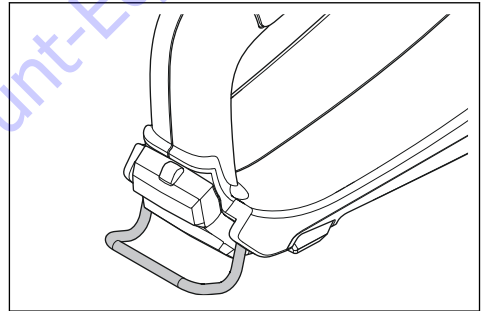
ADVERTENCIA: Un disco de corte dañado puede provocar lesiones.

1. Compruebe que el disco de corte esté correctamente fijado y que no tenga señales de daños.
2. Asegúrese de que la protección de la hoja no tenga grietas ni daños.
3. Reemplace la protección si está dañada. Consulte *Fijación del disco de corte en la página 39*

Ojal de la cuerda

El producto cuenta con un ojal de la cuerda. El ojal de la cuerda se puede utilizar para elevar y bajar el producto. Fije una correa adecuada al ojal de la cuerda para utilizarla para elevar y bajar el producto.

El ojal de la cuerda se puede utilizar para fijar el producto a un objeto sólido a fin de evitar que caiga y que genere daños a personas o equipos.

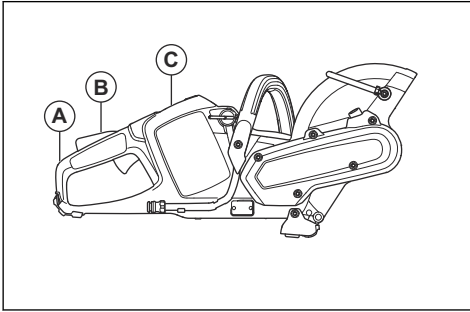


Funcionamiento

Para realizar una comprobación de funcionamiento antes de utilizar el producto

1. Revise la protección de la mano derecha (A) para asegurarse de que no esté dañada.
2. Revise el bloqueo del gatillo de alimentación (B) para asegurarse de que funciona correctamente y que no esté dañado.
3. Revise el teclado (C) para asegurarse de que funcione correctamente.
4. Revise que todas las piezas y protecciones estén correctamente fijadas y que no estén dañadas ni que falten piezas.
5. Cargue la batería y asegúrese de que esté bien puesta en el producto.

- Asegúrese de que la cortadora se detenga cuando suelte el gatillo de alimentación.



Para conectar el cargador de la batería

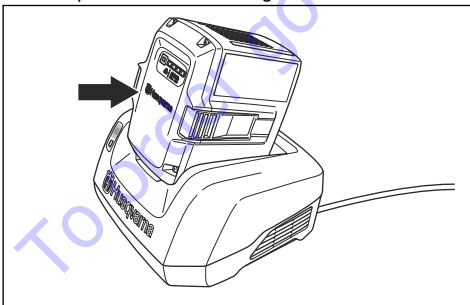
- Conecte el cargador de la batería según el voltaje y la frecuencia especificados en la placa de características.
- Enchufe el producto en una toma de corriente con conexión a tierra. La luz LED del cargador de batería parpadea en verde una vez.

Tenga en cuenta: La batería no se cargará si su temperatura es superior a 50 °C/122 °F. Si la temperatura es superior a 50 °C/122 °F, el cargador de la batería se encargará de enfriarla.

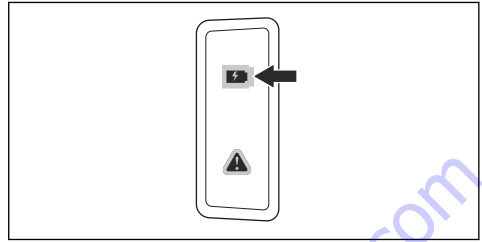
Para conectar la batería al cargador

Tenga en cuenta: Cargue la batería si es la primera vez que la utiliza. Una batería nueva solo está cargada en un 30 %.

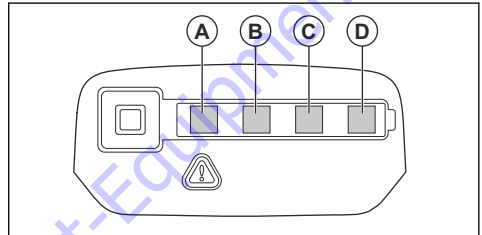
- Asegúrese de que la batería esté seca.
- Coloque la batería en el cargador.



- Asegúrese de que la luz verde de carga en el cargador de la batería se encienda. Esto significa que la batería está conectada correctamente al cargador.



- Cuando todas las luces LED de la batería se encienden, se indica que la batería está completamente cargada.

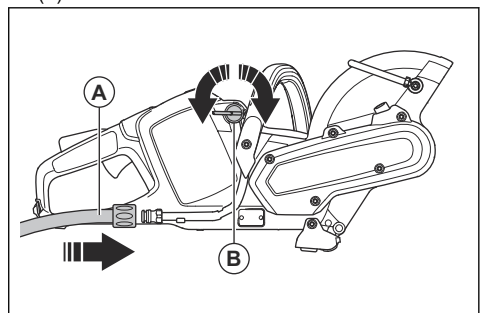


- Para desconectar el cargador de batería de la toma de corriente, tire del enchufe. No tire del cable.
- Quite la batería del cargador de la batería.

Tenga en cuenta: Consulte los manuales de la batería y del cargador de la batería para obtener más información.

Conexión del agua del refrigerante

- Conecte la manguera de agua al suministro de agua (A).

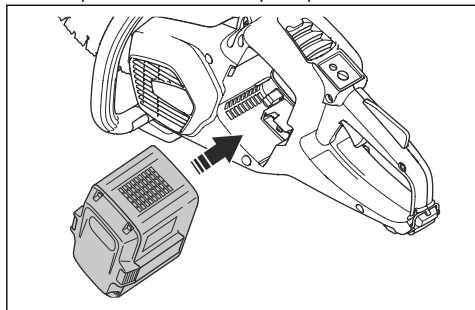


- Gire la llave de agua (B) para dejar que el agua fluya o se detenga.
- Examine si se produce una fuga en la conexión del agua o la manguera.

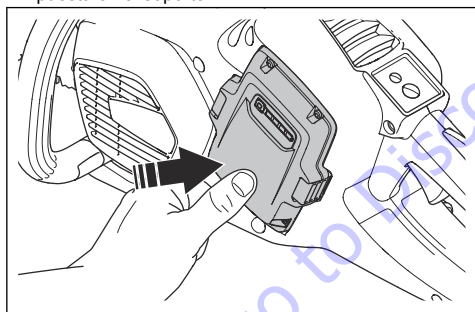
4. Asegúrese de que la presión del agua no supere el máximo permitido de presión del agua, consulte *Datos técnicos*.

Para poner en marcha la máquina

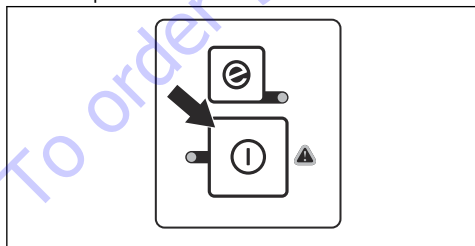
1. Revise el gatillo de alimentación y el bloqueo del gatillo de alimentación. Consulte *Comprobación del bloqueo del gatillo de alimentación en la página 45*.
2. Coloque la batería en el soporte para la batería.



3. Presione la parte inferior de la batería hasta que escuche un clic. Si la batería no se mueve con facilidad en el soporte de la batería, no está bien puesta en el soporte.



4. Mantenga presionado el botón de arranque/parada hasta que se encienda una luz LED de color verde.

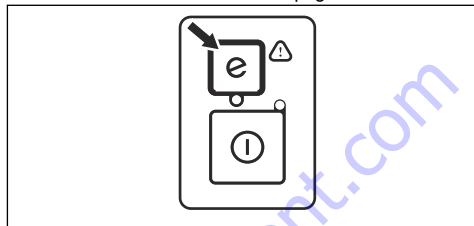


Utilice la función de ahorro (Save)

Este producto tiene una función de ahorro de energía llamada SaVE. La función SavE reduce la velocidad de la hoja y permite prolongar el tiempo de funcionamiento de la batería.

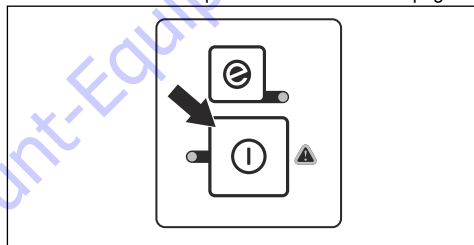
Tenga en cuenta: La función SavE no reduce la potencia de corte del producto.

1. Presione el botón SavE en el teclado.
2. Asegúrese de que el LED verde se encienda.
3. Para desactivar la función, vuelva a presionar el botón SavE. El LED verde se apaga.

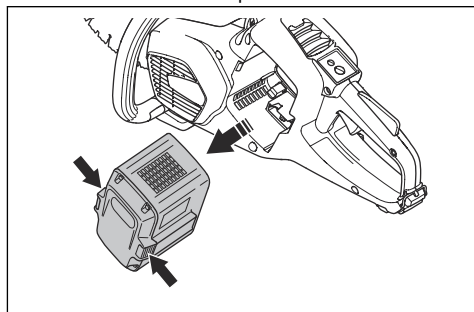


Para detener la máquina

1. Mantenga presionado el botón de arranque/parada en el teclado hasta que la luz LED verde se apague.



2. Presione los botones de liberación de la batería y retire la batería de su soporte.



ADVERTENCIA: Extraiga la batería cuando no vaya a utilizar el producto o cuando no tenga la posibilidad de verlo completamente. Esto es para evitar un arranque accidental.

Técnicas básicas de trabajo



ADVERTENCIA: No mueva la cortadora hacia un lado. Esto puede evitar el

movimiento libre del disco y provocar que se rompa, lo que puede causar una lesión.

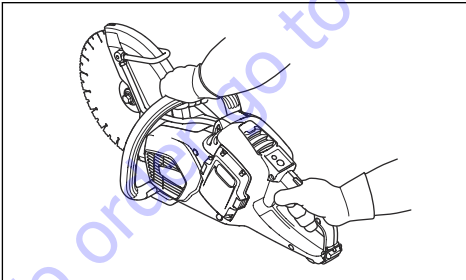


ADVERTENCIA: No utilice el costado de la hoja. La hoja puede dañarse y romperse, lo que puede causar una lesión. Utilice solo el borde cortante.

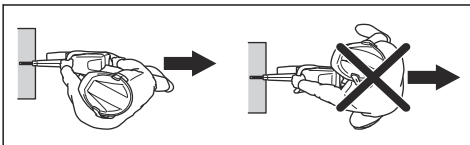


ADVERTENCIA: No utilice una hoja de diamante para cortar material de plástico. El calor que se produce puede derretir el plástico. El plástico derretido se puede adherir al disco de corte y causar una reculada.

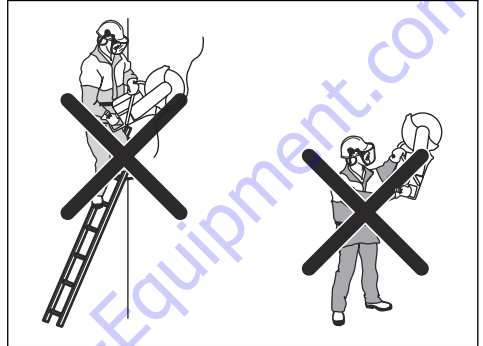
- El producto está diseñado para hojas de diamante de alta velocidad aprobado para cortadoras manuales.
- El producto está fabricado para cortar tejas, hormigón ligero y roca. Utilícelo solo para este tipo de operación.
- Asegúrese de que el disco de corte no presente signos de daños y que esté fijado correctamente; consulte *Cuchillas abrasivas en la página 36* y *Fijación del disco de corte en la página 39*.
- Asegúrese de utilizar el disco de corte adecuado para el tipo de operación; consulte *Discos de corte para cortadoras manuales de alta velocidad en la página 36*.
- No corte materiales de asbesto.
- Siempre sostenga la cortadora con las dos manos. Siempre sostenga firmemente el producto con los pulgares y los dedos alrededor de las manillas. Siempre sujete el mango trasero con la mano derecha y el mango delantero con la mano izquierda.



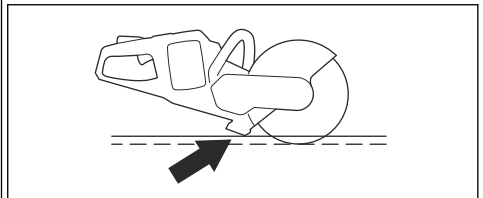
- Siempre colóquese en paralelo al disco de corte. No se coloque en línea detrás del disco de corte. En el caso de una reculada, la cortadora se moverá en el plano del disco de corte.



- Mantenga una distancia segura respecto del disco de corte cuando el motor está en marcha.
- Asegúrese de que se encuentra en una posición estable durante la operación.
- Mantenga una distancia razonable con respecto al objeto que se está cortando.
- No opere por encima de la altura de los hombros. Utilice una plataforma o un andamio si la operación de corte es por encima de los hombros. No se estire demasiado.
- No opere desde una escalera.

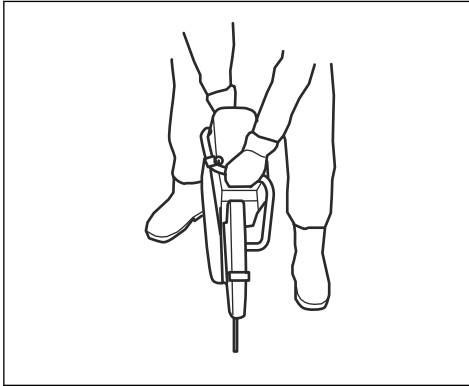


- Asegúrese de que el disco de corte esté libre cuando arranque el motor.
- Siempre vigile el producto cuando el motor esté en funcionamiento.
- No mueva el producto cuando el disco de corte gire. El producto cuenta con un retardador eléctrico para disminuir el tiempo de detención de la hoja.
- Asegúrese de que la parte delantera del soporte de suelo esté alineado con la pieza de trabajo en la parte trasera. La protección de la hoja retiene el polvo y lo aleja del operador.

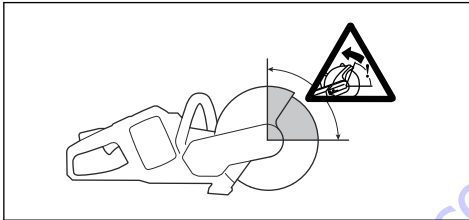


- Corte con aceleración máxima. Mantenga la máxima velocidad de giro hasta que finalice la operación de corte.
- Presione el disco de corte ligeramente contra el objeto que se está cortando. No utilice fuerza.

- Alinee el disco de corte con el corte.



- Mueva el disco de corte lentamente hacia delante y hacia atrás para disminuir el área entre el disco de corte y el material. Esto disminuye la temperatura del disco de corte.



- No corte con el sector de riesgo de reculada del disco; consulte *Reculada en la página 43*.

Reculada



ADVERTENCIA: Las reculadas son repentinas y pueden ser muy peligrosas. El producto se puede mover hacia arriba y hacia abajo en la dirección del operador en un movimiento de rotación. Las lesiones o la muerte son un posible resultado de una reculada. Asegúrese de entender las causas de las reculadas y cómo evitarlas antes de utilizar el producto.

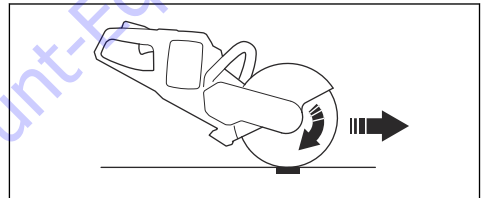
Una reculada se produce cuando la hoja se obstruye en el sector de riesgo de reculada. Generalmente, no son

peligrosas, pero una reculada fuerte puede causar lesiones o la muerte.



Fuerza reactiva

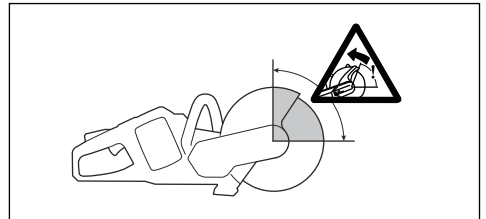
- La fuerza reactiva tira del producto en dirección contraria al movimiento de la hoja. La mayoría de las veces, esta fuerza no es intensa. Si se obstruye disco, la potencia de la fuerza reactiva puede causar una reculada.



- No incline el producto cuando el equipo de corte gire. Las fuerzas centrífugas pueden disminuir el movimiento.

Sector de riesgo de reculada

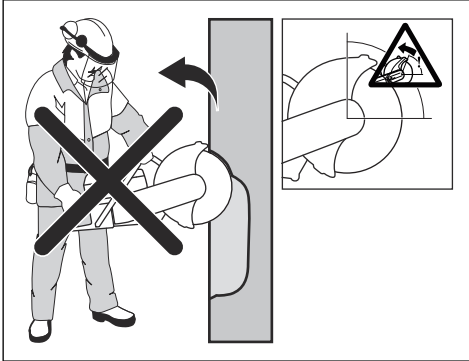
- No corte con el sector de riesgo de reculada del disco de corte. Si la hoja se obstruye en el sector de riesgo de reculada, la fuerza reactiva hace girar el producto hacia arriba y hacia atrás. Puede golpear al operador y causar lesiones o la muerte.



Reculada ascendente

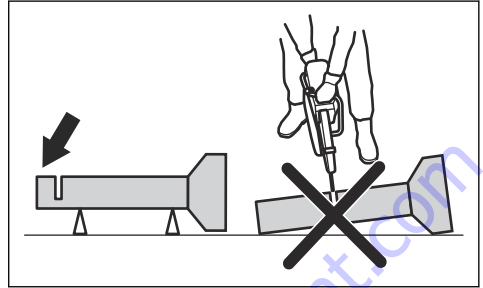
- No utilice el sector de riesgo de reculada. Si se utiliza el sector de riesgo de reculada para cortar, la fuerza reactiva mueve la hoja hacia arriba en el

corte. Utilice la parte inferior de la hoja para evitar reculadas ascendentes.

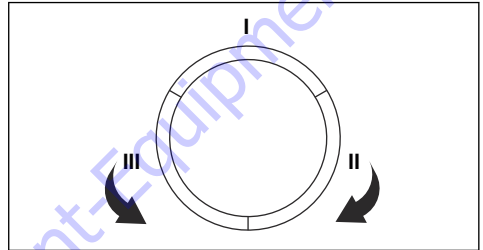


una tubería en una zanja. Si no realiza el soporte correcto, la hoja se puede obstruir.

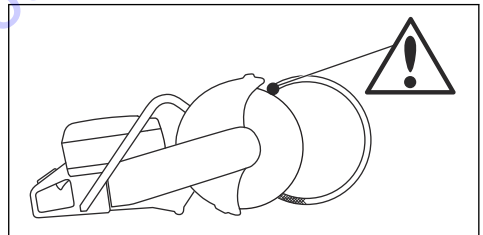
1. Asegúrese de que la tubería no se mueva durante el corte.



2. Corte con la sección "I".



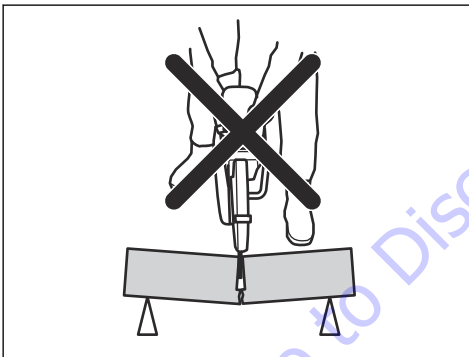
3. Asegúrese de que el corte se abra para evitar la obstrucción.



4. Muévase al lado "II" y corte desde la sección I hasta la parte inferior de la tubería.
5. Muévase a la sección "III" y corte la parte restante de la tubería.
6. Asegúrese de que la tubería se mantenga en el lugar correcto. El extremo de la tubería se debe mover hacia abajo durante el corte.

Reculada de compresión

- Una hoja se obstruye cuando el corte se cierra y detiene el giro de la hoja. Si la hoja se obstruye, la potencia de la fuerza reactiva puede causar una reculada.



- Asegúrese de sostener la pieza de trabajo para mantener el corte abierto durante una operación de corte. Realice una estimación del posible movimiento de la pieza de trabajo durante la última fase de la operación de corte. Asegúrese de que el corte se abra durante la operación de corte. Un corte que se cierra pueden causar una reculada de obstrucción.

Cortar tuberías



ADVERTENCIA: Si la hoja se obstruye en el sector de riesgo de reculada, puede provocar una reculada.

Tenga cuidado cuando corte en tuberías. La tubería se debe mantener en el lugar correcto y el corte se debe mantener abierto durante todo el corte. De lo contrario, la hoja se puede obstruir. Tenga especial cuidado cuando corte una tubería con una tubería de campana o

Evitar obstrucciones

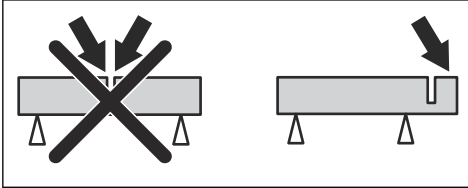


ADVERTENCIA: No deje que el corte se cierre durante una operación de corte. Un corte que se cierra puede causar una obstrucción, lo que puede provocar una reculada o daños en el disco de corte.



ADVERTENCIA: Tenga cuidado cuando coloque el disco de corte en un corte que ya existía.

- Asegúrese de que la pieza de trabajo no se pueda mover durante una operación de corte.
- Asegúrese de sostener la pieza de trabajo para mantener el corte abierto durante una operación de corte.
- Realice una estimación del posible movimiento de la pieza de trabajo durante la última fase de la operación de corte.
- Asegúrese de que el corte se abra durante la operación de corte.



Control del polvo

- El producto cuenta con un kit de agua de descarga baja. Utilice el corte húmedo cuando sea posible. Consulte las instrucciones en *Conexión del agua del refrigerante en la página 40*. El flujo correcto es diferente para los distintos tipos de tareas. Si la manguera de agua se desprende de la fuente de suministro, la presión del agua suministrada puede ser demasiado alta. Consulte *Datos técnicos en la página 49* para conocer la presión recomendada del agua.
- Ajuste el flujo de agua con la válvula.

Mantenimiento

Introducción



ADVERTENCIA: Asegúrese de leer y comprender el capítulo de seguridad antes de realizar trabajos de mantenimiento en el producto.



ADVERTENCIA: Extraiga la batería antes de realizar mantenimiento en el producto.

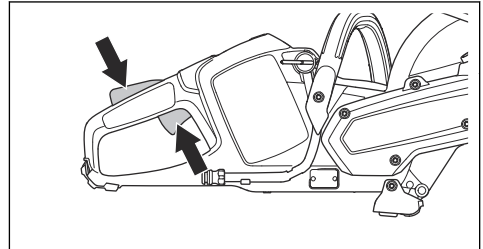


ADVERTENCIA: El incumplimiento de un mantenimiento correcto puede disminuir el ciclo de vida útil del producto y aumentar el riesgo de accidentes. Todos los trabajos de servicio o reparación también los debe realizar un profesional. Consulte a su taller de servicio para obtener más información.

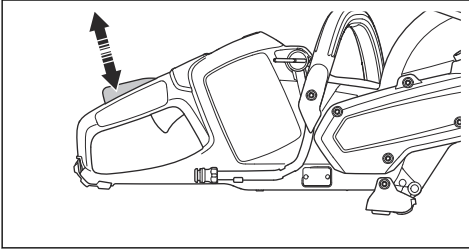
Mantenimiento y comprobaciones de los dispositivos de seguridad en el producto

Comprobación del bloqueo del gatillo de alimentación

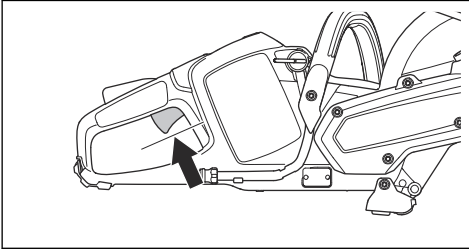
1. Asegúrese de que el gatillo de alimentación y su bloqueo se muevan con facilidad y que el resorte de retorno funcione correctamente.



- Presione el bloqueo del gatillo de alimentación y asegúrese de que vuelva a su posición inicial cuando lo suelte.



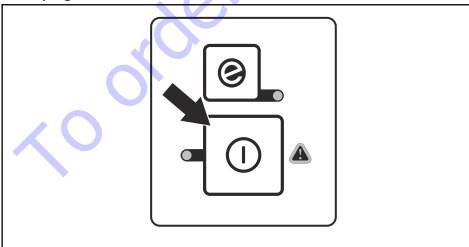
- Asegúrese de que el gatillo de alimentación se bloquee en la posición de ralentí cuando se suelte el bloqueo del gatillo.



- Ponga en marcha el producto y aplique la potencia máxima.
- Suelte el gatillo de alimentación y asegúrese de que el disco de corte se detenga por completo. Si el disco de corte gira cuando el gatillo de alimentación está en la posición de ralentí, consulte a su taller de servicio.

Para comprobar el teclado

- Encienda el producto. Consulte *Comprobación del bloqueo del gatillo de alimentación en la página 45*.
- Presione nuevamente el botón de arranque/parada.
- Asegúrese de que el producto se detenga cuando mantenga presionado el botón. El LED verde se apagará.



Para limpiar la batería y el cargador de batería

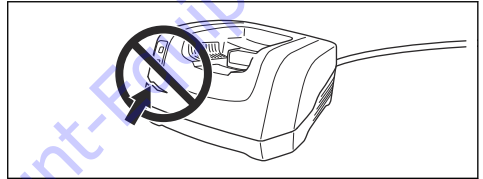


AVISO: No limpie con agua la batería o el cargador de batería.

- Asegúrese de que la batería y el cargador de batería estén limpios y secos antes de colocar la batería en el cargador.
- Limpie los terminales de la batería con aire comprimido o utilice un paño suave y seco.
- Limpie las superficies de la batería y el cargador de batería con un paño suave y seco.

Para comprobar el cargador de la batería

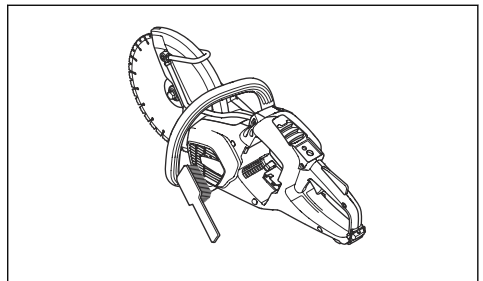
- Asegúrese de que el cargador de la batería y el cable de alimentación no estén dañados. Observe que no haya grietas ni otros defectos.



Para limpiar el sistema de refrigeración

El producto cuenta con un sistema refrigerante para mantener la temperatura del producto lo más baja posible.

El sistema refrigerante incluye una toma de aire en el lado izquierdo del producto y un ventilador en el motor.



- Limpie el sistema refrigerante con un cepillo semanalmente o con mayor frecuencia si es necesario.
- Asegúrese de que el sistema refrigerante no esté sucio ni obstruido.



AVISO: Un sistema refrigerante sucio u obstruido puede causar que el producto se caliente en exceso.

La siguiente es una lista de pasos de mantenimiento que se deben realizar en el producto.

Programa de mantenimiento



ADVERTENCIA: Retire la batería antes de realizar mantenimiento.

Mantenimiento	Antes del uso	Una vez por semana	Una vez al mes
Limpie las partes exteriores del producto.	X		
Asegúrese de que el gatillo de alimentación y el bloqueo del gatillo de alimentación funcionen correctamente en términos de seguridad.	X		
Revise el disco de corte. Revise que no haya grietas y asegúrese de que el disco de corte no esté inusualmente gastado. Cámbielo si fuera necesario.	X		
Limpie la carcasa del ventilador del producto.	X		
Asegúrese de que las tuercas y los tornillos estén apretados.	X		
Asegúrese de que el teclado funcione correctamente y que no esté dañado.	X		
Realice una comprobación de las conexiones entre la batería y el producto. Examine también la conexión entre la batería y el cargador de batería.			X
Sople a través del producto y la batería con aire comprimido.			X

Solución de problemas

Teclado

Problema	Causa	Solución
Indicador de advertencia intermitente.	Variación de temperatura.	Deje que el producto se enfríe.
	Sobrecarga. El equipo de corte está obstruido.	Limpie el equipo de corte.
	El gatillo de alimentación y el botón de arranque se presionan al mismo tiempo.	Suelte el gatillo de alimentación.
Parpadeo de la luz LED de color verde.	Voltaje de batería bajo.	Cargue la batería.

Problema	Causa	Solución
El indicador de advertencia está encendido.	Servicio.	Consulte a su taller de servicio.

Batería

Problema	Causa	Solución
Indicador de advertencia intermitente.	La batería no está cargada.	Cargue la batería.
	Variación de temperatura.	Utilice la batería en ambientes donde la temperatura esté entre $-10\text{ }^{\circ}\text{C}/14\text{ }^{\circ}\text{F}$ y $40\text{ }^{\circ}\text{C}/104\text{ }^{\circ}\text{F}$.
	A alta tensión.	Revise que la tensión de la batería sea la misma que se indica en la placa de características del producto. Quite la batería del cargador de la batería.
El indicador de advertencia está encendido.	La diferencia de las celdas de la batería es demasiada (1 V).	Consulte a su taller de servicio.

Cargador de batería

Problema	Causa	Solución
Indicador de advertencia intermitente.	Variación de temperatura.	Utilice la batería en ambientes donde la temperatura esté entre $5\text{ }^{\circ}\text{C}/41\text{ }^{\circ}\text{F}$ y $40\text{ }^{\circ}\text{C}/104\text{ }^{\circ}\text{F}$.
El indicador de advertencia está encendido.		Consulte a su taller de servicio.

Transporte, almacenamiento y eliminación de residuos

Transporte y almacenamiento

- Las baterías de iones de litio proporcionadas siguen los requisitos de la Legislación de productos peligrosos.
- Siga los requisitos especiales sobre el embalaje y las etiquetas para transportes comerciales, incluidos los de terceros y transportistas.
- Comuníquese con una persona con capacitación especial sobre materiales peligrosos antes de enviar el producto. Siga todas las normas nacionales aplicables.
- Utilice cinta sobre los contactos abiertos cuando coloque la batería en un paquete. Coloque firmemente la batería en el paquete para evitar el movimiento.
- Retire la batería para almacenarla o transportarla.
- Coloque la batería y el cargador de la batería en un lugar seco, donde no haya humedad ni heladas.
- No mantenga la batería en un área donde pueda generarse electricidad estática. No mantenga la batería en una caja metálica.
- Coloque la unidad de batería en un almacenamiento donde la temperatura oscile entre $5\text{ }^{\circ}\text{C}$ ($41\text{ }^{\circ}\text{F}$) y $25\text{ }^{\circ}\text{C}$ ($77\text{ }^{\circ}\text{F}$), lejos de la luz solar directa.
- Coloque el cargador de la batería en un almacenamiento donde la temperatura esté entre los $5\text{ }^{\circ}\text{C}$ ($41\text{ }^{\circ}\text{F}$) y $45\text{ }^{\circ}\text{C}$ ($113\text{ }^{\circ}\text{F}$), lejos de la luz solar directa.
- Cargue la batería de un 30 % a un 50 % antes de almacenarla durante períodos prolongados.
- Almacene el cargador de la batería en un espacio cerrado y seco.
- Mantenga la batería lejos del cargador de la batería durante el almacenamiento. No permita que niños y otras personas sin autorización toquen el equipo. Mantenga el equipo en un espacio que pueda cerrar.
- Limpie el producto y realice un mantenimiento total antes de almacenarlo durante un período prolongado.

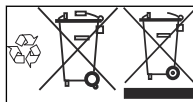
- Utilice protección para transportes en el producto para evitar lesiones o daños en el producto durante su transporte y almacenamiento.
- Fije el producto de manera segura durante el transporte.

equipos eléctricos y electrónicos. Esto ayuda a evitar daño al medioambiente y a las personas.

Comuníquese con las autoridades locales, servicio de desechos doméstico o con su concesionario para obtener más información.

Eliminación de la batería, el cargador y el producto

El siguiente símbolo significa que el producto no se debe desechar como residuo doméstico. Recíclelo en una estación de reciclaje dispuesta para reciclar



Tenga en cuenta: El símbolo se muestra en el producto o en el paquete del producto.

Datos técnicos

Datos técnicos

Husqvarna K 535i				
Voltaje		36 V		
Peso, kg (lb)		3,5 (7,7)		
Diámetro de la cuchilla, mm (pulg.)		230 (9)		
Grosor máximo de la hoja, mm (pulg.)	Cuchillas abrasivas	3,0 (0,1)		
	Cuchillas de diamante	1,8 (0,07)		
Velocidad nominal de la unidad		5940 rpm		
Refrigeración por agua				
Refrigeración por agua de la cuchilla		Sí		
Racor de conexión		Tipo "Gardena"		
Presión recomendada del agua, bar (psi)		0,5 - 6 (7,3 - 87)		
Máxima presión del agua, bar (psi)		6 (87)		
		Niveles de vibración, a_{hveq}^1		
	La parte delantera / izquierdo	Parte trasera derecha	Emisiones sonoras ²	
	m/s ²	m/s ²	LpA	Potencia acústica:
			dB (A)	dB (A)
BLi200	1,9	2,3		
BLi300	2,1	2,5	100,5	111,5
¹ El valor total de vibración declarado se midió de acuerdo con la norma EN 60745-2-22 y se puede utilizar para comparar una herramienta con otra. El valor total de vibración declarado también se puede utilizar en una evaluación preliminar de exposición.				
² Las emisiones sonoras se miden conforme a la norma EN 60745-2-22.				
<ul style="list-style-type: none"> • La incertidumbre del nivel de potencia acústica ponderado en A de K_{pA} es de 3 dB(A). • La incertidumbre del nivel de presión ponderado en A de K_{pA} es de 3 dB(A). 				

Accesorios

Baterías homologadas para el producto

Batería	BLi200	BLi300
Tipo	iones de litio	iones de litio
Capacidad de la batería, Ah	5,2	9,4
Voltaje nominal, V	36	36
Peso, kg/lb	1,3 / 2,9	1,9 / 4,2

Cargadores de batería homologados para el producto

Cargador de batería	QC330
Voltaje de red, V	100-240
Frecuencia, Hz	50-60
Potencia, W	330

Política de garantía

Todos los reclamos de garantía se determinarán después de una inspección en una instalación designada. Se requiere una Autorización de devolución de mercadería para todos los reclamos de garantía. Comuníquese con el departamento de Servicio al cliente de Husqvarna al 800-845-1312 para una Autorización de devolución de mercadería. El cliente debe realizar un pago previo del flete y asumir cualquier gasto de mano de obra requerido para devolver o reemplazar un producto enviado para la evaluación de garantía. Husqvarna pagará los gastos de envío de devolución para productos de reemplazo aprobados o reparados.

EQUIPOS

Se garantiza que el equipo fabricado por Husqvarna no tiene defectos de fabricación en el uso normal durante un período de dos (2) años a partir de la fecha de compra del comprador original. Los fabricantes de componentes ofrecen períodos de garantía por separado. Llame al departamento de Servicios técnicos al 800-288-5040 para obtener información completa.

Nuestra obligación conforme a esta garantía se limita expresamente al reemplazo o reparación en Husqvarna Construction Products North America, Olathe, Kansas 66061 o en una instalación de servicio designada por nosotros, de dicha pieza o piezas que según la inspección deberán catalogarse como defectuosas.

Esta garantía no se aplica a los defectos causados por daños, uso no razonable o reparaciones fallidas realizadas por otras personas que no sean un proveedor de servicios autorizado por Husqvarna, o defectos causados por no haber realizado un mantenimiento razonable mientras se encontraba en posesión del consumidor. Además, la garantía será nula si el producto o cualquiera de sus componentes se encuentra alterado o modificado por el comprador de consumo o si el producto se utiliza de una manera inadecuada o con herramientas no recomendadas por el fabricante.

Excepciones: Motores de perforadora - 3 meses, sierras de pared - 1 año, cortadoras - 3 meses, DM230 - 1 año, DM225 - 3 meses, sistemas Gyro - 1 año, sistema CD40 - 1 año, DS160 C - 1 año, Smart box - 1 año, CS2515 - 1 año, PP455 E - 1 año, PP345 E - 1 año, HP40 - 1 año.

Materiales desgastados: Filtros, bujías, cojinetes*, correas, ruedas** y almohadillas desgastadas.

*Excepto el sistema IntelliSeal™. **Excepto la deslaminación.

TO PURCHASE THIS PRODUCT PLEASE CONTACT US



**Equipment Financing and
Extended Warranties Available**



**Discount-Equipment.com is your online resource for
commercial and industrial quality parts and equipment sales.**

561-964-4949

visit us on line @ www.discount-equipment.com

Select an option below to find your Equipment

Search by Manufacturer

Search by Product Type

Request a Quote

We sell worldwide for the brands: Genie, Terex, JLG, MultiQuip, Mikasa, Essick, Whiteman, Mayco, Toro Stone, Diamond Products, Generac Magnum, Airman, Haulotte, Barreto, Power Blanket, Nifty Lift, Atlas Copco, Chicago Pneumatic, Allmand, Miller Curber, Skyjack, Lull, Skytrak, Tsurumi, Husquvarna Target, Stow, Wacker, Sakai, Mi-T-M, Sullair, Basic, Dynapac, MBW, Weber, Bartell, Bennar Newman, Haulotte, Ditch Runner, Menegotti, Morrison, Contec, Buddy, Crown, Edco, Wyco, Bomag, Laymor, EZ Trench, Bil-Jax, F.S. Curtis, Gehl Pavers, Heli, Honda, ICS/PowerGrit, IHI, Partner, Imer, Clipper, MMD, Koshin, Rice, CH&E, General Equipment, Amida, Coleman, NAC, Gradall, Square Shooter, Kent, Stanley, Tamco, Toku, Hatz, Kohler, Robin, Wisconsin, Northrock, Oztec, Toker TK, Rol-Air, APT, Wylie, Ingersoll Rand / Doosan, Innovatech, Con X, Ammann, Mecalac, Makinex, Smith Surface Prep, Small Line, Wanco, Yanmar

Table des matières

Introduction.....	52	Dépannage.....	73
Sécurité.....	54	Transport, entreposage et mise au rebut.....	74
Montage.....	62	Données techniques.....	75
Fonctionnement.....	65	Accessoires.....	75
Entretien.....	71	Garantie.....	77

Introduction

Responsabilité du propriétaire



AVERTISSEMENT : La coupe, en particulier la coupe à sec, produit de la poussière qui provient du matériau coupé, qui contient souvent de la silice. La silice est un composant de base du sable, du quartz, de la brique d'argile, du granit et de nombreux autres pierres et minéraux. L'exposition à une quantité excessive de ces poussières peut entraîner :

Une maladie respiratoire (réduisant la capacité à respirer), notamment la bronchite chronique, la silicose et la fibrose pulmonaire causée par l'exposition à la silice. Ces maladies peuvent être fatales;

Des irritations et éruptions cutanées.

Le cancer, selon le NTP (National Toxicology Program) et le CIRC (Centre International de recherche sur le cancer).

Prendre les précautions suivantes :

Éviter l'inhalation et le contact cutané avec les poussières, brouillards et fumées.

Porter et veiller à ce que les personnes à proximité portent un dispositif de protection respiratoire approprié, tel un masque antipoussières filtrant les particules microscopiques. (Voir OSHA 29 CFR Part 1926.1153)

Pour réduire les émissions de poussières, effectuer une coupe humide lorsque cela est possible. Si une découpe à sec est

nécessaire, utiliser un extracteur de poussière adéquat.

Il est de la responsabilité du propriétaire ou de l'employeur de s'assurer que l'utilisateur possède les connaissances nécessaires pour manipuler le produit en toute sécurité. Les superviseurs et les utilisateurs doivent avoir lu et compris le manuel d'utilisation. Ils doivent être conscients des éléments suivants :

- Les consignes de sécurité relatives aux produits.
- L'éventail d'applications du produit et ses limites.
- La manière dont le produit doit être utilisé et entretenu.

Les règlements locaux ou nationaux peuvent limiter l'utilisation de ce produit. Rechercher les réglementations en vigueur où le travail est exécuté avant d'utiliser le produit.

Description de l'outil

L'outil Husqvarna K 535i est une découpeuse portable. Le produit est alimenté par une batterie.

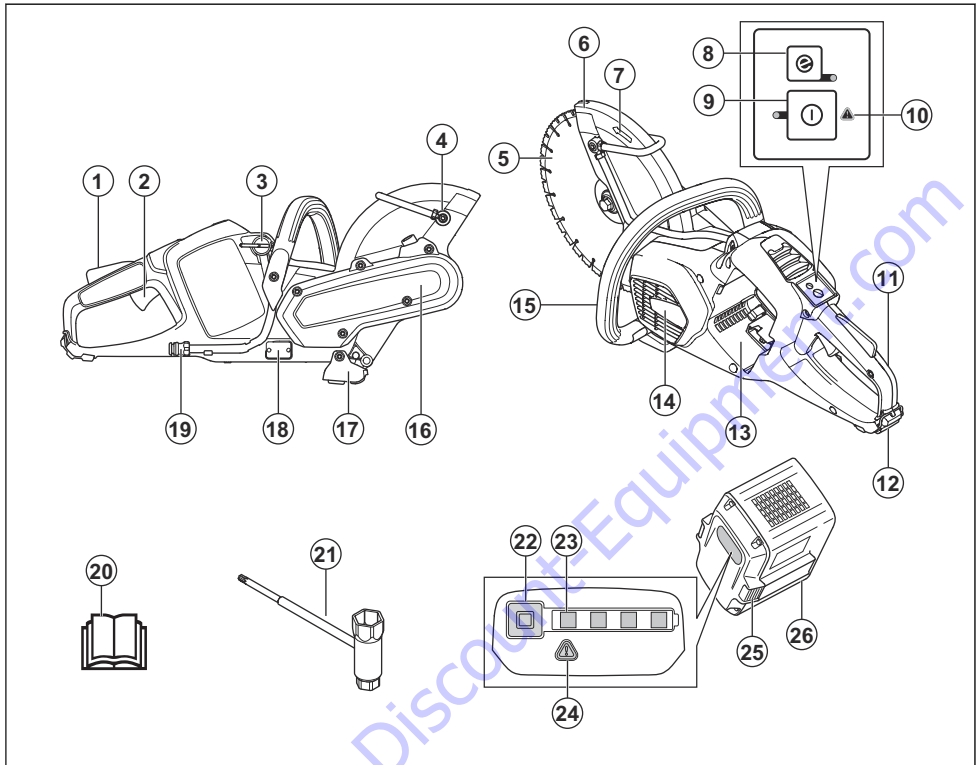
Le travail est constamment en cours pour augmenter votre sécurité et l'efficacité pendant l'utilisation. Pour obtenir de plus amples renseignements, communiquer avec votre centre de services.

Utilisation prévue

Ce produit est utilisé pour couper les tuiles, les plaques de jardin et le béton léger.

Remarque : Les réglementations nationales peuvent limiter l'utilisation du produit.

Présentation de la machine



1. Mécanisme de verrouillage de la gâchette
2. Gâchette
3. Valve d'eau
4. Buse d'eau
5. Lame de coupe
6. Protège-lame
7. Rotation de la lame
8. Bouton SavE
9. Bouton de marche et d'arrêt
10. Témoin d'avertissement
11. Poignée arrière avec protège-main droit
12. Support arrière au sol avec œillet de corde
13. Emplacement de batterie
14. Boîtier du ventilateur
15. Poignée avant
16. Carter de courroie
17. Support arrière au sol
18. Plaque signalétique
19. Raccord d'eau avec filtre
20. Manuel d'utilisation
21. Clé à usages multiples

22. Bouton, état de la batterie
23. État de la batterie
24. Témoin d'avertissement
25. Bouton de déverrouillage de la batterie
26. Batterie (non comprise)

Symboles figurant sur la machine



Risque de blessure grave ou de décès de l'utilisateur ou d'autres personnes. Faire attention et utiliser le produit correctement.



Lire attentivement le manuel d'utilisation et veiller à bien comprendre les instructions avant d'utiliser le produit.



Porter un casque de protection, un dispositif de protection respiratoire, un dispositif de protection pour les oreilles et des lunettes de protection homologuées.



Ce produit est conforme aux directives CE en vigueur.



Les fumées issues de la coupe peuvent engendrer des blessures si on les inhale. Utiliser un dispositif de protection respiratoire homologué. Éviter de respirer les gaz d'échappement. S'assurer que le débit d'air est suffisant.



Les étincelles produites par la lame de coupe peuvent engendrer un incendie en cas de contact avec des matériaux combustibles tels que l'essence, le bois, les vêtements et l'herbe sèche.



Les rebonds peuvent être soudains et rapides et peuvent engendrer des blessures. Lire et comprendre les instructions du manuel avant d'utiliser le produit.



Vérifier que la lame de coupe n'est pas fissurée ni endommagée.



Ne pas utiliser des lames de scie circulaires.



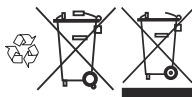
Marque relative à l'environnement. Le produit ou l'emballage du produit n'est pas un déchet domestique. Recycler dans un centre de recyclage pour équipements électriques et électroniques.

	Sens de rotation de la lame
yyyywwxxxx	La plaque signalétique indique le numéro de série. yyyy représente l'année de production, ww indique la semaine de production.
∅	Diamètre extérieur maximal de la lame
CC	Courant continu

n	Régime nominal
---	----------------

Remarque : Les autres symboles et autocollants apposés sur le produit se rapportent aux exigences en matière de certification pour certains marchés.

Symboles figurant sur la batterie et sur le chargeur de batterie



Recycler ce produit à la station de recyclage des équipements électriques et électroniques. (Pour l'Europe seulement)



Transformateur fiable



Utiliser et garder le chargeur de batterie seulement dans un endroit clos.



Double isolation.

Responsabilité concernant le produit

Comme indiqué dans les lois en vigueur sur la responsabilité concernant les produits, nous ne serons pas tenus responsables des dommages que notre produit causerait dans les situations suivantes :

- Le produit n'est pas réparé de façon adéquate.
- Le produit est réparé avec des pièces qui ne sont pas fournies ou homologuées par le fabricant.
- Le produit comprend un accessoire qui n'est pas fourni ou homologué par le fabricant.
- Le produit n'est pas réparé par un centre de service après-vente agréé ou par une autorité homologuée.

Sécurité

Définitions relatives à la sécurité

Les avertissements, recommandations et remarques soulignent des points du manuel qui revêtent une importance particulière.



AVERTISSEMENT : Indique la présence d'un risque de blessure ou de décès de l'utilisateur ou de personnes à proximité si les instructions du manuel ne sont pas suivies.



MISE EN GARDE : Indique la présence d'un risque de dommages au produit, à d'autres appareils ou à la zone adjacente si les instructions du manuel ne sont pas suivies.

Remarque : Utilisé pour donner des renseignements plus détaillés qui sont nécessaires dans une situation donnée.

Consignes générales de sécurité relatives aux outils électriques



AVERTISSEMENT : Lire toutes les instructions et consignes de sécurité. Le non-respect de ces instructions et consignes peut provoquer une électrocution, un incendie et des blessures graves.

Remarque : **Conserv**er ces instructions et consignes pour consultation ultérieure. Dans les avertissements, le terme « outil électrique » fait référence à votre appareil électrique branché sur le secteur ou alimenté par batterie (sans fil).

Sécurité de l'aire de travail

- **Maintenir l'aire de travail propre et bien éclairée.** Les endroits sombres ou encombrés sont propices aux accidents.
- **Ne pas utiliser des outils électriques dans des atmosphères explosives, notamment en présence de liquides, gaz ou poussières inflammables.** Les outils électriques produisent des étincelles qui peuvent enflammer les poussières et les vapeurs.
- **Tenir les enfants et les spectateurs à distance lorsque l'outil électrique est en marche.** Un moment d'inattention pourrait vous en faire perdre le contrôle.

Sécurité électrique

- **La fiche d'un outil électrique doit être adaptée à la prise. Ne jamais modifier la fiche. Ne jamais utiliser une fiche d'adaptation avec un outil électrique mis à la terre.** Les fiches non modifiées et les prises adaptées à la fiche permettent de réduire les risques d'électrocution.
- **Éviter d'entrer en contact avec les surfaces mises à la terre (tuyaux, radiateurs, cuisinières, réfrigérateurs, etc.).** Le risque d'électrocution est plus important si le corps est mis à terre.
- **Ne pas exposer les outils électriques à la pluie ou à l'humidité.** L'infiltration d'eau dans un outil électrique augmente le risque d'électrocution.
- **Toujours manipuler le cordon avec soin.** Ne jamais utiliser le cordon pour porter, tirer ou débrancher l'outil électrique. Tenir le cordon à l'écart de la chaleur, de l'huile, des bords tranchants et des

pièces mobiles. Les cordons endommagés ou emmêlés augmentent le risque d'électrocution.

- **Pour le travail à l'extérieur, utiliser une rallonge adaptée à l'usage extérieur.** L'utilisation d'une telle rallonge réduit le risque d'électrocution.
- **Si l'utilisation de l'outil électrique dans un endroit humide ne peut être évitée, utiliser une source d'alimentation protégée par disjoncteur de courant résiduel.** Les disjoncteurs de courant résiduel réduisent le risque d'électrocution.



MISE EN GARDE : Ne pas laver la machine avec de l'eau sous pression, car l'eau peut s'infiltrer dans le système électrique ou le moteur et endommager la machine ou engendrer un court-circuit.

Sécurité personnelle

- **Lors de l'utilisation d'un outil électrique, toujours demeurer attentif et faire preuve de bon sens. Ne pas utiliser l'outil électrique si vous êtes fatigué ou sous l'emprise de drogues, de l'alcool ou de médicaments.** Tout moment d'inattention pendant l'utilisation d'un outil électrique peut causer de graves blessures.
- **Utiliser de l'équipement de protection individuelle. Toujours porter des lunettes de protection.** L'équipement de protection (masque antipoussière, chaussures de sécurité antidérapantes, dispositif de protection pour les oreilles, etc.) utilisé selon les conditions présentes réduit les risques de blessure.
- **Prévenir les démarrages accidentels. Vérifier que l'interrupteur est à la position d'arrêt avant de brancher l'outil dans la prise ou le bloc d'alimentation, de le saisir ou de le transporter.** Le transport des outils électriques en maintenant le doigt sur l'interrupteur d'alimentation et le branchement d'outils alors que l'interrupteur est à la position de marche expose à des accidents.
- **Retirer toute clé ou clavette de réglage avant de mettre l'outil sous tension.** Une clé ou une clavette reliée à une pièce mobile de l'outil électrique peut causer une blessure.
- **Ne pas trop se pencher vers l'avant. Toujours se tenir bien campé et en équilibre.** Cela permet de mieux contrôler l'outil électrique lors d'un imprévu.
- **S'habiller de façon appropriée. Ne jamais porter des vêtements amples ou des bijoux. Garder les cheveux, les vêtements et les gants loin des pièces mobiles.** Les vêtements amples, bijoux et cheveux longs peuvent se prendre dans les pièces en mouvement.
- **Si des dispositifs sont fournis pour raccorder des systèmes de collecte et d'extraction de la poussière, s'assurer que ceux-ci sont utilisés et correctement branchés.** L'utilisation de dépoussiéreurs peut réduire les risques associés à la poussière.

- **Les vibrations produites pendant l'utilisation de l'outil peuvent différer de la valeur totale déclarée, selon la manière dont l'outil est utilisé.** L'utilisateur doit déterminer les mesures de sécurité qui sont nécessaires à sa protection sur la base d'une estimation de son exposition dans les conditions d'utilisation réelles (en tenant compte de chaque phase du cycle opératoire, soit lorsque l'outil est éteint, lorsqu'il est utilisé activement et lorsqu'il fonctionne au ralenti).
- **Se tenir loin de la lame quand le moteur tourne.**

Utilisation et entretien des outils électriques

- **Ne pas forcer sur l'outil électrique. Utiliser l'outil électrique qui convient au travail à effectuer.** De cette façon, le résultat sera meilleur et le travail sera effectué de façon plus sécuritaire et au régime pour lequel l'outil électrique a été conçu.
- **Ne pas utiliser l'outil électrique si l'interrupteur ne permet pas la mise sous tension et l'arrêt de l'outil.** Tout outil électrique dont l'interrupteur est défectueux représente un danger et doit être réparé.
- **Débrancher la fiche de la prise ou du bloc d'alimentation avant de procéder aux réglages, de changer les accessoires ou de ranger l'outil.** Ces mesures de sécurité réduisent le risque de mise sous tension accidentelle.
- **Ranger les outils électriques hors de la portée des enfants et ne pas laisser des personnes qui ne connaissent pas l'outil ou les présentes consignes utiliser celui-ci.** Les outils électriques représentent un danger lorsqu'ils sont entre les mains d'utilisateurs non formés.
- **Entretenir les outils électriques correctement. Vérifier l'outil à la recherche de pièces brisées, de mauvais alignement ou de blocage des pièces mobiles et de toute autre situation pouvant nuire au bon fonctionnement de l'outil. Si l'outil est endommagé, il faut le réparer avant de l'utiliser.** De nombreux accidents sont causés par des outils mal entretenus.
- **Maintenir les outils tranchants aiguisés et propres.** Les outils tranchants correctement entretenus dont les bords de coupe sont bien affûtés sont moins susceptibles de se coincer et plus faciles à contrôler.
- **Utiliser l'outil électrique, les accessoires, les forêts, etc., conformément aux présentes instructions et en tenant compte des conditions de travail et de la tâche à réaliser.** L'utilisation de l'outil électrique pour des opérations autres que celles pour lesquelles il est prévu peut entraîner des dangers.
- **Il ne faut en aucun cas modifier la conception originale de la machine sans l'approbation du fabricant.** Toujours utiliser des pièces de rechange d'origine. Les modifications et/ou les accessoires non autorisés peuvent entraîner des blessures

graves ou la mort de l'utilisateur ou d'autres personnes.

- **S'assurer qu'aucun tuyau ou câble électrique ne passe dans l'aire de travail ou dans le matériau à découper.**
- **Toujours vérifier et marquer l'emplacement des conduites de gaz.** Il est toujours dangereux de couper près de conduites de gaz. S'assurer qu'il n'y a pas de production d'étincelles lorsqu'on coupe, afin d'éviter le risque d'explosion. Toujours rester concentré et axé sur la tâche. Toute négligence peut entraîner de graves blessures, ou même la mort.

Utilisation et entretien des outils électriques à batteries

- **Ne recharger qu'avec le chargeur indiqué par le fabricant.** Un chargeur convenant à un type de bloc de batteries particulier peut entraîner un risque d'incendie s'il est utilisé avec un autre bloc de batteries.
- **N'utiliser des outils électriques qu'avec les blocs de batteries spécifiquement indiqués.** L'utilisation d'autres groupes de batteries peut entraîner un risque de blessure et d'incendie.
- **Lorsqu'on n'utilise pas le bloc de batteries, le tenir à l'écart d'objets métalliques, tels que les trombones, pièces de monnaie, clés, clous, vis ou autres petits objets en métal, qui peuvent établir une connexion entre les bornes.** La mise en court-circuit des bornes de batteries peut provoquer des brûlures ou un incendie.
- **Une utilisation abusive peut laisser s'échapper du liquide de la batterie; éviter tout contact. En cas de contact accidentel, rincer abondamment à l'eau. Si du liquide entre en contact avec les yeux, consulter en outre un médecin immédiatement.** Le liquide échappé de la batterie peut provoquer des irritations ou des brûlures.

Réparations

- **Faire entretenir votre outil électrique par un technicien qualifié et utiliser uniquement des pièces de rechange identiques aux pièces d'origine.** L'entretien adéquat de l'outil permet une utilisation plus sécuritaire.

Avertissement de sécurité de la découpeuse

- **Le dispositif de protection fourni avec l'outil doit être correctement fixé à l'outil électrique et placé de façon à offrir la sécurité maximale en exposant le moins possible l'opérateur au disque.** Vous tenir, ainsi que les personnes présentes, à l'écart du plan du disque en rotation. La protection permet de protéger l'opérateur contre les éventuels fragments de disque, ainsi que contre tout contact accidentel avec le disque.

- **N'utiliser que des disques liés renforcés ou des disques de découpeuse au diamant pour votre outil.** La possibilité d'utiliser un accessoire sur votre outil électrique, ne signifie pas forcément pas que son fonctionnement est sécuritaire.
- **La vitesse nominale de l'accessoire doit être au moins égale à la vitesse maximale indiquée sur l'outil électrique.** Les accessoires qui tournent plus vite que la vitesse nominale peuvent se briser et être projetés.
- **Les disques doivent être utilisés seulement pour les applications recommandées. Par exemple, ne pas utiliser le côté de la découpeuse pour effectuer un meulage.** Les disques abrasifs de découpeuses sont prévus pour le meulage périphérique; l'application à ces disques d'une force latérale peut les faire voler en éclats.
- **Toujours utiliser des brides de disques en bon état et de diamètre adéquat pour le disque sélectionné.** Les brides de disques adéquats soutiennent le disque, ce qui réduit les risques de bris de disque.
- **Ne pas utiliser de disques usés renforcés provenant d'outils plus puissants.** Les disques destinés aux gros outils ne sont pas adaptés aux régimes élevés des outils plus petits et risquent d'éclater.
- **Le diamètre extérieur et l'épaisseur de l'accessoire doivent correspondre à la capacité nominale maximale de votre outil.** Les accessoires de dimension non adéquate ne peuvent pas être adéquatement protégés ou contrôlés.
- **La taille des tonnelles et des brides de disques doit correspondre de façon adéquate à la broche de l'outil électrique.** Les disques et les brides dont les trous de tonnelle ne correspondent pas au matériel de fixation de l'outil électrique pourraient créer un déséquilibre, vibrer de façon excessive et engendrer une perte de contrôle.
- **Ne pas utiliser les disques s'ils sont endommagés. Avant chaque utilisation, vérifier que les disques sont exempts de copeaux et de fissures. Si l'outil électrique ou le disque tombe, vérifier qu'ils n'aient pas subi de dommage ou installer un disque en parfait état. Après inspection et installation du disque, vous tenir, ainsi que les personnes présentes, à l'écart du plan du disque en rotation et faire fonctionner l'outil électrique au régime maximal sans charge pendant une minute.** Pendant ce temps de test, si un disque est endommagé, il devrait se briser.
- **Porter un équipement de protection personnelle. Selon le type d'application, utiliser un masque, des lunettes de sécurité ou des lunettes de sécurité. Selon le cas, porter un masque anti-poussière, un casque anti-bruit, des gants et un tablier d'atelier capable de bloquer les petits fragments de la pièce abrasive ou de la pièce à usiner.** Le dispositif de protection des yeux doit pouvoir bloquer les projections de débris générées par diverses opérations. Le masque anti-poussières ou le dispositif de protection respiratoire doit pouvoir filtrer les particules générées par l'opération. L'exposition prolongée à un bruit d'intensité élevée peut engendrer des pertes auditives.
- **Tenir les personnes présentes à l'écart de la zone de travail. Toute personne entrant dans la zone de travail doit utiliser des équipements de protection personnelle.** Les fragments de la pièce à usiner ou du disque peuvent être projetés dans l'air et engendrer des blessures au-delà de la proximité immédiate de la zone de travail.
- **Lors d'une opération, tenir l'outil électrique uniquement par les endroits isolés prévus pour la prise de l'outil, car l'accessoire de coupe pourrait entrer en contact avec un câble dissimulé.** Si l'accessoire de coupe entre en contact avec un câble sous tension, les parties métalliques non isolées de l'outil électrique pourraient agir comme conducteur et électrocuter l'utilisateur.
- **Ne jamais poser l'outil électrique tant que l'accessoire n'est pas à l'arrêt complet.** le disque qui tourne peut s'agripper à la surface et tirer l'outil électrique hors de votre contrôle.
- **Ne pas faire tourner l'outil électrique pendant son transport à vos côtés.** Le contact accidentel avec l'accessoire qui tourne peut accrocher vos vêtements et tirer l'accessoire vers votre corps.
- **Nettoyer régulièrement les événements de l'outil électrique.** Le moteur du ventilateur aspire la poussière à l'intérieur de son logement, et l'accumulation excessive de poudre de métal peut engendrer des dangers électriques.
- **Ne pas faire fonctionner l'outil électrique à proximité de matériaux inflammables.** Des étincelles pourraient enflammer ces matériaux.

Rebonds et avertissements liés

- **Le rebond est une réaction soudaine d'un disque pincé ou endommagé en cours de rotation.** Un pincement ou un accrochage engendre le calage rapide du disque en rotation qui à son tour engendre la perte de contrôle de l'outil électrique, occasionnant une rotation dans le sens opposé de celui du disque à l'endroit de l'accrochage.
- **Par exemple, si un disque abrasif est accroché ou pincé par la pièce, le bord du disque qui pénètre au point de pincement peut s'enfoncer dans la surface du matériau, engendrant une grimpe ou un rebond du disque.** Le disque peut s'éloigner ou se rapprocher de l'opérateur, en fonction du sens du mouvement du disque au point de pincement. Dans ces conditions, les disques abrasifs peuvent également se détacher.
- **Les rebonds résultent d'une mauvaise utilisation de l'outil électrique, d'une méthode de travail incorrecte ou de mauvaises conditions de coupe.** Il est possible de les éviter en prenant les mesures de précaution ci-dessous.
- **Tenir fermement l'outil électrique et placer le corps et les bras de manière à résister à force**

d'un éventuel rebond. Toujours utiliser la poignée auxiliaire, le cas échéant, pour un contrôle maximal en cas de rebond ou de réaction au couple lors du démarrage. L'opérateur peut contrôler les forces de réaction au couple ou de rebond, si les précautions adéquates sont prises.

- **Ne jamais placer la main à proximité de l'accessoire en rotation.** L'accessoire peut rebondir et heurter votre main.
- **Ne pas placer votre corps en ligne avec le disque en rotation.** Un rebond propulsera l'outil électrique dans le sens opposé au mouvement du disque au point d'accrochage.
- **Prendre des précautions spéciales lors du traitement des coins, des bords tranchants, etc.** Éviter de faire fonctionner l'accessoire par à-coups et de l'accrocher. Les coins, les bords tranchants et l'utilisation par à-coups ont tendance à accrocher l'accessoire en rotation et à engendrer des pertes de contrôle et des rebonds.
- **Ne pas fixer une chaîne de tronçonneuse, une lame d'expansion, un disque de diamant segmenté avec un écart périphérique supérieur à 10 mm ou une lame de scie crantée.** Ces lames engendrent fréquemment des rebonds et des pertes de contrôle.
- **Ne pas coincer le disque ou appliquer une pression excessive.** Ne pas tenter d'obtenir une trop grande profondeur de coupe. Le fait d'exercer une contrainte excessive sur les disques augmente la charge, ainsi que les risques de torsion et de blocage du disque dans l'entaille et la possibilité d'un rebond ou d'un bris du disque.
- **Lorsque le disque est coincé ou lorsqu'on veut interrompre un découpage pour une quelconque raison, désactiver l'outil électrique et maintenir l'outil électrique immobile jusqu'à ce que le disque passe à l'arrêt complet.** Ne pas retirer le disque de l'objet en cours de coupe pendant que le disque est en mouvement, car cela pourrait engendrer un rebond. Vérifier et prendre des mesures correctives pour éliminer la cause du blocage du disque.
- **Ne pas redémarrer l'opération de coupe à l'intérieur de la pièce de travail.** Attendre que le disque atteigne le plein régime et reprendre la coupe avec précaution. Le disque peut se bloquer, être poussé vers le haut ou rebondir si on redémarre l'outil électrique alors qu'il se trouve dans la pièce.
- **Soutenir les panneaux et les pièces surdimensionnées pour réduire les risques de pincement et de rebond des disques.** Les pièces de grandes dimensions ont tendance à s'affaisser sous leur propre poids. Les dispositifs de soutien doivent être placés sous la pièce, à proximité de la ligne de coupe et près du bord de la pièce sur les deux côtés du disque.
- **Redoubler de vigilance lorsqu'on découpe une cavité dans un mur ou un emplacement sans visibilité.** Le disque sortant peut éventuellement

couper des canalisations de gaz ou d'eau, des fils électriques ou des objets pouvant provoquer des rebonds.

Consignes générales de sécurité



AVERTISSEMENT : Lire les messages d'avertissement qui suivent avant d'utiliser l'outil.

- Ce produit est un outil dangereux, qui peut engendrer des blessures graves s'il n'est pas utilisé avec précaution ou s'il est mal utilisé. Il est très important de lire et de comprendre le contenu de ce manuel.
- Ne pas modifier le produit sans l'approbation du fabricant. Ne pas utiliser un produit qui a été modifié par d'autres, et toujours utiliser des accessoires d'origine. Les modifications non approuvées par le fabricant peuvent entraîner des blessures graves voire mortelles pour l'utilisateur ou pour d'autres personnes.
- Toujours garder le produit propre. Les signes et les autocollants doivent être entièrement visibles.
- Ce produit produit un champ électromagnétique pendant le fonctionnement. Ce champ magnétique peut, dans certains cas, nuire aux implants médicaux actifs ou passifs. Pour réduire le risque de blessures graves ou mortelles, il est recommandé aux personnes ayant des implants médicaux de consulter leur médecin et le fabricant de l'implant médical avant d'utiliser le produit.

Consignes de sécurité pour l'utilisation



AVERTISSEMENT : Lire toutes les instructions et consignes de sécurité. Le non-respect de ces instructions et consignes peut provoquer une électrocution, un incendie et des blessures graves.

- Ne pas couper de matériau comportant de l'amiante.
- Lors d'une découpe à sec, s'assurer que la poussière est retirée en toute sécurité.
- Les renseignements contenus dans ce manuel ne remplacent pas les connaissances et expériences professionnelles. En cas d'appréhension lors de l'utilisation du produit, l'arrêter immédiatement. Ne pas utiliser le produit dans des situations inconnues.
- Communiquer avec votre centre de services ou Husqvarna en cas de questions relatives au fonctionnement du produit. Nous pouvons vous fournir des renseignements sur la façon d'utiliser le produit efficacement et en toute sécurité.
- Ne pas utiliser un produit, une batterie ou un chargeur de batterie défectueux.
- Ne pas toucher une lame de coupe en rotation. Cela pourrait causer des blessures graves, voire la mort.

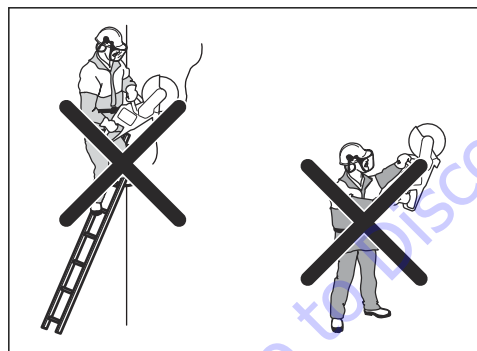
- Ne pas utiliser le produit par mauvais temps, par exemple dans un brouillard épais ou sous la pluie, dans des endroits fortement venteux et en cas de froid intense. Le mauvais temps augmente les risques, comme en cas de présence de glace sur le sol.
- Ne pas démarrer le produit sauf si tous les dispositifs de couverture et de protection sont correctement montés.
- Regarder autour de vous. S'assurer qu'il n'y a aucun risque que des personnes ou des animaux touchent le produit ou gênent son contrôle.
- Ne pas laisser les enfants utiliser le produit ou s'en approcher. Le produit ne démarre pas facilement. Cela peut entraîner un risque de blessures graves.
- Retirer la batterie lorsque le produit ne se trouve pas entièrement dans votre champ de vision. Retirez la batterie lorsqu'on n'utilise pas le produit pendant une longue période.
- Être stable sur ses pieds afin d'avoir le contrôle total du produit. Ne pas utiliser le produit en étant sur une échelle. N'utiliser le produit que sur un sol stable.
- Ne pas utiliser le produit au-dessus de la hauteur des épaules.
- Ne pas tenir le produit d'une seule main. Ce produit ne peut être contrôlé en toute sécurité d'une seule main.
- Ne pas utiliser le produit dans une situation où il n'est pas possible de recevoir de l'aide en cas d'accident.
- S'assurer qu'il est possible de se déplacer autour en toute sécurité. Vérifier l'environnement de travail pour détecter d'éventuels obstacles.
- La surexposition aux vibrations peut entraîner des problèmes circulatoires ou des troubles nerveux, en particulier chez les personnes ayant des troubles circulatoires. En cas de symptômes liés à une surexposition aux vibrations, consulter un médecin. Voici certains de ces symptômes : engourdissement, perte de sensibilité, fourmillement, picotement, douleur, faiblesse musculaire, décoloration ou modification de l'épiderme. Ces symptômes apparaissent normalement aux doigts, aux mains et aux poignets. Ces symptômes peuvent être accentués par le froid.
- Il n'est pas possible d'inclure toutes les situations auxquelles vous pourriez faire face au cours de l'utilisation de ce produit. Toujours rester prudent et faire preuve de bon sens.

- **Remarque :** Après l'utilisation de l'outil, retirer immédiatement les protecteurs d'oreilles dès la fin du sciage de sorte à entendre les bruits et les signaux d'avertissements.

Équipement de protection personnelle



AVERTISSEMENT : Lire toutes les instructions et consignes de sécurité. Le non-respect de ces instructions et consignes peut provoquer une électrocution, un incendie et des blessures graves.



- Si le produit est utilisé de façon insouciance, le risque de rebond augmente.



- Utiliser un équipement de protection personnelle homologué lors de l'utilisation. Cet équipement de protection personnelle n'élimine pas complètement les risques de blessures, mais il peut en réduire la gravité en cas d'accident. Communiquer avec votre centre de services pour obtenir des recommandations sur le matériel à utiliser.
- Vos vêtements doivent être ajustés, mais ne doivent pas limiter vos mouvements. Vérifier régulièrement l'état de l'équipement de protection personnelle.
- Utiliser un casque de protection approuvé.
- Utiliser un dispositif de protection respiratoire homologué.
- Utiliser un dispositif de protection homologué pour les oreilles. L'exposition prolongée au bruit peut causer des lésions auditives permanentes.
- Utiliser des lunettes de protection ou une visière faciale afin de réduire le risque de blessure due aux particules et à la poussière. Il peut en résulter des blessures graves, en particulier aux yeux.

- Porter des gants de protection robustes.
- Utiliser des bottes à embout en acier et semelles antidérapantes.
- Une trousse de premiers secours doit toujours être présente.

Dispositifs de sécurité sur l'outil

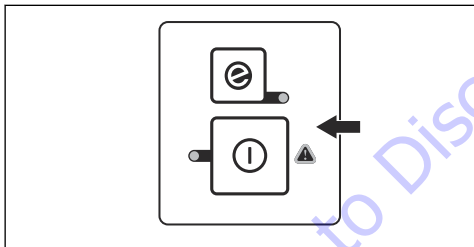


AVERTISSEMENT : Lire toutes les instructions et consignes de sécurité. Le non-respect de ces instructions et consignes peut provoquer une électrocution, un incendie et des blessures graves.

- Ne pas utiliser un produit dont les composants de sécurité sont défectueux. L'équipement de sécurité doit être inspecté et entretenu régulièrement. Se rendre dans votre centre de services pour des réparations si une inspection d'un dispositif de sécurité n'est pas homologuée.

Clavier

L'indicateur d'avertissement clignote s'il y a un risque de surcharge. La protection contre la surcharge arrête temporairement le produit et celui-ci ne peut plus être utilisé jusqu'à ce que la température se rétablisse. Si le témoin s'allume en continu, communiquer avec votre centre de services.



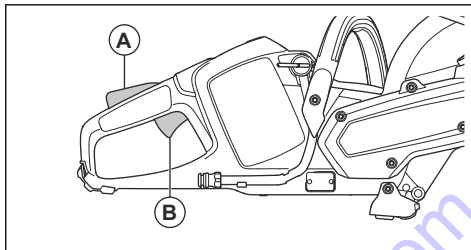
La fonction d'arrêt automatique

Le produit est doté d'une fonction d'arrêt automatique qui arrête le produit s'il n'est pas utilisé pendant une minute.

Mécanisme de verrouillage de la gâchette

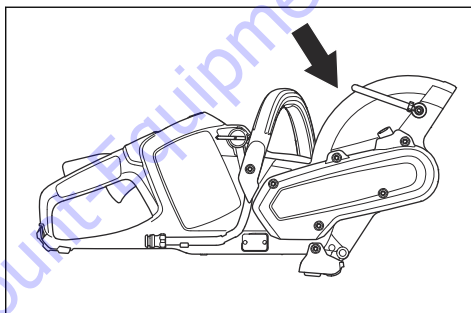
Le mécanisme de verrouillage de la gâchette empêche tout fonctionnement accidentel de la gâchette. Lorsque la main est placée autour de la poignée et le mécanisme de verrouillage de la gâchette (A) est enfoncé, la gâchette (B) se déverrouille. Quand la poignée est

relâchée, la gâchette et son mécanisme de verrouillage retournent à leur position initiale.



Protège-lame

Le protège-lame protège l'utilisateur contre les particules issues de la coupe. La protection empêche les pièces de se desserrer et de blesser l'utilisateur



Sécurité en matière de batteries



AVERTISSEMENT : Lire toutes les instructions et consignes de sécurité. Le non-respect de ces instructions et consignes peut provoquer une électrocution, un incendie et des blessures graves.

- Utiliser uniquement les batteries Husqvarna BLI recommandées pour votre produit. Les batteries sont cryptées au moyen d'un logiciel.
- Utiliser les batteries Husqvarna BLI qui sont rechargeables en tant que source d'alimentation pour les produits Husqvarna connexes seulement. Pour éviter les blessures, ne pas utiliser la batterie en tant que source d'alimentation pour d'autres appareils.
- Risque de décharge électrique. Ne pas raccorder les bornes de la batterie à des clés, des vis ou tout autre élément métallique. Cela peut provoquer un court-circuit de la batterie.
- Ne pas utiliser des batteries qui ne sont pas rechargeables.
- Ne pas placer d'objet dans les fentes de ventilation de la batterie.
- Maintenir la batterie à l'écart de la lumière du soleil, de la chaleur et des flammes nues. La batterie peut

exploser et causer des brûlures et/ou des brûlures chimiques.

- Garder la batterie à l'écart de la pluie et de l'humidité.
- Garder la batterie à l'écart des micro-ondes et des pressions élevées.
- Ne pas essayer de démonter ou de briser la batterie.
- Ne pas laisser l'acide de batterie toucher votre peau. L'acide de batterie provoque des blessures cutanées, de la corrosion et de brûlures. Si l'acide de batterie entre en contact avec les yeux, ne pas les frotter; mais les rincer avec de l'eau pendant au moins 15 minutes. Si l'acide de batterie entre en contact avec la peau, la nettoyer avec une grande quantité d'eau et de savon. Consulter un médecin.
- Utiliser la batterie dans une température comprise entre -10 °C (14 °F) et 40 °C (104 °F).
- Ne pas nettoyer la batterie ou le chargeur de batterie avec de l'eau. Voir *Pour nettoyer la batterie et le chargeur de batterie*, à la page 72.
- Ne pas utiliser une batterie défectueuse ou endommagée.
- Garder les piles dans le local de rangement, à l'écart des objets métalliques tels que les clous, les vis ou les bijoux.
- Maintenir la batterie à l'écart des enfants.

Sécurité du chargeur de batteries



AVERTISSEMENT : Lire toutes les instructions et consignes de sécurité. Le non-respect de ces instructions et consignes peut provoquer une électrocution, un incendie et des blessures graves.

- Risque d'électrocution et de court-circuit si les consignes de sécurité ne sont pas suivies.
- Ne pas utiliser d'autres chargeurs de batterie que ceux fournis pour votre produit. Utiliser uniquement des chargeurs Husqvarna QC lors du chargement des batteries de rechange Husqvarna BLi.
- Ne pas essayer de démonter le chargeur de batterie.
- Ne pas utiliser un chargeur de batterie défectueux ou endommagé.
- Ne pas soulever le chargeur de batterie au moyen du cordon d'alimentation. Pour débrancher le chargeur de batteries de la prise murale, tirer la fiche. Ne pas tirer le cordon d'alimentation.
- Tenir les câbles et les rallonges à l'abri de l'eau, de l'huile et des arrêtes coupantes. S'assurer que le câble n'est pas coincé entre les portes, les barrières ou quoique ce soit de semblable.
- Ne pas utiliser le chargeur de batterie à proximité de matériaux inflammables ou de matériaux qui peuvent

engendrer une corrosion. S'assurer que le chargeur de batterie n'est pas couvert. Débrancher la prise du chargeur de batterie en cas de fumée ou d'incendie.

- Recharger la batterie seulement dans un endroit clos avec une bonne ventilation et à l'écart de la lumière. Ne pas charger la batterie à l'extérieur. Ne pas charger la batterie dans des conditions humides.
- Utiliser le chargeur de batterie seulement lorsque la température est comprise entre 5 °C (41 °F) et 40 °C (104 °F). Utiliser le chargeur dans un environnement bien ventilé, sec et exempt de poussières.
- Ne pas placer d'objet dans les fentes de ventilation du chargeur de batterie.
- Ne pas raccorder les bornes du chargeur de batterie aux objets métalliques, car cela peut court-circuiter le chargeur de batterie.
- Ne pas charger de batteries non rechargeables dans le chargeur de batterie ou les utiliser dans la machine.
- Utiliser des prises murales approuvées qui ne sont pas endommagées.

Consignes de sécurité pour la maintenance



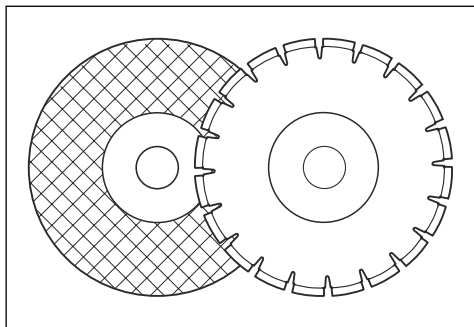
AVERTISSEMENT : Lire les messages d'avertissement qui suivent avant de procéder à l'entretien du produit.

- Retirer la batterie avant d'effectuer l'entretien, de procéder à d'autres contrôles ou d'assembler le produit.
- L'opérateur ne doit effectuer que les travaux de réparation et d'entretien décrits dans ce manuel d'utilisation. Se rendre dans le centre de service agréé pour les travaux de réparation ou d'entretien plus importants.
- Ne pas nettoyer la batterie ou le chargeur de batterie avec de l'eau. Les détergents puissants peuvent endommager le plastique.
- En absence d'entretien, cela réduit la durée de vie du produit et augmente le risque d'accidents.
- Une formation spécifique est nécessaire pour tous les travaux d'entretien et de réparation, en particulier pour les dispositifs de sécurité sur le produit. Si toutes les vérifications indiquées dans ce manuel d'utilisation ne sont pas homologuées une fois l'entretien effectué, se rendre dans le centre de service La disponibilité des réparations et des entretiens effectués de façon professionnelle est garantie pour votre produit.
- Utiliser des pièces de rechange d'origine.

Montage

Lames de coupe adéquates

Les lames de coupe de l'outil Husqvarna K 535i sont offertes en deux modèles de base : les lames abrasives et les lames de diamant.



Lames de coupe pour découpeuses portables à haut régime



AVERTISSEMENT : Pour le béton, utiliser seulement des lames de diamant et des lames abrasives. Ne pas utiliser des lames avec débâches, telles les lames circulaires de découpe de bois avec embout en carbure. Le risque de rebond est accru et les embouts en carbure peuvent se détacher et être projetés à grande vitesse. Cela peut engendrer des blessures graves, voire la mort.



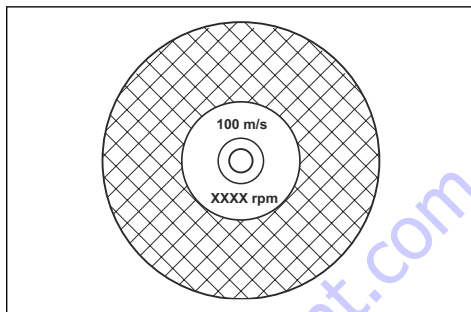
AVERTISSEMENT : Une mauvaise utilisation peut faire que la lame devienne trop chaude. Une lame trop chaude peut causer un dysfonctionnement, ce qui peut engendrer des dommages et des blessures.



AVERTISSEMENT : Ne pas utiliser une lame de coupe dont le régime maximal est inférieur à celui de la découpeuse. Utiliser seulement des lames de coupe conformes aux normes nationales et régionales.

Remarque : Couper seulement les matériaux permis dans les instructions fournies avec la lame.

Vérifier que la lame est approuvée pour un régime égal ou supérieur à celui indiqué sur la plaque signalétique de l'outil de coupe électrique.



Vibrations de la lame



MISE EN GARDE : Si on utilise le produit avec trop de force, la lame peut devenir trop chaude, se tordre et engendrer des vibrations. Utiliser le produit avec moins de force. Si les vibrations persistent, remplacer la lame.

Lames abrasives



AVERTISSEMENT : Ne pas utiliser les lames abrasives avec de l'eau. Lorsqu'une lame abrasive est exposée à l'eau ou à l'humidité, sa résistance diminue, ce qui augmente le risque qu'elle se brise.



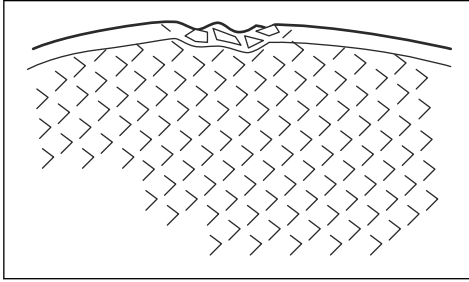
MISE EN GARDE : Il est interdit de couper avec une lame abrasive lorsque l'accessoire d'aspiration est en place. L'utilisation de lames abrasives cause une usure anormale de l'accessoire d'aspiration.



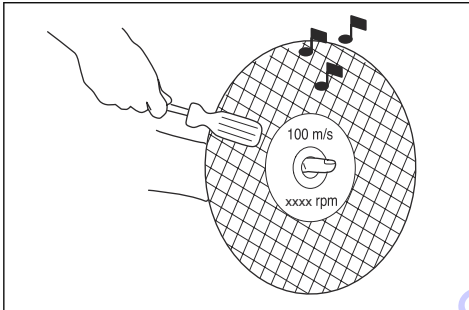
MISE EN GARDE : Ne pas utiliser de lames abrasives qui sont plus épaisses que la limite maximale recommandée. Se reporter à *Données techniques à la page 75*

- Ne pas utiliser de disque usé renforcé provenant d'outils plus puissants. Les disques destinés aux gros outils ne sont pas adaptés aux régimes élevés des outils plus petits et risquent d'éclater.
- Le matériau de coupe sur les lames abrasives est constitué de grains abrasifs agglomérés par un liant organique. Les lames renforcées sont faites de tissu ou de fibres qui résistent à la rupture complète au régime de travail maximal, au cas où la lame serait fissurée ou endommagée.
- La performance d'une lame de coupe dépend du type et de la dimension des particules abrasives, ainsi que de la nature et de la dureté du liant.

- Vérifier que la lame de coupe n'est pas fissurée ni endommagée.



- Tester la lame abrasive en l'accrochant sur un doigt et en la frappant doucement avec un tournevis ou un objet similaire. Si la lame ne produit pas un son clair et plein, c'est qu'elle est endommagée.



- S'assurer qu'on utilise la lame abrasive correcte pour le matériau prévu.

Lames de diamant



AVERTISSEMENT : Ne jamais utiliser une lame de diamant pour couper du plastique. La chaleur produite lors de la découpe peut faire fondre le plastique qui peut coller à la lame de coupe et provoquer un rebond.

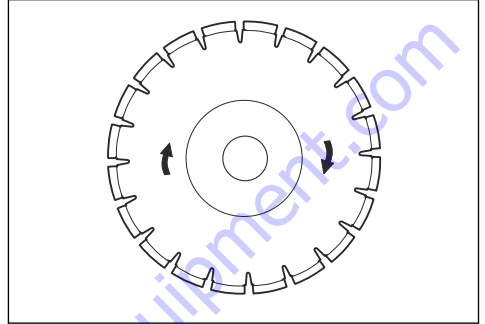


AVERTISSEMENT : Les lames de diamant deviennent très chaudes lorsqu'elles sont utilisées. Une lame surchauffée est le résultat d'une mauvaise utilisation et peut entraîner une déformation de la lame, ce qui causerait des dommages et des blessures.

Remarque : Affûter la lame en coupant un matériau tendre tel que du grès ou du bloc.

- Toujours utiliser une lame de diamant affûtée.
- Les lames de diamant peuvent s'émauser en cas de pression d'avance inadéquate ou de découpe de certains matériaux tels que du béton excessivement armé. Travailler avec une lame de diamant émoussée provoque une surchauffe, ce qui peut entraîner la chute des segments en diamant.

- Les lames de diamant se composent d'un cœur en acier fourni avec des segments qui contiennent des diamants industriels.
- Les lames de diamant sont recommandées pour tous les types de maçonnerie, le béton et d'autres matériaux composites.
- En cas d'utilisation d'une lame de diamant, s'assurer qu'elle tourne dans le sens indiqué par la flèche sur la lame.



Coupe à l'eau



MISE EN GARDE : Ne pas utiliser l'équipement d'aspiration en même temps que le système à l'eau.

- Les disques de diamant pour la coupe à l'eau doivent être utilisés avec le système à l'eau.
- L'eau refroidit la lame et augmente la durée de vie de l'outil, tout en réduisant la formation de poussière.
- Lors d'une coupe à l'eau, prendre soin de recueillir les eaux usées en toute sécurité.

Découpe à sec

- Lors d'une coupe à sec, sortir la lame de son sillon de coupe toutes les 30 à 60 secondes et la laisser tourner dans l'air pendant 10 secondes pour la faire refroidir.
- Utiliser l'équipement d'aspiration dans la mesure du possible.

Lame diamant – Exigences



AVERTISSEMENT : S'assurer que le segment en diamant (T1) est plus large que la lame (T2). Cela permet d'éviter les pincements dans la fente de coupe, ainsi que les rebonds.

produire sur le côté des segments.
Remplacer la lame avant qu'elle soit usée.

Examen de l'arbre à broches et des rondelles d'accouplement

Examiner les rondelles d'accouplement et l'arbre à broches lorsqu'on remplace la lame.



MISE EN GARDE : N'utiliser que des rondelles d'accouplement fournies par Husqvarna et ayant un diamètre d'au moins 60 mm (2,4 po).

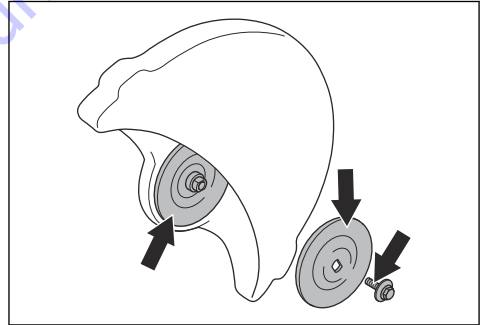


MISE EN GARDE : Ne pas utiliser de rondelle d'accouplement endommagée, défectueuse ou sale.



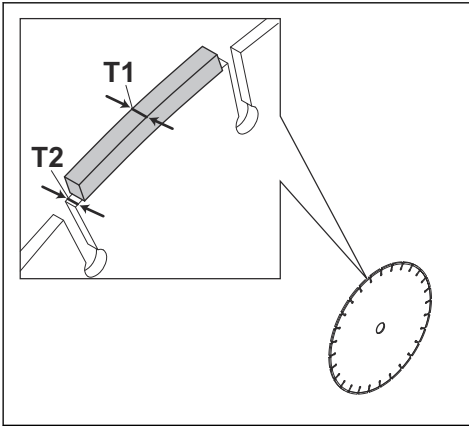
MISE EN GARDE : Ne pas utiliser des rondelles d'accouplement de différentes dimensions.

- Vérifier que les filets de l'arbre à broches ne sont pas endommagés.
- Vérifier que les surfaces de la lame et des rondelles d'accouplement ne sont pas endommagées, sont de la bonne dimension, sont propres et fonctionnent correctement avec l'arbre à broches.

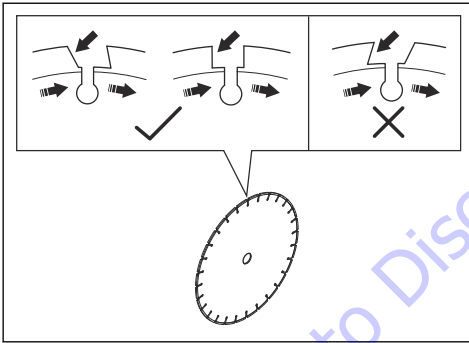


Examen de la bague de l'arbre

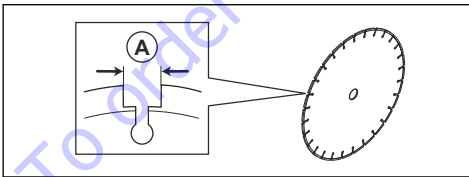
- N'utiliser que des bagues d'arbre Husqvarna.
- S'assurer que la bague de l'arbre est de dimension adéquate pour la lame de coupe. La dimension correcte est indiquée sur la lame de coupe.



MISE EN GARDE : Ne pas utiliser de lame diamant à angle de coupe positif.



MISE EN GARDE : Ne pas utiliser de lame diamant avec un écart entre les segments supérieur à 10 mm (A).



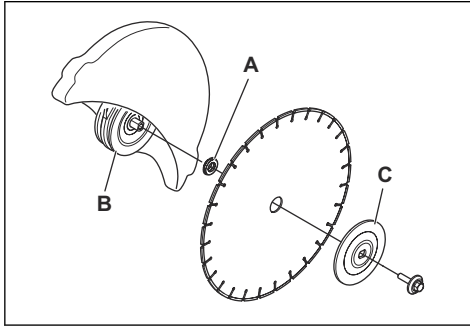
MISE EN GARDE : Ne pas utiliser de lame diamant dont l'épaisseur dépasse la limite maximale recommandée. Se reporter à *Données techniques à la page 75*.



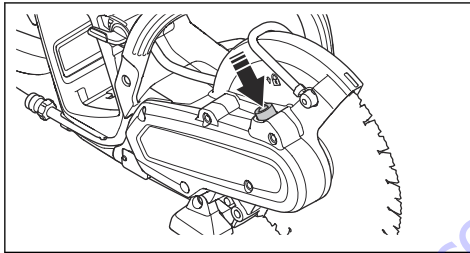
MISE EN GARDE : Dans certaines situations de coupe ou si l'on utilise des lames usées, une usure excessive peut se

Montage de la lame de coupe

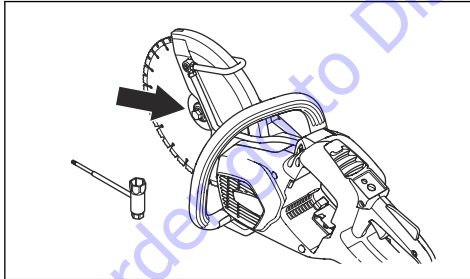
1. Placer la lame de coupe sur la bague (A) entre la rondelle d'accouplement intérieure (B) et la rondelle d'accouplement (C). La rondelle d'accouplement est tournée pour la fixation à l'essieu.



2. Verrouiller l'arbre.



3. Serrer le boulon. Le couple de serrage du boulon qui retient la lame de coupe est de 25 Nm (18,5 pi-lb).



Pour examiner la lame et le protège-lame



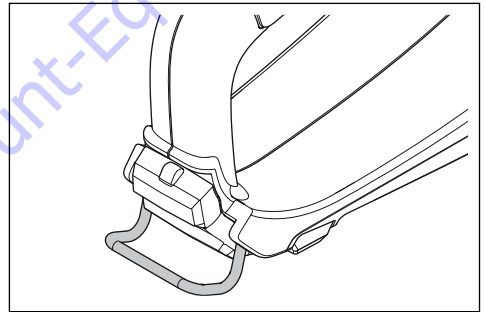
AVERTISSEMENT : Une lame de coupe endommagée peut causer des blessures.

1. Vérifier que la lame de coupe est correctement montée et ne présente aucun signe de dommage.
2. S'assurer que le protège-lame ne présente aucune fissure et aucun dommage.
3. Remplacer le protège-lame s'il est endommagé. Voir *Montage de la lame de coupe à la page 65*

Œillet de la corde

L'appareil est équipé d'un œillet de corde. L'œillet de corde permet de soulever ou d'abaisser le produit. Attacher une estrope adéquate à l'œillet de corde afin de l'utiliser pour lever ou abaisser l'outil.

L'œillet de corde peut servir à fixer le produit à un objet solide pour l'empêcher de tomber et engendrer des dommages corporels ou matériels.

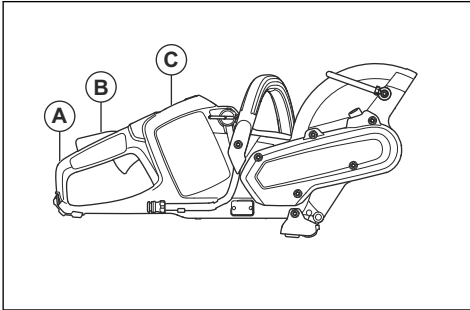


Fonctionnement

Pour vérifier le fonctionnement avant d'utiliser le produit

1. Vérifier le protège-main arrière droit (A) pour s'assurer qu'il n'est pas endommagé.
2. Vérifier le mécanisme de verrouillage de la gâchette (B) pour s'assurer qu'il fonctionne correctement et qu'il n'est pas endommagé.
3. Vérifier le clavier (C) pour s'assurer qu'il fonctionne correctement.
4. Vérifier pour s'assurer que toutes les pièces et tous les dispositifs de protection sont correctement fixés et ne sont pas endommagés ou manquants.
5. Charger la batterie et s'assurer qu'il est correctement fixé au produit.

- S'assurer que la découpeuse électrique s'arrête en cas de relâchement de la gâchette.



Pour brancher le chargeur de batterie

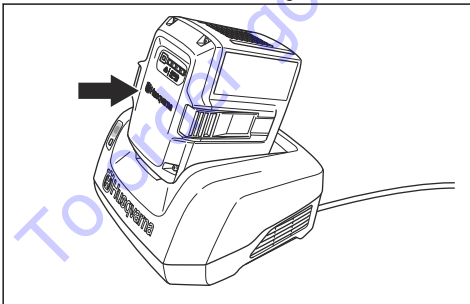
- Brancher le chargeur de batterie à la tension et la fréquence indiquées sur la plaque signalétique.
- Placer la fiche dans une prise mise à la terre. La DEL du chargeur de batterie clignote en vert une fois.

Remarque : La batterie ne se charge pas si sa température est supérieure à 50 °C (122 °F). Si la température est supérieure à 50 °C (122 °F), le chargeur de batterie refroidit la batterie.

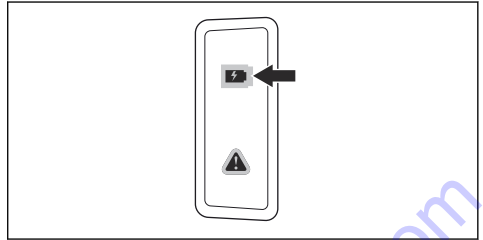
Pour connecter la batterie au chargeur de batterie.

Remarque : Charger la batterie avant de l'utiliser pour la première fois. Les batteries neuves sont chargées à 30 % seulement.

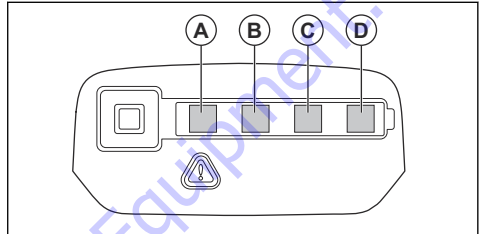
- S'assurer que la batterie est sèche.
- Insérer la batterie dans le chargeur de batterie.



- Vérifier que le témoin vert de mise en charge sur le chargeur s'allume. Cela signifie que la batterie est correctement branchée dans le chargeur.



- Quand tous les témoins de la batterie sont allumés, la batterie est chargée à bloc.

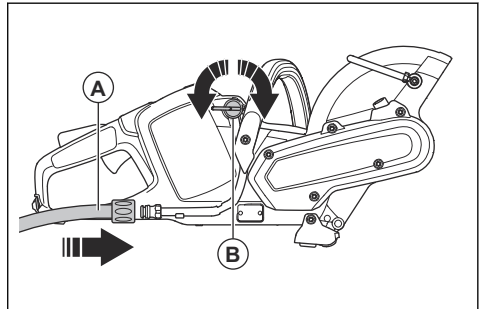


- Pour débrancher le chargeur de la prise murale, tirer la fiche. Ne pas tirer le cordon d'alimentation.
- Retirer la batterie du chargeur.

Remarque : Pour plus de renseignements, se reporter aux manuels de la batterie et du chargeur.

Raccordement de l'eau de refroidissement

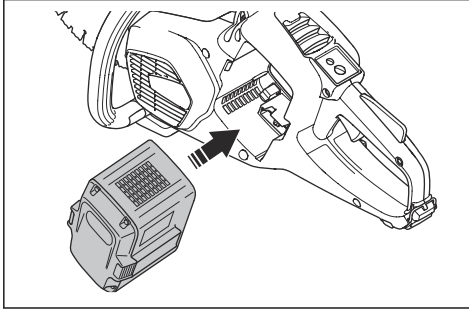
- Raccorder le tuyau d'eau à l'arrivée d'eau (A).



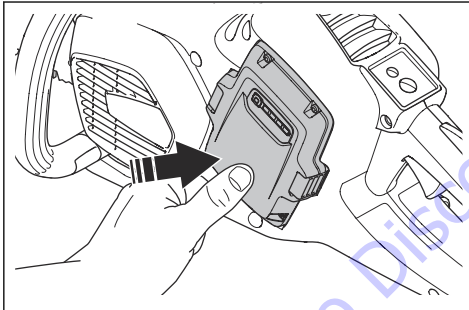
- Tourner le robinet d'eau (B) pour laisser l'eau couler ou s'arrêter.
- Examiner si une fuite survient dans le raccord d'eau ou le flexible.
- S'assurer que la pression d'eau ne dépasse pas la valeur de pression d'eau maximale. Se reporter aux *Caractéristiques techniques*.

Mise sous tension de l'appareil

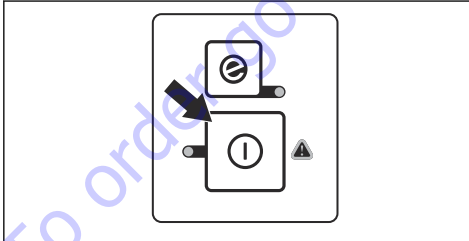
1. Vérifier le fonctionnement de la gâchette et de son mécanisme de verrouillage. Voir *Vérification du verrouillage de la gâchette à la page 71*.
2. Insérer la batterie dans son support.



3. Appuyer sur la partie inférieure de la batterie jusqu'à entendre un clic sonore. Si la batterie ne bouge pas facilement dans son support, elle n'est pas correctement fixée dans celui-ci.



4. Appuyer sur le bouton marche/arrêt et le maintenir enfoncé jusqu'à ce que la DEL verte s'allume.

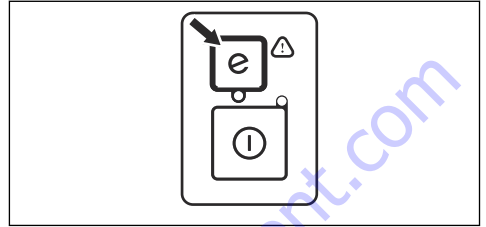


Pour utiliser la fonction SavE (économie)

Ce produit est équipé d'une fonction d'économie de la batterie, SavE. La fonction SavE réduit la vitesse de la lame et permet à la batterie de fournir la plus longue durée de fonctionnement.

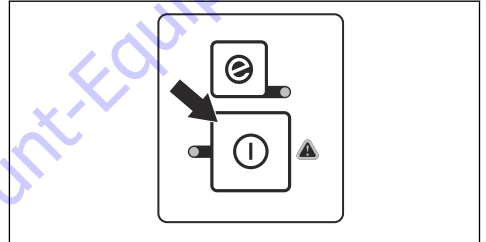
Remarque : La fonction SavE ne réduit pas la puissance de coupe du produit.

1. Appuyer sur le bouton SavE du clavier.
2. S'assurer que la DEL verte s'allume.
3. Appuyer de nouveau sur le bouton SavE pour désactiver la fonction. La DEL verte s'éteint.

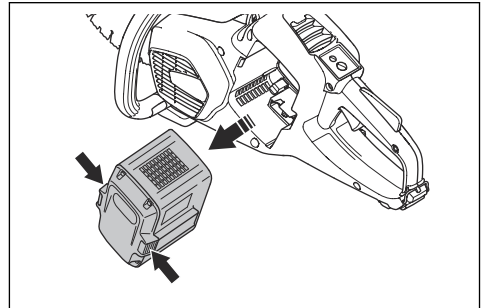


Mise hors tension de l'appareil

1. Maintenir le bouton marche/arrêt enfoncé sur le clavier jusqu'à ce que la DEL verte s'éteigne.



2. Appuyer sur les boutons de déverrouillage de la batterie pour retirer celle-ci de son support.



AVERTISSEMENT : Retirer la batterie lorsqu'elle n'est pas utilisée ou lorsque le produit ne se trouve pas entièrement dans votre champ de vision. Cette mesure aide à éviter tout démarrage accidentel.

Techniques de travail de base



AVERTISSEMENT : Ne pas déplacer la découpeuse vers un côté. Cela peut empêcher la libre circulation de la lame et engendrer la rupture de la lame, ce qui peut engendrer des blessures.

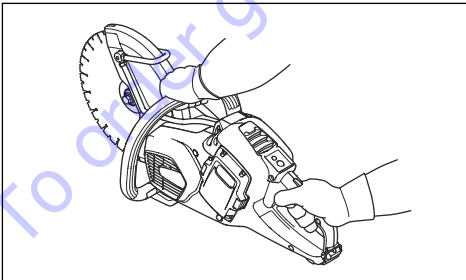


AVERTISSEMENT : Ne pas utiliser le côté de la lame. La lame peut s'endommager et se briser, ce qui peut engendrer des blessures. Utiliser seulement le bord d'attaque.



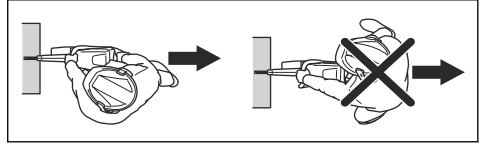
AVERTISSEMENT : Ne pas utiliser une lame de diamant pour couper du plastique. La chaleur qui se produit peut faire fondre le plastique. Le plastique fondu peut se fixer à la lame de coupe et engendrer un rebond.

- Le produit est conçu pour les lames de diamant à grande vitesse homologuées pour les découpeuses portatives.
- Le produit est conçu pour découper les carreaux, le béton léger et la pierre. Utiliser le produit pour ce type d'opération seulement.
- S'assurer que la lame de coupe ne présente aucun dommage et qu'elle est correctement montée, voir les sections *Lames abrasives à la page 62* et *Montage de la lame de coupe à la page 65*.
- Prendre soin d'utiliser la lame de coupe adéquate pour le type d'opération, voir la section *Lames de coupe pour découpeuses portatives à haut régime à la page 62*.
- Ne pas couper de matériau comportant de l'amiante.
- Toujours tenir la découpeuse des deux mains. Toujours tenir fermement le produit en fermant les pouces et les doigts sur les poignées. Toujours tenir la poignée arrière avec la main droite et la poignée avant avec la main gauche.

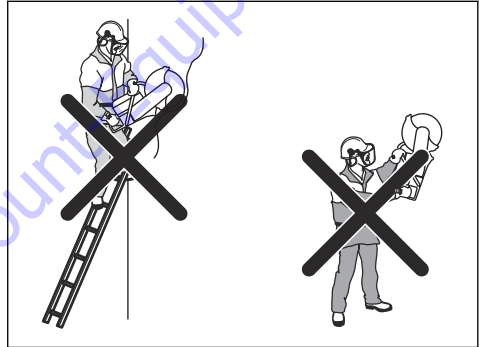


- Toujours se tenir dans un plan parallèle à celui de la lame de coupe. Ne pas se placer de façon linéaire derrière la lame de coupe. En cas de rebond, la

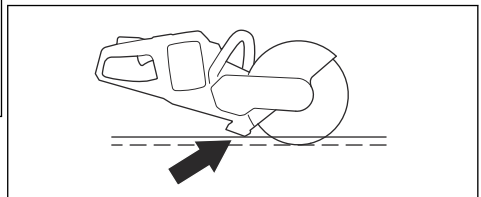
découpeuse bougera dans le plan de la lame de coupe.



- Demeurer à une distance sécuritaire de la lame de coupe pendant que le moteur tourne.
- S'assurer d'être dans une position stable au cours du travail.
- Maintenir une distance d'avec l'objet que vous êtes en train de couper.
- Ne pas travailler au-dessus de la hauteur des épaules. Si l'endroit où il faut couper se situe au-dessus de la hauteur des épaules, utiliser une plateforme ou un échafaudage. Ne pas trop se pencher vers l'avant.
- Ne pas travailler sur une échelle.

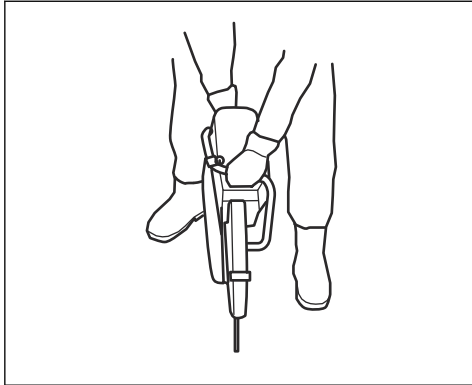


- S'assurer que la lame de coupe est libre lorsque le moteur est mis en marche.
- Toujours surveiller le produit lorsque le moteur tourne.
- Ne pas déplacer le produit alors que la lame de coupe tourne. Le produit est équipé d'un ralentisseur électrique qui réduit le temps d'arrêt de la lame.
- S'assurer que le soutien avant au sol est de niveau avec la pièce à travailler à l'arrière. Le protège-lame recueille les particules et la poussière et les déplace à l'écart de l'opérateur.

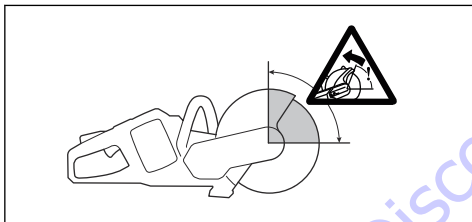


- Effectuer la coupe à plein régime. Maintenir le plein régime jusqu'à ce que l'opération de découpe soit terminée.

- Appuyer délicatement la lame de coupe contre l'objet en cours de coupe. Ne pas utiliser de la force.
- Aligner la lame de coupe avec le trait de coupe.



- Déplacer lentement la lame de coupe vers l'avant et vers l'arrière pour réduire la zone située entre la lame de coupe et le matériau. Cela permet de réduire la température de la lame de coupe.



- Ne pas couper avec la zone de rebond de la lame, voir la section *Rebond à la page 69*.

Rebond



AVERTISSEMENT : Les rebonds sont soudains et peuvent être très dangereux. Le produit peut se déplacer dans un mouvement de rotation vers le haut et vers l'arrière dans le sens de l'opérateur. Des blessures graves ou mortelles peuvent résulter d'un rebond. Il est essentiel de comprendre les causes des rebonds et de savoir comment les éviter avant d'utiliser ce produit.

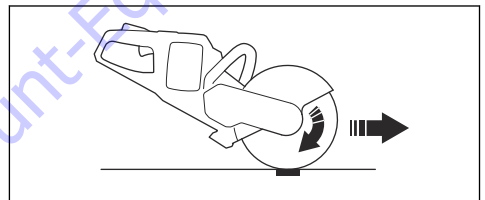
Un rebond se produit lorsque la lame est pincée dans la zone de rebond. Généralement, ils ne sont pas

dangereux, mais un fort rebond peut engendrer des blessures ou la mort.



Force de réaction

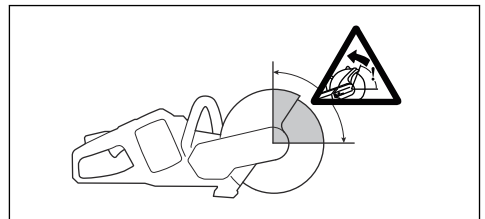
- La force de réaction tire le produit dans le sens opposé au mouvement de la lame. La plupart du temps, cette force n'est pas forte. Si la lame est pincée, l'intensité de la force de réaction peut engendrer un rebond.



- Ne pas incliner le produit alors que l'outil de coupe tourne. Les forces centrifuges peuvent réduire le mouvement.

Zone de rebond

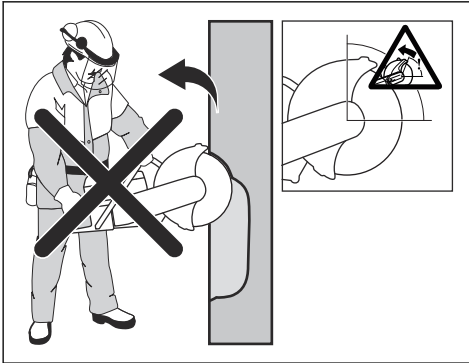
- Ne pas couper au moyen de la zone de rebond de la lame de coupe. Si la lame est pincée dans la zone de rebond, la force de réaction tourne le produit vers le haut et l'arrière. Il peut heurter l'opérateur et engendrer des blessures graves ou mortelles.



Rebond de grimpée,

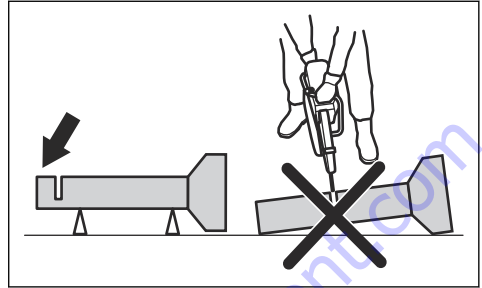
- Ne pas utiliser la zone de rebond. Lorsqu'on utilise la zone de rebond pour couper, la force de réaction fait grimper la lame dans le sillon de coupe. Utiliser la

partie inférieure de la lame pour éviter le rebond de grimpée.

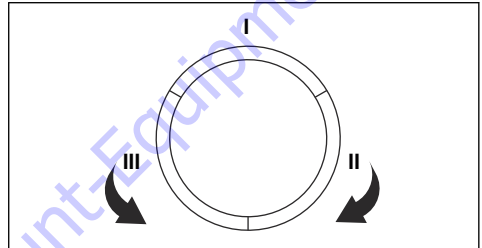


découpe d'un tuyau avec extrémité en cloche ou d'un tuyau dans un fossé. En l'absence de soutien adéquat, la lame peut être pincée.

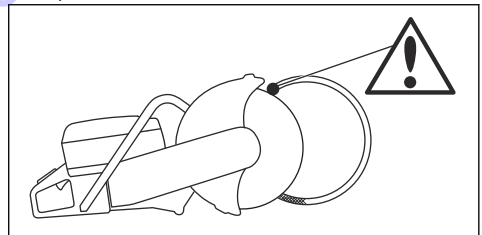
1. S'assurer que le tuyau ne se casse pas lors de la coupe.



2. Couper la section « I ».



3. S'assurer que le sillon de coupe s'ouvre afin d'éviter le pincement de la lame.



4. Passer à la section « II » et couper de la section « I » jusqu'au bas du tuyau.
5. Passer à la section « III » et couper la partie restante du tuyau.
6. Maintenir correctement le tuyau en place. L'extrémité du tuyau doit se déplacer vers le bas au cours de la coupe.

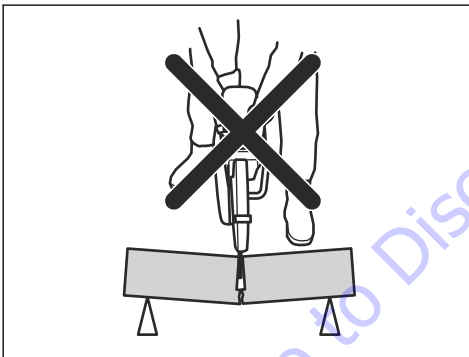
Afin d'éviter tout pincement



AVERTISSEMENT : Ne pas laisser le sillon de coupe se fermer lors d'une opération de coupe. Une entaille qui se referme peut engendrer un pincement, ce qui peut occasionner un rebond ou endommager la lame de coupe.

Rebond de pincement

- Une lame est pincée quand l'entaille se referme et arrête la rotation de la lame. Si la lame est pincée, l'intensité de la force de réaction peut engendrer un rebond.



- S'assurer de maintenir la pièce de travail en place pour maintenir l'entaille ouverte lors d'une opération de coupe. Faire une estimation du mouvement possible de la pièce à travailler lors de la dernière phase de l'opération de coupe. S'assurer que l'entaille s'ouvre au cours de l'opération de coupe. Une entaille qui se referme peut engendrer un rebond de pincement.

Coupe de tuyaux



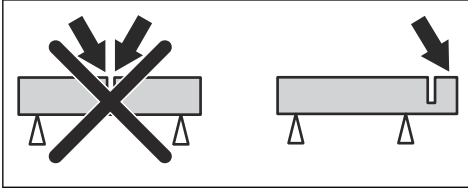
AVERTISSEMENT : Le pincement de la lame dans la zone de rebond cause un rebond.

Rester prudent lorsqu'on coupe de tuyaux. Le tuyau doit toujours rester en place de façon adéquate et l'entaille doit être maintenue entièrement ouverte lors de l'opération de coupe. Si ce n'est pas le cas, la lame peut être pincée. Être particulièrement prudent lors de la



AVERTISSEMENT : Être prudent lorsque la lame de coupe se trouve dans un sillon de coupe qui existait auparavant.

- S'assurer que la pièce de travail ne peut pas se déplacer pendant l'opération de coupe.
- S'assurer de maintenir la pièce de travail en place pour maintenir l'entaille ouverte lors d'une opération de coupe.
- Faire une estimation du mouvement possible de la pièce à travailler lors de la dernière phase de l'opération de coupe.
- S'assurer que l'entaille s'ouvre au cours de l'opération de coupe.



Pour gérer la poussière

- Le produit est équipé d'un système à faible aspersion d'eau. Utiliser la coupe à l'eau lorsque cela est possible. Voir les instructions à la section *Raccordement de l'eau de refroidissement à la page 66*. Le débit adéquat est différent pour différents types de tâches. Si le tuyau d'eau est placé au niveau de la source d'alimentation, la pression de l'eau fournie peut être trop élevée. Voir la section *Données techniques à la page 75* pour trouver la pression d'eau recommandée.
- Régler le débit d'eau au moyen du robinet.

Entretien

Introduction



AVERTISSEMENT : Lire et comprendre le chapitre sur la sécurité avant de faire l'entretien de l'outil.



AVERTISSEMENT : Retirer la batterie avant d'effectuer l'entretien de l'outil.

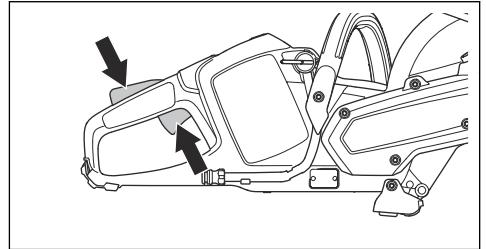


AVERTISSEMENT : Un entretien mal effectué peut réduire la durée de vie du produit et augmenter le risque d'accident. Toutes les opérations d'entretien ou de réparation doivent également être réalisées par un professionnel. Pour obtenir de plus amples renseignements, communiquer avec votre centre de services.

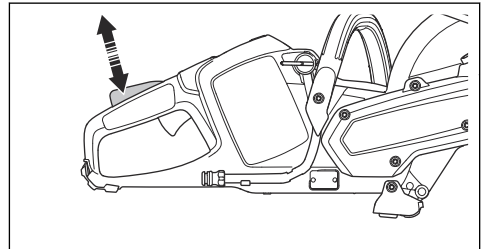
Entretien et vérifications des dispositifs de sécurité du produit

Vérification du verrouillage de la gâchette

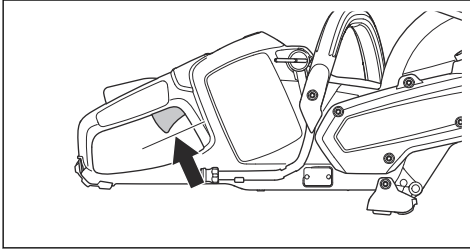
1. Vérifier que la gâchette et son mécanisme de verrouillage bougent librement et que le ressort de retour fonctionne correctement.



2. Appuyer sur le mécanisme de verrouillage de la gâchette et s'assurer qu'il retourne à sa position initiale lorsqu'on le relâche.



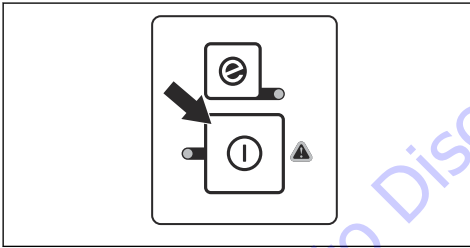
- S'assurer que la gâchette est verrouillée en position de ralenti lorsque le mécanisme de verrouillage de la gâchette est relâché.



- Démarrer le produit et le lancer à plein régime.
- Relâcher la gâchette et s'assurer que la lame de coupe s'arrête. Si la lame de coupe tourne lorsque la gâchette est en position de ralenti, se rendre dans votre centre de services.

Vérification du clavier

- Mettre l'outil sous tension. Voir *Vérification du verrouillage de la gâchette à la page 71*
- Appuyer de nouveau sur le bouton marche/arrêt.
- S'assurer que le produit s'arrête lorsque le bouton est maintenu enfoncé. La DEL verte s'éteint.



Pour nettoyer la batterie et le chargeur de batterie.

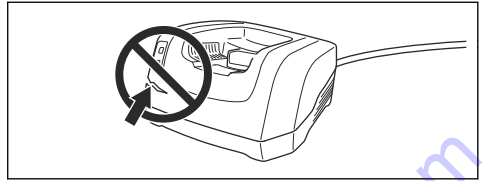


MISE EN GARDE : Ne pas nettoyer la batterie ou le chargeur de batterie avec de l'eau.

- S'assurer que la batterie et le chargeur de batterie sont propres et secs avant de raccorder la batterie au chargeur de batterie.
- Nettoyer les cosses batterie avec de l'air comprimé ou utiliser un chiffon doux et sec.
- Nettoyer les surfaces de la batterie et le chargeur de batterie au moyen d'un chiffon sec et doux.

Vérifier le chargeur de batterie

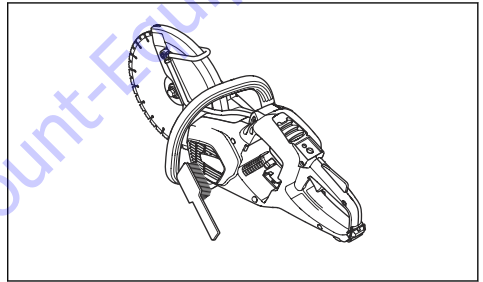
- S'assurer que le chargeur de batterie et le cordon d'alimentation ne sont pas endommagés. Vérifier s'il y a des fissures et d'autres défauts.



Nettoyage du système de refroidissement

Le produit dispose d'un système de refroidissement qui maintient la température du produit aussi basse que possible.

Le système de refroidissement dispose d'une prise d'air sur le côté gauche du produit et d'un ventilateur sur le moteur.



- Nettoyer le système de refroidissement au moyen d'une brosse une fois par semaine ou plus fréquemment au besoin.
- S'assurer que le système de refroidissement n'est pas sale ou obstrué.



MISE EN GARDE : Un système de refroidissement sale ou colmaté peut provoquer une surchauffe du produit.

Calendrier d'entretien



AVERTISSEMENT : Retirer la batterie avant de procéder à l'entretien.

Voici les mesures d'entretien à effectuer sur l'outil.

Entretien	Avant l'utilisation	Hebdomadaire	Mensuel
Nettoyer les pièces externes de l'outil.	X		

Entretien	Avant l'utilisation	Hebdomadaire	Mensuel
Vérifier que la gâchette et son mécanisme de verrouillage fonctionnent correctement et de façon sécuritaire.	X		
Vérifier la lame de coupe. Vérifier s'il y a des fissures et s'assurer que la lame de coupe n'est pas anormalement usée. Remplacer au besoin.	X		
Nettoyer le logement du ventilateur du produit.	X		
Vérifier que les vis et les écrous sont bien serrés.	X		
S'assurer que le clavier fonctionne correctement et n'est pas endommagé.	X		
Vérifier les points de connexion entre la batterie et l'appareil. Examiner également le point de connexion entre la batterie et le chargeur.			X
Souffler délicatement de l'air comprimé dans le produit et dans les fentes de refroidissement de la batterie.			X

Dépannage

Clavier

Problème	Causes	Solution
Le témoin d'avertissement clignote.	Écart de température.	Laisser le produit refroidir.
	Surcharge. L'outil de coupe est bouché.	Nettoyer l'outil de coupe.
	Le commutateur d'activation et le bouton de démarrage sont enfoncés en même temps.	Relâcher la gâchette.
Le voyant DEL vert clignote.	Tension de batterie faible.	Charger la batterie.
Le témoin d'avertissement est allumé.	Service.	Communiquer avec votre centre de services.

Batterie

Problème	Causes	Solution
Le témoin d'avertissement clignote.	La batterie n'est pas chargée.	Charger la batterie.
	Écart de température.	Utiliser la batterie dans un endroit où la température se situe entre -10 °C (14 °F) et 40 °C (104 °F).
	Vers la haute tension.	Vérifier que la tension de la batterie correspond à la valeur indiquée sur la plaque signalétique du produit. Retirer la batterie du chargeur.

Problème	Causes	Solution
Le témoin d'avertissement est allumé.	Différence trop grande entre les éléments de la batterie (1 V).	Communiquer avec votre centre de services.

Chargeur de batterie

Problème	Cause	Solution
Le témoin d'avertissement clignote.	Écart de température.	Utiliser la batterie dans un endroit où la température se situe entre 5 °C (41 °F) et 40 °C (104 °F).
Le témoin d'avertissement est allumé.		Communiquer avec votre centre de services.

Transport, entreposage et mise au rebut

Transport et entreposage

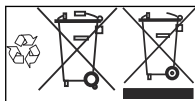
- Les batteries au lithium-ion fournies respectent les exigences de la loi sur les produits dangereux.
- Respecter l'exigence spéciale relative à l'emballage et aux étiquettes pour le transport commercial, y compris par des tiers et des transitaires.
- Communiquer avec une personne ayant une formation spéciale en matière de composés dangereux avant d'envoyer le produit. Respecter tous les règlements nationaux applicables.
- Utiliser du ruban adhésif sur des contacts ouverts lorsque vous emballez la batterie. Placer la batterie dans un emballage hermétique pour éviter tout mouvement.
- Déposer la batterie à des fins de remisage ou de transport.
- Placer la batterie et le chargeur de batterie dans un espace sec et exempt d'humidité et de gel.
- Ne pas maintenir la batterie dans une zone où l'électricité statique peut se développer. Ne pas entreposer la batterie dans une boîte métallique.
- Entreposer la batterie dans un endroit où la température est comprise entre 5 °C (41 °F) et 25 °C (77 °F) et à l'écart des rayons directs du soleil.
- Entreposer le chargeur de batterie dans un endroit où la température est comprise entre 5 °C (41 °F) et 45 °C (113 °F) et à l'écart des rayons directs du soleil.
- Charger la batterie entre 30 % et 50 % avant de la remiser pour une longue période.
- Entreposer le chargeur de batterie dans un endroit clos et sec.

- Tenir la batterie à l'écart du chargeur de batterie pendant la période d'entreposage. Ne pas laisser des enfants et d'autres personnes non autorisées toucher l'équipement. Maintenir l'équipement dans un endroit qui peut être verrouillé.
- Nettoyer le produit et effectuer un entretien complet avant de l'entreposer dans le local de rangement pendant une longue période.
- Utiliser le fourreau de transport sur le produit afin d'éviter des blessures ou des dommages au produit pendant le transport et le remisage.
- Fixer le produit de façon sécuritaire pendant le transport.

Mise au rebut de la batterie, du chargeur de batterie et du produit

Le symbole ci-dessous signifie que le produit n'est pas un déchet domestique. Le recycler à la station de recyclage des équipements électriques et électroniques. Cela permet d'éviter des dommages à l'environnement et aux personnes.

Communiquer avec les autorités locales, le service de déchets ménagers et votre concessionnaire pour obtenir de plus amples renseignements.



Remarque : Le symbole sur le produit ou l'emballage du produit, indique :

Données techniques

Données techniques

Husqvarna K 535i				
Tension			36 V	
Poids, kg (lb)			3,5 (7,7)	
Diamètre de la lame, mm (po)			230 (9)	
Épaisseur max. de la lame, mm (po)	Lames en abrasif		3,0 (0,1)	
	Lames diamantées		1,8 (0,07)	
Régime nominal de l'unité			5940 tr/min	
Refroidissement à l'eau				
Refroidissement à l'eau de la lame			Oui	
Embout de raccordement			Type « Gardena »	
Pression d'eau recommandée, en bars (lb/po2)			0,5 – 6 (7,3 – 87)	
Pression d'eau maximale, en bars (lb/po2)			6 (87)	
	Niveaux de vibration, a_{hveq}^1		Émissions sonores ²	
	Avant/gauche	Arrière droite	LpA	LwA
	m/s ²	m/s ²	dB(A)	dB(A)
BLi200	1,9	2,3		
BLi300	2,1	2,5	100,5	111,5
¹ La valeur totale déclarée des vibrations résulte d'une mesure conforme à la norme EN 60745-2-22 et peut être utilisée pour comparer des outils. La valeur totale déclarée des vibrations peut également être utilisée dans une évaluation préliminaire d'exposition.				
² Les émissions sonores sont mesurées conformément à la norme EN 60745-2-22.				
<ul style="list-style-type: none">• L'incertitude pour le niveau de puissance acoustique pondéré A K_{pA} est de 3 dB(A).• L'incertitude pour le niveau de pression acoustique pondéré A K_{pA} est de 3 dB(A).				

Accessoires

Batteries homologuées pour le produit

Batterie	BLi200	BLi300
Type	Lithium-ion	Lithium-ion
Capacité de la batterie, Ah	5,2	9,4

Batterie	BLi200	BLi300
Tension nominale, V	36	36
Poids, kg/lb	1,3 / 2,9	1,9 / 4,2

Chargeurs de batteries homologués pour le produit

Chargeur de batterie	QC330
Tension secteur, V	100 à 240
Fréquence, Hz	50 à 60
Puissance, W	330

Politique de garantie

Toute réclamation au titre de la garantie sera résolue après inspection dans un établissement désigné. Une autorisation de retour de marchandise est nécessaire en cas de réclamation au titre de la garantie. Pour obtenir une autorisation de retour de marchandise, communiquer avec le service à la clientèle de Husqvarna au 800-845-1312. Le client doit prépayer le transport et assumer tous les frais de main-d'œuvre nécessaires au retour ou au remplacement d'un produit soumis à des fins de garantie. Husqvarna remboursera les frais de transport encourus pour les produits réparés ou les produits de remplacement homologués.

ÉQUIPEMENT

L'équipement fabriqué par Husqvarna est garanti exempt de tout défaut de fabrication en fonctionnement normal pour une période de deux (2) ans à partir de la date de l'achat par le consommateur acheteur initial. Les fabricants des pièces proposent des périodes de garantie distinctes. Pour obtenir tous les renseignements, communiquer avec le service technique au 800-288-5040.

En vertu de cette garantie, notre obligation est expressément limitée au remplacement ou à la réparation chez Husqvarna Construction Products North America, Olathe, Kansas 66061, ou à un atelier d'entretien désigné par nos soins, des pièces jugées défectueuses lors de l'inspection.

Cette garantie ne s'applique pas aux défauts occasionnés par des dommages, une utilisation abusive, des réparations inadéquates effectuées ailleurs que dans un centre de réparation agréé de Husqvarna, ou des défauts causés par l'absence d'un entretien raisonnable, pendant que le consommateur est en possession du produit. Par ailleurs, la garantie est nulle si le produit, ou l'un de ses composants, est modifié par le consommateur acheteur ou si le produit est utilisé d'une façon inappropriée ou avec des outils non recommandés par le fabricant.

Exceptions : moteurs de forage – 3 mois, scies murales – 1 an, découpeuses – 3 mois, DM230 – 1 an, DM225 – 3 mois, systèmes Gyro – 1 an, système CD40 – 1 an, DS160 C – 1 an, Smartbox – 1 an, CS2515 – 1 an, PP455 E – 1 an, PP345 E – 1 an, HP40 – 1 an.

Pièces soumises à l'usure : filtres, bougies d'allumage, roulements*, courroies, disques** et plaques d'usure.

*Sauf système IntelliSeal™. **Sauf délaminage.

TO PURCHASE THIS PRODUCT PLEASE CONTACT US



**Equipment Financing and
Extended Warranties Available**



**Discount-Equipment.com is your online resource for
commercial and industrial quality parts and equipment sales.**

561-964-4949

visit us on line @ www.discount-equipment.com

Select an option below to find your Equipment

Search by Manufacturer

Search by Product Type

Request a Quote

We sell worldwide for the brands: Genie, Terex, JLG, MultiQuip, Mikasa, Essick, Whiteman, Mayco, Toro Stone, Diamond Products, Generac Magnum, Airman, Haulotte, Barreto, Power Blanket, Nifty Lift, Atlas Copco, Chicago Pneumatic, Allmand, Miller Curber, Skyjack, Lull, Skytrak, Tsurumi, Husquvarna Target, Stow, Wacker, Sakai, Mi-T-M, Sullair, Basic, Dynapac, MBW, Weber, Bartell, Bennar Newman, Haulotte, Ditch Runner, Menegotti, Morrison, Contec, Buddy, Crown, Edco, Wyco, Bomag, Laymor, EZ Trench, Bil-Jax, F.S. Curtis, Gehl Pavers, Heli, Honda, ICS/PowerGrit, IHI, Partner, Imer, Clipper, MMD, Koshin, Rice, CH&E, General Equipment, Amida, Coleman, NAC, Gradall, Square Shooter, Kent, Stanley, Tamco, Toku, Hatz, Kohler, Robin, Wisconsin, Northrock, Oztec, Toker TK, Rol-Air, APT, Wylie, Ingersoll Rand / Doosan, Innovatech, Con X, Ammann, Mecalac, Makinex, Smith Surface Prep, Small Line, Wanco, Yanmar

 **Husqvarna**®

**Discount
Equipment**

www.Discount-Equipment.com

Original instructions
Instrucciones originales
Instructions d'origine

1159956-49



2018-11-22