



A TEREX BRAND



# Parts Manual

Serial Number Range

**S-80X**

from serial number S8016D-236  
to S8016D-339

**S-80**

from S80D-340

**S-85**

Part No. 1285234GT

Rev A1

June 2018

Go to [Discount-Equipment.com](http://Discount-Equipment.com) to order your parts

# PARTS FINDER

**Search Website  
by Part Number**



**Search Manual  
Library For Parts  
Manual & Lookup Part  
Numbers – Purchase  
or Request Quote**

**Search Manuals**

Enter your information to help us find the right parts manual for your machine.

\* Brand:

\* Model:

\* Serial:

\* Part Number:

SEARCH

**Can't Find Part or  
Manual? Request Help  
by Manufacturer,  
Model & Description**

**Parts Order Form**

Please fill in the following information to help us find the right part for your machine.

MANUFACTURER:

MODEL:

DESCRIPTION:

SEARCH

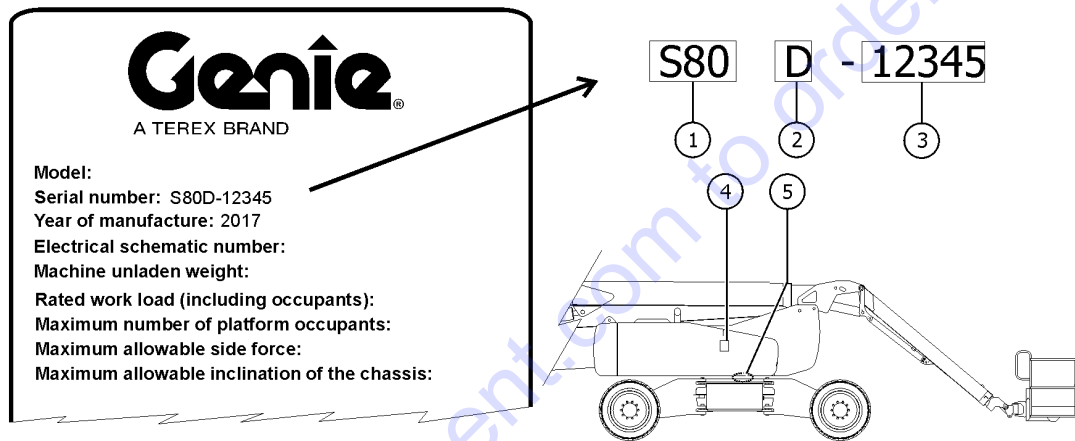
Discount-Equipment.com is your online resource for quality parts & equipment.

Florida: **561-964-4949** Outside Florida TOLL FREE: **877-690-3101**

**Need parts?**

Click on this link: <http://www.discount-equipment.com/category/5443-parts/> and choose one of the options to help get the right parts and equipment you are looking for. Please have the machine model and serial number available in order to help us get you the correct parts. If you don't find the part on the website or on one of the online manuals, please fill out the request form and one of our experienced staff members will get back to you with a quote for the right part that your machine needs.

We sell worldwide for the brands: Genie, Terex, JLG, MultiQuip, Mikasa, Essick, Whiteman, Mayco, Toro Stone, Diamond Products, Generac Magnum, Airman, Haulotte, Barreto, Power Blanket, Nifty Lift, Atlas Copco, Chicago Pneumatic, Allmand, Miller Curber, Skyjack, Lull, Skytrak, Tsurumi, Husquvarna Target, Stow, Wacker, Sakai, Mi-T-M, Sullair, Basic, Dynapac, MBW, Weber, Bartell, Bennar Newman, Haulotte, Ditch Runner, Menegotti, Morrison, Contec, Buddy, Crown, Edco, Wyco, Bomag, Laymor, EZ Trench, Bil-Jax, F.S. Curtis, Gehl Pavers, Heli, Honda, ICS/PowerGrit, IHI, Partner, Imer, Clipper, MMD, Koshin, Rice, CH&E, General Equipment, Amida, Coleman, NAC, Gradall, Square Shooter, Kent, Stanley, Tamco, Toku, Hatz, Kohler, Robin, Wisconsin, Northrock, Oztec, Toker TK, Rol-Air, APT, Wylie, Ingersoll Rand / Doosan, Innovatech, Con X, Ammann, Mecalac, Makinex, Smith Surface Prep, Small Line, Wanco, Yanmar



**Genie**  
A TEREX BRAND

Model:  
Serial number: S80D-12345  
Year of manufacture: 2017  
Electrical schematic number:  
Machine unladen weight:  
Rated work load (including occupants):  
Maximum number of platform occupants:  
Maximum allowable side force:  
Maximum allowable inclination of the chassis:

S80 D - 12345

1 2 3

- 1 Model
- 2 Facility code
- 3 Sequence number
- 4 Serial label (located under cover)
- 5 Serial number (stamped on chassis)

Go to Discount-Equipment.com to order your parts

## Table of Contents

This manual is updated frequently. For the most up-to-date parts information, visit [www.discount-equipment.com](http://www.discount-equipment.com)

How to Read Your Serial Number.....	3
Parts Stocking List.....	7

**Electronic Version**

Click on any page number to view the figure.

**001 Parts Stocking List**

001.1 Parts Stocking List.....	10
--------------------------------	----

**100 Decals**

101.1 Decals with Words, Hydraulic Tank Side - View 1.....	12
102.1 Decals with Words, Hydraulic Tank Side - View 2.....	14
102.1 Decals with Words, Hydraulic Tank Side - View 2.....	16
103.1 Decals with Words, Engine Side.....	18
103.1 Decals with Words, Engine Side.....	20
104.1 Decals with Words, Boom.....	22
105.1 Decals with Words, Platform.....	24
106.1 Decals with Symbols, Hydraulic Tank Side - View 1...26	
107.1 Decals with Symbols, Hydraulic Tank Side - View 2...28	
107.1 Decals with Symbols, Hydraulic Tank Side - View 2...30	
108.1 Decals with Symbols, Engine Side.....	32
108.1 Decals with Symbols, Engine Side.....	34
109.1 Decals with Symbols, Boom.....	36
110.1 Decals with Symbols, Platform.....	38

**200 Drive Chassis Components**

201.1 Steer End.....	40
202.1 Axle Installation.....	42
203.1 Oscillation Control Valve.....	44
204.1 Hub Assembly - 2 WD Spindle.....	46
205.1 Drive Hub Assembly with Brake - Type 1.....	48
206.1 Drive Hub Assembly with Brake - Type 2.....	50

**300 Turntable Components**

301.1 Hydraulic and Fuel Tanks - Diesel Models.....	52
302.1 Hydraulic and Fuel Tanks - Gasoline/LPG Models.....	54
303.1 Hydraulic Tank Side Components.....	56

304.1 Turntable Covers - Hydraulic Tank Side.....	58
305.1 Turntable Covers - Engine Side.....	60
306.1 Turntable Components and Swivel Drive Assembly...62	
307.1 Turntable Center Components.....	64
308.1 Ground Control Box - View 1.....	66
309.1 Ground Control Box - View 2.....	68
310.1 Ground Control Box - Deutz TD2.9L4.....	70
311.1 Turntable Components - Relay Panel, Diesel Models.....	74
312.1 Turntable Components - Relay Panel, Gasoline/LPG Models.....	76
313.1 Turntable Components - Relay Panel, Deutz TD 2.9L4.....	78
314.1 Turntable Components - Relay Panel, Perkins 404D-22T.....	80
315.1 Turntable Counterweight.....	82
316.1 Wire Harness Diagram, S-80X and S-80.....	84
317.1 Wire Harness Diagram, S-85.....	86

**400 Engine Components**

401.1 Deutz TD2011L04i Engine - View 1.....	88
402.1 Deutz TD2011L04i Engine - View 2.....	90
403.1 Deutz TD2011L04i Engine - View 3.....	92
404.1 Deutz TD2011L04i Engine - View 4.....	94
405.1 Deutz TD 2.9L4 Engine - View 1.....	96
406.1 Deutz TD 2.9L4 Engine - View 2.....	98
407.1 Deutz TD 2.9L4 Engine - View 3.....	100
408.1 Deutz TD 2.9L4 Engine - View 4.....	102
409.1 GM 3.0L Engine - View 1.....	104
410.1 GM 3.0L Engine - View 2.....	106
411.1 GM 3.0L Engine - View 3.....	108
412.1 GM 3.0L Engine - View 4.....	110
413.1 Perkins 404D-22T Engine - View 1.....	112
414.1 Perkins 404D-22T Engine - View 2.....	114
415.1 Perkins 404D-22T Engine - View 3.....	116
416.1 Perkins 404D-22T Engine - View 4.....	118
417.1 Engine Tray.....	120

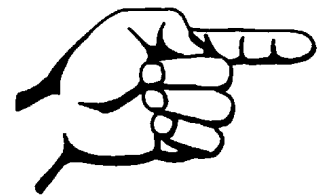
**500 Boom Components**

501.1 Cable Track Installation.....	122
502.1 Extension Boom Tube 1, S-80 and S-85.....	124
503.1 Extension Boom Tube 1, S-80X.....	126
504.1 Extension Boom Tube 2.....	128
505.1 Extension Boom Tube 3.....	130
506.1 Cable Assembly and Primary Extension Cylinder....	132
507.1 Boom Link Assembly - View 1.....	134
508.1 Boom Link Assembly - View 2.....	136
509.1 Platform Rotator, S-80X and S-80.....	138



510.1 Jib Boom and Platform Rotator, S-85.....	140	818.2 Belt Generator Option (Perkins 404D-22T and Deutz TD 2.9L4) - View 1.....	220
511.1 Platform Installation.....	142	819.1 Belt Generator Option - View 2.....	222
<b>600 Platform Components</b>		820.1 Platform Overload - European Models.....	224
601.1 Platform Installation.....	144	821.1 Air Line and Weld Cables.....	226
602.1 Platform Control Box.....	146	822.1 Aircraft Protection Package.....	228
603.1 Joysticks.....	150	823.1 Operator Protection Structure.....	230
<b>700 Hydraulic Components</b>		824.1 Cold Start Package.....	232
701.1 Traction Manifold.....	152	825.1 Arctic High Pressure Hose Kit, S-85.....	234
702.1 Two-Speed/Brake Manifold.....	154	826.1 Arctic High Pressure Hose Kit, S-80, S-80X.....	236
703.1 Function Enable Valve and Platform Rotator Manifold.....	156	827.1 Fall Arrest Bar.....	238
704.1 Platform Manifold, S-80X and S-80.....	158	828.1 Lift Guard Contact Alarm Option (from January 2017).....	240
705.1 Platform Manifold, S-85.....	160	829.1 Power To Platform.....	242
706.1 Function Manifold.....	162	<b>Indices</b>	
707.1 Oil Diverter Manifold (welder option).....	164	Part Number Index.....	244
708.1 Pumps.....	166	Part Description Index.....	251
709.1 2WD Drive and Steer System.....	168	<b>Cross References</b>	
710.1 4WD Drive and Steer System.....	170	Fittings Cross Reference.....	262
711.1 Oscillate System.....	172		
712.1 Turntable Components.....	174		
713.1 Boom, S-80X and S-80.....	178		
714.1 Boom, S-85.....	180		
<b>800 Accessories</b>			
801.1 Alarm and Beacon Package, Driving Lights.....	182		
802.1 Platform Options.....	184		
803.1 Hostile Environment Package - Ground and Platform Control Box Covers.....	186		
804.1 Hostile Environment Package - Booms.....	188		
805.1 Hostile Environment Package - Turntable.....	190		
806.1 Hostile Environment Package - Engine Air Cleaners.....	192		
807.1 Hostile Environment Package - Cylinder Bellows, S-80, S-80X.....	194		
808.1 Hostile Environment Package - Cylinder Bellows, S-85.....	196		
809.1 Panel Cradle Option.....	198		
810.1 Full Gauge Option.....	200		
810.2 Full Gauge Option - Perkins 404D-22T.....	202		
811.1 Hydraulic Oil Cooler Option.....	204		
812.1 Half-Mesh and Pipe Cradle Option.....	206		
813.1 Spare LPG Tank Option.....	208		
814.1 Welder Option, Chassis Components - View 1.....	210		
815.1 Welder Option, Platform Components - View 2.....	212		
816.1 Welder Option, Hoses and Fittings - View 3.....	214		
817.1 Platform Recirculating Hydraulic Oil Option.....	216		
818.1 Belt Generator Option - View 1.....	218		

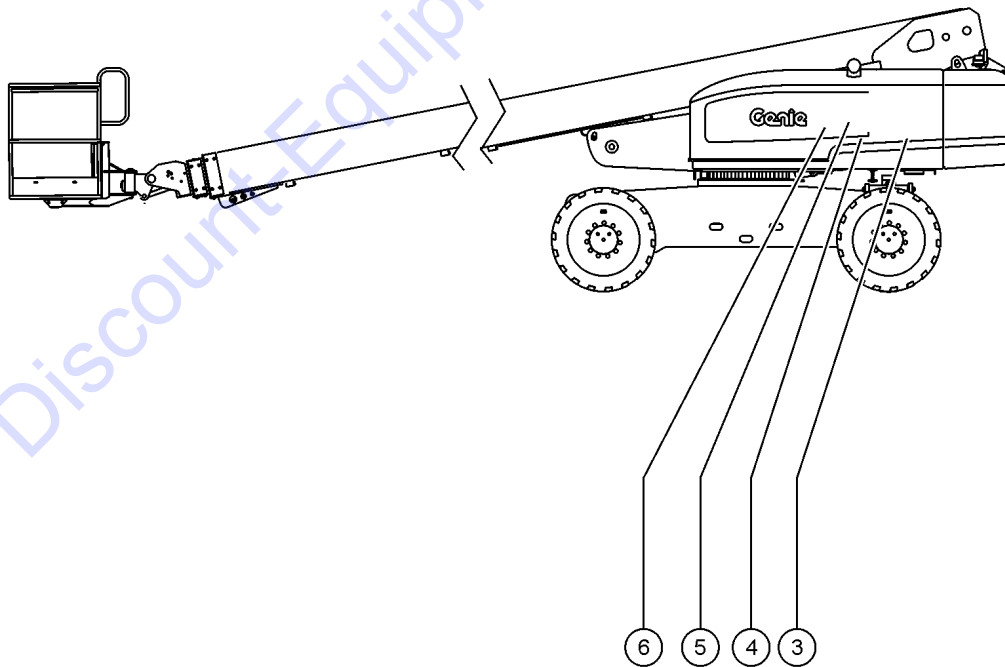
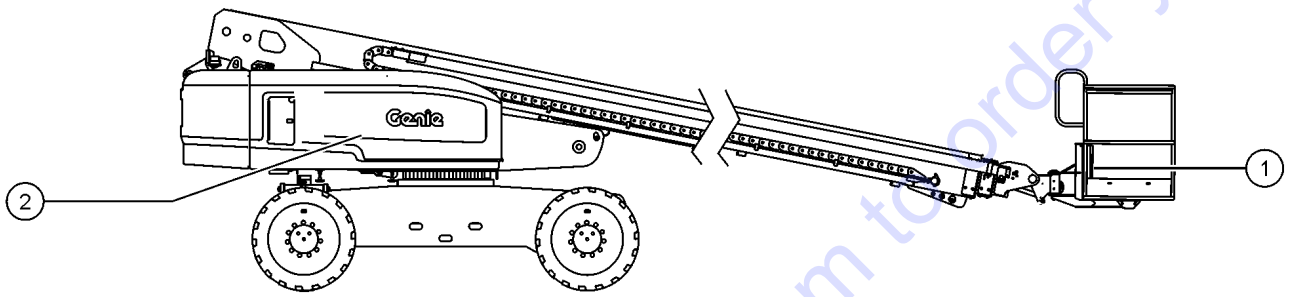
Please refer to section 001 for the Recommended Spare Parts List.



This page intentionally left blank.

Go to Discount-Equipment.com to order your parts

001.1 Parts Stocking List

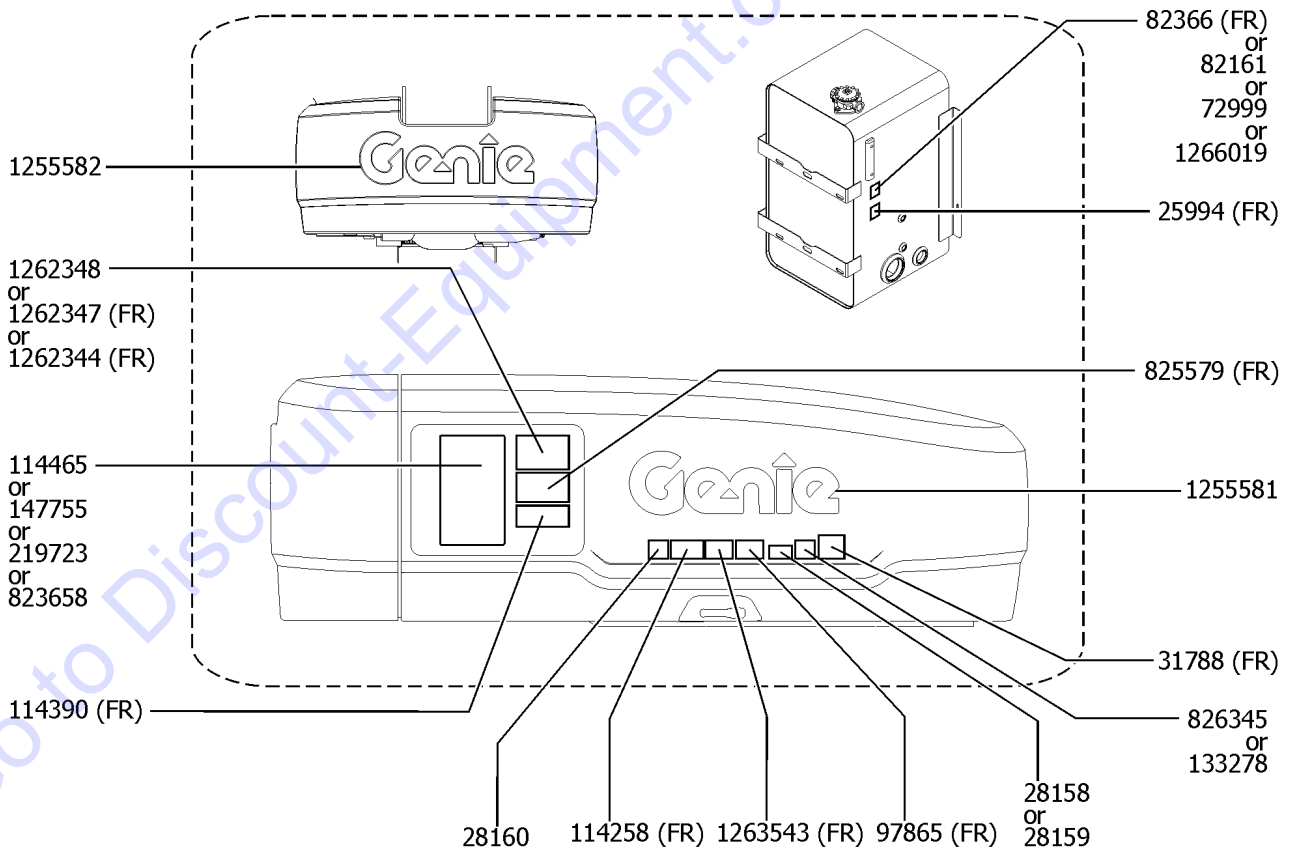
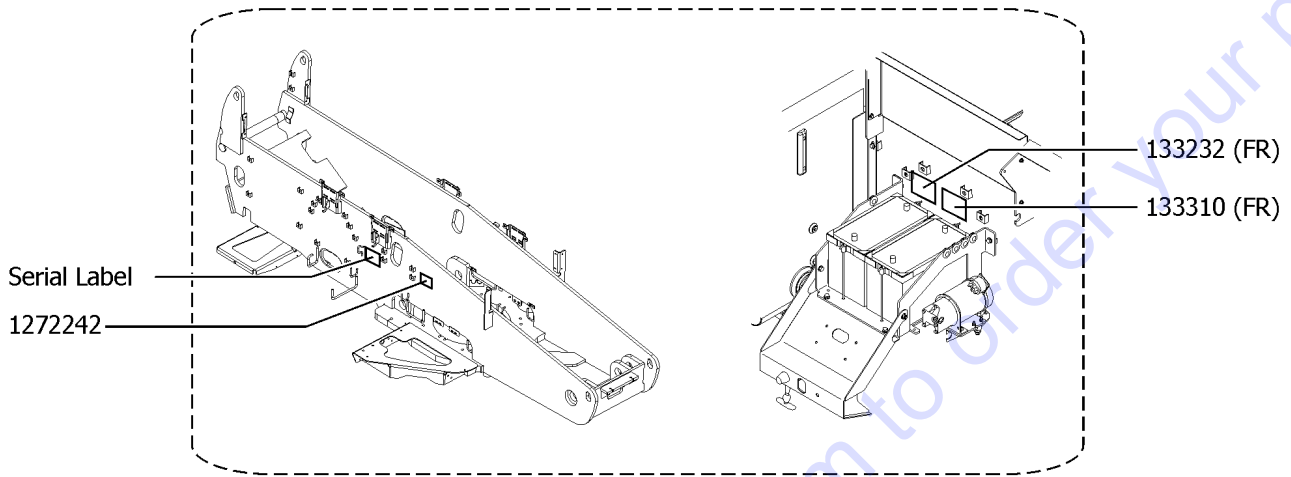


001.1 Parts Stocking List

Item	Part No.	Description	Qty.	Item	Part No.	Description	Qty.
A		—INSPECTION SERVICE KITS—		--	1262866GT	FAN BELT, ALTERNATOR <i>(refer to 407.1)</i>	
--	1278714GT	KIT,ENGINE SERVICE,250 HOUR,DEUTZ TD2.9,S80/Z80		--	214228GT	FILTER, DEUTZ 2.9, FUEL <i>(refer to 408.1)</i>	
B		—GENERAL SERVICE PARTS—		--	236260GT	PRE-FILTER,FUEL,DEUTZ <i>(refer to 408.1)</i>	
--	1257733GT	PAINT,WET,TRAFFIC BLACK (1 GL)** <i>1-gallon</i>		--	49924GT	FILTER,OIL,DEUTZ F4L1011F <i>(refer to 405.1)</i>	
--	1258567GT	PAINT, AEROSOL, TRAFFIC BLACK <i>12-ounce spray paint</i>		--	62425GT	FILTER,AIR CLEANER, SUPERBOOM <i>(refer to 406.1)</i>	
--	1268GT	PAINT,AEROSOL,GENIE GRAY*** <i>12-ounce spray paint</i>		5		—GM 3.0L Models—	
--	1283776GT	SEAL MARKER,CROSS CHECK,BLUE,TUBE		--	1271652GT	FILTER, FUEL, GM3.0L <i>(refer to 412.1)</i>	
--	1484GT	PAINT,AEROSOL,BRIGHT BLUE*** <i>12-ounce spray paint</i>		--	58412GT	SPARK PLUG WIRE SET,GM 3.0 <i>(refer to 412.1)</i>	
--	28750GT	O-RING KIT,FIELD SVC,ALL PROD* <i>O-ring kit, SAE</i>		--	62420GT	FILTER,AIR*** <i>(refer to 409.1)</i>	
--	32150GT	PAINT,WET,GENIE BLUE (1 GL)** <i>1-gallon</i>		--	65621GT	BELT-FAN, GM 3.0L ENGINE <i>(refer to 412.1)</i>	
--	32151GT	PAINT,WET,GENIE GRAY (1 GL)** <i>1-gallon</i>		--	65623GT	FILTER-OIL,GM 3.0L ENGINE <i>(refer to 412.1)</i>	
--	33994GT	PLUG AND CAP KIT-SERVICE,37 ** <i>Plug and cap kit, SAE</i>		--	65626GT	FILTER-FUEL, GM 3.0L ENGINE <i>(refer to 412.1)</i>	
--	49612GT	O-RING KIT (ORFS FITTINGS) <i>O-ring kit, Parker</i>		6		—Perkins 404D-22T Models—	
--	60334GT	FILTER ASSY,HIGH PRESS SAE-12*		--	1262047GT	OIL FILTER,PERKINS 404D/F-22T <i>(refer to 415.1)</i>	
--	60536GT	FUSE,20 AMP,MAXI <i>(refer to figure 311.1)</i>		--	1262484GT	FUEL FILTER ASSY,PERKINS 404D/ <i>(refer to 415.1)</i>	
--	66399GT	GREASE,DIELECTRIC 4 OZ**		--	1262488GT	BELT,ALTERNATOR,PERKINS 404D/F <i>(refer to 415.1)</i>	
--	93500GT	PARKER DIGITAL PRESSURE GAUGE		--	62420GT	FILTER,AIR*** <i>(refer to 414.1)</i>	
--	94327GT	FUSE,30 AMP <i>(refer to figure 311.1)</i>		--	75020GT	SEPRTR/FLTR,FUEL DSL,15GPH,.30 <i>(refer to 413.1)</i>	
1		—MANUALS—					
--	27581GT	MANUAL,AEM SAFETY					
--	31779GT	MANUAL,RESPON,A92.5 BOOM					
2		—HYD FILTERS—					
--	60857GT	FILTER,ELEMENT,BETA(5)=1000 <i>All Models</i>					
3		—Deutz TD2011L04i Models—					
--	102589GT	V-BELT, DEUTZ F4L2011 <i>(refer to 409.1)</i>					
--	29560GT	FILTER,FUEL/WTR SEP, DTZ 1008 <i>(refer to 404.1)</i>					
--	49924GT	FILTER,OIL,DEUTZ F4L1011F <i>(refer to 404.1)</i>					
--	62425GT	FILTER,AIR CLEANER, SUPERBOOM <i>(refer to 408.1)</i>					
4		—Deutz TD 2.9L4 Models—					

101.1 Decals with Words, Hydraulic Tank Side - View 1

NOTE:  
Part numbers with "(FR)"  
indicates French translation  
is available

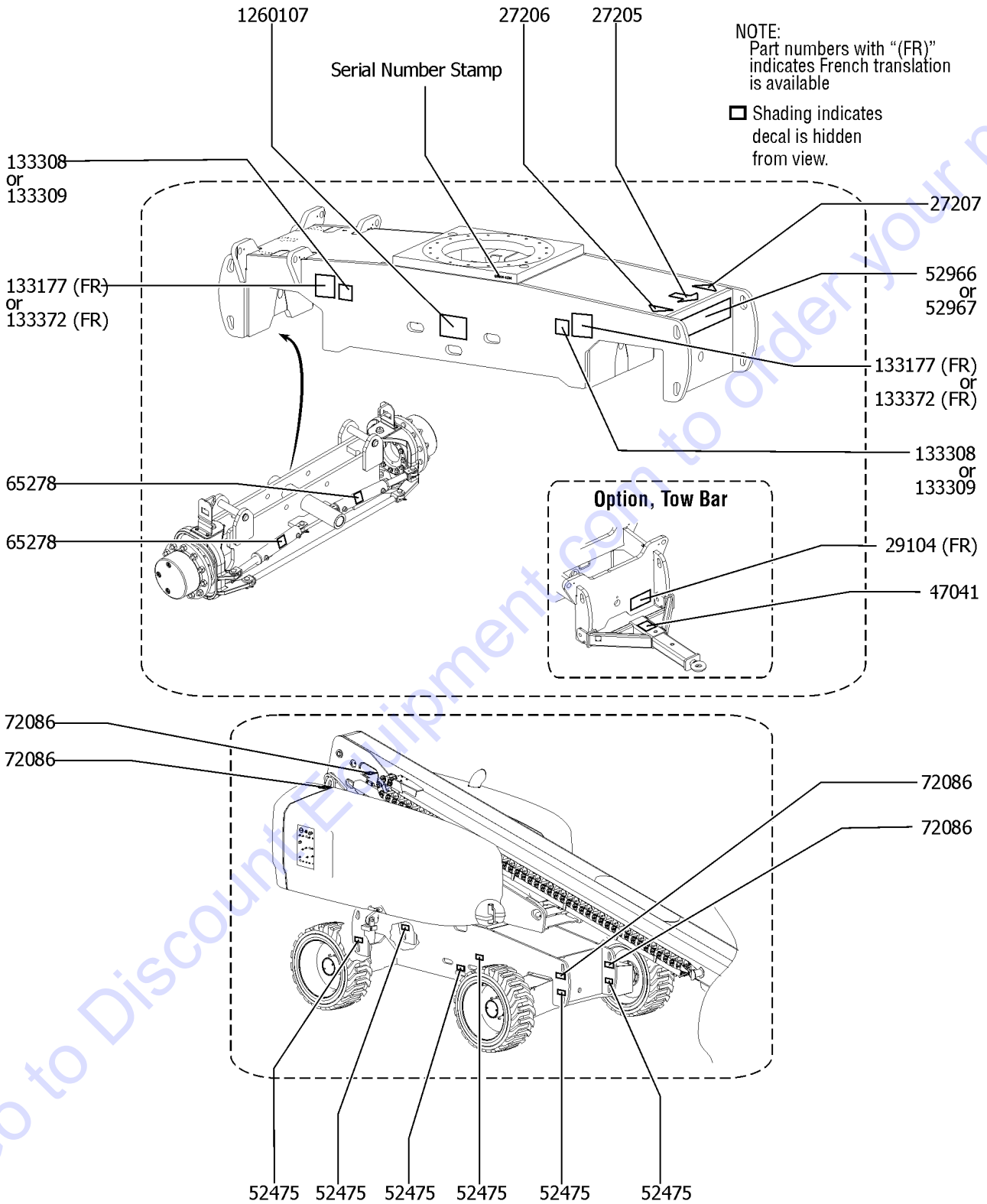


101.1 Decals with Words, Hydraulic Tank Side - View 1

Item	Part No.	Description	Qty.	Item	Part No.	Description	Qty.
1	25994GT	DECAL,NOTICE,SHUTOFF VALVES.....	1	28	1272242GT	DECAL,MACHINE REGISTRATION/OWNER TRANSFER....	1
2	28158GT	DECAL,LABEL,UNLEADED GAS ONLY..... <i>(fuel option)</i>	1				
3	28159GT	DECAL,LABEL,DIESEL FUEL..... <i>(fuel option)</i>	1				
4	28160GT	DECAL,LABEL,LIQUID PROPANE..... <i>(LPG tank option)</i>	1				
5	31788GT	DECAL,DANGER,BATTERY SAFETY***.....	1				
6	72999GT	DECAL,LABEL,PETRO CANADA***..... <i>(hydraulic oil option)</i>	1				
7	82161GT	DECAL,LABEL,UCON HYDROLUBE..... <i>(hydraulic oil option)</i>	1				
8	82366GT	DECAL, LABEL - CHEVRON RANDO..... <i>(hydraulic oil option)</i>	1				
9	97865GT	DECAL,WARN,ELECTRO HAZARD.....	1				
10	114258GT	DECAL,DANGER,NO SMOKING.....	1				
11	114390GT	DECAL,DANGER,ELECT HAZARD*** .....	1				
12	114465GT	DECAL GROUND CONTROL BOX..... <i>(S-80 and S-85) Tier 3</i>	1				
13	133232GT	DECAL,LABEL,AUX BATTERY.....	1				
14	133278GT	DECAL,LOW/ULTRA LOW SULFR FUEL..... <i>(TPEM/ROW) diesel models only</i>	1				
15	133310GT	DECAL,LABEL,ENG STRT& CONTROLS.....	1				
16	147755GT	DECAL,GR CNTL PNL 60X 80X..... <i>(S-80X) Tier 3</i>	1				
17	219723GT	DECAL,GROUND BOX,TIER IV..... <i>(S-80 and S-85) Tier 4</i>	1				
18	823658GT	LABEL, GBOX, S60X TIER 4..... <i>(S-80X) Tier 4</i>	1				
19	825579GT	DECAL, LCD, TIER 4..... <i>(Tier 4 engines only)</i>	1				
20	826345GT	DECAL,ULS DIESEL ONLY,TIER 4..... <i>(Tier 4)</i>	1				
21	1255581GT	DECAL COSMETIC,10" GENIE BLUE....	1				
22	1255582GT	DECAL COSMETIC,15" GENIE BLUE....	1				
23	1262344GT	DECAL, OPERATING INSTRUCTIONS..... <i>(S-80X) ANSI</i>	1				
24	1262347GT	DECAL, OPERATING INSTRUCTIONS..... <i>(S-85) ANSI</i>	1				
25	1262348GT	DECAL, OPERATING INSTRUCTIONS..... <i>(S-80 and S-85) Australia</i>	1				
26	1263543GT	DECAL,COMPARTMENT ACCESS.....	1				
27	1266019GT	DECAL, LABEL, SHELL TELLUS..... <i>(hydraulic oil option)</i>	1				



102.1 Decals with Words, Hydraulic Tank Side - View 2



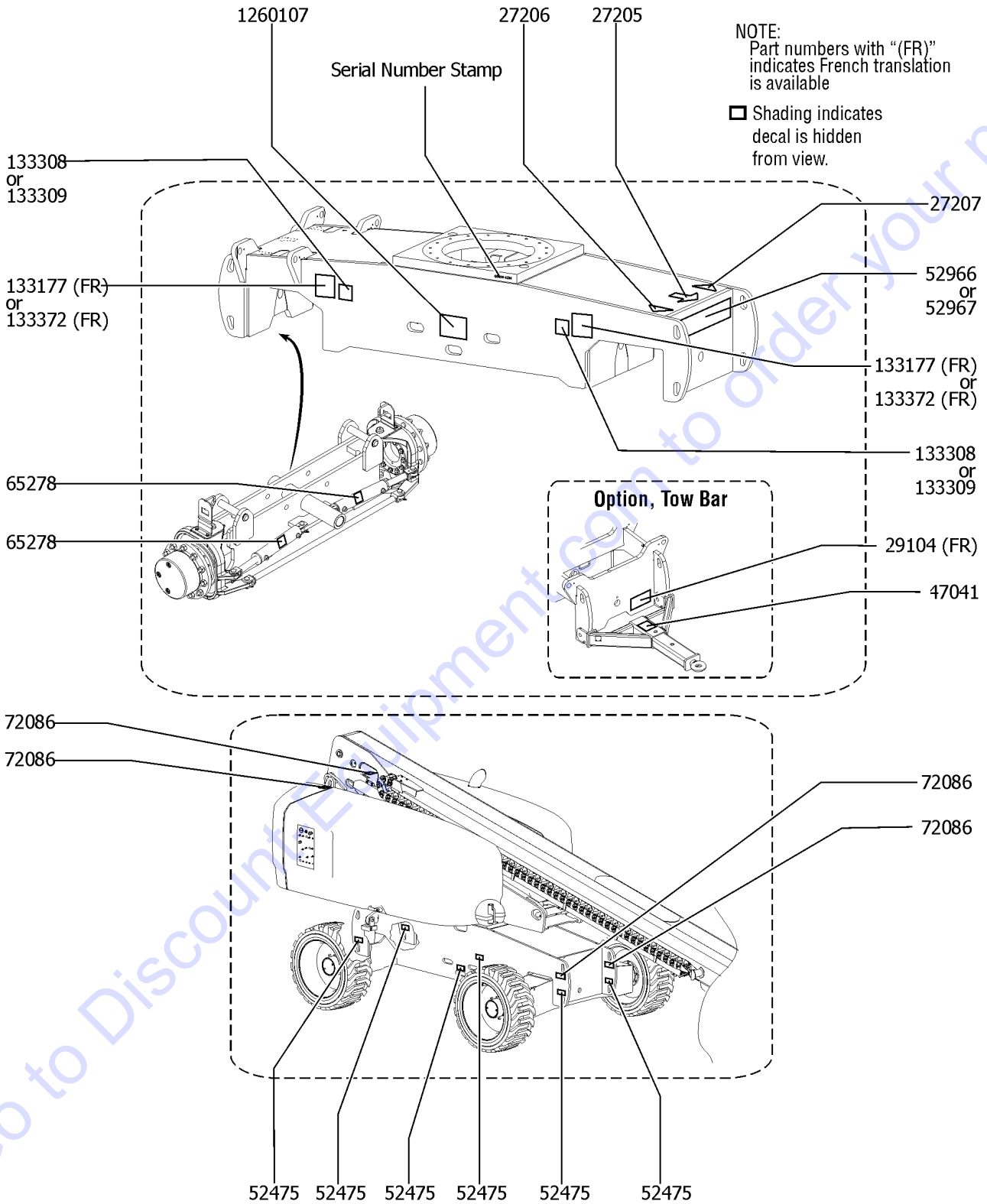


102.1 Decals with Words, Hydraulic Tank Side - View 2

Item	Part No.	Description	Qty.
1	27205GT	DECAL,ARROW YELLOW LRG 9".....1	1
2	27206GT	DECAL,TRIANGLE,BLUE.....1	1
3	27207GT	DECAL,TRIANGLE,YELLOW.....1	1
4	29104GT	DECAL,TOWING INSTRUCTIONS.....1 <i>(tow option)</i>	1
5	47041GT	DECAL,CAUTION,TOWING SPEED.....1 <i>(tow option)</i>	1
6	52475GT	DECAL,LABEL,TRANSPORT TIEDOWN*.....6	6
7	52966GT	DECAL,COSMETIC,4 X 2.....1 <i>(tow option)</i>	1
8	52967GT	DECAL,COSMETIC,4 X 4.....1 <i>(tow option)</i>	1
9	65278GT	DECAL,CAUTION,NO STEP.....2	2
10	72086GT	DECAL,LABEL,LIFTING EYE.....4	4
11	133177GT	DECAL,DANGER/LABEL,TIRE SPECS.....2 <i>(foam filled)</i>	2
12	133308GT	DECAL,LABEL,WHEEL LOAD S80.....2 <i>(S-80 and S-80X)</i>	2
14	133372GT	DECAL,DANGER/LABEL,TIRE SPECHF.....2 <i>(ANSI only) hi-floatation tires</i>	2
15	1260107GT	DECAL, TRANSPORT/LIFTING, S60.....1	1

Go to Discount-Equipment.com to order your parts

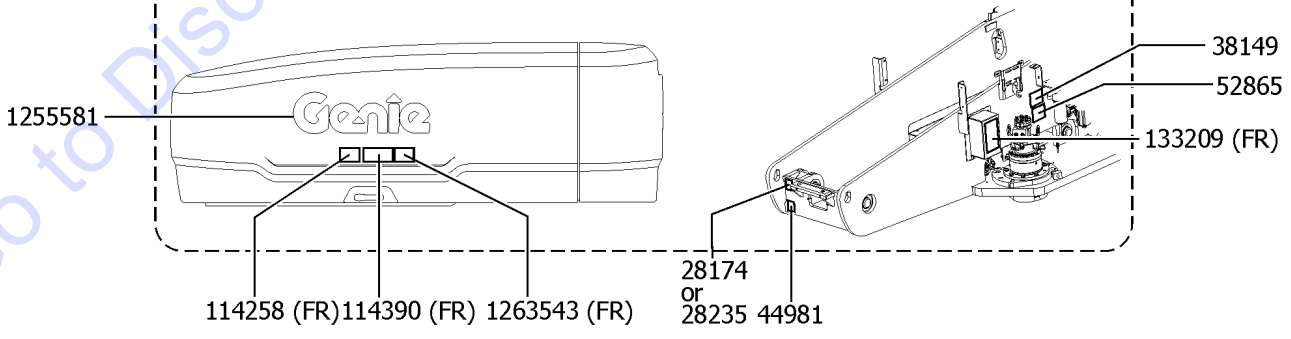
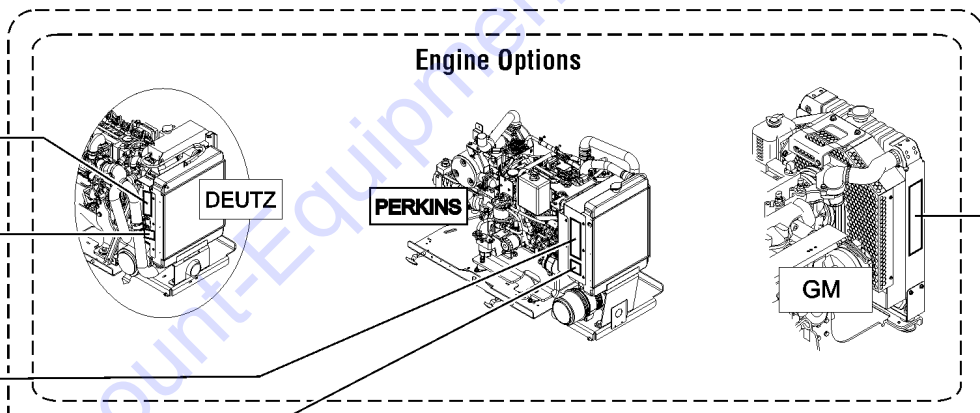
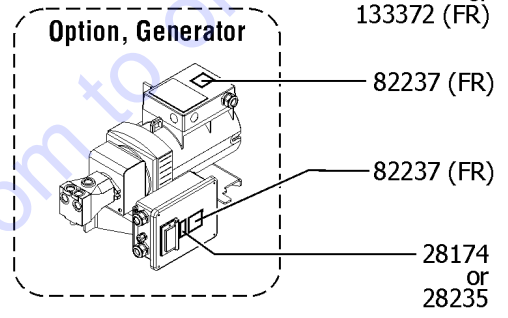
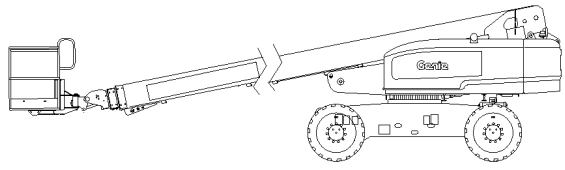
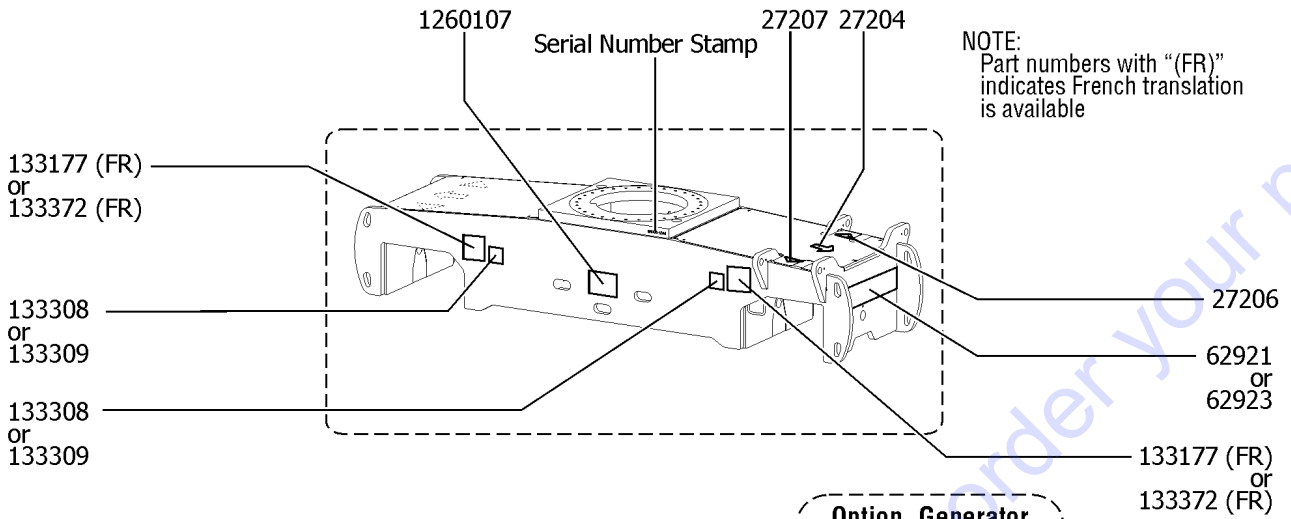
102.1 Decals with Words, Hydraulic Tank Side - View 2



## 102.1 Decals with Words, Hydraulic Tank Side - View 2

Item	Part No.	Description	Qty.
1	27205GT	DECAL,ARROW YELLOW LRG 9".....1	1
2	27206GT	DECAL,TRIANGLE,BLUE.....1	1
3	27207GT	DECAL,TRIANGLE,YELLOW.....1	1
4	29104GT	DECAL,TOWING INSTRUCTIONS.....1 (tow option)	1
5	47041GT	DECAL,CAUTION,TOWING SPEED.....1 (tow option)	1
6	52475GT	DECAL,LABEL,TRANSPORT TIEDOWN*.....6	6
7	52966GT	DECAL,COSMETIC,4 X 2.....1 (tow option)	1
8	52967GT	DECAL,COSMETIC,4 X 4.....1 (tow option)	1
9	65278GT	DECAL,CAUTION,NO STEP.....2	2
10	72086GT	DECAL,LABEL,LIFTING EYE.....4	4
11	133177GT	DECAL,DANGER/LABEL,TIRE SPECS.....2 (foam filled)	2
12	133308GT	DECAL,LABEL,WHEEL LOAD S80.....2 (S-80 and S-80X)	2
14	133372GT	DECAL,DANGER/LABEL,TIRE SPECHF.....2 (ANSI only) hi-floatation tires	2
15	1260107GT	DECAL, TRANSPORT/LIFTING, S60.....1	1

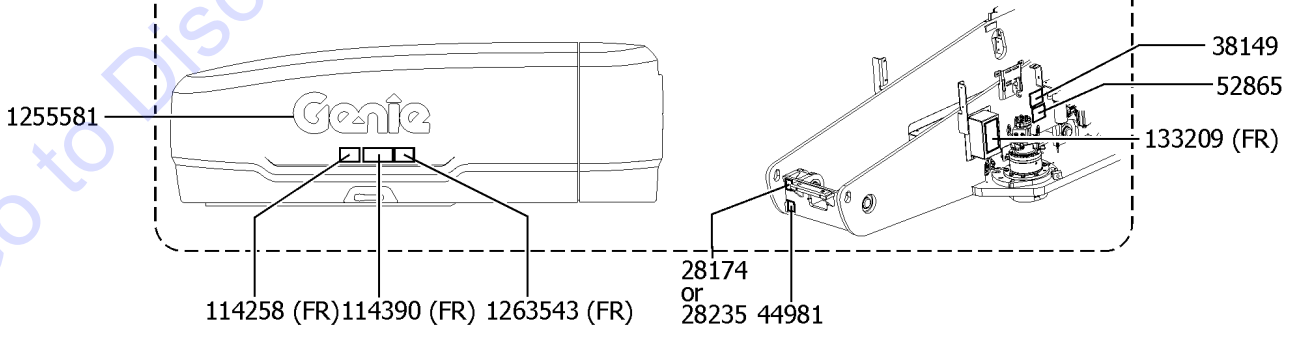
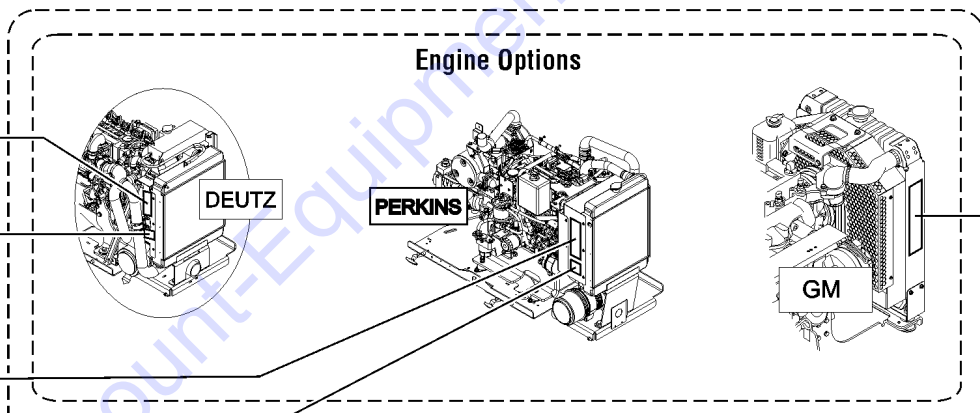
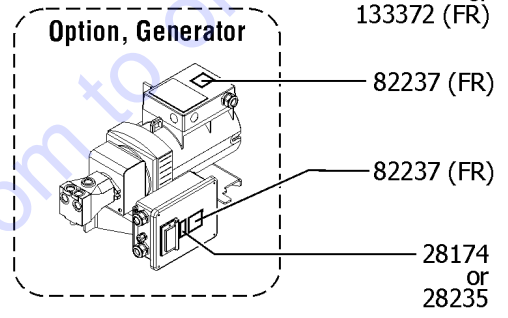
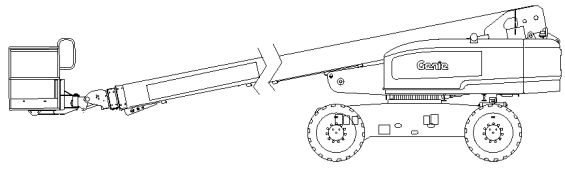
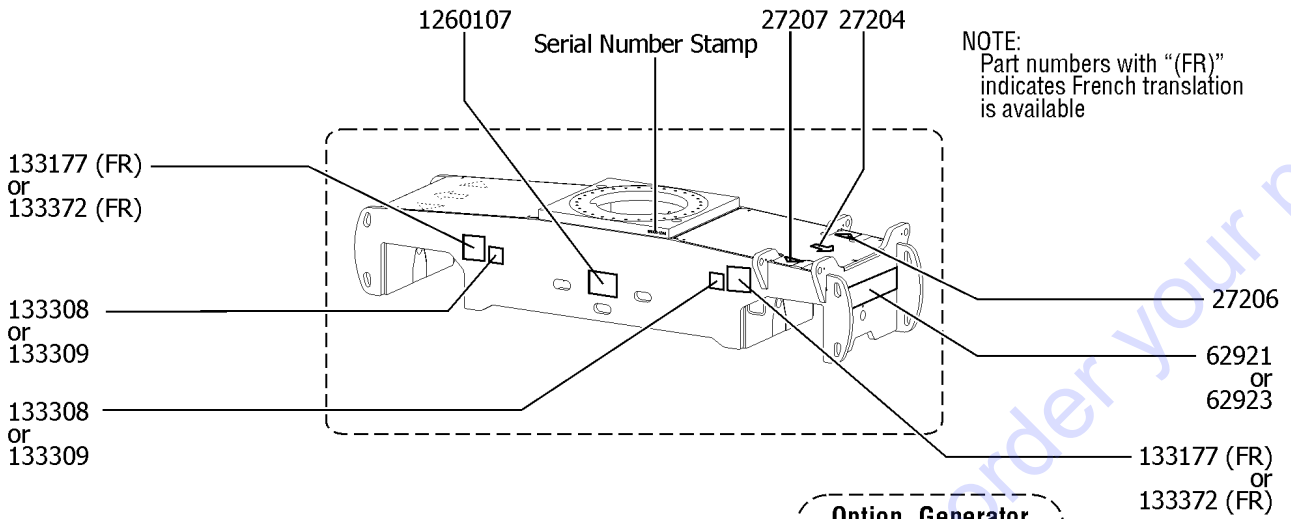
103.1 Decals with Words, Engine Side



## 103.1 Decals with Words, Engine Side

Item	Part No.	Description	Qty.
1	27204GT	DECAL,ARROW BLUE.....	1
2	27206GT	DECAL,TRIANGLE,BLUE.....	1
3	27207GT	DECAL,TRIANGLE,YELLOW.....	1
4	28174GT	DECAL, POWER TO PLATFORM 230V**.....	2
5	28235GT	DECAL,POWER TO PLATFORM 115V...2	
6	38149GT	DECAL,LABEL,PATENTS.....1 (US Only)	
7	44981GT	DECAL,LABEL,AIR LINE 110 PSI.....1 (airline to platform option)	
8	52865GT	DECAL,ANNUAL INSP***.....1 (US Only)	
9	62921GT	DECAL,COSMETIC,S80.....1 (S-80)	
11	82237GT	DECAL,DANGER,HIGH VOLTAGE.....2 (generator option)	
12	97602GT	DECAL,EXPLOSION HAZARD.....1	
13	114258GT	DECAL,DANGER,NO SMOKING.....1	
14	114390GT	DECAL,DANGER,ELECT HAZARD***.....1	
15	128953GT	DECAL,ENGINE SPEC,DEUTZ,TD2011.....1 (TD2011L04i) ROW	
16	133177GT	DECAL,DANGER/LABEL,TIRE SPECS.....2 (foam filled)	
17	133209GT	DECAL, RELAY BLOCK, S80/85.....1	
18	133308GT	DECAL,LABEL,WHEEL LOAD S80.....2 (S-80 and S-80X)	
20	133372GT	DECAL,DANGER/LABEL,TIRE SPEC HF.....2 (ANSI only) hi-floatation tires	
21	824615GT	DECAL,ENGINE SPEC,DEUTZ TD2.9....1 (TD2.9 L4) Tier 4	
22	1255581GT	DECAL COSMETIC,10" GENIE BLUE....1	
23	1258972GT	DECAL,ENGINE SPEC,PERKINS 404....1 (404D-22T)	
24	1260107GT	DECAL, TRANSPORT/LIFTING, S60....1	
25	1263543GT	DECAL,COMPARTMENT ACCESS.....1	
26	1271397GT	DECAL, ENG, SPECS, GM 3.0L.....1 (GM 3.0L)	

103.1 Decals with Words, Engine Side



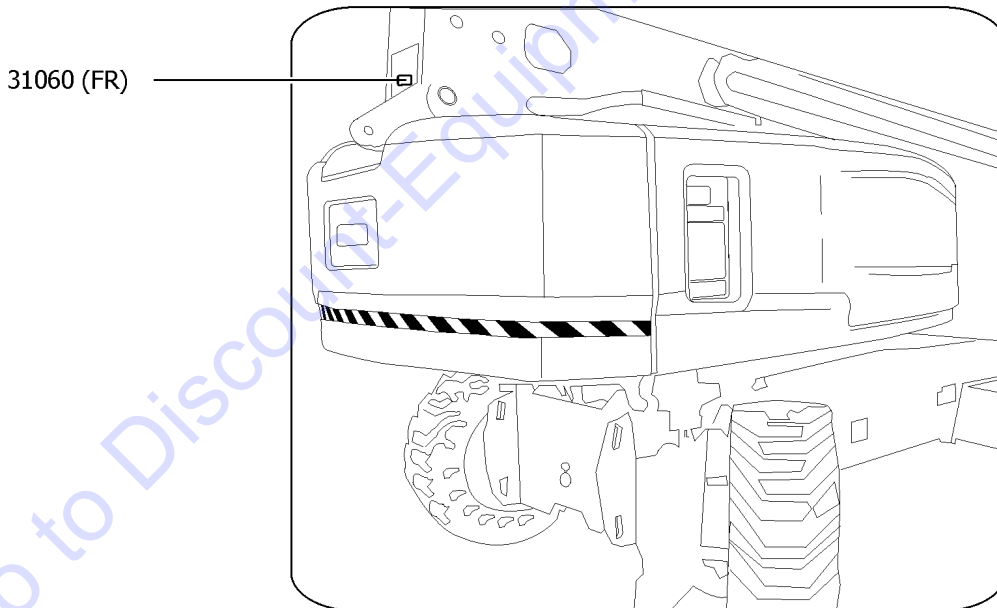
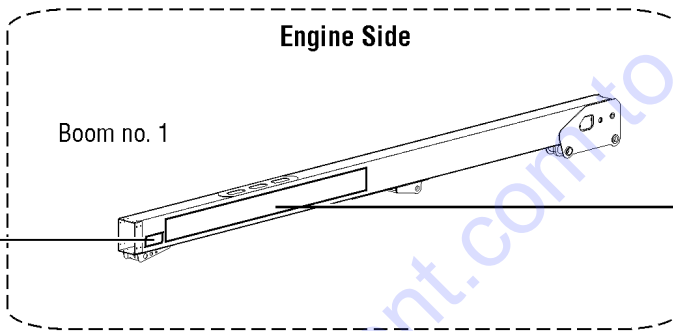
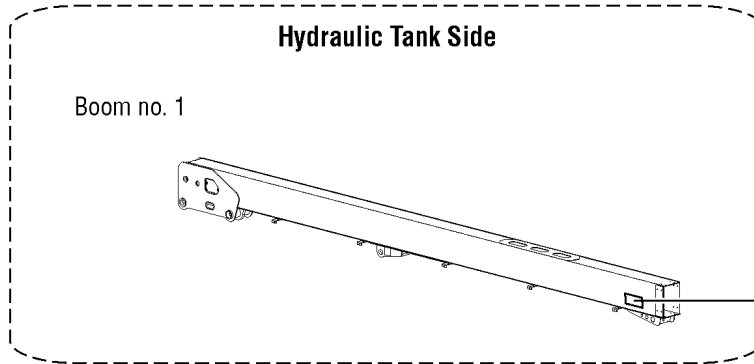
## 103.1 Decals with Words, Engine Side

Item	Part No.	Description	Qty.
1	27204GT	DECAL,ARROW BLUE.....	1
2	27206GT	DECAL,TRIANGLE,BLUE.....	1
3	27207GT	DECAL,TRIANGLE,YELLOW.....	1
4	28174GT	DECAL, POWER TO PLATFORM 230V**.....	2
5	28235GT	DECAL,POWER TO PLATFORM 115V...2	
6	38149GT	DECAL,LABEL,PATENTS.....1 (US Only)	
7	44981GT	DECAL,LABEL,AIR LINE 110 PSI.....1 (airline to platform option)	
8	52865GT	DECAL,ANNUAL INSP***.....1 (US Only)	
9	62921GT	DECAL,COSMETIC,S80.....1 (S-80)	
11	82237GT	DECAL,DANGER,HIGH VOLTAGE.....2 (generator option)	
12	97602GT	DECAL,EXPLOSION HAZARD.....1	
13	114258GT	DECAL,DANGER,NO SMOKING.....1	
14	114390GT	DECAL,DANGER,ELECT HAZARD***.....1	
15	128953GT	DECAL,ENGINE SPEC,DEUTZ,TD2011.....1 (TD2011L04i) ROW	
16	133177GT	DECAL,DANGER/LABEL,TIRE SPECS.....2 (foam filled)	
17	133209GT	DECAL, RELAY BLOCK, S80/85.....1	
18	133308GT	DECAL,LABEL,WHEEL LOAD S80.....2 (S-80 and S-80X)	
20	133372GT	DECAL,DANGER/LABEL,TIRE SPEC HF.....2 (ANSI only) hi-floatation tires	
21	824615GT	DECAL,ENGINE SPEC,DEUTZ TD2.9....1 (TD2.9 L4) Tier 4	
22	1255581GT	DECAL COSMETIC,10" GENIE BLUE....1	
23	1258972GT	DECAL,ENGINE SPEC,PERKINS 404....1 (404D-22T)	
24	1260107GT	DECAL, TRANSPORT/LIFTING, S60....1	
25	1263543GT	DECAL,COMPARTMENT ACCESS.....1	
26	1271397GT	DECAL, ENG, SPECS, GM 3.0L.....1 (GM 3.0L)	



104.1 Decals with Words, Boom

NOTE:  
Part numbers with "(FR)"  
indicates French translation  
is available



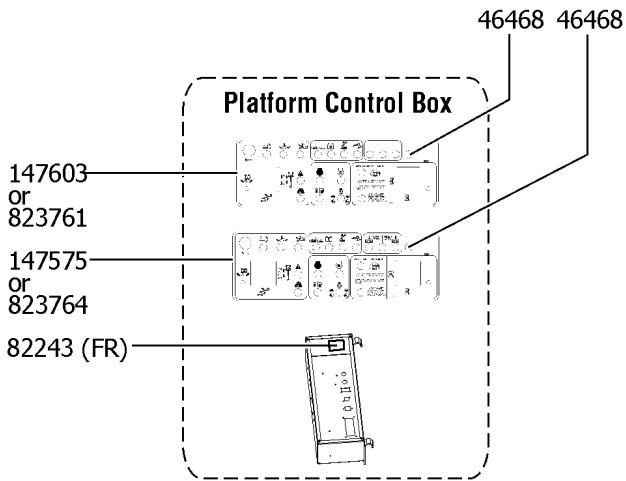
104.1 Decals with Words, Boom

Item	Part No.	Description	Qty.
1	31060GT	DECAL,DANGER DO NOT ALTER SWTC.....3 (S-80X Only)	
2	62920GT	DECAL,COSMETIC,GENIE S-80.....1 (S-80)	
3	62922GT	DECAL,COSMETIC,GENIE S-85.....1 (S-85)	
4	147659GT	DECAL,COSM GENIE S80X.....1 (S-80X)	

Go to Discount-Equipment.com to order your parts



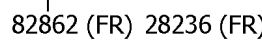
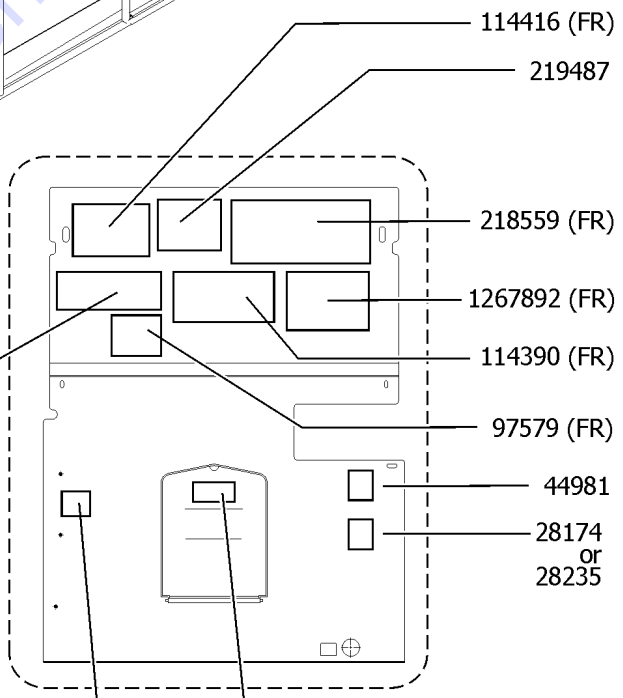
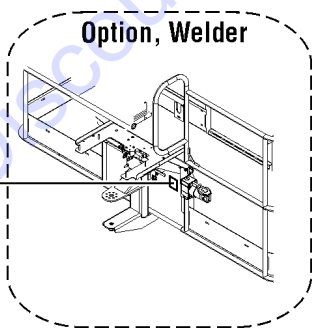
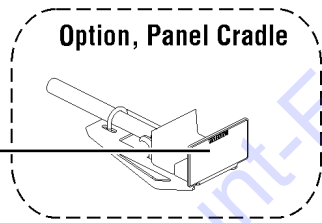
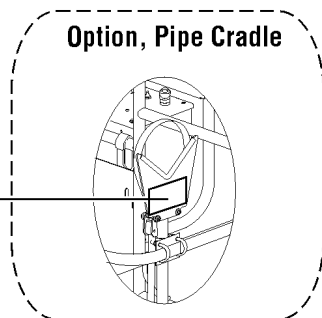
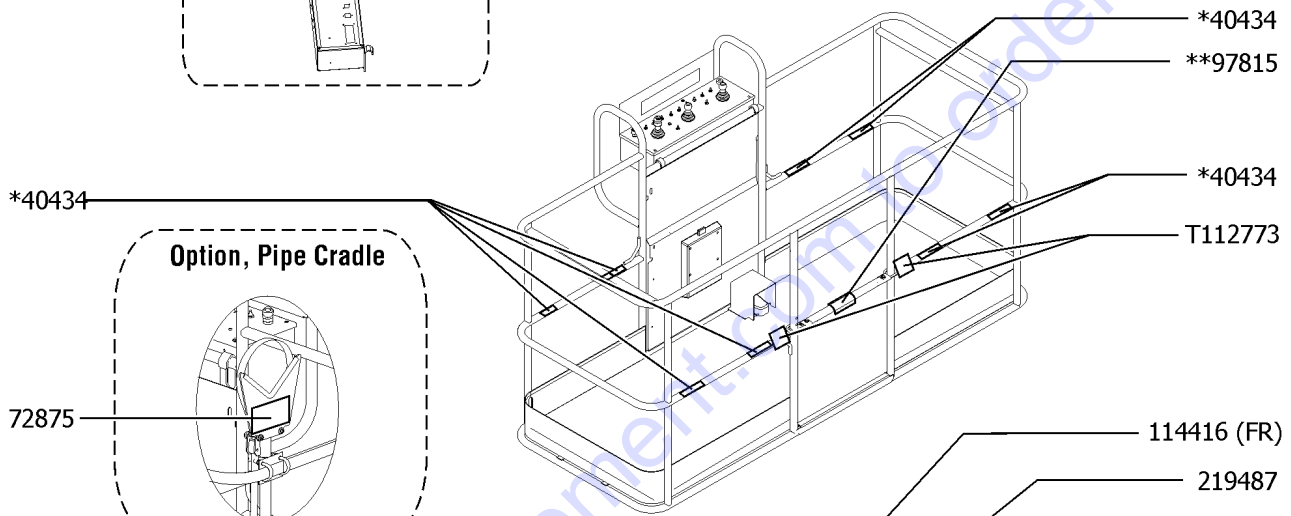
105.1 Decals with Words, Platform



NOTE:  
Part numbers with "(FR)" indicates French translation is available

\*apply this decal to all lanyard anchorage attachments on the platform.

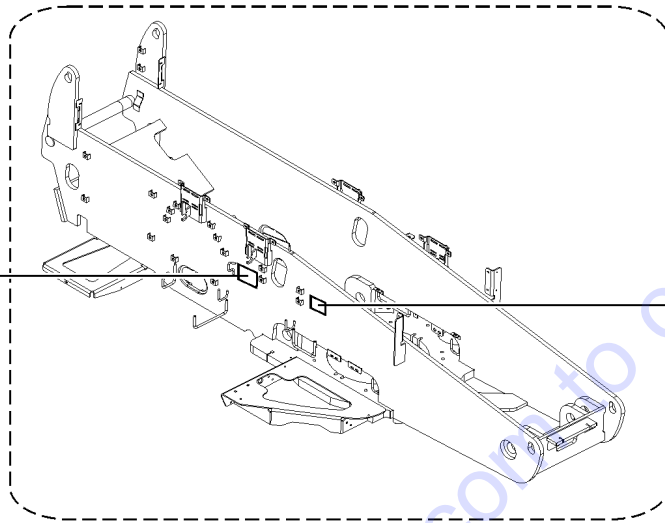
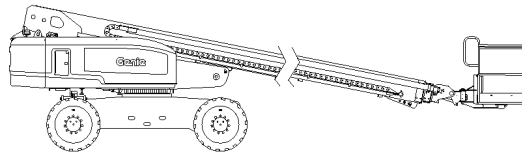
\*\*apply to all three midrails on tri-entry platform.



## 105.1 Decals with Words, Platform

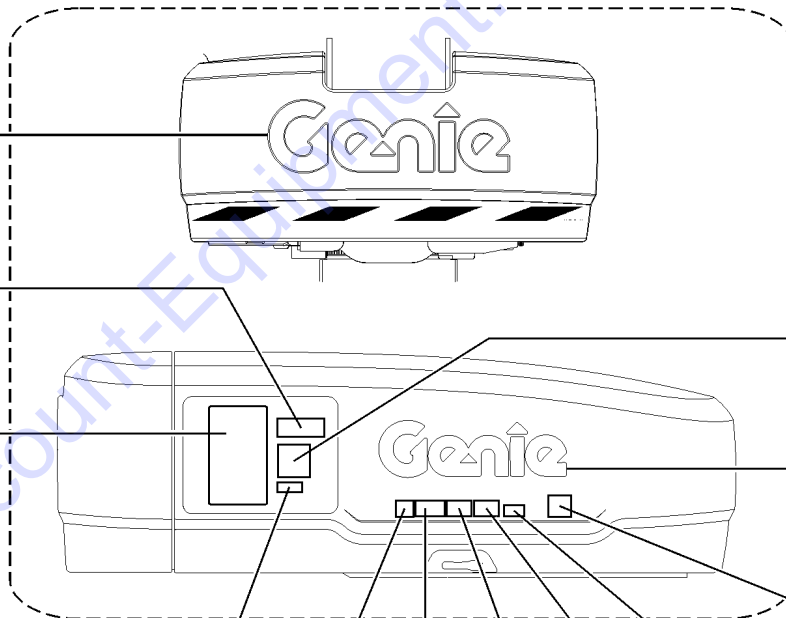
Item	Part No.	Description	Qty.
1	28174GT	DECAL, POWER TO PLATFORM 230V**.....	1
2	28235GT	DECAL,POWER TO PLATFORM 115V...1	1
3	28236GT	DECAL,WARN,IMPROPER OPERATION.....	1
4	40434GT	DECAL,LANYARD ANCHORAGE POINT.....	8
5	44981GT	DECAL,LABEL,AIR LINE 110 PSI.....1 (airline to platform option)	1
6	46468GT	DECAL,FUNCTION OVERRIDE.....1 (aircraft protection option)	1
7	72875GT	DECAL,WARNING,PIPE CRADLE,BOOM.....2 (pipe cradle option)	2
8	82237GT	DECAL,DANGER,HIGH VOLTAGE.....1 (welder option)	1
9	82243GT	DECAL FAULT CODE.....1	1
10	82410GT	DECAL,WARNING,PANEL CRADLE.....2 (panel cradle)	2
11	82862GT	DECAL,FIRE EXTINGUISHER.....1 (welder option)	1
12	97579GT	DECAL,DANGER,TIP-OVER,WELDER**1 (welder option)	1
13	97815GT	DECAL,LABEL,LOWER MIDRAIL.....1	1
14	114390GT	DECAL,DANGER,ELECT HAZARD***...1	1
15	114416GT	DECAL,DANGER,TIPOVER,TILT.....1	1
16	147575GT	DECAL, PLAT CNTL PNL 60X 80X.....1 (S-80X) Tier 3	1
17	147603GT	DECAL, PLAT CNTL PNL.....1 (S-80 and S-85) Tier 3	1
18	218549GT	DECAL,DANGER,CAP,ANSI WORD.....1 (S-85) ANSI	1
19	218550GT	DECAL,DANGER,CAP,AUS WORD.....1 (S-80 and S-85) Australia	1
20	218559GT	DECAL,DANGER/WARNING COMBO...1	1
21	219487GT	DECAL,PLATFORM OVERLOAD.....1 Australia Only	1
22	823761GT	LABEL, PBOX, S65 TIER 4.....1 (S-80 and S-85) Tier 4	1
23	823764GT	LABEL, PBOX, S60X TIER 4.....1 (S-80X) Tier 4	1
24	1267891GT	DECAL, TIPOVER HAZARD, S80X.....1 (S-80X) ANSI	1
25	1267892GT	DECAL, RUNAWAY HAZARD.....1	1
26	T112773GT	TAPE, PROTECTIVE MASK.....2	2

106.1 Decals with Symbols, Hydraulic Tank Side - View 1



serial label

1272242



1255582

133067

114465  
or  
147755  
or  
219723  
or  
823658

133413

1255581

82481

82487

28160

114251

1263542

133205

28158  
or  
28159



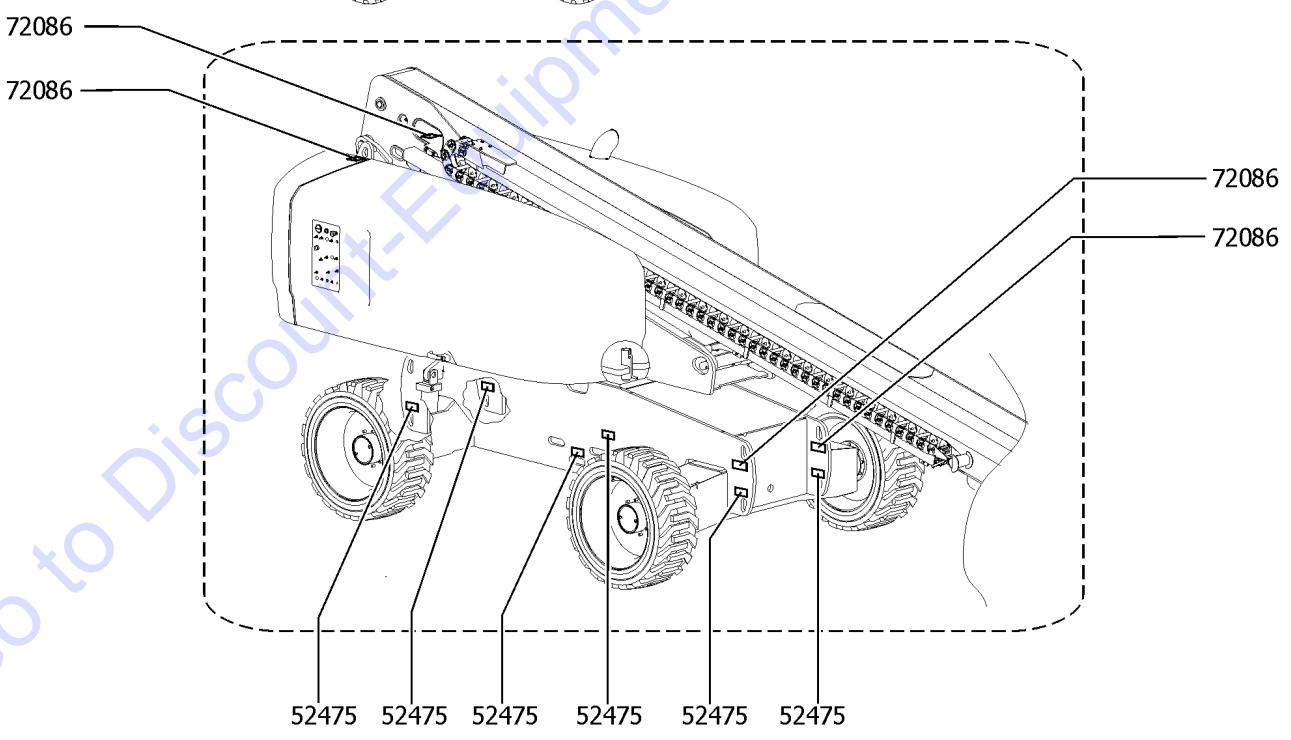
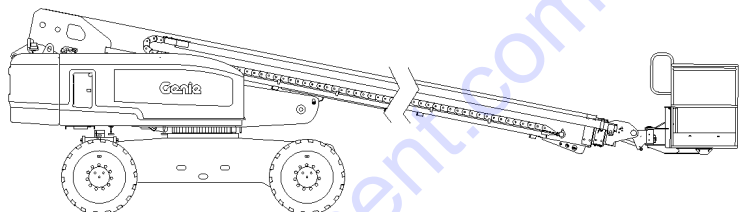
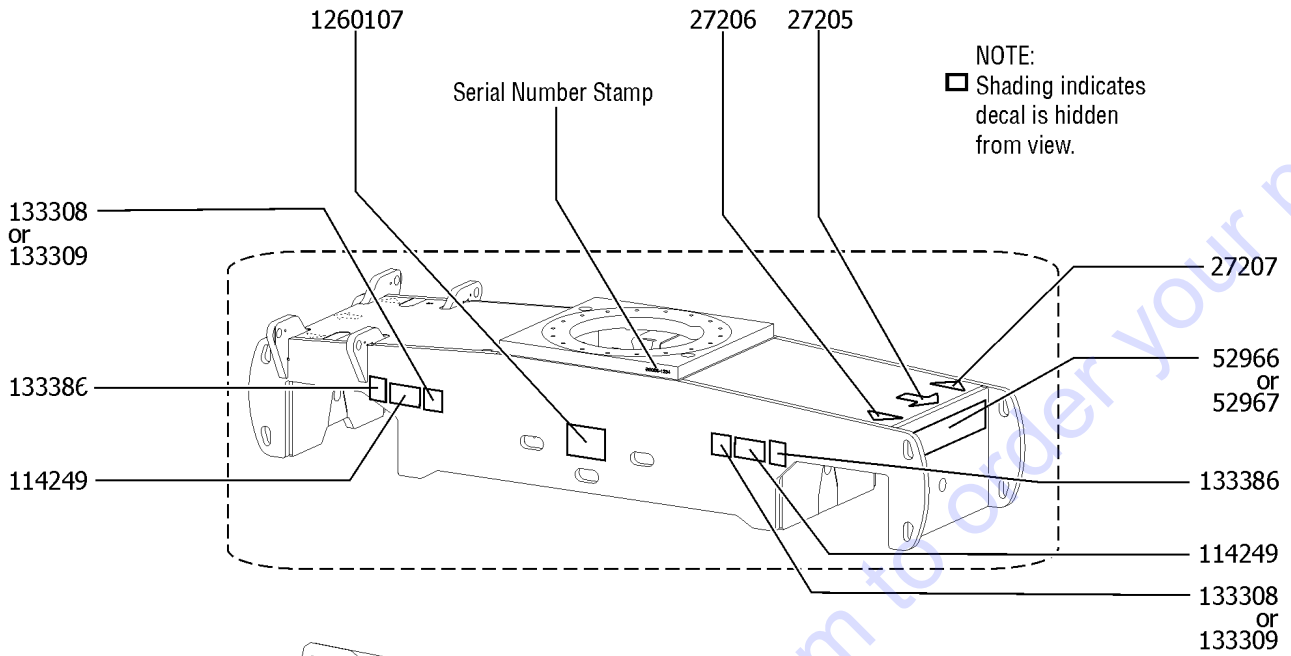
106.1 Decals with Symbols, Hydraulic Tank Side - View 1

Item	Part No.	Description	Qty.
1	28158GT	DECAL,LABEL,UNLEADED GAS ONLY.....1 <i>(fuel option)</i>	1
2	28159GT	DECAL,LABEL,DIESEL FUEL.....1 <i>(fuel option)</i>	1
3	28160GT	DECAL,LABEL,LIQUID PROPANE.....1 <i>(LPG Tank option)</i>	1
4	82481GT	DECAL,SYMBOL-BATTERY SAFETY.....1	1
5	82487GT	DECAL, SYMBOL - READ THE MANUAL.....1	1
6	114251GT	DECAL,LABEL,NO SMOKING,SYMB.....1	1
7	114465GT	DECAL GROUND CONTROL BOX.....1 <i>(S-80 &amp; S-85) Tier 3</i>	1
8	133067GT	DECAL,DANGER,ELEC.HAZ.STAY CLR.....1	1
9	133205GT	DECAL,LABEL, ELECTRO HAZARD.....1	1
10	133413GT	DECAL,EMERGENCY LOWERING.....1	1
11	147755GT	DECAL,GR CNTL PNL 60X 80X.....1 <i>(S-80X) Tier 3</i>	1
12	219723GT	DECAL,GROUND BOX,TIER IV.....1 <i>(S-80 &amp; S-85) Tier 4</i>	1
13	823658GT	LABEL, GBOX, S60X TIER 4.....1 <i>(S-80X) Tier 4</i>	1
14	1255581GT	DECAL COSMETIC,10" GENIE BLUE....1	1
15	1255582GT	DECAL COSMETIC,15" GENIE BLUE....1	1
16	1263542GT	DECAL, COMPARTMENT ACCESS.....1	1
17	1272242GT	DECAL,MACHINE REGISTRATION/OWNER TRANSFER....1	1

Go to Discount-Equipment.com to order your parts



107.1 Decals with Symbols, Hydraulic Tank Side - View 2



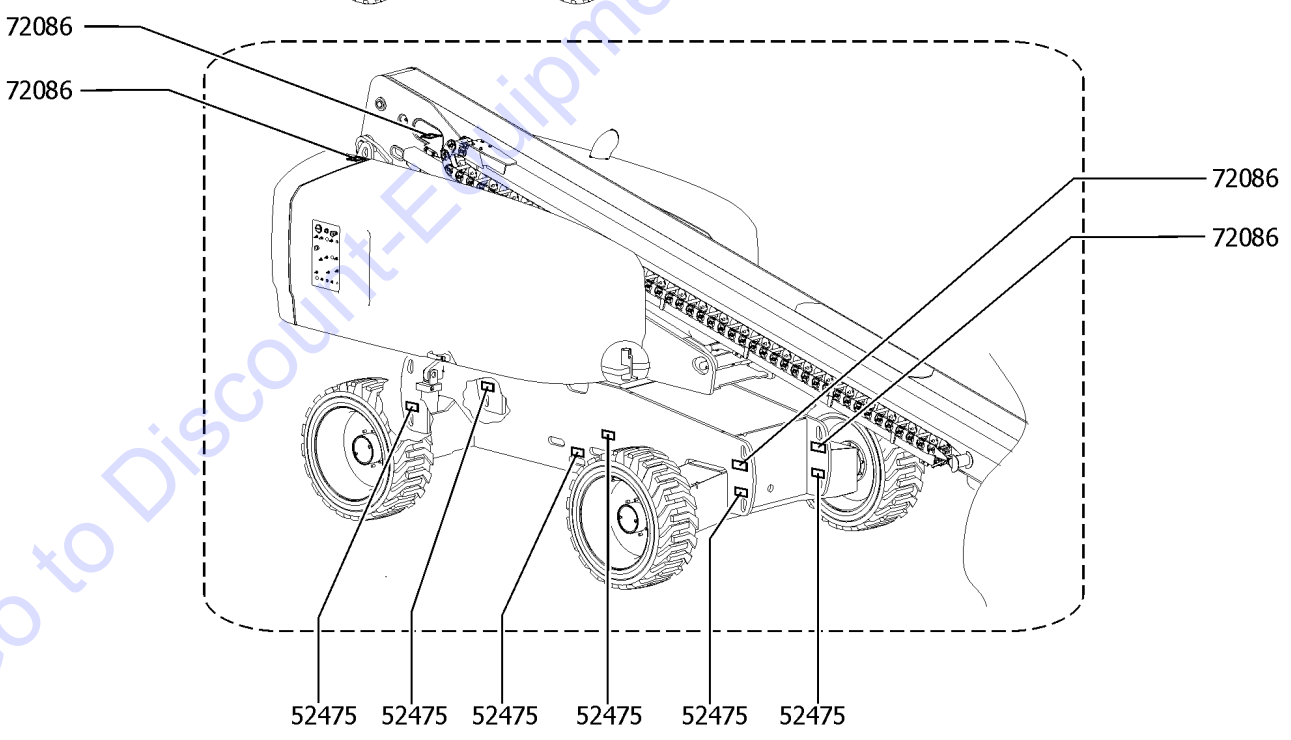
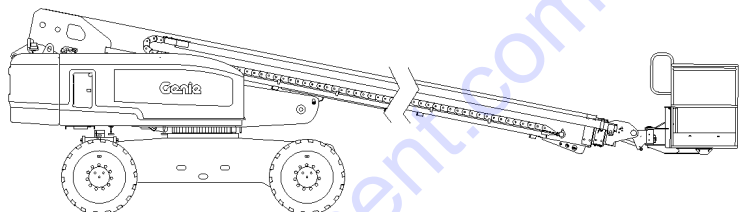
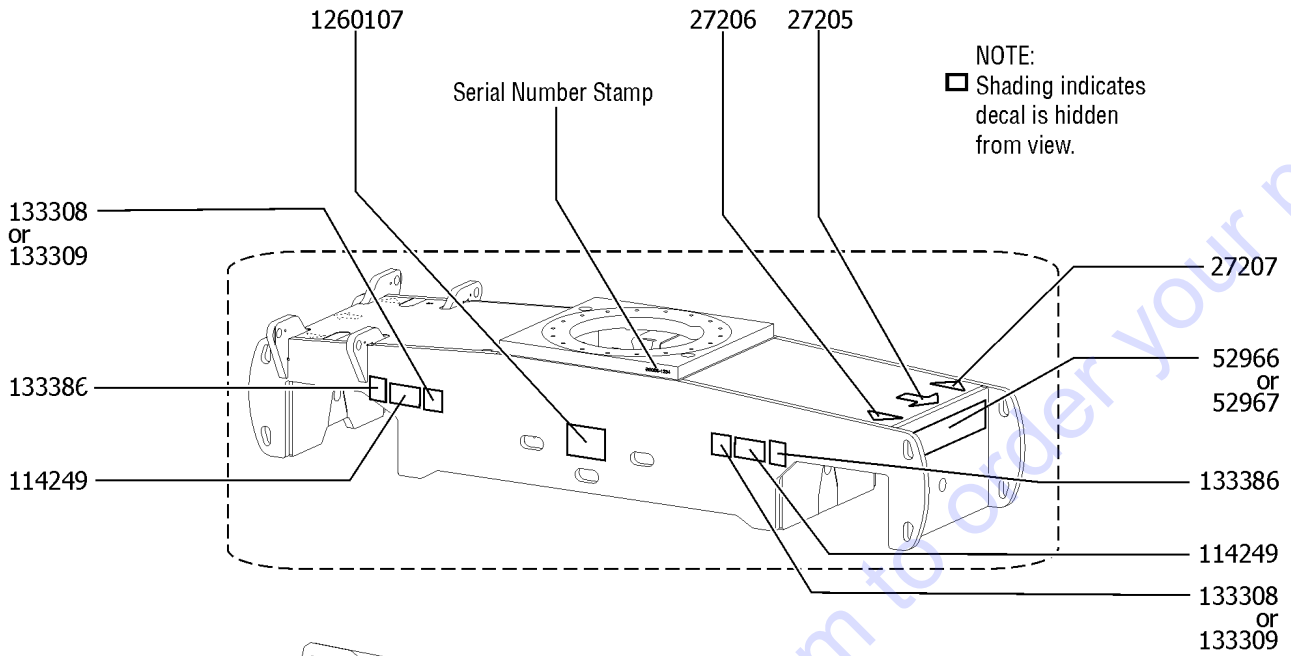


## 107.1 Decals with Symbols, Hydraulic Tank Side - View 2

Item	Part No.	Description	Qty.
1	27205GT	DECAL,ARROW YELLOW LRG 9".....1	1
2	27206GT	DECAL,TRIANGLE,BLUE.....1	1
3	27207GT	DECAL,TRIANGLE,YELLOW.....1	1
4	52475GT	DECAL,LABEL,TRANSPORT TIEDOWN*.....6	6
5	52966GT	DECAL,COSMETIC,4 X 2.....1 (drive option)	1
6	52967GT	DECAL,COSMETIC,4 X 4.....1 (drive option)	1
7	72086GT	DECAL,LABEL,LIFTING EYE.....4	4
8	114249GT	DECAL,LABEL,TIPOVER,TIRES,SYMB.2	2
10	133309GT	DECAL,LABEL,WHEEL LOAD S85.....2 (S-85)	2
11	133386GT	LABEL,TIRE PRESSURE,HF.....2 (hi-floatation tires option)	2
12	1260107GT	DECAL, TRANSPORT/LIFTING, S60.....1	1

Go to Discount-Equipment.com to order your parts

107.1 Decals with Symbols, Hydraulic Tank Side - View 2

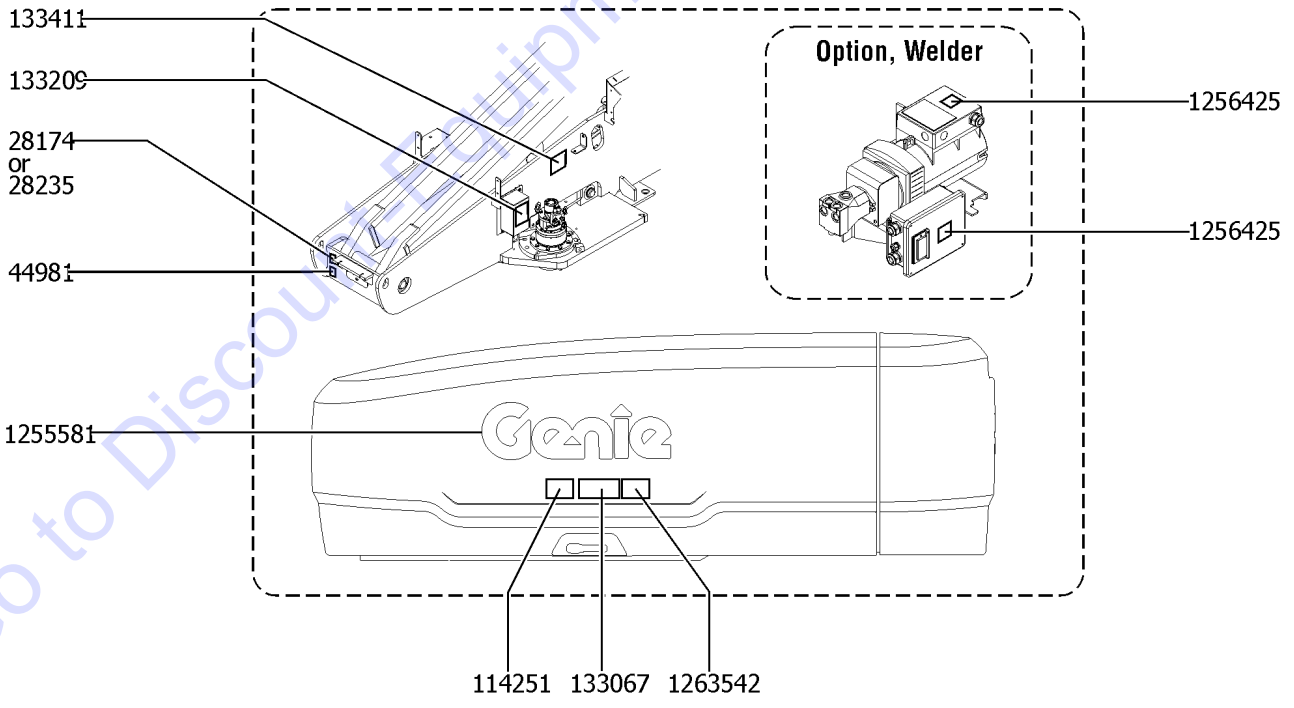
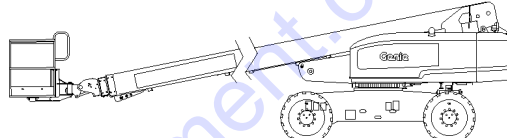
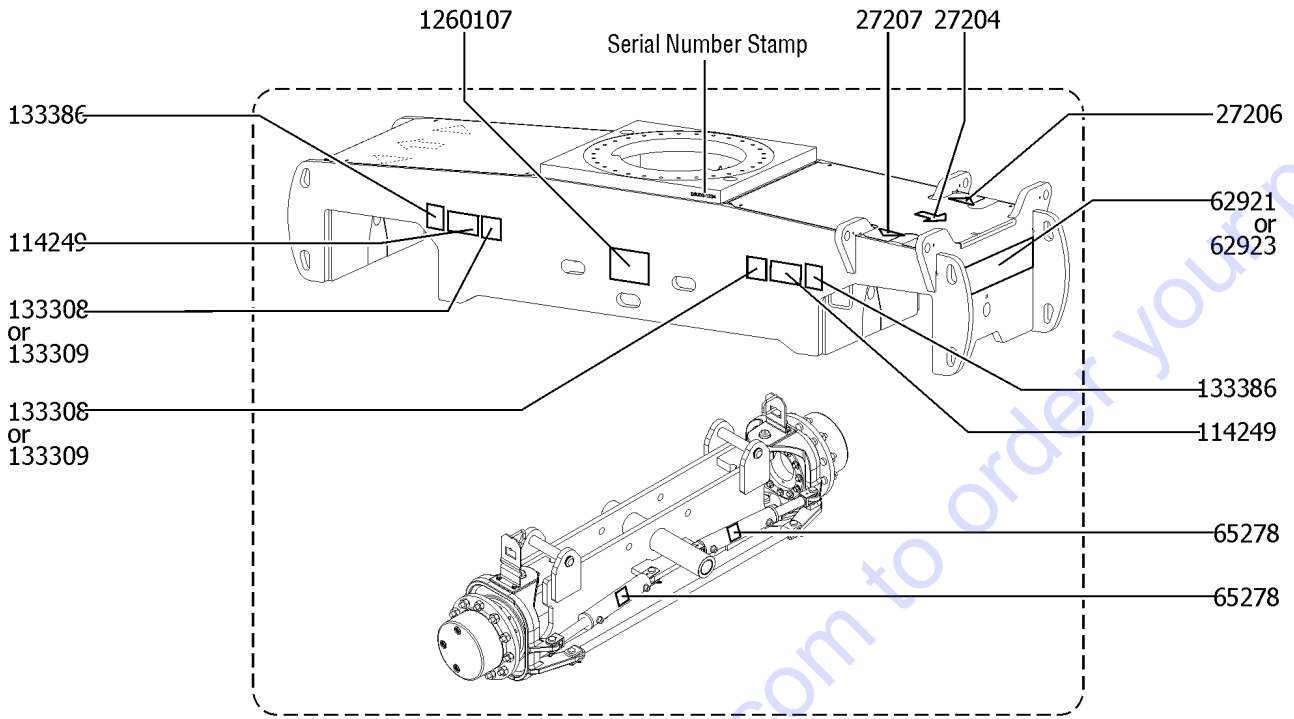


## 107.1 Decals with Symbols, Hydraulic Tank Side - View 2

Item	Part No.	Description	Qty.
1	27205GT	DECAL,ARROW YELLOW LRG 9".....1	1
2	27206GT	DECAL,TRIANGLE,BLUE.....1	1
3	27207GT	DECAL,TRIANGLE,YELLOW.....1	1
4	52475GT	DECAL,LABEL,TRANSPORT TIEDOWN*.....6	6
5	52966GT	DECAL,COSMETIC,4 X 2.....1 (drive option)	1
6	52967GT	DECAL,COSMETIC,4 X 4.....1 (drive option)	1
7	72086GT	DECAL,LABEL,LIFTING EYE.....4	4
8	114249GT	DECAL,LABEL,TIPOVER,TIRES,SYMB.2	2
9	133308GT	DECAL,LABEL,WHEEL LOAD S80.....2 (S-80 and S-80X)	2
11	133386GT	LABEL,TIRE PRESSURE,HF.....2 (hi-floatation tires)	2
12	1260107GT	DECAL, TRANSPORT/LIFTING, S60.....1	1

Go to Discount-Equipment.com to order your parts

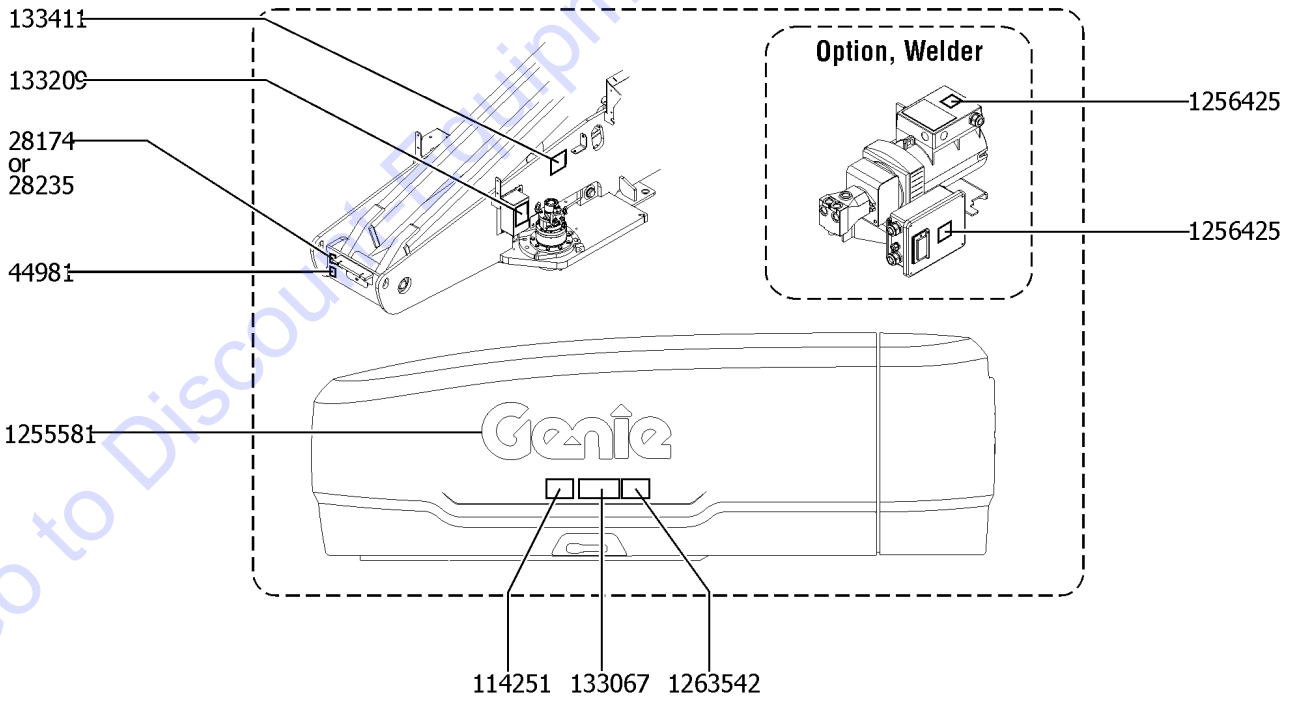
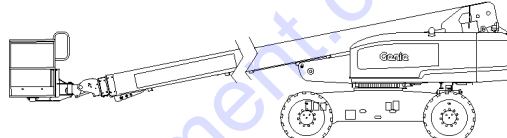
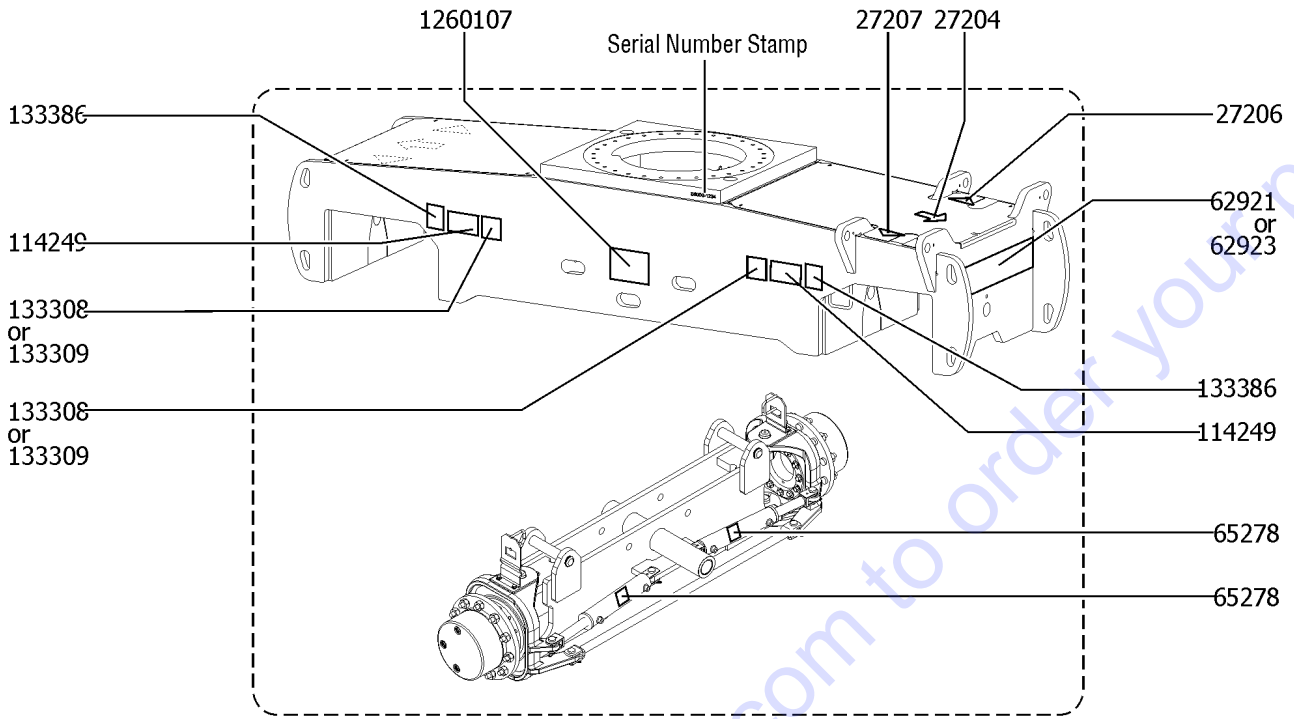
108.1 Decals with Symbols, Engine Side



## 108.1 Decals with Symbols, Engine Side

Item	Part No.	Description	Qty.
1	27204GT	DECAL,ARROW BLUE.....	1
2	27206GT	DECAL,TRIANGLE,BLUE.....	1
3	27207GT	DECAL,TRIANGLE,YELLOW.....	1
4	28174GT	DECAL, POWER TO PLATFORM 230V**.....	1
5	28235GT	DECAL,POWER TO PLATFORM 115V...1	1
6	44981GT	DECAL,LABEL,AIR LINE 110 PSI.....1 (airline to platform)	1
7	62921GT	DECAL,COSMETIC,S80.....1 (S-80 and S-80X)	1
9	65278GT	DECAL,CAUTION,NO STEP.....2	2
10	114249GT	DECAL,LABEL,TIPOVER,TIRES,SYMB.2	2
11	114251GT	DECAL,LABEL,NO SMOKING,SYMB.....1	1
12	133067GT	DECAL,DANGER,ELEC.HAZ.STAY CLR.....	1
13	133209GT	DECAL, RELAY BLOCK, S80/85.....1	1
14	133308GT	DECAL,LABEL,WHEEL LOAD S80.....2 (S-80 and S-80X)	2
16	133386GT	LABEL,TIRE PRESSURE,HF.....2 (hi-floatation tires option)	2
17	133411GT	DECAL,LABEL,106 DB***.....1 (CE Only)	1
18	1255581GT	DECAL COSMETIC,10" GENIE BLUE...1	1
19	1256425GT	DECAL, DANGER, ELECTROCUTION HAZARD, SYMBOL.....2 (welder option)	2
20	1260107GT	DECAL, TRANSPORT/LIFTING, S60.....1	1
21	1263542GT	DECAL, COMPARTMENT ACCESS.....1	1

108.1 Decals with Symbols, Engine Side

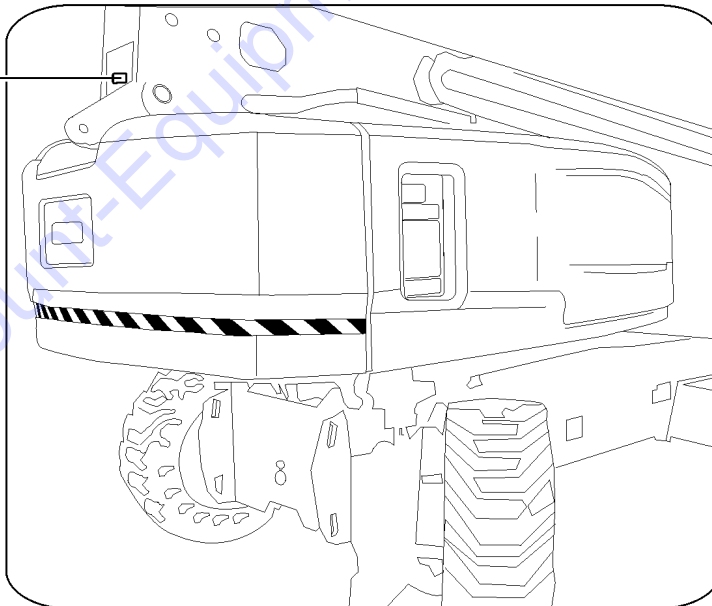
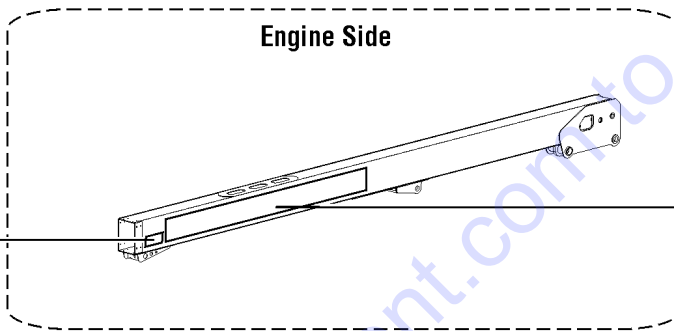
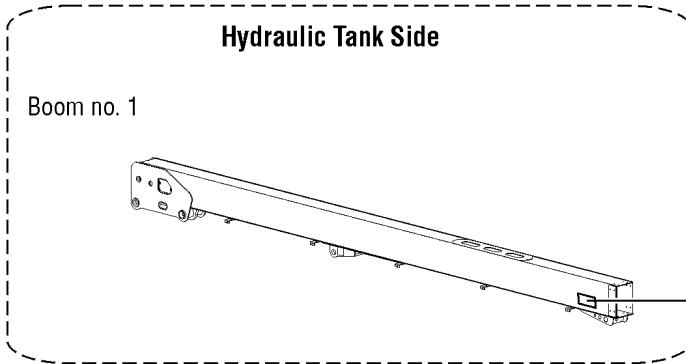


## 108.1 Decals with Symbols, Engine Side

Item	Part No.	Description	Qty.
1	27204GT	DECAL,ARROW BLUE.....	1
2	27206GT	DECAL,TRIANGLE,BLUE.....	1
3	27207GT	DECAL,TRIANGLE,YELLOW.....	1
4	28174GT	DECAL, POWER TO PLATFORM 230V**.....	1
5	28235GT	DECAL,POWER TO PLATFORM 115V...1	1
6	44981GT	DECAL,LABEL,AIR LINE 110 PSI.....1 (airline to platform)	1
7	62921GT	DECAL,COSMETIC,S80.....1 (S-80 and S-80X)	1
9	65278GT	DECAL,CAUTION,NO STEP.....2	2
10	114249GT	DECAL,LABEL,TIPOVER,TIRES,SYMB.2	2
11	114251GT	DECAL,LABEL,NO SMOKING,SYMB.....1	1
12	133067GT	DECAL,DANGER,ELEC.HAZ.STAY CLR.....	1
13	133209GT	DECAL, RELAY BLOCK, S80/85.....1	1
14	133308GT	DECAL,LABEL,WHEEL LOAD S80.....2 (S-80 and S-80X)	2
16	133386GT	LABEL,TIRE PRESSURE,HF.....2 (hi-floatation tires option)	2
17	133411GT	DECAL,LABEL,106 DB***.....1 (CE Only)	1
18	1255581GT	DECAL COSMETIC,10" GENIE BLUE...1	1
19	1256425GT	DECAL, DANGER, ELECTROCUTION HAZARD, SYMBOL.....2 (welder option)	2
20	1260107GT	DECAL, TRANSPORT/LIFTING, S60.....1	1
21	1263542GT	DECAL, COMPARTMENT ACCESS.....1	1



109.1 Decals with Symbols, Boom



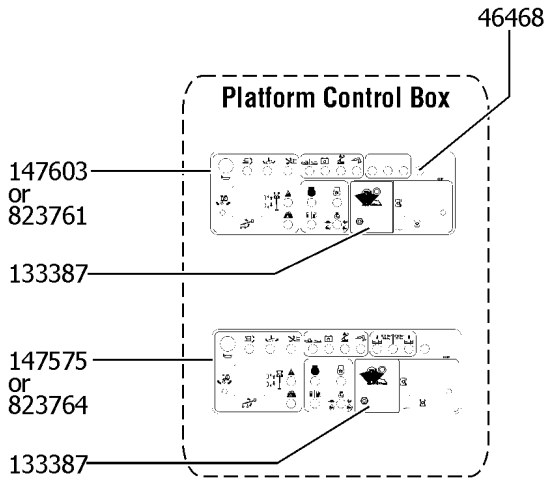
109.1 Decals with Symbols, Boom

Item	Part No.	Description	Qty.
1	62920GT	DECAL,COSMETIC,GENIE S-80.....1 (S-80)	1
2	62922GT	DECAL,COSMETIC,GENIE S-85.....1 (S-85)	1
3	114252GT	DECAL,LABEL,TIP OVER LMT SWTCH.....3 (S-80X Only)	3
4	147659GT	DECAL,COSM GENIE S80X.....1 (S-80X)	1

Go to Discount-Equipment.com to order your parts

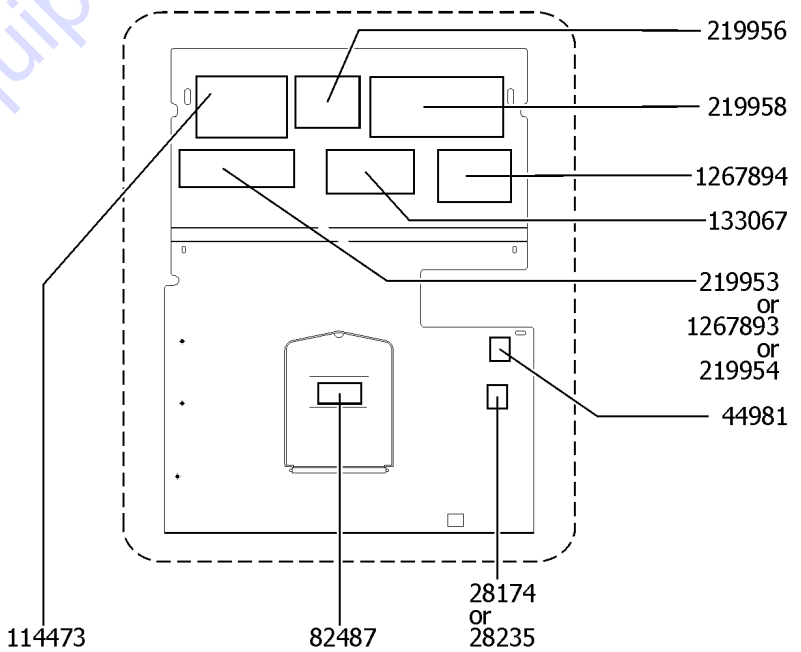
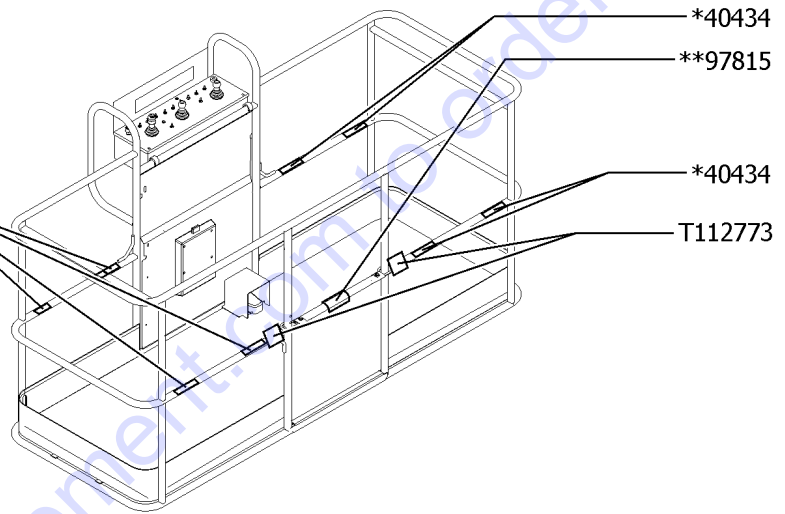
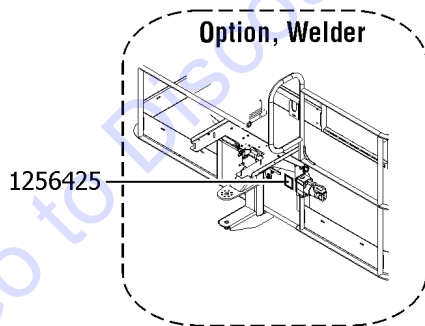
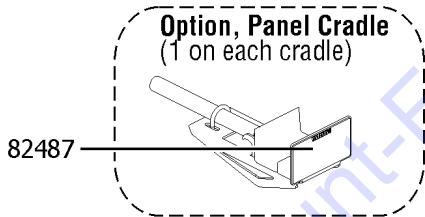
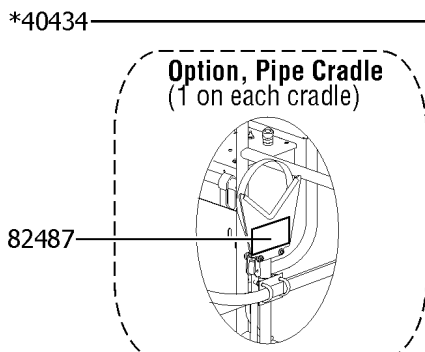


110.1 Decals with Symbols, Platform



NOTE:  
\*apply this decal to all lanyard anchorage attachments on the platform.

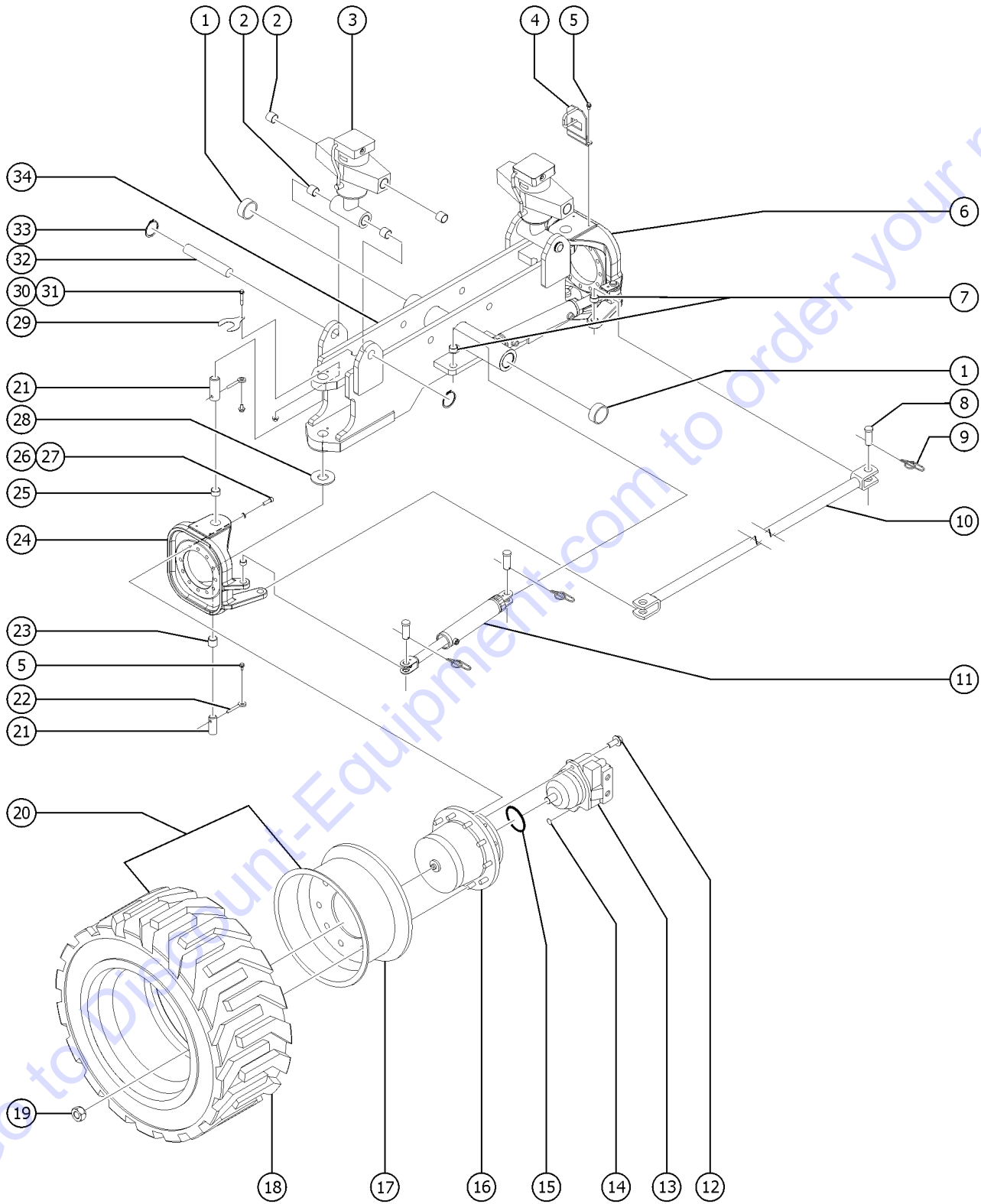
\*\*apply to all three midrails on tri-entry platform.



## 110.1 Decals with Symbols, Platform

Item	Part No.	Description	Qty.
1	28174GT	DECAL, POWER TO PLATFORM 230V**.....	1
2	28235GT	DECAL,POWER TO PLATFORM 115V...1	1
3	40434GT	DECAL,LANYARD ANCHORAGE POINT.....	8
4	44981GT	DECAL,LABEL,AIR LINE 110 PSI.....1 <i>(airline to platform option)</i>	1
5	46468GT	DECAL,FUNCTION OVERRIDE.....1 <i>(aircraft protection option)</i>	1
6	82487GT	DECAL, SYMBOL - READ THE MANUAL.....	1
7	97815GT	DECAL,LABEL,LOWER MIDRAIL.....1	1
8	114473GT	DECAL,DANGER,TIPOVER,TILT,SYM...1	1
9	133067GT	DECAL,DANGER,ELEC.HAZ.STAY CLR.....	1
10	133387GT	DECAL,DRIVE ENABLE PATCH.....1	1
11	147575GT	DECAL, PLAT CNTL PNL 60X 80X.....1 <i>(S-80X) Tier 3</i>	1
12	147603GT	DECAL, PLAT CNTL PNL.....1 <i>(S-80 and S-85) Tier 3</i>	1
13	219953GT	DECAL,TIP-OVER HAZARD,ANSI.....1 <i>(S-85) ANSI</i>	1
14	219954GT	DECAL,TIP-OVER HAZARD,CE.....1 <i>(S-80 and S-85) CE</i>	1
15	219956GT	DECAL,PLATFORM OVERLOAD.....1 <i>CE Only</i>	1
16	219958GT	DECAL,TIP-OVER,CRUSH.....1	1
17	823761GT	LABEL, PBOX, S65 TIER 4.....1 <i>(S-80 and S-85) Tier 4</i>	1
18	823764GT	LABEL, PBOX, S60X TIER 4.....1 <i>(S-80X) Tier 4</i>	1
19	1256425GT	DECAL, DANGER, ELECTROCUTION HAZARD, SYMBOL.....1 <i>(welder option)</i>	1
20	1267893GT	DECAL, TIPOVER HAZARD, S80X, SYM.....	1
		<i>(S-80X) ANSI</i>	
21	1267894GT	NEW SLOPE RATING DECAL SYMBOL.....	1
22	T112773GT	TAPE, PROTECTIVE MASK.....	2

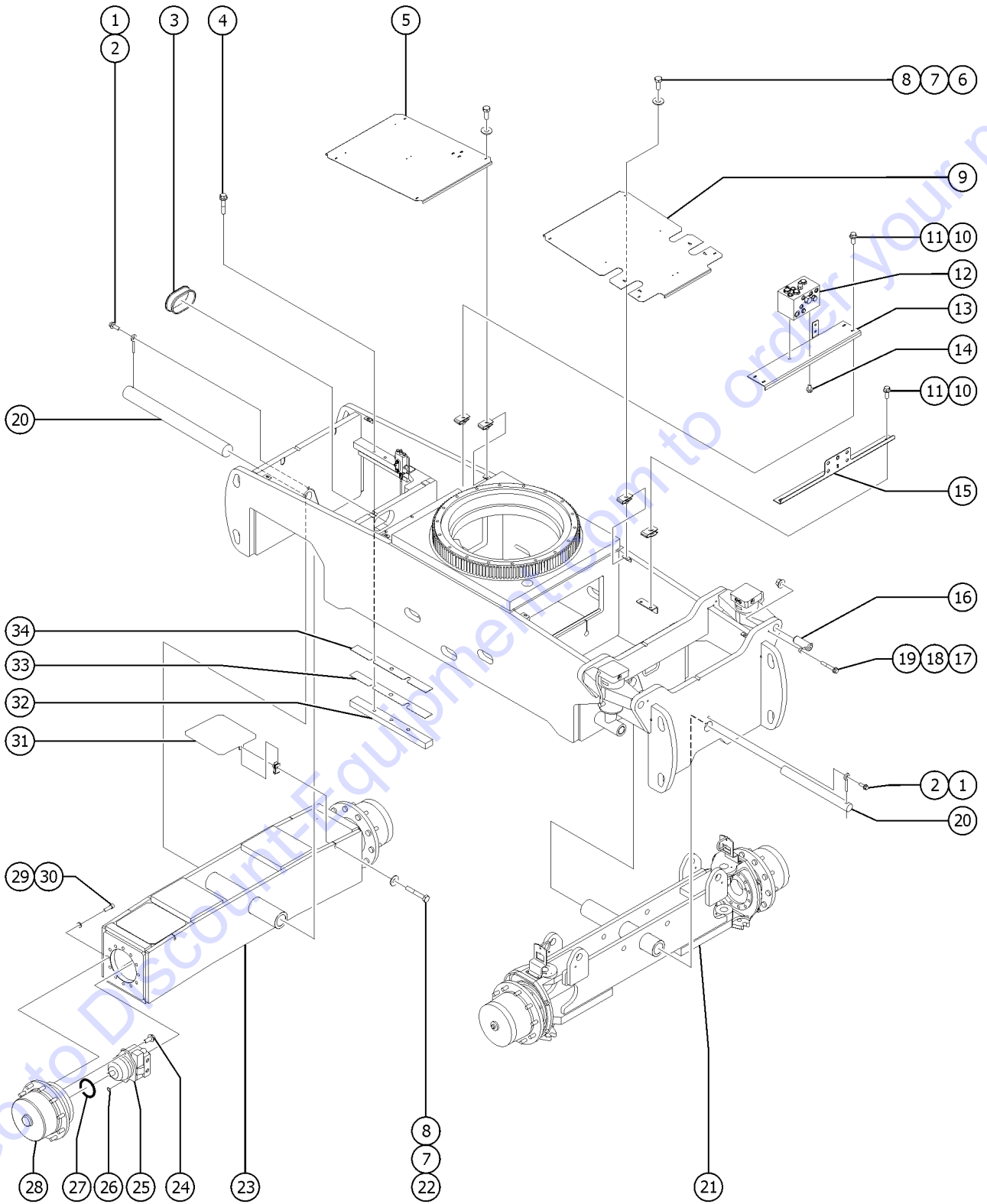
201.1 Steer End



201.1 Steer End

Item	Part No.	Description	Qty.	Item	Part No.	Description	Qty.
1	27698GT	BEARING,2.50IDX2.75ODX2.00L.....	2	--	121281GT	ASSEMBLY,TIRE WHEEL,HF***** Turf, Air-filled (includes items 17-18). For air-filled turf-tire replacement only. Air-filled turf-tires are intended for use only on machines factory equipped with this option. Contact Discount-equipment for additional detail.	
2	30221GT	BEARING,1.75IDX2.00ODX1.50LG.....	8				
3	81330GT	CYLINDER,OSCILLATE*** .....	2				
--	33428GT	VALVE,COUNTERBALANCE					
--	43018GT	SEAL KIT (39345)					
--	77519GT	SEAL KIT,OSC CYLINDER (81330)*		--	121287GT	TIRE & WHEEL ASSY,RT LP FOAM,R RT, Foam-filled, right (11 holes)	
4	1268563GT	WELDMNT, GUIDE BRACKET, YOKE,.....	2	--	1263978GT	TIRE & WHEEL ASSY,RT LP FOAM,L RT, Foam-filled, left	
5	824089GT	SCREW,HHF,3/8-16X.75,8,ZAG.....	8	--	1263979GT	TIRE & WHEEL ASSY,RT LP FOAM,R RT, Foam-filled, right	
6	1269323GT	ASSY,S80YOKE,W/BEARINGS,RFLR,N.1		21	30199GT	PIN,1.75 DIA X 4.50LG,THREADED.....	4
7	25817GT	BEARING,1.00IDX1.25ODX1.00L.....	6	22	825019GT	ROD END,.375X3.69,ZAG.....	4
8	19440GT	PIN,CLEVIS,1 X 2.5 LG.....	6	23	119620GT	BEARING,1.75IDX2.00ODX1.50L.....	2
9	74389GT	RUE RING,1.00.....	6	24	1269321GT	ASSY,S80 YOKE W/BEARINGS,L,NDL.....	1
10	1268565GT	WELDMNT, TIE ROD, S80, NDL.....	1	25	51144GT	BEARING,1.75IDX2.00ODX1.25L.....	2
11	59370GT	CYLINDER,STEER.....	2	26	1269593GT	SCREW,SHC,M16-2.0X55,DIN912,12.9,ZAB.24	
--	88349GT	SEAL KIT,STEER CYL***		27	825348GT	WASHER,FLAT,M16,DIN6916,HRD,ZAB.24	
12	824134GT	SCREW,HHF,M12-1.75X30,DIN6921,10.9,ZAB.4		28	60555GT	WASHER,THRUST 5 X 1.81 BRONZE....	2
13	101070GT	MOTOR,PISTON,2 SPEED,45CC.....	2	29	88241GT	SHIM,GALVANIZED STEER YOKE.....	2
--	106098GT	SEAL KIT,MOTOR,LC/KC***		30	1256856GT	SCREW,HHF,3/8-16X2.5,8,ZAG.....	2
14	106117GT	O-RING,2-010,VITON.....	2	31	824029GT	NUT, TL FLG, 3/8-16, G, ZAG.....	2
		(Mating O-ring for Brake Port)(Extremely small)		32	121371GT	PIN,1.75DIA X 10.50LG,2 RING.....	2
15	106118GT	O-RING,2-157,VITON*** .....	2	33	825759GT	SNAP RING,EXTERNAL,1.75,ZAG.....	4
		(Motor to Hub O-ring)		34	1269322GT	ASSY,STEER AXLE,W/BEARINGS,NDL.....	1
16A	227775GT	WHEEL DRIVE,W/BRAKE 57.49:1.....	2				
		4WD (Refer to 205.1)					
16B	227776GT	WHEEL DRIVE W/BRAKE 86.74:1.....	2				
		High-flotation option (refer to 206.1)					
16C	227774GT	WHEEL DRIVE, IDLER.....	2				
		2WD (Refer to 204.1)					
17A	121270GT	WHEEL,HF,22.5 X 14.00 for 121281					
17B	121268GT	WHEEL,24.5 X 15.00 for 121286, 121287, 121271, 121272					
18A	81164GT	TIRE,41/18LL X 22.5,14PR,TURF* for 121281					
18B	101943GT	TIRE,18-625,16 PLY RT HBR,N-M for 121271, 121272					
18C	88261GT	TIRE,18-625,16 PLY,RT HBR for 121286, 121287					
19	1259931GT	NUT,LUG,3/4-16 X 7/8 RADIUS,ZA.....	44				
20	121286GT	TIRE & WHEEL ASSY,RT LP FOAM,L....	1				
		RT, Foam-filled, left (11 holes)					
--	121271GT	TIRE & WHEEL ASSY,FOAM NM,LH RT, Foam-filled, Non-marking, left					
--	121272GT	TIRE & WHEEL ASSY,FOAM NM,RH RT, Foam-filled, Non-marking, right					

202.1 Axle Installation



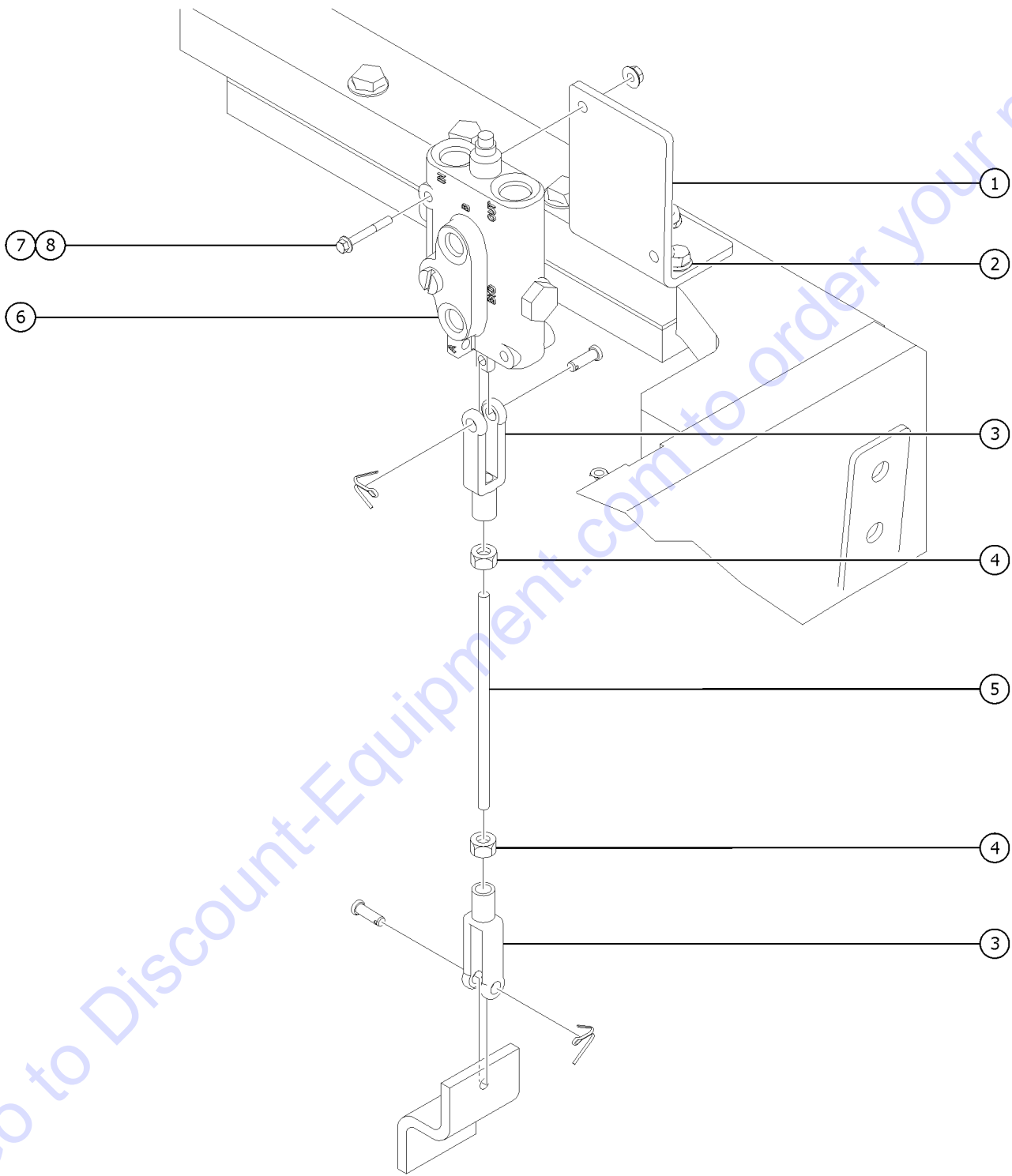
202.1 Axle Installation

Item	Part No.	Description	Qty.	Item	Part No.	Description	Qty.
1	1253498GT	SCREW,HHF,1/2-13X1.5,8,ZAG.....	2	32	1268574GT	BAR, AXLE ROTATION STOP, OSC,N.....	2
2	30418GT	ROD END,0.5 X 3.75***.....	2	33	81609GT	SHIM,AXLE ROTATION STOP,22G.....	2
3	53387GT	GUARD, HOSE PROTECTOR.....	2	34	81610GT	SHIM,AXLE ROTATION STOP,16G.....	2
4	1255802GT	SCREW,HHF,1/2-13X2.5,8,ZAG.....	6				
5	1268568GT	COVER, DRIVE CHASSIS, REAR,NDL..	1				
6	824059GT	SCREW,HHC,1/4-20X.75,8,ZAG.....	8				
7	824113GT	WASHER,FLAT,USS,1/4,ZAG.....	12				
8	56912GT	SPRING CLIP,1/4-20,.025-.15X.54,ZAG.....	12				
9	1268569GT	COVER, DRIVE CHASSIS, FRONT,ND.....	1				
10	824090GT	SCREW,HHF,3/8-16X1,8,ZAG.....	6				
11	29868GT	SPRING CLIP,3/8-16,.05-.20X.73,ZAG...	6				
12		Ref. Traction Manifold <i>(refer to 701.1)</i>					
13	1268570GT	FORMING, TRAC. CONT. MAN. BRKT....	1				
14	237830GT	SCREW,HHF,1/2-13X1,8,ZAG.....	2				
15	1268571GT	FORMING, BULKHEAD BRKT, NDL.....	1				
16	81498GT	PIN,1.75DIAX4.50LG,THREADED.....	4				
17	1256856GT	SCREW,HHF,3/8-16X2.5,8,ZAG.....	4				
18	825019GT	ROD END,.375X3.69,ZAG.....	4				
19	824029GT	NUT, TL FLG, 3/8-16, G, ZAG.....	4				
20	81378GT	PIN,2.50DIAX27.63LG,1HOLE.....	2				
21		Ref. Steer End <i>(refer to 201.1)</i>					
22	824063GT	SCREW,HHC,1/4-20X1.75,8,ZAG.....	4				
23	1269319GT	ASSY,NON-STEER AXLE W/BEARINGS.....	1				
24	824134GT	SCREW,HHF,M12-1.75X30,DIN6921,10.9,ZAB.4					
25A	101070GT	MOTOR,PISTON,2 SPEED,45CC.....	2				
		<i>(4WD and High-flotation option)</i>					
25B	121668GT	MOTOR,PISTON,2 SPEED,45CC/18CC.....	2				
		<i>(2WD models)</i>					
26	106117GT	O-RING,2-010,VITON.....	2				
		<i>(mating O-ring for brake port) (extremely small)</i>					
27	106118GT	O-RING,2-157,VITON***.....	2				
		<i>(motor to Hub O-ring)</i>					
28A	227775GT	WHEEL DRIVE,W/BRAKE 57.49:1.....	2				
		<i>(refer to 205.1)</i>					
28B	227776GT	WHEEL DRIVE W/BRAKE 86.74:1.....	2				
		<i>(2WD and High-flotation option) (refer to 206.1)</i>					
29	1269593GT	SCREW,SHC,M16-2.0X55,DIN912,12.9,ZAB.24					
30	825348GT	WASHER,FLAT,M16,DIN6916,HRD,ZAB.24					
31	1268573GT	FORMING, COVER, REAR AXLE, NDL.....	2				





203.1 Oscillation Control Valve

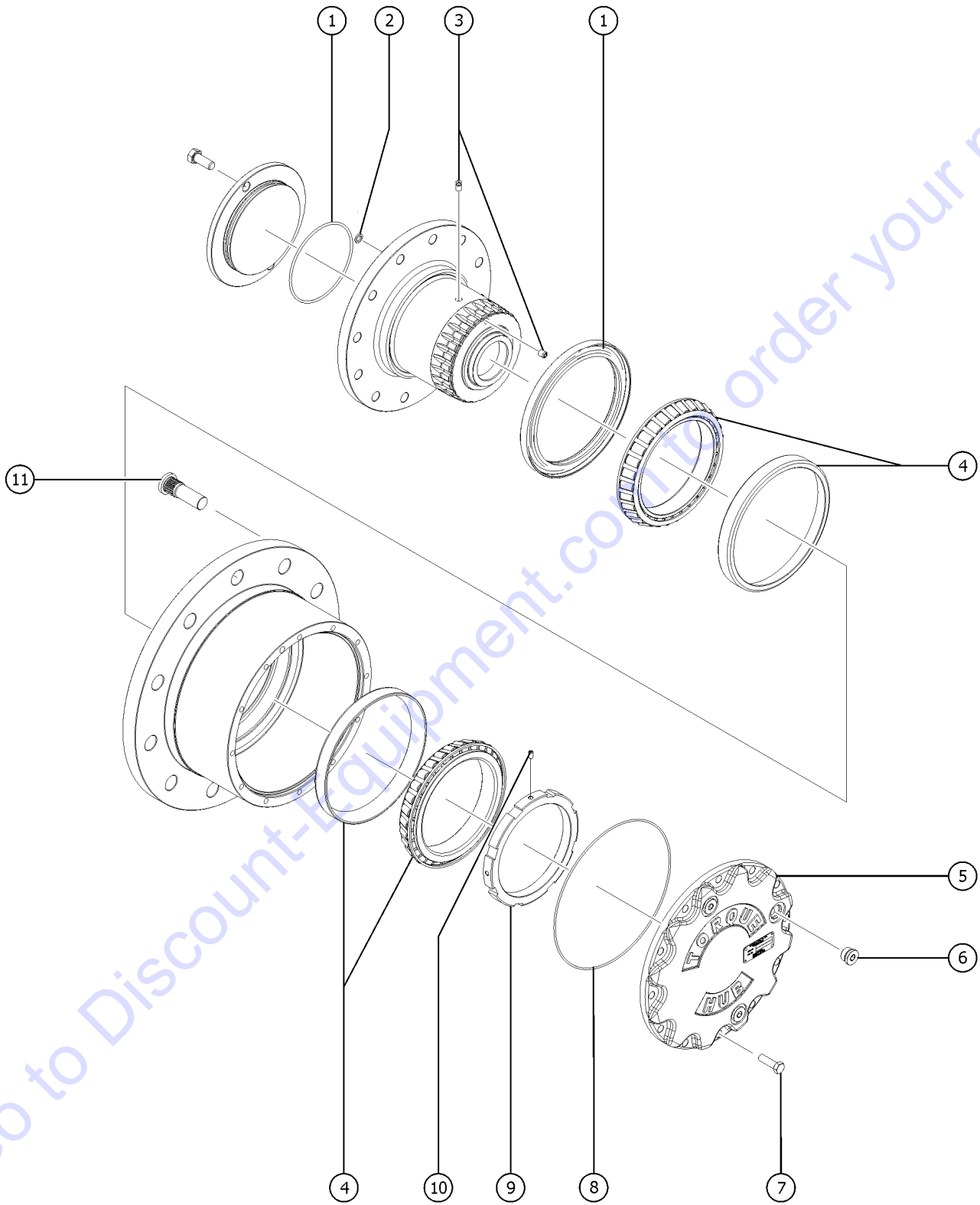


## 203.1 Oscillation Control Valve

Item	Part No.	Description	Qty.
1	1268575GT	FORMING, OSC. MANIFOLD MOUNT,N.....	1
2	824089GT	SCREW,HHF,3/8-16X.75,8,ZAG.....	2
3	21130GT	CLEVIS YOKE-1/4-28,PLTD W/PIN..... <i>(Includes clevis pin and cotter pin)</i>	2
4	824041GT	NUT,1/4-28,8,ZAG.....	2
5	1268606GT	ROD,THREADED,1/4-28X6,ZAG.....	1
6	49768GT	VLV,MAN,3 POS/4 WAY,CLOSE CTR*....	1
7	1253485GT	SCREW,HHF,1/4-20X2,8,ZAG.....	2
8	824027GT	NUT,TL FLG,1/4-20,G,ZAG.....	2

Go to Discount-Equipment.com to order your parts

204.1 Hub Assembly - 2 WD Spindle



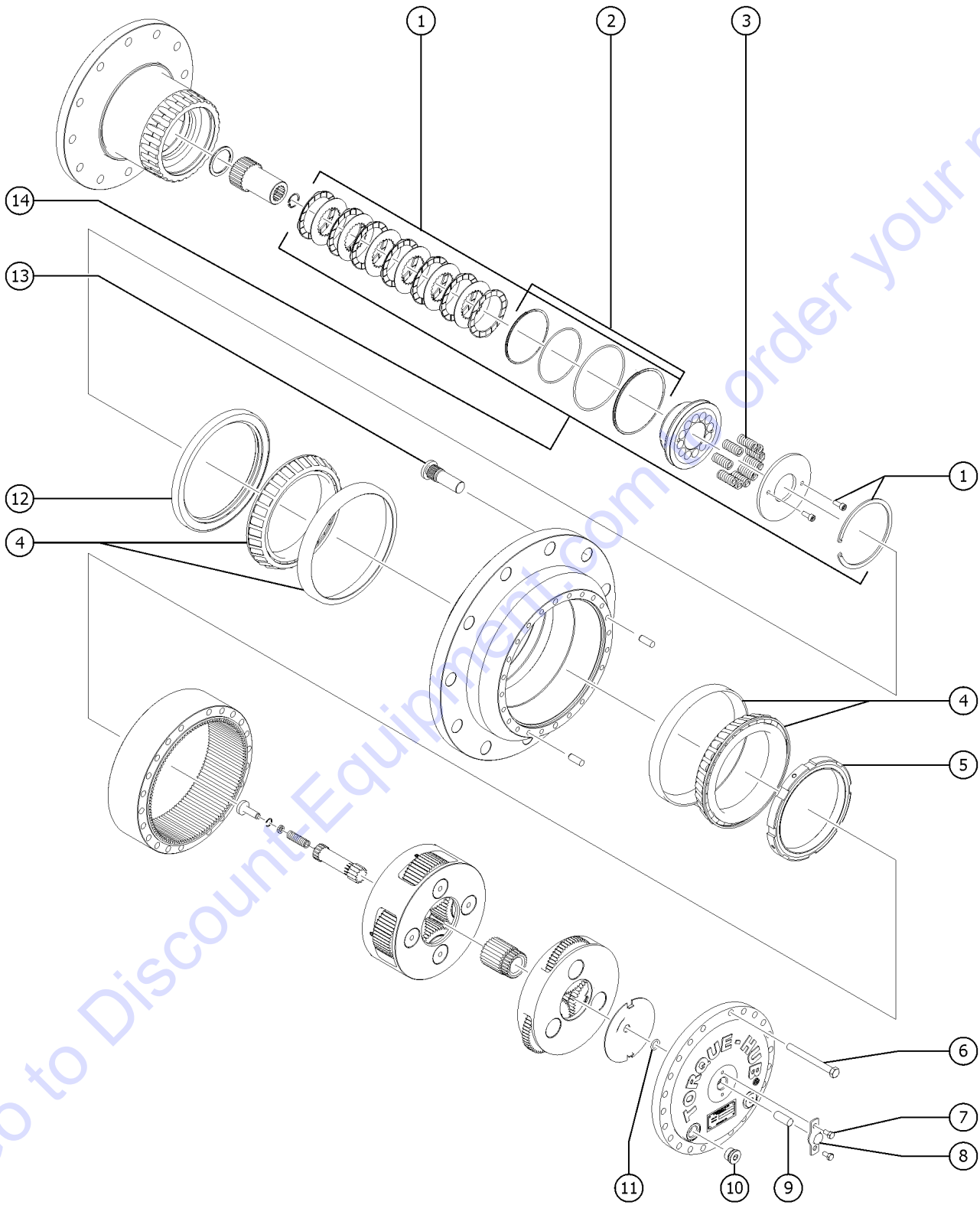
204.1 Hub Assembly - 2 WD Spindle

Item	Part No.	Description	Qty.
A	227774GT	WHEEL DRIVE, IDLER.....	1
1	T111507GT	SEAL KIT (121291)*** (Includes O-ring part 33990)	
2	235135GT	O-ring.....	1
3	235136GT	EXPANSION PLUG.....	2
4	235137GT	BEARING, TAPERED - ASSY.....	2
5	122460GT	COVER PLATE (121351).....	1
6	58237GT	PLUG,TORQUE HUB,DRAIN***.....	3
7	235138GT	BOLT,HEX-UNC(.375-16,1.25g).....	12
8	33990GT	O-RING, TORQUE HUB COVER..... (part of seal kit T111507)	1
9	146051GT	BEARING NUT***.....	1
10	146052GT	SET SCREW***.....	1
11	33441GT	STUD,WHEEL,3/4-16, ( 34115 ).....	11

Go to Discount-Equipment.com to order your parts



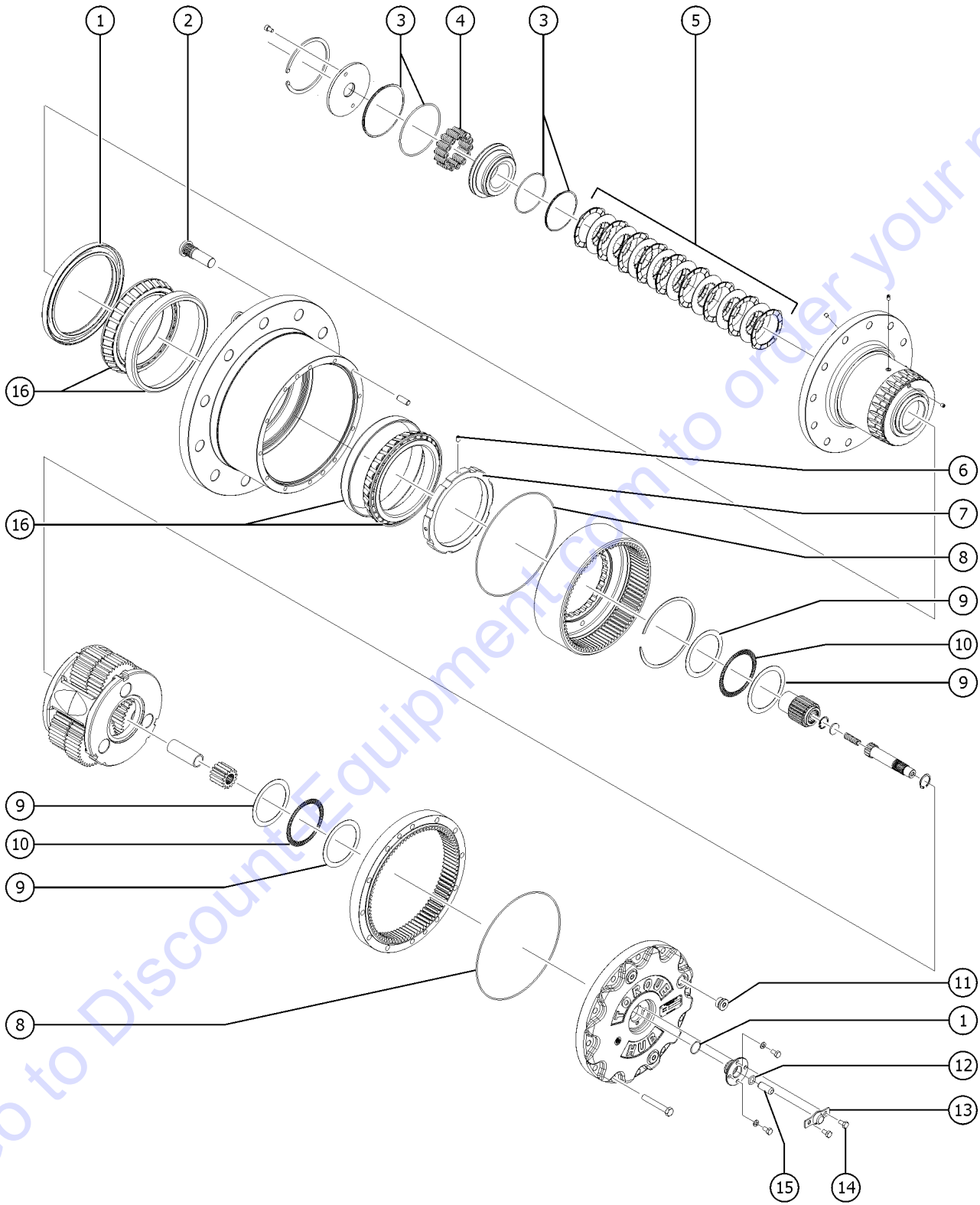
205.1 Drive Hub Assembly with Brake - Type 1



## 205.1 Drive Hub Assembly with Brake - Type 1

Item	Part No.	Description	Qty.
--	1286605GT	BEARING KIT,WHEEL DRIVE W/BRAKE (227775) for 227775	
--	215623GT	SEAL KIT (227775) for 227775	
--	227775GT	WHEEL DRIVE,W/BRAKE 57.49:1 (shown)	
--	9990046GT	COVER, PLATE for 227775	
--	9990109GT	O-RING, NBR70 for 9990046	
1	235133GT	Brake Lining Kit.....	1
2	235139GT	Brake Seal Kit.....	1
3	235140GT	Spring Kit.....	1
4	235137GT	BEARING, TAPERED - ASSY.....	2
5	146051GT	BEARING NUT***.....	1
6	235151GT	BOLT,HEX-UNC(.375-16).....	22
7	111362GT	BOLT,WHEEL DRIVE CAP(106122).....	2
8	106122GT	CAP,DISENGAGE,4HP/4HB***.....	1
9	235152GT	DISENGAGE, ROD.....	1
10	235153GT	PIPE PLUG, MAGN.....	2
11	111363GT	O-RING,DISCONNECT ROD (111060)...	1
12	1286604GT	SEAL KIT,WHEEL DRIVE W/BRAKE (227775) for 227775	
12	215623GT	SEAL KIT (227775) for 227775 (inventory limited to stock on hand as component is no longer available)	
13	33441GT	STUD,WHEEL,3/4-16, ( 34115 ).....	11
14	235150GT	BRAKE REPLACEMENT KIT.....	1

206.1 Drive Hub Assembly with Brake - Type 2

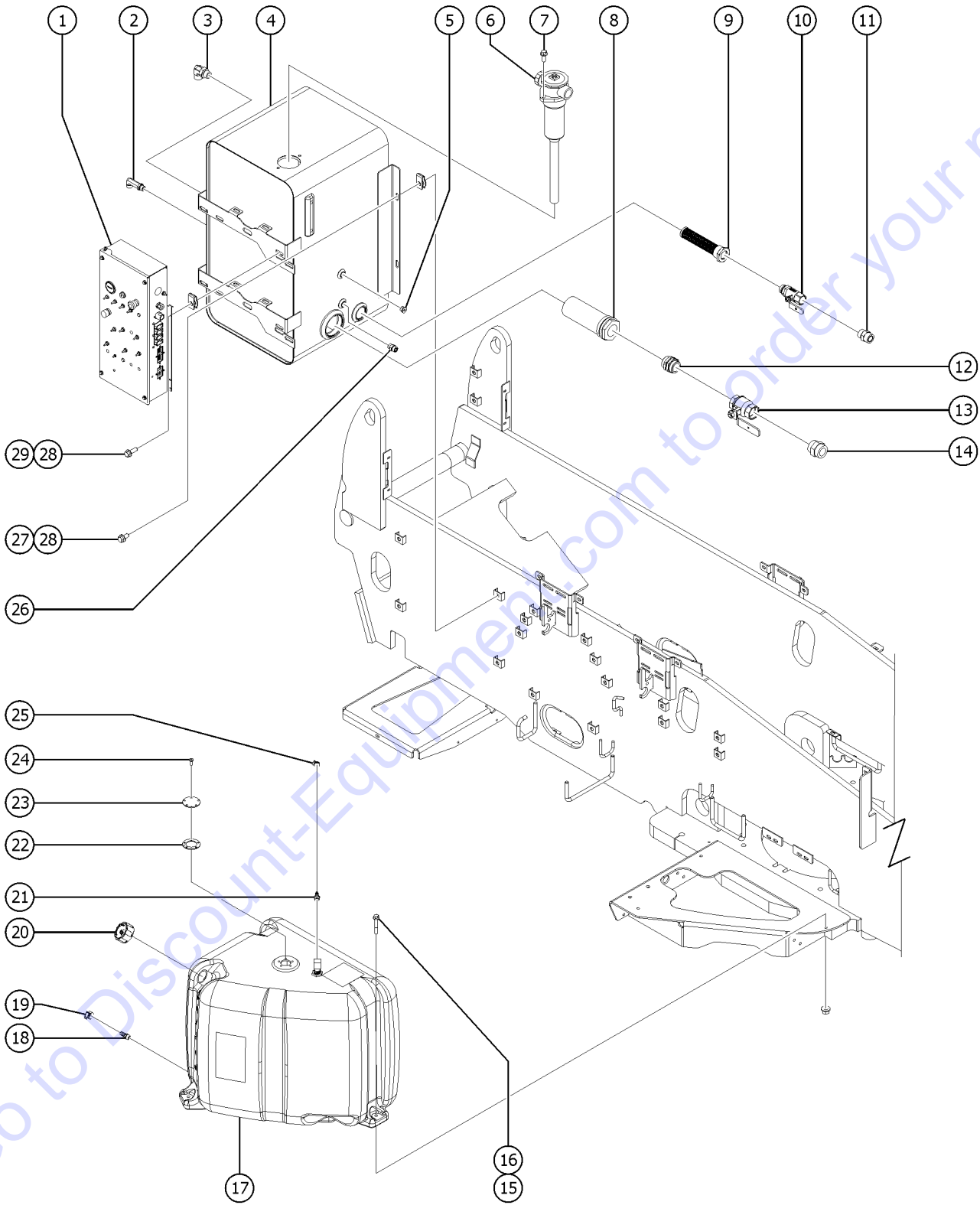


## 206.1 Drive Hub Assembly with Brake - Type 2

Item	Part No.	Description	Qty.
A	227776GT	WHEEL DRIVE W/BRAKE 86.74:1	
1	T111507GT	SEAL KIT (121291)***.....1 (Includes items 8 and 12)	1
2	33441GT	STUD,WHEEL,3/4-16, ( 34115 ).....11	11
3	106125GT	SEAL KIT, BRAKE, 4HP (inventory limited to stock on hand as component is no longer available)	
3	1286602GT	SEAL KIT,WHEEL DRIVE W/BRAKE (101584/101585)	
4	122879GT	SPRING KIT (121291).....1	1
5	122878GT	BRAKE LINING KIT (121291).....1	1
6	146052GT	SET SCREW***.....1	1
7	146051GT	BEARING NUT***.....1	1
8	33990GT	O-RING, TORQUE HUB COVER.....2 (part of seal kit T111507)	2
9	58999GT	WASHER, THRUST,(33434)**.....4	4
10	65846GT	BEARING, THRUST WASHER***.....2	2
11	58237GT	PLUG, TORQUE HUB, DRAIN***.....3	3
12	111363GT	O-RING, DISCONNECT ROD (111060)...1 (part of seal kit T111507)	1
13	106122GT	CAP, DISENGAGE, 4HP/4HB***.....1	1
14	235154GT	BOLT, HEX-UNC(.250-20, .500G).....4	4
15	235152GT	DISENGAGE, ROD.....1	1
16	235137GT	BEARING, TAPERED - ASSY.....2	2



301.1 Hydraulic and Fuel Tanks - Diesel Models



## 301.1 Hydraulic and Fuel Tanks - Diesel Models

Item	Part No.	Description	Qty.
1		Ref. GROUND CONTROL BOX.....1 (refer to 308.1, 309.1 or 310.1)	1
2	75614GT	ELBOW,90D,LONG,521520-8.....1	1
3	48959GT	FITTING,ELBOW,90D,520220-12.....1	1
4	1282282GT	TANK, HYDRAULIC 40 GAL.....1	1
--	21141GT	GAUGE-SIGHT,LHA-LGTB***	
5	59371GT	PLUG, HEX SOCKET, 090109B-8*.....1	1
6A	110345GT	FILTER ASSY,INTANK.....1	1
--	147223GT	SEAL,FILTER LID	
6B	77353GT	KIT,ELEMENT**	
--	77354GT	FILTER LID,RFM165	
--	77365GT	BREATHER CAP,RFM165	
--	88917GT	FILTER,ELEMENT,BETA(10)=200	
--	94526GT	GASKET,RETURN FILTER-77353	
7	824090GT	SCREW,HHF,3/8-16X1,8,ZAG.....2	2
8	75257GT	STRAINER ASSY,#24 O-RING.....1	1
9	101490GT	STRAINER,16 SAE F/24 SAE M.....1	1
10	48996GT	VALVE,BALL,16 MSAE-16 FSAE***.....1	1
11	48984GT	CONN,520120-16.....2	2
12	75254GT	UNION,STR.THREAD 24***.....1	1
13	75256GT	VALVE BALL,24 FSAE-24 FSAE***.....1	1
14	61083GT	CONN,520120-24.....1	1
15	1253478GT	SCREW,HHF,3/8-16X2,8,ZAG.....3	3
16	824029GT	NUT, TL FLG, 3/8-16, G, ZAG.....3	3
17	1274331GT	ASSY, FUEL TANK, 35GAL, DIESEL.....1	1
--	54324GT	FITTING,BULKHEAD,3/8NPT,FUELTK	
--	823356GT	TUBE,FUEL RETURN,3/8X3/8X23.5	
18	824471GT	FITTING,3/8 NPT TO 1/2 BARB.....1	1
19	46131GT	CLAMP,HOSE,.63.....1	1
20	101726GT	CAP,FUEL,DIESEL,1/8"VENT(GRN).....1	1
21	27901GT	HOSE END,BARBED,RIGID,-6-6.....1	1
22	1271773GT	GASKET, TANK, FUEL SENSOR.....1	1
23	1271772GT	CAP, TANK, FUEL SENSOR.....1	1
24	1251757GT	SCREW,PHPM,10-32X.50,ZAG.....5	5
25	81154GT	CLAMP,HOSE,SIZE .31 > .91.....1	1
26	48933GT	CONN,520120-8***.....1	1
27	824089GT	SCREW,HHF,3/8-16X.75,8,ZAG.....4	4
28	29868GT	SPRING CLIP,3/8-16,.05-.20X.73,ZAG...8	8
29	121419GT	SCREW,HHF,1/4-20 X .75.....4	4

# PARTS FINDER

**Search Website  
by Part Number**



**Search Manual  
Library For Parts  
Manual & Lookup Part  
Numbers – Purchase  
or Request Quote**

**Search Manuals**

Enter your information to help us find the right parts manual for your machine.

\* Brand:

\* Model:

\* Serial:

\* Part Number:

SEARCH

**Can't Find Part or  
Manual? Request Help  
by Manufacturer,  
Model & Description**

**Parts Order Form**

Please fill in the following information to help us find the right part for your machine.

Manufacturer:	<input type="text"/>
Model:	<input type="text"/>
Description:	<input type="text"/>
Part Number:	<input type="text"/>
Quantity:	<input type="text"/>
Notes:	<input type="text"/>

Submit

Discount-Equipment.com is your online resource for quality parts & equipment.

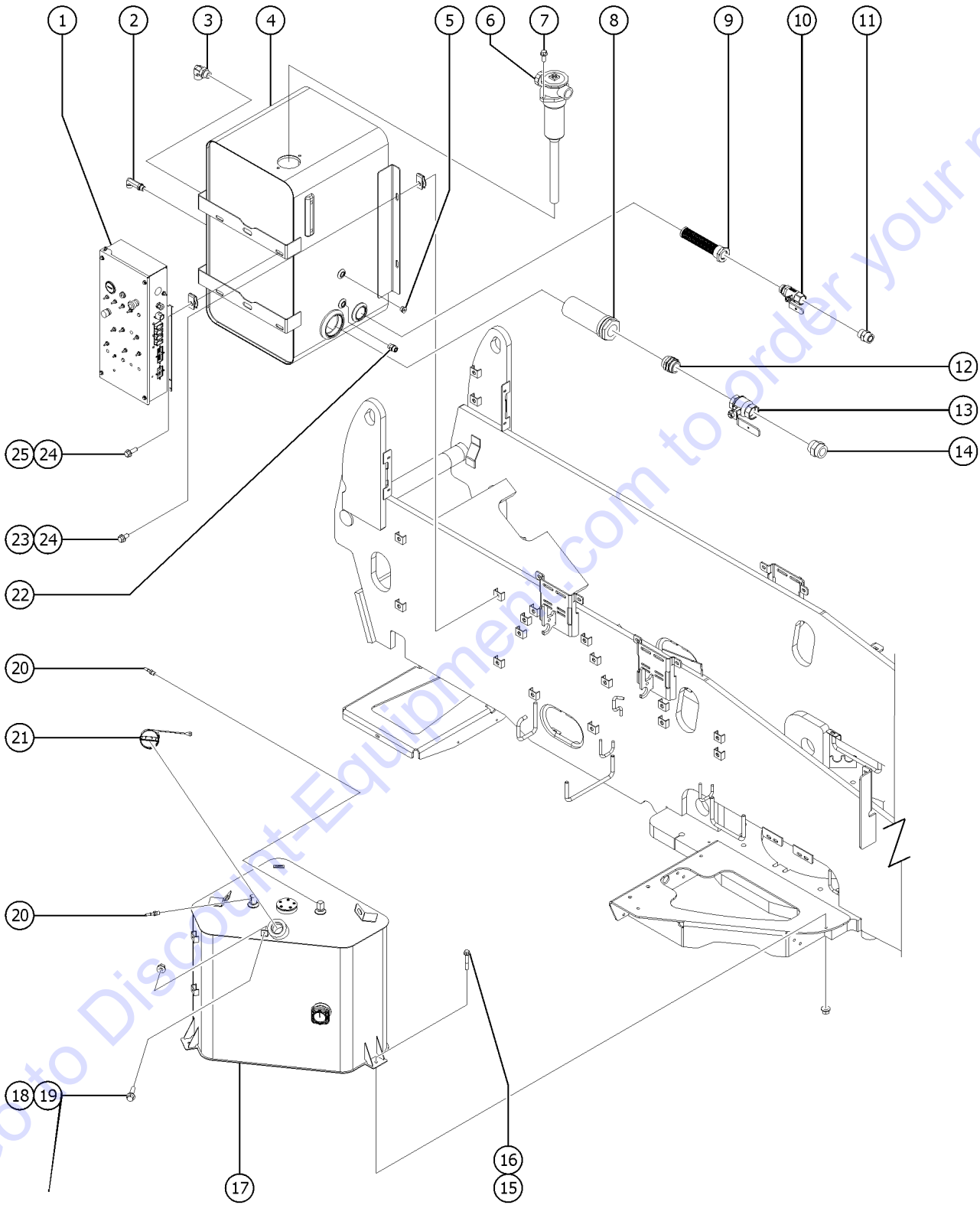
Florida: **561-964-4949** Outside Florida TOLL FREE: **877-690-3101**

**Need parts?**

Click on this link: <http://www.discount-equipment.com/category/5443-parts/> and choose one of the options to help get the right parts and equipment you are looking for. Please have the machine model and serial number available in order to help us get you the correct parts. If you don't find the part on the website or on one of the online manuals, please fill out the request form and one of our experienced staff members will get back to you with a quote for the right part that your machine needs.

We sell worldwide for the brands: Genie, Terex, JLG, MultiQuip, Mikasa, Essick, Whiteman, Mayco, Toro Stone, Diamond Products, Generac Magnum, Airman, Haulotte, Barreto, Power Blanket, Nifty Lift, Atlas Copco, Chicago Pneumatic, Allmand, Miller Curber, Skyjack, Lull, Skytrak, Tsurumi, Husquvarna Target, Stow, Wacker, Sakai, Mi-T-M, Sullair, Basic, Dynapac, MBW, Weber, Bartell, Bennar Newman, Haulotte, Ditch Runner, Menegotti, Morrison, Contec, Buddy, Crown, Edco, Wyco, Bomag, Laymor, EZ Trench, Bil-Jax, F.S. Curtis, Gehl Pavers, Heli, Honda, ICS/PowerGrit, IHI, Partner, Imer, Clipper, MMD, Koshin, Rice, CH&E, General Equipment, Amida, Coleman, NAC, Gradall, Square Shooter, Kent, Stanley, Tamco, Toku, Hatz, Kohler, Robin, Wisconsin, Northrock, Oztec, Toker TK, Rol-Air, APT, Wylie, Ingersoll Rand / Doosan, Innovatech, Con X, Ammann, Mecalac, Makinex, Smith Surface Prep, Small Line, Wanco, Yanmar

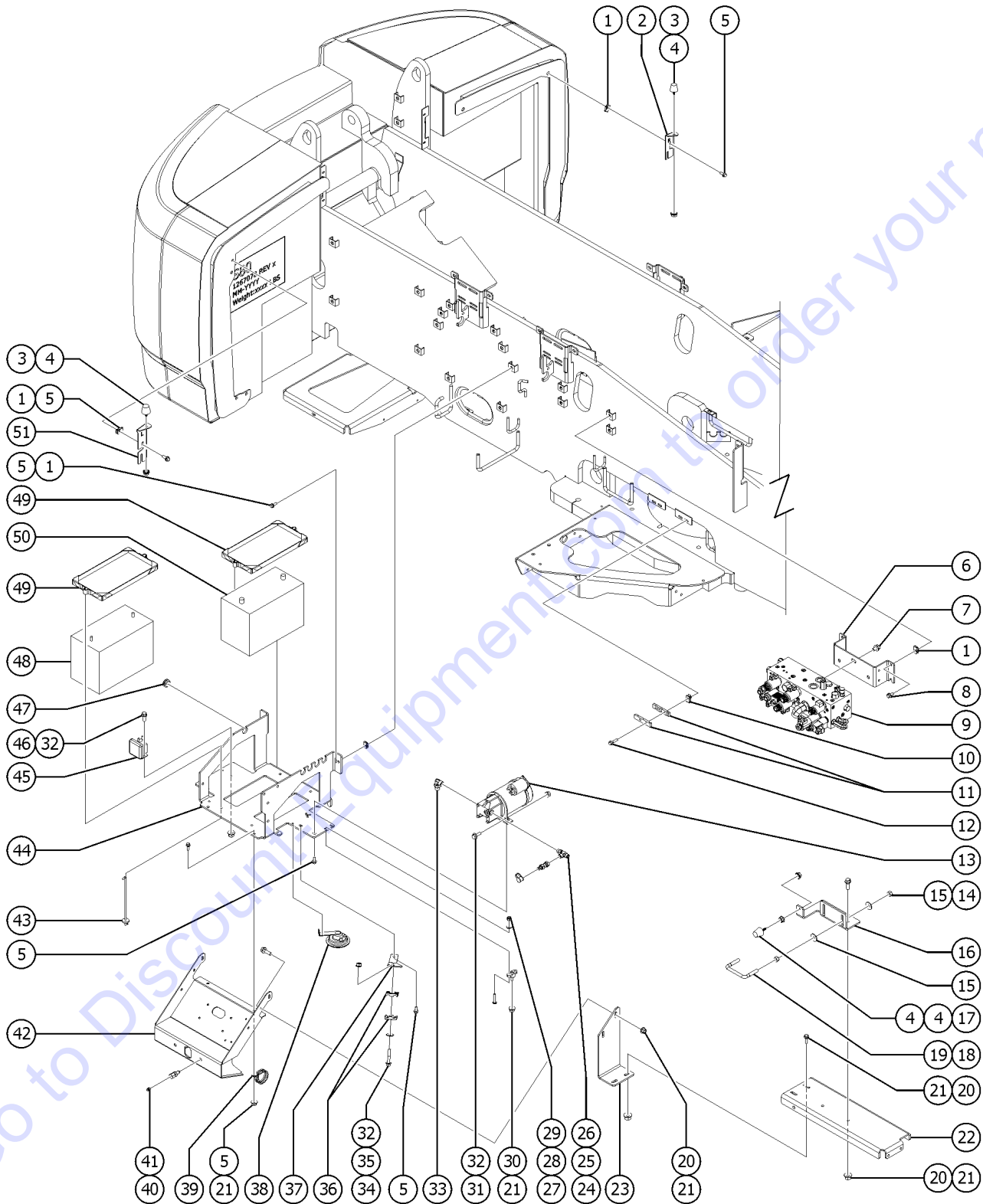
302.1 Hydraulic and Fuel Tanks - Gasoline/LPG Models



## 302.1 Hydraulic and Fuel Tanks - Gasoline/LPG Models

Item	Part No.	Description	Qty.
1		Ref. GROUND CONTROL BOX.....1 (refer to 308.1, 309.1 or 310.1)	1
2	75614GT	ELBOW,90D,LONG,521520-8.....1	1
3	48959GT	FITTING,ELBOW,90D,520220-12.....1	1
4	111578GT	TANK, HYDRAULIC 40 GAL.....1	1
--	21141GT	GAUGE-SIGHT,LHA-LGTB***	
5	59371GT	PLUG, HEX SOCKET, 090109B-8*.....1	1
6A	110345GT	FILTER ASSY,INTANK.....1	1
--	147223GT	SEAL,FILTER LID	
6B	77353GT	KIT,ELEMENT**	
--	77354GT	FILTER LID,RFM165	
--	77365GT	BREATHER CAP,RFM165	
--	88917GT	FILTER,ELEMENT,BETA(10)=200	
--	94526GT	GASKET,RETURN FILTER-77353	
7	824090GT	SCREW,HHF,3/8-16X1,8,ZAG.....2	2
8	75257GT	STRAINER ASSY,#24 O-RING.....1	1
9	147419GT	KIT,STRAINER REPLACEMENT.....1	1
10	48996GT	VALVE,BALL,16 MSAE-16 FSAE***.....1	1
11	48984GT	CONN,520120-16.....2	2
12	75254GT	UNION,STR.THREAD 24***.....1	1
13	75256GT	VALVE BALL,24 FSAE-24 FSAE***.....1	1
14	61083GT	CONN,520120-24.....1	1
15	1253478GT	SCREW,HHF,3/8-16X2,8,ZAG.....3	3
16	824029GT	NUT, TL FLG, 3/8-16, G, ZAG.....3	3
17	146415GT	TANK ASSY, GAS, 30 GAL.....1	1
--	146413GT	GAUGE, FUEL LEVEL, 20/30 GAL	
--	146417GT	ASSY, FUEL PICKUP TUBE	
--	146551GT	GASKET, FUEL LEVEL SENDER, Z80	
--	146552GT	PLATE, COVER, FUEL LEVEL SNDR	
--	49826GT	SCREW,PHILLIPS,PHM,10-32 X.625	
18	824079GT	SCREW,HHF,1/4-20X1,8,ZAG.....1	1
19	824027GT	NUT,TL FLG,1/4-20,G,ZAG.....1	1
20	111818GT	FITTING,1/4 NPT X SAE J2044.....2	2
21	119918GT	CAP,FUEL,GASOLINE 3.5PSI.....1	1
22	48933GT	CONN,520120-8***.....1	1
23	824089GT	SCREW,HHF,3/8-16X.75,8,ZAG.....4	4
24	29868GT	SPRING CLIP,3/8-16,.05-.20X.73,ZAG...8	8
25	121419GT	SCREW,HHF,1/4-20 X .75.....4	4

303.1 Hydraulic Tank Side Components

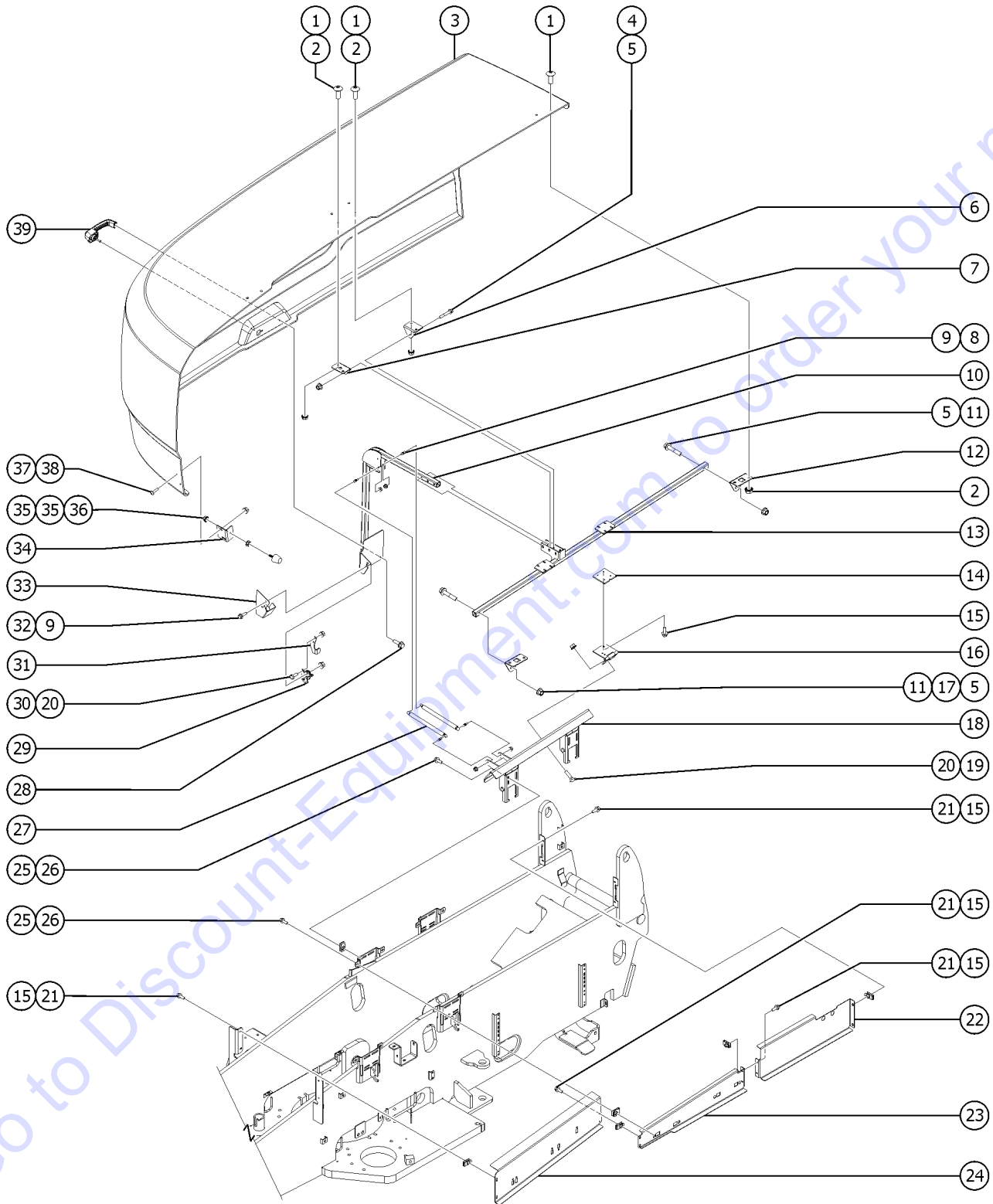


303.1 Hydraulic Tank Side Components

Item	Part No.	Description	Qty.	Item	Part No.	Description	Qty.
1	29868GT	SPRING CLIP,3/8-16,.05-.20X.73,ZAG.....	16	32	824027GT	NUT,TL FLG,1/4-20,G,ZAG.....	5
2	1272230GT	FORMING,BRKT,ENGINE COVER.....	2	33	48932GT	FITTING,ELBOW,90D,520220-8***.....	1
3	30973GT	BUMPER,RUBBER-1 X 1.25.....	4	34	824081GT	SCREW,HHF,1/4-20X1.5,8,ZAG.....	1
4	1255805GT	NUT,SERRATED,5/16-18,8,ZAG.....	6	35	824113GT	WASHER,FLAT,USS,1/4,ZAG.....	1
5	824090GT	SCREW,HHF,3/8-16X1,8,ZAG.....	18	36	78736GT	CLAMP,2 HOSE,PLASTIC,5/8.....	2
6	121687GT	FORMING,MANIFOLD MOUNT.....	1	37	219392GT	FORMING, BAT CABLE GUIDE.....	1
7	1257454GT	SCREW,HHF,1/2-13X.75,8,ZAG.....	3	38	81578GT	HORN,12VDC,SPADE TERMINALS***.....	1
8	824089GT	SCREW,HHF,3/8-16X.75,8,ZAG.....	4	39	61745GT	CLAMP,2.25,#36 X 3/8,RUB CUSH.....	1
9		Ref. FUNCTION MANIFOLD..... (refer to 706.1)	1	40	28646GT	ZERK,GREASE,1/8 NPT.....	1
10	56912GT	SPRING CLIP,1/4-20,.025-.15X.54,ZAG.....	4	41	48885GT	CONNECTOR,BULKHEAD,FEMALE-4...1	1
11	121690GT	CLAMP,HALF,HARDLINE,3/8.....	4	42	1267382GT	WELDMENT, HOOD LATCH MOUNT.....	1
12	824079GT	SCREW,HHF,1/4-20X1,8,ZAG.....	4	43	45708GT	HOOK,BATT HOLD DOWN,10".....	4
13A	146180GT	ASSEMBLY, AUX POWER UNIT, 12VD.....	1	44	1274198GT	FORMING, BATTERY TRAY, NDL.....	1
--	1264969GT	MOTOR, 12VDC, I-TERMINAL		45	237068GT	SEPARATOR,DUAL BATTERY,100A.....	1
--	146181GT	SOLENOID, APU		--	214393GT	KIT, BATT SEPARATOR, ANSI/CSA	
--	146182GT	GROUND WIRE,SOLENOID		--	215209GT	KIT, BATT SEPARATOR, CE	
--	37187GT	SEAL KIT, 37185 PUMP		--	215210GT	KIT, BATT SEPARATOR, AS	
--	37192GT	COUPLER, PUMP / MOTOR (36179)		46	824078GT	SCREW,HHF,1/4-20X.75,8,ZAG.....	3
--	58489GT	PUMP ASSY,AUX.POWER UNIT 89617		47	104570GT	GROMMET,RUBBER .688 X .25 X 1.....	5
--	62414GT	SEAL, SHAFT, 60511 APU		48	77694GT	BATTERY,12V DEEP CYC 5/16"STUD....	1
13B	81535GT	HARNESS,BATT.+ TO APU SOLENOID		--	824029GT	NUT, TL FLG, 3/8-16, G, ZAG	
--	81536GT	HARNESS,APU GND TO ENGINE BLCK		49	30144GT	BATTERY HOLD DOWN,GROUP 31.....	2
14	1255804GT	NUT,JAM,1/2-13,A,ZAG.....	2	50	1255113GT	START BATTERY,HC110 AGM,1100CCA.....	1
15	1255760GT	WASHER,FLAT,1/2,USS,ZAG.....	4	51	1272231GT	FORMING,BRKT,TANK COVER.....	2
16	1267071GT	FORMING,BRACKET,LATCH.....	1				
17	1261277GT	BUMPER, RUBBER, 1.25 X 1.25 IN.....	1				
18	1259855GT	UBOLT, 0.4724 IN D X 4.0 IN L.....	1				
19	1259106GT	NUT,1/2-13,8,ZAG.....	2				
20	824091GT	SCREW,HHF,3/8-16X1.25,8,ZAG.....	8				
21	824029GT	NUT, TL FLG, 3/8-16, G, ZAG.....	13				
22	1267072GT	FORMING,BRACKET,LATCH.....	1				
23	1267073GT	FORMING,BRACKET,LATCH.....	1				
24	48918GT	TEE,RUN,520428-6.....	1				
25	48867GT	NIPPLE,DIAGNOSTIC.....	1				
26	48880GT	CAP,DIAGNOSTIC NIPPLE.....	1				
27	6178GT	NUT,NYLOCK,10-32.....	2				
28	1253185GT	WASHER,FLAT,#10,USS,ZAG.....	2				
29	75041GT	SCREW,PHILLIPS,PHM,10-32 X 1.....	2				
30	94982GT	STANDOFF, 3/8" BLACK.....	1				
31	121419GT	SCREW,HHF,1/4-20 X .75.....	1				



304.1 Turntable Covers - Hydraulic Tank Side

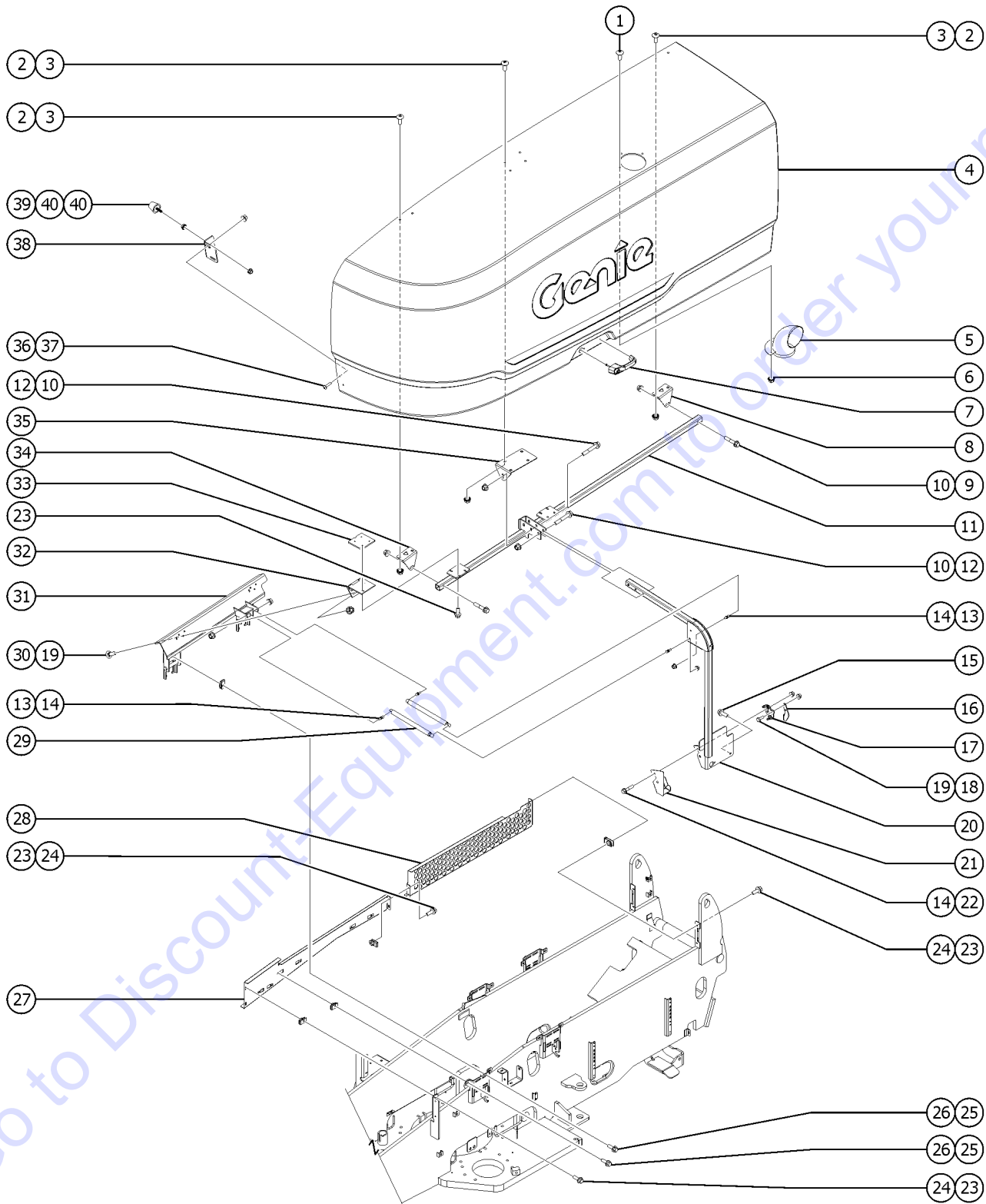




304.1 Turntable Covers - Hydraulic Tank Side

Item	Part No.	Description	Qty.	Item	Part No.	Description	Qty.
1	1261836GT	SCREW, THM, TORX, 3/8-16X1,SS.....	8	--	37947GT	KEYS,10 PACK*** <i>sold separately</i>	
2	1257628GT	NUT,SERRATED,3/8-16,8,ZAG.....	8	--	83093GT	KEY SINGLE*** <i>sold separately</i>	
3	1253265GT	COVER, SWING CHASSIS, TS.....	1				
4	1256856GT	SCREW,HHF,3/8-16X2.5,8,ZAG.....	3				
5	824029GT	NUT, TL FLG, 3/8-16, G, ZAG.....	5				
6	1274826GT	MOUNT, COVER SUPPORT CTR 93DEG.....	1				
7	1274827GT	MOUNT, COVER SUPPORT CTR 86DEG.....	1				
8	33555GT	BALL STUD**.....	4				
9	824028GT	NUT,TL FLG,5/16-18,G,ZAG.....	6				
10	1266895GT	WLDMT, LOWER COVER SUPPORT.....	1				
11	1253478GT	SCREW,HHF,3/8-16X2,8,ZAG.....	2				
12	1258723GT	MOUNT, COVER SUPPORT FRONT.....	1				
13	1266897GT	WLDMT,HIGHER COVER SUPPORT,TS.....	1				
14	1258724GT	SUPPORT, TAPPED HINGE.....	2				
15	824078GT	SCREW,HHF,1/4-20X.75,8,ZAG.....	12				
16	1266902GT	HINGE, .375X.1875THK,SLOTTED.....	2				
17	1258722GT	MOUNT, COVER SUPPORT REAR.....	1				
18	1269080GT	WELDMENT, COVER SUPPORT,TANK SIDE.....	1				
19	1256127GT	BOLT,CARRIAGE,1/4-20X1,5,ZAG.....	6				
20	824027GT	NUT,TL FLG,1/4-20,G,ZAG.....	8				
21	56912GT	SPRING CLIP,1/4-20,.025-.15X.54,ZAG.....	8				
22	1267082GT	FORMING,COVER,RIGHT BACK.....	1				
23	1267083GT	FORMING,COVER,RIGHT MIDDLE.....	1				
24	1280379GT	FORMING,COVER,RIGHT FRONT.....	1				
25	824090GT	SCREW,HHF,3/8-16X1,8,ZAG.....	8				
26	29868GT	SPRING CLIP,3/8-16,.05-.20X.73,ZAG...	8				
27	28301GT	GAS STRUT,250 LBS FORCE***.....	2				
28	231532GT	SCREW,HHF,M6-1.0X20,DIN6921,10,9,ZAB.2					
29	215254GT	LATCH,ROTARY,ENGINE COVER.....	1				
30	824059GT	SCREW,HHC,1/4-20X.75,8,ZAG.....	2				
31	1262210GT	FORMING, LATCH TRIGGER, TS.....	1				
32	1255763GT	SCREW,HHF,5/16-18X1.5,8,ZAG.....	2				
33	1261244GT	FORMING,LATCH GUARD,TS.....	1				
34	1271984GT	BRACKET, BUMPER.....	1				
35	1255805GT	NUT,SERRATED,5/16-18,8,ZAG.....	2				
36	1261277GT	BUMPER, RUBBER, 1.25 X 1.25 IN.....	1				
37	1261837GT	SCREW, THM, TORX, M6X25, ZAB.....	2				
38	231513GT	NUT,TL FLG,M6-1.0,DIN6927,10,ZAB...2					
39	1256054GT	HANDLE,YELLOW LOCKING,CODE 455.....	1				

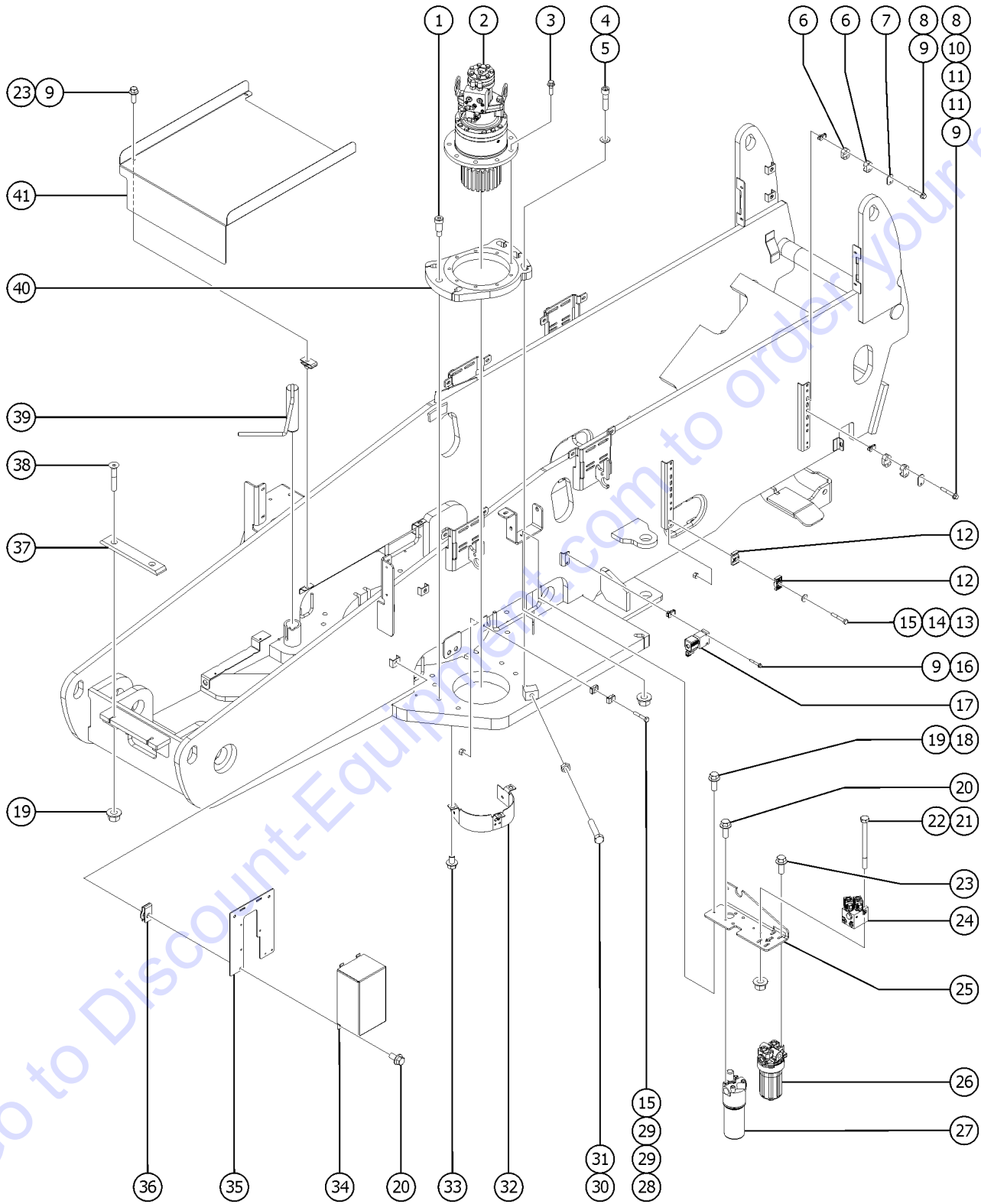
305.1 Turntable Covers - Engine Side



305.1 Turntable Covers - Engine Side

Item	Part No.	Description	Qty.	Item	Part No.	Description	Qty.
1	1261835GT	SCREW, THM, TORX, 1/4-20X1,SS.....	3	37	231513GT	NUT,TL FLG,M6-1.0,DIN6927,10,ZAB....	2
2	1261836GT	SCREW, THM, TORX, 3/8-16X1,SS.....	8	38	1271984GT	BRACKET, BUMPER.....	1
3	1257628GT	NUT,SERRATED,3/8-16,8,ZAG.....	8	39	1261277GT	BUMPER, RUBBER, 1.25 X 1.25 IN.....	1
4	1253264GT	COVER, SWING CHASSIS, ES.....	1	40	1255805GT	NUT,SERRATED,5/16-18,8,ZAG.....	2
5	1283132GT	WELDMENT,EXHUAST TUBE S80.....	1				
6	1256679GT	NUT,SERRATED,1/4-20,8,ZAG.....	3				
7	1256054GT	HANDLE,YELLOW LOCKING,CODE 455.....	1				
--	37947GT	KEYS,10 PACK*** <i>sold separately</i>					
--	83093GT	KEY SINGLE*** <i>sold separately</i>					
8	1258723GT	MOUNT, COVER SUPPORT FRONT....	1				
9	1253478GT	SCREW,HHF,3/8-16X2,8,ZAG.....	2				
10	824029GT	NUT, TL FLG, 3/8-16, G, ZAG.....	5				
11	1266916GT	WLDMT,HIGHER COVER SUPPORT,ES.....	1				
12	1256856GT	SCREW,HHF,3/8-16X2.5,8,ZAG.....	3				
13	33555GT	BALL STUD**.....	4				
14	824028GT	NUT,TL FLG,5/16-18,G,ZAG.....	6				
15	231532GT	SCREW,HHF,M6-1.0X20,DIN6921,10.9,ZAB.2					
16	1262211GT	FORMING, LATCH TRIGGER, ES.....	1				
17	215254GT	LATCH,ROTARY,ENGINE COVER.....	1				
18	824059GT	SCREW,HHC,1/4-20X.75,8,ZAG.....	2				
19	824027GT	NUT,TL FLG,1/4-20,G,ZAG.....	8				
20	1267309GT	WLDMT, LOWER COVER SUPPORT....	1				
21	1261245GT	FORMING,LATCH GUARD,ES.....	1				
22	1255763GT	SCREW,HHF,5/16-18X1.5,8,ZAG.....	2				
23	824078GT	SCREW,HHF,1/4-20X.75,8,ZAG.....	10				
24	56912GT	SPRING CLIP,1/4-20,.025-.15X.54,ZAG.....	6				
25	824090GT	SCREW,HHF,3/8-16X1,8,ZAG.....	8				
26	29868GT	SPRING CLIP,3/8-16,.05-.20X.73,ZAG...8					
27	1267081GT	FORMING,COVER,LEFT FRONT.....	1				
28	1267080GT	FORMING,COVER,LEFT BACK.....	1				
29	28301GT	GAS STRUT,250 LBS FORCE***.....	2				
30	1256127GT	BOLT,CARRIAGE,1/4-20X1,5,ZAG.....	6				
31	1269081GT	WELDMENT, COVER SUPPORT,ENGINE SIDE.....	1				
32	1266902GT	HINGE,.375X.1875THK,SLOTTED.....	2				
33	1258724GT	SUPPORT, TAPPED HINGE.....	2				
34	1258722GT	MOUNT, COVER SUPPORT REAR.....	1				
35	1278128GT	MOUNT, COVER SUPPORT, CENTER.....	1				
36	1261837GT	SCREW, THM, TORX, M6X25, ZAB.....	2				

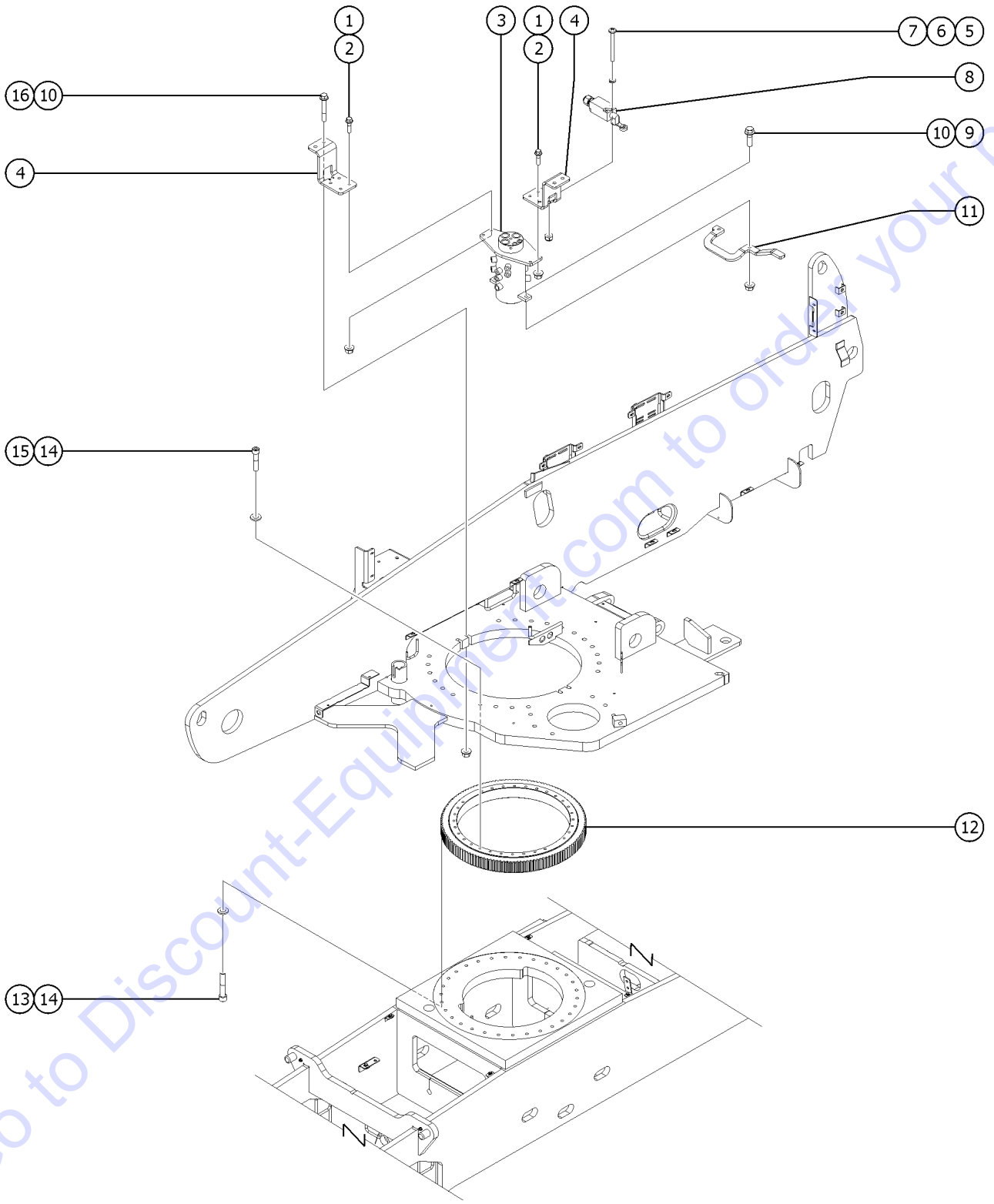
306.1 Turntable Components and Swivel Drive Assembly



## 306.1 Turntable Components and Swivel Drive Assembly

Item	Part No.	Description	Qty.	Item	Part No.	Description	Qty.
1	1269586GT	BOLT,SHS,1.0X1.5X3/4-10,ZAG.....	1	25	121336GT	FORMING, FILTER MOUNT.....	1
2	1255768GT	SWING DRIVE ASSEMBLY.....	1	26	1267807GT	ASSY, MED. PRESS. FILTER, SAE8.....	1
--	1255769GT	SEAL KIT, SWING BRAKE (used on swing drive 1255768)		27	60334GT	FILTER ASSY,HIGH PRESS SAE-12*.....	1
--	1255770GT	KIT, FRICTION DISC (used on swing drive 1255768)		--	58222GT	O-RING,FILTER ASSY (60334)***	
--	1255771GT	KIT, BRAKE SPRING (used on swing drive 1255768)		--	58223GT	SEAL,FILTER ASSY (60334)***	
--	1255772GT	KIT, SWING BRAKE REBUILD (used on swing drive 1255768)		--	60857GT	FILTER,ELEMENT,BETA(5)=1000	
--	1255773GT	BRAKE TUBING (used on swing drive 1255768)		28	824062GT	SCREW,HHC,1/4-20X1.5,8,ZAG.....	1
--	139308GT	SWING MOTOR COMPLETE*** (used on swing drive 1255768)		29	121215GT	CLAMP HALF, #6 DOUBLE TUBE.....	2
--	139309GT	CBV ASSEMBLY*** (used on swing drive 1255768)		30	1256846GT	SCREW,HEX TAP,3/4-10X4,8,ZAG.....	1
--	139315GT	O-RING,MOTOR/BRAKE*** (used on swing drive 1255768)		31	1256837GT	NUT,JAM,3/4-10,A, ZAG.....	1
--	139323GT	VALVE,COUNTERBAL,CBCA-LIN*** (used on swing drive 1255768)		32	81986PGT	COVER,ROTATION GEAR PAINTED.....	1
--	58304GT	SHAFT,OUTPUT (used on swing drive 1255768)		33	1257454GT	SCREW,HHF,1/2-13X.75,8,ZAG.....	3
3	826171GT	SCREW,HHF,1/2-13X1.75,ZAG.....	9	34	111601GT	FORMING,RELAY BLOCK COVER.....	1
4	1256860GT	SCREW,SHC,3/4-10X3,A574,ZAG.....	5	35	111602GT	PLATE, RELAY BLOCK MOUNT.....	1
5	1256863GT	WASHER,FLAT,.75,SAE,HRD,ZAG.....	5	36	29868GT	SPRING CLIP,3/8-16,.05-.20X.73,ZAG....	3
6	121219GT	CLAMP HALF,#8 TUBE.....	4	37	41549GT	PAD,BOOM REST.....	1
7	121217GT	COVER PLATE,TUBE CLAMP #8.....	2	38	1256842GT	SCREW,FHS,3/8-16X2.25,F835,ZAG.....	2
8	1257866GT	SCREW,HHF,1/4-20X2.25,8,ZAG.....	8	39	121353GT	WELDMENT, TRANSPORT LOCK.....	1
9	56912GT	SPRING CLIP,1/4-20,.025-.15X.54,ZAG.....	14	40	121393GT	MACHINED BACKLASH.....	1
10	121216GT	COVER PLATE, TUBE CLAMP #12.....	2	41	121381GT	FORMING, COVER, SWIVEL.....	1
11	121218GT	CLAMP HALF,#12 TUBE.....	4				
12	78736GT	CLAMP,2 HOSE,PLASTIC,5/8.....	2				
13	824063GT	SCREW,HHC,1/4-20X1.75,8,ZAG.....	1				
14	824113GT	WASHER,FLAT,USS,1/4,ZAG.....	1				
15	824024GT	NUT, TL, 1/4-20, C, ZAG.....	2				
16	824082GT	SCREW,HHF,1/4-20X1.75,8,ZAG.....	2				
17		Ref. VALVE,FUNCTION ENABLE..... (refer to 703.1)	1				
18	824090GT	SCREW,HHF,3/8-16X1,8,ZAG.....	2				
19	824029GT	NUT, TL FLG, 3/8-16, G, ZAG.....	4				
20	824089GT	SCREW,HHF,3/8-16X.75,8,ZAG.....	7				
21	1256123GT	SCREW,HHC,1/4-20X3.25,8,ZAG.....	2				
22	824027GT	NUT,TL FLG,1/4-20,G,ZAG.....	2				
23	824078GT	SCREW,HHF,1/4-20X.75,8,ZAG.....	8				
24		Ref. TWO SPEED BRAKE MANIFOLD.... (refer to 702.1)	1				

307.1 Turntable Center Components



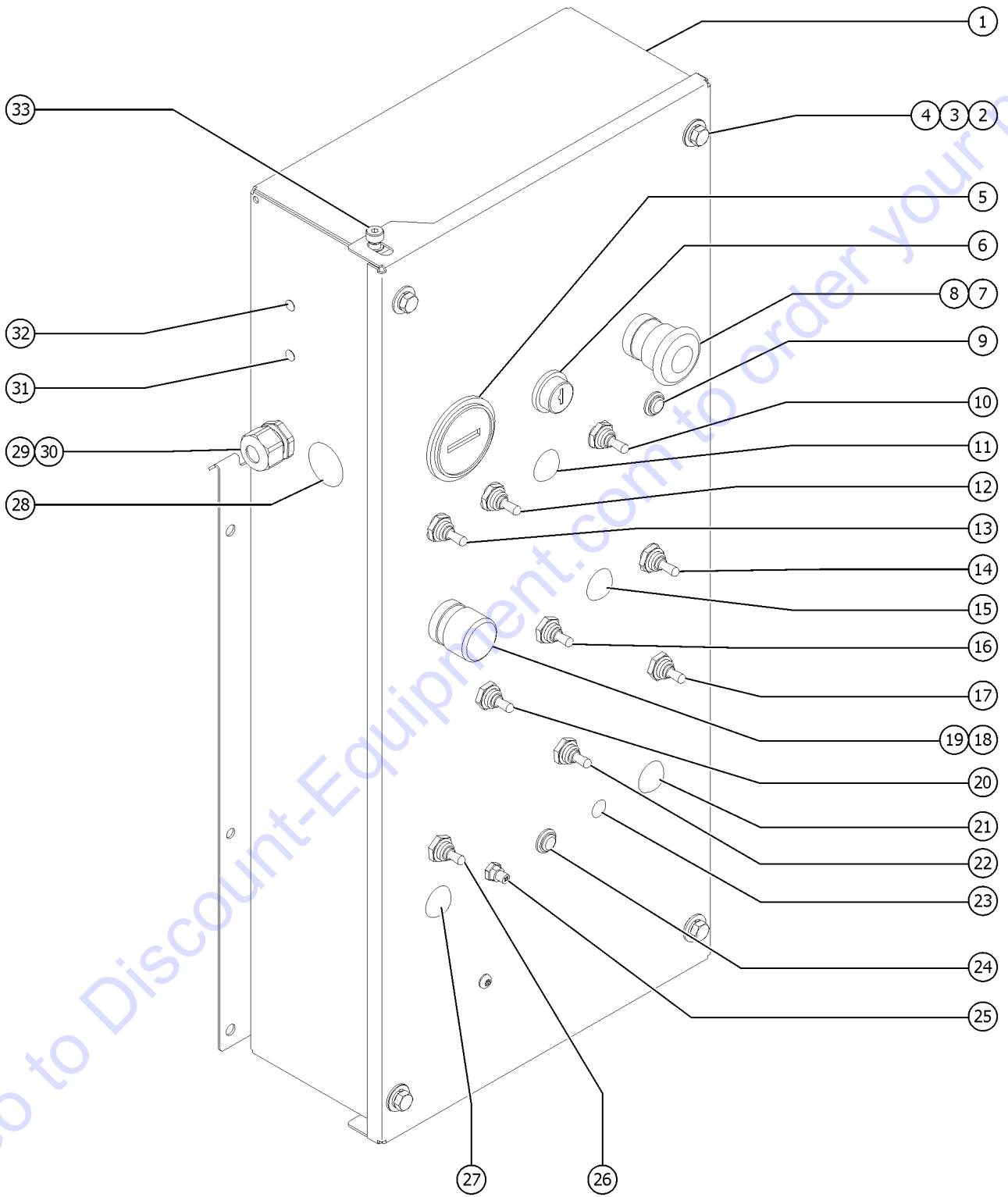
307.1 Turntable Center Components

Item	Part No.	Description	Qty.
1	824092GT	SCREW,HHF,3/8-16X1.5,8,ZAG.....	4
2	824029GT	NUT, TL FLG, 3/8-16, G, ZAG.....	4
3	89571GT	SWIVEL,HYD 8 PORT*** .....	1
--	94937GT	SEAL KIT,8-PORT SWIVEL	
--	T106954GT	SEAL, O-RING LIP	
--	T106955GT	SEAL, POLY, CHAMFER	
--	T106957GT	SEAL, CAP, NOTCHED	
--	T106961GT	SEAL, O-RING ENERGIZER	
--	T106962GT	SEAL, CAP, NOTCHED	
4	60575PGT	BRACKET,HYD.ROTATOR MOUNT MNT.....	2
5	1256177GT	SCREW,PHPM,10-32X1.75,ZAG.....	2
6	1256312GT	WASHER,LOCK,#10,ZAG.....	2
7	6178GT	NUT,NYLOCK,10-32.....	2
8	121467GT	HARN,LS,DRIVE EN,S80/85 2008.....	1
9	826171GT	SCREW,HHF,1/2-13X1.75,ZAG.....	2
10	1251997GT	NUT,TL FLG,1/2-13,G,ZAG.....	6
11	121311GT	FORMING,SWIVEL STOP.....	1
12	50035GT	BEARING,TURNTABLE.....	1
--	227785GT	BEARING TURNTABLE SEAL***	
13	1268596GT	SCREW,SHC,5/8-11X3.5,A574,ZAG.....	30
14	1256182GT	WASHER,FLAT,5/8,F436,HRD,ZAG.....	52
15	824107GT	SCREW,SHC,5/8-11X3,A574,ZAG.....	22
16	1256851GT	SCREW,HHF,1/2-13X3.5,8,ZAG.....	4

Go to Discount-Equipment.com to order your parts



308.1 Ground Control Box - View 1



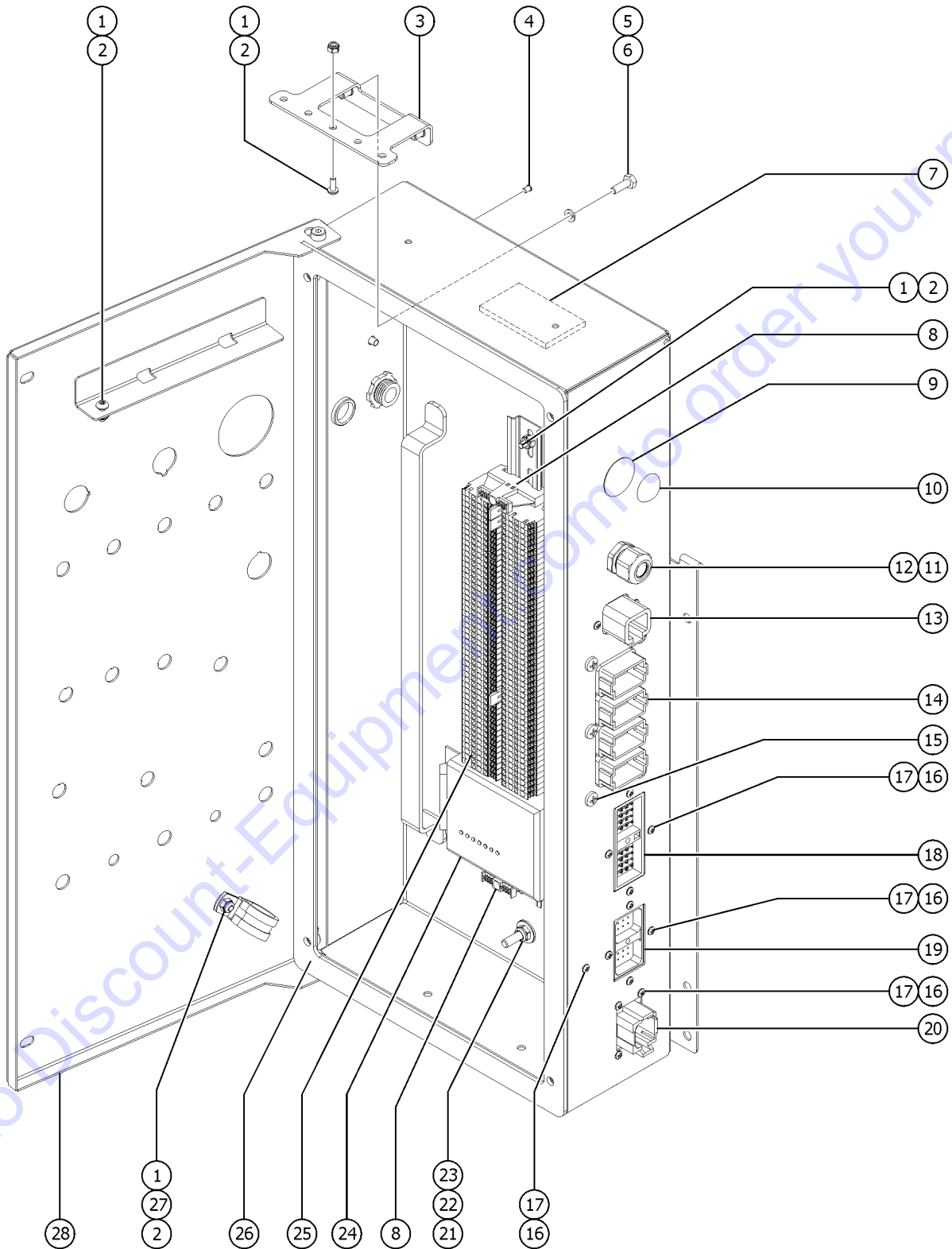
Go to Discount-Equipment.com to order your parts



308.1 Ground Control Box - View 1

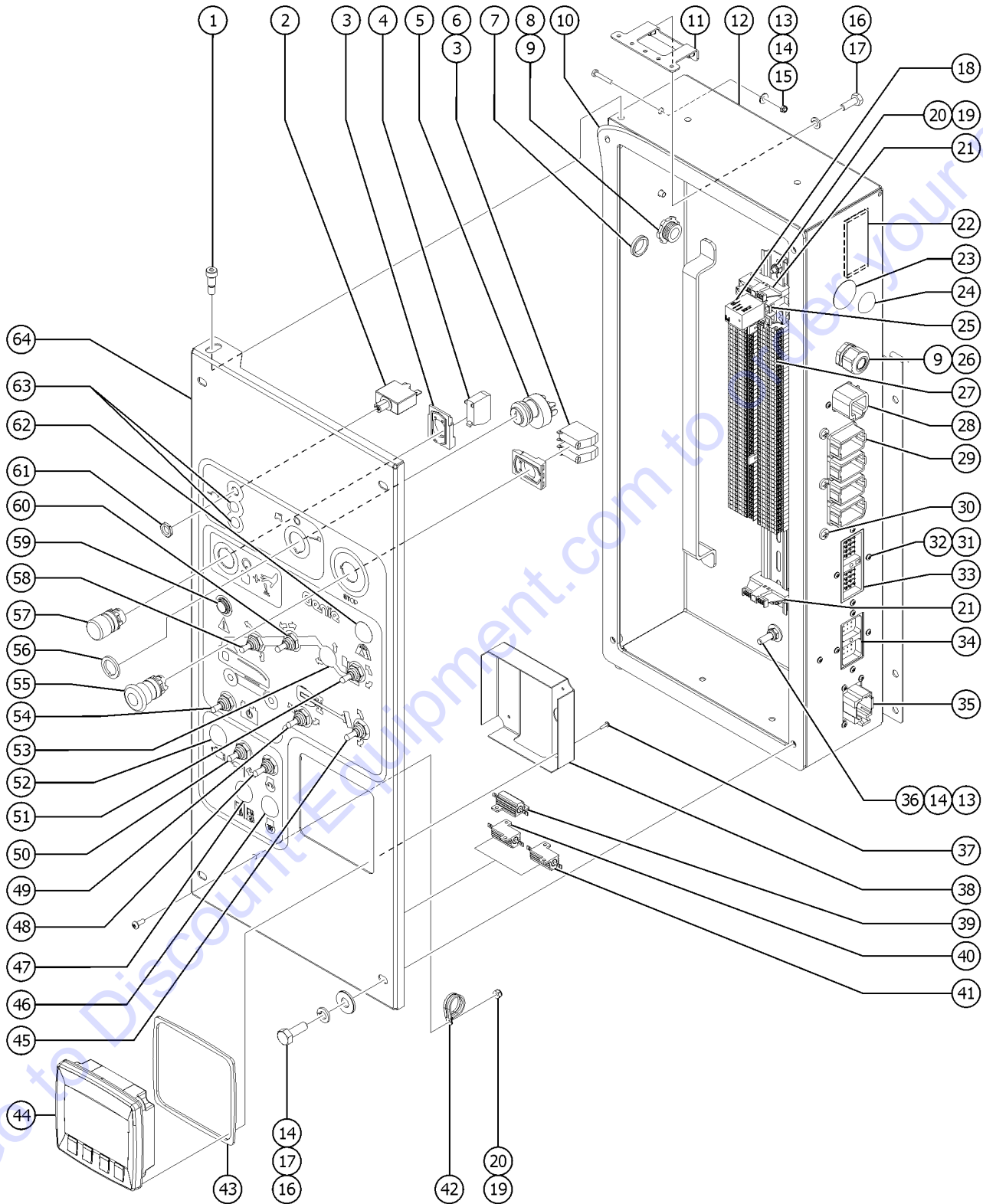
Item	Part No.	Description	Qty.	Item	Part No.	Description	Qty.
A	1258617GT	ASSY,GBOX,PERKINS 404D,S80/85.....1 <i>(Perkins 404D-22T)</i>	1	19	66815GT	BASE, W/1 N.O. CONTACTS***.....1	1
B	1265459GT	ASSEMBLY, GBOX, DEUTZ 2.9T,S80.....1 <i>(Deutz TD2.9)</i>	1	--	66816GT	CONTACT,N.O.***	
C	1265460GT	ASSEMBLY, GBOX, DEUTZ2011,S80.....1 <i>(Deutz TD2011L04i)</i>	1	--	66821GT	BASE,WITHOUT CONTACTS	
1	1253160GT	WELDMENT, GBOX, S80/85 2013.....1	1	20	128202GT	SWITCH TOGGLE ASSY DPDT 3P MOM.....1	1
2	6090GT	SCREW,HHC,1/4-20 X .75.....4	4	21	229567GT	PLUG, SANTOPRENE .5 BLACK DOME.....1	1
3	6356GT	WASHER,LOCK,.25.....4	4	22	128202GT	SWITCH TOGGLE ASSY DPDT 3P MOM.....1	1
4	6638GT	WASHER,FLAT,USS,1/4"Y.....4	4	23	21858GT	PLUG,NYLON .38 BLACK DOMED.....1	1
5	19506GT	HOUR METER,10-80 VOLTS***.....1	1	24	218165GT	LIGHT,INDICATOR,RED 12V H-BRI.....1	1
6A	83131GT	KEYSWITCH,3 POS W/KEYS,LOCKING		25	147094GT	ASSY, CIRCUIT BREAKER 15A.....1	1
--	37947GT	KEYS,10 PACK***		26	128201GT	SWITCH TOGGLE ASSY DPDT 2P MOM.....1	1
--	83093GT	KEY SINGLE*** <i>(Includes boot)</i>		27	229567GT	PLUG, SANTOPRENE .5 BLACK DOME.....1	1
--	88827GT	GASKET,KEYSWITCH,PLASTIC***.....1	1	28	15243GT	PLUG,NYLON .875 BLACK DOMED.....1	1
--	96008-SGT	KEYSWITCH,3 POS. W/KEYS***.....1	1	29	121753GT	HARNESS,ALARM/BEACON,S80 2008.....1	1
6B	217241GT	OPT, KEY SWITCH, STANDARD <i>(not available for Australia)</i>		30	6935GT	LOCKNUT,ELEC,1/2".....1	1
--	88827GT	GASKET,KEYSWITCH,PLASTIC***		31	42781GT	PLUG, NYLON .250 BLACK DOMED.....1	1
7	66812GT	BUTTON,PUSH,RED MUSHROOM HEAD.....1	1	32A	42781GT	PLUG, NYLON .250 BLACK DOMED.....1 <i>(Perkins 404D-22T, Deutz TD2.9)</i>	1
8	73805GT	BASE,W/2 NC CONTACTS***.....1	1	32B	8915GT	SCREW,HHC,1/4-20 X 1.25.....1 <i>(Deutz TD2011L04i)</i>	1
--	66818GT	CONTACT,NC		--	6638GT	WASHER,FLAT,USS,1/4"Y	
--	66821GT	BASE,WITHOUT CONTACTS		--	6889GT	NUT,LP NYLOCK,1/4-20	
9A	218167GT	LIGHT,INDICATOR,AMBER 12V ENGINE.....1 <i>(Perkins 404D-22T)</i>	1	33	88315GT	SCREW,SHS,1/4-20 X .25 ZINC.....2	2
9B	218165GT	LIGHT,INDICATOR,RED 12V H-BRI <i>(Deutz TD2011L04i, TD2.9)</i>					
10	128204GT	SWITCH TOGGLE ASSY SPDT 2P MNT.....1	1				
11	229567GT	PLUG, SANTOPRENE .5 BLACK DOME.....1 <i>(Perkins 404D-22T, Deutz TD2011L04i)</i>	1				
12	128200GT	SWITCH TOGGLE ASSY SPDT 3P MOM.....1 <i>(Perkins 404D-22T, Deutz TD2011L04i)</i>	1				
13	128200GT	SWITCH TOGGLE ASSY SPDT 3P MOM.....1	1				
14	128202GT	SWITCH TOGGLE ASSY DPDT 3P MOM.....1	1				
15	229567GT	PLUG, SANTOPRENE .5 BLACK DOME.....1	1				
16	128202GT	SWITCH TOGGLE ASSY DPDT 3P MOM.....1	1				
17	128200GT	SWITCH TOGGLE ASSY SPDT 3P MOM.....1	1				
18	66813GT	BUTTON,PUSH,BLACK W/SEAL***.....1	1				

309.1 Ground Control Box - View 2



Item	Part No.	Description	Qty.
1	54365GT	SCREW,PHIL,PHM,10-32 X .5,SSTL.....6	
2	6178GT	NUT,NYLOCK,10-32.....6	
3	1253409GT	ANGLE, RELAY MOUNTING.....1 (Perkins 404D-22T)	
4A	42288GT	PLUG,NYLON .188 BLACK DOMED.....1 (Perkins 404D-22T)	
4B	42781GT	PLUG, NYLON .250 BLACK DOMED (GM 3.0L, Deutz TD2011L04i)	
5	6090GT	SCREW,HHC,1/4-20 X .75.....2 (Perkins 404D-22T)	
6	6356GT	WASHER,LOCK,.25.....2 (Perkins 404D-22T)	
7	30997GT	CORROSION INHIBITOR,FOAM.....1	
8	74913GT	END STOP, DIN RAIL,SCREW CLAMP.....2	
9	45385GT	PLUG,NYLON 1.12 BLACK DOMED.....1	
10	229567GT	PLUG, SANTOPRENE .5 BLACK DOME.....1 (Perkins 404D-22T, Deutz TD2011L04i)	
11	7056GT	CONN, SQZ, 1/2NPT .38-.50, SM**.....1	
12	6935GT	LOCKNUT,ELEC,1/2".....1	
13	73717GT	CONN,RECEP 4 WAY,12-14GA FL***.....1	
14	73736GT	CONN,RECEP 48 WAY,4 X 12.....1	
15	73803GT	SCREW,SHM,PHP, #12 X .75.....6	
16	49820GT	SCREW,PHILLIPS,PHM,6-32 X .5.....15	
17	12344GT	NUT,NYLOCK,6-32.....15	
18	73754GT	CONN,RECEP 40 WAY,W/FLANGE.....1	
19	73753GT	CONN,RECEP 24 WAY,W/FLANGE.....1	
20	87755GT	CONN,RECEP 8 WAY 14-18GA,FL.....1	
21	6889GT	NUT,LP NYLOCK,1/4-20.....1	
22	6638GT	WASHER,FLAT,USS,1/4"Y.....1	
23	6888GT	SCREW,HHC,1/4-20 X 1.....1	
24	56057GT	MODULE,IGNITION/START,12/24V.....1 (Perkins 404D-22T, Deutz TD2011L04i)	
25	1253154GT	ASSY, TERM RAIL, S80/85 2013.....1 (includes item 8)	
--	216791GT	TERMINAL BLOCK,WIELAND	
--	216793GT	TERMINAL BLOCK END PLATE	
--	33422GT	DIN RAIL,17"	
--	74917GT	JUMPER COMB, 2-WAY,WIELAND	
26	121599GT	GASKET,GBOX,S80/85 2008.....1	
27	18666GT	CLAMP,1.00,#16 X 1/4,RUB CUSH.....1	
28	121314GT	WELDMENT,LID,GBOX,S0/85 2008.....1	

310.1 Ground Control Box - Deutz TD2.9L4



310.1 Ground Control Box - Deutz TD2.9L4

Item	Part No.	Description	Qty.	Item	Part No.	Description	Qty.
A		Verify Engine Make and Model Before Ordering.		25	33608GT	RELAY,SOCKET,OMRON.....1 (welder option)	1
B	1265459GT	ASSEMBLY, GBOX, DEUTZ 2.9T,S80.....1		26	7056GT	CONN, SQZ, 1/2NPT .38-.50, SM**.....1	1
C	121846GT	RELAY,TIME DELAY,2 SEC,10A (CE option)		27	1253154GT	ASSY, TERM RAIL, S80/85 2013.....1 (complete assembly)	1
1	88315GT	SCREW,SHS,1/4-20 X .25 ZINC.....2		--	216791GT	TERMINAL BLOCK,WIELAND	
2	147090GT	CIRCUIT BREAKER, 15A.....1		--	216793GT	TERMINAL BLOCK END PLATE	
3	66821GT	BASE,WITHOUT CONTACTS.....2		--	33422GT	DIN RAIL,17"	
4	66816GT	CONTACT,N.O.*** .....1		--	74913GT	END STOP, DIN RAIL,SCREW CLAMP	
5	96008-SGT	KEYSWITCH,3 POS. W/KEYS*** .....1 (includes 1 pair of keys)		--	74917GT	JUMPER COMB, 2-WAY,WIELAND	
--	37947GT	KEYS,10 PACK*** (use with keyswitch 96008-S)		28	73717GT	CONN,RECEP 4 WAY,12-14GA FL*** .....1	1
--	66814GT	BASE,WITH 2 N.O. CONTACTS*** (includes 2 each N.O. contacts)		29	73736GT	CONN,RECEP 48 WAY,4 X 12.....1	1
--	66816GT	CONTACT,N.O.***		30	73803GT	SCREW,SHM,PHP, #12 X .75.....6	6
--	83093GT	KEY SINGLE*** (includes boot, use with keyswitch 96008-S)		31	49820GT	SCREW,PHILLIPS,PHM,6-32 X .5.....15	15
--	83131GT	KEYSWITCH,3 POS W/KEYS,LOCKING		32	12344GT	NUT,NYLOCK,6-32.....15	15
--	96009GT	WASHER,NITRILE		33	73754GT	CONN,RECEP 40 WAY,W/FLANGE.....1	1
6	66818GT	CONTACT,NC.....2		34	73753GT	CONN,RECEP 24 WAY,W/FLANGE.....1	1
7	15243GT	PLUG,NYLON .875 BLACK DOMED.....1		35	87755GT	CONN,RECEP 8 WAY 14-18GA,FL.....1	1
8	121753GT	HARNESS,ALARM/BEACON,S80 2008.....1		36	6888GT	SCREW,HHC,1/4-20 X 1.....1	1
9	6935GT	LOCKNUT,ELEC,1/2".....2		37	1252684GT	SCREW,DP200 M3X10 4PACK.....4 (part of assembly 1251984)	4
10	121599GT	GASKET,GBOX,S80/85 2008.....1		38	219718GT	BRACKET,DP200 PANEL MOUNT.....1 (part of assembly 1251984)	1
11	1253409GT	ANGLE, RELAY MOUNTING.....1		39	89575GT	RESISTOR,7.5 OHM,25 WATT,1PCNT....1	1
12	1253160GT	WELDMENT, GBOX, S80/85 2013.....1		40	27287GT	RESISTOR,10 OHM,25 WATT.....1	1
--	42288GT	PLUG,NYLON .188 BLACK DOMED		41	40614GT	RESISTOR,5 OHM,25W***.....1	1
--	42781GT	PLUG, NYLON .250 BLACK DOMED		42	21618GT	CLAMP,1.13,#18 X 1/4,RUB CUSH.....1	1
--	96010GT	SCREW,PHILLIPS,PHM,8-32 X.25**		43	1252685GT	GASKET,DP200 BLACK PANEL SEAL....1 (part of assembly 1251984)	1
13	6889GT	NUT,LP NYLOCK,1/4-20.....2		44	1251984GT	ASSY,DISPLAY,DP200 DEUTZ T4.....1 (includes items 39, 40 and 45)	1
14	6638GT	WASHER,FLAT,USS,1/4"Y.....6		45	128200GT	SWITCH TOGGLE ASSY SPDT 3P MOM.....1 (platform rotate switch)	1
15	6145GT	SCREW,HHC,1/4-20 X 1.5.....1		46	229567GT	PLUG, SANTOPRENE .5 BLACK DOME.....1	1
16	6090GT	SCREW,HHC,1/4-20 X .75.....6		47	229567GT	PLUG, SANTOPRENE .5 BLACK DOME.....1 (gasoline/LPG models - fuel select switch)	1
17	6356GT	WASHER,LOCK,.25.....6		48	128200GT	SWITCH TOGGLE ASSY SPDT 3P MOM.....1 (engine start switch)	1
18	33607GT	RELAY,OMRON,DPDT,12V.....1 (welder option)		49	128202GT	SWITCH TOGGLE ASSY DPDT 3P MOM.....1 (turntable rotate switch)	1
19	6178GT	NUT,NYLOCK,10-32.....6		50	128204GT	SWITCH TOGGLE ASSY SPDT 2P MNT.....1 (function enable switch)	1
20	54365GT	SCREW,PHIL,PHM,10-32 X .5,SSTL....6					
21	74913GT	END STOP, DIN RAIL,SCREW CLAMP.....2					
22	30997GT	CORROSION INHIBITOR,FOAM.....1					
23	45385GT	PLUG,NYLON 1.12 BLACK DOMED.....1					
24	229567GT	PLUG, SANTOPRENE .5 BLACK DOME.....1					

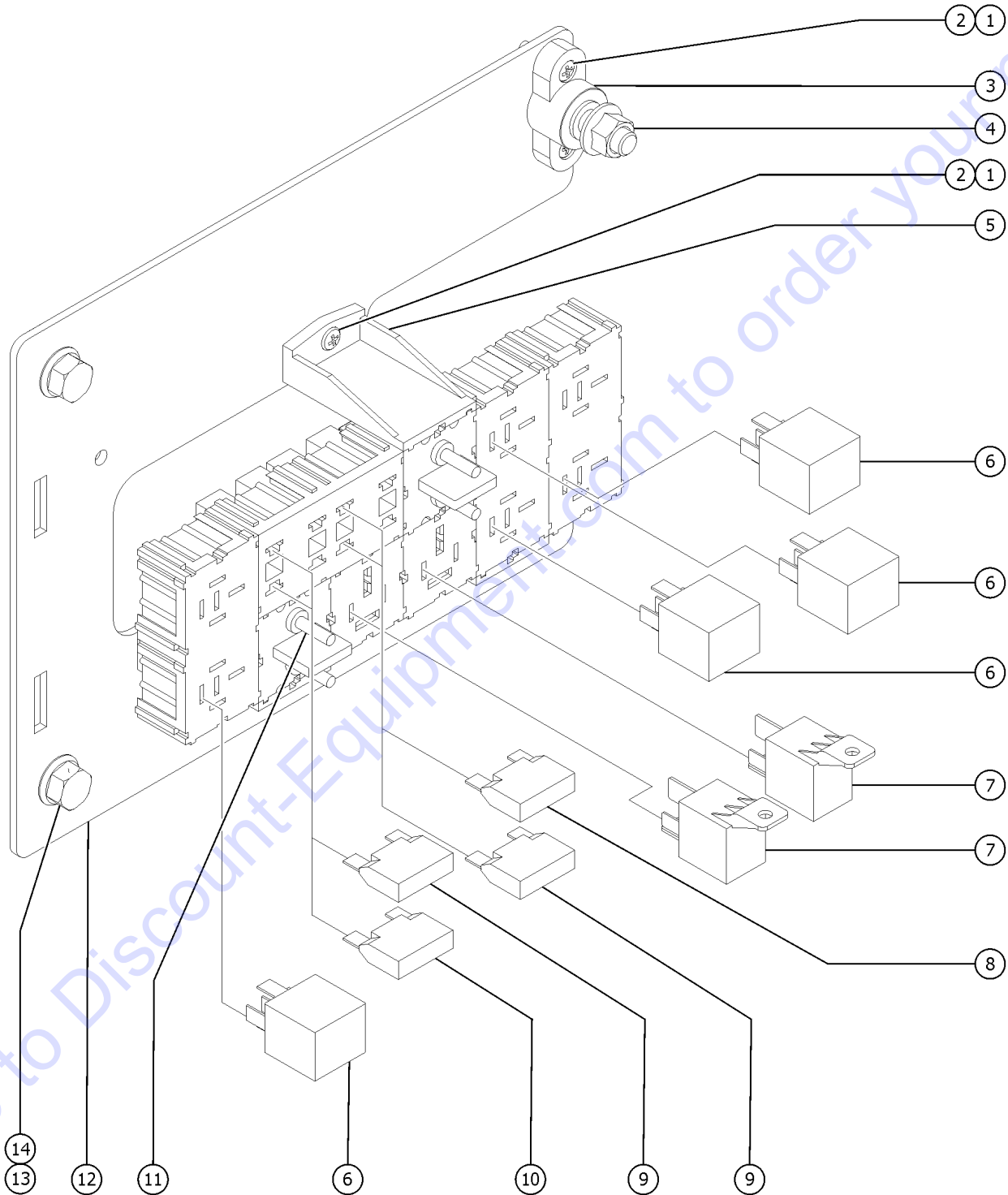
### 310.1 Ground Control Box - Deutz TD2.9L4 (continued)

Item	Part No.	Description	Qty.
51	128202GT	SWITCH TOGGLE ASSY DPDT 3P MOM.....1 <i>(platform level switch)</i>	1
52	229567GT	PLUG, SANTOPRENE .5 BLACK DOME.....1 <i>(check engine light)</i>	1
53A	229567GT	PLUG, SANTOPRENE .5 BLACK DOME.....1 <i>(S-80 and S-80X models)</i>	1
53B	128200GT	SWITCH TOGGLE ASSY SPDT 3P MOM.....1 <i>(S-85 models)</i>	1
54	128201GT	SWITCH TOGGLE ASSY DPDT 2P MOM.....1 <i>(emergency power switch)</i>	1
55	66812GT	BUTTON,PUSH,RED MUSHROOM HEAD.....1 <i>(red emergency stop button)</i>	1
56	88827GT	GASKET,KEYSWITCH,PLASTIC***.....1	1
57	66813GT	BUTTON,PUSH,BLACK W/SEAL***.....1 <i>(function enable) (models with push button) shown</i>	1
--	80716GT	SWITCH,SELECTOR,BLACK <i>(function enable) (models with selector switch) not shown</i>	
58	128202GT	SWITCH TOGGLE ASSY DPDT 3P MOM.....1 <i>(boom up/down switch)</i>	1
59	218165GT	LIGHT,INDICATOR,RED 12V H-BRI.....1 <i>(machine malfunction indicator light)</i>	1
60	128202GT	SWITCH TOGGLE ASSY DPDT 3P MOM.....1 <i>(boom extend/retract switch)</i>	1
61	122994GT	NICKEL PLATED JAM NUT.....1	1
62	229567GT	PLUG, SANTOPRENE .5 BLACK DOME.....1	1
63	21858GT	PLUG,NYLON .38 BLACK DOMED.....2	2
64	1251825GT	WELDMENT, LID, GBOX, TIER IV S80...1	1
--	6578GT	CABLE TIE,7 3/8"	

***This Page Intentionally Left Blank***

Go to [Discount-Equipment.com](http://Discount-Equipment.com) to order your parts

311.1 Turntable Components - Relay Panel, Diesel Models

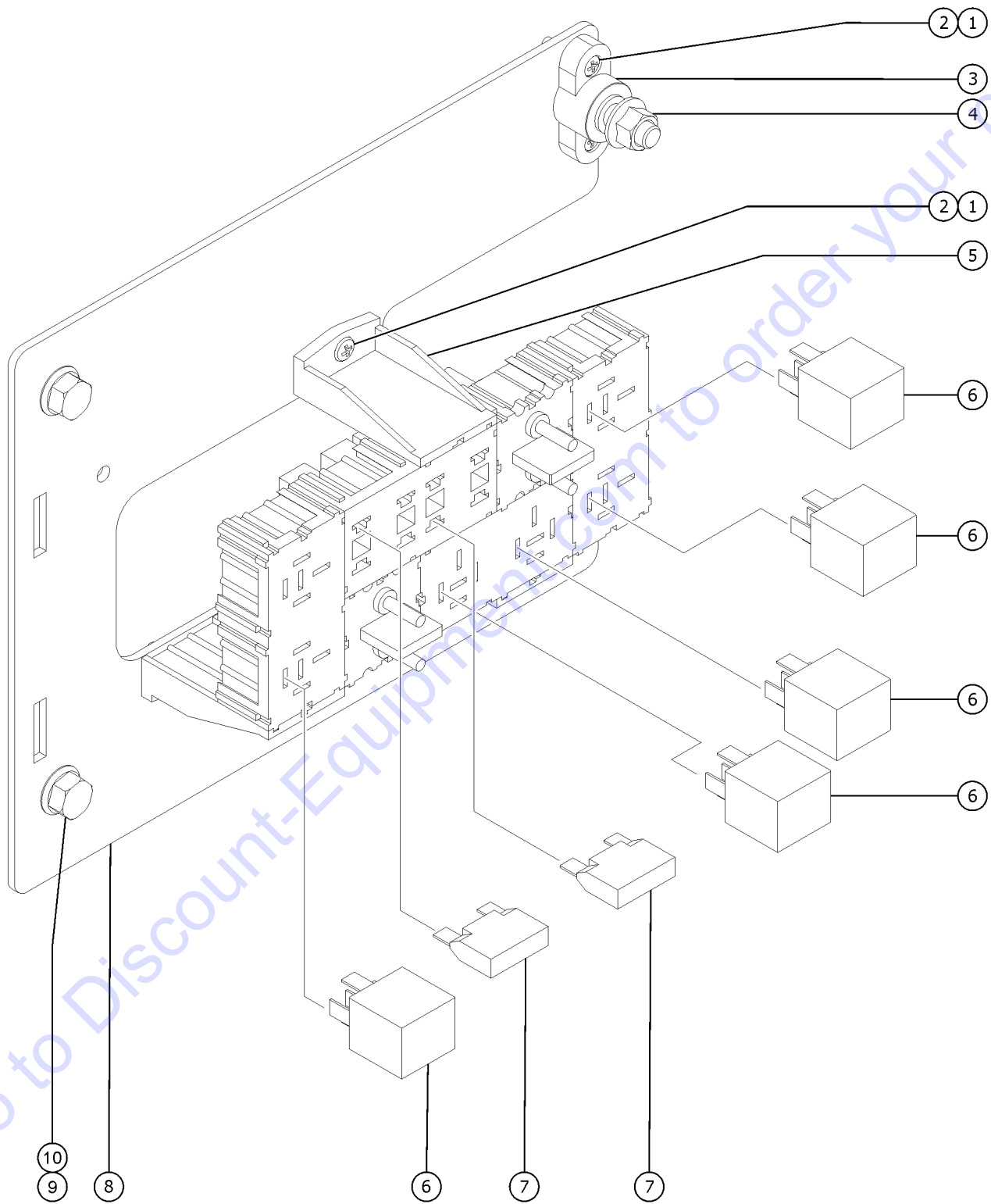




## 311.1 Turntable Components - Relay Panel, Diesel Models

Item	Part No.	Description	Qty.
A	88159GT	LOCK,WEDGE,RLY 9.5MM	
1	49816GT	SCREW,PHILLIPS,PHM,10-32 X .75.....3	
2	6178GT	NUT,NYLOCK,10-32.....3	
3	94982GT	STANDOFF, 3/8" BLACK.....1	
4	824029GT	NUT, TL FLG, 3/8-16, G, ZAG.....1	
5	88160GT	BRACKET,LEG,RLY BLOCK	
6	34052GT	RELAY,SPDT,12V(AUTO) PLUG IN** .....4	
--	88167GT	CONN,DUAL RLY MODULE,10 POS	
7	61225GT	RELAY,12VDC,70AMP,SEALED.....2	
--	88162GT	CONN,POWER RLY MODULE,4POS	
8	101340GT	FUSE,60 AMP,MAXI.....1	
--	88164GT	CONN MAXI FUSE MODULE,4POS	
9	94327GT	FUSE,30 AMP.....2	
--	88164GT	CONN MAXI FUSE MODULE,4POS	
10	60536GT	FUSE,20 AMP,MAXI.....1 (Deutz models)	
--	88164GT	CONN MAXI FUSE MODULE,4POS	
11	106051GT	CONN,FEED THRU STUD.....2	
--	88164GT	CONN MAXI FUSE MODULE,4POS	
12		REF. PLATE, RELAY BLOCK MOUNT.....1 (refer to 306.1)	
13	75051GT	SCREW,SER FLNG3/8UNCX3/4ZNYEL.....4	
14	29868GT	SPRING CLIP,3/8-16,.05-.20X.73,ZAG...3	

312.1 Turntable Components - Relay Panel, Gasoline/LPG Models

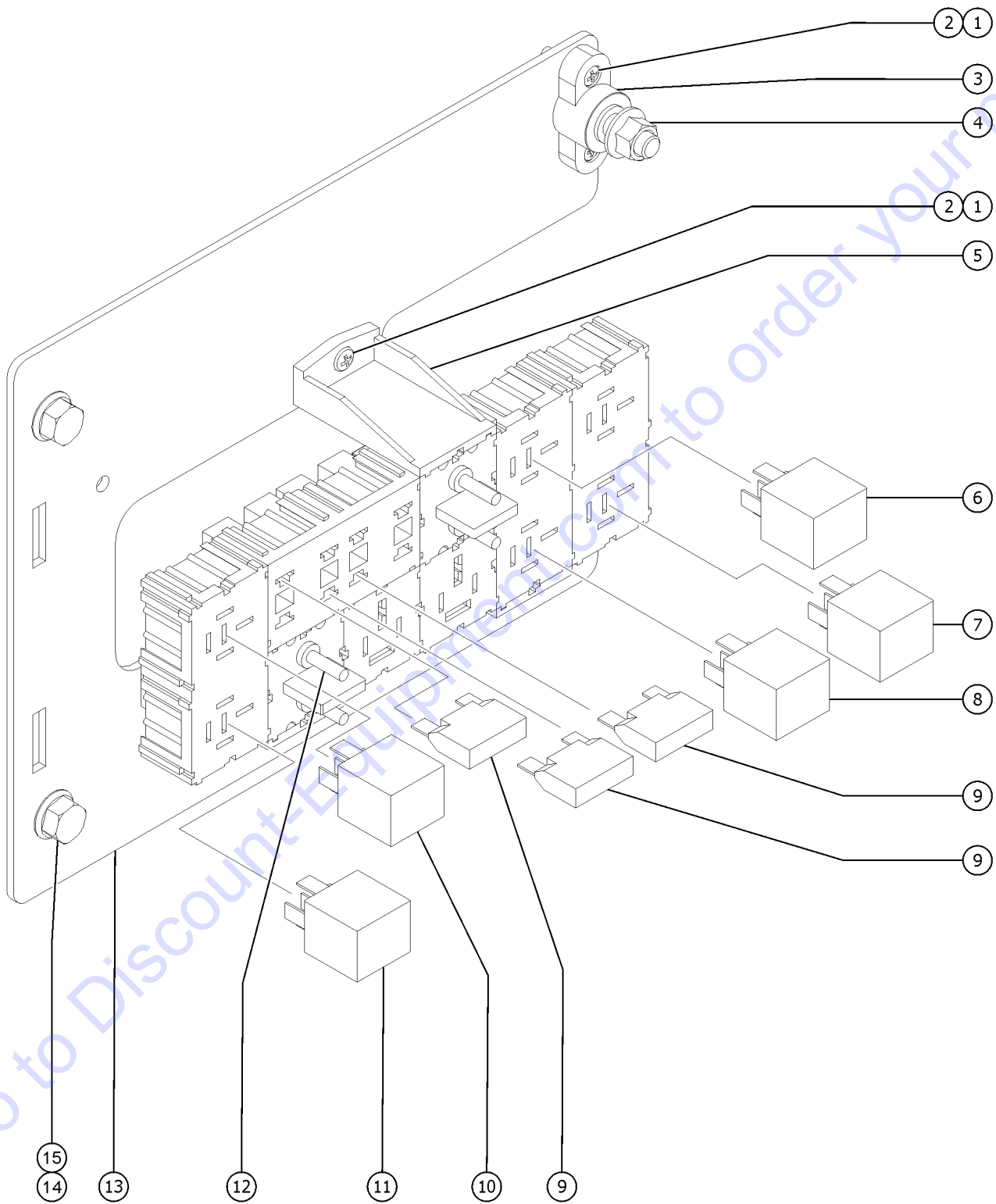


312.1 Turntable Components - Relay Panel, Gasoline/LPG Models

Item	Part No.	Description	Qty.
A	88159GT	LOCK,WEDGE,RLY 9.5MM	
1	49816GT	SCREW,PHILLIPS,PHM,10-32 X .75.....3	
2	6178GT	NUT,NYLOCK,10-32.....3	
3	94982GT	STANDOFF, 3/8" BLACK.....1	
4	824029GT	NUT, TL FLG, 3/8-16, G, ZAG.....1	
5	88160GT	BRACKET,LEG,RLY BLOCK	
6	34052GT	RELAY,SPDT,12V(AUTO) PLUG IN** .....5	
--	88167GT	CONN,DUAL RLY MODULE,10 POS	
7	94327GT	FUSE,30 AMP.....2	
--	88164GT	CONN MAXI FUSE MODULE,4POS	
8		REF. PLATE, RELAY BLOCK MOUNT.....1 <i>(refer to 306.1)</i>	
9	75051GT	SCREW,SER FLNG3/8UNCX3/4ZNYEL.....4	
10	29868GT	SPRING CLIP,3/8-16,.05-.20X.73,ZAG....3	

Go to Discount-Equipment.com to order your parts

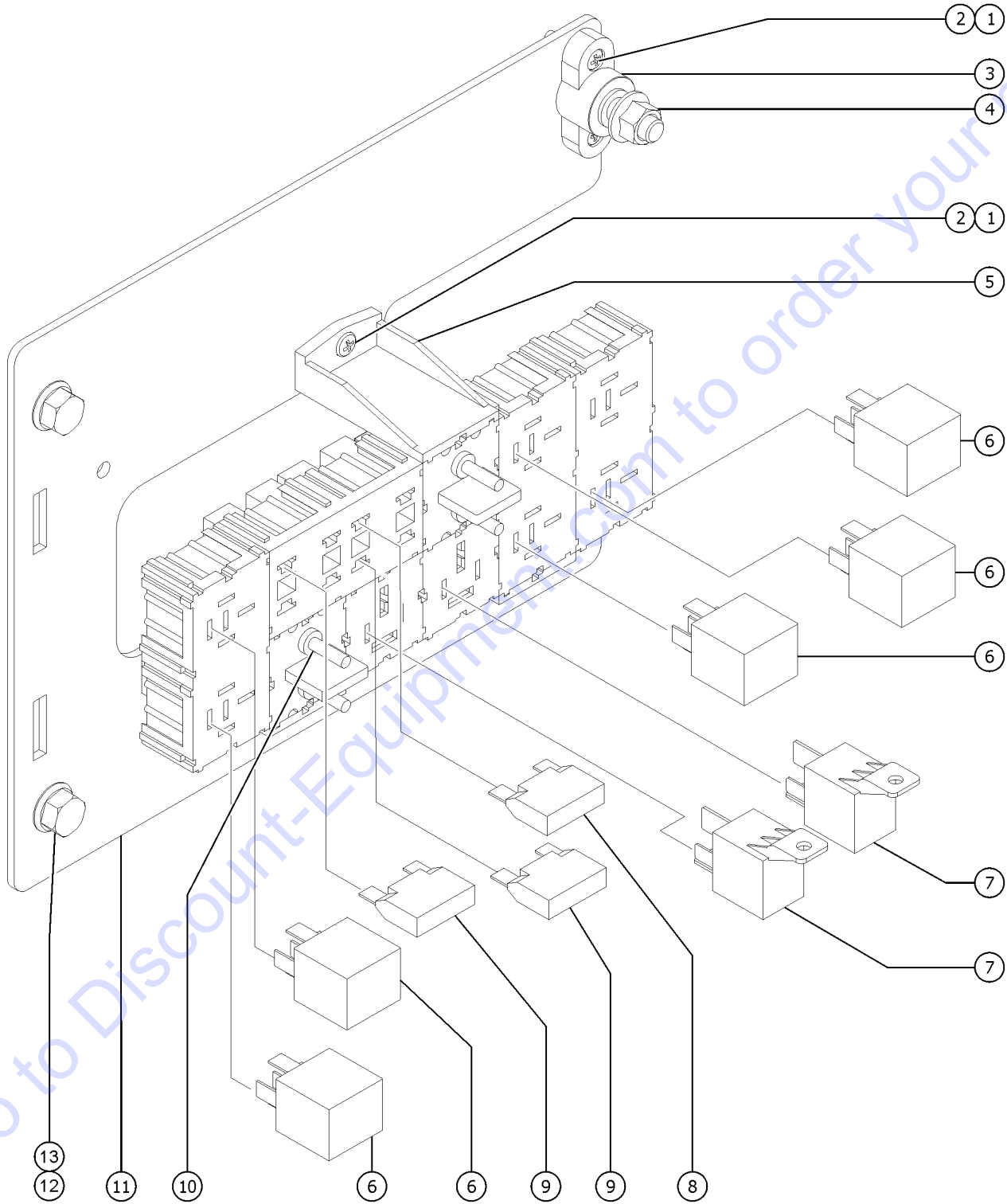
313.1 Turntable Components - Relay Panel, Deutz TD 2.9L4



## 313.1 Turntable Components - Relay Panel, Deutz TD 2.9L4

Item	Part No.	Description	Qty.
A	88159GT	LOCK,WEDGE,RLY 9.5MM	
1	49816GT	SCREW,PHILLIPS,PHM,10-32 X .75.....3	
2	6178GT	NUT,NYLOCK,10-32.....3	
3	94982GT	STANDOFF, 3/8" BLACK.....1	
4	824029GT	NUT, TL FLG, 3/8-16, G, ZAG.....1	
5	88160GT	BRACKET,LEG,RLY BLOCK	
6	34052GT	RELAY,SPDT,12V(AUTO) PLUG IN** .....1 <i>CR2 (ENG/IGN RLY)</i>	
7	34052GT	RELAY,SPDT,12V(AUTO) PLUG IN** .....1 <i>CR6 (FUEL PUMP RLY)</i>	
8	34052GT	RELAY,SPDT,12V(AUTO) PLUG IN** .....1 <i>CR39 (VDROP RLY)</i>	
9	60536GT	FUSE,20 AMP,MAXI.....3	
--	88164GT	CONN MAXI FUSE MODULE,4POS	
10	34052GT	RELAY,SPDT,12V(AUTO) PLUG IN** .....1 <i>CR17 (OIL COOL RLY, OPTION)</i>	
11	34052GT	RELAY,SPDT,12V(AUTO) PLUG IN** .....1 <i>CR5 (HORN RLY)</i>	
12	106051GT	CONN,FEED THRU STUD.....2	
--	88164GT	CONN MAXI FUSE MODULE,4POS	
13		REF. PLATE, RELAY BLOCK MOUNT.....1 <i>(refer to 306.1)</i>	
14	75051GT	SCREW,SER FLNG3/8UNCX3/4ZNYEL.....4	
15	29868GT	SPRING CLIP,3/8-16,.05-.20X.73,ZAG....3	

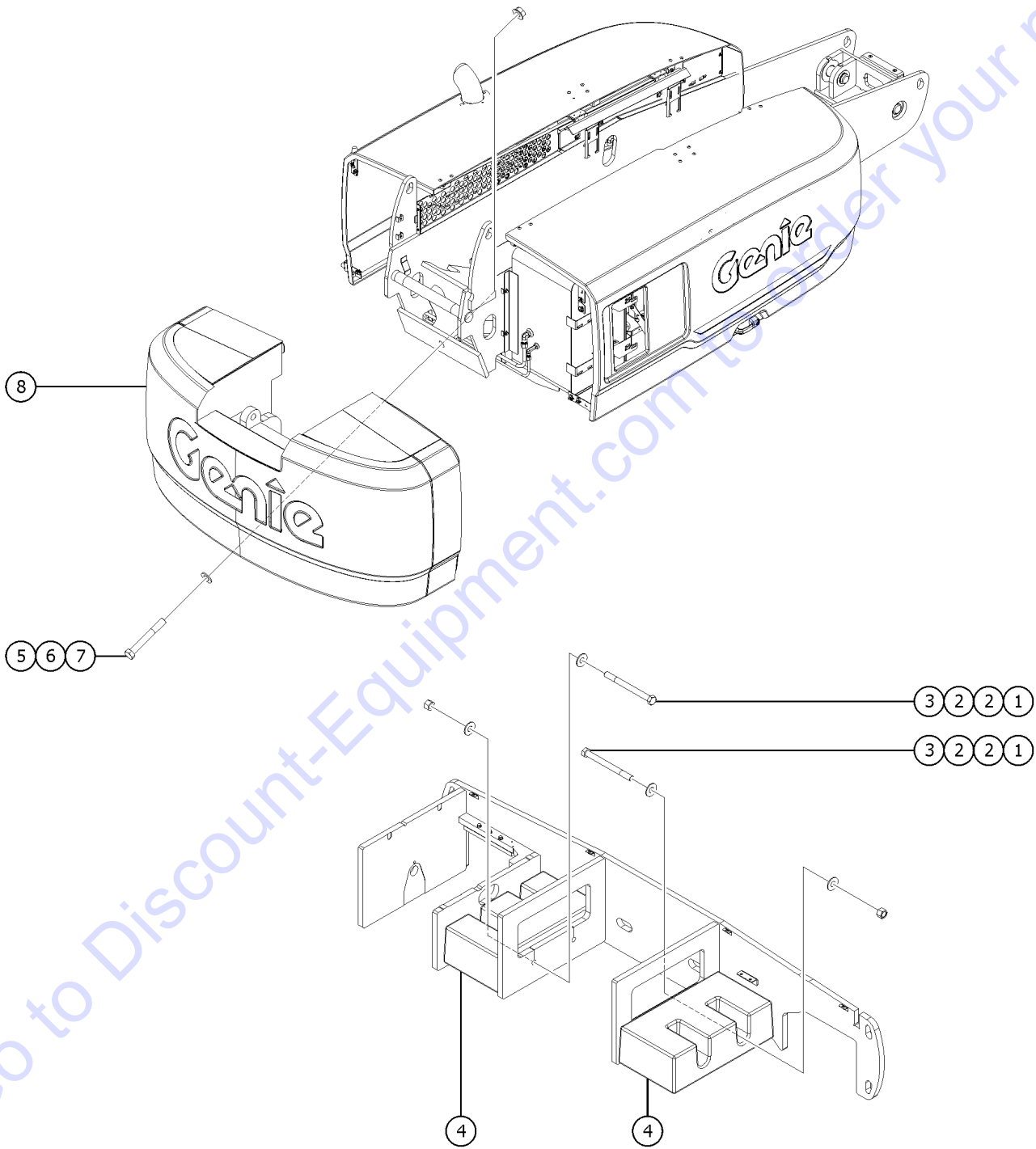
314.1 Turntable Components - Relay Panel, Perkins 404D-22T



## 314.1 Turntable Components - Relay Panel, Perkins 404D-22T

Item	Part No.	Description	Qty.
A	88159GT	LOCK,WEDGE,RLY 9.5MM	
1	49816GT	SCREW,PHILLIPS,PHM,10-32 X .75.....3	
2	6178GT	NUT,NYLOCK,10-32.....3	
3	94982GT	STANDOFF, 3/8" BLACK.....1	
4	824029GT	NUT, TL FLG, 3/8-16, G, ZAG.....1	
5	88160GT	BRACKET,LEG,RLY BLOCK	
6	34052GT	RELAY,SPDT,12V(AUTO) PLUG IN** .....5	
--	88167GT	CONN,DUAL RLY MODULE,10 POS	
7	61225GT	RELAY,12VDC,70AMP,SEALED.....2	
--	88162GT	CONN,POWER RLY MODULE,4POS	
8	101340GT	FUSE,60 AMP,MAXI.....1	
--	88164GT	CONN MAXI FUSE MODULE,4POS	
9	60536GT	FUSE,20 AMP,MAXI.....2	
10	106051GT	CONN,FEED THRU STUD.....2	
--	88164GT	CONN MAXI FUSE MODULE,4POS	
11		REF. PLATE, RELAY BLOCK MOUNT.....1 (refer to 306.1)	
12	75051GT	SCREW,SER FLNG3/8UNCX3/4ZNYEL.....4	
13	29868GT	SPRING CLIP,3/8-16,.05-.20X.73,ZAG....3	

315.1 Turntable Counterweight

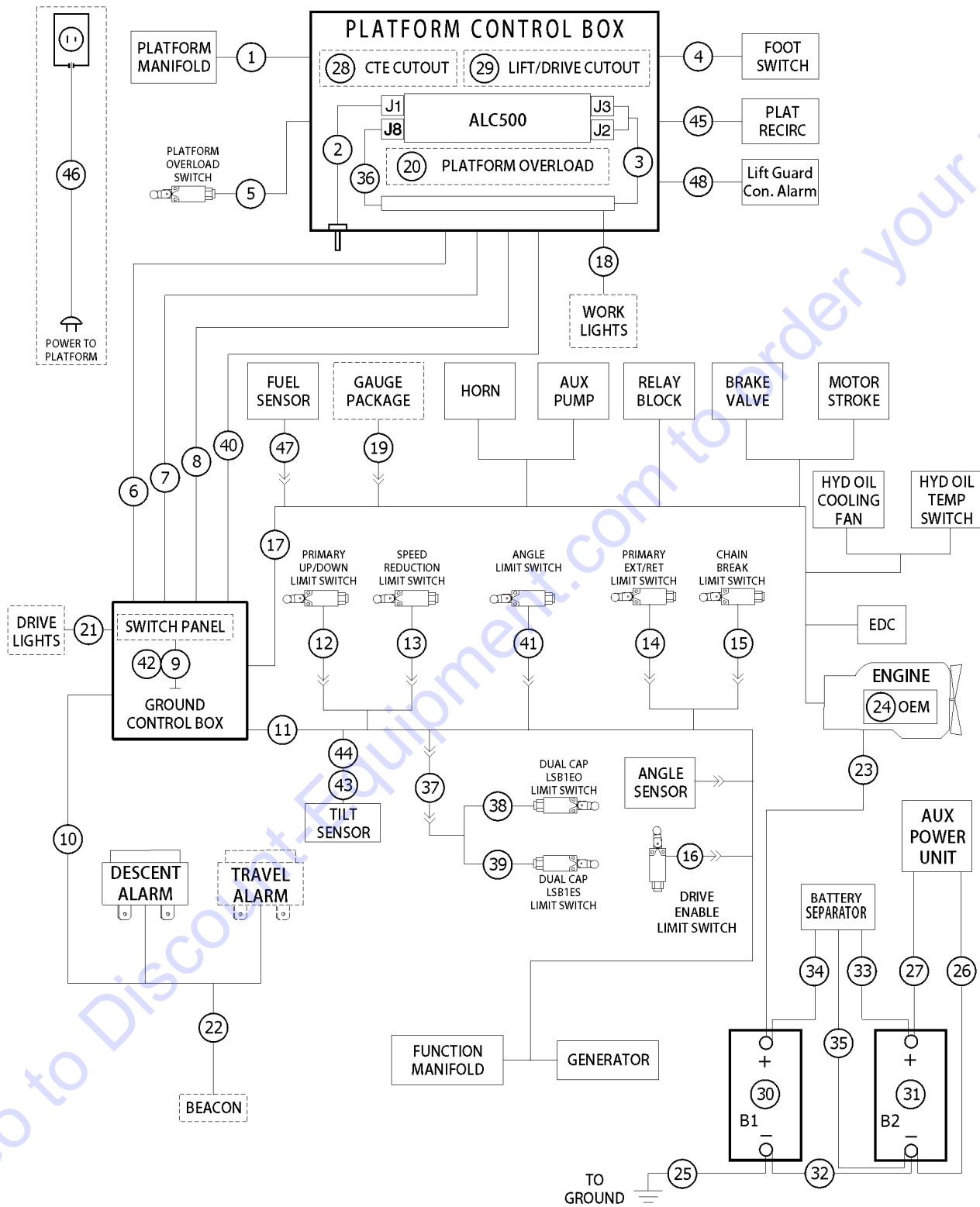




## 315.1 Turntable Counterweight

Item	Part No.	Description	Qty.
1	826792GT	SCREW,HHC,1-8X11,5,ZAG.....4 (S-80X and S-85)	4
2	1256469GT	WASHER,FLAT,1.0,USS,ZAG.....8 (S-80X and S-85)	8
3	826794GT	NUT,TL,1-8,C,ZAG.....4 (S-80X and S-85)	4
4	1274162GT	CASTING, CHASSIS WEIGHT, NDL.....2 (S-80X and S-85)	2
5	1273404GT	SCREW,HHC,1-8X7.5,8,ZAG.....1	1
6	824116GT	WASHER,FLAT,1.0,F436,HRD,ZAG.....1	1
7	824031GT	NUT,TL FLG,1-8,G,ZAG.....1	1
8A	1267078GT	COUNTERWEIGHT,S80.....1 (S-80 and S-80X)	1
8B	1267079GT	COUNTERWEIGHT,S85.....1 (S-85)	1

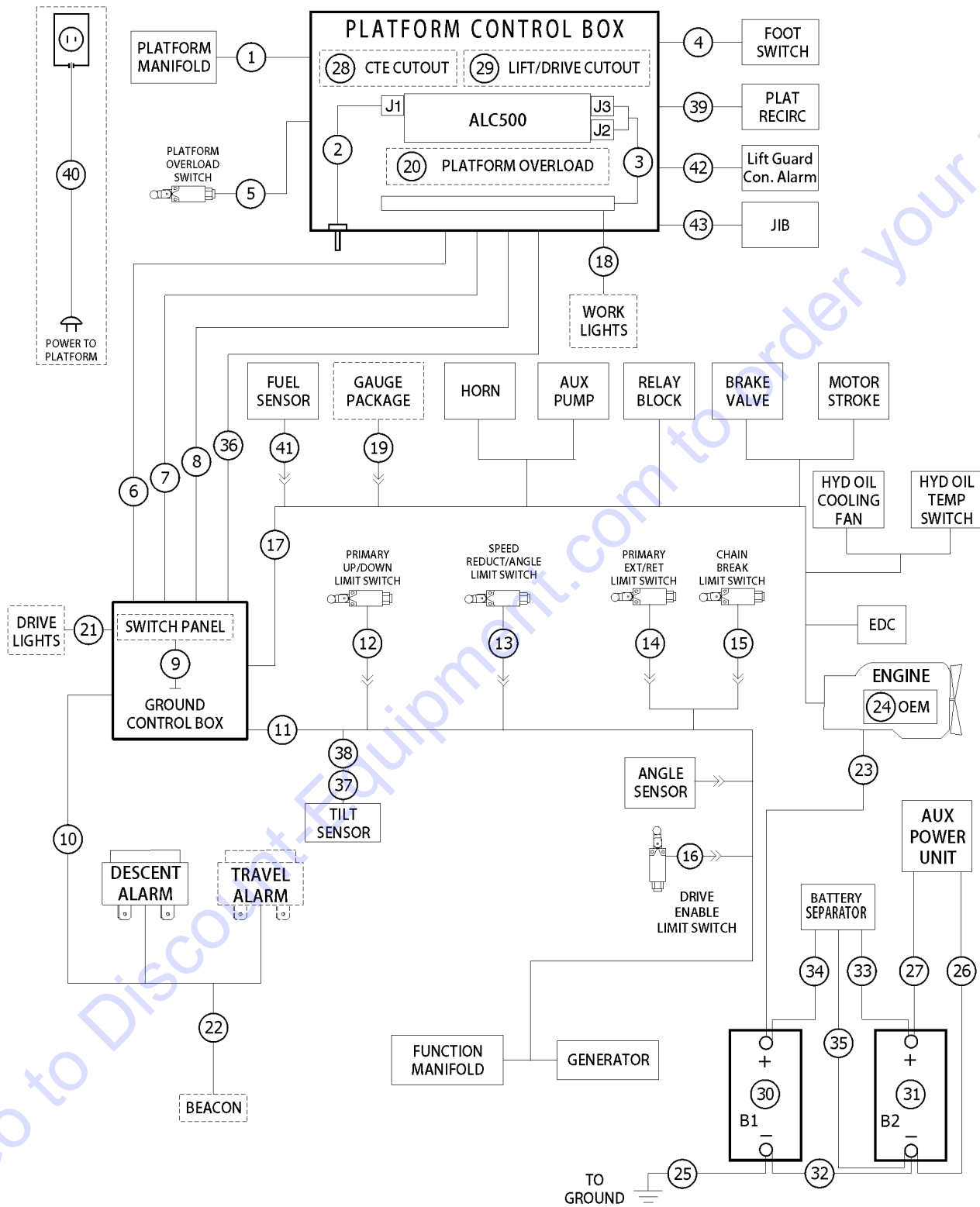
316.1 Wire Harness Diagram, S-80X and S-80



316.1 Wire Harness Diagram, S-80X and S-80

Item	Part No.	Description	Qty.	Item	Part No.	Description	Qty.
--	1264822GT	KIT, TRC RETROFIT, STNDRD <i>Telematics (includes 1264834)</i>		20	219490GT	HARNESS,LS W/RECOVERY.....	1
--	1264834GT	INSTRN, TRC RETROFIT, STNDRD		21	121447GT	HARNESS,DRV LIGHTS,S80/85 2008....	1
--	121456GT	HARN,PBOX,JOYSTICK,S80/85 2008		22	121489GT	HARNESS,BEACON,S80/85 2008.....	1
--	228448GT	HARNESS,PROX.KILL		23	121474GT	CABLE, BATTERY 2/0 POS RD 123"	
1	121726GT	HARN,PLAT MANIFOLD,S80.....	1	24	122399GT	HARNESS, TD2011L04i, DEUTZ <i>(Deutz models)</i>	
2	1275802GT	HARNESS,PBOX,S80/85..... <i>(Deutz TD2011L04i, GM 3.0L and Perkins 404D-22T)</i>	1	25	217370GT	CABLE,BATTERY NEG,BK.....	1
3	1275803GT	HARN, PBOX, DEUTZ 2.9T, S80..... <i>(Deutz TD 2.9L4)</i>	1	26	121619GT	HARN, BATT 2 TO APU(+)	1
4	227516GT	ASSEMBLY,FOOT SWITCH.....	1	27	121622GT	HARN, BATT 2 TO APU (-)	1
5	121848GT	ASSY,LS,LOAD SENSE,38.5 IN.....	1	28	121521GT	OPT,CTE CUTOUT,S80/85 2008.....	1
6	121732GT	HARNESS,16/22 BOOM 1,S80-2008.... <i>(green - brown)</i>	1	29	1258701GT	HARNESS,CE OPTION,S80/85.....	1
7	121477GT	HARNESS,18/22 BOOM 2,S80-2008.... <i>(grey - black)</i>	1	30	30143GT	BATTERY,12V,1000 CCA GRP 31	
8	121478GT	HARNESS,12V TO PLAT,S80-2008.....	1	31	77694GT	BATTERY,12V DEEP CYC 5/16"STUD	
9A	1265454GT	HARNESS, GBOX, DEUTZ 2.9T, S80..... <i>(Deutz TD 2.9L4)</i>	1	32	106555GT	HARNESS,GND BATT 1 TO BATT 2	
9B	1265455GT	HARNESS, GBOX, DEUTZ2011,S80..... <i>(Deutz TD2011L04i)</i>	1	33	121618GT	HARNESS,BATT2 TO SEPERATOR,S80	
9C	1258618GT	HARN,GBOX,PERKINS 404D,S80/85..... <i>(Perkins 404D-22T)</i>	1	34	121617GT	HARNESS,BATT1 TO SEPERATOR,S80	
10	121753GT	HARNESS,ALARM/BEACON,S80 2008.....	1	35	121621GT	HARNESS,SEPERATOR GND,S80	
11	1264385GT	HARNESS, MANIFOLD, FUNCTION.....	1	36	1259219GT	HARNESS,PBOX,DUAL CAP,S80X <i>S-80X only</i>	
12	121469GT	HARN,LS,BOOM ANGLE S80/85 2008...1		37	147653GT	HARN, LS CABLE,S80 DUAL CAP <i>S-80X only</i>	
--	110771-141C7GT	LIMIT SW.TAB,BLUE METAL		38	147651GT	HARN,LSB1,DUAL CAP ASSY..... <i>S-80X only</i>	1
13	T107193GT	HARN,LS OP PRI VEL LST30.....	1	39	T106479GT	HARN,LS SAFETY,PRI.DUAL CAP..... <i>S-80X only</i>	1
--	110771-13107GT	SWITCH,LIMIT,W/RLLR ARM,NO/NC		40	T106478GT	HARN,LS OP PRI.DUAL CAP..... <i>S-80X only</i>	1
14	121466GT	HARNESS,LS,BOOM RET S80/85.....	1	41	T107194GT	HARN,LS SAFETY PRI VEL LST3S..... <i>S-80X only</i>	1
--	88356-32163GT	SWITCH,LIMIT,TABULATED,BLUE		--	110771-11117GT	SWITCH,LIMIT,W/RLLR ARM,NO/NC	
15	121468GT	HARNESS,LS,CHAIN BREAK S80/85.....	1	42	229357GT	HARNESS, LIGHT PACKAGE, S80	
--	88356-13107GT	SWITCH,LIMIT,TABULATE,BLUE		43	1264947GT	KIT, LEVEL SENSOR, 6 PIN CONN. <i>(for ANSI/CSA models with 6-pin wire harness connector, includes instructions)</i>	
16	121467GT	HARN,LS,DRIVE EN,S80/85 2008.....	1	44	1260218GT	HARNESS,TILT ALARM,12V <i>(for CSA models only)</i>	
--	88356-33103GT	SWITCH,LIMIT TABULATED,BLUE		--	1285689GT	INSTRUCTIONS,INSTALL (LEVEL SENSOR ALARM) <i>for kit 1285811</i>	
17A	216760GT	HARNESS, DEUTZ 2008..... <i>(Deutz TD2011L04i)</i>	1	--	1285811GT	KIT,TILT ALARM,IC MODELS	
17B	824585GT	HARN, ENG, TIER IV DEUTZ, S80..... <i>(Deutz TD 2.9L4)</i>	1	45	226550GT	HARNESS, PLAT RECIRC, S80/85.....	1
17C	1258619GT	HARNESS,ENG,PERKINS 404D,S80/85..... <i>(Perkins 404D-22T)</i>	1	46	30794GT	WIRE,12/3 SJEOW,BK-WH-GR/YL.....1212-inches <i>power to platform cable option)</i>	
18A	T115760GT	HARNESS,12V WORK LIGHTS.....	1	47	1273602GT	HARNESS, LEVEL, FUEL, S80.....	1
18B	T115761GT	HARNESS,12V WORK LIGHT RELAY.... <i>(use with harness item T115760)</i>	1	48	1278108GT	HARNESS, CONTACT ALARM, S40,S60,S80.....	1
19	121492GT	HARNESS,GAUGE OPT. S80/85.....	1	--	19274GT	RELAY,SPDT,12V(AUTO)** <i>(Use with harness item 1278108)</i>	

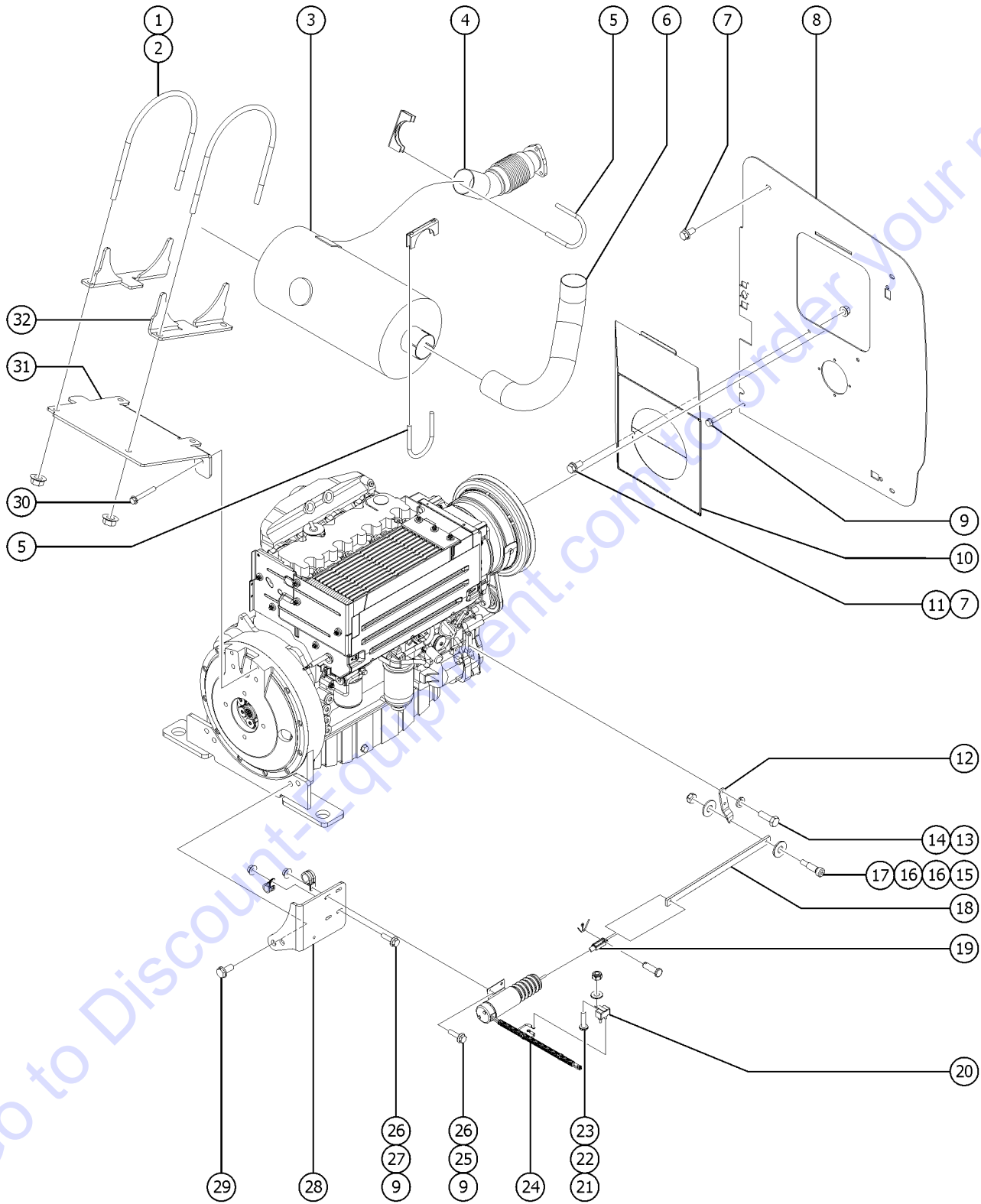
317.1 Wire Harness Diagram, S-85



317.1 Wire Harness Diagram, S-85

Item	Part No.	Description	Qty.	Item	Part No.	Description	Qty.
--	1264822GT	KIT, TRC RETROFIT, STNDRD <i>Telematics (includes 1264834)</i>		20	219490GT	HARNESS,LS W/RECOVERY.....	1
--	1264834GT	INSTRN, TRC RETROFIT, STNDRD		21	121447GT	HARNESS,DRV LIGHTS,S80/85 2008....	1
--	121456GT	HARN,PBOX,JOYSTICK,S80/85 2008		22	121489GT	HARNESS,BEACON,S80/85 2008.....	1
--	228448GT	HARNESS,PROX.KILL		23	121474GT	CABLE, BATTERY 2/0 POS RD 123"	
1	121727GT	HARN,PLAT MANIFOLD,S85.....	1	24	122399GT	HARNESS, TD2011L04i, DEUTZ <i>(Deutz models)</i>	
2	1275802GT	HARNESS,PBOX,S80/85..... <i>(Deutz TD2011L04i, GM 3.0L and Perkins 404D-22T)</i>	1	25	217370GT	CABLE,BATTERY NEG,BK.....	1
3	1275803GT	HARN, PBOX, DEUTZ 2.9T, S80..... <i>(Deutz TD 2.9L4)</i>	1	26	121619GT	HARN, BATT 2 TO APU(+)	1
4	227516GT	ASSEMBLY,FOOT SWITCH.....	1	27	121622GT	HARN, BATT 2 TO APU (-)	1
5	121848GT	ASSY,LS,LOAD SENSE,38.5 IN.....	1	28	121521GT	OPT,CTE CUTOUT,S80/85 2008.....	1
6	121733GT	HARNESS,16/22 BOOM 1,S85-2008.... <i>(Green - Brown)</i>	1	29	1258701GT	HARNESS,CE OPTION,S80/85.....	1
7	121480GT	HARNESS,18/22 BOOM 2,S85-2008.... <i>(Gray - Black)</i>	1	30	30143GT	BATTERY,12V,1000 CCA GRP 31	
8	121481GT	HARNESS,12V TO PLAT,S85 2008.....	1	31	77694GT	BATTERY,12V DEEP CYC 5/16"STUD	
9A	1265454GT	HARNESS, GBOX, DEUTZ 2.9T, S80..... <i>(Deutz TD 2.9L4)</i>	1	32	106555GT	HARNESS,GND BATT 1 TO BATT 2	
9B	1265455GT	HARNESS, GBOX, DEUTZ2011,S80..... <i>(Deutz TD2011L04i)</i>	1	33	121618GT	HARNESS,BATT2 TO SEPERATOR,S80	
9C	1258618GT	HARN,GBOX,PERKINS 404D,S80/85..... <i>(Perkins 404D-22T)</i>	1	34	121617GT	HARNESS,BATT1 TO SEPERATOR,S80	
10	121753GT	HARNESS,ALARM/BEACON,S80 2008.....	1	35	121621GT	HARNESS,SEPERATOR GND,S80	
11	1264385GT	HARNESS, MANIFOLD, FUNCTION.....	1	36	229358GT	HARNESS, LIGHT PACKAGE, S85	
12	121469GT	HARN,LS,BOOM ANGLE S80/85 2008...1		37	1264947GT	KIT, LEVEL SENSOR, 6 PIN CONN. <i>(for ANSI/CSA models with 6-pin wire harness connector, includes instructions)</i>	
--	110771-141C7GT	LIMIT SW.TAB,BLUE METAL		38	1260218GT	HARNESS,TILT ALARM,12V <i>(for CSA models only)</i>	
13	T107193GT	HARN,LS OP PRI VEL LST30.....	1	--	1285689GT	INSTRUCTIONS,INSTALL (LEVEL SENSOR ALARM) <i>for kit 1285811</i>	
--	110771-13107GT	SWITCH,LIMIT,W/RLLR ARM,NO/NC		--	1285811GT	KIT,TILT ALARM,IC MODELS	
14	121466GT	HARNESS,LS,BOOM RET S80/85.....	1	39	226550GT	HARNESS, PLAT RECIRC, S80/85.....	1
--	88356-32163GT	SWITCH,LIMIT,TABULATED,BLUE		40	30794GT	WIRE,12/3 SJEOW,BK-WH-GR/YL..... 1272-inches <i>(power to platform cable option)</i>	
15	121468GT	HARNESS,LS,CHAIN BREAK S80/85....	1	41	1273602GT	HARNESS, LEVEL, FUEL, S80.....	1
--	88356-13107GT	SWITCH,LIMIT,TABULATE,BLUE		42	1278108GT	HARNESS, CONTACT ALARM, S40,S60,S80.....	1
16	121467GT	HARN,LS,DRIVE EN,S80/85 2008.....	1	--	19274GT	RELAY,SPDT,12V(AUTO)** <i>(use with harness item 1278108)</i>	
--	88356-33103GT	SWITCH,LIMIT TABULATED,BLUE		43	121735GT	HARNESS,JIB KIT,S85-2008.....	1
17A	216760GT	HARNESS, DEUTZ 2008..... <i>(Deutz TD2011L04i)</i>	1				
17B	824585GT	HARN, ENG, TIER IV DEUTZ, S80..... <i>(Deutz TD 2.9L4)</i>	1				
17C	1258619GT	HARNESS,ENG,PERKINS 404D,S80/85..... <i>(Perkins 404D-22T)</i>	1				
18A	T115760GT	HARNESS,12V WORK LIGHTS.....	1				
18B	T115761GT	HARNESS,12V WORK LIGHT RELAY.... <i>(use with harness item T115760)</i>	1				
19	121492GT	HARNESS,GAUGE OPT. S80/85.....	1				

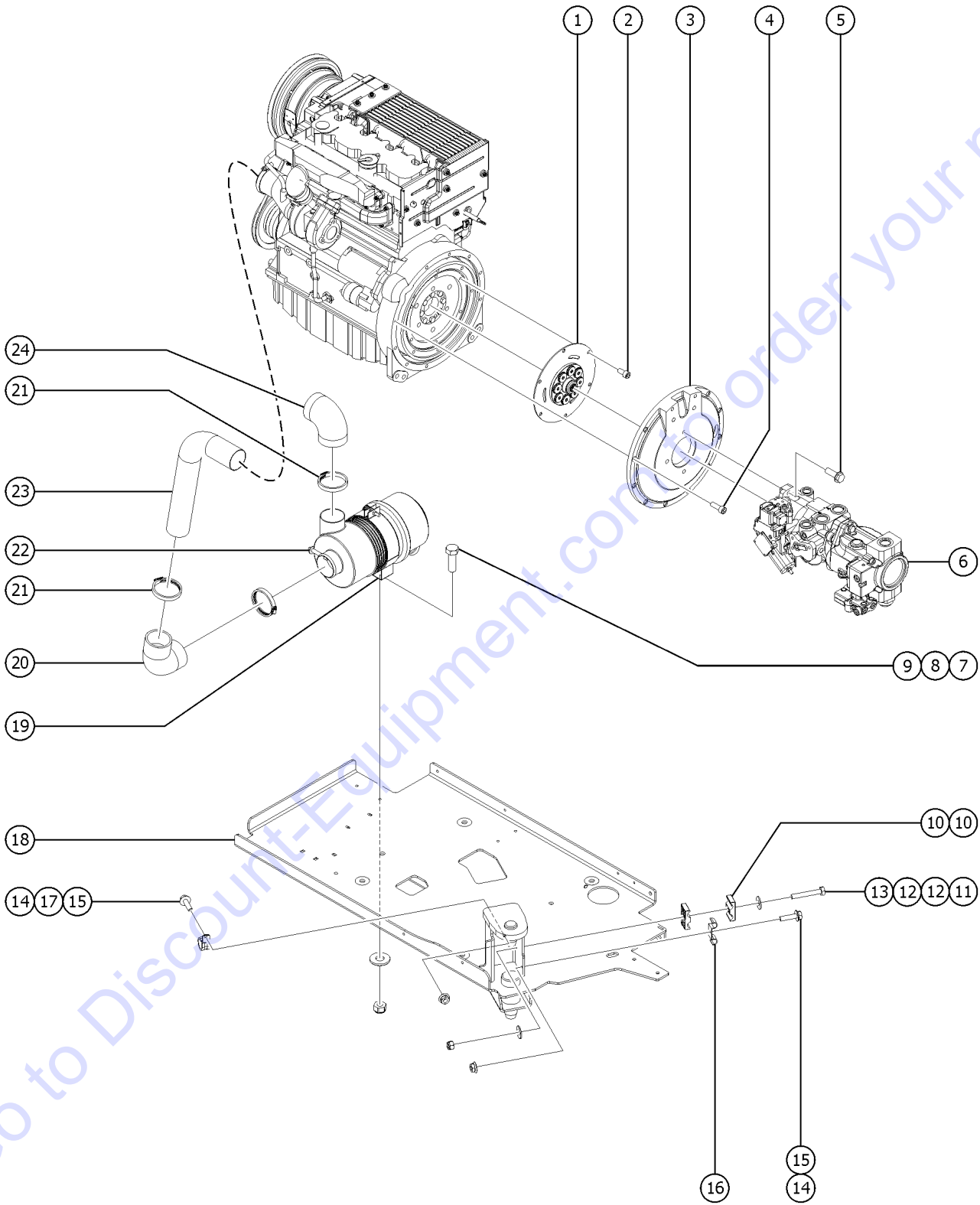
401.1 Deutz TD2011L04i Engine - View 1



## 401.1 Deutz TD2011L04i Engine - View 1

Item	Part No.	Description	Qty.
1	70449GT	U-BOLT,1/2-13 X 8.5.....	2
2	121423GT	NUT,FLG,1/2-13.....	4
3	70444GT	MUFFLER,2.5"INLET/OUTLET.....	1
4	70445GT	FLEX PIPE,EXHAUST,2.5" DIA.....	1
5	71911GT	CLAMP,MUFFLER, 2.50 INCH.....	2
6	70465GT	TAILPIPE,DEUTZ BF4L2011.....	1
7	75051GT	SCREW,SER FLNG3/8UNCX3/4ZNYEL.....	5
8	1274053GT	PLATE, BULKHEAD, DEUTZ TD2011.....	1
9	121420GT	SCREW,HHF,1/4-20 X 1.00.....	5
10	121410GT	WELDMENT,COOLING AIRBOX.....	1
11	121422GT	NUT,HEX,FLG,3/8-16.....	2
12	50787-SGT	LEVER, GOVERNOR ACTUATOR.....	1
13	22578GT	SCREW,HHC,M6 X 20MM,GR8.8.....	2
14	49407GT	WASHER,LOCK,M6.....	2
15	6584GT	SCREW,SHS,10-24 X .625.....	1
16	6638GT	WASHER,FLAT,USS,1/4"Y.....	2
17	5365GT	NUT,NYLOCK,10-24.....	1
18	139322GT	THROTTLE LINKAGE, DSL.....	1
19	21130GT	CLEVIS YOKE-1/4-28,PLTD W/PIN.....	1
20	128829GT	CIRCUIT BRKR 15A TYPE 2 METAL.....	1
21	49816GT	SCREW,PHILLIPS,PHM,10-32 X .75.....	1
22	6146GT	WASHER,FLAT,MS,#10,Y.....	1
23	6178GT	NUT,NYLOCK,10-32.....	1
24	121615GT	THROTTLE SOLENOID ASSY, TROMB.....	1
--	128829GT	CIRCUIT BRKR 15A TYPE 2 METAL	
25	18666GT	CLAMP,1.00,#16 X 1/4,RUB CUSH.....	1
26	121421GT	NUT,FLG,1/4-20.....	4
27	45454GT	CLAMP,RUB CUSH,0.75,#12 X 3/8*.....	1
28	139321GT	FORMING, SOLENOID MOUNT***.....	1
29	121688GT	SCREW,HHC,FLG,M14 X 35.....	2
30	121430GT	SCREW,FLG HD,M10 X 70 GR12.9.....	2
31	70448PGT	FORMING,MUFFLER MOUNT.....	1
32	70483GT	FORMING,8.5' MUFFLER MOUNT.....	2

402.1 Deutz TD2011L04i Engine - View 2

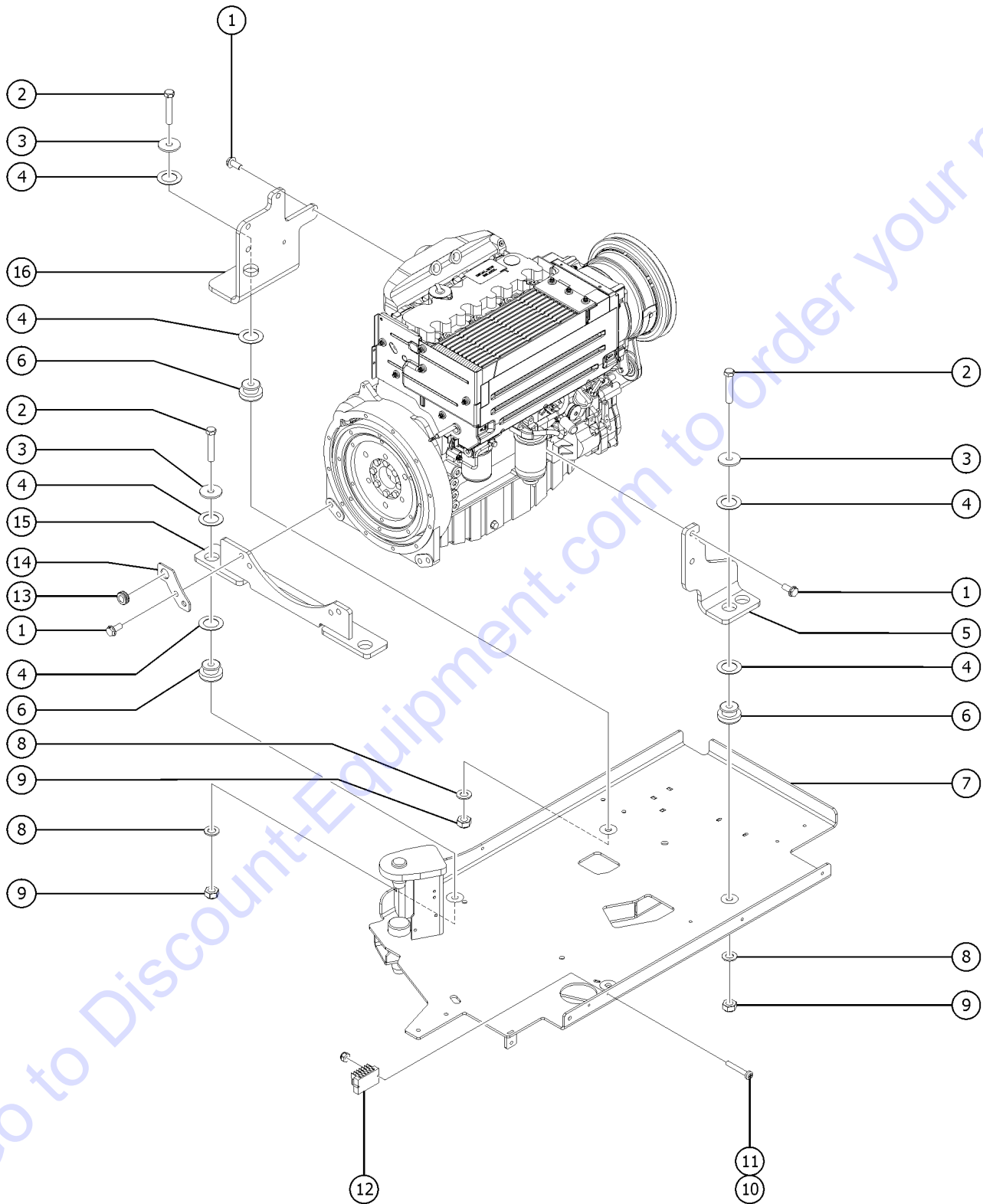




## 402.1 Deutz TD2011L04i Engine - View 2

Item	Part No.	Description	Qty.
1	128004GT	COUPLER,15 TOOTH,FBA,SAE8***.....1	1
2	62476GT	SCREW,SHC,M10X1.5X20MM (75090).....6	6
3	70381GT	COVER,FLYWHEEL CASTING.....1	1
4	61110GT	SCREW,SHC,M10X1.5X30 GR 12.9.....9	9
5	123167GT	FLGHCS,1/2-13X1.50,GR8,BLK PH.....4	4
6		REF.DRIVE PUMP AND FUNCTION PUMP.....1 (refer to 708.1)	1
7	13002GT	SCREW,HHC,5/16-18 X 1 GR5.....2	2
8	5397GT	WASHER,FLAT,USS,5/16",Y.....2	2
9	6782GT	NUT,NYLOCK,5/16-18.....2	2
10	78736GT	CLAMP,2 HOSE,PLASTIC,5/8.....2	2
11	6637GT	SCREW,HHC,1/4-20 X 1.75.....1	1
12	6638GT	WASHER,FLAT,USS,1/4"Y.....2	2
13	6091GT	NUT,NYLOCK,1/4-20.....1	1
14	121420GT	SCREW,HHF,1/4-20 X 1.00.....2	2
15	121421GT	NUT,FLG,1/4-20.....2	2
16	75289GT	CLAMP,HOSE,1/2" DOUBLE.....1	1
17	18666GT	CLAMP,1.00,#16 X 1/4,RUB CUSH.....1	1
18		REF. WELDMENT,ENGINE TRAY.....1 (refer to 417.1)	1
19	81468GT	MOUNTING BAND,AIR CLEANER.....1	1
20	139455GT	ELBOW,AIR INTAKE,RUBBER.....1	1
21	30489GT	CLAMP,HOSE,3.50.....3	3
22	81467GT	AIR CLEANER,NELSON.....1	1
--	52866GT	EVACUATOR VALVE-AIR CLEANER	
--	62425GT	FILTER,AIR CLEANER, SUPERBOOM	
--	75450GT	AIR CLEANER CLIPS, SUPERBOOM	
--	75451GT	AIR CLEANER COVER, SUPERBOOM*	
23	121563GT	TUBE,AIR INTAKE,DEUTZ.....1	1
24	60561GT	ELBOW,INLET,CUMMINS.....1	1

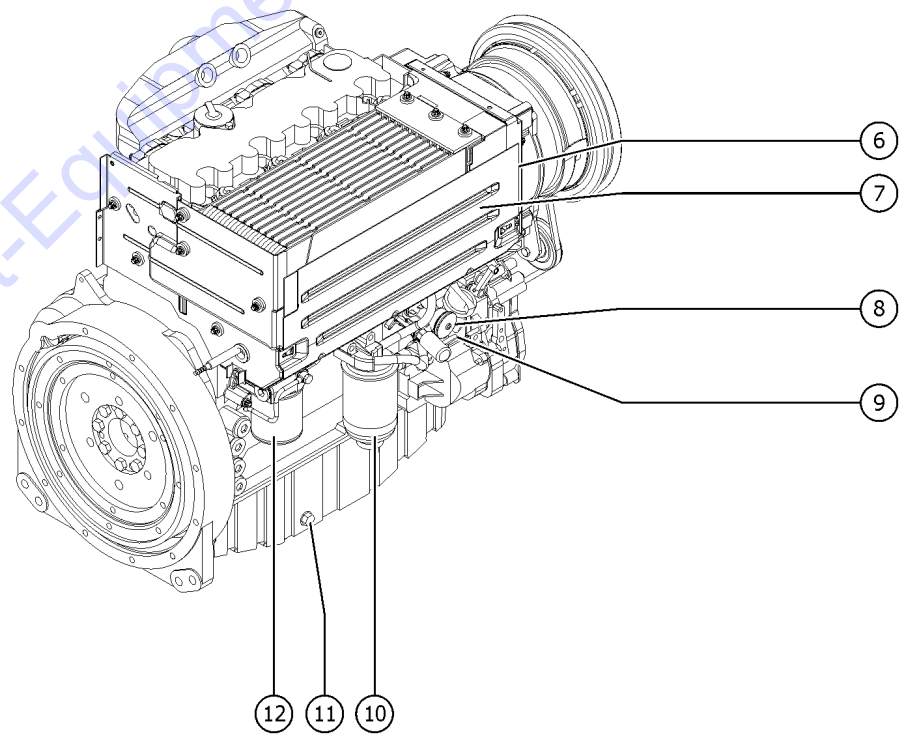
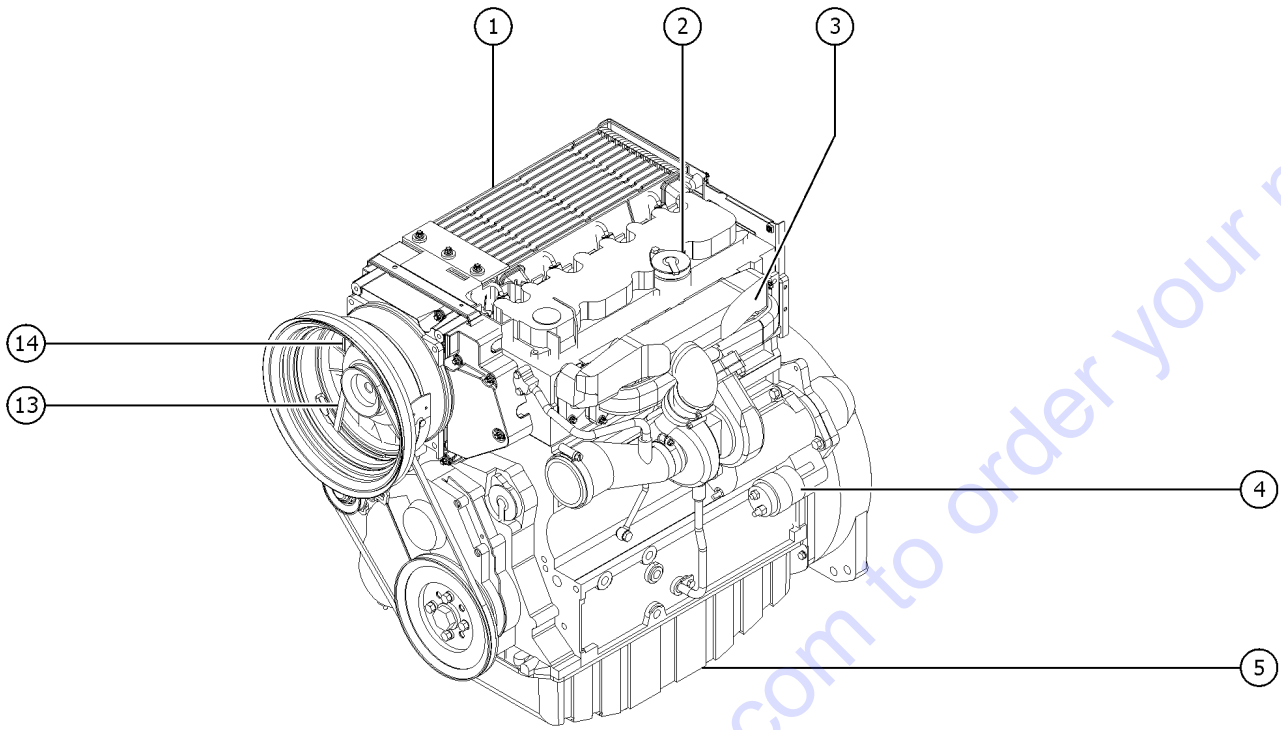
403.1 Deutz TD2011L04i Engine - View 3



Go to Discount-Equipment.com to order your parts

Item	Part No.	Description	Qty.
1	121688GT	SCREW,HHC,FLG,M14 X 35.....	7
2	13003GT	SCREW,HHC,5/8-11 X 3.5 GRD.8.....	4
3	33418GT	WASHER,FLAT,.625 X 2.25 X.15.....	4
4	18596GT	WASHER,FLAT,1.56 X 2.5 X .061.....	8
5	70455GT	FORMING,ENGINE MOUNT.....	1
6	102045GT	ISOLATOR,ENGINE VIBRATION.....	4
7		REF. WELDMENT,ENGINE TRAY..... (refer to 417.1)	1
8	13064GT	WASHER,FLAT,.625 HARDENED.....	4
9	6024GT	NUT,NYLOCK,5/8-11.....	4
10	49817GT	SCREW,PHILLIPS,PHM,10-32 X1.25.....	2
11	6178GT	NUT,NYLOCK,10-32.....	2
12	89997GT	RELAY MODULE(89996,89998).....	1
13	60584GT	GROMMET,RUBBER .75 X .19 X 1**.....	1
14	217203GT	PLATE,BRACKET,BATTERY CABLE.....	1
15	70456GT	WELDMENT,REAR ENGINE MOUNT.....	1
16	70454GT	FORMING,ENGINE MOUNT.....	1

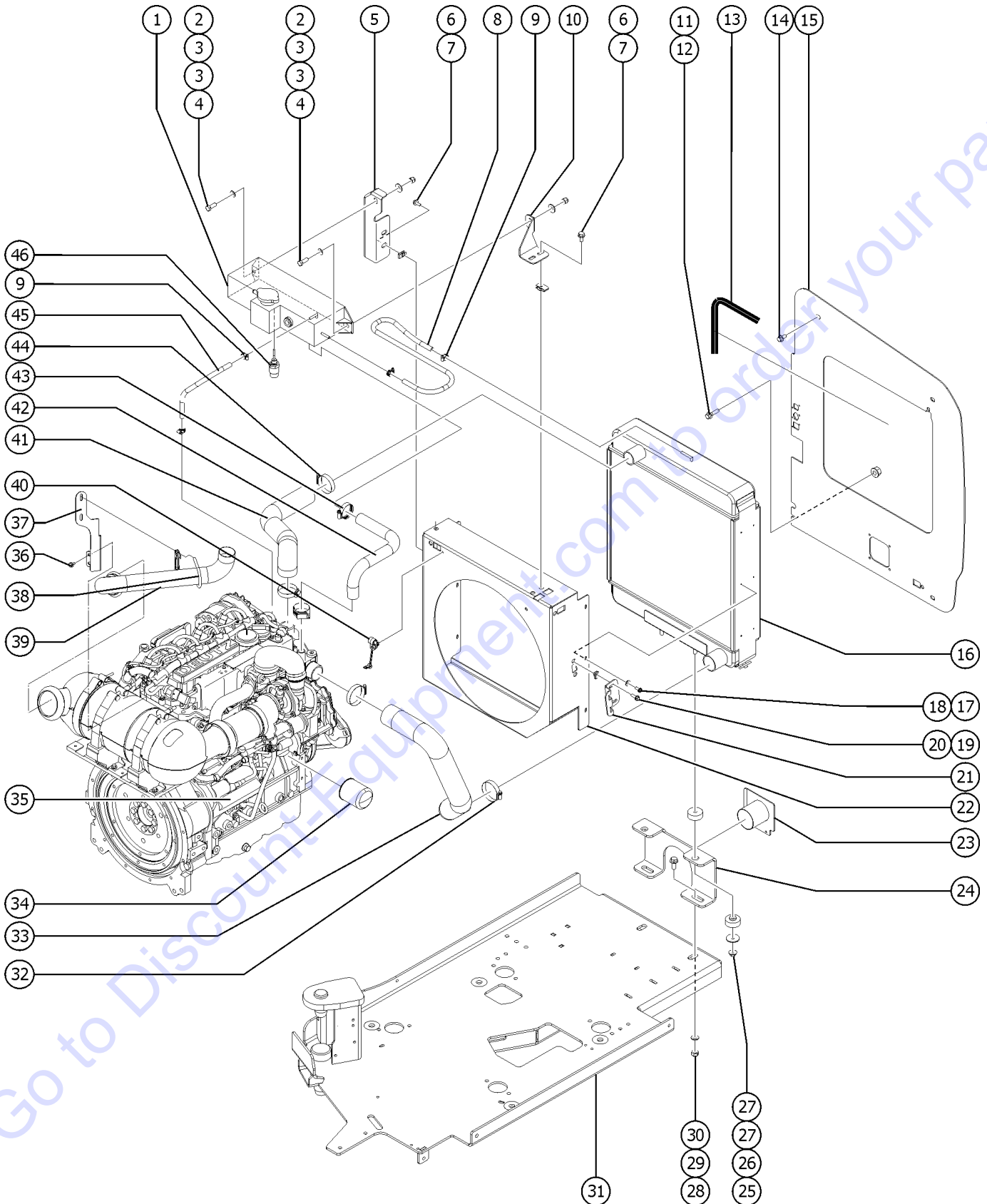
404.1 Deutz TD2011L04i Engine - View 4



## 404.1 Deutz TD2011L04i Engine - View 4

Item	Part No.	Description	Qty.
--	27089GT	HOSE,5/16 FUEL,SAE 30R7...108-inches (tank to engine input line)	
--	30490GT	HOSE,1/4 FUEL LINE,SAE 30R7.....101-inches (tank to engine return line)	
1	161189GT	ENGINE,DEUTZ, TD2011L04i TPEM.....1	
2	29557GT	CAP,OIL FILLER,DEUTZ,DIESEL ***.....1	
3	102590GT	EXHAUST MANIFOLD, DEUTZ F4L201.....1	
--	29559GT	GASKET,EXHAUST	
4	49915GT	SOLENOID-STARTER DEUTZF4L1011F*.....1	
5	102586GT	OIL PAN,DEUTZ F4L2011.....1	
6	102594GT	COVER, ENGINE,DEUTZ F4L2011.....1	
7	111445GT	SENDING UNIT,OIL TEMP SWCH,DTZ.....1	
8	58299GT	SENDING UNIT,OIL PRESS.,DEUTZ*....1	
9	52352GT	DIPSTICK-F3L1011F (DEUTZ)	
10	29560GT	FILTER,FUEL/WTR SEP, DTZ 1008 (Genie genuine part. see PN 1254826 for compatible aftermarket replacement)	
--	1254826GT	FUEL FILTER W/SEP,DEUTZ,1008 (Genie aftermarket part. filter for Deutz F3L 1011F engine)	
--	58566GT	FILTER HEAD (29560)	
11	102587GT	PLUG,ENGINE OIL,DEUTZ F4L2011.....1	
12	49924GT	FILTER,OIL,DEUTZ F4L1011F.....1 (Genie genuine part. See PN 1255653 for compatible aftermarket replacement)	
--	1255653GT	FILTER,OIL,DEUTZ,REPLACEMENT (Genie aftermarket part. compatible with Genie Genuine Part 49924)	
13	58630GT	V-BELT, DEUTZ TD2011LOAI	
14	58249GT	ALTERNATOR, DEUTZ,BF4L2011***	

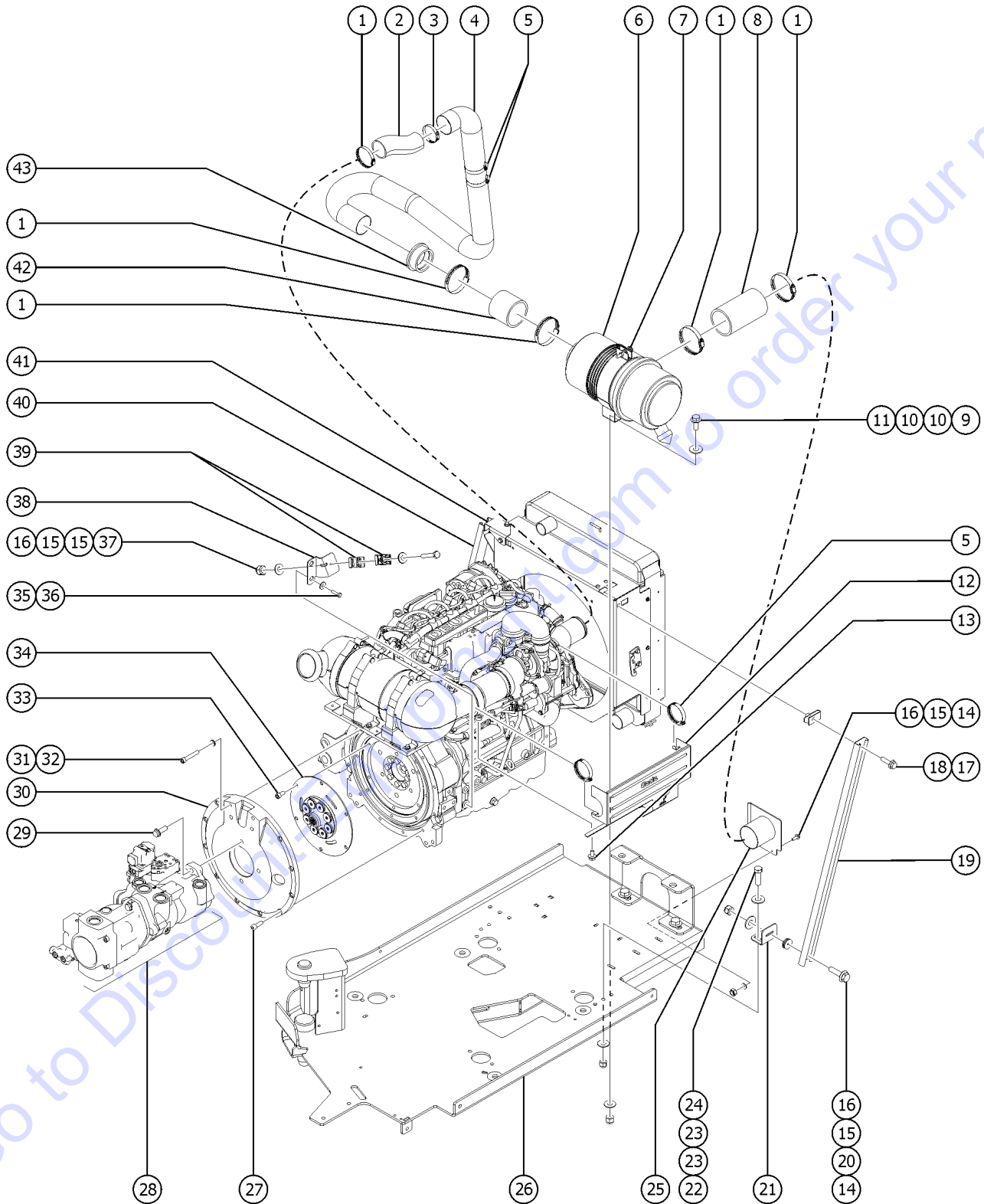
405.1 Deutz TD 2.9L4 Engine - View 1



405.1 Deutz TD 2.9L4 Engine - View 1

Item	Part No.	Description	Qty.	Item	Part No.	Description	Qty.
--		<i>Due to Tier 4 regulations, many engine replacement parts require engine serial number at time of order placement. When ordering engine parts please have both machine and engine serial numbers available. For internal engine parts, contact engine dealer.</i>		29	13064GT	WASHER,FLAT,.625 HARDENED.....	2
1	161938GT	EXPANSION TANK,METAL,D2.9.....	1	30	128912GT	BOLT,FLANGE,5/8-11X1.5"GR8 PLT.....	2
1B	1254823GT	CAP,RADIATOR,PERKINS(94232) for 161938		31		REF. WELDMENT,ENGINE TRAY,2.9L DEUTZ (Refer to 417.1)	
1B	1274900GT	SIGHT GLASS for 161938		32	35434GT	CLAMP,HOSE,2.00***.....	2
2	6175GT	SCREW,HHC,3/8-16 X 1.....	2	33	162284GT	HOSE,LOWER RADIATOR, 2.9L DEUT.....	1
3	6097GT	WASHER,FLAT,USS,3/8",Y.....	4	34A	49924GT	FILTER,OIL,DEUTZ F4L1011F.....	1
4	4828GT	NUT,NYLOCK,3/8-16.....	2	34B	1255653GT	FILTER,OIL,DEUTZ,REPLACEMENT.....	1
5	826825GT	BRACKET,EXPANSION TANK, LEFT M.....	1	35	1254594GT	STARTER,3.2KW,DEUTZ D2.9.....	1
6	75051GT	SCREW,SER FLNG3/8UNCX3/4ZNYEL.....	4	36	824132GT	SCREW,HHF,M8-1.25X20,DIN6921,10.9,ZAB.1	
7	29868GT	SPRING CLIP,3/8-16,.05-.20X.73,ZAG....	4	37	1268921GT	FORMING,TAIPIPE SUPPORT,S80.....	1
8	824600GT	HOSE,HEATER,1/4".....	28-inches	38	71911GT	CLAMP,MUFFLER, 2.50 INCH.....	1
9	21465GT	CLAMP,HOSE,SIZE .25 TO .63.....	4	39	1278569GT	EXHAUST PIPE,2.9L DEUTZ,DINEX.....	1
10	825218GT	BRACKET,EXPANSION TANK,DEUTZ 2.....	1	40	219508GT	CLAMP,FIXED DIA, NYLON, 3/8".....	1
11	824079GT	SCREW,HHF,1/4-20X1.8,ZAG.....	1	41	162283GT	HOSE, UPPER RADIATOR, DEUTZ D....	1
12	824027GT	NUT,TL FLG,1/4-20,G,ZAG.....	1	42	823229GT	HOSE,EXPANSION TANK,COMPENSATION.....	1
13	119218GT	TRIM,EDGE,1/8X3/4 SIDE BULB.....	88-inches	43	36208GT	CLAMP,HOSE,1.25***.....	2
14	824089GT	SCREW,HHF,3/8-16X.75,8,ZAG.....	3	44	22672GT	CLAMP,HOSE,1.75.....	2
15	1270963GT	PLATE,DEUTZ ENG SIDE BULKHEAD.....	1	45	824600GT	HOSE,HEATER,1/4".....	24-inches
16	826795GT	RADIATOR,6-CORE,19.375W X 18.1.....	1	46	162210GT	SENSOR,COOLANT LEVEL,DEUTZ.....	1
17	21019GT	SCREW,PHIL,PHM,10-24 X.5,SEMS.....	1	--	826152GT	WASHER,CRUSH,COOLANT SENSOR	
18	6146GT	WASHER,FLAT,MS,#10,Y.....	6				
19	121419GT	SCREW,HHF,1/4-20 X .75.....	2				
20	56912GT	SPRING CLIP,1/4-20,.025-.15X.54,ZAG.....	2				
21	823751GT	BRACKET,INTAKE PIPE,MOUNT,DEUT.....	1				
22	826859GT	SHROUD,17" FAN,6-CORE RADIATOR.....	1				
23	1251928GT	WLDT, INTAKE, T4 DEUTZ, Z80/S80.....	1				
24	826835GT	FORMING,6-CORE RADIATOR MOUNT,.....	1				
25	48425GT	NUT,LOCKING-LRG.FLANGE,3/8-16.....	2				
26	15086GT	WASHER,FLAT,.375 X 1.5 X .125.....	2				
27	24038GT	SHOCK MOUNT,SMALL.....	4				
28	6024GT	NUT,NYLOCK,5/8-11.....	2				

406.1 Deutz TD 2.9L4 Engine - View 2

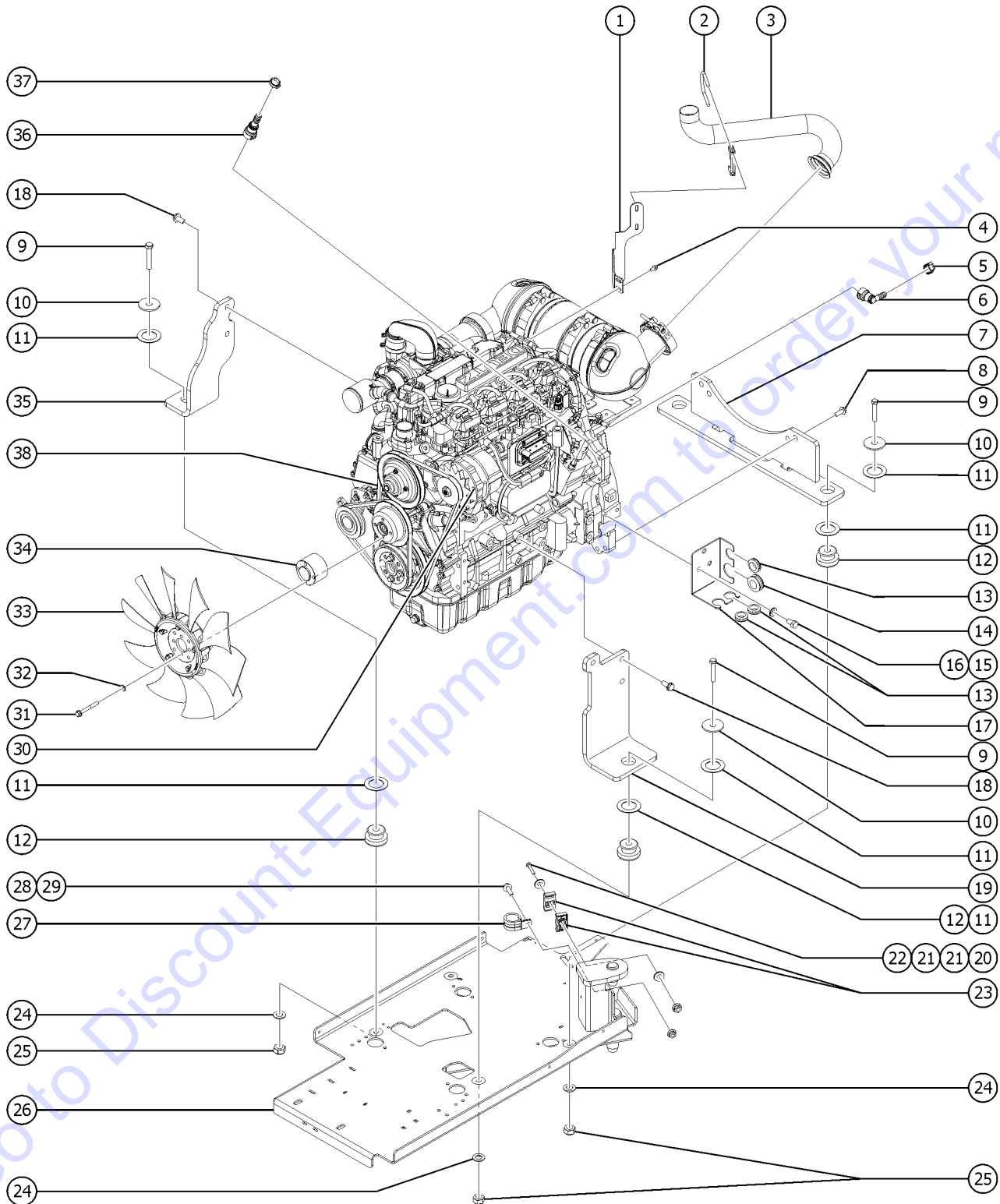




406.1 Deutz TD 2.9L4 Engine - View 2

Item	Part No.	Description	Qty.	Item	Part No.	Description	Qty.
--		<i>Due to Tier 4 regulations, many engine replacement parts require engine serial number at time of order placement. When ordering engine parts please have both machine and engine serial numbers available. For internal engine parts, contact engine dealer.</i>		28		REF.DRIVE PUMP AND FUNCTION PUMP.....1 (refer to 708.1)	1
1	30489GT	CLAMP,HOSE,3.50.....	5	29	123167GT	FLGHCS,1/2-13X1.50,GR8,BLK PH.....	4
2	823703GT	HOSE,REDUCER,OFFSET,TURBO INLE.....	1	30	70381GT	COVER,FLYWHEEL CASTING.....	1
3	30971GT	CLAMP,HOSE,3.00".....	1	31	111748GT	SCREW,SHC,M10X1.5 X 60 GR8.8.....	2
4	823239GT	TUBE,INTAKE,DEUTZ 2.9L.....	1	32	22699GT	WASHER,FLAT,M10,ZINC PLTD.....	2
5	45435GT	CLAMP,HOSE,2.50***.....	4	33	62476GT	SCREW,SHC,M10X1.5X20MM (75090).....	6
6	81467GT	AIR CLEANER,NELSON.....	1	34	128004GT	COUPLER,15 TOOTH,FBA,SAE8***.....	1
--	52866GT	EVACUATOR VALVE-AIR CLEANER		35	27585GT	SCREW,HHC,M12 X 20MM.....	2
--	62425GT	FILTER,AIR CLEANER, SUPERBOOM		36	49410GT	WASHER,FLAT,M12.....	2
--	75450GT	AIR CLEANER CLIPS, SUPERBOOM		37	6637GT	SCREW,HHC,1/4-20 X 1.75.....	1
--	75451GT	AIR CLEANER COVER, SUPERBOOM*		38	825939GT	FORMING, CLAMP, BATTERY CABLE...	1
7	81468GT	MOUNTING BAND,AIR CLEANER.....	1	39	78736GT	CLAMP,2 HOSE,PLASTIC,5/8.....	2
8	106211-600GT	HOSE,RUBBER 3"ID X .25 BLACK X 6.00 LG.....	1	40	823143GT	UNISTRUT,FAN SHROUD BRACE,L,DE.....	1
9	13002GT	SCREW,HHC,5/16-18 X 1 GR5.....	2	41	1252687GT	BRACKET, STRUT BRACE.....	1
10	5397GT	WASHER,FLAT,USS,5/16",Y.....	4	42	106211-300GT	HOSE,RUBBER 3"ID X .25 BLACK.....	1
11	6782GT	NUT,NYLOCK,5/16-18.....	2	43	101640GT	REDUCER,RUBBER 3.0 - 2.5.....	1
12	1254949GT	HEAT SHIELD,DEUTZ TD2.9L.....	1				
13	1251983GT	SCREW,HHF,M8-1.25X16,DIN6921,10.9,ZAB.4					
14	121420GT	SCREW,HHF,1/4-20 X 1.00					
15	6638GT	WASHER,FLAT,USS,1/4"Y					
16	6091GT	NUT,NYLOCK,1/4-20					
17	121419GT	SCREW,HHF,1/4-20 X .75.....	5				
18	56912GT	SPRING CLIP,1/4-20,.025-.15X.54,ZAG.....	5				
19	823144GT	UNISTRUT,FAN SHROUD BRACE,R,DE.....	1				
20	229986GT	GROMMET RUBBER .375X1.00X.1875.....	2				
21	823147GT	FORMING,FAN SHROUD STRUT MOUNT.....	2				
22	6019GT	SCREW,HHC,3/8-16 X 1.25 GRD 5.....	4				
23	6097GT	WASHER,FLAT,USS,3/8",Y.....	8				
24	4828GT	NUT,NYLOCK,3/8-16.....	4				
25		REF.WLDT, INTAKE, T4 DEUTZ, Z80/S8..... (refer to 405.1)	1				
26		REF.WELDMENT,ENGINE TRAY,2.9L DEUTZ..... (refer to 417.1)	1				
27	61110GT	SCREW,SHC,M10X1.5X30 GR 12.9.....	10				

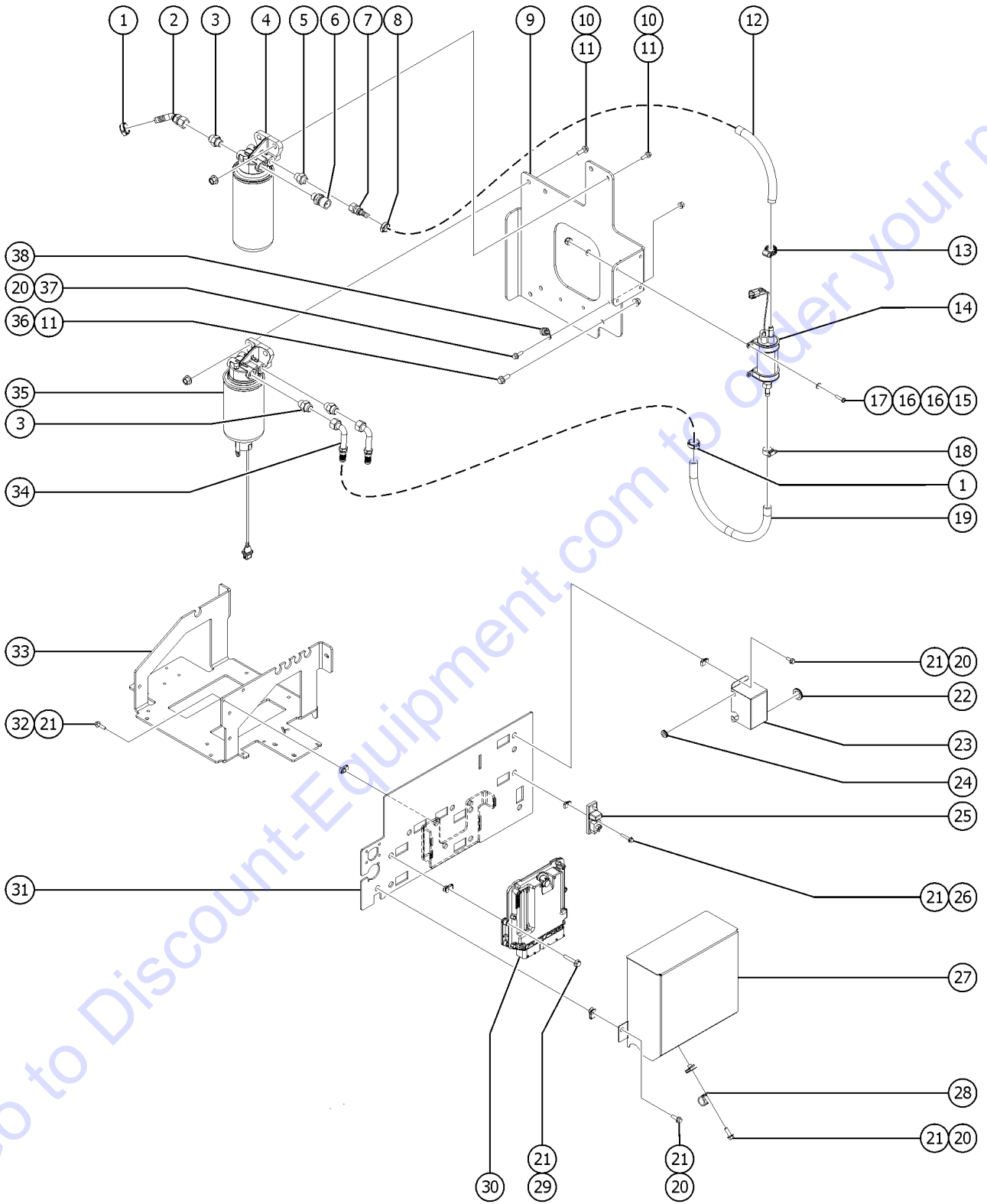
407.1 Deutz TD 2.9L4 Engine - View 3



407.1 Deutz TD 2.9L4 Engine - View 3

Item	Part No.	Description	Qty.	Item	Part No.	Description	Qty.
--		<i>Due to Tier 4 regulations, many engine replacement parts require engine serial number at time of order placement. When ordering engine parts please have both machine and engine serial numbers available. For internal engine parts, contact engine dealer.</i>		36	1255651GT	CONNECTOR,SAE12,QUICK CONNECT.....	1
				37	822087GT	CLAMP,HOSE,1EAR,25/32.....	1
				38	1262866GT	FAN BELT, ALTERNATOR.....	1
1	1268921GT	FORMING,TAILPIPE SUPPORT,S80.....	1				
2	71911GT	CLAMP,MUFFLER, 2.50 INCH.....	1				
3A	162276GT	EXHAUST PIPE, 2.9L DEUTZ.....	1				
3B	825015GT	CLAMP, 50MM V					
4	824132GT	SCREW,HHF,M8-1.25X20,DIN6921,10.9,ZAB.2					
5	81154GT	CLAMP,HOSE,SIZE .31 > .91.....	1				
6	826000GT	CONNECTOR, SAE10, QUICK CONN....	1				
7	823135GT	WELDMENT, REAR MOUNT,ENGINE....	1				
8	121433GT	SCREW,HHF, M14 X 40MM.....	4				
9	13003GT	SCREW,HHC,5/8-11 X 3.5 GRD.8.....	4				
10	33418GT	WASHER,FLAT,625 X 2.25 X.15.....	4				
11	18596GT	WASHER,FLAT,1.56 X 2.5 X .061.....	8				
12	102045GT	ISOLATOR,ENGINE VIBRATION.....	4				
13	124962GT	GROMMET,RUBBER,1.0 X 1.25X1.5.....	3				
14	106923GT	GROMMET,RUBBER .38X1.38X1.0.....	1				
15	27585GT	SCREW,HHC,M12 X 20MM.....	3				
16	49410GT	WASHER,FLAT,M12.....	3				
17	826873GT	FORMING, ENGINE HARNESS SUPPOR.....	1				
18	121688GT	SCREW,HHC,FLG,M14 X 35.....	5				
19	823012GT	MOUNT,ENGINE,LEFT SIDE.....	1				
20	6637GT	SCREW,HHC,1/4-20 X 1.75.....	1				
21	6638GT	WASHER,FLAT,USS,1/4"Y.....	2				
22	6091GT	NUT,NYLOCK,1/4-20.....	1				
23	78736GT	CLAMP,2 HOSE,PLASTIC,5/8.....	2				
24	13064GT	WASHER,FLAT,625 HARDENED.....	4				
25	6024GT	NUT,NYLOCK,5/8-11.....	4				
26		REF. WELDMENT,ENGINE TRAY,2.9L DEUTZ..... (refer to 417.1)	1				
27	18666GT	CLAMP,1.00,#16 X 1/4,RUB CUSH.....	1				
28	121420GT	SCREW,HHF,1/4-20 X 1.00.....	1				
29	121421GT	NUT,FLG,1/4-20.....	1				
30	236251GT	ALTERNATOR,95 AMP,DEUTZ.....	1				
31	1262219GT	SCREW,HHC,M8-1.25X65,DIN931,10...4					
32	33277GT	WASHER,FLAT,M8,YELLOW ZINC.....	4				
33	1251496GT	FAN,10 BLADE,17",DEUTZ 2.9L.....	1				
34	1258641GT	SPACER, FAN, DEUTZ, 38MM LNG.....	1				
35	823013GT	MOUNT,ENGINE,RIGHT SIDE.....	1				

408.1 Deutz TD 2.9L4 Engine - View 4



# PARTS FINDER

**Search Website  
by Part Number**



**Search Manual  
Library For Parts  
Manual & Lookup Part  
Numbers – Purchase  
or Request Quote**

**Search Manuals**

Enter your information to search for a parts manual or lookup a part number.

\* Brand:

\* Model:

\* Serial:

\* Part Number:

SEARCH

**Can't Find Part or  
Manual? Request Help  
by Manufacturer,  
Model & Description**

**Parts Order Form**

Please fill in the following information to request help finding a part or manual.

Manufacturer:

Model:

Description:

Part Number:

Quantity:

Submit

Discount-Equipment.com is your online resource for quality parts & equipment.

Florida: **561-964-4949** Outside Florida TOLL FREE: **877-690-3101**

**Need parts?**

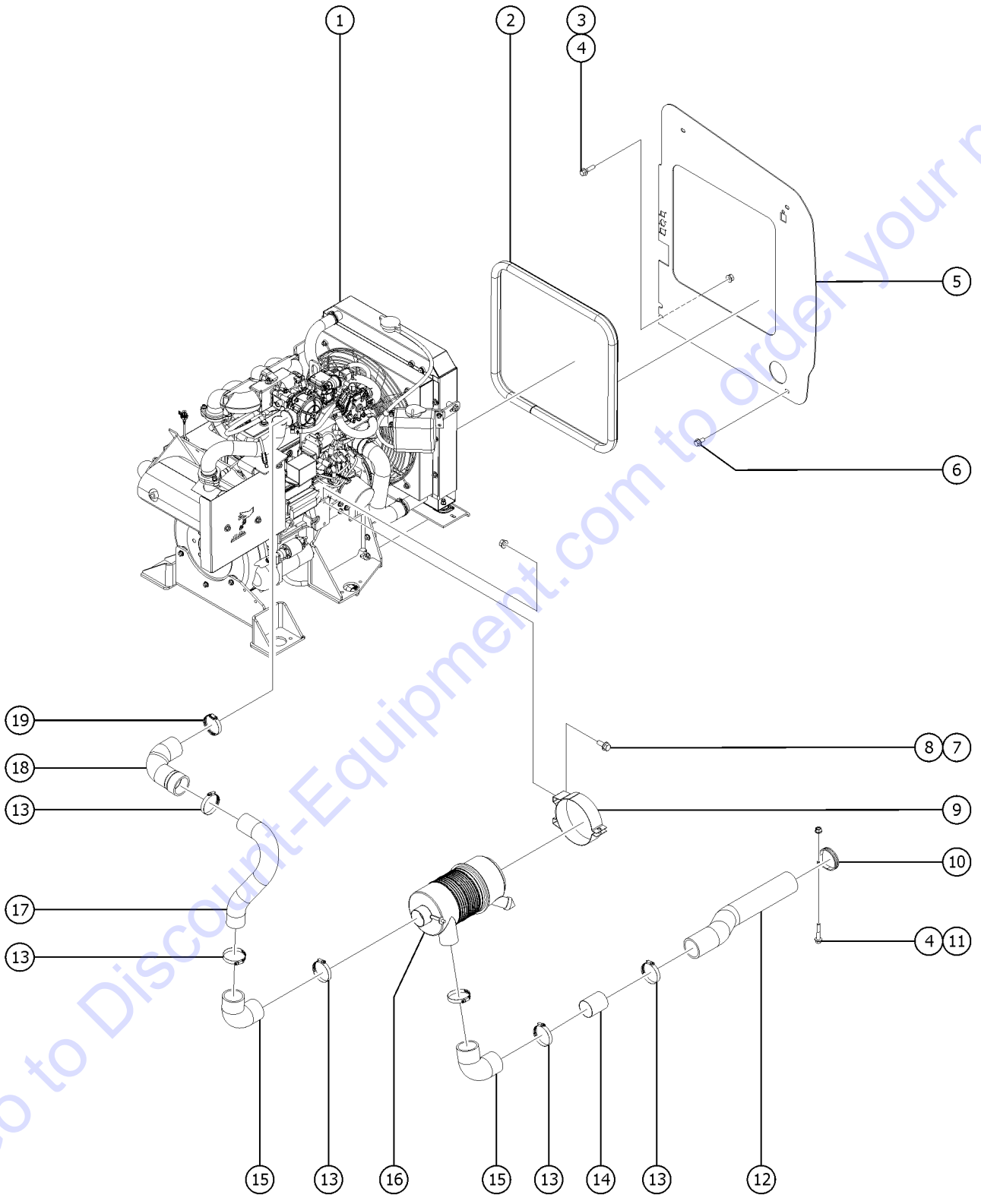
Click on this link: <http://www.discount-equipment.com/category/5443-parts/> and choose one of the options to help get the right parts and equipment you are looking for. Please have the machine model and serial number available in order to help us get you the correct parts. If you don't find the part on the website or on one of the online manuals, please fill out the request form and one of our experienced staff members will get back to you with a quote for the right part that your machine needs.

We sell worldwide for the brands: Genie, Terex, JLG, MultiQuip, Mikasa, Essick, Whiteman, Mayco, Toro Stone, Diamond Products, Generac Magnum, Airman, Haulotte, Barreto, Power Blanket, Nifty Lift, Atlas Copco, Chicago Pneumatic, Allmand, Miller Curber, Skyjack, Lull, Skytrak, Tsurumi, Husquvarna Target, Stow, Wacker, Sakai, Mi-T-M, Sullair, Basic, Dynapac, MBW, Weber, Bartell, Bennar Newman, Haulotte, Ditch Runner, Menegotti, Morrison, Contec, Buddy, Crown, Edco, Wyco, Bomag, Laymor, EZ Trench, Bil-Jax, F.S. Curtis, Gehl Pavers, Heli, Honda, ICS/PowerGrit, IHI, Partner, Imer, Clipper, MMD, Koshin, Rice, CH&E, General Equipment, Amida, Coleman, NAC, Gradall, Square Shooter, Kent, Stanley, Tamco, Toku, Hatz, Kohler, Robin, Wisconsin, Northrock, Oztec, Toker TK, Rol-Air, APT, Wylie, Ingersoll Rand / Doosan, Innovatech, Con X, Ammann, Mecalac, Makinex, Smith Surface Prep, Small Line, Wanco, Yanmar

408.1 Deutz TD 2.9L4 Engine - View 4

Item	Part No.	Description	Qty.	Item	Part No.	Description	Qty.	
--		<i>Due to Tier 4 regulations, many engine replacement parts require engine serial number at time of order placement. When ordering engine parts please have both machine and engine serial numbers available. For internal engine parts, contact engine dealer.</i>		34	162207GT	FITTING,ELBOW,8GS-8FJX90S.....	2	
	1	822087GT	CLAMP,HOSE,1EAR,25/32.....	3				
	2	826357GT	FITTING,45DEG,1/2 HS X 3/4-16,.....	1	35	1261239GT	ASSY,FUEL PREFILTER,DEUTZ 2.9.....	1
	3	162209GT	FITTING,CONN,16MM-8MJ.....	3	--	236260GT	PRE-FILTER,FUEL,DEUTZ	
	4	1261236GT	ASSY,FUEL FILTER,DEUTZ 2.9.....	1	36	824090GT	SCREW,HHF,3/8-16X1,8,ZAG.....	3
	--	214228GT	FILTER, DEUTZ 2.9, FUEL		37	824027GT	NUT,TL FLG,1/4-20,G,ZAG.....	1
	5	162208GT	FITTING,CONN,16MM-6MJ.....	1	38	6833GT	CLAMP,0.50,#8 X 1/4,RUB CUSH.....	1
	6	824673GT	SENSOR, PRESSURE,DEUTZ 2.9.....	1				
	7	824351GT	FITTING,STR,3/8 HS X 9/16-18,J.....	1				
	8	96770GT	CLAMP,HOSE,1 EAR, 11/16.....	1				
	9	1267313GT	BRACKET,FUEL SYSTEM,DEUTZ 2.9L.....	1				
	10	824091GT	SCREW,HHF,3/8-16X1.25,8,ZAG.....	4				
	11	824029GT	NUT, TL FLG, 3/8-16, G, ZAG.....	7				
	12	823420GT	HOSE,FUEL,3/8,GATES RLA.....	1				
	13	81154GT	CLAMP,HOSE,SIZE .31 > .91.....	1				
	14	236259GT	LIFT PUMP,FUEL,DEUTZ.....	1				
	15	49816GT	SCREW,PHILLIPS,PHM,10-32 X .75.....	4				
	16	1253185GT	WASHER,FLAT,#10,USS,ZAG.....	8				
	17	6178GT	NUT,NYLOCK,10-32.....	4				
	18	46131GT	CLAMP,HOSE,.63.....	1				
	19	823421GT	HOSE,FUEL,1/2,GATES RLA.....	1				
	20	824078GT	SCREW,HHF,1/4-20X.75,8,ZAG.....	5				
	21	56912GT	SPRING CLIP,1/4-20,.025-.15X.54,ZAG.....	12				
	22	826860GT	RUBBER GROMMET 1.00 X 1.563 X.....	1				
	23	824397GT	COVER,POWER RELAY MODULE,DEUTZ.....	1				
	24	824422GT	GROMMET,RUBBER,.5 X .063 X .75.....	2				
	25	824023GT	RELAY, POWER & FUSE MODULE.....	1				
	26	1253485GT	SCREW,HHF,1/4-20X2,8,ZAG.....	1				
	27	1267882GT	COVER BRACKET, ECU, TIER IV.....	1				
	28	18666GT	CLAMP,1.00,#16 X 1/4,RUB CUSH.....	1				
	29	824080GT	SCREW,HHF,1/4-20X1.25,8,ZAG.....	4				
	30	214795GT	ECM, DEUTZ..... <i>(must contact Discount-equipment to order, SN information is required)</i>	1				
	31	1274201GT	WELDMENT, T4F MOUNT BRACKET, B.....	1				
	32	824079GT	SCREW,HHF,1/4-20X1,8,ZAG.....	3				
	33	121258GT	FORMING, BATTERY TRAY.....	1				

409.1 GM 3.0L Engine - View 1



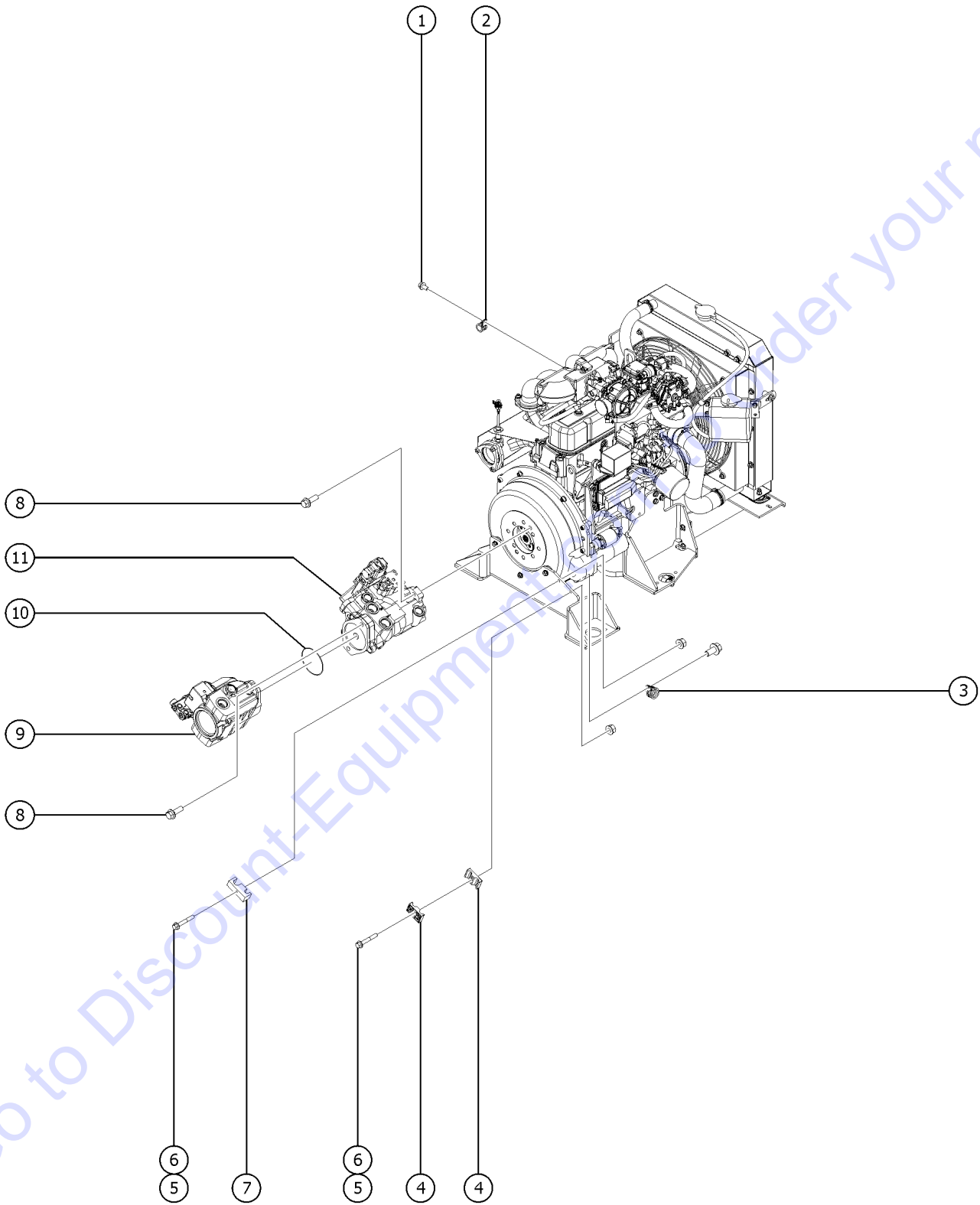


## 409.1 GM 3.0L Engine - View 1

Item	Part No.	Description	Qty.
1		REF. KIT,ENGINE,GM3.0L,PSI,S80/Z80.....1 (refer to 412.1)	
2	60875-9600GT	TRIM, RUBBER "D" SEAL, 3/16 96.....1	
3	824079GT	SCREW,HHF,1/4-20X1,8,ZAG.....1	
4	824027GT	NUT,TL FLG,1/4-20,G,ZAG.....2	
5	1272467GT	PLATE, BULKHEAD, GM 3.0L.....1	
6	824089GT	SCREW,HHF,3/8-16X.75,8,ZAG.....3	
7	824085GT	SCREW,HHF,5/16-18X.75,8,ZAG.....2	
8	824028GT	NUT,TL FLG,5/16-18,G,ZAG.....2	
9	53952GT	BRKT,AIR CLEANER ORIENTATION**.....1	
10	70257GT	CLAMP,3.0,#48 X 1/4,RUB CUSH.....1	
11	824081GT	SCREW,HHF,1/4-20X1.5,8,ZAG.....1	
12	88846GT	HOSE,AIR INLET.....1	
13	30971GT	CLAMP,HOSE,3.00".....6	
14	94324-300GT	TUBE,RD,STL,ALM,2.50X.065X3.00.....1	
15	34164GT	ELBOW,90 DEGR,RUBBER,2.5" I.D.*.....2	
16	63463GT	AIR CLEANER,NELSON***.....1	
--	52866GT	EVACUATOR VALVE-AIR CLEANER	
--	58415GT	CLIP,AIR CLEANER END CAP*** <i>end cap not available separately</i>	
--	62420GT	FILTER,AIR***	
--	65810GT	BAFFLE, AIR CLEANER (27915)**	
17	70465GT	TAILPIPE,DEUTZ BF4L2011.....1	
18	1269549GT	HOSE,CLEANAIR,90DEG,2.25X2.5.....1	
19	45435GT	CLAMP,HOSE,2.50"***.....1	

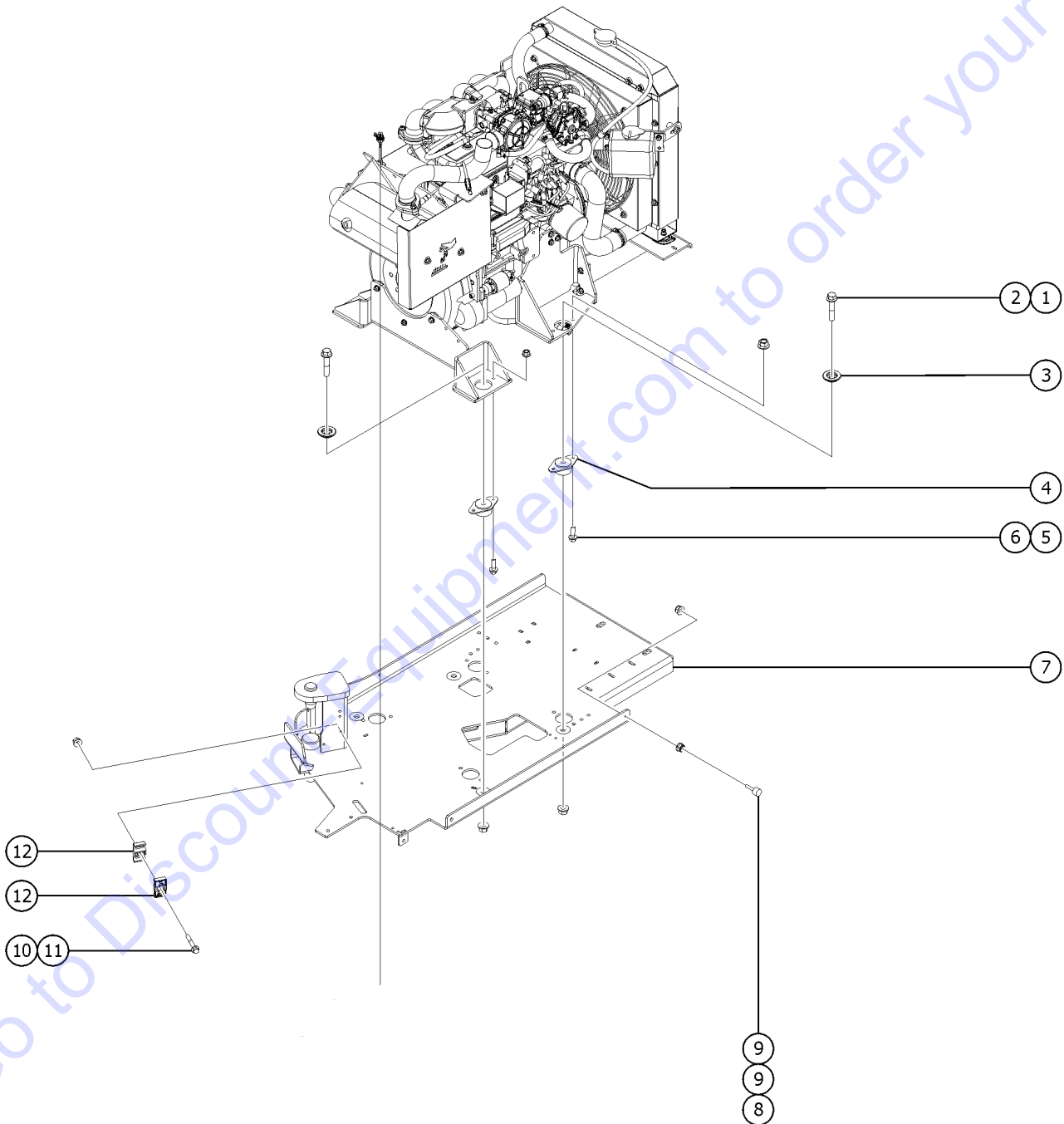


410.1 GM 3.0L Engine - View 2



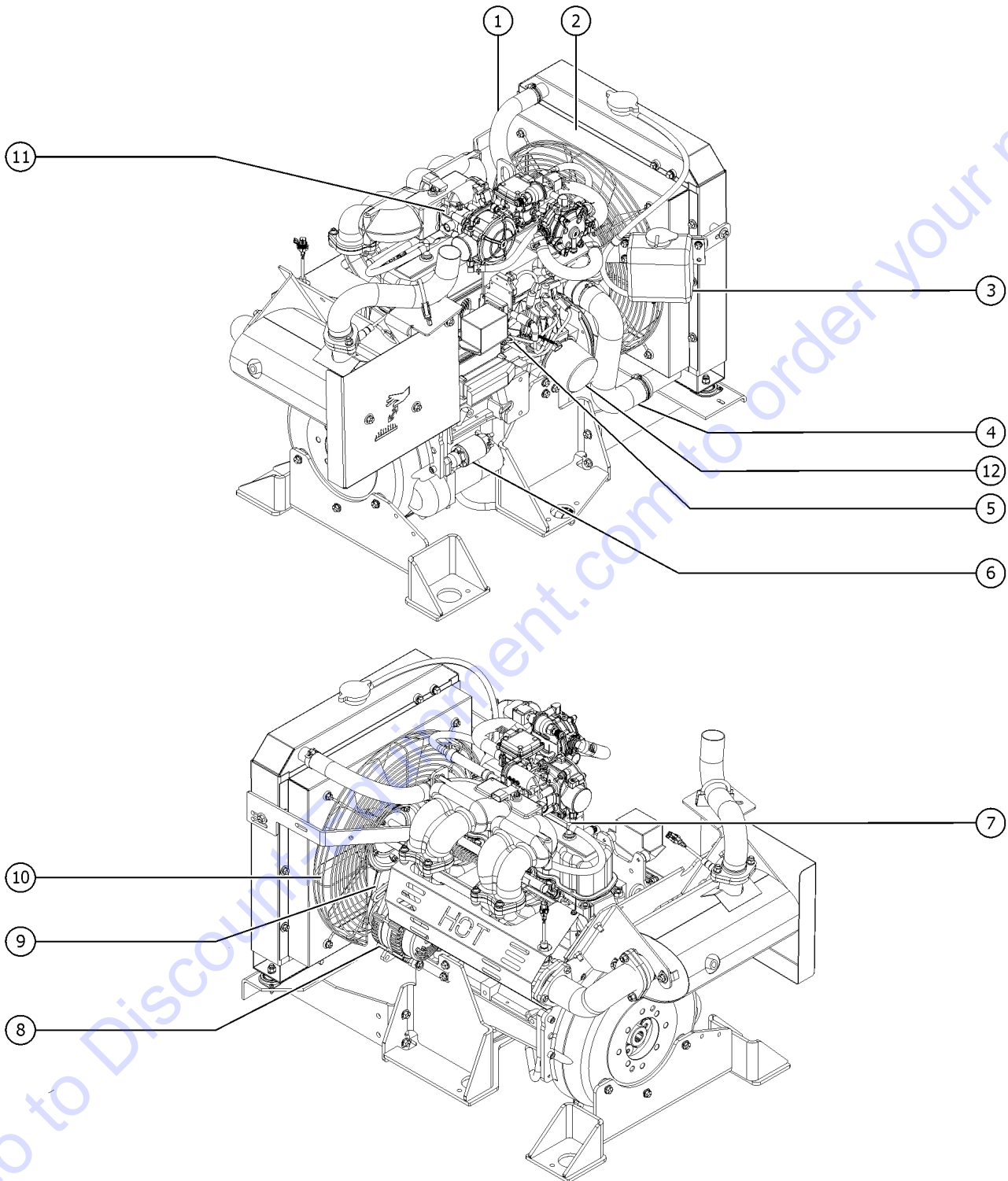
Item	Part No.	Description	Qty.
1	824089GT	SCREW,HHF,3/8-16X.75,8,ZAG.....1	1
2	45454GT	CLAMP,RUB CUSH,0.75,#12 X 3/8*.....1	1
3		REF. KIT,ENGINE,GM3.0L,PSI,S80/Z80.....1 (refer to 412.1)	1
4	13268GT	CLAMP,0.75,#12 X 1/4,RUB CUSH.....2	2
5	78736GT	CLAMP,2 HOSE,PLASTIC,5/8.....2	2
6	824082GT	SCREW,HHF,1/4-20X1.75,8,ZAG.....2	2
7	824027GT	NUT,TL FLG,1/4-20,G,ZAG.....2	2
8	121860GT	CLAMP, HOSE/CABLE.....1	1
9	1253498GT	SCREW,HHF,1/2-13X1.5,8,ZAG.....4	4
10	121310GT	PUMP,FUNCTION,38CC,LS.....1	1
11	52087GT	O-RING,2-044 BUNA***.....1	1
12A	101068GT	PUMP,PISTON,46CC,B MOUNT,13T**....1	1
--	29739GT	SEAL KIT,SAUER-DANFOSS M46***.....1	1
12B	52087GT	O-RING,2-044 BUNA***.....1 (installed between lift and drive pump)	1
12C	77819GT	EDC ASSY,SAUER M46***.....1	1

411.1 GM 3.0L Engine - View 3



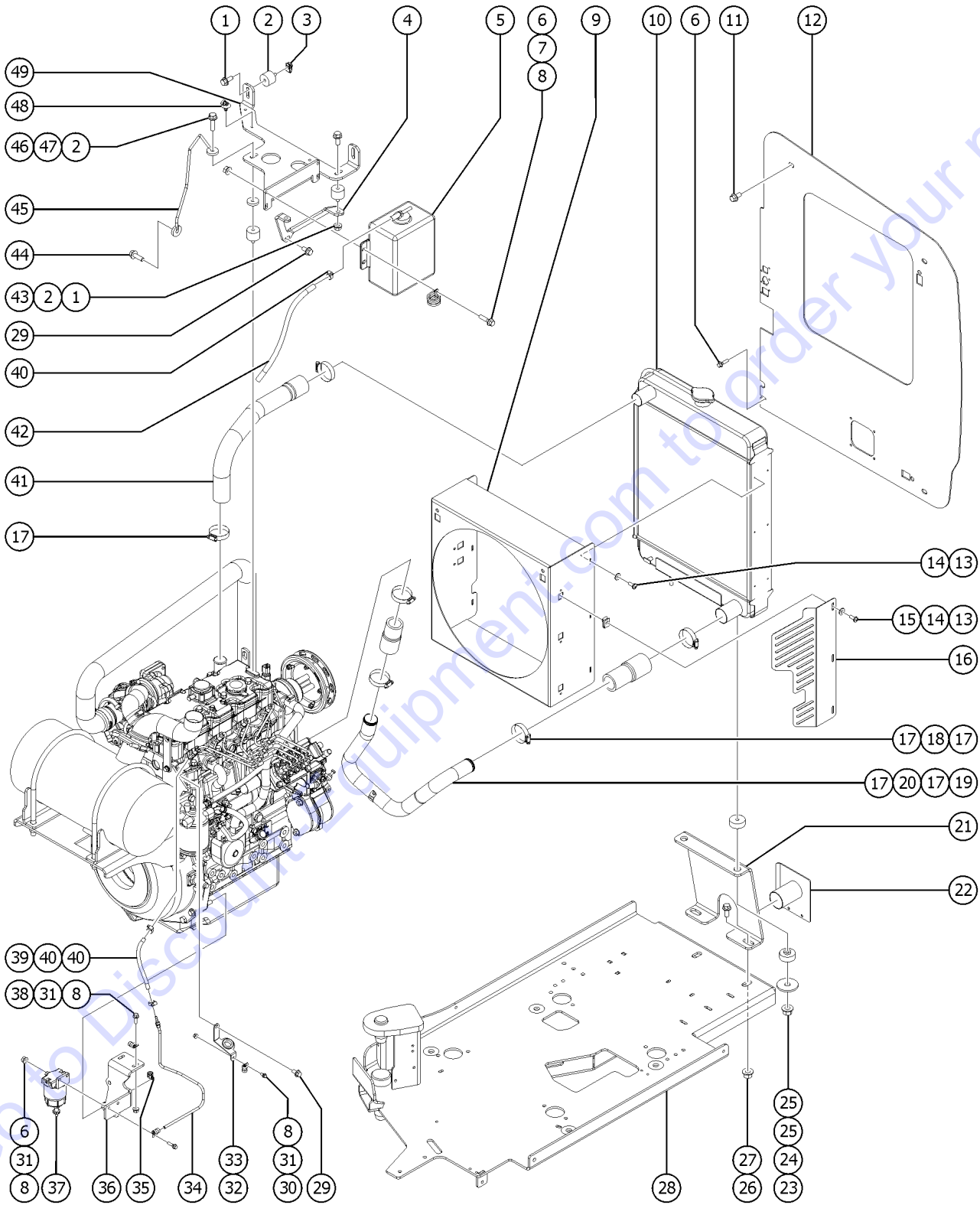
Item	Part No.	Description	Qty.
1	1255802GT	SCREW,HHF,1/2-13X2.5,8,ZAG.....	4
2	1251997GT	NUT,TL FLG,1/2-13,G,ZAG.....	4
3	1274069GT	CASTING, WASHER, ENGINE ISOLAT.....	4
4	70452GT	ISOLATOR,ENGINE VIBRATION***.....	4
5	824091GT	SCREW,HHF,3/8-16X1.25,8,ZAG.....	8
6	824029GT	NUT, TL FLG, 3/8-16, G, ZAG.....	8
7		REF. WELDMENT,ENGINE TRAY,2.9L DEUT..... (refer to 417.1)	1
8	36388GT	BUMPER,RUBBER,.75 X .50H,STUD.....	1
9	1277924GT	NUT,NYLOCK FLG,1/4-20,F,ZAG.....	2
10	824082GT	SCREW,HHF,1/4-20X1.75,8,ZAG.....	1
11	824027GT	NUT,TL FLG,1/4-20,G,ZAG.....	1
12	78736GT	CLAMP,2 HOSE,PLASTIC,5/8.....	2

412.1 GM 3.0L Engine - View 4



Item	Part No.	Description	Qty.
A	1270154GT	KIT, ENGINE, GM3.0L, PSI, S80/Z80.....1 <i>replacement engine</i>	1
B	65626GT	FILTER-FUEL, GM 3.0L ENGINE.....1	1
C	1271652GT	FILTER, FUEL, GM3.0L.....1	1
D	58412GT	SPARK PLUG WIRE SET,GM 3.0.....1	1
1	81424GT	RADIATOR HOSE,UPPER-GM.....1	1
2	1272060GT	RADIATOR, GM3.0L ENG.....1	1
3	1272025GT	BOTTLE, OVERFLOW, GM3.0L ENG.....1	1
4	81425GT	RADIATOR HOSE,LOWER-GM.....1	1
5	1272026GT	DIPSTICK, GM3.0L ENG.....1	1
6	1272069GT	STARTER, GM3.0L ENG.....1	1
7	65620GT	PCV VALVE-GM 3.0L ENGINE.....1	1
8	77822GT	ALTERNATOR, GM3.0L ENGINE.....1	1
9	65621GT	BELT-FAN, GM 3.0L ENGINE.....1	1
10	1272057GT	FAN, PULLER 18", GM3.0L ENG.....1	1
11	1271837GT	THROTTLE BODY, 40MM.....1	1
--	1272029GT	GASKET, GM3.0L ENG	
12	65623GT	FILTER-OIL,GM 3.0L ENGINE.....1	1

413.1 Perkins 404D-22T Engine - View 1

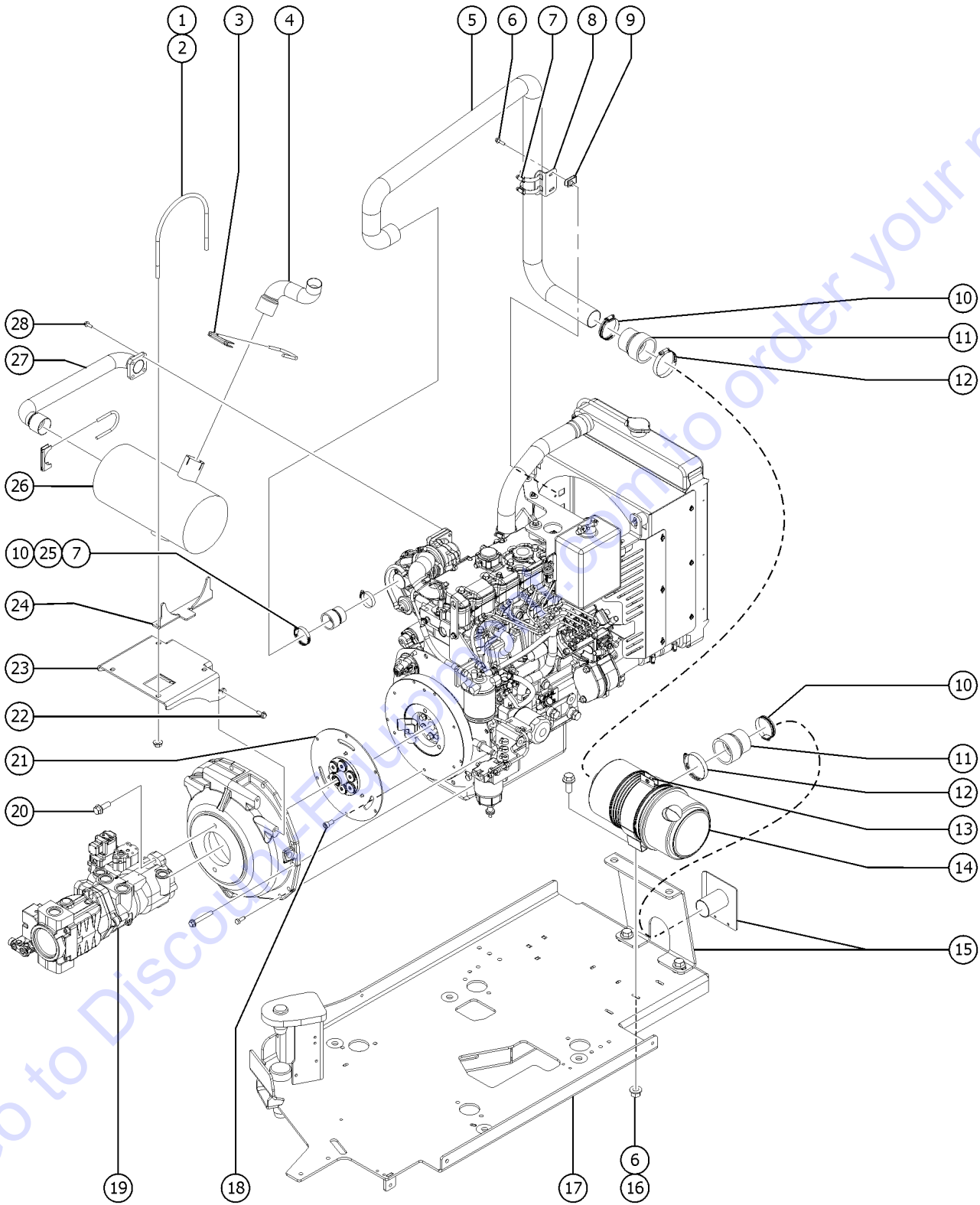


413.1 Perkins 404D-22T Engine - View 1

Item	Part No.	Description	Qty.	Item	Part No.	Description	Qty.
--		Due to Tier 4 regulations, many engine replacement parts require engine serial number at time of order placement. When ordering engine parts please have both machine and engine serial numbers available. For internal engine parts, contact engine dealer		17	22672GT	CLAMP,HOSE,1.75.....	6
--	1261963GT	BREATHER VALVE,PERKINS 404D-22T		18	1261204GT	HOSE COUPLING,RUBBER,LOWER RAD.....	1
--	1261964GT	DIPSTICK TUBE,PERKINS 404D-22T		19	1261882GT	WELDMENT,LOWER RADIATOR SSSL.....	1
--	1261966GT	PISTON AND RING KIT,PERKINS 404D-22T		20	1261205GT	HOSE COUPLING,RUBBER,LOWER RAD.....	1
--	1261969GT	PISTON RING KIT,PERKINS 404D-22T		21	1253193GT	BRACKET,LOWER RADIATOR.....	1
--	1262016GT	SPEED SENSOR,PERKINS 404D-22T		22	1253431GT	WELDMENT,INTAKE,PERKINS 404F-....	1
--	1262467GT	SOLENOID,PERKINS 404D-22T		23	824029GT	NUT, TL FLG, 3/8-16, G, ZAG.....	2
--	1262469GT	OIL PRESSURE SWITCH,PERKINS 404D-22T		24	824120GT	WASHER,FLAT,.375X1.50X.125,ZAG....	2
--	1262490GT	GASKET,CYL HEAD COVER,PERKINS 404D-22T		25	24038GT	SHOCK MOUNT,SMALL.....	4
--	1262496GT	SEAL,ROCKER BOX,PERKINS 404D-22T		26	1253319GT	NUT,TL,FLG,5/8-11,G,ZAG.....	2
--	1262498GT	O-RING,LIFT PUMP,PERKINS 404D-22T		27	1253208GT	SCREW,HHF,5/8-11X1.5,8,ZAG.....	2
--	1262500GT	GASKET,EXHAUST MANIFOLD,PERKINS 404D-22T		28		REF. WELDMENT,ENGINE TRAY,2.9L DEUTZ..... <i>(refer to 417.1)</i>	1
--	1262589GT	GASKET,AIR PIPE HOUSING,PERKINS 404D		29	1251983GT	SCREW,HHF,M8-1.25X16,DIN6921,10.9,ZAB.2	
--	1262595GT	CYLINDER HEAD COVER,PERKINS 404D		30	824077GT	SCREW,HHF,1/4-20X.5,8,ZAG.....	1
--	1262598GT	EXHAUST VALVE,PERKINS 404D		31	45470GT	CLAMP,0.31,#5 X 1/4,RUB CUSH.....	4
1	824132GT	SCREW,HHF,M8-1.25X20,DIN6921,10.9,ZAB.4		32	1259890GT	FORMING, SUPPORT, FUEL RETURN.....	1
2	60585GT	ISOLATOR,VIBRATION,M8 MALE/FEM.....	5	33	1260927GT	GROMMET, RUBBER, .75X.375X1.25....	1
3	230820GT	SPRING CLIP, M8-1.25, 0.8-4.0 X 13, ZAB.....	2	34	1259907GT	WELDMENT,FUEL RETURN LINE,404D.....	1
4	1253194GT	BRACE,UPPER RADIATOR SUPPORT.....	1	35	112043GT	CLAMP,0.63,#10 X 3/8,RUB CUSH.....	1
5	70367GT	BOTTLE,COOLANT RECOVERY,3.7***.....	1	36	128588GT	FORMING,SOLENOID MOUNT.....	1
6	824079GT	SCREW,HHF,1/4-20X1,8,ZAG.....	7	37	75020GT	SEPRTR/FLTR,FUEL DSL,15GPH,.30....	1
7	13268GT	CLAMP,0.75,#12 X 1/4,RUB CUSH.....	1	--	21465GT	CLAMP,HOSE,SIZE .25 TO .63	
8	824027GT	NUT,TL FLG,1/4-20,G,ZAG.....	8	--	54205GT	HOSE END,BARB,1/4 MNPTX5/16,90	
9	1253192GT	FAN SHROUD,PERKINS 404F-22T.....	1	38	824078GT	SCREW,HHF,1/4-20X.75,8,ZAG.....	1
10	110304GT	RADIATOR,FORD/PERKINS***.....	1	39	35418-0600GT	HOSE,FUEL,3/16,SAE 30R7,6IN LG....	1
11	824089GT	SCREW,HHF,3/8-16X.75,8,ZAG.....	3	40	21465GT	CLAMP,HOSE,SIZE .25 TO .63.....	7
12	1270964GT	PLATE, BULKHEAD, PERKINS 404F.....	1	41	1252979GT	HOSE,UPPER RADIATOR,PERK.....	1
13	824220GT	SCREW,PHPM SEMS ET,10-24X.5,ZAG.....	9	42	106226GT	TUBING,VINYL,1/2" CLEAR.....	1
14	1253185GT	WASHER,FLAT,#10,USS,ZAG.....	9	43	237832GT	NUT,TL FLG,M8-1.25,DIN6927,10,ZAB.....	2
15	73575GT	SPRING CLIP,10-24,.025-.125X.468,ZAG.....	3	44	824133GT	SCREW,HHF,M8-1.25X25,DIN6921,10.9,ZAB.1	
16	1254471GT	GUARD,FAN,PERKINS 404F-22T.....	1	45	1259264GT	WIRE MANAGEMENT,GUIDE ROD ASSY.....	1
				46	1255537GT	SCREW,HHF,M8-1.25X30,DIN6921,10.9,ZAB.1	
				47	1261722GT	WASHER, FLAT .394 X 1.25 X .25.....	1
				48	110149GT	CABLE TIE,DFT MOUNT,BLK,6.5".....	3
				49	1258071GT	BRACKET,UPPER RADIATOR MOUNT,4.....	1



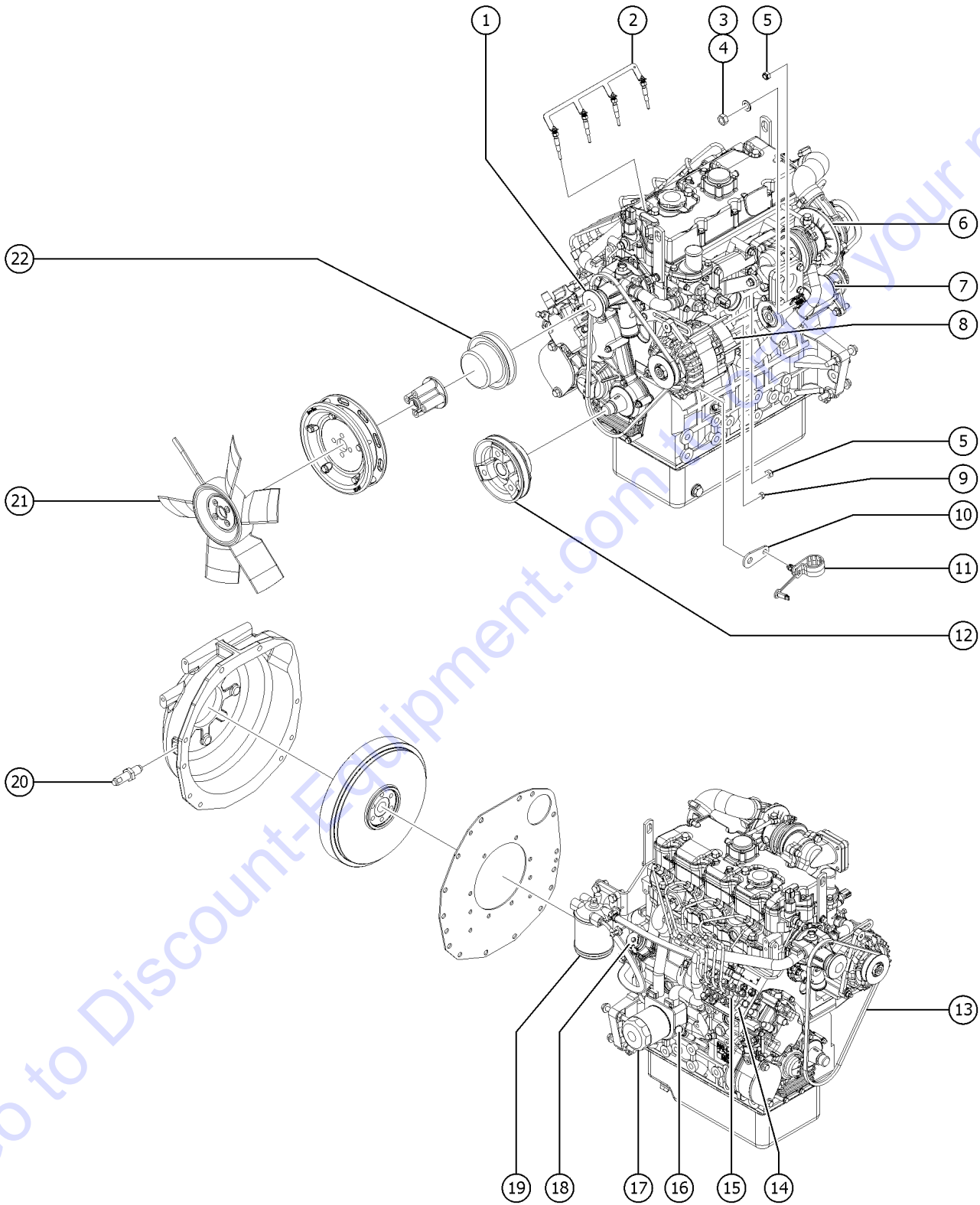
414.1 Perkins 404D-22T Engine - View 2



## 414.1 Perkins 404D-22T Engine - View 2

Item	Part No.	Description	Qty.
--		<i>Due to Tier 4 regulations, many engine replacement parts require engine serial number at time of order placement. When ordering engine parts please have both machine and engine serial numbers available. For internal engine parts, contact engine dealer.</i>	
1	70449GT	U-BOLT,1/2-13 X 8.5.....	2
2	1251997GT	NUT,TL FLG,1/2-13,G,ZAG.....	4
3	71911GT	CLAMP,MUFFLER, 2.50 INCH.....	2
4	1258014GT	TAILPIPE,404D-22T,S-80.....	1
5	1256514GT	TUBE,INTAKE,PERKINS 404D-22T.....	1
6	824079GT	SCREW,HHF,1/4-20X1,8,ZAG.....	4
7	22672GT	CLAMP,HOSE,1.75.....	3
8	823751GT	BRACKET,INTAKE PIPE,MOUNT,DEUT.....	1
9	56912GT	SPRING CLIP,1/4-20,.025-.15X.54,ZAG.....	2
10	45435GT	CLAMP,HOSE,2.50"***.....	3
11	216150GT	ADAPTER,AIR HOSE,PERK 404F.....	2
12	30971GT	CLAMP,HOSE,3.00".....	2
13	53952GT	BRKT,AIR CLEANER ORIENTATION**.....	1
14	63463GT	AIR CLEANER,NELSON***.....	1
--	52866GT	EVACUATOR VALVE-AIR CLEANER	
--	58415GT	CLIP,AIR CLEANER END CAP*** <i>end cap not available separately</i>	
--	62420GT	FILTER,AIR***	
--	65810GT	BAFFLE, AIR CLEANER (27915)**	
15		REF. BRACKET,LOWER RADIATOR <i>(refer to 413.1)</i>	
16	824027GT	NUT,TL FLG,1/4-20,G,ZAG.....	2
17		REF. WELDMENT,ENGINE TRAY,2.9L DEUTZ <i>(refer to 417.1)</i>	
18	62476GT	SCREW,SHC,M10X1.5X20MM (75090).....	6
19		REF.DRIVE PUMP AND FUNCTION PUMP <i>(refer to 708.1)</i>	
20	1253498GT	SCREW,HHF,1/2-13X1.5,8,ZAG.....	4
21	128003GT	COUPLER,15 TOOTH,FBA,PERKINS**.....	1
22	231530GT	SCREW,HHF,M10-1.5X25,DIN6921,10.9,ZAB.4	

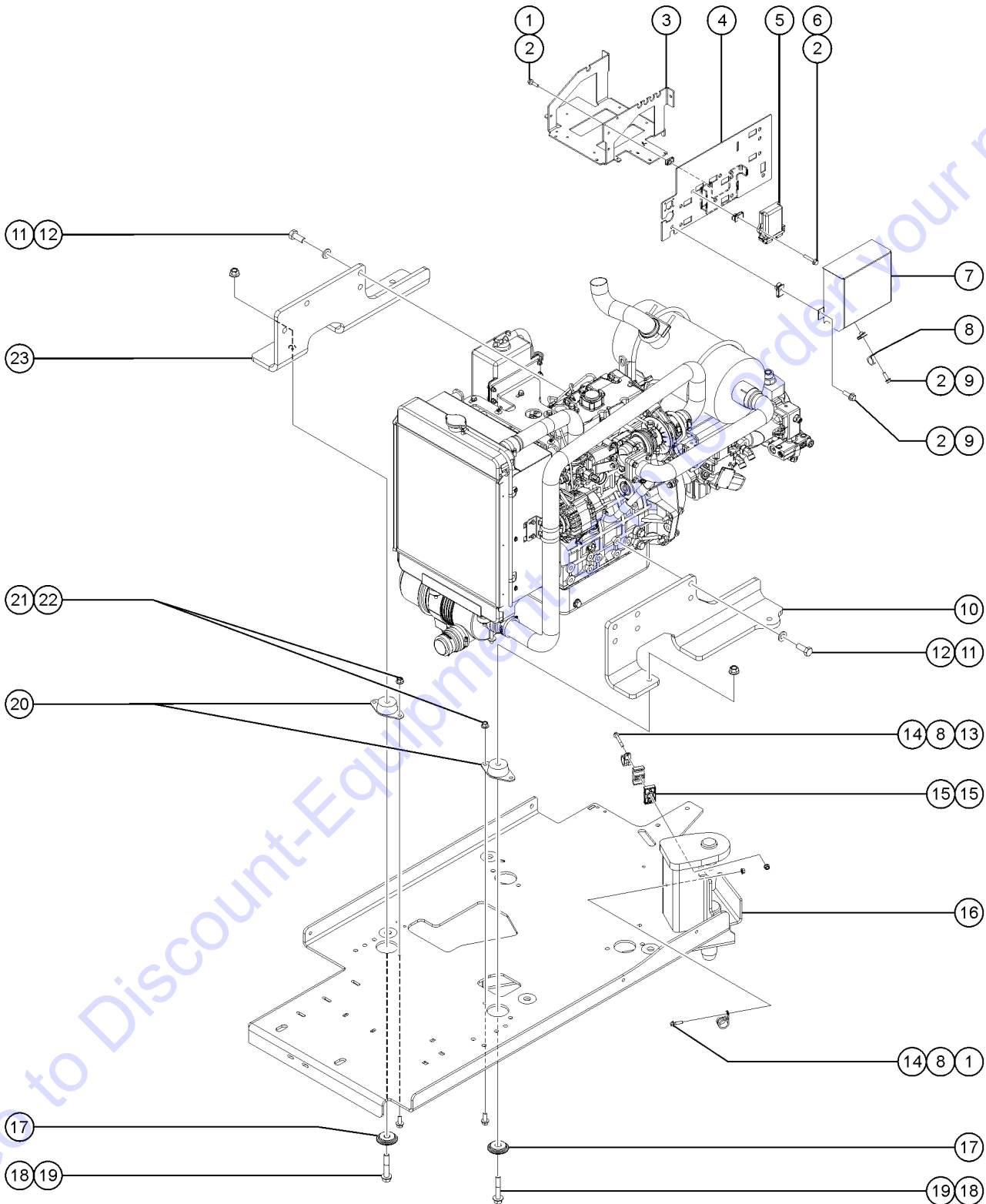
415.1 Perkins 404D-22T Engine - View 3



## 415.1 Perkins 404D-22T Engine - View 3

Item	Part No.	Description	Qty.
--		<i>Due to Tier 4 regulations, many engine replacement parts require engine serial number at time of order placement. When ordering engine parts please have both machine and engine serial numbers available. For internal engine parts, contact engine dealer.</i>	
1	1262503GT	WATER PUMP,PERKINS 404D-22T.....1	
2	1262471GT	GLOWPLUG,ENGINE,PERKINS 404D/F.....1	
3	22571GT	NUT,HEX,M8 X 1.25.....1	
4	33277GT	WASHER,FLAT,M8,YELLOW ZINC.....1	
5	49364GT	NUT,NYLOCK,M6X1.00.....2	
6	1262022GT	TURBOCHARGER,PERKINS 404D-22T.....1	
7	1262585GT	STARTER MOTOR,PERKINS 404D.....1	
8	1262486GT	ALTERNATOR,PERKINS 404D/F-22T.....1	
9	27082GT	NUT,NYLOCK,M5X.80.....2	
10	1259757GT	WIRE MANAGEMENT, WIRE LOOM SUP.....1	
11	121603GT	CLAMP,FIXED DIA.NYLON,.875".....1	
12	1262494GT	CRANKSHAFT PULLEY,PERKIS 404D-.....1	
13	1262488GT	BELT,ALTERNATOR,PERKINS 404D/F.....1	
14	1261980GT	FUEL INJECTOR PUMP,PERKINS 404.....1	
15	1262017GT	ATOMISER (FUEL INJECTOR),PERKI...1	
16	1262478GT	DIPSTICK,PERKINS 404D-22T.....1	
17	1262047GT	OIL FILTER,PERKINS 404D/F-22T.....2	
18	1261978GT	LIFT PUMP,PERKINS 404D-22T.....1	
19	1262484GT	FUEL FILTER ASSY,PERKINS 404D/.....1	
20	1281137GT	ASSEMBLY, SPEED SENSOR.....1	
21	1252686GT	FAN,10 BLADE,17",PERKINS 404F-.....1	
22	1262050GT	WATER PUMP PULLEY,PERKINS 404D.....1	

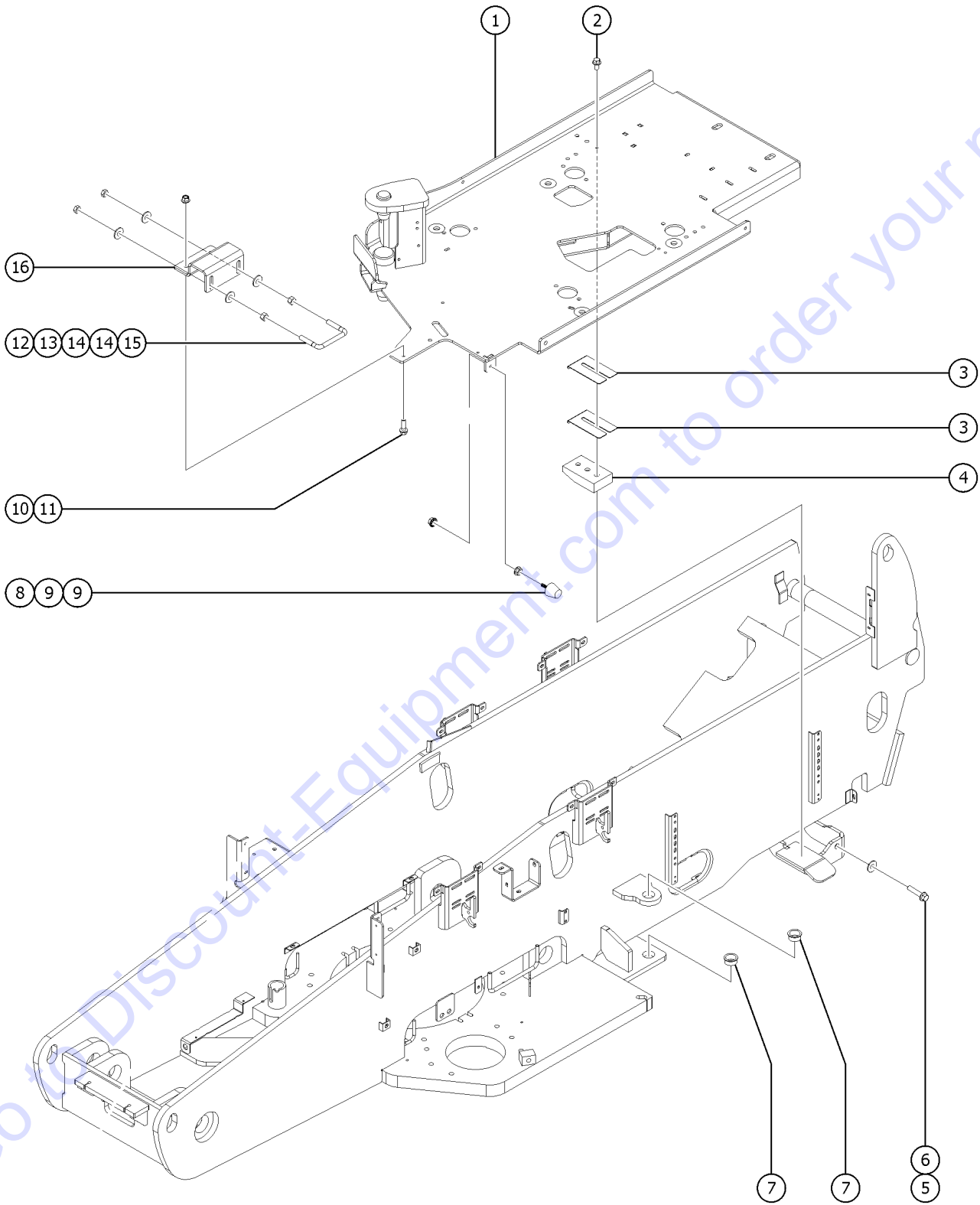
416.1 Perkins 404D-22T Engine - View 4



## 416.1 Perkins 404D-22T Engine - View 4

Item	Part No.	Description	Qty.
--		<i>Due to Tier 4 regulations, many engine replacement parts require engine serial number at time of order placement. When ordering engine parts please have both machine and engine serial numbers available. For internal engine parts, contact engine dealer.</i>	
1	824079GT	SCREW,HHF,1/4-20X1,8,ZAG.....	4
2	56912GT	SPRING CLIP,1/4-20,.025-.15X.54,ZAG.....	7
3	1274198GT	FORMING, BATTERY TRAY, NDL.....	1
4	1274201GT	WELDMENT, T4F MOUNT BRACKET, B.....	1
5	1262052GT	ENGINE CONTROL GOV,PERKINS 404.....	1
6	824080GT	SCREW,HHF,1/4-20X1.25,8,ZAG.....	2
7	1274200GT	BRACKET,COVER, ECU, TIER IV.....	1
8	18666GT	CLAMP,1.00,#16 X 1/4,RUB CUSH.....	3
9	824078GT	SCREW,HHF,1/4-20X.75,8,ZAG.....	2
10	1253574GT	FORMING, ENGINE MOUNT, LH.....	1
11	1257705GT	SCREW,HHC,M14-1.5X35,DIN960,10.9,ZAB.10	
12	1257810GT	WASHER,FLAT,M14,DIN6916,HRD,ZAB.10	
13	1257866GT	SCREW,HHF,1/4-20X2.25,8,ZAG.....	1
14	824027GT	NUT,TL FLG,1/4-20,G,ZAG.....	2
15	78736GT	CLAMP,2 HOSE,PLASTIC,5/8.....	2
16		REF. WELDMENT,ENGINE TRAY,2.9L DEUTZ (refer to 417.1)	
17	102066GT	CASTING,WASHER,REBOUND.....	4
18	1257862GT	SCREW,HHF,1/2-13X2.75,8,ZAG.....	4
19	1251997GT	NUT,TL FLG,1/2-13,G,ZAG.....	4
20	70452GT	ISOLATOR,ENGINE VIBRATION***.....	4
21	824029GT	NUT, TL FLG, 3/8-16, G, ZAG.....	8
22	824090GT	SCREW,HHF,3/8-16X1,8,ZAG.....	8
23	1253573GT	FORMING, ENGINE MOUNT, RH.....	1

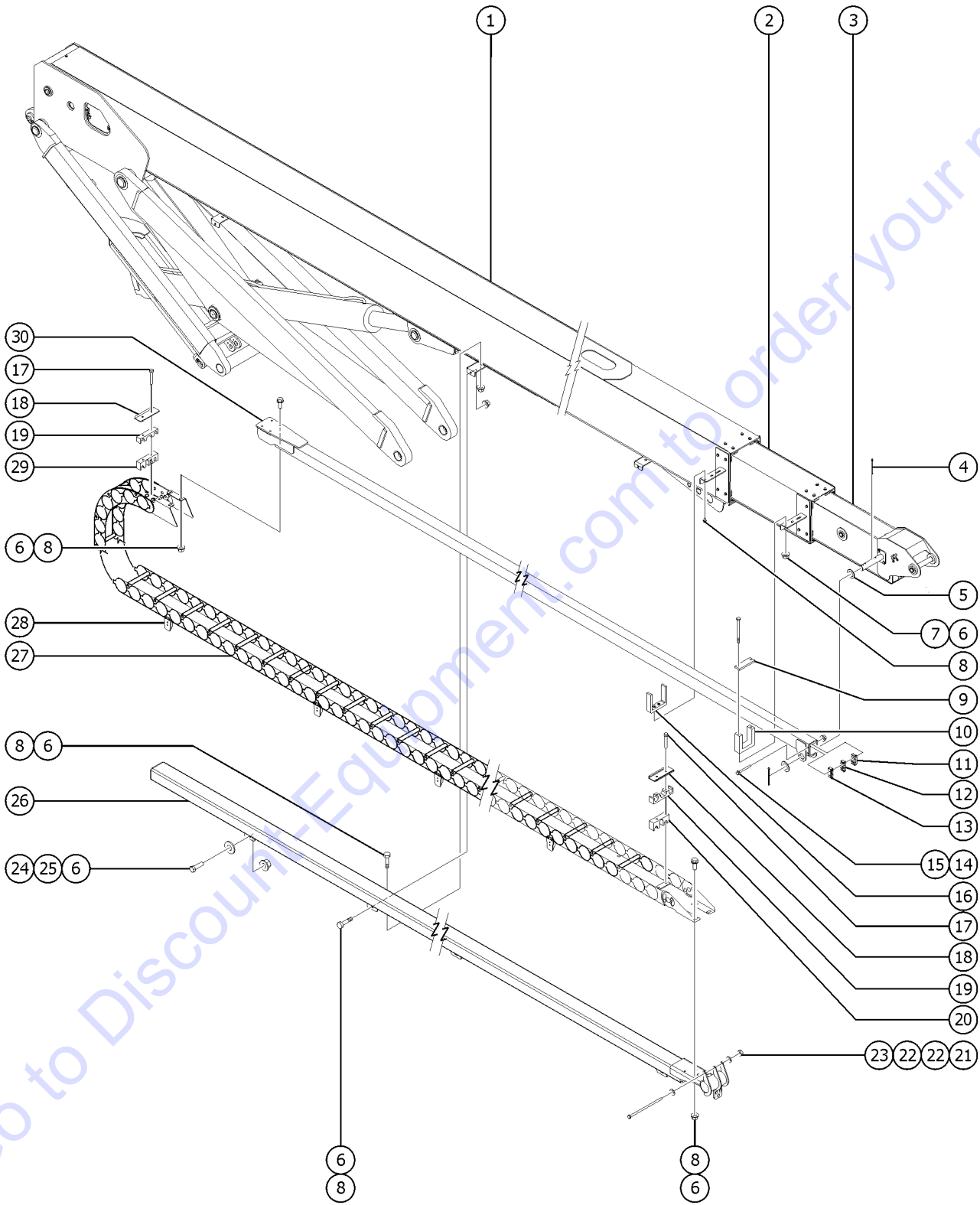
417.1 Engine Tray



Item	Part No.	Description	Qty.
1A	1267076GT	WELDMENT,ENGINE TRAY,2.9L DEUTZ.....1 (Deutz TD 2.9L4 and Perkins 404D-22T)	1
1B	1267074GT	WELDMENT,ENGINE TRAY.....1 (Deutz TD2011L04i)	1
2	824089GT	SCREW,HHF,3/8-16X.75,8,ZAG.....2	2
3	1283442GT	SHIM, WEAR PAD, 3X5.....2	2
4	81522GT	WEAR PAD,ENGINE TRAY.....1	1
5	1256126GT	SCREW,HHF,5/8-11X2,8,ZAG.....1	1
6	824115GT	WASHER, FLAT, USS, 5/8, ZAG.....1	1
7	41858GT	BEARING,FL,1.51X1.75X.84LG.....2	2
8	1261277GT	BUMPER, RUBBER, 1.25 X 1.25 IN.....1	1
9	1255805GT	NUT,SERRATED,5/16-18,8,ZAG.....2	2
10	824091GT	SCREW,HHF,3/8-16X1.25,8,ZAG.....2	2
11	824029GT	NUT, TL FLG, 3/8-16, G, ZAG.....2	2
12	1259855GT	UBOLT, 0.4724 IN D X 4.0 IN L.....1	1
13	1259106GT	NUT,1/2-13,8,ZAG.....2	2
14	1255760GT	WASHER,FLAT,1/2,USS,ZAG.....4	4
15	1255804GT	NUT,JAM,1/2-13,A,ZAG.....2	2
16	1267070GT	FORMING,BRACKET,LATCH.....1	1



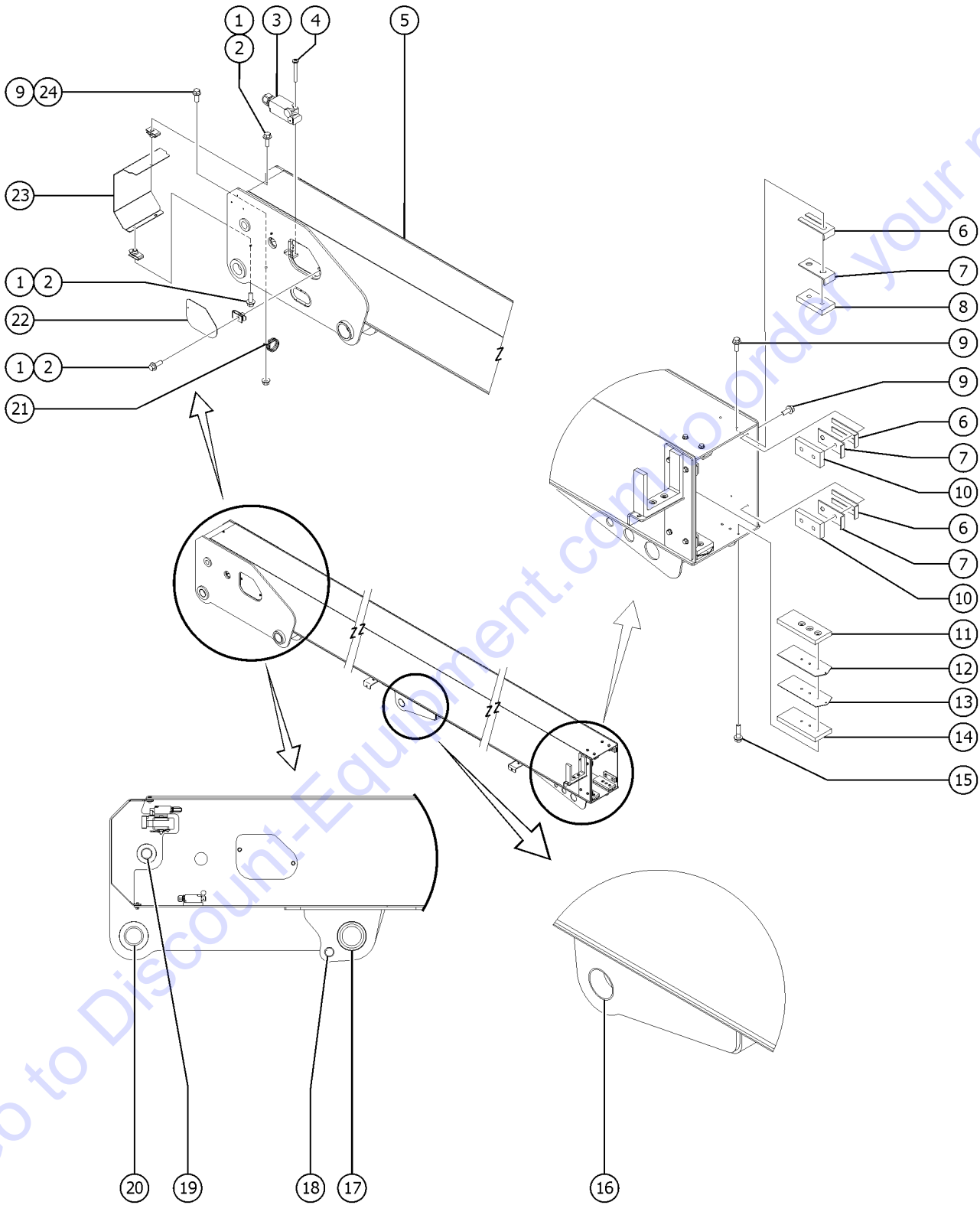
501.1 Cable Track Installation



501.1 Cable Track Installation

Item	Part No.	Description	Qty.	Item	Part No.	Description	Qty.
1		Ref. BOOM NUMBER 1.....1 <i>(refer to 502.1)</i>	1	--	122662GT	END BRACKET,MOVING END	
2		Ref. BOOM NUMBER 2.....1 <i>(refer to 503.1)</i>	1	--	122663GT	END BRACKET,FIXED END	
3		Ref. BOOM NUMBER 3.....1 <i>(refer to 504.1)</i>	1	--	122664GT	ALUMINUM FLAT CROSS BAR	
4	42079GT	PIN,COTTER,,156 X 2.5.....2	2	--	122665GT	FLAT BAR W/PEM NUTS	
5	1251565GT	WASHER,SHIM,1.56X2.5X.061,ZAG.....2	2	--	122666GT	SEPERATOR,PLASTIC	
6	824029GT	NUT, TL FLG, 3/8-16, G, ZAG.....20	20	28	218448GT	FINGER,GUIDE,CABLE TRACK.....16	
7	1255391GT	SCREW,HHC,3/8-16X7,8,ZAG.....2	2	--	122668GT	GUIDE FINGER,PLASTIC	
8	824090GT	SCREW,HHF,3/8-16X1,8,ZAG.....19	19	--	87085GT	RIVET,ALUM,P,.188 X .25	
9	81342GT	WEAR PAD,5.5 X 1.75 X .5.....1	1	29	T115765GT	CLAMP,CABLE TRACK, WK LT.....1	
10	81341GT	WEAR PAD,CABLE TRACK PULL TUBE.....1	1	30	121063GT	WELDMENT,LONG,GUIDE TUBE.....1	
11	121872GT	CLAMP,PULL TUBE HOSES,RIGHT.....1	1				
12A	121871GT	CLAMP,PULL TUBE HOSES,MID.....1	1				
12B	T115764GT	CLAMP,PULL TUBE,RIGHT,WK LT.....1 <i>(worklight option)</i>	1				
12C	228891GT	CLAMP,PULL TUBE HOSES,RH.....1 <i>(arctic high pressure hose kit)</i>	1				
13A	121870GT	CLAMP,PULL TUBE HOSES,LEFT.....1	1				
13B	T115763GT	CLAMP,PULL TUBE,LEFT,WK LT.....1 <i>(worklight option)</i>	1				
13C	228892GT	CLAMP,PULL TUBE HOSES,LH.....1 <i>(arctic high pressure hose kit)</i>	1				
14	1257867GT	SCREW,HHF,1/4-20X3.5,8,ZAG.....2	2				
15	824027GT	NUT,TL FLG,1/4-20,G,ZAG.....2	2				
16	81340GT	WEAR PAD ASSEMBLY,CABLE TRACK.....1	1				
17A	1256123GT	SCREW,HHC,1/4-20X3.25,8,ZAG.....4	4				
17B	50160GT	SCREW,HHC,1/4-20 X 3.75 <i>(welder and air line options)</i>					
18	121065GT	FORMING,CLAMP,TOP,CABLE TRACK.....2	2				
19	121095GT	CLAMP, OPTIONS, CABLETRACK.....2	2				
20A	T115580GT	CLAMP,CABLE TRACK.....1	1				
20B	1257230GT	CLAMP,CABLE TRACK.....1 <i>(arctic high pressure hose kit)</i>	1				
21	824024GT	NUT, TL, 1/4-20, C, ZAG.....1	1				
22	824113GT	WASHER,FLAT,USS,1/4,ZAG.....2	2				
23	1268605GT	SCREW,HHC,1/4-20X6,8,ZAG.....1	1				
24	6019GT	SCREW,HHC,3/8-16 X 1.25 GRD 5.....1	1				
25	6097GT	WASHER,FLAT,USS,3/8",Y.....1	1				
26	121061GT	WELDMENT,CABLE TRACK TRAY.....1	1				
27	121064GT	CABLE TRACK,SX,70 LNK.....1 <i>(Include items 18 &amp; 28)</i>	1				
--	122661GT	REPAIR KIT,4 LINK,W/GUIDE					

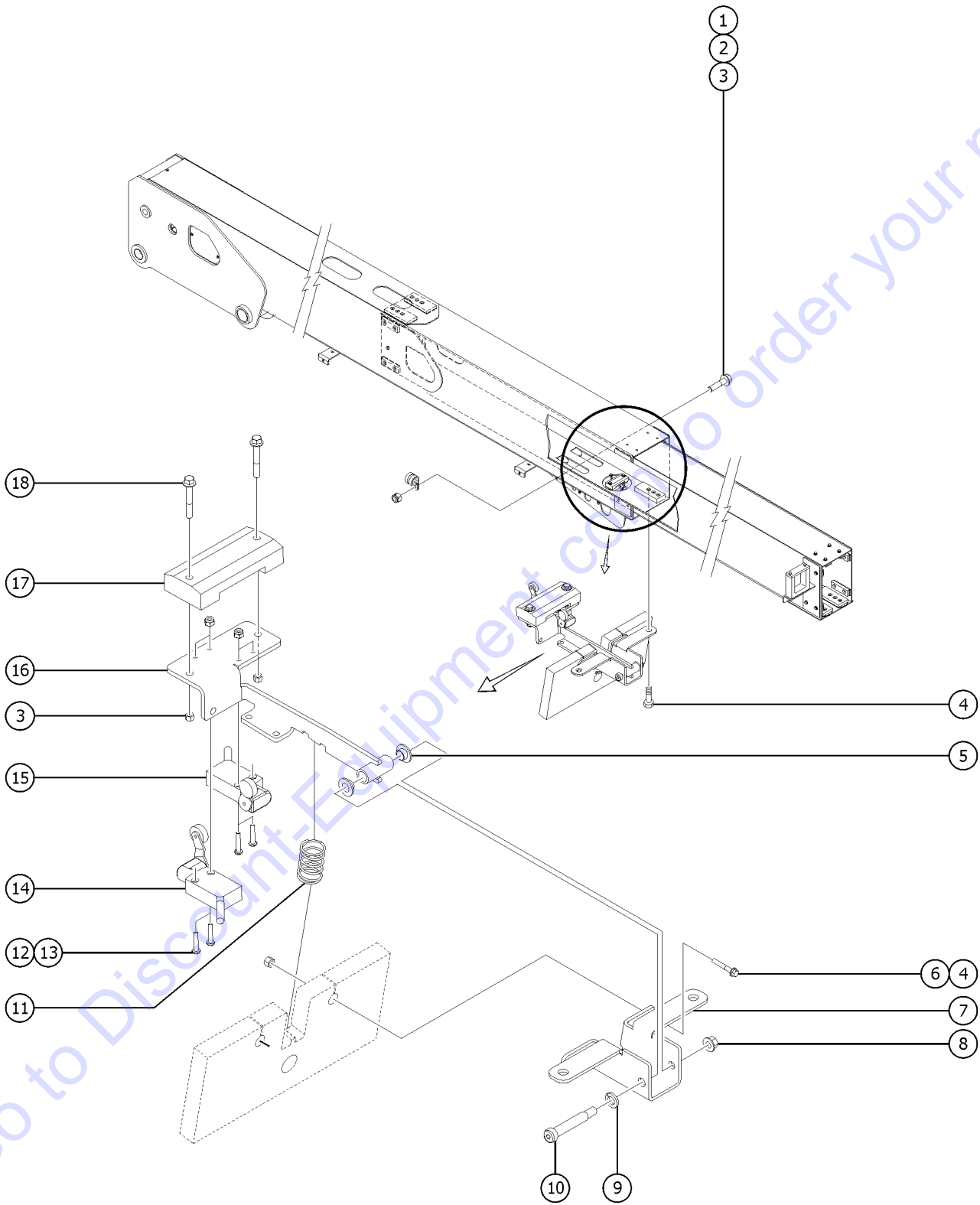
502.1 Extension Boom Tube 1, S-80 and S-85



## 502.1 Extension Boom Tube 1, S-80 and S-85

Item	Part No.	Description	Qty.
1	824078GT	SCREW,HHF,1/4-20X.75,8,ZAG.....7	
2	56912GT	SPRING CLIP,1/4-20,.025-.15X.54,ZAG.....7	
3		Ref. LIMIT SWITCH.....1 (refer to 316.1 and 317.1)	
4	51063GT	SCREW,PHILLIPS,RHM,10-32 X 1.5.....2	
5	121025GT	ASSEMBLY,BOOM SEC #1.....1	
--	121100GT	WELDMENT,BOOM SEC #1	
6	1283888GT	SHIM,WEAR PAD,5X1.5,16GA.....8	
7	38620GT	SHIM,WEAR PAD,5 X 1.5,14GA.....6	
8	30138GT	WEAR PAD,5 X 1.5 X .625 W/NUTS.....2	
9	824067GT	SCREW,HHC,3/8-16X1,8,ZAG.....13	
10	73461GT	WEAR PAD,5 X 1.5 X .875 W/NUTS.....4	
11	88648GT	WEAR PAD,7X3X.625 W/NUTS.....2	
12	1283565GT	SHIM,WEAR PAD,7 X 3,12GA.....2	
13	1283564GT	SHIM,WEAR PAD,7 X 3,16GA.....2	
14	121164GT	BAR,SPACER.....2	
15	824092GT	SCREW,HHF,3/8-16X1.5,8,ZAG.....4	
16	27697GT	BEARING,2.50IDX2.75ODX1.50L.....2	
17	121754GT	BEARING,3.00IDX3.50DX2.25LG.....2	
18	50560GT	BEARING,1.25IDX1.50ODX1.50L.....1	
19	110876GT	BEARING,1.5"ID X 1.75OD X1.25L.....2	
20	101559GT	BEARING,FL,2.50IDX2.75ODX1.61L.....2	
21	61745GT	CLAMP,2.25,#36 X 3/8,RUB CUSH.....1	
22	121029GT	COVER PLATE,BOOM.....2	
23	1284532GT	FORMING,COVER,PRIM.Boom,PAINTED.1	
24	824029GT	NUT, TL FLG, 3/8-16, G, ZAG.....2	

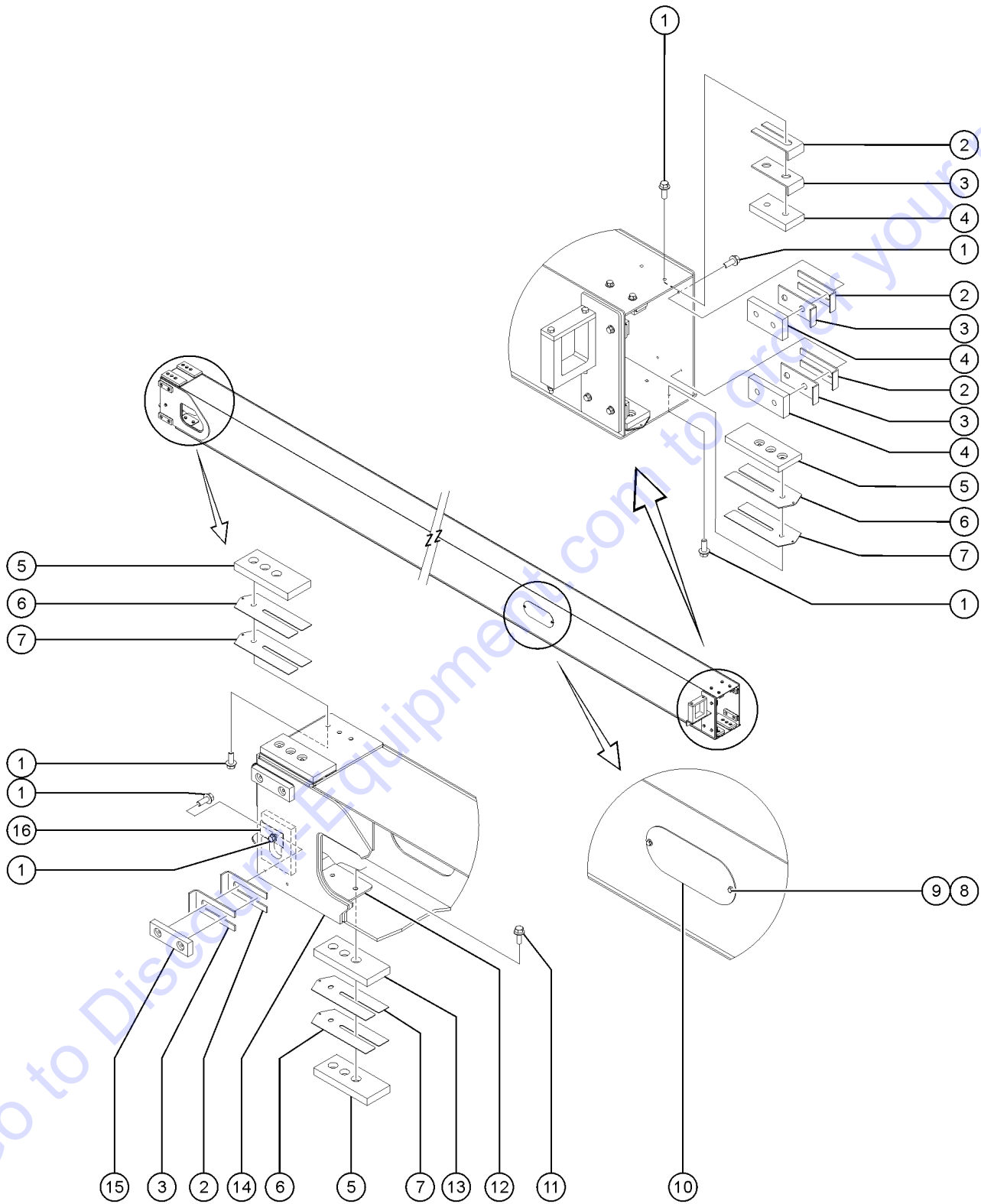
503.1 Extension Boom Tube 1, S-80X



## 503.1 Extension Boom Tube 1, S-80X

Item	Part No.	Description	Qty.
1	824079GT	SCREW,HHF,1/4-20X1.8,ZAG	
2	6833GT	CLAMP,0.50,#8 X 1/4,RUB CUSH.....3	
3	824024GT	NUT, TL, 1/4-20, C, ZAG	
4	824093GT	SCREW,HHF,3/8-16X1.75,8,ZAG	
5	47222GT	WASHER,SHOULDER,NYLON.....2	
6	824025GT	NUT,TL,3/8-16,C,ZAG	
7	147628GT	COVER, LIMIT SWITCH ARM MOUNT...1	
8	824028GT	NUT,TL FLG,5/16-18,G,ZAG	
9	824110GT	WASHER,LOCK,3/8,ZAG	
10	1257863GT	BOLT,SHS,3/8X1.75X5/16-18,ZAG	
11	T112459GT	SPRING,0.984"OD X 1.50"LG.....1	
12	54380GT	SCREW,PHILLIPS,PHM,8-32 X .875	
13	18605GT	NUT,NYLOCK,8-32	
14	T106478GT	HARN,LS OP PRI.DUAL CAP.....1	
--	<del>136644</del> 14B61GT	LIMIT SWITCH,BLUE,MICRO	
15	T106479GT	HARN,LS SAFETY,PRI.DUAL CAP.....1	
--	<del>136644</del> 14B61GT	LIMIT SWITCH,BLUE,MICRO	
16	147631GT	WELDMENT, LIMIT SWITCH ARM.....1	
17	147505GT	WEARPAD, LIMIT SWITCH GUIDE.....1	
18	824082GT	SCREW,HHF,1/4-20X1.75,8,ZAG	

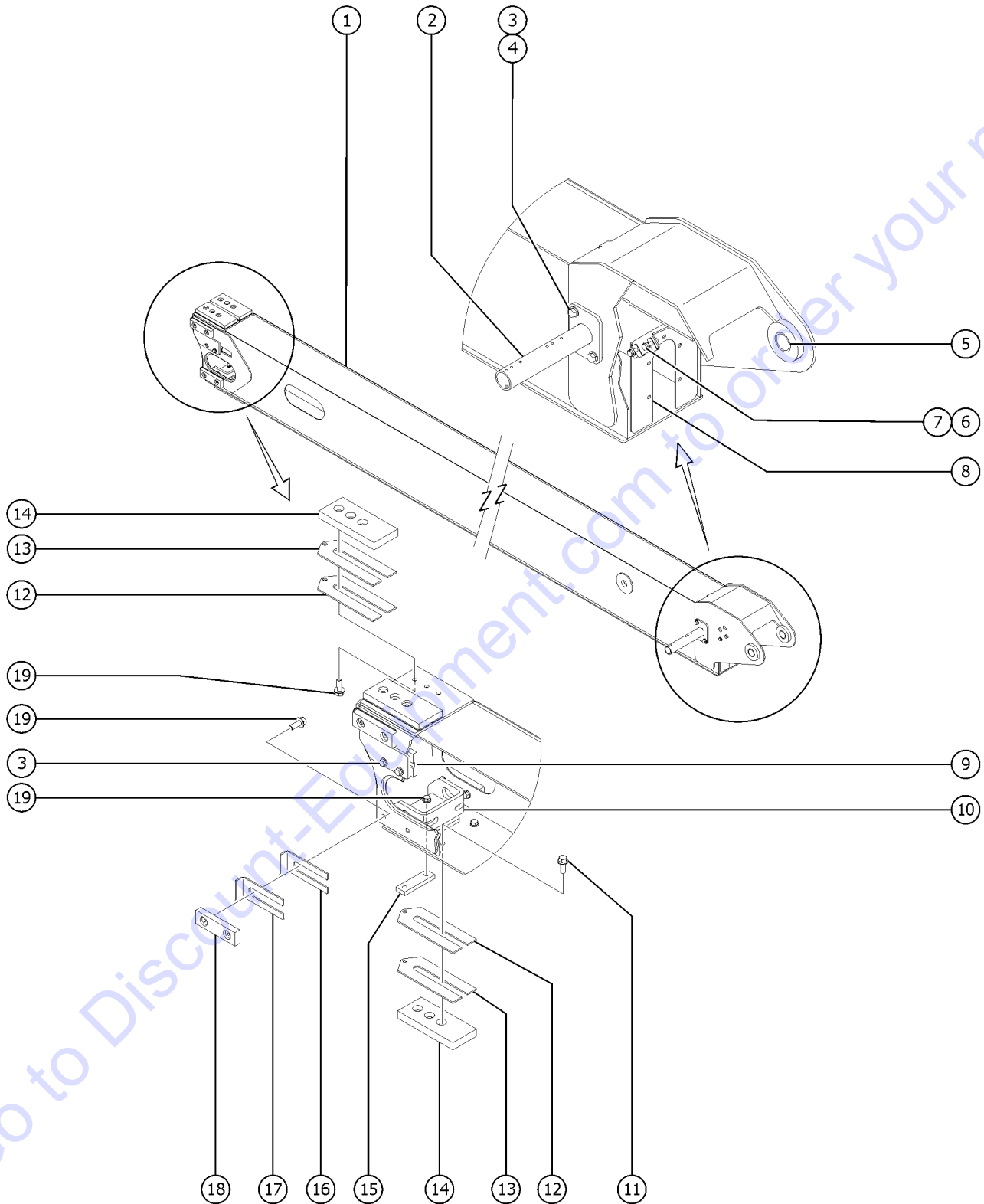
504.1 Extension Boom Tube 2



Item	Part No.	Description	Qty.
1	824090GT	SCREW,HHF,3/8-16X1.8,ZAG.....	29
2	1283888GT	SHIM,WEAR PAD,5X1.5,16GA.....	10
3	38620GT	SHIM,WEAR PAD,5 X 1.5,14GA.....	10
4	73461GT	WEAR PAD,5 X 1.5 X .875 W/NUTS.....	6
5	88648GT	WEAR PAD,7X3X.625 W/NUTS.....	5
6	1283565GT	SHIM,WEAR PAD,7 X 3,12GA.....	5
7	1283564GT	SHIM,WEAR PAD,7 X 3,16GA.....	5
8	824078GT	SCREW,HHF,1/4-20X.75,8,ZAG.....	4
9	56912GT	SPRING CLIP,1/4-20,.025-.15X.54,ZAG.....	4
10	77884GT	COVER,BOOM SECTION #2.....	2
11	1256118GT	SCREW,HHC,3/8-16X1.5,8,ZAG.....	2
12	121045GT	FORMING,LS RAMP.....	1
13	121164GT	BAR,SPACER.....	1
14	147620GT	WELDMENT, BOOM SEC #2, S80 DC....	1
15	30138GT	WEAR PAD,5 X 1.5 X .625 W/NUTS.....	4
16	121658GT	CAP,EXTENSION.....	2

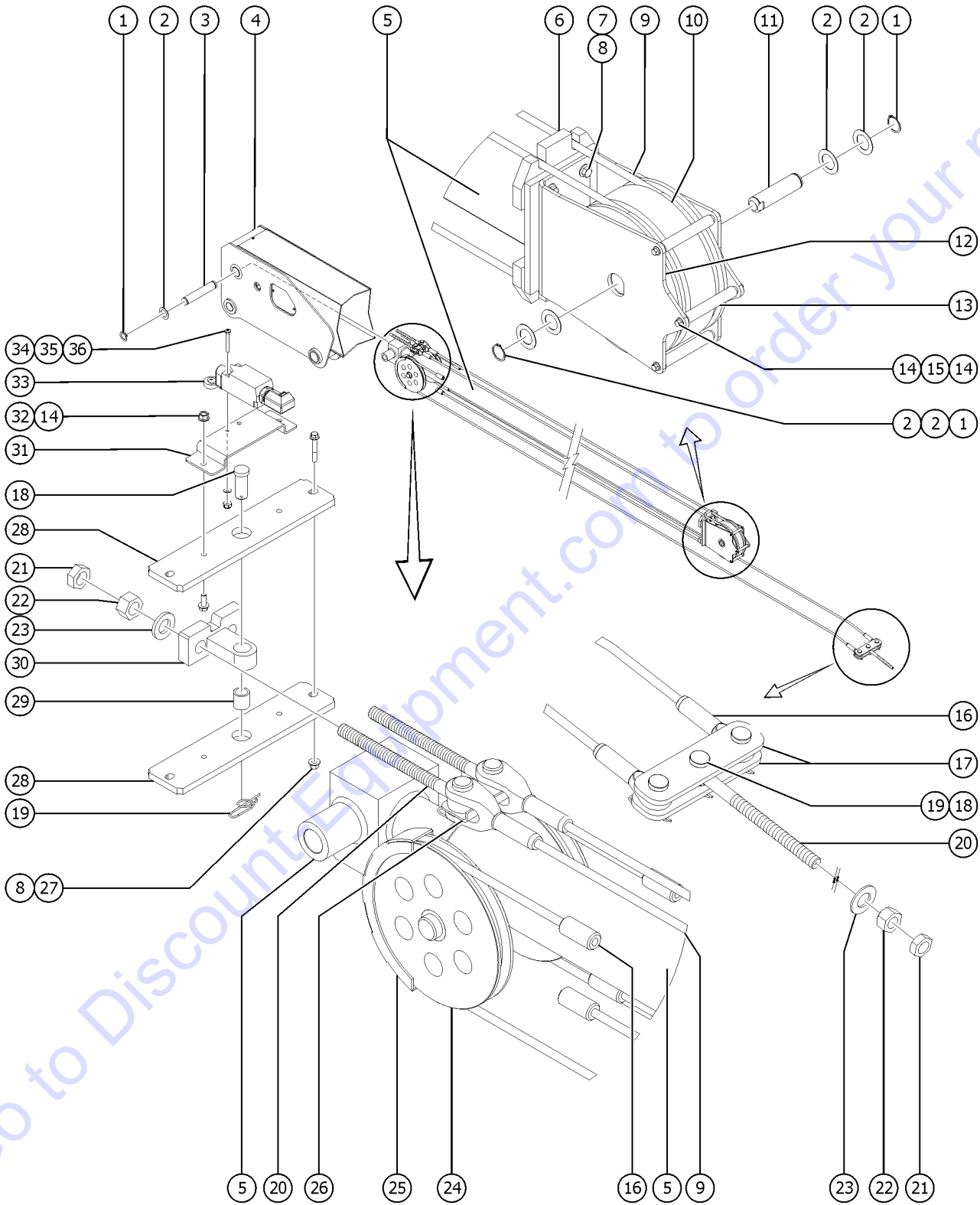


505.1 Extension Boom Tube 3



Item	Part No.	Description	Qty.
1	147484GT	WELDMENT,BOOM SEC #3.....	1
2	81347GT	WELDMENT,TRACK PULL TUBE PIVOT.....	1
3	824068GT	SCREW,HHC,3/8-16X1.25,8,ZAG.....	6
4	824029GT	NUT, TL FLG, 3/8-16, G, ZAG.....	2
5	147544GT	BEARING,1.25IDX1.50ODX2.25L.....	2
6	824079GT	SCREW,HHF,1/4-20X1,8,ZAG.....	4
7	56912GT	SPRING CLIP,1/4-20,.025-.15X.54,ZAG.....	4
8	121030GT	FORMNG,DEBRIS COVER,SEC #3.....	1
9	121163GT	PLATE,CABLE BLOCK.....	2
10	121160GT	WELDMENT,EXTENSION BRACKET.....	1
11	824089GT	SCREW,HHF,3/8-16X.75,8,ZAG.....	4
12	1283564GT	SHIM,WEAR PAD,7 X 3,16GA.....	4
13	1283565GT	SHIM,WEAR PAD,7 X 3,12GA.....	4
14	88648GT	WEAR PAD,7X3X.625 W/NUTS.....	4
15	1264897GT	PLATE,TAP BLOCK.....	1
16	1283888GT	SHIM,WEAR PAD,5X1.5,16GA.....	4
17	38620GT	SHIM,WEAR PAD,5 X 1.5,14GA.....	4
18	30138GT	WEAR PAD,5 X 1.5 X .625 W/NUTS.....	4
19	824067GT	SCREW,HHC,3/8-16X1,8,ZAG.....	14

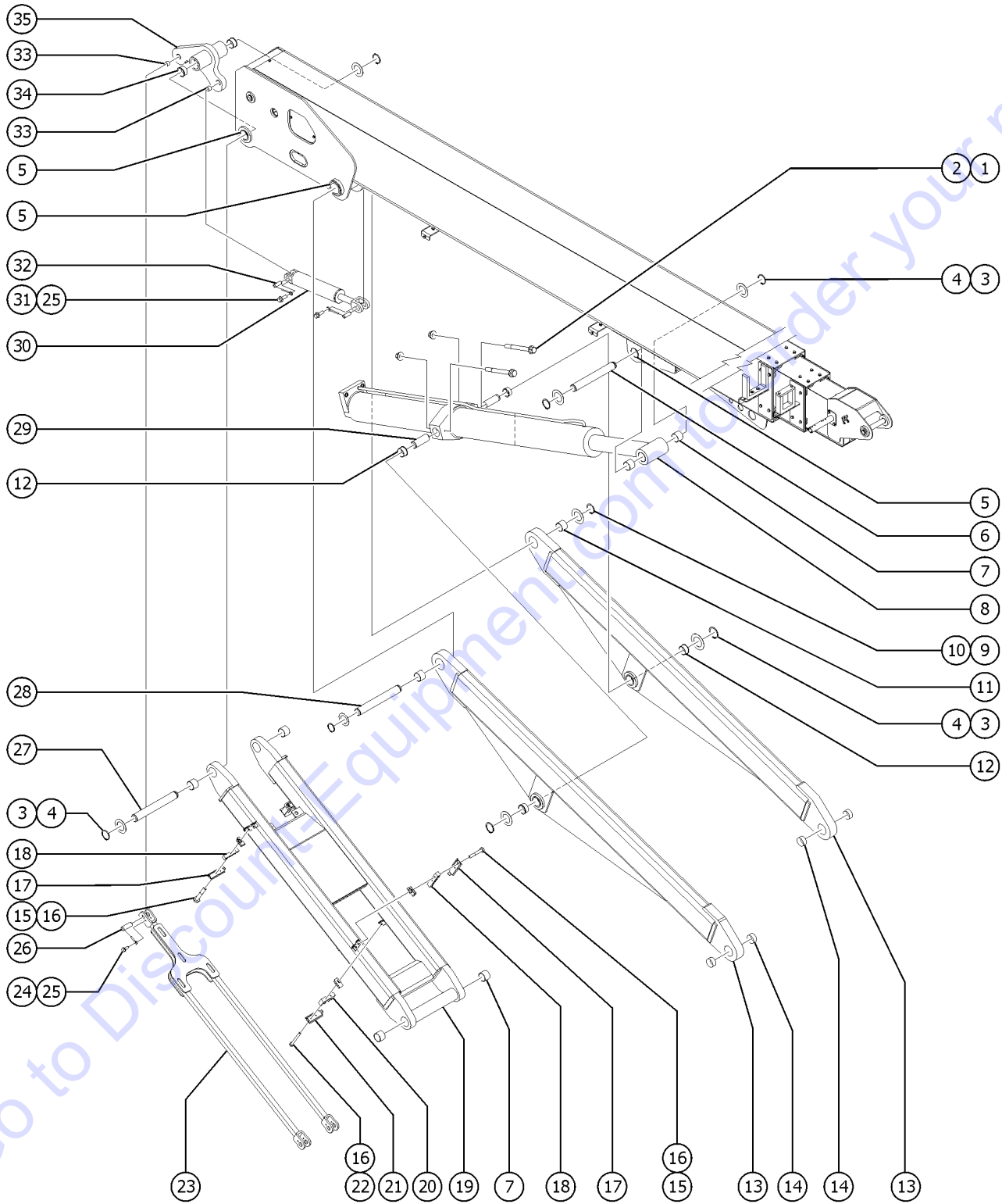
506.1 Cable Assembly and Primary Extension Cylinder



506.1 Cable Assembly and Primary Extension Cylinder

Item	Part No.	Description	Qty.	Item	Part No.	Description	Qty.
A	217710GT	KIT,EXT/RET CABLE REPLMNT,S80/85 <i>(replaces all extension and retraction cables) (contains all necessary hardware and fasteners) (for easier installation, suggest ordering 94510, below)</i>		28	121028GT	PLATE,ROCKER.....	2
B	94510GT	TOOL,CABLE GRIP, 7/16" <i>(for installation of 217710)</i>		29	25817GT	BEARING,1.00IDX1.25ODX1.00L.....	1
1	825796GT	SNAP RING,EXTERNAL,1.50,ZAG.....	4	30	121180GT	ASSEMBLY,PIVOT PLATE.....	1
2	1251565GT	WASHER,SHIM,1.56X2.5X.061,ZAG.....	6	--	121181GT	MACH.,PIVOT PLATE WELDMNT	
3	121034GT	PIN,1.500 X 15.000,2 RINGS.....	1	31	77653GT	FORMING,LIMIT SWITCH BRACKET.....	1
4		Ref. BOOM NUMBER 1..... <i>(refer to 502.1)</i>	1	32	824027GT	NUT,TL FLG,1/4-20,G,ZAG.....	2
5	121142GT	CYLINDER,PRIMARY EXTENSION***.....	1	33		Ref. HARNESS,LS,CHAIN BREAK S80/85..... <i>(refer to 316.1 or 317.1)</i>	1
--	121762GT	VALVE,COUNTERBALANCE,1000 ATM <i>(extend valve)</i>		34	51063GT	SCREW,PHILLIPS,RHM,10-32 X 1.5.....	2
--	146058GT	SEAL KIT (121142)		35	6146GT	WASHER,FLAT,MS,#10,Y.....	2
--	43018GT	SEAL KIT (39345) <i>(used with valves 77409 and 121762)</i>		36	6178GT	NUT,NYLOCK,10-32.....	2
--	77409GT	VALVE,COUNTERBALANCE,1000 ATM <i>(retract valve)</i>					
6	121155GT	GUIDE,EXT. CABLES.....	2				
7	1253478GT	SCREW,HHF,3/8-16X2,8,ZAG.....	4				
8	824029GT	NUT, TL FLG, 3/8-16, G, ZAG.....	6				
9	121149GT	CABLE ASSY,EXTEND.....	2				
10	121147GT	SHEAVE,EXTEND.....	1				
11	121156GT	PIN,DIA. 1.50 X 5.875.....	1				
12	121146GT	FORMING,BRACKET,EXTEND SHEAVE.....	1				
13	121670GT	ROLLER,1/2" PVC.....	3				
14	824078GT	SCREW,HHF,1/4-20X.75,8,ZAG.....	8				
15	121671GT	ROLLER,1/2" ALUMINUM.....	3				
16	121150GT	CABLE ASSY,RETRACT.....	2				
17	121044GT	PLATE,RETRACT CABLE EQUALIZER.....	2				
18	87247GT	PIN,CLEVIS,1X2.25 LG.....	4				
19	74389GT	RUE RING,1.00.....	6				
20	77656GT	ROD END,CABLE.....	3				
21	1256837GT	NUT,JAM,3/4-10,A, ZAG.....	3				
22	1268597GT	NUT,3/4-10,8,ZAG.....	3				
23	1256863GT	WASHER,FLAT,.75,SAE,HRD,ZAG.....	3				
24	88568GT	SHEAVE,RETRACT CABLE(SMALLER).....	2				
25	121151GT	WELDMNT,RETRACT SHEAVE COVER.....	1				
--	824078GT	SCREW,HHF,1/4-20X.75,8,ZAG					
26	121189GT	PLATE,ANTIROTATION.....	1				
27	1256856GT	SCREW,HHF,3/8-16X2.5,8,ZAG.....	2				

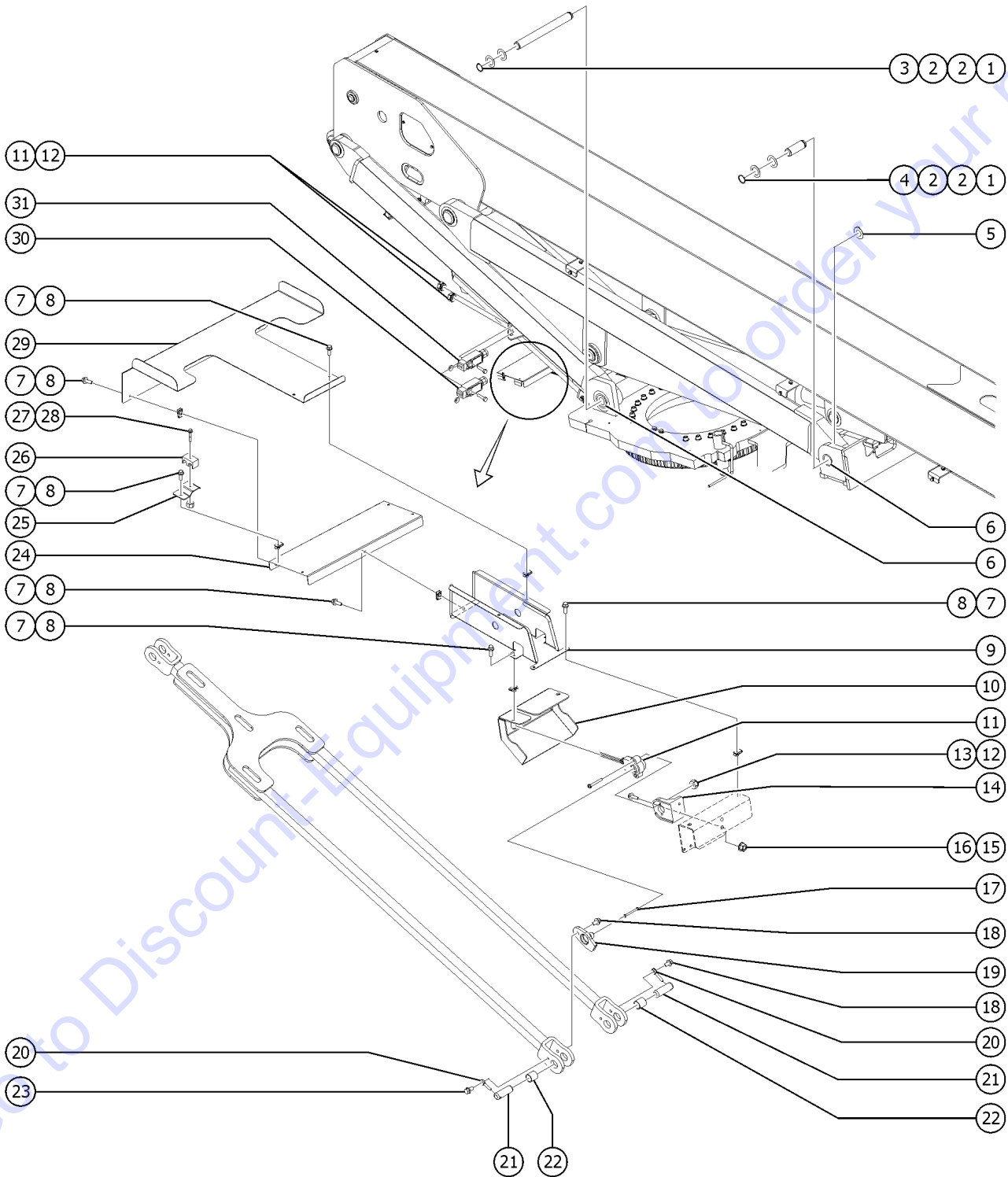
507.1 Boom Link Assembly - View 1



507.1 Boom Link Assembly - View 1

Item	Part No.	Description	Qty.	Item	Part No.	Description	Qty.
1	1268601GT	SCREW,HHF,1/2-13X5,8,ZAG.....	2	33	50560GT	BEARING,1.25IDX1.50ODX1.50L.....	2
2	1251997GT	NUT,TL FLG,1/2-13,G,ZAG.....	2	34	101566GT	BEARING,FL,2.50IDX2.75ODX1.36L.....	2
3	825760GT	SNAP RING,EXTERNAL,2.50,ZAG.....	6	35	121345GT	WELDMENT,PLATE,LEVER MAST CYL,.....	1
4	1256111GT	WASHER,SHIM,2.5X4X.062,ZAG.....	6				
5		Ref. BEARING (refer to 502.1)					
6	121031GT	PIN,2.50 X 12.200,2 RINGS.....	1				
7	27698GT	BEARING,2.50IDX2.75ODX2.00L.....	6				
8	121140GT	CYLINDER,LIFT,S80-85***.....	1				
--	1251820GT	GLAND NUT SEAL ASSY					
--	146059GT	SEAL KIT (121140)					
--	31106GT	VALVE,CNTERBAL,CBBB-LHN@3000**					
--	43018GT	SEAL KIT (39345) (used on valve 31106)					
9	825762GT	SNAP RING,EXTERNAL,3.00,ZAG.....	2				
10	1258728GT	WASHER,FLAT,3.062X4.5X.05,ZAG.....	2				
11	121406GT	BEARING,3.00IDX3.25ODX2.50LG.....	2				
12	101559GT	BEARING,FL,2.50IDX2.75ODX1.61L.....	4				
13	121158GT	WELDMENT,LONG LINK.....	2				
14	121399GT	BEARING,2.50IDX2.75OBX1.25LG.....	4				
15	824063GT	SCREW,HHC,1/4-20X1.75,8,ZAG.....	4				
16	56912GT	SPRING CLIP,1/4-20,.025-.15X.54,ZAG.....	8				
17	229338GT	CLAMP,TOP WELD OPT,SHORT LINK.....	2				
18	229337GT	CLAMP,ELEC.WELD OPT,SHORT LINK.....	2				
19	121157GT	WELDMENT,SHORT LINK.....	1				
20	121087GT	CLAMP,HYD,SHORT LINK.....	2				
--	229327GT	CLAMP,SHORT LINK (arctic high pressure hose kit)					
21	121089GT	CLAMP,TOP,SHORT LINK.....	2				
22	1256803GT	SCREW,HHC,1/4-20X2.75,8,ZAG.....	4				
23	121646GT	WELDMENT,MASTER LINK..... (angle sensor calibration required after replacement)	1				
24	122201GT	SCREW,FLANGE,HHC,3/8-16X1.00.....	1				
25	1255452GT	ROD END,.375 X 2.25,ZAG.....	3				
26	50742GT	PIN,1.25DIA X 3.75LG,1HOLE.....	1				
27	121032GT	PIN,2.500 X 19.750,2 RINGS.....	1				
28	121033GT	PIN, 3.00 X 21.50, 2 RINGS.....	1				
29	121039GT	PIN,2.500X6.900,1 RING,1 HOLE.....	2				
30	121236GT	CYLINDER,MASTER***.....	1				
--	146060GT	SEAL KIT (121236)					
31	824090GT	SCREW,HHF,3/8-16X1,8,ZAG.....	2				
32	119032GT	PIN,1.25DIA X 4.38LG,1HOLE.....	2				

508.1 Boom Link Assembly - View 2

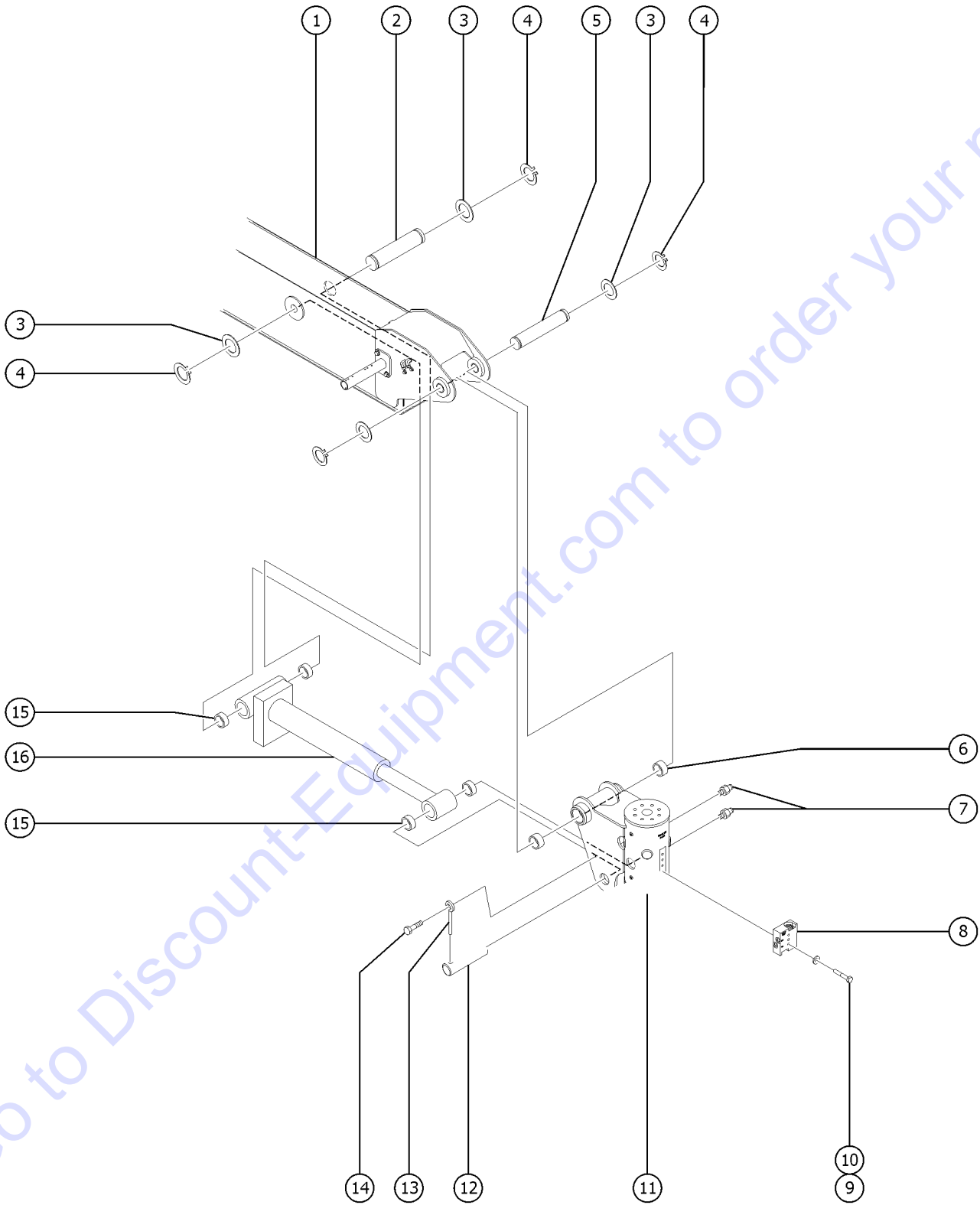


## 508.1 Boom Link Assembly - View 2

Item	Part No.	Description	Qty.
1	825760GT	SNAP RING,EXTERNAL,2.50,ZAG.....6	
2	1256111GT	WASHER,SHIM,2.5X4X.062,ZAG.....12	
3	121388GT	PIN,2.50DIAX24.50,2RINGS,TAPER.....1	
4	121387GT	PIN,2.50DIAX7.00,2 RINGS,TAPER.....2	
5	121869GT	FORMING,LINK THRUST WASHER.....4	
6	121399GT	BEARING,2.50IDX2.75OBX1.25LG.....6	
7	824078GT	SCREW,HHF,1/4-20X.75,8,ZAG.....13	
8	56912GT	SPRING CLIP,1/4-20,.025-.15X.54,ZAG.....13	
9	121822GT	WELDMENT,CABLE GUIDE.....1	
10	121865GT	LIMIT SW COVER.....1	
11	94980GT	SENSOR,DUAL OUTPUT,ANGLE***.....1 <i>(calibration required after replacement)</i>	
12	15513GT	NUT,HEX,10-32	
13	75041GT	SCREW,PHILLIPS,PHM,10-32 X 1	
14	121391GT	INJECTION,ANGLE SENSOR BRACKET.....1	
15	824027GT	NUT,TL FLG,1/4-20,G,ZAG.....2	
16	824079GT	SCREW,HHF,1/4-20X1,8,ZAG.....2	
17	101599GT	KEY,BALL POINT HEX.....1	
18	824089GT	SCREW,HHF,3/8-16X.75,8,ZAG.....2	
19	121650GT	INJECTION, 10 DEGREE LIMIT CAM.....1	
20	1255452GT	ROD END,.375 X 2.25,ZAG.....2	
21	50742GT	PIN,1.25DIAX3.75LG,1HOLE.....2	
22	50560GT	BEARING,1.25IDX1.50ODX1.50L.....2	
23	75051GT	SCREW,SER FLNG3/8UNCX3/4ZNYEL.....1	
24	121819GT	FORMING,CABLE SUPPORT.....1	
25	219393GT	FORMING,BRACKET BATTERY CABLE.....1	
26	70289GT	CLAMP,LINK,LH WELD WIRE.....1	
27	824081GT	SCREW,HHF,1/4-20X1.5,8,ZAG.....1	
28	824024GT	NUT, TL, 1/4-20, C, ZAG.....1	
29	121820GT	FORMING,CABLE COVER.....1	
30	T107193GT	HARN,LS OP PRI VEL LST3O.....1 <i>(refer to 316.1 or 317.1)</i>	
--	110771-1310GT	SWITCH,LIMIT,W/RLLR ARM,NO/NC <i>(refer to 316.1 or 317.1)</i>	
31	T107194GT	HARN,LS SAFETY PRI VEL LST3S.....1 <i>(S-80X only) [when replacing, customer must calibrate Angle Sensor item 11 (94980)] (refer to 312.1)</i>	
--	110771-1117GT	SWITCH,LIMIT,W/RLLR ARM,NO/NC	



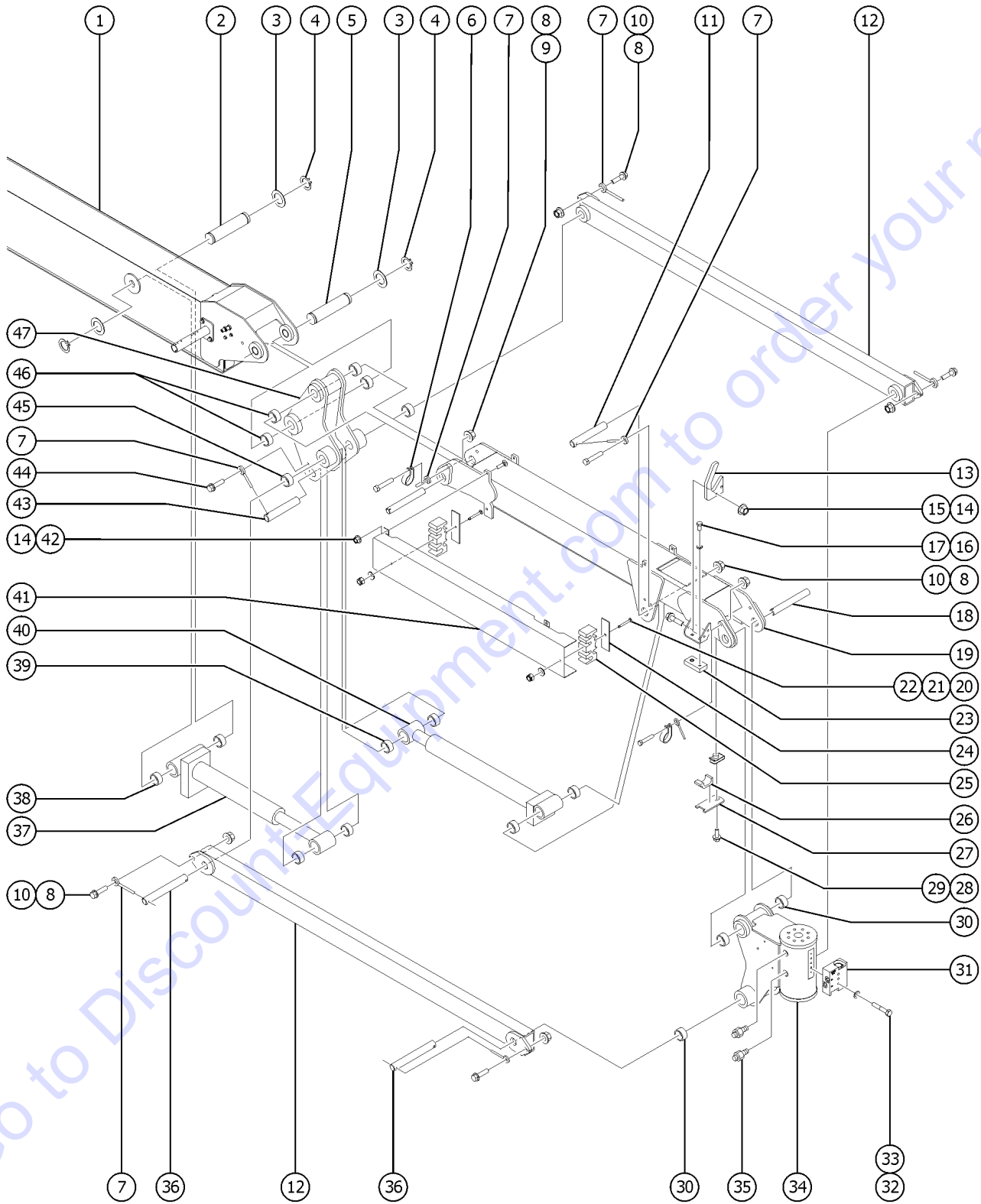
509.1 Platform Rotator, S-80X and S-80



## 509.1 Platform Rotator, S-80X and S-80

Item	Part No.	Description	Qty.
A	61283GT	SLEAVING,PARKER TEK,2.00"	
1		Ref., BOOM TUBE 3 <i>(refer to 504.1)</i>	
2	88345GT	PIN,1.25DIAX8.26LG,2RING.....1	1
3	824151GT	WASHER,SHIM,1.270X2.130X.062,Z....4	4
4	824164GT	SNAP RING,EXTERNAL,1.25,ZAG.....4	4
5	147485GT	PIN,1.250 X 10.125, 2 RINGS.....1	1
6	30370GT	BEARING,1.25IDX1.5ODX1.00L.....2	2
7	88516GT	SCREW,BLEEDER,M5X0.8.....2	2
8		Ref., ROTATOR MANIFOLD <i>(refer to 703.1)</i>	
9	824062GT	SCREW,HHC,1/4-20X1.5,8,ZAG.....3	3
10	824109GT	WASHER,LOCK,1/4,ZAG.....3	3
11A	88576GT	ROTATOR,NON-JIB.....1 <i>(S-80)</i>	1
--	122944GT	SEAL KIT,8K ROTATOR*** <i>(use with rotator 88576)</i>	
11B	226541GT	ROTATOR,PLATFORM,15K.....1 <i>(S-80X)</i>	1
--	226542GT	SEAL KIT, 15K ROTATOR <i>(use with rotator 226541)</i>	
12	T108075GT	PIN,1.25DIAX5.25LG,1HOLE.....2	2
13	825019GT	ROD END,.375X3.69,ZAG.....1	1
14	1256118GT	SCREW,HHC,3/8-16X1.5,8,ZAG.....1	1
15	47377GT	BEARING,1.25 ID X 1.5 OD X .75.....4	4
16	121234GT	CYLINDER,LEVEL.....1 <i>(includes item 15)</i>	1
--	237237GT	SEAL KIT (121234)	
--	43018GT	SEAL KIT (39345) <i>(use with valve 77303)</i>	
--	77303GT	VALVE, CNTRBAL 3500 PSI, ATM VEN	

510.1 Jib Boom and Platform Rotator, S-85

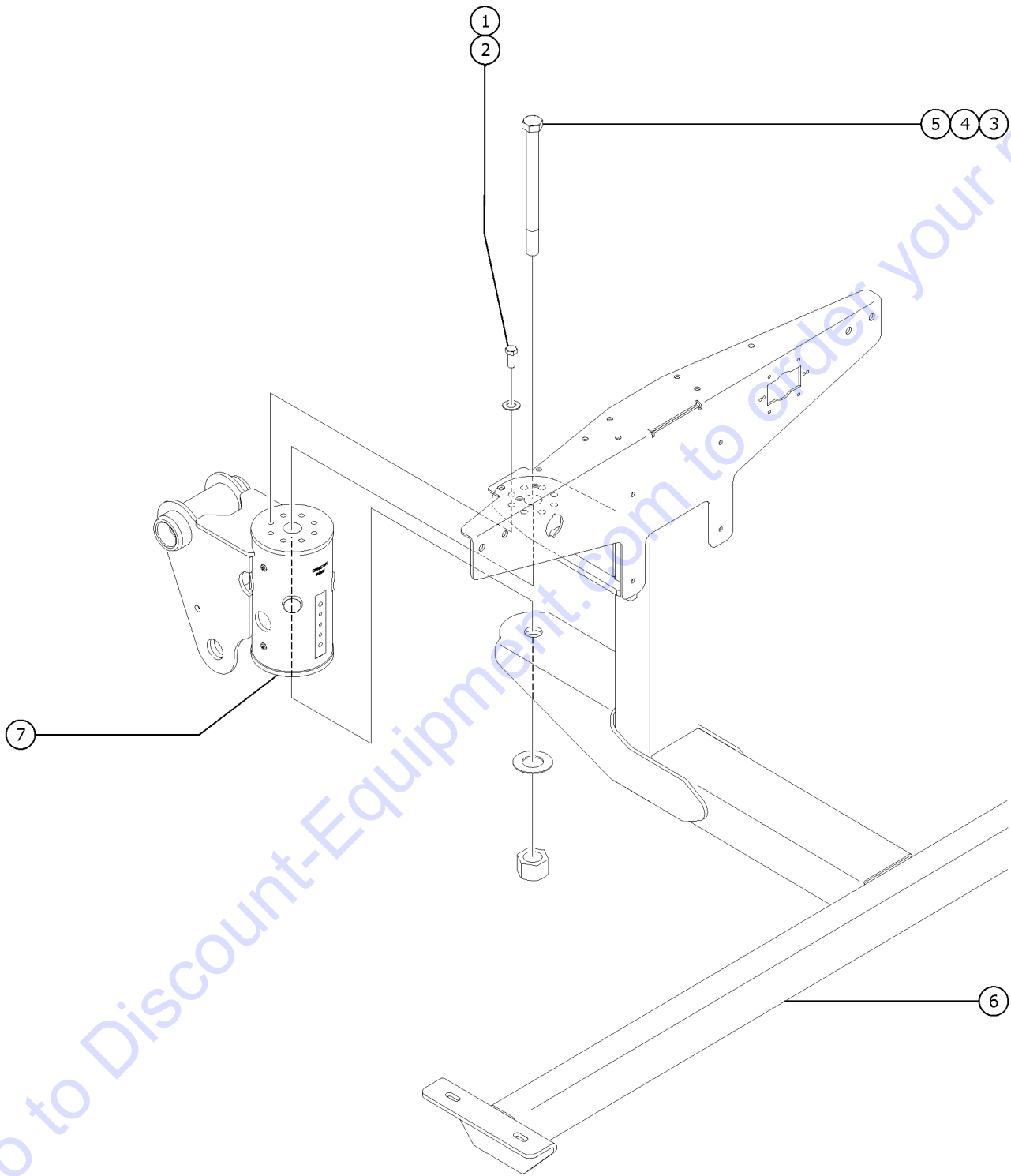


S-80X, S-80, S-85

510.1 Jib Boom and Platform Rotator, S-85

Item	Part No.	Description	Qty.	Item	Part No.	Description	Qty.
A	61283GT	SLEAVING,PARKER TEK,2.00".....24-inches		36	81175GT	PIN,1.25DIAX14.45LG,2HOLE.....	2
1		Ref., BOOM TUBE 3 (refer to 505.1)		37	121234GT	CYLINDER,LEVEL..... (includes items 38)	1
2	88345GT	PIN,1.25DIAX8.26LG,2RING.....	1	--	237237GT	SEAL KIT (121234)	
3	824151GT	WASHER,SHIM,1.270X2.130X.062,Z....	4	--	43018GT	SEAL KIT (39345) (use with valve 77303)	
4	824164GT	SNAP RING,EXTERNAL,1.25,ZAG.....	4	--	77303GT	VALVE, CNTRBAL 3500 PSI, ATM VEN	
5	147485GT	PIN,1.250 X 10.125, 2 RINGS.....	1	38	47377GT	BEARING,1.25 ID X 1.5 OD X .75.....	4
6	77181GT	CLAMP,1.63,#26 X 3/8,RUB CUSH.....	2	39	47377GT	BEARING,1.25 ID X 1.5 OD X .75.....	4
7	825019GT	ROD END,.375X3.69,ZAG.....	8	40	63213GT	CYLINDER,JIB (STICK BOOMS)..... (includes items 39)	1
8	824029GT	NUT, TL FLG, 3/8-16, G, ZAG.....	7	--	33428GT	VALVE,COUNTERBALANCE	
9	5224GT	SCREW,HHC,3/8-16 X 2.....	2	--	43018GT	SEAL KIT (39345)	
10	824092GT	SCREW,HHF,3/8-16X1.5,8,ZAG.....	5	--	63353GT	SEAL KIT,CYL,S65 (63213)	
11	T108077GT	PIN,1.25DIAX7.00LG,1HOLE.....	1	41	128454GT	COVER, JIB HOSES/CABLES**.....	1
12	61306-SGT	COMPR.LINK,MACHINED,GND CONTR*.....	2	42	1256127GT	BOLT,CARRIAGE,1/4-20X1.5,ZAG.....	4
13	128482GT	HOSE GUIDE, JIB.....	1	43	T108075GT	PIN,1.25DIAX5.25LG,1HOLE.....	1
14	824027GT	NUT,TL FLG,1/4-20,G,ZAG.....	6	44	122209GT	SCREW,HHF,3/8-16 X1.50.....	1
15	824079GT	SCREW,HHF,1/4-20X1,8,ZAG.....	2	45	128268GT	BEARING,FL, 1.25X1.5X2.13.....	2
16	1256109GT	SCREW,HHC,3/8-16X.75,8,ZAG.....	4	46	35675GT	BEARING,FL,1.25IDX1.5ODX1.25L.....	4
17	824110GT	WASHER,LOCK,3/8,ZAG.....	4	47	77991GT	BELLCRANK WELDMENT,JIB.....	1
18	T108076GT	PIN,1.25DIAX7.88LG,1HOLE.....	2				
19	128450GT	MACHINING, JIB BOOM WELDMENT**.....	1				
20	1256180GT	BOLT,CARRIAGE,1/4-20X2.75,5,ZAG.....	2				
21	824113GT	WASHER,FLAT,USS,1/4,ZAG.....	2				
22	824024GT	NUT, TL, 1/4-20, C, ZAG.....	2				
23	81640GT	WEAR PAD,3 X 1.5 X.625 W/NUTS.....	2				
24	128483GT	BACKING PLATE, HOSE BLOCK, JIB....	2				
25	121857GT	CLAMP,JIB HOSE/CABLE.....	2				
26	119542GT	CLAMP,TWO HOSE.....	1				
27	119536PGT	BRACKET,HOSE CLAMP,PAINTED.....	1				
28	824078GT	SCREW,HHF,1/4-20X.75,8,ZAG.....	1				
29	56912GT	SPRING CLIP,1/4-20,.025-.15X.54,ZAG.....	1				
30	30222GT	BEARING,FL,1.25IDX1.41ODX1.50L.....	4				
31		Ref. MANIFOLD (refer to 703.1)					
32	824062GT	SCREW,HHC,1/4-20X1.5,8,ZAG.....	3				
33	824109GT	WASHER,LOCK,1/4,ZAG.....	3				
34	94397GT	ROTATOR,PLAT JIB,160 DEG***..... (includes items 35)	1				
--	122944GT	SEAL KIT,8K ROTATOR***					
--	75395GT	BEARING KIT,PLAT ROTATOR,SUPER					
35	88516GT	SCREW,BLEEDER,M5X0.8.....	2				

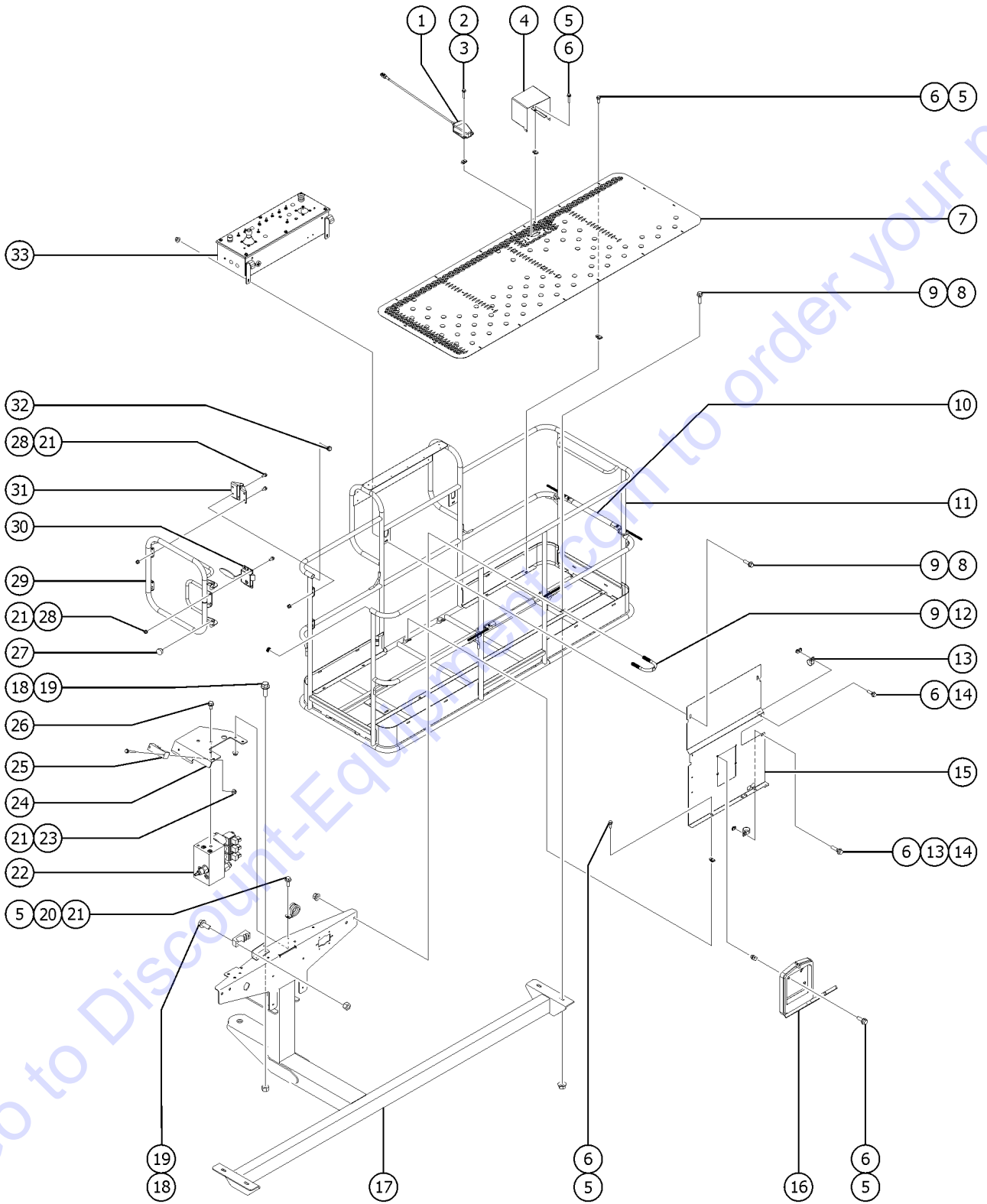
511.1 Platform Installation



Go to Discount-Equipment.com to order your parts

Item	Part No.	Description	Qty.
1A	1256843GT	SCREW,HHC,1/2-13X1.25,8,ZAG.....8 (S-80X, ANSI)	8
1B	826791GT	SCREW,HHC,3/8-16X.875,8,ZAG.....8 (S-80 & S-85)	8
2A	825353GT	WASHER,FLAT,1/2,SAE,HRD,ZAG.....8 (S-80X, ANSI)	8
2B	826793GT	WASHER,FLAT,3/8,SAE,HRD,ZAG.....8 (S-80 & S-85)	8
3A	824075GT	SCREW,HHC,1-8X12.75,5,ZAG.....1 (S-80X, ANSI)	1
3B	826792GT	SCREW,HHC,1-8X11,5,ZAG.....1 (S-80 & S-85)	1
4	824116GT	WASHER,FLAT,1.0,F436,HRD,ZAG.....1	1
5	826794GT	NUT,TL,1-8,C,ZAG.....1	1
6		Ref. PLATFORM MOUNT (refer to 601.1)	
7		Ref. PLATFORM ROTATOR (refer to 509.1 or 510.1)	

601.1 Platform Installation



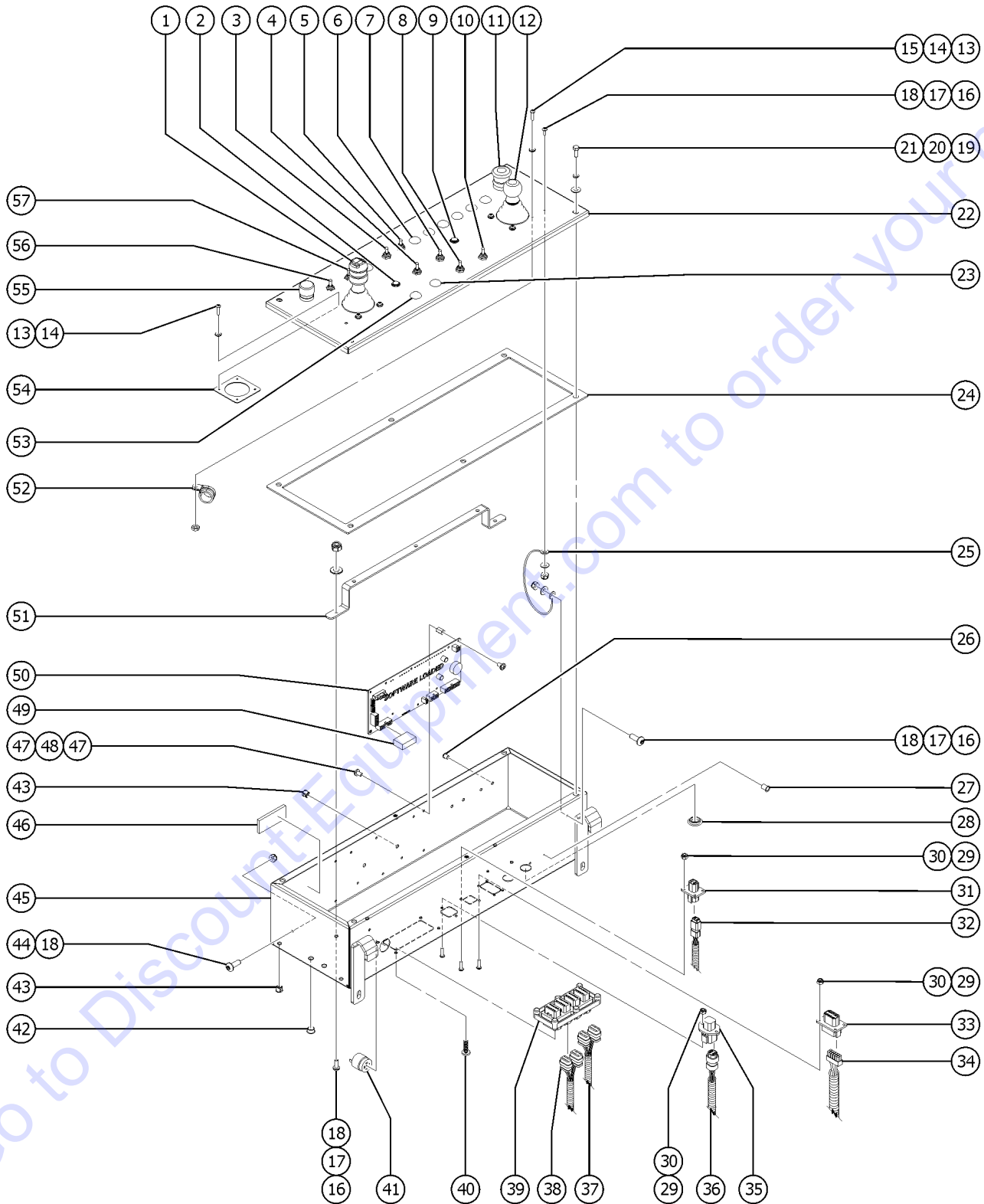
Go to Discount-Equipment.com to order your parts

601.1 Platform Installation

Item	Part No.	Description	Qty.	Item	Part No.	Description	Qty.
--	1272304GT	ASSY,8FT PLAT TRI LG,BLANK W/SIDE SWING GATE <i>(complete 8' platform assembly)</i>		22B		REF. MANIFOLD,PLATFORM <i>(S-85) (refer to 705.1)</i>	
--	1272303GT	ASSY,6FT PLAT DUAL LG,BLANK W/SIDE SWING GATE <i>(complete 6' platform assembly)</i>		23	1253485GT	SCREW,HHF,1/4-20X2,8,ZAG.....	2
1	227516GT	ASSEMBLY,FOOT SWITCH.....	1	24	121766GT	FORMING,PLATFORM MANIFOLD MNT	
2	1269641GT	SCREW,HHF-S,10-24X1,5,ZAG.....	2	25	121582GT	CLAMP,CABLE STRAIN RELIEF.....	1
3	73575GT	SPRING CLIP,10-24,.025-.125X.468,ZAG.....	2	--	T115766GT	CLAMP,STRAIN RELIEF,WK LT <i>(worklight option)</i>	
4	147121GT	COVER, FOOT SWITCH, LARGE.....	1	26	824089GT	SCREW,HHF,3/8-16X.75,8,ZAG.....	2
5	824078GT	SCREW,HHF,1/4-20X.75,8,ZAG		27	43392GT	BUMPER,BATTERY BOX & RAILS.....	2
6	56912GT	SPRING CLIP,1/4-20,.025-.15X.54,ZAG		28	1256855GT	SCREW,HHF,1/4-20X.625,8,ZAG.....	12
7A	73478PGT	FLOORING,8 FT PLATFORM**..... <i>(for 8' platform)</i>	1	29	1265397GT	WELDMENT, SWING GATE.....	1
7B	1267746GT	FLOORING, 72X30 PLATFORM..... <i>(for 6' platform)</i>	1	30	1267747GT	LATCH, SWING GATE.....	1
8	824091GT	SCREW,HHF,3/8-16X1.25,8,ZAG		31	104804GT	HINGE, SPRING, LONG LEG.....	2
9	824029GT	NUT, TL FLG, 3/8-16, G, ZAG		32	55753GT	BUMPER, PLASTIC, 1.25 O.D.....	2
10A	102992GT	SLIDING MIDRAIL KIT,PTD..... <i>(for 8' platform)</i>	2	33		REF. PLATFORM CONTROL BOX ASSEMBLY <i>(refer to 602.1)</i>	
10B	102992GT	SLIDING MIDRAIL KIT,PTD..... <i>(for 6' platform)</i>	1				
11A	1274859GT	ASSY,8' PLAT WELDMENT W/SIDE GATE..... <i>for 8' platform (includes item 10) (order floor separately)</i>	1				
11B	1274858GT	ASSY,6' PLAT WELDMENT W/SIDE GATE..... <i>(for 6' platform) (includes item 10)</i>	1				
12	1251600GT	U-BOLT, FLATTENED, 1.5 X 3/8 UNC,ZAG.....	2				
13	56424GT	CLAMP,1.25X.5 RUBBER-CUSHION....	3				
14	824079GT	SCREW,HHF,1/4-20X1,8,ZAG.....	3				
15	89377GT	PLATE,DOCUMENT BOX MOUNT.....	1				
16	24514GT	BOX,INSTRUCTION STORAGE.....	1				
17A		Ref. WELDMENT,PLATFORM SUPPORT,CE..... <i>CE models (refer to 820.1)</i>	1				
17B	147347GT	WELDMENT, PLAT SUPPORT..... <i>(for S-80X ANSI only)</i>	1				
17C	60370-SGT	PLATFORM SUPPORT WELDMNT-SERV*..... <i>(ANSI models)</i>	1				
18	824081GT	SCREW,HHF,1/4-20X1.5,8,ZAG					
19	824024GT	NUT, TL, 1/4-20, C, ZAG					
20	13268GT	CLAMP,0.75,#12 X 1/4,RUB CUSH.....	1				
21	824027GT	NUT,TL FLG,1/4-20,G,ZAG					
22A		REF. MANIFOLD,PLATFORM <i>(S-80 and S-80X) (refer to 704.1)</i>					



602.1 Platform Control Box



602.1 Platform Control Box

Item	Part No.	Description	Qty.	Item	Part No.	Description	Qty.
--	1258620GT	ASSY,PBOX,PERKINS 404D,S80/85 <i>(Perkins 404D-22T) Machine model and serial number required when ordering. Please contact Discount-equipment for assistance.</i>		11	66812GT	BUTTON,PUSH,RED MUSHROOM HEAD.....	1
--	1260214GT	ASSY,PBOX,GAS/LP,S80/85 <i>(Gas) Machine model and serial number required when ordering. Please contact Discount-equipment for assistance.</i>		--	146478GT	BOOT(BELLOWS),E-STOP,BLACK	
--	1260215GT	ASSY,PBOX,DIESEL,S80/85 <i>(Deutz TD 2011L04i models) Machine model and serial number required when ordering. Please contact Discount-equipment for assistance.</i>		--	94506GT	BASE,W/3 NC CONTACTS	
--	824583GT	ASSY, PBOX, T4 DEUTZ 2.9L S80 <i>(Deutz TD 2.9L4 models) Machine model and serial number required when ordering. Please contact Discount-equipment for assistance.</i>		12		Ref. JOYSTICK.....	1 <i>(refer to 603.1)</i>
--	121445GT	ASSY,PBOX JUMPER,GAS/LP <i>(Gas) Machine model and serial number required when ordering. Please contact Discount-equipment for assistance.</i>		13	139338GT	SCREW PH M5-0.8X20 DIN 7500CE....	8
--	121444GT	ASSY,PBOX JUMPER,DISEL <i>(Diesel) Machine model and serial number required when ordering. Please contact Discount-equipment for assistance.</i>		14	1269498GT	SHOULDER WASHER, NYLON.....	8
1		Ref. JOYSTICK.....	1 <i>(refer to 603.1)</i>	15	104030GT	NUT HEX M5-0.8 CLASS 8 ZINC	
2	218165GT	LIGHT,INDICATOR,RED 12V H-BRI.....	1	16	54365GT	SCREW,PHIL,PHM,10-32 X .5,SSTL....	7
3	128204GT	SWITCH TOGGLE ASSY SPDT 2P MNT.....	1	17	6146GT	WASHER,FLAT,MS,#10,Y.....	6
4	128200GT	SWITCH TOGGLE ASSY SPDT 3P MOM.....	1	18	6178GT	NUT,NYLOCK,10-32.....	7
5	128201GT	SWITCH TOGGLE ASSY DPDT 2P MOM.....	1	19	6090GT	SCREW,HHC,1/4-20 X .75.....	4
6A	229567GT	PLUG, SANTOPRENE .5 BLACK DOME.....	1 <i>(Perkins 404D-22T)</i>	20	6356GT	WASHER,LOCK,.25.....	4
6B	218165GT	LIGHT,INDICATOR,RED 12V H-BRI.....	1 <i>(Deutz TD 2.9L4, GM 3.0L and Deutz TD2011L04i)</i>	21	6638GT	WASHER,FLAT,USS,1/4"Y.....	4
7A	128200GT	SWITCH TOGGLE ASSY SPDT 3P MOM.....	1 <i>Deutz TD2011L04i and Perkins 404D-22T)</i>	22	1275805GT	FORMING, PLAT. BOX LID.....	1
7B	229567GT	PLUG, SANTOPRENE .5 BLACK DOME <i>(GM 3.0L)</i>		23A	229567GT	PLUG, SANTOPRENE .5 BLACK DOME <i>(Deutz TD 2.9L4, Perkins 404D-22T and Deutz TD2011L04i)</i>	
7C	825018GT	LIGHT,AMBER 12V INCANDESCENT <i>(Deutz TD 2.9L4)</i>		23B	128204GT	SWITCH TOGGLE ASSY SPDT 2P MNT <i>(GM 3.0L)</i>	
8	128204GT	SWITCH TOGGLE ASSY SPDT 2P MNT.....	1	24	81488GT	GASKET,PLATFORM CONTROL BOX....	1
9	218165GT	LIGHT,INDICATOR,RED 12V H-BRI.....	1	25	77351GT	LANYARD,PLATFORM CONTROL BOX.....	2
10	128200GT	SWITCH TOGGLE ASSY SPDT 3P MOM.....	1	26	42781GT	PLUG, NYLON .250 BLACK DOMED....	8
				27	42288GT	PLUG,NYLON .188 BLACK DOMED.....	3
				28	15243GT	PLUG,NYLON .875 BLACK DOMED.....	2
				29	12344GT	NUT,NYLOCK,6-32.....	8
				30	49820GT	SCREW,PHILLIPS,PHM,6-32 X .5.....	8
				31	73723GT	CONN RECEP,FLANGED.....	1
				32A		Ref. FOOT SWITCH WIRE HARNESS ASSEMBLY <i>S-80 (refer to 315.1)</i>	
				32B		Ref. FOOT SWITCH WIRE HARNESS ASSEMBLY <i>S-85 (refer to 315.1)</i>	
				33	73730GT	CONN,RECEP 12 WAY,GRY FLANGE....	1
				34A		Ref. HARN,PLAT MANIFOLD,S80 <i>S-80 (refer to 315.1)</i>	
				34B		Ref. HARN,PLAT MANIFOLD,S85 <i>S-85 (refer to 315.1)</i>	
				35	73717GT	CONN,RECEP 4 WAY,12-14GA FL***.....	1
				36A		Ref. S80 POWER TO PLAT DC <i>S-80 (refer to 315.1)</i>	
				36B		Ref. S85 POWER TO PLAT DC <i>S-85 (refer to 315.1)</i>	
				37A		Ref. S80 HARNESS BOOM CABLE 2 <i>S-80 (refer to 315.1)</i>	

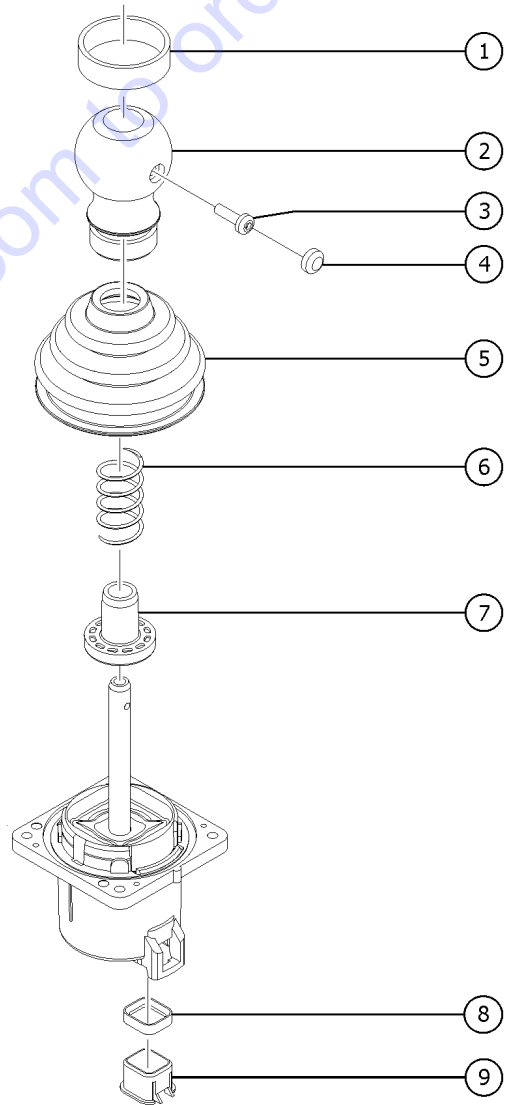
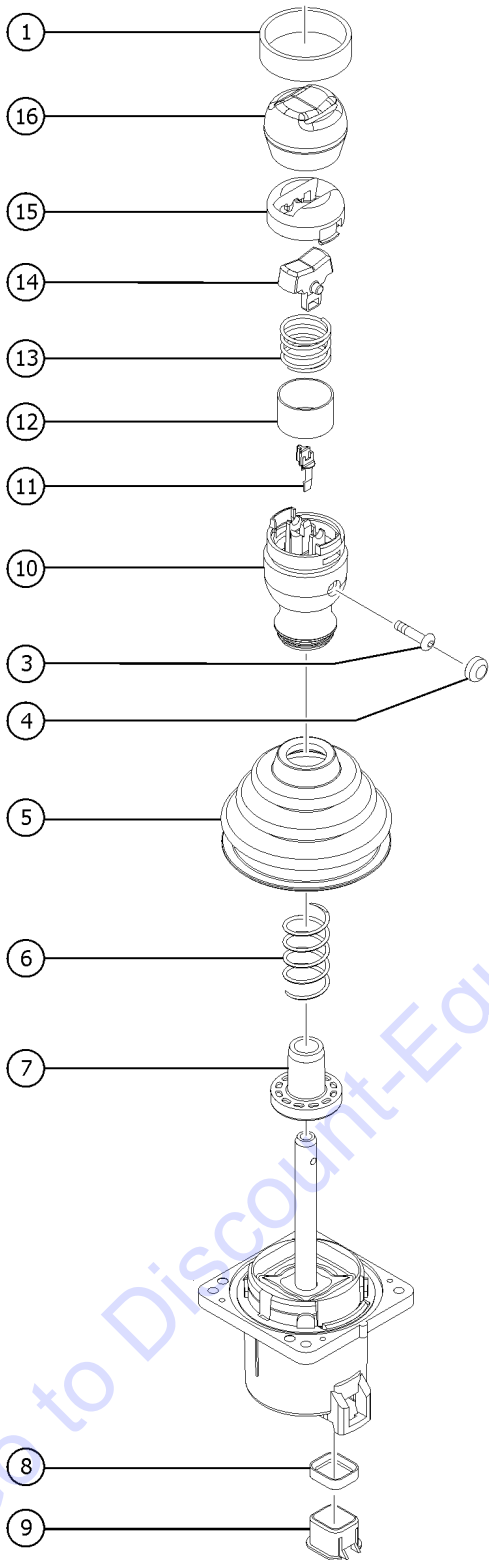
## 602.1 Platform Control Box (continued)

Item	Part No.	Description	Qty.
37B		Ref. S85 HARNESS BOOM CABLE 2 S-85 (refer to 315.1)	
38A		Ref. S80 HARNESS BOOM CABLE 1 S-80 (refer to 315.1)	
38B		Ref. S85 HARNESS BOOM CABLE 1 S-85 (refer to 315.1)	
39	73736GT	CONN,RECEP 48 WAY,4 X 12.....1	
40	73803GT	SCREW,SHM,PHP, #12 X .75.....4	
41	45383GT	ALARM,WARBLE TONE 5-30 VDC***.....1	
42	21858GT	PLUG,NYLON .38 BLACK DOMED.....2	
43	30996GT	PLUG,NYLON .313 BLACK DOMED.....4	
44A	77048GT	SCREW,PHM,10-32X3/4,ST TYPE F.....1 (Deutz TD 2.9L4)	
44B	54365GT	SCREW,PHIL,PHM,10-32 X .5,SSTL.....1 (Deutz TD2011L04i, GM 3.0L and Perkins 404D-22T)	
45	121720GT	WELDMENT,PLAT CONT BOX,2008.....1	
46	30997GT	CORROSION INHIBITOR,FOAM.....1	
47	81551GT	SCREW,PHIL,PHM,6-32 X 1/4 SS.....20	
48	81550GT	STANDOFF,6-32 X 3/8L X 1/4 HEX.....10	
49	121456GT	HARN,PBOX,JOYSTICK,S80/85 2008....1	
50	1260213GT	ASSY,PCB,ALC500-II,S80.....1	
51	119644GT	BRACKET,PBOX WIRE SUPPORT.....1	
52	18666GT	CLAMP,1.00,#16 X 1/4,RUB CUSH.....1	
53	229567GT	PLUG, SANTOPRENE .5 BLACK DOME	
54		GASKET, ISOLATION, JOYSTICK.....2	
54	1269497GT	GASKET, ISOLATION, JOYSTICK.....2	
--	1269500GT	KIT, ISOLATION, 2 JOYSTICK For replacement please order kit 1269500GT	
55	66813GT	BUTTON,PUSH,BLACK W/SEAL***.....1	
--	66815GT	BASE, W/1 N.O. CONTACTS***	
56	128200GT	SWITCH TOGGLE ASSY SPDT 3P MOM.....1	
57	128200GT	SWITCH TOGGLE ASSY SPDT 3P MOM.....1	

***This Page Intentionally Left Blank***

Go to Discount-Equipment.com to order your parts

603.1 Joysticks



Item	Part No.	Description	Qty.
--	1275259GT	JOYSTICK, ISOLATED, 2 AXIS ROCKER.....1 <i>OEM joystick (calibration required after replacement) includes gasket part 1269497 and shoulder washer part 1269498 (refer to 603.1)</i>	1
--	1275248GT	JOYSTICK, ISOLATED, 2 AXIS.....1 <i>OEM joystick (calibration required after replacement) includes gasket part 1269497 and shoulder washer part 1269498 (refer to 603.1)</i>	1
--	1275258GT	JOYSTICK, ISOLATED, 1 AXIS ROCKER.....1 <i>OEM joystick (calibration required after replacement) includes gasket part 1269497 and shoulder washer part 1269498 (refer to 603.1)</i>	1
--	83098GT	TERM,AMP MTE,SOC,22-26 GA BULK	
1	1271713GT	SHRINK TUBE, BLU, 3:1, 40MM.....2	2
2	62392GT	KNOB,JOYSTICK, 62390/62391.....1	1
3	T112626GT	SCREW, PHM, #6-32 X .625 ZINC.....1	1
4	1269499GT	PLUG, JOYSTICK HANDLE.....2	2
5	139598GT	BOOT,JOYSTICK.....1	1
6		SPRING,JOYSTK CENTR,62390/91 <i>(no longer available from supplier)</i>	
7	119915GT	COLLAR,JOYSTICK,CENTER.....1	1
8	128000GT	SEAL, CONNECTOR (DT JOYSTICKS).....1	1
9	128001GT	SLEEVE,CONNECTOR,DT JOYSTICKS.....1	1
10	75449GT	KNOB,ROCKER JOYSTICK 75565.....1	1
11	75448GT	SUPPORT,SENSOR,JOYSTICK.....1	1
12	75447GT	SWITCH SHIELD,ROCK JOYSTK75565.....1	1
13	75446GT	SPRING,SWITCH CENTERING,75565...1	1
14	75445GT	ROCKER ASSY.,MAGNETIC 75565.....1	1
15	75444GT	ROCKER,RETAINER, 75565.....1	1
16	75443GT	BOOT, ROCKER JOYSTICK 75565.....1	1

# PARTS FINDER

**Search Website  
by Part Number**



**Search Manual  
Library For Parts  
Manual & Lookup Part  
Numbers – Purchase  
or Request Quote**

**Search Manuals**

Enter your information to search for a manual or to purchase a manual or parts.

\* Brand:

\* Model:

\* Serial:

\* Part Number:

SEARCH

**Can't Find Part or  
Manual? Request Help  
by Manufacturer,  
Model & Description**

**Parts Order Form**

Please fill in the following information to request help finding a part or manual.

Manufacturer:

Model:

Description:

Quantity:

Part Number:

Part Name:

Part Description:

Part Category:

Part Location:

Part Status:

Part Condition:

Part Material:

Part Color:

Part Weight:

Part Dimensions:

Part Price:

Part Availability:

Part Lead Time:

Part Notes:

Submit

Discount-Equipment.com is your online resource for quality parts & equipment.

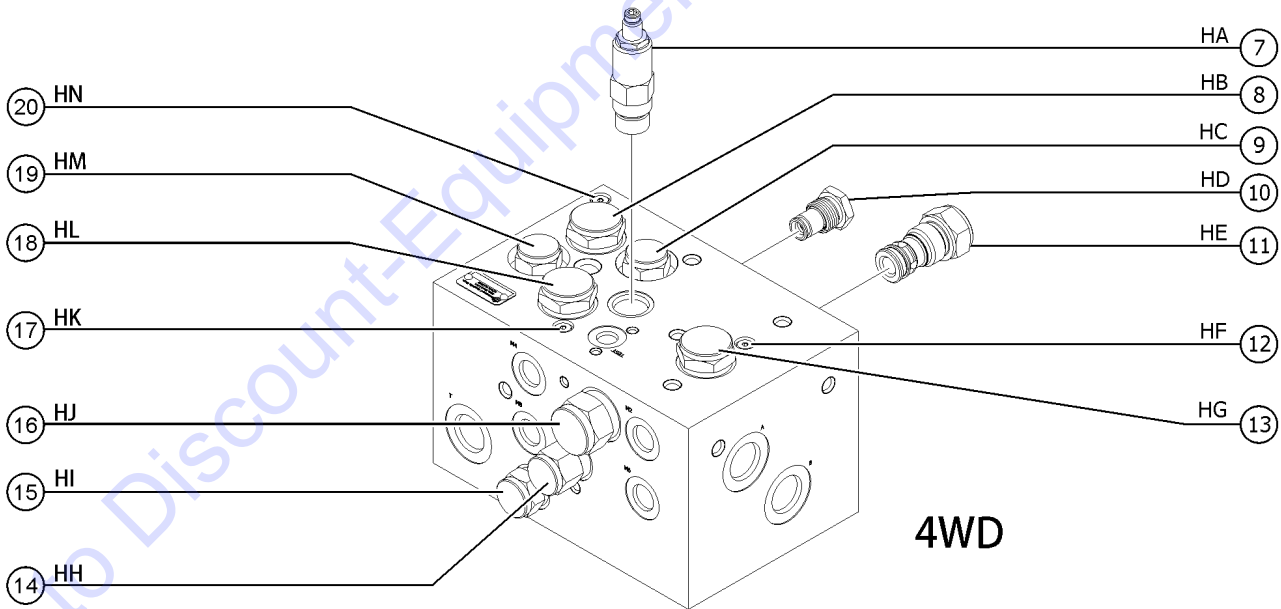
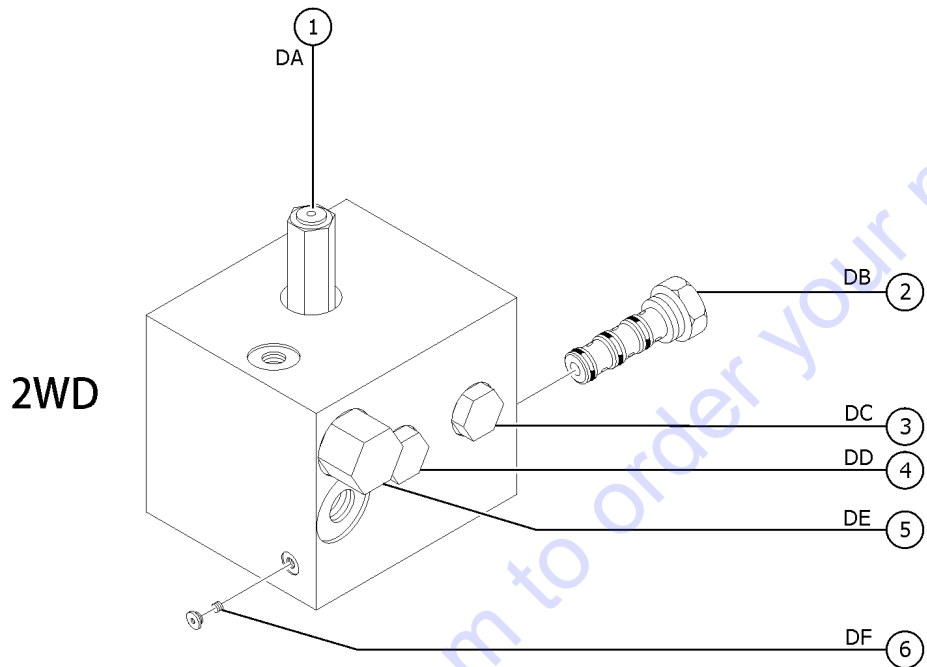
Florida: **561-964-4949** Outside Florida TOLL FREE: **877-690-3101**

**Need parts?**

Click on this link: <http://www.discount-equipment.com/category/5443-parts/> and choose one of the options to help get the right parts and equipment you are looking for. Please have the machine model and serial number available in order to help us get you the correct parts. If you don't find the part on the website or on one of the online manuals, please fill out the request form and one of our experienced staff members will get back to you with a quote for the right part that your machine needs.

We sell worldwide for the brands: Genie, Terex, JLG, MultiQuip, Mikasa, Essick, Whiteman, Mayco, Toro Stone, Diamond Products, Generac Magnum, Airman, Haulotte, Barreto, Power Blanket, Nifty Lift, Atlas Copco, Chicago Pneumatic, Allmand, Miller Curber, Skyjack, Lull, Skytrak, Tsurumi, Husquvarna Target, Stow, Wacker, Sakai, Mi-T-M, Sullair, Basic, Dynapac, MBW, Weber, Bartell, Bennar Newman, Haulotte, Ditch Runner, Menegotti, Morrison, Contec, Buddy, Crown, Edco, Wyco, Bomag, Laymor, EZ Trench, Bil-Jax, F.S. Curtis, Gehl Pavers, Heli, Honda, ICS/PowerGrit, IHI, Partner, Imer, Clipper, MMD, Koshin, Rice, CH&E, General Equipment, Amida, Coleman, NAC, Gradall, Square Shooter, Kent, Stanley, Tamco, Toku, Hatz, Kohler, Robin, Wisconsin, Northrock, Oztec, Toker TK, Rol-Air, APT, Wylie, Ingersoll Rand / Doosan, Innovatech, Con X, Ammann, Mecalac, Makinex, Smith Surface Prep, Small Line, Wanco, Yanmar

701.1 Traction Manifold

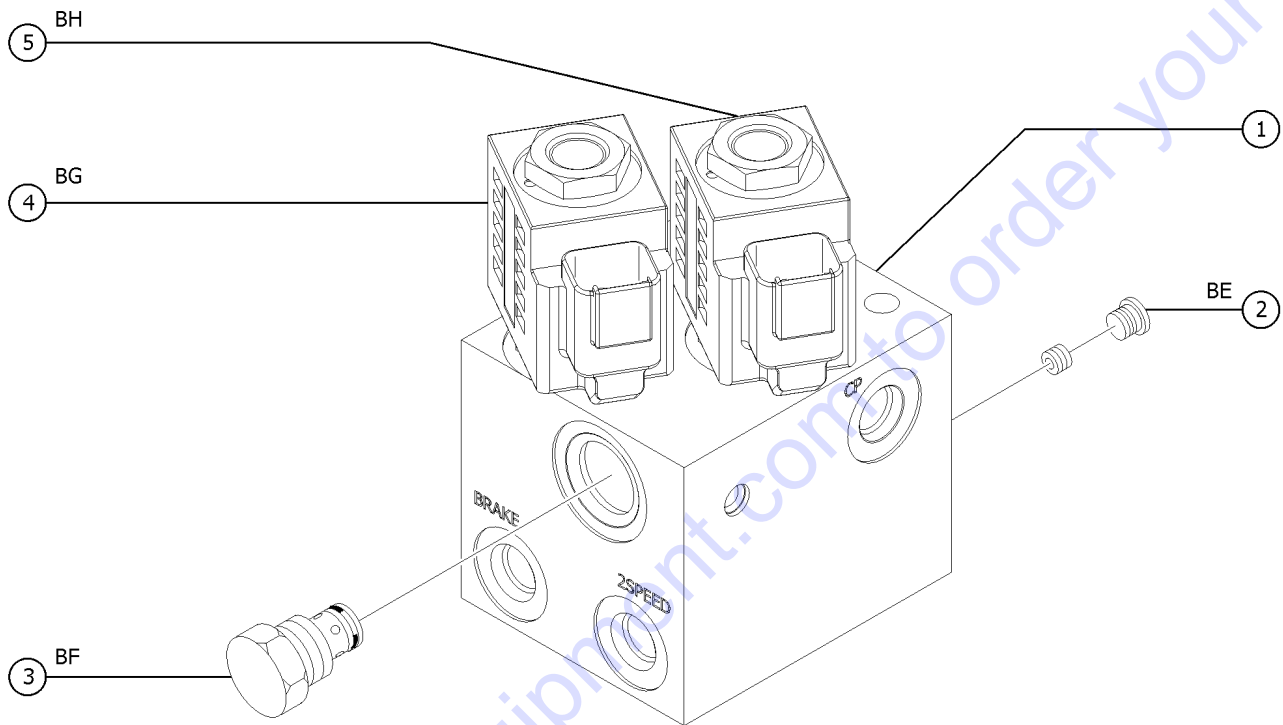




## 701.1 Traction Manifold

Item	Part No.	Description	Qty.	Item	Part No.	Description	Qty.
A	88783GT	MANIFOLD,TRACTION,2WD (complete)		13	139508GT	VALVE, FLOW DIVIDE/COMBINE 1:1 (HG, Controls flow to flow divider/combiner valves 8 and 18)	
--	1287434GT	PLUG,SAE #03 (139712) Plug for ORIFICE, 0.040"		--	139512GT	SEAL KIT, VALVE	
B	139712GT	MANIFOLD,TRACTION,4WD*** (complete)		14	139715GT	VALVE, SHUTTLE, FIXED (HH, Steer end drive motor circuit)	
C	28750GT	O-RING KIT,FIELD SVC,ALL PROD*		--	139512GT	SEAL KIT, VALVE	
D	49612GT	O-RING KIT (ORFS FITTINGS)		15	139527GT	VALVE, CHECK, 5PSI (HI, Steer end drive motor circuit)	
E	33994GT	PLUG AND CAP KIT-SERVICE,37 **		--	139528GT	SEAL KIT, VALVE	
F	49613GT	PLUG AND CAP KIT-SERVICE,ORFS*		16	139716GT	VALVE, CHECK (HJ, Charge pressure circuit that directs hot oil out of low pressure side of drive pump)	
1	94758GT	VALVE,RELIEF,280PSI (DA, Charge pressure circuit)		--	139727GT	SEAL KIT, VALVE	
--	110194GT	SEAL KIT, VALVE, #10		17	139719GT	ORIFICE, 0.040" (HK, Equalizes pressure on both sides of flow divider/combiner valve 18)	
2	52726GT	VALVE,FLOW DIVIDER/COMBINER (DB, Controls flow to drive motors in forward and reverse)		18	139717GT	VALVE, FLOW DIVIDE/COMB,24GPM (HL, Controls flow to steer end drive motors in forward and reverse)	
--	84135GT	SEAL KIT, VALVE		--	139512GT	SEAL KIT, VALVE	
3	27836GT	VALVE,CHECK,5 PSI (DC, Drive circuit)		19	139527GT	VALVE, CHECK, 5PSI (HM, Non-steer end drive motor circuit)	
--	110194GT	SEAL KIT, VALVE, #10		--	139528GT	SEAL KIT, VALVE	
4	27836GT	VALVE,CHECK,5 PSI (DD, Drive circuit)		20	139719GT	ORIFICE, 0.040" (HN, Equalizes pressure on both sides of flow divider/combiner valve 8)	
--	110194GT	SEAL KIT, VALVE, #10					
5	27761GT	VALVE,SHUTTLE (DE, Controls flow to drive motors in forward and reverse)					
--	84134GT	SEAL KIT, VALVE					
6	101440GT	ORIFICE PLUG, 0.070" (DF, Equalizes flow across flow divider combiner valve 2)					
7	139718GT	VALVE, RELIEF, 280PSI (HA, Charge pressure circuit)					
--	139512GT	SEAL KIT, VALVE					
8	139717GT	VALVE, FLOW DIVIDE/COMB,24GPM (HB, Controls flow to non-steer end drive motors in forward and reverse)					
--	139512GT	SEAL KIT, VALVE					
9	139527GT	VALVE, CHECK, 5PSI (HC, Steer end drive motor circuit)					
--	139528GT	SEAL KIT, VALVE					
10	139527GT	VALVE, CHECK, 5PSI (HD, Non-steer end drive motor circuit)					
--	139528GT	SEAL KIT, VALVE					
11	139716GT	VALVE, CHECK (HE, Non-steer end drive motor circuit)					
--	139727GT	SEAL KIT, VALVE					
12	139719GT	ORIFICE, 0.040" (HF, Equalizes pressure on both sides of flow divider/combiner valve 13)					

702.1 Two-Speed/Brake Manifold

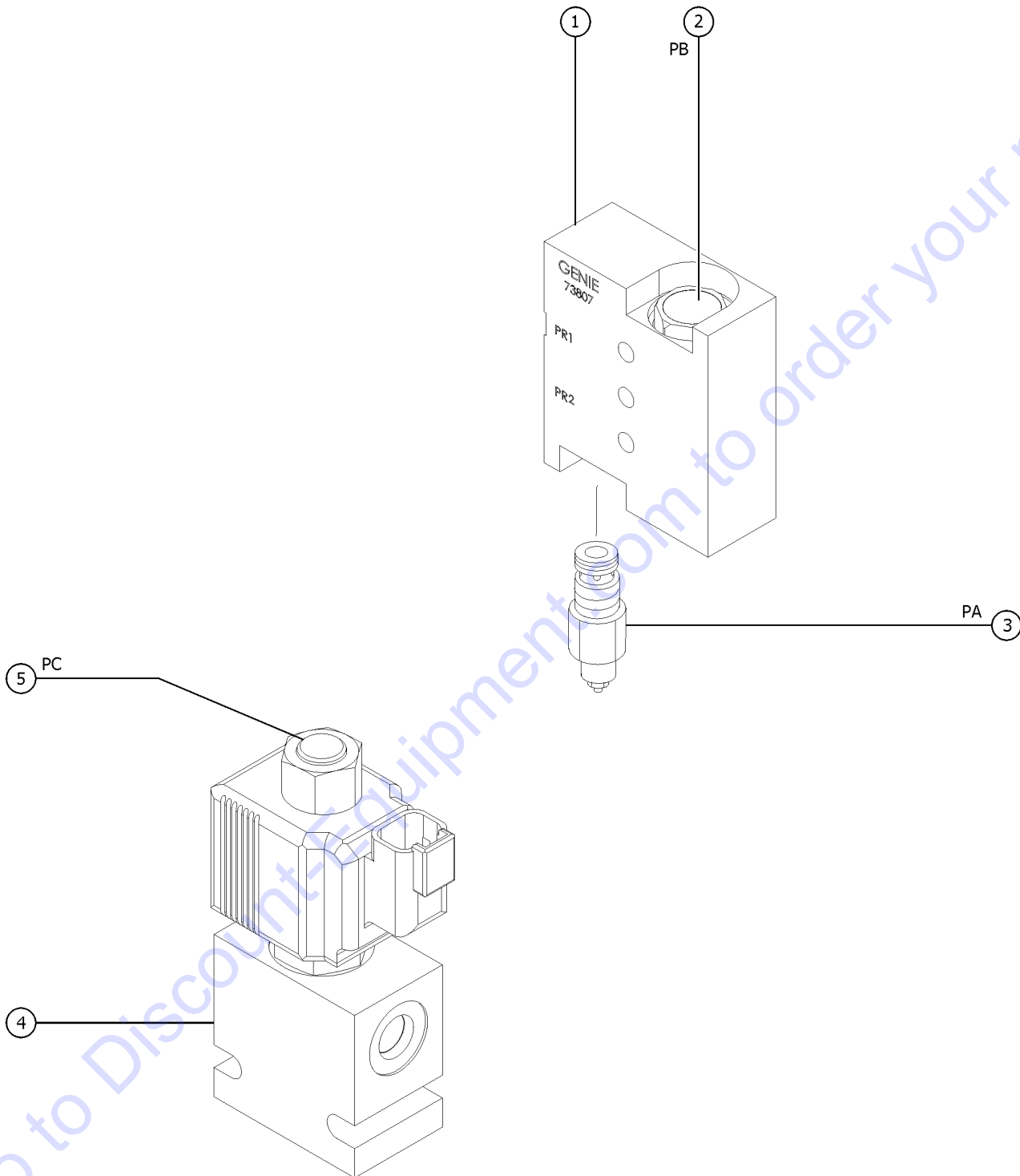


Go to Discount-Equipment.com to order your parts

## 702.1 Two-Speed/Brake Manifold

Item	Part No.	Description	Qty.
1	216602GT	MANIFOLD,BRAKE,2-SPEED <i>(Complete)</i>	
2	219245GT	ORIFICE PLUG .025 DIA. <i>BE, Turntable rotaton brake release</i>	
3	219246GT	VALVE, CHECK <i>BF, Brake release circuit</i>	
--	161145GT	SEAL KIT,CHECK VALVE 219246	
4	219247GT	VALVE, SOLENOID	
--	161144GT	SEAL KIT,SOLENOID VALVE 219247	
--	219243GT	COIL, SOLENOID VALVE, 10V <i>BG, Brake release</i>	
--	94759GT	NUT,SOLENOID	
5	219247GT	VALVE, SOLENOID	
--	161144GT	SEAL KIT,SOLENOID VALVE 219247	
--	219243GT	COIL, SOLENOID VALVE, 10V <i>BH, Two speed motor shift;</i>	
--	94759GT	NUT,SOLENOID	

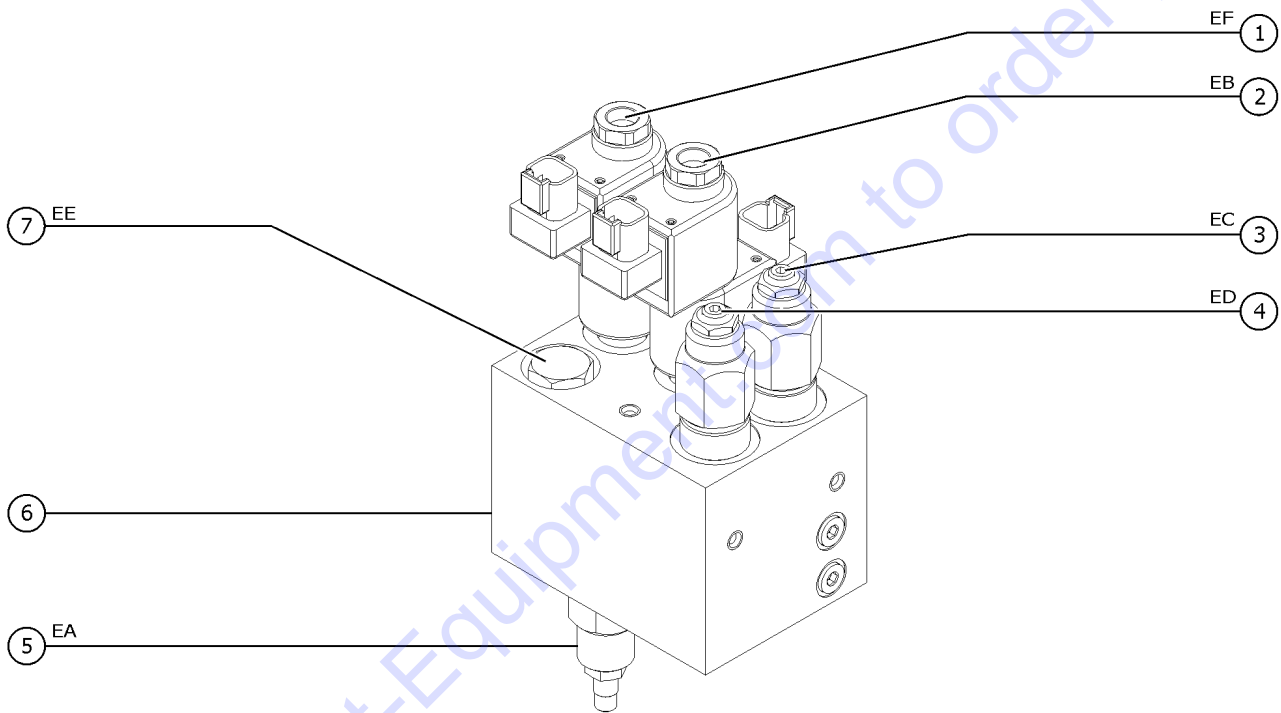
703.1 Function Enable Valve and Platform Rotator Manifold



## 703.1 Function Enable Valve and Platform Rotator Manifold

Item	Part No.	Description	Qty.
1	73807GT	MANIFOLD,ROTATOR,CB*** (complete)	
--	62507GT	O-RING, ROTATOR MANIFOLD	
2	62506GT	VALVE - COUNTERBALANCE** (PB, Platform rotate left)	
--	43018GT	SEAL KIT (39345)	
3	62506GT	VALVE - COUNTERBALANCE** (PA, Platform rotate right)	
--	43018GT	SEAL KIT (39345)	
4	106454GT	VALVE,FUNCTION ENABLE (complete)	
5	107742GT	VALVE,SOLENOID 2 POS 2 WAY (PC, Differential sensing)	
--	89733GT	COIL,SOLENOID VALVE***	
--	89770GT	SEAL KIT, SOLENOID VALVE	

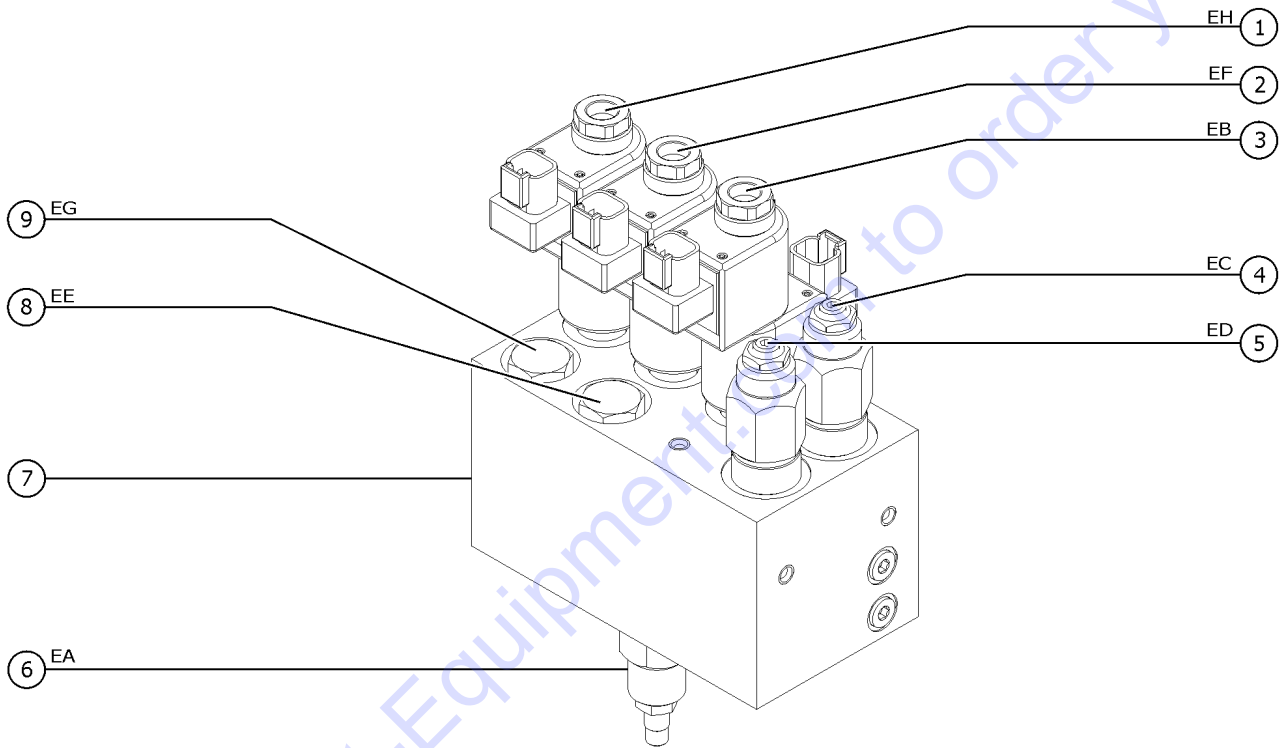
704.1 Platform Manifold, S-80X and S-80



## 704.1 Platform Manifold, S-80X and S-80

Item	Part No.	Description	Qty.
--	121707GT	MANIFOLD,PLATFORM,S80,2SEC (Complete)	
1	122121GT	SOLENOID VALVE (EF, platform rotate CW/CCW)	
--	122120GT	SEAL KIT,SOLENOID VALVE	
--	122148GT	COIL,SOLENOID VALVE,20W	
--	52943GT	NUT,SOLENOID VALVE COIL	
2	122121GT	SOLENOID VALVE (EP, platform level up/down)	
--	122120GT	SEAL KIT,SOLENOID VALVE	
--	122148GT	COIL,SOLENOID VALVE,20W	
--	52943GT	NUT,SOLENOID VALVE COIL	
3	50481GT	VALVE,COUNTERBALANCE,3500 PSI (EC, platform level CB valve)	
--	43018GT	SEAL KIT (39345)	
4	50481GT	VALVE,COUNTERBALANCE,3500 PSI (ED, platform level CB valve)	
--	43018GT	SEAL KIT (39345)	
5	62258GT	VALVE,NEEDLE*** (EA, platform level)	
6	121707GT	MANIFOLD,PLATFORM,S80,2SEC	
7	122640GT	PRESSURE COMP FLOW CONTROL (EE, platform rotate flow control)	
--	74902GT	SEAL KIT, VALVE	

705.1 Platform Manifold, S-85

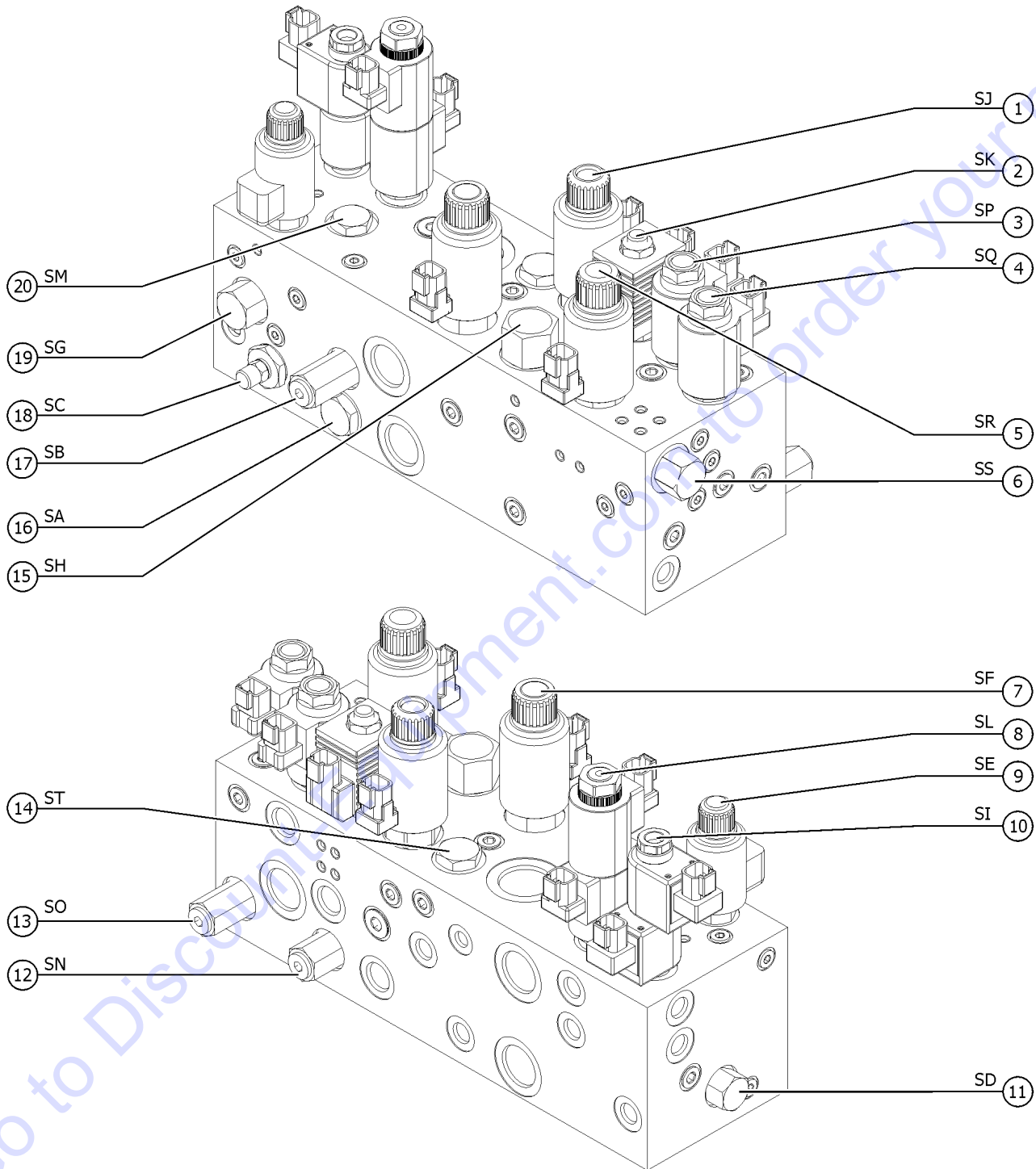


Go to Discount-Equipment.com to order your parts



Item	Part No.	Description	Qty.
--	121706GT	MANIFOLD,PLATFORM,S856,3 SEC (Complete)	
1	122121GT	SOLENOID VALVE (EH, Jib up/down)	
--	122120GT	SEAL KIT,SOLENOID VALVE	
--	122148GT	COIL,SOLENOID VALVE,20W	
--	52943GT	NUT,SOLENOID VALVE COIL	
2	122121GT	SOLENOID VALVE (EF, Platform rotate CW/CCW)	
--	122120GT	SEAL KIT,SOLENOID VALVE	
--	122148GT	COIL,SOLENOID VALVE,20W	
--	52943GT	NUT,SOLENOID VALVE COIL	
3	122121GT	SOLENOID VALVE (EB, Platform level up/down)	
--	122120GT	SEAL KIT,SOLENOID VALVE	
--	122148GT	COIL,SOLENOID VALVE,20W	
--	52943GT	NUT,SOLENOID VALVE COIL	
4	50481GT	VALVE,COUNTERBALANCE,3500 PSI (EC, Platform level CB valve)	
--	43018GT	SEAL KIT (39345)	
5	50481GT	VALVE,COUNTERBALANCE,3500 PSI (ED, Platform level CB valve)	
--	43018GT	SEAL KIT (39345)	
6	62258GT	VALVE,NEEDLE*** (EA, Platform level)	
7	121706GT	MANIFOLD,PLATFORM,S856,3 SEC	
8	122655GT	PRESSURE COMP FLOW CONTROL (EE, Platform rotate flow control)	
--	1274553GT	PRESSURE COMP FLOW CONTROL	
--	1274554GT	PRESSURE COMP FLOW CONTROL	
--	74902GT	SEAL KIT, VALVE	
9	122640GT	PRESSURE COMP FLOW CONTROL (EG, Jib flow control)	
--	74902GT	SEAL KIT, VALVE	

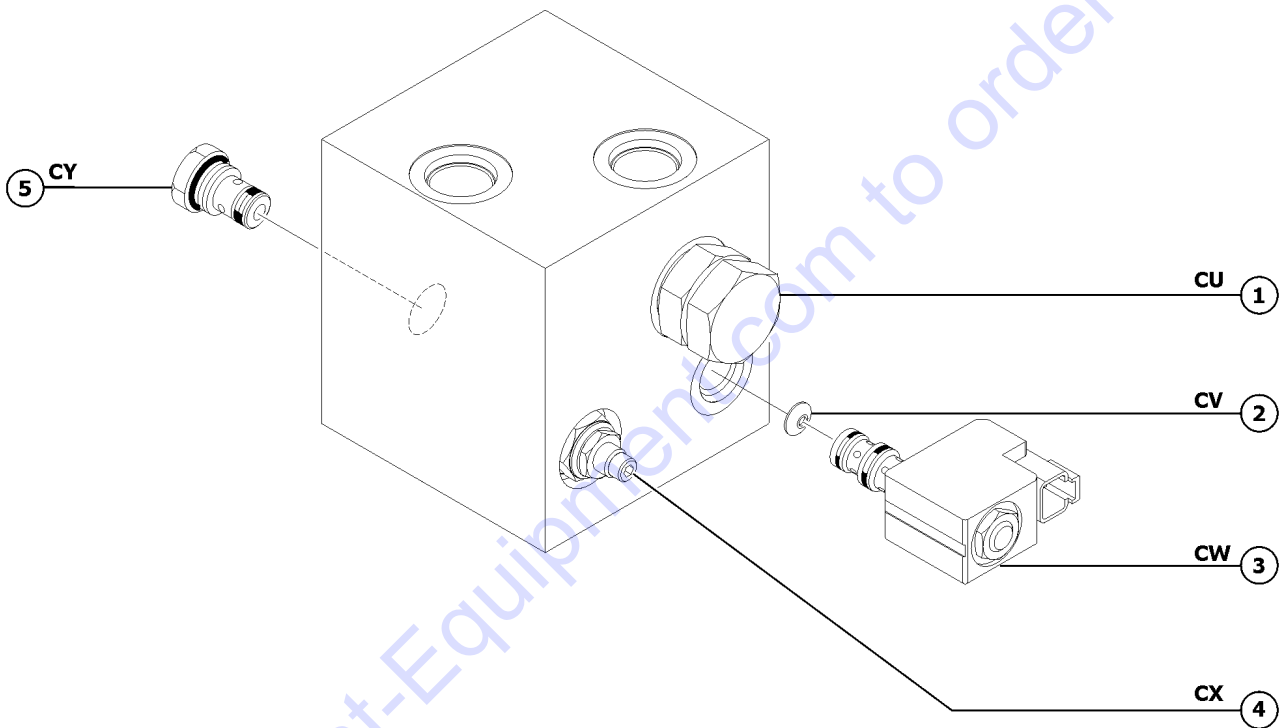
706.1 Function Manifold



## 706.1 Function Manifold

Item	Part No.	Description	Qty.	Item	Part No.	Description	Qty.
--	121708GT	MANIFOLD,SWING S80/85,5 SEC (complete)		10	122645GT	SOLENOID VALVE,SPOOL TYPE (SI, Swing directional)	
1	122643GT	Valve-Solenid 2 Postion 3WA (SJ, Boom up)		--	102940GT	NUT,SOLENOID VALVE	
--	110198GT	SEAL KIT, VALVE, #12		--	122120GT	SEAL KIT,SOLENOID VALVE	
--	122652GT	COIL, D14E 10 VDC DED		--	89733GT	COIL,SOLENOID VALVE***	
--	45921GT	RETAINER-N.C.PROPOR.SOLENOID		11	19060GT	VALVE,FLOW REGULATOR (SD, Oscilate flow control)	
2	89309GT	VALVE - SOLENOID 2POSITION 3WA (SK, Boom down)		--	74902GT	SEAL KIT, VALVE	
--	45912GT	NUT,SOLENOID VALVE 2P3W		12	48415GT	VALVE,RELIEF (SN, Boom down relief)	
--	62275GT	Coil,10V		--	74902GT	SEAL KIT, VALVE	
--	89310GT	SEAL KIT, SOLENOID VALVE		13	110209GT	VALVE, RELIEF, 2400 PSI (SO, Boom extend relief)	
3	122649GT	VALVE,SOLENOID,NO,POPPET (SP, Retract)		--	74902GT	SEAL KIT, VALVE	
--	102940GT	NUT,SOLENOID VALVE		14	122656GT	VALVE, CHECK, 30 PSI (ST, Return check valve)	
--	111778GT	COIL,10V DC(D10,26 WATT)		--	110194GT	SEAL KIT, VALVE, #10	
--	122657GT	Seal Kit		15	122650GT	VALV, DIFFERENTIAL SENSING (SH, Primary lift)	
4	122649GT	VALVE,SOLENOID,NO,POPPET (SP, Extend)		--	122660GT	Seal Kit	
--	102940GT	NUT,SOLENOID VALVE		16	122646GT	BYPASS VALVE RELIEF (SA, Back flow check function pump)	
--	111778GT	COIL,10V DC(D10,26 WATT)		--	110194GT	SEAL KIT, VALVE, #10	
--	122657GT	Seal Kit		17	52715GT	VALVE,RELIEF 3200 PSI (SB, System main relief)	
5	107753GT	VALVE,PROPORTIONAL (SR, Extend/Retract proportional)		--	74902GT	SEAL KIT, VALVE	
--	45912GT	NUT,SOLENOID VALVE 2P3W		18	122644GT	PRESSURE REDUCING VALVE (SC, Oscilate pressure control)	
--	58303GT	COIL,VALVE,PROPORTIONAL***		19	52714GT	VALVE,DIFFERENTIAL SENSING (SG, Differential sensing. TT rotate)	
--	89310GT	SEAL KIT, SOLENOID VALVE		--	74902GT	SEAL KIT, VALVE	
6	122651GT	VALV, DIFFERENTIAL SENSING (SS, Boom extend)		20	122641GT	VALVE,FLOW REGULATOR (SM, Steering flow control)	
--	122657GT	Seal Kit		--	74902GT	SEAL KIT, VALVE	
7	107752GT	VALVE,PROPORTIONAL (SF, Boom up/down proportional)					
--	110198GT	SEAL KIT, VALVE, #12					
--	45921GT	RETAINER-N.C.PROPOR.SOLENOID					
--	58303GT	COIL,VALVE,PROPORTIONAL***					
8	122647GT	SOLENOID VALVE SPOOL TYPE (SL, Steering directional)					
--	111778GT	COIL,10V DC(D10,26 WATT)					
--	122653GT	Coil Nut					
--	122657GT	Seal Kit					
9	102528GT	VALVE,PROPORTIONAL (SE, Swing proportional)					
--	102526GT	O-RING, PROPORTIONAL VALVE (between coil and nut)					
--	89312GT	SEAL KIT, SOLENOID VALVE					
--	89737GT	COIL,PROPORTIONAL VALVE***					
--	89738GT	NUT, PROPORTIONAL VALVE					

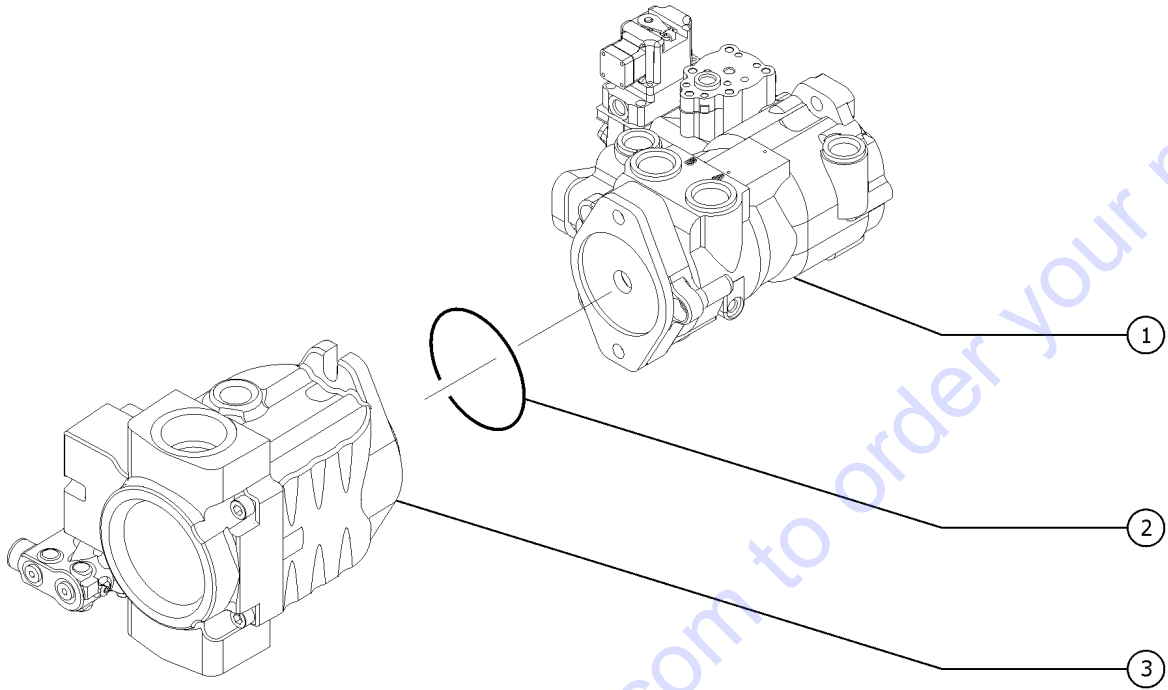
707.1 Oil Diverter Manifold (welder option)



## 707.1 Oil Diverter Manifold (welder option)

Item	Part No.	Description	Qty.
--	101516GT	MANIFOLD,DRIVE OIL DIVERTER (Complete)	
1	102746GT	VALVE,PILOT OPER DIRECTIONAL (CU, Diverter valve)	
2	106394GT	ORIFICE DISC,.030,CONE (CV, Delays shift to drive)	
3	94760GT	VALVE,SOLENOID,10V,W/OUT COIL* (CW, Pilot valve to diverter)	
--	128419GT	Seal Kit	
--	94759GT	NUT,SOLENOID	
--	94765GT	COIL-10V DC***	
4	122302GT	RELIEF,VALVE 270 PSI (CX, Charge pressure circuit)	
--	128416GT	Seal Kit	
5	94757GT	VALVE,CHECK,3 PSI*** (CY, Prevents oil flow to generator)	
--	128416GT	Seal Kit	

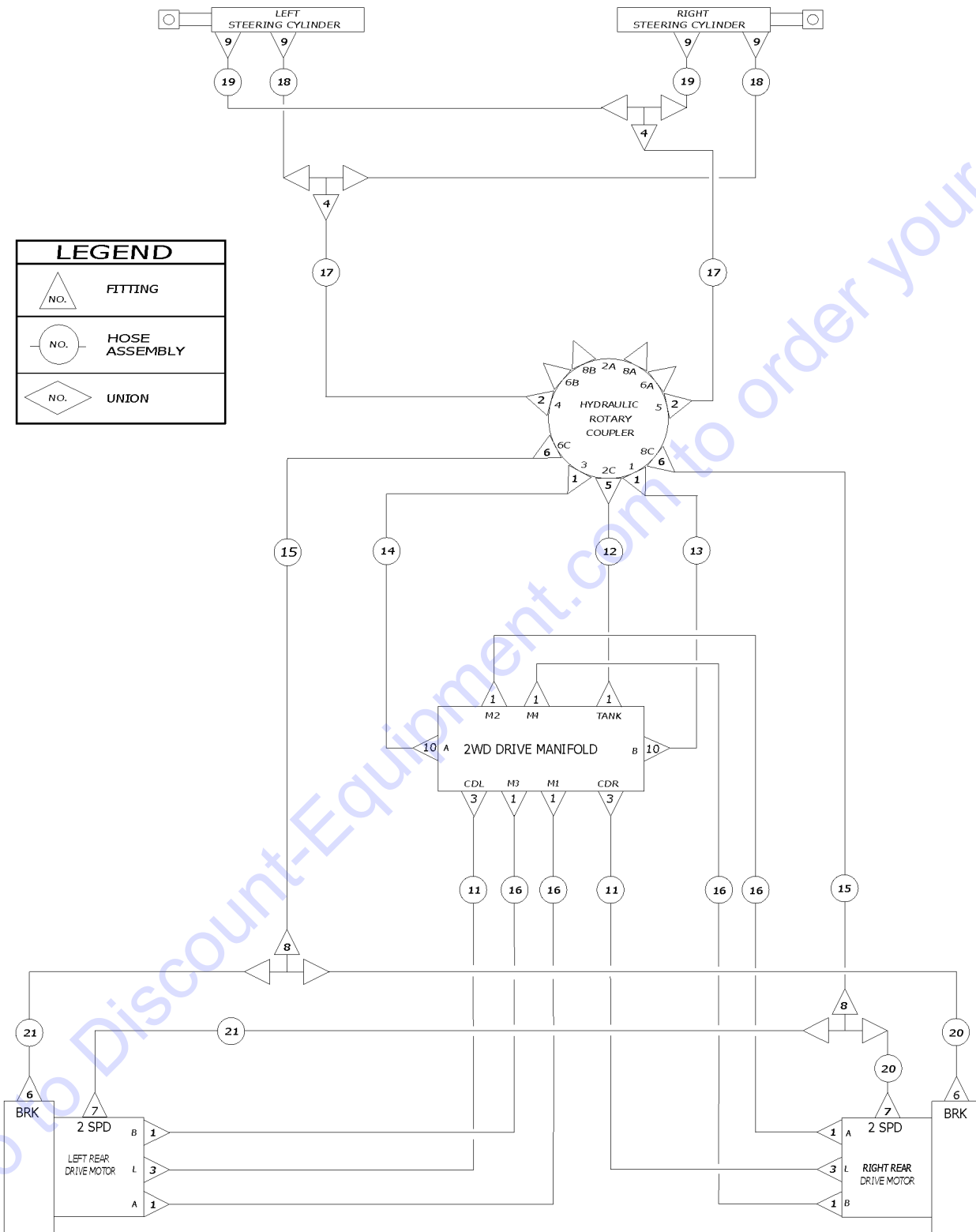
708.1 Pumps



Item	Part No.	Description	Qty.
1	101068GT	PUMP,PISTON,46CC,B MOUNT,13T**....1 <i>(drive pump)</i>	1
--	29739GT	SEAL KIT,SAUER-DANFOSS M46***	
--	58290GT	VALVE,EDC,PILOT,SAUER,M46***	
--	77819GT	EDC ASSY,SAUER M46***	
2	52087GT	O-RING,2-044 BUNA*** .....	1
3	121310GT	PUMP,FUNCTION,38CC,LS.....	1
--	122669GT	Seal Kit	

Go to Discount-Equipment.com to order your parts

709.1 2WD Drive and Steer System

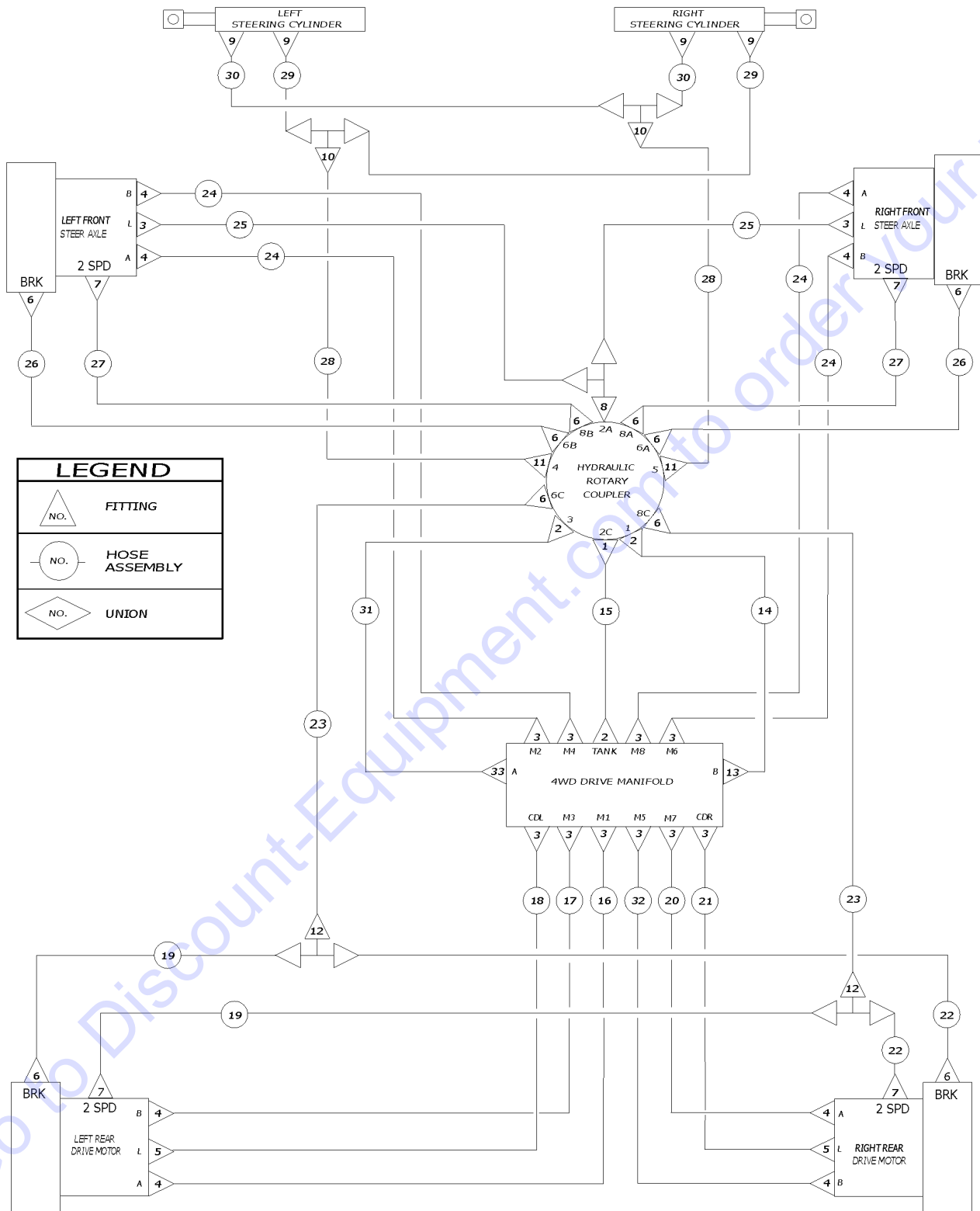




## 709.1 2WD Drive and Steer System

Item	Part No.	Description	Qty.
1	48960GT	FITTING,CONN,520120-12***.....	10
2	48916GT	FITTING,CONN,520120-6.....	2
3	48933GT	CONN,520120-8***.....	4
4	89449GT	FITTING, BRANCH BULKHEAD.....	2
5	48963GT	FITTING,ELBOW,45D,520320-12***.....	1
6	48905GT	CONN,520120-4***.....	4
7	48911GT	ELBOW,90D,520220-4-6***.....	2
8	48909GT	TEE,BULKHEAD,RUN,520958-4.....	2
9	48915GT	ELBOW,90D,520220-6.....	4
10	48959GT	FITTING,ELBOW,90D,520220-12.....	2
11	49143-5229GT	HOSE ASSY,1/2,90 FEM,STR FEM..... (components: 48822, 48827 and 48756 @ 50 inches)	2
12	49149-2526GT	HOSE ASSY,3/4,STR FEM,STR FEM..... (components: 48841, 48845 and 48761 @ 22 inches)	1
13	89871-2648GT	HOSE ASSY,3/4,STR FEM,STR FEM..... (components: 48841, 48841 and 94358 @ 24 inches)	1
14	89871-2448GT	HOSE ASSY,3/4,STR FEM,STR FEM..... (components: 48841, 48841 and 94358 @ 22 inches)	1
15	49116-3137GT	HOSE ASSY,1/4,45 FEM,STR FEM..... (components: 48800, 48801 and 48751 @ 29 inches)	2
16	94374-5130GT	HOSE ASSY,3/4",90F,STR F..... (components: 48841, 48846 and 9435 @ 48 inches)	4
17	49130-2957GT	HOSE ASSEMBLY,3/8..... (components: 48812, 48812 and 48753 @ 27.75 inches)	2
18	49128-2409GT	HOSE ASSEMBLY,3/8"..... (components: 48812, 48816 and 48753 @ 22 inches)	2
19	49128-3709GT	HOSE ASSEMBLY,3/8"..... (components: 48816, 48812 and 48753 @ 35 inches)	2
20	49117-5391GT	HOSE ASSY,1/4,90 FEM,STR FEM..... (components: 48800, 48802 and 48751 @ 52 inches)	2
21	217056GT	HOSE ASSY,1/4/STR FEM,STR FEM..... (components: 48800, 48800 and 48751 @ 44 inches)	2

710.1 4WD Drive and Steer System

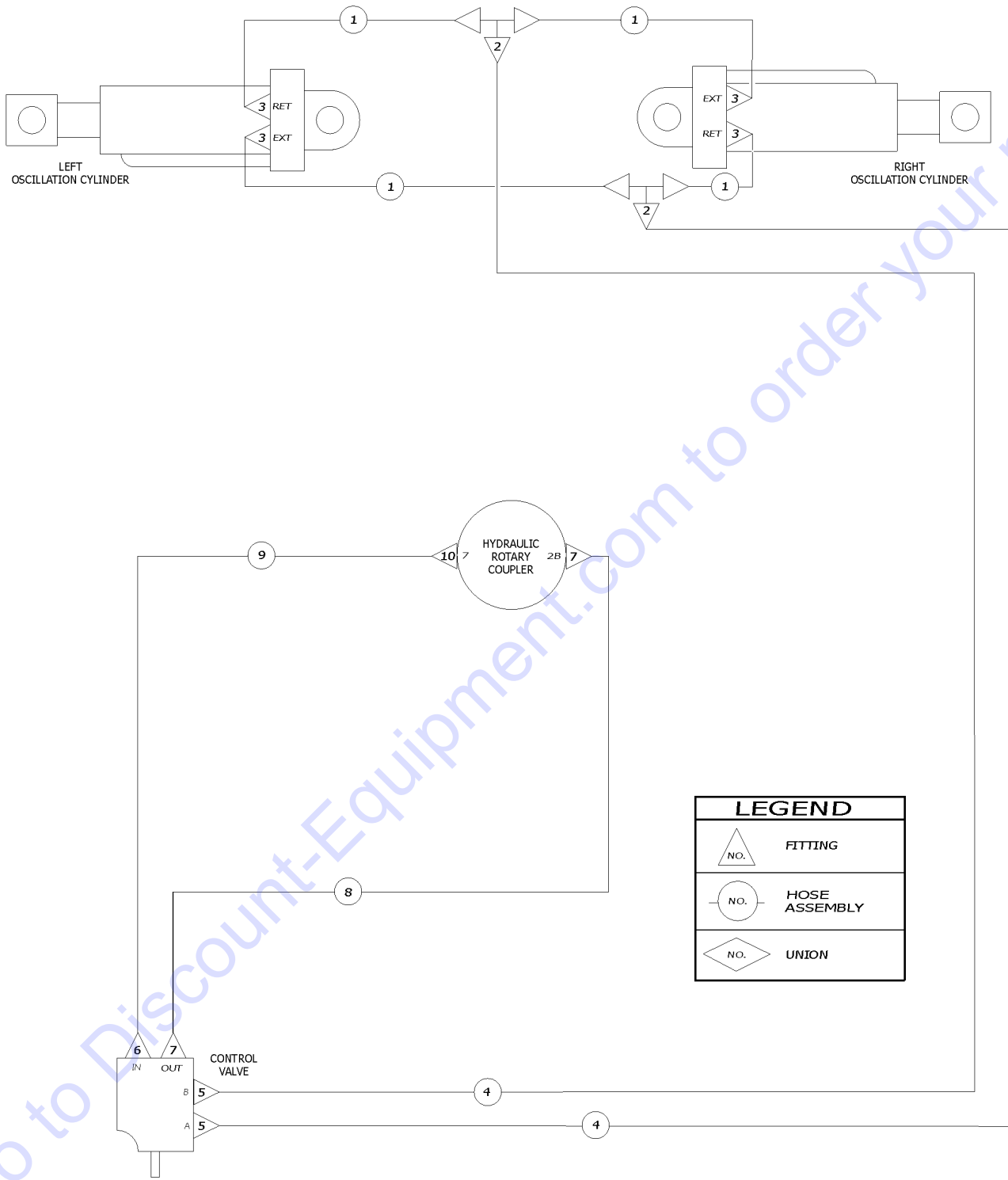


LEGEND	
	FITTING
	HOSE ASSEMBLY
	UNION

710.1 4WD Drive and Steer System

Item	Part No.	Description	Qty.	Item	Part No.	Description	Qty.
1	48963GT	FITTING, ELBOW, 45D, 520320-12***	1	27	49119-11378GT	HOSE ASSY, 1/4, STR FEM, STR FEM <i>(components: 48800, 48800 and 48751 @ 112 inches)</i>	2
2	48960GT	FITTING, CONN, 520120-12***	3	28	49130-2957GT	HOSE ASSEMBLY, 3/8	2
3	48933GT	CONN, 520120-8***	12			<i>(components: 48812, 48812 and 48753 @ 27.75 inches)</i>	
4	48948GT	CONN, 520120-8-12	8	29	49128-2409GT	HOSE ASSEMBLY, 3/8	2
5	48932GT	FITTING, ELBOW, 90D, 520220-8***	2			<i>(components: 48812, 48816 and 48753 @ 22 inches)</i>	
6	48905GT	CONN, 520120-4***	10	30	49128-3709GT	HOSE ASSEMBLY, 3/8	2
7	48911GT	ELBOW, 90D, 520220-4-6***	4			<i>(components: 48816, 48812 and 48753 @ 35 inches)</i>	
8	48936GT	TEE, BRANCH, 520429-8	1	31	217065GT	HOSE ASSY, 3/4, 90 FEM, STR FEM <i>(components: 48841, 48846 and 94358 @ 22 inches)</i>	
9	48915GT	ELBOW, 90D, 520220-6	4	32	49109-5029GT	HOSE ASSY, 1/2, 90 FEM, STR FEM** <i>(components: 48822, 48827 and 48758 @ 48 inches)</i>	
10	89449GT	FITTING, BRANCH BULKHEAD	2	33	48960GT	FITTING, CONN, 520120-12***	
11	48916GT	FITTING, CONN, 520120-6	2				
12	48909GT	TEE, BULKHEAD, RUN, 520958-4	2				
13	48959GT	FITTING, ELBOW, 90D, 520220-12	1				
14	89871-2448GT	HOSE ASSY, 3/4, STR FEM, STR FEM	1				
15	823601GT	HOSE ASSY, 3/4, 45 FEM, STR, 25.26 <i>(components: 48841, 48845 and 48761 @ 22 inches)</i>	1				
16	217051GT	HOSE ASSY, 1/2, 90 FEM, STR FEM <i>(components: 48822, 48827 and 48758 @ 46 inches)</i>	1				
17	217052GT	HOSE ASSY, 1/2, 90 FEM, STR FEM <i>(components: 48822, 48827 and 48758 @ 50 inches)</i>	1				
18	217064GT	HOSE ASSY, 1/2, STR FEM, STR FEM <i>(components: 48822, 48822 and 48756 @ 49 inches)</i>	1				
19	217056GT	HOSE ASSY, 1/4, STR FEM, STR FEM <i>(components: 48800, 48800 and 48751 @ 44 inches)</i>	2				
20	217050GT	HOSE ASSY, 1/2, 90 FEM, STR FEM <i>(components: 48822, 48827 and 48758 @ 45 inches)</i>	1				
21	217063GT	HOSE ASSY, 1/2, STR FEM, STR FEM <i>(components: 48822, 48822 and 48758 @ 45 inches)</i>	1				
22	49117-5391GT	HOSE ASSY, 1/4, 90 FEM, STR FEM <i>(components: 48800, 48802 and 48751 @ 52 inches)</i>	2				
23	49116-3137GT	HOSE ASSY, 1/4, 45 FEM, STR FEM <i>(components: 48800, 48801 and 48751 @ 29 inches)</i>	2				
24	49110-14692GT	HOSE ASSY, 1/2, STR FEM, STR FEM <i>(components: 48822, 48822 and 48758 @ 145 inches)</i>	4				
25	823600GT	HOSE ASSY, 1/2, 45 FEM, STR, 114.6 <i>(components: 48822, 48826 and 48756 @ 112 inches)</i>	2				
26	49117-11491GT	HOSE ASSY, 1/4, 90 FEM, STR FEM** <i>(components: 48800, 48802 and 48751 @ 113 inches)</i>	2				

711.1 Oscillate System

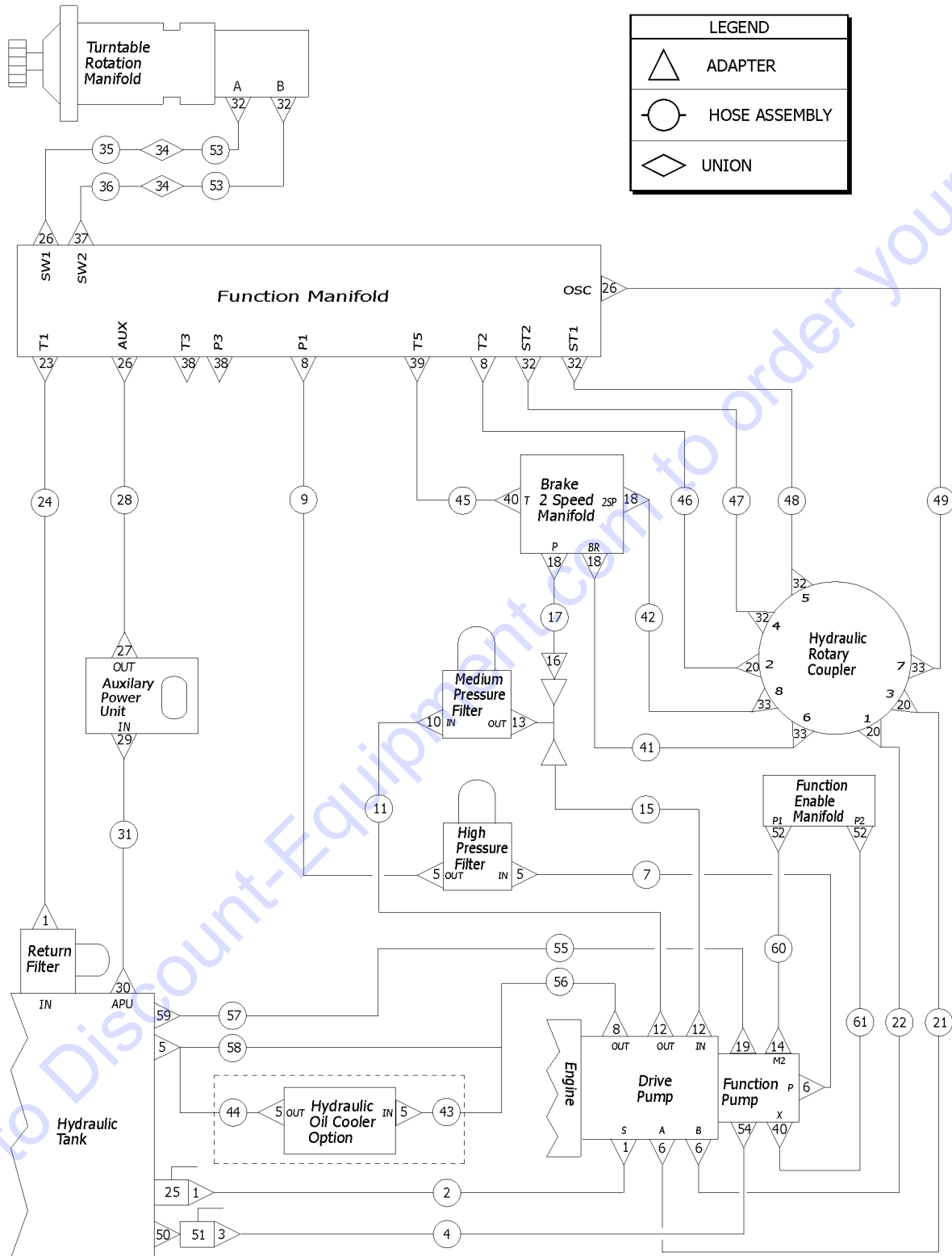


Go to Discount-Equipment.com to order your parts

Item	Part No.	Description	Qty.
1	49128-4209GT	HOSE ASSY,3/8,90D.....4 (components: 48812, 48816 and 48753 @ 40 inches)	4
2	89449GT	FITTING, BRANCH BULKHEAD.....2	2
3	48920GT	ELBOW,45D,520320-6.....4	4
4	49130-8382GT	HOSE ASSY,FEM SW,6-6.....2 (components: 48812, 48812 and 48753 @ 82 inches)	2
5	48915GT	ELBOW,90D,520220-6.....2	2
6	48914GT	CONN,520120-4-8.....1	1
7	48930GT	FITTING,CONN,520120-6-8***.....2	2
8	49128-4509GT	HOSE ASSY,3/8" 90 FEM,STR FEM.....1 (components: 48812, 48816 and 48753 @ 43 inches)	1
9	217054GT	HOSE ASSY,1/4,90 FEM,STR FEM.....1 (components: 48800, 48802 and 48751 @ 47 inches)	1
10	48907GT	ELBOW,45D,520320-4.....1	1

Go to Discount-Equipment.com to order your parts

712.1 Turntable Components



712.1 Turntable Components

Item	Part No.	Description	Qty.	Item	Part No.	Description	Qty.
1	48984GT	CONN,520120-16.....	3	26	48915GT	ELBOW,90D,520220-6.....	3
2	88942-9554GT	HOSE ASSY,1",90 FEM,STR FEM.....1 (components: 88938, 88939 and 88940 @ 92 inches)	1	27	48918GT	TEE,RUN,520428-6.....	1
3	61083GT	CONN,520120-24.....	1	28	49128-1509GT	HOSE ASSY,3/8,90 FEM,STR FEM.....1 (components: 48816, 48812 and 48753 @ 13 inches)	1
4	121608-9175GT	HOSE ASSY,1-1/2,STR,90D JIC.....1 (components: 121778, 88476, 88473 and 61100 @ 83 inches)	1	29	48932GT	FITTING,ELBOW,90D,520220-8***.....	1
5	48959GT	FITTING,ELBOW,90D,520220-12.....	5	30	48933GT	CONN,520120-8***.....	1
6	48977GT	CONN,520120-12-16.....	3	31	49183-2692GT	HOSE ASSY,1/2,STR FEM,STR FEM*.....1 (components: 48822, 48822 and 48756 @ 24 inches)	1
7	94374-4330GT	HOSE ASSY,3/4,90 FEM,STR FEM.....1 (components: 48846, 48841 and 94358 @ 40 inches)	1	32	48916GT	FITTING,CONN,520120-6.....	7
8	48960GT	FITTING,CONN,520120-12***.....	3	33	48928GT	ELBOW,45D,520320-6-4.....	3
--	48959GT	FITTING,ELBOW,90D,520220-12 (use with hose 49151-3548)		34	61321GT	ELBOW,90D,BLKHD,ORFS-6-6 W/NUT.....	2
--	48963GT	FITTING,ELBOW,45D,520320-12*** (welder option)		35	121685GT	HYD TUBE,SWING DRIVE #1.....	1
--	48964GT	FITTING,TEE,RUN,SWIVEL52043212 (welder option)		36	121684GT	HYD TUBE,SWING DRIVE #2.....	1
9	89871-5348GT	HOSE ASSY,3/4,STR FEM,STR FEM.....1 (components: 48841, 48841 and 94358 @ 51 inches)	1	37	56003GT	ELBOW,90D,LONG,521520-6.....	1
10	48933GT	CONN,520120-8***.....	1	38	87172GT	PLUG,HEX SOCKET,090109B-12.....	2
11	217058GT	HOSE ASSY,1/2,90 FEM,STR FEM.....1 (components: 48822, 48827 and 48756 @ 25 inches)	1	39	48905GT	CONN,520120-4***.....	1
12	42790GT	ELBOW,45D,520320-8-10.....	2	40	48904GT	ELBOW,90D,520220-4-4.....2 (Deutz and Perkins models)	2
13	48935GT	TEE,RUN,520428-8.....	1	41	1256825GT	HYD TUBE,BRAKE.....	1
14	48912GT	CONN,520120-4-6***.....	1	42	1256824GT	HYD TUBE,2-SPEED.....	1
15	49143-4129GT	HOSE ASSY,1/2,90 FEM,STR FEMM*.....1 (components: 48822, 48827 and 48756 @ 39 inches)	1	43	121370GT	HYD TUBE, DRIVE CASE COOLER.....	1
16	111572GT	REDUCER,520123-8-6.....	1	44	217059GT	HOSE ASSY,3/4,STR FEM,STR FEM.....1 (components: 48841, 48841 and 48761 @ 16.50 inches)	1
17	1256206GT	HYD TUBE,BRAKE/2 SPD PRESS LINE.....	1	45	49117-6191GT	HOSE ASSY,1/4,90 FEM,STR FEM.....1 (components: 48800, 48802 and 48751 @ 60 inches)	1
18	48927GT	CONN,520120-6-4.....	3	46	49149-3126GT	HOSE ASSY,3/4,45 FEM,STR FEM.....1 (components: 48845, 48841 and 48761 @ 29 inches)	1
19	48946GT	CONN,520120-8-10.....	1	47	121682GT	HYD TUBE,STEER TUBE #2.....	1
20	48963GT	FITTING,ELBOW,45D,520320-12***.....	3	48	121683GT	HYD TUBE,STEER TUBE #1.....	1
21	89871-5848GT	HOSE ASSY,3/4,STR FEM.....1 (components: 48841, 48841 and 94358 @ 56 inches)	1	49	121681GT	HYD TUBE,OSC TUBE.....	1
22	89871-5648GT	HOSE ASSY,3/4,STR FEM.....1 (components: 48841, 48841 and 94358 @ 54 inches)	1	50	75254GT	UNION,STR.THREAD 24***.....	1
23	48983GT	ELBOW,90D,520220-16.....	1	51	75256GT	VALVE BALL,24 FSAE-24 FSAE***.....	1
24	88942-6754GT	HOSE ASSY,1,90 FEM,STR FEM.....1 (components: 88938, 88939 and 88940 @ 64 inches)	1	52	48907GT	ELBOW,45D,520320-4.....2 (Deutz and Perkins models)	2
25	48996GT	VALVE,BALL,16 MSAE-16 FSAE***.....	1	53	217057GT	HOSE ASSY,3/8,90 FEM,STR FEM.....2 (components: 48812, 48816 and 48753 @ 24 inches)	2
				54	121777GT	CONN,070121-24-24.....	1
				55	49143-2829GT	HOSE ASSY,1/2,90 FEM,STR FEMM*.....1 (components: 48822, 48827 and 48756 @ 28.29 inches)	1
				--	104186GT	SEAL, ORFS TUBE FLANGE, 8PLS	

712.1 Turntable Components  
(continued)

Item	Part No.	Description	Qty.
56	49151-3548GT	HOSE ASSY,3/4,STR FEM,STR FEM.....1 <i>(components: 48841, 48841 and 48761 @ 33 inches)</i>	
57	121366GT	HYD TUBE,FUNCTION CASE.....1	
58	121365GT	HYD TUBE, DRIVE CASE.....1	
59	75614GT	ELBOW,90D,LONG,521520-8.....1	
60	49116-1437GT	HOSE ASSY,1/4,45 FEM,STR FEM.....1	
61	49119-1378GT	HOSE ASSY,1/4,STR FEM,STR FEM.....1	

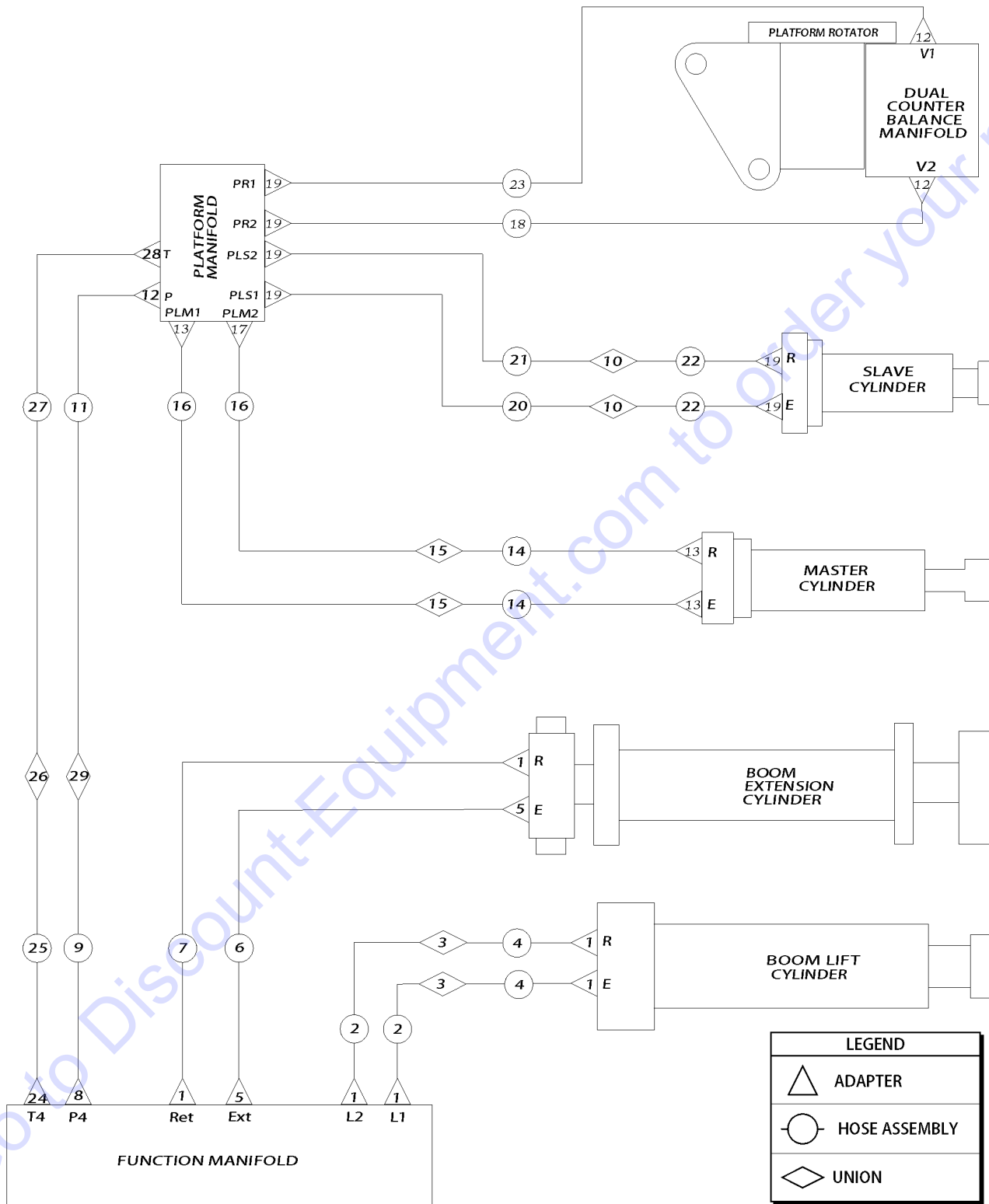
Go to Discount-Equipment.com to order your parts



*This Page Intentionally Left Blank*

Go to Discount-Equipment.com to order your parts

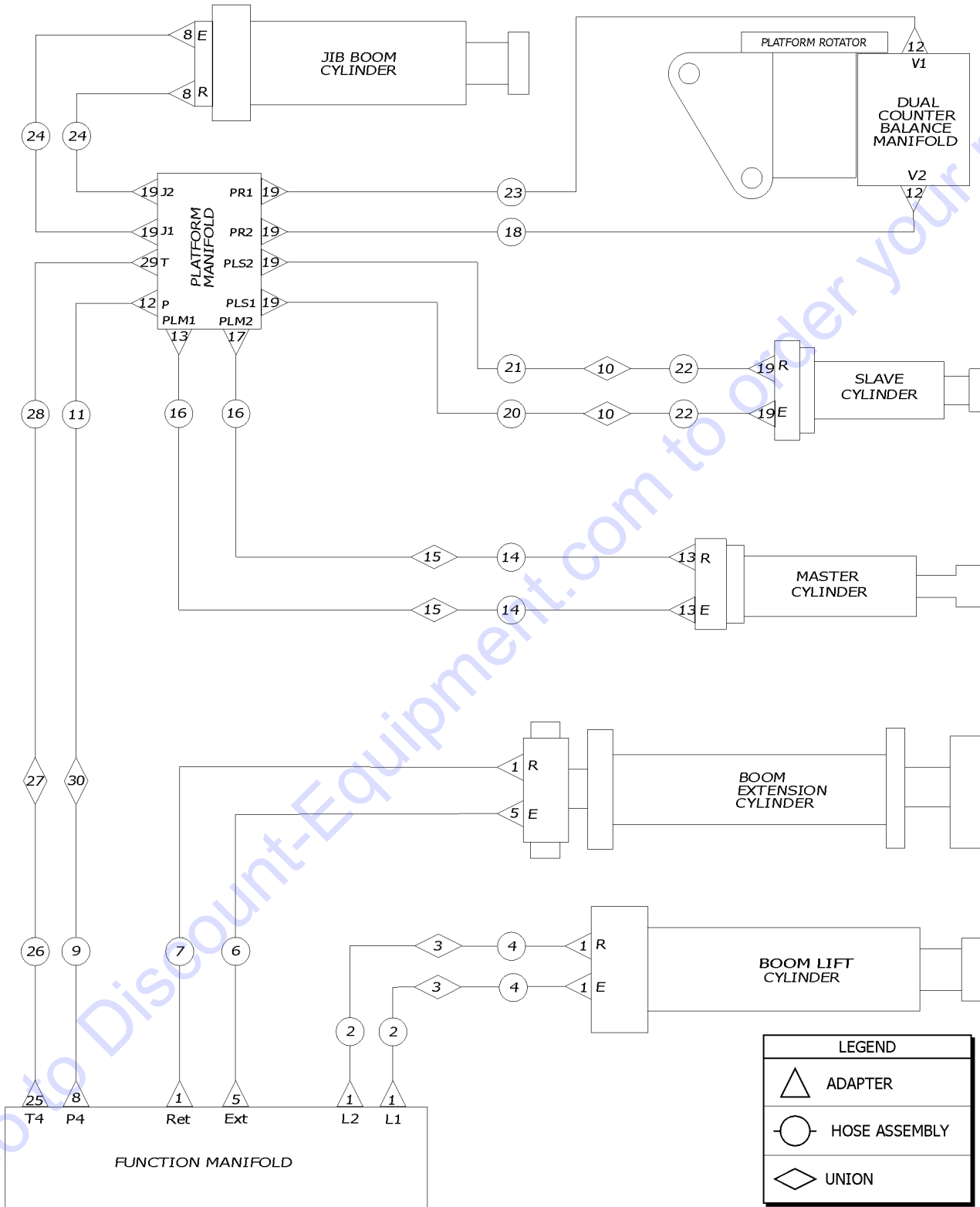
713.1 Boom, S-80X and S-80



713.1 Boom, S-80X and S-80

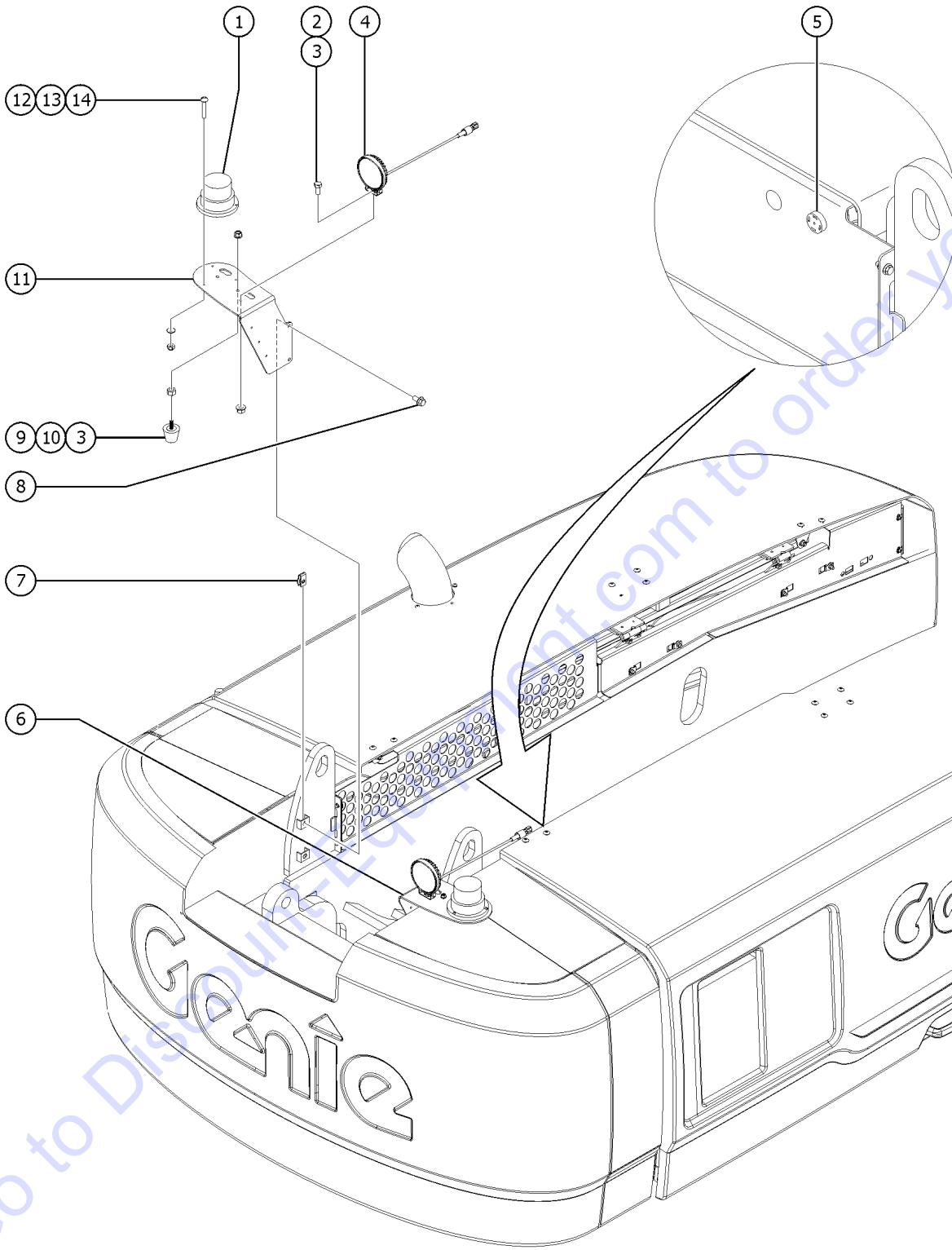
Item	Part No.	Description	Qty.	Item	Part No.	Description	Qty.
1	48933GT	CONN,520120-8***	6	26	61321GT	ELBOW,90D,BLKHD,ORFS-6-6 W/NUT	1
2	49143-14429GT	HOSE ASSY,1/2,90 FEM,STR FEMM* (components: 48822, 48827 and 48756 @ 142 inches)	2	27	49130-63782GT	HOSE ASSY,3/8",STR FEM/STR FEM* (components: 48812, 48812 and 48753 @ 636 inches)	1
3	48894GT	CONN,BULKHEAD,520601-8	2	28	48920GT	ELBOW,45D,520320-6	1
4	49137-5041GT	HOSE ASSY,1/2,90L FEM,STR FEM* (components: 48822, 48824 and 48756 @ 48 inches)	2	29	61269GT	UNION,BULKHEAD,ORFS,520601,-4	1
5	48960GT	FITTING,CONN,520120-12***	2				
6	102313-17526GT	HOSE ASSY,3/4,45 FEM,STR FEM* (components: 48841, 48845 and 94358 @ 172 inches)	1				
7	49141-17463GT	HOSE ASSY,1/2,45 FEM,STR FEM* (components: 48822, 48826 and 48756 @ 172 inches)	1				
8	48912GT	CONN,520120-4-6***	1				
9	49119-51078GT	HOSE ASSY,1/4 STR FEM,STR FEM* (components: 48800, 48800 and 48751 @ 509 inches)	1				
10	61079GT	ELBOW,90D,BULKHEAD,520701-4	2				
11	49119-66978GT	HOSE ASSY,1/4 STR FEM,STR FEM* (components: 48800, 48800 and 48751 @ 668 inches)	1				
12	48907GT	ELBOW,45D,520320-4	4				
13	48904GT	ELBOW,90D,520220-4-4	3				
14	49119-34078GT	HOSE ASSY,1/4,STR FEM,STR FEM* (components: 48800, 48800 and 48751 @ 339 inches)	2				
15	61269GT	UNION,BULKHEAD,ORFS,520601,-4	2				
16	49119-66978GT	HOSE ASSY,1/4 STR FEM,STR FEM* (components: 48800, 48800 and 48751 @ 668 inches)	2				
17	61259GT	ELBOW,90D,LONG,521520-4	1				
18	49116-2637GT	HOSE ASSY,1/4,45 FEM,STR FEM* (components: 48800, 48801 and 48751 @ 24 inches)	1				
19	48905GT	CONN,520120-4***	6				
20	49117-4691GT	HOSE ASSY,1/4,90 FEM,STR FEM* (components: 48800, 48802 and 48751 @ 45 inches)	1				
21	121787-4691GT	HOSE ASSY,1/4,90L FEM,STR FEM* (components: 48800, 121788 and 48751 @ 45 inches)	1				
22	49117-2791GT	HOSE ASSY,1/4",90 FEM,STR FEM* (components: 48800, 48801 and 4875 @ 22 inches)	2				
23	49116-2437GT	HOSE ASSY,1/4,45 FEM,STR FEM* (components: 48800, 48801 and 4875 @ 22 inches)	1				
24	48916GT	FITTING,CONN,520120-6	1				
25	49128-50409GT	HOSE ASSY,3/8,90 FEM,STR FEM* (components: 48816, 48812 and 48753 @ 502 inches)	1				

714.1 Boom, S-85



Item	Part No.	Description	Qty.	Item	Part No.	Description	Qty.
1	48933GT	CONN,520120-8***	6	26	49128-50409GT	HOSE ASSY,3/8,90 FEM,STR FEM.....1 (components: 48816, 48812 and 48753 @ 502 inches)	1
2	49143-14429GT	HOSE ASSY,1/2,90 FEM,STR FEMM*....2 (components: 48822, 48827 and 48756 @ 142 inches)	2	27	61321GT	ELBOW,90D,BLKHD,ORFS-6-6 W/NUT.....1	1
3	48894GT	CONN,BULKHEAD,520601-8.....2	2	28	49130-71382GT	HOSE ASSY,3/8",STR FEM/STR FEM....1 (components: 48812, 48812 and 48753 @ 712 inches)	1
4	49137-5041GT	HOSE ASSY,1/2,90L FEM,STR FEM.....2 (components: 48822, 48824 and 48756 @ 48 inches)	2	29	48920GT	ELBOW,45D,520320-6.....1	1
5	48960GT	FITTING,CONN,520120-12***	2	30	61269GT	UNION,BULKHEAD,ORFS,520601,-4.....1	1
6	102313-17526GT	HOSE ASSY,3/4,45 FEM,STR FEM.....1 (components: 48841, 48845 and 94358 @ 172 inches)	1				
7	49141-17463GT	HOSE ASSY,1/2,45 FEM,STR FEM.....1 (components: 48822, 48826 and 48756 @ 172 inches)	1				
8	48912GT	CONN,520120-4-6***	3				
9	49119-51078GT	HOSE ASSY,1/4 STR FEM,STR FEM.....1 (components: 48800, 48800 and 48751 @ 509 inches)	1				
10	61079GT	ELBOW,90D,BULKHEAD,520701-4.....3	3				
11	49119-74578GT	HOSE ASSY,1/4 STR FEM,STR FEM.....1 (components: 48800, 48800 and 48751 @ 744 inches)	1				
12	48907GT	ELBOW,45D,520320-4.....3	3				
13	48904GT	ELBOW,90D,520220-4-4.....3	3				
14	49119-34078GT	HOSE ASSY,1/4,STR FEM,STR FEM*....2 (components: 48800, 48800 and 48751 @ 339 inches)	2				
15	61269GT	UNION,BULKHEAD,ORFS,520601,-4.....2	2				
16	49119-74578GT	HOSE ASSY,1/4 STR FEM,STR FEM.....2 (components: 48800, 48800 and 48751 @ 744 inches)	2				
17	61259GT	ELBOW,90D,LONG,521520-4.....1	1				
18	49116-2637GT	HOSE ASSY,1/4,45 FEM,STR FEM.....1 (components: 48800, 48801 and 48751 @ 24 inches)	1				
19	48905GT	CONN,520120-4***	10				
20	49117-13291GT	HOSE ASSY,1/4,90 FEM,STR FEM.....1 (components: 48800, 48802 and 48751 @ 131 inches)	1				
21	121787-13291GT	HOSE ASSY,1/4,90L FEM,STR FEM....1 (components: 48800, 121788 and 48751 @ 131 inches)	1				
22	49117-2791GT	HOSE ASSY,1/4",90 FEM,STR FEM.....2	2				
23	49116-2437GT	HOSE ASSY,1/4,45 FEM,STR FEM.....1 (components: 48800, 48801 and 48751 @ 22 inches)	1				
24	217055GT	HOSE ASSY,1/4,STR FEM,STR FEM.....2 (components: 48800, 48801 and 101697 @ 22 inches)	2				
25	48916GT	FITTING,CONN,520120-6.....1	1				

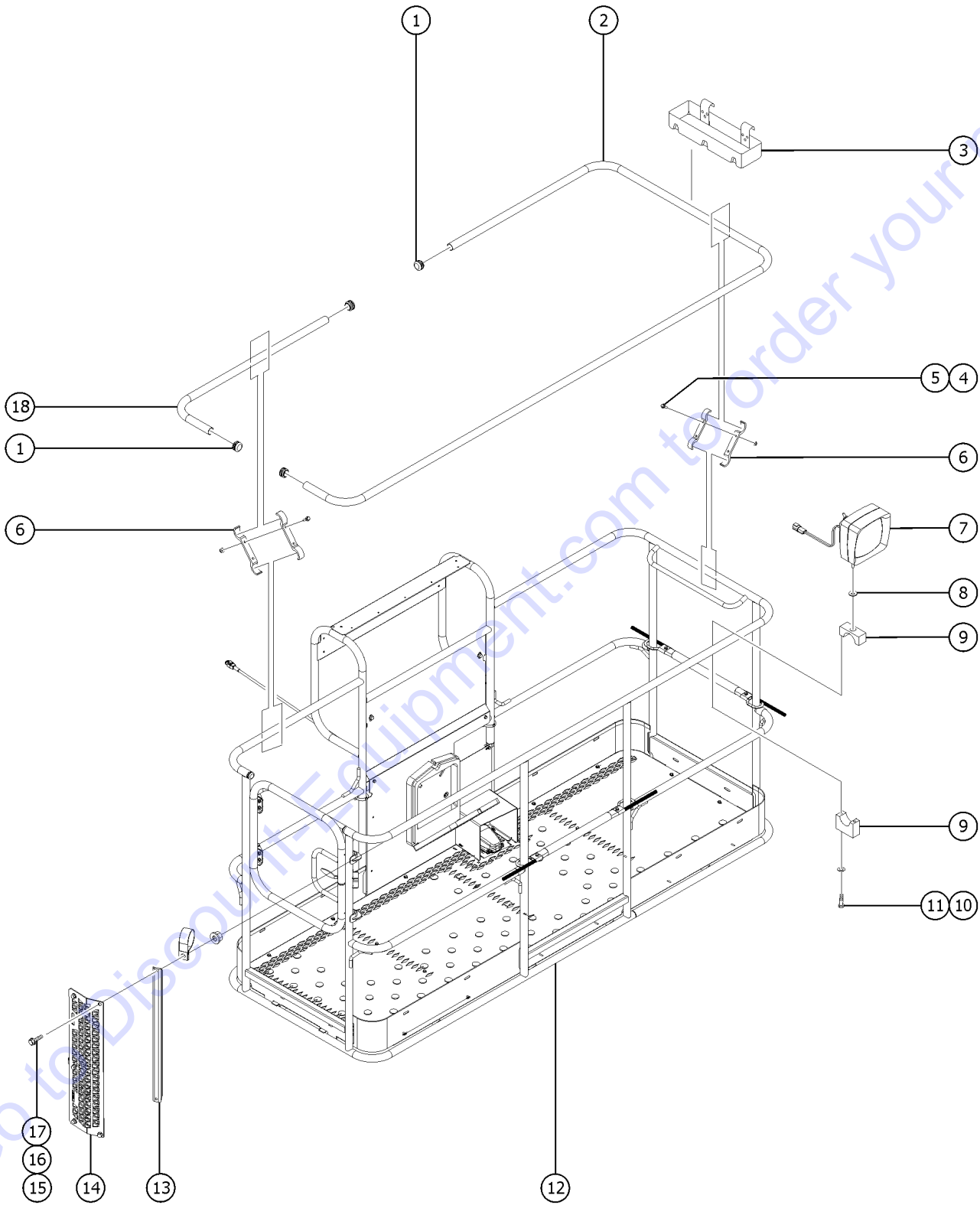
801.1 Alarm and Beacon Package, Driving Lights



## 801.1 Alarm and Beacon Package, Driving Lights

Item	Part No.	Description	Qty.
1	56704GT	STROBE,FIREBOLT,12-80VDC,AMB**...2	
--	121489GT	HARNESS,BEACON,S80/85 2008	
--	122019GT	FLASHTUBE,U SHAPED,360DEG,BULB	
--	226393GT	FLASHTUBE,STRAIGHT,360DEG,BULB	
--	72282GT	LENS,AMBER,STROBE,FIREBOLT	
2	1256464GT	SCREW,HHC,5/16-18X.75,8,ZAG.....2	
3	824028GT	NUT,TL FLG,5/16-18,G,ZAG.....4	
4	121800GT	ASSY, WORK/DRIVE LIGHTS 2008.....2	
5	45462GT	ALARM,CHIME TONE 5-25VDC***.....1 (does not include 72326 nut)	
--	72326GT	NUT - PLASTIC,RING FOR ALARMS	
6	121588GT	FORMING,DRIVELIGHT,LEFT,S80-85....1	
7	29868GT	SPRING CLIP,3/8-16,.05-.20X.73,ZAG...4	
8	824089GT	SCREW,HHF,3/8-16X.75,8,ZAG.....4	
9	30973GT	BUMPER,RUBBER-1 X 1.25.....2	
10	1261250GT	NUT,5/16-18,8,ZAG.....2	
11	121589GT	FORMING,DRIVE LIGHT,RIGHT,S80.....1	
12	6147GT	SCREW,RHM,10-32 X 1.....6	
13	1253185GT	WASHER,FLAT,#10,USS,ZAG.....6	
14	6178GT	NUT,NYLOCK,10-32.....6	

802.1 Platform Options

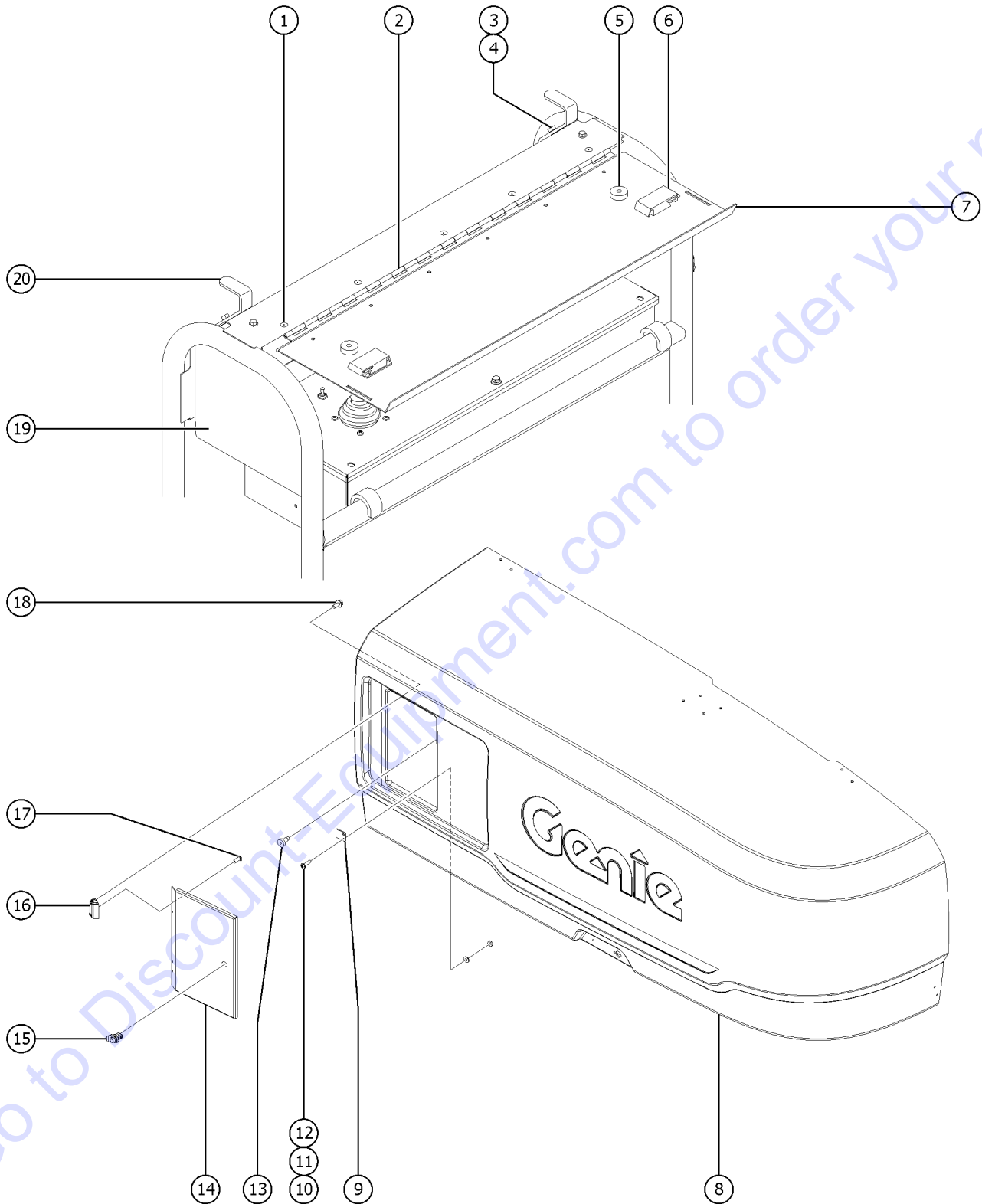




## 802.1 Platform Options

Item	Part No.	Description	Qty.
1	55753GT	BUMPER, PLASTIC, 1.25 O.D.....	4
2A	1271077GT	AUX RAIL, 8' PLAT, TRI-ENTRY..... (8 foot platform)	1
2B	1270570GT	AUX RAIL, 6' PLAT, SIDE ENTRY..... (6 foot platform)	1
3	9599-SGT	TOOL TRAY.....	1
4A	824079GT	SCREW,HHF,1/4-20X1,8,ZAG.....	26
		(8 foot platform)	
4B	824079GT	SCREW,HHF,1/4-20X1,8,ZAG.....	22
		(6 foot platform)	
5A	824027GT	NUT,TL FLG,1/4-20,G,ZAG.....	26
		(8 foot platform)	
5B	824027GT	NUT,TL FLG,1/4-20,G,ZAG.....	22
		(6 foot platform)	
6A	122073GT	SUPPORT, RAILING.....	26
		(8 foot platform)	
6B	122073GT	SUPPORT, RAILING.....	22
		(6 foot platform)	
7	71498GT	WORKLIGHT, 12V, DEUTSCH RECEPT.....	2
8	5397GT	WASHER,FLAT,USS,5/16",Y.....	2
9	35956GT	BRACKET,WORK LIGHT MOUNT 5/16".....	2
10	6145GT	SCREW,HHC,1/4-20 X 1.5.....	4
11	6356GT	WASHER,LOCK,.25.....	4
12		Ref.WELDMENT, PLATFORM..... (refer to 601.2)	1
13	1277966GT	TUBE, SWING GATE GUARD.....	1
14	1277952GT	GUARD, SWING GATE.....	1
15	824086GT	SCREW,HHF,5/16-18X1,8,ZAG.....	5
16	56424GT	CLAMP,1.25X.5 RUBBER-CUSHION....	5
17	824028GT	NUT,TL FLG,5/16-18,G,ZAG.....	5
18A	1271078GT	AUX RAIL, 8' PLAT, TRI-ENTRY..... (8 foot platform)	1
18B	1270571GT	AUX RAIL, 6' PLAT, SIDE ENTRY..... (6 foot platform)	1

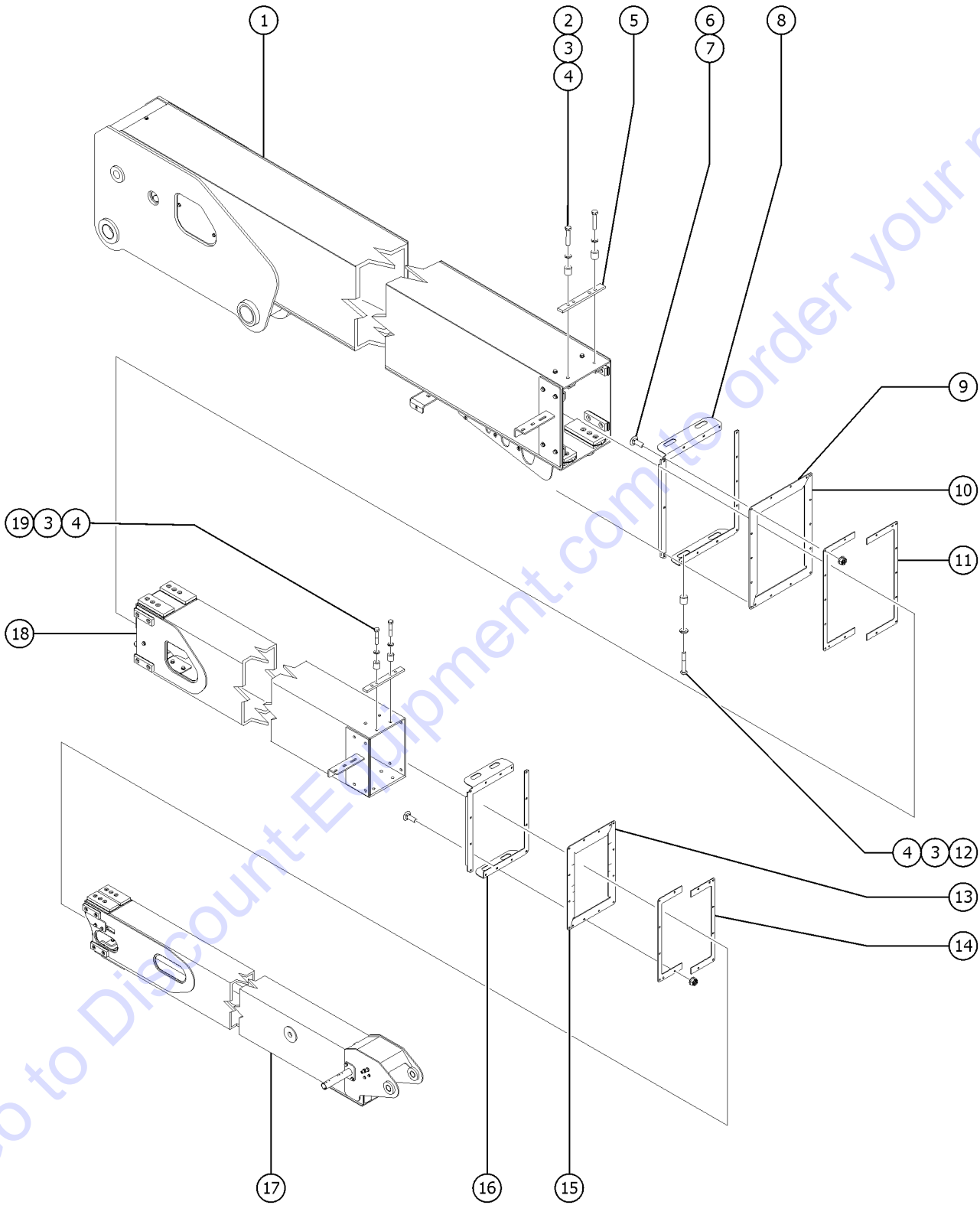
803.1 Hostile Environment Package - Ground and Platform Control Box Covers



## 803.1 Hostile Environment Package - Ground and Platform Control Box Covers

Item	Part No.	Description	Qty.
1	54486GT	RIVET,ALUM,ALUM,3/16BUTTONHEAD.11	
2	111526GT	HINGE,PLAT CONTROL BOX COVER...1	
3	824078GT	SCREW,HHF,1/4-20X.75,8,ZAG.....8	
4	824027GT	NUT,TL FLG,1/4-20,G,ZAG.....8	
5	43392GT	BUMPER,BATTERY BOX & RAILS.....2	
6	30468GT	LATCH,SLIDE, FLUSH MOUNT STYLE.....2	
7	102785PGT	CONTROL BOX COVER,LID,PTD.....1	
8		Ref. COVER, SWING CHASSIS, TS.....1 (refer to 304.1)	
9	1261001GT	STRIKER, LATCH.....1	
10	824215GT	SCREW,PHPM,10-32X.75,ZAG.....2	
11	1253185GT	WASHER,FLAT,#10,USS,ZAG.....2	
12	1256804GT	NUT,10-32,ZAG.....2	
13	34619GT	BUMPER,RUBBER*** .....2	
14	1260980GT	FORMING, CONTROL BOX COVER....1	
15	1259583GT	LATCH,PUSH BUTTON.....1	
16	1259584GT	HINGE,CONSTANT TORQUE.....2	
17	229845GT	SCREW,BHSCS,M5X10,SS.....4	
18	218457GT	SCREW,HHF,M5X12,DIN6921,10.9,Z....4	
19	88607PGT	COVER,CONTROL BOX LEFT SIDE*** .....1	
--	88606PGT	COVER,CONTROL BOX RIGHT SIDE**	
20	102786PGT	FORMING,LATCH,CTRL BOX LID PTD.....2	

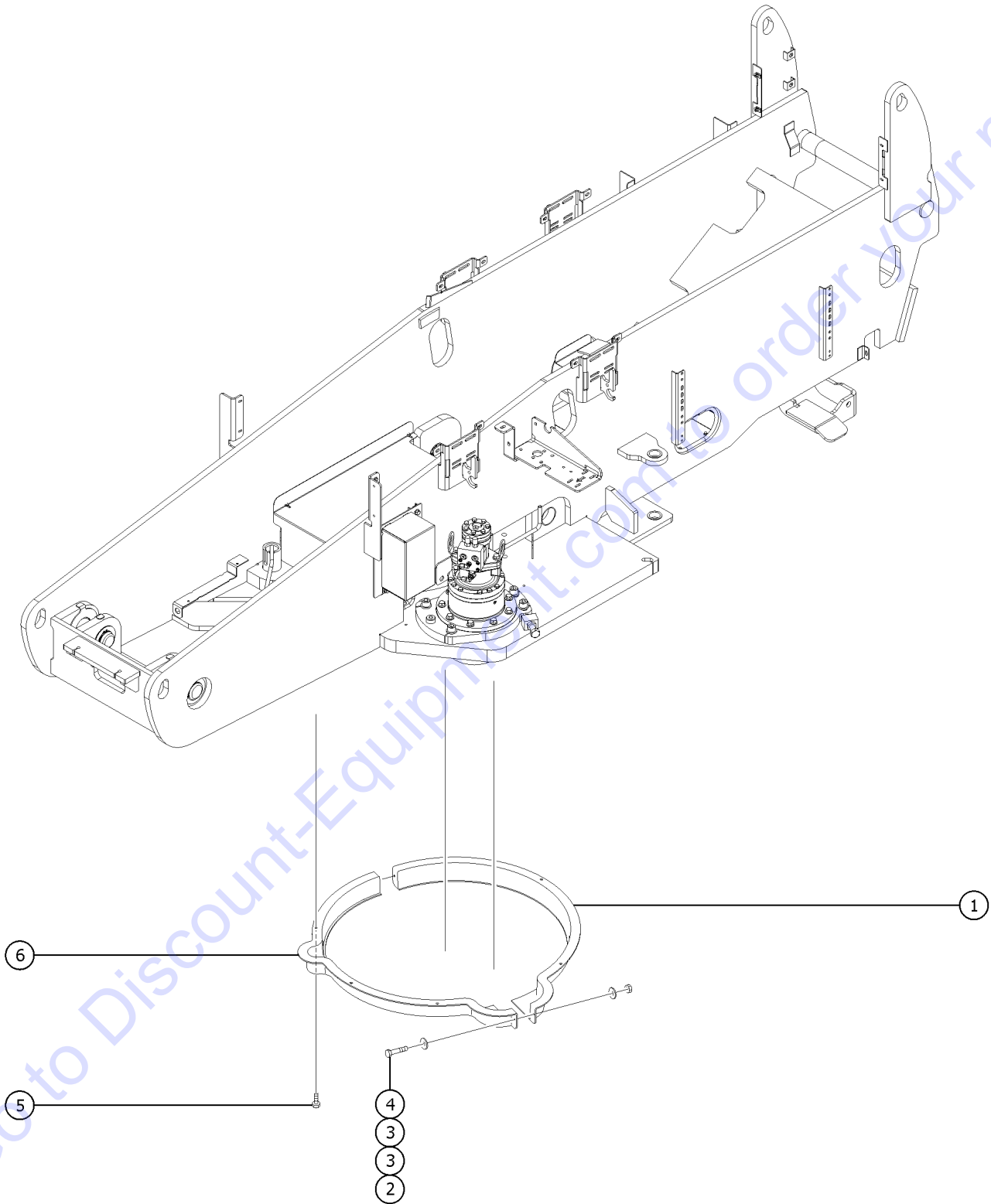
804.1 Hostile Environment Package - Booms



## 804.1 Hostile Environment Package - Booms

Item	Part No.	Description	Qty.
1		Ref. BOOM TUBE 1 (refer to 502.1)	
2	1252978GT	SCREW,HHC,3/8-16X2.25,8,ZAG.....	2
3	824110GT	WASHER,LOCK,3/8,ZAG.....	8
4	101932GT	TUBE,RD,STL,DOM,,75X.38X.78.....	8
5	121173GT	SPACER,BOOM WIPER TOP.....	2
6	824124GT	BOLT,CARRIAGE,1/4-20X.75,5,ZAG.....	30
7	1277924GT	NUT,NYLOCK FLG,1/4-20,F,ZAG.....	30
8	121166GT	FORMING,BRKT,WIPER,BOOM #1.....	2
9	121659GT	WIPER,RUBBER,S80,SEC #1, TOP.....	1
10	121660GT	WIPER,RUBBER,S80,SEC #1,BOTTOM.....	1
11	121167GT	PLATE,WIPER BACKING,BOOM #1.....	2
12	824069GT	SCREW,HHC,3/8-16X2.5,8,ZAG.....	2
13	121662GT	WIPER,RUBBER,S80,SEC #2,BOT.....	1
14	121170GT	PLATE,BACKING WIPER 2 TO 3.....	2
15	121661GT	WIPER,RUBBER,S80,SEC#2, TOP.....	1
16	121169GT	FORMING,BRKT,WIPER,BOOM #2.....	2
17		Ref. BOOM TUBE 3 (refer to 505.1)	
18		Ref. BOOM TUBE 2 (refer to 504.1)	
19	1256108GT	SCREW,HHC,3/8-16X2,8,ZAG.....	4

805.1 Hostile Environment Package - Turntable

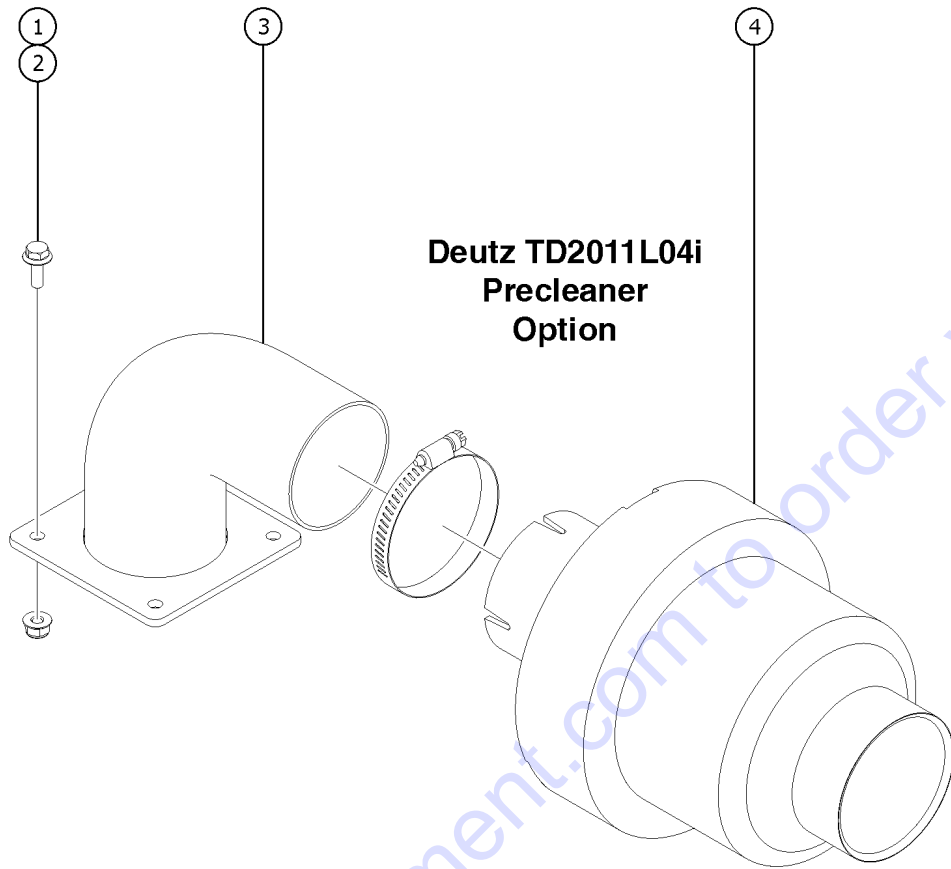


## 805.1 Hostile Environment Package - Turntable

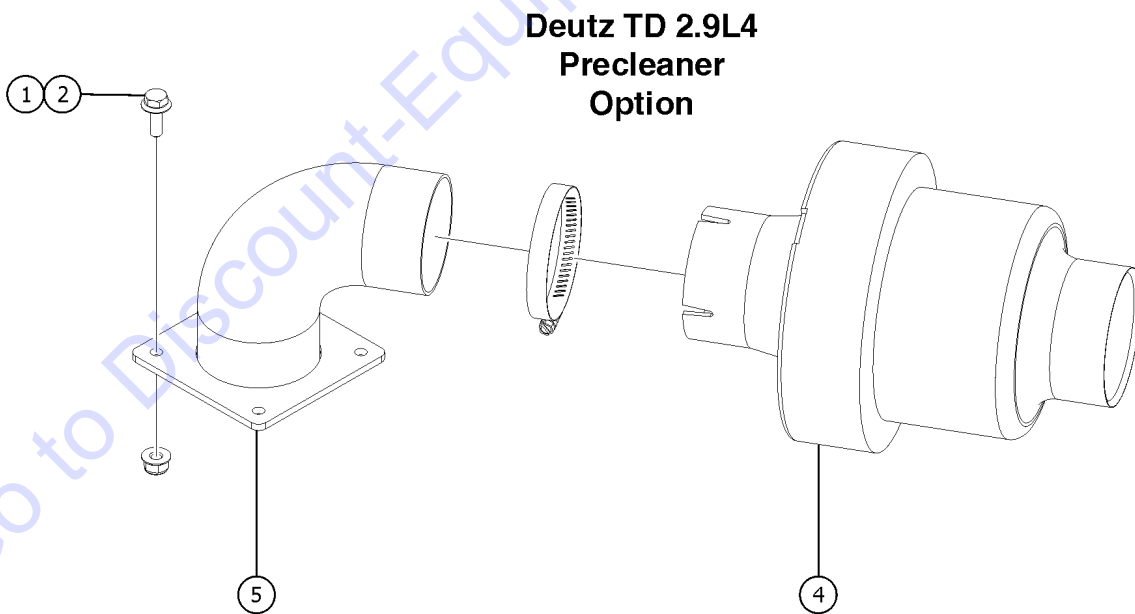
Item	Part No.	Description	Qty.
1	121316GT	COVER,RING GEAR,FRONT.....	1
2	6090GT	SCREW,HHC,1/4-20 X .75	
3	6638GT	WASHER,FLAT,USS,1/4"Y	
4	6091GT	NUT,NYLOCK,1/4-20	
5	121066GT	SCREW,HHC,FLG,3/8-16 X 1 GR8.....	6
6	121317GT	COVER,RING GEAR,REAR.....	1

Go to Discount-Equipment.com to order your parts

806.1 Hostile Environment Package - Engine Air Cleaners



**Deutz TD2011L04i  
Precleaner  
Option**



**Deutz TD 2.9L4  
Precleaner  
Option**



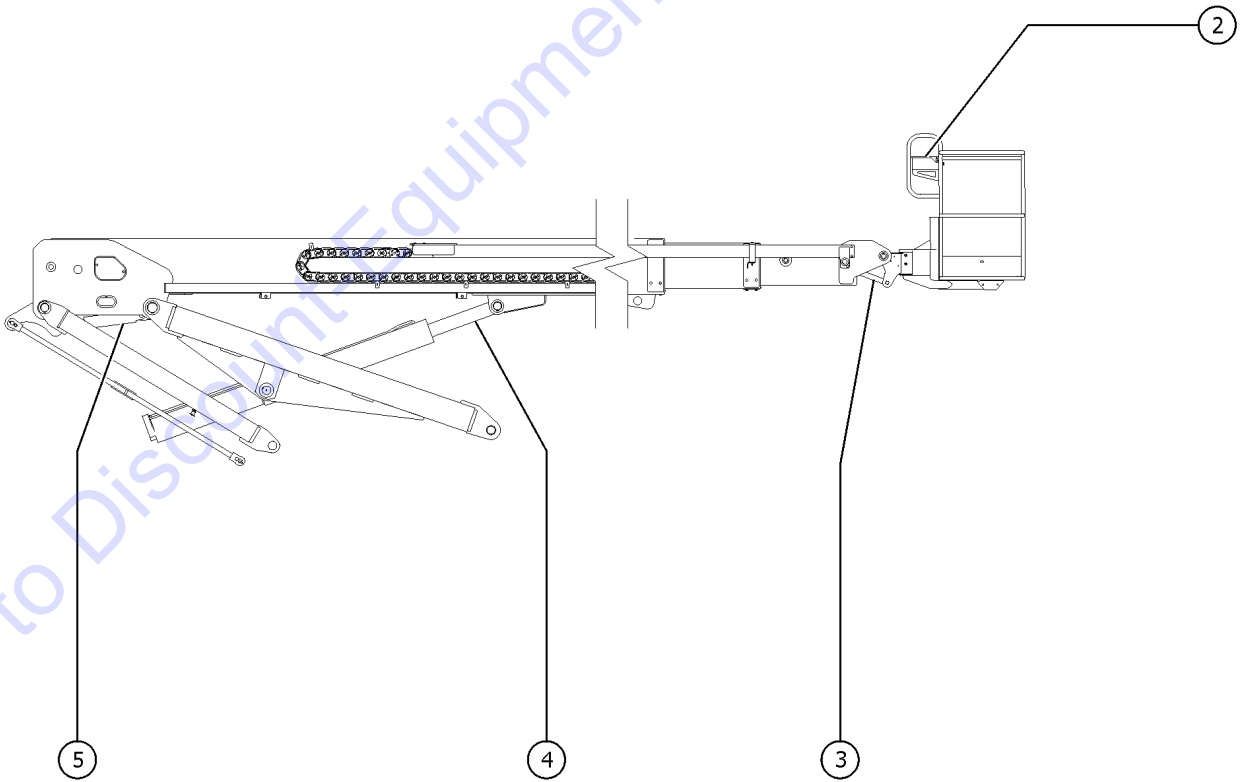
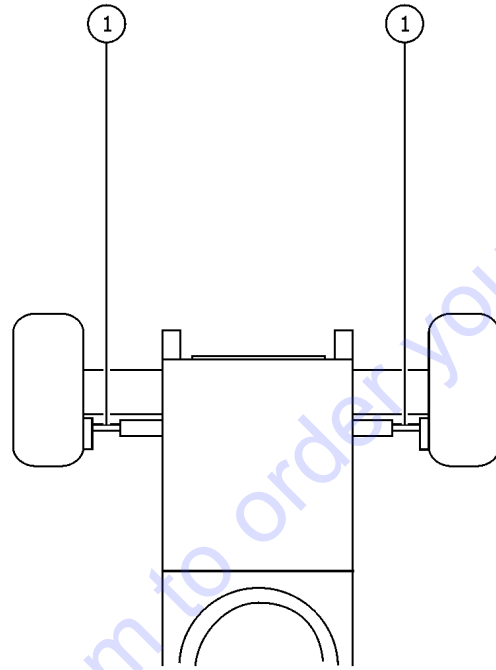
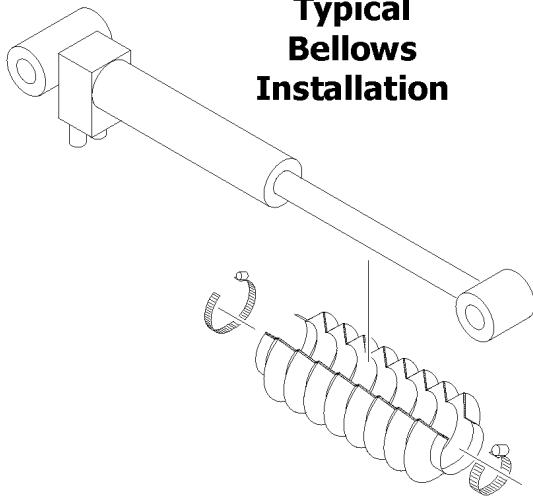
## 806.1 Hostile Environment Package - Engine Air Cleaners

Item	Part No.	Description	Qty.
1	824078GT	SCREW,HHF,1/4-20X.75,8,ZAG.....	4
2	1277924GT	NUT,NYLOCK FLG,1/4-20,F,ZAG.....	4
3	121413GT	WELDMENT,PRECLEANER MT,DEUTZ.....	1
4	89959GT	PRECLEANER,INLINE 3"..... (Includes clamp)	1
5	825948GT	WELDMENT, PRECLEANER MT, DEUTZ/PERKINS.....	1

Go to Discount-Equipment.com to order your parts

807.1 Hostile Environment Package - Cylinder Bellows, S-80, S-80X

**Typical  
Bellows  
Installation**

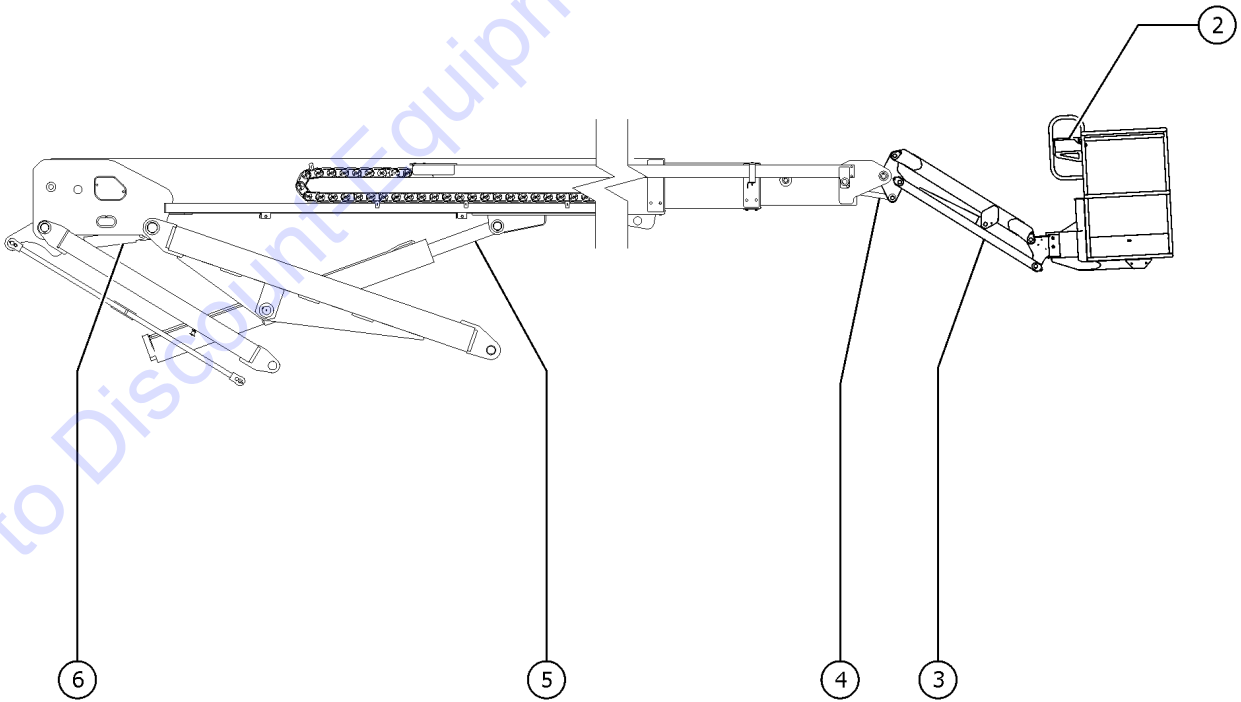
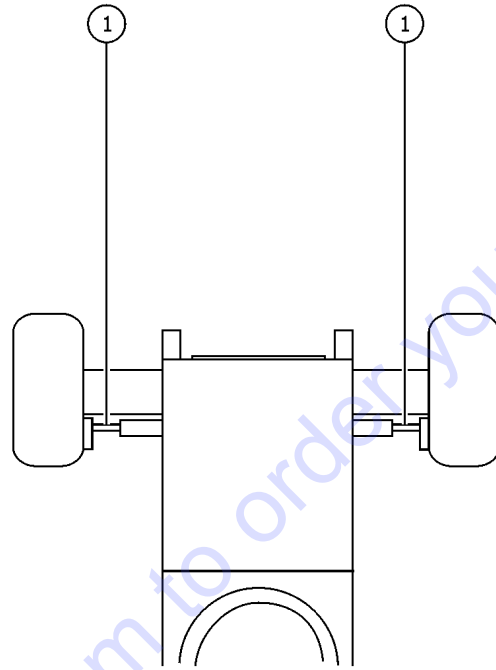
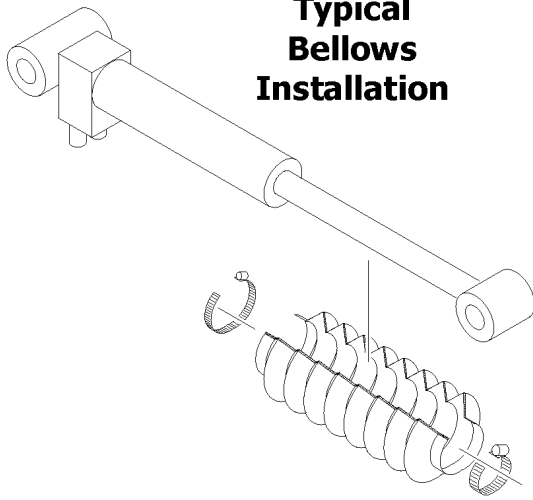


## 807.1 Hostile Environment Package - Cylinder Bellows, S-80, S-80X

Item	Part No.	Description	Qty.
A	81700GT	COVER,PROTECTIVE,OSC.CYLINDER	
B	35432GT	CLAMP,HOSE,6.50	
C	45435GT	CLAMP,HOSE,2.50***	
1	34533GT	COVER,PROTECTIVE,STEER CYL.....2	
--	30971GT	CLAMP,HOSE,3.00"	
--	35434GT	CLAMP,HOSE,2.00***	
2	T107895	DECAL,PROTECTOR,CLEAR.....1	
3	94537GT	BELLOWS,CYLINDER,PLAT LEVEL.....1	
--	230995GT	COVER,HSE&CBL DLX HOSTILE	
--	23405GT	NUTSERT,10-32 STEEL CAD PLTD	
--	30489GT	CLAMP,HOSE,3.50	
--	49819GT	SCREW,PHILLIPS,PHM,10-32 X .5	
--	6146GT	WASHER,FLAT,MS,#10,Y	
4	121178GT	BELLOWS,LIFT CLYINDER.....1	
--	31523GT	CLAMP,HOSE,8.50 DIA***	
--	34955GT	CLAMP,HOSE,5.00	
5	121177GT	BELLOWS,MASTER CYLINDER.....1	
--	22672GT	CLAMP,HOSE,1.75	
--	34955GT	CLAMP,HOSE,5.00	

808.1 Hostile Environment Package - Cylinder Bellows, S-85

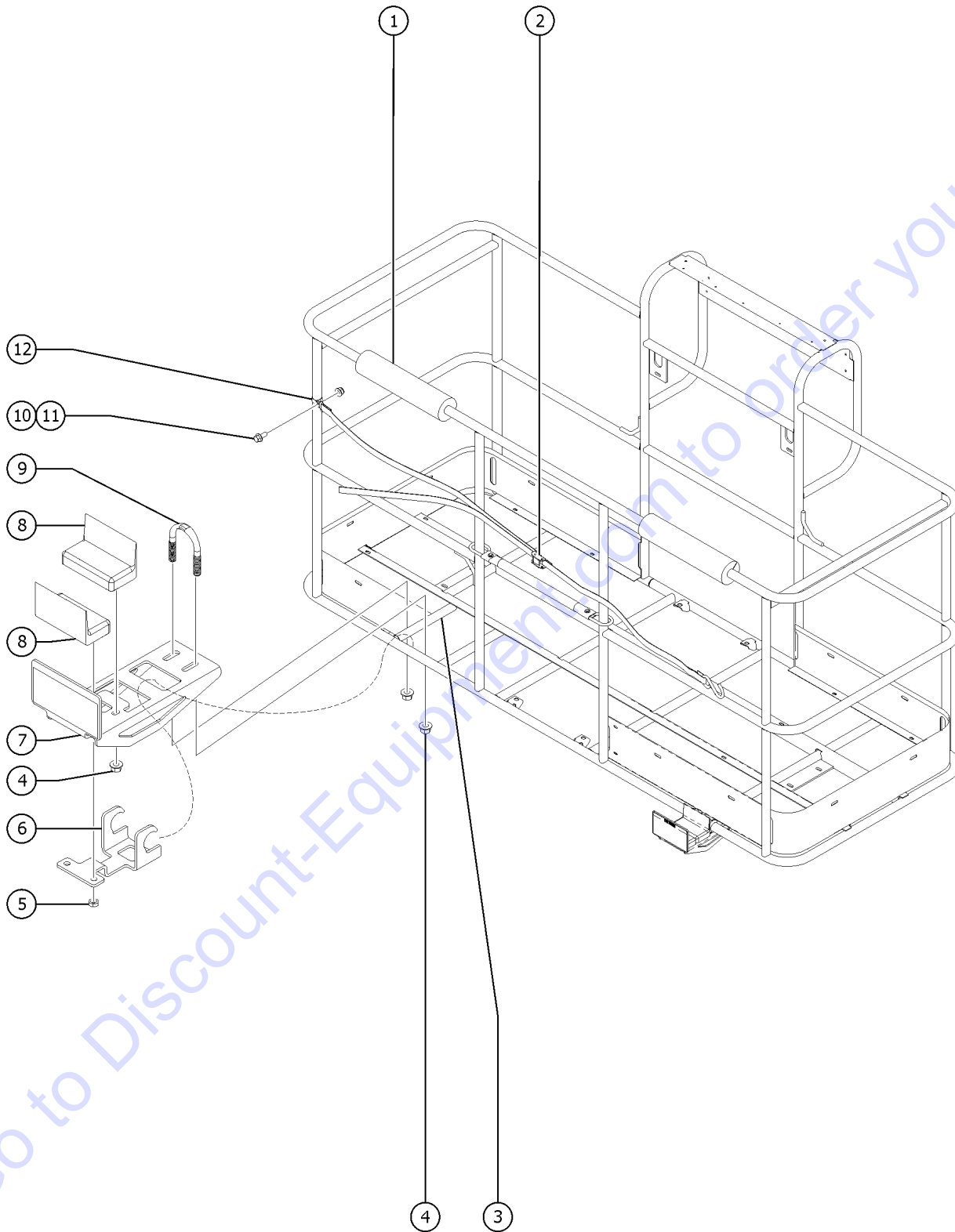
**Typical  
Bellows  
Installation**



## 808.1 Hostile Environment Package - Cylinder Bellows, S-85

Item	Part No.	Description	Qty.
A	81700GT	COVER,PROTECTIVE,OSC.CYLINDER	
B	35432GT	CLAMP,HOSE,6.50	
C	45435GT	CLAMP,HOSE,2.50***	
1	34533GT	COVER,PROTECTIVE,STEER CYL.....2	
--	30971GT	CLAMP,HOSE,3.00"	
--	35434GT	CLAMP,HOSE,2.00***	
2	T107895	DECAL,PROTECTOR,CLEAR.....1	
3	34505GT	COVER,PROTECTIVE,JIB CYLINDER...1	
--	30971GT	CLAMP,HOSE,3.00"	
--	35434GT	CLAMP,HOSE,2.00***	
4	94537GT	BELLOWS,CYLINDER,PLAT LEVEL.....1	
--	230995GT	COVER,HSE&CBL DLX HOSTILE	
--	23405GT	NUTSERT,10-32 STEEL CAD PLTD	
--	30489GT	CLAMP,HOSE,3.50	
--	49819GT	SCREW,PHILLIPS,PHM,10-32 X .5	
--	6146GT	WASHER,FLAT,MS,#10,Y	
5	121178GT	BELLOWS,LIFT CLYINDER.....1	
--	31523GT	CLAMP,HOSE,8.50 DIA***	
--	34955GT	CLAMP,HOSE,5.00	
6	121177GT	BELLOWS,MASTER CYLINDER.....1	
--	22672GT	CLAMP,HOSE,1.75	
--	34955GT	CLAMP,HOSE,5.00	

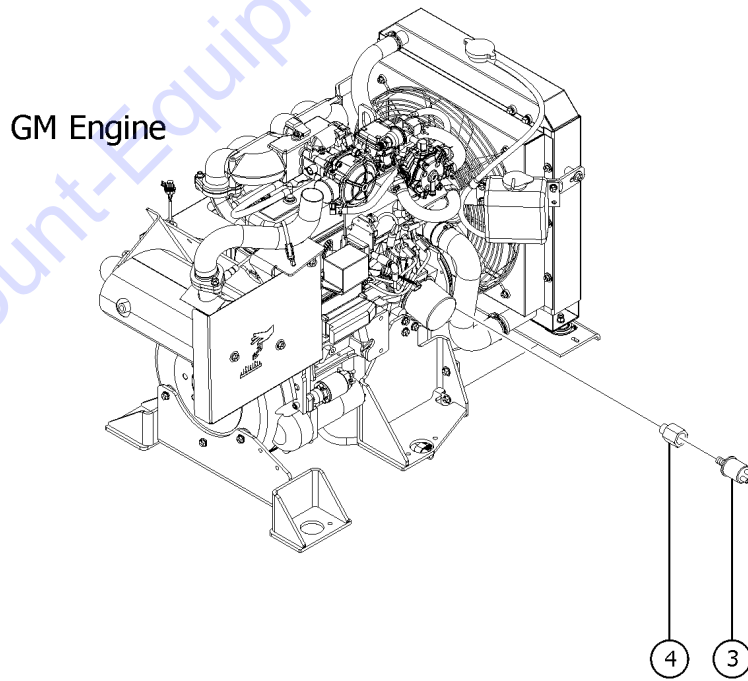
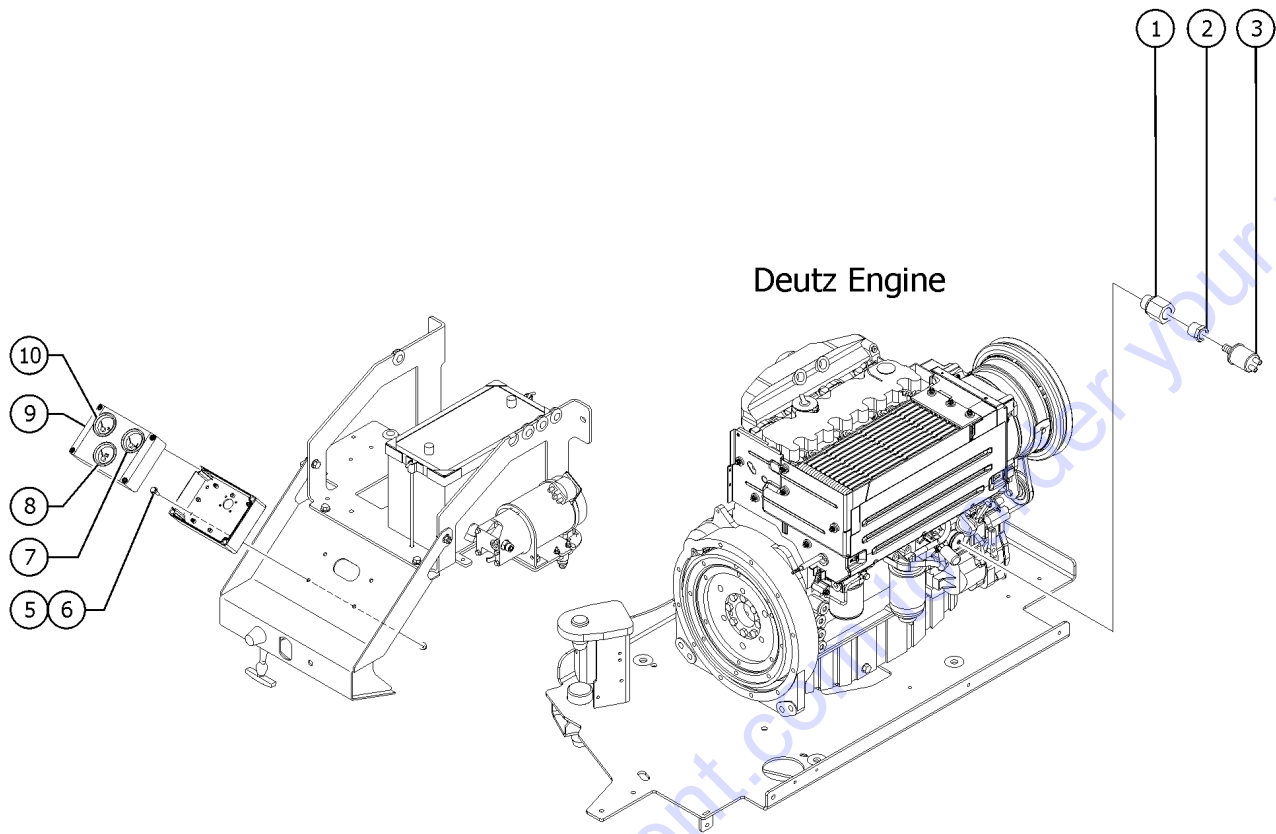
809.1 Panel Cradle Option



## 809.1 Panel Cradle Option

Item	Part No.	Description	Qty.
--	77683GT	ACCESSORY,PANEL CRADLE,ANSI (ANSI models)	
--	94493-SGT	KIT,PANEL CRADLE,CE (CE models)	
1	88377-1400GT	FOAM PAD, 3" OD X 1.25" ID X 14 IN.....2	
2	77664GT	ADJUSTABLE STRAP ASSY.....1	
3	1274322GT	NUT,NYLOCK FLG,3/8-16,F,ZAG.....8	
4	5397GT	WASHER,FLAT,USS,5/16",Y for machines before 2010	
5	228849GT	FORMING,SECONDARY SUPPORT.....2 77576P is no longer available. For machines before 2010, must install Qty 2 service kit 233992 (ANSI) or 233993 (CE) for initial replacement.	
6	228848GT	FORMING PANEL CRADLE.....2 89724 is no longer available. For machines before 2010, must install Qty 2 service kit 233992 (ANSI) or 233993 (CE) for initial replacement.	
--	233992GT	KIT,PANEL CRADLE BRACKET,WORD.....1 (ANSI models) (includes hook, panel support bracket and installation instructions)	
--	233993GT	KIT,PANEL CRADLE BRACKET,SYMBL.....1 (CE models) (includes hook, panel support bracket and installation instructions)	
7	56934GT	PAD,REST,1"THICK,FLANGED.....4	
7A	824038GT	NUT,TL JAM,3/8-16,A,ZAG.....4 for 56934	
8	1251600GT	U-BOLT, FLATTENED, 1.5 X 3/8 UNC,ZAG.....2	
9	73463-1175GT	TUBE, RD, ALUM, 1.25 X .083 X 11.75...2	
10	1256855GT	SCREW,HFH,1/4-20X.625,8,ZAG.....1	
11	6638GT	WASHER,FLAT,USS,1/4"Y for machines before 2010	
12	1277924GT	NUT,NYLOCK FLG,1/4-20,F,ZAG.....1	
13	56424GT	CLAMP,1.25X.5 RUBBER-CUSHION.....1	

810.1 Full Gauge Option





# PARTS FINDER

**Search Website  
by Part Number**



**Search Manual  
Library For Parts  
Manual & Lookup Part  
Numbers – Purchase  
or Request Quote**

**Search Manuals**

Enter your information to help us find the right parts manual for your machine.

\* Brand:

\* Model:

\* Serial:

\* Part Number:

SEARCH

**Can't Find Part or  
Manual? Request Help  
by Manufacturer,  
Model & Description**

**Parts Order Form**

Please fill in the following information to help us find the right part for your machine.

Manufacturer:	<input type="text"/>
Model:	<input type="text"/>
Description:	<input type="text"/>
Part Number:	<input type="text"/>
Quantity:	<input type="text"/>
Notes:	<input type="text"/>

Discount-Equipment.com is your online resource for quality parts & equipment.

Florida: **561-964-4949** Outside Florida TOLL FREE: **877-690-3101**

**Need parts?**

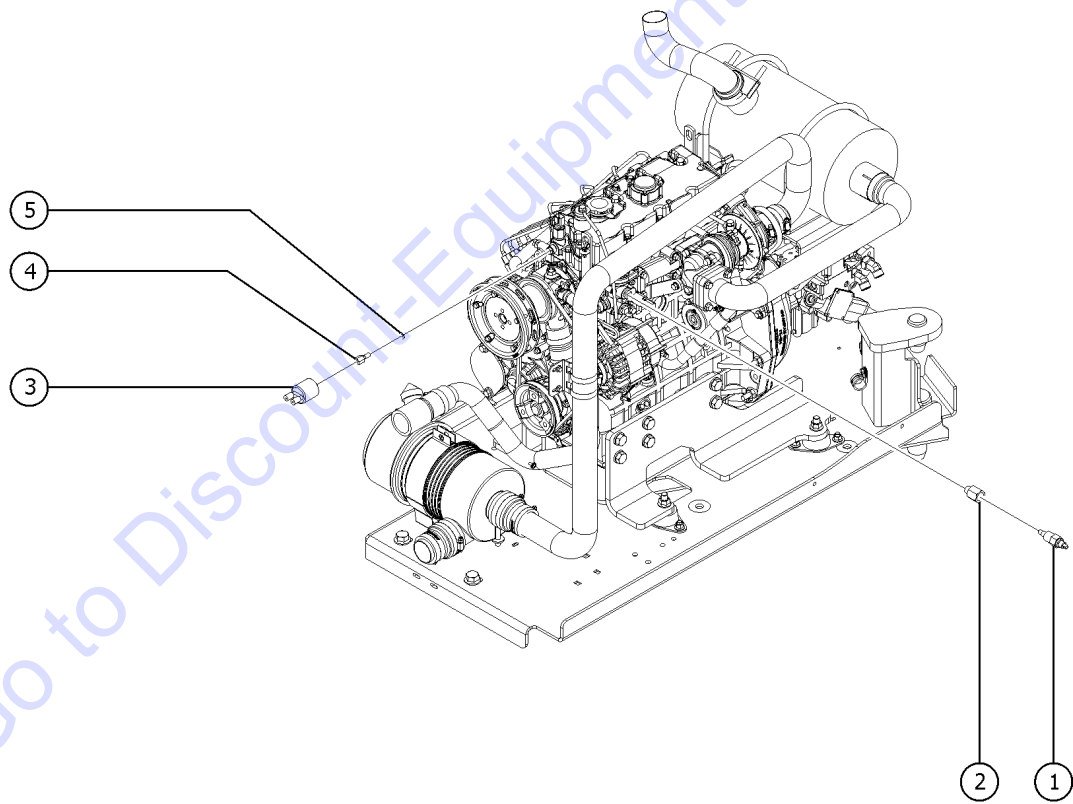
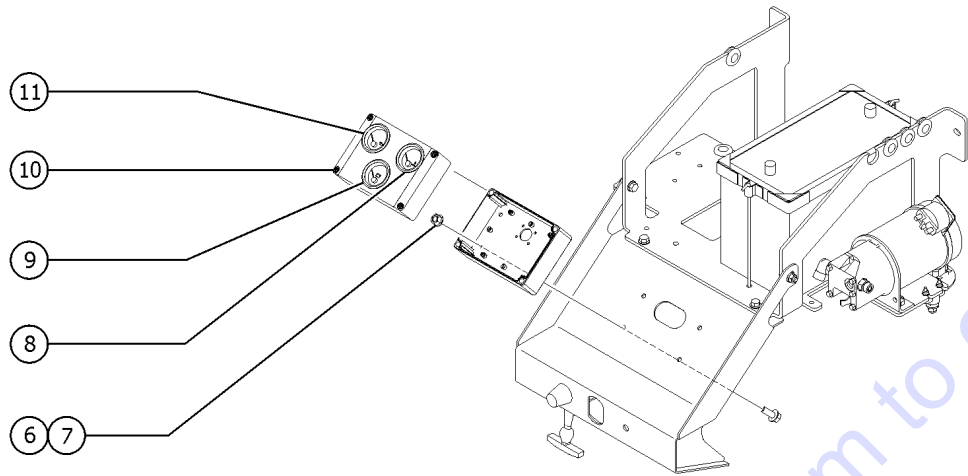
Click on this link: <http://www.discount-equipment.com/category/5443-parts/> and choose one of the options to help get the right parts and equipment you are looking for. Please have the machine model and serial number available in order to help us get you the correct parts. If you don't find the part on the website or on one of the online manuals, please fill out the request form and one of our experienced staff members will get back to you with a quote for the right part that your machine needs.

We sell worldwide for the brands: Genie, Terex, JLG, MultiQuip, Mikasa, Essick, Whiteman, Mayco, Toro Stone, Diamond Products, Generac Magnum, Airman, Haulotte, Barreto, Power Blanket, Nifty Lift, Atlas Copco, Chicago Pneumatic, Allmand, Miller Curber, Skyjack, Lull, Skytrak, Tsurumi, Husquvarna Target, Stow, Wacker, Sakai, Mi-T-M, Sullair, Basic, Dynapac, MBW, Weber, Bartell, Bennar Newman, Haulotte, Ditch Runner, Menegotti, Morrison, Contec, Buddy, Crown, Edco, Wyco, Bomag, Laymor, EZ Trench, Bil-Jax, F.S. Curtis, Gehl Pavers, Heli, Honda, ICS/PowerGrit, IHI, Partner, Imer, Clipper, MMD, Koshin, Rice, CH&E, General Equipment, Amida, Coleman, NAC, Gradall, Square Shooter, Kent, Stanley, Tamco, Toku, Hatz, Kohler, Robin, Wisconsin, Northrock, Oztec, Toker TK, Rol-Air, APT, Wylie, Ingersoll Rand / Doosan, Innovatech, Con X, Ammann, Mecalac, Makinex, Smith Surface Prep, Small Line, Wanco, Yanmar

Item	Part No.	Description	Qty.
A	121512GT	OPT,FULL GAUGE, S80 DEUTZ	
B	121508GT	OPT,FULL GAUGE,S80 DUAL FUEL	
C		Ref. HARNESS,GAUGE OPT <i>(refer to 316.1 or 317.1)</i>	
1	106034GT	ADAPTER,M18.....	1
2	106033GT	ADAPTER,NPT 6-4.....	1
3	30810GT	SENDING UNIT,OIL PRESSURE***..... <i>(dual-terminal sender)</i>	1
4	28607GT	ADAPTER,140139-8-6.....	1
5	121419GT	SCREW,HHF,1/4-20 X .75.....	4
6	121421GT	NUT,FLG,1/4-20.....	4
7A	53759-SGT	GAUGE,WATER TEMP..... <i>(dual fuel)</i>	1
7B	53760-SGT	GAUGE,OIL TEMP..... <i>(deutz models)</i>	1
8	53761-SGT	GAUGE,VOLTAGE.....	1
9A	121490GT	ASSY,GAUGE OPT.WATER COOLED..... <i>(dual fuel)</i>	1
--	121491GT	ENCLOSURE BOX, GAUGE OPT.	
9B	121482GT	ASSY,GAUGE OPT. OIL COOLED..... <i>(deutz models)</i>	1
--	121491GT	ENCLOSURE BOX, GAUGE OPT.	
10	53758-SGT	GAUGE,OIL PRESSURE W/O SENDER.....	1

Go to Discount-Equipment.com to order your parts

810.2 Full Gauge Option - Perkins 404D-22T



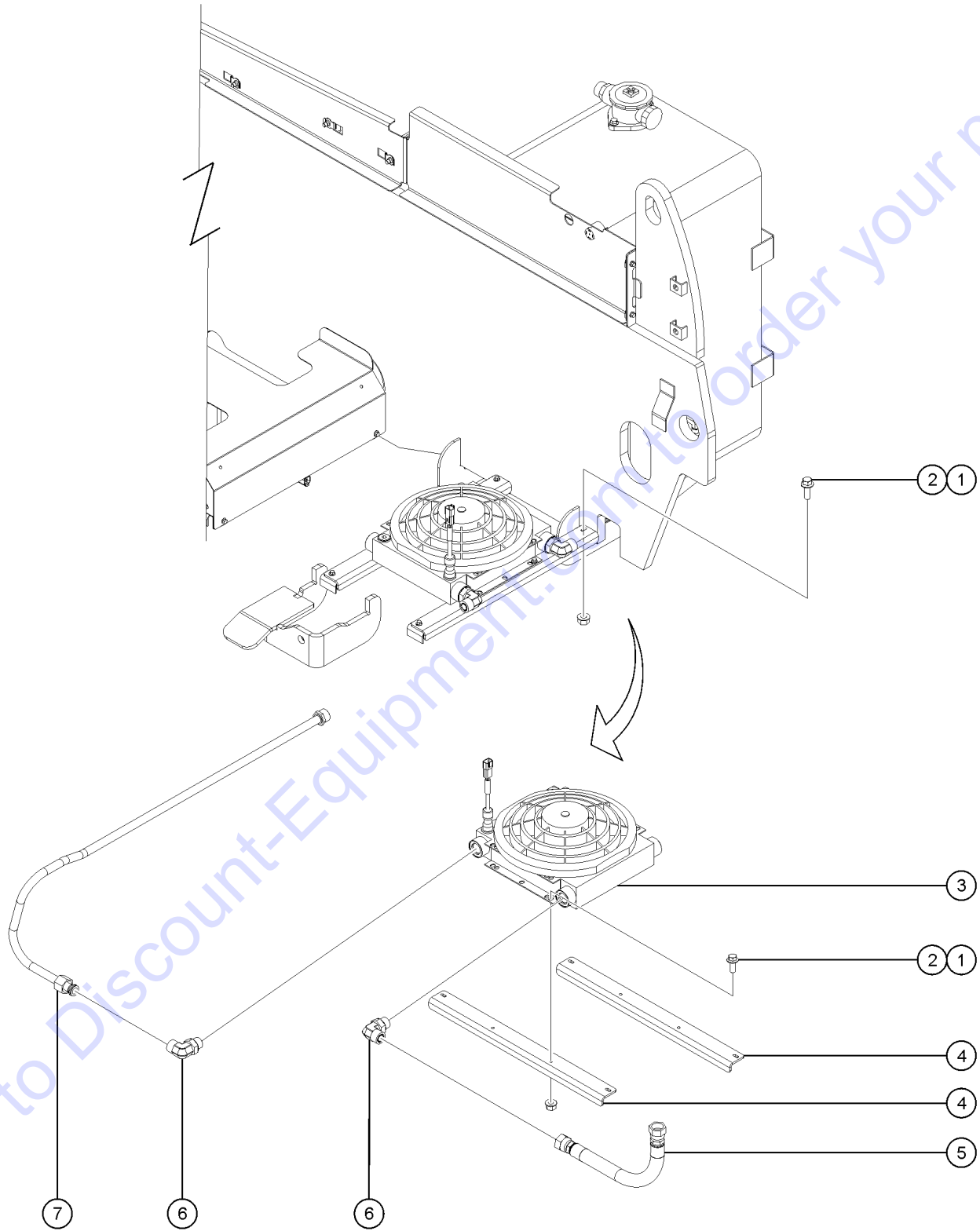
Go to Discount-Equipment.com to order your parts

810.2 Full Gauge Option - Perkins 404D-22T

Item	Part No.	Description	Qty.
A	1263553GT	OPT,FULL GAUGE,S80 PERKINS 404D-22T.....	1
1	34058GT	SENDING UNIT,TMP,FRD,GM,PRK704.....	1
2	1260414GT	ADAPTER, BSPT3/8"-19 TO NPTF1/2-14.....	1
3	102348GT	SENDING UNIT,OIL PRESS PERKINS...	1
4	139936GT	ADAPTER,EYEBOLT.....	1
5	101085GT	GASKET.....	1
6	824027GT	NUT,TL FLG,1/4-20,G,ZAG.....	4
7	824078GT	SCREW,HHF,1/4-20X.75,8,ZAG.....	4
8	53759-SGT	GAUGE,WATER TEMP.....	1
9	53761GT	GAUGE,VOLTAGE***.....	1
10	121490GT	ASSY,GAUGE OPT.WATER COOLED.....	1
--	121491GT	ENCLOSURE BOX, GAUGE OPT.	
11	53758-SGT	GAUGE,OIL PRESSURE W/O SENDER.....	1

Go to Discount-Equipment.com to order your parts

811.1 Hydraulic Oil Cooler Option

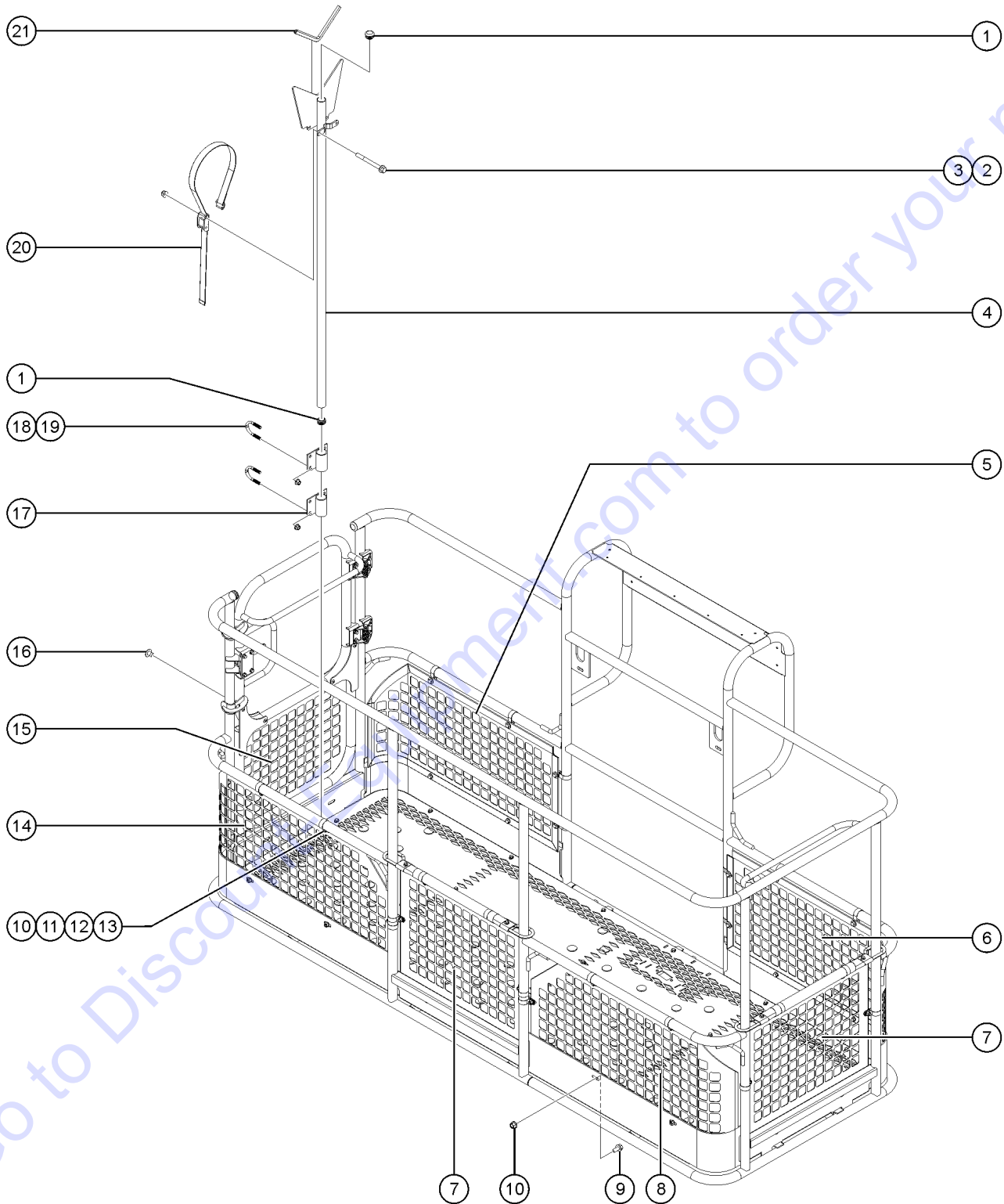


## 811.1 Hydraulic Oil Cooler Option

Item	Part No.	Description	Qty.
1	824078GT	SCREW,HHF,1/4-20X.75,8,ZAG.....	8
2	824027GT	NUT,TL FLG,1/4-20,G,ZAG.....	8
3	71259GT	OIL COOLER W/FAN, 12VDC.....	1
4	121389GT	FORMING,OIL COOLER SUPPORT.....	2
5	217059GT	HOSE ASSY,3/4,STR FEM,STR FEM.....	1
6	48959GT	FITTING,ELBOW,90D,520220-12.....	2
7	121370GT	HYD TUBE, DRIVE CASE COOLER.....	1

Go to Discount-Equipment.com to order your parts

812.1 Half-Mesh and Pipe Cradle Option

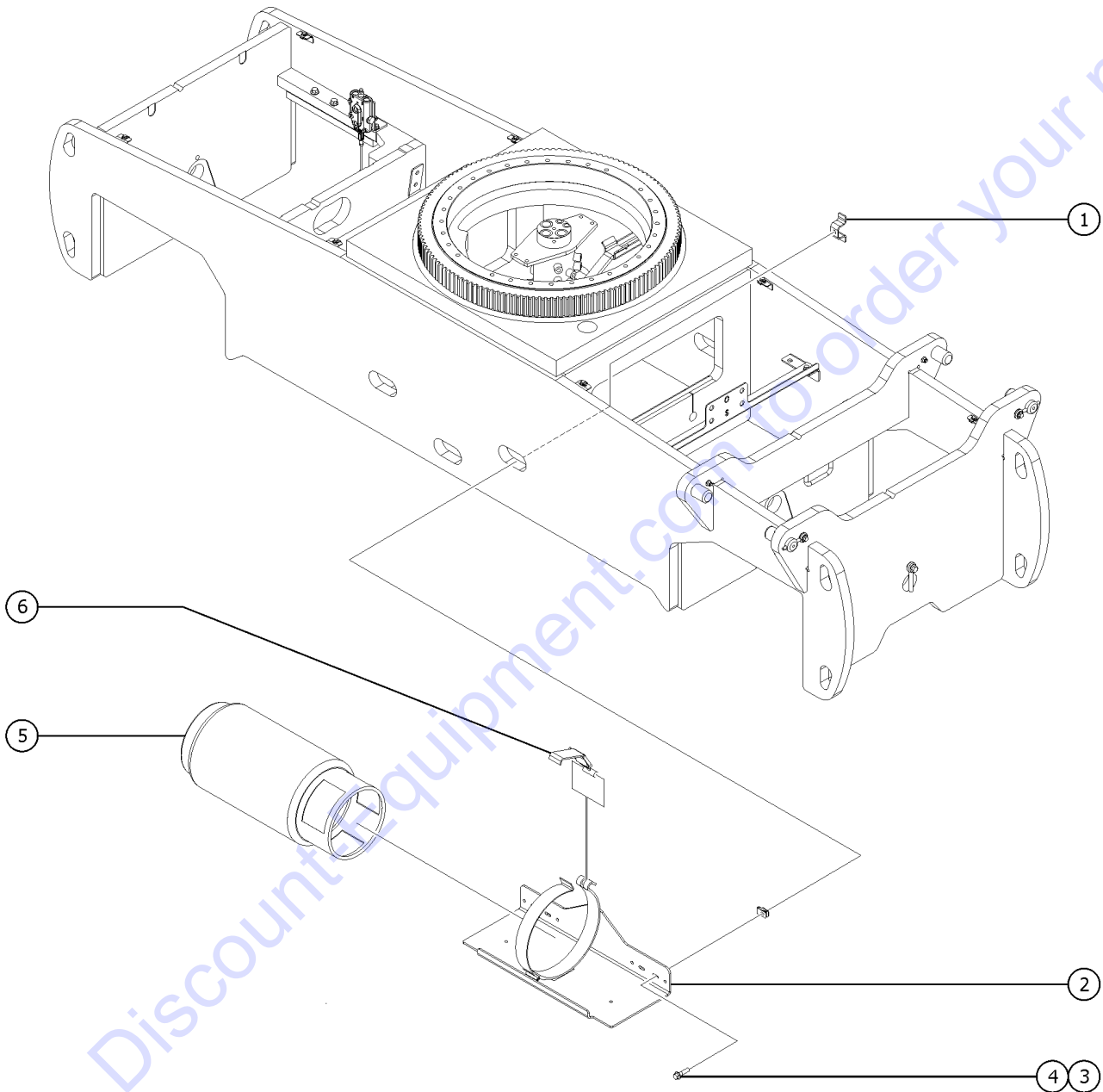


812.1 Half-Mesh and Pipe Cradle Option

Item	Part No.	Description	Qty.	Item	Part No.	Description	Qty.
A	85300GT	PIPE CRADLE ASSY. SERV (ONE)** <i>(ANSI &amp; CE only) (This is a single assembly. Qty 2 of 85300GT required to complete a set)</i>		17	81368GT	WELDMNT,PIPE CRADLE MOUNT.....	4
--	65630GT	INSTRUCTIONS-PIPE CRADLE,BOOMS		18	1251600GT	U-BOLT, FLATTENED, 1.5 X 3/8 UNC,ZAG.....	8
1	55753GT	BUMPER, PLASTIC, 1.25 O.D.....	4	19	1274322GT	NUT,NYLOCK FLG,3/8-16,F,ZAG.....	16
2	824083GT	SCREW,HHF,1/4-20X2.5,8,ZAG.....	4	20	56570GT	STRAP, CONDUIT HOLDER 60****	2
3	1277924GT	NUT,NYLOCK FLG,1/4-20,F,ZAG.....	4	21	19018-1100GT	TRIMLOCK,BLACK,5/32".....	2
4	56525GT	WELDMNT, PIPE CRADLE.....	2				
5A	1270994GT	PANEL, HALF MESH..... <i>(8 foot platform)</i>	1				
5B	1270314GT	PANEL, HALF MESH..... <i>(6 foot platform)</i>	1				
6	1271019GT	PANEL, HALF MESH..... <i>(8 foot platform)</i>	1				
7A	1271061GT	PANEL, HALF MESH..... <i>(8 foot platform)</i>	2				
7B	1271061GT	PANEL, HALF MESH..... <i>(6 foot platform)</i>	1				
8A	1271018GT	PANEL, HALF MESH..... <i>(8 foot platform)</i>	1				
8B	1270313GT	PANEL, HALF MESH..... <i>(6 foot platform)</i>	1				
9	824085GT	SCREW,HHF,5/16-18X.75,8,ZAG.....	12				
10A	824028GT	NUT,TL FLG,5/16-18,G,ZAG..... <i>(8 foot platform)</i>	34				
10B	824028GT	NUT,TL FLG,5/16-18,G,ZAG..... <i>(6 foot platform)</i>	33				
11A	56424GT	CLAMP,1.25X.5 RUBBER-CUSHION.... <i>(8 foot platform)</i>	22				
11B	56424GT	CLAMP,1.25X.5 RUBBER-CUSHION.... <i>(6 foot platform)</i>	21				
12A	825358GT	WASHER,FLAT,5/16,USS,ZAG..... <i>(8 foot platform)</i>	22				
12B	825358GT	WASHER,FLAT,5/16,USS,ZAG..... <i>(6 foot platform)</i>	21				
13A	1264101GT	SCREW,HHC,5/16-18X1,8,ZAG..... <i>(8 foot platform)</i>	22				
13B	1264101GT	SCREW,HHC,5/16-18X1,8,ZAG..... <i>(6 foot platform)</i>	21				
14A	1271040GT	PANEL, HALF MESH..... <i>(8 foot platform)</i>	1				
14B	1270316GT	PANEL, HALF MESH..... <i>(6 foot platform)</i>	1				
15	1285700GT	WELDMNT,SWING GATE PANEL <i>(used on 6' and 8' side entry platforms) (Swing Gate Weldment, refer to 602.1)</i>					
--	55753GT	BUMPER, PLASTIC, 1.25 O.D.					
16	824207GT	RIVET, STL, STL, DOME, 1/4 X .375, ZAG.....	8				



813.1 Spare LPG Tank Option

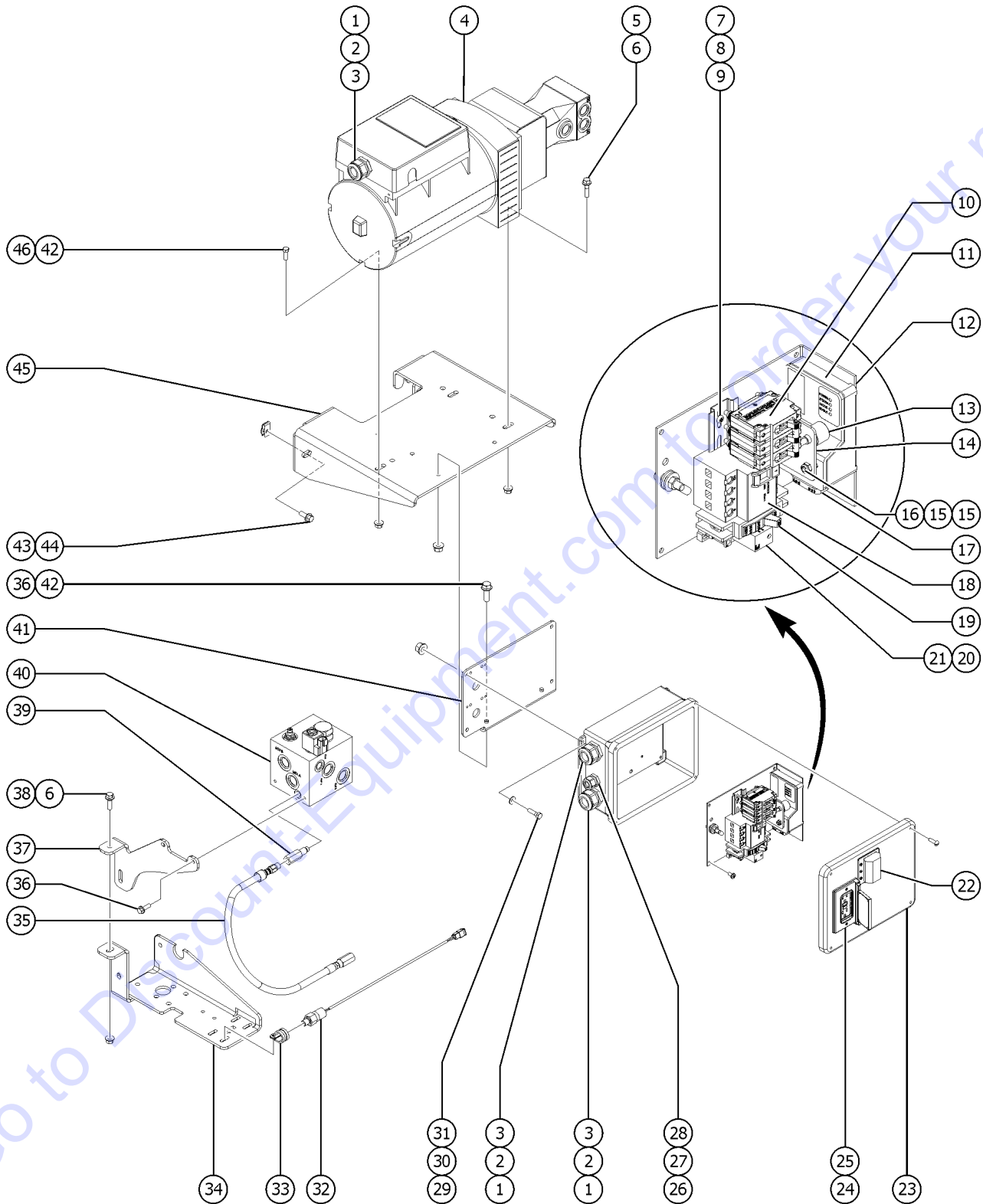


813.1 Spare LPG Tank Option

Item	Part No.	Description	Qty.
A	77853GT	OPTION,LP TANK 2ND	
1	77785GT	FORMING,LP BRACKET MOUNT.....2	
2	60143-SGT	WELD, LPG TANK MOUNT.....1	
3	824092GT	SCREW,HHF,3/8-16X1.5,8,ZAG.....2	
4	29868GT	SPRING CLIP,3/8-16,.05-.20X.73,ZAG...2	
5	53605GT	TANK, 7 GAL/33.5 POUND, LP.....1	
6	49000GT	L.P.TANK LATCH.....1	

Go to Discount-Equipment.com to order your parts

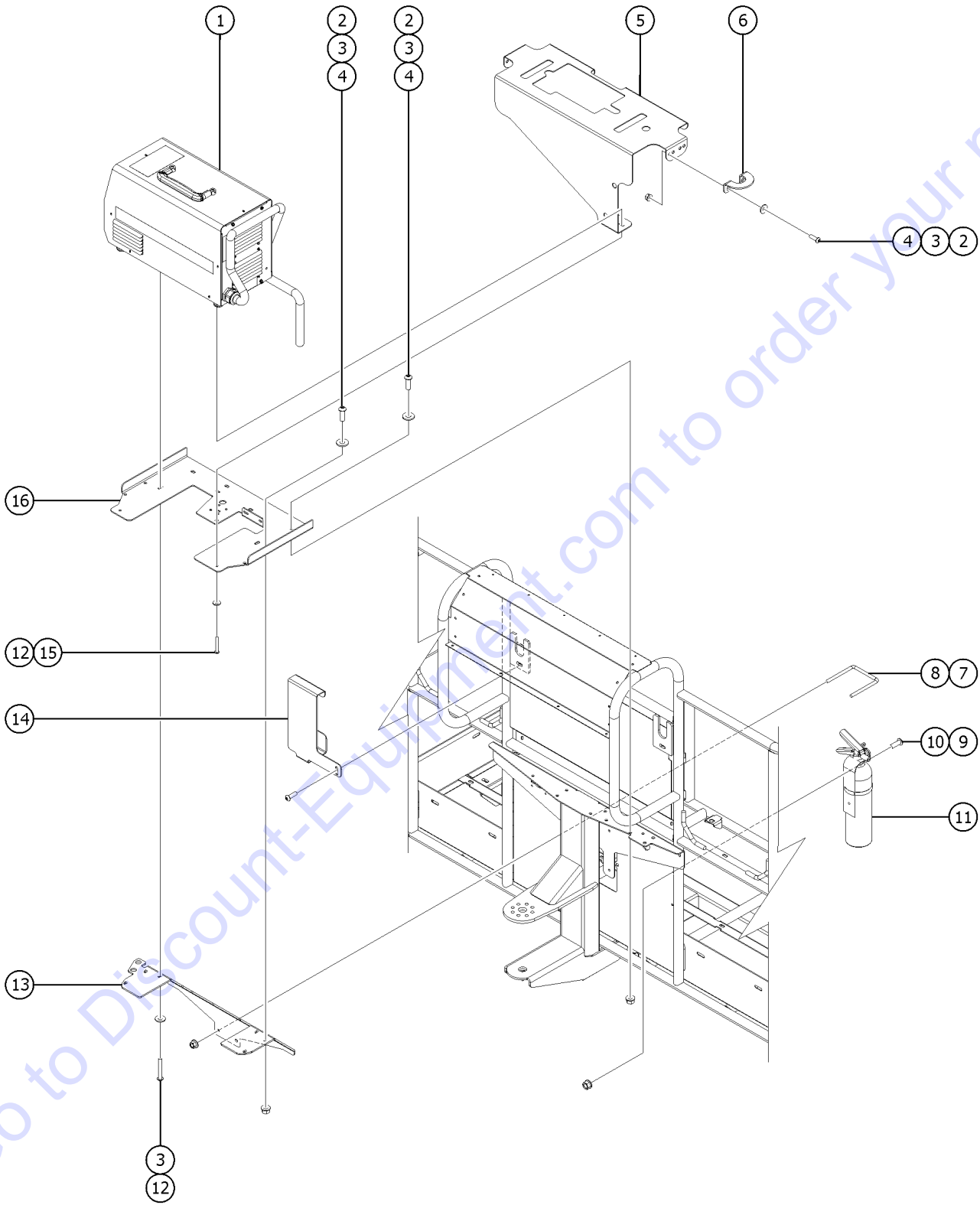
814.1 Welder Option, Chassis Components - View 1



## 814.1 Welder Option, Chassis Components - View 1

Item	Part No.	Description	Qty.	Item	Part No.	Description	Qty.
1	20776GT	CABLE SQUEEZE CONN.....	3	--	12344GT	NUT,NYLOCK,6-32	
2	106104GT	O-RING,SEAL RING,1" NPT (PKG OF 10).....	3	--	63375GT	SCREW,FHM,6-32 X .75	
3	18665GT	LOCKNUT,ELECTRIC,1" NPT.....	3	25	80543GT	RECEPTACLE, 120VAC, 20A, GFCI.....	1
4	106113GT	GENERATOR,HYDRO-12KEP-21-3.....	1	26	61278GT	CONN. SQZ,1/2NPT .56-.63.....	1
--	106274GT	GENERATOR,12.5 KW,W/O MOTOR***		27	56237GT	O-RING,ORFS,-12.....	1
--	110344GT	BRUSH BOX,ASSY,GEN***		28	6935GT	LOCKNUT,ELEC,1/2".....	1
--	122300GT	COVER,WELDER GENERATOR		29	824060GT	SCREW,HHC,1/4-20X1.8,ZAG.....	4
--	21187GT	PLUG,NYLON 1.38 BLACK DOMED		30	824113GT	WASHER,FLAT,USS,1/4,ZAG.....	4
--	T113655GT	COUPLING, 28MM (106113)		31	824027GT	NUT,TL FLG,1/4-20,G,ZAG.....	4
--	T114022GT	SPIDER (106113)		32A	146284GT	SWITCH,PRESS,#4NPT,200PSIF..... <i>for first time replacement, order service kit 1271398GT.</i>	1
--	T114023GT	COUPLING (106113)		32B	1271398GT	KIT,GEN. PRESSURE SWITCH <i>includes pressure switch, hose, fittings and installation instructions</i>	
5	824092GT	SCREW,HHF,3/8-16X1.5,8,ZAG.....	2	33	18666GT	CLAMP,1.00,#16 X 1/4,RUB CUSH.....	1
6	824029GT	NUT, TL FLG, 3/8-16, G, ZAG.....	4	34		Ref. BULKHEAD <i>(refer to 306.1)</i>	
7	54365GT	SCREW,PHIL,PHM,10-32 X .5,SSTL.....	2	35	1271313GT	HOSE ASSEMBLY, 1/4",3250PSI.....	1
8	42315GT	DIN RAIL,6.38".....	1	36	824086GT	SCREW,HHF,5/16-18X1.8,ZAG.....	2
9	6178GT	NUT,NYLOCK,10-32.....	2	37	1267315GT	FORMING,WELD GEN MANIFOLD MT.....	1
10	1276986GT	CIRCUIT BREAKER,MAGTRIP,3PH,40A.....	1	38	824091GT	SCREW,HHF,3/8-16X1.25,8,ZAG.....	2
11	106658GT	MODULE,SX CONTROLLER,LOW AMP.....	1	39	146285GT	CONN, SAE#4-1/4" NPT.....	1
--	102357GT	POTENTIOMETER ASSY, WELDER		40		Ref. MANIFOLD,DRIVE OIL DIVERTER <i>(refer to 707.1)</i>	
--	106140PGT	BRACKET,1K OHM 10-TURN POT,PNT		41	111576GT	FORMING,CONTROLBOX MT,WELD GEN.....	1
12	102314GT	PANEL, ENCLOSURE, LINCO WELDER.....	1	42	824028GT	NUT,TL FLG,5/16-18,G,ZAG.....	2
--	13000GT	SCREW,HHC,5/16-18 X 1.25		43	824090GT	SCREW,HHF,3/8-16X1.8,ZAG.....	4
--	43322GT	TERMINAL, #8 RING,5/16ID		44	29868GT	SPRING CLIP,3/8-16,.05-.20X.73,ZAG....	4
--	5397GT	WASHER,FLAT,USS,5/16",Y		45	1268186GT	BRACKET, GENERATOR 12 KW.....	1
--	6037GT	NUT,HEX,5/16-18,GR5		46	1264101GT	SCREW,HHC,5/16-18X1.8,ZAG.....	1
--	6886GT	WASHER,LOCK,.313					
13	101995GT	RESISTOR,POT,1K OHM,2-WATT.....	1				
14	106140GT	BRACKET,1K OHM 10-TURN POT**.....	1				
15	6889GT	NUT,LP NYLOCK,1/4-20.....	4				
16	36294GT	SCREW,HHC,1/4-20 X 2.75.....	2				
17	226503GT	HARNESS,WELD GEN ENCLOSURE....	1				
18	824617GT	CIRCUIT BREAKER,GFCI,3PH,63A,3....	1				
19	106073GT	CIRCUIT BREAKER,20A,SINGLE PH....	1				
20	33607GT	RELAY,OMRON,DPDT,12V.....	1				
21	33608GT	RELAY,SOCKET,OMRON.....	1				
22	1276672GT	BOOT, ENVIRO, 3PH CIRCUIT BREAKER.....	1				
23	1278673GT	ASSY, JBOX, 8X10.....	1				
--	1277599GT	COVER,JBOX W/SX,BREAKER RETRO KIT					
24	74006GT	COVER,GFCI,HORIZONTAL,WEATHER.1					

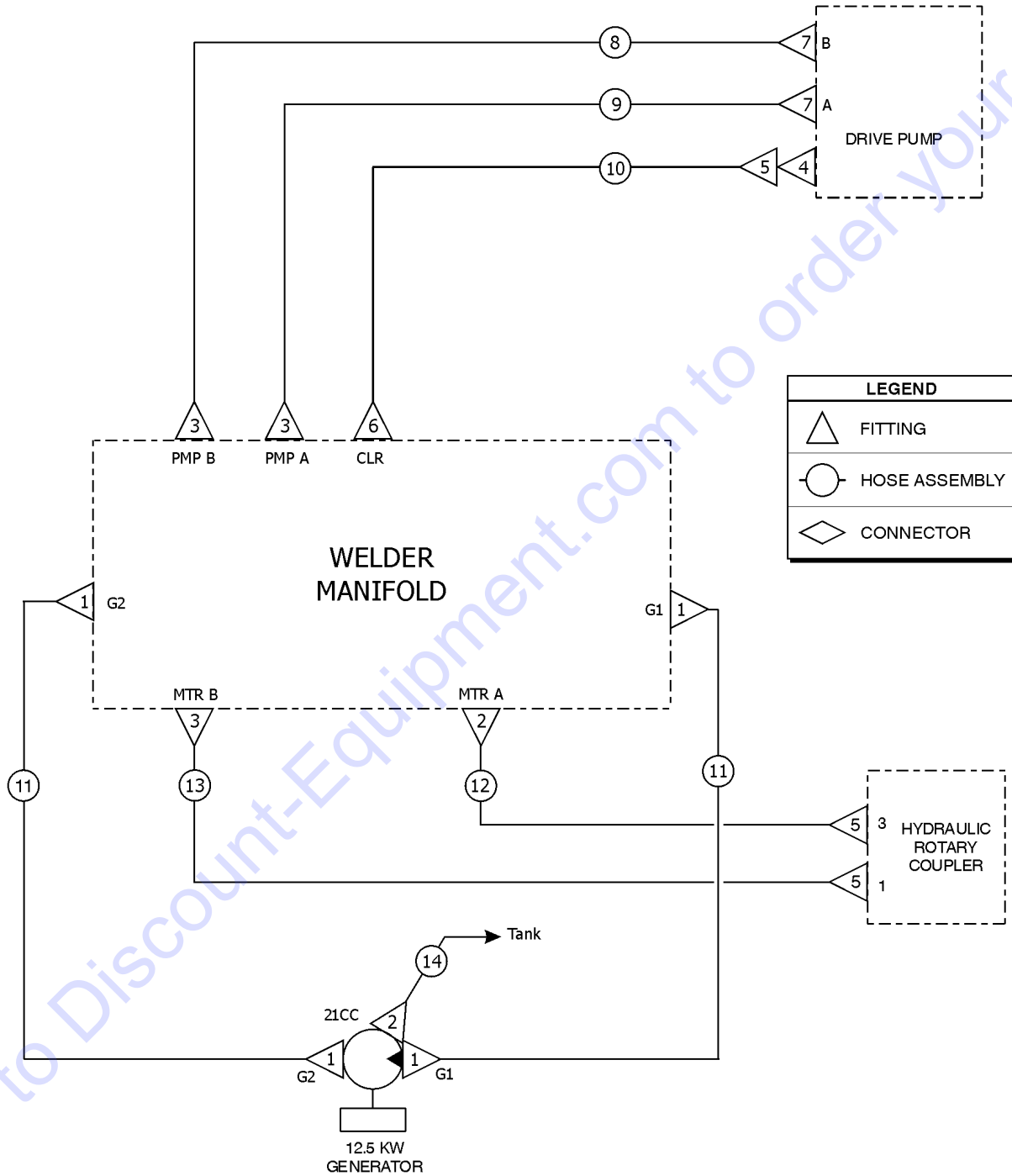
815.1 Welder Option, Platform Components - View 2



## 815.1 Welder Option, Platform Components - View 2

Item	Part No.	Description	Qty.
A	28443GT	CABLE TIE,11.5" BLACK	
B	110277-6100GT	FIRE SLEEVE, 2.0"	
C	110276-2300GT	FIRE SLEEVE, 1.25"	
D	110276-4300GT	FIRE SLEEVE, 1.25"	
E	214620GT	SOCKET,3P,30A,4 WIRE, FEM.....1	
F	214621GT	SOCKET, BOOT, 3P, 30A, 4 WIRE.....1	
G	214622GT	PLUG, BOOT, 3P, 30A, 4 WIRE.....1	
H	106183GT	FUSE,.6AMP,250V,WELDER,V275S	
I	106275GT	KIT,WELD LEADS ASSY,V275S	
J	214623GT	PLUG, 3P,30A, 4 WIRE, MALE,	
K	45454GT	CLAMP,RUB CUSH,0.75,#12 X 3/8* .....1	
1A	101525GT	WELDER,INVERTEC V275-S.....1	
1B	214619GT	WELDER, MILLER, CST 280.....1	
--	18666GT	CLAMP,1.00,#16 X 1/4,RUB CUSH	
2	128322GT	SCREW,5/16-18X1.00,SECURITY TO.....15	
3	825358GT	WASHER,FLAT,5/16,USS,ZAG	
4	824028GT	NUT,TL FLG,5/16-18,G,ZAG.....15	
5	101547GT	BRACKET,WELDER COVER.....1	
6	217366GT	BRACKET,WELDER TOP.....2	
7	106044GT	U-BOLT,3/8-16X4X4.63X3.00.....1	
8	824029GT	NUT, TL FLG, 3/8-16, G, ZAG.....2	
9	1256124GT	SCREW,BHC,1/4-20X.75,F835,ZAG.....2	
10	824027GT	NUT,TL FLG,1/4-20,G,ZAG.....2	
11	88406GT	FIRE EXTINGUISHER.....1	
12	1253408GT	SCREW,BHTC-PIN,1/4-20X1.75,ZAG.....4	
13	102409GT	BRACKET,WELDER MOUNT SUPPORT.....1	
14	106204PGT	BRACKET,V275S WELD LEADS.....1	
15	824113GT	WASHER,FLAT,USS,1/4,ZAG.....1	
16	102408GT	BRACKET,LINCOLN WELDER,PNTD.....1	

816.1 Welder Option, Hoses and Fittings - View 3



816.1 Welder Option, Hoses and Fittings - View 3

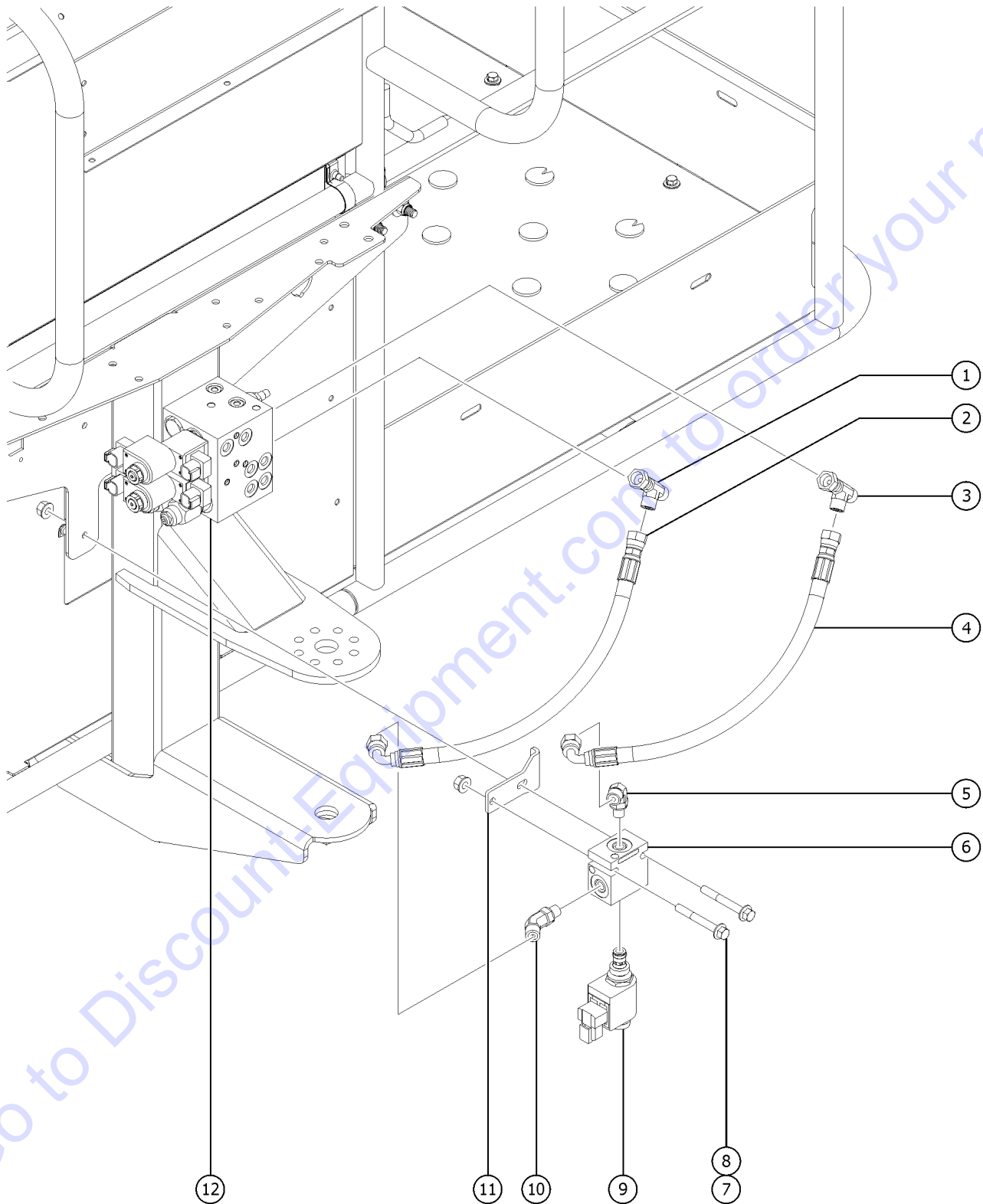
Item	Part No.	Description	Qty.
1	48959GT	FITTING,ELBOW,90D,520220-12.....	5
2	48948GT	CONN,520120-8-12.....	1
3	48960GT	FITTING,CONN,520120-12***.....	3
4	48964GT	FITTING,TEE,RUN,SWIVEL52043212....	1
5	48963GT	FITTING,ELBOW,45D,520320-12***.....	3
6	48933GT	CONN,520120-8***.....	1
7	48977GT	CONN,520120-12-16.....	2
8	102313-2826GT	HOSE ASSY,3/4" HYD,45F,STRF.....	1
9	102313-3126GT	HOSE ASSY,3/4" HYD,45F,STRF.....	1
10	121889GT	HOSE ASSY,1/2,45,36IN,STR 8-12.....	1
11	102312-9688GT	HOSE ASSY,3/4",10-12 90 F,ST F.....	2
12	89871-4398GT	HOSE ASSY,3/4"STR-STR.....	1
13	94374-4830GT	HOSE ASSY,3/4",90F,STR F.....	1
14	121890GT	HOSE ASSY,1/2,90MD,34IN,STR.....	1

Go to Discount-Equipment.com to order your parts





817.1 Platform Recirculating Hydraulic Oil Option



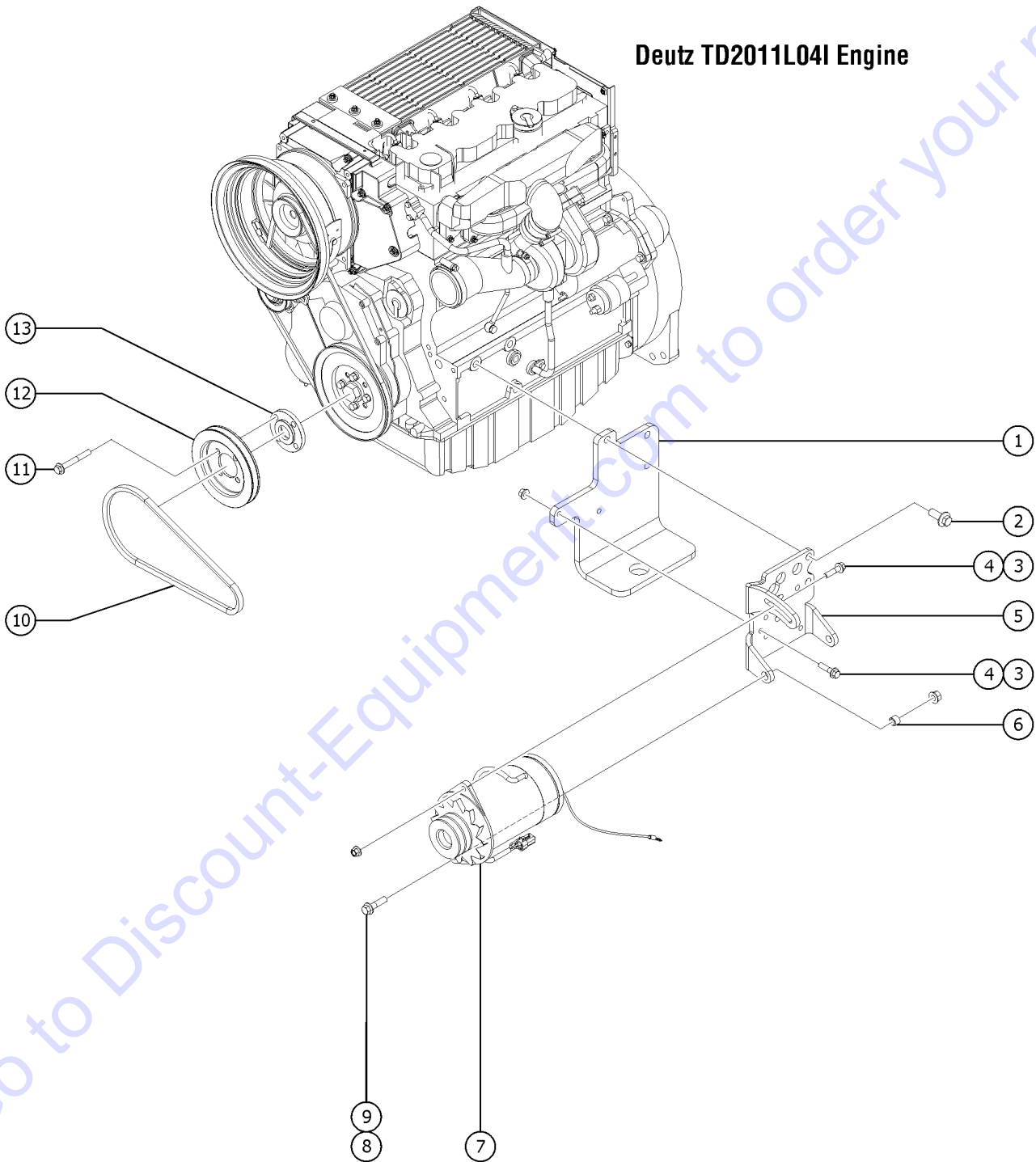
## 817.1 Platform Recirculating Hydraulic Oil Option

Item	Part No.	Description	Qty.
A	227777GT	ASSY, PLAT RECIRC, S80/85	
1	48908GT	FITTING, TEE, RUN, SWIVEL 520432-4.....1	1
2	49117-1491GT	HOSE ASSY, 1/4, 90 FEM, STR FEM.....1	1
3	48875GT	TEE, RUN, SWIVEL, 520432-6.....1	1
4	49163-1494GT	HOSE ASSY, 1/4, 90D FEM, STR FEM.....1	1
5	48904GT	ELBOW, 90D, 520220-4-4.....1	1
6	119907GT	CARTRIDGE, VALVE HOUSING.....1	1
7	1253485GT	SCREW, HHF, 1/4-20X2, 8, ZAG.....2	2
8	824027GT	NUT, TL FLG, 1/4-20, G, ZAG.....2	2
9	119908GT	VALVE, SOLENOID, NOR.....1	1
10	48907GT	ELBOW, 45D, 520320-4.....1	1
11	226534GT	FORMING, VALVE BRACKET.....1	1
12		Ref. Platform Manifold (refer to 704.1 and 705.1)	

Go to Discount-Equipment.com to order your parts

818.1 Belt Generator Option - View 1

Deutz TD2011L04I Engine



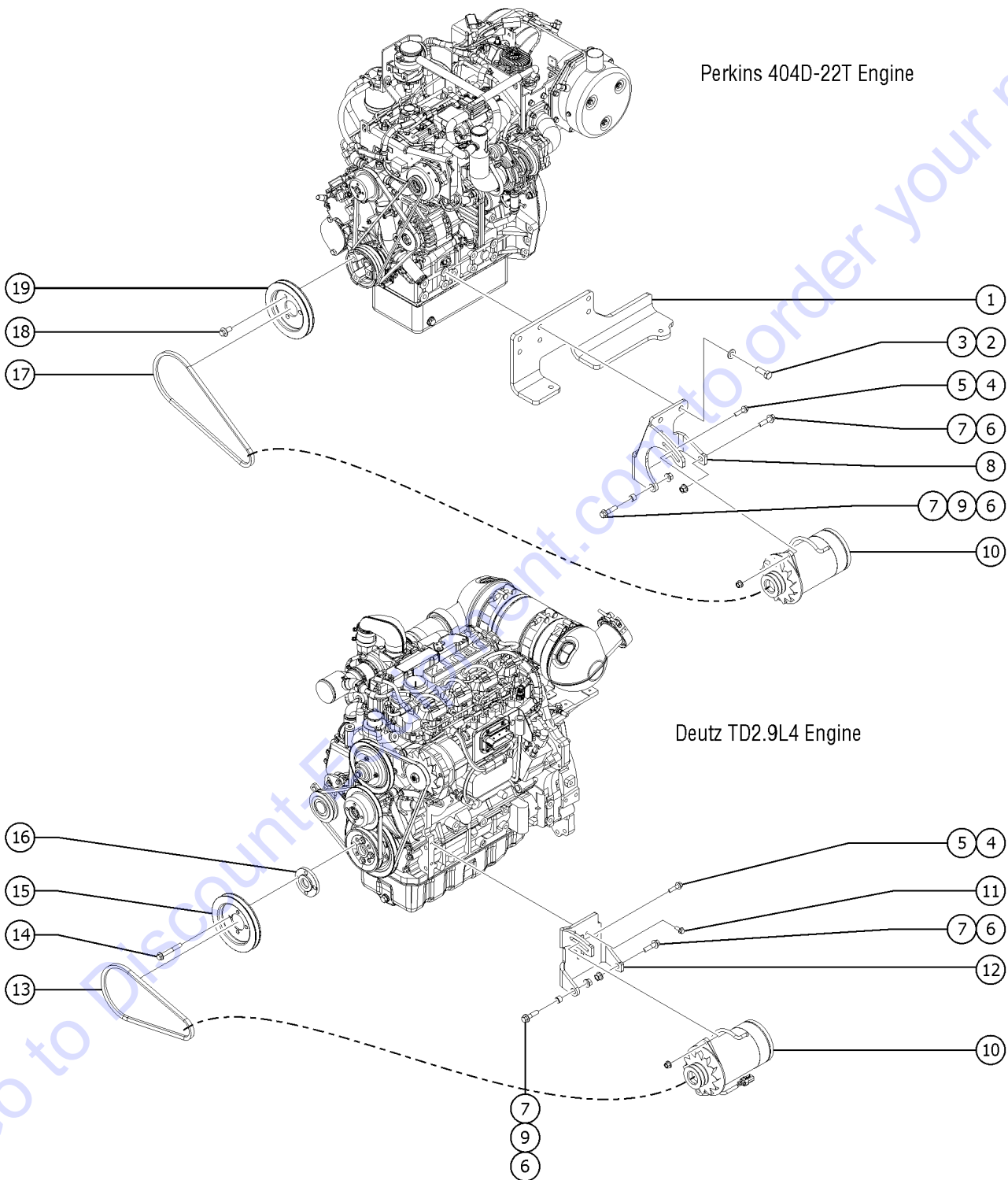
818.1 Belt Generator Option - View 1

Item	Part No.	Description	Qty.
A	1254589GT	HARNESS,KIT,BD-GEN,S80	
1		Ref. FORMING, ENGINE MOUNT (refer to 403.1)	
2	1256776GT	SCREW,HHF,M14-2.0X35,DIN6921,10.9,ZAB.3	
3	824092GT	SCREW,HHF,3/8-16X1.5,8,ZAG.....3	
4	824029GT	NUT, TL FLG, 3/8-16, G, ZAG.....3	
5	119533GT	FORMING,GENERATOR MOUNT***.....1	
6	45400GT	SPACER TUBE,.50 LG.....1	
7A	60707GT	GENERATOR,3500W,120V,60HZ** .....1	
7B	89908GT	GENERATOR,3000W,220V,50HZ*** .....1	
8	1256765GT	SCREW,HHF,7/16-14X1.75,8,ZAG.....2	
9	1256766GT	NUT,TL FLG,7/16-14,G,ZAG.....2	
10	106535GT	BELT,AX33*** .....1	
11	215816GT	SCREW, HHF, M1-1.5X80,ZAB.....4	
12	1254367GT	PULLEY,DEUTZ T4 GENERATOR.....1	
13	1253596GT	SPACER,PULLEY,DEUTZ TIER 4 GEN.....1	

Go to Discount-Equipment.com to order your parts



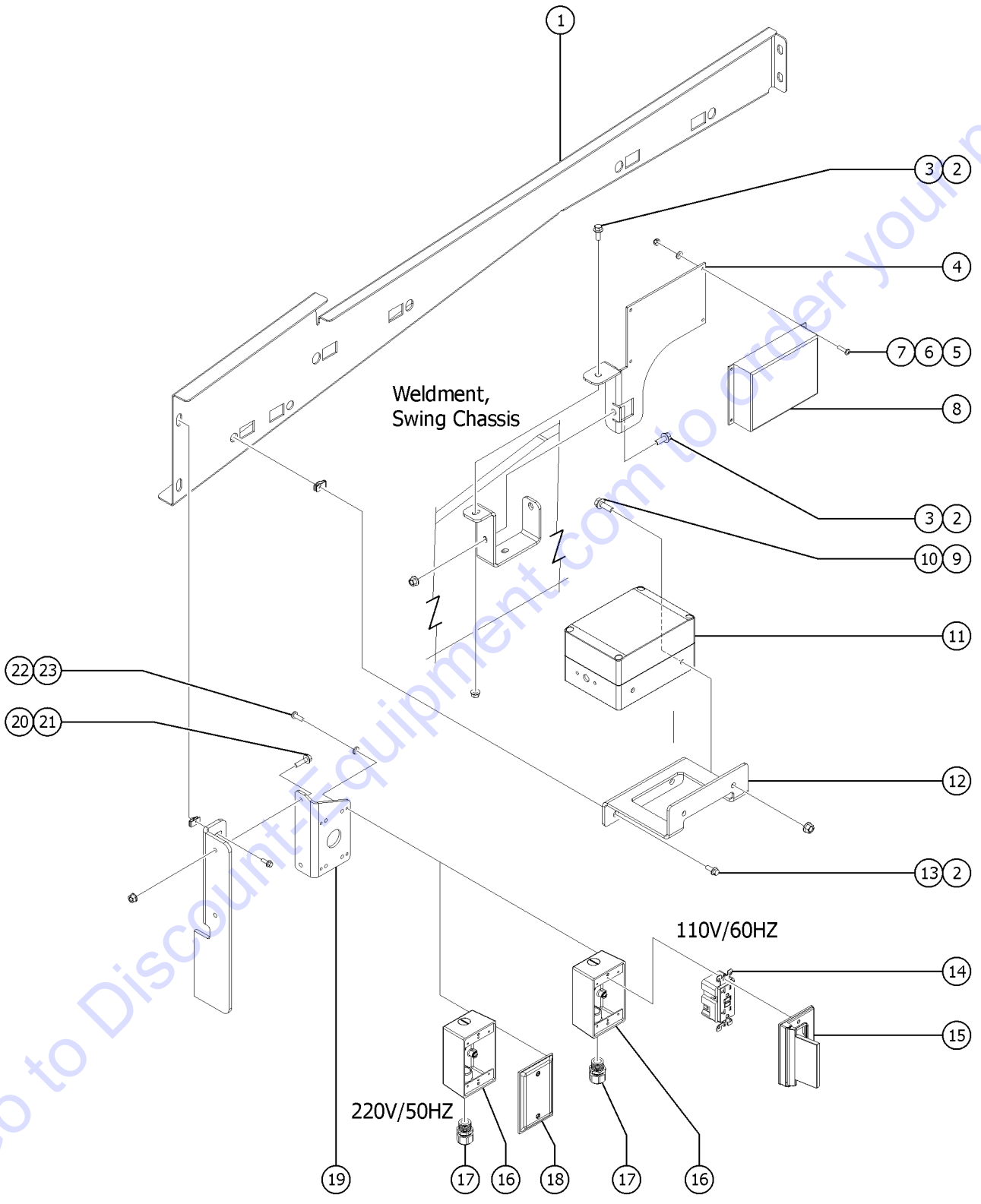
818.2 Belt Generator Option (Perkins 404D-22T and Deutz TD 2.9L4) - View 1



## 818.2 Belt Generator Option (Perkins 404D-22T and Deutz TD 2.9L4) - View 1

Item	Part No.	Description	Qty.
A	1254589GT	HARNESS,KIT,BD-GEN,S80.....	1
1		Ref. FORMING, ENGINE MOUNT, LH (refer to 416.1)	
2	54687GT	SCREW,HHC,M14 X 1.5X40MM,GR8.8.....	3
3	1257810GT	WASHER,FLAT,M14,DIN6916,HRD,ZAB.3	
4	824092GT	SCREW,HHF,3/8-16X1.5,8,ZAG.....	1
5	824029GT	NUT, TL FLG, 3/8-16, G, ZAG.....	1
6	1256765GT	SCREW,HHF,7/16-14X1.75,8,ZAG.....	2
7	1256766GT	NUT,TL FLG,7/16-14,G,ZAG.....	2
8	1253175GT	FORMING, GENERATOR MOUNT.....	1
9	45400GT	SPACER TUBE, .50 LG.....	1
10A	60707GT	GENERATOR,3500W,120V,60HZ** .....	1
10B	89908GT	GENERATOR,3000W,220V,50HZ***	
11	824132GT	SCREW,HHF,M8-1.25X20,DIN6921,10.9,ZAB.2	
12	1251549GT	FORMING, GENERATOR MOUNT.....	1
13	1251542GT	V BELT, COGGED, AX32.....	1
14	215816GT	SCREW, HHF, M1-1.5X80,ZAB.....	4
15	1254367GT	PULLEY,DEUTZ T4 GENERATOR.....	1
16	1253596GT	SPACER,PULLEY,DEUTZ TIER 4 GEN.....	1
17	1253176GT	V BELT,COGGED,AX37.....	1
18	231087GT	SCREW,HHF,M12-1.75X25,DIN6921,10.9,ZAB.3	
19	1253177GT	PULLEY, PERKINS T4 GENERATOR.....	1

819.1 Belt Generator Option - View 2

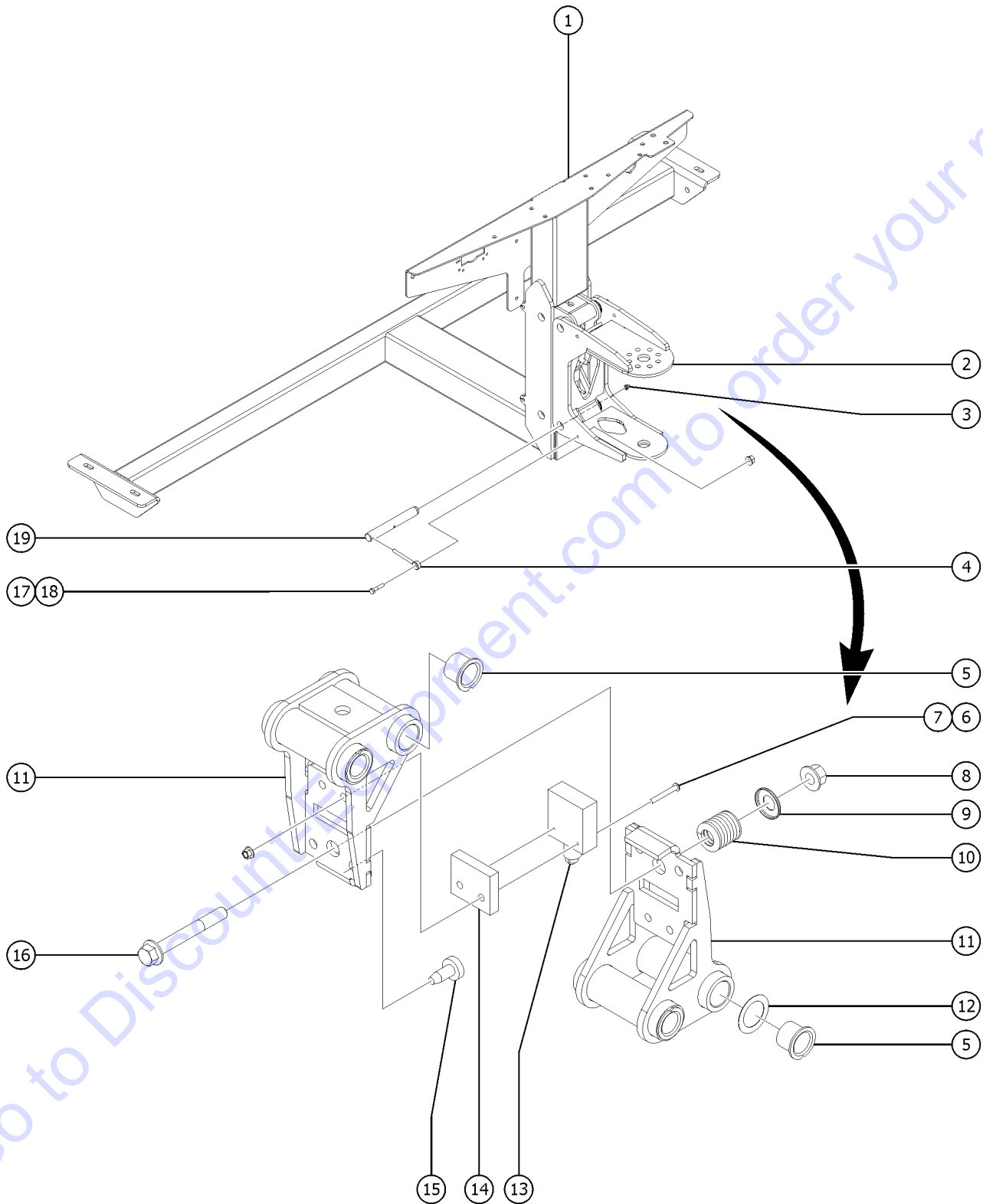


## 819.1 Belt Generator Option - View 2

Item	Part No.	Description	Qty.
1		Ref. FORMING,COVER,LEFT FRONT (refer to 305.1)	
2	824090GT	SCREW,HHF,3/8-16X1,8,ZAG.....	4
3	824029GT	NUT, TL FLG, 3/8-16, G, ZAG.....	2
4	1269584GT	FORMING,BD-GEN REGULATOR MT....	1
5	824215GT	SCREW,PHPM,10-32X.75,ZAG.....	4
6	1253185GT	WASHER,FLAT,#10,USS,ZAG.....	4
7	6178GT	NUT,NYLOCK,10-32.....	4
8A	60738GT	VOLTAGE REGULATOR,110V.....	1
8B	60739GT	VOLTAGE REGULATOR,220V.....	1
9	824086GT	SCREW,HHF,5/16-18X1,8,ZAG.....	2
10	824028GT	NUT,TL FLG,5/16-18,G,ZAG.....	2
11A	81558GT	HARNES,GENERATOR W/REGULATOR.....	1
		(harness, for BD generator)	
11B	81559GT	HARNES,GENERATOR W/REG.220V.....	1
		(harness, for BD generator)	
12	1268183GT	BRACKET, GENERATOR BOX, MOUNT.....	1
13	29868GT	SPRING CLIP,3/8-16,.05-.20X.73,ZAG....	2
14	80543GT	RECEPTACLE, 120VAC, 20A, GFCI.....	1
15	74006GT	COVER,GFCI,HORIZONTAL,WEATHER.1 (North American models)	1
16	10775GT	T-BOX, 2.75 x 4.5 x 2.0.....	1
17	7056GT	CONN, SQZ, 1/2NPT .38-.50, SM**.....	1
--	6935GT	LOCKNUT,ELEC,1/2"	
18	10777GT	COVER,BLANK.....	1
--	81458GT	GASKET, UK POWER TO PLAT	
19	1267316GT	JUNCTION BOX OUTLET BRACKET.....	1
20	824079GT	SCREW,HHF,1/4-20X1,8,ZAG.....	2
21	824027GT	NUT,TL FLG,1/4-20,G,ZAG.....	2
22	1257296GT	SCREW,PHPM-ST,8-32X.50,TYPE F,ZAG.....	4
23	1256312GT	WASHER,LOCK,#10,ZAG.....	4



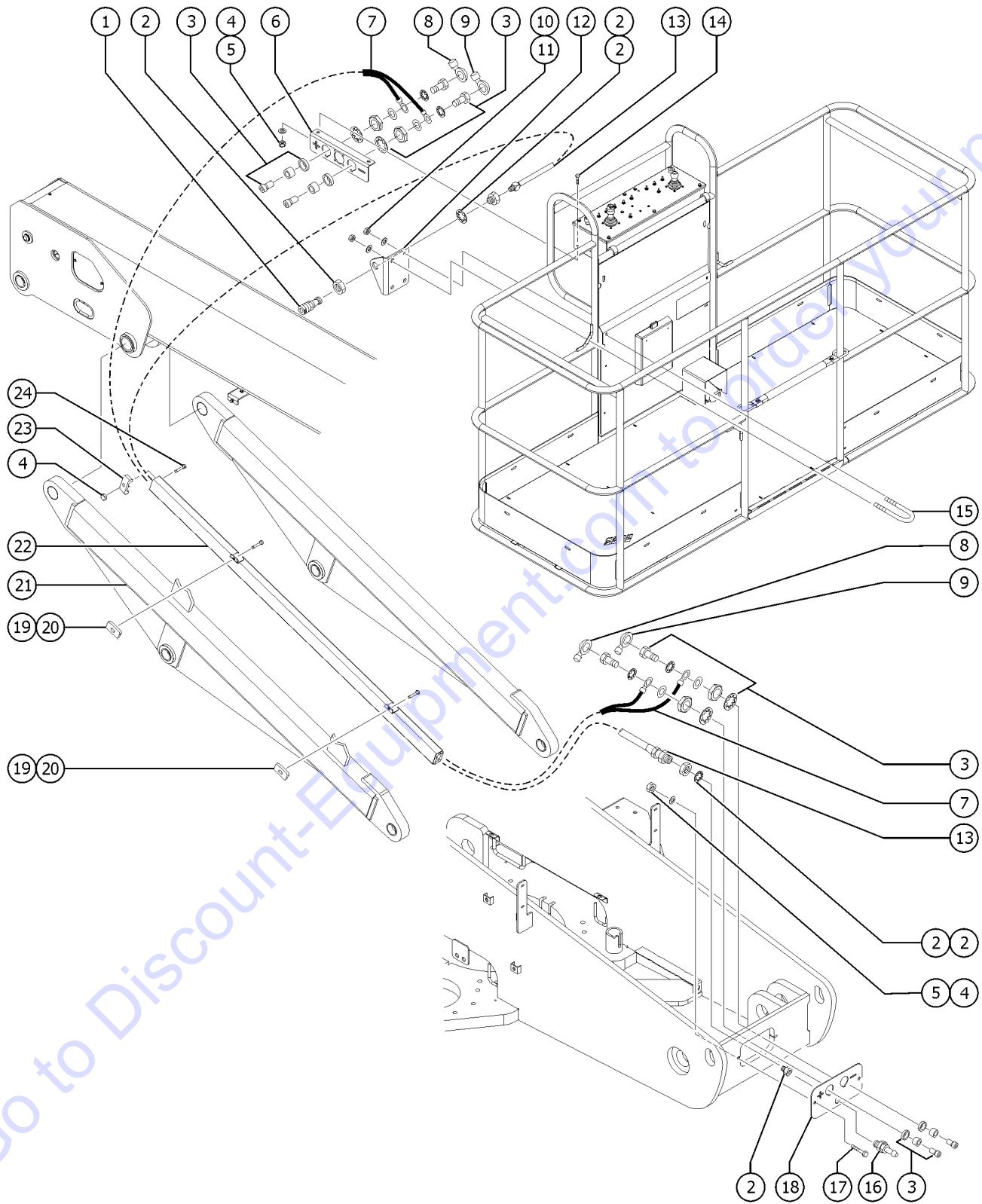
820.1 Platform Overload - European Models



## 820.1 Platform Overload - European Models

Item	Part No.	Description	Qty.
A	128045GT	MODULE,LOAD SENSE 2007	
B	121846GT	RELAY,TIME DELAY,2 SEC,10A <i>(part of load sense with recovery option)</i>	
C	121847GT	RELAY,TIME DELAY,2 SEC,30A <i>(part of load sense with recovery option)</i>	
1	61997GT	WELDMENT,PLATFORM SUPPORT,CE.....1 <i>(CE models)</i>	1
2	61804GT	WELDMENT,ROTATOR SUPPORT.....1	1
3	94643GT	ZERK,GREASE,5/16-24,STRAIT.....4	4
4	825020GT	ROD END, .25 X 2.75, ZAG.....4	4
5	25685GT	BEARING,GARLOCK,12FDU12.....8	8
6	1257264GT	SCREW,BHC,10-32X1.5,F835,ZAG.....2	2
7	824032GT	NUT,TL FLG,10-32,F,ZAG.....2	2
8	824029GT	NUT, TL FLG, 3/8-16, G, ZAG.....1	1
9A	61975GT	RETAINER,SPRING,1.21 X .375.....1	1
9B	61977GT	RETAINER,SPRING,1.46 X .375.....1 <i>(load sense, 750 lb)</i>	1
10A	61974GT	SPRING,COMP,1" OD,232 LB/IN.....1	1
10B	61976GT	SPRING,COMP,1-1/4"OD 352 LB/IN.....1 <i>(load sense, 750 lb)</i>	1
11	61809GT	WELDMENT,LOAD SUPPORT.....2 <i>(includes item 5)</i>	2
12	110789GT	WASHER,SHIM .0151 THK.....16	16
13	121848GT	ASSY,LS,LOAD SENSE,38.5 IN.....1	1
14	61972GT	MOUNT,SWITCH.....1	1
15	34619GT	BUMPER,RUBBER***.....2	2
16	824095GT	SCREW,HHF,3/8-16X3,8,ZAG.....1	1
17	824061GT	SCREW,HHC,1/4-20X1.25,8,ZAG.....4	4
18	824027GT	NUT,TL FLG,1/4-20,G,ZAG.....4	4
19	61726GT	PIN,0.75DIA X 5.75LG,CHAMFER.....4	4

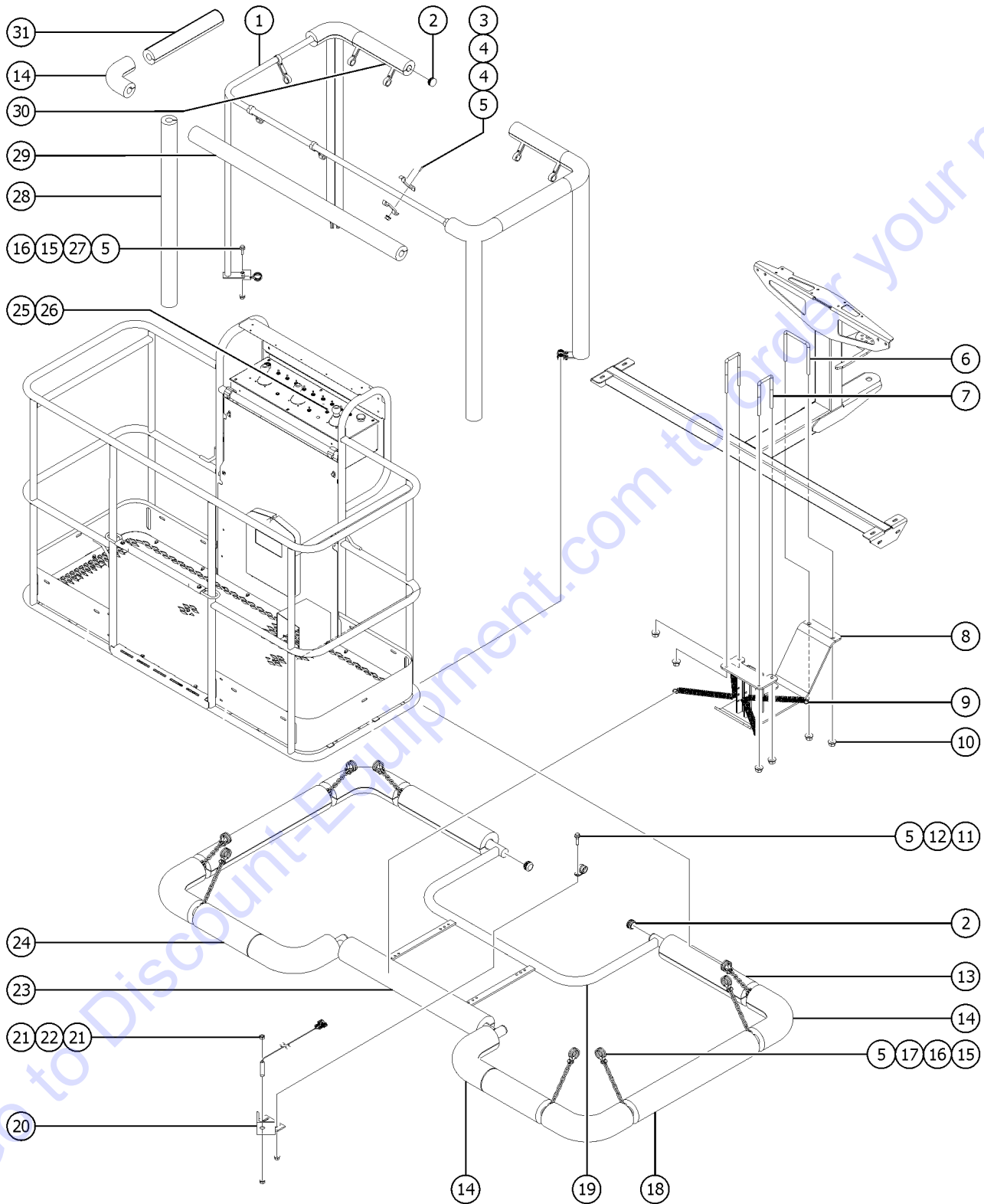
821.1 Air Line and Weld Cables



## 821.1 Air Line and Weld Cables

Item	Part No.	Description	Qty.
1	49215GT	MPT,CPLR,1/4"SER,3/8"X18.....1	1
2	49212GT	FEMALE BULKHEAD CONNECTOR-8...2	2
3	81130GT	RECEPTICLE,WELD CABLE,FEMALE...4	4
4	6091GT	NUT,NYLOCK,1/4-20	
5	6638GT	WASHER,FLAT,USS,1/4"Y	
6	88658GT	BRACKET,WELD OPTION.....1	1
7A	T109690GT	WELD CABLE ASSY, S85.....1203-Inches (includes parts 51147 and 89977)	
7B	T109691GT	WELD CABLE ASSY, S80.....1143-Inches (includes parts 51147 and 89977)	
8	51147GT	BOOT,CABLE TERMINAL,LG,RED,2/0...2	2
9	89977GT	BOOT,CABLE TERMINAL,BLACK,2/0.....2	2
10	4828GT	NUT,NYLOCK,3/8-16	
11	5397GT	WASHER,FLAT,USS,5/16",Y	
12	60886PGT	BRACKET,AIRLINE TO PLATFORM	
13A	T109692GT	AIRLINE ASSY, S85.....1214-Inches	
13B	T109693GT	AIR LINE ASSY, S80.....1154-Inches	
14	6090GT	SCREW,HHC,1/4-20 X .75	
15	122755GT	UBOLT,FLATTENED,1.5DIAX3/8 UNC....1	1
16	49214GT	MALE PIPE THD,1/4" SER,3/8"X18.....1	1
17	36294GT	SCREW,HHC,1/4-20 X 2.75	
18	121595GT	PLATE,WELD OPTION.....1	1
19	121899GT	PLATE,3/8-16 TAPPED.....2	2
20	122209GT	SCREW,HHF,3/8-16 X1.50	
21		(refer to 506.1)	
22	121781GT	WELDMENT,LONG LINK,CABLE COVER.....1	1
23	121785GT	CLAMP,OPTIONS,LONG LINK.....1	1
24	6145GT	SCREW,HHC,1/4-20 X 1.5	

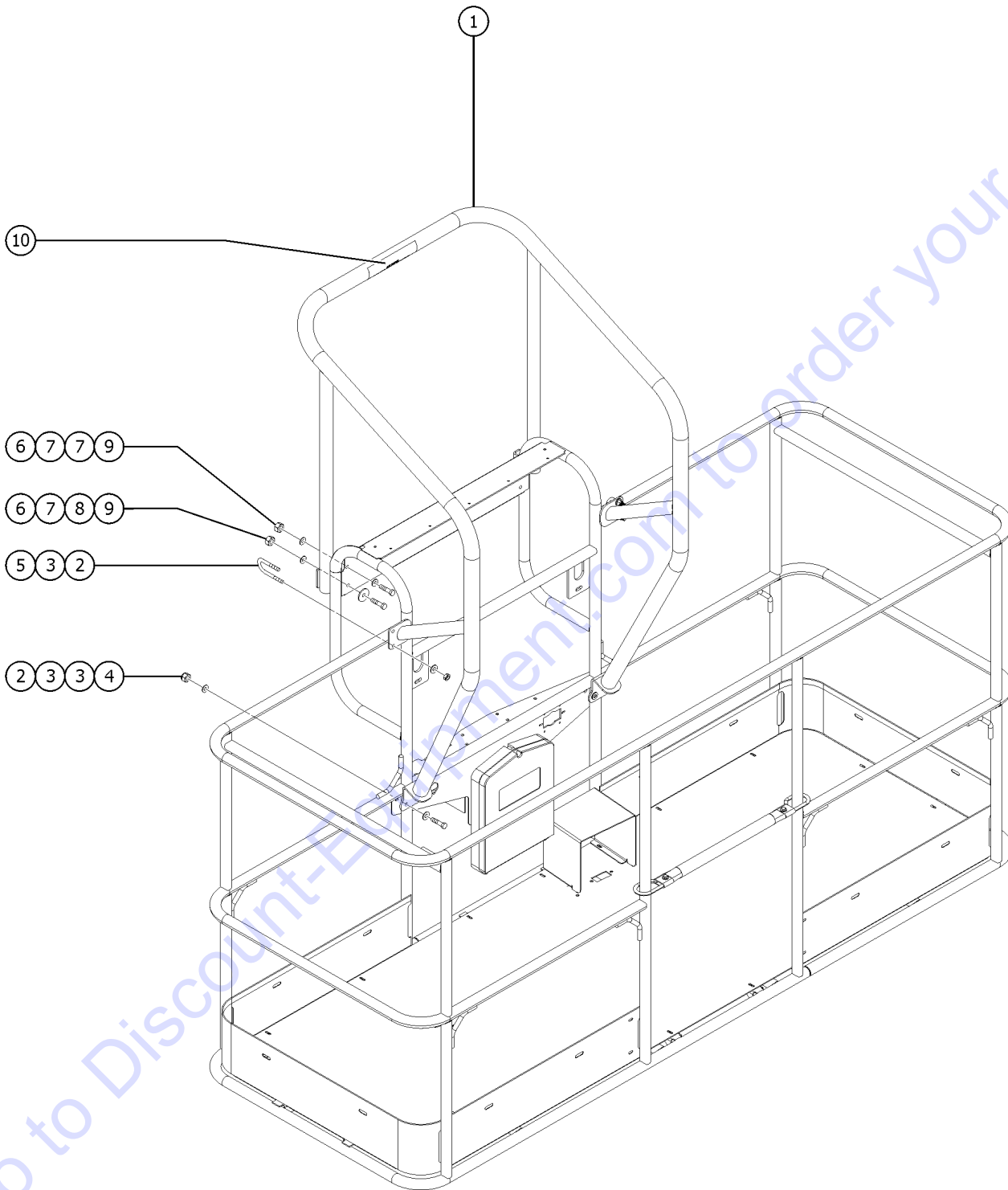
822.1 Aircraft Protection Package



## 822.1 Aircraft Protection Package

Item	Part No.	Description	Qty.
1	46188GT	WELDMENT, AIRCRAFT TOP BUMPER.....1 <i>(includes item 27)</i>	1
2	55753GT	BUMPER, PLASTIC, 1.25 O.D.....6	6
3	824227GT	SCREW, BHC, 1/4-20 X 1, ZAG.....20	20
4	122073GT	SUPPORT, RAILING.....20	20
5	824027GT	NUT, TL FLG, 1/4-20, G, ZAG.....46	46
6	106044GT	U-BOLT, 3/8-16X4X4.63X3.00.....1	1
7	66472GT	U-BOLT, SQR, 3/8-16X2X5, PLTD.....2	2
8	822764GT	WDMT, SKID PLATE.....1	1
9	822769GT	SPRING, EXTENSION, 1.92LB/IN.....4	4
10	824029GT	NUT, TL FLG, 3/8-16, G, ZAG.....6	6
11	824079GT	SCREW, HHF, 1/4-20X1.8, ZAG.....2	2
12	6833GT	CLAMP, 0.50, #8 X 1/4, RUB CUSH.....1	1
13	75617-1550GT	PADDING, FOAM 3.5"OD X 1.50"ID.....2	2
14	75636GT	PADDING, FOAM, 3.0"X1.50ID 90DEG.....10	10
15	21618GT	CLAMP, 1.13, #18 X 1/4, RUB CUSH.....24	24
16	824078GT	SCREW, HHF, 1/4-20X.75, 8, ZAG.....24	24
17	56426-700GT	CHAIN, NO.2 (11 LINKS).....8	8
18	75617-2275GT	PADDING, FOAM 3.5"OD X 1.50"ID.....2	2
19	822759GT	WDMT, AIRCRAFT SENSOR BUMPER...1	1
20	77797GT	WELDMENT, SENSOR MOUNT.....1	1
21	88390GT	NUT, HEX, M8, PLASTIC.....2	2
22	1261292GT	HARNES ASSY, PCON, PROX KILL.....1 <i>(includes 27391 proximity sensor)</i>	1
--	128580GT	SWITCH TOGGLE SPDT 3P MOM SHDR	
--	27391GT	PROXIMITY SENSOR***	
23	822768GT	FOAM, AIRCRAFT PROTECTION.....1	1
24	75617-1025GT	PADDING, FOAM 3.5"OD X 1.50"ID.....2	2
25	128203GT	SWITCH TOGGLE ASSY SPDT 2P MOM.....1	1
26	27246GT	BOOT, TOGGLE SWITCH, SHORT*.....1	1
27	81802GT	PLATE, AIRCRAFT PROTECTION OPT.....4	4
28	1259329GT	PADDING, FOAM, 46.5".....4	4
29	75617-6275GT	PADDING, FOAM 3.5"OD X 1.50"ID.....1	1
30	1278629GT	PADDING, FOAM, 10.0".....2	2
31	75617-2075GT	PADDING, FOAM 3.5"OD X 1.50"ID.....2	2

823.1 Operator Protection Structure



823.1 Operator Protection Structure

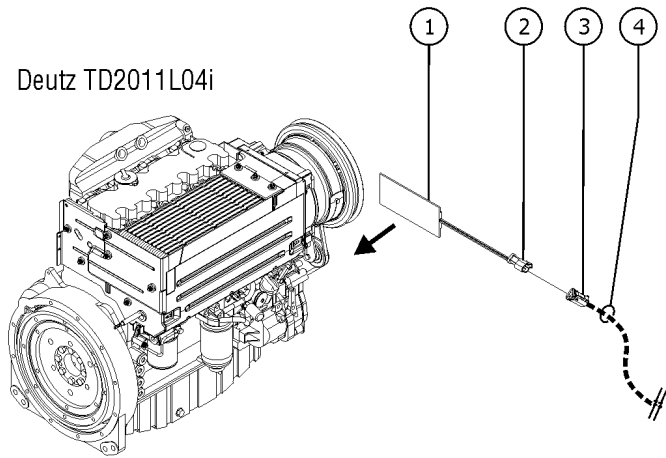
Item	Part No.	Description	Qty.
A		Fits all 6' and 8' Booms	
1	219158GT	ACCESSORY,OPERATOR PROT STRUCT.....1 <i>(complete) includes all fasteners</i>	1
2	1256468GT	NUT,3/8-16,8,ZAG.....8	8
3	1255758GT	WASHER,FLAT,3/8,USS,ZAG.....12	12
4	824069GT	SCREW,HHC,3/8-16X2.5,8,ZAG.....4	4
5	1251600GT	U-BOLT, FLATTENED, 1.5 X 3/8 UNC,ZAG.....4	4
6	1261184GT	NUT,1/4-20,8,ZAG.....4	4
7	824113GT	WASHER,FLAT,USS,1/4,ZAG.....6	6
8	824120GT	WASHER,FLAT,.375X1.50X.125,ZAG....2 <i>(use only with the platform control box cover option)</i>	2
9	824060GT	SCREW,HHC,1/4-20X1,8,ZAG.....4	4
10		.....1 <i>(refer to Section 100)</i>	1

Go to Discount-Equipment.com to order your parts

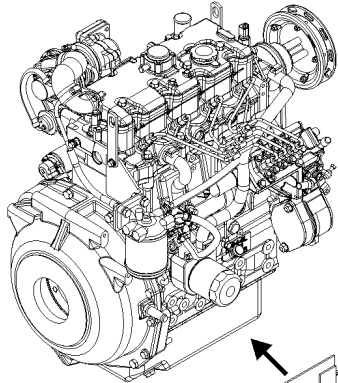


824.1 Cold Start Package

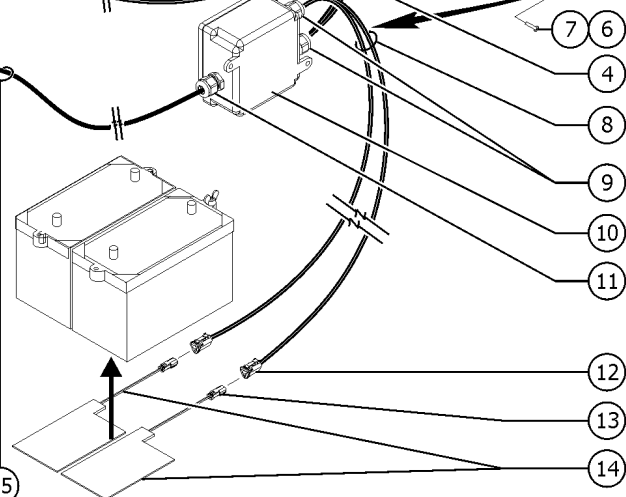
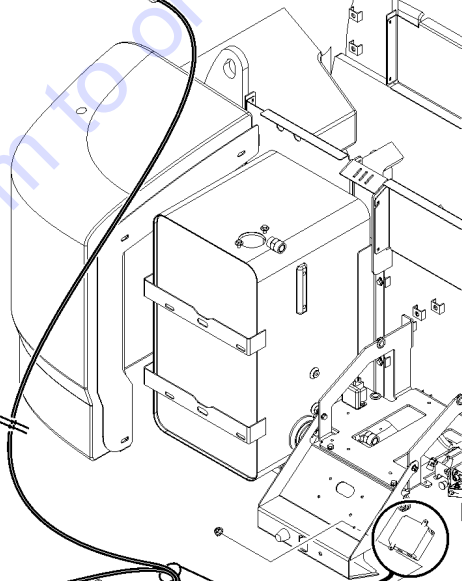
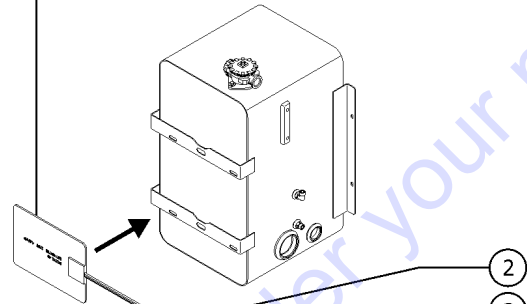
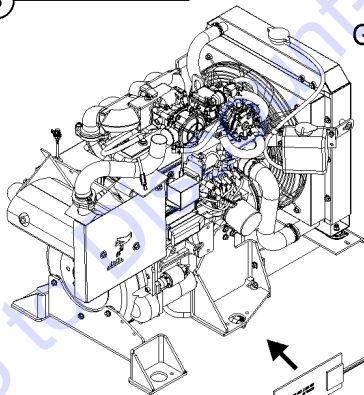
Deutz TD2011L04i



Perkins 404D-22T



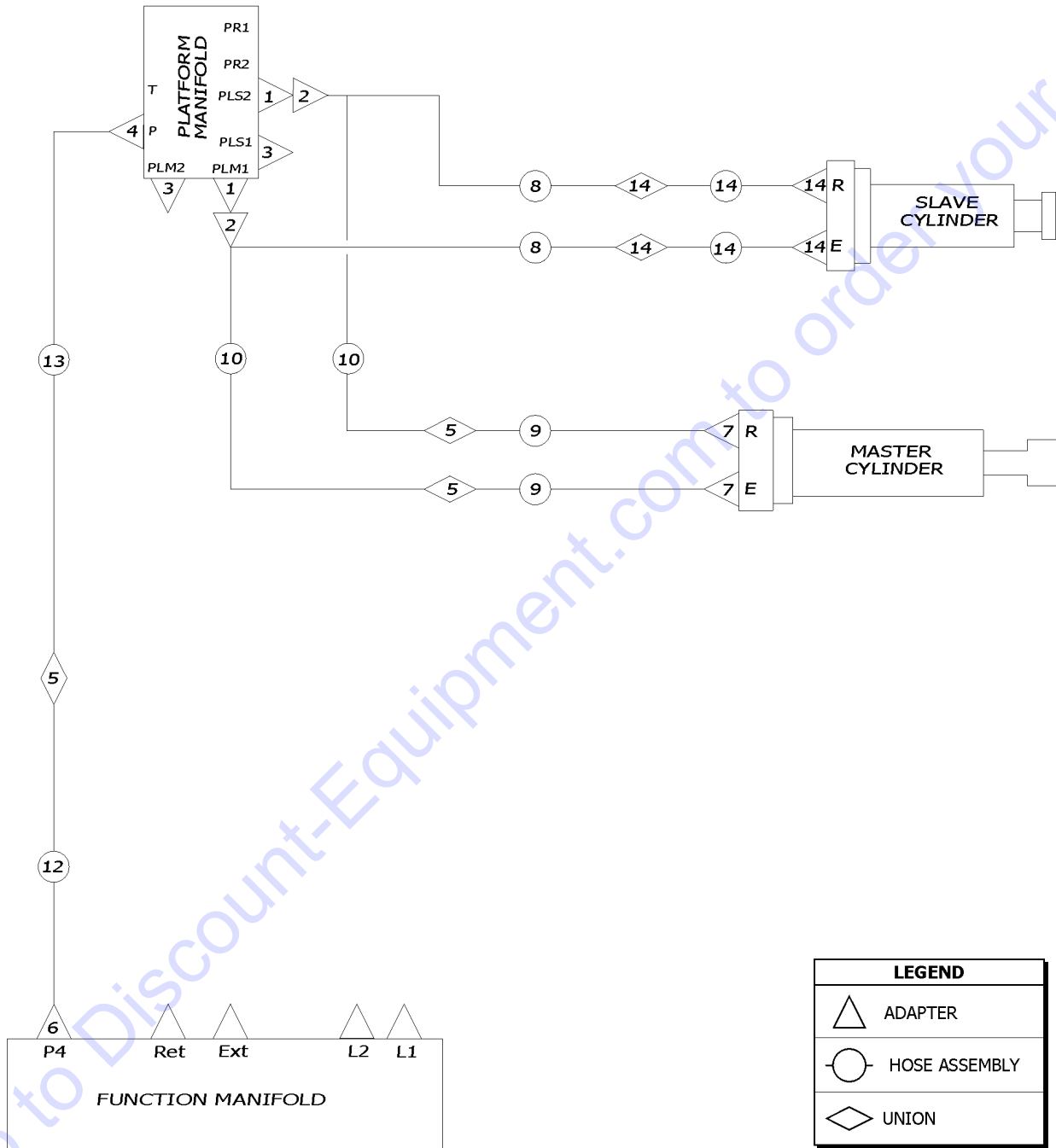
GM 3.0L



## 824.1 Cold Start Package

Item	Part No.	Description	Qty.	Item	Part No.	Description	Qty.
A	1275725GT	HARNESS,START ASSIST,404D (Perkins 404D-22T)		15B	216646GT	HARNESS, 240V POWER CORD, 12"....1 (240V) (includes item 11 only)	
B	237267GT	HARNESS,START ASSIST,S80 (Deutz TD2011L04i, Deutz TD 2.9L4 and GM 3.0L)		16	119403GT	CONN,PLUG 120 AC/15A DOMESTIC...1 (part of wire harness)	
1A	216615GT	ASSY HEATER, MODEL 18, 120V.....1 (120V)					
1B	216616GT	ASSY HEATER, MODEL 18, 240V.....1 (240V)					
1C	1259661GT	ASSY,ENGINE HEATER,120V.....1 (120V) (only for Deutz TD 2.9L4 models, includes two adhesive pads)					
1D	1259708GT	ASSY,ENGINE HEATER,240V.....1 (240V) (only for Deutz TD 2.9L4 models, includes two adhesive pads)					
2	119066GT	CONN,RECEP 3 WAY ENDCAP DT.....2 (Part of heater assembly)					
3	119057GT	CONN PLUG 3 WAY ENDCAP DT.....2 (Part of wire harness)					
4A	216662GT	HARNESS,ENG/HYD HEATER,120V.....1 (120V)					
4B	216683GT	HARNESS,ENG/HYD HEATER,240V.....1 (240V)					
5A	216612GT	ASSY,120V HEATER, HYD TANK.....1 (120V)					
5B	216611GT	ASSY,240V HEATER, HYD TANK.....1 (240V)					
6	826516GT	SCREW, PHPM, 10-32 X 1.0, ZAG.....2					
7	824032GT	NUT,TL FLG,10-32,F,ZAG.....2					
8A	216659GT	HARNESS, 120V BATT CABLE, 36".....1 (120V)					
8B	216680GT	HARNESS, 240V BATT CABLE, 36".....1 (240V)					
9	99778GT	SQUEEZE CONNECTOR, 4 WIRE.....2 (part of of wire harness)					
--	238123GT	HUBBLE NUT, PG11					
10A	214249GT	COLD WEATHER 120V J BOX ASSY.....1 (120V)					
10B	237711GT	COLD WEATHER 240V J BOX ASSY.....1 (240V)					
11	214536GT	SQUEEZE CONN W/NUT, 2WIRE, 4MM.....1 (part of of wire harness)					
12	119056GT	CONN PLUG 2 WAY ENDCAP DT.....1					
13	119065GT	CONN,RECEP 2 WAY ENDCAP DT.....1					
14A	216617GT	ASSY, BATTERY HEATER, 120V.....2 (120V)					
14B	216618GT	ASSY, BATTERY HEATER, 240V.....2 (240V)					
15A	216645GT	HARNESS, 120V POWER CORD, 12"....1 (120V) (includes items 11 and 16)					

825.1 Arctic High Pressure Hose Kit, S-85



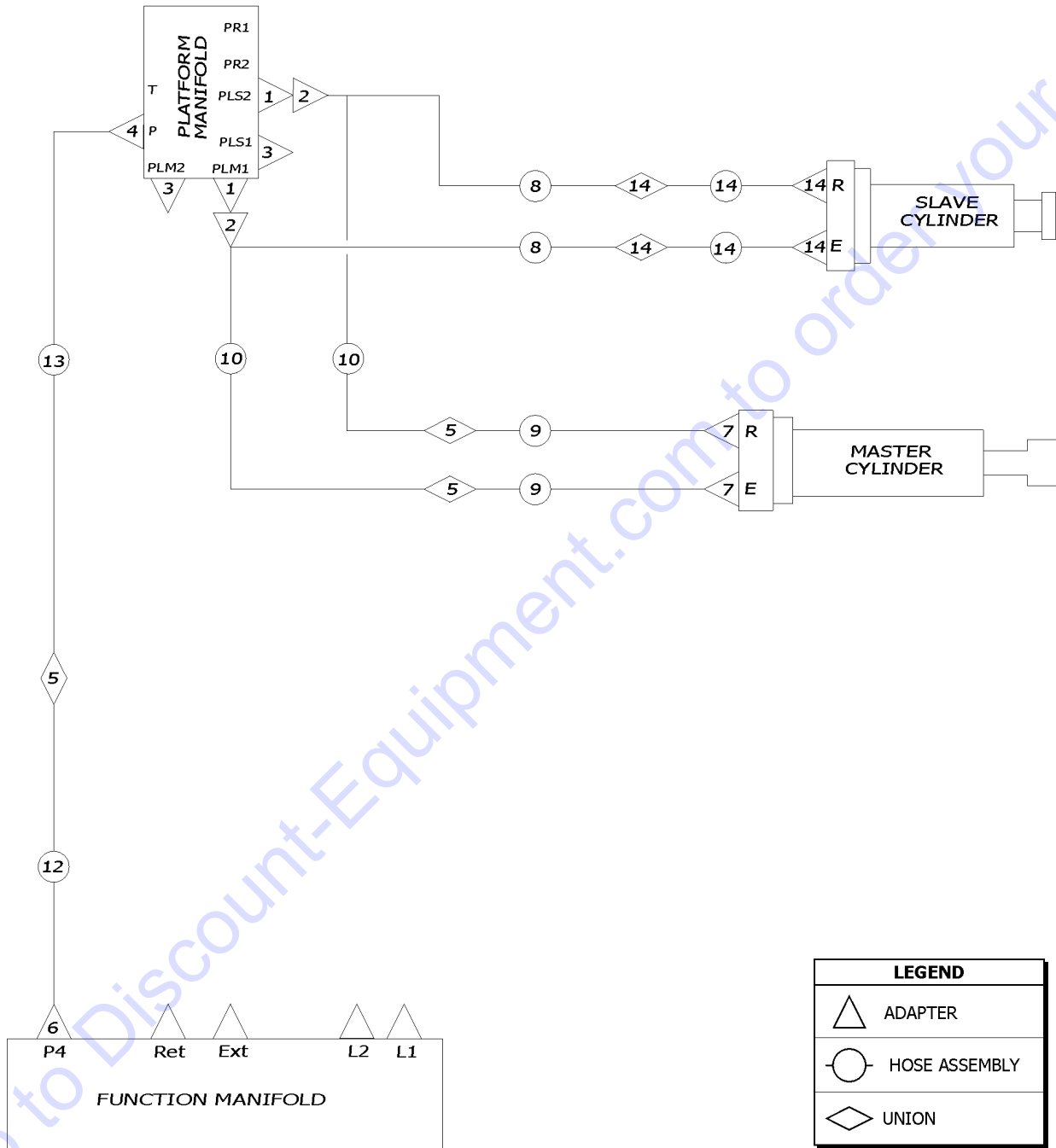
825.1 Arctic High Pressure Hose Kit, S-85

Item	Part No.	Description	Qty.
1	48927GT	CONN,520120-6-4.....	2
2	48875GT	TEE,RUN,SWIVEL,520432-6.....	2
3	39882GT	PLUG,HEX SOCKET,090109B-4.....	2
4	48928GT	ELBOW,45D,520320-6-4.....	1
5	61321GT	ELBOW,90D,BLKHD,ORFS-6-6 W/NUT.....	3
6	48916GT	FITTING,CONN,520120-6.....	1
7	48926GT	FITTING,ELBOW,90D,520220-6-4.....	2
8	234975GT	HOSE ASSY3/8,-4STRFEM,-6 90FEM...2	
9	49128-34109GT	HOSEASSY3/8,-6STRFEM,-6 90FEM....2	
10	49130-80582GT	HOSEASSY3/8,-6STRFEM,-6STRFEM..2	
12	49130-51082GT	HOSEASSY3/8,-6STRFEM,-6STRFEM..1	
13	49128-80609GT	HOSEASSY3/8,-6STRFEM,-6 90FEM....1	
14		Ref. HOSE (refer to 714.1)	

Go to Discount-Equipment.com to order your parts



826.1 Arctic High Pressure Hose Kit, S-80, S-80X



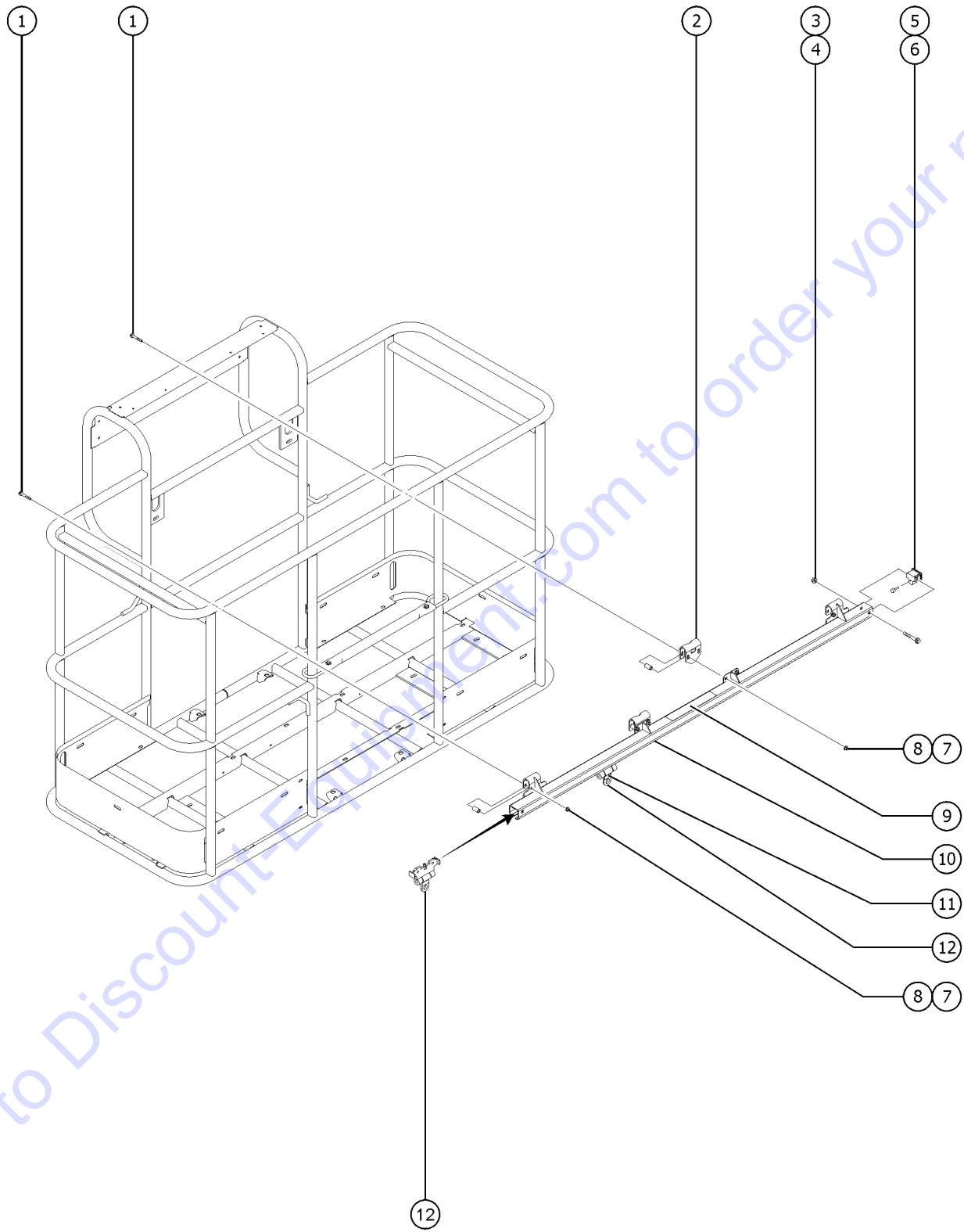
826.1 Arctic High Pressure Hose Kit, S-80, S-80X

Item	Part No.	Description	Qty.
1	48927GT	CONN,520120-6-4.....	2
2	48875GT	TEE,RUN,SWIVEL,520432-6.....	2
3	39882GT	PLUG,HEX SOCKET,090109B-4.....	2
4	48928GT	ELBOW,45D,520320-6-4.....	1
5	61321GT	ELBOW,90D,BLKHD,ORFS-6-6 W/NUT.....	3
6	48916GT	FITTING,CONN,520120-6.....	1
7	48926GT	FITTING,ELBOW,90D,520220-6-4.....	2
8	228896GT	HOSEASSY3/8,-4STRFEM,-6 90FEM....	2
9	49128-34109GT	HOSEASSY3/8,-6STRFEM,-6 90FEM....	2
10	49130-66982GT	HOSEASSY3/8,-6STRFEM,-6STRFEM..	2
12	49130-51082GT	HOSEASSY3/8,-6STRFEM,-6STRFEM..	1
13	49128-67009GT	HOSEASSY3/8,-6STRFEM,-6 90FEM....	1
14		Ref. HOSE (refer to 713.1)	

Go to Discount-Equipment.com to order your parts



827.1 Fall Arrest Bar

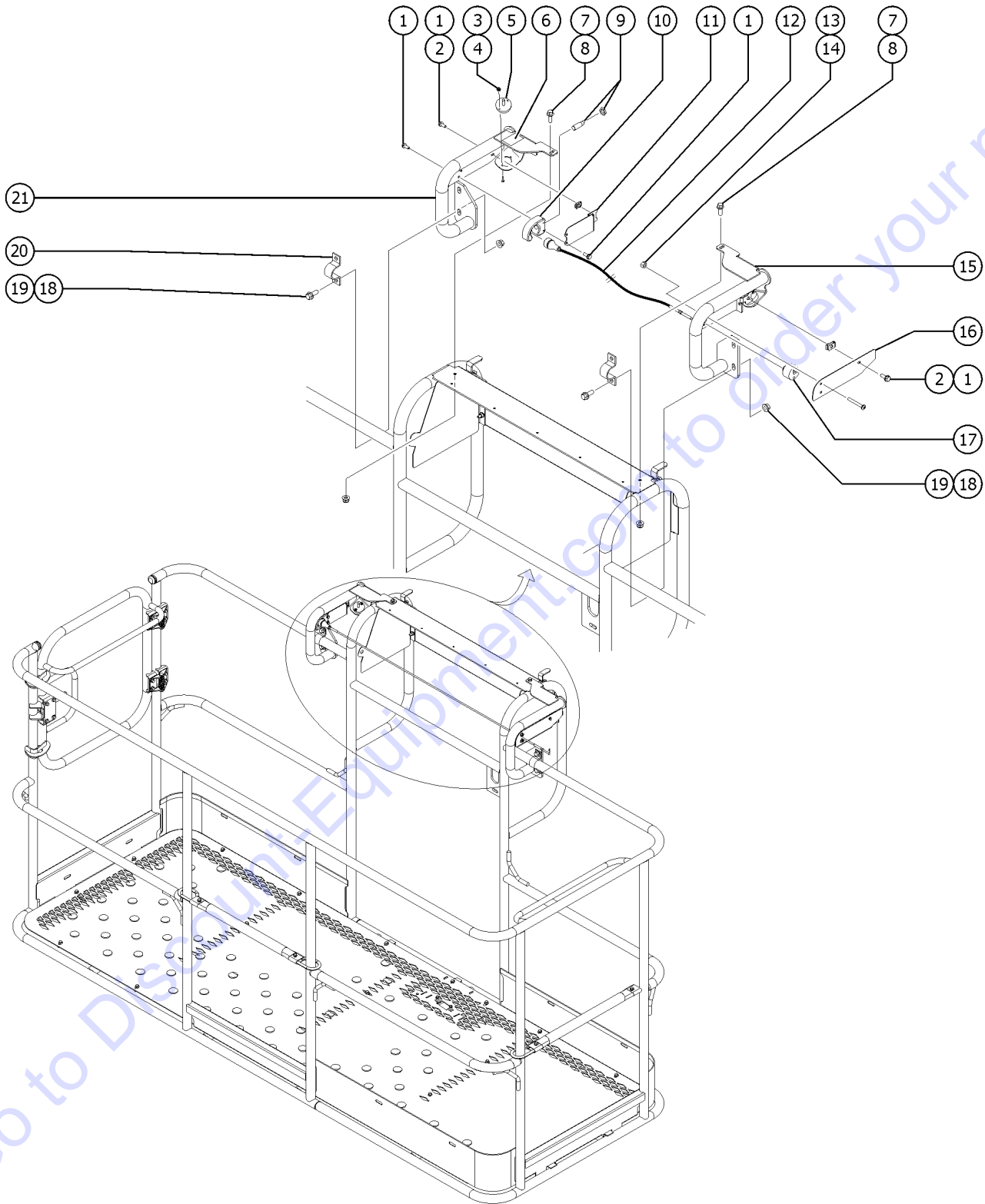


Item	Part No.	Description	Qty.
1	1256856GT	SCREW,HHF,3/8-16X2.5,8,ZAG.....	8
2	1256389GT	FORMING,INNER HANGER.....	2
3	1251997GT	NUT,TL FLG,1/2-13,G,ZAG.....	2
4	1256851GT	SCREW,HHF,1/2-13X3.5,8,ZAG.....	2
5	1260892GT	END STOP,TRACK,FALL ARREST BAR.....	2
6	36388GT	BUMPER,RUBBER,.75 X .50H,STUD....	2
7	1274322GT	NUT,NYLOCK FLG,3/8-16,F,ZAG.....	8
8	1256481GT	SPACER, HANGER BRACKET.....	8
9A	1256400GT	DECAL,TRACK,FALL ARREST BAR,WORD.....	1
9B	1260910GT	DECAL,TRACK,FALL ARREST BAR,SYMBOL.....	1
9C	1256400FRGT	DECAL,TRACK,FALL ARREST BAR,WORD FR.....	1
10A	1256377GT	ACC,FALL ARREST BAR,8FT WORD....	1
--	1256379GT	ASSY,TRACK,FALL ARREST BAR,8FT WORD (includes decals)	
10B	1261022GT	ACC,FALL ARREST BAR,8FT SYM.....	1
--	1261024GT	ASSY,TRACK,FALL ARREST BAR,8FT SYM (includes decals)	
10C	1261018GT	ACC,FALL ARREST BAR,8FT FR.....	1
--	1261020GT	ASSY,TRACK,FALL ARREST BAR,8FT FR (includes decals)	
10D	1256378GT	ACC,FALL ARREST BAR,6FT WORD....	1
--	1256380GT	ASSY,TRACK,FALL ARREST BAR,6FT WORD (includes decals)	
10E	1261023GT	ACC,FALL ARREST BAR,6FT SYM.....	1
--	1261025GT	ASSY,TRACK,FALL ARREST BAR,6FT SYM (includes decals)	
10F	1261019GT	ACC,FALL ARREST BAR,6FT FR.....	1
--	1261021GT	ASSY,TRACK,FALL ARREST BAR,6FT FR (includes decals)	
11	40434GT	DECAL,LANYARD ANCHORAGE POINT.....	1
12	1256439GT	TROLLEY, TRACK, FALL ARREST BAR.....	1

Go to [www.genieequipment.com](http://www.genieequipment.com) to order your parts



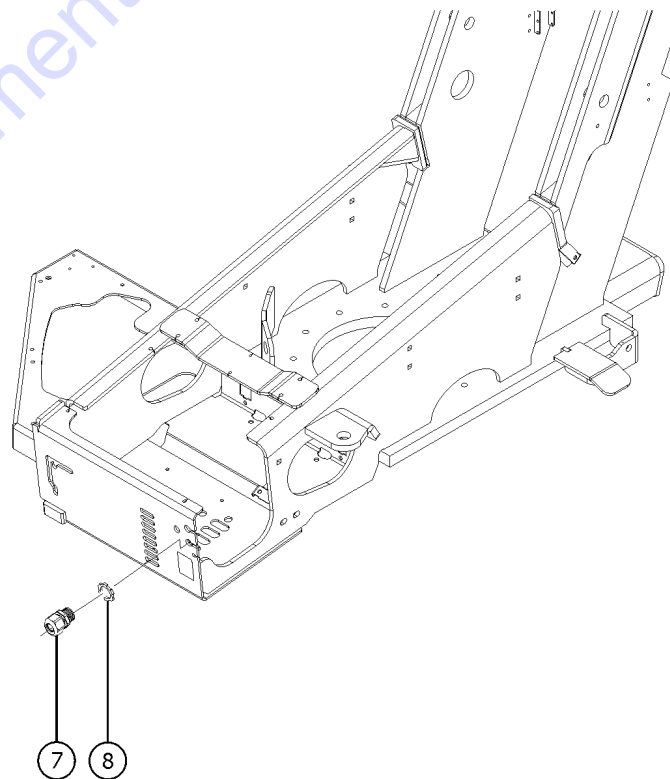
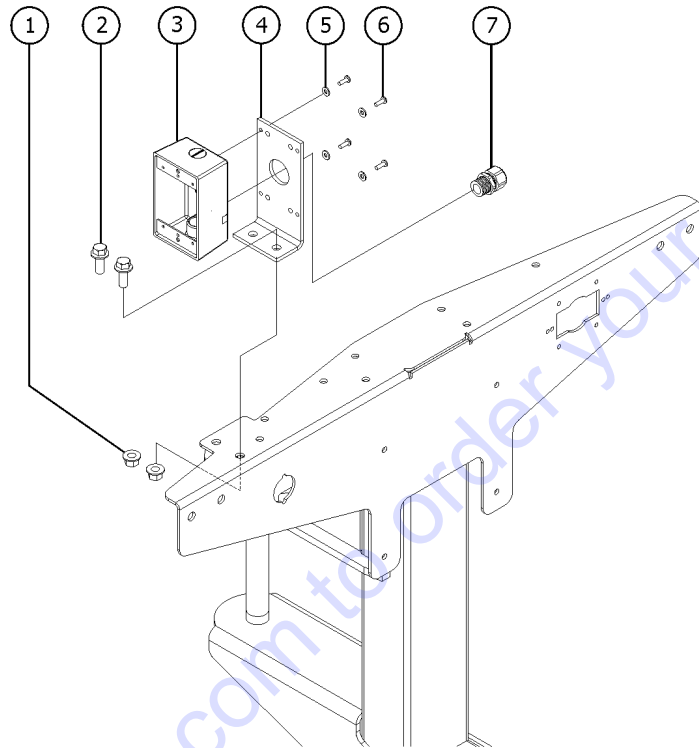
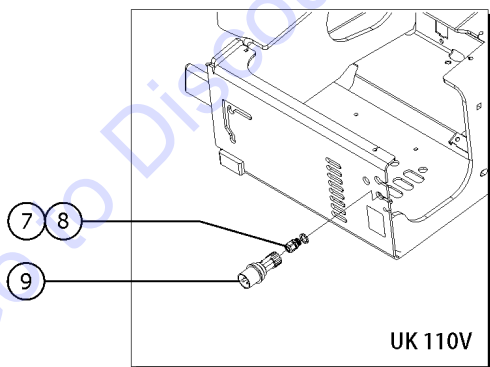
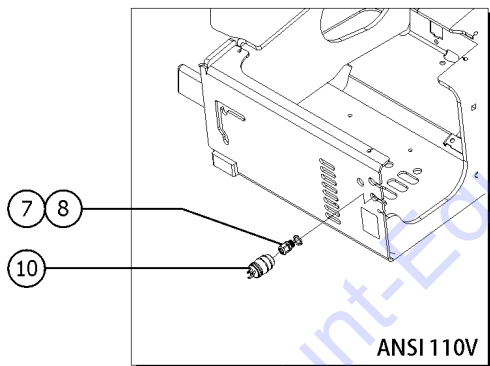
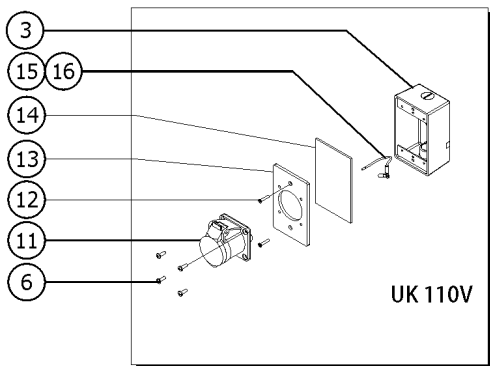
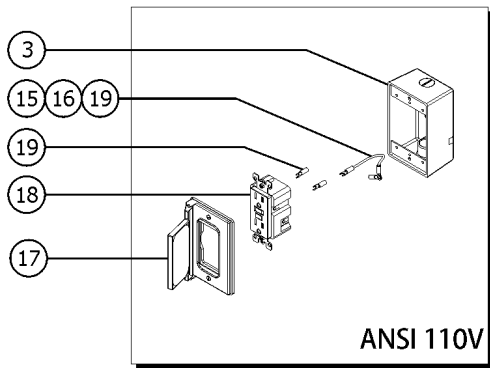
828.1 Lift Guard Contact Alarm Option (from January 2017)



## 828.1 Lift Guard Contact Alarm Option (from January 2017)

Item	Part No.	Description	Qty.
1	1264934GT	SCREW,HHF,10-24X.5.....	7
2	73575GT	SPRING CLIP,10-24,.025-.125X.468,ZAG.....	2
3	12344GT	NUT,NYLOCK,6-32.....	4
4	1256859GT	SCREW,PHPM,6-32X.875,ZAG.....	4
5	1278111GT	ASSEMBLY, LIGHT, CONTACT ALARM.....	2
6	1278542GT	DECAL, INSTRUCTION, CONTACT ALARM.....	1
7	824078GT	SCREW,HHF,1/4-20X.75,8,ZAG.....	2
8	1277924GT	NUT,NYLOCK FLG,1/4-20,F,ZAG.....	2
9	1278119GT	ASSEMBLY, SENSOR, PROX, CONTACT ALARM.....	1
10	1278433GT	ASSY, SENSOR W/HOUSING..... <i>(Includes holder item 1277877 and sensor part 1278119)</i>	1
--	1277877GT	HOLDER, SENSOR	
11	1277873GT	FORMING, SENSOR HOLDER.....	1
12	1278416GT	ASSEMBLY,CONTACT ALARM CABLE, LARGE.....	1
--	1261184GT	NUT,1/4-20,8,ZAG <i>(part of assembly 1278416)</i>	
--	1278124GT	MAGNET, 1/4-20, 15 LB. <i>(part of assembly 1278416)</i>	
--	1278368GT	GRIP, CABLE <i>(part of assembly 1278416)</i>	
--	1278458GT	CONTACT ALARM WIRE ASSY, LARGE <i>(part of assembly 1278416)</i>	
13	1274168GT	NUT,NYLOCK,10-32,A,ZAG.....	2
14	824216GT	SCREW,PHPM,10-32X1.5,ZAG.....	2
15	1278138GT	WELDMENT, RIGHT CONTACT ALARM, LARGE.....	1
--	1277924GT	NUT,NYLOCK FLG,1/4-20,F,ZAG	
--	824037GT	NUT,HH JAM,1/4-20,A,ZAG	
16	1277875GT	PLATE, CABLE AND WIRE COVER.....	1
17	1277876GT	GUIDE, CABLE.....	1
18	1274322GT	NUT,NYLOCK FLG,3/8-16,F,ZAG.....	4
19	824090GT	SCREW,HHF,3/8-16X1,8,ZAG.....	4
20	1278363GT	CLAMP, 1.25 INCH TUBE.....	2
21	1278144GT	WELDMENT, LEFT CONTACT ALARM, LARGE.....	1

829.1 Power To Platform



## 829.1 Power To Platform

Item	Part No.	Description	Qty.
1	824029GT	NUT, TL FLG, 3/8-16, G, ZAG.....	2
2	824090GT	SCREW,HHF,3/8-16X1,8,ZAG.....	2
3	10775GT	T-BOX, 2.75 x 4.5 x 2.0.....	1
4	81096GT	BRACKET,POWER TO PLAT, DOM.....	1
5	1257390GT	WASHER,FLAT,#8,SAE,ZAG.....	4
6	54365GT	SCREW,PHIL,PHM,10-32 X .5,SSTL....	4
7	7056GT	CONN, SQZ, 1/2NPT .38-.50, SM**.....	2
8	6935GT	LOCKNUT,ELEC,1/2"..... <i>power cable not shown</i>	1
9	144161GT	PLUG,PWR,UK,16AMP,3PIN,BLK.....	1
10	119403GT	CONN,PLUG 120 AC/15A DOMESTIC...1	
11	T112560GT	RECEPTACLE,UK,110V.....	1
12	63375GT	SCREW,FHM,6-32 X .75.....	2
13	T112561GT	PLATE,UK,POWER TO PLAT.....	1
14	74052GT	GASKET,COVER,GFCI,WEATHERPROOF.1	
15	55089GT	WIRE,14 GA,GREEN/YELLOW,THHN**.....	6
16	13597GT	TERMINAL,#10 RING,BLUE..... <i>crimp one end of 13597 to swing chassis ground wire</i>	2
17	74006GT	COVER,GFCI,HORIZONTAL,WEATHER.1	
18	13585GT	OUTLET, 110V.....	1
19	36878GT	TERMINAL,FORK,BLUE (BULK)..... <i>connect one each of 36878 to swing chassis positive and negative wires</i>	3

## Part Number Index

The Part Number Index is a numeric index of all part numbers included in this manual. The index shows what page(s) the part is used on.

Part Number	Page	Part Number	Page	Part Number	Page	Part Number	Page
101068GT	107, 167	10777GT	223	121146GT	133	121474GT	85, 87
101070GT	41, 43	110149GT	113	121147GT	133	121477GT	85
101085GT	203	110194GT	153, 163	121149GT	133	121478GT	85
101340GT	75, 81	110198GT	163	121150GT	133	121480GT	87
101440GT	153	110209GT	163	121151GT	133	121481GT	87
101490GT	53	110276-2300GT	213	121155GT	133	121482GT	201
101516GT	165	110276-4300GT	213	121156GT	133	121489GT	85, 87, 183
101525GT	213	110277-6100GT	213	121157GT	135	121490GT	201, 203
101547GT	213	110304GT	113	121158GT	135	121491GT	201, 203
101559GT	125, 135	110344GT	211	121160GT	131	121492GT	85, 87
101566GT	135	110345GT	53, 55	121163GT	131	121508GT	201
101599GT	137	110771-11117GT	85, 137	121164GT	125, 129	121512GT	201
101640GT	99	110771-13107GT	85, 87, 137	121166GT	189	121521GT	85, 87
101726GT	53	110771-141C7GT	85, 87	121167GT	189	121563GT	91
101932GT	189	110789GT	225	121169GT	189	121582GT	145
101943GT	41	110876GT	125	121170GT	189	121588GT	183
101995GT	211	111362GT	49	121173GT	189	121589GT	183
102045GT	93, 101	111363GT	49, 51	121177GT	195, 197	121595GT	227
102066GT	119	111445GT	95	121178GT	195, 197	121599GT	69, 71-72
102312-9688GT	215	111526GT	187	121180GT	133	121603GT	117
102313-17526GT	179, 181	111572GT	175-176	121181GT	133	121608-9175GT	175-176
102313-2826GT	215	111576GT	211	121189GT	133	121615GT	89
102313-3126GT	215	111578GT	55	121215GT	63	121617GT	85, 87
102314GT	211	111601GT	63	121216GT	63	121618GT	85, 87
102348GT	203	111602GT	63	121217GT	63	121619GT	85, 87
102357GT	211	111748GT	99	121218GT	63	121621GT	85, 87
102408GT	213	111778GT	163	121219GT	63	121622GT	85, 87
102409GT	213	111818GT	55	121234GT	139, 141	121646GT	135
102526GT	163	112043GT	113	121236GT	135	121650GT	137
102528GT	163	114249GT	29, 31, 33, 35	121258GT	103	121658GT	129
102586GT	95	114251GT	27, 33, 35	121268GT	41	121659GT	189
102587GT	95	114252GT	37	121270GT	41	121660GT	189
102589GT	11	114258GT	13, 19, 21	121271GT	41	121661GT	189
102590GT	95	114390GT	13, 19, 21, 25	121272GT	41	121662GT	189
102594GT	95	114416GT	25	121281GT	41	121668GT	43
102746GT	165	114465GT	13, 27	121286GT	41	121670GT	133
102785PGT	187	114473GT	39	121287GT	41	121671GT	133
102786PGT	187	119032GT	135	121310GT	107, 167	121681GT	175-176
102940GT	163	119056GT	233	121311GT	65	121682GT	175-176
102992GT	145	119057GT	233	121314GT	69	121683GT	175-176
104030GT	147-148	119065GT	233	121316GT	191	121684GT	175-176
104186GT	175-176	119066GT	233	121317GT	191	121685GT	175-176
104570GT	57	119218GT	97	121336GT	63	121687GT	57
104804GT	145	119403GT	233, 243	121345GT	135	121688GT	89, 93, 101
106033GT	201	119533GT	219	121353GT	63	121690GT	57
106034GT	201	119536PGT	141	121365GT	176	121706GT	161
106044GT	213, 229	119542GT	141	121366GT	176	121707GT	159
106051GT	75, 79, 81	119620GT	41	121370GT	175-176, 205	121708GT	163
106073GT	211	119644GT	148	121371GT	41	121720GT	148
106098GT	41	119907GT	217	121381GT	63	121726GT	85
106104GT	211	119908GT	217	121387GT	137	121727GT	87
106113GT	211	119915GT	151	121388GT	137	121732GT	85
106117GT	41, 43	119918GT	55	121389GT	205	121733GT	87
106118GT	41, 43	121025GT	125	121391GT	137	121735GT	87
106122GT	49, 51	121028GT	133	121393GT	63	121753GT	67, 71-72, 85, 87
106125GT	51	121029GT	125	121399GT	135, 137	121754GT	125
106140GT	211	121030GT	131	121406GT	135	121762GT	133
106140PGT	211	121031GT	135	121410GT	89	121766GT	145
106183GT	213	121032GT	135	121413GT	193	121777GT	175-176
106204PGT	213	121033GT	135	121419GT	53, 55, 57, 97, 99, 201	121781GT	227
106211-300GT	99	121034GT	133	121420GT	89, 91, 99, 101	121785GT	227
106211-600GT	99	121039GT	135	121421GT	89, 91, 101, 201	121787-13291GT	181
106226GT	113	121044GT	133	121422GT	89	121787-4691GT	179
106274GT	211	121045GT	129	121423GT	89	121800GT	183
106275GT	213	121061GT	123	121430GT	89	121819GT	137
106394GT	165	121063GT	123	121433GT	101	121820GT	137
106454GT	157	121064GT	123	121444GT	147-148	121822GT	137
106535GT	219	121065GT	123	121445GT	147-148	121846GT	71-72, 225
106555GT	85, 87	121066GT	191	121447GT	85, 87	121847GT	225
106658GT	211	121087GT	135	121456GT	85, 87, 148	121848GT	85, 87, 225
106923GT	101	121089GT	135	121466GT	85, 87	121857GT	141
107742GT	157	121095GT	123	121467GT	65, 85, 87	121860GT	107
107752GT	163	121100GT	125	121468GT	85, 87	121865GT	137
107753GT	163	121140GT	135	121469GT	85, 87	121869GT	137
10775GT	223, 243	121142GT	133			121870GT	123

Part Number	Page	Part Number	Page	Part Number	Page	Part Number	Page
121871GT	123	1253192GT	113	1256776GT	219	1261184GT	231, 241
121872GT	123	1253193GT	113	1256803GT	135	1261204GT	113
121889GT	215	1253194GT	113	1256804GT	187	1261205GT	113
121890GT	215	1253208GT	113	1256824GT	175-176	1261236GT	103
121899GT	227	1253264GT	61	1256825GT	175-176	1261239GT	103
122019GT	183	1253265GT	59	1256837GT	63, 133	1261244GT	59
122073GT	185, 229	1253319GT	113	1256842GT	63	1261245GT	61
122120GT	159, 161, 163	1253408GT	213	1256843GT	143	1261250GT	183
122121GT	159, 161	1253409GT	69, 71-72	1256846GT	63	1261277GT	57, 59, 61, 121
122148GT	159, 161	1253431GT	113	1256851GT	65, 239	1261292GT	229
122201GT	135	1253478GT	53, 55, 59, 61, 133	1256855GT	145, 199	1261722GT	113
122209GT	141, 227	1253485GT	45, 103, 145, 217	1256856GT	41, 43, 59, 61, 133, 239	1261835GT	61
122300GT	211	1253498GT	43, 107, 115	1256859GT	241	1261836GT	59, 61
122302GT	165	1253573GT	119	1256860GT	63	1261837GT	59, 61
122399GT	85, 87	1253574GT	119	1256863GT	63, 133	1261882GT	113
122460GT	47	1253596GT	219, 221	1256866GT	63, 133	1261963GT	113
122640GT	159, 161	1254367GT	219, 221	1257230GT	123	1261964GT	113
122641GT	163	1254471GT	113	1257264GT	225	1261966GT	113
122643GT	163	1254589GT	219, 221	1257296GT	223	1261969GT	113
122644GT	163	1254594GT	97	1257390GT	243	1261978GT	117
122645GT	163	1254823GT	97	1257454GT	57, 63	1261980GT	117
122646GT	163	1254826GT	95	1257628GT	59, 61	1262016GT	113
122647GT	163	1254949GT	99	1257705GT	119	1262017GT	117
122649GT	163	1255113GT	57	1257733GT	11	1262022GT	117
122650GT	163	1255391GT	123	1257810GT	119, 221	1262047GT	11, 117
122651GT	163	1255452GT	135, 137	1257862GT	119	1262050GT	117
122652GT	163	1255537GT	113	1257863GT	127	1262052GT	119
122653GT	163	1255581GT	13, 19, 21, 27, 33, 35	1257866GT	63, 119	1262210GT	59
122655GT	161	1255582GT	13, 27	1257867GT	123	1262211GT	61
122656GT	163	1255651GT	101	1258014GT	115	1262219GT	101
122657GT	163	1255653GT	95, 97	1258071GT	113	1262344GT	13
122660GT	163	1255758GT	231	1258567GT	11	1262347GT	13
122661GT	123	1255760GT	57, 121	1258617GT	67	1262348GT	13
122662GT	123	1255763GT	59, 61	1258618GT	85, 87	1262467GT	113
122663GT	123	1255768GT	63	1258619GT	85, 87	1262469GT	113
122664GT	123	1255769GT	63	1258620GT	147-148	1262471GT	117
122665GT	123	1255770GT	63	1258641GT	101	1262478GT	117
122666GT	123	1255771GT	63	1258701GT	85, 87	1262484GT	11, 117
122668GT	123	1255772GT	63	1258722GT	59, 61	1262486GT	117
122669GT	167	1255773GT	63	1258723GT	59, 61	1262488GT	11, 117
122755GT	227	1255802GT	43, 109	1258724GT	59, 61	1262490GT	113
122878GT	51	1255804GT	57, 121	1258728GT	135	1262494GT	117
122879GT	51	1255805GT	57, 59, 61, 121	1258972GT	19, 21	1262496GT	113
122944GT	139, 141	1256054GT	59, 61	1259106GT	57, 121	1262498GT	113
122994GT	72	1256108GT	189	1259219GT	85	1262500GT	113
123167GT	91, 99	1256109GT	141	1259264GT	113	1262503GT	117
12344GT	69, 71-72, 147-148, 211, 241	1256111GT	135, 137	1259329GT	229	1262505GT	117
124962GT	101	1256118GT	129, 139	1259583GT	187	1262589GT	113
1251496GT	101	1256123GT	63, 123	1259584GT	187	1262595GT	113
1251542GT	221	1256124GT	213	1259661GT	233	1262598GT	113
1251549GT	221	1256126GT	121	1259708GT	233	1262866GT	11, 101
1251565GT	123, 133	1256127GT	59, 61, 141	1259757GT	117	1263542GT	27, 33, 35
1251600GT	145, 199, 207, 231	1256177GT	65	1259855GT	57, 121	1263543GT	13, 19, 21
1251757GT	53	1256180GT	141	1259890GT	113	1263553GT	203
1251820GT	135	1256182GT	65	1259907GT	113	1263978GT	41
1251825GT	72	1256206GT	175-176	1259931GT	41	1263979GT	41
1251928GT	97	1256312GT	65, 223	1260107GT	15, 17, 19, 21, 29, 31, 33, 35	1264101GT	207, 211
1251983GT	99, 113	1256377GT	239	1260213GT	148	1264385GT	85, 87
1251984GT	71-72	1256378GT	239	1260214GT	147-148	1264822GT	85, 87
1251997GT	65, 109, 115, 119, 135, 239	1256379GT	239	1260215GT	147-148	1264834GT	85, 87
1252684GT	71-72	1256380GT	239	1260218GT	85, 87	1264897GT	131
1252685GT	71-72	1256389GT	239	1260414GT	203	1264934GT	241
1252686GT	117	1256400FRGT	239	1260414GT	203	1264947GT	85, 87
1252687GT	99	1256400GT	239	1260892GT	239	1264969GT	57
1252978GT	189	1256425GT	33, 35, 39	1260910GT	239	1265397GT	145
1252979GT	113	1256439GT	239	1260927GT	113	1265454GT	85, 87
1253154GT	69, 71-72	1256464GT	183	1260980GT	187	1265455GT	85, 87
1253160GT	67, 71-72	1256468GT	231	1261001GT	187	1265459GT	67, 71-72
1253175GT	221	1256469GT	83	1261018GT	239	1265460GT	67
1253176GT	221	1256481GT	239	1261019GT	239	1266019GT	13
1253177GT	221	1256514GT	115	1261020GT	239	1266895GT	59
1253185GT	57, 103, 113, 183, 187, 223	1256679GT	61	1261021GT	239	1266897GT	59
		1256765GT	219, 221	1261022GT	239	1266902GT	59, 61
		1256766GT	219, 221	1261023GT	239	1266916GT	61
				1261024GT	239	1267070GT	121
				1261025GT	239	1267071GT	57

## Part Number Index (continued)

Part Number	Page	Part Number	Page	Part Number	Page	Part Number	Page
1267072GT	57	1271772GT	53	1281137GT	117	139718GT	153
1267073GT	57	1271773GT	53	128200GT	67, 71-72, 147-148	139719GT	153
1267074GT	121	1271837GT	111			139727GT	153
1267076GT	121	1271984GT	59, 61	128201GT	67, 72, 147-148	139936GT	203
1267078GT	83	1272025GT	111	128202GT	67, 71-72	144161GT	243
1267079GT	83	1272026GT	111	128203GT	229	146051GT	47, 49, 51
1267080GT	61	1272029GT	111	128204GT	67, 71-72, 147-148	146052GT	47, 51
1267081GT	61	1272057GT	111			146058GT	133
1267082GT	59	1272060GT	111	1282282GT	53	146059GT	135
1267083GT	59	1272069GT	111	128268GT	141	146060GT	135
1267309GT	61	1272230GT	57	1283132GT	61	146180GT	57
1267313GT	103	1272231GT	57	128322GT	213	146181GT	57
1267315GT	211	1272242GT	13, 27	1283442GT	121	146182GT	57
1267316GT	223	1272303GT	145	1283564GT	125, 129, 131	146284GT	211
1267382GT	57	1272304GT	145	1283565GT	125, 129, 131	146285GT	211
1267746GT	145	1272467GT	105	1283776GT	11	146413GT	55
1267747GT	145	1273404GT	83	1283888GT	125, 129, 131	146415GT	55
1267807GT	63	1273602GT	85, 87	128416GT	165	146417GT	55
1267882GT	103	1274053GT	89	128419GT	165	146478GT	147-148
1267891GT	25	1274069GT	109	128450GT	141	146551GT	55
1267892GT	25	1274162GT	83	1284532GT	125	146552GT	55
1267893GT	39	1274168GT	241	128454GT	141	147090GT	71-72
1267894GT	39	1274198GT	57, 119	128482GT	141	147094GT	67
1268183GT	223	1274200GT	119	128483GT	141	147121GT	145
1268186GT	211	1274201GT	103, 119	1285689GT	85, 87	147223GT	53, 55
1268563GT	41	1274322GT	199, 207, 239,	1285700GT	207	147347GT	145
1268565GT	41		241	128580GT	229	147419GT	55
1268568GT	43	1274331GT	53	1285811GT	85, 87	147484GT	131
1268569GT	43	1274553GT	161	128588GT	113	147485GT	139, 141
1268570GT	43	1274554GT	161	1286602GT	51	147505GT	127
1268571GT	43	1274826GT	59	1286604GT	49	147544GT	131
1268573GT	43	1274827GT	59	1286605GT	49	147575GT	25, 39
1268574GT	43	1274858GT	145	1287434GT	153	147603GT	25, 39
1268575GT	45	1274859GT	145	128829GT	89	147620GT	129
1268596GT	65	1274900GT	97	128912GT	97	147628GT	127
1268597GT	133	1275248GT	151	128953GT	19, 21	147631GT	127
1268601GT	135	1275258GT	151	13000GT	211	147651GT	85
1268605GT	123	1275259GT	151	13002GT	91, 99	147653GT	85
1268606GT	45	1275725GT	233	13003GT	93, 101	147659GT	23, 37
1268921GT	97, 101	1275802GT	85, 87	13064GT	93, 97, 101	147755GT	13, 27
1268GT	11	1275803GT	85, 87	13268GT	107, 113, 145	1484GT	11
1269080GT	59	1275805GT	147-148	133067GT	27, 33, 35, 39	15086GT	97
1269081GT	61	1276672GT	211	133177GT	15, 17, 19, 21	15243GT	67, 71-72, 147-148
1269319GT	43	1276986GT	211	133205GT	27		148
1269321GT	41	1277599GT	211	133209GT	19, 21, 33, 35	15513GT	137
1269322GT	41	1277873GT	241	133232GT	13	161144GT	155
1269323GT	41	1277875GT	241	133278GT	13	161145GT	155
1269497GT	148	1277876GT	241	133308GT	15, 17, 19, 21,	161189GT	95
1269498GT	147-148	1277877GT	241		31, 33, 35	161938GT	97
1269499GT	151	1277924GT	109, 189, 193,	133309GT	29	162207GT	103
1269500GT	148		199, 207, 241	133310GT	13	162208GT	103
1269549GT	105	1277952GT	185	133372GT	15, 17, 19, 21	162209GT	103
1269584GT	223	1277966GT	185	133386GT	29, 31, 33, 35	162210GT	97
1269586GT	63	1278108GT	85, 87	133387GT	39	162276GT	101
1269593GT	41, 43	1278111GT	241	133411GT	33, 35	162283GT	97
1269641GT	145	1278119GT	241	133413GT	27	162284GT	97
1270154GT	111	1278124GT	241	13585GT	243	18596GT	93, 101
1270313GT	207	1278128GT	61	13597GT	243	18605GT	127
1270314GT	207	1278138GT	241	139308GT	63	18665GT	211
1270316GT	207	1278144GT	241	139309GT	63	18666GT	69, 89, 91, 101,
1270570GT	185	1278363GT	241	139315GT	63		103, 119, 148,
1270571GT	185	1278368GT	241	139321GT	89		211, 213
1270963GT	97	1278416GT	241	139322GT	89	19018-1100GT	207
1270964GT	113	1278433GT	241	139323GT	63	19060GT	163
1270994GT	207	1278458GT	241	139338GT	147-148	19274GT	85, 87
1271018GT	207	1278542GT	241	139455GT	91	19440GT	41
1271019GT	207	1278569GT	97	139508GT	153	19506GT	67
1271040GT	207	1278629GT	229	139512GT	153	20776GT	211
1271061GT	207	1278673GT	211	139527GT	153	21019GT	97
1271077GT	185	1278714GT	11	139528GT	153	21130GT	45, 89
1271078GT	185	128000GT	151	139598GT	151	21141GT	53, 55
1271313GT	211	128001GT	151	139644-14B61GT	127	21187GT	211
1271397GT	19, 21	128003GT	115	139712GT	153	214228GT	11, 103
1271398GT	211	128004GT	91, 99	139715GT	153	214249GT	233
1271652GT	11, 111	1280379GT	59	139716GT	153	214393GT	57
1271713GT	151	128045GT	225	139717GT	153	214536GT	233



Part Number Index (continued)

Part Number	Page	Part Number	Page	Part Number	Page	Part Number	Page
214619GT	213	226541GT	139	27585GT	99, 101	36208GT	97
214620GT	213	226542GT	139	27697GT	125	36294GT	211, 227
214621GT	213	226550GT	85, 87	27698GT	41, 135	36388GT	109, 239
214622GT	213	22672GT	97, 113, 115, 195, 197	27761GT	153	36878GT	243
214623GT	213			27836GT	153	37187GT	57
21465GT	97, 113	22699GT	99	27901GT	53	37192GT	57
214795GT	103	227516GT	85, 87, 145	28158GT	13, 27	37947GT	59, 61, 67, 71-72
215209GT	57	227774GT	41, 47	28159GT	13, 27	38149GT	19, 21
215210GT	57	227775GT	41, 43, 49	28160GT	13, 27	38620GT	125, 129, 131
215254GT	59, 61	227776GT	41, 43, 51	28174GT	19, 21, 25, 33, 35, 39	39882GT	235, 237
215623GT	49	227777GT	217			40434GT	25, 39, 239
215816GT	219, 221	227785GT	65	28235GT	19, 21, 25, 33, 35, 39	40614GT	71-72
216150GT	115	228448GT	85, 87			41549GT	63
21618GT	71-72, 229	228848GT	199	28236GT	25	41858GT	121
216602GT	155	228849GT	199	28301GT	59, 61	42079GT	123
216611GT	233	228891GT	123	28443GT	213	42288GT	69, 71-72, 147-148
216612GT	233	228892GT	123	28607GT	201		148
216615GT	233	228896GT	237	28646GT	57	42315GT	211
216616GT	233	229327GT	135	28750GT	11, 153	42781GT	67, 69, 71-72, 147-148
216617GT	233	229337GT	135	29104GT	15, 17		147-148
216618GT	233	229338GT	135	29557GT	95	42790GT	175-176
216645GT	233	229357GT	85	29559GT	95	43018GT	41, 133, 135, 139, 141, 157, 159, 161
216646GT	233	229358GT	87	29560GT	11, 95		
216659GT	233	229567GT	67, 69, 71-72, 147-148	29739GT	107, 167	43322GT	211
216662GT	233			29868GT	43, 53, 55, 57, 59, 61, 63, 75, 77, 79, 81, 97, 183, 209, 211, 223	43392GT	145, 187
216680GT	233	229845GT	187			44981GT	19, 21, 25, 33, 35, 39
216683GT	233	229986GT	99				
216760GT	85, 87	230820GT	113			45383GT	148
216791GT	69, 71-72	230995GT	195, 197	30138GT	125, 129, 131	45385GT	69, 71-72
216793GT	69, 71-72	231087GT	221	30143GT	85, 87	45400GT	219, 221
217050GT	171	231513GT	59, 61	30144GT	57	45435GT	99, 105, 115, 195, 197
217051GT	171	231530GT	115	30199GT	41		
217052GT	171	231532GT	59, 61	30221GT	41	45454GT	89, 107, 213
217054GT	173	233992GT	199	30222GT	141	45462GT	183
217055GT	181	233993GT	199	30370GT	139	45470GT	113
217056GT	169, 171	23405GT	195, 197	30418GT	43	45708GT	57
217057GT	175-176	234975GT	235	30468GT	187	45912GT	163
217058GT	175-176	235133GT	49	30489GT	91, 99, 195, 197	45921GT	163
217059GT	175-176, 205	235135GT	47	30490GT	95	46131GT	53, 103
217063GT	171	235136GT	47	30794GT	85, 87	46188GT	229
217064GT	171	235137GT	47, 49, 51	30810GT	201	46468GT	25, 39
217065GT	171	235138GT	47	30971GT	99, 105, 115, 195, 197	47041GT	15, 17
217203GT	93	235139GT	49			47222GT	127
217241GT	67	235140GT	49	30973GT	57, 183	47377GT	139, 141
217366GT	213	235150GT	49	30996GT	148	4828GT	97, 99, 227
217370GT	85, 87	235151GT	49	30997GT	69, 71-72, 148	48415GT	163
217710GT	133	235152GT	49, 51	31060GT	23	48425GT	97
218165GT	67, 72, 147-148	235153GT	49	31106GT	135	48867GT	57
218167GT	67	235154GT	51	31523GT	195, 197	48875GT	217, 235, 237
218448GT	123	236251GT	101	31779GT	11	48880GT	57
218457GT	187	236259GT	103	31788GT	13	48885GT	57
218549GT	25	236260GT	11, 103	32150GT	11	48894GT	179, 181
218550GT	25	237068GT	57	32151GT	11	48904GT	175-176, 179, 181, 217
218559GT	25	237237GT	139, 141	33277GT	101, 117	48905GT	169, 171, 175-176, 179, 181
21858GT	67, 72, 148	237267GT	233	33418GT	93, 101	48907GT	173, 175-176, 179, 181, 217
219158GT	231	237711GT	233	33422GT	69, 71-72		
219243GT	155	237830GT	43	33428GT	41, 141	48908GT	217
219245GT	155	237832GT	113	33441GT	47, 49, 51	48909GT	169, 171
219246GT	155	238123GT	233	33555GT	59, 61	48911GT	169, 171
219247GT	155	24038GT	97, 113	33607GT	71-72, 211	48912GT	175-176, 179, 181
219392GT	57	24514GT	145	33608GT	71-72, 211		
219393GT	137	25685GT	225	33990GT	47, 51	48914GT	173
219487GT	25	25817GT	41, 133	33994GT	11, 153	48915GT	169, 171, 173, 175-176
219490GT	85, 87	25994GT	13	34052GT	75, 77, 79, 81	48916GT	169, 171, 175-176, 179, 181, 235, 237
219508GT	97	27082GT	117	34058GT	203	48918GT	57, 175-176
219718GT	71-72	27089GT	95	34164GT	105	48920GT	173, 179, 181
219723GT	13, 27	27204GT	19, 21, 33, 35	34505GT	197	48926GT	235, 237
219953GT	39	27205GT	15, 17, 29, 31	34533GT	195, 197	48927GT	175-176, 235, 237
219954GT	39	27206GT	15, 17, 19, 21, 29, 31, 33, 35	34619GT	187, 225		
219956GT	39			34955GT	195, 197		
219958GT	39	27207GT	15, 17, 19, 21, 29, 31, 33, 35	35418-0600GT	113		
22571GT	117			35432GT	195, 197		
22578GT	89	27246GT	229	35434GT	97, 195, 197		
226393GT	183	27287GT	71-72	35675GT	141		
226503GT	211	27391GT	229				
226534GT	217	27581GT	11	35956GT	185		



## Part Number Index (continued)

Part Number	Page	Part Number	Page	Part Number	Page	Part Number	Page
48928GT	175-176, 235, 237	49410GT	99, 101	58303GT	163	62922GT	23, 37
48930GT	173	49612GT	11, 153	58304GT	63	63213GT	141
48932GT	57, 171, 175-176	49613GT	153	58412GT	11, 111	63353GT	141
48933GT	53, 55, 169, 171, 175-176, 179, 181, 215	49768GT	45	58415GT	105, 115	63375GT	211, 243
48935GT	175-176	49816GT	75, 77, 79, 81, 89, 103	58489GT	57	63463GT	105, 115
48936GT	171	49817GT	93	58566GT	95	6356GT	67, 69, 71-72, 147-148, 185
48946GT	175-176	49819GT	195, 197	58630GT	95	65278GT	15, 17, 33, 35
48948GT	171, 215	49820GT	69, 71-72, 147-148	58999GT	51	65620GT	111
48959GT	53, 55, 169, 171, 175-176, 205, 215	49826GT	55	59370GT	41	65621GT	11, 111
48960GT	169, 171, 175-176, 179, 181, 215	49915GT	95	60143-SGT	209	65623GT	11, 111
48963GT	169, 171, 175-176, 215	49924GT	11, 95, 97	6019GT	99, 123	65626GT	11, 111
48964GT	175-176, 215	50035GT	65	6024GT	93, 97, 101	65630GT	207
48977GT	175-176, 215	50160GT	123	60334GT	11, 63	6578GT	72
48983GT	175-176	50481GT	159, 161	60370-SGT	145	65810GT	105, 115
48984GT	53, 55, 175-176	50560GT	125, 135, 137	6037GT	211	65846GT	51
48996GT	53, 55, 175-176	50742GT	135, 137	60536GT	11, 75, 79, 81	6584GT	89
49000GT	209	50787-SGT	89	60555GT	41	6637GT	91, 99, 101
49109-5029GT	171	51063GT	125, 133	60561GT	91	6638GT	67, 69, 71-72, 89, 91, 99, 101, 147-148, 191, 199, 227
49110-14692GT	171	51144GT	41	60575PGT	65	66399GT	11
49116-1437GT	176	51147GT	227	60584GT	93	66472GT	229
49116-2437GT	179, 181	52087GT	107, 167	60585GT	113	66812GT	67, 72, 147-148
49116-2637GT	179, 181	5224GT	141	60707GT	219, 221	66813GT	67, 72, 148
49116-3137GT	169, 171	52352GT	95	60738GT	223	66814GT	71-72
49117-11491GT	171	52475GT	15, 17, 29, 31	60739GT	223	66815GT	67, 148
49117-13291GT	181	52714GT	163	60857GT	11, 63	66816GT	67, 71-72
49117-1491GT	217	52715GT	163	60875-9600GT	105	66818GT	67, 71-72
49117-2791GT	179, 181	52726GT	153	60886PGT	227	66821GT	67, 71-72
49117-4691GT	179	52865GT	19, 21	6090GT	67, 69, 71-72, 147-148, 191, 227	6782GT	91, 99
49117-5391GT	169, 171	52866GT	91, 99, 105, 115	6091GT	91, 99, 101, 191, 227	6833GT	103, 127, 229
49117-6191GT	175-176	52943GT	159, 161	6097GT	97, 99, 123	6886GT	211
49119-11378GT	171	52966GT	15, 17, 29, 31	61079GT	179, 181	6888GT	69, 71-72
49119-1378GT	176	52967GT	15, 17, 29, 31	61083GT	53, 55, 175-176	6889GT	67, 69, 71-72, 211
49119-34078GT	179, 181	53387GT	43	61110GT	91, 99	6935GT	67, 69, 71-72, 211, 223, 243
49119-51078GT	179, 181	53605GT	209	61225GT	75, 81	70257GT	105
49119-66978GT	179	5365GT	89	61259GT	179, 181	70289GT	137
49119-74578GT	181	53758-SGT	201, 203	61269GT	179, 181	70367GT	113
49128-1509GT	175-176	53759-SGT	201, 203	61278GT	211	70381GT	91, 99
49128-2409GT	169, 171	53760-SGT	201	61283GT	139, 141	70444GT	89
49128-34109GT	235, 237	53761-SGT	201	61306-SGT	141	70445GT	89
49128-3709GT	169, 171	53761GT	203	61321GT	175-176, 179, 181, 235, 237	70448PGT	89
49128-4209GT	173	53952GT	105, 115	6145GT	71-72, 185, 227	70449GT	89, 115
49128-4509GT	173	5397GT	91, 99, 185, 199, 211, 227	6146GT	89, 97, 133, 147-148, 195, 197	70452GT	109, 119
49128-50409GT	179, 181	54205GT	113	6147GT	183	70454GT	93
49128-67009GT	237	54324GT	53	61726GT	225	70455GT	93
49128-80609GT	235	54365GT	69, 71-72, 147-148, 211, 243	61745GT	57, 125	70456GT	93
49130-2957GT	169, 171	54380GT	127	6175GT	97	70465GT	89, 105
49130-51082GT	235, 237	54486GT	187	6178GT	57, 65, 69, 71-72, 75, 77, 79, 81, 89, 93, 103, 133, 147-148, 183, 211, 223	70483GT	89
49130-63782GT	179	54687GT	221	61804GT	225	7056GT	69, 71-72, 223, 243
49130-66982GT	237	55089GT	243	61809GT	225	71259GT	205
49130-71382GT	181	55753GT	145, 185, 207, 229	61972GT	225	71498GT	185
49130-80582GT	235	56003GT	175-176	61974GT	225	71911GT	89, 97, 101, 115
49130-8382GT	173	56057GT	69	61975GT	225	72086GT	15, 17, 29, 31
49137-5041GT	179, 181	56237GT	211	61976GT	225	72282GT	183
49141-17463GT	179, 181	56424GT	145, 185, 199, 207	61977GT	225	72326GT	183
49143-14429GT	179, 181	56426-700GT	229	61997GT	225	72875GT	25
49143-2829GT	175-176	56525GT	207	62258GT	159, 161	72999GT	13
49143-4129GT	175-176	56570GT	207	62275GT	163	73461GT	125, 129
49143-5229GT	169	56704GT	183	62392GT	151	73463-1175GT	199
49149-2526GT	169	56912GT	43, 57, 59, 61, 63, 97, 99, 103, 115, 119, 125, 129, 131, 135, 137, 141, 145	62414GT	57	73478PGT	145
49149-3126GT	175-176	56934GT	199	62420GT	11, 105, 115	73575GT	113, 145, 241
49151-3548GT	176	58222GT	63	62425GT	11, 91, 99	73717GT	69, 71-72, 147-148
49163-1494GT	217	58223GT	63	62476GT	91, 99, 115	73723GT	147-148
49183-2692GT	175-176	58237GT	47, 51	62506GT	157	73730GT	147-148
49212GT	227	58249GT	95	62507GT	157	73736GT	69, 71-72, 148
49214GT	227	58290GT	167	62920GT	23, 37	73753GT	69, 71-72
49215GT	227	58299GT	95	62921GT	19, 21, 33, 35	73754GT	69, 71-72
49364GT	117					73803GT	69, 71-72, 148
49407GT	89					73805GT	67

Part Number	Page	Part Number	Page	Part Number	Page	Part Number	Page
73807GT	157	81498GT	43	824062GT	63, 139, 141	825019GT	41, 43, 139, 141
74006GT	211, 223, 243	81522GT	121	824063GT	43, 63, 135	825020GT	225
74052GT	243	81535GT	57	824067GT	125, 131	825218GT	97
74389GT	41, 133	81536GT	57	824068GT	131	825348GT	41, 43
74902GT	159, 161, 163	81550GT	148	824069GT	189, 231	825353GT	143
74913GT	69, 71-72	81551GT	148	824075GT	143	825358GT	207, 213
74917GT	69, 71-72	81558GT	223	824077GT	113	825579GT	13
75020GT	11, 113	81559GT	223	824078GT	57, 59, 61, 63, 103, 113, 119, 125, 129, 133, 137, 141, 145, 187, 193, 203, 205, 229, 241	825759GT	41
75041GT	57, 137	81578GT	57			825760GT	135, 137
75051GT	75, 77, 79, 81, 89, 97, 137	81609GT	43	824079GT	55, 57, 97, 103, 105, 113, 115, 119, 127, 131, 137, 141, 145, 185, 223, 229	825762GT	135
75254GT	53, 55, 175-176	81610GT	43			825796GT	133
75256GT	53, 55, 175-176	81640GT	141			825939GT	99
75257GT	53, 55	81700GT	195, 197			825948GT	193
75289GT	91	81802GT	229			826000GT	101
75395GT	141	81986PGT	63			826152GT	97
75443GT	151	82161GT	13			826171GT	63, 65
75444GT	151	822087GT	101, 103			826345GT	13
75445GT	151	82237GT	19, 21, 25			826357GT	103
75446GT	151	82243GT	25	824080GT	103, 119	826516GT	233
75447GT	151	822759GT	229	824081GT	57, 105, 137, 145	826791GT	143
75448GT	151	822764GT	229	824082GT	63, 107, 109, 127	826792GT	83, 143
75449GT	151	822768GT	229	824083GT	207	826793GT	143
75450GT	91, 99	822769GT	229	824085GT	105, 207	826794GT	83, 143
75451GT	91, 99	823012GT	101	824086GT	185, 211, 223	826795GT	97
75614GT	53, 55, 176	823013GT	101	824089GT	41, 45, 53, 55, 57, 63, 97, 105, 107, 113, 121, 131, 137, 145, 183	826825GT	97
75617-1025GT	229	823135GT	101			826835GT	97
75617-1550GT	229	823143GT	99	824090GT	43, 53, 55, 57, 59, 61, 63, 103, 119, 123, 129, 135, 211, 223, 241, 243	826859GT	97
75617-2075GT	229	823144GT	99			826860GT	103
75617-2275GT	229	823147GT	99			826873GT	101
75617-6275GT	229	823229GT	97			82862GT	25
75636GT	229	823239GT	99			83093GT	59, 61, 67, 71-72
77048GT	148	823356GT	53			83098GT	151
77181GT	141	823420GT	103			83131GT	67, 71-72
77303GT	139, 141	823421GT	103			84134GT	153
77351GT	147-148	823600GT	171	824091GT	57, 103, 109, 121, 145, 211	84135GT	153
77353GT	53, 55	823601GT	171			85300GT	207
77354GT	53, 55	823658GT	13, 27	824092GT	65, 125, 141, 209, 211, 219, 221	87085GT	123
77365GT	53, 55	82366GT	13			87172GT	175-176
77409GT	133	823703GT	99			87247GT	133
77519GT	41	823751GT	97, 115	824093GT	127	87755GT	69, 71-72
77653GT	133	823761GT	25, 39	824095GT	225	88159GT	75, 77, 79, 81
77656GT	133	823764GT	25, 39	824107GT	65	88160GT	75, 77, 79, 81
77664GT	199	824023GT	103	824109GT	139, 141	88162GT	75, 81
77683GT	199	824024GT	63, 123, 127, 137, 141, 145	82410GT	25	88164GT	75, 77, 79, 81
77694GT	57, 85, 87	824025GT	127	824110GT	127, 141, 189	88167GT	75, 77, 81
77785GT	209	824027GT	45, 55, 57, 59, 61, 63, 97, 103, 105, 107, 109, 113, 115, 119, 123, 133, 137, 141, 145, 185, 187, 203, 205, 211, 213, 217, 223, 225, 229	824113GT	43, 57, 63, 123, 141, 211, 213, 231	88241GT	41
77797GT	229					88261GT	41
77819GT	107, 167			824115GT	121	88315GT	67, 71-72
77822GT	111			824116GT	83, 143	88345GT	139, 141
77853GT	209			824120GT	113, 231	88349GT	41
77884GT	129			824124GT	189	88356-13107GT	85, 87
77991GT	141			824132GT	97, 101, 113, 221	88356-32163GT	85, 87
78736GT	57, 63, 91, 99, 101, 107, 109, 119	824028GT	59, 61, 105, 127, 183, 185, 207, 211, 213, 223	824133GT	113	88356-33103GT	85, 87
				824134GT	41, 43	88377-1400GT	199
				824151GT	139, 141	88390GT	229
80543GT	211, 223	824029GT	41, 43, 53, 55, 57, 59, 61, 63, 65, 75, 77, 79, 81, 103, 109, 113, 115, 121, 123, 125, 131, 133, 141, 145, 211, 213, 219, 221, 223, 225, 229, 243	824164GT	139, 141	88406GT	213
80716GT	72			824207GT	207	88516GT	139, 141
81096GT	243			824215GT	187, 223	88568GT	133
81130GT	227			824216GT	241	88576GT	139
81154GT	53, 101, 103			824220GT	113	88606PGT	187
81164GT	41			824227GT	229	88607PGT	187
81175GT	141			824351GT	103	88648GT	125, 129, 131
81330GT	41			824397GT	103	88658GT	227
81340GT	123			824422GT	103	88783GT	153
81341GT	123			824471GT	53	88827GT	67, 72
81342GT	123			824583GT	147-148	88846GT	105
81347GT	131			824585GT	85, 87	88917GT	53, 55
81368GT	207	824031GT	83	824600GT	97	88942-6754GT	175-176
81378GT	43	824032GT	225, 233	824615GT	19, 21	88942-9554GT	175-176
81424GT	111	824037GT	241	824617GT	211	89152GT	67
81425GT	111	824038GT	199	824673GT	103	89309GT	163
81458GT	223	824041GT	45	82481GT	27	89312GT	163
81467GT	91, 99	824059GT	43, 59, 61	82487GT	27, 39	89377GT	145
81468GT	91, 99	824060GT	211, 231	825015GT	101	89449GT	169, 171, 173
81488GT	147-148	824061GT	225	825018GT	147-148	89571GT	65

# PARTS FINDER

**Search Website  
by Part Number**



**Search Manual  
Library For Parts  
Manual & Lookup Part  
Numbers – Purchase  
or Request Quote**

**Search Manuals**

Enter your information to help us find the right parts manual for your machine.

\* Brand:

\* Model:

\* Serial:

\* Part Number:

SEARCH

**Can't Find Part or  
Manual? Request Help  
by Manufacturer,  
Model & Description**

**Parts Order Form**

Please fill in the following information to help us find the right part for your machine.

Manufacturer:	<input type="text"/>
Model:	<input type="text"/>
Description:	<input type="text"/>
Part Number:	<input type="text"/>
Quantity:	<input type="text"/>
Notes:	<input type="text"/>

Submit

Discount-Equipment.com is your online resource for quality parts & equipment.

Florida: **561-964-4949** Outside Florida TOLL FREE: **877-690-3101**

**Need parts?**

Click on this link: <http://www.discount-equipment.com/category/5443-parts/> and choose one of the options to help get the right parts and equipment you are looking for. Please have the machine model and serial number available in order to help us get you the correct parts. If you don't find the part on the website or on one of the online manuals, please fill out the request form and one of our experienced staff members will get back to you with a quote for the right part that your machine needs.

We sell worldwide for the brands: Genie, Terex, JLG, MultiQuip, Mikasa, Essick, Whiteman, Mayco, Toro Stone, Diamond Products, Generac Magnum, Airman, Haulotte, Barreto, Power Blanket, Nifty Lift, Atlas Copco, Chicago Pneumatic, Allmand, Miller Curber, Skyjack, Lull, Skytrak, Tsurumi, Husquvarna Target, Stow, Wacker, Sakai, Mi-T-M, Sullair, Basic, Dynapac, MBW, Weber, Bartell, Bennar Newman, Haulotte, Ditch Runner, Menegotti, Morrison, Contec, Buddy, Crown, Edco, Wyco, Bomag, Laymor, EZ Trench, Bil-Jax, F.S. Curtis, Gehl Pavers, Heli, Honda, ICS/PowerGrit, IHI, Partner, Imer, Clipper, MMD, Koshin, Rice, CH&E, General Equipment, Amida, Coleman, NAC, Gradall, Square Shooter, Kent, Stanley, Tamco, Toku, Hatz, Kohler, Robin, Wisconsin, Northrock, Oztec, Toker TK, Rol-Air, APT, Wylie, Ingersoll Rand / Doosan, Innovatech, Con X, Ammann, Mecalac, Makinex, Smith Surface Prep, Small Line, Wanco, Yanmar

## Part Number Index (continued)

Part Number	Page	Part Number	Page
89575GT	71-72	T115761GT	85, 87
89733GT	157, 163	T115763GT	123
89737GT	163	T115764GT	123
89738GT	163	T115765GT	123
89770GT	157	T115766GT	145
89871-2448GT	169, 171		
89871-2648GT	169		
89871-4398GT	215		
89871-5348GT	175-176		
89871-5648GT	175-176		
89871-5848GT	175-176		
89908GT	219, 221		
89959GT	193		
89977GT	227		
89997GT	93		
93500GT	11		
94324-300GT	105		
94327GT	11, 75, 77		
94374-4330GT	175-176		
94374-4830GT	215		
94374-5130GT	169		
94397GT	141		
94493-SGT	199		
94506GT	147-148		
94510GT	133		
94526GT	53, 55		
94537GT	195, 197		
94643GT	225		
94757GT	165		
94758GT	153		
94759GT	155, 165		
94760GT	165		
94765GT	165		
94937GT	65		
94980GT	137		
94982GT	57, 75, 77, 79, 81		
9599-SGT	185		
96008-SGT	67, 71-72		
96009GT	71-72		
96010GT	71-72		
96770GT	103		
97579GT	25		
97602GT	19, 21		
97815GT	25, 39		
97865GT	13		
99778GT	233		
9990046GT	49		
9990109GT	49		
T106478GT	85, 127		
T106479GT	85, 127		
T106954GT	65		
T106955GT	65		
T106957GT	65		
T106961GT	65		
T106962GT	65		
T107193GT	85, 87, 137		
T107194GT	85, 137		
T107895	195, 197		
T108075GT	139, 141		
T108076GT	141		
T108077GT	141		
T109690GT	227		
T109691GT	227		
T109692GT	227		
T109693GT	227		
T111507GT	47, 51		
T112459GT	127		
T112560GT	243		
T112561GT	243		
T112626GT	151		
T112773GT	25, 39		
T113655GT	211		
T114022GT	211		
T114023GT	211		
T115580GT	123		
T115760GT	85, 87		



The Part Description Index is an alphabetical index of all part descriptions included in this manual. The index shows what page(s) the part is used on.

**A**

ACC,FALL ARREST BAR,6FT FR.....239  
 ACC,FALL ARREST BAR,6FT SYM.....239  
 ACC,FALL ARREST BAR,6FT WORD.....239  
 ACC,FALL ARREST BAR,8FT FR.....239  
 ACC,FALL ARREST BAR,8FT SYM.....239  
 ACC,FALL ARREST BAR,8FT WORD.....239  
 ACCESSORY,OPERATOR PROT STRUCT.....231  
 ACCESSORY,PANEL CRADLE,ANSI.....199  
 ADAPTER, BSPT3/8"-19 TO NPTF1/2-14.....203  
 ADAPTER,140139-8-6.....201  
 ADAPTER,AIR HOSE,PERK 404F.....115  
 ADAPTER,EYEBOLT.....203  
 ADAPTER,M18.....201  
 ADAPTER,NPT 6-4.....201  
 ADJUSTABLE STRAP ASSY.....199  
 AIR CLEANER CLIPS, SUPERBOOM.....91, 99  
 AIR CLEANER COVER, SUPERBOOM\*.....91, 99  
 AIR CLEANER,NELSON.....91, 99  
 AIR CLEANER,NELSON\*\*\*.....105, 115  
 AIR LINE ASSY, S80.....227  
 AIRLINE ASSY, S85.....227  
 ALARM,CHIME TONE 5-25VDC\*\*\*.....183  
 ALARM,WARBLE TONE 5-30 VDC\*\*\*.....148  
 ALTERNATOR, DEUTZ,BF4L2011\*\*\*.....95  
 ALTERNATOR, GM3.0L ENGINE.....111  
 ALTERNATOR,95 AMP,DEUTZ.....101  
 ALTERNATOR,PERKINS 404D/F-22T.....117  
 ALUMINUM FLAT CROSS BAR.....123  
 ANGLE, RELAY MOUNTING.....69, 71-72  
 ASSEMBLY, AUX POWER UNIT, 12VD.....57  
 ASSEMBLY, GBOX, DEUTZ 2.9T,S80.....67, 71-72  
 ASSEMBLY, GBOX, DEUTZ2011,S80.....67  
 ASSEMBLY, LIGHT, CONTACT ALARM.....241  
 ASSEMBLY, SENSOR, PROX, CONTACT ALARM.....241  
 ASSEMBLY, SPEED SENSOR.....117  
 ASSEMBLY,BOOM SEC #1.....125  
 ASSEMBLY,CONTACT ALARM CABLE, LARGE.....241  
 ASSEMBLY,FOOT SWITCH.....85, 87, 145  
 ASSEMBLY,PIVOT PLATE.....133  
 ASSEMBLY,TIRE WHEEL,HF\*\*\*\*\*.....41  
 ASSY HEATER, MODEL 18, 120V.....233  
 ASSY HEATER, MODEL 18, 240V.....233  
 ASSY, BATTERY HEATER, 120V.....233  
 ASSY, BATTERY HEATER, 240V.....233  
 ASSY, CIRCUIT BREAKER 15A.....67  
 ASSY, FUEL PICKUP TUBE.....55  
 ASSY, FUEL TANK, 35GAL, DIESEL.....53  
 ASSY, JBOX, 8X10.....211  
 ASSY, MED. PRESS. FILTER, SAE8.....63  
 ASSY, PBOX, T4 DEUTZ 2.9L S80.....147-148  
 ASSY, PLAT RECIRC, S80/85.....217  
 ASSY, SENSOR W/HOUSING.....241  
 ASSY, TERM RAIL, S80/85 2013.....69, 71-72  
 ASSY, WORK/DRIVE LIGHTS 2008.....183  
 ASSY,120V HEATER, HYD TANK.....233  
 ASSY,240V HEATER, HYD TANK.....233  
 ASSY,6' PLAT WELDMENT W/SIDE GATE.....145

ASSY,6FT PLAT DUAL LG,BLANK W/SIDE SWING GATE.....145  
 ASSY,8' PLAT WELDMENT W/SIDE GATE.....145  
 ASSY,8FT PLAT TRI LG,BLANK W/SIDE SWING GATE.....145  
 ASSY,DISPLAY,DP200 DEUTZ T4.....71-72  
 ASSY,ENGINE HEATER,120V.....233  
 ASSY,ENGINE HEATER,240V.....233  
 ASSY,FUEL FILTER,DEUTZ 2.9.....103  
 ASSY,FUEL PREFILTER,DEUTZ 2.9.....103  
 ASSY,GAUGE OPT. OIL COOLED.....201  
 ASSY,GAUGE OPT.WATER COOLED.....201, 203  
 ASSY,GBOX,PERKINS 404D,S80/85.....67  
 ASSY,LS,LOAD SENSE,38.5 IN.....85, 87, 225  
 ASSY,NON-STEER AXLE W/BEARINGS.....43  
 ASSY,PBOX JUMPER,DISEL.....147-148  
 ASSY,PBOX JUMPER,GAS/LP.....147-148  
 ASSY,PBOX,DIESEL,S80/85.....147-148  
 ASSY,PBOX,GAS/LP,S80/85.....147-148  
 ASSY,PBOX,PERKINS 404D,S80/85.....147-148  
 ASSY,PCB,ALC500-II,S80.....148  
 ASSY,S80 YOKE W/BEARINGS,L,NDL.....41  
 ASSY,S80YOKE,W/BEARINGS,RFLR,N.....41  
 ASSY,STEER AXLE,W/BEARINGS,NDL.....41  
 ASSY,TRACK,FALL ARREST BAR,6FT FR.....239  
 ASSY,TRACK,FALL ARREST BAR,6FT SYM.....239  
 ASSY,TRACK,FALL ARREST BAR,6FT WORD.....239  
 ASSY,TRACK,FALL ARREST BAR,8FT FR.....239  
 ASSY,TRACK,FALL ARREST BAR,8FT SYM.....239  
 ASSY,TRACK,FALL ARREST BAR,8FT WORD.....239  
 ATOMISER (FUEL INJECTOR),PERKI.....117  
 AUX RAIL, 6' PLAT, SIDE ENTRY.....185  
 AUX RAIL, 8' PLAT, TRI-ENTRY.....185

**B**

BACKING PLATE, HOSE BLOCK, JIB.....141  
 BAFFLE, AIR CLEANER (27915)\*\*.....105, 115  
 BALL STUD\*\*.....59, 61  
 BAR, AXLE ROTATION STOP, OSC,N.....43  
 BAR,SPACER.....125, 129  
 BASE, W/1 N.O. CONTACTS\*\*\*.....67, 148  
 BASE,W/2 NC CONTACTS\*\*\*.....67  
 BASE,W/3 NC CONTACTS.....147-148  
 BASE,WITH 2 N.O. CONTACTS\*\*\*.....71-72  
 BASE,WITHOUT CONTACTS.....67, 71-72  
 BATTERY HOLD DOWN,GROUP 31.....57  
 BATTERY,12V DEEP CYC 5/16"STUD.....57, 85, 87  
 BATTERY,12V,1000 CCA GRP 31.....85, 87  
 BEARING KIT,PLAT ROTATOR,SUPER.....141  
 BEARING KIT,WHEEL DRIVE W/BRAKE (227775).....49  
 BEARING NUT\*\*\*.....47, 49, 51  
 BEARING TURNTABLE SEAL\*\*\*.....65  
 BEARING, TAPERED - ASSY.....47, 49, 51  
 BEARING,1.00IDX1.25ODX1.00L.....41, 133  
 BEARING,1.25 ID X 1.5 OD X .75.....139, 141

BEARING,1.25IDX1.50ODX1.50L.....125, 135, 137  
 BEARING,1.25IDX1.50ODX2.25L.....131  
 BEARING,1.25IDX1.50DX1.00L.....139  
 BEARING,1.5"ID X 1.75OD X1.25L.....125  
 BEARING,1.75IDX2.00ODX1.25L.....41  
 BEARING,1.75IDX2.00ODX1.50L.....41  
 BEARING,1.75IDX2.00ODX1.50LG.....41  
 BEARING,2.50IDX2.75OBX1.25LG.....135, 137  
 BEARING,2.50IDX2.75ODX1.50L.....125  
 BEARING,2.50IDX2.75ODX2.00L.....41, 135  
 BEARING,3.00IDX3.25ODX2.50LG.....135  
 BEARING,3.00IDX3.50DX2.25LG.....125  
 BEARING,FL, 1.25X1.5X2.13.....141  
 BEARING,FL,1.25IDX1.41ODX1.50L.....141  
 BEARING,FL,1.25IDX1.50DX1.25L.....141  
 BEARING,FL,1.51X1.75X.84LG.....121  
 BEARING,FL,2.50IDX2.75ODX1.36L.....135  
 BEARING,FL,2.50IDX2.75ODX1.61L.....125, 135  
 BEARING,GARLOCK,12FDU12.....225  
 BEARING,THRUST WASHER\*\*\*.....51  
 BEARING,TURNTABLE.....65  
 BELLCRANK WELDMENT,JIB.....141  
 BELLOW,CYLINDER,PLAT LEVEL.....195, 197  
 BELLOW,LIFT CLYINDER.....195, 197  
 BELLOW,MASTER CYLINDER.....195, 197  
 BELT,ALTERNATOR,PERKINS 404D/F.....11, 117  
 BELT,AX33\*\*\*.....219  
 BELT-FAN, GM 3.0L ENGINE.....11, 111  
 BOLT,CARRIAGE,1/4-20X.75,5,ZAG.....189  
 BOLT,CARRIAGE,1/4-20X1.5,ZAG.....59, 61, 141  
 BOLT,CARRIAGE,1/4-20X2.75,5,ZAG.....141  
 BOLT,FLANGE,5/8-11X1.5"GR8 PLT.....97  
 BOLT,HEX-UNC(.250-20, .500G).....51  
 BOLT,HEX-UNC(.375-16).....49  
 BOLT,HEX-UNC(.375-16,1.25g).....47  
 BOLT,SHS,1.0X1.5X3/4-10,ZAG.....63  
 BOLT,SHS,3/8X1.75X5/16-18,ZAG.....127  
 BOLT,WHEEL DRIVE CAP(106122).....49  
 BOOT(BELLOWS),E-STOP,BLACK.....147-148  
 BOOT, ENVIRO, 3PH CIRCUIT BREAKER.....211  
 BOOT,ROCKER JOYSTICK 75565.....151  
 BOOT,CABLE TERMINAL,BLACK,2/0.....227  
 BOOT,CABLE TERMINAL,LG,RED,2/0.....227  
 BOOT,JOYSTICK.....151  
 BOOT,TOGGLE SWITCH,SHORT\*.....229  
 BOTTLE, OVERFLOW, GM3.0L ENG.....111  
 BOTTLE,COOLANT RECOVERY,3.7\*\*\*.....113  
 BOX,INSTRUCTION STORAGE.....145  
 BRACE,UPPER RADIATOR SUPPORT.....113  
 BRACKET, BUMPER.....59, 61  
 BRACKET, GENERATOR 12 KW.....211  
 BRACKET, GENERATOR BOX, MOUNT.....223  
 BRACKET, STRUT BRACE.....99  
 BRACKET,1K OHM 10-TURN POT\*\*.....211  
 BRACKET,1K OHM 10-TURN POT,PNT.....211  
 BRACKET,AIRLINE TO PLATFORM.....227  
 BRACKET,COVER, ECU, TIER IV.....119  
 BRACKET,DP200 PANEL MOUNT.....71-72  
 BRACKET,EXPANSION TANK, LEFT M.....97  
 BRACKET,EXPANSION TANK,DEUTZ 2.....97  
 BRACKET,FUEL SYSTEM,DEUTZ 2.9L.....103

## Part Description Index (continued)

BRACKET,HOSE CLAMP,PAINTED.....141	CIRCUIT BREAKER,MAGTRIP,3PH,40A.....211	CLEVIS YOKE-1/4-28,PLTD W/PIN.....45, 89
BRACKET,HYD.ROTATOR MOUNT MNT.....65	CIRCUIT BRKR 15A TYPE 2 METAL.....89	CLIP,AIR CLEANER END CAP***.....105, 115
BRACKET,INTAKE PIPE,MOUNT,DEUT.....97, 115	CLAMP HALF,#6 DOUBLE TUBE.....63	Coil Nut.....163
BRACKET,LEG,RLY BLOCK.....75, 77, 79, 81	CLAMP HALF,#12 TUBE.....63	COIL, D14E 10 VDC DED.....163
BRACKET,LINCOLN WELDER,PNTD.....213	CLAMP HALF,#8 TUBE.....63	COIL, SOLENOID VALVE, 10V.....155
BRACKET,LOWER RADIATOR.....113	CLAMP, 1.25 INCH TUBE.....241	Coil,10V.....163
BRACKET,PBOX WIRE SUPPORT.....148	CLAMP, 50MM V.....101	COIL,10V DC(D10,26 WATT).....163
BRACKET,POWER TO PLAT, DOM.....243	CLAMP, HOSE/CABLE.....107	COIL,PROPORTIONAL VALVE***.....163
BRACKET,UPPER RADIATOR MOUNT,4.....113	CLAMP, OPTIONS, CABLETRACK.....123	COIL,SOLENOID VALVE***.....157, 163
BRACKET,V275S WELD LEADS.....213	CLAMP,0.31,#5 X 1/4,RUB CUSH.....113	COIL,SOLENOID VALVE,20W.....159, 161
BRACKET,WELD OPTION.....227	CLAMP,0.50,#8 X 1/4,RUB CUSH.....103, 127, 229	COIL,VALVE,PROPORTIONAL***.....163
BRACKET,WELDER COVER.....213	CLAMP,0.63,#10 X 3/8,RUB CUSH.....113	COIL-10V DC***.....165
BRACKET,WELDER MOUNT SUPPORT.....213	CLAMP,0.75,#12 X 1/4,RUB CUSH.....107, 113, 145	COLD WEATHER 120V J BOX ASSY.....233
BRACKET,WELDER TOP.....213	CLAMP,1.00,#16 X 1/4,RUB CUSH.....69, 89, 91, 101, 103, 119, 148, 211, 213	COLD WEATHER 240V J BOX ASSY.....233
BRACKET,WORK LIGHT MOUNT 5/16".....185	CLAMP,1.13,#18 X 1/4,RUB CUSH.....71-72, 229	COLLAR,JOYSTICK,CENTER.....151
Brake Lining Kit.....49	CLAMP,1.25X.5 RUBBER-CUSHION.....145, 185, 199, 207	COMPR.LINK,MACHINED,GND CONTR*..141
BRAKE LINING KIT (121291).....51	CLAMP,1.63,#26 X 3/8,RUB CUSH.....141	CONN MAXI FUSE MODULE,4POS.....75, 77, 79, 81
BRAKE REPLACEMENT KIT.....49	CLAMP,2 HOSE,PLASTIC,5/8.....57, 63, 91, 99, 101, 107, 109, 119	CONN PLUG 2 WAY ENDCAP DT.....233
Brake Seal Kit.....49	CLAMP,2.25,#36 X 3/8,RUB CUSH.....57, 125	CONN PLUG 3 WAY ENDCAP DT.....233
BRAKE TUBING.....63	CLAMP,3.0,#48 X 1/4,RUB CUSH.....105	CONN RECEP,FLANGED.....147-148
BREATHER CAP,RFM165.....53, 55	CLAMP,CABLE STRAIN RELIEF.....145	CONN, SAE#4-1/4" NPT.....211
BREATHER VALVE,PERKINS 404D-22T.....113	CLAMP,CABLE TRACK.....123	CONN, SQZ, 1/2NPT .38-.50, SM**.....69, 71-72, 223, 243
BRKT,AIR CLEANER ORIENTATION**.....105, 115	CLAMP,CABLE TRACK, WK LT.....123	CONN,070121-24-24.....175-176
BRUSH BOX,ASSY,GEN***.....211	CLAMP,ELEC.WELD OPT,SHORT LINK.....135	CONN,520120-12-16.....175-176, 215
BUMPER, PLASTIC, 1.25 O.D.....145, 185, 207, 229	CLAMP,FIXED DIA, NYLON, 3/8".....97	CONN,520120-16.....53, 55, 175-176
BUMPER, RUBBER, 1.25 X 1.25 IN.....57, 59, 61, 121	CLAMP,FIXED DIA,NYLON,.875".....117	CONN,520120-24.....53, 55, 175-176
BUMPER,BATTERY BOX & RAILS.....145, 187	CLAMP,HALF,HARDLINE,3/8.....57	CONN,520120-4***.....169, 171, 175-176, 179, 181
BUMPER,RUBBER***.....187, 225	CLAMP,HOSE,.63.....53, 103	CONN,520120-4-6***.....175-176, 179, 181
BUMPER,RUBBER,.75 X .50H,STUD.....109, 239	CLAMP,HOSE,1 EAR,11/16.....103	CONN,520120-4-8.....173
BUMPER,RUBBER-1 X 1.25.....57, 183	CLAMP,HOSE,1.25***.....97	CONN,520120-6-4.....175-176, 235, 237
BUTTON,PUSH,BLACK W/SEAL***.....67, 72, 148	CLAMP,HOSE,1.75.....97, 113, 115, 195, 197	CONN,520120-8***.....53, 55, 169, 171, 175-176, 179, 181, 215
BUTTON,PUSH,RED MUSHROOM HEAD.....67, 72, 147-148	CLAMP,HOSE,1/2" DOUBLE.....91	CONN,520120-8-10.....175-176
BYPASS VALVE RELIEF.....163	CLAMP,HOSE,1EAR,25/32.....101, 103	CONN,520120-8-12.....171, 215
	CLAMP,HOSE,2.00***.....97, 195, 197	CONN,BULKHEAD,520601-8.....179, 181
	CLAMP,HOSE,2.50****.....99, 105, 115, 195, 197	CONN,DUAL RLY MODULE,10 POS.....75, 77, 81
	CLAMP,HOSE,3.00".....99, 105, 115, 195, 197	CONN,FEED THRU STUD.....75, 79, 81
	CLAMP,HOSE,3.50.....91, 99, 195, 197	CONN,PLUG 120 AC/15A DOMESTIC.....233, 243
	CLAMP,HOSE,5.00.....195, 197	CONN,POWER RLY MODULE,4POS.....75, 81
	CLAMP,HOSE,6.50.....195, 197	CONN,RECEP 12 WAY,GRY FLANGE.....147-148
	CLAMP,HOSE,8.50 DIA***.....195, 197	CONN,RECEP 2 WAY ENDCAP DT.....233
	CLAMP,HOSE,SIZE .25 TO .63.....97, 113	CONN,RECEP 24 WAY,W/FLANGE.....69, 71-72
	CLAMP,HOSE,SIZE .31 > .91.....53, 101, 103	CONN,RECEP 3 WAY ENDCAP DT.....233
	CLAMP,HYD,SHORT LINK.....135	CONN,RECEP 4 WAY,12-14GA FL***.....69, 71-72, 147-148
	CLAMP,JIB HOSE/CABLE.....141	CONN,RECEP 40 WAY,W/FLANGE.....69, 71-72
	CLAMP,LINK,LH WELD WIRE.....137	CONN,RECEP 48 WAY,4 X 12.....69, 71-72, 148
	CLAMP,MUFFLER, 2.50 INCH.....89, 97, 101, 115	CONN,RECEP 8 WAY 14-18GA,FL.....69, 71-72
	CLAMP,OPTIONS,LONG LINK.....227	CONN, SQZ,1/2NPT .56-.63.....211
	CLAMP,PULL TUBE HOSES,LEFT.....123	CONNECTOR, SAE10, QUICK CONN.....101
	CLAMP,PULL TUBE HOSES,LH.....123	CONNECTOR,BULKHEAD,FEMALE-4.....57
	CLAMP,PULL TUBE HOSES,MID.....123	CONNECTOR,SAE12,QUICK CONNECT..101
	CLAMP,PULL TUBE HOSES,RH.....123	CONTACT ALARM WIRE ASSY, LARGE.....241
	CLAMP,PULL TUBE HOSES,RIGHT.....123	CONTACT,N.O.***.....67, 71-72
	CLAMP,PULL TUBE,LEFT,WK LT.....123	CONTACT,NC.....67, 71-72
	CLAMP,PULL TUBE,RIGHT,WK LT.....123	CONTROL BOX COVER,LID,PTD.....187
	CLAMP,RUB CUSH,0.75,#12 X 3/8*.....89, 107, 213	CORROSION INHIBITOR,FOAM.....69, 71-72, 148
	CLAMP,SHORT LINK.....135	COUNTERWEIGHT,S80.....83
	CLAMP,STRAIN RELIEF,WK LT.....145	
	CLAMP,TOP WELD OPT,SHORT LINK.....135	
	CLAMP,TOP,SHORT LINK.....135	
	CLAMP,TWO HOSE.....141	

## C

CABLE ASSY,EXTEND.....133  
 CABLE ASSY,RETRACT.....133  
 CABLE SQUEEZE CONN.....211  
 CABLE TIE,11.5" BLACK.....213  
 CABLE TIE,7 3/8".....72  
 CABLE TIE,DFT MOUNT,BLK,6.5".....113  
 CABLE TRACK,SX,70 LNK.....123  
 CABLE, BATTERY 2/0 POS RD 123".....85, 87  
 CABLE,BATTERY NEG,BK.....85, 87  
 CAP, TANK, FUEL SENSOR.....53  
 CAP,DIAGNOSTIC NIPPLE.....57  
 CAP,DISENGAGE,4HP/4HB\*\*\*.....49, 51  
 CAP,EXTENSION.....129  
 CAP,FUEL,DIESEL,1/8"VENT(GRN).....53  
 CAP,FUEL,GASOLINE 3.5PSI.....55  
 CAP,OIL FILLER,DEUTZ,DIESEL \*\*\*.....95  
 CAP,RADIATOR,PERKINS(94232).....97  
 CARTRIDGE,VALVE HOUSING.....217  
 CASTING, CHASSIS WEIGHT,NDL.....83  
 CASTING, WASHER, ENGINE ISOLAT.....109  
 CASTING,WASHER,REBOUND.....119  
 CBV ASSEMBLY\*\*\*.....63  
 CHAIN,NO.2 (11 LINKS).....229  
 CIRCUIT BREAKER, 15A.....71-72  
 CIRCUIT BREAKER,20A,SINGLE PH.....211  
 CIRCUIT BREAKER,GFCI,3PH,63A,3.....211

- COUNTERWEIGHT,S85.....83  
 COUPLER, PUMP / MOTOR (36179).....57  
 COUPLER,15 TOOTH,FBA,PERKINS\*\*.....115  
 COUPLER,15 TOOTH,FBA,SAE8\*\*\*.....91, 99  
 COUPLING (106113).....211  
 COUPLING, 28MM (106113).....211  
 COVER BRACKET, ECU, TIER IV.....103  
 COVER PLATE (121351).....47  
 COVER PLATE, TUBE CLAMP #12.....63  
 COVER PLATE,BOOM.....125  
 COVER PLATE,TUBE CLAMP #8.....63  
 COVER, DRIVE CHASSIS, FRONT,ND.....43  
 COVER, DRIVE CHASSIS, REAR,NDL.....43  
 COVER, ENGINE,DEUTZ F4L2011.....95  
 COVER, FOOT SWITCH, LARGE.....145  
 COVER, JIB HOSES/CABLES\*\*.....141  
 COVER, LIMIT SWITCH ARM MOUNT.....127  
 COVER, PLATE.....49  
 COVER, SWING CHASSIS, ES.....61  
 COVER, SWING CHASSIS, TS.....59  
 COVER,BLANK.....223  
 COVER,BOOM SECTION #2.....129  
 COVER,CONTROL BOX LEFT SIDE\*\*\*.....187  
 COVER,CONTROL BOX RIGHT SIDE\*\*.....187  
 COVER,FLYWHEEL CASTING.....91, 99  
 COVER,GFCI,HORIZONTAL,WEATHER..211, 223, 243  
 COVER,HSE&CBL DLX HOSTILE.....195, 197  
 COVER,JBOX W/SX,BREAKER RETRO KIT.....211  
 COVER, P O W E R R E L A Y  
 MODULE,DEUTZ.....103  
 COVER,PROTECTIVE,JIB CYLINDER.....197  
 COVER,PROTECTIVE,OSC.CYLINDER...195, 197  
 COVER,PROTECTIVE,STEER CYL.....195, 197  
 COVER,RING GEAR,FRONT.....191  
 COVER,RING GEAR,REAR.....191  
 COVER,ROTATION GEAR PAINTED.....63  
 COVER,WELDER GENERATOR.....211  
 CRANKSHAFT PULLEY,PERKIS 404D.....117  
 CYLINDER HEAD COVER,PERKINS 404D.....113  
 CYLINDER,JIB (STICK BOOMS).....141  
 CYLINDER,LEVEL.....139, 141  
 CYLINDER,LIFT,S80-85\*\*\*.....135  
 CYLINDER,MASTER\*\*\*.....135  
 CYLINDER,OSCILLATE\*\*\*.....41  
 CYLINDER,PRIMARY EXTENSION\*\*\*.....133  
 CYLINDER,STEER.....41
- D**
- DECAL COSMETIC,10" GENIE BLUE.....13, 19, 21, 27, 33, 35  
 DECAL COSMETIC,15" GENIE BLUE.....13, 27  
 DECAL FAULT CODE.....25  
 DECAL GROUND CONTROL BOX.....13, 27  
 DECAL, COMPARTMENT ACCESS.....27, 33, 35  
 DECAL, DANGER, ELECTROCUTION HAZARD, SYMBOL.....33, 35, 39  
 DECAL, ENG, SPECS, GM 3.0L.....19, 21  
 DECAL, INSTRUCTION, CONTACT ALARM.....241  
 DECAL, LABEL - CHEVRON RANDO.....13  
 DECAL, LABEL, SHELL TELLUS.....13  
 DECAL, LCD, TIER 4.....13  
 DECAL, OPERATING INSTRUCTIONS.....13  
 DECAL, PLAT CNTL PNL.....25, 39  
 DECAL, PLAT CNTL PNL 60X 80X.....25, 39  
 DECAL, POWER TO PLATFORM 230V\*\*.....19, 21, 25, 33, 35, 39  
 DECAL, RELAY BLOCK, S80/85.....19, 21, 33, 35  
 DECAL, RUNAWAY HAZARD.....25  
 DECAL, SYMBOL - READ THE MANUAL...27, 39  
 DECAL, TIPOVER HAZARD, S80X.....25  
 DECAL, TIPOVER HAZARD, S80X, SYM.....39  
 DECAL, TRANSPORT/LIFTING, S60.....15, 17, 19, 21, 29, 31, 33, 35  
 DECAL, ANNUAL INSP\*\*\*.....19, 21  
 DECAL, ARROW BLUE.....19, 21, 33, 35  
 DECAL, ARROW YELLOW LRG 9".....15, 17, 29, 31  
 DECAL, CAUTION, NO STEP.....15, 17, 33, 35  
 DECAL, CAUTION, TOWING SPEED.....15, 17  
 DECAL, COMPARTMENT ACCESS.....13, 19, 21  
 DECAL, COSM GENIE S80X.....23, 37  
 DECAL, COSMETIC, 4 X 2.....15, 17, 29, 31  
 DECAL, COSMETIC, 4 X 4.....15, 17, 29, 31  
 DECAL, COSMETIC, GENIE S-80.....23, 37  
 DECAL, COSMETIC, GENIE S-85.....23, 37  
 DECAL, COSMETIC, S80.....19, 21, 33, 35  
 DECAL, DANGER DO NOT ALTER SWTC.....23  
 DECAL, DANGER, BATTERY SAFETY\*\*\*.....13  
 DECAL, DANGER, CAP, ANSI WORD.....25  
 DECAL, DANGER, CAP, AUS WORD.....25  
 DECAL, DANGER, ELEC. HAZ. STAY CLR.....27, 33, 35, 39  
 DECAL, DANGER, ELECT HAZARD\*\*\*.....13, 19, 21, 25  
 DECAL, DANGER, HIGH VOLTAGE.....19, 21, 25  
 DECAL, DANGER, NO SMOKING.....13, 19, 21  
 DECAL, DANGER, TIP-OVER, WELDER\*\*.....25  
 DECAL, DANGER, TIPOVER, TILT.....25  
 DECAL, DANGER, TIPOVER, TILT, SYM.....39  
 DECAL, DANGER/LABEL, TIRE SPEC HF.....15, 17, 19, 21  
 DECAL, DANGER/LABEL, TIRE SPECS.....15, 17, 19, 21  
 DECAL, DANGER/WARNING COMBO.....25  
 DECAL, DRIVE ENABLE PATCH.....39  
 DECAL, EMERGENCY LOWERING.....27  
 DECAL, ENGINE SPEC, DEUTZ TD2.9.....19, 21  
 DECAL, ENGINE SPEC, DEUTZ, TD2011.....19, 21  
 DECAL, ENGINE SPEC, PERKINS 404.....19, 21  
 DECAL, EXPLOSION HAZARD.....19, 21  
 DECAL, FIRE EXTINGUISHER.....25  
 DECAL, FUNCTION OVERRIDE.....25, 39  
 DECAL, GR CNTL PNL 60X 80X.....13, 27  
 DECAL, GROUND BOX, TIER IV.....13, 27  
 DECAL, LABEL, ELECTRO HAZARD.....27  
 DECAL, LABEL, 106 DB\*\*\*.....33, 35  
 DECAL, LABEL, AIR LINE 110 PSI...19, 21, 25, 33, 35, 39  
 DECAL, LABEL, AUX BATTERY.....13  
 DECAL, LABEL, DIESEL FUEL.....13, 27  
 DECAL, LABEL, ENG STRT& CONTROLS.....13  
 DECAL, LABEL, LIFTING EYE.....15, 17, 29, 31  
 DECAL, LABEL, LIQUID PROPANE.....13, 27  
 DECAL, LABEL, LOWER MIDRAIL.....25, 39  
 DECAL, LABEL, NO SMOKING, SYMB...27, 33, 35  
 DECAL, LABEL, PATENTS.....19, 21  
 DECAL, LABEL, PETRO CANADA\*\*\*.....13  
 DECAL, LABEL, TIP OVER LMT SWTCH.....37  
 DECAL, LABEL, TIPOVER, TIRES, SYMB.....29, 31, 33, 35  
 DECAL, LABEL, TRANSPORT TIEDOWN\*...15, 17, 29, 31  
 DECAL, LABEL, UCON HYDROLUBE.....13  
 DECAL, LABEL, UNLEADED GAS ONLY.....13, 27  
 DECAL, LABEL, WHEEL LOAD S80.....15, 17, 19, 21, 31, 33, 35  
 DECAL, LABEL, WHEEL LOAD S85.....29  
 DECAL, LANYARD ANCHORAGE POINT...25, 39, 239  
 DECAL, LOW/ULTRA LOW SULFR FUEL.....13  
 DECAL, MACHINE REGISTRATION/OWNER TRANSFER.....13, 27  
 DECAL, NOTICE, SHUTOFF VALVES.....13  
 DECAL, PLATFORM OVERLOAD.....25, 39  
 DECAL, POWER TO PLATFORM 115V.....19, 21, 25, 33, 35, 39  
 DECAL, PROTECTOR, CLEAR.....195, 197  
 DECAL, SYMBOL-BATTERY SAFETY.....27  
 DECAL, TIP-OVER HAZARD, ANSI.....39  
 DECAL, TIP-OVER HAZARD, CE.....39  
 DECAL, TIP-OVER, CRUSH.....39  
 DECAL, TOWING INSTRUCTIONS.....15, 17  
 DECAL, TRACK, FALL ARREST BAR, SYMBOL.....239  
 DECAL, TRACK, FALL ARREST BAR, WORD.....239  
 DECAL, TRACK, FALL ARREST BAR, WORD FR.....239  
 DECAL, TRIANGLE, BLUE...15, 17, 19, 21, 29, 31, 33, 35  
 DECAL, TRIANGLE, YELLOW...15, 17, 19, 21, 29, 31, 33, 35  
 DECAL, ULS DIESEL ONLY, TIER 4.....13  
 DECAL, WARN, ELECTRO HAZARD.....13  
 DECAL, WARN, IMPROPER OPERATION.....25  
 DECAL, WARNING, PANEL CRADLE.....25  
 DECAL, WARNING, PIPE CRADLE, BOOM.....25  
 DIN RAIL, 17".....69, 71-72  
 DIN RAIL, 6.38".....211  
 DIPSTICK TUBE, PERKINS 404D-22T.....113  
 DIPSTICK, GM3.0L ENG.....111  
 DIPSTICK, PERKINS 404D-22T.....117  
 DIPSTICK-F3L1011F (DEUTZ).....95  
 DISENGAGE, ROD.....49, 51  
 Due to Tier 4 regulations, many engine replacement parts require engine serial number at time of order placement. When ordering engine parts please have both machine and engine serial numbers available. For internal engine parts, contact engine dealer.....113
- E**
- ECM, DEUTZ.....103  
 EDC ASSY, SAUER M46\*\*\*.....107, 167  
 ELBOW, 45D, 520320-4.....173, 175-176, 179, 181, 217  
 ELBOW, 45D, 520320-6.....173, 179, 181  
 ELBOW, 45D, 520320-6-4.....175-176, 235, 237  
 ELBOW, 45D, 520320-8-10.....175-176  
 ELBOW, 90 DEGR, RUBBER, 2.5" I.D.\*.....105  
 ELBOW, 90D, 520220-16.....175-176



## Part Description Index (continued)

- ELBOW,90D,520220-4-4.....175-176, 179, 181, 217  
 ELBOW,90D,520220-4-6\*\*\*.....169, 171  
 ELBOW,90D,520220-6.....169, 171, 173, 175-176  
 ELBOW,90D,BLKHD,ORFS-6-6 W/NUT.....175-176, 179, 181, 235, 237  
 ELBOW,90D,BULKHEAD,520701-4.....179, 181  
 ELBOW,90D,LONG,521520-4.....179, 181  
 ELBOW,90D,LONG,521520-6.....175-176  
 ELBOW,90D,LONG,521520-8.....53, 55, 176  
 ELBOW,AIR INTAKE,RUBBER.....91  
 ELBOW,INLET,CUMMINS.....91  
 ENCLOSURE BOX, GAUGE OPT.....201, 203  
 END BRACKET,FIXED END.....123  
 END BRACKET,MOVING END.....123  
 END STOP, DIN RAIL,SCREW CLAMP.....69, 71-72  
 END STOP,TRACK,FALL ARREST BAR.....239  
 ENGINE CONTROL GOV,PERKINS 404.....119  
 ENGINE,DEUTZ, TD2011L04i TPEM.....95  
 EVACUATOR VALVE-AIR CLEANER.....91, 99, 105, 115  
 EXHAUST MANIFOLD, DEUTZ F4L201.....95  
 EXHAUST PIPE, 2.9L DEUTZ.....101  
 EXHAUST PIPE,2.9L DEUTZ,DINEX.....97  
 EXHAUST VALVE,PERKINS 404D.....113  
 EXPANSION PLUG.....47  
 EXPANSION TANK,METAL,D2.9.....97
- F**
- FAN BELT, ALTERNATOR.....11, 101  
 FAN SHROUD,PERKINS 404F-22T.....113  
 FAN, PULLER 18", GM3.0L ENG.....111  
 FAN,10 BLADE,17",DEUTZ 2.9L.....101  
 FAN,10 BLADE,17",PERKINS 404F.....117  
 FEMALE BULKHEAD CONNECTOR-8.....227  
 FILTER ASSY,HIGH PRESS SAE-12\*.....11, 63  
 FILTER ASSY,INTANK.....53, 55  
 FILTER HEAD (29560).....95  
 FILTER LID,RFM165.....53, 55  
 FILTER, DEUTZ 2.9, FUEL.....11, 103  
 FILTER, FUEL, GM3.0L.....11, 111  
 FILTER,AIR CLEANER, SUPERBOOM.....11, 91, 99  
 FILTER,AIR\*\*\*.....11, 105, 115  
 FILTER,ELEMENT,BETA(10)=200.....53, 55  
 FILTER,ELEMENT,BETA(5)=1000.....11, 63  
 FILTER,FUEL/WTR SEP, DTZ 1008.....11, 95  
 FILTER,OIL,DEUTZ F4L1011F.....11, 95, 97  
 FILTER,OIL,DEUTZ,REPLACEMENT.....95, 97  
 FILTER-FUEL, GM 3.0L ENGINE.....11, 111  
 FILTER-OIL,GM 3.0L ENGINE.....11, 111  
 FINGER,GUIDE,CABLE TRACK.....123  
 FIRE EXTINGUISHER.....213  
 FIRE SLEEVE, 1.25".....213  
 FIRE SLEEVE, 2.0".....213  
 Fits all 6' and 8' Booms.....231  
 FITTING, BRANCH BULKHEAD.....169, 171, 173  
 FITTING,1/4 NPT X SAE J2044.....55  
 FITTING,3/8 NPT TO 1/2 BARB.....53  
 FITTING,45DEG,1/2 HS X 3/4-16.....103  
 FITTING,BULKHEAD,3/8NPT,FUELTK.....53  
 FITTING,CONN,16MM-6MJ.....103  
 FITTING,CONN,16MM-8MJ.....103  
 FITTING,CONN,520120-12\*\*\*.....169, 171, 175-176, 179, 181, 215  
 FITTING,CONN,520120-6.....169, 171, 175-176, 179, 181, 235, 237  
 FITTING,CONN,520120-6-8\*\*\*.....173  
 FITTING,ELBOW,45D,520320-12\*\*\*.....169, 171, 175-176, 215  
 FITTING,ELBOW,8GS-8FJX90S.....103  
 FITTING,ELBOW,90D,520220-12.....53, 55, 169, 171, 175-176, 205, 215  
 FITTING,ELBOW,90D,520220-6-4.....235, 237  
 FITTING,ELBOW,90D,520220-8\*\*\*.....57, 171, 175-176  
 FITTING,STR,3/8 HS X 9/16-18,J.....103  
 FITTING,TEE,RUN,SWIVEL520432-4.....217  
 FITTING,TEE,RUN,SWIVEL52043212.....175-176, 215  
 FLASHTUBE,STRAIGHT,360DEG,BULB.....183  
 FLASHTUBE,U SHAPED,360DEG,BULB...183  
 FLAT BAR W/PEM NUTS.....123  
 FLEX PIPE,EXHAUST,2.5" DIA.....89  
 FLGHCS,1/2-13X1.50,GR8,BLK PH.....91, 99  
 FLOORING, 72X30 PLATFORM.....145  
 FLOORING,8 FT PLATFORM\*\*.....145  
 FOAM PAD, 3" OD X 1.25" ID X 14 IN.....199  
 FOAM,AIRCRAFT PROTECTION.....229  
 FORMING PANEL CRADLE.....199  
 FORMING, BAT CABLE GUIDE.....57  
 FORMING, BATTERY TRAY.....103  
 FORMING, BATTERY TRAY, NDL.....57, 119  
 FORMING, BULKHEAD BRKT, NDL.....43  
 FORMING, CLAMP, BATTERY CABLE.....99  
 FORMING, CONTROL BOX COVER.....187  
 FORMING, COVER, REAR AXLE, NDL.....43  
 FORMING, COVER, SWIVEL.....63  
 FORMING, ENGINE HARNESS SUPPOR.....101  
 FORMING, ENGINE MOUNT, LH.....119  
 FORMING, ENGINE MOUNT, RH.....119  
 FORMING, FILTER MOUNT.....63  
 FORMING, GENERATOR MOUNT.....221  
 FORMING, LATCH TRIGGER, ES.....61  
 FORMING, LATCH TRIGGER, TS.....59  
 FORMING, OSC. MANIFOLD MOUNT,N.....45  
 FORMING, PLAT. BOX LID.....147-148  
 FORMING, SENSOR HOLDER.....241  
 FORMING, SOLENOID MOUNT\*\*\*.....89  
 FORMING, SUPPORT, FUEL RETURN.....113  
 FORMING, TRAC. CONT. MAN. BRKT.....43  
 FORMING,6-CORE RADIATOR MOUNT.....97  
 FORMING,8.5' MUFFLER MOUNT.....89  
 FORMING,BD-GEN REGULATOR MT.....223  
 FORMING,BRACKET BATTERY CABLE.....137  
 FORMING,BRACKET,EXTEND SHEAVE...133  
 FORMING,BRACKET,LATCH.....57, 121  
 FORMING,BRKT,ENGINE COVER.....57  
 FORMING,BRKT,TANK COVER.....57  
 FORMING,BRKT,WIPER,BOOM #1.....189  
 FORMING,BRKT,WIPER,BOOM #2.....189  
 FORMING,CABLE COVER.....137  
 FORMING,CABLE SUPPORT.....137  
 FORMING,CLAMP TOP,CABLE TRACK.....123  
 FORMING,CONTROLBOX MT,WELD GEN.....211  
 FORMING,COVER,LEFT BACK.....61  
 FORMING,COVER,LEFT FRONT.....61  
 FORMING,COVER,PRIM.Boom,PAINTED.125  
 FORMING,COVER,RIGHT BACK.....59  
 FORMING,COVER,RIGHT FRONT.....59  
 FORMING,COVER,RIGHT MIDDLE.....59  
 FORMING,DRIVE LIGHT,RIGHT,S80.....183  
 FORMING,DRIVELIGHT,LEFT,S80-85.....183  
 FORMING,ENGINE MOUNT.....93  
 FORMING,FAN SHROUD STRUT MOUNT..99  
 FORMING,GENERATOR MOUNT\*\*\*.....219  
 FORMING,INNER HANGER.....239  
 FORMING,LATCH GUARD,ES.....61  
 FORMING,LATCH GUARD,TS.....59  
 FORMING,LATCH,CTRL BOX LID PTD.....187  
 FORMING,LIMIT SWITCH BRACKET.....133  
 FORMING,LINK THRUST WASHER.....137  
 FORMING,LP BRACKET MOUNT.....209  
 FORMING,LS RAMP.....129  
 FORMING,MANIFOLD MOUNT.....57  
 FORMING,MUFFLER MOUNT.....89  
 FORMING,OIL COOLER SUPPORT.....205  
 FORMING,PLATFORM MANIFOLD MNT...145  
 FORMING,RELAY BLOCK COVER.....63  
 FORMING,SECONDARY SUPPORT.....199  
 FORMING,SOLENOID MOUNT.....113  
 FORMING,SWIVEL STOP.....65  
 FORMING,TAIPIPE SUPPORT,S80.....97, 101  
 FORMING,VALVE BRACKET.....217  
 FORMING,WELD GEN MANIFOLD MT.....211  
 FORMNG,DEBRIS COVER,SEC #3.....131  
 FUEL FILTER ASSY,PERKINS 404D/.....11, 117  
 FUEL FILTER W/SEP,DEUTZ,1008.....95  
 FUEL INJECTOR PUMP,PERKINS 404.....117  
 FUSE,.6AMP,250V,WELDER,V275S.....213  
 FUSE,20 AMP,MAXI.....11, 75, 79, 81  
 FUSE,30 AMP.....11, 75, 77  
 FUSE,60 AMP,MAXI.....75, 81
- G**
- GAS STRUT,250 LBS FORCE\*\*\*.....59, 61  
 GASKET.....203  
 GASKET, FUEL LEVEL SENDER, Z80.....55  
 GASKET, GM3.0L ENG.....111  
 GASKET, ISOLATION, JOYSTICK.....148  
 GASKET, TANK, FUEL SENSOR.....53  
 GASKET, UK POWER TO PLAT.....223  
 GASKET,AIR PIPE HOUSING,PERKINS 404D.....113  
 GASKET,COVER,GFCI,WEATHERPROOF.243  
 GASKET,CYL HEAD COVER,PERKINS 404D-22T.....113  
 GASKET,DP200 BLACK PANEL SEAL.....71-72  
 GASKET,EXHAUST.....95  
 GASKET,EXHAUST MANIFOLD,PERKINS 404D-22T.....113  
 GASKET,GBOX,S80/85 2008.....69, 71-72  
 GASKET,KEYSWITCH,PLASTIC\*\*\*.....67, 72  
 GASKET,PLATFORM CONTROL BOX.....147-148  
 GASKET,RETURN FILTER-77353.....53, 55  
 GAUGE, FUEL LEVEL, 20/30 GAL.....55  
 GAUGE,OIL PRESSURE W/O SENDER..201, 203  
 GAUGE,OIL TEMP.....201  
 GAUGE,VOLTAGE.....201  
 GAUGE,VOLTAGE\*\*\*.....203  
 GAUGE,WATER TEMP.....201, 203  
 GAUGE-SIGHT,LHA-LGTB\*\*\*.....53, 55  
 GENERATOR,12.5 KW,W/O MOTOR\*\*\*.....211  
 GENERATOR,3000W,220V,50HZ\*\*\*.....219, 221  
 GENERATOR,3500W,120V,60HZ\*\*.....219, 221  
 GENERATOR,HYDRO-12KEP-21-3.....211



GLAND NUT SEAL ASSY.....135	HARNES, BATT1 TO SEPERATOR, S80....85, 87	HOSE ASSY, 1/4, 90L FEM, STR FEM.....179, 181
GLOWPLUG, ENGINE, PERKINS 404D/F....117	HARNES, BATT2 TO SEPERATOR, S80....85, 87	HOSE ASSY, 1/4, STR FEM, STR FEM.....171, 176, 181
GREASE, DIELECTRIC 4 OZ**.....11	HARNES, BEACON, S80/85 2008.....85, 87, 183	HOSE ASSY, 1/4, STR FEM, STR FEM*.....179, 181
GRIP, CABLE.....241	HARNES, CE OPTION, S80/85.....85, 87	HOSE ASSY, 1/4/STR FEM, STR FEM.....169, 171
GROMMET, RUBBER .375X1.00X.1875.....99	HARNES, DRV LIGHTS, S80/85 2008.....85, 87	HOSE ASSY, 3/4, 90 FEM, STR FEM.....175-176
GROMMET, RUBBER .75X.375X1.25.....113	HARNES, ENG, PERKINS 404D, S80/85.....85, 87	HOSE ASSY, 3/4" HYD, 45F, STRF.....215
GROMMET, RUBBER .38X1.38X1.0.....101	HARNES, ENG/HYD HEATER, 120V.....233	HOSE ASSY, 3/4", 10-12 90 F, ST F.....215
GROMMET, RUBBER .688 X .25 X 1.....57	HARNES, ENG/HYD HEATER, 240V.....233	HOSE ASSY, 3/4", 90F, STR F.....169, 215
GROMMET, RUBBER .75 X .19 X 1**.....93	HARNES, GAUGE OPT. S80/85.....85, 87	HOSE ASSY, 3/4" STR-STR.....215
GROMMET, RUBBER .5 X .063 X .75.....103	HARNES, GENERATOR W/REG.220V.....223	HOSE ASSY, 3/4, 45 FEM, STR FEM.....175-176, 179, 181
GROMMET, RUBBER, 1.0 X 1.25X1.5.....101	H A R N E S S , G E N E R A T O R W/REGULATOR.....223	HOSE ASSY, 3/4, 45 FEM, STR, 25.26.....171
GROUND WIRE, SOLENOID.....57	HARNES, GND BATT 1 TO BATT 2.....85, 87	HOSE ASSY, 3/4, 90 FEM, STR FEM.....171
GUARD, HOSE PROTECTOR.....43	HARNES, JIB KIT, S85-2008.....87	HOSE ASSY, 3/4, STR FEM.....175-176
GUARD, SWING GATE.....185	HARNES, KIT, BD-GEN, S80.....219, 221	HOSE ASSY, 3/4, STR FEM, STR FEM.....169, 171, 175-176, 205
GUARD, FAN, PERKINS 404F-22T.....113	HARNES, LS W/RECOVERY.....85, 87	HOSE ASSY, 3/8" 90 FEM, STR FEM.....173
GUIDE FINGER, PLASTIC.....123	HARNES, LS, BOOM RET S80/85.....85, 87	HOSE ASSY, 3/8", STR FEM/STR FEM.....179, 181
GUIDE, CABLE.....241	HARNES, LS, CHAIN BREAK S80/85.....85, 87	HOSE ASSY, 3/8, 90 FEM, STR FEM.....175-176, 179, 181
GUIDE, EXT. CABLES.....133	HARNES, PBOX, DUAL CAP, S80X.....85	HOSE ASSY, 3/8, 90 FEM, STR FEM.....175-176, 179, 181
	HARNES, PBOX, S80/85.....85, 87	HOSE ASSY, 3/8, 90D.....173
	HARNES, PROX KILL.....85, 87	HOSE ASSY, FEM SW, 6-6.....173
	HARNES, SEPERATOR GND, S80.....85, 87	HOSE ASSY, 3/8, -4STRFEM, -6 90FEM.....235
	HARNES, START ASSIST, 404D.....233	HOSE COUPLING, RUBBER, LOWER RAD.....113
	HARNES, START ASSIST, S80.....233	HOSE END, BARB, 1/4 MNPTX5/16, 90.....113
	HARNES, TILT ALARM, 12V.....85, 87	HOSE END, BARBED, RIGID, 6-6.....53
	HARNES, WELD GEN ENCLOSURE.....211	HOSE GUIDE, JIB.....141
	HEAT SHIELD, DEUTZ TD2.9L.....99	HOSE, UPPER RADIATOR, DEUTZ D.....97
	HINGE, SPRING, LONG LEG.....145	HOSE, 1/4 FUEL LINE, SAE 30R7.....95
	HINGE, .375X.1875THK, SLOTTED.....59, 61	HOSE, 5/16 FUEL, SAE 30R7.....95
	HINGE, CONSTANT TORQUE.....187	HOSE, AIR INLET.....105
	HINGE, PLAT CONTROL BOX COVER.....187	HOSE, CLEANAIR, 90DEG, 2.25X2.5.....105
	HOLDER, SENSOR.....241	H O S E , E X P A N S I O N TANK, COMPENSATION.....97
	HOOK, BATT HOLD DOWN, 10".....57	HOSE, FUEL, 1/2, GATES RLA.....103
	HORN, 12VDC, SPADE TERMINALS***.....57	HOSE, FUEL, 3/16, SAE 30R7, 6IN LG.....113
	HOSE ASSEMBLY, 1/4", 3250PSI.....211	HOSE, FUEL, 3/8, GATES RLA.....103
	HOSE ASSEMBLY, 3/8.....169, 171	HOSE, HEATER, 1/4".....97
	HOSE ASSEMBLY, 3/8".....169, 171	HOSE, LOWER RADIATOR, 2.9L DEUT.....97
	HOSE ASSY, 1", 90 FEM, STR FEM.....175-176	HOSE, REDUCER, OFFSET, TURBO INLE.....99
	HOSE ASSY, 1, 90 FEM, STR FEM.....175-176	HOSE, RUBBER 3"ID X .25 BLACK.....99
	HOSE ASSY, 1-1/2, STR, 90D JIC.....175-176	HOSE, RUBBER 3"ID X .25 BLACK X 6.00 LG.....99
	HOSE ASSY, 1/2, 45 FEM, STR FEM.....179, 181	HOSE, UPPER RADIATOR, PERK.....113
	HOSE ASSY, 1/2, 45 FEM, STR, 114.6.....171	HOSEASSY 3/8, -4STRFEM, -6 90FEM.....237
	HOSE ASSY, 1/2, 45, 36IN, STR 8-12.....215	HOSEASSY 3/8, -6STRFEM, -6 90FEM.....235, 237
	HOSE ASSY, 1/2, 90 FEM, STR FEM.....169, 171, 175-176	HOSEASSY 3/8, -6STRFEM, -6STRFEM.....235, 237
	HOSE ASSY, 1/2, 90 FEM, STR FEM**.....171	HOUR METER, 10-80 VOLTS***.....67
	HOSE ASSY, 1/2, 90 FEM, STR FEMM*.....175-176, 179, 181	HUBBLE NUT, PG11.....233
	HOSE ASSY, 1/2, 90L FEM, STR FEM.....179, 181	HYD TUBE, DRIVE CASE.....176
	HOSE ASSY, 1/2, 90MD, 34IN, STR.....215	HYD TUBE, DRIVE CASE COOLER.....175-176, 205
	HOSE ASSY, 1/2, STR FEM, STR FEM.....171	HYD TUBE, 2-SPEED.....175-176
	HOSE ASSY, 1/2, STR FEM, STR FEM*.....175-176	HYD TUBE, BRAKE.....175-176
	HOSE ASSY, 1/4 STR FEM, STR FEM.....179, 181	HYD TUBE, BRAKE/2 SPD PRESS LINE..175-176
	HOSE ASSY, 1/4", 90 FEM, STR FEM.....179, 181	HYD TUBE, FUNCTION CASE.....176
	HOSE ASSY, 1/4, 45 FEM, STR FEM.....169, 171, 176, 179, 181	HYD TUBE, OSC TUBE.....175-176
	HOSE ASSY, 1/4, 90 FEM, STR FEM.....169, 171, 173, 175-176, 179, 181, 217	HYD TUBE, STEER TUBE #1.....175-176
	HOSE ASSY, 1/4, 90 FEM, STR FEM**.....171	HYD TUBE, STEER TUBE #2.....175-176
	HOSE ASSY, 1/4, 90D FEM, STR FEM.....217	HYD TUBE, SWING DRIVE #1.....175-176

## Part Description Index (continued)

HYD TUBE, SWING DRIVE #2.....175-176

**I**

INJECTION, 10 DEGREE LIMIT CAM.....137  
 INJECTION, ANGLE SENSOR BRACKET...137  
 INSTRN, TRC RETROFIT, STNDRD.....85, 87  
 INSTRUCTIONS, INSTALL (LEVEL SENSOR ALARM).....85, 87  
 INSTRUCTIONS-PIPE CRADLE, BOOMS...207  
 ISOLATOR, ENGINE VIBRATION.....93, 101  
 ISOLATOR, ENGINE VIBRATION\*\*\*.....109, 119  
 ISOLATOR, VIBRATION, M8 MALE/FEM.....113

**J**

JOYSTICK, ISOLATED, 1 AXIS ROCKER...151  
 JOYSTICK, ISOLATED, 2 AXIS.....151  
 JOYSTICK, ISOLATED, 2 AXIS ROCKER...151  
 JUMPER COMB, 2-WAY, WIELAND.....69, 71-72  
 JUNCTION BOX OUTLET BRACKET.....223

**K**

KEY SINGLE\*\*\*.....59, 61, 67, 71-72  
 KEY, BALL POINT HEX.....137  
 KEYS, 10 PACK\*\*\*.....59, 61, 67, 71-72  
 KEYSWITCH, 3 POS W/KEYS, LOCKING....67, 71-72  
 KEYSWITCH, 3 POS. W/KEYS\*\*\*.....67, 71-72  
 KIT, BATT SEPARATOR, ANSI/CSA.....57  
 KIT, BATT SEPARATOR, AS.....57  
 KIT, BATT SEPARATOR, CE.....57  
 KIT, BRAKE SPRING.....63  
 KIT, ENGINE, GM3.0L, PSI, S80/Z80.....111  
 KIT, FRICTION DISC.....63  
 KIT, ISOLATION, 2 JOYSTICK.....148  
 KIT, LEVEL SENSOR, 6 PIN CONN.....85, 87  
 KIT, SWING BRAKE REBUILD.....63  
 KIT, TRC RETROFIT, STNDRD.....85, 87  
 KIT, ELEMENT\*\*.....53, 55  
 KIT, ENGINE SERVICE, 250 HOUR, DEUTZ TD2.9, S80/Z80.....11  
 KIT, EXT/RET CABLE REPLMNT, S80/85.....133  
 KIT, GEN. PRESSURE SWITCH.....211  
 KIT, PANEL CRADLE BRACKET, SYMBL.....199  
 KIT, PANEL CRADLE BRACKET, WORD.....199  
 KIT, PANEL CRADLE, CE.....199  
 KIT, STRAINER REPLACEMENT.....55  
 KIT, TILT ALARM, IC MODELS.....85, 87  
 KIT, WELD LEADS ASSY, V275S.....213  
 KNOB, JOYSTICK, 62390/62391.....151  
 KNOB, ROCKER JOYSTICK 75565.....151

**L**

L.P.TANK LATCH.....209  
 LABEL, GBOX, S60X TIER 4.....13, 27  
 LABEL, PBOX, S60X TIER 4.....25, 39  
 LABEL, PBOX, S65 TIER 4.....25, 39  
 LABEL, TIRE PRESSURE, HF.....29, 31, 33, 35  
 LANYARD, PLATFORM CONTROL BOX...147-148  
 LATCH, SWING GATE.....145  
 LATCH, PUSH BUTTON.....187  
 LATCH, ROTARY, ENGINE COVER.....59, 61  
 LATCH, SLIDE, FLUSH MOUNT STYLE.....187  
 LENS, AMBER, STROBE, FIREBOLT.....183  
 LEVER, GOVERNOR ACTUATOR.....89  
 LIFT PUMP, FUEL, DEUTZ.....103

LIFT PUMP, PERKINS 404D-22T.....117  
 LIGHT, AMBER 12V INCANDESCENT.....147-148  
 LIGHT, INDICATOR, AMBER 12V ENGINE....67  
 LIGHT, INDICATOR, RED 12V H-BRI.....67, 72, 147-148  
 LIMIT SW COVER.....137  
 LIMIT SW, TAB, BLUE METAL.....85, 87  
 LIMIT SWITCH, BLUE, MICRO.....127  
 LOCK, WEDGE, RLY 9.5MM.....75, 77, 79, 81  
 LOCKNUT, ELEC, 1/2".....67, 69, 71-72, 211, 223, 243  
 LOCKNUT, ELECTRIC, 1" NPT.....211

**M**

MACH., PIVOT PLATE WELDMENT.....133  
 MACHINED BACKLASH.....63  
 MACHINING, JIB BOOM WELDMENT\*\*.....141  
 MAGNET, 1/4-20, 15 LB.....241  
 MALE PIPE THD, 1/4" SER, 3/8"X18.....227  
 MANIFOLD, BRAKE, 2-SPEED.....155  
 MANIFOLD, DRIVE OIL DIVERTER.....165  
 MANIFOLD, PLATFORM, S80, 2SEC.....159  
 MANIFOLD, PLATFORM, S856, 3 SEC.....161  
 MANIFOLD, ROTATOR, CB\*\*\*.....157  
 MANIFOLD, SWING S80/85, 5 SEC.....163  
 MANIFOLD, TRACTION, 2WD.....153  
 MANIFOLD, TRACTION, 4WD\*\*\*.....153  
 MANUAL, AEM SAFETY.....11  
 MANUAL, RESPON, A92.5 BOOM.....11  
 MODULE, IGNITION/START, 12/24V.....69  
 MODULE, LOAD SENSE 2007.....225  
 MODULE, SX CONTROLLER, LOW AMP.....211  
 MOTOR, 12VDC, I-TERMINAL.....57  
 MOTOR, PISTON, 2 SPEED, 45CC.....41, 43  
 MOTOR, PISTON, 2 SPEED, 45CC/18CC.....43  
 MOUNT, COVER SUPPORT CTR 86DEG....59  
 MOUNT, COVER SUPPORT CTR 93DEG....59  
 MOUNT, COVER SUPPORT FRONT.....59, 61  
 MOUNT, COVER SUPPORT REAR.....59, 61  
 MOUNT, COVER SUPPORT, CENTER.....61  
 MOUNT, ENGINE, LEFT SIDE.....101  
 MOUNT, ENGINE, RIGHT SIDE.....101  
 MOUNT, SWITCH.....225  
 MOUNTING BAND, AIR CLEANER.....91, 99  
 MPT, CPLR, 1/4"SER, 3/8"X18.....227  
 MUFFLER, 2.5"INLET/OUTLET.....89

**N**

NEW SLOPE RATING DECAL SYMBOL.....39  
 NICKEL PLATED JAM NUT.....72  
 NIPPLE, DIAGNOSTIC.....57  
 NUT - PLASTIC, RING FOR ALARMS.....183  
 NUT HEX M5-0.8 CLASS 8 ZINC.....147-148  
 NUT, PROPORTIONAL VALVE.....163  
 NUT, TL FLG, 3/8-16, G, ZAG....41, 43, 53, 55, 57, 59, 61, 63, 65, 75, 77, 79, 81, 103, 109, 113, 119, 121, 123, 125, 131, 133, 141, 145, 211, 213, 219, 221, 223, 225, 229, 243  
 NUT, TL, 1/4-20, C, ZAG.....63, 123, 127, 137, 141, 145  
 NUT, 1/2-13, 8, ZAG.....57, 121  
 NUT, 1/4-20, 8, ZAG.....231, 241  
 NUT, 1/4-28, 8, ZAG.....45  
 NUT, 10-32, ZAG.....187  
 NUT, 3/4-10, 8, ZAG.....133  
 NUT, 3/8-16, 8, ZAG.....231  
 NUT, 5/16-18, 8, ZAG.....183

NUT, FLG, 1/2-13.....89  
 NUT, FLG, 1/4-20.....89, 91, 101, 201  
 NUT, HEX, 10-32.....137  
 NUT, HEX, 5/16-18, GR5.....211  
 NUT, HEX, FLG, 3/8-16.....89  
 NUT, HEX, M8 X 1.25.....117  
 NUT, HEX, M8, PLASTIC.....229  
 NUT, HH JAM, 1/4-20, A, ZAG.....241  
 NUT, JAM, 1/2-13, A, ZAG.....57, 121  
 NUT, JAM, 3/4-10, A, ZAG.....63, 133  
 NUT, LOCKING-LRG, FLANGE, 3/8-16.....97  
 NUT, LP NYLOCK, 1/4-20.....67, 69, 71-72, 211  
 NUT, LUG, 3/4-16 X 7/8 RADIUS, ZA.....41  
 NUT, NYLOCK FLG, 1/4-20, F, ZAG.....109, 189, 193, 199, 207, 241  
 NUT, NYLOCK FLG, 3/8-16, F, ZAG.....199, 207, 239, 241  
 NUT, NYLOCK, 1/4-20.....91, 99, 101, 191, 227  
 NUT, NYLOCK, 10-24.....89  
 NUT, NYLOCK, 10-32.....57, 65, 69, 71-72, 75, 77, 79, 81, 89, 93, 103, 133, 147-148, 183, 211, 223  
 NUT, NYLOCK, 10-32, A, ZAG.....241  
 NUT, NYLOCK, 3/8-16.....97, 99, 227  
 NUT, NYLOCK, 5/16-18.....91, 99  
 NUT, NYLOCK, 5/8-11.....93, 97, 101  
 NUT, NYLOCK, 6-32.....69, 71-72, 147-148, 211, 241  
 NUT, NYLOCK, 8-32.....127  
 NUT, NYLOCK, M5X, 80.....117  
 NUT, NYLOCK, M6X1.00.....117  
 NUT, SERRATED, 1/4-20, 8, ZAG.....61  
 NUT, SERRATED, 3/8-16, 8, ZAG.....59, 61  
 NUT, SERRATED, 5/16-18, 8, ZAG.....57, 59, 61, 121  
 NUT, SOLENOID.....155, 165  
 NUT, SOLENOID VALVE.....163  
 NUT, SOLENOID VALVE 2P3W.....163  
 NUT, SOLENOID VALVE COIL.....159, 161  
 NUT, TL FLG, 1-8, G, ZAG.....83  
 NUT, TL FLG, 1/2-13, G, ZAG.....65, 109, 115, 119, 135, 239  
 NUT, TL FLG, 1/4-20, G, ZAG.....45, 55, 57, 59, 61, 63, 97, 103, 105, 107, 109, 113, 115, 119, 123, 133, 137, 141, 145, 185, 187, 203, 205, 211, 213, 217, 223, 225, 229  
 NUT, TL FLG, 10-32, F, ZAG.....225, 233  
 NUT, TL FLG, 5/16-18, G, ZAG.....59, 61, 105, 127, 183, 185, 207, 211, 213, 223  
 NUT, TL FLG, 7/16-14, G, ZAG.....219, 221  
 NUT, TL FLG, M6-1.0, DIN6927, 10, ZAB....59, 61  
 NUT, TL FLG, M8-1.25, DIN6927, 10, ZAB.....113  
 NUT, TL JAM, 3/8-16, A, ZAG.....199  
 NUT, TL, 1-8, C, ZAG.....83, 143  
 NUT, TL, 3/8-16, C, ZAG.....127  
 NUT, TL, FLG, 5/8-11, G, ZAG.....113  
 NUTSERT, 10-32 STEEL CAD PLTD.....195, 197

**O**

O-ring.....47  
 O-RING KIT (ORFS FITTINGS).....11, 153  
 O-RING KIT, FIELD SVC, ALL PROD\*.....11, 153  
 O-RING, NBR70.....49  
 O-RING, PROPORTIONAL VALVE.....163  
 O-RING, ROTATOR MANIFOLD.....157  
 O-RING, TORQUE HUB COVER.....47, 51  
 O-RING, 2-010, VITON.....41, 43  
 O-RING, 2-044 BUNA\*\*\*.....107, 167

O-RING,2-157,VITON\*\*\*.....41, 43  
 O-RING,DISCONNECT ROD (111060).....49, 51  
 O-RING,FILTER ASSY (60334)\*\*\*.....63  
 O-RING,LIFT PUMP,PERKINS 404D-22T...113  
 O-RING,MOTOR/BRAKE\*\*\*.....63  
 O-RING,ORFS,-12.....211  
 O-RING,SEAL RING,1" NPT (PKG OF 10).....211  
 OIL COOLER W/FAN, 12VDC.....205  
 OIL FILTER,PERKINS 404D/F-22T.....11, 117  
 OIL PAN,DEUTZ F4L2011.....95  
 OIL PRESSURE SWITCH,PERKINS 404D-22T.....113  
 OPT, KEY SWITCH, STANDARD.....67  
 OPT,CTE CUTOUT,S80/85 2008.....85, 87  
 OPT,FULL GAUGE, S80 DEUTZ.....201  
 OPT,FULL GAUGE,S80 DUAL FUEL.....201  
 OPT,FULL GAUGE,S80 PERKINS 404D-22T.....203  
 OPTION,LP TANK 2ND.....209  
 ORIFICE DISC,.030,CONE.....165  
 ORIFICE PLUG .025 DIA.....155  
 ORIFICE PLUG, 0.070".....153  
 ORIFICE, 0.040".....153  
 OUTLET, 110V.....243

**P**

PAD,BOOM REST.....63  
 PAD,REST,1"THICK,FLANGED.....199  
 PADDING,FOAM, 46.5".....229  
 PADDING,FOAM 3.5"OD X 1.50"ID.....229  
 PADDING,FOAM, 10.0".....229  
 PADDING,FOAM,3.0"X1.50ID 90DEG.....229  
 PAINT,AEROSOL, TRAFFIC BLACK.....11  
 PAINT,AEROSOL,BRIGHT BLUE\*\*\*.....11  
 PAINT,AEROSOL,GENIE GRAY\*\*\*.....11  
 PAINT,WET,GENIE BLUE (1 GL)\*\*.....11  
 PAINT,WET,GENIE GRAY (1 GL)\*\*.....11  
 PAINT,WET,TRAFFIC BLACK (1 GL)\*\*.....11  
 PANEL, ENCLOSURE, LINCO WELDER.....211  
 PANEL, HALF MESH.....207  
 PARKER DIGITAL PRESSURE GAUGE.....11  
 PCV VALVE-GM 3.0L ENGINE.....111  
 PIN, 3.00 X 21.50, 2 RINGS.....135  
 PIN,0.75DIAx5.75LG,CHAMFER.....225  
 PIN,1.250 X 10.125, 2 RINGS.....139, 141  
 PIN,1.25DIAx14.45LG,2HOLE.....141  
 PIN,1.25DIAx3.75LG,1HOLE.....135, 137  
 PIN,1.25DIAx4.38LG,1HOLE.....135  
 PIN,1.25DIAx5.25LG,1HOLE.....139, 141  
 PIN,1.25DIAx7.00LG,1HOLE.....141  
 PIN,1.25DIAx7.88LG,1HOLE.....141  
 PIN,1.25DIAx8.26LG,2RING.....139, 141  
 PIN,1.500 X 15.000,2 RINGS.....133  
 PIN,1.75 DIAx4.50LG,THREADED.....41  
 PIN,1.75DIA X 10.50LG,2 RING.....41  
 PIN,1.75DIAx4.50LG,THREADED.....43  
 PIN,2.50 X 12.200,2 RINGS.....135  
 PIN,2.500 X 19.750,2 RINGS.....135  
 PIN,2.500X6.900,1 RING,1 HOLE.....135  
 PIN,2.50DIAx24.50,2RINGS,TAPER.....137  
 PIN,2.50DIAx27.63LG,1HOLE.....43  
 PIN,2.50DIAx7.00,2 RINGS,TAPER.....137  
 PIN,CLEVIS,1 X 2.5 LG.....41  
 PIN,CLEVIS,1X2.25 LG.....133  
 PIN,COTTER,,156 X 2.5.....123  
 PIN,DIA. 1.50 X 5.875.....133  
 PIPE CRADLE ASSY. SERV (ONE)\*\*.....207

PIPE PLUG, MAGN.....49  
 PISTON AND RING KIT,PERKINS 404D-22T.....113  
 PISTON RING KIT,PERKINS 404D-22T.....113  
 PLATE, AIRCRAFT PROTECTION OPT.....229  
 PLATE, BULKHEAD, DEUTZ TD2011.....89  
 PLATE, BULKHEAD, GM 3.0L.....105  
 PLATE, BULKHEAD, PERKINS 404F.....113  
 PLATE, CABLE AND WIRE COVER.....241  
 PLATE, COVER, FUEL LEVEL SNDR.....55  
 PLATE, RELAY BLOCK MOUNT.....63  
 PLATE,3/8-16 TAPPED.....227  
 PLATE,ANTIROTATION.....133  
 PLATE,BACKING WIPER 2 TO 3.....189  
 PLATE,BRACKET,BATTERY CABLE.....93  
 PLATE,CABLE BLOCK.....131  
 PLATE,DEUTZ ENG SIDE BULKHEAD.....97  
 PLATE,DOCUMENT BOX MOUNT.....145  
 PLATE,RETRACT CABLE EQUALIZER.....133  
 PLATE,ROCKER.....133  
 PLATE,TAP BLOCK.....131  
 PLATE,UK,POWER TO PLAT.....243  
 PLATE,WELD OPTION.....227  
 PLATE,WIPER BACKING,BOOM #1.....189  
 P L A T F O R M S U P P O R T WELDMNT-SERV\*.....145  
 PLUG AND CAP KIT-SERVICE,37 \*\*.....11, 153  
 PLUG AND CAP KIT-SERVICE,ORFS\*.....153  
 PLUG, 3P,30A, 4 WIRE, MALE.....213  
 PLUG, BOOT, 3P, 30A, 4 WIRE.....213  
 PLUG, HEX SOCKET, 090109B-8\*.....53, 55  
 PLUG, JOYSTICK HANDLE.....151  
 PLUG, NYLON .250 BLACK DOMED.....67, 69, 71-72, 147-148  
 PLUG, SANTOPRENE .5 BLACK DOME.....67, 69, 71-72, 147-148  
 PLUG,ENGINE OIL,DEUTZ F4L2011.....95  
 PLUG,HEX SOCKET,090109B-12.....175-176  
 PLUG,HEX SOCKET,090109B-4.....235, 237  
 PLUG,NYLON .188 BLACK DOMED.....69, 71-72, 147-148  
 PLUG,NYLON .313 BLACK DOMED.....148  
 PLUG,NYLON .38 BLACK DOMED.....67, 72, 148  
 PLUG,NYLON .875 BLACK DOMED.....67, 71-72, 147-148  
 PLUG,NYLON 1.12 BLACK DOMED.....69, 71-72  
 PLUG,NYLON 1.38 BLACK DOMED.....211  
 PLUG,PWR,UK,16AMP,3PIN,BLK.....243  
 PLUG,SAE #03 (139712).....153  
 PLUG,TORQUE HUB,DRAIN\*\*\*.....47, 51  
 POTENTIOMETER ASSY, WELDER.....211  
 PRE-FILTER,FUEL,DEUTZ.....11, 103  
 PRECLEANER,INLINE 3".....193  
 PRESSURE COMP FLOW CONTROL.....159, 161  
 PRESSURE REDUCING VALVE.....163  
 PROXIMITY SENSOR\*\*\*.....229  
 PULLEY, PERKINS T4 GENERATOR.....221  
 PULLEY,DEUTZ T4 GENERATOR.....219, 221  
 PUMP ASSY,AUX.POWER UNIT 89617.....57  
 PUMP,FUNCTION,38CC,LS.....107, 167  
 PUMP,PISTON,46CC,B MOUNT,13T\*\*.....107, 167

**R**

RADIATOR HOSE,LOWER-GM.....111  
 RADIATOR HOSE,UPPER-GM.....111

RADIATOR, GM3.0L ENG.....111  
 RADIATOR,6-CORE,19.375W X 18.1.....97  
 RADIATOR,FORD/PERKINS\*\*\*.....113  
 RECEPTACLE, 120VAC, 20A, GFCI.....211, 223  
 RECEPTACLE,UK,110V.....243  
 RECEPTACLE,WELD CABLE,FEMALE.....227  
 REDUCER,520123-8-6.....175-176  
 REDUCER,RUBBER 3.0 - 2.5.....99  
 REF. BRACKET,LOWER RADIATOR.....115  
 REF. KIT,ENGINE,GM3.0L,PSI,S80/Z80...105, 107  
 REF. MANIFOLD,PLATFORM.....145  
 REF. PLATE, RELAY BLOCK MOUNT.....75, 77, 79, 81  
 REF. PLATFORM CONTROL BOX ASSEMBLY.....145  
 REF. WELDMENT,ENGINE TRAY.....91, 93  
 REF. WELDMENT,ENGINE TRAY,2.9L DEUT.....109  
 REF. WELDMENT,ENGINE TRAY,2.9L DEUTZ.....97, 99, 101, 113, 115, 119  
 REF. WLDT, INTAKE, T4 DEUTZ, Z80/S8.....99  
 REF.DRIVE PUMP AND FUNCTION PUMP.....91, 99, 115  
 RELAY MODULE(89996,89998).....93  
 RELAY, POWER & FUSE MODULE.....103  
 RELAY,12VDC,70AMP,SEALED.....75, 81  
 RELAY,OMRON,DPDT,12V.....71-72, 211  
 RELAY,SOCKET,OMRON.....71-72, 211  
 RELAY,SPDT,12V(AUTO) PLUG IN\*\*.....75, 77, 79, 81  
 RELAY,SPDT,12V(AUTO)\*\*.....85, 87  
 RELAY,TIME DELAY,2 SEC,10A.....71-72, 225  
 RELAY,TIME DELAY,2 SEC,30A.....225  
 RELIEF,VALVE 270 PSI.....165  
 REPAIR KIT,4 LINK,W/GUIDE.....123  
 RESISTOR,10 OHM,25 WATT.....71-72  
 RESISTOR,5 OHM,25W\*\*\*.....71-72  
 RESISTOR,7.5 OHM,25 WATT,1PCNT.....71-72  
 RESISTOR,POT,1K OHM,2-WATT.....211  
 RETAINER,SPRING,1.21 X .375.....225  
 RETAINER,SPRING,1.46 X .375.....225  
 RETAINER-N.C.PROPOR.SOLENOID.....163  
 RIVET, STL, STL, DOME, 1/4 X .375, ZAG.....207  
 RIVET,ALUM,ALUM,3/16BUTTONHEAD....187  
 RIVET,ALUM,P,188 X .25.....123  
 ROCKER ASSY,MAGNETIC 75565.....151  
 ROCKER,RETAINER, 75565.....151  
 ROD END, .25 X 2.75, ZAG.....225  
 ROD END,.375 X 2.25,ZAG.....135, 137  
 ROD END,.375X3.69,ZAG.....41, 43, 139, 141  
 ROD END,0.5 X 3.75\*\*\*.....43  
 ROD END,CABLE.....133  
 ROD,THREADED,1/4-28X6,ZAG.....45  
 ROLLER,1/2" ALUMINUM.....133  
 ROLLER,1/2" PVC.....133  
 ROTATOR,NON-JIB.....139  
 ROTATOR,PLAT JIB,160 DEG\*\*\*.....141  
 ROTATOR,PLATFORM,15K.....139  
 RUBBER GROMMET 1.00 X 1.563 X.....103  
 RUE RING,1.00.....41, 133

**S**

SCREW PH M5-0.8X20 DIN 7500CE.....147-148  
 SCREW, BHC, 1/4-20 X 1, ZAG.....229



## Part Description Index (continued)

SCREW, HHF, M1=1.5X80,ZAB.....219, 221	SCREW, HHF, 1/2-13X3.5, 8, ZAG.....65, 239	SCREW, PHILLIPS, PHM, 10-32 X .75.....75, 77, 79, 81, 89, 103
SCREW, PHM, #6-32 X .625 ZINC.....151	SCREW, HHF, 1/2-13X5, 8, ZAG.....135	SCREW, PHILLIPS, PHM, 10-32 X 1.....57, 137
SCREW, PHPM, 10-32 X 1.0, ZAG.....233	SCREW, HHF, 1/4-20 X .75.....53, 55, 57, 97, 99, 201	SCREW, PHILLIPS, PHM, 10-32 X.625.....55
SCREW, THM, TORX, 1/4-20X1, SS.....61	SCREW, HHF, 1/4-20 X 1.00.....89, 91, 99, 101	SCREW, PHILLIPS, PHM, 10-32 X1.25.....93
SCREW, THM, TORX, 3/8-16X1, SS.....59, 61	SCREW, HHF, 1/4-20X.5, 8, ZAG.....113	SCREW, PHILLIPS, PHM, 6-32 X .5.....69, 71-72, 147-148
SCREW, THM, TORX, M6X25, ZAB.....59, 61	SCREW, HHF, 1/4-20X.625, 8, ZAG.....145, 199	SCREW, PHILLIPS, PHM, 8-32 X .875.....127
SCREW, 5/16-18X1.00, SECURITY TO.....213	SCREW, HHF, 1/4-20X.75, 8, ZAG.....57, 59, 61, 63, 103, 113, 119, 125, 129, 133, 137, 141, 145, 187, 193, 203, 205, 229, 241	SCREW, PHILLIPS, PHM, 8-32 X.25**.....71-72
SCREW, BHC, 1/4-20X.75, F835, ZAG.....213	SCREW, HHF, 1/4-20X1, 8, ZAG.....55, 57, 97, 103, 105, 113, 115, 119, 127, 131, 137, 141, 145, 185, 223, 229	SCREW, PHILLIPS, RHM, 10-32 X 1.5.....125, 133
SCREW, BHC, 10-32X1.5, F835, ZAG.....225	SCREW, HHF, 1/4-20X1.25, 8, ZAG.....103, 119	SCREW, PHM, 10-32X3/4, ST TYPE F.....148
SCREW, BHSCS, M5X10, SS.....187	SCREW, HHF, 1/4-20X1.5, 8, ZAG.....57, 105, 137, 145	SCREW, PHPM SEMS ET, 10-24X.5, ZAG.....113
SCREW, BHTC-PIN, 1/4-20X1.75, ZAG.....213	SCREW, HHF, 1/4-20X2, 8, ZAG.....45, 103, 145, 217	SCREW, PHPM, 10-32X.50, ZAG.....53
SCREW, BLEEDER, M5X0.8.....139, 141	SCREW, HHF, 1/4-20X2.25, 8, ZAG.....63, 119	SCREW, PHPM, 10-32X.75, ZAG.....187, 223
SCREW, DP200 M3X10 4PACK.....71-72	SCREW, HHF, 1/4-20X2.5, 8, ZAG.....207	SCREW, PHPM, 10-32X1.5, ZAG.....241
SCREW, FHM, 6-32 X .75.....211, 243	SCREW, HHF, 1/4-20X3, 5, 8, ZAG.....123	SCREW, PHPM, 10-32X1.75, ZAG.....65
SCREW, FHS, 3/8-16X2.25, F835, ZAG.....63	SCREW, HHF, 1/4-20X3.5, 8, ZAG.....241	SCREW, PHPM, 6-32X.875, ZAG.....241
SCREW, FLANGE, HHC, 3/8-16X1.00.....135	SCREW, HHF, 3/8-16 X1.50.....141, 227	SCREW, PHM-ST, 8-32 X .50, TYPE F, ZAG.....223
SCREW, FLG HD, M10 X 70 GR12.9.....89	SCREW, HHF, 3/8-16X.75, 8, ZAG.....41, 45, 53, 55, 57, 63, 97, 105, 107, 113, 121, 131, 137, 145, 183	SCREW, RHM, 10-32 X 1.....183
SCREW, HEX TAP, 3/4-10X4, 8, ZAG.....63	SCREW, HHF, 3/8-16X1, 8, ZAG.....43, 53, 55, 57, 59, 61, 63, 103, 119, 123, 129, 135, 211, 223, 241, 243	SCREW, SER FLNG3/8UNCX3/4ZNYEL.....75, 77, 79, 81, 89, 97, 137
SCREW, HHC, 1-8X11, 5, ZAG.....83, 143	SCREW, HHF, 3/8-16X1.25, 8, ZAG.....57, 103, 109, 121, 145, 211	SCREW, SHC, 3/4-10X3, A574, ZAG.....63
SCREW, HHC, 1-8X12, 7.5, ZAG.....143	SCREW, HHF, 3/8-16X1.5, 8, ZAG.....65, 125, 141, 209, 211, 219, 221	SCREW, SHC, 5/8-11X3, A574, ZAG.....65
SCREW, HHC, 1-8X7, 5, 8, ZAG.....83	SCREW, HHF, 3/8-16X1.75, 8, ZAG.....127	SCREW, SHC, 5/8-11X3.5, A574, ZAG.....65
SCREW, HHC, 1/2-13X1.25, 8, ZAG.....143	SCREW, HHF, 3/8-16X2, 8, ZAG.....53, 55, 59, 61, 133	SCREW, SHC, M10X1.5 X 60 GR8.8.....99
SCREW, HHC, 1/4-20 X .75.....67, 69, 71-72, 147-148, 191, 227	SCREW, HHF, 3/8-16X2.5, 8, ZAG.....41, 43, 59, 61, 133, 239	SCREW, SHC, M10X1.5X20MM (75090).....91, 99, 115
SCREW, HHC, 1/4-20 X 1.....69, 71-72	SCREW, HHF, 3/8-16X3, 8, ZAG.....225	SCREW, SHC, M10X1.5X30 GR 12.9.....91, 99
SCREW, HHC, 1/4-20 X 1.25.....67	SCREW, HHF, 5/16-18X.75, 8, ZAG.....105, 207	SCREW, SHC, M16-2.0X55, DIN912, 12.9, ZAB.41, 43
SCREW, HHC, 1/4-20 X 1.5.....71-72, 185, 227	SCREW, HHF, 5/16-18X1, 8, ZAG.....185, 211, 223	SCREW, SHM, PHP, #12 X .75.....69, 71-72, 148
SCREW, HHC, 1/4-20 X 1.75.....91, 99, 101	SCREW, HHF, 5/16-18X1.5, 8, ZAG.....59, 61	SCREW, SHS, 1/4-20 X .25 ZINC.....67, 71-72
SCREW, HHC, 1/4-20 X 2.75.....211, 227	SCREW, HHF, 5/8-11X1.5, 8, ZAG.....113	SCREW, SHS, 10-24 X .625.....89
SCREW, HHC, 1/4-20 X 3.75.....123	SCREW, HHF, 5/8-11X2, 8, ZAG.....121	Seal Kit.....163, 165, 167
SCREW, HHC, 1/4-20X.75, 8, ZAG.....43, 59, 61	SCREW, HHF, 7/16-14X1.75, 8, ZAG.....219, 221	SEAL KIT (121140).....135
SCREW, HHC, 1/4-20X1, 8, ZAG.....211, 231	SCREW, HHF, M10-1.5X25, DIN6921, 10.9, ZAB.115	SEAL KIT (121142).....133
SCREW, HHC, 1/4-20X1.25, 8, ZAG.....225	SCREW, HHF, M12-1.75X25, DIN6921, 10.9, ZAB.221	SEAL KIT (121234).....139, 141
SCREW, HHC, 1/4-20X1.5, 8, ZAG.....63, 139, 141	SCREW, HHF, M12-1.75X30, DIN6921, 10.9, ZAB.41, 43	SEAL KIT (121236).....135
SCREW, HHC, 1/4-20X1.75, 8, ZAG.....43, 63, 135	SCREW, HHF, M14-2.0X35, DIN6921, 10.9, ZAB.219	SEAL KIT (121291)***.....47, 51
SCREW, HHC, 1/4-20X2.75, 8, ZAG.....135	SCREW, HHF, M5X12, DIN6921, 10.9, Z.....187	SEAL KIT (227775).....49
SCREW, HHC, 1/4-20X3.25, 8, ZAG.....63, 123	SCREW, HHF, M6-1.0X20, DIN6921, 10.9, ZAB.59, 61	SEAL KIT (39345).....41, 133, 135, 139, 141, 157, 159, 161
SCREW, HHC, 1/4-20X6, 8, ZAG.....123	SCREW, HHF, M8-1.25X16, DIN6921, 10.9, ZAB.99, 113	SEAL KIT, 15K ROTATOR.....139
SCREW, HHC, 3/8-16 X 1.....97	SCREW, HHF, M8-1.25X20, DIN6921, 10.9, ZAB.97, 101, 113, 221	SEAL KIT, 37185 PUMP.....57
SCREW, HHC, 3/8-16 X 1.25 GRD 5.....99, 123	SCREW, HHF, M8-1.25X25, DIN6921, 10.9, ZAB.113	SEAL KIT, BRAKE, 4HP.....51
SCREW, HHC, 3/8-16 X 2.....141	SCREW, HHF, M8-1.25X30, DIN6921, 10.9, ZAB.113	SEAL KIT, SOLENOID VALVE.....157, 163
SCREW, HHC, 3/8-16X.75, 8, ZAG.....141	SCREW, HHF-S, 10-24X1.5, ZAG.....145	SEAL KIT, SWING BRAKE.....63
SCREW, HHC, 3/8-16X.875, 8, ZAG.....143	SCREW, PHIL, PHM, 10-24 X.5, SEMS.....97	SEAL KIT, VALVE.....153, 159, 161, 163
SCREW, HHC, 3/8-16X1, 8, ZAG.....125, 131	SCREW, PHIL, PHM, 10-32 X .5, SSTL.....69, 71-72, 147-148, 211, 243	SEAL KIT, VALVE, #10.....153, 163
SCREW, HHC, 3/8-16X1.25, 8, ZAG.....131	SCREW, PHIL, PHM, 6-32 X 1/4 SS.....148	SEAL KIT, VALVE, #12.....163
SCREW, HHC, 3/8-16X1.5, 8, ZAG.....129, 139	SCREW, PHILLIPS, PHM, 10-32 X .5.....195, 197	SEAL KIT, 8-PORT SWIVEL.....65
SCREW, HHC, 3/8-16X2, 8, ZAG.....189		SEAL KIT, 8K ROTATOR***.....139, 141
SCREW, HHC, 3/8-16X2.25, 8, ZAG.....189		SEAL KIT, CHECK VALVE 219246.....155
SCREW, HHC, 3/8-16X2.5, 8, ZAG.....189, 231		SEAL KIT, CYL, S65 (63213).....141
SCREW, HHC, 3/8-16X7, 8, ZAG.....123		SEAL KIT, MOTOR, LC/KC***.....41
SCREW, HHC, 5/16-18 X 1 GR5.....91, 99		SEAL KIT, OSC CYLINDER (81330)*.....41
SCREW, HHC, 5/16-18 X 1.25.....211		SEAL KIT, SAUER-DANFOSS M46***.....107, 167
SCREW, HHC, 5/16-18X.75, 8, ZAG.....183		SEAL KIT, SOLENOID VALVE.....159, 161, 163
SCREW, HHC, 5/16-18X1, 8, ZAG.....207, 211		SEAL KIT, SOLENOID VALVE 219247.....155
SCREW, HHC, 5/8-11 X 3.5 GRD.8.....93, 101		SEAL KIT, STEER CYL***.....41
SCREW, HHC, FLG, 3/8-16 X 1 GR8.....191		SEAL KIT, WHEEL DRIVE W/BRAKE (101584/101585).....51
SCREW, HHC, FLG, M14 X 35.....89, 93, 101		SEAL KIT, WHEEL DRIVE W/BRAKE (227775).....49
SCREW, HHC, M12 X 20MM.....99, 101		SEAL KIT, WHEEL DRIVE W/BRAKE (227775).....49
SCREW, HHC, M14 X 1.5X40MM, GR8.8.....221		SEAL KIT, WHEEL DRIVE W/BRAKE (227775).....49
SCREW, HHC, M14-1.5X35, DIN960, 10.9, ZAB.119		SEAL KIT, WHEEL DRIVE W/BRAKE (227775).....49
SCREW, HHC, M6 X 20MM, GR8.8.....89		SEAL KIT, WHEEL DRIVE W/BRAKE (227775).....49
SCREW, HHC, M8-1.25X65, DIN931, 10.....101		SEAL KIT, WHEEL DRIVE W/BRAKE (227775).....49
SCREW, HHF, M14 X 40MM.....101		SEAL KIT, WHEEL DRIVE W/BRAKE (227775).....49
SCREW, HHF, 1/2-13X.75, 8, ZAG.....57, 63		SEAL KIT, WHEEL DRIVE W/BRAKE (227775).....49
SCREW, HHF, 1/2-13X1, 8, ZAG.....43		SEAL KIT, WHEEL DRIVE W/BRAKE (227775).....49
SCREW, HHF, 1/2-13X1.5, 8, ZAG.....43, 107, 115		SEAL KIT, WHEEL DRIVE W/BRAKE (227775).....49
SCREW, HHF, 1/2-13X1.75, ZAG.....63, 65		SEAL KIT, WHEEL DRIVE W/BRAKE (227775).....49
SCREW, HHF, 1/2-13X2.5, 8, ZAG.....43, 109		SEAL KIT, WHEEL DRIVE W/BRAKE (227775).....49
SCREW, HHF, 1/2-13X2.75, 8, ZAG.....119		SEAL KIT, WHEEL DRIVE W/BRAKE (227775).....49

SEAL, CAP, NOTCHED.....65  
 SEAL, CONNECTOR (DT JOYSTICKS).....151  
 SEAL, O-RING ENERGIZER.....65  
 SEAL, O-RING LIP.....65  
 SEAL, ORFS TUBE FLANGE, 8PLS...175-176  
 SEAL, POLY, CHAMFER.....65  
 SEAL, SHAFT, 60511 APU.....57  
 SEAL, FILTER ASSY (60334)\*\*\*.....63  
 SEAL, FILTER LID.....53, 55  
 SEAL,ROCKER BOX,PERKINS  
 404D-22T.....113  
 SENDING UNIT,OIL PRESS PERKINS.....203  
 SENDING UNIT,OIL PRESS.,DEUTZ\*.....95  
 SENDING UNIT,OIL PRESSURE\*\*\*.....201  
 SENDING UNIT,OIL TEMP SWCH,DTZ.....95  
 SENDING UNIT,TMP,FRD,GM,PRK704.....203  
 SENSOR, PRESSURE,DEUTZ 2.9.....103  
 SENSOR,COOLANT LEVEL,DEUTZ.....97  
 SENSOR,DUAL OUTPUT,ANGLE\*\*\*.....137  
 SEPARATOR,DUAL BATTERY,100A.....57  
 SEPERATOR,PLASTIC.....123  
 SEPRTR/FLTR,FUEL DSL,15GPH,30.....11,  
 113  
 SET SCREW\*\*\*.....47, 51  
 SHAFT,OUTPUT.....63  
 SHEAVE,EXTEND.....133  
 SHEAVE,RETRACT CABLE(SMALLER).....133  
 SHIM, WEAR PAD, 3X5.....121  
 SHIM,AXLE ROTATION STOP,16G.....43  
 SHIM,AXLE ROTATION STOP,22G.....43  
 SHIM,GALVANIZED STEER YOKE.....41  
 SHIM,WEAR PAD,5 X 1.5,14GA.....125, 129,  
 131  
 SHIM,WEAR PAD,5X1.5,16GA.....125, 129, 131  
 SHIM,WEAR PAD,7 X 3,12GA.....125, 129, 131  
 SHIM,WEAR PAD,7 X 3,16GA.....125, 129, 131  
 SHOCK MOUNT,SMALL.....97, 113  
 SHOULDER WASHER, NYLON.....147-148  
 SHRINK TUBE, BLU, 3:1, 40MM.....151  
 SHROUD,17" FAN,6-CORE RADIATOR.....97  
 SIGHT GLASS.....97  
 SLEAVING,PARKER TEK,2.00".....139, 141  
 SLEEVE,CONNECTOR,DT JOYSTICKS.....151  
 SLIDING MIDRAIL KIT,PTD.....145  
 SNAP RING,EXTERNAL,1.25,ZAG.....139, 141  
 SNAP RING,EXTERNAL,1.50,ZAG.....133  
 SNAP RING,EXTERNAL,1.75,ZAG.....41  
 SNAP RING,EXTERNAL,2.50,ZAG.....135, 137  
 SNAP RING,EXTERNAL,3.00,ZAG.....135  
 SOCKET, BOOT, 3P, 30A, 4 WIRE.....213  
 SOCKET,3P,30A,4 WIRE, FEM.....213  
 SOLENOID VALVE.....159, 161  
 SOLENOID VALVE SPOOL TYPE.....163  
 SOLENOID VALVE,SPOOL TYPE.....163  
 SOLENOID, APU.....57  
 SOLENOID,PERKINS 404D-22T.....113  
 SOLENOID-STARTR DEUTZF4L1011F\* .....95  
 SPACER TUBE, .50 LG.....219, 221  
 SPACER, FAN, DEUTZ, 38MM LNG.....101  
 SPACER, HANGER BRACKET.....239  
 SPACER,BOOM WIPER TOP.....189  
 SPACER,PULLEY,DEUTZ TIER 4 GEN.....219,  
 221  
 SPARK PLUG WIRE SET,GM 3.0.....11, 111  
 SPEED SENSOR,PERKINS 404D-22T.....113  
 SPIDER (106113).....211  
 SPRING CLIP, M8-1.25, 0.8-4.0 X 13,  
 ZAB.....113

SPRING CLIP,1/4-20,.025-.15X.54,ZAG.....43,  
 57, 59, 61, 63, 97, 99, 103, 115, 119, 125, 129,  
 131, 135, 137, 141, 145  
 S P R I N G  
 CLIP,10-24,.025-.125X.468,ZAG.....113, 145,  
 241  
 SPRING CLIP,3/8-16,.05-.20X.73,ZAG.....43,  
 53, 55, 57, 59, 61, 63, 75, 77, 79, 81, 97, 183,  
 209, 211, 223  
 Spring Kit.....49  
 SPRING KIT (121291).....51  
 SPRING,0.984"OD X 1.50"LG.....127  
 SPRING,COMP,1" OD,232 LB/IN.....225  
 SPRING,COMP,1-1/4"OD 352 LB/IN.....225  
 SPRING,EXTENSION,1.92LB/IN.....229  
 SPRING,JOYSTK CENTR,62390/91.....151  
 SPRING,SWITCH CENTERING,75565.....151  
 SQUEEZE CONN W/NUT, 2WIRE, 4MM.....233  
 SQUEEZE CONNECTOR, 4 WIRE.....233  
 STANDOFF, 3/8" BLACK.....57, 75, 77, 79, 81  
 STANDOFF,6-32 X 3/8L X 1/4 HEX.....148  
 START BATTERY,HC110 AGM,1100CCA.....57  
 STARTER MOTOR,PERKINS 404D.....117  
 STARTER, GM3.0L ENG.....111  
 STARTER,3.2KW,DEUTZ D2.9.....97  
 STRAINER ASSY,#24 O-RING.....53, 55  
 STRAINER,16 SAE F/24 SAE M.....53  
 STRAP, CONDUIT HOLDER 60"\*\*\*.....207  
 STRIKER, LATCH.....187  
 STROBE,FIREBOLT,12-80VDC,AMB\*\*.....183  
 STUD,WHEEL,3/4-16, ( 34115 ).....47, 49, 51  
 SUPPORT, RAILING.....185, 229  
 SUPPORT, TAPPED HINGE.....59, 61  
 SUPPORT,SENSOR,JOYSTICK.....151  
 SWING DRIVE ASSEMBLY.....63  
 SWING MOTOR COMPLETE\*\*\*.....63  
 SWITCH SHIELD,ROCK JOYSTK75565.....151  
 SWITCH TOGGLE ASSY DPDT 2P MOM..67,  
 72, 147-148  
 SWITCH TOGGLE ASSY DPDT 3P MOM..67,  
 71-72  
 SWITCH TOGGLE ASSY SPDT 2P MNT.....67,  
 71-72, 147-148  
 SWITCH TOGGLE ASSY SPDT 2P MOM...229  
 SWITCH TOGGLE ASSY SPDT 3P MOM...67,  
 71-72, 147-148  
 SWITCH TOGGLE SPDT 3P MOM  
 SHDR.....229  
 SWITCH,LIMIT TABULATED,BLUE.....85, 87  
 SWITCH,LIMIT,TABULATE,BLUE.....85, 87  
 SWITCH,LIMIT,TABULATED,BLUE.....85, 87  
 SWITCH,LIMIT,W/RLLR ARM,NO/NC.....85,  
 87, 137  
 SWITCH,PRESS,#4NPT,200PSIF.....211  
 SWITCH,SELECTOR,BLACK.....72  
 SWIVEL,HYD 8 PORT\*\*\*.....65

T

T-BOX, 2.75 x 4.5 x 2.0.....223, 243  
 TAILPIPE,404D-22T,S-80.....115  
 TAILPIPE,DEUTZ BF4L2011.....89, 105  
 TANK ASSY, GAS, 30 GAL.....55  
 TANK, 7 GAL/33.5 POUND, LP.....209  
 TANK, HYDRAULIC 40 GAL.....53, 55  
 TAPE, PROTECTIVE MASK.....25, 39  
 TEE,BRANCH,520429-8.....171  
 TEE,BULKHEAD,RUN,520958-4.....169, 171  
 TEE,RUN,520428-6.....57, 175-176  
 TEE,RUN,520428-8.....175-176

TEE,RUN,SWIVEL,520432-6.....217, 235, 237  
 TERM,AMP MTE,SOC,22-26 GA BULK.....151  
 TERMINAL BLOCK END PLATE.....69, 71-72  
 TERMINAL BLOCK,WIELAND.....69, 71-72  
 TERMINAL, #8 RING,5/16ID.....211  
 TERMINAL,#10 RING,BLUE.....243  
 TERMINAL,FORK,BLUE (BULK).....243  
 THROTTLE BODY, 40MM.....111  
 THROTTLE LINKAGE, DSL.....89  
 THROTTLE SOLENOID ASSY,TROMB.....89  
 TIRE & WHEEL ASSY,FOAM NM,LH.....41  
 TIRE & WHEEL ASSY,FOAM NM,RH.....41  
 TIRE & WHEEL ASSY,RT LP FOAM,L.....41  
 TIRE & WHEEL ASSY,RT LP FOAM,R.....41  
 TIRE,18-625,16 PLY RT HBR,N-M.....41  
 TIRE,18-625,16 PLY,RT HBR.....41  
 TIRE,41/18LL X 22.5,14PR,TURF\*.....41  
 TOOL TRAY.....185  
 TOOL,CABLE GRIP, 7/16".....133  
 TRIM, RUBBER "D" SEAL, 3/16 96.....105  
 TRIM,EDGE,1/8X3/4 SIDE BULB.....97  
 TRIMLOCK,BLACK,5/32".....207  
 TROLLEY, TRACK, FALL ARREST BAR.....239  
 TUBE, RD, ALUM, 1.25 X .083 X 11.75.....199  
 TUBE, SWING GATE GUARD.....185  
 TUBE,AIR INTAKE,DEUTZ.....91  
 TUBE,FUEL RETURN,3/8X3/8X23.5.....53  
 TUBE,INTAKE,DEUTZ 2.9L.....99  
 TUBE,INTAKE,PERKINS 404D-22T.....115  
 TUBE,RD,STL,ALM,2.50X.065X3.00.....105  
 TUBE,RD,STL,DOM,,.75X.38X.78.....189  
 TUBING,VINYL,1/2" CLEAR.....113  
 TURBOCHARGER,PERKINS 404D-22T....117

U

U-BOLT, FLATTENED, 1.5 X 3/8  
 UNC,ZAG.....145, 199, 207, 231  
 U-BOLT, SQR, 3/8-16X2X5, PLTD.....229  
 U-BOLT,1/2-13 X 8.5.....89, 115  
 U-BOLT,3/8-16X4X4.63X3.00.....213, 229  
 UBOLT, 0.4724 IN D X 4.0 IN L.....57, 121  
 UBOLT,FLATTENED,1.5DIAX3/8 UNC.....227  
 UNION,BULKHEAD,ORFS,520601,-4.....179,  
 181  
 UNION,STR.THREAD 24\*\*\*.....53, 55, 175-176  
 UNISTRUT,FAN SHROUD BRACE,L,DE.....99  
 UNISTRUT,FAN SHROUD BRACE,R,DE.....99

V

V BELT, COGGED, AX32.....221  
 V BELT,COGGED,AX37.....221  
 V-BELT, DEUTZ F4L2011.....11  
 V-BELT, DEUTZ TD2011LOAI.....95  
 VALV, DIFFERENTIAL SENSING.....163  
 VALVE - COUNTERBALANCE\*\*.....157  
 VALVE - SOLENOID 2POSITION 3WA.....163  
 VALVE BALL,24 FSAE-24 FSAE\*\*\*.....53, 55,  
 175-176  
 VALVE, CHECK.....153, 155  
 VALVE, CHECK, 30 PSI.....163  
 VALVE, CHECK, 5PSI.....153  
 VALVE, CNTRBAL 3500 PSI, ATM VEN.....139,  
 141  
 VALVE, FLOW DIVIDE/COMB,24GPM.....153  
 VALVE, FLOW DIVIDE/COMBINE 1:1.....153  
 VALVE, RELIEF, 2400 PSI.....163  
 VALVE, RELIEF, 280PSI.....153  
 VALVE, SHUTTLE, FIXED.....153

## Part Description Index (continued)

- VALVE, SOLENOID.....155  
 VALVE,BALL,16 MSAE-16 FSAE\*\*\* .....53, 55,  
 175-176  
 VALVE,CHECK,3 PSI\*\*\* .....165  
 VALVE,CHECK,5 PSI.....153  
 VALVE,CNTERBAL,CBBB-LHN@3000\*\* .....135  
 VALVE,COUNTERBAL,CBCA-LIN\*\*\* .....63  
 VALVE,COUNTERBALANCE.....41, 141  
 VALVE,COUNTERBALANCE,1000 ATM.....133  
 VALVE,COUNTERBALANCE,3500 PSI.....159,  
 161  
 VALVE,DIFFERENTIAL SENSING.....163  
 VALVE,EDC,PILOT,SAUER,M46\*\*\* .....167  
 VALVE,FLOW DIVIDER/COMBINER.....153  
 VALVE,FLOW REGULATOR.....163  
 VALVE,FUNCTION ENABLE.....157  
 VALVE,NEEDLE\*\*\* .....159, 161  
 VALVE,PILOT OPER DIRECTIONAL.....165  
 VALVE,PROPORTIONAL.....163  
 VALVE,RELIEF.....163  
 VALVE,RELIEF 3200 PSI.....163  
 VALVE,RELIEF,280PSI.....153  
 VALVE,SHUTTLE.....153  
 VALVE,SOLENOID 2 POS 2 WAY.....157  
 VALVE,SOLENOID,10V,W/OUT COIL\* .....165  
 VALVE,SOLENOID,NO,POPPET.....163  
 VALVE,SOLENOID,NOR.....217  
 Valve-Solenid 2 Postion 3WA.....163  
 Verify Engine Make and Model Before  
 Ordering.....71-72  
 VLV,MAN,3 POS/4 WAY,CLOSE CTR\* .....45  
 VOLTAGE REGULATOR,110V.....223  
 VOLTAGE REGULATOR,220V.....223
- W**
- WASHER, FLAT .394 X 1.25 X .25.....113  
 WASHER, FLAT, USS, 5/8, ZAG.....121  
 WASHER,CRUSH,COOLANT SENSOR.....97  
 WASHER,FLAT,#10,USS,ZAG.....57, 103, 113,  
 183, 187, 223  
 WASHER,FLAT,#8,SAE,ZAG.....243  
 WASHER,FLAT,.375 X 1.5 X .125.....97  
 WASHER,FLAT,.375X1.50X.125,ZAG.....113,  
 231  
 WASHER,FLAT,.625 HARDENED.....93, 97,  
 101  
 WASHER,FLAT,625 X 2.25 X .15.....93, 101  
 WASHER,FLAT,.75,SAE,HRD,ZAG.....63, 133  
 WASHER,FLAT,1.0,F436,HRD,ZAG.....83, 143  
 WASHER,FLAT,1.0,USS,ZAG.....83  
 WASHER,FLAT,1.56 X 2.5 X .061.....93, 101  
 WASHER,FLAT,1/2,SAE,HRD,ZAG.....143  
 WASHER,FLAT,1/2,USS,ZAG.....57, 121  
 WASHER,FLAT,3.062X4.5X.05,ZAG.....135  
 WASHER,FLAT,3/8,SAE,HRD,ZAG.....143  
 WASHER,FLAT,3/8,USS,ZAG.....231  
 WASHER,FLAT,5/16,USS,ZAG.....207, 213  
 WASHER,FLAT,5/8,F436,HRD,ZAG.....65  
 WASHER,FLAT,M10,ZINC PLTD.....99  
 WASHER,FLAT,M12.....99, 101  
 WASHER,FLAT,M14,DIN6916,HRD,ZAB...119,  
 221  
 WASHER,FLAT,M16,DIN6916,HRD,ZAB.....41,  
 43  
 WASHER,FLAT,M8,YELLOW ZINC.....101, 117  
 WASHER,FLAT,MS,#10,Y.....89, 97, 133, 147-  
 148, 195, 197  
 WASHER,FLAT,USS,1/4\*Y.....67, 69, 71-72,  
 89, 91, 99, 101, 147-148, 191, 199, 227  
 WASHER,FLAT,USS,1/4,ZAG.....43, 57, 63,  
 123, 141, 211, 213, 231  
 WASHER,FLAT,USS,3/8",Y.....97, 99, 123  
 WASHER,FLAT,USS,5/16",Y.....91, 99, 185,  
 199, 211, 227  
 WASHER,LOCK,#10,ZAG.....65, 223  
 WASHER,LOCK,.25.67, 69, 71-72, 147-148,  
 185  
 WASHER,LOCK,.313.....211  
 WASHER,LOCK,1/4,ZAG.....139, 141  
 WASHER,LOCK,3/8,ZAG.....127, 141, 189  
 WASHER,LOCK,M6.....89  
 WASHER,NITRILE.....71-72  
 WASHER,SHIM .0151 THK.....225  
 WASHER,SHIM,1.270X2.130X.062,Z.....139,  
 141  
 WASHER,SHIM,1.56X2.5X.061,ZAG.....123,  
 133  
 WASHER,SHIM,2.5X4X.062,ZAG.....135, 137  
 WASHER,SHOULDER,NYLON.....127  
 WASHER,THRUST 5 X 1.81 BRONZE.....41  
 WASHER,THRUST,(33434)\*\* .....51  
 WATER PUMP PULLEY,PERKINS 404D....117  
 WATER PUMP,PERKINS 404D-22T.....117  
 WDMT,AIRCRAFT SENSOR BUMPER.....229  
 WDMT,SKID PLATE.....229  
 WEAR PAD ASSEMBLY,CABLE TRACK.....123  
 WEAR PAD,3 X 1.5 X .625 W/NUTS.....141  
 WEAR PAD,5 X 1.5 X .625 W/NUTS.....125,  
 129, 131  
 WEAR PAD,5 X 1.5 X .875 W/NUTS...125, 129  
 WEAR PAD,5.5 X 1.75 X .5.....123  
 WEAR PAD,7X3X.625 W/NUTS.....125, 129,  
 131  
 WEAR PAD,CABLE TRACK PULL TUBE....123  
 WEAR PAD,ENGINE TRAY.....121  
 WEARPAD, LIMIT SWITCH GUIDE.....127  
 WELD CABLE ASSY, S80.....227  
 WELD CABLE ASSY, S85.....227  
 WELD, LPG TANK MOUNT.....209  
 WELDER, MILLER, CST 280.....213  
 WELDER,INVERTEC V275-S.....213  
 WELDMENT, AIRCRAFT TOP BUMPER....229  
 WELDMENT, BOOM SEC #2, S80 DC.....129  
 WELDMENT, COVER SUPPORT,ENGINE  
 SIDE.....61  
 WELDMENT, COVER SUPPORT,TANK  
 SIDE.....59  
 WELDMENT, GBOX, S80/85 2013.....67, 71-  
 72  
 WELDMENT, GUIDE BRACKET, YOKE,....41  
 WELDMENT, HOOD LATCH MOUNT.....57  
 WELDMENT, LEFT CONTACT ALARM,  
 LARGE.....241  
 WELDMENT, LID, GBOX, TIER IV S80....72  
 WELDMENT, LIMIT SWITCH ARM.....127  
 WELDMENT, PIPE CRADLE.....207  
 WELDMENT, PLAT SUPPORT.....145  
 WELDMENT, PRECLEANER MT,  
 DEUTZ/PERKINS.....193  
 WELDMENT, REAR MOUNT,ENGINE.....101  
 WELDMENT, RIGHT CONTACT ALARM,  
 LARGE.....241  
 WELDMENT, SENSOR MOUNT.....229  
 WELDMENT, SWING GATE.....145  
 WELDMENT, T4F MOUNT BRACKET,  
 B.....103, 119  
 WELDMENT, TIE ROD, S80, NDL.....41  
 WELDMENT, TRANSPORT LOCK.....63  
 WELDMENT,BOOM SEC #1.....125  
 WELDMENT,BOOM SEC #3.....131  
 WELDMENT,CABLE GUIDE.....137  
 WELDMENT,CABLE TRACK TRAY.....123  
 WELDMENT,COOLING AIRBOX.....89  
 WELDMENT,ENGINE TRAY.....121  
 WELDMENT,ENGINE TRAY,2.9L DEUTZ...121  
 WELDMENT,EXHUAUST TUBE S80.....61  
 WELDMENT,EXTENSION BRACKET.....131  
 WELDMENT,FUEL RETURN LINE,404D....113  
 WELDMENT,INTAKE,PERKINS 404F-....113  
 WELDMENT,LID,GBOX,S0/85 2008.....69  
 WELDMENT,LOAD SUPPORT.....225  
 WELDMENT,LONG LINK.....135  
 WELDMENT,LONG LINK,CABLE  
 COVER.....227  
 WELDMENT,LONG,GUIDE TUBE.....123  
 WELDMENT,LOWER RADIATOR SSSL,.....113  
 WELDMENT,MASTER LINK.....135  
 WELDMENT,PIPE CRADLE MOUNT.....207  
 WELDMENT,PLAT CONT BOX,2008.....148  
 WELDMENT,PLATE,LEVER MAST CYL,....135  
 WELDMENT,PLATFORM SUPPORT,CE.....225  
 WELDMENT,PRECLEANER MT,DEUTZ....193  
 WELDMENT,REAR ENGINE MOUNT.....93  
 WELDMENT,RETRACT SHEAVE  
 COVER.....133  
 WELDMENT,ROTATOR SUPPORT.....225  
 WELDMENT,SHORT LINK.....135  
 WELDMENT,SWING GATE PANEL.....207  
 WELDMENT,TRACK PULL TUBE PIVOT....131  
 WHEEL DRIVE W/BRAKE 86.74:1.....41, 43,  
 51  
 WHEEL DRIVE, IDLER.....41, 47  
 WHEEL DRIVE,W/BRAKE 57.49:1.....41, 43,  
 49  
 WHEEL,24.5 X 15.00.....41  
 WHEEL,HF,22.5 X 14.00.....41  
 WIPER,RUBBER,S80,SEC #1,BOTTOM....189  
 WIPER,RUBBER,S80,SEC #1,TOP.....189  
 WIPER,RUBBER,S80,SEC #2,BOT.....189  
 WIPER,RUBBER,S80,SEC#2,TOP.....189  
 WIRE MANAGEMENT, WIRE LOOM  
 SUP.....117  
 WIRE MANAGEMENT,GUIDE ROD  
 ASSY.....113  
 WIRE,12/3 SJEOW,BK-WH-GR/YL.....85, 87  
 WIRE,14 GA,GREEN/YELLOW,THHN\*\*....243  
 WLDMT, LOWER COVER SUPPORT.....59, 61  
 WLDMT,HIGHER COVER SUPPORT,ES.....61  
 WLDMT,HIGHER COVER SUPPORT,TS.....59  
 WLDT, INTAKE, T4 DEUTZ, Z80/S80....97  
 WORKLIGHT, 12V, DEUTSCH RECEPT....185
- Z**
- ZERK,GREASE,1/8 NPT.....57  
 ZERK,GREASE,5/16-24,STRAIT.....225
- 
- Deutz TD 2.9L4 Models—.....11  
 —Deutz TD2011L04i Models—.....11  
 —GENERAL SERVICE PARTS—.....11  
 —GM 3.0L Models—.....11  
 —HYD FILTERS—.....11  
 —INSPECTION SERVICE KITS—.....11  
 —MANUALS—.....11  
 —Perkins 404D-22T Models—.....11

## Fitting Cross References

Genie PN	Parker PN	Description	Genie PN	Parker PN	Description
12342	6-4 F5OX-S	CONNECTOR,STRAIGHT THREAD TO FLARE TUBE	42794	1 CR-S	ELBOW,90°,MALE PIPE
13757	4 R6X-S	RUN TEE,SWIVEL NUT,ORFS	42795	BV-0839	BALL VALVE
19685	12-10 C5OX-S	ELBOW,90°,STRAIGHT THREAD TO FLARE TUBE	42796	BV-0838	BALL VALVE
22664	12-10 C5OX	ELBOW,90°,STRAIGHT THREAD TO FLARE TUBE	42874	6-8 CLO-S	ELBOW,90°,MALE PIPE TO ORFS
27431	8-12 F5OX-S	CONNECTOR,STRAIGHT THREAD TO FLARE TUBE	42912	13943-6-4	HOSE END,90° FEMALE SWIVEL,JIC
28678	AS-B-33	SLEEVE,NYLON,1.81" ID	42920	BV-0840	BALL VALVE,90°
39871	6 WETX-WLN-S	UNION,90° BULKHEAD W/NUT,FLARE TUBE	42932	AS-B-17	SLEEVE,NYLON,1.22" ID
39872	4 R5OX-S	RUN TEE,STRAIGHT THREAD	42936	10243-2-4	HOSE END,FEMALE PIPE
39873	6 C5OX-S	ELBOW,90°,STRAIGHT THREAD TO FLARE TUBE	42953	1/2 DD-S	ELBOW,90°,FEMALE PIPE
39874	8-6 C5OX-S	ELBOW,90°,STRAIGHT THREAD TO FLARE TUBE	42956	6 WELO-WLNL-S	UNION,90° BULKHEAD W/NUT,ORFS
39875	4-6 C5OX-S	ELBOW,90°,STRAIGHT THREAD TO FLARE TUBE	45349	8 V5OX-S	ELBOW,45°,STRAIGHT THREAD TO FLARE TUBE
39876	6-8 C5OX-S	ELBOW,90°,STRAIGHT THREAD TO FLARE TUBE	45351	4 V5OX-S	ELBOW,45°,STRAIGHT THREAD TO FLARE TUBE
39877	4 F5OX-S	CONNECTOR,STRAIGHT THREAD TO FLARE TUBE	47223	10343-6-6	HOSE END,MALE,JIC
39878	6 F5OX-S	CONNECTOR,STRAIGHT THREAD TO FLARE TUBE	47419	PS690503-6-6	SWIVEL,90°,STRAIGHT THREAD TO 37° FLARE
39879	4-8 F5OX-S	CONNECTOR,STRAIGHT THREAD TO FLARE TUBE	48750	421-4	HOSE,1/4 INCH ID
39880	6-10 F5OX-S	CONNECTOR,STRAIGHT THREAD TO FLARE TUBE	48751	481TC-4	HOSE,1/4 INCH ID
39881	4-6 F5OX-S	CONNECTOR,STRAIGHT THREAD TO FLARE TUBE	48752	482TC-4	HOSE,1/4 INCH ID
39882	4-HP5ON-S	PLUG,STRAIGHT THREAD	48753	451TC-6	HOSE,3/8 INCH ID
39883	8-8 FTX-S	CONNECTOR,MALE PIPE TO FLARE TUBE	48754	482TC-6	HOSE,3/8 INCH ID
39885	269HB 12-12	ELBOW,90°,BEADED HOSE BARB TO MALE PIPE	48755	381-6	HOSE,3/8 INCH ID
39886	431-6	HOSE,3/8 INCH ID	48756	451TC-8	HOSE,1/2 INCH ID
39887	540N-2	HOSE,1/8 INCH ID	48757	482TC-8	HOSE,1/2 INCH ID
39888	801-8	HOSE,1/2 INCH ID	48758	381-8	HOSE,1/2 INCH ID
39889	801-12	HOSE,3/4 INCH ID	48759	381-10	HOSE,5/8 INCH ID
39890	10643-6-6	HOSE END,FEMALE SWIVEL,JIC	48760	451TC-10	HOSE,5/8 INCH ID
39891	13943-6-6	HOSE END,90° FEMALE SWIVEL,JIC	48761	482TC-12	HOSE,3/4 INCH ID
39892	13743-6-6	HOSE END,45° FEMALE SWIVEL,JIC	48762	451TC-12	HOSE,3/4 INCH ID
39894	30682-8-8	HOSE END,FEMALE SWIVEL,JIC	48763	772-12	HOSE,3/4 INCH ID
39895	30682-10-12	HOSE END,FEMALE SWIVEL,JIC	48764	881-16	HOSE,1 INCH ID
42286	8-8 CTX-S	ELBOW,90°,MALE PIPE TO FLARE TUBE	48765	772-16	HOSE,1 INCH ID
42756	8-12 CLO-S	ELBOW,90,MALE PIPE TO ORFS	48766	AS-B-15	SLEEVE,NYLON,1.06" ID
42757	8-12 FLO-S	CONNECTOR,MALE PIPE TO ORFS	48767	AS-B-22	SLEEVE,NYLON,1.42" ID
42758	4 JLO-S	UNION TEE,ORFS	48770	881-8	HOSE,1/2 INCH ID
42759	4-4 FLO-S	CONNECTOR,MALE PIPE TO ORFS			
42760	6-8 FLO-S	CONNECTOR,MALE PIPE TO ORFS			
42761	1J143-6-4	HOSE END,90° FEMALE SWIVEL,SEAL LOK			
42762	1J743-6-4	HOSE END,45° FEMALE SWIVEL,SEAL LOK			
42768	1JO43-4-4	HOSE END,MALE,SEAL LOK			
42776	601-8	HOSE,1/2 INCH ID			
42777	1J743-16-16	HOSE END,45° FEMALE SWIVEL,SEAL LOK			
42786	16 CLO-S	ELBOW,90°,MALE PIPE TO ORFS			
42787	16 R6LO-S	RUN TEE,SWIVEL NUT,ORFS			
42788	16-8 TRLO-BL-S	REDUCER,TUBE END TO SWIVEL,ORFS			
42789	6-6 CLO-S	ELBOW,90°,MALE PIPE TO ORFS			
42790	8-10 V5OLO-S	ELBOW,45°,STRAIGHT THREAD TO ORFS			
42791	3/4 CD-S	ELBOW,90°,MALE TO FEMALE PIPE			
42792	3/4 X 1/2 PTR-S	REDUCER,MALE TO FEMALE PIPE			
42793	1/2 CR-S	ELBOW,90°,MALE PIPE			



## Fitting Cross References (Continued)

Genie PN	Parker PN	Description	Genie PN	Parker PN	Description
48771	881-10	HOSE,5/8 INCH ID	48847	13943-12-12	HOSE END,90° FEMALE SWIVEL,JIC
48772	381-4	HOSE,1/4 INCH ID	48848	10543-12-12	HOSE END,MALE,STRAIGHT THREAD
48773	AS-B-13	SLEEVE,NYLON,.86" ID	48849	1JC71-12-12	HOSE END,FEMALE SWIVEL,SEAL LOK
48800	1JC43-4-4	HOSE END,FEMALE SWIVEL,SEAL LOK	48850	1JS71-12-12	HOSE END,FEMALE SWIVEL,SEAL LOK
48801	1J743-4-4	HOSE END,45° FEMALE SWIVEL,SEAL LOK	48851	1J171-12-12	HOSE END,90° FEMALE SWIVEL,SEAL LOK
48802	1J943-4-4	HOSE END,90° FEMALE SWIVEL,SEAL LOK	48852	1J771-12-12	HOSE END,45° FEMALE SWIVEL,SEAL LOK
48804	1JM43-4-4	HOSE END,MALE,SEAL LOK, NO O-RING	48853	1J971-12-12	HOSE END,90° FEMALE SWIVEL,SEAL LOK
48805	10643-4-4	HOSE END,FEMALE SWIVEL,JIC	48854	1JC43-16-16	HOSE END,FEMALE SWIVEL,SEAL LOK
48806	13943-4-4	HOSE END,90° FEMALE SWIVEL,JIC	48855	1J943-16-16	HOSE END,90° FEMALE SWIVEL,SEAL LOK
48807	1JS43-4-4	HOSE END,FEMALE SWIVEL,SEAL LOK	48856	1J171-16-16	HOSE END,90° FEMALE SWIVEL,SEAL LOK
48808	3JC82-8-8	HOSE END,FEMALE SWIVEL,SEAL LOK	48857	1J971-16-16	HOSE END,90° FEMALE SWIVEL,SEAL LOK
48809	3JC82-12-12	HOSE END,FEMALE SWIVEL,SEAL LOK	48859	1JS43-8-4	HOSE END,FEMALE SWIVEL,SEAL LOK
48810	1JC43-6-4	HOSE END,FEMALE SWIVEL,SEAL LOK	48867	PD36BTL	DIAGNOSTIC NIPPLE,SEAL-LOK SWIVEL
48811	1J943-6-4	HOSE END,90° FEMALE SWIVEL,SEAL LOK	48873	6 PNLO-S	PLUG,TUBE END,ORFS
48812	1JC43-6-6	HOSE END,FEMALE SWIVEL,SEAL LOK	48874	6 PNTX-S	PLUG,FLARE TUBE
48813	1J143-6-6	HOSE END,90° FEMALE SWIVEL,SEAL LOK	48875	6 R6LO-S	RUN TEE,SWIVEL NUT,ORFS
48814	1J543-6-6	HOSE END,90° FEMALE SWIVEL,SEAL LOK	48877	4 F5OLO-SW/.025	CONNECTOR,STRAIGHT THREAD TO ORFS, W/.025 ORI
48815	1J743-6-6	HOSE END,45° FEMALE SWIVEL,SEAL LOK	48878	16-12 C5OLO-S	ELBOW,90°,STRAIGHT THREAD TO ORFS
48816	1J943-6-6	HOSE END,90° FEMALE SWIVEL,SEAL LOK	48879	8 C6LO-S	ELBOW,90°,SWIVEL NUT ORFS
48817	1JS43-6-8	HOSE END,FEMALE SWIVEL,SEAL LOK	48880	PD6-285	CAP,DIAGNOSTIC NIPPLE
48818	1J943-8-4	HOSE END,90° FEMALE SWIVEL,SEAL LOK	48881	6 HLO-S	UNION,ORFS
48819	1JC43-8-6	HOSE END,FEMALE SWIVEL,SEAL LOK	48883	8 P5ON-S	PLUG,STRAIGHT THREAD
48820	1J743-8-6	HOSE END,45° FEMALE SWIVEL,SEAL LOK	48884	8M18F87OMLO-S	CONNECTOR,METRIC,STRAIGHT THREAD TO ORFS
48821	1J943-8-6	HOSE END,90° FEMALE SWIVEL,SEAL LOK	48885	4 WGTX-WLN-S	CONNECTOR,BULKHEAD,FEMALE PIPE TO FLARE TUBE
48822	1JC43-8-8	HOSE END,FEMALE SWIVEL,SEAL LOK	48886	4 F5OLO-SW/2MM	CONNECTOR,MACHINED STRAIGHT THREAD TO ORFS
48823	1JS43-8-8	HOSE END,FEMALE SWIVEL,SEAL LOK	48887	4 CTX-S	ELBOW,90°,MALE PIPE TO FLARE TUBE
48824	1J143-8-8	HOSE END,90° FEMALE SWIVEL,SEAL LOK	48888	10-12 V5OLO-S	ELBOW,45°,STRAIGHT THREAD TO ORFS
48825	1J543-8-8	HOSE END,90° FEMALE SWIVEL,SEAL LOK	48890	4 S5OLO-S	BRANCH TEE,STRAIGHT THREAD TO ORFS
48826	1J743-8-8	HOSE END,45° FEMALE SWIVEL,SEAL LOK	48891	4 S6LO-S	BRANCH TEE,SWIVEL NUT TO ORFS
48827	1J943-8-8	HOSE END,90° FEMALE SWIVEL,SEAL LOK			
48828	1JC43-10-8	HOSE END,FEMALE SWIVEL,SEAL LOK			
48829	1JS43-10-8	HOSE END,FEMALE SWIVEL,SEAL LOK			
48830	1J743-10-8	HOSE END,45° FEMALE SWIVEL,SEAL LOK			
48831	1J943-10-8	HOSE END,90° FEMALE SWIVEL,SEAL LOK			
48833	1JC43-10-10	HOSE END,FEMALE SWIVEL,SEAL LOK			
48834	1J943-10-10	HOSE END,90° FEMALE SWIVEL,SEAL LOK			
48835	1JS43-10-12	HOSE END,FEMALE SWIVEL,SEAL LOK			
48836	1JC43-12-8	HOSE END,FEMALE SWIVEL,SEAL LOK			
48837	1JS43-12-8	HOSE END,FEMALE SWIVEL,SEAL LOK			
48838	1J743-12-8	HOSE END,45° FEMALE SWIVEL,SEAL LOK			
48839	1J943-12-8	HOSE END,90° FEMALE SWIVEL,SEAL LOK			
48840	1J943-12-10	HOSE END,90° FEMALE SWIVEL,SEAL LOK			
48841	1JC43-12-12	HOSE END,FEMALE SWIVEL,SEAL LOK			
48842	1JO43-12-12	HOSE END,MALE,SEAL LOK			
48843	1J143-12-12	HOSE END,90° FEMALE SWIVEL,SEAL LOK			
48844	1J543-12-12	HOSE END,90° FEMALE SWIVEL,SEAL LOK			
48845	1J743-12-12	HOSE END,45° FEMALE SWIVEL,SEAL LOK			
48846	1J943-12-12	HOSE END,90° FEMALE SWIVEL,SEAL LOK			



## Fitting Cross References (Continued)

Genie PN	Parker PN	Description	Genie PN	Parker PN	Description
48892	6 C6LO-S	ELBOW,90°,SWIVEL NUT ORFS	48938	8 R6LO-S	RUN TEE,SWIVEL NUT,ORFS
48893	6 F5OHAO-S	UNION,STRAIGHT THREAD	48939	8 S6LO-S	BRANCH TEE,SWIVEL NUT TO ORFS
48894	8 WLO-WLNL-S	UNION,BULKHEAD,ORFS	48940	8 WJLO-WLNL-S	RUN TEE, BULKHEAD,ORFS
48895	DT-370-MSMO-5	VALVE,CHECK	48941	8-4 TRLO-S	REDUCER,TUBE END TO SWIVEL,ORFS
48896	6 JLO-S	UNION,TEE,ORFS	48942	8-6 C5OLO-S	ELBOW,90°,STRAIGHT THREAD TO ORFS
48897	DT-750-MSMS-5	VALVE,CHECK	48943	8-6 F5OLO-S	CONNECTOR,STRAIGHT THREAD TO ORFS
48898	DT-750-MOMS-5	VALVE,CHECK	48944	8-8 FLO-S	CONNECTOR,MALE PIPE TO ORFS
48899	DT-620-MOMS-5	VALVE,CHECK	48945	8 FTX-S	CONNECTOR,MALE PIPE TO FLARE TUBE
48900	4-6 F5OLO-SW/.035	CONNECTOR,STRAIGHT THREAD TO ORFS, W/.035 ORI	48946	8-10 F5OLO-S	CONNECTOR,STRAIGHT THREAD TO ORFS
48902	16-1 AOE4G-S	ELBOW,90° LONG,FEMALE PIPE TO STRAIGHT THREAD	48947	8-12 C5OLO-S	ELBOW,90°,STRAIGHT THREAD TO ORFS
48903	1 FF-S	NIPPLE,PIPE	48948	8-12 F5OLO-S	CONNECTOR,STRAIGHT THREAD TO ORFS
48904	4 C5OLO-S	ELBOW,90°,STRAIGHT THREAD TO ORFS	48949	8-16 F5OLO-S	CONNECTOR,STRAIGHT THREAD TO ORFS
48905	4 F5OLO-S	CONNECTOR,STRAIGHT THREAD TO ORFS	48950	10 C5OLO-S	ELBOW,90°,STRAIGHT THREAD TO ORFS
48906	4 R5OLO-S	RUN TEE,STRAIGHT THREAD	48951	10 CC5OLO-S	ELBOW,90° LONG,STRAIGHT THREAD TO ORFS
48907	4 V5OLO-S	ELBOW,45°,STRAIGHT THREAD TO ORFS	48952	10 F5OLO-S	CONNECTOR,STRAIGHT THREAD TO ORFS
48908	4 R6LO-S	RUN TEE,SWIVEL NUT,ORFS	48953	10 R5OLO-S	RUN TEE,STRAIGHT THREAD
48909	4 WJLO-WLNL-S	RUN TEE, BULKHEAD,ORFS	48954	10 S5OLO-S	BRANCH TEE,STRAIGHT THREAD TO ORFS
48910	4 GTX-S W/.030	CONNECTOR,FEMALE PIPE TO FLARE TUBE	48955	10 R6LO-S	RUN TEE,SWIVEL NUT,ORFS
48911	4-6 C5OLO-S	ELBOW,90°,STRAIGHT THREAD TO ORFS	48956	10-4 TRLO-BL-S	REDUCER,TUBE END TO SWIVEL,ORFS
48912	4-6 F5OLO-S	CONNECTOR,STRAIGHT THREAD TO ORFS	48957	10-6 TRLO-BL-S	REDUCER,TUBE END TO SWIVEL,ORFS
48913	4-6 F5OLO-SW/.030	CONNECTOR,STRAIGHT THREAD TO ORFS, W/.030 ORI	48958	10-12 F5OLO-S	CONNECTOR,STRAIGHT THREAD TO ORFS
48914	4-8 F5OLO-S	CONNECTOR,STRAIGHT THREAD TO ORFS	48959	12 C5OLO-S	ELBOW,90°,STRAIGHT THREAD TO ORFS
48915	6 C5OLO-S	ELBOW,90°,STRAIGHT THREAD TO ORFS	48960	12 F5OLO-S	CONNECTOR,STRAIGHT THREAD TO ORFS
48916	6 F5OLO-S	CONNECTOR,STRAIGHT THREAD TO ORFS	48961	12 R5OLO-S	RUN TEE,STRAIGHT THREAD
48917	6 FF5OLO-S	CONNECTOR,LONG,STRAIGHT THREAD TO ORFS	48962	12 S5OLO-S	BRANCH TEE,STRAIGHT THREAD TO ORFS
48918	6 R5OLO-S	RUN TEE,STRAIGHT THREAD	48963	12 V5OLO-S	ELBOW,45°,STRAIGHT THREAD TO ORFS
48919	6 S5OLO-S	BRANCH TEE,STRAIGHT THREAD TO ORFS	48964	12 R6LO-S	RUN TEE,SWIVEL NUT,ORFS
48920	6 V5OLO-S	ELBOW,45°,STRAIGHT THREAD TO ORFS	48965	12 CLO-S	ELBOW,90°,MALE PIPE TO ORFS
48921	6 FLO-S	CONNECTOR,MALE PIPE TO ORFS	48966	12 FLO-S	CONNECTOR,MALE PIPE TO ORFS
48922	6-6 FLO-S	CONNECTOR,MALE PIPE TO ORFS	48967	12 JLO-S	UNION TEE,ORFS
48923	6 P5ON-S	PLUG,STRAIGHT THREAD	48968	12 WLO-WLNL-S	UNION,BULKHEAD,ORFS
48925	6 WELO-S	UNION,90° BULKHEAD,ORFS	48969	12 WJLO-WLNL-S	RUN TEE, BULKHEAD,ORFS
48926	6-4 C5OLO-S	ELBOW,90°,STRAIGHT THREAD TO ORFS	48970	12 WELO-WLNL-S	UNION,90° BULKHEAD W/NUT,ORFS
48927	6-4 F5OLO-S	CONNECTOR,STRAIGHT THREAD TO ORFS			
48928	6-4 V5OLO-S	ELBOW,45°,STRAIGHT THREAD TO ORFS			
48929	6-8 C5OLO-S	ELBOW,90°,STRAIGHT THREAD TO ORFS			
48930	6-8 F5OLO-S	CONNECTOR,STRAIGHT THREAD TO ORFS			
48931	6-10 F5OLO-S	CONNECTOR,STRAIGHT THREAD TO ORFS			
48932	8 C5OLO-S	ELBOW,90°,STRAIGHT THREAD TO ORFS			
48933	8 F5OLO-S	CONNECTOR,STRAIGHT THREAD TO ORFS			
48934	8 FF5OLO-S	CONNECTOR,LONG,STRAIGHT THREAD TO ORFS			
48935	8 R5OLO-S	RUN TEE,STRAIGHT THREAD			
48936	8 S5OLO-S	BRANCH TEE,STRAIGHT THREAD TO ORFS			
48937	8 V5OLO-S	ELBOW,45°,STRAIGHT THREAD TO ORFS			

Fitting Cross References (Continued)

Genie PN	Parker PN	Description	Genie PN	Parker PN	Description
48971	12 G5G5JG5-S	TEE,FEMALE STRAIGHT THREAD	49612	PKT02586	O-RING KIT (ORFS FITTINGS)
48972	12 XHL6-S	ADAPTER, 37° MALE TO SWIVEL ORFS	49613	PKT06276	PLUG AND CAP KIT-SERVICE,ORFS
48973	12-1/2 F5OG-S	ADAPTER,FEMALE PIPE TO STRAIGHT THREAD	49728	10143-12-12	HOSE END, MALE PIPE
48974	12-10 C5OLO-S	ELBOW,90°,STRAIGHT THREAD TO ORFS	49729	16-1 F5OG-S	ADAPTER,FEMALE PIPE TO STRAIGHT THREAD
48975	12-10 F5OLO-S	CONNECTOR,STRAIGHT THREAD TO ORFS	49814	12-8 FLO-S	CONNECTOR,MALE PIPE TO ORFS
48976	12-16 C5OLO-S	ELBOW,90°,STRAIGHT THREAD TO ORFS	49829	DT-500-MOMF-5	VALVE,CHECK
48977	12-16 F5OLO-S	CONNECTOR,STRAIGHT THREAD TO ORFS	49831	881-12	HOSE,3/4 INCH ID
48978	12-16 V5OLO-S	ELBOW,45°,STRAIGHT THREAD TO ORFS	49834	16 JLO-S	UNION TEE,ORFS
48980	12-16 FLO-S	CONNECTOR,MALE PIPE TO ORFS	49838	12-8 TRLO-BL-S	REDUCER,TUBE END TO SWIVEL,ORFS
48983	16 C5OLO-S	ELBOW,90°,STRAIGHT THREAD TO ORFS	49840	8 JLO-S	UNION TEE,ORFS
48984	16 F5OLO-S	CONNECTOR,STRAIGHT THREAD TO ORFS	49844	10-8 TRLO-BL-S	REDUCER,TUBE END TO SWIVEL,ORFS
48985	16 V5OLO-S	ELBOW,45°,STRAIGHT THREAD TO ORFS	49854	8 P5ON-S	PLUG,STRAIGHT THREAD
48986	16 FLO-S	CONNECTOR,MALE PIPE TO ORFS	49855	1JC43-16-12	HOSE END,FEMALE SWIVEL,SEAL LOK
48988	16 CD45-S	ELBOW,45°,MALE TO FEMALE PIPE	49859	4 P5ON-S	PLUG,STRAIGHT THREAD
48989	12 CD45-S	ELBOW,45°,MALE TO FEMALE PIPE	49861	4 FF5OLO-S	CONNECTOR, LONG, STRAIGHT THREAD TO ORFS
48990	8 CD45-S	ELBOW,45°,MALE TO FEMALE PIPE	49867	12-3/4 F5OG-S	ADAPTER,FEMALE PIPE TO STRAIGHT THREAD
48991	16-12 FLO-S	CONNECTOR,MALE PIPE TO ORFS	51152	6 R6X-S	RUN TEE,SWIVEL NUT,ORFS
48992	16-12 V5OLO-S	ELBOW,45°,STRAIGHT THREAD TO ORFS	51153	6-4 TRTX-S	REDUCER,TUBE END TO SWIVEL,ORFS
48993	XV501-12	BALL VALVE	51154	4-4 GTX	CONNECTOR,FEMALE PIPE TO FLARE TUBE
48994	XV501-16	BALL VALVE	51264	881-12	HOSE,3/4 INCH ID
48995	XV510P-12	BALL VALVE	51265	8 JLO-S	UNION TEE,ORFS
48996	XV510P-16	BALL VALVE	51508	6 BTX-S	NUT,FLARE TUBE
48997	PD341	DIAGNOSTIC NIPPLE, STRAIGHT THREAD	51580	12-8 TRLO-BL-S	TUBE END REDUCER,ORFS
48998	PD 361	DIAGNOSTIC NIPPLE, STRAIGHT THREAD	51628	6 R6X-S	RUN TEE,SWIVEL NUT,ORFS
48999	DT-500-MOMS-5	VALVE,CHECK	51735	3/8 HHP	PLUG,PIPE THREAD
49201	10 V5OLO-S	ELBOW,45°,STRAIGHT THREAD TO ORFS	51803	1J943-6-8	HOSE END,90° FEMALE SWIVEL,SEAL LOK
49202	1JC43-12-10	HOSE END,FEMALE SWIVEL,SEAL LOK	53023	125HBL-5-4	FITTING,HOSE BARB TO MALE PIPE
49203	10-8 V5OLO-S	ELBOW,45°,STRAIGHT THREAD TO ORFS	53497	PKT02585	O-RING KIT
49205	6 F5OHAO-S	UNION,STRAIGHT THREAD	53499	1JC71-16-16	HOSE END,FEMALE SWIVEL,SEAL LOK
49207	PD34BTL	DIAGNOSTIC NIPPLE,SEAL-LOK SWIVEL	53500	3-904	O-RING,STRAIGHT THREAD,-4
49209	8M18F870MX-S	CONNECTOR,METRIC,STRAIGHT THREAD TO FLARE TUBE	53501	3-906	O-RING,STRAIGHT THREAD,-6
49212	8 WGTX-WLN-S	CONNECTOR,BULKHEAD,FEMALE PIPE TO FLARE TUBE	53502	3-908	O-RING,STRAIGHT THREAD,-8
49213	30682-8-8	HOSE END,FEMALE SWIVEL,JIC	53503	3-910	O-RING,STRAIGHT THREAD,-10
49216	831-8	HOSE,1/2 INCH ID			
49217	33982-8-8	HOSE END,90° FEMALE SWIVEL,JIC			
49219	PS-B-35	SLEEVE,NYLON,2.19" ID			
49418	4-6 V5OLO-S	ELBOW,45°,STRAIGHT THREAD TO ORFS			
49511	DT370-MOMS-5	VALVE,CHECK			
49512	1 DD-S	ELBOW,90°,FEMALE PIPE			
49513	1 FF-S	NIPPLE,PIPE			
49514	10 HP5ON-S	PLUG,STRAIGHT THREAD			
49515	12-16 CLO-S	ELBOW,90°,MALE PIPE TO ORFS			
49517	6 HP5ON-S	PLUG,STRAIGHT THREAD			
49519	16-12 F5OLO-S	CONNECTOR,STRAIGHT THREAD TO ORFS			
49520	4 VTX-S	ELBOW,45°,MALE PIPE TO FLARE TUBE			
49530	16 C6LO-S	ELBOW,90°,SWIVEL NUT ORFS			

## Fitting Cross References (Continued)

Genie PN	Parker PN	Description	Genie PN	Parker PN	Description
53535	3-912	O-RING, STRAIGHT THREAD, -12	61083	24 F5OLO-S	CONNECTOR, STRAIGHT THREAD TO ORFS
53536	4-PNLO-S	PLUG, TUBE END, ORFS	61086	20 R5OLO-S	RUN TEE, STRAIGHT THREAD
53537	6 PNLO-S	PLUG, TUBE END, ORFS	61090	24-20 F5OLO-S	CONNECTOR, STRAIGHT THREAD TO ORFS
53538	8 PNLO-S	PLUG, TUBE END, ORFS	61091	1J943 24-24	HOSE END, 90° FEMALE SWIVEL, SEAL LOK
53539	10 PNLO-S	PLUG, TUBE END, ORFS	61093	1J978-12-12	HOSE END, 90° FEMALE SWIVEL, JIC
53540	12 PNLO-S	PLUG, TUBE END, ORFS	61095	1JS43-20-16	HOSE END, FEMALE SWIVEL, SEAL LOK
53946	129HB-5-4	FITTING, 90° HOSE BARB TO MALE PIPE	61100	811-24	HOSE, 1 1/2 INCH ID
53951	8-1/4F50G-S	ADAPTER, FEMALE PIPE TO STRAIGHT THREAD	61130	1JS43-24-24	HOSE END, FEMALE SWIVEL, SEAL LOK
53980	6 S6LO-S	BRANCH TEE, SWIVEL NUT TO ORFS	61131	1JS78 12-12	HOSE END, FEMALE SWIVEL, SEAL LOK
54132	4 C6LO-S	ELBOW, 90°, SWIVEL NUT ORFS	61132	1J778-12-12	HOSE END, 45° FEMALE SWIVEL, JIC
54135	11343-16-16	HOSE END, MALE SWIVEL, PIPE	61152	139HB-6-4	ELBOW, 45°, BARB TO MALE PIPE
54283	8-10 C5OLO-S	ELBOW, 90°, STRAIGHT THREAD TO ORFS	61251	BV-0750	BALL VALVE
54428	8M18C870MLO-S	ELBOW, 90° METRIC, STRAIGHT THREAD TO ORFS	61259	4 CC5OLO-S	ELBOW, 90° LONG, STRAIGHT THREAD TO ORFS
54803	FS-F-16-10	SLEEVE, FIRE, .96" ID	61260	20-12 TRLO-BL	REDUCER, TUBE END TO SWIVEL, ORFS
54954	10143-2-4	HOSE END, MALE PIPE	61262	12 C6LO-S	ELBOW, 90°, SWIVEL NUT ORFS
55190	3/8 HP-S	PLUG, PIPE THREAD	61263	20 F5OHAO-S	UNION, STRAIGHT THREAD
55448	8 HLO-S	UNION, ORFS	61264	6-10 C5OLO-S	ELBOW, 90°, STRAIGHT THREAD TO ORFS
55839	6 F65OX-S	CONNECTOR, STRAIGHT THREAD TO 37° SWIVEL	61265	6 WNLO-WLNL-S	UNION, BULKHEAD 45°, ORFS
55968	10 C5OX-S	ELBOW, 90°, STRAIGHT THREAD TO FLARE TUBE	61268	4 WNLO-WLNL-S	UNION, BULKHEAD 45°, ORFS
56003	6 CC5OLO-S	ELBOW, 90° LONG, STRAIGHT THREAD TO ORFS	61269	4 WLO-WLNL-S	UNION, BULKHEAD, ORFS
56166	BV-0837	BALL VALVE, 90°	61272	12 AOEL6	ELBOW, 90°, STRAIGHT THREAD TO ORFS SWIVEL
56188	10143-8-6	HOSE END, MALE PIPE	61316	482TC-16	HOSE, 1 INCH ID
56233	2-011	O-RING, ORFS, -4	61321	6 JLO-S	UNION TEE, ORFS
56234	2-012	O-RING, ORFS, -6	61327	782-12	HOSE, 3/4 INCH ID
56235	2-014	O-RING, ORFS, -8	61328	881-24	HOSE, 1 1/2 INCH ID
56236	2-016	O-RING, ORFS, -10	61336	11943-20-24	HOSE END, 90° FLANGE HEAD
56237	2-018	O-RING, ORFS, -12	61345	12 WJLO-WLNL-S	RUN TEE, BULKHEAD, ORFS
56238	2-021	O-RING, ORFS, -16	61346	8 WNLO-WLNL-S 4	UNION, BULKHEAD 45°, ORFS
56352	6 WLNL-S	LOCKNUT, BULKHEAD	61569	33782-8-8	HOSE END, 45° FEMALE SWIVEL, JIC
56353	3J782-12-12	HOSE END, 45° FEMALE SWIVEL, SEAL LOK	61610	12 FF5OLO-S	CONNECTOR, LONG, STRAIGHT THREAD TO ORFS
56354	3J982-12-12	HOSE END, 90° FEMALE SWIVEL, SEAL LOK	61742	1/8 X 1.5 FFF	NIPPLE, PIPE
56604	10-8 F5OLO-S	CONNECTOR, STRAIGHT THREAD TO ORFS	63426	8 PNTX-S	PLUG, FLARE TUBE
56639	3JC82-10-10	HOSE END, FEMALE SWIVEL, SEAL LOK			
56640	3J982-10-10	HOSE END, 90° FEMALE SWIVEL, SEAL LOK			
56655	3JC82-8-10	HOSE END, FEMALE SWIVEL, SEAL LOK			
56676	10-8 C5OLO-S	ELBOW, 90°, STRAIGHT THREAD TO ORFS			
56776	471TC-6	HOSE, 3/8 INCH ID			
56777	471TC-8	HOSE, 1/2 INCH ID			
56789	811-16	HOSE, 1 INCH ID			
57884	3/8 FF	NIPPLE, PIPE			
59335	6 FNL-S	CAP, TUBE END			
59342	4 FNL-S	CAP, TUBE END			
59371	8 HP5ON-S	PLUG, STRAIGHT THREAD			
60653	BV-0751	BALL VALVE			
60806	125HB-3-4	FITTING, HOSE BARB TO MALE PIPE			
61064	5-1/4 F5OG-S	ADAPTER, FEMALE PIPE TO STRAIGHT THREAD			
61079	4 WELO-WLNL-S	UNION, 90° BULKHEAD W/NUT, ORFS			
61080	6 WLO-WLNL-S	UNION, BULKHEAD, ORFS			

## Fitting Cross References (Continued)

Genie PN	Parker PN	Description	Genie PN	Parker PN	Description
64271	4 WLO-WLNL-S	UNION,BULKHEAD,ORFS	75631	801-6	HOSE,3/8 INCH ID
64272	6 WLO-WLNL-S	UNION,BULKHEAD,ORFS	75654	20 F5OLO-S	CONNECTOR,STRAIGHT THREAD TO ORFS
65776	8 F65OL-S	CONNECTOR,STRAIGHT THREAD TO ORFS SWIVEL	75655	1J943-20-20	HOSE END,90° FEMALE SWIVEL,SEAL LOK
65880	6001012	O-RING KIT	75656	881-20	HOSE,1-1/4 INCH ID
66154	6 WTX-WLNS	UNION,BULKHEAD,FLARE TUBE	75971	8 F5OHAO-S	UNION,STRAIGHT THREAD
66155	6 WETX-S	UNION,BULKHEAD 90°,FLARE TUBE	77307	1JB43-8-8	HOSE END,BULKHEAD,SEAL LOK
66156	6 WLN-S	BULKHEAD LOCKNUT	77309	8 WLNL-S	BULKHEAD LOCKNUT
66389	6-8 F5OX-S	CONNECTOR,STRAIGHT THREAD TO FLARE TUBE	77379	8M18C87OMX-S	ELBOW,90° METRIC,STRAIGHT THREAD TO FLARE TUBE
66392	6 R5OX-S	RUN TEE,STRAIGHT THREAD	77703	3J982-8-8	HOSE END,90° FEMALE SWIVEL,SEAL LOK
66396	811-12	HOSE,3/4 INCH ID	77711	801-10	HOSE,5/8 INCH ID
66829	H3174PP	CLAMP,TUBE	77758	12 WNLO-WLNL-S	UNION,BULKHEAD 45°,ORFS
67217	4 KLO-S	UNION,CROSS,ORFS	78091	6 C6X-S	ELBOW,90°,SWIVEL NUT TO FLARE TUBE
67339	10-6 F5OX-S	CONNECTOR,STRAIGHT THREAD TO FLARE TUBE	78684	30582-8-8B	HOSE END,PUSH LOK,MALE
67357	13943-8-6	HOSE END,90° FEMALE SWIVEL,JIC	78852	549-2	HOSE,1/8 INCH ID
67358	10 HP5ON-S	PLUG,STRAIGHT THREAD	78855	10657-4-2	HOSE END,FEMALE SWIVEL,JIC
67371	12 S6LO-S	BRANCH TEE,SWIVEL NUT TO ORFS	79138	PS-B-37	SLEEVE,NYLON,2.38" ID
67498	4 FNL-S	CAP, TUBE END	79476	1JS43-6-8	HOSE END,FEMALE SWIVEL,SEAL LOK
67906	DC-370-F0F0-5	VALVE,CHECK	79847	12-3/4 A0EG-S	ELBOW,90°,STRAIGHT THREAD TO FEMALE PIPE
69316	8 FLO-S	CONNECTOR,MALE PIPE TO ORFS	80044	8 CLO-S	ELBOW,90°,MALE PIPE TO ORFS
69333	H3174PP	CLAMP,HYDRAULIC HOSE	80502	8 F5OX-S	CONNECTOR,STRAIGHT THREAD TO FLARE TUBE
69503	4 F65OX-S	CONNECTOR,STRAIGHT THREAD TO 37° SWIVEL	80503	8 C5OX-S	ELBOW,90°,STRAIGHT THREAD TO FLARE TUBE
69775	8 FNL-S	CAP, TUBE END	81010	AS-B-27	SLEEVE,NYLON,1.63" ID
71038	1/4X1/4F3HG-S	ADAPTER,CONVERSION	83052	821-6	HOSE,3/8 INCH ID
71196	12-8 F5OLO-S	CONNECTOR,STRAIGHT THREAD TO ORFS	83053	821-8	HOSE,1/2 INCH ID
71383	1/4 CD45-S	ELBOW,45°,MALE TO FEMALE PIPE	83054	821-12	HOSE,3/4 INCH ID
72270	12FNL-S	CAP, TUBE END	83055	30682-6-6	HOSE END,FEMALE SWIVEL,JIC
73436	60C-4	SLEEVE,COMPRESSION	83056	30682-12-12	HOSE END,FEMALE SWIVEL,JIC
73437	61C-4	NUT,COMPRESSION	83057	33782-6-6	HOSE END,45° FEMALE SWIVEL,JIC
73438	33482-4-4B	HOSE END,PUSH LOK,MALE	83058	33982-6-6	HOSE END,90° FEMALE SWIVEL,JIC
73767	1CD-S	ELBOW,90°,MALE TO FEMALE PIPE	83060	33982-12-12	HOSE END,90° FEMALE SWIVEL,JIC
73768	20-16-F5OG5-S	ADAPTER,FEMALE PIPE TO STRAIGHT THREAD	83063	13743-4-4	HOSE END,45° FEMALE SWIVEL,JIC
73769	16-20 F5OLO-S	CONNECTOR,STRAIGHT THREAD TO ORFS			
74660	6-8 F42EDMLO-S	CONNECTOR,MALE BSPP TO ORFS			
74661	8-8 F42EDMLO-S	CONNECTOR,MALE BSPP TO ORFS			
75007	4 FLO-S	CONNECTOR,MALE PIPE TO ORFS			
75008	1/8 HP-S	PLUG,PIPE THREAD			
75014	1/2 HP-S	PLUG,PIPE THREAD			
75042	8 WELO-WLNL-S	UNION,90° BULKHEAD W/NUT,ORFS			
75043	3/4 FF-S	NIPPLE,PIPE			
75254	24 F5OHAO-S	UNION,STRAIGHT THREAD			
75255	12 F5OHAO-S	UNION,STRAIGHT THREAD			
75256	XV506P-24	BALL VALVE			
75574	4 WLNL-S	BULKHEAD LOCKNUT			
75612	8 WJLO-WLNL-S	RUN TEE, BULKHEAD,ORFS			
75613	12-8 F5OG5-S	ADAPTER,FEMALE PIPE TO STRAIGHT THREAD			
75614	8 CC5OLO-S	ELBOW,90° LONG,STRAIGHT THREAD TO ORFS			
75628	1JB43-4-4	HOSE END,BULKHEAD,SEAL LOK			

## Fitting Cross References (Continued)

Genie PN	Parker PN	Description	Genie PN	Parker PN	Description
83064	13743-8-8	HOSE END,45° FEMALE SWIVEL,JIC	89449	6 WJLO-WLNL-S	RUN TEE, BULKHEAD,ORFS
83065	13743-12-12	HOSE END,45° FEMALE SWIVEL,JIC	89489	4 WJMLO-S	BRANCH TEE,BULKHEAD,ORFS
83066	13943-8-8	HOSE END,90° FEMALE SWIVEL,JIC	89551	1JB43-6-6	HOSE END,BULKHEAD,SEAL LOK
83067	14143-6-6	HOSE END,90° FEMALE SWIVEL,JIC	89552	1JB43-8-8	HOSE END,BULKHEAD,SEAL LOK
83068	14143-8-8	HOSE END,90° FEMALE SWIVEL,JIC	89593	20 C5OLO-S	ELBOW,90°,STRAIGHT THREAD TO ORFS
83069	14143-12-12	HOSE END,90° FEMALE SWIVEL,JIC	94161	8-8 CLO-S	ELBOW,90°,MALE PIPE TO ORFS
83070	772-8	HOSE,1/2 INCH ID	94358	351TC-12	HOSE,3/4 INCH ID
83071	10671-8-8	HOSE END,FEMALE SWIVEL,JIC	94418	20 FLO-S	CONNECTOR,MALE PIPE TO ORFS
83072	10671-12-12	HOSE END,FEMALE SWIVEL,JIC	96358	12 TX-S	SLEEVE,FLARE TUBE
83073	13771-8-8	HOSE END,45° FEMALE SWIVEL,JIC	96359	12 BTX-S	NUT,FLARE TUBE
83074	13771-12-12	HOSE END,45° FEMALE SWIVEL,JIC	96397	8 F5OX-S	CONNECTOR,STRAIGHT THREAD TO FLARE TUBE
83075	13971-8-8	HOSE END,90° FEMALE SWIVEL,JIC	96398	12-8 F5OX-S	CONNECTOR,STRAIGHT THREAD TO FLARE TUBE
83076	13971-12-12	HOSE END,90° FEMALE SWIVEL,JIC	96402	10343-6-6	HOSE END,MALE,JIC
83077	14171-8-8	HOSE END,90° FEMALE SWIVEL,JIC	96407	30382-6-6B	HOSE END,MALE,JIC
83078	14171-12-12	HOSE END,90° FEMALE SWIVEL,JIC			
83080	13943-16-16	HOSE END,90° FEMALE SWIVEL,JIC			
83103	10671-16-12	HOSE END,FEMALE SWIVEL,JIC			
83104	10671-10-12	HOSE END,FEMALE SWIVEL,JIC			
83112	1JC71-8-8	HOSE END,FEMALE SWIVEL,SEAL LOK			
83113	1JS71-16-12	HOSE END,FEMALE SWIVEL,SEAL LOK			
83114	1JS71-10-12	HOSE END,FEMALE SWIVEL,SEAL LOK			
83115	1J971-8-8	HOSE END,90° FEMALE SWIVEL,SEAL LOK			
83116	1J171-8-8	HOSE END,90° FEMALE SWIVEL,SEAL LOK			
83117	1J771-8-8	HOSE END,45° FEMALE SWIVEL,SEAL LOK			
83127	1J543-6-8	HOSE END,90° FEMALE SWIVEL,JIC			
83128	1JC43-6-8	HOSE END,FEMALE SWIVEL,SEAL LOK			
87033	12-6 TRLO-S	REDUCER,TUBE END TO SWIVEL,ORFS			
87034	3J782-8-8	HOSE END,45° FEMALE SWIVEL,SEAL LOK			
87172	12 HP5ON-S	PLUG,STRAIGHT THREAD			
87185	8 WNLO-WLNL-S	UNION,BULKHEAD 45°,ORFS			
87246	4 C6X-S	ELBOW,90°,SWIVEL NUT TO FLARE TUBE			
87679	6 LHP-S	FLANGE SEAL FITTING, MALE			
87681	6PLS N0702	BONDED SEAL			
88100	SR88100	ADAPTER,OIL DRAIN,GM 3.0L			
88311	1JS43-20-20	HOSE END,FEMALE SWIVEL,SEAL LOK			
88353	20 V5OLO-S	ELBOW,45°,STRAIGHT THREAD TO ORFS			
88474	10081-20	Crimp Shell, 1.25"			
88475	1988-20-24	HOSE END,90° FLANGE HEAD			
88476	JS88-24-24	HOSE END,FEMALE SWIVEL,SEAL LOK			
88477	1JC88-20-20	HOSE END,FEMALE SWIVEL,SEAL LOK			
88478	811-20	HOSE,11/4 INCH ID			
88936	20-16 F5OLO-S	CONNECTOR,STRAIGHT THREAD TO ORFS			
88937	20-16 FLO-S	CONNECTOR,MALE PIPE TO ORFS			
88938	1JC88-16-16	HOSE END,FEMALE SWIVEL,SEAL LOK			
88939	1J988-16-16	HOSE END,90° FEMALE SWIVEL,ORFS			
88940	811-16	HOSE,1 INCH ID			
88944	1J988-20-20	HOSE END,90° FEMALE SWIVEL,ORFS			
89403	16 VLO-S	ELBOW,45°,MALE PIPE TO ORFS			

California Proposition 65



Operating, servicing and maintaining this equipment can expose you to chemicals including engine exhaust, carbon monoxide, phthalates, and lead, which are known to the State of California to cause cancer and birth defects or other reproductive harm. These chemicals can be emitted from or contained in other various parts and systems, fluids and some component wear by-products. To minimize exposure, avoid breathing exhaust, do not idle the engine except as necessary, service your equipment and vehicle in a well-ventilated area and wear gloves or wash your hands frequently when servicing your equipment or vehicle and after operation. For more information go to [www.P65Warnings.ca.gov/passenger-vehicle](http://www.P65Warnings.ca.gov/passenger-vehicle).

Breathing diesel engine exhaust exposes you to chemicals known to the State of California to cause cancer and birth defects or other reproductive harm.

- Always start and operate the engine in a well-ventilated area.
- If in an enclosed area, vent the exhaust to the outside.
- Do not modify or tamper with the exhaust system.
- Do not idle the engine except as necessary.

For more information go to [www.P65warnings.ca.gov/diesel](http://www.P65warnings.ca.gov/diesel).

Distributed By:

[www.P65Warnings.ca.gov](http://www.P65Warnings.ca.gov) to order your parts



# PARTS FINDER

**Search Website  
by Part Number**



**Search Manual  
Library For Parts  
Manual & Lookup Part  
Numbers – Purchase  
or Request Quote**

**Can't Find Part or  
Manual? Request Help  
by Manufacturer,  
Model & Description**

Discount-Equipment.com is your online resource for quality parts & equipment.

Florida: **561-964-4949** Outside Florida TOLL FREE: **877-690-3101**

**Need parts?**

Click on this link: <http://www.discount-equipment.com/category/5443-parts/> and choose one of the options to help get the right parts and equipment you are looking for. Please have the machine model and serial number available in order to help us get you the correct parts. If you don't find the part on the website or on one of the online manuals, please fill out the request form and one of our experienced staff members will get back to you with a quote for the right part that your machine needs.

We sell worldwide for the brands: Genie, Terex, JLG, MultiQuip, Mikasa, Essick, Whiteman, Mayco, Toro Stone, Diamond Products, Generac Magnum, Airman, Haulotte, Barreto, Power Blanket, Nifty Lift, Atlas Copco, Chicago Pneumatic, Allmand, Miller Curber, Skyjack, Lull, Skytrak, Tsurumi, Husquvarna Target, Stow, Wacker, Sakai, Mi-T-M, Sullair, Basic, Dynapac, MBW, Weber, Bartell, Bennar Newman, Haulotte, Ditch Runner, Menegotti, Morrison, Contec, Buddy, Crown, Edco, Wyco, Bomag, Laymor, EZ Trench, Bil-Jax, F.S. Curtis, Gehl Pavers, Heli, Honda, ICS/PowerGrit, IHI, Partner, Imer, Clipper, MMD, Koshin, Rice, CH&E, General Equipment, Amida, Coleman, NAC, Gradall, Square Shooter, Kent, Stanley, Tamco, Toku, Hatz, Kohler, Robin, Wisconsin, Northrock, Oztec, Toker TK, Rol-Air, APT, Wylie, Ingersoll Rand / Doosan, Innovatech, Con X, Ammann, Mecalac, Makinex, Smith Surface Prep, Small Line, Wanco, Yanmar