



Parts Manual

Serial Number Range

S-60

from SN S6014D-101 to
S6016D-396

S-65

S-60X

S-60TRAX

S-65TRAX

Part No. 1291311GT

Rev A

February 2019

Go to Discount-Equipment.com to order your parts

PARTS FINDER

**Search Website
by Part Number**



**Search Manual
Library For Parts
Manual & Lookup Part
Numbers – Purchase
or Request Quote**

Search Manuals

Enter your information to help us find the right parts manual for your machine.

* Brand:

* Model:

* Serial:

* Part Number:

SEARCH

**Can't Find Part or
Manual? Request Help
by Manufacturer,
Model & Description**

Parts Order Form

Please fill in the following information to help us find the right part for your machine.

| | |
|---------------|----------------------|
| Manufacturer: | <input type="text"/> |
| Model: | <input type="text"/> |
| Description: | <input type="text"/> |
| Part Number: | <input type="text"/> |
| Quantity: | <input type="text"/> |
| Notes: | <input type="text"/> |

Submit


Discount-Equipment.com is your online resource for quality parts & equipment.

Florida: **561-964-4949** Outside Florida TOLL FREE: **877-690-3101**

Need parts?

Click on this link: <http://www.discount-equipment.com/category/5443-parts/> and choose one of the options to help get the right parts and equipment you are looking for. Please have the machine model and serial number available in order to help us get you the correct parts. If you don't find the part on the website or on one of the online manuals, please fill out the request form and one of our experienced staff members will get back to you with a quote for the right part that your machine needs.


We sell worldwide for the brands: Genie, Terex, JLG, MultiQuip, Mikasa, Essick, Whiteman, Mayco, Toro Stone, Diamond Products, Generac Magnum, Airman, Haulotte, Barreto, Power Blanket, Nifty Lift, Atlas Copco, Chicago Pneumatic, Allmand, Miller Curber, Skyjack, Lull, Skytrak, Tsurumi, Husquvarna Target, Stow, Wacker, Sakai, Mi-T-M, Sullair, Basic, Dynapac, MBW, Weber, Bartell, Bennar Newman, Haulotte, Ditch Runner, Menegotti, Morrison, Contec, Buddy, Crown, Edco, Wyco, Bomag, Laymor, EZ Trench, Bil-Jax, F.S. Curtis, Gehl Pavers, Heli, Honda, ICS/PowerGrit, IHI, Partner, Imer, Clipper, MMD, Koshin, Rice, CH&E, General Equipment, Amida, Coleman, NAC, Gradall, Square Shooter, Kent, Stanley, Tamco, Toku, Hatz, Kohler, Robin, Wisconsin, Northrock, Oztec, Toker TK, Rol-Air, APT, Wylie, Ingersoll Rand / Doosan, Innovatech, Con X, Ammann, Mecalac, Makinex, Smith Surface Prep, Small Line, Wanco, Yanmar



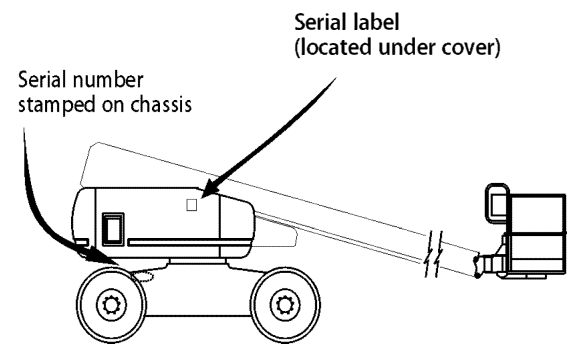
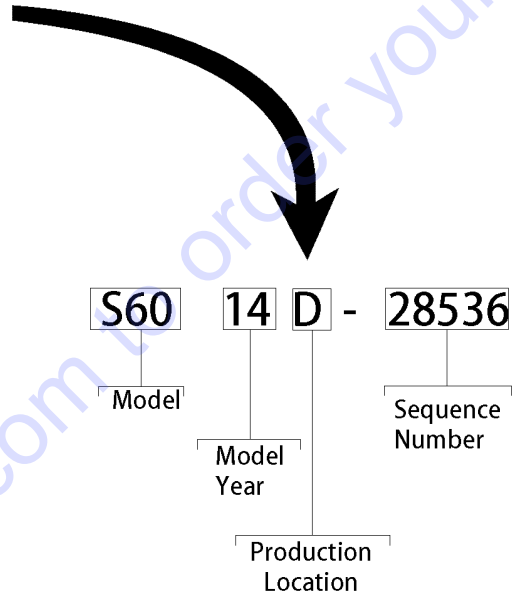
A TEREX BRAND

Model: S-60
Serial number: S6014D-28536
Model year: 2014 **Manufacture date:** 03/01/14
Electrical schematic number: E0186
Machine unladen weight: 20,736lbs / 9,406kg
 Foam Tires add 764 lbs/347 kg to weight

Rated work load (including occupants): 500 lb / 227 kg
Maximum number of platform occupants: 2
Maximum allowable side force : 150 lb / 670 N
Maximum allowable inclination of the chassis:
 Air Tires 2 deg / Foam Tires 4.5 deg
Maximum wind speed : 28 mph/ 12.5 m/s
Maximum platform height : 60 ft 2 in/ 18.3 m
Maximum platform reach : 50 ft 4 in/ 15.3 m
Gradeability: 45%
Country of manufacture: USA
This machine complies with:
 ANSI A92.5
 CAN B.354.4



11100011



Go to www.Genie-Equipment.com to order your parts

Table of Contents

This manual is updated frequently. For the most up-to-date parts information, visit www.discount-equipment.com

| | |
|-------------------------------------|---|
| How to Read Your Serial Number..... | 3 |
| Parts Stocking List..... | 7 |

Electronic Version

Click on any page number to view the figure.

100 Decals

| | |
|--|----|
| 101.1 S-60 Decals with Word, Hydraulic Tank Side (ANSI & Australia)..... | 10 |
| 102.1 S-60 Decals with Word, Engine Side (ANSI & Australia)..... | 12 |
| 103.1 S-60 Decals with Word, Boom (ANSI & Australia)..... | 14 |
| 104.1 S-60 Decals with Word, Platform (ANSI & Australia)..... | 16 |
| 105.1 S-60 Decals with Symbol, Hydraulic Tank Side (CE)..... | 18 |
| 106.1 S-60 Decals with Symbol, Engine Side (CE)..... | 20 |
| 107.1 S-60 Decals with Symbol, Boom (CE)..... | 22 |
| 108.1 S-60 Decals with Symbol, Platform (CE)..... | 24 |
| 109.1 S-65 Decals with Word, Hydraulic Tank Side (ANSI & Australia)..... | 26 |
| 110.1 S-65 Decals with Word, Engine Side (ANSI & Australia)..... | 28 |
| 111.1 S-65 Decals with Word, Boom (ANSI & Australia)..... | 30 |
| 112.1 S-65 Decals with Word, Platform (ANSI & Australia)..... | 32 |
| 113.1 S-65 Decals with Symbol, Hydraulic Tank Side (ANSI & CE)..... | 34 |
| 114.1 S-65 Decals with Symbol, Engine Side (ANSI & CE)..... | 36 |
| 115.1 S-65 Decals with Symbol, Boom (ANSI & CE)..... | 38 |
| 116.1 S-65 Decals with Symbol, Platform (ANSI & CE)..... | 40 |
| 117.1 S-60X Decals with Word, Hydraulic Tank Side (ANSI)..... | 42 |
| 118.1 S-60X Decals with Word, Engine Side (ANSI)..... | 44 |
| 119.1 S-60X Decals with Word, Boom (ANSI)..... | 46 |
| 120.1 S-60X Decals with Word, Platform (ANSI)..... | 48 |
| 121.1 S-60X Decals with Symbol, Hydraulic Tank Side (ANSI)..... | 50 |
| 122.1 S-60X Decals with Symbol, Engine Side (ANSI)..... | 52 |
| 123.1 S-60X Decals with Symbol, Boom (ANSI)..... | 54 |

| | |
|--|----|
| 124.1 S-60X Decals with Symbol, Platform (ANSI)..... | 56 |
| 125.1 S-60TraX Decals with Word, Hydraulic Tank Side (ANSI & Australia)..... | 58 |
| 126.1 S-60TraX Decals with Word, Engine Side (ANSI & Australia)..... | 60 |
| 127.1 S-60TraX Decals with Word, Boom (ANSI & Australia)..... | 62 |
| 128.1 S-60TraX Decals with Word, Platform (ANSI & Australia)..... | 64 |
| 129.1 S-60TraX Decals with Symbol, Hydraulic Tank Side (ANSI & CE)..... | 66 |
| 130.1 S-60TraX Decals with Symbol, Engine Side (ANSI & CE)..... | 68 |
| 131.1 S-60TraX Decals with Symbol, Boom (ANSI & CE)..... | 70 |
| 132.1 S-60TraX Decals with Symbol, Platform (ANSI & CE)..... | 72 |
| 133.1 S-65TraX Decals with Word, Hydraulic Tank Side (ANSI & Australia)..... | 74 |
| 134.1 S-65TraX Decals with Word, Engine Side (ANSI & Australia)..... | 76 |
| 135.1 S-65TraX Decals with Word, Boom (ANSI & Australia)..... | 78 |
| 136.1 S-65TraX Decals with Word, Platform (ANSI & Australia)..... | 80 |
| 137.1 S-65TraX Decals with Symbol, Hydraulic Tank Side (ANSI & CE)..... | 82 |
| 138.1 S-65TraX Decals with Symbol, Engine Side (ANSI & CE)..... | 84 |
| 139.1 S-65TraX Decals with Symbol, Boom (ANSI & CE)..... | 86 |
| 140.1 S-65TraX Decals with Symbol, Platform (ANSI & CE)..... | 88 |

200 Drive Chassis Components

| | |
|--------------------------------------|-----|
| 201.1 Steer End..... | 90 |
| 202.1 Non-steer End..... | 94 |
| 203.1 Oscillate Valve..... | 98 |
| 204.1 TraX Option Steer End..... | 100 |
| 205.1 TraX Option Non-steer End..... | 102 |
| 205.1 TraX Option Non-steer End..... | 104 |
| 206.1 TraX Option Components..... | 106 |

300 Turntable Components

| | |
|---|-----|
| 301.1 Tank Side - View 1..... | 108 |
| 302.1 Tank Side - View 2..... | 112 |
| 303.1 Diesel Fuel Tank Installation..... | 114 |
| 304.1 Ground Control Box, with Hour Meter - View 1, External..... | 116 |
| 305.1 Ground Control Box, with Hour Meter - View 2, Internal..... | 118 |
| 306.1 Ground Control Box, with LCD Readout Screen - View 1, External..... | 120 |

| | | | |
|---|-----|--|-----|
| 307.1 Ground Control Box, with LCD Readout Screen - View 2, Internal..... | 124 | 804.1 2WD Traction Manifold..... | 212 |
| 308.1 Engine Side..... | 126 | 805.1 Oscillate Option..... | 214 |
| 309.1 Turntable Covers..... | 130 | 806.1 Hydraulic Oil Cooler Option..... | 216 |
| 310.1 Wire Harness Diagram..... | 132 | | |
| 400 Manifolds and Pumps | | 900 Accessories | |
| 401.1 Function Manifold..... | 136 | 901.1 Drive Lights, Alarm and Beacon Packages..... | 218 |
| 402.1 Traction Manifold, 2WD..... | 140 | 902.1 Control Box Cover, Pinch Guard and Tool Tray..... | 220 |
| 403.1 Traction Manifold, 4WD..... | 142 | 903.1 Half Mesh and Swing Gate..... | 222 |
| 404.1 Platform Rotate and Jib Rotate Manifold..... | 144 | 904.1 Tri-Entry Platform and PlatformToeboard..... | 224 |
| 405.1 Pumps..... | 146 | 905.1 Platform Work Lights..... | 226 |
| 406.1 Brake and 2 Speed Manifold..... | 148 | 906.1 Operator Protective Structure..... | 228 |
| | | 907.1 Aircraft Protection, Standard Entry, S-65..... | 230 |
| 500 Engine Components | | 908.1 Aircraft Protection, Swing Gate, S-65..... | 232 |
| 501.1 Deutz D2011L03i..... | 150 | 909.1 Air line and Power to Platform..... | 234 |
| 502.1 Deutz TD2011L04i, View 1..... | 154 | 910.1 Hostile Environment, Boom Wipers..... | 236 |
| 503.1 Deutz TD2011L04i, View 2..... | 158 | 911.1 Hostile Environment, Turntable Components..... | 238 |
| 504.1 Deutz D2.9L4, View 1..... | 160 | 912.1 Hostile Environment, Cylinder Bellows and Cable Track..... | 240 |
| 505.1 Deutz D2.9L4, View 2..... | 162 | 913.1 Hostile Environment, Engine Air Pre-Cleaners..... | 242 |
| 506.1 Deutz D2.9L4, View 3..... | 164 | 914.1 Gauge Option..... | 244 |
| 507.1 Deutz D2.9L4, View 4..... | 166 | 915.1 Cold Start Package..... | 246 |
| 508.1 Deutz D2.9L4, View 5..... | 168 | 916.1 Hydraulic Oil Cooler Option..... | 248 |
| 509.1 Perkins 404D-22..... | 170 | 917.1 Traveling Fall Arrest Anchor System..... | 250 |
| | | 918.1 Operators Protection Alarm..... | 252 |
| 600 Boom Structure Components | | Indices | |
| 601.1 Linkage Assembly..... | 174 | Part Number Index..... | 254 |
| 602.1 Boom Components, View 1..... | 178 | Part Description Index..... | 261 |
| 603.1 Boom Components, View 2..... | 182 | | |
| 604.1 Boom Limit Switch, S-60X , S-60TRAX ANSI Models..... | 184 | Cross References | |
| 605.1 Boom End Components, S-60 (All Models), S-60TraX (Australia and CE Models)..... | 186 | Fittings Cross Reference..... | 272 |
| 606.1 Boom End Components, S-65 and S-65TraX (All Models)..... | 188 | | |
| 607.1 Boom End Components, S-60X..... | 190 | | |
| 608.1 Boom End Components, Load Sense, S-60, S-65 CE Models..... | 192 | | |
| 609.1 Cable Track..... | 194 | | |
| 700 Platform Components | | | |
| 701.1 Platform Installation..... | 196 | | |
| 702.1 Platform Control Box - View 1, External..... | 198 | | |
| 703.1 Platform Control Box - View 2, Internal..... | 202 | | |
| 704.1 Joysticks..... | 204 | | |
| 800 Hydraulic Hose Routing and Fittings | | | |
| 801.1 Function Manifold, View 1..... | 206 | | |
| 802.1 Function Manifold, View 2..... | 208 | | |
| 803.1 4WD Traction Manifold..... | 210 | | |

Required Parts

The following parts are required to perform maintenance procedures for your machine.

All Models:

| Description | Part No. |
|---|----------|
| Hydraulic Tank Filter | 88917 |
| Medium Pressure Filter | 60857 |
| High Pressure Filter | 60857 |
| Dielectric Grease..... | 66399 |
| Lithium Based Grease.....(source locally) | |
| Drive Hub Oil (refer to Service Manual)..(source locally) | |

Perkins 404D-22 Models:

| Description | Part No. |
|-----------------------------------|----------|
| Air Filter Element | 62420 |
| Fuel/water Separator Element..... | 62433 |
| Engine Oil Filter..... | 94762 |
| V-belt..... | 89765 |
| Fuel Filter..... | 62421 |

Perkins 404F-22 Models:

| Description | Part No. |
|---------------------------------------|----------|
| Air Filter Element | 62420 |
| Fuel/water Separator Element..... | 62433 |
| Engine Oil Filter..... | 94762 |
| V-belt (alternator & water pump)..... | 89765 |
| V-belt(air pump)..... | 1253750 |
| Fuel FilterCartridge | 62421 |
| Fuel Filter Assembly | 94889 |

Deutz TD2011-L03i Models:

| Description | Part No. |
|-----------------------------------|----------|
| Air Filter | 62420 |
| Fuel/water Separator Element..... | 29560 |
| Engine Oil Filter..... | 49924 |
| V-belt | 32698 |

Deutz TD2011-L04i Models:

| Description | Part No. |
|-----------------------------------|----------|
| Air Filter | 62425 |
| Fuel/water Separator Element..... | 29560 |
| Engine Oil Filter..... | 49924 |
| V-belt | 58630 |

Deutz D2.9L4 Models:

| Description | Part No. |
|--|----------|
| Air Filter | 62420 |
| Main Fuel Filter | 214228 |
| Fuel Filter/water Separator Element..... | 236260 |
| Engine Oil Filter..... | 49924 |
| V-belt (alternator & water pump) | 1253748 |
| V-belt (air pump)..... | 1253750 |

Ford DSG-423 EFI Models:

| Description | Part No. |
|--------------------------|----------|
| Fuel Pre-Filter..... | 119984 |
| Engine Oil Filter | 119139 |
| Air Filter Element | 77295 |
| Serpentine Belt | 119138 |
| PCV Valve | 119474 |
| Spark Plug | 119495 |

Recommended Parts

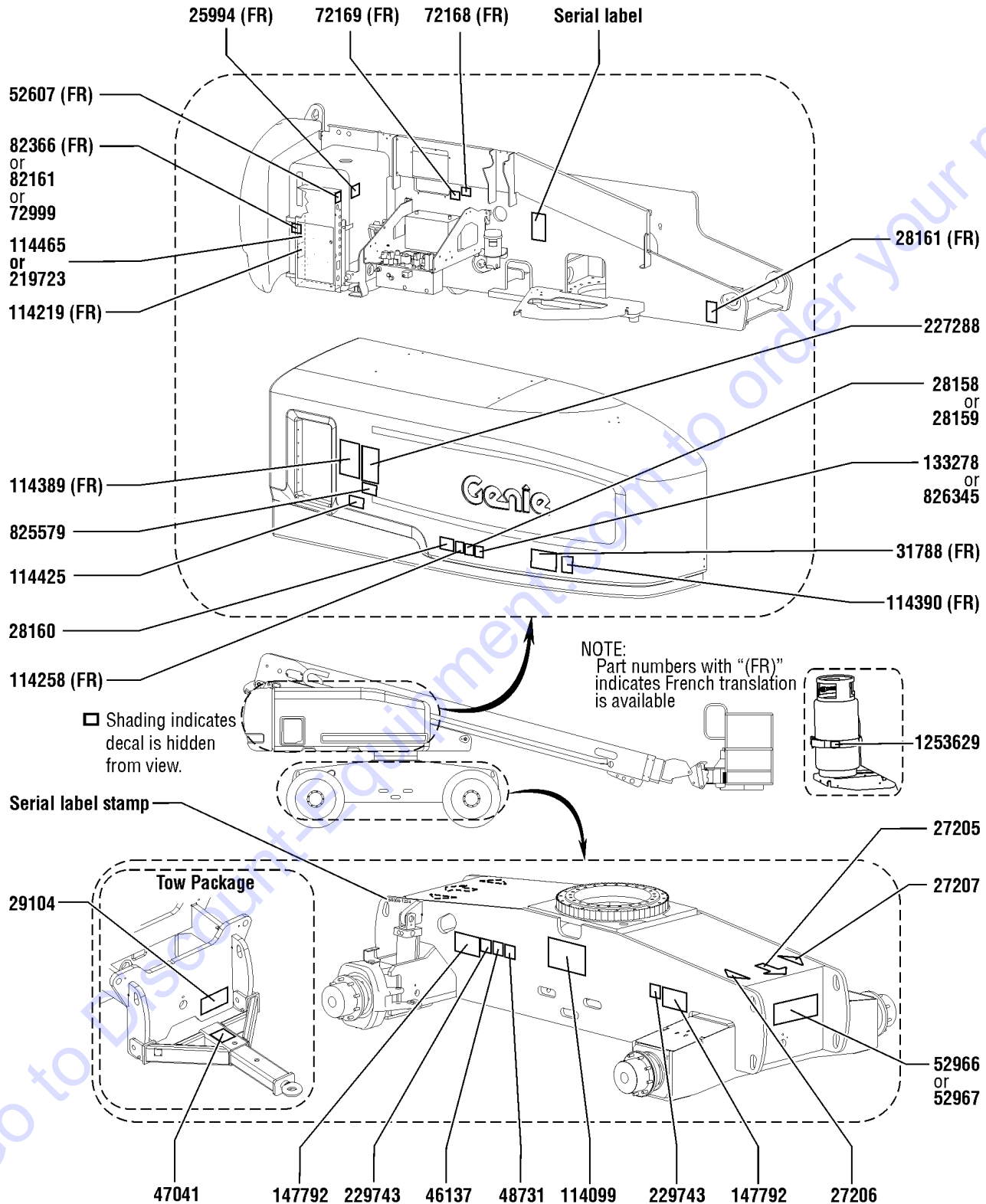
| Description | Part No. |
|---|----------|
| Genie Blue Paint, 1 Gallon..... | 32150 |
| Genie Blue Paint, 12 Ounce Aerosol..... | 1484 |
| Genie Gray Paint, 1 Gallon | 32151 |
| Genie Gray Paint, 12 Ounce Aerosol..... | 1268 |
| Plug and Cap Kit (for ORFS fittings)..... | 49613 |
| Protractor Kit | 58351 |

Find a Manual for this Model

Genie also offers the following support documents:

| | |
|---|-------|
| EMI Safety Manual..... | 27581 |
| Manual of Responsibilities ANSI A92.5 | 31779 |

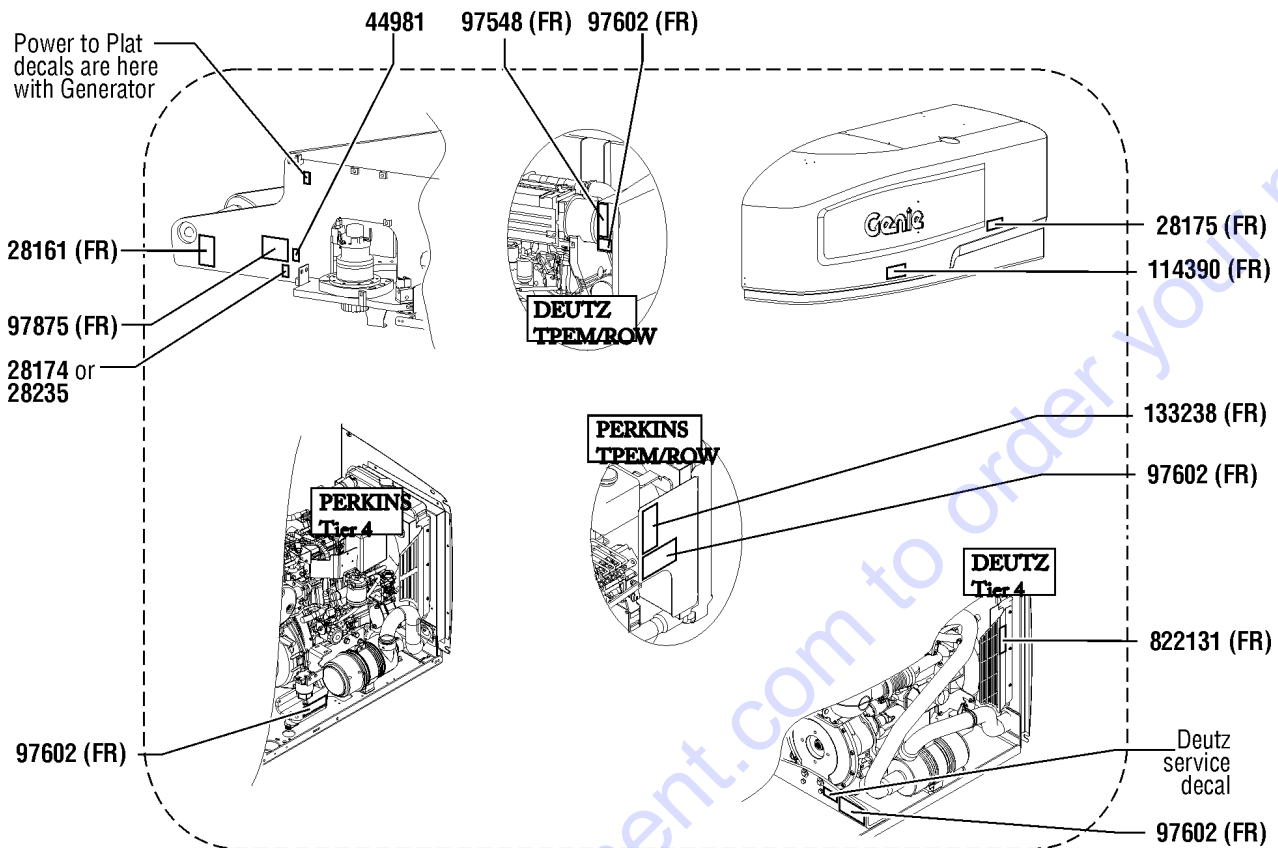
101.1 S-60 Decals with Word, Hydraulic Tank Side (ANSI & Australia)



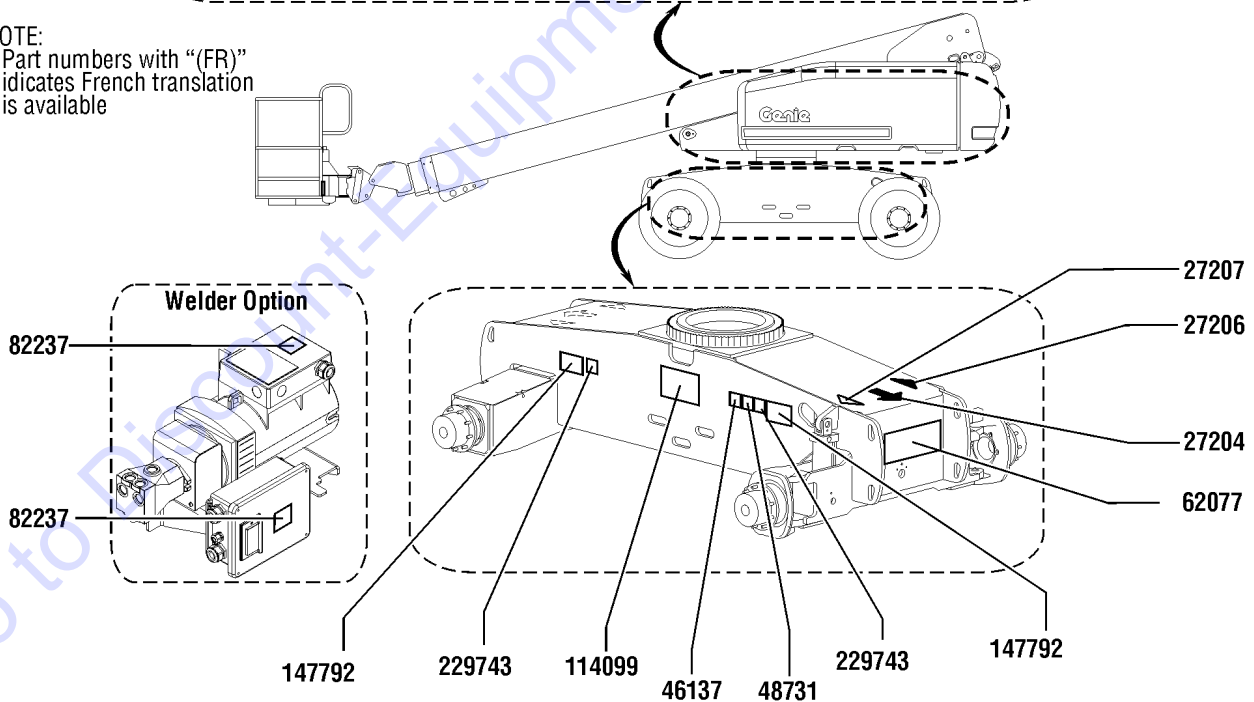
101.1 S-60 Decals with Word, Hydraulic Tank Side (ANSI & Australia)

| Item | Part No. | Description | Qty. | Item | Part No. | Description | Qty. |
|------|----------|--|------|------|-----------|--|------|
| 1 | 25994GT | DECAL,NOTICE,SHUTOFF VALVES..... | 1 | 30 | 147792GT | DANGER,TIPOVR,TIRES FF ONLY..... | 2 |
| 2 | 27205GT | DECAL,ARROW YELLOW LRG 9"..... | 1 | 31 | 227288GT | DECAL, OPERATING INSTRUCTIONS..... | 1 |
| 3 | 27206GT | DECAL,TRIANGLE,BLUE..... | 1 | 32 | 229743GT | DECAL,LABEL,WHEEL LOAD S60/60X..... | 2 |
| 4 | 27207GT | DECAL,TRIANGLE,YELLOW..... | 1 | 33 | 825579GT | DECAL, LCD, TIER 4..... <i>(Deutz D2.9L4)</i> | 1 |
| 5 | 28158GT | DECAL,LABEL,UNLEADED GAS ONLY..... <i>Ford only</i> | 1 | 34 | 826345GT | DECAL,ULS DIESEL ONLY,TIER 4..... <i>(Deutz D2.9L4)</i> | 1 |
| 6 | 28159GT | DECAL,DIESEL..... <i>Deutz and Perkins only</i> | 1 | 35 | 1253629GT | DECAL,LP BOTTLE,S60..... <i>Option</i> | 1 |
| 7 | 28160GT | DECAL,LABEL,LIQUID PROPANE..... <i>Option, LPG tank</i> | 1 | 36 | 219723GT | DECAL,GROUND BOX,TIER IV <i>(Deutz D2.9L4)</i> | |
| 8 | 28161GT | DECAL,WARN,CRUSH HAZARD HAND..... | 1 | | | | |
| 9 | 29104GT | DECAL,TOWING INSTRUCTIONS..... <i>Option, tow package</i> | 1 | | | | |
| 10 | 31788GT | DECAL,DANGER,BATTERY SAFETY***..... | 1 | | | | |
| 11 | 46137GT | DECAL,LPS (4"X4")..... <i>Option</i> | 1 | | | | |
| 12 | 47041GT | DECAL,CAUTION,TOWING SPEED..... <i>Option, tow package</i> | 1 | | | | |
| 14 | 52607GT | DECAL,LABEL,TEST***..... <i>Ford only</i> | 1 | | | | |
| 15 | 52966GT | DECAL,COSMETIC,4 X 2..... <i>Option, drive</i> | 1 | | | | |
| 16 | 52967GT | DECAL,COSMETIC,4 X 4..... <i>Option, drive</i> | 1 | | | | |
| 17 | 72168GT | DECAL,LABEL,STARTER BATTERY..... <i>Option, dual battery</i> | 1 | | | | |
| 18 | 72169GT | DECAL,LABEL,CONTROLS BATTERY... <i>Option, dual battery</i> | 1 | | | | |
| 19 | 72999GT | DECAL,LABEL,PETRO CANADA***..... <i>Option, hydraulic oil</i> | 1 | | | | |
| 20 | 82161GT | DECAL,LABEL,UCON HYDROLUBE..... <i>Option, hydraulic oil</i> | 1 | | | | |
| 21 | 82366GT | DECAL,CHEVRON RANDO HD..... <i>Option, hydraulic oil</i> | 1 | | | | |
| 22 | 114099GT | DECAL,LABEL,TRANSPORT DIAGRAM..... | 1 | | | | |
| 23 | 114219GT | DECAL,LABEL,RELAYS,S60&65..... | 1 | | | | |
| 24 | 114258GT | DECAL,DANGER,NO SMOKING..... | 1 | | | | |
| 25 | 114389GT | DECAL,DANGER,GENERAL SAFETY.... | 1 | | | | |
| 26 | 114390GT | DECAL,DANGER,ELECT HAZARD***.... | 1 | | | | |
| 27 | 114425GT | DECAL,BATTERY DISCONNECT..... <i>Option</i> | 1 | | | | |
| 28 | 114465GT | DECAL GROUND CONTROL BOX..... | 1 | | | | |
| 29 | 133278GT | DECAL,LOW/ULTRA LOW SULFR FUEL..... <i>(Deutz D2011L3i, Deutz TD2011L04i and Perkins 404D-22)</i> | 1 | | | | |

102.1 S-60 Decals with Word, Engine Side (ANSI & Australia)



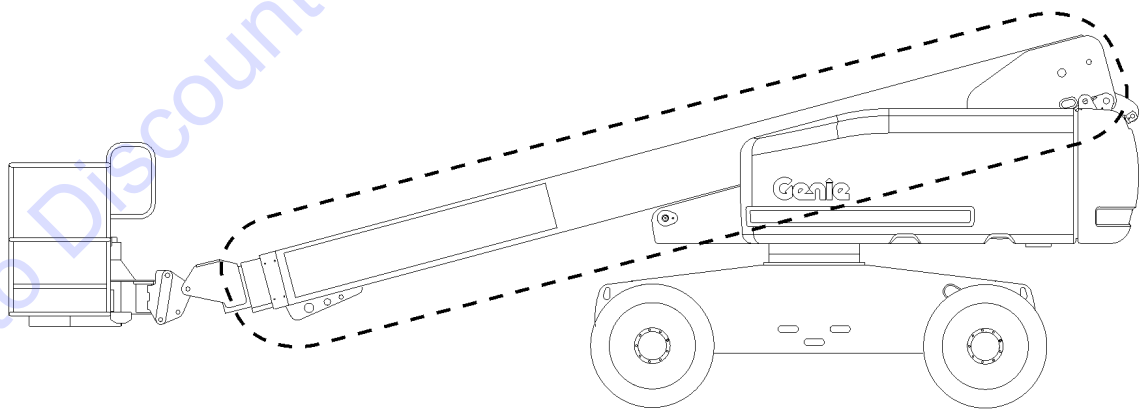
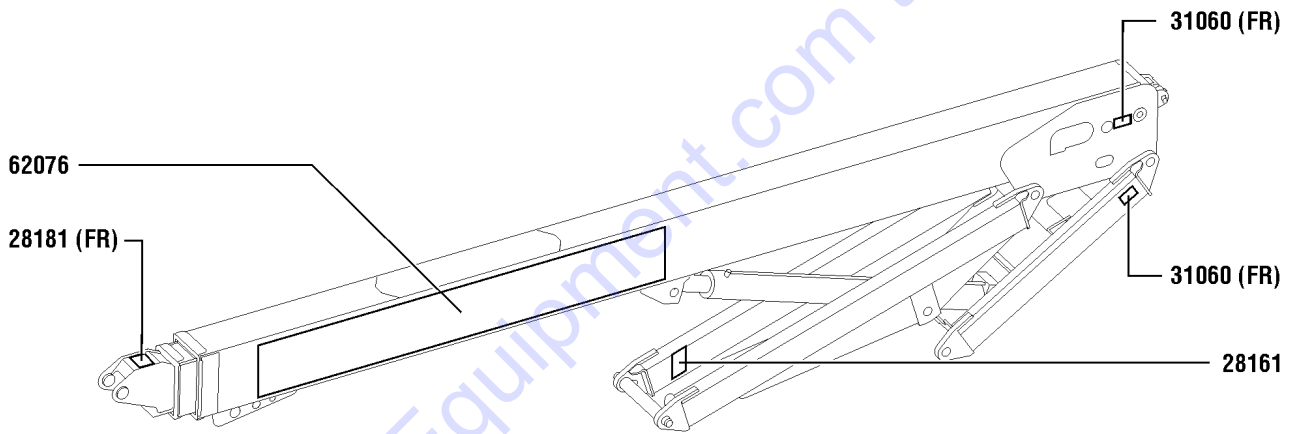
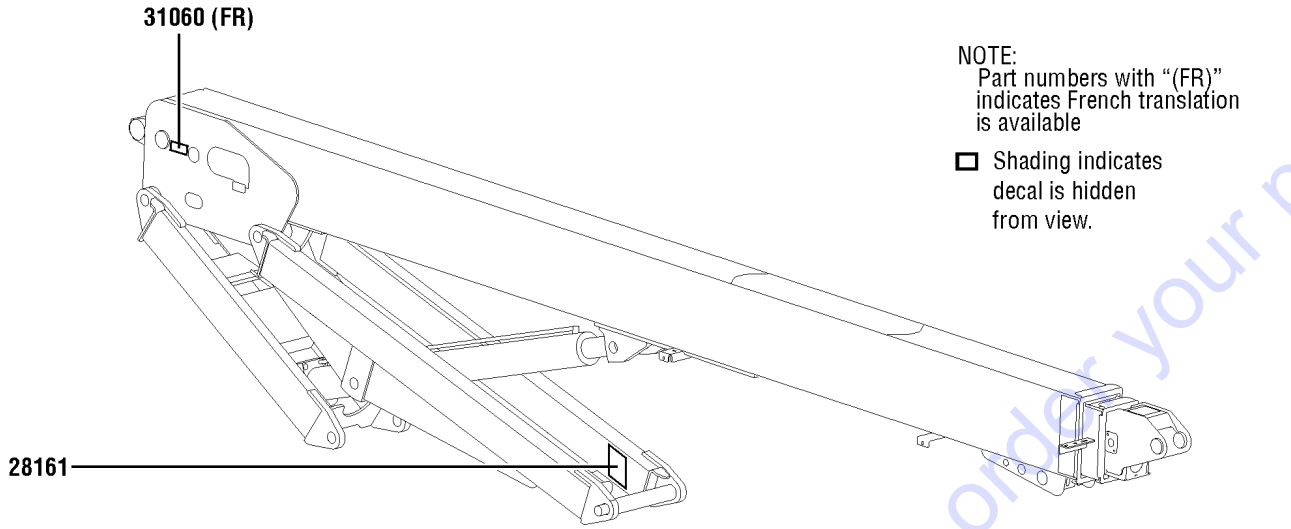
NOTE:
Part numbers with "(FR)"
indicates French translation
is available



102.1 S-60 Decals with Word, Engine Side (ANSI & Australia)

| Item | Part No. | Description | Qty. |
|------|----------|--|------|
| 1 | 27204GT | DECAL,ARROW BLUE..... | 1 |
| 2 | 27206GT | DECAL,TRIANGLE,BLUE..... | 1 |
| 3 | 27207GT | DECAL,TRIANGLE,YELLOW..... | 1 |
| 4 | 28161GT | DECAL,WARN,CRUSH HAZARD HAND..... | 1 |
| 5 | 28174GT | DECAL, POWER TO PLATFORM 230V**..... | 1 |
| 6 | 28175GT | DECAL,WARNING-COMPART ACCESS..... | 1 |
| 7 | 28235GT | DECAL,POWER TO PLATFORM 115V...1 | |
| 8 | 44981GT | DECAL,LABEL, AIR LINE 110 PSI.....1 <i>Option, airline to plat</i> | |
| 9 | 46137GT | DECAL,LPS (4"X4").....1 <i>Option</i> | |
| 11 | 62077GT | DECAL,COSMETIC,S60..... | 1 |
| 12 | 82237GT | DECAL,DANGER,HIGH VOLTAGE.....2 <i>Option, welder</i> | |
| 13 | 97548GT | DECAL,ENGINE SPEC,DEUTZ 2011.....1 <i>Deutz D2011L3i and Deutz TD2011L04i</i> | |
| 14 | 97602GT | DECAL,EXPLOSION HAZARD.....1 <i>Diesel engines</i> | |
| 15 | 97875GT | DECAL,WARN.WELD LINE INST.WORD.....1 <i>Option, weld cable line</i> | |
| 16 | 114099GT | DECAL,LABEL,TRANSPORT DIAGRAM..... | 1 |
| 17 | 114390GT | DECAL,DANGER,ELECT HAZARD*** ...1 | |
| 18 | 133238GT | DECAL,ENGINE SPEC,PERKINS***.....1 <i>Perkins 404D-22</i> | |
| 19 | 147792GT | DANGER,TIPOVR,TIRES FF ONLY.....2 | |
| 20 | 229743GT | DECAL,LABEL,WHEEL LOAD S60/60X..... | 2 |
| 21 | 822131GT | DECAL, ENGINE SPEC, D2.9.....1 <i>Deutz D2.9L4</i> | |

103.1 S-60 Decals with Word, Boom (ANSI & Australia)



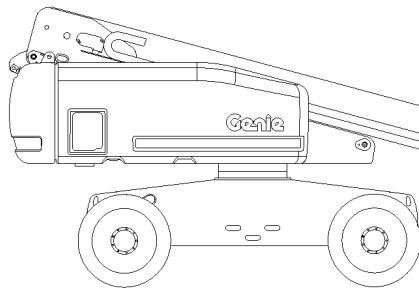
103.1 S-60 Decals with Word, Boom (ANSI & Australia)

| Item | Part No. | Description | Qty. |
|------|----------|--|------|
| 1 | 28161GT | DECAL,WARN,CRUSH HAZARD HAND..... | 2 |
| 2 | 28181GT | DECAL,WARN,FALL HAZARD..... | 1 |
| 3 | 31060GT | DECAL,DANGER DO NOT ALTER SWTC..... | 3 |
| 4 | 62076GT | DECAL,COSMETIC,GENIE S-60..... | 1 |

Go to Discount-Equipment.com to order your parts

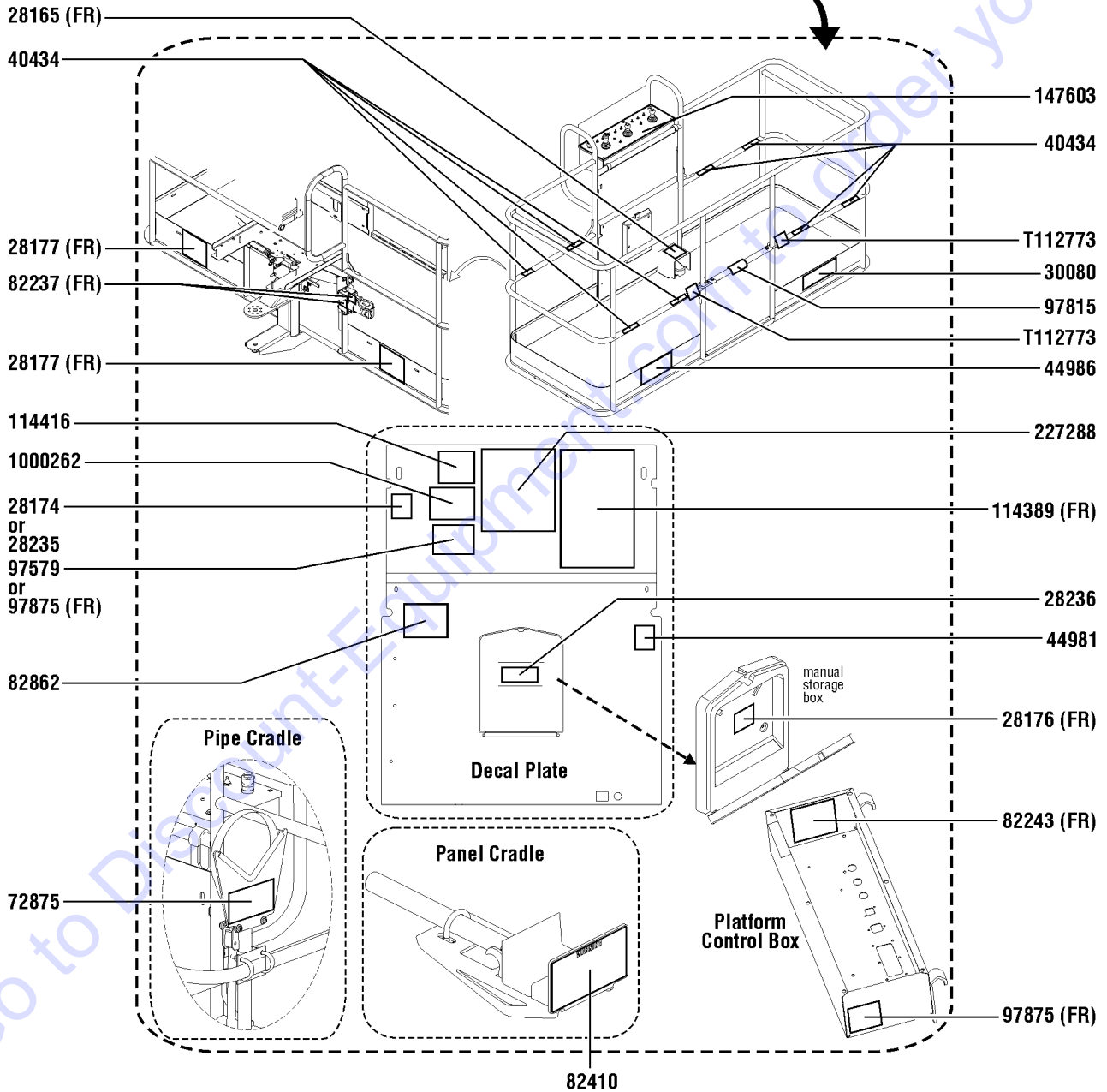


104.1 S-60 Decals with Word, Platform (ANSI & Australia)



NOTE:
Part numbers with "(FR)" indicates French translation is available

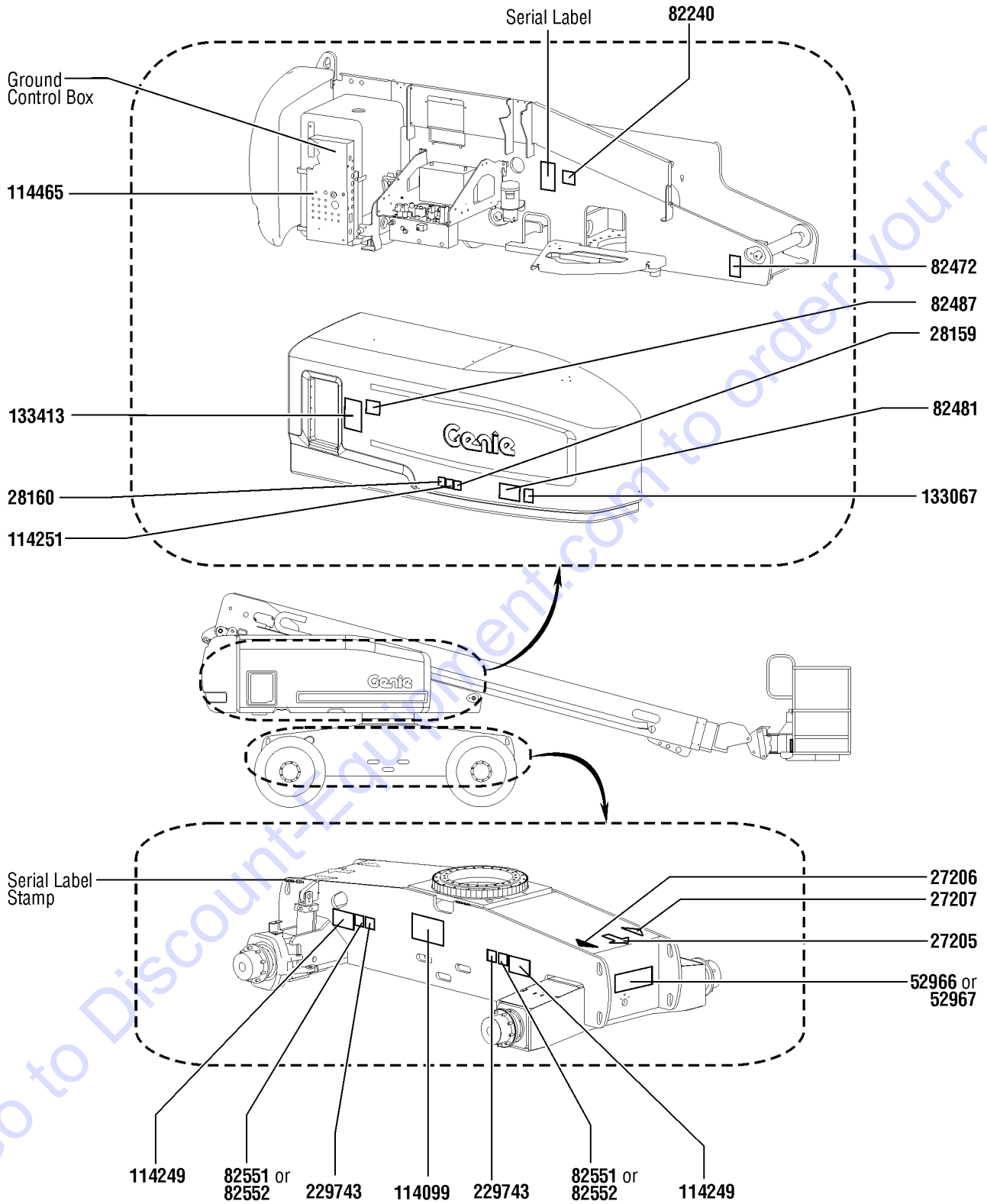
☐ Shading indicates decal is hidden from view.



104.1 S-60 Decals with Word, Platform (ANSI & Australia)

| Item | Part No. | Description | Qty. |
|------|-----------|--|------|
| 1 | 28165GT | DECAL,INSTRUCT,FOOTSWITCH OPER..... | 1 |
| 2 | 28174GT | DECAL, POWER TO PLATFORM 230V**..... | 1 |
| 3 | 28176GT | DECAL,LABEL,MANUAL NOT HERE..... | 1 |
| 4 | 28177GT | DECAL,WARN,CRUSH HAZARD PLAT..... | 2 |
| 5 | 28235GT | DECAL,POWER TO PLATFORM 115V.... | 1 |
| 6 | 28236GT | DECAL,WARN,IMPROPER OPERATION..... | 1 |
| 7 | 30080GT | DECAL,NOTICE,MAX LOAD 500 LBS.... | 1 |
| 8 | 40434GT | DECAL,LANYARD ANCHORAGE POINT..... | 8 |
| 9 | 44981GT | DECAL,LABEL, AIR LINE 110 PSI..... <i>Option, airline to plat</i> | 1 |
| 10 | 44986GT | DECAL,INSTR,SIDE FRC/WIND,AUS.... | 1 |
| 11 | 72875GT | DECAL,WARNING,PIPE CRADLE,BOOM..... <i>Option, pipe cradle</i> | 2 |
| 12 | 82237GT | DECAL,DANGER,HIGH VOLTAGE..... <i>Option, welder</i> | 2 |
| 13 | 82243GT | DECAL FAULT CODE..... | 1 |
| 14 | 82410GT | DECAL,WARNING,PANEL CRADLE..... <i>Option, panel cradle</i> | 2 |
| 15 | 82862GT | DECAL,FIRE EXTINGUISHER..... <i>Option, welder</i> | 1 |
| 16 | 97579GT | DECAL,DANGER,TIP-OVER,WELDER**. <i>Option, welder</i> | 1 |
| 17 | 97815GT | DECAL,LABEL,LOWER MIDRAIL..... | 1 |
| 18 | 97875GT | DECAL,WARN,WELD LINE INST.WORD..... <i>Option, weld cable line</i> | 2 |
| 19 | 114389GT | DECAL,DANGER,GENERAL SAFETY.... | 1 |
| 20 | 114416GT | DECAL,DANGER,TIPOVER,TILT..... | 1 |
| 21 | 147603GT | DECAL, PLAT CNTL PNL..... | 1 |
| 22 | 227288GT | DECAL, OPERATING INSTRUCTIONS..... | 1 |
| 23 | 1000262GT | DECAL,DANGER,TIP OVER,PLAT..... | 1 |
| 24 | T112773GT | TAPE, PROTECTIVE MASK..... | 2 |

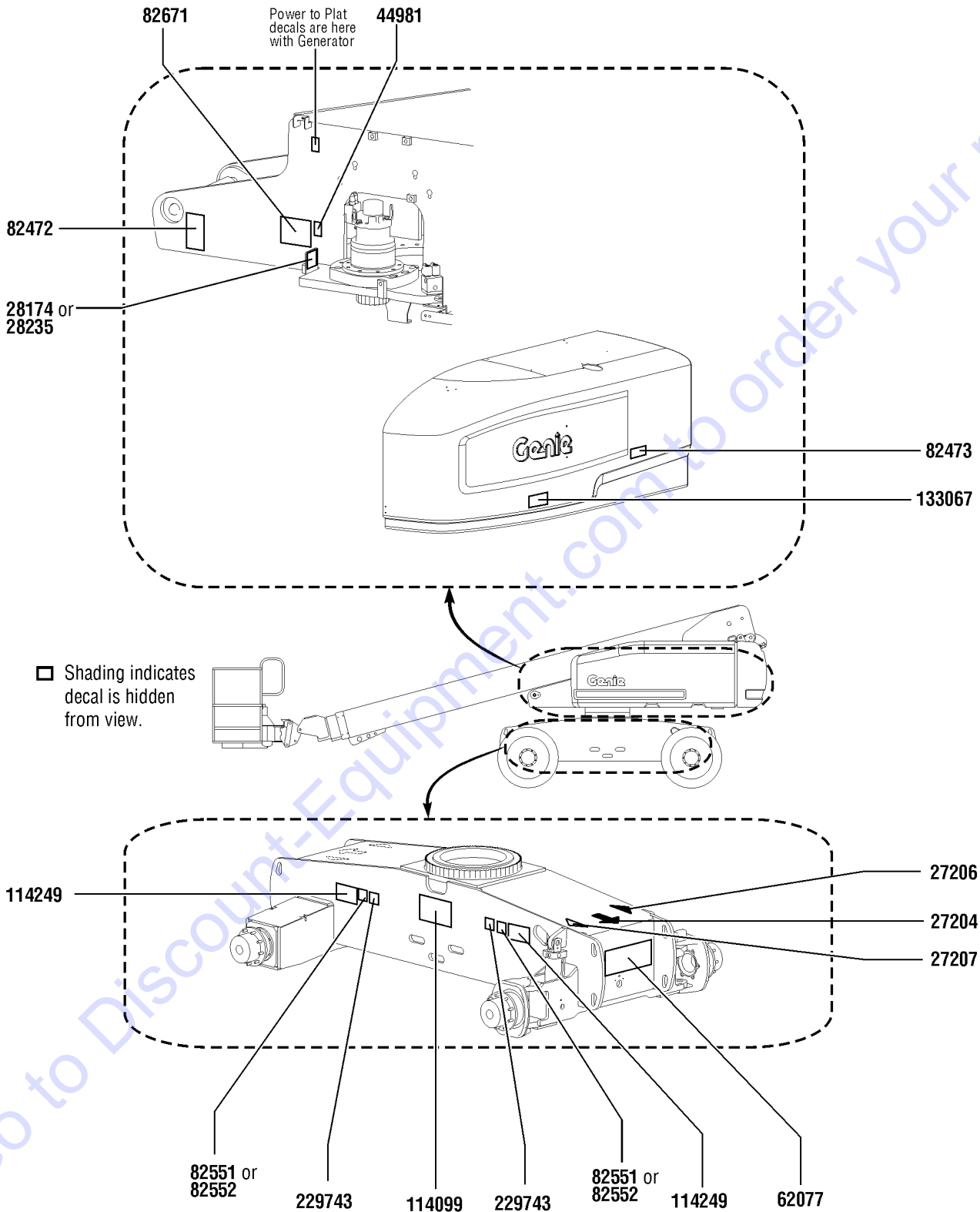
105.1 S-60 Decals with Symbol, Hydraulic Tank Side (CE)



105.1 S-60 Decals with Symbol, Hydraulic Tank Side (CE)

| Item | Part No. | Description | Qty. |
|------|----------|--|------|
| 1 | 27205GT | DECAL,ARROW YELLOW LRG 9".....1 | 1 |
| 2 | 27206GT | DECAL,TRIANGLE,BLUE.....1 | 1 |
| 3 | 27207GT | DECAL,TRIANGLE,YELLOW.....1 | 1 |
| 4 | 28159GT | DECAL,DIESEL.....1 <i>Deutz and Perkins only</i> | 1 |
| 5 | 28160GT | DECAL,LABEL,LIQUID PROPANE.....1 <i>Option, LPG tank</i> | 1 |
| 6 | 52966GT | DECAL,COSMETIC,4 X 2.....1 <i>Option, drive</i> | 1 |
| 7 | 52967GT | DECAL,COSMETIC,4 X 4.....1 <i>Option, drive</i> | 1 |
| 8 | 82240GT | DECAL,LABEL,105 DB.....1 | 1 |
| 9 | 82472GT | DECAL,WARNING,CRUSHING HAZARD.....1 | 1 |
| 10 | 82481GT | DECAL,SYMBOL-BATTERY SAFETY.....1 | 1 |
| 11 | 82487GT | DECAL,SYMBOL-READ THE MANUAL.....1 | 1 |
| 12 | 82551GT | DECAL,LABEL,TIRE PRESSURE.....2 <i>RT air filled tires only</i> | 2 |
| 13 | 82552GT | DECAL,LABEL,TIRE PRESS HF.....2 <i>Hi-floatation tires only</i> | 2 |
| 14 | 114099GT | DECAL,LABEL,TRANSPORT DIAGRAM.....1 | 1 |
| 15 | 114249GT | DECAL,LABEL,TIPOVER,TIRES,SYMB.2 | 2 |
| 16 | 114251GT | DECAL,LABEL,NO SMOKING,SYMB.....1 | 1 |
| 17 | 114465GT | DECAL GROUND CONTROL BOX.....1 | 1 |
| 18 | 133067GT | DECAL,DANGER,ELEC.HAZ.STAY CLR.....1 | 1 |
| 19 | 133413GT | DECAL,EMERGENCY LOWERING.....1 | 1 |
| 20 | 229743GT | DECAL,LABEL,WHEEL LOAD S60/60X.....2 | 2 |

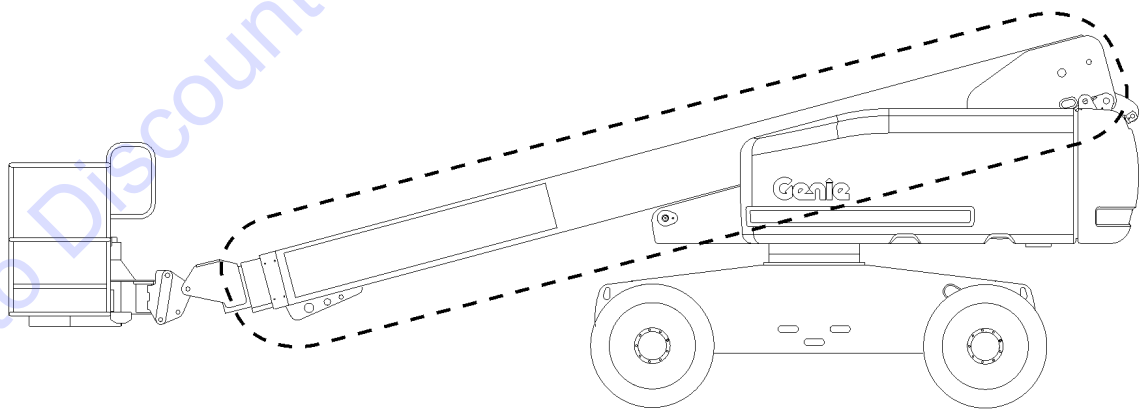
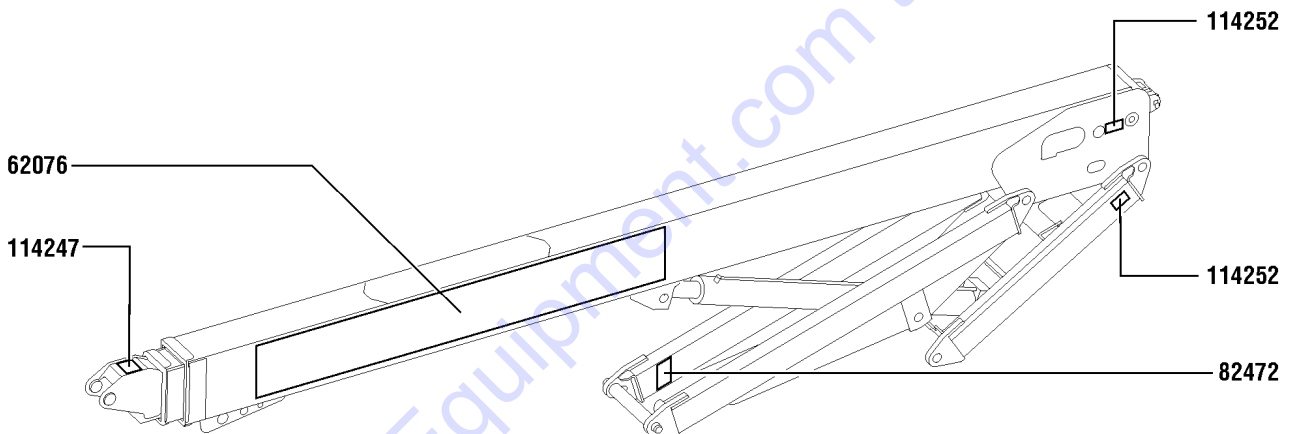
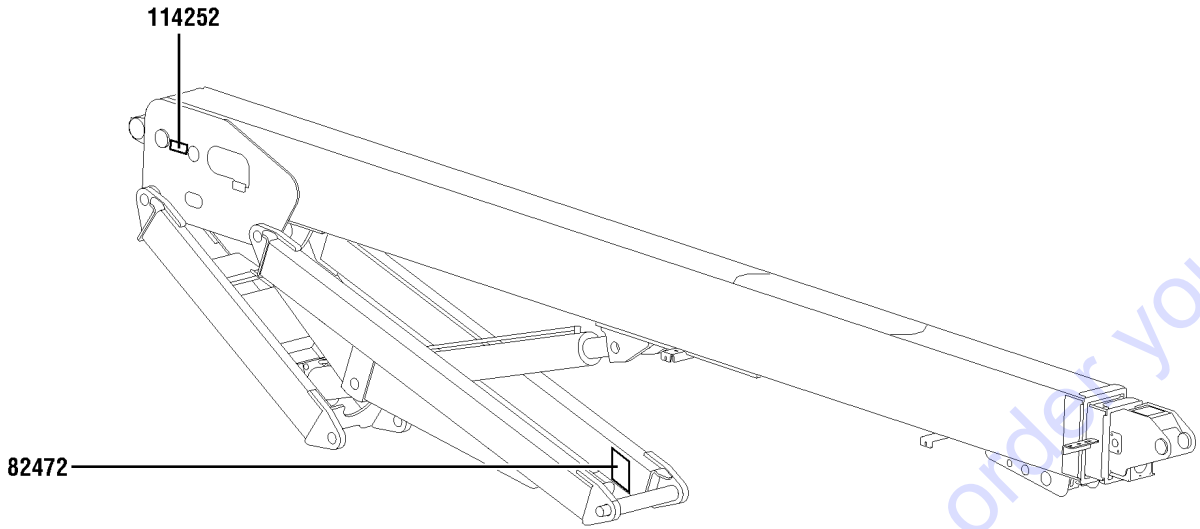
106.1 S-60 Decals with Symbol, Engine Side (CE)



106.1 S-60 Decals with Symbol, Engine Side (CE)

| Item | Part No. | Description | Qty. |
|------|----------|---|------|
| 1 | 27204GT | DECAL,ARROW BLUE..... | 1 |
| 2 | 27206GT | DECAL,TRIANGLE,BLUE..... | 1 |
| 3 | 27207GT | DECAL,TRIANGLE,YELLOW..... | 1 |
| 4 | 28174GT | DECAL, POWER TO PLATFORM 230V**..... | 1 |
| 5 | 28235GT | DECAL,POWER TO PLATFORM 115V...1 | 1 |
| 6 | 44981GT | DECAL,LABEL, AIR LINE 110 PSI.....1 <i>Option, airline to plat</i> | 1 |
| 7 | 62077GT | DECAL,COSMETIC,S60..... | 1 |
| 8 | 82472GT | DECAL,WARNING,CRUSHING HAZARD..... | 1 |
| 9 | 82473GT | DECAL,SYMBOL-COMP ACCESS..... | 1 |
| 10 | 82551GT | DECAL,LABEL,TIRE PRESSURE.....2 <i>RT air filled tires only</i> | 2 |
| 11 | 82552GT | DECAL,LABEL,TIRE PRESS HF.....2 <i>Hi-floatation tires only</i> | 2 |
| 12 | 82671GT | DECAL,LABEL,WELD LINE INST,SYM...1 <i>Option, weld cable line</i> | 1 |
| 13 | 114099GT | DECAL,LABEL,TRANSPORT DIAGRAM..... | 1 |
| 14 | 114249GT | DECAL,LABEL,TIPOVER,TIRES,SYMB.2 | 2 |
| 15 | 133067GT | DECAL,DANGER,ELEC.HAZ.STAY CLR..... | 1 |
| 16 | 229743GT | DECAL,LABEL,WHEEL LOAD S60/60X..... | 2 |

107.1 S-60 Decals with Symbol, Boom (CE)



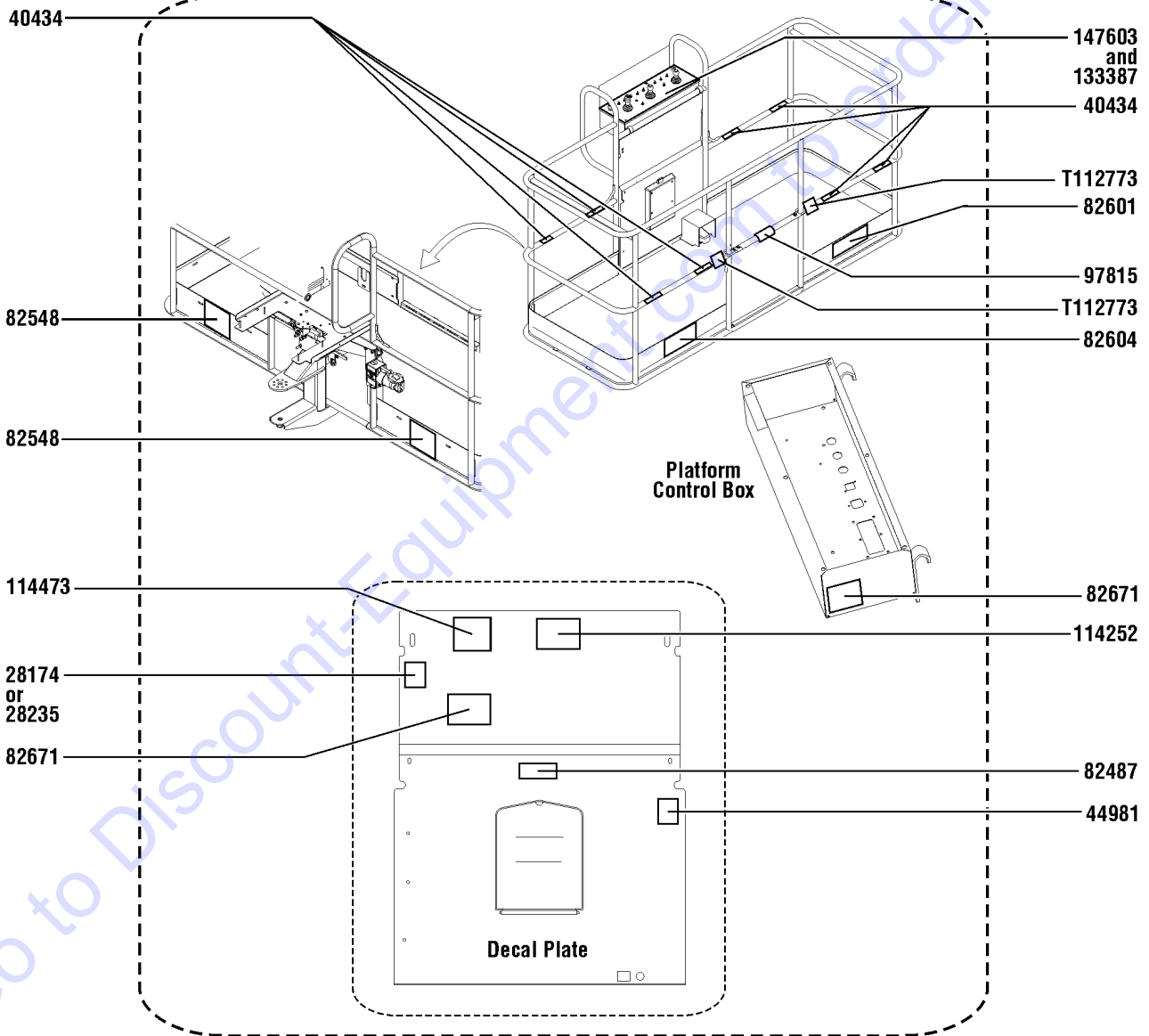
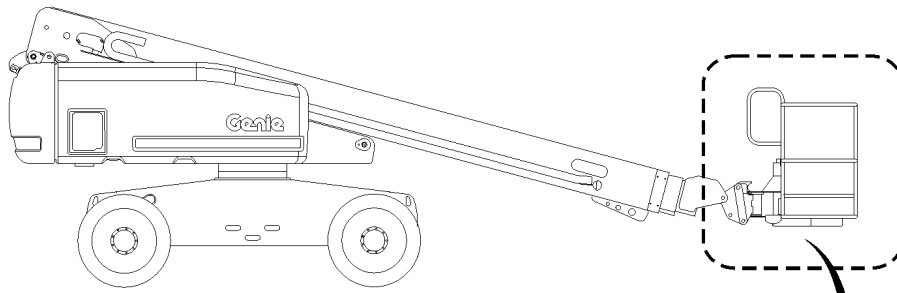
107.1 S-60 Decals with Symbol, Boom (CE)

| Item | Part No. | Description | Qty. |
|------|----------|--|------|
| 1 | 62076GT | DECAL,COSMETIC,GENIE S-60..... | 1 |
| 2 | 82472GT | DECAL,WARNING,CRUSHING HAZARD..... | 2 |
| 3 | 114247GT | DECAL,LABEL,FALL HAZARD***..... | 1 |
| 4 | 114252GT | DECAL,LABEL,TIP OVER LMT SWTCH..... | 3 |

Go to Discount-Equipment.com to order your parts



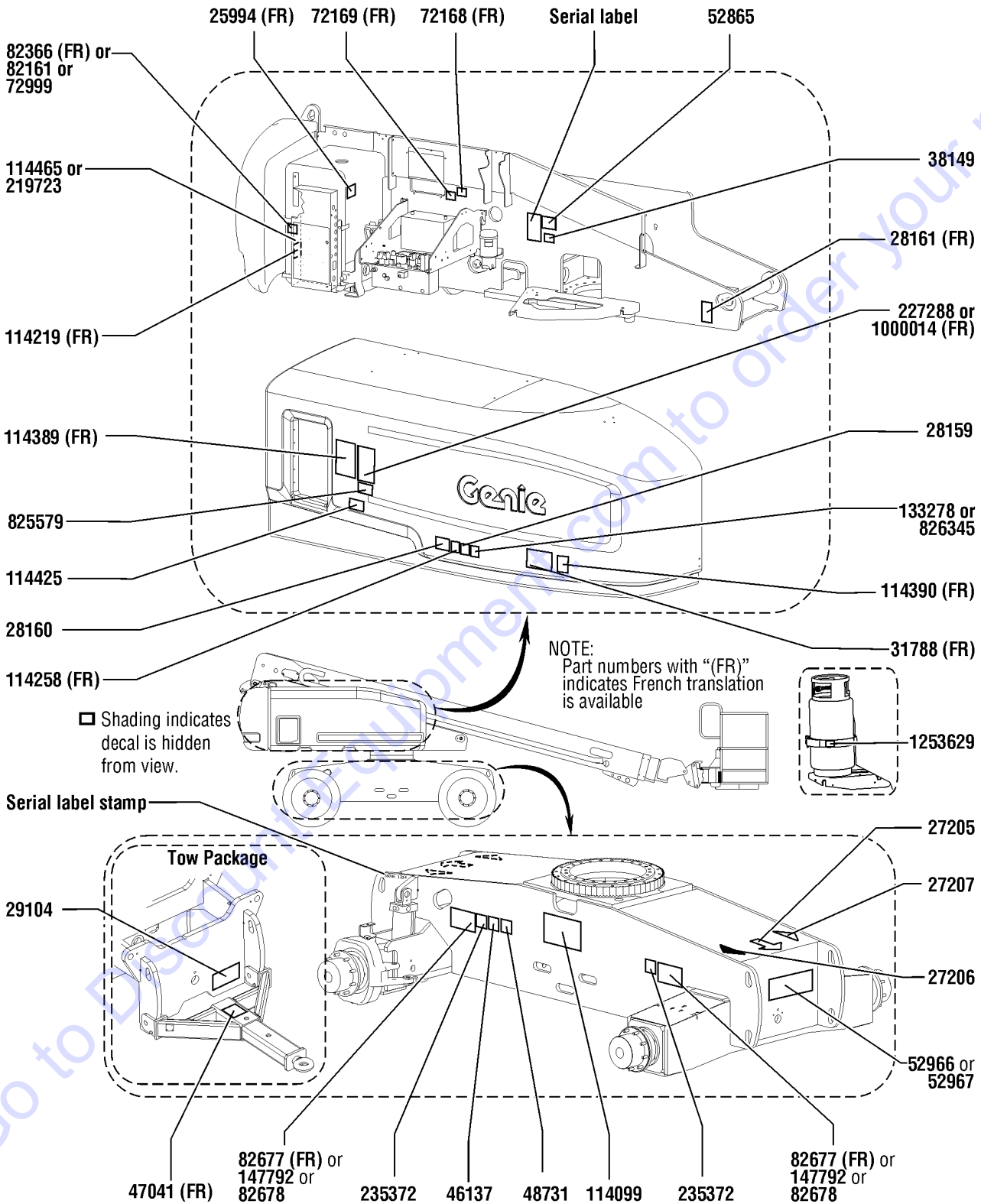
108.1 S-60 Decals with Symbol, Platform (CE)



108.1 S-60 Decals with Symbol, Platform (CE)

| Item | Part No. | Description | Qty. |
|------|-----------|---|------|
| 1 | 28174GT | DECAL, POWER TO PLATFORM 230V**..... | 1 |
| 2 | 28235GT | DECAL,POWER TO PLATFORM 115V...1 | 1 |
| 3 | 40434GT | DECAL,LANYARD ANCHORAGE POINT..... | 8 |
| 4 | 44981GT | DECAL,LABEL, AIR LINE 110 PSI.....1 <i>Option, airline to plat</i> | 1 |
| 5 | 82487GT | DECAL, SYMBOL - READ THE MANUAL..... | 1 |
| 6 | 82548GT | DECAL,WARN,CRUSH HAZARD PLAT..... | 2 |
| 7 | 82601GT | DECAL,LABEL,MAX CAPACITY***..... | 1 |
| 8 | 82604GT | DECAL,DANGER,SIDE FRC 400N..... | 1 |
| 9 | 82671GT | DECAL,LABEL,WELD LINE INST,SYM...2 <i>Option, weld cable line</i> | 2 |
| 10 | 97815GT | DECAL,LABEL,LOWER MIDRAIL..... | 1 |
| 11 | 114252GT | DECAL,LABEL,TIP OVER LMT SWTCH..... | 1 |
| 12 | 114473GT | DECAL,DANGER,TIPOVER,TILT,SYM...1 | 1 |
| 13 | 133387GT | DECAL,DRIVE ENABLE PATCH..... | 1 |
| 14 | 147603GT | DECAL, PLAT CNTL PNL..... | 1 |
| 15 | T112773GT | TAPE, PROTECTIVE MASK..... | 2 |

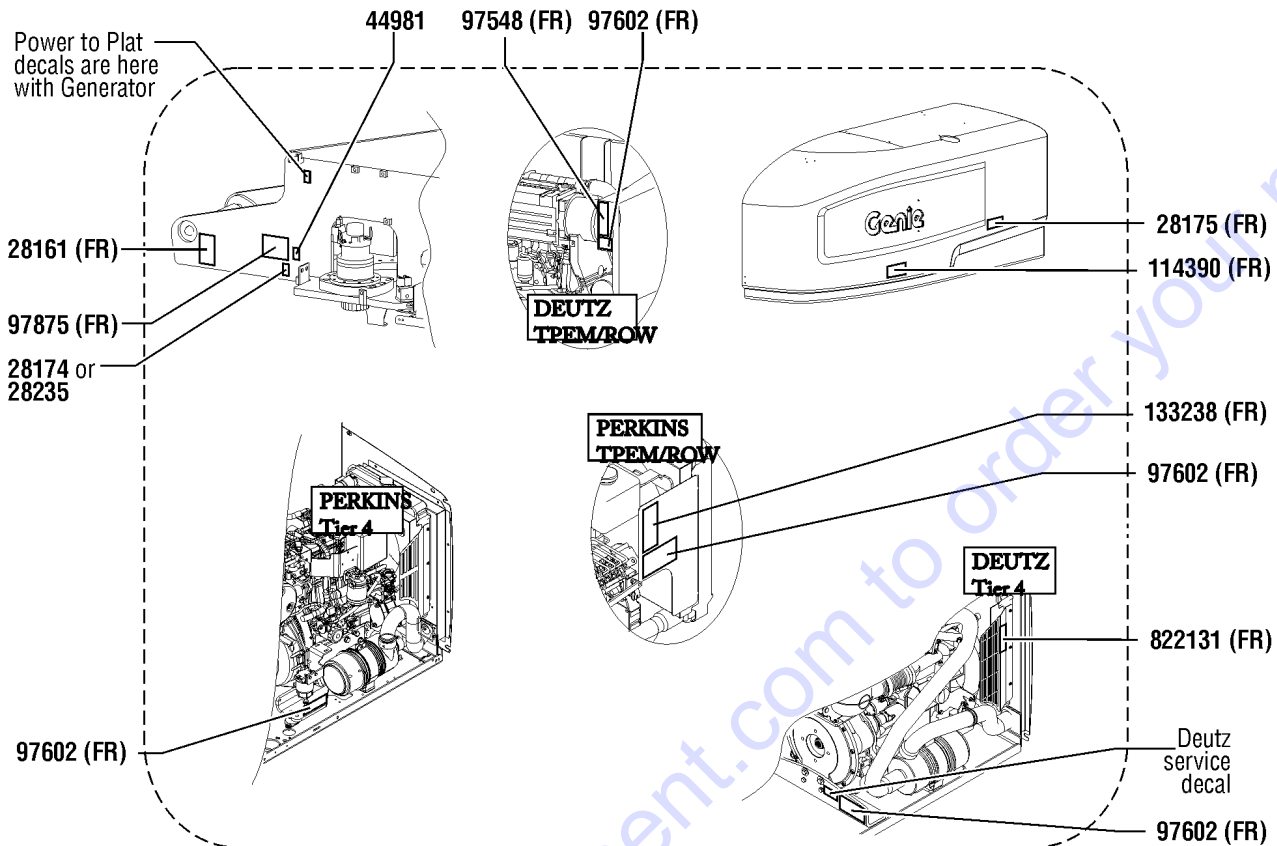
109.1 S-65 Decals with Word, Hydraulic Tank Side (ANSI & Australia)



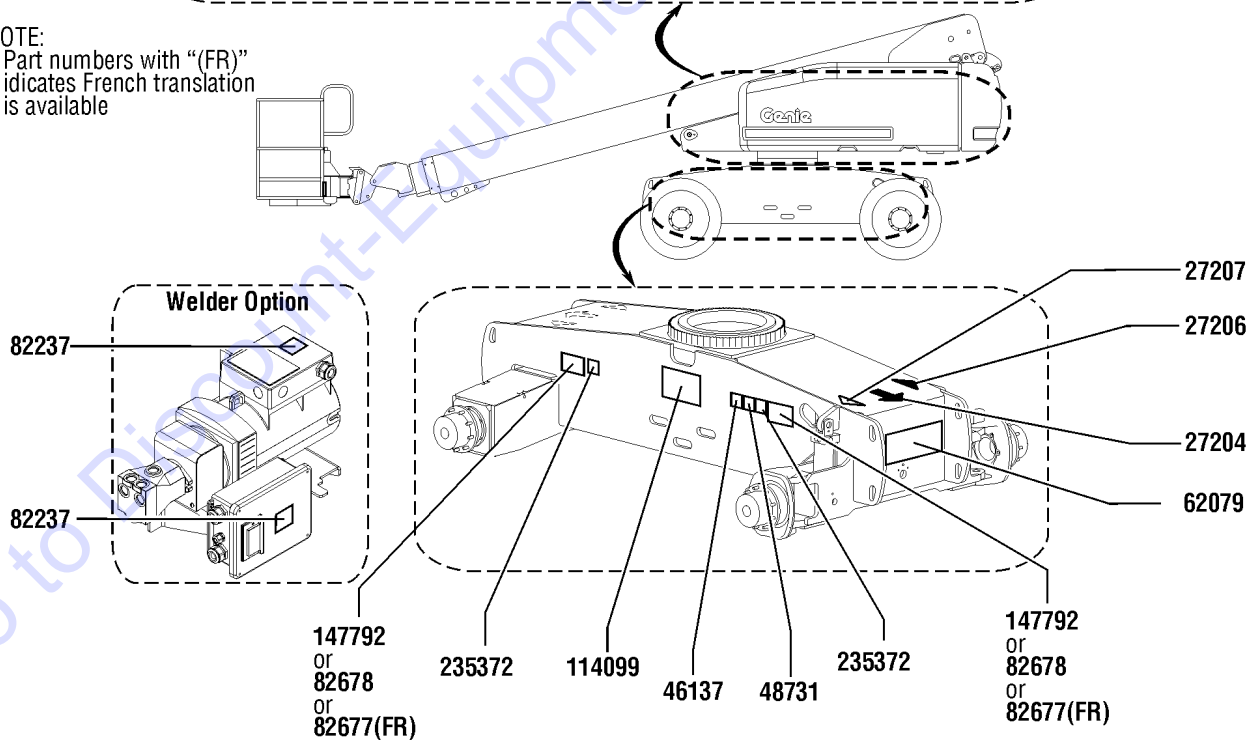
109.1 S-65 Decals with Word, Hydraulic Tank Side (ANSI & Australia)

| Item | Part No. | Description | Qty. | Item | Part No. | Description | Qty. |
|------|----------|---|------|------|-----------|--|------|
| 1 | 25994GT | DECAL,NOTICE,SHUTOFF VALVES.....1 | | 29 | 114465GT | DECAL GROUND CONTROL BOX.....1 (Deutz D2011L3i, Deutz TD2011L04i and Perkins 404D-22) | |
| 2 | 27205GT | DECAL,ARROW YELLOW LRG 9".....1 | | 30 | 133278GT | DECAL,LOW/ULTRA LOW SULFR FUEL.....1 (Deutz D2011L3i, Deutz TD2011L04i and Perkins 404D-22) | |
| 3 | 27206GT | DECAL,TRIANGLE,BLUE.....1 | | 31 | 147792GT | DANGER,TIPOVR, TIRES FF ONLY.....2 AUS only | |
| 4 | 27207GT | DECAL,TRIANGLE,YELLOW.....1 | | 32 | 219723GT | DECAL,GROUND BOX,TIER IV.....1 (Deutz D2.9L4) | |
| 5 | 28159GT | DECAL,DIESEL.....1 Deutz and Perkins only | | 33 | 227288GT | DECAL, OPERATING INSTRUCTIONS.....1 AUS only | |
| 6 | 28160GT | DECAL,LABEL,LIQUID PROPANE.....1 Option, LPG tank | | 34 | 235372GT | DECAL,LABEL,WHEEL LOAD S65.....2 | |
| 7 | 28161GT | DECAL,WARN,CRUSH HAZARD HAND.....1 | | 35 | 825579GT | DECAL, LCD, TIER 4.....1 (Deutz D2.9L4) | |
| 8 | 29104GT | DECAL,TOWING INSTRUCTIONS.....1 Option, tow package | | 36 | 826345GT | DECAL,ULS DIESEL ONLY,TIER 4.....1 (Deutz D2.9L4) | |
| 9 | 31788GT | DECAL,DANGER,BATTERY SAFETY***.....1 | | 37 | 1000014GT | DECAL,NOTICE,OPER INST.S60.....1 ANSI only | |
| 10 | 38149GT | DECAL,LABEL,PATENTS.....1 US only | | 38 | 1253629GT | DECAL,LP BOTTLE,S60.....1 Option | |
| 11 | 46137GT | DECAL,LPS (4"X4").....1 Option | | | | | |
| 12 | 47041GT | DECAL,CAUTION,TOWING SPEED.....1 Option, tow package | | | | | |
| 13 | 52865GT | DECAL,ANNUAL INSP***.....1 ANSI only | | | | | |
| 14 | 52966GT | DECAL,COSMETIC,4 X 2.....1 Option, drive | | | | | |
| 15 | 52967GT | DECAL,COSMETIC,4 X 4.....1 Option, drive | | | | | |
| 16 | 72168GT | DECAL,LABEL,STARTER BATTERY.....1 Option, dual battery | | | | | |
| 17 | 72169GT | DECAL,LABEL,CONTROLS BATTERY...1 Option, dual battery | | | | | |
| 18 | 72999GT | DECAL,LABEL,PETRO CANADA***.....1 Option, hydraulic oil | | | | | |
| 19 | 82161GT | DECAL,LABEL,UCON HYDROLUBE.....1 Option, hydraulic oil | | | | | |
| 20 | 82366GT | DECAL,CHEVRON RANDO HD.....1 Option, hydraulic oil | | | | | |
| 21 | 82677GT | DECAL,DANGER/LABEL,TIRE SPECS.....2 ANSI only | | | | | |
| 22 | 82678GT | DECAL,DANGER,HI-FLOAT TIRE.....2 Option, hi-floatation tires | | | | | |
| 23 | 114099GT | DECAL,LABEL,TRANSPORT DIAGRAM.....1 | | | | | |
| 24 | 114219GT | DECAL,LABEL,RELAYS,S60&65.....1 | | | | | |
| 25 | 114258GT | DECAL,DANGER,NO SMOKING.....1 | | | | | |
| 26 | 114389GT | DECAL,DANGER,GENERAL SAFETY...1 | | | | | |
| 27 | 114390GT | DECAL,DANGER,ELECT HAZARD***...1 | | | | | |
| 28 | 114425GT | DECAL,BATTERY DISCONNECT.....1 Option | | | | | |

110.1 S-65 Decals with Word, Engine Side (ANSI & Australia)



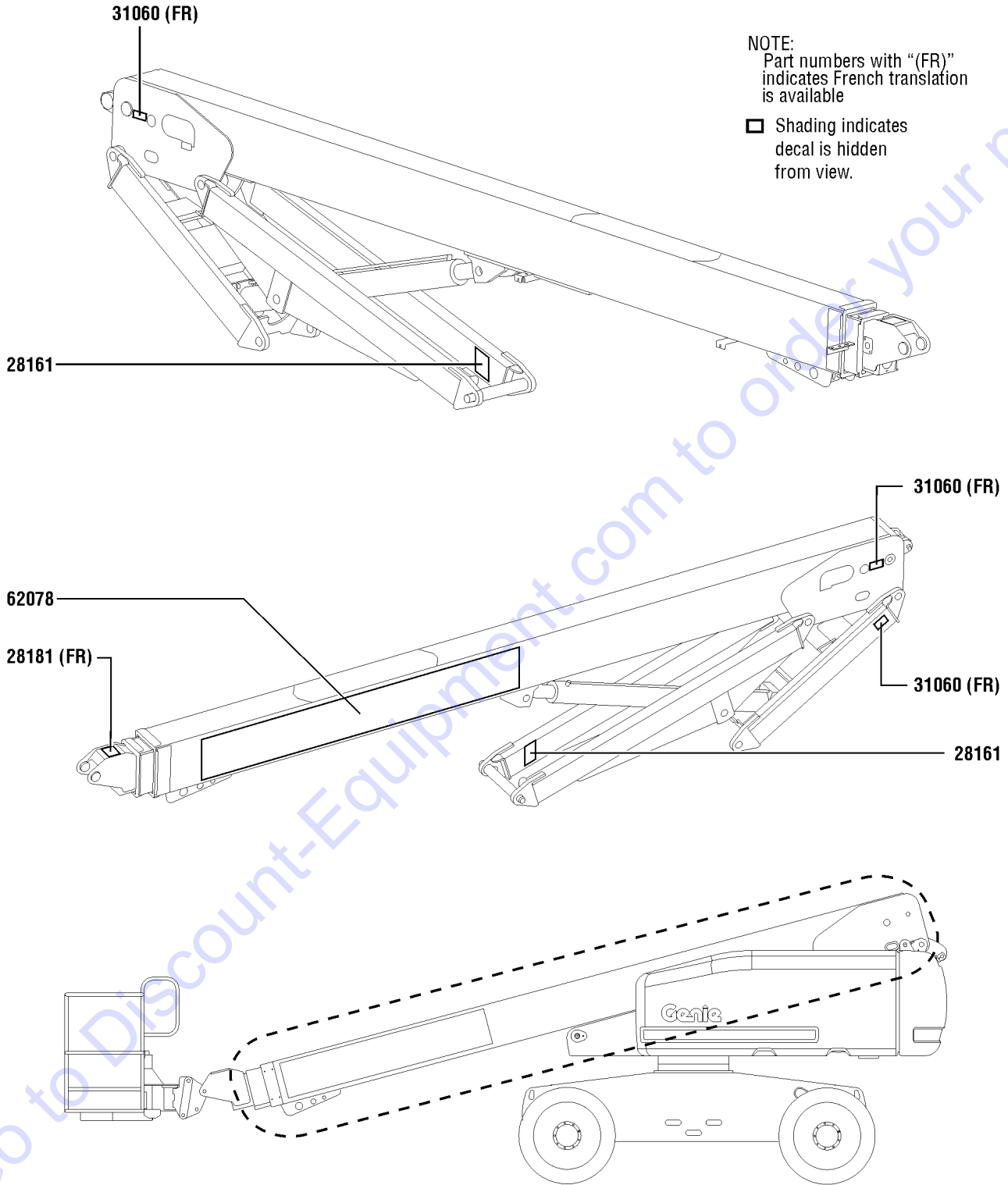
NOTE:
Part numbers with "(FR)" indicates French translation is available



110.1 S-65 Decals with Word, Engine Side (ANSI & Australia)

| Item | Part No. | Description | Qty. |
|------|----------|---|------|
| 1 | 27204GT | DECAL,ARROW BLUE..... | 1 |
| 2 | 27206GT | DECAL,TRIANGLE,BLUE..... | 1 |
| 3 | 27207GT | DECAL,TRIANGLE,YELLOW..... | 1 |
| 4 | 28161GT | DECAL,WARN,CRUSH HAZARD HAND..... | 1 |
| 5 | 28174GT | DECAL, POWER TO PLATFORM 230V**..... | 1 |
| 6 | 28175GT | DECAL,WARNING-COMPART ACCESS..... | 1 |
| 7 | 28235GT | DECAL,POWER TO PLATFORM 115V...1 | |
| 8 | 44981GT | DECAL,LABEL, AIR LINE 110 PSI.....1 <i>Option, airline to plat</i> | |
| 9 | 46137GT | DECAL,LPS (4"X4").....1 <i>Option</i> | |
| 11 | 62079GT | DECAL,COSMETIC,S65..... | 1 |
| 12 | 82237GT | DECAL,DANGER,HIGH VOLTAGE.....2 <i>Option, welder</i> | |
| 13 | 82677GT | DECAL,DANGER/LABEL,TIRE SPECS.....2 <i>ANSI only</i> | |
| 14 | 82678GT | DECAL,DANGER,HI-FLOAT TIRE.....2 <i>Option, hi-floatation tires</i> | |
| 15 | 97548GT | DECAL,ENGINE SPEC,DEUTZ 2011....1 <i>Deutz D2011L3i and Deutz TD2011L04i</i> | |
| 16 | 97602GT | DECAL,EXPLOSION HAZARD.....1 <i>Diesel engines</i> | |
| 17 | 97875GT | DECAL,WARN.WELD LINE INST.WORD.....1 <i>Option, weld cable line</i> | |
| 18 | 114099GT | DECAL,LABEL,TRANSPORT DIAGRAM..... | 1 |
| 19 | 114390GT | DECAL,DANGER,ELECT HAZARD***....1 | |
| 20 | 133238GT | DECAL,ENGINE SPEC,PERKINS***1 <i>Perkins 404D-22</i> | |
| 21 | 147792GT | DANGER,TIPOVR,TIRES FF ONLY2 <i>AUS only</i> | |
| 22 | 235372GT | DECAL,LABEL,WHEEL LOAD S65.....2 | |
| 23 | 822131GT | DECAL, ENGINE SPEC, D2.9.....1 <i>Deutz D2.9L4</i> | |

111.1 S-65 Decals with Word, Boom (ANSI & Australia)



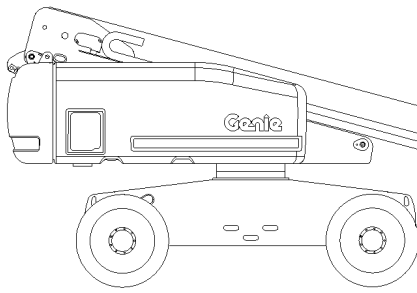
111.1 S-65 Decals with Word, Boom (ANSI & Australia)

| Item | Part No. | Description | Qty. |
|------|----------|--|------|
| 1 | 28161GT | DECAL,WARN,CRUSH HAZARD HAND..... | 2 |
| 2 | 28181GT | DECAL,WARN,FALL HAZARD..... | 1 |
| 3 | 31060GT | DECAL,DANGER DO NOT ALTER SWTC..... | 3 |
| 4 | 62078GT | DECAL,COSMETIC,GENIE S65..... | 1 |

Go to Discount-Equipment.com to order your parts

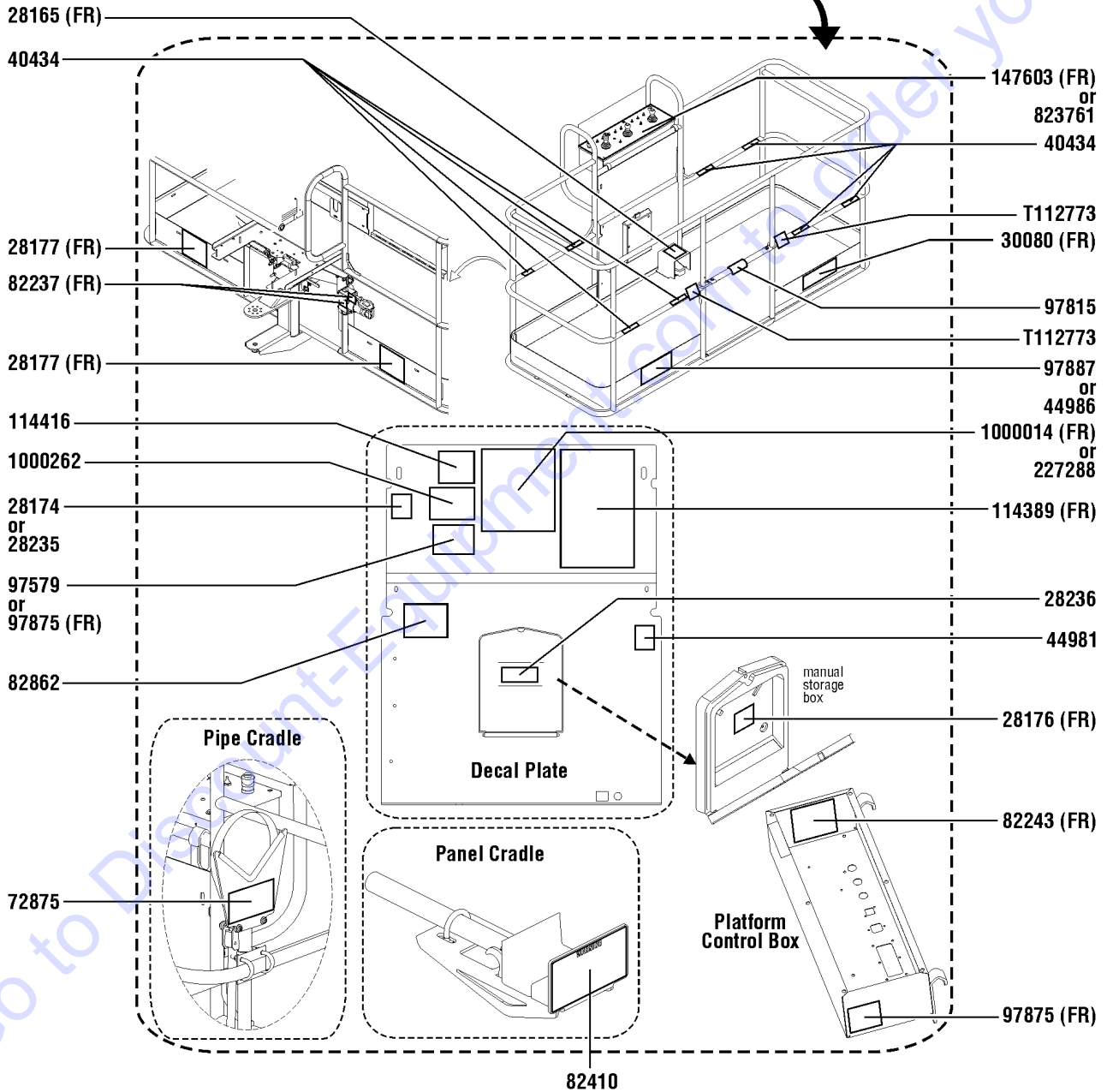


112.1 S-65 Decals with Word, Platform (ANSI & Australia)



NOTE:
Part numbers with "(FR)" indicates French translation is available

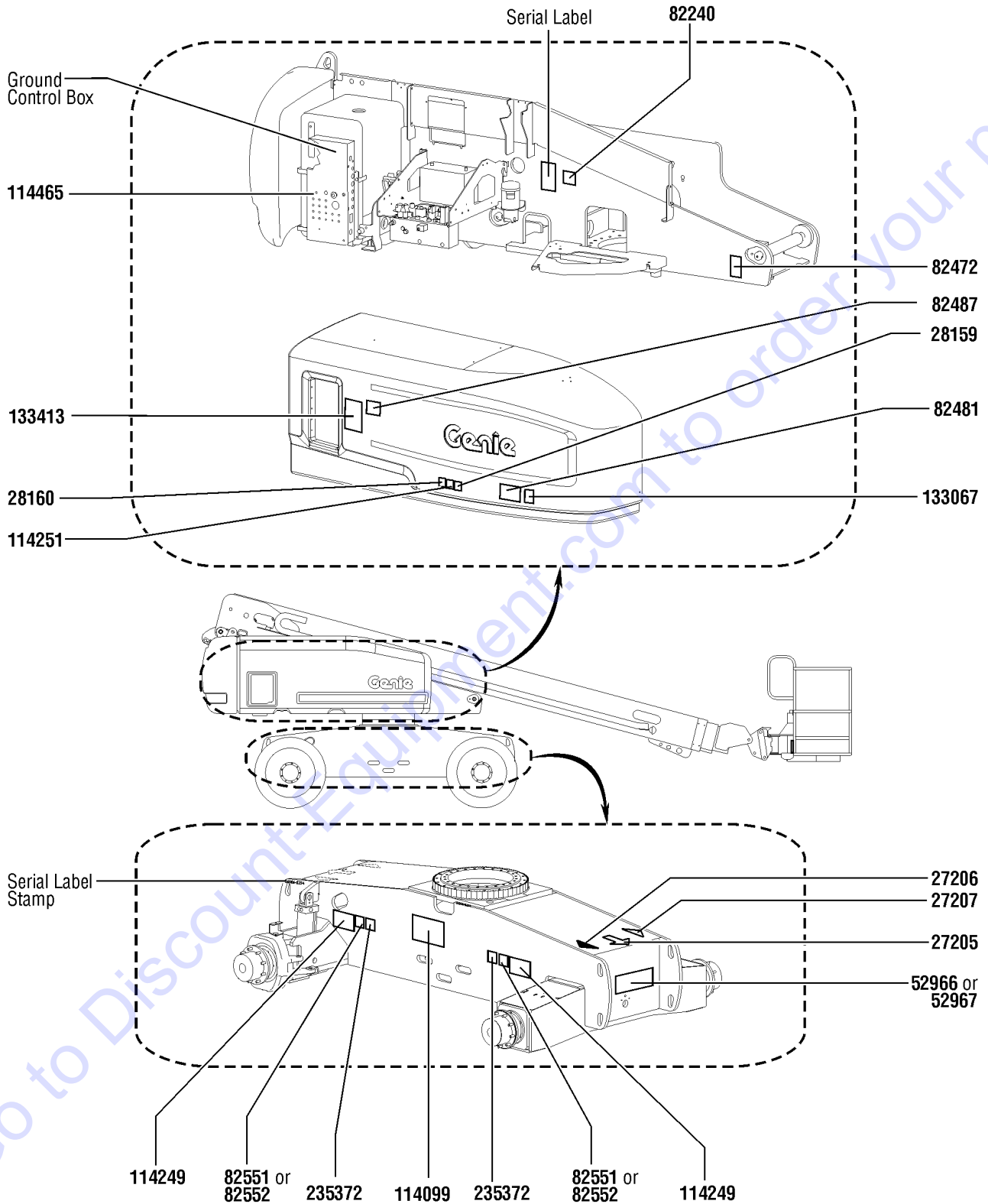
☐ Shading indicates decal is hidden from view.



112.1 S-65 Decals with Word, Platform (ANSI & Australia)

| Item | Part No. | Description | Qty. |
|------|-----------|--|------|
| 1 | 28165GT | DECAL,INSTRUCT,FOOTSWITCH OPER..... | 1 |
| 2 | 28174GT | DECAL, POWER TO PLATFORM 230V**..... | 1 |
| 3 | 28176GT | DECAL,LABEL,MANUAL NOT HERE..... | 1 |
| 4 | 28177GT | DECAL,WARN,CRUSH HAZARD PLAT..... | 2 |
| 5 | 28235GT | DECAL,POWER TO PLATFORM 115V.... | 1 |
| 6 | 28236GT | DECAL,WARN,IMPROPER OPERATION..... | 1 |
| 7 | 30080GT | DECAL,NOTICE,MAX LOAD 500 LBS.... | 1 |
| 8 | 40434GT | DECAL,LANYARD ANCHORAGE POINT..... | 8 |
| 9 | 44981GT | DECAL,LABEL, AIR LINE 110 PSI..... <i>Option, airline to plat</i> | 1 |
| 10 | 44986GT | DECAL,INSTR,SIDE FRC/WIND,AUS..... <i>AUS only</i> | 1 |
| 11 | 72875GT | DECAL,WARNING,PIPE CRADLE,BOOM..... <i>Option, pipe cradle</i> | 2 |
| 12 | 82237GT | DECAL,DANGER,HIGH VOLTAGE..... <i>Option, welder</i> | 2 |
| 13 | 82243GT | DECAL FAULT CODE..... | 1 |
| 14 | 82410GT | DECAL,WARNING,PANEL CRADLE..... <i>Option, panel cradle</i> | 2 |
| 15 | 82862GT | DECAL,FIRE EXTINGUISHER..... <i>Option, welder</i> | 1 |
| 16 | 97579GT | DECAL,DANGER,TIP-OVER,WELDER**..1 <i>Option, welder</i> | 1 |
| 17 | 97815GT | DECAL,LABEL,LOWER MIDRAIL..... | 1 |
| 18 | 97875GT | DECAL,WARN.WELD LINE INST.WORD..... <i>Option, weld cable line</i> | 2 |
| 19 | 97887GT | DECAL,INSTR,MAX SIDE FRC,ANSI..... <i>ANSI/CSA only</i> | 1 |
| 20 | 114389GT | DECAL,DANGER,GENERAL SAFETY.... | 1 |
| 21 | 114416GT | DECAL,DANGER,TIPOVER,TILT..... | 1 |
| 22 | 147603GT | DECAL, PLAT CNTL PNL..... | 1 |
| 23 | 227288GT | DECAL, OPERATING INSTRUCTIONS..... <i>AUS only</i> | 1 |
| 24 | 823761GT | LABEL, PBOX, S65 TIER 4..... <i>Tier 4 models only</i> | 1 |
| 25 | 1000014GT | DECAL,NOTICE,OPER INST.S60..... <i>ANSI only</i> | 1 |
| 26 | 1000262GT | DECAL,DANGER,TIP OVER,PLAT..... | 1 |
| 27 | T112773GT | TAPE, PROTECTIVE MASK..... | 2 |

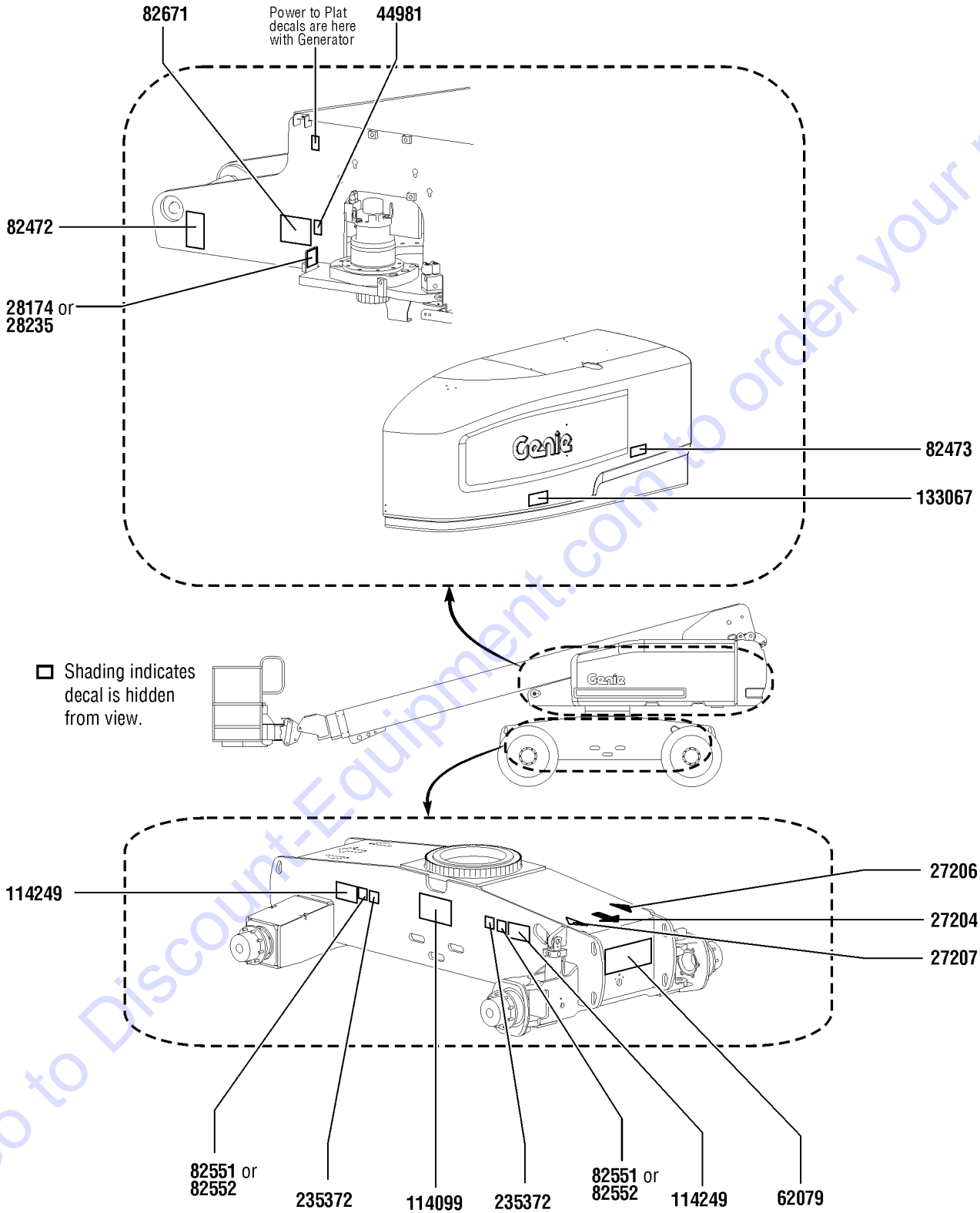
113.1 S-65 Decals with Symbol, Hydraulic Tank Side (ANSI & CE)



113.1 S-65 Decals with Symbol, Hydraulic Tank Side (ANSI & CE)

| Item | Part No. | Description | Qty. |
|------|----------|--|------|
| 1 | 27205GT | DECAL,ARROW YELLOW LRG 9".....1 | 1 |
| 2 | 27206GT | DECAL,TRIANGLE,BLUE.....1 | 1 |
| 3 | 27207GT | DECAL,TRIANGLE,YELLOW.....1 | 1 |
| 4 | 28159GT | DECAL,DIESEL.....1 <i>Deutz and Perkins only</i> | 1 |
| 5 | 28160GT | DECAL,LABEL,LIQUID PROPANE.....1 <i>Option, LPG tank</i> | 1 |
| 6 | 52966GT | DECAL,COSMETIC,4 X 2.....1 <i>Option, drive</i> | 1 |
| 7 | 52967GT | DECAL,COSMETIC,4 X 4.....1 <i>Option, drive</i> | 1 |
| 8 | 82240GT | DECAL,LABEL,105 DB.....1 | 1 |
| 9 | 82472GT | DECAL,WARNING,CRUSHING HAZARD.....1 | 1 |
| 10 | 82481GT | DECAL,SYMBOL-BATTERY SAFETY.....1 | 1 |
| 11 | 82487GT | DECAL,SYMBOL-READ THE MANUAL.....1 | 1 |
| 12 | 82551GT | DECAL,LABEL,TIRE PRESSURE.....2 <i>RT air filled tires only</i> | 2 |
| 13 | 82552GT | DECAL,LABEL,TIRE PRESS HF.....2 <i>Hi-floatation tires only</i> | 2 |
| 14 | 114099GT | DECAL,LABEL,TRANSPORT DIAGRAM.....1 | 1 |
| 15 | 114249GT | DECAL,LABEL,TIPOVER,TIRES,SYMB.2 | 2 |
| 16 | 114251GT | DECAL,LABEL,NO SMOKING,SYMB.....1 | 1 |
| 17 | 114465GT | DECAL GROUND CONTROL BOX.....1 | 1 |
| 18 | 133067GT | DECAL,DANGER,ELEC.HAZ.STAY CLR.....1 | 1 |
| 19 | 133413GT | DECAL,EMERGENCY LOWERING.....1 <i>CE only</i> | 1 |
| 20 | 235372GT | DECAL,LABEL,WHEEL LOAD S65.....2 | 2 |

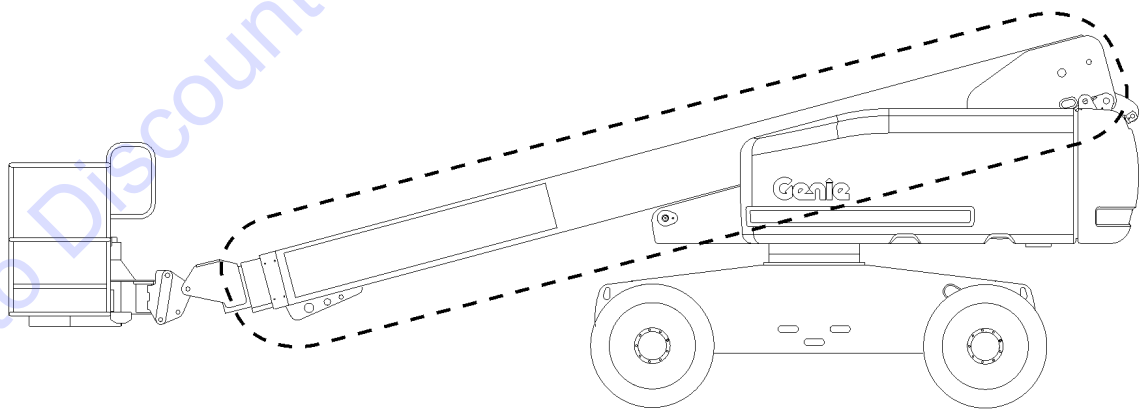
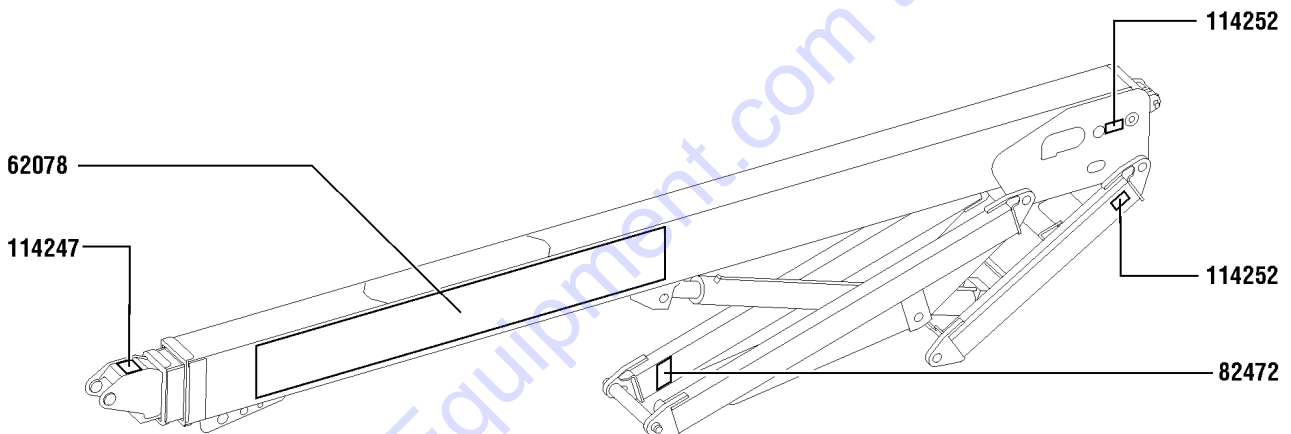
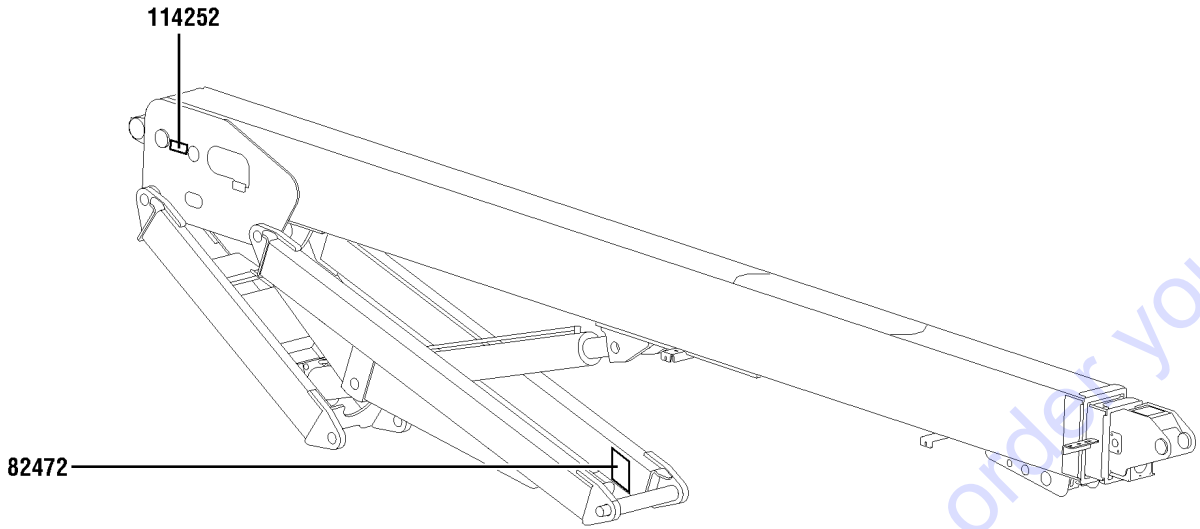
114.1 S-65 Decals with Symbol, Engine Side (ANSI & CE)



114.1 S-65 Decals with Symbol, Engine Side (ANSI & CE)

| Item | Part No. | Description | Qty. |
|------|----------|---|------|
| 1 | 27204GT | DECAL,ARROW BLUE..... | 1 |
| 2 | 27206GT | DECAL,TRIANGLE,BLUE..... | 1 |
| 3 | 27207GT | DECAL,TRIANGLE,YELLOW..... | 1 |
| 4 | 28174GT | DECAL, POWER TO PLATFORM 230V**..... | 1 |
| 5 | 28235GT | DECAL,POWER TO PLATFORM 115V...1 | 1 |
| 6 | 44981GT | DECAL,LABEL, AIR LINE 110 PSI.....1 <i>Option, airline to plat</i> | 1 |
| 7 | 62079GT | DECAL,COSMETIC,S65..... | 1 |
| 8 | 82472GT | DECAL,WARNING,CRUSHING HAZARD..... | 1 |
| 9 | 82473GT | DECAL,SYMBOL-COMP ACCESS..... | 1 |
| 10 | 82551GT | DECAL,LABEL,TIRE PRESSURE.....2 <i>RT air filled tires only</i> | 2 |
| 11 | 82552GT | DECAL,LABEL,TIRE PRESS HF.....2 <i>Hi-floatation tires only</i> | 2 |
| 12 | 82671GT | DECAL,LABEL,WELD LINE INST,SYM...1 <i>Option, weld cable line</i> | 1 |
| 13 | 114099GT | DECAL,LABEL,TRANSPORT DIAGRAM..... | 1 |
| 14 | 114249GT | DECAL,LABEL,TIPOVER,TIRES,SYMB.2 | 2 |
| 15 | 133067GT | DECAL,DANGER,ELEC.HAZ.STAY CLR..... | 1 |
| 16 | 235372GT | DECAL,LABEL,WHEEL LOAD S65..... | 2 |

115.1 S-65 Decals with Symbol, Boom (ANSI & CE)



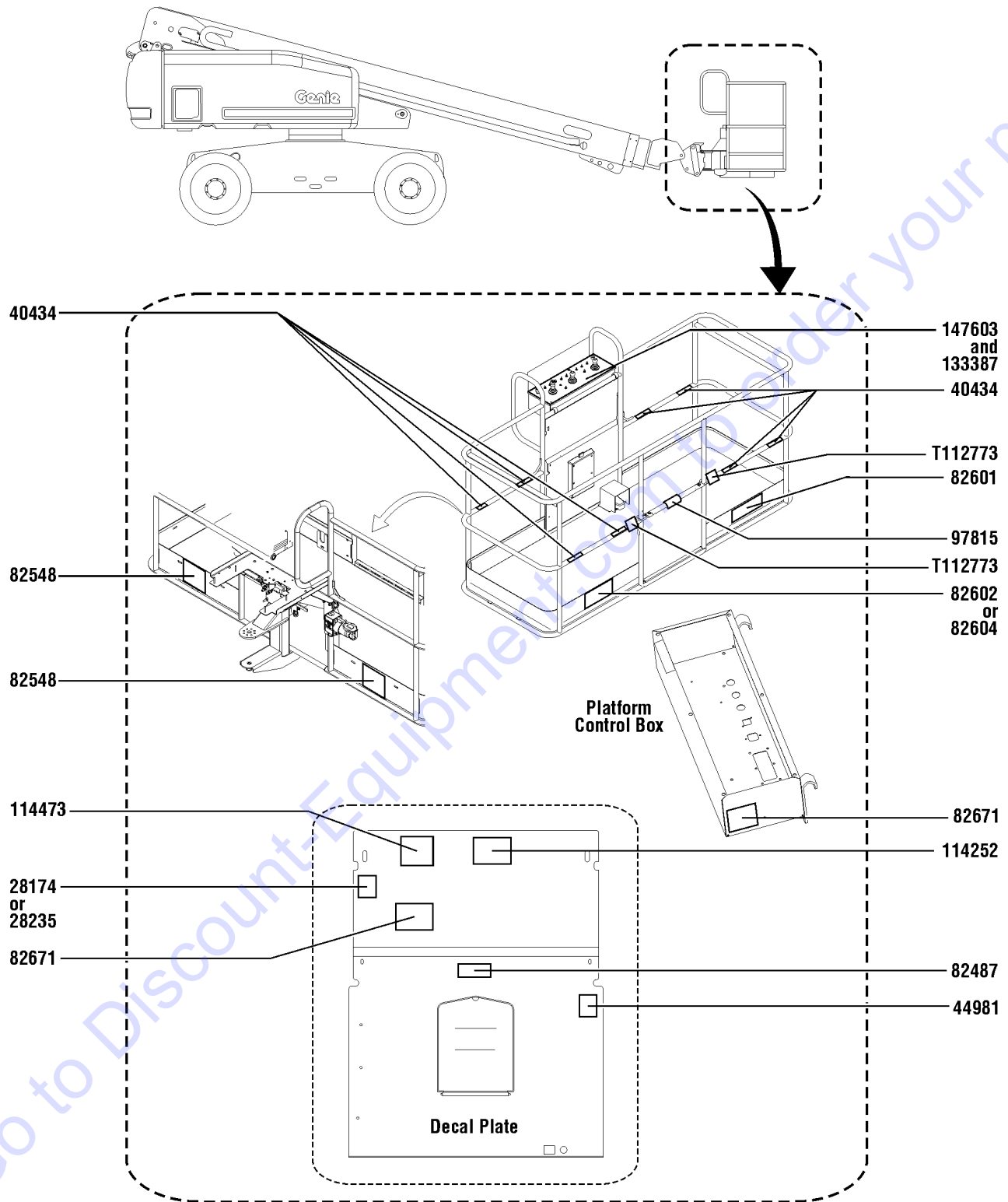
115.1 S-65 Decals with Symbol, Boom (ANSI & CE)

| Item | Part No. | Description | Qty. |
|------|----------|--|------|
| 1 | 62078GT | DECAL,COSMETIC,GENIE S65..... | 1 |
| 2 | 82472GT | DECAL,WARNING,CRUSHING HAZARD..... | 2 |
| 3 | 114247GT | DECAL,LABEL,FALL HAZARD***..... | 1 |
| 4 | 114252GT | DECAL,LABEL,TIP OVER LMT SWTCH..... | 3 |

Go to Discount-Equipment.com to order your parts



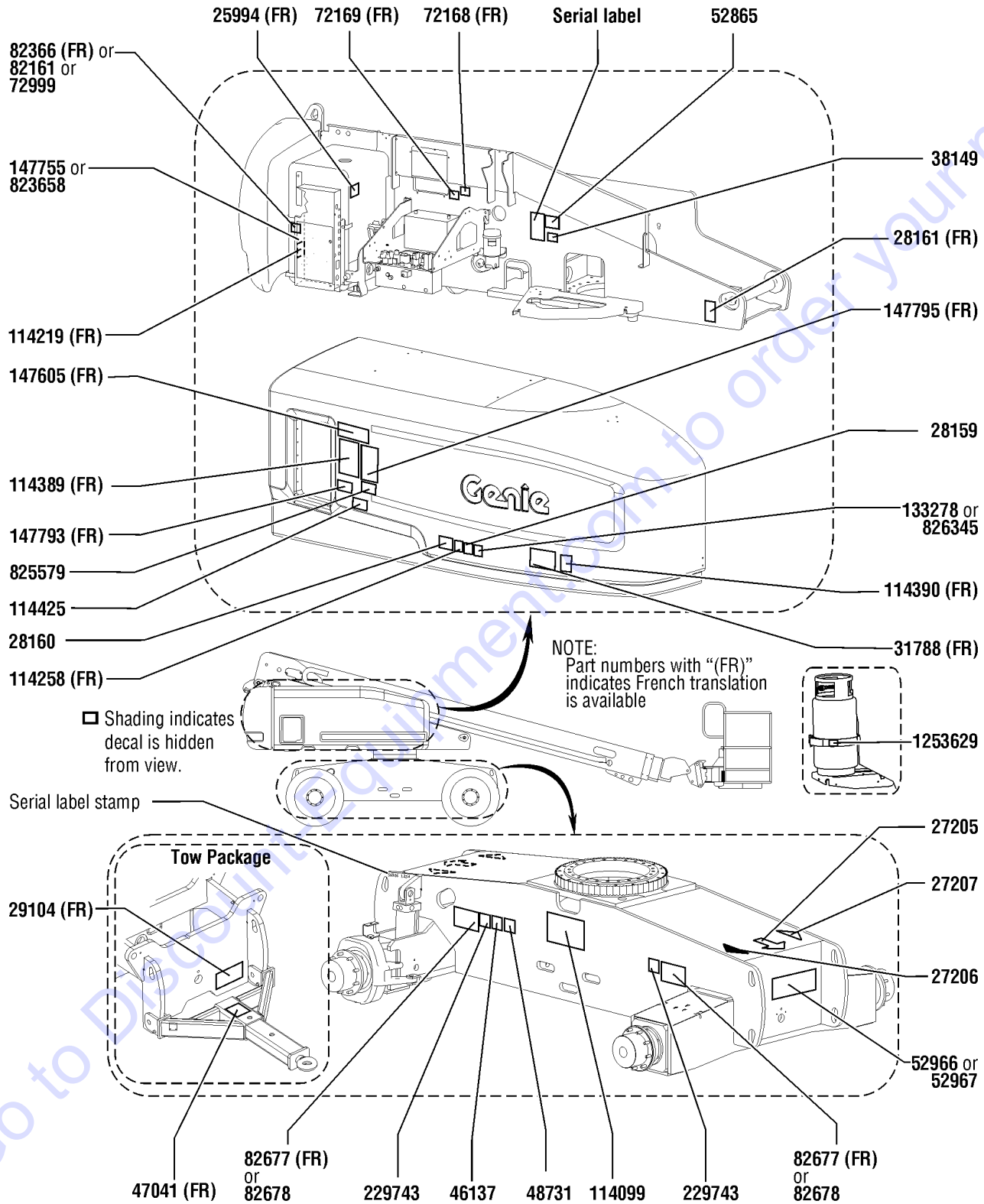
116.1 S-65 Decals with Symbol, Platform (ANSI & CE)



116.1 S-65 Decals with Symbol, Platform (ANSI & CE)

| Item | Part No. | Description | Qty. |
|------|-----------|---|------|
| 1 | 28174GT | DECAL, POWER TO PLATFORM 230V**..... | 1 |
| 2 | 28235GT | DECAL,POWER TO PLATFORM 115V...1 | 1 |
| 3 | 40434GT | DECAL,LANYARD ANCHORAGE POINT..... | 8 |
| 4 | 44981GT | DECAL,LABEL, AIR LINE 110 PSI.....1 <i>Option, airline to plat</i> | 1 |
| 5 | 82487GT | DECAL, SYMBOL - READ THE MANUAL..... | 1 |
| 6 | 82548GT | DECAL,WARN,CRUSH HAZARD PLAT..... | 2 |
| 7 | 82601GT | DECAL,LABEL,MAX CAPACITY***.....1 | 1 |
| 8 | 82602GT | DECAL,DANGER,MAX SIDE FRC,667N.....1 <i>ANSI only</i> | 1 |
| 9 | 82604GT | DECAL,DANGER,SIDE FRC 400N.....1 <i>CE only</i> | 1 |
| 10 | 82671GT | DECAL,LABEL,WELD LINE INST,SYM...2 <i>Option, weld cable line</i> | 2 |
| 11 | 97815GT | DECAL,LABEL,LOWER MIDRAIL.....1 | 1 |
| 12 | 114252GT | DECAL,LABEL,TIP OVER LMT SWTCH..... | 1 |
| 13 | 114473GT | DECAL,DANGER,TIPOVER,TILT,SYM...1 | 1 |
| 14 | 133387GT | DECAL,DRIVE ENABLE PATCH.....1 | 1 |
| 15 | 147603GT | DECAL, PLAT CNTL PNL.....1 | 1 |
| 16 | T112773GT | TAPE, PROTECTIVE MASK..... | 2 |

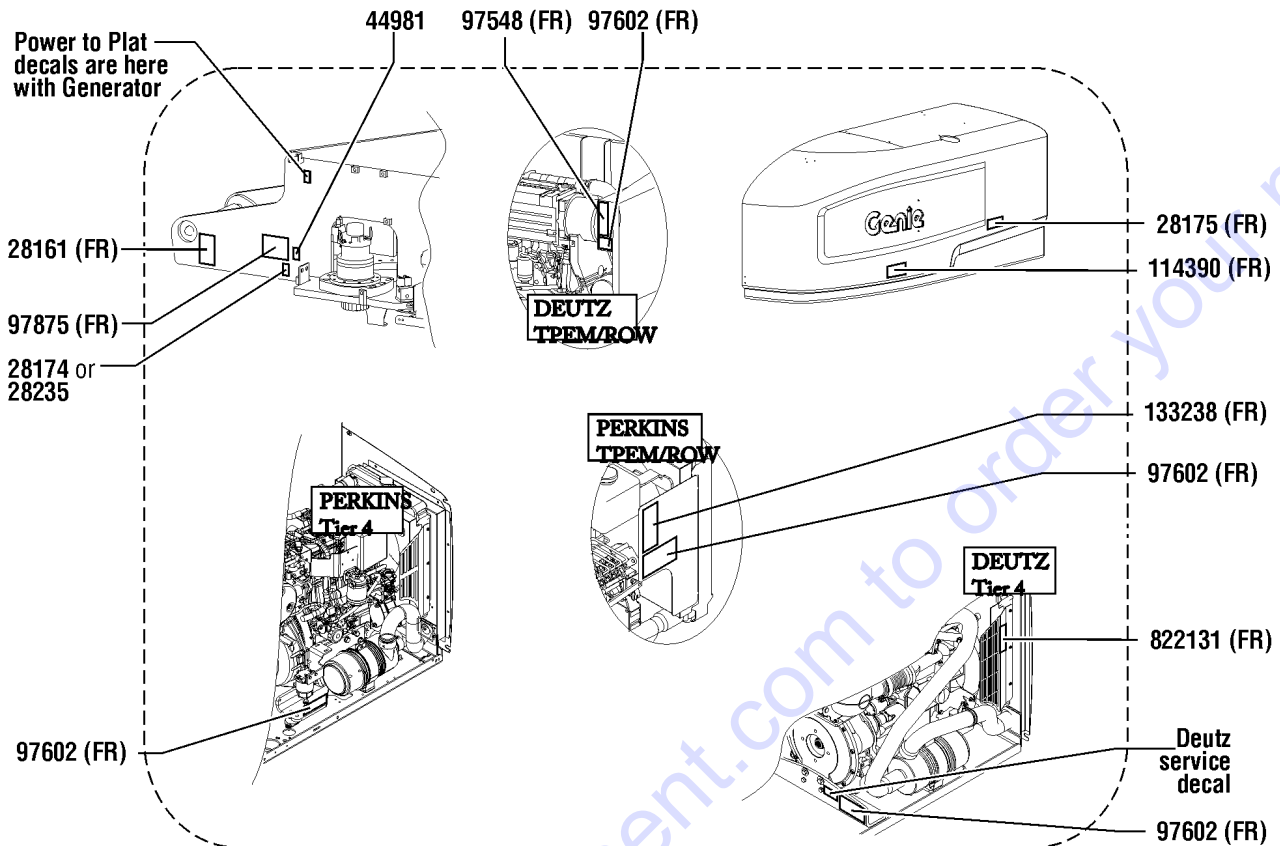
117.1 S-60X Decals with Word, Hydraulic Tank Side (ANSI)



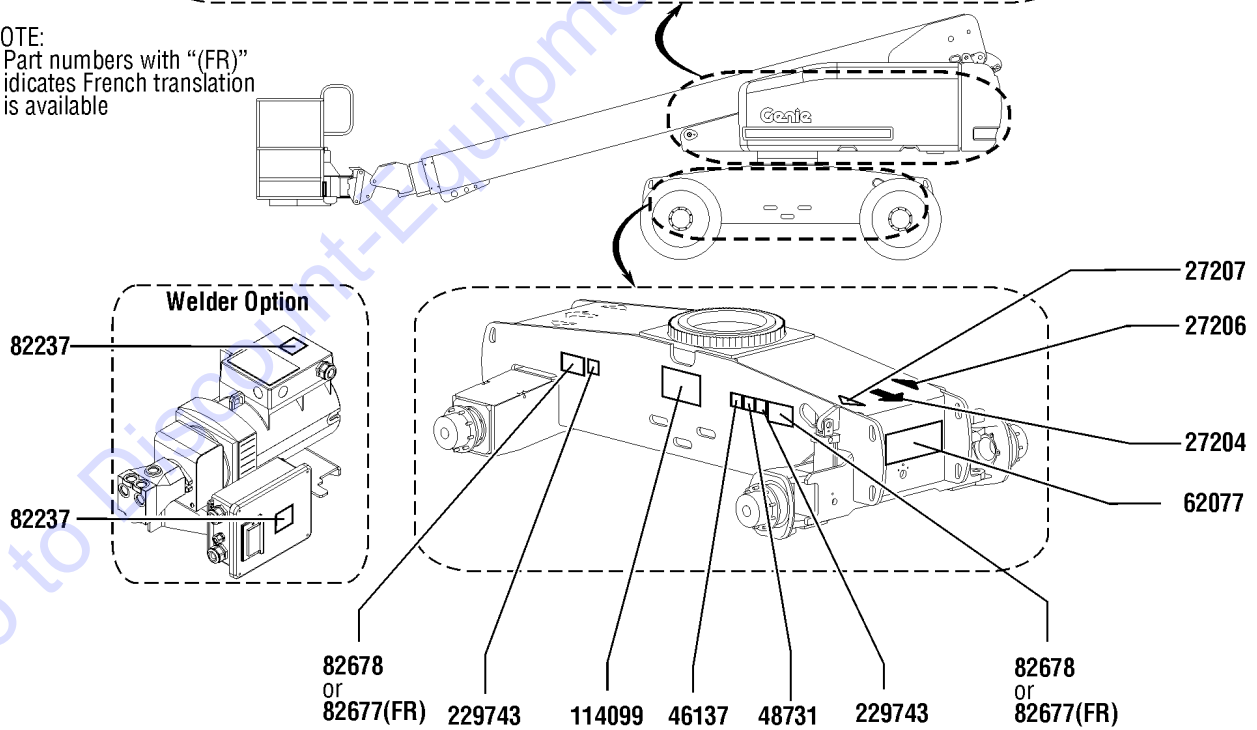
117.1 S-60X Decals with Word, Hydraulic Tank Side (ANSI)

| Item | Part No. | Description | Qty. | Item | Part No. | Description | Qty. |
|------|----------|---|------|------|-----------|--|------|
| -- | 162023GT | DECAL KIT,S60X,COMPWRD,ANSI S-60X from SN 21001 | | 29 | 133278GT | DECAL,LOW/ULTRA LOW SULFR FUEL.....1 (Deutz D2011L3i, Deutz TD2011L04i and Perkins 404D-22) | 1 |
| 1 | 25994GT | DECAL,NOTICE,SHUTOFF VALVES.....1 | | 30 | 147605GT | DECAL,INST PLAT CAP 60X.....1 | 1 |
| 2 | 27205GT | DECAL,ARROW YELLOW LRG 9".....1 | | 31 | 147755GT | DECAL,GR CNTL PNL 60X 80X.....1 (Deutz D2011L3i, Deutz TD2011L04i and Perkins 404D-22) | 1 |
| 3 | 27206GT | DECAL,TRIANGLE,BLUE.....1 | | 32 | 147793GT | DECAL,DANGER,TIPOVR,MAX CAP.....1 | 1 |
| 4 | 27207GT | DECAL,TRIANGLE,YELLOW.....1 | | 33 | 147795GT | DECAL, OPER INST 6080X GRD.....1 | 1 |
| 5 | 28159GT | DECAL,DIESEL.....1 Deutz and Perkins only | | 34 | 229743GT | DECAL,LABEL,WHEEL LOAD S60/60X.....2 | 2 |
| 6 | 28160GT | DECAL,LABEL,LIQUID PROPANE.....1 Option, LPG tank | | 35 | 823658GT | LABEL, GBOX, S60X TIER 4.....1 (Deutz D2.9L4) | 1 |
| 7 | 28161GT | DECAL,WARN,CRUSH HAZARD HAND.....1 | | 36 | 825579GT | DECAL, LCD, TIER 4.....1 (Deutz D2.9L4) | 1 |
| 8 | 29104GT | DECAL,TOWING INSTRUCTIONS.....1 Option, tow package | | 37 | 826345GT | DECAL,ULS DIESEL ONLY,TIER 4.....1 (Deutz D2.9L4) | 1 |
| 9 | 31788GT | DECAL,DANGER,BATTERY SAFETY***.....1 | | 38 | 1253629GT | DECAL,LP BOTTLE,S60.....1 Option | 1 |
| 10 | 38149GT | DECAL,LABEL,PATENTS.....1 | | | | | |
| 11 | 46137GT | DECAL,LPS (4"X4").....1 Option | | | | | |
| 12 | 47041GT | DECAL,CAUTION,TOWING SPEED.....1 Option, tow package | | | | | |
| 13 | 52865GT | DECAL,ANNUAL INSP***.....1 | | | | | |
| 14 | 52966GT | DECAL,COSMETIC,4 X 2.....1 Option, drive | | | | | |
| 15 | 52967GT | DECAL,COSMETIC,4 X 4.....1 Option, drive | | | | | |
| 16 | 72168GT | DECAL,LABEL,STARTER BATTERY.....1 Option, dual battery | | | | | |
| 17 | 72169GT | DECAL,LABEL,CONTROLS BATTERY...1 Option, dual battery | | | | | |
| 18 | 72999GT | DECAL,LABEL,PETRO CANADA***.....1 Option, hydraulic oil | | | | | |
| 19 | 82161GT | DECAL,LABEL,UCON HYDROLUBE.....1 Option, hydraulic oil | | | | | |
| 20 | 82366GT | DECAL,CHEVRON RANDO HD.....1 Option, hydraulic oil | | | | | |
| 21 | 82677GT | DECAL,DANGER/LABEL,TIRE SPECS.....2 | | | | | |
| 22 | 82678GT | DECAL,DANGER,HI-FLOAT TIRE.....2 Option, hi-floatation tires | | | | | |
| 23 | 114099GT | DECAL,LABEL,TRANSPORT DIAGRAM.....1 | | | | | |
| 24 | 114219GT | DECAL,LABEL,RELAYS,S60&65.....1 | | | | | |
| 25 | 114258GT | DECAL,DANGER,NO SMOKING.....1 | | | | | |
| 26 | 114389GT | DECAL,DANGER,GENERAL SAFETY....1 | | | | | |
| 27 | 114390GT | DECAL,DANGER,ELECT HAZARD***....1 | | | | | |
| 28 | 114425GT | DECAL,BATTERY DISCONNECT.....1 Option | | | | | |

118.1 S-60X Decals with Word, Engine Side (ANSI)



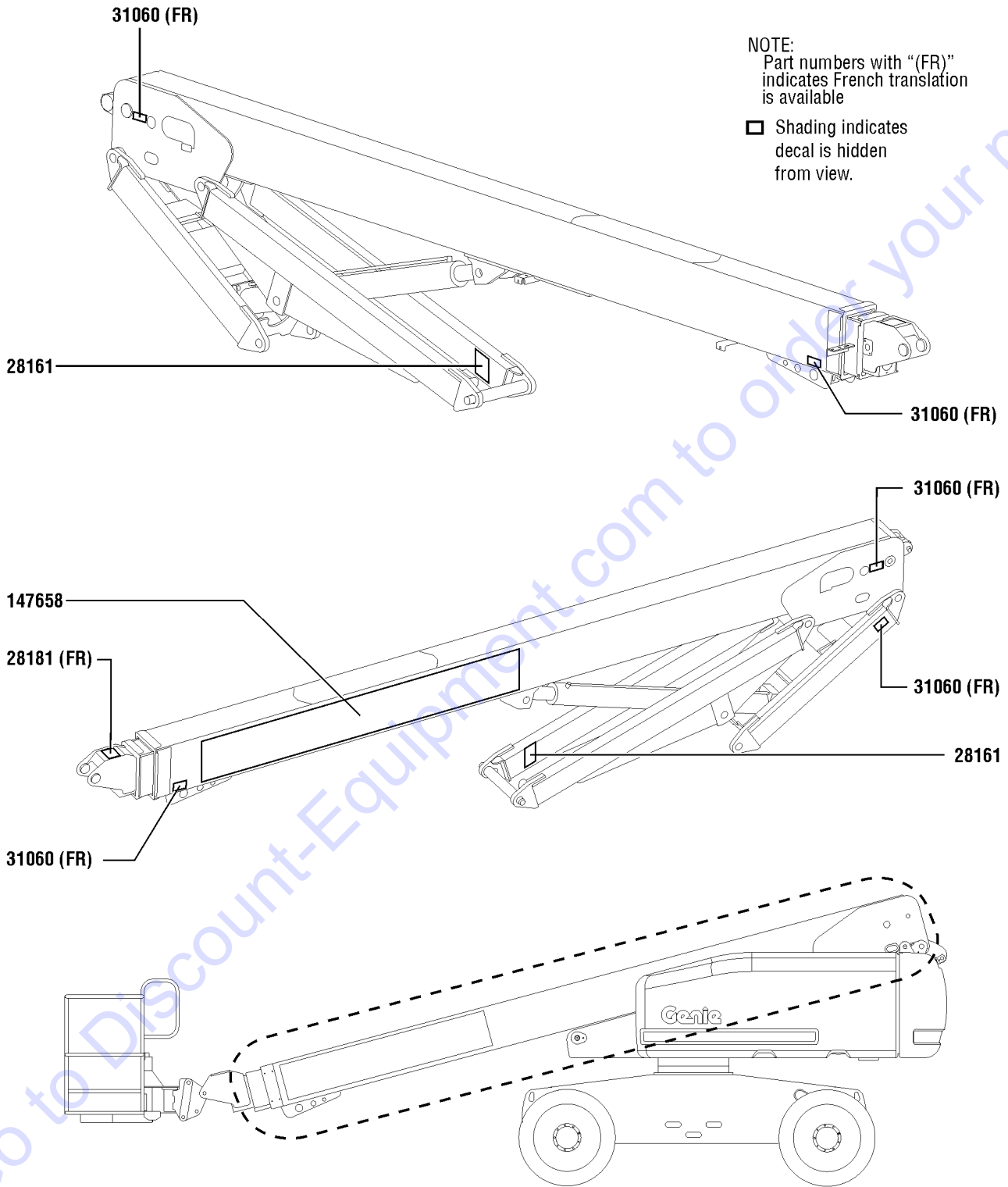
NOTE:
Part numbers with "(FR)" indicates French translation is available



118.1 S-60X Decals with Word, Engine Side (ANSI)

| Item | Part No. | Description | Qty. |
|------|----------|--|------|
| 1 | 27204GT | DECAL,ARROW BLUE..... | 1 |
| 2 | 27206GT | DECAL,TRIANGLE,BLUE..... | 1 |
| 3 | 27207GT | DECAL,TRIANGLE,YELLOW..... | 1 |
| 4 | 28161GT | DECAL,WARN,CRUSH HAZARD HAND..... | 1 |
| 5 | 28174GT | DECAL, POWER TO PLATFORM 230V**..... | 1 |
| 6 | 28175GT | DECAL,WARNING-COMPART ACCESS..... | 1 |
| 7 | 28235GT | DECAL,POWER TO PLATFORM 115V...1 | |
| 8 | 44981GT | DECAL,LABEL, AIR LINE 110 PSI.....1 <i>Option, airline to plat</i> | |
| 9 | 46137GT | DECAL,LPS (4"X4").....1 <i>Option</i> | |
| 10 | 62077GT | DECAL,COSMETIC,S60..... | 1 |
| 11 | 82237GT | DECAL,DANGER,HIGH VOLTAGE.....2 <i>Option, welder</i> | |
| 12 | 82677GT | DECAL,DANGER/LABEL,TIRE SPECS.....2 <i>ANSI only</i> | |
| 13 | 82678GT | DECAL,DANGER,HI-FLOAT TIRE.....2 <i>Option, hi-floatation tires</i> | |
| 14 | 97548GT | DECAL,ENGINE SPEC,DEUTZ 2011.....1 <i>Deutz D2011L3i and Deutz TD2011L04i</i> | |
| 15 | 97602GT | DECAL,EXPLOSION HAZARD.....1 <i>Diesel engines</i> | |
| 16 | 97875GT | DECAL,WARN.WELD LINE INST.WORD.....1 <i>Option, weld cable line</i> | |
| 17 | 114099GT | DECAL,LABEL,TRANSPORT DIAGRAM..... | 1 |
| 18 | 114390GT | DECAL,DANGER,ELECT HAZARD***....1 | |
| 19 | 133238GT | DECAL,ENGINE SPEC,PERKINS***1 <i>Perkins 404D-22</i> | |
| 20 | 229743GT | DECAL,LABEL,WHEEL LOAD S60/60X..... | 2 |
| 21 | 822131GT | DECAL, ENGINE SPEC, D2.9.....1 <i>Deutz D2.9L4</i> | |

119.1 S-60X Decals with Word, Boom (ANSI)



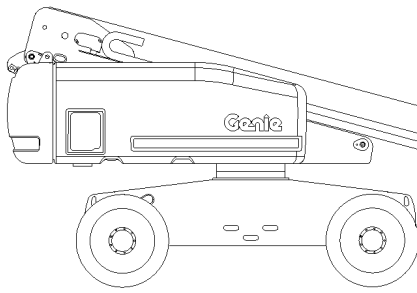
119.1 S-60X Decals with Word, Boom (ANSI)

| Item | Part No. | Description | Qty. |
|------|----------|--|------|
| 1 | 28161GT | DECAL,WARN,CRUSH HAZARD HAND..... | 2 |
| 2 | 28181GT | DECAL,WARN,FALL HAZARD..... | 1 |
| 3 | 31060GT | DECAL,DANGER DO NOT ALTER SWTC..... | 5 |
| 4 | 147658GT | DECAL,COSM GENIE S60X..... | 1 |

Go to Discount-Equipment.com to order your parts

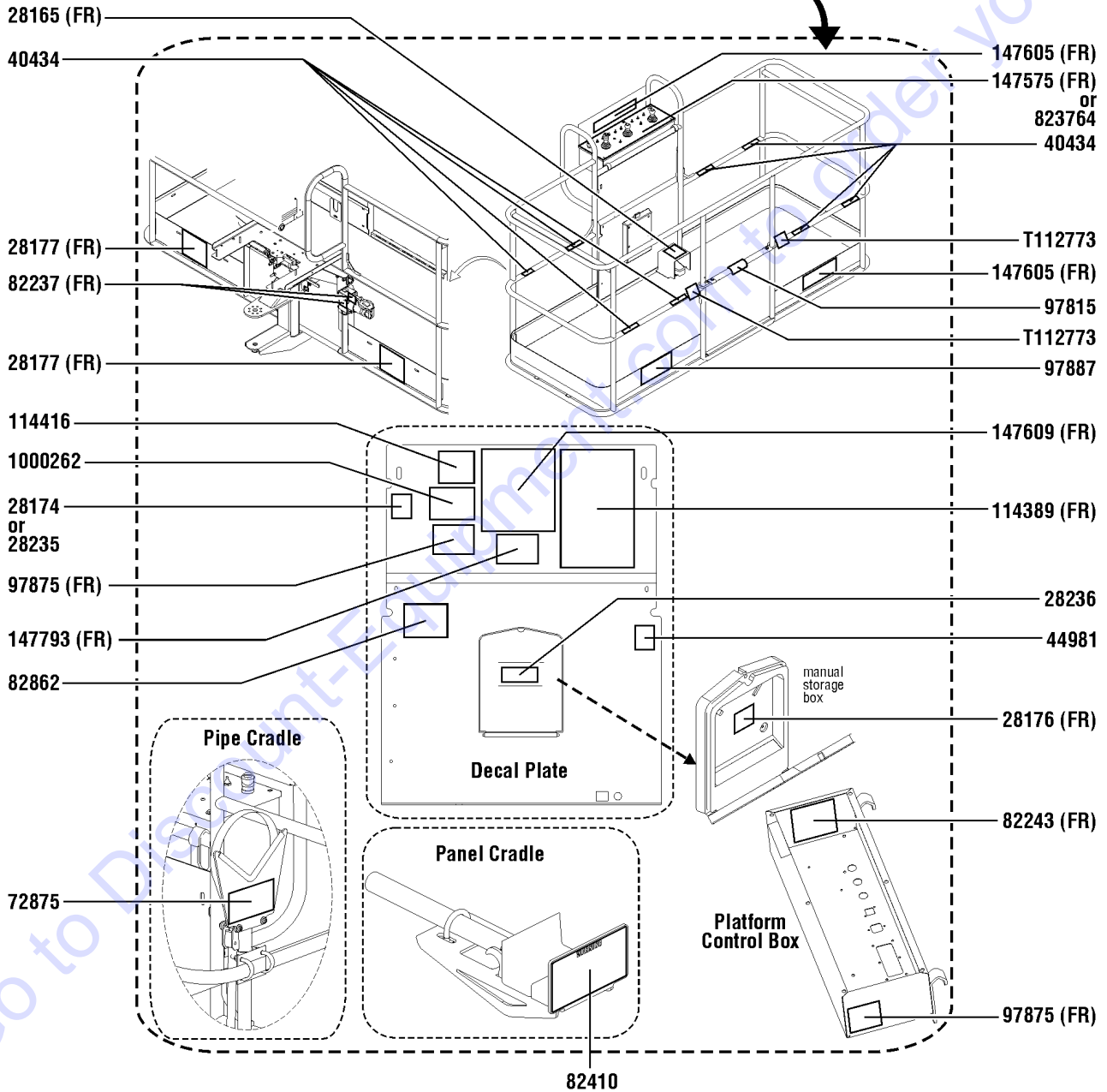


120.1 S-60X Decals with Word, Platform (ANSI)



NOTE:
Part numbers with "(FR)" indicates French translation is available

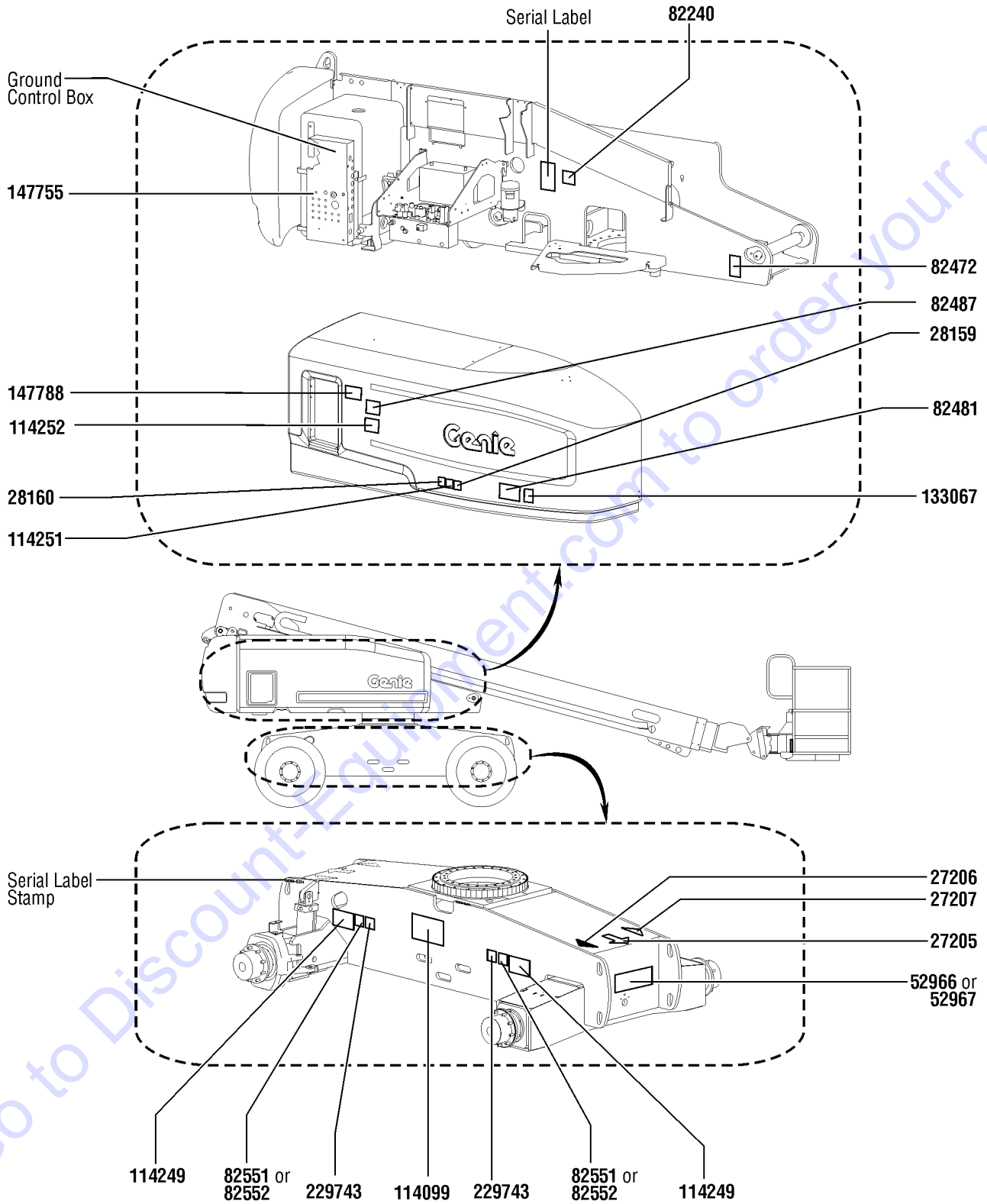
☐ Shading indicates decal is hidden from view.



120.1 S-60X Decals with Word, Platform (ANSI)

| Item | Part No. | Description | Qty. |
|------|-----------|--|------|
| 1 | 28165GT | DECAL,INSTRUCT,FOOTSWITCH OPER..... | 1 |
| 2 | 28174GT | DECAL, POWER TO PLATFORM 230V**..... | 1 |
| 3 | 28176GT | DECAL,LABEL,MANUAL NOT HERE..... | 1 |
| 4 | 28177GT | DECAL,WARN,CRUSH HAZARD PLAT..... | 2 |
| 5 | 28235GT | DECAL,POWER TO PLATFORM 115V..... | 1 |
| 6 | 28236GT | DECAL,WARN,IMPROPER OPERATION..... | 1 |
| 7 | 40434GT | DECAL,LANYARD ANCHORAGE POINT..... | 8 |
| 8 | 44981GT | DECAL,LABEL, AIR LINE 110 PSI..... <i>Option, airline to plat</i> | 1 |
| 9 | 72875GT | DECAL,WARNING,PIPE CRADLE,BOOM..... <i>Option, pipe cradle</i> | 2 |
| 10 | 82237GT | DECAL,DANGER,HIGH VOLTAGE..... <i>Option, welder</i> | 2 |
| 11 | 82243GT | DECAL FAULT CODE..... | 1 |
| 12 | 82410GT | DECAL,WARNING,PANEL CRADLE..... <i>Option, panel cradle</i> | 2 |
| 13 | 82862GT | DECAL,FIRE EXTINGUISHER..... <i>Option, welder</i> | 1 |
| 14 | 97815GT | DECAL,LABEL,LOWER MIDRAIL..... | 1 |
| 15 | 97875GT | DECAL,WARN.WELD LINE INST.WORD..... <i>Option, weld cable line</i> | 2 |
| 16 | 97887GT | DECAL,INSTR,MAX SIDE FRC,ANSI..... | 1 |
| 17 | 114389GT | DECAL,DANGER,GENERAL SAFETY..... | 1 |
| 18 | 114416GT | DECAL,DANGER,TIPOVER,TILT..... | 1 |
| 19 | 147575GT | DECAL, PLAT CNTL PNL 60X 80X..... | 1 |
| 20 | 147605GT | DECAL,INST PLAT CAP 60X..... | 2 |
| 21 | 147609GT | DECAL, INST, OPER INST 60X PLT..... | 1 |
| 22 | 147793GT | DECAL,DANGER,TIPOVR,MAX CAP..... | 1 |
| 23 | 823764GT | LABEL, PBOX, S60X TIER 4..... <i>Tier 4 models only</i> | 1 |
| 24 | 1000262GT | DECAL,DANGER,TIP OVER,PLAT..... | 1 |
| 25 | T112773GT | TAPE, PROTECTIVE MASK..... | 2 |

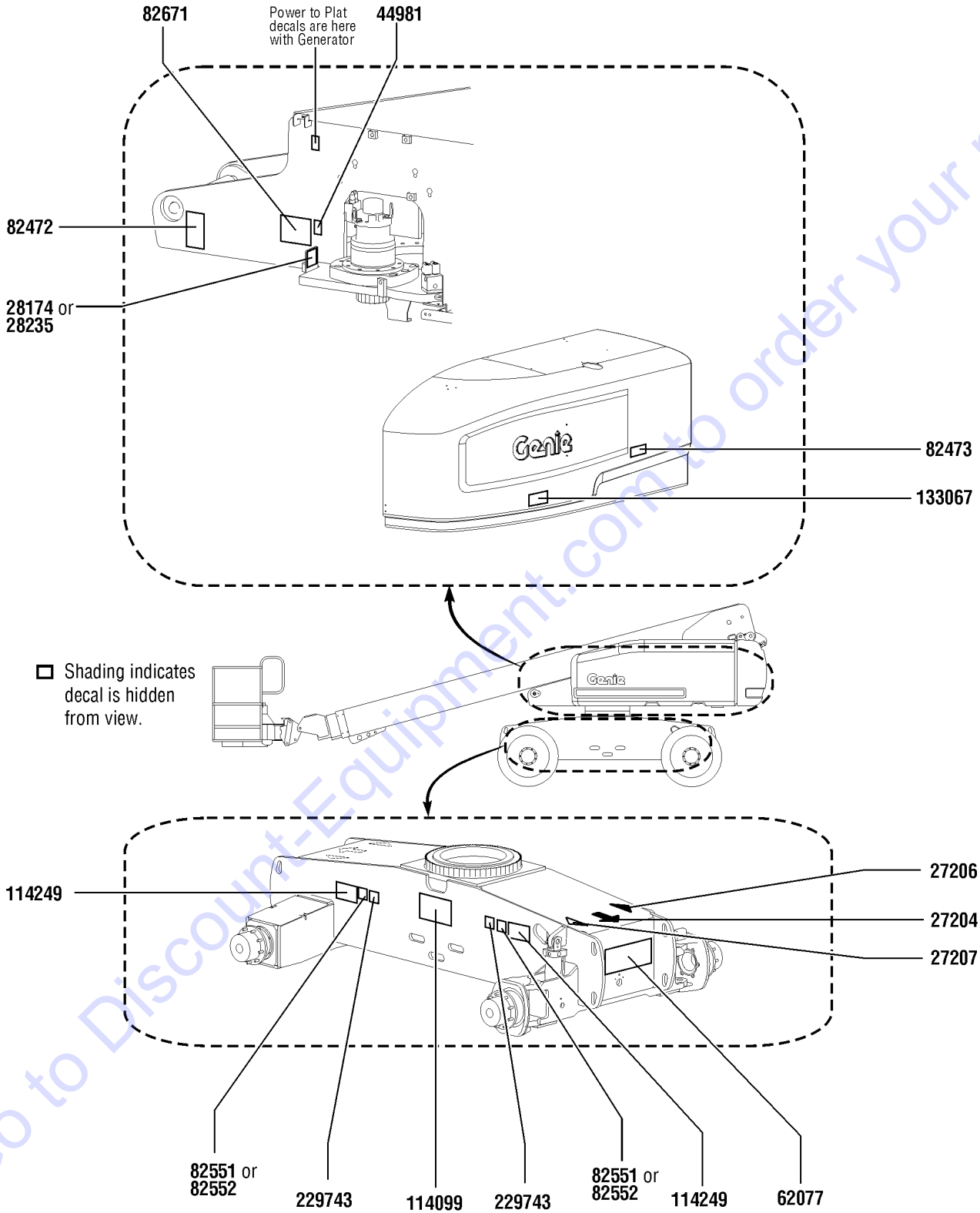
121.1 S-60X Decals with Symbol, Hydraulic Tank Side (ANSI)



121.1 S-60X Decals with Symbol, Hydraulic Tank Side (ANSI)

| Item | Part No. | Description | Qty. |
|------|----------|--|------|
| 1 | 27205GT | DECAL,ARROW YELLOW LRG 9".....1 | 1 |
| 2 | 27206GT | DECAL,TRIANGLE,BLUE.....1 | 1 |
| 3 | 27207GT | DECAL,TRIANGLE,YELLOW.....1 | 1 |
| 4 | 28159GT | DECAL,DIESEL.....1 <i>Deutz and Perkins only</i> | 1 |
| 5 | 28160GT | DECAL,LABEL,LIQUID PROPANE.....1 <i>Option, LPG tank</i> | 1 |
| 6 | 52966GT | DECAL,COSMETIC,4 X 2.....1 <i>Option, drive</i> | 1 |
| 7 | 52967GT | DECAL,COSMETIC,4 X 4.....1 <i>Option, drive</i> | 1 |
| 8 | 82240GT | DECAL,LABEL,105 DB.....1 | 1 |
| 9 | 82472GT | DECAL,WARNING,CRUSHING HAZARD.....1 | 1 |
| 10 | 82481GT | DECAL,SYMBOL-BATTERY SAFETY.....1 | 1 |
| 11 | 82487GT | DECAL,SYMBOL-READ THE MANUAL.....1 | 1 |
| 12 | 82551GT | DECAL,LABEL,TIRE PRESSURE.....2 <i>RT air filled tires only</i> | 2 |
| 13 | 82552GT | DECAL,LABEL,TIRE PRESS HF.....2 <i>Hi-floatation tires only</i> | 2 |
| 14 | 114099GT | DECAL,LABEL,TRANSPORT DIAGRAM.....1 | 1 |
| 15 | 114249GT | DECAL,LABEL,TIPOVER,TIRES,SYMB.2 | 2 |
| 16 | 114251GT | DECAL,LABEL,NO SMOKING,SYMB.....1 | 1 |
| 17 | 114252GT | DECAL,LABEL,TIP OVER LMT SWTCH.....1 | 1 |
| 18 | 133067GT | DECAL,DANGER,ELEC.HAZ.STAY CLR.....1 | 1 |
| 19 | 147755GT | DECAL,GR CNTL PNL 60X 80X.....1 | 1 |
| 20 | 147788GT | DECAL,INST PLAT CAPACITY,SYM.....1 | 1 |
| 21 | 229743GT | DECAL,LABEL,WHEEL LOAD S60/60X.....2 | 2 |

122.1 S-60X Decals with Symbol, Engine Side (ANSI)



122.1 S-60X Decals with Symbol, Engine Side (ANSI)

| Item | Part No. | Description | Qty. |
|------|----------|---|------|
| 1 | 27204GT | DECAL,ARROW BLUE..... | 1 |
| 2 | 27206GT | DECAL,TRIANGLE,BLUE..... | 1 |
| 3 | 27207GT | DECAL,TRIANGLE,YELLOW..... | 1 |
| 4 | 28174GT | DECAL, POWER TO PLATFORM 230V**..... | 1 |
| 5 | 28235GT | DECAL,POWER TO PLATFORM 115V...1 | 1 |
| 6 | 44981GT | DECAL,LABEL, AIR LINE 110 PSI.....1 <i>Option, airline to plat</i> | 1 |
| 7 | 62077GT | DECAL,COSMETIC,S60..... | 1 |
| 8 | 82472GT | DECAL,WARNING,CRUSHING HAZARD..... | 1 |
| 9 | 82473GT | DECAL,SYMBOL-COMP ACCESS..... | 1 |
| 10 | 82551GT | DECAL,LABEL,TIRE PRESSURE.....2 <i>RT air filled tires only</i> | 2 |
| 11 | 82552GT | DECAL,LABEL,TIRE PRESS HF.....2 <i>Hi-floatation tires only</i> | 2 |
| 12 | 82671GT | DECAL,LABEL,WELD LINE INST,SYM...1 <i>Option, weld cable line</i> | 1 |
| 13 | 114099GT | DECAL,LABEL,TRANSPORT DIAGRAM..... | 1 |
| 14 | 114249GT | DECAL,LABEL,TIPOVER,TIRES,SYMB.2 | 2 |
| 15 | 133067GT | DECAL,DANGER,ELEC.HAZ.STAY CLR..... | 1 |
| 16 | 229743GT | DECAL,LABEL,WHEEL LOAD S60/60X..... | 2 |

PARTS FINDER

**Search Website
by Part Number**



**Search Manual
Library For Parts
Manual & Lookup Part
Numbers – Purchase
or Request Quote**

Search Manuals

Enter your information to help us find the right parts manual for your machine.

* Brand:

* Model:

* Serial:

* Part Number:

SEARCH

**Can't Find Part or
Manual? Request Help
by Manufacturer,
Model & Description**

Parts Order Form

Please fill in the following information to help us find the right part for your machine.

| | |
|---------------|---------------------------------------|
| Manufacturer: | <input type="text"/> |
| Model: | <input type="text"/> |
| Description: | <input type="text"/> |
| Part Number: | <input type="text"/> |
| Quantity: | <input type="text"/> |
| Notes: | <input type="text"/> |
| Submit | <input type="button" value="Submit"/> |

Discount-Equipment.com is your online resource for quality parts & equipment.

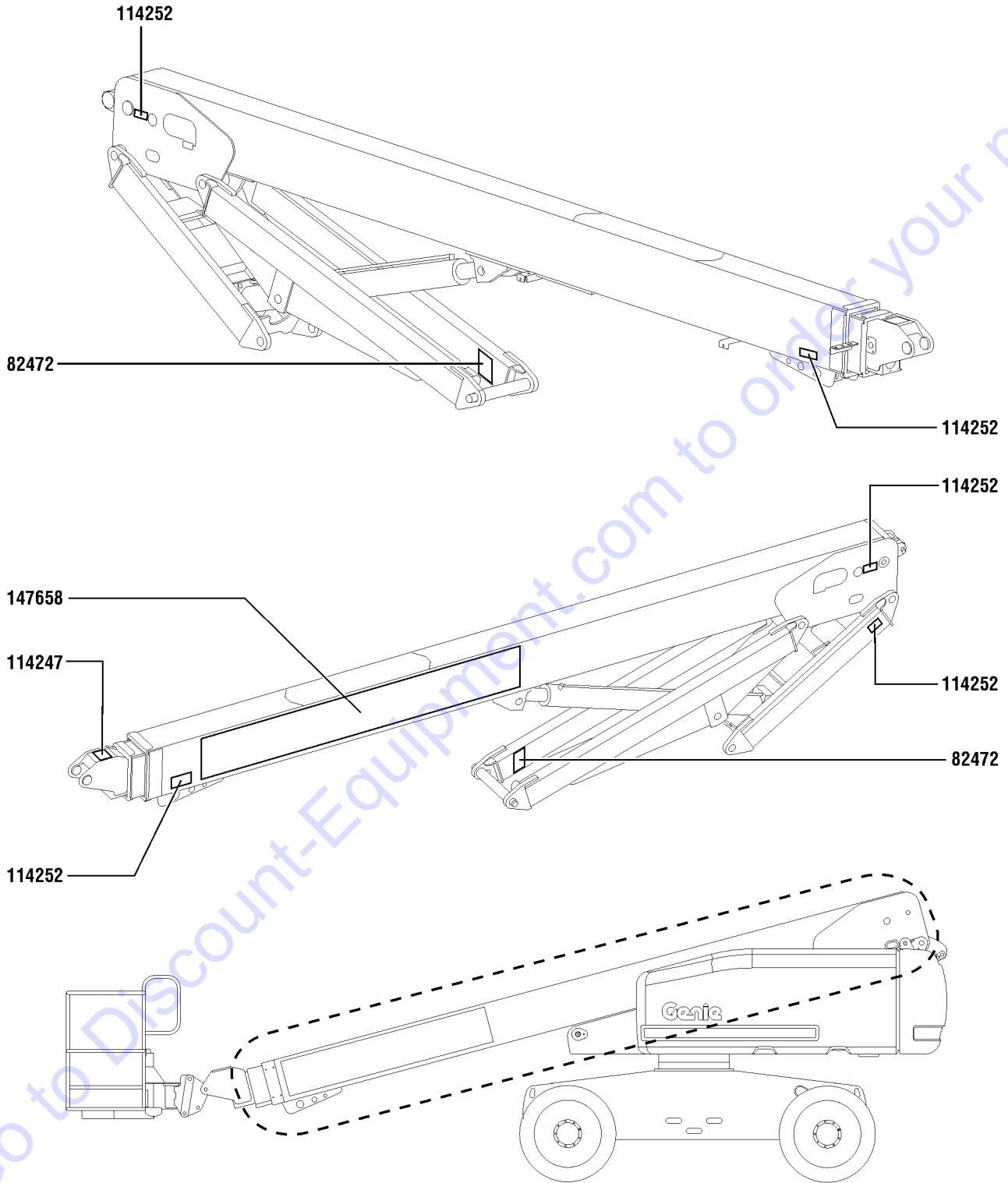
Florida: **561-964-4949** Outside Florida TOLL FREE: **877-690-3101**

Need parts?

Click on this link: <http://www.discount-equipment.com/category/5443-parts/> and choose one of the options to help get the right parts and equipment you are looking for. Please have the machine model and serial number available in order to help us get you the correct parts. If you don't find the part on the website or on one of the online manuals, please fill out the request form and one of our experienced staff members will get back to you with a quote for the right part that your machine needs.

We sell worldwide for the brands: Genie, Terex, JLG, MultiQuip, Mikasa, Essick, Whiteman, Mayco, Toro Stone, Diamond Products, Generac Magnum, Airman, Haulotte, Barreto, Power Blanket, Nifty Lift, Atlas Copco, Chicago Pneumatic, Allmand, Miller Curber, Skyjack, Lull, Skytrak, Tsurumi, Husquvarna Target, Stow, Wacker, Sakai, Mi-T-M, Sullair, Basic, Dynapac, MBW, Weber, Bartell, Bennar Newman, Haulotte, Ditch Runner, Menegotti, Morrison, Contec, Buddy, Crown, Edco, Wyco, Bomag, Laymor, EZ Trench, Bil-Jax, F.S. Curtis, Gehl Pavers, Heli, Honda, ICS/PowerGrit, IHI, Partner, Imer, Clipper, MMD, Koshin, Rice, CH&E, General Equipment, Amida, Coleman, NAC, Gradall, Square Shooter, Kent, Stanley, Tamco, Toku, Hatz, Kohler, Robin, Wisconsin, Northrock, Oztec, Toker TK, Rol-Air, APT, Wylie, Ingersoll Rand / Doosan, Innovatech, Con X, Ammann, Mecalac, Makinex, Smith Surface Prep, Small Line, Wanco, Yanmar

123.1 S-60X Decals with Symbol, Boom (ANSI)



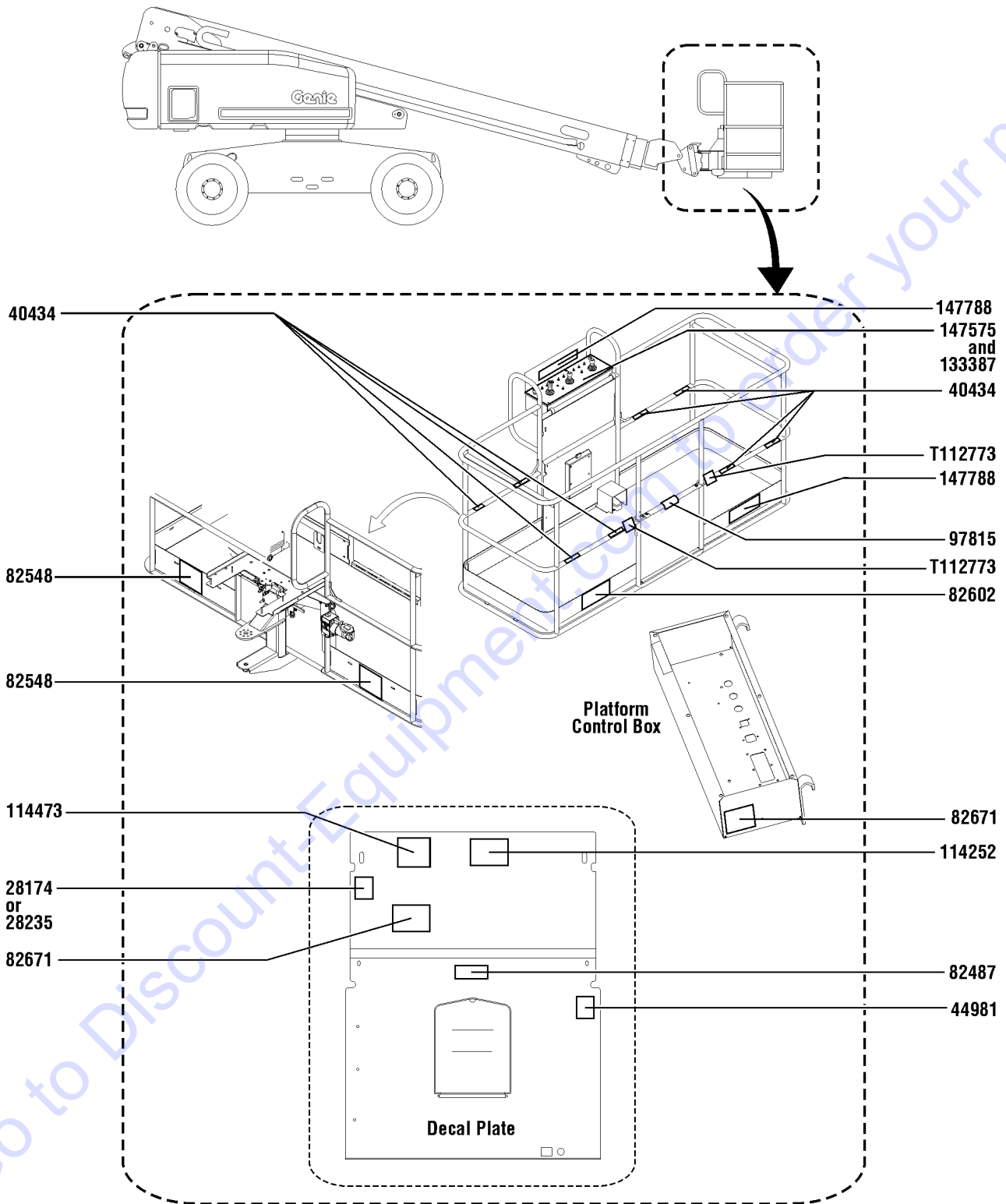
123.1 S-60X Decals with Symbol, Boom (ANSI)

| Item | Part No. | Description | Qty. |
|------|----------|--|------|
| 1 | 82472GT | DECAL,WARNING,CRUSHING HAZARD..... | 2 |
| 2 | 114247GT | DECAL,LABEL,FALL HAZARD***..... | 1 |
| 3 | 114252GT | DECAL,LABEL,TIP OVER LMT SWTCH..... | 5 |
| 4 | 147658GT | DECAL,COSM GENIE S60X..... | 1 |

Go to Discount-Equipment.com to order your parts



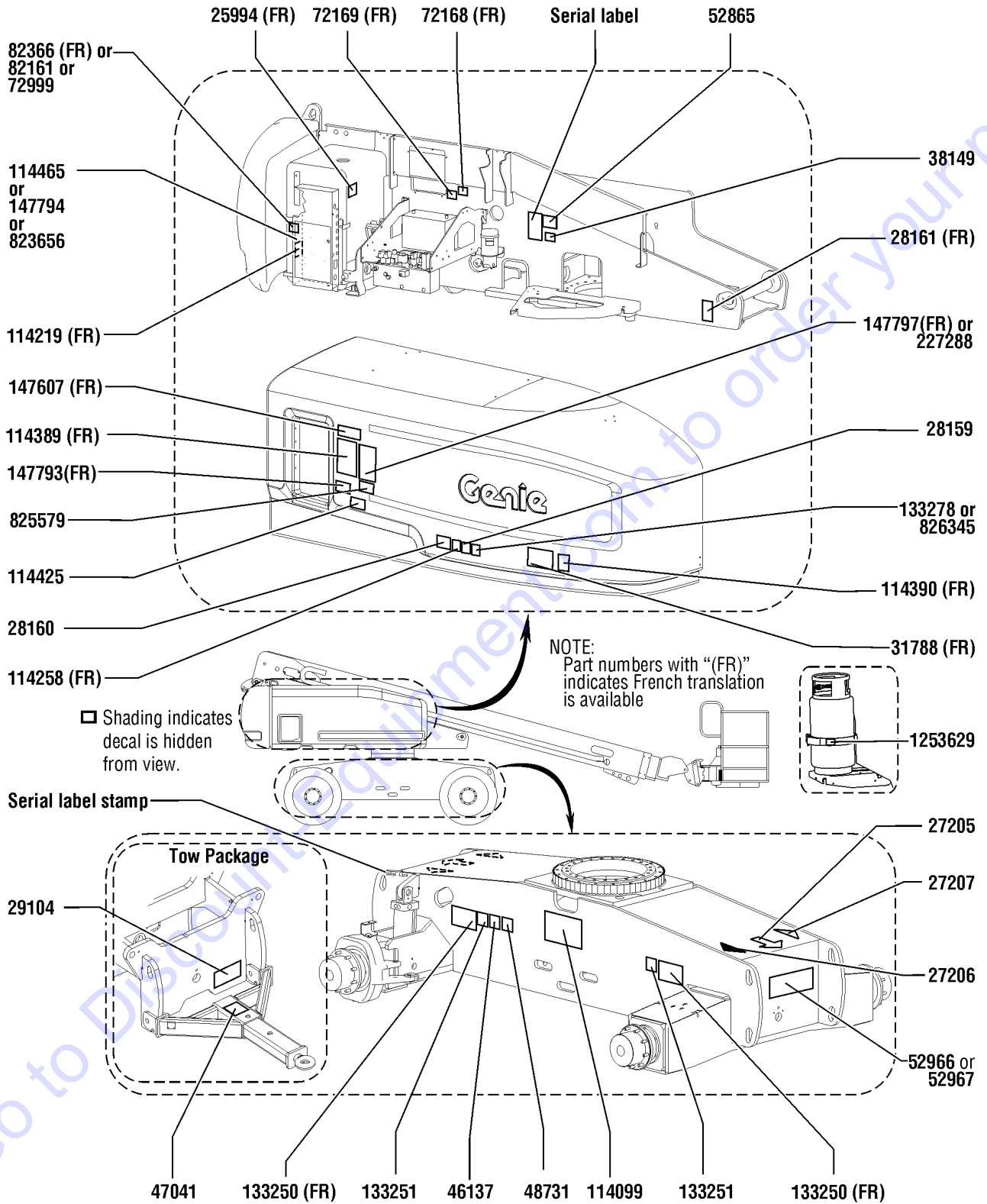
124.1 S-60X Decals with Symbol, Platform (ANSI)



124.1 S-60X Decals with Symbol, Platform (ANSI)

| Item | Part No. | Description | Qty. |
|------|-----------|---|------|
| 1 | 28174GT | DECAL, POWER TO PLATFORM 230V**..... | 1 |
| 2 | 28235GT | DECAL,POWER TO PLATFORM 115V...1 | 1 |
| 3 | 40434GT | DECAL,LANYARD ANCHORAGE POINT..... | 8 |
| 4 | 44981GT | DECAL,LABEL, AIR LINE 110 PSI.....1 <i>Option, airline to plat</i> | 1 |
| 5 | 82487GT | DECAL, SYMBOL - READ THE MANUAL..... | 1 |
| 6 | 82548GT | DECAL,WARN,CRUSH HAZARD PLAT..... | 2 |
| 7 | 82602GT | DECAL,DANGER,MAX SIDE FRC,667N..... | 1 |
| 8 | 82671GT | DECAL,LABEL,WELD LINE INST,SYM...2 <i>Option, weld cable line</i> | 2 |
| 9 | 97815GT | DECAL,LABEL,LOWER MIDRAIL.....1 | 1 |
| 10 | 114252GT | DECAL,LABEL,TIP OVER LMT SWTCH..... | 1 |
| 11 | 114473GT | DECAL,DANGER,TIPOVER,TILT,SYM...1 | 1 |
| 12 | 133387GT | DECAL,DRIVE ENABLE PATCH.....1 | 1 |
| 13 | 147575GT | DECAL, PLAT CNTL PNL 60X 80X.....1 | 1 |
| 14 | 147788GT | DECAL,INST PLAT CAPACITY,SYM.....2 | 2 |
| 15 | T112773GT | TAPE, PROTECTIVE MASK..... | 2 |

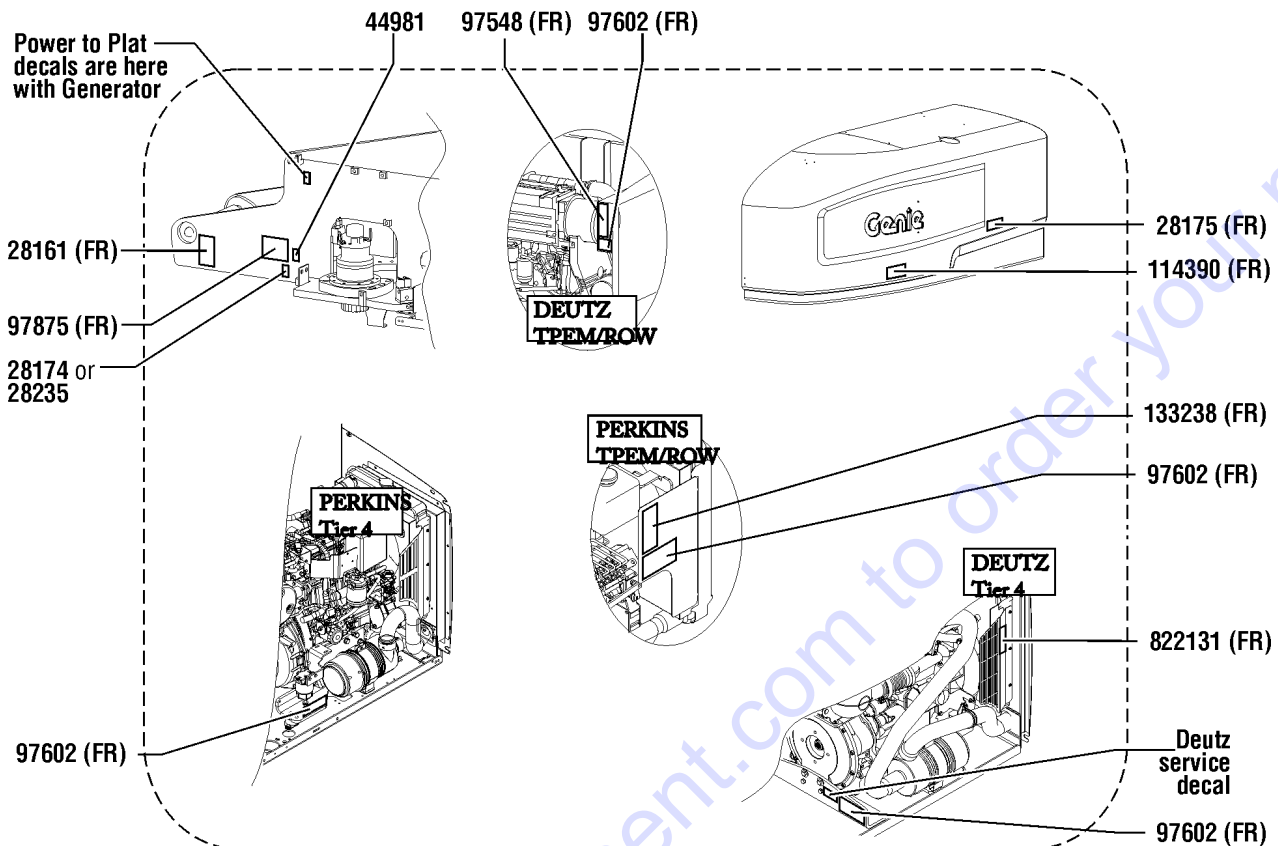
125.1 S-60TraX Decals with Word, Hydraulic Tank Side (ANSI & Australia)



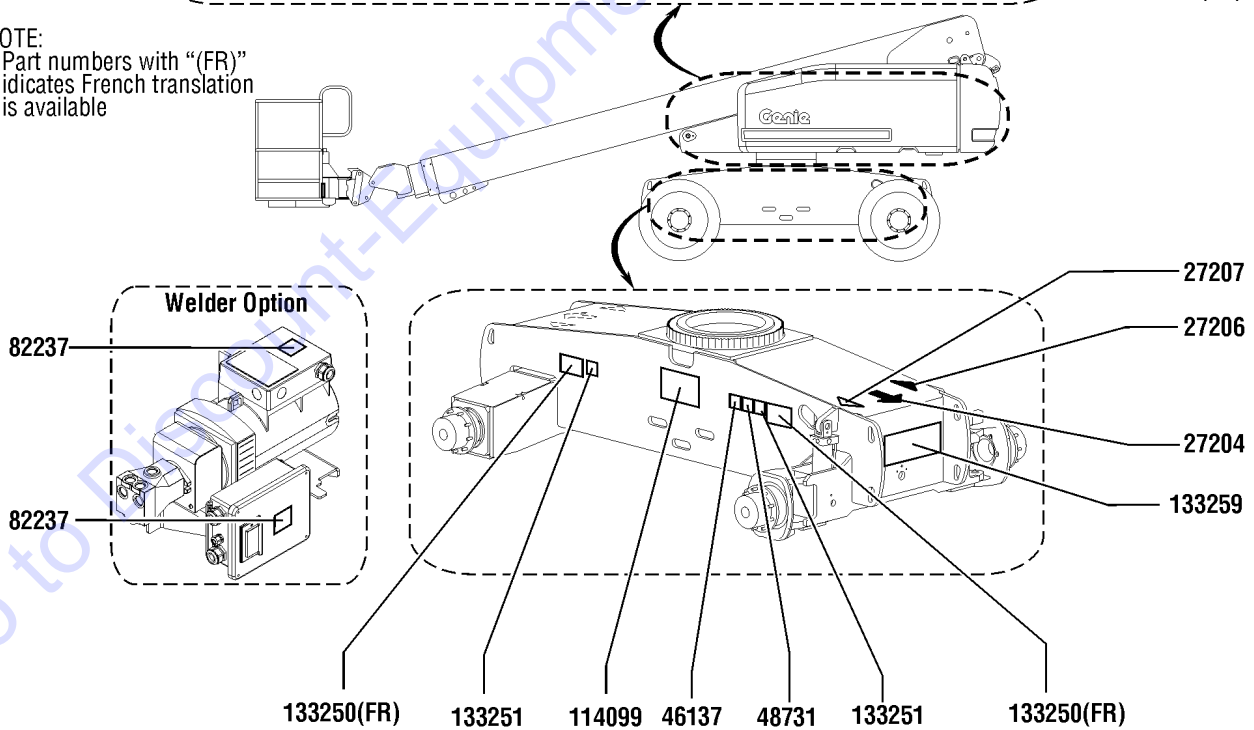
125.1 S-60TraX Decals with Word, Hydraulic Tank Side (ANSI & Australia)

| Item | Part No. | Description | Qty. | Item | Part No. | Description | Qty. |
|------|----------|--|------|------|-----------|--|------|
| 1 | 25994GT | DECAL,NOTICE,SHUTOFF VALVES.....1 | | 30 | 133278GT | DECAL,LOW/ULTRA LOW SULFR FUEL.....1 (Deutz D2011L3i, Deutz TD2011L04i and Perkins 404D-22) | |
| 2 | 27205GT | DECAL,ARROW YELLOW LRG 9".....1 | | 31 | 147607GT | DECAL,INST PLAT CAP 60TRAX.....1 | |
| 3 | 27206GT | DECAL,TRIANGLE,BLUE.....1 | | 32 | 147793GT | DECAL,DANGER,TIPOVR,MAX CAP.....1 ANSI only | |
| 4 | 27207GT | DECAL,TRIANGLE,YELLOW.....1 | | 33 | 147794GT | DECAL,GR CNTL PNL 60TX.....1 (Deutz D2011L3i, Deutz TD2011L04i and Perkins 404D-22) | |
| 5 | 28159GT | DECAL,DIESEL.....1 Deutz and Perkins only | | 34 | 147797GT | DECAL, OPER INST 60TRX GRD.....1 ANSI only | |
| 6 | 28160GT | DECAL,LABEL,LIQUID PROPANE.....1 Option, LPG tank | | 35 | 227288GT | DECAL, OPERATING INSTRUCTIONS.....1 AUS only | |
| 7 | 28161GT | DECAL,WARN,CRUSH HAZARD HAND.....1 | | 36 | 823656GT | LABEL, GBOX, S60TX ANSI TIER 4.....1 (Deutz D2.9L4) | |
| 8 | 29104GT | DECAL,TOWING INSTRUCTIONS.....1 Option, tow package | | 37 | 825579GT | DECAL, LCD, TIER 4.....1 (Deutz D2.9L4) | |
| 9 | 31788GT | DECAL,DANGER,BATTERY SAFETY***.....1 | | 38 | 826345GT | DECAL,ULS DIESEL ONLY,TIER 4.....1 (Deutz D2.9L4) | |
| 10 | 38149GT | DECAL,LABEL,PATENTS.....1 US only | | 39 | 1253629GT | DECAL,LP BOTTLE,S60.....1 Option | |
| 11 | 46137GT | DECAL,LPS (4"X4").....1 Option | | | | | |
| 12 | 47041GT | DECAL,CAUTION,TOWING SPEED.....1 Option, tow package | | | | | |
| 13 | 52865GT | DECAL,ANNUAL INSP***.....1 ANSI only | | | | | |
| 14 | 52966GT | DECAL,COSMETIC,4 X 2.....1 Option, drive | | | | | |
| 15 | 52967GT | DECAL,COSMETIC,4 X 4.....1 Option, drive | | | | | |
| 16 | 72168GT | DECAL,LABEL,STARTER BATTERY.....1 Option, dual battery | | | | | |
| 17 | 72169GT | DECAL,LABEL,CONTROLS BATTERY...1 Option, dual battery | | | | | |
| 18 | 72999GT | DECAL,LABEL,PETRO CANADA***.....1 Option, hydraulic oil | | | | | |
| 19 | 82161GT | DECAL,LABEL,UCON HYDROLUBE.....1 Option, hydraulic oil | | | | | |
| 20 | 82366GT | DECAL,CHEVRON RANDO HD.....1 Option, hydraulic oil | | | | | |
| 21 | 114099GT | DECAL,LABEL,TRANSPORT DIAGRAM.....1 | | | | | |
| 22 | 114219GT | DECAL,LABEL,RELAYS,S60&65.....1 | | | | | |
| 23 | 114258GT | DECAL,DANGER,NO SMOKING.....1 | | | | | |
| 24 | 114389GT | DECAL,DANGER,GENERAL SAFETY....1 | | | | | |
| 25 | 114390GT | DECAL,DANGER,ELECT HAZARD***....1 | | | | | |
| 26 | 114425GT | DECAL,BATTERY DISCONNECT.....1 Option | | | | | |
| 27 | 114465GT | DECAL GROUND CONTROL BOX.....1 (Deutz D2011L3i, Deutz TD2011L04i and Perkins 404D-22) | | | | | |
| 28 | 133250GT | DECAL,DANGER TIP OVER TRAX.....2 | | | | | |
| 29 | 133251GT | DECAL, WHEEL LOAD S60TRAX.....2 | | | | | |

126.1 S-60TraX Decals with Word, Engine Side (ANSI & Australia)



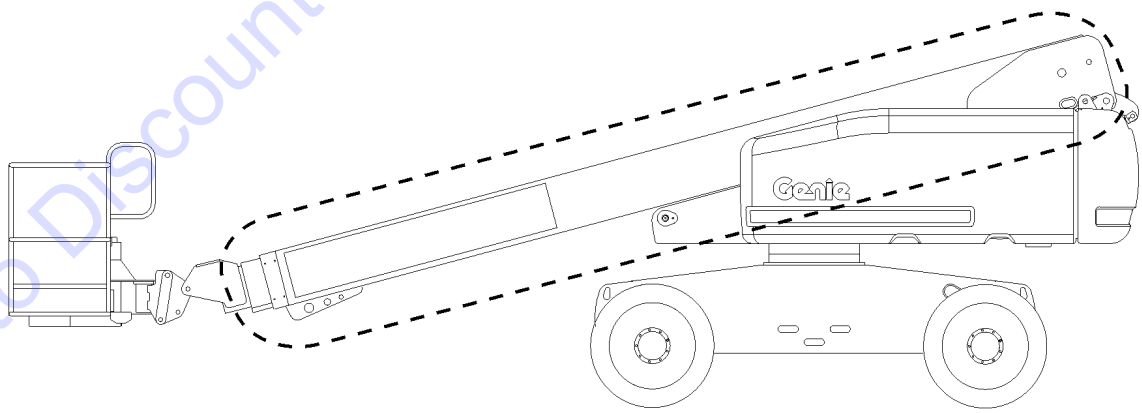
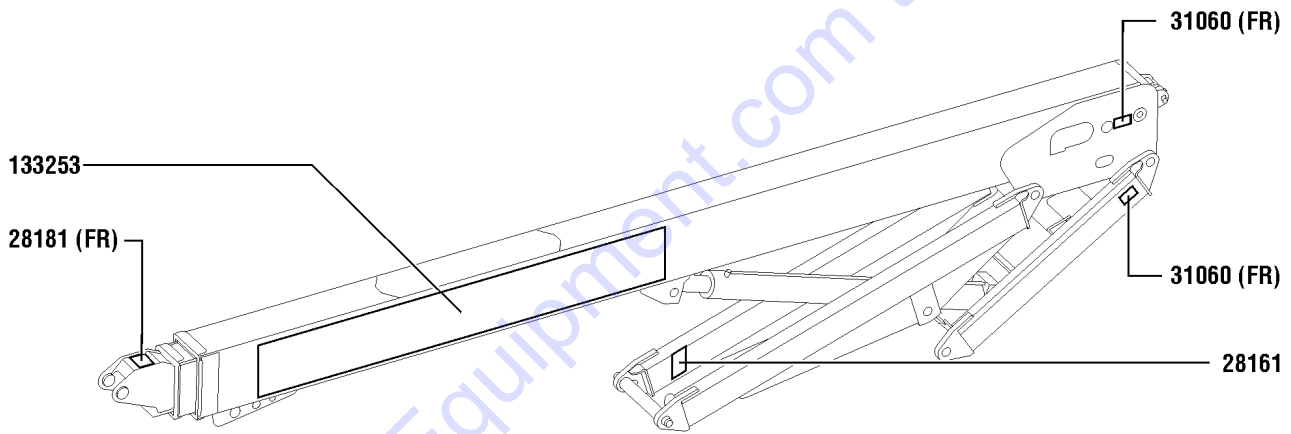
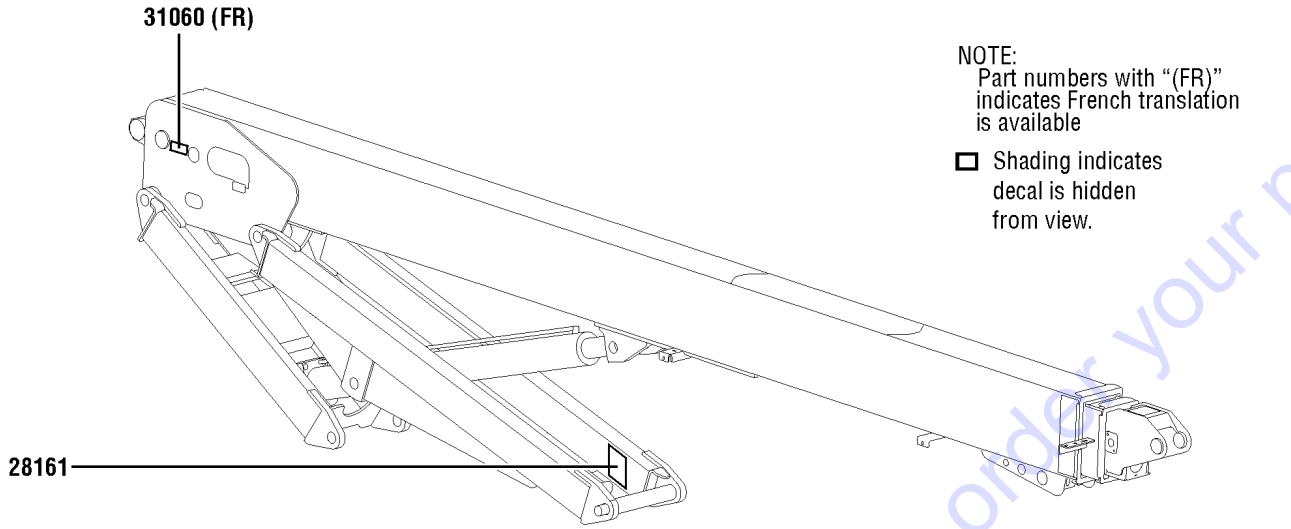
NOTE:
Part numbers with "(FR)"
indicates French translation
is available



126.1 S-60TraX Decals with Word, Engine Side (ANSI & Australia)

| Item | Part No. | Description | Qty. |
|------|----------|---|------|
| 1 | 27204GT | DECAL,ARROW BLUE..... | 1 |
| 2 | 27206GT | DECAL,TRIANGLE,BLUE..... | 1 |
| 3 | 27207GT | DECAL,TRIANGLE,YELLOW..... | 1 |
| 4 | 28161GT | DECAL,WARN,CRUSH HAZARD HAND..... | 1 |
| 5 | 28174GT | DECAL, POWER TO PLATFORM 230V**..... | 1 |
| 6 | 28175GT | DECAL,WARNING-COMPART ACCESS..... | 1 |
| 7 | 28235GT | DECAL,POWER TO PLATFORM 115V...1 | |
| 8 | 44981GT | DECAL,LABEL, AIR LINE 110 PSI.....1 <i>Option, airline to plat</i> | |
| 9 | 46137GT | DECAL,LPS (4"X4").....1 <i>Option</i> | |
| 10 | 82237GT | DECAL,DANGER,HIGH VOLTAGE.....2 <i>Option, welder</i> | |
| 11 | 97548GT | DECAL,ENGINE SPEC,DEUTZ 2011....1 <i>Deutz D2011L3i and Deutz TD2011L04i</i> | |
| 12 | 97602GT | DECAL,EXPLOSION HAZARD.....1 <i>Diesel engines</i> | |
| 13 | 97875GT | DECAL,WARN.WELD LINE INST.WORD.....1 <i>Option, weld cable line</i> | |
| 14 | 114099GT | DECAL,LABEL,TRANSPORT DIAGRAM..... | 1 |
| 15 | 114390GT | DECAL,DANGER,ELECT HAZARD***....1 | |
| 16 | 133238GT | DECAL,ENGINE SPEC,PERKINS***1 <i>Perkins 404D-22</i> | |
| 17 | 133250GT | DECAL,DANGER TIP OVER TRAX.....2 | |
| 18 | 133251GT | DECAL, WHEEL LOAD S60TRAX.....2 | |
| 19 | 133259GT | DECAL,COSM, S60 TRAX.....1 | |
| 20 | 822131GT | DECAL, ENGINE SPEC, D2.9.....1 <i>Deutz D2.9L4</i> | |

127.1 S-60TraX Decals with Word, Boom (ANSI & Australia)



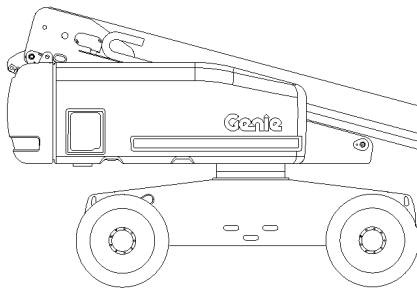
127.1 S-60TraX Decals with Word, Boom (ANSI & Australia)

| Item | Part No. | Description | Qty. |
|------|----------|--|------|
| 1 | 28161GT | DECAL,WARN,CRUSH HAZARD HAND..... | 2 |
| 2 | 28181GT | DECAL,WARN,FALL HAZARD..... | 1 |
| 3 | 31060GT | DECAL,DANGER DO NOT ALTER SWTC..... | 3 |
| 4 | 133253GT | DECAL,COSM,GENIE S60 TRAX..... | 1 |

Go to Discount-Equipment.com to order your parts

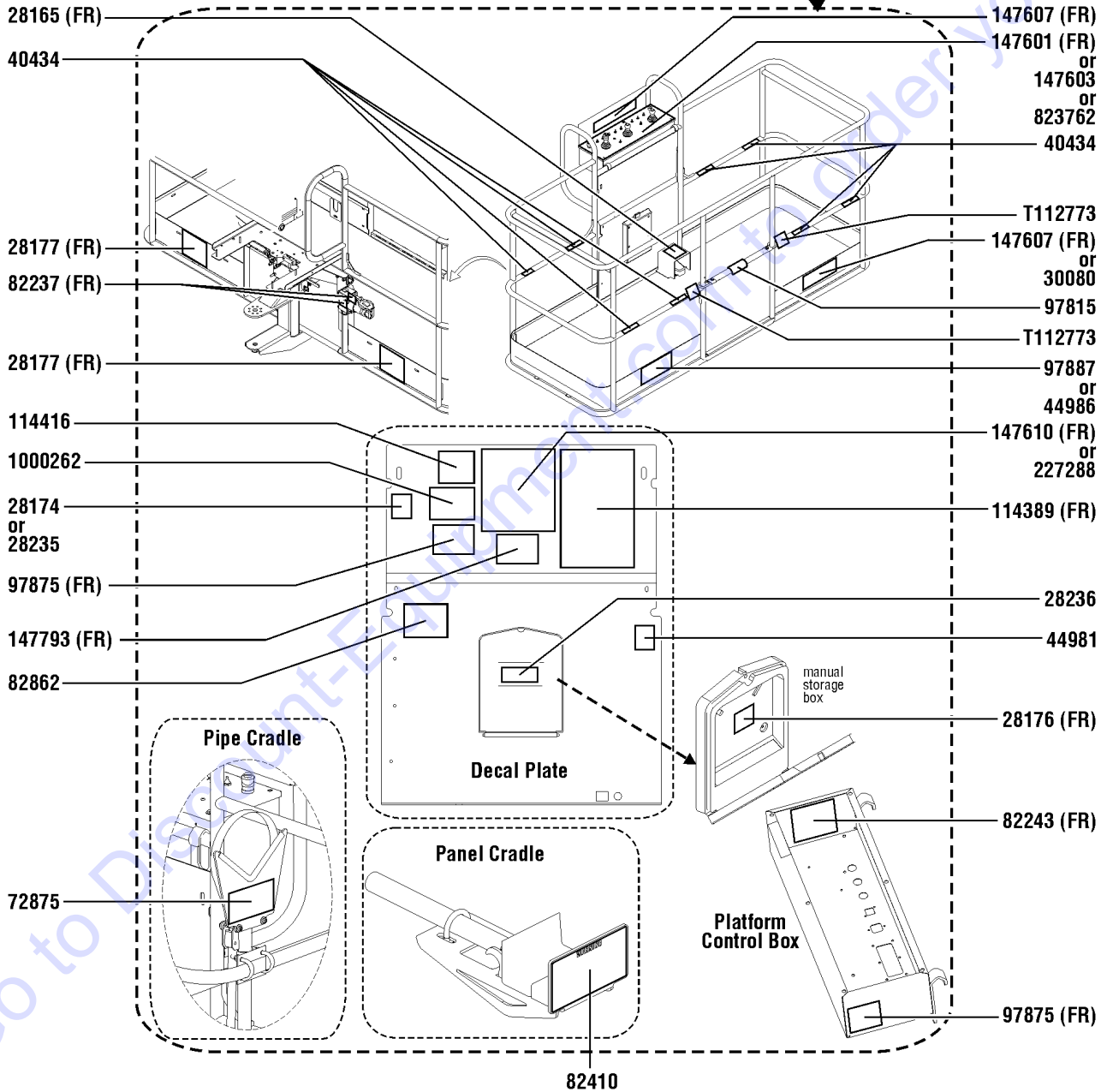


128.1 S-60TraX Decals with Word, Platform (ANSI & Australia)



NOTE:
Part numbers with "(FR)" indicates French translation is available

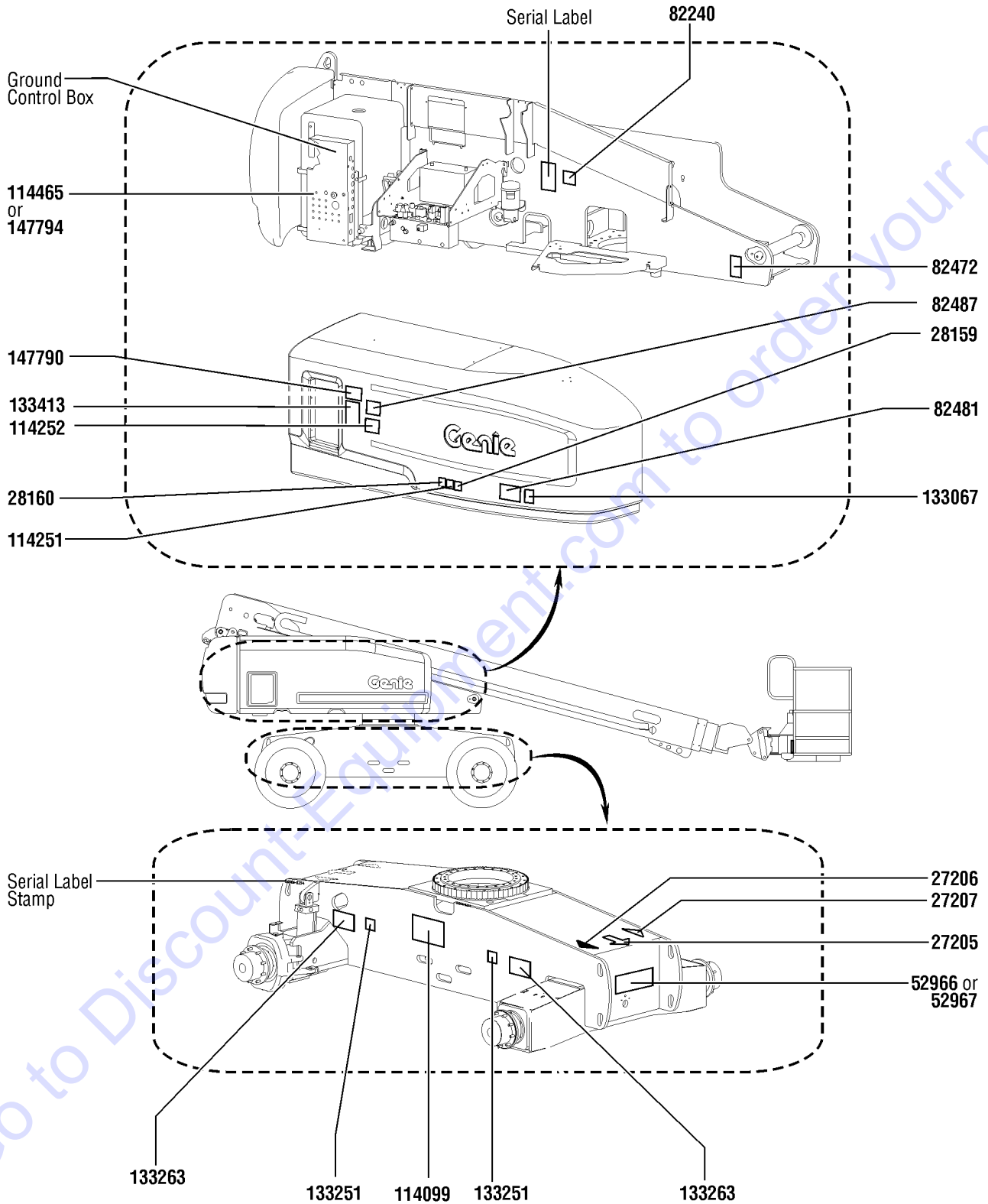
☐ Shading indicates decal is hidden from view.



128.1 S-60TraX Decals with Word, Platform (ANSI & Australia)

| Item | Part No. | Description | Qty. | Item | Part No. | Description | Qty. |
|------|----------|--|------|------|-----------|---------------------------------|------|
| 1 | 28165GT | DECAL,INSTRUCT,FOOTSWITCH OPER..... | 1 | 28 | 1000262GT | DECAL,DANGER,TIP OVER,PLAT..... | 1 |
| 2 | 28174GT | DECAL, POWER TO PLATFORM 230V**..... | 1 | 29 | T112773GT | TAPE, PROTECTIVE MASK..... | 2 |
| 3 | 28176GT | DECAL,LABEL,MANUAL NOT HERE..... | 1 | | | | |
| 4 | 28177GT | DECAL,WARN,CRUSH HAZARD PLAT..... | 2 | | | | |
| 5 | 28235GT | DECAL,POWER TO PLATFORM 115V..... | 1 | | | | |
| 6 | 28236GT | DECAL,WARN,IMPROPER OPERATION..... | 1 | | | | |
| 7 | 30080GT | DECAL,NOTICE,MAX LOAD 500 LBS..... <i>AUS only</i> | 1 | | | | |
| 8 | 40434GT | DECAL,LANYARD ANCHORAGE POINT..... | 8 | | | | |
| 9 | 44981GT | DECAL,LABEL, AIR LINE 110 PSI..... <i>Option, airline to plat</i> | 1 | | | | |
| 10 | 44986GT | DECAL,INSTR,SIDE FRC/WIND,AUS..... <i>AUS only</i> | 1 | | | | |
| 11 | 72875GT | DECAL,WARNING,PIPE CRADLE,BOOM..... <i>Option, pipe cradle</i> | 2 | | | | |
| 12 | 82237GT | DECAL,DANGER,HIGH VOLTAGE..... <i>Option, welder</i> | 2 | | | | |
| 13 | 82243GT | DECAL FAULT CODE..... | 1 | | | | |
| 14 | 82410GT | DECAL,WARNING,PANEL CRADLE..... <i>Option, panel cradle</i> | 2 | | | | |
| 15 | 82862GT | DECAL,FIRE EXTINGUISHER..... <i>Option, welder</i> | 1 | | | | |
| 16 | 97815GT | DECAL,LABEL,LOWER MIDRAIL..... | 1 | | | | |
| 17 | 97875GT | DECAL,WARN.WELD LINE INST.WORD..... <i>Option, weld cable line</i> | 2 | | | | |
| 18 | 97887GT | DECAL,INSTR,MAX SIDE FRC,ANSI..... <i>ANSI only</i> | 1 | | | | |
| 19 | 114389GT | DECAL,DANGER,GENERAL SAFETY..... | 1 | | | | |
| 20 | 114416GT | DECAL,DANGER,TIPOVER,TILT..... | 1 | | | | |
| 21 | 147601GT | DECAL, PLAT CNTL PNL 60TX..... <i>ANSI only</i> | 1 | | | | |
| 22 | 147603GT | DECAL, PLAT CNTL PNL..... <i>AUS only</i> | 1 | | | | |
| 23 | 147607GT | DECAL,INST PLAT CAP 60TRAX..... <i>ANSI only</i> | 2 | | | | |
| 24 | 147610GT | DECAL,INST,OPER INST 60TRAX..... <i>ANSI only</i> | 1 | | | | |
| 25 | 147793GT | DECAL,DANGER,TIPOVR,MAX CAP..... <i>ANSI only</i> | 1 | | | | |
| 26 | 227288GT | DECAL, OPERATING INSTRUCTIONS..... <i>AUS only</i> | 1 | | | | |
| 27 | 823762GT | LABEL, PBOX, S60TX ANSI TIER 4..... <i>Tier 4 models only</i> | 1 | | | | |

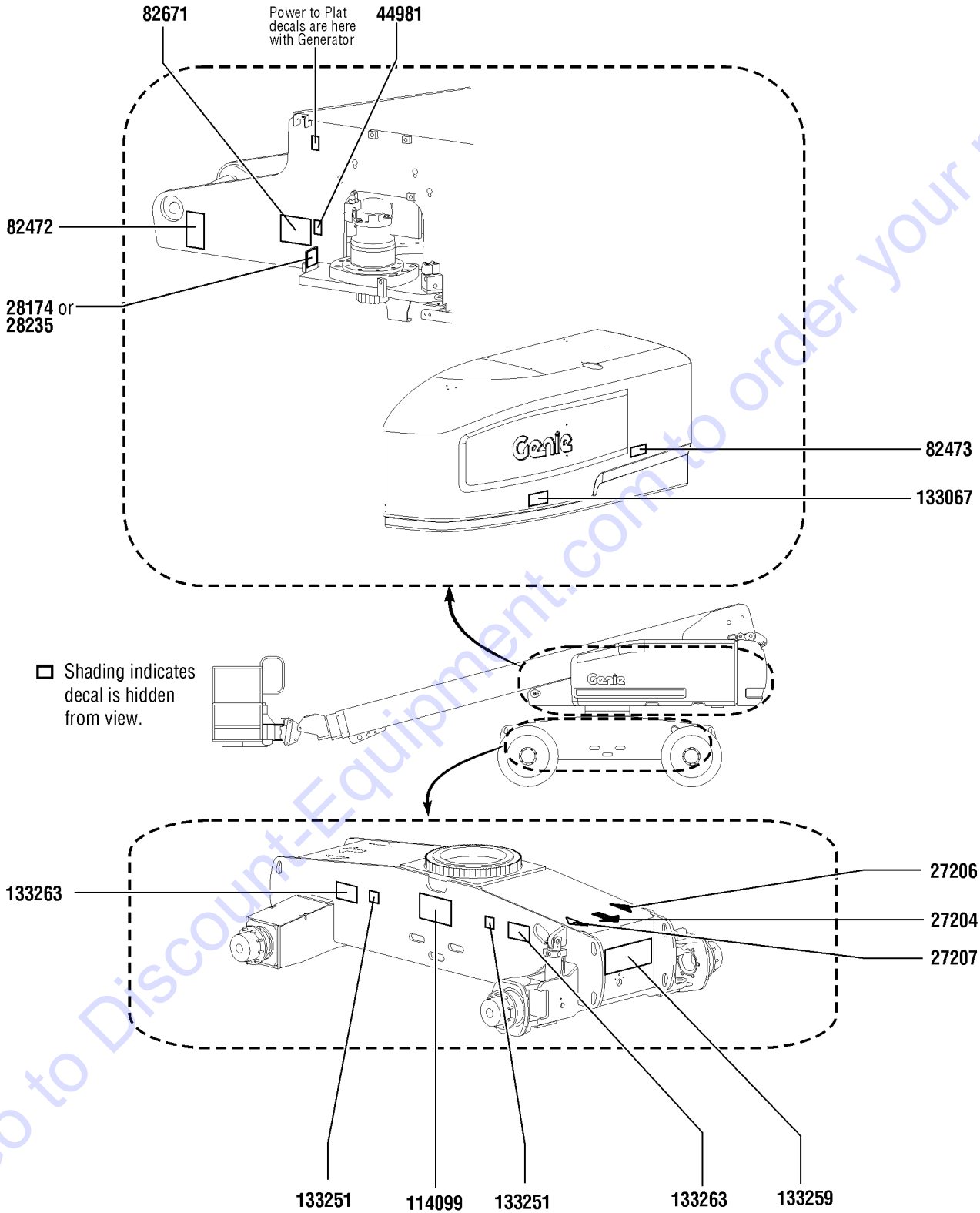
129.1 S-60TraX Decals with Symbol, Hydraulic Tank Side (ANSI & CE)



129.1 S-60TraX Decals with Symbol, Hydraulic Tank Side (ANSI & CE)

| Item | Part No. | Description | Qty. |
|------|----------|---|------|
| 1 | 27205GT | DECAL,ARROW YELLOW LRG 9".....1 | 1 |
| 2 | 27206GT | DECAL,TRIANGLE,BLUE.....1 | 1 |
| 3 | 27207GT | DECAL,TRIANGLE,YELLOW.....1 | 1 |
| 4 | 28159GT | DECAL,DIESEL.....1 <i>Deutz and Perkins only</i> | 1 |
| 5 | 28160GT | DECAL,LABEL,LIQUID PROPANE.....1 <i>Option, LPG tank</i> | 1 |
| 6 | 52966GT | DECAL,COSMETIC,4 X 2.....1 <i>Option, drive</i> | 1 |
| 7 | 52967GT | DECAL,COSMETIC,4 X 4.....1 <i>Option, drive</i> | 1 |
| 8 | 82240GT | DECAL,LABEL,105 DB.....1 | 1 |
| 9 | 82472GT | DECAL,WARNING,CRUSHING HAZARD.....1 | 1 |
| 10 | 82481GT | DECAL,SYMBOL-BATTERY SAFETY.....1 | 1 |
| 11 | 82487GT | DECAL,SYMBOL-READ THE MANUAL.....1 | 1 |
| 12 | 114099GT | DECAL,LABEL,TRANSPORT DIAGRAM.....1 | 1 |
| 13 | 114251GT | DECAL,LABEL,NO SMOKING,SYMB.....1 | 1 |
| 14 | 114252GT | DECAL,LABEL,TIP OVER LMT SWTCH.....1 | 1 |
| 15 | 133067GT | DECAL,DANGER,ELEC.HAZ.STAY CLR.....1 | 1 |
| 16 | 133251GT | DECAL,WHEEL LOAD S60TRAX.....2 | 2 |
| 17 | 133263GT | DECAL,LABEL,TIPOVER,TRAX,SYMB.2 | 2 |
| 18 | 133413GT | DECAL,EMERGENCY LOWERING.....1 <i>CE only</i> | 1 |
| 19 | 147790GT | DECAL,INST PLAT CAP 60TRAX SYM.....1 <i>ANSI only</i> | 1 |
| 20 | 147794GT | DECAL,GR CNTL PNL 60TX.....1 <i>ANSI only</i> | 1 |
| 21 | 114465GT | DECAL GROUND CONTROL BOX.....1 <i>CE only</i> | 1 |

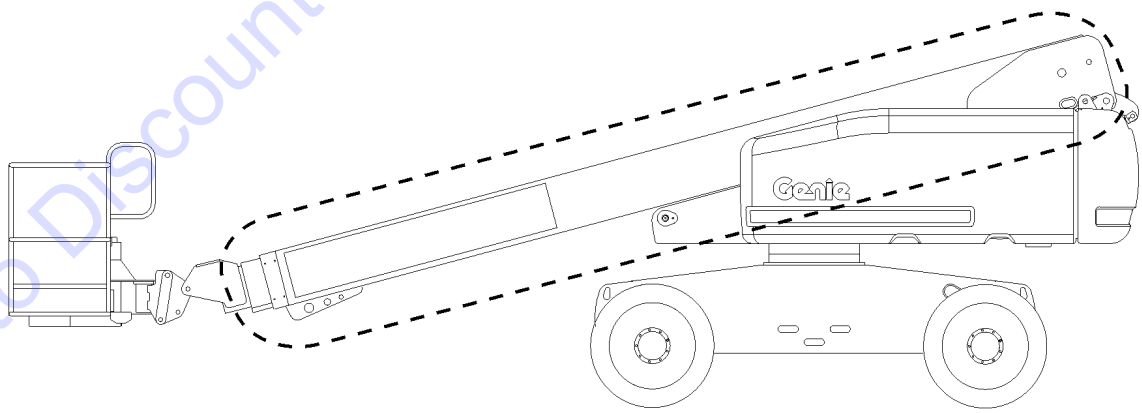
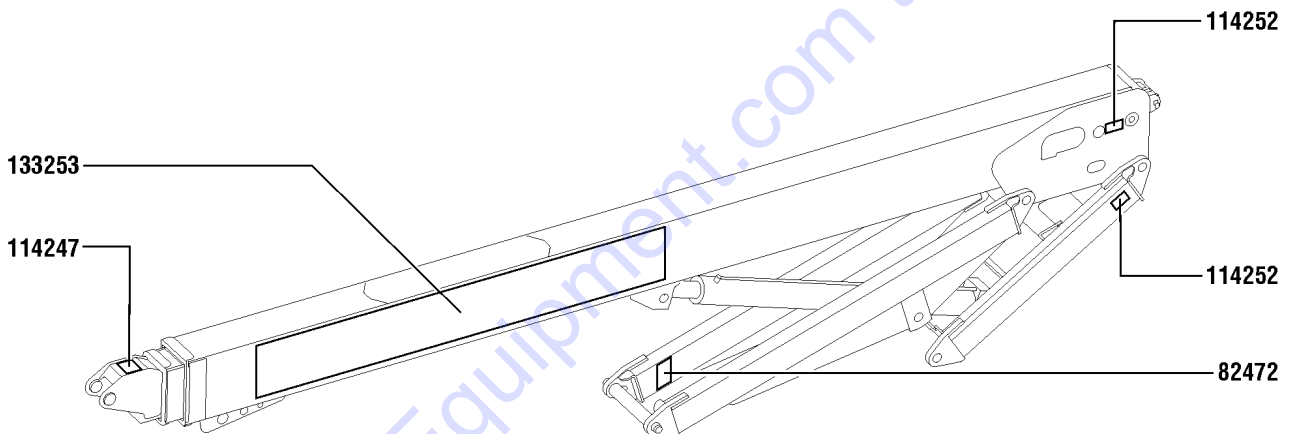
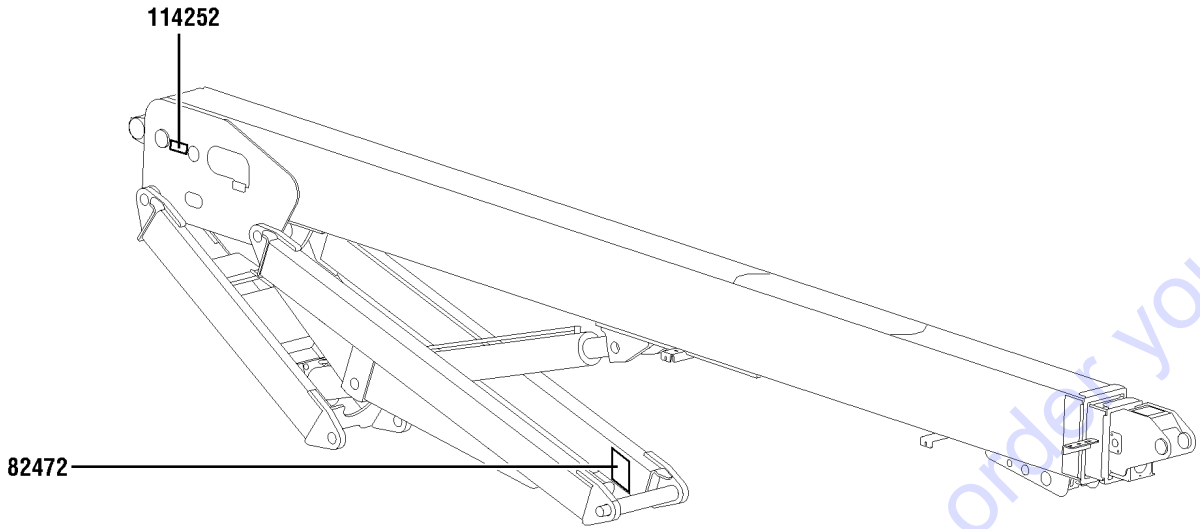
130.1 S-60TraX Decals with Symbol, Engine Side (ANSI & CE)



130.1 S-60TraX Decals with Symbol, Engine Side (ANSI & CE)

| Item | Part No. | Description | Qty. |
|------|----------|---|------|
| 1 | 27204GT | DECAL,ARROW BLUE..... | 1 |
| 2 | 27206GT | DECAL,TRIANGLE,BLUE..... | 1 |
| 3 | 27207GT | DECAL,TRIANGLE,YELLOW..... | 1 |
| 4 | 28174GT | DECAL, POWER TO PLATFORM 230V**..... | 1 |
| 5 | 28235GT | DECAL,POWER TO PLATFORM 115V...1 | 1 |
| 6 | 44981GT | DECAL,LABEL, AIR LINE 110 PSI.....1 <i>Option, airline to plat</i> | 1 |
| 7 | 82472GT | DECAL,WARNING,CRUSHING HAZARD..... | 1 |
| 8 | 82473GT | DECAL,SYMBOL-COMP ACCESS.....1 | 1 |
| 9 | 82671GT | DECAL,LABEL,WELD LINE INST,SYM...1 <i>Option, weld cable line</i> | 1 |
| 10 | 114099GT | DECAL,LABEL,TRANSPORT DIAGRAM..... | 1 |
| 11 | 133067GT | DECAL,DANGER,ELEC.HAZ.STAY CLR..... | 1 |
| 12 | 133251GT | DECAL, WHEEL LOAD S60TRAX.....2 | 2 |
| 13 | 133259GT | DECAL,COSM, S60 TRAX.....1 | 1 |
| 14 | 133263GT | DECAL,LABEL,TIPOVER,TRAX,SYMB..2 | 2 |

131.1 S-60TraX Decals with Symbol, Boom (ANSI & CE)



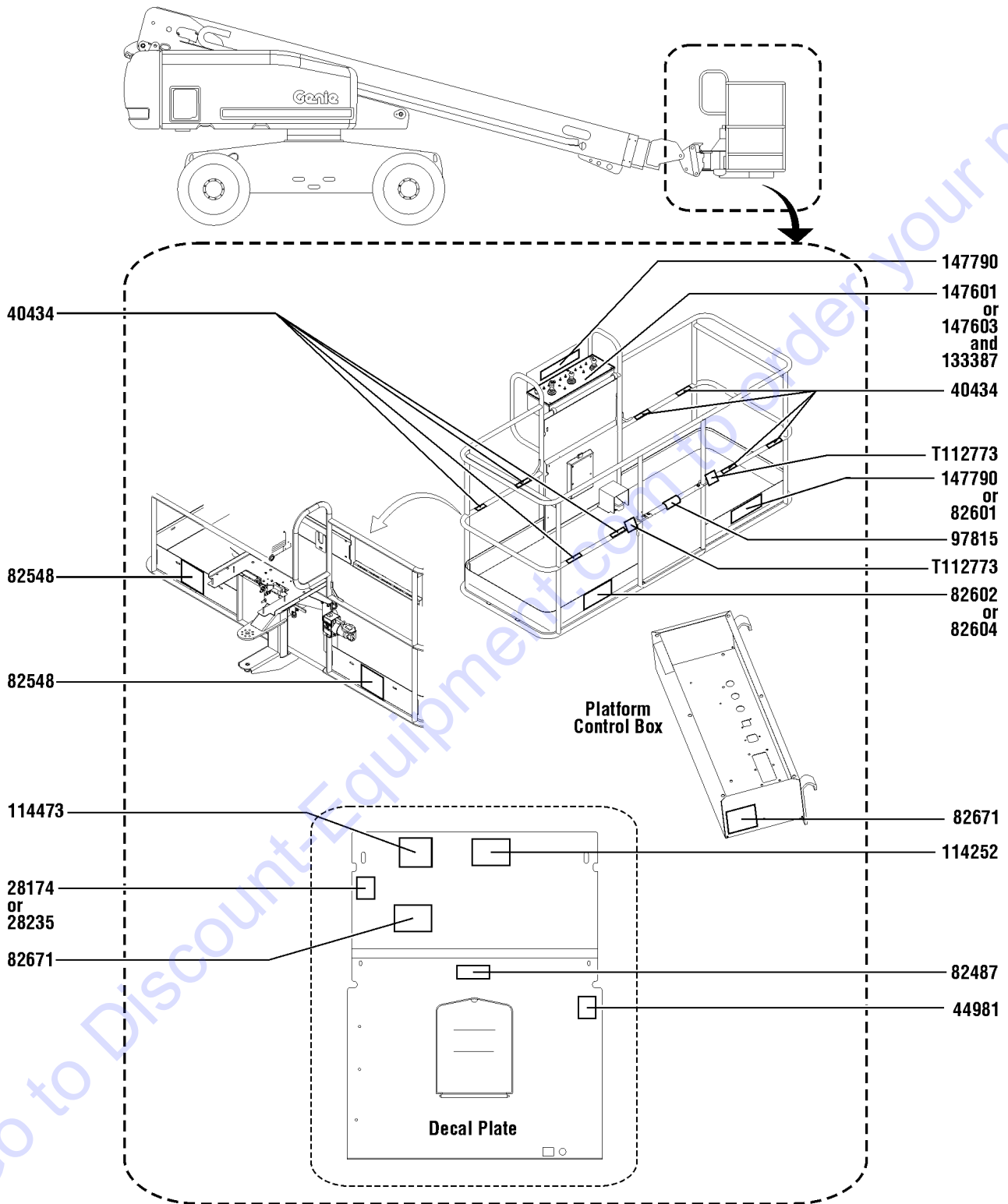
131.1 S-60TraX Decals with Symbol, Boom (ANSI & CE)

| Item | Part No. | Description | Qty. |
|------|----------|--|------|
| 1 | 82472GT | DECAL,WARNING,CRUSHING HAZARD..... | 2 |
| 2 | 114247GT | DECAL,LABEL,FALL HAZARD***..... | 1 |
| 3 | 114252GT | DECAL,LABEL,TIP OVER LMT SWTCH..... | 3 |
| 4 | 133253GT | DECAL,COSM,GENIE S60 TRAX..... | 1 |

Go to Discount-Equipment.com to order your parts



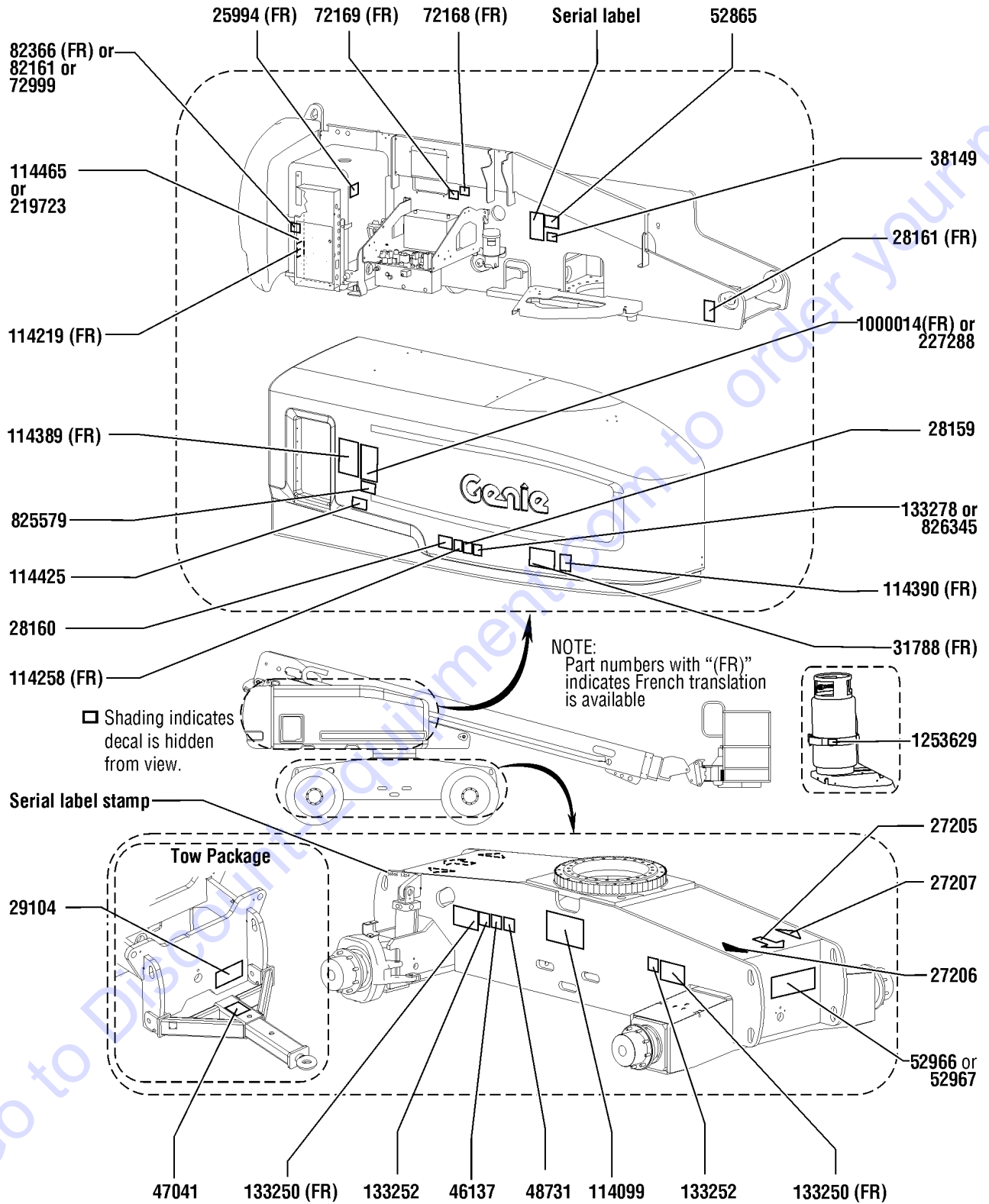
132.1 S-60TraX Decals with Symbol, Platform (ANSI & CE)



132.1 S-60TraX Decals with Symbol, Platform (ANSI & CE)

| Item | Part No. | Description | Qty. |
|------|-----------|--|------|
| 1 | 28174GT | DECAL, POWER TO PLATFORM 230V**..... | 1 |
| 2 | 28235GT | DECAL,POWER TO PLATFORM 115V... | 1 |
| 3 | 40434GT | DECAL,LANYARD ANCHORAGE POINT..... | 8 |
| 4 | 44981GT | DECAL,LABEL, AIR LINE 110 PSI..... <i>Option, airline to plat</i> | 1 |
| 5 | 82487GT | DECAL, SYMBOL - READ THE MANUAL..... | 1 |
| 6 | 82548GT | DECAL,WARN,CRUSH HAZARD PLAT..... | 2 |
| 7 | 82601GT | DECAL,LABEL,MAX CAPACITY*** <i>CE only</i> | 1 |
| 8 | 82602GT | DECAL,DANGER,MAX SIDE FRC,667N..... | 1 |
| 9 | 82604GT | DECAL,DANGER,SIDE FRC 400N..... | 1 |
| 10 | 82671GT | DECAL,LABEL,WELD LINE INST,SYM... <i>Option, weld cable line</i> | 2 |
| 11 | 97815GT | DECAL,LABEL,LOWER MIDRAIL..... | 1 |
| 12 | 114252GT | DECAL,LABEL,TIP OVER LMT SWTCH..... | 1 |
| 13 | 114473GT | DECAL,DANGER,TIPOVER,TILT,SYM... | 1 |
| 14 | 133387GT | DECAL,DRIVE ENABLE PATCH..... | 1 |
| 15 | 147601GT | DECAL, PLAT CNTL PNL 60TX..... <i>ANSI only</i> | 1 |
| 16 | 147603GT | DECAL, PLAT CNTL PNL..... <i>CE only</i> | 1 |
| 17 | 147790GT | DECAL,INST PLAT CAP 60TRAX SYM..... <i>ANSI only</i> | 2 |
| 18 | T112773GT | TAPE, PROTECTIVE MASK..... | 2 |

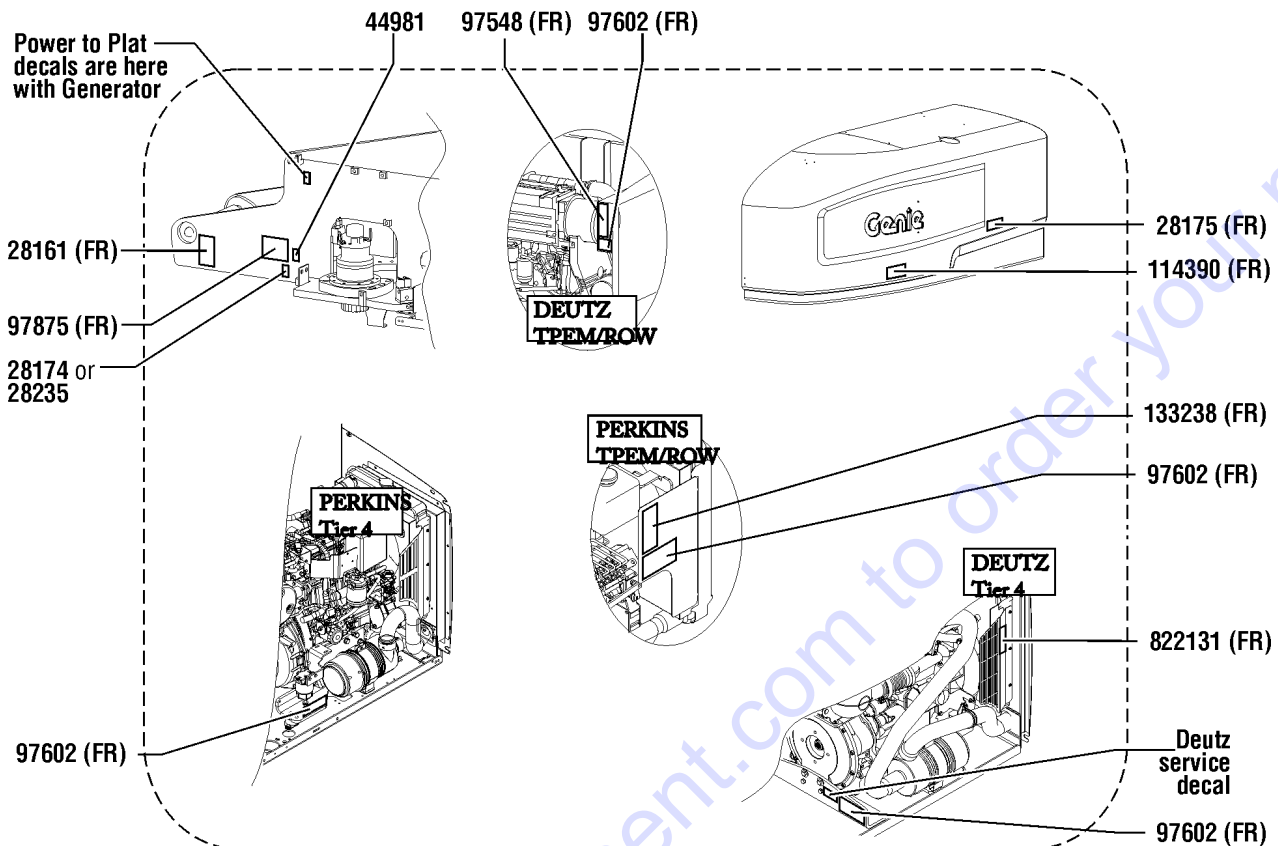
133.1 S-65TraX Decals with Word, Hydraulic Tank Side (ANSI & Australia)



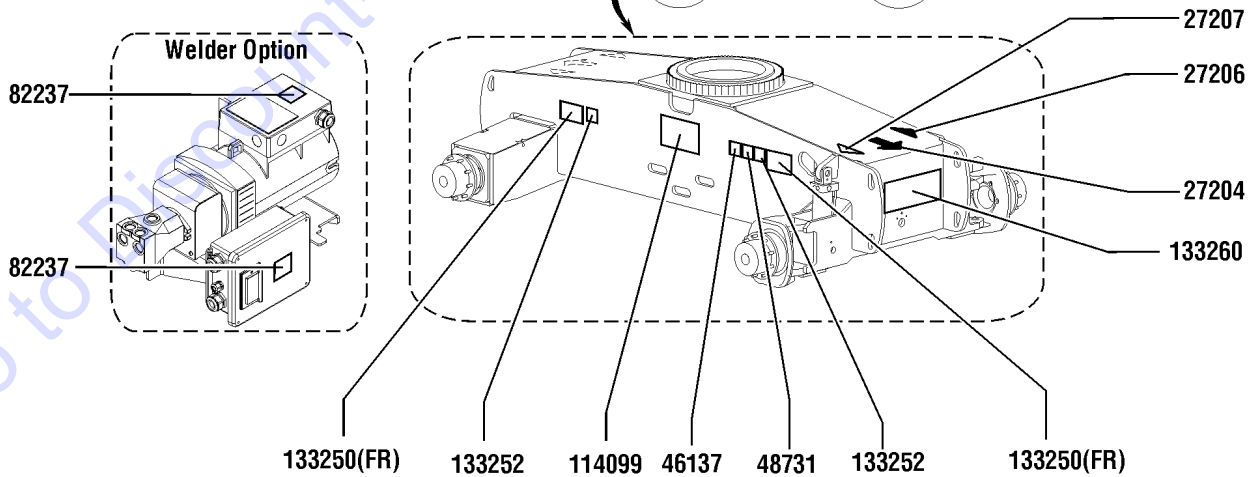
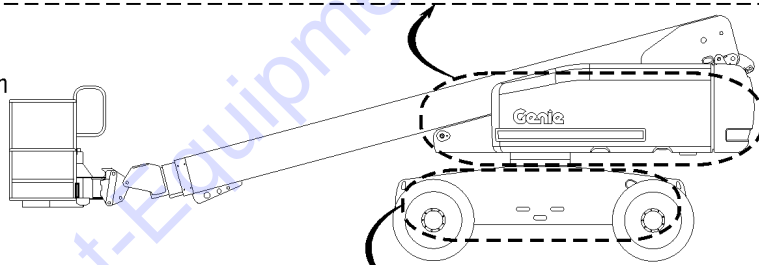
133.1 S-65TraX Decals with Word, Hydraulic Tank Side (ANSI & Australia)

| Item | Part No. | Description | Qty. | Item | Part No. | Description | Qty. |
|------|----------|---|------|------|-----------|--|------|
| 1 | 25994GT | DECAL,NOTICE,SHUTOFF VALVES.....1 | | 30 | 133278GT | DECAL,LOW/ULTRA LOW SULFR FUEL.....1 <i>(Deutz D2011L3i, Deutz TD2011L04i and Perkins 404D-22)</i> | |
| 2 | 27205GT | DECAL,ARROW YELLOW LRG 9".....1 | | 31 | 219723GT | DECAL,GROUND BOX,TIER IV.....1 <i>(Deutz D2.9L4)</i> | |
| 3 | 27206GT | DECAL,TRIANGLE,BLUE.....1 | | 32 | 227288GT | DECAL, OPERATING INSTRUCTIONS.....1 <i>AUS only</i> | |
| 4 | 27207GT | DECAL,TRIANGLE,YELLOW.....1 | | 33 | 825579GT | DECAL, LCD, TIER 4.....1 <i>(Deutz D2.9L4)</i> | |
| 5 | 28159GT | DECAL,DIESEL.....1 <i>Deutz and Perkins only</i> | | 34 | 826345GT | DECAL,ULS DIESEL ONLY,TIER 4.....1 <i>(Deutz D2.9L4)</i> | |
| 6 | 28160GT | DECAL,LABEL,LIQUID PROPANE.....1 <i>Option, LPG tank</i> | | 35 | 1000014GT | DECAL,NOTICE,OPER INST.S60.....1 <i>ANSI only</i> | |
| 7 | 28161GT | DECAL,WARN,CRUSH HAZARD HAND.....1 | | 36 | 1253629GT | DECAL,LP BOTTLE,S60.....1 <i>Option</i> | |
| 8 | 29104GT | DECAL,TOWING INSTRUCTIONS.....1 <i>Option, tow package</i> | | | | | |
| 9 | 31788GT | DECAL,DANGER,BATTERY SAFETY***.....1 | | | | | |
| 10 | 38149GT | DECAL,LABEL,PATENTS.....1 <i>US Only</i> | | | | | |
| 11 | 46137GT | DECAL,LPS (4"X4").....1 <i>Option</i> | | | | | |
| 12 | 47041GT | DECAL,CAUTION,TOWING SPEED.....1 <i>Option, tow package</i> | | | | | |
| 13 | 52865GT | DECAL,ANNUAL INSP***.....1 <i>ANSI Only</i> | | | | | |
| 14 | 52966GT | DECAL,COSMETIC,4 X 2.....1 <i>Option, drive</i> | | | | | |
| 15 | 52967GT | DECAL,COSMETIC,4 X 4.....1 <i>Option, drive</i> | | | | | |
| 16 | 72168GT | DECAL,LABEL,STARTER BATTERY.....1 <i>Option, dual battery</i> | | | | | |
| 17 | 72169GT | DECAL,LABEL,CONTROLS BATTERY...1 <i>Option, dual battery</i> | | | | | |
| 18 | 72999GT | DECAL,LABEL,PETRO CANADA***.....1 <i>Option, hydraulic oil</i> | | | | | |
| 19 | 82161GT | DECAL,LABEL,UCON HYDROLUBE.....1 <i>Option, hydraulic oil</i> | | | | | |
| 20 | 82366GT | DECAL,CHEVRON RANDO HD.....1 <i>Option, hydraulic oil</i> | | | | | |
| 21 | 114099GT | DECAL,LABEL,TRANSPORT DIAGRAM.....1 | | | | | |
| 22 | 114219GT | DECAL,LABEL,RELAYS,S60&65.....1 | | | | | |
| 23 | 114258GT | DECAL,DANGER,NO SMOKING.....1 | | | | | |
| 24 | 114389GT | DECAL,DANGER,GENERAL SAFETY....1 | | | | | |
| 25 | 114390GT | DECAL,DANGER,ELECT HAZARD***1 | | | | | |
| 26 | 114425GT | DECAL,BATTERY DISCONNECT.....1 <i>Option</i> | | | | | |
| 27 | 114465GT | DECAL GROUND CONTROL BOX.....1 <i>(Deutz D2011L3i, Deutz TD2011L04i and Perkins 404D-22)</i> | | | | | |
| 28 | 133250GT | DECAL,DANGER TIP OVER TRAX.....2 | | | | | |
| 29 | 133252GT | DECAL, WHEEL LOAD S65 TRAX.....2 | | | | | |

134.1 S-65TraX Decals with Word, Engine Side (ANSI & Australia)



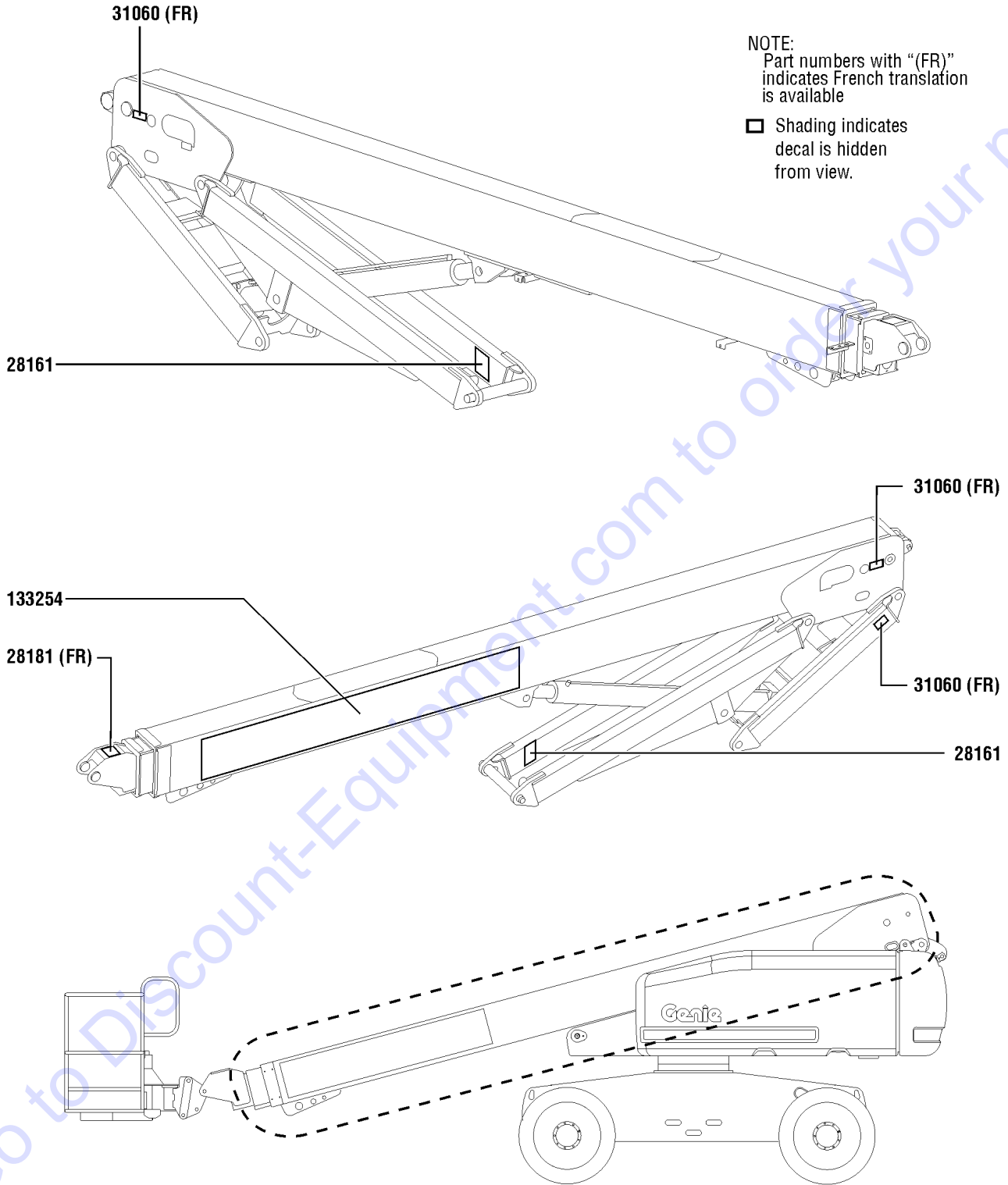
NOTE:
Part numbers with "(FR)"
indicates French translation
is available



134.1 S-65TraX Decals with Word, Engine Side (ANSI & Australia)

| Item | Part No. | Description | Qty. |
|------|----------|---|------|
| 1 | 27204GT | DECAL,ARROW BLUE..... | 1 |
| 2 | 27206GT | DECAL,TRIANGLE,BLUE..... | 1 |
| 3 | 27207GT | DECAL,TRIANGLE,YELLOW..... | 1 |
| 4 | 28161GT | DECAL,WARN,CRUSH HAZARD HAND..... | 1 |
| 5 | 28174GT | DECAL, POWER TO PLATFORM 230V**..... | 1 |
| 6 | 28175GT | DECAL,WARNING-COMPART ACCESS..... | 1 |
| 7 | 28235GT | DECAL,POWER TO PLATFORM 115V...1 | |
| 8 | 44981GT | DECAL,LABEL, AIR LINE 110 PSI.....1 <i>Option, air line to plat</i> | |
| 9 | 46137GT | DECAL,LPS (4"X4").....1 <i>Option</i> | |
| 10 | 82237GT | DECAL,DANGER,HIGH VOLTAGE.....2 <i>Option, welder</i> | |
| 11 | 97548GT | DECAL,ENGINE SPEC,DEUTZ 2011....1 <i>Deutz D2011L3i and Deutz TD2011L04i</i> | |
| 12 | 97602GT | DECAL,EXPLOSION HAZARD.....1 <i>Diesel engines</i> | |
| 13 | 97875GT | DECAL,WARN.WELD LINE INST.WORD.....1 <i>Option, weld cable line</i> | |
| 14 | 114099GT | DECAL,LABEL,TRANSPORT DIAGRAM..... | 1 |
| 15 | 114390GT | DECAL,DANGER,ELECT HAZARD***...1 | |
| 16 | 133238GT | DECAL,ENGINE SPEC,PERKINS***1 <i>Perkins 404D-22</i> | |
| 17 | 133250GT | DECAL,DANGER TIP OVER TRAX.....2 | |
| 18 | 133252GT | DECAL, WHEEL LOAD S65 TRAX.....2 | |
| 19 | 133260GT | DECAL,COSM, S65 TRAX.....1 | |
| 20 | 822131GT | DECAL, ENGINE SPEC, D2.9.....1 <i>Deutz D2.9L4</i> | |

135.1 S-65TraX Decals with Word, Boom (ANSI & Australia)



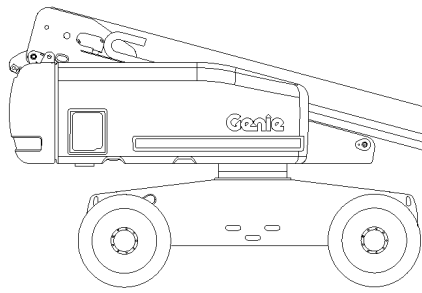
135.1 S-65TraX Decals with Word, Boom (ANSI & Australia)

| Item | Part No. | Description | Qty. |
|------|----------|--|------|
| 1 | 28161GT | DECAL,WARN,CRUSH HAZARD HAND..... | 2 |
| 2 | 28181GT | DECAL,WARN,FALL HAZARD..... | 1 |
| 3 | 31060GT | DECAL,DANGER DO NOT ALTER SWTC..... | 3 |
| 4 | 133254GT | DECAL, COSM,GENIE S65 TRAX..... | 1 |

Go to Discount-Equipment.com to order your parts

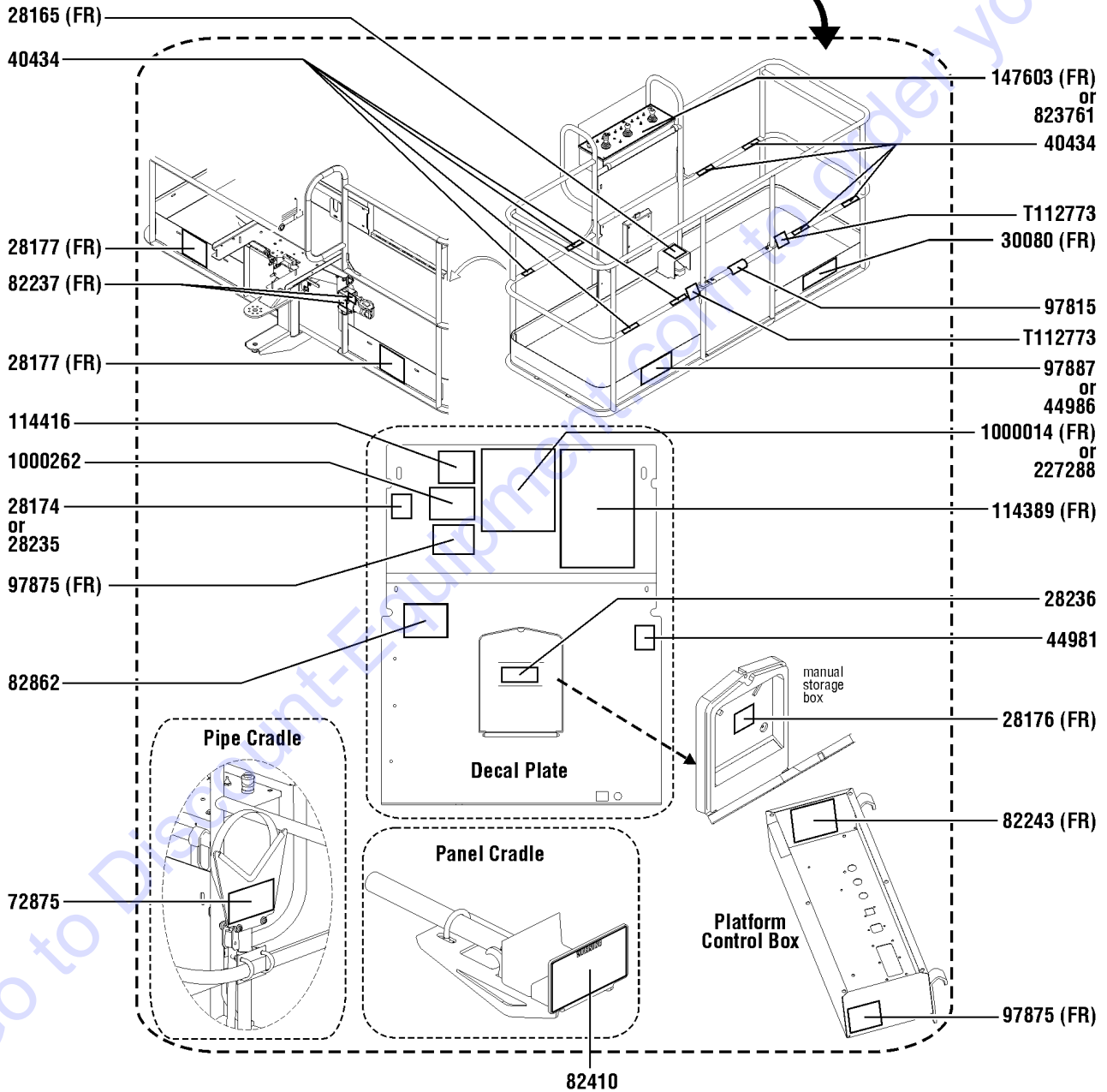


136.1 S-65TraX Decals with Word, Platform (ANSI & Australia)



NOTE:
Part numbers with "(FR)" indicates French translation is available

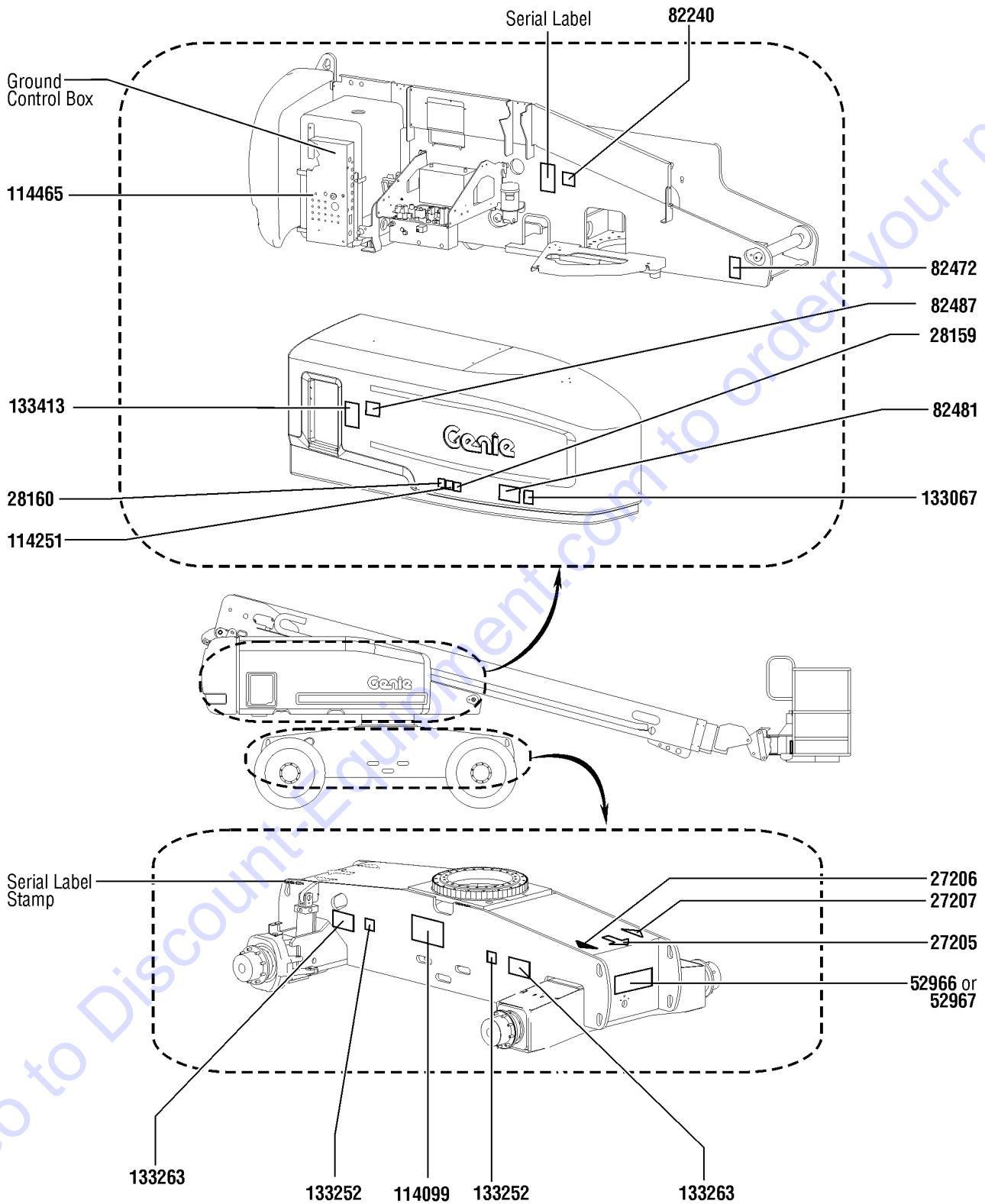
☐ Shading indicates decal is hidden from view.



136.1 S-65TraX Decals with Word, Platform (ANSI & Australia)

| Item | Part No. | Description | Qty. |
|------|-----------|--|------|
| 1 | 28165GT | DECAL,INSTRUCT,FOOTSWITCH OPER..... | 1 |
| 2 | 28174GT | DECAL, POWER TO PLATFORM 230V**..... | 1 |
| 3 | 28176GT | DECAL,LABEL,MANUAL NOT HERE..... | 1 |
| 4 | 28177GT | DECAL,WARN,CRUSH HAZARD PLAT..... | 2 |
| 5 | 28235GT | DECAL,POWER TO PLATFORM 115V..... | 1 |
| 6 | 28236GT | DECAL,WARN,IMPROPER OPERATION..... | 1 |
| 7 | 30080GT | DECAL,NOTICE,MAX LOAD 500 LBS..... | 1 |
| 8 | 40434GT | DECAL,LANYARD ANCHORAGE POINT..... | 8 |
| 9 | 44981GT | DECAL,LABEL, AIR LINE 110 PSI..... <i>Option, airline to plat</i> | 1 |
| 10 | 44986GT | DECAL,INSTR,SIDE FRC/WIND,AUS..... <i>AUS only</i> | 1 |
| 11 | 72875GT | DECAL,WARNING,PIPE CRADLE,BOOM..... <i>Option, pipe cradle</i> | 2 |
| 12 | 82237GT | DECAL,DANGER,HIGH VOLTAGE..... <i>Option, welder</i> | 2 |
| 13 | 82243GT | DECAL FAULT CODE..... | 1 |
| 14 | 82410GT | DECAL,WARNING,PANEL CRADLE..... <i>Option, panel cradle</i> | 2 |
| 15 | 82862GT | DECAL,FIRE EXTINGUISHER..... <i>Option, welder</i> | 1 |
| 16 | 97815GT | DECAL,LABEL,LOWER MIDRAIL..... | 1 |
| 17 | 97875GT | DECAL,WARN.WELD LINE INST.WORD..... <i>Option, weld cable line</i> | 2 |
| 18 | 97887GT | DECAL,INSTR,MAX SIDE FRC,ANSI..... <i>ANSI only</i> | 1 |
| 19 | 114389GT | DECAL,DANGER,GENERAL SAFETY..... | 1 |
| 20 | 114416GT | DECAL,DANGER,TIPOVER,TILT..... | 1 |
| 21 | 147603GT | DECAL, PLAT CNTL PNL..... | 1 |
| 22 | 227288GT | DECAL, OPERATING INSTRUCTIONS..... <i>AUS only</i> | 1 |
| 23 | 823761GT | LABEL, PBOX, S65 TIER 4..... <i>Tier 4 models only</i> | 1 |
| 24 | 1000014GT | DECAL,NOTICE,OPER INST.S60..... <i>ANSI only</i> | 1 |
| 25 | 1000262GT | DECAL,DANGER,TIP OVER,PLAT..... | 1 |
| 26 | T112773GT | TAPE, PROTECTIVE MASK..... | 2 |

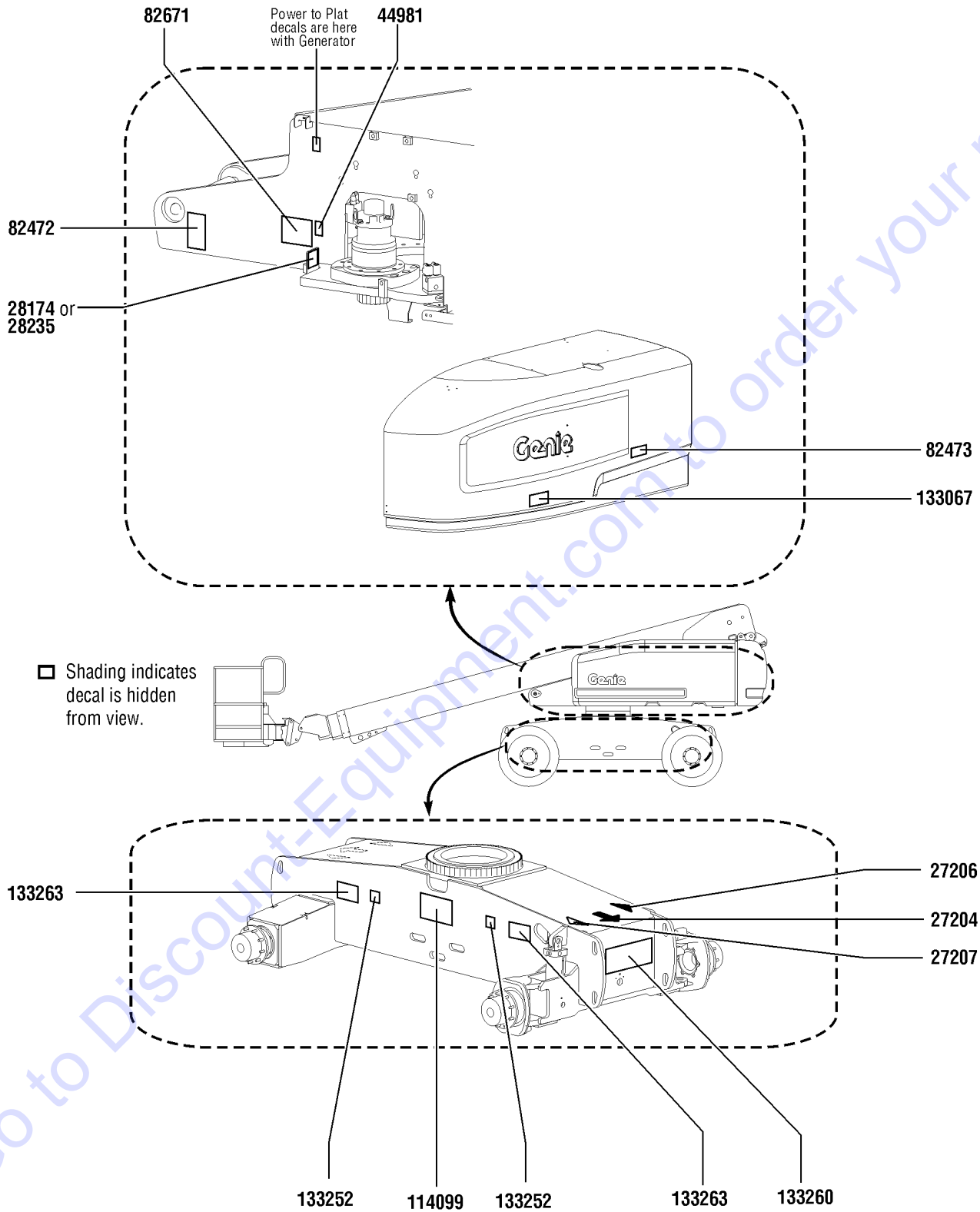
137.1 S-65TraX Decals with Symbol, Hydraulic Tank Side (ANSI & CE)



137.1 S-65TraX Decals with Symbol, Hydraulic Tank Side (ANSI & CE)

| Item | Part No. | Description | Qty. |
|------|----------|---|------|
| 1 | 27205GT | DECAL,ARROW YELLOW LRG 9".....1 | 1 |
| 2 | 27206GT | DECAL,TRIANGLE,BLUE.....1 | 1 |
| 3 | 27207GT | DECAL,TRIANGLE,YELLOW.....1 | 1 |
| 4 | 28159GT | DECAL,DIESEL.....1 <i>Deutz and Perkins only</i> | 1 |
| 5 | 28160GT | DECAL,LABEL,LIQUID PROPANE.....1 <i>Option, LPG tank</i> | 1 |
| 6 | 52966GT | DECAL,COSMETIC,4 X 2.....1 <i>Option, drive</i> | 1 |
| 7 | 52967GT | DECAL,COSMETIC,4 X 4.....1 <i>Option, drive</i> | 1 |
| 8 | 82240GT | DECAL,LABEL,105 DB.....1 | 1 |
| 9 | 82472GT | DECAL,WARNING,CRUSHING HAZARD.....1 | 1 |
| 10 | 82481GT | DECAL,SYMBOL-BATTERY SAFETY.....1 | 1 |
| 11 | 82487GT | DECAL,SYMBOL-READ THE MANUAL.....1 | 1 |
| 12 | 114099GT | DECAL,LABEL,TRANSPORT DIAGRAM.....1 | 1 |
| 13 | 114251GT | DECAL,LABEL,NO SMOKING,SYMB.....1 | 1 |
| 14 | 114465GT | DECAL GROUND CONTROL BOX.....1 | 1 |
| 15 | 133067GT | DECAL,DANGER,ELEC.HAZ.STAY CLR.....1 | 1 |
| 16 | 133252GT | DECAL, WHEEL LOAD S65 TRAX.....2 | 2 |
| 17 | 133263GT | DECAL,LABEL,TIPOVER,TRAX,SYMB..2 | 2 |
| 18 | 133413GT | DECAL,EMERGENCY LOWERING.....1 <i>CE only</i> | 1 |

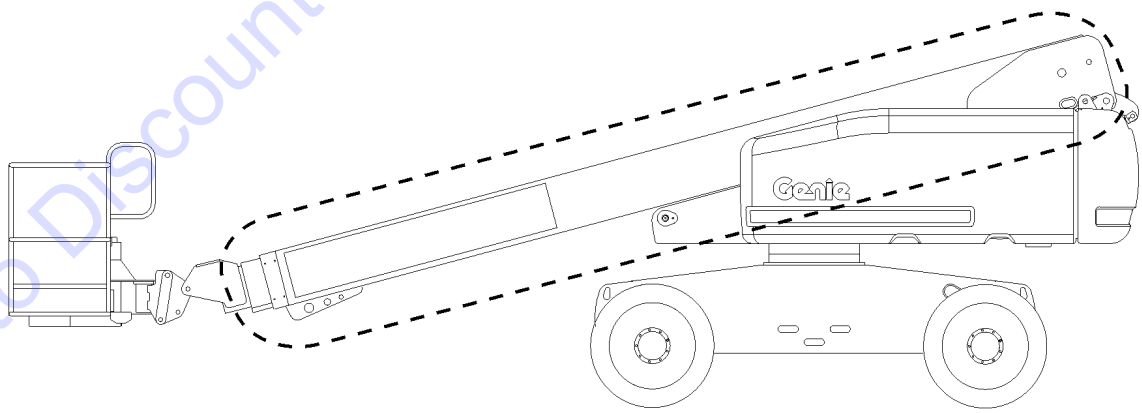
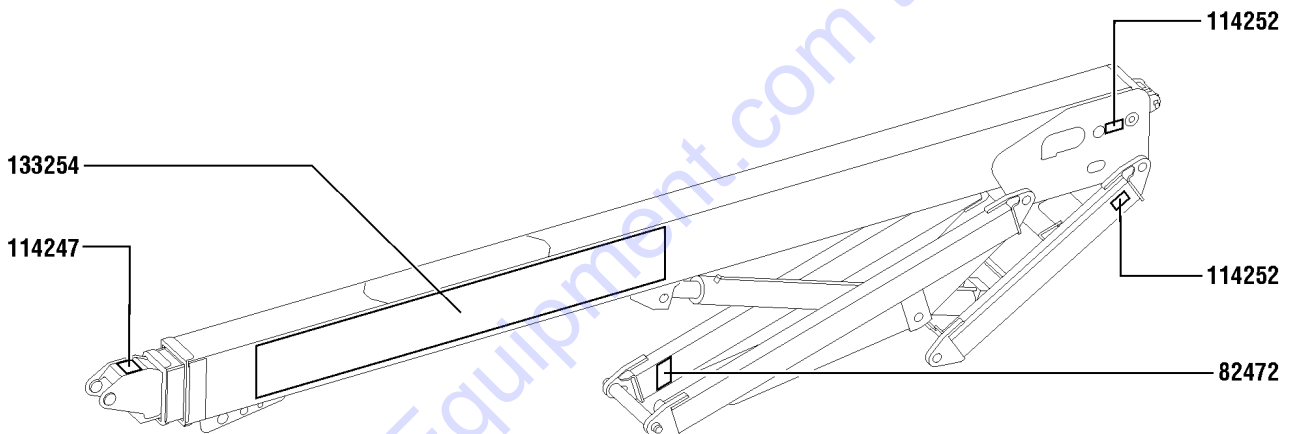
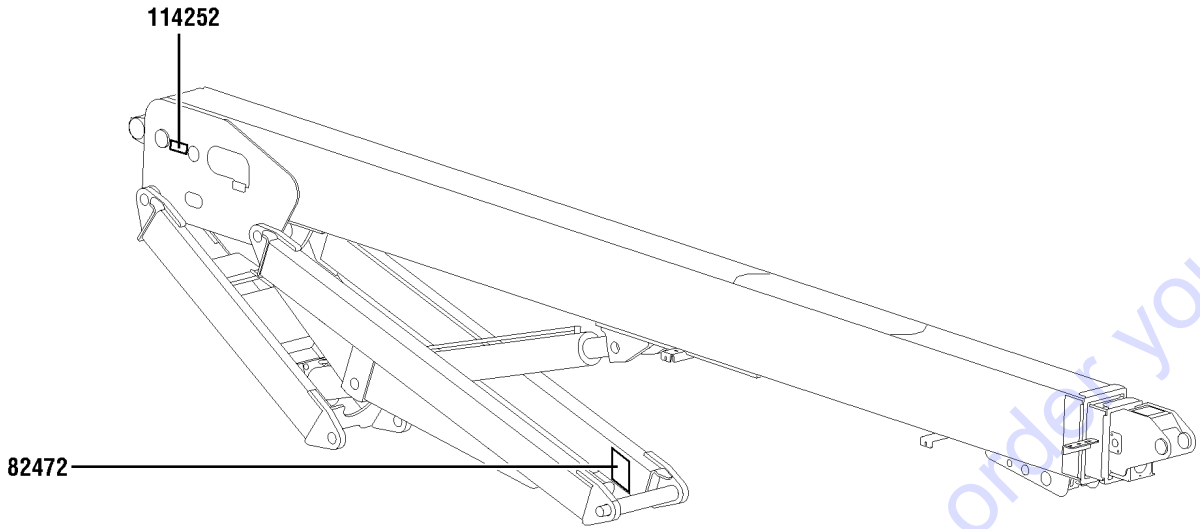
138.1 S-65TraX Decals with Symbol, Engine Side (ANSI & CE)



138.1 S-65TraX Decals with Symbol, Engine Side (ANSI & CE)

| Item | Part No. | Description | Qty. |
|------|----------|---|------|
| 1 | 27204GT | DECAL,ARROW BLUE..... | 1 |
| 2 | 27206GT | DECAL,TRIANGLE,BLUE..... | 1 |
| 3 | 27207GT | DECAL,TRIANGLE,YELLOW..... | 1 |
| 4 | 28174GT | DECAL, POWER TO PLATFORM 230V**..... | 1 |
| 5 | 28235GT | DECAL,POWER TO PLATFORM 115V...1 | 1 |
| 6 | 44981GT | DECAL,LABEL, AIR LINE 110 PSI.....1 <i>Option, airline to plat</i> | 1 |
| 7 | 82472GT | DECAL,WARNING,CRUSHING HAZARD..... | 1 |
| 8 | 82473GT | DECAL,SYMBOL-COMP ACCESS.....1 | 1 |
| 9 | 82671GT | DECAL,LABEL,WELD LINE INST,SYM...1 <i>Option, weld cable line</i> | 1 |
| 10 | 114099GT | DECAL,LABEL,TRANSPORT DIAGRAM..... | 1 |
| 11 | 133067GT | DECAL,DANGER,ELEC.HAZ.STAY CLR..... | 1 |
| 12 | 133252GT | DECAL, WHEEL LOAD S65 TRAX.....2 | 2 |
| 13 | 133260GT | DECAL,COSM, S65 TRAX.....1 | 1 |
| 14 | 133263GT | DECAL,LABEL,TIPOVER,TRAX,SYMB..2 | 2 |

139.1 S-65TraX Decals with Symbol, Boom (ANSI & CE)



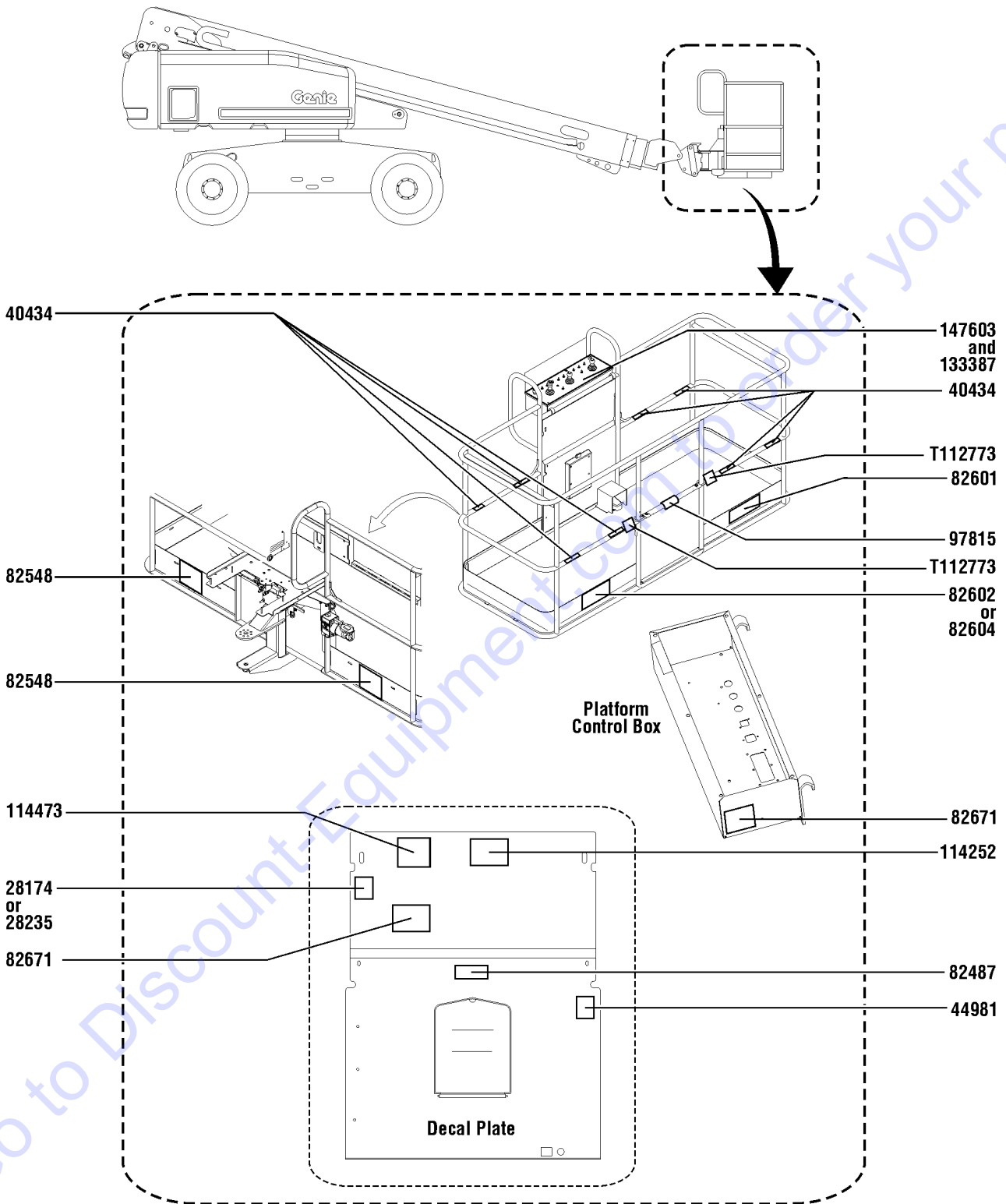
139.1 S-65TraX Decals with Symbol, Boom (ANSI & CE)

| Item | Part No. | Description | Qty. |
|------|----------|--|------|
| 1 | 82472GT | DECAL,WARNING,CRUSHING HAZARD..... | 2 |
| 2 | 114247GT | DECAL,LABEL,FALL HAZARD***..... | 1 |
| 3 | 114252GT | DECAL,LABEL,TIP OVER LMT SWTCH..... | 3 |
| 4 | 133254GT | DECAL, COSM,GENIE S65 TRAX..... | 1 |

Go to Discount-Equipment.com to order your parts



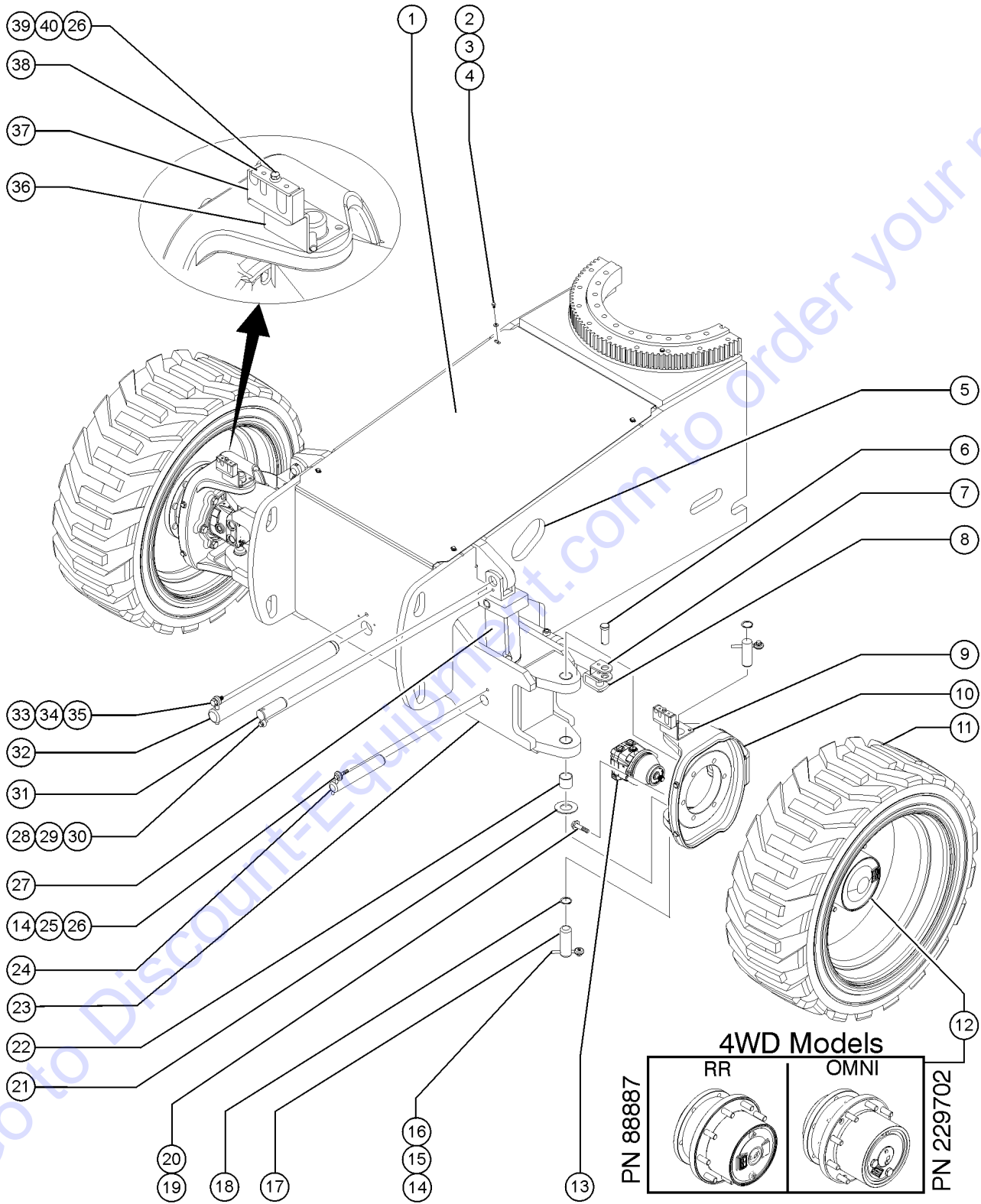
140.1 S-65TraX Decals with Symbol, Platform (ANSI & CE)



140.1 S-65TraX Decals with Symbol, Platform (ANSI & CE)

| Item | Part No. | Description | Qty. |
|------|-----------|---|------|
| 1 | 28174GT | DECAL, POWER TO PLATFORM 230V**..... | 1 |
| 2 | 28235GT | DECAL,POWER TO PLATFORM 115V...1 | 1 |
| 3 | 40434GT | DECAL,LANYARD ANCHORAGE POINT..... | 8 |
| 4 | 44981GT | DECAL,LABEL, AIR LINE 110 PSI.....1 <i>Option, airline to plat</i> | 1 |
| 5 | 82487GT | DECAL, SYMBOL - READ THE MANUAL..... | 1 |
| 6 | 82548GT | DECAL,WARN,CRUSH HAZARD PLAT..... | 2 |
| 7 | 82601GT | DECAL,LABEL,MAX CAPACITY***.....1 | 1 |
| 8 | 82602GT | DECAL,DANGER,MAX SIDE FRC,667N.....1 <i>ANSI only</i> | 1 |
| 9 | 82604GT | DECAL,DANGER,SIDE FRC 400N.....1 <i>CE only</i> | 1 |
| 10 | 82671GT | DECAL,LABEL,WELD LINE INST,SYM...2 <i>Option, weld cable line</i> | 2 |
| 11 | 97815GT | DECAL,LABEL,LOWER MIDRAIL.....1 | 1 |
| 12 | 114252GT | DECAL,LABEL,TIP OVER LMT SWTCH..... | 1 |
| 13 | 114473GT | DECAL,DANGER,TIPOVER,TILT,SYM...1 | 1 |
| 14 | 133387GT | DECAL,DRIVE ENABLE PATCH.....1 | 1 |
| 15 | 147603GT | DECAL, PLAT CNTL PNL.....1 | 1 |
| 16 | T112773GT | TAPE, PROTECTIVE MASK..... | 2 |

201.1 Steer End



201.1 Steer End

| Item | Part No. | Description | Qty. | Item | Part No. | Description | Qty. |
|------|-----------|---|------|------|-----------|---|------|
| 1 | 77624PGT | COVER,DRIVE CHASSIS.....1 <i>decals not included, refer to section 100</i> | 1 | 11E | 106647GT | TIRE & WHEEL ASSY,RH,FOAM,NM.....2 <i>RT, Foam-filled, Non-marking, right (S-60,S-65,S-60X,S-60XC,S-60HC; overall diameter: 37 inches)</i> | 2 |
| 2 | 7339GT | SCREW,HHC,1/4-20 X .5 | | 11E | 106648GT | TIRE & WHEEL ASSY,LH,FOAM,NM.....2 <i>RT, Foam-filled, Non-marking, left (S-60,S-65,S-60X,S-60XC,S-60HC; overall diameter: 37 inches)</i> | 2 |
| 3 | 6638GT | WASHER,FLAT,USS,1/4"Y | | 11F | 110727GT | TIRE/WHEEL ASSY,LP RT W/SEALAN.....2 <i>RT, Air-filled, with sealant, left (S-60,S-65,S-60X)</i> | 2 |
| 4 | 56912GT | SPRING CLIP,1/4-20,.025-.15X.54,ZAG | | 11F | 110728GT | TIRE/WHEEL ASSY,LP RT W/SEALAN.....2 <i>RT, Air-filled, with sealant, right (S-60,S-65,S-60X)</i> | 2 |
| 5 | 53386GT | GUARD, HOSE PROTECTOR.....1 | 1 | 11G | 110730GT | TIRE/WHEEL ASSY,LP NM W/SEALAN.....2 <i>RT, Air-filled, Non-marking, with sealant, right (S-60,S-65,S-60X)</i> | 2 |
| 6 | 19440GT | PIN,CLEVIS,1 X 2.5 LG.....6 | 6 | 11G | 110731GT | TIRE/WHEEL ASSY,LP NM W/SEALAN.....2 <i>RT, Air-filled, Non-marking, with sealant, left (S-60,S-65,S-60X)</i> | 2 |
| -- | 74389GT | RUE RING,1.00 | | 11H | 110733GT | TIRE/WHEEL ASSY,HF W/SEALANT....4 <i>Turf, Air-filled, with sealant (S-60,S-65,S-60X)</i> | 4 |
| 7 | 59460GT | CYLINDER,STEERING***.....2 | 2 | 11J | 228768GT | TIRE/WH ASSY,RH,FF,REPNEU***.....2 <i>RT, Foam-filled, oil based (S-60,S-65,S-60X)</i> | 2 |
| -- | 89294GT | SEAL KIT CYLINDER (59460) | | 11J | 228769GT | TIRE/WH ASSY,LH,FF,REPNEU***.....2 <i>RT, Foam-filled, oil based (S-60,S-65,S-60X)</i> | 2 |
| 8 | 77643GT | TIE ROD WELDMENT,S60.....1 | 1 | 11K | 1262682GT | TIRE & WHL.ASSY,NM R35 FF,RH.....2 <i>RT, Foam-filled, oil based (S-60,S-65,S-60X)</i> | 2 |
| 9 | 107615PGT | BRACKET,HOSE ROUTING,LH,PTD....1 | 1 | 11K | 1262683GT | TIRE & WHL.ASSY,NM R35 FF,LH.....2 <i>RT, Foam-filled, oil based (S-60,S-65,S-60X)</i> | 2 |
| 10A | 77726GT | YOKE ASSEMBLY W/BEARINGS,LH....1 | 1 | 12A | 229702GT | WHEEL DRIVE 57.5:1 4WD.....2 <i>TYPE: OMNI. 4WD models Visually identify which hub before ordering parts. ID tag is on end cover cap. Hubs are not interchangeable, internal components are different for each type.</i> | 2 |
| -- | 25817GT | BEARING,1.00IDX1.25ODX1.00L.....2 <i>Bearing not included, sold separately</i> | 2 | -- | 139965GT | WHEEL STUD,5/8-18,OMNI*** <i>for 229702</i> | |
| 10B | 77725GT | YOKE ASSEMBLY W/BEARINGS,RH....1 | 1 | -- | 139966GT | ROD,DISCONNECT,OMNI*** <i>for 229702</i> | |
| -- | 25817GT | BEARING,1.00IDX1.25ODX1.00L.....2 <i>Bearing not included, sold separately</i> | 2 | -- | 139967GT | CAP,DISENGAGE,OMNI*** <i>for 229702</i> | |
| 11A | 88729GT | TIRE & WHEEL ASSY,AIR,RH***.....2 <i>RT, Air-filled, right (S-60,S-65,S-60X)</i> | 2 | -- | 139968GT | O-RING,END COVER,OMNI*** <i>for 229702</i> | |
| -- | 88730GT | TIRE & WHEEL ASSY,AIR,LH.....2 <i>RT, Air-filled, left (S-60,S-65,S-60X)</i> | 2 | -- | 139969GT | LINING KIT,BRAKE,OMNI*** <i>for 229702</i> | |
| -- | 88727GT | WHEEL, 24.5X11.75, 9 X 9 BCD <i>for 88730 & 88729</i> | | | | | |
| -- | 88728GT | TIRE,355/55D625 <i>for 88730 & 88729</i> | | | | | |
| 11B | 77790GT | TIRE & WHEEL ASSY RH,FF.....2 <i>RT, Foam-filled, right (S-60,S-65,S-60X; overall diameter: 37 inches)</i> | 2 | | | | |
| 11B | 77791GT | TIRE & WHEEL ASSY,LH FF***.....2 <i>RT, Foam-filled, left (S-60,S-65,S-60X; overall diameter: 37 inches)</i> | 2 | | | | |
| 11C | 94332GT | TIRE & WHEEL ASSY,TURF SPEC***....4 <i>Turf, Air-filled (S-60,S-65,S-60X)</i> | 4 | | | | |
| -- | 94333GT | WHEEL,22.5X14.00*** <i>for 94332</i> | | | | | |
| -- | 81164GT | TIRE,41/18LL X 22.5,14PR,TURF* <i>for 94332</i> | | | | | |
| 11D | 94534GT | WHEEL & TIRE ASSY,RH,NM AIR.....2 <i>RT, Air-filled, Non-marking, right (S-60,S-65,S-60X)</i> | 2 | | | | |
| 11D | 94535GT | WHEEL & TIRE ASSY,LH NM AIR.....2 <i>RT, Air-filled, Non-marking, left (S-60,S-65,S-60X)</i> | 2 | | | | |
| -- | 88727GT | WHEEL, 24.5X11.75, 9 X 9 BCD <i>for 94534 & 94535</i> | | | | | |
| -- | 94536GT | TIRE,355/55D625,14 PLY,NM <i>for 94534 & 94535</i> | | | | | |

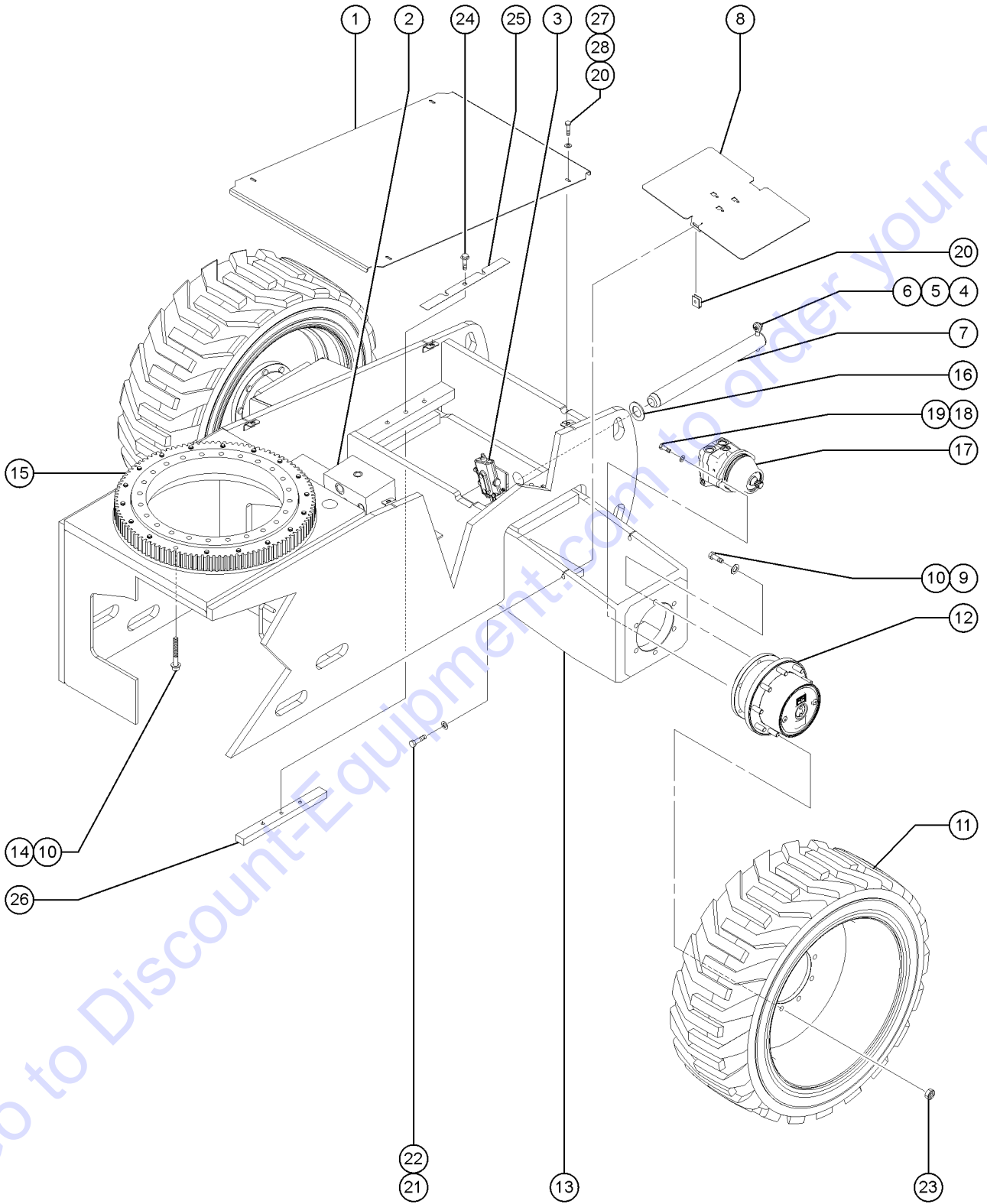
201.1 Steer End
(continued)

| Item | Part No. | Description | Qty. | Item | Part No. | Description | Qty. |
|------|-----------|---|------|------|-----------|--|------|
| -- | 139970GT | SEAL KIT,BRAKE,OMNI*** for 229702 | | 22 | 45071GT | BEARING,1.5IDX1.75ODX1.5L..... | 4 |
| -- | 139971GT | BEARING KIT,OMNI*** for 229702 | | 23 | 119146GT | AXLE ASSEMBLY,S60 FRONT..... Includes item 34 | 1 |
| -- | 139972GT | SEAL KIT,GEARBOX,OMNI*** for 229702 | | -- | 42014GT | BEARING,2.00IDX2.25ODX2.00L..... | 2 |
| -- | 147033GT | O-RING,PIPE PLUG KIT,OMNI*** for 229702 | | 24 | 77880GT | PIN,1.50DIA X 9.38LG,1HOLE..... | 2 |
| -- | 147034GT | PIPE PLUG KIT,OMNI*** for 229702 | | 25 | 5224GT | SCREW,HHC,3/8-16 X 2 | |
| -- | 1260084GT | END CAP, WHEEL DRIVE for 229702 | | 26 | 4828GT | NUT,NYLOCK,3/8-16 | |
| 12B | 229817GT | WHEEL DRIVE 56:1..... (Trax) | 2 | 27 | 110578GT | CYLINDER,OSCILLATE,S60..... | 2 |
| -- | 102162GT | LUG,STUD/WHEEL (88887) for 102162 | | -- | 33428GT | VALVE,COUNTERBALANCE | |
| -- | 102131GT | DISCONNECT KIT (88887) for 102162 | | -- | 101255GT | SEAL KIT (89675) | |
| -- | 229818GT | SEAL KIT, DRIVE HUB for 102162 | | 28 | 1255452GT | ROD END,.375 X 2.25,ZAG..... | 2 |
| -- | 215340GT | LOCKRING, RR*** for 102162 | | 29 | 6021GT | WASHER,LOCK,.375 | |
| -- | 102516GT | RING,RETAINING,INTERNAL for 102162 | | 30 | 6175GT | SCREW,HHC,3/8-16 X 1 | |
| -- | 215642GT | BRAKE KIT (88886)*** for 102162 | | 31 | 94221GT | PIN,1.50DIA X 3.75LG,1HOLE..... | 2 |
| -- | 229931GT | SEAL,LIP for 102162 | | 32 | 77610GT | PIN,2.00DIA X 23.13LG,CHAMFER..... | 1 |
| 13 | 88884GT | MOTOR,PISTON,30CC,4WD***..... 4WD models | 2 | 33 | 1256267GT | ROD END,.5 X 3.75,ZAG | |
| -- | 72290GT | SNAP RING(M46 UNITS)* for 88884 | | 34 | 8177GT | SCREW,HHC,1/2-13 X 1.5 | |
| -- | 102158GT | O-RING,.103 X 4.737,VITON, 75D for 88884 | | 35 | 6033GT | WASHER,LOCK,0.5" | |
| -- | 102159GT | SHAFT,15 TOOTH for 88884 | | 36 | 107616PGT | BRACKET,HOSE ROUTING,RH,PNTD...1 | |
| -- | 102155GT | BEARING,BALL DRIVE SHAFT for 88884 | | 37 | 106516GT | CLAMP,HOSE,2X4,1X6,2X8***..... | 2 |
| -- | 27067GT | SEAL,SHAFT-SUNDSTRAND*** for 88884 | | 38 | 106517PGT | CLAMP TOP,HOSE ROUTING PAINTED..... | 2 |
| -- | 106098GT | SEAL KIT,MOTOR,LC/KC*** for 88884 | | 39 | 6326GT | SCREW,HHC,3/8-16 X 3 | |
| 14 | 825019GT | ROD END, .375X3.69, ZAG..... | 2 | 40 | 6097GT | WASHER,FLAT,USS,3/8",Y | |
| 15 | 8255GT | SCREW,HHC,3/8-16 X .75 | | | | | |
| 16 | 6021GT | WASHER,LOCK,.375 | | | | | |
| 17 | 110221GT | PIN,GROOVE/HOLE,1.50 DIA X 4.475..... | 4 | | | | |
| 18 | 825796GT | SNAP RING,EXTERNAL,1.50,ZAG..... | 4 | | | | |
| 19 | 73455GT | SCREW,HHC,5/8-11 X 2.25 GR8..... | 12 | | | | |
| 20 | 13064GT | WASHER,FLAT,.625 HARDENED..... | 12 | | | | |
| 21 | 45074GT | WASHER,THRUST,1.5 X 3.5 X .187..... | 2 | | | | |

This Page Intentionally Left Blank

Go to Discount-Equipment.com to order your parts

202.1 Non-steer End



202.1 Non-steer End

| Item | Part No. | Description | Qty. | Item | Part No. | Description | Qty. |
|------|-----------|---|------|------|-----------|--|------|
| 1 | 77624PGT | COVER,DRIVE CHASSIS.....1 <i>decals not included, refer to section 100</i> | | -- | 102163GT | RING,RETAINING*** <i>for 88887</i> | |
| 2 | | Ref. Traction Manifold <i>(refer to 402.1 & 403.1)</i> | | -- | 215340GT | LOCKRING, RR*** <i>for 88887</i> | |
| 3 | | Ref. Oscillate Valve <i>(refer to 203.1)</i> | | -- | 102167GT | SHAFT,INPUT DRIVE HUB <i>for 88887</i> | |
| 4 | 1256267GT | ROD END,.5 X 3.75,ZAG | | -- | 102162GT | LUG,STUD/WHEEL (88887) <i>for 88887</i> | |
| 5 | 6175GT | SCREW,HHC,3/8-16 X 1 | | -- | 102516GT | RING,RETAINING,INTERNAL <i>for 88887</i> | |
| 6 | 6021GT | WASHER,LOCK,.,375 | | -- | 102126GT | SEAL KIT,DRIVE HUB (88887).....1 | |
| 7 | 77950GT | PIN,2.00DIAX20.88LG,CHAMFER | | -- | 1274613GT | HUB SCREW <i>for 88887</i> | |
| 8 | 77623PGT | COVER,REAR AXLE.....2 | | 12C | 229817GT | WHEEL DRIVE 56:1.....2 <i>(trax models)</i> | |
| 9 | 73455GT | SCREW,HHC,5/8-11 X 2.25 GR8 | | -- | 102162GT | LUG,STUD/WHEEL (88887) <i>(trax models)</i> | |
| 10 | 13064GT | WASHER,FLAT,.625 HARDENED | | -- | 102131GT | DISCONNECT KIT (88887) <i>(trax models)</i> | |
| 11 | | REF. WHEEL AND TIRE ASSEMBLY <i>refer to 201.1</i> | | -- | 229818GT | SEAL KIT, DRIVE HUB <i>(trax models)</i> | |
| 12A | 229702GT | WHEEL DRIVE 57.5:1 4WD.....2 <i>TYPE: OMNI. 4WD Models Visually identify which hub before ordering parts. ID tag is on end cover cap. Internal components are different for each type.</i> | | -- | 215340GT | LOCKRING, RR*** <i>(trax models)</i> | |
| -- | 139965GT | WHEEL STUD,5/8-18,OMNI*** <i>for 229702</i> | | -- | 102516GT | RING,RETAINING,INTERNAL <i>(trax models)</i> | |
| -- | 139966GT | ROD,DISCONNECT,OMNI*** <i>for 229702</i> | | -- | 215642GT | BRAKE KIT (88886)*** <i>(trax models)</i> | |
| -- | 139967GT | CAP,DISENGAGE,OMNI*** <i>for 229702</i> | | -- | 229931GT | SEAL,LIP <i>(trax models)</i> | |
| -- | 139968GT | O-RING,END COVER,OMNI*** <i>for 229702</i> | | -- | 102157GT | O-RING,.070 X .239,VITON 75D <i>(trax models)</i> | |
| -- | 139969GT | LINING KIT,BRAKE,OMNI*** <i>for 229702</i> | | -- | 102158GT | O-RING,.103 X 4.737,VITON, 75D <i>(trax models)</i> | |
| -- | 139970GT | SEAL KIT,BRAKE,OMNI*** <i>for 229702</i> | | -- | 102166GT | VALVE,CHECK,30 PSI <i>(trax models)</i> | |
| -- | 139971GT | BEARING KIT,OMNI*** <i>for 229702</i> | | -- | 102167GT | SHAFT,INPUT DRIVE HUB <i>(trax models)</i> | |
| -- | 139972GT | SEAL KIT,GEARBOX,OMNI*** <i>for 229702</i> | | -- | 106098GT | SEAL KIT,MOTOR,LC/KC*** <i>(trax models)</i> | |
| -- | 147033GT | O-RING,PIPE PLUG KIT,OMNI*** <i>for 229702</i> | | -- | 27067GT | SEAL,SHAFT-SUNDSTRAND*** <i>(trax models)</i> | |
| -- | 147034GT | PIPE PLUG KIT,OMNI*** <i>for 229702</i> | | -- | 77674GT | NUT,HEX,FLANGE 5/8-18,GRD 8 ZI <i>(trax models)</i> | |
| -- | 1260084GT | END CAP, WHEEL DRIVE <i>for 229702</i> | | -- | 88884GT | MOTOR,PISTON,30CC,4WD*** <i>(trax models)</i> | |
| 12B | 88887GT | WHEEL DRIVE 56:1 2WD.....2 <i>2WD models; not shown</i> | | 13 | 94746GT | NON-STEER AXLE ASSEMBLY**1 | |
| -- | 102126GT | SEAL KIT,DRIVE HUB (88887) <i>for 88887</i> | | -- | 42014GT | BEARING,2.00IDX2.25ODX2.00L | |
| -- | 102131GT | DISCONNECT KIT (88887) <i>for 88887</i> | | 14 | 139865GT | SCREW,HHC,5/8-11 X 4.00 GR8 BO....18 | |
| -- | 215642GT | BRAKE KIT (88886)*** <i>for 88887</i> | | 15 | 63468GT | BEARING,TURNTABLE ROTATION | |
| | | | | 16 | 18730GT | WASHER,FLAT,2.01 X 3.5 X .06 | |



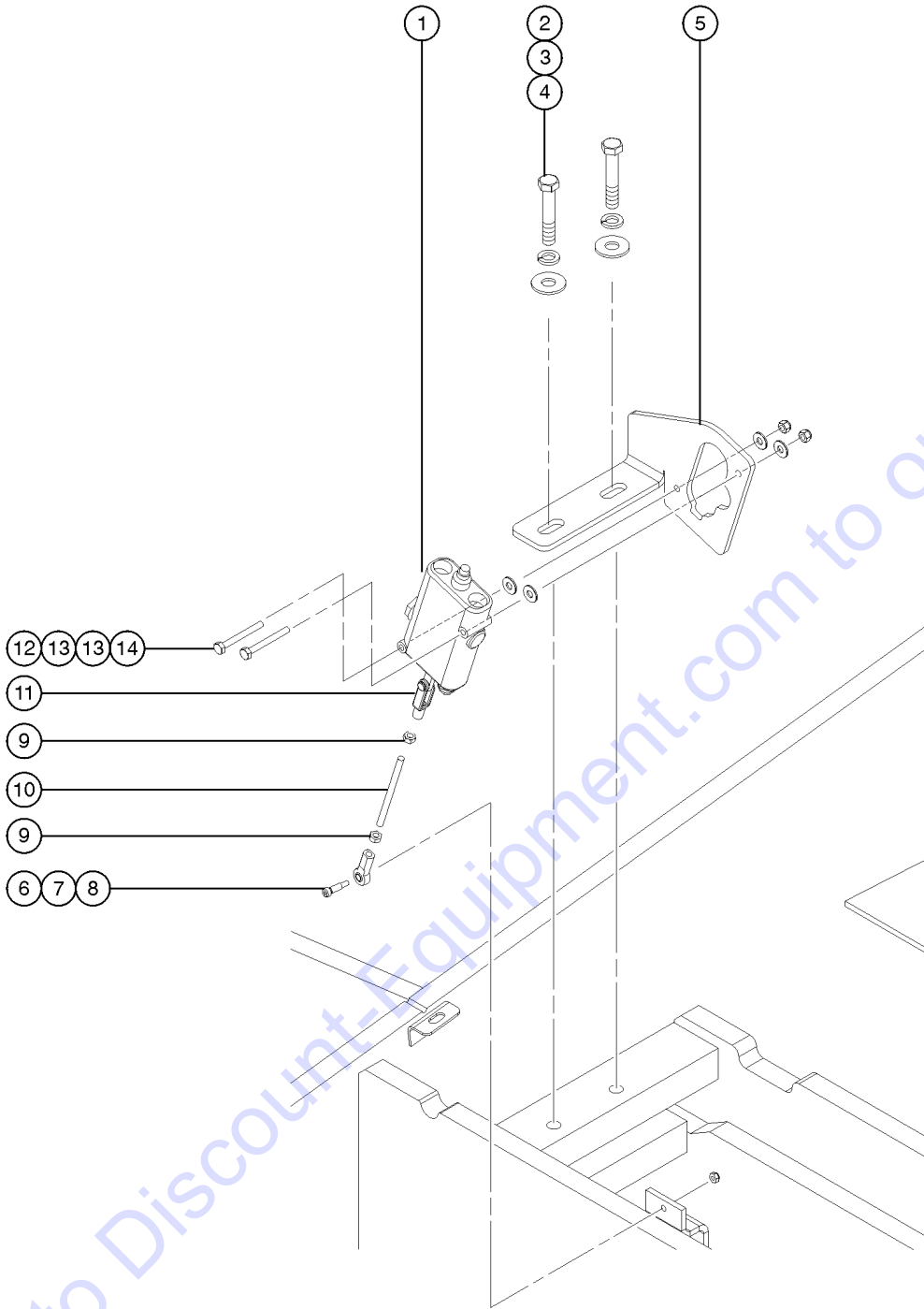
202.1 Non-steer End
(continued)

| Item | Part No. | Description | Qty. |
|------|-----------|--|------|
| 17A | 88884GT | MOTOR,PISTON,30CC,4WD*** | |
| -- | 72290GT | SNAP RING(M46 UNITS)* | |
| -- | 102159GT | SHAFT,15 TOOTH | |
| -- | 102155GT | BEARING,BALL DRIVE SHAFT | |
| -- | 27067GT | SEAL,SHAFT-SUNDSTRAND*** | |
| -- | 106098GT | SEAL KIT,MOTOR,LC/KC*** <i>for 88884</i> | |
| -- | 102158GT | O-RING,.103 X 4.737,VITON, 75D <i>for 88884</i> | |
| 17B | 88885GT | MOTOR,PISTON,35CC,2WD***.....2 <i>2WD models, not shown</i> | |
| -- | 72290GT | SNAP RING(M46 UNITS)* <i>for 88885</i> | |
| -- | 102159GT | SHAFT,15 TOOTH <i>for 88885</i> | |
| -- | 102155GT | BEARING,BALL DRIVE SHAFT <i>for 88885</i> | |
| -- | 27067GT | SEAL,SHAFT-SUNDSTRAND*** <i>for 88885</i> | |
| -- | 106098GT | SEAL KIT,MOTOR,LC/KC*** <i>for 88885</i> | |
| -- | 106117GT | O-RING,2-010,VITON <i>for 88885 (Mating O-ring for Brake Port)(Extremely small)</i> | |
| -- | 102158GT | O-RING,.103 X 4.737,VITON, 75D <i>for 88885</i> | |
| 18 | 88296GT | SCREW,HHC,7/16-14 X 1.25.....4 | |
| 19 | 119988GT | WASHER,.469 X .781,HRD.....4 | |
| 20 | 56912GT | SPRING CLIP,1/4-20,.025-.15X.54,ZAG | |
| 21 | 6090GT | SCREW,HHC,1/4-20 X .75 | |
| 22 | 6638GT | WASHER,FLAT,USS,1/4"Y | |
| 23 | 77674GT | NUT,HEX,FLANGE 5/8-18,GRD 8 ZI.....18 | |
| 24 | 1255802GT | SCREW,HHF,1/2-13X2.5,8,ZAG.....6 | |
| 25A | 81610GT | SHIM,AXLE ROTATION STOP,16G.....as n e e d e d | |
| 25B | 81609GT | SHIM,AXLE ROTATION STOP,22G.....as n e e d e d | |
| 26 | 1255702GT | BAR,AXLE ROTATION STOP,OSC.....2 | |
| 27 | 824059GT | SCREW,HHC,1/4-20X.75,8,ZAG.....4 | |
| 28 | 824113GT | WASHER,FLAT,USS,1/4,ZAG.....4 | |

This Page Intentionally Left Blank

Go to Discount-Equipment.com to order your parts

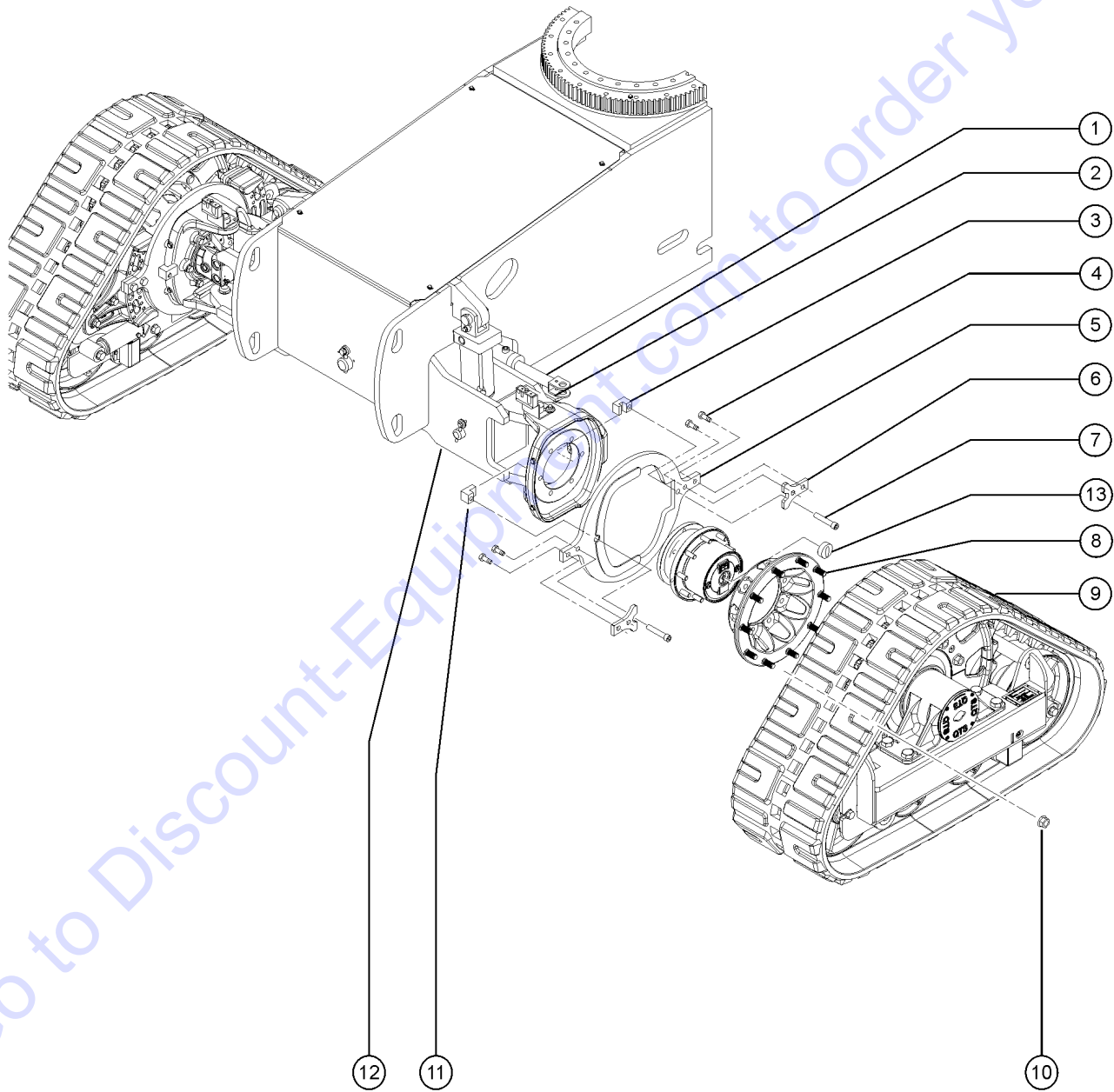
203.1 Oscillate Valve



Go to Discount-Equipment.com to order your parts

| Item | Part No. | Description | Qty. |
|------|-------------|--------------------------------------|------|
| 1 | 81552GT | VALVE,MANUAL,W/RELIEF VALVE***.....1 | |
| -- | 32681GT | SEAL KIT,CONTROL VALVE for 81552 | |
| 2 | 39479GT | SCREW,HHC,1/2-13 X 2.75.....2 | |
| 3 | 6033GT | WASHER,LOCK,0.5".....2 | |
| 4 | 6095GT | WASHER,FLAT,USS,1/2",Y.....2 | |
| 5 | 139578GT | BRACKET, OSCILLATE VALVE.....1 | |
| 6 | 6584GT | SCREW,SHS,10-24 X .625.....1 | |
| 7 | 81691GT | ROD END,BALL JOINT 1/4-28.....1 | |
| 8 | 5365GT | NUT,NYLOCK,10-24.....1 | |
| 9 | 21496GT | NUT,HEX,1/4-28.....2 | |
| 10 | 30785-400GT | THREADED ROD,1/4-28 X 4 IN***.....1 | |
| 11 | 21130GT | CLEVIS YOKE-1/4-28,PLTD W/PIN.....1 | |
| 12 | 8179GT | SCREW,HHC,1/4-20 X 2.25.....2 | |
| 13 | 6638GT | WASHER,FLAT,USS,1/4"Y.....4 | |
| 14 | 6091GT | NUT,NYLOCK,1/4-20.....2 | |

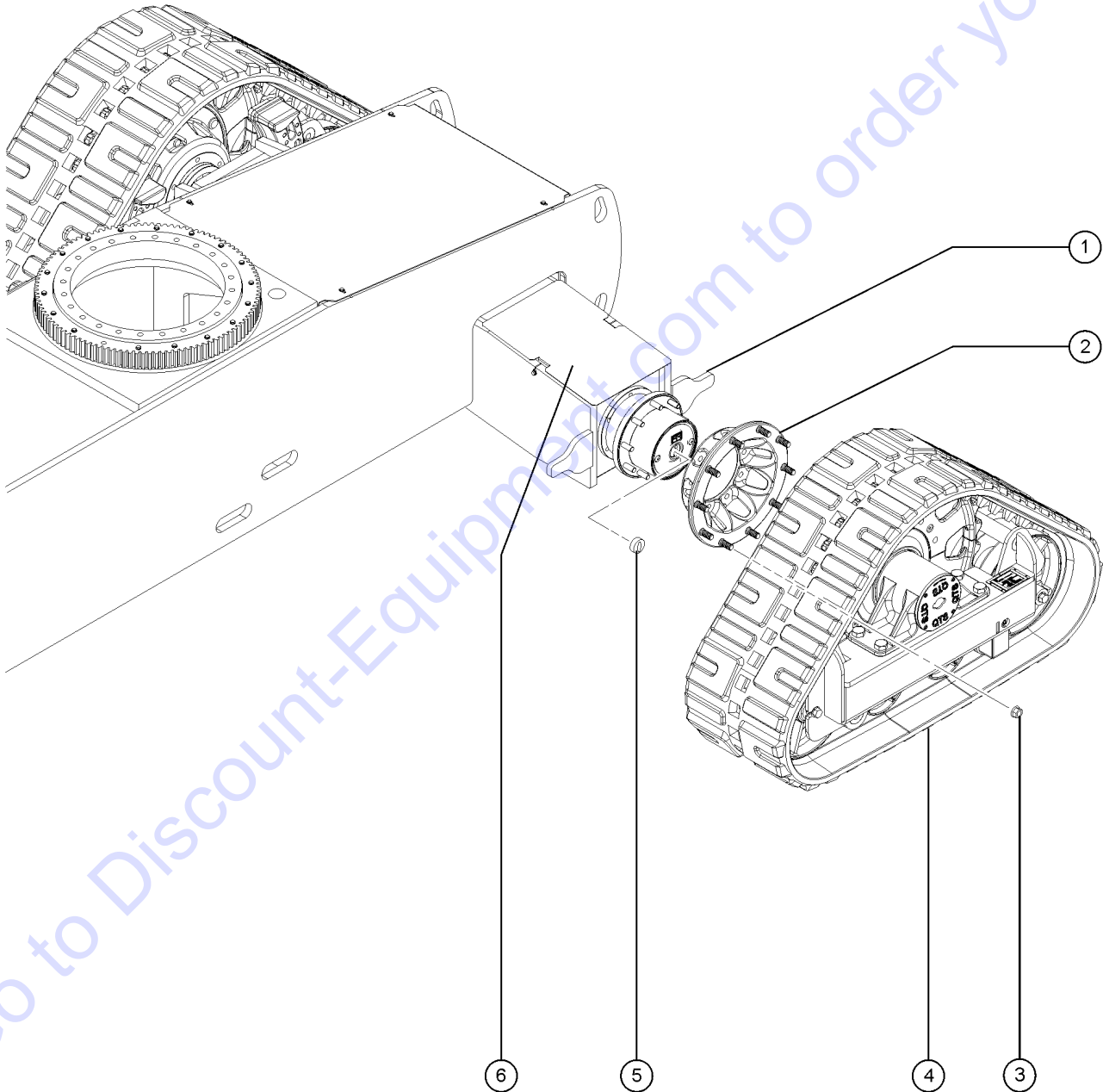
204.1 TraX Option Steer End



204.1 TraX Option Steer End

| Item | Part No. | Description | Qty. |
|------|-----------|---|------|
| 1 | 125865GT | CYLINDER, STEER..... | 1 |
| -- | 89294GT | SEAL KIT CYLINDER (59460) | |
| 2 | 125864GT | WELDMENT, TIE ROD..... | 1 |
| 3 | 139122GT | MACH. MOUNTING BLOCK..... | 1 |
| 4 | 94439GT | SCREW,HHC,3/4-10 X 1.5..... | 4 |
| 5A | 139000GT | ROTATIONAL LIMITER FRONT RIGHT..... | 1 |
| 5B | 139001GT | ROTATIONAL LIMITER FRONT LEFT..... | 1 |
| 6 | 139121GT | PLATE, HAMMER SHIM 1/2..... | 2 |
| 7 | 1284569GT | SCREW,SHC,5/8-11X1.50,GR5,PLN..... | 2 |
| 8 | 139002GT | SPACER, 9 BOLT..... | 2 |
| -- | 139140GT | STUD, 3/4-16 UNF X 2-1/2 LG for 139002 | |
| 9A | 139120GT | ASSEMBLY, TRAX UNIT, RIGHT..... <i>refer to 206.1 for TRAX System service components</i> | 1 |
| 9B | 147149GT | ASSEMBLY, TRAX UNIT, LEFT..... <i>refer to 206.1 for TRAX System service components</i> | 1 |
| 10 | 139135GT | NUT, FLANGE, 3/4-16 UNF GR8..... | 10 |
| 11 | 139125GT | MACH. MOUNTING BLOCK..... | 1 |
| 12 | 139224GT | STEER AXLE ASSEMBLY..... | 1 |
| -- | 45071GT | BEARING,1.5IDX1.75ODX1.5L | |
| 13 | 139179GT | SEAL,TRAX HUBS..... | 1 |

205.1 TraX Option Non-steer End



PARTS FINDER

**Search Website
by Part Number**



**Search Manual
Library For Parts
Manual & Lookup Part
Numbers – Purchase
or Request Quote**

Search Manuals

Enter your information to help us find the right parts manual for your machine.

* Brand:

* Model:

* Serial:

* Part Number:

SEARCH

**Can't Find Part or
Manual? Request Help
by Manufacturer,
Model & Description**

Parts Order Form

Please fill in the following information to help us find the right part for your machine.

| | |
|---------------|----------------------|
| Manufacturer: | <input type="text"/> |
| Model: | <input type="text"/> |
| Description: | <input type="text"/> |
| Part Number: | <input type="text"/> |
| Quantity: | <input type="text"/> |
| Notes: | <input type="text"/> |

Submit

Discount-Equipment.com is your online resource for quality parts & equipment.

Florida: **561-964-4949** Outside Florida TOLL FREE: **877-690-3101**

Need parts?

Click on this link: <http://www.discount-equipment.com/category/5443-parts/> and choose one of the options to help get the right parts and equipment you are looking for. Please have the machine model and serial number available in order to help us get you the correct parts. If you don't find the part on the website or on one of the online manuals, please fill out the request form and one of our experienced staff members will get back to you with a quote for the right part that your machine needs.

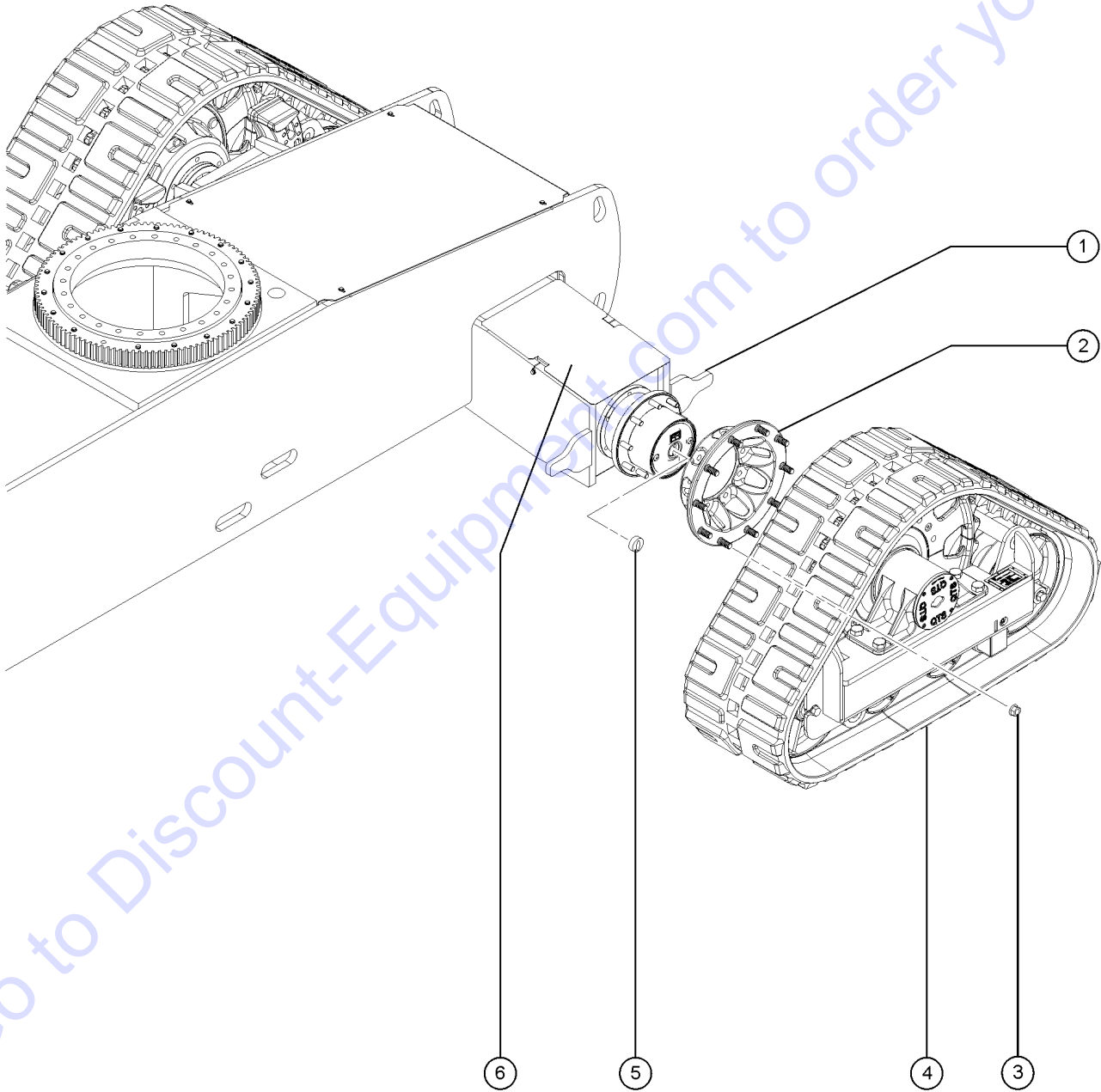
We sell worldwide for the brands: Genie, Terex, JLG, MultiQuip, Mikasa, Essick, Whiteman, Mayco, Toro Stone, Diamond Products, Generac Magnum, Airman, Haulotte, Barreto, Power Blanket, Nifty Lift, Atlas Copco, Chicago Pneumatic, Allmand, Miller Curber, Skyjack, Lull, Skytrak, Tsurumi, Husquvarna Target, Stow, Wacker, Sakai, Mi-T-M, Sullair, Basic, Dynapac, MBW, Weber, Bartell, Bennar Newman, Haulotte, Ditch Runner, Menegotti, Morrison, Contec, Buddy, Crown, Edco, Wyco, Bomag, Laymor, EZ Trench, Bil-Jax, F.S. Curtis, Gehl Pavers, Heli, Honda, ICS/PowerGrit, IHI, Partner, Imer, Clipper, MMD, Koshin, Rice, CH&E, General Equipment, Amida, Coleman, NAC, Gradall, Square Shooter, Kent, Stanley, Tamco, Toku, Hatz, Kohler, Robin, Wisconsin, Northrock, Oztec, Toker TK, Rol-Air, APT, Wylie, Ingersoll Rand / Doosan, Innovatech, Con X, Ammann, Mecalac, Makinex, Smith Surface Prep, Small Line, Wanco, Yanmar

205.1 TraX Option Non-steer End

| Item | Part No. | Description | Qty. |
|------|----------|---|------|
| 1 | 139175GT | NON-STEER AXLE ASSEMBLY..... | 2 |
| -- | 42014GT | BEARING,2.00IDX2.25ODX2.00L | |
| 2 | 139002GT | SPACER, 9 BOLT..... | 2 |
| -- | 139140GT | STUD, 3/4-16 UNF X 2-1/2 LG for 139002 | |
| 3 | 139135GT | NUT, FLANGE, 3/4-16 UNF GR8..... | 10 |
| 4A | | Ref., TRAX UNIT, RIGHT..... | 1 |
| | | refer to 206.1 | |
| 4B | | Ref., TRAX UNIT, LEFT..... | 1 |
| | | refer to 206.1 | |
| 5 | 139179GT | SEAL,TRAX HUBS..... | 2 |
| 6 | 125866GT | COVER, REAR AXLE..... | 2 |

Go to Discount-Equipment.com to order your parts

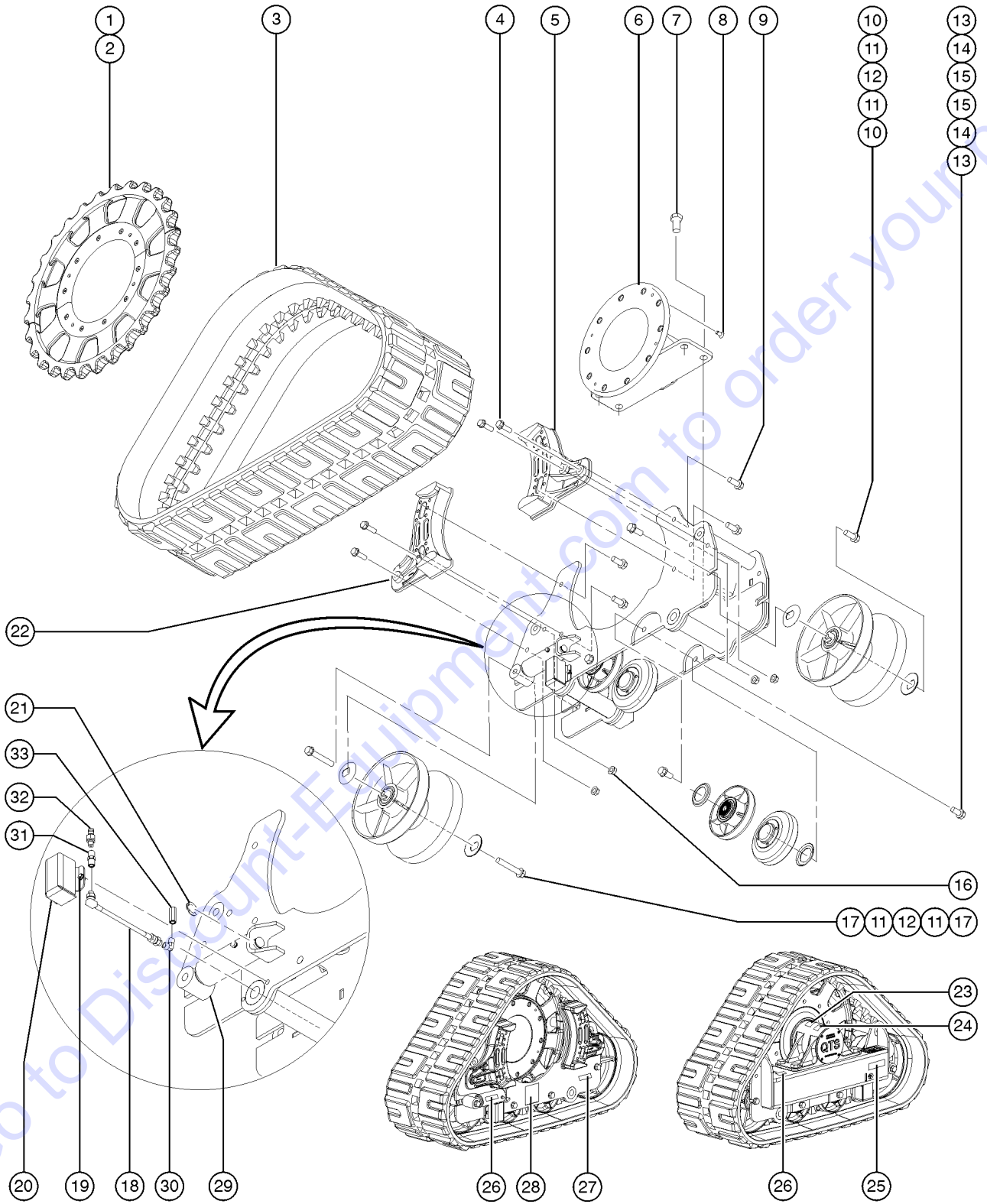
205.1 TraX Option Non-steer End



| Item | Part No. | Description | Qty. |
|------|----------|---|------|
| 1 | 139175GT | NON-STEER AXLE ASSEMBLY..... | 2 |
| -- | 42014GT | BEARING,2.00IDX2.25ODX2.00L | |
| 2 | 139002GT | SPACER, 9 BOLT..... | 2 |
| -- | 139140GT | STUD, 3/4-16 UNF X 2-1/2 LG for 139002 | |
| 3 | 139135GT | NUT, FLANGE, 3/4-16 UNF GR8..... | 10 |
| 4A | | Ref., TRAX UNIT, RIGHT..... | 1 |
| | | refer to 206.1 | |
| 4B | | Ref., TRAX UNIT, LEFT..... | 1 |
| | | refer to 206.1 | |
| 5 | 139179GT | SEAL,TRAX HUBS..... | 2 |
| 6 | 125866GT | COVER, REAR AXLE..... | 2 |

Go to Discount-Equipment.com to order your parts

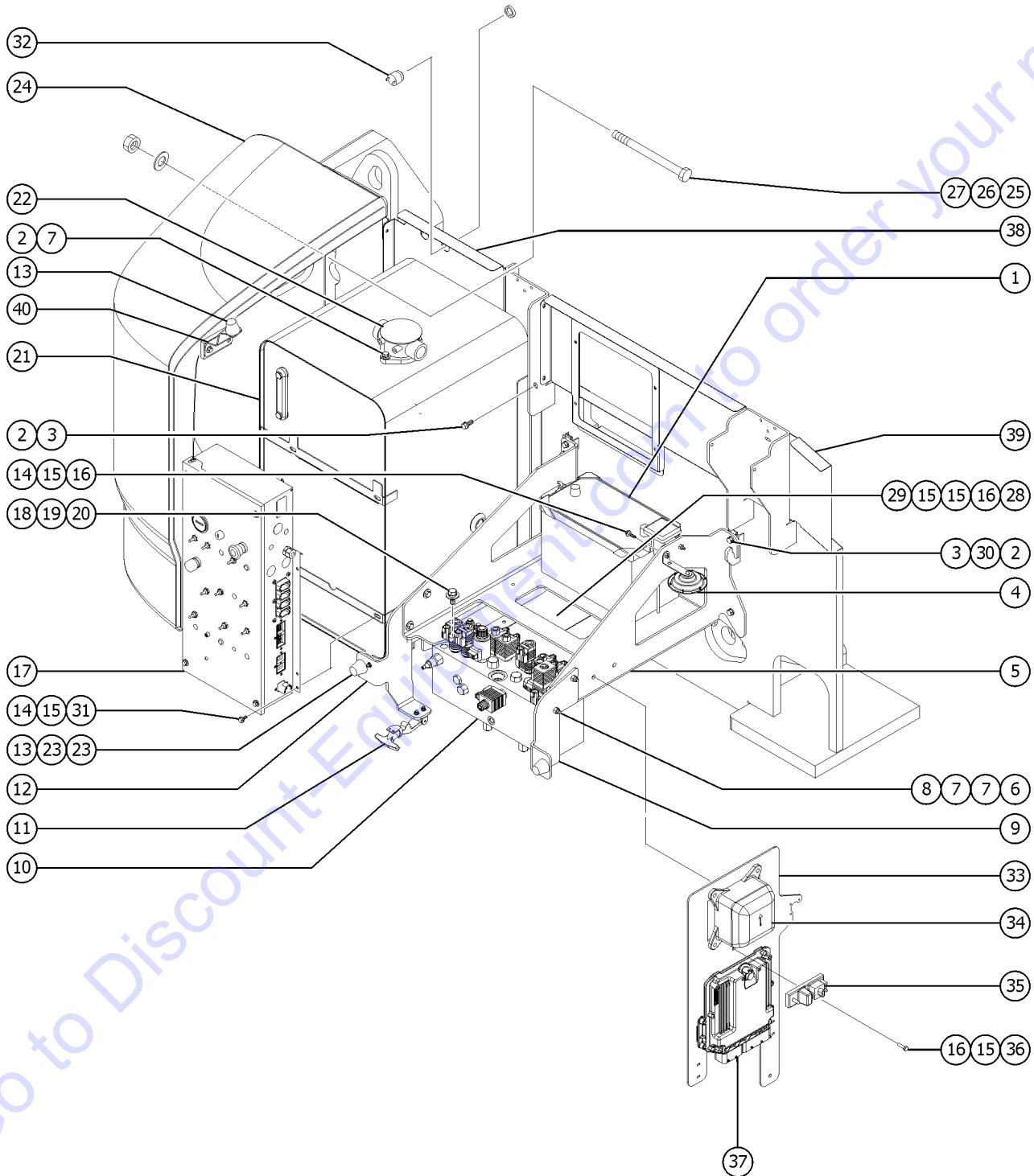
206.1 TraX Option Components



206.1 TraX Option Components

| Item | Part No. | Description | Qty. | Item | Part No. | Description | Qty. |
|------|-----------|--|------|------|-----------|----------------------------------|------|
| A | 139262GT | KIT,TRAX,9-BOLT,S60 W/RR HUBS | | 26 | 226943GT | DECAL,CAUTION,READ INST.....1 | 1 |
| -- | 139179GT | SEAL,TRAX HUBS | | 27 | 226945GT | DECAL,WARN,CRUSH HAZ.....1 | 1 |
| B | 217979GT | KIT,TRAX,9-BOLT,S60 W/OMNI HUB | | 28A | 226941GT | DECAL,LABEL,ASSY INSTALL,R.....1 | 1 |
| -- | 139179GT | SEAL,TRAX HUBS | | 28B | 226942GT | DECAL,LABEL,ASSY INSTALL,I | 1 |
| C | 139000GT | ROTATIONAL LIMITER FRONT RIGHT | | 29 | 215423GT | TENSIONER, TRAX | |
| D | 139001GT | ROTATIONAL LIMITER FRONT LEFT | | 30 | 1261392GT | ELBOW,90,1/4-18NPT,FEMALE | |
| E | 147155GT | ROTATIONAL LIMITER REAR | | 31 | 1261390GT | COUPLING - 1/4 NPT | |
| 1 | 128922GT | SPROCKET, MACH. HALF RIGHT.....1 | 1 | 32 | 1261389GT | NIPPLE,STEEL PIPE,1/4NPTX1 LG | |
| 2 | 128923GT | SPROCKET, MACH. HALF LEFT.....1 | 1 | 33 | 1261391GT | NIPPLE,STEEL PIPE,1/4NPTX2.5LG | |
| 3 | 128926GT | TRACK, RUBBER.....1 | 1 | | | | |
| 4 | 111155GT | SCREW,FLANGE,HHC,5/8-11X2,GR8....4 | 4 | | | | |
| 5 | 128925GT | CAST, LIMITER STOP BRKT R.....1 | 1 | | | | |
| 6 | 128928GT | HUB ASSEMBLY.....1 | 1 | | | | |
| -- | 1287812GT | SEAL,RUBBER BRAKE RELEASE,RUBBER TRACK (139120) | | | | | |
| -- | 1287813GT | O-RING,RUBBER TRACK (139120) | | | | | |
| 7 | 128913GT | BOLT,HHC,1-14X2.0"GR8 PLT.....4 | 4 | | | | |
| 8 | 128914GT | SCREW, FHSC, 1/2-13X1.00.....4 | 4 | | | | |
| 9 | 128912GT | BOLT,FLANGE,5/8-11X1.5"GR8 PLT.....4 | 4 | | | | |
| 10 | 128910GT | BOLT,FLANGE,3/4-10X1.75GR8 PLT.....2 | 2 | | | | |
| 11 | 128920GT | COVER, DUST.....4 | 4 | | | | |
| 12 | 128917GT | END BOGEY.....2 | 2 | | | | |
| 13 | 128909GT | BOLT,FLANGE,3/4-10X1.5"GR8 PLT.....4 | 4 | | | | |
| 14 | 128921GT | GUARD, SEAL.....4 | 4 | | | | |
| 15A | 128918GT | SPLIT BOGEY.....4 | 4 | | | | |
| -- | 215424GT | BEARING, SPL BOGEY (128918) <i>for 128918</i> | | | | | |
| -- | 215425GT | SEAL, BEARING (128918) <i>for 215424</i> | | | | | |
| -- | 215426GT | SHAFT, RAISED BOSS (128918) <i>internal shaft with raised boss on end</i> | | | | | |
| -- | 215427GT | SHAFT, KNURLED (128918) <i>internal shaft with knurled end</i> | | | | | |
| 16 | 128916GT | NUT,FLANGE,LOCK,5/8-11GR8 PLT.....4 | 4 | | | | |
| 17 | 128911GT | BOLT,FLANGE,3/4-10X4.5"GR8 PLT.....2 | 2 | | | | |
| 18 | 128927GT | HYD. HOSE ASSEMBLY 3000 PSI.....1 | 1 | | | | |
| 19 | 128955GT | BOLT,FLANGE,5/16-18X.50 GR5.....4 | 4 | | | | |
| 20A | 1261393GT | ASSEMBLY, OUTSIDE HOSE GUARD <i>shown for reference only</i> | | | | | |
| 20B | 1261394GT | ASSEMBLY, INSIDE HOSE GUARD | | | | | |
| 21 | 128919GT | SNAP RING.....2 | 2 | | | | |
| 22 | 128924GT | CAST, LIMITER STOP BRKT L.....1 | 1 | | | | |
| 23 | 226940GT | DECAL,LABEL,TORQUE.....1 | 1 | | | | |
| 24 | 226944GT | DECAL,WARN,AVOID INJURY.....1 | 1 | | | | |
| 25 | 226946GT | DECAL,WARN,HIGH PRESS.....1 | 1 | | | | |

301.1 Tank Side - View 1



301.1 Tank Side - View 1

| Item | Part No. | Description | Qty. | Item | Part No. | Description | Qty. |
|------|-----------|--|------|------|-----------|---|------|
| 1A | 30143GT | BATTERY,12V,1000 CCA GRP 31.....1 <i>models with single battery (shown)</i> | 1 | -- | 77354GT | FILTER LID,RFM165 | |
| -- | 30144GT | BATTERY HOLD DOWN,GROUP 31 <i>sold separately</i> | | -- | 77365GT | BREATHER CAP,RFM165 | |
| -- | 45708GT | HOOK,BATT HOLD DOWN,10" <i>sold separately</i> | | -- | 88917GT | FILTER,ELEMENT,BETA(10)=200 | |
| -- | 8170GT | NUT,WING,1/4-20 <i>sold separately</i> | | 23 | 18503GT | NUT,LOCKING-LG.FLANGE,5/16-18.....4 | |
| 1B | 67325GT | BATTERY,12V 1000CCA,5/16STUD W...1 <i>for dual-battery option (not shown)</i> | 1 | 24A | 235985GT | COUNTERWEIGHT,S60.....1 <i>S-60X, S-60, and S-60TraX</i> | |
| 1C | 237068GT | SEPARATOR,DUAL BATTERY,100A.....1 <i>for dual-battery option (not shown)</i> | 1 | 24B | 235986GT | COUNTERWEIGHT,S65.....1 <i>S-60XC, S-60HC, S-65 & S-65TraX</i> | |
| 2 | 6175GT | SCREW,HHC,3/8-16 X 1 | | 25 | 121283GT | SCREW,HHC,1-8 X 12 GRD 5.....1 | |
| 3 | 29868GT | SPRING CLIP,3/8-16,.05-.20X.73,ZAG | | 26 | 38859GT | WASHER,FLAT,USS,1",Y | |
| 4 | 81578GT | HORN,12VDC,SPADE TERMINALS***1 | 1 | 27 | 29764GT | NUT,NYLOCK,1-8 | |
| 5 | T108403GT | WELDMENT,BAT/MANIF TRAY,S60/65.....1 | 1 | 28 | T107829GT | FORMING,HARNESS SUPPORT,S60/65.....1 | |
| 6 | 4828GT | NUT,NYLOCK,3/8-16 | | 29 | 6888GT | SCREW,HHC,1/4-20 X 1 | |
| 7 | 6097GT | WASHER,FLAT,USS,3/8",Y | | 30 | 5397GT | WASHER,FLAT,USS,5/16",Y | |
| 8 | 6019GT | SCREW,HHC,3/8-16 X 1.25 GRD 5 | | 31 | 56912GT | SPRING CLIP,1/4-20,.025-.15X.54,ZAG | |
| 9 | 161605GT | FORMING,COVER STOP,TANK SIDE.....1 | 1 | 32 | 230392GT | ALARM,DESCENT.....1 <i>72326 nut not included, order separately</i> | |
| 10 | | Ref. Function Manifold <i>(refer to 401.1)</i> | | -- | 72326GT | NUT - PLASTIC,RING FOR ALARMS.....1 | |
| 11 | 45363GT | LATCH,FLEXIBLE DRAW W/O KEEPER.....4 | 4 | 33A | 823074GT | WELDMENT,ECU MOUNT,DEUTZ D2.9.....1 <i>models with Deutz D2.9 engine</i> | |
| -- | 54322GT | SCREW,10-32 X.625,SF.TAP.PHIL | | 33B | 823243GT | WDMT,ECU MOUNT,404F-22.....1 <i>models with Perkins 404F-22 engine</i> | |
| -- | 6146GT | WASHER,FLAT,MS,#10,Y | | 34 | 822781GT | MODULE,FUSE&RELAY,DEUTZ 2.9.....1 <i>models with Deutz D2.9 engine</i> | |
| -- | 6178GT | NUT,NYLOCK,10-32 | | -- | 1251499GT | FUSE, ATM, 15AMP.....1 | |
| 12 | 161604GT | FORMING,COVER STOP,TANK SIDE.....1 | 1 | -- | 1251500GT | FUSE, ATM, 20AMP.....1 | |
| 13 | 30973GT | BUMPER,RUBBER-1 X 1.25.....3 | 3 | -- | 1251501GT | FUSE, ATM, 30AMP.....1 | |
| 14 | 6090GT | SCREW,HHC,1/4-20 X .75 | | -- | 1251502GT | FUSE, ATM, 10AMP.....1 | |
| 15 | 6638GT | WASHER,FLAT,USS,1/4"Y | | -- | 1251503GT | RELAY, 12V MICRO, 35AMP.....6 | |
| 16 | 6091GT | NUT,NYLOCK,1/4-20 | | -- | 1251504GT | DIODE, 6A 22903-6V.....1 | |
| 17 | | Ref. Ground Controls <i>(refer to 306.1, 307.1, 308.1 or 309.1)</i> | | -- | 1251505GT | TOOL, FUSE PULLER, ATM.....1 | |
| 18 | 10597GT | SCREW,HHC,1/2-13 X 1.25 GR5 | | -- | 1251510GT | CIRCUIT BREAKER,20AMP MINI.....1 | |
| 19 | 6033GT | WASHER,LOCK,0.5" | | 35 | 824023GT | RELAY, POWER & FUSE MODULE.....1 <i>models with Deutz D2.9 engines</i> | |
| 20 | 6095GT | WASHER,FLAT,USS,1/2",Y | | -- | 1251508GT | FUSE, FMX, 60AMP.....2 | |
| 21 | T108331GT | HYDRAULIC TANK ASSEMBLY.....1 <i>includes item 22 with fasteners</i> | 1 | -- | 1251509GT | COVER,PRM FUSE SERVICE PART.....1 | |
| -- | 1285235GT | PLUG,HYD.TANK,SAE-8 (147831) | | 36 | 4266GT | SCREW,HHC,1/4-20 X 2.....1 <i>models with Deutz D2.9 engines</i> | |
| -- | 21141GT | GAUGE-SIGHT,LHA-LGTB*** | | 37 | | ECU.....1 <i>"models with Deutz D2.9 engines (This part is serialized, contact Discount-equipment with full model and SN of both the unit and engine)"</i> | |
| 22A | 110345GT | FILTER ASSY,INTANK.....1 <i>includes item 22B</i> | 1 | 38 | 1254873GT | FORMING,BULKHEAD,LEFT FRONT.....1 | |
| -- | 147223GT | SEAL,FILTER LID | | 39 | | Ref: Bulkhead, Left Rear <i>(refer to 302.1)</i> | |
| 22B | 77353GT | KIT,ELEMENT** | | | | | |
| -- | 94526GT | GASKET,RETURN FILTER-77353 | | | | | |

301.1 Tank Side - View 1
(continued)

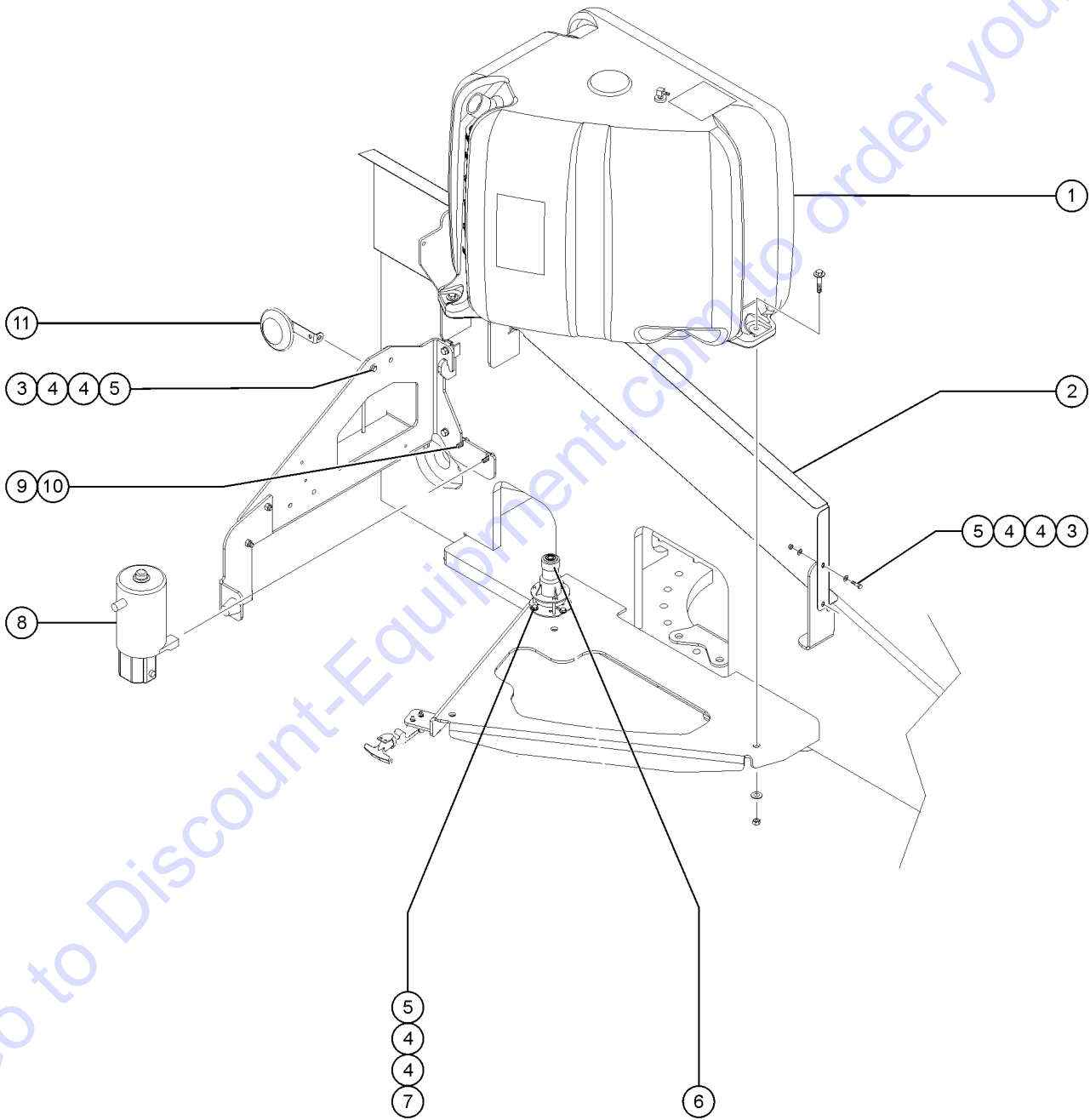
| Item | Part No. | Description | Qty. |
|------|----------|-----------------------------------|------|
| 40 | 822519GT | FORMING, BRKT, ENGINE COVER.....1 | |

Go to Discount-Equipment.com to order your parts

This Page Intentionally Left Blank

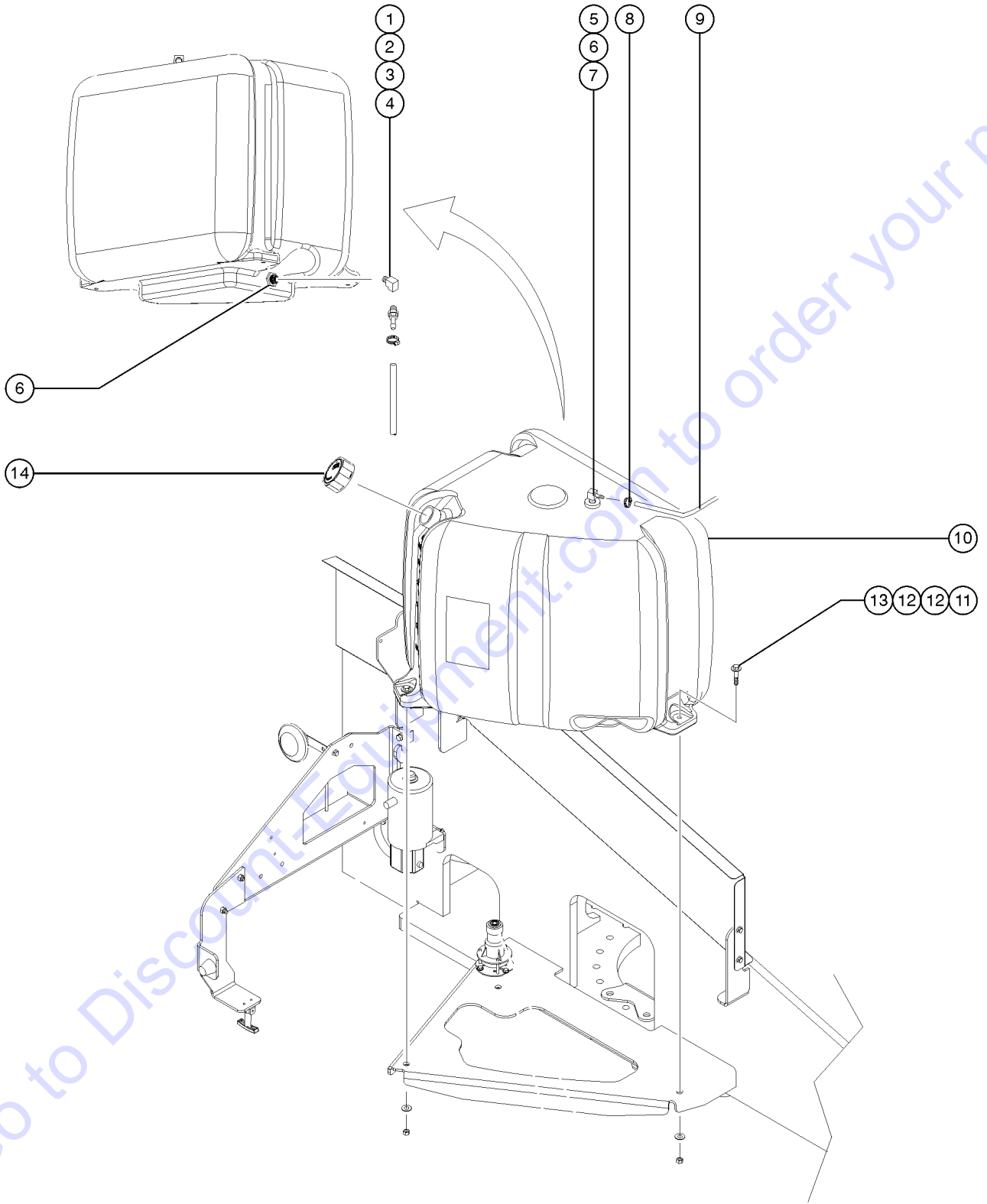
Go to Discount-Equipment.com to order your parts

302.1 Tank Side - View 2



| Item | Part No. | Description | Qty. |
|------|-----------|--|------|
| 1 | | Ref: Fuel Tank (refer to 304.1 or 305.1) | |
| 2 | 77681GT | FORMING,BULKHEAD,LEFT REAR.....1 | |
| 3 | 6888GT | SCREW,HHC,1/4-20 X 1 | |
| 4 | 6638GT | WASHER,FLAT,USS,1/4"Y | |
| 5 | 6091GT | NUT,NYLOCK,1/4-20 | |
| 6A | 94077GT | SENSOR,LEVEL,4.5 DEG.....1 S-65, S-60X, S-60, S-60 TraX and S-65 TraX; ANSI models. PN 1261449 may be required, see item 6C below | |
| -- | 1261449GT | ASSY,RECEP,12V,CSA TILT sold separately | |
| 6B | 110382GT | LEVEL SENSOR,LS60,YL,2.5X4.5 S-65, S-60, S-60 TraX and S-65 TraX; European models | |
| 6C | 1264947GT | KIT, LEVEL SENSOR, 6 PIN CONN. For ANSI/CSA models with 6-pin wire harness connector, includes instructions | |
| 7 | 8915GT | SCREW,HHC,1/4-20 X 1.25 | |
| 8 | 89617GT | POWER UNIT,AUX PUMP 12VDC.....1 | |
| -- | 77069GT | MOTOR,12VDC,77066 | |
| -- | 58489GT | PUMP ASSY,AUX.POWER UNIT 89617 | |
| -- | 77071GT | SOLENOID,77066 | |
| -- | 147289GT | SEAL KIT, APU | |
| -- | 147290GT | SHAFT SEAL, APU | |
| 9 | 6175GT | SCREW,HHC,3/8-16 X 1 | |
| 10 | 6097GT | WASHER,FLAT,USS,3/8",Y | |
| 11 | 81578GT | HORN,12VDC,SPADE TERMINALS***1 | |

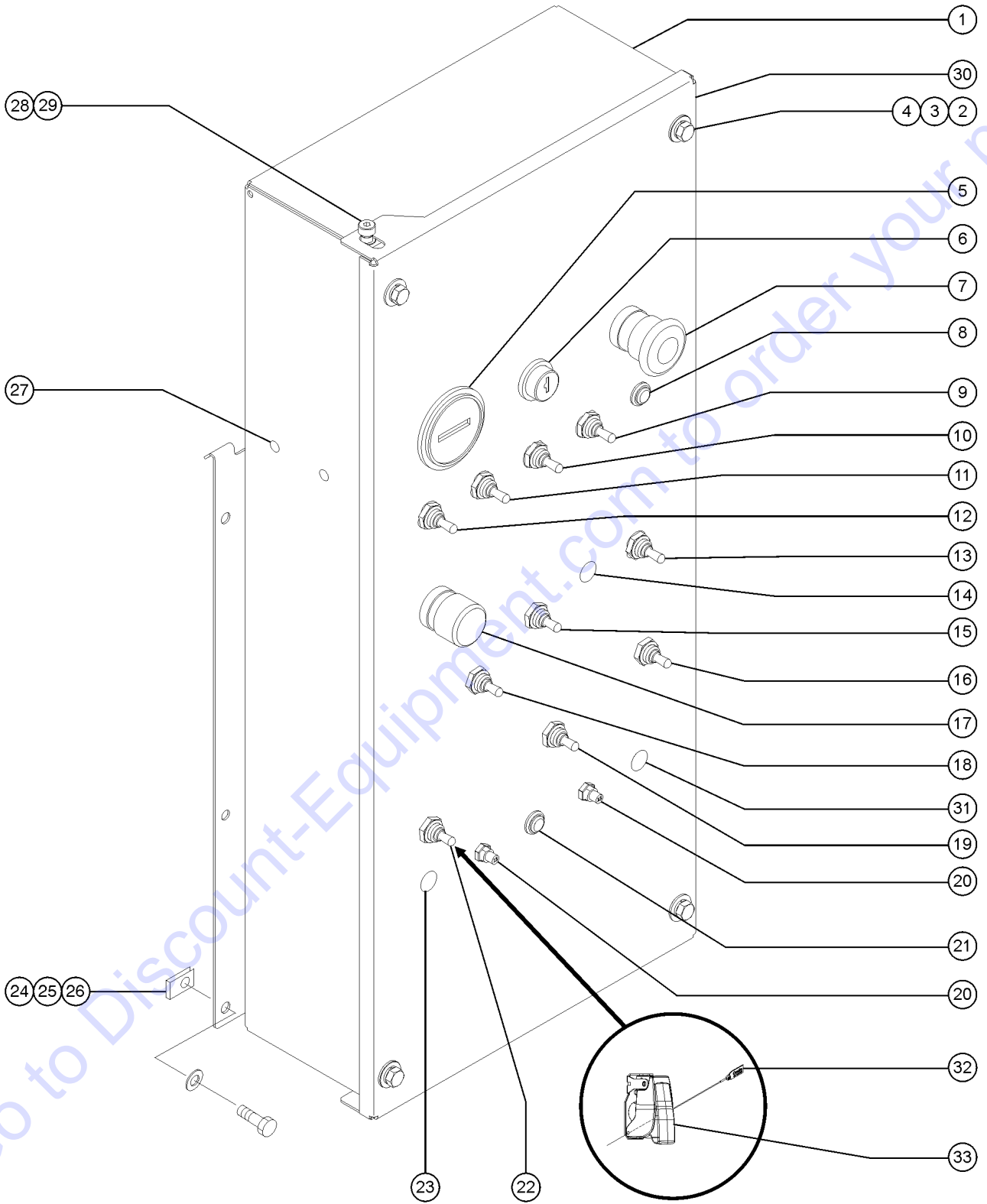
303.1 Diesel Fuel Tank Installation



303.1 Diesel Fuel Tank Installation

| Item | Part No. | Description | Qty. |
|------|----------|--|------|
| 5B | 826590GT | FITTING,3/8 NPT TO 1/4 NPT.....1 <i>Perkins 404-22D engine</i> | 1 |
| 1 | 22348GT | ELBOW,130339-6-6.....1 <i>(bottom of tank)</i> | 1 |
| 2A | 54124GT | HOSE END,BARB,3/8 MNPT X 5/16.....1 <i>(bottom of tank) Deutz D2011L03i, Deutz TD2011L04I Perkins 404-22D engines</i> | 1 |
| 2B | 824471GT | FITTING,3/8 NPT TO 1/2 BARB <i>(bottom of tank) Deutz D2.9L4 engine</i> | |
| 3 | 65887GT | CLAMP,HOSE,1 EAR,1/2 <i>(bottom of tank)</i> | |
| 4A | 27089GT | HOSE,5/16 FUEL,SAE 30R7.....114 <i>Deutz D2011L03i engine</i> | 114 |
| 4B | 824491GT | HOSE,FUEL,1/2,S60,D2.9,SUPLY.....88 <i>Deutz D2.9L4 engine</i> | 88 |
| 4C | 27089GT | HOSE,5/16 FUEL,SAE 30R7.....64 <i>Perkins models (tank to handpump)</i> | 64 |
| 4D | 27089GT | HOSE,5/16 FUEL,SAE 30R7.....18 <i>Perkins models (handpump to filter/separator)</i> | 18 |
| 4E | 27089GT | HOSE,5/16 FUEL,SAE 30R7.....12 <i>Perkins models (filter/separator to lift pump)</i> | 12 |
| 5A | 34940GT | HOSE END .375 MPT X .25 HOSE.....1 <i>Deutz D2011L03i, Deutz TD2011L04I and Deutz D2.9L4 engines</i> | 1 |
| 5B | 826590GT | FITTING,3/8 NPT TO 1/4 NPT.....1 <i>Perkins 404-22D engine</i> | 1 |
| 6 | 823356GT | TUBE,FUEL RETURN,3/8X3/8X23.5.....1 <i>(top of tank)</i> | 1 |
| 7 | 54324GT | FITTING,BULKHEAD,3/8NPT,FUELTK....2 <i>(top and bottom of tank)</i> | 2 |
| 8 | 21465GT | CLAMP,HOSE,.25" - .63" X .3125 <i>(top of tank)</i> | |
| 9 | 30490GT | HOSE,1/4 FUEL LINE,SAE 30R7.....126 <i>fuel return (top of tank)</i> | 126 |
| 10 | 823396GT | FUEL TANK ASSY,35 GAL PLASTIC.....1 <i>includes items 5 and 6</i> | 1 |
| 11 | 5224GT | SCREW,HHC,3/8-16 X 2 | |
| 12 | 6097GT | WASHER,FLAT,USS,3/8",Y | |
| 13 | 4828GT | NUT,NYLOCK,3/8-16 | |
| 14 | 101726GT | CAP,FUEL,DIESEL,1/8"VENT(GRN).....1 | 1 |

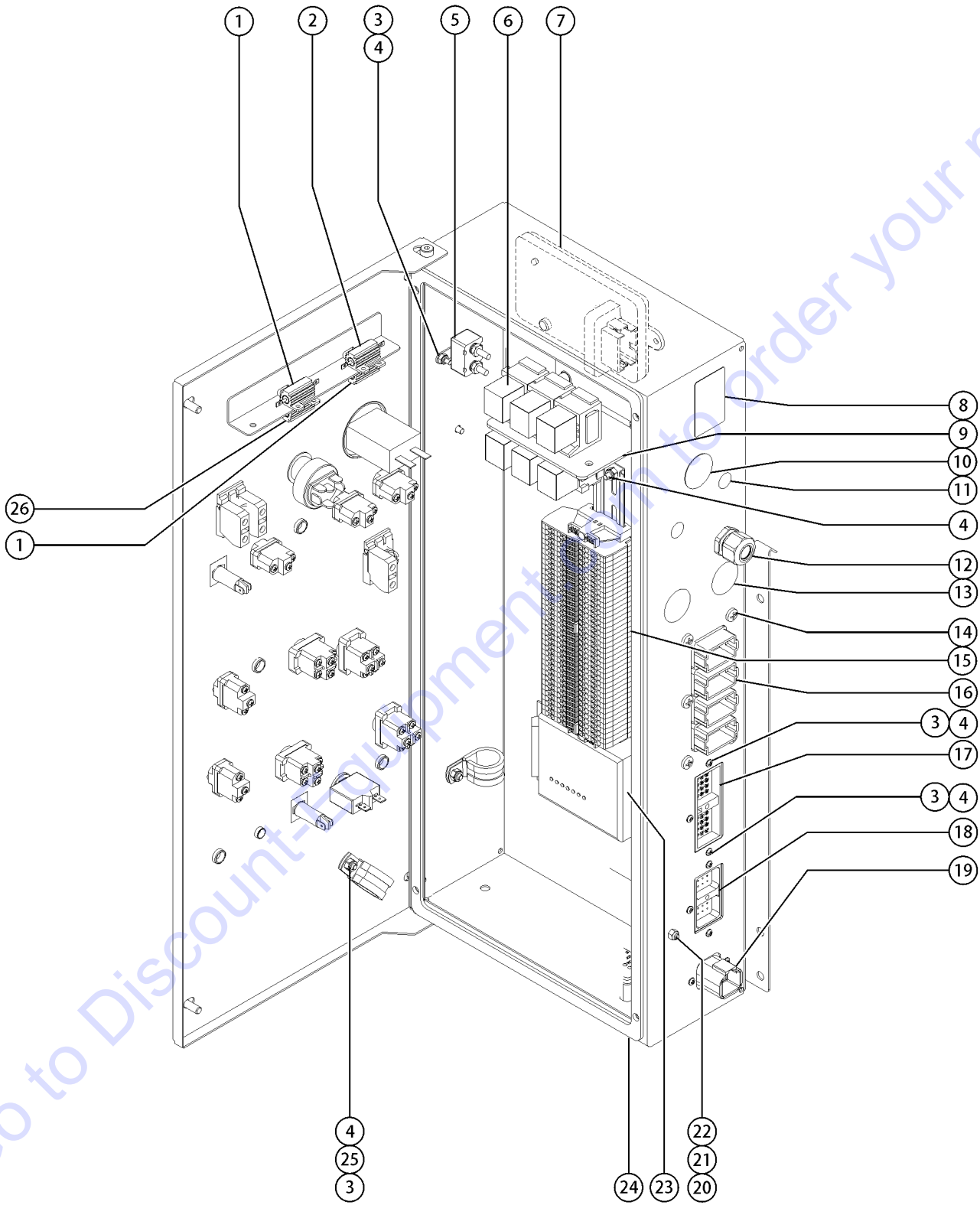
304.1 Ground Control Box, with Hour Meter - View 1, External



304.1 Ground Control Box, with Hour Meter - View 1, External

| Item | Part No. | Description | Qty. | Item | Part No. | Description | Qty. |
|------|-----------|--|------|------|-----------|---|------|
| A | T106495GT | ASSY,GROUND CONTROL BOX.....1 <i>included box, lid and gasket (decals not included, refer to section 100)</i> | 1 | 15 | 128202GT | SWITCH TOGGLE ASSY DPDT 3P MOM.....1 <i>(Boom extend/retract)</i> | 1 |
| 1 | 147840GT | WELDMENT, GROUND BOX, S60/65 | | 16 | 128202GT | SWITCH TOGGLE ASSY DPDT 3P MOM.....1 <i>(Platform rotate)</i> | 1 |
| 2 | 6090GT | SCREW,HHC,1/4-20 X .75 | | 17A | 66813GT | BUTTON,PUSH,BLACK W/SEAL***.....1 <i>(Function enable) (models with push button) shown</i> | 1 |
| 3 | 6356GT | WASHER,LOCK,.25 | | -- | T107725GT | BASE, W/2 NO CONTACTS | |
| 4 | 6638GT | WASHER,FLAT,USS,1/4"Y | | 17B | 80716GT | SWITCH,SELECTOR,BLACK <i>(Function enable) (models with selector switch) not shown</i> | |
| 5 | 19506GT | HOUR METER,10-80 VOLTS***.....1 | 1 | -- | T107725GT | BASE, W/2 NO CONTACTS | |
| 6 | 96008-SGT | KEYSWITCH,3 POS. W/KEYS***.....1 | 1 | 18 | 128202GT | SWITCH TOGGLE ASSY DPDT 3P MOM.....1 <i>(Boom up/down)</i> | 1 |
| -- | 88827GT | GASKET,KEYSWITCH,PLASTIC*** | | 19 | 128202GT | SWITCH TOGGLE ASSY DPDT 3P MOM.....1 <i>(Turntable rotate)</i> | 1 |
| -- | 37947GT | KEYS,10 PACK*** <i>sold separately</i> | | 20 | 147094GT | ASSY, CIRCUIT BREAKER 15A.....1 <i>(Controls)</i> | 1 |
| -- | 83093GT | KEY SINGLE*** <i>included</i> | | 21 | 824879GT | LIGHT,LED IND. RED 12V NH.....1 | 1 |
| 7 | 66812GT | BUTTON,PUSH,RED MUSHROOM HEAD.....1 | 1 | 22 | 128201GT | SWITCH TOGGLE ASSY DPDT 2P MOM.....1 <i>(Auxiliary pump)</i> | 1 |
| -- | 73805GT | BASE,W/2 NC CONTACTS***.....1 | 1 | 23A | 45384GT | PLUG,NYLON .50 BLACK DOMED.....1 <i>ANSI models</i> | 1 |
| -- | 58627GT | NUT <i>for 66812</i> | | 23B | 824879GT | LIGHT,LED IND. RED 12V NH <i>(Load sense) (Australia and CE models)</i> | |
| 8A | 824879GT | LIGHT,LED IND. RED 12V NH.....1 <i>(Diesel models)</i> | 1 | 24 | 56912GT | SPRING CLIP,1/4-20,.025-.15X.54,ZAG | |
| 8B | 824882GT | LT.LAMP IND. AMBER 12V ENG.NH.....1 <i>(Gas/LPG models)</i> | 1 | 25 | 6638GT | WASHER,FLAT,USS,1/4"Y | |
| 9 | 128204GT | SWITCH TOGGLE ASSY SPDT 2P MNT.....1 <i>(Engine speed select)</i> | 1 | 26 | 6090GT | SCREW,HHC,1/4-20 X .75 | |
| 10 | 128204GT | SWITCH TOGGLE ASSY SPDT 2P MNT.....1 <i>(Gas/LPG select)</i> | 1 | 27 | 228463GT | SCREW,SHS,1/4-20 X .375 ZINC | |
| -- | 229567GT | PLUG,SANTOPRENE .5 BLACK DOME.....1 <i>(Diesel models)</i> | 1 | 28 | T107520GT | NUTSERT,LP KNURLED,1/4-20X.165.....2 | 2 |
| 11 | 128200GT | SWITCH TOGGLE ASSY SPDT 3P MOM.....1 <i>(Start assist, glow plug) (diesel models)</i> | 1 | 29 | 229567GT | PLUG,SANTOPRENE .5 BLACK DOME.....1 | 1 |
| -- | 229567GT | PLUG,SANTOPRENE .5 BLACK DOME.....1 | 1 | 30 | T106482GT | WELDMENT, LID, GBOX, S60/65.....1 <i>(decals not included, refer to section 100)</i> | 1 |
| 12 | 128200GT | SWITCH TOGGLE ASSY SPDT 3P MOM.....1 <i>(Starter)</i> | 1 | 31A | 21858GT | PLUG,NYLON .38 BLACK DOMED <i>(ANSI models)</i> | |
| -- | 229567GT | PLUG,SANTOPRENE .5 BLACK DOME.....1 | 1 | 31B | 147094GT | ASSY, CIRCUIT BREAKER 15A | |
| 13 | 128200GT | SWITCH TOGGLE ASSY SPDT 3P MOM.....1 <i>(Platform level)</i> | 1 | 32 | 1261566GT | SECURITY TIE,TOGGLE GUARD.....1 <i>CE option</i> | 1 |
| 14A | 229567GT | PLUG,SANTOPRENE .5 BLACK DOME.....2 <i>(S-60)</i> | 2 | 33 | 1261346GT | TOGGLE SWITCH GUARD,RED.....1 <i>CE option</i> | 1 |
| 14B | 128200GT | SWITCH TOGGLE ASSY SPDT 3P MOM <i>(Jib up/down) (S-65)</i> | | | | | |

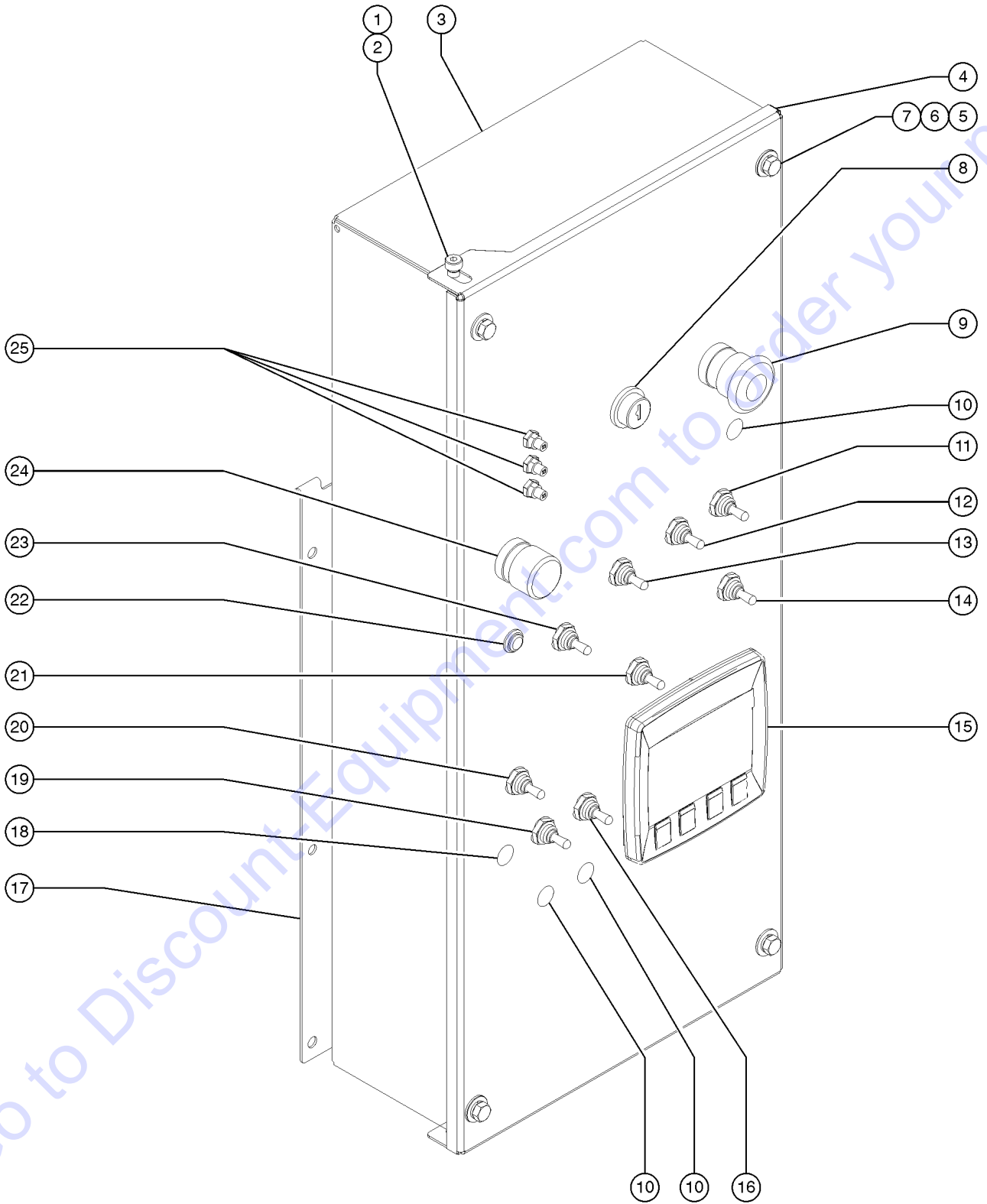
305.1 Ground Control Box, with Hour Meter - View 2, Internal



305.1 Ground Control Box, with Hour Meter - View 2, Internal

| Item | Part No. | Description | Qty. | Item | Part No. | Description | Qty. |
|------|----------|--|------|------|----------|---|------|
| -- | 121846GT | RELAY,TIME DELAY,2 SEC,10A <i>models with load sense</i> | | 19 | 73717GT | CONN,RECEP 4 WAY,12-14GA FL***.....1 | |
| -- | 61225GT | RELAY,12VDC,70AMP,SEALED <i>(glow plug)</i> | | 20 | 6091GT | NUT,NYLOCK,1/4-20 | |
| -- | 77430GT | CAPACITOR,3 MF,50VDC <i>Terminal 41</i> | | 21 | 25926GT | WASHER,FLAT,M6 PLTD. | |
| 1 | 89575GT | RESISTOR,7.5 OHM,25 WATT,1PCNT.....2 | | 22 | 6888GT | SCREW,HHC,1/4-20 X 1 | |
| 2 | 40614GT | RESISTOR,5 OHM,25W***.....1 | | 23 | 56057GT | MODULE,IGNITION/START,12/24V.....1 <i>diesel models only</i> | |
| 3 | 6178GT | NUT,NYLOCK,10-32 | | 24 | 121599GT | GASKET,GBOX,S80/85 2008.....1 | |
| 4 | 54365GT | SCREW,PHIL,PHM,10-32 X .5,SSTL | | 25 | 13268GT | CLAMP,0.75,#12 X 1/4,RUB CUSH | |
| 5 | 128935GT | CIRCUIT BKR 10A TYPE 2 METAL.....1 | | 26A | 27287GT | RESISTOR,10 OHM,25 WATT.....1 <i>dual capacity models</i> | |
| 6A | 34052GT | RELAY,SPDT,12V(AUTO) PLUG IN**.....6 <i>Diesel models</i> | | 26B | 40614GT | RESISTOR,5 OHM,25W*** S-60, S-65, S-60TX, S-65TX | |
| 6B | 34052GT | RELAY,SPDT,12V(AUTO) PLUG IN**.....4 <i>Gas/LPG models</i> | | | | | |
| -- | 34053GT | ASSY,RELAY SOCKET, AUTO <i>individual parts no longer available</i> | | | | | |
| -- | 54365GT | SCREW,PHIL,PHM,10-32 X .5,SSTL.....2 | | | | | |
| -- | 6178GT | NUT,NYLOCK,10-32.....2 | | | | | |
| 7 | 128045GT | MODULE,LOAD SENSE 2007.....1 <i>CE models only</i> | | | | | |
| -- | 54365GT | SCREW,PHIL,PHM,10-32 X .5,SSTL.....2 | | | | | |
| -- | 6178GT | NUT,NYLOCK,10-32.....2 | | | | | |
| 8 | 110280GT | PLUG,NYLON .94X1.65 BLK DOMED.....1 | | | | | |
| 9 | 54534GT | ANGLE,RELAY MNT,W/NUTSERTS,PNT.....1 | | | | | |
| -- | 23404GT | NUTSERT,1/4-20,STEEL CAD PLTD | | | | | |
| -- | 6638GT | WASHER,FLAT,USS,1/4"Y | | | | | |
| -- | 7339GT | SCREW,HHC,1/4-20 X .5 | | | | | |
| 10 | 45385GT | PLUG,NYLON 1.12 BLACK DOMED.....1 | | | | | |
| 11 | 45384GT | PLUG,NYLON .50 BLACK DOMED.....1 | | | | | |
| 12 | 7057GT | CONN. SQZ,1/2NPT .39-.56 MED. | | | | | |
| 13 | 15243GT | PLUG,NYLON .875 BLACK DOMED.....2 | | | | | |
| 14 | 73803GT | SCREW,SHM,PHP, #12 X .75.....6 | | | | | |
| 15 | 217043GT | ASSY, TERMINAL RAIL.....1 | | | | | |
| -- | 217046GT | KIT, TERMINAL BLOCK | | | | | |
| -- | 33422GT | DIN RAIL,17".....1 | | | | | |
| -- | 217044GT | TERMINAL BLOCK, WIELAND.....43 | | | | | |
| -- | 217045GT | TERMINAL BLOCK, END PLATE.....1 | | | | | |
| -- | 74913GT | END STOP, DIN RAIL,SCREW CLAMP.....2 | | | | | |
| -- | 74917GT | JUMPER COMB, 2-WAY,WIELAND.....4 | | | | | |
| -- | 74918GT | JUMPER COMB, 3-WAY,WIELAND.....1 | | | | | |
| 16 | 73736GT | CONN,RECEP 48 WAY,4 X 12.....1 | | | | | |
| 17 | 73754GT | CONN,RECEP 40 WAY,W/FLANGE.....1 | | | | | |
| 18 | 73753GT | CONN,RECEP 24 WAY,W/FLANGE.....1 | | | | | |

306.1 Ground Control Box, with LCD Readout Screen - View 1, External



306.1 Ground Control Box, with LCD Readout Screen - View 1, External

| Item | Part No. | Description | Qty. | Item | Part No. | Description | Qty. |
|------|------------|--|------|------|------------|--|------|
| A | 825446GT | GBOX ASSY,PERKINS T4,SGL CAP (models with Perkins, single capacity) decals not included refer to section 100 | | 14 | 128202GT | SWITCH TOGGLE ASSY DPDT 3P MOM.....1 (Platform rotate) | 1 |
| B | 825447GT | GBOX ASSY,PERKINS T4,DUAL CAP (models with Perkins, dual capacity) decals not included refer to section 100 | | -- | 128578GT | SCREW T-SWITCH PH/PH 6-32X1/4 | |
| C | 825448GT | GBOX ASSY,DEUTZ T4,SGL CAP (models with Deutz single capacity) decals not included refer to section 100 | | -- | 128584-SGT | SWITCH TOGGLE SPDT 2P MNT SHDR | |
| D | 825449GT | GBOX ASSY,DEUTZ T4,DUAL CAP (models with Deutz dual capacity) decals not included refer to section 100 | | -- | 27246GT | BOOT,TOGGLE SWITCH,SHORT* | |
| E | 825445GT | GBOX ASSY,COMMON,T4 | | 15A | 1251984GT | ASSY,DISPLAY,DP200 DEUTZ T4.....1 (Deutz models) | 1 |
| 1 | 228463GT | SCREW,SHS,1/4-20 X .375 ZINC.....2 | 2 | -- | 219718GT | BRACKET,DP200 PANEL MOUNT | |
| 2 | T107520GT | NUTSERT,LP KNURLED,1/4-20X.165.....2 | 2 | -- | 1252684GT | SCREW,DP200 M3X10 4PACK | |
| 3 | 147840GT | WELDMENT, GROUND BOX, S60/65.....1 | 1 | -- | 1252685GT | GASKET,DP200 BLACK PANEL SEAL | |
| 4 | 219722GT | WELDMENT,LID,GBOX.....1 (does not include decal) (refer to section one for decals) | 1 | 15B | 1251985GT | ASSY,DISPLAY,DP200 PERKINS T4 (Perkins models) | |
| 5 | 6090GT | SCREW,HHC,1/4-20 X .75.....4 | 4 | -- | 219718GT | BRACKET,DP200 PANEL MOUNT | |
| 6 | 6356GT | WASHER,LOCK,.25.....4 | 4 | -- | 1252684GT | SCREW,DP200 M3X10 4PACK | |
| 7 | 6638GT | WASHER,FLAT,USS,1/4"Y.....4 | 4 | -- | 1252685GT | GASKET,DP200 BLACK PANEL SEAL | |
| 8 | 96008-SGT | KEYSWITCH,3 POS. W/KEYS***.....1 | 1 | 16 | 128200GT | SWITCH TOGGLE ASSY SPDT 3P MOM.....1 (Starter) | 1 |
| -- | 37947GT | KEYS,10 PACK*** sold separately | | -- | 128578GT | SCREW T-SWITCH PH/PH 6-32X1/4 | |
| -- | 83093GT | KEY SINGLE*** included | | -- | 128584-SGT | SWITCH TOGGLE SPDT 2P MNT SHDR | |
| 9 | 66812GT | BUTTON,PUSH,RED MUSHROOM HEAD.....1 (58627 nut included) | 1 | -- | 27246GT | BOOT,TOGGLE SWITCH,SHORT* | |
| -- | 58627GT | NUT.....1 | 1 | 17A | 77667GT | MOUNT,GROUND CONTROL BOX RH.....1 | 1 |
| 10 | 229567GT | PLUG,SANTOPRENE .5 BLACK DOME.....1 (S-60, S-65, S-60X, S-60TX, S-65TX models) | 1 | -- | 55912GT | PIN, STEER BELLCRANK CLEVIS | |
| 11 | 128200GT | SWITCH TOGGLE ASSY SPDT 3P MOM.....1 (Platform level) | 1 | -- | 6090GT | SCREW,HHC,1/4-20 X .75 | |
| -- | 128578GT | SCREW T-SWITCH PH/PH 6-32X1/4 | | -- | 6356GT | WASHER,LOCK,.25 | |
| -- | 128584-SGT | SWITCH TOGGLE SPDT 2P MNT SHDR | | 17B | 77641GT | MOUNT,GROUND CONTROL BOX LH.....1 | 1 |
| -- | 27246GT | BOOT,TOGGLE SWITCH,SHORT* | | -- | 55912GT | PIN, STEER BELLCRANK CLEVIS | |
| 12A | 229567GT | PLUG,SANTOPRENE .5 BLACK DOME.....2 (all S-60 models) | 2 | -- | 6090GT | SCREW,HHC,1/4-20 X .75 | |
| 13 | 128202GT | SWITCH TOGGLE ASSY DPDT 3P MOM.....1 (Boom extend/retract) | 1 | -- | 6356GT | WASHER,LOCK,.25 | |
| -- | 128578GT | SCREW T-SWITCH PH/PH 6-32X1/4 | | 18 | 21858GT | PLUG,NYLON .38 BLACK DOMED.....1 (ANSI models) | 1 |
| -- | 128584-SGT | SWITCH TOGGLE SPDT 2P MNT SHDR | | 19 | 128204GT | SWITCH TOGGLE ASSY SPDT 2P MNT.....1 (Engine speed select) | 1 |
| -- | 27246GT | BOOT,TOGGLE SWITCH,SHORT* | | -- | 128578GT | SCREW T-SWITCH PH/PH 6-32X1/4 | |
| 12A | 229567GT | PLUG,SANTOPRENE .5 BLACK DOME.....2 (all S-60 models) | 2 | -- | 128584-SGT | SWITCH TOGGLE SPDT 2P MNT SHDR | |
| 13 | 128202GT | SWITCH TOGGLE ASSY DPDT 3P MOM.....1 (Boom extend/retract) | 1 | -- | 27246GT | BOOT,TOGGLE SWITCH,SHORT* | |
| -- | 128578GT | SCREW T-SWITCH PH/PH 6-32X1/4 | | 20 | 128201GT | SWITCH TOGGLE ASSY DPDT 2P MOM.....1 (Emergency Power) | 1 |
| -- | 128584-SGT | SWITCH TOGGLE SPDT 2P MNT SHDR | | -- | 128578GT | SCREW T-SWITCH PH/PH 6-32X1/4 | |
| -- | 27246GT | BOOT,TOGGLE SWITCH,SHORT* | | -- | 128584-SGT | SWITCH TOGGLE SPDT 2P MNT SHDR | |
| -- | 27246GT | BOOT,TOGGLE SWITCH,SHORT* | | -- | 27246GT | BOOT,TOGGLE SWITCH,SHORT* | |

306.1 Ground Control Box, with LCD Readout Screen - View 1, External
(continued)

| Item | Part No. | Description | Qty. |
|------|------------|--|------|
| 21 | 128202GT | SWITCH TOGGLE ASSY DPDT 3P MOM.....1 <i>(Turntable rotate)</i> | 1 |
| -- | 128578GT | SCREW T-SWITCH PH/PH 6-32X1/4 | |
| -- | 128584-SGT | SWITCH TOGGLE SPDT 2P MNT SHDR | |
| -- | 27246GT | BOOT,TOGGLE SWITCH,SHORT* | |
| 22 | 21858GT | PLUG,NYLON .38 BLACK DOMED.....1 <i>(Diesel models)</i> | 1 |
| 23 | 128202GT | SWITCH TOGGLE ASSY DPDT 3P MOM.....1 <i>(Boom up/down)</i> | 1 |
| -- | 128578GT | SCREW T-SWITCH PH/PH 6-32X1/4 | |
| -- | 128584-SGT | SWITCH TOGGLE SPDT 2P MNT SHDR | |
| -- | 27246GT | BOOT,TOGGLE SWITCH,SHORT* | |
| 24A | 80716GT | SWITCH,SELECTOR,BLACK.....1 <i>(models with dual capacity)</i> | 1 |
| 24B | 66813GT | BUTTON,PUSH,BLACK W/SEAL*** <i>(models with single capacity)</i> | |
| 25A | 147094GT | ASSY, CIRCUIT BREAKER 15A.....2 | 2 |
| 25B | 147094GT | ASSY, CIRCUIT BREAKER 15A.....3 <i>(models with worklight or oil cooler option)</i> | 3 |

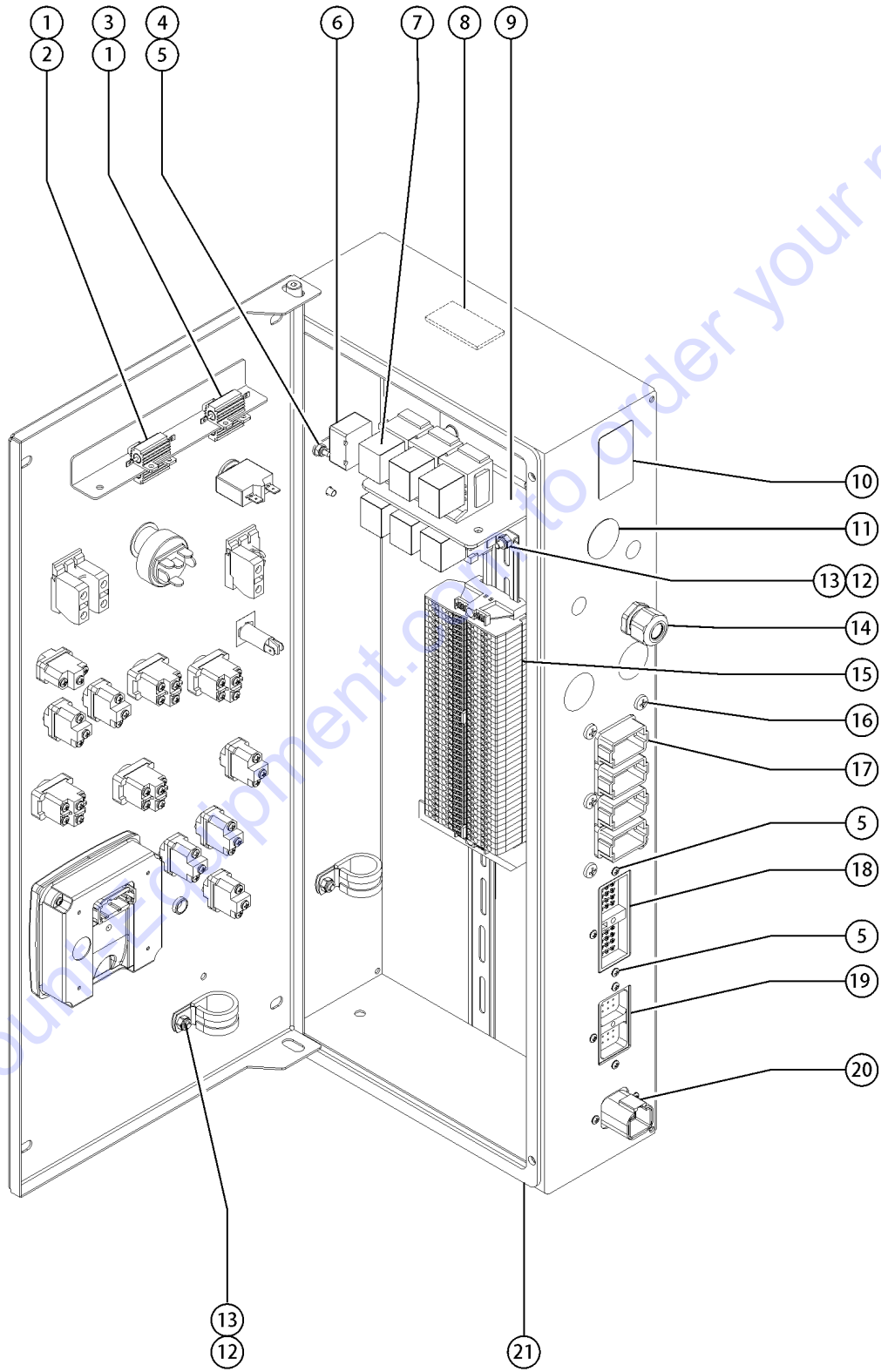
Go to Discount-Equipment.com to order your parts

306.1 Ground Control Box, with LCD Readout Screen - View 1, External
(continued)

This Page Intentionally Left Blank

Go to Discount-Equipment.com to order your parts

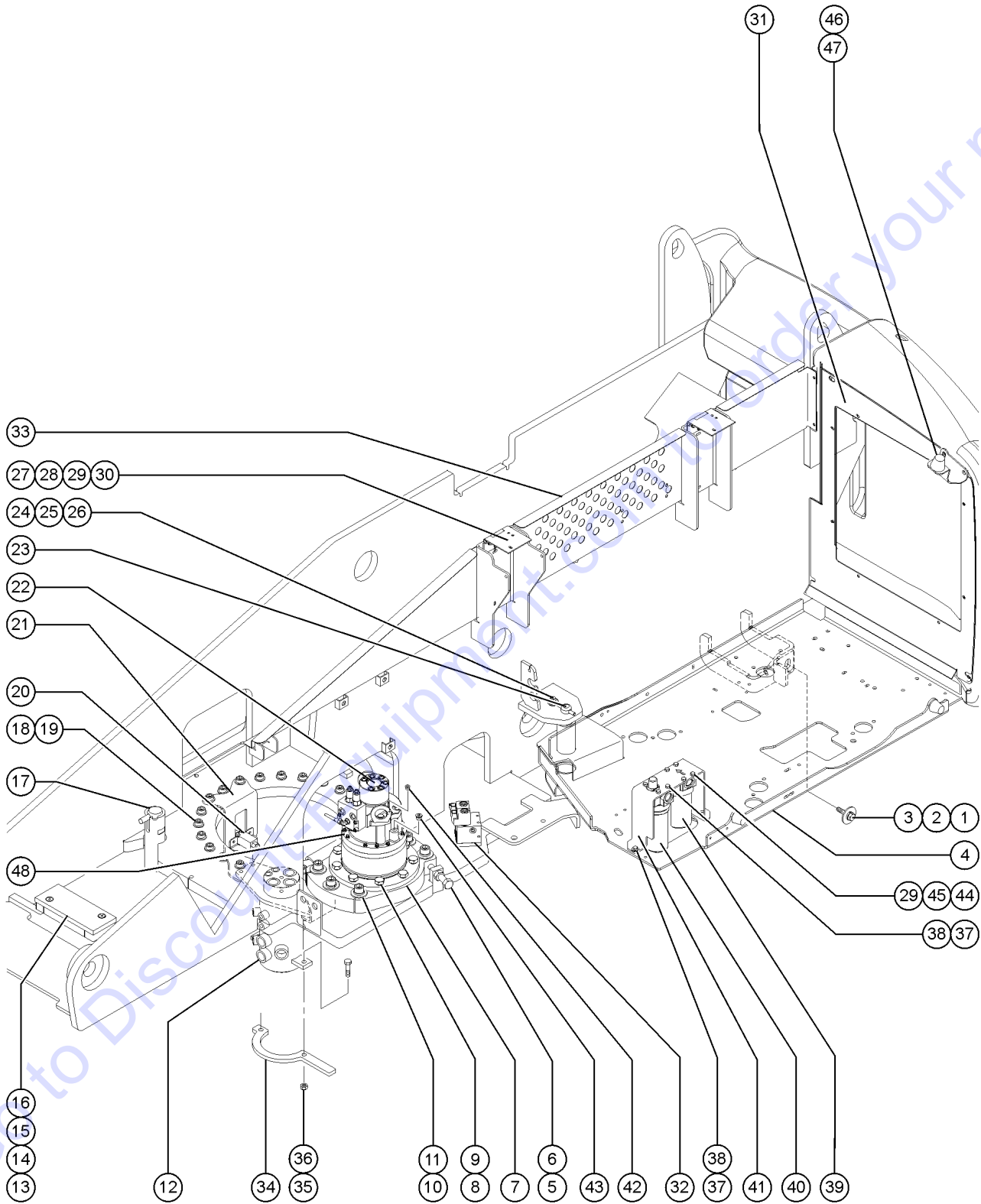
307.1 Ground Control Box, with LCD Readout Screen - View 2, Internal



307.1 Ground Control Box, with LCD Readout Screen - View 2, Internal

| Item | Part No. | Description | Qty. | Item | Part No. | Description | Qty. |
|------|----------|--|------|------|----------|-------------------------|------|
| -- | 77430GT | CAPACITOR,3 MF,50VDC <i>Terminal 41</i> | | 21 | 121599GT | GASKET,GBOX,S80/85 2008 | |
| 1 | 89575GT | RESISTOR,7.5 OHM,25 WATT,1PCNT....2 | | | | | |
| 2 | 27287GT | RESISTOR,10 OHM,25 WATT.....1 | | | | | |
| 3 | 40614GT | RESISTOR,5 OHM,25W***1 | | | | | |
| 4 | 6178GT | NUT,NYLOCK,10-32 | | | | | |
| 5 | 49817GT | SCREW,PHILLIPS,PHM,10-32 X1.25 | | | | | |
| 6 | 121846GT | RELAY,TIME DELAY,2 SEC,10A.....1 | | | | | |
| 7A | 34052GT | RELAY,SPDT,12V(AUTO) PLUG IN**....11 <i>(Perkins models with dual capacity)</i> | | | | | |
| 7B | 34052GT | RELAY,SPDT,12V(AUTO) PLUG IN**9 <i>(Deutz models with dual capacity)</i> | | | | | |
| 7C | 34052GT | RELAY,SPDT,12V(AUTO) PLUG IN**5 <i>(Perkins or Deutz models with single capacity)</i> | | | | | |
| 8 | 30997GT | CORROSION INHIBITOR,FOAM.....1 | | | | | |
| 9A | 99632GT | PLATE,PRIMARY BOOM SIDE.....1 <i>(models with single capacity)</i> | | | | | |
| -- | 23404GT | NUTSERT,1/4-20,STEEL CAD PLTD | | | | | |
| -- | 6638GT | WASHER,FLAT,USS,1/4"Y | | | | | |
| -- | 7339GT | SCREW,HHC,1/4-20 X .5 | | | | | |
| 9B | 99632GT | PLATE,PRIMARY BOOM SIDE.....2 <i>(models with dual capacity)</i> | | | | | |
| -- | 23404GT | NUTSERT,1/4-20,STEEL CAD PLTD | | | | | |
| -- | 6638GT | WASHER,FLAT,USS,1/4"Y | | | | | |
| -- | 7339GT | SCREW,HHC,1/4-20 X .5 | | | | | |
| 10A | 110280GT | PLUG,NYLON, .94X1.65 BLK DOMED....1 | | | | | |
| 11 | 45385GT | PLUG,NYLON 1.12 BLACK DOMED | | | | | |
| 12 | 6178GT | NUT,NYLOCK,10-32 <i>(use to replace nutsert)</i> | | | | | |
| 13 | 54365GT | SCREW,PHIL,PHM,10-32 X .5,SSTL | | | | | |
| 14 | 7057GT | CONN. SQZ,1/2NPT .39-.56 MED.....1 | | | | | |
| 15 | 825017GT | ASSY,TERMINAL RAIL,TIER IV | | | | | |
| -- | 74918GT | JUMPER COMB, 3-WAY,WIELAND | | | | | |
| -- | 74917GT | JUMPER COMB, 2-WAY,WIELAND | | | | | |
| -- | 216793GT | TERMINAL BLOCK END PLATE | | | | | |
| -- | 216793GT | TERMINAL BLOCK END PLATE | | | | | |
| -- | 216791GT | TERMINAL BLOCK,WIELAND | | | | | |
| -- | 33422GT | DIN RAIL,17" | | | | | |
| 16 | 73803GT | SCREW,SHM,PHP, #12 X .75 | | | | | |
| 17 | 73736GT | CONN,RECEP 48 WAY,4 X 12 <i>for harness, refer to 313.1</i> | | | | | |
| 18 | 73754GT | CONN,RECEP 40 WAY,W/FLANGE <i>for harness, refer to 313.1</i> | | | | | |
| 19 | 73753GT | CONN,RECEP 24 WAY,W/FLANGE <i>for harness, refer to 313.1</i> | | | | | |
| 20 | 73717GT | CONN,RECEP 4 WAY,12-14GA FL*** <i>for harness, refer to 313.1</i> | | | | | |

308.1 Engine Side



| Item | Part No. | Description | Qty. | Item | Part No. | Description | Qty. |
|------|---------------|--|------|------|-----------|---|------|
| 1 | 73455GT | SCREW,HHC,5/8-11 X 2.25 GR8..... | 1 | -- | 1255770GT | KIT, FRICTION DISC (Used on swing drive 1255768) | |
| 2 | 6036GT | WASHER,LOCK,.625 PLTD | | -- | 1255771GT | KIT, BRAKE SPRING (Used on swing drive 1255768) | |
| 3 | 33418GT | WASHER,FLAT,.625 X 2.25 X.15 | | -- | 1255772GT | KIT, SWING BRAKE REBUILD (Used on swing drive 1255768) | |
| 4 | 1264903GT | ASSY,ENGINE TRAY,W/BEARINGS..... | 1 | -- | 1255773GT | BRAKE TUBING (Used on swing drive 1255768) | |
| -- | 35675GT | BEARING,FL,1.25IDX1.5ODX1.25L..... | 2 | 22B | | Ref. SWING DRIVE ASSEMBLY Previous SWING DRIVE ASSEMBLY 139189 is no longer available, order complete assembly 1255768 for first time replacement | |
| 5 | 61128GT | SCREW,HHC,3/4-10 X 4 FULL THRD | | -- | 139308GT | SWING MOTOR COMPLETE*** (Used on swing drive 139189) | |
| 6 | 6126GT | NUT,HEX,JAM,3/4-10 | | -- | 139309GT | CBV ASSEMBLY*** (Used on swing drive 139189) | |
| 7 | 77671GT | PLATE,BACKLASH ADJUSTMENT MACH..... | 1 | -- | 139323GT | VALVE,COUNTERBAL,CBCA-LIN*** (Used on swing drive 139189) | |
| 8 | 94747GT | SCREW,HHC,1/2-13 X 1.75 GRD 8..... | 9 | -- | 139315GT | O-RING,MOTOR/BRAKE*** (Used on swing drive 139189) | |
| 9 | 13066GT | WASHER,FLAT,.5 HARDENED..... | 9 | -- | 58304GT | SHAFT,OUTPUT (Used on swing drive 139189) | |
| 10 | 88212GT | SCREW,SHC,3/4-10 X 3.00,A574..... | 6 | -- | 139310GT | BRAKE TUBING*** (Used on swing drive 139189) | |
| 11 | 33278GT | WASHER,FLAT,.75 HARDENED..... | 6 | -- | 139311GT | KIT,FRICTION DISC*** (Used on swing drive 139189) | |
| 12 | 89571GT | SWIVEL,HYD 8 PORT*** | 1 | -- | 139312GT | KIT,BRAKE SPRING*** (Used on swing drive 139189) | |
| -- | 94937GT | SEAL KIT,8-PORT SWIVEL | | -- | 139313GT | SEAL KIT,SWING BRAKE*** (Used on swing drive 139189) | |
| -- | T106954GT | SEAL, O-RING LIP | | -- | 139314GT | KIT,SWING BRAKE REBUILD*** (Used on swing drive 139189) | |
| -- | T106955GT | SEAL, POLY, CHAMFER | | -- | 94620GT | SEAL KIT,SWING TORQ HUB*** (Used on swing drive 139189) | |
| -- | T106957GT | SEAL, CAP, NOTCHED | | -- | 58596GT | BEARING KIT,OUTER (88921) (Used on swing drive 139189) | |
| -- | T106961GT | SEAL, O-RING ENERGIZER | | -- | 58597GT | BEARING KIT,INNER (88921) (Used on swing drive 139189) | |
| -- | T106962GT | SEAL, CAP, NOTCHED | | 23 | 81724GT | PIN,1.25 X 13.25 IN,CHAMFER..... | 1 |
| 13 | 161607GT | WEAPAD, BOOM REST..... | 1 | 24 | 825019GT | ROD END, .375X3.69, ZAG..... | 1 |
| 14 | 6610GT | SCREW,FHS,3/8-16 X 2 GRD.8..... | 2 | 25 | 8516GT | SCREW, HCC, 3/8-16 X 1.50 | |
| 15 | 6097GT | WASHER,FLAT,USS,3/8",Y..... | 2 | 26 | 6021GT | WASHER,LOCK,.375 | |
| 16 | 4828GT | NUT,NYLOCK,3/8-16..... | 2 | 27 | 75073GT | HINGE,.375X.120THK.,SLOTTED..... | 2 |
| 17 | 81834GT | WELDMENT,TRANSPORT LOCK..... | 1 | 28 | 6888GT | SCREW,HHC,1/4-20 X 1 | |
| 18 | 139865GT | SCREW,HHC,5/8-11 X 4.00 GR8 BO.... | 24 | 29 | 6638GT | WASHER,FLAT,USS,1/4"Y | |
| 19 | 13064GT | WASHER,FLAT,.625 HARDENED..... | 24 | 30 | 6091GT | NUT,NYLOCK,1/4-20 | |
| 20 | 88356-13103GT | SWITCH,LIMIT,W/RLLR ARM,NO/NC.... | 1 | 31A | 106172PGT | BAFFLE,AIR INTAKE,PAINTED*** | 1 |
| -- | 77666PGT | FORMING,DRIVE ENABLE LIMIT SW | | | | models with Deutz D2011L03i and Perkins 404D-22 engines | |
| 21 | 77665PGT | FORMING,HYD SWIVEL BRACKET..... | 2 | | | | |
| 22A | 1255768GT | SWING DRIVE ASSEMBLY Previous SWING DRIVE ASSEMBLY 139189 is no longer available, order complete assembly 1255768 for first time replacement | | | | | |
| -- | 139308GT | SWING MOTOR COMPLETE*** (Used on swing drive 1255768) | | | | | |
| -- | 139309GT | CBV ASSEMBLY*** (Used on swing drive 1255768) | | | | | |
| -- | 139323GT | VALVE,COUNTERBAL,CBCA-LIN*** (Used on swing drive 1255768) | | | | | |
| -- | 139315GT | O-RING,MOTOR/BRAKE*** (Used on swing drive 1255768) | | | | | |
| -- | 58304GT | SHAFT,OUTPUT (Used on swing drive 1255768) | | | | | |
| -- | 1255769GT | SEAL KIT, SWING BRAKE (Used on swing drive 1255768) | | | | | |

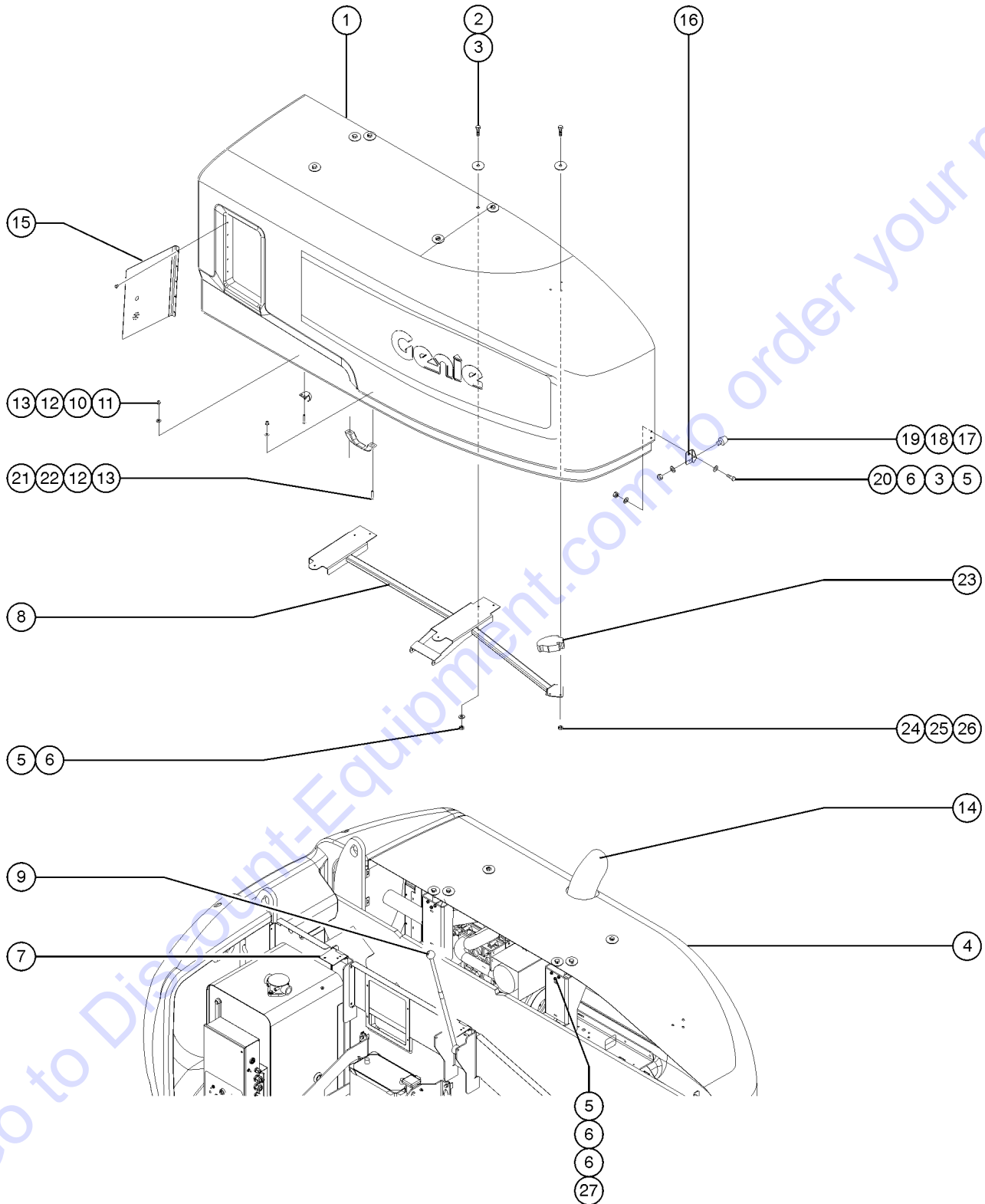
308.1 Engine Side
(continued)

| Item | Part No. | Description | Qty. |
|------|-----------|--|------|
| 31B | 110183PGT | BAFFLE,AIR INTAKE S60 PAINTED <i>models with Deutz TD2011L04i engines</i> | |
| 31C | | REF: Engine Baffle, DEUTZ D2.9 <i>(refer to 504.1 or 504.2)</i> | |
| 31D | | REF: Engine Baffle, FORD MSG-425 <i>(refer to 511.1)</i> | |
| 31E | | REF: Engine Baffle, PERKINS 404F-22 <i>(refer to 513.1)</i> | |
| 32 | | Ref: Brake and 2 Speed Manifold.....1 <i>(refer to 406.1)</i> | |
| 33 | T106425GT | FORMING, BULKHEAD,RIGHT,S60/65.....1 | |
| 34 | 77803GT | PLATE,SWIVEL ROTATION STOP.....1 | |
| 35 | 6198GT | NUT,NYLOCK,1/2-13 | |
| 36 | 6096GT | SCREW,HHC,1/2-13 X 2 GR5 | |
| 37 | 8255GT | SCREW,HHC,3/8-16 X .75 | |
| 38 | 5397GT | WASHER,FLAT,USS,5/16",Y | |
| 39 | | FILTER ASY,M PRESS,SAE8,WIND* (77139).....1 <i>component no longer available</i> | |
| -- | 60857GT | FILTER,ELEMENT,BETA(5)=1000 <i>for 77139</i> | |
| 39A | 1267807GT | ASSEMBLY, MED. PRESS. FILTER, SAE8 | |
| -- | 1268229GT | ELEMENT-5 MIC, PAPER, W/ BYPASS <i>for 1267807</i> | |
| 40 | 60334GT | FILTER ASSY,HIGH PRESS SAE-12*.....1 | |
| -- | 1279465GT | BACKUP RING,71.60X67.20X1.40PTFE(60334) | |
| -- | 1279466GT | O-RING,67.95X2.62-NBR-70SH(HF2P)(60334) | |
| -- | 60857GT | FILTER,ELEMENT,BETA(5)=1000 | |
| -- | 58380GT | FILTER INDICATOR-(60334) | |
| 41 | 161603GT | FORMING, FILTER BRKT.....1 | |
| 42 | 39882GT | PLUG,HEX SOCKET,090109B-4.....1 | |
| 43 | 109802GT | PLUG,ORB #6.....1 | |
| 44 | 6090GT | SCREW,HHC,1/4-20 X .75 | |
| 45 | 6356GT | WASHER,LOCK,.25 | |
| 46 | 30973GT | BUMPER,RUBBER-1 X 1.25.....3 | |
| 47 | 161608GT | FORMING, BRKT, ENGINE COVER.....1 | |
| 48 | 1262678GT | FORMING,HOSE GUIDE.....1 <i>hidden from view</i> | |

This Page Intentionally Left Blank

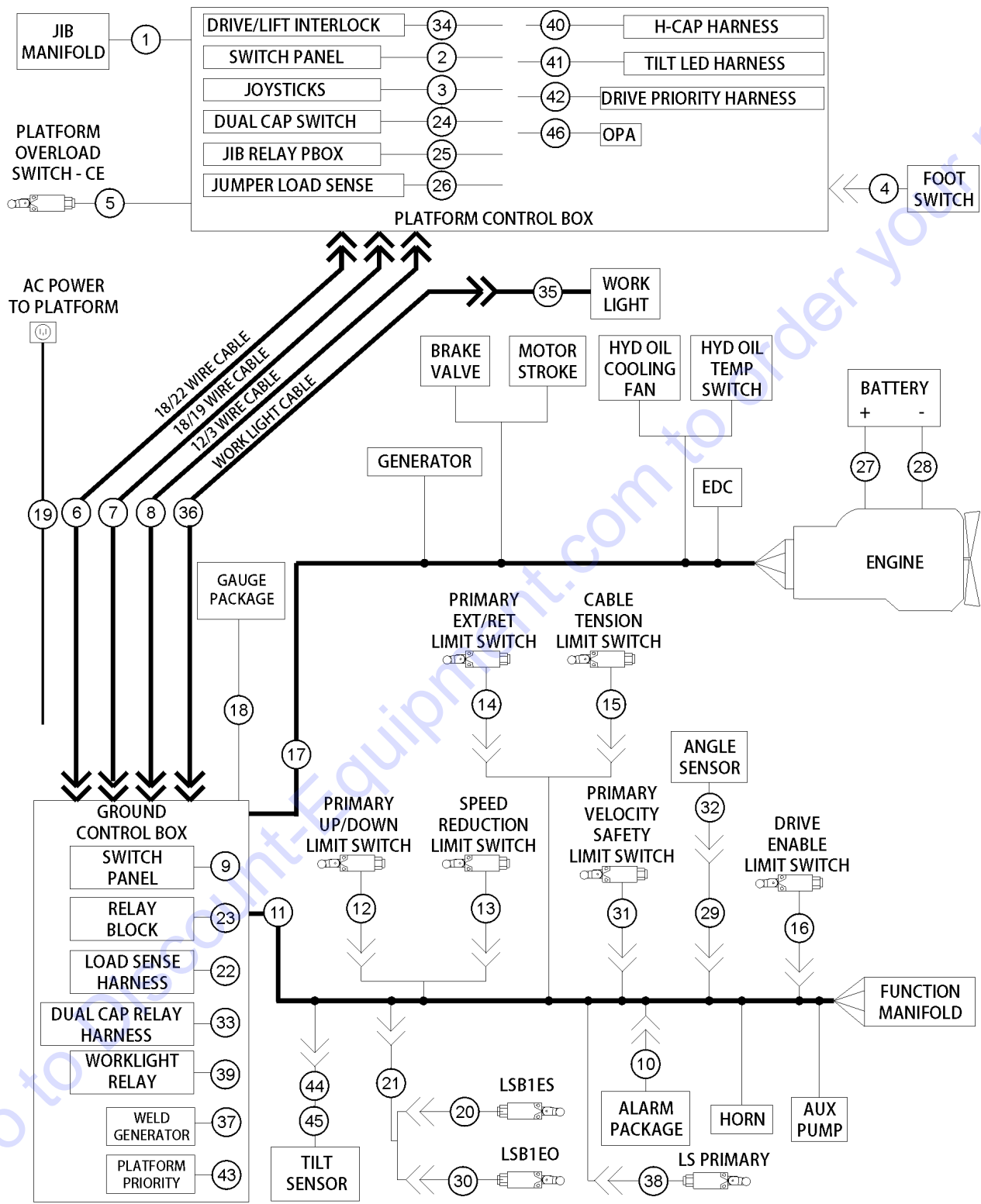
Go to Discount-Equipment.com to order your parts

309.1 Turntable Covers



| Item | Part No. | Description | Qty. |
|------|-----------|--|------|
| 1 | 121358GT | COVER,LH,TANK SIDE.....1 <i>(decals not included, refer to section 100)</i> | 1 |
| 2 | 6888GT | SCREW,HHC,1/4-20 X 1 | |
| 3 | 12906GT | WASHER,FENDER,.25 X 1.25 X.062 | |
| 4 | 121359GT | COVER,RH,ENGINE SIDE.....1 <i>(decals not included, refer to section 100)</i> | 1 |
| 5 | 6091GT | NUT,NYLOCK,1/4-20 | |
| 6 | 6638GT | WASHER,FLAT,USS,1/4"Y | |
| 7 | 75073GT | HINGE,.375X.120THK.,SLOTTED | |
| -- | 77778GT | PLATE,HINGE SUPPORT.....1 | 1 |
| 8 | 81874GT | WELDMENT,LEFT COVER SUPPORT | |
| -- | 81876GT | WELDMENT,RIGHT COVER SUPPORT.....1 | 1 |
| 9 | 28301GT | GAS STRUT,250 LBS FORCE*** | |
| -- | 27377GT | RETAINER,GAS SPRING*** | |
| -- | 33555GT | BALL STUD** | |
| 10 | 75076GT | KEEPER,LATCH (45363).....4 | 4 |
| 11 | 49816GT | SCREW,PHILLIPS,PHM,10-32 X .75 | |
| 12 | 6146GT | WASHER,FLAT,MS,#10,Y | |
| 13 | 6178GT | NUT,NYLOCK,10-32 | |
| 14 | 101964GT | WELDMENT,EXHAUST TUBE | |
| 15 | | Ref: Control Box Cover.....1 <i>hostile environment option (refer to 912.1)</i> | 1 |
| 16 | 88106PGT | FORMING,COVER STOP,PAINT.....2 | 2 |
| 17 | 30973GT | BUMPER,RUBBER-1 X 1.25.....6 | 6 |
| 18 | 5397GT | WASHER,FLAT,USS,5/16",Y | |
| 19 | 6782GT | NUT,NYLOCK,5/16-18 | |
| 20 | 6090GT | SCREW,HHC,1/4-20 X .75 | |
| 21 | 6606GT | SCREW,RHM,10-32 X .75 | |
| 22 | 60884GT | HANDLE,GRAB.....2 | 2 |
| 23 | 1253415GT | SPACER, COVER SUPPORT, S60.....2 | 2 |
| 24 | 824082GT | SCREW,HHF,1/4-20X1.75,8,ZAG | |
| 25 | 824119GT | WASHER,FLAT,.25X1.25X.062,ZAG | |
| 26 | 824027GT | NUT, TL FLG, 1/4-20, G, ZAG | |
| 27 | 8915GT | SCREW,HHC,1/4-20 X 1.25 | |

310.1 Wire Harness Diagram



310.1 Wire Harness Diagram

| Item | Part No. | Description | Qty. | Item | Part No. | Description | Qty. |
|------|-----------|---|------|------|---------------|---|------|
| A | 58253GT | KIT,REPAIR,DEUTSCH PLUG,W/TUBE <i>small kit</i> | | 14 | 139836GT | HARNESS, LS, OP, PRIMARY.....1 | |
| B | 83129GT | KIT,REPAIR,DEUTSH CONNECTORS** <i>large kit</i> | | 15 | 139833GT | HARNESS, LS, OP, CABLE TENSION....1 | |
| C | 61794GT | CRIMPER,DEUTSCH,LIGHT DUTY*** <i>tool</i> | | -- | 88356-13103GT | SWITCH,LIMIT,W/RLLR ARM,NO/NC | |
| D | 101191GT | WIRE LOOM,1"DIA.SLIT,HI TEMP | | -- | 119067GT | CONN,RECEP 4 WAY ENDCAP DT | |
| E | 49219GT | SLEEVE,NYLON,2.19 ID,BULK.....48 <i>near platform; 48 inches required</i> | | -- | 60443GT | LOCK,RECEP 4 WAY,14-18GA | |
| F | 1264822GT | KIT, TRC RETROFIT, STNDRD <i>Telematics (includes 1264834)</i> | | -- | 73713GT | TERM,NI PIN,S&F,16-18GA,REEL | |
| -- | 1264834GT | INSTRN, TRC RETROFIT, STNDRD | | -- | 43960GT | WIRE CABLE,16/4 CON.TPE JKT | |
| -- | 1264947GT | KIT, LEVEL SENSOR, 6 PIN CONN. <i>For ANSI/CSA models with 6-pin wire harness connector, includes instructions</i> | | -- | 73725GT | BOOT,DTSCH,DTP4-BT | |
| 1 | 101080GT | HARNESS,JIB SELECT MANIFOLD.....1 S-65 | | -- | 19491GT | CONTACTOR,LIMIT SWITCH | |
| -- | 7056GT | CONN,SQUEEZE,1/2NPT .38-.50,SM....1 | | -- | 97128GT | ROLLER ARM,LIMIT SWITCH*** | |
| 2 | 1279881GT | HARNESS,PBOX,SINGLE CAP,COMMON.....1 | | 16 | 139834GT | HARNESS,LS,DRIVE ENABLE.....1 | |
| 3 | 147643GT | HARN,PBOX,JOYSTICK,S60/65.....1 | | 17A | 88810GT | HARNESS,DEUTZ ENGINE.....1 <i>Deutz D2011L03i engine</i> | |
| -- | 81546GT | CONN,MOLEX 16 WAY | | 17B | 122053GT | HARNESS,S60 TURBO DEUTZ SPEC...1 <i>Deutz TD2011L04i engine</i> | |
| -- | 99343GT | CONNECTOR,PLUG 6 WAY 18-20 GA | | 17C | 822048GT | HARNESS, S60 DEUTZ D2.9 <i>Deutz D2.9L4 engine</i> | |
| -- | 99344GT | LOCK,PLUG 6 WAY 18-20GA <i>use with 99344</i> | | 17D | 110268GT | HARNESS PERKINS ENGINE S60 ALT.....1 <i>Perkins 404D-22 engine</i> | |
| 4 | | Ref: Foot Switch Assembly <i>(refer to 701.1)</i> | | 18A | 107552GT | HARNESS,GAUGE OPT.,S60 DEUTZ....1 <i>Deutz models</i> | |
| 5 | 121848GT | ASSY,LS,LOAD SENSE,38.5 IN.....1 | | 18B | T108415GT | HARNESS,ENGINE GAUGE.....1 <i>Perkins models</i> | |
| 6B | 139738GT | HARNESS, 18/22, CABLE NJ.....1 <i>S-60 (green/brown)</i> | | 19A | 139732GT | HARNESS, AC POWER TO PLAT NJ.....1 S-60 | |
| -- | 119063GT | CONN PLUG 12 WAY ENDCAP DT GR | | 19B | 139731GT | HARNESS, AC POWER TO PLAT JIB.....1 S-65 | |
| -- | 119064GT | CONN PLUG 12 WAY ENDCAP DT BR | | 20 | T108321GT | HARN,LS SAFETY,PRI.DUAL CAP.....1 | |
| 7B | 823918GT | HARNESS,18/22,CABLE2 NJ.....1 S-60 | | 21 | 147654GT | HARN,LS CABLE,S60 DUAL CAP.....1 <i>S-60X and S-60 TraX</i> | |
| -- | 119061GT | CONN PLUG 12 WAY ENDCAP DT GY | | 22A | 139741GT | HARNESS, LOAD SENSE, GBOX.....1 | |
| -- | 119062GT | CONN PLUG 12 WAY ENDCAP DT BK | | -- | 119061GT | CONN PLUG 12 WAY ENDCAP DT GY | |
| 8B | 139734GT | HARNESS, 12/3 12V TO PLAT NJ.....1 S-60 | | -- | 60432GT | CONN,PLUG 8 WAY,14-18GA | |
| 9A | 1261294GT | HARNESS ASSY,GBOX.....1 <i>models with Deutz D2011L03i, Deutz TD2011I04i and Perkins 404D-22</i> | | 22B | 147255GT | HARNESS, JUMPER, LOAD SENSE....1 | |
| 9B | 1255456GT | HARNESS,GBOX,T4,S60/65.....1 <i>models with Deutz D2.9L4</i> | | 23 | 1255457GT | HARN,GBOX & RELAY WIRES,DIESEL.....1 <i>models with Deutz D2011L03i, Deutz TD2011I04i and Perkins 404D-22, from SN S6015A-29307</i> | |
| 10 | 128005GT | HARNESS,BEACON OPTION.....1 | | 24 | T108886GT | HARN,PBOX,DUAL CAP.....1 | |
| 11 | 147650GT | HARN,FUNCT MANIFOLD,S60/65.....1 | | -- | 147621GT | CONN,MOLEX 10 WAY | |
| -- | 73751GT | CONN,PLUG 40 WAY,DRC SERIES | | 25 | 1261295GT | HARNESS ASSY,PCON,JIB | |
| 12 | 139832GT | HARNESS, LS, OP, PRI ANGLE.....1 | | 26 | 1261296GT | HARNESS ASSY,PCON,LOAD SENSE | |
| 13 | 139835GT | HARNESS, LS, OP, PRI, VELOCITY.....1 | | -- | 121847GT | RELAY,TIME DELAY,2 SEC,30A | |
| | | | | 27A | 88801GT | BATTERY CABLE,POSITIVE,RED.....1 <i>models with Deutz D2011L03i, Deutz TD2011I04i and Perkins 404D-22</i> | |

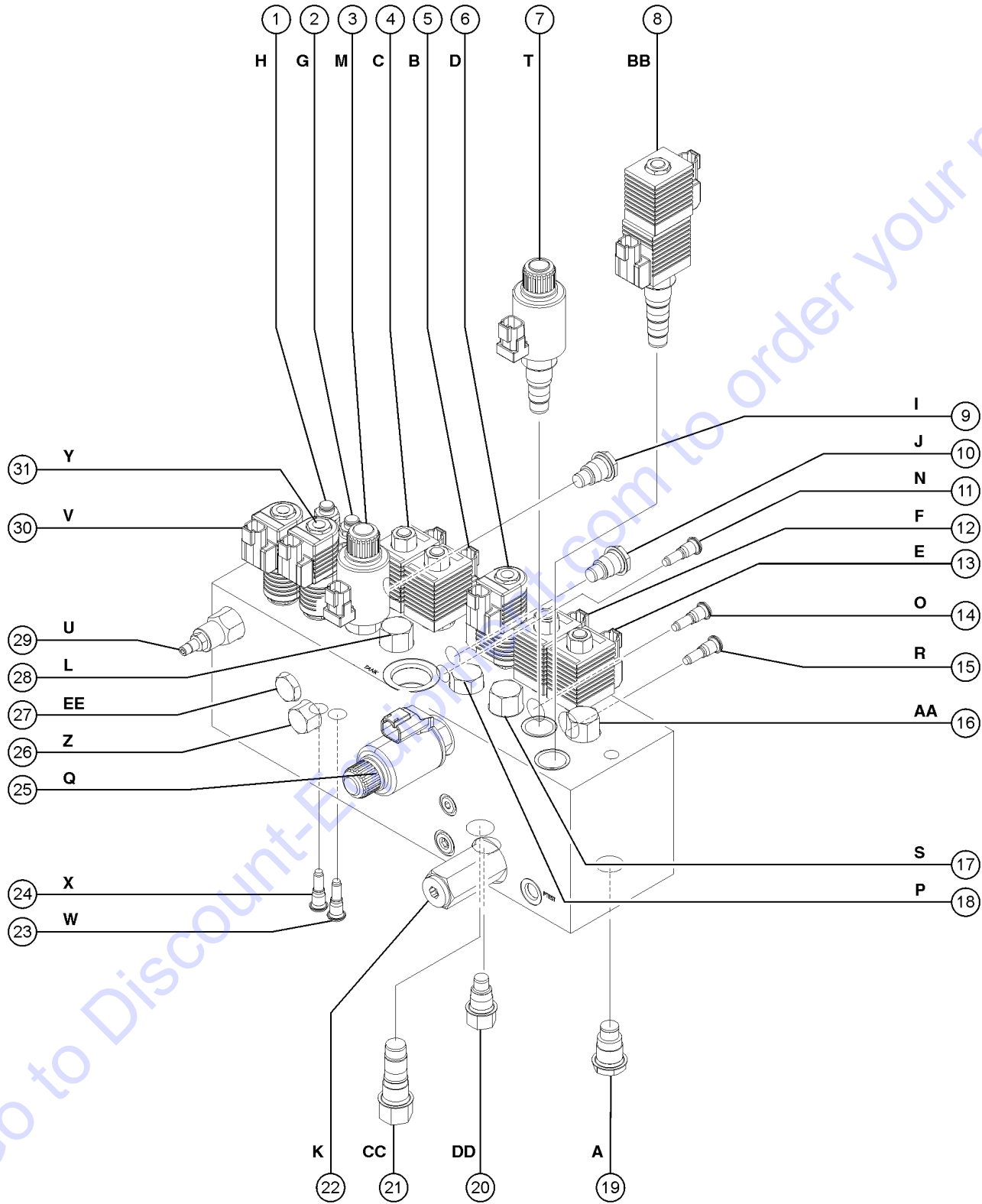
310.1 Wire Harness Diagram (continued)

| Item | Part No. | Description | Qty. |
|------|-----------|---|------|
| 27B | 824849GT | BATTERY CABLE,POSITIVE,RED,T4 <i>models with Deutz D2.9L4</i> | |
| 28 | 88802GT | BATTERY CABLE,NEGATIVE,BLACK.....1 | |
| 29 | T106600GT | HARN,ANGLE,SNSR.CONN. CABLE.....1 | |
| 30 | T108322GT | HARN, LS OP PRI.DUAL CAP.....1 | |
| 31 | T106741GT | HARN,LS,SAFETY,PRI,VELOCITY.....1 | |
| 32 | 94980GT | SENSOR,DUAL OUTPUT,ANGLE***.....1 | |
| 33 | T107130GT | HARNESS,GBOX,DUAL CAP RELAY.....1 <i>models with Deutz D2011L03i, Deutz TD2011104i, Deutz D2.9L4 and Perkins 404D-22</i> | |
| 34 | T108416GT | HARNESS,DRIVE/LIFT INTERLOCK.....1 | |
| 35 | T114627GT | HARNESS,12V WORK LIGHTS.....1 | |
| 36A | T114625GT | CABLE,S60 12VDC WORK LIGHT.....1 <i>S-60</i> | |
| 36B | T114626GT | CABLE,S65 12VDC WORK LIGHT.....1 <i>S-65</i> | |
| 37 | 147396GT | HARNESS,GENERATOR POWER.....1 | |
| -- | 1262793GT | ASSY, GROUNDING CABLE, 58.25IN | |
| 38 | T106741GT | HARN,LS,SAFETY,PRI,VELOCITY.....1 | |
| 39 | T114624GT | HARN,12V WORK LIGHT RELAY.....1 | |
| 40 | T112792GT | HARNESS,PBOX HI-CAP OPTION.....1 <i>models with high capacity</i> | |
| 41 | 1261297GT | HARNESS ASSY,PCON,TILT LED.....1 | |
| 42 | 1261293GT | HARNESS ASSY,PCON,DRIVE PRY.....1 | |
| 43 | 1261298GT | HARNESS ASSY,GCON,PLAT PRY | |
| 44 | 1260218GT | HARNESS,TILT ALARM,12V.....1 <i>CSA only</i> | |
| -- | 1264947GT | KIT, LEVEL SENSOR, 6 PIN CONN.....1 <i>for ANSI/CSA models with 6-pin wire harness connector, includes instructions</i> | |
| 45 | 1261844GT | HARNESS, TILT, 12V, CSA PROD.....1 <i>ANSI/CSA only</i> | |
| 46A | 1255555GT | HARN,PBOX,OPA,HW,12V.....1 | |
| 46B | 1255030GT | PLUG,BLANKING.....1 | |

This Page Intentionally Left Blank

Go to Discount-Equipment.com to order your parts

401.1 Function Manifold



401.1 Function Manifold

| Item | Part No. | Description | Qty. | Item | Part No. | Description | Qty. |
|------|----------|---|------|------|----------|---|------|
| -- | 161141GT | MANIFOLD,FUNCTION | | -- | 74902GT | SEAL KIT | |
| -- | 94499GT | ACCUMULATOR,10CC,1000PSI,#6SAE (not shown) | | 11 | 27807GT | VALVE,CHECK***.....1 Differential sensing circuit, boom extend/retract | |
| 1 | 62256GT | VALVE,CB 3:1 3500 PSI.....1 Platform level down | | -- | 110200GT | SEAL KIT, VALVE, #4 | |
| -- | 110202GT | SEAL KIT, VALVE, #10 | | 12 | 89309GT | VALVE - SOLENOID 2POSITION 3WA...1 Boom down | |
| 2 | 62256GT | VALVE,CB 3:1 3500 PSI.....1 Platform level up | | -- | 45912GT | NUT,SOLENOID VALVE 2P3W | |
| -- | 110202GT | SEAL KIT, VALVE, #10 | | -- | 62275GT | COIL,10V | |
| 3 | 107753GT | VALVE,PROPORTIONAL.....1 Boom extend/retract | | -- | 89310GT | SEAL KIT, SOLENOID VALVE | |
| -- | 89310GT | SEAL KIT, SOLENOID VALVE | | 13 | 89309GT | VALVE - SOLENOID 2POSITION 3WA...1 Boom up/down circuit | |
| -- | 58303GT | COIL,VALVE,PROPORTIONAL*** | | -- | 45912GT | NUT,SOLENOID VALVE 2P3W | |
| -- | 45921GT | RETAINER-N.C.PROPOR.SOLENOID | | -- | 62275GT | COIL,10V | |
| 4 | 89309GT | VALVE - SOLENOID 2POSITION 3WA...1 Boom retract | | -- | 89310GT | SEAL KIT, SOLENOID VALVE | |
| -- | 45912GT | NUT,SOLENOID VALVE 2P3W | | 14 | 27807GT | VALVE,CHECK***.....1 Differential sensing circuit, turntable rotate | |
| -- | 62275GT | COIL,10V | | -- | 110200GT | SEAL KIT, VALVE, #4 | |
| -- | 89310GT | SEAL KIT, SOLENOID VALVE | | 15 | 27807GT | VALVE,CHECK***.....1 Differential sensing circuit, boom up/down | |
| 5 | 89309GT | VALVE - SOLENOID 2POSITION 3WA...1 Boom extend | | -- | 110200GT | SEAL KIT, VALVE, #4 | |
| -- | 45912GT | NUT,SOLENOID VALVE 2P3W | | 16 | 111705GT | VALVE,FLOW REGULATOR 3.5 GPM**.....1 Steer left/right circuit | |
| -- | 62275GT | COIL,10V | | -- | 110202GT | SEAL KIT, VALVE, #10 | |
| -- | 89310GT | SEAL KIT, SOLENOID VALVE | | 17 | 94599GT | VALVE,DIFFERENTIAL SENSING,110...1 Boom up/down circuit | |
| 6 | 89307GT | VALVE,SOLENOID 3POS 4WAY*1 Turntable rotate | | -- | 110197GT | SEAL KIT, VALVE, #10 | |
| -- | 52943GT | NUT,SOLENOID VALVE COIL | | 18 | 27802GT | VALVE,DIFFERENTIAL SENSING***1 Turntable rotate circuit | |
| -- | 62273GT | COIL,GREEN W/ 2 PIN CONNECTOR* | | -- | 110197GT | SEAL KIT, VALVE, #10 | |
| -- | 72047GT | SEAL KIT, SOLENOID VALVE | | 19 | 27836GT | VALVE,CHECK,5 PSI.....1 Blocks flow from auxiliary pump to function pump | |
| -- | 89311GT | SPACER, DUAL COIL SIZE #8 | | -- | 110194GT | SEAL KIT, VALVE, #10 | |
| 7 | 107753GT | VALVE,PROPORTIONAL Boom up/down circuit | | 20 | 32975GT | VALVE,FLOW REGULATOR 0.1 GPM.....1 Bleeds off differential sensing valves to tank | |
| -- | 89310GT | SEAL KIT, SOLENOID VALVE | | -- | 74902GT | SEAL KIT | |
| -- | 58303GT | COIL,VALVE,PROPORTIONAL*** | | 21 | 27804GT | VALVE,DIFFERENTIAL SENSING***1 Differential sensing circuit, meters flow to functions | |
| -- | 45921GT | RETAINER-N.C.PROPOR.SOLENOID | | -- | 110201GT | SEAL KIT, VALVE, #10 | |
| 8 | 62260GT | VALVE,SOLENOID 3 POS,4WAY***1 Steer left/right | | 22 | 45489GT | VALVE,RELIEF 3000 PSI***1 System relief | |
| -- | 110196GT | SEAL KIT, VALVE, #10 | | -- | 110194GT | SEAL KIT, VALVE, #10 | |
| -- | 52943GT | NUT,SOLENOID VALVE COIL | | 23 | 27807GT | VALVE,CHECK***.....1 Differential sensing circuit, platform level up | |
| -- | 89861GT | COIL, 10V DC (D10, 20 WATT) | | -- | 110200GT | SEAL KIT, VALVE, #4 | |
| 9 | 62257GT | VALVE,CHECK, 30 PSI.....1 Differential sensing circuit, platform rotate left and jib boom up (S-65, S-65 Trax) | | | | | |
| -- | 74902GT | SEAL KIT | | | | | |
| 10 | 62257GT | VALVE,CHECK, 30 PSI.....1 Differential sensing circuit, platform rotate right and jib boom down (S-65, S-65 Trax) | | | | | |

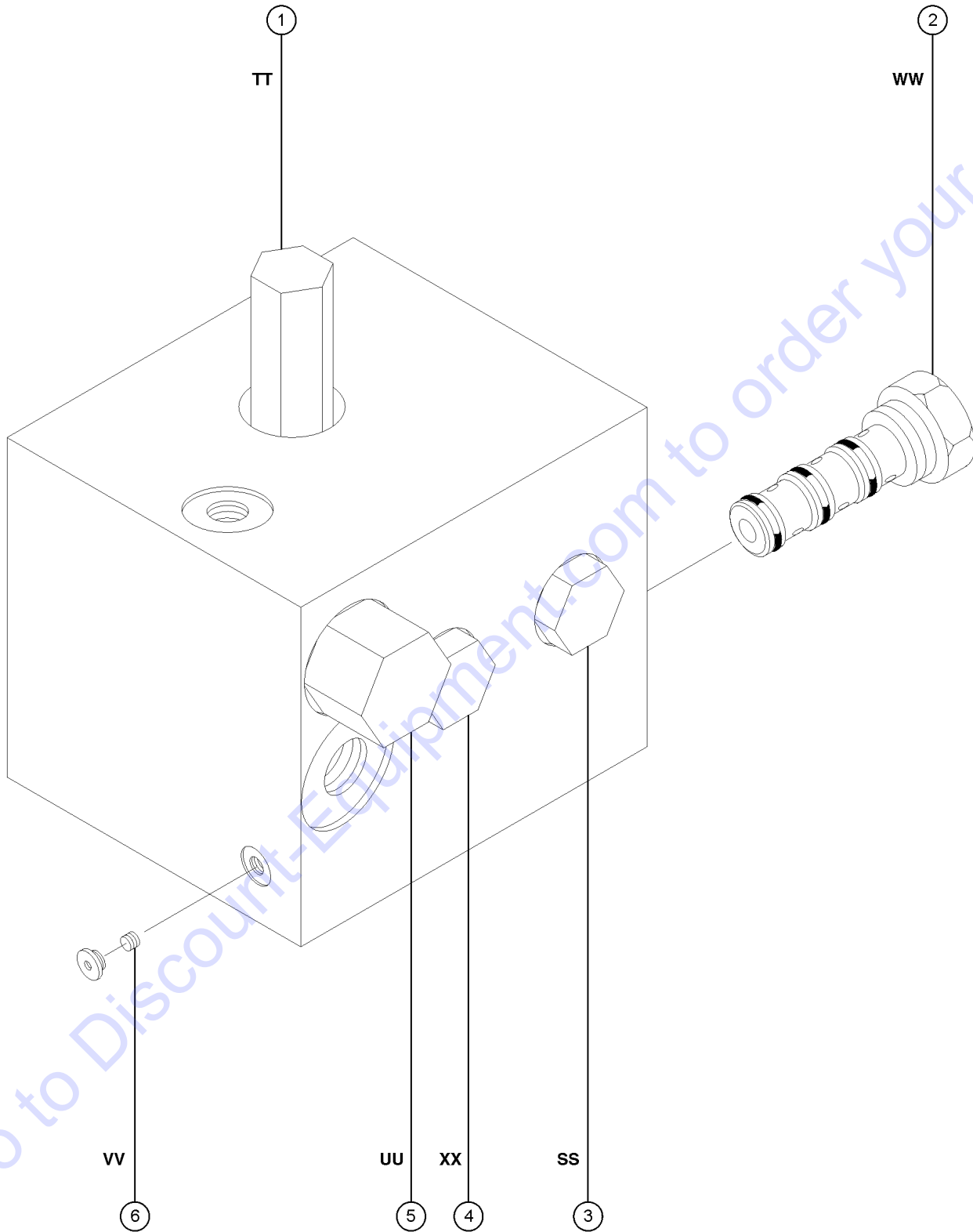
401.1 Function Manifold
(continued)

| Item | Part No. | Description | Qty. |
|------|----------|--|------|
| 24 | 27807GT | VALVE,CHECK***1 <i>Differential sensing circuit, platform level down</i> | |
| -- | 110200GT | SEAL KIT, VALVE, #4 | |
| 25 | 102528GT | VALVE,PROPORTIONAL.....1 <i>Turntable rotate left/right</i> | |
| -- | 89737GT | COIL,PROPORTIONAL VALVE*** | |
| -- | 89738GT | NUT, PROPORTIONAL VALVE | |
| -- | 89312GT | SEAL KIT, SOLENOID VALVE | |
| 26 | 31100GT | VALVE,FLOW REGULATOR 0.6GPM....1 <i>Platform rotate and jib boom (S-65, S-65 TraX)</i> | |
| -- | 74902GT | SEAL KIT | |
| 27 | 62257GT | VALVE,CHECK, 30 PSI.....1 <i>Platform rotate and jib boom circuit (S-65, S-65 TraX) (prevents hydraulic hoses from draining back to tank)</i> | |
| -- | 74902GT | SEAL KIT | |
| 28 | 94599GT | VALVE,DIFFERENTIAL SENSING,110...1 <i>Boom extend/retract circuit</i> | |
| -- | 110197GT | SEAL KIT, VALVE, #10 | |
| 29 | 62258GT | VALVE,NEEDLE***1 <i>Platform level circuit</i> | |
| -- | 110194GT | SEAL KIT, VALVE, #10 | |
| 30 | 89307GT | VALVE,SOLENOID 3POS 4WAY*1 <i>Platform level up/down</i> | |
| -- | 52943GT | NUT,SOLENOID VALVE COIL | |
| -- | 62273GT | COIL,GREEN W/ 2 PIN CONNECTOR* | |
| -- | 72047GT | SEAL KIT, SOLENOID VALVE | |
| -- | 89311GT | SPACER, DUAL COIL SIZE #8 | |
| 31 | 89307GT | VALVE,SOLENOID 3POS 4WAY*1 <i>Platform rotate and jib boom up/down (S-65, S-65 TraX)</i> | |
| -- | 52943GT | NUT,SOLENOID VALVE COIL | |
| -- | 62273GT | COIL,GREEN W/ 2 PIN CONNECTOR* | |
| -- | 72047GT | SEAL KIT, SOLENOID VALVE | |
| -- | 89311GT | SPACER, DUAL COIL SIZE #8 | |

This Page Intentionally Left Blank

Go to Discount-Equipment.com to order your parts

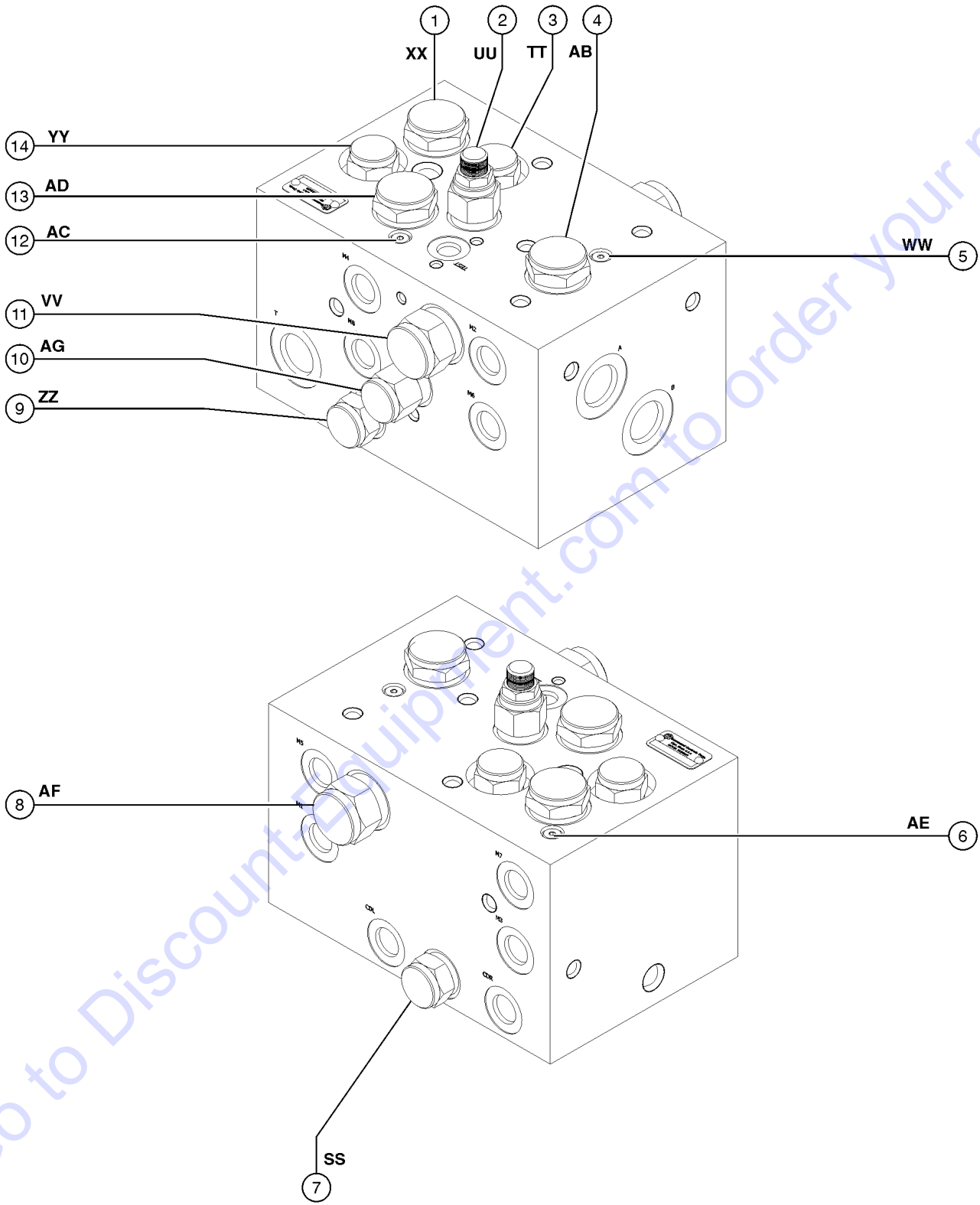
402.1 Traction Manifold, 2WD



402.1 Traction Manifold, 2WD

| Item | Part No. | Description | Qty. |
|------|----------|--|------|
| -- | 88783GT | MANIFOLD, TRACTION, 2WD | |
| 1 | 94758GT | VALVE, RELIEF, 280 PSI.....1 <i>Charge Pressure circuit</i> | |
| -- | 110194GT | SEAL KIT, VALVE, #10 | |
| 2 | 52726GT | VALVE, FLOW DIVIDER/COMBINER.....1 <i>Controls flow to drive motors in forward and reverse</i> | |
| -- | 84135GT | SEAL KIT, VALVE | |
| 3 | 27836GT | VALVE, CHECK, 5 PSI.....1 <i>Drive circuit</i> | |
| -- | 110194GT | SEAL KIT, VALVE, #10 | |
| 4 | 27836GT | VALVE, CHECK, 5 PSI.....1 <i>Drive circuit</i> | |
| -- | 110194GT | SEAL KIT, VALVE, #10 | |
| 5 | 27761GT | VALVE, SHUTTLE.....1 <i>Charge Pressure circuit that directs hot oil out of low pressure side of drive pump</i> | |
| -- | 84134GT | SEAL KIT, VALVE | |
| 6 | 101440GT | ORIFICE PLUG, 0.070".....1 <i>Drive motor circuit</i> | |

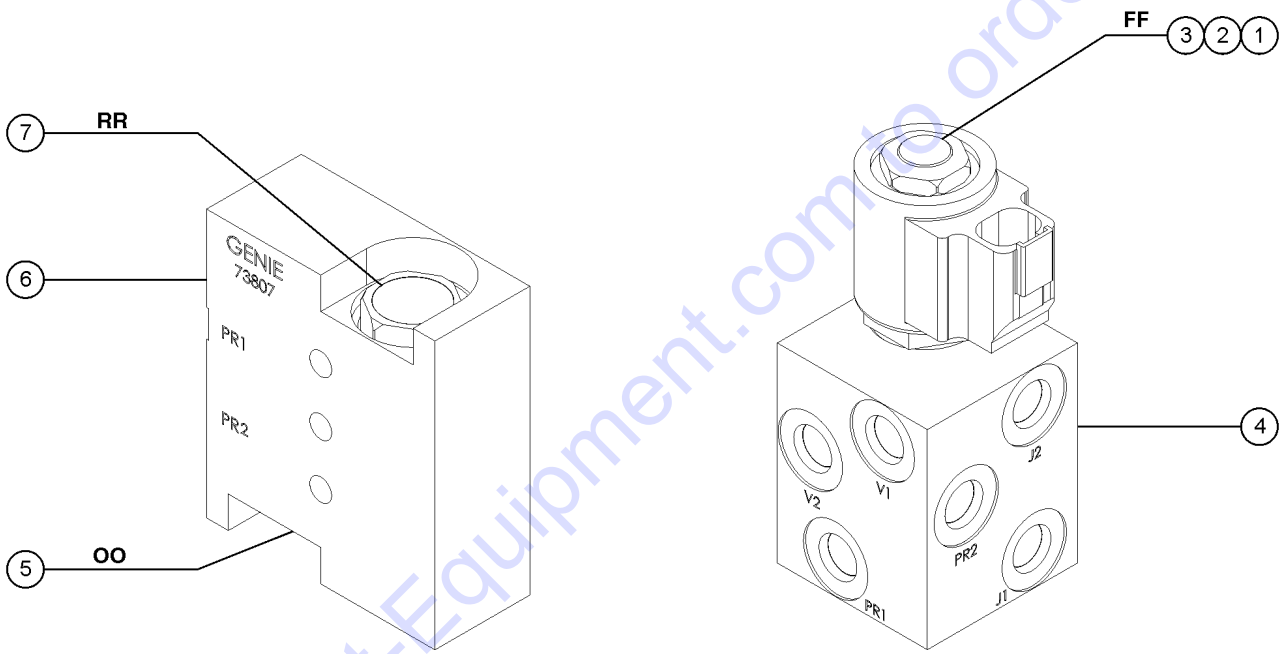
403.1 Traction Manifold, 4WD



403.1 Traction Manifold, 4WD

| Item | Part No. | Description | Qty. |
|------|-----------|--|------|
| -- | 139712GT | MANIFOLD,TRACTION,4WD*** | |
| 1 | 139717GT | VALVE, FLOW DIVIDE/COMB,24GPM...1 <i>(controls flow to non-steer end drive motors in forward and reverse)</i> | |
| -- | 139512GT | SEAL KIT, VALVE | |
| 2 | 139718GT | VALVE, RELIEF, 280PSI.....1 <i>(charge pressure circuit)</i> | |
| -- | 139528GT | SEAL KIT, VALVE | |
| 3 | 139527GT | VALVE, CHECK, 5PSI.....1 <i>(steer end drive motor circuit)</i> | |
| 4 | 139508GT | VALVE, FLOW DIVIDE/COMBINE 1:1.....1 <i>(controls flow to flow divider/combiner valves 1 and 13)</i> | |
| 5 | 139719GT | ORIFICE, 0.040".....1 <i>(equalizes pressure on both sides of flow divider/combiner valve)</i> | |
| -- | 1287434GT | PLUG,SAE #03 (139712) | |
| 6 | 139719GT | ORIFICE, 0.040".....1 <i>(equalizes pressure on both sides of flow divider/combiner valve)</i> | |
| -- | 1287434GT | PLUG,SAE #03 (139712) | |
| 7 | 139527GT | VALVE, CHECK, 5PSI.....1 <i>(non-steer end drive motor circuit)</i> | |
| 8 | 139716GT | VALVE, CHECK.....1 <i>(non-steer end drive motor circuit)</i> | |
| -- | 139727GT | SEAL KIT, VALVE | |
| 9 | 139527GT | VALVE, CHECK, 5PSI.....1 <i>(steer end drive motor circuit)</i> | |
| 10 | 139715GT | VALVE, SHUTTLE, FIXED.....1 <i>(steer end drive motor circuit)</i> | |
| -- | 139512GT | SEAL KIT, VALVE | |
| 11 | 139716GT | VALVE, CHECK.....1 <i>(charge pressure circuit that directs hot oil out of low pressure side of drive pump)</i> | |
| 12 | 139719GT | ORIFICE, 0.040".....1 <i>(equalizes pressure on both sides of flow divider/combiner valve)</i> | |
| -- | 1287434GT | PLUG,SAE #03 (139712) | |
| 13 | 139717GT | VALVE, FLOW DIVIDE/COMB,24GPM...1 <i>(controls flow to steer end drive motors in forward and reverse)</i> | |
| -- | 139512GT | SEAL KIT, VALVE | |
| 14 | 139527GT | VALVE, CHECK, 5PSI.....1 <i>(non-steer end drive motor circuit)</i> | |

404.1 Platform Rotate and Jib Rotate Manifold



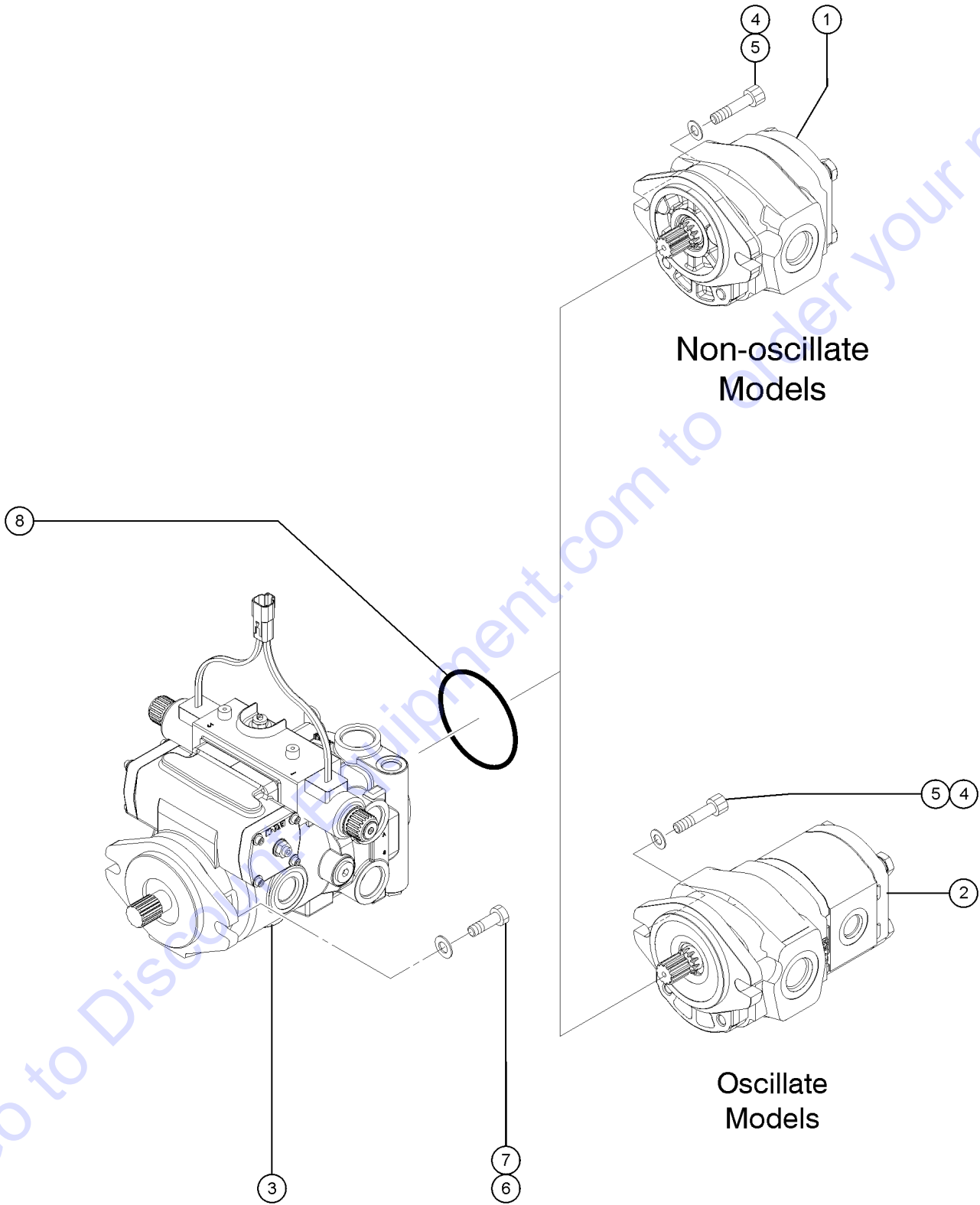
Platform Rotate Manifold

Jib Select Manifold

404.1 Platform Rotate and Jib Rotate Manifold

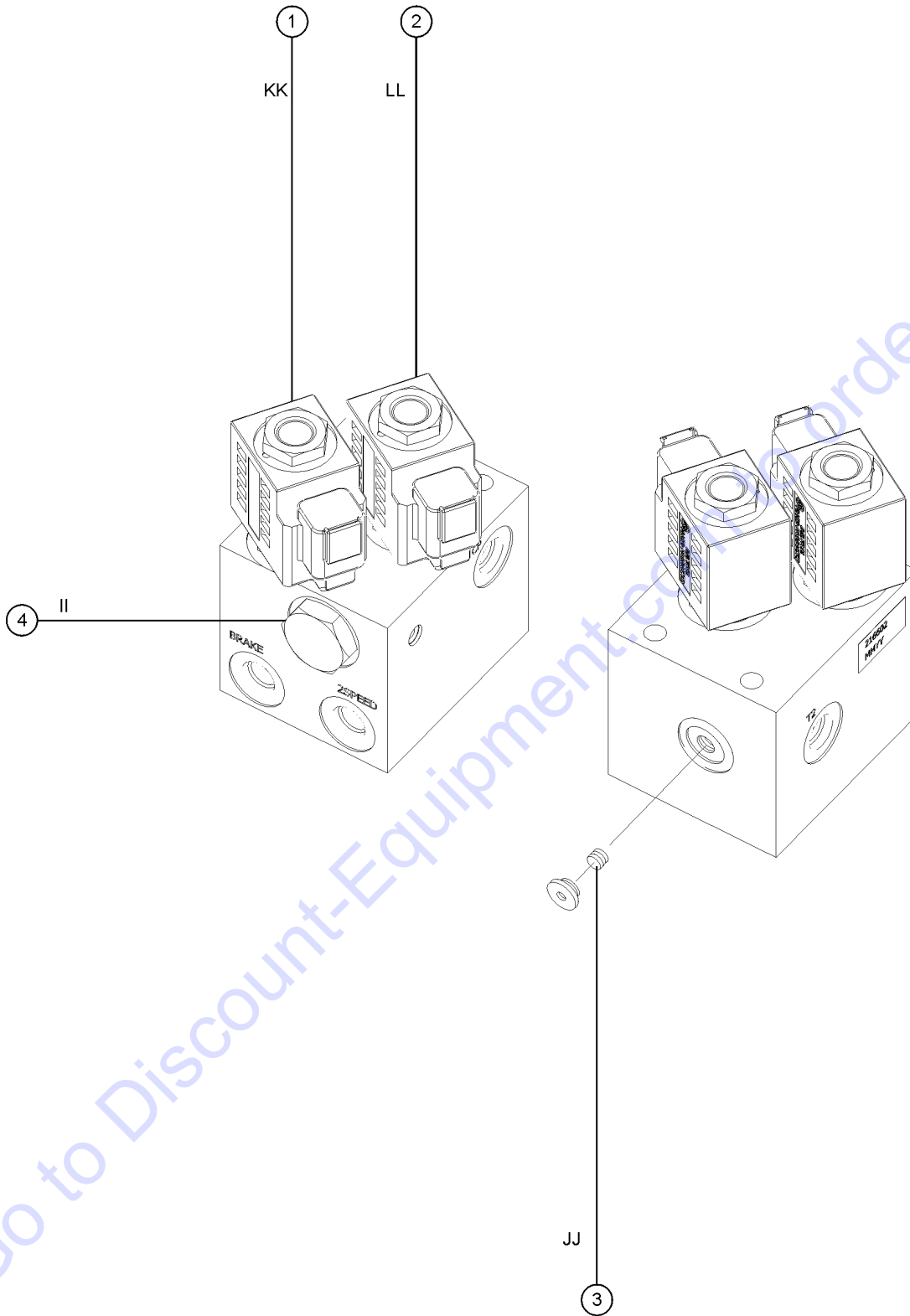
| Item | Part No. | Description | Qty. |
|------|-----------|--|------|
| 1 | 44174GT | NUT-COIL SHORT..... | 1 |
| 2 | 52897GT | VALVE,SOLENOID, 2POS/3WAY***..... | 1 |
| -- | 52371GT | SEAL KIT, VALVE..... | 1 |
| 3 | 104759GT | COIL,12VDC #8 DTSCH IP69 ECOIL..... | 1 |
| 4A | 1256670GT | MANIFOLD,JIB SELECT W/QD PLUG.... <i>includes items 1-3</i> | 1 |
| 4B | | MANIFOLD,JIB SELECT W/QD PLUG* (88786)..... <i>replaced by 1256670</i> | 1 |
| -- | 89862GT | VALVE-SOLENOID,2POS 3WAY,JIB** <i>Platform rotate/Jib boom select</i> | 1 |
| -- | 89864GT | SEAL KIT,SOLENOID VALVE, SV07 | |
| 5 | 62506GT | VALVE - COUNTERBALANCE**..... <i>Platform rotate left</i> | 1 |
| -- | 43018GT | SEAL KIT (39345) | |
| 6 | 73807GT | MANIFOLD,ROTATOR,CB***..... | 1 |
| -- | 62507GT | O-RING, ROTATOR MANIFOLD | |
| 7 | 62506GT | VALVE - COUNTERBALANCE**..... <i>Platform rotate right</i> | 1 |
| -- | 43018GT | SEAL KIT (39345) | |

405.1 Pumps



| Item | Part No. | Description | Qty. |
|------|-----------|--|------|
| 1 | 139799GT | PUMP,LIFT,1 SECTION.....1 <i>non-oscillate models</i> | 1 |
| -- | 147550GT | KIT, SEAL, PUMP, 1 SECTION <i>oscillate models</i> | |
| 2 | 139801GT | PUMP,LIFT,2 SECTION***.....1 | 1 |
| -- | 147549GT | KIT, SEAL, PUMP, 2 SECTION | |
| 3 | 77788GT | PUMP,PISTON,49CC***.....1 | 1 |
| -- | 43683GT | O-RING,2-042 N674-70*** | |
| -- | 58431GT | SEAL KIT,PUMP SHAFT (EATON)*** <i>check pump date code, if after 031505, must also order 107813 qty 1</i> | |
| -- | 82431GT | HOSE ASM-JCAF310-06-41 | |
| -- | 1285505GT | KIT,SOLENOID CONTROL SERVICE | |
| -- | 1285506GT | SEAL RING,SOLENOID CONTROL <i>(for 1285505GT)</i> | |
| -- | 101294GT | KIT,CHARGE PUMP | |
| -- | 106835GT | CONTROLLER W/O COILS (77788) <i>(first time replacement requires 1285505GT)</i> | |
| -- | 106836GT | O-RING,STEM,EATON | |
| -- | 106837GT | NUT,STEM,EATON*** | |
| -- | 107813GT | SPACER,EATON PUMP SHAFT SEAL** <i>check pump date code, for pumps after 031505</i> | |
| -- | 107814GT | SEAL,SHAFT,EATON PUMP*** | |
| -- | 107815GT | SNAP RING,PUMP SHAFT SEAL*** | |
| -- | 107842GT | KIT,PUMP SHAFT SEAL W/INST*** <i>includes PNs 107813, 107814, 107815</i> | |
| -- | 128423GT | KIT,CHARGE PUMP HOUSING | |
| 4 | 33988GT | SCREW,SHC,3/8-16 X 1 | |
| 5 | 5397GT | WASHER,FLAT,USS,5/16",Y | |
| 6 | 8177GT | SCREW,HHC,1/2-13 X 1.5 | |
| 7 | 13066GT | WASHER,FLAT,.5 HARDENED | |
| 8 | 43683GT | O-RING,2-042 N674-70***.....1 | 1 |

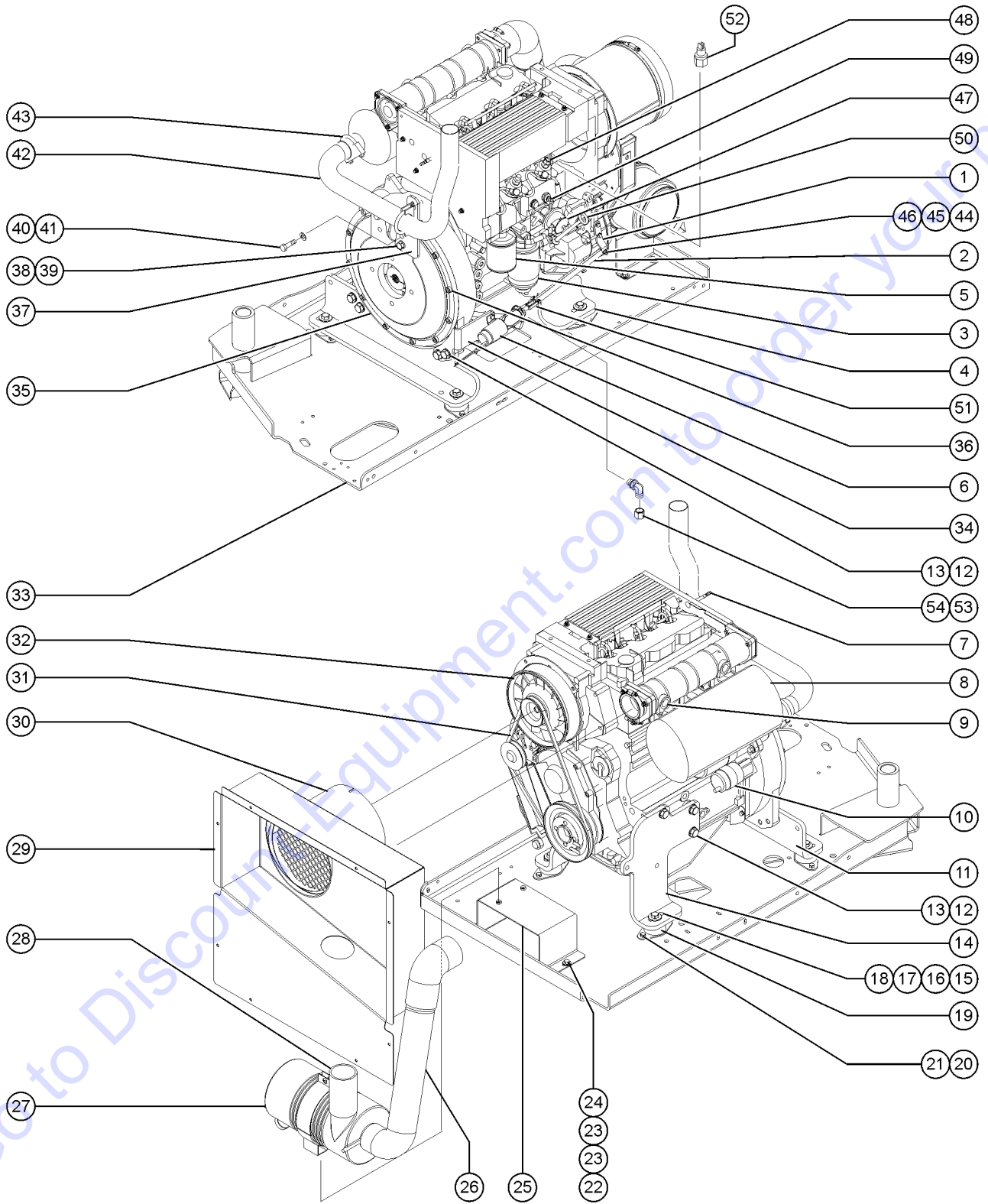
406.1 Brake and 2 Speed Manifold



406.1 Brake and 2 Speed Manifold

| Item | Part No. | Description | Qty. |
|------|----------|---|------|
| -- | 216602GT | MANIFOLD,BRAKE,2-SPEED..... | 1 |
| 1 | 219243GT | COIL, SOLENOID VALVE, 10V..... <i>Brake Release</i> | 1 |
| -- | 161144GT | SEAL KIT,SOLENOID VALVE 219247 | |
| -- | 94759GT | NUT,SOLENOID | |
| -- | 219247GT | VALVE, SOLENOID | |
| 2 | 219243GT | COIL, SOLENOID VALVE, 10V..... <i>Two Speed Motor Shift</i> | 1 |
| -- | 161144GT | SEAL KIT,SOLENOID VALVE 219247 | |
| -- | 94759GT | NUT,SOLENOID | |
| -- | 219247GT | VALVE, SOLENOID | |
| 3 | 219245GT | ORIFICE PLUG .025 DIA..... <i>Turntable Rotation Brake Release</i> | 1 |
| 4 | 35726GT | VALVE,HYDRAULIC CHECK..... <i>Brake Release Circuit</i> | 1 |
| -- | 161145GT | SEAL KIT,CHECK VALVE 219246 | |

501.1 Deutz D2011L03i



501.1 Deutz D2011L03i

| Item | Part No. | Description | Qty. | Item | Part No. | Description | Qty. |
|------|-----------|--|------|------|-------------|---|-------------------------|
| -- | | <i>For internal engine parts, contact engine dealer</i> | | 14 | 70461PGT | FORMING,ENGINE MOUNT,FL PAINT*..... | 1 |
| -- | 139622GT | HEAT SHIELD,DEUTZ STARTER | | 15 | 10598GT | SCREW,HHC,1/2-13 X 3 | |
| -- | T114678GT | SHUTDOWN SOLENOID,12V,DEUTZ....1 <i>(must order cable assembly, 58256, if replacing 32752) (include o-ring)</i> | | 16 | 6095GT | WASHER,FLAT,USS,1/2",Y | |
| -- | 58256GT | SOLENOID CABLE ASSY*** | | 17 | 24040GT | WASHER, 1/2 PLATE (1/2 X 2.25 X 3/16) | |
| -- | 72255GT | CONNECTOR, DEUTZ FUEL SHUTOFF* <i>(does not include diode, 45782)</i> | | 18 | 6198GT | NUT,NYLOCK,1/2-13 | |
| -- | 45782GT | DIODE,6 AMP,200 PIV,BULK | | 19 | 70452GT | ISOLATOR,ENGINE VIBRATION***..... | 4 |
| 1 | 50787-SGT | LEVER, GOVERNOR ACTUATOR..... | 1 | 20 | 6175GT | SCREW,HHC,3/8-16 X 1 | |
| 2 | 94485GT | THROTTLE LINKAGE,DIESEL***..... | 1 | 21 | 6097GT | WASHER,FLAT,USS,3/8",Y | |
| 3 | 29560GT | FILTER,FUEL/WTR SEP, DTZ 1008.....1 <i>Genie Genuine Part. See PN 1254826 for compatible aftermarket replacement.</i> | | 22 | 13002GT | SCREW,HHC,5/16-18 X 1 GR5 | |
| -- | 58566GT | FILTER HEAD (29560) | | 23 | 5397GT | WASHER,FLAT,USS,5/16",Y | |
| -- | 1254826GT | FUEL FILTER W/SEP,DEUTZ,1008.....1 <i>Genie Aftermarket Part. Filter for Deutz F3L 1011F Engine.</i> | | 24 | 6782GT | NUT,NYLOCK,5/16-18 | |
| 4 | 70460PGT | FORMING,ENGINE MOUNT,FR PAINT*..... | 1 | 25 | 70351PGT | FORMING,AIR CLEANER MOUNT PNTD..... | 1 |
| 5 | 49924GT | FILTER,OIL,DEUTZ F4L1011F.....1 <i>Genie Genuine Part. See PN 1255653 for compatible aftermarket replacement.</i> | | 26 | 70375GT | HOSE,AIR CLEANER..... | 1 |
| -- | 1255653GT | FILTER,OIL,DEUTZ,REPLACEMENT.....1 <i>Genie Aftermarket Part. Compatible with Genie Genuine Part 49924.</i> | | 27 | 63463GT | AIR CLEANER,NELSON***..... | 1 |
| 6 | 77402GT | SOLENOID,THROTTLE ACTUATOR DSL..... | 1 | -- | 62420GT | FILTER,AIR*** | |
| 7 | 147525GT | FITTING,BARBED,STRT,FUEL LINE.....1 | | -- | 53952GT | BRKT,AIR CLEANER ORIENTATION** | |
| -- | 147526GT | FITTING,BARBED,TEE,FUEL LINE <i>(not shown)</i> | | -- | 52866GT | EVACUATOR VALVE-AIR CLEANER | |
| -- | 30490GT | HOSE,1/4 FUEL LINE,SAE 30R7..... | 127 | 28 | 101006GT | TUBE,AIR CLEANER INLET..... | 1 |
| 8A | 32695GT | MUFFLER,DEUTZ..... | 1 | -- | 30971GT | CLAMP,HOSE,3.00"..... | 2 |
| 8B | 119117GT | MUFFLER,CAT/SPARK,DEUTZ <i>(Option - spark arresst)</i> | | 29 | 70494PGT | FORMING,DEUTZ AIR INTAKE BAF P...1 | |
| 8C | 29559GT | GASKET,EXHAUST.....3 <i>for 119117, 3 required</i> | | 30 | 101140P-SGT | AIR INTAKE TUBE ASSY..... | 1 |
| 9 | 31408GT | GLOW PLUG,L1011..... | 1 | -- | 33239GT | SHEET,RUBBER,AIR INTAKE | |
| 10 | 139709GT | STARTER, 12V.....1 <i>with solenoid</i> | | -- | 31523GT | CLAMP,HOSE,8.50 DIA*** | |
| -- | 139621GT | KIT, HEAT GUARD, DEUTZ STARTER <i>(includes sheild 139622 and bolt 139623)</i> | | 31 | 32698GT | BELT,V, DEUTZ DIESEL ENGINE..... | 1 |
| -- | 139622GT | HEAT SHIELD,DEUTZ STARTER | | 32 | 35586GT | ALTERNATOR, DEUTZ F3L10/F4L10*.... | 1 |
| -- | 139623GT | BOLT, GUARD, DEUTZ STARTER | | 33 | | Ref: Engine Tray <i>refer to 310.1</i> | |
| 11 | 70459PGT | FORMING,REAR ENGINE MOUNT PNT*..... | 1 | -- | 35675GT | BEARING,FL,1.25IDX1.5ODX1.25L..... | 1 |
| 12 | 22558GT | SCREW,HHC,M14 X 40MM,GR 8.8 | | 34A | 101129PGT | BRACKET,SOLENOID MOUNT PAINT.... | 1 |
| 13 | 49411GT | WASHER,FLAT,M14 | | 34B | 77245PGT | BRACKET,SOLEN.MOUNT BRACE,PNTD..... | 1 <i>(not shown)</i> |
| | | | | 35 | 70381GT | COVER,FLYWHEEL CASTING..... | 1 |
| | | | | -- | 128023GT | KIT,FBA STYLE COUPLER,SAE8 | |
| | | | | 36 | 44064GT | SCREW,HHC,M10 X 30MM, | |
| | | | | 37 | 70472PGT | FORMING,SOLENOID MOUNT PAINT...1 | |
| | | | | 38 | 10597GT | SCREW,HHC,1/2-13 X 1.25 GR5 | |
| | | | | 39 | 6033GT | WASHER,LOCK,0.5" | |
| | | | | 40 | 85053GT | SCREW,HHC,M10 X 1.5 X70,GR 8.8.... | 2 |
| | | | | 41 | 22699GT | WASHER,FLAT,M10,ZINC PLTD. | |
| | | | | 42 | 822693GT | TAILPIPE, DEUTZ, TPEM & ROW..... | 1 |
| | | | | 43 | 70385GT | CLAMP,EXHAUST,2.00 PLATED..... | 2 |
| | | | | 44 | 6584GT | SCREW,SHS,10-24 X .625 | |

PARTS FINDER

**Search Website
by Part Number**



**Search Manual
Library For Parts
Manual & Lookup Part
Numbers – Purchase
or Request Quote**

Search Manuals

Enter your information to help us find the right parts manual for your equipment.

* Brand:

* Model:

* Serial:

* Part Number:

SEARCH

**Can't Find Part or
Manual? Request Help
by Manufacturer,
Model & Description**

Parts Order Form

Please fill in the following information to help us find the right parts for your equipment.

| | |
|---------------|----------------------|
| Manufacturer: | <input type="text"/> |
| Model: | <input type="text"/> |
| Description: | <input type="text"/> |
| Part Number: | <input type="text"/> |
| Quantity: | <input type="text"/> |
| Notes: | <input type="text"/> |

Discount-Equipment.com is your online resource for quality parts & equipment.

Florida: **561-964-4949** Outside Florida TOLL FREE: **877-690-3101**

Need parts?

Click on this link: <http://www.discount-equipment.com/category/5443-parts/> and choose one of the options to help get the right parts and equipment you are looking for. Please have the machine model and serial number available in order to help us get you the correct parts. If you don't find the part on the website or on one of the online manuals, please fill out the request form and one of our experienced staff members will get back to you with a quote for the right part that your machine needs.

We sell worldwide for the brands: Genie, Terex, JLG, MultiQuip, Mikasa, Essick, Whiteman, Mayco, Toro Stone, Diamond Products, Generac Magnum, Airman, Haulotte, Barreto, Power Blanket, Nifty Lift, Atlas Copco, Chicago Pneumatic, Allmand, Miller Curber, Skyjack, Lull, Skytrak, Tsurumi, Husquvarna Target, Stow, Wacker, Sakai, Mi-T-M, Sullair, Basic, Dynapac, MBW, Weber, Bartell, Bennar Newman, Haulotte, Ditch Runner, Menegotti, Morrison, Contec, Buddy, Crown, Edco, Wyco, Bomag, Laymor, EZ Trench, Bil-Jax, F.S. Curtis, Gehl Pavers, Heli, Honda, ICS/PowerGrit, IHI, Partner, Imer, Clipper, MMD, Koshin, Rice, CH&E, General Equipment, Amida, Coleman, NAC, Gradall, Square Shooter, Kent, Stanley, Tamco, Toku, Hatz, Kohler, Robin, Wisconsin, Northrock, Oztec, Toker TK, Rol-Air, APT, Wylie, Ingersoll Rand / Doosan, Innovatech, Con X, Ammann, Mecalac, Makinex, Smith Surface Prep, Small Line, Wanco, Yanmar

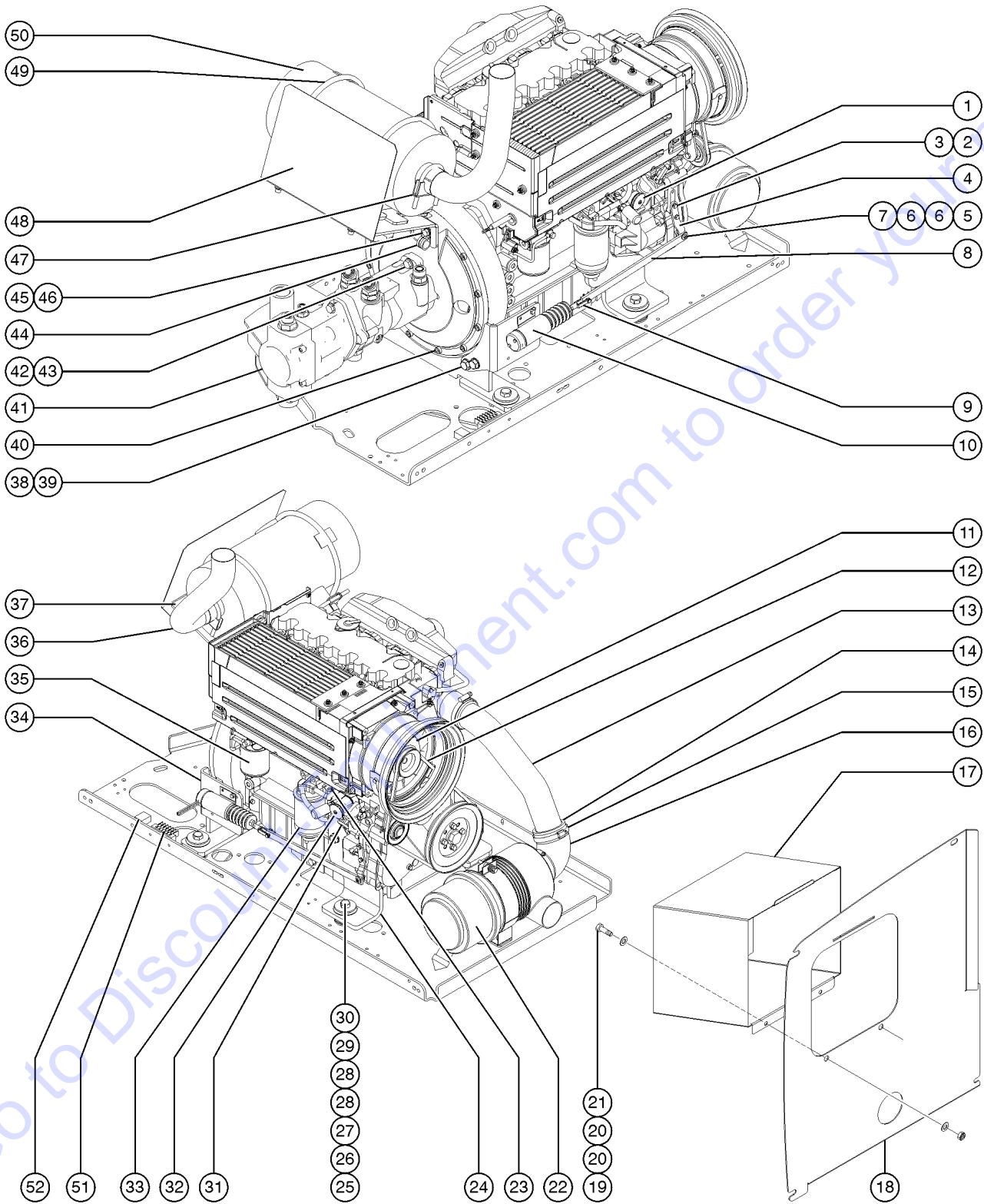
501.1 Deutz D2011L03i
(continued)

| Item | Part No. | Description | Qty. |
|------|-----------|--|------|
| 45 | 85054GT | WASHER,FLAT,M10 | |
| 46 | 25625GT | NUT,HEX,10-24 | |
| 47 | 111668GT | PUMP,FUEL 2011 DEUTZ ***.....1 | |
| -- | 27089GT | HOSE,5/16 FUEL,SAE 30R7.....116 | |
| -- | 119344GT | KIT,PRIMER BULB | |
| 48 | 89792GT | INJECTOR, FUEL(DEUTZ F3L2011F)....2 | |
| -- | 1288561GT | O-RING,FUEL INJECTOR,DEUTZ (89792) for 89792 | |
| 49 | 139666GT | KIT,OP SWITCH,DEUTZ <i>(oil pressure kit for models with ALC-500 control system. includes item 139624 and instructions)</i> | |
| -- | 139624GT | SWITCH, OIL PRESSURE 1.5 BAR.....1 | |
| 50 | 147243GT | DIPSTICK, OIL, D2011.....1 | |
| 51 | 21130GT | CLEVIS YOKE-1/4-28,PLTD W/PIN.....1 | |
| 52 | 111445GT | SENDING UNIT,OIL TEMP SWCH,DTZ.....1 | |
| 53 | 54428GT | FITTING,HYDRAULIC,90DEG,O-RING...1 | |
| 54 | 69775GT | CAP,520112-8.....1 | |

This Page Intentionally Left Blank

Go to Discount-Equipment.com to order your parts

502.1 Deutz TD2011L04i, View 1



502.1 Deutz TD2011L04i, View 1

| Item | Part No. | Description | Qty. | Item | Part No. | Description | Qty. |
|------|-----------|--|------|------|-----------|--|------|
| -- | | <i>For internal engine parts, contact engine dealer</i> | | -- | 62425GT | FILTER,AIR CLEANER,SUPERBOOM for 81467 | |
| -- | T114678GT | SHUTDOWN SOLENOID,12V, DEUTZ....1 <i>(includes o-ring)</i> | | -- | 81468GT | MOUNTING BAND,AIR CLEANER | |
| -- | 58256GT | SOLENOID CABLE ASSY*** | | 23 | 111445GT | SENDING UNIT,OIL TEMP SWCH,DTZ.....1 | |
| -- | 72255GT | CONNECTOR, DEUTZ FUEL SHUTOFF* <i>(does not include diode, 45782)</i> | | 24 | 70455GT | FORMING,ENGINE MOUNT | |
| -- | 45782GT | DIODE,6 AMP,200 PIV,BULK | | 25 | 13003GT | SCREW,HHC,5/8-11 X 3.5 GRD.8 | |
| 1 | 111668GT | PUMP,FUEL 2011 DEUTZ ***.....1 | | 26 | 33418GT | WASHER,FLAT,.625 X 2.25 X.15 | |
| -- | 27089GT | HOSE,5/16 FUEL,SAE 30R7 | | 27 | 102045GT | ISOLATOR,ENGINE VIBRATION | |
| -- | 111402GT | O-RING, FUEL LIFT PUMP | | 28 | 18596GT | WASHER,FLAT,1.56 X 2.5 X .061 | |
| -- | 30490GT | HOSE,1/4 FUEL LINE,SAE 30R7 | | 29 | 13064GT | WASHER,FLAT,.625 HARDENED | |
| 2 | 22578GT | SCREW,HHC,M6 X 20MM,GR8.8 | | 30 | 6024GT | NUT,NYLOCK,5/8-11 | |
| 3 | 49407GT | WASHER,LOCK,M6 | | 31 | 52352GT | DIPSTICK-F3L1011F (DEUTZ).....1 | |
| 4 | 50787-SGT | LEVER, GOVERNOR ACTUATOR.....1 | | 32 | 58299GT | SENDING UNIT,OIL PRESS.,DEUTZ*....1 | |
| 5 | 6584GT | SCREW,SHS,10-24 X .625.....1 | | 33 | 29560GT | FILTER,FUEL/WTR SEP, DTZ 1008.....1 <i>Genie Genuine Part. See PN 1254826 for compatible aftermarket replacement.</i> | |
| 6 | 6638GT | WASHER,FLAT,USS,1/4"Y.....2 | | -- | 1254826GT | FUEL FILTER W/SEP,DEUTZ,1008.....1 <i>Genie Aftermarket Part. Filter for Deutz F3L 1011F Engine.</i> | |
| 7 | 5365GT | NUT,NYLOCK,10-24.....1 | | 34 | 139321GT | FORMING, SOLENOID MOUNT***.....1 | |
| 8 | 139322GT | THROTTLE LINKAGE, DSL.....1 | | 35 | 49924GT | FILTER,OIL,DEUTZ F4L1011F.....1 <i>Genie Genuine Part. See PN 1255653 for compatible aftermarket replacement.</i> | |
| 9 | 21130GT | CLEVIS YOKE-1/4-28,PLTD W/PIN.....1 <i>includes clevis pin and cotter pin</i> | | -- | 1255653GT | FILTER,OIL,DEUTZ,REPLACEMENT.....1 <i>Genie Aftermarket Part. Compatible with Genie Genuine Part 49924.</i> | |
| 10 | 121615GT | THROTTLE SOLENOID ASSY, TROMB.....1 | | 36 | 822514GT | TAILPIPE, DEUTZ,TPEM & ROW.....1 | |
| -- | 128829GT | CIRCUIT BRKR 15A TYPE 2 METAL | | 37 | 70448PGT | FORMING,MUFFLER MOUNT.....1 | |
| 11 | 58249GT | ALTERNATOR, DEUTZ,BF4L2011***.....1 | | 38 | 22558GT | SCREW,HHC,M14 X 40MM,GR 8.8 | |
| -- | 1280590GT | PULLEY,ALTERNATOR,DEUTZ BF4L2011 for 58249 | | 39 | 49411GT | WASHER,FLAT,M14 | |
| -- | 1280591GT | SPACER,ALT PULLEY,DEUTZ BF4L2011 for 58249 | | 40 | 61110GT | SCREW,SHC,M10X1.5X30 GR 12.9 | |
| 12 | 58630GT | V-BELT, DEUTZ TD2011LOAI.....1 | | 41 | | Ref: Pumps <i>refer to section 405.1</i> | |
| 13 | 102227GT | TUBE,AIR INTAKE.....1 | | 42 | 8177GT | SCREW,HHC,1/2-13 X 1.5 | |
| 14 | 88064GT | REDUCER,3" TO 2.75".....1 | | 43 | 13066GT | WASHER,FLAT,.5 HARDENED | |
| 15 | 30489GT | CLAMP,HOSE,3.50.....4 | | 44 | 60838GT | CLAMP,1.00,#16 X 7/16,RUB CUSH.....1 | |
| 16 | 139455GT | ELBOW,AIR INTAKE,RUBBER | | 45 | 85053GT | SCREW,HHC,M10 X 1.5 X70,GR 8.8 | |
| 17 | 128896GT | WELDMENT, AIR INTAKE BOX.....1 | | 46 | 22699GT | WASHER,FLAT,M10,ZINC PLTD. | |
| 18 | 110183PGT | BAFFLE,AIR INTAKE S60 PAINTED.....1 | | 47 | 71911GT | CLAMP,MUFFLER, 2.50 INCH.....2 | |
| 19 | 6175GT | SCREW,HHC,3/8-16 X 1 | | 48 | 102237GT | FORMING,HEAT SHIELD,MUFFLER***.....1 | |
| 20 | 5397GT | WASHER,FLAT,USS,5/16",Y | | 49 | 70449GT | U-BOLT,1/2-13 X 8.5.....2 | |
| 21 | 4828GT | NUT,NYLOCK,3/8-16 | | 50A | 70444GT | MUFFLER,2.5"INLET/OUTLET.....1 | |
| 22 | 81467GT | AIR CLEANER,NELSON.....1 | | 50B | 119117GT | MUFFLER,CAT/SPARK,DEUTZ <i>spark arrest option</i> | |
| -- | 75450GT | AIR CLEANER CLIPS, SUPERBOOM for 81467 | | 50C | 29559GT | GASKET,EXHAUST.....3 <i>for 119117, 3 required</i> | |
| -- | 75451GT | AIR CLEANER COVER, SUPERBOOM* for 81467 | | | | | |
| -- | 52866GT | EVACUATOR VALVE-AIR CLEANER for 81467 | | | | | |

502.1 Deutz TD2011L04i, View 1
(continued)

| Item | Part No. | Description | Qty. |
|------|----------|------------------------------------|------|
| 51 | 89997GT | RELAY MODULE(89996,89998)..... | 1 |
| 52 | 128829GT | CIRCUIT BRKR 15A TYPE 2 METAL..... | 1 |

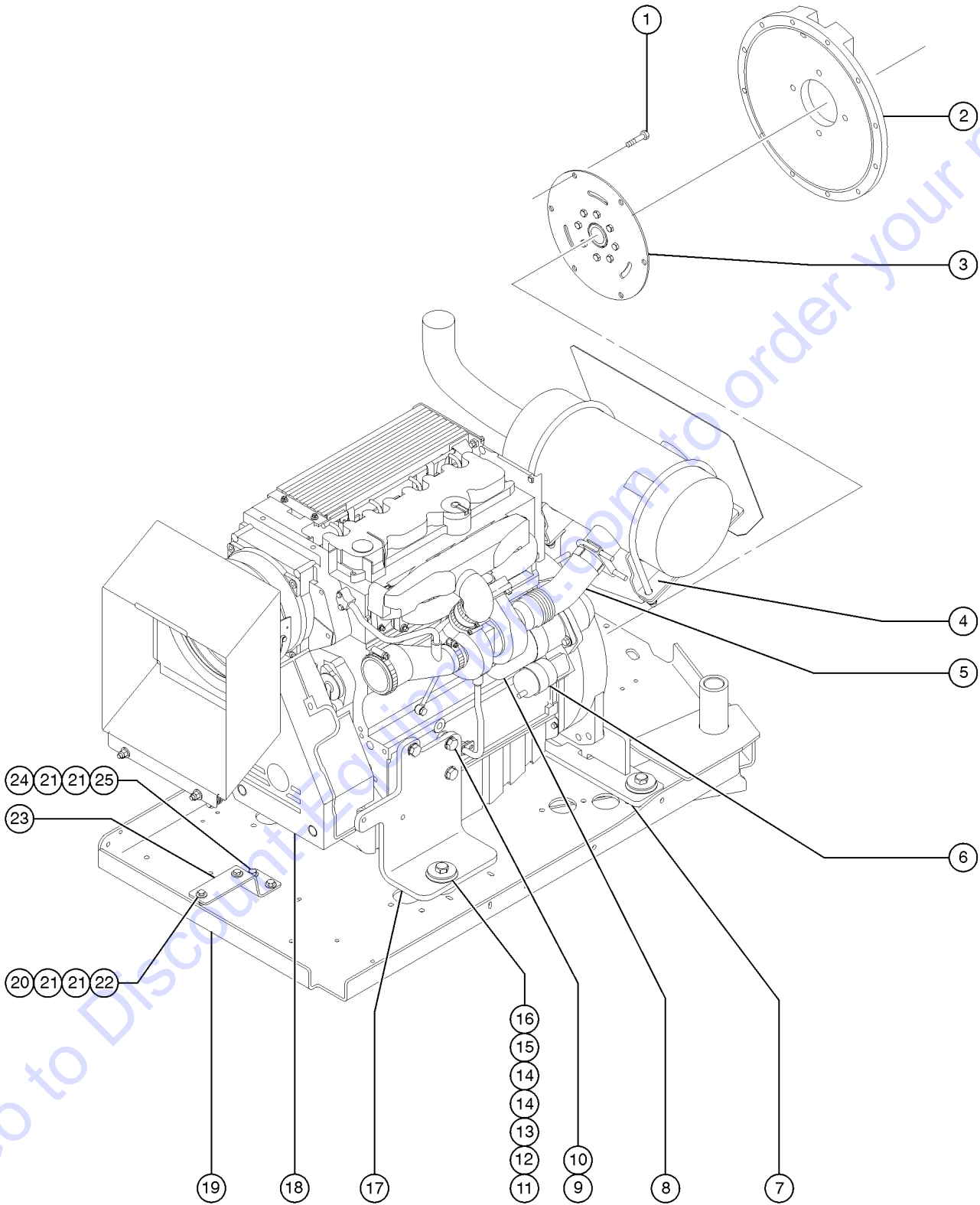
Go to Discount-Equipment.com to order your parts



This Page Intentionally Left Blank

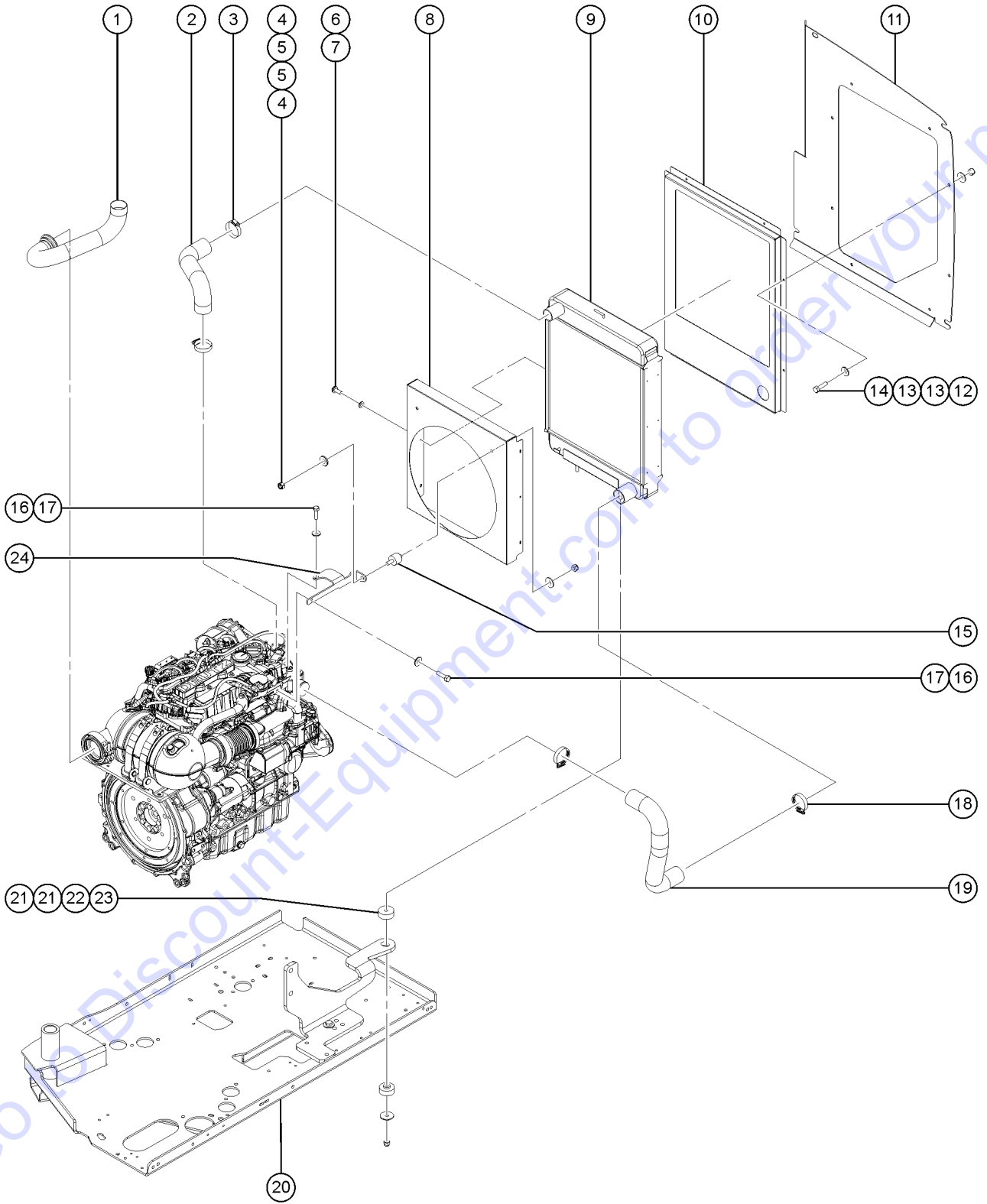
Go to Discount-Equipment.com to order your parts

503.1 Deutz TD2011L04i, View 2



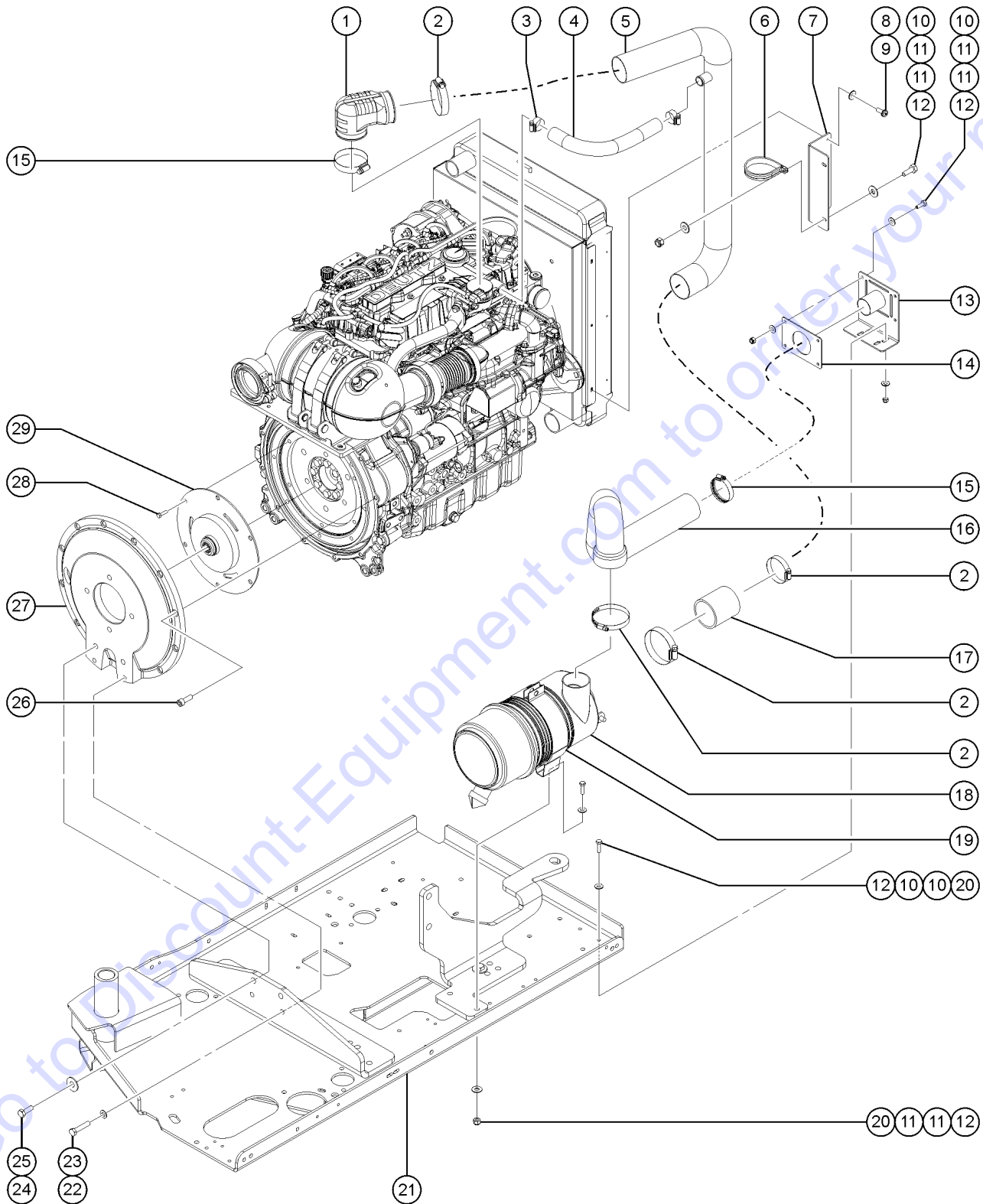
| Item | Part No. | Description | Qty. |
|------|-----------|---|------|
| -- | | <i>For internal engine parts, contact engine dealer</i> | |
| -- | 102581GT | PUMP,FUEL INJ,DEUTZ BF4L20 <i>class A injection pump; provide SN of engine to service to get correct injection pump (A, B, C, D)</i> | |
| -- | T108732GT | PUMP,FUEL INJ,DEUTZ BF4L20 <i>class B injection pump; provide SN of engine to service to get correct injection pump (A, B, C, D)</i> | |
| -- | T108733GT | PUMP,FUEL INJ,DEUTZ BF4L20 <i>class C injection pump; provide SN of engine to service to get correct injection pump (A, B, C, D)</i> | |
| -- | T108734GT | PUMP,FUEL INJ,DEUTZ BF4L20 <i>class D injection pump; provide SN of engine to service to get correct injection pump (A, B, C, D)</i> | |
| 1 | 62476GT | SCREW,SHC,M10X1.5X20MM (75090) | |
| 2 | 70381GT | COVER,FLYWHEEL CASTING.....1 | |
| 3 | 128004GT | COUPLER,15 TOOTH,FBA,SAE8*** | |
| 4 | 70483GT | FORMING,8.5' MUFFLER MOUNT.....1 | |
| 5 | 70445GT | FLEX PIPE,EXHAUST,2.5" DIA.....1 | |
| 5B | 71911GT | CLAMP,MUFFLER, 2.50 INCH | |
| 5B | 139983GT | EXHAUST PIPE GASKET | |
| 6 | 49915GT | SOLENOID-STARTR DEUTZF4L1011F*.....1 | |
| 7 | 160517GT | FORMING,ENGINE MOUNT,DEUTZ.....1 | |
| 8 | 139709GT | STARTER, 12V.....1 | |
| 9 | 22558GT | SCREW,HHC,M14 X 40MM,GR 8.8 | |
| 10 | 49411GT | WASHER,FLAT,M14 | |
| 11 | 13003GT | SCREW,HHC,5/8-11 X 3.5 GRD.8.....4 | |
| 12 | 33418GT | WASHER,FLAT,.625 X 2.25 X.15 | |
| 13 | 102045GT | ISOLATOR,ENGINE VIBRATION.....4 | |
| 14 | 18596GT | WASHER,FLAT,1.56 X 2.5 X .061 | |
| 15 | 13064GT | WASHER,FLAT,.625 HARDENED.....4 | |
| 16 | 6024GT | NUT,NYLOCK,5/8-11 | |
| 17 | 70454PGT | FORMING,ENGINE MOUNT PAINTED...1 | |
| 18 | 146061GT | V-BELT GUARD, DEUTZ 2011.....1 | |
| 19 | | Ref: Engine Tray with Bearing <i>refer to section 310.1</i> | |
| 20 | 13002GT | SCREW,HHC,5/16-18 X 1 GR5 | |
| 21 | 5397GT | WASHER,FLAT,USS,5/16",Y | |
| 22 | 6782GT | NUT,NYLOCK,5/16-18 | |
| 23 | 102209PGT | FORMING,AIR CLEANER MOUNT PNTD.....1 | |
| 24 | 6019GT | SCREW,HHC,3/8-16 X 1.25 GRD 5 | |
| 25 | 4828GT | NUT,NYLOCK,3/8-16 | |

504.1 Deutz D2.9L4, View 1



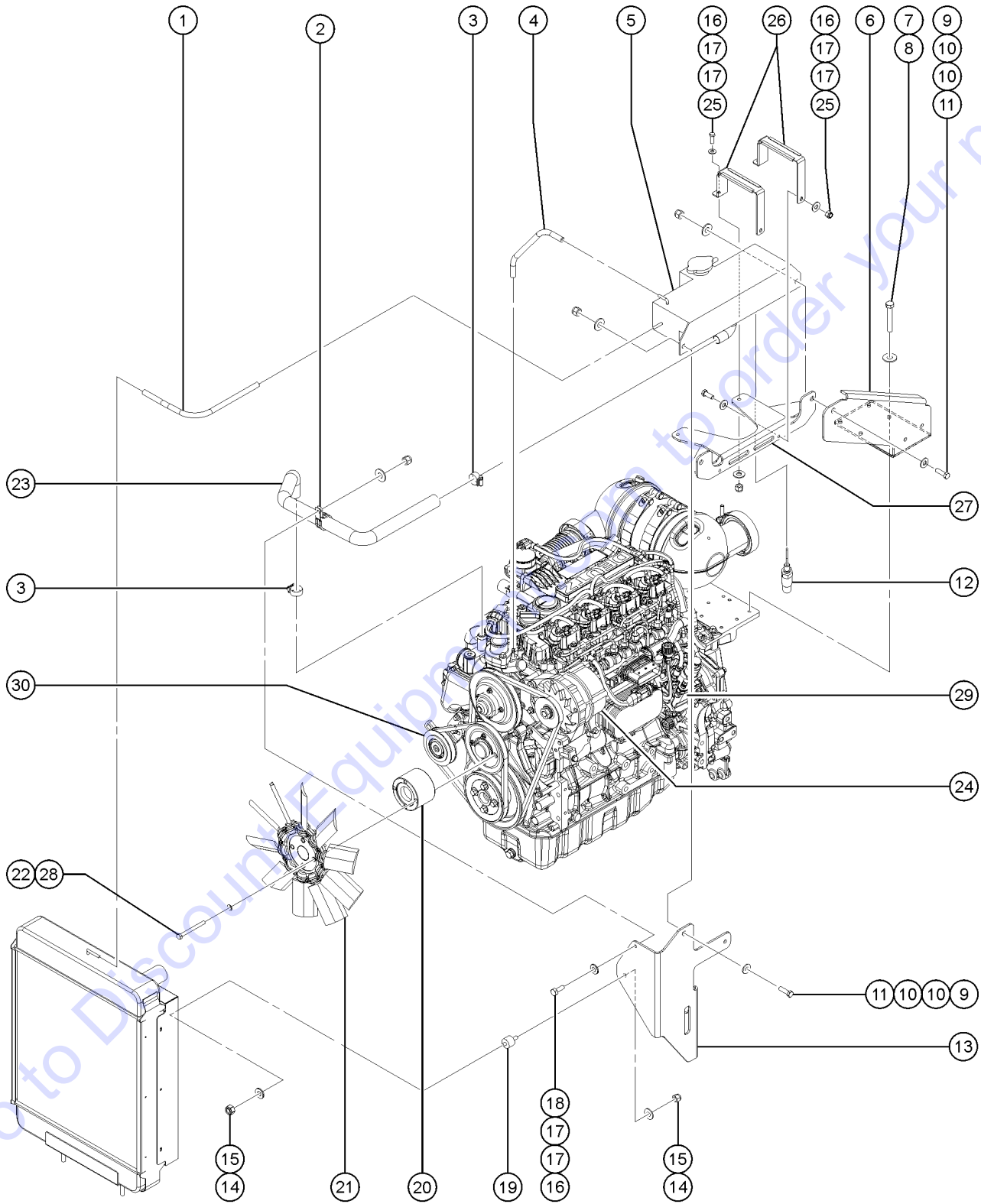
| Item | Part No. | Description | Qty. |
|------|-----------|--|------|
| -- | | <i>Due to Tier 4 regulations, many engine replacement parts require the engine serial number at time of order placement. When ordering engine parts please have both machine and engine serial numbers available. For internal engine parts, contact engine dealer</i> | |
| A | 237188GT | ENGINE KIT, DEUTZ D2.9L4 | |
| -- | 1254594GT | STARTER,3.2KW,DEUTZ D2.9 <i>no sub-components available</i> | |
| -- | 1257838GT | HARNESS,INJECTOR,DEUTZ D2.9.....1 | |
| -- | 1277974GT | PINS,CONNECTOR,INJ HARNESS,D2.9 | |
| -- | 1259899GT | HARNESS, ENGINE, DEUTZ TD2.9.....1 | |
| B | 1262876GT | THERMOSTAT,DEUTZ.....1 | |
| 1 | 822694GT | WDMT,TAILPIPE,DEUTZ D2.9 T4.....1 | |
| 2 | 237193GT | HOSE,UPPER RADIATOR,DEUTZ D2.9.....1 | |
| 3 | 22672GT | CLAMP,HOSE,1.75.....2 | |
| 4 | 6782GT | NUT,NYLOCK,5/16-18 | |
| 5 | 5397GT | WASHER,FLAT,USS,5/16",Y | |
| 6 | 21019GT | SCREW,PHIL,PHM,10-24 X.5,SEMS | |
| 7 | 6146GT | WASHER,FLAT,MS,#10,Y | |
| 8 | 237192GT | FAN SHROUD,DEUTZ D2.9.....1 | |
| 9 | 214685GT | RADIATOR, CAPLESS, DEUTZ D 2.9.....1 | |
| 10 | 822696GT | SHROUD, RADIATOR, DEUTZ 2.9.....1 | |
| 11 | 822695GT | BAFFLE, AIR INTAKE, S60.....1 | |
| 12 | 6090GT | SCREW,HHC,1/4-20 X .75 | |
| 13 | 6638GT | WASHER,FLAT,USS,1/4"Y | |
| 14 | 6091GT | NUT,NYLOCK,1/4-20 | |
| 15 | 219437GT | ISOLATOR, VIBRATION.....1 | |
| 16 | 49378GT | SCREW,HHC,M8 X 16 | |
| 17 | 33277GT | WASHER,FLAT,M8,YELLOW ZINC | |
| 18 | 35434GT | CLAMP,HOSE,2.00***.....2 | |
| 19 | 237194GT | HOSE,LOWER RADIATOR,DEUTZ D2.9.....1 | |
| 20 | | Ref. Engine Tray <i>refer to 310.1</i> | |
| 21 | 24038GT | SHOCK MOUNT,SMALL.....2 | |
| 22 | 15086GT | WASHER,FLAT,.375 X 1.5 X .125.....2 | |
| 23 | 48425GT | NUT,FLG-LRG,3/8-16,YZ.....2 | |
| 24 | 214237GT | FORMING,RAD BRACE,DEUTZ D2.9.....1 | |

505.1 Deutz D2.9L4, View 2



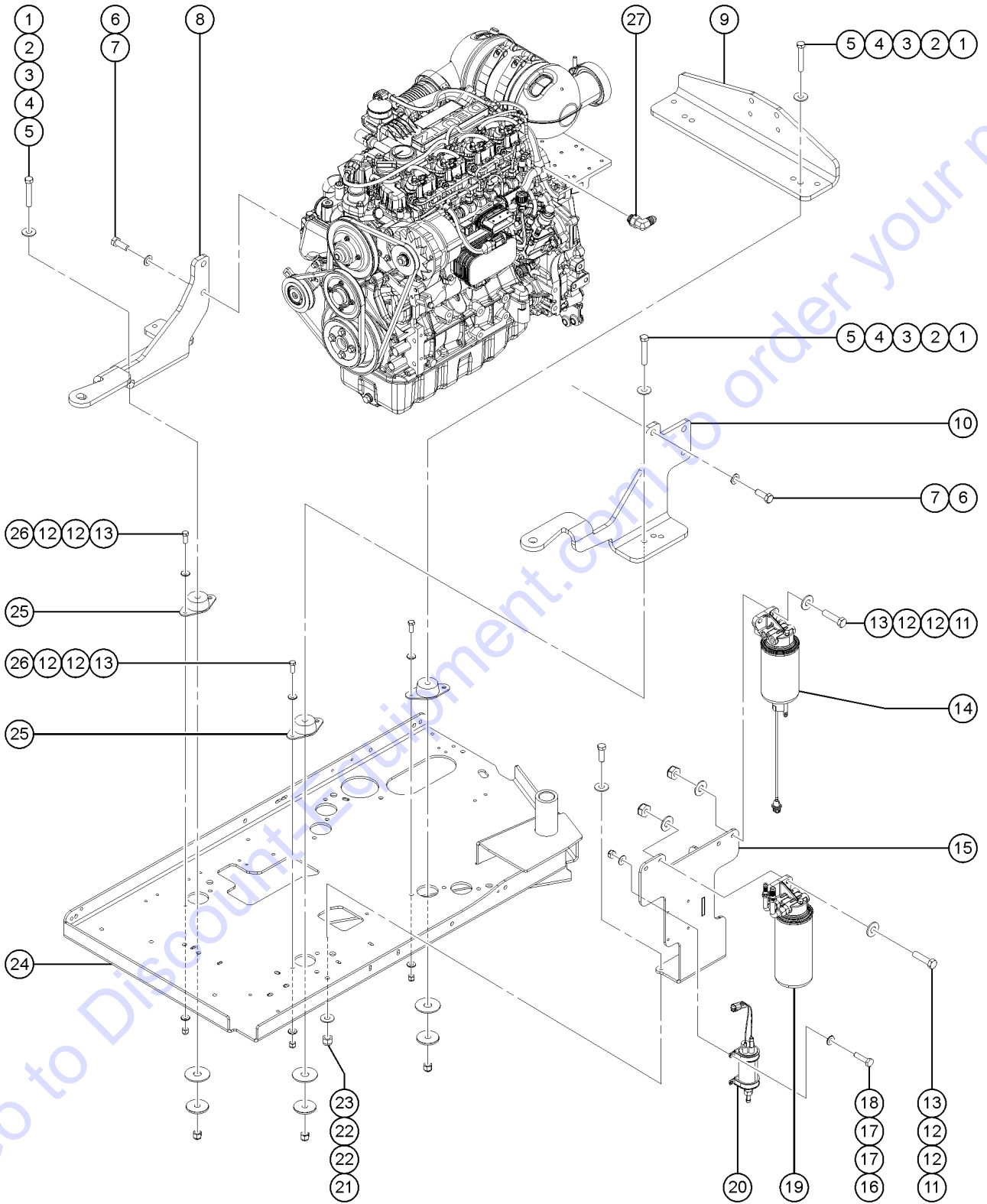
| Item | Part No. | Description | Qty. |
|------|-------------|--|------|
| -- | | <i>Due to Tier 4 regulations, many engine replacement parts require the engine serial number at time of order placement. When ordering engine parts please have both machine and engine serial numbers available. For internal engine parts, contact engine dealer</i> | |
| -- | 237188GT | ENGINE KIT, DEUTZ D2.9L4 | |
| 1 | 214686GT | AIR INTAKE ELBOW,90 DEGREE.....1 | 1 |
| 2 | 45435GT | CLAMP,HOSE,2.50"***.....5 | 5 |
| 3 | 30348GT | CLAMP,HOSE,1.00.....2 | 2 |
| 4 | 1255894GT | HOSE,PCV,DEUTZ D2.9.....1 | 1 |
| 5 | 219976GT | WELDMENT,STEEL INTAKE TUBE.....1 | 1 |
| 6 | 45455GT | CLAMP,2.75,#44 X 1/4,RUB CUSH*.....2 | 2 |
| 7 | 217877GT | FORMING,CLEAN AIR BRACKET.....1 | 1 |
| 8 | 21019GT | SCREW,PHIL,PHM,10-24 X.5,SEMS | |
| 9 | 6146GT | WASHER,FLAT,MS,#10,Y | |
| 10 | 6090GT | SCREW,HHC,1/4-20 X .75 | |
| 11 | 6638GT | WASHER,FLAT,USS,1/4"Y | |
| 12 | 6091GT | NUT,NYLOCK,1/4-20 | |
| 13 | 215811GT | WDMT,INTAKE ADAPTER.....1 | 1 |
| 14 | 215809GT | SHEET,AIR SEAL BACKING.....1 | 1 |
| 15 | 35434GT | CLAMP,HOSE,2.00***.....1 | 1 |
| 16 | 217930GT | HOSE,RAW AIR,DEUTZ D2.9.....1 | 1 |
| 17 | 34162-300GT | HOSE,AIR INTAKE 2.50" ID.....1 | 1 |
| 18 | 63463GT | AIR CLEANER,NELSON*** <i>plastic housing, for metal housing see PN 27915</i> | |
| -- | 58415GT | CLIP,AIR CLEANER END CAP*** | |
| -- | 62420GT | FILTER,AIR*** | |
| -- | 65810GT | BAFFLE, AIR CLEANER (27915)** | |
| -- | 52866GT | EVACUATOR VALVE-AIR CLEANER <i>dust cap</i> | |
| 19 | 53952GT | BRKT,AIR CLEANER ORIENTATION**1 | 1 |
| 20 | 6888GT | SCREW,HHC,1/4-20 X 1 | |
| 21 | | Ref. ENGINE TRAY <i>refer to 310.1</i> | |
| 22 | 67631GT | SCREW,HHC,M10 X 80 GR 8.8 | |
| 23 | 22699GT | WASHER,FLAT,M10,ZINC PLTD. | |
| 24 | 54177GT | SCREW,HHC,1/2-13 X 1.5 GRD 8 | |
| 25 | 6095GT | WASHER,FLAT,USS,1/2",Y | |
| 26 | 61110GT | SCREW,SHC,M10X1.5X30 GR 12.9 | |
| 27 | 70381GT | COVER,FLYWHEEL CASTING.....1 | 1 |
| 28 | 49388GT | SCREW,HHC,M10 X 1.5 X 16.....6 | 6 |
| 29 | 128004GT | COUPLER,15 TOOTH,FBA,SAE8***.....1 <i>includes 8 bolts</i> | 1 |

506.1 Deutz D2.9L4, View 3



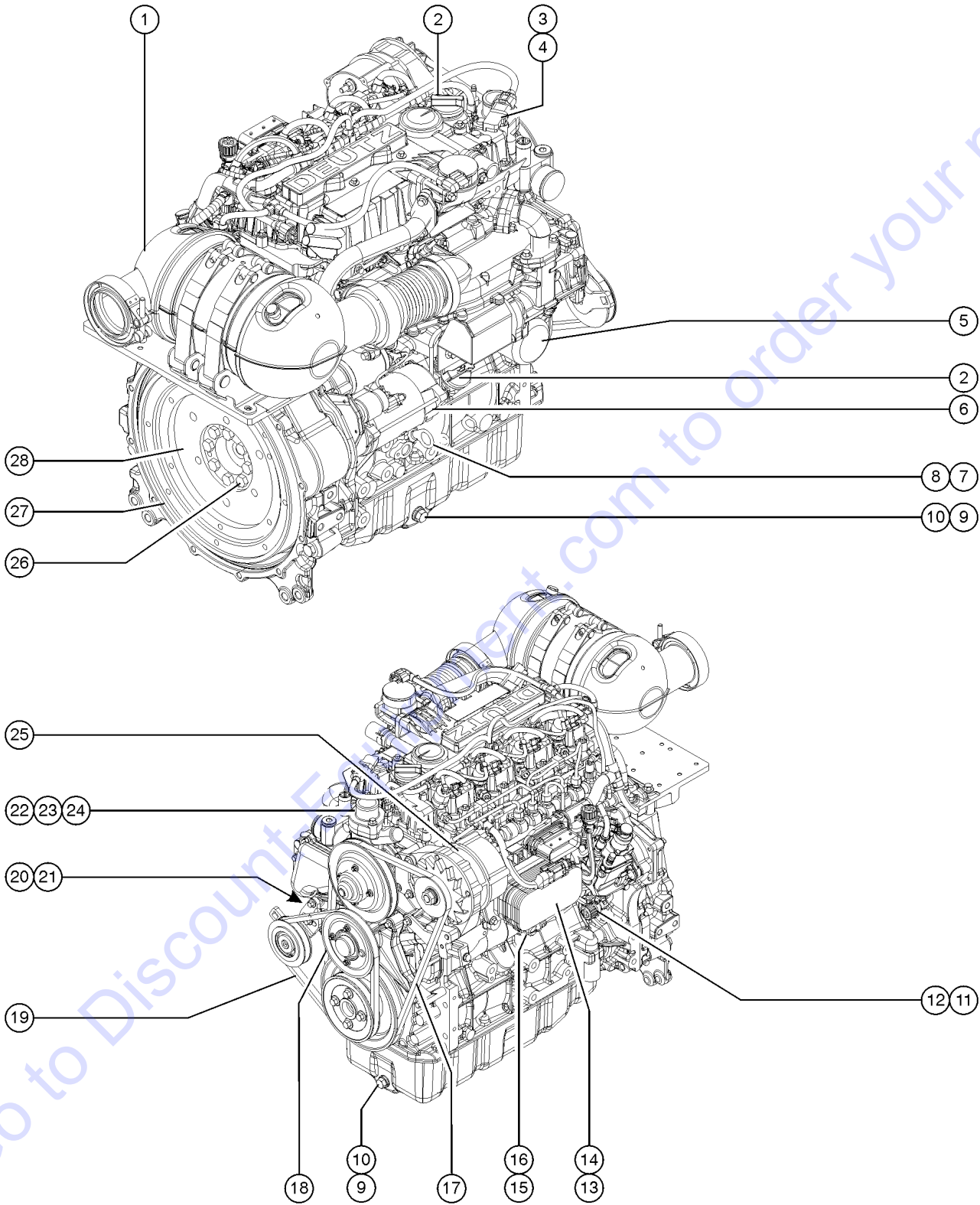
| Item | Part No. | Description | Qty. | Item | Part No. | Description | Qty. |
|------|-----------|--|------|------|-----------|-------------------------------------|------|
| -- | | <i>Due to Tier 4 regulations, many engine replacement parts require the engine serial number at time of order placement. When ordering engine parts please have both machine and engine serial numbers available. For internal engine parts, contact engine dealer</i> | | 29 | 1279653GT | PUMP,FUEL,HI PRESS,DEUTZ TD2.9....1 | 1 |
| | | | | 30 | 1279631GT | PULLEY,BELT TENSIONER,D2.9L4.....1 | 1 |
| -- | 237188GT | ENGINE KIT, DEUTZ D2.9L4 | | | | | |
| 1 | 823523GT | HOSE,RADIATOR VENT,DEUTZ D2.9....1 | | | | | |
| 2 | 119394GT | CLAMP,1.38,#212X3/8,RUB CUSH.....1 | | | | | |
| 3 | 30348GT | CLAMP,HOSE,1.00.....2 | | | | | |
| 4 | 823524GT | HOSE,ENGINE VENT,DEUTZ D2.9.....1 | | | | | |
| 5 | 161938GT | EXPANSION TANK,METAL,D2.9.....1 | | | | | |
| -- | 1274900GT | SIGHT GLASS for 161938 | | | | | |
| -- | 1254823GT | CAP,RADIATOR,PERKINS (94232) for 161938 | | | | | |
| 6 | 1255692GT | FORMING,EXPANSION TANK SUPT.....1 | | | | | |
| 7 | 49378GT | SCREW,HHC,M8 X 16 | | | | | |
| 8 | 33277GT | WASHER,FLAT,M8,YELLOW ZINC | | | | | |
| 9 | 6019GT | SCREW,HHC,3/8-16 X 1.25 GRD 5 | | | | | |
| 10 | 6097GT | WASHER,FLAT,USS,3/8",Y | | | | | |
| 11 | 4828GT | NUT,NYLOCK,3/8-16 | | | | | |
| 12 | 218715GT | SENSOR,COOLANT LEVEL, DEUTZ.....1 | | | | | |
| 13 | 214934GT | FORMING,RAD EXPSN TANK SUPT.....1 | | | | | |
| 14 | 6782GT | NUT,NYLOCK,5/16-18 | | | | | |
| 15 | 5397GT | WASHER,FLAT,USS,5/16",Y | | | | | |
| 16 | 6090GT | SCREW,HHC,1/4-20 X .75 | | | | | |
| 17 | 6638GT | WASHER,FLAT,USS,1/4"Y | | | | | |
| 18 | 6091GT | NUT,NYLOCK,1/4-20 | | | | | |
| 19 | 219437GT | ISOLATOR, VIBRATION.....1 | | | | | |
| 20 | 1256599GT | SPACER, FAN, DEUTZ, 29.5MM LNG....1 | | | | | |
| 21 | 214682GT | FAN, 10 BLADE, 15".....1 | | | | | |
| 22 | 1257231GT | SCREW,HHF,M8-1.25X50,DIN6921,10.9,ZAB.4 | | | | | |
| 23 | 1251731GT | HOSE,EXPANSION TANK,D2.9.....1 | | | | | |
| 24 | 236251GT | ALTERNATOR,95 AMP,DEUTZ TCD3.6.....1 | | | | | |
| 25 | 6889GT | NUT,LP NYLOCK,1/4-20 | | | | | |
| 26 | 1253922GT | FORMING,EXP TANK BAND,D2.9.....2 | | | | | |
| -- | 1254452GT | EXTRUSION,RUBBER STRIP,LG,D2.9.....2 for 1253922 | | | | | |
| -- | 1254453GT | EXTRUSION,RUBBER STRIP,SM,D2.9.....2 for 1253922 | | | | | |
| 27 | 1254267GT | WDMT,EXPANSION TANK SUPT.....1 | | | | | |
| 28 | 33277GT | WASHER,FLAT,M8,YELLOW ZINC | | | | | |

507.1 Deutz D2.9L4, View 4



| Item | Part No. | Description | Qty. | Item | Part No. | Description | Qty. |
|------|---------------|--|------|------|----------|---|------|
| -- | | <i>Due to Tier 4 regulations, many engine replacement parts require the engine serial number at time of order placement. When ordering engine parts please have both machine and engine serial numbers available. For internal engine parts, contact engine dealer</i> | | 23 | 6888GT | SCREW,HHC,1/4-20 X 1 | |
| | | | | 24 | | Ref: Engine Tray refer to 310.1 | |
| | | | | 25 | 70452GT | ISOLATOR,ENGINE VIBRATION***.....4 | |
| | | | | 26 | 6175GT | SCREW,HHC,3/8-16 X 1 | |
| | | | | 27 | 826000GT | CONNECTOR, SAE10, QUICK CONN....1 (fuel) | |
| -- | 49924GT | FILTER,OIL,DEUTZ F4L1011F.....1 <i>Genie Genuine Part. See PN 1255653 for compatible aftermarket replacement.</i> | | | | | |
| -- | 1255653GT | FILTER,OIL,DEUTZ,REPLACEMENT....1 <i>Genie Aftermarket Part. Compatible with Genie Genuine Part 49924.</i> | | | | | |
| 1 | 10598GT | SCREW,HHC,1/2-13 X 3 | | | | | |
| 2 | 6095GT | WASHER,FLAT,USS,1/2",Y | | | | | |
| 3 | 101729GT | WASHER,VIBRATION ISOLATING.....4 | | | | | |
| 4 | 24040GT | WASHER, 1/2 PLATE (1/2 X 2.25 X 3/16).....4 | | | | | |
| 5 | 6198GT | NUT,NYLOCK,1/2-13 | | | | | |
| 6 | 22558GT | SCREW,HHC,M14 X 40MM,GR 8.8.....5 | | | | | |
| 7 | 49411GT | WASHER,FLAT,M14 | | | | | |
| 8 | 237190GT | FORMING, RIGHT ENGINE MOUNT....1 | | | | | |
| 9 | 237191GT | FORMING, REAR ENGINE MOUNT....1 | | | | | |
| 10 | 237189GT | FORMING, LEFT ENGINE MOUNT.....1 | | | | | |
| 11 | 8516GT | SCREW, HCC, 3/8-16 X 1.50 | | | | | |
| 12 | 6097GT | WASHER,FLAT,USS,3/8",Y | | | | | |
| 13 | 4828GT | NUT,NYLOCK,3/8-16 | | | | | |
| 14 | 1261239GT | ASSY,FUEL PREFILTER,DEUTZ 2.9.....1 | | | | | |
| -- | 236260GT | PRE-FILTER,FUEL,DEUTZ TCD3.6 | | | | | |
| -- | 074501.0291GT | SENSOR | | | | | |
| -- | 162209GT | FITTING,CONN,16MM-8MJ.....2 | | | | | |
| -- | 162207GT | FITTING,ELBOW,8GS-8FJX90S.....2 | | | | | |
| 15 | 1257961GT | WELDMENT, FUEL FILTER BRACKET.....1 | | | | | |
| 16 | 29752GT | SCREW,HHC,10-24 X .75 | | | | | |
| 17 | 6146GT | WASHER,FLAT,MS,#10,Y | | | | | |
| 18 | 5365GT | NUT,NYLOCK,10-24 | | | | | |
| 19 | 214228GT | FILTER, DEUTZ 2.9, FUEL.....1 | | | | | |
| -- | 162208GT | FITTING,CONN,16MM-6MJ.....1 | | | | | |
| -- | 162206GT | FITTING,ELBOW,6GS-6FJX90S.....1 | | | | | |
| -- | 162209GT | FITTING,CONN,16MM-8MJ.....1 | | | | | |
| -- | 162207GT | FITTING,ELBOW,8GS-8FJX90S.....1 | | | | | |
| -- | 236260GT | PRE-FILTER,FUEL,DEUTZ TCD3.6 | | | | | |
| -- | 1261240GT | CABLE,WIF SENSOR,DEUTZ 2.9 | | | | | |
| 20 | 236259GT | LIFT PUMP,FUEL,DEUTZ.....2 | | | | | |
| 21 | 6091GT | NUT,NYLOCK,1/4-20 | | | | | |
| 22 | 6638GT | WASHER,FLAT,USS,1/4"Y | | | | | |

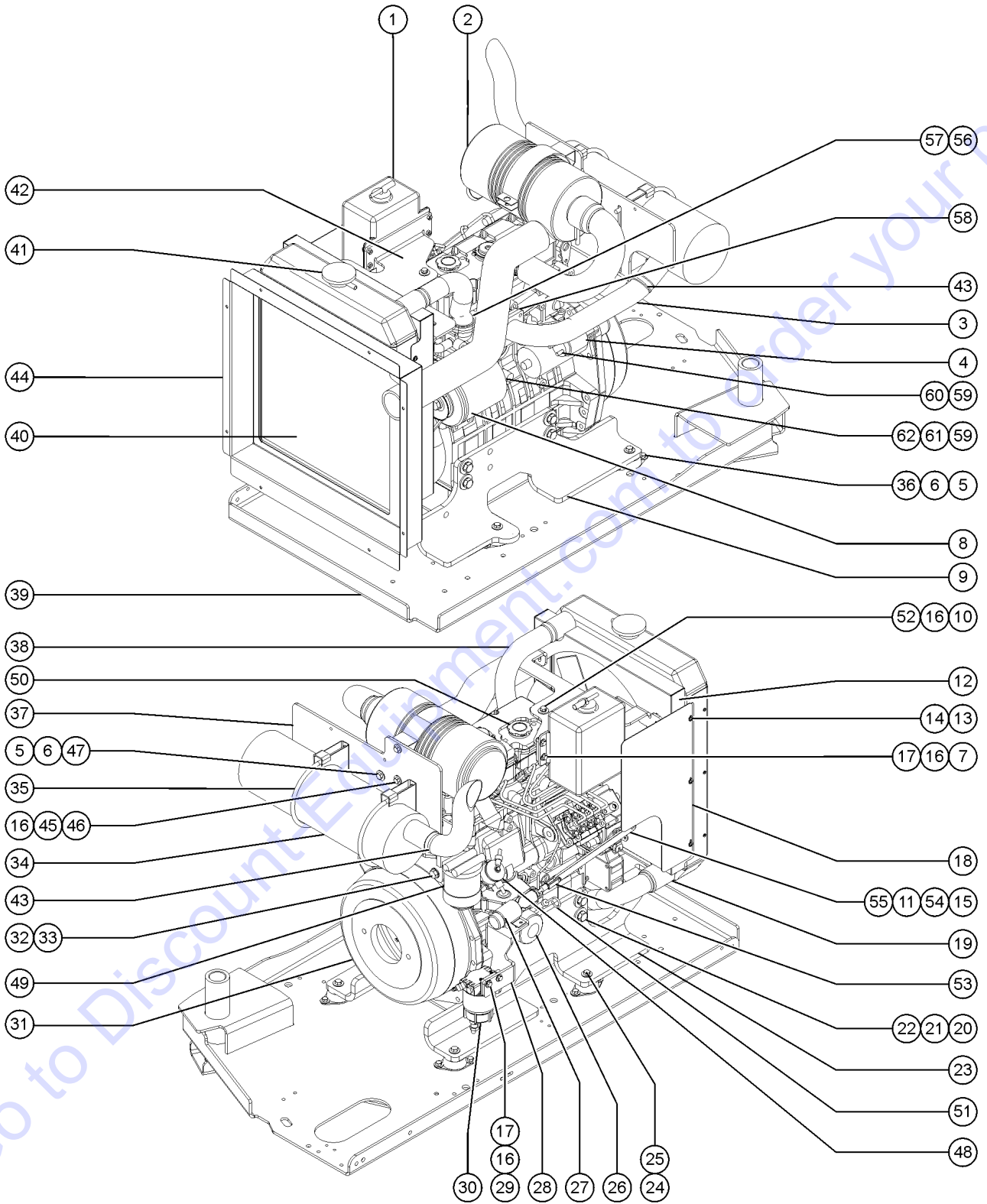
508.1 Deutz D2.9L4, View 5



508.1 Deutz D2.9L4, View 5

| Item | Part No. | Description | Qty. | Item | Part No. | Description | Qty. |
|------|-----------|--|------|------|-----------|---|------|
| A | 237188GT | ENGINE KIT, DEUTZ D2.9L4 <i>Due to Tier 4 regulations, many engine replacement parts require the engine serial number at time of order placement. When ordering engine parts please have both machine and engine serial numbers available. For internal engine parts, contact engine dealer</i> | | 21 | 1262899GT | O-RING, CAMSHAFT POSITION SENSOR.....1 <i>hidden from view</i> | 1 |
| B | 1259717GT | MANUAL, DEUTZ D2.9 ENGINE.....1 | | 22 | 1262877GT | THERMOSTAT HOUSING.....1 | 1 |
| C | 1262870GT | GLOW PLUG, DEUTZ.....4 | | 23 | 1262876GT | THERMOSTAT,DEUTZ.....1 | 1 |
| D | 1262871GT | SEAL, FRONT ENGINE,DEUTZ.....1 | | 24 | 1262878GT | GASKET, THERMOSTAT HOUSING.....1 | 1 |
| E | 1262872GT | SEAL, REAR ENGINE,DEUTZ.....1 | | 25 | 236251GT | ALTERNATOR,95 AMP,DEUTZ TCD3.6.....1 | 1 |
| F | 1272624GT | KIT,WATER PUMP 2.9 L4.....1 <i>includes fasteners and 1262874 pump</i> | | 26 | 1262873GT | BOLT, DEUTZ FLYWHEEL.....8 | 8 |
| G | 1262875GT | O-RING, WATER PUMP.....1 | | 27 | 89785GT | RING GEAR,DEUTZ F3L2011F.....1 | 1 |
| -- | 1259654GT | INTAKE BREATHER.....1 | | 28 | 1259660GT | FLYWHEEL, SAE 8/10.....1 <i>order with item #26, PN 1262873, qty 8</i> | 1 |
| H | 1259899GT | HARNESS, ENGINE, DEUTZ TD2.9.....1 | | | | | |
| 1 | | OXIDATION CATALYST,DEUTZ.....1 <i>(diesel oxygen catalyst/muffler)(contact Discount-equipment; engine serial number required)</i> | | | | | |
| 2 | 29557GT | CAP,OIL FILLER,DEUTZ,DIESEL ***.....2 | | | | | |
| 3 | 1262896GT | SENSOR,INTAKE AIR PRESSURE.....1 | | | | | |
| 4 | 1262897GT | O-RING, INTAKE AIR PRESSURE SENSOR.....1 | | | | | |
| 5 | 49924GT | FILTER,OIL,DEUTZ F4L1011F.....1 | | | | | |
| 6 | 1254594GT | STARTER,3.2KW,DEUTZ D2.9.....1 | | | | | |
| -- | 1262868GT | BOLT, DEUTZ STARTER <i>not included sold seperately</i> | | | | | |
| 7 | 825708GT | DIPSTICK,TD2.9.....1 | | | | | |
| 8 | 1262881GT | ORING, OIL DIP STICK.....1 | | | | | |
| 9 | 102587GT | PLUG,ENGINE OIL,DEUTZ F4L2011.....2 | | | | | |
| 10 | 108538GT | RING / SEALING.....2 | | | | | |
| 11 | 1262894GT | SENSOR,CAM/CRANKSHAFT POSITION.....1 <i>(crankshaft)</i> | | | | | |
| 12 | 1262895GT | O-RING, CRANKSHAFT POSITION SENSOR.....1 | | | | | |
| 13 | 1260357GT | OIL COOLER,TD2.9.....1 | | | | | |
| 14 | 1262883GT | GASKET, OIL COOLER, DEUTZ.....1 | | | | | |
| 15 | 824673GT | SENSOR,LOW PRESSURE,DEUTZ 2.9L.....1 | | | | | |
| 16 | 1262893GT | O-RING, OIL PRESSURE SENSOR.....1 | | | | | |
| 17 | 1262866GT | FAN BELT, ALTERNATOR.....1 | | | | | |
| 18 | 236248GT | PULLEY ASSEMBLY,ALTERNATOR,TCD.....1 | | | | | |
| 19 | 1262867GT | V-BELT, DEUTZ.....1 | | | | | |
| 20 | 1262894GT | SENSOR,CAM/CRANKSHAFT POSITION.....1 <i>hidden from view (camshaft)</i> | | | | | |

509.1 Perkins 404D-22



509.1 Perkins 404D-22

| Item | Part No. | Description | Qty. | Item | Part No. | Description | Qty. |
|------|--------------|--|------|------|----------|---|------|
| -- | | <i>For internal engine parts, contact engine dealer</i> | | -- | 52866GT | EVACUATOR VALVE-AIR CLEANER | |
| A | 128831GT | ENGINE,PERKINS,DIESEL 404D-22 <i>Tier III Engine</i> | | -- | 53952GT | BRKT,AIR CLEANER ORIENTATION** | |
| -- | 128987GT | WATER PUMP <i>(for 128831 engine)</i> | | -- | 88846GT | HOSE,AIR INLET | |
| -- | 58354GT | GASKET,WATER PUMP <i>(for 128831 engine)</i> | | -- | 88847GT | HOSE,AIR CLEANER TO INTAKE | |
| -- | 85155GT | PUMP,PRIMER,PERKINS*** <i>(for 128831 engine)</i> | | 3 | 110899GT | WELDMENT,EXHAUST PIPE.....1 | |
| -- | 119809GT | SWITCH, OIL PRESSURE <i>Old switch design was used with an adaptor; New switch screws directly into engine block. With older engine, remove adaptor and install new switch directly into engine block</i> | | -- | 94888GT | EXHAUST MANIFOLD <i>sold separately</i> | |
| -- | 97473GT | SENSOR,WATER TEMPERATURE <i>(for 128831 engine)</i> | | -- | 94711GT | FLANGE,EXHAUST <i>sold separately</i> | |
| -- | 94887GT | INTAKE MANIFOLD <i>(for 128831 engine)</i> | | -- | 72343GT | GASKET,EXH FLANGE-FORD/PERKINS.....1 <i>sold separately</i> | |
| -- | 72348GT | PUMP,LIFT(FUEL) PERKINS(54555) <i>(for 128831 engine)</i> | | -- | 72344GT | BOLT,EXHAUST,PERKINS(54555)** <i>sold separately</i> | |
| -- | 77736GT | GLOW PLUG (PERKINS 404-22) <i>(for 128831 engine)</i> | | -- | 62845GT | NUT-FLANGE, 8MM (62849) <i>sold separately</i> | |
| -- | 106663GT | SOLENOID,SHUT DOWN PERKIN40422 <i>(for 128831 engine)</i> | | 4 | 228457GT | STARTER, PERKINS, 404D.....1 | |
| -- | 94890GT | MANUAL,OPERATORS PERKINS 404 <i>(for 128831 engine)</i> | | 5 | 6175GT | SCREW,HHC,3/8-16 X 1 | |
| -- | 65538GT | FLYWHEEL (PERKINS KR70481U)** <i>(for 128831 engine)</i> | | 6 | 5397GT | WASHER,FLAT,USS,5/16",Y | |
| B | 147350GT | GASKET-CYLINDER HEAD <i>(for Perkins 404 engine)</i> | | 7 | 6888GT | SCREW,HHC,1/4-20 X 1 | |
| C | 147348GT | SEAL-VALVE SYSTEM (A) <i>(for Perkins 404 engine)</i> | | 8 | 111029GT | ALTERNATOR,65 AMP,PERKINS 404.....1 | |
| D | 147349GT | SEAL-VALVE SYSTEM (B) <i>(for Perkins 404 engine)</i> | | 9 | 161611GT | FORMING, ENGINE MOUNT, PERKINS.....1 | |
| E | 147351GT | SEAL-ROCKER BOX <i>(for Perkins 404 engine)</i> | | 10 | 23057GT | SCREW,HHC,M8 X 20MM | |
| F | 147352GT | SEAL-INJECTOR <i>(for Perkins 404 engine)</i> | | 11 | 33277GT | WASHER,FLAT,M8,YELLOW ZINC | |
| G | 147353GT | SEAL-INJECTOR <i>(for Perkins 404 engine)</i> | | 12 | 88990PGT | SHROUD,FAN PAINTED.....1 | |
| 1 | 70367GT | BOTTLE,COOLANT RECOVERY,3.7***1 | | 13 | 21019GT | SCREW,PHIL,PHM,10-24 X.5,SEMS | |
| -- | 115431GT | CAP ASSY, COOLANT BOTTLE | | 14 | 6146GT | WASHER,FLAT,MS,#10,Y | |
| -- | 1062264000GT | TUBING, VINYL, 1/2" CLEAR | | 15 | 89953GT | FLATBAR,ALUM,THROTTLE LINKAGE.....1 | |
| 2 | 63463GT | AIR CLEANER,NELSON***1 | | 16 | 6638GT | WASHER,FLAT,USS,1/4"Y | |
| -- | 58415GT | CLIP,AIR CLEANER END CAP*** | | 17 | 6091GT | NUT,NYLOCK,1/4-20 | |
| -- | 62420GT | FILTER,AIR*** | | 18 | 54487PGT | GUARD,FAN,FORD/PERKINS,PAINTED.1 | |
| -- | 65810GT | BAFFLE, AIR CLEANER (27915)** | | 19 | 54579GT | HOSE,LOWER,RADIATOR,PERKINS.....1 | |
| | | | | -- | 22672GT | CLAMP,HOSE,1.75 | |
| | | | | 20 | 54687GT | SCREW,HHC,M14 X 1.5X40MM,GR8.8 | |
| | | | | 21 | 37505GT | WASHER,LOCK,M14 | |
| | | | | 22 | 49411GT | WASHER,FLAT,M14 | |
| | | | | 23 | 88988PGT | FORMING,ENGINE MOUNT RH PAINTE.....1 | |
| | | | | 24 | 10598GT | SCREW,HHC,1/2-13 X 3 | |
| | | | | 25 | 6095GT | WASHER,FLAT,USS,1/2",Y | |
| | | | | 26 | 94762GT | OIL FILTER - PERKINS.....1 | |
| | | | | 27 | 77402GT | SOLENOID,THROTTLE ACTUATOR DSL.....1 | |
| | | | | -- | 21130GT | CLEVIS YOKE-1/4-28,PLTD W/PIN | |

509.1 Perkins 404D-22

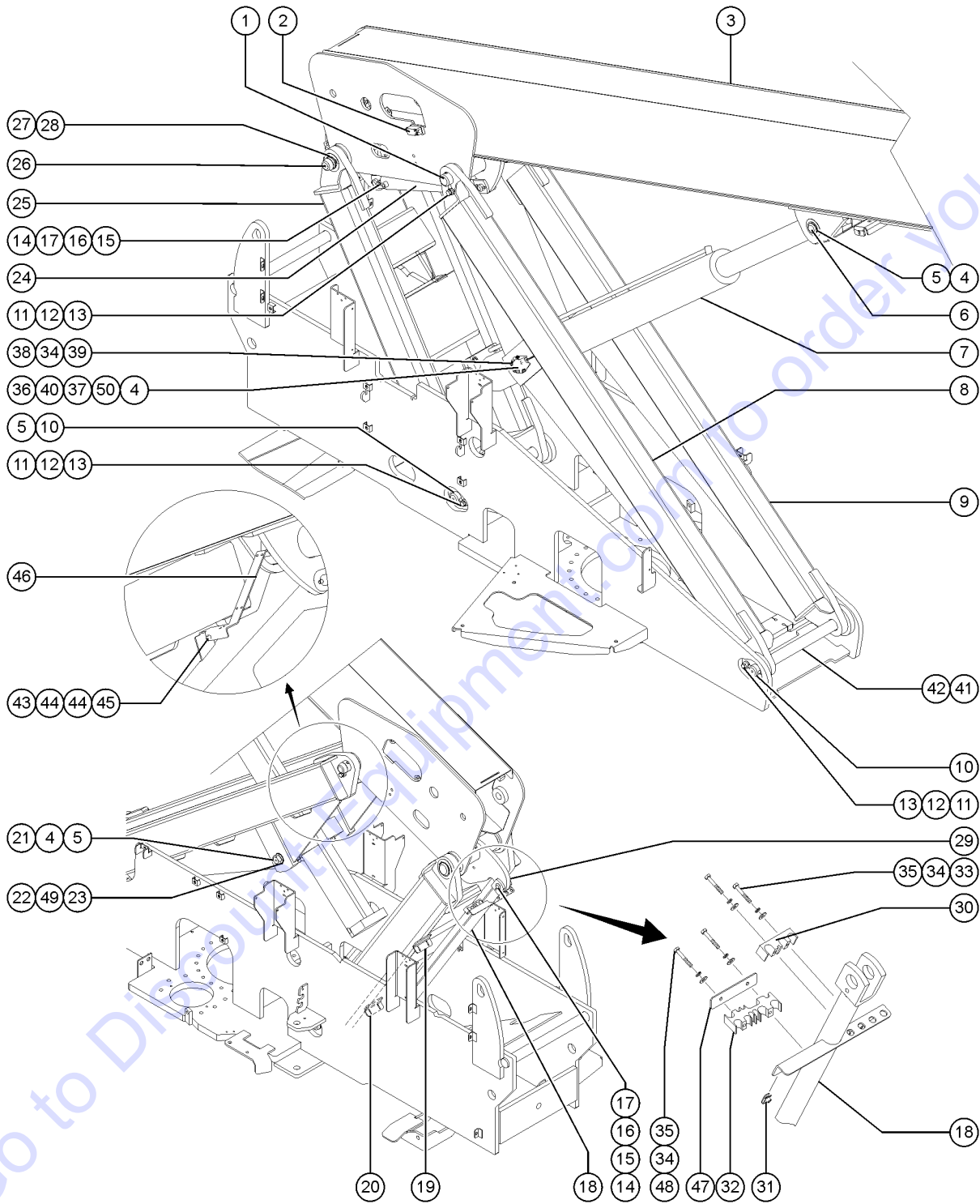
(continued)

| Item | Part No. | Description | Qty. | Item | Part No. | Description | Qty. |
|------|-----------|---|------|------|-----------|---|------|
| -- | 89953GT | FLATBAR,ALUM,THROTTLE LINKAGE | | 44 | 106003PGT | BAFFLE,PERKINS ENGINE PAINTED....1 | |
| 28 | 128588GT | FORMING,SOLENOID MOUNT.....1 | | 45 | 6782GT | NUT,NYLOCK,5/16-18 | |
| 29 | 8915GT | SCREW,HHC,1/4-20 X 1.25 | | 46 | 13002GT | SCREW,HHC,5/16-18 X 1 GR5 | |
| 30 | 147826GT | SEPRTR/FLTR,FUEL DSL,15GPH,.30....1 <i>(replaced 75020, the filter is the same for both assemblies)</i> | | 47 | 7713GT | NUT, LP NYLOCK, 3/8-16 | |
| -- | 62433GT | FILTER,ELEMENT,30 MIC,75020 | | 48 | 72348GT | PUMP,LIFT(FUEL) PERKINS(54555)....1 <i>replaced 128989</i> | |
| -- | 54437GT | HOSE END,BARB,1/4 MNPTX5/16,ST <i>(included with filter assembly)</i> | | -- | 77990GT | KIT,SEAL,3CC PUMP*** | |
| -- | 54205GT | HOSE END,BARB,1/4 MNPTX5/16,90 <i>(included with filter assembly)</i> | | 49 | 94889GT | FUEL FILTER ASSEMBLY.....1 | |
| 31 | 89771GT | HOUSING,PUMP MOUNT (54573).....1 | | -- | 62421GT | FILTER,FUEL,PERKINS.....1 | |
| -- | 128022GT | KIT,FBA STYLE COUPLER,PERKINS <i>includes 15-tooth coupler (128003), fastener kit (1263209) and grease</i> | | 50 | 65636GT | CAP, OIL FILLER.....1 | |
| -- | 128003GT | COUPLER,15 TOOTH,FBA,PERKINS**1 <i>includes grease</i> | | -- | 65638GT | SEAL, OIL FILLER CAP.....1 | |
| -- | 128024GT | SCREW, HHC, M8 X 1.25 X 12.....6 | | 51 | 128984GT | DIPSTICK, STRAIGHT SHORT.....1 | |
| -- | 128025GT | GREASE,SERVICE PACKET.....1 | | -- | 128985GT | DIPSTICK TUBE, STRAIGHT SHORT....1 | |
| 32 | 60868GT | SCREW,HHC,M12 X 45 | | 52 | 60585GT | ISOLATOR,VIBRATION,M8 MALE/FEM.....1 | |
| 33 | 49410GT | WASHER,FLAT,M12 | | 53 | 21130GT | CLEVIS YOKE-1/4-28,PLTD W/PIN.....1 | |
| 34A | 88841GT | MUFFLER,6".....1 | | 54 | 119866GT | SCREW,SHS,M6X12MM,8MM | |
| 34B | 70298GT | MUFFLER,SPARK ARRESTOR.....1 <i>spark arrestor option</i> | | 55 | 49364GT | NUT,NYLOCK,M6X1.00 | |
| 34C | 70357GT | MUFFLER,CATALYTIC.....1 <i>scrubber muffler option</i> | | 56 | 128986GT | WATER OUTLET, VERTICAL.....1 | |
| 34D | 822515GT | TAILPIPE, PERKINS, 404D.....1 | | 57 | 128991GT | THERMOSTAT.....1 | |
| 35 | 88993GT | CLAMP,MUFFLER.....2 | | -- | 147355GT | GASKET-THERMOSTAT HSG.....1 <i>for 128991</i> | |
| 36 | 4828GT | NUT,NYLOCK,3/8-16 | | 58 | 72343GT | GASKET,EXH FLANGE-FORD/PERKINS.....1 | |
| 37 | 88991PGT | FORMING,MUFFLER MOUNT PAINTED.....1 | | 59 | 231513GT | NUT,TL FLG,M6-1.0,DIN6927,10,ZAB | |
| 38 | 54578GT | HOSE,UPPER RADIATOR,PERKINS....1 | | 60 | 237832GT | NUT,TL FLG,M8-1.25,DIN6927,10,ZAB | |
| -- | 22672GT | CLAMP,HOSE,1.75 | | 61 | 826215GT | WASHER,FLAT,M5,DIN125,ZAB | |
| 39 | | Ref. Engine Tray Assembly <i>refer to 310.1</i> | | 62 | 826214GT | NUT,TL,M5-0.8,DIN980,10,ZAB | |
| 40 | 110304GT | RADIATOR,FORD/PERKINS***.....1 | | | | | |
| -- | 77482GT | PULLEY, WATER PUMP.....1 <i>sold separately</i> | | | | | |
| -- | 77483GT | FAN, ENGINE (104-22)(404-22)*.....1 <i>sold separately</i> | | | | | |
| -- | 1252943GT | SPACER,FAN,PERKINS 404F.....1 <i>sold separately</i> | | | | | |
| -- | 24038GT | SHOCK MOUNT,SMALL.....4 <i>sold separately</i> | | | | | |
| 41 | 65473GT | CAP,RADIATOR,PERKINS/FORD.....1 | | | | | |
| 42 | 88989PGT | FORMING,UPPER RAD SUPPORT PNTD.....1 | | | | | |
| 43 | 70385GT | CLAMP,EXHAUST,2.00 PLATED.....2 | | | | | |

This Page Intentionally Left Blank

Go to Discount-Equipment.com to order your parts

601.1 Linkage Assembly



601.1 Linkage Assembly

| Item | Part No. | Description | Qty. | Item | Part No. | Description | Qty. |
|------|---------------|---|------|------|--------------------------|---|------|
| 1 | 88665GT | PIN,2.25DIA X 19.25LG,CHAMFER..... | 1 | -- | 88356 13103GT | SWITCH,LIMIT,W/RLLR ARM,NO/NC..... | 1 |
| 2 | | Ref: Primary Ext/Ret Harness..... <i>refer to 313.1</i> | 1 | 21 | 88666GT | PIN,2 X 5.75 LG..... | 1 |
| 3 | | Ref: Boom Tube #1..... <i>refer to 602.1</i> | 1 | 22 | 13854GT | SCREW,HHC,1/2-13 X 4.5,GRD.8..... | 2 |
| 4 | 18716GT | SNAP RING,EXTERNAL,2.00 DIA..... | 2 | 23 | 6198GT | NUT,NYLOCK,1/2-13 | |
| 5 | 18730GT | WASHER,FLAT,2.01 X 3.5 X .06..... | 9 | 24 | 81694GT | CYLINDER,MASTER..... <i>S-60 and S65 models</i> | 1 |
| 6 | 88872GT | PIN,2.00DIA X 11.18LG,2RING..... | 1 | -- | 75470GT | SEAL KIT,CYL,S45 MASTER(81694) <i>for 81694</i> | |
| 7 | 88653GT | CYLINDER,LIFT,S60***..... <i>for all S-60 and S-65 models</i> | 1 | 25 | T106508GT | SHORT LINK W/BEARINGS, SERVICE..... <i>(includes items 26-28)</i> | 1 |
| -- | 101252GT | SEAL KIT (88653) <i>for 88653</i> | | -- | T106413GT | WELDMENT, SHORT LINK, S60/65..... | 1 |
| -- | 61602GT | VALVE,COUNTERBAL.CBBB-LHN@3500 <i>for 88653</i> | | -- | 18720GT | BEARING,2.0IDX2.25ODX1.50L..... | 2 |
| -- | 18720GT | BEARING,2.0IDX2.25ODX1.50L <i>for 88653</i> | | -- | 18722GT | BEARING,2.25IDX2.50ODX1.50L***..... | 2 |
| -- | 1262331GT | KIT, GLAND NUT, S60 LIFT CYL. <i>for 88653</i> | | 26 | 119990GT | PIN,2.25DIA X 18.75LG,CHAMFER..... | 1 |
| -- | 1268376GT | NUT, PISTON, LIFT CYLINDER <i>for 88653</i> | | 27 | 18731GT | WASHER,FLAT,2.27 X 3.5 X .06..... | 6 |
| -- | 1268377GT | SET SCREW, LIFT CYLINDER <i>for 88653</i> | | 28 | 18717GT | SNAP RING,EXTERNAL,2.25 DIA..... | 2 |
| 8 | 139601GT | ASSY, LONG LINK LT W/BEARINGS..... | 1 | 29 | 77672GT | WELDMENT,TIMING LINK CAM..... <i>(bearings not included)</i> | 1 |
| -- | 18722GT | BEARING,2.25IDX2.50ODX1.50L*** | | -- | 88919GT | BEARING,FL.,2.25IDX2.50ODX1.63L <i>(sold separately)</i> | |
| -- | 88920GT | BEARING,FL.,2.00IDX2.25ODX1.50L | | -- | 30370GT | BEARING,1.25IDX1.50DX1.00L <i>(sold separately)</i> | |
| 9 | 139602GT | ASSY, LONG LINK RT W/BEARINGS..... | 1 | 30 | 824550GT | CLAMP, TIMING LINK, LH | |
| -- | 18722GT | BEARING,2.25IDX2.50ODX1.50L*** | | 31 | 25969GT | CLIP,SPRING,1/4-20 BLACK..... | 4 |
| -- | 88920GT | BEARING,FL.,2.00IDX2.25ODX1.50L | | 32 | 824546GT | CLAMP, TIMING LINK, RH | |
| 10 | 88676GT | PIN,2.00DIA X 24.00LG,CHAMFER***..... | 2 | 33 | 6637GT | SCREW,HHC,1/4-20 X 1.75..... | 2 |
| 11 | 8177GT | SCREW,HHC,1/2-13 X 1.5 | | 34 | 6356GT | WASHER,LOCK,.25..... | 4 |
| 12 | 6033GT | WASHER,LOCK,0.5" | | 35 | 6638GT | WASHER,FLAT,USS,1/4"Y..... | 4 |
| 13 | 1256267GT | ROD END,.5 X 3.75,ZAG..... | 2 | 36 | 147834GT | ASSY, ANGLE SENSOR AND COVER... <i>all models</i> | 1 |
| 14 | 34276GT | PIN,1.25DIA X 3.37LG,1HOLE..... | 1 | -- | 94980GT | SENSOR,DUAL OUTPUT,ANGLE*** | |
| 15 | 1255452GT | ROD END,.375 X 2.25,ZAG..... | 2 | -- | 110452GT | COVER,STEERING SENSOR | |
| 16 | 6021GT | WASHER,LOCK,.375 | | -- | 60746GT | BUSHING, STRAIN RELIEF, 1" | |
| 17 | 6175GT | SCREW,HHC,3/8-16 X 1 | | -- | 75041GT | SCREW,PHILLIPS,PHM,10-32 X 1 | |
| 18 | 88675GT | WELDMENT,MASTER LINK..... | 1 | -- | 6607GT | WASHER,LOCK,#10 PLTD | |
| 19 | | Ref: Ref: Harness LS, OP, Primary Angle..... <i>refer to 313.1</i> | 1 | 37 | 147842GT | PIN, LIFT CYL, HEX END..... | 1 |
| -- | 88356-11103GT | SWITCH,LIMIT,W/RLLR ARM,NO/NC**..... | 1 | 38 | 6090GT | SCREW,HHC,1/4-20 X .75..... | 1 |
| 20A | | Ref: Ref: Harness LS, OP, Primary Velocity..... <i>refer to 313.1</i> | 1 | 39 | 6638GT | WASHER,FLAT,USS,1/4"Y..... | 1 |
| -- | 88356-11103GT | SWITCH,LIMIT,W/RLLR ARM,NO/NC**..... | 1 | 40 | 147571GT | KEY, HEX, 5/16" X 2.50"LG,SS..... | 1 |
| 20B | | Ref: Ref: Harness LS, Safety, Primary Velocity..... <i>refer to 313.1</i> | 1 | 41 | 110908GT | WELDMENT, LONG LINK SPACER..... | 1 |
| | | | | 42 | 10597GT | SCREW,HHC,1/2-13 X 1.25 GR5..... | 1 |
| | | | | 43 | 81852GT | SCREW,HHC,7/16-14 X 1.75 | |
| | | | | 44 | 106134GT | WASHER,FLAT,HARDENED 7/16 | |
| | | | | 45 | 11210GT | NUT,NYLOCK,7/16-14 | |
| | | | | 46 | 230497GT | FORMING,ANGLE SENSOR CABLE..... | 1 |

601.1 Linkage Assembly
(continued)

| Item | Part No. | Description | Qty. |
|------|-----------|-------------------------------------|------|
| 47 | 227125GT | BAR, CLAMP, TIMING LINK..... | 1 |
| 48 | 36294GT | SCREW,HHC,1/4-20 X 2.75..... | 2 |
| 49 | 13066GT | WASHER,FLAT,5 HARDENED..... | 2 |
| 50 | T107751GT | WASHER,FLAT,2.01X2.25X.06,PLTD..... | 1 |

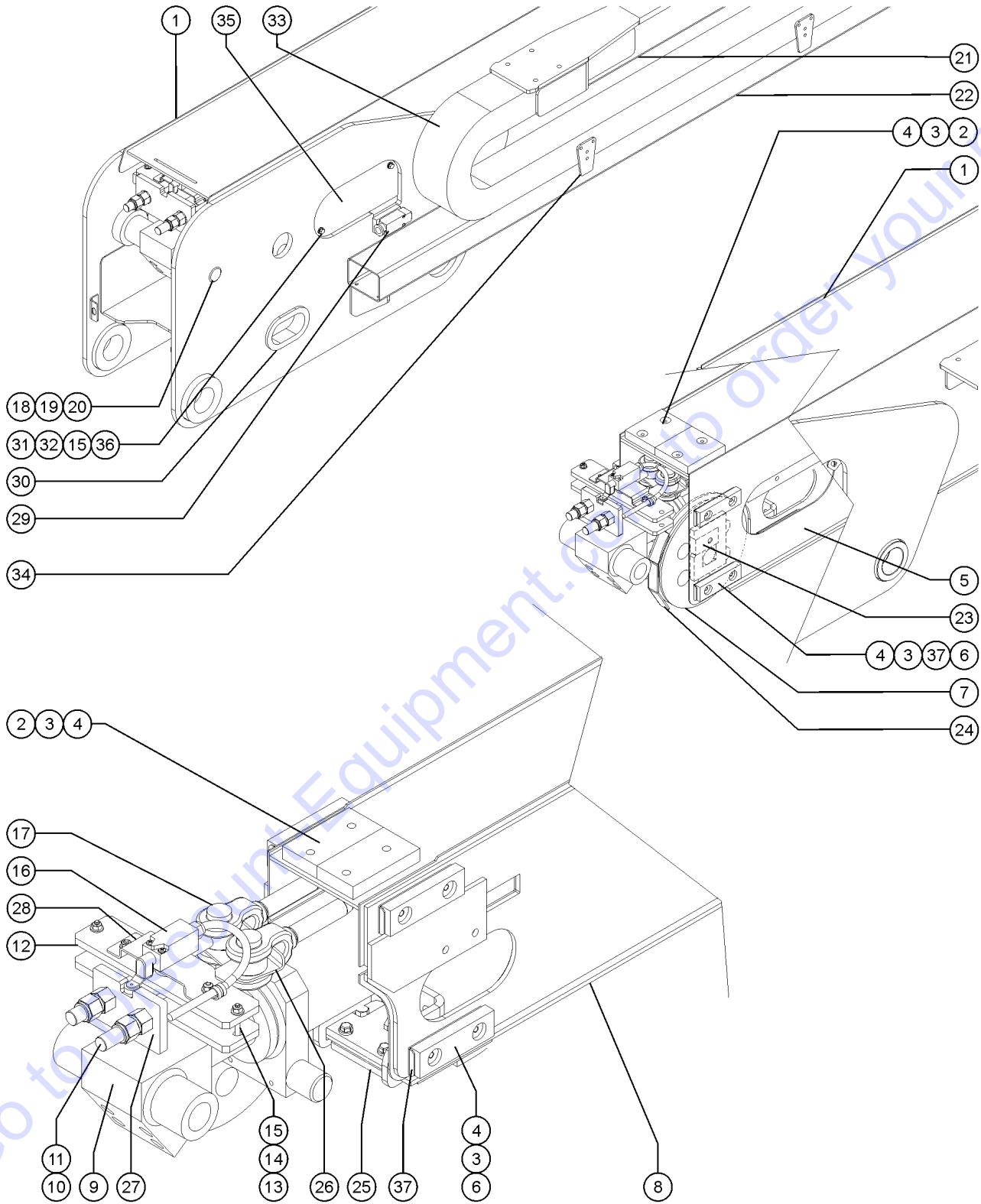
Go to Discount-Equipment.com to order your parts



This Page Intentionally Left Blank

Go to Discount-Equipment.com to order your parts

602.1 Boom Components, View 1



602.1 Boom Components, View 1

| Item | Part No. | Description | Qty. | Item | Part No. | Description | Qty. |
|------|-----------|---|------|------|---------------|--|------|
| 1A | T108890GT | #1 BOOM TUBE ASSY,W/WORD DECAL.....1 <i>for decal refer to section 100</i> | 1 | -- | | Ref. TERM,NI PIN,S&F,16-18GA,REEL <i>refer to 313.1</i> | |
| 1B | T108891GT | #1 BOOM TUBE ASSY,W/SYM DECAL <i>for decal refer to section 100</i> | | -- | | Ref. WIRE CABLE,16/4 CON.TPE JKT.....15 <i>refer to 313.1</i> | 15 |
| -- | 88919GT | BEARING,FL,2.25IDX2.50ODX1.63L.....4 <i>sold seperately</i> | 4 | -- | | Ref. BOOT,DTSCH,DTP4-BT <i>refer to 313.1</i> | |
| -- | 18720GT | BEARING,2.0IDX2.25ODX1.50L.....2 <i>sold seperately</i> | 2 | -- | | Ref. CONTACTOR,LIMIT SWITCH <i>refer to 313.1</i> | |
| -- | 30370GT | BEARING,1.25IDX1.50DX1.00L.....1 <i>sold seperately</i> | 1 | -- | | Ref. ROLLER ARM,LIMIT SWITCH*** <i>refer to 313.1</i> | |
| 2 | 34124GT | WEAR PAD,5 X 3 X .625 W/NUTS.....4 | 4 | 17 | 19440GT | PIN,CLEVIS,1 X 2.5 LG.....2 | 2 |
| -- | 34344GT | SHIM,SIDE PAD 16GA. 3 X 5 | | 18 | 81856GT | PIN,1.50DIA X 13.43LG,2RING.....1 | 1 |
| 3 | 6021GT | WASHER,LOCK,.375 | | 19 | 825796GT | SNAP RING,EXTERNAL,1.50,ZAG.....2 | 2 |
| 4 | 28487GT | SCREW,BHHS,3/8-16 X 1 | | 20 | 18596GT | WASHER,FLAT,1.56 X 2.5 X .061 | |
| 5A | 147617GT | WELDMNT, BOOM SECTION #2.....1 <i>S-60X models</i> | 1 | 21 | | Ref: Cable Track Tube.....1 <i>refer to 611.1</i> | 1 |
| 5B | 63078GT | WELDMNT,BOOM SECTION #2*** <i>S-60, S-60TRAX models</i> | | 22 | | Ref: Cable Track Tray.....1 <i>refer to 611.1</i> | 1 |
| 5C | 63078GT | WELDMNT,BOOM SECTION #2*** <i>S-65 and S-65TRAX models</i> | | 23 | 88795PGT | CAP,EXTENSION,PAINTED.....1 | 1 |
| 6 | 30138GT | WEAR PAD,5 X 1.5 X .625 W/NUTS | | -- | 6175GT | SCREW,HHC,3/8-16 X 1 | |
| 7 | 88568GT | SHEAVE,RETRACT CABLE(SMALLER).....2 | 2 | -- | 6021GT | WASHER,LOCK,.375 | |
| 8 | 94692GT | ASSEMBLY,BOOM TUBE #3 S60/65**1 <i>USA, Canada and Australia models</i> | 1 | -- | 6097GT | WASHER,FLAT,USS,3/8",Y | |
| -- | 119567GT | ASSEM,BOOM TUBE #3 S60/65,CE** <i>South America, Asia and Europe models</i> | | 24 | 107665PGT | COVER,RETRACT SHEAVE,PAINTED.....1 | 1 |
| -- | 34245GT | BEARING,1.25IDX1.50X1.25L.....2 | 2 | 25 | 77718GT | WEAR PAD,5 X 3 X .75.....1 | 1 |
| 9 | 88571GT | CYLINDER,BOOM EXTENSION.....1 | 1 | -- | 34344GT | SHIM,SIDE PAD 16GA. 3 X 5 | |
| -- | 88667GT | VALVE,CB.CBCA-LHN@1500PSI***1 | 1 | -- | 38621GT | SHIM,PAD,5 X 3 | |
| -- | 74872GT | VALVE,COUNTERBALANCE 3000 PSI*1 | 1 | -- | 6019GT | SCREW,HHC,3/8-16 X 1.25 GRD 5 | |
| -- | 101251GT | SEAL KIT (88571) | | -- | 6021GT | WASHER,LOCK,.375 | |
| 10 | 77656GT | ROD END,CABLE | | 26 | 77618PGT | PLATE,ANTIROTATION.....1 | 1 |
| 11 | 77051GT | NUT,NYLOCK,3/4-10,GRD.8 | | 27 | 77795GT | MACHINED PIVOT PLATE WELDMNT.....1 | 1 |
| 12 | 77654PGT | PLATE,ROCKER.....2 | 2 | 28 | 77653PGT | FORMING,LIMIT SWITCH BRACKET.....1 | 1 |
| 13 | 8179GT | SCREW,HHC,1/4-20 X 2.25 | | -- | 6888GT | SCREW,HHC,1/4-20 X 1 | |
| 14 | 6091GT | NUT,NYLOCK,1/4-20 | | -- | 6638GT | WASHER,FLAT,USS,1/4"Y | |
| 15 | 6638GT | WASHER,FLAT,USS,1/4"Y | | -- | 6091GT | NUT,NYLOCK,1/4-20 | |
| 16 | | Ref. Harness, Cable Tension Limit Switch.....1 <i>refer to 313.1 (139833)</i> | 1 | 29 | | Ref: Harness, Primary Ext/Ret Limit Switch.....1 <i>refer to 313.1</i> | 1 |
| -- | | Ref. SWITCH,LIMIT,W/RLLR ARM,NO/NC <i>refer to 313.1</i> | | -- | 88356-14963GT | SWITCH,LIMIT,W/RLLR ARM,NO/NC | |
| -- | | Ref. CONN,RECEP 4 WAY ENDCAP DT <i>refer to 313.1</i> | | 30 | 71768GT | GROMMET,4.00 GRV. X .75 THK.....1 | 1 |
| -- | | Ref. LOCK,RECEP 4 WAY,14-18GA <i>refer to 313.1</i> | | 31 | 6090GT | SCREW,HHC,1/4-20 X .75 | |
| | | | | 32 | 6356GT | WASHER,LOCK,.25 | |
| | | | | 33 | | Ref: Cable Track.....1 <i>refer to 611.1</i> | 1 |
| | | | | 34 | | Ref: Cable Track Guide.....10 <i>refer to 611.1</i> | 10 |

602.1 Boom Components, View 1
(continued)

| Item | Part No. | Description | Qty. |
|------|----------|---|------|
| 35 | 77882PGT | COVER,RH,BOOM SECTION #1.....1 | |
| -- | 147403GT | COVER,LH,BOOM SECTION #1 | |
| 36 | 56912GT | SPRING CLIP,1/4-20,.025-.15X.54,ZAG | |
| 37 | 29080GT | SHIM,WEAR PAD,5X 1.5 16GA <i>qty as needed</i> | |

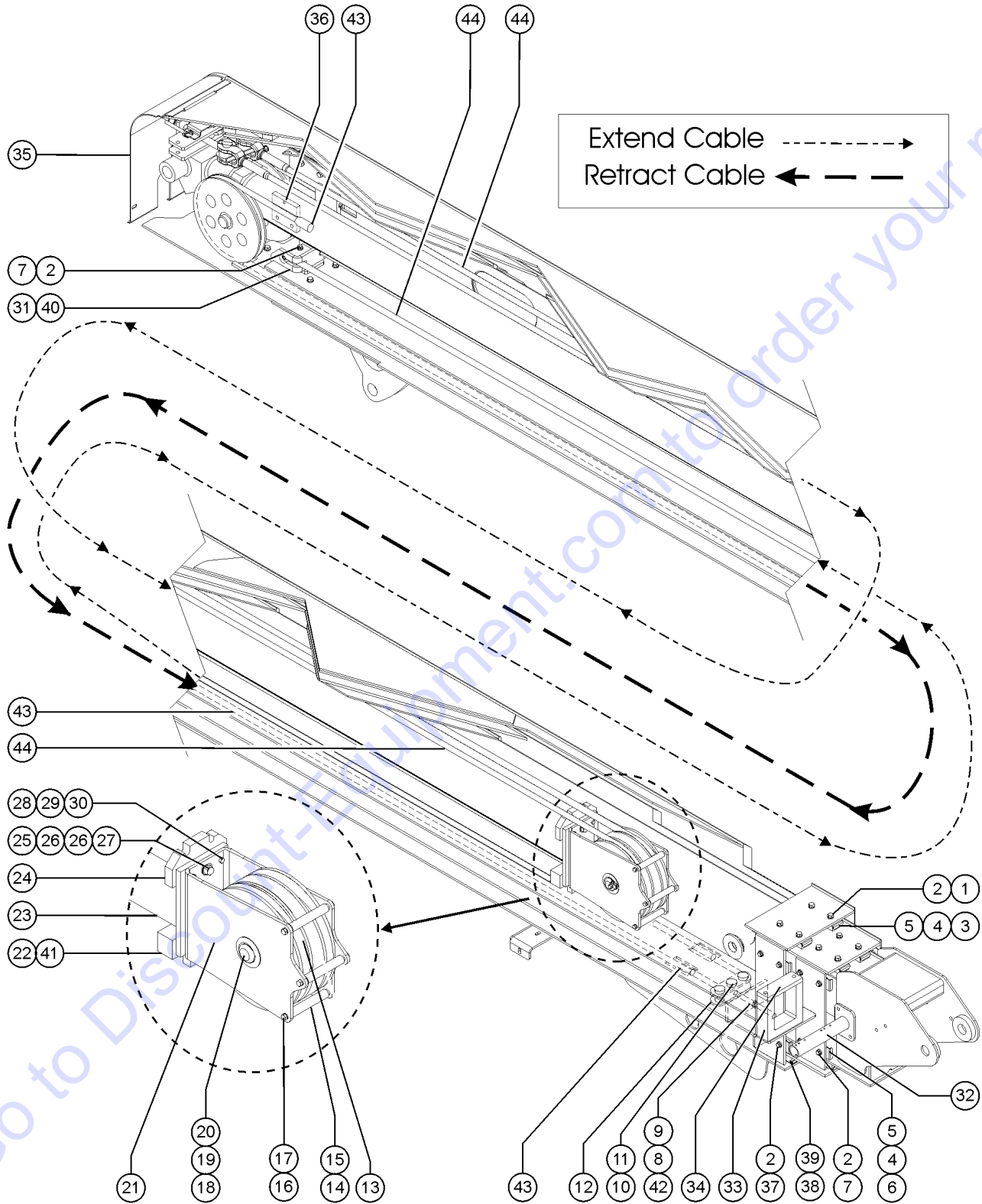
Go to Discount-Equipment.com to order your parts



This Page Intentionally Left Blank

Go to Discount-Equipment.com to order your parts

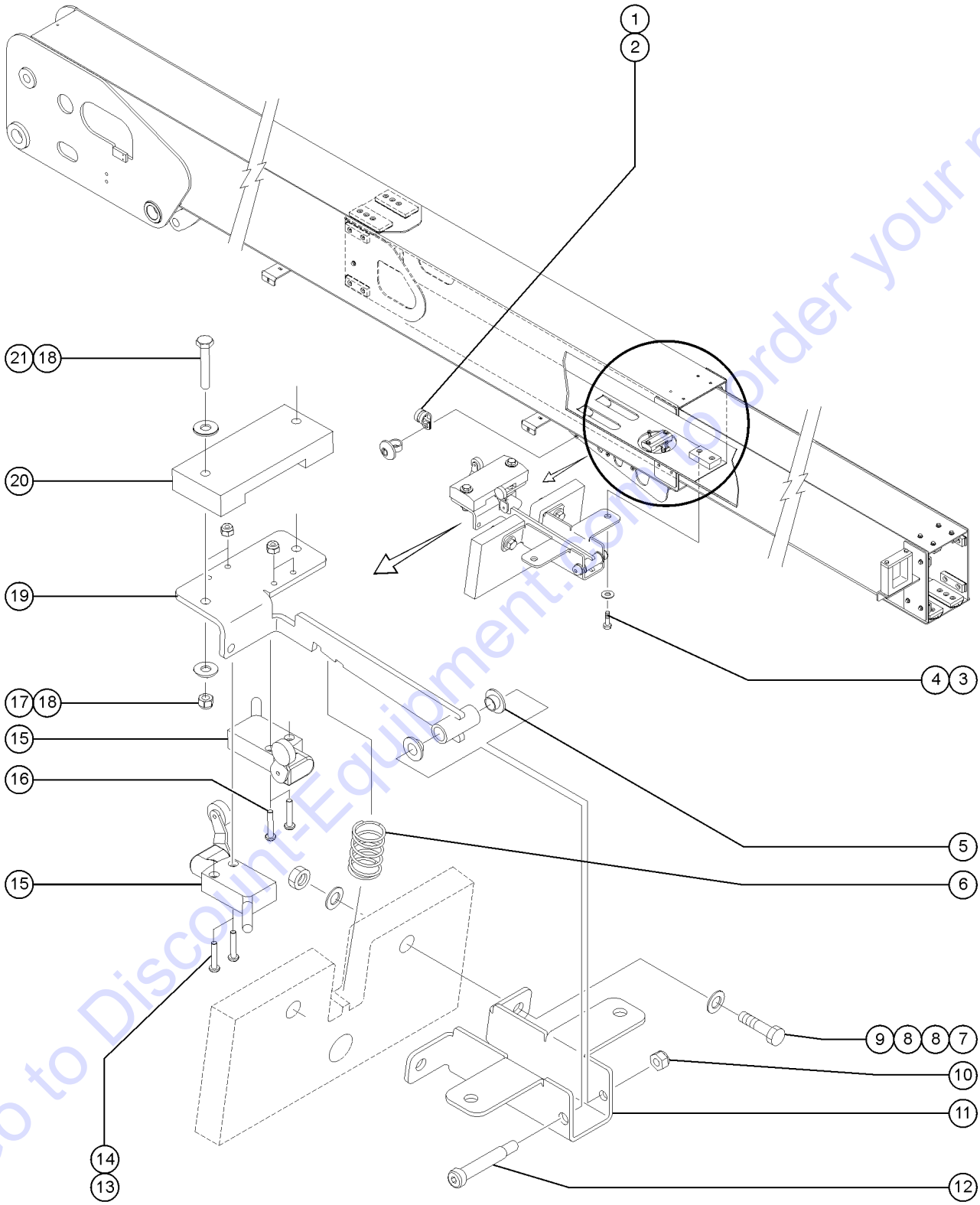
603.1 Boom Components, View 2



603.1 Boom Components, View 2

| Item | Part No. | Description | Qty. | Item | Part No. | Description | Qty. |
|------|------------|--|------|------|----------|--|------|
| A | 214690GT | KIT,EXTEND/RETRACT CABLE,S60 <i>(includes items 43 & 44) (for easier installation, suggest ordering 94510, below)</i> | | 36 | 77616PGT | PLATE,BOTTOM BLOCK,PAINTED.....1 | 1 |
| B | 94510GT | TOOL,CABLE GRIP, 7/16" <i>for installation of 214690</i> | | 37 | 57072GT | SCREW,BHHS,3/8-16 X 1.25 | |
| 1 | 6175GT | SCREW,HHC,3/8-16 X 1 | | 38 | 34344GT | SHIM,SIDE PAD 16GA. 3 X 5.....4 | 4 |
| 2 | 6021GT | WASHER,LOCK,.375 | | 39 | 77718GT | WEAR PAD,5 X 3 X .75.....4 | 4 |
| 3 | 30138GT | WEAR PAD,5 X 1.5 X .625 W/NUTS.....8 | 8 | 40 | 77713PGT | PLATE,TAP BLOCK.....1 | 1 |
| 4 | 38620GT | SHIM,WEAR PAD,5 X 1.5,14GA.....16 | 16 | 41 | 6605GT | SCREW,HHC,3/8-16 X 3.5,GR5.....2 | 2 |
| 5 | 29080GT | SHIM,WEAR PAD,5X 1.5 16GA.....16 | 16 | 42 | 33278GT | WASHER,FLAT,.75 HARDENED | |
| 6 | 34125GT | WEAR PAD,5 X 1.5 X .75 W/NUTS.....8 | 8 | 43 | 110340GT | CABLE ASSY, RETRACT SET (PAIR).....1 <i>(one end mounts at the base, the other end mounts at the top of the mast)</i> | 1 |
| 7 | 6019GT | SCREW,HHC,3/8-16 X 1.25 GRD 5 | | 44 | 110339GT | CABLE ASSY, EXTEND SET(PAIR).....1 <i>(both ends mount at the base of the mast)</i> | 1 |
| 8 | 77656GT | ROD END,CABLE | | | | | |
| 9 | 77051GT | NUT,NYLOCK,3/4-10,GRD.8 | | | | | |
| 10 | 826379GT | PIN,CLEVIS,1X2.250,ZAG.....4 | 4 | | | | |
| 11 | 13635-10GT | PIN,COTTER,.156 X 1.75.....4 | 4 | | | | |
| 12 | 88796GT | PLATE,RETRACTION CABLE EQUALIZ.....2 | 2 | | | | |
| 13 | 88567GT | SHEAVE,EXTENSION CABLE(LARGER).....1 | 1 | | | | |
| 14 | 77648GT | ROLLER,1/2" PVC.....1 | 1 | | | | |
| 15 | 77649GT | ROLLER,1/2" ALUMINUM.....1 | 1 | | | | |
| 16 | 6090GT | SCREW,HHC,1/4-20 X .75 | | | | | |
| 17 | 6356GT | WASHER,LOCK,.25 | | | | | |
| 18 | 88793GT | PIN,1.5 X 5.50 LG.....1 | 1 | | | | |
| 19 | 825796GT | SNAP RING,EXTERNAL,1.50,ZAG.....2 | 2 | | | | |
| 20 | 18596GT | WASHER,FLAT,1.56 X 2.5 X .061 | | | | | |
| 21 | 139384GT | BRACKET, EXTEND SHEAVE.....1 | 1 | | | | |
| 22 | 139288GT | GUIDE, EXT. CABLE, BOTTOM.....1 | 1 | | | | |
| 23 | | Ref: Extension Cylinder <i>refer to 602.1</i> | | | | | |
| 24 | 139385GT | GUIDE, EXT CABLE, TOP.....1 | 1 | | | | |
| 25 | 54177GT | SCREW,HHC,1/2-13 X 1.5 GRD 8.....2 | 2 | | | | |
| 26 | 49411GT | WASHER,FLAT,M14 | | | | | |
| 27 | 6198GT | NUT,NYLOCK,1/2-13 | | | | | |
| 28 | 4266GT | SCREW,HHC,1/4-20 X 2 | | | | | |
| 29 | 6638GT | WASHER,FLAT,USS,1/4"Y | | | | | |
| 30 | 6091GT | NUT,NYLOCK,1/4-20 | | | | | |
| 31 | 77688GT | WELDMENT,EXTENSION BRACKET.....1 | 1 | | | | |
| 32 | | Ref: Weldment Track Pull Tube.....1 <i>refer to 611.1</i> | 1 | | | | |
| 33 | | Ref: Hose/Cable Clamps.....1 <i>refer to 611.1</i> | 1 | | | | |
| 34 | | Ref: Bar Clamp, Cable Track.....1 <i>refer to 611.1</i> | 1 | | | | |
| 35 | 101066PGT | COVER,PRIMARY BOOM,PAINTED.....1 | 1 | | | | |

604.1 Boom Limit Switch, S-60X , S-60TRAX ANSI Models

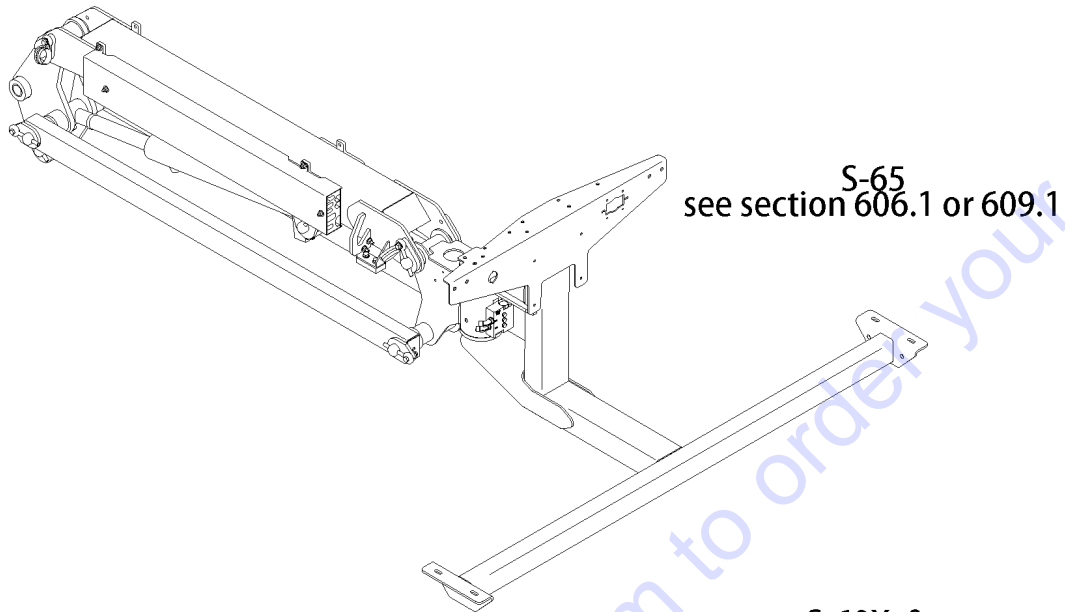


Go to DiscountEquipment.com to order your parts

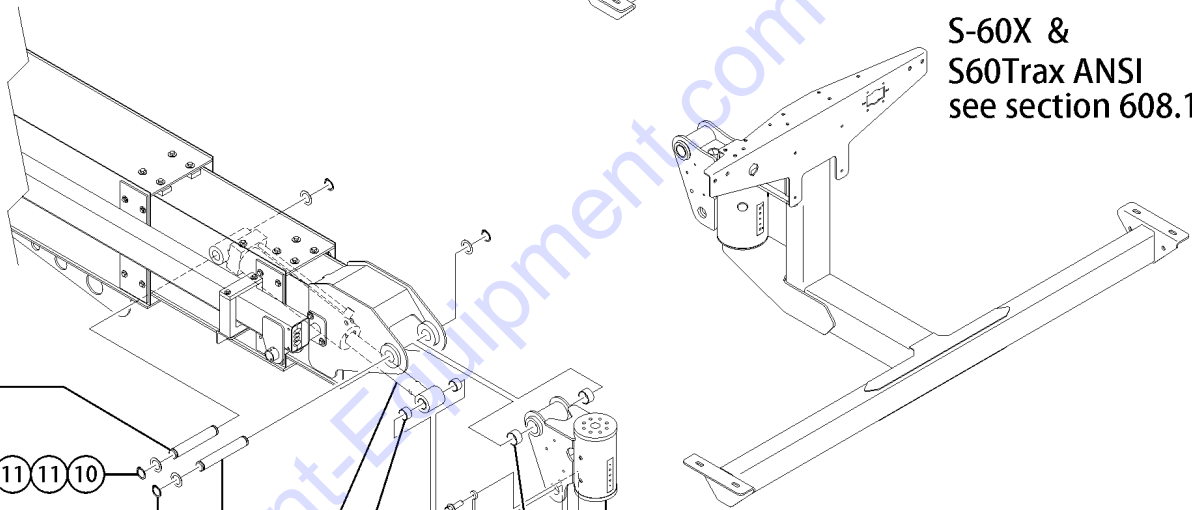
604.1 Boom Limit Switch, S-60X , S-60TRAX ANSI Models

| Item | Part No. | Description | Qty. |
|------|-------------------------|--|------|
| 1 | 45470GT | CLAMP,0.31,#5 X 1/4,RUB CUSH.....1 | 1 |
| 2 | 56361GT | CABLE TIE,BUTTON,BLACK,14.75LG...3 | 3 |
| 3 | 6019GT | SCREW,HHC,3/8-16 X 1.25 GRD 5.....2 | 2 |
| 4 | 6021GT | WASHER,LOCK,.375.....2 | 2 |
| 5 | 47222GT | WASHER,SHOULDER,NYLON.....2 | 2 |
| 6 | T112459GT | SPRING,0.984"OD X 1.50"LG.....1 | 1 |
| 7 | 13918GT | SCREW,HHC,3/8-16 X 1.75,GRD.8.....2 | 2 |
| 8 | 5397GT | WASHER,FLAT,USS,5/16",Y.....4 | 4 |
| 9 | 4828GT | NUT,NYLOCK,3/8-16.....2 | 2 |
| 10 | 6782GT | NUT,NYLOCK,5/16-18.....1 | 1 |
| 11 | 147504GT | COVER, LIMIT SWITCH ARM MOUNT...1 | 1 |
| 12 | 147578GT | SCREW,SHC,3/8 X 1.75 SHOULDER.....1 | 1 |
| 13 | T106385GT | SCREW,PHILLIPS,PHM,8-32 X 1.00.....4 | 4 |
| 14 | 18605GT | NUT,NYLOCK,8-32.....4 | 4 |
| 15 | 1364414B61GT | LIMIT SWITCH,BLUE,MICRO.....2 <i>LSB1ES and LSB1EO, refer to 310.1 for wire harnesses</i> | 2 |
| 16 | T106385GT | SCREW,PHILLIPS,PHM,8-32 X 1.00.....2 | 2 |
| 17 | 6091GT | NUT,NYLOCK,1/4-20.....2 | 2 |
| 18 | 6638GT | WASHER,FLAT,USS,1/4"Y.....4 | 4 |
| 19 | 230329GT | WELDMENT, LIMIT SWITCH ARM.....1 | 1 |
| 20 | 230331GT | WEARPAD, LIMIT SWITCH GUIDE.....1 | 1 |
| 21 | 6145GT | SCREW,HHC,1/4-20 X 1.5.....2 | 2 |

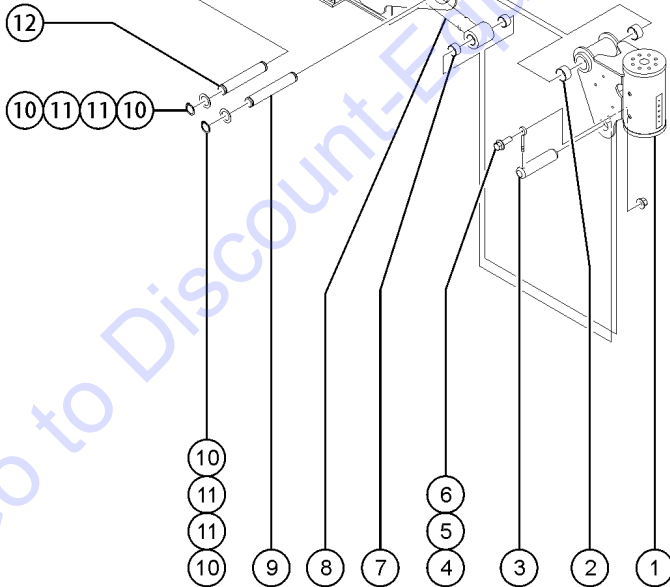
605.1 Boom End Components, S-60 (All Models), S-60TraX (Australia and CE Models)



S-65
see section 606.1 or 609.1



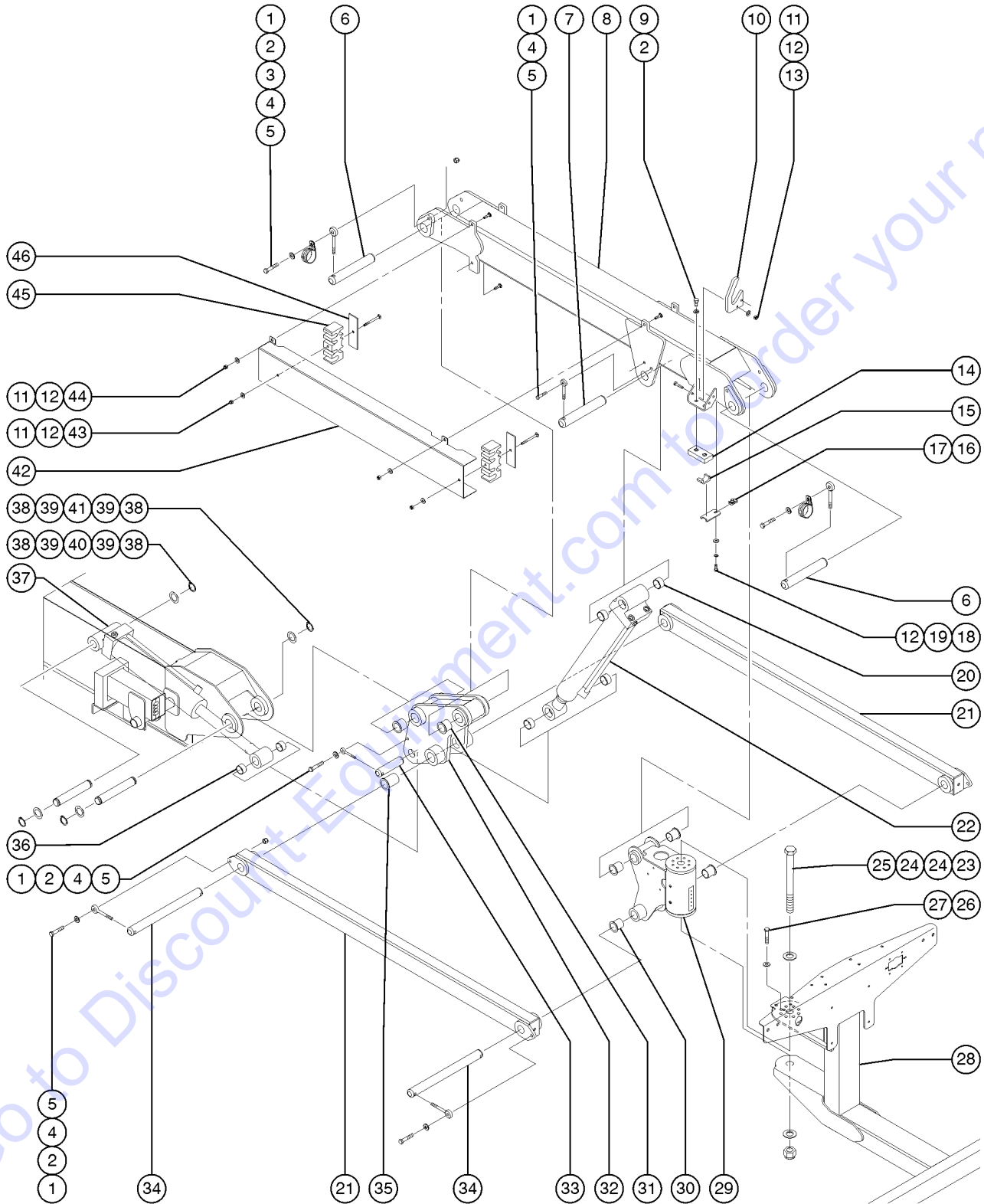
S-60X &
S60Trax ANSI
see section 608.1



605.1 Boom End Components, S-60 (All Models), S-60TraX (Australia and CE Models)

| Item | Part No. | Description | Qty. |
|------|-----------|--|------|
| 1 | 88576GT | ROTATOR, NON-JIB.....1 <i>Includes item 2; S-60 CE only</i> | 1 |
| -- | 122944GT | SEAL KIT, 8K ROTATOR*** | |
| -- | 88516GT | SCREW, BLEEDER, M5X0.8 | |
| 2 | 30370GT | BEARING, 1.25ID X 1.5OD X 1.00L.....4 | 4 |
| 3 | T108075GT | PIN, 1.25DIA X 5.25LG, 1HOLE.....1 | 1 |
| 4 | 825019GT | ROD END, .375 X 3.69, ZAG | |
| 5 | 6175GT | SCREW, HHC, 3/8-16 X 1 | |
| 6 | 4828GT | NUT, NYLOCK, 3/8-16 | |
| 7 | 25683GT | BEARING, POLYGON, 20DU12.....4 | 4 |
| 8 | 63566GT | CYLINDER, PLATFORM LEVEL***1 <i>Includes item 7</i> | 1 |
| -- | 101254GT | SEAL KIT (63566) | |
| -- | 77303GT | VALVE, CNTRBAL 3500 PSI, ATM VEN | |
| 9 | T111124GT | PIN, 1.25DIA X 8.42LG, 2RING.....1 | 1 |
| 10 | 30217GT | SNAP RING, EXTERNAL, 1.25 DIA. **4 | 4 |
| 11 | 30255GT | WASHER, SHIM, 1.27 X 2.13 X .062.....as-needed | |
| 12 | 88870GT | PIN, 1.25DIA X 7.47LG, 2RING.....1 | 1 |

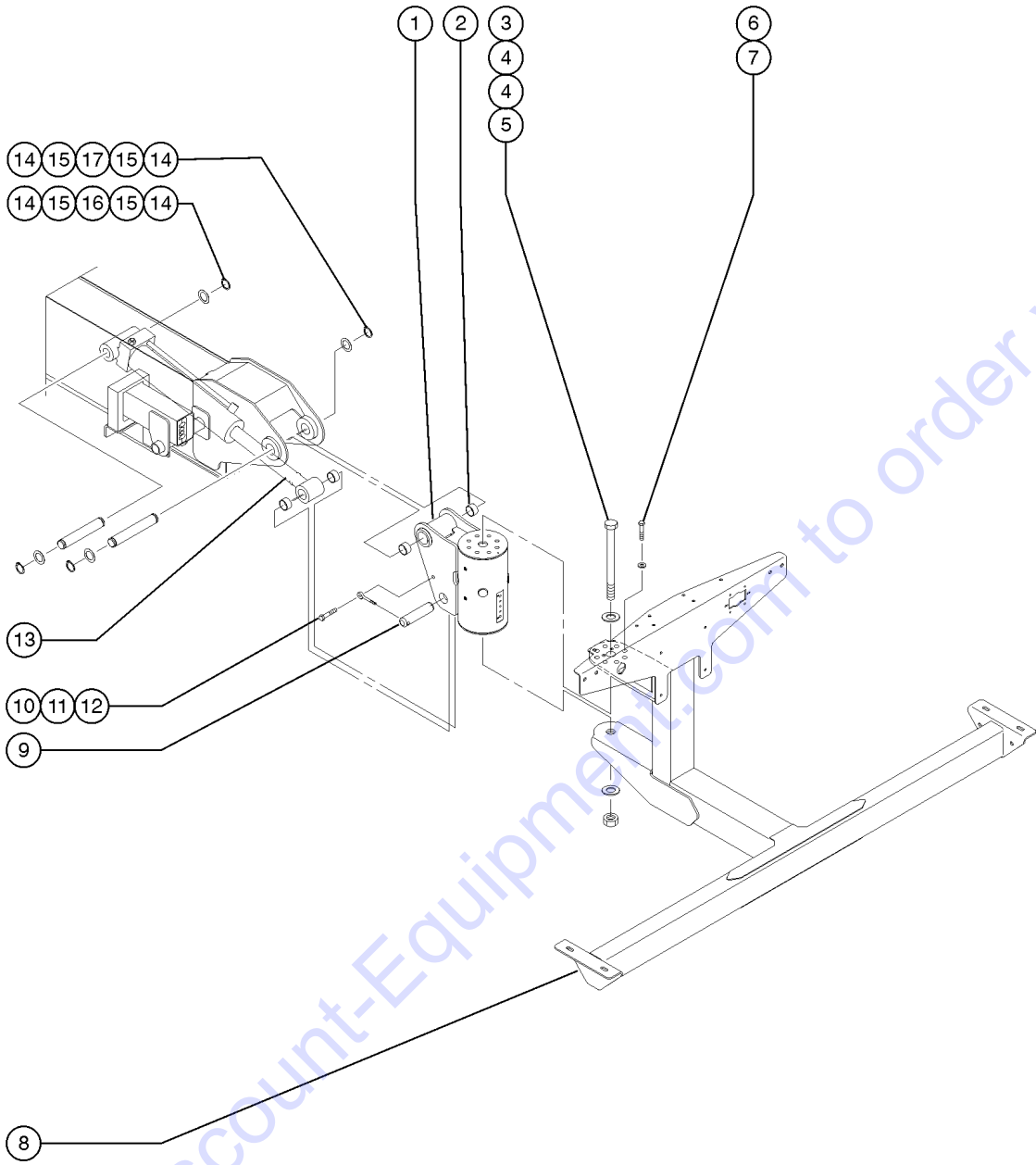
606.1 Boom End Components, S-65 and S-65TraX (All Models)



606.1 Boom End Components, S-65 and S-65TraX (All Models)

| Item | Part No. | Description | Qty. | Item | Part No. | Description | Qty. |
|------|-----------|--|------|------|-----------|--|------|
| 1 | 6175GT | SCREW,HHC,3/8-16 X 1 | | 31 | 35675GT | BEARING,FL,1.25IDX1.5ODX1.25L..... | 4 |
| 2 | 6021GT | WASHER,LOCK,.375 | | 32 | 101244GT | BELLCRANK W/BEARINGS..... <i>includes bearings item 31 and 35</i> | 1 |
| 3 | 77181GT | CLAMP,1.63,#26 X 3/8,RUB CUSH..... | 2 | 33 | T108075GT | PIN,1.25DIA X5.25LG,1HOLE..... | 1 |
| 4 | 825019GT | ROD END, .375X3.69, ZAG | | 34 | 81175GT | PIN,1.25DIA X14.45LG,2HOLE..... | 2 |
| 5 | 4828GT | NUT,NYLOCK,3/8-16 | | 35 | 128268GT | BEARING,FL, 1.25X1.5X2.13..... | 2 |
| 6 | T108076GT | PIN,1.25DIA X7.88LG,1HOLE..... | 2 | 36 | 25683GT | BEARING,POLYGON,20DU12..... | 4 |
| 7 | T108077GT | PIN,1.25DIA X7.00LG,1HOLE..... | 1 | 37 | 63566GT | CYLINDER,PLATFORM LEVEL***..... <i>Includes item 7</i> | 1 |
| 8A | 128534GT | JIB BOOM ASSY W/WORD DECAL..... <i>USA, Canada and Australia models</i> | 1 | -- | 101254GT | SEAL KIT (63566) | |
| 8B | T108892GT | JIB BOOM ASSY W/SYMBOL DECAL <i>South America, Asia and Europe models</i> | | -- | 77303GT | VALVE, CNTRBAL 3500 PSI, ATM VEN | |
| 9 | 8255GT | SCREW,HHC,3/8-16 X .75 | | 38 | 30217GT | SNAP RING,EXTERNAL,1.25 DIA.**..... | 4 |
| 10 | 128482GT | HOSE GUIDE, JIB..... | 1 | 39 | 30255GT | WASHER,SHIM,1.27 X 2.13 X .062.....as-needed | |
| 11 | 6091GT | NUT,NYLOCK,1/4-20 | | 40 | 88870GT | PIN,1.25DIA X7.47LG,2RING..... | 1 |
| 12 | 6638GT | WASHER,FLAT,USS,1/4"Y | | 41 | T111124GT | PIN,1.25DIA X8.42LG,2RING..... | 1 |
| 13 | 8915GT | SCREW,HHC,1/4-20 X 1.25 | | 42 | 128454PGT | COVER, JIB HOSES/CABLES..... | 1 |
| 14 | 81640GT | WEAR PAD,3 X 1.5 X.625 W/NUTS | | 43 | 128724GT | BOLT,CARRIAGE,1/4-20 X 2.75,G2..... | 2 |
| 15 | 119542GT | CLAMP,TWO HOSE..... | 1 | 44 | 79456GT | BOLT,CARRIAGE,1/4-20 X 1.00,G2..... | 4 |
| 16 | 56912GT | SPRING CLIP,1/4-20,.025-.15X.54,ZAG..... | 1 | 45 | 824551GT | CLAMP,HOSE/CABLE,JIB..... | 2 |
| 17 | 119536PGT | BRACKET,HOSE CLAMP,PAINTED..... | 1 | 46 | 128483GT | BACKING PLATE, HOSE BLOCK, JIB.... | 2 |
| 18 | 6090GT | SCREW,HHC,1/4-20 X .75 | | | | | |
| 19 | 6356GT | WASHER,LOCK,.25 | | | | | |
| 20 | 25683GT | BEARING,POLYGON,20DU12..... | 4 | | | | |
| 21 | 61306-SGT | COMPR.LINK,MACHINED,GND CONTR*..... | 2 | | | | |
| 22 | 63213GT | CYLINDER,JIB (STICK BOOMS)..... <i>includes item 20</i> | 1 | | | | |
| -- | 33428GT | VALVE,COUNTERBALANCE | | | | | |
| -- | 63353GT | SEAL KIT,CYL,S65 (63213) | | | | | |
| 23 | 73928GT | SCREW,HHC,1-8 X 11,GRD 5***..... | 1 | | | | |
| 24 | 122079GT | WASHER,FLAT,1.000,HARDENED..... | 2 | | | | |
| 25 | 29764GT | NUT,NYLOCK,1-8..... | 1 | | | | |
| 26 | 77692GT | SCREW,HHC,3/8-16 X 1 GRD 8..... | 8 | | | | |
| 27 | 6097GT | WASHER,FLAT,USS,3/8",Y..... | 8 | | | | |
| 28 | 60370-SGT | PLATFORM SUPPORT WELDMNT-SERV*..... | 1 | | | | |
| 29 | 94397GT | ROTATOR,PLAT JIB,160 DEG***..... <i>includes bearing item 30</i> | 1 | | | | |
| -- | 122944GT | SEAL KIT,8K ROTATOR*** <i>for 94397</i> | | | | | |
| -- | 88516GT | SCREW,BLEEDER,M5X0.8 <i>for 94397</i> | | | | | |
| -- | 75395GT | BEARING KIT,PLAT ROTATOR,SUPER <i>for 94397</i> | | | | | |
| 30 | 30222GT | BEARING,FL,1.25IDX1.41ODX1.50L..... | 4 | | | | |

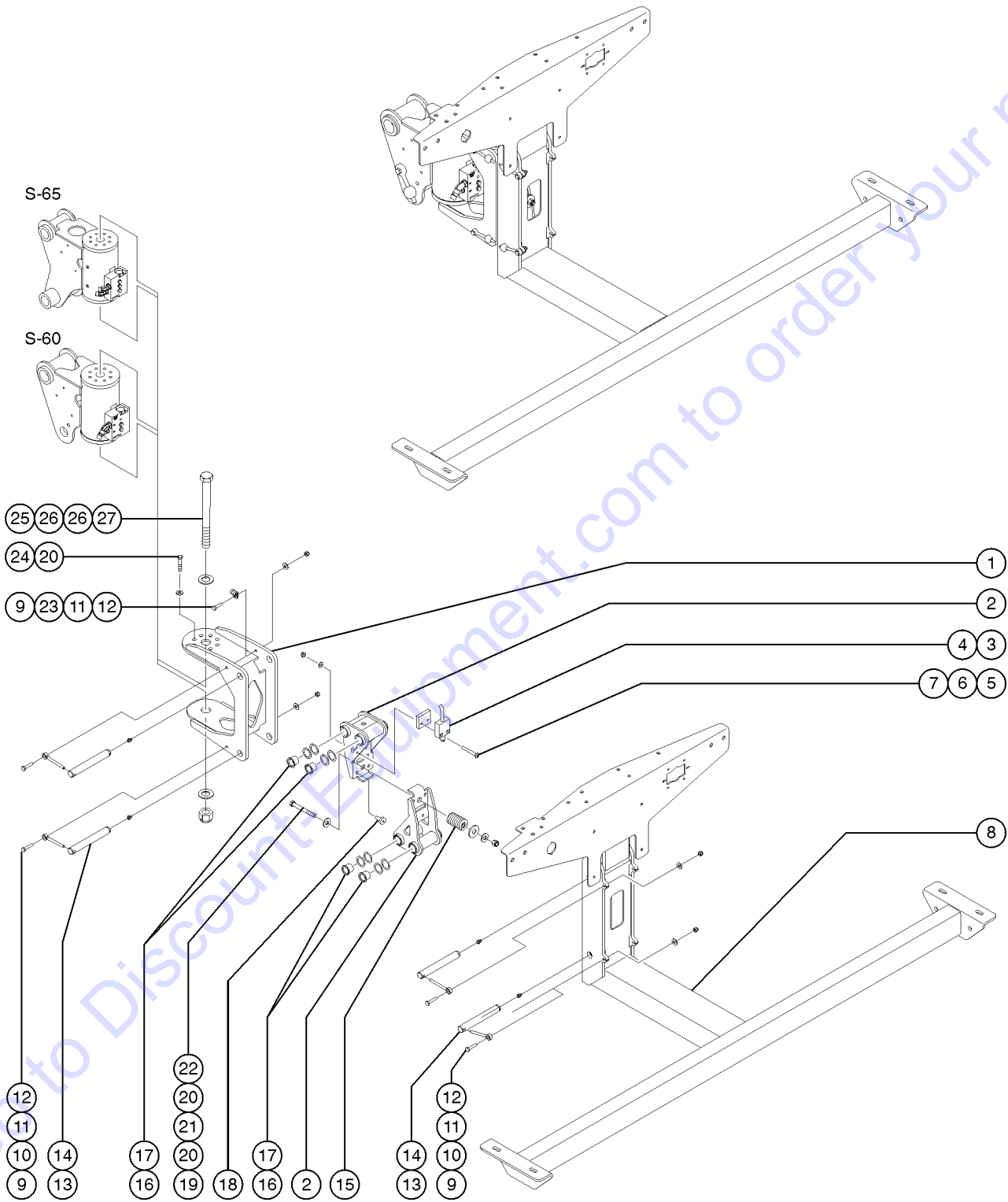
607.1 Boom End Components, S-60X



607.1 Boom End Components, S-60X

| Item | Part No. | Description | Qty. |
|------|-----------|---|------|
| 1 | 226541GT | ROTATOR,PLATFORM,15K.....1 <i>includes item 2</i> | 1 |
| -- | 226542GT | SEAL KIT, 15K ROTATOR <i>for 226541</i> | |
| 2 | 30370GT | BEARING,1.25IDX1.5ODX1.00L.....2 | 2 |
| 3 | 824075GT | SCREW,HHC,1-8X12.75,5,ZAG | |
| 4 | 122079GT | WASHER,FLAT,1.000,HARDENED.....2 | 2 |
| 5 | 123143GT | NUT,NYLOCK,1-8,GR8.....1 | 1 |
| 6 | 123663GT | SCREW,HHC,1/2-13X1.25,GR8,Y.....8 | 8 |
| 7 | 13066GT | WASHER,FLAT,.5 HARDENED.....8 | 8 |
| 8A | 147347GT | WELDMENT, PLAT SUPPORT.....1 <i>6ft and 8ft platforms</i> | 1 |
| 8B | 234242GT | WDMT,4FT/5FT PLAT. SUPPORT,15K....1 <i>4ft and 5ft Platforms</i> | 1 |
| 9 | T108075GT | PIN,1.25DIA X5.25LG,1HOLE.....1 | 1 |
| 10 | 8516GT | SCREW, HCC, 3/8-16 X 1.50.....1 | 1 |
| 11 | 825019GT | ROD END, .375X3.69, ZAG.....1 | 1 |
| 12 | 4828GT | NUT,NYLOCK,3/8-16.....1 | 1 |
| 13 | 63566GT | CYLINDER,PLATFORM LEVEL***.....1 | 1 |
| -- | 101254GT | SEAL KIT (63566) | |
| -- | 25683GT | BEARING,POLYGON,20DU12.....4 | 4 |
| -- | 77303GT | VALVE, CNTRBAL 3500 PSI, ATM VEN | |
| 14 | 30217GT | SNAP RING,EXTERNAL,1.25 DIA.**.....4 | 4 |
| 15 | 30255GT | WASHER,SHIM,1.27 X 2.13 X .062.....as-needed | |
| 16 | 88870GT | PIN,1.25DIA X7.47LG,2RING.....1 | 1 |
| 17 | T111124GT | PIN,1.25DIA X8.42LG,2RING.....1 | 1 |

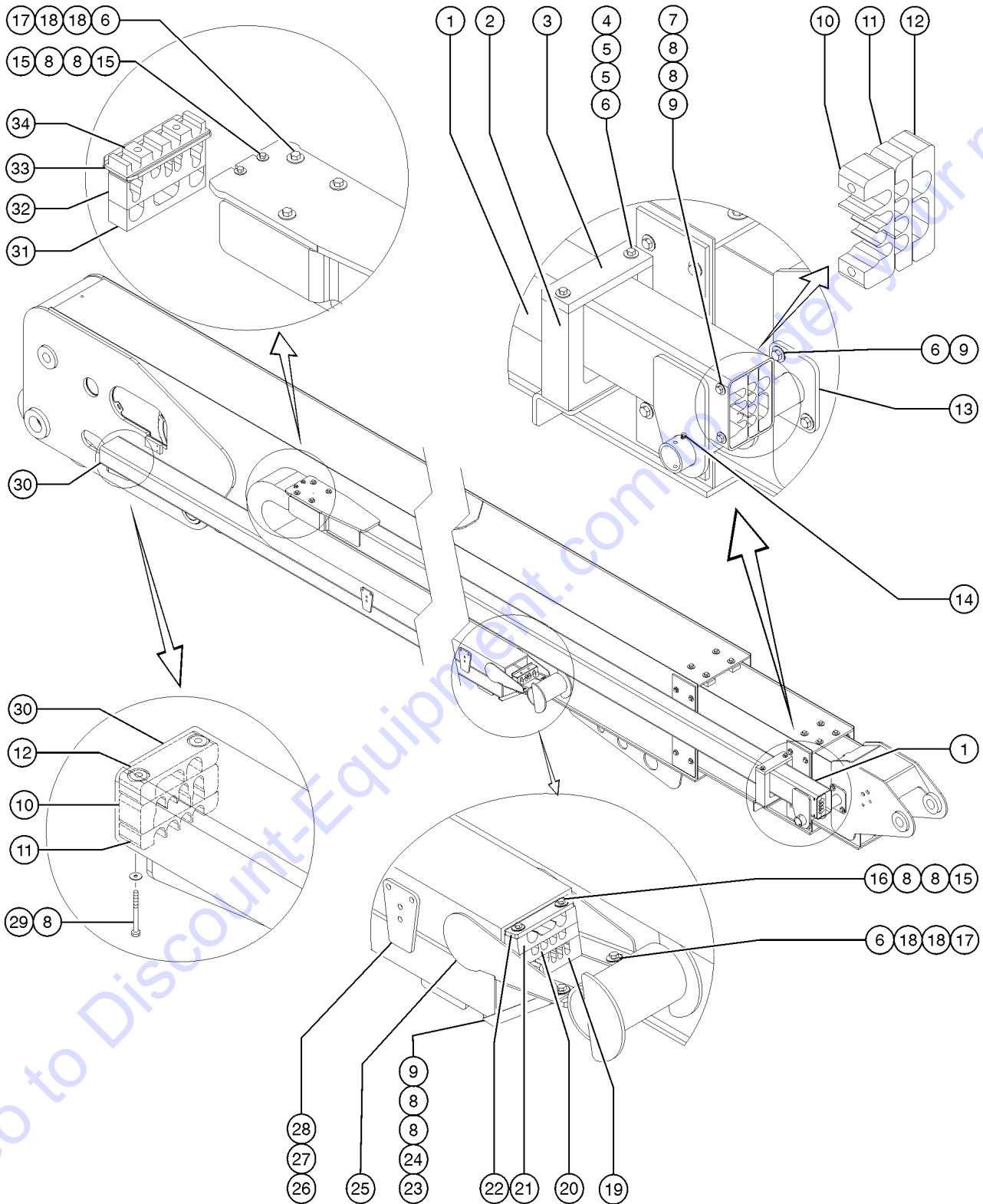
608.1 Boom End Components, Load Sense, S-60, S-65 CE Models



608.1 Boom End Components, Load Sense, S-60, S-65 CE Models

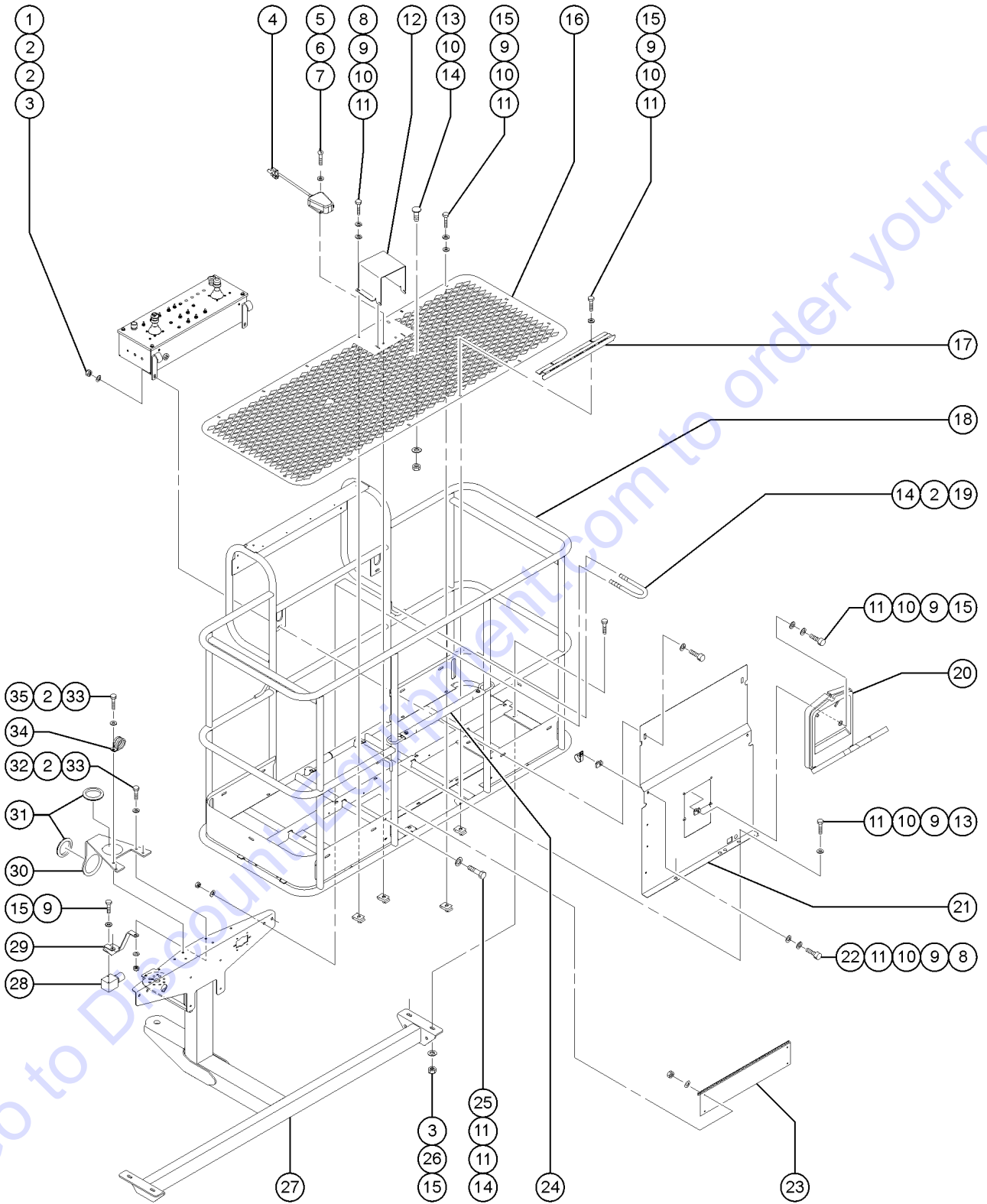
| Item | Part No. | Description | Qty. |
|------|-----------|--|-----------|
| 1 | 101845GT | ROTATOR MOUNT KIT..... | 1 |
| -- | 61804GT | WELDMENT,ROTATOR SUPPORT | |
| 2 | 89755GT | LOAD SUPPORT W/BEARINGS..... | 2 |
| 3 | 121848GT | ASSY,LS,LOAD SENSE,38.5 IN..... | 1 |
| 4 | 61972GT | MOUNT,SWITCH..... | 1 |
| 5 | 73634GT | SCREW,PHIL,PHM,10-24X1.5 ZINC..... | 2 |
| 6 | 6146GT | WASHER,FLAT,MS,#10,Y..... | 2 |
| 7 | 5365GT | NUT,NYLOCK,10-24..... | 2 |
| 8 | 60370-SGT | PLATFORM SUPPORT WELDMNT-SERV*..... | 1 |
| | | <i>ANSI models</i> | |
| 8 | 61997GT | WELDMENT,PLATFORM SUPPORT,CE..... | 1 |
| | | <i>CE models</i> | |
| -- | 94326GT | WELDMENT,4/5FT PLATFORM SUPPOR..... | 1 |
| | | <i>4 ft. and 5 ft. platforms only</i> | |
| 9 | 6888GT | SCREW,HHC,1/4-20 X 1 | |
| 10 | 45748GT | ROD END,.250 X 2.75 LG | |
| 11 | 6638GT | WASHER,FLAT,USS,1/4*Y | |
| 12 | 6091GT | NUT,NYLOCK,1/4-20 | |
| 13 | 61726GT | PIN,0.75DIA X 5.75LG,CHAMFER..... | 4 |
| 14 | 28646GT | ZERK,GREASE,1/8 NPT..... | 4 |
| 15 | 61974GT | SPRING,COMP,1" OD,232 LB/IN..... | 1 |
| 16 | 25685GT | BEARING,GARLOCK,12FDU12..... | 8 |
| 17 | 110789GT | WASHER,SHIM .0151 THK..... | as-needed |
| 18 | 34619GT | BUMPER,RUBBER***..... | 2 |
| 19 | 21604GT | SCREW,HHC,3/8-16 X 3.25 | |
| 20 | 6097GT | WASHER,FLAT,USS,3/8",Y | |
| 21 | 61975GT | RETAINER,SPRING,1.21 X .375..... | 1 |
| 22 | 4828GT | NUT,NYLOCK,3/8-16 | |
| 23 | 45470GT | CLAMP,0.31,#5 X 1/4,RUB CUSH..... | 1 |
| 24 | 77692GT | SCREW,HHC,3/8-16 X 1 GRD 8..... | 8 |
| 25 | 73928GT | SCREW,HHC,1-8 X 11,GRD 5***..... | 1 |
| 26 | 122079GT | WASHER,FLAT,1.000,HARDENED..... | 2 |
| 27 | 29764GT | NUT,NYLOCK,1-8..... | 1 |

609.1 Cable Track



| Item | Part No. | Description | Qty. | Item | Part No. | Description | Qty. |
|------|------------|--|------|------|----------|--|------|
| 1 | 88859GT | WELDMENT,CABLE TRACK TUBE***.....1 | | 26 | 218448GT | FINGER,GUIDE,CABLE TRACK.....10 | |
| 2 | 81341GT | WEAR PAD,CABLE TRACK PULL TUBE.....1 | | -- | 58310GT | SCREW,10-24 X.5 TORX PAN HD*** for 218448 | |
| 3 | 81342GT | WEAR PAD,5.5 X 1.75 X .5.....1 | | 27 | 39317GT | STOP PLATFORM ROLLER | |
| 4 | 81777GT | SCREW,HHC,3/8-16 X 7 | | 28 | 87085GT | RIVET,ALUM,P,.188 X .25 | |
| 5 | 6097GT | WASHER,FLAT,USS,3/8",Y | | 29 | 12343GT | SCREW,HHC,1/4-20 X 3 | |
| 6 | 4828GT | NUT,NYLOCK,3/8-16 | | 30 | 88858GT | WELDMENT,CABLE TRACK TRAY***.....1 | |
| 7 | 8179GT | SCREW,HHC,1/4-20 X 2.25 | | 31 | 228969GT | CLAMP, OPTIONS, CABLE TRACK.....1 (weld cable option) | |
| 8 | 6638GT | WASHER,FLAT,USS,1/4"Y | | 32 | 824549GT | CLAMP, CABLES.....1 | |
| 9 | 6091GT | NUT,NYLOCK,1/4-20 | | 33 | 121065GT | FORMING,CLAMP,TOP,CABLE TRACK.....1 | |
| 10 | 824547GT | CLAMP, CABLES.....2 | | 34 | 228967GT | CLAMP, CABLE.....1 | |
| 11 | 227308GT | CLAMP, HOSES.....2 | | | | | |
| 12 | 227306GT | CLAMP ASSY,OPTIONS BLOCK W/NUT.....2 (weld cable option) | | | | | |
| 13 | 81347GT | WELDMENT,TRACK PULL TUBE PIVOT.....1 | | | | | |
| 14 | 13635-10GT | PIN,COTTER,.156 X 1.75.....1 | | | | | |
| 15 | 6884GT | SCREW,HHC,1/4-20 X 2.5 | | | | | |
| 16 | 6889GT | NUT,LP NYLOCK,1/4-20 | | | | | |
| 17 | 6019GT | SCREW,HHC,3/8-16 X 1.25 GRD 5 | | | | | |
| 18 | 6097GT | WASHER,FLAT,USS,3/8",Y | | | | | |
| 19 | 824548GT | CLAMP, CABLES.....1 | | | | | |
| 20 | 226325GT | CLAMP, HOSES.....1 | | | | | |
| 21 | 228796GT | CLAMP, OPTIONS, CABLE TRACK.....1 (weld cable option) | | | | | |
| 22 | 228797GT | BAR, CLAMP, CABLE TRACK.....1 | | | | | |
| 23A | 1264258GT | FORMING, TRACK BRACE, LH.....1 outboard bracket; furthest from boom tube (shown) | | | | | |
| 23B | 1264257GT | FORMING, TRACK BRACE, RH.....1 inboard bracket; closest to boom tube | | | | | |
| 24 | 6090GT | SCREW,HHC,1/4-20 X .75 | | | | | |
| 25 | T114223GT | CABLE TRACK, SX, 49 LINK.....1 | | | | | |
| -- | 121035GT | PIN,1.250 X 9.25, 2 RINGS for T114223 | | | | | |
| -- | 122662GT | END BRACKET,MOVING END for T114223 | | | | | |
| -- | 122663GT | END BRACKET,FIXED END for T114223 | | | | | |
| -- | 122668GT | GUIDE FINGER,PLASTIC for T114223 | | | | | |
| -- | 218448GT | FINGER,GUIDE,CABLE TRACK for T114223 | | | | | |
| -- | 229169GT | FLATBAR, CLAMPS, CABLE TRACK for T114223 | | | | | |
| -- | 122661GT | REPAIR KIT,4 LINK,W/GUIDE for T114223 | | | | | |

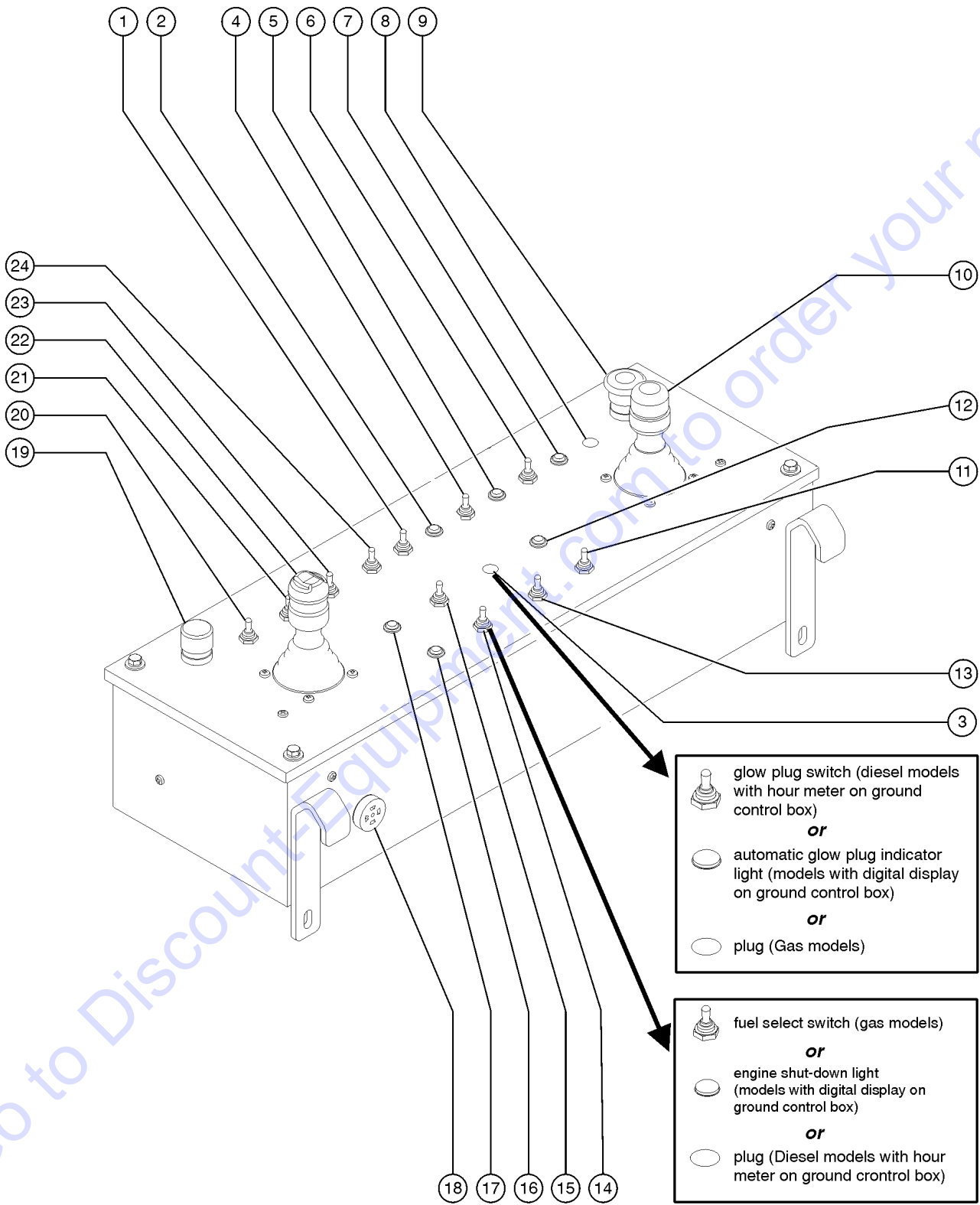
701.1 Platform Installation









701.1 Platform Installation

| Item | Part No. | Description | Qty. | Item | Part No. | Description | Qty. |
|------|-----------|--|------|------|----------|--|------|
| 1 | 7713GT | NUT, LP NYLOCK, 3/8-16 | | 28 | | Ref: Jib Manifold <i>refer to 404.1</i> | |
| 2 | 5397GT | WASHER,FLAT,USS,5/16",Y | | 29 | 110671GT | PLATE,JIB,ROTATE MANIFOLD.....1 | |
| 3 | 6019GT | SCREW,HHC,3/8-16 X 1.25 GRD 5 | | 30 | 106163GT | FORMING,CABLE GUIDE.....1 <i>order 55067 grommet separately</i> | |
| 4 | 1254874GT | ASSEMBLY,FOOT SWITCH, S60.....1 | | 31 | 55067GT | GROMMET,RUBBER 3 X .19 X 3.5.....2 | |
| 5 | 73587GT | SCREW,PHIL,10-24 X .75 | | 32 | 13002GT | SCREW,HHC,5/16-18 X 1 GR5 | |
| 6 | 6607GT | WASHER,LOCK,#10 PLTD | | 33 | 6782GT | NUT,NYLOCK,5/16-18 | |
| 7 | 73575GT | SPRING CLIP,10-24,.025-.125X.468,ZAG | | 34 | 77180GT | CLAMP,1.31,#21 X 3/8,RUB CUSH.....1 | |
| 8 | 6888GT | SCREW,HHC,1/4-20 X 1 | | 35 | 13000GT | SCREW,HHC,5/16-18 X 1.25 | |
| 9 | 6356GT | WASHER,LOCK,.25 | | | | | |
| 10 | 6638GT | WASHER,FLAT,USS,1/4"Y | | | | | |
| 11 | 56912GT | SPRING CLIP,1/4-20,.025-.15X.54,ZAG | | | | | |
| 12 | 147121GT | COVER, FOOT SWITCH, LARGE.....1 <i>decals not included, refer to section 100</i> | | | | | |
| 13 | 54274GT | SCREW,STEP BOLT,1/4-20 X .75 | | | | | |
| 14 | 4828GT | NUT,NYLOCK,3/8-16 | | | | | |
| 15 | 6090GT | SCREW,HHC,1/4-20 X .75 | | | | | |
| 16A | 60160PGT | FLOORING,4 FT PLATFORM,PAINTED.....1 | | | | | |
| 16B | 54247-SGT | PLAT. FLOOR, 5FT, PAINTED.....1 | | | | | |
| 16C | 73477PGT | FLOORING, 6'FT PLATFORM.....1 | | | | | |
| 16D | 73478PGT | FLOORING,8 FT PLATFORM**.....1 | | | | | |
| 17 | 73610PGT | STEP PLATFORM ENTRY PAINTED***.....1 | | | | | |
| 18A | 161541GT | ASSY,4FT PLATFORM, NO DECALS.....1 <i>decals not included, refer to section 100</i> | | | | | |
| 18B | 161542GT | ASSY,5FT PLATFORM, NO DECALS.....1 <i>decals not included, refer to section 100</i> | | | | | |
| 18C | 160809GT | ASSY,6FT PLATFORM,NO DECALS.....1 <i>decals not included, refer to section 100</i> | | | | | |
| 18D | 160804GT | ASSY,8FT PLATFORM,NO DECALS.....1 <i>decals not included, refer to section 100</i> | | | | | |
| 19 | 122755GT | UBOLT,FLATTENED,1.5DIA X 3/8 UNC | | | | | |
| 20A | 44743GT | MANUAL BOX W/DECALS***.....1 <i>USA/Canada/Australia</i> | | | | | |
| 20B | 24514GT | BOX,INSTRUCTION STORAGE <i>Europe/Asia/South America (decal required; refer to Section 100)</i> | | | | | |
| 21 | 73574-SGT | DECAL PLATE ASSEMBLY.....1 <i>decals not included, refer to section 100</i> | | | | | |
| 22 | 56424GT | CLAMP,1.25X.5 RUBBER-CUSHION | | | | | |
| 23 | 94745PGT | TOEBOARD,ENTRY EUROPEAN PNTD**.....1 | | | | | |
| 24 | 102992GT | SLIDING MIDRAIL KIT,PTD.....1 | | | | | |
| 25 | 6091GT | NUT,NYLOCK,1/4-20 | | | | | |
| 26 | 6097GT | WASHER,FLAT,USS,3/8",Y | | | | | |
| 27 | | Ref: Platform Support <i>refer to section 600</i> | | | | | |

702.1 Platform Control Box - View 1, External



 glow plug switch (diesel models with hour meter on ground control box)
or
 automatic glow plug indicator light (models with digital display on ground control box)
or
 plug (Gas models)

 fuel select switch (gas models)
or
 engine shut-down light (models with digital display on ground control box)
or
 plug (Diesel models with hour meter on ground control box)

702.1 Platform Control Box - View 1, External

| Item | Part No. | Description | Qty. | Item | Part No. | Description | Qty. |
|------|------------|--|------|------|------------|---|------|
| A | 825443GT | PBOX ASSY,DEUTZ T4,SGL CAP (models with Deutz D2.9L4, single capacity) decals not included refer to section 100 | | -- | 128580GT | SWITCH TOGGLE SPDT 3P MOM SHDR | |
| B | 825444GT | PBOX ASSY,DEUTZ T4,DUAL CAP (models with Deutz D2.9L4, dual capacity) decals not included refer to section 100 | | 6B | 229567GT | PLUG,SANTOPRENE .5 BLACK DOME.....1 (S-60, S-65) | 1 |
| C | 228311GT | S60 PBOX ASSY, COMMON | | 7A | 824880GT | LIGHT,LED IND. AMBER 12V NH.....1 (lower capacity range) (S-60X, S-60TX, S-65TX) | 1 |
| D | 128578GT | SCREW T-SWITCH PH/PH 6-32X1/4 (included in each toggle switch assembly) | | -- | 56848GT | WASHER,LOCK,IND,LAMP RETAINER | |
| E | 27246GT | BOOT,TOGGLE SWITCH,SHORT* (included in each toggle switch assembly) | | 7B | 229567GT | PLUG,SANTOPRENE .5 BLACK DOME.....1 (S-60, S-65) | 1 |
| 1 | 128201GT | SWITCH TOGGLE ASSY DPDT 2P MOM.....1 (Auxiliary Power; includes boot and hardware) | 1 | 8 | 229567GT | PLUG,SANTOPRENE .5 BLACK DOME.....1 (used for optional equipment) | 1 |
| -- | 128581-SGT | SWITCH TOGGLE DPDT 2P MOM SHDR | | 9 | 66812GT | BUTTON,PUSH,RED MUSHROOM HEAD.....1 | 1 |
| 2A | 824879GT | LIGHT,LED IND. RED 12V NH.....1 (Machine not level indicator) (option) | 1 | -- | 146478GT | BOOT(BELLOWS),E-STOP,BLACK | |
| -- | 56848GT | WASHER,LOCK,IND,LAMP RETAINER | | -- | 66818GT | CONTACT,NC | |
| 2B | 229567GT | PLUG,SANTOPRENE .5 BLACK DOME.....1 (without option) | 1 | -- | 94506GT | BASE,W/3 NC CONTACTS | |
| 3A | 229567GT | PLUG,SANTOPRENE .5 BLACK DOME.....1 (Gas/LPG models) | 1 | 10 | | Ref. Joystick.....1 refer to 704.1 | 1 |
| 3B | 128200GT | SWITCH TOGGLE ASSY SPDT 3P MOM (Diesel models with an hour meter in the ground control box) | | 10 | 139338GT | SCREW PH M5-0.8X20 DIN 7500CE.....4 | 4 |
| -- | 128580GT | SWITCH TOGGLE SPDT 3P MOM SHDR (Diesel models with an hour meter in the ground control box) | | 11 | 128200GT | SWITCH TOGGLE ASSY SPDT 3P MOM.....1 (Drive enable; includes boot and hardware) | 1 |
| 3C | 1254804GT | LT.LAMP IND.AMBER 12V NH (models with digital display in the ground control box) | | -- | 128580GT | SWITCH TOGGLE SPDT 3P MOM SHDR | |
| 4A | 128204GT | SWITCH TOGGLE ASSY SPDT 2P MNT.....1 (Generator) (option) | 1 | 12 | 824879GT | LIGHT,LED IND. RED 12V NH.....1 (Drive enable indicator light) | 1 |
| -- | 128584-SGT | SWITCH TOGGLE SPDT 2P MNT SHDR | | 13 | 128204GT | SWITCH TOGGLE ASSY SPDT 2P MNT.....1 (Engine idle select; includes boot and hardware) | 1 |
| 4B | 229567GT | PLUG,SANTOPRENE .5 BLACK DOME.....1 (without option) | 1 | -- | 128584-SGT | SWITCH TOGGLE SPDT 2P MNT SHDR | |
| 5A | 824880GT | LIGHT,LED IND. AMBER 12V NH.....1 (upper capacity range) (S-60X, S-60TX, S-65TX) | 1 | 14A | 128204GT | SWITCH TOGGLE ASSY SPDT 2P MNT.....1 (Gas/LPG models)(Fuel select; includes boot and hardware) | 1 |
| -- | 56848GT | WASHER,LOCK,IND,LAMP RETAINER | | -- | 128584-SGT | SWITCH TOGGLE SPDT 2P MNT SHDR | |
| 5B | 229567GT | PLUG,SANTOPRENE .5 BLACK DOME (S-60, S-65) | | 14B | 824879GT | LIGHT,LED IND. RED 12V NH (models with digital display on the ground control box) | |
| 6A | 128200GT | SWITCH TOGGLE ASSY SPDT 3P MOM.....1 (Capacity range select) (S-60X, S-60TX, S-65TX) | 1 | 14C | 229567GT | PLUG,SANTOPRENE .5 BLACK DOME (diesel models with hour meter in ground control box) | |
| | | | | 15 | 128200GT | SWITCH TOGGLE ASSY SPDT 3P MOM.....1 (Engine start; includes boot and hardware) | 1 |
| | | | | -- | 128580GT | SWITCH TOGGLE SPDT 3P MOM SHDR | |
| | | | | 16 | 824879GT | LIGHT,LED IND. RED 12V NH.....1 (CE models, platform overload indicator) | 1 |
| | | | | -- | 56848GT | WASHER,LOCK,IND,LAMP RETAINER | |

702.1 Platform Control Box - View 1, External
(continued)

| Item | Part No. | Description | Qty. |
|------|------------|--|------|
| 17 | 824879GT | LIGHT,LED IND. RED 12V NH.....1 <i>(Machine malfunction indicator)</i> | 1 |
| -- | 56848GT | WASHER,LOCK,IND,LAMP RETAINER | |
| 18 | 45383GT | ALARM,WARBLE TONE 5-30 VDC***.....1 <i>(retaining nut 72326 sold separately)</i> | 1 |
| -- | 72326GT | NUT - PLASTIC,RING FOR ALARMS | |
| 19 | 66813GT | BUTTON,PUSH,BLACK W/SEAL***.....1 | 1 |
| -- | 66815GT | BASE, W/1 N.O. CONTACTS*** | |
| -- | 66816GT | CONTACT,N.O.*** | |
| 20 | 128200GT | SWITCH TOGGLE ASSY SPDT 3P MOM.....1 <i>(Platform level; includes boot and hardware)</i> | 1 |
| -- | 128580GT | SWITCH TOGGLE SPDT 3P MOM SHDR | |
| 21 | 128202GT | SWITCH TOGGLE ASSY DPDT 3P MOM.....1 <i>(Platform rotate; includes boot and hardware)</i> | 1 |
| -- | 128582-SGT | SWITCH TOGGLE DPDT 3P MOM SHDR | |
| 22 | | Ref. Joystick.....1 <i>refer to 704.1</i> | 1 |
| 22 | 139338GT | SCREW PH M5-0.8X20 DIN 7500CE.....4 | 4 |
| 23A | 128200GT | SWITCH TOGGLE ASSY SPDT 3P MOM.....1 <i>(Jib boom up/down; includes boot and hardware)</i> | 1 |
| -- | 128580GT | SWITCH TOGGLE SPDT 3P MOM SHDR | |
| 23B | 824880GT | LIGHT,LED IND. AMBER 12V NH.....1 | 1 |
| -- | 56848GT | WASHER,LOCK,IND,LAMP RETAINER | |
| 24 | 128204GT | SWITCH TOGGLE ASSY SPDT 2P MNT.....1 <i>(Drive speed; includes boot and hardware)</i> | 1 |
| -- | 128584-SGT | SWITCH TOGGLE SPDT 2P MNT SHDR | |

PARTS FINDER

**Search Website
by Part Number**



**Search Manual
Library For Parts
Manual & Lookup Part
Numbers – Purchase
or Request Quote**

Search Manuals

Enter your information to help us find the right manual for your machine.

* Brand:

* Model:

* Serial:

* Part Number:

SEARCH

**Can't Find Part or
Manual? Request Help
by Manufacturer,
Model & Description**

Parts Order Form

Please fill in the following information to help us find the right part for your machine.

| | |
|---------------|----------------------|
| Manufacturer: | <input type="text"/> |
| Model: | <input type="text"/> |
| Description: | <input type="text"/> |
| Part Number: | <input type="text"/> |
| Quantity: | <input type="text"/> |
| Notes: | <input type="text"/> |

Submit

Discount-Equipment.com is your online resource for quality parts & equipment.

Florida: **561-964-4949** Outside Florida TOLL FREE: **877-690-3101**

Need parts?

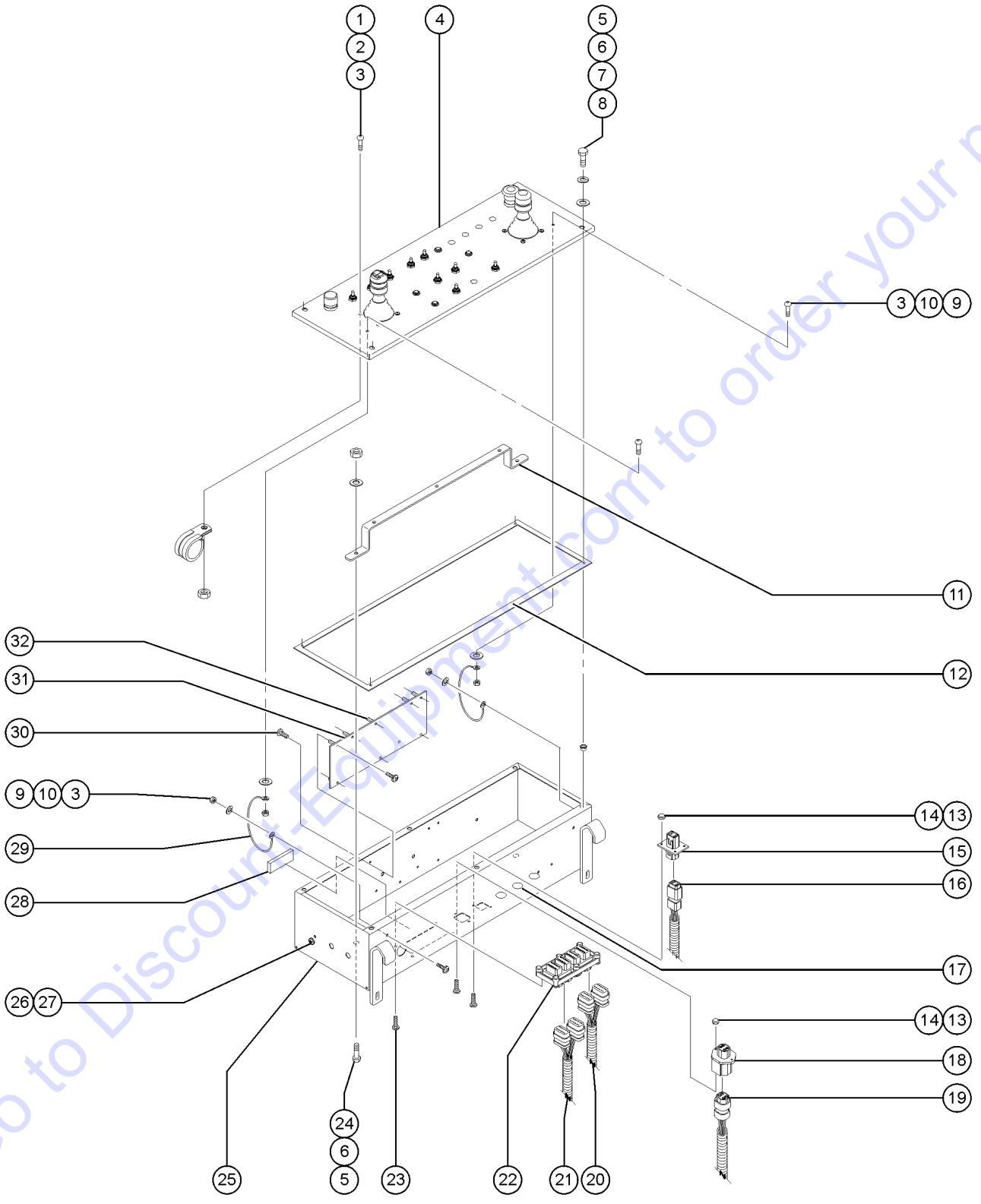
Click on this link: <http://www.discount-equipment.com/category/5443-parts/> and choose one of the options to help get the right parts and equipment you are looking for. Please have the machine model and serial number available in order to help us get you the correct parts. If you don't find the part on the website or on one of the online manuals, please fill out the request form and one of our experienced staff members will get back to you with a quote for the right part that your machine needs.

We sell worldwide for the brands: Genie, Terex, JLG, MultiQuip, Mikasa, Essick, Whiteman, Mayco, Toro Stone, Diamond Products, Generac Magnum, Airman, Haulotte, Barreto, Power Blanket, Nifty Lift, Atlas Copco, Chicago Pneumatic, Allmand, Miller Curber, Skyjack, Lull, Skytrak, Tsurumi, Husquvarna Target, Stow, Wacker, Sakai, Mi-T-M, Sullair, Basic, Dynapac, MBW, Weber, Bartell, Bennar Newman, Haulotte, Ditch Runner, Menegotti, Morrison, Contec, Buddy, Crown, Edco, Wyco, Bomag, Laymor, EZ Trench, Bil-Jax, F.S. Curtis, Gehl Pavers, Heli, Honda, ICS/PowerGrit, IHI, Partner, Imer, Clipper, MMD, Koshin, Rice, CH&E, General Equipment, Amida, Coleman, NAC, Gradall, Square Shooter, Kent, Stanley, Tamco, Toku, Hatz, Kohler, Robin, Wisconsin, Northrock, Oztec, Toker TK, Rol-Air, APT, Wylie, Ingersoll Rand / Doosan, Innovatech, Con X, Ammann, Mecalac, Makinex, Smith Surface Prep, Small Line, Wanco, Yanmar

This Page Intentionally Left Blank

Go to Discount-Equipment.com to order your parts

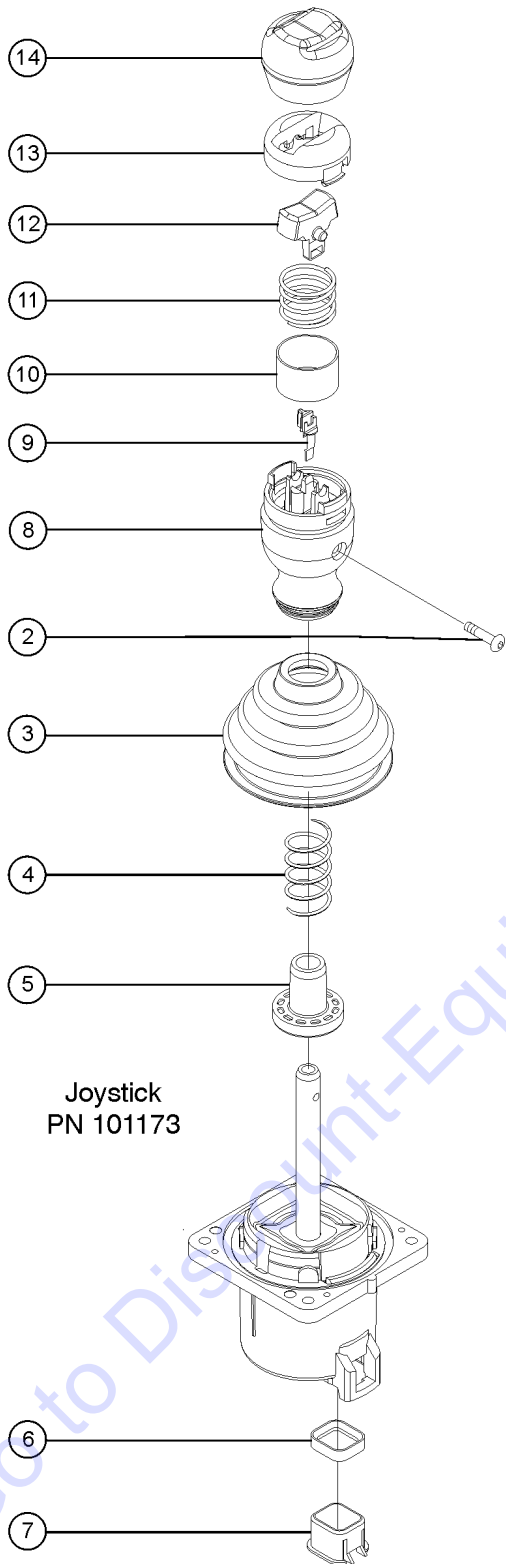
703.1 Platform Control Box - View 2, Internal



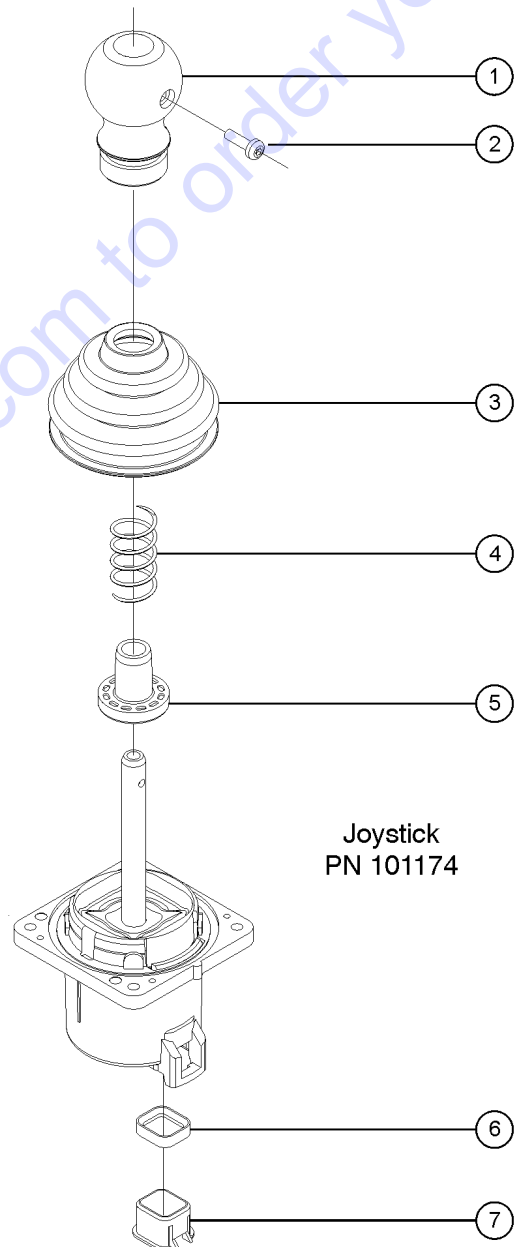
703.1 Platform Control Box - View 2, Internal

| Item | Part No. | Description | Qty. | Item | Part No. | Description | Qty. |
|------|-----------|---|------|------|----------|---------------------------------------|------|
| -- | 111413GT | JOYSTICK CONNECTOR ASSEM,DEUT | | 32 | 81550GT | STANDOFF,6-32 X 3/8L X 1/4 HEX.....10 | |
| -- | 111420GT | OPTION,ROCKER STEER | | | | | |
| -- | | Ref. PLATFORM BOX HARNESS <i>refer to 313.1</i> | | | | | |
| -- | 121847GT | RELAY,TIME DELAY,2 SEC,30A | | | | | |
| 1 | 139338GT | SCREW PH M5-0.8X20 DIN 7500CE.....8 | | | | | |
| 2 | 18666GT | CLAMP,1.00,#16 X 1/4,RUB CUSH.....1 | | | | | |
| 3 | 104030GT | NUT HEX M5-0.8 CLASS 8 ZINC | | | | | |
| 4 | 147387GT | FORMING, PLAT. BOX LID.....1 | | | | | |
| 5 | 6090GT | SCREW,HHC,1/4-20 X .75 | | | | | |
| 6 | 6356GT | WASHER,LOCK,.25 | | | | | |
| 7 | 6638GT | WASHER,FLAT,USS,1/4"Y | | | | | |
| 8 | T107520GT | NUTSERT,LP KNURLED,1/4-20X.165.....4 | | | | | |
| 9 | 49819GT | SCREW,PHILLIPS,PHM,10-32 X .5 | | | | | |
| 10 | 6146GT | WASHER,FLAT,MS,#10,Y | | | | | |
| 11 | 119644GT | BRACKET,PBOX WIRE SUPPORT.....1 | | | | | |
| 12 | 81488GT | GASKET,PLATFORM CONTROL BOX....1 | | | | | |
| 13 | 49820GT | SCREW,PHILLIPS,PHM,6-32 X .5 | | | | | |
| 14 | 12344GT | NUT,NYLOCK,6-32 | | | | | |
| 15 | 73723GT | CONN RECEP,FLANGED.....1 | | | | | |
| 16 | | Ref. FOOT SWITCH WIRE HARNESS ASSEMBLY <i>refer to 313.1</i> | | | | | |
| 17 | 15243GT | PLUG,NYLON .875 BLACK DOMED.....3 | | | | | |
| 18 | 73717GT | CONN,RECEP 4 WAY,12-14GA FL***1 | | | | | |
| 19 | | Ref. HARNESS,12V TO PLAT <i>refer to 313.1</i> | | | | | |
| 20 | | Ref. HARNESS,18/22 BOOM 2 <i>refer to 313.1</i> | | | | | |
| 21 | | Ref. HARNESS BOOM CABLE 1 <i>refer to 313.1</i> | | | | | |
| 22 | 73736GT | CONN,RECEP 48 WAY,4 X 12.....1 | | | | | |
| 23 | 73803GT | SCREW,SHM,PHP, #12 X .75 | | | | | |
| 24 | 6889GT | NUT,LP NYLOCK,1/4-20 | | | | | |
| 25 | T109350GT | PLATFORM CONTROL BOX W/DECAL | | | | | |
| -- | 81487PGT | PLATFORM CONTROL BOX,PAINTED.....1 | | | | | |
| 26 | 54365GT | SCREW,PHIL,PHM,10-32 X .5,SSTL | | | | | |
| 27 | 6178GT | NUT,NYLOCK,10-32 | | | | | |
| 28 | 30997GT | CORROSION INHIBITOR,FOAM.....1 | | | | | |
| 29 | 77351GT | LANYARD,PLATFORM CONTROL BOX.....2 | | | | | |
| 30 | 81551GT | SCREW,PHIL,PHM,6-32 X 1/4 SS | | | | | |
| 31 | 235323GT | ASSY,PCB,ALC500-2 S60 V204.....1 S-60, S-65, S-60X, S-60Trax and S-65 Trax models | | | | | |

704.1 Joysticks



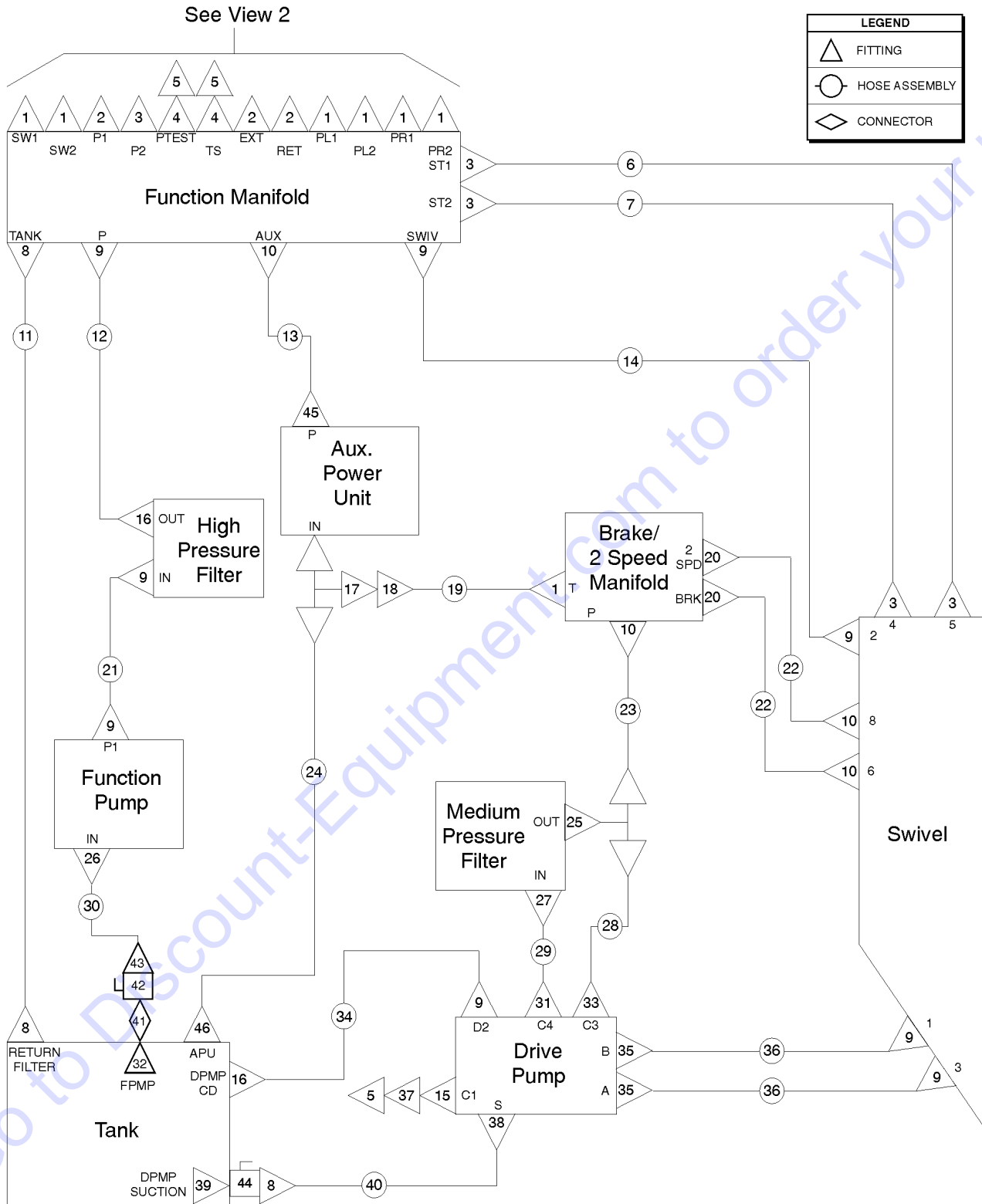
Joystick
PN 101173



Joystick
PN 101174

| Item | Part No. | Description | Qty. |
|------|-----------|---|------|
| -- | 101173GT | JOYSTICK,2 AXIS,ROCKER,DEUTSCH <i>(calibration required after replacement), OEM joystick</i> | |
| -- | 101173HGT | JOYSTICK,DUAL AXIS W/STEER <i>(calibration required after replacement), aftermarket joystick</i> | |
| -- | 101174GT | JOYSTICK,2 AXIS,DEUTSCH <i>(calibration required after replacement), OEM joystick</i> | |
| -- | 101174HGT | JOYSTICK,DUAL AXIS W/KNOB <i>(calibration required after replacement), aftermarket joystick</i> | |
| -- | 101005GT | JOYSTICK,1 AXIS ROCKER,DEUTSCH <i>(calibration required after replacement), OEM joystick</i> | |
| -- | 101005HGT | JOYSTICK,SINGLE AXIS W/STEER <i>(calibration required after replacement), aftermarket joystick</i> | |
| -- | 58253GT | KIT,REPAIR,DEUTSCH PLUG,W/TUBE <i>small kit</i> | |
| -- | 83129GT | KIT,REPAIR,DEUTSH CONNECTORS** <i>large kit</i> | |
| -- | 61794GT | CRIMPER,DEUTSCH,LIGHT DUTY*** <i>tool</i> | |
| -- | 119613GT | HARN JOYSTICK ADAPTOR JS100 <i>6-pin to 7-pin adapter (for 101174, 101175, 101005)</i> | |
| Z | 1269500GT | KIT, ISOLATION, 2 JOYSTICK | |
| 1 | 62392GT | KNOB,JOYSTICK, 62390/62391..... | 1 |
| 2 | T112626GT | SCREW, PHM, #6-32 X .625 ZINC..... | 1 |
| 3 | 139598GT | BOOT,JOYSTICK..... | 1 |
| 4 | | SPRING,JOYSTK CENTR,62390/91..... <i>no longer available from supplier</i> | 1 |
| 5 | 119915GT | COLLAR,JOYSTICK,CENTER..... | 1 |
| 6 | 128000GT | SEAL, CONNECTOR (DT JOYSTICKS)..... | 1 |
| 7 | 128001GT | SLEEVE,CONNECTOR,DT JOYSTICKS..... | 1 |
| 8 | 75449GT | KNOB,ROCKER JOYSTICK 75565..... | 1 |
| 9 | 75448GT | SUPPORT,SENSOR,JOYSTICK..... | 1 |
| 10 | 75447GT | SWITCH SHIELD,ROCK JOYSTK75565..... | 1 |
| 11 | 75446GT | SPRING,SWITCH CENTERING,75565...1 | |
| 12 | 75445GT | ROCKER ASSY.,MAGNETIC 75565.....1 | |
| 13 | 75444GT | ROCKER,RETAINER, 75565.....1 | |
| 14 | 75443GT | BOOT, ROCKER JOYSTICK 75565.....1 | |

801.1 Function Manifold, View 1

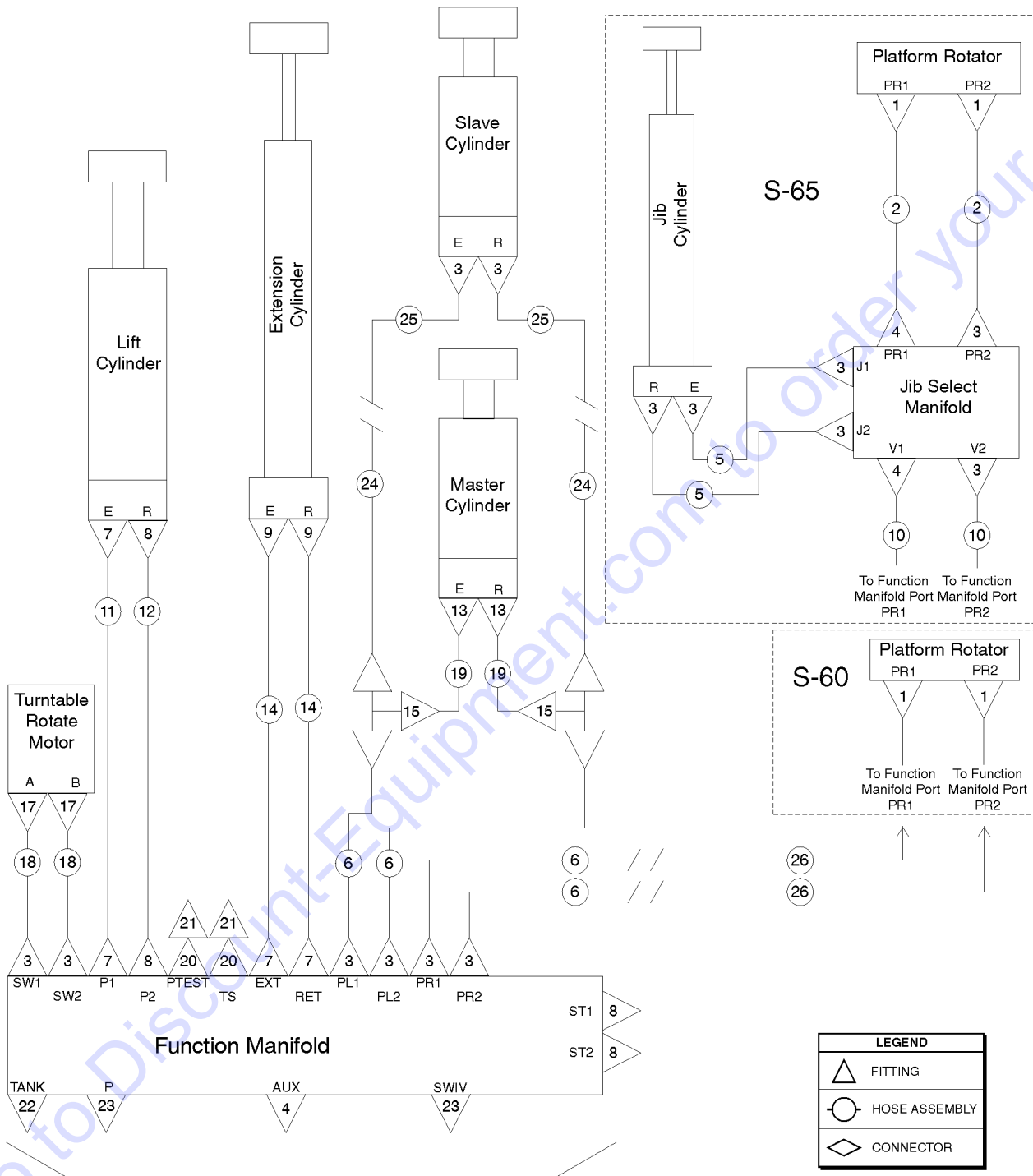


801.1 Function Manifold, View 1

| Item | Part No. | Description | Qty. | Item | Part No. | Description | Qty. |
|------|--------------|--|------|------|--------------|---|------|
| -- | | <i>The hose lengths below reflect the length of the hose only. Refer to the 'Fittings Cross Reference' to match Genie part numbers to Parker part numbers.</i> | | 26 | 88936GT | CONN,520120-20-16..... | 1 |
| 1 | 48905GT | CONNECTOR, 520120-4..... | 7 | 27 | 48932GT | FITTING,ELBOW,90D,520220-8***..... | 1 |
| 2 | 48933GT | CONN,520120-8***..... | 3 | 28 | 49143-3429GT | HOSE ASSY,1/2,90 FEM,STR FEM..... <i>Components: Genie part numbers 48822, 48827 and 48756 @ 32 inches</i> | 1 |
| 3 | 48916GT | CONN, 520120-6..... | 5 | 29 | 49143-3629GT | HOSE ASSY,1/2,90 FEM,STR FEM..... <i>Components: Genie part numbers 48822, 48827 and 48756 @ 34 inches</i> | 1 |
| 4 | 48998GT | NIPPLE,DIAGNOSTIC,#6 PORT***..... | 2 | 30 | 1259903GT | HOSE ASSY, 1-1/4", 76.75"..... <i>Components: Genie part numbers 88474, 88477, 88944 and 88478 @ 73 inches</i> | 1 |
| 5 | 48880GT | CAP,DIAGNOSTIC NIPPLE..... | 2 | 31 | 48949GT | CONN,520120-8-16..... | 1 |
| 6 | 49130-5782GT | HOSE ASSY 3/8, STR FEM,STR FEM.... <i>Components: Genie part numbers 48812, 48812 and 48753 @ 56 inches</i> | 1 | 32 | 101491GT | STRAINER,20 SAE F/24 SAE M*** | |
| 7 | 49130-5582GT | HOSE ASSY 3/8, STR FEM,STR FEM.... <i>Components: Genie part numbers 48812, 48812 and 48753 @ 54 inches</i> | 1 | 33 | 48946GT | CONN,520120-8-10..... | 1 |
| 8 | 48984GT | CONN,520120-16..... | 2 | 34 | 49150-9130GT | HOSE ASSY,3/4,90 FEM,STR FEM..... <i>Components: Genie part numbers 48841, 48846 and 48761 @ 88 inches</i> | 1 |
| 9 | 48960GT | FITTING,CONN,520120-12***..... | 6 | 35 | 48977GT | CONN,520120-12-16..... | 2 |
| 10 | 48904GT | ELBOW, 90D, 520220-4..... | 4 | 36 | 94374-6030GT | HOSE ASSY,3/4,90 FEM,STR FEM..... <i>Components: Genie part numbers 48841, 48846 and 84358 @ 57 inches</i> | 2 |
| 11 | 88949-3828GT | HOSE ASSY 1",STR FEM,STR FEM.... <i>Components: Genie part numbers 88938, 88941 and 88940 @ 36 inches</i> | 1 | 37 | 49207GT | NIPPLE,DIAGNOSTIC,ORFS,FM,SWIV.. | 1 |
| 12 | 1259904GT | HOSE ASSY, 3/4", 72.54" <i>Components: Genie part numbers 48841, 48841 and 48762 @ 69 inches</i> | | 38 | 48985GT | ELBOW,45D,520320-16..... | 1 |
| 13 | 49117-2491GT | HOSE ASSY,1/4,90 FEM,STR FEM..... <i>Components: Genie part numbers 48802, 48800 and 48751 @ 23 inches</i> | 1 | 39 | 147419GT | KIT,STRAINER REPLACEMENT..... | 1 |
| 14 | 49151-6248GT | HOSE ASSY,3/4,STR FEM,STR FEM.... <i>Components: Genie part numbers 48841, 48841 and 48761 @ 60 inches</i> | 1 | 40 | 88942-8354GT | HOSE ASSY,1",90 FEM,STR FEM..... <i>Components: Genie part numbers 88938, 88941, 88939 and 88940 @ 80 inches</i> | 1 |
| 15 | 48914GT | CONN,520120-4-8..... | 1 | 41 | 61263GT | UNION,STR.THREAD 20..... | 1 |
| 16 | 48963GT | FITTING,ELBOW,45D,520320-12***..... | 1 | 42 | 101494GT | VALVE,BALL,FSAE-20,FSAE-20..... | 1 |
| 17 | 48936GT | TEE,BRANCH,520429-8..... | 1 | 43 | 75654GT | CONN,520120-20..... | 1 |
| 18 | 48941GT | REDUCER,520123-8-4..... | 2 | 44 | 48996GT | VALVE,BALL,16 MSAE-16 FSAE***..... | 1 |
| 19 | 49117-4691GT | HOSE ASSY,1/4,90 FEM,STR FEM..... <i>Components: Genie part numbers 48800, 48802 and 48751 @ 45 inches</i> | 1 | 45 | 48912GT | CONN,520120-4-6***..... | 1 |
| 20 | 48907GT | ELBOW,45D,520320-4..... | 2 | 46 | 48943GT | FITTING,CONN,520120-8-6..... | 1 |
| 21 | 61073-3930GT | HOSE ASSY.,3/4",90,FEM,STR FEM.... <i>Components: Genie part numbers 48846, 48841 and 48762 @ 36 inches</i> | 1 | | | | |
| 22 | 49119-2878GT | HOSE ASSY,1/4,STR FEM,STR FEM*.... <i>Components: Genie part numbers 48800, 48800 and 48751 @ 27 inches</i> | 2 | | | | |
| 23 | 49117-3391GT | HOSE ASSY,1/4,90 FEM,STR FEM..... <i>Components: Genie part numbers 48800, 48802 and 48751 @ 32 inches</i> | 1 | | | | |
| 24 | 94465-3650GT | HOSE ASSY,1/2"..... <i>Components: Genie part numbers 48808, 48808 and 39888 @ 35 inches</i> | 1 | | | | |
| 25 | 48936GT | TEE,BRANCH,520429-8..... | 1 | | | | |



802.1 Function Manifold, View 2

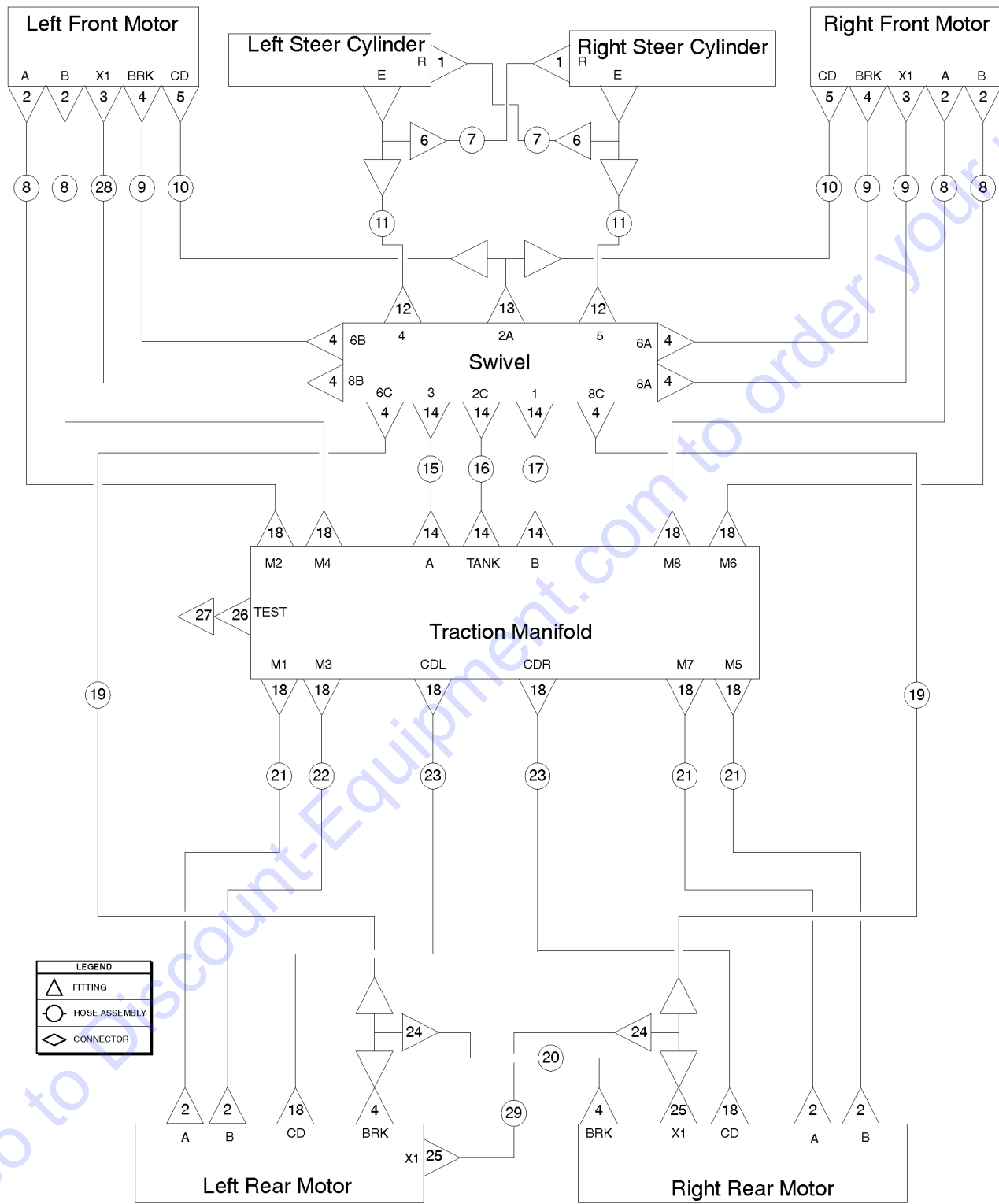


See View 1

| Item | Part No. | Description | Qty. | Item | Part No. | Description | Qty. |
|------|---------------|--|------|------|-----------|---|------|
| -- | | <i>The hose lengths below reflect the length of the hose only. Refer to the 'Fittings Cross Reference' to match Genie part numbers to Parker part numbers.</i> | | 26 | 1253798GT | HOSE ASSY, 1/4", 713" Genie part numbers 48800, 48800 and 48751 @ 711 inches | |
| -- | 49219GT | SLEEVE,NYLON,2.19 ID,BULK.....46 <i>protective hose sleeve, 2.19" diameter (near platform rotator)</i> | 46 | | | | |
| -- | 48767GT | SLEEVE,NYLON,1.42 ID.....23 <i>protective hose sleeve, 1.42" diameter (near platform rotator)</i> | 23 | | | | |
| 1 | 48907GT | ELBOW,45D,520320-4.....2 | 2 | | | | |
| 3 | 48905GT | CONNECTOR, 520120-4.....11 | 11 | | | | |
| 4 | 48904GT | ELBOW, 90D, 520220-4.....2 | 2 | | | | |
| 6 | 88636-11973GT | HOSE ASSY 1/4,STR FEM,STR BULK...4 <i>Components: Genie part numbers 48800, 75628 and 48751 @ 117 inches</i> | 4 | | | | |
| 7 | 48933GT | CONN,520120-8***.....4 | 4 | | | | |
| 8 | 48916GT | CONN, 520120-6.....3 | 3 | | | | |
| 9 | 48937GT | ELBOW,45D,520320-8.....2 | 2 | | | | |
| 11 | 49143-12329GT | HOSE ASSY,1/2,90 FEM,STR FEM.....1 <i>Components: Genie part numbers 48822, 48827, and 48756 @ 121 inches;</i> | 1 | | | | |
| 12 | 49128-12309GT | HOSE ASSY,3/8,STR FEM,STR,90D....1 <i>Components: Genie part numbers 48812, 48816, and 48753 @ 121 inches;</i> | 1 | | | | |
| 13 | 48911GT | ELBOW,90D,520220-4-6***.....2 | 2 | | | | |
| 14 | 49183-13492GT | HOSE ASSY,1/2,STR FEM,STR FEM....2 <i>Components: Genie part numbers 48822, 48822 and 48756 @ 133 inches</i> | 2 | | | | |
| 15 | 48908GT | FITTING,TEE,RUN,SWIVEL520432-4.....2 | 2 | | | | |
| 17 | 49418GT | FITTING,ELBOW,45D,520320-4-6**.....2 | 2 | | | | |
| 18 | 49119-7478GT | HOSE ASSY,1/4,STR FEM,STR FEM....2 <i>Components: Genie part numbers 48800, 48800 and 48751 @ 73 inches</i> | 2 | | | | |
| 19A | 49117-3791GT | HOSE ASSY,1/4,90 FEM,STR FEM**.....1 <i>Components: Genie part numbers 48800, 48802 and 48751 @ 36 inches;</i> | 1 | | | | |
| 19B | 227347GT | HOSE ASSY,1/4", 38.00.....1 <i>Components: Genie part numbers 48800, 48802 and 48751 @ 38 inches;</i> | 1 | | | | |
| 20 | 48998GT | NIPPLE,DIAGNOSTIC,#6 PORT***.....2 | 2 | | | | |
| 21 | 48880GT | CAP,DIAGNOSTIC NIPPLE.....2 | 2 | | | | |
| 22 | 48984GT | CONN,520120-16.....1 | 1 | | | | |
| 23 | 48960GT | FITTING,CONN,520120-12***.....1 | 1 | | | | |
| 24 | 161523GT | HOSE ASSY,1/4,693" <i>Components: Genie part numbers 48800, 48800 and 48751 @ 691 inches;</i> | | | | | |
| 25 | 88636-2573GT | HOSE ASSY 1/4,STR FEM,STR BULK...2 <i>Components: Genie part numbers 48800, 75628 and 48751 @ 23 inches</i> | 2 | | | | |
| -- | 75574GT | NUT,BULKHEAD,520118-4 <i>(item sold seperately)</i> | | | | | |



803.1 4WD Traction Manifold

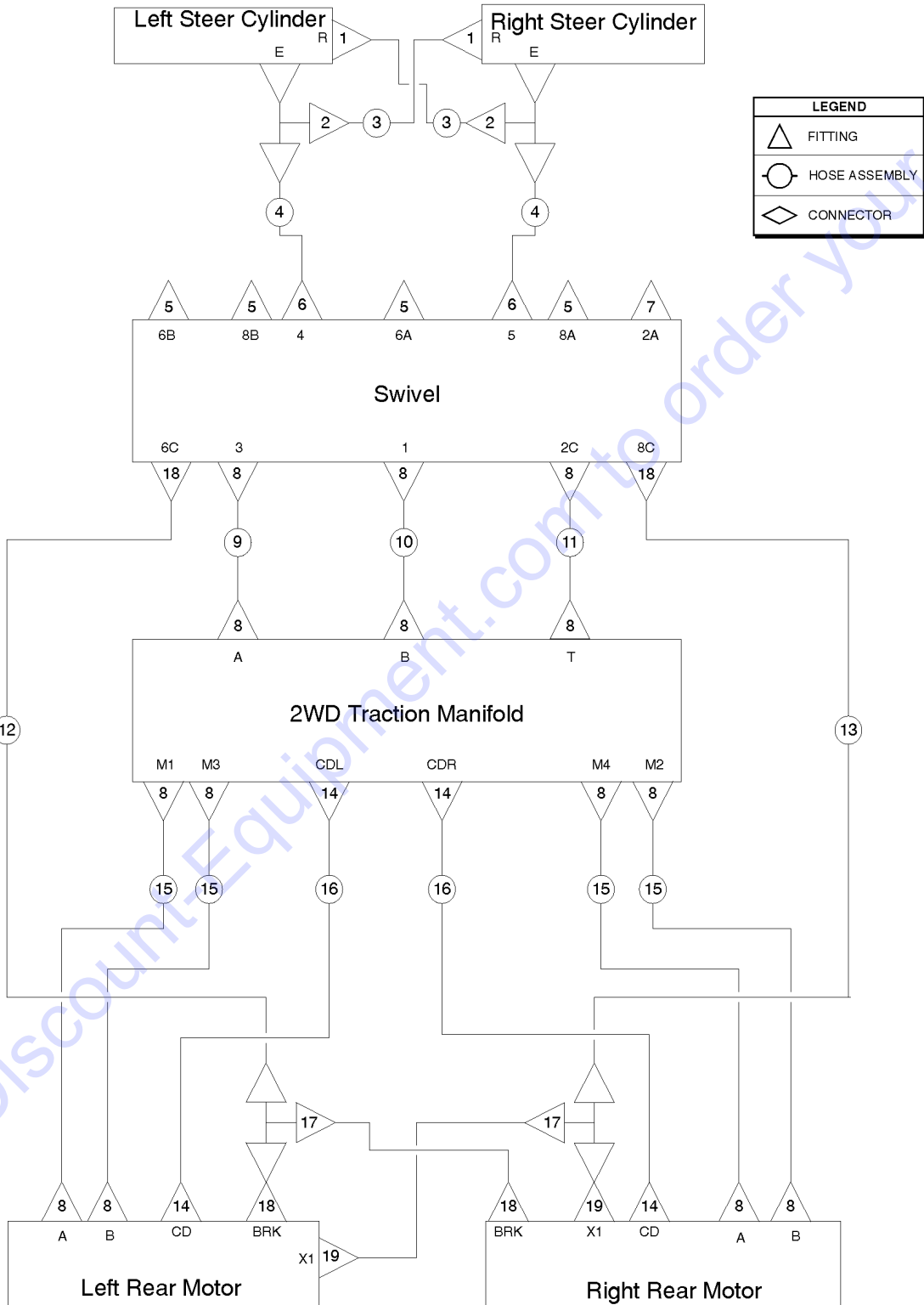


803.1 4WD Traction Manifold

| Item | Part No. | Description | Qty. | Item | Part No. | Description | Qty. |
|------|----------------|--|------|------|----------------|---|------|
| -- | | <i>The hose lengths below reflect the length of the hose only. Refer to the 'Fittings Cross Reference' to match Genie part numbers to Parker part numbers.</i> | | 20 | 49117-6291GT | HOSE ASSY,1/4,90 FEM,STR FEM.....1 <i>Components: Genie part numbers 48800, 48802 and 48751 @ 61 inches</i> | 1 |
| 1 | 48915GT | ELBOW,90D,520220-6..... | 2 | 21 | 75278-5029GT | HOSE ASSY,1/2,90 FEM,STR FEM.....3 <i>Components: Genie part numbers 48822, 48827 and 56777 @ 48 inches</i> | 3 |
| 2 | 48948GT | CONN,520120-8-12..... | 8 | 22 | 75278-5129GT | HOSE ASSY,1/2,90 FEM,STR FEM**.....1 <i>Components: Genie part numbers 48822, 48827 and 56777 @ 49 inches</i> | 1 |
| 3 | 48912GT | CONN,520120-4-6***..... | 2 | 23 | 94464-4986GT | HOSE ASSY,1/2"****.....2 <i>Components: Genie part numbers 48808, 77703 and 39888 @ 48 inches</i> | 2 |
| 4 | 48905GT | CONNECTOR, 520120-4..... | 10 | 24 | 48908GT | FITTING,TEE,RUN,SWIVEL520432-4..... | 2 |
| 5 | 48930GT | FITTING,CONN,520120-6-8***..... | 2 | 25 | 48911GT | ELBOW,90D,520220-4-6***..... | 2 |
| 6 | 48918GT | TEE,RUN,520428-6..... | 2 | 26 | 48998GT | NIPPLE,DIAGNOSTIC,#6 PORT***..... | 1 |
| 7 | 49130-2482GT | HOSE ASSY 3/8, STR FEM,STR FEM.....2 <i>Components: Genie part numbers 48812, 48812 and 48753 @ 23 inches</i> | 2 | 27 | 48880GT | CAP,DIAGNOSTIC NIPPLE..... | 1 |
| -- | 101795-2482GT | HOSE ASSY,3/8,STR FEM,STR FEM <i>Components: Genie part numbers 48812, 48812 and 101697 @ 23 inches (arctic option)</i> | | 28 | 49117-10691GT | HOSE ASSY 1/4,90 FEM STR FEM.....1 <i>Components: Genie part numbers 48800, 48802 and 48751 @ 105 inches</i> | 1 |
| 8 | 81812-13292GT | HOSE ASSY,1/2".....4 <i>Components: Genie part numbers 48822, 48822 and 56777 @ 131 inches</i> | 4 | -- | 101790-10691GT | HOSE ASSY,1/4,90 FEM,STR FEM <i>Components: Genie part numbers 48800, 48802 and 48751 @ 105 inches (arctic option)</i> | |
| 9 | 49117-10091GT | HOSE ASSY 1/4.90 FEM STR FEM.....3 <i>Components: Genie part numbers 48800, 48802 and 48751 @ 99 inches</i> | 3 | 29 | 49117-6091GT | HOSE ASSY,1/4,90 FEM,STR FEM**.....1 <i>Components: Genie part numbers 48800, 48802 and 48751 @ 59 inches</i> | 1 |
| -- | 101790-10091GT | HOSE ASSY,1/4,90 FEM,STR FEM <i>Components: Genie part numbers 48800, 48802 and 101697 @ 99 inches (arctic option)</i> | | | | | |
| 10 | 49131-9603GT | HOSE ASSEMBLY 3/8".....2 <i>Components: Genie part numbers 48812, 48819 and 48753 @ 94 inches</i> | 2 | | | | |
| -- | 102230-9589GT | HOSE ASSY,3/8,STR FEM,STR FEM <i>Components: Genie part numbers 48812, 48819 and 101698 @ 94 inches (arctic option)</i> | | | | | |
| 11 | 49130-4782GT | HOSE ASSY,3/8,STR FEM,STR FEM.....2 <i>Components: Genie part numbers 48812, 48812 and 48753 @ 46 inches</i> | 2 | | | | |
| 12 | 48916GT | CONN, 520120-6..... | 2 | | | | |
| 13 | 48936GT | TEE,BRANCH,520429-8..... | 1 | | | | |
| 14 | 48960GT | FITTING,CONN,520120-12***..... | 6 | | | | |
| 15 | 94374-2430GT | HOSE ASSY,3/4,90 FEM,STR FEM.....1 <i>Components: Genie part numbers 48841, 48846 and 94358 @ 21 inches</i> | 1 | | | | |
| 16 | 94466-2336GT | HOSE ASSY,3/4".....1 <i>Components: Genie part numbers 48809, 48809 and 39889 @ 21 inches</i> | 1 | | | | |
| 17 | 94374-2630GT | HOSE ASSY,3/4,90 FEM,STR FEM**.....1 <i>Components: Genie part numbers 48841, 48846 and 94358 @ 23 inches</i> | 1 | | | | |
| 18 | 48933GT | CONN,520120-8***..... | 12 | | | | |
| 19 | 49119-7578GT | HOSE ASSY,1/4 STR FEM,STR FEM.....2 <i>Components: Genie part numbers 48800, 48800 and 48751 @ 74 inches</i> | 2 | | | | |

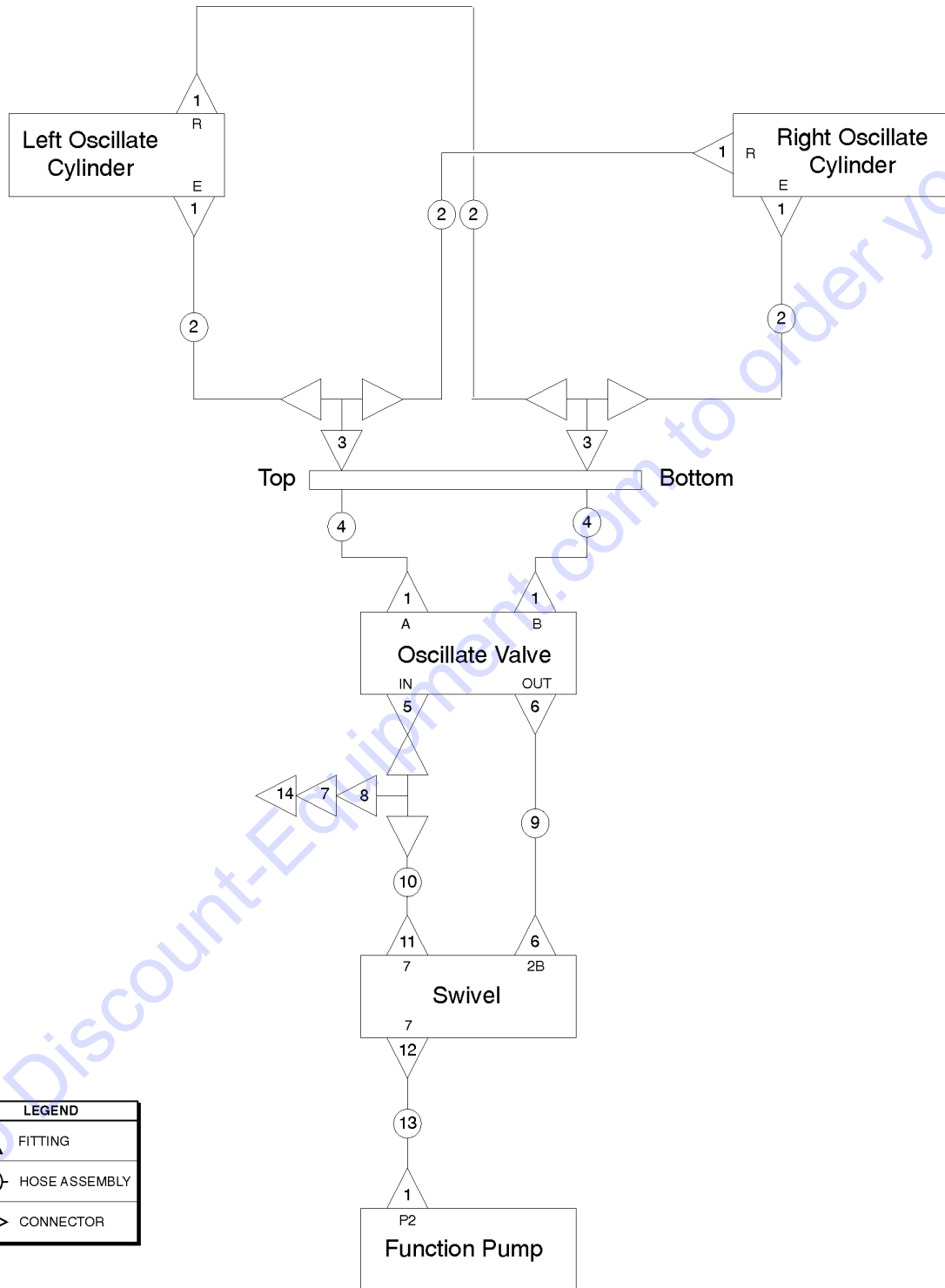


804.1 2WD Traction Manifold



| Item | Part No. | Description | Qty. |
|------|---------------|--|------|
| -- | | <i>The hose lengths below reflect the length of the hose only. Refer to the 'Fittings Cross Reference' to match Genie part numbers to Parker part numbers.</i> | |
| 1 | 48915GT | ELBOW,90D,520220-6..... | 2 |
| 2 | 48918GT | TEE,RUN,520428-6..... | 2 |
| 3 | 49130-2482GT | HOSE ASSY 3/8, STR FEM,STR FEM.... <i>Components: Genie part numbers 48812, 48812 and 48753 @ 23 inches</i> | 2 |
| 4 | 49130-4782GT | HOSE ASSY,3/8,STR FEM,STR FEM.... <i>Components: Genie part numbers 48812, 48812 and 48753 @ 46 inches</i> | 2 |
| -- | 101795-4782GT | HOSE ASSY,3/8,STR FEM,STR FEM <i>Components: Genie part numbers 48812, 48812 and 101698 @ 46 inches (arctic option)</i> | |
| 5 | 49859GT | PLUG,HEX,090109A-4..... | 4 |
| 6 | 48916GT | CONN, 520120-6..... | 2 |
| 7 | 48883GT | PLUG,HEX,090109A-8***..... | 1 |
| 8 | 48960GT | FITTING,CONN,520120-12***..... | 14 |
| 9 | 94374-2330GT | HOSE ASSY,3/4,90 FEM,STR FEM..... <i>Components: Genie part numbers 48841, 48846 and 94358 @ 20 inches</i> | 1 |
| 10 | 94374-2530GT | HOSE ASSY,3/4,90 FEM,STR FEM..... <i>Components: Genie part numbers 48841, 48846 and 94358 @ 22 inches</i> | 1 |
| 11 | 94466-2336GT | HOSE ASSY,3/4"..... | 1 |
| 12 | 49119-7578GT | HOSE ASSY,1/4 STR FEM,STR FEM..... <i>Components: Genie part numbers 48800, 48800 and 48751 @ 74 inches</i> | 1 |
| 13 | 49119-7578GT | HOSE ASSY,1/4 STR FEM,STR FEM..... <i>Components: Genie part numbers 48800, 48800 and 48751 @ 74 inches</i> | 1 |
| 14 | 48933GT | CONN,520120-8***..... | 4 |
| 15 | 94374-4730GT | HOSE ASSY,3/4,90 FEM,STR FEM..... <i>Components: Genie part numbers 48841, 48846 and 94358 @ 44 inches</i> | 4 |
| 16 | 94464-4986GT | HOSE ASSY,1/2"***..... <i>Components: Genie part numbers 48808, 77703 and 39888 @ 48 inches</i> | 4 |
| 17 | 48908GT | FITTING,TEE,RUN,SWIVEL520432-4..... | 2 |
| 18 | 48905GT | CONNECTOR, 520120-4..... | 2 |
| 19 | 48911GT | ELBOW,90D,520220-4-6***..... | 1 |



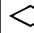
805.1 Oscillate Option

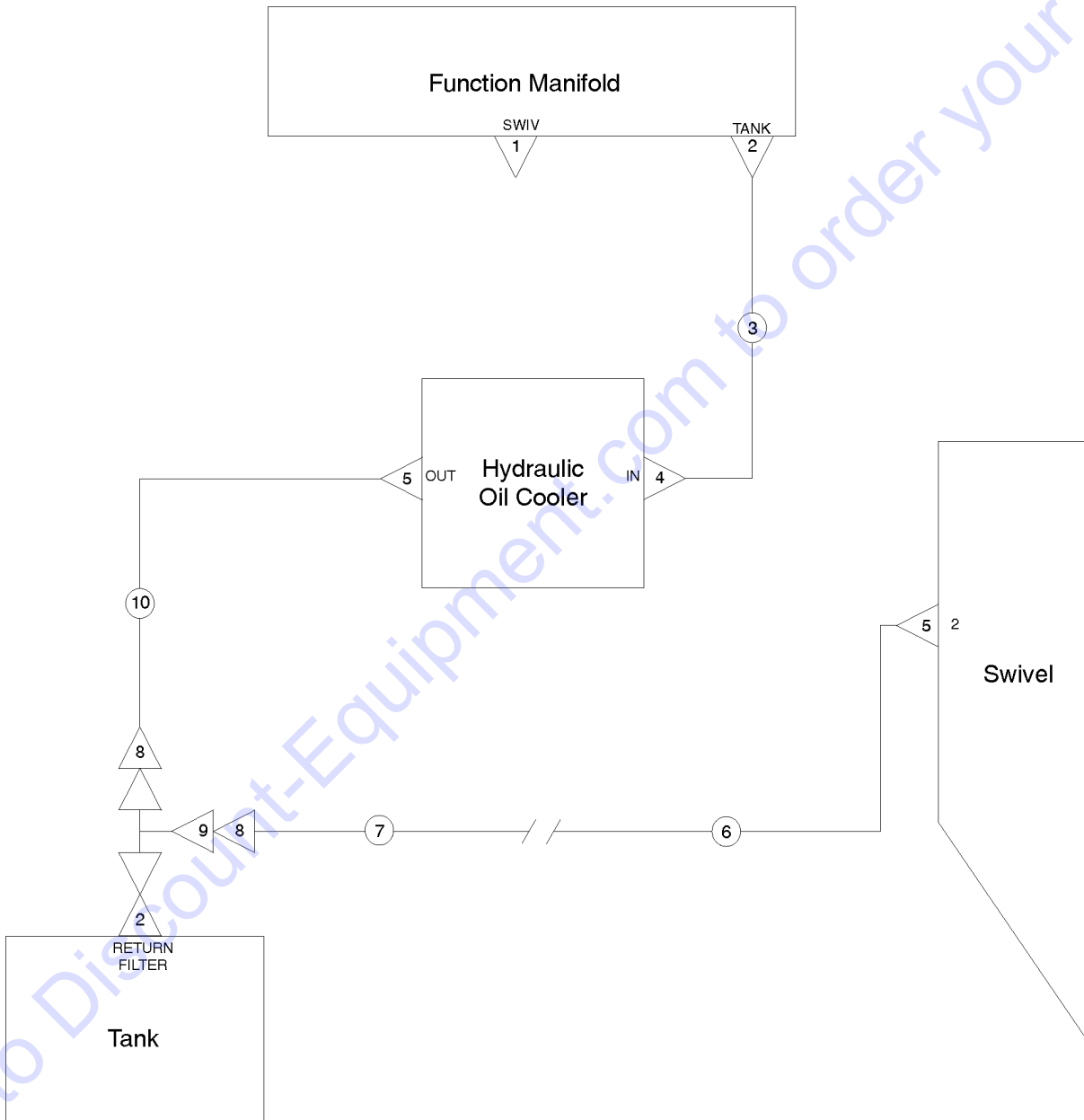


| LEGEND | |
|--------|---------------|
| | FITTING |
| | HOSE ASSEMBLY |
| | CONNECTOR |

| Item | Part No. | Description | Qty. |
|------|--------------|--|------|
| -- | | <i>The hose lengths below reflect the length of the hose only. Refer to the 'Fittings Cross Reference' to match Genie part numbers to Parker part numbers.</i> | |
| 1 | 48912GT | CONN,520120-4-6***..... | 7 |
| 2 | 49117-3291GT | HOSE ASSY,1/4,90 FEM,STR FEM**..... <i>Components: Genie part numbers 48800, 48802 and 48751 @ 31 inches</i> | 4 |
| 3 | 48891GT | FITTING,TEE,BRANCH,520433-4..... | 2 |
| 4 | 88636-8573GT | HOSE ASSY 1/4,STR FEM,STR BULK... <i>Components: Genie part numbers 48800, 75628 and 48751 @ 83 inches</i> | 2 |
| 5 | 48914GT | CONN,520120-4-8..... | 1 |
| 6 | 48933GT | CONN,520120-8***..... | 2 |
| 7 | 49207GT | NIPPLE,DIAGNOSTIC,ORFS,FM,SWIV.. | 1 |
| 8 | 48908GT | FITTING,TEE,RUN,SWIVEL520432-4..... | 1 |
| 9 | 94464-4186GT | HOSE ASSY,1/2"..... <i>Components: Genie part numbers 48808, 77703 and 39888 @ 40 inches</i> | 1 |
| 10 | 49117-4691GT | HOSE ASSY,1/4,90 FEM,STR FEM..... <i>Components: Genie part numbers 48800, 48802 and 48751 @ 45 inches</i> | 1 |
| 11 | 48905GT | CONNECTOR, 520120-4..... | 1 |
| -- | 49859GT | PLUG,HEX,090109A-4..... <i>models without oscillate</i> | 1 |
| 12 | 48904GT | ELBOW, 90D, 520220-4..... | 1 |
| 13 | 49117-5191GT | HOSE ASSY,1/4,90 FEM,STR FEM**..... <i>Components: Genie part numbers 48800, 48802 and 48751 @ 50 inches</i> | 1 |
| 14 | 48880GT | CAP,DIAGNOSTIC NIPPLE..... | 1 |

806.1 Hydraulic Oil Cooler Option

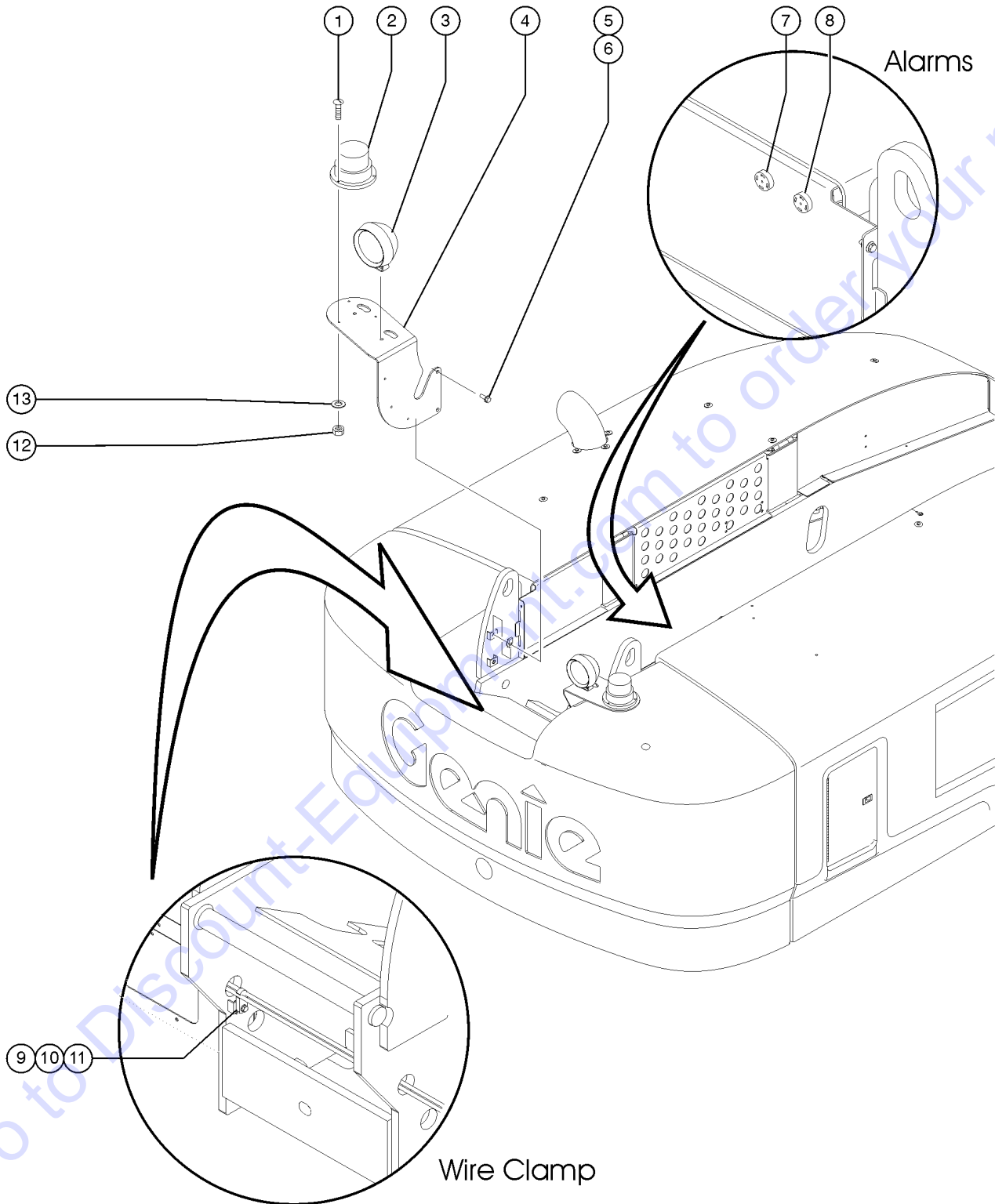
| LEGEND | |
|---|---------------|
|  | FITTING |
|  | HOSE ASSEMBLY |
|  | CONNECTOR |



| Item | Part No. | Description | Qty. |
|------|--------------|--|------|
| 1 | 87172GT | PLUG,HEX SOCKET,090109B-12.....1 | 1 |
| 2 | 48984GT | CONN,520120-16.....2 | 2 |
| 3 | 88949-3828GT | HOSE ASSY 1",STR FEM,STR FEM.....1 (components: 88941, 88938, 88938, and 88940 @ 36 inches) | 1 |
| 4 | 48878GT | ELBOW,90D,520220-16-12.....1 | 1 |
| 5 | 48960GT | FITTING,CONN,520120-12***.....2 | 2 |
| 6 | 49151-6248GT | HOSE ASSY,3/4,STR FEM,STR FEM.....1 (components: 48841, 48841, and 48761 @ 60 inches) | 1 |
| 7 | 94205-3164GT | HOSE ASSY,3/4,45 FEM,STR MALE.....1 (components: 48842, 48845, and 48761 @ 28 inches) | 1 |
| 8 | 101293GT | REDUCER,520123-16-12.....2 | 2 |
| 9 | 42787GT | TEE,RUN,SWIVEL,520432-16.....1 | 1 |
| 10 | 1259905GT | HOSE ASSY, 3/4", 28.55".....1 (components: 48841, 48846, and 48761 @ 24 inches) | 1 |

Go to Discount-Equipment.com to order your parts

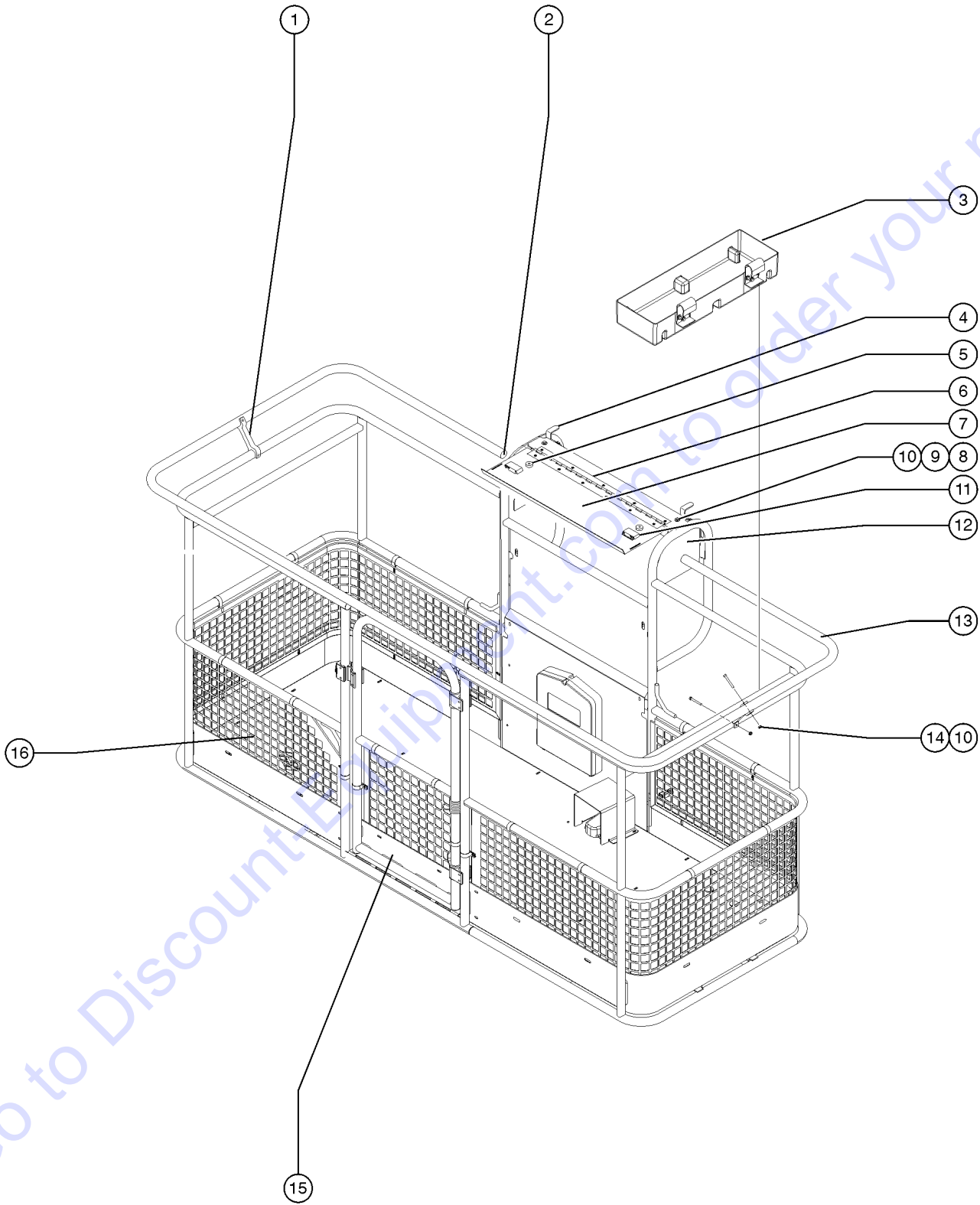
901.1 Drive Lights, Alarm and Beacon Packages



901.1 Drive Lights, Alarm and Beacon Packages

| Item | Part No. | Description | Qty. |
|------|-----------|---|------|
| -- | T109268GT | ACC, BEACON, TRVL ALARM,SERV | |
| 1 | 6147GT | SCREW,RHM,10-32 X 1 | |
| 2 | 56704GT | STROBE,FIREBOLT,12-80VDC,AMB**...2 <i>Replaced 20189</i> | |
| -- | 122019GT | FLASHTUBE,U SHAPED,360DEG,BULB | |
| -- | 226393GT | FLASHTUBE,STRAIGHT,360DEG,BULB | |
| -- | 72282GT | LENS,AMBER,STROBE,FIREBOLT | |
| -- | 128005GT | HARNES,BEACON OPTION | |
| 3 | 107857GT | LIGHT, 12 VOLT.....2 | |
| -- | 35960GT | BULB,WORKLIGHT,12V 35W | |
| -- | 119065GT | CONN,RECEP 2 WAY ENDCAP DT | |
| -- | 56051GT | WIRE CABLE,16/2,WHT/BLK,SJEW | |
| -- | 60439GT | LOCK,RECEP 2 WAY, 14-18GA | |
| -- | 73713GT | TERM,NI PIN,S&F,16-18GA,REEL | |
| 4 | 1253793GT | FORMING,RH MOUNT,DRIVE LIGHT....1 | |
| -- | 1283794GT | FORMING,LH MOUNT,DRIVE LIGHT.....1 | |
| 5 | 121066GT | SCREW,HHC,FLG,3/8-16 X 1 GR8 | |
| 6 | 29868GT | SPRING CLIP,3/8-16,.05-.20X.73,ZAG....4 | |
| 7 | | REF: Descent Alarm <i>(refer to 301.1)</i> | |
| 8 | 18963GT | ALARM,INTERMITTENT TONE 6-30V*...1 <i>Does not include 72326 nut</i> | |
| -- | 72326GT | NUT - PLASTIC,RING FOR ALARMS.....1 | |
| 9 | 822692GT | CLAMP, WIRE, 16/2.....2 <i>(one of 2 shown)</i> | |
| 10 | 6175GT | SCREW,HHC,3/8-16 X 1 | |
| 11 | 6021GT | WASHER,LOCK,.375 | |
| 12 | 6178GT | NUT,NYLOCK,10-32 | |
| 13 | 6146GT | WASHER,FLAT,MS,#10,Y | |

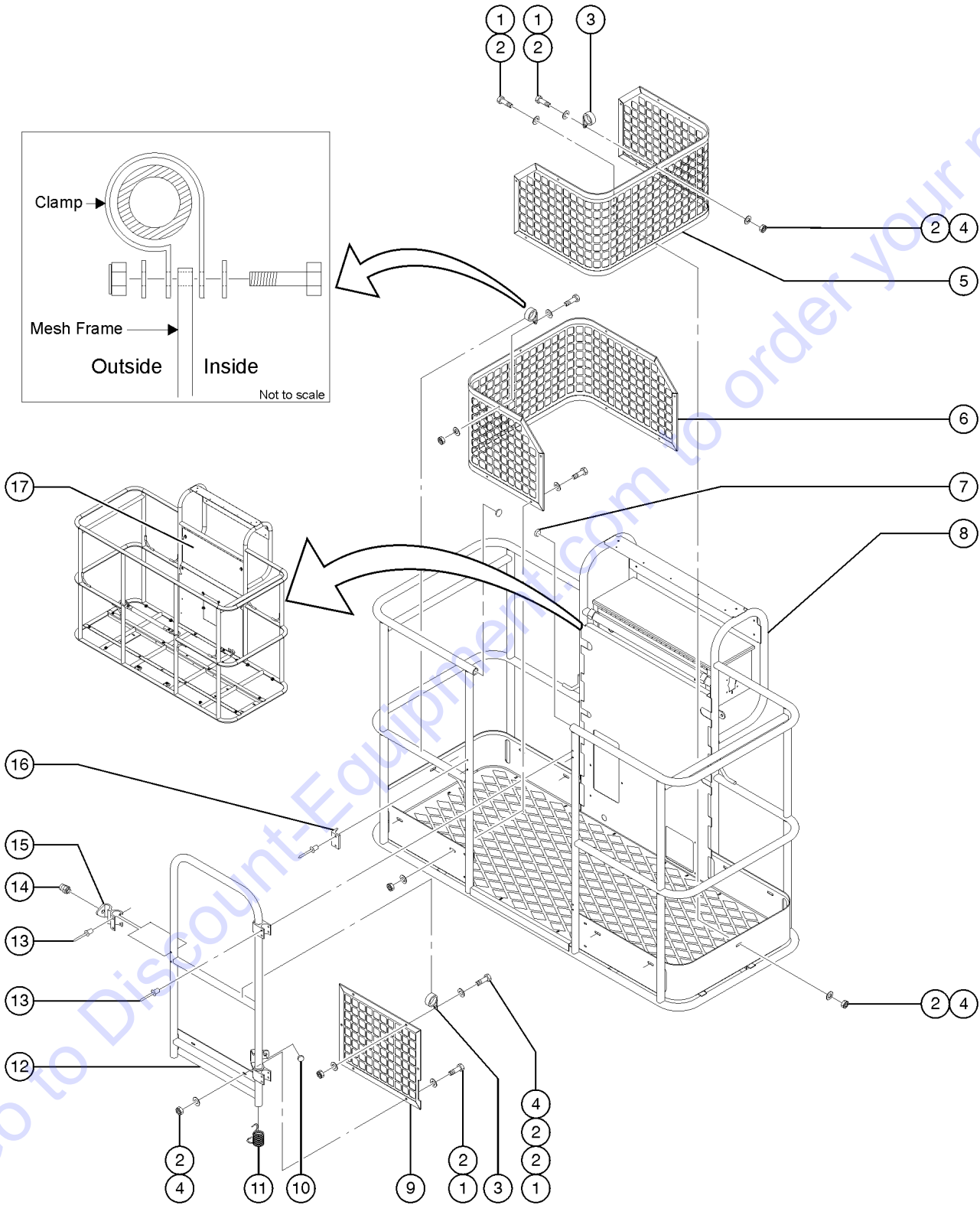
902.1 Control Box Cover, Pinch Guard and Tool Tray



902.1 Control Box Cover, Pinch Guard and Tool Tray

| Item | Part No. | Description | Qty. |
|------|-----------|---|------|
| A | T109328GT | ACC,PLAT CONTROL COVER, SERV <i>includes items 7-12 and 23-25</i> | |
| B | 53808-SGT | AUX TOP RAIL,6'(1.25")SERVICE | |
| C | 53807-SGT | AUX TOP RAIL,8'(1.25")SERVICE | |
| D | 122278GT | AUX TOP RAIL,6',SWG GT, SRV | |
| E | 122279GT | AUX TOP RAIL,8',SWG GT, SRV | |
| 1 | 139958GT | KIT, AUX TOP RAIL SUPPORT.....10 <i>includes 2 supports and hardware</i> | |
| -- | 122073GT | SUPPORT, RAILING.....20 | |
| 2 | 55753GT | BUMPER, PLASTIC, 1.25 O.D.....2 | |
| 3 | 9599-SGT | TOOL TRAY ACCESSORY***.....1 | |
| -- | 7746GT | BRACKET-TOOL TRAY MOUNTING.....1 | |
| 4 | 102786PGT | FORMING,LATCH,CTRL BOX LID PTD | |
| 5 | 43392GT | BUMPER,BATTERY BOX & RAILS.....2 | |
| 6 | 111526GT | HINGE,PLAT CONTROL BOX COVER...1 | |
| -- | 54486GT | RIVET,ALUM,ALUM,3/16BUTTONHEAD <i>not included - sold seperately</i> | |
| 7 | 102785PGT | CONTROL BOX COVER,LID,PTD.....1 | |
| 8 | 6090GT | SCREW,HHC,1/4-20 X .75 | |
| 9 | 6638GT | WASHER,FLAT,USS,1/4"Y | |
| 10 | 6889GT | NUT,LP NYLOCK,1/4-20 | |
| 11 | 30468GT | LATCH,SLIDE, FLUSH MOUNT STYLE | |
| 12A | 88606PGT | COVER,CONTROL BOX RIGHT SIDE**.....1 | |
| 12B | 88607PGT | COVER,CONTROL BOX LEFT SIDE***.....1 | |
| 13A | 1259704GT | PINCH GUARD RAIL,6' PLATFORM.....1 <i>includes 55753 bumpers</i> | |
| -- | 55753GT | BUMPER, PLASTIC, 1.25 O.D. <i>not included - sold seperately</i> | |
| 13B | 52661GT | PINCH GUARD RAIL,8' PLATFORM**....1 | |
| -- | 55753GT | BUMPER, PLASTIC, 1.25 O.D. | |
| 13C | 111485PGT | AUX TOP RAIL,6FT,PTD.....1 <i>for models with swing gate</i> | |
| 13D | 111486PGT | AUX TOP RAIL,8FT,PTD.....1 <i>for models with swing gate</i> | |
| 14 | 4266GT | SCREW,HHC,1/4-20 X 2 | |
| 15 | | Ref: Swing Gate <i>refer to 903.1</i> | |
| 16 | | Ref: Half Mesh <i>refer to 903.1</i> | |

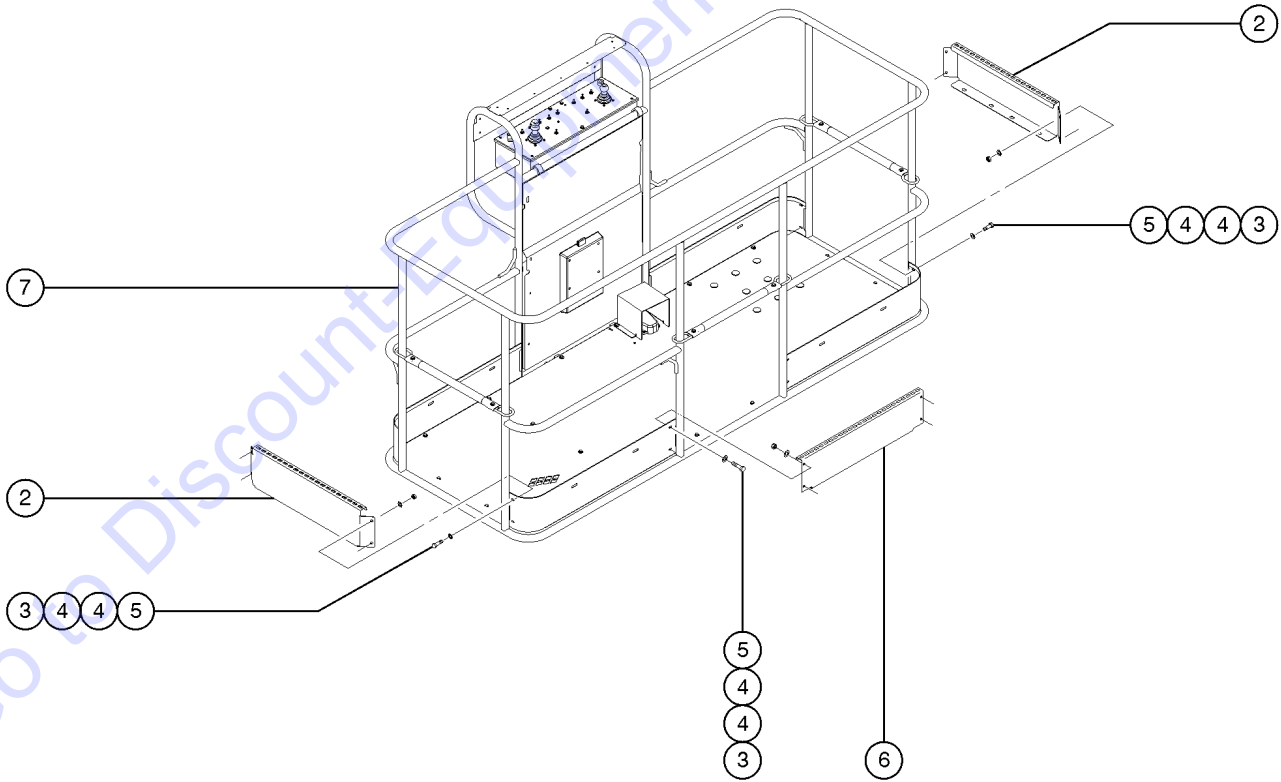
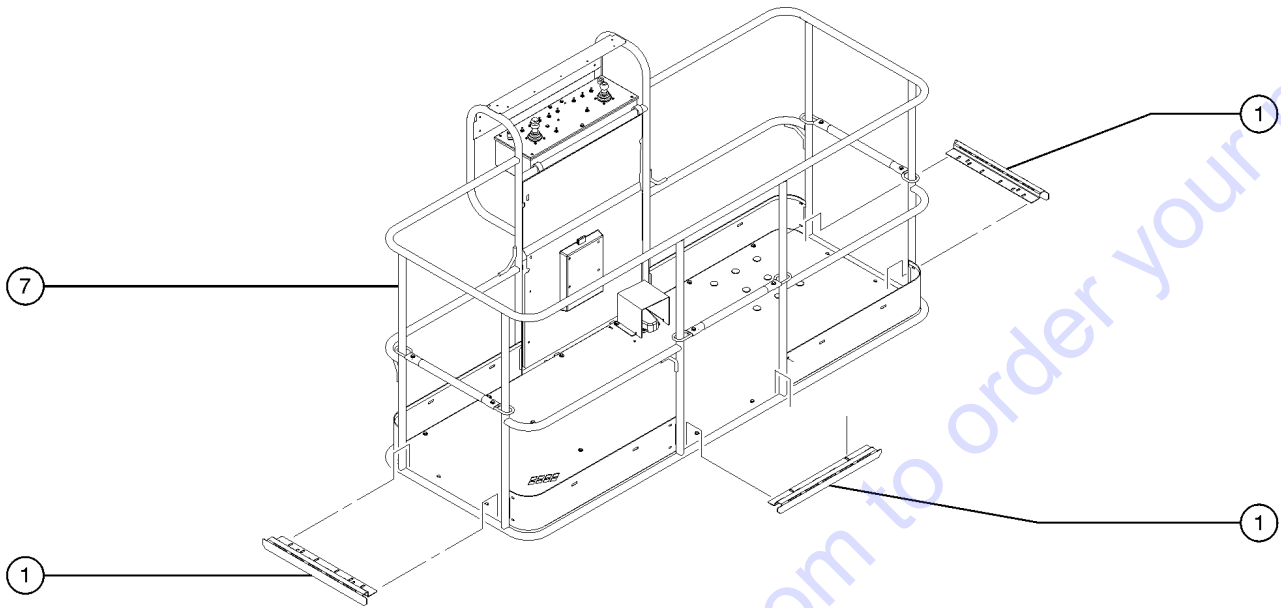
903.1 Half Mesh and Swing Gate



903.1 Half Mesh and Swing Gate

| Item | Part No. | Description | Qty. |
|------|----------|--|------|
| A | 119950GT | KIT,FIELD INSTALL,SWING GATE <i>includes items 10-16</i> | |
| B | 77108GT | FIELD KIT,6'1/2MESH PLAT W/GAT <i>Includes swing gate</i> | |
| 1 | 6090GT | SCREW,HHC,1/4-20 X .75 | |
| 2 | 6638GT | WASHER,FLAT,USS,1/4"Y | |
| 3 | 56424GT | CLAMP,1.25X.5 RUBBER-CUSHION....16 | |
| 4 | 6091GT | NUT,NYLOCK,1/4-20 | |
| 5A | 101852GT | MESH,HALF,LH 5' PLATFORM.....1 <i>5ft</i> | |
| 5B | 54458GT | MESH,HALF,LH,6'PLATFORM.....1 <i>6ft</i> | |
| 5C | 73501GT | HALF MESH,8'PLATFORM,LH.....1 <i>8ft</i> | |
| 6A | 101853GT | MESH,HALF,RH 5' PLATFORM.....1 <i>5ft</i> | |
| 6B | 54465GT | MESH,HALF,RH,6'PLATFORM.....1 <i>6ft</i> | |
| 6C | 73500GT | HALF MESH,8'PLATFORM,RH***.....1 <i>8ft</i> | |
| 7 | 55753GT | BUMPER, PLASTIC, 1.25 O.D.....2 | |
| 8 | | REF: Platform Weldment.....1 <i>(refer to 701.1)</i> | |
| 9 | 54457GT | MESH,HALF,SWING GATE***.....1 | |
| 10 | 43392GT | BUMPER,BATTERY BOX & RAILS.....1 | |
| 11 | 42104GT | SPRING,SHORT PLATFORM GATE.....1 | |
| 12 | 128374GT | WELDMENT,SWING GATE,ALUMINUM.....1 | |
| 13 | 7265GT | RIVET,STEEL,P, .25 X .375 | |
| 14 | 33674GT | PIN,LOCK,SHORT***.....1 | |
| 15 | 1487GT | GATE LATCH CASTING--DRILLED.....1 | |
| 16 | 1488GT | RAILING CATCH CASTING--DRILLED...1 | |
| 17 | 73901GT | DECAL PLATE,MESH.....1 <i>decals not included</i> | |

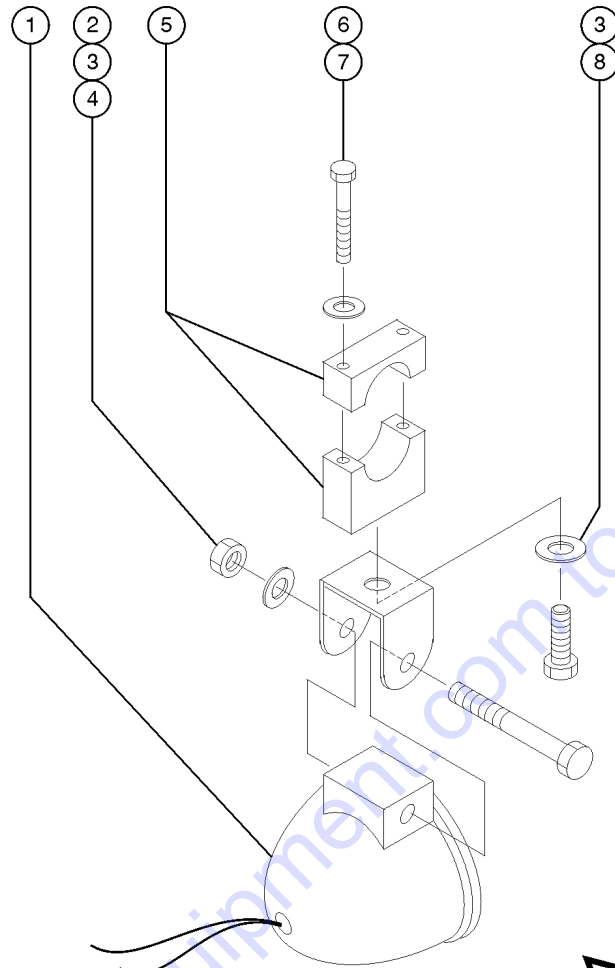
904.1 Tri-Entry Platform and Platform Toeboard



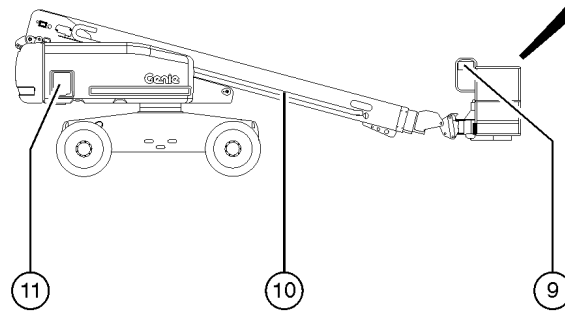
904.1 Tri-Entry Platform and Platform Toeboard

| Item | Part No. | Description | Qty. |
|------|-----------|--|------|
| 1 | 73610PGT | STEP PLATFORM ENTRY PAINTED*** | 3 |
| 2A | 139438GT | TOEBOARD, TRI ENTRY 6', EURO..... | 2 |
| 2B | 102721PGT | TOEBOARD,8'TRI ENTRY | |
| 3 | 6090GT | SCREW,HHC,1/4-20 X .75 | |
| 4 | 6638GT | WASHER,FLAT,USS,1/4"Y | |
| 5 | 6889GT | NUT,LP NYLOCK,1/4-20 | |
| 6 | 94745PGT | TOEBOARD,ENTRY EUROPEAN PNTD** | 1 |
| 7A | 215747GT | PLAT ASSY,TRI ENT,S60/65,6'..... <i>decals not included, refer to section 100</i> | 1 |
| 7B | 215748GT | PLAT ASSY,TRI ENT,8' <i>decals not included, refer to section 100</i> | |

905.1 Platform Work Lights



PLATFORM
WORK LIGHT



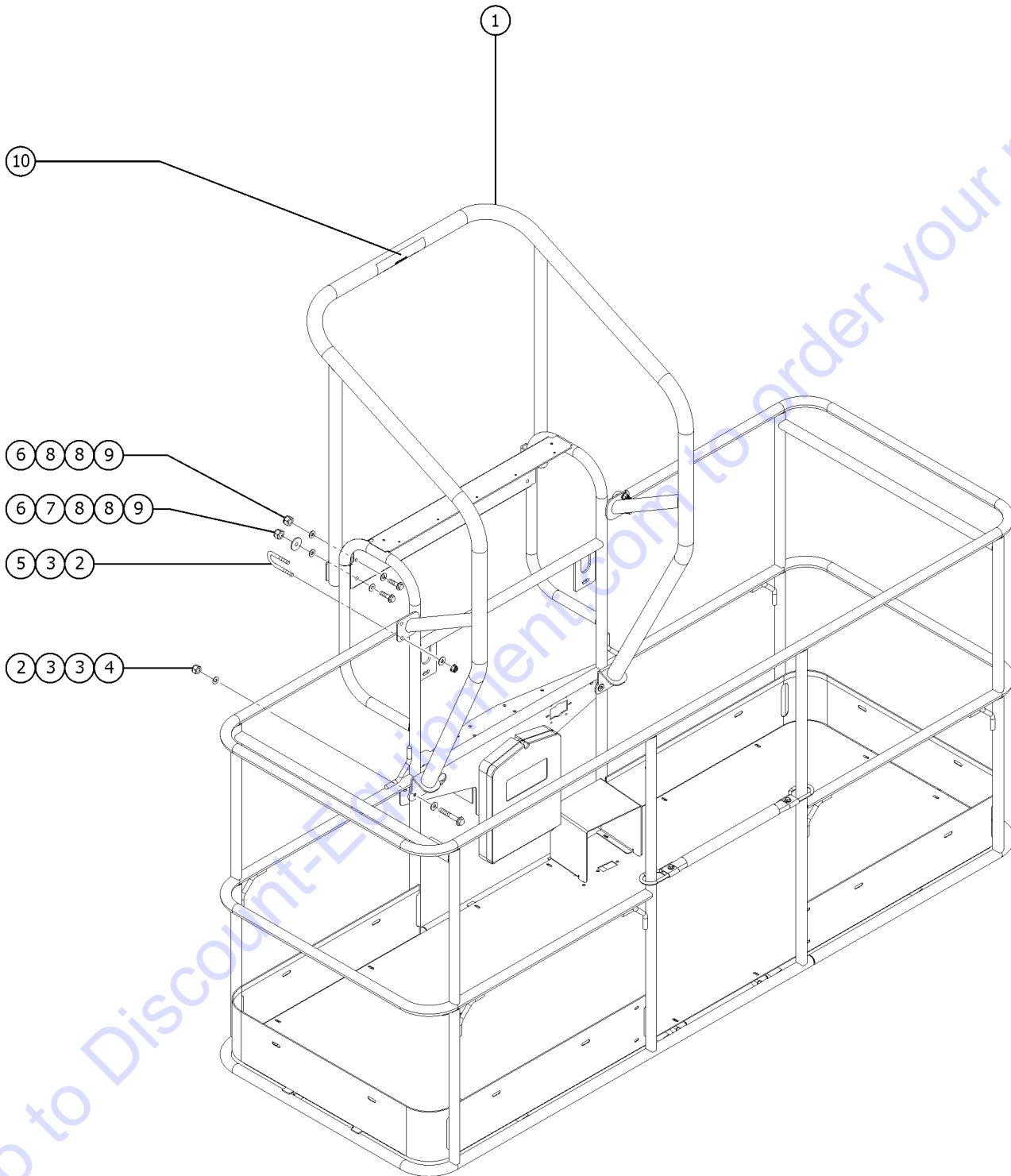
905.1 Platform Work Lights

| Item | Part No. | Description | Qty. |
|------|----------|---|------|
| 1 | 71498GT | WORKLIGHT, 12V, DEUTSCH RECEPT.....2 <i>includes mount (not available separately)</i> | |
| 2 | 4828GT | NUT,NYLOCK,3/8-16 | |
| 3 | 5397GT | WASHER,FLAT,USS,5/16",Y | |
| 4 | 8178GT | SCREW,HHC,3/8-16 X 2.5 | |
| 5 | 35956GT | BRACKET,WORK LIGHT MOUNT 5/16" | |
| 6 | 6145GT | SCREW,HHC,1/4-20 X 1.5 | |
| 7 | 6356GT | WASHER,LOCK,.25 | |
| 8 | 10107GT | SCREW,HHC,5/16-18 X .75 | |
| 9 | | Ref: HARNESS,12V WORK LIGHTS <i>refer to 313.1</i> | |
| 10 | | Ref: CABLE,S60 & S65 12VDC WORK LIGHT <i>refer to 313.1</i> | |
| 11 | | Ref: HARN,12V WORK LIGHT RELAY <i>refer to 313.1</i> | |

Go to Discount-Equipment.com to order your parts



906.1 Operator Protective Structure



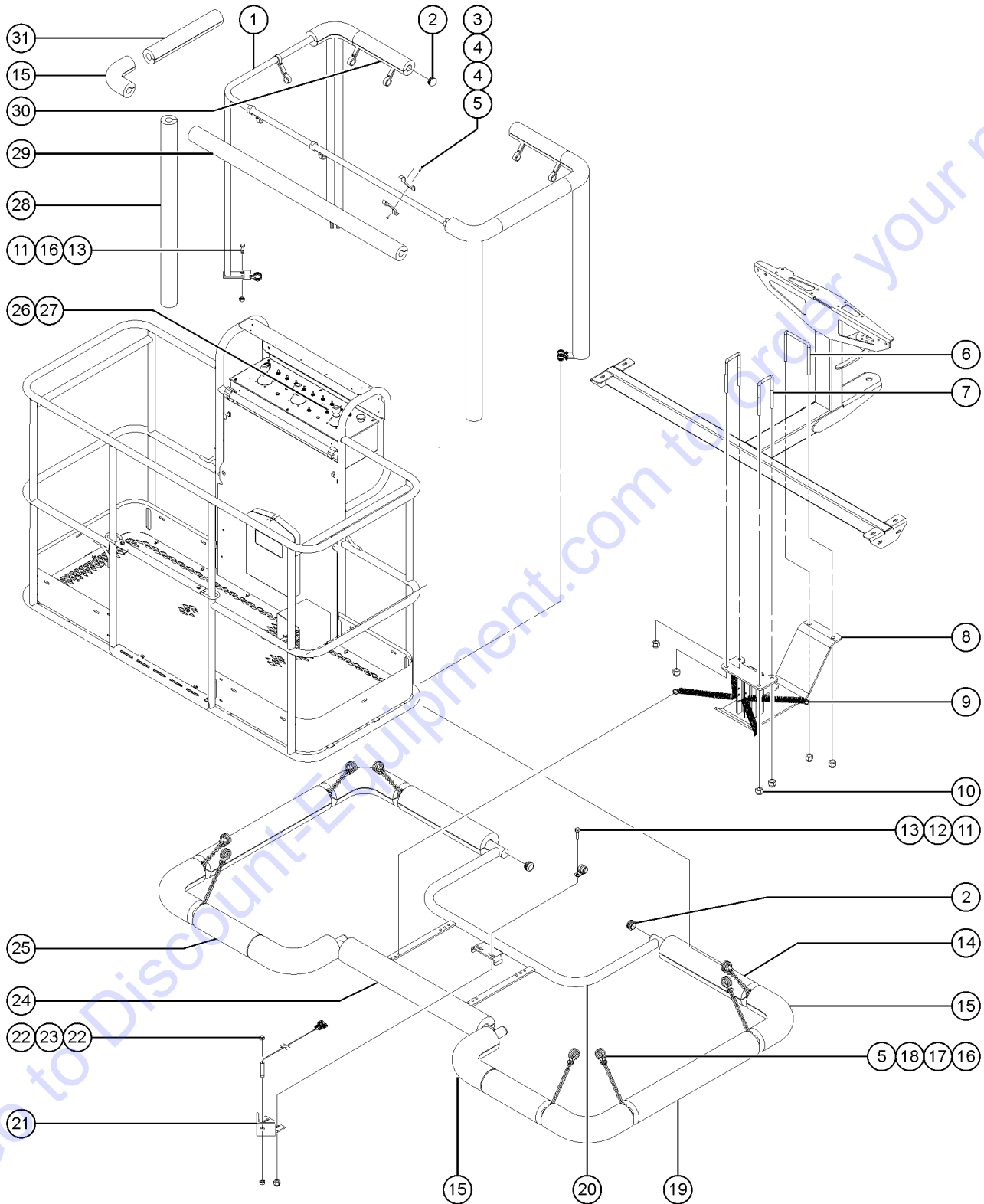
906.1 Operator Protective Structure

| Item | Part No. | Description | Qty. |
|------|-----------|--|------|
| -- | | <i>Fits all 6' and 8' Booms</i> | |
| 1 | 219158GT | ACCESSORY,OPERATOR PROT STRUCT.....1 <i>(Complete) includes all fasteners</i> | 1 |
| 2 | 1256468GT | NUT,3/8-16,8,ZAG.....8 | 8 |
| 3 | 1255758GT | WASHER,FLAT,3/8,USS,ZAG.....12 | 12 |
| 4 | 824069GT | SCREW,HHC,3/8-16X2.5,8,ZAG.....4 | 4 |
| 5 | 1251600GT | U-BOLT, FLATTENED, 1.5 X 3/8 UNC,ZAG.....4 | 4 |
| 6 | 1261184GT | NUT,1/4-20,8,ZAG.....4 | 4 |
| 7 | 824120GT | WASHER,FLAT,.375X1.50X.125,ZAG.....2 <i>Use only with the platform control box cover option</i> | 2 |
| 8 | 824113GT | WASHER,FLAT,USS,1/4,ZAG.....6 | 6 |
| 9 | 824060GT | SCREW, HHC, 1/4-20 X 1, 8, ZAG.....4 | 4 |
| 10 | 219160GT | DECAL, INSTRUCTION, OPS.....1 | 1 |

Go to Discount-Equipment.com to order your parts



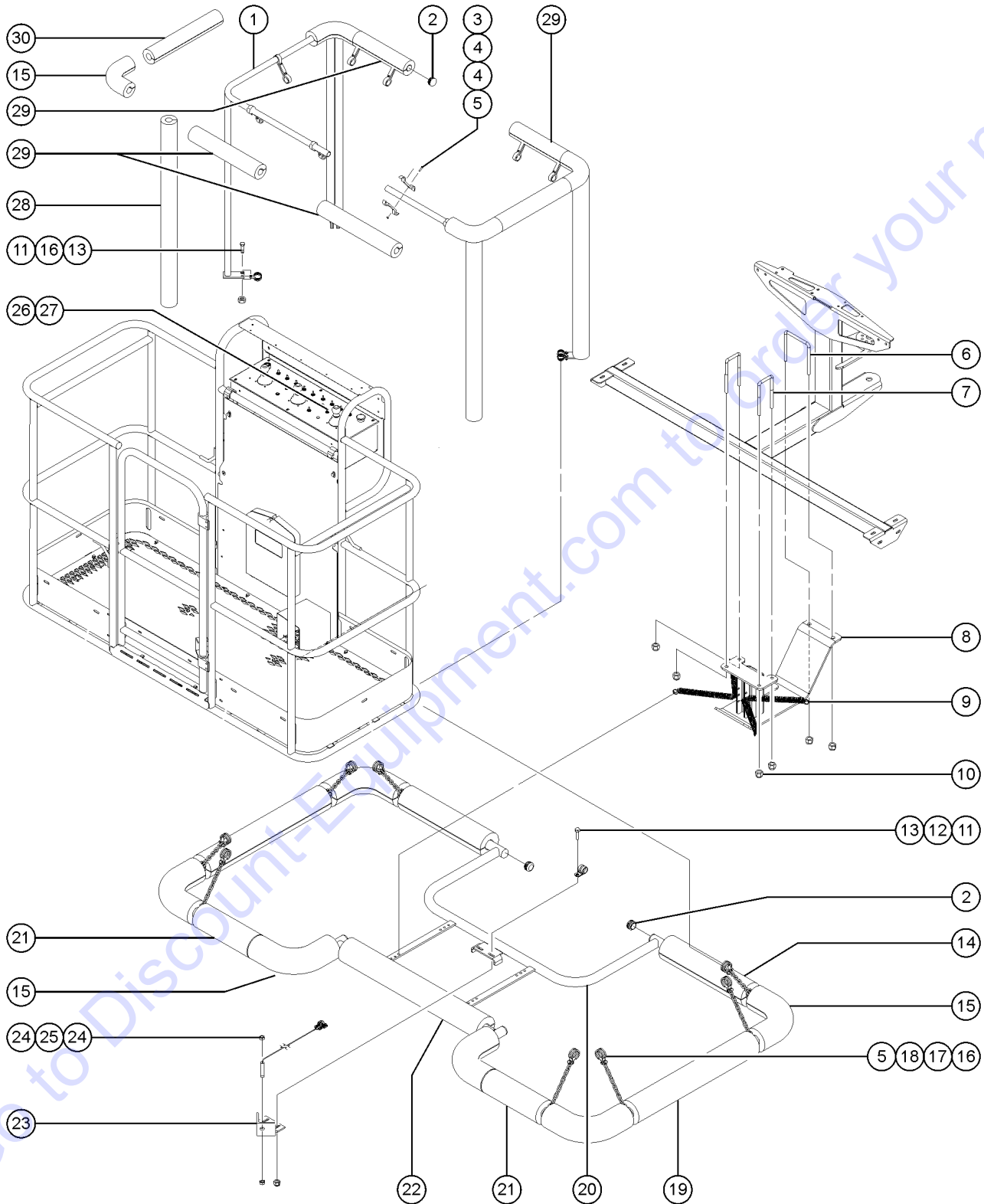
907.1 Aircraft Protection, Standard Entry, S-65



907.1 Aircraft Protection, Standard Entry, S-65

| Item | Part No. | Description | Qty. |
|------|--------------|--|------|
| A | 29261GT | MAGNET,NEODYMIUM,.375 X .100.....2 <i>not shown</i> | |
| 1 | 46188GT | WELDMENT, AIRCRAFT TOP BUMPER.....1 | |
| 2 | 55753GT | BUMPER, PLASTIC, 1.25 O.D. | |
| 3 | 824227GT | SCREW, BHC, 1/4-20 X 1, ZAG | |
| 4 | 122073GT | SUPPORT, RAILING.....20 | |
| 5 | 824027GT | NUT, TL FLG, 1/4-20, G, ZAG | |
| 6 | 106044GT | U-BOLT,3/8-16X4X4.63X3.00 | |
| 7 | 66472GT | U-BOLT, SQR, 3/8-16X2X5, PLTD.....2 | |
| 8 | 822764GT | WDMT,SKID PLATE | |
| 9 | 822769GT | SPRING,EXTENSION,1.92LB/IN.....4 | |
| 10 | 824029GT | NUT, TL FLG, 3/8-16, G, ZAG | |
| 11 | 6888GT | SCREW,HHC,1/4-20 X 1 | |
| 12 | 6833GT | CLAMP,0.50,#8 X 1/4,RUB CUSH.....1 | |
| 13 | 6091GT | NUT,NYLOCK,1/4-20 | |
| 14 | 75617-1550GT | PADDING,FOAM 3.5"OD X 1.50"ID.....2 | |
| 15 | 75636GT | PADDING,FOAM,3.0"X1.50ID 90DEG.....10 | |
| 16 | 21618GT | CLAMP,1.13,#18 X 1/4,RUB CUSH.....24 | |
| 17 | 824078GT | SCREW,HHF,1/4-20X.75,8,ZAG | |
| 18 | 56426-700GT | CHAIN,NO.2 (11 LINKS).....8 | |
| 19 | 75617-2275GT | PADDING,FOAM 3.5"OD X 1.50"ID.....2 | |
| 20 | 822759GT | WDMT,AIRCRAFT SENSOR BUMPER...1 | |
| 21 | 77797GT | WELDMENT, SENSOR MOUNT.....1 | |
| 22 | 88390GT | NUT,HEX,M8,PLASTIC | |
| 23 | 1261292GT | HARNES ASSY,PCON,PROX KILL.....1 <i>includes 27391 proximity sensor</i> | |
| -- | 27391GT | PROXIMITY SENSOR***.....1 | |
| 24 | 822768GT | FOAM,AIRCRAFT PROTECTION.....1 | |
| 25 | 75617-1025GT | PADDING,FOAM 3.5"OD X 1.50"ID.....2 | |
| 26 | 128203GT | SWITCH TOGGLE ASSY SPDT 2P MOM.....1 | |
| -- | 139882GT | HARN, AC PROTECTION BYPASS.....1 | |
| 27 | 27246GT | BOOT,TOGGLE SWITCH,SHORT*.....1 | |
| 28 | 1259329GT | PADDING, FOAM, 46.5".....4 | |
| 29 | 75617-6275GT | PADDING,FOAM 3.5"OD X 1.50"ID.....1 | |
| 30 | 1259328GT | PADDING, FOAM, 15.5".....2 | |
| 31 | 75617-2075GT | PADDING,FOAM 3.5"OD X 1.50"ID.....2 | |

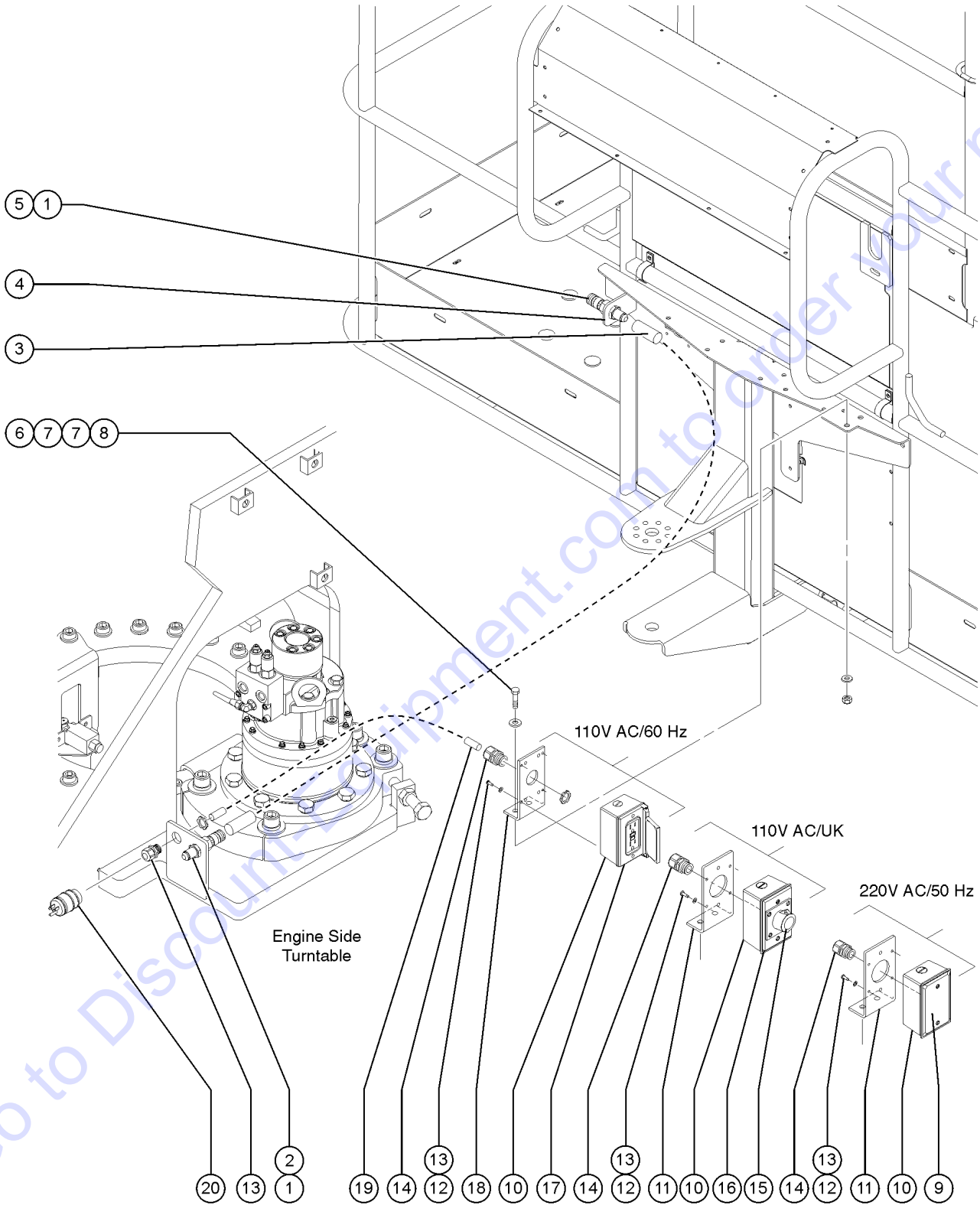
908.1 Aircraft Protection, Swing Gate, S-65



908.1 Aircraft Protection, Swing Gate, S-65

| Item | Part No. | Description | Qty. |
|------|--------------|--|------|
| A | 29216GT | COVER W/DECALS,RR.DR.CHAS,S60.....2 <i>not shown</i> | |
| 1 | 822771GT | WDMT,FRAME,AIRCRAFT PROTECTION.....1 | |
| 2 | 55753GT | BUMPER, PLASTIC, 1.25 O.D.....4 | |
| 3 | 122231GT | SCREW,BHSC,1/4-20 X 1 | |
| 4 | 122073GT | SUPPORT, RAILING.....20 | |
| 5 | 824027GT | NUT, TL FLG, 1/4-20, G, ZAG | |
| 6 | 106044GT | U-BOLT,3/8-16X4X4.63X3.00.....1 | |
| 7 | 66472GT | U-BOLT, SQR, 3/8-16X2X5, PLTD.....2 | |
| 8 | 822764GT | WDMT,SKID PLATE.....1 | |
| 9 | 822769GT | SPRING,EXTENSION,1.92LB/IN.....4 | |
| 10 | 824029GT | NUT, TL FLG, 3/8-16, G, ZAG | |
| 11 | 824078GT | SCREW,HHF,1/4-20X.75,8,ZAG | |
| 12 | 6833GT | CLAMP,0.50,#8 X 1/4,RUB CUSH.....1 | |
| 13 | 824027GT | NUT, TL FLG, 1/4-20, G, ZAG | |
| 14 | 75617-1550GT | PADDING,FOAM 3.5"OD X 1.50"ID.....2 | |
| 15 | 75636GT | PADDING,FOAM,3.0"X1.50ID 90DEG.....10 | |
| 16 | 21618GT | CLAMP,1.13,#18 X 1/4,RUB CUSH.....18 | |
| 17 | 824078GT | SCREW,HHF,1/4-20X.75,8,ZAG | |
| 18 | 56426-700GT | CHAIN,NO.2 (11 LINKS).....8 | |
| 19 | 75617-2275GT | PADDING,FOAM 3.5"OD X 1.50"ID.....4 | |
| 20 | 822759GT | WDMT,AIRCRAFT SENSOR BUMPER...1 | |
| 21 | 75617-1025GT | PADDING,FOAM 3.5"OD X 1.50"ID.....2 | |
| 22 | 822768GT | FOAM,AIRCRAFT PROTECTION.....1 | |
| 23 | 77797GT | WELDMENT, SENSOR MOUNT.....1 | |
| 24 | 88390GT | NUT,HEX,M8,PLASTIC | |
| 25 | 1261292GT | HARNES ASSY,PCON,PROX KILL.....1 <i>includes 27391 proximity sensor</i> | |
| -- | 27391GT | PROXIMITY SENSOR***.....1 | |
| 26 | 128203GT | SWITCH TOGGLE ASSY SPDT 2P MOM.....1 | |
| -- | 139882GT | HARN, AC PROTECTION BYPASS.....1 <i>not shown sold seperately</i> | |
| 27 | 27246GT | BOOT,TOGGLE SWITCH,SHORT*.....1 | |
| 28 | 1259329GT | PADDING, FOAM, 46.5".....4 | |
| 29 | 1259328GT | PADDING, FOAM, 15.5".....4 | |
| 30 | 75617-2075GT | PADDING,FOAM 3.5"OD X 1.50"ID.....2 | |

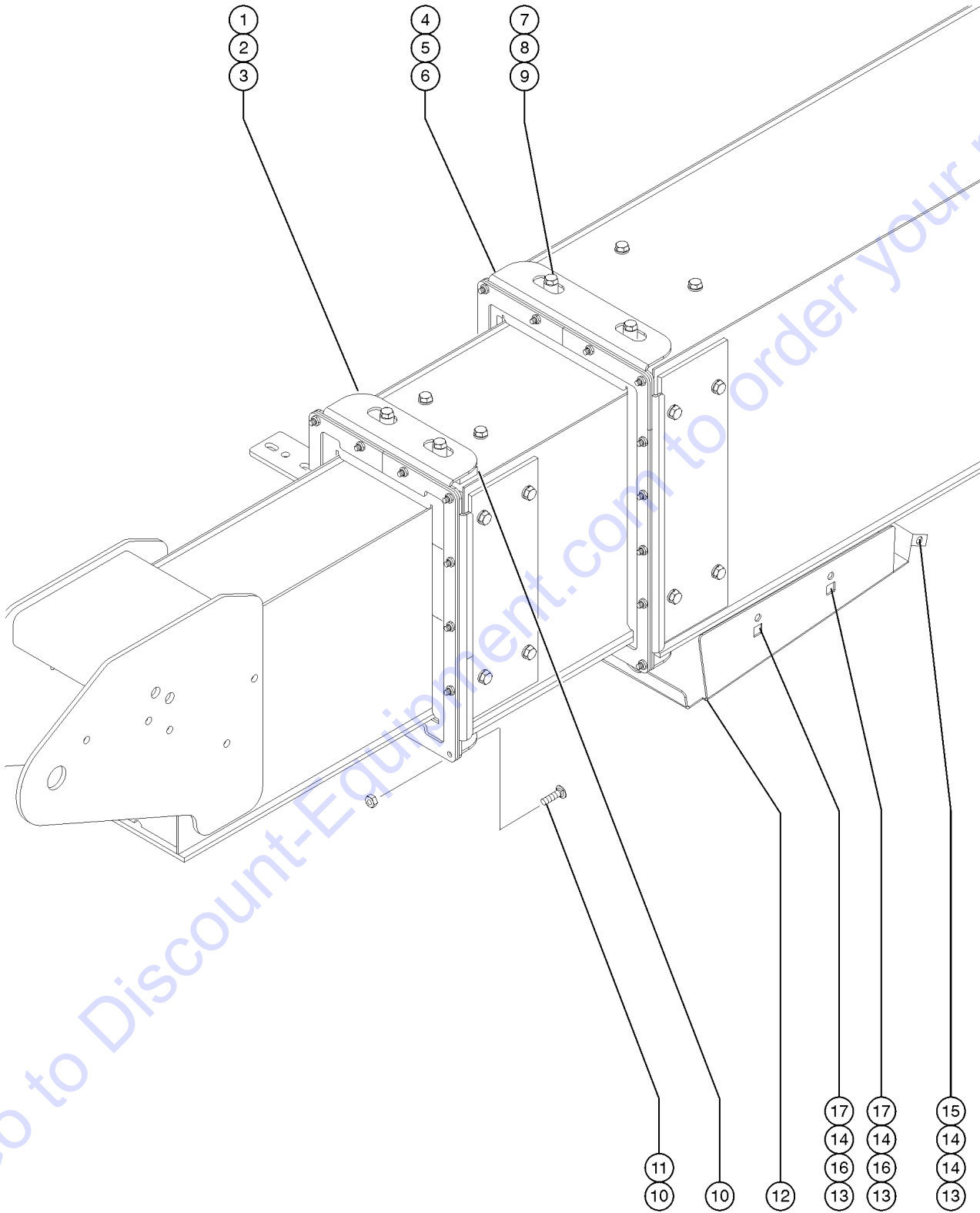
909.1 Air line and Power to Platform



909.1 Air line and Power to Platform

| Item | Part No. | Description | Qty. |
|------|----------------|--|------|
| -- | T109331GT | ACC,AIRLINE TO PLAT,S60 ,SERV | |
| -- | 119845GT | CLAMP, HYD WELD, AIR, OPT.....1 | |
| 1 | 49212GT | FEMALE BULKHEAD CONNECTOR-8...2 | |
| 2 | 49214GT | MALE PIPE THD,1/4" SER,3/8"X18 | |
| 3A | 49177-102894GT | HOSE ASSEMBLY,1/2"***.....1 S-60 | |
| 3B | 49177-108894GT | HOSE ASSEMBLY,1/2"***.....1 S-65 | |
| 4 | 60886PGT | BRACKET,AIRLINE TO PLATFORM.....1 | |
| 5 | 49215GT | MPT,CPLR,1/4"SER,3/8"X18 | |
| 6 | 6019GT | SCREW,HHC,3/8-16 X 1.25 GRD 5.....2 | |
| 7 | 5397GT | WASHER,FLAT,USS,5/16",Y.....4 | |
| 8 | 4828GT | NUT,NYLOCK,3/8-16.....2 | |
| 9 | 10777GT | COVER,BLANK.....1 | |
| -- | 33724GT | KIT,GASKET,UK POWER TO PLAT. | |
| -- | 81458GT | GASKET, UK POWER TO PLAT | |
| 10 | 10775GT | T-BOX,2.75 X 4.5 X 2.0.....1 | |
| 11A | 81096GT | BRACKET,POWER TO PLAT, DOM.....1 <i>ANSI models</i> | |
| 11B | 81570GT | BRACKET,POWER TO PLAT, UK <i>CE models</i> | |
| 12 | 57075GT | SCREW,PHIL,8-32X.50,SELF TAP.....4 | |
| 13 | 35461GT | WASHER,FLAT,MS,#8,Y.....4 | |
| 14 | 7056GT | CONN,SQUEEZE,1/2NPT .38-.50,SM...2 | |
| -- | 6935GT | LOCKNUT,ELEC,1/2" | |
| 15 | T112560GT | RECEPTACLE,UK,110V.....1 | |
| 16 | T112561GT | PLATE,UK,POWER TO PLAT.....1 | |
| 17 | 13585GT | OUTLET, 110V.....1 | |
| -- | 74006GT | COVER,GFCI,HORIZONTAL,WEATHER | |
| 18 | 81096GT | BRACKET,POWER TO PLAT, DOM.....1 | |
| 19 | | Ref: Harness, Power to Platform.....1 <i>refer to 313.1</i> | |
| 20A | 119403GT | CONN,PLUG 120 AC/15A DOMESTIC...1 | |
| 20B | 119404GT | CONN,RECEP 120AC/15A DOMESTIC.....1 | |
| 20C | 144161GT | PLUG,PWR,UK,16AMP,3PIN,BLK.....1 | |
| 20D | 25388GT | PLUG,FUSED,250V,13AMP,U.K.**.....1 | |
| 20E | 1280665GT | PLUG, TYPE F, 230A, 50HZ, 16A, IP44.....1 | |

910.1 Hostile Environment, Boom Wipers

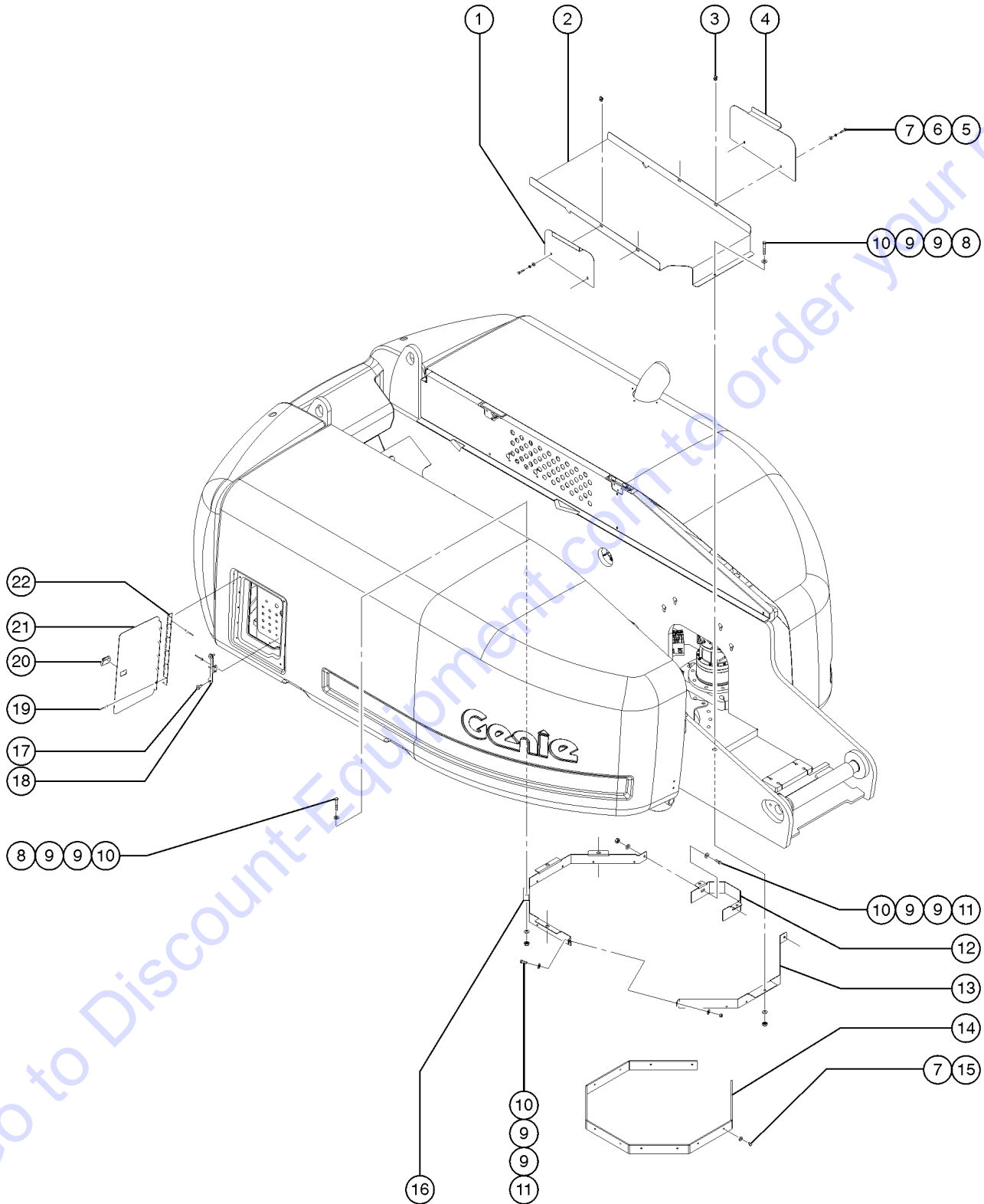


Go to Discount-Equipment.com to order your parts

910.1 Hostile Environment, Boom Wipers

| Item | Part No. | Description | Qty. |
|------|----------|---|------|
| 1 | 119087GT | FORMING BRKT, WIPER 2 TO 3..... | 2 |
| 2 | 119089GT | WIPER RUBBER, 2 TO 3..... | 1 |
| 3 | 119088GT | PLATE BACKING, WIPER 2 TO 3..... | 2 |
| 4 | 119084GT | FORMING BRKT, WIPER 1 TO 2..... | 2 |
| 5 | 119086GT | WIPER RUBBER, 1 TO 2..... | 1 |
| 6 | 119085GT | PLATE BACKING, WIPER 1 TO 2..... | 2 |
| 7 | 5224GT | SCREW,HHC,3/8-16 X 2..... | 8 |
| 8 | 101932GT | TUBE,RD,STL,DOM,.75X.38X.78..... | 8 |
| 9 | 119090GT | SPACER, BOOM TOP..... | 2 |
| 10 | 6878GT | BOLT,CARRIAGE,1/4-20 X .75,G2 | |
| 11 | 6889GT | NUT,LP NYLOCK,1/4-20 | |
| 12 | 147783GT | COVER,LIMIT SWITCH ASSY,S60..... | 1 |
| 12A | 6833GT | CLAMP,0.50,#8 X 1/4,RUB CUSH..... | 3 |
| 13 | 6888GT | SCREW,HHC,1/4-20 X 1..... | 6 |
| 14 | 6638GT | WASHER,FLAT,USS,1/4"Y..... | 8 |
| 15 | 6091GT | NUT,NYLOCK,1/4-20..... | 2 |
| 16 | 6356GT | WASHER,LOCK,.25..... | 4 |
| 17 | 56912GT | SPRING CLIP,1/4-20,.025-.15X.54,ZAG..... | 4 |

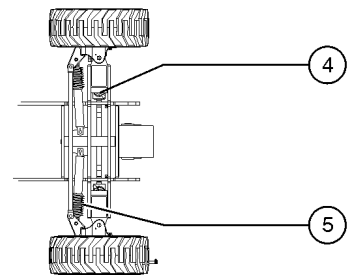
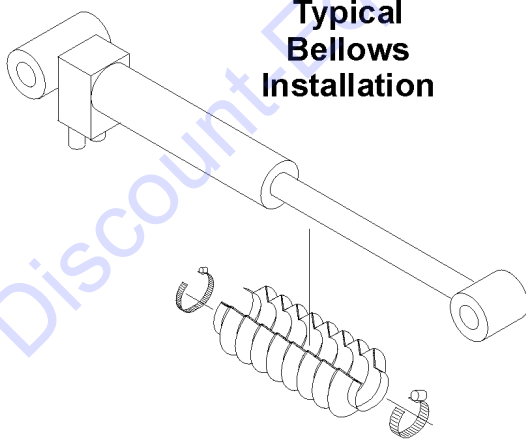
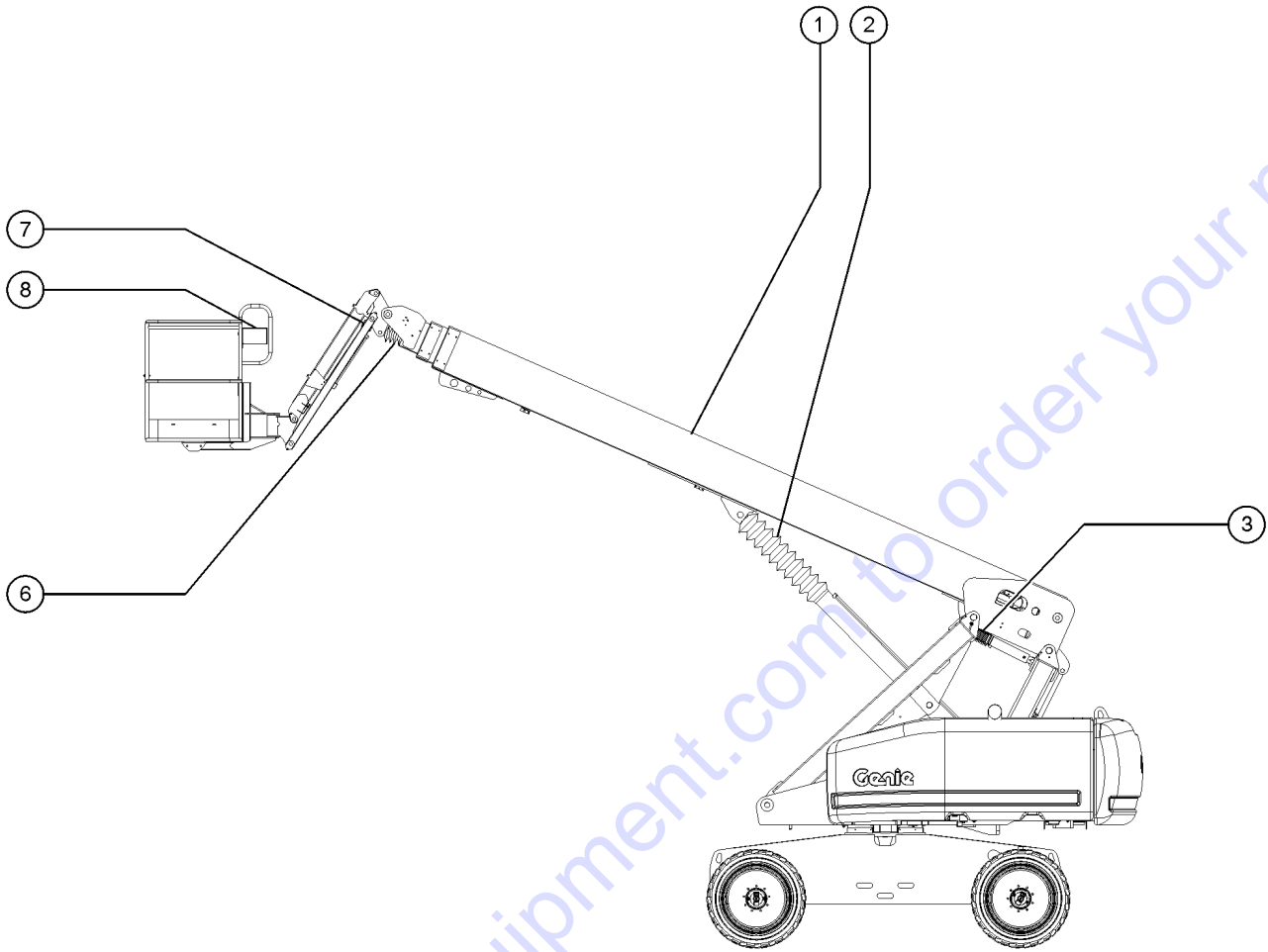
911.1 Hostile Environment, Turntable Components



911.1 Hostile Environment, Turntable Components

| Item | Part No. | Description | Qty. |
|------|----------|--|------|
| 1 | 77997PGT | FORMING,TT LH SIDE COVER PAINT...1 | |
| 2 | 77996PGT | TURNTABLE CENTER COVER PAINTED.....1 | |
| 3 | 56912GT | SPRING CLIP,1/4-20,.025-.15X.54,ZAG.....4 | |
| 4 | 77998PGT | FORMING,TT RH SIDE COVER PAINT.....1 | |
| 5 | 8915GT | SCREW,HHC,1/4-20 X 1.25 | |
| 6 | 6356GT | WASHER,LOCK,.25 | |
| 7 | 6638GT | WASHER,FLAT,USS,1/4"Y | |
| 8 | 8178GT | SCREW,HHC,3/8-16 X 2.5 | |
| 9 | 6097GT | WASHER,FLAT,USS,3/8",Y | |
| 10 | 4828GT | NUT,NYLOCK,3/8-16 | |
| 11 | 6175GT | SCREW,HHC,3/8-16 X 1 | |
| 12 | 77879PGT | FORMING,PINION GUARD PAINTED.....1 | |
| 13 | 70318PGT | FORMING,WIPER GUARD RT.....1 <i>models with Deluxe Hostile Option</i> | |
| 14 | 70319GT | WIPER,RING GEAR GUARD.....1 <i>models with Deluxe Hostile Option</i> | |
| 15 | 81167GT | RIVET,ALUM,P,.25X.625.....14 | |
| 16 | 70317PGT | FORMING,WIPER GUARD LT.....1 <i>models with Deluxe Hostile Option</i> | |
| 17 | 34619GT | BUMPER,RUBBER***.....2 | |
| 18 | 121832GT | FORMING,LATCH,GROUND BOX COVER.....1 | |
| 19 | 53189GT | RIVET,ALUM,ALUM,P,.25X.375.....12 | |
| 20 | 30468GT | LATCH,SLIDE, FLUSH MOUNT STYLE.....1 | |
| 21 | 121833GT | FORMING,GROUND BOX COVER.....1 | |
| 22 | 121831GT | HINGE,GROUND BOX COVER.....1 | |

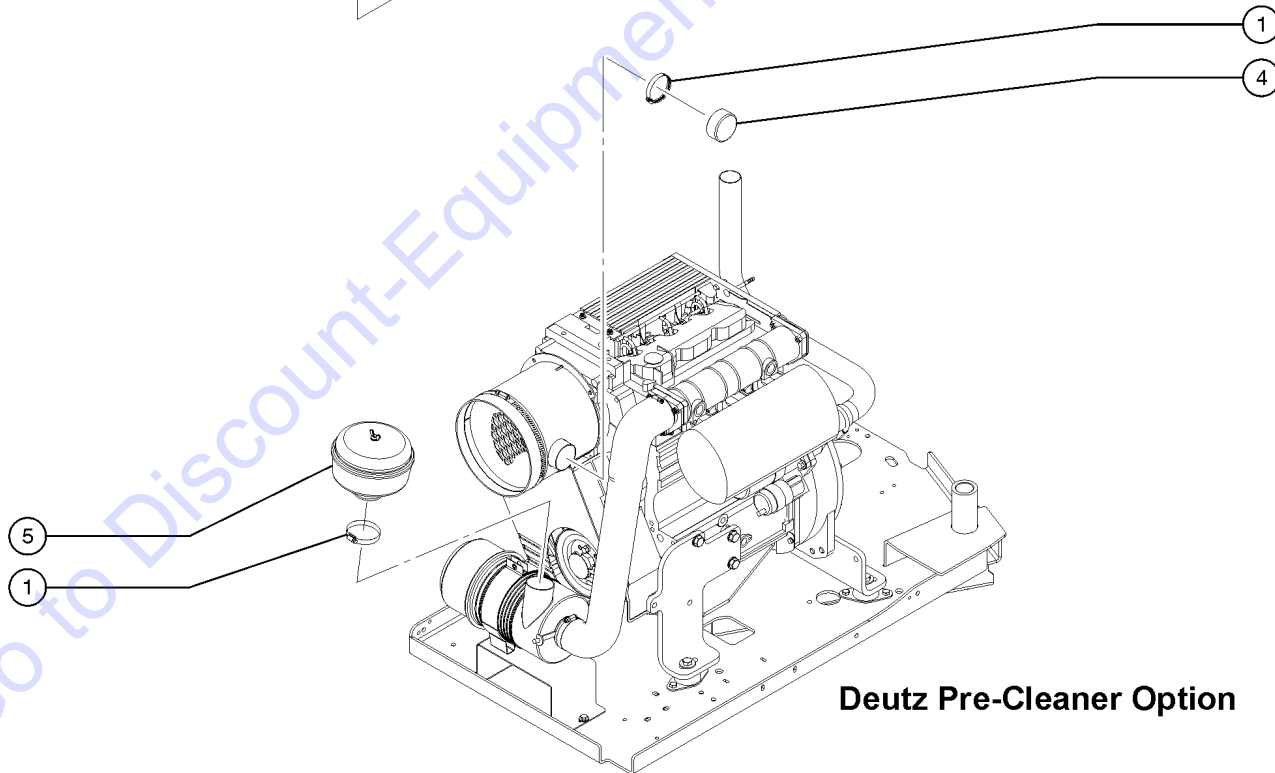
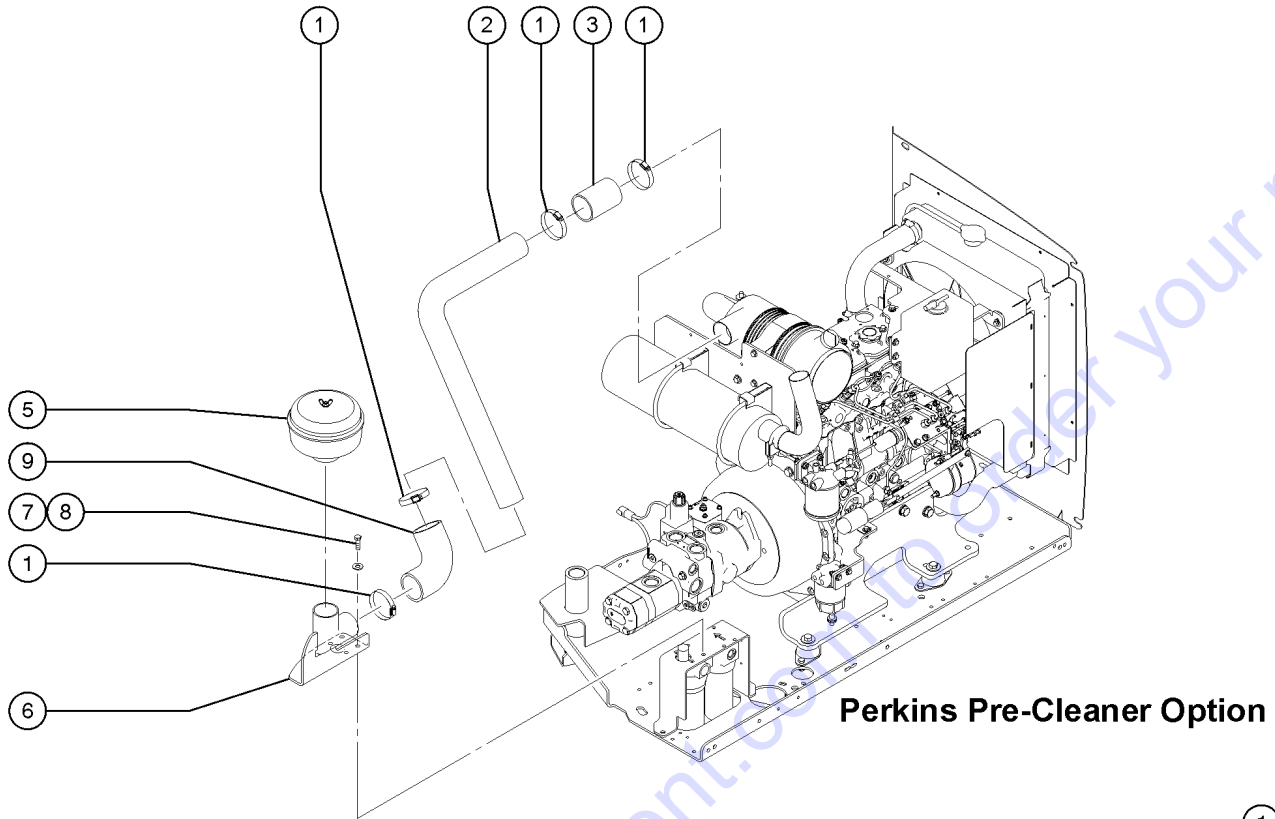
912.1 Hostile Environment, Cylinder Bellows and Cable Track



912.1 Hostile Environment, Cylinder Bellows and Cable Track

| Item | Part No. | Description | Qty. |
|------|-----------|---|------|
| 1 | 106099GT | COVER,CABLE TRACK.....1 <i>(not shown) models with Deluxe Hostile Option</i> | 1 |
| 1 | 6888GT | SCREW,HHC,1/4-20 X 1.....4 | 4 |
| 1 | 6638GT | WASHER,FLAT,USS,1/4"Y.....8 | 8 |
| 1 | 6091GT | NUT,NYLOCK,1/4-20.....4 | 4 |
| 2 | 94479GT | BELLOWS,CYLINDER LIFT.....1 | 1 |
| -- | 35432GT | CLAMP,HOSE,6.50 | |
| -- | 34955GT | CLAMP,HOSE,5.00 | |
| 3 | 94463GT | BELLOWS,MASTER CYLINDER.....1 | 1 |
| -- | 34955GT | CLAMP,HOSE,5.00 | |
| -- | 22672GT | CLAMP,HOSE,1.75 | |
| 4 | 63727GT | COVER, PROTECTIVE, OSCILLATE.....2 <i>Oscillate Only</i> | 2 |
| -- | 34955GT | CLAMP,HOSE,5.00 <i>Oscillate Only</i> | |
| -- | 22672GT | CLAMP,HOSE,1.75 <i>Oscillate Only</i> | |
| 5 | 34922GT | COVER,PROTECTIVE,STEERING.....2 | 2 |
| -- | 34955GT | CLAMP,HOSE,5.00 | |
| -- | 22672GT | CLAMP,HOSE,1.75 | |
| 6 | 94537GT | BELLOWS,CYLINDER,PLAT LEVEL.....1 | 1 |
| -- | 22672GT | CLAMP,HOSE,1.75 | |
| -- | 94533GT | PLATE,BACKING BELLOWS | |
| -- | 49824GT | SCREW,PHILLIPS,FHM,10-32X1.00 | |
| -- | 6146GT | WASHER,FLAT,MS,#10,Y | |
| -- | 23405GT | NUTSERT,10-32 STEEL CAD PLTD | |
| 7 | 34505GT | COVER,PROTECTIVE,JIB CYLINDER...1 <i>S-65 Only</i> | 1 |
| -- | 30971GT | CLAMP,HOSE,3.00" <i>S-65 Only</i> | |
| -- | 36208GT | CLAMP,HOSE,1.25*** <i>S-65 Only</i> | |
| 8 | T107895GT | DECAL,PROTECTOR,CLEAR.....1 | 1 |

913.1 Hostile Environment, Engine Air Pre-Cleaners

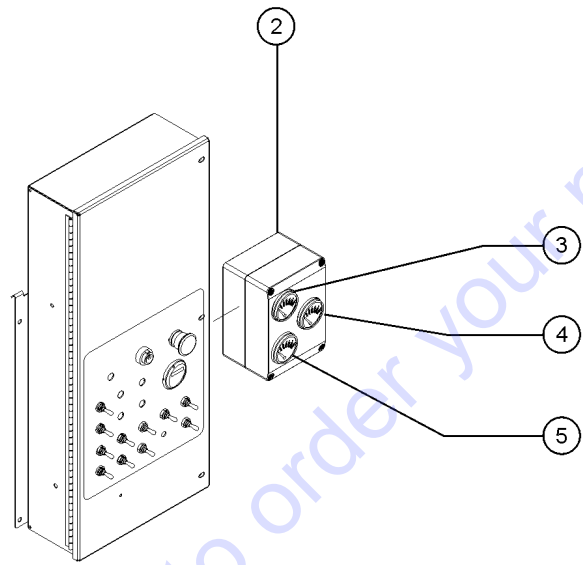
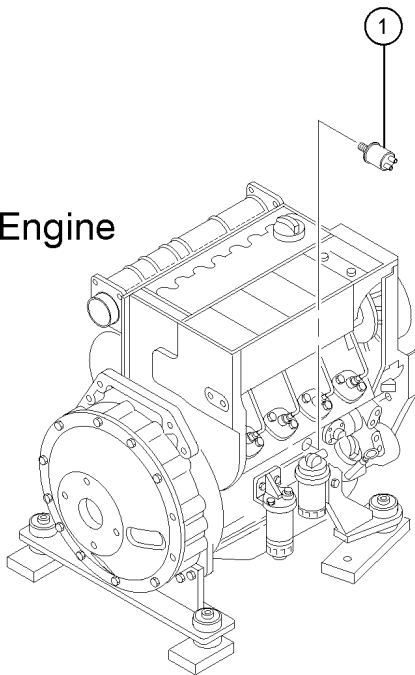


913.1 Hostile Environment, Engine Air Pre-Cleaners

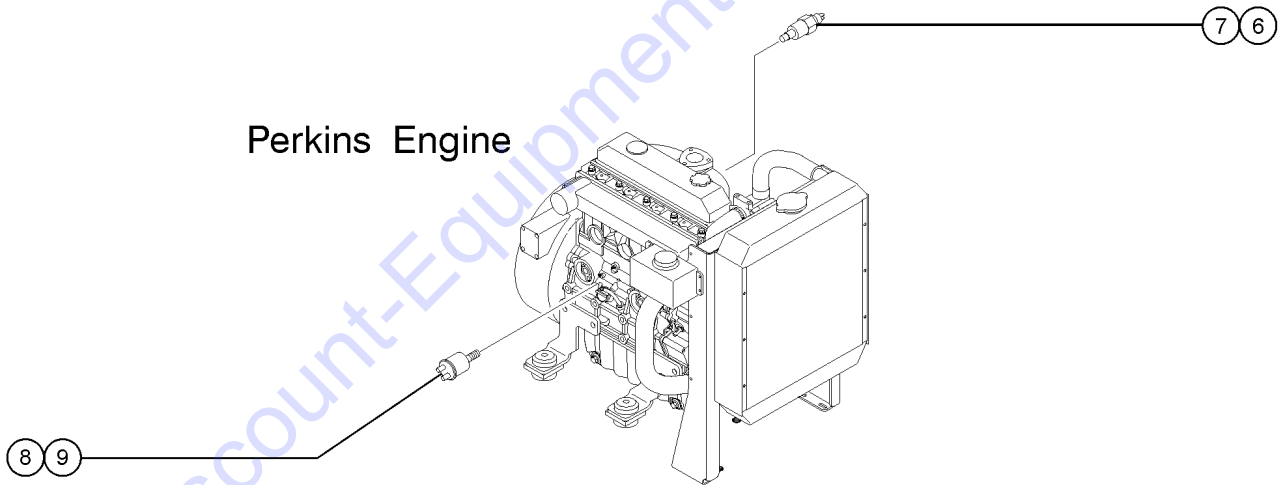
| Item | Part No. | Description | Qty. |
|------|--------------|---|------|
| A | T109339GT | ACC,AIR PRE-CLEANER,DEUTZ | |
| B | T109340GT | ACC,AIR PRE-CLEANER,PERKINS T2 | |
| 1 | 45435GT | CLAMP,HOSE,2.50"***4 <i>Deutz and Perkins Models</i> | |
| 2 | 77891GT | TUBE,AIR INTAKE.....1 | |
| 3 | 34162-0400GT | HOSE,AIR INTAKE 2.5" I.D.....1 | |
| 4 | 70529GT | CAP,PLASTIC,2.5 ID.....1 | |
| 5 | 34959GT | PRECLEANER,AIR INTAKE***.....1 | |
| 6 | 77887GT | WELDMENT,PRECLEANER BRACKET.....1 | |
| 7 | 6019GT | SCREW,HHC,3/8-16 X 1.25 GRD 5 | |
| 8 | 6097GT | WASHER,FLAT,USS,3/8",Y | |
| 9 | 34164GT | ELBOW,90 DEGR,RUBBER,2.5" I.D.*.....1 | |

914.1 Gauge Option

Deutz Engine



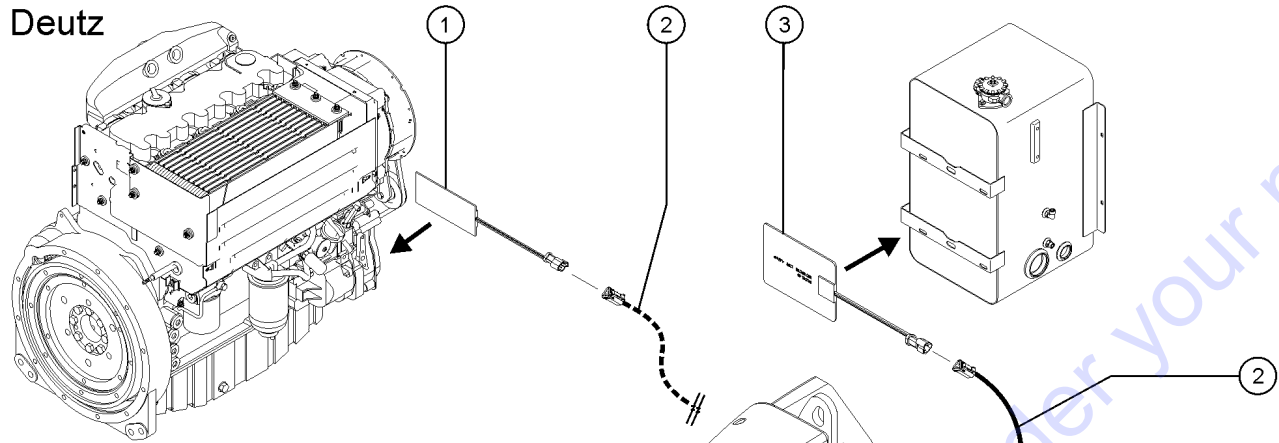
Perkins Engine



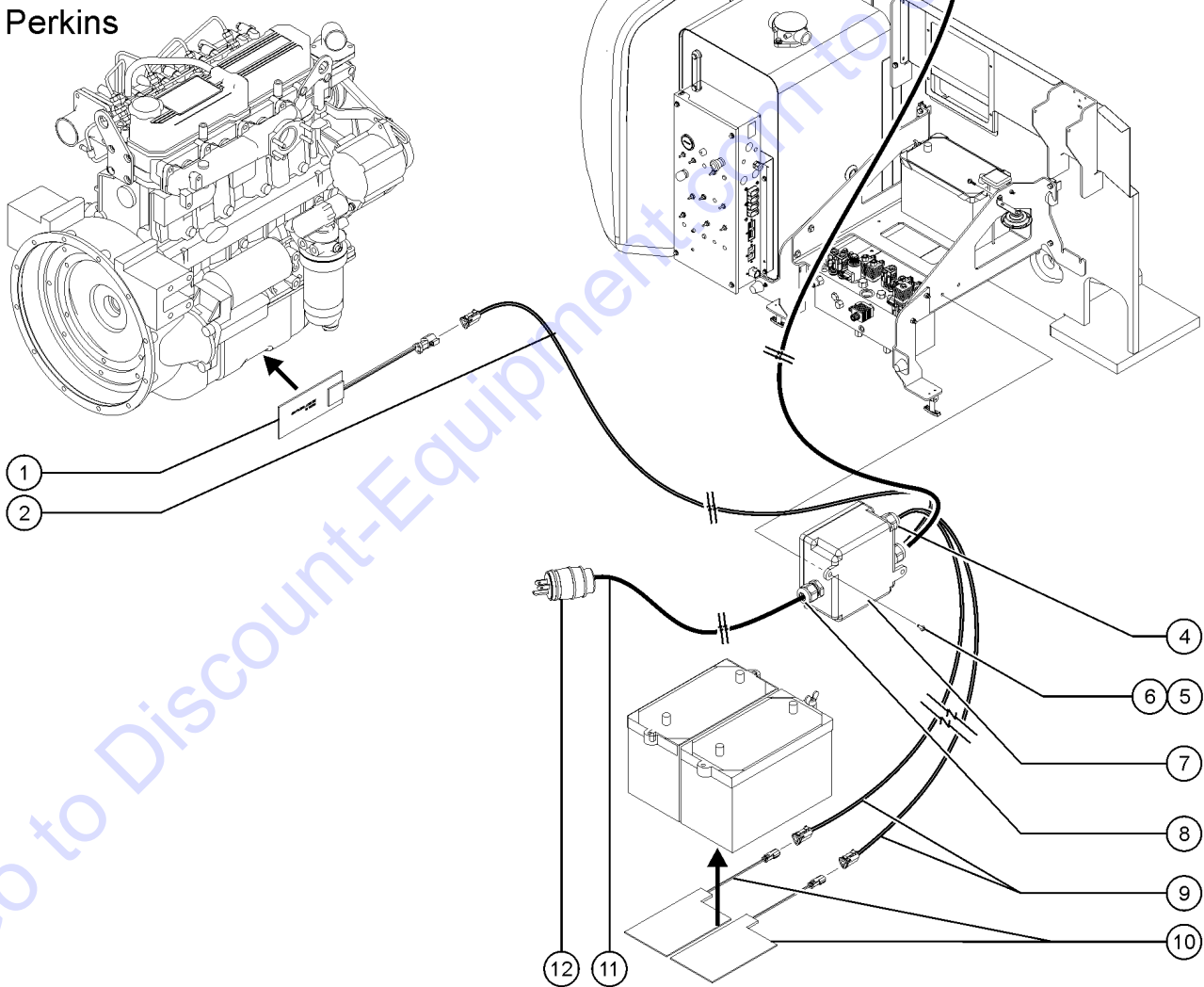
| Item | Part No. | Description | Qty. |
|------|-----------|--|------|
| A | T109334GT | ACC,FULL GAUGE,FORD DSG423,SV | |
| B | T109333GT | ACC,FULL GAUGE,DEUTZ,SERV | |
| C | T109332GT | ACC,FULL GAUGE,PERKINS,SERV | |
| 1 | 106033GT | ADAPTER,NPT 6-4 | |
| 2 | 101232GT | ENCLOSURE BOX,GAUGE OPT,DRILLD.....1 <i>bracket not included</i> | |
| -- | 139878GT | FORMING, GAUGE OPTION BRACKET.....1 <i>not included with 101232, must order separately</i> | |
| 3 | 53761-SGT | GAUGE,VOLTAGE.....1 | |
| 4 | 53758-SGT | GAUGE,OIL PRESSURE W/O SENDER.....1 | |
| 5 | 53759-SGT | GAUGE,WATER TEMP.....1 <i>Perkins models only</i> | |
| 6 | 34058GT | SENDING UNIT,TMP,FRD,GM,PRK704.....1 | |
| 7 | 28607GT | ADAPTER,140139-8-6.....1 | |
| 8 | 30810GT | SENDING UNIT,OIL PRESSURE***.....1 <i>dual-terminal sender</i> | |
| 9 | 71038GT | ADAPTER, 1/8 X 1/4 F3H6-S.....1 | |

915.1 Cold Start Package

Deutz



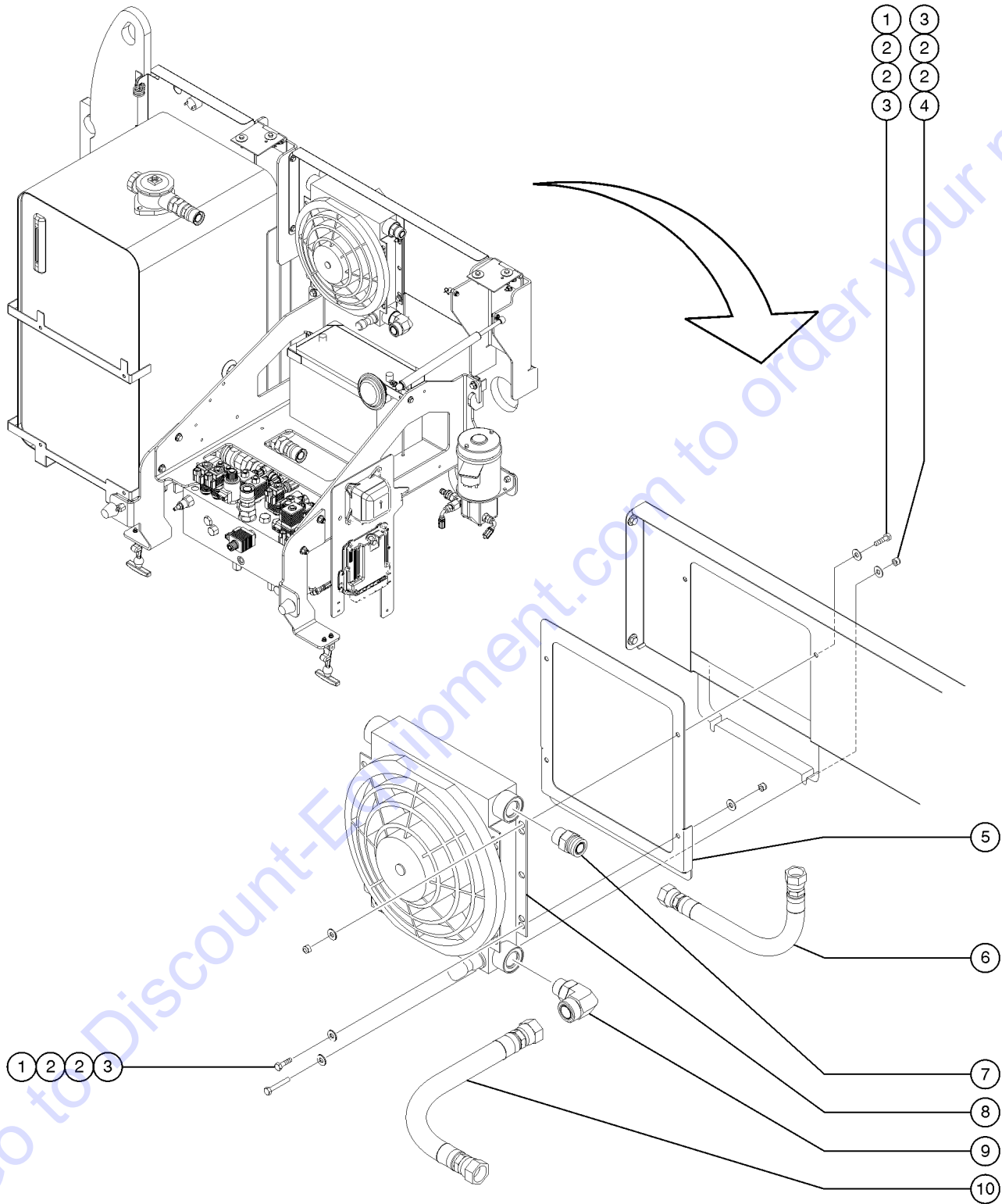
Perkins



915.1 Cold Start Package

| Item | Part No. | Description | Qty. | Item | Part No. | Description | Qty. |
|------|--------------|---|------|------|--------------|---|------|
| 1A | 216615GT | ASSY HEATER, MODEL 18, 120V.....1 <i>120V models</i> | 1 | -- | 119056GT | CONN,PLUG 2 WAY,14-18GA | |
| -- | 119066GT | CONN,RECEP 3 WAY ENDCAP DT | | -- | 60425GT | LOCK, PLUG 2WAY, 14-18GA | |
| -- | 60441GT | LOCK,RECEP 3 WAY,14-18GA | | -- | 101199-200GT | SHRINK TUBE,BLACK,RHW,1/2,3:1 | |
| 1B | 216616GT | ASSY HEATER, MODEL 18, 240V.....1 <i>240V models</i> | 1 | 11A | 216617GT | ASSY, BATTERY HEATER, 120V <i>120V models</i> | |
| -- | 119066GT | CONN,RECEP 3 WAY ENDCAP DT | | -- | 119065GT | CONN,RECEP 2 WAY ENDCAP DT | |
| -- | 60441GT | LOCK,RECEP 3 WAY,14-18GA | | -- | 60439GT | LOCK,RECEP 2 WAY, 14-18GA | |
| 2A | 216662GT | HARNESS,ENG/HYD HEATER,120V.....1 <i>120V models</i> | 1 | 11B | 216618GT | ASSY, BATTERY HEATER, 240V <i>240V models</i> | |
| -- | 119057GT | CONN PLUG 3 WAY ENDCAP DT | | -- | 119065GT | CONN,RECEP 2 WAY ENDCAP DT | |
| -- | 60427GT | LOCK,PLUG 3 WAY,14-18GA | | -- | 60439GT | LOCK,RECEP 2 WAY, 14-18GA | |
| -- | 101199-200GT | SHRINK TUBE,BLACK,RHW,1/2,3:1 | | 12A | 216606GT | HARNESS, 120V POWER CORD, 24"....1 <i>120V models includes plug and hubble</i> | |
| 2B | 216683GT | HARNESS,ENG/HYD HEATER,240V.....1 <i>240V models</i> | 1 | -- | 45845GT | TERMINAL, RING, #10 YELLOW | |
| -- | 119057GT | CONN PLUG 3 WAY ENDCAP DT | | -- | 101199-200GT | SHRINK TUBE,BLACK,RHW,1/2,3:1 | |
| -- | 60427GT | LOCK,PLUG 3 WAY,14-18GA | | 12B | 216607GT | HARNESS, 240V POWER CORD, 24"....1 <i>240V models includes hubble</i> | |
| -- | 101199-200GT | SHRINK TUBE,BLACK,RHW,1/2,3:1 | | -- | 45845GT | TERMINAL, RING, #10 YELLOW | |
| 3A | 216612GT | ASSY,120V HEATER, HYD TANK.....1 <i>120V models</i> | 1 | -- | 101199-200GT | SHRINK TUBE,BLACK,RHW,1/2,3:1 | |
| -- | 119066GT | CONN,RECEP 3 WAY ENDCAP DT | | 13 | 119403GT | CONN,PLUG 120 AC/15A DOMESTIC...1 <i>120V models</i> | |
| -- | 60441GT | LOCK,RECEP 3 WAY,14-18GA | | | | | |
| 3B | 216611GT | ASSY,240V HEATER, HYD TANK.....1 <i>240V models</i> | 1 | | | | |
| -- | 119066GT | CONN,RECEP 3 WAY ENDCAP DT | | | | | |
| -- | 60441GT | LOCK,RECEP 3 WAY,14-18GA | | | | | |
| 4 | 99778GT | SQUEEZE CONNECTOR, 4 WIRE.....2 <i>included in harness</i> | 2 | | | | |
| -- | 238123GT | HUBBLE NUT, PG11 | | | | | |
| 5 | 75041GT | SCREW,PHILLIPS,PHM,10-32 X 1 | | | | | |
| 6 | 6146GT | WASHER,FLAT,MS,#10,Y | | | | | |
| 7 | 14392GT | NUT,LP NYLOCK,10-32 | | | | | |
| 8 | 214249GT | COLD WEATHER 120V J BOX ASSY.....1 | 1 | | | | |
| -- | 215347GT | COLD PKG GROUND, JUMPER ASSY.....1 | 1 | | | | |
| -- | 69776GT | TERMINAL,STRIP,4-POLE,600V***.....1 | 1 | | | | |
| -- | 13597GT | TERMINAL,#10 RING,BLUE.....4 | 4 | | | | |
| 9 | 214536GT | SQUEEZE CONN W/NUT, 2WIRE, 4MM.....1 <i>included in harness</i> | 1 | | | | |
| 10A | 216655GT | HARNESS,BATT CABLE,120V <i>120V models</i> | | | | | |
| -- | 119056GT | CONN,PLUG 2 WAY,14-18GA | | | | | |
| -- | 60425GT | LOCK, PLUG 2WAY, 14-18GA | | | | | |
| -- | 101199-200GT | SHRINK TUBE,BLACK,RHW,1/2,3:1 | | | | | |
| 10B | 216676GT | HARNESS,BATT CABLE,240V <i>240V models</i> | | | | | |

916.1 Hydraulic Oil Cooler Option



916.1 Hydraulic Oil Cooler Option

| Item | Part No. | Description | Qty. |
|------|--------------|------------------------------------|------|
| A | T109335GT | ACC, OIL COOLER,S60, SERV | |
| 1 | 6888GT | SCREW,HHC,1/4-20 X 1..... | 4 |
| 2 | 6638GT | WASHER,FLAT,USS,1/4"Y..... | 12 |
| 3 | 6091GT | NUT,NYLOCK,1/4-20..... | 6 |
| 4 | 6637GT | SCREW,HHC,1/4-20 X 1.75..... | 2 |
| 5 | 77693GT | FORMING,OIL COOLER MOUNT..... | 1 |
| 6 | 1259905GT | HOSE ASSY, 3/4", 28.55"..... | 1 |
| 7 | 48960GT | FITTING,CONN,520120-12***..... | 1 |
| 8 | 71259GT | OIL COOLER W/FAN, 12VDC..... | 1 |
| 9 | 48878GT | ELBOW,90D,520220-16-12..... | 1 |
| 10 | 94205-3164GT | HOSE ASSY,3/4,45 FEM,STR MALE..... | 1 |

Go to Discount-Equipment.com to order your parts



PARTS FINDER

**Search Website
by Part Number**



**Search Manual
Library For Parts
Manual & Lookup Part
Numbers – Purchase
or Request Quote**

Search Manuals

Enter your information to help us find the right parts manual for your machine.

* Brand:

* Model:

* Serial:

* Part Number:

SEARCH

**Can't Find Part or
Manual? Request Help
by Manufacturer,
Model & Description**

Parts Order Form

Please fill in the following information to help us find the right part for your machine.

| | |
|---------------|----------------------|
| Manufacturer: | <input type="text"/> |
| Model: | <input type="text"/> |
| Description: | <input type="text"/> |
| Part Number: | <input type="text"/> |
| Quantity: | <input type="text"/> |
| Notes: | <input type="text"/> |

SEARCH

Discount-Equipment.com is your online resource for quality parts & equipment.

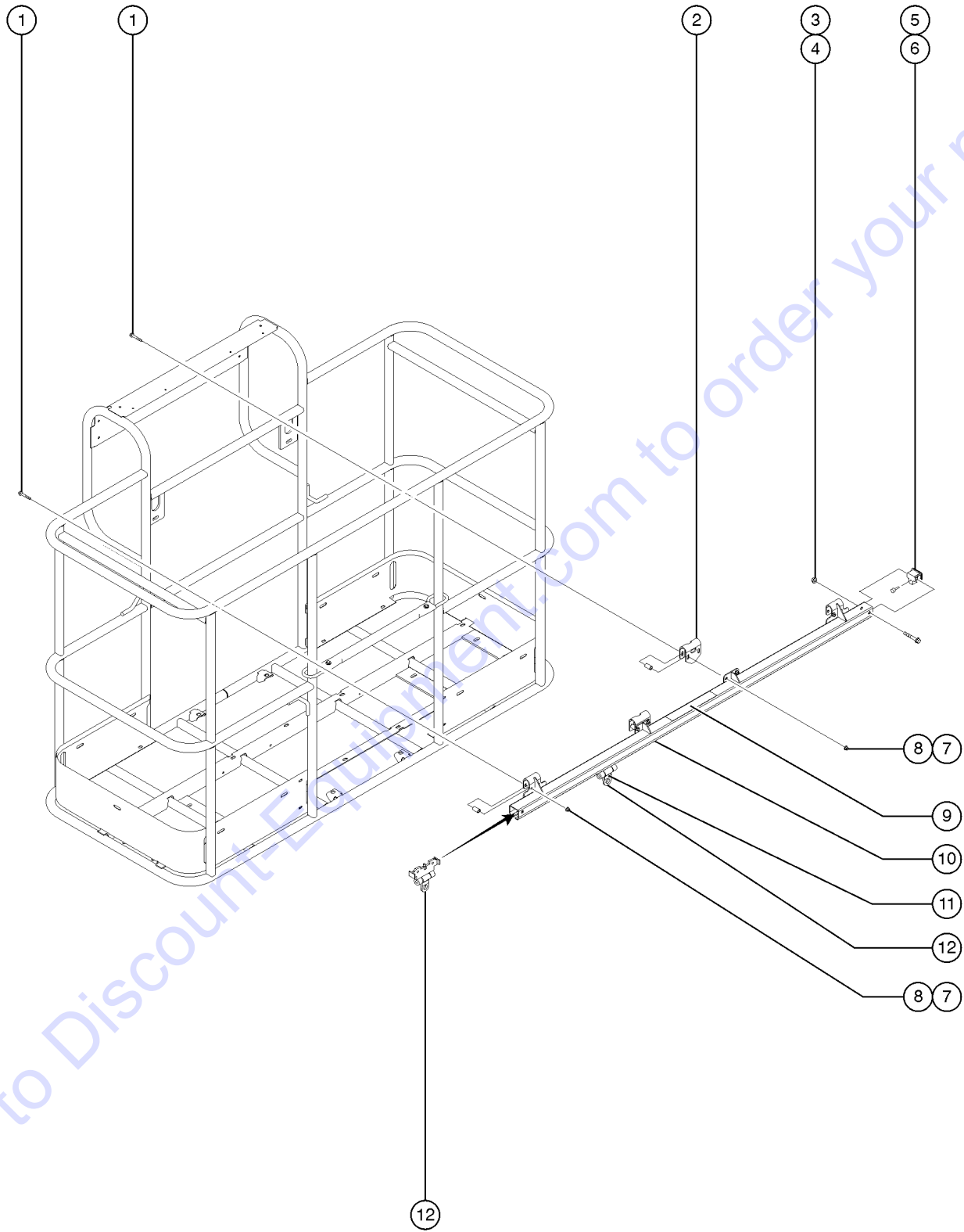
Florida: **561-964-4949** Outside Florida TOLL FREE: **877-690-3101**

Need parts?

Click on this link: <http://www.discount-equipment.com/category/5443-parts/> and choose one of the options to help get the right parts and equipment you are looking for. Please have the machine model and serial number available in order to help us get you the correct parts. If you don't find the part on the website or on one of the online manuals, please fill out the request form and one of our experienced staff members will get back to you with a quote for the right part that your machine needs.

We sell worldwide for the brands: Genie, Terex, JLG, MultiQuip, Mikasa, Essick, Whiteman, Mayco, Toro Stone, Diamond Products, Generac Magnum, Airman, Haulotte, Barreto, Power Blanket, Nifty Lift, Atlas Copco, Chicago Pneumatic, Allmand, Miller Curber, Skyjack, Lull, Skytrak, Tsurumi, Husquvarna Target, Stow, Wacker, Sakai, Mi-T-M, Sullair, Basic, Dynapac, MBW, Weber, Bartell, Bennar Newman, Haulotte, Ditch Runner, Menegotti, Morrison, Contec, Buddy, Crown, Edco, Wyco, Bomag, Laymor, EZ Trench, Bil-Jax, F.S. Curtis, Gehl Pavers, Heli, Honda, ICS/PowerGrit, IHI, Partner, Imer, Clipper, MMD, Koshin, Rice, CH&E, General Equipment, Amida, Coleman, NAC, Gradall, Square Shooter, Kent, Stanley, Tamco, Toku, Hatz, Kohler, Robin, Wisconsin, Northrock, Oztec, Toker TK, Rol-Air, APT, Wylie, Ingersoll Rand / Doosan, Innovatech, Con X, Ammann, Mecalac, Makinex, Smith Surface Prep, Small Line, Wanco, Yanmar

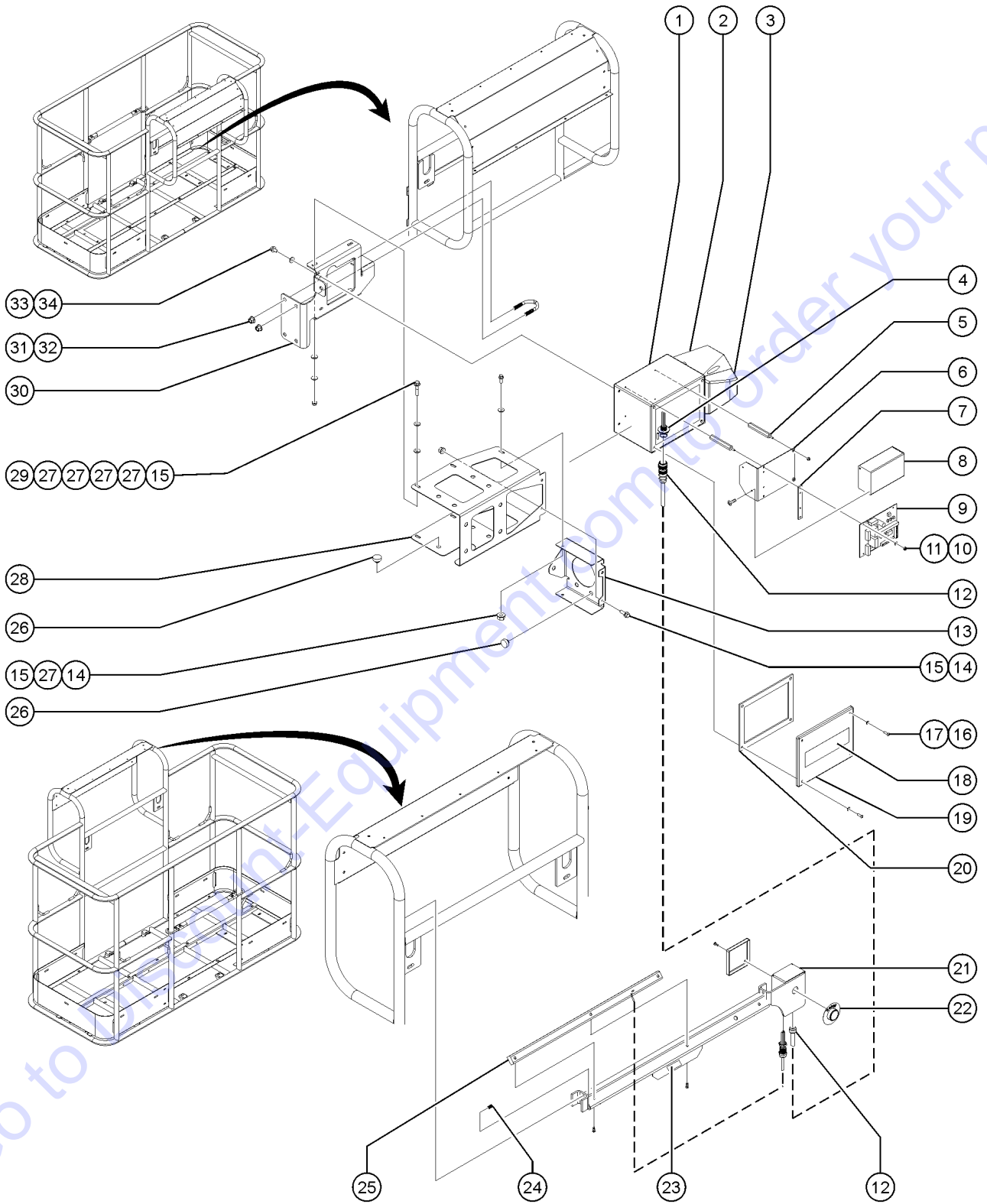
917.1 Traveling Fall Arrest Anchor System



917.1 Traveling Fall Arrest Anchor System

| Item | Part No. | Description | Qty. |
|------|-------------|--|------|
| 1 | 1256856GT | SCREW,HHF,3/8-16X2.5,8,ZAG..... | 4 |
| 2 | 1256389GT | FORMING,INNER HANGER..... | 2 |
| 3 | 1251997GT | NUT,TL FLG,1/2-13,G,ZAG..... | 2 |
| 4 | 1256851GT | SCREW,HHF,1/2-13X3.5,8,ZAG..... | 2 |
| 5 | 1260892GT | END STOP,TRACK,FALL ARREST BAR..... | 2 |
| 6 | 36388GT | BUMPER,RUBBER,.75 X .50H,STUD.... | 2 |
| 7 | 1274322GT | NUT,NYLOCK FLG,3/8-16,F,ZAG..... | 8 |
| 8 | 1256481GT | SPACER, HANGER BRACKET..... | 8 |
| 9A | 1256400GT | DECAL,TRACK,FALL ARREST BAR,WORD..... | 1 |
| 9B | 1260910GT | DECAL,TRACK,FALL ARREST BAR,SYMBOL..... | 1 |
| 9C | 1256400FRGT | DECAL,TRACK,FALL ARREST BAR,WORD FR..... | 1 |
| 10A | 1256377GT | ACC,FALL ARREST BAR,8FT WORD.... | 1 |
| -- | 1256379GT | ASSY,TRACK,FALL ARREST BAR,8FT WORD <i>includes decals</i> | |
| 10B | 1261022GT | ACC,FALL ARREST BAR,8FT SYM..... | 1 |
| -- | 1261024GT | ASSY,TRACK,FALL ARREST BAR,8FT SYM <i>includes decals</i> | |
| 10C | 1261018GT | ACC,FALL ARREST BAR,8FT FR..... | 1 |
| -- | 1261020GT | ASSY,TRACK,FALL ARREST BAR,8FT FR <i>includes decals</i> | |
| 10D | 1256378GT | ACC,FALL ARREST BAR,6FT WORD.... | 1 |
| -- | 1256380GT | ASSY,TRACK,FALL ARREST BAR,6FT WORD <i>includes decals</i> | |
| 10E | 1261023GT | ACC,FALL ARREST BAR,6FT SYM..... | 1 |
| -- | 1261025GT | ASSY,TRACK,FALL ARREST BAR,6FT SYM <i>includes decals</i> | |
| 10F | 1261019GT | ACC,FALL ARREST BAR,6FT FR..... | 1 |
| -- | 1261021GT | ASSY,TRACK,FALL ARREST BAR,6FT FR <i>includes decals</i> | |
| 11 | 40434GT | DECAL,LANYARD ANCHORAGE POINT..... | 1 |
| 12 | 1256439GT | TROLLEY, TRACK, FALL ARREST BAR..... | 1 |

918.1 Operators Protection Alarm



918.1 Operators Protection Alarm

| Item | Part No. | Description | Qty. | Item | Part No. | Description | Qty. |
|------|-----------|--|------|------|-----------|--|------|
| A | 1275537GT | ASSEMBLY, OPA PROTECTION CAGE..... | 1 | 33 | 237238GT | SCREW,HHF,M6-1.0X12,DIN6921,10..... | 2 |
| 1 | 1255018GT | BASE ENCLOSURE,RED,OPA..... | 1 | 34 | 1257389GT | WASHER, FLAT, M6X18X1.6,DIN9021,ZAB..... | 2 |
| 2 | 1255021GT | SOUNDER,MIDI,OPA..... | 1 | | | | |
| 3A | 1255037GT | SOUNDER LENS, OPA, BLUE..... (standard lens fitted to OPA) | 1 | | | | |
| 3B | 1270116GT | SOUNDER LENS, OPA, RED..... | 1 | | | | |
| 3C | 1270117GT | SOUNDER LENS, OPA, AMBER..... | 1 | | | | |
| 3D | 1270118GT | SOUNDER LENS, OPA, CLEAR..... | 1 | | | | |
| 4 | 1255033GT | HARN,PIGTAIL,TAPESWITCH,OPA..... | 1 | | | | |
| 5 | 1255028GT | STAND OFF,CONTROL UNIT..... | 4 | | | | |
| 6 | 1255024GT | BRACKET,CONTROL UNIT..... | 1 | | | | |
| 7 | 1255025GT | SPACER,HEAT SINK..... | 1 | | | | |
| 8 | 1255023GT | ASSY,MODULE,CONTROL UNIT,OPA.... | 1 | | | | |
| 9 | 1255022GT | MODULE,CONTROL UNIT,PCB,OPA.... | 1 | | | | |
| 10 | 1255067GT | NUT,M4 NYLOCK..... | 4 | | | | |
| 11 | 1255066GT | WASHER,M4 NYLON..... | 4 | | | | |
| 12 | 1255035GT | ASSEMBLY,CABLE,TAPESWITCH..... | 1 | | | | |
| 13 | 1275539GT | FORMING, OPA CAP..... | 1 | | | | |
| 14 | 824078GT | SCREW,HHF,1/4-20X.75,8,ZAG..... | 5 | | | | |
| 15 | 824027GT | NUT, TL FLG, 1/4-20, G, ZAG..... | 9 | | | | |
| 16 | 1255038GT | SCREW,M5X16 BHD..... | 4 | | | | |
| 17 | 1255027GT | WASHER,M5 NYLON..... | 4 | | | | |
| 18 | 1255890GT | DECAL,COSMETIC,GENIE..... | 1 | | | | |
| 19 | 1255020GT | LID ENCLOSURE,RED,OPA..... | 1 | | | | |
| 20 | 1255019GT | GASKET,ENCLOSURE..... | 1 | | | | |
| 21 | 1255029GT | ASSEMBLY,TAPESWITCH..... "(6/8' platforms) (includes j-box and fasteners)" | 1 | | | | |
| 22 | 1255036GT | ASSEMBLY RESET SWITCH..... | 1 | | | | |
| 23 | 1255889GT | DECAL,SYMBOL-READ THE MANUAL..... | 1 | | | | |
| 24 | 1255068GT | SCREW,M6X8..... | 2 | | | | |
| 25 | 1255047GT | SENSOR,RUBBER EDGE..... (6/8' platforms) | 1 | | | | |
| 26 | 43392GT | BUMPER,BATTERY BOX & RAILS..... | 17 | | | | |
| 27 | 824113GT | WASHER,FLAT,USS,1/4,ZAG..... | 19 | | | | |
| 28 | 1275538GT | FORMING, OPA CAGE..... | 1 | | | | |
| 29 | 824080GT | SCREW,HHF,1/4-20X1.25,8,ZAG..... | 4 | | | | |
| 30 | 1275540GT | FORMING, OPA, BRACKET..... | 1 | | | | |
| -- | 1271945GT | KIT, OPA WELDER BRACKET Complete assembly bracket with fasteners and U-Bolt 1251600 | | | | | |
| 31 | 824029GT | NUT, TL FLG, 3/8-16, G, ZAG..... | 4 | | | | |
| 32 | 1251600GT | U-BOLT, FLATTENED, 1.5 X 3/8 UNC,ZAG..... | 2 | | | | |

Part Number Index

The Part Number Index is a numeric index of all part numbers included in this manual. The index shows what page(s) the part is used on.

| Part Number | Page | Part Number | Page | Part Number | Page | Part Number | Page |
|----------------|-------------------------|---------------|-------------------------|-------------|-------------------------|-------------|-------------------------|
| 07.4501.0291GT |167 | 106163GT |197 | 114252GT |23, 25, 39, 41, | 122668GT |195 |
| 1000014GT |27, 33, 75, 81 | 106172PGT |127-128 | | 51, 55, 57, 67, | 122755GT |197 |
| 1000262GT |17, 33, 49, 65, 81 | 106226-4000GT |171-172 | | 71, 73, 87, 89 | 122944GT |187, 189 |
| 101005GT |205 | 106516GT |92 | 114258GT |11, 27, 43, 59, 75 | 123143GT |191 |
| 101005HGT |205 | 106517PGT |92 | 114389GT |11, 17, 27, 33, | 12343GT |195 |
| 101006GT |151-152 | 106647GT |91-92 | | 43, 49, 59, 65, | 12344GT |203 |
| 101066PGT |183 | 106648GT |91-92 | | 75, 81 | 123663GT |191 |
| 10107GT |227 | 106663GT |171-172 | 114390GT |11, 13, 27, 29, | 1251499GT |109-110 |
| 101080GT |133-134 | 106835GT |147 | | 43, 45, 59, 61, | 1251500GT |109-110 |
| 101129PGT |151-152 | 106836GT |147 | | 75, 77 | 1251501GT |109-110 |
| 101140P-SGT |151-152 | 106837GT |147 | 114416GT |17, 33, 49, 65, 81 | 1251502GT |109-110 |
| 101173GT |205 | 107552GT |133-134 | 114425GT |11, 27, 43, 59, 75 | 1251503GT |109-110 |
| 101173HGT |205 | 107615PGT |91-92 | 114465GT |11, 19, 27, 35, | 1251504GT |109-110 |
| 101174GT |205 | 107616PGT |92 | | 59, 67, 75, 83 | 1251505GT |109-110 |
| 101174HGT |205 | 107665PGT |179-180 | 114473GT |25, 41, 57, 73, 89 | 1251508GT |109-110 |
| 101191GT |133-134 | 107753GT |137-138 | 115431GT |171-172 | 1251509GT |109-110 |
| 101199-200GT |247 | 10775GT |235 | 119056GT |247 | 1251510GT |109-110 |
| 101232GT |245 | 10777GT |235 | 119057GT |247 | 1251600GT |229, 253 |
| 101244GT |189 | 107813GT |147 | 119061GT |133-134 | 1251731GT |165 |
| 101251GT |179-180 | 107814GT |147 | 119062GT |133-134 | 1251984GT |121-122 |
| 101252GT |175-176 | 107815GT |147 | 119063GT |133-134 | 1251985GT |121-122 |
| 101254GT |187, 189, 191 | 107842GT |147 | 119064GT |133-134 | 1251997GT |251 |
| 101255GT |92 | 107857GT |219 | 119065GT |219, 247 | 1252684GT |121-122 |
| 101293GT |217 | 108538GT |169 | 119066GT |247 | 1252685GT |121-122 |
| 101294GT |147 | 109802GT |128 | 119067GT |133-134 | 1252943GT |172 |
| 101440GT |141 | 110183PGT |128, 155-156 | 119084GT |237 | 1253415GT |131 |
| 101491GT |207 | 110194GT |137-138, 141 | 119085GT |237 | 1253629GT |11, 27, 43, 59, 75 |
| 101494GT |207 | 110196GT |137-138 | 119086GT |237 | 1253793GT |219 |
| 101726GT |115 | 110197GT |137-138 | 119087GT |237 | 1253798GT |209 |
| 101729GT |167 | 110200GT |137-138 | 119088GT |237 | 1253922GT |165 |
| 101790-10091GT |211 | 110201GT |137-138 | 119089GT |237 | 1254267GT |165 |
| 101790-10691GT |211 | 110202GT |137-138 | 119090GT |237 | 1254452GT |165 |
| 101795-2482GT |211 | 110221GT |92 | 119117GT |151-152, 155- | 1254453GT |165 |
| 101795-4782GT |213 | 110268GT |133-134 | | 156 | 1254594GT |161, 169 |
| 101845GT |193 | 110280GT |119, 125 | 119146GT |92 | 1254804GT |199-200 |
| 101852GT |223 | 110304GT |172 | 119344GT |152 | 1254823GT |165 |
| 101853GT |223 | 110339GT |183 | 119394GT |165 | 1254826GT |151-152, 155- |
| 101932GT |237 | 110340GT |183 | 119403GT |235, 247 | 156 | |
| 101964GT |131 | 110345GT |109-110 | 119404GT |235 | 1254873GT |109-110 |
| 102045GT |155-156, 159 | 110382GT |113 | 119536PGT |189 | 1254874GT |197 |
| 102126GT |95-96 | 110452GT |175-176 | 119542GT |189 | 1255018GT |253 |
| 102131GT |92, 95-96 | 110578GT |92 | 119567GT |179-180 | 1255019GT |253 |
| 102155GT |92, 96 | 110671GT |197 | 119613GT |205 | 1255020GT |253 |
| 102157GT |95-96 | 110727GT |91-92 | 119644GT |203 | 1255021GT |253 |
| 102158GT |92, 95-96 | 110728GT |91-92 | 119809GT |171-172 | 1255022GT |253 |
| 102159GT |92, 96 | 110730GT |91-92 | 119845GT |235 | 1255023GT |253 |
| 102162GT |92, 95-96 | 110731GT |91-92 | 119866GT |172 | 1255024GT |253 |
| 102163GT |95-96 | 110733GT |91-92 | 119915GT |205 | 1255025GT |253 |
| 102166GT |95-96 | 110789GT |193 | 119950GT |223 | 1255027GT |253 |
| 102167GT |95-96 | 110899GT |171-172 | 119988GT |96 | 1255028GT |253 |
| 102209PGT |159 | 110908GT |175-176 | 119990GT |175-176 | 1255029GT |253 |
| 102227GT |155-156 | 111029GT |171-172 | 121035GT |195 | 1255030GT |134 |
| 102230-9589GT |211 | 111155GT |107 | 121065GT |195 | 1255033GT |253 |
| 102237GT |155-156 | 111402GT |155-156 | 121066GT |219 | 1255035GT |253 |
| 102516GT |92, 95-96 | 111413GT |203 | 121283GT |109-110 | 1255036GT |253 |
| 102528GT |138 | 111420GT |203 | 121358GT |131 | 1255037GT |253 |
| 102581GT |159 | 111445GT |152, 155-156 | 121359GT |131 | 1255038GT |253 |
| 102587GT |169 | 111485PGT |221 | 121599GT |119, 125 | 1255047GT |253 |
| 102721PGT |225 | 111486PGT |221 | 121615GT |155-156 | 1255066GT |253 |
| 102785PGT |221 | 111526GT |221 | 121831GT |239 | 1255067GT |253 |
| 102786PGT |221 | 111668GT |152, 155-156 | 121832GT |239 | 1255068GT |253 |
| 102992GT |197 | 111705GT |137-138 | 121833GT |239 | 1255452GT |92, 175-176 |
| 104030GT |203 | 11210GT |175-176 | 121846GT |119, 125 | 1255456GT |133-134 |
| 104759GT |145 | 114099GT |11, 13, 19, 21, | 121847GT |133-134, 203 | 1255457GT |133-134 |
| 10597GT |109-110, 151- | | 27, 29, 35, 37, | 121848GT |133-134, 193 | 1255555GT |134 |
| | 152, 175-176 | | 43, 45, 51, 53, | 122019GT |219 | 1255653GT |151-152, 155- |
| 10598GT |151-152, 167, | | 59, 61, 67, 69, | 122053GT |133-134 | 156, 167 | |
| | 171-172 | | 75, 77, 83, 85 | 122073GT |221, 231, 233 | 1255692GT |165 |
| 106003PGT |172 | 114219GT |11, 27, 43, 59, 75 | 122079GT |189, 191, 193 | 1255702GT |96 |
| 106033GT |245 | 114247GT |23, 39, 55, 71, 87 | 122231GT |233 | 1255758GT |229 |
| 106044GT |231, 233 | 114249GT |19, 21, 35, 37, | 122278GT |221 | 1255768GT |127-128 |
| 106098GT |92, 95-96 | | 51, 53 | 122279GT |221 | 1255769GT |127-128 |
| 106099GT |241 | 114251GT |19, 35, 51, 67, 83 | 122661GT |195 | 1255770GT |127-128 |
| 106117GT |96 | | | 122662GT |195 | 1255771GT |127-128 |
| 106134GT |175-176 | | | 122663GT |195 | 1255772GT |127-128 |

| Part Number | Page | Part Number | Page | Part Number | Page | Part Number | Page |
|-------------|--------------------|-------------|-----------------------|-------------|--|----------------|--------------------|
| 1255773GT | 127-128 | 1262866GT | 169 | 128482GT | 189 | 13597GT | 247 |
| 1255802GT | 96 | 1262867GT | 169 | 128483GT | 189 | 13635-10GT | 183, 195 |
| 1255889GT | 253 | 1262868GT | 169 | 1285235GT | 109-110 | 13854GT | 175-176 |
| 1255890GT | 253 | 1262870GT | 169 | 128534GT | 189 | 139000GT | 101, 107 |
| 1255894GT | 163 | 1262871GT | 169 | 1285505GT | 147 | 139001GT | 101, 107 |
| 1256267GT | 92, 95-96, 175-176 | 1262872GT | 169 | 1285506GT | 147 | 139002GT | 101, 103, 105 |
| 1256377GT | 251 | 1262873GT | 169 | 128578GT | 121-122, 199-200 | 139120GT | 101 |
| 1256378GT | 251 | 1262875GT | 169 | | | 139121GT | 101 |
| 1256379GT | 251 | 1262876GT | 161, 169 | 128580GT | 199-200 | 139122GT | 101 |
| 1256380GT | 251 | 1262877GT | 169 | 128581-SGT | 199-200 | 139125GT | 101 |
| 1256389GT | 251 | 1262878GT | 169 | 128582-SGT | 200 | 139135GT | 101, 103, 105 |
| 1256400FRGT | 251 | 1262881GT | 169 | 128584-SGT | 121-122, 199-200 | 139140GT | 101, 103, 105 |
| 1256400GT | 251 | 1262883GT | 169 | | | 139175GT | 103, 105 |
| 1256439GT | 251 | 1262893GT | 169 | 128588GT | 172 | 139179GT | 101, 103, 105, 107 |
| 1256468GT | 229 | 1262894GT | 169 | 128724GT | 189 | | |
| 1256481GT | 251 | 1262895GT | 169 | 1287434GT | 143 | 13918GT | 185 |
| 1256599GT | 165 | 1262896GT | 169 | 1287812GT | 107 | 139224GT | 101 |
| 1256670GT | 145 | 1262897GT | 169 | 1287813GT | 107 | 139262GT | 107 |
| 1256851GT | 251 | 1262899GT | 169 | 128829GT | 155-156 | 139288GT | 183 |
| 1256856GT | 251 | 1264257GT | 195 | 128831GT | 171-172 | 139308GT | 127-128 |
| 1257231GT | 165 | 1264258GT | 195 | 1288561GT | 152 | 139309GT | 127-128 |
| 1257389GT | 253 | 1264822GT | 133-134 | 128896GT | 155-156 | 139310GT | 127-128 |
| 1257838GT | 161 | 1264834GT | 133-134 | 128909GT | 107 | 139311GT | 127-128 |
| 1257961GT | 167 | 1264903GT | 127-128 | 128910GT | 107 | 139312GT | 127-128 |
| 125864GT | 101 | 1264947GT | 113, 133-134 | 128911GT | 107 | 139313GT | 127-128 |
| 125865GT | 101 | 1267807GT | 128 | 128912GT | 107 | 139314GT | 127-128 |
| 125866GT | 103, 105 | 1268229GT | 128 | 128913GT | 107 | 139315GT | 127-128 |
| 1259328GT | 231, 233 | 1268376GT | 175-176 | 128914GT | 107 | 139321GT | 155-156 |
| 1259329GT | 231, 233 | 1268377GT | 175-176 | 128916GT | 107 | 139322GT | 155-156 |
| 1259654GT | 169 | 1269500GT | 205 | 128917GT | 107 | 139323GT | 127-128 |
| 1259660GT | 169 | 1270116GT | 253 | 128918GT | 107 | 139338GT | 199-200, 203 |
| 1259704GT | 221 | 1270117GT | 253 | 128919GT | 107 | 139384GT | 183 |
| 1259717GT | 169 | 1270118GT | 253 | 128920GT | 107 | 139385GT | 183 |
| 1259899GT | 161, 169 | 1271945GT | 253 | 128921GT | 107 | 139438GT | 225 |
| 1259903GT | 207 | 1272624GT | 169 | 128922GT | 107 | 139455GT | 155-156 |
| 1259904GT | 207 | 1274322GT | 251 | 128923GT | 107 | 139508GT | 143 |
| 1259905GT | 217, 249 | 1274613GT | 95-96 | 128924GT | 107 | 139512GT | 143 |
| 1260084GT | 92, 95-96 | 1274900GT | 165 | 128925GT | 107 | 139527GT | 143 |
| 1260218GT | 134 | 1275537GT | 253 | 128926GT | 107 | 139528GT | 143 |
| 1260357GT | 169 | 1275538GT | 253 | 128927GT | 107 | 139578GT | 99 |
| 1260892GT | 251 | 1275539GT | 253 | 128928GT | 107 | 139598GT | 205 |
| 1260910GT | 251 | 1275540GT | 253 | 128935GT | 119 | 139601GT | 175-176 |
| 1261018GT | 251 | 1277974GT | 161 | 128955GT | 107 | 139602GT | 175-176 |
| 1261019GT | 251 | 1279465GT | 128 | 128984GT | 172 | 139621GT | 151-152 |
| 1261020GT | 251 | 1279466GT | 128 | 128985GT | 172 | 139622GT | 151-152 |
| 1261021GT | 251 | 1279631GT | 165 | 128986GT | 172 | 139623GT | 151-152 |
| 1261022GT | 251 | 1279653GT | 165 | 128987GT | 171-172 | 139624GT | 152 |
| 1261023GT | 251 | 1279881GT | 133-134 | 128991GT | 172 | 139644-14B61GT | 185 |
| 1261024GT | 251 | 128000GT | 205 | 12906GT | 131 | 139666GT | 152 |
| 1261025GT | 251 | 128001GT | 205 | 13000GT | 197 | 139709GT | 151-152, 159 |
| 1261184GT | 229 | 128003GT | 172 | 13002GT | 151-152, 159, 172, 197 | 139712GT | 143 |
| 1261239GT | 167 | 128004GT | 159, 163 | 13003GT | 155-156, 159 | 139715GT | 143 |
| 1261240GT | 167 | 128005GT | 133-134, 219 | 13064GT | 92, 95-96, 127-128, 155-156, 159 | 139716GT | 143 |
| 1261292GT | 231, 233 | 128022GT | 172 | | | 139717GT | 143 |
| 1261293GT | 134 | 128023GT | 151-152 | | | 139718GT | 143 |
| 1261294GT | 133-134 | 128024GT | 172 | | | 139719GT | 143 |
| 1261295GT | 133-134 | 128025GT | 172 | 13066GT | 127-128, 147, 155-156, 176, 191 | 139727GT | 143 |
| 1261296GT | 133-134 | 128045GT | 119 | | | 139731GT | 133-134 |
| 1261297GT | 134 | 1280590GT | 155-156 | 13268GT | 119 | 139732GT | 133-134 |
| 1261298GT | 134 | 1280591GT | 155-156 | 133067GT | 19, 21, 35, 37, 51, 53, 67, 69, 83, 85 | 139734GT | 133-134 |
| 1261346GT | 117 | 1280665GT | 235 | | | 139738GT | 133-134 |
| 1261389GT | 107 | 128200GT | 117, 121-122, 199-200 | | | 139741GT | 133-134 |
| 1261390GT | 107 | | | 133238GT | 13, 29, 45, 61, 77 | 139799GT | 147 |
| 1261391GT | 107 | 128201GT | 117, 121-122, 199-200 | 133250GT | 59, 61, 75, 77 | 139801GT | 147 |
| 1261392GT | 107 | | | 133251GT | 59, 61, 67, 69 | 139832GT | 133-134 |
| 1261393GT | 107 | 128202GT | 117, 121-122, 200 | 133252GT | 75, 77, 83, 85 | 139833GT | 133-134 |
| 1261394GT | 107 | | | 133253GT | 63, 71 | 139834GT | 133-134 |
| 1261449GT | 113 | 128203GT | 231, 233 | 133254GT | 79, 87 | 139835GT | 133-134 |
| 1261566GT | 117 | 128204GT | 117, 121-122, 199-200 | 133259GT | 61, 69 | 139836GT | 133-134 |
| 1261844GT | 134 | | | 133260GT | 77, 85 | 139865GT | 95-96, 127-128 |
| 1262331GT | 175-176 | 128268GT | 189 | 133263GT | 67, 69, 83, 85 | 139878GT | 245 |
| 1262678GT | 128 | 128374GT | 223 | 133278GT | 11, 27, 43, 59, 75 | 139882GT | 231, 233 |
| 1262682GT | 91-92 | 1283794GT | 219 | 133287GT | 25, 41, 57, 73, 89 | 139958GT | 221 |
| 1262683GT | 91-92 | 128423GT | 147 | 133413GT | 19, 35, 67, 83 | 139965GT | 91-92, 95-96 |
| 1262793GT | 134 | 128454PGT | 189 | 13585GT | 235 | 139966GT | 91-92, 95-96 |
| | | 1284569GT | 101 | | | 139967GT | 91-92, 95-96 |

Part Number Index (continued)

| Part Number | Page | Part Number | Page | Part Number | Page | Part Number | Page |
|-------------|--------------------------------|-------------|----------------------------|-------------|--------------------------------|-------------|--|
| 139968GT | 91-92, 95-96 | 161145GT | 149 | 216793GT | 125 | 235986GT | 109-110 |
| 139969GT | 91-92, 95-96 | 161523GT | 209 | 217043GT | 119 | 236248GT | 169 |
| 139970GT | 92, 95-96 | 161541GT | 197 | 217044GT | 119 | 236251GT | 165, 169 |
| 139971GT | 92, 95-96 | 161542GT | 197 | 217045GT | 119 | 236259GT | 167 |
| 139972GT | 92, 95-96 | 161603GT | 128 | 217046GT | 119 | 236260GT | 167 |
| 139983GT | 159 | 161604GT | 109-110 | 217877GT | 163 | 237068GT | 109-110 |
| 14392GT | 247 | 161605GT | 109-110 | 217930GT | 163 | 237188GT | 161, 163, 165, 169 |
| 144161GT | 235 | 161607GT | 127-128 | 217979GT | 107 | 237189GT | 167 |
| 146061GT | 159 | 161608GT | 128 | 218448GT | 195 | 237190GT | 167 |
| 146478GT | 199-200 | 161611GT | 171-172 | 21858GT | 117, 121-122 | 237191GT | 167 |
| 147033GT | 92, 95-96 | 161938GT | 165 | 218715GT | 165 | 237192GT | 161 |
| 147034GT | 92, 95-96 | 162023GT | 43 | 219158GT | 229 | 237193GT | 161 |
| 147094GT | 117, 122 | 162206GT | 167 | 219160GT | 229 | 237194GT | 161 |
| 147121GT | 197 | 162207GT | 167 | 219243GT | 149 | 237238GT | 253 |
| 147149GT | 101 | 162208GT | 167 | 219245GT | 149 | 237832GT | 172 |
| 147155GT | 107 | 162209GT | 167 | 219247GT | 149 | 238123GT | 247 |
| 147223GT | 109-110 | 18503GT | 109-110 | 219437GT | 161, 165 | 24038GT | 161, 172 |
| 147243GT | 152 | 18596GT | 155-156, 159, 179-180, 183 | 219718GT | 121-122 | 24040GT | 151-152, 167 |
| 147255GT | 133-134 | 18605GT | 185 | 219722GT | 121-122 | 24514GT | 197 |
| 147289GT | 113 | 18666GT | 203 | 219723GT | 11, 27, 75 | 25388GT | 235 |
| 147290GT | 113 | 18716GT | 175-176 | 219976GT | 163 | 25625GT | 152 |
| 147347GT | 191 | 18717GT | 175-176 | 22348GT | 115 | 25683GT | 187, 189, 191 |
| 147348GT | 171-172 | 18720GT | 175-176, 179-180 | 22558GT | 151-152, 155-156, 159, 167 | 25685GT | 193 |
| 147349GT | 171-172 | 18722GT | 175-176 | 22578GT | 155-156 | 25817GT | 91-92 |
| 147350GT | 171-172 | 18730GT | 95-96, 175-176 | 226325GT | 195 | 25926GT | 119 |
| 147351GT | 171-172 | 18731GT | 175-176 | 226393GT | 219 | 25969GT | 175-176 |
| 147352GT | 171-172 | 18963GT | 219 | 226541GT | 191 | 25994GT | 11, 27, 43, 59, 75 |
| 147353GT | 171-172 | 19440GT | 91-92, 179-180 | 226542GT | 191 | 27067GT | 92, 95-96 |
| 147355GT | 172 | 19491GT | 133-134 | 22672GT | 161, 171-172, 241 | 27089GT | 115, 152, 155-156 |
| 147387GT | 203 | 19506GT | 117 | 226940GT | 107 | 27204GT | 13, 21, 29, 37, 45, 53, 61, 69, 77, 85 |
| 147396GT | 134 | 21019GT | 161, 163, 171-172 | 226941GT | 107 | 27205GT | 11, 19, 27, 35, 43, 51, 59, 67, 75, 83 |
| 147403GT | 180 | 21130GT | 99, 152, 155-156, 171-172 | 226942GT | 107 | 27206GT | 11, 13, 19, 21, 27, 29, 35, 37, 43, 45, 51, 53, 59, 61, 67, 69, 75, 77, 83, 85 |
| 147419GT | 207 | 21141GT | 109-110 | 226943GT | 107 | 27207GT | 11, 13, 19, 21, 27, 29, 35, 37, 43, 45, 51, 53, 59, 61, 67, 69, 75, 77, 83, 85 |
| 147504GT | 185 | 214228GT | 167 | 226944GT | 107 | 27246GT | 121-122, 199-200, 231, 233 |
| 147525GT | 151-152 | 214237GT | 161 | 226945GT | 107 | 27287GT | 119, 125 |
| 147526GT | 151-152 | 214249GT | 247 | 226946GT | 107 | 27377GT | 131 |
| 147549GT | 147 | 214536GT | 247 | 22699GT | 151-152, 155-156, 163 | 27391GT | 231, 233 |
| 147550GT | 147 | 21465GT | 115 | 227125GT | 176 | 27761GT | 141 |
| 147571GT | 175-176 | 214682GT | 165 | 227288GT | 11, 17, 27, 33, 59, 65, 75, 81 | 27802GT | 137-138 |
| 147575GT | 49, 57 | 214685GT | 161 | 227306GT | 195 | 27804GT | 137-138 |
| 147578GT | 185 | 214686GT | 163 | 227308GT | 195 | 27807GT | 137-138 |
| 147601GT | 65, 73 | 214690GT | 183 | 227347GT | 209 | 27836GT | 137-138, 141 |
| 147603GT | 17, 25, 33, 41, 65, 73, 81, 89 | 214934GT | 165 | 228311GT | 199-200 | 28158GT | 11 |
| 147605GT | 43, 49 | 21496GT | 99 | 228457GT | 171-172 | 28159GT | 11, 19, 27, 35, 43, 51, 59, 67, 75, 83 |
| 147607GT | 59, 65 | 215340GT | 92, 95-96 | 228463GT | 117, 121-122 | 28160GT | 11, 19, 27, 35, 43, 51, 59, 67, 75, 83 |
| 147609GT | 49 | 215347GT | 247 | 228768GT | 91-92 | 28161GT | 11, 13, 15, 27, 29, 31, 43, 45, 47, 59, 61, 63, 75, 77, 79 |
| 147610GT | 65 | 215423GT | 107 | 228769GT | 91-92 | 28165GT | 17, 33, 49, 65, 81 |
| 147617GT | 179-180 | 215424GT | 107 | 228796GT | 195 | 28174GT | 13, 17, 21, 25, 29, 33, 37, 41, 45, 49, 53, 57, 61, 65, 69, 73, 77, 81, 85, 89 |
| 147621GT | 133-134 | 215425GT | 107 | 228797GT | 195 | 28175GT | 13, 29, 45, 61, 77 |
| 147643GT | 133-134 | 215426GT | 107 | 228967GT | 195 | 28176GT | 17, 33, 49, 65, 81 |
| 147650GT | 133-134 | 215427GT | 107 | 228969GT | 195 | | |
| 147654GT | 133-134 | 215642GT | 92, 95-96 | 229169GT | 195 | | |
| 147658GT | 47, 55 | 215747GT | 225 | 229567GT | 117, 121-122, 199-200 | | |
| 147755GT | 43, 51 | 215748GT | 225 | 229702GT | 91-92, 95-96 | | |
| 147783GT | 237 | 215809GT | 163 | 229743GT | 11, 13, 19, 21, 43, 45, 51, 53 | | |
| 147788GT | 51, 57 | 215811GT | 163 | 229817GT | 92, 95-96 | | |
| 147790GT | 67, 73 | 21604GT | 193 | 229818GT | 92, 95-96 | | |
| 147792GT | 11, 13, 27, 29 | 21618GT | 231, 233 | 229931GT | 92, 95-96 | | |
| 147793GT | 43, 49, 59, 65 | 216602GT | 149 | 230329GT | 185 | | |
| 147794GT | 59, 67 | 216606GT | 247 | 230331GT | 185 | | |
| 147795GT | 43 | 216607GT | 247 | 230392GT | 109-110 | | |
| 147797GT | 59 | 216611GT | 247 | 230497GT | 175-176 | | |
| 147826GT | 172 | 216612GT | 247 | 23057GT | 171-172 | | |
| 147834GT | 175-176 | 216615GT | 247 | 231513GT | 172 | | |
| 147840GT | 117, 121-122 | 216616GT | 247 | 23404GT | 119, 125 | | |
| 147842GT | 175-176 | 216617GT | 247 | 23405GT | 241 | | |
| 1487GT | 223 | 216618GT | 247 | 234242GT | 191 | | |
| 1488GT | 223 | 216655GT | 247 | 235323GT | 203 | | |
| 15086GT | 161 | 216676GT | 247 | 235372GT | 27, 29, 35, 37 | | |
| 15243GT | 119, 203 | 216683GT | 247 | 235985GT | 109-110 | | |
| 160517GT | 159 | 216791GT | 125 | | | | |
| 160804GT | 197 | | | | | | |
| 160809GT | 197 | | | | | | |
| 161141GT | 137-138 | | | | | | |
| 161144GT | 149 | | | | | | |

| Part Number | Page | Part Number | Page | Part Number | Page | Part Number | Page |
|--------------|--------------------|-------------|--------------------|----------------|----------------|-------------|-----------------|
| 28177GT | 17, 33, 49, 65, 81 | 34344GT | 179-180, 183 | 155-156, 159, | | 49219GT | 133-134, 209 |
| 28181GT | 15, 31, 47, 63, 79 | 34505GT | 241 | 165, 167, 172, | | 49364GT | 172 |
| 28235GT | 13, 17, 21, 25, | 34619GT | 193, 239 | 185, 187, 189, | | 49378GT | 161, 165 |
| | 29, 33, 37, 41, | 34922GT | 241 | 191, 193, 195, | | 49388GT | 163 |
| | 45, 49, 53, 57, | 34940GT | 115 | 197, 227, 235, | | 49407GT | 155-156 |
| | 61, 65, 69, 73, | 34955GT | 241 | 239 | | 49410GT | 172 |
| | 77, 81, 85, 89 | 34959GT | 243 | 48425GT | 161 | 49411GT | 151-152, 155- |
| 28236GT | 17, 33, 49, 65, 81 | 35432GT | 241 | 48767GT | 209 | | 156, 159, 167, |
| 28301GT | 131 | 35434GT | 161, 163 | 48878GT | 217, 249 | | 171-172, 183 |
| 28487GT | 179-180 | 35461GT | 235 | 48880GT | 207, 209, 211, | 49418GT | 209 |
| 28607GT | 245 | 35586GT | 151-152 | | 215 | 49816GT | 131 |
| 28646GT | 193 | 35675GT | 127-128, 151- | 48883GT | 213 | 49817GT | 125 |
| 29080GT | 180, 183 | | 152, 189 | 48891GT | 215 | 49819GT | 203 |
| 29104GT | 11, 27, 43, 59, 75 | 35726GT | 149 | 48904GT | 207, 209, 215 | 49820GT | 203 |
| 29216GT | 233 | 35956GT | 227 | 48905GT | 207, 209, 211, | 49824GT | 241 |
| 29261GT | 231 | 35960GT | 219 | | 213, 215 | 49859GT | 213, 215 |
| 29557GT | 169 | 36208GT | 241 | 48907GT | 207, 209 | 49915GT | 159 |
| 29559GT | 151-152, 155- | 36294GT | 176 | 48908GT | 209, 211, 213, | 49924GT | 151-152, 155- |
| | 156 | 36388GT | 251 | | 215 | | 156, 167, 169 |
| 29560GT | 151-152, 155- | 37505GT | 171-172 | 48911GT | 209, 211, 213 | 50787-SGT | 151-152, 155- |
| | 156 | 37947GT | 117, 121-122 | 48912GT | 207, 211, 215 | | 156 |
| 29752GT | 167 | 38149GT | 27, 43, 59, 75 | 48914GT | 207, 215 | 5224GT | 92, 115, 237 |
| 29764GT | 109-110, 189, | 38620GT | 183 | 48915GT | 211, 213 | 52352GT | 155-156 |
| | 193 | 38621GT | 179-180 | 48916GT | 207, 209, 211, | 52371GT | 145 |
| 29868GT | 109-110, 219 | 38859GT | 109-110 | | 213 | 52607GT | 11 |
| 30080GT | 17, 33, 65, 81 | 39317GT | 195 | 48918GT | 211, 213 | 52661GT | 221 |
| 30138GT | 179-180, 183 | 39479GT | 99 | 48930GT | 211 | 52726GT | 141 |
| 30143GT | 109-110 | 39882GT | 128 | 48932GT | 207 | 52865GT | 27, 43, 59, 75 |
| 30144GT | 109-110 | 40434GT | 17, 25, 33, 41, | 48933GT | 207, 209, 211, | 52866GT | 151-152, 155- |
| 30217GT | 187, 189, 191 | | 49, 57, 65, 73, | | 213, 215 | | 156, 163, 171- |
| 30222GT | 189 | | 81, 89, 251 | 48936GT | 207, 211 | | 172 |
| 30255GT | 187, 189, 191 | 40614GT | 119, 125 | 48937GT | 209 | 52897GT | 145 |
| 30348GT | 163, 165 | 42014GT | 92, 95-96, 103, | 48941GT | 207 | 52943GT | 137-138 |
| 30370GT | 175-176, 179- | | 105 | 48943GT | 207 | 52966GT | 11, 19, 27, 35, |
| | 180, 187, 191 | 42104GT | 223 | 48946GT | 207 | | 43, 51, 59, 67, |
| 30468GT | 221, 239 | 4266GT | 109-110, 183, | 48948GT | 211 | | 75, 83 |
| 30489GT | 155-156 | | 221 | 48949GT | 207 | 52967GT | 11, 19, 27, 35, |
| 30490GT | 115, 151-152, | 42787GT | 217 | 48960GT | 207, 209, 211, | | 43, 51, 59, 67, |
| | 155-156 | 43018GT | 145 | | 213, 217, 249 | | 75, 83 |
| 30785-400GT | 99 | 43392GT | 221, 223, 253 | 48963GT | 207 | 53189GT | 239 |
| 30810GT | 245 | 43683GT | 147 | 48977GT | 207 | 53386GT | 91-92 |
| 30971GT | 151-152, 241 | 43960GT | 133-134 | 48984GT | 207, 209, 217 | 5365GT | 99, 155-156, |
| 30973GT | 109-110, 128, | 44064GT | 151-152 | 48985GT | 207 | | 167, 193 |
| | 131 | 44174GT | 145 | 48996GT | 207 | 53758-SGT | 245 |
| 30997GT | 125, 203 | 44743GT | 197 | 48998GT | 207, 209, 211 | 53759-SGT | 245 |
| 31060GT | 15, 31, 47, 63, 79 | 44981GT | 13, 17, 21, 25, | 49117-10091GT | 211 | 53761-SGT | 245 |
| 31100GT | 138 | | 29, 33, 37, 41, | 49117-10691GT | 211 | 53807-SGT | 221 |
| 31408GT | 151-152 | | 45, 49, 53, 57, | 49117-2491GT | 207 | 53808-SGT | 221 |
| 31523GT | 151-152 | | 61, 65, 69, 73, | 49117-3291GT | 215 | 53952GT | 151-152, 163, |
| 31788GT | 11, 27, 43, 59, 75 | | 77, 81, 85, 89 | 49117-3391GT | 207 | | 171-172 |
| 32681GT | 99 | 44986GT | 17, 33, 65, 81 | 49117-3791GT | 209 | 5397GT | 109-110, 128, |
| 32695GT | 151-152 | 45071GT | 92, 101 | 49117-4691GT | 207, 215 | | 131, 147, 151- |
| 32698GT | 151-152 | 45074GT | 92 | 49117-5191GT | 215 | | 152, 155-156, |
| 32975GT | 137-138 | 45363GT | 109-110 | 49117-6091GT | 211 | | 159, 161, 165, |
| 33239GT | 151-152 | 45383GT | 200 | 49117-6291GT | 211 | | 171-172, 185, |
| 33277GT | 161, 165, 171- | 45384GT | 117, 119 | 49119-2878GT | 207 | | 197, 227, 235 |
| | 172 | 45385GT | 119, 125 | 49119-7478GT | 209 | 54124GT | 115 |
| 33278GT | 127-128, 183 | 45435GT | 163, 243 | 49119-7578GT | 211, 213 | 54177GT | 163, 183 |
| 33418GT | 127-128, 155- | 45455GT | 163 | 49128-12309GT | 209 | 54205GT | 172 |
| | 156, 159 | 45470GT | 185, 193 | 49130-2482GT | 211, 213 | 54247-SGT | 197 |
| 33422GT | 119, 125 | 45489GT | 137-138 | 49130-4782GT | 211, 213 | 54274GT | 197 |
| 33428GT | 92, 189 | 45708GT | 109-110 | 49130-5582GT | 207 | 54322GT | 109-110 |
| 33555GT | 131 | 45748GT | 193 | 49130-5782GT | 207 | 54324GT | 115 |
| 33674GT | 223 | 45782GT | 151-152, 155- | 49131-9603GT | 211 | 54365GT | 119, 125, 203 |
| 33724GT | 235 | | 156 | 49143-12329GT | 209 | 54428GT | 152 |
| 33988GT | 147 | 45845GT | 247 | 49143-3429GT | 207 | 54437GT | 172 |
| 34052GT | 119, 125 | 45912GT | 137-138 | 49143-3629GT | 207 | 54457GT | 223 |
| 34053GT | 119 | 45921GT | 137-138 | 49150-9130GT | 207 | 54458GT | 223 |
| 34058GT | 245 | 46137GT | 11, 13, 27, 29, | 49151-6248GT | 207, 217 | 54465GT | 223 |
| 34124GT | 179-180 | | 43, 45, 59, 61, | 49177-102894GT | 235 | 54486GT | 221 |
| 34125GT | 183 | | 75, 77 | 49177-108894GT | 235 | 54487PGT | 171-172 |
| 34162-0400GT | 243 | 46188GT | 231 | 49183-13492GT | 209 | 54534GT | 119 |
| 34162-300GT | 163 | 47041GT | 11, 27, 43, 59, 75 | 49207GT | 207, 215 | 54578GT | 172 |
| 34164GT | 243 | 47222GT | 185 | 49212GT | 235 | 54579GT | 171-172 |
| 34245GT | 179-180 | 4828GT | 92, 109-110, | 49214GT | 235 | 54687GT | 171-172 |
| 34276GT | 175-176 | | 115, 127-128, | 49215GT | 235 | 55067GT | 197 |

Part Number Index (continued)

| Part Number | Page | Part Number | Page | Part Number | Page | Part Number | Page |
|-------------|--|--------------|--|-------------|---|--------------|--------------------|
| 55753GT | 221, 223, 231, 233 | | 171-172, 179-180, 183, 185, 189, 193, 195, 197, 223, 231, 237, 241, 249 | 63463GT | 151-152, 163, 171-172 | 70445GT | 159 |
| 55912GT | 121-122 | | | 63468GT | 95-96 | 70448PGT | 155-156 |
| 56051GT | 219 | | | 63566GT | 187, 189, 191 | 70449GT | 155-156 |
| 56057GT | 119 | | | 6356GT | 117, 121-122, 128, 175-176, 179-180, 183, 189, 197, 203, 227, 237, 239 | 70452GT | 151-152, 167 |
| 56361GT | 185 | 6095GT | 99, 109-110, 151-152, 163, 167, 171-172 | | | 70454PGT | 159 |
| 56424GT | 197, 223 | | | 63727GT | 241 | 70455GT | 155-156 |
| 56426-700GT | 231, 233 | | | 65473GT | 172 | 70459PGT | 151-152 |
| 56704GT | 219 | 6096GT | 128 | 65538GT | 171-172 | 70460PGT | 151-152 |
| 56848GT | 199-200 | 6097GT | 92, 109-110, 113, 115, 127-128, 151-152, 165, 167, 179-180, 189, 193, 195, 197, 239, 243 | 65636GT | 172 | 70461PGT | 151-152 |
| 56912GT | 91-92, 96, 109-110, 117, 180, 189, 197, 237, 239 | | | 65638GT | 172 | 70472PGT | 151-152 |
| 57072GT | 183 | | | 65810GT | 163, 171-172 | 70483GT | 159 |
| 57075GT | 235 | | | 6584GT | 99, 151-152, 155-156 | 70494PGT | 151-152 |
| 58249GT | 155-156 | 61073-3930GT | 207 | | | 70529GT | 243 |
| 58253GT | 133-134, 205 | 61110GT | 155-156, 163 | 65887GT | 115 | 7056GT | 133-134, 235 |
| 58256GT | 151-152, 155-156 | 61128GT | 127-128 | 6605GT | 183 | 7057GT | 119, 125 |
| 58299GT | 155-156 | 61225GT | 119 | 6606GT | 131 | 71038GT | 245 |
| 58303GT | 137-138 | 61263GT | 207 | 6607GT | 175-176, 197 | 71259GT | 249 |
| 58304GT | 127-128 | 6126GT | 127-128 | 6610GT | 127-128 | 71498GT | 227 |
| 58310GT | 195 | 61306-SGT | 189 | 6610GT | 127-128 | 71768GT | 179-180 |
| 58354GT | 171-172 | 6145GT | 185, 227 | 6637GT | 175-176, 249 | 71911GT | 155-156, 159 |
| 58380GT | 128 | 6146GT | 109-110, 131, 161, 163, 167, 171-172, 193, 203, 219, 241, 247 | 6638GT | 91-92, 96, 99, 109-110, 113, 117, 119, 121-122, 125, 127-128, 131, 155-156, 161, 163, 165, 167, 171-172, 175-176, 179-180, 183, 185, 189, 193, 195, 197, 203, 221, 223, 225, 237, 239, 241, 249 | 72047GT | 137-138 |
| 58415GT | 163, 171-172 | 6147GT | 219 | | | 72168GT | 11, 27, 43, 59, 75 |
| 58431GT | 147 | 61602GT | 175-176 | | | 72169GT | 11, 27, 43, 59, 75 |
| 58489GT | 113 | 61726GT | 193 | | | 72255GT | 151-152, 155-156 |
| 58566GT | 151-152 | 6175GT | 92, 95-96, 109-110, 113, 151-152, 155-156, 167, 171-172, 175-176, 179-180, 183, 187, 189, 219, 239 | | | 72282GT | 219 |
| 58596GT | 127-128 | 6178GT | 109-110, 119, 125, 131, 203, 219 | | | 72290GT | 92, 96 |
| 58597GT | 127-128 | | | | | 72326GT | 109-110, 200, 219 |
| 58627GT | 117, 121-122 | 61794GT | 133-134, 205 | | | 72343GT | 171-172 |
| 58630GT | 155-156 | 61804GT | 193 | | | 72344GT | 171-172 |
| 59460GT | 91-92 | 61972GT | 193 | | | 72348GT | 171-172 |
| 60160PGT | 197 | 61974GT | 193 | | | 7265GT | 223 |
| 6019GT | 109-110, 159, 165, 179-180, 183, 185, 195, 197, 235, 243 | 61975GT | 193 | | | 72875GT | 17, 33, 49, 65, 81 |
| 6021GT | 92, 95-96, 127-128, 175-176, 179-180, 183, 185, 189, 219 | 6198GT | 128, 151-152, 167, 175-176, 183 | | | 72999GT | 11, 27, 43, 59, 75 |
| 6024GT | 155-156, 159 | | | | | 7339GT | 91-92, 119, 125 |
| 60334GT | 128 | 61997GT | 193 | | | 73455GT | 92, 95-96, 127-128 |
| 6033GT | 92, 99, 109-110, 151-152, 175-176 | 62076GT | 15, 23 | | | 73477PGT | 197 |
| 6036GT | 127-128 | 62077GT | 13, 21, 45, 53 | | | 73478PGT | 197 |
| 60370-SGT | 189, 193 | 62078GT | 31, 39 | | | 73500GT | 223 |
| 60425GT | 247 | 62079GT | 29, 37 | | | 73501GT | 223 |
| 60427GT | 247 | 62256GT | 137-138 | | | 73574-SGT | 197 |
| 60432GT | 133-134 | 62257GT | 137-138 | | | 73575GT | 197 |
| 60439GT | 219, 247 | 62258GT | 138 | | | 73587GT | 197 |
| 60441GT | 247 | 62260GT | 137-138 | | | 73610GT | 197, 225 |
| 60443GT | 133-134 | 62273GT | 137-138 | | | 73634GT | 193 |
| 60585GT | 172 | 62275GT | 137-138 | | | 73713GT | 133-134, 219 |
| 60746GT | 175-176 | 62392GT | 205 | | | 73717GT | 119, 125, 203 |
| 60838GT | 155-156 | 62420GT | 151-152, 163, 171-172 | | | 73723GT | 203 |
| 60857GT | 128 | | | | | 73725GT | 133-134 |
| 60868GT | 172 | 62421GT | 172 | | | 73736GT | 119, 125, 203 |
| 60884GT | 131 | 62425GT | 155-156 | | | 73751GT | 133-134 |
| 60886PGT | 235 | 62433GT | 172 | | | 73753GT | 119, 125 |
| 6090GT | 96, 109-110, 117, 121-122, 128, 131, 161, 163, 165, 175-176, 179-180, 183, 189, 195, 197, 203, 221, 223, 225 | 62476GT | 159 | | | 73754GT | 119, 125 |
| 6091GT | 99, 109-110, 113, 119, 127-128, 131, 161, 163, 165, 167, | 62506GT | 145 | | | 73803GT | 119, 125, 203 |
| | | 62507GT | 145 | | | 73805GT | 117 |
| | | 62845GT | 171-172 | | | 73807GT | 145 |
| | | 63078GT | 179-180 | | | 73901GT | 223 |
| | | 63213GT | 189 | | | 73928GT | 189, 193 |
| | | 6326GT | 92 | | | 74006GT | 235 |
| | | 63353GT | 189 | | | 74389GT | 91-92 |
| | | | | | | 74872GT | 179-180 |
| | | | | | | 74902GT | 137-138 |
| | | | | | | 74913GT | 119 |
| | | | | | | 74917GT | 119, 125 |
| | | | | | | 74918GT | 119, 125 |
| | | | | | | 75041GT | 175-176, 247 |
| | | | | | | 75073GT | 127-128, 131 |
| | | | | | | 75076GT | 131 |
| | | | | | | 75278-5029GT | 211 |
| | | | | | | 75278-5129GT | 211 |
| | | | | | | 75395GT | 189 |
| | | | | | | 75443GT | 205 |
| | | | | | | 75444GT | 205 |
| | | | | | | 75445GT | 205 |

| Part Number | Page | Part Number | Page | Part Number | Page | Part Number | Page |
|--------------|------------------|---------------|--|-------------|--|---------------|---------------------------|
| 75446GT | 205 | 77997PGT | 239 | 824027GT | 131, 231, 233, 253 | 85053GT | 151-152, 155-156 |
| 75447GT | 205 | 77998PGT | 239 | | | | |
| 75448GT | 205 | 79456GT | 189 | 824029GT | 231, 233, 253 | 85054GT | 152 |
| 75449GT | 205 | 80716GT | 117, 122 | 824059GT | 96 | 85155GT | 171-172 |
| 75450GT | 155-156 | 81096GT | 235 | 824060GT | 229 | 8516GT | 127-128, 167, 191 |
| 75451GT | 155-156 | 81164GT | 91-92 | 824069GT | 229 | | |
| 75470GT | 175-176 | 81167GT | 239 | 824075GT | 191 | 87085GT | 195 |
| 75574GT | 209 | 81175GT | 189 | 824078GT | 231, 233, 253 | 87172GT | 217 |
| 75617-1025GT | 231, 233 | 81341GT | 195 | 824080GT | 253 | 88064GT | 155-156 |
| 75617-1550GT | 231, 233 | 81342GT | 195 | 824082GT | 131 | 88106PGT | 131 |
| 75617-2075GT | 231, 233 | 81347GT | 195 | 82410GT | 17, 33, 49, 65, 81 | 88212GT | 127-128 |
| 75617-2275GT | 231, 233 | 81458GT | 235 | 824113GT | 96, 229, 253 | 88296GT | 96 |
| 75617-6275GT | 231 | 81467GT | 155-156 | 824119GT | 131 | 88356-11103GT | 175-176 |
| 75636GT | 231, 233 | 81468GT | 155-156 | 824120GT | 229 | 88356-13103GT | 127-128, 133-134, 175-176 |
| 75654GT | 207 | 81487PGT | 203 | 824227GT | 231 | | |
| 77051GT | 179-180, 183 | 81488GT | 203 | 82431GT | 147 | 88356-14963GT | 179-180 |
| 77069GT | 113 | 81546GT | 133-134 | 824471GT | 115 | 88390GT | 231, 233 |
| 77071GT | 113 | 81550GT | 203 | 824491GT | 115 | 88516GT | 187, 189 |
| 77108GT | 223 | 81551GT | 203 | 824546GT | 175-176 | 88567GT | 183 |
| 7713GT | 172, 197 | 81552GT | 99 | 824547GT | 195 | 88568GT | 179-180 |
| 77180GT | 197 | 81570GT | 235 | 824548GT | 195 | 88571GT | 179-180 |
| 77181GT | 189 | 81578GT | 109-110, 113 | 824549GT | 195 | 88576GT | 187 |
| 77245PGT | 151-152 | 81609GT | 96 | 824550GT | 175-176 | 88606PGT | 221 |
| 77303GT | 187, 189, 191 | 81610GT | 96 | 824551GT | 189 | 88607PGT | 221 |
| 77351GT | 203 | 81640GT | 189 | 824673GT | 169 | 88636-11973GT | 209 |
| 77353GT | 109-110 | 81691GT | 99 | 82472GT | 19, 21, 23, 35, 37, 39, 51, 53, 55, 67, 69, 71, 83, 85, 87 | 88636-2573GT | 209 |
| 77354GT | 109-110 | 81694GT | 175-176 | | | 88636-8573GT | 215 |
| 77365GT | 109-110 | 8170GT | 109-110 | 82473GT | 21, 37, 53, 69, 85 | 88653GT | 175-176 |
| 77402GT | 151-152, 171-172 | 81724GT | 127-128 | 82481GT | 19, 35, 51, 67, 83 | 88655GT | 175-176 |
| | | 81777GT | 195 | 824849GT | 134 | 88666GT | 175-176 |
| 77430GT | 119, 125 | 8177GT | 92, 147, 155-156, 175-176 | 824879GT | 117, 199-200 | 88667GT | 179-180 |
| 7746GT | 221 | | | 82487GT | 19, 25, 35, 41, 51, 57, 67, 73, 83, 89 | 88675GT | 175-176 |
| 77482GT | 172 | 8178GT | 227, 239 | | | 88676GT | 175-176 |
| 77483GT | 172 | 8179GT | 99, 179-180, 195 | | | 88727GT | 91-92 |
| 77610GT | 92 | 81812-13292GT | 211 | | | 88728GT | 91-92 |
| 77616PGT | 183 | 81834GT | 127-128 | | | 88729GT | 91-92 |
| 77618PGT | 179-180 | 81852GT | 175-176 | 824880GT | 199-200 | 88730GT | 91-92 |
| 77623PGT | 95-96 | 81856GT | 179-180 | 824882GT | 117 | 88783GT | 141 |
| 77624PGT | 91-92, 95-96 | 81874GT | 131 | 825017GT | 125 | 88793GT | 183 |
| 77641GT | 121-122 | 81876GT | 131 | 825019GT | 92, 127-128, 187, 189, 191 | 88795PGT | 179-180 |
| 77643GT | 91-92 | 82161GT | 11, 27, 43, 59, 75 | 825443GT | 199-200 | 88796GT | 183 |
| 77648GT | 183 | 822048GT | 133-134 | 825444GT | 199-200 | 88801GT | 133-134 |
| 77649GT | 183 | 822131GT | 13, 29, 45, 61, 77 | 825445GT | 121-122 | 88802GT | 134 |
| 77653PGT | 179-180 | 82237GT | 13, 17, 29, 33, 45, 49, 61, 65, 77, 81 | 825446GT | 121-122 | 88810GT | 133-134 |
| 77654PGT | 179-180 | | | 825447GT | 121-122 | 88827GT | 117 |
| 77656GT | 179-180, 183 | 82240GT | 19, 35, 51, 67, 83 | 825448GT | 121-122 | 88841GT | 172 |
| 77665PGT | 127-128 | 82243GT | 17, 33, 49, 65, 81 | 825449GT | 121-122 | 88846GT | 171-172 |
| 77666PGT | 127-128 | 822514GT | 155-156 | 82548GT | 25, 41, 57, 73, 89 | 88847GT | 171-172 |
| 77667GT | 121-122 | 822515GT | 172 | 82551GT | 19, 21, 35, 37, 51, 53 | 88858GT | 195 |
| 77671GT | 127-128 | 822519GT | 110 | | | 88859GT | 195 |
| 77672GT | 175-176 | 822692GT | 219 | 82552GT | 19, 21, 35, 37, 51, 53 | 88870GT | 187, 189, 191 |
| 77674GT | 95-96 | 822693GT | 151-152 | | | 88872GT | 175-176 |
| 77681GT | 113 | 822694GT | 161 | 825579GT | 11, 27, 43, 59, 75 | 88884GT | 92, 95-96 |
| 77688GT | 183 | 822695GT | 161 | 8255GT | 92, 128, 189 | 88885GT | 96 |
| 77692GT | 189, 193 | 822696GT | 161 | 825708GT | 169 | 88887GT | 95-96 |
| 77693GT | 249 | 822759GT | 231, 233 | 825796GT | 92, 179-180, 183 | 88917GT | 109-110 |
| 77713PGT | 183 | 822764GT | 231, 233 | 826000GT | 167 | 88919GT | 175-176, 179-180 |
| 77718GT | 179-180, 183 | 822768GT | 231, 233 | 82601GT | 25, 41, 73, 89 | | |
| 77725GT | 91-92 | 822769GT | 231, 233 | 82602GT | 41, 57, 73, 89 | 88920GT | 175-176 |
| 77726GT | 91-92 | 822771GT | 233 | 82604GT | 25, 41, 73, 89 | 88936GT | 207 |
| 77736GT | 171-172 | 822781GT | 109-110 | 826214GT | 172 | 88942-8354GT | 207 |
| 77778GT | 131 | 823074GT | 109-110 | 826215GT | 172 | 88949-3828GT | 207, 217 |
| 77788GT | 147 | 823243GT | 109-110 | 826345GT | 11, 27, 43, 59, 75 | 88988PGT | 171-172 |
| 77790GT | 91-92 | 823356GT | 115 | 826379GT | 183 | 88989PGT | 172 |
| 77791GT | 91-92 | 823396GT | 115 | 826590GT | 115 | 88990PGT | 171-172 |
| 77795GT | 179-180 | 823523GT | 165 | 82671GT | 21, 25, 37, 41, 53, 57, 69, 73, 85, 89 | 88991PGT | 172 |
| 77797GT | 231, 233 | 823524GT | 165 | | | 88993GT | 172 |
| 77803GT | 128 | 823656GT | 59 | | | 8915GT | 113, 131, 172, 189, 239 |
| 77879PGT | 239 | 823658GT | 43 | 82677GT | 27, 29, 43, 45 | 89294GT | 91-92, 101 |
| 77880GT | 92 | 82366GT | 11, 27, 43, 59, 75 | 82678GT | 27, 29, 43, 45 | 89307GT | 137-138 |
| 77882PGT | 180 | 823761GT | 33, 81 | 82862GT | 17, 33, 49, 65, 81 | 89309GT | 137-138 |
| 77887GT | 243 | 823762GT | 65 | 83093GT | 117, 121-122 | 89310GT | 137-138 |
| 77891GT | 243 | 823764GT | 49 | 83129GT | 133-134, 205 | 89311GT | 137-138 |
| 77950GT | 95-96 | 823918GT | 133-134 | 84134GT | 141 | 89312GT | 138 |
| 77990GT | 172 | 824023GT | 109-110 | 84135GT | 141 | 89571GT | 127-128 |
| 77996PGT | 239 | | | | | | |

Part Number Index (continued)

| Part Number | Page | Part Number | Page |
|--------------|--|-------------|--|
| 89575GT | 119, 125 | 99778GT | 247 |
| 89617GT | 113 | T106385GT | 185 |
| 89737GT | 138 | T106413GT | 175-176 |
| 89738GT | 138 | T106425GT | 128 |
| 89755GT | 193 | T106482GT | 117 |
| 89771GT | 172 | T106495GT | 117 |
| 89785GT | 169 | T106508GT | 175-176 |
| 89792GT | 152 | T106600GT | 134 |
| 89861GT | 137-138 | T106741GT | 134 |
| 89862GT | 145 | T106954GT | 127-128 |
| 89864GT | 145 | T106955GT | 127-128 |
| 89953GT | 171-172 | T106957GT | 127-128 |
| 89997GT | 156 | T106961GT | 127-128 |
| 94077GT | 113 | T106962GT | 127-128 |
| 94205-3164GT | 217, 249 | T107130GT | 134 |
| 94221GT | 92 | T107520GT | 117, 121-122, 203 |
| 94326GT | 193 | T107725GT | 117 |
| 94332GT | 91-92 | T107751GT | 176 |
| 94333GT | 91-92 | T107829GT | 109-110 |
| 94374-2330GT | 213 | T107895GT | 241 |
| 94374-2430GT | 211 | T108075GT | 187, 189, 191 |
| 94374-2530GT | 213 | T108076GT | 189 |
| 94374-2630GT | 211 | T108077GT | 189 |
| 94374-4730GT | 213 | T108321GT | 133-134 |
| 94374-6030GT | 207 | T108322GT | 134 |
| 94397GT | 189 | T108331GT | 109-110 |
| 94439GT | 101 | T108403GT | 109-110 |
| 94463GT | 241 | T108415GT | 133-134 |
| 94464-4186GT | 215 | T108416GT | 134 |
| 94464-4986GT | 211, 213 | T108732GT | 159 |
| 94465-3650GT | 207 | T108733GT | 159 |
| 94466-2336GT | 211, 213 | T108734GT | 159 |
| 94479GT | 241 | T108886GT | 133-134 |
| 94485GT | 151-152 | T108890GT | 179-180 |
| 94499GT | 137-138 | T108891GT | 179-180 |
| 94506GT | 199-200 | T108892GT | 189 |
| 94510GT | 183 | T109268GT | 219 |
| 94526GT | 109-110 | T109328GT | 221 |
| 94533GT | 241 | T109331GT | 235 |
| 94534GT | 91-92 | T109332GT | 245 |
| 94535GT | 91-92 | T109333GT | 245 |
| 94536GT | 91-92 | T109334GT | 245 |
| 94537GT | 241 | T109335GT | 249 |
| 94599GT | 137-138 | T109339GT | 243 |
| 94620GT | 127-128 | T109340GT | 243 |
| 94692GT | 179-180 | T109350GT | 203 |
| 94711GT | 171-172 | T111124GT | 187, 189, 191 |
| 94745PGT | 197, 225 | T112459GT | 185 |
| 94746GT | 95-96 | T112560GT | 235 |
| 94747GT | 127-128 | T112561GT | 235 |
| 94758GT | 141 | T112626GT | 205 |
| 94759GT | 149 | T112773GT | 17, 25, 33, 41, 49, 57, 65, 73, 81, 89 |
| 94762GT | 171-172 | T112792GT | 134 |
| 94887GT | 171-172 | T114223GT | 195 |
| 94888GT | 171-172 | T114624GT | 134 |
| 94889GT | 172 | T114625GT | 134 |
| 94890GT | 171-172 | T114626GT | 134 |
| 94937GT | 127-128 | T114627GT | 134 |
| 94980GT | 134, 175-176 | T114678GT | 151-152, 155- 156 |
| 9599-SGT | 221 | | |
| 96008-SGT | 117, 121-122 | | |
| 97128GT | 133-134 | | |
| 97473GT | 171-172 | | |
| 97548GT | 13, 29, 45, 61, 77 | | |
| 97579GT | 17, 33 | | |
| 97602GT | 13, 29, 45, 61, 77 | | |
| 97815GT | 17, 25, 33, 41, 49, 57, 65, 73, 81, 89 | | |
| 97875GT | 13, 17, 29, 33, 45, 49, 61, 65, 77, 81 | | |
| 97887GT | 33, 49, 65, 81 | | |
| 99343GT | 133-134 | | |
| 99344GT | 133-134 | | |
| 99632GT | 125 | | |

The Part Description Index is an alphabetical index of all part descriptions included in this manual. The index shows what page(s) the part is used on.

#
 #1 BOOM TUBE ASSY,W/SYM DECAL.....179-180
 #1 BOOM TUBE ASSY,W/WORD DECAL.....179-180

A
 ACC, BEACON, TRVL ALARM, SERV.....219
 ACC, OIL COOLER,S60, SERV.....249
 ACC,AIR PRE-CLEANER,DEUTZ.....243
 ACC,AIR PRE-CLEANER,PERKINS T2.....243
 ACC,AIRLINE TO PLAT,S60 ,SERV.....235
 ACC,FALL ARREST BAR,6FT FR.....251
 ACC,FALL ARREST BAR,6FT SYM.....251
 ACC,FALL ARREST BAR,6FT WORD.....251
 ACC,FALL ARREST BAR,8FT FR.....251
 ACC,FALL ARREST BAR,8FT SYM.....251
 ACC,FALL ARREST BAR,8FT WORD.....251
 ACC,FULL GAUGE,DEUTZ, SERV.....245
 ACC,FULL GAUGE,FORD DSG423,SV.....245
 ACC,FULL GAUGE,PERKINS,SERV.....245
 ACC,PLAT CONTROL COVER, SERV.....221
 ACCESSORY,OPERATOR PROT STRUCT.....229
 ACCUMULATOR,10CC,1000PSI,#6SAE...137-138
 ADAPTER, 1/8 X 1/4 F3H6-S.....245
 ADAPTER,140139-8-6.....245
 ADAPTER,NPT 6-4.....245
 AIR CLEANER CLIPS, SUPERBOOM.....155-156
 AIR CLEANER COVER, SUPERBOOM*..155-156
 AIR CLEANER,NELSON.....155-156
 AIR CLEANER,NELSON***.....151-152, 163, 171-172
 AIR INTAKE ELBOW,90 DEGREE.....163
 AIR INTAKE TUBE ASSY.....151-152
 ALARM,DESCENT.....109-110
 ALARM,INTERMITTENT TONE 6-30V*.....219
 ALARM,WARBLE TONE 5-30 VDC***.....200
 ALTERNATOR, DEUTZ F3L10/F4L10*.....151-152
 ALTERNATOR, DEUTZ,BF4L2011***.....155-156
 ALTERNATOR,65 AMP,PERKINS 404.....171-172
 ALTERNATOR,95 AMP,DEUTZ TCD3.6.....165, 169
 ANGLE,RELAY MNT,W/NUTSERTS,PNT...119
 ASSEM,BOOM TUBE #3 S60/65,CE**.....179-180
 ASSEMBLY RESET SWITCH.....253
 ASSEMBLY, INSIDE HOSE GUARD.....107
 ASSEMBLY, MED. PRESS. FILTER, SAE8.....128
 ASSEMBLY, OPA PROTECTION CAGE.....253
 ASSEMBLY, OUTSIDE HOSE GUARD.....107
 ASSEMBLY, TRAX UNIT, LEFT.....101
 ASSEMBLY, TRAX UNIT, RIGHT.....101
 ASSEMBLY,BOOM TUBE #3 S60/65**.....179-180
 ASSEMBLY,CABLE,TAPESWITCH.....253
 ASSEMBLY,FOOT SWITCH, S60.....197
 ASSEMBLY,TAPESWITCH.....253

ASSY HEATER, MODEL 18, 120V.....247
 ASSY HEATER, MODEL 18, 240V.....247
 ASSY, ANGLE SENSOR AND COVER.....175-176
 ASSY, BATTERY HEATER, 120V.....247
 ASSY, BATTERY HEATER, 240V.....247
 ASSY, CIRCUIT BREAKER 15A.....117, 122
 ASSY, GROUNDING CABLE, 58.25IN.....134
 ASSY, LONG LINK LT W/BEARINGS.....175-176
 ASSY, LONG LINK RT W/BEARINGS.....175-176
 ASSY, TERMINAL RAIL.....119
 ASSY,120V HEATER, HYD TANK.....247
 ASSY,240V HEATER, HYD TANK.....247
 ASSY,4FT PLATFORM, NO DECALS.....197
 ASSY,5FT PLATFORM, NO DECALS.....197
 ASSY,6FT PLATFORM,NO DECALS.....197
 ASSY,8FT PLATFORM,NO DECALS.....197
 ASSY,DISPLAY,DP200 DEUTZ T4.....121-122
 ASSY,DISPLAY,DP200 PERKINS T4.....121-122
 ASSY,ENGINE TRAY,W/BEARINGS.....127-128
 ASSY,FUEL PREFILTER,DEUTZ 2.9.....167
 ASSY,GROUND CONTROL BOX.....117
 ASSY,LS,LOAD SENSE,38.5 IN.....133-134, 193
 ASSY,MODULE,CONTROL UNIT,OPA.....253
 ASSY,PCB,ALC500-2 S60 V204.....203
 ASSY,RECEP,12V,CSA TILT.....113
 ASSY,RELAY SOCKET, AUTO.....119
 ASSY,TERMINAL RAIL,TIER IV.....125
 ASSY,TRACK,FALL ARREST BAR,6FT FR.....251
 ASSY,TRACK,FALL ARREST BAR,6FT SYM.....251
 ASSY,TRACK,FALL ARREST BAR,6FT WORD.....251
 ASSY,TRACK,FALL ARREST BAR,8FT FR.....251
 ASSY,TRACK,FALL ARREST BAR,8FT SYM.....251
 ASSY,TRACK,FALL ARREST BAR,8FT WORD.....251
 AUX TOP RAIL,6'(1.25")SERVICE.....221
 AUX TOP RAIL,6',SWG GT, SRV.....221
 AUX TOP RAIL,6FT,PTD.....221
 AUX TOP RAIL,8'(1.25")SERVICE.....221
 AUX TOP RAIL,8',SWG GT, SRV.....221
 AUX TOP RAIL,8FT,PTD.....221
 AXLE ASSEMBLY,S60 FRONT.....92

B

BACKING PLATE, HOSE BLOCK, JIB.....189
 B A C K U P
 RING,71.60X67.20X1.40PTFE(60334).....128
 BAFFLE, AIR CLEANER (27915)**.....163, 171-172
 BAFFLE, AIR INTAKE, S60.....161
 BAFFLE,AIR INTAKE S60 PAINTED.....128, 155-156
 BAFFLE,AIR INTAKE,PAINTED***.....127-128
 BAFFLE,PERKINS ENGINE PAINTED.....172
 BALL STUD**.....131
 BAR, CLAMP, CABLE TRACK.....195

BAR, CLAMP, TIMING LINK.....176
 BAR,AXLE ROTATION STOP,OSC.....96
 BASE ENCLOSURE,RED,OPA.....253
 BASE, W/1 N.O. CONTACTS***.....200
 BASE, W/2 NO CONTACTS.....117
 BASE,W/2 NC CONTACTS***.....117
 BASE,W/3 NC CONTACTS.....199-200
 BATTERY CABLE,NEGATIVE,BLACK.....134
 BATTERY CABLE,POSITIVE,RED.....133-134
 BATTERY CABLE,POSITIVE,RED,T4.....134
 BATTERY HOLD DOWN,GROUP 31.....109-110
 BATTERY,12V 1000CCA,5/16STUD W.....109-110
 BATTERY,12V,1000 CCA GRP 31.....109-110
 BEARING KIT,INNER (88921).....127-128
 BEARING KIT,OMNI***.....92, 95-96
 BEARING KIT,OUTER (88921).....127-128
 BEARING KIT,PLAT ROTATOR,SUPER.....189
 BEARING, SPL BOGEY (128918).....107
 BEARING,1.00IDX1.25ODX1.00L.....91-92
 BEARING,1.25IDX1.50X1.25L.....179-180
 BEARING,1.25IDX1.50DX1.00L.....175-176, 179-180, 187, 191
 BEARING,1.5IDX1.75ODX1.5L.....92, 101
 BEARING,2.00IDX2.25ODX2.00L.....92, 95-96, 103, 105
 BEARING,2.0IDX2.25ODX1.50L.....175-176, 179-180
 BEARING,2.25IDX2.50ODX1.50L***.....175-176
 BEARING,BALL DRIVE SHAFT.....92, 96
 BEARING,FL, 1.25X1.5X2.13.....189
 BEARING,FL,1.25IDX1.41ODX1.50L.....189
 BEARING,FL,1.25IDX1.50DX1.25L.....127-128, 151-152, 189
 BEARING,FL,2.00IDX2.25ODX1.50L.....175-176
 BEARING,FL,2.25IDX2.50ODX1.63L.....175-176, 179-180
 BEARING,GARLOCK,12FDU12.....193
 BEARING,POLYGON,20DU12.....187, 189, 191
 BEARING,TURNTABLE ROTATION.....95-96
 BELLCRANK W/BEARINGS.....189
 BELLOW,CYLINDER LIFT.....241
 BELLOW,CYLINDER,PLAT LEVEL.....241
 BELLOW,MASTER CYLINDER.....241
 BELT,V, DEUTZ DIESEL ENGINE.....151-152
 BOLT, DEUTZ FLYWHEEL.....169
 BOLT, DEUTZ STARTER.....169
 BOLT, GUARD, DEUTZ STARTER.....151-152
 BOLT,CARRIAGE,1/4-20 X .75,G2.....237
 BOLT,CARRIAGE,1/4-20 X 1.00,G2.....189
 BOLT,CARRIAGE,1/4-20 X 2.75,G2.....189
 BOLT,EXHAUST,PERKINS(54555)**.....171-172
 BOLT,FLANGE,3/4-10X1.5"GR8 PLT.....107
 BOLT,FLANGE,3/4-10X1.75GR8 PLT.....107
 BOLT,FLANGE,3/4-10X4.5"GR8 PLT.....107
 BOLT,FLANGE,5/16-18X.50 GR5.....107
 BOLT,FLANGE,5/8-11X1.5"GR8 PLT.....107
 BOLT,HHC,1-14X2.0"GR8 PLT.....107
 BOOT,(BELLOW),E-STOP,BLACK.....199-200
 BOOT,ROCKER JOYSTICK 75565.....205
 BOOT,DTSCH,DTP4-BT.....133-134
 BOOT,JOYSTICK.....205
 BOOT,TOGGLE SWITCH,SHORT*.....121-122, 199-200, 231, 233

Part Description Index (continued)

| | | |
|--|---|---|
| BOTTLE,COOLANT RECOVERY,3.7***.....171-172 | CIRCUIT BRKR 15A TYPE 2 METAL.....155-156 | CONN PLUG 12 WAY ENDCAP DT GY.....133-134 |
| BOX,INSTRUCTION STORAGE.....197 | CLAMP ASSY,OPTIONS BLOCK W/NUT...195 | CONN PLUG 3 WAY ENDCAP DT.....247 |
| BRACKET, EXTEND SHEAVE.....183 | CLAMP TOP,HOSE ROUTING PAINTED.....92 | CONN RECEPT,FLANGED.....203 |
| BRACKET, OSCILLATE VALVE.....99 | CLAMP, CABLE.....195 | CONN, 520120-6.....207, 209, 211, 213 |
| BRACKET,AIRLINE TO PLATFORM.....235 | CLAMP, CABLES.....195 | CONN,520120-12-16.....207 |
| BRACKET,CONTROL UNIT.....253 | CLAMP, HOSES.....195 | CONN,520120-16.....207, 209, 217 |
| BRACKET,DP200 PANEL MOUNT.....121-122 | CLAMP, HYD WELD, AIR, OPT.....235 | CONN,520120-20.....207 |
| BRACKET,HOSE CLAMP,PAINTED.....189 | CLAMP, OPTIONS, CABLE TRACK.....195 | CONN,520120-20-16.....207 |
| BRACKET,HOSE ROUTING,LH,PTD.....91-92 | CLAMP, TIMING LINK, LH.....175-176 | CONN,520120-4-6***.....207, 211, 215 |
| BRACKET,HOSE ROUTING,RH,PNTD.....92 | CLAMP, TIMING LINK, RH.....175-176 | CONN,520120-4-8.....207, 215 |
| BRACKET,PBOX WIRE SUPPORT.....203 | CLAMP, WIRE, 16/2.....219 | CONN,520120-8***.....207, 209, 211, 213, 215 |
| BRACKET,POWER TO PLAT, DOM.....235 | CLAMP,0.31,#5 X 1/4,RUB CUSH.....185, 193 | CONN,520120-8-10.....207 |
| BRACKET,POWER TO PLAT, UK.....235 | CLAMP,0.50,#8 X 1/4,RUB CUSH.....231, 233, 237 | CONN,520120-8-12.....211 |
| B R A C K E T , S O L E N O I D M O U N T | CLAMP,0.75,#12 X 1/4,RUB CUSH.....119 | CONN,520120-8-16.....207 |
| BRACE,PNTD.....151-152 | CLAMP,1.00,#16 X 1/4,RUB CUSH.....203 | CONN,MOLEX 10 WAY.....133-134 |
| BRACKET,SOLENOID MOUNT PAINT.....151-152 | CLAMP,1.00,#16 X 7/16,RUB CUSH.....155-156 | CONN,MOLEX 16 WAY.....133-134 |
| BRACKET,WORK LIGHT MOUNT 5/16".....227 | CLAMP,1.13,#18 X 1/4,RUB CUSH.....231, 233 | CONN,PLUG 120 AC/15A DOMESTIC.....235, 247 |
| BRACKET-TOOL TRAY MOUNTING.....221 | CLAMP,1.25X.5 RUBBER-CUSHION.....197, 223 | CONN,PLUG 2 WAY,14-18GA.....247 |
| BRAKE KIT (88886)***.....92, 95-96 | CLAMP,1.31,#21 X 3/8,RUB CUSH.....197 | CONN,PLUG 40 WAY,DRC SERIES.....133-134 |
| BRAKE TUBING.....127-128 | CLAMP,1.38,#21X3/8,RUB CUSH.....165 | CONN,PLUG 8 WAY,14-18GA.....133-134 |
| BRAKE TUBING***.....127-128 | CLAMP,1.63,#26 X 3/8,RUB CUSH.....189 | CONN,RECEP 120AC/15A DOMESTIC.....235 |
| BREATHER CAP,RFM165.....109-110 | CLAMP,2.75,#44 X 1/4,RUB CUSH*.....163 | CONN,RECEP 2 WAY ENDCAP DT.....219, 247 |
| BRKT,AIR CLEANER ORIENTATION**.....151-152, 163, 171-172 | CLAMP,EXHAUST,2.00 PLATED.....151-152, 172 | CONN,RECEP 24 WAY,W/FLANGE.....119, 125 |
| BULB,WORKLIGHT,12V 35W.....219 | CLAMP,HOSE,.25" - .63" X .3125.....115 | CONN,RECEP 3 WAY ENDCAP DT.....247 |
| BUMPER, PLASTIC, 1.25 O.D.....221, 223, 231, 233 | CLAMP,HOSE,1 EAR,1/2.....115 | CONN,RECEP 4 WAY ENDCAP DT.....133-134 |
| BUMPER,BATTERY BOX & RAILS...221, 223, 253 | CLAMP,HOSE,1.00.....163, 165 | CONN,RECEP 4 WAY,12-14GA FL***.....119, 125, 203 |
| BUMPER,RUBBER***.....193, 239 | CLAMP,HOSE,1.25***.....241 | CONN,RECEP 40 WAY,W/FLANGE.....119, 125 |
| BUMPER,RUBBER,.75 X .50H,STUD.....251 | CLAMP,HOSE,1.75.....161, 171-172, 241 | CONN,RECEP 48 WAY,4 X 12.....119, 125, 203 |
| BUMPER,RUBBER-1 X 1.25.....109-110, 128, 131 | CLAMP,HOSE,2.00***.....161, 163 | CONN,SQUEEZE,1/2NPT .38-.50,SM.....133-134, 235 |
| BUSHING, STRAIN RELIEF, 1".....175-176 | CLAMP,HOSE,2.50***.....163, 243 | CONN. SQZ,1/2NPT .39-.56 MED.....119, 125 |
| BUTTON,PUSH,BLACK W/SEAL***.....117, 122, 200 | CLAMP,HOSE,2X4,1X6,2X8***.....92 | CONNECTOR, 520120-4...207, 209, 211, 213, 215 |
| BUTTON,PUSH,RED MUSHROOM HEAD.....117, 121-122, 199-200 | CLAMP,HOSE,3.00".....151-152, 241 | CONNECTOR, DEUTZ FUEL SHUTOFF*.....151-152, 155-156 |
| | CLAMP,HOSE,3.50.....155-156 | CONNECTOR, SAE10, QUICK CONN.....167 |
| | CLAMP,HOSE,5.00.....241 | CONNECTOR,PLUG 6 WAY 18-20 GA.....133-134 |
| | CLAMP,HOSE,6.50.....241 | CONTACT,N.O.***.....200 |
| | CLAMP,HOSE,8.50 DIA***.....151-152 | CONTACT,NC.....199-200 |
| | CLAMP,HOSE/CABLE,JIB.....189 | CONTACTOR,LIMIT SWITCH.....133-134 |
| | CLAMP,MUFFLER.....172 | CONTROL BOX COVER,LID,PTD.....221 |
| | CLAMP,MUFFLER, 2.50 INCH.....155-156, 159 | CONTROLLER W/O COILS (77788).....147 |
| | CLAMP,TWO HOSE.....189 | CORROSION INHIBITOR,FOAM.....125, 203 |
| | CLEVIS YOKE-1/4-28,PLTD W/PIN.....99, 152, 155-156, 171-172 | COUNTERWEIGHT,S60.....109-110 |
| | CLIP,AIR CLEANER END CAP***.....163, 171-172 | COUNTERWEIGHT,S65.....109-110 |
| | CLIP,SPRING,1/4-20 BLACK.....175-176 | COUPLER,15 TOOTH,FBA,PERKINS**.....172 |
| | COIL, 10V DC (D10, 20 WATT).....137-138 | COUPLER,15 TOOTH,FBA,SAE8***.....159, 163 |
| | COIL, SOLENOID VALVE, 10V.....149 | COUPLING - 1/4 NPT.....107 |
| | COIL,10V.....137-138 | COVER W/DECALS,RR.DR.CHAS,S60.....233 |
| | COIL,12VDC #8 DTSCH IP69 ECOIL.....145 | COVER, DUST.....107 |
| | COIL,GREEN W/ 2 PIN CONNECTOR*.....137-138 | COVER, FOOT SWITCH, LARGE.....197 |
| | COIL,PROPORTIONAL VALVE***.....138 | COVER, JIB HOSES/CABLES.....189 |
| | COIL,VALVE,PROPORTIONAL***.....137-138 | COVER, LIMIT SWITCH ARM MOUNT.....185 |
| | COLD PKG GROUND, JUMPER ASSY.....247 | COVER, PROTECTIVE, OSCILLATE.....241 |
| | COLD WEATHER 120V J BOX ASSY.....247 | COVER, REAR AXLE.....103, 105 |
| | COLLAR,JOYSTICK,CENTER.....205 | COVER,BLANK.....235 |
| | COMPR.LINK,MACHINED,GND CONTR*.....189 | COVER,CABLE TRACK.....241 |
| | CONN PLUG 12 WAY ENDCAP DT BK.....133-134 | COVER,CONTROL BOX LEFT SIDE***.....221 |
| | CONN PLUG 12 WAY ENDCAP DT BR.....133-134 | COVER,CONTROL BOX RIGHT SIDE**.....221 |
| | CONN PLUG 12 WAY ENDCAP DT GR.....133-134 | COVER,DRIVE CHASSIS.....91-92, 95-96 |
| | | COVER,FLYWHEEL CASTING.....151-152, 159, 163 |
| | | COVER,GFCI,HORIZONTAL,WEATHER.....235 |

C

CABLE ASSY, EXTEND SET (PAIR).....183
 CABLE ASSY, RETRACT SET (PAIR).....183
 CABLE TIE,BUTTON,BLACK,14.75LG.....185
 CABLE TRACK, SX, 49 LINK.....195
 CABLE,S60 12VDC WORK LIGHT.....134
 CABLE,S65 12VDC WORK LIGHT.....134
 CABLE,WIF SENSOR,DEUTZ 2.9.....167
 CAP ASSY, COOLANT BOTTLE.....171-172
 CAP, OIL FILLER.....172
 CAP,520112-8.....152
 CAP,DIAGNOSTIC NIPPLE.....207, 209, 211, 215
 CAP,DISENGAGE,OMNI***.....91-92, 95-96
 CAP,EXTENSION,PAINTED.....179-180
 CAP,FUEL,DIESEL,1/8"VENT(GRN).....115
 CAP,OIL FILLER,DEUTZ,DIESEL***.....169
 CAP,PLASTIC,2.5 ID.....243
 CAP,RADIATOR,PERKINS (94232).....165
 CAP,RADIATOR,PERKINS/FORD.....172
 CAPACITOR,3 MF,50VDC.....119, 125
 CAST, LIMITER STOP BRKT L.....107
 CAST, LIMITER STOP BRKT R.....107
 CBV ASSEMBLY***.....127-128
 CHAIN,NO.2 (11 LINKS).....231, 233
 CIRCUIT BKR 10A TYPE 2 METAL.....119
 CIRCUIT BREAKER,20AMP MINI.....109-110

| | | |
|--|--|--|
| COVER,LH,BOOM SECTION #1.....180 | DECAL,CHEVRON RANDO HD.....11, 27, 43, 59, 75 | DECAL,INST PLAT CAP 60X.....43, 49 |
| COVER,LH,TANK SIDE.....131 | DECAL,COSM GENIE S60X.....47, 55 | DECAL,INST PLAT CAPACITY,SYM.....51, 57 |
| COVER,LIMIT SWITCH ASSY,S60.....237 | DECAL,COSM, S60 TRAX.....61, 69 | DECAL,INST,OPER INST 60TRAX.....65 |
| COVER,PRIMARY BOOM,PAINTED.....183 | DECAL,COSM, S65 TRAX.....77, 85 | DECAL,INSTR,MAX SIDE FRC,ANSI...33, 49, 65, 81 |
| COVER,PRM FUSE SERVICE PART.....109-110 | DECAL,COSM,GENIE S60 TRAX.....63, 71 | DECAL,INSTR,SIDE FRC/WIND,AUS.....17, 33, 65, 81 |
| COVER,PROTECTIVE,JIB CYLINDER.....241 | DECAL,COSMETIC,4 X 2.....11, 19, 27, 35, 43, 51, 59, 67, 75, 83 | DECAL,INSTRUCT,FOOTSWITCH OPER.....17, 33, 49, 65, 81 |
| COVER,PROTECTIVE,STEERING.....241 | DECAL,COSMETIC,4 X 4.....11, 19, 27, 35, 43, 51, 59, 67, 75, 83 | DECAL,LABEL, AIR LINE 110 PSI.....13, 17, 21, 25, 29, 33, 37, 41, 45, 49, 53, 57, 61, 65, 69, 73, 77, 81, 85, 89 |
| COVER,REAR AXLE.....95-96 | DECAL,COSMETIC,GENIE.....253 | DECAL,LABEL,105 DB.....19, 35, 51, 67, 83 |
| COVER,RETRACT SHEAVE,PAINTED.....179-180 | DECAL,COSMETIC,GENIE S-60.....15, 23 | DECAL,LABEL,ASSY INSTALL,I.....107 |
| COVER,RH,BOOM SECTION #1.....180 | DECAL,COSMETIC,GENIE S65.....31, 39 | DECAL,LABEL,ASSY INSTALL,R.....107 |
| COVER,RH,ENGINE SIDE.....131 | DECAL,COSMETIC,S60.....13, 21, 45, 53 | DECAL,LABEL,CONTROLS BATTERY.....11, 27, 43, 59, 75 |
| COVER,STEERING SENSOR.....175-176 | DECAL,COSMETIC,S65.....29, 37 | DECAL,LABEL,FALL HAZARD***...23, 39, 55, 71, 87 |
| CRIMPER,DEUTSCH,LIGHT DUTY***.....133-134, 205 | DECAL,DANGER DO NOT ALTER SWTC.....15, 31, 47, 63, 79 | DECAL,LABEL,LIQUID PROPANE.....11, 19, 27, 35, 43, 51, 59, 67, 75, 83 |
| CYLINDER, STEER.....101 | DECAL,DANGER TIP OVER TRAX.....59, 61, 75, 77 | DECAL,LABEL,LOWER MIDRAIL...17, 25, 33, 41, 49, 57, 65, 73, 81, 89 |
| CYLINDER,BOOM EXTENSION.....179-180 | DECAL,DANGER,BATTERY SAFETY***.....11, 27, 43, 59, 75 | DECAL,LABEL,MANUAL NOT HERE...17, 33, 49, 65, 81 |
| CYLINDER,JIB (STICK BOOMS).....189 | DECAL,DANGER,ELEC.HAZ.STAY CLR....19, 21, 35, 37, 51, 53, 67, 69, 83, 85 | DECAL,LABEL,MAX CAPACITY***.....25, 41, 73, 89 |
| CYLINDER,LIFT,S60***.....175-176 | DECAL,DANGER,ELECT HAZARD***.....11, 13, 27, 29, 43, 45, 59, 61, 75, 77 | DECAL,LABEL,NO SMOKING,SYMB...19, 35, 51, 67, 83 |
| CYLINDER,MASTER.....175-176 | DECAL,DANGER,GENERAL SAFETY.....11, 17, 27, 33, 43, 49, 59, 65, 75, 81 | DECAL,LABEL,PATENTS.....27, 43, 59, 75 |
| CYLINDER,OSCILLATE,S60.....92 | DECAL,DANGER,HI-FLOAT TIRE.....27, 29, 43, 45 | DECAL,LABEL,PETRO CANADA***.....11, 27, 43, 59, 75 |
| CYLINDER,PLATFORM LEVEL***.....187, 189, 191 | DECAL,DANGER,HIGH VOLTAGE.....13, 17, 29, 33, 45, 49, 61, 65, 77, 81 | DECAL,LABEL,RELAYS,S60&65....11, 27, 43, 59, 75 |
| CYLINDER,STEERING***.....91-92 | DECAL,DANGER,MAX SIDE FRC,667N....41, 57, 73, 89 | DECAL,LABEL,STARTER BATTERY....11, 27, 43, 59, 75 |
| D | | |
| DANGER,TIPOVR,TIRES FF ONLY.....11, 13, 27, 29 | DECAL,DANGER,NO SMOKING....11, 27, 43, 59, 75 | DECAL,LABEL,TEST***.....11 |
| DECAL FAULT CODE.....17, 33, 49, 65, 81 | DECAL,DANGER,SIDE FRC 400N.....25, 41, 73, 89 | DECAL,LABEL,TIP OVER LMT SWTCH.....23, 25, 39, 41, 51, 55, 57, 67, 71, 73, 87, 89 |
| DECAL GROUND CONTROL BOX.....11, 19, 27, 35, 59, 67, 75, 83 | DECAL,DANGER,TIP OVER,PLAT.....17, 33, 49, 65, 81 | DECAL,LABEL,TIPOVER,TIRES,SYMB.....19, 21, 35, 37, 51, 53 |
| DECAL KIT,S60X,COMPWRD,ANSI.....43 | DECAL,DANGER,TIP-OVER,WELDER**....17, 33 | DECAL,LABEL,TIPOVER,TRAX,SYMB.....67, 69, 83, 85 |
| DECAL PLATE ASSEMBLY.....197 | DECAL,DANGER,TIPOVER,TILT....17, 33, 49, 65, 81 | DECAL,LABEL,TIRE PRESS HF....19, 21, 35, 37, 51, 53 |
| DECAL PLATE, MESH.....223 | DECAL,DANGER,TIPOVR,MAX CAP...43, 49, 59, 65 | DECAL,LABEL,TIRE PRESSURE...19, 21, 35, 37, 51, 53 |
| DECAL, COSM,GENIE S65 TRAX.....79, 87 | DECAL,DANGER/LABEL,TIRE SPECS.....27, 29, 43, 45 | DECAL,LABEL,TORQUE.....107 |
| DECAL, ENGINE SPEC, D2.9.....13, 29, 45, 61, 77 | DECAL,DIESEL.....11, 19, 27, 35, 43, 51, 59, 67, 75, 83 | DECAL,LABEL,TRANSPORT DIAGRAM....11, 13, 19, 21, 27, 29, 35, 37, 43, 45, 51, 53, 59, 61, 67, 69, 75, 77, 83, 85 |
| DECAL, INST, OPER INST 60X PLT.....49 | DECAL,DRIVE ENABLE PATCH.....25, 41, 57, 73, 89 | DECAL,LABEL,UCON HYDROLUBE....11, 27, 43, 59, 75 |
| DECAL, INSTRUCTION, OPS.....229 | DECAL,EMERGENCY LOWERING.....19, 35, 67, 83 | DECAL,LABEL,UNLEADED GAS ONLY.....11 |
| DECAL, LCD, TIER 4.....11, 27, 43, 59, 75 | DECAL,ENGINE SPEC,DEUTZ 2011...13, 29, 45, 61, 77 | DECAL,LABEL,WELD LINE INST,SYM.....21, 25, 37, 41, 53, 57, 69, 73, 85, 89 |
| DECAL, OPER INST 6080X GRD.....43 | DECAL,ENGINE SPEC,PERKINS***.....13, 29, 45, 61, 77 | DECAL,LABEL,WHEEL LOAD S60/60X....11, 13, 19, 21, 43, 45, 51, 53 |
| DECAL, OPER INST 60TRX GRD.....59 | DECAL,EXPLOSION HAZARD.....13, 29, 45, 61, 77 | DECAL,LABEL,WHEEL LOAD S65.....27, 29, 35, 37 |
| DECAL, OPERATING INSTRUCTIONS.....11, 17, 27, 33, 59, 65, 75, 81 | DECAL,FIRE EXTINGUISHER.....17, 33, 49, 65, 81 | DECAL,LANYARD ANCHORAGE POINT...17, 25, 33, 41, 49, 57, 65, 73, 81, 89, 251 |
| DECAL, PLAT CNTL PNL.....17, 25, 33, 41, 65, 73, 81, 89 | DECAL,GR CNTL PNL 60TX.....59, 67 | DECAL,LOW/ULTRA LOW SULFR FUEL...11, 27, 43, 59, 75 |
| DECAL, PLAT CNTL PNL 60TX.....65, 73 | DECAL,GR CNTL PNL 60X 80X.....43, 51 | DECAL,LP BOTTLE,S60.....11, 27, 43, 59, 75 |
| DECAL, PLAT CNTL PNL 60X 80X.....49, 57 | DECAL,GROUND BOX,TIER IV.....11, 27, 75 | DECAL,LPS (4"X4").....11, 13, 27, 29, 43, 45, 59, 61, 75, 77 |
| DECAL, POWER TO PLATFORM 230V**...13, 17, 21, 25, 29, 33, 37, 41, 45, 49, 53, 57, 61, 65, 69, 73, 77, 81, 85, 89 | DECAL,INST PLAT CAP 60TRAX.....59, 65 | DECAL,NOTICE,MAX LOAD 500 LBS.....17, 33, 65, 81 |
| DECAL, SYMBOL - READ THE MANUAL...19, 25, 35, 41, 51, 57, 67, 73, 83, 89 | DECAL,INST PLAT CAP 60TRAX SYM.....67, 73 | |
| DECAL, WHEEL LOAD S60TRAX.....59, 61, 67, 69 | | |
| DECAL, WHEEL LOAD S65 TRAX.....75, 77, 83, 85 | | |
| DECAL,ANNUAL INSP***.....27, 43, 59, 75 | | |
| DECAL,ARROW BLUE.....13, 21, 29, 37, 45, 53, 61, 69, 77, 85 | | |
| DECAL,ARROW YELLOW LRG 9".....11, 19, 27, 35, 43, 51, 59, 67, 75, 83 | | |
| DECAL,BATTERY DISCONNECT.....11, 27, 43, 59, 75 | | |
| DECAL,CAUTION,READ INST.....107 | | |
| DECAL,CAUTION,TOWING SPEED.....11, 27, 43, 59, 75 | | |

Part Description Index (continued)

- DECAL, NOTICE, OPER INST. S60.....27, 33, 75, 81
 DECAL, NOTICE, SHUTOFF VALVES.....11, 27, 43, 59, 75
 DECAL, POWER TO PLATFORM 115V.....13, 17, 21, 25, 29, 33, 37, 41, 45, 49, 53, 57, 61, 65, 69, 73, 77, 81, 85, 89
 DECAL, PROTECTOR, CLEAR.....241
 DECAL, SYMBOL-BATTERY SAFETY.....19, 35, 51, 67, 83
 DECAL, SYMBOL-COMP ACCESS.....21, 37, 53, 69, 85
 DECAL, SYMBOL-READ THE MANUAL.....253
 DECAL, TOWING INSTRUCTIONS.....11, 27, 43, 59, 75
 DECAL, TRACK, FALL ARREST BAR, SYMBOL.....251
 DECAL, TRACK, FALL ARREST BAR, WORD.....251
 DECAL, TRACK, FALL ARREST BAR, WORD FR.....251
 DECAL, TRIANGLE, BLUE...11, 13, 19, 21, 27, 29, 35, 37, 43, 45, 51, 53, 59, 61, 67, 69, 75, 77, 83, 85
 DECAL, TRIANGLE, YELLOW.....11, 13, 19, 21, 27, 29, 35, 37, 43, 45, 51, 53, 59, 61, 67, 69, 75, 77, 83, 85
 DECAL, ULS DIESEL ONLY, TIER 4.....11, 27, 43, 59, 75
 DECAL, WARN, AVOID INJURY.....107
 DECAL, WARN, CRUSH HAZ.....107
 DECAL, WARN, CRUSH HAZARD HAND.....11, 13, 15, 27, 29, 31, 43, 45, 47, 59, 61, 63, 75, 77, 79
 DECAL, WARN, CRUSH HAZARD PLAT.....17, 25, 33, 41, 49, 57, 65, 73, 81, 89
 DECAL, WARN, FALL HAZARD.....15, 31, 47, 63, 79
 DECAL, WARN, HIGH PRESS.....107
 DECAL, WARN, IMPROPER OPERATION...17, 33, 49, 65, 81
 DECAL, WARN, WELD LINE INST. WORD.....13, 17, 29, 33, 45, 49, 61, 65, 77, 81
 DECAL, WARNING, CRUSHING HAZARD...19, 21, 23, 35, 37, 39, 51, 53, 55, 67, 69, 71, 83, 85, 87
 DECAL, WARNING, PANEL CRADLE.....17, 33, 49, 65, 81
 D E C A L , W A R N I N G , P I P E CRADLE, BOOM.....17, 33, 49, 65, 81
 DECAL, WARNING-COMPART ACCESS.....13, 29, 45, 61, 77
 DIN RAIL, 17".....119, 125
 DIODE, 6A 22903-6V.....109-110
 DIODE, 6 AMP, 200 PIV, BULK.....151-152, 155-156
 DIPSTICK TUBE, STRAIGHT SHORT.....172
 DIPSTICK, OIL, D2011.....152
 DIPSTICK, STRAIGHT SHORT.....172
 DIPSTICK, TD2.9.....169
 DIPSTICK-F3L1011F (DEUTZ).....155-156
 DISCONNECT KIT (88887).....92, 95-96
- E**
- ECU.....109-110
 ELBOW, 90D, 520220-4.....207, 209, 215
 ELBOW, 130339-6-6.....115
 ELBOW, 45D, 520320-16.....207
 ELBOW, 45D, 520320-4.....207, 209
 ELBOW, 45D, 520320-8.....209
 ELBOW, 90 DEGR, RUBBER, 2.5" I.D.*.....243
 ELBOW, 90, 1/4-18NPT, FEMALE.....107
 ELBOW, 90D, 520220-16-12.....217, 249
 ELBOW, 90D, 520220-4-6***.....209, 211, 213
 ELBOW, 90D, 520220-6.....211, 213
 ELBOW, AIR INTAKE, RUBBER.....155-156
 ELEMENT-5 MIC, PAPER, W/ BYPASS.....128
 ENCLOSURE BOX, GAUGE OPT, DRILLD.....245
 END BOGEY.....107
 END BRACKET, FIXED END.....195
 END BRACKET, MOVING END.....195
 END CAP, WHEEL DRIVE.....92, 95-96
 END STOP, DIN RAIL, SCREW CLAMP.....119
 END STOP, TRACK, FALL ARREST BAR.....251
 ENGINE KIT, DEUTZ D2.9L4.....161, 163, 165, 169
 ENGINE, PERKINS, DIESEL 404D-22.....171-172
 EVACUATOR VALVE-AIR CLEANER.....151-152, 155-156, 163, 171-172
 EXHAUST MANIFOLD.....171-172
 EXHAUST PIPE GASKET.....159
 EXPANSION TANK, METAL, D2.9.....165
 EXTRUSION, RUBBER STRIP, LG, D2.9.....165
 EXTRUSION, RUBBER STRIP, SM, D2.9.....165
- F**
- FAN BELT, ALTERNATOR.....169
 FAN SHROUD, DEUTZ D2.9.....161
 FAN, 10 BLADE, 15".....165
 FAN, ENGINE (104-22)(404-22)*.....172
 FEMALE BULKHEAD CONNECTOR-8.....235
 FIELD KIT, 6'1/2 MESH PLAT W/GAT.....223
 FILTER ASSY, HIGH PRESS SAE-12*.....128
 FILTER ASSY, INTANK.....109-110
 FILTER ASY, M PRESS, SAE8, WOIND* (77139).....128
 FILTER HEAD (29560).....151-152
 FILTER INDICATOR-(60334).....128
 FILTER LID, RFM165.....109-110
 FILTER, DEUTZ 2.9, FUEL.....167
 FILTER, AIR CLEANER, SUPERBOOM.....155-156
 FILTER, AIR***.....151-152, 163, 171-172
 FILTER, ELEMENT, 30 MIC, 75020.....172
 FILTER, ELEMENT, BETA(10)=200.....109-110
 FILTER, ELEMENT, BETA(5)=1000.....128
 FILTER, FUEL, PERKINS.....172
 FILTER, FUEL/WTR SEP, DTZ 1008.....151-152, 155-156
 FILTER, OIL, DEUTZ F4L1011F.....151-152, 155-156, 167, 169
 FILTER, OIL, DEUTZ, REPLACEMENT.....151-152, 155-156, 167
 FINGER, GUIDE, CABLE TRACK.....195
 FITTING, 3/8 NPT TO 1/2 BARB.....115
 FITTING, 3/8 NPT TO 1/4 NPT.....115
 FITTING, BARBED, STRT, FUEL LINE.....151-152
 FITTING, BARBED, TEE, FUEL LINE.....151-152
 FITTING, BULKHEAD, 3/8NPT, FUELTK.....115
 FITTING, CONN, 16MM-6MJ.....167
 FITTING, CONN, 16MM-8MJ.....167
 FITTING, CONN, 520120-12***.....207, 209, 211, 213, 217, 249
 FITTING, CONN, 520120-6-8***.....211
 FITTING, CONN, 520120-8-6.....207
 FITTING, ELBOW, 45D, 520320-12***.....207
 FITTING, ELBOW, 45D, 520320-4-6**.....209
 FITTING, ELBOW, 6GS-6FJX90S.....167
 FITTING, ELBOW, 8GS-8FJX90S.....167
 FITTING, ELBOW, 90D, 520220-8***.....207
 FITTING, HYDRAULIC, 90DEG, O-RING.....152
 FITTING, TEE, BRANCH, 520433-4.....215
 FITTING, TEE, RUN, SWIVEL 520432-4.....209, 211, 213, 215
 FLANGE, EXHAUST.....171-172
 FLASHTUBE, STRAIGHT, 360DEG, BULB.....219
 FLASHTUBE, U SHAPED, 360DEG, BULB...219
 FLATBAR, CLAMPS, CABLE TRACK.....195
 FLATBAR, ALUM, THROTTLE LINKAGE.....171-172
 FLEX PIPE, EXHAUST, 2.5" DIA.....159
 FLOORING, 6'FT PLATFORM.....197
 FLOORING, 4 FT PLATFORM, PAINTED.....197
 FLOORING, 8 FT PLATFORM**.....197
 FLYWHEEL (PERKINS KR70481U)**.....171-172
 FLYWHEEL, SAE 8/10.....169
 FOAM, AIRCRAFT PROTECTION.....231, 233
 FORMING BRKT, WIPER 1 TO 2.....237
 FORMING BRKT, WIPER 2 TO 3.....237
 FORMING, BRKT, ENGINE COVER...110, 128
 FORMING, BULKHEAD, RIGHT, S60/65.....128
 FORMING, ENGINE MOUNT, PERKINS...171-172
 FORMING, FILTER BRKT.....128
 FORMING, GAUGE OPTION BRACKET...245
 FORMING, LEFT ENGINE MOUNT.....167
 FORMING, OPA CAGE.....253
 FORMING, OPA CAP.....253
 FORMING, OPA, BRACKET.....253
 FORMING, PLAT. BOX LID.....203
 FORMING, REAR ENGINE MOUNT.....167
 FORMING, RIGHT ENGINE MOUNT.....167
 FORMING, SOLENOID MOUNT***.....155-156
 FORMING, TRACK BRACE, LH.....195
 FORMING, TRACK BRACE, RH.....195
 FORMING, 8.5' MUFFLER MOUNT.....159
 FORMING, AIR CLEANER MOUNT PNTD.....151-152, 159
 FORMING, ANGLE SENSOR CABLE.....175-176
 FORMING, BULKHEAD, LEFT FRONT.....109-110
 FORMING, BULKHEAD, LEFT REAR.....113
 FORMING, CABLE GUIDE.....197
 FORMING, CLAMP, TOP, CABLE TRACK.....195
 FORMING, CLEAN AIR BRACKET.....163
 FORMING, COVER STOP, PAINT.....131
 FORMING, COVER STOP, TANK SIDE.....109-110
 FORMING, DEUTZ AIR INTAKE BAF P.....151-152
 FORMING, DRIVE ENABLE LIMIT SW.....127-128
 FORMING, ENGINE MOUNT.....155-156
 FORMING, ENGINE MOUNT PAINTED.....159
 FORMING, ENGINE MOUNT RH PAINTE.....171-172
 FORMING, ENGINE MOUNT, DEUTZ.....159
 FORMING, ENGINE MOUNT, FL PAINT*.....151-152
 FORMING, ENGINE MOUNT, FR PAINT*...151-152
 FORMING, EXP TANK BAND, D2.9.....165

- FORMING, EXPANSION TANK SUPT.....165
 FORMING, GROUND BOX COVER.....239
F O R M I N G , H A R N E S S
 SUPPORT, S60/65.....109-110
 FORMING, HEAT SHIELD, MUFFLER***.....155-156
 FORMING, HOSE GUIDE.....128
 FORMING, HYD SWIVEL BRACKET...127-128
 FORMING, INNER HANGER.....251
 FORMING, LATCH, CTRL BOX LID PTD.....221
 FORMING, LATCH, GROUND BOX COVER.....239
 FORMING, LH MOUNT, DRIVE LIGHT.....219
 FORMING, LIMIT SWITCH BRACKET.....179-180
 FORMING, MUFFLER MOUNT.....155-156
 FORMING, MUFFLER MOUNT PAINTED....172
 FORMING, OIL COOLER MOUNT.....249
 FORMING, PINION GUARD PAINTED.....239
 FORMING, RAD BRACE, DEUTZ D2.9.....161
 FORMING, RAD EXPSN TANK SUPT.....165
 FORMING, REAR ENGINE MOUNT PNT*.....151-152
 FORMING, RH MOUNT, DRIVE LIGHT.....219
 FORMING, SOLENOID MOUNT.....172
 FORMING, SOLENOID MOUNT PAINT.....151-152
 FORMING, TT LH SIDE COVER PAINT.....239
 FORMING, TT RH SIDE COVER PAINT.....239
 FORMING, UPPER RAD SUPPORT PNTD.....172
 FORMING, WIPER GUARD LT.....239
 FORMING, WIPER GUARD RT.....239
 FUEL FILTER ASSEMBLY.....172
 FUEL FILTER W/SEP, DEUTZ, 1008.....151-152, 155-156
 FUEL TANK ASSY, 35 GAL PLASTIC.....115
 FUSE, ATM, 10AMP.....109-110
 FUSE, ATM, 15AMP.....109-110
 FUSE, ATM, 20AMP.....109-110
 FUSE, ATM, 30AMP.....109-110
 FUSE, FMX, 60AMP.....109-110
- G**
- GAS STRUT, 250 LBS FORCE***.....131
 GASKET, OIL COOLER, DEUTZ.....169
 GASKET, THERMOSTAT HOUSING.....169
 GASKET, UK POWER TO PLAT.....235
 GASKET, DP200 BLACK PANEL SEAL.....121-122
 GASKET, ENCLOSURE.....253
G A S K E T , E X H
 FLANGE-FORD/PERKINS.....171-172
 GASKET, EXHAUST.....151-152, 155-156
 GASKET, GBOX, S80/85 2008.....119, 125
 GASKET, KEYSWITCH, PLASTIC***.....117
 GASKET, PLATFORM CONTROL BOX.....203
 GASKET, RETURN FILTER-77353.....109-110
 GASKET, WATER PUMP.....171-172
 GASKET-CYLINDER HEAD.....171-172
 GASKET-THERMOSTAT HSG.....172
 GATE LATCH CASTING--DRILLED.....223
 GAUGE, OIL PRESSURE W/O SENDER.....245
 GAUGE, VOLTAGE.....245
 GAUGE, WATER TEMP.....245
 GAUGE-SIGHT, LHA-LGTB***.....109-110
 GBOX ASSY, COMMON, T4.....121-122
 GBOX ASSY, DEUTZ T4, DUAL CAP....121-122
 GBOX ASSY, DEUTZ T4, SGL CAP.....121-122
- GBOX ASSY, PERKINS T4, DUAL CAP.....121-122
 GBOX ASSY, PERKINS T4, SGL CAP.....121-122
 GLOW PLUG (PERKINS 404-22).....171-172
 GLOW PLUG, DEUTZ.....169
 GLOW PLUG, L1011.....151-152
 GREASE, SERVICE PACKET.....172
 GROMMET, 4.00 GRV. X .75 THK.....179-180
 GROMMET, RUBBER 3 X .19 X 3.5.....197
 GUARD, HOSE PROTECTOR.....91-92
 GUARD, SEAL.....107
 GUARD, FAN, FORD/PERKINS, PAINTED..171-172
 GUIDE FINGER, PLASTIC.....195
 GUIDE, EXT CABLE, TOP.....183
 GUIDE, EXT. CABLE, BOTTOM.....183
- H**
- HALF MESH, 8" PLATFORM, LH.....223
 HALF MESH, 8" PLATFORM, RH***.....223
 HANDLE, GRAB.....131
 HARN JOYSTICK ADAPTOR JS100.....205
 HARN, AC PROTECTION BYPASS.....231, 233
 HARN, LS OP PRI, DUAL CAP.....134
 HARN, 12V WORK LIGHT RELAY.....134
 HARN, ANGLE, SNSR, CONN. CABLE.....134
 HARN, FUNCT MANIFOLD, S60/65.....133-134
 HARN, GBOX & RELAY WIRES, DIESEL...133-134
 HARN, LS CABLE, S60 DUAL CAP.....133-134
 HARN, LS SAFETY, PRI, DUAL CAP.....133-134
 HARN, LS, SAFETY, PRI, VELOCITY.....134
 HARN, PBOX, DUAL CAP.....133-134
 HARN, PBOX, JOYSTICK, S60/65.....133-134
 HARN, PBOX, OPA, HW, 12V.....134
 HARN, PIGTAIL, TAPESWITCH, OPA.....253
 HARNESS ASSY, GBOX.....133-134
 HARNESS ASSY, GCON, PLAT PRY.....134
 HARNESS ASSY, PCON, DRIVE PRY.....134
 HARNESS ASSY, PCON, JIB.....133-134
 HARNESS ASSY, PCON, LOAD SENSE....133-134
 HARNESS ASSY, PCON, PROX KILL.....231, 233
 HARNESS ASSY, PCON, TILT LED.....134
 HARNESS PERKINS ENGINE S60 ALT...133-134
 HARNESS, 12/3 12V TO PLAT NJ.....133-134
 HARNESS, 120V POWER CORD, 24".....247
 HARNESS, 18/22, CABLE NJ.....133-134
 HARNESS, 240V POWER CORD, 24".....247
 HARNESS, AC POWER TO PLAT JIB.....133-134
 HARNESS, AC POWER TO PLAT NJ.....133-134
 HARNESS, ENGINE, DEUTZ TD2.9...161, 169
 HARNESS, JUMPER, LOAD SENSE.....133-134
 HARNESS, LOAD SENSE, GBOX.....133-134
 HARNESS, LS, OP, CABLE TENSION.....133-134
 HARNESS, LS, OP, PRI ANGLE.....133-134
 HARNESS, LS, OP, PRI, VELOCITY.....133-134
 HARNESS, LS, OP, PRIMARY.....133-134
 HARNESS, S60 DEUTZ D2.9.....133-134
 HARNESS, TILT, 12V, CSA PROD.....134
 HARNESS, 12V WORK LIGHTS.....134
- HARNESS, 18/22, CABLE2 NJ.....133-134
 HARNESS, BATT CABLE, 120V.....247
 HARNESS, BATT CABLE, 240V.....247
 HARNESS, BEACON OPTION.....133-134, 219
 HARNESS, DEUTZ ENGINE.....133-134
 HARNESS, DRIVE/LIFT INTERLOCK.....134
 HARNESS, ENG/HYD HEATER, 120V.....247
 HARNESS, ENG/HYD HEATER, 240V.....247
 HARNESS, ENGINE GAUGE.....133-134
 HARNESS, GAUGE OPT., S60 DEUTZ.....133-134
 HARNESS, GBOX, DUAL CAP RELAY.....134
 HARNESS, GBOX, T4, S60/65.....133-134
 HARNESS, GENERATOR POWER.....134
 HARNESS, INJECTOR, DEUTZ D2.9.....161
 HARNESS, JIB SELECT MANIFOLD...133-134
 HARNESS, LS, DRIVE ENABLE.....133-134
 HARNESS, PBOX HI-CAP OPTION.....134
H A R N E S S , P B O X , S I N G L E
 CAP, COMMON.....133-134
 HARNESS, S60 TURBO DEUTZ SPEC.....133-134
 HARNESS, TILT ALARM, 12V.....134
 HEAT SHIELD, DEUTZ STARTER.....151-152
 HINGE, .375X.120THK., SLOTTED....127-128, 131
 HINGE, GROUND BOX COVER.....239
 HINGE, PLAT CONTROL BOX COVER.....221
 HOOK, BATT HOLD DOWN, 10".....109-110
 HORN, 12VDC, SPADE TERMINALS***.....109-110, 113
 HOSE ASM-JCAF310-06-41.....147
 HOSE ASSEMBLY 3/8".....211
 HOSE ASSEMBLY, 1/2"***.....235
 HOSE ASSY 1", STR FEM, STR FEM.....207, 217
 HOSE ASSY 1/4, 90 FEM STR FEM.....211
 HOSE ASSY 1/4, STR FEM, STR BULK.....209, 215
 HOSE ASSY 1/4.90 FEM STR FEM.....211
 HOSE ASSY 3/8, STR FEM, STR FEM.....207, 211, 213
 HOSE ASSY, 1-1/4", 76.75".....207
 HOSE ASSY, 1/4", 713".....209
 HOSE ASSY, 3/4", 28.55".....217, 249
 HOSE ASSY, 3/4", 72.54".....207
 HOSE ASSY, 1", 90 FEM, STR FEM.....207
 HOSE ASSY, 1/2".....207, 211, 215
 HOSE ASSY, 1/2"***.....211, 213
 HOSE ASSY, 1/2, 90 FEM, STR FEM.....207, 209, 211
 HOSE ASSY, 1/2, 90 FEM, STR FEM**.....211
 HOSE ASSY, 1/2, STR FEM, STR FEM.....209
 HOSE ASSY, 1/4 STR FEM, STR FEM.....211, 213
 HOSE ASSY, 1/4", 38.00.....209
 HOSE ASSY, 1/4, 693".....209
 HOSE ASSY, 1/4, 90 FEM, STR FEM.....207, 211, 215
 HOSE ASSY, 1/4, 90 FEM, STR FEM**.....209, 211, 215
 HOSE ASSY, 1/4, STR FEM, STR FEM.....209
 HOSE ASSY, 1/4, STR FEM, STR FEM*.....207
 HOSE ASSY, 3/4".....211, 213
 HOSE ASSY, 3/4, 45 FEM, STR MALE.....217, 249
 HOSE ASSY, 3/4, 90 FEM, STR FEM.....207, 211, 213
 HOSE ASSY, 3/4, 90 FEM, STR FEM**.....211

Part Description Index (continued)

- HOSE ASSY,3/4,STR FEM,STR FEM.....207, 217
 HOSE ASSY,3/8,STR FEM,STR FEM.....211, 213
 HOSE ASSY,3/8,STR FEM,STR,90D.....209
 HOSE ASSY,3/4",90,FEM,STR FEM.....207
 HOSE END .375 MPT X .25 HOSE.....115
 HOSE END,BARB,1/4 MNPTX5/16,90.....172
 HOSE END,BARB,1/4 MNPTX5/16,ST.....172
 HOSE END,BARB,3/8 MNPT X 5/16.....115
 HOSE GUIDE, JIB.....189
 HOSE,1/4 FUEL LINE,SAE 30R7.....115, 151-152, 155-156
 HOSE,5/16 FUEL,SAE 30R7.....115, 152, 155-156
 HOSE,AIR CLEANER.....151-152
 HOSE,AIR CLEANER TO INTAKE.....171-172
 HOSE,AIR INLET.....171-172
 HOSE,AIR INTAKE 2.5" I.D.....243
 HOSE,AIR INTAKE 2.50" ID.....163
 HOSE,ENGINE VENT,DEUTZ D2.9.....165
 HOSE,EXPANSION TANK,D2.9.....165
 HOSE,FUEL,1/2,S60,D2.9,SUPPLY.....115
 HOSE,LOWER RADIATOR,DEUTZ D2.9.....161
 HOSE,LOWER,RADIATOR,PERKINS.....171-172
 HOSE,PCV,DEUTZ D2.9.....163
 HOSE,RADIATOR VENT,DEUTZ D2.9.....165
 HOSE,RAW AIR,DEUTZ D2.9.....163
 HOSE,UPPER RADIATOR,DEUTZ D2.9.....161
 HOSE,UPPER RADIATOR,PERKINS.....172
 HOUR METER,10-80 VOLTS***.....117
 HOUSING,PUMP MOUNT (54573).....172
 HUB ASSEMBLY.....107
 HUB SCREW.....95-96
 HUBBLE NUT, PG11.....247
 HYD. HOSE ASSEMBLY 3000 PSI.....107
 HYDRAULIC TANK ASSEMBLY.....109-110
- I**
- INJECTOR, FUEL(DEUTZ F3L2011F).....152
 INSTRN, TRC RETROFIT, STNDRD.....133-134
 INTAKE BREATHER.....169
 INTAKE MANIFOLD.....171-172
 ISOLATOR, VIBRATION.....161, 165
 ISOLATOR,ENGINE VIBRATION.....155-156, 159
 ISOLATOR,ENGINE VIBRATION***.....151-152, 167
 ISOLATOR,VIBRATION,M8 MALE/FEM.....172
- J**
- JIB BOOM ASSY W/SYMBOL DECAL.....189
 JIB BOOM ASSY W/WORD DECAL.....189
 JOYSTICK CONNECTOR ASSEM,DEUT.....203
 JOYSTICK,1 AXIS ROCKER,DEUTSCH.....205
 JOYSTICK,2 AXIS,DEUTSCH.....205
 JOYSTICK,2 AXIS,ROCKER,DEUTSCH.....205
 JOYSTICK,DUAL AXIS W/KNOB.....205
 JOYSTICK,DUAL AXIS W/STEER.....205
 JOYSTICK,SINGLE AXIS W/STEER.....205
 JUMPER COMB, 2-WAY,WIELAND.....119, 125
 JUMPER COMB, 3-WAY,WIELAND.....119, 125
- K**
- KEEPER,LATCH (45363).....131
 KEY SINGLE***.....117, 121-122
- KEY, HEX, 5/16" X 2.50"LG,SS.....175-176
 KEYS,10 PACK***.....117, 121-122
 KEYSWITCH,3 POS. W/KEYS***.....117, 121-122
 KIT, AUX TOP RAIL SUPPORT.....221
 KIT, BRAKE SPRING.....127-128
 KIT, FRICTION DISC.....127-128
 KIT, GLAND NUT, S60 LIFT CYL.....175-176
 KIT, HEAT GUARD, DEUTZ STARTER.....151-152
 KIT, ISOLATION, 2 JOYSTICK.....205
 KIT, LEVEL SENSOR, 6 PIN CONN.....113, 133-134
 KIT, OPA WELDER BRACKET.....253
 KIT, SEAL, PUMP, 1 SECTION.....147
 KIT, SEAL, PUMP, 2 SECTION.....147
 KIT, SWING BRAKE REBUILD.....127-128
 KIT, SWING BRAKE REBUILD.....127-128
 KIT, TERMINAL BLOCK.....119
 KIT, TRC RETROFIT, STNDRD.....133-134
 KIT,BRAKE SPRING***.....127-128
 KIT,CHARGE PUMP.....147
 KIT,CHARGE PUMP HOUSING.....147
 KIT,ELEMENT**.....109-110
 KIT,EXTEND/RETRACT CABLE,S60.....183
 KIT,FBA STYLE COUPLER,PERKINS.....172
 KIT,FBA STYLE COUPLER,SAE8.....151-152
 KIT,FIELD INSTALL,SWING GATE.....223
 KIT,FRICTION DISC***.....127-128
 KIT,GASKET,UK POWER TO PLAT.....235
 KIT,OP SWITCH,DEUTZ.....152
 KIT,PRIMER BULB.....152
 KIT,PUMP SHAFT SEAL W/INST***.....147
 KIT,REPAIR,DEUTSCH PLUG,W/TUBE.....133-134, 205
 K I T , R E P A I R , D E U T S H
 CONNECTORS***.....133-134, 205
 KIT,SEAL,3CC PUMP***.....172
 KIT,SOLENOID CONTROL SERVICE.....147
 KIT,STRAINER REPLACEMENT.....207
 KIT,SWING BRAKE REBUILD***.....127-128
 KIT,TRAX,9-BOLT,S60 W/OMNI HUB.....107
 KIT,TRAX,9-BOLT,S60 W/RR HUBS.....107
 KIT,WATER PUMP 2.9 L4.....169
 KNOB,JOYSTICK, 62390/62391.....205
 KNOB,ROCKER JOYSTICK 75565.....205
- L**
- LABEL, GBOX, S60TX ANSI TIER 4.....59
 LABEL, GBOX, S60X TIER 4.....43
 LABEL, PBOX, S60TX ANSI TIER 4.....65
 LABEL, PBOX, S60X TIER 4.....49
 LABEL, PBOX, S65 TIER 4.....33, 81
 LANYARD,PLATFORM CONTROL BOX.....203
 LATCH,FLEXIBLE DRAW W/O
 KEEPER.....109-110
 LATCH,SLIDE, FLUSH MOUNT STYLE.....221, 239
 LENS,AMBER,STROBE,FIREBOLT.....219
 LEVEL SENSOR,LS60,YL,2.5X4.5.....113
 LEVER, GOVERNOR ACTUATOR.....151-152, 155-156
 LID ENCLOSURE,RED,OPA.....253
 LIFT PUMP,FUEL,DEUTZ.....167
 LIGHT, 12 VOLT.....219
 LIGHT,LED IND. AMBER 12V NH.....199-200
 LIGHT,LED IND. RED 12V NH.....117, 199-200
 LIMIT SWITCH,BLUE,MICRO.....185
 LINING KIT,BRAKE,OMNI***.....91-92, 95-96
 LOAD SUPPORT W/BEARINGS.....193
- LOCK, PLUG 2WAY, 14-18GA.....247
 LOCK,PLUG 3 WAY,14-18GA.....247
 LOCK,PLUG 6 WAY 18-20GA.....133-134
 LOCK,RECEP 2 WAY, 14-18GA.....219, 247
 LOCK,RECEP 3 WAY,14-18GA.....247
 LOCK,RECEP 4 WAY,14-18GA.....133-134
 LOCKNUT,ELEC,1/2".....235
 LOCKRING, RR***.....92, 95-96
 LT.LAMP IND. AMBER 12V ENG.NH.....117
 LT.LAMP IND.AMBER 12V NH.....199-200
 LUG,STUD/WHEEL (88887).....92, 95-96
- M**
- MACH. MOUNTING BLOCK.....101
 MACHINED PIVOT PLATE WELDMENT...179-180
 MAGNET,NEODYMIUM,375 X .100.....231
 MALE PIPE THD,1/4" SER,3/8"X18.....235
 MANIFOLD,BRAKE,2-SPEED.....149
 MANIFOLD,FUNCTION.....137-138
 MANIFOLD,JIB SELECT W/QD PLUG.....145
 MANIFOLD,JIB SELECT W/QD PLUG*
 (88786).....145
 MANIFOLD,ROTATOR,CB***.....145
 MANIFOLD,TRACTION,2WD.....141
 MANIFOLD,TRACTION,4WD***.....143
 MANUAL BOX W/DECALS***.....197
 MANUAL, DEUTZ D2.9 ENGINE.....169
 MANUAL,OPERATORS PERKINS 404.....171-172
 MESH,HALF,LH 5' PLATFORM.....223
 MESH,HALF,LH,6'PLATFORM.....223
 MESH,HALF,RH 5' PLATFORM.....223
 MESH,HALF,RH,6'PLATFORM.....223
 MESH,HALF,SWING GATE***.....223
 MODULE,CONTROL UNIT,PCB,OPA.....253
 MODULE,FUSE&RELAY,DEUTZ 2.9.....109-110
 MODULE,IGNITION/START,12/24V.....119
 MODULE,LOAD SENSE 2007.....119
 MOTOR,12VDC,77066.....113
 MOTOR,PISTON,30CC,4WD***.....92, 95-96
 MOTOR,PISTON,35CC,2WD***.....96
 MOUNT,GROUND CONTROL BOX LH.....121-122
 MOUNT,GROUND CONTROL BOX RH.....121-122
 MOUNT,SWITCH.....193
 MOUNTING BAND,AIR CLEANER.....155-156
 MPT,CPLR,1/4"SER,3/8"X18.....235
 MUFFLER,2.5"INLET/OUTLET.....155-156
 MUFFLER,6".....172
 MUFFLER,CAT/SPARK,DEUTZ.....151-152, 155-156
 MUFFLER,CATALYTIC.....172
 MUFFLER,DEUTZ.....151-152
 MUFFLER,SPARK ARRESTOR.....172
- N**
- NIPPLE,DIAGNOSTIC,#6 PORT***.....207, 209, 211
 NIPPLE,DIAGNOSTIC,ORFS,FM,SWIV.....207, 215
 NIPPLE,STEEL PIPE,1/4NPTX1 LG.....107
 NIPPLE,STEEL PIPE,1/4NPTX2.5LG.....107
 NON-STEER AXLE ASSEMBLY.....103, 105
 NON-STEER AXLE ASSEMBLY**.....95-96
 NUT.....117, 121-122

| | | | | | |
|--|---|--|--|--|--|
| NUT - PLASTIC,RING FOR ALARMS.....109-110, 200, 219 | | | | | |
| NUT HEX M5-0.8 CLASS 8 ZINC.....203 | | | | | |
| NUT, FLANGE, 3/4-16 UNF GR8.....101, 103, 105 | | | | | |
| NUT, LP NYLOCK, 3/8-16.....172, 197 | | | | | |
| NUT, PISTON, LIFT CYLINDER.....175-176 | | | | | |
| NUT, PROPORTIONAL VALVE.....138 | | | | | |
| NUT, TL FLG, 1/4-20, G, ZAG.....131, 231, 233, 253 | | | | | |
| NUT, TL FLG, 3/8-16, G, ZAG.....231, 233, 253 | | | | | |
| NUT,1/4-20,8,ZAG.....229 | | | | | |
| NUT,3/8-16,8,ZAG.....229 | | | | | |
| NUT,BULKHEAD,520118-4.....209 | | | | | |
| NUT,FLANGE,LOCK,5/8-11GR8 PLT.....107 | | | | | |
| NUT,FLG-LRG,3/8-16,YZ.....161 | | | | | |
| NUT,HEX,1/4-28.....99 | | | | | |
| NUT,HEX,10-24.....152 | | | | | |
| NUT,HEX,FLANGE 5/8-18,GRD 8 ZI.....95-96 | | | | | |
| NUT,HEX,JAM,3/4-10.....127-128 | | | | | |
| NUT,HEX,M8,PLASTIC.....231, 233 | | | | | |
| NUT,LOCKING-LG.FLANGE,5/16-18.....109-110 | | | | | |
| NUT,LP NYLOCK,1/4-20...165, 195, 203, 221, 225, 237 | | | | | |
| NUT,LP NYLOCK,10-32.....247 | | | | | |
| NUT,M4 NYLOCK.....253 | | | | | |
| NUT,NYLOCK FLG,3/8-16,F,ZAG.....251 | | | | | |
| NUT,NYLOCK,1-8.....109-110, 189, 193 | | | | | |
| NUT,NYLOCK,1-8,GR8.....191 | | | | | |
| NUT,NYLOCK,1/2-13.....128, 151-152, 167, 175-176, 183 | | | | | |
| NUT,NYLOCK,1/4-20...99, 109-110, 113, 119, 127-128, 131, 161, 163, 165, 167, 171-172, 179-180, 183, 185, 189, 193, 195, 197, 223, 231, 237, 241, 249 | | | | | |
| NUT,NYLOCK,10-24.....99, 155-156, 167, 193 | | | | | |
| NUT,NYLOCK,10-32.....109-110, 119, 125, 131, 203, 219 | | | | | |
| NUT,NYLOCK,3/4-10,GRD.8.....179-180, 183 | | | | | |
| NUT,NYLOCK,3/8-16...92, 109-110, 115, 127-128, 155-156, 159, 165, 167, 172, 185, 187, 189, 191, 193, 195, 197, 227, 235, 239 | | | | | |
| NUT,NYLOCK,5/16-18.....131, 151-152, 159, 161, 165, 172, 185, 197 | | | | | |
| NUT,NYLOCK,5/8-11.....155-156, 159 | | | | | |
| NUT,NYLOCK,6-32.....203 | | | | | |
| NUT,NYLOCK,7/16-14.....175-176 | | | | | |
| NUT,NYLOCK,8-32.....185 | | | | | |
| NUT,NYLOCK,M6X1.00.....172 | | | | | |
| NUT,SOLENOID.....149 | | | | | |
| NUT,SOLENOID VALVE 2P3W.....137-138 | | | | | |
| NUT,SOLENOID VALVE COIL.....137-138 | | | | | |
| NUT,STEM,EATON***.....147 | | | | | |
| NUT,TL FLG,1/2-13,G,ZAG.....251 | | | | | |
| NUT,TL FLG,M6-1.0,DIN6927,10,ZAB.....172 | | | | | |
| NUT,TL FLG,M8-1.25,DIN6927,10,ZAB.....172 | | | | | |
| NUT,TL,M5-0.8,DIN980,10,ZAB.....172 | | | | | |
| NUT,WING,1/4-20.....109-110 | | | | | |
| NUT-COIL SHORT.....145 | | | | | |
| NUT-FLANGE, 8MM (62849).....171-172 | | | | | |
| NUTSERT,1/4-20,STEEL CAD PLTD.....119, 125 | | | | | |
| NUTSERT,10-32 STEEL CAD PLTD.....241 | | | | | |
| NUTSERT,LP KNURLED,1/4-20X.165.....117, 121-122, 203 | | | | | |
| | O | | | | |
| | O-RING, CAMSHAFT POSITION | | | | |
| | SENSOR.....169 | | | | |
| | O-RING, CRANKSHAFT POSITION | | | | |
| | SENSOR.....169 | | | | |
| | O-RING, FUEL LIFT PUMP.....155-156 | | | | |
| | O-RING, INTAKE AIR PRESSURE | | | | |
| | SENSOR.....169 | | | | |
| | O-RING, OIL PRESSURE SENSOR.....169 | | | | |
| | O-RING, ROTATOR MANIFOLD.....145 | | | | |
| | O-RING, WATER PUMP.....169 | | | | |
| | O-RING,.070 X .239,VITON 75D.....95-96 | | | | |
| | O-RING,.103 X 4.737,VITON, 75D.....92, 95-96 | | | | |
| | O-RING,2-010,VITON.....96 | | | | |
| | O-RING,2-042 N674-70***.....147 | | | | |
| | O-RING,67.95X2.62-NBR-70SH(HF2P)(60334).128 | | | | |
| | O-RING,END COVER,OMNI***.....91-92, 95-96 | | | | |
| | O-RING,FUEL INJECTOR,DEUTZ | | | | |
| | (89792).....152 | | | | |
| | O-RING,MOTOR/BRAKE***.....127-128 | | | | |
| | O-RING,PIPE PLUG KIT,OMNI***.....92, 95-96 | | | | |
| | O-RING,RUBBER TRACK (139120).....107 | | | | |
| | O-RING,STEM,EATON.....147 | | | | |
| | OIL COOLER W/FAN, 12VDC.....249 | | | | |
| | OIL COOLER,TD2.9.....169 | | | | |
| | OIL FILTER - PERKINS.....171-172 | | | | |
| | OPTION,ROCKER STEER.....203 | | | | |
| | ORIFICE PLUG .025 DIA.....149 | | | | |
| | ORIFICE PLUG, 0.070".....141 | | | | |
| | ORIFICE, 0.040".....143 | | | | |
| | ORING, OIL DIP STICK.....169 | | | | |
| | OUTLET, 110V.....235 | | | | |
| | OXIDATION CATALYST,DEUTZ.....169 | | | | |
| | | | | | |
| | P | | | | |
| | PADDING, FOAM, 15.5".....231, 233 | | | | |
| | PADDING, FOAM, 46.5".....231, 233 | | | | |
| | PADDING,FOAM 3.5"OD X 1.50"ID.....231, 233 | | | | |
| | PADDING,FOAM,3.0"X1.50ID 90DEG.....231, 233 | | | | |
| | PBOX ASSY,DEUTZ T4,DUAL CAP....199-200 | | | | |
| | PBOX ASSY,DEUTZ T4,SGL CAP.....199-200 | | | | |
| | PIN, LIFT CYL, HEX END.....175-176 | | | | |
| | PIN, STEER BELLCRANK CLEVIS.....121-122 | | | | |
| | PIN,0.75DIAX5.75LG,CHAMFER.....193 | | | | |
| | PIN,1.25 X 13.25 IN,CHAMFER.....127-128 | | | | |
| | PIN,1.250 X 9.25, 2 RINGS.....195 | | | | |
| | PIN,1.25DIAX14.45LG,2HOLE.....189 | | | | |
| | PIN,1.25DIAX3.37LG,1HOLE.....175-176 | | | | |
| | PIN,1.25DIAX5.25LG,1HOLE.....187, 189, 191 | | | | |
| | PIN,1.25DIAX7.00LG,1HOLE.....189 | | | | |
| | PIN,1.25DIAX7.47LG,2RING.....187, 189, 191 | | | | |
| | PIN,1.25DIAX7.88LG,1HOLE.....189 | | | | |
| | PIN,1.25DIAX8.42LG,2RING.....187, 189, 191 | | | | |
| | PIN,1.5 X 5.50 LG.....183 | | | | |
| | PIN,1.50DIAX13.43LG,2RING.....179-180 | | | | |
| | PIN,1.50DIAX3.75LG,1HOLE.....92 | | | | |
| | PIN,1.50DIAX9.38LG,1HOLE.....92 | | | | |
| | PIN,2 X 5.75 LG.....175-176 | | | | |
| | PIN,2.00DIAX11.18LG,2RING.....175-176 | | | | |
| | PIN,2.00DIAX20.88LG,CHAMFER.....95-96 | | | | |
| | PIN,2.00DIAX23.13LG,CHAMFER.....92 | | | | |
| | PIN,2.00DIAX24.00LG,CHAMFER***.....175-176 | | | | |
| | PIN,2.25DIAX18.75LG,CHAMFER.....175-176 | | | | |
| | PIN,2.25DIAX19.25LG,CHAMFER.....175-176 | | | | |
| | PIN,CLEVIS,1 X 2.5 LG.....91-92, 179-180 | | | | |
| | | | | | |
| | PIN,CLEVIS,1X2.250,ZAG.....183 | | | | |
| | PIN,COTTER,.156 X 1.75.....183, 195 | | | | |
| | PIN,GROOVE/HOLE,1.50 DIAX4.475.....92 | | | | |
| | PIN,LOCK,SHORT***.....223 | | | | |
| | PINCH GUARD RAIL,6' PLATFORM.....221 | | | | |
| | PINCH GUARD RAIL,8' PLATFORM**.....221 | | | | |
| | PINS,CONNECTOR,INJ HARNESS,D2.9...161 | | | | |
| | PIPE PLUG KIT,OMNI***.....92, 95-96 | | | | |
| | PLAT ASSY,TRI ENT,8'.....225 | | | | |
| | PLAT ASSY,TRI ENT,S60/65,6'.....225 | | | | |
| | PLAT. FLOOR, 5FT, PAINTED.....197 | | | | |
| | PLATE BACKING, WIPER 1 TO 2.....237 | | | | |
| | PLATE BACKING, WIPER 2 TO 3.....237 | | | | |
| | PLATE, HAMMER SHIM 1/2.....101 | | | | |
| | PLATE,ANTIROTATION.....179-180 | | | | |
| | PLATE,BACKING BELLOWS.....241 | | | | |
| | PLATE,BACKLASH ADJUSTMENT | | | | |
| | MACH.....127-128 | | | | |
| | PLATE,BOTTOM BLOCK,PAINTED.....183 | | | | |
| | PLATE,HINGE SUPPORT.....131 | | | | |
| | PLATE,JIB,ROTATE MANIFOLD.....197 | | | | |
| | PLATE,PRIMARY BOOM SIDE.....125 | | | | |
| | PLATE,RETRACTION CABLE EQUALIZ.....183 | | | | |
| | PLATE,ROCKER.....179-180 | | | | |
| | PLATE,SWIVEL ROTATION STOP.....128 | | | | |
| | PLATE,TAP BLOCK.....183 | | | | |
| | PLATE,UK,POWER TO PLAT.....235 | | | | |
| | PLATFORM CONTROL BOX W/DECAL.....203 | | | | |
| | PLATFORM CONTROL BOX,PAINTED.....203 | | | | |
| | P L A T F O R M S U P P O R T | | | | |
| | WELDMNT-SERV*.....189, 193 | | | | |
| | PLUG, TYPE F, 230A, 50HZ, 16A, IP44.....235 | | | | |
| | PLUG,BLANKING.....134 | | | | |
| | PLUG,ENGINE OIL,DEUTZ F4L2011.....169 | | | | |
| | PLUG,FUSED,250V,13AMP,U.K.**.....235 | | | | |
| | PLUG,HEX SOCKET,090109B-12.....217 | | | | |
| | PLUG,HEX SOCKET,090109B-4.....128 | | | | |
| | PLUG,HEX,090109A-4.....213, 215 | | | | |
| | PLUG,HEX,090109A-8***.....213 | | | | |
| | PLUG,HYD.TANK,SAE-8 (147831).....109-110 | | | | |
| | PLUG,NYLON .38 BLACK DOMED...117, 121-122 | | | | |
| | PLUG,NYLON .50 BLACK DOMED.....117, 119 | | | | |
| | PLUG,NYLON .875 BLACK DOMED.....119, 203 | | | | |
| | PLUG,NYLON 1.12 BLACK DOMED.....119, 125 | | | | |
| | PLUG,NYLON .94X1.65 BLK DOMED.....119, 125 | | | | |
| | PLUG,ORB #6.....128 | | | | |
| | PLUG,PWR,UK,16AMP,3PIN,BLK.....235 | | | | |
| | PLUG,SAE #03 (139712).....143 | | | | |
| | PLUG,SANTOPRENE .5 BLACK DOME...117, 121-122, 199-200 | | | | |
| | POWER UNIT,AUX PUMP 12VDC.....113 | | | | |
| | PRE-FILTER,FUEL,DEUTZ TCD3.6.....167 | | | | |
| | PRECLEANER,AIR INTAKE***.....243 | | | | |
| | PROXIMITY SENSOR***.....231, 233 | | | | |
| | P U L L E Y | | | | |
| | ASSEMBLY,ALTERNATOR,TCD.....169 | | | | |
| | PULLEY, WATER PUMP.....172 | | | | |
| | P U L L E Y , A L T E R N A T O R , D E U T Z | | | | |
| | BF4L2011.....155-156 | | | | |
| | PULLEY,BELT TENSIONER,D2.9L4.....165 | | | | |
| | PUMP ASSY,AUX.POWER UNIT 89617.....113 | | | | |
| | PUMP,FUEL 2011 DEUTZ ***.....152, 155-156 | | | | |
| | PUMP,FUEL INJ,DEUTZ BF4L20.....159 | | | | |
| | PUMP,FUEL,HI PRESS,DEUTZ TD2.9.....165 | | | | |

Part Description Index (continued)

- PUMP,LIFT(FUEL) PERKINS(54555).....171-172
PUMP,LIFT,1 SECTION.....147
PUMP,LIFT,2 SECTION***.....147
PUMP,PISTON,49CC***.....147
PUMP,PRIMER,PERKINS***.....171-172
- R**
- RADIATOR, CAPLESS, DEUTZ D 2.9.....161
RADIATOR,FORD/PERKINS***.....172
RAILING CATCH CASTING--DRILLED.....223
RECEPTACLE,UK,110V.....235
REDUCER,3" TO 2.75".....155-156
REDUCER,520123-16-12.....217
REDUCER,520123-8-4.....207
REF. WHEEL AND TIRE ASSEMBLY.....95-96
Ref: Bar Clamp, Cable Track.....183
Ref: Boom Tube #1.....175-176
Ref: Brake and 2 Speed Manifold.....128
Ref: Bulkhead, Left Rear.....109-110
Ref: Cable Track.....179-180
Ref: Cable Track Guide.....179-180
Ref: Cable Track Tray.....179-180
Ref: Cable Track Tube.....179-180
Ref: CABLE,S60 & S65 12VDC WORK LIGHT.....227
Ref: Control Box Cover.....131
REF: Descent Alarm.....219
REF: Engine Baffle, DEUTZ D2.9.....128
REF: Engine Baffle, FORD MSG-425.....128
REF: Engine Baffle, PERKINS 404F-22.....128
Ref: Engine Tray.....151-152, 167
Ref: Engine Tray with Bearing.....159
Ref: Extension Cylinder.....183
Ref: Foot Switch Assembly.....133-134
Ref: Fuel Tank.....113
Ref: Half Mesh.....221
Ref: HARN,12V WORK LIGHT RELAY.....227
Ref: Harness, Power to Platform.....235
Ref: Harness, Primary Ext/Ret Limit Switch.....179-180
Ref: HARNESS,12V WORK LIGHTS.....227
Ref: Hose/Cable Clamps.....183
Ref: Jib Manifold.....197
Ref: Platform Support.....197
REF: Platform Weldment.....223
Ref: Primary Ext/Ret Harness.....175-176
Ref: Pumps.....155-156
Ref: Ref: Harness LS, OP, Primary Angle.....175-176
Ref: Ref: Harness LS, OP, Primary Velocity.....175-176
Ref: Ref: Harness LS, Safety, Primary Velocity.....175-176
Ref: Swing Gate.....221
Ref: Weldment Track Pull Tube.....183
RELAY MODULE(89996,89998).....156
RELAY, 12V MICRO, 35AMP.....109-110
RELAY, POWER & FUSE MODULE.....109-110
RELAY,12VDC,70AMP,SEALED.....119
RELAY,SPDT,12V(AUTO) PLUG IN**.....119, 125
RELAY,TIME DELAY,2 SEC,10A.....119, 125
RELAY,TIME DELAY,2 SEC,30A.....133-134, 203
REPAIR KIT,4 LINK,W/GUIDE.....195
RESISTOR,10 OHM,25 WATT.....119, 125
RESISTOR,5 OHM,25W***.....119, 125
RESISTOR,7.5 OHM,25 WATT,1PCNT.....119, 125
RETAINER,GAS SPRING***.....131
RETAINER,SPRING,1.21 X .375.....193
RETAINER-N.C.PROPOR.SOLENOID.....137-138
RING / SEALING.....169
RING GEAR,DEUTZ F3L2011F.....169
RING,RETAINING***.....95-96
RING,RETAINING,INTERNAL.....92, 95-96
RIVET,ALUM,ALUM,3/16BUTTONHEAD.....221
RIVET,ALUM,ALUM,P,.25X.375.....239
RIVET,ALUM,P,.188 X .25.....195
RIVET,ALUM,P,.25X.625.....239
RIVET,STEEL,P,.25 X .375.....223
ROCKER ASSY,MAGNETIC 75565.....205
ROCKER,RETAINER, 75565.....205
ROD END, .375X3.69, ZAG.....92, 127-128, 187, 189, 191
ROD END,.250 X 2.75 LG.....193
ROD END,.375 X 2.25,ZAG.....92, 175-176
ROD END,.5 X 3.75,ZAG.....92, 95-96, 175-176
ROD END,BALL JOINT 1/4-28.....99
ROD END,CABLE.....179-180, 183
ROD,DISCONNECT,OMNI***.....91-92, 95-96
ROLLER ARM,LIMIT SWITCH***.....133-134
ROLLER,1/2" ALUMINUM.....183
ROLLER,1/2" PVC.....183
ROTATIONAL LIMITER FRONT LEFT.....101, 107
ROTATIONAL LIMITER FRONT RIGHT.....101, 107
ROTATIONAL LIMITER REAR.....107
ROTATOR MOUNT KIT.....193
ROTATOR,NON-JIB.....187
ROTATOR,PLAT JIB,160 DEG***.....189
ROTATOR,PLATFORM,15K.....191
RUE RING,1.00.....91-92
- S**
- S60 PBOX ASSY, COMMON.....199-200
SCREW PH M5-0.8X20 DIN 7500CE.....199-200, 203
SCREW T-SWITCH PH/PH 6-32X1/4.....121-122, 199-200
SCREW, BHC, 1/4-20 X 1, ZAG.....231
SCREW, FHSC, 1/2-13X1.00.....107
SCREW, HCC, 3/8-16 X 1.50.....127-128, 167, 191
SCREW, HHC, 1/4-20 X 1, 8, ZAG.....229
SCREW, HHC, M8 X 1.25 X 12.....172
SCREW, PHM, #6-32 X .625 ZINC.....205
SCREW,10-24 X.5 TORX PAN HD***.....195
SCREW,10-32 X.625,SF.TAP.PHIL.....109-110
SCREW,BHHS,3/8-16 X 1.....179-180
SCREW,BHHS,3/8-16 X 1.25.....183
SCREW,BHSC,1/4-20 X 1.....233
SCREW,BLEEDER,M5X0.8.....187, 189
SCREW,DP200 M3X10 4PACK.....121-122
SCREW,FHS,3/8-16 X 2 GRD.8.....127-128
SCREW,FLANGE,HHC,5/8-11X2,GR8.....107
SCREW,HHC,1-8 X 11,GRD 5***.....189, 193
SCREW,HHC,1-8 X 12 GRD 5.....109-110
SCREW,HHC,1-8X12.75,5,ZAG.....191
SCREW,HHC,1/2-13 X 1.25 GR5.....109-110, 151-152, 175-176
SCREW,HHC,1/2-13 X 1.5.....92, 147, 155-156, 175-176
SCREW,HHC,1/2-13 X 1.5 GRD 8.....163, 183
SCREW,HHC,1/2-13 X 1.75 GRD 8.....127-128
SCREW,HHC,1/2-13 X 2 GR5.....128
SCREW,HHC,1/2-13 X 2.75.....99
SCREW,HHC,1/2-13 X 3.....151-152, 167, 171-172
SCREW,HHC,1/2-13 X 4.5,GRD.8.....175-176
SCREW,HHC,1/2-13X1.25,GR8,Y.....191
SCREW,HHC,1/4-20 X .5.....91-92, 119, 125
SCREW,HHC,1/4-20 X .75.....96, 109-110, 117, 121-122, 128, 131, 161, 163, 165, 175-176, 179-180, 183, 189, 195, 197, 203, 221, 223, 225
SCREW,HHC,1/4-20 X 1.....109-110, 113, 119, 127-128, 131, 163, 167, 171-172, 179-180, 193, 197, 231, 237, 241, 249
SCREW,HHC,1/4-20 X 1.25.....113, 131, 172, 189, 239
SCREW,HHC,1/4-20 X 1.5.....185, 227
SCREW,HHC,1/4-20 X 1.75.....175-176, 249
SCREW,HHC,1/4-20 X 2.....109-110, 183, 221
SCREW,HHC,1/4-20 X 2.25.....99, 179-180, 195
SCREW,HHC,1/4-20 X 2.5.....195
SCREW,HHC,1/4-20 X 2.75.....176
SCREW,HHC,1/4-20 X 3.....195
SCREW,HHC,1/4-20X.75,8,ZAG.....96
SCREW,HHC,10-24 X .75.....167
SCREW,HHC,3/4-10 X 1.5.....101
SCREW,HHC,3/4-10 X 4 FULL THRD.....127-128
SCREW,HHC,3/8-16 X .75.....92, 128, 189
SCREW,HHC,3/8-16 X 1.....92, 95-96, 109-110, 113, 151-152, 155-156, 167, 171-172, 175-176, 179-180, 183, 187, 189, 219, 239
SCREW,HHC,3/8-16 X 1 GRD 8.....189, 193
SCREW,HHC,3/8-16 X 1.25 GRD 5.....109-110, 159, 165, 179-180, 183, 185, 195, 197, 235, 243
SCREW,HHC,3/8-16 X 1.75,GRD.8.....185
SCREW,HHC,3/8-16 X 2.....92, 115, 237
SCREW,HHC,3/8-16 X 2.5.....227, 239
SCREW,HHC,3/8-16 X 3.....92
SCREW,HHC,3/8-16 X 3.25.....193
SCREW,HHC,3/8-16 X 3.5,GR5.....183
SCREW,HHC,3/8-16 X 7.....195
SCREW,HHC,3/8-16X2.5,8,ZAG.....229
SCREW,HHC,5/16-18 X .75.....227
SCREW,HHC,5/16-18 X 1 GR5.....151-152, 159, 172, 197
SCREW,HHC,5/16-18 X 1.25.....197
SCREW,HHC,5/8-11 X 2.25 GR8.....92, 95-96, 127-128
SCREW,HHC,5/8-11 X 3.5 GRD.8.....155-156, 159
SCREW,HHC,5/8-11 X 4.00 GR8 BO.....95-96, 127-128
SCREW,HHC,7/16-14 X 1.25.....96
SCREW,HHC,7/16-14 X 1.75.....175-176
SCREW,HHC,FLG,3/8-16 X 1 GR8.....219
SCREW,HHC,M10 X 1.5 X 16.....163
SCREW,HHC,M10 X 1.5 X70,GR 8.8.....151-152, 155-156
SCREW,HHC,M10 X 30MM.....151-152
SCREW,HHC,M10 X 80 GR 8.8.....163
SCREW,HHC,M12 X 45.....172
SCREW,HHC,M14 X 1.5X40MM,GR8.8.....171-172

| | | |
|---|---|--|
| SCREW,HHC,M14 X 40MM,GR 8.8..151-152, 155-156, 159, 167 | SEAL KIT,CYL,S45 MASTER(81694).....175-176 | SHIM,WEAR PAD,5 X 1.5,14GA.....183 |
| SCREW,HHC,M6 X 20MM,GR8.8.....155-156 | SEAL KIT,CYL,S65 (63213).....189 | SHIM,WEAR PAD,5X 1.5 16GA.....180, 183 |
| SCREW,HHC,M8 X 16.....161, 165 | SEAL KIT,DRIVE HUB (88887).....95-96 | SHOCK MOUNT,SMALL.....161, 172 |
| SCREW,HHC,M8 X 20MM.....171-172 | SEAL KIT,GEARBOX,OMNI***.....92, 95-96 | SHORT LINK W/BEARINGS, SERVICE.....175-176 |
| SCREW,HHF,1/2-13X2.5,8,ZAG.....96 | SEAL KIT,MOTOR,LC/KC***.....92, 95-96 | SHRINK TUBE,BLACK,RHW,1/2,3:1.....247 |
| SCREW,HHF,1/2-13X3.5,8,ZAG.....251 | SEAL KIT,PUMP SHAFT (EATON)***.....147 | SHROUD, RADIATOR, DEUTZ 2.9.....161 |
| SCREW,HHF,1/4-20X.75,8,ZAG.....231, 233, 253 | SEAL KIT,SOLENOID VALVE 219247.....149 | SHROUD,FAN PAINTED.....171-172 |
| SCREW,HHF,1/4-20X1.25,8,ZAG.....253 | SEAL KIT,SOLENOID VALVE, SV07.....145 | SHUTDOWN SOLENOID,12V, DEUTZ.....151-152, 155-156 |
| SCREW,HHF,1/4-20X1.75,8,ZAG.....131 | SEAL KIT,SWING BRAKE***.....127-128 | SIGHT GLASS.....165 |
| SCREW,HHF,3/8-16X2.5,8,ZAG.....251 | SEAL KIT,SWING TORQ HUB***.....127-128 | SLEEVE,CONNECTOR,DT JOYSTICKS.....205 |
| SCREW,HHF,M6-1.0X12,DIN6921,10.....253 | SEAL RING,SOLENOID CONTROL.....147 | SLEEVE,NYLON,1.42 ID.....209 |
| SCREW,HHF,M8-1.25X50,DIN6921,10.9,ZAB.165 | SEAL, BEARING (128918).....107 | SLEEVE,NYLON,2.19 ID,BULK.....133-134, 209 |
| SCREW,M5X16 BHD.....253 | SEAL, CAP, NOTCHED.....127-128 | SLIDING MIDRAIL KIT,PTD.....197 |
| SCREW,M6X8.....253 | SEAL, CONNECTOR (DT JOYSTICKS).....205 | SNAP RING.....107 |
| SCREW,PHIL,10-24 X .75.....197 | SEAL, FRONT ENGINE,DEUTZ.....169 | SNAP RING(M46 UNITS)*.....92, 96 |
| SCREW,PHIL,8-32X.50,SELF TAP.....235 | SEAL, O-RING ENERGIZER.....127-128 | SNAP RING,EXTERNAL,1.25 DIA.**.....187, 189, 191 |
| SCREW,PHIL,PHM,10-24 X.5,SEMS.....161, 163, 171-172 | SEAL, O-RING LIP.....127-128 | SNAP RING,EXTERNAL,1.50,ZAG.....92, 179-180, 183 |
| SCREW,PHIL,PHM,10-24X1.5 ZINC.....193 | SEAL, OIL FILLER CAP.....172 | SNAP RING,EXTERNAL,2.00 DIA.....175-176 |
| SCREW,PHIL,PHM,10-32 X .5,SSTL.....119, 125, 203 | SEAL, POLY, CHAMFER.....127-128 | SNAP RING,EXTERNAL,2.25 DIA.....175-176 |
| SCREW,PHIL,PHM,6-32 X 1/4 SS.....203 | SEAL, REAR ENGINE,DEUTZ.....169 | SNAP RING,PUMP SHAFT SEAL***.....147 |
| SCREW,PHILLIPS,FHM,10-32X1.00.....241 | SEAL, FILTER LID.....109-110 | SOLENOID CABLE ASSY***.....151-152, 155-156 |
| SCREW,PHILLIPS,PHM,10-32 X .5.....203 | SEAL,LIP.....92, 95-96 | SOLENOID,77066.....113 |
| SCREW,PHILLIPS,PHM,10-32 X .75.....131 | SEAL,RUBBER BRAKE RELEASE,RUBBER TRACK (139120).....107 | SOLENOID,SHUT DOWN PERKIN40422.....171-172 |
| SCREW,PHILLIPS,PHM,10-32 X 1.....175-176, 247 | SEAL,SHAFT,EATON PUMP***.....147 | SOLENOID,THROTTLE ACTUATOR DSL.....151-152, 171-172 |
| SCREW,PHILLIPS,PHM,10-32 X1.25.....125 | SEAL,SHAFT-SUNDSTRAND***.....92, 95-96 | SOLENOID-STARTR DEUTZF4L1011F*.....159 |
| SCREW,PHILLIPS,PHM,6-32 X .5.....203 | SEAL,TRAX HUBS.....101, 103, 105, 107 | SOUNDER LENS, OPA, AMBER.....253 |
| SCREW,PHILLIPS,PHM,8-32 X 1.00.....185 | SEAL-INJECTOR.....171-172 | SOUNDER LENS, OPA, BLUE.....253 |
| SCREW,RHM,10-32 X .75.....131 | SEAL-ROCKER BOX.....171-172 | SOUNDER LENS, OPA, CLEAR.....253 |
| SCREW,RHM,10-32 X 1.....219 | SEAL-VALVE SYSTEM (A).....171-172 | SOUNDER LENS, OPA, RED.....253 |
| SCREW,SHC,3/4-10 X 3.00,A574.....127-128 | SEAL-VALVE SYSTEM (B).....171-172 | SOUNDER,MIDI,OPA.....253 |
| SCREW,SHC,3/8 X 1.75 SHOULDER.....185 | SECURITY TIE,TOGGLE GUARD.....117 | SPACER, 9 BOLT.....101, 103, 105 |
| SCREW,SHC,3/8-16 X 1.....147 | SENDING UNIT,OIL PRESS,DEUTZ*.....155-156 | SPACER, BOOM TOP.....237 |
| SCREW,SHC,5/8-11X1.50,GR5,PLN.....101 | SENDING UNIT,OIL PRESSURE***.....245 | SPACER, COVER SUPPORT,S60.....131 |
| SCREW,SHC,M10X1.5X20MM (75090).....159 | SENDING UNIT,OIL TEMP SWCH,DTZ.....152, 155-156 | SPACER, DUAL COIL SIZE #8.....137-138 |
| SCREW,SHC,M10X1.5X30 GR 12.9.....155-156, 163 | SENDING UNIT,TMP,FRD,GM,PRK704.....245 | SPACER, FAN, DEUTZ, 29.5MM LNG.....165 |
| SCREW,SHM,PHP, #12 X .75.....119, 125, 203 | SENSOR.....167 | SPACER, HANGER BRACKET.....251 |
| SCREW,SHS,1/4-20 X .375 ZINC.....117, 121-122 | SENSOR,CAM / CRANK SHAFT POSITION.....169 | SPACER, ALT PULLEY,DEUTZ BF4L2011.....155-156 |
| SCREW,SHS,10-24 X .625.....99, 151-152, 155-156 | SENSOR,COOLANT LEVEL, DEUTZ.....165 | SPACER,EATON PUMP SHAFT SEAL**.....147 |
| SCREW,SHS,M6X12MM,8MM.....172 | SENSOR,DUAL OUTPUT,ANGLE***.....134, 175-176 | SPACER,FAN,PERKINS 404F.....172 |
| SCREW,STEP BOLT,1/4-20 X .75.....197 | SENSOR,INTAKE AIR PRESSURE.....169 | SPACER,HEAT SINK.....253 |
| SEAL KIT.....137-138 | SENSOR,LEVEL,4.5 DEG.....113 | SPLIT BOGEY.....107 |
| SEAL KIT (39345).....145 | SENSOR,LOW PRESSURE,DEUTZ 2.9L.....169 | SPRING CLIP,1/4-20,.025-.15X.54,ZAG.....91-92, 96, 109-110, 117, 180, 189, 197, 237, 239 |
| SEAL KIT (63566).....187, 189, 191 | SENSOR,RUBBER EDGE.....253 | SPRING CLIP,10-24,.025-.125X.468,ZAG...197 |
| SEAL KIT (88571).....179-180 | SENSOR,WATER TEMPERATURE.....171-172 | SPRING CLIP,3/8-16,.05-.20X.73,ZAG.....109-110, 219 |
| SEAL KIT (88653).....175-176 | SEPARATOR,DUAL BATTERY,100A.....109-110 | SPRING,0.984"OD X 1.50"LG.....185 |
| SEAL KIT (89675).....92 | SEPRTR/FLTR,FUEL DSL,15GPH,.30.....172 | SPRING,COMP,1" OD,232 LB/IN.....193 |
| SEAL KIT CYLINDER (59460).....91-92, 101 | SET SCREW, LIFT CYLINDER.....175-176 | SPRING,EXTENSION,1.92LB/IN.....231, 233 |
| SEAL KIT, 15K ROTATOR.....191 | SHAFT SEAL, APU.....113 | SPRING,JOYSTK CENTR,62390/91.....205 |
| SEAL KIT, APU.....113 | SHAFT,KNURLED (128918).....107 | SPRING,SHORT PLATFORM GATE.....223 |
| SEAL KIT, DRIVE HUB.....92, 95-96 | SHAFT,RAISED BOSS (128918).....107 | SPRING,SWITCH CENTERING,75565.....205 |
| SEAL KIT, SOLENOID VALVE.....137-138 | SHAFT,15 TOOTH.....92, 96 | SPROCKET, MACH. HALF LEFT.....107 |
| SEAL KIT, SWING BRAKE.....127-128 | SHAFT,INPUT DRIVE HUB.....95-96 | SPROCKET, MACH. HALF RIGHT.....107 |
| SEAL KIT, VALVE.....141, 143, 145 | SHAFT,OUTPUT.....127-128 | SQUEEZE CONN W/NUT, 2WIRE, 4MM.....247 |
| SEAL KIT, VALVE, #10.....137-138, 141 | SHEAVE,EXTENSION CABLE(LARGER)...183 | SQUEEZE CONNECTOR, 4 WIRE.....247 |
| SEAL KIT, VALVE, #4.....137-138 | SHEAVE,RETRACT CABLE(SMALLER)...179-180 | STAND OFF,CONTROL UNIT.....253 |
| SEAL KIT,8-PORT SWIVEL.....127-128 | SHEET,AIR SEAL BACKING.....163 | STANDOFF,6-32 X 3/8L X 1/4 HEX.....203 |
| SEAL KIT,8K ROTATOR***.....187, 189 | SHEET,RUBBER,AIR INTAKE.....151-152 | STARTER, 12V.....151-152, 159 |
| SEAL KIT,BRAKE,OMNI***.....92, 95-96 | SHIM,AXLE ROTATION STOP,16G.....96 | STARTER, PERKINS, 404D.....171-172 |
| SEAL KIT,CHECK VALVE 219246.....149 | SHIM,AXLE ROTATION STOP,22G.....96 | |
| SEAL KIT,CONTROL VALVE.....99 | SHIM,PAD,5 X 3.....179-180 | |
| | SHIM,SIDE PAD 16GA. 3 X 5.....179-180, 183 | |

Part Description Index (continued)

STARTER,3.2KW,DEUTZ D2.9.....161, 169
 STEER AXLE ASSEMBLY.....101
 STEP PLATFORM ENTRY PAINTED***.....197, 225
 STOP PLATFORM ROLLER.....195
 STRAINER,20 SAE F/24 SAE M***.....207
 STROBE,FIREBOLT,12-80VDC,AMB**219
 STUD, 3/4-16 UNF X 2-1/2 LG.....101, 103, 105
 SUPPORT,RAILING.....221, 231, 233
 SUPPORT,SENSOR,JOYSTICK.....205
 SWING DRIVE ASSEMBLY.....127-128
 SWING MOTOR COMPLETE***127-128
 SWITCH SHIELD,ROCK JOYSTK75565.....205
 SWITCH TOGGLE ASSY DPDT 2P MOM.....117, 121-122, 199-200
 SWITCH TOGGLE ASSY DPDT 3P MOM.....117, 121-122, 200
 SWITCH TOGGLE ASSY SPDT 2P MNT.....117, 121-122, 199-200
 SWITCH TOGGLE ASSY SPDT 2P MOM.....231, 233
 SWITCH TOGGLE ASSY SPDT 3P MOM.....117, 121-122, 199-200
 SWITCH TOGGLE DPDT 2P MOM SHDR.....199-200
 SWITCH TOGGLE DPDT 3P MOM SHDR.....200
 SWITCH TOGGLE SPDT 2P MNT SHDR.....121-122, 199-200
 SWITCH TOGGLE SPDT 3P MOM SHDR.....199-200
 SWITCH, OIL PRESSURE.....171-172
 SWITCH, OIL PRESSURE 1.5 BAR.....152
 SWITCH,LIMIT,W/RLLR ARM,NO/NC.....127-128, 133-134, 175-176, 179-180
 SWITCH,LIMIT,W/RLR ARM,NO/NC**.....175-176
 SWITCH,SELECTOR,BLACK.....117, 122
 SWIVEL,HYD 8 PORT***127-128

T

T-BOX,2.75 X 4.5 X 2.0.....235
 TAILPIPE, DEUTZ, TPEM & ROW.....151-152
 TAILPIPE, DEUTZ,TPEM & ROW.....155-156
 TAILPIPE, PERKINS, 404D.....172
 TAPE, PROTECTIVE MASK.....17, 25, 33, 41, 49, 57, 65, 73, 81, 89
 TEE,BRANCH,520429-8.....207, 211
 TEE,RUN,520428-6.....211, 213
 TEE,RUN,SWIVEL,520432-16.....217
 TENSIONER, TRAX.....107
 TERM,NI PIN,S&F,16-18GA,REEL.....133-134, 219
 TERMINAL BLOCK END PLATE.....125
 TERMINAL BLOCK, END PLATE.....119
 TERMINAL BLOCK, WIELAND.....119
 TERMINAL BLOCK,WIELAND.....125
 TERMINAL, RING, #10 YELLOW.....247
 TERMINAL,#10 RING,BLUE.....247
 TERMINAL,STRIP,4-POLE,600V***247
 THERMOSTAT.....172
 THERMOSTAT HOUSING.....169
 THERMOSTAT,DEUTZ.....161, 169
 THREADED ROD,1/4-28 X 4 IN***99
 THROTTLE LINKAGE, DSL.....155-156
 THROTTLE LINKAGE,DIESEL***151-152
 THROTTLE SOLENOID ASSY, TROMB.....155-156
 TIE ROD WELDMNT,S60.....91-92

TIRE & WHEEL ASSY RH,FF.....91-92
 TIRE & WHEEL ASSY,AIR,LH.....91-92
 TIRE & WHEEL ASSY,AIR,RH***.....91-92
 TIRE & WHEEL ASSY,LH FF***.....91-92
 TIRE & WHEEL ASSY,LH,FOAM,NM.....91-92
 TIRE & WHEEL ASSY,RH,FOAM,NM.....91-92
 TIRE & WHEEL ASSY,TURF SPEC***.....91-92
 TIRE & WHL.ASSY,NM R35 FF,LH.....91-92
 TIRE & WHL.ASSY,NM R35 FF,RH.....91-92
 TIRE,355/55D625.....91-92
 TIRE,355/55D625,14 PLY,NM.....91-92
 TIRE,41/18LL X 22.5,14PR,TURF*.....91-92
 TIRE/WH ASSY,LH,FF,REPNEU***.....91-92
 TIRE/WH ASSY,RH,FF,REPNEU***.....91-92
 TIRE/WHEEL ASSY,HF W/SEALANT.....91-92
 TIRE/WHEEL ASSY,LP NM W/SEALAN.....91-92
 TIRE/WHEEL ASSY,LP RT W/SEALAN.....91-92
 TOEBOARD, TRI ENTRY 6', EURO.....225
 TOEBOARD,8'TRI ENTRY.....225
 TOEBOARD,ENTRY EUROPEAN
 PNTD**.....197, 225
 TOGGLE SWITCH GUARD,RED.....117
 TOOL TRAY ACCESSORY***.....221
 TOOL, FUSE PULLER, ATM.....109-110
 TOOL,CABLE GRIP, 7/16".....183
 TRACK, RUBBER.....107
 TROLLEY, TRACK, FALL ARREST BAR.....251
 TUBE,AIR CLEANER INLET.....151-152
 TUBE,AIR INTAKE.....155-156, 243
 TUBE,FUEL RETURN,3/8X3/8X23.5.....115
 TUBE,RD,STL,DOM,.75X.38X.78.....237
 TUBING, VINYL, 1/2" CLEAR.....171-172
 TURNTABLE CENTER COVER PAINTED.....239

U

U-BOLT, FLATTENED, 1.5 X 3/8 UNC,ZAG.....229, 253
 U-BOLT, SQR, 3/8-16X2X5, PLTD.....231, 233
 U-BOLT,1/2-13 X 8.5.....155-156
 U-BOLT,3/8-16X4X4.63X3.00.....231, 233
 UBOLT,FLATTENED,1.5DIA X 3/8 UNC.....197
 UNION,STR.THREAD 20.....207

V

V-BELT GUARD, DEUTZ 2011.....159
 V-BELT, DEUTZ.....169
 V-BELT, DEUTZ TD2011LOAI.....155-156
 VALVE - COUNTERBALANCE***.....145
 VALVE - SOLENOID 2POSITION 3WA.....137-138
 VALVE, CHECK.....143
 VALVE, CHECK, 5PSI.....143
 VALVE, CNTRBAL 3500 PSI, ATM VEN.....187, 189, 191
 VALVE, FLOW DIVIDE/COMB,24GPM.....143
 VALVE, FLOW DIVIDE/COMBINE 1:1.....143
 VALVE, RELIEF, 280PSI.....143
 VALVE, SHUTTLE, FIXED.....143
 VALVE, SOLENOID.....149
 VALVE,BALL,16 MSAE-16 FSAE***.....207
 VALVE,BALL,FSAE-20,FSAE-20.....207
 VALVE,CB 3:1 3500 PSI.....137-138
 VALVE,CB,CBCA-LHN@1500PSI***179-180

VALVE,CHECK***.....137-138
 VALVE,CHECK, 30 PSI.....137-138
 VALVE,CHECK,30 PSI.....95-96
 VALVE,CHECK,5 PSI.....137-138, 141
 VALVE,COUNTERBAL,CBCA-LIN***127-128
 VALVE,COUNTERBAL.CBBB-LHN@3500.175-176
 VALVE,COUNTERBALANCE.....92, 189
 VALVE,COUNTERBALANCE 3000 PSI*.....179-180
 VALVE,DIFFERENTIAL SENSING***137-138
 VALVE,DIFFERENTIAL SENSING,110.....137-138
 VALVE,FLOW DIVIDER/COMBINER.....141
 VALVE,FLOW REGULATOR 0.1 GPM.....137-138
 VALVE,FLOW REGULATOR 0.6GPM.....138
 VALVE,FLOW REGULATOR 3.5 GPM**.....137-138
 VALVE,HYDRAULIC CHECK.....149
 VALVE,MANUAL,W/RELIEF VALVE***.....99
 VALVE,NEEDLE***.....138
 VALVE,PROPORTIONAL.....137-138
 VALVE,RELIEF 3000 PSI***.....137-138
 VALVE,RELIEF,280PSI.....141
 VALVE,SHUTTLE.....141
 VALVE,SOLENOID 3 POS,4WAY***137-138
 VALVE,SOLENOID 3POS 4WAY*.....137-138
 VALVE,SOLENOID, 2POS/3WAY***.....145
 VALVE-SOLENOID,2POS 3WAY,JIB**.....145

W

WASHER, 1/2 PLATE (1/2 X 2.25 X 3/16).....151-152, 167
 W A S H E R , F L A T , M6X18X1.6,DIN9021,ZAB.....253
 WASHER,.469 X .781,HRD.....96
 WASHER,FENDER,.25 X 1.25 X.062.....131
 WASHER,FLAT,.25X1.25X.062,ZAG.....131
 WASHER,FLAT,375 X 1.5 X .125.....161
 WASHER,FLAT,.375X1.50X.125,ZAG.....229
 WASHER,FLAT,5 HARDENED.....127-128, 147, 155-156, 176, 191
 WASHER,FLAT,625 HARDENED.....92, 95-96, 127-128, 155-156, 159
 WASHER,FLAT,625 X 2.25 X.15.....127-128, 155-156, 159
 WASHER,FLAT,.75 HARDENED.....127-128, 183
 WASHER,FLAT,1.000,HARDENED...189, 191, 193
 WASHER,FLAT,1.56 X 2.5 X .061.....155-156, 159, 179-180, 183
 WASHER,FLAT,2.01 X 3.5 X .06.....95-96, 175-176
 WASHER,FLAT,2.01X2.25X.06,PLTD.....176
 WASHER,FLAT,2.27 X 3.5 X .06.....175-176
 WASHER,FLAT,3/8,USS,ZAG.....229
 WASHER,FLAT,HARDENED 7/16.....175-176
 WASHER,FLAT,M10.....152
 WASHER,FLAT,M10,ZINC PLTD.....151-152, 155-156, 163
 WASHER,FLAT,M12.....172
 WASHER,FLAT,M14.....151-152, 155-156, 159, 167, 171-172, 183
 WASHER,FLAT,M5,DIN125,ZAB.....172
 WASHER,FLAT,M6 PLTD.....119

WASHER,FLAT,M8,YELLOW ZINC...161, 165, 171-172
 WASHER,FLAT,MS,#10,Y.....109-110, 131, 161, 163, 167, 171-172, 193, 203, 219, 241, 247
 WASHER,FLAT,MS,#8,Y.....235
 WASHER,FLAT,USS,1",Y.....109-110
 WASHER,FLAT,USS,1/2",Y.....99, 109-110, 151-152, 163, 167, 171-172
 WASHER,FLAT,USS,1/4"Y.....91-92, 96, 99, 109-110, 113, 117, 119, 121-122, 125, 127-128, 131, 155-156, 161, 163, 165, 167, 171-172, 175-176, 179-180, 183, 185, 189, 193, 195, 197, 203, 221, 223, 225, 237, 239, 241, 249
 WASHER,FLAT,USS,1/4,ZAG.....96, 229, 253
 WASHER,FLAT,USS,3/8",Y.....92, 109-110, 113, 115, 127-128, 151-152, 165, 167, 179-180, 189, 193, 195, 197, 239, 243
 WASHER,FLAT,USS,5/16",Y.....109-110, 128, 131, 147, 151-152, 155-156, 159, 161, 165, 171-172, 185, 197, 227, 235
 WASHER,LOCK,#10 PLTD.....175-176, 197
 WASHER,LOCK,.25..117, 121-122, 128, 175-176, 179-180, 183, 189, 197, 203, 227, 237, 239
 WASHER,LOCK,.375.....92, 95-96, 127-128, 175-176, 179-180, 183, 185, 189, 219
 WASHER,LOCK,.625 PLTD.....127-128
 WASHER,LOCK,0.5".....92, 99, 109-110, 151-152, 175-176
 WASHER,LOCK,IND,LAMP RETAINER....199-200
 WASHER,LOCK,M14.....171-172
 WASHER,LOCK,M6.....155-156
 WASHER,M4 NYLON.....253
 WASHER,M5 NYLON.....253
 WASHER,SHIM .0151 THK.....193
 WASHER,SHIM,1.27 X 2.13 X .062..187, 189, 191
 WASHER,SHOULDER,NYLON.....185
 WASHER,THRUST,1.5 X 3.5 X .187.....92
 WASHER,VIBRATION ISOLATING.....167
 WATER OUTLET, VERTICAL.....172
 WATER PUMP.....171-172
 WDMT,4FT/5FT PLAT. SUPPORT,15K.....191
 WDMT,AIRCRAFT SENSOR BUMPER.....231, 233
 WDMT,ECU MOUNT,404F-22.....109-110
 WDMT,EXPANSION TANK SUPT.....165
 W D M T , F R A M E , A I R C R A F T PROTECTION.....233
 WDMT,INTAKE ADAPTER.....163
 WDMT,SKID PLATE.....231, 233
 WDMT,TAILPIPE,DEUTZ D2.9 T4.....161
 WEAPAD, BOOM REST.....127-128
 WEAR PAD,3 X 1.5 X .625 W/NUTS.....189
 WEAR PAD,5 X 1.5 X .625 W/NUTS.....179-180, 183
 WEAR PAD,5 X 1.5 X .75 W/NUTS.....183
 WEAR PAD,5 X 3 X .625 W/NUTS.....179-180
 WEAR PAD,5 X 3 X .75.....179-180, 183
 WEAR PAD,5.5 X 1.75 X .5.....195
 WEAR PAD,CABLE TRACK PULL TUBE....195
 WEARPAD, LIMIT SWITCH GUIDE.....185
 WELDMENT, AIR INTAKE BOX.....155-156
 WELDMENT, AIRCRAFT TOP BUMPER....231
 WELDMENT, BOOM SECTION #2.....179-180
 WELDMENT, FUEL FILTER BRACKET.....167
 WELDMENT, GROUND BOX, S60/65.....117, 121-122
 WELDMENT, LID, GBOX, S60/65.....117
 WELDMENT, LIMIT SWITCH ARM.....185
 WELDMENT, LONG LINK SPACER.....175-176
 WELDMENT, PLAT SUPPORT.....191
 WELDMENT, SENSOR MOUNT.....231, 233
 WELDMENT, SHORT LINK, S60/65.....175-176
 WELDMENT, TIE ROD.....101
 WELDMENT,4/5FT PLATFORM SUPPOR.....193
 WELDMENT,BAT/MANIF TRAY,S60/65.....109-110
 WELDMENT,BOOM SECTION #2***.....179-180
 WELDMENT,CABLE TRACK TRAY***.....195
 WELDMENT,CABLE TRACK TUBE***.....195
 WELDMENT,ECU MOUNT,DEUTZ D2.9...109-110
 WELDMENT,EXHAUST PIPE.....171-172
 WELDMENT,EXHAUST TUBE.....131
 WELDMENT,EXTENSION BRACKET.....183
 WELDMENT,LEFT COVER SUPPORT.....131
 WELDMENT,LID,GBOX.....121-122
 WELDMENT,MASTER LINK.....175-176
 WELDMENT,PLATFORM SUPPORT,CE.....193
 WELDMENT,PRECLEANER BRACKET.....243
 WELDMENT,RIGHT COVER SUPPORT.....131
 WELDMENT,ROTATOR SUPPORT.....193
 WELDMENT,STEEL INTAKE TUBE.....163
 WELDMENT,SWING GATE,ALUMINUM.....223
 WELDMENT,TIMING LINK CAM.....175-176
 WELDMENT,TRACK PULL TUBE PIVOT....195
 WELDMENT,TRANSPORT LOCK.....127-128
 WHEEL & TIRE ASSY,LH,NM AIR.....91-92
 WHEEL & TIRE ASSY,RH,NM AIR.....91-92
 WHEEL DRIVE 56:1.....92, 95-96
 WHEEL DRIVE 56:1 2WD.....95-96
 WHEEL DRIVE 57.5:1 4WD.....91-92, 95-96
 WHEEL STUD,5/8-18,OMNI***.....91-92, 95-96
 WHEEL, 24.5X11.75, 9 X 9 BCD.....91-92
 WHEEL,22.5X14.00***.....91-92
 WIPER RUBBER, 1 TO 2.....237
 WIPER RUBBER, 2 TO 3.....237
 WIPER,RING GEAR GUARD.....239
 WIRE CABLE,16/2,WHT/BLK,SJEOW.....219
 WIRE CABLE,16/4 CON.TPE JKT.....133-134
 WIRE LOOM,1"DIA.SLIT,HI TEMP.....133-134
 WORKLIGHT, 12V, DEUTSCH RECEP.....227

Y

YOKE ASSEMBLY W/BEARINGS,LH.....91-92
 YOKE ASSEMBLY W/BEARINGS,RH.....91-92

Z

ZERK,GREASE,1/8 NPT.....193

Fitting Cross References

| Genie PN | Parker PN | Description | Genie PN | Parker PN | Description |
|----------|-----------------|---|----------|---------------|---|
| 12342 | 6-4 F5OX-S | CONNECTOR,STRAIGHT THREAD TO FLARE TUBE | 42794 | 1 CR-S | ELBOW,90°,MALE PIPE |
| 13757 | 4 R6X-S | RUN TEE,SWIVEL NUT,ORFS | 42795 | BV-0839 | BALL VALVE |
| 19685 | 12-10 C5OX-S | ELBOW,90°,STRAIGHT THREAD TO FLARE TUBE | 42796 | BV-0838 | BALL VALVE |
| 22664 | 12-10 C5OX | ELBOW,90°,STRAIGHT THREAD TO FLARE TUBE | 42874 | 6-8 CLO-S | ELBOW,90°,MALE PIPE TO ORFS |
| 27431 | 8-12 F5OX-S | CONNECTOR,STRAIGHT THREAD TO FLARE TUBE | 42912 | 13943-6-4 | HOSE END,90° FEMALE SWIVEL,JIC |
| 28678 | AS-B-33 | SLEEVE,NYLON,1.81" ID | 42920 | BV-0840 | BALL VALVE,90° |
| 39871 | 6 WETX-WLN-S | UNION,90° BULKHEAD W/NUT,FLARE TUBE | 42932 | AS-B-17 | SLEEVE,NYLON,1.22" ID |
| 39872 | 4 R5OX-S | RUN TEE,STRAIGHT THREAD | 42936 | 10243-2-4 | HOSE END,FEMALE PIPE |
| 39873 | 6 C5OX-S | ELBOW,90°,STRAIGHT THREAD TO FLARE TUBE | 42953 | 1/2 DD-S | ELBOW,90°,FEMALE PIPE |
| 39874 | 8-6 C5OX-S | ELBOW,90°,STRAIGHT THREAD TO FLARE TUBE | 42956 | 6 WELO-WLNL-S | UNION,90° BULKHEAD W/NUT,ORFS |
| 39875 | 4-6 C5OX-S | ELBOW,90°,STRAIGHT THREAD TO FLARE TUBE | 45349 | 8 V5OX-S | ELBOW,45°,STRAIGHT THREAD TO FLARE TUBE |
| 39876 | 6-8 C5OX-S | ELBOW,90°,STRAIGHT THREAD TO FLARE TUBE | 45351 | 4 V5OX-S | ELBOW,45°,STRAIGHT THREAD TO FLARE TUBE |
| 39877 | 4 F5OX-S | CONNECTOR,STRAIGHT THREAD TO FLARE TUBE | 47223 | 10343-6-6 | HOSE END,MALE,JIC |
| 39878 | 6 F5OX-S | CONNECTOR,STRAIGHT THREAD TO FLARE TUBE | 47419 | PS690503-6-6 | SWIVEL,90°,STRAIGHT THREAD TO 37° FLARE |
| 39879 | 4-8 F5OX-S | CONNECTOR,STRAIGHT THREAD TO FLARE TUBE | 48750 | 421-4 | HOSE,1/4 INCH ID |
| 39880 | 6-10 F5OX-S | CONNECTOR,STRAIGHT THREAD TO FLARE TUBE | 48751 | 481TC-4 | HOSE,1/4 INCH ID |
| 39881 | 4-6 F5OX-S | CONNECTOR,STRAIGHT THREAD TO FLARE TUBE | 48752 | 482TC-4 | HOSE,1/4 INCH ID |
| 39882 | 4-HP5ON-S | PLUG,STRAIGHT THREAD | 48753 | 451TC-6 | HOSE,3/8 INCH ID |
| 39883 | 8-8 FTX-S | CONNECTOR,MALE PIPE TO FLARE TUBE | 48754 | 482TC-6 | HOSE,3/8 INCH ID |
| 39885 | 269HB 12-12 | ELBOW,90°,BEADED HOSE BARB TO MALE PIPE | 48755 | 381-6 | HOSE,3/8 INCH ID |
| 39886 | 431-6 | HOSE,3/8 INCH ID | 48756 | 451TC-8 | HOSE,1/2 INCH ID |
| 39887 | 540N-2 | HOSE,1/8 INCH ID | 48757 | 482TC-8 | HOSE,1/2 INCH ID |
| 39888 | 801-8 | HOSE,1/2 INCH ID | 48758 | 381-8 | HOSE,1/2 INCH ID |
| 39889 | 801-12 | HOSE,3/4 INCH ID | 48759 | 381-10 | HOSE,5/8 INCH ID |
| 39890 | 10643-6-6 | HOSE END,FEMALE SWIVEL,JIC | 48760 | 451TC-10 | HOSE,5/8 INCH ID |
| 39891 | 13943-6-6 | HOSE END,90° FEMALE SWIVEL,JIC | 48761 | 482TC-12 | HOSE,3/4 INCH ID |
| 39892 | 13743-6-6 | HOSE END,45° FEMALE SWIVEL,JIC | 48762 | 451TC-12 | HOSE,3/4 INCH ID |
| 39894 | 30682-8-8 | HOSE END,FEMALE SWIVEL,JIC | 48763 | 772-12 | HOSE,3/4 INCH ID |
| 39895 | 30682-10-12 | HOSE END,FEMALE SWIVEL,JIC | 48764 | 881-16 | HOSE,1 INCH ID |
| 42286 | 8-8 CTX-S | ELBOW,90°,MALE PIPE TO FLARE TUBE | 48765 | 772-16 | HOSE,1 INCH ID |
| 42756 | 8-12 CLO-S | ELBOW,90,MALE PIPE TO ORFS | 48766 | AS-B-15 | SLEEVE,NYLON,1.06" ID |
| 42757 | 8-12 FLO-S | CONNECTOR,MALE PIPE TO ORFS | 48767 | AS-B-22 | SLEEVE,NYLON,1.42" ID |
| 42758 | 4 JLO-S | UNION TEE,ORFS | 48770 | 881-8 | HOSE,1/2 INCH ID |
| 42759 | 4-4 FLO-S | CONNECTOR,MALE PIPE TO ORFS | | | |
| 42760 | 6-8 FLO-S | CONNECTOR,MALE PIPE TO ORFS | | | |
| 42761 | 1J143-6-4 | HOSE END,90° FEMALE SWIVEL,SEAL LOK | | | |
| 42762 | 1J743-6-4 | HOSE END,45° FEMALE SWIVEL,SEAL LOK | | | |
| 42768 | 1JO43-4-4 | HOSE END,MALE,SEAL LOK | | | |
| 42776 | 601-8 | HOSE,1/2 INCH ID | | | |
| 42777 | 1J743-16-16 | HOSE END,45° FEMALE SWIVEL,SEAL LOK | | | |
| 42786 | 16 CLO-S | ELBOW,90°,MALE PIPE TO ORFS | | | |
| 42787 | 16 R6LO-S | RUN TEE,SWIVEL NUT,ORFS | | | |
| 42788 | 16-8 TRLO-BL-S | REDUCER,TUBE END TO SWIVEL,ORFS | | | |
| 42789 | 6-6 CLO-S | ELBOW,90°,MALE PIPE TO ORFS | | | |
| 42790 | 8-10 V5OLO-S | ELBOW,45°,STRAIGHT THREAD TO ORFS | | | |
| 42791 | 3/4 CD-S | ELBOW,90°,MALE TO FEMALE PIPE | | | |
| 42792 | 3/4 X 1/2 PTR-S | REDUCER,MALE TO FEMALE PIPE | | | |
| 42793 | 1/2 CR-S | ELBOW,90°,MALE PIPE | | | |

Fitting Cross References (Continued)

| Genie PN | Parker PN | Description | Genie PN | Parker PN | Description |
|----------|-------------|-------------------------------------|----------|-----------------|--|
| 48771 | 881-10 | HOSE,5/8 INCH ID | 48847 | 13943-12-12 | HOSE END,90° FEMALE SWIVEL,JIC |
| 48772 | 381-4 | HOSE,1/4 INCH ID | 48848 | 10543-12-12 | HOSE END,MALE,STRAIGHT THREAD |
| 48773 | AS-B-13 | SLEEVE,NYLON,.86" ID | 48849 | 1JC71-12-12 | HOSE END,FEMALE SWIVEL,SEAL LOK |
| 48800 | 1JC43-4-4 | HOSE END,FEMALE SWIVEL,SEAL LOK | 48850 | 1JS71-12-12 | HOSE END,FEMALE SWIVEL,SEAL LOK |
| 48801 | 1J743-4-4 | HOSE END,45° FEMALE SWIVEL,SEAL LOK | 48851 | 1J171-12-12 | HOSE END,90° FEMALE SWIVEL,SEAL LOK |
| 48802 | 1J943-4-4 | HOSE END,90° FEMALE SWIVEL,SEAL LOK | 48852 | 1J771-12-12 | HOSE END,45° FEMALE SWIVEL,SEAL LOK |
| 48804 | 1JM43-4-4 | HOSE END,MALE,SEAL LOK, NO O-RING | 48853 | 1J971-12-12 | HOSE END,90° FEMALE SWIVEL,SEAL LOK |
| 48805 | 10643-4-4 | HOSE END,FEMALE SWIVEL,JIC | 48854 | 1JC43-16-16 | HOSE END,FEMALE SWIVEL,SEAL LOK |
| 48806 | 13943-4-4 | HOSE END,90° FEMALE SWIVEL,JIC | 48855 | 1J943-16-16 | HOSE END,90° FEMALE SWIVEL,SEAL LOK |
| 48807 | 1JS43-4-4 | HOSE END,FEMALE SWIVEL,SEAL LOK | 48856 | 1J171-16-16 | HOSE END,90° FEMALE SWIVEL,SEAL LOK |
| 48808 | 3JC82-8-8 | HOSE END,FEMALE SWIVEL,SEAL LOK | 48857 | 1J971-16-16 | HOSE END,90° FEMALE SWIVEL,SEAL LOK |
| 48809 | 3JC82-12-12 | HOSE END,FEMALE SWIVEL,SEAL LOK | 48859 | 1JS43-8-4 | HOSE END,FEMALE SWIVEL,SEAL LOK |
| 48810 | 1JC43-6-4 | HOSE END,FEMALE SWIVEL,SEAL LOK | 48867 | PD36BTL | DIAGNOSTIC NIPPLE,SEAL-LOK SWIVEL |
| 48811 | 1J943-6-4 | HOSE END,90° FEMALE SWIVEL,SEAL LOK | 48873 | 6 PNLO-S | PLUG,TUBE END,ORFS |
| 48812 | 1JC43-6-6 | HOSE END,FEMALE SWIVEL,SEAL LOK | 48874 | 6 PNTX-S | PLUG,FLARE TUBE |
| 48813 | 1J143-6-6 | HOSE END,90° FEMALE SWIVEL,SEAL LOK | 48875 | 6 R6LO-S | RUN TEE,SWIVEL NUT,ORFS |
| 48814 | 1J543-6-6 | HOSE END,90° FEMALE SWIVEL,SEAL LOK | 48877 | 4 F5OLO-SW/.025 | CONNECTOR,STRAIGHT THREAD TO ORFS, W/.025 ORI |
| 48815 | 1J743-6-6 | HOSE END,45° FEMALE SWIVEL,SEAL LOK | 48878 | 16-12 C5OLO-S | ELBOW,90°,STRAIGHT THREAD TO ORFS |
| 48816 | 1J943-6-6 | HOSE END,90° FEMALE SWIVEL,SEAL LOK | 48879 | 8 C6LO-S | ELBOW,90°,SWIVEL NUT ORFS |
| 48817 | 1JS43-6-8 | HOSE END,FEMALE SWIVEL,SEAL LOK | 48880 | PD6-285 | CAP,DIAGNOSTIC NIPPLE |
| 48818 | 1J943-8-4 | HOSE END,90° FEMALE SWIVEL,SEAL LOK | 48881 | 6 HLO-S | UNION,ORFS |
| 48819 | 1JC43-8-6 | HOSE END,FEMALE SWIVEL,SEAL LOK | 48883 | 8 P5ON-S | PLUG,STRAIGHT THREAD |
| 48820 | 1J743-8-6 | HOSE END,45° FEMALE SWIVEL,SEAL LOK | 48884 | 8M18F87OMLO-S | CONNECTOR,METRIC,STRAIGHT THREAD TO ORFS |
| 48821 | 1J943-8-6 | HOSE END,90° FEMALE SWIVEL,SEAL LOK | 48885 | 4 WGTX-WLN-S | CONNECTOR,BULKHEAD,FEMALE PIPE TO FLARE TUBE |
| 48822 | 1JC43-8-8 | HOSE END,FEMALE SWIVEL,SEAL LOK | 48886 | 4 F5OLO-SW/2MM | CONNECTOR,MACHINED STRAIGHT THREAD TO ORFS |
| 48823 | 1JS43-8-8 | HOSE END,FEMALE SWIVEL,SEAL LOK | 48887 | 4 CTX-S | ELBOW,90°,MALE PIPE TO FLARE TUBE |
| 48824 | 1J143-8-8 | HOSE END,90° FEMALE SWIVEL,SEAL LOK | 48888 | 10-12 V5OLO-S | ELBOW,45°,STRAIGHT THREAD TO ORFS |
| 48825 | 1J543-8-8 | HOSE END,90° FEMALE SWIVEL,SEAL LOK | 48890 | 4 S5OLO-S | BRANCH TEE,STRAIGHT THREAD TO ORFS |
| 48826 | 1J743-8-8 | HOSE END,45° FEMALE SWIVEL,SEAL LOK | 48891 | 4 S6LO-S | BRANCH TEE,SWIVEL NUT TO ORFS |
| 48827 | 1J943-8-8 | HOSE END,90° FEMALE SWIVEL,SEAL LOK | | | |
| 48828 | 1JC43-10-8 | HOSE END,FEMALE SWIVEL,SEAL LOK | | | |
| 48829 | 1JS43-10-8 | HOSE END,FEMALE SWIVEL,SEAL LOK | | | |
| 48830 | 1J743-10-8 | HOSE END,45° FEMALE SWIVEL,SEAL LOK | | | |
| 48831 | 1J943-10-8 | HOSE END,90° FEMALE SWIVEL,SEAL LOK | | | |
| 48833 | 1JC43-10-10 | HOSE END,FEMALE SWIVEL,SEAL LOK | | | |
| 48834 | 1J943-10-10 | HOSE END,90° FEMALE SWIVEL,SEAL LOK | | | |
| 48835 | 1JS43-10-12 | HOSE END,FEMALE SWIVEL,SEAL LOK | | | |
| 48836 | 1JC43-12-8 | HOSE END,FEMALE SWIVEL,SEAL LOK | | | |
| 48837 | 1JS43-12-8 | HOSE END,FEMALE SWIVEL,SEAL LOK | | | |
| 48838 | 1J743-12-8 | HOSE END,45° FEMALE SWIVEL,SEAL LOK | | | |
| 48839 | 1J943-12-8 | HOSE END,90° FEMALE SWIVEL,SEAL LOK | | | |
| 48840 | 1J943-12-10 | HOSE END,90° FEMALE SWIVEL,SEAL LOK | | | |
| 48841 | 1JC43-12-12 | HOSE END,FEMALE SWIVEL,SEAL LOK | | | |
| 48842 | 1JO43-12-12 | HOSE END,MALE,SEAL LOK | | | |
| 48843 | 1J143-12-12 | HOSE END,90° FEMALE SWIVEL,SEAL LOK | | | |
| 48844 | 1J543-12-12 | HOSE END,90° FEMALE SWIVEL,SEAL LOK | | | |
| 48845 | 1J743-12-12 | HOSE END,45° FEMALE SWIVEL,SEAL LOK | | | |
| 48846 | 1J943-12-12 | HOSE END,90° FEMALE SWIVEL,SEAL LOK | | | |

Fitting Cross References (Continued)

| Genie PN | Parker PN | Description | Genie PN | Parker PN | Description |
|----------|-------------------|--|----------|----------------|--|
| 48892 | 6 C6LO-S | ELBOW,90°,SWIVEL NUT ORFS | 48938 | 8 R6LO-S | RUN TEE,SWIVEL NUT,ORFS |
| 48893 | 6 F5OHAO-S | UNION,STRAIGHT THREAD | 48939 | 8 S6LO-S | BRANCH TEE,SWIVEL NUT TO ORFS |
| 48894 | 8 WLO-WLNL-S | UNION,BULKHEAD,ORFS | 48940 | 8 WJLO-WLNL-S | RUN TEE, BULKHEAD,ORFS |
| 48895 | DT-370-MSMO-5 | VALVE,CHECK | 48941 | 8-4 TRLO-S | REDUCER,TUBE END TO SWIVEL,ORFS |
| 48896 | 6 JLO-S | UNION,TEE,ORFS | 48942 | 8-6 C5OLO-S | ELBOW,90°,STRAIGHT THREAD TO ORFS |
| 48897 | DT-750-MSMS-5 | VALVE,CHECK | 48943 | 8-6 F5OLO-S | CONNECTOR,STRAIGHT THREAD TO ORFS |
| 48898 | DT-750-MOMS-5 | VALVE,CHECK | 48944 | 8-8 FLO-S | CONNECTOR,MALE PIPE TO ORFS |
| 48899 | DT-620-MOMS-5 | VALVE,CHECK | 48945 | 8 FTX-S | CONNECTOR,MALE PIPE TO FLARE TUBE |
| 48900 | 4-6 F5OLO-SW/.035 | CONNECTOR,STRAIGHT THREAD TO ORFS, W/.035 ORI | 48946 | 8-10 F5OLO-S | CONNECTOR,STRAIGHT THREAD TO ORFS |
| 48902 | 16-1 AOE4G-S | ELBOW,90° LONG,FEMALE PIPE TO STRAIGHT THREAD | 48947 | 8-12 C5OLO-S | ELBOW,90°,STRAIGHT THREAD TO ORFS |
| 48903 | 1 FF-S | NIPPLE,PIPE | 48948 | 8-12 F5OLO-S | CONNECTOR,STRAIGHT THREAD TO ORFS |
| 48904 | 4 C5OLO-S | ELBOW,90°,STRAIGHT THREAD TO ORFS | 48949 | 8-16 F5OLO-S | CONNECTOR,STRAIGHT THREAD TO ORFS |
| 48905 | 4 F5OLO-S | CONNECTOR,STRAIGHT THREAD TO ORFS | 48950 | 10 C5OLO-S | ELBOW,90°,STRAIGHT THREAD TO ORFS |
| 48906 | 4 R5OLO-S | RUN TEE,STRAIGHT THREAD | 48951 | 10 CC5OLO-S | ELBOW,90° LONG,STRAIGHT THREAD TO ORFS |
| 48907 | 4 V5OLO-S | ELBOW,45°,STRAIGHT THREAD TO ORFS | 48952 | 10 F5OLO-S | CONNECTOR,STRAIGHT THREAD TO ORFS |
| 48908 | 4 R6LO-S | RUN TEE,SWIVEL NUT,ORFS | 48953 | 10 R5OLO-S | RUN TEE,STRAIGHT THREAD |
| 48909 | 4 WJLO-WLNL-S | RUN TEE, BULKHEAD,ORFS | 48954 | 10 S5OLO-S | BRANCH TEE,STRAIGHT THREAD TO ORFS |
| 48910 | 4 GTX-S W/.030 | CONNECTOR,FEMALE PIPE TO FLARE TUBE | 48955 | 10 R6LO-S | RUN TEE,SWIVEL NUT,ORFS |
| 48911 | 4-6 C5OLO-S | ELBOW,90°,STRAIGHT THREAD TO ORFS | 48956 | 10-4 TRLO-BL-S | REDUCER,TUBE END TO SWIVEL,ORFS |
| 48912 | 4-6 F5OLO-S | CONNECTOR,STRAIGHT THREAD TO ORFS | 48957 | 10-6 TRLO-BL-S | REDUCER,TUBE END TO SWIVEL,ORFS |
| 48913 | 4-6 F5OLO-SW/.030 | CONNECTOR,STRAIGHT THREAD TO ORFS, W/.030 ORI | 48958 | 10-12 F5OLO-S | CONNECTOR,STRAIGHT THREAD TO ORFS |
| 48914 | 4-8 F5OLO-S | CONNECTOR,STRAIGHT THREAD TO ORFS | 48959 | 12 C5OLO-S | ELBOW,90°,STRAIGHT THREAD TO ORFS |
| 48915 | 6 C5OLO-S | ELBOW,90°,STRAIGHT THREAD TO ORFS | 48960 | 12 F5OLO-S | CONNECTOR,STRAIGHT THREAD TO ORFS |
| 48916 | 6 F5OLO-S | CONNECTOR,STRAIGHT THREAD TO ORFS | 48961 | 12 R5OLO-S | RUN TEE,STRAIGHT THREAD |
| 48917 | 6 FF5OLO-S | CONNECTOR,LONG,STRAIGHT THREAD TO ORFS | 48962 | 12 S5OLO-S | BRANCH TEE,STRAIGHT THREAD TO ORFS |
| 48918 | 6 R5OLO-S | RUN TEE,STRAIGHT THREAD | 48963 | 12 V5OLO-S | ELBOW,45°,STRAIGHT THREAD TO ORFS |
| 48919 | 6 S5OLO-S | BRANCH TEE,STRAIGHT THREAD TO ORFS | 48964 | 12 R6LO-S | RUN TEE,SWIVEL NUT,ORFS |
| 48920 | 6 V5OLO-S | ELBOW,45°,STRAIGHT THREAD TO ORFS | 48965 | 12 CLO-S | ELBOW,90°,MALE PIPE TO ORFS |
| 48921 | 6 FLO-S | CONNECTOR,MALE PIPE TO ORFS | 48966 | 12 FLO-S | CONNECTOR,MALE PIPE TO ORFS |
| 48922 | 6-6 FLO-S | CONNECTOR,MALE PIPE TO ORFS | 48967 | 12 JLO-S | UNION TEE,ORFS |
| 48923 | 6 P5ON-S | PLUG,STRAIGHT THREAD | 48968 | 12 WLO-WLNL-S | UNION,BULKHEAD,ORFS |
| 48925 | 6 WELO-S | UNION,90° BULKHEAD,ORFS | 48969 | 12 WJLO-WLNL-S | RUN TEE, BULKHEAD,ORFS |
| 48926 | 6-4 C5OLO-S | ELBOW,90°,STRAIGHT THREAD TO ORFS | 48970 | 12 WELO-WLNL-S | UNION,90° BULKHEAD W/NUT,ORFS |
| 48927 | 6-4 F5OLO-S | CONNECTOR,STRAIGHT THREAD TO ORFS | | | |
| 48928 | 6-4 V5OLO-S | ELBOW,45°,STRAIGHT THREAD TO ORFS | | | |
| 48929 | 6-8 C5OLO-S | ELBOW,90°,STRAIGHT THREAD TO ORFS | | | |
| 48930 | 6-8 F5OLO-S | CONNECTOR,STRAIGHT THREAD TO ORFS | | | |
| 48931 | 6-10 F5OLO-S | CONNECTOR,STRAIGHT THREAD TO ORFS | | | |
| 48932 | 8 C5OLO-S | ELBOW,90°,STRAIGHT THREAD TO ORFS | | | |
| 48933 | 8 F5OLO-S | CONNECTOR,STRAIGHT THREAD TO ORFS | | | |
| 48934 | 8 FF5OLO-S | CONNECTOR,LONG,STRAIGHT THREAD TO ORFS | | | |
| 48935 | 8 R5OLO-S | RUN TEE,STRAIGHT THREAD | | | |
| 48936 | 8 S5OLO-S | BRANCH TEE,STRAIGHT THREAD TO ORFS | | | |
| 48937 | 8 V5OLO-S | ELBOW,45°,STRAIGHT THREAD TO ORFS | | | |

Fitting Cross References (Continued)

| Genie PN | Parker PN | Description | Genie PN | Parker PN | Description |
|----------|---------------|--|----------|----------------|--|
| 48971 | 12 G5G5JG5-S | TEE,FEMALE STRAIGHT THREAD | 49612 | PKT02586 | O-RING KIT (ORFS FITTINGS) |
| 48972 | 12 XHL6-S | ADAPTER, 37° MALE TO SWIVEL ORFS | 49613 | PKT06276 | PLUG AND CAP KIT-SERVICE,ORFS |
| 48973 | 12-1/2 F5OG-S | ADAPTER,FEMALE PIPE TO STRAIGHT THREAD | 49728 | 10143-12-12 | HOSE END, MALE PIPE |
| 48974 | 12-10 C5OLO-S | ELBOW,90°,STRAIGHT THREAD TO ORFS | 49729 | 16-1 F5OG-S | ADAPTER,FEMALE PIPE TO STRAIGHT THREAD |
| 48975 | 12-10 F5OLO-S | CONNECTOR,STRAIGHT THREAD TO ORFS | 49814 | 12-8 FLO-S | CONNECTOR,MALE PIPE TO ORFS |
| 48976 | 12-16 C5OLO-S | ELBOW,90°,STRAIGHT THREAD TO ORFS | 49829 | DT-500-MOMF-5 | VALVE,CHECK |
| 48977 | 12-16 F5OLO-S | CONNECTOR,STRAIGHT THREAD TO ORFS | 49831 | 881-12 | HOSE,3/4 INCH ID |
| 48978 | 12-16 V5OLO-S | ELBOW,45°,STRAIGHT THREAD TO ORFS | 49834 | 16 JLO-S | UNION TEE,ORFS |
| 48980 | 12-16 FLO-S | CONNECTOR,MALE PIPE TO ORFS | 49838 | 12-8 TRLO-BL-S | REDUCER,TUBE END TO SWIVEL,ORFS |
| 48983 | 16 C5OLO-S | ELBOW,90°,STRAIGHT THREAD TO ORFS | 49840 | 8 JLO-S | UNION TEE,ORFS |
| 48984 | 16 F5OLO-S | CONNECTOR,STRAIGHT THREAD TO ORFS | 49844 | 10-8 TRLO-BL-S | REDUCER,TUBE END TO SWIVEL,ORFS |
| 48985 | 16 V5OLO-S | ELBOW,45°,STRAIGHT THREAD TO ORFS | 49854 | 8 P5ON-S | PLUG,STRAIGHT THREAD |
| 48986 | 16 FLO-S | CONNECTOR,MALE PIPE TO ORFS | 49855 | 1JC43-16-12 | HOSE END,FEMALE SWIVEL,SEAL LOK |
| 48988 | 16 CD45-S | ELBOW,45°,MALE TO FEMALE PIPE | 49859 | 4 P5ON-S | PLUG,STRAIGHT THREAD |
| 48989 | 12 CD45-S | ELBOW,45°,MALE TO FEMALE PIPE | 49861 | 4 FF5OLO-S | CONNECTOR, LONG, STRAIGHT THREAD TO ORFS |
| 48990 | 8 CD45-S | ELBOW,45°,MALE TO FEMALE PIPE | 49867 | 12-3/4 F5OG-S | ADAPTER,FEMALE PIPE TO STRAIGHT THREAD |
| 48991 | 16-12 FLO-S | CONNECTOR,MALE PIPE TO ORFS | 51152 | 6 R6X-S | RUN TEE,SWIVEL NUT,ORFS |
| 48992 | 16-12 V5OLO-S | ELBOW,45°,STRAIGHT THREAD TO ORFS | 51153 | 6-4 TRTX-S | REDUCER,TUBE END TO SWIVEL,ORFS |
| 48993 | XV501-12 | BALL VALVE | 51154 | 4-4 GTX | CONNECTOR,FEMALE PIPE TO FLARE TUBE |
| 48994 | XV501-16 | BALL VALVE | 51264 | 881-12 | HOSE,3/4 INCH ID |
| 48995 | XV510P-12 | BALL VALVE | 51265 | 8 JLO-S | UNION TEE,ORFS |
| 48996 | XV510P-16 | BALL VALVE | 51508 | 6 BTX-S | NUT,FLARE TUBE |
| 48997 | PD341 | DIAGNOSTIC NIPPLE, STRAIGHT THREAD | 51580 | 12-8 TRLO-BL-S | TUBE END REDUCER,ORFS |
| 48998 | PD 361 | DIAGNOSTIC NIPPLE, STRAIGHT THREAD | 51628 | 6 R6X-S | RUN TEE,SWIVEL NUT,ORFS |
| 48999 | DT-500-MOMS-5 | VALVE,CHECK | 51735 | 3/8 HHP | PLUG,PIPE THREAD |
| 49201 | 10 V5OLO-S | ELBOW,45°,STRAIGHT THREAD TO ORFS | 51803 | 1J943-6-8 | HOSE END,90° FEMALE SWIVEL,SEAL LOK |
| 49202 | 1JC43-12-10 | HOSE END,FEMALE SWIVEL,SEAL LOK | 53023 | 125HBL-5-4 | FITTING,HOSE BARB TO MALE PIPE |
| 49203 | 10-8 V5OLO-S | ELBOW,45°,STRAIGHT THREAD TO ORFS | 53497 | PKT02585 | O-RING KIT |
| 49205 | 6 F5OHAO-S | UNION,STRAIGHT THREAD | 53499 | 1JC71-16-16 | HOSE END,FEMALE SWIVEL,SEAL LOK |
| 49207 | PD34BTL | DIAGNOSTIC NIPPLE,SEAL-LOK SWIVEL | 53500 | 3-904 | O-RING,STRAIGHT THREAD,-4 |
| 49209 | 8M18F870MX-S | CONNECTOR,METRIC,STRAIGHT THREAD TO FLARE TUBE | 53501 | 3-906 | O-RING,STRAIGHT THREAD,-6 |
| 49212 | 8 WGTX-WLN-S | CONNECTOR,BULKHEAD,FEMALE PIPE TO FLARE TUBE | 53502 | 3-908 | O-RING,STRAIGHT THREAD,-8 |
| 49213 | 30682-8-8 | HOSE END,FEMALE SWIVEL,JIC | 53503 | 3-910 | O-RING,STRAIGHT THREAD,-10 |
| 49216 | 831-8 | HOSE,1/2 INCH ID | | | |
| 49217 | 33982-8-8 | HOSE END,90° FEMALE SWIVEL,JIC | | | |
| 49219 | PS-B-35 | SLEEVE,NYLON,2.19" ID | | | |
| 49418 | 4-6 V5OLO-S | ELBOW,45°,STRAIGHT THREAD TO ORFS | | | |
| 49511 | DT370-MOMS-5 | VALVE,CHECK | | | |
| 49512 | 1 DD-S | ELBOW,90°,FEMALE PIPE | | | |
| 49513 | 1 FF-S | NIPPLE,PIPE | | | |
| 49514 | 10 HP5ON-S | PLUG,STRAIGHT THREAD | | | |
| 49515 | 12-16 CLO-S | ELBOW,90°,MALE PIPE TO ORFS | | | |
| 49517 | 6 HP5ON-S | PLUG,STRAIGHT THREAD | | | |
| 49519 | 16-12 F5OLO-S | CONNECTOR,STRAIGHT THREAD TO ORFS | | | |
| 49520 | 4 VTX-S | ELBOW,45°,MALE PIPE TO FLARE TUBE | | | |
| 49530 | 16 C6LO-S | ELBOW,90°,SWIVEL NUT ORFS | | | |

Fitting Cross References (Continued)

| Genie PN | Parker PN | Description | Genie PN | Parker PN | Description |
|----------|---------------|--|----------|-----------------|--|
| 53535 | 3-912 | O-RING,STRAIGHT THREAD,-12 | 61083 | 24 F5OLO-S | CONNECTOR,STRAIGHT THREAD TO ORFS |
| 53536 | 4-PNLO-S | PLUG,TUBE END,ORFS | 61086 | 20 R5OLO-S | RUN TEE,STRAIGHT THREAD |
| 53537 | 6 PNLO-S | PLUG,TUBE END,ORFS | 61090 | 24-20 F5OLO-S | CONNECTOR,STRAIGHT THREAD TO ORFS |
| 53538 | 8 PNLO-S | PLUG,TUBE END,ORFS | 61091 | 1J943 24-24 | HOSE END,90° FEMALE SWIVEL,SEAL LOK |
| 53539 | 10 PNLO-S | PLUG,TUBE END,ORFS | 61093 | 1J978-12-12 | HOSE END,90° FEMALE SWIVEL,JIC |
| 53540 | 12 PNLO-S | PLUG,TUBE END,ORFS | 61095 | 1JS43-20-16 | HOSE END,FEMALE SWIVEL,SEAL LOK |
| 53946 | 129HB-5-4 | FITTING,90° HOSE BARB TO MALE PIPE | 61100 | 811-24 | HOSE,11/2 INCH ID |
| 53951 | 8-1/4F50G-S | ADAPTER,FEMALE PIPE TO STRAIGHT THREAD | 61130 | 1JS43-24-24 | HOSE END,FEMALE SWIVEL,SEAL LOK |
| 53980 | 6 S6LO-S | BRANCH TEE,SWIVEL NUT TO ORFS | 61131 | 1JS78 12-12 | HOSE END,FEMALE SWIVEL,SEAL LOK |
| 54132 | 4 C6LO-S | ELBOW,90°,SWIVEL NUT ORFS | 61132 | 1J778-12-12 | HOSE END,45° FEMALE SWIVEL,JIC |
| 54135 | 11343-16-16 | HOSE END,MALE SWIVEL,PIPE | 61152 | 139HB-6-4 | ELBOW,45°,BARB TO MALE PIPE |
| 54283 | 8-10 C5OLO-S | ELBOW,90°,STRAIGHT THREAD TO ORFS | 61251 | BV-0750 | BALL VALVE |
| 54428 | 8M18C870MLO-S | ELBOW, 90° METRIC, STRAIGHT THREAD TO ORFS | 61259 | 4 CC5OLO-S | ELBOW,90° LONG,STRAIGHT THREAD TO ORFS |
| 54803 | FS-F-16-10 | SLEEVE,FIRE,.96" ID | 61260 | 20-12 TRLO-BL | REDUCER,TUBE END TO SWIVEL,ORFS |
| 54954 | 10143-2-4 | HOSE END, MALE PIPE | 61262 | 12 C6LO-S | ELBOW,90°,SWIVEL NUT ORFS |
| 55190 | 3/8 HP-S | PLUG,PIPE THREAD | 61263 | 20 F5OHAO-S | UNION,STRAIGHT THREAD |
| 55448 | 8 HLO-S | UNION,ORFS | 61264 | 6-10 C5OLO-S | ELBOW,90°,STRAIGHT THREAD TO ORFS |
| 55839 | 6 F65OX-S | CONNECTOR,STRAIGHT THREAD TO 37° SWIVEL | 61265 | 6 WNLO-WLNL-S | UNION,BULKHEAD 45°,ORFS |
| 55968 | 10 C5OX-S | ELBOW,90°,STRAIGHT THREAD TO FLARE TUBE | 61268 | 4 WNLO-WLNL-S | UNION,BULKHEAD 45°,ORFS |
| 56003 | 6 CC5OLO-S | ELBOW,90° LONG,STRAIGHT THREAD TO ORFS | 61269 | 4 WLO-WLNL-S | UNION,BULKHEAD,ORFS |
| 56166 | BV-0837 | BALL VALVE,90° | 61272 | 12 AOEL6 | ELBOW,90°,STRAIGHT THREAD TO ORFS SWIVEL |
| 56188 | 10143-8-6 | HOSE END, MALE PIPE | 61316 | 482TC-16 | HOSE,1 INCH ID |
| 56233 | 2-011 | O-RING,ORFS,-4 | 61321 | 6 JLO-S | UNION TEE,ORFS |
| 56234 | 2-012 | O-RING,ORFS,-6 | 61327 | 782-12 | HOSE,3/4 INCH ID |
| 56235 | 2-014 | O-RING,ORFS,-8 | 61328 | 881-24 | HOSE,11/2 INCH ID |
| 56236 | 2-016 | O-RING,ORFS,-10 | 61336 | 11943-20-24 | HOSE END,90° FLANGE HEAD |
| 56237 | 2-018 | O-RING,ORFS,-12 | 61345 | 12 WJLO-WLNL-S | RUN TEE, BULKHEAD,ORFS |
| 56238 | 2-021 | O-RING,ORFS,-16 | 61346 | 8 WNLO-WLNL-S 4 | UNION,BULKHEAD 45°,ORFS |
| 56352 | 6 WLNL-S | LOCKNUT,BULKHEAD | 61569 | 33782-8-8 | HOSE END,45° FEMALE SWIVEL,JIC |
| 56353 | 3J782-12-12 | HOSE END,45° FEMALE SWIVEL,SEAL LOK | 61610 | 12 FF5OLO-S | CONNECTOR,LONG,STRAIGHT THREAD TO ORFS |
| 56354 | 3J982-12-12 | HOSE END,90° FEMALE SWIVEL,SEAL LOK | 61742 | 1/8 X 1.5 FFF | NIPPLE,PIPE |
| 56604 | 10-8 F5OLO-S | CONNECTOR,STRAIGHT THREAD TO ORFS | 63426 | 8 PNTX-S | PLUG,FLARE TUBE |
| 56639 | 3JC82-10-10 | HOSE END,FEMALE SWIVEL,SEAL LOK | | | |
| 56640 | 3J982-10-10 | HOSE END,90° FEMALE SWIVEL,SEAL LOK | | | |
| 56655 | 3JC82-8-10 | HOSE END,FEMALE SWIVEL,SEAL LOK | | | |
| 56676 | 10-8 C5OLO-S | ELBOW,90°,STRAIGHT THREAD TO ORFS | | | |
| 56776 | 471TC-6 | HOSE,3/8 INCH ID | | | |
| 56777 | 471TC-8 | HOSE,1/2 INCH ID | | | |
| 56789 | 811-16 | HOSE,1 INCH ID | | | |
| 57884 | 3/8 FF | NIPPLE,PIPE | | | |
| 59335 | 6 FNL-S | CAP,TUBE END | | | |
| 59342 | 4 FNL-S | CAP,TUBE END | | | |
| 59371 | 8 HP5ON-S | PLUG,STRAIGHT THREAD | | | |
| 60653 | BV-0751 | BALL VALVE | | | |
| 60806 | 125HB-3-4 | FITTING,HOSE BARB TO MALE PIPE | | | |
| 61064 | 5-1/4 F5OG-S | ADAPTER,FEMALE PIPE TO STRAIGHT THREAD | | | |
| 61079 | 4 WELO-WLNL-S | UNION,90° BULKHEAD W/NUT,ORFS | | | |
| 61080 | 6 WLO-WLNL-S | UNION,BULKHEAD,ORFS | | | |

Fitting Cross References (Continued)

| Genie PN | Parker PN | Description | Genie PN | Parker PN | Description |
|----------|----------------|--|----------|----------------|--|
| 64271 | 4 WLO-WLNL-S | UNION,BULKHEAD,ORFS | 75631 | 801-6 | HOSE,3/8 INCH ID |
| 64272 | 6 WLO-WLNL-S | UNION,BULKHEAD,ORFS | 75654 | 20 F5OLO-S | CONNECTOR,STRAIGHT THREAD TO ORFS |
| 65776 | 8 F65OL-S | CONNECTOR,STRAIGHT THREAD TO ORFS SWIVEL | 75655 | 1J943-20-20 | HOSE END,90° FEMALE SWIVEL,SEAL LOK |
| 65880 | 6001012 | O-RING KIT | 75656 | 881-20 | HOSE,1-1/4 INCH ID |
| 66154 | 6 WTX-WLNS | UNION,BULKHEAD,FLARE TUBE | 75971 | 8 F5OHAO-S | UNION,STRAIGHT THREAD |
| 66155 | 6 WETX-S | UNION,BULKHEAD 90°,FLARE TUBE | 77307 | 1JB43-8-8 | HOSE END,BULKHEAD,SEAL LOK |
| 66156 | 6 WLN-S | BULKHEAD LOCKNUT | 77309 | 8 WLNL-S | BULKHEAD LOCKNUT |
| 66389 | 6-8 F5OX-S | CONNECTOR,STRAIGHT THREAD TO FLARE TUBE | 77379 | 8M18C87OMX-S | ELBOW,90° METRIC,STRAIGHT THREAD TO FLARE TUBE |
| 66392 | 6 R5OX-S | RUN TEE,STRAIGHT THREAD | 77703 | 3J982-8-8 | HOSE END,90° FEMALE SWIVEL,SEAL LOK |
| 66396 | 811-12 | HOSE,3/4 INCH ID | 77711 | 801-10 | HOSE,5/8 INCH ID |
| 66829 | H3174PP | CLAMP,TUBE | 77758 | 12 WNLO-WLNL-S | UNION,BULKHEAD 45°,ORFS |
| 67217 | 4 KLO-S | UNION,CROSS,ORFS | 78091 | 6 C6X-S | ELBOW,90°,SWIVEL NUT TO FLARE TUBE |
| 67339 | 10-6 F5OX-S | CONNECTOR,STRAIGHT THREAD TO FLARE TUBE | 78684 | 30582-8-8B | HOSE END,PUSH LOK,MALE |
| 67357 | 13943-8-6 | HOSE END,90° FEMALE SWIVEL,JIC | 78852 | 549-2 | HOSE,1/8 INCH ID |
| 67358 | 10 HP5ON-S | PLUG,STRAIGHT THREAD | 78855 | 10657-4-2 | HOSE END,FEMALE SWIVEL,JIC |
| 67371 | 12 S6LO-S | BRANCH TEE,SWIVEL NUT TO ORFS | 79138 | PS-B-37 | SLEEVE,NYLON,2.38" ID |
| 67498 | 4 FNL-S | CAP, TUBE END | 79476 | 1JS43-6-8 | HOSE END,FEMALE SWIVEL,SEAL LOK |
| 67906 | DC-370-F0F0-5 | VALVE,CHECK | 79847 | 12-3/4 A0EG-S | ELBOW,90°,STRAIGHT THREAD TO FEMALE PIPE |
| 69316 | 8 FLO-S | CONNECTOR,MALE PIPE TO ORFS | 80044 | 8 CLO-S | ELBOW,90°,MALE PIPE TO ORFS |
| 69333 | H3174PP | CLAMP,HYDRAULIC HOSE | 80502 | 8 F5OX-S | CONNECTOR,STRAIGHT THREAD TO FLARE TUBE |
| 69503 | 4 F65OX-S | CONNECTOR,STRAIGHT THREAD TO 37° SWIVEL | 80503 | 8 C5OX-S | ELBOW,90°,STRAIGHT THREAD TO FLARE TUBE |
| 69775 | 8 FNL-S | CAP, TUBE END | 81010 | AS-B-27 | SLEEVE,NYLON,1.63" ID |
| 71038 | 1/4X1/4F3HG-S | ADAPTER,CONVERSION | 83052 | 821-6 | HOSE,3/8 INCH ID |
| 71196 | 12-8 F5OLO-S | CONNECTOR,STRAIGHT THREAD TO ORFS | 83053 | 821-8 | HOSE,1/2 INCH ID |
| 71383 | 1/4 CD45-S | ELBOW,45°,MALE TO FEMALE PIPE | 83054 | 821-12 | HOSE,3/4 INCH ID |
| 72270 | 12FNL-S | CAP, TUBE END | 83055 | 30682-6-6 | HOSE END,FEMALE SWIVEL,JIC |
| 73436 | 60C-4 | SLEEVE,COMPRESSION | 83056 | 30682-12-12 | HOSE END,FEMALE SWIVEL,JIC |
| 73437 | 61C-4 | NUT,COMPRESSION | 83057 | 33782-6-6 | HOSE END,45° FEMALE SWIVEL,JIC |
| 73438 | 33482-4-4B | HOSE END,PUSH LOK,MALE | 83058 | 33982-6-6 | HOSE END,90° FEMALE SWIVEL,JIC |
| 73767 | 1CD-S | ELBOW,90°,MALE TO FEMALE PIPE | 83060 | 33982-12-12 | HOSE END,90° FEMALE SWIVEL,JIC |
| 73768 | 20-16-F5OG5-S | ADAPTER,FEMALE PIPE TO STRAIGHT THREAD | 83063 | 13743-4-4 | HOSE END,45° FEMALE SWIVEL,JIC |
| 73769 | 16-20 F5OLO-S | CONNECTOR,STRAIGHT THREAD TO ORFS | | | |
| 74660 | 6-8 F42EDMLO-S | CONNECTOR,MALE BSPP TO ORFS | | | |
| 74661 | 8-8 F42EDMLO-S | CONNECTOR,MALE BSPP TO ORFS | | | |
| 75007 | 4 FLO-S | CONNECTOR,MALE PIPE TO ORFS | | | |
| 75008 | 1/8 HP-S | PLUG,PIPE THREAD | | | |
| 75014 | 1/2 HP-S | PLUG,PIPE THREAD | | | |
| 75042 | 8 WELO-WLNL-S | UNION,90° BULKHEAD W/NUT,ORFS | | | |
| 75043 | 3/4 FF-S | NIPPLE,PIPE | | | |
| 75254 | 24 F5OHAO-S | UNION,STRAIGHT THREAD | | | |
| 75255 | 12 F5OHAO-S | UNION,STRAIGHT THREAD | | | |
| 75256 | XV506P-24 | BALL VALVE | | | |
| 75574 | 4 WLNL-S | BULKHEAD LOCKNUT | | | |
| 75612 | 8 WJLO-WLNL-S | RUN TEE, BULKHEAD,ORFS | | | |
| 75613 | 12-8 F5OG5-S | ADAPTER,FEMALE PIPE TO STRAIGHT THREAD | | | |
| 75614 | 8 CC5OLO-S | ELBOW,90° LONG,STRAIGHT THREAD TO ORFS | | | |
| 75628 | 1JB43-4-4 | HOSE END,BULKHEAD,SEAL LOK | | | |

Fitting Cross References (Continued)

| Genie PN | Parker PN | Description | Genie PN | Parker PN | Description |
|----------|---------------|-------------------------------------|----------|---------------|---|
| 83064 | 13743-8-8 | HOSE END,45° FEMALE SWIVEL,JIC | 89449 | 6 WJLO-WLNL-S | RUN TEE, BULKHEAD,ORFS |
| 83065 | 13743-12-12 | HOSE END,45° FEMALE SWIVEL,JIC | 89489 | 4 WJMLO-S | BRANCH TEE,BULKHEAD,ORFS |
| 83066 | 13943-8-8 | HOSE END,90° FEMALE SWIVEL,JIC | 89551 | 1JB43-6-6 | HOSE END,BULKHEAD,SEAL LOK |
| 83067 | 14143-6-6 | HOSE END,90° FEMALE SWIVEL,JIC | 89552 | 1JB43-8-8 | HOSE END,BULKHEAD,SEAL LOK |
| 83068 | 14143-8-8 | HOSE END,90° FEMALE SWIVEL,JIC | 89593 | 20 C5OLO-S | ELBOW,90°,STRAIGHT THREAD TO ORFS |
| 83069 | 14143-12-12 | HOSE END,90° FEMALE SWIVEL,JIC | 94161 | 8-8 CLO-S | ELBOW,90°,MALE PIPE TO ORFS |
| 83070 | 772-8 | HOSE,1/2 INCH ID | 94358 | 351TC-12 | HOSE,3/4 INCH ID |
| 83071 | 10671-8-8 | HOSE END,FEMALE SWIVEL,JIC | 94418 | 20 FLO-S | CONNECTOR,MALE PIPE TO ORFS |
| 83072 | 10671-12-12 | HOSE END,FEMALE SWIVEL,JIC | 96358 | 12 TX-S | SLEEVE,FLARE TUBE |
| 83073 | 13771-8-8 | HOSE END,45° FEMALE SWIVEL,JIC | 96359 | 12 BTX-S | NUT,FLARE TUBE |
| 83074 | 13771-12-12 | HOSE END,45° FEMALE SWIVEL,JIC | 96397 | 8 F5OX-S | CONNECTOR,STRAIGHT THREAD TO FLARE TUBE |
| 83075 | 13971-8-8 | HOSE END,90° FEMALE SWIVEL,JIC | 96398 | 12-8 F5OX-S | CONNECTOR,STRAIGHT THREAD TO FLARE TUBE |
| 83076 | 13971-12-12 | HOSE END,90° FEMALE SWIVEL,JIC | 96402 | 10343-6-6 | HOSE END,MALE,JIC |
| 83077 | 14171-8-8 | HOSE END,90° FEMALE SWIVEL,JIC | 96407 | 30382-6-6B | HOSE END,MALE,JIC |
| 83078 | 14171-12-12 | HOSE END,90° FEMALE SWIVEL,JIC | | | |
| 83080 | 13943-16-16 | HOSE END,90° FEMALE SWIVEL,JIC | | | |
| 83103 | 10671-16-12 | HOSE END,FEMALE SWIVEL,JIC | | | |
| 83104 | 10671-10-12 | HOSE END,FEMALE SWIVEL,JIC | | | |
| 83112 | 1JC71-8-8 | HOSE END,FEMALE SWIVEL,SEAL LOK | | | |
| 83113 | 1JS71-16-12 | HOSE END,FEMALE SWIVEL,SEAL LOK | | | |
| 83114 | 1JS71-10-12 | HOSE END,FEMALE SWIVEL,SEAL LOK | | | |
| 83115 | 1J971-8-8 | HOSE END,90° FEMALE SWIVEL,SEAL LOK | | | |
| 83116 | 1J171-8-8 | HOSE END,90° FEMALE SWIVEL,SEAL LOK | | | |
| 83117 | 1J771-8-8 | HOSE END,45° FEMALE SWIVEL,SEAL LOK | | | |
| 83127 | 1J543-6-8 | HOSE END,90° FEMALE SWIVEL,JIC | | | |
| 83128 | 1JC43-6-8 | HOSE END,FEMALE SWIVEL,SEAL LOK | | | |
| 87033 | 12-6 TRLO-S | REDUCER,TUBE END TO SWIVEL,ORFS | | | |
| 87034 | 3J782-8-8 | HOSE END,45° FEMALE SWIVEL,SEAL LOK | | | |
| 87172 | 12 HP5ON-S | PLUG,STRAIGHT THREAD | | | |
| 87185 | 8 WNLO-WLNL-S | UNION,BULKHEAD 45°,ORFS | | | |
| 87246 | 4 C6X-S | ELBOW,90°,SWIVEL NUT TO FLARE TUBE | | | |
| 87679 | 6 LHP-S | FLANGE SEAL FITTING, MALE | | | |
| 87681 | 6PLS N0702 | BONDED SEAL | | | |
| 88100 | SR88100 | ADAPTER,OIL DRAIN,GM 3.0L | | | |
| 88311 | 1JS43-20-20 | HOSE END,FEMALE SWIVEL,SEAL LOK | | | |
| 88353 | 20 V5OLO-S | ELBOW,45°,STRAIGHT THREAD TO ORFS | | | |
| 88474 | 10081-20 | Crimp Shell, 1.25" | | | |
| 88475 | 1988-20-24 | HOSE END,90° FLANGE HEAD | | | |
| 88476 | JS88-24-24 | HOSE END,FEMALE SWIVEL,SEAL LOK | | | |
| 88477 | 1JC88-20-20 | HOSE END,FEMALE SWIVEL,SEAL LOK | | | |
| 88478 | 811-20 | HOSE,11/4 INCH ID | | | |
| 88936 | 20-16 F5OLO-S | CONNECTOR,STRAIGHT THREAD TO ORFS | | | |
| 88937 | 20-16 FLO-S | CONNECTOR,MALE PIPE TO ORFS | | | |
| 88938 | 1JC88-16-16 | HOSE END,FEMALE SWIVEL,SEAL LOK | | | |
| 88939 | 1J988-16-16 | HOSE END,90° FEMALE SWIVEL,ORFS | | | |
| 88940 | 811-16 | HOSE,1 INCH ID | | | |
| 88944 | 1J988-20-20 | HOSE END,90° FEMALE SWIVEL,ORFS | | | |
| 89403 | 16 VLO-S | ELBOW,45°,MALE PIPE TO ORFS | | | |

California Proposition 65



Operating, servicing and maintaining this equipment can expose you to chemicals including engine exhaust, carbon monoxide, phthalates, and lead, which are known to the State of California to cause cancer and birth defects or other reproductive harm. These chemicals can be emitted from or contained in other various parts and systems, fluids and some component wear by-products. To minimize exposure, avoid breathing exhaust, do not idle the engine except as necessary, service your equipment and vehicle in a well-ventilated area and wear gloves or wash your hands frequently when servicing your equipment or vehicle and after operation. For more information go to www.P65Warnings.ca.gov/passenger-vehicle.

Distributed By:

Go to Discount-Equipment.com to order your parts

PARTS FINDER

**Search Website
by Part Number**



**Search Manual
Library For Parts
Manual & Lookup Part
Numbers – Purchase
or Request Quote**

Search Manuals

Enter your information to help us find the right parts manual for your machine.

* Brand:

* Model:

* Serial:

* Part Number:

SEARCH

**Can't Find Part or
Manual? Request Help
by Manufacturer,
Model & Description**

Parts Order Form

Please fill in the following information to help us find the right part for your machine.

| | |
|---------------|----------------------|
| Manufacturer: | <input type="text"/> |
| Model: | <input type="text"/> |
| Description: | <input type="text"/> |
| Part Number: | <input type="text"/> |
| Quantity: | <input type="text"/> |
| Notes: | <input type="text"/> |

Submit

Discount-Equipment.com is your online resource for quality parts & equipment.

Florida: **561-964-4949** Outside Florida TOLL FREE: **877-690-3101**

Need parts?

Click on this link: <http://www.discount-equipment.com/category/5443-parts/> and choose one of the options to help get the right parts and equipment you are looking for. Please have the machine model and serial number available in order to help us get you the correct parts. If you don't find the part on the website or on one of the online manuals, please fill out the request form and one of our experienced staff members will get back to you with a quote for the right part that your machine needs.

We sell worldwide for the brands: Genie, Terex, JLG, MultiQuip, Mikasa, Essick, Whiteman, Mayco, Toro Stone, Diamond Products, Generac Magnum, Airman, Haulotte, Barreto, Power Blanket, Nifty Lift, Atlas Copco, Chicago Pneumatic, Allmand, Miller Curber, Skyjack, Lull, Skytrak, Tsurumi, Husquvarna Target, Stow, Wacker, Sakai, Mi-T-M, Sullair, Basic, Dynapac, MBW, Weber, Bartell, Bennar Newman, Haulotte, Ditch Runner, Menegotti, Morrison, Contec, Buddy, Crown, Edco, Wyco, Bomag, Laymor, EZ Trench, Bil-Jax, F.S. Curtis, Gehl Pavers, Heli, Honda, ICS/PowerGrit, IHI, Partner, Imer, Clipper, MMD, Koshin, Rice, CH&E, General Equipment, Amida, Coleman, NAC, Gradall, Square Shooter, Kent, Stanley, Tamco, Toku, Hatz, Kohler, Robin, Wisconsin, Northrock, Oztec, Toker TK, Rol-Air, APT, Wylie, Ingersoll Rand / Doosan, Innovatech, Con X, Ammann, Mecalac, Makinex, Smith Surface Prep, Small Line, Wanco, Yanmar