



A TEREX BRAND



Parts Manual

Serial Number Range

S-120

from SN S12011D-101 to
S12016D-1549

S-125

from SN S12511D-101 to
S12516D-1549

from SN S120D-1550

from SN S125D-1550

Part No. 226125

Rev B

June 2018

Go to Discount-Equipment.com to order your parts

PARTS FINDER

**Search Website
by Part Number**



**Search Manual
Library For Parts
Manual & Lookup Part
Numbers – Purchase
or Request Quote**

Search Manuals

Enter your information to help us find the right parts manual for your machine.

* Brand:

* Model:

* Serial:

* Part Number:

SEARCH

**Can't Find Part or
Manual? Request Help
by Manufacturer,
Model & Description**

Parts Order Form

Please fill in the following information to help us find the right part for your machine.

Manufacturer:	<input type="text"/>
Model:	<input type="text"/>
Description:	<input type="text"/>
Part Number:	<input type="text"/>
Quantity:	<input type="text"/>
Notes:	<input type="text"/>

Discount-Equipment.com is your online resource for quality parts & equipment.

Florida: **561-964-4949** Outside Florida TOLL FREE: **877-690-3101**

Need parts?

Click on this link: <http://www.discount-equipment.com/category/5443-parts/> and choose one of the options to help get the right parts and equipment you are looking for. Please have the machine model and serial number available in order to help us get you the correct parts. If you don't find the part on the website or on one of the online manuals, please fill out the request form and one of our experienced staff members will get back to you with a quote for the right part that your machine needs.

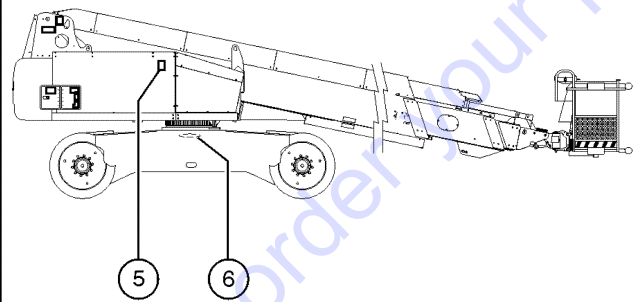
We sell worldwide for the brands: Genie, Terex, JLG, MultiQuip, Mikasa, Essick, Whiteman, Mayco, Toro Stone, Diamond Products, Generac Magnum, Airman, Haulotte, Barreto, Power Blanket, Nifty Lift, Atlas Copco, Chicago Pneumatic, Allmand, Miller Curber, Skyjack, Lull, Skytrak, Tsurumi, Husquvarna Target, Stow, Wacker, Sakai, Mi-T-M, Sullair, Basic, Dynapac, MBW, Weber, Bartell, Bennar Newman, Haulotte, Ditch Runner, Menegotti, Morrison, Contec, Buddy, Crown, Edco, Wyco, Bomag, Laymor, EZ Trench, Bil-Jax, F.S. Curtis, Gehl Pavers, Heli, Honda, ICS/PowerGrit, IHI, Partner, Imer, Clipper, MMD, Koshin, Rice, CH&E, General Equipment, Amida, Coleman, NAC, Gradall, Square Shooter, Kent, Stanley, Tamco, Toku, Hatz, Kohler, Robin, Wisconsin, Northrock, Oztec, Toker TK, Rol-Air, APT, Wylie, Ingersoll Rand / Doosan, Innovatech, Con X, Ammann, Mecalac, Makinex, Smith Surface Prep, Small Line, Wanco, Yanmar

To August 31, 2016

Genie
A TEREX BRAND

Model:
Serial number: S12016D-12345
Manufacture date: 1/2/16 **Model year:** 2016
Electrical schematic number:
Machine unladen weight:
Rated work load (including occupants):
Maximum number of platform occupants:
Maximum allowable side force:
Maximum allowable inclination of the chassis:

S120 16 D - 12345
 1 2 3 4



- 1 Model
- 2 Model year
- 3 Facility code

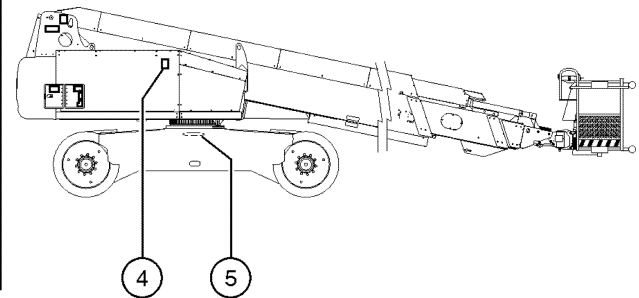
- 4 Sequence number
- 5 Serial label (located under cover)
- 6 Serial number (stamped on chassis)

From September 1, 2016

Genie
A TEREX BRAND

Model:
Serial number: S120D-12345
Year of manufacture: 2016
Electrical schematic number:
Machine unladen weight:
Rated work load (including occupants):
Maximum number of platform occupants:
Maximum allowable side force:
Maximum allowable inclination of the chassis:

S120 D - 12345
 1 2 3



- 1 Model
- 2 Facility code
- 3 Sequence number

- 4 Serial label (located under cover)
- 5 Serial number (stamped on chassis)

Table of Contents

This manual is updated frequently. For the most up-to-date parts information, visit www.discount-equipment.com

How to Read Your Serial Number.....	3
Parts Stocking List.....	7

Electronic Version

Click on any page number to view the figure.

100 Decals

101.1 Decals with Symbols, S-120.....	10
102.1 Decals with Symbols, S-125.....	12
103.1 Decals with Words, S-120.....	14
104.1 Decals with Words, S-125.....	18

200 Drive Chassis Components

201.1 Extendable Steer Axle Installation - View 1.....	22
202.1 Extendable Steer Axle Installation - View 2.....	24
203.1 Steer Axle Wheels and Drive Hubs.....	26
204.1 Drive Hub Assembly with Brake.....	28
205.1 Chassis Components.....	30

300 Turntable Components

301.1 Turntable Covers - Tank Side.....	32
302.1 Turntable Covers - Engine Side.....	34
303.1 Turntable Components - Tank Side.....	36
304.1 Turntable Components - Engine Side.....	38
305.1 Turntable Rotator and Hydraulic Rotary Coupler.....	40
306.1 Turntable Rotation Drive Hub.....	42
307.1 Batteries and Hydraulic Filters Installation.....	44
308.1 Fuel Tank Installation.....	46
309.1 Hydraulic Tank Installation.....	48
310.1 Ground Controls.....	50
311.1 Wire Harness Diagram.....	52

400 Engine Components

401.1 Cummins B3.3T Engine - View 1.....	54
402.1 Cummins B3.3T Engine - View 2.....	56
403.1 Cummins Engine Attached Components.....	58
404.1 Deutz TD2011-L04i Engine - View 1.....	60

405.1 Deutz TD2011-L04i Engine - View 2.....	62
406.1 Deutz TD2011-L04i Engine - View 3.....	64
407.1 Deutz TD2.9L4 Engine - View 1.....	66
408.1 Deutz TD2.9L4 Engine - View 2.....	68
409.1 Deutz TD2.9L4 Engine - View 3.....	70
410.1 Deutz TD2.9L4 Engine - View 4.....	72
411.1 Deutz Engine Attached Components.....	74
412.1 Perkins 804D-33T Engine - View 1.....	76
413.1 Perkins 804D-33T Engine - View 2.....	78
414.1 Perkins 1104D-44T Engine - View 1.....	80
415.1 Perkins 1104D-44T Engine - View 2.....	82
416.1 Perkins 1104D-44T Engine - View 3.....	84
417.1 Perkins Engine Attached Components.....	86

500 Boom Components

501.1 Boom Lift Cylinder.....	88
502.1 Secondary Extend Cylinder.....	90
503.1 Boom Tube Zero, Cable Track.....	92
504.1 Boom Tube Zero and Boom Tube One.....	94
505.1 Primary Extend Cylinder.....	96
506.1 Boom Tube Two and Boom Tube Three.....	98
507.1 Boom Tube Two, Limit Switches.....	100
508.1 Platform Rotator, S-120.....	102
509.1 Jib Boom and Platform Rotator, S-125.....	104
510.1 Jib Detail, S-125.....	106

600 Platform Components

601.1 Platform Installation, S-120 - View 1.....	108
601.1 Platform Installation, S-125 - View 1.....	110
602.1 Platform Installation, S-120 - View 2.....	112
602.1 Platform Installation, S-125 - View 2.....	114
603.1 Platform Controls.....	116
604.1 Joysticks.....	118

700 Hydraulic Components

701.1 Traction Manifold.....	120
702.1 Steer and Axle Extend/Retract Manifold - View 1.....	122
703.1 Steer and Axle Extend/Retract Manifold - View 2.....	124
704.1 Function Manifold.....	126
705.1 Platform Manifold, S-125 (to SN S12512D-175).....	130
705.2 Platform Manifold, S-125 (from SN S12512D-176 to S125D-1641).....	132
705.3 Platform Manifold, S-125 (from SN S125D-1642).....	134
706.1 Platform Rotate Manifold.....	136
707.1 Pumps.....	138
708.1 Hydraulic Hoses and Fittings - Drive System.....	140
709.1 Hydraulic Hoses and Fittings - Steer System.....	142

710.1 Hydraulic Hoses and Fittings - Turntable Components.....	144
711.1 Hydraulic Hoses and Fittings - Platform Leveling and Rotation, S-120.....	148
712.1 Hydraulic Hoses and Fittings - Platform Leveling and Rotation, S-125.....	150
713.1 Hydraulic Hoses and Fittings - Boom Components..	152

800 Accessories

801.1 Alarm and Beacon Package, Driving Lights.....	154
802.1 Platform Controls Cover.....	156
803.1 Platform Overload.....	158
804.1 Cold Start Package.....	160
805.1 Air Line To Platform.....	162
806.1 Platform Options.....	164
807.1 Half-mesh and Pipe Cradle Options.....	166
808.1 Panel Cradle Option.....	168
809.1 Circuit Board Heater Option.....	170
810.1 Hostile Environment Package - View 1.....	172
811.1 Hostile Environment Package - View 2.....	174
812.1 Engine Air Cleaners.....	176
813.1 Engine Air Cleaners - TD2.9L4.....	178
814.1 Operator Protection Structure.....	180
815.1 Fall Arrest Bar.....	182
816.1 Welder Option, Chassis Components - View 1.....	184
817.1 Welder Option, Platform Components - View 2.....	186
818.1 Welder Option, Hoses and Fittings - View 3.....	188
819.1 Welder Option, Oil Diverter Manifold - View 4.....	190
820.1 Hydraulic (MTE) Generator Option - View 1.....	192
821.1 Hydraulic (MTE) Generator Option - View 2.....	194
822.1 Lift Guard Contact Alarm Option (from January 2017).....	196
823.1 OPTION,SUNBELT,TELEMATICS,ALC1000.....	198

Indices

Part Number Index.....	200
Part Description Index.....	207

Cross References

Fittings Cross Reference.....	218
-------------------------------	-----

Required Parts

The following parts are required to perform maintenance procedures as outlined in the Genie S-100, S-105, S-120 and S-125 Service Manual.

Deutz TD2011-L04i Models

Description	Part No.
Air Filter	62425
Fuel/Water Separator Filter	29560
Engine Oil Filter	49924
V-belt.....	58630

Cummins B3.3 C80 Models:

Description	Part No.
Air Filter (Primary)	146044
Air Filter (Secondary).....	146045
Fuel Filter.....	122709
Engine Oil Filter	122708
Serpentine Belt	146047

Deutz TD 2.9L4 Models:

Description	Part No.
Air Filter Element.....	62420
Fuel Filter	214228
Fuel/Water Separator Element.....	236260
Engine Oil Filter	823773
V-belt (alternator & water pump).....	1253748
V-belt (air pump).....	1253750

Perkins 1104D-44T Models:

Description	Part No.
Engine Oil Filter - Perkins Models.....	102632
Fuel Filter/Separator - Perkins Models.....	62433
Fuel Filter - Perkins Models.....	102639
Air Filter Element.....	62425

Recommended Parts

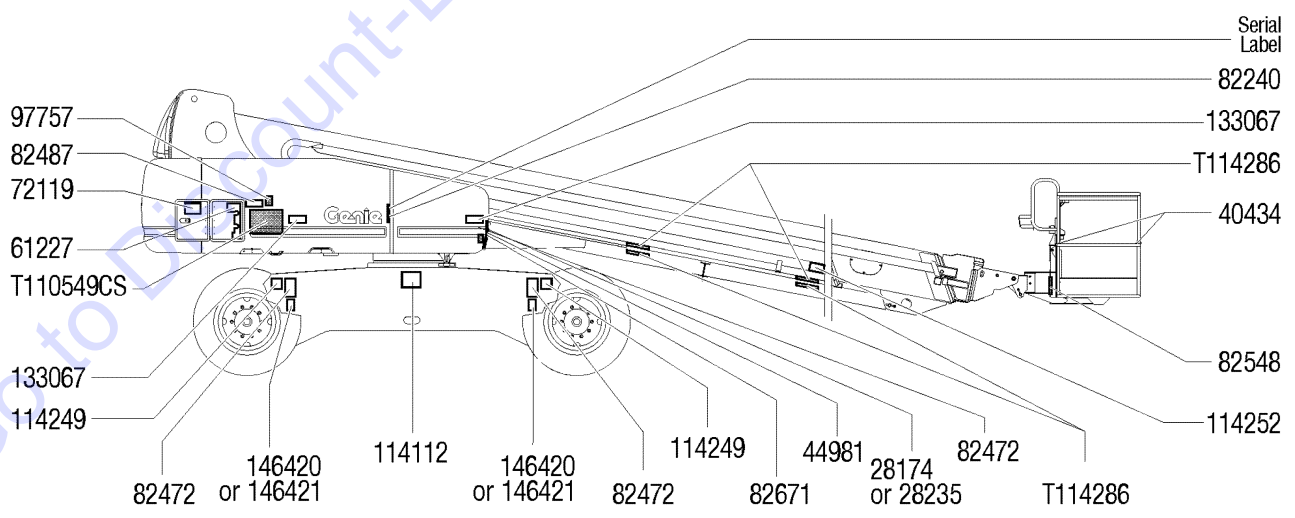
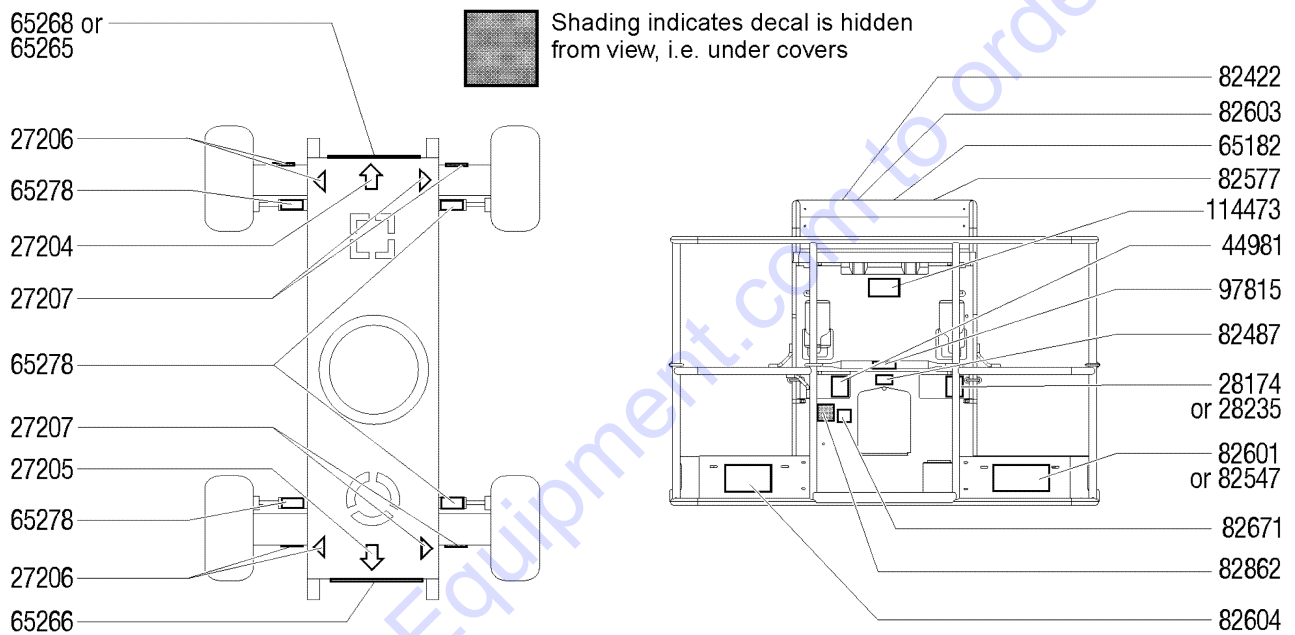
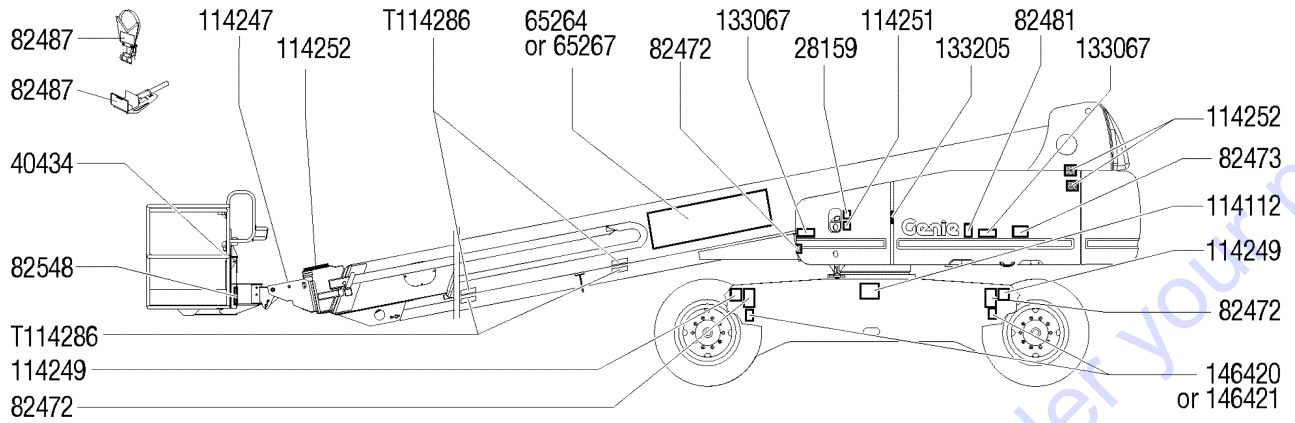
Description	Part No.
Genie Blue Paint, 1 Gallon	32150
Genie Blue Paint, 12 Ounce Aerosol.....	1484
Genie Gray Paint, 1 Gallon.....	32151
Genie Gray Paint, 12 Ounce Aerosol	1268

Genie also offers the following support documents:

EMI Safety Manual	27581
Manual of Responsibilities ANSI A92.5.....	31779

Go to Discount-Equipment.com to order your parts

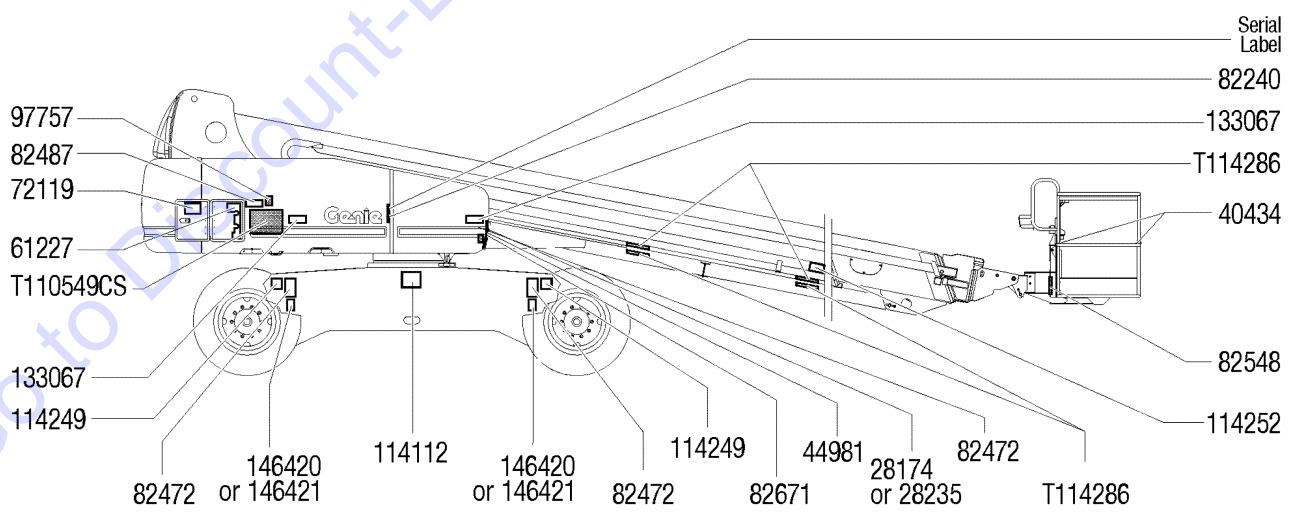
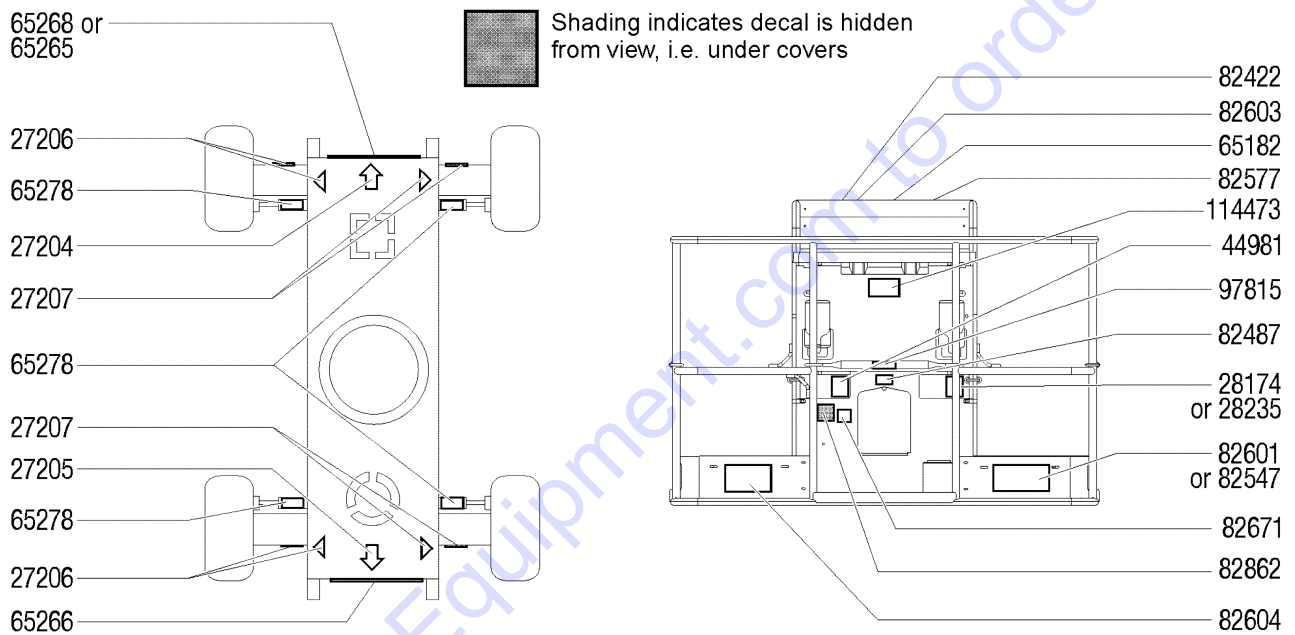
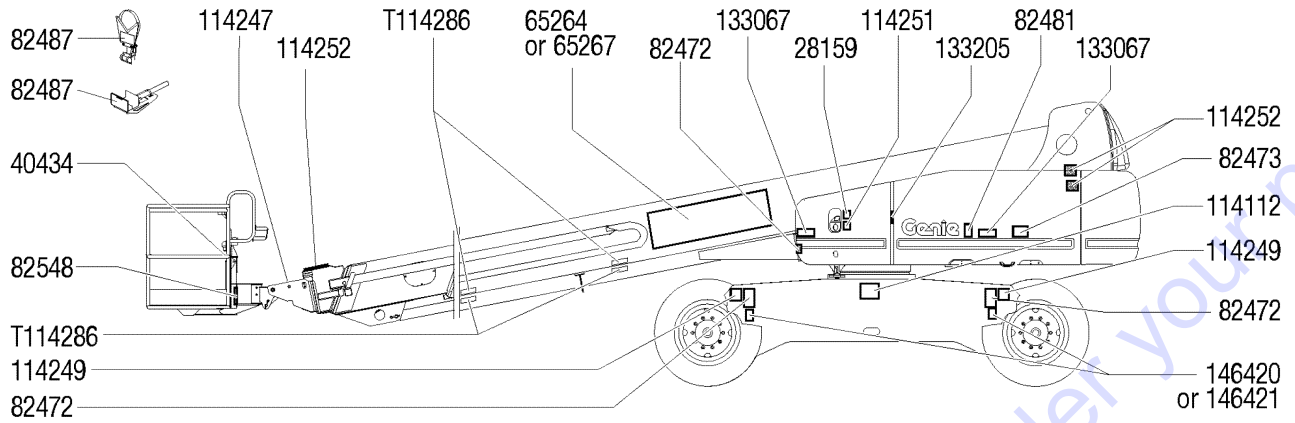
101.1 Decals with Symbols, S-120



101.1 Decals with Symbols, S-120

Item	Part No.	Description	Qty.	Item	Part No.	Description	Qty.
--	T114433GT	S-120 CS DECALS <i>from SN D-101</i>		28	114112GT	DECAL,LABEL,TRANSPORT DIAGRAM.....	2
--	825718GT	DECAL KIT,S100/120,PLAT,ANSI,SYM <i>from SN S12012D-291</i>		29	114112GT	DECAL,LABEL,TRANSPORT DIAGRAM.....	1
--	825723GT	DECAL KIT,S120,COMP,SYM,ANSI <i>from SN S12012D-291</i>		30	114247GT	DECAL,LABEL,FALL HAZARD***	1
--	825726GT	DECAL KIT,S100/120,PLAT,CE,SYM <i>from SN S12012D-291</i>		31	114249GT	DECAL,LABEL,TIPOVER,TIRES,SYMB.	4
--	825731GT	DECAL KIT,S120,COMP,SYM,CE <i>from SN S12012D-291</i>		32	114251GT	DECAL,LABEL,NO SMOKING,SYMB....	1
1	27204GT	DECAL,ARROW BLUE.....	1	33	114252GT	DECAL,LABEL,TIP OVER LMT SWTCH.....	3
2	27205GT	DECAL,ARROW YELLOW LRG 9".....	1	34	114473GT	DECAL,DANGER,TIPOVER,TILT,SYM....	1
3	27206GT	DECAL,TRIANGLE,BLUE.....	2	35	133067GT	DECAL,DANGER,ELEC.HAZ.STAY CLR.....	4
4	27207GT	DECAL,TRIANGLE,YELLOW.....	2	36	133205GT	DECAL,LABEL, ELECTRO HAZARD....	1
5	28159GT	DECAL,LABEL,DIESEL FUEL.....	1	37	T110549CSGT	DECAL,FAULT CODES,SB/SY.....	1
6	28174GT	DECAL, POWER TO PLATFORM 230V**.....	2	38	T114286GT	DECAL.WARN,INSTAL COVER,SYM....	4
7	28235GT	DECAL,POWER TO PLATFORM 115V...	2	39	146420GT	DECAL,LABEL, WHEEL LOAD, S-120....	3
8	40434GT	DECAL,LANYARD ANCHORAGE POINT.....	2	40	82547GT	DECAL,DANGER,MAX LOAD 340 KG....	1
9	44981GT	DECAL,LABEL,AIR LINE 110 PSI.....	2	41	65267GT	DECAL,COSMETIC,GENIE S-120.....	1
10	61227GT	DECAL,GROUND CONTROL PANEL.....	1	42	65268GT	DECAL,COSMETIC,S-120.....	1
11	65182GT	DECAL,PLATFORM CONTROL PANEL.....	1	43	82862GT	DECAL,FIRE EXTINGUISHER <i>(welder option)</i>	
11A	72088GT	DECAL,CONTROL PANEL PROTECTOR <i>for 65182</i>					
12	65266GT	DECAL,COSMETIC,4X4.....	1				
13	65278GT	DECAL,CAUTION,NO STEP.....	3				
14	72119GT	DECAL,LABEL,ROM CHART 120/125....	1				
15	82240GT	DECAL,LABEL,105 DB.....	1				
16	82422GT	DECAL,PATCH,DRIVING LIGHT.....	1				
17	82472GT	DECAL,WARNING,CRUSHING HAZARD.....	6				
18	82473GT	DECAL,SYMBOL-COMP ACCESS.....	1				
19	82481GT	DECAL,SYMBOL-BATTERY SAFETY....	1				
20	82487GT	DECAL, SYMBOL - READ THE MANUAL.....	4				
21	82548GT	DECAL,WARN,CRUSH HAZARD PLAT.....	2				
22	82577GT	DECAL,PLATFORM OVERLOAD PATCH.....	1				
23	82603GT	DECAL,DRIVE ENABLE PATCH***	1				
24	82604GT	DECAL,DANGER,SIDE FRC 400N.....	1				
25	82671GT	DECAL,LABEL,WELD LINE INST,SYM...	2				
26	97757GT	DECAL,LABEL,OIL LEVEL IND.....	1				
27	97815GT	DECAL,LABEL,LOWER MIDRAIL.....	1				

102.1 Decals with Symbols, S-125

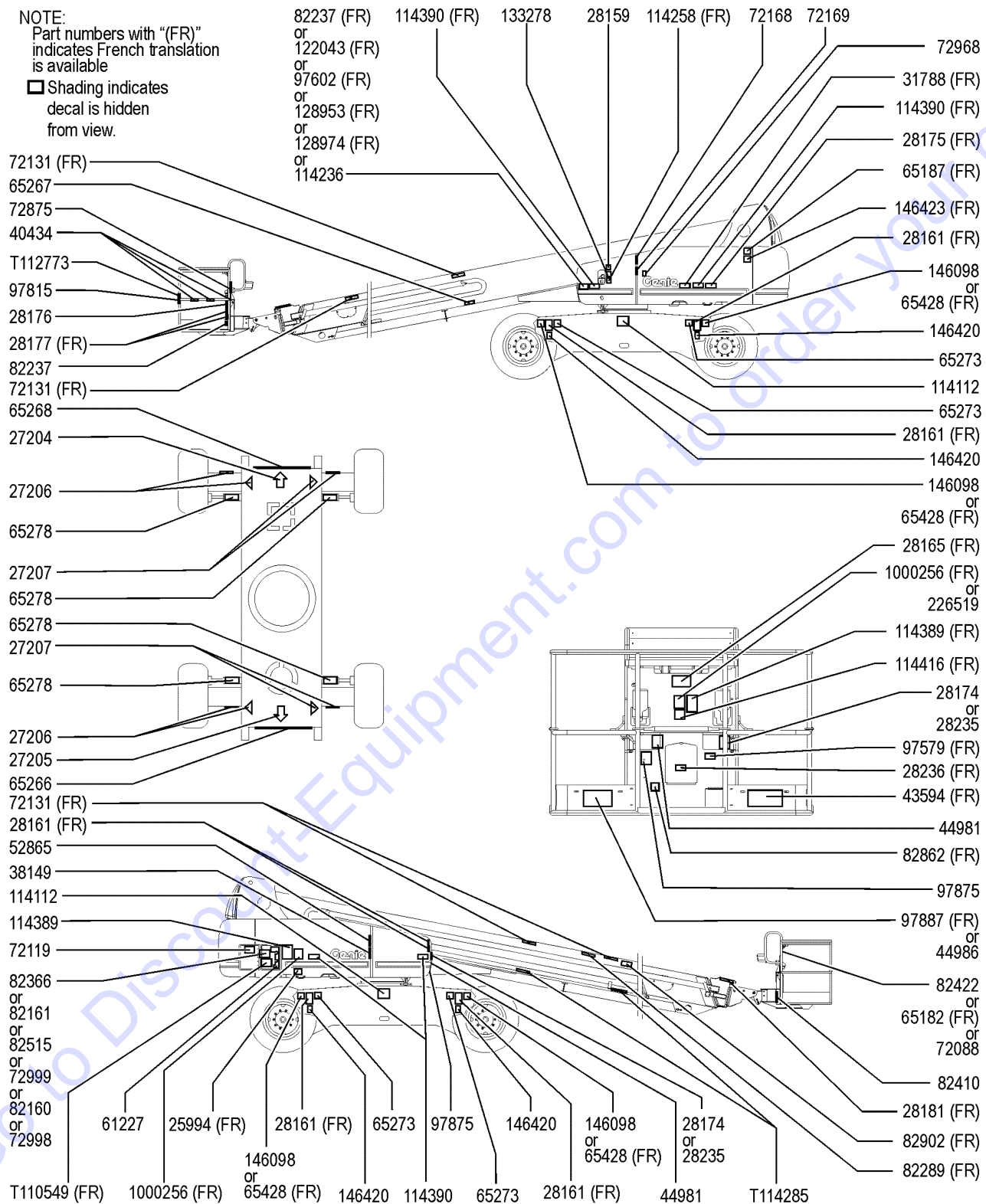


102.1 Decals with Symbols, S-125

Item	Part No.	Description	Qty.	Item	Part No.	Description	Qty.
--	T114434GT	S-125 CS DECALS		29	114112GT	DECAL,LABEL,TRANSPORT DIAGRAM.....	1
--	825720GT	DECAL KIT,S105/125,PLAT,ANSI,SYM <i>from SN S12512D-287</i>		30	114247GT	DECAL,LABEL,FALL HAZARD***.....	1
--	825725GT	DECAL KIT,S125,COMP,SYM,ANSI <i>from SN S12512D-287</i>		31	114249GT	DECAL,LABEL,TIPOVER,TIRES,SYMB.4	
--	825728GT	DECAL KIT,S105/125,PLAT,CE,SYM <i>from SN S12512D-287</i>		32	114251GT	DECAL,LABEL,NO SMOKING,SYMB.....1	
--	825733GT	DECAL KIT,S125,COMP,SYM,CE <i>from SN S12512D-287</i>		33	114252GT	DECAL,LABEL,TIP OVER LMT SWTCH.....	3
1	27204GT	DECAL,ARROW BLUE.....	1	34	114473GT	DECAL,DANGER,TIPOVER,TILT,SYM....1	
2	27205GT	DECAL,ARROW YELLOW LRG 9".....	1	35	133067GT	DECAL,DANGER,ELEC.HAZ.STAY CLR.....	4
3	27206GT	DECAL,TRIANGLE,BLUE.....	2	36	133205GT	DECAL,LABEL, ELECTRO HAZARD.....1	
4	27207GT	DECAL,TRIANGLE,YELLOW.....	2	37	T110549CSGT	DECAL,FAULT CODES,SB/SY.....	1
5	28159GT	DECAL,LABEL,DIESEL FUEL.....	1	38	T114286GT	DECAL.WARN,INSTAL COVER,SYM....4	
6	28174GT	DECAL, POWER TO PLATFORM 230V**.....	2	39	146421GT	DECAL,LABEL,WHEEL LOAD,S-125**...3	
7	28235GT	DECAL,POWER TO PLATFORM 115V...2		40	82601GT	DECAL,LABEL,MAX CAPACITY***.....1	
8	40434GT	DECAL,LANYARD ANCHORAGE POINT.....	2	41	65264GT	DECAL,COSMETIC,GENIE S-125.....1	
9	44981GT	DECAL,LABEL,AIR LINE 110 PSI.....	2	42	65265GT	DECAL,COSMETIC,S-125.....	1
10	61227GT	DECAL,GROUND CONTROL PANEL....1		43	82862GT	DECAL,FIRE EXTINGUISHER <i>(welder option)</i>	
11	65182GT	DECAL,PLATFORM CONTROL PANEL.....	1				
11A	72088GT	DECAL,CONTROL PANEL PROTECTOR <i>for 65182</i>					
12	65266GT	DECAL,COSMETIC,4X4.....	1				
13	65278GT	DECAL,CAUTION,NO STEP.....	3				
14	72119GT	DECAL,LABEL,ROM CHART 120/125...1					
15	82240GT	DECAL,LABEL,105 DB.....	1				
16	82422GT	DECAL,PATCH,DRIVING LIGHT.....	1				
17	82472GT	DECAL,WARNING,CRUSHING HAZARD.....	6				
18	82473GT	DECAL,SYMBOL-COMP ACCESS.....	1				
19	82481GT	DECAL,SYMBOL-BATTERY SAFETY.....	1				
20	82487GT	DECAL, SYMBOL - READ THE MANUAL.....	4				
21	82548GT	DECAL,WARN,CRUSH HAZARD PLAT.....	2				
22	82577GT	DECAL,PLATFORM OVERLOAD PATCH.....	1				
23	82603GT	DECAL,DRIVE ENABLE PATCH***.....	1				
24	82604GT	DECAL,DANGER,SIDE FRC 400N.....	1				
25	82671GT	DECAL,LABEL,WELD LINE INST,SYM...2					
26	97757GT	DECAL,LABEL,OIL LEVEL IND.....	1				
27	97815GT	DECAL,LABEL,LOWER MIDRAIL.....	1				
28	114112GT	DECAL,LABEL,TRANSPORT DIAGRAM.....	2				

103.1 Decals with Words, S-120

NOTE:
 Part numbers with "(FR)" indicates French translation is available
 □ Shading indicates decal is hidden from view.



103.1 Decals with Words, S-120

Item	Part No.	Description	Qty.	Item	Part No.	Description	Qty.
A	825369GT	DECAL KIT,S120,COMP,WRD,ANSI <i>ANSI (from SN D-101 to D-290)</i>		22	52865GT	DECAL,ANNUAL INSP*** <i>US Only</i>	1
--	825385GT	INSTRUCTIONS,INSTALL,COMP,WORD		23	61227GT	DECAL,GROUND CONTROL PANEL	1
B	825377GT	DECAL KIT,S120,COMP,WRD,AUS <i>Australia (SN D-101 to D-290)</i>		24	65182GT	DECAL,PLATFORM CONTROL PANEL	1
--	825383GT	INSTRUCTIONS,INSTALL,COMP,WORD		25	65187GT	DECAL,DANGER DO NOT ALTER SWTC	1
C	825035GT	DECAL KIT,S120,COMP,WRD,ANSI <i>Decal Kit, Complete, ANSI Word (from SN D-291)</i>		26	65266GT	DECAL,COSMETIC,4X4	1
--	825128GT	INSTRUCTIONS,INSTALL,COMP,WORD		27	65267GT	DECAL,COSMETIC,GENIE S-120	1
D	825114GT	DECAL KIT,S120,COMP,WRD,AUS <i>Decal Kit, Complete, AUS Word (from SN D-291)</i>		28	65268GT	DECAL,COSMETIC,S-120	1
--	825128GT	INSTRUCTIONS,INSTALL,COMP,WORD		29	65273GT	DECAL,NOTICE,TIRE SPECS	4
E	T114433GT	S-120 CS DECALS <i>from SN D-101</i>		30	65278GT	DECAL,CAUTION,NO STEP	4
1	25994GT	DECAL,NOTICE,SHUTOFF VALVES	1	31	65428GT	DECAL,DANGER,TIP-OVER,TIRES <i>foam-filled</i>	4
2	27204GT	DECAL,ARROW BLUE	1	32	72088GT	DECAL,CONTROL PANEL PROTECTOR	1
3	27205GT	DECAL,ARROW YELLOW LRG 9"	1	33	72119GT	DECAL,LABEL,ROM CHART 120/125	1
4	27206GT	DECAL,TRIANGLE,BLUE	4	34	72131GT	DECAL,LABEL,CYLINDER COVER	4
5	27207GT	DECAL,TRIANGLE,YELLOW	4	35	72168GT	DECAL,LABEL,STARTER BATTERY	1
6	28159GT	DECAL,LABEL,DIESEL FUEL <i>diesel only</i>	1	36	72169GT	DECAL,LABEL,CONTROLS BATTERY	1
7	28161GT	DECAL,WARN,CRUSH HAZARD HAND	6	37	72875GT	DECAL,WARNING,PIPE CRADLE,BOOM <i>Option, pipe cradle</i>	2
8	28165GT	DECAL,INSTRUCT,FOOTSWITCH OPER	1	38	72968GT	DECAL,LABEL,25A CB	1
9	28174GT	DECAL, POWER TO PLATFORM 230V**	2	39	72998GT	DECAL,LABEL,QUINTOLUBRIK <i>Option, hydraulic oil</i>	1
10	28175GT	DECAL,WARNING-COMPART ACCESS	1	40	72999GT	DECAL,LABEL,PETRO CANADA*** <i>Option, hydraulic oil</i>	1
11	28176GT	DECAL,LABEL,MANUAL NOT HERE	1	41	82160GT	DECAL,LABEL,STATOIL HYDRA WAY <i>Option, hydraulic oil</i>	1
12	28177GT	DECAL,WARN,CRUSH HAZARD PLAT	2	42	82161GT	DECAL,LABEL,UCON HYDROLUBE <i>Option, hydraulic oil</i>	1
13	28181GT	DECAL,WARN,FALL HAZARD	1	43	82237GT	DECAL,DANGER,HIGH VOLTAGE <i>Option, welder generator</i>	4
14	28235GT	DECAL,POWER TO PLATFORM 115V	2	44	82289GT	DECAL,DANGER DO NOT ALTER SWTC	1
15	28236GT	DECAL,WARN,IMPROPER OPERATION	1	45	82366GT	DECAL, LABEL - CHEVRON RANDO <i>Option, hydraulic oil</i>	1
16	31788GT	DECAL,DANGER,BATTERY SAFETY***	1	46	82410GT	DECAL,WARNING,PANEL CRADLE <i>Option, panel cradle</i>	2
17	38149GT	DECAL,LABEL,PATENTS <i>US Only</i>	1	47	82422GT	DECAL,PATCH,DRIVING LIGHT <i>Option, worklights</i>	1
18	40434GT	DECAL,LANYARD ANCHORAGE POINT	8	48	82515GT	DECAL,OIL,HYD,CHEVRON AVIATION <i>Option, hydraulic oil</i>	1
19	43594GT	DECAL,NOTICE,MAX LOAD 750 LBS	1	49	82862GT	DECAL,FIRE EXTINGUISHER <i>Option, welder</i>	1
20	44981GT	DECAL,LABEL,AIR LINE 110 PSI <i>Option, airline to plat</i>	2				
21	44986GT	DECAL,INSTR,SIDE FRC/WIND,AUS <i>Australia</i>	1				

103.1 Decals with Words, S-120 (continued)

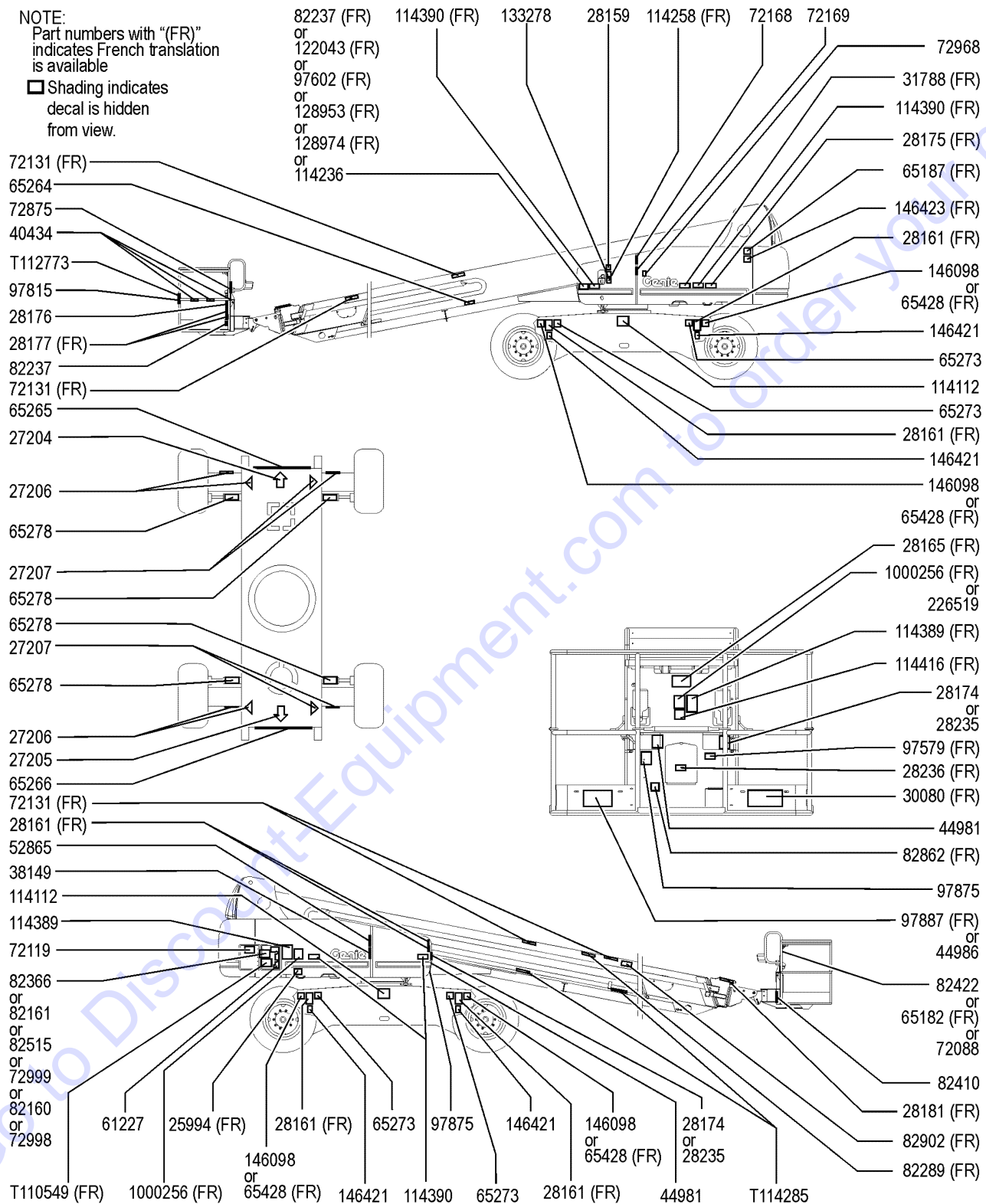
Item	Part No.	Description	Qty.
50	82902GT	DECAL,DANGER DO NOT ALTER SWTC.....	1
51	97579GT	DECAL,DANGER,TIP-OVER,WELDER** <i>Option, welder</i>	1
52	97602GT	DECAL,EXPLOSION HAZARD.....	1
53	97815GT	DECAL,LABEL,LOWER MIDRAIL.....	1
54	97875GT	DECAL,WARN.WELD LINE INST.WORD.....	2
		<i>Option, weld line to plat</i>	
55	97887GT	DECAL,INSTR,MAX SIDE FRC,ANSI.....	1
		<i>ANSI</i>	
56	114112GT	DECAL,LABEL,TRANSPORT DIAGRAM.....	2
57	114236GT	DECAL,LABEL,CB SYMBOL.....	1
		<i>Option, accessory generator</i>	
58	114258GT	DECAL,DANGER,NO SMOKING.....	1
59	114389GT	DECAL,DANGER,GENERAL SAFETY....	2
60	114390GT	DECAL,DANGER,ELECT HAZARD***....	4
61	114416GT	DECAL,DANGER,TIPOVER,TILT.....	1
62	122043GT	DECAL,INSTR,ENG.SPECS,CUMMINS.1	
63	128953GT	DECAL,ENGINE SPEC,DEUTZ,TD2011.....	1
64	128974GT	DECAL,ENGINE SPEC,PERKINS,804T.....	1
65	133278GT	DECAL,LOW/ULTRA LOW SULFR FUEL.....	1
		<i>US Only</i>	
66	146098GT	DECAL,SOLID TIRE,445/65-24.....	4
67	146420GT	DECAL,LABEL, WHEEL LOAD, S-120....	4
68	146423GT	DECAL,DANGER DO NOT ALTER SWTC.....	1
69	226519GT	DECAL,INST,OPER INST,SB,AUS.....	1
		<i>Australia</i>	
70	1000256GT	DECAL,NOTICE,OPERATING INST.....	2
		<i>ANSI</i>	
71	T110549GT	DECAL,FAULT CODES,SB/SY.....	1
72	T112773GT	TAPE, PROTECTIVE MASK.....	2
73	T114285GT	DECAL,WARN,INSTAL COVER,SYM....	4

This Page Intentionally Left Blank

Go to Discount-Equipment.com to order your parts

104.1 Decals with Words, S-125

NOTE:
 Part numbers with "(FR)" indicates French translation is available
 □ Shading indicates decal is hidden from view.



104.1 Decals with Words, S-125

Item	Part No.	Description	Qty.	Item	Part No.	Description	Qty.
A	825371GT	DECAL KIT,S125,COMP,WRD,ANSI <i>ANSI (from SN D-134 to D-286)</i>		22	52865GT	DECAL,ANNUAL INSP*** <i>US Only</i>	1
--	825383GT	INSTRUCTIONS,INSTALL,COMP,WORD <i>for 825371</i>		23	61227GT	DECAL,GROUND CONTROL PANEL	1
B	825379GT	DECAL KIT,S125,COMP,WRD,AUS <i>Australia (from SN D-134 to D-286)</i>		24	65182GT	DECAL,PLATFORM CONTROL PANEL	1
--	825383GT	INSTRUCTIONS,INSTALL,COMP,WORD <i>for 825379</i>		25	65187GT	DECAL,DANGER DO NOT ALTER SWTC	1
C	825037GT	DECAL KIT,S125,COMP,WRD,ANSI <i>ANSI (from SN D-287)</i>		26	65264GT	DECAL,COSMETIC,GENIE S-125	1
--	825128GT	INSTRUCTIONS,INSTALL,COMP,WORD <i>for 825037</i>		27	65265GT	DECAL,COSMETIC,S-125	1
D	825116GT	DECAL KIT,S125,COMP,WRD,AUS <i>Australia (from SN D-287)</i>		28	65266GT	DECAL,COSMETIC,4X4	1
--	825128GT	INSTRUCTIONS,INSTALL,COMP,WORD <i>for 825116</i>		29	65273GT	DECAL,NOTICE,TIRE SPECS	4
E	T114434GT	S-125 CS DECALS		30	65278GT	DECAL,CAUTION,NO STEP	4
1	25994GT	DECAL,NOTICE,SHUTOFF VALVES	1	31	65428GT	DECAL,DANGER,TIP-OVER,TIRES <i>foam-filled</i>	4
2	27204GT	DECAL,ARROW BLUE	1	32	72088GT	DECAL,CONTROL PANEL PROTECTOR	1
3	27205GT	DECAL,ARROW YELLOW LRG 9"	1	33	72119GT	DECAL,LABEL,ROM CHART 120/125	1
4	27206GT	DECAL,TRIANGLE,BLUE	4	34	72131GT	DECAL,LABEL,CYLINDER COVER	4
5	27207GT	DECAL,TRIANGLE,YELLOW	4	35	72168GT	DECAL,LABEL,STARTER BATTERY	1
6	28159GT	DECAL,LABEL,DIESEL FUEL <i>diesel only</i>	1	36	72169GT	DECAL,LABEL,CONTROLS BATTERY	1
7	28161GT	DECAL,WARN,CRUSH HAZARD HAND	6	37	72875GT	DECAL,WARNING,PIPE CRADLE,BOOM <i>Option, pipe cradle</i>	2
8	28165GT	DECAL,INSTRUCT,FOOTSWITCH OPER	1	38	72968GT	DECAL,LABEL,25A CB	1
9	28174GT	DECAL, POWER TO PLATFORM 230V**	2	39	72998GT	DECAL,LABEL,QUINTOLUBRIK <i>Option, hydraulic oil</i>	1
10	28175GT	DECAL,WARNING-COMPART ACCESS	1	40	72999GT	DECAL,LABEL,PETRO CANADA*** <i>Option, hydraulic oil</i>	1
11	28176GT	DECAL,LABEL,MANUAL NOT HERE	1	41	82160GT	DECAL,LABEL,STATOIL HYDRA WAY <i>Option, hydraulic oil</i>	1
12	28177GT	DECAL,WARN,CRUSH HAZARD PLAT	2	42	82161GT	DECAL,LABEL,UCON HYDROLUBE <i>Option, hydraulic oil</i>	1
13	28181GT	DECAL,WARN,FALL HAZARD	1	43	82237GT	DECAL,DANGER,HIGH VOLTAGE <i>Option, welder generator</i>	4
14	28235GT	DECAL,POWER TO PLATFORM 115V	2	44	82289GT	DECAL,DANGER DO NOT ALTER SWTC	1
15	28236GT	DECAL,WARN,IMPROPER OPERATION	1	45	82366GT	DECAL, LABEL - CHEVRON RANDO <i>Option, hydraulic oil</i>	1
16	30080GT	DECAL,NOTICE,MAX LOAD 500 LBS	1	46	82410GT	DECAL,WARNING,PANEL CRADLE <i>Option, panel cradle</i>	2
17	31788GT	DECAL,DANGER,BATTERY SAFETY***	1	47	82422GT	DECAL,PATCH,DRIVING LIGHT <i>Option, worklights</i>	1
18	38149GT	DECAL,LABEL,PATENTS <i>US Only</i>	1	48	82515GT	DECAL,OIL,HYD,CHEVRON AVIATION <i>Option, hydraulic oil</i>	1
19	40434GT	DECAL,LANYARD ANCHORAGE POINT	8	49	82862GT	DECAL,FIRE EXTINGUISHER <i>Option, welder</i>	1
20	44981GT	DECAL,LABEL,AIR LINE 110 PSI <i>Option, airline to plat</i>	2				
21	44986GT	DECAL,INSTR,SIDE FRC/WIND,AUS <i>Australia</i>	1				

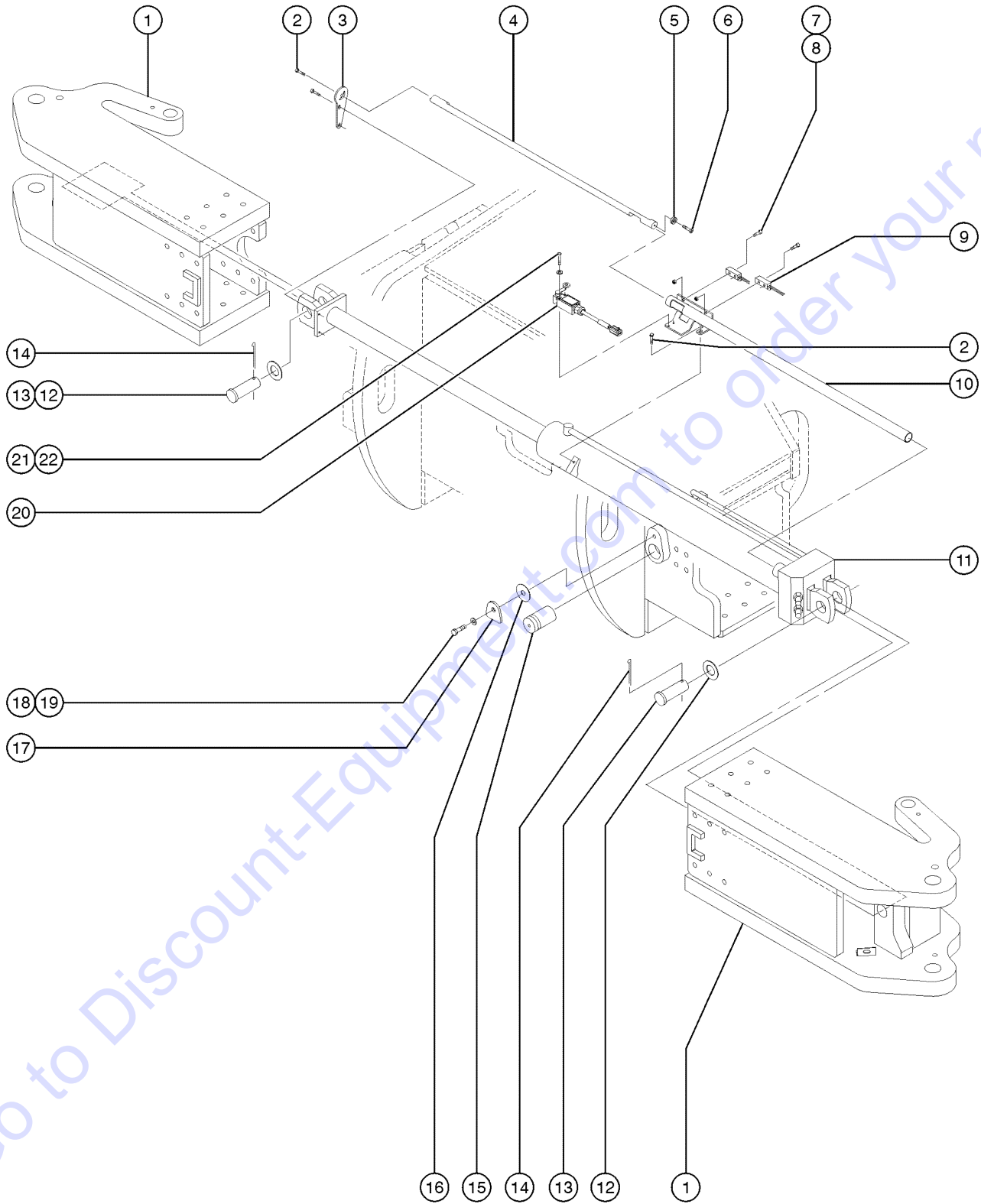
104.1 Decals with Words, S-125 (continued)

Item	Part No.	Description	Qty.
50	82902GT	DECAL,DANGER DO NOT ALTER SWTC.....	1
51	97579GT	DECAL,DANGER,TIP-OVER,WELDER** <i>Option, welder</i>	1
52	97602GT	DECAL,EXPLOSION HAZARD.....	1
53	97815GT	DECAL,LABEL,LOWER MIDRAIL.....	1
54	97875GT	DECAL,WARN.WELD LINE INST.WORD.....	2
		<i>Option, weld line to plat</i>	
55	97887GT	DECAL,INSTR,MAX SIDE FRC,ANSI.....	1
		<i>ANSI</i>	
56	114112GT	DECAL,LABEL,TRANSPORT DIAGRAM.....	2
57	114236GT	DECAL,LABEL,CB SYMBOL.....	1
		<i>Option, accessory generator</i>	
58	114258GT	DECAL,DANGER,NO SMOKING.....	1
59	114389GT	DECAL,DANGER,GENERAL SAFETY....	2
60	114390GT	DECAL,DANGER,ELECT HAZARD***....	4
61	114416GT	DECAL,DANGER,TIPOVER,TILT.....	1
62	122043GT	DECAL,INSTR,ENG.SPECS,CUMMINS.	1
63	128953GT	DECAL,ENGINE SPEC,DEUTZ,TD2011.....	1
64	128974GT	DECAL,ENGINE SPEC,PERKINS,804T.....	1
65	133278GT	DECAL,LOW/ULTRA LOW SULFR FUEL.....	1
		<i>US Only</i>	
66	146098GT	DECAL,SOLID TIRE,445/65-24.....	4
67	146421GT	DECAL,LABEL,WHEEL LOAD,S-125**....	4
68	146423GT	DECAL,DANGER DO NOT ALTER SWTC.....	1
69	226519GT	DECAL,INST,OPER INST,SB,AUS.....	1
		<i>Australia</i>	
70	1000256GT	DECAL,NOTICE,OPERATING INST.....	2
		<i>ANSI</i>	
71	T110549GT	DECAL,FAULT CODES,SB/SY.....	1
72	T112773GT	TAPE, PROTECTIVE MASK.....	2
73	T114285GT	DECAL,WARN,INSTAL COVER,SYM.....	4

This Page Intentionally Left Blank

Go to Discount-Equipment.com to order your parts

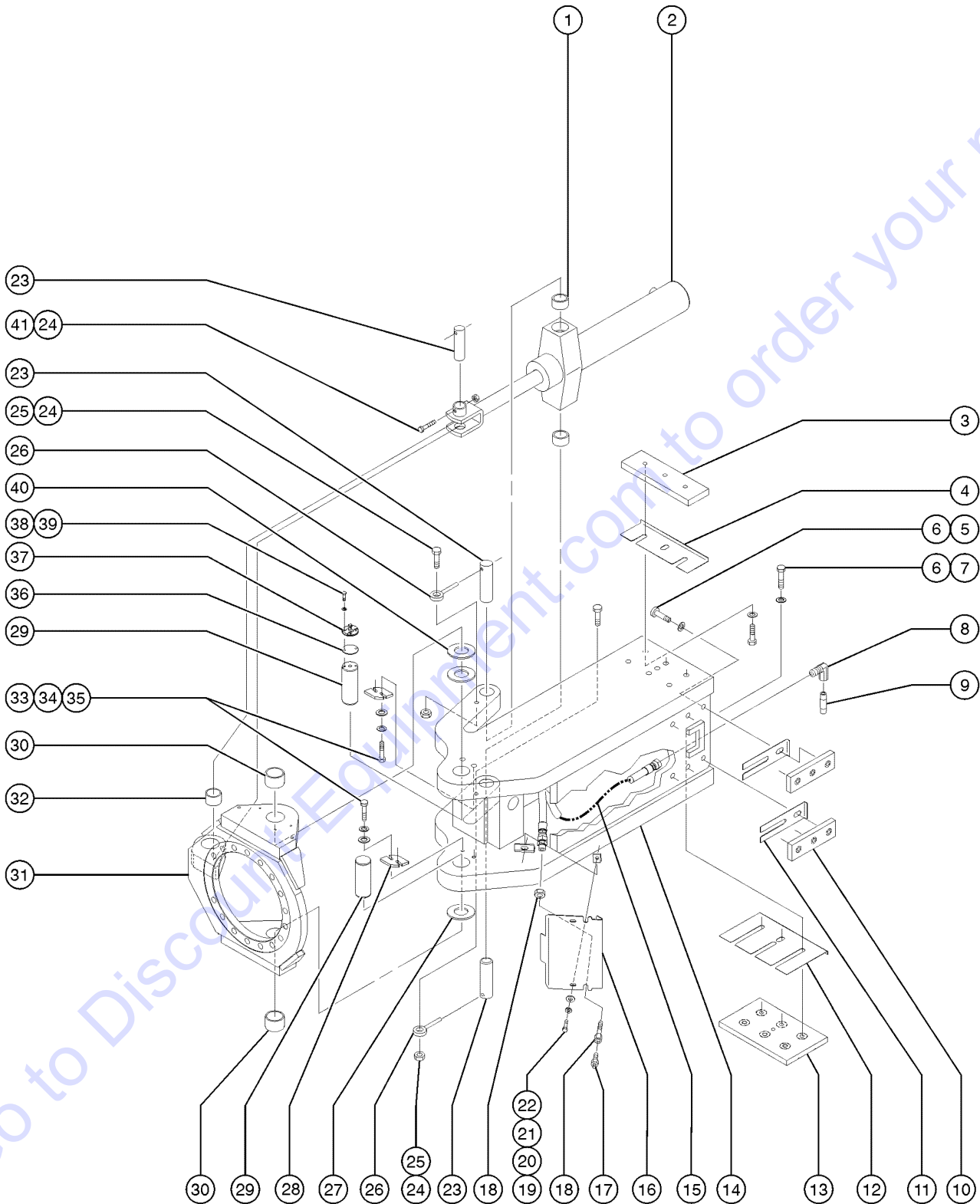
201.1 Extendable Steer Axle Installation - View 1



201.1 Extendable Steer Axle Installation - View 1

Item	Part No.	Description	Qty.
1		Ref. MACHINING, INNER AXLE.....2 (refer to 202.1)	
2	75060GT	SCREW, HEX HD FLANGE 1/4-20X1/2	
3	61682GT	BRACKET, SWITCH ROD MOUNT, PNTED.....2	
4	61683GT	ROD, SWITCH ACTIVATING.....2	
5	61684GT	WEARPAD, ACTIVATING ROD.....2	
6	8514GT	SCREW, FHS, 1/4-20 X .75	
7	49819GT	SCREW, PHILLIPS, PHM, 10-32 X .5	
8	6178GT	NUT, NYLOCK, 10-32	
9	60987GT	SWITCH, LIMIT, PROX(OPERATIONAL)...4	
10	61688GT	WELDMENT, AXLE SWITCH.....2	
11	89536GT	CYLINDER, AXLE EXTEND***.....2	
--	33428GT	VALVE, COUNTERBALANCE	
--	43018GT	SEAL KIT (39345)	
--	62416GT	SEAL KIT, AXLE EXTEND CYL, 61381	
--	62419GT	VALVE, CB.CBBC-LHN@2200*	
12	18596GT	WASHER, FLAT, 1.56 X 2.5 X .061	
13	61604GT	PIN, CLEVIS, 1.50 X 4.465 LONG.....4	
14	75063GT	PIN, COTTER, .188 X 2.00 LONG	
15	75038GT	PIN, AXLE STOP.....4	
16	75040GT	SHIM, AXLE PIN	
17	75039-SGT	PLATE, AXLE PIN RETAINER.....4	
18	10597GT	SCREW, HHC, 1/2-13 X 1.25 GR5	
19	6033GT	WASHER, LOCK, 0.5"	
20	75036GT	LIMIT SWITCH, SAFETY.....2	
--	53983GT	STRAIN RELIEF, PG13,5	
--	75910GT	WIRE ASSEMBLY, 16/4SJO, 9.5" PLUG	
--	75913GT	LIMIT SWITCH, SAFETY, NO WIRE	
21	49817GT	SCREW, PHILLIPS, PHM, 10-32 X 1.25	
22	6607GT	WASHER, LOCK, #10 PLTD	

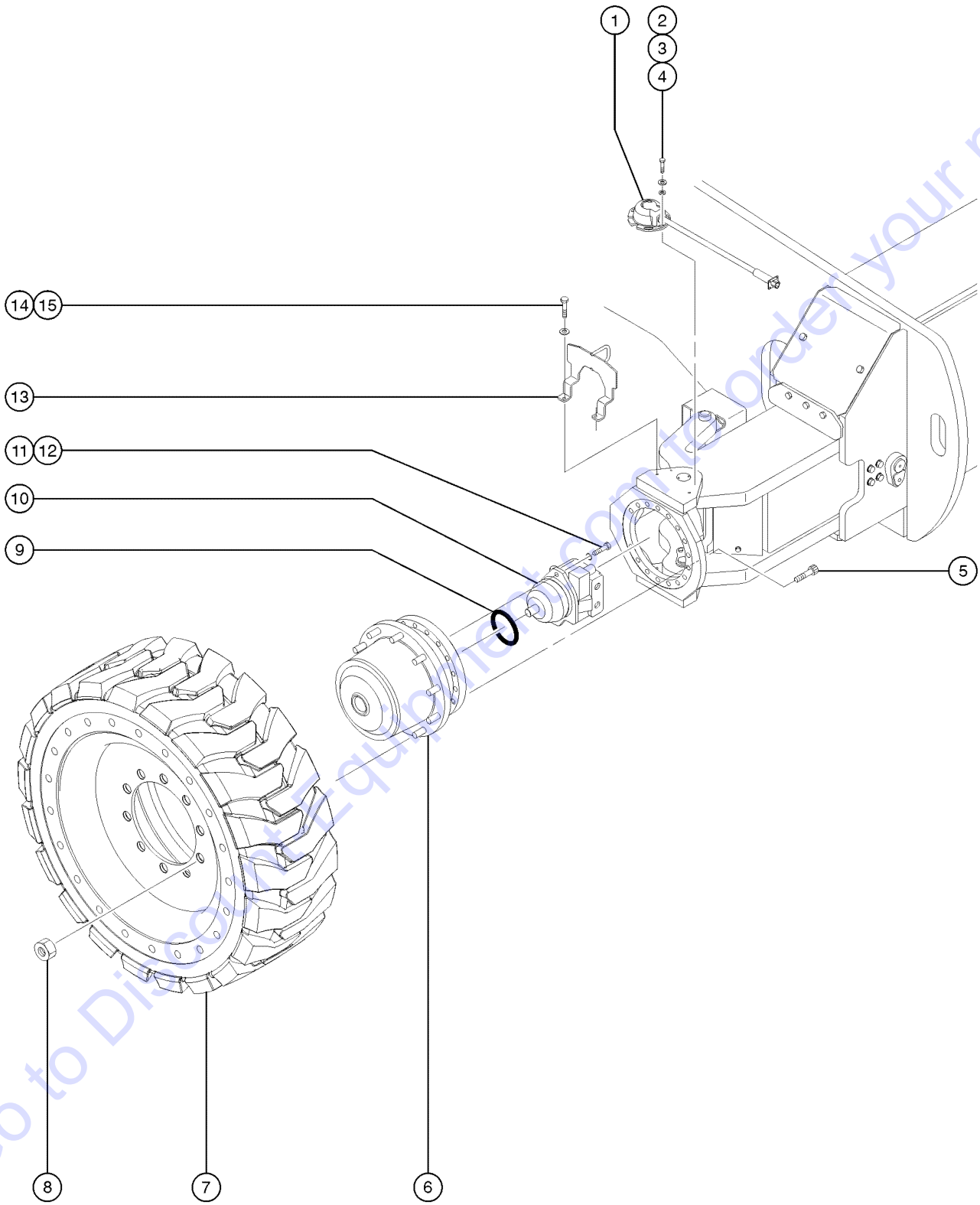
202.1 Extendable Steer Axle Installation - View 2



202.1 Extendable Steer Axle Installation - View 2

Item	Part No.	Description	Qty.	Item	Part No.	Description	Qty.
1	18396GT	BEARING,1.5IDX1.75ODX1.0L.....	4	39	6607GT	WASHER,LOCK,#10 PLTD	
2	50060-SGT	CYLINDER,STEERING W/DECAL..... <i>includes item 1</i>	2	40	60745GT	SHIM,GALVANIZED STEER YOKE	
--	65793GT	SEAL KIT CYL***		41	14033GT	SCREW,HHC,3/8-16 X 2.75	
3	61310GT	PLATE,AXLE WEAR STEEL.....	8				
4	61307GT	SHIM,INNER AXLE WEAR PAD					
5	22788GT	SCREW,HHC,1/2-13 X 1.75					
6	6033GT	WASHER,LOCK,0.5"					
7	39479GT	SCREW,HHC,1/2-13 X 2.75					
8	102729GT	ELBOW,90D,1/8 NPT X #4 JIC.....	8				
9	102728GT	NIPPLE,1/8 NPT X 3.0 FFS-S.....	4				
10	61308GT	WEAR PAD,INNER AXLE SIDE.....	16				
11	122249GT	SHIM,PAD 2.0 X 6.60					
12	122248GT	SHIM,PAD,10 X 6.10					
13	61309GT	WEAR PAD,INNER AXLE.....	8				
14	61634-SGT	MACHINING,INNER AXLE.....	2				
15	49189-2338GT	HOSE ASSY,1/4,STR FEM,STR..... <i>components: 48805, 48805 and 48751 @ 21 inches</i>	6				
16	61654GT	FORMING,INNER AXLE COVER.....	2				
17	28646GT	ZERK,GREASE,1/8 NPT.....	8				
18	48885GT	CONNECTOR,BULKHEAD,FEMALE-4...8					
19	6090GT	SCREW,HHC,1/4-20 X .75					
20	6356GT	WASHER,LOCK,.25					
21	6638GT	WASHER,FLAT,USS,1/4"Y					
22	56912GT	SPRING CLIP,1/4-20,.025-.15X.54,ZAG.....	8				
23	60980GT	PIN,1.50DIA X 4.13LG,THREADED.....	6				
24	4828GT	NUT,NYLOCK,3/8-16					
25	6326GT	SCREW,HHC,3/8-16 X 3					
26	825019GT	ROD END,.375X3.69,ZAG.....	8				
27	60555GT	WASHER,THRUST 5 X 1.81 BRONZE....	2				
28	75088GT	PLATE,KING PIN RETAINER.....	4				
29	75087GT	PIN,AXLE KING.....	4				
30	119620GT	BEARING,1.75IDX2.00ODX1.50L.....	4				
31	75452-SGT	YOKE ASSEMBLY,SUPERBOOM,NRRW..... <i>includes items 30 and 32</i>	4				
32	119619GT	BEARING,1.5IDX1.75ODX1.5L,PTFE....	2				
33	6019GT	SCREW,HHC,3/8-16 X 1.25 GRD 5					
34	6021GT	WASHER,LOCK,.375					
35	6097GT	WASHER,FLAT,USS,3/8",Y					
36	60747GT	SHIM,STEER SENSOR ACTIVATOR....	2				
37	60618GT	ACTIVATOR,STEER SENSOR.....	2				
38	49819GT	SCREW,PHILLIPS,PHM,10-32 X .5					

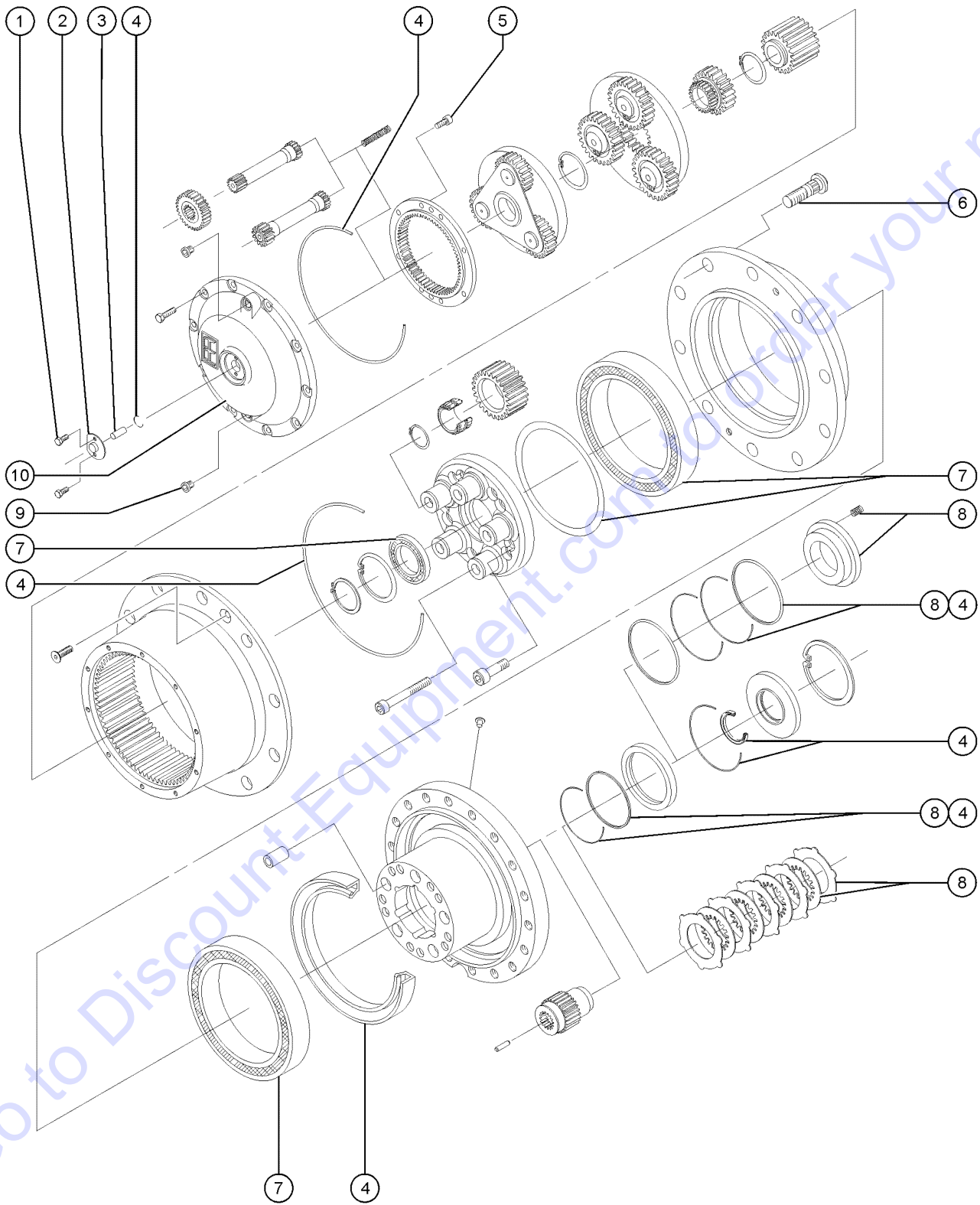
203.1 Steer Axle Wheels and Drive Hubs



203.1 Steer Axle Wheels and Drive Hubs

Item	Part No.	Description	Qty.
1	107830GT	SUBASSY,STEER SENSOR***.....4 <i>(calibration required after replacement)</i>	4
--	49817GT	SCREW,PHILLIPS,PHM,10-32 X1.25	
2	8914GT	SCREW,HHC,1/4-20 X .625	
3	6356GT	WASHER,LOCK,.25	
4	6638GT	WASHER,FLAT,USS,1/4"Y	
5	102064GT	SCREW,SHC,M16 X 50MM,BLACK.....64	64
6A		Ref. Drive Hub with Brake <i>(refer to 204.1); from SN S12011D-101 to S12014D-814, from SN S12511D-101 to S12514D-814</i>	
6B	218496GT	WHEEL DRIVE W/BRAKE,76:1,BREVI...1 <i>from SN S12014D-815, from SN S12514D-815</i>	1
--	1259484GT	SEAL KIT,BREVINI (218496)	
--	1259485GT	BEARING KIT,BREVINI (218496)	
--	1259486GT	BRAKE KIT,BREVINI (218496)	
--	1259487GT	STUD,WHEEL, 3/4-16 (218496)	
--	1259950GT	DISCONNECT KIT, BREVINI (21849)	
--	1259951GT	COVER KIT, BREVINI (218496)	
7A	50032GT	TIRE & WHEEL ASSY LF-LR <i>Foam-filled; to SN S12512D-198</i>	
7B	T111702GT	ASSY,TIRE,445D50/710,LH <i>(Foam-filled, left); from SN S12512D-199</i>	
7C	50188GT	TIRE & WHEEL ASSY RF-RR <i>Foam-filled; to SN S12512D-198</i>	
7D	T111703GT	ASSY,TIRE,445D50/710,RH <i>(Foam-filled, right); from SN S12512D-199</i>	
8	34127GT	NUT,LUG,3/4-16 X 7/8 RADIUS.....40	40
9	106118GT	O-RING,2-157,VITON***.....4	4
10	101070GT	MOTOR,PISTON,2 SPEED,45CC.....4 <i>includes item 9</i>	4
--	106098GT	SEAL KIT,MOTOR,LC/KC***	
11	56843GT	SCREW,SHC,1/2-13 X 1.50,A574.....8	8
12	13066GT	WASHER,FLAT,.5 HARDENED	
13	61662-SGT	WELDMENT,GUIDE BRACKET.....4	4
14	8255GT	SCREW,HHC,3/8-16 X .75	
15	6021GT	WASHER,LOCK,.375	

204.1 Drive Hub Assembly with Brake

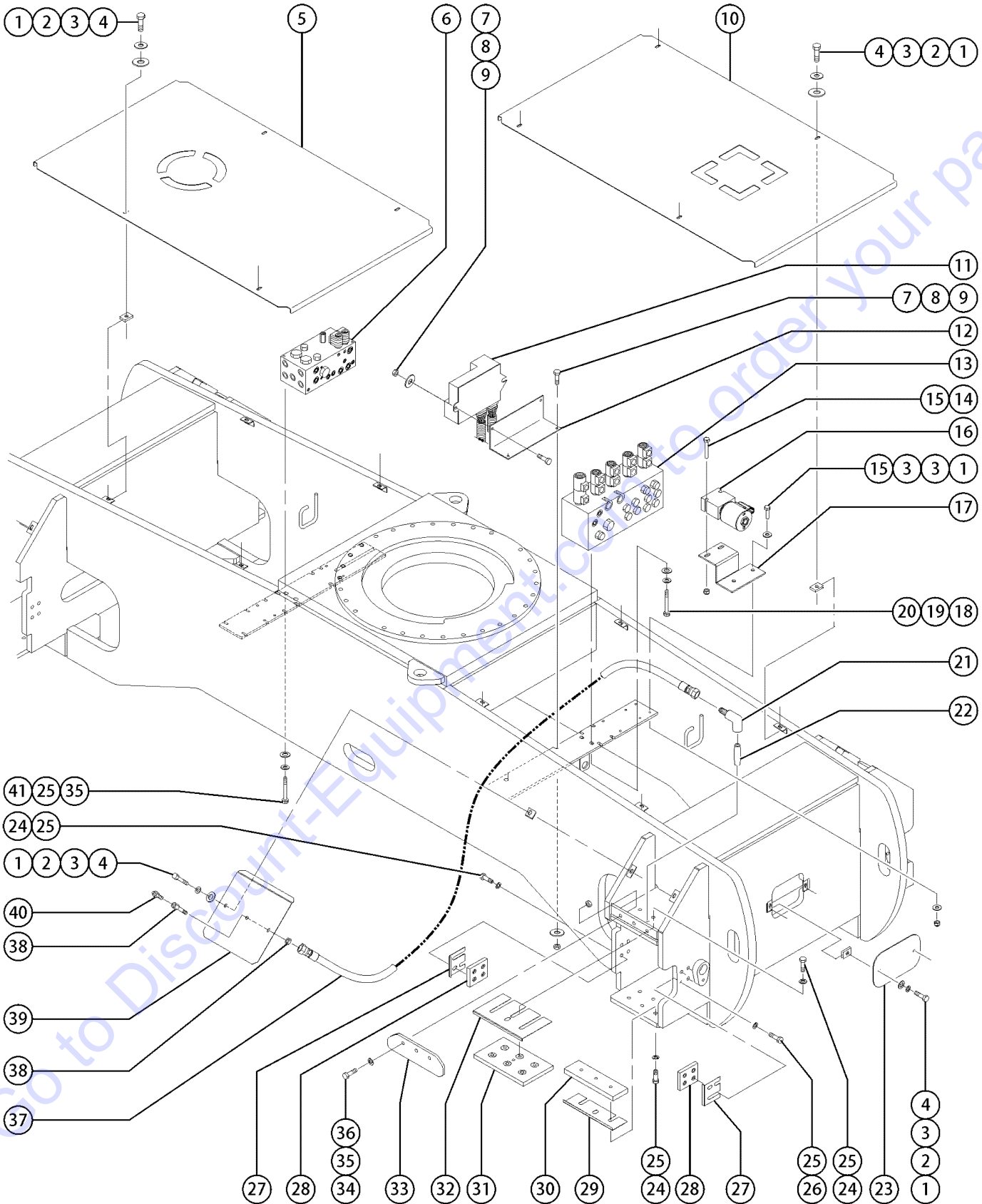


204.1 Drive Hub Assembly with Brake

Item	Part No.	Description	Qty.
--	106756GT	WHEEL DRIVE W/BRAKE,76:1	
1	7339GT	SCREW, HHC, 1/4-20 X .5	
2	102449GT	CAP,MANUAL DISENGAGE (89212).....1	
3	102450GT	PIN,DISENGAGE CAP, 89212.....1	
4	106873GT	SEAL KIT,RWD 1700TB***.....1	
5	102452GT	SCREW,M8X1.5X20MM GR8.8(89212)	
6	62478GT	STUD, WHEEL, 3/4-16 X 3****10	
7	106874GT	BEARING KIT,RWD 1700TB***1	
8	106875GT	BRAKE KIT,RWD 1700TB***1	
9	102684GT	PLUG,DRAIN,RR TRANS.DRIVE HUBS.....2	
10	237233GT	HUB, WHEEL COVER,Z135 (106756).....1	
--	237232GT	O-RING, WHEEL COVER (237233)	

Go to Discount-Equipment.com to order your parts

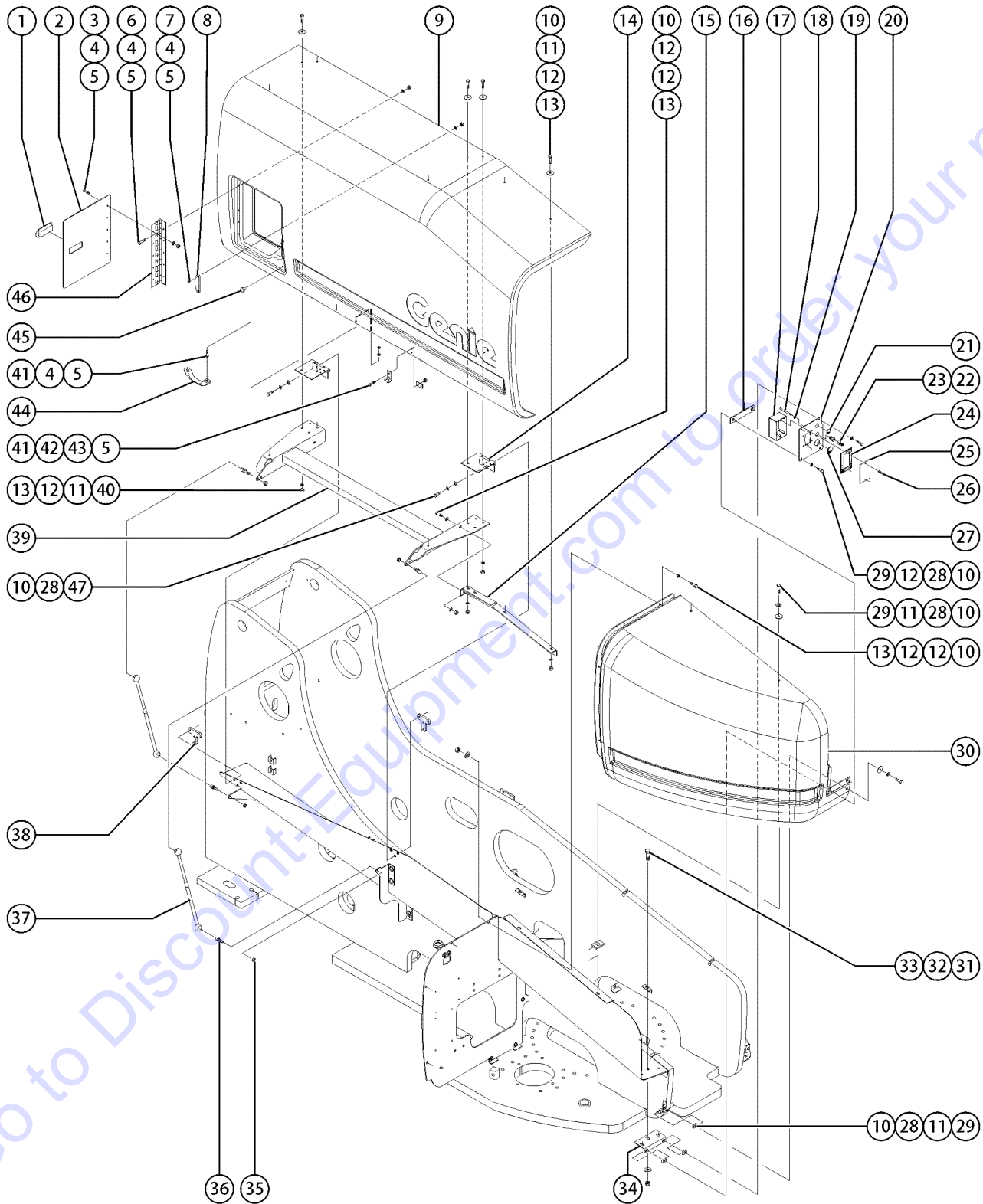
205.1 Chassis Components



205.1 Chassis Components

Item	Part No.	Description	Qty.	Item	Part No.	Description	Qty.
1	6888GT	SCREW,HHC,1/4-20 X 1		37	49189-2338GT	HOSE ASSY,1/4,STR FEM,STR.....4 components: 48805, 48805 and 48751 @ 21 inches	4
2	6356GT	WASHER,LOCK,.25		38	48885GT	CONNECTOR,BULKHEAD,FEMALE-4...4	4
3	6638GT	WASHER,FLAT,USS,1/4"Y		39	61649-SGT	COVER,DRIVE CHASSIS AXLE.....4	4
4	56912GT	SPRING CLIP,1/4-20,.025-.15X.54,ZAG		40	28646GT	ZERK,GREASE,1/8 NPT.....4	4
5	62470-SGT	COVER ASSY,DRIVE CHASSIS S120....1		41	10597GT	SCREW,HHC,1/2-13 X 1.25 GR5	
6		Ref. Traction Manifold (refer to 701.1)					
7	6782GT	NUT,NYLOCK,5/16-18					
8	5397GT	WASHER,FLAT,USS,5/16",Y					
9	10107GT	SCREW,HHC,5/16-18 X .75					
10	62471-SGT	COVER ASSY,DRIVE CHASSIS S120*.....1	1				
11	50154GT	CONTROL BOX ASSY,DRIVECHASSIS.....1	1				
--	102704GT	HARNES,DCON,4WS					
--	73742GT	BOOT,PLUG 3 WAY					
12	61378-SGT	FORMING,DCON MOUNT,PAINTED....1	1				
13		Ref. Steer and Axle Extend/Retract Manifold (refer to 702.1 or 703.1)					
14	6637GT	SCREW,HHC,1/4-20 X 1.75					
15	6091GT	NUT,NYLOCK,1/4-20					
16	1276727GT	VALVE,AXLE REDUNDANT,CIRCUIT....1	1				
17	1276728GT	BRACKET,REDUNDANT VALVE MOUNT.....1	1				
18	6019GT	SCREW,HHC,3/8-16 X 1.25 GRD 5					
19	6021GT	WASHER,LOCK,.375					
20	6097GT	WASHER,FLAT,USS,3/8",Y					
21	102729GT	ELBOW,90D,1/8 NPT X #4 JIC.....4	4				
22	61742GT	NIPPLE,PIPE,LONG 1/8 X 1.5.....4	4				
23	61663PGT	COVER,DRIVE CHASSIS END**.....2	2				
24	8177GT	SCREW,HHC,1/2-13 X 1.5					
25	6033GT	WASHER,LOCK,0.5"					
26	22788GT	SCREW,HHC,1/2-13 X 1.75					
27	122247GT	SHIM,PAD,4 X 3.60					
28	61302GT	WEAR PAD,INNER AXLE SIDE.....8	8				
29	61307GT	SHIM,INNER AXLE WEAR PAD					
30	61310-SGT	PLATE,AXLE WEAR STEEL.....4	4				
31	61309GT	WEAR PAD,INNER AXLE.....4	4				
32	122248GT	SHIM,PAD,10 X 6.10					
33	60418-SGT	PLATE,WEAR PAD RETENTION.....4	4				
34	6096GT	SCREW,HHC,1/2-13 X 2 GR5					
35	6095GT	WASHER,FLAT,USS,1/2",Y					
36	6198GT	NUT,NYLOCK,1/2-13					

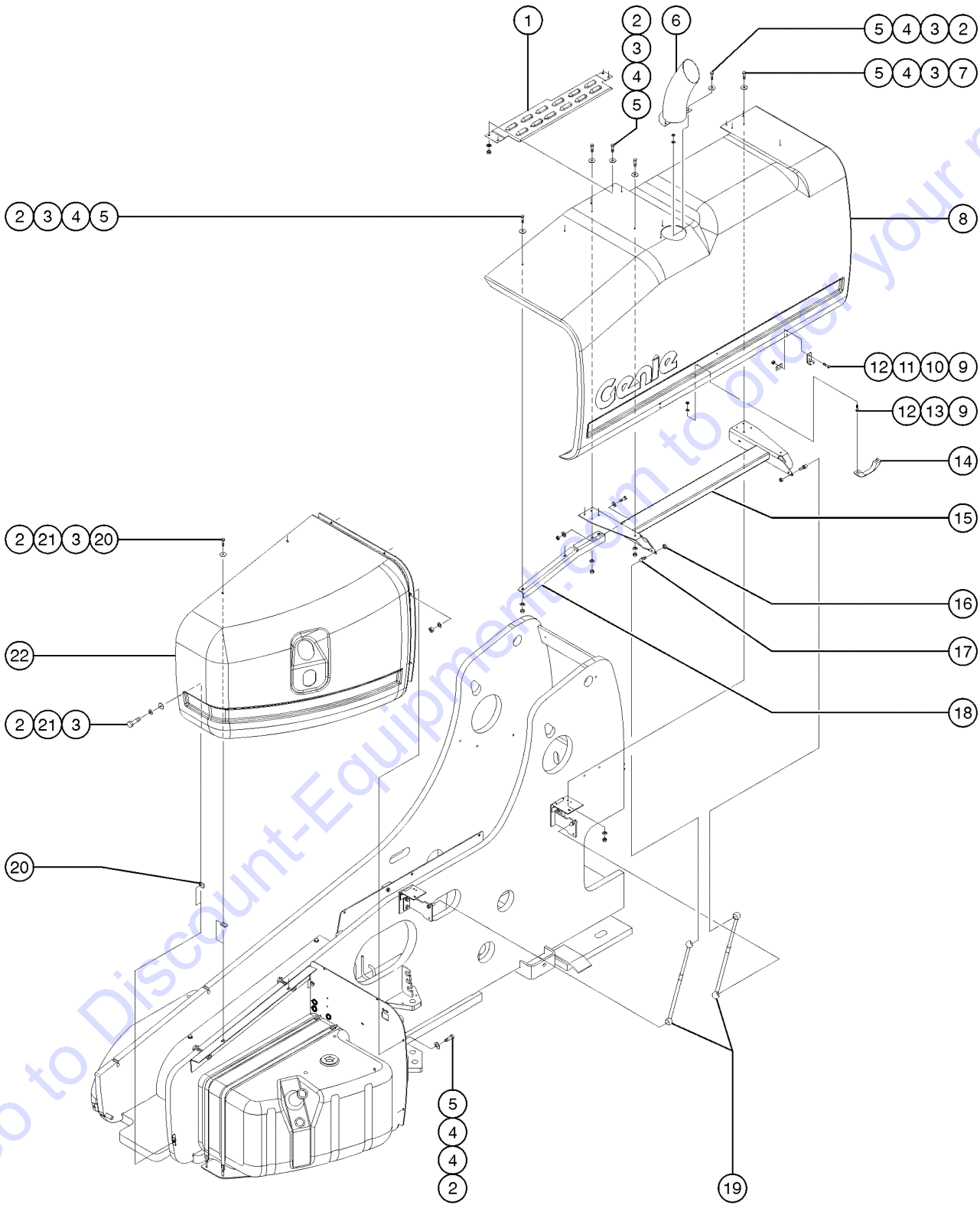
301.1 Turntable Covers - Tank Side



301.1 Turntable Covers - Tank Side

Item	Part No.	Description	Qty.	Item	Part No.	Description	Qty.
1	60964GT	LATCH,PANEL.....	1	--	111328GT	TURNTABLE COVER W/SYM DECAL LT <i>Europe/Asia/South America</i>	
2	75108-SGT	GRND.CNTRLS ACCESS COVER..... <i>USA/Canada/Australia</i>	1	31	6175GT	SCREW,HHC,3/8-16 X 1	
--	60966GT	COVER,TURNTABLE COVER ACCESS <i>Europe/Asia/South America</i>		32	6097GT	WASHER,FLAT,USS,3/8",Y	
3	5094GT	SCREW,RHM,10-32 X .5		33	4828GT	NUT,NYLOCK,3/8-16	
4	6146GT	WASHER,FLAT,MS,#10,Y		34	60895-SGT	BRACKET,PANEL MOUNT.....	1
5	6178GT	NUT,NYLOCK,10-32		35	6002GT	NUT,LP NYLOCK,5/16-18	
6	6147GT	SCREW,RHM,10-32 X 1		36	33555GT	BALL STUD**.....	4
7	6873GT	SCREW,FHM,10-32 X 1		37	122272GT	GAS STRUT,202 LBS FORCE..... <i>ball studs are not included</i>	2
8	60892GT	LATCH,PLATE,CONTROL BOX COVER.....	1	38	75642-SGT	PLATE,TAP BLOCK HINGE MNT PTD....	2
9	111330GT	COVER ASSY W/WORD DECALS SB <i>includes items 1-8, 10-15, and 39-46; USA/Canada/Australia</i>		39	60578GT	COVER SUPPORT,WELDMENT.....	1
--	122894GT	COVER W/SYM DEC TNK SD 120/125 <i>includes items 1-8, 10-15, and 39-46; Europe/Asia/South America</i>		40	8915GT	SCREW,HHC,1/4-20 X 1.25	
--	60874GT	TRIMLOCK,1/4.....120-inches		41	6606GT	SCREW,RHM,10-32 X .75	
10	6888GT	SCREW,HHC,1/4-20 X 1		42	75076GT	KEEPER,LATCH (45363).....	2
11	12906GT	WASHER,FENDER,.25 X 1.25 X.062		43	50790GT	PLATE,COVER LATCH BACKING.....	2
12	6638GT	WASHER,FLAT,USS,1/4"Y		44	60884GT	HANDLE,GRAB.....	1
13	6091GT	NUT,NYLOCK,1/4-20		45	34619GT	BUMPER,RUBBER***.....	2
14	75073GT	HINGE,.375X.120THK.,SLOTTED.....	2	46	60893GT	HINGE,SWING CONTROL BOX.....	1
15	60872GT	SUPPORT,COVER (61112,61117).....	1	47	1278464GT	WASHER,FLAT,THICKEN,1/4"	
16	61279-SGT	MOUNT,PANEL BACKING.....	1				
17	75069GT	T-BOX 2.75 X 4.5 X 2.5.....	1				
18	43955GT	WIRE CABLE,12/3 CON.TPE JKT.....1960-inches (S-120)					
--	43955GT	WIRE CABLE,12/3 CON.TPE JKT.....2020-inches (S-125)					
19	6935GT	LOCKNUT,ELEC,1/2".....	1				
20	89539PGT	MOUNT,PANEL,PAINTED.....	1				
21	15243GT	PLUG,NYLON .875 BLACK DOMED.....	1				
22	6595GT	PLUG,ELECTRICAL,DOMESTIC.....	1				
23	61278GT	CONN. SQZ,1/2NPT .56-.63.....	1				
24	74052GT	GASKET,COVER,GFCI,WEATHERPROOF.1					
25	10777GT	COVER,BLANK.....	1				
26	75067GT	SCREW,6-32 X 7/8 PPMS ZINC					
27	21187GT	PLUG,NYLON 1.38 BLACK DOMED.....	1				
28	6356GT	WASHER,LOCK,.25					
29	56912GT	SPRING CLIP,1/4-20,.025-.15X.54,ZAG					
30	75110-SGT	COVER ASSY.W/DECAL TURNTBL.ROT..... <i>USA/Canada/Australia</i>	1				

302.1 Turntable Covers - Engine Side

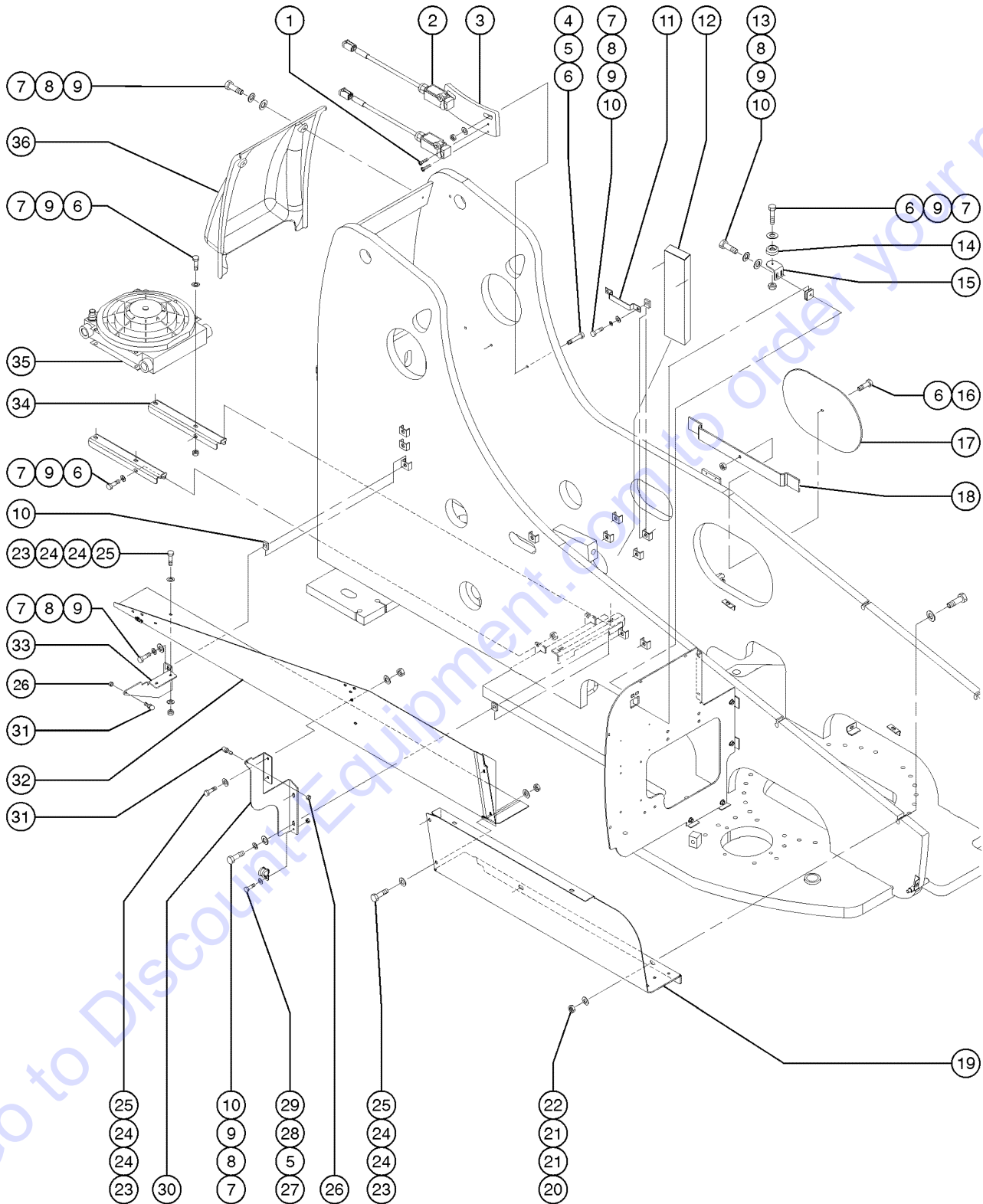


302.1 Turntable Covers - Engine Side

Item	Part No.	Description	Qty.
1	60595-SGT	SUPPORT,ENGINE COVER GRAY.....1	
2	6888GT	SCREW,HHC,1/4-20 X 1	
3	12906GT	WASHER,FENDER,.25 X 1.25 X.062	
4	6638GT	WASHER,FLAT,USS,1/4"Y	
5	6091GT	NUT,NYLOCK,1/4-20	
6	101964GT	WELDMENT,EXHAUST TUBE.....1	
7	8915GT	SCREW,HHC,1/4-20 X 1.25	
8	102948GT	COVER W/WRD DECALS ENG SIDE SB.....1 <i>includes items 1-6, 9, 12-15, and 18</i>	
--	102947GT	COVER W/SYM DECALS ENG SIDE SB <i>includes items 1-6, 9, 12-15, and 18</i>	
--	60874GT	TRIMLOCK,1/4.....120-inches	
9	6606GT	SCREW,RHM,10-32 X .75	
10	75076GT	KEEPER,LATCH (45363).....2	
11	50790GT	PLATE,COVER LATCH BACKING.....2	
12	6178GT	NUT,NYLOCK,10-32	
13	6146GT	WASHER,FLAT,MS,#10,Y	
14	60884GT	HANDLE,GRAB.....1	
15	60578GT	COVER SUPPORT,WELDMENT.....1	
16	6002GT	NUT,LP NYLOCK,5/16-18	
17	33555GT	BALL STUD**.....4	
18	60872GT	SUPPORT,COVER (61112,61117).....1	
19	122272GT	GAS STRUT,202 LBS FORCE.....2 <i>ball studs are not included</i>	
20	56912GT	SPRING CLIP,1/4-20,.025-.15X.54,ZAG	
21	6356GT	WASHER,LOCK,.25	
22	75112-SGT	COVER ASSY.W/DECALS,FUEL TANK.....1 <i>USA/Canada/Australia</i>	
--	111329GT	FUEL CVR W/SYM DECAL S100/120 <i>Europe/Asia/South America</i>	

Go to DiscountEquipment.com to order your parts

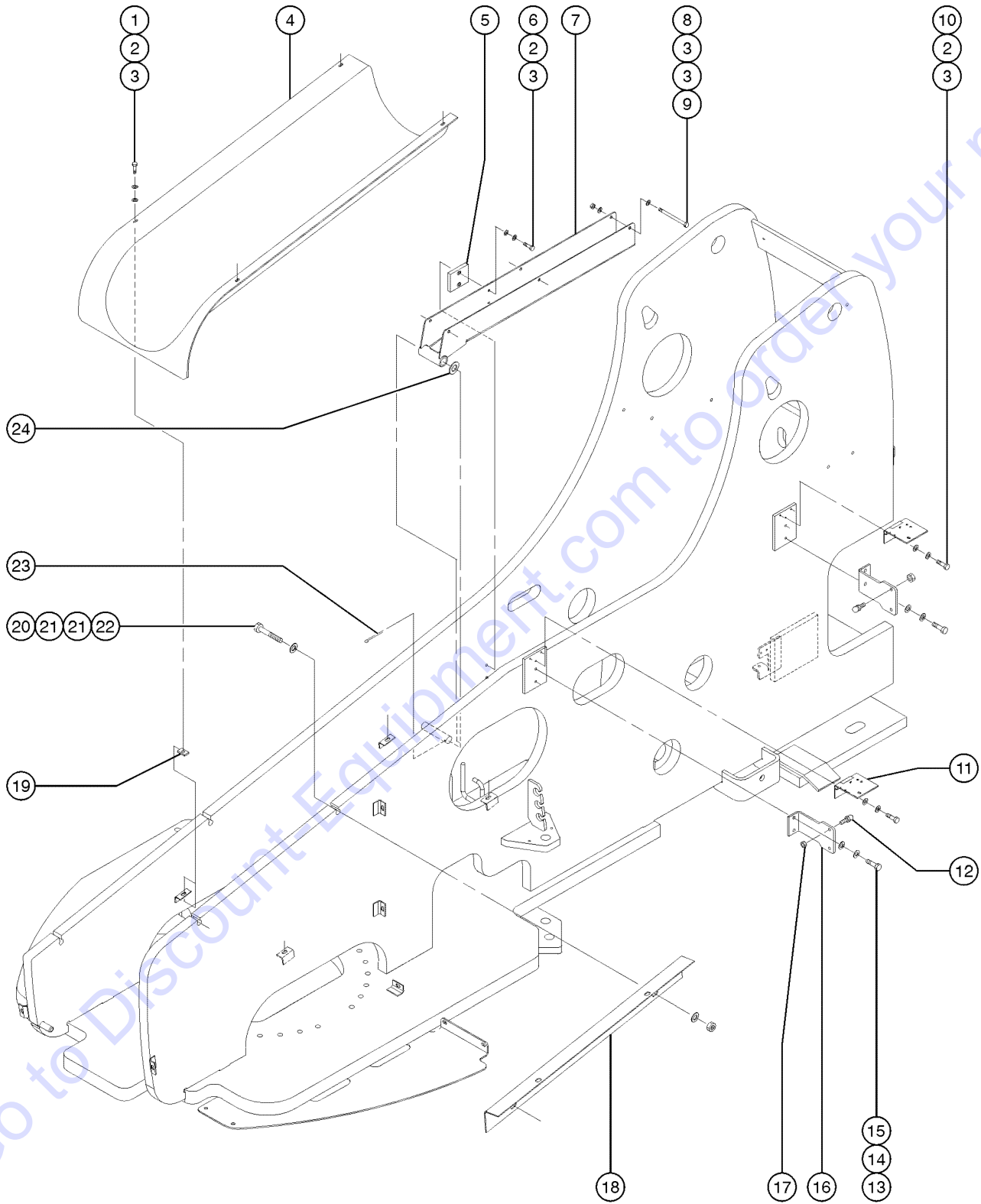
303.1 Turntable Components - Tank Side



303.1 Turntable Components - Tank Side

Item	Part No.	Description	Qty.	Item	Part No.	Description	Qty.
1	51063GT	SCREW,PHILLIPS,RHM,10-32 X 1.5		33	60670-SGT	STRUT SUPPORT.....	1
2	146198GT	LIMIT SWITCH,SAFETY		34	102205PGT	FORMING, COOLER SUPPORT PAINTE.....	2
--	110771-74B3GT	SWITCH,LIMIT,ROLLER NO/NC GOLD		35	71259GT	OIL COOLER W/FAN, 12VDC.....	1
--	128636GT	ROLLER,ARM,LIMIT SWITCH,ZCY500		--	75854GT	FAN - VENTED	
--	146325GT	CONN.SQZ,PG 11,,34-.47,W/ORING		--	75855GT	THERMOSTAT -OIL COOLER (71259)	
3	60341-SGT	PLATE,ANGLE LIMIT SWITCH,MACH....1		36	60671GT	COVER,REAR MAST.....	1
3A	61141GT	SHIM,ANGLE LIMIT SWITCH MOUNT for 60341, as required (.06 inch/1.52 mm thickness)					
4	14033GT	SCREW,HHC,3/8-16 X 2.75					
5	5397GT	WASHER,FLAT,USS,5/16",Y					
6	7713GT	NUT, LP NYLOCK, 3/8-16					
7	6175GT	SCREW,HHC,3/8-16 X 1					
8	6021GT	WASHER,LOCK,.,375					
9	6097GT	WASHER,FLAT,USS,3/8",Y					
10	29868GT	SPRING CLIP,3/8-16,.05-.20X.73,ZAG					
11	61350-SGT	CLAMP,INTAKE EXTENSION,DEUTZ.....2 <i>Deutz models</i>					
12	61347GT	WELDMENT,INTAKE EXT.DEUTZ.....1 <i>Deutz models</i>					
--	60875GT	TRIM MOLDING					
13	6019GT	SCREW,HHC,3/8-16 X 1.25 GRD 5					
14	50974GT	BUMPER,RUBBER,COVERS.....1					
15	60729-SGT	FORMING,COVER STOP.....1					
16	8516GT	SCREW, HCC, 3/8-16 X 1.50 <i>Deutz models</i>					
17	75057-SGT	SWING COVER,DEUTZ.....1 <i>Deutz models</i>					
18	75058-SGT	SWING COVER BRACKET,DEUTZ.....1 <i>Deutz models</i>					
19	60496-SGT	FORMING,INNER COVER.....1					
20	6198GT	NUT,NYLOCK,1/2-13					
21	6095GT	WASHER,FLAT,USS,1/2",Y					
22	39479GT	SCREW,HHC,1/2-13 X 2.75					
23	6888GT	SCREW,HHC,1/4-20 X 1					
24	6638GT	WASHER,FLAT,USS,1/4"Y					
25	6091GT	NUT,NYLOCK,1/4-20					
26	6002GT	NUT,LP NYLOCK,5/16-18					
27	10107GT	SCREW,HHC,5/16-18 X .75					
28	60838GT	CLAMP,1.00,#16 X 7/16,RUB CUSH.....1					
29	6782GT	NUT,NYLOCK,5/16-18					
30	60655-SGT	STRUT SUPPORT,TANK SIDE.....1					
31	40265GT	BALL STUD,GAS STRUT (38593)***.....2					
32	102993GT	TURNTABLE COVER MOUNT ASSY					
--	102994GT	TURNTABLE COVER MOUNT ASSY SYM					

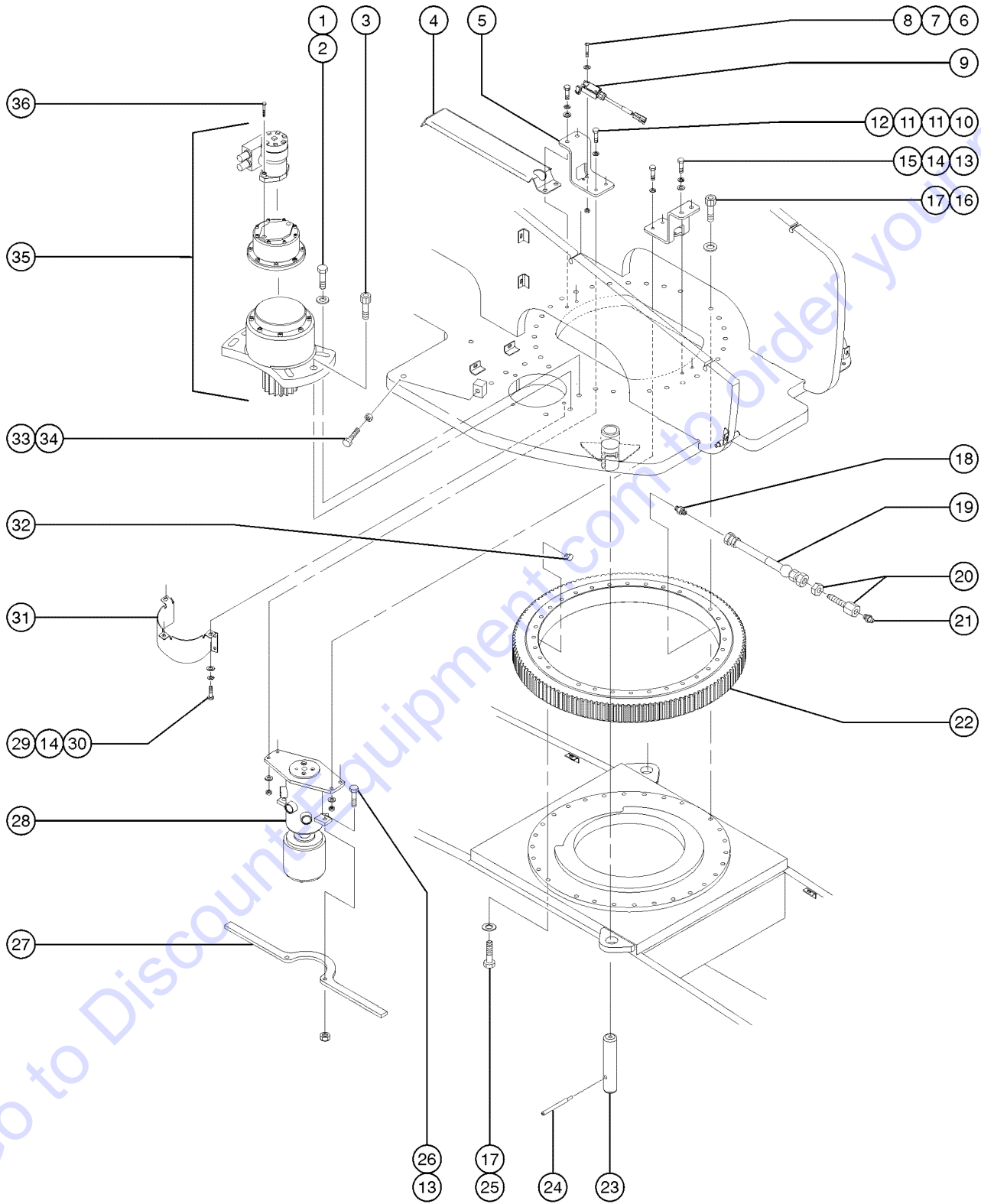
304.1 Turntable Components - Engine Side



304.1 Turntable Components - Engine Side

Item	Part No.	Description	Qty.
1	6888GT	SCREW,HHC,1/4-20 X 1	
2	6356GT	WASHER,LOCK,.25	
3	1278464GT	WASHER,FLAT,THICKEN,1/4"	
4	61179GT	COVER,CENTER,SUPERBOOM.....1	
5	45209GT	WEAR PAD,4X2X.5 W/INSERT***.....1	
6	6090GT	SCREW,HHC,1/4-20 X .75	
7	60759-SGT	WELDMENT,CABLE TRAY.....1	
8	11413GT	SCREW,HHC,1/4-20 X 4	
9	6889GT	NUT,LP NYLOCK,1/4-20	
10	7339GT	SCREW, HHC, 1/4-20 X .5	
11	75073GT	HINGE,.375X.120THK.,SLOTTED.....2	
12	40265GT	BALL STUD,GAS STRUT (38593)***.....2	
13	8255GT	SCREW,HHC,3/8-16 X .75	
14	6021GT	WASHER,LOCK,.375	
15	5397GT	WASHER,FLAT,USS,5/16",Y	
16	60583-SGT	FORMING,GAS STRUT MOUNT.....2	
17	6002GT	NUT,LP NYLOCK,5/16-18	
18	60483-SGT	SUPPORT,FUEL TANK COVER.....1	
19	56912GT	SPRING CLIP,1/4-20,.025-.15X.54,ZAG	
20	39479GT	SCREW,HHC,1/2-13 X 2.75	
21	6095GT	WASHER,FLAT,USS,1/2",Y	
22	6198GT	NUT,NYLOCK,1/2-13	
23	5361GT	PIN,COTTER,.125 X 1.5.....1	
24	30748GT	WASHER,SHIM,1.01 X 1.63 X.062	

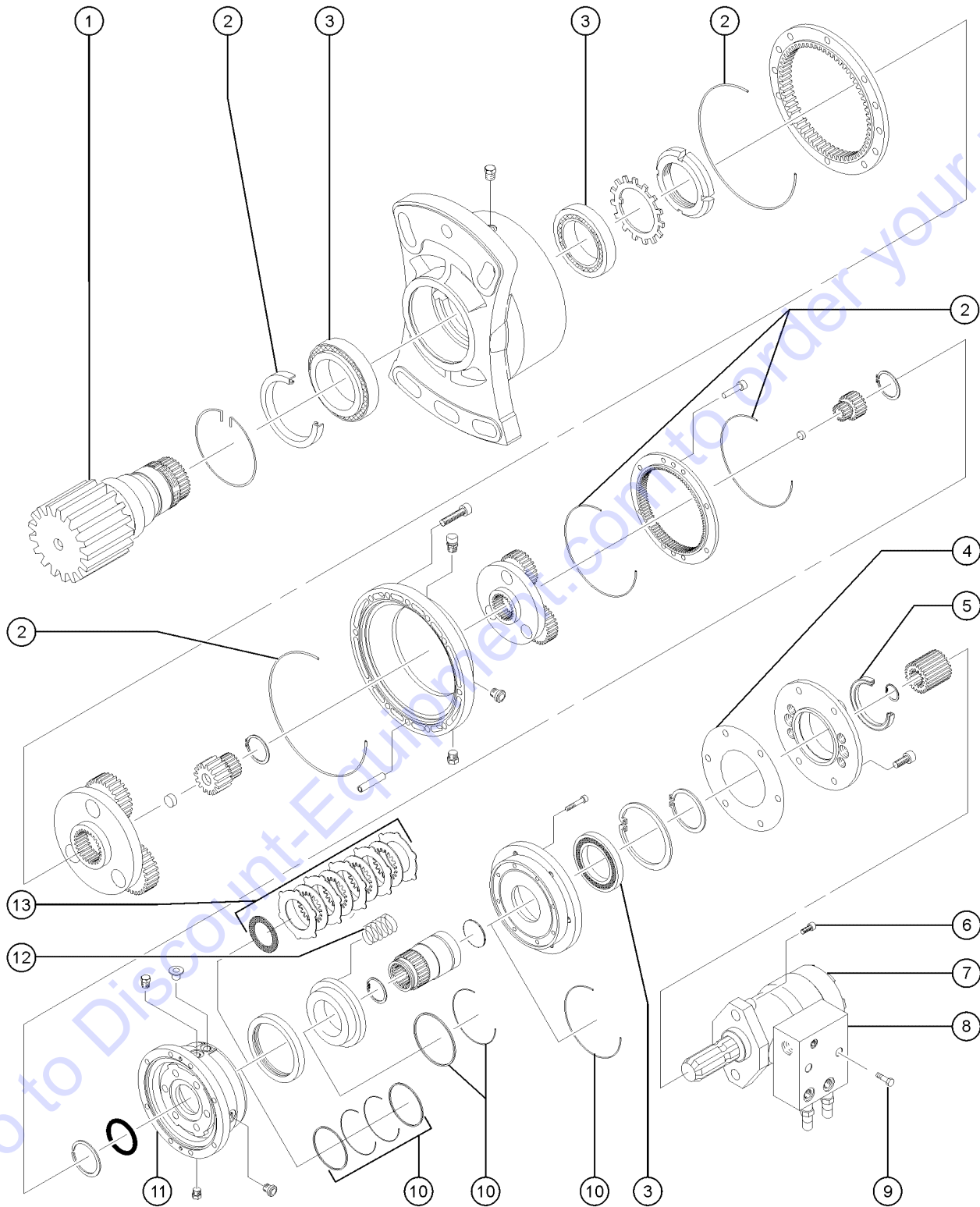
305.1 Turntable Rotator and Hydraulic Rotary Coupler



305.1 Turntable Rotator and Hydraulic Rotary Coupler

Item	Part No.	Description	Qty.	Item	Part No.	Description	Qty.
1	34348GT	SCREW,HHC,3/4-10 X 3 GRD.8.....	5	31	60606-SGT	COVER,ROTATION GEAR.....	1
2	89833GT	WASHER,FLAT,.81 X 2.00 X .38.....	5	32	75008GT	PLUG,PIPE HEXHEAD 130109E-1/8.....	1
3	60815GT	SCREW,SHS,3/4-10 X 1.5		33	61128GT	SCREW,HHC,3/4-10 X 4 FULL THRD	
4	60937-SGT	FORMING,HOSE SUPPORT,SWING.....	1	34	6126GT	NUT,HEX,JAM,3/4-10	
5	60575PGT	BRACKET,HYD.ROTATOR MOUNT MNT.....	2	35		Ref. Turntable Rotation Drive Hub (refer to 306.1)	
6	49775GT	SCREW,PHILLIPS,PHM,10-32X 1.75		36	56843GT	SCREW,SHC,1/2-13 X 1.50,A574.....	2
7	6146GT	WASHER,FLAT,MS,#10,Y					
8	6178GT	NUT,NYLOCK,10-32					
9	75037GT	LIMIT SWITCH,OPERATIONAL.....	1				
10	13918GT	SCREW,HHC,3/8-16 X 1.75,GRD.8.....	4				
11	5397GT	WASHER,FLAT,USS,5/16",Y					
12	4828GT	NUT,NYLOCK,3/8-16					
13	6096GT	SCREW,HHC,1/2-13 X 2 GR5					
14	6033GT	WASHER,LOCK,0.5"					
15	11209GT	WASHER,FLAT,USS,7/16",Y					
16	45495GT	SCREW,SHC,5/8-11 X 3.00,A574.....	30				
17	13064GT	WASHER,FLAT,.625 HARDENED.....	58				
18	75007GT	CONN.MALE PIPE/ORFS-4.....	1				
19	61324-12947GT	HOSE ASSY,1/4"..... <i>components: 48800, 48806 and 48751 @ 128 inches</i>	1				
20	48885GT	CONNECTOR,BULKHEAD,FEMALE-4...1					
21	28646GT	ZERK,GREASE,1/8 NPT.....	1				
22	50035GT	BEARING,TURNTABLE.....	1				
23	61222GT	PIN,TRANSPORT STORAGE LOCK.....	1				
24	61223GT	PIN,TRANSPORT STORAGE HANDLE.....	1				
25	61250GT	SCREW,SHC,5/8-11 X 3.75,A574.....	28				
26	6198GT	NUT,NYLOCK,1/2-13					
27	60393-SGT	SUPPORT,HYDRAULIC SWIVEL.....	1				
28	122918GT	SWIVEL,HYD/ELEC 5 PORT/10 CONT (complete)					
--	10107GT	SCREW,HHC,5/16-18 X .75 <i>for p/n 122918</i>					
--	106914GT	CHANNEL, MOUNTING <i>for p/n 122918</i>					
--	122919GT	SWIVEL,ELECTRIC 10 CONTACT*** <i>for p/n 122918</i>					
--	62321GT	SEAL KIT,HYD SWIVEL (75126)*** <i>for p/n 122918</i>					
--	75129GT	ARM,ANTI-ROTATION,SWIVEL*** <i>for p/n 122918</i>					
--	75130GT	SCREW,SHC,7/16-14 X .75,61342 <i>for p/n 122918</i>					
29	10587GT	SCREW,HHC,1/2-13 X.75					
30	49410GT	WASHER,FLAT,M12					

306.1 Turntable Rotation Drive Hub

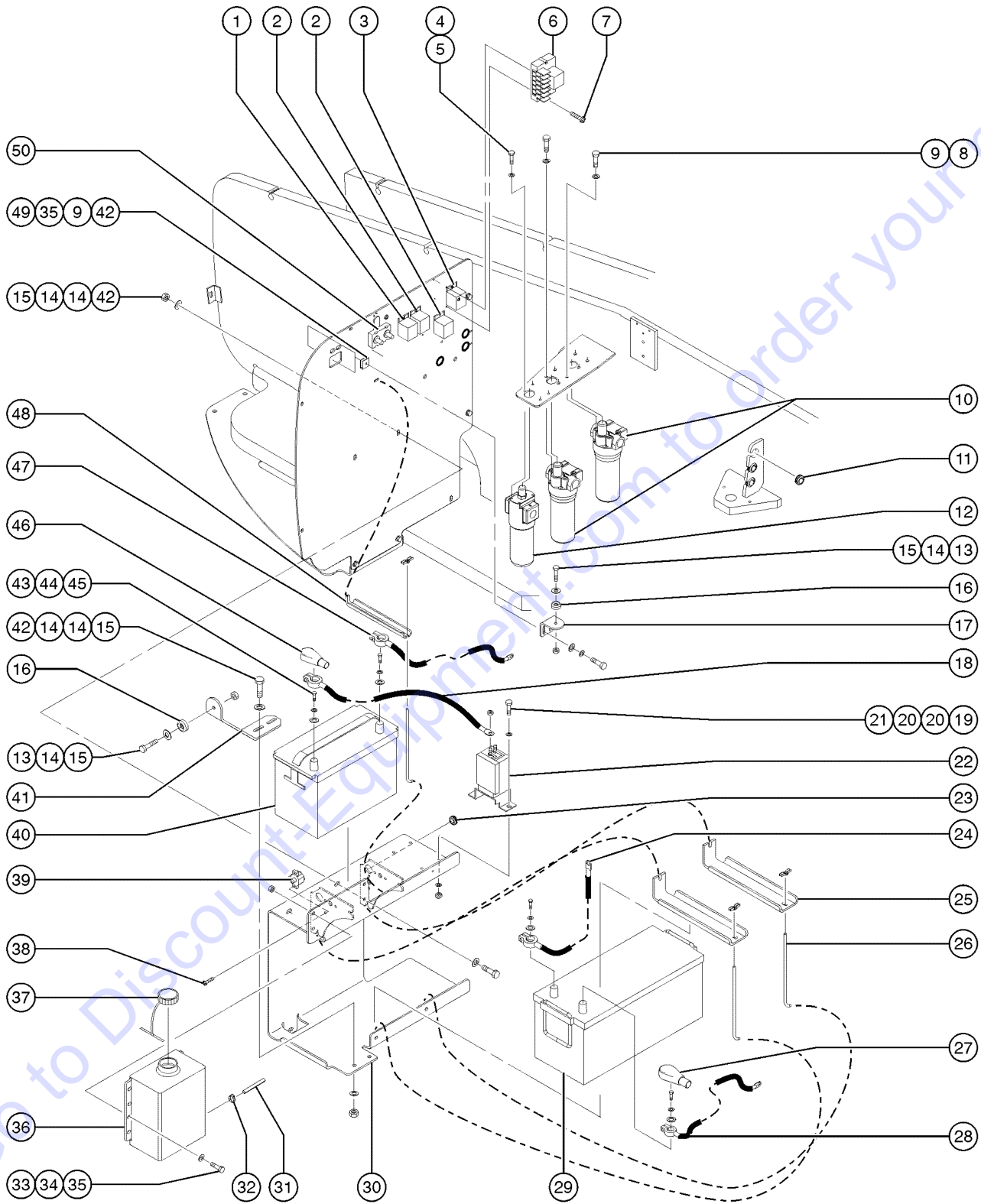


306.1 Turntable Rotation Drive Hub

Item	Part No.	Description	Qty.
--	111145GT	SWING DRIVE ASSEMBLY	
1		SHAFT-OUTPUT (60810).....1 <i>component no longer available</i>	
2	62465GT	SEAL KIT,DRIVE HUB,TURNTBL.ROT...1	
3	62467GT	BEARING KIT,TURNTBL.ROT.DRVHUB.....1	
4	122336GT	GASKET,(111145).....1	
5	122337GT	OIL SEAL,(111145).....1	
6	56843GT	SCREW,SHC,1/2-13 X 1.50,A574	
7	111144GT	MOTOR,SWING DRIVE (111145)	
--	75116GT	SEAL KIT,TURNTABL.ROT.MOTOR	
8	128447GT	MANIFOLD,TURNTABLE ROTATION....1	
9	41489GT	SCREW,SHC,5/16-18 X 2,PLATED	
10	62466GT	SEAL KIT,BRAKE,TURNTABLE ROT**...1	
11	111143GT	BRAKE,SWING DRIVE (111145)	
12	75682GT	DISC KIT DRIVE TURNTABLE Z-60*.....1	
13	62468GT	BRAKE DISC KIT,75090.....1	

Go to Discount-Equipment.com to order your parts

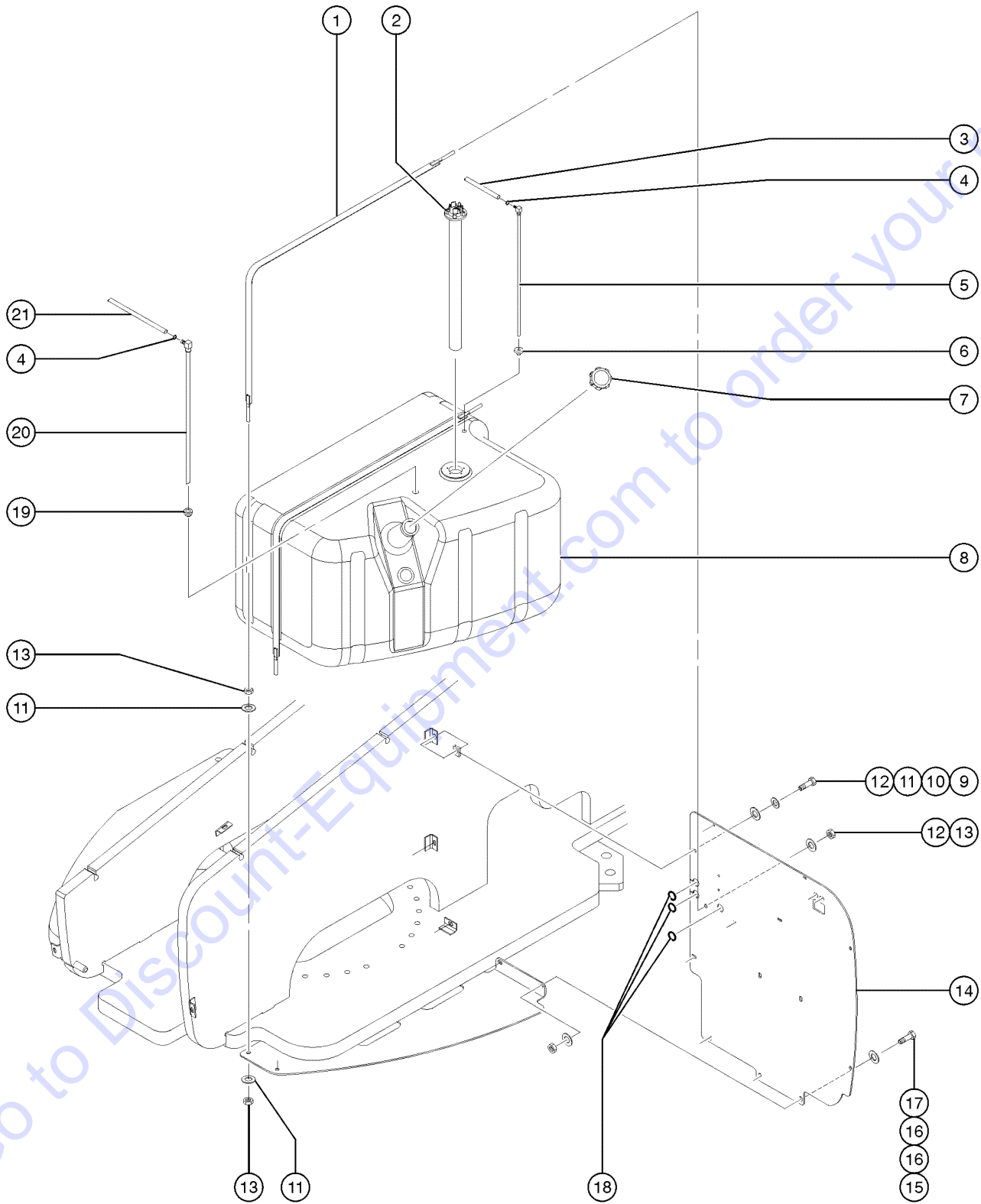
307.1 Batteries and Hydraulic Filters Installation



307.1 Batteries and Hydraulic Filters Installation

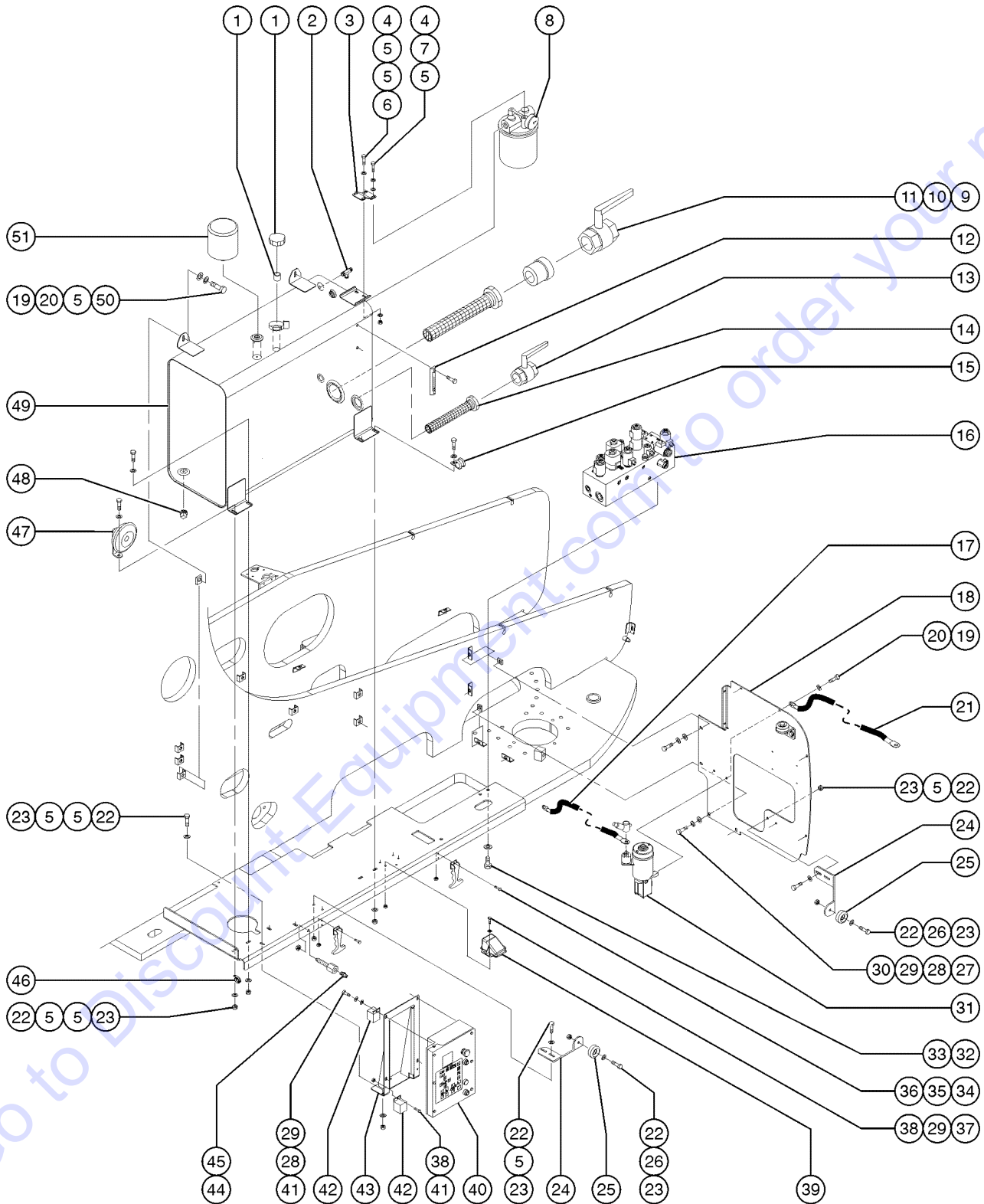
Item	Part No.	Description	Qty.	Item	Part No.	Description	Qty.
--	66717GT	FUSE BLOCK, ANN & ANL FUSE		--	215209GT	KIT, BATT SEPARATOR, CE <i>includes part 237068</i>	
--	102190PGT	FORMING,FUSE COVER, PAINTED		--	215210GT	KIT, BATT SEPARATOR, AS <i>includes part 237068</i>	
1	60521GT	RELAY,SEALED 30/40 AMP.....1 <i>Deutz models</i>	1	23	60584GT	GROMMET,RUBBER .75 X .19 X 1**.....1	1
2	61225GT	RELAY,12VDC,70AMP,SEALED.....2 <i>Deutz models</i>	2	24	60928GT	CABLE,BATTERY NEGATIVE.....1	1
3	60521GT	RELAY,SEALED 30/40 AMP.....1 <i>Deutz models</i>	1	25	60711GT	HOLD DOWN,BATTERY.....2	2
--	61225GT	RELAY,12VDC,70AMP,SEALED <i>Cummins models</i>		26	45708GT	HOOK,BATT HOLD DOWN,10".....4	4
4	8914GT	SCREW,HHC,1/4-20 X .625		--	8170GT	NUT,WING,1/4-20	
5	6356GT	WASHER,LOCK,.25		27	18189GT	BOOT,BATTERY TERMINAL,RED.....1	1
6	89997GT	RELAY MODULE(89996,89998).....1	1	28	61318GT	BATTERY CABLE,POSITIVE DEUTZ.....1 <i>Deutz models</i>	1
7	49816GT	SCREW,PHILLIPS,PHM,10-32 X .75		--	60930GT	CABLE,BATTERY POSITIVE <i>Cummins models</i>	
8	8255GT	SCREW,HHC,3/8-16 X .75		29	217021GT	BATTERY 12V,AGM DC210-12,220AH <i>(Fullriver) wet and sealed battery</i>	
9	6021GT	WASHER,LOCK,.375		--	57160GT	BATTERY,12V GRP 4D,190 AH,DRY*.....1	1
10	60334GT	FILTER ASSY,HIGH PRESS SAE-12*.....2	2	30	60708-SGT	WELDMENT,BATTERY TRAY.....1	1
--	1279465GT	BACKUP RING,71.60X67.20X1.40PTFE(60334)		31	42941-11500GT	HOSE,3/8",FUEL,30R7 <i>115-inches</i>	
--	1279466GT	O-RING,67.95X2.62-NBR-70SH(HF2P)(60334)		32	21465GT	CLAMP,HOSE,SIZE .25 TO .63.....1	1
--	60857GT	FILTER,ELEMENT,BETA(5)=1000		33	13002GT	SCREW,HHC,5/16-18 X 1 GR5	
11	61189GT	GROMMET,RUBBER .75 X .38 X1.13.....3	3	34	5397GT	WASHER,FLAT,USS,5/16",Y	
12A		FILTER ASY,M PRESS,SAE8,WOIND*(77139).....1 <i>component no longer available</i>	1	35	6782GT	NUT,NYLOCK,5/16-18	
--	58222GT	O-RING,FILTER ASSY (60334)*** <i>for 77139</i>		36	60721GT	COOLANT,RECOVERY BOTTLE, 4 QT*.....1	1
--	58223GT	SEAL,FILTER ASSY (60334)*** <i>for 77139</i>		37	75121GT	CAP, COOLANT RET SYS(60721).....1	1
--	60857GT	FILTER,ELEMENT,BETA(5)=1000 <i>for 77139</i>		38	54380GT	SCREW,PHILLIPS,PHM,8-32 X .875	
12B	1267807GT	ASSY, MED. PRESS. FILTER, SAE8		39	75610GT	CIRCUIT BREAKER, 25 AMP.....1	1
--	1268229GT	ELEMENT-5 MIC, PAPER, W/BYPASS <i>for 1267807</i>		40	217022GT	BATTERY 12V,AGM DC115-12,115AH <i>(Fullriver) wet and sealed battery</i>	
13	6175GT	SCREW,HHC,3/8-16 X 1		--	30143GT	BATTERY,12V,1000 CCA GRP 31	
14	6097GT	WASHER,FLAT,USS,3/8",Y		41	60727-SGT	FORMING,COVER STOP.....1	1
15	4828GT	NUT,NYLOCK,3/8-16		42	6019GT	SCREW,HHC,3/8-16 X 1.25 GRD 5	
16	50974GT	BUMPER,RUBBER,COVERS.....2	2	43	217023GT	SCREW, M8x16, GB5783 GRADE 8.8....4 <i>Use only with Fullriver battery</i>	4
17	60729-SGT	FORMING,COVER STOP.....1	1	44	231993GT	SPRING WASHER 8 GB93.....4 <i>Use only with Fullriver battery</i>	4
18	75409GT	BATTERY CABLE.....1	1	45	235068GT	FLAT WASHER M8, GB/T96, HV140 ZN.....4 <i>Use only with Fullriver battery</i>	4
--	111637GT	CABLE,BATTERY POSITIVE 73" <i>Cummins models</i>		46	51147GT	BOOT,CABLE TERMINAL,LG,RED,2/0...1	1
19	6090GT	SCREW,HHC,1/4-20 X .75		47	75719GT	CABLE,GROUND,79" W/PIGTAIL.....1	1
20	6638GT	WASHER,FLAT,USS,1/4"Y		48	60940GT	HOLD DOWN,BATTERY,SMALL.....1	1
21	6091GT	NUT,NYLOCK,1/4-20		49	29868GT	SPRING CLIP,3/8-16,.05-.20X.73,ZAG	
22	237068GT	SEPARATOR,DUAL BATTERY,100A.....1	1	50	128829GT	CIRCUIT BRKR 15A TYPE 2 METAL <i>Deutz models</i>	
--	214393GT	KIT, BATT SEPARATOR, ANSI/CSA <i>includes part 237068</i>					

308.1 Fuel Tank Installation



Item	Part No.	Description	Qty.
1	60938GT	STRAP ASSY,FUEL TANK 52".....	2
--	31658GT	EXTRUSION,RUBBER BUMPER STRIP	
2	60890GT	SENDER,LOW FUEL INDICATOR.....	1
3	35418GT	HOSE,FUEL,3/16,SAE 30R7	
--	35418GT	HOSE,FUEL,3/16,SAE 30R7	
4	21465GT	CLAMP,HOSE,SIZE .25 TO .63.....	2
5	102106GT	FUEL RETURN,DAPCO 5/16".....	1
--	70387GT	FUEL RETURN,DAPCO 3/8"	
--	88091GT	FUEL RETURN,DAPCO 1/4"	
6	61240GT	BUSHING,FUEL TANK FITTING (SM).....	1
7	101726GT	CAP,FUEL,DIESEL,1/8"VENT(GRN).....	1
8	61236GT	ASSEMBLY,FUEL TANK,40 GAL***..... <i>includes items 2, 6, 19 and 20</i>	1
9	6888GT	SCREW,HHC,1/4-20 X 1	
10	6356GT	WASHER,LOCK,.25	
11	6638GT	WASHER,FLAT,USS,1/4"Y	
12	56912GT	SPRING CLIP,1/4-20,.025-.15X.54,ZAG	
13	6054GT	NUT,HEX,3/8-24	
14	75554PGT	PLATE, FUEL TRAY BULKHEAD, PTD	
15	6019GT	SCREW,HHC,3/8-16 X 1.25 GRD 5	
16	6097GT	WASHER,FLAT,USS,3/8",Y	
17	4828GT	NUT,NYLOCK,3/8-16	
18	60584GT	GROMMET,RUBBER .75 X .19 X 1**.....	3
19	7-121-07GT	BUSHING,RUBBER,LARGE.....	1
20	60805GT	TUBE ASSY,FUEL TANK,20.75"LG.....	1
21	42941GT	HOSE,3/8",FUEL,30R7	

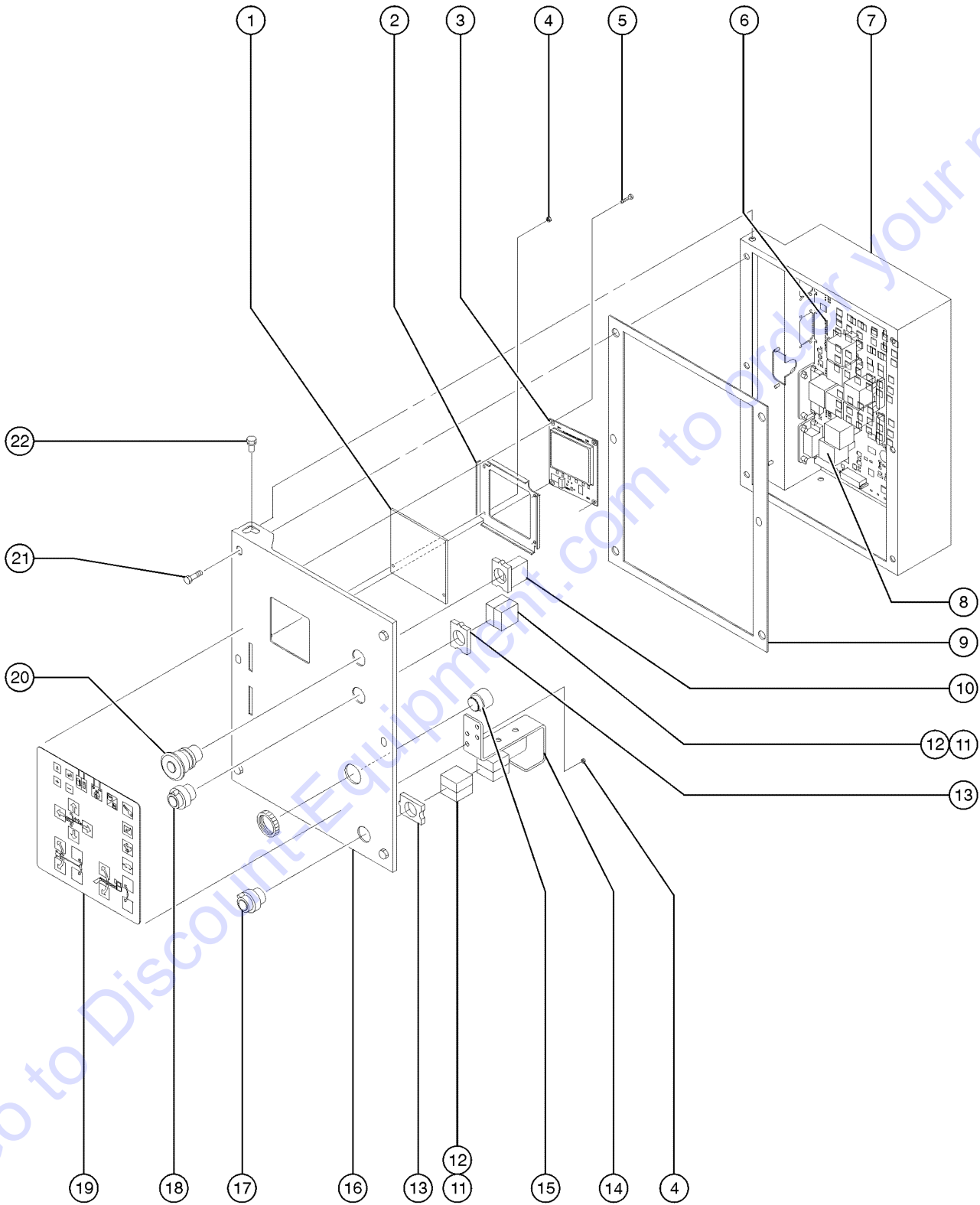
309.1 Hydraulic Tank Installation



309.1 Hydraulic Tank Installation

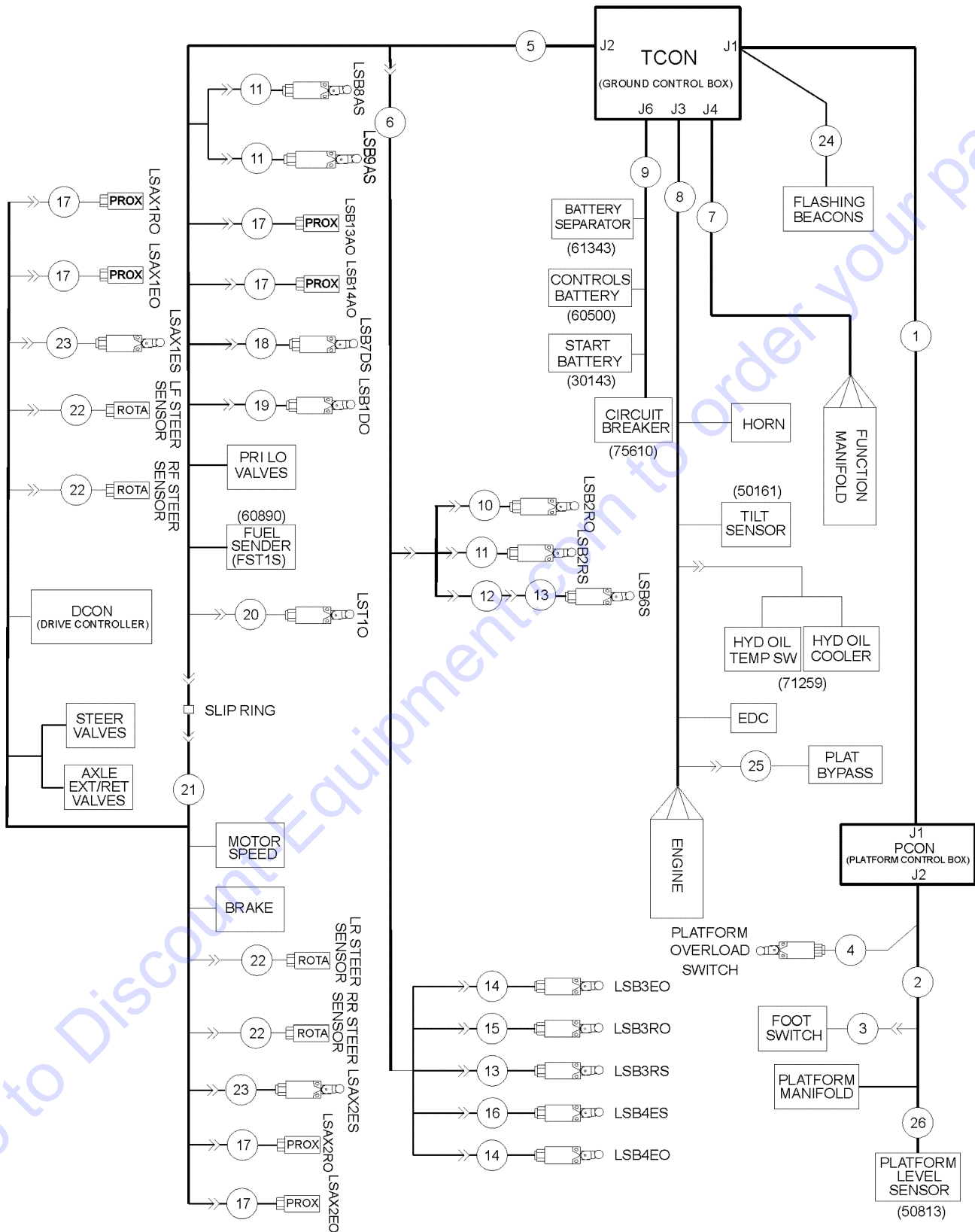
Item	Part No.	Description	Qty.	Item	Part No.	Description	Qty.
1	75113GT	FILLER NECK/CAP ASSY.HYD TANK*.....1	1	35	45363GT	LATCH,FLEXIBLE.....2	2
2	48918GT	TEE,RUN,520428-6.....1	1	--	75076GT	KEEPER,LATCH (45363)	
3	60936-SGT	BRACKET,RETURN FILTER.....1	1	36	6178GT	NUT,NYLOCK,10-32	
4	10107GT	SCREW,HHC,5/16-18 X .75		37	6090GT	SCREW,HHC,1/4-20 X .75	
5	5397GT	WASHER,FLAT,USS,5/16",Y		38	6091GT	NUT,NYLOCK,1/4-20	
6	6782GT	NUT,NYLOCK,5/16-18		39	50161GT	SENSOR,TILT TURNTABLE(PLSTC).....1	1
7	6886GT	WASHER,LOCK,.313		40		Ref. Ground Controls (refer to 310.1)	
8	60508GT	FILTER,RETURN,ASSY 10 MICRON.....1	1	41	8914GT	SCREW,HHC,1/4-20 X .625	
--	52768GT	GAUGE,MED.PRESSUR FILTER,50530		42	60521GT	RELAY,SEALED 30/40 AMP.....2	2
--	61326GT	FILTER ELEMENT,10 MICRON,60508		43	60571-SGT	BRACKET,CNTL BOX MOUNTING***.....1	1
9	75256GT	VALVE BALL,24 FSAE-24 FSAE***		44	28646GT	ZERK,GREASE,1/8 NPT.....1	1
10	75254GT	UNION,STR.THREAD 24***		45	48885GT	CONNECTOR,BULKHEAD,FEMALE-4...1	1
11	75257GT	STRAINER ASSY,#24 O-RING.....1	1	46	6833GT	CLAMP,0.50,#8 X 1/4,RUB CUSH	
12	215229GT	GAUGE,HYDRAULIC TANK T/L VL.....1	1	47	81578GT	HORN,12VDC,SPADE TERMINALS***	
13	48996GT	VALVE,BALL,16 MSAE-16 FSAE***		48	75014GT	PLUG,HEX,130109E,1/2 NPT***.....1	1
14	75253GT	STRAINER ASSY,#16 O-RING.....1	1			<i>Cummins models</i>	
15	60838GT	CLAMP,1.00,#16 X 7/16,RUB CUSH		--	75014GT	PLUG,HEX,130109E,1/2 NPT***	
16		Ref. Function Manifold (refer to 704.1)				<i>Deutz models</i>	
17	75409GT	BATTERY CABLE.....1	1	49	1274134GT	TANK,HYD,55GALLON.....1	1
18	75591GT	PLATE,SWING CHASSIS BULKHEAD....1	1			<i>includes item 1</i>	
19	6175GT	SCREW,HHC,3/8-16 X 1		50	29868GT	SPRING CLIP,3/8-16,.05-.20X.73,ZAG	
20	6021GT	WASHER,LOCK,.375		51	60559GT	BREATHER,RESERVOIR 3 MICRON***.....1	1
21	75719GT	CABLE,GROUND,79" W/PIGTAIL.....1	1				
22	4828GT	NUT,NYLOCK,3/8-16					
23	6019GT	SCREW,HHC,3/8-16 X 1.25 GRD 5					
24	60727-SGT	FORMING,COVER STOP.....2	2				
25	50974GT	BUMPER,RUBBER,COVERS.....2	2				
26	6097GT	WASHER,FLAT,USS,3/8",Y					
27	6888GT	SCREW,HHC,1/4-20 X 1					
28	6356GT	WASHER,LOCK,.25					
29	6638GT	WASHER,FLAT,USS,1/4"Y					
30	56912GT	SPRING CLIP,1/4-20,.025-.15X.54,ZAG					
31	102710GT	PUMP,AUXILIARY,DUAL,12V.....1	1				
--	102659GT	PUMP,(102710 APU)					
--	147290GT	SHAFT SEAL, APU					
--	37187GT	SEAL KIT, 37185 PUMP					
--	37191GT	GASKET, PUMP / MOTOR (36179)					
--	62412GT	SOLENOID,MOTOR START,60511,APU					
--	62413GT	MOTOR, 60511, APU, 12VDC					
--	62414GT	SEAL, SHAFT, 60511 APU					
32	33987GT	SCREW,HHC,1/2-13 X 1, GR 5					
33	6033GT	WASHER,LOCK,0.5"					
34	75041GT	SCREW,PHILLIPS,PHM,10-32 X 1					

310.1 Ground Controls



Item	Part No.	Description	Qty.
--	1258460GT	CONTROL BOX ASSY,TCON PGMD	
--	146191GT	HARNESS, TCON J2 LS 2009	
--	101888GT	HARNESS,TCON J5 POWER	
--	121657GT	FUSE HOLDER,ATC 1-20 AMPS	
--	67505GT	FUSE,10 AMP,ATC	
1	62374GT	LENS,LCD,GRND.CONTROL.....1	
2	62375GT	CLIP,LCD,GRND.CONTROL.....1	
3	62376GT	PCB,ASSY,LCD,GROUND,SUPERBOOM.1	
4	12344GT	NUT,NYLOCK,6-32	
5	81551GT	SCREW,PHIL,PHM,6-32 X 1/4 SS	
6	T109430GT	KIT,PCB,ASSY,ECM,SB TCON V3.12	
7	58593GT	BOX,EMPTY (122915) <i>does not include items 9 or 16</i>	
8	34052GT	RELAY,SPDT,12V(AUTO) PLUG IN**.....8	
9	62378GT	GASKET,GROUND CNTRLS.SUPERBOOM.....1	
10	66812GT	BUTTON,PUSH,RED MUSHROOM HEAD.....1	
--	66818GT	CONTACT,NC	
--	66821GT	BASE,WITHOUT CONTACTS	
11	66816GT	CONTACT,N.O.***6	
12	66818GT	CONTACT,NC.....6	
13	66821GT	BASE,WITHOUT CONTACTS.....2	
14	94524PGT	BRACKET,CONTACT CLAMP***1	
15	62379GT	ALARM,AUDIO,SUPERBOOM***1	
--	72326GT	NUT - PLASTIC,RING FOR ALARMS	
16	T108870GT	COVER, CONTROL BOX, SB SERV	
17	122516GT	KIT,RECOVERY SVC LARGE BOOMS...1	
--	122366GT	KEYSWITCH,CONTACTS LOCK	
--	88150GT	KEYSWITCH,3 POS.MOM.DR,W/KEY**	
18	122517GT	KIT,KEYSWITCH SVC S100/120.....1	
--	122366GT	KEYSWITCH,CONTACTS LOCK	
--	66811GT	KEYSWITCH,3POS.MNTND.DR WKEY** <i>includes: keyswitch and one set of keys, not included: base and contacts.</i>	
19	50811GT	SWITCH,MEMBRANE,GROUND CONTROL.....1	
20	122519GT	KIT,ESTOP SVC LARGE BOOM.....1	
--	66818GT	CONTACT,NC	
21	7339GT	SCREW, HHC, 1/4-20 X .5	
22	88315GT	SCREW,SHS,1/4-20 X .25 ZINC	

311.1 Wire Harness Diagram



311.1 Wire Harness Diagram

Item	Part No.	Description	Qty.
1	146194GT	HARNESS, BOOM/SAE UPPER S125....1	1
2	122954GT	HARNESS,J2 PLAT MANFD W/JIB.....1	1
3	61322GT	FOOT SWITCH W/PIGTAIL.....1	1
4	146399GT	ASSY, LS, LOAD SENSE, ALC1000.....1	1
5	146191GT	HARNESS, TCON J2 LS 2009.....1 (S120/125)	1
6	146192GT	HARNESS, TCON J2 UPPER 2009.....1 (S120/125)	1
7	146193GT	HARNESS, TCON J4 MANIFOLD 2009.....1	1
8	1253705GT	HARN,ENGINE T3,DEUTZ, TELECON...1	1
--	1253502GT	HARNESS, DEUTZ 2.9L, TIER IV,SBOOM.....1	1
--	1253618GT	HARNESS,PERKINS 1104D, S-BOOM...1	1
--	1253706GT	HARNESS,PERKINS T3, TELECON.....1	1
--	1253707GT	HARNESS,CUMMINS ENGINE T3, TELECON.....1	1
--	1259253GT	HARNESS,PERKINS 854F, S-BOOM....1	1
9	101888GT	HARNESS,TCON J5 POWER.....1	1
10	75769GT	LIMIT SWITCH, OPERATION,LSB2RO...1	1
11	146198GT	LIMIT SWITCH,SAFETY.....3	3
12	60989GT	HARNESS,CABLE BREAK S120/125....1	1
13	75031GT	LIMIT SWITCH,SAFETY.....2	2
14	89110GT	LIMIT SWITCH,OPERATIONAL.....2	2
15	89109GT	LIMIT SWITCH,OPERATIONAL.....1	1
16	146199GT	LIMIT SWITCH,SAFETY.....1	1
17	60987GT	SWITCH,LIMIT,PROX(OPERATIONAL)...6	6
18	75032GT	LIMIT SWITCH,SAFETY.....1	1
19	75033GT	LIMIT SWITCH,OPERATIONAL.....1	1
20	75037GT	LIMIT SWITCH,OPERATIONAL.....1	1
21A	102705GT	HARNESS,DRIVE,2WS,SB.....1	1
21B	102704GT	HARNESS,DCON,4WS.....1	1
22	107830GT	SUBASSY,STEER SENSOR***.....4	4
23	75036GT	LIMIT SWITCH,SAFETY.....2	2
24	75641GT	HARNESS,FLASH BEACON SUB ASSY.....1	1
25	162425GT	HARNESS,PLAT MAN. BYPASS.....1	1
26	1274045GT	HARNESS, JUMPER, SB PLAT LVL.....1	1

PARTS FINDER

**Search Website
by Part Number**



**Search Manual
Library For Parts
Manual & Lookup Part
Numbers – Purchase
or Request Quote**

Search Manuals

Enter your information to help us find the right parts manual for your machine.

* Brand:

* Model:

* Serial:

* Part Number:

SEARCH

**Can't Find Part or
Manual? Request Help
by Manufacturer,
Model & Description**

Parts Order Form

Please fill in the following information to help us find the right part for your machine.

Manufacturer:	<input type="text"/>
Model:	<input type="text"/>
Description:	<input type="text"/>
Part Number:	<input type="text"/>
Quantity:	<input type="text"/>
Notes:	<input type="text"/>

Submit

Discount-Equipment.com is your online resource for quality parts & equipment.

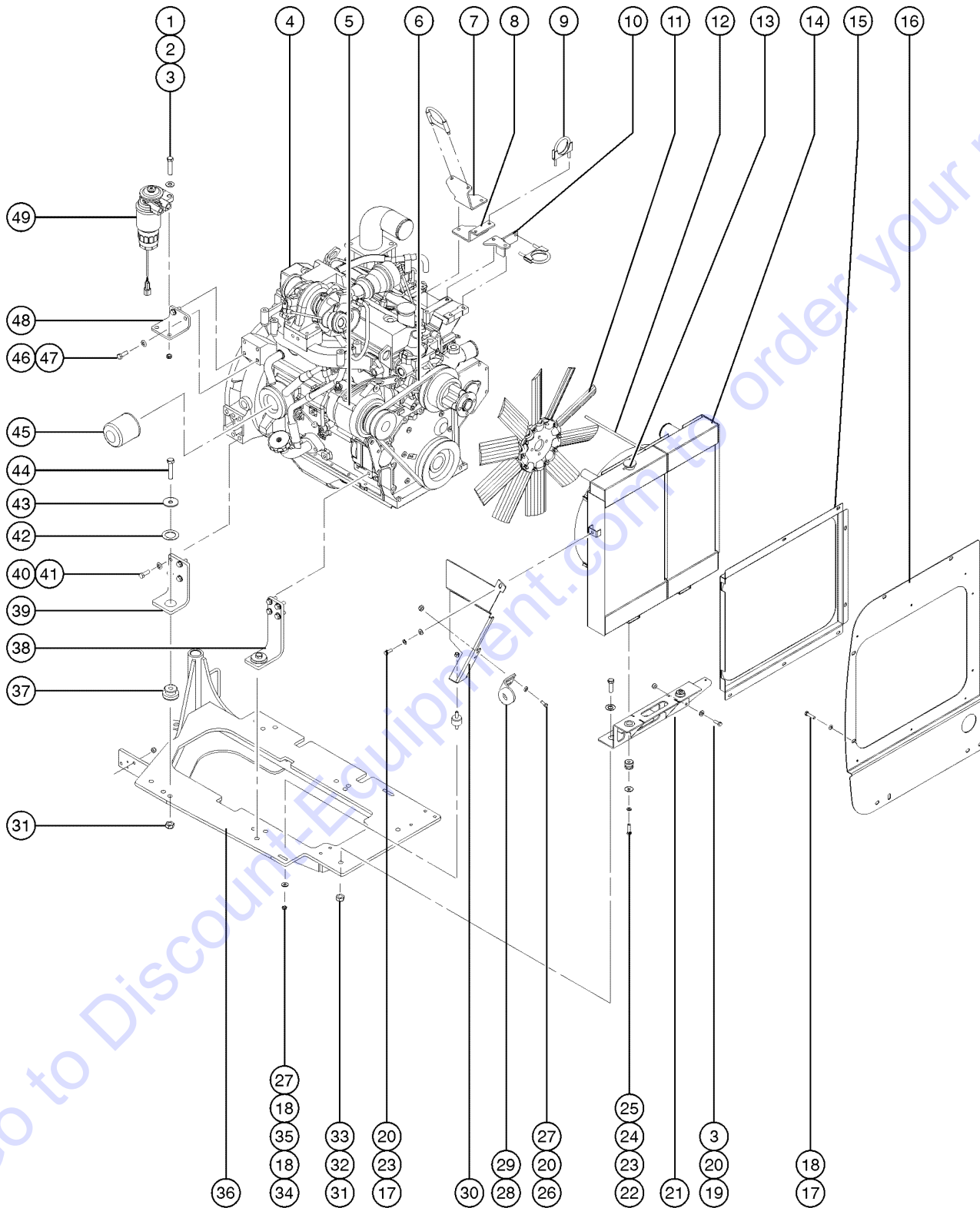
Florida: **561-964-4949** Outside Florida TOLL FREE: **877-690-3101**

Need parts?

Click on this link: <http://www.discount-equipment.com/category/5443-parts/> and choose one of the options to help get the right parts and equipment you are looking for. Please have the machine model and serial number available in order to help us get you the correct parts. If you don't find the part on the website or on one of the online manuals, please fill out the request form and one of our experienced staff members will get back to you with a quote for the right part that your machine needs.

We sell worldwide for the brands: Genie, Terex, JLG, MultiQuip, Mikasa, Essick, Whiteman, Mayco, Toro Stone, Diamond Products, Generac Magnum, Airman, Haulotte, Barreto, Power Blanket, Nifty Lift, Atlas Copco, Chicago Pneumatic, Allmand, Miller Curber, Skyjack, Lull, Skytrak, Tsurumi, Husquvarna Target, Stow, Wacker, Sakai, Mi-T-M, Sullair, Basic, Dynapac, MBW, Weber, Bartell, Bennar Newman, Haulotte, Ditch Runner, Menegotti, Morrison, Contec, Buddy, Crown, Edco, Wyco, Bomag, Laymor, EZ Trench, Bil-Jax, F.S. Curtis, Gehl Pavers, Heli, Honda, ICS/PowerGrit, IHI, Partner, Imer, Clipper, MMD, Koshin, Rice, CH&E, General Equipment, Amida, Coleman, NAC, Gradall, Square Shooter, Kent, Stanley, Tamco, Toku, Hatz, Kohler, Robin, Wisconsin, Northrock, Oztec, Toker TK, Rol-Air, APT, Wylie, Ingersoll Rand / Doosan, Innovatech, Con X, Ammann, Mecalac, Makinex, Smith Surface Prep, Small Line, Wanco, Yanmar

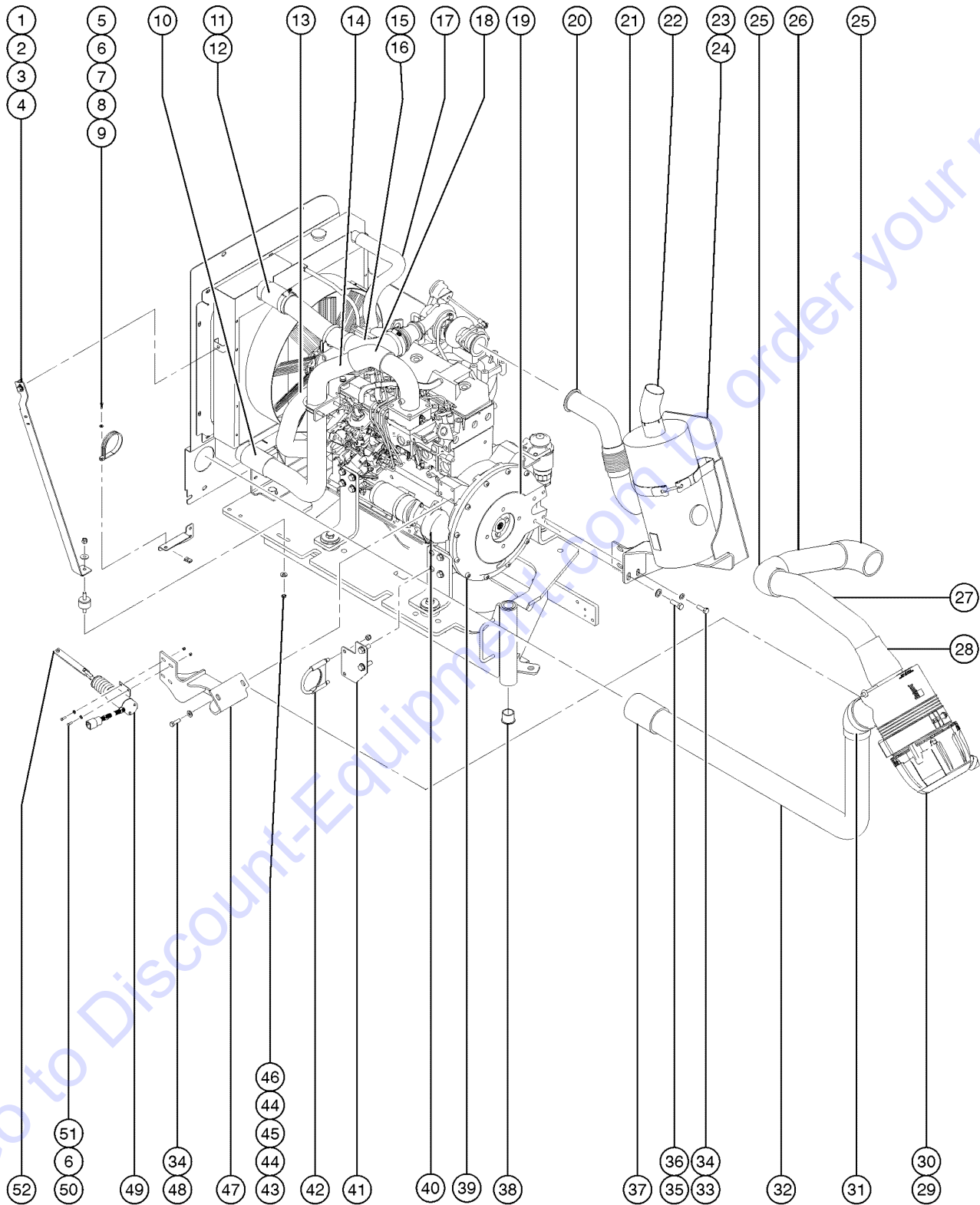
401.1 Cummins B3.3T Engine - View 1



401.1 Cummins B3.3T Engine - View 1

Item	Part No.	Description	Qty.	Item	Part No.	Description	Qty.
--	122877GT	HARNES, CUMMINS ENGINE T3		38	122409GT	FORMING, MOUNT, ENGINE, FRONT.....	2
--	128829GT	CIRCUIT BRKR 15A TYPE 2 METAL		39	122410GT	FORMING, MOUNT, ENGINE, REAR.....	2
1	13000GT	SCREW, HHC, 5/16-18 X 1.25		40	27584GT	SCREW, HHC, M12 X 35MM	
2	6638GT	WASHER, FLAT, USS, 1/4" Y		41	49410GT	WASHER, FLAT, M12	
3	6782GT	NUT, NYLOCK, 5/16-18		42	18596GT	WASHER, FLAT, 1.56 X 2.5 X .061	
4	122402GT	ENGINE KIT, CUMMINS B3.3T.....	1	43	33418GT	WASHER, FLAT, 625 X 2.25 X.15	
5	146046GT	ALTERNATOR.....	1	44	13004GT	SCREW, HHC, 5/8-11 X 3 GRD.8	
6	146047GT	BELT.....	1	45	122708GT	OIL FILTER.....	1
6A	1277970GT	WATER PUMP, CUMMINS, B3.3.....	1	46	27034GT	SCREW, HHC, M10 X 25MM, GR 8.8	
7	122625GT	BRACKET, SUPPORT, EXH. CUM T3.....	1	47	22699GT	WASHER, FLAT, M10, ZINC PLTD.	
8	122424GT	BRACKET, CAC 2 TUBING MOUNT.....	1	48	111639GT	FORMING, FUEL FILTER MOUNT.....	1
9	71911GT	CLAMP, MUFFLER, 2.50 INCH.....	4	49	122709GT	FUEL FILTER.....	1
10	122335GT	BRACKET, CAC INTAKE TUBE MOUNT.....	1				
11	122438GT	FAN, 19.0", BREEZA.....	1				
12	30490GT	HOSE, 1/4 FUEL LINE, SAE 30R7.....	16-inches				
13	65473GT	CAP, RADIATOR, PERKINS/FORD.....	1				
14	122404GT	ASSY, RAD/CAC, CUMMINS B3.3T.....	1				
15	122594GT	FORMING, BAFFLE BOX.....	1				
16	128505GT	FORMING, ENGINE BAFFLE.....	1				
17	8255GT	SCREW, HHC, 3/8-16 X .75					
18	6097GT	WASHER, FLAT, USS, 3/8", Y					
19	13002GT	SCREW, HHC, 5/16-18 X 1 GR5					
20	5397GT	WASHER, FLAT, USS, 5/16", Y					
21	122415GT	WELDMNT, RADIATOR MOUNT, CUM.....	1				
22	8516GT	SCREW, HCC, 3/8-16 X 1.50					
23	6021GT	WASHER, LOCK, .375					
24	44714GT	WASHER, .375X1.25X.100					
25	75259GT	ISOLATOR, CENTER BONDED					
26	6019GT	SCREW, HHC, 3/8-16 X 1.25 GRD 5					
27	4828GT	NUT, NYLOCK, 3/8-16					
28	50974GT	BUMPER, RUBBER, COVERS					
29	60729GT	FORMING, COVER STOP***					
30	122412GT	RADIATOR STRUT, RIGHT.....	1				
31	6024GT	NUT, NYLOCK, 5/8-11					
32	13064GT	WASHER, FLAT, 625 HARDENED					
33	29883GT	SCREW, HHC, 5/8-11 X 1.75 GRD.8					
34	7713GT	NUT, LP NYLOCK, 3/8-16					
35	122428GT	MOUNT, 1" FLEX-BOLT SANDWICH.....	1				
36		Ref. ENGINE TRAY.....	1				
		(refer to 403.1)					
37	102045GT	ISOLATOR, ENGINE VIBRATION					

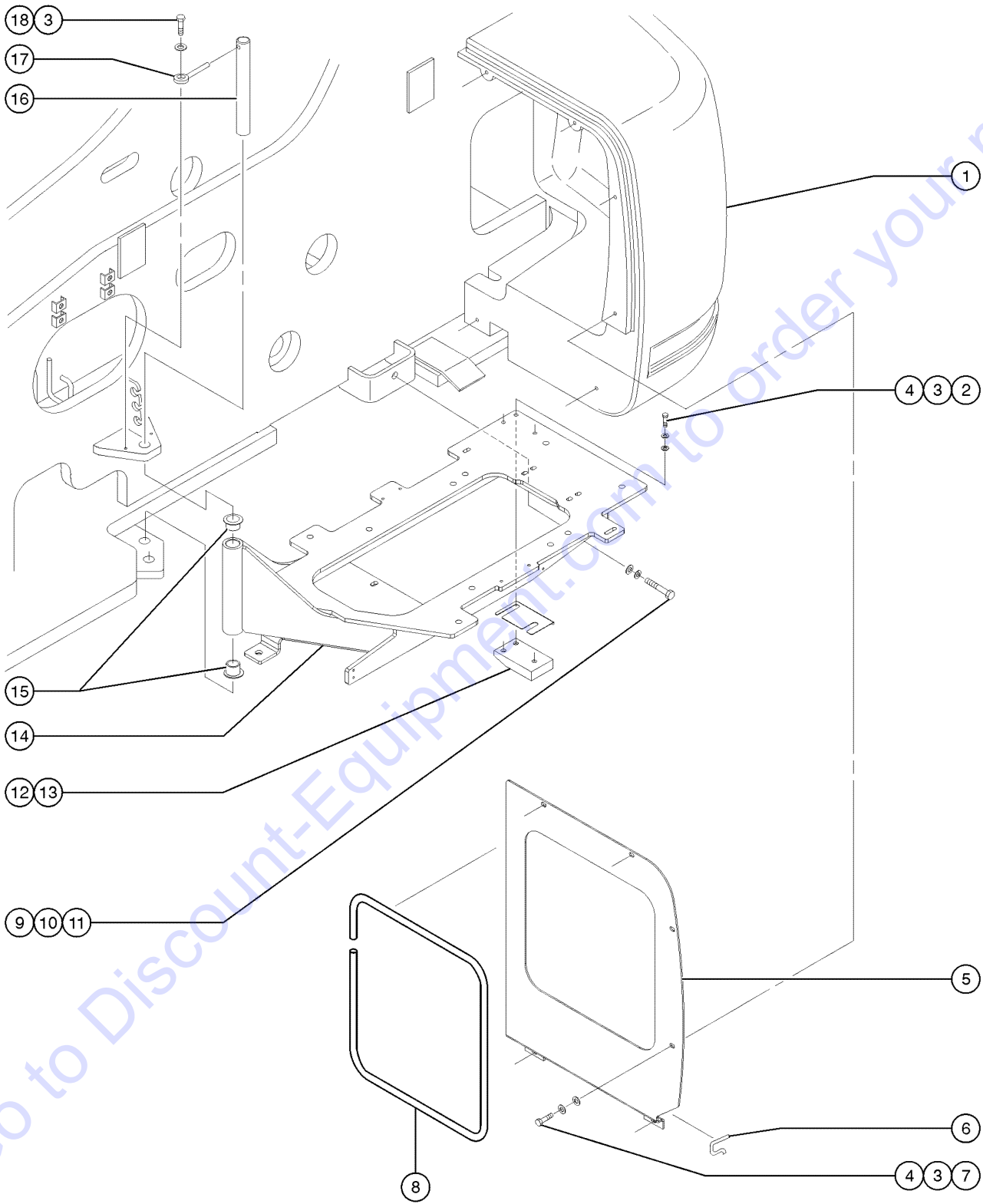
402.1 Cummins B3.3T Engine - View 2



402.1 Cummins B3.3T Engine - View 2

Item	Part No.	Description	Qty.	Item	Part No.	Description	Qty.
1	8255GT	SCREW,HHC,3/8-16 X .75		35	54177GT	SCREW,HHC,1/2-13 X 1.5 GRD 8	
2	6021GT	WASHER,LOCK,.375		36	13066GT	WASHER,FLAT,.5 HARDENED	
3	5397GT	WASHER,FLAT,USS,5/16",Y		37	60596GT	HOSE INLET.....1	
4	122411GT	RADIATOR STRUT,LEFT.....1		38		Ref. BEARING (refer to 406.1)	
5	6888GT	SCREW,HHC,1/4-20 X 1		39	61110GT	SCREW,SHC,M10X1.5X30 GR 12.9	
6	6638GT	WASHER,FLAT,USS,1/4"Y		40	139798GT	STARTER, 12V, CUMMINS B3.3T	
7	70257GT	CLAMP,3.0,#48 X 1/4,RUB CUSH		41	122423GT	BRACKET,INTAKE MOUNT,CUM.....1	
8	122413GT	BRACKET,INTAKE TUBE SUPPORT.....1		42	122414GT	U-BOLT,GUILLOTINE,3"	
9	56912GT	SPRING CLIP,1/4-20,.025-.15X.54,ZAG		43	7713GT	NUT, LP NYLOCK, 3/8-16	
10	122434GT	HOSE,CAC,2.5"ID X 4.0".....1		44	6097GT	WASHER,FLAT,USS,3/8",Y	
11	122427GT	TUBE,CAC 1 CUM.B3.3T.....1		45	122428GT	MOUNT,1"FLEX-BOLT SANDWICH.....1	
12	122591GT	CLAMP,CONST TRQ 2.25"-3.13"OD		46	4828GT	NUT,NYLOCK,3/8-16	
13	122408GT	HOSE,LOWER RADIATOR,CUMMINS...1		47	146352GT	WLDT, AIR CLEANER/SOLENOID MNT	
14	122425GT	TUBE,AIR INTAKE,UPPER.....1		48	27034GT	SCREW,HHC,M10 X 25MM,GR 8.8	
15	122435GT	REDUCER,90 DEG,CAC, 3.0"-2.5".....1		49	101957GT	SOLENOID,THROTTLE,ASSY.TROMB...1	
16	122592GT	CLAMP,CONST TRQ 2.75"-3.63"OD		50	6090GT	SCREW,HHC,1/4-20 X .75	
17	122407GT	HOSE,UPPER RADIATOR,CUMMINS....1		51	6091GT	NUT,NYLOCK,1/4-20	
18	122433GT	ELBOW,45 DEG, CAC,2.5".....1		52	146306GT	THROTTLE LINK, STEEL.....1	
19	70381GT	COVER,FLYWHEEL CASTING.....1		--	21130GT	CLEVIS YOKE-1/4-28,PLTD W/PIN	
19A	122472GT	COUPLER,15 TOOTH,FBA,CUM B3.3T.....1					
20	122604GT	TUBE, EXHAUST CUMMINS B3.3T.....1					
21	70444GT	MUFFLER,2.5"INLET/OUTLET.....1 S12512D-369					
--	823260GT	MUFFLER,2.5"INLET/OUTLET,9"DIA from SN S12511D-101 to S12512D-368					
22	122615GT	TUBE,EXHAUST CUMMINS T3.....1					
23	122605GT	WLDT, MUFFLER BRKT, CUMMINS T3.....1					
24	122470GT	CLAMP,MUFFLER,CUM B3.3T S12512D-369					
--	823259GT	CLAMP,MUFFLER,CUM B3.3T, 9"DIA from SN S12511D-101 to S12512D-368					
25	60561GT	ELBOW,INLET,CUMMINS.....1					
26	122614GT	TUBE,INTAKE,CUMMINS T3.....1					
27	122613GT	TUBE,INTAKE,CUMMINS T3.....1					
28	122432GT	REDUCER,RUBBER,4.0 X 3.0.....1					
29	122466GT	AIR CLEANER,CUMMINS B3.3T.....1					
--	146044GT	AIR FILTER, PRIMARY ELEMENT.....1					
--	146045GT	AIR FILTER, SECONDARY ELEMENT....1					
30	122467GT	AIR CLEANER,CLAMP,CUM B3.3T.....1					
31	122603GT	REDUCER,45 DEG, 3.75"-3.00".....1					
32	122602GT	TUBE,AIR INTAKE 1,CUM.B3.3T.....1					
33	22697GT	SCREW,HHC,M10 X 65MM,GR8.8					
34	22699GT	WASHER,FLAT,M10,ZINC PLTD.					

403.1 Cummins Engine Attached Components

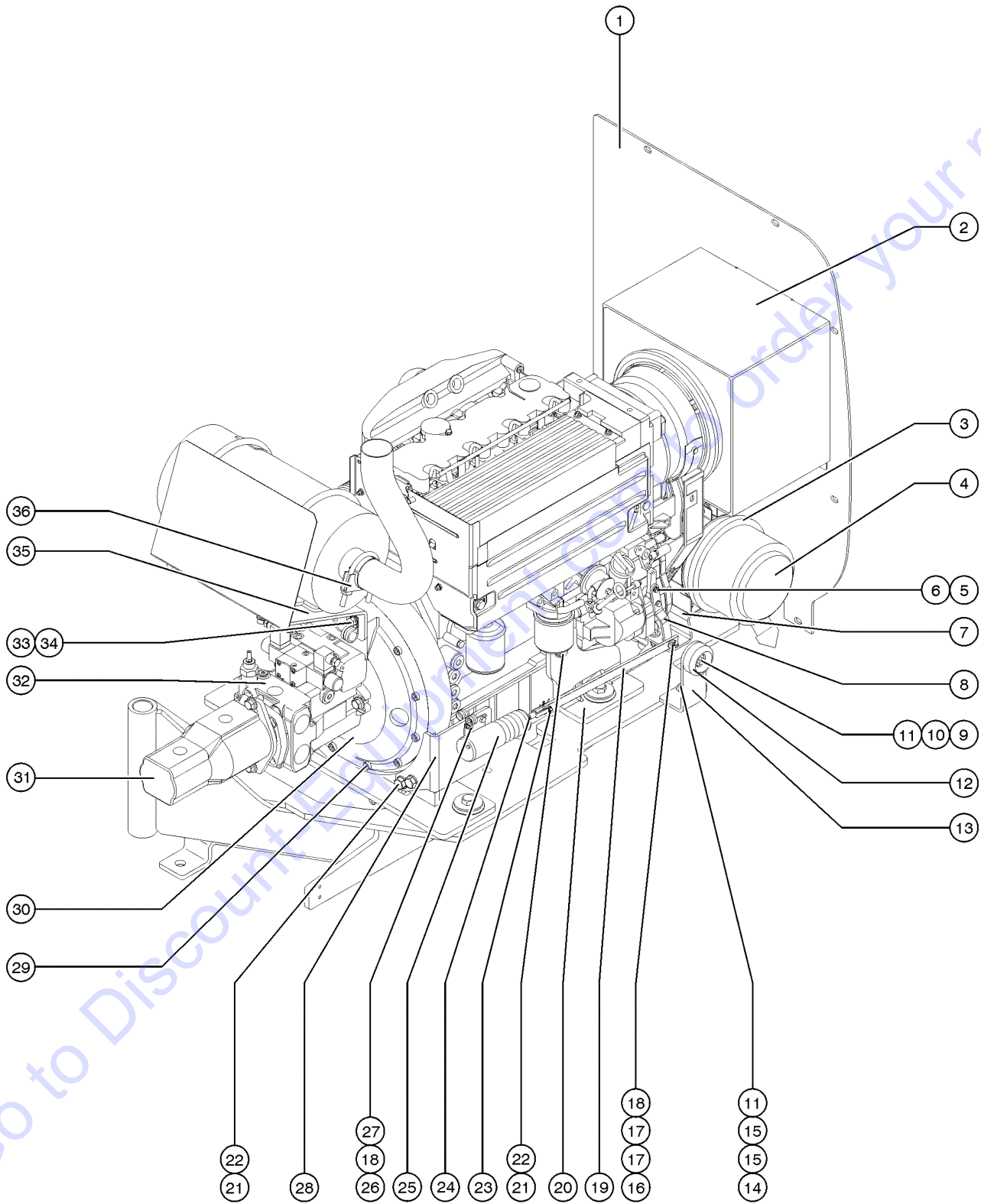


Go to Discount-Equipment.com to order your parts

403.1 Cummins Engine Attached Components

Item	Part No.	Description	Qty.
1	111185GT	COUNTERWEIGHT,S120/125, 8300LB	
--	38859GT	WASHER,FLAT,USS,1",Y	
--	61282GT	SCREW,HHC,1-8 X 9.5,GD2,YEL	
2	6019GT	SCREW,HHC,3/8-16 X 1.25 GRD 5	
3	6021GT	WASHER,LOCK,.375	
4	5397GT	WASHER,FLAT,USS,5/16",Y	
5	75607PGT	INTAKE BAFFLE,PAINTED.....1	
6	60875GT	TRIM MOLDING	
7	6175GT	SCREW,HHC,3/8-16 X 1	
8	81476GT	TRIMLOCK, 1/16.....96-inches	
9	51131GT	SCREW,HHC,5/8-11 X 2.5	
10	6036GT	WASHER,LOCK,.625 PLTD	
11	6035GT	WASHER,FLAT,USS,5/8",Y	
12	60637GT	WEAR PAD,ENGINE SUPPORT.....1	
13	60826GT	SHIM,WEAR PAD ENGINE TRAY	
14	146054GT	ENGINE TRAY ASSEMBLY	
15	35675GT	BEARING,FL,1.25IDX1.5ODX1.25L.....2	
16	60625GT	PIN,1.25DIAX15.63LG,CHAMFER.....1	
17	825019GT	ROD END,.375X3.69,ZAG.....1	
18	8516GT	SCREW, HCC, 3/8-16 X 1.50	

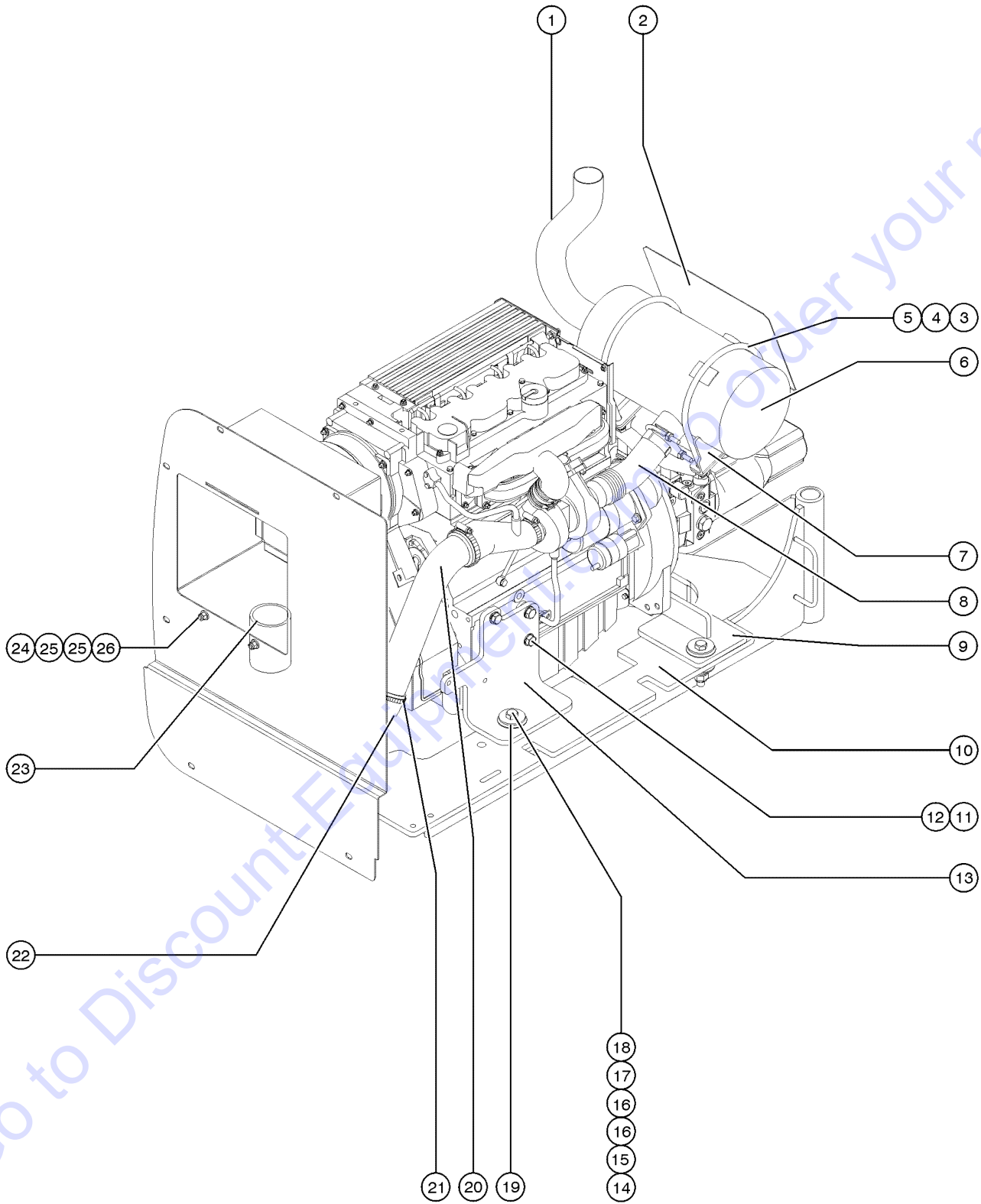
404.1 Deutz TD2011-L04i Engine - View 1



404.1 Deutz TD2011-L04i Engine - View 1

Item	Part No.	Description	Qty.	Item	Part No.	Description	Qty.
--	122875GT	HARN,ENGINE T3,DEUTZ BF4L2011		29	62476GT	SCREW,SHC,M10X1.5X20MM (75090)	
--	128829GT	CIRCUIT BRKR 15A TYPE 2 METAL		30	128004GT	COUPLER,15 TOOTH,FBA,SAE8***	
--	139624GT	SWITCH, OIL PRESSURE 1.5 BAR.....1 (replaced 65765)		31		Ref. Function Pump (refer to 707.1)	
--	139666GT	KIT,OP SWITCH,DEUTZ (oil pressure kit for models with ALC-500 control system. replaces 65765. includes item 139624 and instructions)		32		Ref. Drive Pump (refer to 707.1)	
1		Ref. BAFFLE,AIR INTAKE (refer to 407.1)		33	85053GT	SCREW,HHC,M10 X 1.5 X70,GR 8.8	
2		Ref. AIR BOX ASSEMBLY (refer to 407.1)		34	30489GT	CLAMP,HOSE,3.50.....3	
3	81468GT	MOUNTING BAND,AIR CLEANER.....1		35	70448PGT	FORMING,MUFFLER MOUNT.....1	
4	81467GT	AIR CLEANER,NELSON.....1		36	71911GT	CLAMP,MUFFLER, 2.50 INCH.....2	
--	52866GT	EVACUATOR VALVE-AIR CLEANER for 81467					
--	62425GT	FILTER,AIR CLEANER, SUPERBOOM for 81467					
--	75450GT	AIR CLEANER CLIPS, SUPERBOOM for 81467					
--	75451GT	AIR CLEANER COVER, SUPERBOOM* for 81467					
5	22578GT	SCREW,HHC,M6 X 20MM,GR8.8					
6	49407GT	WASHER,LOCK,M6					
7	102209PGT	FORMING,AIR CLEANER MOUNT PNTD.....1					
8	50787-SGT	LEVER, GOVERNOR ACTUATOR.....1					
9	6019GT	SCREW,HHC,3/8-16 X 1.25 GRD 5					
10	6097GT	WASHER,FLAT,USS,3/8",Y					
11	4828GT	NUT,NYLOCK,3/8-16					
12	50974GT	BUMPER,RUBBER,COVERS.....1					
13	60778-SGT	FORMING,COVER STOP.....1					
14	8516GT	SCREW, HCC, 3/8-16 X 1.50					
15	5397GT	WASHER,FLAT,USS,5/16",Y					
16	6584GT	SCREW,SHS,10-24 X .625					
17	6638GT	WASHER,FLAT,USS,1/4"Y					
18	5365GT	NUT,NYLOCK,10-24					
19	139322GT	THROTTLE LINKAGE, DSL					
20	70439PGT	FORMING,ENGINE MOUNT PAINTED...1					
21	22558GT	SCREW,HHC,M14 X 40MM,GR 8.8					
22	49411GT	WASHER,FLAT,M14					
23	21130GT	CLEVIS YOKE-1/4-28,PLTD W/PIN.....1					
24	21496GT	NUT,HEX,1/4-28					
25	101957GT	SOLENOID,THROTTLE,ASSY.TROMB...1					
26	6091GT	NUT,NYLOCK,1/4-20					
27	6888GT	SCREW,HHC,1/4-20 X 1					
28	139321GT	FORMING, SOLENOID MOUNT***					

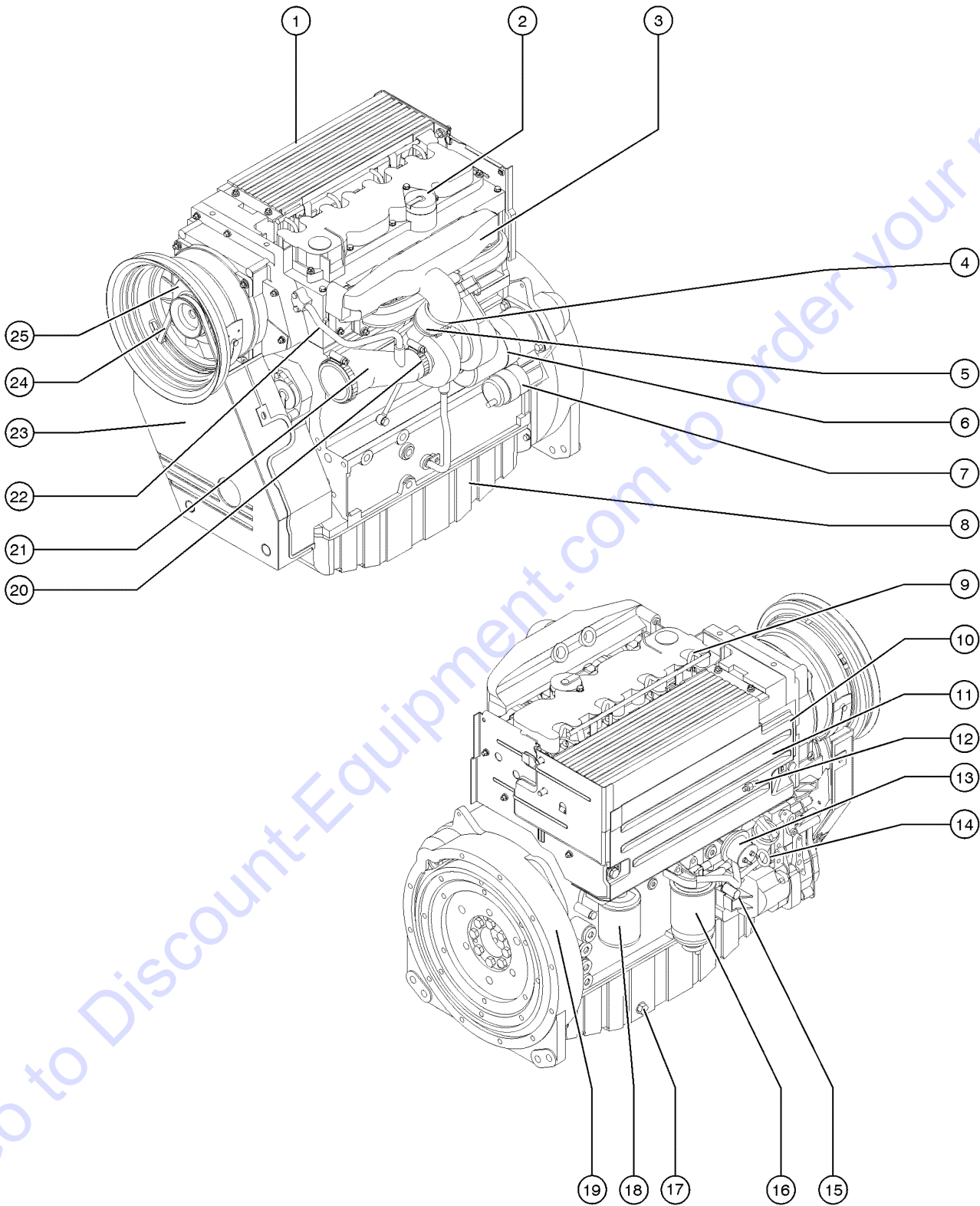
405.1 Deutz TD2011-L04i Engine - View 2



405.1 Deutz TD2011-L04i Engine - View 2

Item	Part No.	Description	Qty.
--	139983GT	EXHAUST PIPE GASKET	
1	70447GT	TAIL PIPE,DEUTZ.....1	
2	102237PGT	FORMING,HEAT SHIELD,MUFFLER....1	
3	70449GT	U-BOLT,1/2-13 X 8.5	
4	13066GT	WASHER,FLAT,.5 HARDENED	
5	66777GT	NUT,TOP LOCK,1/2-13	
6	70444GT	MUFFLER,2.5"INLET/OUTLET.....1	
7	70483GT	FORMING,8.5' MUFFLER MOUNT.....2	
8	70445GT	FLEX PIPE,EXHAUST,2.5" DIA.....1	
8B	139983GT	EXHAUST PIPE GASKET	
8B	71911GT	CLAMP,MUFFLER, 2.50 INCH	
9	70440GT	WELDMENT,REAR ENGINE MOUNT.....1	
10		Ref. Engine Tray (refer to 407.1)	
11	22558GT	SCREW,HHC,M14 X 40MM,GR 8.8	
12	49411GT	WASHER,FLAT,M14	
13	70438PGT	FORMING,ENGINE MOUNT PAINTED...1	
14	13003GT	SCREW,HHC,5/8-11 X 3.5 GRD.8.....4	
15	33418GT	WASHER,FLAT,.625 X 2.25 X .15.....4	
16	18596GT	WASHER,FLAT,1.56 X 2.5 X .061.....8	
17	13064GT	WASHER,FLAT,.625 HARDENED.....4	
18	6024GT	NUT,NYLOCK,5/8-11.....4	
19	102045GT	ISOLATOR,ENGINE VIBRATION.....4	
20	102208GT	TUBE,AIR INTAKE,DEUTZ.....1	
21	30489GT	CLAMP,HOSE,3.50.....3	
22	139455GT	ELBOW,AIR INTAKE,RUBBER.....1	
23	106211-475GT	HOSE,RUBBER 3"ID X .25 BLACK.....1	
24	4828GT	NUT,NYLOCK,3/8-16	
25	5397GT	WASHER,FLAT,USS,5/16",Y	
26	6175GT	SCREW,HHC,3/8-16 X 1	

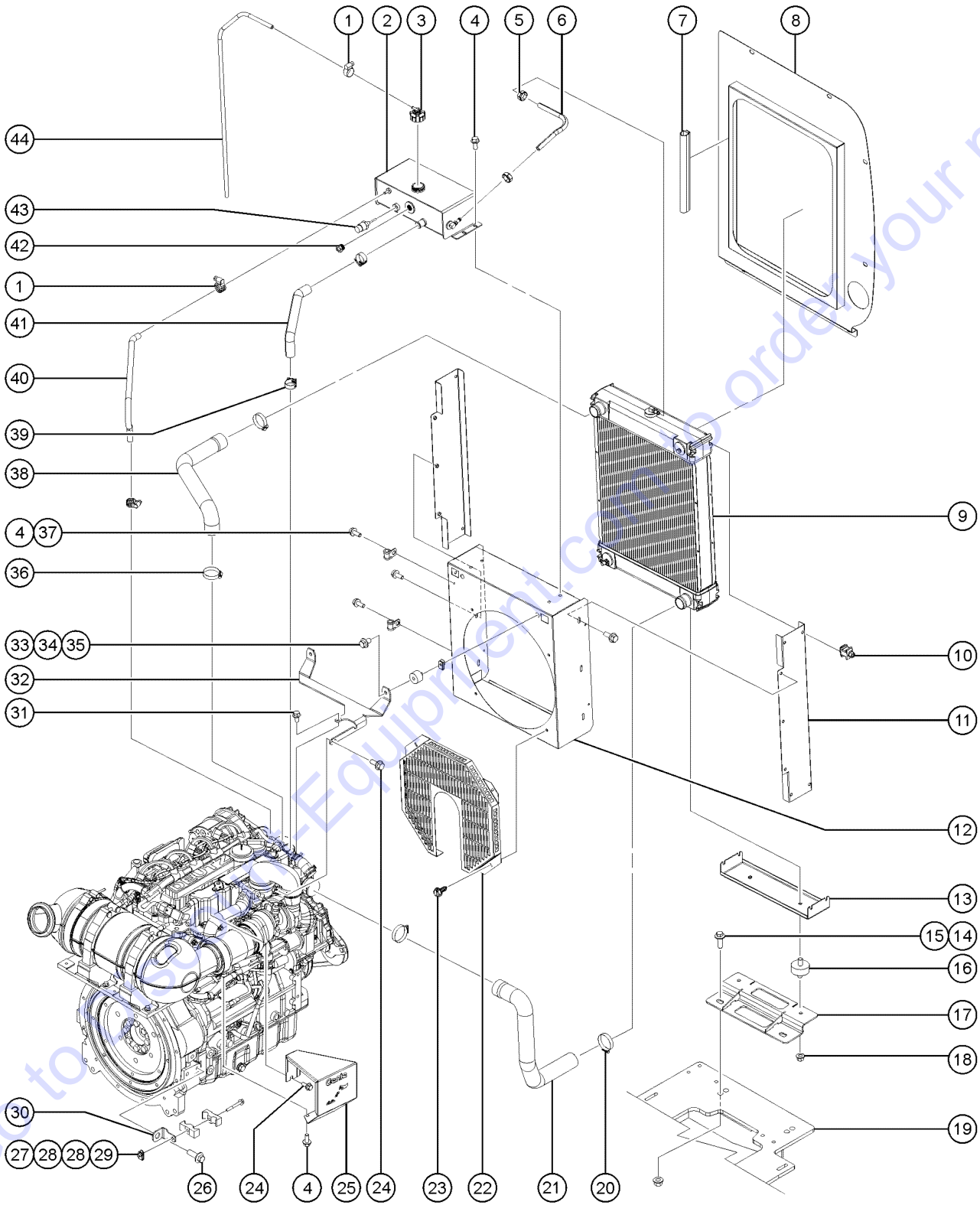
406.1 Deutz TD2011-L04i Engine - View 3



406.1 Deutz TD2011-L04i Engine - View 3

Item	Part No.	Description	Qty.	Item	Part No.	Description	Qty.
--	102581GT	PUMP,FUEL INJ,DEUTZ BF4L20 <i>class A injection pump; provide SN of engine to service to get correct injection pump (A, B, C, D)</i>		15	111668GT	PUMP,FUEL 2011 DEUTZ ***	
--	T108732GT	PUMP,FUEL INJ,DEUTZ BF4L20 <i>class B injection pump; provide SN of engine to service to get correct injection pump (A, B, C, D)</i>		--	111402GT	O-RING, FUEL LIFT PUMP	
--	T108733GT	PUMP,FUEL INJ,DEUTZ BF4L20 <i>class C injection pump; provide SN of engine to service to get correct injection pump (A, B, C, D)</i>		16	29560GT	FILTER,FUEL/WTR SEP, DTZ 1008.....1 <i>Genie Genuine Part. See PN 1254826 for compatible aftermarket replacement.</i>	
--	T108734GT	PUMP,FUEL INJ,DEUTZ BF4L20 <i>class D injection pump; provide SN of engine to service to get correct injection pump (A, B, C, D)</i>		--	1254826GT	FUEL FILTER W/SEP,DEUTZ,1008.....1 <i>Genie Aftermarket Part. Filter for Deutz F3L 1011F Engine.</i>	
1	161189GT	ENGINE,DEUTZ, TD2011L04i TPEM		--	236946GT	PLASTIC FILTER HEAD	
2	29557GT	CAP,OIL FILLER,DEUTZ,DIESEL ***.....1		--	58566GT	FILTER HEAD (29560)	
3	102590GT	EXHAUST MANIFOLD, DEUTZ F4L201.....1		17	102587GT	PLUG,ENGINE OIL,DEUTZ F4L2011.....1	
--	29559GT	GASKET,EXHAUST		18	49924GT	FILTER,OIL,DEUTZ F4L1011F.....1 <i>GENIE GENUINE PART. SEE PN 1255653 FOR COMPATIBLE AFTERMARKET REPLACEMENT.</i>	
4	102593GT	CLAMP, 3 INCH.....2		--	1255653GT	FILTER,OIL,DEUTZ,REPLACEMENT.....1 <i>GENIE AFTERMARKET PART. COMPATIBLE WITH GENIE GENUINE PART 49924.</i>	
5	226106GT	RUBBER SLEEVES, TD 2011L04i		19	102580GT	FLYWHEEL HOUSING DEUTZ F4L2011.....1	
6	139709GT	STARTER, 12V.....1		20	30971GT	CLAMP,HOSE,3.00"	
--	139621GT	KIT, HEAT GUARD, DEUTZ STARTER		21	226103GT	INLET REDUCER,TD 2011L04i	
7	49915GT	SOLENOID-STARTR DEUTZF4L1011F*.....1		22	226104GT	BREATHER PIPE, TD 2011L04i	
8	102586GT	OIL PAN,DEUTZ F4L2011.....1		--	226105GT	GASKET,BREATHER PIPE (226104)	
9	102595GT	FUEL LINE-INJECTOR, DEUTZ BF4L....4		23	146061GT	V-BELT GUARD, DEUTZ 2011.....1	
--	102581GT	PUMP,FUEL INJ,DEUTZ BF4L20		24	58630GT	V-BELT, DEUTZ TD2011LOAI	
--	102582GT	GASKET, FUEL INJEC PUMP DUTZ		25	58249GT	ALTERNATOR, DEUTZ,BF4L2011***.....1	
--	102584GT	SEAL,INJECTOR,DEUTZ F4L2011		--	1280590GT	PULLEY,ALTERNATOR,DEUTZ BF4L2011 <i>for 58249</i>	
--	102592GT	FUEL LINE, DEUTZ F4L2011		--	1280591GT	SPACER,ALT PULLEY,DEUTZ BF4L2011 <i>for 58249</i>	
--	102596GT	CYLINDER HEAD CVR.DEUTZ BF4L20					
--	102597GT	GASKET,CYL.COVR. DEUTZ BF4L201					
--	88091GT	FUEL RETURN,DAPCO 1/4"					
--	89792GT	INJECTOR, FUEL(DEUTZ F3L2011F)					
10	102594GT	COVER, ENGINE,DEUTZ F4L2011.....1					
11	111445GT	SENDING UNIT,OIL TEMP SWCH,DTZ.....1					
12	T114678GT	SHUTDOWN SOLENOID,12V, DEUTZ....1 <i>(must order cable assembly, 58256, if replacing 32752)</i>					
--	45782GT	DIODE,6 AMP,200 PIV,BULK					
--	58256GT	SOLENOID CABLE ASSY***					
--	72255GT	CONNECTOR, DEUTZ FUEL SHUTOFF* <i>(does not include diode, 45782)</i>					
13	58299GT	SENDING UNIT,OIL PRESS.,DEUTZ*....1					
14	52352GT	DIPSTICK-F3L1011F (DEUTZ)					

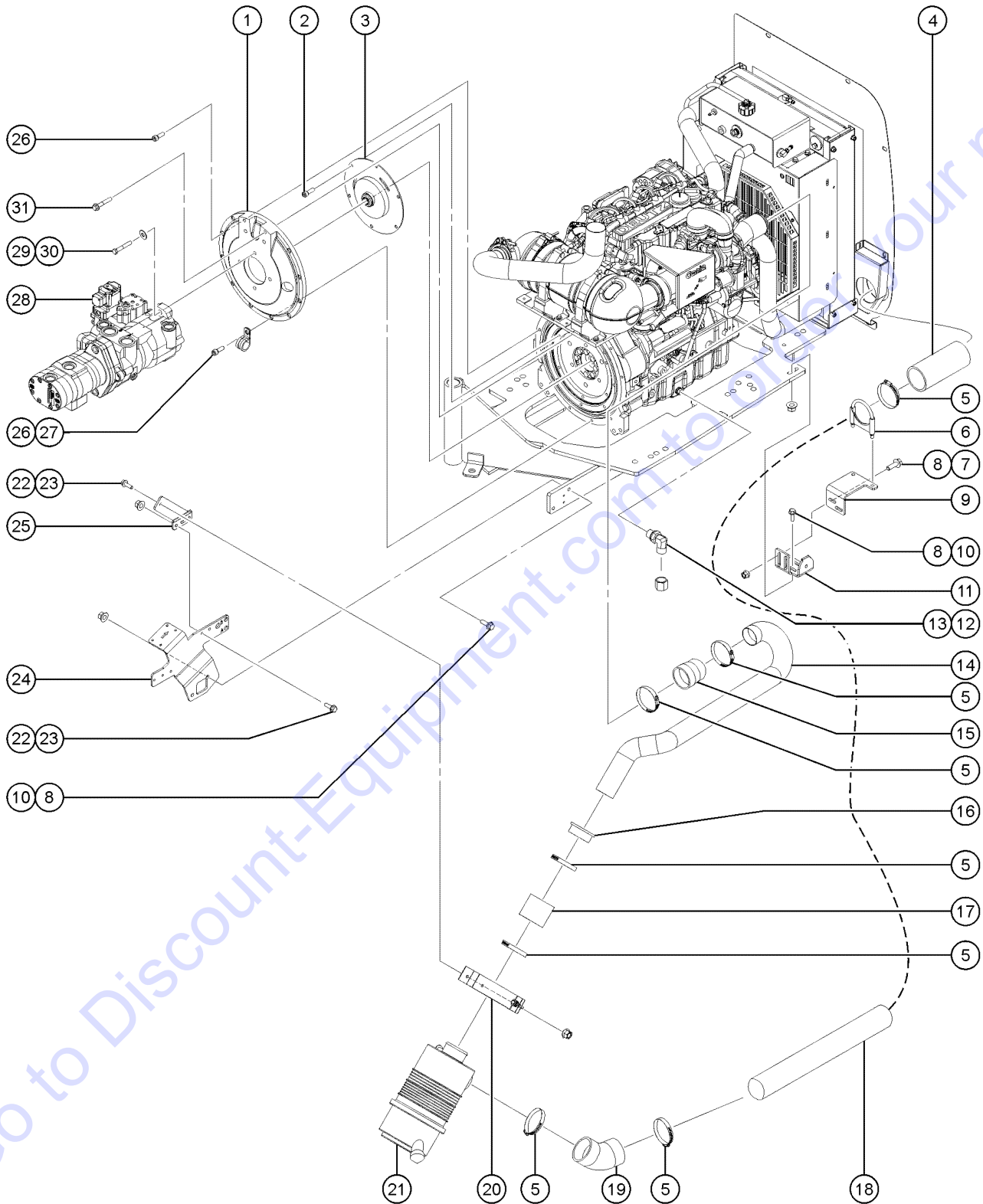
407.1 Deutz TD2.9L4 Engine - View 1



407.1 Deutz TD2.9L4 Engine - View 1

Item	Part No.	Description	Qty.	Item	Part No.	Description	Qty.
A		<i>Due to Tier 4 regulations, many engine replacement parts require the engine serial number at time of order placement. When ordering engine parts please have both machine and engine serial numbers available. For internal engine parts, contact engine dealer</i>		30	1256480GT	FORMING, WIRE LOOM SUPPORT.....1	1
B	237730GT	ENGINE KIT, DEUTZ TD 2.9.....1	1	31	1251983GT	SCREW,HHF,M8-1.25X16,DIN6921,10.9,ZAB.1	1
C	1253502GT	HARNESS, DEUTZ 2.9L, TIER IV,SBOOM.....1	1	32	1255342GT	FORMING,RADIATOR SUPPORT.....1	1
D	1252014GT	COOLING SYSTEM RCP-13-077.....1 (includes items 2-4, 9-13, 21-23, 38, 41-42 and 44)	1	33	237352GT	SCREW,HHF,M10-1.5X16,DIN6921,10.9,ZAB.2	2
1	21465GT	CLAMP,HOSE,SIZE .25 TO .63.....3	3	34	1255451GT	ISOLATOR, VIBRATION DAMPENER.....2	2
2	1252016GT	ASSY, DEGAS TANK, AL, RCP-13-077.....1	1	35	230074GT	SPRING CLIP,M10-1.5,1-6X19,ZAB.....2	2
3	1254081GT	PRESSURE CAP RCP.....1	1	36	22672GT	CLAMP,HOSE,1.75.....2	2
4	824132GT	SCREW,HHF,M8-1.25X20,DIN6921,10.9,ZAB.8	8	37	1257844GT	CLAMP, TUBE/HOSE, LOOP/OFFSET, 12.7 OD.....2	2
5	96770GT	CLAMP,HOSE,1 EAR, 11/16.....2	2	38	1252017GT	HOSE, 20R4, UPPER.....1	1
6	823420-1400GT	HOSE,HEATER,3/8" 14".....1	1	39	36208GT	CLAMP,HOSE,1.25***.....2	2
7	60875GT	TRIM MOLDING.....1	1	40	1283995GT	HEATER HOSE,1/4".....14-inches	14
8	1253325GT	BAFFLE,AIR INTAKE DIESEL, T4.....1	1	41	1252019GT	HOSE, DEGAS RETURN, 22MM ID.....1	1
9	1252015GT	RADIATOR RCP.....1	1	42	1254418GT	SIGHT GLASS DEGAS RCP.....1	1
10	1253233GT	ISOLATOR ASSY RCP RADIATOR.....8	8	43	218715GT	SENSOR,COOLANT LEVEL, DEUTZ.....1	1
11	1253231GT	FORMING RADIATOR SIDE MOUNT.....2	2	44	1283995GT	HEATER HOSE,1/4".....43-inches	43
12	1253230GT	FORMING FAN SHROUD RCP 2.9T.....1	1				
13	1253232GT	FORMING RADIATOR BOTTOM MOUNT RCP.....1	1				
14	1251894GT	SCREW,HHF,M16-2.0X45,DIN6921,10.9,ZAB.2	2				
15	1251893GT	NUT,TL,FLG,M16-2.0,DIN6927,10,ZAB.2	2				
16	1255631GT	ISOLATOR, M10-1.50, 5/8" HIGH.....2	2				
17	1251720GT	WELDMENT, RADIATOR MOUNT.....1	1				
18	231529GT	NUT,TL FLG,M10-1.5,DIN6927,10,ZAB.....2	2				
19		Ref. Engine tray.....1 (refer to 410.1)	1				
20	35434GT	CLAMP,HOSE,2.00***.....2	2				
21	1252018GT	HOSE, 20R4, LOWER.....1	1				
22	1253218GT	FORMING FAN SHROUD RCP.....1	1				
23	1253234GT	SCREW SHEET METAL HHF X1/2 X .18OD.....4	4				
24	824131GT	SCREW,HHF,M6-1.0X16,DIN6921,10.9,ZAB.2	2				
25	1254949GT	HEAT SHIELD,DEUTZ TD2.9L.....1	1				
26	1255806GT	SCREW,HHF,M12-1.75X20,DIN6921,10.9,ZAB.1	1				
27	230073GT	SPRING CLIP,M6-1.0,0.8-4MM PAN.....1	1				
28	217460GT	CLAMP,BATTERY CABLE.....2	2				
29	216597GT	SCREW,HHF,M6-1.0X50,DIN6921,10.9,ZAB.1	1				

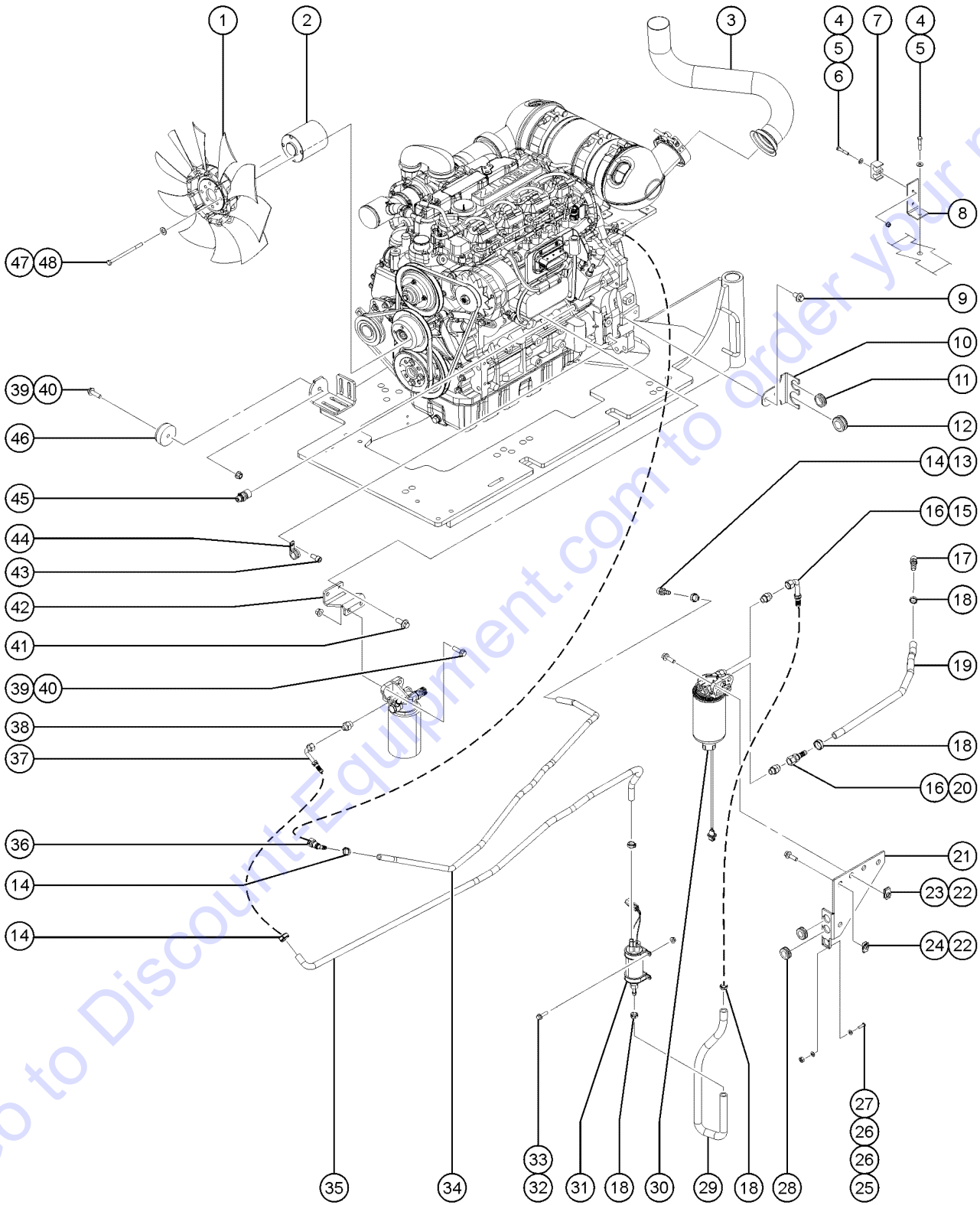
408.1 Deutz TD2.9L4 Engine - View 2



408.1 Deutz TD2.9L4 Engine - View 2

Item	Part No.	Description	Qty.	Item	Part No.	Description	Qty.
A		<i>Due to Tier 4 regulations, many engine replacement parts require the engine serial number at time of order placement. When ordering engine parts please have both machine and engine serial numbers available. For internal engine parts, contact engine dealer</i>		26	1255666GT	SCREW,SHC,M10-1.5X30,DIN912,12.9,ZAB.10	
	1	70381GT	COVER,FLYWHEEL CASTING.....1	27	60838GT	CLAMP,1.00,#16 X 7/16,RUB CUSH.....1	
	2	1255665GT	SCREW,SHC,M10-1.5X20,DIN912,12.9,ZAB.6	28		Ref. pump assembly.....1 (refer to 707.1)	
	3	128004GT	COUPLER,15 TOOTH,FBA,SAE8***.....1	29	54177GT	SCREW,HHC,1/2-13 X 1.5 GRD 8.....2	
	4	106211-800GT	HOSE,RUBBER 3"ID X .25 X 8" BLACK.....1	30	13066GT	WASHER,FLAT,.5 HARDENED.....2	
	5	30971GT	CLAMP,HOSE,3.00".....7	31	216036GT	SCREW,HHF,M10-1.5X60,DIN6921,10.9,ZAB.2	
	6	122414GT	U-BOLT,GUILLOTINE,3".....1				
	7	232874GT	SCREW,HHF,M10-1.5X30,DIN6921,10.9,ZAB.2				
	8	231529GT	NUT,TL FLG,M10-1.5,DIN6927,10,ZAB.....6				
	9	1262525GT	FORMING,INTAKE SUPPORT,SB.....1				
	10	231533GT	SCREW,HHF,M10-1.5X35,DIN6921,10.9,ZAB.4				
	11	1254669GT	FORMING, COVER STOP.....1				
	12	54428GT	FITTING,HYDRAULIC,90DEG,O-RING...1				
	13	69775GT	CAP,520112-8.....1				
	14	826352GT	TUBE,INTAKE,DEUTZ 2.9L.....1				
	--	1264657GT	REFLECTIVE INSULATING SLEEVE, PRESSURIZER.....1				
	15	826351GT	HOSE,REDUCER,TURBO INLET,DEUTZ.....1				
	16	101640GT	REDUCER,RUBBER 3.0 - 2.5.....1				
	17	106211-300GT	HOSE,RUBBER 3"ID X .25 BLACK.....1				
	18	1253600GT	AIR SUCTION PIPE,DIESEL,T4.....1				
	--	1264656GT	REFLECTIVE INSULATING SLEEVE, INTAKE.....1				
	19	61270GT	ELBOW,45 DEG,INLET.....1				
	20	81468GT	MOUNTING BAND,AIR CLEANER.....1				
	21	81467GT	AIR CLEANER,NELSON.....1				
	--	52866GT	EVACUATOR VALVE-AIR CLEANER for 81467				
	--	62425GT	FILTER,AIR CLEANER, SUPERBOOM for 81467				
	--	75450GT	AIR CLEANER CLIPS, SUPERBOOM for 81467				
	--	75451GT	AIR CLEANER COVER, SUPERBOOM* for 81467				
	22	824133GT	SCREW,HHF,M8-1.25X25,DIN6921,10.9,ZAB.4				
	23	237832GT	NUT,TL FLG,M8-1.25,DIN6927,10,ZAB.....4				
	24	215517GT	FORMING, CHARGE FILTER MOUNT...1				
	25	1251708GT	FORMINNG AIR CLEANER.....1				

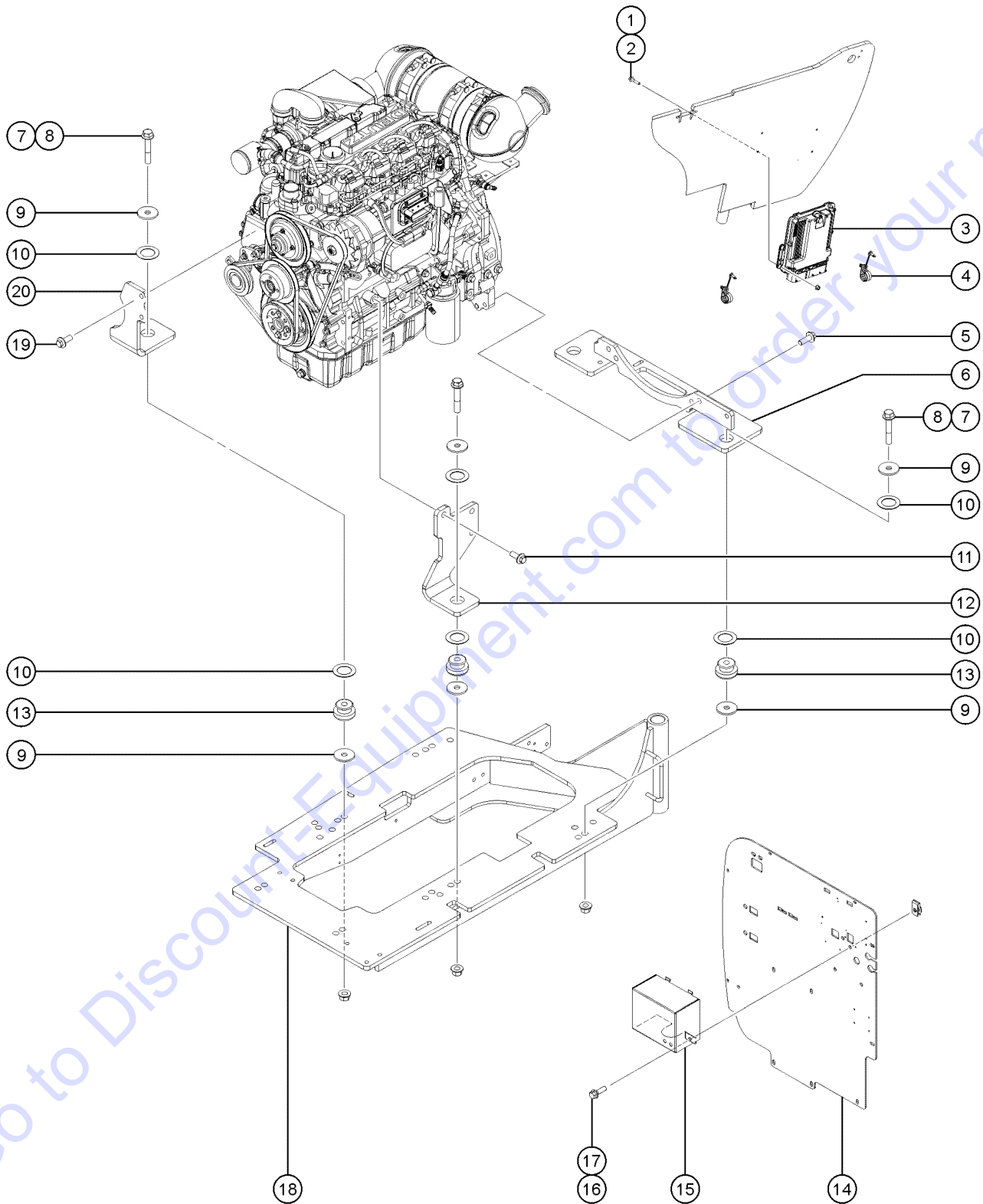
409.1 Deutz TD2.9L4 Engine - View 3



409.1 Deutz TD2.9L4 Engine - View 3

Item	Part No.	Description	Qty.	Item	Part No.	Description	Qty.
A		<i>For internal engine parts, contact engine dealer</i>		40	231529GT	NUT,TL FLG,M10-1.5,DIN6927,10,ZAB.....	3
1	1251496GT	FAN,10 BLADE,17",DEUTZ 2.9L.....	1	41	231088GT	SCREW,HHF,M10-1.5X20,DIN6921,10.9,ZAB.2	2
2	1257753GT	FAN SPACER,DEUTZ 2.9L.....	1	42	1256911GT	FORMING FUEL FILTER DEUTZ.....	1
3	826348GT	EXHAUST PIPE, 2.9L DEUTZ.....	1	43	39653GT	SCREW,SHC,M12-1.75X25 DIN 912, 12.9, ZAB.....	1
4	824062GT	SCREW,HHC,1/4-20X1.5,8,ZAG.....	2	44	61109GT	CLAMP,1.25,#20 X 7/16,RUB CSH.....	1
5	824113GT	WASHER,FLAT,USS,1/4,ZAG.....	2	45	824673GT	SENSOR, PRESSURE,DEUTZ 2.9.....	1
6	824027GT	NUT,TL FLG,1/4-20,G,ZAG.....	1	46	50974GT	BUMPER,RUBBER,COVERS.....	1
7	70289GT	CLAMP,LINK,LH WELD WIRE.....	1	47	1257774GT	SCREW,HHC,M8-1.25X95,DIN931,10...4	4
8	70535GT	BRACKET,BATTERY CABLE.....	1	48	824144GT	WASHER,FLAT,M8,DIN125,ZAB.....	4
9	1255806GT	SCREW,HHF,M12-1.75X20,DIN6921,10.9,ZAB.3	3				
10	1257888GT	FORMING, ENGINE HARNESS SUPPORT.....	1				
11	124962GT	GROMMET,RUBBER,1.0 X 1.25X1.5.....	1				
12	106923GT	GROMMET,RUBBER .38X1.38X1.0.....	1				
13	27901GT	HOSE END,BARBED,RIGID,-6-6.....	1				
14	96770GT	CLAMP,HOSE,1 EAR, 11/16.....	4				
15	162207GT	FITTING,ELBOW,8GS-8FJX90S.....	1				
16	162209GT	FITTING,CONN,16MM-8MJ.....	2				
17	824471GT	FITTING,3/8 NPT TO 1/2 BARB.....	1				
18	822087GT	CLAMP,HOSE,1EAR,25/32.....	4				
19	823421-3000GT	HOSE, FUEL, 1/2, GATES RLA 30".....	1				
20	824635GT	FITTING,STR,1/2 HS X 3/4-16,JI.....	1				
21	1253327GT	BRACKET,FUEL SYSTEM,DEUTZ 2.9L.....	1				
22	29868GT	SPRING CLIP,3/8-16,.05-.20X.73,ZAG...5	5				
23	824091GT	SCREW,HHF,3/8-16X1.25,8,ZAG.....	2				
24	824089GT	SCREW,HHF,3/8-16X.75,8,ZAG.....	3				
25	824214GT	SCREW,PHPM,6-32X.5,ZAG.....	4				
26	825357GT	WASHER,FLAT,M4,DIN125,ZAB.....	8				
27	824019GT	NUT,TL,6-32,A,ZAG.....	4				
28	60584GT	GROMMET,RUBBER .75 X .19 X 1**.....	2				
29	823421-2701GT	HOSE, FUEL, 1/2, GATES RLA 27".....	1				
30	236260GT	PRE-FILTER,FUEL,DEUTZ.....	1				
31	236259GT	LIFT PUMP,FUEL,DEUTZ.....	1				
32	218458GT	SCREW,HHF,M5-0.8X20,DIN6921,10.9,ZAB.4	4				
33	1255753GT	NUT,FLG,M5-0.8,DIN6923,8,ZAB.....	4				
34	823420-6300GT	HOSE,FUEL,3/8,GATES RLA 60".....	1				
35	823420-6500GT	HOSE,FUEL,3/8,GATES RLA 65".....	1				
36	826000GT	CONNECTOR, SAE10, QUICK CONN....	1				
37	162206GT	FITTING,ELBOW,6GS-6FJX90S.....	1				
38	162208GT	FITTING,CONN,16MM-6MJ.....	1				
39	231533GT	SCREW,HHF,M10-1.5X35,DIN6921,10.9,ZAB.3	3				

410.1 Deutz TD2.9L4 Engine - View 4

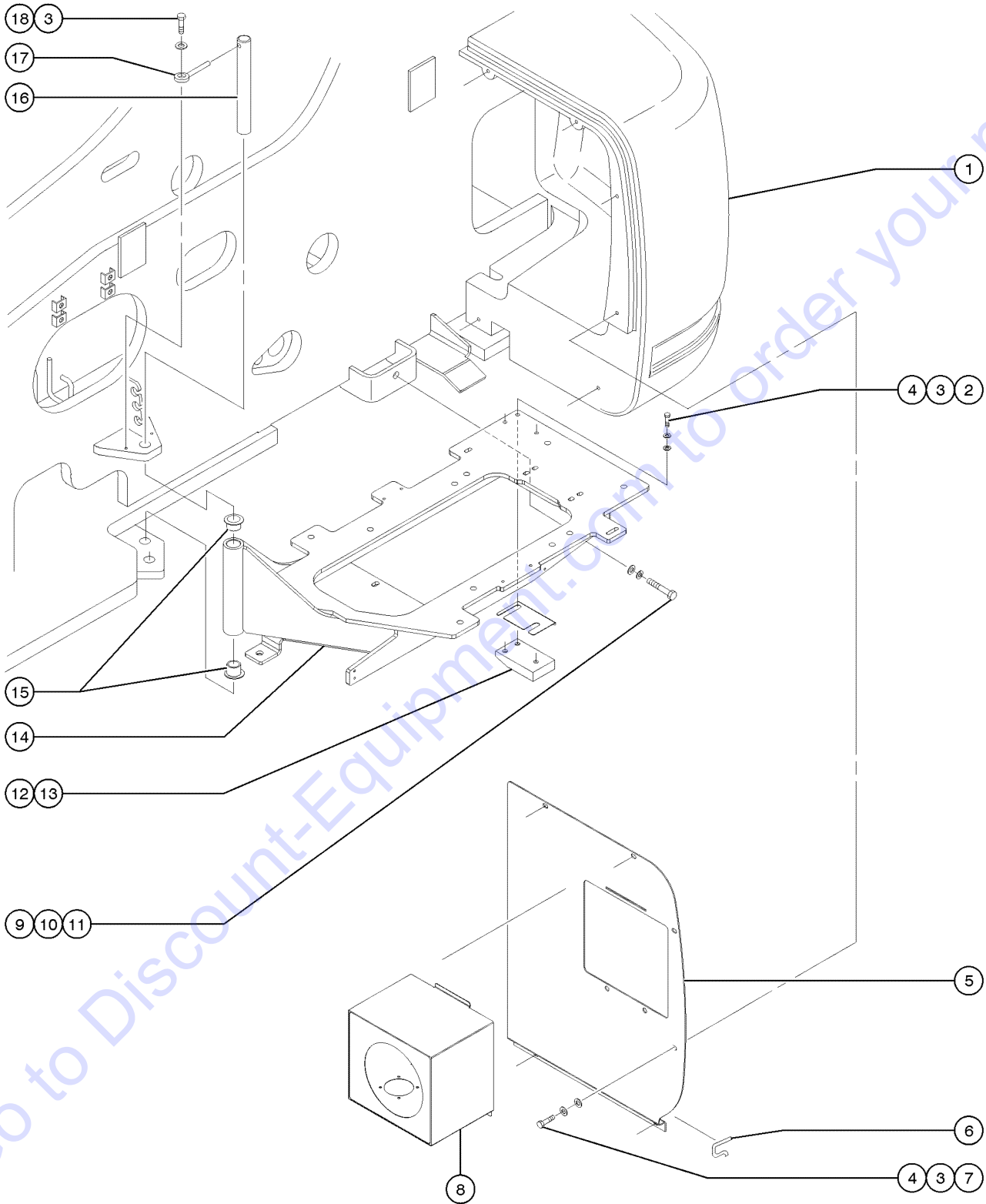


410.1 Deutz TD2.9L4 Engine - View 4

Item	Part No.	Description	Qty.
A		<i>Due to Tier 4 regulations, many engine replacement parts require the engine serial number at time of order placement. When ordering engine parts please have both machine and engine serial numbers available. For internal engine parts, contact engine dealer</i>	
1	231531GT	SCREW,HHF,M6-1.0X30,DIN6921,10.9,ZAB.4	
2	231513GT	NUT,TL FLG,M6-1.0,DIN6927,10,ZAB...4	
3	214795GT	ECM, DEUTZ.....1	
4	121603GT	CLAMP,FIXED DIA.NYLON,.875".....2	
5	1251899GT	SCREW,HHF,M14-2.0X40,DIN6921,10.9,ZAB.4	
6	70440GT	WELDMENT,REAR ENGINE MOUNT.....1	
7	1256583GT	SCREW,HHF,5/8-11X3.5,8,ZAG.....4	
8	1253319GT	NUT,TL,FLG,5/8-11,G,ZAG.....4	
9	824123GT	WASHER,FLAT,.625X2.25X.188,ZAG....8	
10	1251565GT	WASHER,SHIM,1.56X2.5X.061,ZAG....8	
11	1256776GT	SCREW,HHF,M14-2.0X35,DIN6921,10.9,ZAB.3	
12	1256805GT	MOUNT,ENGINE,LEFT SIDE.....1	
13	217500GT	ISOLATOR, ENGINE VIBRATION.....4	
14	1253326GT	PLATE, FUEL TANK BULKHEAD.....1	
15	1258412GT	COVER, RELAY,SB T4.....1	
16	824091GT	SCREW,HHF,3/8-16X1.25,8,ZAG.....1	
17	29868GT	SPRING CLIP,3/8-16,.05-.20X.73,ZAG....1	
18	128314GT	WELDMENT, ENGINE TRAY.....1	
19	824134GT	SCREW,HHF,M12-1.75X30,DIN6921,10.9,ZAB.2	
20	1251705GT	FORMING, ENGINE MOUNT.....1	

Go to Discount-Equipment.com to order your parts

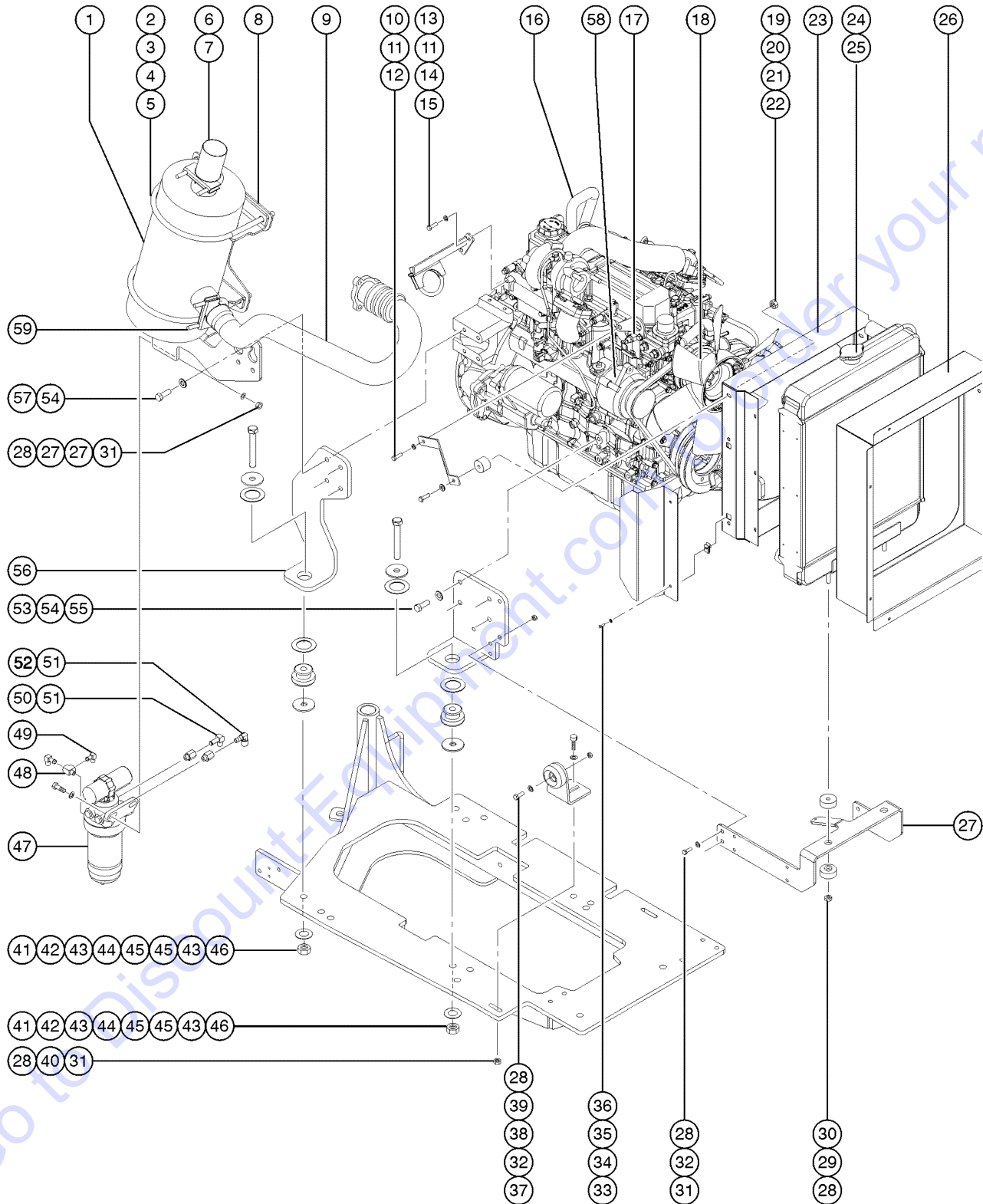
411.1 Deutz Engine Attached Components



411.1 Deutz Engine Attached Components

Item	Part No.	Description	Qty.
1		Ref. Counterweight (refer to 403.1)	
2	6019GT	SCREW,HHC,3/8-16 X 1.25 GRD 5	
3	6021GT	WASHER,LOCK,.375	
4	5397GT	WASHER,FLAT,USS,5/16",Y	
5	102210PGT	BAFFLE,AIR INTAKE,DEUTZ PAINTD....1	
6	60875GT	TRIM MOLDING	
7	6175GT	SCREW,HHC,3/8-16 X 1	
8	102218PGT	WELDMENT,AIR BOX,DEUTZ PAINTED	
9	51131GT	SCREW,HHC,5/8-11 X 2.5	
10	6036GT	WASHER,LOCK,.625 PLTD	
11	6035GT	WASHER,FLAT,USS,5/8",Y	
12	60637GT	WEAR PAD,ENGINE SUPPORT.....1	
13	60826GT	SHIM,WEAR PAD ENGINE TRAY	
14	146054GT	ENGINE TRAY ASSEMBLY	
15	35675GT	BEARING,FL,1.25IDX1.5ODX1.25L.....2	
16	60625GT	PIN,1.25DIAX15.63LG,CHAMFER.....1	
17	825019GT	ROD END,.375X3.69,ZAG.....1	
18	8516GT	SCREW, HCC, 3/8-16 X 1.50	

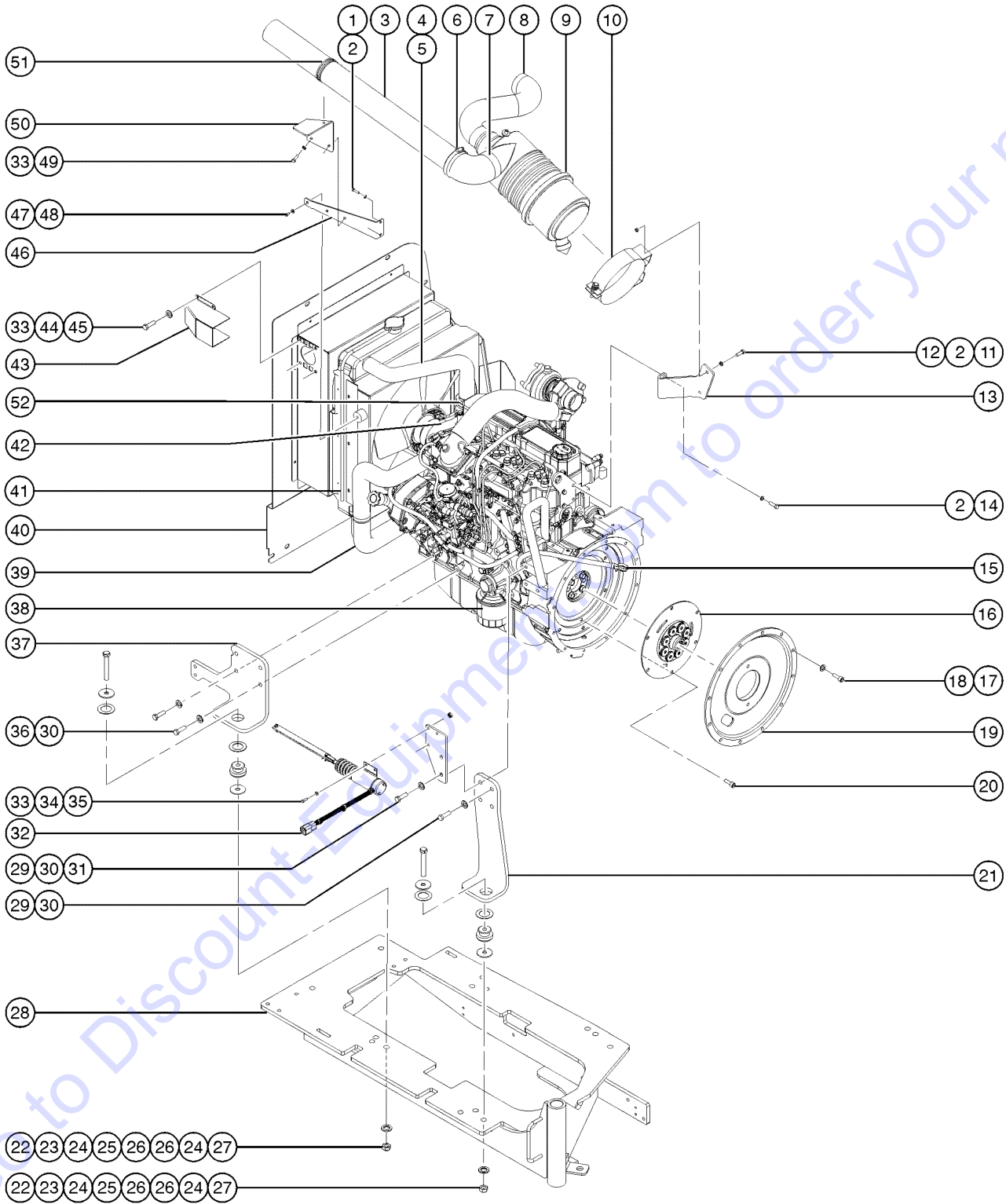
412.1 Perkins 804D-33T Engine - View 1



412.1 Perkins 804D-33T Engine - View 1

Item	Part No.	Description	Qty.	Item	Part No.	Description	Qty.
--	122593GT	HARNES,PERKINS 804D-33T		33	6090GT	SCREW,HHC,1/4-20 X .75	
--	102534GT	V-BELT, PERKINS 804C-33		34	6638GT	WASHER,FLAT,USS,1/4"Y	
--	128829GT	CIRCUIT BRKR 15A TYPE 2 METAL <i>from SN 2589</i>		35	139066GT	FORMING, BELT GUARD	
--	139612GT	KIT CB 15A T2 RPM SOLENOID 3W <i>includes item 128829; to SN 2588</i>		36	56912GT	SPRING CLIP,1/4-20,.025-.15X.54,ZAG	
1	70444GT	MUFFLER,2.5"INLET/OUTLET.....1		37	6019GT	SCREW,HHC,3/8-16 X 1.25 GRD 5	
2	70449GT	U-BOLT,1/2-13 X 8.5		38	50974GT	BUMPER,RUBBER,COVERS	
3	70483GT	FORMING,8.5' MUFFLER MOUNT		39	54363GT	BRACKET,RUBBER BUMPER,ENGCOVER <i>to SN 2668</i>	
4	13066GT	WASHER,FLAT,.5 HARDENED		--	60778-SGT	FORMING,COVER STOP <i>from SN 2669</i>	
5	66777GT	NUT,TOP LOCK,1/2-13		40	5397GT	WASHER,FLAT,USS,5/16",Y	
6	94324-500GT	TUBE,RD,STL,ALUMIZD,2.5 X .065		41	6024GT	NUT,NYLOCK,5/8-11	
7	71911GT	CLAMP,MUFFLER, 2.50 INCH		42	13064GT	WASHER,FLAT,.625 HARDENED	
8	122702GT	WLDT, MUFFLER BRKT, PERK T3.....1		43	33418GT	WASHER,FLAT,.625 X 2.25 X.15	
9	122701GT	WELDMENT, EXHAUST, 804T.....1		44	102045GT	ISOLATOR,ENGINE VIBRATION	
10	85064GT	SCREW,SHC,M8 X 1.25 X 16 MM		45	18596GT	WASHER,FLAT,1.56 X 2.5 X .061	
11	49408GT	WASHER,LOCK,M8		46	13003GT	SCREW,HHC,5/8-11 X 3.5 GRD.8	
12	101604PGT	BRACKET,FAN SHROUD,RH,PAINTED		47	101644GT	FUEL LIFT PUMP/FILTER ASSY.....1	
13	23057GT	SCREW,HHC,M8 X 20MM		48	41468GT	TEE,BRASS STREET,.12 NPT.....1	
14	128280GT	WELDMENT, EXHAUST SUPPORT.....1 <i>to SN 2668</i>		49	38922GT	ELBOW,90DEG.1/8MPT-5/16 BARB.....2	
15	71911GT	CLAMP,MUFFLER, 2.50 INCH <i>to SN 2668</i>		50	31817GT	ELBOW,90DEG.1/4MPT-3/8 BARB.....2	
16	128661GT	HOSE, CRANKCASE BREATHER.....1		51	101628GT	ADAPTER,1/4 FNPT X 1/2-20 UNF.....2	
17	128638GT	SENSOR, TEMP. SENDER, M16X1.5.....1 <i>does not include 128801 or 128858</i>		52	54205GT	HOSE END,BARB,1/4 MNPTX5/16,90....1	
--	128801GT	O-RING, M16, ISO <i>order separately</i>		53	27584GT	SCREW,HHC,M12 X 35MM.....14	
--	128858GT	WASHER, RETAINING, M16 <i>order separately</i>		54	49410GT	WASHER,FLAT,M12	
18	75328GT	FAN,PULLER,PERKINS,1004-42.....1		55	128243GT	WELDMENT, ENGINE MNT, RF.....1	
19	22571GT	NUT,HEX,M8 X 1.25		56	128242GT	ENGINE MOUNT, RR.....1	
20	60585GT	ISOLATOR,VIBRATION,M8 MALE/FEM		57	27584GT	SCREW,HHC,M12 X 35MM	
21	33277GT	WASHER,FLAT,M8,YELLOW ZINC		58	146048GT	ALTERNATOR	
22	101629GT	SCREW,HHC,M8 X 10MM		59	71911GT	CLAMP,MUFFLER, 2.50 INCH <i>from SN 2669</i>	
23	101603PGT	SHROUD,FAN,PERKINS PAINTED.....1					
24	65473GT	CAP,RADIATOR,PERKINS/FORD.....1					
25	110304GT	RADIATOR,FORD/PERKINS***.....1					
26	128247GT	FORMING, FAN BAFFLE.....1					
27	101606PGT	BRACKET,RADIATOR SUPPORT PNTD.....1					
28	4828GT	NUT,NYLOCK,3/8-16					
29	24038GT	SHOCK MOUNT,SMALL					
30	24037GT	SHOCK MOUNT,LARGE**					
31	8516GT	SCREW, HCC, 3/8-16 X 1.50					
32	6097GT	WASHER,FLAT,USS,3/8",Y					

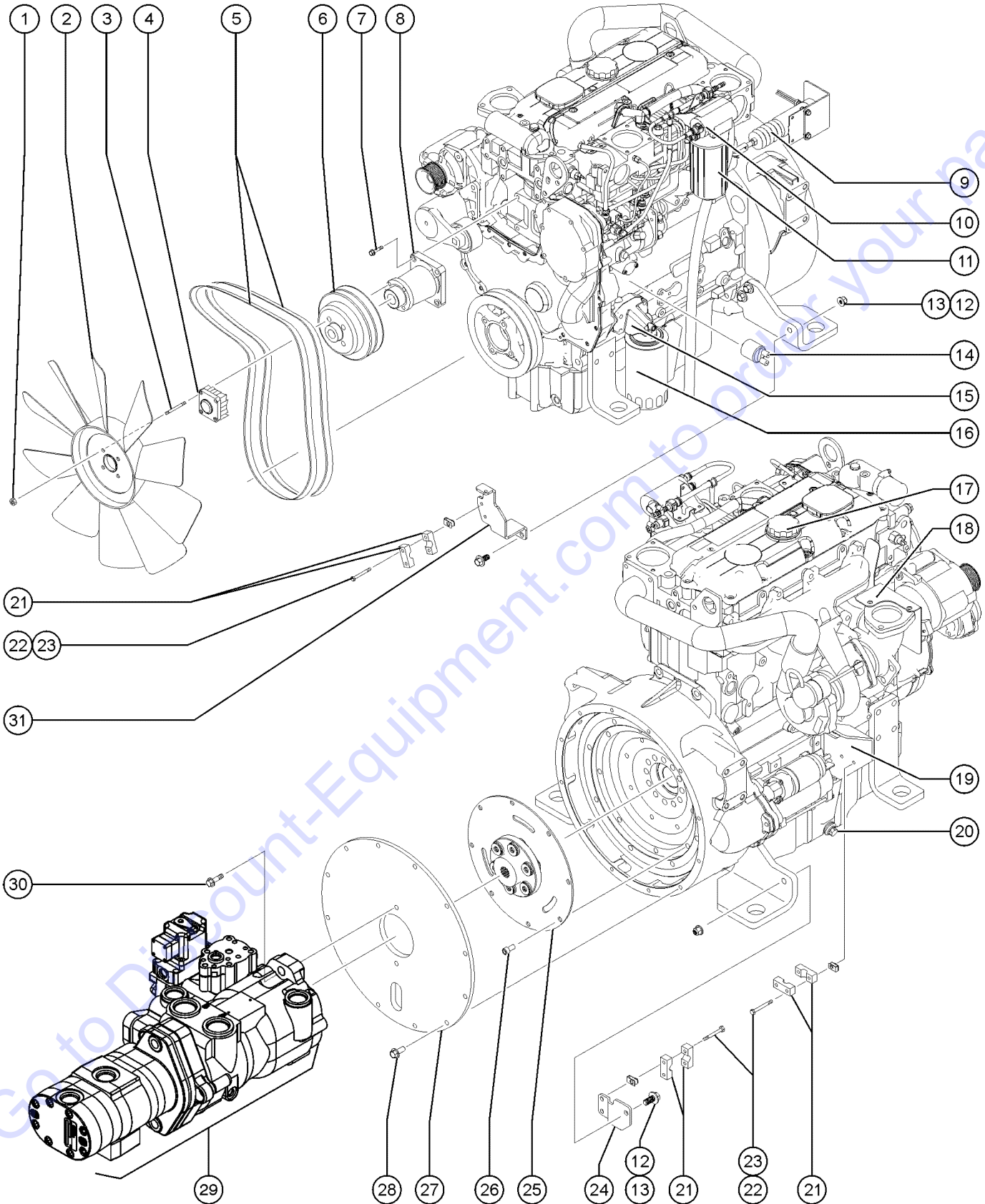
413.1 Perkins 804D-33T Engine - View 2



413.1 Perkins 804D-33T Engine - View 2

Item	Part No.	Description	Qty.	Item	Part No.	Description	Qty.
1	23057GT	SCREW,HHC,M8 X 20MM		--	60757GT	PLUG,SEAL,12-18 GA	
2	49408GT	WASHER,LOCK,M8		--	6578GT	CABLE TIE,7 3/8"	
3	81738-3300GT	TUBE,RD,STL 3 X 18GA ALUMINIZD.....1		--	73711GT	TERM,DEUTSCH, PIN #12-14	
4	101601GT	HOSE,RADIATOR,UPPER,PERKINS.....1		--	89998GT	KIT,SERVICE,SOLENOID MODULE	
5	35434GT	CLAMP,HOSE,2.00***		33	6090GT	SCREW,HHC,1/4-20 X .75	
6	30489GT	CLAMP,HOSE,3.50		34	6638GT	WASHER,FLAT,USS,1/4"Y	
7	60561GT	ELBOW,INLET,CUMMINS.....1		35	6091GT	NUT,NYLOCK,1/4-20	
8	128207GT	HOSE, AIR INTAKE, 804T.....1		36	27584GT	SCREW,HHC,M12 X 35MM.....14	
9	81467GT	AIR CLEANER,NELSON.....1		37	128245GT	ENGINE MOUNT, LF.....1	
--	52866GT	EVACUATOR VALVE-AIR CLEANER for 81467		38	101613GT	ELEMENT,OIL FILTER,PERKINS***.....1	
--	62425GT	FILTER,AIR CLEANER, SUPERBOOM for 81467		39	101602GT	HOSE,RADIATOR,LOWER,PERKINS.....1	
--	75450GT	AIR CLEANER CLIPS, SUPERBOOM for 81467		40	128250GT	FORMING, ENGINE BAFFLE.....1	
--	75451GT	AIR CLEANER COVER, SUPERBOOM* for 81467		41	106264000GT	TUBING, VINYL, 1/2" CLEAR.....1	
10	81468GT	MOUNTING BAND,AIR CLEANER.....1		42	226060GT	PUMP,WATER,PERKINS 804D-33T	
11	49378GT	SCREW,HHC,M8 X 16		--	226061GT	GASKET-PUMP WATE,PERK 804D-33T	
12	6091GT	NUT,NYLOCK,1/4-20		43	128249GT	FORMING, INTAKE DUCT.....1	
13	128248GT	FORMING, FILTER SUPPORT.....1		44	14295GT	WASHER,SHIM,.265 X .5 X .030	
14	49379GT	SCREW,HHC,M8 X 1.25 X 25		45	56912GT	SPRING CLIP,1/4-20,.025-.15X.54,ZAG	
15	128424GT	ASSEMBLY, DIPSTICK TUBE.....1		46	128246GT	BRACKET, FAN SHROUD, LH.....1	
16	128004GT	COUPLER,15 TOOTH,FBA,SAE8***.....1		47	101629GT	SCREW,HHC,M8 X 10MM	
17	27034GT	SCREW,HHC,M10 X 25MM,GR 8.8		48	33277GT	WASHER,FLAT,M8,YELLOW ZINC	
18	22699GT	WASHER,FLAT,M10,ZINC PLTD.		49	6638GT	WASHER,FLAT,USS,1/4"Y	
19	61781GT	CASTING,SAE 4 PUMP MOUNT,MACHI.....1		50	128421GT	FORMING, INTAKE TUBE MNT.....1	
20	62476GT	SCREW,SHC,M10X1.5X20MM (75090)		51	70257GT	CLAMP,3.0,#48 X 1/4,RUB CUSH	
21	128244GT	ENGINE MOUNT, LR.....1		52	226127GT	THERMOSTAT, 180 DEG.F	
22	6024GT	NUT,NYLOCK,5/8-11		--	226128GT	GASKET, (226127)	
23	13064GT	WASHER,FLAT,.625 HARDENED					
24	33418GT	WASHER,FLAT,.625 X 2.25 X.15					
25	102045GT	ISOLATOR,ENGINE VIBRATION					
26	18596GT	WASHER,FLAT,1.56 X 2.5 X .061					
27	13003GT	SCREW,HHC,5/8-11 X 3.5 GRD.8					
28		Ref. ENGINE TRAY (refer to 416.2).....1					
29	60868GT	SCREW,HHC,M12 X 45					
30	49410GT	WASHER,FLAT,M12					
31	128554GT	PLATE, SOLENOID MOUNT.....1					
32	101957GT	SOLENOID,THROTTLE,ASSY.TROMB					
--	128555GT	THROTTLE, LINKAGE					
--	53471GT	WIRE LOOM,3/8 NYLON,HI TEMP					
--	60525GT	CONN,RECEP 4 WAY,12-14GA					
--	60526GT	LOCK,RECEP 4 WAY,12-14GA					

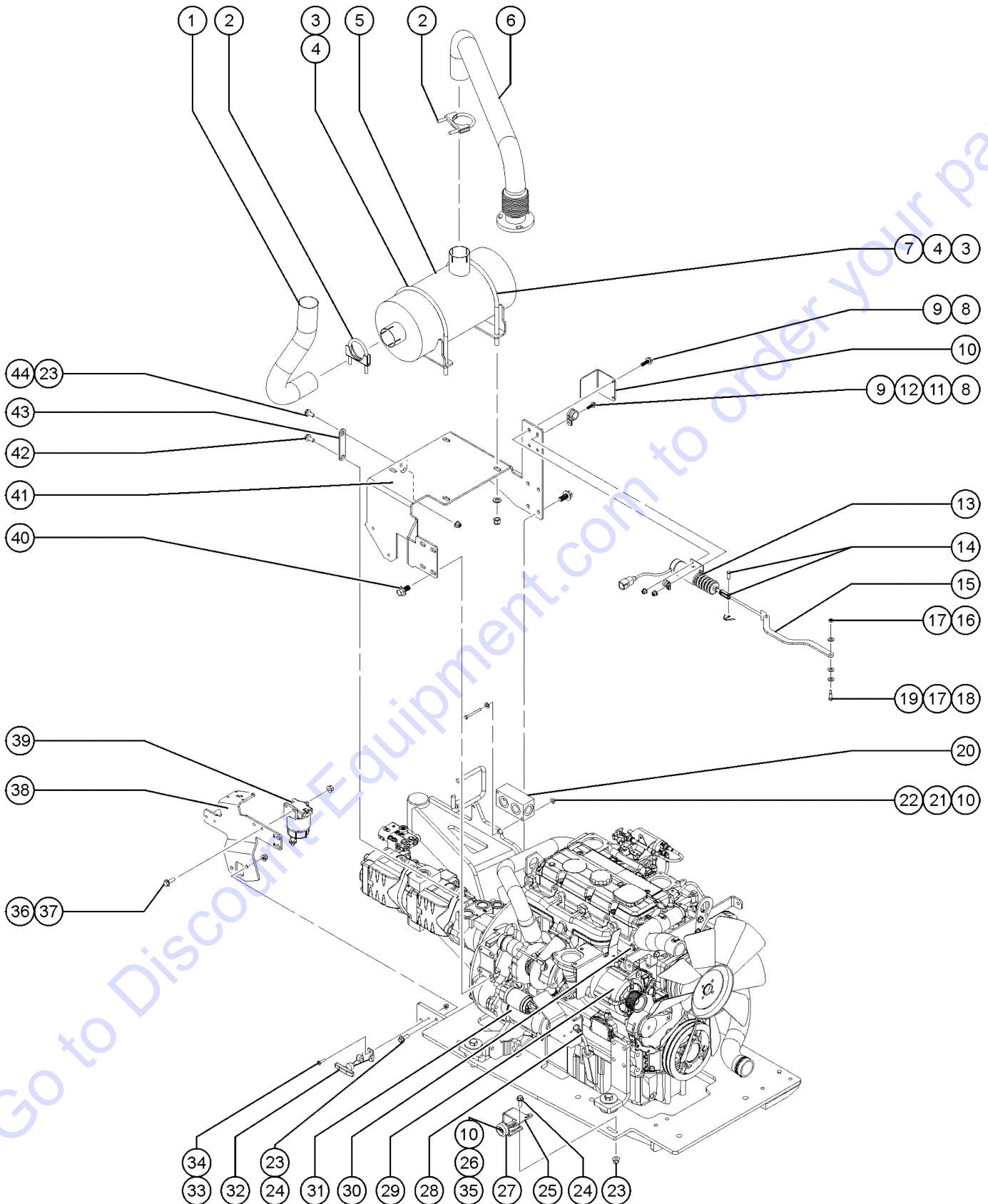
414.1 Perkins 1104D-44T Engine - View 1



414.1 Perkins 1104D-44T Engine - View 1

Item	Part No.	Description	Qty.
1	75326GT	NUT,FAN BLADE,PERKINS 1004-42	
2	75328GT	FAN,PULLER,PERKINS,1004-42.....1	
3	75327GT	STUD,FAN SPACR,PERKINS 1004-42....4	
4	130187GT	FAN SPACER,PERKINS,1.5".....1	
5	102598GT	BELT,V,(2) PERKINS 1104C-44.....2 <i>Serviced in pairs</i>	
6	75330GT	PULLEY,FAN,PERKINS 1004-42.....1	
7	75304GT	SCREW,PERKINS 1004-42.....4	
8	123351GT	FAN DRIVE HOUSING.....1	
9		Ref. THROTTLE SOLENOID ASSY, TROMB.....1 <i>(Refer to 402.1)</i>	
10	102638GT	ADAPTER-FUEL FILTER, PERK 1104	
11	102639GT	FILTER,FUEL, PERKINS 1104C	
12	231529GT	NUT,TL FLG,M10-1.5,DIN6927,10,ZAB	
13	231533GT	SCREW,HHF,M10-1.5X35,DIN6921,10.9,ZAB	
14	102348GT	SENDING UNIT,OIL PRESS PERKINS...1	
15	123084GT	HEAD / OIL FILTER.....1	
16	102632GT	FILTER,OIL,PERKINS 1104C-44.....1	
17	T114346GT	CAP,VALVE COVER,OIL FILLER,PRK	
18	216286GT	FORMING, HEAT SHIELD, 1104D-44....1	
19	217459GT	FORMING,BATTERY CABLE,STARTER.....1	
20	75342GT	PLUG,ENGINE OIL,PERKIN 1004-42....1	
21	217460GT	CLAMP,BATTERY CABLE.....6	
22	216597GT	SCREW,HHF,M6-1.0X50,DIN6921,10.9,ZAB	
23	230073GT	SPRING CLIP,M6-1.0,0.8-4MM PAN	
24	217458GT	FORMING, BATTERY CABLE GUIDE....1	
25	216564GT	FLYWHEEL, COUPLER 15 TOOTH SAE 10.....1	
26	217232GT	SCREW,SHC,3/8-24 X .75,BO.....8	
27	60322-SGT	PLATE,PUMP MOUNT.....1	
28	231530GT	SCREW,HHF,M10-1.5X25,DIN6921,10.9,ZAB.12	
29		Ref. PUMP, DRIVE, AND FUNCTION, <i>(Refer to 707.1)</i>	
30	1253498GT	SCREW,HHF,1/2-13X1.5,8,ZAG.....2	
31	217457GT	FORMING, BATTERY CABLE MOUNT...1	

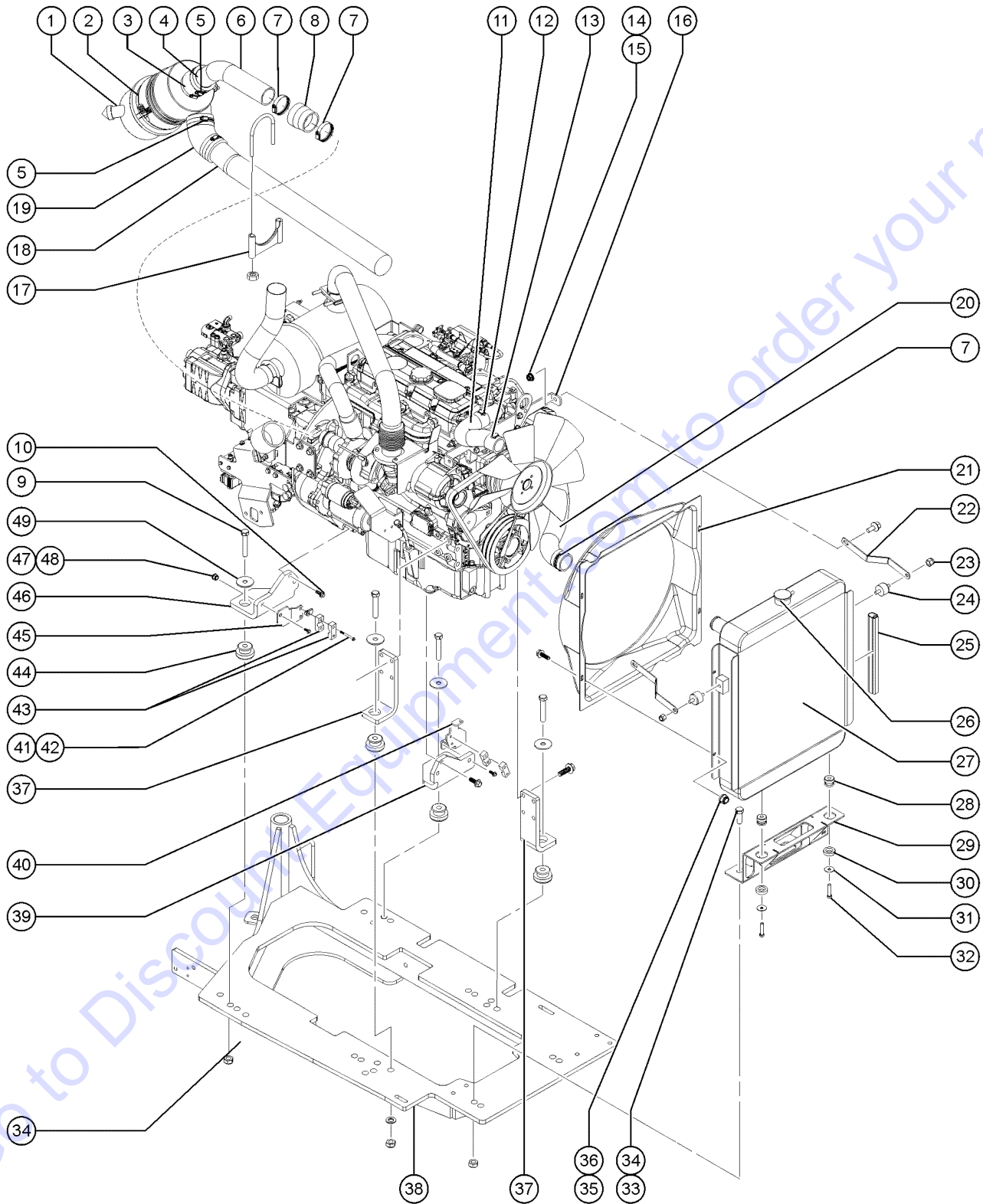
415.1 Perkins 1104D-44T Engine - View 2



415.1 Perkins 1104D-44T Engine - View 2

Item	Part No.	Description	Qty.	Item	Part No.	Description	Qty.
1	215496GT	TAIL PIPE,PERKINS 1104.....	1	39	75020GT	SEPRTR/FLTR,FUEL DSL,15GPH,..30....	1
2	71911GT	CLAMP,MUFFLER, 2.50 INCH		--	62433GT	FILTER,ELEMENT,30 MIC,75020	
3	70449GT	U-BOLT,1/2-13 X 8.5.....	2	40	231087GT	SCREW,HHF,M12-1.75X25,DIN6921,10.9,ZAB	
4	70483GT	FORMING,8.5' MUFFLER MOUNT.....	2	41	215509GT	WELDMNT, MUFFLER MOUNT.....	1
5	70444GT	MUFFLER,2.5"INLET/OUTLET.....	1	42	1253498GT	SCREW,HHF,1/2-13X1.5,8,ZAG	
--	101634GT	MUFFLER,CATALYTIC,2.5 I/O		43	215510GT	PLATE,PUMP STRUT.....	1
6	215500GT	WELDMNT,HEADER PIPE, PERKINS.....	1	44	231530GT	SCREW,HHF,M10-1.5X25,DIN6921,10.9,ZAB	
7	1251997GT	NUT,TL FLG,1/2-13,G,ZAG					
8	231532GT	SCREW,HHF,M6-1.0X20,DIN6921,10.9,ZAB					
9	231513GT	NUT,TL FLG,M6-1.0,DIN6927,10,ZAB					
10	6097GT	WASHER,FLAT,USS,3/8",Y.....	1				
11	67897GT	CLAMP,0.56,#9 X 3/8,RUB CUSH.....	1				
12	61109GT	CLAMP,1.25,#20 X 7/16,RUB CSH.....	2				
13	101957GT	SOLENOID,THROTTLE,ASSY.TROMB...1					
14	21130GT	CLEVIS YOKE-1/4-28,PLTD W/PIN.....1 <i>Includes clevis, pin and cotter pin</i>					
15	216758GT	THROTTLE LINKAGE, PERKINS 1104...1					
16	5365GT	NUT,NYLOCK,10-24					
17	822955GT	WASHER,FLAT,NYLON.257X.5X.032					
18	6584GT	SCREW,SHS,10-24 X .625.....	1				
19	15436GT	WASHER,FLAT,NYLON.25 X.68 X.03					
20	236240GT	MANIFOLD, RETURN BLOCK.....	1				
21	825355GT	WASHER,FLAT,M6,DIN125,ZAB					
22	1251902GT	SCREW,HHC,M6-1.0X80,DIN931,10.					
23	231529GT	NUT,TL FLG,M10-1.5,DIN6927,10,ZAB					
24	231533GT	SCREW,HHF,M10-1.5X35,DIN6921,10.9,ZAB					
25	1257924GT	FORMING,COVER STOP,SB.....	1				
26	6019GT	SCREW,HHC,3/8-16 X 1.25 GRD 5					
27	50974GT	BUMPER,RUBBER,COVERS.....	1				
28	130341GT	DIPSTICK,OIL,PERKINS 1104C-44T.....1					
--	123081GT	ASSY / OIL TUBE <i>Includes tube and nut only</i>					
29	102646GT	ALTERNATOR,PERKINS 1104C-44.....1					
30	34058GT	SENDING UNIT,TMP,FRD,GM,PRK704.....	1				
31	226627GT	STARTER,ENG,PERK T3 6/8/10K.....	1				
32	45363GT	LATCH,FLEXIBLE.....	1				
33	826516GT	SCREW, PHPM, 10-32 X 1.0, ZAG					
34	824032GT	NUT,TL FLG,10-32,F,ZAG					
35	4828GT	NUT,NYLOCK,3/8-16.....	1				
36	824133GT	SCREW,HHF,M8-1.25X25,DIN6921,10.9,ZAB					
37	237832GT	NUT,TL FLG,M8-1.25,DIN6927,10,ZAB					
38	215517GT	FORMING, CHARGE FILTER MOUNT...1					

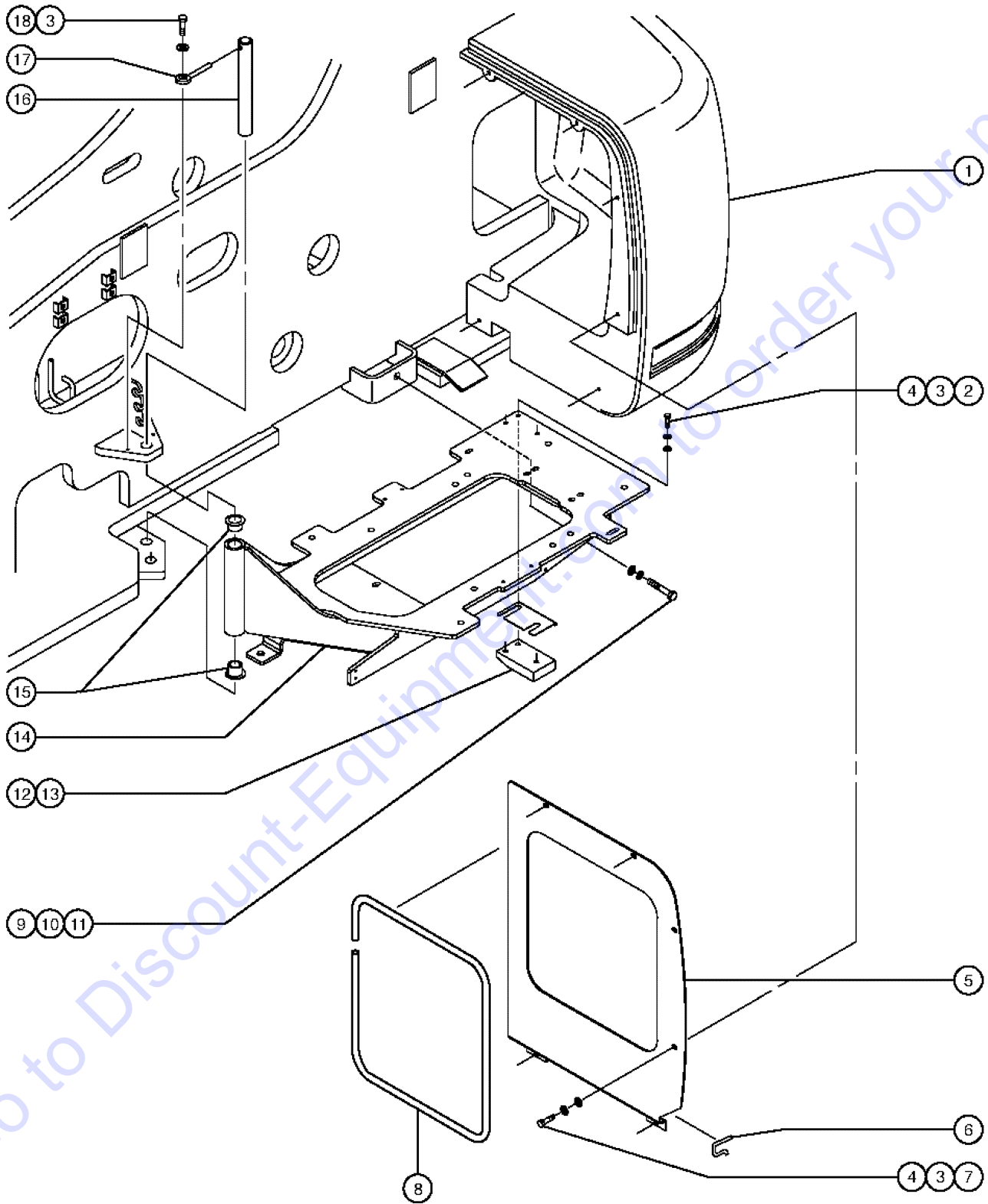
416.1 Perkins 1104D-44T Engine - View 3



416.1 Perkins 1104D-44T Engine - View 3

Item	Part No.	Description	Qty.	Item	Part No.	Description	Qty.
1	81467GT	AIR CLEANER,NELSON.....	1	37	60564GT	BRACKET,ENG.MOUNT,FRT.PERKINS..	2
--	52866GT	EVACUATOR VALVE-AIR CLEANER for 81467		38		Ref. WELDMENT, ENGINE TRAY (Refer to 403.1)	
--	62425GT	FILTER,AIR CLEANER, SUPERBOOM for 81467		39	101930PGT	MOUNT,PERKINS 1104 LF PAINTED....	1
--	75450GT	AIR CLEANER CLIPS, SUPERBOOM for 81467		40	217457GT	FORMING, BATTERY CABLE MOUNT...1	
--	75451GT	AIR CLEANER COVER, SUPERBOOM* for 81467		41	216597GT	SCREW,HHF,M6-1.0X50,DIN6921,10,9,ZAB	
2	81468GT	MOUNTING BAND,AIR CLEANER.....	1	42	230073GT	SPRING CLIP,M6-1.0,0.8-4MM PAN	
3	106211-300GT	HOSE,RUBBER 3"ID X .25 BLACK.....	1	43	217460GT	CLAMP,BATTERY CABLE.....	4
4	101640GT	REDUCER,RUBBER 3.0 - 2.5.....	1	44	217500GT	ISOLATOR, ENGINE VIBRATION.....	4
5	30489GT	CLAMP,HOSE,3.50.....	2	45	217458GT	FORMING, BATTERY CABLE GUIDE....	1
6	215511GT	TUBE,INTAKE, FILTER TO TURBO.....	1	46	101931PGT	MOUNT,PERKINS 1104 RH PAINTED....	1
7	45435GT	CLAMP,HOSE,2.50***	4	47	231529GT	NUT,TL FLG,M10-1.5,DIN6927,10,ZAB	
8	215918GT	REDUCER, RUBBER, 2.5 TO 2.25.....	1	48	231533GT	SCREW,HHF,M10-1.5X35,DIN6921,10,9,ZAB	
9	1251897GT	SCREW,HHF,M16-2.0X90,DIN6921,10,9,ZAB	4	49	824123GT	WASHER,FLAT,.625X2.25X.188,ZAG....	4
10	231511GT	SCREW,HHF,M12-1.75X35,DIN6921,10,9,ZAB					
11	60576GT	RADIATOR HOSE,UPPER-PERKINS....	1				
12	35434GT	CLAMP,HOSE,2.00***	1				
13	22672GT	CLAMP,HOSE,1.75.....	1				
14	231529GT	NUT,TL FLG,M10-1.5,DIN6927,10,ZAB					
15	232874GT	SCREW,HHF,M10-1.5X30,DIN6921,10,9,ZAB					
16	215515GT	FORMING,RADIATOR SUPPORT	1				
17	122414GT	U-BOLT,GUILLOTINE,3"	1				
18	1253600GT	AIR SUCTION PIPE,DIESEL,T4.....	1				
19	61270GT	ELBOW,45 DEG,INLET.....	1				
20	75555GT	RADIATOR HOSE,LOWER-PERKINS....	1				
21	60649GT	SHROUD,FAN (FIBERGLASS).....	1				
22	215516GT	PLATE,RADIATOR,STRUT	2				
23	824029GT	NUT, TL FLG, 3/8-16, G, ZAG					
24	75260GT	ISOLATOR,FLEX-BOLT SANDWICH***	2				
25	60875GT	TRIM MOLDING					
26	65473GT	CAP,RADIATOR,PERKINS/FORD.....	1				
27	70518GT	RADIATOR.....	1				
28	75259GT	ISOLATOR,CENTER BONDED.....	2				
29	75297GT	WELDMENT,RADIATOR MOUNT**	1				
30	75274GT	TUBE,RADIATOR MOUNT	2				
31	824122GT	WASHER,FLAT,.375X1.25X.062,ZAG					
32	824093GT	SCREW,HHF,3/8-16X1.75,8,ZAG					
33	1251894GT	SCREW,HHF,M16-2.0X45,DIN6921,10,9,ZAB					
34	1251893GT	NUT,TL,FLG,M16-2.0,DIN6927,10,ZAB					
35	231513GT	NUT,TL FLG,M6-1.0,DIN6927,10,ZAB					
36	231532GT	SCREW,HHF,M6-1.0X20,DIN6921,10,9,ZAB					

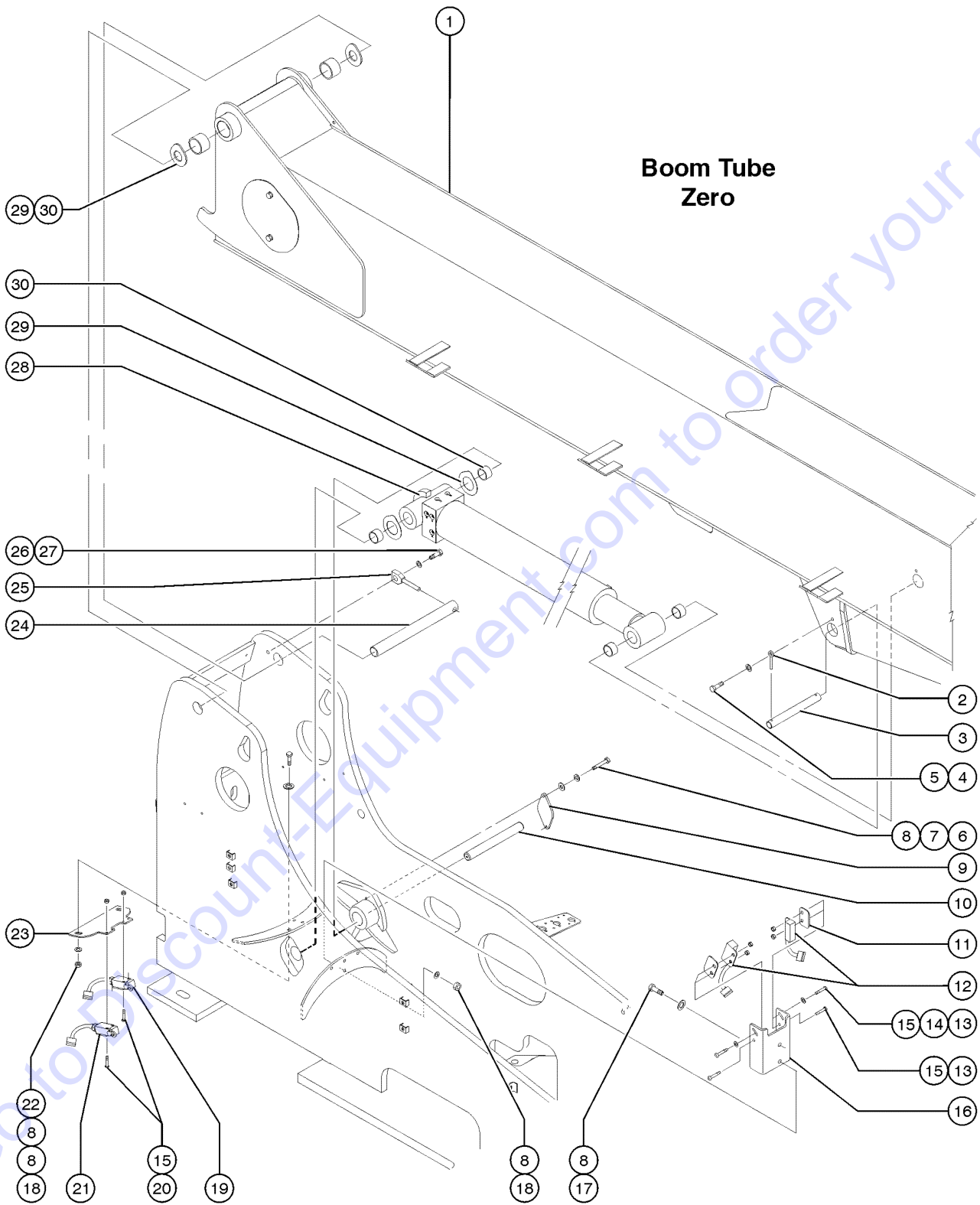
417.1 Perkins Engine Attached Components



417.1 Perkins Engine Attached Components

Item	Part No.	Description	Qty.
--		Ref. Hydraulic Oil Cooler (refer to 307.1)	
1		Ref. Counterweight, Front (refer to 408.1)	
2	6019GT	SCREW,HHC,3/8-16 X 1.25 GRD 5	
3	6021GT	WASHER,LOCK, .375	
4	5397GT	WASHER,FLAT,USS,5/16",Y	
5	75607PGT	INTAKE BAFFLE,PAINTED.....1	
6	60875GT	TRIM MOLDING	
7	6175GT	SCREW,HHC,3/8-16 X 1	
8	60875GT	TRIM MOLDING.....66-inches	
9	51131GT	SCREW,HHC,5/8-11 X 2.5	
10	6036GT	WASHER,LOCK, .625 PLTD	
11	6035GT	WASHER,FLAT,USS,5/8",Y	
12	60637GT	WEAR PAD,ENGINE SUPPORT.....1	
13	60826GT	SHIM,WEAR PAD ENGINE TRAY	
14	75460GT	ENGINE TRAY PIVOT ASSEMBLY.....1 <i>includes item 15; to SN 772</i>	
--	146054GT	ENGINE TRAY ASSEMBLY <i>includes item 15; from SN 2553</i>	
--	89511-SGT	ENGINE TRAY ASSEMBLY <i>includes item 15; from SN 773 to 2552</i>	
15	35675GT	BEARING,FL,1.25IDX1.5ODX1.25L.....2	
16	60625GT	PIN,1.25DIAX15.63LG,CHAMFER.....1	
17	825019GT	ROD END,.375X3.69,ZAG.....1	
18	8516GT	SCREW, HCC, 3/8-16 X 1.50	

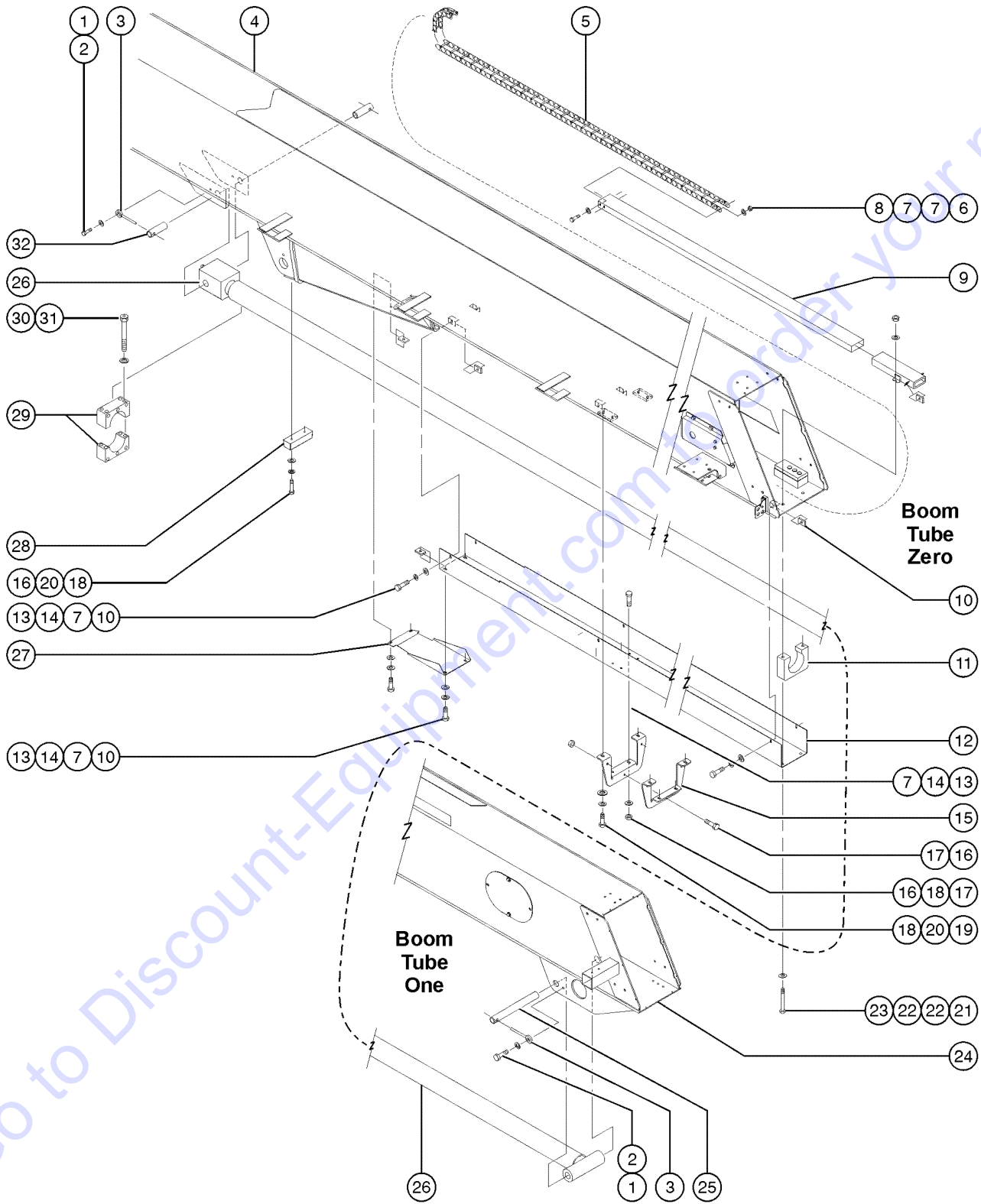
501.1 Boom Lift Cylinder



501.1 Boom Lift Cylinder

Item	Part No.	Description	Qty.	Item	Part No.	Description	Qty.
1	111409GT	BOOM TUBE ASSY #0 S120 W/WORD <i>includes item 30; USA/Canada/Australia</i>		29	60302GT	SHIM,BOOM PIVOT	
--	111410GT	BOOM TUBE ASSY #0 S120 W/SYM <i>includes item 30; Europe/Asia/South America</i>		30	34131GT	BEARING,2.50IDX3.00ODX2.00L.....	6
--	227158GT	BOOM TUBE ASSY #0 S125 W/WORD <i>includes item 30; USA/Canada/Australia</i>					
--	227159GT	BOOM TUBE ASSY #0 S125 W/SYM <i>includes item 30; Europe/Asia/South America</i>					
2	1256267GT	ROD END,.5 X 3.75,ZAG.....	3				
3	60297GT	PIN,2.50DIAX11.00LG,1HOLE.....	1				
4	8177GT	SCREW,HHC,1/2-13 X 1.5					
5	6033GT	WASHER,LOCK,0.5"					
6	5224GT	SCREW,HHC,3/8-16 X 2					
7	826793GT	WASHER,FLAT,3/8,SAE,HRD,ZAG					
8	5397GT	WASHER,FLAT,USS,5/16",Y					
9	146089GT	PLATE, PIN RETAINER					
10	146091GT	PIN,2.50DIAX19.875LG,THREADED					
11	61233GT	SHIM,PROX SWITCH.....	2				
12	60987GT	SWITCH,LIMIT,PROX(OPERATIONAL)...	2				
13	49816GT	SCREW,PHILLIPS,PHM,10-32 X .75					
14	6146GT	WASHER,FLAT,MS,#10,Y					
15	6178GT	NUT,NYLOCK,10-32					
16	61185GT	FORMING,LIMIT SWITCH MOUNT.....	1				
17	8516GT	SCREW, HCC, 3/8-16 X 1.50					
18	4828GT	NUT,NYLOCK,3/8-16					
19	75032GT	LIMIT SWITCH,SAFETY.....	1				
20	51063GT	SCREW,PHILLIPS,RHM,10-32 X 1.5					
21	75033GT	LIMIT SWITCH,OPERATIONAL.....	1				
22	6019GT	SCREW,HHC,3/8-16 X 1.25 GRD 5					
23	146093GT	PLATE, LIMIT SWITCH MOUNT					
24	61340GT	PIN,PRI.BOOM PIVOT. 2.50X25.50.....	1				
25	61341GT	ROD END,.75 X 5.00.....	1				
26	34348GT	SCREW,HHC,3/4-10 X 3 GRD.8					
27	34550GT	WASHER,LOCK,.75 PLTD					
28	146324GT	CYLINDER, PRIMARY LIFT					
--	60984GT	VALVE COUNTERBAL.CBBB-LJN@5000.....	2				
		<i>use on retract side, V2</i>					
--	61602GT	VALVE,COUNTERBAL.CBBB-LHN@3500					
		<i>use on extend side, V3</i>					
--	62449GT	SEAL KIT,SUN "CWCA" CB VALVES*					
--	65792GT	SEAL KIT CYL.S100/120 (50078)					
--	75064GT	VALVE, COUNTERBALANCE, CWCG-LGN.5000.....	1				
		<i>use on extend side, V1</i>					

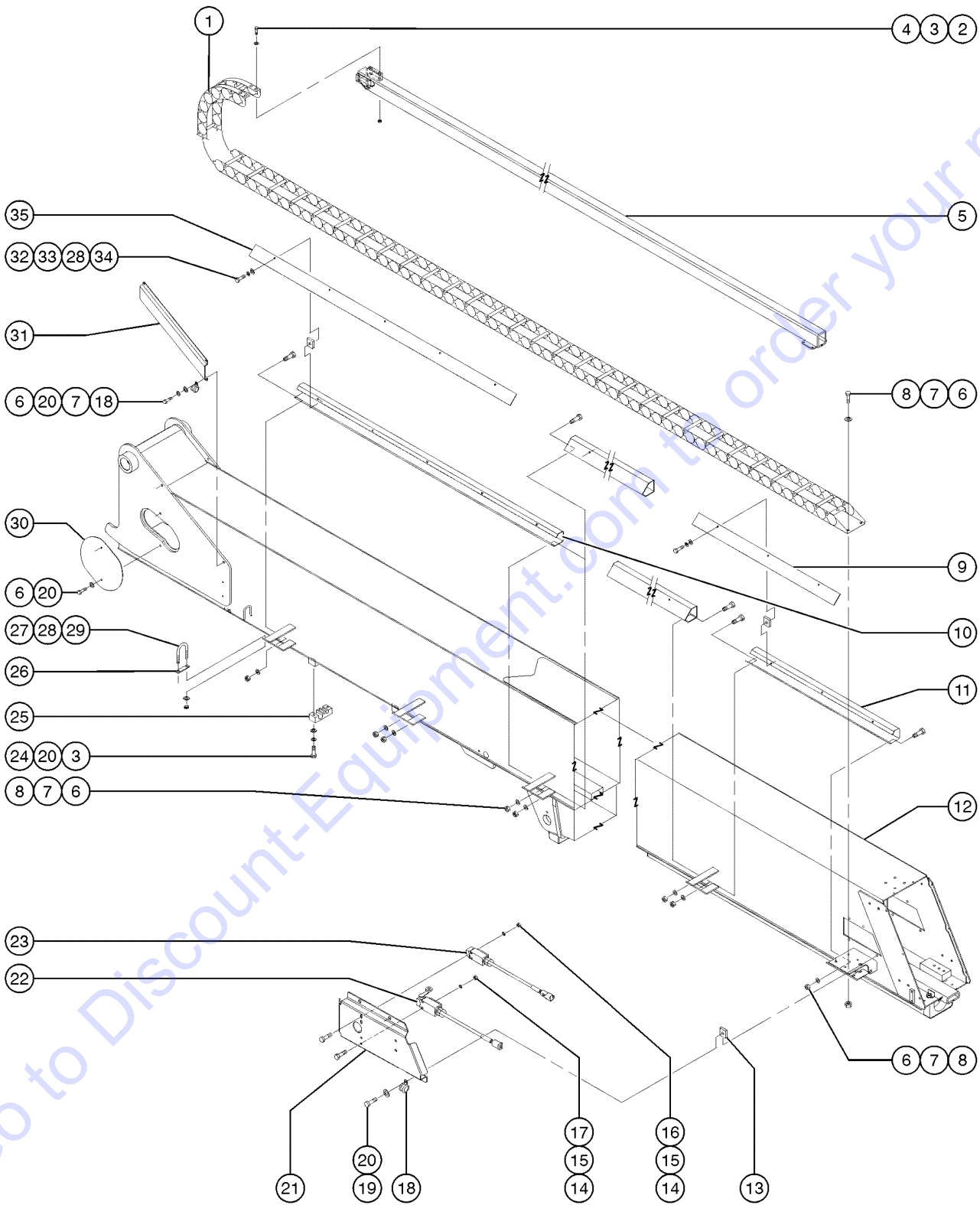
502.1 Secondary Extend Cylinder



502.1 Secondary Extend Cylinder

Item	Part No.	Description	Qty.	Item	Part No.	Description	Qty.
1	10587GT	SCREW,HHC,1/2-13 X.75		32	60224GT	PIN,1.50DIAX2.75LG,THREADED.....	2
2	6033GT	WASHER,LOCK,0.5"					
3	1256267GT	ROD END,.5 X 3.75,ZAG.....	3				
4		Ref. Boom Tube Zero (refer to 501.1 and 503.1)					
5	122795GT	CABLE TRACK,STEEL,60 LINKS inside of the tube					
--	122796GT	REPAIR LINK SET(122795)4 LINK					
--	122797GT	REPAIR LINK END SET(122795)					
6	14297GT	SCREW,BHHS,1/4-20 X .75					
7	6638GT	WASHER,FLAT,USS,1/4"Y					
8	6090GT	SCREW,HHC,1/4-20 X .75					
9	60260GT	WELDMENT,INNER CABLETRACK TUBE.....	1				
10	56912GT	SPRING CLIP,1/4-20,.025-.15X.54,ZAG					
11	60207GT	WEAR PAD,PRI.EXT.CYL.SUPPORT.....	1				
12	62461-SGT	COVER,PRI.EXT.CYLINDER COVER..... USA/Canada/Australia	2				
--	60266-SGT	FORMING,SECONDARY EXT.CYL CVR Europe/Asia/South America					
13	6888GT	SCREW,HHC,1/4-20 X 1					
14	6356GT	WASHER,LOCK,.25					
15	60960PGT	FORMING,LOWER COVER SUP,PAINT.....	2				
16	824067GT	SCREW,HHC,3/8-16X1,8,ZAG					
17	4828GT	NUT,NYLOCK,3/8-16					
18	6097GT	WASHER,FLAT,USS,3/8",Y					
19	1256109GT	SCREW,HHC,3/8-16X.75,8,ZAG					
20	826793GT	WASHER,FLAT,3/8,SAE,HRD,ZAG					
21	38601GT	SCREW,HHC,1/2-13 X 7.5					
22	11209GT	WASHER,FLAT,USS,7/16",Y					
23	6198GT	NUT,NYLOCK,1/2-13					
24	75666-SGT	WELDMENT,EXTENSION BOOM #1.....	1				
25	60267GT	PIN,1.50DIAX12.25LG,1HOLE.....	1				
26	50099GT	CYLINDER,SECONDARY EXTEND.....	1				
--	60329GT	SEAL KIT CYL.S100/120 (50099)					
--	111176GT	VALVE,COUNTERBAL 1:1,900 PSI					
--	75424GT	SEAL KIT,SUN "CWEA" CB VALVES					
--	60331GT	VALVE,COUNTERBAL.CWCA-LIN@600*					
--	62449GT	SEAL KIT,SUN "CWCA" CB VALVES*					
27	60962GT	FORMING,LOWER COVER.....	1				
28	75011GT	BOOM #0 REST PAD.....	1				
29	75413GT	STROKE LIMITER COLLAR					
30	75091GT	SCREW,SHC,3/8-16 X 4 GR 5.....	4				
31	6886GT	WASHER,LOCK,.313					

503.1 Boom Tube Zero, Cable Track

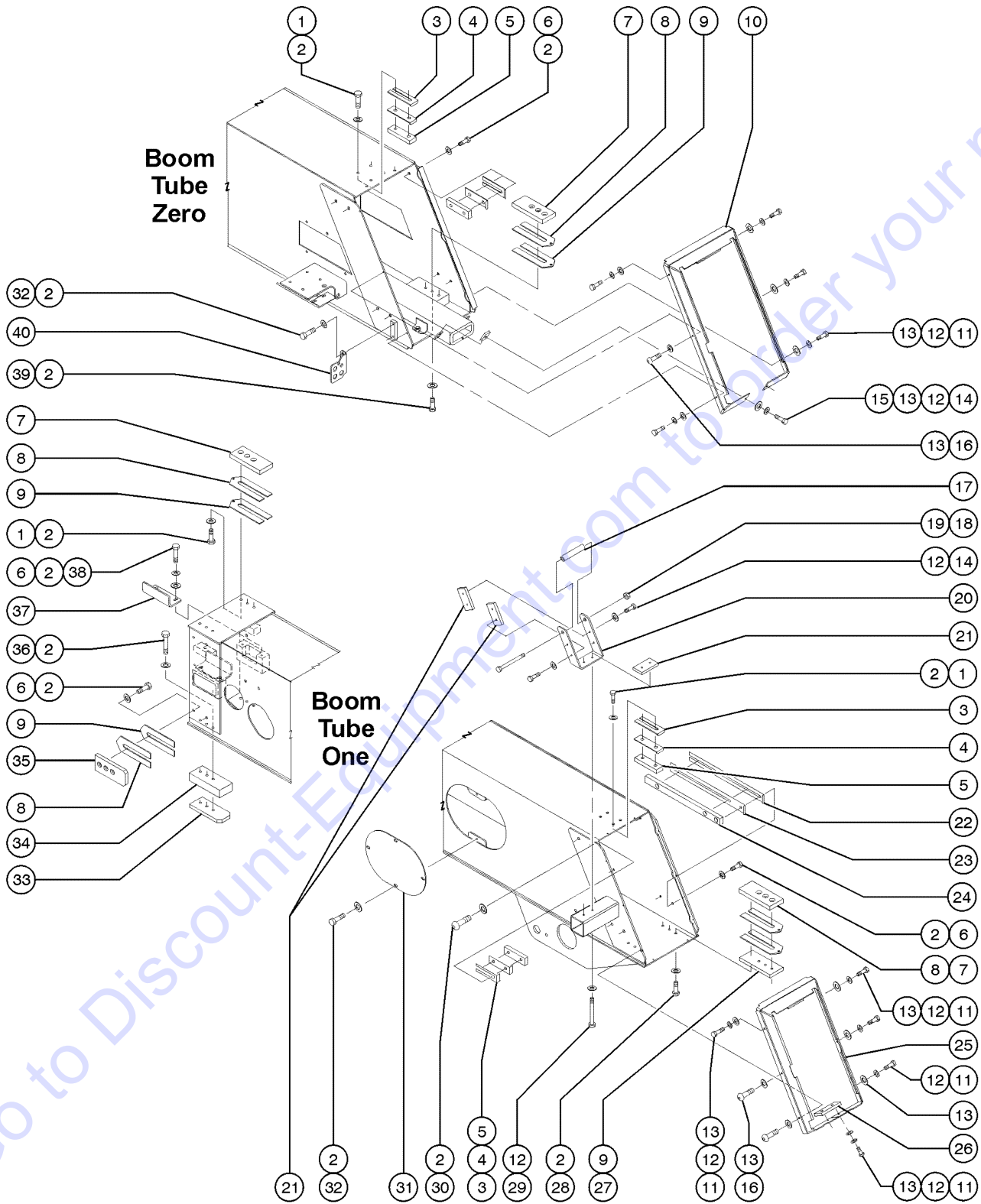


Go to Discount-Equipment.com to order your parts

503.1 Boom Tube Zero, Cable Track

Item	Part No.	Description	Qty.	Item	Part No.	Description	Qty.
1	102051GT	CABLE TRACK,STEEL 84 LINKS.....1 <i>outside of the tube</i>	1	29	6782GT	NUT,NYLOCK,5/16-18	
--	102211GT	CROSSBAR ALUM W/SELF TAP SCREW		30	60256-SGT	COVER,BOOM SIDE.....2	
--	102212GT	SELF-TAP SCREW, CABLE TRACK		31	60822PGT	COVER,HOSE,PAINTED.....1	
--	122034GT	KIT,SERVICE,CLAMP MOUNTS		32	6090GT	SCREW,HHC,1/4-20 X .75	
--	122114GT	KIT,2 LINK REPAIR W/HARDWARE		33	6356GT	WASHER,LOCK,.25	
--	102214GT	REPAIR LINK W/ ROLLER		34	56912GT	SPRING CLIP,1/4-20,.025-.15X.54,ZAG	
--	102215GT	BRACKET,CABLE TRACK,FIXED END*		35	60829GT	COVER,HOSE TRAY,84"	
--	102216GT	BRACKET,CABLE TRACK,MOVING END					
--	146476GT	HOSE AND CABLE CLAMP, STD					
--	146477GT	HOSE AND CABLE CLAMP, STD, TOP					
--	111997GT	OPT,HOSE AND CABLE CLAMP					
2	1256848GT	SCREW,HHC,3/8-16X2.75,8,ZAG					
3	6097GT	WASHER,FLAT,USS,3/8",Y					
4	4828GT	NUT,NYLOCK,3/8-16					
5	60245GT	WLDMNT,CABLE TRACK GUIDE LONG*1	1				
6	1256109GT	SCREW,HHC,3/8-16X.75,8,ZAG					
7	5397GT	WASHER,FLAT,USS,5/16",Y					
8	7713GT	NUT, LP NYLOCK, 3/8-16					
9	60866GT	COVER,HOSE TRAY.....1	1				
10	60342GT	TRAY,HOSE,84".....3	3				
11	60863GT	TRAY,HOSE,45.5".....1	1				
12		Ref. Boom Tube Zero <i>(refer to 501.1 and 502.1)</i>					
13	29868GT	SPRING CLIP,3/8-16,.05-.20X.73,ZAG					
14	6178GT	NUT,NYLOCK,10-32					
15	6146GT	WASHER,FLAT,MS,#10,Y					
16	51063GT	SCREW,PHILLIPS,RHM,10-32 X 1.5					
17	54239GT	SCREW,PHILLIPS,PHM,10-32 X 2.0					
18	60838GT	CLAMP,1.00,#16 X 7/16,RUB CUSH					
19	824067GT	SCREW,HHC,3/8-16X1,8,ZAG					
20	826793GT	WASHER,FLAT,3/8,SAE,HRD,ZAG					
21	89104PGT	Limit Switch Cover.....1	1				
22	146198GT	LIMIT SWITCH,SAFETY					
--	110771-74BJGT	SWITCH,LIMIT,ROLLER NO/NC GOLD					
--	128636GT	ROLLER,ARM,LIMIT SWITCH,ZCY500					
--	146325GT	CONN.SQZ,PG 11,.34-.47,W/ORING					
23	75769GT	LIMIT SWITCH, OPERATION,LSB2RO...1	1				
24	5224GT	SCREW,HHC,3/8-16 X 2					
25	60808GT	CLAMP,HOSE,SEC. EXTENSION CYL...3	3				
26	75066GT	HOSE,WEAR PAD.....1	1				
27	75065GT	HOSE CLAMP,WEAR PAD.....1	1				
28	6638GT	WASHER,FLAT,USS,1/4"Y					

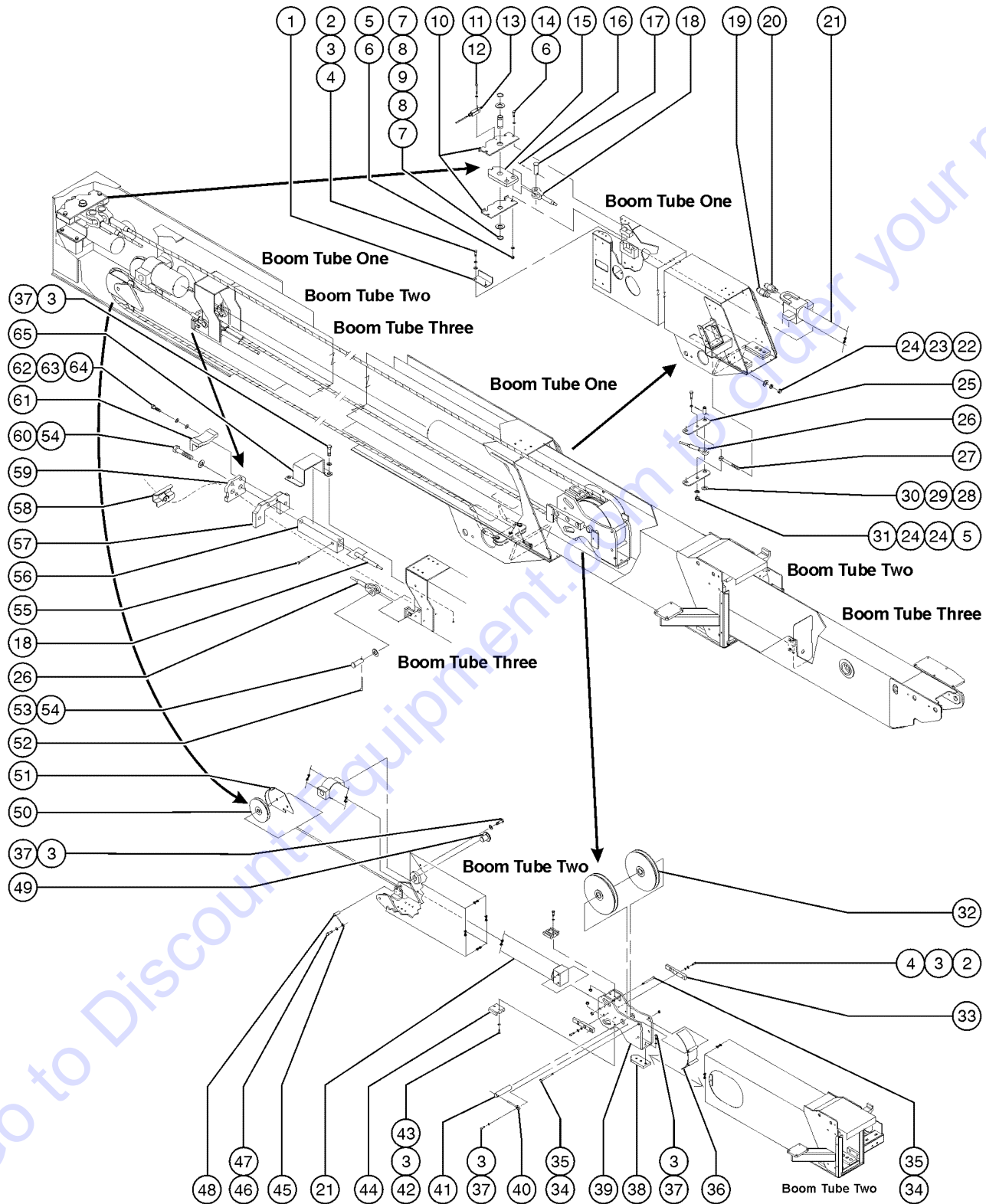
504.1 Boom Tube Zero and Boom Tube One



504.1 Boom Tube Zero and Boom Tube One

Item	Part No.	Description	Qty.	Item	Part No.	Description	Qty.
--		Ref. Boom Tube Zero (refer to 501.1 - 503.1)		40	60849PGT	BRACKET,BULKHEAD,PAINTED.....	1
--		Ref. Boom Tube One (refer to 502.1)					
1	824067GT	SCREW,HHC,3/8-16X1,8,ZAG					
2	826793GT	WASHER,FLAT,3/8,SAE,HRD,ZAG					
3	1283888GT	SHIM,WEAR PAD,5X1.5,16GA					
4	38620GT	SHIM,WEAR PAD,5 X 1.5,14GA					
5	73461GT	WEAR PAD,5 X 1.5 X .875 W/NUTS.....	14				
6	824068GT	SCREW,HHC,3/8-16X1.25,8,ZAG					
7	50245GT	WEAR PAD,7 X 3 X.75 W/NUTS.....	6				
8	1283564GT	SHIM,WEAR PAD,7 X 3,16GA					
9	1283565GT	SHIM,WEAR PAD,7 X 3,12GA					
10	60158GT	COVER MAST #1.....	1				
11	8914GT	SCREW,HHC,1/4-20 X .625					
12	6356GT	WASHER,LOCK,.25					
13	6638GT	WASHER,FLAT,USS,1/4"Y					
14	6090GT	SCREW,HHC,1/4-20 X .75					
15	56912GT	SPRING CLIP,1/4-20,.025-.15X.54,ZAG					
16	14297GT	SCREW,BHHS,1/4-20 X .75					
17	34243-500GT	TUBE,UHMW, 1 X .25 X 5.00.....	1				
18	6198GT	NUT,NYLOCK,1/2-13					
19	12460GT	SCREW,HHC,1/2-13 X 6.5					
20	60247PGT	FORM,CABLE TRACK TUBE GUIDE,PT.....	1				
21	45209GT	WEAR PAD,4X2X.5 W/INSERT***.....	3				
22	89847GT	SHIM,SIDE WEAR PAD,20X2,16GA**.....	2				
23	89846GT	SHIM,SIDE WEAR PAD,20X2,14GA**.....	2				
24	89845GT	WEAR PAD,20X 1.5X.875 W/INST**					
25	60157GT	COVER MAST #2*.....	1				
26	61099-SGT	RETAINER,MAST COVER.....	1				
27	60222GT	SPACER,WEAR PAD.....	2				
28	1256848GT	SCREW,HHC,3/8-16X2.75,8,ZAG					
29	50160GT	SCREW,HHC,1/4-20 X 3.75					
30	824068GT	SCREW,HHC,3/8-16X1.25,8,ZAG					
31	60177-SGT	COVER,BOOM SIDE, PAINTED.....	2				
32	1256109GT	SCREW,HHC,3/8-16X.75,8,ZAG					
33	50246GT	WEAR PAD,7 X 3 X.75 W/NUTS.....	2				
34	60691GT	SPACER,WEAR PAD.....	2				
35	60239GT	WEAR PAD,7 X 3 X.625 W/INSERT.....	4				
36	1252978GT	SCREW,HHC,3/8-16X2.25,8,ZAG					
37	60335-SGT	FORMING,CYLINDER RETAINER.....	2				
38	6097GT	WASHER,FLAT,USS,3/8",Y					
39	824069GT	SCREW,HHC,3/8-16X2.5,8,ZAG					

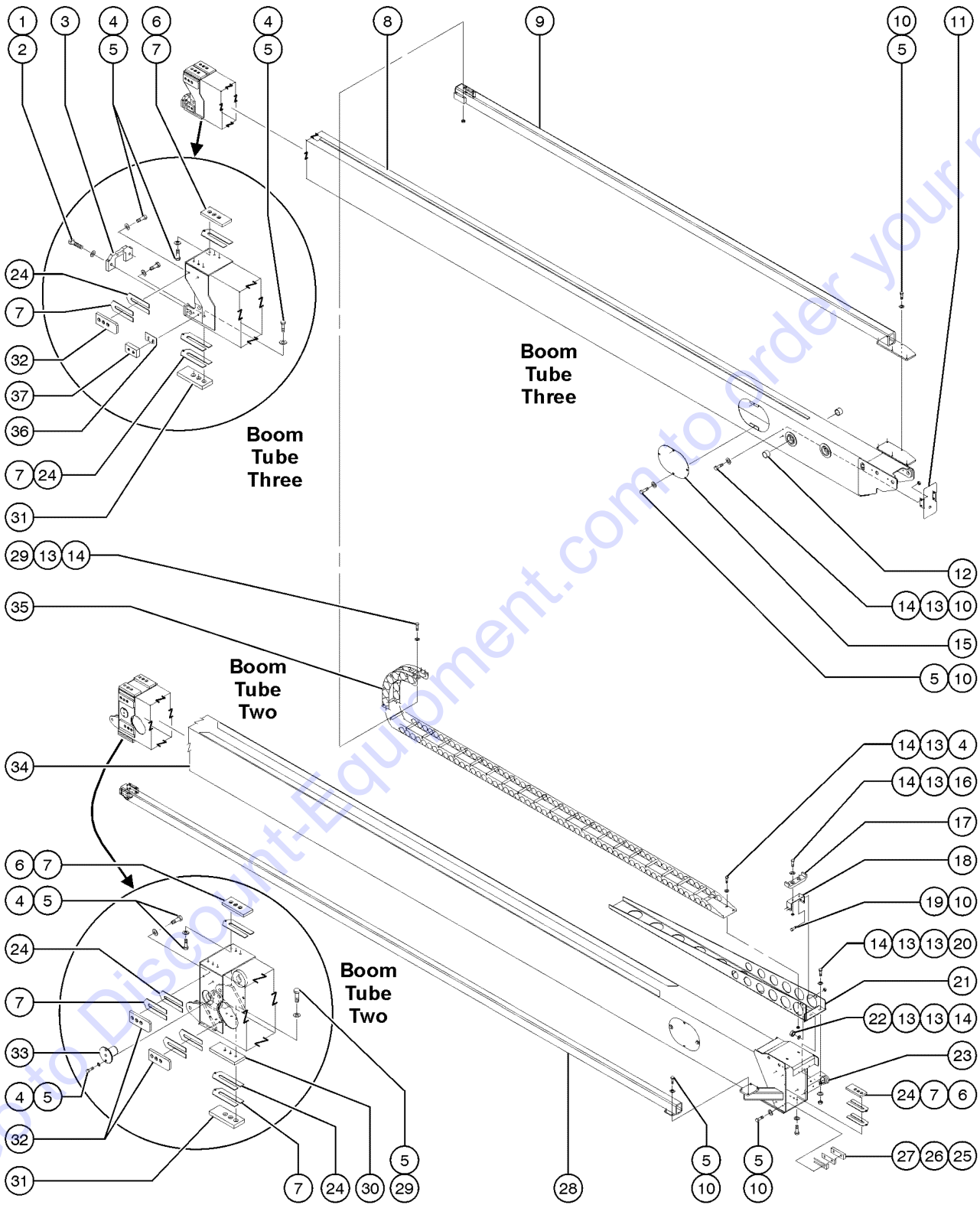
505.1 Primary Extend Cylinder



505.1 Primary Extend Cylinder

Item	Part No.	Description	Qty.	Item	Part No.	Description	Qty.
--	217709GT	KIT,EXT/RET CABLE REPLMNT,SB <i>Replaces all extension and retraction cables (contains all necessary hardware and fasteners)</i>		30	33247GT	PIN,COTTER,,188 X 1.75 LONG.....	2
--	60989GT	HARNESS,CABLE BREAK S120/125		31	61384GT	SCREW,SHS,1/2-13 X 1.50	
1	60335-SGT	FORMING,CYLINDER RETAINER.....	2	32	50247GT	SHEAVE,EXTENSION CABLE.....	2
2	824068GT	SCREW,HHC,3/8-16X1.25,8,ZAG		--	60422GT	Bearing, 1.5 x 2 x 1.81 inches	
3	826793GT	WASHER,FLAT,3/8,SAE,HRD,ZAG		33	60240GT	WEAR PAD,SHEAVE MOUNT.....	2
4	6097GT	WASHER,FLAT,USS,3/8",Y		34	61385GT	SCREW,HHC,1/2-13 X 5.25	
5	6198GT	NUT,NYLOCK,1/2-13		35	6086GT	NUT,LP NYLOCK,1/2-13	
6	13066GT	WASHER,FLAT,.5 HARDENED.....	4	36	60215-SGT	WELDMNT,CABLE RETAINER.....	1
7	18383GT	SNAP RING,EXTERNAL,1.5 DIA***		37	824067GT	SCREW,HHC,3/8-16X1,8,ZAG	
8	18596GT	WASHER,FLAT,1.56 X 2.5 X .061		38	60216GT	WEAR PAD,EXT.CABLE SHEAVE.....	1
9	60179GT	PIN,1.50DIA X 2.92LG,2RING.....	1	39	60346-SGT	SHEAVE MOUNT,EXT. CABLE MACHIN.....	1
10	60181-SGT	PLATE,EXT.CABLE ANCHOR.....	2	40	825019GT	ROD END,,375X3.69,ZAG.....	1
11	49817GT	SCREW,PHILLIPS,PHM,10-32 X 1.25		41	60205GT	PIN,1.50DIA X 5.88LG,1HOLE.....	1
12	6607GT	WASHER,LOCK,#10 PLTD		42	5224GT	SCREW,HHC,3/8-16 X 2	
13	75031GT	LIMIT SWITCH,SAFETY.....	1	43	4828GT	NUT,NYLOCK,3/8-16	
14	39479GT	SCREW,HHC,1/2-13 X 2.75		44	60208GT	WEAR PAD,EXT.CABLE.....	2
15	60340-SGT	PLATE,EXT.CABLE EQUALIZER MACH.....	1	45	45748GT	ROD END,,250 X 2.75 LG.....	2
--	54156GT	BEARING,FL,1.5IDX1.75ODX1.10LG		46	6090GT	SCREW,HHC,1/4-20 X .75	
16	75396GT	PIN,COTTER,,.25 X 3.18 EXT.CABLE.....	2	47	6356GT	WASHER,LOCK,,.25	
17	75397GT	PIN,CLEVIS,1.18X3.18 EXT.CABLE.....	2	48	60358GT	PIN,,.75DIA X 2.89LG,1HOLE.....	2
18	232841GT	CABLE ASSEMBLY,EXTEND SET..... <i>Contains two cables</i>	1	49	60192GT	PIN,EXTENSION CYLINDER MOUNT....	2
--	10665GT	PIN,ROLL,,.25 X 1.5***		50	50243GT	SHEAVE,RETRACT CABLE.....	2
--	60171GT	EXTENSION CABLE *		51	122015GT	WLDMNT,RET.CABLE SHEAV.GARD.RH.....	1
--	60229GT	COUPLING,EXT.CABLE ADJUSTMENT*		--	122016GT	WLDMNT,RET.CABLE SHEAV.GARD.LH.....	1
19	75762GT	VALVE,COUNTERBAL.CWEK-LIN @600		52	75355GT	PIN,COTTER,,188X2.25 RET.CABLE....	2
--	75424GT	SEAL KIT,SUN "CWEA" CB VALVES		53	75356GT	PIN,CLEVIS,.844X2.25 RET.CABLE....	2
20	60331GT	VALVE,COUNTERBAL.CWCA-LIN@600*.1		54	33278GT	WASHER,FLAT,.75 HARDENED	
--	62449GT	SEAL KIT,SUN "CWCA" CB VALVES*		55	10665GT	PIN,ROLL,,.25 X 1.5***.....	2
21	50100GT	CYLINDER,PRIMARY EXTEND.....	1	56	60229GT	COUPLING,EXT.CABLE ADJUSTMENT*.....	2
--	60332GT	SEAL KIT CYL.S100/120 (50100)		57	60343-SGT	PLATE,EXT.CABLE ,PAINTED.....	1
22	38028GT	NUT,LP NYLOCK,5/8-11		58	60231GT	EXT.CABLE ADJ BOLT LOCK.....	1
23	45076GT	NUT,HEX,JAM,5/8-11		59	60356-SGT	PLATE,EXT.CABLE ATTACH.MACHINE.....	1
24	13064GT	WASHER,FLAT,.625 HARDENED.....	1	60	111149GT	SCREW,HHC,3/4-10X6,GR5,FULL TH....	2
25	60163-SGT	PLATE,RETRACT CABLE EQUALIZER.....	2	61	111523GT	WEAR PAD, BOOM REST	
26	232842GT	CABLE ASSEMBLY,RETRACT SET..... <i>Contains two cables</i>	1	62	39479GT	SCREW,HHC,1/2-13 X 2.75	
27	60164GT	ROD END,RETRACTION CABLE.....	1	63	6033GT	WASHER,LOCK,0.5"	
28	30748GT	WASHER,SHIM,1.01 X 1.63 X .062		64	13066GT	WASHER,FLAT,.5 HARDENED.....	2
29	60697GT	PIN,RETRACTION CABLE.....	2	65	75049PGT	FORMING,CABLE RETAINER,PAINTED.....	1

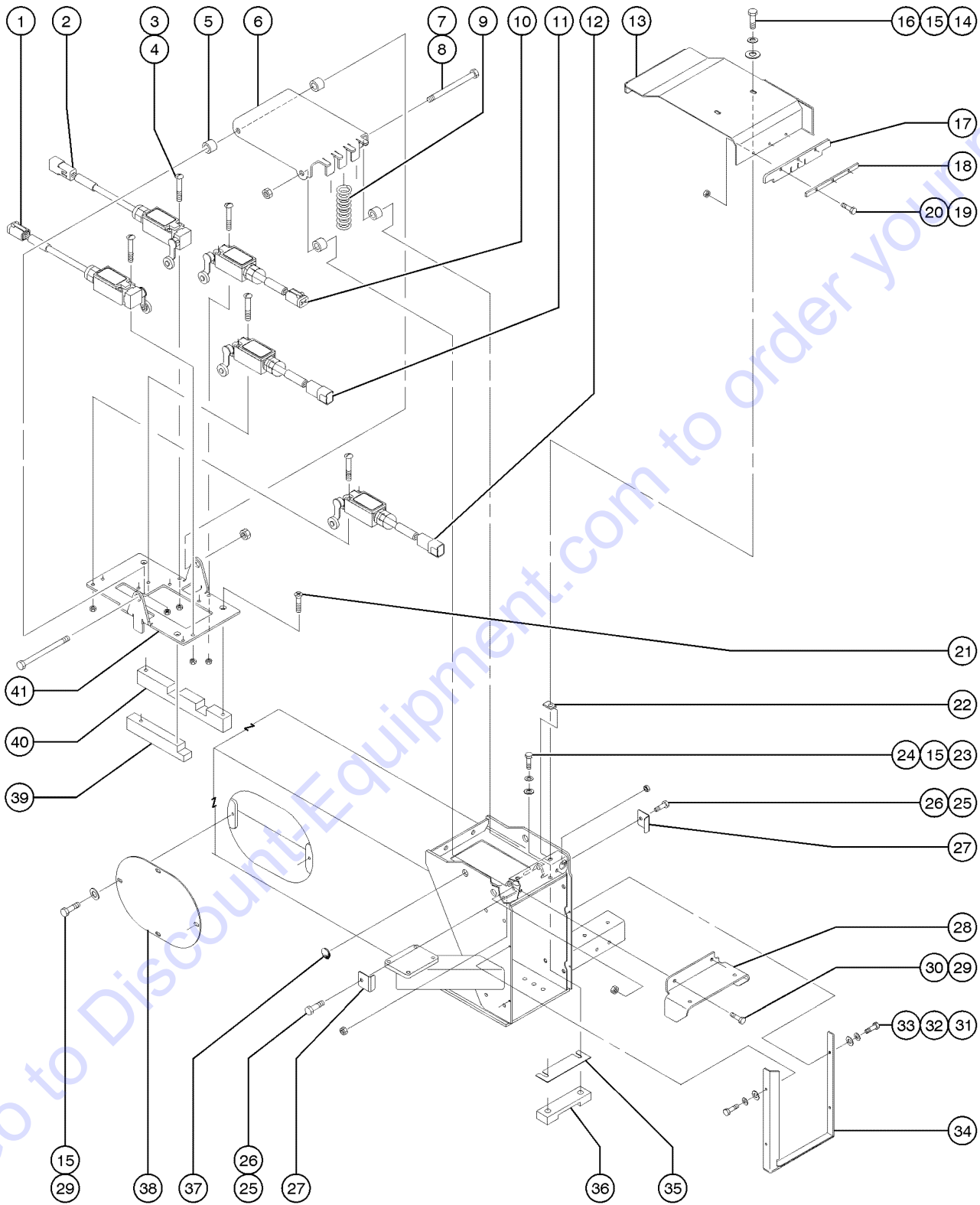
506.1 Boom Tube Two and Boom Tube Three



506.1 Boom Tube Two and Boom Tube Three

Item	Part No.	Description	Qty.	Item	Part No.	Description	Qty.
1	60217GT	SCREW,HHC,3/4-10 X 7 FULL THRD.....2		--	102214GT	REPAIR LINK W/ ROLLER	
2	33278GT	WASHER,FLAT,.75 HARDENED.....2		--	102215GT	BRACKET,CABLE TRACK,FIXED END*	
3	60343-SGT	PLATE,EXT.CABLE ,PAINTED.....1		--	102216GT	BRACKET,CABLE TRACK,MOVING END	
4	824067GT	SCREW,HHC,3/8-16X1,8,ZAG		--	111997GT	OPT,HOSE AND CABLE CLAMP	
5	826793GT	WASHER,FLAT,3/8,SAE,HRD,ZAG		--	122034GT	KIT,SERVICE,CLAMP MOUNTS	
6	50245GT	WEAR PAD,7 X 3 X.75 W/NUTS.....6		--	122114GT	KIT,2 LINK REPAIR W/HARDWARE	
7	1283564GT	SHIM,WEAR PAD,7 X 3,16GA		--	146476GT	HOSE AND CABLE CLAMP, STD	
8	122321GT	SB BOOM #3 ASSY W/WORD DECALS <i>includes item 12</i>		--	146477GT	HOSE AND CABLE CLAMP, STD, TOP	
--	122322GT	SB BOOM #3 ASSY SYMBOL UNITS <i>includes item 12</i>		36	1283891GT	SHIM,SIDE PAD,.059THK	
9	122225GT	WLDMNT,CABLE TRACK GUIDE,SHORT		37	61379GT	WEAR PAD,3.5 X 2 X .625 W/INST.....2	
10	1256109GT	SCREW,HHC,3/8-16X.75,8,ZAG					
11	60194GT	FORMING,TUBE GUARD.....1					
12	30370GT	BEARING,1.25IDX1.5ODX1.00L					
13	6097GT	WASHER,FLAT,USS,3/8",Y					
14	4828GT	NUT,NYLOCK,3/8-16					
15	60177-SGT	COVER,BOOM SIDE, PAINTED.....4					
16	824068GT	SCREW,HHC,3/8-16X1.25,8,ZAG					
17	60802GT	WEAR PAD,UPPER CABLE TRACK.....1					
18	102020GT	WELDMNT,WEAR PAD MOUNTING					
19	7713GT	NUT, LP NYLOCK, 3/8-16					
20	5387GT	SCREW,HHC,3/8-16 X 4					
21	50117-SGT	WELDMNT,CABLE TRACK SUPPORT.....1					
--	122791GT	SHIM,CBL TRK SPRT WLDT,22 GA					
22	12981GT	SCREW,HHC,3/8-16 X 4.5					
23	61745GT	CLAMP,2.25,#36 X 3/8,RUB CUSH					
24	1283565GT	SHIM,WEAR PAD,7 X 3,12GA					
25	73461GT	WEAR PAD,5 X 1.5 X .875 W/NUTS					
26	38620GT	SHIM,WEAR PAD,5 X 1.5,14GA					
27	1283888GT	SHIM,WEAR PAD,5X1.5,16GA					
28	60245GT	WLDMNT,CABLE TRACK GUIDE LONG*.....1					
29	1256848GT	SCREW,HHC,3/8-16X2.75,8,ZAG					
30	60222GT	SPACER,WEAR PAD.....2					
31	50246GT	WEAR PAD,7 X 3 X.75 W/NUTS.....4					
32	60239GT	WEAR PAD,7 X 3 X.625 W/INSERT.....6					
33	60192GT	PIN,EXTENSION CYLINDER MOUNT....2					
34	89166-SGT	WELDMNT,EXTENSION BOOM #2					
35	102052GT	CABLE TRACK,STEEL 50 LINKS.....1					
--	102211GT	CROSSBAR ALUM W/SELF TAP SCREW					
--	102212GT	SELF-TAP SCREW, CABLE TRACK					
--	102213GT	REPAIR LINK W/HARDWARE					

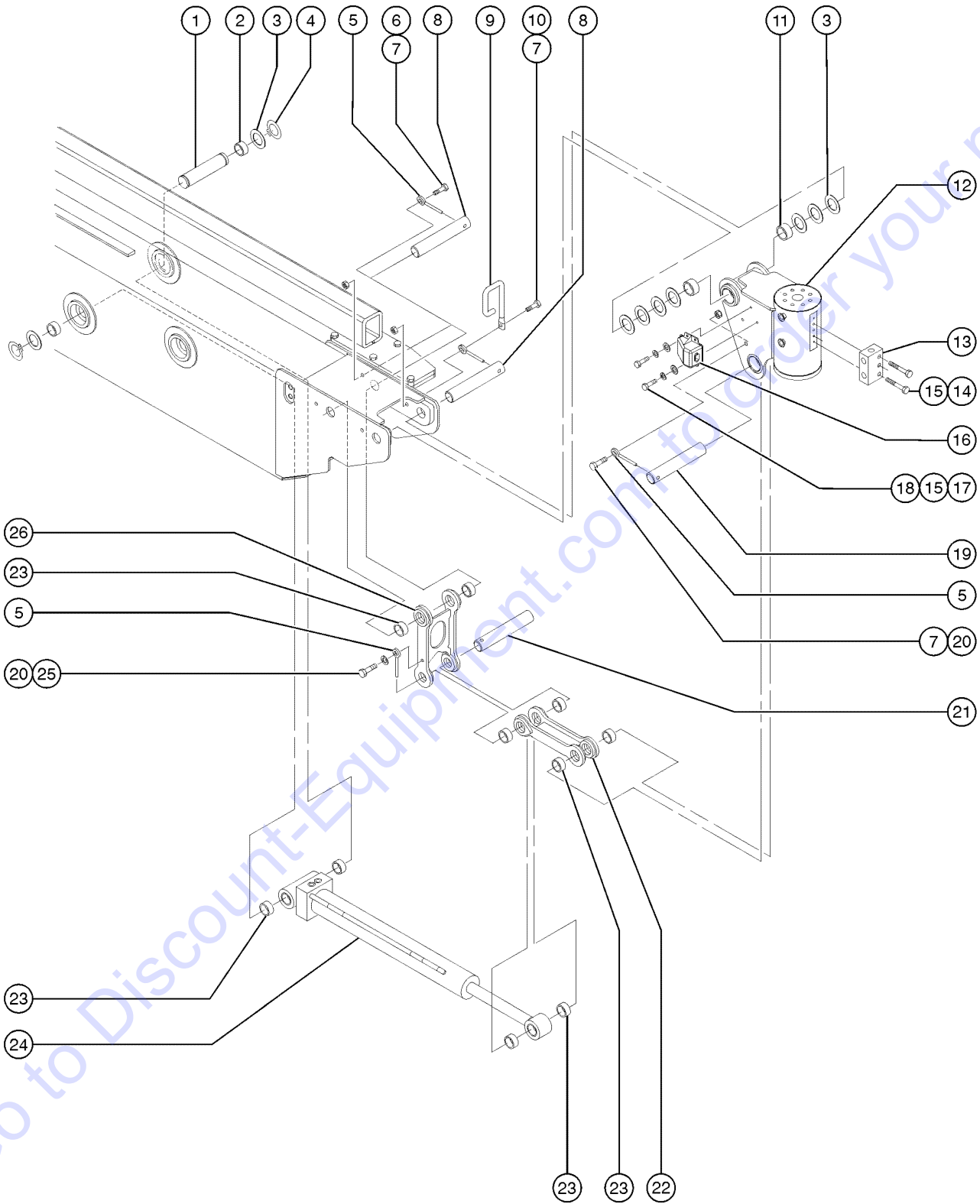
507.1 Boom Tube Two, Limit Switches



507.1 Boom Tube Two, Limit Switches

Item	Part No.	Description	Qty.	Item	Part No.	Description	Qty.
--	146192GT	HARNESS, TCON J2 UPPER 2009		27	61294PGT	FORMING,HOSE PROTECTOR,PAINTED.....	2
1	146199GT	LIMIT SWITCH,SAFETY <i>(LSB4ES) safety limit switch for boom length greater or equal 80 feet</i>		28	60935-SGT	MOUNT,CABLE TRACK CLAMP.....	1
--	110771-7469GT	SWITCH,LIMIT,ROLLER NO/NC GOLD		29	1256109GT	SCREW,HHC,3/8-16X.75,8,ZAG	
--	128636GT	ROLLER,ARM,LIMIT SWITCH,ZCY500		30	1283892GT	SHIM,TOP WEAR PAD,THIN	
--	146325GT	CONN.SQZ,PG 11,,34-.47,W/ORING		31	8914GT	SCREW,HHC,1/4-20 X .625	
2	89109GT	LIMIT SWITCH,OPERATIONAL.....1 <i>(LSB3RO) operational limit switch for boom length at 0 feet</i>		32	6356GT	WASHER,LOCK,.25	
--	53983GT	STRAIN RELIEF, PG13,5		33	6638GT	WASHER,FLAT,USS,1/4"Y	
--	75911GT	LIMIT SWITCH,OPERATION,NO WIRE		34	60156GT	COVER MAST #3.....	1
--	75912GT	WIRE ASSEMBLY,16/4SJO,9.5"RECP		35	75286GT	SHIM, WEAR PAD,THIN,SB	
3	16487GT	SCREW,RHM,10-32 X 1.5		36	61164GT	WEAR PAD,BOOM #2 TOP.....	1
4	6178GT	NUT,NYLOCK,10-32		37	15243GT	PLUG,NYLON .875 BLACK DOMED.....	2
5	44335GT	BUSHING,FLANGE, .375X.5.....	4	38	60177-SGT	COVER,BOOM SIDE, PAINTED.....	2
6	89164GT	FORMING,LIMIT SWITCH LINK.....	1	39	89107GT	WEAR PAD,LIMIT SWITCH MNT.SHOR.....	1
7	22832GT	SCREW,HHC,3/8-16 X 6		40	89106GT	WEAR PAD,LIMIT SWITCH MNT.LONG.....	1
8	7713GT	NUT, LP NYLOCK, 3/8-16		41	89105PGT	FORMING,LIMIT SWITCH MOUNT**.....	1
9	61171GT	SPRING,1.00 DIA X .105.....	3				
10	75031GT	LIMIT SWITCH,SAFETY.....1 <i>(LSB3RS) safety limit switch for boom length at 0 feet</i>					
--	53983GT	STRAIN RELIEF, PG13,5					
--	75910GT	WIRE ASSEMBLY,16/4SJO,9.5"PLUG					
--	75913GT	LIMIT SWITCH, SAFETY,NO WIRE					
11	89110GT	LIMIT SWITCH,OPERATIONAL.....1 <i>(LSB3EO) operational limit switch for boom length greater or equal 80 feet</i>					
12	89110GT	LIMIT SWITCH,OPERATIONAL.....1 <i>(LSB4EO) operational limit switch for boom length at 100 feet</i>					
13	89171PGT	FORMING,LIMIT SWITCH GUARD.....	1				
14	824068GT	SCREW,HHC,3/8-16X1.25,8,ZAG					
15	826793GT	WASHER,FLAT,3/8,SAE,HRD,ZAG					
16	6097GT	WASHER,FLAT,USS,3/8",Y					
17	61174GT	WIPER,RUBBER BOOM #3 TOP.....	1				
18	61176-SGT	BAR,RUBBER WIPER BACK-UP.....	1				
19	6888GT	SCREW,HHC,1/4-20 X 1					
20	6091GT	NUT,NYLOCK,1/4-20					
21	49824GT	SCREW,PHILLIPS,FHM,10-32X1.00					
22	29868GT	SPRING CLIP,3/8-16,.05-.20X.73,ZAG					
23	824067GT	SCREW,HHC,3/8-16X1,8,ZAG					
24	5397GT	WASHER,FLAT,USS,5/16",Y					
25	33681GT	SCREW,HHC,3/8-16 X .625					
26	7713GT	NUT, LP NYLOCK, 3/8-16					

508.1 Platform Rotator, S-120



PARTS FINDER

**Search Website
by Part Number**



**Search Manual
Library For Parts
Manual & Lookup Part
Numbers – Purchase
or Request Quote**

Search Manuals

Enter your information to help us locate the right part for your machine.

* Brand:

* Model:

* Serial:

* Part Number:

* Category:

**Can't Find Part or
Manual? Request Help
by Manufacturer,
Model & Description**

Parts Order Form

Please fill in the following information:

Name:

Address:

City:

State:

Zip:

Phone:

Manufacturer:

Model:

Description:

Discount-Equipment.com is your online resource for quality parts & equipment.

Florida: **561-964-4949** Outside Florida TOLL FREE: **877-690-3101**

Need parts?

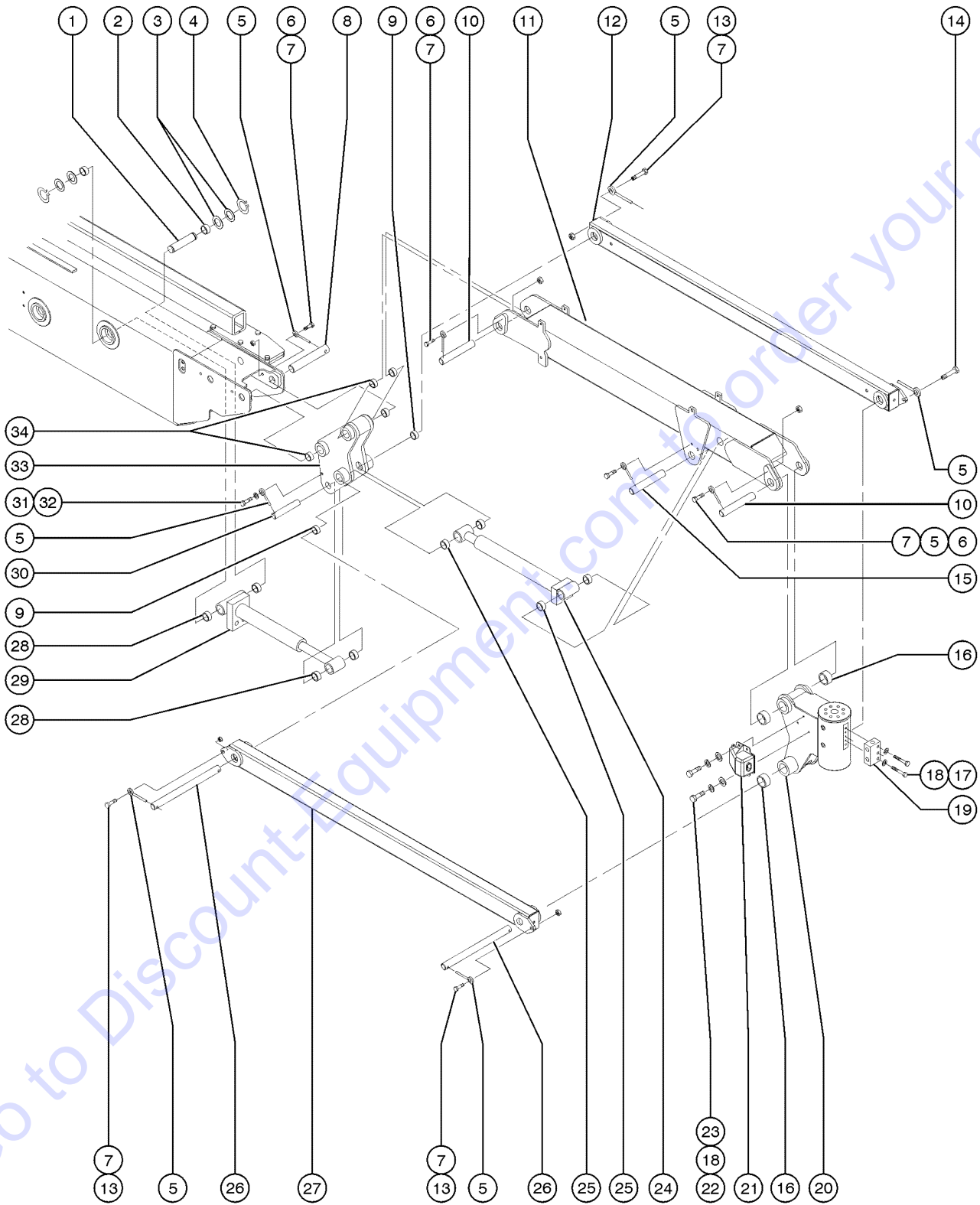
Click on this link: <http://www.discount-equipment.com/category/5443-parts/> and choose one of the options to help get the right parts and equipment you are looking for. Please have the machine model and serial number available in order to help us get you the correct parts. If you don't find the part on the website or on one of the online manuals, please fill out the request form and one of our experienced staff members will get back to you with a quote for the right part that your machine needs.

We sell worldwide for the brands: Genie, Terex, JLG, MultiQuip, Mikasa, Essick, Whiteman, Mayco, Toro Stone, Diamond Products, Generac Magnum, Airman, Haulotte, Barreto, Power Blanket, Nifty Lift, Atlas Copco, Chicago Pneumatic, Allmand, Miller Curber, Skyjack, Lull, Skytrak, Tsurumi, Husquvarna Target, Stow, Wacker, Sakai, Mi-T-M, Sullair, Basic, Dynapac, MBW, Weber, Bartell, Bennar Newman, Haulotte, Ditch Runner, Menegotti, Morrison, Contec, Buddy, Crown, Edco, Wyco, Bomag, Laymor, EZ Trench, Bil-Jax, F.S. Curtis, Gehl Pavers, Heli, Honda, ICS/PowerGrit, IHI, Partner, Imer, Clipper, MMD, Koshin, Rice, CH&E, General Equipment, Amida, Coleman, NAC, Gradall, Square Shooter, Kent, Stanley, Tamco, Toku, Hatz, Kohler, Robin, Wisconsin, Northrock, Oztec, Toker TK, Rol-Air, APT, Wylie, Ingersoll Rand / Doosan, Innovatech, Con X, Ammann, Mecalac, Makinex, Smith Surface Prep, Small Line, Wanco, Yanmar

508.1 Platform Rotator, S-120

Item	Part No.	Description	Qty.
1	146073GT	PIN,1.25DIA X 7.9LG,2RING	
2	30370GT	BEARING,1.25ID X 1.5OD X 1.00L	
3	30255GT	WASHER,SHIM,1.27 X 2.13 X .062	
4	30217GT	SNAP RING,EXTERNAL,1.25 DIA.**	
5	825019GT	ROD END,.375X3.69,ZAG	
6	8516GT	SCREW, HCC, 3/8-16 X 1.50	
7	4828GT	NUT,NYLOCK,3/8-16	
8	T108078GT	PIN,1.25DIA X 9.50LG,1HOLE.....2	
9	75016PGT	GUARD,JIB HOSE,PAINTED.....1	
10	1252978GT	SCREW,HHC,3/8-16 X 2.25,8,ZAG	
11	30370GT	BEARING,1.25ID X 1.5OD X 1.00L.....2	
12	94400GT	ROTATOR,NON-JIB,160 DEG	
--	122944GT	SEAL KIT,8K ROTATOR***	
--	13852GT	VALVE ASSY,BLEED***	
13		Ref. Platform Rotate Manifold (refer to 706.1)	
14	6145GT	SCREW,HHC,1/4-20 X 1.5	
15	6356GT	WASHER,LOCK,.25	
16	1274116GT	ASSY,TILT SENSOR,PCON,S100-125....1	
--	1274045GT	HARNESS, JUMPER, SB PLAT LVL	
--	50813GT	SENSOR,TILT,PCON (PLASTIC)****	
17	6638GT	WASHER,FLAT,USS,1/4"Y	
18	6090GT	SCREW,HHC,1/4-20 X .75	
19	T108075GT	PIN,1.25DIA X 5.25LG,1HOLE.....1	
20	824068GT	SCREW,HHC,3/8-16 X 1.25,8,ZAG	
21	50212GT	PIN,1.25DIA X 6.50LG,1HOLE.....1	
22	75105-SGT	PLATFORM,LEVELING LINK ASSY.....1	
23	47377GT	BEARING,1.25 ID X 1.5 OD X .75	
24	50207GT	CYLINDER,PLATFORM LEVELING.....1	
--	31106GT	VALVE,CNTERBAL,CBBB-LHN@3000** (locks extend side)	
--	43018GT	SEAL KIT (39345)	
--	65795GT	SEAL KIT,CYL,S100/120 (50207)	
--	75061GT	VALVE,COUNTERBAL.CBBB-LHN@2000 (locks retract side)	
25	826793GT	WASHER,FLAT,3/8,SAE,HRD,ZAG	
26	75106-SGT	PLATFORM,LEVELING LEVER,ASSY....1 (includes item 22)	

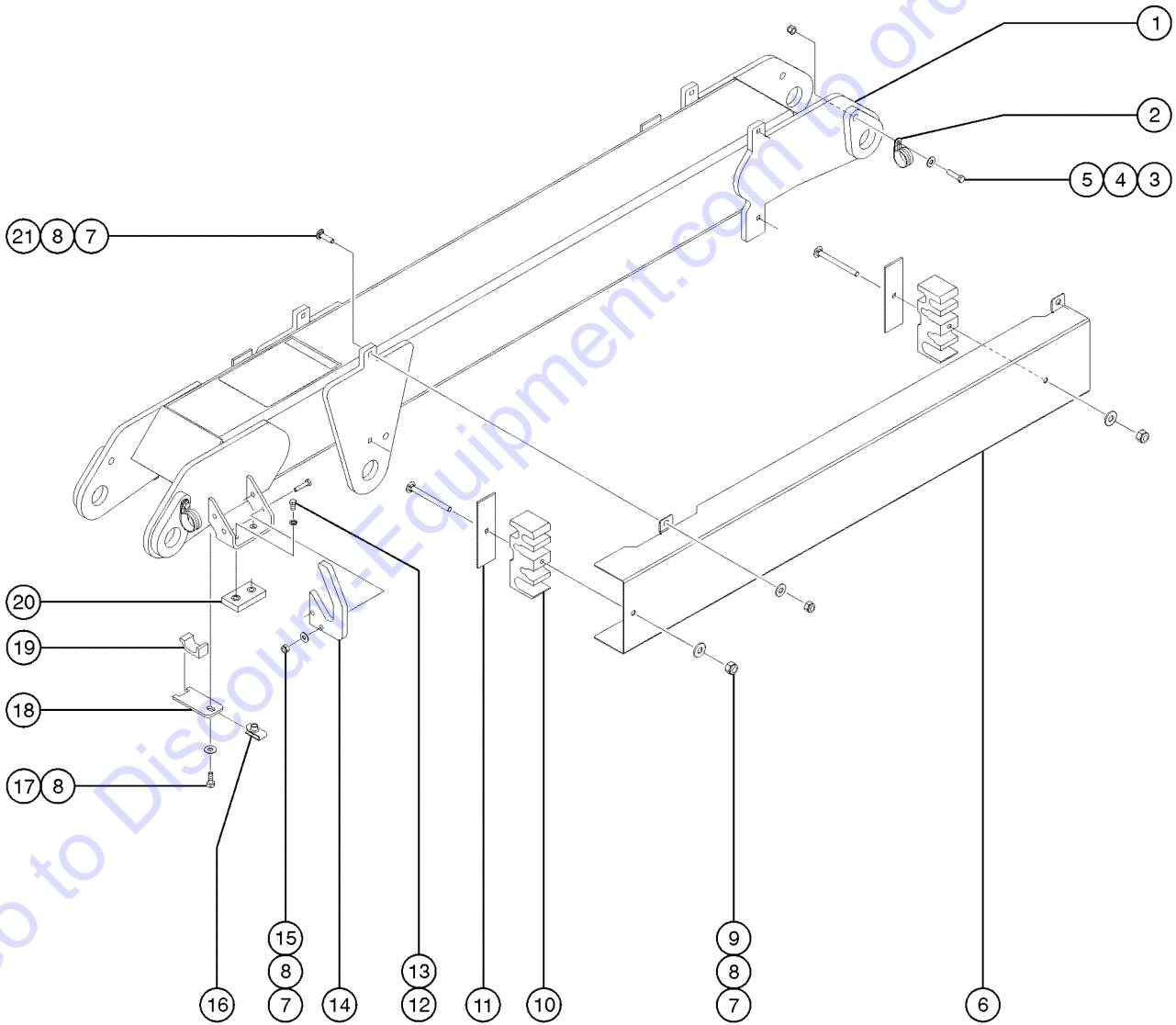
509.1 Jib Boom and Platform Rotator, S-125



509.1 Jib Boom and Platform Rotator, S-125

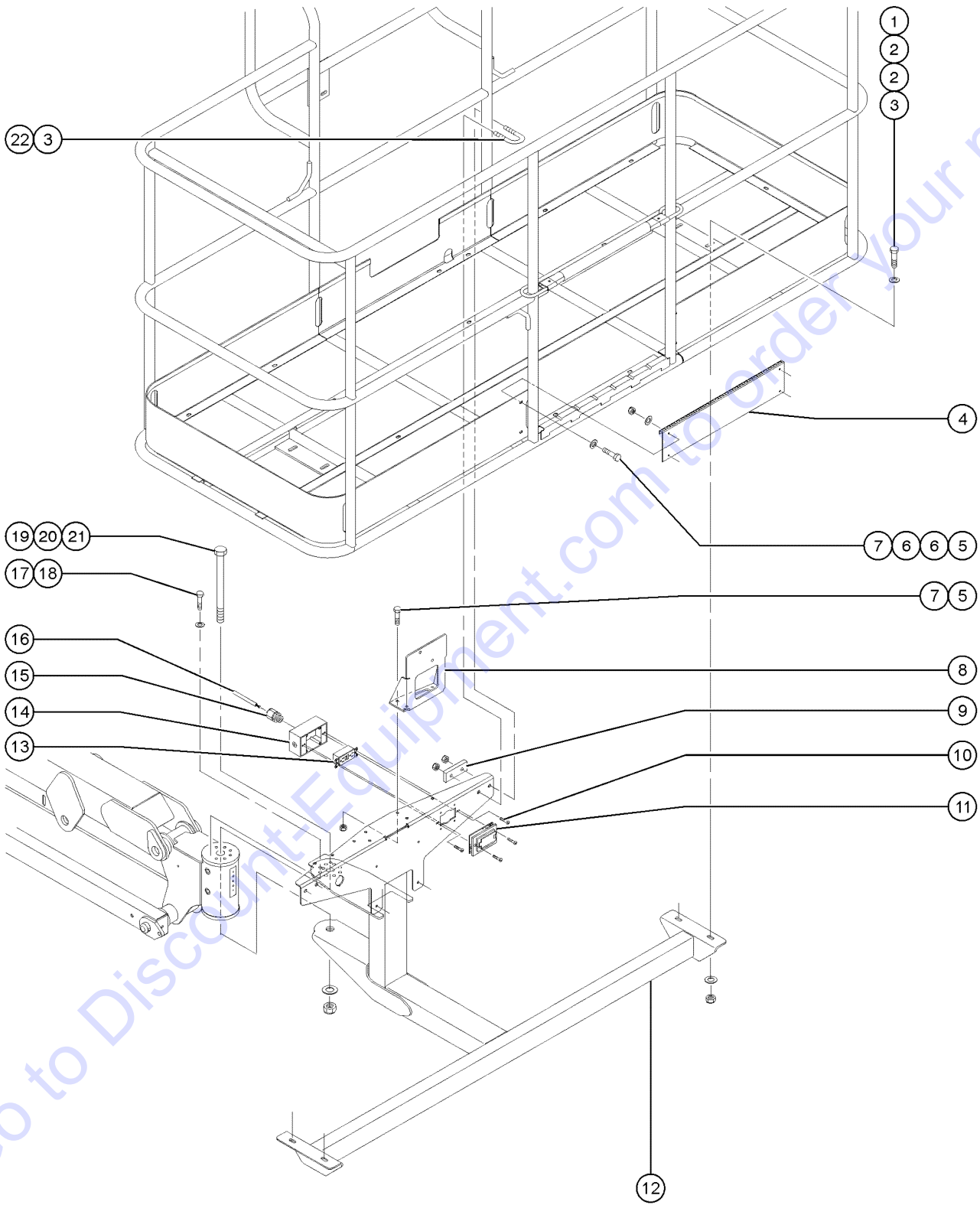
Item	Part No.	Description	Qty.	Item	Part No.	Description	Qty.
1	146073GT	PIN,1.25DIAX7.9LG,2RING		31	824068GT	SCREW,HHC,3/8-16X1.25,8,ZAG	
2	30370GT	BEARING,1.25IDX1.5ODX1.00L		32	826793GT	WASHER,FLAT,3/8,SAE,HRD,ZAG	
3	30255GT	WASHER,SHIM,1.27 X 2.13 X .062		33	75134-SGT	BELL CRANK,ASSY. W/ BEARINGS.....1 <i>includes item 9</i>	
4	30217GT	SNAP RING,EXTERNAL,1.25 DIA.**		34	75627GT	BEARING,1.25 X 1.5 X 2.....4	
5	825019GT	ROD END,.375X3.69,ZAG.....9					
6	5224GT	SCREW,HHC,3/8-16 X 2					
7	4828GT	NUT,NYLOCK,3/8-16					
8	T108078GT	PIN,1.25DIAX9.50LG,1HOLE.....1					
9	128268GT	BEARING,FL, 1.25X1.5X2.13.....2					
10	T108076GT	PIN,1.25DIAX7.88LG,1HOLE.....2					
11		Ref. Jib Boom.....1 <i>(refer to 510.1)</i>					
12	61306-SGT	COMPR.LINK,MACHINED,GND CONTR*					
13	8516GT	SCREW, HCC, 3/8-16 X 1.50					
14	13918GT	SCREW,HHC,3/8-16 X 1.75,GRD.8.....1					
15	T108077GT	PIN,1.25DIAX7.00LG,1HOLE.....1					
16	30222GT	BEARING,FL,1.25IDX1.41ODX1.50L....4					
17	6145GT	SCREW,HHC,1/4-20 X 1.5					
18	6356GT	WASHER,LOCK,.25					
19		Ref. Platform Rotate Manifold <i>(refer to 706.1)</i>					
20	94397GT	ROTATOR,PLAT JIB,160 DEG***.....1					
--	122944GT	SEAL KIT,8K ROTATOR***					
--	75395GT	BEARING KIT,PLAT ROTATOR,SUPER					
--	88516GT	SCREW,BLEEDER,M5X0.8					
21	1274116GT	ASSY,TILT SENSOR,PCON,S100-125....1					
--	1274045GT	HARNESS, JUMPER, SB PLAT LVL					
--	50813GT	SENSOR,TILT,PCON (PLASTIC)****					
22	6090GT	SCREW,HHC,1/4-20 X .75					
23	6638GT	WASHER,FLAT,USS,1/4"Y					
24	63213GT	CYLINDER,JIB (STICK BOOMS).....1					
--	33428GT	VALVE,COUNTERBALANCE					
--	43018GT	SEAL KIT (39345)					
--	63353GT	SEAL KIT,CYL,S65 (63213)					
25	25683GT	BEARING,POLYGON,20DU12.....4					
26	81175GT	PIN,1.25DIAX14.45LG,2HOLE.....2					
27	1274511GT	MACHINING, COMPRESSION LINK.....1					
28	47377GT	BEARING,1.25 ID X 1.5 OD X .75.....4					
29	89534GT	CYLINDER, PLATFORM LEVEL.....1					
--	146056GT	SEAL KIT (89534)					
--	61598GT	SEAL KIT,PLAT.LEVEL CYL(61387)					
--	61602GT	VALVE,COUNTERBAL.CBBB-LHN@3500					
--	75061GT	VALVE,COUNTERBAL.CBBB-LHN@2000					
30	T108075GT	PIN,1.25DIAX5.25LG,1HOLE.....1					

510.1 Jib Detail, S-125



Item	Part No.	Description	Qty.
1	128534GT	JIB BOOM ASSY W/WORD DECAL	
2	61745GT	CLAMP,2.25,#36 X 3/8,RUB CUSH.....2	
3	5224GT	SCREW,HHC,3/8-16 X 2	
4	5397GT	WASHER,FLAT,USS,5/16",Y	
5	4828GT	NUT,NYLOCK,3/8-16	
6	128454PGT	COVER, JIB HOSES/CABLES.....1	
7	6091GT	NUT,NYLOCK,1/4-20	
8	6638GT	WASHER,FLAT,USS,1/4"Y	
9	128724GT	BOLT,CARRIAGE,1/4-20 X 2.75,G2	
10	122551GT	CLAMP,JIB HOSE/CABLE,S105,S125....2	
11	128483GT	BACKING PLATE, HOSE BLOCK, JIB....2	
12	1256109GT	SCREW,HHC,3/8-16X.75,8,ZAG	
13	826793GT	WASHER,FLAT,3/8,SAE,HRD,ZAG	
14	128482GT	HOSE GUIDE, JIB.....1	
15	8915GT	SCREW,HHC,1/4-20 X 1.25	
16	56912GT	SPRING CLIP,1/4-20,.025-.15X.54,ZAG.....1	
17	6090GT	SCREW,HHC,1/4-20 X .75	
18	119536PGT	BRACKET,HOSE CLAMP,PAINTED.....1	
19	119542GT	CLAMP,TWO HOSE.....1	
20	81640GT	WEAR PAD,3 X 1.5 X.625 W/NUTS.....1	
21	79456GT	BOLT,CARRIAGE,1/4-20 X 1.00,G2	

601.1 Platform Installation, S-120 - View 1

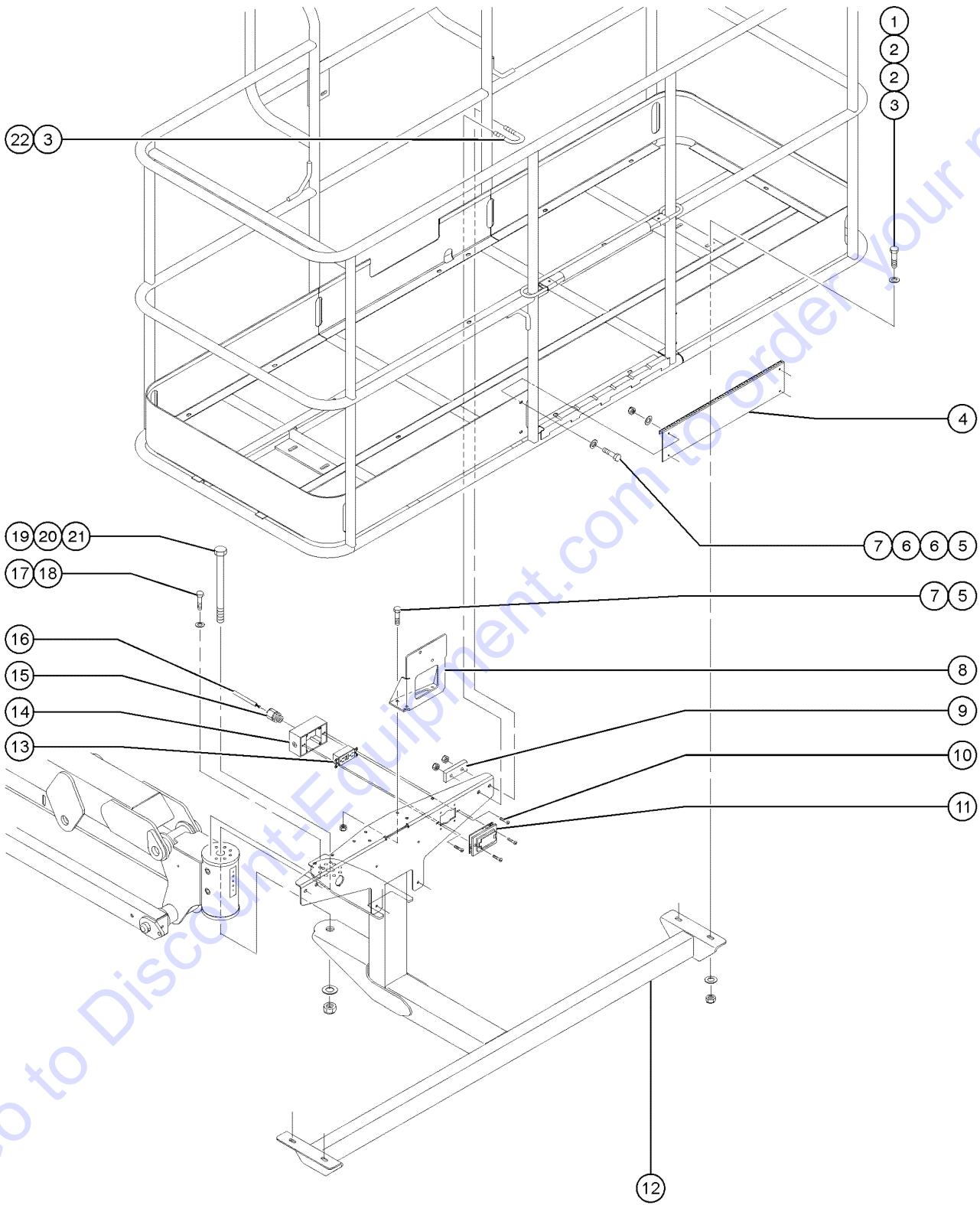


601.1 Platform Installation, S-120 - View 1

Item	Part No.	Description	Qty.
--	111189GT	PLAT. ASSY, 8FT,SERV,S120 <i>Assembly with Word Decals; USA/Canada models</i>	
--	111193GT	PLAT ASSY, 8FT, AUST, S120 <i>Assembly with Word Decals; Australia models</i>	
--	102671GT	PLAT ASSY, 8FT, CE/UK, S120 <i>Assembly with Symbol Decals; European models</i>	
--	102675GT	PLAT ASSY, 8FT, A/SA, S120 <i>Assembly with Symbol Decals; Asia/South America models</i>	
1	6019GT	SCREW,HHC,3/8-16 X 1.25 GRD 5	
2	6097GT	WASHER,FLAT,USS,3/8",Y	
3	4828GT	NUT,NYLOCK,3/8-16	
4	94745PGT	TOEBOARD,ENTRY EUROPEAN PNTD**	
5	6090GT	SCREW,HHC,1/4-20 X .75	
6	6638GT	WASHER,FLAT,USS,1/4"Y	
7	6091GT	NUT,NYLOCK,1/4-20	
8	89425GT	WELDMENT,PLATF.MANFLD.SUPPORT.1	
9	61339GT	PLATE,BACKING.....2	
10	75067GT	SCREW,6-32 X 7/8 PPMS ZINC	
11	74006GT	COVER,GFCI,HORIZONTAL,WEATHER.1	
--	10777GT	COVER,BLANK	
--	74052GT	GASKET,COVER,GFCI,WEATHERPROOF	
12	60370-SGT	PLATFORM SUPPORT WELDMNT-SERV* <i>ANSI models</i>	
--		Ref., WELDMENT,PLATFORM SUPPORT,CE <i>CE models (refer to 803.1)</i>	
13	13585GT	OUTLET, 110V.....1	
14	75069GT	T-BOX 2.75 X 4.5 X 2.5.....1	
15	7056GT	CONN, SQZ, 1/2NPT .38-.50, SM**.....2	
16	43955GT	WIRE CABLE,12/3 CON.TPE JKT.....1960-inches (S-120)	
17	49857GT	SCREW,HHC,3/8-16 X .88,GRD 8	
18	57201GT	WASHER,FLAT,313, HARDENED.....8	
19	73928GT	SCREW,HHC,1-8 X 11,GRD 5***	
20	122079GT	WASHER,FLAT,1.000,HARDENED.....1	
21	29764GT	NUT,NYLOCK,1-8	
22	122755GT	UBOLT,FLATTENED,1.5DIAX3/8 UNC	

Go to www.genieequipment.com to order your parts

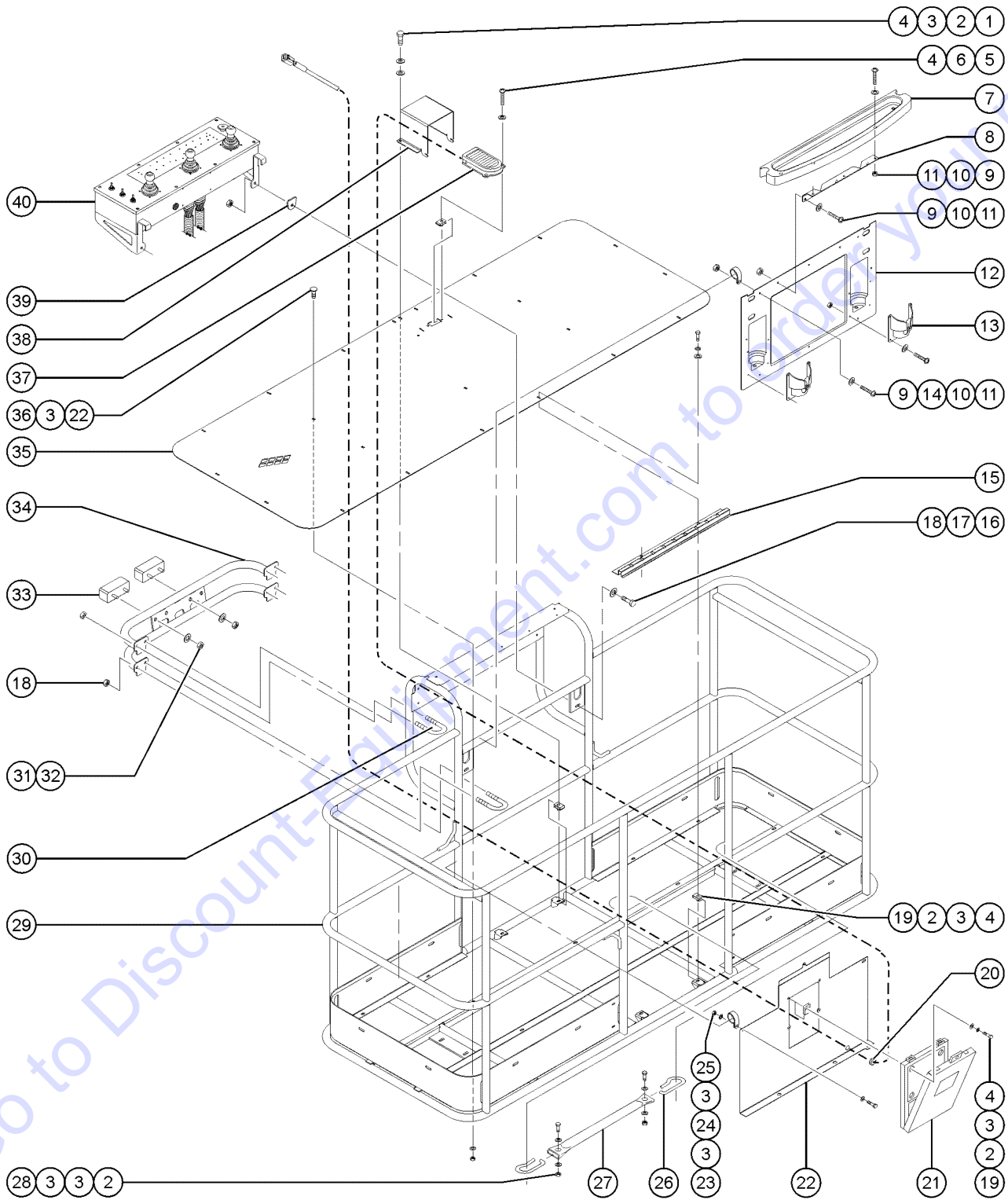
601.1 Platform Installation, S-125 - View 1



Item	Part No.	Description	Qty.
--	111213GT	PLAT. ASSY, 8FT,SERV,S125 <i>Assembly with Word Decals; USA/Canada models</i>	
--	111217GT	PLAT ASSY, 8FT, AUST, S125 <i>Assembly with Word Decals; Australian models</i>	
--	111205GT	PLAT ASSY, 8FT, CE/UK, S125 <i>Assembly with Symbol Decals; European models</i>	
--	111209GT	PLAT ASSY, 8FT, A/SA, S125 <i>Assembly with Symbol Decals; Asia/South American models</i>	
1	6019GT	SCREW,HHC,3/8-16 X 1.25 GRD 5	
2	6097GT	WASHER,FLAT,USS,3/8",Y	
3	4828GT	NUT,NYLOCK,3/8-16	
4	94745PGT	TOEBOARD,ENTRY EUROPEAN PNTD**	
5	6090GT	SCREW,HHC,1/4-20 X .75	
6	6638GT	WASHER,FLAT,USS,1/4"Y	
7	6091GT	NUT,NYLOCK,1/4-20	
8	89425GT	WELDMENT,PLATF.MANFLD.SUPPORT.1	
9	61339GT	PLATE,BACKING.....2	
10	75067GT	SCREW,6-32 X 7/8 PPMS ZINC	
11	74006GT	COVER,GFCI,HORIZONTAL,WEATHER.1	
--	10777GT	COVER,BLANK	
--	74052GT	GASKET,COVER,GFCI,WEATHERPROOF	
12	94390-SGT	OPTION,PLAT SUPPORT,STD,LRG BM <i>ANSI models</i>	
--		Ref., WELDMENT,PLATFORM SUPPORT,CE <i>CE models (refer to 803.1)</i>	
--	236695GT	OPTION,PLAT SUPPORT,STD,LRG BM <i>From serial number140</i>	
13	13585GT	OUTLET, 110V.....1	
14	75069GT	T-BOX 2.75 X 4.5 X 2.5.....1	
15	7056GT	CONN, SQZ, 1/2NPT .38-.50, SM**.....2	
16	43955GT	WIRE CABLE,12/3 CON.TPE JKT.....2020-inches (S-125)	
17	49857GT	SCREW,HHC,3/8-16 X .88,GRD 8	
18	57201GT	WASHER,FLAT,313, HARDENED.....8	
19	73928GT	SCREW,HHC,1-8 X 11,GRD 5***	
20	122079GT	WASHER,FLAT,1.000,HARDENED.....1	
21	29764GT	NUT,NYLOCK,1-8	
22	122755GT	UBOLT,FLATTENED,1.5DIAX3/8 UNC	

Go to www.genieequipment.com to order your parts

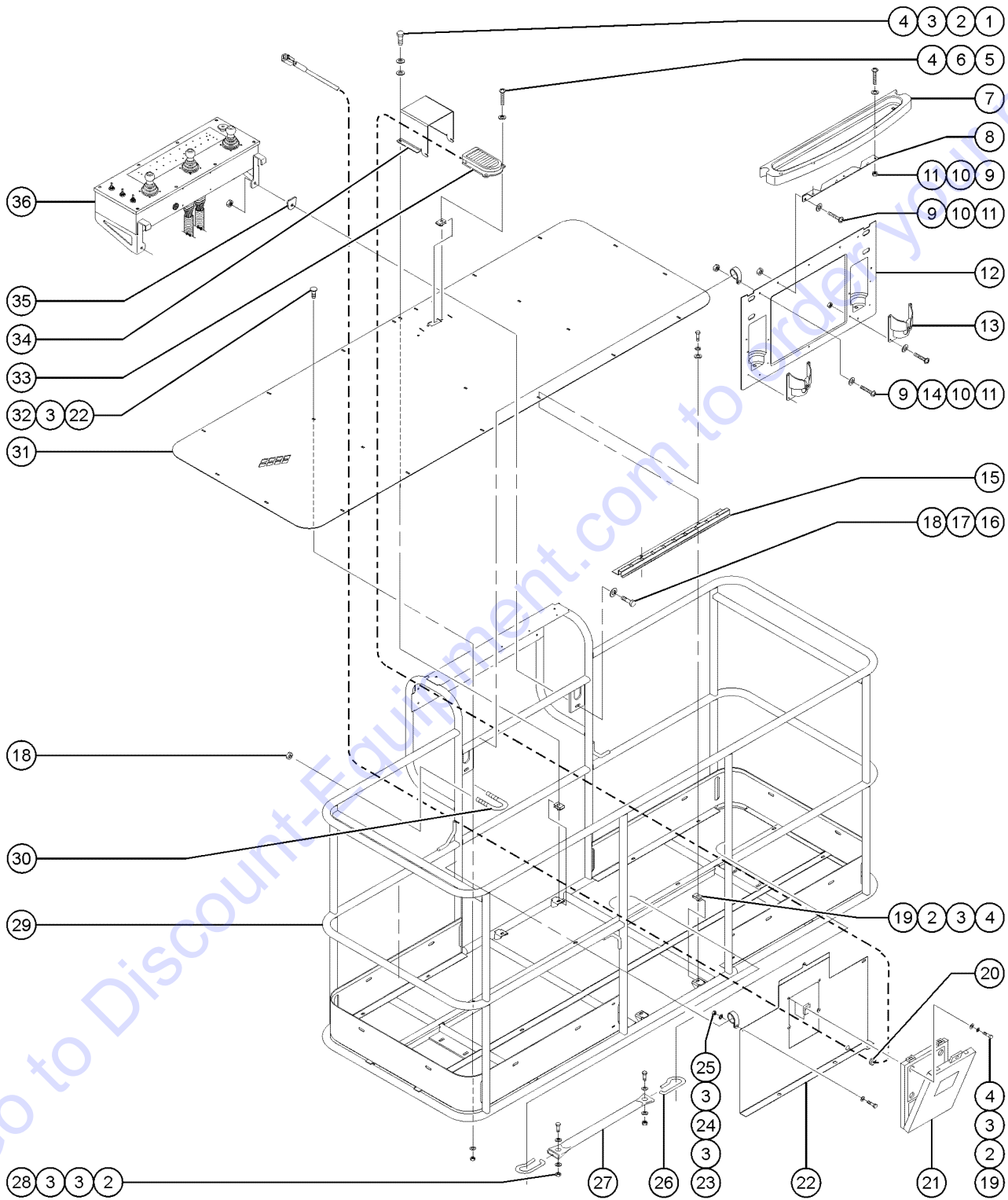
602.1 Platform Installation, S-120 - View 2



602.1 Platform Installation, S-120 - View 2

Item	Part No.	Description	Qty.	Item	Part No.	Description	Qty.
1	6888GT	SCREW,HHC,1/4-20 X 1		--	111265GT	PLAT RAILW/DECALS 8FT 750 EURO <i>Railing Assembly with Symbol Decals; European models</i>	
2	6356GT	WASHER,LOCK,.25		--	111269GT	PLAT RAILW/DECALS 8FT 750A/SOA <i>Railing Assembly with Symbol Decals; Asia/South American models</i>	
3	6638GT	WASHER,FLAT,USS,1/4"Y		30	6550GT	U-BOLT,3/8 X 1 YZ	
4	56912GT	SPRING CLIP,1/4-20,.025-.15X.54,ZAG		31	4828GT	NUT,NYLOCK,3/8-16 <i>(S-120 only)</i>	
5	73587GT	SCREW,PHIL,10-24 X .75		32	54355GT	WASHER,FLAT,SAE,3/8",Y <i>(S-120 only)</i>	
6	6607GT	WASHER,LOCK,#10 PLTD		33	56927GT	PAD,REST,2"THICK,W/STUDS*.....2 <i>(S-120 only)</i>	
7	60476GT	TOOL HOLDER,PLASTIC.....1		34	61216-SGT	WELDMNT,PLAT. STOWED SUPPORT.....1 <i>(S-120 only)</i>	
8	60475GT	GUSSET,TOOL HOLDER,PLASTIC.....1		35	73478PGT	FLOORING,8 FT PLATFORM**	
9	6178GT	NUT,NYLOCK,10-32		36	54274GT	SCREW,STEP BOLT,1/4-20 X .75	
10	6146GT	WASHER,FLAT,MS,#10,Y		37	61322GT	FOOT SWITCH W/PIGTAIL.....1	
11	49816GT	SCREW,PHILLIPS,PHM,10-32 X .75		--	20262GT	MICROSWITCH,13482 FOOTSWITCH	
12	111278GT	DECAL PLATE ASSY W/WORD DECALS <i>USA/Canada/Australia</i>		--	7056GT	CONN, SQZ, 1/2NPT .38-.50, SM**	
--	102200-SGT	DECAL PLATE W/SYMB DECALS S120 <i>Europe/Asia/South America</i>		38	147221GT	GUARD,FOOTSWITCH,W/DECAL ALUM <i>USA/Canada/Australia</i>	
13	60474GT	CUP HOLDER,PLASTIC.....2		--	147121GT	COVER, FOOT SWITCH, LARGE <i>Europe/Asia/South America</i>	
14	60478GT	CLAMP,1.25"DIA NON-CUSHIONED....5		39	107860GT	PLATE,PLAT.CONTROL BOX SPACER.....2	
15	73610PGT	STEP PLATFORM ENTRY PAINTED***.....1		40		Ref. Platform Controls <i>(refer to 603.1)</i>	
16	8516GT	SCREW, HCC, 3/8-16 X 1.50					
17	6097GT	WASHER,FLAT,USS,3/8",Y					
18	4828GT	NUT,NYLOCK,3/8-16					
19	6090GT	SCREW,HHC,1/4-20 X .75					
20	229768GT	GROMMET,RUBBER,1.0X0.094X1.375..1					
21A	44743GT	MANUAL BOX W/DECALS***.....1 <i>USA/Canada/Australia</i>					
21B	24514GT	BOX,INSTRUCTION STORAGE <i>Europe/Asia/South America (decal required; refer to Section100)</i>					
22	75537PGT	PLATE,DOCUMENT BOX MOUNT,PAINT.....1					
23	56912GT	SPRING CLIP,1/4-20,.025-.15X.54,ZAG.....2					
24	56424GT	CLAMP,1.25X.5 RUBBER-CUSHION....5					
25	8914GT	SCREW,HHC,1/4-20 X .625					
26	12443GT	MIDRAIL GUIDE (HOOK).....2					
27	102992GT	SLIDING MIDRAIL KIT,PTD.....1					
--	12443GT	MIDRAIL GUIDE (HOOK)					
--	139451GT	TUBE,SLIDING MIDRAIL,PAINTED					
--	20973GT	WIRE LOOM,3/8 POLY SLIT					
--	21121GT	CABLE TIE,4" BLK,HEAT RESISTNT					
28	6091GT	NUT,NYLOCK,1/4-20					
29	111273GT	PLAT RAILW/DECALS 8FT 750 ANSI <i>Railing Assembly with Word Decals; USA/Canada models</i>					
--	111261GT	PLAT RAILW/DECALS 8FT 750 AUST <i>Railing Assembly with Word Decals; Australia models</i>					

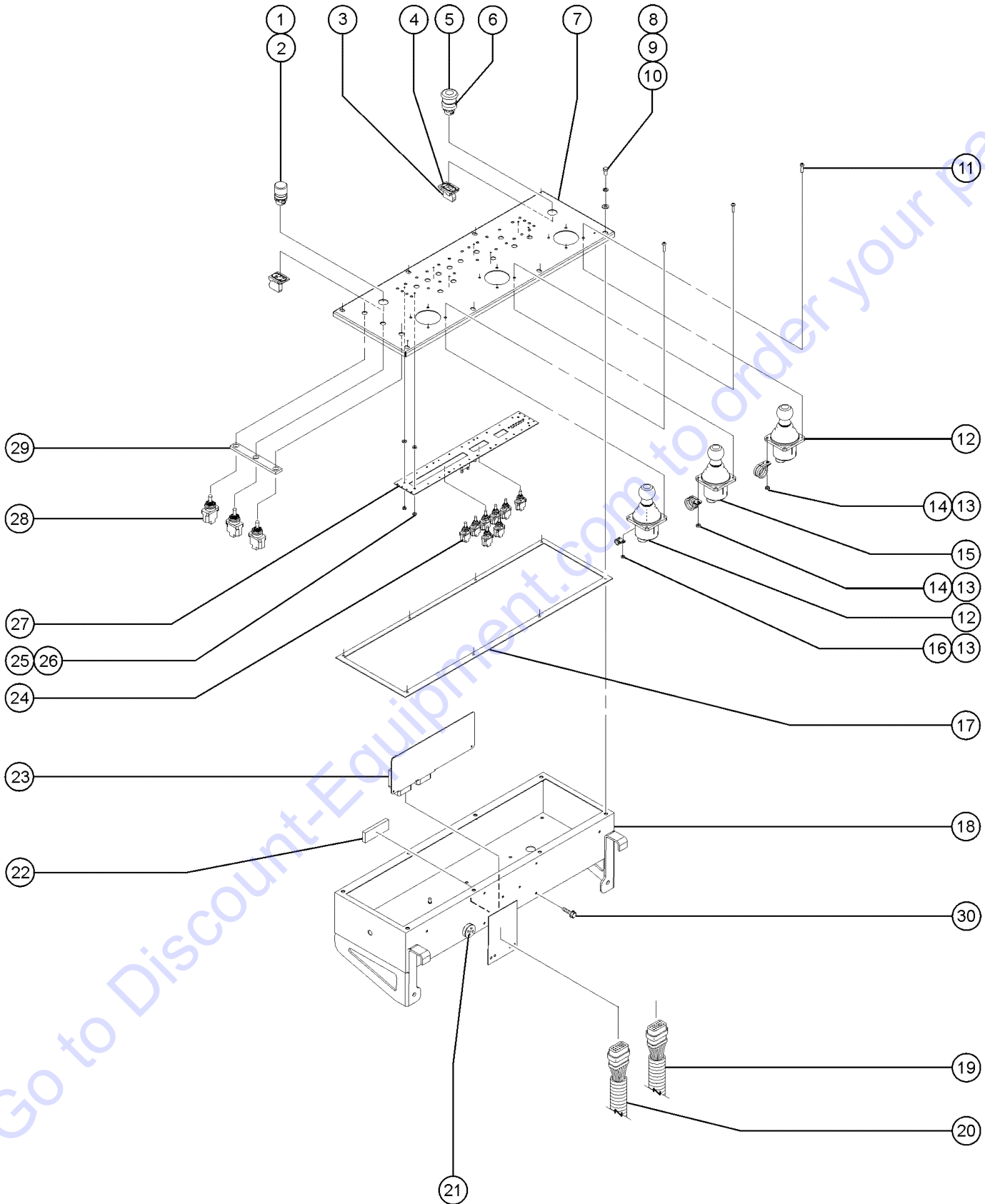
602.1 Platform Installation, S-125 - View 2



602.1 Platform Installation, S-125 - View 2

Item	Part No.	Description	Qty.	Item	Part No.	Description	Qty.
1	6888GT	SCREW,HHC,1/4-20 X 1		--	101382GT	PLATFORM RAIL ASSY,8FT,CE/UK <i>Railing Assembly with Symbol Decals; European models</i>	
2	6356GT	WASHER,LOCK,.25					
3	6638GT	WASHER,FLAT,USS,1/4"Y		--	101384GT	PLAT ASSEMBLY,8FT,ASIA/S AM <i>Railing Assembly with Symbol Decals; Asia/South American models</i>	
4	56912GT	SPRING CLIP,1/4-20,.025-.15X.54,ZAG					
5	73587GT	SCREW,PHIL,10-24 X .75		30	6550GT	U-BOLT,3/8 X 1 YZ	
6	6607GT	WASHER,LOCK,#10 PLTD		31	73478PGT	FLOORING,8 FT PLATFORM**	
7	60476GT	TOOL HOLDER,PLASTIC.....1		32	54274GT	SCREW,STEP BOLT,1/4-20 X .75	
8	60475GT	GUSSET,TOOL HOLDER,PLASTIC.....1		33	61322GT	FOOT SWITCH W/PIGTAIL.....1	
9	6178GT	NUT,NYLOCK,10-32		--	20262GT	MICROSWITCH,13482 FOOTSWITCH	
10	6146GT	WASHER,FLAT,MS,#10,Y		--	7056GT	CONN, SQZ, 1/2NPT .38-.50, SM**	
11	49816GT	SCREW,PHILLIPS,PHM,10-32 X .75		34	147221GT	GUARD,FOOTSWITCH,W/DECAL ALUM <i>USA/Canada/Australia</i>	
12	111278GT	DECAL PLATE ASSY W/WORD DECALS <i>USA/Canada/Australia</i>		--	147121GT	COVER, FOOT SWITCH, LARGE <i>Europe/Asia/South America</i>	
--	102200-SGT	DECAL PLATE W/SYMB DECALS S120 <i>Europe/Asia/South America</i>		35	107860GT	PLATE,PLAT.CONTROL BOX SPACER.....2	
13	60474GT	CUP HOLDER,PLASTIC.....2		36		Ref. Platform Controls <i>(refer to 603.1)</i>	
14	60478GT	CLAMP,1.25"DIA NON-CUSHIONED....5					
15	73610PGT	STEP PLATFORM ENTRY PAINTED***.....1					
16	8516GT	SCREW, HCC, 3/8-16 X 1.50					
17	6097GT	WASHER,FLAT,USS,3/8",Y					
18	4828GT	NUT,NYLOCK,3/8-16					
19	6090GT	SCREW,HHC,1/4-20 X .75					
20	229768GT	GROMMET,RUBBER,1.0X0.094X1.375..1					
21	44743GT	MANUAL BOX W/DECALS***.....1 <i>USA/Canada/Australia</i>					
--	24514GT	BOX,INSTRUCTION STORAGE <i>Europe/Asia/South America (decal required; refer to Section100)</i>					
22	75537PGT	PLATE,DOCUMENT BOX MOUNT,PAINT.....1					
23	56912GT	SPRING CLIP,1/4-20,.025-.15X.54,ZAG.....2					
24	56424GT	CLAMP,1.25X.5 RUBBER-CUSHION....5					
25	8914GT	SCREW,HHC,1/4-20 X .625					
26	12443GT	MIDRAIL GUIDE (HOOK).....2					
27	102992GT	SLIDING MIDRAIL KIT,PTD.....1					
--	12443GT	MIDRAIL GUIDE (HOOK)					
--	139451GT	TUBE,SLIDING MIDRAIL,PAINTED					
--	20973GT	WIRE LOOM,3/8 POLY SLIT					
--	21121GT	CABLE TIE,4" BLK,HEAT RESISTNT					
28	6091GT	NUT,NYLOCK,1/4-20					
29	111253GT	PLAT RAILW/DECALS 8FT 500 ANSI <i>Railing Assembly with Word Decals; USA/Canada models</i>					
--	101383GT	PLAT RAIL ASSY,8FT,AUSTRALIA** <i>Railing Assembly with Word Decals; Australia models</i>					

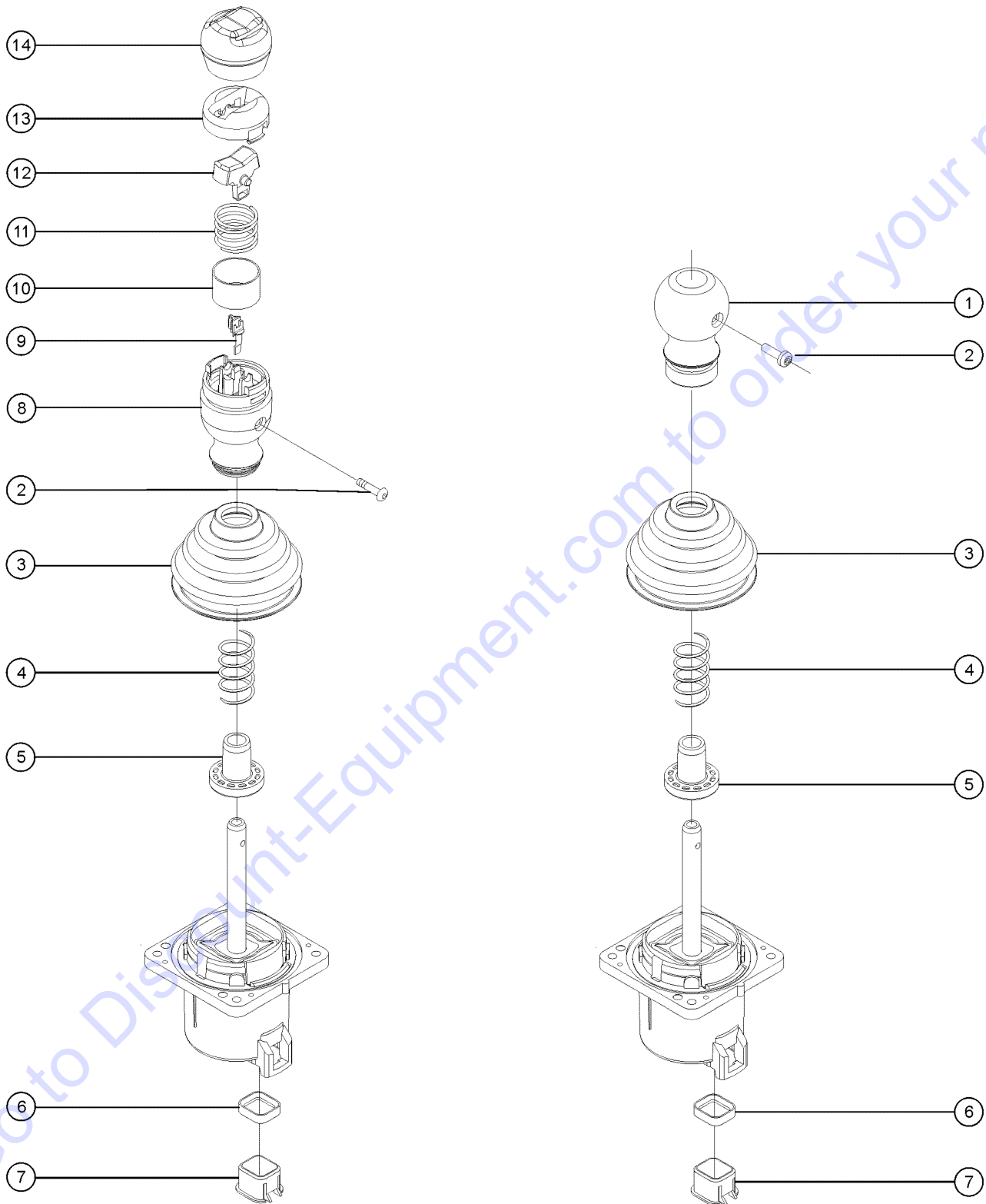
603.1 Platform Controls



603.1 Platform Controls

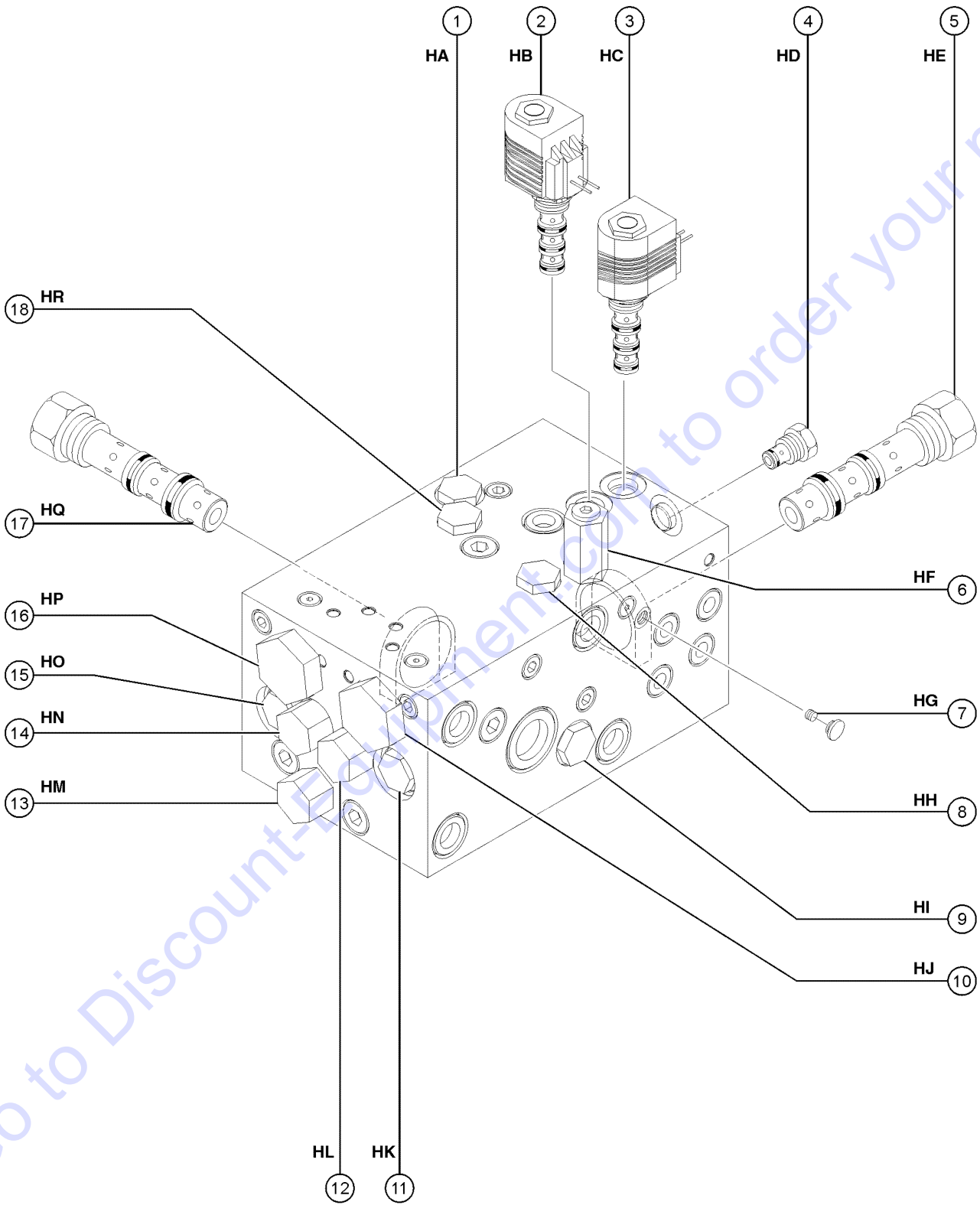
Item	Part No.	Description	Qty.	Item	Part No.	Description	Qty.
A	825984GT	ASSY,PCON,TOG SW,SB		26	822224GT	WASHER, NYLON #10, 0.093	8
1	66813GT	BUTTON,PUSH,BLACK W/SEAL*** 1		27	232975GT	PCB, LED/TOGGLE SWITCH, ALC100	1
2	66815GT	BASE, W/1 N.O. CONTACTS*** 2		28	13037GT	SWITCH TOGGLE SPDT 3POS MOM	3
3	66818GT	CONTACT,NC 1		--	25553GT	BOOT,TOGGLE SWITCH	3
4	66821GT	BASE,WITHOUT CONTACTS 1		--	54692GT	SPACER,NYLON,.718 X .526 X.219	3
5	66812GT	BUTTON,PUSH,RED MUSHROOM HEAD 1		29	75141GT	PLATE,TOGGLE SWITCH MOUNT,PCON	1
6	146478GT	BOOT(BELLOWS),E-STOP,BLACK 1		30	62386GT	SCREW,LOCKING FLANGE 6/32X.375	5
7	229389GT	LID, PCON, TOG SW, SUPERBOOM 1					
8	7339GT	SCREW, HHC, 1/4-20 X .5 8					
9	6356GT	WASHER,LOCK,.25 8					
10	75144GT	WASHER,FLAT,SAE 1/4",ZINC 8					
11	139338GT	SCREW PH M5-0.8X20 DIN 7500CE 16					
12	101174GT	JOYSTICK,2 AXIS,DEUTSCH 2					
13	104030GT	NUT HEX M5-0.8 CLASS 8 ZINC 3					
14	13268GT	CLAMP,0.75,#12 X 1/4,RUB CUSH 2					
15	101175GT	JOYSTICK,1 AXIS,DEUTSCH 1					
16	6833GT	CLAMP,0.50,#8 X 1/4,RUB CUSH 1					
17	62382GT	GASKET,PLATF. CNTRLS.SUPERBOOM 1					
18	160645GT	WELDMENT,PCON BOX 1					
19	60950GT	HARNESS,PCON J2,(MANIFOLD) 1					
20	T106485GT	HARNESS,SHIPYARD BOOM CABLE #2 1					
21	62379GT	ALARM,AUDIO,SUPERBOOM*** 1					
22	30997GT	CORROSION INHIBITOR,FOAM 1					
23	146390GT	PCB,ASSY,ECM,PLATFORM,VER 3.00 1					
24	128200GT	SWITCH TOGGLE ASSY SPDT 3P MOM 11					
25	12344GT	NUT,NYLOCK,6-32 10					

604.1 Joysticks



Item	Part No.	Description	Qty.
--	101174GT	JOYSTICK,2 AXIS,DEUTSCH <i>OEM joystick (calibration required after replacement)</i>	
--	101174HGT	JOYSTICK,DUAL AXIS W/KNOB <i>aftermarket joystick (calibration required after replacement)</i>	
--	101175GT	JOYSTICK,1 AXIS,DEUTSCH <i>OEM joystick (calibration required after replacement)</i>	
--	101175HGT	JOYSTICK,SINGLE AXIS W/KNOB <i>aftermarket joystick (calibration required after replacement)</i>	
--	101005GT	JOYSTICK,1 AXIS ROCKER,DEUTSCH <i>OEM joystick (calibration required after replacement)</i>	
--	101005HGT	JOYSTICK,SINGLE AXIS W/STEER <i>aftermarket joystick (calibration required after replacement)</i>	
--	83098GT	TERM,AMP MTE,SOC,22-26 GA BULK	
--	119613GT	HARN JOYSTICK ADAPTOR JS100 <i>6-pin to 7-pin adapter (for 101174, 101175, 101005)</i>	
Z	1269501GT	KIT, ISOLATION, 3 JOYSTICK	
1	62392GT	KNOB,JOYSTICK, 62390/62391.....	1
2	T112626GT	SCREW, PHM, #6-32 X .625 ZINC.....	1
3	139598GT	BOOT,JOYSTICK.....	1
4		SPRING,JOYSTK CENTR,62390/91..... <i>no longer available from supplier</i>	1
5	119915GT	COLLAR,JOYSTICK,CENTER.....	1
6	128000GT	SEAL, CONNECTOR (DT JOYSTICKS).....	1
7	128001GT	SLEEVE,CONNECTOR,DT JOYSTICKS.....	1
8	75449GT	KNOB,ROCKER JOYSTICK 75565.....	1
9	75448GT	SUPPORT,SENSOR,JOYSTICK.....	1
10	75447GT	SWITCH SHIELD,ROCK JOYSTK75565.....	1
11	75446GT	SPRING,SWITCH CENTERING,75565...1	
12	75445GT	ROCKER ASSY.,MAGNETIC 75565.....1	
13	75444GT	ROCKER,RETAINER, 75565.....1	
14	75443GT	BOOT, ROCKER JOYSTICK 75565.....1	

701.1 Traction Manifold

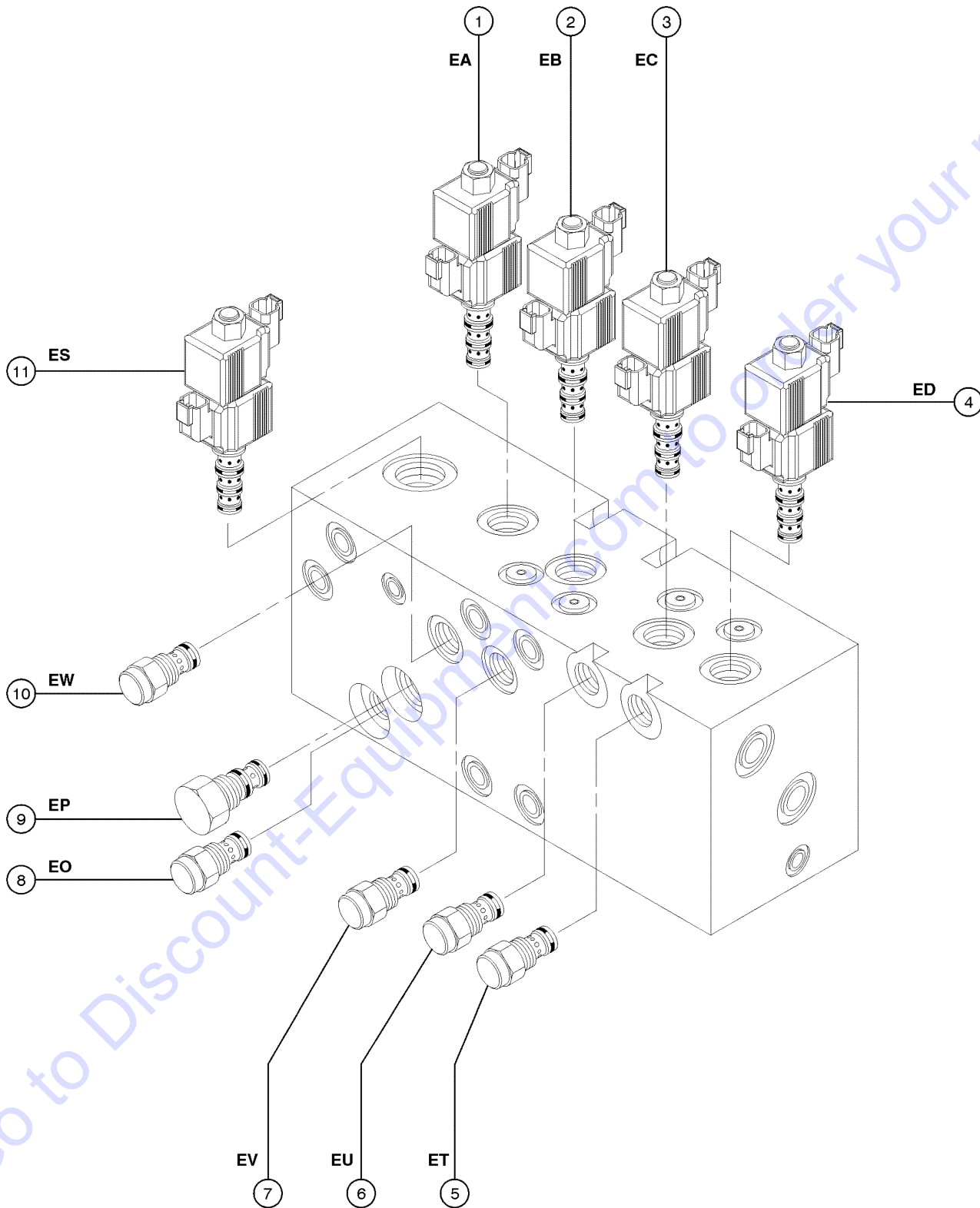


Go to Discount-Equipment.com to order your parts

701.1 Traction Manifold

Item	Part No.	Description	Qty.	Item	Part No.	Description	Qty.
--	70241GT	MANIFOLD,TRACTION,4WD <i>(complete)</i>		15	69873GT	VALVE, CHECK <i>HO, Anti-cavitation</i>	
1	27836GT	VALVE,CHECK,5 PSI <i>HA, Anti-cavitation</i>		--	74902GT	SEAL KIT, VALVE	
--	110194GT	SEAL KIT, VALVE, #10		16	62252GT	VALVE, FLOW DIVIDER COMBINER <i>HP, Controls flow to circle end drive motors in forward and reverse</i>	
2	77489GT	VALVE,SOLENOID 2 POS.3 WAY <i>HB, Two-speed drive motor shift</i>		--	84135GT	SEAL KIT, VALVE	
--	72043GT	SEAL KIT,SOLENOID VALVE		17	52726GT	VALVE,FLOW DIVIDER/COMBINER <i>HQ, Controls flow to divider/combiner valves FJ and FP</i>	
3	77489GT	VALVE,SOLENOID 2 POS.3 WAY <i>HC, Brake release</i>		--	84135GT	SEAL KIT, VALVE	
--	72043GT	SEAL KIT,SOLENOID VALVE		18	69873GT	VALVE, CHECK <i>HR, Anti-cavitation</i>	
4	69873GT	VALVE, CHECK <i>HD, Keeps brakes released in case of temporary loss of charge pressure</i>		--	74902GT	SEAL KIT, VALVE	
--	74902GT	SEAL KIT, VALVE					
5	27761GT	VALVE,SHUTTLE <i>HE, Charge pressure circuit that directs hot oil out of low pressure side of drive pump</i>					
--	84134GT	SEAL KIT, VALVE					
6	62253GT	VALVE,RELIEF,250 PSI <i>HF, Charge pressure circuit</i>					
--	74902GT	SEAL KIT, VALVE					
7	102496GT	ORIFICE,PLUG 0.030 <i>HG, Brake and two-speed circuit</i>					
8	69873GT	VALVE, CHECK <i>HH, Anti-cavitation</i>					
--	74902GT	SEAL KIT, VALVE					
9	27836GT	VALVE,CHECK,5 PSI <i>HI, Anti-cavitation</i>					
--	110194GT	SEAL KIT, VALVE, #10					
10	62252GT	VALVE, FLOW DIVIDER COMBINER <i>HJ, Controls flow to square end drive motors in forward and reverse</i>					
--	84135GT	SEAL KIT, VALVE					
11	69873GT	VALVE, CHECK <i>HK, Anti-cavitation</i>					
--	74902GT	SEAL KIT, VALVE					
12	52723GT	VALVE-FLOW REGULATOR 2 GPM <i>HL, Equalizes pressure on both sides of divider/combiner valve FJ</i>					
--	89310GT	SEAL KIT, SOLENOID VALVE					
13	52723GT	VALVE-FLOW REGULATOR 2 GPM <i>HM, Equalizes pressure on both sides of divider/combiner valve FQ</i>					
--	89310GT	SEAL KIT, SOLENOID VALVE					
14	52723GT	VALVE-FLOW REGULATOR 2 GPM <i>HN, Equalizes pressure on both sides of divider/combiner valve FQ</i>					
--	89310GT	SEAL KIT, SOLENOID VALVE					

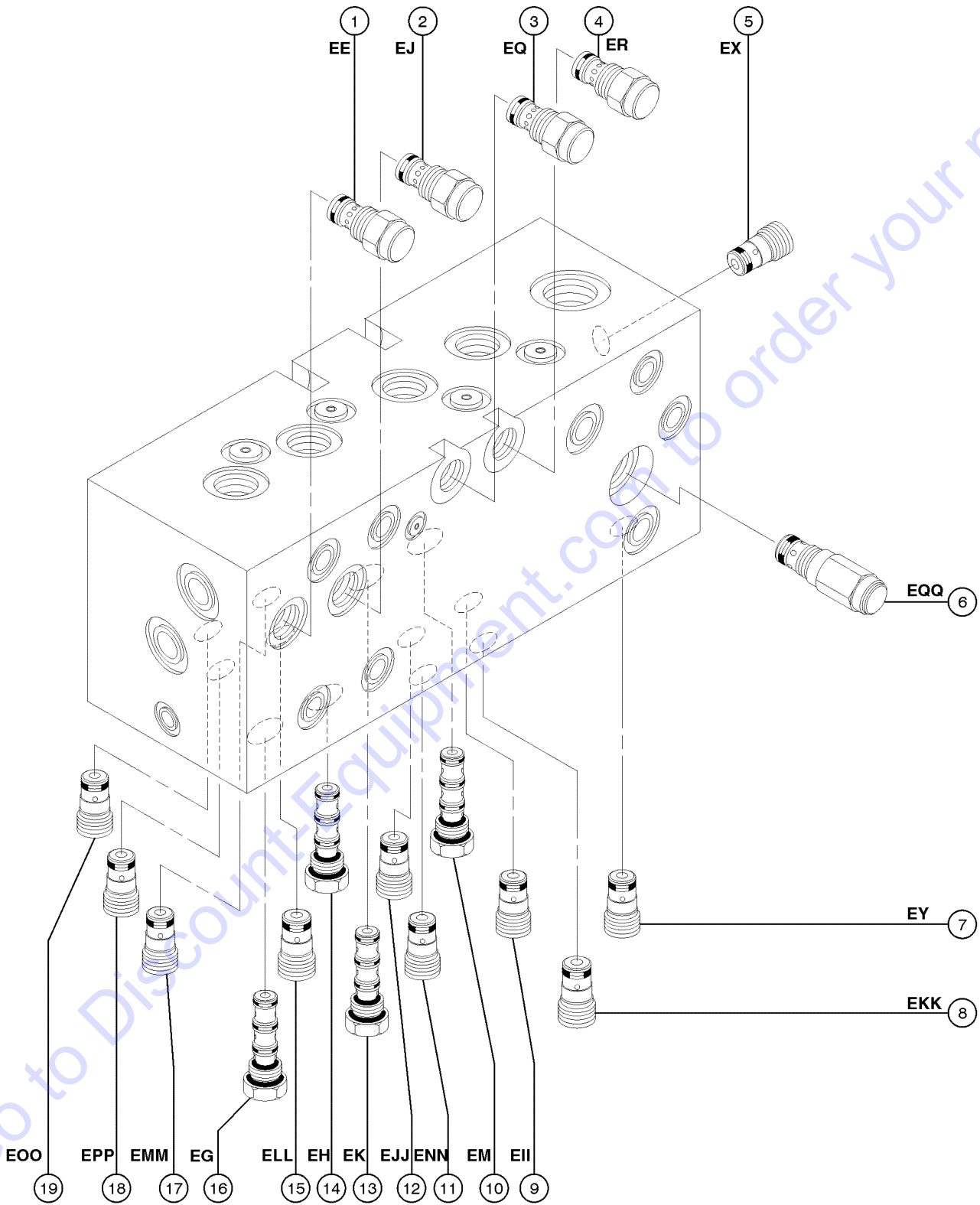
702.1 Steer and Axle Extend/Retract Manifold - View 1



702.1 Steer and Axle Extend/Retract Manifold - View 1

Item	Part No.	Description	Qty.	Item	Part No.	Description	Qty.
--	102701GT	MANIFOLD,4 WHEEL STEER		10	62347GT	VALVE-FLOW REGULATOR, 1.4 GPM* <i>EW, Steering cylinder speed, square end, left side, retract</i>	
1	39346GT	VALVE,SOLENOID 3 POS.4 WAY*** <i>EA, Steering cylinder control, square end, right side</i>		--	44227GT	SEAL KIT, VALVE	
--	104759GT	COIL,12VDC #8 DTSCH IP69 ECOIL		11	62330GT	VALVE,SOLENOID,3POS 4WAY*** <i>ES, Axle extend control</i>	
--	44174GT	NUT-COIL SHORT		--	104760GT	COIL,12VDC #10DTSCH IP69 ECOIL	
--	44229GT	SEAL KIT, VALVE		--	44174GT	NUT-COIL SHORT	
--	44236GT	SPACER-DUAL COIL,#8***		--	44175GT	SPACER-DUAL COIL,#10, SCISSORS	
2	39346GT	VALVE,SOLENOID 3 POS.4 WAY*** <i>EB, Steering cylinder control, square end, left side</i>		--	44230GT	SEAL KIT-P.N.44169,44172,44171	
--	104759GT	COIL,12VDC #8 DTSCH IP69 ECOIL					
--	44174GT	NUT-COIL SHORT					
--	44229GT	SEAL KIT, VALVE					
--	44236GT	SPACER-DUAL COIL,#8***					
3	39346GT	VALVE,SOLENOID 3 POS.4 WAY*** <i>EC, Steering cylinder control, round end, right side</i>					
--	104759GT	COIL,12VDC #8 DTSCH IP69 ECOIL					
--	44174GT	NUT-COIL SHORT					
--	44229GT	SEAL KIT, VALVE					
--	44236GT	SPACER-DUAL COIL,#8***					
4	39346GT	VALVE,SOLENOID 3 POS.4 WAY*** <i>ED, Steering cylinder control, round end left side</i>					
--	104759GT	COIL,12VDC #8 DTSCH IP69 ECOIL					
--	44174GT	NUT-COIL SHORT					
--	44229GT	SEAL KIT, VALVE					
--	44236GT	SPACER-DUAL COIL,#8***					
5	62347GT	VALVE-FLOW REGULATOR, 1.4 GPM* <i>ET, Steering cylinder speed, round end, right side, retract</i>					
--	44227GT	SEAL KIT, VALVE					
6	62346GT	VALVE,FLOW REGULATOR, 2.0 GPM* <i>EU, Steering cylinder speed, round end, left side, extend</i>					
--	44227GT	SEAL KIT, VALVE					
7	62346GT	VALVE,FLOW REGULATOR, 2.0 GPM* <i>EV, Steering cylinder speed, square end, right side, extend</i>					
--	44227GT	SEAL KIT, VALVE					
8	62324GT	VALVE,FLOW CONTROL, 0.1GPM* <i>EO, Bleeds off differential valve to tank</i>					
--	44227GT	SEAL KIT, VALVE					
9	62323GT	VALVE,DIFFERENTIAL SENSE110PSI <i>EP, Meters flow to functions sensing</i>					
--	62337GT	SEAL KIT, VALVE					

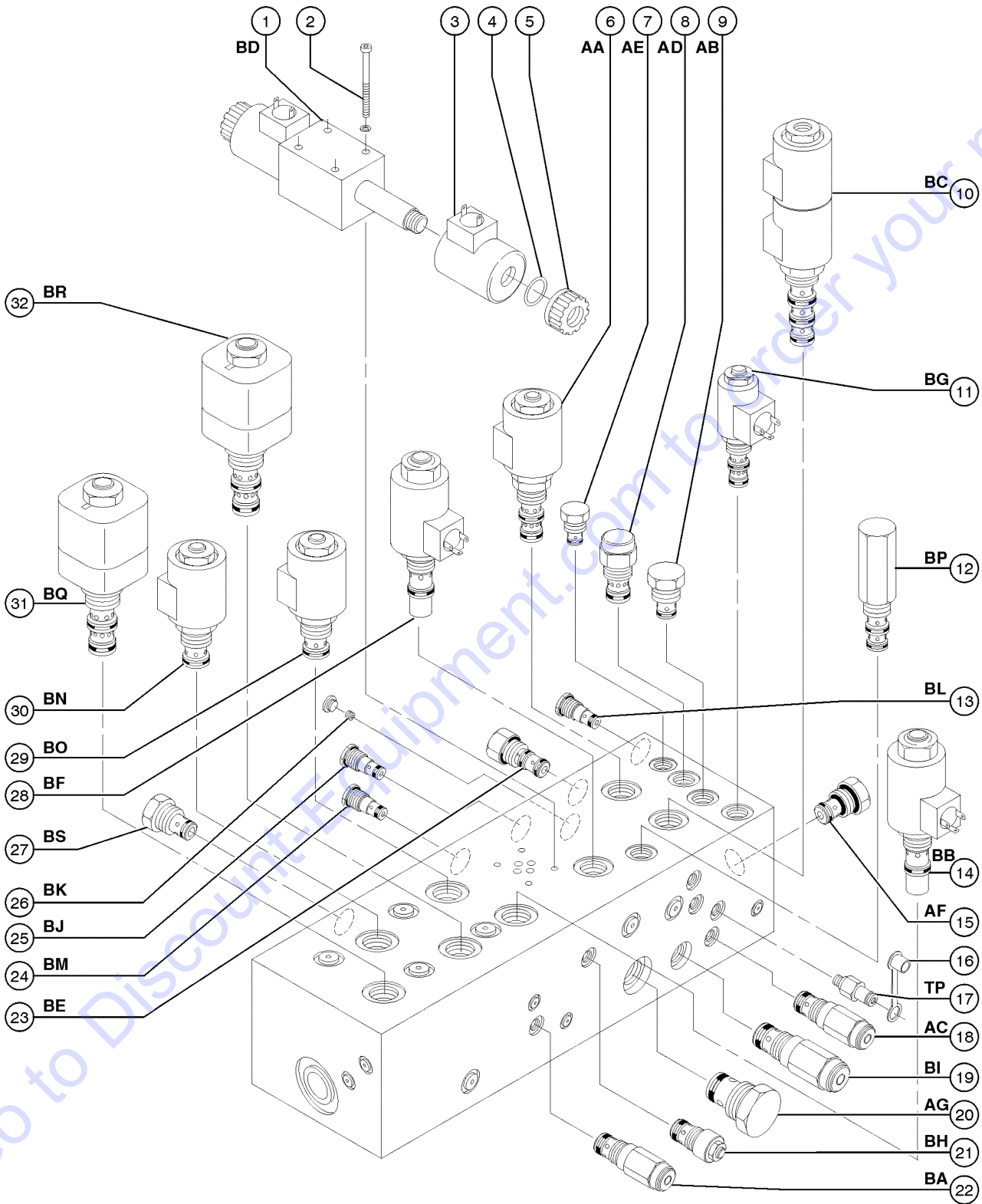
703.1 Steer and Axle Extend/Retract Manifold - View 2



703.1 Steer and Axle Extend/Retract Manifold - View 2

Item	Part No.	Description	Qty.	Item	Part No.	Description	Qty.
--	102701GT	MANIFOLD,4 WHEEL STEER		15	52907GT	VALVE-CHECK, #4 SAE, 5 PSI* <i>ELL, Steering load sense, circle end, right side, retract</i>	
1	62346GT	VALVE,FLOW REGULATOR, 2.0 GPM* <i>EE, Steering cylinder speed</i>		--	62341GT	SEAL KIT,52907,SIZE 4, 2 WAY	
--	44227GT	SEAL KIT, VALVE		16	101958GT	VALVE,CHECK,DUAL PILOT,135 PSI <i>EG, Steering cylinder lock, circle end, left side, extend/retract; to SN 1195</i>	
2	62347GT	VALVE-FLOW REGULATOR, 1.4 GPM* <i>EJ, Steering cylinder speed, circle end, left side, retract</i>		17	52907GT	VALVE-CHECK, #4 SAE, 5 PSI* <i>EMM, Steering load sense, circle end, right side, extend</i>	
--	44227GT	SEAL KIT, VALVE		--	62341GT	SEAL KIT,52907,SIZE 4, 2 WAY	
3	62347GT	VALVE-FLOW REGULATOR, 1.4 GPM* <i>EQ, Steering cylinder speed, square end, right side, retract</i>		18	52907GT	VALVE-CHECK, #4 SAE, 5 PSI* <i>EPP, Steering load sense, circle end, left side, extend</i>	
--	44227GT	SEAL KIT, VALVE		--	62341GT	SEAL KIT,52907,SIZE 4, 2 WAY	
4	62346GT	VALVE,FLOW REGULATOR, 2.0 GPM* <i>ER, Steering cylinder speed, square end, left side, extend</i>		19	52907GT	VALVE-CHECK, #4 SAE, 5 PSI* <i>EOO, Steering load sense, circle end, left side, retract</i>	
--	44227GT	SEAL KIT, VALVE		--	62341GT	SEAL KIT,52907,SIZE 4, 2 WAY	
5	52907GT	VALVE-CHECK, #4 SAE, 5 PSI* <i>EX, Axle extend load sense, both ends</i>					
--	62341GT	SEAL KIT,52907,SIZE 4, 2 WAY					
6	62365GT	VALVE,RELIEF,1800 PSI,AXLE EXT <i>EQQ, Axle extend</i>					
--	44227GT	SEAL KIT, VALVE					
7	52907GT	VALVE-CHECK, #4 SAE, 5 PSI* <i>EY, Axle retract load sense, both ends</i>					
--	62341GT	SEAL KIT,52907,SIZE 4, 2 WAY					
8	52907GT	VALVE-CHECK, #4 SAE, 5 PSI* <i>EKK, Steering load sense, square end, right side, extend</i>					
--	62341GT	SEAL KIT,52907,SIZE 4, 2 WAY					
9	52907GT	VALVE-CHECK, #4 SAE, 5 PSI* <i>ELL, Steering load sense, square end, right side, retract</i>					
--	62341GT	SEAL KIT,52907,SIZE 4, 2 WAY					
10	101958GT	VALVE,CHECK,DUAL PILOT,135 PSI <i>EM, Steering cylinder lock, square end, right side, extend/retract</i>					
11	52907GT	VALVE-CHECK, #4 SAE, 5 PSI* <i>ENN, Steering load sense, square end, left side, retract</i>					
--	62341GT	SEAL KIT,52907,SIZE 4, 2 WAY					
12	52907GT	VALVE-CHECK, #4 SAE, 5 PSI* <i>EJJ, Steering load sense, square end, left side, extend</i>					
--	62341GT	SEAL KIT,52907,SIZE 4, 2 WAY					
13	101958GT	VALVE,CHECK,DUAL PILOT,135 PSI <i>EK, Steering cylinder lock, square end, left side, extend/retract</i>					
14	101958GT	VALVE,CHECK,DUAL PILOT,135 PSI <i>EH, Steering cylinder lock, circle end, right side, extend/retract</i>					

704.1 Function Manifold



704.1 Function Manifold

Item	Part No.	Description	Qty.	Item	Part No.	Description	Qty.
--	122439GT	MANIFOLD,FUNCTION,S120/125 (complete)		--	52373GT	SEAL KIT,52372,SOLENOID VALVE	
--	146193GT	HARNESS, TCON J4 MANIFOLD 2009		--	52466GT	NUT,PROPORTNL. COIL,52372,GS68	
1	102394GT	VLV,SOL,DO3,REXROTH,3POS 4 WAY BD, Boom up/down (valve doesn't come with the coils)		--	62335GT	COIL,PROPORTIONAL,62327,DIN	
--	102395GT	SEAL KIT,REXROTH DO3 VALVE		15	44178GT	VALVE,CHECK,5 PSI** AF, Blocks flow from auxiliary pump, ports 2A and 3A to pump 2	
2	45916GT	SCREW,SHC,10-24 X 1.250 (D01)		--	44224GT	SEAL KIT, VALVE	
3	97388GT	VALVE ASSY,D03,REX,3POS 4WAY		16	48880GT	CAP,DIAGNOSTIC NIPPLE	
--	102398GT	COIL,DIN,REXROTH DO3 VALVE		17	48997GT	NIPPLE,DIAGNOSTIC,#4 TP, Testing	
4	102395GT	SEAL KIT,REXROTH DO3 VALVE		--	20224GT	DIAGNOSTIC FEMALE Q-DSCNT	
5	102396GT	NUT-COIL,REXROTH DO3 VALVE		--	49207GT	NIPPLE,DIAGNOSTIC,ORFS,FM,SWIV	
6	75458GT	VALVE,SOLENOID,2POS3WAY,SUPRB AA, Auxiliary drive/steer selector		--	75098GT	HARNESS,PRESSURE TRANSDUCER	
--	44174GT	NUT-COIL SHORT		18	52374GT	VALVE,RELIEF,3000PSI,GS68PUMP1 AC, Platform manifold pressure limit	
--	62334GT	COIL,62328/62330,SIZE 10,DIN*		--	44224GT	SEAL KIT, VALVE	
--	62337GT	SEAL KIT, VALVE		19	62325GT	VALVE,RELIEF,2600 PSI,SIZE 10 BI, Turntable, primary lift and boom retract pressure limit	
7	52907GT	VALVE-CHECK, #4 SAE, 5 PSI* AE, Blocks flow from pump 2 to auxiliary pump		--	44224GT	SEAL KIT, VALVE	
--	62341GT	SEAL KIT,52907,SIZE 4, 2 WAY		20	75456GT	VALVE-CHECK SIZE 12(SUPRBOOM)* AG, Blocks flow from auxiliary pump, port 2A to pump 1	
8	75457GT	VALVE-FLOW REGULATOR 3.0 GPM AD, Priority flow to platform		--	62338GT	SEAL KIT,62328,SIZE 12,2 PORT	
--	44225GT	SEAL KIT, VALVE		21	65907GT	PLUG,CAVITY,T-11A,1-2 OPEN	
9	46216GT	VALVE,CHECK,IWP-S/CWP PWR ASSI AB, Blocks flow from pump 1 and 2 to auxiliary pump		22	52905GT	VALVE-RELIEF,1800 PSI BA, Boom extend pressure limit	
--	44227GT	SEAL KIT, VALVE		--	44227GT	SEAL KIT, VALVE	
10	62330GT	VALVE,SOLENOID,3POS 4WAY*** BC, Turntable rotate control, left/right		23	62324GT	VALVE,FLOW CONTROL, 0.1GPM* BE, Leads off differential sensing valve to tank	
--	44174GT	NUT-COIL SHORT		--	44227GT	SEAL KIT, VALVE	
--	44175GT	SPACER-DUAL COIL,#10, SCISSORS		24	52907GT	VALVE-CHECK, #4 SAE, 5 PSI* BM, Extension cylinder load sense check	
--	44230GT	SEAL KIT-P.N.44169,44172,44171		--	62341GT	SEAL KIT,52907,SIZE 4, 2 WAY	
--	62334GT	COIL,62328/62330,SIZE 10,DIN*		25	52907GT	VALVE-CHECK, #4 SAE, 5 PSI* BJ, Primary lift load sense check	
11	62326GT	VALVE,PROPORTIONAL SOLENOID* BG, Turntable rotate, proportional speed control		--	62341GT	SEAL KIT,52907,SIZE 4, 2 WAY	
--	44227GT	SEAL KIT, VALVE		26	62336GT	ORIFICE PLUG, 0.040 BK, Differential sensing damping	
--	62332GT	COIL,PROPORTNL.62326,SIZE8,DIN		27	75465GT	VALVE-CHECK, #12 SAE,30 PSI BS, Back pressure check, boom extend	
--	62349GT	NUT,COIL,PROPORTNL.VALVE		--	62338GT	SEAL KIT,62328,SIZE 12,2 PORT	
12	75462GT	VALVE,DIFFERENTIAL SENSE230PSI BP, Directs flow to functions		28	75464GT	VALVE,SOLENOID,PROPORT. N.C. BF, Primary lift, proportional speed control	
--	62337GT	SEAL KIT, VALVE		--	52373GT	SEAL KIT,52372,SOLENOID VALVE	
13	46216GT	VALVE,CHECK,IWP-S/CWP PWR ASSI BL, Turntable rotate load sense check		--	52466GT	NUT,PROPORTNL. COIL,52372,GS68	
--	44227GT	SEAL KIT, VALVE		--	62335GT	COIL,PROPORTIONAL,62327,DIN	
14	75464GT	VALVE,SOLENOID,PROPORT. N.C. BB, Boom extend/retract proportional speed control					

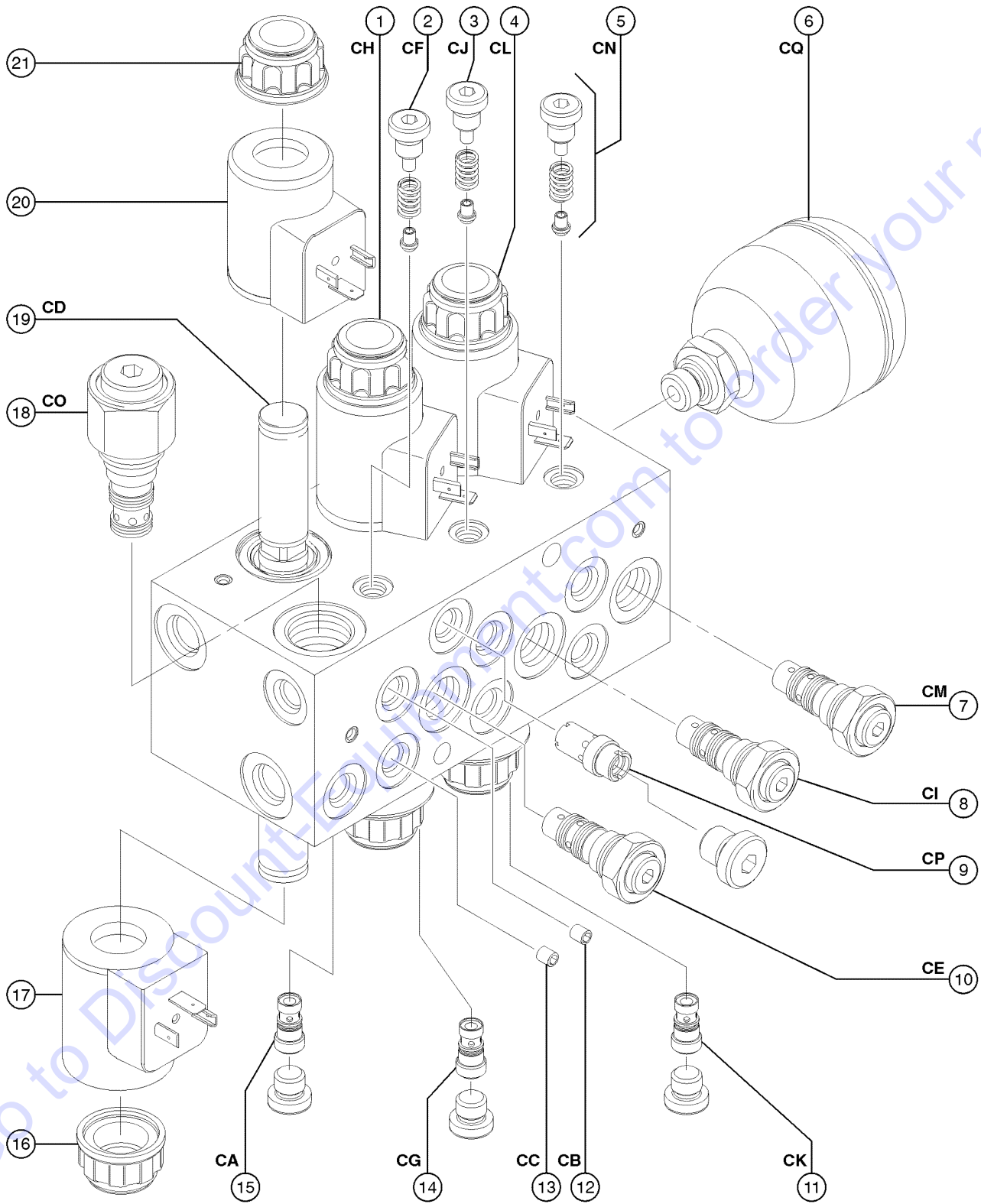
704.1 Function Manifold
(continued)

Item	Part No.	Description	Qty.
29	62328GT	VALVE,SOLENOID,NC,POPPET* <i>BO, Boom extend sequence control</i>	
--	44174GT	NUT-COIL SHORT	
--	62334GT	COIL,62328/62330,SIZE 10,DIN*	
--	62338GT	SEAL KIT,62328,SIZE 12,2 PORT	
30	62328GT	VALVE,SOLENOID,NC,POPPET* <i>BN, Boom retract sequence control</i>	
--	44174GT	NUT-COIL SHORT	
--	62334GT	COIL,62328/62330,SIZE 10,DIN*	
--	62338GT	SEAL KIT,62328,SIZE 12,2 PORT	
31	75463GT	VALVE,SOLENOID, 2POS 3WAY <i>BQ, Boom retract control</i>	
--	62333GT	COIL,62329,SIZE12,W/FRAME,DIN*	
--	62339GT	SEAL KIT,62329,SIZE 12, 3 WAY	
--	62344GT	NUT,COIL,DOMED,SIZE 12, 62329	
32	62329GT	VALVE,SOLENOID, 2POS 3WAY* <i>BR, Boom extend control</i>	
--	62333GT	COIL,62329,SIZE12,W/FRAME,DIN*	
--	62339GT	SEAL KIT,62329,SIZE 12, 3 WAY	
--	62344GT	NUT,COIL,DOMED,SIZE 12, 62329	

This Page Intentionally Left Blank

Go to Discount-Equipment.com to order your parts

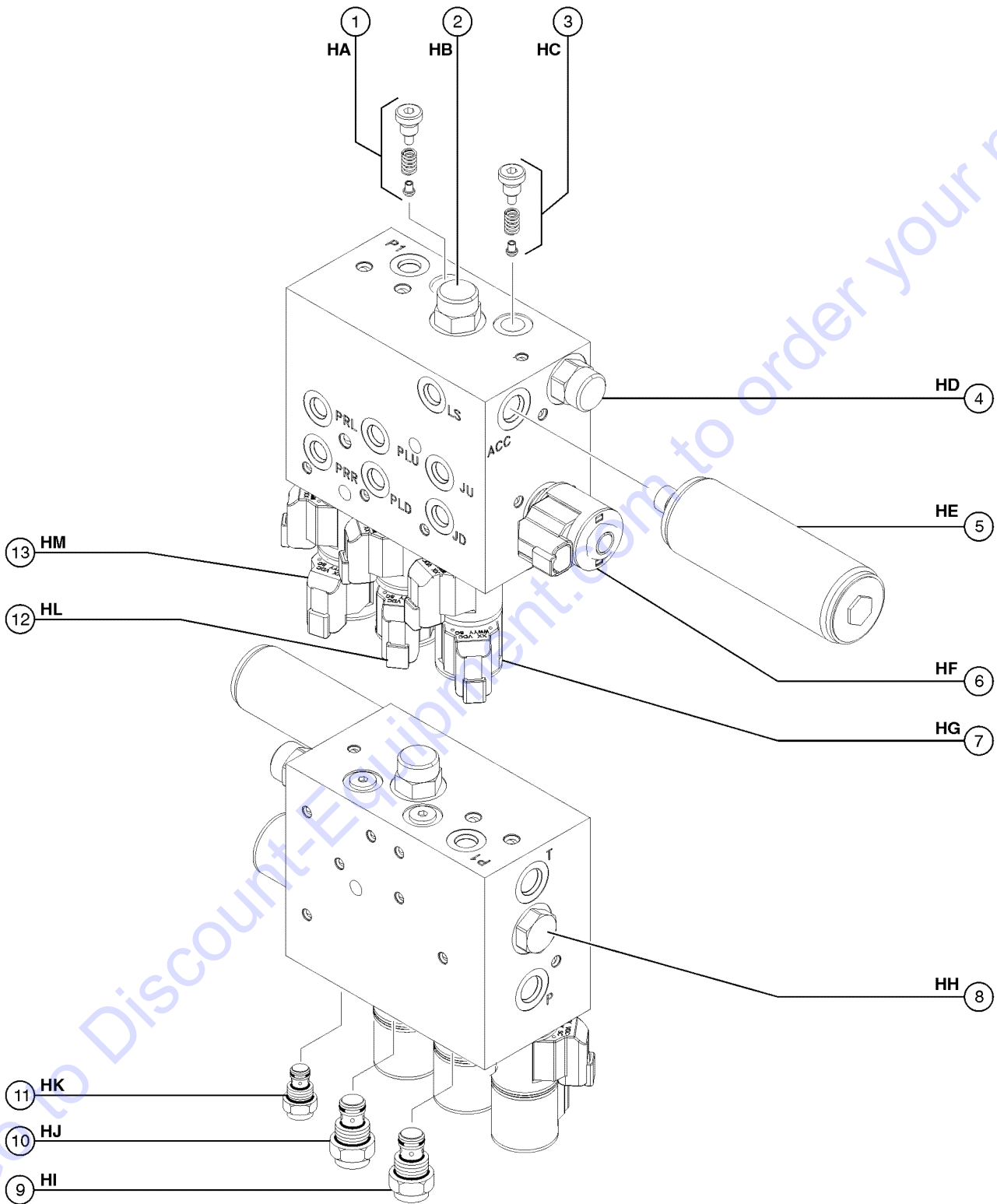
705.1 Platform Manifold, S-125 (to SN S12512D-175)



705.1 Platform Manifold, S-125 (to SN S12512D-175)

Item	Part No.	Description	Qty.	Item	Part No.	Description	Qty.
--	230993GT	S105/125 PLAT MNFD SRV KIT <i>Shown manifold is no longer available. For a complete and first time replacement of previous manifold 60365 order service kit 230993 (includes manifold part 233942, accumulator part 122964 and harness part 122954, refer to 705.2 and 603.1)</i>		15	62359GT	VALVE,SHUTTLE, HYDAC <i>CA, Platform rotate load sense circuit</i>	
1	62350GT	VALVE,SOLENOID,3POS4WAY,HYDAC <i>CH, Platform level up/down</i>		--	62362GT	SEAL KIT,VALVE 62359, HYDAC	
--	62353GT	COIL,SOLENOID,HYDAC MANIFOLDS		16	62354GT	NUT,SOLENOID VALVE,HYDAC	
--	62354GT	NUT,SOLENOID VALVE,HYDAC		17	62353GT	COIL,SOLENOID,HYDAC MANIFOLDS	
--	62355GT	O-RING,COIL NUT, HYDAC		18	62356GT	VALVE,DIFFERENTIAL SENSE,N.C. <i>CO, Meters flow to functions</i>	
--	62363GT	SEAL KIT,SOLENOID VALVES,HYDAC		--	62360GT	SEAL KIT,VALVE 62356, HYDAC	
2	62442GT	VALVE,CHECK,PLAT.MANIFLD,HYDAC <i>CF, Platform rotate circuit</i>		19		(Ref.) VALVE,SOLENOID,3POS4WAY,HYDAC <i>Solenoid valve part 62352 is no longer available, for replacement order manifold upgrade kit 215546</i>	
3	62442GT	VALVE,CHECK,PLAT.MANIFLD,HYDAC <i>CJ, Platform level circuit</i>		--	215546GT	S100/120 PLAT MNFLD SRV KIT <i>Solenoid valve part 62352 is no longer available, for replacement order manifold upgrade kit 215546</i>	
4	62351GT	VALVE,SOLENOID,3POS4WAY,HYDAC <i>CL, Jib boom up/down</i>		20	62353GT	COIL,SOLENOID,HYDAC MANIFOLDS	
--	62353GT	COIL,SOLENOID,HYDAC MANIFOLDS		21	62354GT	NUT,SOLENOID VALVE,HYDAC	
--	62354GT	NUT,SOLENOID VALVE,HYDAC					
--	62355GT	O-RING,COIL NUT, HYDAC					
--	62363GT	SEAL KIT,SOLENOID VALVES,HYDAC					
5	62442GT	VALVE,CHECK,PLAT.MANIFLD,HYDAC <i>CN, Jib boom circuit</i>					
6	62364GT	ACCUMULATOR,500 PSI,HYDAC <i>CQ, Hydraulic dampening</i>					
7	62357GT	VALVE,DIFFERENTIAL SENSE,N.O. <i>CM, Jib boom differential sensing circuit</i>					
--	62361GT	SEAL KIT,VALVE 62357, HYDAC					
8	62357GT	VALVE,DIFFERENTIAL SENSE,N.O. <i>CI, Platform level circuit</i>					
--	62361GT	SEAL KIT,VALVE 62357, HYDAC					
9	62358GT	VALVE,FLOW CONTROL,3GPM, HYDAC <i>CP, Bleeds off differential sensing valve to tank</i>					
10	62357GT	VALVE,DIFFERENTIAL SENSE,N.O. <i>CE, Platform rotate differential sensing circuit</i>					
--	62361GT	SEAL KIT,VALVE 62357, HYDAC					
11	62359GT	VALVE,SHUTTLE, HYDAC <i>CK, Jib boom load sense circuit</i>					
--	62362GT	SEAL KIT,VALVE 62359, HYDAC					
12	62443GT	ORIFICE PLUG,.03,PLATF. HYDAC <i>CB, Platform rotate left circuit</i>					
13	62443GT	ORIFICE PLUG,.03,PLATF. HYDAC <i>CC, Platform rotate right circuit</i>					
14	62359GT	VALVE,SHUTTLE, HYDAC <i>CG, Platform level load sense circuit</i>					
--	62362GT	SEAL KIT,VALVE 62359, HYDAC					

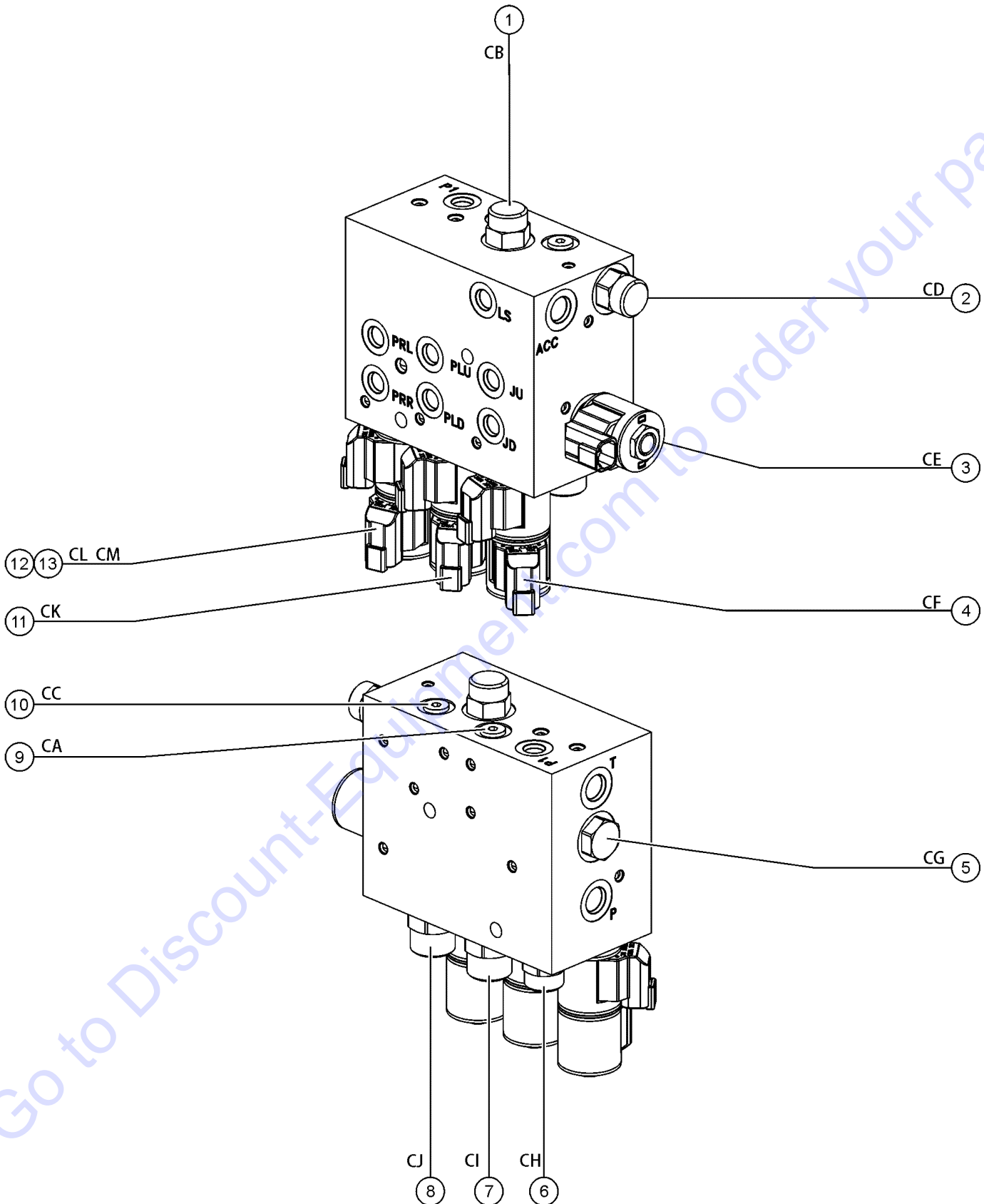
705.2 Platform Manifold, S-125 (from SN S12512D-176 to S125D-1641)



705.2 Platform Manifold, S-125 (from SN S12512D-176 to S125D-1641)

Item	Part No.	Description	Qty.	Item	Part No.	Description	Qty.
--	233942GT	MANIFOLD PLATFORM W/JIB <i>Does not include accumulator part 122964</i>		--	229405GT	CHECK VALVE DISC.....	1
1	52907GT	VALVE-CHECK, #4 SAE, 5 PSI* <i>Platform load sense circuit, platform level</i>		--	230983GT	VITON SEAL KIT, VALVE	
--	62341GT	SEAL KIT,52907,SIZE 4, 2 WAY		--	44174GT	NUT-COIL SHORT	
2	T107736GT	DIFFERENTIAL SENS VLV,8,150PSI <i>Directs flow to functions</i>					
--	52371GT	SEAL KIT, VALVE					
3	52907GT	VALVE-CHECK, #4 SAE, 5 PSI* <i>Platform load sense circuit, jib up and down</i>					
--	62341GT	SEAL KIT,52907,SIZE 4, 2 WAY					
4	62324GT	VALVE, FLOW CONTROL, 0.1GPM* <i>Bleeds off differential valve to tank</i>					
--	44228GT	SEAL KIT, VALVE					
5	122964GT	ACCUMULATOR, 5CU IN 500 CHARGE <i>Hydraulic dampening</i>					
6	228866GT	COIL, SOLENOID VALVE <i>Function enable valve</i>					
--	101934GT	VALVE, SOLENOID, 2 POS 2 WAY					
--	44174GT	NUT-COIL SHORT					
--	44228GT	SEAL KIT, VALVE					
7	229407GT	PRO.DIR.CTRL, VLV, 5WY, 3POS.....1 <i>LS Directional Proportional, Jib up and down</i>	1				
--	229411GT	VALVE COIL 10V.....	2				
--	230983GT	VITON SEAL KIT, VALVE					
--	44174GT	NUT-COIL SHORT					
8	46216GT	VALVE, CHECK, IWP-S/CWP PWR ASSI					
--	44227GT	SEAL KIT, VALVE					
9	229406GT	REGULATOR, PRESS-COMP 0.30 GPM <i>Jib boom differential sensing circuit</i>					
--	44225GT	SEAL KIT, VALVE					
10	110180GT	VALVE, COMPENSATOR, 80 PSI <i>Platform level differential sensing circuit</i>					
--	44225GT	SEAL KIT, VALVE					
11	110180GT	VALVE, COMPENSATOR, 80 PSI <i>Platform rotate differential sensing circuit</i>					
--	44228GT	SEAL KIT, VALVE					
12	229407GT	PRO.DIR.CTRL, VLV, 5WY, 3POS <i>LS Directional Proportional, Platform level up and down</i>					
--	229411GT	VALVE COIL 10V.....	2				
--	230983GT	VITON SEAL KIT, VALVE					
--	44174GT	NUT-COIL SHORT					
13	229407GT	PRO.DIR.CTRL, VLV, 5WY, 3POS <i>LS Directional Proportional, Platform rotate left and right</i>					
--	228866GT	COIL, SOLENOID VALVE.....	2				

705.3 Platform Manifold, S-125 (from SN S125D-1642)

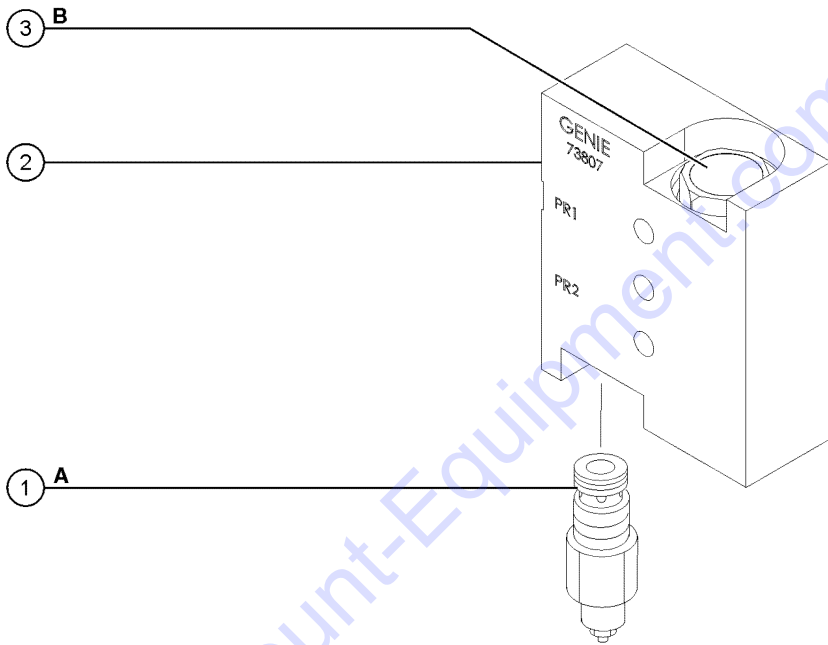


705.3 Platform Manifold, S-125 (from SN S125D-1642)

Item	Part No.	Description	Qty.	Item	Part No.	Description	Qty.
--	233942GT	MANIFOLD PLATFORM W/JIB <i>Does not include accumulator part 122964</i>		13	229405GT	CHECK VALVE DISC.....	1
1	T107736GT	DIFFERENTIAL SENS VLV,8,150PSI <i>Directs flow to functions</i>					
--	52371GT	SEAL KIT, VALVE					
2	62324GT	VALVE,FLOW CONTROL, 0.1GPM* <i>Bleeds off differential valve to tank</i>					
--	44228GT	SEAL KIT, VALVE					
3	228866GT	COIL,SOLENOID VALVE <i>Function enable valve</i>					
--	101934GT	VALVE,SOLENOID,2 POS 2 WAY					
--	44174GT	NUT-COIL SHORT					
--	44228GT	SEAL KIT, VALVE					
4	229410GT	PRO.DIR.CNRL,VLV,5WY,3POS.....1 <i>LS Directional Proportional, Jib up and down</i>					
--	229411GT	VALVE COIL 10V.....2					
--	230983GT	VITON SEAL KIT, VALVE					
--	44174GT	NUT-COIL SHORT					
5	46216GT	VALVE,CHECK,IWP-S/CWP PWR ASSI					
--	44227GT	SEAL KIT, VALVE					
6	229406GT	REGULATOR,PRESS-COMP 0.30 GPM <i>Jib boom differential sensing circuit</i>					
--	44225GT	SEAL KIT, VALVE					
7	110180GT	VALVE, COMPENSATOR, 80 PSI <i>Platform level differential sensing circuit</i>					
--	44225GT	SEAL KIT, VALVE					
8	110180GT	VALVE, COMPENSATOR, 80 PSI <i>Platform rotate differential sensing circuit</i>					
--	44228GT	SEAL KIT, VALVE					
9	52907GT	VALVE-CHECK, #4 SAE, 5 PSI* <i>Platform load sense circuit, platform level</i>					
--	62341GT	SEAL KIT,52907,SIZE 4, 2 WAY					
10	52907GT	VALVE-CHECK, #4 SAE, 5 PSI* <i>Platform load sense circuit, jib up and down</i>					
--	62341GT	SEAL KIT,52907,SIZE 4, 2 WAY					
11	229407GT	PRO.DIR.CTRL,VLV,5WY,3POS <i>LS Directional Proportional, Platform level up and down</i>					
--	229411GT	VALVE COIL 10V.....2					
--	230983GT	VITON SEAL KIT, VALVE					
--	44174GT	NUT-COIL SHORT					
12	229407GT	PRO.DIR.CTRL,VLV,5WY,3POS <i>LS Directional Proportional, Platform rotate left and right</i>					
--	228866GT	COIL,SOLENOID VALVE.....2					
--	230983GT	VITON SEAL KIT, VALVE					
--	44174GT	NUT-COIL SHORT					

Go to Disco.com to order your parts

706.1 Platform Rotate Manifold



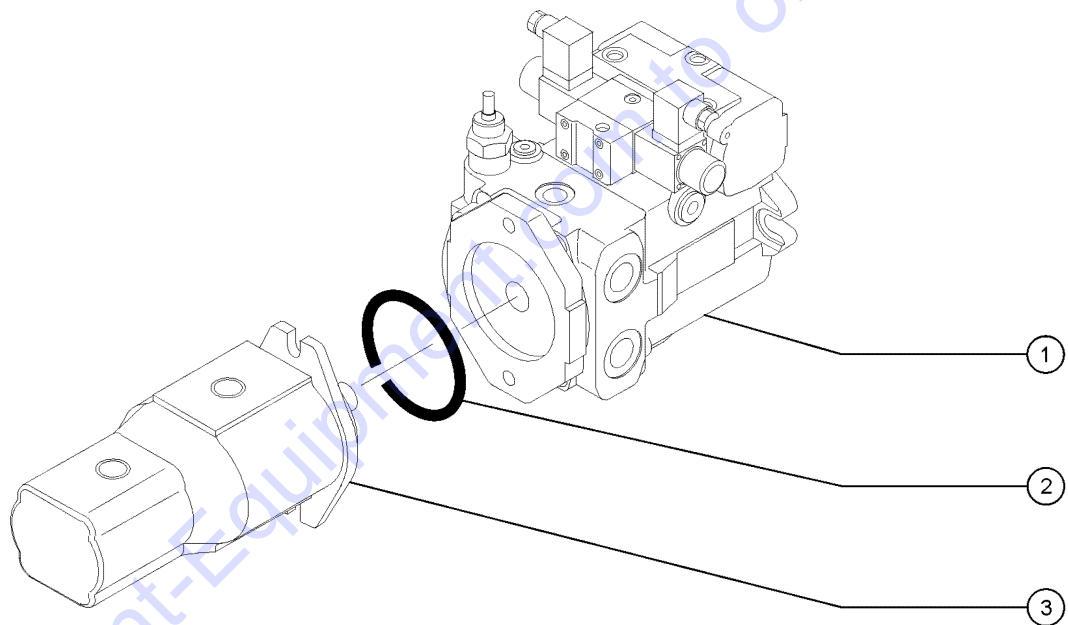
Go to Discount-Equipment.com to order your parts

706.1 Platform Rotate Manifold

Item	Part No.	Description	Qty.
--	49612GT	O-RING KIT (ORFS FITTINGS)	
--	49613GT	PLUG AND CAP KIT-SERVICE,ORFS*	
1	62506GT	VALVE - COUNTERBALANCE**	
2	73807GT	MANIFOLD,ROTATOR,CB***	
--	13852GT	VALVE ASSY,BLEED***	
--	43018GT	SEAL KIT (39345)	
--	62507GT	O-RING, ROTATOR MANIFOLD	
--	88516GT	SCREW,BLEEDER,M5X0.8	
3	62506GT	VALVE - COUNTERBALANCE**	

Go to Discount-Equipment.com to order your parts

707.1 Pumps

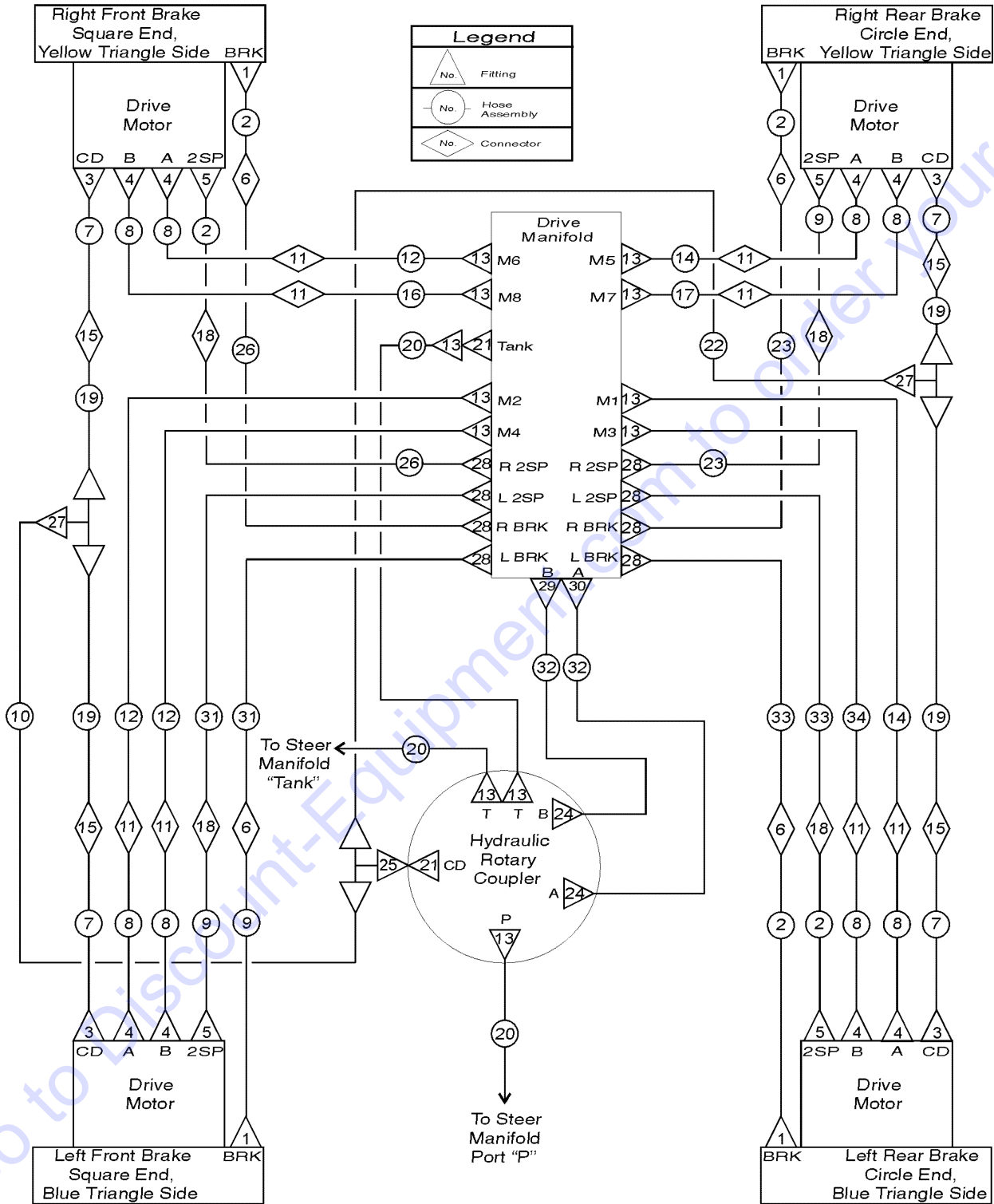


Go to Discount-Equipment.com to order your parts

Item	Part No.	Description	Qty.
1	101068GT	PUMP,PISTON,46CC,B MOUNT,13T**	
--	29739GT	SEAL KIT,SAUER-DANFOSS M46***	
--	77819GT	EDC ASSY,SAUER M46***	
2	52087GT	O-RING,2-044 BUNA***	
3	122495GT	PUMP,2 SEC,29CC X 19CC,FE.....1	
--	122494GT	KIT,SEALS & WEAR PLATE, PUMP	

Go to Discount-Equipment.com to order your parts

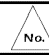
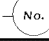
708.1 Hydraulic Hoses and Fittings - Drive System

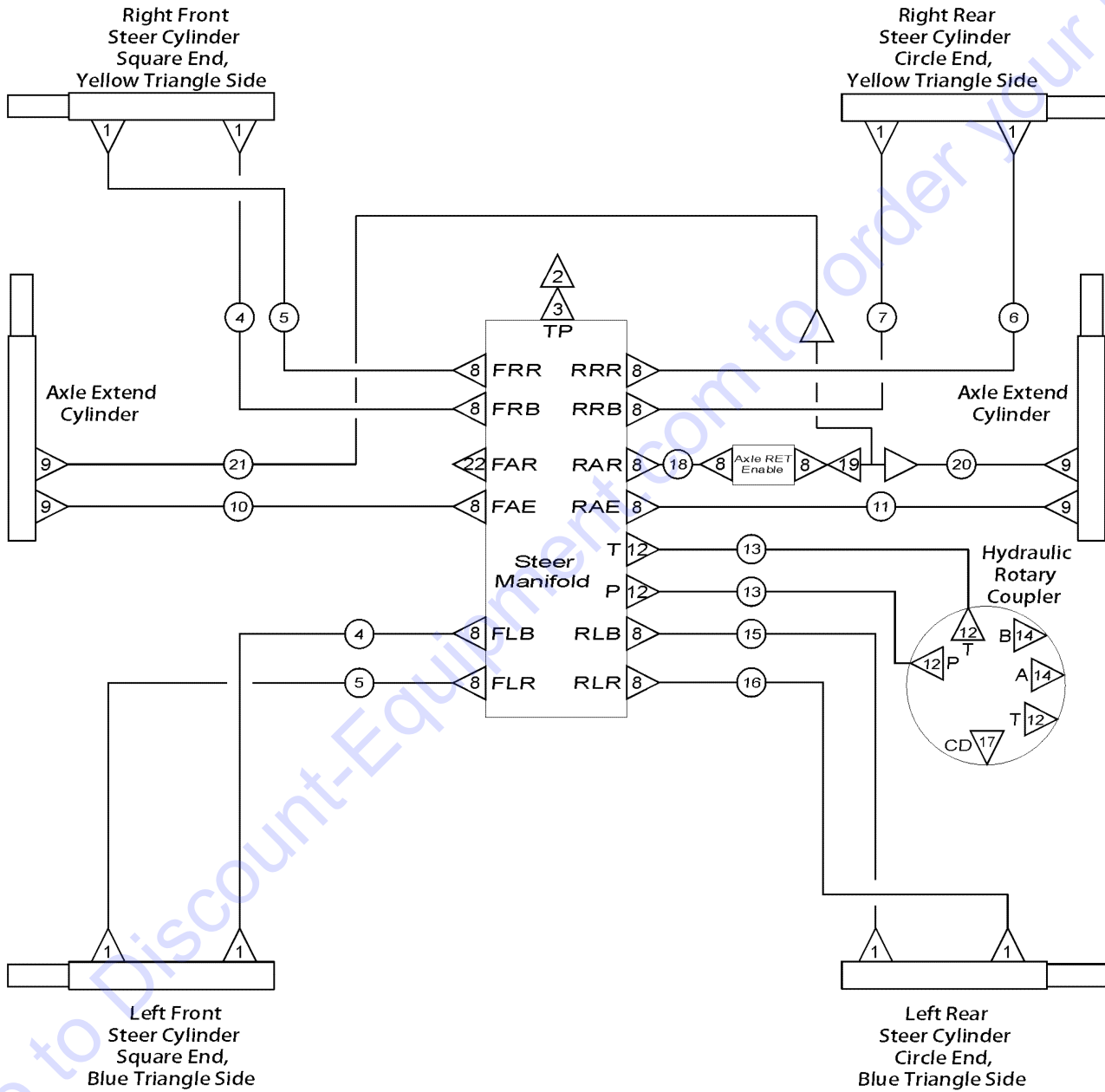


708.1 Hydraulic Hoses and Fittings - Drive System

Item	Part No.	Description	Qty.	Item	Part No.	Description	Qty.
--	49612GT	O-RING KIT (ORFS FITTINGS)		24	48963GT	FITTING,ELBOW,45D,520320-12***	2
--	49613GT	PLUG AND CAP KIT-SERVICE,ORFS*		25	48936GT	TEE,BRANCH,520429-8	1
1	48912GT	CONN,520120-4-6***	4	26	491161537SGT	HOSE ASSY,1/4,45 FEM,STR FEM <i>components: 48800, 48801 and 48751 @ 113 inches</i>	2
2	491165337SGT	HOSE ASSY,1/4,45 FEM,STR FEM <i>components: 48800, 48801 and 48751 @ 51 inches</i>	6	27	75612GT	TEE,BULKHEAD,52N9959-8	2
3	48933GT	CONN,520120-8***		28	48905GT	CONN,520120-4***	8
4	48948GT	CONN,520120-8-12	8	29	61610GT	CONN,LONG,520122-12***	1
5	48904GT	ELBOW,90D,520220-4-4	4	30	48960GT	FITTING,CONN,520120-12***	1
6	61268GT	CONN,BULKHEAD,520801,-4	4	31	491161037SGT	HOSE ASSY,1/4,45 FEM,STR FEM <i>components: 48800, 48801 and 48751 @ 107 inches</i>	2
7	49141-5663GT	HOSE ASSY,1/2 STR FEM,45 DEG** <i>components: 48822, 48826 and 48756 @ 54 inches</i>	4	32	94374-3130GT	HOSE ASSY,3/4,90 FEM,STR FEM <i>components: 48841, 48846 and 94358 @ 28 inches</i>	2
8	61143-5463SGT	HOSE ASSY 1/2" 45 FEM,STR FEM <i>components: 48822, 48826 and 56777 @ 52 inches</i>	8	33	49117-5935GT	HOSE ASSY,1/4,90 FEM,STR FEM <i>components: 48800, 48802 and 48751 @ 57 inches</i>	2
9	491166037SGT	HOSE ASSY,1/4,45 FEM,STR FEM <i>components: 48800, 48801 and 48751 @ 58 inches</i>	2	34	75278-6029GT	HOSE ASSY,1/2,90 FEM,STR FEM <i>components: 48822, 48827 and 56777 @ 58 inches</i>	2
10	49183-4092GT	HOSE ASSY,1/2,STR FEM,STR FEM <i>components: 48822, 48822 and 48756 @ 39 inches</i>	1				
11	48894GT	CONN,BULKHEAD,520601-8	8				
12	61143-11263GT	HOSE ASSY,1/2,45 FEM STR FEM <i>components: 48822, 48826 and 56777 @ 110 inches</i>	3				
13	48933GT	CONN,520120-8***	12				
14	75278-5529SGT	HOSE ASSY,1/2,90 FEM,STR FEM <i>components: 48822, 48827 and 56777 @ 53 inches</i>	2				
15	61346GT	CONN,BULKHEAD,520801,-8	4				
16	61143-11563SGT	HOSE ASSY,1/2,45 FEM STR FEM <i>components: 48822, 48826 and 56777 @ 113 inches</i>	1				
17	75278-5729GT	HOSE ASSY,1/2,90 FEM,STR FEM <i>components: 48822, 48827 and 56777 @ 55 inches</i>	2				
18	61269GT	UNION,BULKHEAD,ORFS,520601,-4	4				
19	49183-5792GT	HOSE ASSY,1/2,STR FEM,STR FEM <i>components: 48822, 48822 and 48756 @ 56 inches</i>	4				
20	49141-2963SGT	HOSE ASSY,1/2,45 FEM,STR FEM <i>components: 48822, 48826 and 48756 @ 54 inches</i>	3				
21	75613GT	CONN,090136-12-8	2				
22	49183-3292GT	HOSE ASSY,1/2,STR FEM,STR FEM <i>components: 48822, 48822 and 48756 @ 31 inches</i>	1				
23	49117-5835GT	HOSE ASSY,1/4,90 FEM,STR FEM <i>components: 48800, 48802 and 48751 @ 56 inches</i>	2				

709.1 Hydraulic Hoses and Fittings - Steer System

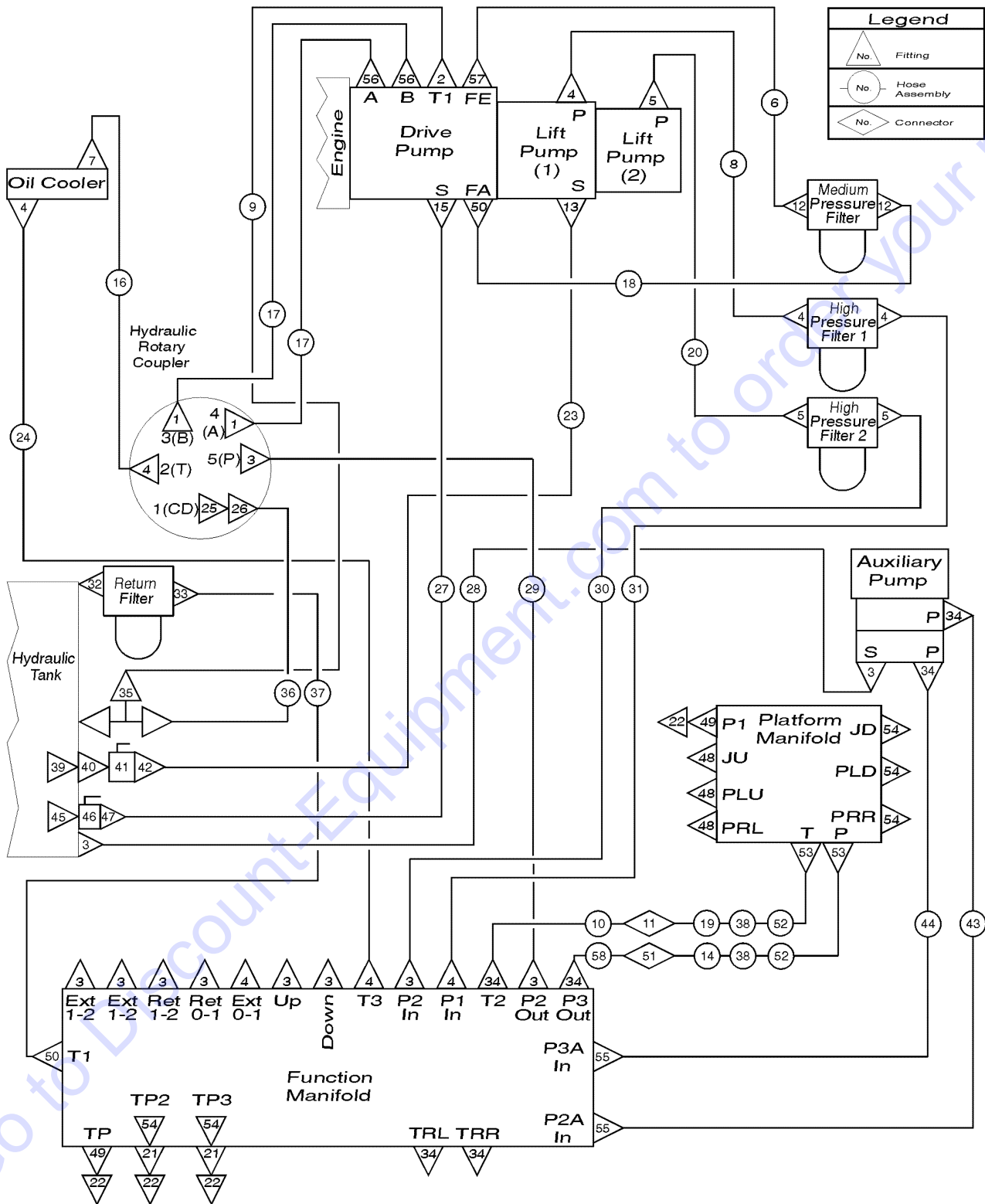
Legend	
	Fitting
	Hose Assembly



709.1 Hydraulic Hoses and Fittings - Steer System

Item	Part No.	Description	Qty.
--	49612GT	O-RING KIT (ORFS FITTINGS)	
--	49613GT	PLUG AND CAP KIT-SERVICE,ORFS*	
1	48911GT	ELBOW,90D,520220-4-6***.....	8
2	48880GT	CAP,DIAGNOSTIC NIPPLE.....	1
3	48997GT	NIPPLE,DIAGNOSTIC,#4.....	1
--	20224GT	DIAGNOSTIC FEMALE Q-DSCNT	
--	75098GT	HARNESS,PRESSURE TRANSDUCER	
4	49117-5035SGT	HOSE ASSY,1/4,90 FEM,STR FEM..... <i>components: 48800, 48802 and 48751 @ 48 inches</i>	2
5	49117-6435GT	HOSE ASSY,1/4,90 FEM,STR FEM..... <i>components: 48800, 48802 and 48751 @ 62 inches</i>	2
6	49116-12237GT	HOSE ASSY,1/4,45 FEM,STR FEM..... <i>components: 48800, 48801 and 48751 @ 120 inches</i>	1
7	49116-10337SGT	HOSE ASSY,1/4,45 FEM,STR FEM..... <i>components: 48800, 48801 and 48751 @ 107 inches</i>	1
8	48912GT	CONN,520120-4-6***.....	13
9	48905GT	CONN,520120-4***.....	4
10	49117-6291GT	HOSE ASSY,1/4,90 FEM,STR FEM..... <i>components: 48800, 48802 and 48751 @ 61 inches</i>	1
11	49119-10678GT	HOSE ASSY,1/4,STR FEM,STR FEM..... <i>components: 48800, 48800 and 48751 @ 105 inches</i>	1
12	48933GT	CONN,520120-8***.....	5
13	49141-2963SGT	HOSE ASSY,1/2,45 FEM,STR FEM..... <i>components: 48822, 48826 and 48756 @ 27 inches</i>	2
14	48963GT	FITTING,ELBOW,45D,520320-12***.....	2
15	49116-10337GT	HOSE ASSY,1/4,45 FEM,STR FEM..... <i>components: 48800, 48801 and 48751 @ 101 inches</i>	1
16	49116-11537SGT	HOSE ASSY,1/4,45 FEM,STR FEM..... <i>components: 48800, 48801 and 48751 @ 113 inches</i>	1
17	75613GT	CONN,090136-12-8.....	1
18	49116-2637GT	HOSE ASSY,1/4,45 FEM,STR FEM..... <i>components: 48800, 48801 and 48751 @ 124 inches</i>	1
19	48908GT	FITTING,TEE,RUN,SWIVEL520432-4.....	1
20	49119-13978GT	HOSE ASSY,1/4,STR FEM,STR FEM..... <i>components: 48800, 48800 and 48751 @ 138 inches</i>	1
21	49117-5835GT	HOSE ASSY,1/4,90 FEM,STR FEM..... <i>components: 48800, 48802 and 48751 @ 56 inches</i>	1
22	48923GT	PLUG,090109A-6.....	1

710.1 Hydraulic Hoses and Fittings - Turntable Components



710.1 Hydraulic Hoses and Fittings - Turntable Components

Item	Part No.	Description	Qty.	Item	Part No.	Description	Qty.
--	49612GT	O-RING KIT (ORFS FITTINGS)		24	61073-5430GT	HOSE ASSY.,3/4",90°FEM,STR FEM <i>components: 48841, 48846 and 48762 @ 51 inches</i>	
--	49613GT	PLUG AND CAP KIT-SERVICE,ORFS*		25	75613GT	CONN,090136-12-8.....1	
1	48963GT	FITTING,ELBOW,45D,520320-12***2		26	48937GT	ELBOW,45D,520320-8.....1	
2	48947GT	ELBOW,90D,520220-8-12		27	491596118SGT	HOSE ASSY,1" HOSE #92.....1 <i>components: 48854, 48855 and 48764 @ 57 inches</i>	
3	48933GT	CONN,520120-8***11		28	49143-3829SGT	HOSE ASSY,1/2" HOSE #83.....1 <i>components: 48822, 48827 and 48756 @ 36 inches</i>	
4	48960GT	FITTING,CONN,520120-12***8		29	49141-4263SGT	HOSE ASSY,1/2" HOSE #90.....1 <i>components: 48822, 48826 and 48756 @ 40 inches</i>	
5	48948GT	CONN,520120-8-12.....3		30	49143-6329SGT	HOSE ASSY,1/2" HOSE #77.....1 <i>components: 48822, 48827 and 48756 @ 61 inches</i>	
6	49143-1929GT	HOSE ASSY,1/2,90 FEM,STR FEM <i>components: 48822, 48827 and 48756 @ 17 inches</i>		31	61073-6230SGT	HOSE ASSEMBLY 3/4 HOSE #75.....1 <i>components: 48841, 48846 and 48762 @ 59 inches</i>	
7	48959GT	FITTING,ELBOW,90D,520220-12.....1		32	61263GT	UNION,STR.THREAD 20.....1	
8	61073-3230GT	HOSE ASSY,3/4,90 FEM,STR FEM** <i>components: 48841, 48846 and 48762 @ 29 inches</i>		33	75654GT	CONN,520120-20.....1	
9	49143-8429GT	HOSE ASSY,1/2,90 FEM,STR FEMEM...1 <i>components: 48822, 48827 and 48756 @ 82 inches</i>		34	48916GT	FITTING,CONN,520120-6.....6	
10	49128-51809GT	HOSE ASSY,3/8" 90 FEM,STR FEM.....1 <i>components: 48812, 48816 and 48753 @ 516 inches</i>		35	48935GT	TEE,RUN,520428-8.....1	
11	61080GT	FITTING,6-6BLKHEADUNION 520601...1		36	49143-7029SGT	HOSE ASSY,1/2,90 FEM,STR FEM <i>components: 48822, 48827 and 48756 @ 68 inches</i>	
12	48932GT	FITTING,ELBOW,90D,520220-8***2		37	75657-2515SGT	HOSE ASSY,1-1/4" HOSE #81.....1 <i>components: 75655, 75655 and 75656 @ 18.75 inches</i>	
13	61352GT	KIT,FLANGE CODE 61 -20.....1		38	111436GT	HYRAULIC TUBE,BOOM CROSSOVER.....2	
14	49130-76382GT	HOSE ASSEMBLY, 3/8.....1 <i>components: 48812, 48812 and 48753 @ 762 inches</i>		--	111437GT	HYDRAULIC TWIN CLAMP	
15	48984GT	CONN,520120-16.....2		39	75257GT	STRAINER ASSY,#24 O-RING.....1	
16	61072-8326GT	HOSE ASSY,3/4,45 FEM,STR FEM <i>components: 48841, 48845 and 48762 @ 80 inches</i>		40	75254GT	UNION,STR.THREAD 24***1	
17	94374-5530GT	HOSE ASSY,3/4,90 FEM,STR FEM** <i>components: 48841, 48846 and 94358 @ 52 inches</i>		41	75256GT	VALVE BALL,24 FSAE-24 FSAE***.....1	
18	49143-2779SGT	HOSE ASSY,1/2,90 FEM,STR FEM.....1 <i>components: 48822, 48827 and 48756 @ 25 inches</i>		42	61083GT	CONN,520120-24.....1	
19	49130-72982GT	HOSE ASSEMBLY, 3/8.....1 <i>components: 48812, 48812 and 48753 @ 728 inches</i>		43	49126-1783GT	HOSE ASSY,3/8,45 FEM,STR FEM <i>components: 48812, 48815 and 48753 @ 15.5 inches</i>	
20	49143-3529GT	HOSE ASSY,1/2,90 FEM,STR FEM** <i>components: 48822, 48827 and 48756 @ 33 inches</i>		44	49128-1650GT	HOSE ASSEMBLY-3/8" <i>components: 48812, 48816 and 48753 @ 14.31 inches</i>	
21	49207GT	NIPPLE,DIAGNOSTIC,ORFS,FM,SWIV...3		45	75253GT	STRAINER ASSY,#16 O-RING.....1	
--	20224GT	DIAGNOSTIC FEMALE Q-DSCNT		46	48996GT	VALVE,BALL,16 MSAE-16 FSAE***1	
--	75098GT	HARNESS,PRESSURE TRANSDUCER		47	48985GT	ELBOW,45D,520320-16.....1	
22	48880GT	CAP,DIAGNOSTIC NIPPLE.....3		48	61259GT	ELBOW,90D,LONG,521520-4.....3	
23	75288-5538SGT	HOSE ASSY 1 1/2",90 FL FEMSTR*.....1 <i>components: 61130, 61336 and 61328 @ 50 inches</i>		49	48997GT	NIPPLE,DIAGNOSTIC,#4.....2	
				--	20224GT	DIAGNOSTIC FEMALE Q-DSCNT	

710.1 Hydraulic Hoses and Fittings - Turntable Components
(continued)

Item	Part No.	Description	Qty.
--	75098GT	HARNESS,PRESSURE TRANSDUCER	
50	48946GT	CONN,520120-8-10	
51	61321GT	ELBOW,90D,BLKHD,ORFS-6-6 W/NUT.....	2
52	49130-55382GT	HOSE ASSY, 3/8..... (S-125); components: 48812, 48812 and 48753 @ 552 inches	2
--	49130-49382GT	HOSE ASSEMBLY, 3/8..... (S-120); components: 48812, 48812 and 48753 @ 492 inches	2
53	48915GT	ELBOW,90D,520220-6.....	2
54	48904GT	ELBOW,90D,520220-4-4.....	5
55	48920GT	ELBOW,45D,520320-6.....	2
56	48978GT	ELBOW,45D,520320-12-16	
57	48946GT	CONN,520120-8-10	
58	49130-51982GT	HOSE ASSY, 3/8,STR FEM,STR FEM.... components: 48812, 48812 and 48753 @ 518 inches	1

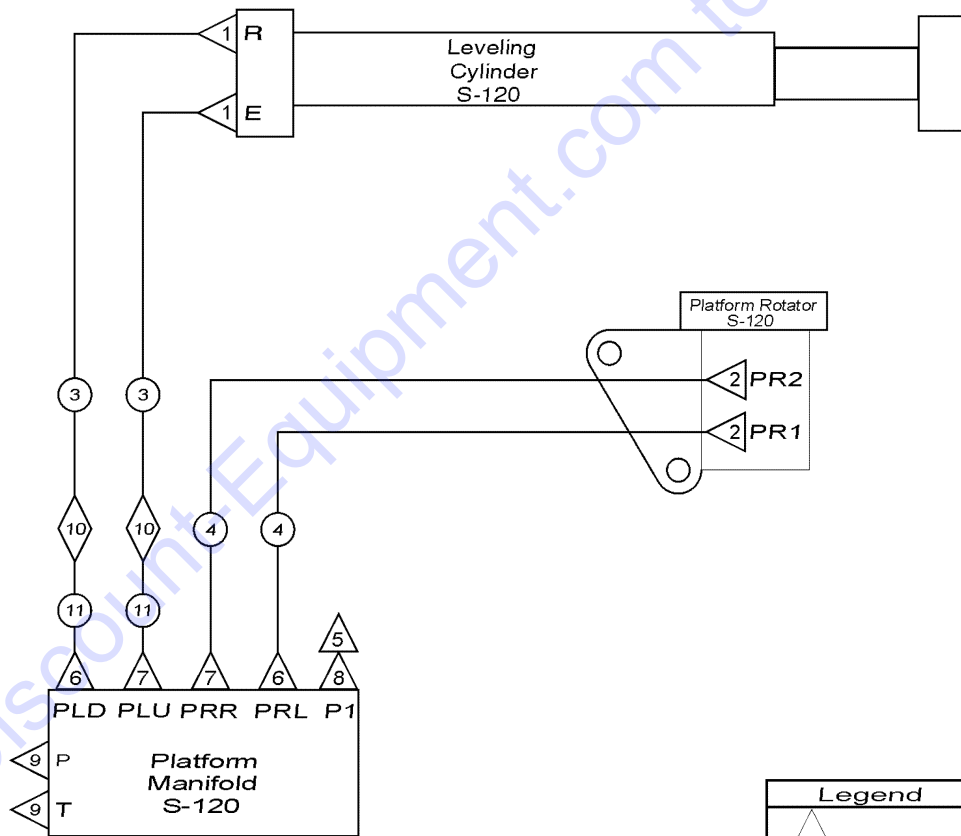
Go to Discount-Equipment.com to order your parts

710.1 Hydraulic Hoses and Fittings - Turntable Components
(continued)

This Page Intentionally Left Blank

Go to Discount-Equipment.com to order your parts

711.1 Hydraulic Hoses and Fittings - Platform Leveling and Rotation, S-120



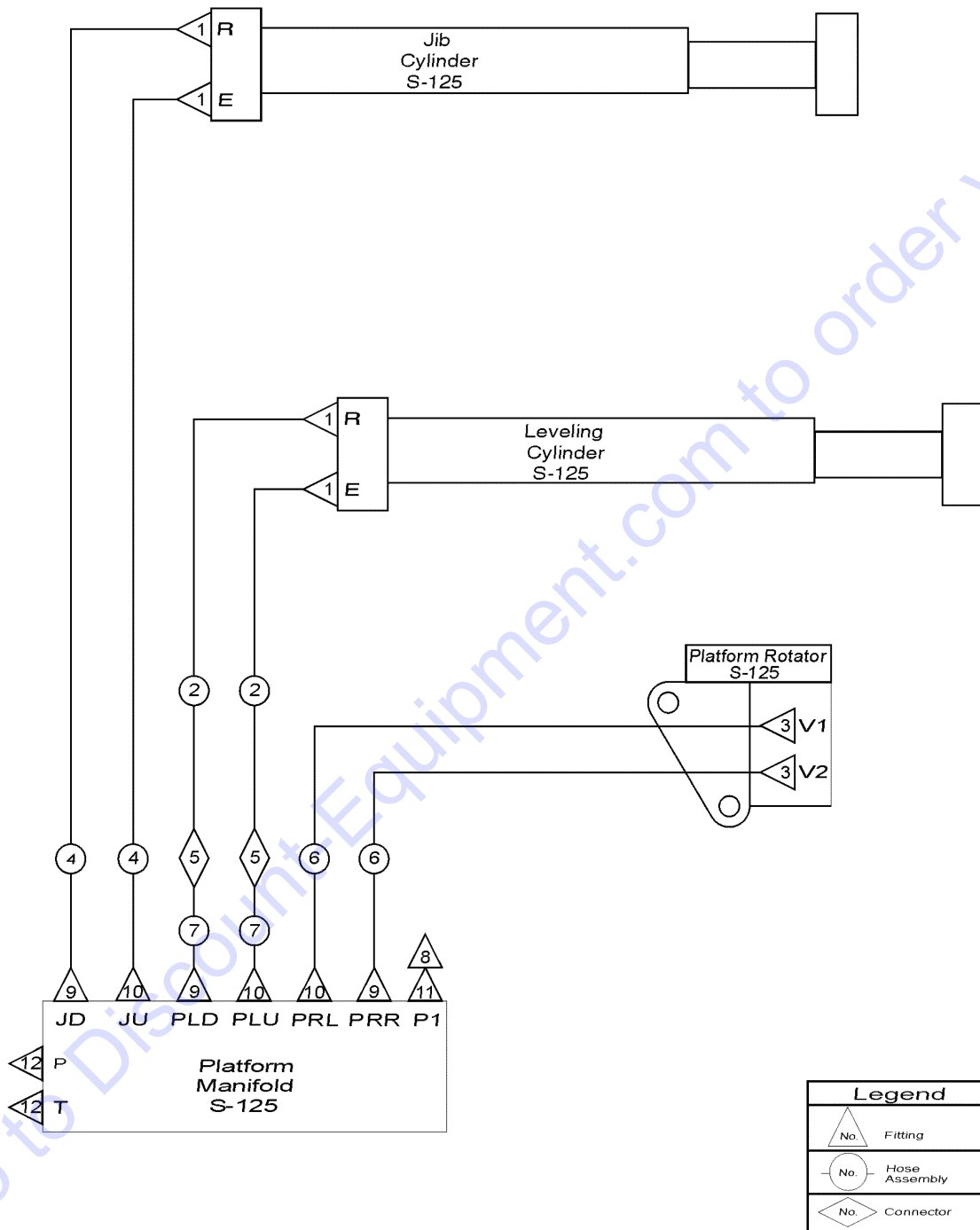
Legend	
	Fitting
	Hose Assembly
	Connector

711.1 Hydraulic Hoses and Fittings - Platform Leveling and Rotation, S-120

Item	Part No.	Description	Qty.
1	48912GT	CONN,520120-4-6***.....	2
2	48907GT	ELBOW,45D,520320-4.....	2
3	49117-3191GT	HOSE ASSY,1/4,90 FEM,STR FEM	
4	49119-3848GT	HOSE ASSY,1/4,STR FEM,STR FEM.....	2
5	48880GT	CAP,DIAGNOSTIC NIPPLE.....	1
6	48904GT	ELBOW,90D,520220-4-4.....	2
7	61259GT	ELBOW,90D,LONG,521520-4.....	2
8	48997GT	NIPPLE,DIAGNOSTIC,#4.....	1
--	20224GT	DIAGNOSTIC FEMALE Q-DSCNT	
--	75098GT	HARNESS,PRESSURE TRANSDUCER	
9	48915GT	ELBOW,90D,520220-6.....	2
10	61079GT	ELBOW,90D,BULKHEAD,520701-4.....	2
11	49117-5591GT	HOSE ASSY,1/4,90 FEM,STR FEM**.....	2

Go to Discount-Equipment.com to order your parts

712.1 Hydraulic Hoses and Fittings - Platform Leveling and Rotation, S-125



712.1 Hydraulic Hoses and Fittings - Platform Leveling and Rotation, S-125

Item	Part No.	Description	Qty.
1	48912GT	CONN,520120-4-6***.....	4
2	49117-2091-SGT	HOSE ASSY,1/4,90 FEM,STR FEM..... <i>components: 48800, 48802 and 48751 @ 19 inches</i>	2
3	48907GT	ELBOW,45D,520320-4.....	5
4	49119-5648GT	HOSE ASSY,1/4,STR FEM,STR FEM..... <i>components: 48800, 48800 and 48751 @ 55 inches</i>	2
5	61079GT	ELBOW,90D,BULKHEAD,520701-4.....	2
6	49119-3848GT	HOSE ASSY,1/4,STR FEM,STR FEM..... <i>components: 48800, 48800 and 48751 @ 37 inches</i>	2
7	49117-12791-SGT	HOSE ASSY,1/4" (#111/112,S125)..... <i>components: 48800, 48802 and 48751 @ 126 inches</i>	2
8	48880GT	CAP,DIAGNOSTIC NIPPLE.....	1
9	48904GT	ELBOW,90D,520220-4-4.....	3
10	61259GT	ELBOW,90D,LONG,521520-4.....	3
11	48997GT	NIPPLE,DIAGNOSTIC,#4.....	1
--	20224GT	DIAGNOSTIC FEMALE Q-DSCNT	
--	75098GT	HARNESS,PRESSURE TRANSDUCER	
12	48915GT	ELBOW,90D,520220-6.....	2

PARTS FINDER

**Search Website
by Part Number**



**Search Manual
Library For Parts
Manual & Lookup Part
Numbers – Purchase
or Request Quote**

Search Manuals

Enter your information to search for a manual or to purchase a manual or parts.

* Brand:

* Model:

* Serial:

* Part Number:

SEARCH

**Can't Find Part or
Manual? Request Help
by Manufacturer,
Model & Description**

Parts Order Form

Please fill in the following information:

Manufacturer:

Model:

Description:

Quantity:

Part Number:

Part Name:

Part Description:

Part Category:

Part Location:

Part Status:

Part Condition:

Part Material:

Part Color:

Part Weight:

Part Dimensions:

Part Price:

Part Notes:

Submit

Discount-Equipment.com is your online resource for quality parts & equipment.

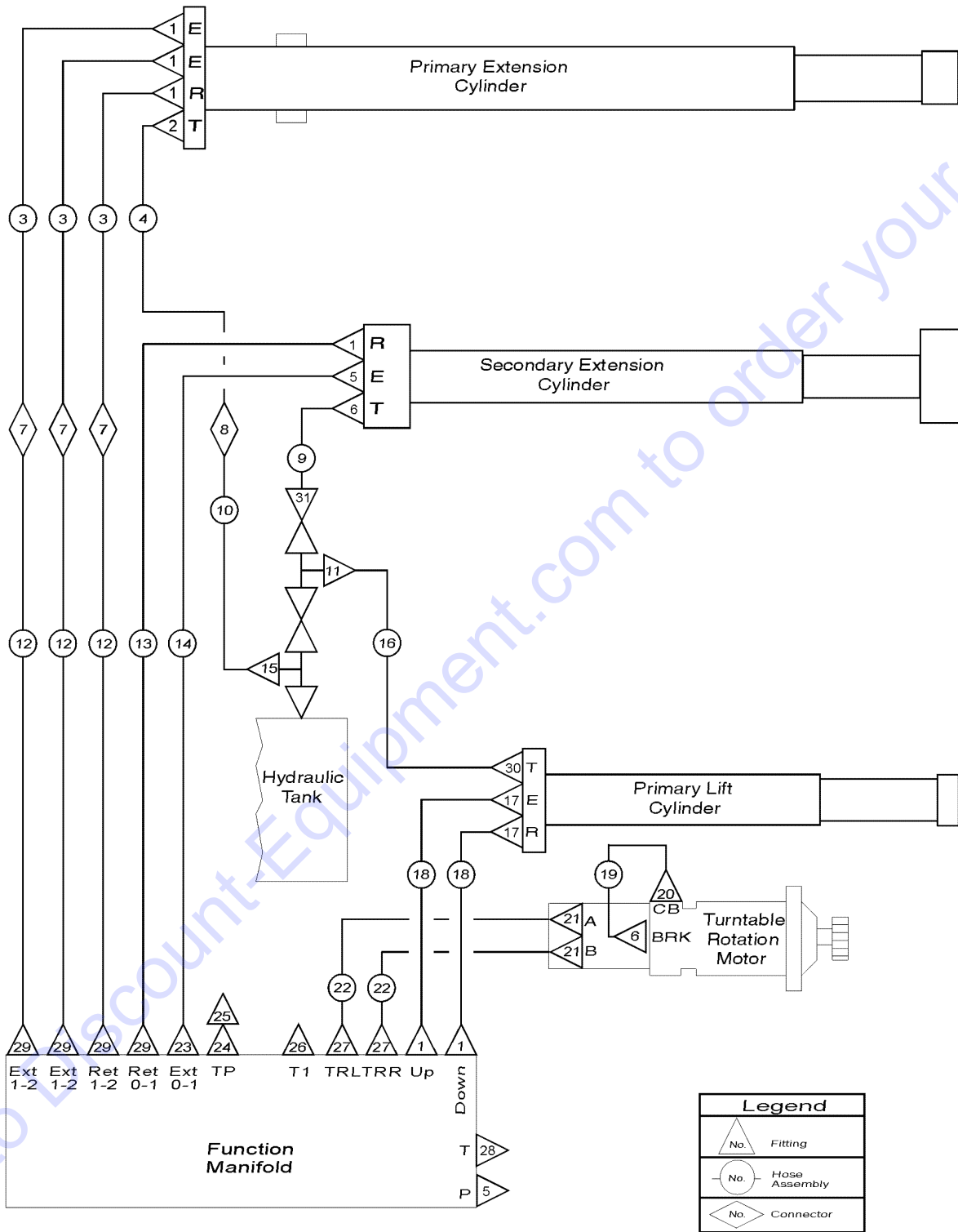
Florida: **561-964-4949** Outside Florida TOLL FREE: **877-690-3101**

Need parts?

Click on this link: <http://www.discount-equipment.com/category/5443-parts/> and choose one of the options to help get the right parts and equipment you are looking for. Please have the machine model and serial number available in order to help us get you the correct parts. If you don't find the part on the website or on one of the online manuals, please fill out the request form and one of our experienced staff members will get back to you with a quote for the right part that your machine needs.

We sell worldwide for the brands: Genie, Terex, JLG, MultiQuip, Mikasa, Essick, Whiteman, Mayco, Toro Stone, Diamond Products, Generac Magnum, Airman, Haulotte, Barreto, Power Blanket, Nifty Lift, Atlas Copco, Chicago Pneumatic, Allmand, Miller Curber, Skyjack, Lull, Skytrak, Tsurumi, Husquvarna Target, Stow, Wacker, Sakai, Mi-T-M, Sullair, Basic, Dynapac, MBW, Weber, Bartell, Bennar Newman, Haulotte, Ditch Runner, Menegotti, Morrison, Contec, Buddy, Crown, Edco, Wyco, Bomag, Laymor, EZ Trench, Bil-Jax, F.S. Curtis, Gehl Pavers, Heli, Honda, ICS/PowerGrit, IHI, Partner, Imer, Clipper, MMD, Koshin, Rice, CH&E, General Equipment, Amida, Coleman, NAC, Gradall, Square Shooter, Kent, Stanley, Tamco, Toku, Hatz, Kohler, Robin, Wisconsin, Northrock, Oztec, Toker TK, Rol-Air, APT, Wylie, Ingersoll Rand / Doosan, Innovatech, Con X, Ammann, Mecalac, Makinex, Smith Surface Prep, Small Line, Wanco, Yanmar

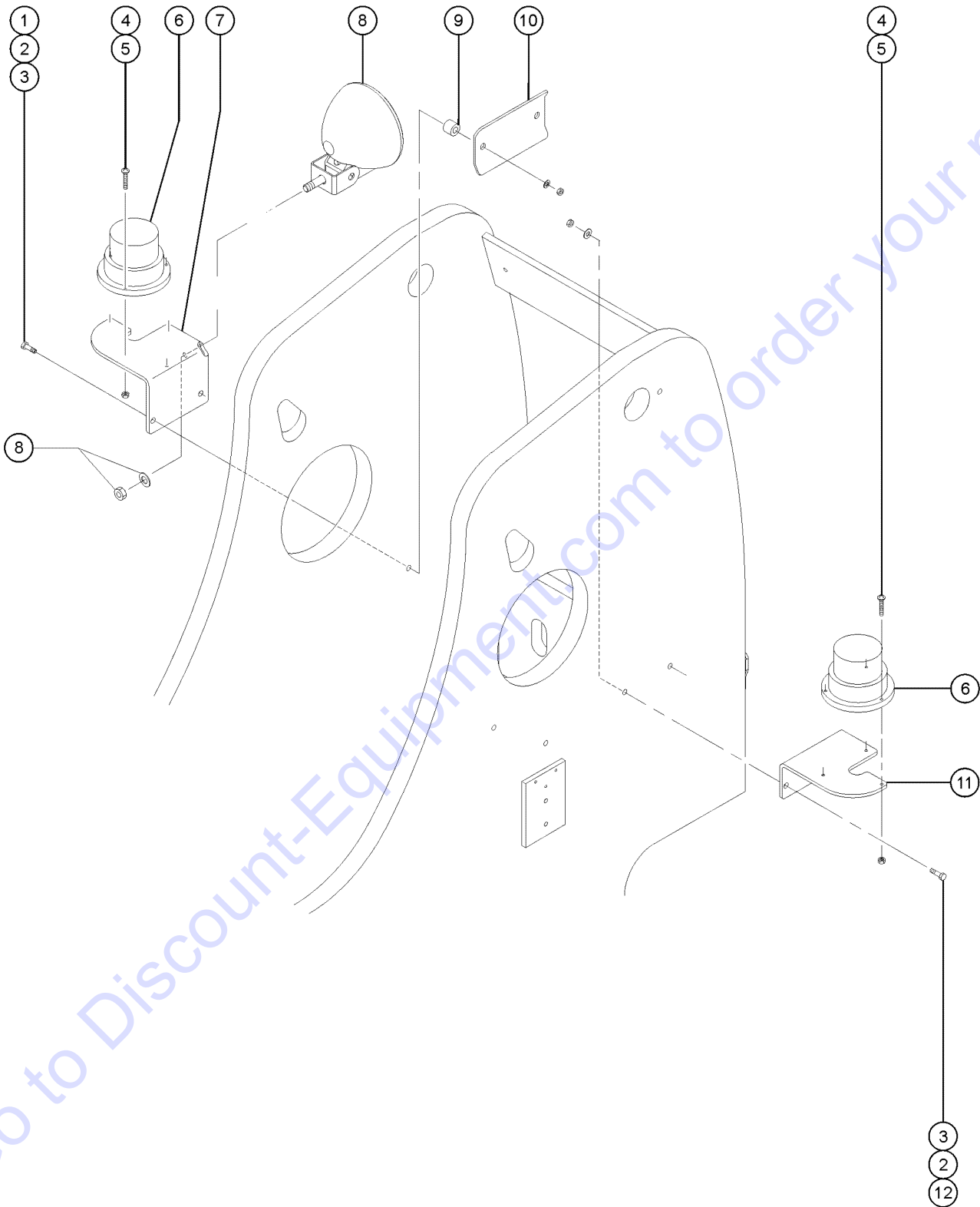
713.1 Hydraulic Hoses and Fittings - Boom Components



713.1 Hydraulic Hoses and Fittings - Boom Components

Item	Part No.	Description	Qty.	Item	Part No.	Description	Qty.
--	49612GT	O-RING KIT (ORFS FITTINGS)		25	48880GT	CAP,DIAGNOSTIC NIPPLE.....	1
--	49613GT	PLUG AND CAP KIT-SERVICE,ORFS*		26	61260GT	REDUCER,520123-20-12.....	1
1	48933GT	CONN,520120-8***.....	6	27	48916GT	FITTING,CONN,520120-6.....	2
2	48907GT	ELBOW,45D,520320-4.....	1	28	48983GT	ELBOW,90D,520220-16.....	1
3	49143-42290GT	HOSE ASSY,1/2,90 FEM,STR FEMM..... <i>components: 48822, 48827 and 48756 @ 420 inches</i>	3	29	48933GT	CONN,520120-8***	
4	49116-42237SGT	HOSE ASSY,1/4,45 FEM,STR FEM..... <i>components: 48800, 48801 and 48751 @ 420 inches</i>	1	30	48907GT	ELBOW,45D,520320-4	
5	48960GT	FITTING,CONN,520120-12***.....	2	31	48892GT	ELBOW,SWIVEL 90D, 520221-6.....	1
6	48905GT	CONN,520120-4***.....	2				
7	48894GT	CONN,BULKHEAD,520601-8.....	3				
8	61269GT	UNION,BULKHEAD,ORFS,520601,-4.....	1				
9	49118-23308GT	HOSE ASSEMBLY <i>components: 48800, 48811 and 48751 @ 231 inches</i>					
10	49120-48181SGT	HOSE ASSEMBLY,1/4"..... <i>components: 48800, 48810 and 48751 @ 480 inches</i>	1				
11	48875GT	TEE,RUN,SWIVEL,520432-6.....	1				
12	49183-46592GT	HOSE ASSY,1/2,STR FEM,STR FEM <i>components: 48822, 48822 and 48756 @ 464 inches</i>					
13	49183-20752GT	HOSE ASSY,1/2,STR FEM,STR FEM..... <i>components: 48822, 48822 and 48756 @ 205 inches</i>	1				
14	61074-20748SGT	HOSE ASSEMBLY,3/4"..... <i>components: 48841, 48841 and 48762 @ 205.20 inches</i>	1				
15	48918GT	TEE,RUN,520428-6.....	1				
16	49118-9708SGT	HOSE ASSEMBLY,1/4" (#106)..... <i>components: 48800, 48811 and 48751 @ 95 inches</i>	1				
17	48937GT	ELBOW,45D,520320-8.....	2				
18	49183-10692SGT	HOSE ASSY,1/2,STR FEM,STR FEM..... <i>components: 48822, 48822 and 48756 @ 105 inches</i>	2				
19	49117-1391SGT	HOSE ASSEMBLY-1/4" (#89)..... <i>components: 48800, 48822 and 48751 @ 12 inches</i>	1				
20	48904GT	ELBOW,90D,520220-4-4.....	1				
21	48931GT	CONN,520120-6-10.....	2				
22	49128-3109SGT	HOSE ASSEMBLY,3/8 <i>components: 48812, 48816 and 48751 @ 29 inches</i>					
23	48960GT	FITTING,CONN,520120-12***					
24	48997GT	NIPPLE,DIAGNOSTIC,#4.....	1				
--	20224GT	DIAGNOSTIC FEMALE Q-DSCNT					
--	75098GT	HARNESS,PRESSURE TRANSDUCER					

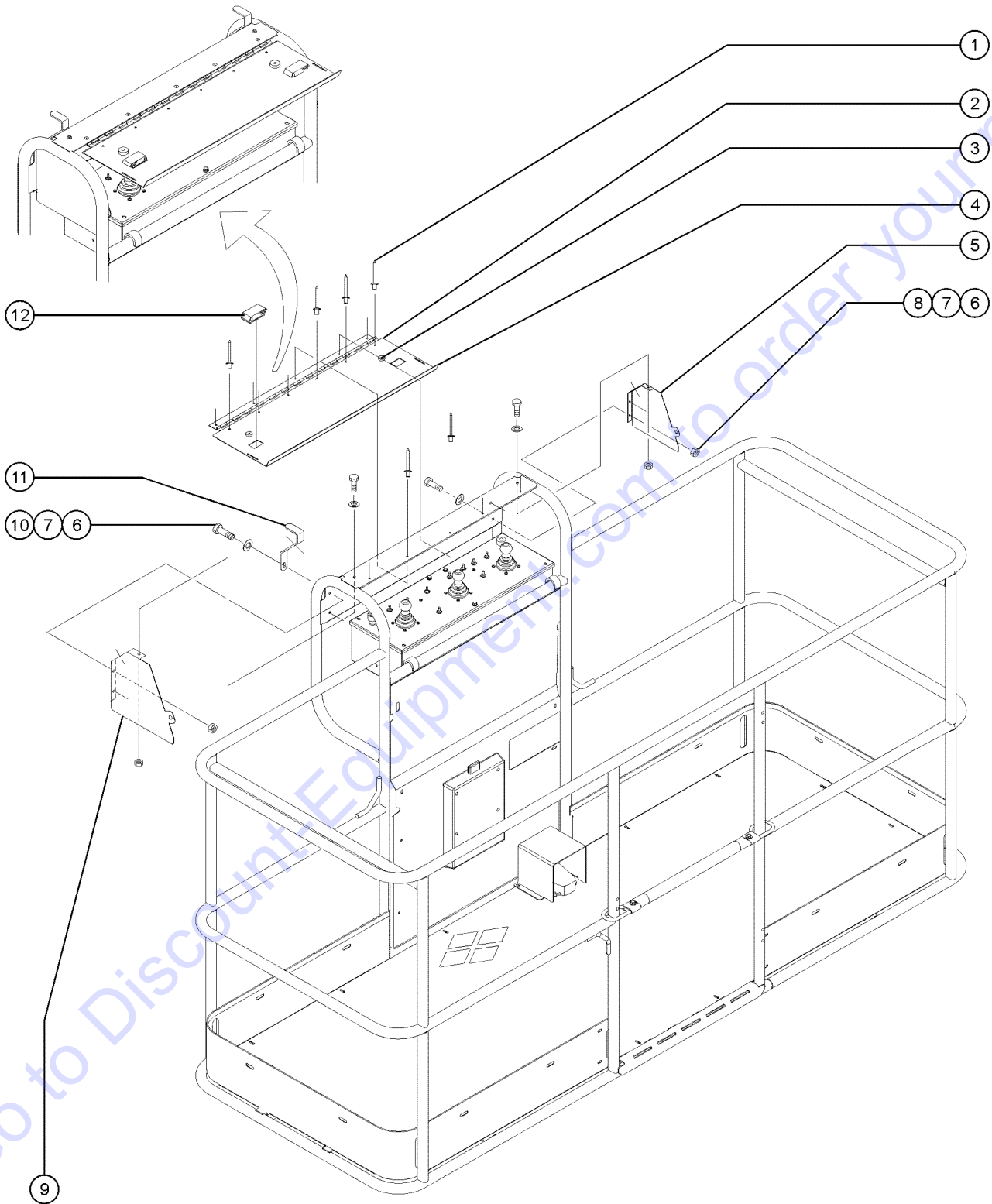
801.1 Alarm and Beacon Package, Driving Lights



801.1 Alarm and Beacon Package, Driving Lights

Item	Part No.	Description	Qty.
--	75641GT	HARNESS,FLASH BEACON SUB ASSY	
--	73121-SGT	OPTION,DRIVING LIGHTS,SB	
--	122323GT	ALARM PKG,S100/120	
1	6605GT	SCREW,HHC,3/8-16 X 3.5,GR5	
2	5397GT	WASHER,FLAT,USS,5/16",Y	
3	4828GT	NUT,NYLOCK,3/8-16	
4	49824GT	SCREW,PHILLIPS,FHM,10-32X1.00	
5	6178GT	NUT,NYLOCK,10-32	
6	56704GT	STROBE,FIREBOLT,12-80VDC,AMB**...2 (replaced 20189)	
--	122019GT	FLASHTUBE,U SHAPED,360DEG,BULB	
--	226393GT	FLASHTUBE,STRAIGHT,360DEG,BULB	
--	72282GT	LENS,AMBER,STROBE,FIREBOLT	
7	60819PGT	BRACKET,STROBE.....2	
--	60838GT	CLAMP,1.00,#16 X 7/16,RUB CUSH	
--	75249-PGT	BRACKET,BEACON,DRIVE LIGHTS,RH shown	
8	107858GT	WORKLIGHT,48 VOLT.....2	
8A	35960GT	BULB,WORKLIGHT,12V 35W	
8B	8255GT	SCREW,HHC,3/8-16 X .75	
8C	6097GT	WASHER,FLAT,USS,3/8",Y	
8D	7713GT	NUT, LP NYLOCK, 3/8-16	
9	122951GT	TUBE,RD,ALUMINUM,1.00X.50X.820	
10	122949GT	FORMING,CLAMP,SIDE PLATE HOSE	
11	60819PGT	BRACKET,STROBE.....2 shown	
--	60838GT	CLAMP,1.00,#16 X 7/16,RUB CUSH	
--	75250-PGT	Bracket, Tank side	
12	8178GT	SCREW,HHC,3/8-16 X 2.5	

802.1 Platform Controls Cover

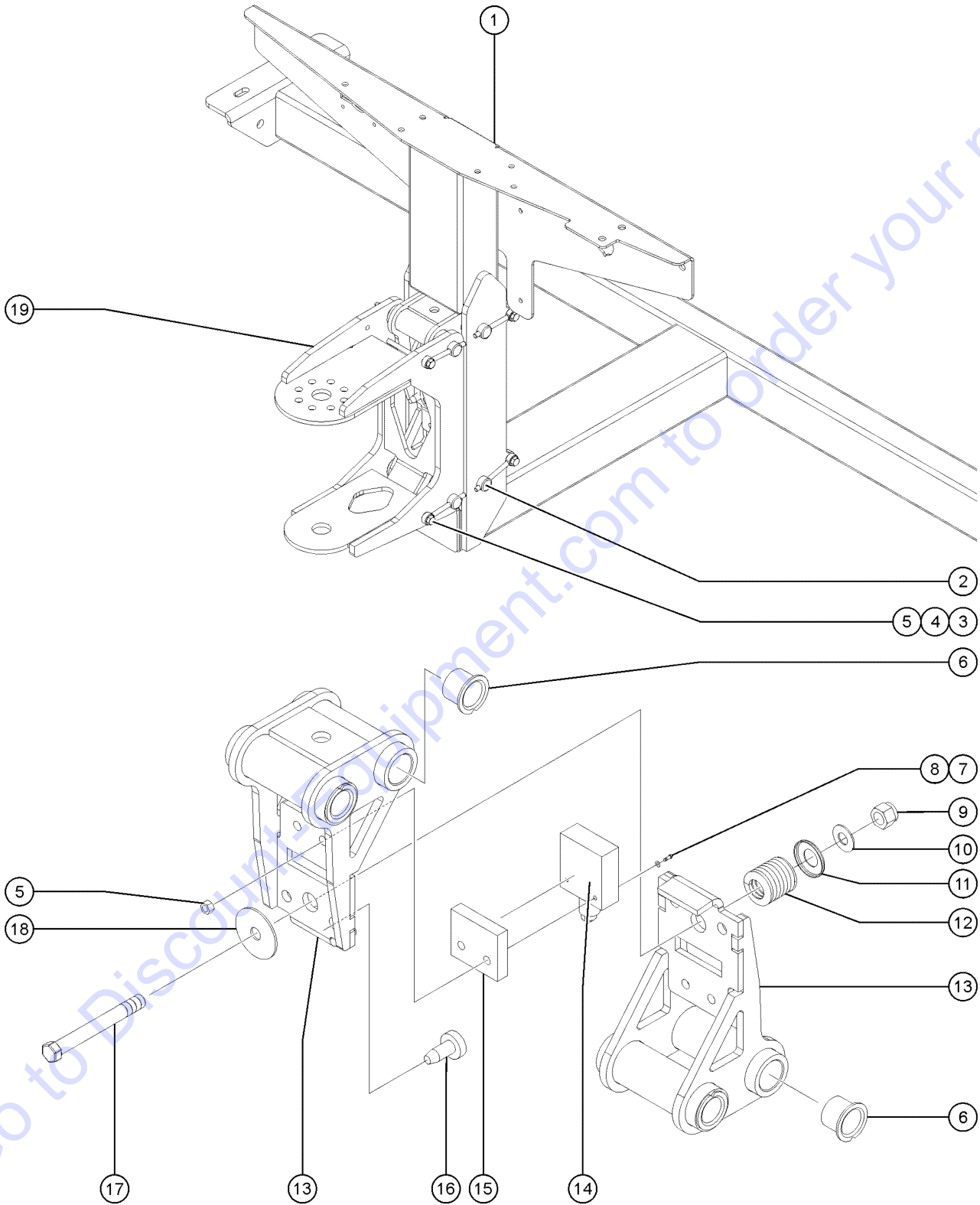


802.1 Platform Controls Cover

Item	Part No.	Description	Qty.
--	T109328GT	ACC,PLAT CONTROL COVER, SERV	
1	54486GT	RIVET,ALUM,ALUM,3/16BUTTONHEAD.11	
2	111526GT	HINGE,PLAT CONTROL BOX COVER...1	
3	43392GT	BUMPER,BATTERY BOX & RAILS.....2	
4	102785PGT	CONTROL BOX COVER,LID,PTD	
--	102676GT	LID ASSY,CONTROL BOX COVER PLT	
5	88606PGT	COVER,CONTROL BOX RIGHT SIDE**.....1	
6	6889GT	NUT,LP NYLOCK,1/4-20	
7	6638GT	WASHER,FLAT,USS,1/4"Y	
8	7339GT	SCREW, HHC, 1/4-20 X .5	
9	88607PGT	COVER,CONTROL BOX LEFT SIDE***.....1	
10	6888GT	SCREW,HHC,1/4-20 X 1	
11	102786PGT	FORMING,LATCH,CTRL BOX LID PTD.....2	
12	30468GT	LATCH,SLIDE, FLUSH MOUNT STYLE.....2	

Go to Discount-Equipment.com to order your parts

803.1 Platform Overload

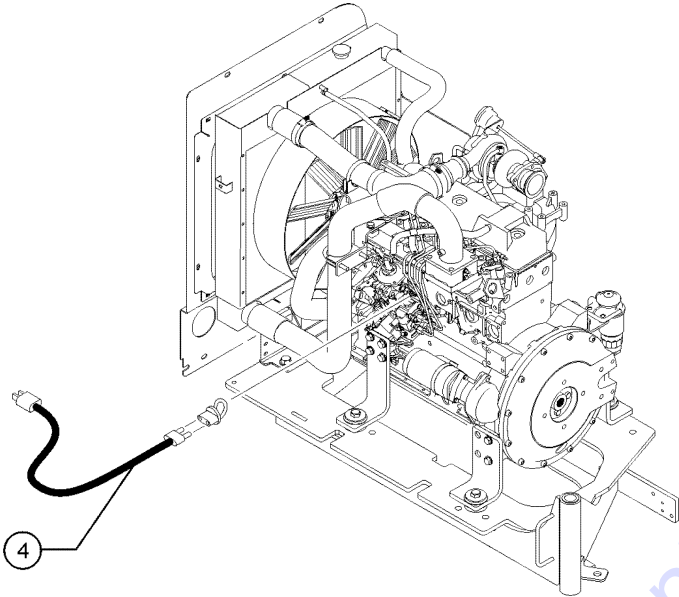


803.1 Platform Overload

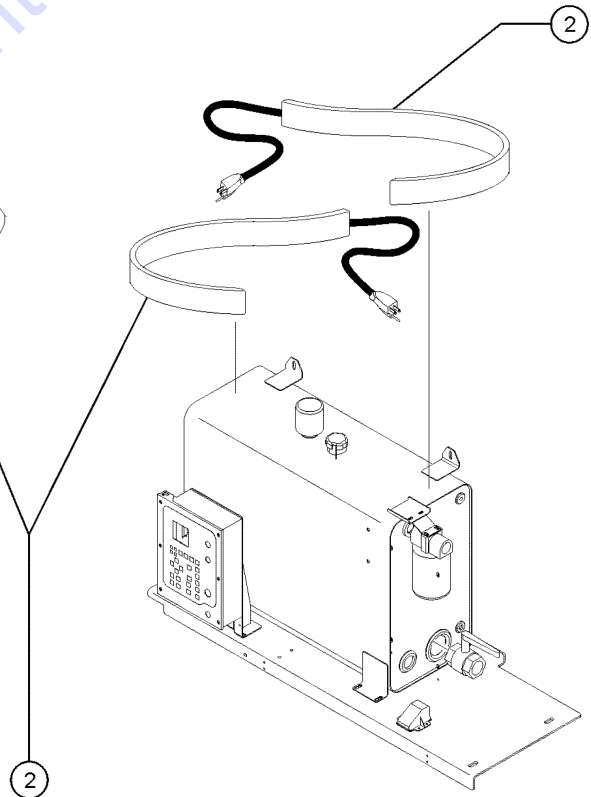
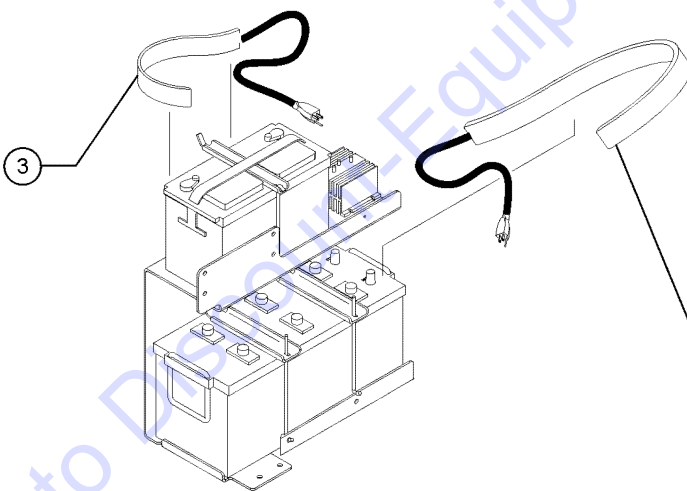
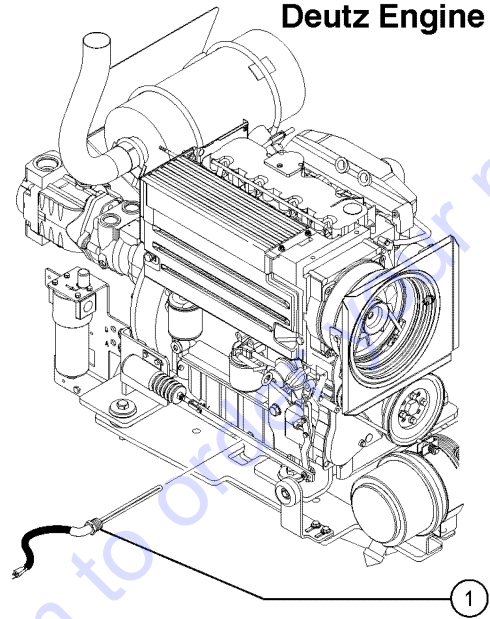
Item	Part No.	Description	Qty.
1	61997GT	WELDMENT,PLATFORM SUPPORT,CE.....1 <i>CE models</i>	1
2	61726GT	PIN,0.75DIA X 5.75LG,CHAMFER.....4	4
--	94643GT	ZERK,GREASE,5/16-24,STRAIT	
3	6888GT	SCREW,HHC,1/4-20 X 1	
4	45748GT	ROD END,.250 X 2.75 LG.....4	4
5	6091GT	NUT,NYLOCK,1/4-20	
6	25685GT	BEARING,GARLOCK,12FDU12.....4	4
7	49817GT	SCREW,PHILLIPS,PHM,10-32 X 1.25 (S-125)	
7	51063GT	SCREW,PHILLIPS,RHM,10-32 X 1.5 (S-120)	
8	6146GT	WASHER,FLAT,MS,#10,Y	
9	4828GT	NUT,NYLOCK,3/8-16	
10	6097GT	WASHER,FLAT,USS,3/8",Y	
11	61975GT	RETAINER,SPRING,1.21 X .375.....1 (S-125)	1
11	61977GT	RETAINER,SPRING,1.46 X .375.....1 (S-120)	1
12	61974GT	SPRING,COMP,1" OD,232 LB/IN.....1 (S-125)	1
12	61976GT	SPRING,COMP,1-1/4"OD 352 LB/IN.....1 (S-120)	1
13	89755GT	LOAD SUPPORT W/BEARINGS.....2 <i>includes item 6</i>	2
--	110789GT	WASHER,SHIM .0151 THK.	
14	146399GT	ASSY, LS, LOAD SENSE, ALC1000	
15	61972GT	MOUNT,SWITCH.....1	1
16	34619GT	BUMPER,RUBBER***2	2
17	21604GT	SCREW,HHC,3/8-16 X 3.25	
18	80605GT	WASHER,FLAT,3/8X1.5X.06	
19	101845GT	ROTATOR MOUNT KIT.....1 <i>includes item 6</i>	1
--	110789GT	WASHER,SHIM .0151 THK.	

804.1 Cold Start Package

Cummins Engine



Deutz Engine

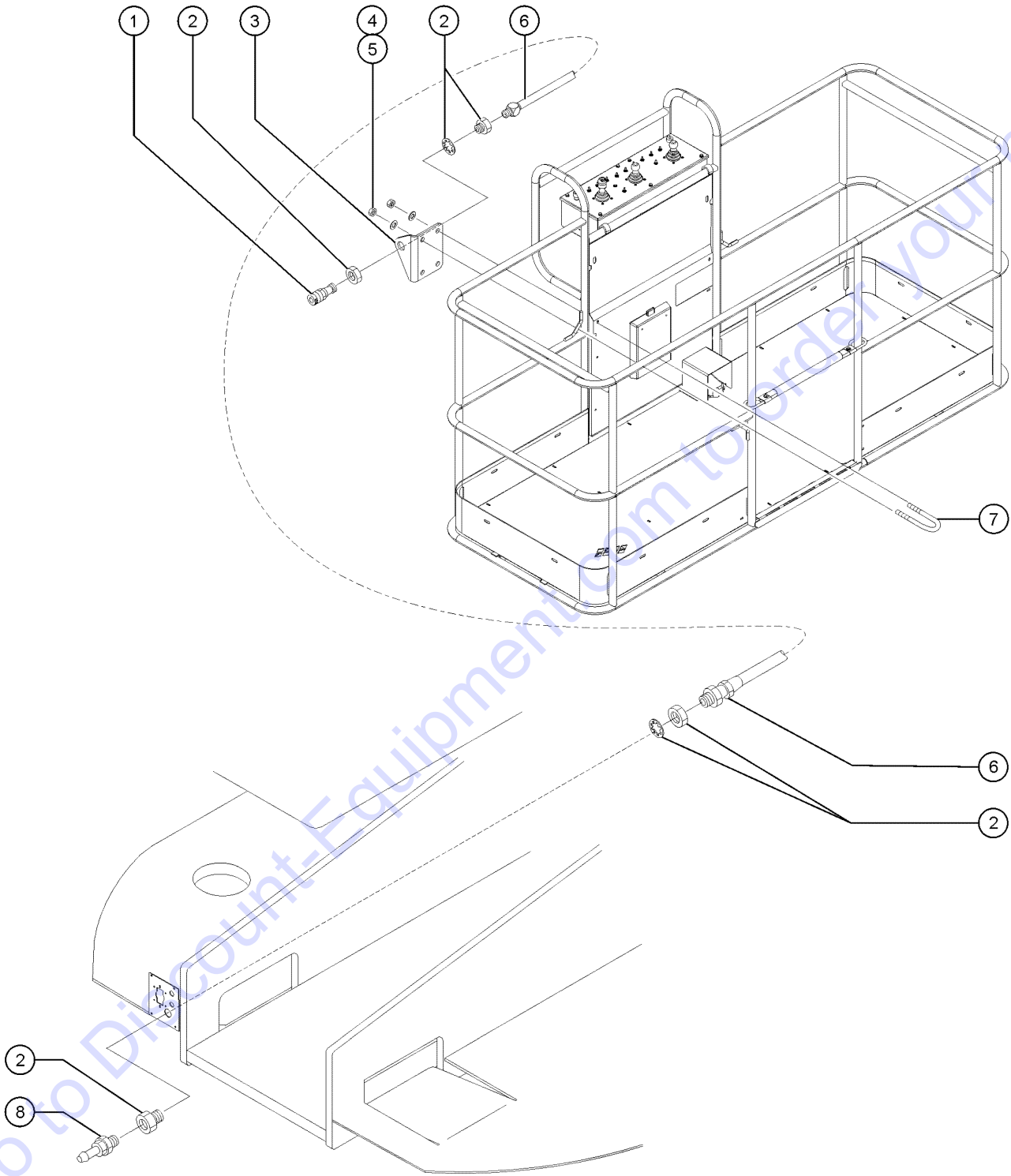


804.1 Cold Start Package

Item	Part No.	Description	Qty.
--	128373GT	COLD START PKG, 110V, DEUTZ <i>Deutz models</i>	
--	122771GT	COLD START PKG,110V,CUM.B3.3T <i>Cummins models</i>	
1	128274GT	OIL PAN HEATER,DEUTZ,120V,150W....1	
2	61245GT	BLANKET,BATTERY.....3	
--	75048GT	CABLE TIE,BLACK,36"	
3	28853GT	BLANKET,BATTERY.....2	
4	122768GT	FREEZE PLUG HEATER	

Go to Discount-Equipment.com to order your parts

805.1 Air Line To Platform

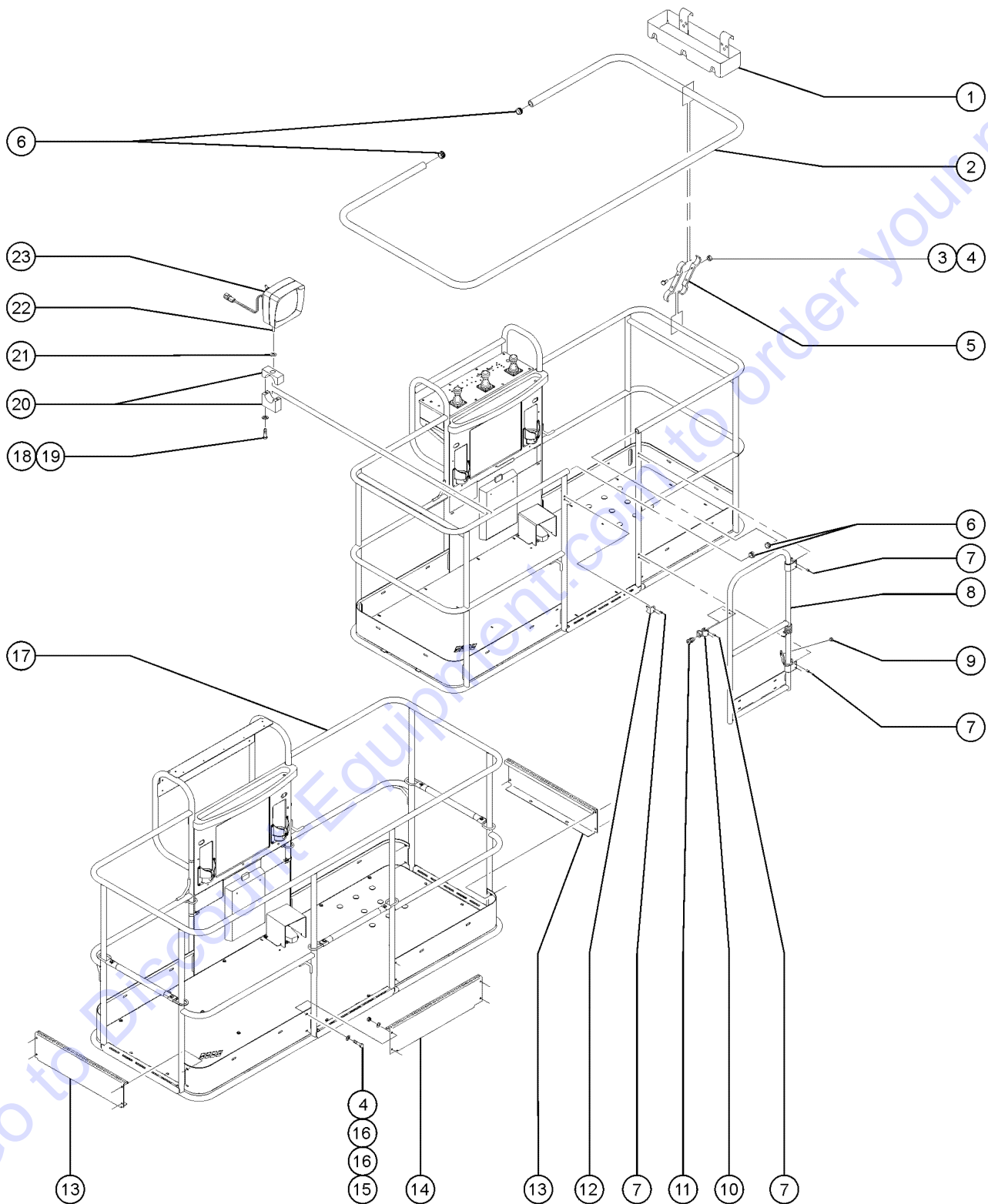


805.1 Air Line To Platform

Item	Part No.	Description	Qty.
1	49215GT	MPT,CPLR,1/4"SER,3/8"X18.....1	1
2	49212GT	FEMALE BULKHEAD CONNECTOR-8...2	2
3	60886PGT	BRACKET,AIRLINE TO PLATFORM.....1	1
4	4828GT	NUT,NYLOCK,3/8-16	
5	5397GT	WASHER,FLAT,USS,5/16",Y	
6	3988-18300 GT	HOSE,1/2,LOW PRESSURE,801-8.....1	1
7	122755GT	UBOLT,FLATTENED,1.5DIAX3/8 UNC	
8	49214GT	MALE PIPE THD,1/4" SER,3/8"X18.....1	1

Go to Discount-Equipment.com to order your parts

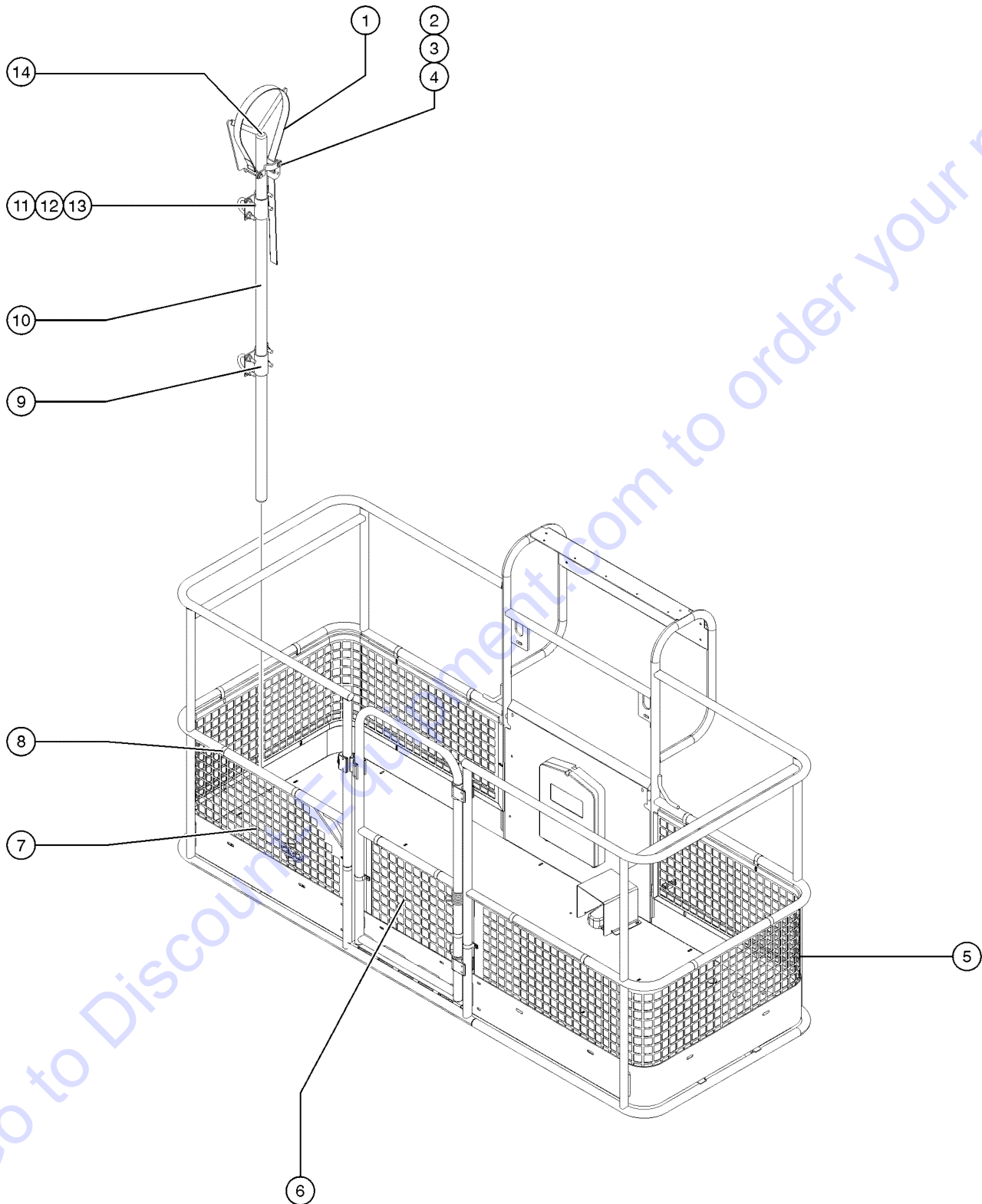
806.1 Platform Options



806.1 Platform Options

Item	Part No.	Description	Qty.	Item	Part No.	Description	Qty.
--	53807-SGT	AUX TOP RAIL,8'(1.25")SERVICE		10	1487GT	GATE LATCH CASTING--DRILLED.....	1
--	122279GT	AUX TOP RAIL,8',SWG GT, SRV		11	33674GT	PIN,LOCK,SHORT***	1
--	119950GT	KIT,FIELD INSTALL,SWING GATE <i>includes 128368, 1487, 1488, and 33674</i>		12	1488GT	RAILING CATCH CASTING--DRILLED...1	
--	75527GT	HARNESS,WORKLIGHT OPT		13	102721PGT	TOEBOARD,8'TRI ENTRY.....	2
--	T108991GT	HARNESS,PLAT,WORKLIGHT,12V <i>connects to work light</i>		--	139438GT	TOEBOARD, TRI ENTRY 6', EURO	
--	T108990GT	CABLE,12/3, WORKLIGHT, 12V <i>connects harness T108991 to harness 75527</i>		14	94745PGT	TOEBOARD,ENTRY EUROPEAN PNTD**	1
--	102721PGT	TOEBOARD,8'TRI ENTRY <i>includes items 5, 13-16</i>		15	6090GT	SCREW,HHC,1/4-20 X .75	
--	111287GT	8' TRI-ENTRY ASSY ANSI <i>(S-120) USA/Canada Models</i>		16	6638GT	WASHER,FLAT,USS,1/4"Y	
--	111291GT	8' TRI-ENT ASSY ANSI <i>(S-125) USA/Canada Models</i>		17	111318GT	8' TRI-ENT RAIL W/DECALS ANSI <i>(S-120) USA/Canada Models</i>	
--	102447GT	8' TRI-ENTRY ASSY CE S105/125 <i>(S-125) European Models</i>		17	111320GT	8' TRI-ENT RAIL W/DECALS ANSI <i>(S-125) USA/Canada Models</i>	
--	111281GT	8' TRI-ENTRY ASSY CE/UK <i>(S-120) European Models</i>		--	107706GT	8' TRI-ENT RAIL W/DECALS CE/UK <i>(S-125) European Models</i>	
--	111289GT	8FT TRI-ENTRY ASSY AUST <i>(S-120) Australia Models</i>		--	111312GT	8' TRI-ENT RAIL W/DECALS CE/UK.....1 <i>(S-120) European Models</i>	
--	111293GT	8' TRI-ENT ASSY AUST <i>(S-125) Australia Models</i>		--	107708GT	8' TRI-ENT RAIL W/DECALS AUSTR <i>(S-125) Australia Models</i>	
--	102938GT	8' TRI-ENT ASSY A/SO.A S105125 <i>(S-125) Asia/South America Models</i>		--	111314GT	8' TRI-ENT RAIL W/DECALS AUSTR <i>(S-120) Australia Models</i>	
--	111285GT	8FT TRI-ENT ASSY A/SO.AM <i>(S-120) Asia/South America Models</i>		--	107710GT	8' TRI-ENT RAIL W/DECALS A/SOA <i>(S-125) Asia/South America Models</i>	
1	9599-SGT	TOOL TRAY.....	1	--	111316GT	8' TRI-ENT RAIL W/DECALS A/SOA <i>(S-120) Asia/South America Models</i>	
2	1259704GT	PINCH GUARD RAIL,6' PLATFORM.....1 <i>includes 55753 bumpers</i>	1	18	6145GT	SCREW,HHC,1/4-20 X 1.5	
--	111485PGT	AUX TOP RAIL,6FT,PTD.....	2	19	6356GT	WASHER,LOCK,.25	
--	111486PGT	AUX TOP RAIL,8FT,PTD.....	2	20	35956GT	BRACKET,WORK LIGHT MOUNT 5/16"	
--	52661GT	PINCH GUARD RAIL,8' PLATFORM**....	1	21	5397GT	WASHER,FLAT,USS,5/16",Y	
3	122231GT	SCREW,BHSC,1/4-20 X 1		22	10107GT	SCREW,HHC,5/16-18 X .75	
4	6889GT	NUT,LP NYLOCK,1/4-20		23	71498GT	WORKLIGHT, 12V, DEUTSCH RECEPT.....	2
5	122073GT	SUPPORT, RAILING.....	20				
6	55753GT	BUMPER, PLASTIC, 1.25 O.D.....	4				
7	7265GT	RIVET,STEEL,P .25 X .375.....	14				
8	128368GT	KIT,SWING GATE W/SPRING.....	1				
--	119950GT	KIT,FIELD INSTALL,SWING GATE <i>includes 128368</i>					
--	1487GT	GATE LATCH CASTING--DRILLED					
--	1488GT	RAILING CATCH CASTING--DRILLED					
--	33674GT	PIN,LOCK,SHORT***					
9	43392GT	BUMPER,BATTERY BOX & RAILS.....	1				

807.1 Half-mesh and Pipe Cradle Options

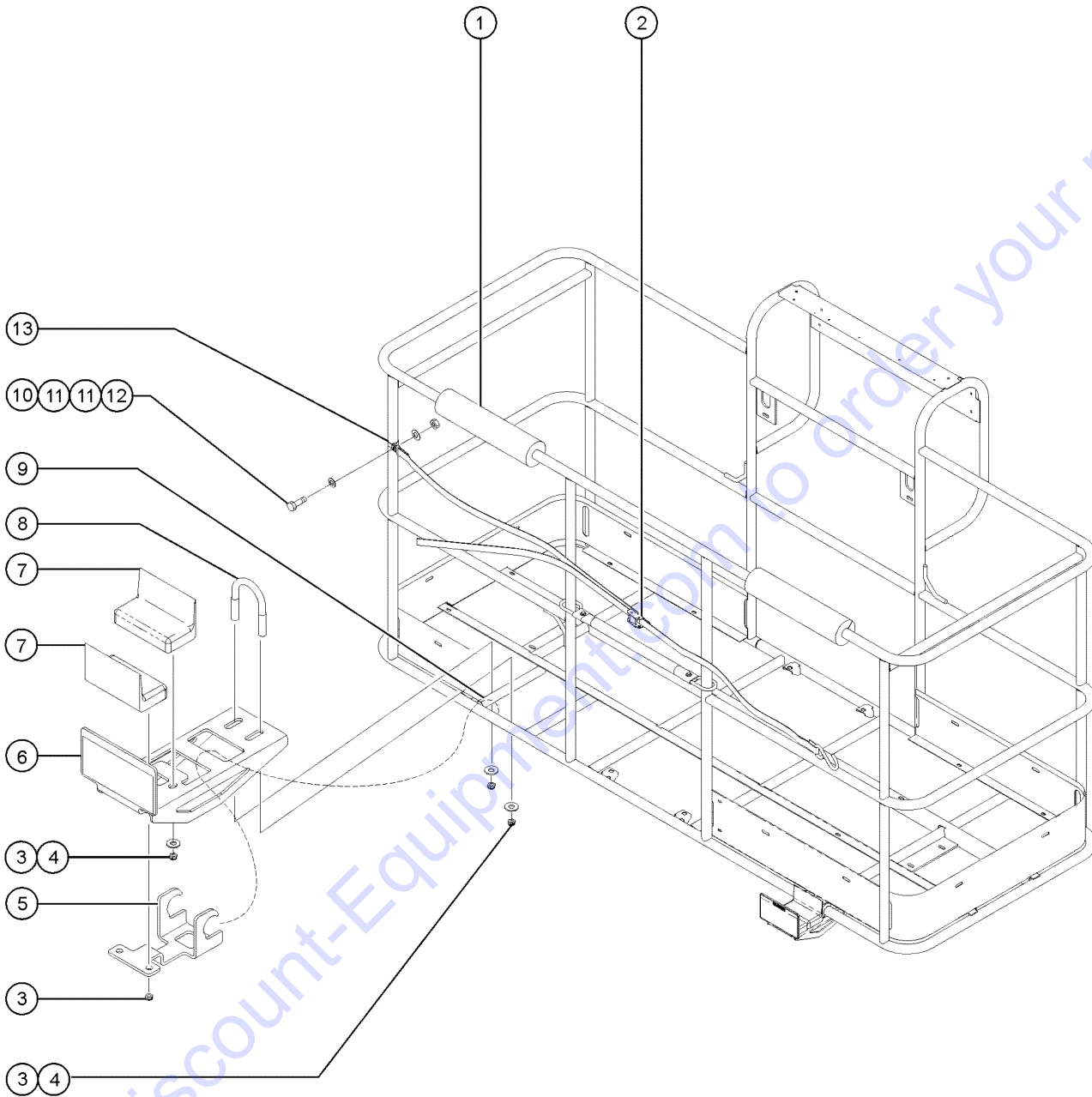


807.1 Half-mesh and Pipe Cradle Options

Item	Part No.	Description	Qty.
A	85300GT	PIPE CRADLE ASSY. SERV (ONE)**	
--	65630GT	INSTRUCTIONS-PIPE CRADLE,BOOMS	
--	72875GT	DECAL,WARNING,PIPE CRADLE,BOOM	
--		Ref. SWING GATE, COMPLETE (refer to 806.1)	
1	56570GT	STRAP, CONDUIT HOLDER 60****	1
2	824083GT	SCREW,HHF,1/4-20X2.5,8,ZAG	
3			
4	1277924GT	NUT,NYLOCK FLG,1/4-20,F,ZAG	
5	73500GT	HALF MESH,8'PLATFORM,RH***	1
6	54457GT	MESH,HALF,SWING GATE***	1
7	73501GT	HALF MESH,8'PLATFORM,LH.....	1
8	56424GT	CLAMP,1.25X.5 RUBBER-CUSHION	
--	6090GT	SCREW,HHC,1/4-20 X .75	
--	6091GT	NUT,NYLOCK,1/4-20	
--	6638GT	WASHER,FLAT,USS,1/4"Y	
9	81368GT	WELDMENT,PIPE CRADLE MOUNT.....	1
10	56525GT	WELDMENT, PIPE CRADLE.....	1
11	1251600GT	U-BOLT, FLATTENED, 1.5 X 3/8 UNC,ZAG.....	8
12	1274322GT	NUT,NYLOCK FLG,3/8-16,F,ZAG	
13			
14	55753GT	BUMPER, PLASTIC, 1.25 O.D.....	4

Go to Discount-Equipment.com to order your parts

808.1 Panel Cradle Option

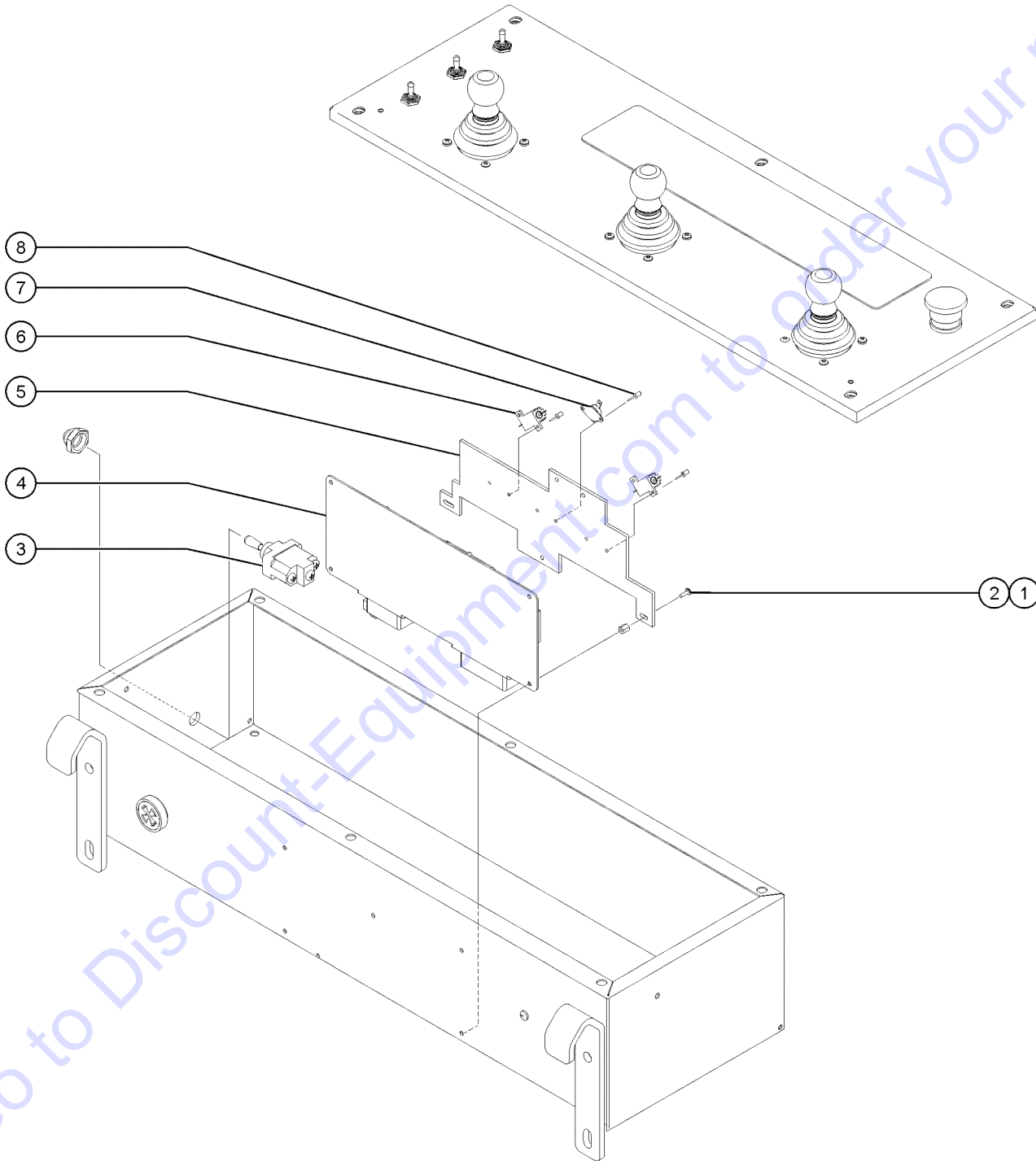


Go to Discount-Equipment.com to order your parts

808.1 Panel Cradle Option

Item	Part No.	Description	Qty.
--	77683GT	ACCESSORY,PANEL CRADLE,ANSI (ANSI/CSA models)	
1	88377-1400GT	FOAM PAD, 3" OD X 1.25" ID X 14 IN.....2	
2	77664GT	ADJUSTABLE STRAP ASSY.....1	
3	1274322GT	NUT,NYLOCK FLG,3/8-16,F,ZAG.....8	
4	5397GT	WASHER,FLAT,USS,5/16",Y for machines before 2010	
5	228849GT	FORMING,SECONDARY SUPPORT.....2 77576P is no longer available. For machines before 2010, must install Qty 2 service kit 233992 (ANSI) or 233993 (CE) for initial replacement.	
6	228848GT	FORMING PANEL CRADLE.....2 89724 is no longer available. For machines before 2010, must install Qty 2 service kit 233992 (ANSI) or 233993 (CE) for initial replacement.	
--	233992GT	KIT,PANEL CRADLE BRACKET,WORD.....1 (ANSI/CSA models) (includes hook, panel support bracket and installation instructions)	
7	56934GT	PAD,REST,1"THICK,FLANGED.....4	
7A	824038GT	NUT,TL JAM,3/8-16,A,ZAG.....4 for 56934	
8	1251600GT	U-BOLT, FLATTENED, 1.5 X 3/8 UNC,ZAG.....2	
9	73463-1175GT	TUBE, RD, ALUM, 1.25 X .083 X 11.75...2	
10	1256855GT	SCREW,HHF,1/4-20X.625,8,ZAG.....1	
11	6638GT	WASHER,FLAT,USS,1/4"Y for machines before 2010	
12	1277924GT	NUT,NYLOCK FLG,1/4-20,F,ZAG.....1	
13	56424GT	CLAMP,1.25X.5 RUBBER-CUSHION.....1	

809.1 Circuit Board Heater Option

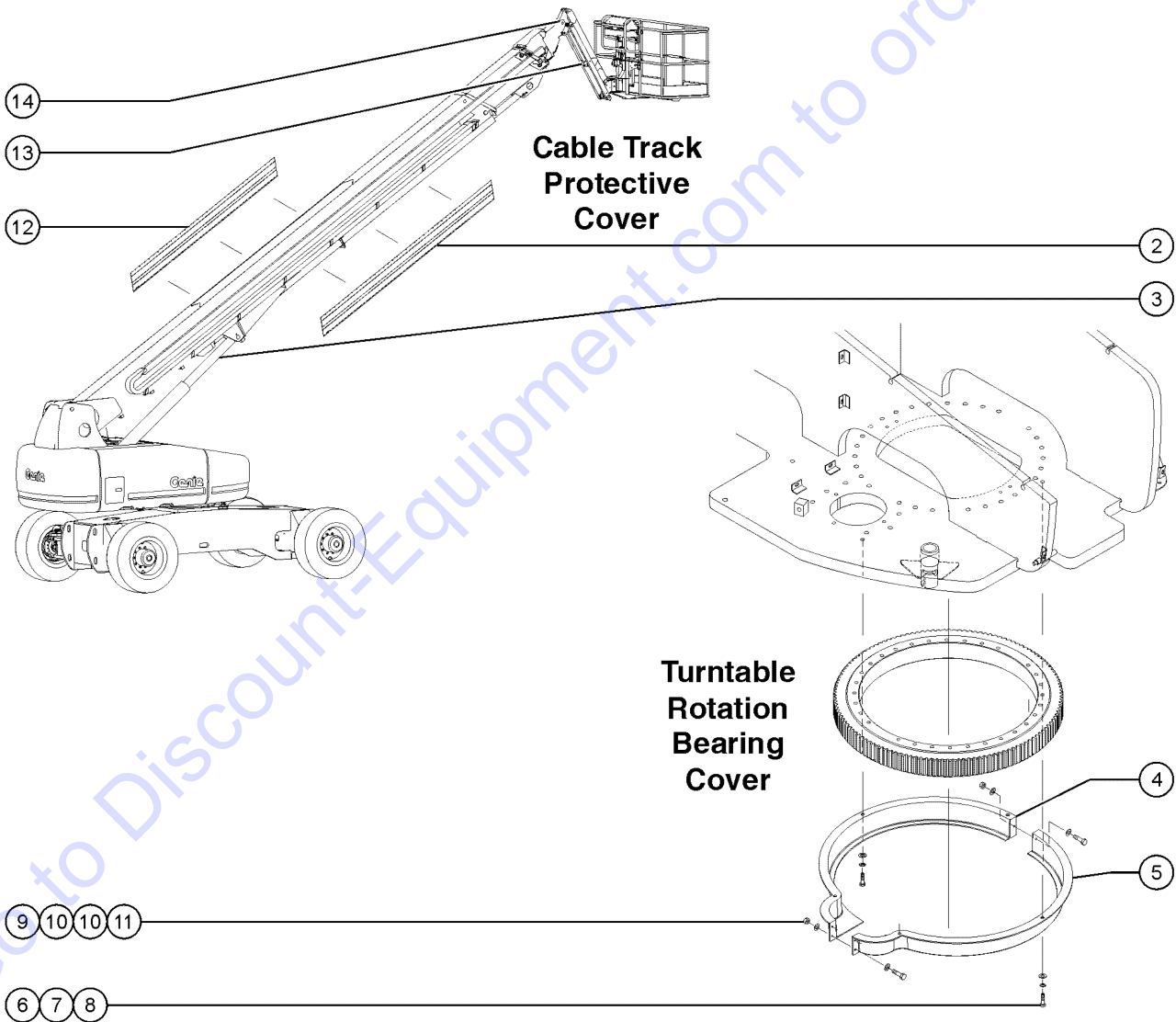
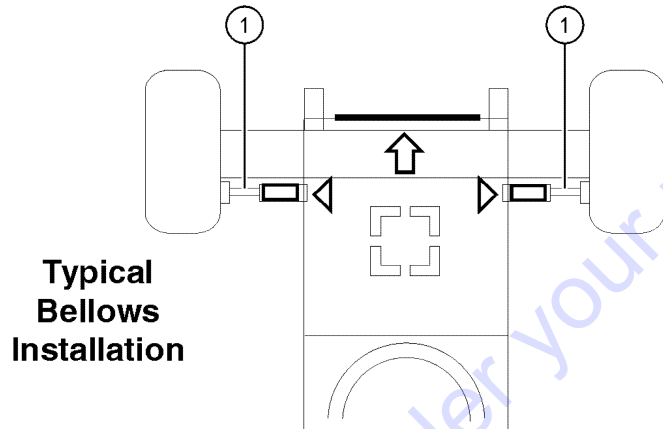


809.1 Circuit Board Heater Option

Item	Part No.	Description	Qty.
1	81551GT	SCREW,PHIL,PHM,6-32 X 1/4 SS.....4	
2	119534GT	STANDOFF,1/4X1/4 M-F 6-32 S/S.....4	
3	128204GT	SWITCH TOGGLE ASSY SPDT 2P MNT	
--	T115352GT	DECAL,OPTION CONTROL BOX HEATR	
4		Ref. PCB Assembly, PCON (refer to 603.1)	
5	122723GT	BRACKET,PLATFORM HEATER OPTION	
6	27287GT	RESISTOR,10 OHM,25 WATT.....2	
7	119641GT	SWITCH,THERMOSTAT 85F OPEN.....1	
8	6272GT	RIVET,STL,STL,P,.125 X .25	

Go to Discount-Equipment.com to order your parts

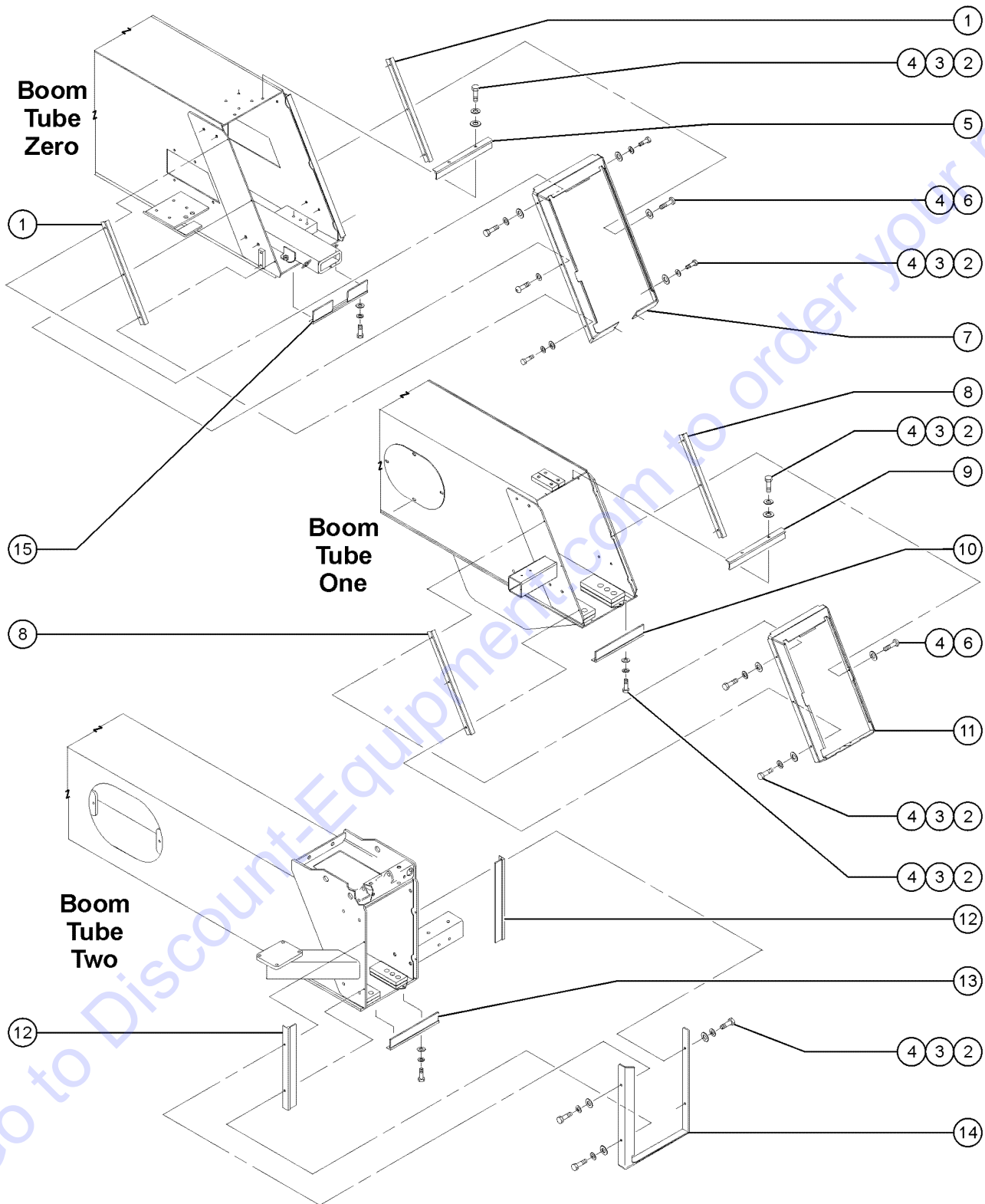
810.1 Hostile Environment Package - View 1



810.1 Hostile Environment Package - View 1

Item	Part No.	Description	Qty.
1	60627GT	COVER,PROTECTIVE,STEER CYL***...4	
--	22672GT	CLAMP,HOSE,1.75	
--	30489GT	CLAMP,HOSE,3.50	
2	61298GT	COVER,84 LINK TRACK.....1	
3	60326GT	COVER,PROTECTIVE,LIFT CYLINDER.....1	
--	31523GT	CLAMP,HOSE,8.50 DIA***	
--	35432GT	CLAMP,HOSE,6.50	
4	61118GT	COVER,SWING BEARING FRONT.....1	
5	61119GT	COVER,SWING BEARING REAR.....1	
6	10587GT	SCREW,HHC,1/2-13 X.75	
7	6033GT	WASHER,LOCK,0.5"	
8	6095GT	WASHER,FLAT,USS,1/2",Y	
9	6090GT	SCREW,HHC,1/4-20 X .75	
10	6638GT	WASHER,FLAT,USS,1/4"Y	
11	6091GT	NUT,NYLOCK,1/4-20	
12	61297GT	COVER,50 LINK TRACK.....1	
13	34505GT	COVER,PROTECTIVE,JIB CYLINDER...1	
--	22672GT	CLAMP,HOSE,1.75	
--	30971GT	CLAMP,HOSE,3.00"	
14	60628GT	COVER,PROTECTIVE,PLAT.LEVELING.1 (S-120)	
14	61393GT	COVER,PROTECTIVE,PLAT. LEVELING.....1 (S-125)	
--	22672GT	CLAMP,HOSE,1.75 (S-125)	
--	30489GT	CLAMP,HOSE,3.50 (S-125)	
--	30971GT	CLAMP,HOSE,3.00" (S-120)	
--	36208GT	CLAMP,HOSE,1.25*** (S-120)	

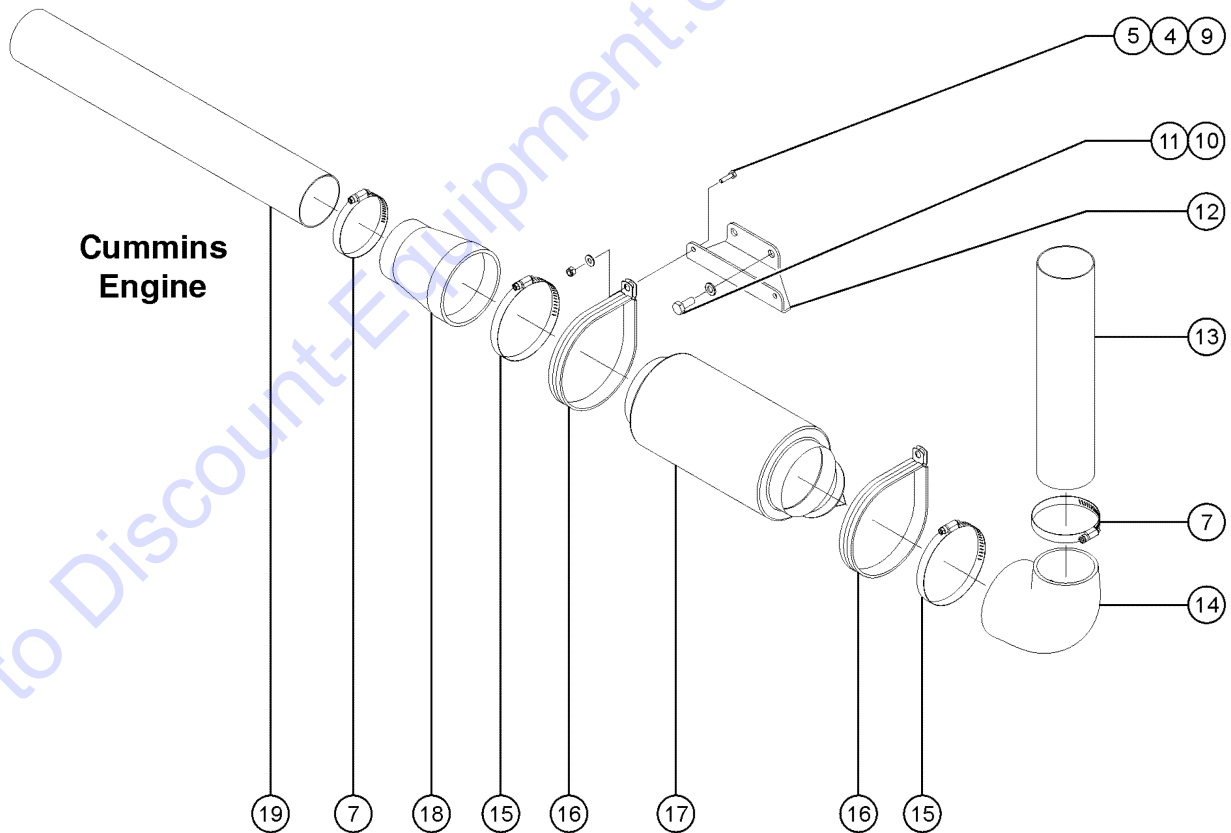
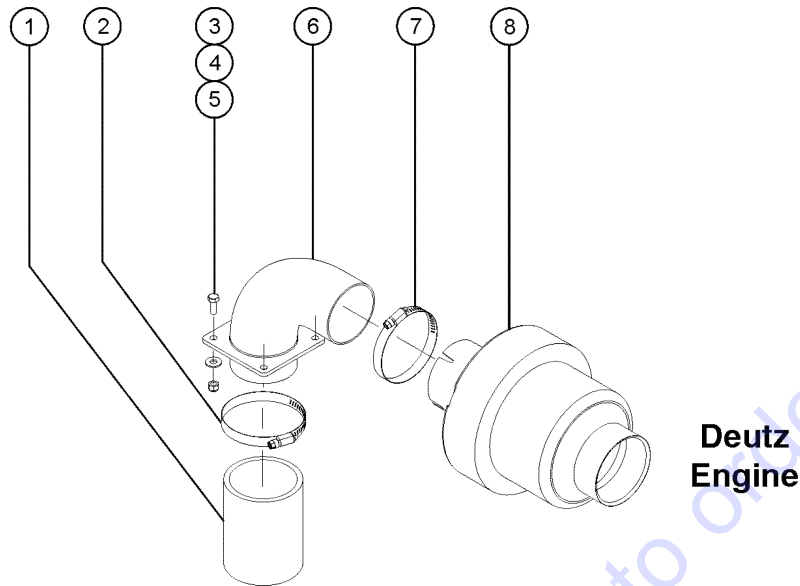
811.1 Hostile Environment Package - View 2



811.1 Hostile Environment Package - View 2

Item	Part No.	Description	Qty.
1	60232GT	BRUSH,SIDE,MAST #0.....	2
2	6090GT	SCREW,HHC,1/4-20 X .75	
3	6356GT	WASHER,LOCK,.25	
4	6638GT	WASHER,FLAT,USS,1/4"Y	
5	60233GT	BRUSH,TOP,MAST #0.....	1
6	14297GT	SCREW,BHHS,1/4-20 X .75	
7	60158GT	COVER MAST #1.....	1
8	60234GT	BRUSH,SIDE,MAST #1.....	2
9	60235GT	BRUSH,TOP,MAST #1.....	1
10	60244GT	BRUSH,BOTTOM,MAST #1.....	1
11	60157GT	COVER MAST #2*.....	1
12	60236GT	BRUSH,SIDE,MAST #2.....	2
13	60237GT	BRUSH,BOTTOM,MAST #2.....	1
14	60156GT	COVER MAST #3.....	1
15	60243GT	BRUSH,BOTTOM,MAST #0.....	1

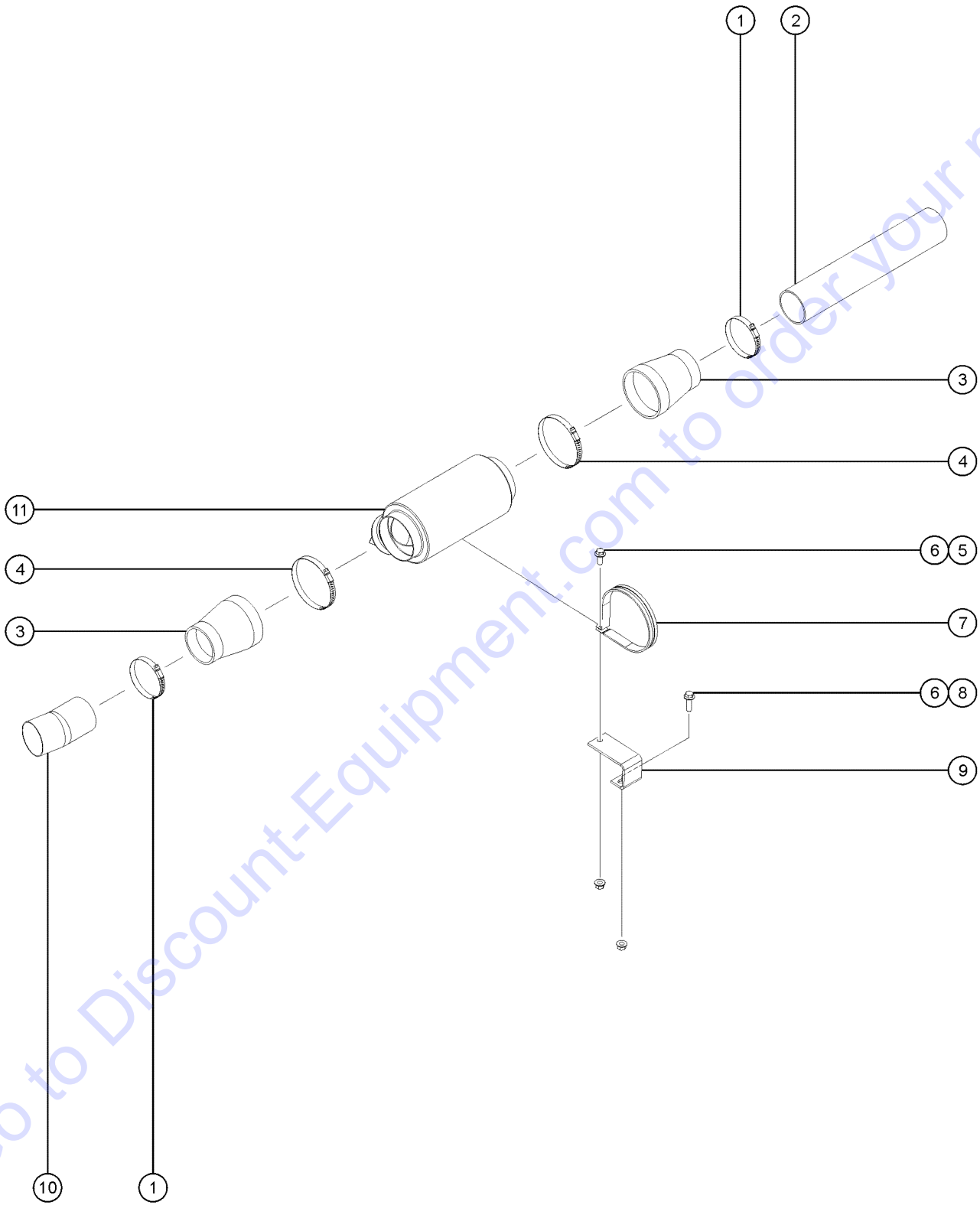
812.1 Engine Air Cleaners



812.1 Engine Air Cleaners

Item	Part No.	Description	Qty.
--	70515GT	KIT,PRECLEANER DEUTZ***	
--	122910GT	OPT,PRECLEANER CUMMINS B3.3T	
1	106211-400GT	HOSE,RUBBER 3"ID X .25 BLACK.....1	
2	30489GT	CLAMP,HOSE,3.50.....4	
3	6090GT	SCREW,HHC,1/4-20 X .75	
4	6638GT	WASHER,FLAT,USS,1/4"Y	
5	6091GT	NUT,NYLOCK,1/4-20	
6	102220GT	WELDMENT,PRECLEANER,DEUTZ.....1	
7	30971GT	CLAMP,HOSE,3.00".....3	
8	89959GT	PRECLEANER,INLINE 3".....2	
9	6888GT	SCREW,HHC,1/4-20 X 1	
10	27034GT	SCREW,HHC,M10 X 25MM,GR 8.8	
11	22699GT	WASHER,FLAT,M10,ZINC PLTD.	
12	122914GT	BRACKET,PRECLEANER MNT B3.3T	
13	122912GT	TUBE,INTAKE,PRECLEANER B3.3T	
14	122913GT	REDUCER,90DEG,4.0 X 3.0	
15	34955GT	CLAMP,HOSE,5.00	
16	101639GT	CLAMP,5.38,#86 X 3/8,RUB CUSH.....2	
17	88493GT	PRECLEANER,AIR INTAKE	
18	122432GT	REDUCER,RUBBER,4.0 X 3.0	
19	122911GT	TUBE,INTAKE,PRECLEANER B3.3T	

813.1 Engine Air Cleaners - TD2.9L4

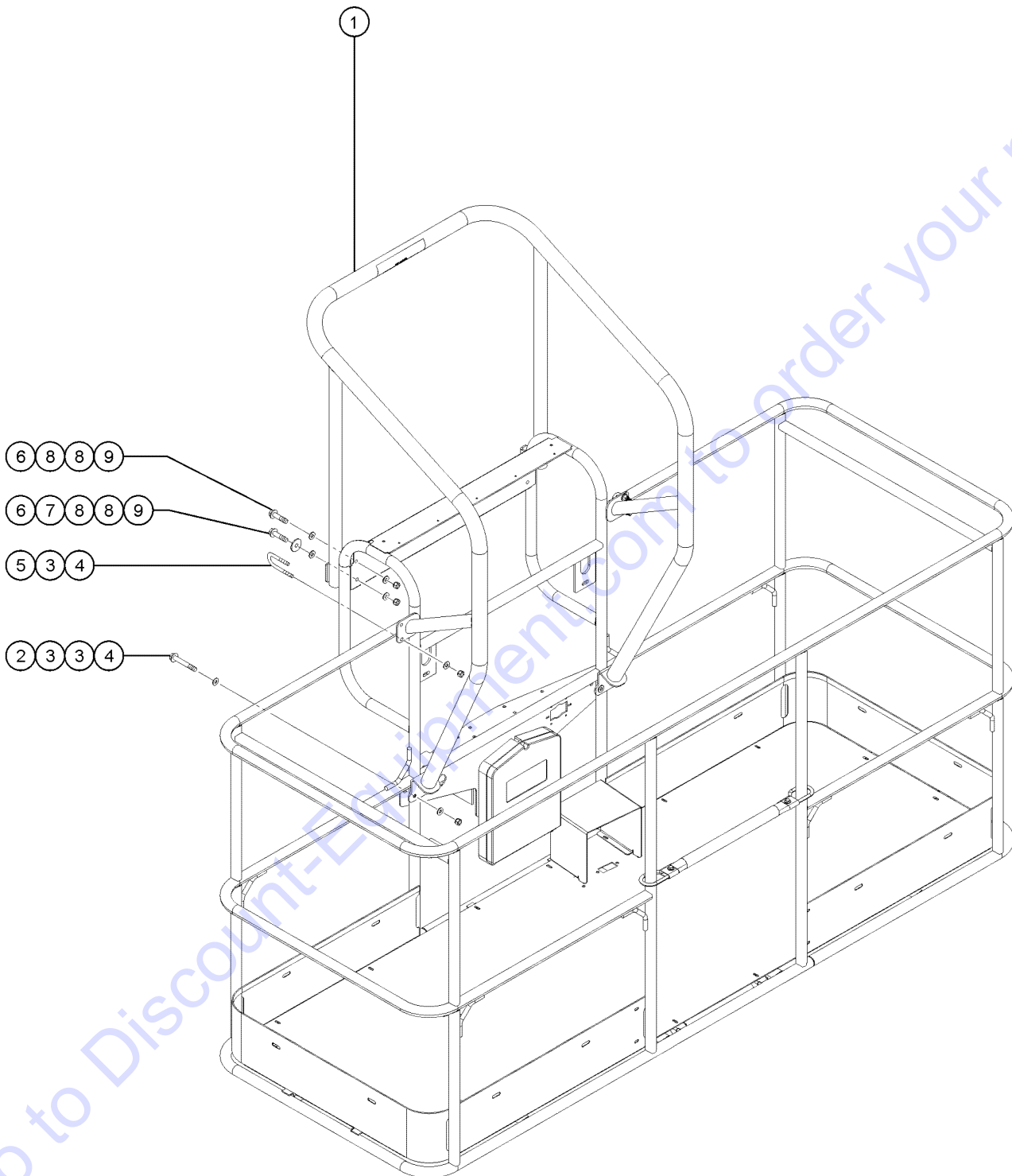


813.1 Engine Air Cleaners - TD2.9L4

Item	Part No.	Description	Qty.
A	1262523GT	OPT,PRECLEANER,DEUTZ T4.....	1
1	30971GT	CLAMP,HOSE,3.00".....	2
2	1262524GT	TUBE,PRECLEANER,DEUTZ T4.....	1
3	122432GT	REDUCER,RUBBER,4.0 X 3.0.....	2
4	34955GT	CLAMP,HOSE,5.00.....	2
5	231530GT	SCREW,HHF,M10-1.5X25,DIN6921,10.9,ZAB.1	
6	231529GT	NUT,TL FLG,M10-1.5,DIN6927,10,ZAB.....	2
7	101639GT	CLAMP,5.38,#86 X 3/8,RUB CUSH.....	1
8	231533GT	SCREW,HHF,M10-1.5X35,DIN6921,10.9,ZAB.1	
9	1259039GT	FORMING,PRECLEANER,SB.....	1
10	824807GT	TUBE,INTAKE,PRECLEANER 2.9T.....	1
11	88493GT	PRECLEANER,AIR INTAKE.....	1

Go to Discount-Equipment.com to order your parts

814.1 Operator Protection Structure

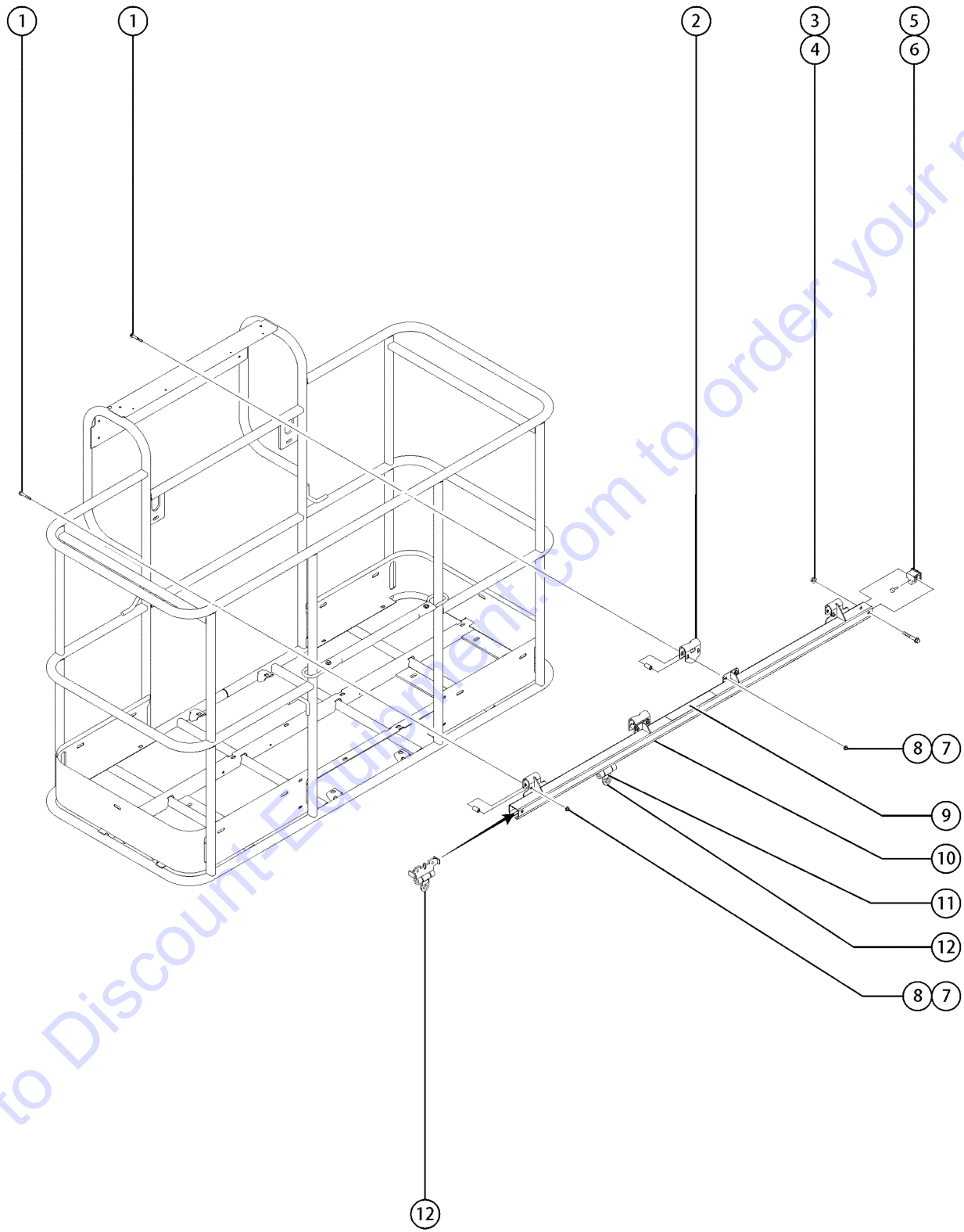


814.1 Operator Protection Structure

Item	Part No.	Description	Qty.
1	219158GT	ACCESSORY,OPERATOR PROT STRUCT.....1 <i>(Complete) includes all fasteners</i>	1
2	8178GT	SCREW,HHC,3/8-16 X 2.5.....4	4
3	6097GT	WASHER,FLAT,USS,3/8",Y.....12	12
4	4828GT	NUT,NYLOCK,3/8-16.....8	8
5	122755GT	UBOLT,FLATTENED,1.5DIA X 3/8 UNC...2	2
6	6888GT	SCREW,HHC,1/4-20 X 1.....4	4
7	15086GT	WASHER,FLAT,.375 X 1.5 X .125.....2 <i>Use only with the platform control box cover option</i>	2
8	6638GT	WASHER,FLAT,USS,1/4"Y.....8	8
9	6091GT	NUT,NYLOCK,1/4-20.....4	4

Go to Discount-Equipment.com to order your parts

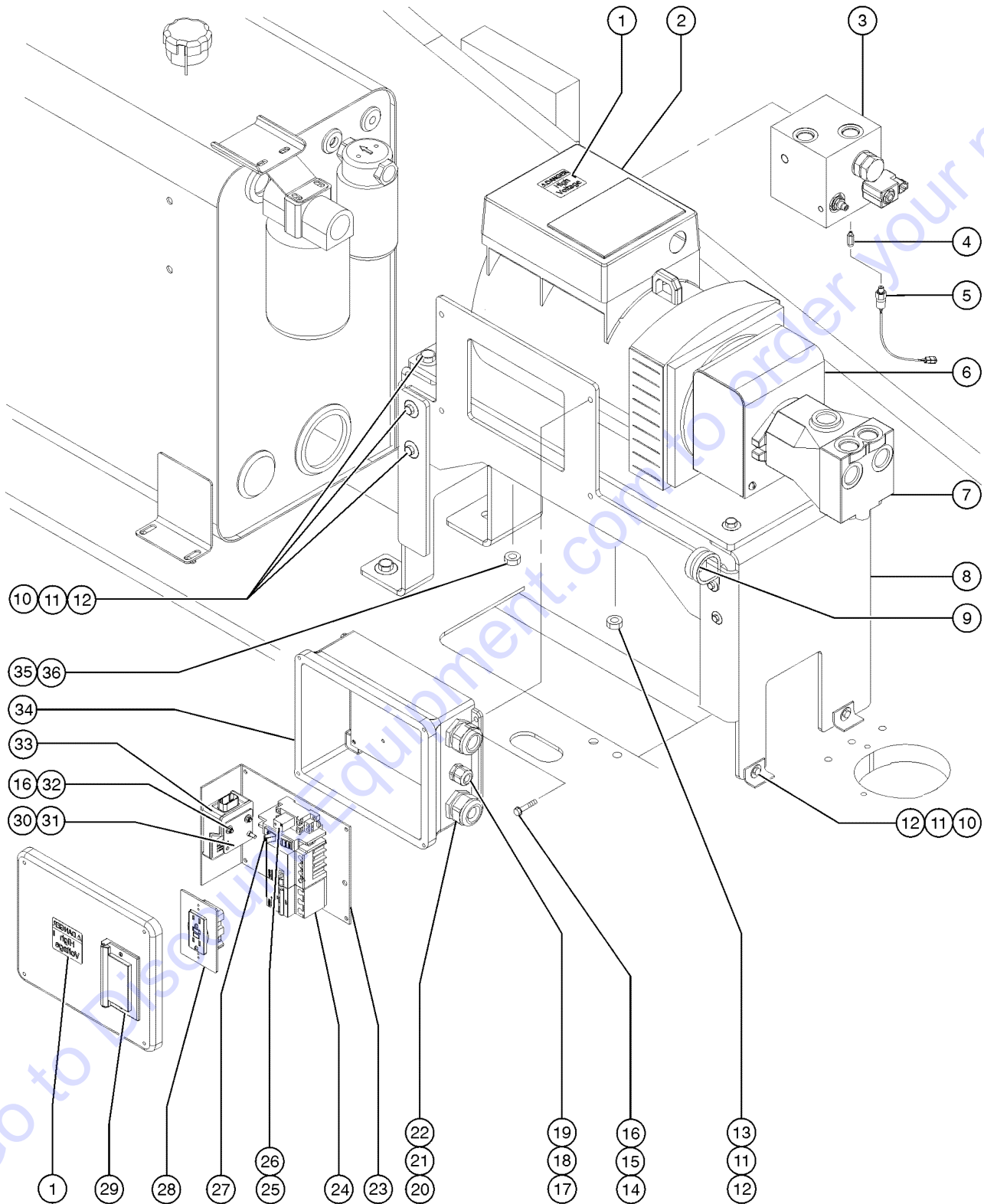
815.1 Fall Arrest Bar



815.1 Fall Arrest Bar

Item	Part No.	Description	Qty.
1	1256856GT	SCREW,HHF,3/8-16X2.5,8,ZAG.....	4
2	1256389GT	FORMING,INNER HANGER.....	2
3	1251997GT	NUT,TL FLG,1/2-13,G,ZAG.....	2
4	1256851GT	SCREW,HHF,1/2-13X3.5,8,ZAG.....	2
5	1260892GT	END STOP,TRACK,FALL ARREST BAR.....	2
6	36388GT	BUMPER,RUBBER,.75 X .50H,STUD....	2
7	1274322GT	NUT,NYLOCK FLG,3/8-16,F,ZAG.....	8
8	1256481GT	SPACER, HANGER BRACKET.....	8
9A	1256400GT	DECAL,TRACK,FALL ARREST BAR,WORD.....	1
9B	1260910GT	DECAL,TRACK,FALL ARREST BAR,SYMBOL.....	1
9C	1256400FRGT	DECAL,TRACK,FALL ARREST BAR,WORD FR.....	1
10A	1256377GT	ACC,FALL ARREST BAR,8FT WORD....	1
--	1256379GT	ASSY,TRACK,FALL ARREST BAR,8FT WORD <i>includes decals</i>	
10B	1261022GT	ACC,FALL ARREST BAR,8FT SYM.....	1
--	1261024GT	ASSY,TRACK,FALL ARREST BAR,8FT SYM <i>includes decals</i>	
10C	1261018GT	ACC,FALL ARREST BAR,8FT FR.....	1
--	1261020GT	ASSY,TRACK,FALL ARREST BAR,8FT FR <i>includes decals</i>	
10D	1256378GT	ACC,FALL ARREST BAR,6FT WORD....	1
--	1256380GT	ASSY,TRACK,FALL ARREST BAR,6FT WORD <i>includes decals</i>	
10E	1261023GT	ACC,FALL ARREST BAR,6FT SYM.....	1
--	1261025GT	ASSY,TRACK,FALL ARREST BAR,6FT SYM <i>includes decals</i>	
10F	1261019GT	ACC,FALL ARREST BAR,6FT FR.....	1
--	1261021GT	ASSY,TRACK,FALL ARREST BAR,6FT FR <i>includes decals</i>	
11	40434GT	DECAL,LANYARD ANCHORAGE POINT.....	1
12	1256439GT	TROLLEY, TRACK, FALL ARREST BAR.....	1

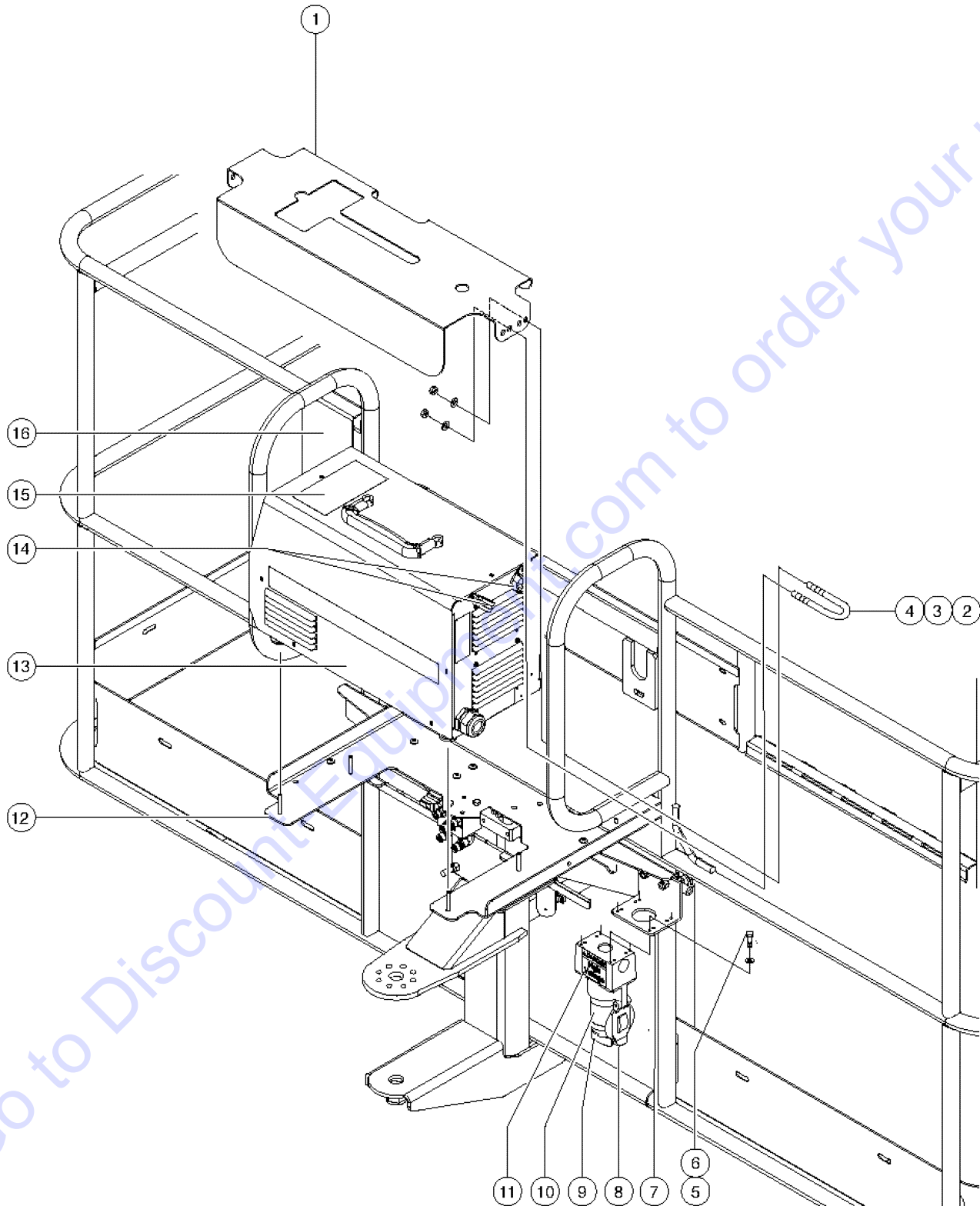
816.1 Welder Option, Chassis Components - View 1



816.1 Welder Option, Chassis Components - View 1

Item	Part No.	Description	Qty.	Item	Part No.	Description	Qty.
--	226507GT	HARNESS, HYD GENERATOR,SB		11	6097GT	WASHER,FLAT,USS,3/8",Y	
--	226503GT	HARNESS,WELD GEN ENCLOSURE		12	4828GT	NUT,NYLOCK,3/8-16	
--	101506GT	WIRE CABLE,6GA/4 CONDUCTOR.....1860-inches		13	8516GT	SCREW, HCC, 3/8-16 X 1.50	
--	106637GT	MODULE,TIME DELAY ON BREAK 4S		14	6888GT	SCREW,HHC,1/4-20 X 1	
--	13097GT	FUSE,10 AMP		15	6638GT	WASHER,FLAT,USS,1/4"Y	
--	102746GT	VALVE,PILOT OPER DIRECTIONAL		16	6889GT	NUT,LP NYLOCK,1/4-20	
--	110220GT	DECAL,WARNING,WELDER SAFETY		17	7056GT	CONN, SQZ, 1/2NPT .38-.50, SM**.....1	
--	229404GT	KIT BONDED WELD LEAD S12 <i>(welder cable kit option only); from SN 3273</i>		18	6935GT	LOCKNUT,ELEC,1/2".....1	
--	229385GT	CABLE,4/0 WELD LEAD,TWIN S125 <i>(part of kit option 229404); fromSN 3273</i>		19	56237GT	O-RING,ORFS,-12.....1	
--	229403GT	KIT BONDED WELD LEAD S120 <i>(welder cables kit option only); from SN 3273</i>		20	20776GT	CABLE SQUEEZE CONN.....2	
--	229384GT	CABLE,4/0 WELD LEAD,TWIN S120 <i>(part of kit option 229403); from SN 3273</i>		21	18665GT	LOCKNUT,ELECTRIC,1" NPT.....2	
1	82237GT	DECAL,DANGER,HIGH VOLTAGE.....2		22	106104GT	O-RING,SEAL RING,1" NPT (PKG OF 10).....2	
2	106113GT	GENERATOR,HYDRO-12KEP-21-3.....1 <i>includes item 7</i>		23	102314GT	PANEL, ENCLOSURE, LINCO WELDER.....1	
--	106274GT	GENERATOR,12.5 KW,W/O MOTOR***		24	106477GT	GFI/CIRCUIT BREAKER ASSEMBLY.....1	
--	110344GT	BRUSH BOX,ASSY,GEN***		25	33608GT	RELAY,SOCKET,OMRON.....1	
--	122300GT	COVER,WELDER GENERATOR		26	33607GT	RELAY,OMRON,DPDT,12V.....1	
--	21187GT	PLUG,NYLON 1.38 BLACK DOMED		27	106073GT	CIRCUIT BREAKER,20A,SINGLE PH.....1	
--	T113655GT	COUPLING, 28MM (106113)		28	80543GT	RECEPTACLE, 120VAC, 20A, GFCI.....1	
--	T114022GT	SPIDER (106113)		29	74006GT	COVER,GFCI,HORIZONTAL,WEATHER.1 <i>includes mounting hardware</i>	
--	T114023GT	COUPLING (106113)		30	106140PGT	BRACKET,1K OHM 10-TURN POT,PNT.....1	
3		Ref. MANIFOLD,DRIVE OIL DIVERTER***.....1 <i>(refer to 818.1)</i>		31	102357GT	POTENTIOMETER ASSY, WELDER.....1	
4	146285GT	CONN, SAE#4-1/4" NPT.....1		32	36294GT	SCREW,HHC,1/4-20 X 2.75	
5A	146284GT	SWITCH,PRESS,#4NPT,200PSIF.....1 <i>for first time replacement, order service kit 1271398GT.</i>		33	106658GT	MODULE,SX CONTROLLER,LOW AMP	
5B	1271398GT	KIT,GEN. PRESSURE SWITCH <i>includes pressure switch, hose, fittings and installation instructions</i>		34	229346GT	ASSY,ENCLOSURE,WELDER,GEN.....1	
6	T111766GT	MOTOR MOUNT COUPLER (106274)....1		35	6782GT	NUT,NYLOCK,5/16-18	
7	106184GT	MOTOR,HYD 12.5KW GEN,21CC***.....1		36	13002GT	SCREW,HHC,5/16-18 X 1 GR5	
--	162006GT	SEAL KIT,HYD MOTOR(106184)					
8	102359PGT	PLATE,TOP,GENERATOR 12KW,PNTD.....1					
--	102390PGT	PLATE,FRNT,ENCLOSURE ASSY,PNTD					
--	102606PGT	FORMING,LF,GENERATOR 12KW,PNTD					
--	102607PGT	FORMING,RT,GENERATOR 12KW,PNTD					
9	77181GT	CLAMP,1.63,#26 X 3/8,RUB CUSH					
10	6019GT	SCREW,HHC,3/8-16 X 1.25 GRD 5					

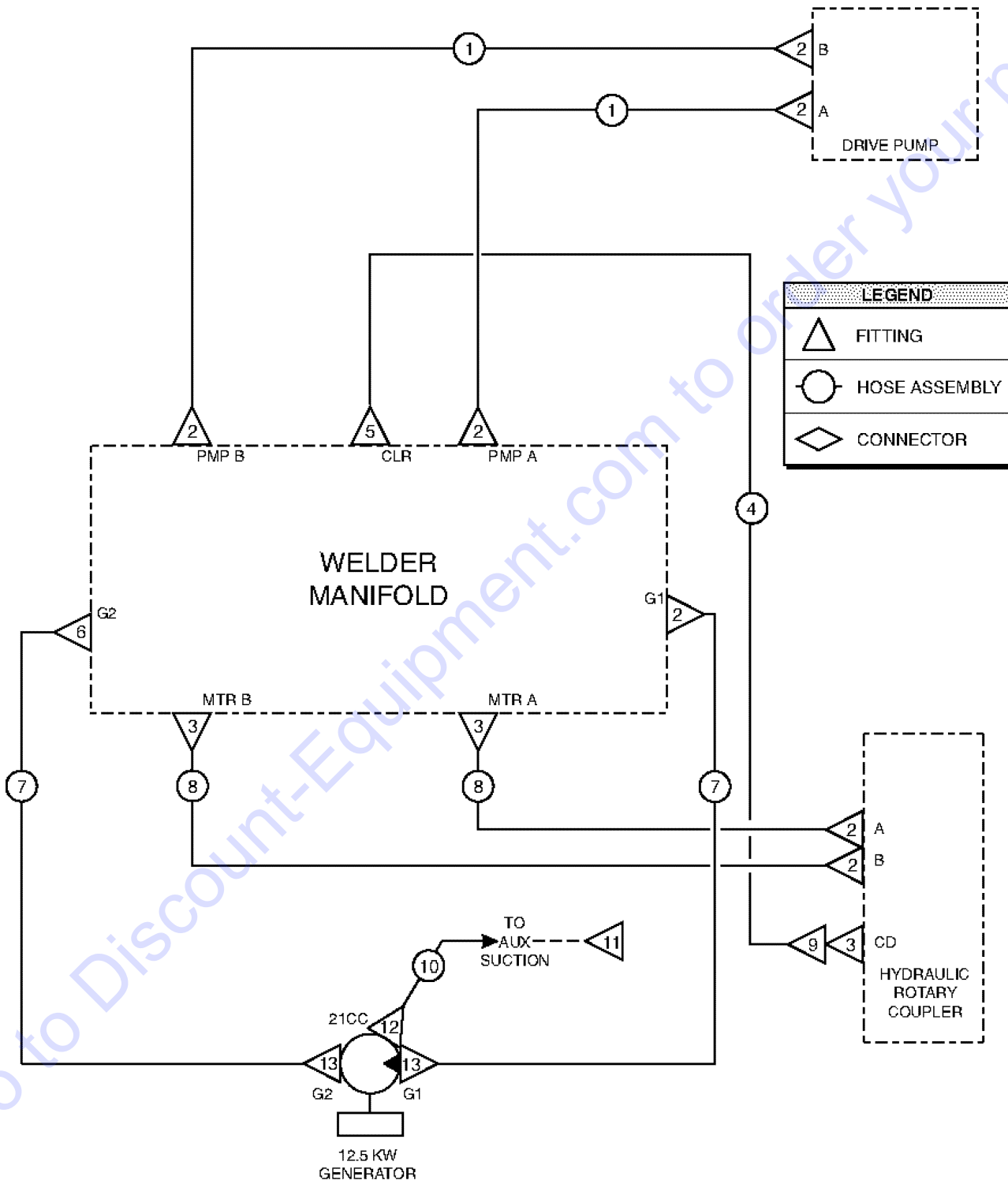
817.1 Welder Option, Platform Components - View 2



817.1 Welder Option, Platform Components - View 2

Item	Part No.	Description	Qty.	Item	Part No.	Description	Qty.
--	88406GT	FIRE EXTINGUISHER		--	4828GT	NUT,NYLOCK,3/8-16	
--	82862GT	DECAL,FIRE EXTINGUISHER		--	5397GT	WASHER,FLAT,USS,5/16",Y	
--	97579GT	DECAL,DANGER,TIP-OVER,WELDER**		--	6782GT	NUT,NYLOCK,5/16-18	
--	133518GT	DECAL, PATCH, GEN,ALC-500		13	101525GT	WELDER,INVERTEC V275-S.....1	
--	101547PGT	BRACKET,WELDER SUPPORT,PNT		--	106141GT	SCREW,SECURITY,1/4-20 X 1.75LG	
--	28443GT	CABLE TIE,11.5" BLACK		--	106183GT	FUSE,.6AMP,250V,WELDER,V275S	
--	110276-3600GT	FIRE SLEEVE, 1.25".....1 (S-120)		--	106275GT	KIT,WELD LEADS ASSY,V275S <i>includes both cables</i>	
--	110276-5800GT	FIRE SLEEVE, 1.25".....1 (S-120)		14	18666GT	CLAMP,1.00,#16 X 1/4,RUB CUSH.....2	
--	110276-7000GT	FIRE SLEEVE, 1.25".....1 (S-120)		15	110220GT	DECAL,WARNING,WELDER SAFETY...1	
--	110276-1500GT	FIRE SLEEVE, 1.25".....2 (S-120 and S-125)		16	106204PGT	BRACKET,V275S WELD LEADS.....1	
--	110276-1200GT	FIRE SLEEVE, 1.25".....2 (S-125)					
--	110276-2400GT	FIRE SLEEVE, 1.25",24"L.....1 (S-125)					
--	110276-2500GT	FIRE SLEEVE, 1.25".....1 (S-125)					
--	110276-4000GT	FIRE SLEEVE, 1.25".....1 (S-125)					
--	110276-4600GT	FIRE SLEEVE, 1.25".....1 (S-125)					
--	110277-4500GT	FIRE SLEEVE, 2.0".....1 (S-125)					
Q	229925GT	ADAPTER,WELDER,208-220					
1	101547PGT	BRACKET,WELDER SUPPORT,PNT					
2	5397GT	WASHER,FLAT,USS,5/16",Y					
3	4828GT	NUT,NYLOCK,3/8-16					
4	122755GT	UBOLT,FLATTENED,1.5DIA X 3/8 UNC....2					
5	47363GT	SCREW,RHM,8-32 X .50					
6	35461GT	WASHER,FLAT,MS,#8,Y					
7	101731PGT	BRACKET,POWER TO PLAT TBOX,PNT.....1					
--	4828GT	NUT,NYLOCK,3/8-16					
--	5397GT	WASHER,FLAT,USS,5/16",Y					
--	6550GT	U-BOLT,3/8 X 1 YZ					
8	101732GT	COVER,WEATHERPROOF 3-PHASE					
9	106112GT	PLUG,4-WIRE,3-PHASE,50A,MALE.....1					
10	106110GT	T-BOX,2.75X4.5X2.63,3PH.....1					
--	106111GT	RECEPTCL,LOCK 3-PH,50A,4 WIRE					
11	82237GT	DECAL,DANGER,HIGH VOLTAGE.....2					
12	102408PGT	BRACKET,LINCOLN WELDER,PNTD....1					
--	102409PGT	BRACKET,WELDER MNT SUPPORT,PNT					
--	106043GT	SCREW,SECURITY,5/16-18X1.00					
--	106044GT	U-BOLT,3/8-16X4X4.63X3.00					

818.1 Welder Option, Hoses and Fittings - View 3

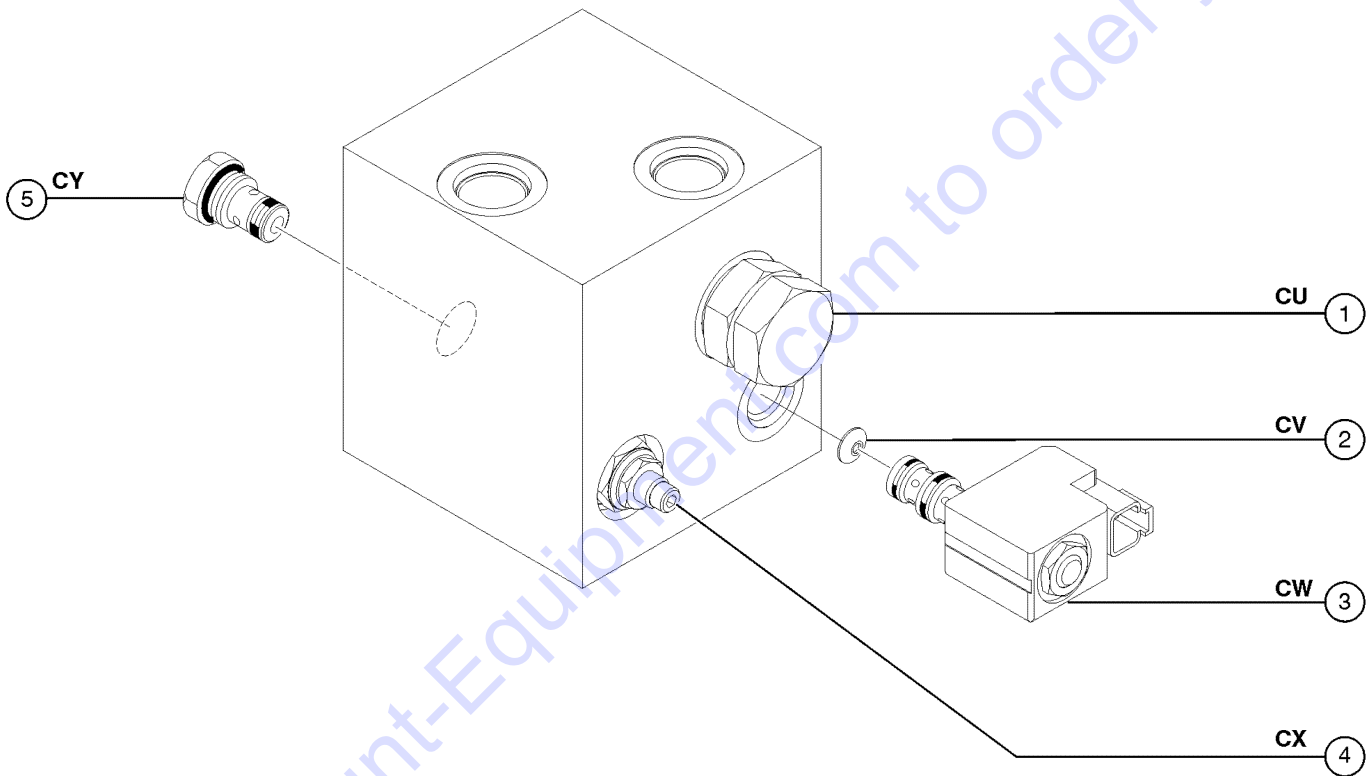


818.1 Welder Option, Hoses and Fittings - View 3

Item	Part No.	Description	Qty.
1	61134-7033GT	HOSE ASSY 3/4,90 FEM STR FEM.....2	
2	48963GT	FITTING,ELBOW,45D,520320-12***.....7	
3	48960GT	FITTING,CONN,520120-12***.....3	
4	49142-7062GT	HOSE ASSEMBLY,1/2".....1	
5	48933GT	CONN,520120-8***.....1	
6	48959GT	FITTING,ELBOW,90D,520220-12.....1	
7	102312-2088GT	HOSE ASSEMBLY,3/4",-10-12 90F,.....2	
8	102313-4626GT	HOSE ASSY,3/4,45 FEM,STR FEM.....2	
9	48964GT	FITTING,TEE,RUN,SWIVEL52043212....1	
10	49143-5629GT	HOSE ASSY,1/2,90 FEM,STR FEMM....1	
11	48938GT	FITTING,TEE,RUN,SWIVEL520432-8....1	
12	48948GT	CONN,520120-8-12.....1	
13	48958GT	CONN,520120-10-12.....2	

Go to Discount-Equipment.com to order your parts

819.1 Welder Option, Oil Diverter Manifold - View 4

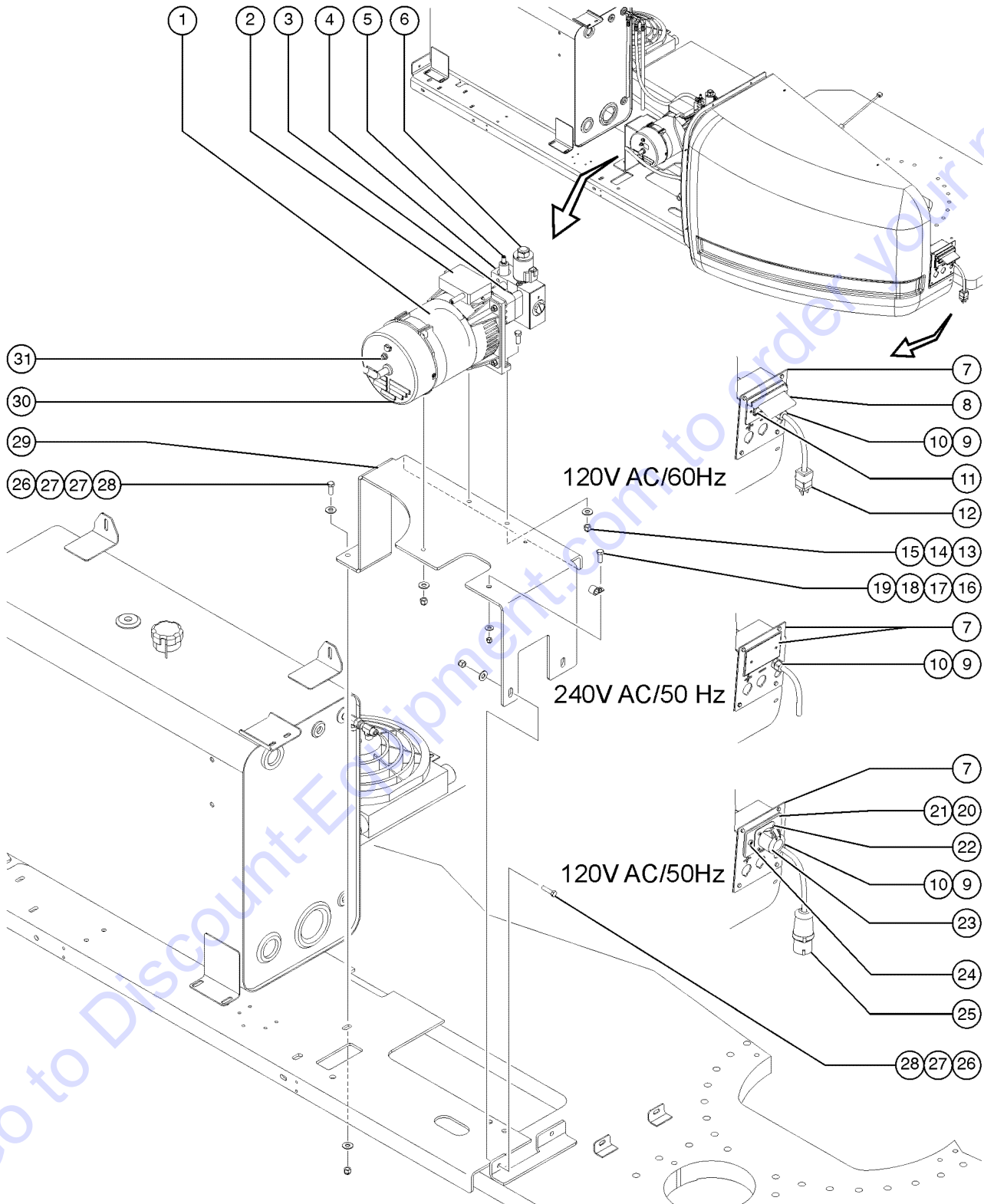


819.1 Welder Option, Oil Diverter Manifold - View 4

Item	Part No.	Description	Qty.
--	101516GT	MANIFOLD,DRIVE OIL DIVERTER <i>(complete)</i>	
1	102746GT	VALVE,PILOT OPER DIRECTIONAL <i>CU, Diverter valve</i>	
2	106394GT	ORIFICE DISC,.030,CONE <i>CV, Delays shift to drive</i>	
3	94760GT	VALVE,SOLENOID,10V,W/OUT COIL* <i>CW, Pilot valve to diverter</i>	
--	128419GT	Seal Kit	
--	94759GT	NUT,SOLENOID	
--	94765GT	COIL-10V DC***	
4	122302GT	RELIEF,VALVE 270 PSI <i>CX, Charge pressure circuit</i>	
--	128416GT	Seal Kit	
5	94757GT	VALVE,CHECK,3 PSI*** <i>CY, Prevents oil flow to generator</i>	
--	128416GT	Seal Kit	

Go to Discount-Equipment.com to order your parts

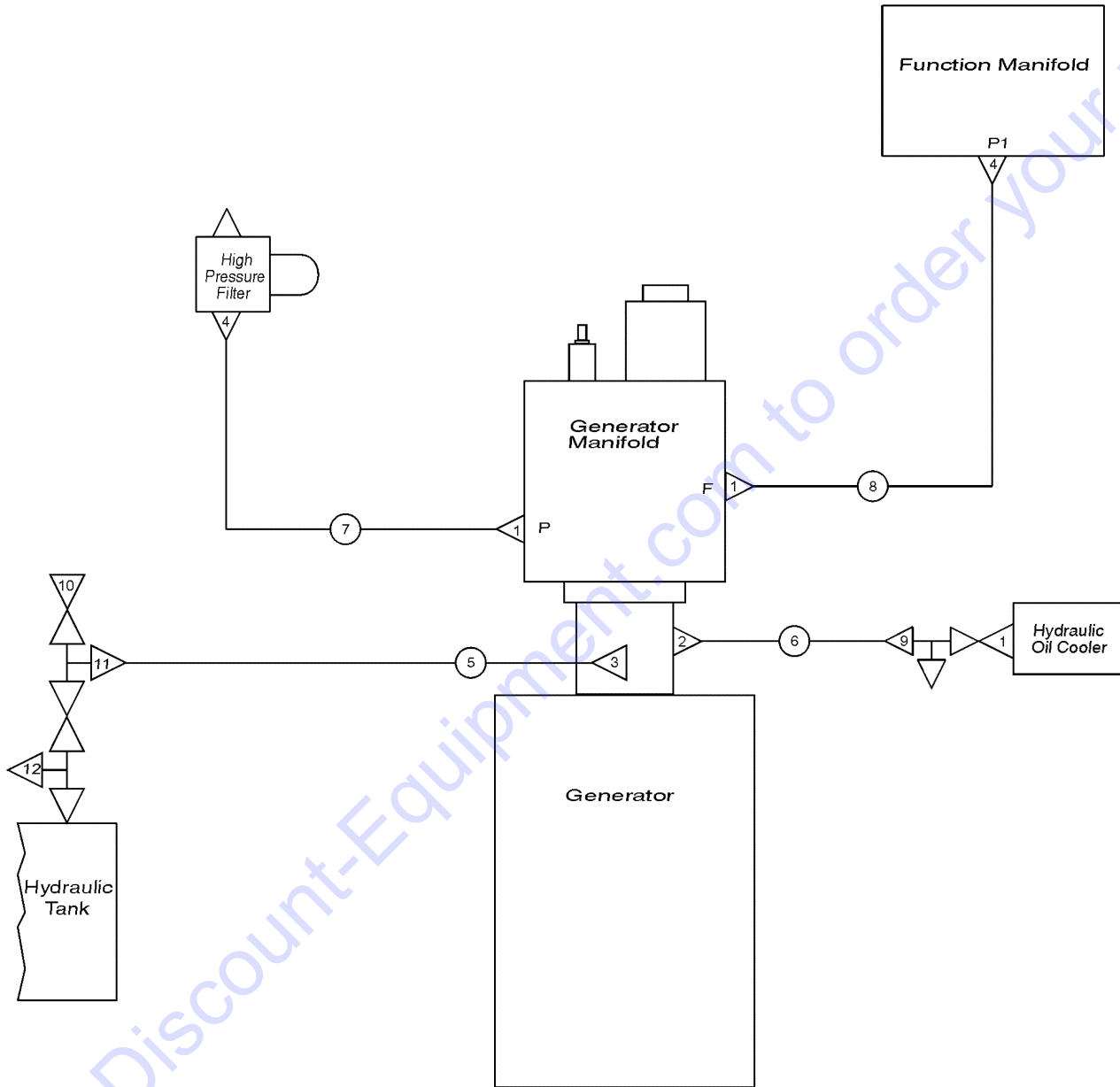
820.1 Hydraulic (MTE) Generator Option - View 1



820.1 Hydraulic (MTE) Generator Option - View 1

Item	Part No.	Description	Qty.	Item	Part No.	Description	Qty.
--	146553GT	WIRE HARNESS,JUMPER,MTE GEN,SB		23	T112560GT	RECEPTACLE,UK,110V	
--	147240GT	CAPACITOR 16 F, GEN		24	63375GT	SCREW,FHM,6-32 X .75	
--	114236GT	DECAL,LABEL,CB SYMBOL		25	144161GT	PLUG,PWR,UK,16AMP,3PIN,BLK	
1A	139952GT	GENERATOR,3kW,120V/50Hz.....1 <i>(complete) includes items 2-6 and 30-31</i>		26	6019GT	SCREW,HHC,3/8-16 X 1.25 GRD 5	
1B	139953GT	GENERATOR, 3kW, 120V/60Hz <i>(complete) includes items 2-6 and 30-31</i>		27	6097GT	WASHER,FLAT,USS,3/8",Y	
--	119067GT	CONN,RECEP 4 WAY ENDCAP DT		28	4828GT	NUT,NYLOCK,3/8-16	
--	147229GT	MANIFOLD ASSEMBLY, GEN		29	146322PGT	FORMING,MTE GEN MTG PLATE,PTD	
--	147230GT	207 HYD MOTOR ASSY, GEN		30	147241GT	COVER, END, GEN, 120V.....1 <i>part of generators 139952 and 139953</i>	
--	147231GT	SEAL KIT, HYD MOTOR, GEN		--	147262GT	COVER, END, GENERATOR, 240V <i>part of generator 139954</i>	
--	147233GT	VALVE, RELIEF, GEN, 3.0kW		31	147239GT	BREAKER, 25 AMP, GEN.....1 <i>part of generators 139952 and 139953</i>	
--	147239GT	BREAKER, 25 AMP, GEN 60hz		--	147258GT	BREAKER,15 AMP,GEN <i>part of generator 139954</i>	
--	147240GT	CAPACITOR 16 F, GEN					
--	147242GT	SCREW, GEN ROTOR					
1C	139954GT	GENERATOR,3kW,240V/50Hz <i>(complete) includes items 2-6 and 30-31</i>					
--	147258GT	BREAKER,15 AMP,GEN 50hz					
2	1269693GT	CONTROL BOX,2KW,120/240V,50HZ.....1 <i>part of generators 139952 and 139954</i>					
--	147228GT	CONTROLLER BOX, 120/240V, 60H <i>part of generator 139953</i>					
3	147230GT	207 HYD MOTOR ASSY, GEN.....1					
--	147231GT	SEAL KIT, HYD MOTOR, GEN					
4	147229GT	MANIFOLD ASSEMBLY, GEN.....1 <i>(complete) includes items 5 and 6</i>					
5	147233GT	VALVE, RELIEF, GEN, 3.0kW.....1					
6	147232GT	12VDC PROPORTIONAL VALVE.....1					
7		Ref. (refer to 309.1)					
8	74006GT	COVER,GFCI,HORIZONTAL,WEATHER					
9	7056GT	CONN, SQZ, 1/2NPT .38-.50, SM**					
10	6595GT	PLUG,ELECTRICAL,DOMESTIC					
11	80543GT	RECEPTACLE, 120VAC, 20A, GFCI					
12	6595GT	PLUG,ELECTRICAL,DOMESTIC					
13	60485GT	COVER,TURNTABLE,LEFT SIDE					
14	5397GT	WASHER,FLAT,USS,5/16",Y					
15	13000GT	SCREW,HHC,5/16-18 X 1.25					
16	6090GT	SCREW,HHC,1/4-20 X .75					
17	45470GT	CLAMP,0.31,#5 X 1/4,RUB CUSH					
18	6638GT	WASHER,FLAT,USS,1/4"Y					
19	6091GT	NUT,NYLOCK,1/4-20					
20	T112561GT	PLATE,UK,POWER TO PLAT					
21	81458GT	GASKET, UK POWER TO PLAT					
22	54380GT	SCREW,PHILLIPS,PHM,8-32 X .875					

821.1 Hydraulic (MTE) Generator Option - View 2



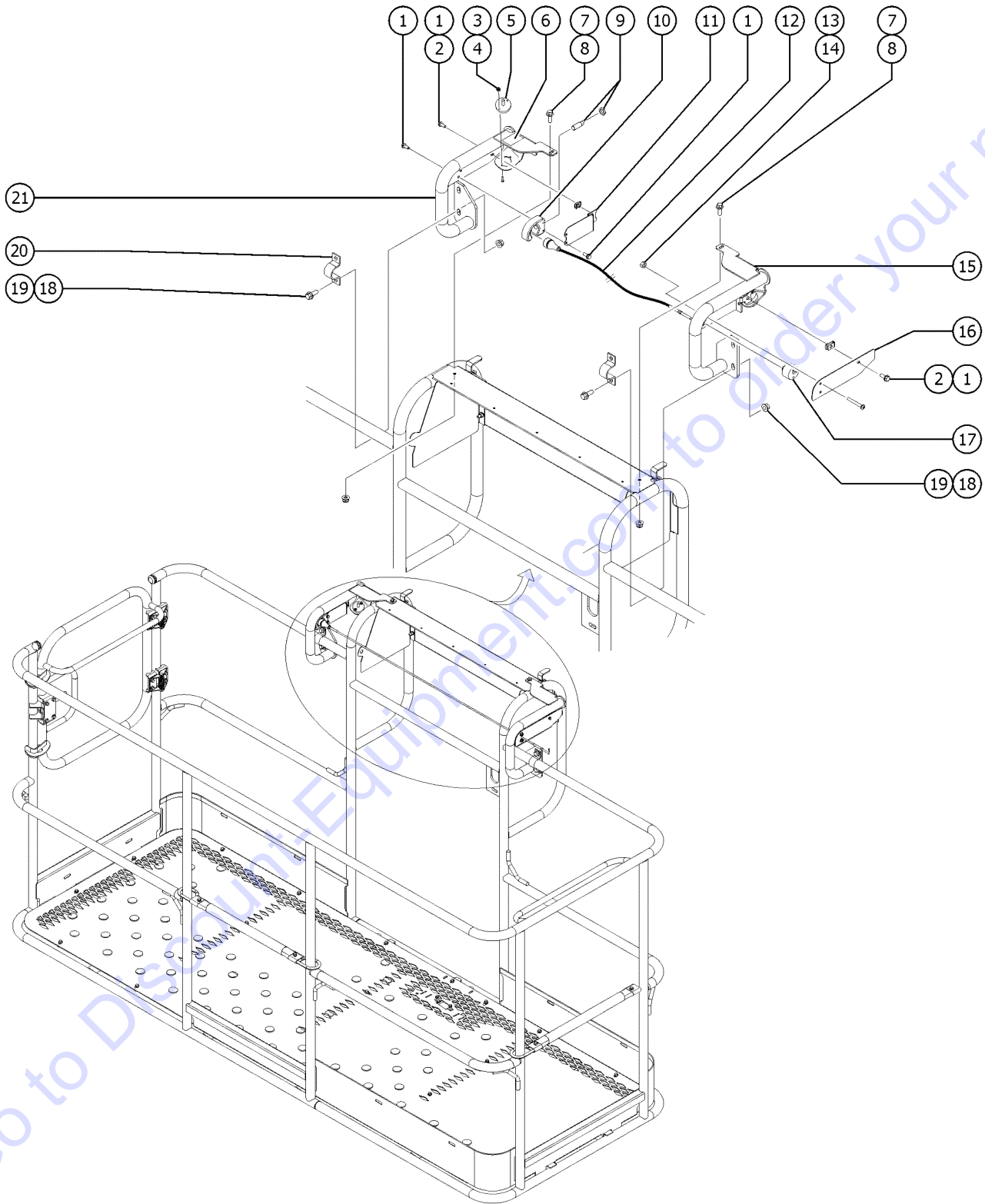
LEGEND	
	ADAPTER
	HOSE ASSEMBLY
	UNION

821.1 Hydraulic (MTE) Generator Option - View 2

Item	Part No.	Description	Qty.
1	48959GT	FITTING,ELBOW,90D,520220-12.....	3
2	75614GT	ELBOW,90D,LONG,521520-8.....	1
3	49861GT	CONN,LONG,520122-4.....	1
4	48960GT	FITTING,CONN,520120-12***.....	2
5	49163-2994GT	HOSE ASSY,1/4"90 FEM,STR FEM.....	1
6	49142-5062GT	HOSE ASSY,1/2,90 FEM,STR FEM.....	1
7	61073-6230GT	HOSE ASSY,3/4" 90 FEM STR FEM.....	1
8	61074-2228GT	HOSE ASSY,3/4,STR FEM,STR FRM.....	1
9	48964GT	FITTING,TEE,RUN,SWIVEL52043212....	1
10	48892GT	ELBOW,SWIVEL 90D, 520221-6.....	1
11	48875GT	TEE,RUN,SWIVEL,520432-6.....	1
12	48918GT	TEE,RUN,520428-6.....	1

Go to Discount-Equipment.com to order your parts

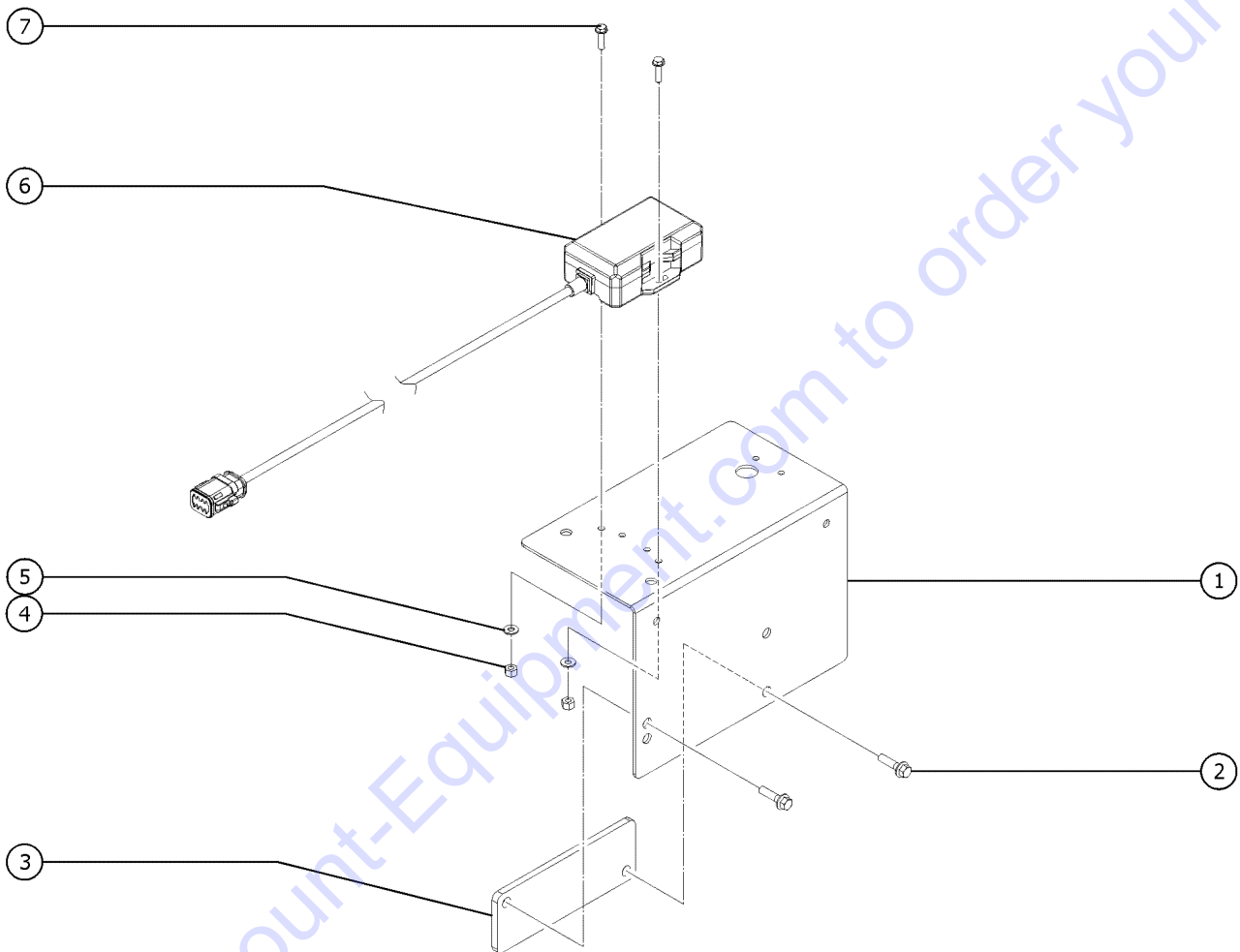
822.1 Lift Guard Contact Alarm Option (from January 2017)



822.1 Lift Guard Contact Alarm Option (from January 2017)

Item	Part No.	Description	Qty.
A	1279134GT	KIT, LIFT GUARD CONTACT ALARM,6'-8' PLATFORM,ALC1000	
B	1279672GT	HARNESS, CONTACT ALARM, ALC1000	
C	824037GT	NUT,HH JAM,1/4-20,A,ZAG	
D	1278121GT	MODULE, PLUS+1, CONTACT ALARM <i>located inside the Platform Control Box</i>	
E	824083GT	SCREW,HHF,1/4-20X2.5,8,ZAG	
1	1264934GT	SCREW,HHF,10-24X.5.....	7
2	73575GT	SPRING CLIP,10-24,.025-.125X.468,ZAG.....	2
3	12344GT	NUT,NYLOCK,6-32.....	4
4	1256859GT	SCREW,PHPM,6-32X.875,ZAG.....	4
5	1278111GT	ASSEMBLY, LIGHT, CONTACT ALARM.....	2
6	1278542GT	DECAL, INSTRUCTION, CONTACT ALARM.....	1
7	824078GT	SCREW,HHF,1/4-20X.75,8,ZAG.....	2
8	1277924GT	NUT,NYLOCK FLG,1/4-20,F,ZAG.....	2
9	1278119GT	ASSEMBLY, SENSOR, PROX, CONTACT ALARM.....	1
10	1278433GT	ASSY, SENSOR W/HOUSING..... <i>(Includes holder item 1277877 and sensor part 1278119)</i>	1
--	1277877GT	HOLDER, SENSOR	
11	1277873GT	FORMING, SENSOR HOLDER.....	1
12	1278416GT	ASSEMBLY,CONTACT ALARM CABLE, LARGE.....	1
--	1261184GT	NUT,1/4-20,8,ZAG <i>(part of assembly 1278416)</i>	
--	1278124GT	MAGNET, 1/4-20, 15 LB. <i>(part of assembly 1278416)</i>	
--	1278368GT	GRIP, CABLE <i>(part of assembly 1278416)</i>	
--	1278458GT	CONTACT ALARM WIRE ASSY, LARGE <i>(part of assembly 1278416)</i>	
13	1274168GT	NUT,NYLOCK,10-32,A,ZAG.....	2
14	824216GT	SCREW,PHPM,10-32X1.5,ZAG.....	2
15	1278138GT	WELDMENT, RIGHT CONTACT ALARM, LARGE.....	1
--	1277924GT	NUT,NYLOCK FLG,1/4-20,F,ZAG	
--	824037GT	NUT,HH JAM,1/4-20,A,ZAG	
16	1277875GT	PLATE, CABLE AND WIRE COVER.....	1
17	1277876GT	GUIDE, CABLE.....	1
18	1274322GT	NUT,NYLOCK FLG,3/8-16,F,ZAG.....	4
19	824090GT	SCREW,HHF,3/8-16X1,8,ZAG.....	4
20	1278363GT	CLAMP, 1.25 INCH TUBE.....	2
21	1278144GT	WELDMENT, LEFT CONTACT ALARM, LARGE.....	1

823.1 OPTION,SUNBELT,TELEMATICS,ALC1000



823.1 OPTION,SUNBELT,TELEMATICS,ALC1000

Item	Part No.	Description	Qty.
1	1260053GT	FORMING,TELEMATICS,TOPCON,ALC1000.1	
2	824079GT	SCREW,HHF,1/4-20X1,8,ZAG.....2	
3	1260052GT	SPACER,TELEMATICS,TOPCON.....1	
4	1274170GT	NUT, NYLOCK, 10-24, A, ZAG.....2	
5	1253185GT	WASHER,FLAT,#10,USS,ZAG.....2	
6	1281095GT	ASSEMBLY,TELEMATICS,TTU 2830.....1	
7	1262031GT	SCREW,HHF,10-24X.75,ZAG.....2	

Go to Discount-Equipment.com to order your parts

Part Number Index

The Part Number Index is a numeric index of all part numbers included in this manual. The index shows what page(s) the part is used on.

Part Number	Page	Part Number	Page	Part Number	Page	Part Number	Page
1000256GT	16, 20	102447GT	165	106477GT	185	111523GT	97
101005GT	119	102449GT	29	106637GT	185	111526GT	157
101005HGT	119	102450GT	29	106658GT	185	111637GT	45
101068GT	139	102452GT	29	10665GT	97	111639GT	55
101070GT	27	102496GT	121	106756GT	29	111668GT	65
10107GT	31, 37, 41, 49, 165	102534GT	77	106873GT	29	111997GT	93, 99
101174GT	117, 119	102580GT	65	106874GT	29	11209GT	41, 91
101174HGT	119	102581GT	65	106875GT	29	114112GT	11, 13, 16, 20
101175GT	117, 119	102582GT	65	106914GT	41	11413GT	39
101175HGT	119	102584GT	65	106923GT	71	114236GT	16, 20, 193
101382GT	115	102586GT	65	107706GT	165	114247GT	11, 13
101383GT	115	102587GT	65	107708GT	165	114249GT	11, 13
101383GT	115	102590GT	65	107710GT	165	114251GT	11, 13
101384GT	115	102592GT	65	10777GT	33, 109, 111	114252GT	11, 13
101506GT	185	102593GT	65	107830GT	27, 53	114258GT	16, 20
101516GT	191	102594GT	65	107858GT	155	114389GT	16, 20
101525GT	187	102595GT	65	107860GT	113, 115	114390GT	16, 20
101547PGT	187	102596GT	65	110180GT	133, 135	114416GT	16, 20
101601GT	79	102597GT	65	110194GT	121	114473GT	11, 13
101602GT	79	102598GT	81	110220GT	185, 187	119067GT	193
101603PGT	77	102606PGT	185	110276-1200GT	187	119534GT	171
101604PGT	77	102607PGT	185	110276-1500GT	187	119536PGT	107
101606PGT	77	102632GT	81	110276-2400GT	187	119542GT	107
101613GT	79	102638GT	81	110276-2500GT	187	119613GT	119
101628GT	77	102639GT	81	110276-3600GT	187	119619GT	25
101629GT	77, 79	102646GT	83	110276-4000GT	187	119620GT	25
101634GT	83	102659GT	49	110276-4600GT	187	119641GT	171
101639GT	177, 179	102671GT	109	110276-5800GT	187	119915GT	119
101640GT	69, 85	102675GT	109	110276-7000GT	187	119950GT	165
101644GT	77	102676GT	157	110277-4500GT	187	121603GT	73
101726GT	47	102684GT	29	110304GT	77	121657GT	51
101731PGT	187	102701GT	123, 125	110344GT	185	122015GT	97
101732GT	187	102704GT	31, 53	110771-74B69GT	101	122016GT	97
101845GT	159	102705GT	53	110771-74BJ9GT	37, 93	122019GT	155
101888GT	51, 53	102710GT	49	110789GT	159	122034GT	93, 99
101930PGT	85	102721PGT	165	111143GT	43	122043GT	16, 20
101931PGT	85	102728GT	25	111144GT	43	122073GT	165
101934GT	133, 135	102729GT	25, 31	111145GT	43	122079GT	109, 111
101957GT	57, 61, 79, 83	102746GT	185, 191	111149GT	97	122114GT	93, 99
101958GT	125	102785PGT	157	111176GT	91	122225GT	99
101964GT	35	102786PGT	157	111185GT	59	122231GT	165
102020GT	99	102938GT	165	111189GT	109	122247GT	31
102045GT	55, 63, 77, 79	102947GT	35	111193GT	109	122248GT	25, 31
102051GT	93	102948GT	35	111205GT	111	122249GT	25
102052GT	99	102992GT	113, 115	111209GT	111	122272GT	33, 35
102064GT	27	102993GT	37	111213GT	111	122279GT	165
102106GT	47	102994GT	37	111217GT	111	122300GT	185
102190PGT	45	104030GT	117	111253GT	115	122302GT	191
102200-SGT	113, 115	104759GT	123	111261GT	113	122321GT	99
102205PGT	37	104760GT	123	111265GT	113	122322GT	99
102208GT	63	10587GT	41, 91, 173	111269GT	113	122323GT	155
102209PGT	61	10597GT	23, 31	111273GT	113	122335GT	55
102210PGT	75	106043GT	187	111278GT	113, 115	122336GT	43
102211GT	93, 99	106044GT	187	111281GT	165	122337GT	43
102212GT	93, 99	106073GT	185	111285GT	165	122366GT	51
102213GT	99	106098GT	27	111287GT	165	122402GT	55
102214GT	93, 99	106104GT	185	111289GT	165	122404GT	55
102215GT	93, 99	106110GT	187	111291GT	165	122407GT	57
102216GT	93, 99	106111GT	187	111293GT	165	122408GT	57
102218PGT	75	106112GT	187	111312GT	165	122409GT	55
102220GT	177	106113GT	185	111314GT	165	122410GT	55
102237PGT	63	106118GT	27	111316GT	165	122411GT	57
102312-2088GT	189	106140PGT	185	111318GT	165	122412GT	55
102313-4626GT	189	106141GT	187	111320GT	165	122413GT	57
102314GT	185	106183GT	187	111328GT	33	122414GT	57, 69, 85
102348GT	81	106184GT	185	111329GT	35	122415GT	55
102357GT	185	106204PGT	187	111330GT	33	122423GT	57
102359PGT	185	106211-300GT	69, 85	111402GT	65	122424GT	55
102390PGT	185	106211-400GT	177	111409GT	89	122425GT	57
102394GT	127-128	106211-475GT	63	111410GT	89	122427GT	57
102395GT	127-128	106211-800GT	69	111436GT	145-146	122428GT	55, 57
102396GT	127-128	106226-4000GT	79	111437GT	145-146	122432GT	57, 177, 179
102398GT	127-128	106274GT	185	111445GT	65	122433GT	57
102408PGT	187	106275GT	187	111485PGT	165	122434GT	57
102409PGT	187	106394GT	191	111486PGT	165	122435GT	57

PARTS FINDER

**Search Website
by Part Number**



**Search Manual
Library For Parts
Manual & Lookup Part
Numbers – Purchase
or Request Quote**

Search Manuals

Enter your information to help us find the right parts manual for your machine.

* Brand:

* Model:

* Serial:

* Part Number:

SEARCH

**Can't Find Part or
Manual? Request Help
by Manufacturer,
Model & Description**

Parts Order Form

Please fill in the following information to help us find the right part for your machine.

Manufacturer:	<input type="text"/>
Model:	<input type="text"/>
Description:	<input type="text"/>
Part Number:	<input type="text"/>
Quantity:	<input type="text"/>
Notes:	<input type="text"/>

Submit

Discount-Equipment.com is your online resource for quality parts & equipment.

Florida: **561-964-4949** Outside Florida TOLL FREE: **877-690-3101**

Need parts?

Click on this link: <http://www.discount-equipment.com/category/5443-parts/> and choose one of the options to help get the right parts and equipment you are looking for. Please have the machine model and serial number available in order to help us get you the correct parts. If you don't find the part on the website or on one of the online manuals, please fill out the request form and one of our experienced staff members will get back to you with a quote for the right part that your machine needs.

We sell worldwide for the brands: Genie, Terex, JLG, MultiQuip, Mikasa, Essick, Whiteman, Mayco, Toro Stone, Diamond Products, Generac Magnum, Airman, Haulotte, Barreto, Power Blanket, Nifty Lift, Atlas Copco, Chicago Pneumatic, Allmand, Miller Curber, Skyjack, Lull, Skytrak, Tsurumi, Husquvarna Target, Stow, Wacker, Sakai, Mi-T-M, Sullair, Basic, Dynapac, MBW, Weber, Bartell, Bennar Newman, Haulotte, Ditch Runner, Menegotti, Morrison, Contec, Buddy, Crown, Edco, Wyco, Bomag, Laymor, EZ Trench, Bil-Jax, F.S. Curtis, Gehl Pavers, Heli, Honda, ICS/PowerGrit, IHI, Partner, Imer, Clipper, MMD, Koshin, Rice, CH&E, General Equipment, Amida, Coleman, NAC, Gradall, Square Shooter, Kent, Stanley, Tamco, Toku, Hatz, Kohler, Robin, Wisconsin, Northrock, Oztec, Toker TK, Rol-Air, APT, Wylie, Ingersoll Rand / Doosan, Innovatech, Con X, Ammann, Mecalac, Makinex, Smith Surface Prep, Small Line, Wanco, Yanmar

Part Number	Page	Part Number	Page	Part Number	Page	Part Number	Page
122438GT	55	1252018GT	67	1261018GT	183	1283564GT	95, 99
122439GT	127-128	1252019GT	67	1261019GT	183	1283565GT	95, 99
122466GT	57	1252978GT	95, 103	1261020GT	183	128368GT	165
122467GT	57	1253185GT	199	1261021GT	183	128373GT	161
122470GT	57	1253218GT	67	1261022GT	183	1283888GT	95, 99
122472GT	57	1253230GT	67	1261023GT	183	1283891GT	99
122494GT	139	1253231GT	67	1261024GT	183	1283892GT	101
122495GT	139	1253232GT	67	1261025GT	183	1283995GT	67
122516GT	51	1253233GT	67	1261184GT	197	128416GT	191
122517GT	51	1253234GT	67	1262031GT	199	128419GT	191
122519GT	51	1253319GT	73	1262523GT	179	128421GT	79
122551GT	107	1253325GT	67	1262524GT	179	128424GT	79
122591GT	57	1253326GT	73	1262525GT	69	128447GT	43
122592GT	57	1253327GT	71	1264656GT	69	128454PGT	107
122593GT	77	1253498GT	81, 83	1264657GT	69	128482GT	107
122594GT	55	1253502GT	53, 67	1264934GT	197	128483GT	107
122602GT	57	1253600GT	69, 85	1267807GT	45	128505GT	55
122603GT	57	1253618GT	53	1268229GT	45	128534GT	107
122604GT	57	1253705GT	53	1269501GT	119	128554GT	79
122605GT	57	1253706GT	53	1269693GT	193	128555GT	79
122613GT	57	1253707GT	53	1271398GT	185	128636GT	37, 93, 101
122614GT	57	1254081GT	67	1274045GT	53, 103, 105	128638GT	77
122615GT	57	1254418GT	67	1274116GT	103, 105	128661GT	77
122625GT	55	1254669GT	69	1274134GT	49	128724GT	107
122701GT	77	1254826GT	65	1274168GT	197	128801GT	77
122702GT	77	1254949GT	67	1274170GT	199	128829GT	45, 55, 61, 77
122708GT	55	1255342GT	67	1274322GT	167, 169, 183,	128858GT	77
122709GT	55	1255451GT	67		197	128953GT	16, 20
122723GT	171	1255631GT	67	1274511GT	105	128974GT	16, 20
122755GT	109, 111, 163,	1255653GT	65	1276727GT	31	12906GT	33, 35
	181, 187	1255665GT	69	1276728GT	31	12981GT	99
122768GT	161	1255666GT	69	1277873GT	197	13000GT	55, 193
122771GT	161	1255753GT	71	1277875GT	197	13002GT	45, 55, 185
122791GT	99	1255806GT	67, 71	1277876GT	197	13003GT	63, 77, 79
122795GT	91	1256109GT	91, 93, 95, 99,	1277877GT	197	13004GT	55
122796GT	91		101, 107	1277924GT	167, 169, 197	130187GT	81
122797GT	91	1256267GT	89, 91	1277970GT	55	130341GT	83
122875GT	61	1256377GT	183	1278111GT	197	13037GT	117
122877GT	55	1256378GT	183	1278119GT	197	13064GT	41, 55, 63, 77,
122894GT	33	1256379GT	183	1278121GT	197		79, 97
122910GT	177	1256380GT	183	1278124GT	197	13066GT	27, 57, 63, 69,
122911GT	177	1256389GT	183	1278138GT	197		77, 97
122912GT	177	1256400FRGT	183	1278144GT	197	13097GT	185
122913GT	177	1256400GT	183	1278363GT	197	13268GT	117
122914GT	177	1256439GT	183	1278368GT	197	133067GT	11, 13
122918GT	41	1256480GT	67	1278416GT	197	133205GT	11, 13
122919GT	41	1256481GT	183	1278433GT	197	133278GT	16, 20
122944GT	103, 105	1256583GT	73	1278458GT	197	133518GT	187
122949GT	155	1256776GT	73	1278464GT	33, 39	13585GT	109, 111
122951GT	155	1256805GT	73	1278542GT	197	13852GT	103, 137
122954GT	53	1256848GT	93, 95, 99	1279134GT	197	139066GT	77
122964GT	133	1256851GT	183	1279465GT	45	13918GT	41, 105
123081GT	83	1256855GT	169	1279466GT	45	139321GT	61
123084GT	81	1256856GT	183	1279672GT	197	139322GT	61
123351GT	81	1256859GT	197	128000GT	119	139338GT	117
12344GT	51, 117, 197	1256911GT	71	128001GT	119	139438GT	165
12443GT	113, 115	1257753GT	71	128004GT	61, 69, 79	139451GT	113, 115
12460GT	95	1257774GT	71	1280590GT	65	139455GT	63
124962GT	71	1257844GT	67	1280591GT	65	139598GT	119
1251496GT	71	1257888GT	71	1281095GT	199	139612GT	77
1251565GT	73	1257924GT	83	128200GT	117	139621GT	65
1251600GT	167, 169	1258412GT	73	128204GT	171	139624GT	61
1251705GT	73	1258460GT	51	128207GT	79	139666GT	61
1251708GT	69	1259039GT	179	128242GT	77	139709GT	65
1251720GT	67	1259253GT	53	128243GT	77	139798GT	57
1251893GT	67, 85	1259484GT	27	128244GT	79	139952GT	193
1251894GT	67, 85	1259485GT	27	128245GT	79	139953GT	193
1251897GT	85	1259486GT	27	128246GT	79	139954GT	193
1251899GT	73	1259487GT	27	128247GT	77	139983GT	63
1251902GT	83	1259704GT	165	128248GT	79	14033GT	25, 37
1251983GT	67	1259950GT	27	128249GT	79	14295GT	79
1251997GT	83, 183	1259951GT	27	128250GT	79	14297GT	91, 95, 175
1252014GT	67	1260052GT	199	128268GT	105	144161GT	193
1252015GT	67	1260053GT	199	128274GT	161	146044GT	57
1252016GT	67	1260892GT	183	128280GT	77	146045GT	57
1252017GT	67	1260910GT	183	128314GT	73	146046GT	55

Part Number Index (continued)

Part Number	Page	Part Number	Page	Part Number	Page	Part Number	Page
146047GT	55	21187GT	33, 185	229925GT	187	29739GT	139
146048GT	77	214393GT	45	230073GT	67, 81, 85	29764GT	109, 111
146054GT	59, 75, 87	21465GT	45, 47, 67	230074GT	67	29868GT	37, 45, 49, 71,
146056GT	105	214795GT	73	23057GT	77, 79		73, 93, 101
146061GT	65	21496GT	61	230983GT	133, 135	29883GT	55
146073GT	103, 105	215209GT	45	230993GT	131	30080GT	19-20
146089GT	89	215210GT	45	231087GT	83	30143GT	45
146091GT	89	215229GT	49	231088GT	71	30217GT	103, 105
146093GT	89	215496GT	83	231511GT	85	30222GT	105
146098GT	16, 20	215500GT	83	231513GT	73, 83, 85	30255GT	103, 105
146191GT	51, 53	215509GT	83	231529GT	67, 69, 71, 81,		
146192GT	53, 101	215510GT	83		83, 85, 179	30370GT	99, 103, 105
146193GT	53, 127-128	215511GT	85	231530GT	81, 83, 179	30468GT	157
146194GT	53	215515GT	85	231531GT	73	30489GT	61, 63, 79, 85,
146198GT	37, 53, 93	215516GT	85	231532GT	83, 85		173, 177
146199GT	53, 101	215517GT	69, 83	231533GT	69, 71, 81, 83,		
146284GT	185	215546GT	131		85, 179	30490GT	55
146285GT	185	215918GT	85	231993GT	45	30748GT	39, 97
146306GT	57	216036GT	69	232841GT	97	30971GT	65, 69, 173, 177,
146322PGT	193	21604GT	159	232842GT	97		179
146324GT	89	216286GT	81	232874GT	69, 85	30997GT	117
146325GT	37, 93, 101	216564GT	81	232975GT	117	31106GT	103
146352GT	57	216597GT	67, 81, 85	233942GT	133, 135	31523GT	173
146390GT	117	216758GT	83	233992GT	169	31658GT	47
146399GT	53, 159	217021GT	45	235068GT	45	31788GT	15-16, 19-20
146420GT	11, 16	217022GT	45	236240GT	83	31817GT	77
146421GT	13, 20	217023GT	45	236259GT	71	33247GT	97
146423GT	16, 20	217232GT	81	236260GT	71	33277GT	77, 79
146476GT	93, 99	217457GT	81, 85	236695GT	111	33278GT	97, 99
146477GT	93, 99	217458GT	81, 85	236946GT	65	33418GT	55, 63, 77, 79
146478GT	117	217459GT	81	237068GT	45	33428GT	23, 105
146553GT	193	217460GT	67, 81, 85	237232GT	29	33555GT	33, 35
147121GT	113, 115	217500GT	73, 85	237233GT	29	33607GT	185
147221GT	113, 115	217709GT	97	237352GT	67	33608GT	185
147228GT	193	218458GT	71	237730GT	67	33674GT	165
147229GT	193	218496GT	27	237832GT	69, 83	33681GT	101
147230GT	193	218715GT	67	24037GT	77	33987GT	49
147231GT	193	219158GT	181	24038GT	77	34052GT	51
147232GT	193	22558GT	61, 63	24514GT	113, 115	34058GT	83
147233GT	193	22571GT	77	25553GT	117	34127GT	27
147239GT	193	22578GT	61	25683GT	105	34131GT	89
147240GT	193	226060GT	79	25685GT	159	34243-500GT	95
147241GT	193	226061GT	79	25994GT	15-16, 19-20	34348GT	41, 89
147242GT	193	226103GT	65	27034GT	55, 57, 79, 177	34505GT	173
147258GT	193	226104GT	65	27204GT	11, 13, 15-16,		
147262GT	193	226105GT	65		19-20	34550GT	89
147290GT	49	226106GT	65	27205GT	11, 13, 15-16,		
1487GT	165	226127GT	79		19-20	34550GT	89
1488GT	165	226128GT	79	27206GT	11, 13, 15-16,		
15086GT	181	226393GT	155		19-20	34619GT	33, 159
15243GT	33, 101	226503GT	185	27207GT	11, 13, 15-16,		
15436GT	83	226507GT	185		19-20	34955GT	177, 179
160645GT	117	226519GT	16, 20	27287GT	171	35418GT	47
161189GT	65	226627GT	83	27584GT	55, 77, 79	35432GT	173
162006GT	185	22672GT	67, 85, 173	27761GT	121	35434GT	67, 79, 85
162206GT	71	22697GT	57	27836GT	121	35461GT	187
162207GT	71	22699GT	55, 57, 79, 177	27901GT	71	35675GT	59, 75, 87
162208GT	71	227158GT	89	28159GT	11, 13, 15-16,		
162209GT	71	227159GT	89		19-20	35956GT	165
162425GT	53	22788GT	25, 31	28161GT	15-16, 19-20	35960GT	155
16487GT	101	22832GT	101	28165GT	15-16, 19-20	36208GT	67, 173
18189GT	45	228848GT	169	28174GT	11, 13, 15-16,		
18383GT	97	228849GT	169		19-20	36294GT	185
18396GT	25	228866GT	133, 135	28175GT	15-16, 19-20	36388GT	183
18596GT	23, 55, 63, 77,	229346GT	185	28176GT	15-16, 19-20	37187GT	49
	79, 97	229384GT	185	28177GT	15-16, 19-20	37191GT	49
18665GT	185	229385GT	185	28181GT	15-16, 19-20	38028GT	97
18666GT	187	229389GT	117	28235GT	11, 13, 15-16,		
20224GT	127-128, 143,	229403GT	185		19-20	38149GT	15-16, 19-20
	145-146, 149,	229404GT	185	28236GT	15-16, 19-20	38601GT	91
	151, 153	229405GT	133, 135	28443GT	187	38620GT	95, 99
20262GT	113, 115	229406GT	133, 135	28646GT	25, 31, 41, 49	38859GT	59
20776GT	185	229407GT	133, 135	28853GT	161	38922GT	77
20973GT	113, 115	229410GT	135	29557GT	65	39346GT	123
21121GT	113, 115	229411GT	133, 135	29559GT	65	39479GT	25, 37, 39, 97
21130GT	57, 61, 83	229768GT	113, 115	29560GT	65	39653GT	71
						39888-183600GT	163
						40265GT	37, 39
						40434GT	11, 13, 15-16,
							19-20, 183
						41468GT	77
						41489GT	43
						42941-11500GT	45
						42941GT	47
						43018GT	23, 103, 105, 137
						43392GT	157, 165

Part Number Index (continued)

Part Number	Page	Part Number	Page	Part Number	Page	Part Number	Page
43594GT	15-16	48958GT	189	49214GT	163	53983GT	23, 101
43955GT	33, 109, 111	48959GT	145-146, 189, 195	49215GT	163	54156GT	97
44174GT	123, 127-128, 133, 135	48960GT	141, 145-146, 153, 189, 195	49378GT	79	54177GT	57, 69
44175GT	123, 127-128	48963GT	141, 143, 145-146, 189	49379GT	79	54205GT	77
44178GT	127-128	48964GT	189, 195	49407GT	61	54239GT	93
44224GT	127-128	48978GT	146	49408GT	77, 79	54274GT	113, 115
44225GT	127-128, 133, 135	48983GT	153	49410GT	41, 55, 77, 79	54355GT	113
44227GT	123, 125, 127-128, 133, 135	48984GT	145-146	49411GT	61, 63	54363GT	77
44228GT	133, 135	48985GT	145-146	49612GT	137, 141, 143, 145-146, 153	54380GT	45, 193
44229GT	123	48988GT	145-146	49613GT	137, 141, 143, 145-146, 153	54428GT	69
44230GT	123, 127-128	48996GT	49, 145-146	49775GT	41	54457GT	167
44236GT	123	48997GT	127-128, 143, 145-146, 149, 151, 153	49816GT	45, 89, 113, 115	54486GT	157
44335GT	101	49116-10337GT	143	49817GT	23, 27, 97, 159	54692GT	117
44714GT	55	49116-10937-SGT	141, 143	49819GT	23, 25	55753GT	165, 167
44743GT	113, 115	49116-11537-SGT	141, 143	49824GT	101, 155	56237GT	185
44981GT	11, 13, 15-16, 19-20	49116-12237GT	143	49857GT	109, 111	56424GT	113, 115, 167, 169
44986GT	15-16, 19-20	49116-2637GT	143	49861GT	195	56525GT	167
45076GT	97	49116-42237-SGT	153	49915GT	65	56570GT	167
45209GT	39, 95	49116-5337-SGT	141	49915GT	65	56704GT	155
45363GT	49, 83	49116-6037-SGT	141	49924GT	65	56843GT	27, 41, 43
45435GT	85	49117-12791-SGT	151	50032GT	27	56912GT	25, 31, 33, 35, 39, 47, 49, 57, 77, 99, 91, 93, 95, 107, 113, 115
45470GT	193	49117-1391-SGT	153	50035GT	41	56927GT	113
45495GT	41	49117-2091-SGT	151	50060-SGT	25	56934GT	169
45708GT	45	49117-3191GT	149	50099GT	91	57160GT	45
45748GT	97, 159	49117-5035-SGT	143	50100GT	97	57201GT	109, 111
45782GT	65	49117-5591GT	149	50117-SGT	99	58222GT	45
45916GT	127-128	49117-5835GT	141, 143	50154GT	31	58223GT	45
46216GT	127-128, 133, 135	49117-5935GT	141	50160GT	95	58249GT	65
47363GT	187	49117-6291GT	143	50161GT	49	58256GT	65
47377GT	103, 105	49117-6435GT	143	50188GT	27	58299GT	65
4828GT	25, 33, 41, 45, 47, 49, 55, 57, 61, 63, 77, 83, 89, 91, 93, 97, 99, 103, 105, 107, 109, 111, 113, 115, 155, 159, 163, 181, 185, 187, 193	49118-23308GT	153	50207GT	103	58566GT	65
48875GT	153, 195	49118-9708-SGT	153	50212GT	103	58593GT	51
48880GT	127-128, 143, 145-146, 149, 151, 153	49119-10678GT	143	50243GT	97	58630GT	65
48885GT	25, 31, 41, 49	49119-13978GT	143	50245GT	95, 99	6002GT	33, 35, 37, 39
48892GT	153, 195	49119-3848GT	149, 151	50246GT	95, 99	60156GT	101, 175
48894GT	141, 153	49119-5648GT	151	50247GT	97	60157GT	95, 175
48904GT	141, 146, 149, 151, 153	49120-48181-SGT	153	50787-SGT	61	60158GT	95, 175
48905GT	141, 143, 153	49126-1783GT	145-146	50790GT	33, 35	60163-SGT	97
48907GT	149, 151, 153	49128-1650GT	145-146	50811GT	51	60164GT	97
48908GT	143	49128-3109-SGT	153	50813GT	103, 105	60171GT	97
48911GT	143	49128-51809GT	145-146	5094GT	33	60177-SGT	95, 99, 101
48912GT	141, 143, 149, 151	49130-49382GT	146	50974GT	37, 45, 49, 55, 61, 71, 77, 83	60179GT	97
48915GT	146, 149, 151	49130-51982GT	146	51131GT	37, 89, 93, 159	60192GT	97, 99
48916GT	145-146, 153	49130-55382GT	146	51147GT	59, 75, 87	60194GT	99
48918GT	49, 153, 195	49130-72982GT	145-146	52087GT	139	6019GT	25, 31, 37, 45, 47, 49, 55, 59, 61, 75, 77, 83, 87, 89, 109, 111, 185, 193
48920GT	146	49130-76382GT	145-146	5224GT	89, 93, 97, 105, 107	60205GT	97
48923GT	143	49141-2963-SGT	141, 143	52352GT	65	60207GT	91
48931GT	153	49141-4263-SGT	145-146	52371GT	133, 135	60208GT	97
48932GT	145-146	49141-5663GT	141	52373GT	127-128	60215-SGT	97
48933GT	141, 143, 145-146, 153, 189	49142-5062GT	195	52374GT	127-128	60216GT	97
48935GT	145-146	49142-7062GT	189	52466GT	127-128	60217GT	99
48936GT	141	49143-1929GT	145-146	52661GT	165	6021GT	25, 27, 31, 37, 39, 45, 49, 55, 57, 59, 75, 87
48937GT	145-146, 153	49143-2779-SGT	145-146	52723GT	121	60222GT	95, 99
48938GT	189	49143-3529GT	145-146	52726GT	121	60224GT	91
48946GT	146	49143-3829-SGT	145-146	52768GT	49	60229GT	97
48947GT	145-146	49143-42290GT	153	52865GT	15-16, 19-20	60231GT	97
48948GT	141, 145-146, 189	49143-5629GT	189	52866GT	61, 69, 79, 85	60232GT	175
		49143-6329-SGT	145-146	52905GT	127-128	60233GT	175
		49143-7029-SGT	145-146	52907GT	125, 127-128, 133, 135	60234GT	175
		49143-8429GT	145-146	53471GT	79	60235GT	175
		49159-6118-SGT	145-146	5361GT	39	60236GT	175
		49163-2994GT	195	5365GT	61, 83	60237GT	175
		49183-10692-SGT	153	53807-SGT	165	60239GT	95, 99
		49183-20752GT	153	5387GT	99	60240GT	97
		49183-3292GT	141	5397GT	31, 37, 39, 41, 45, 49, 55, 57, 59, 61, 63, 75, 77, 87, 89, 93, 101, 107, 155, 163, 165, 169, 187, 193	60243GT	175
		49183-4092GT	141				
		49183-46592GT	153				
		49183-5792GT	141				
		49189-2338GT	25, 31				
		49207GT	127-128, 145-146				
		49212GT	163				

Part Number Index (continued)

Part Number	Page	Part Number	Page	Part Number	Page	Part Number	Page
60244GT	175	60745GT	25	61074-20748-SGT	153	61598GT	105
60245GT	93, 99	60747GT	25	61074-2228GT	195	61602GT	89, 105
60247PGT	95	60757GT	79	61079GT	149, 151	61604GT	23
6024GT	55, 63, 77, 79	60759-SGT	39	61080GT	145-146	61610GT	141
60256-SGT	93	60778-SGT	61, 77	61083GT	145-146	61634-SGT	25
60260GT	91	60802GT	99	61099-SGT	95	61649-SGT	31
60266-SGT	91	60805GT	47	61109GT	71, 83	61654GT	25
60267GT	91	60808GT	93	61110GT	57	61662-SGT	27
60297GT	89	60815GT	41	61118GT	173	61663PGT	31
60302GT	89	60819PGT	155	61119GT	173	61682GT	23
60322-SGT	81	60822PGT	93	61128GT	41	61683GT	23
60326GT	173	60826GT	59, 75, 87	61134-7033GT	189	61684GT	23
60329GT	91	60829GT	93	61141GT	37	61688GT	23
60331GT	91, 97	60838GT	37, 49, 69, 93, 155	61143-11263GT	141	61726GT	159
60332GT	97			61143-11563-SGT	141	61742GT	31
60334GT	45	60849PGT	95	61143-5463-SGT	141	61745GT	99, 107
60335-SGT	95, 97	60857GT	45	61164GT	101	6175GT	33, 37, 45, 49, 59, 63, 75, 87
6033GT	23, 25, 31, 41, 49, 89, 91, 97, 173	60863GT	93	61171GT	101	61781GT	79
60340-SGT	97	60866GT	93	61174GT	101	6178GT	23, 33, 35, 41, 49, 89, 93, 101, 113, 115, 155
60341-SGT	37	60868GT	79	61176-SGT	101	6192GT	159
60342GT	93	6086GT	97	61179GT	39	61972GT	159
60343-SGT	97, 99	60872GT	33, 35	61185GT	89	61974GT	159
60346-SGT	97	60874GT	33, 35	61189GT	45	61975GT	159
60356-SGT	97	60875GT	37, 59, 67, 75, 85, 87	6118GT	113	61976GT	159
60358GT	97	60884GT	33, 35	61222GT	41	61977GT	159
6035GT	59, 75, 87	60886PGT	163	61223GT	41	6198GT	31, 37, 39, 41, 91, 95, 97
6036GT	59, 75, 87	60890GT	47	61225GT	45	61997GT	159
60370-SGT	109	60892GT	33	61227GT	11, 13, 15-16, 19-20	62252GT	121
60393-SGT	41	60893GT	33	61233GT	89	62253GT	121
60418-SGT	31	60895-SGT	33	61236GT	47	6225GT	121
60422GT	97	6090GT	25, 39, 45, 49, 57, 77, 79, 91, 93, 95, 97, 103, 105, 107, 109, 111, 113, 115, 165, 167, 173, 175, 177, 193	61240GT	47	62321GT	41
60474GT	113, 115			61245GT	161	62323GT	123
60475GT	113, 115	6091GT	31, 33, 35, 37, 45, 49, 57, 61, 79, 101, 107, 109, 111, 113, 115, 159, 167, 173, 177, 181, 193	61250GT	41	62324GT	123, 127-128, 133, 135
60476GT	113, 115			61259GT	145-146, 149, 151	62325GT	127-128
60478GT	113, 115			61260GT	153	62326GT	127-128
60483-SGT	39			61263GT	145-146	62328GT	128
60485GT	193			61268GT	141	62329GT	128
60496-SGT	37			61269GT	141, 153	62330GT	123, 127-128
60508GT	49			6126GT	41	62332GT	127-128
60521GT	45, 49			61270GT	69, 85	62333GT	128
60525GT	79			61278GT	33	62334GT	127-128
60526GT	79			61279-SGT	33	62335GT	127-128
6054GT	47			61282GT	59	62336GT	127-128
60555GT	25	60928GT	45	61294PGT	101	62337GT	123, 127-128
60559GT	49	60930GT	45	61297GT	173	62338GT	127-128
60561GT	57, 79	60935-SGT	101	61298GT	173	62339GT	128
60564GT	85	60936-SGT	49	61302GT	31	62341GT	125, 127-128, 133, 135
60571-SGT	49	60937-SGT	41	61306-SGT	105	62344GT	128
60575PGT	41	60938GT	47	61307GT	25, 31	62346GT	123, 125
60576GT	85	60940GT	45	61308GT	25	62347GT	123, 125
60578GT	33, 35	60950GT	117	61309GT	25, 31	62349GT	127-128
60583-SGT	39	6095GT	31, 37, 39, 173	61310-SGT	31	62350GT	131
60584GT	45, 47, 71	60960PGT	91	61310GT	25	62351GT	131
60585GT	77	60962GT	91	61318GT	45	62353GT	131
60595-SGT	35	60964GT	33	61321GT	146	62354GT	131
60596GT	57	60966GT	33	61322GT	53, 113, 115	62355GT	131
60606-SGT	41	6096GT	31, 41	61324-12947GT	41	62356GT	131
60618GT	25	6097GT	25, 31, 33, 37, 45, 47, 49, 55, 57, 61, 77, 83, 91, 93, 95, 97, 99, 101, 109, 111, 113, 115, 155, 159, 181, 185, 193	61326GT	49	62357GT	131
60625GT	59, 75, 87			61329GT	109, 111	62358GT	131
60627GT	173			61340GT	89	62359GT	131
60628GT	173			61341GT	89	62360GT	131
60637GT	59, 75, 87			61346GT	141	62361GT	131
60649GT	85			61347GT	37	62362GT	131
60655-SGT	37			61350-SGT	37	62363GT	131
60670-SGT	37			61352GT	145-146	62364GT	131
60671GT	37	60980GT	25	61378-SGT	31	62365GT	125
60691GT	95	60984GT	89	61379GT	99	62374GT	51
60697GT	97	60987GT	23, 53, 89	61384GT	97	62375GT	51
60708-SGT	45	60989GT	53, 97	61385GT	97	62376GT	51
60711GT	45	61072-8326GT	145-146	61393GT	173	62378GT	51
60721GT	45	61073-3230GT	145-146	6145GT	103, 105, 165	62379GT	51, 117
60727-SGT	45, 49	61073-5430GT	145-146	6146GT	33, 35, 41, 89, 93, 113, 115, 159	62382GT	117
60729-SGT	37, 45	61073-6230-SGT	145-146	6147GT	33		
60729GT	55	61073-6230GT	195				

Part Number	Page	Part Number	Page	Part Number	Page	Part Number	Page
62386GT	117	66812GT	51, 117	73928GT	109, 111	75395GT	105
62392GT	119	66813GT	117	74006GT	109, 111, 185,	75396GT	97
62412GT	49	66815GT	117		193	75397GT	97
62413GT	49	66816GT	51	74052GT	33, 109, 111	75409GT	45, 49
62414GT	49	66818GT	51, 117	74902GT	121	75413GT	91
62416GT	23	66821GT	51, 117	75007GT	41	75424GT	91, 97
62419GT	23	67505GT	51	75008GT	41	75443GT	119
62425GT	61, 69, 79, 85	6782GT	31, 37, 45, 49,	75011GT	91	75444GT	119
62433GT	83		55, 93, 185, 187	75014GT	49	75445GT	119
62442GT	131	67897GT	83	75016PGT	103	75446GT	119
62443GT	131	6833GT	49, 117	75020GT	83	75447GT	119
62449GT	89, 91, 97	6873GT	33	75031GT	53, 97, 101	75448GT	119
62461-SGT	91	6886GT	49, 91	75032GT	53, 89	75449GT	119
62465GT	43	6888GT	31, 33, 35, 37,	75033GT	53, 89	75450GT	61, 69, 79, 85
62466GT	43		39, 47, 49, 57,	75036GT	23, 53	75451GT	61, 69, 79, 85
62467GT	43		61, 91, 101, 113,	75037GT	41, 53	75452-SGT	25
62468GT	43		115, 157, 159,	75038GT	23	75456GT	127-128
62470-SGT	31		177, 181, 185	75039-SGT	23	75457GT	127-128
62471-SGT	31	6889GT	39, 157, 165, 185	75040GT	23	75458GT	127-128
62476GT	61, 79	6935GT	33, 185	75041GT	49	75460GT	87
62478GT	29	69775GT	69	75048GT	161	75462GT	127-128
62506GT	137	69873GT	121	75049PGT	97	75463GT	128
62507GT	137	7-121-07GT	47	75057-SGT	37	75464GT	127-128
6272GT	171	70241GT	121	75058-SGT	37	75465GT	127-128
63213GT	105	70257GT	57, 79	75060GT	23	75527GT	165
6326GT	25	70289GT	71	75061GT	103, 105	75537PGT	113, 115
63353GT	105	70381GT	57, 69	75063GT	23	75554PGT	47
63375GT	193	70387GT	47	75064GT	89	75555GT	85
6356GT	25, 27, 31, 33,	70438PGT	63	75065GT	93	75591GT	49
	35, 39, 45, 47,	70439PGT	61	75066GT	93	75607PGT	59, 87
	49, 91, 93, 95,	70440GT	63, 73	75067GT	33, 109, 111	75610GT	45
	97, 101, 103,	70444GT	57, 63, 77, 83	75069GT	33, 109, 111	75612GT	141
	105, 113, 115,	70445GT	63	75073GT	33, 39	75613GT	141, 143, 145-146
	117, 165, 175	70447GT	63	75076GT	33, 35, 49		146
65182GT	11, 13, 15-16,	70448PGT	61	75087GT	25	75614GT	195
	19-20	70449GT	63, 77, 83	75088GT	25	75627GT	105
65187GT	15-16, 19-20	70483GT	63, 77, 83	75091GT	91	75641GT	53, 155
65264GT	13, 19-20	70515GT	177	75098GT	127-128, 143,	75642-SGT	33
65265GT	13, 19-20	70518GT	85		145-146, 149,	75654GT	145-146
65266GT	11, 13, 15-16,	70535GT	71		151, 153	75657-2515-SGT	145-146
	19-20	7056GT	109, 111, 113,	75105-SGT	103	75666-SGT	91
			115, 185, 193	75106-SGT	103	75682GT	43
65267GT	11, 15-16	71259GT	37	75108-SGT	33	75719GT	45, 49
65268GT	11, 15-16	71498GT	165	75110-SGT	33	75762GT	97
65273GT	15-16, 19-20	71911GT	55, 61, 63, 77, 83	75112-SGT	35	75769GT	53, 93
65278GT	11, 13, 15-16,	72043GT	121	75113GT	49	75854GT	37
	19-20	72088GT	11, 13, 15-16,	75116GT	43	75855GT	37
65428GT	15-16, 19-20		19-20	75121GT	45	75910GT	23, 101
65473GT	55, 77, 85	72119GT	11, 13, 15-16,	75129GT	41	75911GT	101
6550GT	113, 115, 187		19-20	75130GT	41	75912GT	101
65630GT	167	72131GT	15-16, 19-20	75134-SGT	105	75913GT	23, 101
6578GT	79	72168GT	15-16, 19-20	75141GT	117	7713GT	37, 55, 57, 93,
65792GT	89	72169GT	15-16, 19-20	75144GT	117		99, 101, 155
65793GT	25	72255GT	65	75249-PGT	155	77181GT	185
65795GT	103	72282GT	155	75250-PGT	155	77489GT	121
6584GT	61, 83	72326GT	51	75253GT	49, 145-146	77664GT	169
65907GT	127-128	7265GT	165	75254GT	49, 145-146	77683GT	169
6595GT	33, 193	72875GT	15-16, 19-20,	75256GT	49, 145-146	77819GT	139
6605GT	155		167	75257GT	49, 145-146	79456GT	107
6606GT	33, 35	72968GT	15-16, 19-20	75259GT	55, 85	80543GT	185, 193
6607GT	23, 25, 97, 113,	72998GT	15-16, 19-20	75260GT	85	80605GT	159
	115	72999GT	15-16, 19-20	75274GT	85	81175GT	105
6637GT	31	73121-SGT	155	75278-5529-SGT	141	81368GT	167
6638GT	25, 27, 31, 33,	7339GT	29, 39, 51, 117,	75278-5729GT	141	81458GT	193
	35, 37, 45, 47,		157	75278-6029GT	141	81467GT	61, 69, 79, 85
	49, 55, 57, 61,	73461GT	95, 99	75286GT	101	81468GT	61, 69, 79, 85
	77, 79, 91, 93,	73463-1175GT	169	75288-5538-SGT	145-146	81476GT	59
	95, 101, 103,	73478PGT	113, 115	75297GT	85	81551GT	51, 171
	105, 107, 109,	73500GT	167	75304GT	81	81578GT	49
	111, 113, 115,	73501GT	167	75326GT	81	81640GT	107
	157, 165, 167,	73575GT	197	75327GT	81	8170GT	45
	169, 173, 175,	73587GT	113, 115	75328GT	77, 81	81738-3300GT	79
	177, 181, 185,	73610PGT	113, 115	75330GT	81	8177GT	31, 89
	193	73711GT	79	75342GT	81	8178GT	155, 181
66717GT	45	73742GT	31	75355GT	97	82160GT	15-16, 19-20
66777GT	63, 77	73807GT	137	75356GT	97	82161GT	15-16, 19-20
66811GT	51						

Part Number Index (continued)

Part Number	Page	Part Number	Page	Part Number	Page
822087GT	71	825720GT	13	94400GT	103
822224GT	117	825723GT	11	94524PGT	51
82237GT	15-16, 19-20, 185, 187	825725GT	13	94643GT	159
82240GT	11, 13	825726GT	11	94745PGT	109, 111, 165
82289GT	15-16, 19-20	825728GT	13	94757GT	191
822955GT	83	825731GT	11	94759GT	191
823259GT	57	825733GT	13	94760GT	191
823260GT	57	82577GT	11, 13	94765GT	191
823420-1400GT	67	825984GT	117	9599-SGT	165
823420-6300GT	71	826000GT	71	96770GT	67, 71
823420-6500GT	71	82601GT	13	97388GT	127-128
823421-2701GT	71	82603GT	11, 13	97579GT	16, 20, 187
823421-3000GT	71	82604GT	11, 13	97602GT	16, 20
82366GT	15-16, 19-20	826348GT	71	97757GT	11, 13
824019GT	71	826351GT	69	97815GT	11, 13, 16, 20
824027GT	71	826352GT	69	97875GT	16, 20
824029GT	85	826516GT	83	97887GT	16, 20
824032GT	83	82671GT	11, 13	T106485GT	117
824037GT	197	826793GT	89, 91, 93, 95, 97, 99, 101, 103, 105, 107	T107736GT	133, 135
824038GT	169			T108075GT	103, 105
824062GT	71	82862GT	11, 13, 15-16, 19-20, 187	T108076GT	105
824067GT	91, 93, 95, 97, 99, 101	82902GT	16, 20	T108077GT	105
824068GT	95, 97, 99, 101, 103, 105	83098GT	119	T108078GT	103, 105
824069GT	95	84134GT	121	T108732GT	65
824078GT	197	84135GT	121	T108733GT	65
824079GT	199	85053GT	61	T108734GT	65
824083GT	167, 197	85064GT	77	T108870GT	51
824089GT	71	8514GT	23	T108990GT	165
824090GT	197	8516GT	37, 55, 59, 61, 75, 77, 87, 89, 103, 105, 113, 115, 185	T108991GT	165
824091GT	71, 73	85300GT	167	T109328GT	157
824093GT	85	88091GT	47, 65	T109430GT	51
82410GT	15-16, 19-20	88150GT	51	T110549CSGT	11, 13
824113GT	71	88315GT	51	T110549GT	16, 20
824122GT	85	88377-1400GT	169	T111702GT	27
824123GT	73, 85	88406GT	187	T111703GT	27
824131GT	67	88493GT	177, 179	T111766GT	185
824132GT	67	88516GT	105, 137	T112560GT	193
824133GT	69, 83	88606PGT	157	T112561GT	193
824134GT	73	88607PGT	157	T112626GT	119
824144GT	71	89104PGT	93	T112773GT	16, 20
824214GT	71	89105PGT	101	T113655GT	185
824216GT	197	89106GT	101	T114022GT	185
82422GT	11, 13, 15-16, 19-20	89107GT	101	T114023GT	185
824471GT	71	89109GT	53, 101	T114285GT	16, 20
824635GT	71	89110GT	53, 101	T114286GT	11, 13
824673GT	71	8914GT	27, 45, 49, 95, 101, 113, 115	T114346GT	81
82472GT	11, 13	8915GT	33, 35, 107	T114433GT	11, 15-16
82473GT	11, 13	89164GT	101	T114434GT	13, 19-20
824807GT	179	89166-SGT	99	T114678GT	65
82481GT	11, 13	89171PGT	101	T115352GT	171
82487GT	11, 13	89310GT	121		
825019GT	25, 59, 75, 87, 97, 103, 105	89425GT	109, 111		
825035GT	15-16	89511-SGT	87		
825037GT	19-20	89534GT	105		
825114GT	15-16	89536GT	23		
825116GT	19-20	89539PGT	33		
825128GT	15-16, 19-20	89755GT	159		
82515GT	15-16, 19-20	89792GT	65		
825355GT	83	89833GT	41		
825357GT	71	89845GT	95		
825369GT	15-16	89846GT	95		
825371GT	19-20	89847GT	95		
825377GT	15-16	89959GT	177		
825379GT	19-20	89997GT	45		
825383GT	15-16, 19-20	89998GT	79		
825385GT	15-16	94324-500GT	77		
82547GT	11	94374-3130GT	141		
82548GT	11, 13	94374-5530GT	145-146		
8255GT	27, 39, 45, 55, 57, 155	94390-SGT	111		
825718GT	11	94397GT	105		

The Part Description Index is an alphabetical index of all part descriptions included in this manual. The index shows what page(s) the part is used on.

- (R e f .)
VALVE, SOLENOID, 3POS4WAY, HYDAC.....131
- 1**
12VDC PROPORTIONAL VALVE.....193
- 2**
207 HYD MOTOR ASSY, GEN.....193
- 8**
8' TRI-ENT ASSY A/SO.A S105125.....165
8' TRI-ENT ASSY ANSI.....165
8' TRI-ENT ASSY AUST.....165
8' TRI-ENT RAIL W/DECALS A/SO.A.....165
8' TRI-ENT RAIL W/DECALS ANSI.....165
8' TRI-ENT RAIL W/DECALS AUSTR.....165
8' TRI-ENT RAIL W/DECALS CE/UK.....165
8' TRI-ENTRY ASSY ANSI.....165
8' TRI-ENTRY ASSY CE S105/125.....165
8' TRI-ENTRY ASSY CE/UK.....165
8FT TRI-ENT ASSY A/SO.AM.....165
8FT TRI-ENTRY ASSY AUST.....165
- A**
ACC,FALL ARREST BAR,6FT FR.....183
ACC,FALL ARREST BAR,6FT SYM.....183
ACC,FALL ARREST BAR,6FT WORD.....183
ACC,FALL ARREST BAR,8FT FR.....183
ACC,FALL ARREST BAR,8FT SYM.....183
ACC,FALL ARREST BAR,8FT WORD.....183
ACC,PLAT CONTROL COVER, SERV.....157
ACCESSORY, OPERATOR PROT STRUCT.....181
ACCESSORY,PANEL CRADLE,ANSI.....169
ACCUMULATOR, 5CU IN 500 CHARGE.....133
ACCUMULATOR, 500 PSI, HYDAC.....131
ACTIVATOR, STEER SENSOR.....25
ADAPTER, 1/4 FNPT X 1/2-20 UNF.....77
ADAPTER, WELDER, 208-220.....187
ADAPTER-FUEL FILTER, PERK 1104.....81
ADJUSTABLE STRAP ASSY.....169
AIR CLEANER CLIPS, SUPERBOOM.....61, 69, 79, 85
AIR CLEANER COVER, SUPERBOOM*.....61, 69, 79, 85
AIR CLEANER, CLAMP,CUM B3.3T.....57
AIR CLEANER, CUMMINS B3.3T.....57
AIR CLEANER, NELSON.....61, 69, 79, 85
AIR FILTER, PRIMARY ELEMENT.....57
AIR FILTER, SECONDARY ELEMENT.....57
AIR SUCTION PIPE, DIESEL, T4.....69, 85
ALARM PKG, S100/120.....155
ALARM,AUDIO,SUPERBOOM***.....51, 117
ALTERNATOR.....55, 77
ALTERNATOR, DEUTZ,BF4L2011***.....65
ALTERNATOR, PERKINS 1104C-44.....83
ARM, ANTI-ROTATION, SWIVEL***.....41
ASSEMBLY, DIPSTICK TUBE.....79
ASSEMBLY, LIGHT, CONTACT ALARM.....197
ASSEMBLY, SENSOR, PROX, CONTACT ALARM.....197
- ASSEMBLY, CONTACT ALARM CABLE, LARGE.....197
ASSEMBLY, FUEL TANK, 40 GAL***.....47
ASSEMBLY, TELEMATICS, TTU 2830.....199
ASSY / OIL TUBE.....83
ASSY, DEGAS TANK, AL, RCP-13-077.....67
ASSY, LS, LOAD SENSE, ALC1000.....53, 159
ASSY, MED. PRESS. FILTER, SAE8.....45
ASSY, RAD/CAC, CUMMINS B3.3T.....55
ASSY, SENSOR W/HOUSING.....197
ASSY, ENCLOSURE, WELDER, GEN.....185
ASSY, PCON, TOG SW, SB.....117
ASSY, TILT SENSOR, PCON, S100-125.....103, 105
ASSY, TIRE, 445D50/710, LH.....27
ASSY, TIRE, 445D50/710, RH.....27
ASSY, TRACK, FALL ARREST BAR, 6FT FR.....183
ASSY, TRACK, FALL ARREST BAR, 6FT SYM.....183
ASSY, TRACK, FALL ARREST BAR, 6FT WORD.....183
ASSY, TRACK, FALL ARREST BAR, 8FT FR.....183
ASSY, TRACK, FALL ARREST BAR, 8FT SYM.....183
ASSY, TRACK, FALL ARREST BAR, 8FT WORD.....183
AUX TOP RAIL, 6FT, PTD.....165
AUX TOP RAIL, 8"(1.25")SERVICE.....165
AUX TOP RAIL, 8', SWG GT, SRV.....165
AUX TOP RAIL, 8FT, PTD.....165
- B**
BACKING PLATE, HOSE BLOCK, JIB.....107
B A C K E T R I N G, 71.60X67.20X1.40PTFE(60334).....45
BAFFLE, AIR INTAKE DIESEL, T4.....67
BAFFLE, AIR INTAKE, DEUTZ PAINTD.....75
BALL STUD**.....33, 35
BALL STUD, GAS STRUT (38593)***.....37, 39
BAR, RUBBER WIPER BACK-UP.....101
BASE, W/1 N.O. CONTACTS***.....117
BASE, WITHOUT CONTACTS.....51, 117
BATTERY 12V, AGM DC115-12, 115AH.....45
BATTERY 12V, AGM DC210-12, 220AH.....45
BATTERY CABLE.....45, 49
BATTERY CABLE, POSITIVE DEUTZ.....45
BATTERY, 12V GRP 4D, 190 AH, DRY*.....45
BATTERY, 12V, 1000 CCA GRP 31.....45
BEARING KIT, BREVINI (218496).....27
BEARING KIT, PLAT ROTATOR, SUPER.....105
BEARING KIT, RWD 1700TB***.....29
BEARING KIT, TURNTBL. ROT.DRVHUB.....43
Bearing, 1.5 x 2 x 1.81 inches.....97
BEARING, 1.25 ID X 1.5 OD X .75.....103, 105
BEARING, 1.25 X 1.5 X 2.....105
BEARING, 1.25IDX1.5ODX1.00L.....99, 103, 105
BEARING, 1.5IDX1.75ODX1.0L.....25
BEARING, 1.5IDX1.75ODX1.5L, PTFE.....25
BEARING, 1.75IDX2.00ODX1.50L.....25
BEARING, 2.50IDX3.00ODX2.00L.....89
BEARING, FL, 1.25X1.5X2.13.....105
BEARING, FL, 1.25IDX1.41ODX1.50L.....105
BEARING, FL, 1.25IDX1.5ODX1.25L.....59, 75, 87
- BEARING, FL, 1.5IDX1.75ODX1.10LG.....97
BEARING, GARLOCK, 12FDU12.....159
BEARING, POLYGON, 20DU12.....105
BEARING, TURNABLE.....41
BELL CRANK, ASSY. W/ BEARINGS.....105
BELT.....55
BELT, V,(2) PERKINS 1104C-44.....81
BLANKET, BATTERY.....161
BOLT, CARRIAGE, 1/4-20 X 1.00, G2.....107
BOLT, CARRIAGE, 1/4-20 X 2.75, G2.....107
BOOM #0 REST PAD.....91
BOOM TUBE ASSY #0 S120 W/SYM.....89
BOOM TUBE ASSY #0 S120 W/WORD.....89
BOOM TUBE ASSY #0 S125 W/SYM.....89
BOOM TUBE ASSY #0 S125 W/WORD.....89
BOOT(BELLOWS), E-STOP, BLACK.....117
BOOT, ROCKER JOYSTICK 75565.....119
BOOT, BATTERY TERMINAL, RED.....45
BOOT, CABLE TERMINAL, LG, RED, 2/0.....45
BOOT, JOYSTICK.....119
BOOT, PLUG 3 WAY.....31
BOOT, TOGGLE SWITCH.....117
BOX, EMPTY (122915).....51
BOX, INSTRUCTION STORAGE.....113, 115
BRACKET, CAC INTAKE TUBE MOUNT.....55
BRACKET, FAN SHROUD, LH.....79
BRACKET, SUPPORT, EXH. CUM T3.....55
Bracket, Tank side.....155
BRACKET, 1K OHM 10-TURN POT, PNT.....185
BRACKET, AIRLINE TO PLATFORM.....163
BRACKET, BATTERY CABLE.....71
BRACKET, BEACON, DRIVE LIGHTS, RH.....155
BRACKET, BULKHEAD, PAINTED.....95
BRACKET, CABLE TRACK, FIXED END*.....93, 99
BRACKET, CABLE TRACK, MOVING END.....93, 99
BRACKET, CAC 2 TUBING MOUNT.....55
BRACKET, CNTL BOX MOUNTING***.....49
BRACKET, CONTACT CLAMP***.....51
BRACKET, ENG. MOUNT, FRT. PERKINS.....85
BRACKET, FAN SHROUD, RH, PAINTED.....77
BRACKET, FUEL SYSTEM, DEUTZ 2.9L.....71
BRACKET, HOSE CLAMP, PAINTED.....107
BRACKET, HYD. ROTATOR MOUNT MNT.....41
BRACKET, INTAKE MOUNT, CUM.....57
BRACKET, INTAKE TUBE SUPPORT.....57
BRACKET, LINCOLN WELDER, PNTD.....187
BRACKET, PANEL MOUNT.....33
BRACKET, PLATFORM HEATER OPTION.....171
BRACKET, POWER TO PLAT TBOX, PNT.....187
BRACKET, PRECLEANER MNT B3.3T.....177
BRACKET, RADIATOR SUPPORT PNTD.....77
BRACKET, REDUNDANT VALVE MOUNT.....31
BRACKET, RETURN FILTER.....49
B R A C K E T , R U B B E R BUMPER, ENGCOVER.....77
BRACKET, STROBE.....155
BRACKET, SWITCH ROD MOUNT, PNTD.....23
BRACKET, V275S WELD LEADS.....187
B R A C K E T , W E L D E R M N T SUPPORT, PNT.....187
BRACKET, WELDER SUPPORT, PNT.....187
BRACKET, WORK LIGHT MOUNT 5/16".....165
BRAKE DISC KIT, 75090.....43
BRAKE KIT, BREVINI (218496).....27

Part Description Index (continued)

BRAKE KIT,RWD 1700TB***.....29	CLAMP,0.31,#5 X 1/4,RUB CUSH.....193	CONN,520120-6-10.....153
BRAKE,SWING DRIVE (111145).....43	CLAMP,0.50,#8 X 1/4,RUB CUSH.....49, 117	CONN,520120-8***.....141, 143, 145-146, 153, 189
BREAKER, 25 AMP, GEN.....193	CLAMP,0.56,#9 X 3/8,RUB CUSH.....83	CONN,520120-8-10.....146
BREAKER,15 AMP,GEN.....193	CLAMP,0.75,#12 X 1/4,RUB CUSH.....117	CONN,520120-8-12.....141, 145-146, 189
BREATHER PIPE, TD 2011L041.....65	CLAMP,1.00,#16 X 1/4,RUB CUSH.....187	CONN,BULKHEAD,520601-8.....141, 153
BREATHER,RESERVOIR 3 MICRON***.....49	CLAMP,1.00,#16 X 7/16,RUB CUSH.....37, 49, 69, 93, 155	CONN,BULKHEAD,520801,-4.....141
BRUSH BOX,ASSY,GEN***.....185	CLAMP,1.25"DIA NON-CUSHIONED.....113, 115	CONN,BULKHEAD,520801,-8.....141
BRUSH,BOTTOM,MAST #0.....175	CLAMP,1.25,#20 X 7/16,RUB CSH.....71, 83	CONN,LONG,520122-12***.....141
BRUSH,BOTTOM,MAST #1.....175	CLAMP,1.25X.5 RUBBER-CUSHION.....113, 115, 167, 169	CONN,LONG,520122-4.....195
BRUSH,BOTTOM,MAST #2.....175	CLAMP,1.63,#26 X 3/8,RUB CUSH.....185	CONN,RECEP 4 WAY ENDCAP DT.....193
BRUSH,SIDE,MAST #0.....175	CLAMP,2.25,#36 X 3/8,RUB CUSH.....99, 107	CONN,RECEP 4 WAY,12-14GA.....79
BRUSH,SIDE,MAST #1.....175	CLAMP,3.0,#48 X 1/4,RUB CUSH.....57, 79	CONN.SQZ,1/2NPT .56-.63.....33
BRUSH,SIDE,MAST #2.....175	CLAMP,5.38,#86 X 3/8,RUB CUSH.....177, 179	CONN.MALE PIPE/ORFS-4.....41
BRUSH,TOP,MAST #0.....175	CLAMP,BATTERY CABLE.....67, 81, 85	CONN.SQZ,PG 11,.34-.47,W/ORING...37, 93, 101
BRUSH,TOP,MAST #1.....175	CLAMP,CONST TRQ 2.25"-3.13"OD.....57	CONNECTOR, DEUTZ FUEL SHUTOFF*....65
BULB,WORKLIGHT,12V 35W.....155	CLAMP,CONST TRQ 2.75"-3.63"OD.....57	CONNECTOR, SAE10, QUICK CONN.....71
BUMPER, PLASTIC, 1.25 O.D.....165, 167	CLAMP,FIXED DIA,NYLON,.875".....73	CONNECTOR,BULKHEAD,FEMALE-4.....25, 31, 41, 49
BUMPER,BATTERY BOX & RAILS.....157, 165	CLAMP,HOSE,1 EAR, 11/16.....67, 71	CONTACT ALARM WIRE ASSY, LARGE....197
BUMPER,RUBBER***.....33, 159	CLAMP,HOSE,1.25***.....67, 173	CONTACT,N.O.***.....51
BUMPER,RUBBER,.75 X .50H,STUD.....183	CLAMP,HOSE,1.75.....67, 85, 173	CONTACT,NC.....51, 117
BUMPER,RUBBER,COVERS.....37, 45, 49, 55, 61, 71, 77, 83	CLAMP,HOSE,1EAR,25/32.....71	CONTROL BOX ASSY,DRIVECHASSIS.....31
BUSHING,FLANGE, .375X.5.....101	CLAMP,HOSE,2.00***.....67, 79, 85	CONTROL BOX ASSY,TCON PGMD.....51
BUSHING,FUEL TANK FITTING (SM).....47	CLAMP,HOSE,2.50****.....85	CONTROL BOX COVER,LID,PTD.....157
BUSHING,RUBBER,LARGE.....47	CLAMP,HOSE,3.00".....65, 69, 173, 177, 179	CONTROL BOX,2KW,120/240V,50HZ.....193
BUTTON,PUSH,BLACK W/SEAL***.....117	CLAMP,HOSE,3.50.....61, 63, 79, 85, 173, 177	CONTROLLER BOX, 120/240V, 60H.....193
BUTTON,PUSH,RED MUSHROOM HEAD.....51, 117	CLAMP,HOSE,5.00.....177, 179	COOLANT,RECOVERY BOTTLE, 4 QT*.....45
	CLAMP,HOSE,6.50.....173	COOLING SYSTEM RCP-13-077.....67
	CLAMP,HOSE,8.50 DIA***.....173	CORROSION INHIBITOR,FOAM.....117
	CLAMP,HOSE,SEC. EXTENSION CYL.....93	COUNTERWEIGHT,S120/125, 8300LB.....59
	CLAMP,HOSE,SIZE .25 TO .63.....45, 47, 67	COUPLER,15 TOOTH,FBA,CUM B3.3T.....57
	CLAMP,INTAKE EXTENSION,DEUTZ.....37	COUPLER,15 TOOTH,FBA,SAE8***.....61, 69, 79
	CLAMP,JIB HOSE/CABLE,S105,S125.....107	COUPLING (106113).....185
	CLAMP,LINK,LH WELD WIRE.....71	COUPLING, 28MM (106113).....185
	CLAMP,MUFFLER, 2.50 INCH.....55, 61, 63, 77, 83	COUPLING,EXT.CABLE ADJUSTMENT*....97
	CLAMP,MUFFLER,CUM B3.3T.....57	COVER ASSY,W/WORD DECALS SB.....33
	CLAMP,MUFFLER,CUM B3.3T, 9"DIA.....57	COVER ASSY,DRIVE CHASSIS S120.....31
	CLAMP,TWO HOSE.....107	COVER ASSY,DRIVE CHASSIS S120*.....31
	CLEVIS YOKE-1/4-28,PLTD W/PIN.....57, 61, 83	COVER ASSY,W/DECAL TURNTBL.ROT.....33
	CLIP,LCD,GRND.CONTROL.....51	COVER ASSY,W/DECALS,FUEL TANK.....35
	COIL,12VDC #10DTSCH IP69 ECOIL.....123	COVER KIT, BREVINI (218496).....27
	COIL,12VDC #8 DTSCH IP69 ECOIL.....123	COVER MAST #1.....95, 175
	COIL,62328/62330,SIZE 10,DIN*.....127-128	COVER MAST #2*.....95, 175
	COIL,62329,SIZE 12,W/FRADE,DIN*.....128	COVER MAST #3.....101, 175
	COIL,DIN,REXROTH DO3 VALVE.....127-128	COVER SUPPORT,WELDMENT.....33, 35
	COIL,PROPORTIONAL,62327,DIN.....127-128	COVER W/SYM DEC TNK SD 120/125.....33
	COIL,PROPORTNL.62326,SIZE8,DIN.....127-128	COVER W/SYM DECALS ENG SIDE SB.....35
	COIL,SOLENOID VALVE.....133, 135	COVER W/WRD DECALS ENG SIDE SB.....35
	COIL,SOLENOID,HYDAC MANIFOLDS.....131	COVER, CONTROL BOX, SB SERV.....51
	COIL-10V DC***.....191	COVER, END, GEN, 120V.....193
	COLD START PKG, 110V, DEUTZ.....161	COVER, END, GENERATOR, 240V.....193
	COLD START PKG, 110V,CUM.B3.3T.....161	COVER, ENGINE,DEUTZ F4L2011.....65
	COLLAR,JOYSTICK,CENTER.....119	COVER, FOOT SWITCH, LARGE.....113, 115
	COMPR.LINK,MACHINED,GND CONTR*..105	COVER, JIB HOSES/CABLES.....107
	CONN, SAE#4-1/4" NPT.....185	COVER, RELAY,SB T4.....73
	CONN, SQZ, 1/2NPT .38-.50, SM**..109, 111, 113, 115, 185, 193	COVER,50 LINK TRACK.....173
	CONN,090136-12-8.....141, 143, 145-146	COVER,84 LINK TRACK.....173
	CONN,520120-10-12.....189	COVER,BLANK.....33, 109, 111
	CONN,520120-16.....145-146	COVER,BOOM SIDE.....93
	CONN,520120-20.....145-146	COVER,BOOM SIDE, PAINTED.....95, 99, 101
	CONN,520120-24.....145-146	COVER,CENTER,SUPERBOOM.....39
	CONN,520120-4***.....141, 143, 153	COVER,CONTROL BOX LEFT SIDE***.....157
	CONN,520120-4-6***.....141, 143, 149, 151	COVER,CONTROL BOX RIGHT SIDE**.....157
		COVER,DRIVE CHASSIS AXLE.....31
		COVER,DRIVE CHASSIS END**.....31
		COVER,FLYWHEEL CASTING.....57, 69

C

CABLE ASSEMBLY,EXTEND SET.....97
CABLE ASSEMBLY,RETRACT SET.....97
CABLE SQUEEZE CONN.....185
CABLE TIE,11.5" BLACK.....187
CABLE TIE,4" BLK,HEAT RESISTNT.....113, 115
CABLE TIE,7 3/8".....79
CABLE TIE,BLACK,36".....161
CABLE TRACK,STEEL 50 LINKS.....99
CABLE TRACK,STEEL 84 LINKS.....93
CABLE TRACK,STEEL,60 LINKS.....91
CABLE,12/3, WORKLIGHT, 12V.....165
CABLE,4/0 WELD LEAD,TWIN S120.....185
CABLE,4/0 WELD LEAD,TWIN S125.....185
CABLE,BATTERY NEGATIVE.....45
CABLE,BATTERY POSITIVE.....45
CABLE,BATTERY POSITIVE 73".....45
CABLE,GROUND,79" W/PIGTAIL.....45, 49
CAP, COOLANT RET SYS(60721).....45
CAP,520112-8.....69
CAP,DIAGNOSTIC NIPPLE.....127-128, 143, 145-146, 149, 151, 153
CAP,FUEL,DIESEL,1/8"VENT(GRN).....47
CAP,MANUAL DISENGAGE (89212).....29
CAP,OIL FILLER,DEUTZ,DIESEL***.....65
CAP,RADIATOR,PERKINS/FORD.....55, 77, 85
CAP,VALVE COVER,OIL FILLER,PRK.....81
CAPACITOR 16 F, GEN.....193
CASTING,SAE 4 PUMP MOUNT,MACHI.....79
CHANNEL, MOUNTING.....41
CHECK VALVE DISC.....133, 135
CIRCUIT BREAKER, 25 AMP.....45
CIRCUIT BREAKER,20A,SINGLE PH.....185
CIRCUIT BRKR 15A TYPE 2 METAL.....45, 55, 61, 77
CLAMP, 1.25 INCH TUBE.....197
CLAMP, 3 INCH.....65
CLAMP, TUBE/HOSE, LOOP/OFFSET, 12.7 OD.....67

- COVER,GFCI,HORIZONTAL,WEATHER..109, 111, 185, 193
COVER,HOSE TRAY.....93
COVER,HOSE TRAY,84".....93
COVER,HOSE,PAINTED.....93
COVER,PRI.EXT.CYLINDER COVER.....91
COVER,PROTECTIVE,JIB CYLINDER.....173
COVER,PROTECTIVE,LIFT CYLINDER.....173
COVER,PROTECTIVE,PLAT. LEVELING.....173
COVER,PROTECTIVE,PLAT.LEVELING.....173
COVER,PROTECTIVE,STEER CYL***.....173
COVER,REAR MAST.....37
COVER,ROTATION GEAR.....41
COVER,SWING BEARING FRONT.....173
COVER,SWING BEARING REAR.....173
COVER,TURNTABLE COVER ACCESS.....33
COVER,TURNTABLE,LEFT SIDE.....193
COVER,WEATHERPROOF 3-PHASE.....187
COVER,WELDER GENERATOR.....185
CROSSBAR ALUM W/SELF TAP SCREW.....93, 99
CUP HOLDER,PLASTIC.....113, 115
CYLINDER HEAD CVR.DEUTZ BF4L20.....65
CYLINDER, PLATFORM LEVEL.....105
CYLINDER, PRIMARY LIFT.....89
CYLINDER,AXLE EXTEND***.....23
CYLINDER,JIB (STICK BOOMS).....105
CYLINDER,PLATFORM LEVELING.....103
CYLINDER,PRIMARY EXTEND.....97
CYLINDER,SECONDARY EXTEND.....91
CYLINDER,STEERING W/DECAL.....25
- D**
- DECAL KIT,S100/120,PLAT,ANSI,SYM.....11
DECAL KIT,S100/120,PLAT,CE,SYM.....11
DECAL KIT,S105/125,PLAT,ANSI,SYM.....13
DECAL KIT,S105/125,PLAT,CE,SYM.....13
DECAL KIT,S120,COMP,SYM,ANSI.....11
DECAL KIT,S120,COMP,SYM,CE.....11
DECAL KIT,S120,COMP,WRD,ANSI.....15-16
DECAL KIT,S120,COMP,WRD,AUS.....15-16
DECAL KIT,S125,COMP,SYM,ANSI.....13
DECAL KIT,S125,COMP,SYM,CE.....13
DECAL KIT,S125,COMP,WRD,ANSI.....19-20
DECAL KIT,S125,COMP,WRD,AUS.....19-20
DECAL PLATE ASSY W/WORD DECALS.....113, 115
DECAL PLATE W/SYMB DECALS S120...113, 115
DECAL, INSTRUCTION, CONTACT ALARM.....197
DECAL, LABEL - CHEVRON RANDO.....15-16, 19-20
DECAL, PATCH, GEN,ALC-500.....187
DECAL, POWER TO PLATFORM 230V**...11, 13, 15-16, 19-20
DECAL, SYMBOL - READ THE MANUAL...11, 13
DECAL,ANNUAL INSP***.....15-16, 19-20
DECAL,ARROW BLUE.....11, 13, 15-16, 19-20
DECAL,ARROW YELLOW LRG 9".....11, 13, 15-16, 19-20
DECAL,CAUTION,NO STEP.....11, 13, 15-16, 19-20
DECAL,CONTROL PANEL PROTECTOR...11, 13, 15-16, 19-20
DECAL,COSMETIC,4X4.....11, 13, 15-16, 19-20
DECAL,COSMETIC,GENIE S-120.....11, 15-16
DECAL,COSMETIC,GENIE S-125.....13, 19-20
DECAL,COSMETIC,S-120.....11, 15-16
DECAL,COSMETIC,S-125.....13, 19-20
DECAL,DANGER DO NOT ALTER SWTC.....15-16, 19-20
DECAL,DANGER,BATTERY SAFETY***.....15-16, 19-20
DECAL,DANGER,ELEC.HAZ.STAY CLR.....11, 13
DECAL,DANGER,ELECT HAZARD***.....16, 20
DECAL,DANGER,GENERAL SAFETY.....16, 20
DECAL,DANGER,HIGH VOLTAGE.....15-16, 19-20, 185, 187
DECAL,DANGER,MAX LOAD 340 KG.....11
DECAL,DANGER,NO SMOKING.....16, 20
DECAL,DANGER,SIDE FRC 400N.....11, 13
DECAL,DANGER,TIP-OVER,TIRES.....15-16, 19-20
DECAL,DANGER,TIP-OVER,WELDER**.....16, 20, 187
DECAL,DANGER,TIPOVER,TILT.....16, 20
DECAL,DANGER,TIPOVER,TILT,SYM.....11, 13
DECAL,DRIVE ENABLE PATCH***.....11, 13
DECAL,ENGINE SPEC,DEUTZ,TD2011.....16, 20
DECAL,ENGINE SPEC,PERKINS,804T.....16, 20
DECAL,EXPLOSION HAZARD.....16, 20
DECAL,FAULT CODES,SB/SY.....11, 13, 16, 20
DECAL,FIRE EXTINGUISHER.....11, 13, 15-16, 19-20, 187
DECAL,GROUND CONTROL PANEL.....11, 13, 15-16, 19-20
DECAL,INST,OPER INST,SB,AUS.....16, 20
DECAL,INSTR,ENG.SPECS,CUMMINS.....16, 20
DECAL,INSTR,MAX SIDE FRC,ANSI.....16, 20
DECAL,INSTR,SIDE FRC/WIND,AUS.....15-16, 19-20
DECAL,INSTRUCT,FOOTSWITCH OPER.....15-16, 19-20
DECAL,LABEL, ELECTRO HAZARD.....11, 13
DECAL,LABEL, WHEEL LOAD, S-120.....11, 16
DECAL,LABEL,105 DB.....11, 13
DECAL,LABEL,25A CB.....15-16, 19-20
DECAL,LABEL,AIR LINE 110 PSI...11, 13, 15-16, 19-20
DECAL,LABEL,CB SYMBOL.....16, 20, 193
DECAL,LABEL,CONTROLS BATTERY.....15-16, 19-20
DECAL,LABEL,CYLINDER COVER.....15-16, 19-20
DECAL,LABEL,DIESEL FUEL...11, 13, 15-16, 19-20
DECAL,LABEL,FALL HAZARD***.....11, 13
DECAL,LABEL,LOWER MIDRAIL...11, 13, 16, 20
DECAL,LABEL,MANUAL NOT HERE...15-16, 19-20
DECAL,LABEL,MAX CAPACITY***.....13
DECAL,LABEL,NO SMOKING,SYMB.....11, 13
DECAL,LABEL,OIL LEVEL IND.....11, 13
DECAL,LABEL,PATENTS.....15-16, 19-20
DECAL,LABEL,PETRO CANADA***.....15-16, 19-20
DECAL,LABEL,QUINTOLUBRIK.....15-16, 19-20
DECAL,LABEL,ROM CHART 120/125.....11, 13, 15-16, 19-20
DECAL,LABEL,STARTER BATTERY.....15-16, 19-20
DECAL,LABEL,STATOIL HYDRA WAY.....15-16, 19-20
DECAL,LABEL,TIP OVER LMT SWITCH.....11, 13
DECAL,LABEL,TIPOVER,TIRES,SYMB.....11, 13
DECAL,LABEL,TRANSPORT DIAGRAM.....11, 13, 16, 20
DECAL,LABEL,UCON HYDROLUBE.....15-16, 19-20
DECAL,LABEL,WELD LINE INST,SYM.....11, 13
DECAL,LABEL,WHEEL LOAD,S-125**.....13, 20
DECAL,LANYARD ANCHORAGE POINT...11, 13, 15-16, 19-20, 183
DECAL,LOW/ULTRA LOW SULFR FUEL...16, 20
DECAL,NOTICE,MAX LOAD 500 LBS....19-20
DECAL,NOTICE,MAX LOAD 750 LBS....15-16
DECAL,NOTICE,OPERATING INST.....16, 20
DECAL,NOTICE,SHUTOFF VALVES.....15-16, 19-20
DECAL,NOTICE,TIRE SPECS....15-16, 19-20
DECAL,OIL,HYD,CHEVRON AVIATION.....15-16, 19-20
DECAL,OPTION CONTROL BOX HEATR.....171
DECAL,PATCH,DRIVING LIGHT.....11, 13, 15-16, 19-20
DECAL,PLATFORM CONTROL PANEL.....11, 13, 15-16, 19-20
DECAL,PLATFORM OVERLOAD PATCH.....11, 13
DECAL,POWER TO PLATFORM 115V.....11, 13, 15-16, 19-20
DECAL,SOLID TIRE,445/65-24.....16, 20
DECAL,SYMBOL-BATTERY SAFETY.....11, 13
DECAL,SYMBOL-COMP ACCESS.....11, 13
DECAL,TRACK,FALL ARREST BAR,SYMBOL.....183
DECAL,TRACK,FALL ARREST BAR,WORD.....183
DECAL,TRACK,FALL ARREST BAR,WORD FR.....183
DECAL,TRIANGLE,BLUE...11, 13, 15-16, 19-20
DECAL,TRIANGLE,YELLOW...11, 13, 15-16, 19-20
DECAL,WARN,CRUSH HAZARD HAND....15-16, 19-20
DECAL,WARN,CRUSH HAZARD PLAT.....11, 13, 15-16, 19-20
DECAL,WARN,FALL HAZARD.....15-16, 19-20
DECAL,WARN,IMPROPER OPERATION...15-16, 19-20
DECAL,WARN,INSTAL COVER,SYM.....16, 20
DECAL,WARN.WELD LINE INST.WORD....16, 20
DECAL,WARNING,CRUSHING HAZARD...11, 13

Part Description Index (continued)

DECAL,WARNING,PANEL CRADLE.....15-16,
19-20
D E C A L , W A R N I N G , P I P E
CRADLE,BOOM.....15-16, 19-20, 167
DECAL,WARNING,WELDER SAFETY.....185,
187
DECAL,WARNING-COMPART ACCESS.....15-
16, 19-20
DECAL,WARN,INSTAL COVER,SYM.....11, 13
DIAGNOSTIC FEMALE Q-DSCNT.....127-128,
143, 145-146, 149, 151, 153
DIFFERENTIAL SENS VLV,8,150PSI.....133,
135
DIODE,6 AMP,200 PIV,BULK.....65
DIPSTICK,OIL,PERKINS 1104C-44T.....83
DIPSTICK-F3L1011F (DEUTZ).....65
DISC KIT DRIVE TURNTABLE Z-60*.....43
DISCONNECT KIT, BREVINI (21849).....27

E

ECM, DEUTZ.....73
EDC ASSY,SAUER M46***139
ELBOW,45 DEG, CAC,2.5".....57
ELBOW,45 DEG,INLET.....69, 85
ELBOW,45D,520320-12-16.....146
ELBOW,45D,520320-16.....145-146
ELBOW,45D,520320-4.....149, 151, 153
ELBOW,45D,520320-6.....146
ELBOW,45D,520320-8.....145-146, 153
ELBOW,90D,1/8 NPT X #4 JIC.....25, 31
ELBOW,90D,520220-16.....153
ELBOW,90D,520220-4-4.....141, 146, 149, 151,
153
ELBOW,90D,520220-4-6***143
ELBOW,90D,520220-6.....146, 149, 151
ELBOW,90D,520220-8-12.....145-146
ELBOW,90D,BLKHD,ORFS-6-6 W/NUT.....146
ELBOW,90D,BULKHEAD,520701-4.....149, 151
ELBOW,90D,LONG,521520-4.....145-146, 149,
151
ELBOW,90D,LONG,521520-8.....195
ELBOW,90DEG,1/4MPT-3/8 BARB.....77
ELBOW,90DEG,1/8MPT-5/16 BARB.....77
ELBOW,AIR INTAKE,RUBBER.....63
ELBOW,INLET,CUMMINS.....57, 79
ELBOW,SWIVEL 90D, 520221-6.....153, 195
ELEMENT,OIL FILTER,PERKINS***79
ELEMENT-5 MIC, PAPER, W/BYPASS.....45
END STOP,TRACK,FALL ARREST BAR.....183
ENGINE KIT, CUMMINS B3.3T.....55
ENGINE KIT, DEUTZ TD 2.9.....67
ENGINE MOUNT, LR.....79
ENGINE MOUNT, LF.....79
ENGINE MOUNT, RR.....77
ENGINE TRAY ASSEMBLY.....59, 75, 87
ENGINE TRAY ASSEMBLY.....87
ENGINE TRAY PIVOT ASSEMBLY.....87
ENGINE,DEUTZ, TD2011L04i TPEM.....65
EVACUATOR VALVE-AIR CLEANER.....61, 69,
79, 85
EXHAUST MANIFOLD, DEUTZ F4L201.....65
EXHAUST PIPE GASKET.....63
EXHAUST PIPE, 2.9L DEUTZ.....71
EXT.CABLE ADJ BOLT LOCK.....97
EXTENSION CABLE *.....97
EXTRUSION,RUBBER BUMPER STRIP.....47

F

FAN - VENTED.....37
FAN DRIVE HOUSING.....81
FAN SPACER,DEUTZ 2.9L.....71
FAN SPACER,PERKINS,1.5".....81
FAN, 19.0", BREEZA.....55
FAN,10 BLADE,17",DEUTZ 2.9L.....71
FAN,PULLER,PERKINS,1004-42.....77, 81
FEMALE BULKHEAD CONNECTOR-8.....163
FILLER NECK/CAP ASSY,HYD TANK*.....49
FILTER ASSY,HIGH PRESS SAE-12*.....45
F I L T E R A S Y , M
PRESS,SAE8,WIND*(77139).....45
FILTER ELEMENT,10 MICRON,60508.....49
FILTER HEAD (29560).....65
FILTER,AIR CLEANER, SUPERBOOM.....61,
69, 79, 85
FILTER,ELEMENT,30 MIC,75020.....83
FILTER,ELEMENT,BETA(5)=1000.....45
FILTER,FUEL, PERKINS 1104C.....81
FILTER,FUEL,WTR SEP, DTZ 1008.....65
FILTER,OIL,DEUTZ F4L1011F.....65
FILTER,OIL,DEUTZ,REPLACEMENT.....65
FILTER,OIL,PERKINS 1104C-44.....81
FILTER,RETURN,ASSY 10 MICRON.....49
FIRE EXTINGUISHER.....187
FIRE SLEEVE, 1.25".....187
FIRE SLEEVE, 1.25",24"L.....187
FIRE SLEEVE, 2.0".....187
FITTING,3/8 NPT TO 1/2 BARB.....71
FITTING,6-6BLKHEADUNION 520601.....145-
146
FITTING,CONN,16MM-6MJ.....71
FITTING,CONN,16MM-8MJ.....71
FITTING,CONN,520120-12***.....141, 145-146,
153, 189, 195
FITTING,CONN,520120-6.....145-146, 153
FITTING,ELBOW,45D,520320-12***.....141,
143, 145-146, 189
FITTING,ELBOW,6GS-6FJX90S.....71
FITTING,ELBOW,8GS-8FJX90S.....71
FITTING,ELBOW,90D,520220-12.....145-146,
189, 195
FITTING,ELBOW,90D,520220-8***145-146
FITTING,HYDRAULIC,90DEG,O-RING.....69
FITTING,STR,1/2 HS X 3/4-16,JI.....71
FITTING,TEE,RUN,SWIVEL520432-4.....143
FITTING,TEE,RUN,SWIVEL520432-8.....189
FITTING,TEE,RUN,SWIVEL52043212.....189,
195
FLASHTUBE,STRAIGHT,360DEG,BULB.....155
FLASHTUBE,U SHAPED,360DEG,BULB.....155
FLAT WASHER M8, GB/T96, HV140 ZN.....45
FLEX PIPE,EXHAUST,2.5" DIA.....63
FLOORING,8 FT PLATFORM**.....113, 115
FLYWHEEL HOUSING DEUTZ F4L2011.....65
FLYWHEEL, COUPLER 15 TOOTH SAE
10.....81
FOAM PAD, 3" OD X 1.25" ID X 14 IN.....169
FOOT SWITCH W/PIGTAIL.....53, 113, 115
FORM,CABLE TRACK TUBE GUIDE,PT.....95
FORMING FAN SHROUD RCP.....67
FORMING FAN SHROUD RCP 2.9T.....67
FORMING FUEL FILTER DEUTZ.....71
FORMING PANEL CRADLE.....169
FORMING RADIATOR BOTTOM MOUNT
RCP.....67
FORMING RADIATOR SIDE MOUNT.....67
FORMING, BATTERY CABLE GUIDE.....81, 85

FORMING, BATTERY CABLE MOUNT.....81,
85
FORMING, BELT GUARD.....77
FORMING, CHARGE FILTER MOUNT.....69,
83
FORMING, COOLER SUPPORT PAINTE.....37
FORMING, COVER STOP.....69
FORMING, ENGINE BAFFLE.....79
FORMING, ENGINE HARNESS
SUPPORT.....71
FORMING, ENGINE MOUNT.....73
FORMING, FAN BAFFLE.....77
FORMING, FILTER SUPPORT.....79
FORMING, HEAT SHIELD, 1104D-44.....81
FORMING, INTAKE DUCT.....79
FORMING, INTAKE TUBE MNT.....79
FORMING, SENSOR HOLDER.....197
FORMING, SOLENOID MOUNT***.....61
FORMING, WIRE LOOM SUPPORT.....67
FORMING,8.5' MUFFLER MOUNT.....63, 77,
83
FORMING,AIR CLEANER MOUNT PNTD....61
FORMING,BAFFLE BOX.....55
FORMING,BATTERY CABLE,STARTER.....81
FORMING,CABLE RETAINER,PAINTED.....97
FORMING,CLAMP,SIDE PLATE HOSE.....155
FORMING,COVER STOP.....37, 45, 49, 61, 77
FORMING,COVER STOP***.....55
FORMING,COVER STOP,SB.....83
FORMING,CYLINDER RETAINER.....95, 97
FORMING,DCON MOUNT,PAINTED.....31
FORMING,ENGINE BAFFLE.....55
FORMING,ENGINE MOUNT PAINTED.....61,
63
FORMING,FUEL FILTER MOUNT.....55
FORMING,FUSE COVER, PAINTED.....45
FORMING,GAS STRUT MOUNT.....39
FORMING,HEAT SHIELD,MUFFLER.....63
F O R M I N G , H O S E
PROTECTOR,PAINTED.....101
FORMING,HOSE SUPPORT,SWING.....41
FORMING,INNER AXLE COVER.....25
FORMING,INNER COVER.....37
FORMING,INNER HANGER.....183
FORMING,INTAKE SUPPORT,SB.....69
FORMING,LATCH,CTRL BOX LID PTD.....157
F O R M I N G , L F , G E N E R A T O R
12KW,PNTD.....185
FORMING,LIMIT SWITCH GUARD.....101
FORMING,LIMIT SWITCH LINK.....101
FORMING,LIMIT SWITCH MOUNT.....89
FORMING,LIMIT SWITCH MOUNT**.....101
FORMING,LOWER COVER.....91
FORMING,LOWER COVER SUP,PAINT.....91
FORMING,MOUNT,ENGINE,FRONT.....55
FORMING,MOUNT,ENGINE,REAR.....55
FORMING,MTE GEN MTG PLATE,PTD.....193
FORMING,MUFFLER MOUNT.....61
FORMING,PRECLEANER,SB.....179
FORMING,RADIATOR SUPPORT.....67, 85
F O R M I N G , R T , G E N E R A T O R
12KW,PNTD.....185
FORMING,SECONDARY EXT.CYL CVR.....91
FORMING,SECONDARY SUPPORT.....169
FORMING,TELEMATICS,TOPCON,ALC1000.199
FORMING,TUBE GUARD.....99
FORMING AIR CLEANER.....69
FREEZE PLUG HEATER.....161
FUEL CVR W/SYM DECAL S100/120.....35

FUEL FILTER.....55	HARNESS, JUMPER, SB PLAT LVL...53, 103, 105	HOSE ASSY,1/2,90 FEM,STR FEM**.....145-146
FUEL FILTER W/SEP,DEUTZ,1008.....65	HARNESS, TCON J2 LS 2009.....51, 53	HOSE ASSY,1/2,90 FEM,STR FEMEM.....145-146
FUEL LIFT PUMP/FILTER ASSY.....77	HARNESS, TCON J2 UPPER 2009.....53, 101	HOSE ASSY,1/2,90 FEM,STR FEMM.....153, 189
FUEL LINE, DEUTZ F4L2011.....65	HARNESS, TCON J4 MANIFOLD 2009.....53, 127-128	HOSE ASSY,1/2,STR FEM,STR FEM.....141, 153
FUEL LINE-INJECTOR, DEUTZ BF4L.....65	HARNESS,CABLE BREAK S120/125.....53, 97	HOSE ASSY,1/4".....41
FUEL RETURN,DAPCO 1/4".....47, 65	HARNESS,CUMMINS ENGINE T3.....55	HOSE ASSY,1/4" (#111/112,S125).....151
FUEL RETURN,DAPCO 3/8".....47	HARNESS,CUMMINS ENGINE T3, TELECON.....53	HOSE ASSY,1/4"90 FEM,STR FEM.....195
FUEL RETURN,DAPCO 5/16".....47	HARNESS,DCON,4WS.....31, 53	HOSE ASSY,1/4,45 FEM,STR FEM.....141, 143, 153
FUSE BLOCK, ANN & ANL FUSE.....45	HARNESS,DRIVE,2WS,SB.....53	HOSE ASSY,1/4,90 FEM,STR FEM.....141, 143, 149, 151
FUSE HOLDER,ATC 1-20 AMPS.....51	HARNESS,FLASH BEACON SUB ASSY.....53, 155	HOSE ASSY,1/4,90 FEM,STR FEM**.....149
FUSE,.6AMP,250V,WELDER,V275S.....187	HARNESS,J2 PLAT MANFD W/JIB.....53	HOSE ASSY,1/4,STR FEM,STR.....25, 31
FUSE,10 AMP.....185	HARNESS,PCON J2,(MANIFOLD).....117	HOSE ASSY,1/4,STR FEM,STR FEM.....143, 149, 151
FUSE,10 AMP,ATC.....51	HARNESS,PERKINS 1104D, S-BOOM.....53	HOSE ASSY,3/4" 90 FEM STR FEM.....195
	HARNESS,PERKINS 804D-33T.....77	HOSE ASSY,3/4,45 FEM,STR FEM.....145-146, 189
G	HARNESS,PERKINS 854F, S-BOOM.....53	HOSE ASSY,3/4,90 FEM,STR FEM.....141
GAS STRUT,202 LBS FORCE.....33, 35	HARNESS,PERKINS T3, TELECON.....53	HOSE ASSY,3/4,90 FEM,STR FEM**.....145-146
GASKET, (226127).....79	HARNESS,PLAT MAN. BYPASS.....53	HOSE ASSY,3/4,90 FEM,STR FEM.....195
GASKET, FUEL INJEC PUMP DUTZ.....65	HARNESS,PLAT,WORKLIGHT,12V.....165	HOSE ASSY,3/8" 90 FEM,STR FEM.....145-146
GASKET, PUMP / MOTOR (36179).....49	HARNESS,PRESSURE TRANSDUCER...127-128, 143, 145-146, 149, 151, 153	HOSE ASSY,3/8,45 FEM,STR FEM....145-146
GASKET, UK POWER TO PLAT.....193	HARNESS,SHIPYARD BOOM CABLE #2.....117	HOSE ASSY,3/8" 90 FEM,STR FEM.....145-146
GASKET,(111145).....43	HARNESS,TCON J5 POWER.....51, 53	HOSE CLAMP,WEAR PAD.....93
GASKET,BREATHER PIPE (226104).....65	HARNESS,WELD GEN ENCLOSURE.....185	HOSE END,BARB,1/4 MNPTX5/16,90.....77
GASKET,COVER,GFCI,WEATHERPROOF.33, 109, 111	HARNESS,WORKLIGHT OPT.....165	HOSE END,BARBED,RIGID,-6-6.....71
GASKET,CYL.COVR. DEUTZ BF4L201.....65	HEAD / OIL FILTER.....81	HOSE GUIDE, JIB.....107
GASKET,EXHAUST.....65	HEAT SHIELD,DEUTZ TD2.9L.....67	HOSE INLET.....57
G A S K E T , G R O U N D	HEATER HOSE,1/4".....67	HOSE, 20R4, LOWER.....67
CNTRLS.SUPERBOOM.....51	HINGE,.375X.120THK.,SLOTTED.....33, 39	HOSE, 20R4, UPPER.....67
G A S K E T , P L A T F	HINGE,PLAT CONTROL BOX COVER.....157	HOSE, AIR INTAKE, 804T.....79
CNTRLS.SUPERBOOM.....117	HINGE,SWING CONTROL BOX.....33	HOSE, CRANKCASE BREATHER.....77
GASKET-PUMP WATE,PERK 804D-33T.....79	HOLD DOWN,BATTERY.....45	HOSE, DEGAS RETURN, 22MM ID.....67
GATE LATCH CASTING--DRILLED.....165	HOLD DOWN,BATTERY,SMALL.....45	HOSE, FUEL, 1/2, GATES RLA 27".....71
GAUGE,HYDRAULIC TANK T/L VL.....49	HOLDER, SENSOR.....197	HOSE, FUEL, 1/2, GATES RLA 30".....71
GAUGE,MED.PRESSUR FILTER,50530.....49	HOOK,BATT HOLD DOWN,10".....45	HOSE,1/2,LOW PRESSURE,801-8.....163
GENERATOR, 3kW, 120V/60Hz.....193	HORN,12VDC,SPADE TERMINALS***.....49	HOSE,1/4 FUEL LINE,SAE 30R7.....55
GENERATOR,12.5 KW,W/O MOTOR***.....185	HOSE AND CABLE CLAMP, STD.....93, 99	HOSE,3/8",FUEL,30R7.....45, 47
GENERATOR,3kW,120V/50Hz.....193	HOSE AND CABLE CLAMP, STD, TOP.....93, 99	HOSE,CAC,2.5"ID X 4.0".....57
GENERATOR,3kW,240V/50Hz.....193	HOSE ASSEMBLY.....153	HOSE,FUEL,3/16,SAE 30R7.....47
GENERATOR,HYDRO-12KEP-21-3.....185	HOSE ASSEMBLY 3/4 HOSE #75.....145-146	HOSE,FUEL,3/8,GATES RLA 60".....71
GFI/CIRCUIT BREAKER ASSEMBLY.....185	HOSE ASSEMBLY, 3/8.....145-146	HOSE,FUEL,3/8,GATES RLA 65".....71
GRIP, CABLE.....197	HOSE ASSEMBLY,1/2".....189	HOSE,HEATER,3/8" 14".....67
GRND.CNTRLS ACCESS COVER.....33	HOSE ASSEMBLY,1/4".....153	HOSE,LOWER RADIATOR,CUMMINS.....57
GROMMET,RUBBER .38X1.38X1.0.....71	HOSE ASSEMBLY,1/4" (#106).....153	HOSE,RADIATOR,LOWER,PERKINS.....79
GROMMET,RUBBER .75 X .19 X 1".....45, 47, 71	HOSE ASSEMBLY,3/4".....153	HOSE,RADIATOR,UPPER,PERKINS.....79
GROMMET,RUBBER .75 X .38 X1.13.....45	HOSE ASSEMBLY,3/4",-10-12 90F.....189	HOSE,REDUCER,TURBO INLET,DEUTZ.....69
GROMMET,RUBBER,1.0 X 1.25X1.5.....71	HOSE ASSEMBLY,3/8.....153	HOSE,RUBBER 3"ID X .25 BLACK.....63, 69, 85, 177
GROMMET,RUBBER,1.0X0.094X1.375.....113, 115	HOSE ASSEMBLY-1/4" (#89).....153	HOSE,RUBBER 3"ID X .25 X 8" BLACK.....69
G U A R D , F O O T S W I T C H , W / D E C A L	HOSE ASSEMBLY-3/8".....145-146	HOSE,UPPER RADIATOR,CUMMINS.....57
ALUM.....113, 115	HOSE ASSY 1 1/2" 90 FL FEMSTR*.....145-146	HOSE,WEAR PAD.....93
GUARD,JIB HOSE,PAINTED.....103	HOSE ASSY 1/2" 45 FEM,STR FEM.....141	HUB, WHEEL COVER,Z135 (106756).....29
GUIDE, CABLE.....197	HOSE ASSY 3/4,90 FEM STR FEM.....189	HYDRAULIC TWIN CLAMP.....145-146
GUSSET,TOOL HOLDER,PLASTIC.....113, 115	HOSE ASSY, 3/8.....146	HYRAULIC TUBE,BOOM CROSSOVER...145-146
	HOSE ASSY, 3/8,STR FEM,STR FEM.....146	
H	HOSE ASSY,1" HOSE #92.....145-146	
HALF MESH,8'PLATFORM,LH.....167	HOSE ASSY,1-1/4" HOSE #81.....145-146	
HALF MESH,8'PLATFORM,RH***.....167	HOSE ASSY,1/2 STR FEM,45 DEG**.....141	
HANDLE,GRAB.....33, 35	HOSE ASSY,1/2" HOSE #77.....145-146	
HARN JOYSTICK ADAPTOR JS100.....119	HOSE ASSY,1/2" HOSE #83.....145-146	
HARN,ENGINE T3,DEUTZ BF4L2011.....61	HOSE ASSY,1/2" HOSE #90.....145-146	
HARN,ENGINE T3,DEUTZ, TELECON.....53	HOSE ASSY,1/2,45 FEM STR FEM.....141	
HARNESS, BOOM/SAE UPPER S125.....53	HOSE ASSY,1/2,45 FEM,STR FEM.....141, 143	
HARNESS, CONTACT ALARM, ALC1000.....197	HOSE ASSY,1/2,90 FEM,STR FEM.....141, 145-146, 195	
HARNESS, DEUTZ 2.9L, TIER IV,SBOOM.....53, 67		
HARNESS, HYD GENERATOR,SB.....185		

Part Description Index (continued)

- INSTRUCTIONS,INSTALL,COMP,WORD...15-16, 19-20
- INSTRUCTIONS-PIPE CRADLE,BOOMS...167
- INTAKE BAFFLE,PAINTED.....59, 87
- ISOLATOR ASSY RCP RADIATOR.....67
- ISOLATOR, ENGINE VIBRATION.....73, 85
- ISOLATOR, M10-1.50, 5/8" HIGH.....67
- ISOLATOR, VIBRATION DAMPENER.....67
- ISOLATOR,CENTER BONDED.....55, 85
- ISOLATOR,ENGINE VIBRATION.....55, 63, 77, 79
- ISOLATOR,FLEX-BOLT SANDWICH***.....85
- ISOLATOR,VIBRATION,M8 MALE/FEM.....77
- J**
- JIB BOOM ASSY W/WORD DECAL.....107
- JOYSTICK,1 AXIS ROCKER,DEUTSCH.....119
- JOYSTICK,1 AXIS,DEUTSCH.....117, 119
- JOYSTICK,2 AXIS,DEUTSCH.....117, 119
- JOYSTICK,DUAL AXIS W/KNOB.....119
- JOYSTICK,SINGLE AXIS W/KNOB.....119
- JOYSTICK,SINGLE AXIS W/STEER.....119
- K**
- KEEPER,LATCH (45363).....33, 35, 49
- KEYSWITCH,3 POS.MOM.DR,W/KEY**.....51
- KEYSWITCH,3POS.MNTND.DR WKEY**.....51
- KEYSWITCH,CONTACTS LOCK.....51
- KIT CB 15A T2 RPM SOLENOID 3W.....77
- KIT BONDED WELD LEAD S12.....185
- KIT BONDED WELD LEAD S120.....185
- KIT, BATT SEPARATOR, ANSI/CSA.....45
- KIT, BATT SEPARATOR, AS.....45
- KIT, BATT SEPARATOR, CE.....45
- KIT, HEAT GUARD, DEUTZ STARTER.....65
- KIT, ISOLATION, 3 JOYSTICK.....119
- KIT, LIFT GUARD CONTACT ALARM,6'-8' PLATFORM,ALC1000.....197
- KIT,2 LINK REPAIR W/HARDWARE.....93, 99
- KIT,ESTOP SVC LARGE BOOM.....51
- KIT,EXT/RET CABLE REPLMNT,SB.....97
- KIT,FIELD INSTALL,SWING GATE.....165
- KIT,FLANGE CODE 61 -20.....145-146
- KIT,GEN. PRESSURE SWITCH.....185
- KIT,KEYSWITCH SVC S100/120.....51
- KIT,OP SWITCH,DEUTZ.....61
- KIT,PANEL CRADLE BRACKET,WORD.....169
- KIT,PCB,ASSY,ECM,SB TCON V3.12.....51
- KIT,PRECLEANER DEUTZ***.....177
- KIT,RECOVERY SVC LARGE BOOMS.....51
- KIT,SEALS & WEAR PLATE, PUMP.....139
- KIT,SERVICE,CLAMP MOUNTS.....93, 99
- KIT,SERVICE,SOLENOID MODULE.....79
- KIT,SWING GATE W/SPRING.....165
- KIT,WELD LEADS ASSY,V275S.....187
- KNOB,JOYSTICK, 62390/62391.....119
- KNOB,ROCKER JOYSTICK 75565.....119
- L**
- LATCH,FLEXIBLE.....49, 83
- LATCH,PANEL.....33
- LATCH,PLATE,CONTROL BOX COVER.....33
- LATCH,SLIDE, FLUSH MOUNT STYLE.....157
- LENS,AMBER,STROBE,FIREBOLT.....155
- LENS,LCD,GRND.CONTROL.....51
- LEVER, GOVERNOR ACTUATOR.....61
- LID ASSY,CONTROL BOX COVER PLT.....157
- LID, PCON, TOG SW, SUPERBOOM.....117
- M**
- MACHINING, COMPRESSION LINK.....105
- MACHINING,INNER AXLE.....25
- MAGNET, 1/4-20, 15 LB.....197
- MALE PIPE THD,1/4" SER,3/8"X18.....163
- MANIFOLD ASSEMBLY, GEN.....193
- MANIFOLD PLATFORM W/JIB.....133, 135
- MANIFOLD, RETURN BLOCK.....83
- MANIFOLD,4 WHEEL STEER.....123, 125
- MANIFOLD,DRIVE OIL DIVERTER.....191
- MANIFOLD,FUNCTION,S120/125.....127-128
- MANIFOLD,ROTATOR,CB***.....137
- MANIFOLD,TRACTION,4WD.....121
- MANIFOLD,TURNTABLE ROTATION.....43
- MANUAL BOX W/DECALS***.....113, 115
- MESH,HALF,SWING GATE***.....167
- MICROSWITCH,13482 FOOTSWITCH.....113, 115
- MIDRAIL GUIDE (HOOK).....113, 115
- MODULE, PLUS+1, CONTACT ALARM.....197
- MODULE,SX CONTROLLER,LOW AMP.....185
- MODULE,TIME DELAY ON BREAK 4S.....185
- MOTOR MOUNT COUPLER (106274).....185
- MOTOR, 60511, APU, 12VDC.....49
- MOTOR,HYD 12.5KW GEN,21CC***.....185
- MOTOR,PISTON,2 SPEED,45CC.....27
- MOTOR,SWING DRIVE (11145).....43
- MOUNT,1" FLEX-BOLT SANDWICH.....55, 57
- MOUNT,CABLE TRACK CLAMP.....101
- MOUNT,ENGINE,LEFT SIDE.....73
- MOUNT,PANEL BACKING.....33
- MOUNT,PANEL,PAINTED.....33
- MOUNT,PERKINS 1104 LF PAINTED.....85
- MOUNT,PERKINS 1104 RH PAINTED.....85
- MOUNT,SWITCH.....159
- MOUNTING BAND,AIR CLEANER.....61, 69, 79, 85
- MPT,CPLR,1/4"SER,3/8"X18.....163
- MUFFLER,2.5"INLET/OUTLET.....57, 63, 77, 83
- MUFFLER,2.5"INLET/OUTLET,9"DIA.....57
- MUFFLER,CATALYTIC,2.5 I/O.....83
- N**
- NIPPLE,1/8 NPT X 3.0 FFS-S.....25
- NIPPLE,DIAGNOSTIC,#4.....127-128, 143, 145-146, 149, 151, 153
- NIPPLE,DIAGNOSTIC,ORFS,FM,SWIV.....127-128, 145-146
- NIPPLE,PIPE,LONG 1/8 X 1.5.....31
- NUT - PLASTIC,RING FOR ALARMS.....51
- NUT HEX M5-0.8 CLASS 8 ZINC.....117
- NUT, LP NYLOCK, 3/8-16...37, 55, 57, 93, 99, 101, 155
- NUT, NYLOCK, 10-24, A, ZAG.....199
- NUT, TL FLG, 3/8-16, G, ZAG.....85
- NUT,1/4-20,8,ZAG.....197
- NUT,COIL,DOMED,SIZE 12, 62329.....128
- NUT,COIL,PROPORN.L.VALVE.....127-128
- NUT,FAN BLADE,PERKINS 1004-42.....81
- NUT,FLG,M5-0.8,DIN6923,8,ZAB.....71
- NUT,HEX,1/4-28.....61
- NUT,HEX,3/8-24.....47
- NUT,HEX,JAM,3/4-10.....41
- NUT,HEX,JAM,5/8-11.....97
- NUT,HEX,M8 X 1.25.....77
- NUT,HH JAM,1/4-20,A,ZAG.....197
- NUT,LP NYLOCK,1/2-13.....97
- NUT,LP NYLOCK,1/4-20.....39, 157, 165, 185
- NUT,LP NYLOCK,5/16-18.....33, 35, 37, 39
- NUT,LP NYLOCK,5/8-11.....97
- NUT,LUG,3/4-16 X 7/8 RADIUS.....27
- NUT,NYLOCK FLG,1/4-20,F,ZAG.....167, 169, 197
- NUT,NYLOCK FLG,3/8-16,F,ZAG.....167, 169, 183, 197
- NUT,NYLOCK,1-8.....109, 111
- NUT,NYLOCK,1/2-13.....31, 37, 39, 41, 91, 95, 97
- NUT,NYLOCK,1/4-20.....31, 33, 35, 37, 45, 49, 57, 61, 79, 101, 107, 109, 111, 113, 115, 159, 167, 173, 177, 181, 193
- NUT,NYLOCK,10-24.....61, 83
- NUT,NYLOCK,10-32.....23, 33, 35, 41, 49, 89, 93, 101, 113, 115, 155
- NUT,NYLOCK,10-32,A,ZAG.....197
- NUT,NYLOCK,3/8-16.....25, 33, 41, 45, 47, 49, 55, 57, 61, 63, 77, 83, 89, 91, 93, 97, 99, 103, 105, 107, 109, 111, 113, 115, 155, 159, 163, 181, 185, 187, 193
- NUT,NYLOCK,5/16-18.....31, 37, 45, 49, 55, 93, 185, 187
- NUT,NYLOCK,5/8-11.....55, 63, 77, 79
- NUT,NYLOCK,6-32.....51, 117, 197
- NUT,PROPORN.L. COIL,52372,GS68.....127-128
- NUT,SOLENOID.....191
- NUT,SOLENOID VALVE,HYDAC.....131
- NUT,TL FLG,1/2-13,G,ZAG.....83, 183
- NUT,TL FLG,1/4-20,G,ZAG.....71
- NUT,TL FLG,10-32,F,ZAG.....83
- NUT,TL FLG,M10-1.5,DIN6927,10,ZAB.....67, 69, 71, 81, 83, 85, 179
- NUT,TL FLG,M6-1.0,DIN6927,10,ZAB.....73, 83, 85
- NUT,TL FLG,M8-1.25,DIN6927,10,ZAB.....69, 83
- NUT,TL JAM,3/8-16,A,ZAG.....169
- NUT,TL,6-32,A,ZAG.....71
- NUT,TL,FLG,5/8-11,G,ZAG.....73
- NUT,TL,FLG,M16-2.0,DIN6927,10,ZAB.....67, 85
- NUT,TOP LOCK,1/2-13.....63, 77
- NUT,WING,1/4-20.....45
- NUT-COIL SHORT.....123, 127-128, 133, 135
- NUT-COIL,REXROTH DO3 VALVE.....127-128
- O**
- O-RING KIT (ORFS FITTINGS).....137, 141, 143, 145-146, 153
- O-RING, FUEL LIFT PUMP.....65

O-RING, M16, ISO.....77	PINCH GUARD RAIL,6' PLATFORM.....165	PLUG,PWR,UK,16AMP,3PIN,BLK.....193
O-RING, ROTATOR MANIFOLD.....137	PINCH GUARD RAIL,8' PLATFORM**.....165	PLUG,SEAL,12-18 GA.....79
O-RING, WHEEL COVER (237233).....29	PIPE CRADLE ASSY. SERV (ONE)**.....167	POTENTIOMETER ASSY, WELDER.....185
O-RING,2-044 BUNA***.....139	PLASTIC FILTER HEAD.....65	PRE-FILTER,FUEL,DEUTZ.....71
O-RING,2-157,VITON***.....27	PLAT ASSEMBLY,8FT,ASIA/S AM.....115	PRECLEANER,AIR INTAKE.....177, 179
O-RING,67.95X2.62-NBR-70SH(HF2P)(60334).45	PLAT ASSY, 8FT, A/SA, S120.....109	PRECLEANER,INLINE 3".....177
O-RING,COIL NUT, HYDAC.....131	PLAT ASSY, 8FT, A/SA, S125.....111	PRESSURE CAP RCP.....67
O-RING,FILTER ASSY (60334)***.....45	PLAT ASSY, 8FT, AUST, S120.....109	PRO.DIR.CNRL,VLV,5WY,3POS.....135
O-RING,ORFS,-12.....185	PLAT ASSY, 8FT, AUST, S125.....111	PRO.DIR.CTRL,VLV,5WY,3POS.....133, 135
O-RING,SEAL RING,1" NPT (PKG OF 10).....185	PLAT ASSY, 8FT, CE/UK, S120.....109	PULLEY, ALTERNATOR, DEUTZ BF4L2011.....65
OIL COOLER W/FAN, 12VDC.....37	PLAT ASSY, 8FT, CE/UK, S125.....111	PULLEY,FAN,PERKINS 1004-42.....81
OIL FILTER.....55	PLAT RAIL ASSY,8FT,AUSTRALIA**.....115	PUMP,(102710 APU).....49
OIL PAN HEATER,DEUTZ,120V,150W.....161	PLAT RAILW/DECALS 8FT 500 ANSI.....115	PUMP,2 SEC,29CC X 19CC,FE.....139
OIL PAN,DEUTZ F4L2011.....65	PLAT RAILW/DECALS 8FT 750 ANSI.....113	PUMP,AUXILIARY,DUAL,12V.....49
OIL SEAL,(111145).....43	PLAT RAILW/DECALS 8FT 750 AUST.....113	PUMP,FUEL 2011 DEUTZ ***.....65
OPT,HOSE AND CABLE CLAMP.....93, 99	PLAT RAILW/DECALS 8FT 750 EURO.....113	PUMP,FUEL INJ,DEUTZ BF4L20.....65
OPT,PRECLEANER CUMMINS B3.3T.....177	PLAT RAILW/DECALS 8FT 750A/SOA.....113	PUMP,PISTON,46CC,B MOUNT,13T**.....139
OPT,PRECLEANER,DEUTZ T4.....179	PLAT. ASSY, 8FT,SERV,S120.....109	PUMP,WATER,PERKINS 804D-33T.....79
OPTION,DRIVING LIGHTS,SB.....155	PLAT. ASSY, 8FT,SERV,S125.....111	
OPTION,PLAT SUPPORT,STD,LRG BM.....111	PLATE, CABLE AND WIRE COVER.....197	
ORIFICE DISC,.030,CONE.....191	PLATE, FUEL TANK BULKHEAD.....73	
ORIFICE PLUG, 0.040.....127-128	PLATE, FUEL TRAY BULKHEAD, PTD.....47	
ORIFICE PLUG,.03,PLATF. HYDAC.....131	PLATE, LIMIT SWITCH MOUNT.....89	
ORIFICE,PLUG 0.030.....121	PLATE, PIN RETAINER.....89	
OUTLET, 110V.....109, 111	PLATE, SOLENOID MOUNT.....79	
	PLATE,ANGLE LIMIT SWITCH,MACH.....37	
	PLATE,AXLE PIN RETAINER.....23	
	PLATE,AXLE WEAR STEEL.....25, 31	
	PLATE,BACKING.....109, 111	
	PLATE,COVER LATCH BACKING.....33, 35	
	P L A T E , D O C U M E N T B O X	
	MOUNT,PAINT.....113, 115	
	PLATE,EXT.CABLE ,PAINTED.....97, 99	
	PLATE,EXT.CABLE ANCHOR.....97	
	PLATE,EXT.CABLE ATTACH.MACHINE.....97	
	PLATE,EXT.CABLE EQUALIZER MACH.....97	
	PLATE,FRNT,ENCLOSURE ASSY,PNTD.....185	
	PLATE,KING PIN RETAINER.....25	
	PLATE,PLAT.CONTROL BOX SPACER.....113, 115	
	PLATE,PUMP MOUNT.....81	
	PLATE,PUMP STRUT.....83	
	PLATE,RADIATOR,STRUT.....85	
	PLATE,RETRACT CABLE EQUALIZER.....97	
	PLATE,SWING CHASSIS BULKHEAD.....49	
	PLATE,TAP BLOCK HINGE MNT PTD.....33	
	P L A T E , T O G G L E S W I T C H	
	MOUNT,PCON.....117	
	PLATE,TOP,GENERATOR 12KW,PNTD.....185	
	PLATE,UK,POWER TO PLAT.....193	
	PLATE,WEAR PAD RETENTION.....31	
	PLATFORM RAIL ASSY,8FT,CE/UK.....115	
	P L A T F O R M S U P P O R T	
	WELDMNT-SERV*.....109	
	PLATFORM,LEVELING LEVER,ASSY.....103	
	PLATFORM,LEVELING LINK ASSY.....103	
	PLUG AND CAP KIT-SERVICE,ORFS*.....137, 141, 143, 145-146, 153	
	PLUG,090109A-6.....143	
	PLUG,4-WIRE,3-PHASE,50A,MALE.....187	
	PLUG,CAVITY,T-11A,1-2 OPEN.....127-128	
	PLUG,DRAIN,RR TRANS.DRIVE HUBS.....29	
	PLUG,ELECTRICAL,DOMESTIC.....33, 193	
	PLUG,ENGINE OIL,DEUTZ F4L2011.....65	
	PLUG,ENGINE OIL,PERKIN 1004-42.....81	
	PLUG,HEX,130109E,1/2 NPT***.....49	
	PLUG,NYLON .875 BLACK DOMED.....33, 101	
	PLUG,NYLON 1.38 BLACK DOMED.....33, 185	
	PLUG,PIPE HEXHEAD 130109E-1/8.....41	

P

PAD,REST,1"THICK,FLANGED.....169
 PAD,REST,2"THICK,W/STUDS*.....113
 PANEL, ENCLOSURE, LINCO WELDER.....185
 PCB, LED/TOGGLE SWITCH, ALC100.....117
 PCB,ASSY,ECM,PLATFORM,VER 3.00.....117
 PCB,ASSY,LCD,GROUND,SUPERBOOM.....51
 PIN,.75DIA X 2.89LG,1HOLE.....97
 PIN,0.75DIA X 5.75LG,CHAMFER.....159
 PIN,1.25DIA X 14.45LG,2HOLE.....105
 PIN,1.25DIA X 15.63LG,CHAMFER.....59, 75, 87
 PIN,1.25DIA X 5.25LG,1HOLE.....103, 105
 PIN,1.25DIA X 6.50LG,1HOLE.....103
 PIN,1.25DIA X 7.00LG,1HOLE.....105
 PIN,1.25DIA X 7.88LG,1HOLE.....105
 PIN,1.25DIA X 7.9LG,2RING.....103, 105
 PIN,1.25DIA X 9.50LG,1HOLE.....103, 105
 PIN,1.50DIA X 12.25LG,1HOLE.....91
 PIN,1.50DIA X 2.75LG,THREADED.....91
 PIN,1.50DIA X 2.92LG,2RING.....97
 PIN,1.50DIA X 4.13LG,THREADED.....25
 PIN,1.50DIA X 5.88LG,1HOLE.....97
 PIN,2.50DIA X 11.00LG,1HOLE.....89
 PIN,2.50DIA X 19.875LG,THREADED.....89
 PIN,AXLE KING.....25
 PIN,AXLE STOP.....23
 PIN,CLEVIS, 1.50 X 4.465LONG.....23
 PIN,CLEVIS,.844X2.25 RET.CABLE.....97
 PIN,CLEVIS,1.18X3.18 EXT.CABLE.....97
 PIN,COTTER,.125 X 1.5.....39
 PIN,COTTER,.188 X 1.75 LONG.....97
 PIN,COTTER,.188 X 2.00 LONG.....23
 PIN,COTTER,.188X2.25 RET.CABLE.....97
 PIN,COTTER,.25 X 3.18 EXT.CABLE.....97
 PIN,DISENGAGE CAP, 89212.....29
 PIN,EXTENSION CYLINDER MOUNT.....97, 99
 PIN,LOCK,SHORT***.....165
 PIN,PRI.BOOM PIVOT. 2.50X25.50.....89
 PIN,RETRACTION CABLE.....97
 PIN,ROLL,.25 X 1.5***.....97
 PIN,TRANSPORT STORAGE HANDLE.....41
 PIN,TRANSPORT STORAGE LOCK.....41

R

RADIATOR.....85
 RADIATOR HOSE,LOWER-PERKINS.....85
 RADIATOR HOSE,UPPER-PERKINS.....85
 RADIATOR RCP.....67
 RADIATOR STRUT,LEFT.....57
 RADIATOR STRUT,RIGHT.....55
 RADIATOR,FORD/PERKINS***.....77
 RAILING CATCH CASTING--DRILLED.....165
 RECEPTACLE, 120VAC, 20A, GFCI.....185, 193
 RECEPTACLE,UK,110V.....193
 RECEPTCL,LOCK 3-PH,50A,4 WIRE.....187
 REDUCER, RUBBER, 2.5 TO 2.25.....85
 REDUCER,45 DEG, 3.75"-3.00".....57
 REDUCER,50/213-20-12.....153
 REDUCER,90 DEG,CAC, 3.0"-2.5".....57
 REDUCER,90DEG,4.0 X 3.0.....177
 REDUCER,RUBBER 3.0 - 2.5.....69, 85
 REDUCER,RUBBER,4.0 X 3.0.....57, 177, 179
 REFLECTIVE INSULATING SLEEVE, INTAKE.....69
 REFLECTIVE INSULATING SLEEVE, PRESSURIZER.....69
 REGULATOR,PRESS-COMP 0.30 GPM...133, 135
 RELAY MODULE(89996,89998).....45
 RELAY,12VDC,70AMP,SEALED.....45
 RELAY,OMRON,DPDT,12V.....185
 RELAY,SEALED 30/40 AMP.....45, 49
 RELAY,SOCKET,OMRON.....185
 RELAY,SPDT,12V(AUTO) PLUG IN**.....51
 RELIEF,VALVE 270 PSI.....191
 REPAIR LINK END SET(122795).....91
 REPAIR LINK SET(122795)4 LINK.....91
 REPAIR LINK W/ ROLLER.....93, 99
 REPAIR LINK W/HARDWARE.....99
 RESISTOR,10 OHM,25 WATT.....171
 RETAINER,MAST COVER.....95
 RETAINER,SPRING,1.21 X .375.....159
 RETAINER,SPRING,1.46 X .375.....159
 RIVET,ALUM,ALUM,3/16BUTTONHEAD.....157
 RIVET,STEEL,P .25 X .375.....165
 RIVET,STL,STL,P.125 X .25.....171
 ROCKER ASSY,MAGNETIC 75565.....119
 ROCKER,RETAINER, 75565.....119
 ROD END,250 X 2.75 LG.....97, 159
 ROD END,.375X3.69,ZAG.....25, 59, 75, 87, 97, 103, 105

Part Description Index (continued)

ROD END,.5 X 3.75,ZAG.....89, 91	SCREW,HHC,3/8-16 X .625.....101	SCREW,HHF,M10-1.5X30,DIN6921,10.9,ZAB.69, 85
ROD END,.75 X 5.00.....89	SCREW,HHC,3/8-16 X .75.....27, 39, 45, 55, 57, 155	SCREW,HHF,M10-1.5X35,DIN6921,10.9,ZAB.69, 71, 81, 83, 85, 179
ROD END,RETRACTION CABLE.....97	SCREW,HHC,3/8-16 X .88,GRD 8.....109, 111	SCREW,HHF,M10-1.5X60,DIN6921,10.9,ZAB.69
ROD,SWITCH ACTIVATING.....23	SCREW,HHC,3/8-16 X 1.....33, 37, 45, 49, 59, 63, 75, 87	SCREW,HHF,M12-1.75X20,DIN6921,10.9,ZAB.67, 71
ROLLER,ARM,LIMIT SWITCH,ZCY500.....37, 93, 101	SCREW,HHC,3/8-16 X 1.25 GRD 5.....25, 31, 37, 45, 47, 49, 55, 59, 61, 75, 77, 83, 87, 89, 109, 111, 185, 193	SCREW,HHF,M12-1.75X25,DIN6921,10.9,ZAB.83
ROTATOR MOUNT KIT.....159	SCREW,HHC,3/8-16 X 1.75,GRD.8.....41, 105	SCREW,HHF,M12-1.75X30,DIN6921,10.9,ZAB.73
ROTATOR,NON-JIB,160 DEG.....103	SCREW,HHC,3/8-16 X 2.....89, 93, 97, 105, 107	SCREW,HHF,M12-1.75X35,DIN6921,10.9,ZAB.85
ROTATOR,PLAT JIB,160 DEG***.....105	SCREW,HHC,3/8-16 X 2.5.....155, 181	SCREW,HHF,M14-2.0X35,DIN6921,10.9,ZAB.73
RUBBER SLEEVES, TD 2011L041.....65	SCREW,HHC,3/8-16 X 2.75.....25, 37	SCREW,HHF,M14-2.0X40,DIN6921,10.9,ZAB.73
	SCREW,HHC,3/8-16 X 3.....25	SCREW,HHF,M16-2.0X45,DIN6921,10.9,ZAB.67, 85
	SCREW,HHC,3/8-16 X 3.25.....159	SCREW,HHF,M16-2.0X90,DIN6921,10.9,ZAB.85
	SCREW,HHC,3/8-16 X 3.5,GR5.....155	SCREW,HHF,M5-0.8X20,DIN6921,10.9,ZAB.71
	SCREW,HHC,3/8-16 X 4.....99	SCREW,HHF,M6-1.0X16,DIN6921,10.9,ZAB.67
	SCREW,HHC,3/8-16 X 4.5.....99	SCREW,HHF,M6-1.0X20,DIN6921,10.9,ZAB.83, 85
	SCREW,HHC,3/8-16 X 6.....101	SCREW,HHF,M6-1.0X30,DIN6921,10.9,ZAB.73
	SCREW,HHC,3/8-16X.75,8,ZAG.....91, 93, 95, 99, 101, 107	SCREW,HHF,M6-1.0X50,DIN6921,10.9,ZAB.67, 81, 85
	SCREW,HHC,3/8-16X1.8,ZAG.....91, 93, 95, 97, 99, 101	SCREW,HHF,M8-1.25X16,DIN6921,10.9,ZAB.67
	SCREW,HHC,3/8-16X1.25,8,ZAG.....95, 97, 99, 101, 103, 105	SCREW,HHF,M8-1.25X20,DIN6921,10.9,ZAB.67
	SCREW,HHC,3/8-16X2.25,8,ZAG.....95, 103	SCREW,HHF,M8-1.25X25,DIN6921,10.9,ZAB.69, 83
	SCREW,HHC,3/8-16X2.5,8,ZAG.....95	SCREW,LOCKING FLANGE 6/32X.375.....117
	SCREW,HHC,3/8-16X2.75,8,ZAG.....93, 95, 99	SCREW,M8X1.5X20MM GR8.8(89212).....29
	SCREW,HHC,5/16-18 X .75.....31, 37, 41, 49, 165	SCREW,PERKINS 1004-42.....81
	SCREW,HHC,5/16-18 X 1 GR5.....45, 55, 185	SCREW,PHIL,10-24 X .75.....113, 115
	SCREW,HHC,5/16-18 X 1.25.....55, 193	SCREW,PHIL,PHM,6-32 X 1/4 SS.....51, 171
	SCREW,HHC,5/8-11 X 1.75 GRD.8.....55	SCREW,PHILLIPS,FHM,10-32X1.00.....101, 155
	SCREW,HHC,5/8-11 X 2.5.....59, 75, 87	SCREW,PHILLIPS,PHM,10-32 X .5.....23, 25
	SCREW,HHC,5/8-11 X 3 GRD.8.....55	SCREW,PHILLIPS,PHM,10-32 X .75.....45, 89, 113, 115
	SCREW,HHC,5/8-11 X 3.5 GRD.8.....63, 77, 79	SCREW,PHILLIPS,PHM,10-32 X 1.....49
	SCREW,HHC,M10 X 1.5 X70,GR 8.8.....61	SCREW,PHILLIPS,PHM,10-32 X 2.0.....93
	SCREW,HHC,M10 X 25MM,GR 8.8.....55, 57, 79, 177	SCREW,PHILLIPS,PHM,10-32 X1.25...23, 27, 97, 159
	SCREW,HHC,M10 X 65MM,GR8.8.....57	SCREW,PHILLIPS,PHM,10-32X 1.75.....41
	SCREW,HHC,M12 X 35MM.....55, 77, 79	SCREW,PHILLIPS,PHM,8-32 X .875.....45, 193
	SCREW,HHC,M12 X 45.....79	SCREW,PHILLIPS,RHM,10-32 X 1.5.....37, 89, 93, 159
	SCREW,HHC,M14 X 40MM,GR 8.8.....61, 63	SCREW,PHPM,10-32X1.5,ZAG.....197
	SCREW,HHC,M6 X 20MM,GR8.8.....61	SCREW,PHPM,6-32X.5,ZAG.....71
	SCREW,HHC,M6-1.0X80,DIN931,10.....83	SCREW,PHPM,6-32X.875,ZAG.....197
	SCREW,HHC,M8 X 1.25 X 25.....79	SCREW,RHM,10-32 X .5.....33
	SCREW,HHC,M8 X 10MM.....77, 79	SCREW,RHM,10-32 X .75.....33, 35
	SCREW,HHC,M8 X 16.....79	SCREW,RHM,10-32 X 1.....33
	SCREW,HHC,M8 X 20MM.....77, 79	SCREW,RHM,10-32 X 1.5.....101
	SCREW,HHC,M8-1.25X95,DIN931,10.....71	SCREW,RHM,8-32 X .50.....187
	SCREW,HHF,1/2-13X1.5,8,ZAG.....81, 83	SCREW,SECURITY,1/4-20 X 1.75LG.....187
	SCREW,HHF,1/2-13X3.5,8,ZAG.....183	SCREW,SECURITY,5/16-18X1.00.....187
	SCREW,HHF,1/4-20X.625,8,ZAG.....169	SCREW,SHC,1/2-13 X 1.50,A574.....27, 41, 43
	SCREW,HHF,1/4-20X.75,8,ZAG.....197	SCREW,SHC,10-24 X 1.250 (D01).....127-128
	SCREW,HHF,1/4-20X1.8,ZAG.....199	SCREW,SHC,3/8-16 X 4 GR 5.....91
	SCREW,HHF,1/4-20X2.5,8,ZAG.....167, 197	SCREW,SHC,3/8-24 X .75,BO.....81
	SCREW,HHF,10-24X.5.....197	SCREW,SHC,5/16-18 X 2,PLATED.....43
	SCREW,HHF,10-24X.75,ZAG.....199	SCREW,SHC,5/8-11 X 3.00,A574.....41
	SCREW,HHF,3/8-16X.75,8,ZAG.....71	SCREW,SHC,5/8-11 X 3.75,A574.....41
	SCREW,HHF,3/8-16X1.8,ZAG.....197	SCREW,SHC,7/16-14 X .75,61342.....41
	SCREW,HHF,3/8-16X1.25,8,ZAG.....71, 73	SCREW,SHC,M10-1.5X20,DIN912,12.9,ZAB.69
	SCREW,HHF,3/8-16X1.75,8,ZAG.....85	SCREW,SHC,M10-1.5X30,DIN912,12.9,ZAB.69
	SCREW,HHF,3/8-16X2.5,8,ZAG.....183	SCREW,SHC,M10X1.5X20MM (75090).....61, 79
	SCREW,HHF,5/8-11X3.5,8,ZAG.....73	SCREW,SHC,M10X1.5X30 GR 12.9.....57
	SCREW,HHF,M10-1.5X16,DIN6921,10.9,ZAB.67	SCREW,SHC,M12-1.75X25 DIN 912, 12.9, ZAB.....71
	SCREW,HHF,M10-1.5X20,DIN6921,10.9,ZAB.71	
	SCREW,HHF,M10-1.5X25,DIN6921,10.9,ZAB.81, 83, 179	

SCREW,SHC,M16 X 50MM,BLACK.....27	SHAFT SEAL, APU.....49	STARTER,ENG,PERK T3 6/8/10K.....83
SCREW,SHC,M8 X 1.25 X 16 MM.....77	SHAFT-OUTPUT (60810).....43	STEP PLATFORM ENTRY PAINTED***.....113, 115
SCREW,SHS,1/2-13 X 1.50.....97	SHEAVE MOUNT,EXT. CABLE MACHIN.....97	STRAIN RELIEF, PG13,5.....23, 101
SCREW,SHS,1/4-20 X .25 ZINC.....51	SHEAVE,EXTENSION CABLE.....97	STRAINER ASSY,#16 O-RING.....49, 145-146
SCREW,SHS,10-24 X .625.....61, 83	SHEAVE,RETRACT CABLE.....97	STRAINER ASSY,#24 O-RING.....49, 145-146
SCREW,SHS,3/4-10 X 1.5.....41	SHIM, WEAR PAD,THIN,SB.....101	STRAP ASSY,FUEL TANK 52".....47
SCREW,STEP BOLT,1/4-20 X .75.....113, 115	SHIM,ANGLE LIMIT SWITCH MOUNT.....37	STRAP, CONDUIT HOLDER 60****.....167
Seal Kit.....191	SHIM,AXLE PIN.....23	STROBE,FIREBOLT,12-80VDC,AMB**.....155
SEAL KIT (39345).....23, 103, 105, 137	SHIM,BOOM PIVOT.....89	STROKE LIMITER COLLAR.....91
SEAL KIT (89534).....105	SHIM,CBL TRK SPRT WLDT,22 GA.....99	STRUT SUPPORT.....37
SEAL KIT CYL***.....25	SHIM,GALVANIZED STEER YOKE.....25	STRUT SUPPORT,TANK SIDE.....37
SEAL KIT CYL.S100/120 (50078).....89	SHIM,INNER AXLE WEAR PAD.....25, 31	STUD, WHEEL, 3/4-16 X 3****.....29
SEAL KIT CYL.S100/120 (50099).....91	SHIM,PAD 2.0 X 6.60.....25	STUD,FAN SPACR,PERKINS 1004-42.....81
SEAL KIT CYL.S100/120 (50100).....97	SHIM,PAD,10 X 6.10.....25, 31	STUD,WHEEL, 3/4-16 (218496).....27
SEAL KIT, 37185 PUMP.....49	SHIM,PAD,4 X 3.60.....31	SUBASSY,STEER SENSOR***.....27, 53
SEAL KIT, HYD MOTOR, GEN.....193	SHIM,PROX SWITCH.....89	SUPPORT, RAILING.....165
SEAL KIT, SOLENOID VALVE.....121	SHIM,SIDE PAD,.059THK.....99	SUPPORT,COVER (61112,61117).....33, 35
SEAL KIT, VALVE.....121, 123, 125, 127-128, 133, 135	SHIM,SIDE WEAR PAD,20X2,14GA**.....95	SUPPORT,ENGINE COVER GRAY.....35
SEAL KIT, VALVE, #10.....121	SHIM,SIDE WEAR PAD,20X2,16GA**.....95	SUPPORT,FUEL TANK COVER.....39
SEAL KIT,52372,SOLENOID VALVE.....127-128	SHIM,STEER SENSOR ACTIVATOR.....25	SUPPORT,HYDRAULIC SWIVEL.....41
SEAL KIT,52907,SIZE 4, 2 WAY.....125, 127-128, 133, 135	SHIM,TOP WEAR PAD,THIN.....101	SUPPORT,SENSOR,JOYSTICK.....119
SEAL KIT,62328,SIZE 12,2 PORT.....127-128	SHIM,WEAR PAD ENGINE TRAY.....59, 75, 87	SWING COVER BRACKET,DEUTZ.....37
SEAL KIT,62329,SIZE 12, 3 WAY.....128	SHIM,WEAR PAD,5 X 1.5,14GA.....95, 99	SWING COVER,DEUTZ.....37
SEAL KIT,8K ROTATOR***.....103, 105	SHIM,WEAR PAD,5X1.5,16GA.....95, 99	SWING DRIVE ASSEMBLY.....43
SEAL KIT,AXLE EXTEND CYL,61381.....23	SHIM,WEAR PAD,7 X 3,16GA.....95, 99	SWITCH SHIELD,ROCK JOYSTK75565.....119
SEAL KIT,BRAKE,TURNTABLE ROT**.....43	SHOCK MOUNT,LARGE**.....77	SWITCH TOGGLE ASSY SPDT 2P MNT....171
SEAL KIT,BREVINI (218496).....27	SHOCK MOUNT,SMALL.....77	SWITCH TOGGLE ASSY SPDT 3P MOM...117
SEAL KIT,CYL,S100/120 (50207).....103	SHROUD,FAN (FIBERGLASS).....85	SWITCH TOGGLE SPDT 3POS MOM.....117
SEAL KIT,CYL,S65 (63213).....105	SHROUD,FAN,PERKINS PAINTED.....77	SWITCH, OIL PRESSURE 1.5 BAR.....61
SEAL KIT,DRIVE HUB,TURNTBL.ROT.....43	SHUTDOWN SOLENOID,12V, DEUTZ.....65	SWITCH,LIMIT,PROX(OPERATIONAL).....23, 53, 89
SEAL KIT,HYD MOTOR(106184).....185	SIGHT GLASS DEGAS RCP.....67	SWITCH,LIMIT,ROLLER NO/NC GOLD.....37, 93, 101
SEAL KIT,HYD SWIVEL (75126)***.....41	SLEEVE,CONNECTOR,DT JOYSTICKS....119	S W I T C H , M E M B R A N E , G R O U N D CONTROL.....51
SEAL KIT,MOTOR,LC/KC***.....27	SLIDING MIDRAIL KIT,PTD.....113, 115	SWITCH,PRESS,#4NPT,200PSIF.....185
SEAL KIT,PLAT.LEVEL CYL(61387).....105	SNAP RING,EXTERNAL,1.25 DIA.**.....103, 105	SWITCH,THERMOSTAT 85F OPEN.....171
SEAL KIT,REXROTH DO3 VALVE.....127-128	SNAP RING,EXTERNAL,1.5 DIA***.....97	SWIVEL,ELECTRIC 10 CONTACT***.....41
SEAL KIT,RWD 1700TB**.....29	SOLENOID CABLE ASSY***.....65	SWIVEL,HYD/ELEC 5 PORT/10 CONT.....41
SEAL KIT,SAUER-DANFOSS M46***.....139	SOLENOID,MOTOR START,60511,APU.....49	
SEAL KIT,SOLENOID VALVE.....121	SOLENOID,THROTTLE,ASSY.TROMB.....57, 61, 79, 83	
SEAL KIT,SOLENOID VALVES,HYDAC.....131	SOLENOID-STARTR DEUTZF4L1011F*.....65	
SEAL KIT,SUN "CWCA" CB VALVES*.....89, 91, 97	SPACER, HANGER BRACKET.....183	
SEAL KIT,SUN "CWEA" CB VALVES.....91, 97	SPACER,ALT PULLEY,DEUTZ BF4L2011.....65	
SEAL KIT,TURNTABL.ROT.MOTOR.....43	SPACER,NYLON,.718 X .526 X.219.....117	
SEAL KIT,VALVE 62356, HYDAC.....131	SPACER,TELEMATICS,TOPCON.....199	
SEAL KIT,VALVE 62357, HYDAC.....131	SPACER,WEAR PAD.....95, 99	
SEAL KIT,VALVE 62359, HYDAC.....131	SPACER-DUAL COIL,#10, SCISSORS.....123, 127-128	
SEAL KIT-P.N.44169,44172,44171.....123, 127-128	SPACER-DUAL COIL,#8***.....123	
SEAL, CONNECTOR (DT JOYSTICKS).....119	SPIDER (106113).....185	
SEAL, SHAFT, 60511 APU.....49	SPRING CLIP,1/4-20,.025-.15X.54,ZAG.....25, 31, 33, 35, 39, 47, 49, 57, 77, 79, 91, 93, 95, 107, 113, 115	
SEAL,FILTER ASSY (60334)***.....45	SPRING CLIP,10-24,.025-.125X.468,ZAG...197	
SEAL,INJECTOR,DEUTZ F4L2011.....65	SPRING CLIP,3/8-16,.05-.20X.73,ZAG.....37, 45, 49, 71, 73, 93, 101	
SELF-TAP SCREW, CABLE TRACK.....93, 99	SPRING CLIP,M10-1.5,1-6X19,ZAB.....67	
SENDER,LOW FUEL INDICATOR.....47	SPRING CLIP,M6-1.0,0.8-4MM PAN.....67, 81, 85	
SENDING UNIT,OIL PRESS PERKINS.....81	SPRING WASHER 8 GB93.....45	
SENDING UNIT,OIL PRESS,DEUTZ*.....65	SPRING,1.00 DIA X .105.....101	
SENDING UNIT,OIL TEMP SWCH,DTZ.....65	SPRING,COMP,1" OD,232 LB/IN.....159	
SENDING UNIT,TMP,FRD,GM,PRK704.....83	SPRING,COMP,1-1/4"OD 352 LB/IN.....159	
SENSOR, PRESSURE,DEUTZ 2.9.....71	SPRING,JOYSTK CENTR,62390/91.....119	
SENSOR, TEMP. SENDER, M16X1.5.....77	SPRING,SWITCH CENTERING,75565.....119	
SENSOR,COOLANT LEVEL, DEUTZ.....67	STANDOFF,1/4X1/4 M-F 6-32 S/S.....171	
SENSOR,TILT TURNTABLE(PLSTC).....49	STARTER, 12V.....65	
SENSOR,TILT,PCON (PLASTIC)****.....103, 105	STARTER, 12V, CUMMINS B3.3T.....57	
SEPARATOR,DUAL BATTERY,100A.....45		
SEPRTR/FLTR,FUEL DSL,15GPH,.30.....83		

T

T-BOX 2.75 X 4.5 X 2.5.....33, 109, 111
T-BOX,2.75X4.5X2.63,3PH.....187
TAIL PIPE,DEUTZ.....63
TAIL PIPE,PERKINS 1104.....83
TANK,HYD,55GALLON.....49
TAPE, PROTECTIVE MASK.....16, 20
TEE,BRANCH,520429-8.....141
TEE,BRASS STREET, 12 NPT.....77
TEE,BULKHEAD,52N9959-8.....141
TEE,RUN,520428-6.....49, 153, 195
TEE,RUN,520428-8.....145-146
TEE,RUN,SWIVEL,520432-6.....153, 195
TERM,AMP MTE,SOC,22-26 GA BULK.....119
TERM,DEUTSCH, PIN #12-14.....79
THERMOSTAT -OIL COOLER (71259).....37
THERMOSTAT, 180 DEG.F.....79
THROTTLE LINK, STEEL.....57
THROTTLE LINKAGE, DSL.....61
THROTTLE LINKAGE, PERKINS 1104.....83
THROTTLE, LINKAGE.....79
TIRE & WHEEL ASSY LF-LR.....27
TIRE & WHEEL ASSY RF-RR.....27
TOEBOARD, TRI ENTRY 6', EURO.....165
TOEBOARD,8'TRI ENTRY.....165
TOEBOARD,ENTRY EUROPEAN PNTD**.....109, 111, 165
TOOL HOLDER,PLASTIC.....113, 115

Part Description Index (continued)

TOOL TRAY.....165
 TRAY,HOSE,45.5".....93
 TRAY,HOSE,84".....93
 TRIM MOLDING.....37, 59, 67, 75, 85, 87
 TRIMLOCK, 1/16.....59
 TRIMLOCK,1/4.....33, 35
 TROLLEY, TRACK, FALL ARREST BAR.....183
 TUBE ASSY,FUEL TANK,20.75"LG.....47
 TUBE, EXHAUST CUMMINS B3.3T.....57
 TUBE, RD, ALUM, 1.25 X .083 X 11.75.....169
 TUBE,AIR INTAKE 1,CUM.B3.3T.....57
 TUBE,AIR INTAKE,DEUTZ.....63
 TUBE,AIR INTAKE,UPPER.....57
 TUBE,CAC 1 CUM.B3.3T.....57
 TUBE,EXHAUST CUMMINS T3.....57
 TUBE,INTAKE, FILTER TO TURBO.....85
 TUBE,INTAKE,CUMMINS T3.....57
 TUBE,INTAKE,DEUTZ 2.9L.....69
 TUBE,INTAKE,PRECLEANER 2.9T.....179
 TUBE,INTAKE,PRECLEANER B3.3T.....177
 TUBE,PRECLEANER,DEUTZ T4.....179
 TUBE,RADIATOR MOUNT.....85
 TUBE,RD,ALUMINUM,1.00X.50X.820.....155
 TUBE,RD,STL 3 X 18GA ALUMINIZD.....79
 TUBE,RD,STL,ALUMIZD,2.5 X .065.....77
 TUBE,SLIDING MIDRAIL,PAINTED.....113, 115
 TUBE,UHMW, 1 X .25 X 5.00.....95
 TUBING, VINYL, 1/2" CLEAR.....79
 TURNTABLE COVER MOUNT ASSY.....37
 TURNTABLE COVER MOUNT ASSY SYM...37
 TURNTABLE COVER W/SYM DECAL LT.....33

U

U-BOLT, FLATTENED, 1.5 X 3/8
 UNC,ZAG.....167, 169
 U-BOLT,1/2-13 X 8.5.....63, 77, 83
 U-BOLT,3/8 X 1 YZ.....113, 115, 187
 U-BOLT,3/8-16X4X4.63X3.00.....187
 U-BOLT,GUILLOTINE,3".....57, 69, 85
 UBOLT,FLATTENED,1.5DIA3/8 UNC.....109,
 111, 163, 181, 187
 UNION,BULKHEAD,ORFS,520601,-4.....141,
 153
 UNION,STR.THREAD 20.....145-146
 UNION,STR.THREAD 24***.....49, 145-146

V

V-BELT GUARD, DEUTZ 2011.....65
 V-BELT, DEUTZ TD2011LOAI.....65
 V-BELT, PERKINS 804C-33.....77
 VALVE - COUNTERBALANCE**.....137
 VALVE ASSY,BLEED***.....103, 137
 VALVE ASSY,D03,REX,3POS 4WAY.....127-
 128
 VALVE BALL,24 FSAE-24 FSAE***.....49, 145-
 146
 VALVE COIL 10V.....133, 135
 VALVE COUNTERBAL.CBBB-LJN@5000....89
 VALVE, CHECK.....121
 VALVE, COMPENSATOR, 80 PSI.....133, 135
 VALVE, COUNTERBALANCE,
 CWCG-LGN.5000.....89
 VALVE, FLOW DIVIDER COMBINER.....121
 VALVE, RELIEF, GEN, 3.0kW.....193
 VALVE,AXLE REDUNDANT,CIRCUIT.....31
 VALVE,BALL,16 MSAE-16 FSAE***.....49, 145-
 146
 VALVE,CB.CBBC-LHN@2200*.....23

VALVE,CHECK,3 PSI***.....191
 VALVE,CHECK,5 PSI.....121
 VALVE,CHECK,5 PSI**.....127-128
 VALVE,CHECK,DUAL PILOT,135 PSI.....125
 VALVE,CHECK,IWP-S/CWP PWR ASSI...127-
 128, 133, 135
 VALVE,CHECK,PLAT.MANIFLD,HYDAC.....131
 VALVE,CNTERBAL,CBBB-LHN@3000**.....103
 VALVE,COUNTERBAL 1:1,900 PSI.....91
 VALVE,COUNTERBAL.CBBB-LHN@2000.103,
 105
 VALVE,COUNTERBAL.CBBB-LHN@3500..89,
 105
 VALVE,COUNTERBAL.CWCA-LIN@600*...91,
 97
 VALVE,COUNTERBAL.CWEK-LIN @600.....97
 VALVE,COUNTERBALANCE.....23, 105
 VALVE,DIFFERENTIAL SENSE,N.O.....131
 VALVE,DIFFERENTIAL SENSE,N.C.....131
 VALVE,DIFFERENTIAL SENSE110PSI.....123
 VALVE,DIFFERENTIAL SENSE230PSI.....127-
 128
 VALVE,FLOW CONTROL, 0.1GPM*.....123,
 127-128, 133, 135
 VALVE,FLOW CONTROL,3GPM,
 HYDAC.....131
 VALVE,FLOW DIVIDER/COMBINER.....121
 VALVE,FLOW REGULATOR, 2.0 GPM*.....123,
 125
 VALVE,PILOT OPER DIRECTIONAL.....185,
 191
 VALVE,PROPORTIONAL SOLENOID*.....127-
 128
 VALVE,RELIEF,1800 PSI,AXLE EXT.....125
 VALVE,RELIEF,250 PSI.....121
 VALVE,RELIEF,2600 PSI,SIZE 10.....127-128
 VALVE,RELIEF,3000PSI,GS68PUMP1.....127-
 128
 VALVE,SHUTTLE.....121
 VALVE,SHUTTLE, HYDAC.....131
 VALVE,SOLENOID 2 POS.3 WAY.....121
 VALVE,SOLENOID 3 POS.4 WAY***.....123
 VALVE,SOLENOID, 2POS 3WAY.....128
 VALVE,SOLENOID, 2POS 3WAY*.....128
 VALVE,SOLENOID,10V,W/OUT COIL*.....191
 VALVE,SOLENOID,2 POS 2 WAY.....133, 135
 VALVE,SOLENOID,2POS3WAY,SUPRB...127-
 128
 VALVE,SOLENOID,3POS 4WAY***.....123,
 127-128
 VALVE,SOLENOID,3POS4WAY,HYDAC.....131
 VALVE,SOLENOID,NC,POPPET*.....128
 VALVE,SOLENOID,PROPORT. N.C.....127-
 128
 VALVE-CHECK SIZE 12(SUPRBOOM)*...127-
 128
 VALVE-CHECK, #12 SAE,30 PSI.....127-128
 VALVE-CHECK, #4 SAE, 5 PSI*.....125, 127-
 128, 133, 135
 VALVE-FLOW REGULATOR 2 GPM.....121
 VALVE-FLOW REGULATOR 3.0 GPM.....127-
 128
 VALVE-FLOW REGULATOR, 1.4 GPM*.....123,
 125
 VALVE-RELIEF,1800 PSI.....127-128
 VITON SEAL KIT, VALVE.....133, 135
 VLV,SOL,DO3,REXROTH,3POS 4 WAY.....127-
 128

W

WASHER, NYLON #10, 0.093.....117
 WASHER, RETAINING, M16.....77
 WASHER,,375X1.25X.100.....55
 WASHER,FENDER,.25 X 1.25 X.062.....33, 35
 WASHER,FLAT,#10,USS,ZAG.....199
 WASHER,FLAT,.375 X 1.5 X .125.....181
 WASHER,FLAT,.375X1.25X.062,ZAG.....85
 WASHER,FLAT,.5 HARDENED.....27, 57, 63,
 69, 77, 97
 WASHER,FLAT,625 HARDENED.....41, 55,
 63, 77, 97
 WASHER,FLAT,625 X 2.25 X.15.....55, 63, 77,
 79
 WASHER,FLAT,625X2.25X.188,ZAG.....73, 85
 WASHER,FLAT,.75 HARDENED.....97, 99
 WASHER,FLAT,81 X 2.00 X .38.....41
 WASHER,FLAT,1.000,HARDENED.....109, 111
 WASHER,FLAT,1.56 X 2.5 X .061.....23, 55,
 63, 77, 79, 97
 WASHER,FLAT,3/8,SAE,HRD,ZAG.....89, 91,
 93, 95, 97, 99, 101, 103, 105, 107
 WASHER,FLAT,3/8X1.5X.06.....159
 WASHER,FLAT,313, HARDENED.....109, 111
 WASHER,FLAT,M10,ZINC PLTD.....55, 57, 79,
 177
 WASHER,FLAT,M12.....41, 55, 77, 79
 WASHER,FLAT,M14.....61, 63
 WASHER,FLAT,M4,DIN125,ZAB.....71
 WASHER,FLAT,M6,DIN125,ZAB.....83
 WASHER,FLAT,M8,DIN125,ZAB.....71
 WASHER,FLAT,M8,YELLOW ZINC.....77, 79
 WASHER,FLAT,MS,#10,Y.....33, 35, 41, 89,
 93, 113, 115, 159
 WASHER,FLAT,MS,#8,Y.....187
 WASHER,FLAT,NYLON.25 X.68 X.03.....83
 WASHER,FLAT,NYLON.257X.5X.032.....83
 WASHER,FLAT,SAE 1/4",ZINC.....117
 WASHER,FLAT,SAE,3/8",Y.....113
 WASHER,FLAT,THICKEN,1/4".....33, 39
 WASHER,FLAT,USS,1",Y.....59
 WASHER,FLAT,USS,1/2",Y.....31, 37, 39, 173
 WASHER,FLAT,USS,1/4"Y.....25, 27, 31, 33,
 35, 37, 45, 47, 49, 55, 57, 61, 77, 79, 91, 93,
 95, 101, 103, 105, 107, 109, 111, 113, 115,
 157, 165, 167, 169, 173, 175, 177, 181, 185,
 193
 WASHER,FLAT,USS,1/4,ZAG.....71
 WASHER,FLAT,USS,3/8",Y.....25, 31, 33, 37,
 45, 47, 49, 55, 57, 61, 77, 83, 91, 93, 95, 97,
 99, 101, 109, 111, 113, 115, 155, 159, 181,
 185, 193
 WASHER,FLAT,USS,5/16",Y.....31, 37, 39, 41,
 45, 49, 55, 57, 59, 61, 63, 75, 77, 87, 89, 93,
 101, 107, 155, 163, 165, 169, 187, 193
 WASHER,FLAT,USS,5/8",Y.....59, 75, 87
 WASHER,FLAT,USS,7/16",Y.....41, 91
 WASHER,LOCK,#10 PLTD.....23, 25, 97, 113,
 115
 WASHER,LOCK,.25.....25, 27, 31, 33, 35, 39,
 45, 47, 49, 91, 93, 95, 97, 101, 103, 105, 113,
 115, 117, 165, 175
 WASHER,LOCK,.313.....49, 91
 WASHER,LOCK,.375.....25, 27, 31, 37, 39, 45,
 49, 55, 57, 59, 75, 87
 WASHER,LOCK,625 PLTD.....59, 75, 87
 WASHER,LOCK,.75 PLTD.....89
 WASHER,LOCK,0.5".....23, 25, 31, 41, 49, 89,
 91, 97, 173

WASHER, LOCK, M6.....61
 WASHER, LOCK, M8.....77, 79
 WASHER, SHIM, .0151 THK.....159
 WASHER, SHIM, .265 X .5 X .030.....79
 WASHER, SHIM, 1.01 X 1.63 X .062.....39, 97
 WASHER, SHIM, 1.27 X 2.13 X .062.....103, 105
 WASHER, SHIM, 1.56X2.5X.061, ZAG.....73
 WASHER, THRUST 5 X 1.81 BRONZE.....25
 WATER PUMP, CUMMINS, B3.3.....55
 WEAR PAD, BOOM REST.....97
 WEAR PAD, 20X 1.5X.875 W/INST**.....95
 WEAR PAD, 3 X 1.5 X .625 W/NUTS.....107
 WEAR PAD, 3.5 X 2 X .625 W/INST.....99
 WEAR PAD, 4X2X.5 W/INSERT***.....39, 95
 WEAR PAD, 5 X 1.5 X .875 W/NUTS.....95, 99
 WEAR PAD, 7 X 3 X .625 W/INSERT.....95, 99
 WEAR PAD, 7 X 3 X .75 W/NUTS.....95, 99
 WEAR PAD, BOOM #2 TOP.....101
 WEAR PAD, ENGINE SUPPORT.....59, 75, 87
 WEAR PAD, EXT.CABLE.....97
 WEAR PAD, EXT.CABLE SHEAVE.....97
 WEAR PAD, INNER AXLE.....25, 31
 WEAR PAD, INNER AXLE SIDE.....25, 31
 WEAR PAD, LIMIT SWITCH MNT.LONG.....101
 WEAR PAD, LIMIT SWITCH MNT.SHOR.....101
 WEAR PAD, PRI. EXT.CYL.SUPPORT.....91
 WEAR PAD, SHEAVE MOUNT.....97
 WEAR PAD, UPPER CABLE TRACK.....99
 WEARPAD, ACTIVATING ROD.....23
 WELDER, INVERTEC V275-S.....187
 WELDMENT, ENGINE MNT, RF.....77
 WELDMENT, ENGINE TRAY.....73
 WELDMENT, EXHAUST SUPPORT.....77
 WELDMENT, EXHAUST, 804T.....77
 WELDMENT, LEFT CONTACT ALARM,
 LARGE.....197
 WELDMENT, MUFFLER MOUNT.....83
 WELDMENT, PIPE CRADLE.....167
 WELDMENT, RADIATOR MOUNT.....67
 WELDMENT, RIGHT CONTACT ALARM,
 LARGE.....197
 WELDMENT, AIR BOX, DEUTZ PAINTED.....75
 WELDMENT, AXLE SWITCH.....23
 WELDMENT, BATTERY TRAY.....45
 WELDMENT, CABLE RETAINER.....97
 WELDMENT, CABLE TRACK SUPPORT.....99
 WELDMENT, CABLE TRAY.....39
 WELDMENT, EXHAUST TUBE.....35
 WELDMENT, EXTENSION BOOM #1.....91
 WELDMENT, EXTENSION BOOM #2.....99
 WELDMENT, GUIDE BRACKET.....27
 WELDMENT, HEADER PIPE, PERKINS.....83
 WELDMENT, INNER CABLETRACK TUBE...91
 WELDMENT, INTAKE EXT.DEUTZ.....37
 WELDMENT, PCON BOX.....117
 WELDMENT, PIPE CRADLE MOUNT.....167
 WELDMENT, PLAT. STOWED SUPPORT....113
 WELDMENT, PLATF.MANFLD.SUPPORT..109,
 111
 WELDMENT, PLATFORM SUPPORT, CE.....159
 WELDMENT, PRECLEANER, DEUTZ.....177
 WELDMENT, RADIATOR MOUNT**.....85
 WELDMENT, RADIATOR MOUNT, CUM.....55
 WELDMENT, REAR ENGINE MOUNT.....63, 73
 WELDMENT, WEAR PAD MOUNTING.....99
 WHEEL DRIVE W/BRAKE, 76:1.....29
 WHEEL DRIVE W/BRAKE, 76:1, BREVI.....27
 WIPER, RUBBER BOOM #3 TOP.....101
 WIRE ASSEMBLY, 16/4SJO, 9.5" PLUG.....23,
 101
 WIRE ASSEMBLY, 16/4SJO, 9.5" RECP.....101
 WIRE CABLE, 12/3 CON.TPE JKT.....33, 109,
 111
 WIRE CABLE, 6GA/4 CONDUCTOR.....185
 WIRE HARNESS, JUMPER, MTE GEN, SB..193
 WIRE LOOM, 3/8 NYLON, HI TEMP.....79
 WIRE LOOM, 3/8 POLY SLIT.....113, 115
 WLDMNT, CABLE TRACK GUIDE LONG*...93,
 99
 WLDMNT, CABLE TRACK GUIDE, SHORT....99
 WLDMNT, RET.CABLE SHEAV.GARD.LH....97
 WLDMNT, RET.CABLE SHEAV.GARD.RH....97
 WLDT, AIR CLEANER/SOLENOID MNT.....57
 WLDT, MUFFLER BRKT, CUMMINS T3.....57
 WLDT, MUFFLER BRKT, PERK T3.....77
 WORKLIGHT, 12V, DEUTSCH RECEP.....165
 WORKLIGHT, 48 VOLT.....155

Y

YOKE ASSEMBLY, SUPERBOOM, NRRW.....25

Z

ZERK, GREASE, 1/8 NPT.....25, 31, 41, 49
 ZERK, GREASE, 5/16-24, STRAIT.....159

Fitting Cross References

Genie PN	Parker PN	Description	Genie PN	Parker PN	Description
12342	6-4 F5OX-S	CONNECTOR,STRAIGHT THREAD TO FLARE TUBE	42794	1 CR-S	ELBOW,90°,MALE PIPE
13757	4 R6X-S	RUN TEE,SWIVEL NUT,ORFS	42795	BV-0839	BALL VALVE
19685	12-10 C5OX-S	ELBOW,90°,STRAIGHT THREAD TO FLARE TUBE	42796	BV-0838	BALL VALVE
22664	12-10 C5OX	ELBOW,90°,STRAIGHT THREAD TO FLARE TUBE	42874	6-8 CLO-S	ELBOW,90°,MALE PIPE TO ORFS
27431	8-12 F5OX-S	CONNECTOR,STRAIGHT THREAD TO FLARE TUBE	42912	13943-6-4	HOSE END,90° FEMALE SWIVEL,JIC
28678	AS-B-33	SLEEVE,NYLON,1.81" ID	42920	BV-0840	BALL VALVE,90°
39871	6 WETX-WLN-S	UNION,90° BULKHEAD W/NUT,FLARE TUBE	42932	AS-B-17	SLEEVE,NYLON,1.22" ID
39872	4 R5OX-S	RUN TEE,STRAIGHT THREAD	42936	10243-2-4	HOSE END,FEMALE PIPE
39873	6 C5OX-S	ELBOW,90°,STRAIGHT THREAD TO FLARE TUBE	42953	1/2 DD-S	ELBOW,90°,FEMALE PIPE
39874	8-6 C5OX-S	ELBOW,90°,STRAIGHT THREAD TO FLARE TUBE	42956	6 WELO-WLNL-S	UNION,90° BULKHEAD W/NUT,ORFS
39875	4-6 C5OX-S	ELBOW,90°,STRAIGHT THREAD TO FLARE TUBE	45349	8 V5OX-S	ELBOW,45°,STRAIGHT THREAD TO FLARE TUBE
39876	6-8 C5OX-S	ELBOW,90°,STRAIGHT THREAD TO FLARE TUBE	45351	4 V5OX-S	ELBOW,45°,STRAIGHT THREAD TO FLARE TUBE
39877	4 F5OX-S	CONNECTOR,STRAIGHT THREAD TO FLARE TUBE	47223	10343-6-6	HOSE END,MALE,JIC
39878	6 F5OX-S	CONNECTOR,STRAIGHT THREAD TO FLARE TUBE	47419	PS690503-6-6	SWIVEL,90°,STRAIGHT THREAD TO 37° FLARE
39879	4-8 F5OX-S	CONNECTOR,STRAIGHT THREAD TO FLARE TUBE	48750	421-4	HOSE,1/4 INCH ID
39880	6-10 F5OX-S	CONNECTOR,STRAIGHT THREAD TO FLARE TUBE	48751	481TC-4	HOSE,1/4 INCH ID
39881	4-6 F5OX-S	CONNECTOR,STRAIGHT THREAD TO FLARE TUBE	48752	482TC-4	HOSE,1/4 INCH ID
39882	4-HP5ON-S	PLUG,STRAIGHT THREAD	48753	451TC-6	HOSE,3/8 INCH ID
39883	8-8 FTX-S	CONNECTOR,MALE PIPE TO FLARE TUBE	48754	482TC-6	HOSE,3/8 INCH ID
39885	269HB 12-12	ELBOW,90°,BEADED HOSE BARB TO MALE PIPE	48755	381-6	HOSE,3/8 INCH ID
39886	431-6	HOSE,3/8 INCH ID	48756	451TC-8	HOSE,1/2 INCH ID
39887	540N-2	HOSE,1/8 INCH ID	48757	482TC-8	HOSE,1/2 INCH ID
39888	801-8	HOSE,1/2 INCH ID	48758	381-8	HOSE,1/2 INCH ID
39889	801-12	HOSE,3/4 INCH ID	48759	381-10	HOSE,5/8 INCH ID
39890	10643-6-6	HOSE END,FEMALE SWIVEL,JIC	48760	451TC-10	HOSE,5/8 INCH ID
39891	13943-6-6	HOSE END,90° FEMALE SWIVEL,JIC	48761	482TC-12	HOSE,3/4 INCH ID
39892	13743-6-6	HOSE END,45° FEMALE SWIVEL,JIC	48762	451TC-12	HOSE,3/4 INCH ID
39894	30682-8-8	HOSE END,FEMALE SWIVEL,JIC	48763	772-12	HOSE,3/4 INCH ID
39895	30682-10-12	HOSE END,FEMALE SWIVEL,JIC	48764	881-16	HOSE,1 INCH ID
42286	8-8 CTX-S	ELBOW,90°,MALE PIPE TO FLARE TUBE	48765	772-16	HOSE,1 INCH ID
42756	8-12 CLO-S	ELBOW,90,MALE PIPE TO ORFS	48766	AS-B-15	SLEEVE,NYLON,1.06" ID
42757	8-12 FLO-S	CONNECTOR,MALE PIPE TO ORFS	48767	AS-B-22	SLEEVE,NYLON,1.42" ID
42758	4 JLO-S	UNION TEE,ORFS	48770	881-8	HOSE,1/2 INCH ID
42759	4-4 FLO-S	CONNECTOR,MALE PIPE TO ORFS			
42760	6-8 FLO-S	CONNECTOR,MALE PIPE TO ORFS			
42761	1J143-6-4	HOSE END,90° FEMALE SWIVEL,SEAL LOK			
42762	1J743-6-4	HOSE END,45° FEMALE SWIVEL,SEAL LOK			
42768	1JO43-4-4	HOSE END,MALE,SEAL LOK			
42776	801-8	HOSE,1/2 INCH ID			
42777	1J743-16-16	HOSE END,45° FEMALE SWIVEL,SEAL LOK			
42786	16 CLO-S	ELBOW,90°,MALE PIPE TO ORFS			
42787	16 R8LO-S	RUN TEE,SWIVEL NUT,ORFS			
42788	16-8 TRLO-BL-S	REDUCER,TUBE END TO SWIVEL,ORFS			
42789	6-6 CLO-S	ELBOW,90°,MALE PIPE TO ORFS			
42790	8-10 V5OLO-S	ELBOW,45°,STRAIGHT THREAD TO ORFS			
42791	3/4 CD-S	ELBOW,90°,MALE TO FEMALE PIPE			
42792	3/4 X 1/2 PTR-S	REDUCER,MALE TO FEMALE PIPE			
42793	1/2 CR-S	ELBOW,90°,MALE PIPE			

Fitting Cross References (Continued)

Genie PN	Parker PN	Description	Genie PN	Parker PN	Description
48771	881-10	HOSE,5/8 INCH ID	48847	13943-12-12	HOSE END,90° FEMALE SWIVEL,JIC
48772	381-4	HOSE,1/4 INCH ID	48848	10543-12-12	HOSE END,MALE,STRAIGHT THREAD
48773	AS-B-13	SLEEVE,NYLON,.86" ID	48849	1JC71-12-12	HOSE END,FEMALE SWIVEL,SEAL LOK
48800	1JC43-4-4	HOSE END,FEMALE SWIVEL,SEAL LOK	48850	1JS71-12-12	HOSE END,FEMALE SWIVEL,SEAL LOK
48801	1J743-4-4	HOSE END,45° FEMALE SWIVEL,SEAL LOK	48851	1J171-12-12	HOSE END,90° FEMALE SWIVEL,SEAL LOK
48802	1J943-4-4	HOSE END,90° FEMALE SWIVEL,SEAL LOK	48852	1J771-12-12	HOSE END,45° FEMALE SWIVEL,SEAL LOK
48804	1JM43-4-4	HOSE END,MALE,SEAL LOK, NO O-RING	48853	1J971-12-12	HOSE END,90° FEMALE SWIVEL,SEAL LOK
48805	10643-4-4	HOSE END,FEMALE SWIVEL,JIC	48854	1JC43-16-16	HOSE END,FEMALE SWIVEL,SEAL LOK
48806	13943-4-4	HOSE END,90° FEMALE SWIVEL,JIC	48855	1J943-16-16	HOSE END,90° FEMALE SWIVEL,SEAL LOK
48807	1JS43-4-4	HOSE END,FEMALE SWIVEL,SEAL LOK	48856	1J171-16-16	HOSE END,90° FEMALE SWIVEL,SEAL LOK
48808	3JC82-8-8	HOSE END,FEMALE SWIVEL,SEAL LOK	48857	1J971-16-16	HOSE END,90° FEMALE SWIVEL,SEAL LOK
48809	3JC82-12-12	HOSE END,FEMALE SWIVEL,SEAL LOK	48859	1JS43-8-4	HOSE END,FEMALE SWIVEL,SEAL LOK
48810	1JC43-6-4	HOSE END,FEMALE SWIVEL,SEAL LOK	48867	PD36BTL	DIAGNOSTIC NIPPLE,SEAL-LOK SWIVEL
48811	1J943-6-4	HOSE END,90° FEMALE SWIVEL,SEAL LOK	48873	6 PNLO-S	PLUG,TUBE END,ORFS
48812	1JC43-6-6	HOSE END,FEMALE SWIVEL,SEAL LOK	48874	6 PNTX-S	PLUG,FLARE TUBE
48813	1J143-6-6	HOSE END,90° FEMALE SWIVEL,SEAL LOK	48875	6 R6LO-S	RUN TEE,SWIVEL NUT,ORFS
48814	1J543-6-6	HOSE END,90° FEMALE SWIVEL,SEAL LOK	48877	4 F5OLO-SW/.025	CONNECTOR,STRAIGHT THREAD TO ORFS, W/.025 ORI
48815	1J743-6-6	HOSE END,45° FEMALE SWIVEL,SEAL LOK	48878	16-12 C5OLO-S	ELBOW,90°,STRAIGHT THREAD TO ORFS
48816	1J943-6-6	HOSE END,90° FEMALE SWIVEL,SEAL LOK	48879	8 C8LO-S	ELBOW,90°,SWIVEL NUT ORFS
48817	1JS43-6-8	HOSE END,FEMALE SWIVEL,SEAL LOK	48880	PD6-285	CAP,DIAGNOSTIC NIPPLE
48818	1J943-8-4	HOSE END,90° FEMALE SWIVEL,SEAL LOK	48881	6 HLO-S	UNION,ORFS
48819	1JC43-8-6	HOSE END,FEMALE SWIVEL,SEAL LOK	48883	8 P5ON-S	PLUG,STRAIGHT THREAD
48820	1J743-8-6	HOSE END,45° FEMALE SWIVEL,SEAL LOK	48884	8M18F87OMLO-S	CONNECTOR,METRIC,STRAIGHT THREAD TO ORFS
48821	1J943-8-6	HOSE END,90° FEMALE SWIVEL,SEAL LOK	48885	4 WGTX-WLN-S	CONNECTOR,BULKHEAD,FEMALE PIPE TO FLARE TUBE
48822	1JC43-8-8	HOSE END,FEMALE SWIVEL,SEAL LOK	48886	4 F5OLO-SW/2MM	CONNECTOR,MACHINED STRAIGHT THREAD TO ORFS
48823	1JS43-8-8	HOSE END,FEMALE SWIVEL,SEAL LOK	48887	4 CTX-S	ELBOW,90°,MALE PIPE TO FLARE TUBE
48824	1J143-8-8	HOSE END,90° FEMALE SWIVEL,SEAL LOK	48888	10-12 V5OLO-S	ELBOW,45°,STRAIGHT THREAD TO ORFS
48825	1J543-8-8	HOSE END,90° FEMALE SWIVEL,SEAL LOK	48890	4 S5OLO-S	BRANCH TEE,STRAIGHT THREAD TO ORFS
48826	1J743-8-8	HOSE END,45° FEMALE SWIVEL,SEAL LOK	48891	4 S8LO-S	BRANCH TEE,SWIVEL NUT TO ORFS
48827	1J943-8-8	HOSE END,90° FEMALE SWIVEL,SEAL LOK			
48828	1JC43-10-8	HOSE END,FEMALE SWIVEL,SEAL LOK			
48829	1JS43-10-8	HOSE END,FEMALE SWIVEL,SEAL LOK			
48830	1J743-10-8	HOSE END,45° FEMALE SWIVEL,SEAL LOK			
48831	1J943-10-8	HOSE END,90° FEMALE SWIVEL,SEAL LOK			
48833	1JC43-10-10	HOSE END,FEMALE SWIVEL,SEAL LOK			
48834	1J943-10-10	HOSE END,90° FEMALE SWIVEL,SEAL LOK			
48835	1JS43-10-12	HOSE END,FEMALE SWIVEL,SEAL LOK			
48836	1JC43-12-8	HOSE END,FEMALE SWIVEL,SEAL LOK			
48837	1JS43-12-8	HOSE END,FEMALE SWIVEL,SEAL LOK			
48838	1J743-12-8	HOSE END,45° FEMALE SWIVEL,SEAL LOK			
48839	1J943-12-8	HOSE END,90° FEMALE SWIVEL,SEAL LOK			
48840	1J943-12-10	HOSE END,90° FEMALE SWIVEL,SEAL LOK			
48841	1JC43-12-12	HOSE END,FEMALE SWIVEL,SEAL LOK			
48842	1JO43-12-12	HOSE END,MALE,SEAL LOK			
48843	1J143-12-12	HOSE END,90° FEMALE SWIVEL,SEAL LOK			
48844	1J543-12-12	HOSE END,90° FEMALE SWIVEL,SEAL LOK			
48845	1J743-12-12	HOSE END,45° FEMALE SWIVEL,SEAL LOK			
48846	1J943-12-12	HOSE END,90° FEMALE SWIVEL,SEAL LOK			

Fitting Cross References (Continued)

Genie PN	Parker PN	Description	Genie PN	Parker PN	Description
48892	6 C6LO-S	ELBOW,90°,SWIVEL NUT ORFS	48938	8 R6LO-S	RUN TEE,SWIVEL NUT,ORFS
48893	6 F5OHAO-S	UNION,STRAIGHT THREAD	48939	8 S6LO-S	BRANCH TEE,SWIVEL NUT TO ORFS
48894	8 WLO-WLNL-S	UNION,BULKHEAD,ORFS	48940	8 WJLO-WLNL-S	RUN TEE, BULKHEAD,ORFS
48895	DT-370-MSMO-5	VALVE,CHECK	48941	8-4 TRLO-S	REDUCER,TUBE END TO SWIVEL,ORFS
48896	6 JLO-S	UNION,TEE,ORFS	48942	8-6 C5OLO-S	ELBOW,90°,STRAIGHT THREAD TO ORFS
48897	DT-750-MSMS-5	VALVE,CHECK	48943	8-6 F5OLO-S	CONNECTOR,STRAIGHT THREAD TO ORFS
48898	DT-750-MOMS-5	VALVE,CHECK	48944	8-8 FLO-S	CONNECTOR,MALE PIPE TO ORFS
48899	DT-620-MOMS-5	VALVE,CHECK	48945	8 FTX-S	CONNECTOR,MALE PIPE TO FLARE TUBE
48900	4-6 F5OLO-SW/.035	CONNECTOR,STRAIGHT THREAD TO ORFS, W/.035 ORI	48946	8-10 F5OLO-S	CONNECTOR,STRAIGHT THREAD TO ORFS
48902	16-1 AOE4G-S	ELBOW,90° LONG,FEMALE PIPE TO STRAIGHT THREAD	48947	8-12 C5OLO-S	ELBOW,90°,STRAIGHT THREAD TO ORFS
48903	1 FF-S	NIPPLE,PIPE	48948	8-12 F5OLO-S	CONNECTOR,STRAIGHT THREAD TO ORFS
48904	4 C5OLO-S	ELBOW,90°,STRAIGHT THREAD TO ORFS	48949	8-16 F5OLO-S	CONNECTOR,STRAIGHT THREAD TO ORFS
48905	4 F5OLO-S	CONNECTOR,STRAIGHT THREAD TO ORFS	48950	10 C5OLO-S	ELBOW,90°,STRAIGHT THREAD TO ORFS
48906	4 R5OLO-S	RUN TEE,STRAIGHT THREAD	48951	10 CC5OLO-S	ELBOW,90° LONG,STRAIGHT THREAD TO ORFS
48907	4 V5OLO-S	ELBOW,45°,STRAIGHT THREAD TO ORFS	48952	10 F5OLO-S	CONNECTOR,STRAIGHT THREAD TO ORFS
48908	4 R6LO-S	RUN TEE,SWIVEL NUT,ORFS	48953	10 R5OLO-S	RUN TEE,STRAIGHT THREAD
48909	4 WJLO-WLNL-S	RUN TEE, BULKHEAD,ORFS	48954	10 S5OLO-S	BRANCH TEE,STRAIGHT THREAD TO ORFS
48910	4 GTX-S W/.030	CONNECTOR,FEMALE PIPE TO FLARE TUBE	48955	10 R6LO-S	RUN TEE,SWIVEL NUT,ORFS
48911	4-6 C5OLO-S	ELBOW,90°,STRAIGHT THREAD TO ORFS	48956	10-4 TRLO-BL-S	REDUCER,TUBE END TO SWIVEL,ORFS
48912	4-6 F5OLO-S	CONNECTOR,STRAIGHT THREAD TO ORFS	48957	10-6 TRLO-BL-S	REDUCER,TUBE END TO SWIVEL,ORFS
48913	4-6 F5OLO-SW/.030	CONNECTOR,STRAIGHT THREAD TO ORFS, W/.030 ORI	48958	10-12 F5OLO-S	CONNECTOR,STRAIGHT THREAD TO ORFS
48914	4-8 F5OLO-S	CONNECTOR,STRAIGHT THREAD TO ORFS	48959	12 C5OLO-S	ELBOW,90°,STRAIGHT THREAD TO ORFS
48915	6 C5OLO-S	ELBOW,90°,STRAIGHT THREAD TO ORFS	48960	12 F5OLO-S	CONNECTOR,STRAIGHT THREAD TO ORFS
48916	6 F5OLO-S	CONNECTOR,STRAIGHT THREAD TO ORFS	48961	12 R5OLO-S	RUN TEE,STRAIGHT THREAD
48917	6 FF5OLO-S	CONNECTOR,LONG,STRAIGHT THREAD TO ORFS	48962	12 S5OLO-S	BRANCH TEE,STRAIGHT THREAD TO ORFS
48918	6 R5OLO-S	RUN TEE,STRAIGHT THREAD	48963	12 V5OLO-S	ELBOW,45°,STRAIGHT THREAD TO ORFS
48919	6 S5OLO-S	BRANCH TEE,STRAIGHT THREAD TO ORFS	48964	12 R6LO-S	RUN TEE,SWIVEL NUT,ORFS
48920	6 V5OLO-S	ELBOW,45°,STRAIGHT THREAD TO ORFS	48965	12 CLO-S	ELBOW,90°,MALE PIPE TO ORFS
48921	6 FLO-S	CONNECTOR,MALE PIPE TO ORFS	48966	12 FLO-S	CONNECTOR,MALE PIPE TO ORFS
48922	6-6 FLO-S	CONNECTOR,MALE PIPE TO ORFS	48967	12 JLO-S	UNION TEE,ORFS
48923	6 P5ON-S	PLUG,STRAIGHT THREAD	48968	12 WLO-WLNL-S	UNION,BULKHEAD,ORFS
48925	6 WELO-S	UNION,90° BULKHEAD,ORFS	48969	12 WJLO-WLNL-S	RUN TEE, BULKHEAD,ORFS
48926	6-4 C5OLO-S	ELBOW,90°,STRAIGHT THREAD TO ORFS	48970	12 WELO-WLNL-S	UNION,90° BULKHEAD W/NUT,ORFS
48927	6-4 F5OLO-S	CONNECTOR,STRAIGHT THREAD TO ORFS			
48928	6-4 V5OLO-S	ELBOW,45°,STRAIGHT THREAD TO ORFS			
48929	6-8 C5OLO-S	ELBOW,90°,STRAIGHT THREAD TO ORFS			
48930	6-8 F5OLO-S	CONNECTOR,STRAIGHT THREAD TO ORFS			
48931	6-10 F5OLO-S	CONNECTOR,STRAIGHT THREAD TO ORFS			
48932	8 C5OLO-S	ELBOW,90°,STRAIGHT THREAD TO ORFS			
48933	8 F5OLO-S	CONNECTOR,STRAIGHT THREAD TO ORFS			
48934	8 FF5OLO-S	CONNECTOR,LONG,STRAIGHT THREAD TO ORFS			
48935	8 R5OLO-S	RUN TEE,STRAIGHT THREAD			
48936	8 S5OLO-S	BRANCH TEE,STRAIGHT THREAD TO ORFS			
48937	8 V5OLO-S	ELBOW,45°,STRAIGHT THREAD TO ORFS			

Fitting Cross References (Continued)

Genie PN	Parker PN	Description	Genie PN	Parker PN	Description
48971	12 G5G5JG5-S	TEE,FEMALE STRAIGHT THREAD	49612	PKT02586	O-RING KIT (ORFS FITTINGS)
48972	12 XHL6-S	ADAPTER, 37° MALE TO SWIVEL ORFS	49613	PKT06276	PLUG AND CAP KIT-SERVICE,ORFS
48973	12-1/2 F5OG-S	ADAPTER,FEMALE PIPE TO STRAIGHT THREAD	49728	10143-12-12	HOSE END, MALE PIPE
48974	12-10 C5OLO-S	ELBOW,90°,STRAIGHT THREAD TO ORFS	49729	16-1 F5OG-S	ADAPTER,FEMALE PIPE TO STRAIGHT THREAD
48975	12-10 F5OLO-S	CONNECTOR,STRAIGHT THREAD TO ORFS	49814	12-8 FLO-S	CONNECTOR,MALE PIPE TO ORFS
48976	12-16 C5OLO-S	ELBOW,90°,STRAIGHT THREAD TO ORFS	49829	DT-500-MOMF-5	VALVE,CHECK
48977	12-16 F5OLO-S	CONNECTOR,STRAIGHT THREAD TO ORFS	49831	881-12	HOSE,3/4 INCH ID
48978	12-16 V5OLO-S	ELBOW,45°,STRAIGHT THREAD TO ORFS	49834	16 JLO-S	UNION TEE,ORFS
48980	12-16 FLO-S	CONNECTOR,MALE PIPE TO ORFS	49838	12-8 TRLO-BL-S	REDUCER,TUBE END TO SWIVEL,ORFS
48983	16 C5OLO-S	ELBOW,90°,STRAIGHT THREAD TO ORFS	49840	8 JLO-S	UNION TEE,ORFS
48984	16 F5OLO-S	CONNECTOR,STRAIGHT THREAD TO ORFS	49844	10-8 TRLO-BL-S	REDUCER,TUBE END TO SWIVEL,ORFS
48985	16 V5OLO-S	ELBOW,45°,STRAIGHT THREAD TO ORFS	49854	8 P5ON-S	PLUG,STRAIGHT THREAD
48986	16 FLO-S	CONNECTOR,MALE PIPE TO ORFS	49855	1JC43-16-12	HOSE END,FEMALE SWIVEL,SEAL LOK
48988	16 CD45-S	ELBOW,45°,MALE TO FEMALE PIPE	49859	4 P5ON-S	PLUG,STRAIGHT THREAD
48989	12 CD45-S	ELBOW,45°,MALE TO FEMALE PIPE	49861	4 FF5OLO-S	CONNECTOR, LONG, STRAIGHT THREAD TO ORFS
48990	8 CD45-S	ELBOW,45°,MALE TO FEMALE PIPE	49867	12-3/4 F5OG-S	ADAPTER,FEMALE PIPE TO STRAIGHT THREAD
48991	16-12 FLO-S	CONNECTOR,MALE PIPE TO ORFS	51152	6 R6X-S	RUN TEE,SWIVEL NUT,ORFS
48992	16-12 V5OLO-S	ELBOW,45°,STRAIGHT THREAD TO ORFS	51153	6-4 TRTX-S	REDUCER,TUBE END TO SWIVEL,ORFS
48993	XV501-12	BALL VALVE	51154	4-4 GTX	CONNECTOR,FEMALE PIPE TO FLARE TUBE
48994	XV501-16	BALL VALVE	51264	881-12	HOSE,3/4 INCH ID
48995	XV510P-12	BALL VALVE	51265	8 JLO-S	UNION TEE,ORFS
48996	XV510P-16	BALL VALVE	51508	6 BTX-S	NUT,FLARE TUBE
48997	PD341	DIAGNOSTIC NIPPLE, STRAIGHT THREAD	51580	12-8 TRLO-BL-S	TUBE END REDUCER,ORFS
48998	PD 361	DIAGNOSTIC NIPPLE, STRAIGHT THREAD	51628	6 R6X-S	RUN TEE,SWIVEL NUT,ORFS
48999	DT-500-MOMS-5	VALVE,CHECK	51735	3/8 HHP	PLUG,PIPE THREAD
49201	10 V5OLO-S	ELBOW,45°,STRAIGHT THREAD TO ORFS	51803	1J943-6-8	HOSE END,90° FEMALE SWIVEL,SEAL LOK
49202	1JC43-12-10	HOSE END,FEMALE SWIVEL,SEAL LOK	53023	125HBL-5-4	FITTING,HOSE BARB TO MALE PIPE
49203	10-8 V5OLO-S	ELBOW,45°,STRAIGHT THREAD TO ORFS	53497	PKT02585	O-RING KIT
49205	6 F5OHAO-S	UNION,STRAIGHT THREAD	53499	1JC71-16-16	HOSE END,FEMALE SWIVEL,SEAL LOK
49207	PD34BTL	DIAGNOSTIC NIPPLE,SEAL-LOK SWIVEL	53500	3-904	O-RING,STRAIGHT THREAD,-4
49209	8M18F870MX-S	CONNECTOR,METRIC,STRAIGHT THREAD TO FLARE TUBE	53501	3-906	O-RING,STRAIGHT THREAD,-6
49212	8 WGTX-WLN-S	CONNECTOR,BULKHEAD,FEMALE PIPE TO FLARE TUBE	53502	3-908	O-RING,STRAIGHT THREAD,-8
49213	30682-8-8	HOSE END,FEMALE SWIVEL,JIC	53503	3-910	O-RING,STRAIGHT THREAD,-10
49216	831-8	HOSE,1/2 INCH ID			
49217	33982-8-8	HOSE END,90° FEMALE SWIVEL,JIC			
49219	PS-B-35	SLEEVE,NYLON,2.19" ID			
49418	4-6 V5OLO-S	ELBOW,45°,STRAIGHT THREAD TO ORFS			
49511	DT370-MOMS-5	VALVE,CHECK			
49512	1 DD-S	ELBOW,90°,FEMALE PIPE			
49513	1 FF-S	NIPPLE,PIPE			
49514	10 HP5ON-S	PLUG,STRAIGHT THREAD			
49515	12-16 CLO-S	ELBOW,90°,MALE PIPE TO ORFS			
49517	6 HP5ON-S	PLUG,STRAIGHT THREAD			
49519	16-12 F5OLO-S	CONNECTOR,STRAIGHT THREAD TO ORFS			
49520	4 VTX-S	ELBOW,45°,MALE PIPE TO FLARE TUBE			
49530	16 C6LO-S	ELBOW,90°,SWIVEL NUT ORFS			

Fitting Cross References (Continued)

Genie PN	Parker PN	Description	Genie PN	Parker PN	Description
53535	3-912	O-RING,STRAIGHT THREAD,-12	61083	24 F5OLO-S	CONNECTOR,STRAIGHT THREAD TO ORFS
53536	4-PNLO-S	PLUG,TUBE END,ORFS	61086	20 R5OLO-S	RUN TEE,STRAIGHT THREAD
53537	6 PNLO-S	PLUG,TUBE END,ORFS	61090	24-20 F5OLO-S	CONNECTOR,STRAIGHT THREAD TO ORFS
53538	8 PNLO-S	PLUG,TUBE END,ORFS	61091	1J943 24-24	HOSE END,90° FEMALE SWIVEL,SEAL LOK
53539	10 PNLO-S	PLUG,TUBE END,ORFS	61093	1J978-12-12	HOSE END,90° FEMALE SWIVEL,JIC
53540	12 PNLO-S	PLUG,TUBE END,ORFS	61095	1JS43-20-16	HOSE END,FEMALE SWIVEL,SEAL LOK
53946	129HB-5-4	FITTING,90° HOSE BARB TO MALE PIPE	61100	811-24	HOSE,11/2 INCH ID
53951	8-1/4F50G-S	ADAPTER,FEMALE PIPE TO STRAIGHT THREAD	61130	1JS43-24-24	HOSE END,FEMALE SWIVEL,SEAL LOK
53980	6 S6LO-S	BRANCH TEE,SWIVEL NUT TO ORFS	61131	1JS78 12-12	HOSE END,FEMALE SWIVEL,SEAL LOK
54132	4 C6LO-S	ELBOW,90°,SWIVEL NUT ORFS	61132	1J778-12-12	HOSE END,45° FEMALE SWIVEL,JIC
54135	11343-16-16	HOSE END,MALE SWIVEL,PIPE	61152	139HB-6-4	ELBOW,45°,BARB TO MALE PIPE
54283	8-10 C5OLO-S	ELBOW,90°,STRAIGHT THREAD TO ORFS	61251	BV-0750	BALL VALVE
54428	8M18C870MLO-S	ELBOW, 90° METRIC, STRAIGHT THREAD TO ORFS	61259	4 CC5OLO-S	ELBOW,90° LONG,STRAIGHT THREAD TO ORFS
54803	FS-F-16-10	SLEEVE,FIRE,-.96" ID	61260	20-12 TRLO-BL	REDUCER,TUBE END TO SWIVEL,ORFS
54954	10143-2-4	HOSE END, MALE PIPE	61262	12 C6LO-S	ELBOW,90°,SWIVEL NUT ORFS
55190	3/8 HP-S	PLUG,PIPE THREAD	61263	20 F5OHAO-S	UNION,STRAIGHT THREAD
55448	8 HLO-S	UNION,ORFS	61264	6-10 C5OLO-S	ELBOW,90°,STRAIGHT THREAD TO ORFS
55839	6 F65OX-S	CONNECTOR,STRAIGHT THREAD TO 37° SWIVEL	61265	6 WNLO-WLNL-S	UNION,BULKHEAD 45°,ORFS
55968	10 C5OX-S	ELBOW,90°,STRAIGHT THREAD TO FLARE TUBE	61268	4 WNLO-WLNL-S	UNION,BULKHEAD 45°,ORFS
56003	6 CC5OLO-S	ELBOW,90° LONG,STRAIGHT THREAD TO ORFS	61269	4 WLO-WLNL-S	UNION,BULKHEAD,ORFS
56166	BV-0837	BALL VALVE,90°	61272	12 AOEL6	ELBOW,90°,STRAIGHT THREAD TO ORFS SWIVEL
56188	10143-8-6	HOSE END, MALE PIPE	61316	482TC-16	HOSE,1 INCH ID
56233	2-011	O-RING,ORFS,-4	61321	6 JLO-S	UNION TEE,ORFS
56234	2-012	O-RING,ORFS,-6	61327	782-12	HOSE,3/4 INCH ID
56235	2-014	O-RING,ORFS,-8	61328	881-24	HOSE,11/2 INCH ID
56236	2-016	O-RING,ORFS,-10	61336	11943-20-24	HOSE END,90° FLANGE HEAD
56237	2-018	O-RING,ORFS,-12	61345	12 WJLO-WLNL-S	RUN TEE, BULKHEAD,ORFS
56238	2-021	O-RING,ORFS,-16	61346	8 WNLO-WLNL-S 4	UNION,BULKHEAD 45°,ORFS
56352	6 WLNL-S	LOCKNUT,BULKHEAD	61569	33782-8-8	HOSE END,45° FEMALE SWIVEL,JIC
56353	3J782-12-12	HOSE END,45° FEMALE SWIVEL,SEAL LOK	61610	12 FF5OLO-S	CONNECTOR,LONG,STRAIGHT THREAD TO ORFS
56354	3J982-12-12	HOSE END,90° FEMALE SWIVEL,SEAL LOK	61742	1/8 X 1.5 FFF	NIPPLE,PIPE
56604	10-8 F5OLO-S	CONNECTOR,STRAIGHT THREAD TO ORFS	63426	8 PNTX-S	PLUG,FLARE TUBE
56639	3JC82-10-10	HOSE END,FEMALE SWIVEL,SEAL LOK			
56640	3J982-10-10	HOSE END,90° FEMALE SWIVEL,SEAL LOK			
56655	3JC82-8-10	HOSE END,FEMALE SWIVEL,SEAL LOK			
56676	10-8 C5OLO-S	ELBOW,90°,STRAIGHT THREAD TO ORFS			
56776	471TC-6	HOSE,3/8 INCH ID			
56777	471TC-8	HOSE,1/2 INCH ID			
56789	811-16	HOSE,1 INCH ID			
57884	3/8 FF	NIPPLE,PIPE			
59335	6 FNL-S	CAP,TUBE END			
59342	4 FNL-S	CAP,TUBE END			
59371	8 HP5ON-S	PLUG,STRAIGHT THREAD			
60653	BV-0751	BALL VALVE			
60806	125HB-3-4	FITTING,HOSE BARB TO MALE PIPE			
61064	5-1/4 F50G-S	ADAPTER,FEMALE PIPE TO STRAIGHT THREAD			
61079	4 WELO-WLNL-S	UNION,90° BULKHEAD W/NUT,ORFS			
61080	6 WLO-WLNL-S	UNION,BULKHEAD,ORFS			

Fitting Cross References (Continued)

Genie PN	Parker PN	Description	Genie PN	Parker PN	Description
64271	4 WLO-WLNL-S	UNION,BULKHEAD,ORFS	75631	801-6	HOSE,3/8 INCH ID
64272	6 WLO-WLNL-S	UNION,BULKHEAD,ORFS	75654	20 F5OLO-S	CONNECTOR,STRAIGHT THREAD TO ORFS
65776	8 F65OL-S	CONNECTOR,STRAIGHT THREAD TO ORFS SWIVEL	75655	1J943-20-20	HOSE END,90° FEMALE SWIVEL,SEAL LOK
65880	6001012	O-RING KIT	75656	881-20	HOSE,1-1/4 INCH ID
66154	6 WTX-WLNS	UNION,BULKHEAD,FLARE TUBE	75971	8 F5OHAO-S	UNION,STRAIGHT THREAD
66155	6 WETX-S	UNION,BULKHEAD 90°,FLARE TUBE	77307	1JB43-8-8	HOSE END,BULKHEAD,SEAL LOK
66156	6 WLN-S	BULKHEAD LOCKNUT	77309	8 WLNL-S	BULKHEAD LOCKNUT
66389	6-8 F5OX-S	CONNECTOR,STRAIGHT THREAD TO FLARE TUBE	77379	8M18C87OMX-S	ELBOW,90° METRIC,STRAIGHT THREAD TO FLARE TUBE
66392	6 R5OX-S	RUN TEE,STRAIGHT THREAD	77703	3J982-8-8	HOSE END,90° FEMALE SWIVEL,SEAL LOK
66396	811-12	HOSE,3/4 INCH ID	77711	801-10	HOSE,5/8 INCH ID
66829	H3174PP	CLAMP,TUBE	77758	12 WNLO-WLNL-S	UNION,BULKHEAD 45°,ORFS
67217	4 KLO-S	UNION,CROSS,ORFS	78091	6 C6X-S	ELBOW,90°,SWIVEL NUT TO FLARE TUBE
67339	10-6 F5OX-S	CONNECTOR,STRAIGHT THREAD TO FLARE TUBE	78684	30582-8-8B	HOSE END,PUSH LOK,MALE
67357	13943-8-6	HOSE END,90° FEMALE SWIVEL,JIC	78852	549-2	HOSE,1/8 INCH ID
67358	10 HP5ON-S	PLUG,STRAIGHT THREAD	78855	10657-4-2	HOSE END,FEMALE SWIVEL,JIC
67371	12 S6LO-S	BRANCH TEE,SWIVEL NUT TO ORFS	79138	PS-B-37	SLEEVE,NYLON,2.38" ID
67498	4 FNL-S	CAP, TUBE END	79476	1JS43-6-8	HOSE END,FEMALE SWIVEL,SEAL LOK
67906	DC-370-F0F0-5	VALVE,CHECK	79847	12-3/4 A0EG-S	ELBOW,90°,STRAIGHT THREAD TO FEMALE PIPE
69316	8 FLO-S	CONNECTOR,MALE PIPE TO ORFS	80044	8 CLO-S	ELBOW,90°,MALE PIPE TO ORFS
69333	H3174PP	CLAMP,HYDRAULIC HOSE	80502	8 F5OX-S	CONNECTOR,STRAIGHT THREAD TO FLARE TUBE
69503	4 F65OX-S	CONNECTOR,STRAIGHT THREAD TO 37° SWIVEL	80503	8 C5OX-S	ELBOW,90°,STRAIGHT THREAD TO FLARE TUBE
69775	8 FNL-S	CAP, TUBE END	81010	AS-B-27	SLEEVE,NYLON,1.63" ID
71038	1/4X1/4F3HG-S	ADAPTER,CONVERSION	83052	821-6	HOSE,3/8 INCH ID
71196	12-8 F5OLO-S	CONNECTOR,STRAIGHT THREAD TO ORFS	83053	821-8	HOSE,1/2 INCH ID
71383	1/4 CD45-S	ELBOW,45°,MALE TO FEMALE PIPE	83054	821-12	HOSE,3/4 INCH ID
72270	12FNL-S	CAP, TUBE END	83055	30682-6-6	HOSE END,FEMALE SWIVEL,JIC
73436	60C-4	SLEEVE,COMPRESSION	83056	30682-12-12	HOSE END,FEMALE SWIVEL,JIC
73437	61C-4	NUT,COMPRESSION	83057	33782-6-6	HOSE END,45° FEMALE SWIVEL,JIC
73438	33482-4-4B	HOSE END,PUSH LOK,MALE	83058	33982-6-6	HOSE END,90° FEMALE SWIVEL,JIC
73767	1CD-S	ELBOW,90°,MALE TO FEMALE PIPE	83060	33982-12-12	HOSE END,90° FEMALE SWIVEL,JIC
73768	20-16-F5OG5-S	ADAPTER,FEMALE PIPE TO STRAIGHT THREAD	83063	13743-4-4	HOSE END,45° FEMALE SWIVEL,JIC
73769	16-20 F5OLO-S	CONNECTOR,STRAIGHT THREAD TO ORFS			
74660	6-8 F42EDMLO-S	CONNECTOR,MALE BSPP TO ORFS			
74661	8-8 F42EDMLO-S	CONNECTOR,MALE BSPP TO ORFS			
75007	4 FLO-S	CONNECTOR,MALE PIPE TO ORFS			
75008	1/8 HP-S	PLUG,PIPE THREAD			
75014	1/2 HP-S	PLUG,PIPE THREAD			
75042	8 WELO-WLNL-S	UNION,90° BULKHEAD W/NUT,ORFS			
75043	3/4 FF-S	NIPPLE,PIPE			
75254	24 F5OHAO-S	UNION,STRAIGHT THREAD			
75255	12 F5OHAO-S	UNION,STRAIGHT THREAD			
75256	XV506P-24	BALL VALVE			
75574	4 WLNL-S	BULKHEAD LOCKNUT			
75612	8 WJLO-WLNL-S	RUN TEE, BULKHEAD,ORFS			
75613	12-8 F5OG5-S	ADAPTER,FEMALE PIPE TO STRAIGHT THREAD			
75614	8 CC5OLO-S	ELBOW,90° LONG,STRAIGHT THREAD TO ORFS			
75628	1JB43-4-4	HOSE END,BULKHEAD,SEAL LOK			

Fitting Cross References (Continued)

Genie PN	Parker PN	Description	Genie PN	Parker PN	Description
83064	13743-8-8	HOSE END,45° FEMALE SWIVEL,JIC	89449	6 WJLO-WLNL-S	RUN TEE, BULKHEAD,ORFS
83065	13743-12-12	HOSE END,45° FEMALE SWIVEL,JIC	89489	4 WJMLO-S	BRANCH TEE,BULKHEAD,ORFS
83066	13943-8-8	HOSE END,90° FEMALE SWIVEL,JIC	89551	1JB43-6-6	HOSE END,BULKHEAD,SEAL LOK
83067	14143-6-6	HOSE END,90° FEMALE SWIVEL,JIC	89552	1JB43-8-8	HOSE END,BULKHEAD,SEAL LOK
83068	14143-8-8	HOSE END,90° FEMALE SWIVEL,JIC	89593	20 C5OLO-S	ELBOW,90°,STRAIGHT THREAD TO ORFS
83069	14143-12-12	HOSE END,90° FEMALE SWIVEL,JIC	94161	8-8 CLO-S	ELBOW,90°,MALE PIPE TO ORFS
83070	772-8	HOSE,1/2 INCH ID	94358	351TC-12	HOSE,3/4 INCH ID
83071	10671-8-8	HOSE END,FEMALE SWIVEL,JIC	94418	20 FLO-S	CONNECTOR,MALE PIPE TO ORFS
83072	10671-12-12	HOSE END,FEMALE SWIVEL,JIC	96358	12 TX-S	SLEEVE,FLARE TUBE
83073	13771-8-8	HOSE END,45° FEMALE SWIVEL,JIC	96359	12 BTX-S	NUT,FLARE TUBE
83074	13771-12-12	HOSE END,45° FEMALE SWIVEL,JIC	96397	8 F5OX-S	CONNECTOR,STRAIGHT THREAD TO FLARE TUBE
83075	13971-8-8	HOSE END,90° FEMALE SWIVEL,JIC	96398	12-8 F5OX-S	CONNECTOR,STRAIGHT THREAD TO FLARE TUBE
83076	13971-12-12	HOSE END,90° FEMALE SWIVEL,JIC	96402	10343-6-6	HOSE END,MALE,JIC
83077	14171-8-8	HOSE END,90° FEMALE SWIVEL,JIC	96407	30382-6-6B	HOSE END,MALE,JIC
83078	14171-12-12	HOSE END,90° FEMALE SWIVEL,JIC			
83080	13943-16-16	HOSE END,90° FEMALE SWIVEL,JIC			
83103	10671-16-12	HOSE END,FEMALE SWIVEL,JIC			
83104	10671-10-12	HOSE END,FEMALE SWIVEL,JIC			
83112	1JC71-8-8	HOSE END,FEMALE SWIVEL,SEAL LOK			
83113	1JS71-16-12	HOSE END,FEMALE SWIVEL,SEAL LOK			
83114	1JS71-10-12	HOSE END,FEMALE SWIVEL,SEAL LOK			
83115	1J971-8-8	HOSE END,90° FEMALE SWIVEL,SEAL LOK			
83116	1J171-8-8	HOSE END,90° FEMALE SWIVEL,SEAL LOK			
83117	1J771-8-8	HOSE END,45° FEMALE SWIVEL,SEAL LOK			
83127	1J543-6-8	HOSE END,90° FEMALE SWIVEL,JIC			
83128	1JC43-6-8	HOSE END,FEMALE SWIVEL,SEAL LOK			
87033	12-6 TRLO-S	REDUCER,TUBE END TO SWIVEL,ORFS			
87034	3J782-8-8	HOSE END,45° FEMALE SWIVEL,SEAL LOK			
87172	12 HP5ON-S	PLUG,STRAIGHT THREAD			
87185	8 WNLO-WLNL-S	UNION,BULKHEAD 45°,ORFS			
87246	4 C6X-S	ELBOW,90°,SWIVEL NUT TO FLARE TUBE			
87679	6 LHP-S	FLANGE SEAL FITTING, MALE			
87681	6PLS N0702	BONDED SEAL			
88100	SR88100	ADAPTER,OIL DRAIN,GM 3.0L			
88311	1JS43-20-20	HOSE END,FEMALE SWIVEL,SEAL LOK			
88353	20 V5OLO-S	ELBOW,45°,STRAIGHT THREAD TO ORFS			
88474	10081-20	Crimp Shell, 1.25"			
88475	1988-20-24	HOSE END,90° FLANGE HEAD			
88476	JS88-24-24	HOSE END,FEMALE SWIVEL,SEAL LOK			
88477	1JC88-20-20	HOSE END,FEMALE SWIVEL,SEAL LOK			
88478	811-20	HOSE,11/4 INCH ID			
88936	20-16 F5OLO-S	CONNECTOR,STRAIGHT THREAD TO ORFS			
88937	20-16 FLO-S	CONNECTOR,MALE PIPE TO ORFS			
88938	1JC88-16-16	HOSE END,FEMALE SWIVEL,SEAL LOK			
88939	1J988-16-16	HOSE END,90° FEMALE SWIVEL,ORFS			
88940	811-16	HOSE,1 INCH ID			
88944	1J988-20-20	HOSE END,90° FEMALE SWIVEL,ORFS			
89403	16 VLO-S	ELBOW,45°,MALE PIPE TO ORFS			

California Proposition 65



Operating, servicing and maintaining this equipment can expose you to chemicals including engine exhaust, carbon monoxide, phthalates, and lead, which are known to the State of California to cause cancer and birth defects or other reproductive harm. These chemicals can be emitted from or contained in other various parts and systems, fluids and some component wear by-products. To minimize exposure, avoid breathing exhaust, do not idle the engine except as necessary, service your equipment and vehicle in a well-ventilated area and wear gloves or wash your hands frequently when servicing your equipment or vehicle and after operation. For more information go to www.P65Warnings.ca.gov/passenger-vehicle.

Breathing diesel engine exhaust exposes you to chemicals known to the State of California to cause cancer and birth defects or other reproductive harm.

- Always start and operate the engine in a well-ventilated area.
- If in an enclosed area, vent the exhaust to the outside.
- Do not modify or tamper with the exhaust system.
- Do not idle the engine except as necessary.

For more information go to

www.P65warnings.ca.gov/diesel.

Distributed By:

to order your parts

PARTS FINDER

**Search Website
by Part Number**



**Search Manual
Library For Parts
Manual & Lookup Part
Numbers – Purchase
or Request Quote**

Search Manuals

Enter your information to help us find the right parts manual for your equipment.

* Brand:

* Model:

* Serial:

* Part Number:

SEARCH

**Can't Find Part or
Manual? Request Help
by Manufacturer,
Model & Description**

Parts Order Form

Please fill in the following information to help us find the right parts for your equipment.

Manufacturer:	<input type="text"/>
Model:	<input type="text"/>
Description:	<input type="text"/>
Part Number:	<input type="text"/>
Quantity:	<input type="text"/>
Unit of Measure:	<input type="text"/>
Notes:	<input type="text"/>

Submit

Discount-Equipment.com is your online resource for quality parts & equipment.

Florida: **561-964-4949** Outside Florida TOLL FREE: **877-690-3101**

Need parts?

Click on this link: <http://www.discount-equipment.com/category/5443-parts/> and choose one of the options to help get the right parts and equipment you are looking for. Please have the machine model and serial number available in order to help us get you the correct parts. If you don't find the part on the website or on one of the online manuals, please fill out the request form and one of our experienced staff members will get back to you with a quote for the right part that your machine needs.

We sell worldwide for the brands: Genie, Terex, JLG, MultiQuip, Mikasa, Essick, Whiteman, Mayco, Toro Stone, Diamond Products, Generac Magnum, Airman, Haulotte, Barreto, Power Blanket, Nifty Lift, Atlas Copco, Chicago Pneumatic, Allmand, Miller Curber, Skyjack, Lull, Skytrak, Tsurumi, Husquvarna Target, Stow, Wacker, Sakai, Mi-T-M, Sullair, Basic, Dynapac, MBW, Weber, Bartell, Bennar Newman, Haulotte, Ditch Runner, Menegotti, Morrison, Contec, Buddy, Crown, Edco, Wyco, Bomag, Laymor, EZ Trench, Bil-Jax, F.S. Curtis, Gehl Pavers, Heli, Honda, ICS/PowerGrit, IHI, Partner, Imer, Clipper, MMD, Koshin, Rice, CH&E, General Equipment, Amida, Coleman, NAC, Gradall, Square Shooter, Kent, Stanley, Tamco, Toku, Hatz, Kohler, Robin, Wisconsin, Northrock, Oztec, Toker TK, Rol-Air, APT, Wylie, Ingersoll Rand / Doosan, Innovatech, Con X, Ammann, Mecalac, Makinex, Smith Surface Prep, Small Line, Wanco, Yanmar