



A TEREX BRAND



Parts Manual

Serial Number Range

S-120

from SN 101

S-125

Part No. 62400

Rev G29

June 2018

Go to Discount-Equipment.com to order your parts

PARTS FINDER

**Search Website
by Part Number**



**Search Manual
Library For Parts
Manual & Lookup Part
Numbers – Purchase
or Request Quote**

Search Manuals

Enter your information to help us find the right parts manual for your machine.

* Brand:

* Model:

* Serial:

* Part Number:

SEARCH

**Can't Find Part or
Manual? Request Help
by Manufacturer,
Model & Description**

Parts Order Form

Please fill in the following information to help us find the right part for your machine.

| | |
|---------------|----------------------|
| Manufacturer: | <input type="text"/> |
| Model: | <input type="text"/> |
| Description: | <input type="text"/> |
| Part Number: | <input type="text"/> |
| Quantity: | <input type="text"/> |
| Notes: | <input type="text"/> |

Submit

Discount-Equipment.com is your online resource for quality parts & equipment.

Florida: **561-964-4949** Outside Florida TOLL FREE: **877-690-3101**

Need parts?

Click on this link: <http://www.discount-equipment.com/category/5443-parts/> and choose one of the options to help get the right parts and equipment you are looking for. Please have the machine model and serial number available in order to help us get you the correct parts. If you don't find the part on the website or on one of the online manuals, please fill out the request form and one of our experienced staff members will get back to you with a quote for the right part that your machine needs.

We sell worldwide for the brands: Genie, Terex, JLG, MultiQuip, Mikasa, Essick, Whiteman, Mayco, Toro Stone, Diamond Products, Generac Magnum, Airman, Haulotte, Barreto, Power Blanket, Nifty Lift, Atlas Copco, Chicago Pneumatic, Allmand, Miller Curber, Skyjack, Lull, Skytrak, Tsurumi, Husquvarna Target, Stow, Wacker, Sakai, Mi-T-M, Sullair, Basic, Dynapac, MBW, Weber, Bartell, Bennar Newman, Haulotte, Ditch Runner, Menegotti, Morrison, Contec, Buddy, Crown, Edco, Wyco, Bomag, Laymor, EZ Trench, Bil-Jax, F.S. Curtis, Gehl Pavers, Heli, Honda, ICS/PowerGrit, IHI, Partner, Imer, Clipper, MMD, Koshin, Rice, CH&E, General Equipment, Amida, Coleman, NAC, Gradall, Square Shooter, Kent, Stanley, Tamco, Toku, Hatz, Kohler, Robin, Wisconsin, Northrock, Oztec, Toker TK, Rol-Air, APT, Wylie, Ingersoll Rand / Doosan, Innovatech, Con X, Ammann, Mecalac, Makinex, Smith Surface Prep, Small Line, Wanco, Yanmar



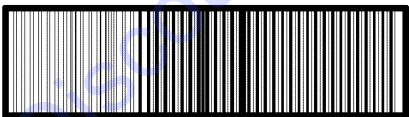
A TEREX BRAND

Model: S120
Serial number: S12008-12345
Model year: 2008 **Manufacture date:** 01/05/08
Electrical schematic number: ES0427
Machine unladen weight:

Rated work load (including occupants): 500 lb / 227 kg
Maximum number of platform occupants: 2
Maximum allowable side force : 150 lb / 670 N
Maximum allowable inclination of the chassis:
0 deg

Maximum wind speed : 28 mph/ 12.5 m/s
Maximum platform height : 126 ft/ 38.6 m
Maximum platform reach : 75ft/ 22.9 m

Gradeability: N/A
Country of manufacture: USA
This machine complies with:
ANSI A92.5-
CAN B.354.4-



יהחווירר

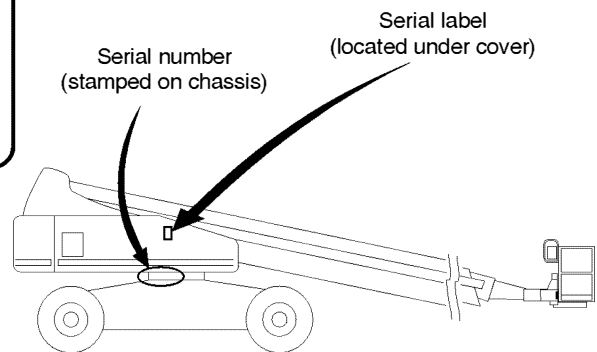
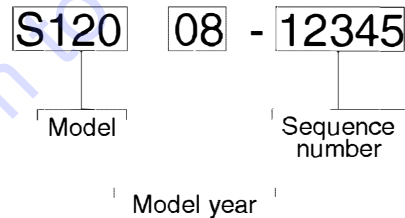


Table of Contents

This manual is updated frequently. For the most up-to-date parts information, visit www.discount-equipment.com

How to Read Your Serial Number.....3
 Parts Stocking List.....9

Electronic Version

Click on any page number to view the figure.

100 Decals

101.1 Decals with Words.....12
 102.1 Decals with Symbols.....16

200 Drive Chassis Components

201.1 Extendable Steer Axle Installation - View 1 (to SN 403).....20
 202.1 Extendable Steer Axle Installation - View 2 (to SN 403).....22
 203.1 Extendable Steer Axle Installation - View 1 (from SN 404).....24
 204.1 Extendable Steer Axle Installation - View 2 (from SN 404).....26
 205.1 Steer Axle Wheels and Drive Hubs (to SN 403).....28
 205.2 Steer Axle Wheels and Drive Hubs (from SN 404).....30
 206.1 Drive Hub Assembly with Brake (to SN 842).....32
 206.2 Drive Hub Assembly with Brake (from SN 843).....34
 207.1 Chassis Components (to SN 403).....36
 207.2 Chassis Components (from SN 404).....38

300 Turntable Components

301.1 Fuel Tank Installation.....40
 302.1 Turntable Rotator and Hydraulic Rotary Coupler Installation.....42
 303.1 Turntable Rotation Drive Hub, Motor and Brake Assembly.....44
 304.1 Batteries and Hydraulic Filters Installation (to SN 364).....46
 304.2 Batteries and Hydraulic Filters Installation (from SN 365).....48
 305.1 Hydraulic Tank Installation (to SN 430).....50
 305.2 Hydraulic Tank Installation (from SN 431 to 500).....54

305.3 Hydraulic Tank Installation (from SN 501 to 541).....56
 305.4 Hydraulic Tank Installation (from SN 542).....58
 306.1 Ground Controls.....60
 307.1 Turntable Attached Components - Tank Side.....62
 308.1 Turntable Attached Components - Engine Side.....64
 309.1 Turntable Covers - Tank Side.....66
 310.1 Turntable Covers - Engine Side.....68

400 Engine Components

401.1 Cummins 4B3.9L Engine - View 1 (to SN 935).....70
 402.1 Cummins 4B3.9L Engine - View 2 (to SN 935).....72
 403.1 Cummins 4B3.9L Engine - View 3 (to SN 935).....74
 404.1 Cummins 4B3.9L Engine - View 4 (to SN 935).....76
 404.2 Cummins 4B3.9L Engine - View 4 (from SN 285 to 476).....78
 404.3 Cummins 4B3.9L Engine - View 4 (from SN 477 to 935).....80
 405.1 Cummins B4.5 C80 Engine - View 1 (from SN 936 to 2547).....82
 405.2 Cummins B3.3T Engine - View 1 (from SN 2548).....84
 406.1 Cummins B4.5 C80 Engine - View 2 (from SN 936 to 2547).....86
 406.2 Cummins B3.3T Engine - View 2 (from SN 2548).....88
 407.1 Cummins B4.5 C80 Engine - View 3 (from SN 936 to 2547).....90
 408.1 Cummins Engine Attached Components (to SN 476).....92
 408.2 Cummins Engine Attached Components (from SN 477).....94
 409.1 Perkins 1004-42 Engine - View 1 (to SN 932).....96
 410.1 Perkins 1004-42 Engine - View 2 (to SN 932).....98
 411.1 Perkins 1004-42 Engine - View 3 (to SN 932).....100
 412.1 Perkins 1004-42 Engine - View 4 (to SN 284).....102
 412.2 Perkins 1004-42 Engine - View 4 (from SN 285 to 476).....104
 412.3 Perkins 1004-42 Engine - View 4 (from 477 to 932).....106
 413.1 Perkins 1104C-44 Engine - View 1 (from SN 933 to 2552).....108
 413.2 Perkins 804D-33T Engine - View 1 (from SN 2553).....110
 414.1 Perkins 1104C-44 Engine - View 2 (from SN 933 to 2552).....112
 414.2 Perkins 804D-33T Engine - View 2 (from SN 2553).....114
 415.1 Perkins 1104C-44 Engine - View 3 (from SN 933 to 2552).....116
 416.1 Perkins Engine Attached Components (to SN 476).....118
 416.2 Perkins Engine Attached Components (from SN 477).....120
 417.1 Deutz F4L913 Engine - View 1 (to SN 920).....122
 418.1 Deutz F4L913 Engine - View 2 (to SN 920).....124

| | | | |
|--|-----|---|-----|
| 419.1 Deutz F4L913 Engine - View 3 (to SN 920)..... | 126 | 708.1 Platform Manifold..... | 218 |
| 420.1 Deutz F4L913 Engine - View 4 (to SN 920)..... | 128 | 709.1 Platform Manifold (to SN 3145)..... | 220 |
| 421.1 Deutz BF4L-2011 / TD2011-L04i Engine - View 1 (from SN 921)..... | 130 | 709.2 Platform Manifold (from SN 3146)..... | 222 |
| 422.1 Deutz BF4L-2011 / TD2011-L04i Engine - View 2 (from SN 921)..... | 134 | 710.1 Platform Rotate Manifold..... | 224 |
| 423.1 Deutz BF4L2011 / TD2011-L04i Engine - View 3 (from SN 921)..... | 136 | 711.1 Pumps..... | 226 |
| 424.1 Deutz Engine Attached Components (to SN 920).... | 138 | 712.1 Hydraulic Hoses and Fittings - Drive System (to SN 403)..... | 228 |
| 424.2 Deutz Engine Attached Components (from SN 921).140 | | 712.2 Hydraulic Hoses and Fittings - Drive System (from SN 404)..... | 230 |
| 500 Boom Components | | 713.1 Hydraulic Hoses and Fittings - Steer System (to SN 403)..... | 234 |
| 501.1 Boom Lift Cylinder (to SN 364)..... | 142 | 713.2 Hydraulic Hoses and Fittings - Steer System (from SN 404)..... | 236 |
| 501.2 Boom Lift Cylinder (from SN 365 to 2709)..... | 144 | 714.1 Hydraulic Hoses and Fittings (to SN 364)..... | 238 |
| 501.3 Boom Lift Cylinder (from SN 2710)..... | 148 | 714.2 Hydraulic Hoses and Fittings (from SN 365 to 430).242 | |
| 502.1 Secondary Extend Cylinder..... | 150 | 714.3 Hydraulic Hoses and Fittings (from SN 431 to 476).246 | |
| 503.1 Boom Tube Zero, Cable Track (to SN 627)..... | 152 | 715.1 Hydraulic Hoses and Fittings - Deutz Models (from SN 477 to 541)..... | 248 |
| 503.2 Boom Tube Zero, Cable Track (from SN 628)..... | 154 | 715.2 Hydraulic Hoses and Fittings - Deutz Models (from SN 542)..... | 250 |
| 504.1 Boom Tube Zero and Boom Tube One..... | 158 | 716.1 Hydraulic Hoses and Fittings - Cummins and Perkins Models (from SN 477 to 541)..... | 254 |
| 505.1 Primary Extend Cylinder..... | 160 | 716.2 Hydraulic Hoses and Fittings - Cummins and Perkins Models (from SN 542)..... | 256 |
| 506.1 Boom Tube Two and Boom Tube Three..... | 164 | 717.1 Hydraulic Hoses and Fittings - Platform Leveling and Rotation (to SN 314)..... | 260 |
| 507.1 Boom Tube Two, Limit Switches (to SN 627)..... | 168 | 717.2 Hydraulic Hoses and Fittings - Platform Leveling and Rotation (from SN 315)..... | 262 |
| 507.2 Boom Tube Two, Limit Switches (from SN 628)..... | 170 | 718.1 Hydraulic Hoses and Fittings - Platform Leveling and Rotation (to SN 314)..... | 264 |
| 508.1 Platform Rotator..... | 172 | 718.2 Hydraulic Hoses and Fittings - Platform Leveling and Rotation (from SN 315)..... | 266 |
| 509.1 Jib Boom and Platform Rotator..... | 174 | 719.1 Hydraulic Hoses and Fittings - Boom Components..268 | |
| 510.1 Jib Detail..... | 176 | | |
| 600 Platform Components | | 800 Accessories | |
| 601.1 Platform Installation - View 1..... | 178 | 801.1 Alarm and Beacon Package, Driving Lights..... | 270 |
| 602.1 Platform Installation - View 2..... | 182 | 802.1 Platform Controls Cover..... | 272 |
| 603.1 Platform Controls..... | 186 | 803.1 Platform Overload - European Models..... | 274 |
| 604.1 Joysticks (to SN 1616)..... | 188 | 804.1 Belt Driven Generator Option - Cummins Engine (to SN 935)..... | 276 |
| 604.2 Joysticks (from SN 1617)..... | 190 | 804.2 Belt Driven Generator Option - Cummins Engine (from SN 936 to 2960)..... | 278 |
| 700 Hydraulic Components | | 805.1 Belt Driven Generator Option - Perkins Engine (to SN 932)..... | 280 |
| 701.1 Traction Manifold (to SN 1195)..... | 192 | 805.2 Belt Driven Generator Option - Perkins Engine (from SN 933 to 2569)..... | 282 |
| 701.2 Traction Manifold (from SN 1196)..... | 194 | 805.3 Belt Driven Generator Option - Perkins Engine (from SN 2570 to 2960)..... | 284 |
| 702.1 Steer and Axle Extend/Retract Manifold - View 1 (to SN 403)..... | 196 | 806.1 Belt Driven Generator Option - Deutz Engine (to SN 920)..... | 286 |
| 703.1 Steer and Axle Extend/Retract Manifold - View 2 (to SN 403)..... | 198 | | |
| 704.1 Steer and Axle Extend/Retract Manifold - View 1 (from SN 404)..... | 200 | | |
| 705.1 Steer and Axle Extend/Retract Manifold - View 2 (from SN 404)..... | 202 | | |
| 706.1 Function Manifold (to SN 430)..... | 204 | | |
| 706.2 Function Manifold (from SN 431 to 574)..... | 208 | | |
| 706.3 Function Manifold (from SN 575)..... | 212 | | |
| 707.1 Distribution Manifold (to SN 430)..... | 216 | | |

Table of Contents (continued)

| | |
|--|-----|
| 806.2 Belt Driven Generator Option - Deutz Engine (from SN 921 to 2960)..... | 288 |
| 807.1 Hydraulic (MTE) Generator Option - View 1 (from SN 2961)..... | 290 |
| 807.2 Hydraulic (MTE) Generator Option - View 2 (from SN 2961)..... | 292 |
| 808.1 Cold Start Package..... | 294 |
| 809.1 Hostile Environment Package - View 1..... | 296 |
| 809.2 Hostile Environment Package - View 2..... | 298 |
| 810.1 Hostile Environment Package - Engine Air Cleaners (to SN 2547)..... | 300 |
| 810.2 Hostile Environment Package - Engine Air Cleaners (from SN 2548)..... | 302 |
| 811.1 Half-mesh and Pipe Cradle Options..... | 304 |
| 812.1 Platform Options..... | 306 |
| 813.1 Air Line to Platform, Heavy Duty Swing Drive..... | 310 |
| 814.1 Panel Cradle Option..... | 312 |
| 815.1 Welder Option, Chassis Components - View 1..... | 314 |
| 816.1 Welder Option, Platform Components - View 2..... | 316 |
| 817.1 Welder Option, Hoses and Fittings - View 3..... | 318 |
| 818.1 Welder Option, Oil Diverter Manifold - View 4..... | 320 |
| 819.1 Circuit Board Heater Option..... | 322 |
| 820.1 Operator Protection Structure (from SN 792)..... | 324 |
| Indices | |
| Part Number Index..... | 326 |
| Part Description Index..... | 338 |
| Cross References | |
| Fittings Cross Reference..... | 354 |

Required Parts

The following parts are required to perform maintenance procedures as outlined in the Genie S-100, S-105, S-120 and S-125, Service Manuals.

Perkins 1004-42 Models (to SN 932):

| Description | Part No. |
|-----------------------------------|----------|
| Air Filter | 62425 |
| Fuel/Water Separator Filter | 62433 |
| Fuel Filter..... | 62426 |
| Engine Oil Filter | 62427 |
| V-belt..... | 62428 |

Perkins 1104C-42 Models (from SN 933 to 2552):

| Description | Part No. |
|------------------------------------|----------|
| Air Filter | 62425 |
| Fuel/Water Separator Element | 62433 |
| Fuel Filter..... | 102639 |
| Engine Oil Filter | 102632 |
| V-belt..... | 102598 |

Perkins 804D-33T Models (from SN 2553):

| Description | Part No. |
|-------------------------|----------|
| Air Filter | 62425 |
| Fuel Filter..... | 101614 |
| Engine Oil Filter | 101613 |
| V-belt..... | 102534 |

Deutz F3L-913 Models (to SN 920):

| Description | Part No. |
|-----------------------------------|----------|
| Air Filter | 62425 |
| Fuel/Water Separator Filter | 75484 |
| Engine Oil Filter | 62430 |
| V-belt..... | 62431 |

Deutz BF4L-2011 and Deutz TD2011-L04i Models (from SN 921):

| Description | Part No. |
|-----------------------------------|----------|
| Air Filter | 62425 |
| Fuel/Water Separator Filter | 29560 |
| Engine Oil Filter | 49924 |
| V-belt (from SN 921 to 2238)..... | 102589 |
| V-belt (from SN 2239)..... | 58630 |

Cummins 4B3.9L Models (to SN 936):

| Description | Part No. |
|-----------------------------------|----------|
| Air Filter | 62425 |
| Fuel/Water Separator Filter | 62433 |
| Engine Oil Filter | 62436 |
| V-belt..... | 62437 |

Cummins B4.5 C80 Models (from SN 937to 2547):

| Description | Part No. |
|-----------------------------------|----------|
| Air Filter | 62425 |
| Fuel/Water Separator Filter | 102287 |
| Engine Oil Filter | 102288 |
| Serpentine Belt | 102203 |

Cummins B3.3 C80 Models (from SN 2548):

| Description | Part No. |
|-----------------------------|----------|
| Air Filter (Primary) | 146044 |
| Air Filter (Secondary)..... | 146045 |
| Fuel Filter..... | 122709 |
| Engine Oil Filter | 122708 |
| Serpentine Belt | 146047 |

Recommended Parts

| Description | Part No. |
|--|----------|
| Genie Blue Paint, 1 Gallon | 32150 |
| Genie Blue Paint, 12 Ounce Aerosol..... | 1484 |
| Genie Gray Paint, 1 Gallon..... | 32151 |
| Genie Gray Paint, 12 Ounce Aerosol | 1268 |

Manuals

Genie Industries offers the following support documents for these models:

| Title | Part No. |
|--|----------|
| EMI Safety Manual | 27581 |
| Manual of Responsibilities ANSI A92.5..... | 31779 |

101.1 Decals with Words

| Item | Part No. | Description | Qty. | Item | Part No. | Description | Qty. |
|------|----------|---|------|------|----------|--|------|
| A | 825369GT | DECAL KIT,S120,COMP,WRD,ANSI <i>ANSI models, (from SN 3197 to 3267)</i> | | 6 | 27564GT | DECAL,DANGER,ELEC.HAZ.STAY CLR.....4 <i>to SN 3191</i> | |
| A | 825371GT | DECAL KIT,S125,COMP,WRD,ANSI <i>ANSI models, (from SN 3192 to 3274)</i> | | -- | 114390GT | DECAL,DANGER,ELECT HAZARD*** <i>from SN 3192</i> | |
| -- | 825383GT | INSTRUCTIONS,INSTALL,COMP,WORD | | 7 | 28157GT | DECAL,USE DEXRON***.....1 <i>to SN 687</i> | |
| B | 825377GT | DECAL KIT,S120,COMP,WRD,AUS <i>Australia models, (from SN 3197 to 3267)</i> | | -- | 82366GT | DECAL, LABEL - CHEVRON RANDO <i>from SN 688</i> | |
| B | 825379GT | DECAL KIT,S125,COMP,WRD,AUS <i>Australia models, (from SN 3192 to 3274)</i> | | 8 | 28159GT | DECAL,LABEL,DIESEL FUEL.....1 | |
| -- | 825383GT | INSTRUCTIONS,INSTALL,COMP,WORD | | 9 | 28161GT | DECAL,WARN,CRUSH HAZARD HAND.....4 | |
| C | 825030GT | DECAL KIT,S100/120,PLAT,ANSI,WRD <i>Decal Kit, Platform, ANSI Word (from SN S12012-3197 to 3267)</i> | | 10 | 28164GT | DECAL,NOTICE,HAZARDOUS MAT'LS*.....1 <i>to SN 3191</i> | |
| C | 825032GT | DECAL KIT,S105/125,PLAT,ANSI,WRD <i>Decal Kit, Platform, ANSI Word (from SN S12512-3192 to 3274)</i> | | -- | 31788GT | DECAL,DANGER,BATTERY SAFETY*** <i>from SN 3192</i> | |
| D | 825037GT | DECAL KIT,S125,COMP,WRD,ANSI <i>Decal Kit, Complete, ANSI Word (from SN S12512-3275 to 3399)</i> | | 11 | 28165GT | DECAL,INSTRUCT,FOOTSWITCH OPER.....1 | |
| D | 825109GT | DECAL KIT,S100/120,PLAT,AUS,WRD <i>Decal Kit, Platform, AUS Word (from SN S12012-3197 to 3267)</i> | | 12 | 28171GT | DECAL,DANGER,NO SMOKING ****.....1 <i>to SN 3191</i> | |
| E | 62439GT | DECAL KIT,SAFETY/INST,SUPER <i>includes items 1-36; to SN 1292</i> | | -- | 114258GT | DECAL,DANGER,NO SMOKING <i>from SN 3192</i> | |
| E | 825111GT | DECAL KIT,S105/125,PLAT,AUS,WR <i>Decal Kit, Platform, AUS Word (from SN S12512-3192 to 3274)</i> | | 13 | 28175GT | DECAL,WARNING-COMPART ACCESS.....1 | |
| F | 111325GT | DECAL KIT,SAFETY/INST,SUPER <i>includes items 1-36; from SN 1293 to 2709</i> | | 14 | 28176GT | DECAL,LABEL,MANUAL NOT HERE.....1 | |
| F | 825116GT | DECAL KIT,S125,COMP,WRD,AUS <i>Decal Kit, Complete, AUS Word (from SN S12512-3275 to 3399)</i> | | 15 | 28177GT | DECAL,WARN,CRUSH HAZARD PLAT.....2 | |
| G | 146432GT | DECAL KIT, SAFETY/INST, SUPER <i>includes items 1-36; from SN 2710 to 3191</i> | | 16 | 28181GT | DECAL,WARN,FALL HAZARD.....1 | |
| G | 62439GT | DECAL KIT,SAFETY/INST,SUPER <i>includes items 1-36; to SN 1292</i> | | 17 | 28236GT | DECAL,WARN,IMPROPER OPERATION.....1 | |
| H | 111325GT | DECAL KIT,SAFETY/INST,SUPER <i>includes items 1-36; from SN 1293 to 2709</i> | | 18 | 97890GT | DECAL,DANGER,GEN SAFETY RULES <i>to SN 3191</i> | |
| H | 226129GT | DECAL KIT, SAFETY/INST, SUPER <i>includes items 1-38; from SN 3192</i> | | -- | 114389GT | DECAL,DANGER,GENERAL SAFETY <i>from SN 3192</i> | |
| K | 146432GT | DECAL KIT, SAFETY/INST, SUPER <i>includes items 1-36; from SN 2710 to 3191</i> | | 19 | 33952GT | DECAL,DANGER,TILT ALARM.....1 <i>to SN 3191</i> | |
| L | 226129GT | DECAL KIT, SAFETY/INST, SUPER <i>includes items 1-38; from SN 3192</i> | | -- | 114416GT | DECAL,DANGER,TIPOVER,TILT <i>from SN 3192</i> | |
| 1 | 25994GT | DECAL,NOTICE,SHUTOFF VALVES.....1 <i>from SN 837</i> | | 20 | 40434GT | DECAL,LANYARD ANCHORAGE POINT.....3 | |
| 2 | 27204GT | DECAL,ARROW BLUE.....1 | | 21 | 61227GT | DECAL,GROUND CONTROL PANEL.....1 | |
| 3 | 27205GT | DECAL,ARROW YELLOW LRG 9".....1 | | 22 | 65182GT | DECAL,PLATFORM CONTROL PANEL.....1 | |
| 4 | 27206GT | DECAL,TRIANGLE,BLUE.....2 | | -- | 72088GT | DECAL,CONTROL PANEL PROTECTOR <i>for 65182</i> | |
| 5 | 27207GT | DECAL,TRIANGLE,YELLOW.....2 | | 23 | 65185GT | DECAL,DANGER DO NOT ALTER SWTC.....1 <i>to SN 627</i> | |
| | | | | -- | 82289GT | DECAL,DANGER DO NOT ALTER SWTC <i>from SN 628</i> | |

101.1 Decals with Words
(continued)

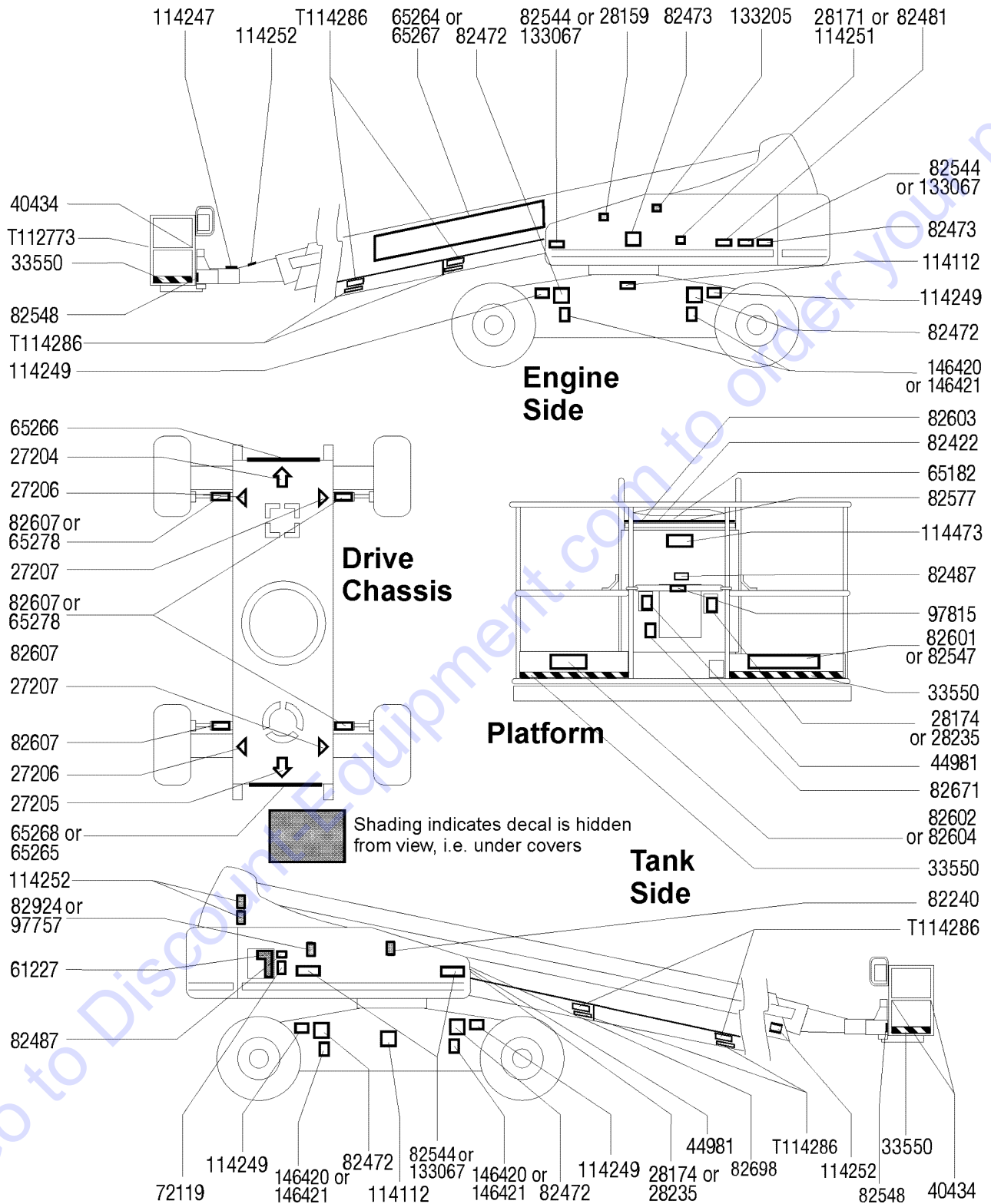
| Item | Part No. | Description | Qty. | Item | Part No. | Description | Qty. |
|------|-----------|--|------|------|-----------|---|------|
| 24 | 65186GT | DECAL,DANGER DO NOT ALTER SWTC.....1 to SN 2079 | | -- | 82902GT | DECAL,DANGER DO NOT ALTER SWTC from SN 628 | |
| -- | 146423GT | DECAL,DANGER DO NOT ALTER SWTC from SN 2710 | | 45 | 65266GT | DECAL,COSMETIC,4X4.....1 | |
| 25 | 65187GT | DECAL,DANGER DO NOT ALTER SWTC.....1 | | 46 | 72119GT | DECAL,LABEL,ROM CHART 120/125....1 | |
| 26 | 65269GT | DECAL,NOTICE,OPERATING INST.....2 to SN 1292 | | 47 | 97602GT | DECAL,EXPLOSION HAZARD.....1 | |
| -- | 1000256GT | DECAL,NOTICE,OPERATING INST. from SN 1293 | | 48 | 77046GT | SERIAL # LABEL,MYLAR 4X8*** | |
| 27 | 65278GT | DECAL,CAUTION,NO STEP.....4 | | -- | 77183GT | FILM,POLY,CLEAR,4.5 X 8.75 | |
| 28 | 65428GT | DECAL,DANGER,TIP-OVER,TIRES.....4 to SN 3274 | | 49 | 65273GT | DECAL,NOTICE,TIRE SPECS.....4 to SN 3274 | |
| -- | 229356GT | DECAL,DANGER/NOTICE,TIRE SPECS from SN 3275 | | 50 | 65274GT | DECAL,NOTICE,DEUTZ ENG SPEC....1 to SN 920 | |
| 29 | 72051GT | DECAL,LABEL,20A CB.....1 to SN 329 | | -- | 97576GT | DECAL,EXPLOSION HAZARD from SN 921 to 2238 | |
| 30 | 72052GT | DECAL,LABEL,40A CB.....1 to SN 368 | | -- | 128953GT | DECAL,ENGINE SPEC,DEUTZ,TD2011 from SN 2239 | |
| -- | 72968GT | DECAL,LABEL,25A CB from SN 369 | | -- | 65275GT | DECAL,NOTICE,CUMMINS ENG SPEC to SN 935 | |
| 31 | 72053GT | DECAL,LABEL,30A CB.....2 | | -- | 102188GT | DECAL,CUMMINS ENG SPECS from SN 936 to 2547 | |
| 32 | 72088GT | DECAL,CONTROL PANEL PROTECTOR.....1 | | -- | 122043GT | DECAL,INSTR,ENG.SPECS,CUMMINS from SN 2548 | |
| 33 | 72130GT | DECAL,WARNING,BODILY INJURY.....2 to SN 3191 | | -- | 65276GT | DECAL,NOTICE,PERKINS ENG SPEC to SN 932 | |
| -- | T114285GT | DECAL,WARN,INSTAL COVER,SYM from SN 3192 | | -- | 97603GT | DECAL,NOTICE,PERKINS ENGINE,T2 from SN 933 to 2552 | |
| 34 | 72131GT | DECAL,LABEL,CYLINDER COVER.....2 | | -- | 128974GT | DECAL,ENGINE SPEC,PERKINS,804T from SN 2553 | |
| 35 | 72168GT | DECAL,LABEL,STARTER BATTERY.....1 from SN 548 | | -- | 133278GT | DECAL,LOW/ULTRA LOW SULFR FUEL from SN 2239 | |
| 36 | 72169GT | DECAL,LABEL,CONTROLS BATTERY...1 from SN 548 | | 51 | 72087GT | DECAL,WARNING,WELDLINE TO PLAT2 to SN 1017 | |
| 37 | T110549GT | DECAL,FAULT CODES,SB/SY from SN 3192 | | -- | 97875GT | DECAL,WARN.WELD LINE INST.WORD from SN 1018 | |
| 38 | 52865GT | DECAL,ANNUAL INSP*** USA; from SN 3192 | | 52 | 82422GT | DECAL,PATCH,DRIVING LIGHT | |
| 39 | 97887GT | DECAL,INSTR,MAX SIDE FRC,ANSI USA/Canada models | | 53 | T112773GT | TAPE, PROTECTIVE MASK.....2 from SN 3026 | |
| -- | 44986GT | DECAL,INSTR,SIDE FRC/WIND,AUS Australia models | | 54 | 65264GT | DECAL,COSMETIC,GENIE S-125 (S-125) | |
| 40 | 28174GT | DECAL, POWER TO PLATFORM 230V**1 | | 55 | 65265GT | DECAL,COSMETIC,S-125 (S-125) | |
| -- | 28235GT | DECAL,POWER TO PLATFORM 115V | | 56 | 146421GT | DECAL,LABEL,WHEEL LOAD,S-125** (S-125) | |
| 41 | 38149GT | DECAL,LABEL,PATENTS.....1 | | 57 | 30080GT | DECAL,NOTICE,MAX LOAD 500 LBS (S-125) | |
| 42 | 97815GT | DECAL,LABEL,LOWER MIDRAIL.....1 | | 58 | 230977GT | DECAL,SOLID TIRE,445/65D22.5 | |
| 43 | 114112GT | DECAL,LABEL,TRANSPORT DIAGRAM.....1 | | 58 | 43594GT | DECAL,NOTICE,MAX LOAD 750 LBS (S-120) | |
| 44 | 65188GT | DECAL,DANGER DO NOT ALTER SWTC.....1 to SN 627 | | 59 | 226519GT | DECAL,INST,OPER INST,SB,AUS.....2 Australia models | |

101.1 Decals with Words
(continued)

| Item | Part No. | Description | Qty. |
|------|----------|--|------|
| 59 | 65267GT | DECAL,COSMETIC,GENIE S-120 (S-120) | |
| 60 | 65268GT | DECAL,COSMETIC,S-120 (S-120) | |
| 61 | 146420GT | DECAL,LABEL, WHEEL LOAD, S-120 (S-120) | |
| 62 | 230977GT | DECAL,SOLID TIRE,445/65D22.5 | |
| 63 | 226519GT | DECAL,INST,OPER INST,SB,AUS.....2 <i>Australia models</i> | |

Go to Discount-Equipment.com to order your parts

102.1 Decals with Symbols



102.1 Decals with Symbols

| Item | Part No. | Description | Qty. | Item | Part No. | Description | Qty. |
|------|-----------|---|------|------|-----------|--|------|
| -- | 226108GT | DECAL KIT,SYMBOLS,SUPERBOOM <i>includes items 1-19; to SN 3191</i> | | 20 | 27204GT | DECAL,ARROW BLUE..... | 1 |
| -- | 226109GT | DECAL KIT,SYMBOLS,SUPERBOOM <i>includes items 1-19; from SN 3192</i> | | 21 | 27205GT | DECAL,ARROW YELLOW LRG 9"..... | 1 |
| 1 | 28159GT | DECAL,LABEL,DIESEL FUEL..... | 1 | 22 | 27206GT | DECAL,TRIANGLE,BLUE..... | 2 |
| 2 | 28171GT | DECAL,DANGER,NO SMOKING ***..... <i>to SN 3191</i> | 1 | 23 | 27207GT | DECAL,TRIANGLE,YELLOW..... | 2 |
| -- | 114251GT | DECAL,LABEL,NO SMOKING,SYMB <i>from SN 3192</i> | | 24 | 28174GT | DECAL, POWER TO PLATFORM 230V**..... | 2 |
| 3 | 40434GT | DECAL,LANYARD ANCHORAGE POINT..... | 3 | 25 | 28235GT | DECAL,POWER TO PLATFORM 115V...2 | |
| 4 | 61227GT | DECAL,GROUND CONTROL PANEL..... | 1 | 26 | 33550GT | TAPE,WARNING,BLK/YEL, 50***..... <i>i n c h e s</i> | 197 |
| 5 | 65182GT | DECAL,PLATFORM CONTROL PANEL..... | 1 | 27 | 44981GT | DECAL,LABEL,AIR LINE 110 PSI..... <i>airline to platform option</i> | 2 |
| -- | 72088GT | DECAL,CONTROL PANEL PROTECTOR <i>for 65182</i> | | 28 | 65266GT | DECAL,COSMETIC,4X4..... | 1 |
| 6 | 82472GT | DECAL,WARNING,CRUSHING HAZARD..... | 4 | 29 | 82240GT | DECAL,LABEL,105 DB <i>(CE) models</i> | |
| 7 | 82473GT | DECAL,SYMBOL-COMP ACCESS..... | 1 | 30 | 82422GT | DECAL,PATCH,DRIVING LIGHT | |
| 8 | 82487GT | DECAL, SYMBOL - READ THE MANUAL..... | 2 | 31 | 82577GT | DECAL,PLATFORM OVERLOAD PATCH..... | 1 |
| 9 | 82544GT | DECAL,DANGER,ELEC.HAZ.STAY CLR..... <i>to SN 3191</i> | 4 | 32 | 82602GT | DECAL,DANGER,MAX SIDE FRC,667N..... | 1 |
| -- | 133067GT | DECAL,DANGER,ELEC.HAZ.STAY CLR <i>from SN 3192</i> | | 33 | 82604GT | DECAL,DANGER,SIDE FRC 400N..... <i>(CE) models</i> | 1 |
| 10 | 82548GT | DECAL,WARN,CRUSH HAZARD PLAT..... | 2 | 34 | 82671GT | DECAL,LABEL,WELD LINE INST,SYM <i>weld line option</i> | |
| 11 | 82603GT | DECAL,DRIVE ENABLE PATCH***..... | 1 | 35 | 82698GT | DECAL,LABEL,WELDER VOLTAGE,40V..... | 1 |
| 12 | 82607GT | DECAL,CAUTION,NO STEP***..... <i>to SN 3191</i> | 4 | 36 | 97815GT | DECAL,LABEL,LOWER MIDRAIL..... | 1 |
| -- | 65278GT | DECAL,CAUTION,NO STEP <i>from SN 3192</i> | | 37 | 114112GT | DECAL,LABEL,TRANSPORT DIAGRAM..... | 2 |
| 13 | 82924GT | DECAL,CAUTION,SHUTOFF VALVES**..... <i>to SN 3191</i> | 1 | 38 | 114473GT | DECAL,DANGER,TIPOVER,TILT,SYM.... | 1 |
| -- | 97757GT | DECAL,LABEL,OIL LEVEL IND <i>from SN 3192</i> | | 39 | T112773GT | TAPE, PROTECTIVE MASK..... <i>from SN 3026</i> | 2 |
| 14 | 82481GT | DECAL,SYMBOL-BATTERY SAFETY <i>from SN 3192</i> | | 40 | 146421GT | DECAL,LABEL,WHEEL LOAD,S-125**...4 <i>(S-125)</i> | |
| 15 | 133205GT | DECAL,LABEL, ELECTRO HAZARD <i>from SN 3192</i> | | 41 | 65264GT | DECAL,COSMETIC,GENIE S-125..... <i>(S-125)</i> | 1 |
| 16 | 114247GT | DECAL,LABEL,FALL HAZARD*** <i>from SN 3192</i> | | 42 | 65265GT | DECAL,COSMETIC,S-125..... <i>(S-125)</i> | 1 |
| 17 | 114249GT | DECAL,LABEL,TIPOVER,TIRES,SYMB <i>from SN 3192</i> | | 43 | 72119GT | DECAL,LABEL,ROM CHART 120/125.... <i>(S-125)</i> | 1 |
| 18 | 114252GT | DECAL,LABEL,TIP OVER LMT SWTCH <i>from SN 3192</i> | | 44 | 82601GT | DECAL,LABEL,MAX CAPACITY***..... <i>(S-125)</i> | 1 |
| 19 | T114286GT | DECAL.WARN,INSTAL COVER,SYM....8 <i>from SN 3192</i> | | 45 | 146420GT | DECAL,LABEL, WHEEL LOAD, S-120...4 <i>(S-120)</i> | |
| | | | | 46 | 65267GT | DECAL,COSMETIC,GENIE S-120..... <i>(S-120)</i> | 1 |
| | | | | 47 | 65268GT | DECAL,COSMETIC,S-120..... <i>(S-120)</i> | 1 |

102.1 Decals with Symbols
(continued)

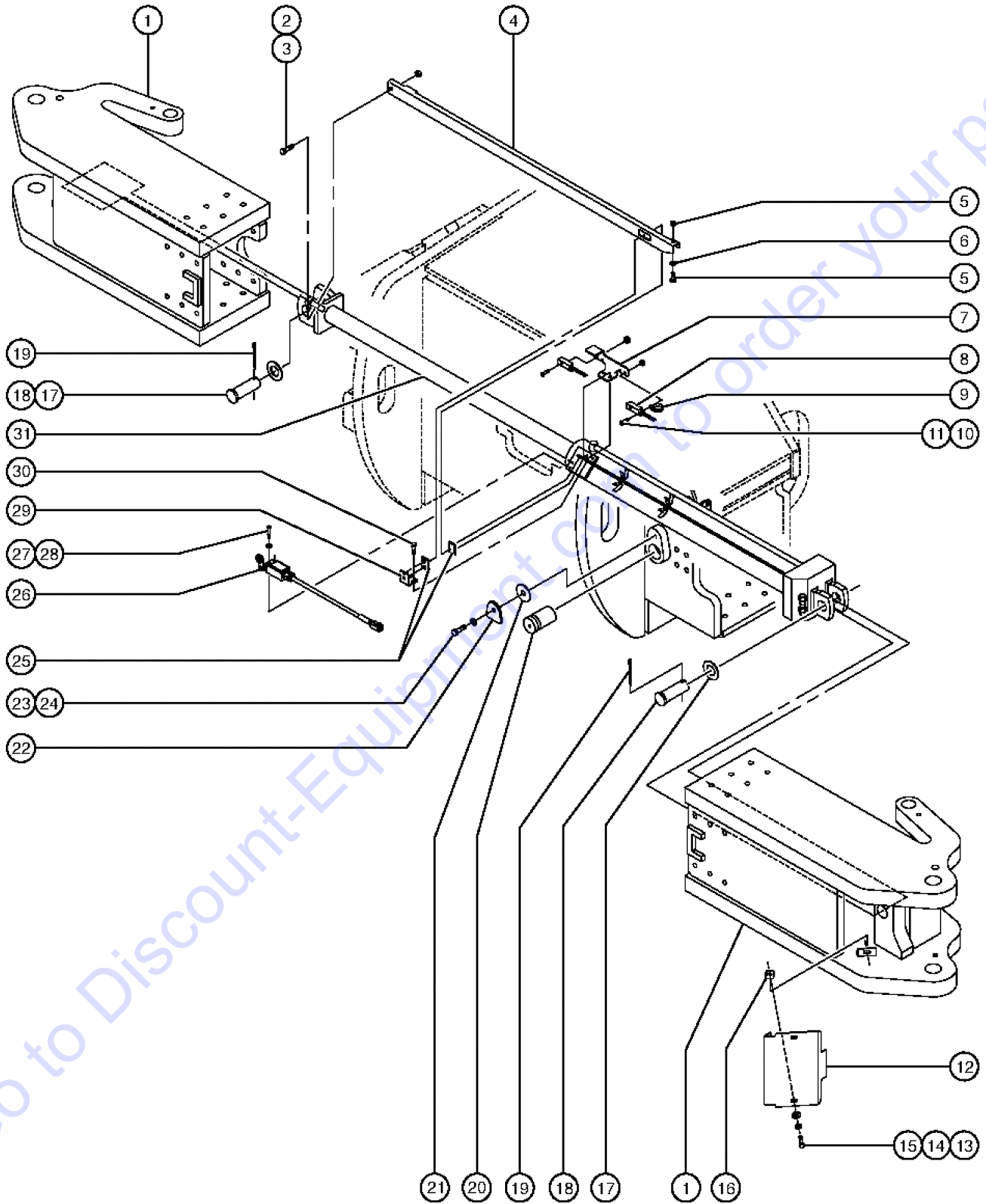
| Item | Part No. | Description | Qty. |
|------|----------|---|------|
| 48 | 72119GT | DECAL,LABEL,ROM CHART 120/125....1 (S-120) | |
| 49 | 82547GT | DECAL,DANGER,MAX LOAD 340 KG....1 (S-120) | |

Go to Discount-Equipment.com to order your parts

This Page Intentionally Left Blank

Go to Discount-Equipment.com to order your parts

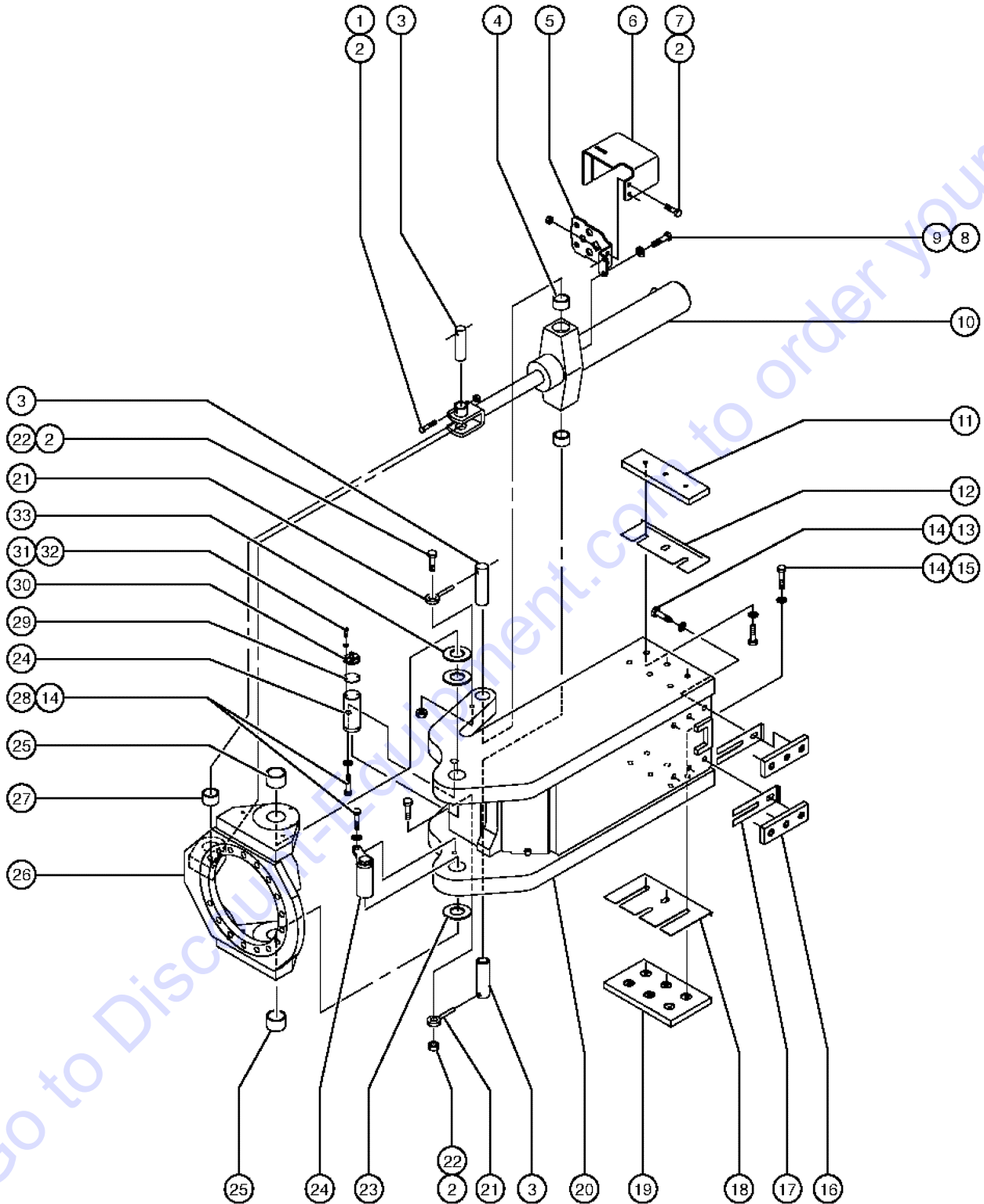
201.1 Extendable Steer Axle Installation - View 1 (to SN 403)



201.1 Extendable Steer Axle Installation - View 1 (to SN 403)

| Item | Part No. | Description | Qty. |
|------|-----------|--|------|
| 1 | 61368-SGT | INNER AXLE,MACHINED..... | 2 |
| 2 | 6019GT | SCREW,HHC,3/8-16 X 1.25 GRD 5 | |
| 3 | 4828GT | NUT,NYLOCK,3/8-16 | |
| 4 | 75004GT | FORMING,EXTEND SWITCH ACTIVATR..... | 2 |
| 5 | 75050GT | BOLT SET,NYLON,1/4-20 W/NUT..... <i>includes flange nut</i> | 2 |
| 6 | 14295GT | WASHER,SHIM,.265 X .5 X .030 | |
| 7 | 75003GT | FORMING,SWITCH MOUNT..... | 2 |
| 8 | 60987GT | SWITCH,LIMIT,PROX(OPERATIONAL)... | 4 |
| 9 | 61255GT | CLAMP,NYLON LOOP..... | 2 |
| 10 | 49819GT | SCREW,PHILLIPS,PHM,10-32 X .5 | |
| 11 | 6178GT | NUT,NYLOCK,10-32 | |
| 12 | 75006-SGT | FORMING,INNER AXLE COVER..... | 4 |
| 13 | 6090GT | SCREW,HHC,1/4-20 X .75 | |
| 14 | 6356GT | WASHER,LOCK,.25 | |
| 15 | 6638GT | WASHER,FLAT,USS,1/4"Y | |
| 16 | 56912GT | SPRING CLIP,1/4-20,.025-.15X.54,ZAG | |
| 17 | 18596GT | WASHER,FLAT,1.56 X 2.5 X .061 | |
| 18 | 61604GT | PIN,CLEVIS, 1.50 X 4.465LONG..... | 4 |
| 19 | 75063GT | PIN,COTTER,.188 X 2.00 LONG..... | 4 |
| 20 | 75038GT | PIN,AXLE STOP..... | 4 |
| 21 | 75040GT | SHIM,AXLE PIN | |
| 22 | 75039-SGT | PLATE,AXLE PIN RETAINER..... | 4 |
| 23 | 10597GT | SCREW,HHC,1/2-13 X 1.25 GR5 | |
| 24 | 6033GT | WASHER,LOCK,0.5" | |
| 25 | 75002GT | WEARPAD,AXLE EXTEND SWITCH.... | 4 |
| 26 | 75036GT | LIMIT SWITCH,SAFETY..... | 2 |
| -- | 53983GT | STRAIN RELIEF, PG13,5 | |
| -- | 75910GT | WIRE ASSEMBLY,16/4SJO,9.5"PLUG | |
| -- | 75913GT | LIMIT SWITCH, SAFETY,NO WIRE | |
| 27 | 49817GT | SCREW,PHILLIPS,PHM,10-32 X1.25 | |
| 28 | 6607GT | WASHER,LOCK,#10 PLTD | |
| 29 | 75001PGT | FORMING,AXLE LIMIT SWITCH RETN..... | 2 |
| 30 | 75060GT | SCREW,HEX HD FLANGE 1/4-20X1/2 | |
| 31 | 61381GT | CYLINDER,AXLE EXTENSION*..... | 2 |
| -- | 33428GT | VALVE,COUNTERBALANCE | |
| -- | 43618GT | DECAL, LABEL - DIRECTION ARROWS | |
| -- | 62416GT | SEAL KIT,AXLE EXTEND CYL,61381 | |
| -- | 62419GT | VALVE,CB.CBBC-LHN@2200* | |

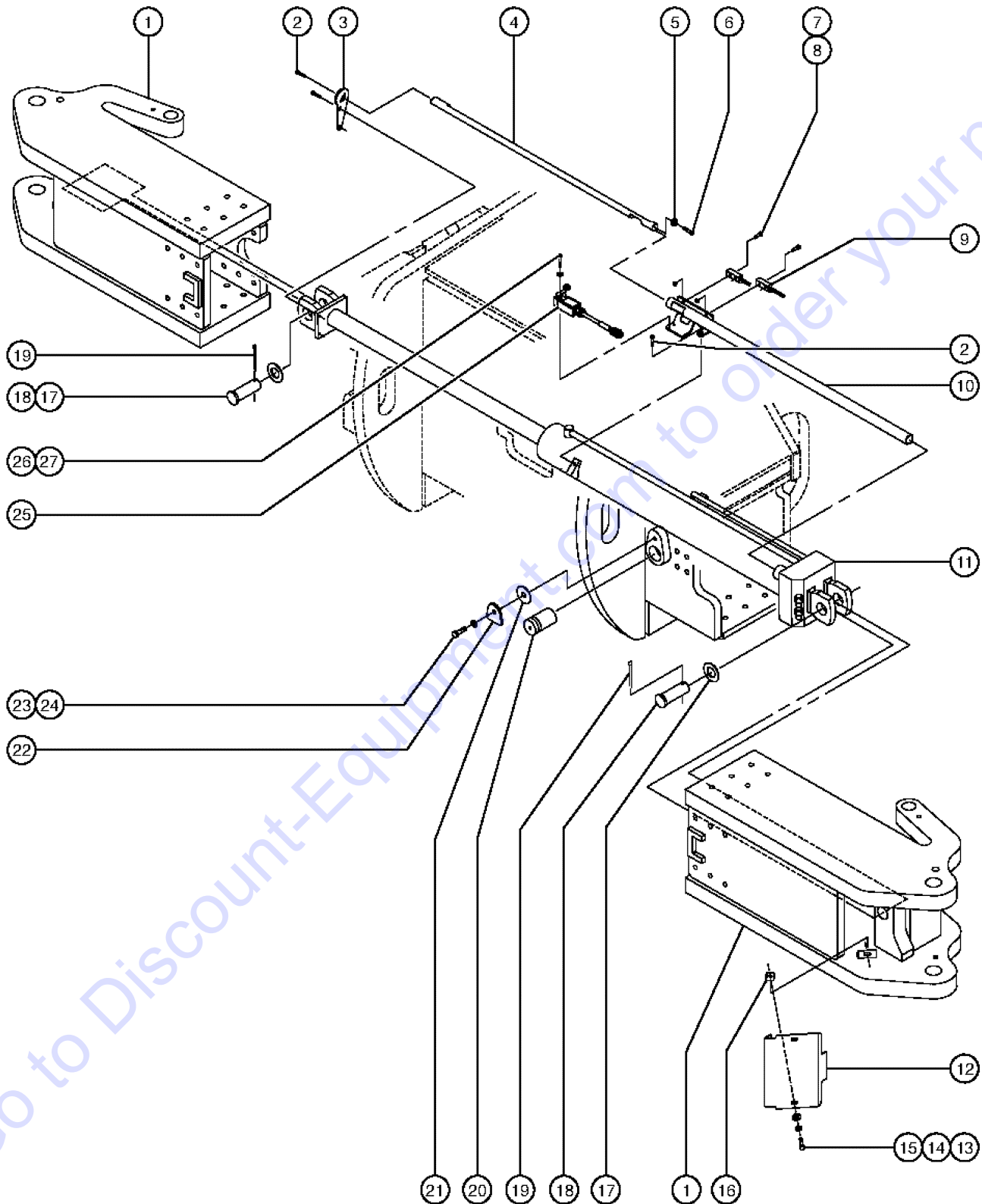
202.1 Extendable Steer Axle Installation - View 2 (to SN 403)



202.1 Extendable Steer Axle Installation - View 2 (to SN 403)

| Item | Part No. | Description | Qty. |
|------|-----------|--|------|
| 1 | 14033GT | SCREW,HHC,3/8-16 X 2.75 | |
| 2 | 4828GT | NUT,NYLOCK,3/8-16 | |
| 3 | 60980GT | PIN,1.50DIA X 4.13LG,THREADED..... | 12 |
| 4 | 18396GT | BEARING,1.5ID X 1.75OD X 1.0L..... | 8 |
| 5 | 60753-SGT | FORMING,BULKHEAD MOUNT..... | 4 |
| 6 | 61281-SGT | FORMING,BULKHEAD COVER..... | 2 |
| -- | 60941-SGT | COVER,BULKHEAD | |
| 7 | 6175GT | SCREW,HHC,3/8-16 X 1 | |
| 8 | 8255GT | SCREW,HHC,3/8-16 X .75 | |
| 9 | 6021GT | WASHER,LOCK,.375 | |
| 10 | 50060-SGT | CYLINDER,STEERING W/DECAL..... | 4 |
| | | <i>includes item 4</i> | |
| -- | 65793GT | SEAL KIT CYL*** | |
| 11 | 61310-SGT | PLATE,AXLE WEAR STEEL..... | 4 |
| 12 | 61307GT | SHIM,INNER AXLE WEAR PAD | |
| 13 | 22788GT | SCREW,HHC,1/2-13 X 1.75 | |
| 14 | 6033GT | WASHER,LOCK,0.5" | |
| 15 | 39479GT | SCREW,HHC,1/2-13 X 2.75 | |
| 16 | 61308GT | WEAR PAD,INNER AXLE SIDE..... | 16 |
| 17 | 122249GT | SHIM,PAD 2.0 X 6.60 | |
| 18 | 122248GT | SHIM,PAD,10 X 6.10 | |
| 19 | 61309GT | WEAR PAD,INNER AXLE..... | 4 |
| 20 | 61368-SGT | INNER AXLE,MACHINED..... | 1 |
| 21 | 825019GT | ROD END,.375 X 3.69,ZAG..... | 2 |
| 22 | 6326GT | SCREW,HHC,3/8-16 X 3 | |
| 23 | 60555GT | WASHER,THRUST 5 X 1.81 BRONZE | |
| 24 | 60617GT | WELDMENT,AXLE KING PIN..... | 8 |
| 25 | 119620GT | BEARING,1.75ID X 2.00OD X 1.50L..... | 8 |
| 26 | 62440-SGT | YOKE ASSEMBLY,SUPERBOOM..... | 4 |
| | | <i>includes items 25 and 27</i> | |
| 27 | 119619GT | BEARING,1.5ID X 1.75OD X 1.5L,PTFE.... | 4 |
| 28 | 10597GT | SCREW,HHC,1/2-13 X 1.25 GR5 | |
| 29 | 60747GT | SHIM,STEER SENSOR ACTIVATOR.... | 4 |
| 30 | 60618GT | ACTIVATOR,STEER SENSOR..... | 4 |
| 31 | 49819GT | SCREW,PHILLIPS,PHM,10-32 X .5 | |
| 32 | 6607GT | WASHER,LOCK,#10 PLTD | |
| 33 | 60745GT | SHIM,GALVANIZED STEER YOKE | |

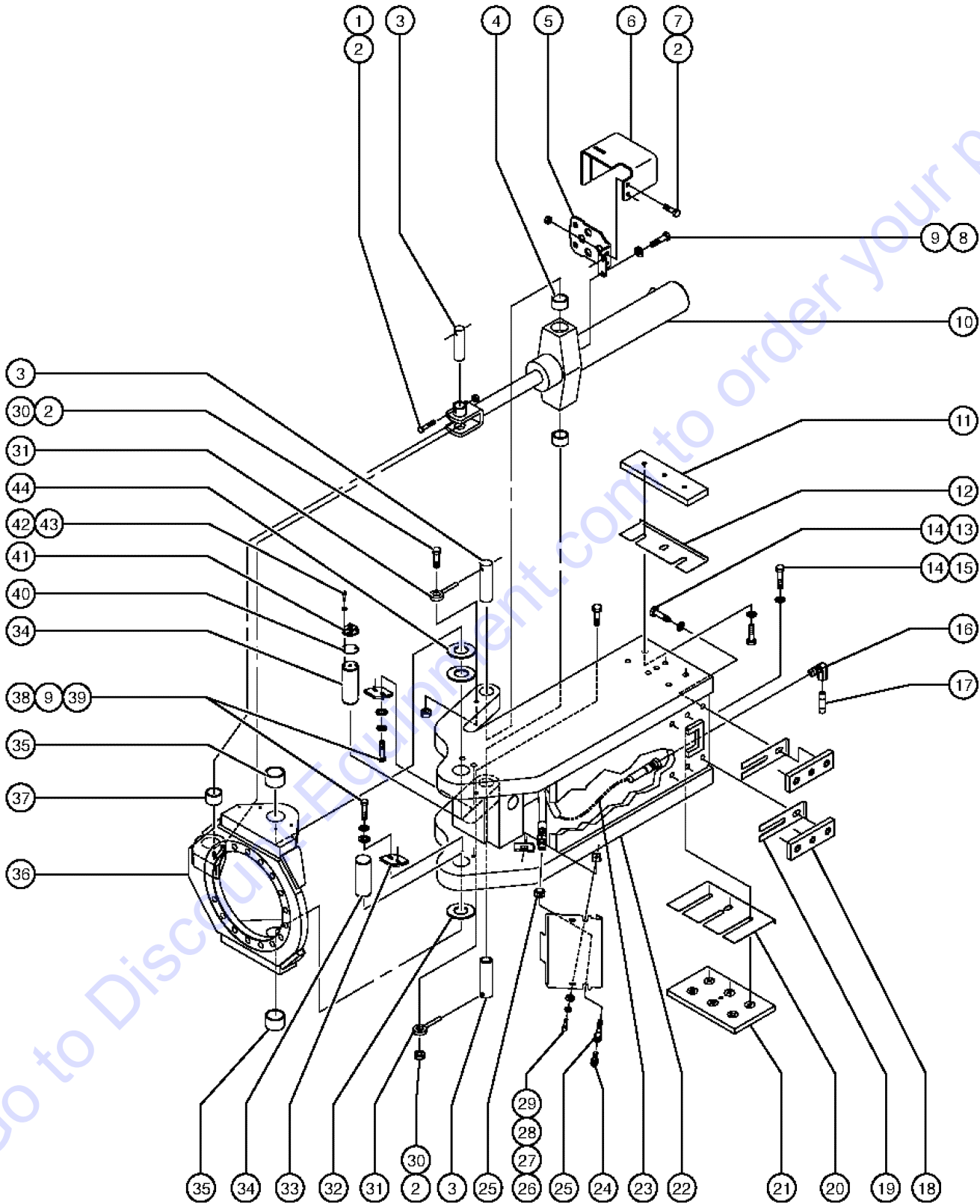
203.1 Extendable Steer Axle Installation - View 1 (from SN 404)



203.1 Extendable Steer Axle Installation - View 1 (from SN 404)

| Item | Part No. | Description | Qty. |
|------|-----------|---|------|
| -- | 75404GT | HARNES,DCON 4WS to SN 1195 | |
| -- | 102704GT | HARNES,DCON,4WS from SN 1196 | |
| -- | 75637GT | CLAMP,NYL DBL GRIP 1.50 - 1.63 | |
| 1 | 61634-SGT | MACHINING,INNER AXLE..... | 4 |
| 2 | 75060GT | SCREW,HEX HD FLANGE 1/4-20X1/2 | |
| 3 | 61682PGT | BRACKET,SWITCH ROD MOUNT,PNTED..... | 2 |
| 4 | 61683GT | ROD,SWITCH ACTIVATING..... | 2 |
| 5 | 61684GT | WEARPAD,ACTIVATING ROD..... | 2 |
| 6 | 8514GT | SCREW,FHS,1/4-20 X .75 | |
| 7 | 49819GT | SCREW,PHILLIPS,PHM,10-32 X .5 | |
| 8 | 6178GT | NUT,NYLOCK,10-32 | |
| 9 | 60987GT | SWITCH,LIMIT,PROX(OPERATIONAL)... | 4 |
| 10 | 61688GT | WELDMENT,AXLE SWITCH..... | 1 |
| 11 | 89536GT | CYLINDER,AXLE EXTEND***..... | 2 |
| -- | 226803GT | SEAL KIT (89536) for 89536 | |
| -- | 33428GT | VALVE,COUNTERBALANCE | |
| -- | 43018GT | SEAL KIT (39345) | |
| -- | 62416GT | SEAL KIT,AXLE EXTEND CYL,61381 for 61381 | |
| -- | 62419GT | VALVE,CB.CBBC-LHN@2200* | |
| 12 | 61654PGT | FORMING,INNER AXLE COVER,PNTED..... | 4 |
| 13 | 6090GT | SCREW,HHC,1/4-20 X .75 | |
| 14 | 6356GT | WASHER,LOCK,.25 | |
| 15 | 6638GT | WASHER,FLAT,USS,1/4"Y | |
| 16 | 56912GT | SPRING CLIP,1/4-20,.025-.15X.54,ZAG | |
| 17 | 18596GT | WASHER,FLAT,1.56 X 2.5 X .061 | |
| 18 | 61604GT | PIN,CLEVIS, 1.50 X 4.465LONG..... | 4 |
| 19 | 75063GT | PIN,COTTER,.188 X 2.00 LONG | |
| 20 | 75038GT | PIN,AXLE STOP..... | 4 |
| 21 | 75040GT | SHIM,AXLE PIN | |
| 22 | 75039-SGT | PLATE,AXLE PIN RETAINER..... | 4 |
| 23 | 10597GT | SCREW,HHC,1/2-13 X 1.25 GR5 | |
| 24 | 6033GT | WASHER,LOCK,0.5" | |
| 25 | 75036GT | LIMIT SWITCH,SAFETY..... | 2 |
| -- | 53983GT | STRAIN RELIEF, PG13,5 | |
| -- | 75910GT | WIRE ASSEMBLY,16/4SJO,9.5"PLUG | |
| -- | 75913GT | LIMIT SWITCH, SAFETY,NO WIRE | |
| 26 | 49817GT | SCREW,PHILLIPS,PHM,10-32 X1.25 | |
| 27 | 6607GT | WASHER,LOCK,#10 PLTD | |

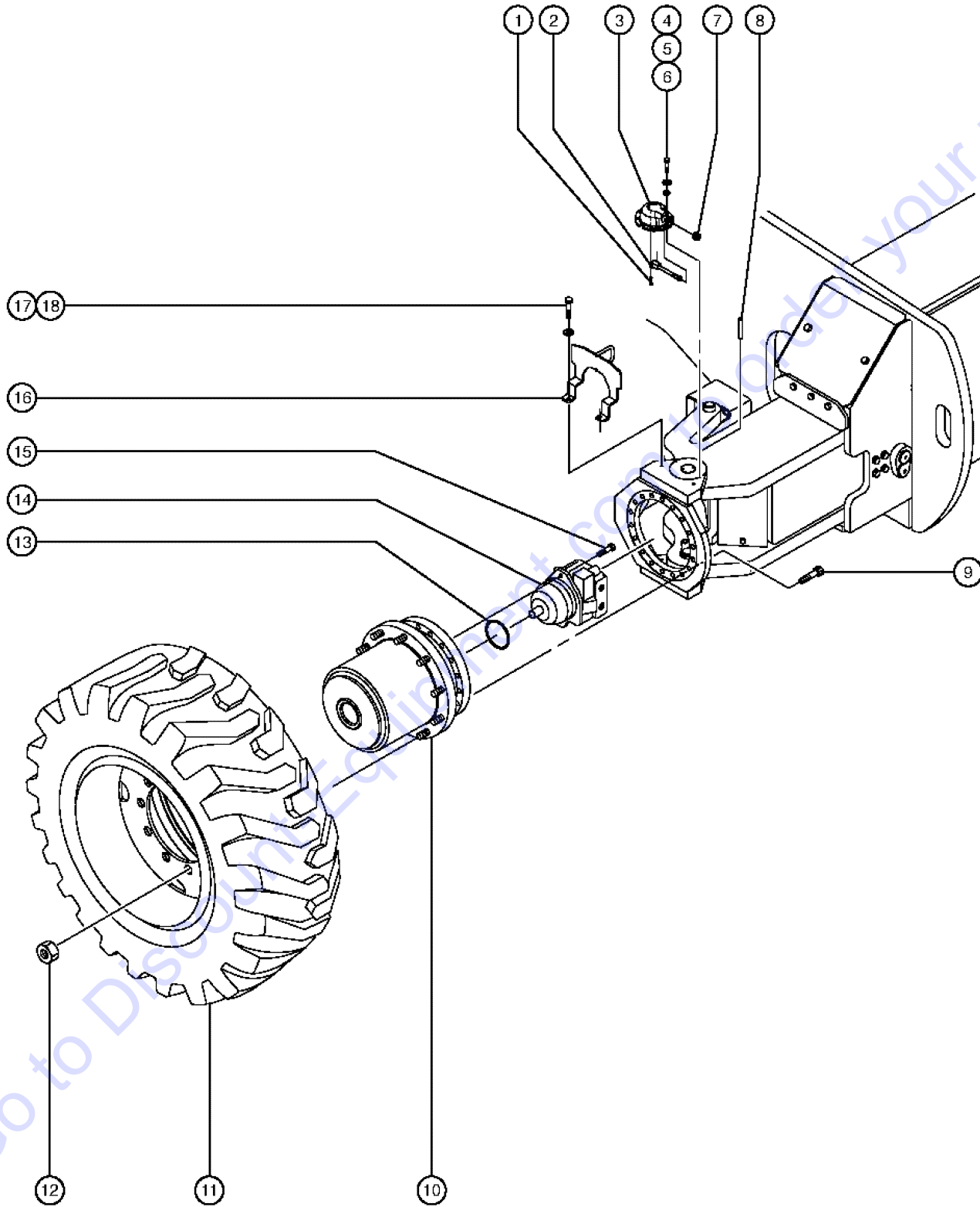
204.1 Extendable Steer Axle Installation - View 2 (from SN 404)



204.1 Extendable Steer Axle Installation - View 2 (from SN 404)

| Item | Part No. | Description | Qty. | Item | Part No. | Description | Qty. |
|------|--------------|---|------|------|-----------|--------------------------------------|------|
| 1 | 14033GT | SCREW,HHC,3/8-16 X 2.75 | | 34 | 75087GT | PIN,AXLE KING..... | 8 |
| 2 | 4828GT | NUT,NYLOCK,3/8-16 | | 35 | 119620GT | BEARING,1.75IDX2.00ODX1.50L..... | 8 |
| 3 | 60980GT | PIN,1.50DIA X 4.13LG,THREADED..... | 12 | 36 | 75452-SGT | YOKE ASSEMBLY,SUPERBOOM,NRRW..... | 4 |
| 4 | 18396GT | BEARING,1.5IDX1.75ODX1.0L..... | 8 | | | <i>includes items 35 and 37</i> | |
| 5 | 75247PGT | FORMING,BULKHEAD MOUNT,PAINTED..... | 4 | 37 | 119619GT | BEARING,1.5IDX1.75ODX1.5L,PTFE..... | 4 |
| 6 | 61281-SGT | FORMING,BULKHEAD COVER..... | 2 | 38 | 6019GT | SCREW,HHC,3/8-16 X 1.25 GRD 5 | |
| -- | 60941-SGT | COVER,BULKHEAD | | 39 | 6097GT | WASHER,FLAT,USS,3/8",Y | |
| 7 | 6175GT | SCREW,HHC,3/8-16 X 1 | | 40 | 60747GT | SHIM,STEER SENSOR ACTIVATOR..... | 4 |
| 8 | 8255GT | SCREW,HHC,3/8-16 X .75 | | 41 | 60618GT | ACTIVATOR,STEER SENSOR..... | 4 |
| 9 | 6021GT | WASHER,LOCK,.375 | | 42 | 49819GT | SCREW,PHILLIPS,PHM,10-32 X .5 | |
| 10 | 50060-SGT | CYLINDER,STEERING W/DECAL..... | 4 | 43 | 6607GT | WASHER,LOCK,#10 PLTD | |
| | | <i>includes item 4</i> | | 44 | 60745GT | SHIM,GALVANIZED STEER YOKE | |
| -- | 65793GT | SEAL KIT CYL*** | | | | | |
| 11 | 61310-SGT | PLATE,AXLE WEAR STEEL..... | 4 | | | | |
| 12 | 61307GT | SHIM,INNER AXLE WEAR PAD | | | | | |
| 13 | 22788GT | SCREW,HHC,1/2-13 X 1.75 | | | | | |
| 14 | 6033GT | WASHER,LOCK,0.5" | | | | | |
| 15 | 39479GT | SCREW,HHC,1/2-13 X 2.75 | | | | | |
| 16 | 102729GT | ELBOW,90D,1/8 NPT X #4 JIC..... | 4 | | | | |
| | | <i>from SN 1051</i> | | | | | |
| 17 | 102728GT | NIPPLE,1/8 NPT X 3.0 FFS-S..... | 4 | | | | |
| | | <i>from SN 1051</i> | | | | | |
| 18 | 61308GT | WEAR PAD,INNER AXLE SIDE..... | 16 | | | | |
| 19 | 122249GT | SHIM,PAD 2.0 X 6.60 | | | | | |
| 20 | 122248GT | SHIM,PAD,10 X 6.10 | | | | | |
| 21 | 61309GT | WEAR PAD,INNER AXLE..... | 4 | | | | |
| 22 | 61634-SGT | MACHINING,INNER AXLE..... | 4 | | | | |
| 23 | 49189-2338GT | HOSE ASSY,1/4,STR FEM,STR..... | 4 | | | | |
| | | <i>from SN 1051</i> | | | | | |
| 24 | 28646GT | ZERK,GREASE,1/8 NPT..... | 4 | | | | |
| | | <i>from SN 1051</i> | | | | | |
| 25 | 48885GT | CONNECTOR,BULKHEAD,FEMALE-4...4 | | | | | |
| | | <i>from SN 1051</i> | | | | | |
| 26 | 6090GT | SCREW,HHC,1/4-20 X .75 | | | | | |
| | | <i>from SN 1051</i> | | | | | |
| 27 | 6356GT | WASHER,LOCK,.25 | | | | | |
| | | <i>from SN 1051</i> | | | | | |
| 28 | 6638GT | WASHER,FLAT,USS,1/4"Y | | | | | |
| | | <i>from SN 1051</i> | | | | | |
| 29 | 56912GT | SPRING CLIP,1/4-20,.025-.15X.54,ZAG..... | 8 | | | | |
| | | <i>from SN 1051</i> | | | | | |
| 30 | 6326GT | SCREW,HHC,3/8-16 X 3 | | | | | |
| 31 | 825019GT | ROD END,.375X3.69,ZAG..... | 8 | | | | |
| 32 | 60555GT | WASHER,THRUST 5 X 1.81 BRONZE | | | | | |
| 33 | 75088GT | PLATE,KING PIN RETAINER..... | 8 | | | | |

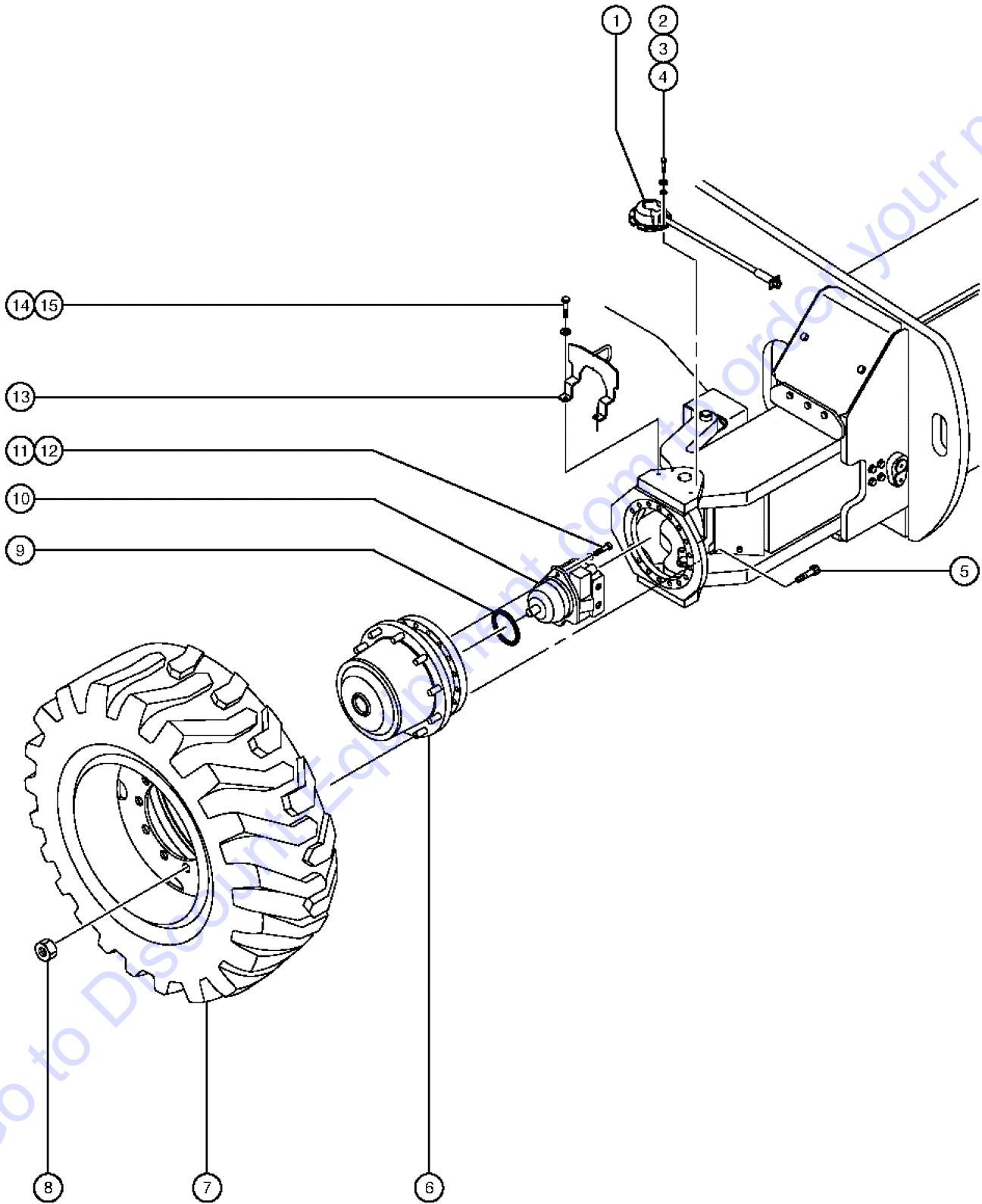
205.1 Steer Axle Wheels and Drive Hubs (to SN 403)



205.1 Steer Axle Wheels and Drive Hubs (to SN 403)

| Item | Part No. | Description | Qty. |
|------|-----------|--|------|
| 1 | 49817GT | SCREW,PHILLIPS,PHM,10-32 X1.25 | |
| 2 | 107867GT | KIT,SERVICE,STEER SENSOR.....4 <i>includes items 1, 3 and 7</i> | |
| 3 | 60609GT | COVER,STEERING SENSOR.....4 | |
| 4 | 8914GT | SCREW,HHC,1/4-20 X .625 | |
| 5 | 6356GT | WASHER,LOCK,.25 | |
| 6 | 6638GT | WASHER,FLAT,USS,1/4"Y | |
| 7 | 60746GT | BUSHING, STRAIN RELIEF, 1".....4 | |
| 8 | 42770GT | PIN,DOWEL,.25X.75 STNLS STEEL | |
| 9 | 60865GT | SCREW,SHC,M16 X 60MM,BLACK.....64 <i>use with drive hub 75090</i> | |
| 10 | | Ref. Drive Hub with Brake (refer to 206.1) | |
| 11 | 50032GT | TIRE & WHEEL ASSY LF-LR <i>Foam-filled</i> | |
| -- | 50188GT | TIRE & WHEEL ASSY RF-RR <i>Foam-filled</i> | |
| 12 | 34127GT | NUT,LUG,3/4-16 X 7/8 RADIUS.....40 | |
| 13 | 61354GT | O-RING, 2-158*.....4 <i>to SN 157</i> | |
| 14 | 50169GT | MOTOR,PISTON,2 SPEED,REXROTH...4 | |
| -- | 62403GT | SHAFT SEAL,50169,REXROTH MTR | |
| -- | 62404GT | CONTROLLER,SPEED,50169 REXROTH | |
| -- | 75400GT | SHAFT,OUTPUT,DRIVE MTR 50169 | |
| -- | 77806GT | SEAL KIT,DRIVE MOTOR*** | |
| 15 | 56843GT | SCREW,SHC,1/2-13 X 1.50,A574.....8 | |
| 16 | 60776-SGT | WELDMENT,GUIDE BRACKET.....4 | |
| 17 | 8255GT | SCREW,HHC,3/8-16 X .75 | |
| 18 | 6021GT | WASHER,LOCK,.375 | |

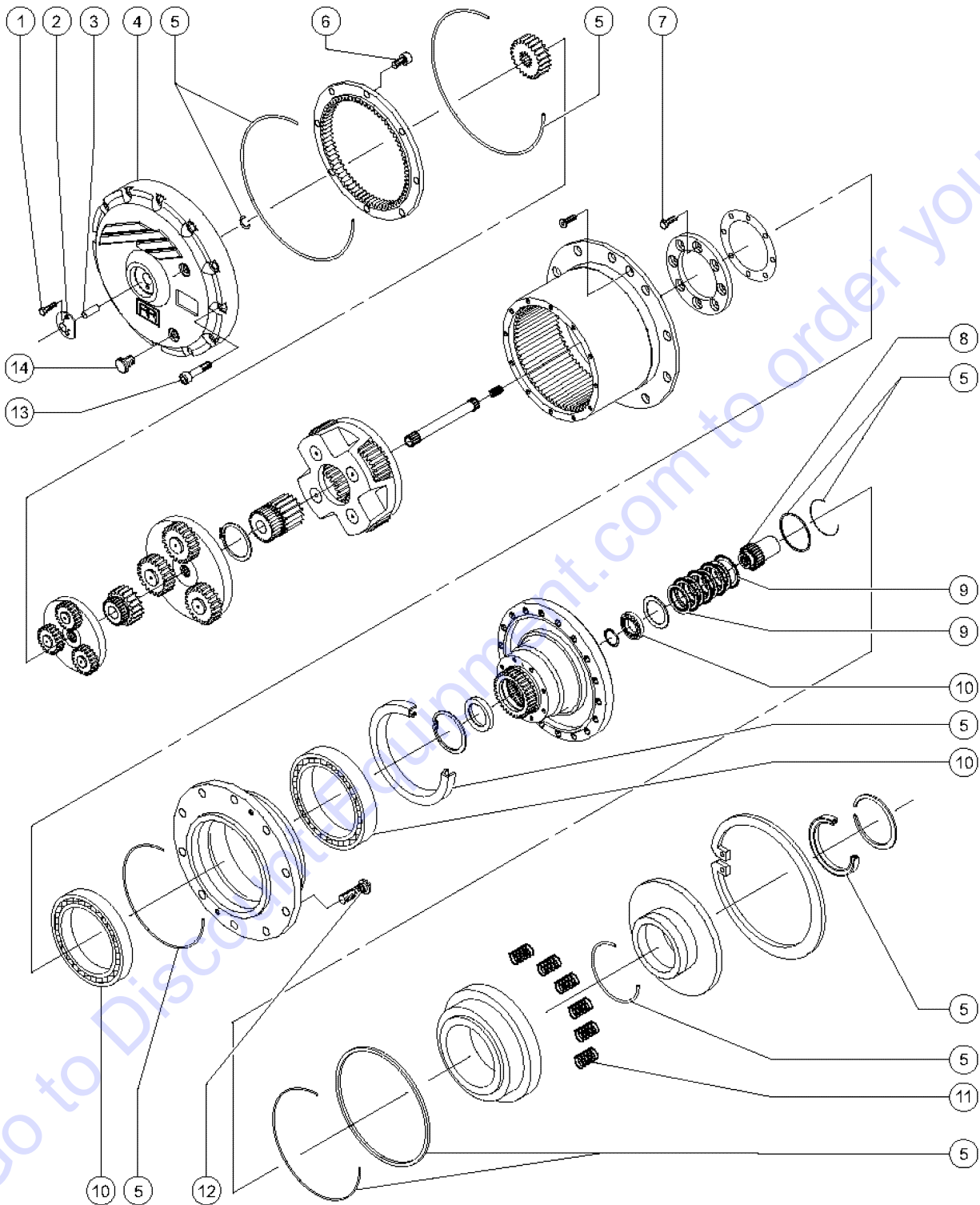
205.2 Steer Axle Wheels and Drive Hubs (from SN 404)



205.2 Steer Axle Wheels and Drive Hubs (from SN 404)

| Item | Part No. | Description | Qty. | Item | Part No. | Description | Qty. |
|------|-----------|--|------|------|-----------|--|------|
| 1 | 107830GT | SUBASSY,STEER SENSOR***.....4 <i>(calibration required after replacement)</i> | 4 | -- | 10597GT | SCREW,HHC,1/2-13 X 1.25 GR5 <i>from SN 3039</i> | |
| -- | 49817GT | SCREW,PHILLIPS,PHM,10-32 X1.25 | | 12 | 13066GT | WASHER,FLAT,.5 HARDENED | |
| 2 | 8914GT | SCREW,HHC,1/4-20 X .625 | | 13 | 61662-SGT | WELDMENT,GUIDE BRACKET.....4 | 4 |
| 3 | 6356GT | WASHER,LOCK,.25 | | 14 | 8255GT | SCREW,HHC,3/8-16 X .75 | |
| 4 | 6638GT | WASHER,FLAT,USS,1/4"Y | | 15 | 6021GT | WASHER,LOCK,.375 | |
| 5 | 102064GT | SCREW,SHC,M16 X 50MM,BLACK.....64 <i>use with drive hub 89212 or 106756</i> | 64 | | | | |
| 6 | | Ref. Drive Hub with Brake (refer to 206.2) | | | | | |
| 7 | 50032GT | TIRE & WHEEL ASSY LF-LR <i>Foam-filled; to SN 3274</i> | | | | | |
| -- | T111702GT | ASSY,TIRE,445D50/710,LH <i>(Foam-filled, left); from SN 3275</i> | | | | | |
| -- | 50188GT | TIRE & WHEEL ASSY RF-RR <i>Foam-filled; to SN 3274</i> | | | | | |
| -- | T111703GT | ASSY,TIRE,445D50/710,RH <i>(Foam-filled, right); from SN 3275</i> | | | | | |
| -- | 227796GT | TIRE & WHEEL ASSY LF-LR <i>RT, Foam-filled RNU, left; to SN 3274</i> | | | | | |
| -- | 227797GT | TIRE & WHEEL ASSY RF-RR <i>RT, Foam-filled RNU, right; to SN 3274</i> | | | | | |
| -- | 233565GT | TIRE & WHEEL ASSY, LH <i>Foam-filled RNU, left; from SN 3275</i> | | | | | |
| -- | 233566GT | TIRE & WHEEL ASSY, RH <i>Foam-filled RNU, right; from SN 3275</i> | | | | | |
| 8 | 34127GT | NUT,LUG,3/4-16 X 7/8 RADIUS.....40 | 40 | | | | |
| 9 | 106118GT | O-RING,2-157,VITON***.....4 | 4 | | | | |
| 10 | 50169GT | MOTOR,PISTON,2 SPEED,REXROTH...4 <i>includes serial numbers 1023, 1025, 1027-1031, 1034, 1035, 1038 and 1056-1084; to SN 1021</i> | 4 | | | | |
| -- | 77806GT | SEAL KIT,DRIVE MOTOR*** <i>part of piston motor 50169</i> | | | | | |
| -- | 62403GT | SHAFT SEAL,50169,REXROTH MTR <i>part of piston motor 50169</i> | | | | | |
| -- | 62404GT | CONTROLLER,SPEED,50169 REXROTH <i>part of piston motor 50169</i> | | | | | |
| -- | 75400GT | SHAFT,OUTPUT,DRIVE MTR 50169 <i>part of piston motor 50169</i> | | | | | |
| -- | 139345GT | KIT,REX TO SAUER DRIVE MOTOR.....1 <i>Must order this kit for first time replacement, includes 4 each piston motor part 101070</i> | 1 | | | | |
| -- | 101070GT | MOTOR,PISTON,2 SPEED,45CC.....4 <i>includes item 9; includes serial numbers 1022, 1024, 1026, 1032, 1033, 1036, 1037, 1039-1055; from SN 1085</i> | 4 | | | | |
| -- | 106098GT | SEAL KIT,MOTOR,LC/KC*** <i>part of piston motor 101070</i> | | | | | |
| 11 | 56843GT | SCREW,SHC,1/2-13 X 1.50,A574.....8 <i>to SN 3038</i> | 8 | | | | |

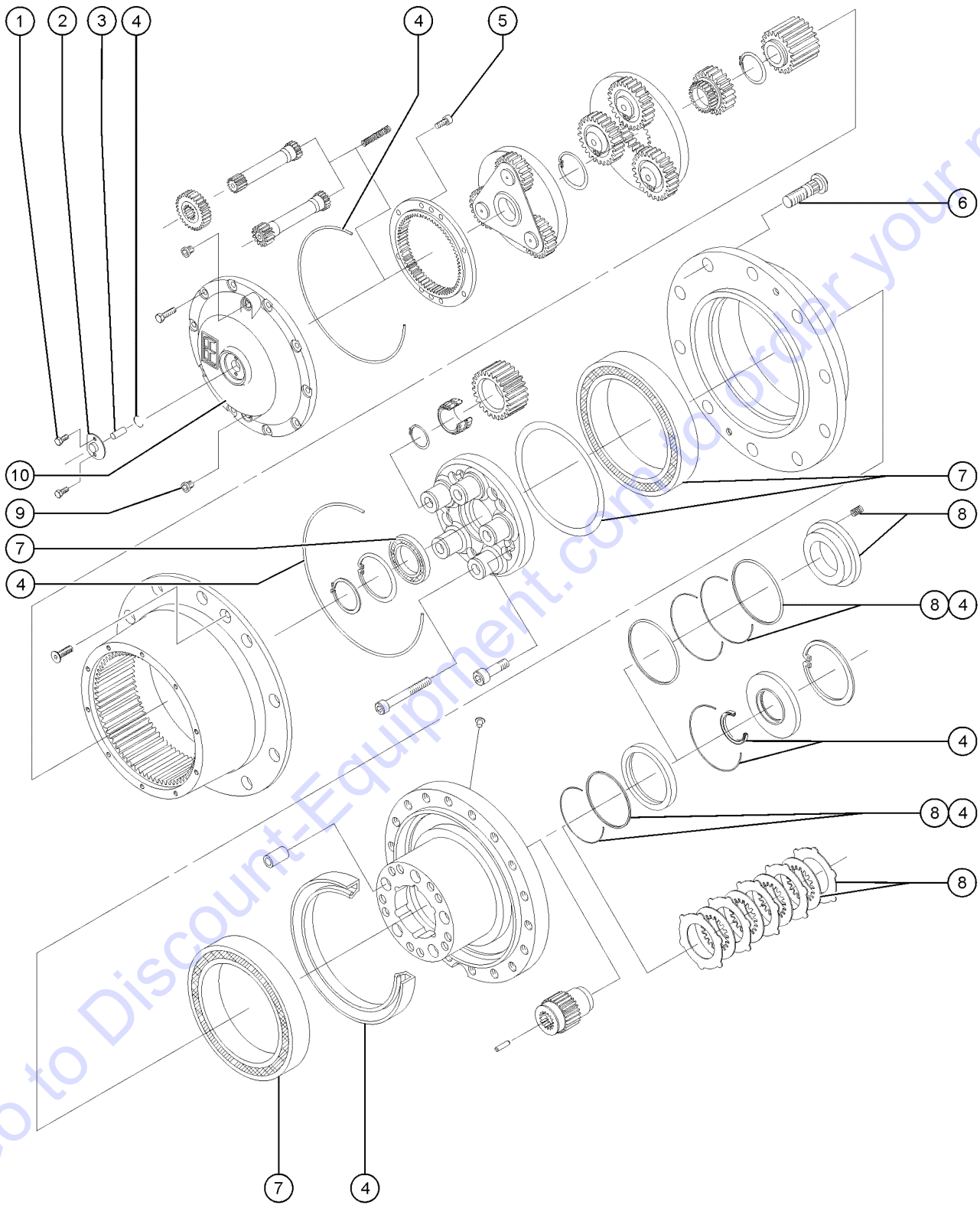
206.1 Drive Hub Assembly with Brake (to SN 842)



206.1 Drive Hub Assembly with Brake (to SN 842)

| Item | Part No. | Description | Qty. |
|------|----------|--|------|
| -- | 75090GT | GEARBOX,WHEEL DRIV W/BRAKE,SLD | |
| 1 | 7339GT | SCREW, HHC, 1/4-20 X .5 | |
| 2 | 62472GT | CAP,MANUAL DISENGAGE,75090.....1 | |
| 3 | 62473GT | PIN,DISENGAGE CAP, 75090.....1 | |
| 4 | 62474GT | COVER-END, 75090 DRIVE HUB.....1 | |
| 5 | 58317GT | SEAL KIT,BRAKE,DRIVE HUB,S125.....1 | |
| 6 | 62476GT | SCREW,SHC,M10X1.5X20MM (75090) | |
| 7 | 62477GT | SCREW,SHC,M10X1.5X80MM (75090) | |
| 8 | 62479GT | SHAFT,INPUT,DRIVE HUB 75090.....1 | |
| 9 | 62468GT | BRAKE DISC KIT,75090.....1 | |
| 10 | 62464GT | BEARING KIT,DRIVE HUB SUPRBOOM.....1 | |
| 11 | 230979GT | SPRING,BRAKE,DRIVE 75090.....6 <i>single spring</i> | |
| 12 | 62478GT | STUD, WHEEL, 3/4-16 X 3**** | |
| 13 | 62475GT | SCREW,SHC,M10X1.5X40MM (75090) | |
| 14 | 75107GT | PLUG,DRAIN,RR TRANS.DRIVE HUBS.....2 | |

206.2 Drive Hub Assembly with Brake (from SN 843)

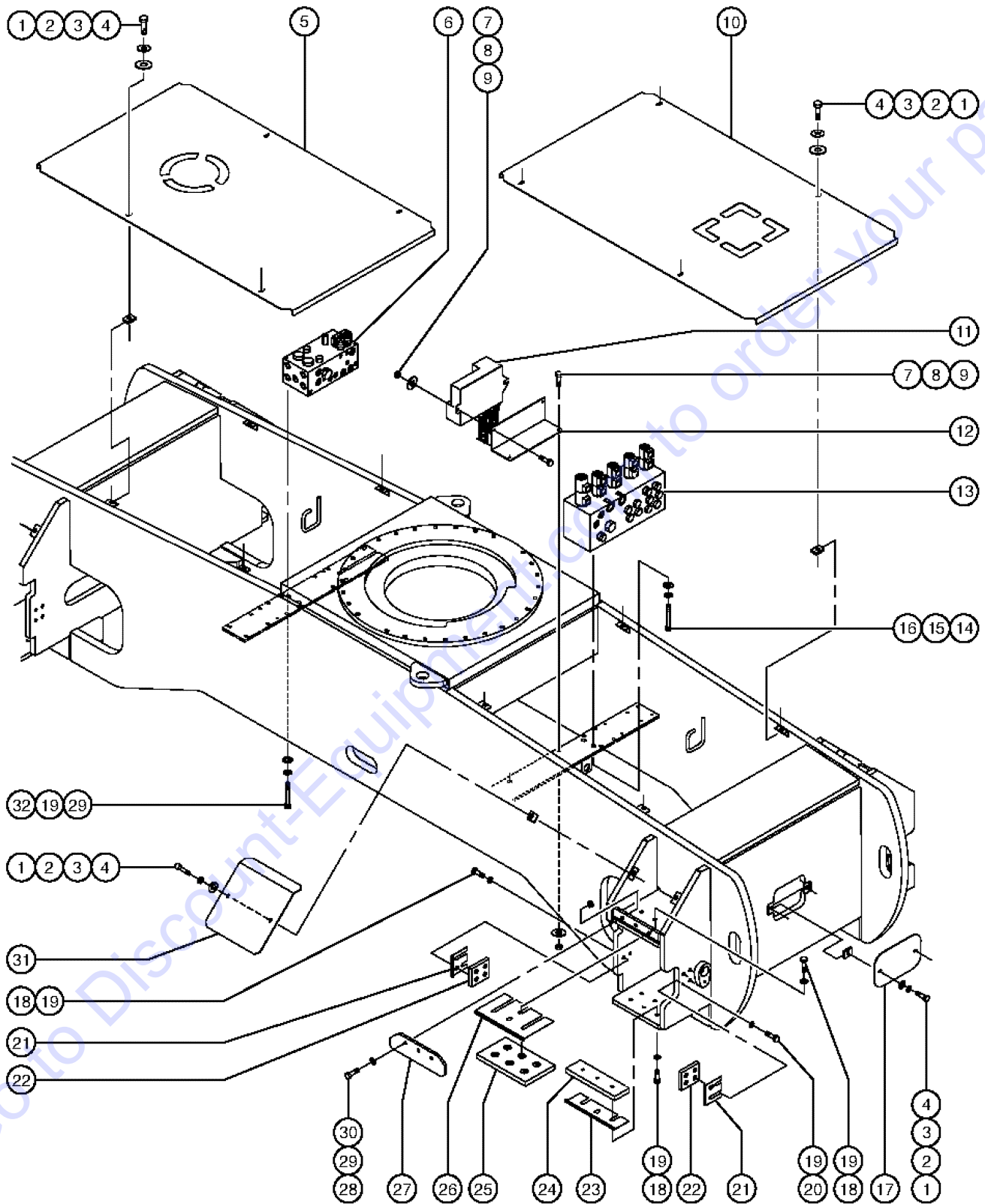


206.2 Drive Hub Assembly with Brake (from SN 843)

| Item | Part No. | Description | Qty. |
|------|----------|--|------|
| -- | 89212GT | WHEEL DRIVE W/BRAKE,85:1 to SN 1195 | |
| -- | 106756GT | WHEEL DRIVE W/BRAKE,76:1 from SN 1196 | |
| 1 | 7339GT | SCREW, HHC, 1/4-20 X .5 | |
| 2 | 102449GT | CAP,MANUAL DISENGAGE (89212).....1 | |
| 3 | 102450GT | PIN,DISENGAGE CAP, 89212.....1 | |
| 4 | 106873GT | SEAL KIT,RWD 1700TB***.....1 | |
| 5 | 102452GT | SCREW,M8X1.5X20MM GR8.8(89212) | |
| 6 | 62478GT | STUD, WHEEL, 3/4-16 X 3****.....10 | |
| 7 | 106874GT | BEARING KIT,RWD 1700TB***.....1 | |
| 8 | 106875GT | BRAKE KIT,RWD 1700TB***.....1 | |
| 9 | 102684GT | PLUG,DRAIN,RR TRANS.DRIVE HUBS.....2 | |
| 10 | 237233GT | HUB, WHEEL COVER,Z135 (106756) from SN 1196 | |
| -- | 237232GT | O-RING, WHEEL COVER (237233) from SN 1196 | |

Go to Discount-Equipment.com to order your parts

207.1 Chassis Components (to SN 403)

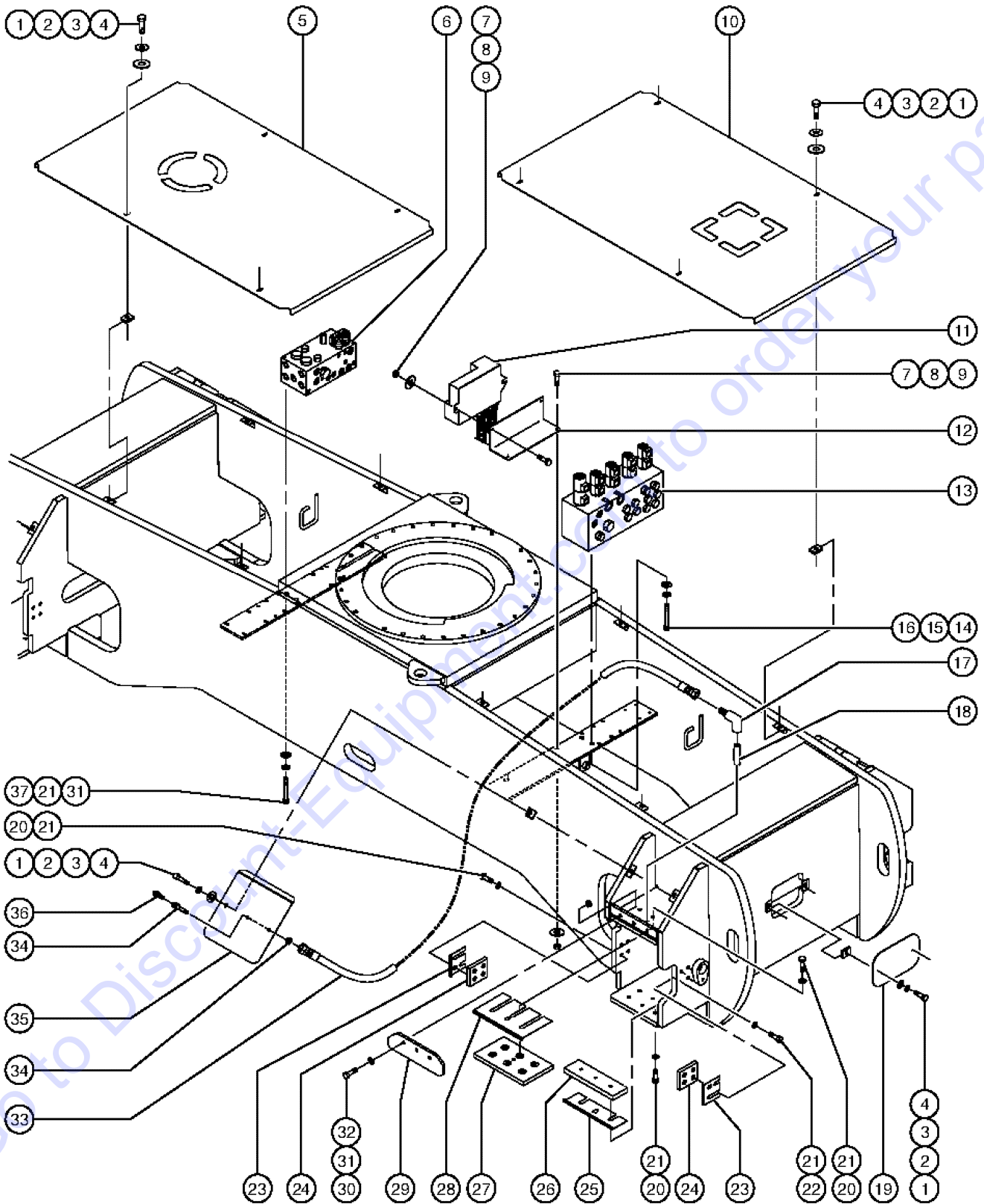


207.1 Chassis Components (to SN 403)

| Item | Part No. | Description | Qty. |
|------|-----------|---|------|
| 1 | 6888GT | SCREW,HHC,1/4-20 X 1 | |
| 2 | 6356GT | WASHER,LOCK,.25 | |
| 3 | 6638GT | WASHER,FLAT,USS,1/4"Y | |
| 4 | 56912GT | SPRING CLIP,1/4-20,.025-.15X.54,ZAG | |
| 5 | 62470-SGT | COVER ASSY,DRIVE CHASSIS S120....1 | |
| 6 | | Ref. Traction Manifold (refer to 701.1) | |
| 7 | 6782GT | NUT,NYLOCK,5/16-18 | |
| 8 | 5397GT | WASHER,FLAT,USS,5/16",Y | |
| 9 | 10107GT | SCREW,HHC,5/16-18 X .75 | |
| 10 | 62471-SGT | COVER ASSY,DRIVE CHASSIS S120*.....1 | |
| 11 | 50154GT | CONTROL BOX ASSY,DRIVECHASSIS.....1 | |
| -- | 60387GT | HARNES,DCON 4WS | |
| 12 | 61378-SGT | FORMING,DCON MOUNT,PAINTED.....1 | |
| 13 | | Ref. Steer and Axle Extend/Retract Manifold (refer to 702.1 or 703.1) | |
| 14 | 6019GT | SCREW,HHC,3/8-16 X 1.25 GRD 5 | |
| 15 | 6021GT | WASHER,LOCK,.375 | |
| 16 | 6097GT | WASHER,FLAT,USS,3/8",Y | |
| 17 | 61239-SGT | COVER,DRIVE CHASSIS END PAINT....2 | |
| 18 | 8177GT | SCREW,HHC,1/2-13 X 1.5 | |
| 19 | 6033GT | WASHER,LOCK,0.5" | |
| 20 | 22788GT | SCREW,HHC,1/2-13 X 1.75 | |
| 21 | 122247GT | SHIM,PAD,4 X 3.60 | |
| 22 | 61302GT | WEAR PAD,INNER AXLE SIDE.....8 | |
| 23 | 61307GT | SHIM,INNER AXLE WEAR PAD | |
| 24 | 61310-SGT | PLATE,AXLE WEAR STEEL.....4 | |
| 25 | 61309GT | WEAR PAD,INNER AXLE.....4 | |
| 26 | 122248GT | SHIM,PAD,10 X 6.10 | |
| 27 | 60418-SGT | PLATE,WEAR PAD RETENTION.....4 | |
| 28 | 6096GT | SCREW,HHC,1/2-13 X 2 GR5 | |
| 29 | 6095GT | WASHER,FLAT,USS,1/2",Y | |
| 30 | 6198GT | NUT,NYLOCK,1/2-13 | |
| 31 | 60416-SGT | COVER,DRIVE CHASSIS AXLE.....4 | |
| 32 | 10597GT | SCREW,HHC,1/2-13 X 1.25 GR5 | |

Go to www.genieequipment.com to order your parts

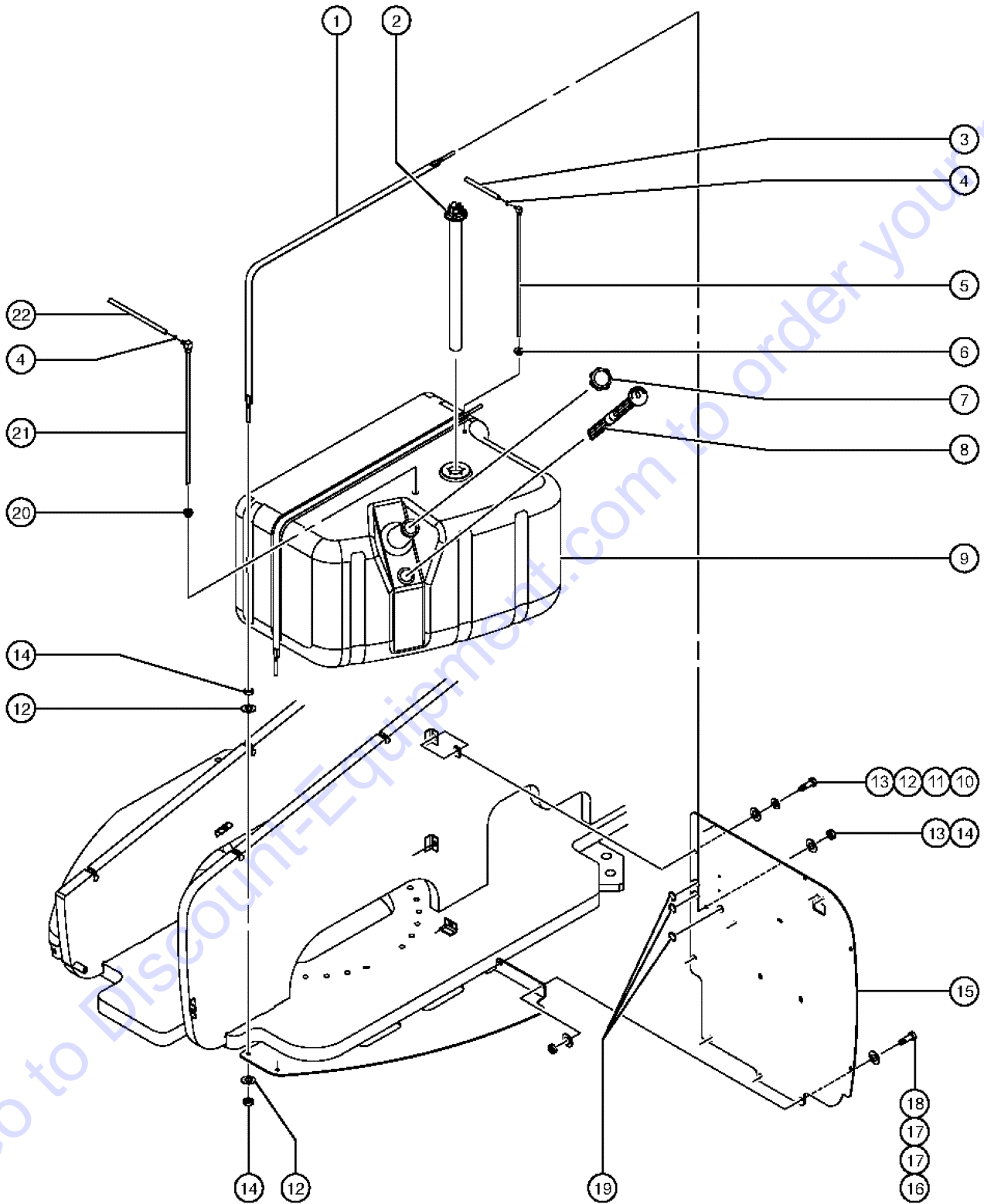
207.2 Chassis Components (from SN 404)



207.2 Chassis Components (from SN 404)

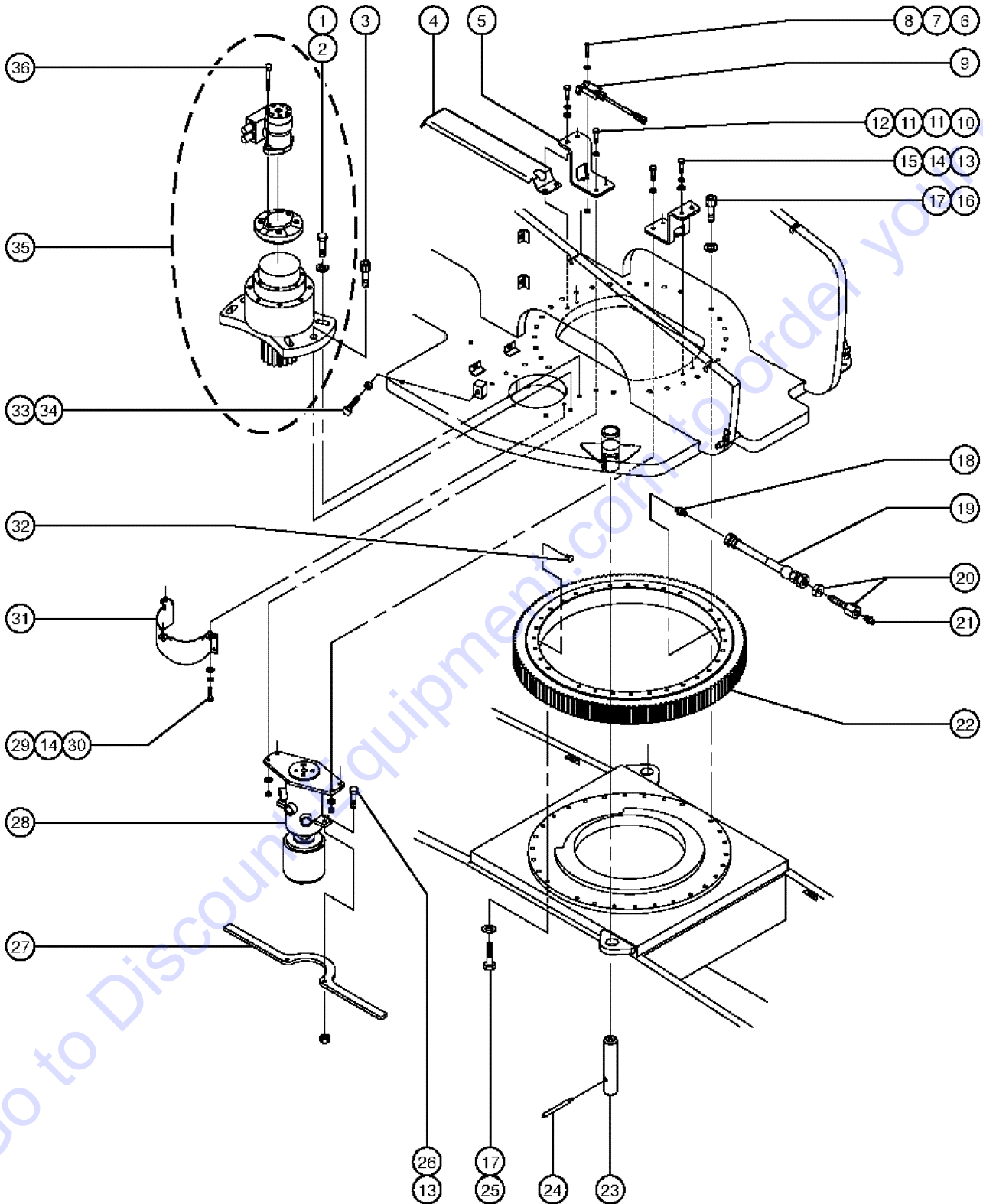
| Item | Part No. | Description | Qty. | Item | Part No. | Description | Qty. |
|------|--------------|---|------|------|-----------|--|------|
| 1 | 6888GT | SCREW,HHC,1/4-20 X 1 | | 35 | 61649-SGT | COVER,DRIVE CHASSIS AXLE.....4 | 4 |
| 2 | 6356GT | WASHER,LOCK,.25 | | 36 | 28646GT | ZERK,GREASE,1/8 NPT.....4 <i>from SN 1051</i> | 4 |
| 3 | 6638GT | WASHER,FLAT,USS,1/4"Y | | 37 | 10597GT | SCREW,HHC,1/2-13 X 1.25 GR5 | |
| 4 | 56912GT | SPRING CLIP,1/4-20,.025-.15X.54,ZAG | | | | | |
| 5 | 62470-SGT | COVER ASSY,DRIVE CHASSIS S120....1 | | | | | |
| 6 | | Ref. Traction Manifold (refer to 701.2) | | | | | |
| 7 | 6782GT | NUT,NYLOCK,5/16-18 | | | | | |
| 8 | 5397GT | WASHER,FLAT,USS,5/16",Y | | | | | |
| 9 | 10107GT | SCREW,HHC,5/16-18 X .75 | | | | | |
| 10 | 62471-SGT | COVER ASSY,DRIVE CHASSIS S120*.....1 | 1 | | | | |
| 11 | 50154GT | CONTROL BOX ASSY,DRIVECHASSIS.....1 | 1 | | | | |
| -- | 102704GT | HARNES,DCON,4WS <i>from SN 1196</i> | | | | | |
| -- | 73742GT | BOOT,PLUG 3 WAY <i>from SN 1196</i> | | | | | |
| -- | 75404GT | HARNES,DCON 4WS <i>to SN 1195</i> | | | | | |
| 12 | 61378-SGT | FORMING,DCON MOUNT,PAINTED....1 | 1 | | | | |
| 13 | | Ref. Steer and Axle Extend/Retract Manifold (refer to 704.1 or 705.1) | | | | | |
| 14 | 6019GT | SCREW,HHC,3/8-16 X 1.25 GRD 5 | | | | | |
| 15 | 6021GT | WASHER,LOCK,.375 | | | | | |
| 16 | 6097GT | WASHER,FLAT,USS,3/8",Y | | | | | |
| 17 | 102729GT | ELBOW,90D,1/8 NPT X #4 JIC.....4 <i>from SN 1051</i> | 4 | | | | |
| 18 | 61742GT | NIPPLE,PIPE,LONG 1/8 X 1.5.....4 <i>from SN 1051</i> | 4 | | | | |
| 19 | 61663PGT | COVER,DRIVE CHASSIS END**.....2 | 2 | | | | |
| 20 | 8177GT | SCREW,HHC,1/2-13 X 1.5 | | | | | |
| 21 | 6033GT | WASHER,LOCK,0.5" | | | | | |
| 22 | 22788GT | SCREW,HHC,1/2-13 X 1.75 | | | | | |
| 23 | 122247GT | SHIM,PAD,4 X 3.60 | | | | | |
| 24 | 61302GT | WEAR PAD,INNER AXLE SIDE.....8 | 8 | | | | |
| 25 | 61307GT | SHIM,INNER AXLE WEAR PAD | | | | | |
| 26 | 61310-SGT | PLATE,AXLE WEAR STEEL.....4 | 4 | | | | |
| 27 | 61309GT | WEAR PAD,INNER AXLE.....4 | 4 | | | | |
| 28 | 122248GT | SHIM,PAD,10 X 6.10 | | | | | |
| 29 | 60418-SGT | PLATE,WEAR PAD RETENTION.....4 | 4 | | | | |
| 30 | 6096GT | SCREW,HHC,1/2-13 X 2 GR5 | | | | | |
| 31 | 6095GT | WASHER,FLAT,USS,1/2",Y | | | | | |
| 32 | 6198GT | NUT,NYLOCK,1/2-13 | | | | | |
| 33 | 49189-2338GT | HOSE ASSY,1/4,STR FEM,STR.....4 <i>from SN 1051</i> | 4 | | | | |
| 34 | 48885GT | CONNECTOR,BULKHEAD,FEMALE-4...4 | 4 | | | | |

301.1 Fuel Tank Installation



| Item | Part No. | Description | Qty. |
|------|------------|---------------------------------------|------|
| 1 | 60938GT | STRAP ASSY,FUEL TANK 52"..... | 2 |
| -- | 31658GT | EXTRUSION,RUBBER BUMPER STRIP | |
| 2 | 60890GT | SENDER,LOW FUEL INDICATOR..... | 1 |
| 3 | 35418GT | HOSE,FUEL,3/16,SAE 30R7 | |
| -- | 35418GT | HOSE,FUEL,3/16,SAE 30R7 | |
| 4 | 21465GT | CLAMP,HOSE,SIZE .25 TO .63..... | 2 |
| 5 | 102106GT | FUEL RETURN,DAPCO 5/16"..... | 1 |
| -- | 70387GT | FUEL RETURN,DAPCO 3/8" | |
| -- | 88091GT | FUEL RETURN,DAPCO 1/4" | |
| 6 | 61240GT | BUSHING,FUEL TANK FITTING (SM)..... | 1 |
| 7 | 101726GT | CAP,FUEL,DIESEL,1/8"VENT(GRN)..... | 1 |
| 8 | 60492GT | GAUGE,FUEL LEVEL 17" REMOTE..... | 1 |
| | | <i>to SN 776</i> | |
| 9 | 61236GT | ASSEMBLY,FUEL TANK,40 GAL*** | 1 |
| | | <i>includes items 2, 6, 20 and 21</i> | |
| 10 | 6888GT | SCREW,HHC,1/4-20 X 1 | |
| 11 | 6356GT | WASHER,LOCK,.25 | |
| 12 | 6638GT | WASHER,FLAT,USS,1/4"Y | |
| 13 | 56912GT | SPRING CLIP,1/4-20,.025-.15X.54,ZAG | |
| 14 | 6054GT | NUT,HEX,3/8-24 | |
| 15 | 60482-SGT | PLATE,FUEL TANK BULKHEAD..... | 1 |
| | | <i>to SN 329</i> | |
| -- | 75554PGT | PLATE, FUEL TRAY BULKHEAD, PTD | |
| | | <i>from SN 330</i> | |
| 16 | 6019GT | SCREW,HHC,3/8-16 X 1.25 GRD 5 | |
| 17 | 6097GT | WASHER,FLAT,USS,3/8",Y | |
| 18 | 4828GT | NUT,NYLOCK,3/8-16 | |
| 19 | 60584GT | GROMMET,RUBBER .75 X .19 X 1** | 3 |
| 20 | 7-121-07GT | BUSHING,RUBBER,LARGE..... | 1 |
| 21 | 60805GT | TUBE ASSY,FUEL TANK,20.75"LG..... | 1 |
| 22 | 42941GT | HOSE,3/8",FUEL,30R7 | |

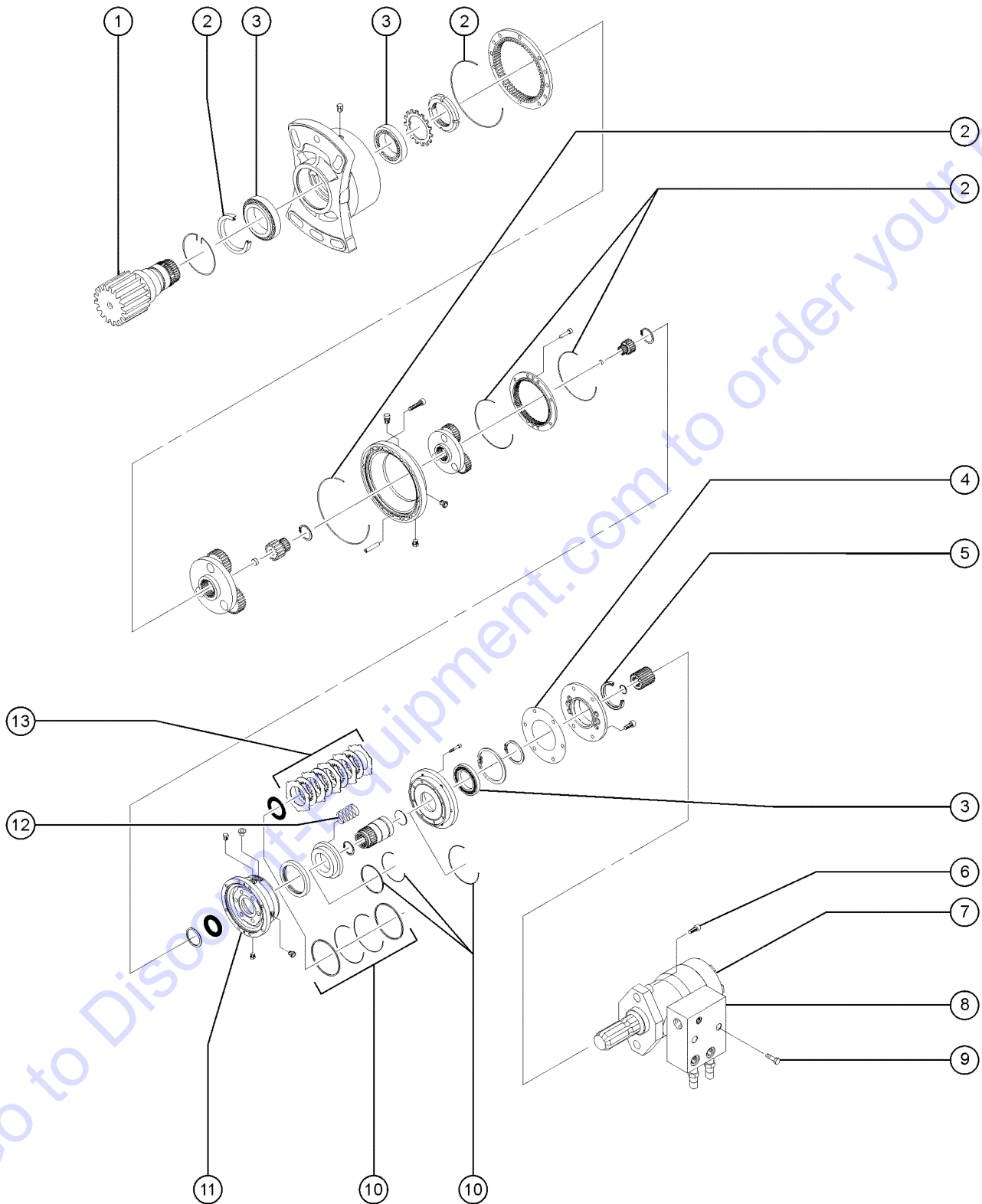
302.1 Turntable Rotator and Hydraulic Rotary Coupler Installation



302.1 Turntable Rotator and Hydraulic Rotary Coupler Installation

| Item | Part No. | Description | Qty. | Item | Part No. | Description | Qty. |
|------|---------------|---|------|------|-----------|--|------|
| 1 | 34348GT | SCREW,HHC,3/4-10 X 3 GRD.8..... | 5 | -- | T106956GT | SEAL,O-RING,SQUARE <i>part of swivel assemblies 61342, 89437 and 107533</i> | |
| 2 | 89833GT | WASHER,FLAT,.81 X 2.00 X .38..... | 5 | -- | T106960GT | SEAL, CAP <i>part of swivel assemblies 61342, 89437 and 107533</i> | |
| 3 | 60815GT | SCREW,SHS,3/4-10 X 1.5 | | -- | 75128GT | SPACER,SWIVEL MOUNT <i>part of swivel assemblies 61342 and 89437</i> | |
| 4 | 60937-SGT | FORMING,HOSE SUPPORT,SWING..... | 1 | -- | 102279GT | ROTATOR,ELECT,10 CONT*** <i>part of swivel assemblies 89437 and 107533</i> | |
| 5 | 60575PGT | BRACKET,HYD.ROTATOR MOUNT MNT..... | 2 | -- | 106914GT | CHANNEL, MOUNTING <i>part of swivel assemblies 107533 and 122918</i> | |
| 6 | 49775GT | SCREW,PHILLIPS,PHM,10-32X 1.75 | | -- | 62321GT | SEAL KIT,HYD SWIVEL (75126)*** | |
| 7 | 6146GT | WASHER,FLAT,MS,#10,Y | | -- | 75129GT | ARM,ANTI-ROTATION,SWIVEL*** | |
| 8 | 6178GT | NUT,NYLOCK,10-32 | | -- | 10107GT | SCREW,HHC,5/16-18 X .75 | |
| 9 | 75037GT | LIMIT SWITCH,OPERATIONAL..... | 1 | -- | 75130GT | SCREW,SHC,7/16-14 X .75,61342 | |
| 10 | 13918GT | SCREW,HHC,3/8-16 X 1.75,GRD.8..... | 4 | 29 | 10587GT | SCREW,HHC,1/2-13 X.75 | |
| 11 | 5397GT | WASHER,FLAT,USS,5/16",Y | | 30 | 49410GT | WASHER,FLAT,M12 | |
| 12 | 4828GT | NUT,NYLOCK,3/8-16 | | 31 | 60606-SGT | COVER,ROTATION GEAR..... | 1 |
| 13 | 6096GT | SCREW,HHC,1/2-13 X 2 GR5 | | 32 | 75008GT | PLUG,PIPE HEXHEAD 130109E-1/8..... | 1 |
| 14 | 6033GT | WASHER,LOCK,0.5" | | 33 | 61128GT | SCREW,HHC,3/4-10 X 4 FULL THRD | |
| 15 | 11209GT | WASHER,FLAT,USS,7/16",Y | | 34 | 6126GT | NUT,HEX,JAM,3/4-10 | |
| 16 | 45495GT | SCREW,SHC,5/8-11 X 3.00,A574..... | 30 | 35 | | Ref. Turntable Rotation Drive Hub, Motor and Brake Assembly (refer to 303.1) | |
| 17 | 13064GT | WASHER,FLAT,.625 HARDENED..... | 58 | 36 | 56843GT | SCREW,SHC,1/2-13 X 1.50,A574..... | 2 |
| 18 | 75007GT | CONN.MALE PIPE/ORFS-4..... | 1 | | | | |
| 19 | 61324-12947GT | HOSE ASSY,1/4"..... | 1 | | | | |
| 20 | 48885GT | CONNECTOR,BULKHEAD,FEMALE-4..... | 1 | | | | |
| 21 | 28646GT | ZERK,GREASE,1/8 NPT..... | 1 | | | | |
| 22 | 50035GT | BEARING,TURNTABLE..... | 1 | | | | |
| -- | 227785GT | BEARING TURNTABLE SEAL*** | | | | | |
| 23 | 61222GT | PIN,TRANSPORT STORAGE LOCK..... | 1 | | | | |
| 24 | 61223GT | PIN,TRANSPORT STORAGE HANDLE..... | 1 | | | | |
| 25 | 61250GT | SCREW,SHC,5/8-11 X 3.75,A574..... | 28 | | | | |
| 26 | 6198GT | NUT,NYLOCK,1/2-13 | | | | | |
| 27 | 60393-SGT | SUPPORT,HYDRAULIC SWIVEL..... | 1 | | | | |
| 28 | 61342GT | SWIVEL,HYD/ELEC 5 PORT/11 CONT..1 <i>(complete); to SN 403</i> | | | | | |
| 28A | 75127GT | COUPLER, ELECT. ROT, 11 CONT <i>part of swivel assembly 61342; to SN 403</i> | | | | | |
| -- | 122918GT | SWIVEL,HYD/ELEC 5 PORT/10 CONT <i>(complete) replaces swivel assemblies 61342, 89437 and 107533; from SN 404</i> | | | | | |
| -- | 122919GT | SWIVEL,ELECTRIC 10 CONTACT*** <i>part of swivel assembly 122918</i> | | | | | |
| -- | 75126GT | SWIVEL,HYDRAULIC,5 PORT <i>part of swivel assemblies 61342, 89437 and 107533</i> | | | | | |
| -- | T106954GT | SEAL, O-RING LIP <i>part of swivel assemblies 61342, 89437 and 107533</i> | | | | | |
| -- | T106955GT | SEAL, POLY, CHAMFER <i>part of swivel assemblies 61342, 89437 and 107533</i> | | | | | |

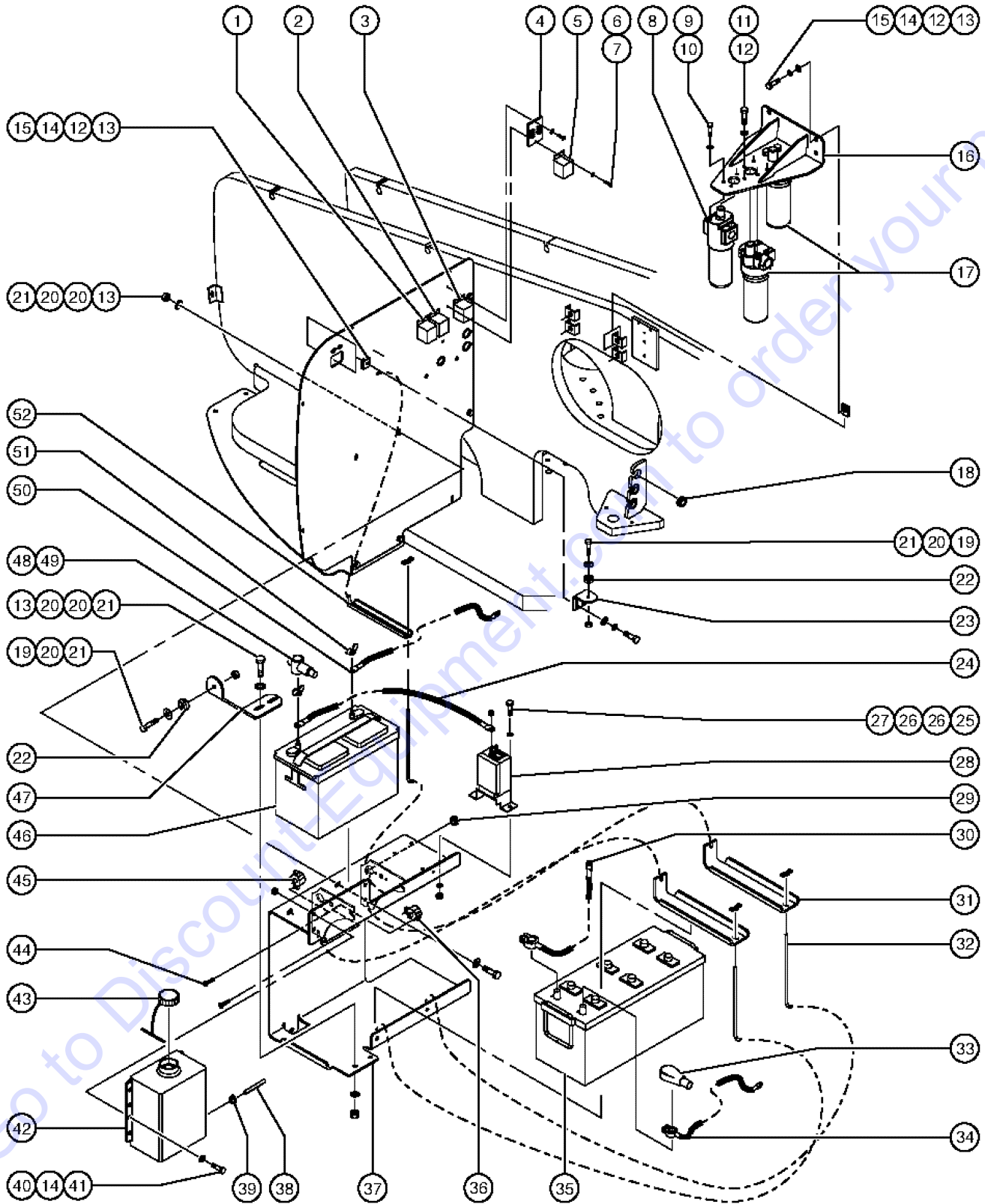
303.1 Turntable Rotation Drive Hub, Motor and Brake Assembly



303.1 Turntable Rotation Drive Hub, Motor and Brake Assembly

| Item | Part No. | Description | Qty. |
|------|----------|---|------|
| -- | 111145GT | SWING DRIVE ASSEMBLY | |
| 1 | | SHAFT-OUTPUT (60810).....1 <i>component no longer available</i> | |
| 2 | 62465GT | SEAL KIT,DRIVE HUB,TURNTBL.ROT...1 | |
| 3 | 62467GT | BEARING KIT,TURNTBL.ROT.DRVHUB.....1 | |
| 4 | 122336GT | GASKET,(111145).....1 | |
| 5 | 122337GT | OIL SEAL,(111145).....1 | |
| 6 | 56843GT | SCREW,SHC,1/2-13 X 1.50,A574 | |
| 7 | 60812GT | MOTOR,TURNTABL ROT.ASSY.60751.....1 <i>to SN 1609</i> | |
| -- | 111144GT | MOTOR,SWING DRIVE (111145) <i>from SN 1610</i> | |
| -- | 75116GT | SEAL KIT,TURNTABL.ROT.MOTOR | |
| 8 | 128447GT | MANIFOLD,TURNTABLE ROTATION....1 | |
| 9 | 41489GT | SCREW,SHC,5/16-18 X 2,PLATED | |
| 10 | 62466GT | SEAL KIT,BRAKE,TURNTABLE ROT**...1 | |
| 11 | 60811GT | BRAKE,TURNTABL ROT ASSY,60751* <i>includes items 3, 9, 11 and 12; to SN 1609</i> | |
| -- | 111143GT | BRAKE,SWING DRIVE (111145) <i>from SN 1610</i> | |
| 12 | 75682GT | DISC KIT DRIVE TURNTABLE Z-60*....1 | |
| 13 | 62468GT | BRAKE DISC KIT,75090.....1 | |

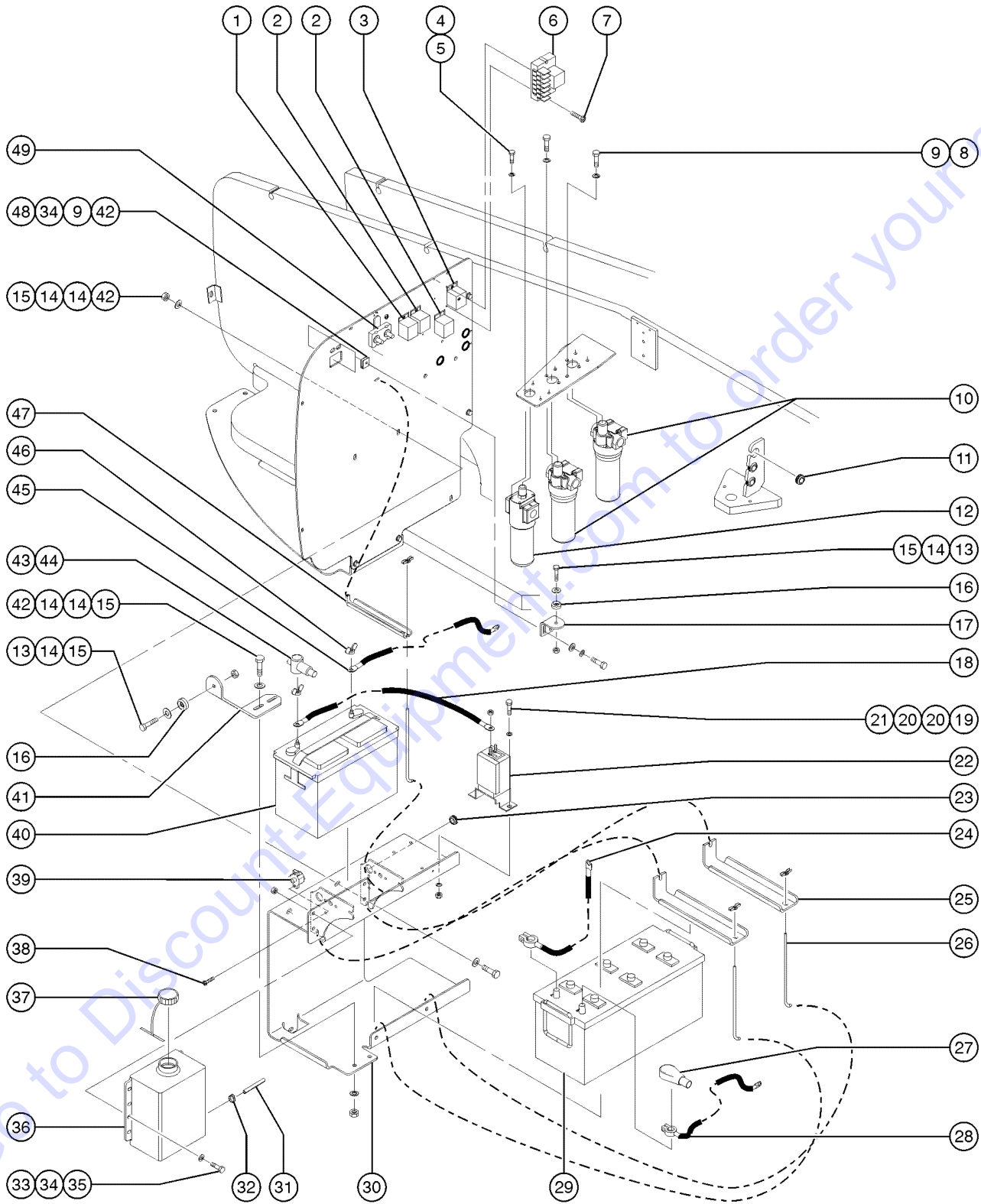
304.1 Batteries and Hydraulic Filters Installation (to SN 364)



304.1 Batteries and Hydraulic Filters Installation (to SN 364)

| Item | Part No. | Description | Qty. | Item | Part No. | Description | Qty. |
|------|-----------|---|------|------|---------------|--|------|
| 1 | 60521GT | RELAY,SEALED 30/40 AMP.....1 <i>Deutz models</i> | 1 | -- | 215209GT | KIT, BATT SEPARATOR, CE <i>includes part 237068</i> | |
| 2 | 61225GT | RELAY,12VDC,70AMP,SEALED.....1 <i>Deutz models</i> | 1 | -- | 215210GT | KIT, BATT SEPARATOR, AS <i>includes part 237068</i> | |
| 3 | 60521GT | RELAY,SEALED 30/40 AMP.....1 <i>Deutz models</i> | 1 | 29 | 60584GT | GROMMET,RUBBER .75 X .19 X 1**.....1 | |
| -- | 61225GT | RELAY,12VDC,70AMP,SEALED <i>Cummins and Perkins models</i> | | 30 | 60928GT | CABLE,BATTERY NEGATIVE.....1 | |
| 4 | 89997GT | RELAY MODULE(89996,89998).....1 | 1 | 31 | 60711GT | HOLD DOWN,BATTERY.....2 | |
| 5 | 61225GT | RELAY,12VDC,70AMP,SEALED.....1 | 1 | 32 | 45708GT | HOOK,BATT HOLD DOWN,10" | |
| 6 | 49818GT | SCREW,PHILLIPS,PHM,10-32 X .38 | | -- | 8170GT | NUT,WING,1/4-20 | |
| 7 | 6607GT | WASHER,LOCK,#10 PLTD | | 33 | 18189GT | BOOT,BATTERY TERMINAL,RED.....1 | |
| 8 | 122773GT | SERVICE KIT,MEC. PRESS.FILTER.....1 | 1 | 34 | 61318GT | BATTERY CABLE,POSITIVE DEUTZ.....1 <i>Deutz models</i> | |
| -- | 60857GT | FILTER,ELEMENT,BETA(5)=1000 <i>use with 77139</i> | | -- | 60930GT | CABLE,BATTERY POSITIVE <i>Cummins and Perkins models</i> | |
| -- | 60858GT | FILTER KIT,3 MICRON,MED <i>use with 75573</i> | | 35 | 57160GT | BATTERY,12V GRP 4D,190 AH,DRY*.....1 | |
| 9 | 8914GT | SCREW,HHC,1/4-20 X .625 | | 36 | 61187GT | CIRCUIT BREAKER, 20 AMP.....1 <i>includes mounting nuts</i> | |
| 10 | 6356GT | WASHER,LOCK,.25 | | 37 | 60708-SGT | WELDMENT,BATTERY TRAY.....1 | |
| 11 | 8255GT | SCREW,HHC,3/8-16 X .75 | | 38 | 42941-11500GT | HOSE,3/8",FUEL,30R7 | |
| 12 | 6021GT | WASHER,LOCK,.375 | | 39 | 21465GT | CLAMP,HOSE,SIZE .25 TO .63.....1 | |
| 13 | 6019GT | SCREW,HHC,3/8-16 X 1.25 GRD 5 | | 40 | 13002GT | SCREW,HHC,5/16-18 X 1 GR5 | |
| 14 | 5397GT | WASHER,FLAT,USS,5/16",Y | | 41 | 6782GT | NUT,NYLOCK,5/16-18 | |
| 15 | 29868GT | SPRING CLIP,3/8-16,.05-.20X.73,ZAG | | 42 | 60721GT | COOLANT,RECOVERY BOTTLE, 4 QT*.....1 | |
| 16 | 60701-SGT | WELDMENT,BRKT,PRESSURE FILTER.....1 | 1 | 43 | 75121GT | CAP, COOLANT RET SYS(60721).....1 | |
| 17 | 60334GT | FILTER ASSY,HIGH PRESS SAE-12*.....2 | 2 | 44 | 54380GT | SCREW,PHILLIPS,PHM,8-32 X .875 | |
| -- | 1279465GT | BACKUP RING,71.60X67.20X1.40PTFE(60334) | | 45 | 75610GT | CIRCUIT BREAKER, 25 AMP.....1 <i>includes mounting nuts</i> | |
| -- | 1279466GT | O-RING,67.95X2.62-NBR-70SH(HF2P)(60334) | | 46 | 30143GT | BATTERY,12V,1000 CCA GRP 31.....1 | |
| -- | 60857GT | FILTER,ELEMENT,BETA(5)=1000 | | 47 | 60727-SGT | FORMING,COVER STOP.....1 | |
| 18 | 61189GT | GROMMET,RUBBER .75 X .38 X1.13.....3 | 3 | 48 | 51147GT | BOOT,CABLE TERMINAL,LG,RED,2/0...1 | |
| 19 | 6175GT | SCREW,HHC,3/8-16 X 1 | | 49 | 69230GT | NUT,WING,3/8-16 | |
| 20 | 6097GT | WASHER,FLAT,USS,3/8",Y | | 50 | 75719GT | CABLE,GROUND,79" W/PIGTAIL.....1 | |
| 21 | 4828GT | NUT,NYLOCK,3/8-16 | | 51 | 69229GT | NUT,WING 5/16-18.....2 | |
| 22 | 50974GT | BUMPER,RUBBER,COVERS.....2 | 2 | 52 | 60940GT | HOLD DOWN,BATTERY,SMALL.....1 | |
| 23 | 60729-SGT | FORMING,COVER STOP.....1 | 1 | | | | |
| 24 | 61359GT | CHARGING WIRE.....1 | 1 | | | | |
| -- | 75409GT | BATTERY CABLE <i>from SN 330</i> | | | | | |
| 25 | 6090GT | SCREW,HHC,1/4-20 X .75 | | | | | |
| 26 | 6638GT | WASHER,FLAT,USS,1/4"Y | | | | | |
| 27 | 6091GT | NUT,NYLOCK,1/4-20 | | | | | |
| 28 | 237068GT | SEPARATOR,DUAL BATTERY,100A.....1 | 1 | | | | |
| -- | 214393GT | KIT, BATT SEPARATOR, ANSI/CSA <i>includes part 237068</i> | | | | | |

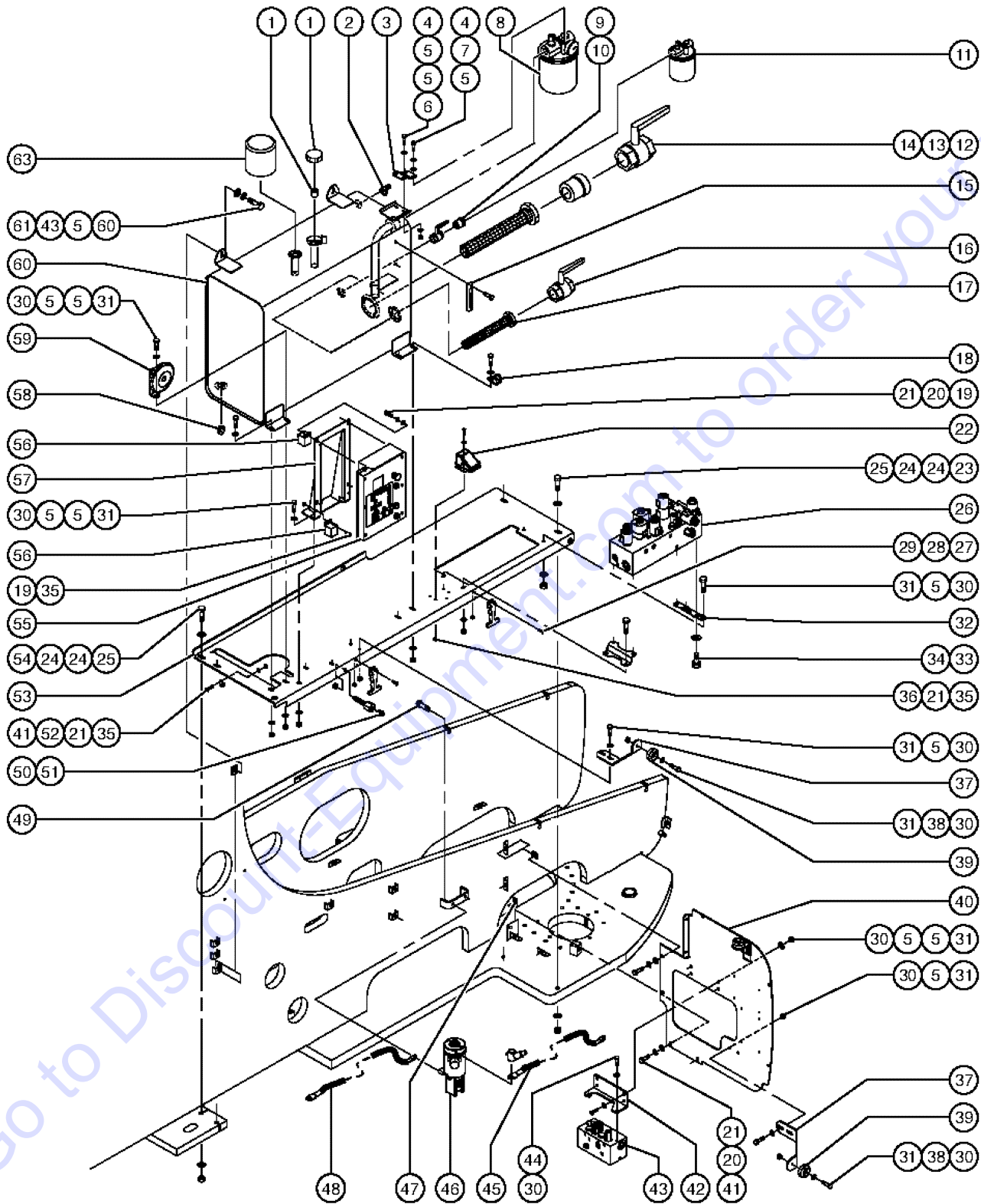
304.2 Batteries and Hydraulic Filters Installation (from SN 365)



304.2 Batteries and Hydraulic Filters Installation (from SN 365)

| Item | Part No. | Description | Qty. | Item | Part No. | Description | Qty. |
|------|-----------|--|------|------|---------------|--|------|
| -- | 66717GT | FUSE BLOCK, ANN & ANL FUSE | | 19 | 6090GT | SCREW,HHC,1/4-20 X .75 | |
| -- | 102190PGT | FORMING,FUSE COVER, PAINTED | | 20 | 6638GT | WASHER,FLAT,USS,1/4"Y | |
| 1 | 60521GT | RELAY,SEALED 30/40 AMP.....1 <i>Deutz models</i> | 1 | 21 | 6091GT | NUT,NYLOCK,1/4-20 | |
| 2 | 61225GT | RELAY,12VDC,70AMP,SEALED.....2 <i>Deutz models</i> | 2 | 22 | 237068GT | SEPARATOR,DUAL BATTERY,100A.....1 | |
| 3 | 60521GT | RELAY,SEALED 30/40 AMP.....1 <i>Deutz and Perkins models</i> | 1 | -- | 214393GT | KIT, BATT SEPARATOR, ANSI/CSA <i>includes part 237068</i> | |
| -- | 61225GT | RELAY,12VDC,70AMP,SEALED <i>Cummins</i> | | -- | 215209GT | KIT, BATT SEPARATOR, CE <i>includes part 237068</i> | |
| 4 | 8914GT | SCREW,HHC,1/4-20 X .625 | | -- | 215210GT | KIT, BATT SEPARATOR, AS <i>includes part 237068</i> | |
| 5 | 6356GT | WASHER,LOCK,.25 | | 23 | 60584GT | GROMMET,RUBBER .75 X .19 X 1**.....1 | |
| 6 | 89997GT | RELAY MODULE(89996,89998).....1 | 1 | 24 | 60928GT | CABLE,BATTERY NEGATIVE.....1 | |
| 7 | 49816GT | SCREW,PHILLIPS,PHM,10-32 X .75 | | 25 | 60711GT | HOLD DOWN,BATTERY.....2 | |
| 8 | 8255GT | SCREW,HHC,3/8-16 X .75 | | 26 | 45708GT | HOOK,BATT HOLD DOWN,10".....4 | |
| 9 | 6021GT | WASHER,LOCK,.375 | | -- | 8170GT | NUT,WING,1/4-20 | |
| 10 | 60334GT | FILTER ASSY,HIGH PRESS SAE-12*.....2 | 2 | 27 | 18189GT | BOOT,BATTERY TERMINAL,RED.....1 | |
| -- | 1279465GT | BACKUP RING,71.60X67.20X1.40PTFE(60334) | | 28 | 61318GT | BATTERY CABLE,POSITIVE DEUTZ.....1 <i>Deutz models</i> | |
| -- | 1279466GT | O-RING,67.95X2.62-NBR-70SH(HF2P)(60334) | | -- | 60930GT | CABLE,BATTERY POSITIVE <i>Cummins and Perkins models</i> | |
| -- | 60857GT | FILTER,ELEMENT,BETA(5)=1000 | | 29 | 57160GT | BATTERY,12V GRP 4D,190 AH,DRY*.....1 | |
| 11 | 61189GT | GROMMET,RUBBER .75 X .38 X 1.13.....3 | 3 | 30 | 60708-SGT | WELDMENT,BATTERY TRAY.....1 | |
| 12 | 122773GT | SERVICE KIT,MEC. PRESS.FILTER <i>to SN 954</i> | | 31 | 42941-11500GT | HOSE,3/8",FUEL,30R7.....115-inches | |
| -- | | FILTER ASY,M PRESS,SAE8,WIND* (77139) <i>from SN 955 (component no longer available)</i> | | 32 | 21465GT | CLAMP,HOSE,SIZE .25 TO .63.....1 | |
| -- | 58222GT | O-RING,FILTER ASSY (60334)*** | | 33 | 13002GT | SCREW,HHC,5/16-18 X 1 GR5 | |
| -- | 58223GT | SEAL,FILTER ASSY (60334)*** | | 34 | 5397GT | WASHER,FLAT,USS,5/16",Y | |
| -- | 60857GT | FILTER,ELEMENT,BETA(5)=1000 <i>for 77139</i> | | 35 | 6782GT | NUT,NYLOCK,5/16-18 | |
| -- | 60858GT | FILTER KIT,3 MICRON,MED <i>for 75573</i> | | 36 | 60721GT | COOLANT,RECOVERY BOTTLE, 4 QT*.....1 | |
| 12A | 1267807GT | ASSY, MED. PRESS. FILTER, SAE8 | | 37 | 75121GT | CAP, COOLANT RET SYS(60721).....1 | |
| -- | 1268229GT | ELEMENT-5 MIC, PAPER, W/BYPASS <i>for 1267807</i> | | 38 | 54380GT | SCREW,PHILLIPS,PHM,8-32 X .875 | |
| 13 | 6175GT | SCREW,HHC,3/8-16 X 1 | | 39 | 75610GT | CIRCUIT BREAKER, 25 AMP.....1 | |
| 14 | 6097GT | WASHER,FLAT,USS,3/8",Y | | 40 | 30143GT | BATTERY,12V,1000 CCA GRP 31.....1 | |
| 15 | 4828GT | NUT,NYLOCK,3/8-16 | | 41 | 60727-SGT | FORMING,COVER STOP.....1 | |
| 16 | 50974GT | BUMPER,RUBBER,COVERS.....2 | 2 | 42 | 6019GT | SCREW,HHC,3/8-16 X 1.25 GRD 5 | |
| 17 | 60729-SGT | FORMING,COVER STOP.....1 | 1 | 43 | 51147GT | BOOT,CABLE TERMINAL,LG,RED,2/0...1 | |
| 18 | 75409GT | BATTERY CABLE.....1 | 1 | 44 | 69230GT | NUT,WING,3/8-16 | |
| -- | 111637GT | CABLE,BATTERY POSITIVE 73" <i>Cummins models; from SN 2548</i> | | 45 | 75719GT | CABLE,GROUND,79" W/PIGTAIL.....1 | |
| -- | 60930GT | CABLE,BATTERY POSITIVE <i>Perkins models; from SN 2553</i> | | 46 | 69229GT | NUT,WING 5/16-18 | |
| | | | | 47 | 60940GT | HOLD DOWN,BATTERY,SMALL.....1 | |
| | | | | 48 | 29868GT | SPRING CLIP,3/8-16,.05-.20X.73,ZAG | |
| | | | | 49 | 128829GT | CIRCUIT BRKR 15A TYPE 2 METAL <i>Deutz models</i> | |

305.1 Hydraulic Tank Installation (to SN 430)



305.1 Hydraulic Tank Installation (to SN 430)

| Item | Part No. | Description | Qty. | Item | Part No. | Description | Qty. |
|------|-----------|--|------|------|-----------|--|------|
| 1 | 75113GT | FILLER NECK/CAP ASSY.HYD TANK*...1 | | 24 | 6095GT | WASHER,FLAT,USS,1/2",Y | |
| 2 | 48918GT | TEE,RUN,520428-6.....1 | | 25 | 6198GT | NUT,NYLOCK,1/2-13 | |
| 3 | 60936-SGT | BRACKET,RETURN FILTER.....1 | | 26 | | Ref. Function Manifold (refer to 706.1) | |
| 4 | 10107GT | SCREW,HHC,5/16-18 X .75 | | 27 | 75041GT | SCREW,PHILLIPS,PHM,10-32 X 1 | |
| 5 | 5397GT | WASHER,FLAT,USS,5/16",Y | | 28 | 45363GT | LATCH,FLEXIBLE.....2 | |
| 6 | 6782GT | NUT,NYLOCK,5/16-18 | | -- | 75076GT | KEEPER,LATCH (45363) | |
| 7 | 6886GT | WASHER,LOCK, .313 | | 29 | 6178GT | NUT,NYLOCK,10-32 | |
| 8 | 60508GT | FILTER,RETURN,ASSY 10 MICRON.....1 | | 30 | 6019GT | SCREW,HHC,3/8-16 X 1.25 GRD 5 | |
| -- | 52768GT | GAUGE,MED.PRESSUR FILTER,50530 | | 31 | 4828GT | NUT,NYLOCK,3/8-16 | |
| -- | 61326GT | FILTER ELEMENT,10 MICRON,60508 | | 32 | 60590-SGT | BRACKET,FUNCTION MANIFOLD MNT.....2 | |
| 9 | 75043GT | NIPPLE,PIPE M/M 140137-3/4.....1 to SN 296 | | 33 | 10587GT | SCREW,HHC,1/2-13 X.75 | |
| -- | 75255GT | UNION,STR.THREAD 12* from SN 297 | | 34 | 6033GT | WASHER,LOCK,0.5" | |
| 10 | 48993GT | VALVE,BALL,12 MPT-12 FPT.....1 to SN 296 | | 35 | 6091GT | NUT,NYLOCK,1/4-20 | |
| -- | 48995GT | VALVE,BALL,12 MSAE-12 FSAE from SN 297 | | 36 | 6090GT | SCREW,HHC,1/4-20 X .75 | |
| 11 | 56653GT | FILTER,RETURN,ASSY,BETA 10.....1 | | 37 | 60727-SGT | FORMING,COVER STOP.....2 | |
| -- | 44207GT | FILTER ELEMENT,BETA(10)=200 | | 38 | 6097GT | WASHER,FLAT,USS,3/8",Y | |
| 12 | 60653GT | VALVE,BALL,1.50" SAE.....1 to SN 296 | | 39 | 50974GT | BUMPER,RUBBER,COVERS.....2 | |
| -- | 75256GT | VALVE BALL,24 FSAE-24 FSAE*** from SN 297 | | 40 | 60486-SGT | PLATE,SWING CHASSIS BULKHEAD....1 | |
| 13 | 61186GT | BUSHING,2 X 1.5,PLATED IRON.....1 to SN 296 | | 41 | 6888GT | SCREW,HHC,1/4-20 X 1 | |
| -- | 75254GT | UNION,STR.THREAD 24*** from SN 297 | | 42 | 60704-SGT | FORMING,DIST.MANIFOLD MTG.....1 | |
| 14 | 60551GT | STRAINER ASSEMBLY,3" NPT.....1 to SN 296 | | 43 | | Ref. Distribution Manifold (refer to 707.1) | |
| -- | 75257GT | STRAINER ASSY,#24 O-RING from SN 297 | | 44 | 6021GT | WASHER,LOCK, .375 | |
| 15 | 215229GT | GAUGE,HYDRAULIC TANK T/L VL.....1 | | 45 | 60931GT | CABLE,BATTERY.....1 to SN 329 | |
| 16 | 61251GT | VALVE,BALL,1.00" SAE.....1 to SN 296 | | -- | 75409GT | BATTERY CABLE from SN 330 | |
| -- | 48996GT | VALVE,BALL,16 MSAE-16 FSAE*** from SN 297 | | 46 | 102710GT | PUMP,AUXILIARY,DUAL,12V.....1 When replacing power units with 4 hoses, the 1/4 hose with the 90 deg fitting closest to the electric motor is no longer needed (the other end should T into the tank line). Remove and cap off this hose. | |
| 17 | 45161GT | STRAINER ASSEMBLY,1.5" NPT.....1 to SN 296 | | -- | 102659GT | PUMP,(102710 APU) | |
| -- | 75253GT | STRAINER ASSY,#16 O-RING from SN 297 | | -- | 147290GT | SHAFT SEAL, APU | |
| 18 | 60838GT | CLAMP,1.00,#16 X 7/16,RUB CUSH | | -- | 37187GT | SEAL KIT, 37185 PUMP | |
| 19 | 8914GT | SCREW,HHC,1/4-20 X .625 | | -- | 37191GT | GASKET, PUMP / MOTOR (36179) | |
| 20 | 6356GT | WASHER,LOCK, .25 | | -- | 62411GT | PUMP ASSY. 60511 APU | |
| 21 | 6638GT | WASHER,FLAT,USS,1/4"Y | | -- | 62412GT | SOLENOID,MOTOR START,60511,APU | |
| 22 | 50161GT | SENSOR,TILT TURNTABLE(PLSTC).....1 | | -- | 62413GT | MOTOR, 60511, APU, 12VDC | |
| 23 | 6732GT | SCREW,HHC,1/2-13 X 3.25 | | -- | 62414GT | SEAL, SHAFT, 60511 APU | |
| | | | | 47 | 56912GT | SPRING CLIP,1/4-20, .025-.15X.54,ZAG | |
| | | | | 48 | 75719GT | CABLE,GROUND,79" W/PIGTAIL.....1 | |
| | | | | 49 | 75051GT | SCREW,SER FLNG3/8UNCX3/4ZNYEL | |
| | | | | 50 | 28646GT | ZERK,GREASE,1/8 NPT.....1 | |
| | | | | 51 | 48885GT | CONNECTOR,BULKHEAD,FEMALE-4...1 | |

305.1 Hydraulic Tank Installation (to SN 430)
(continued)

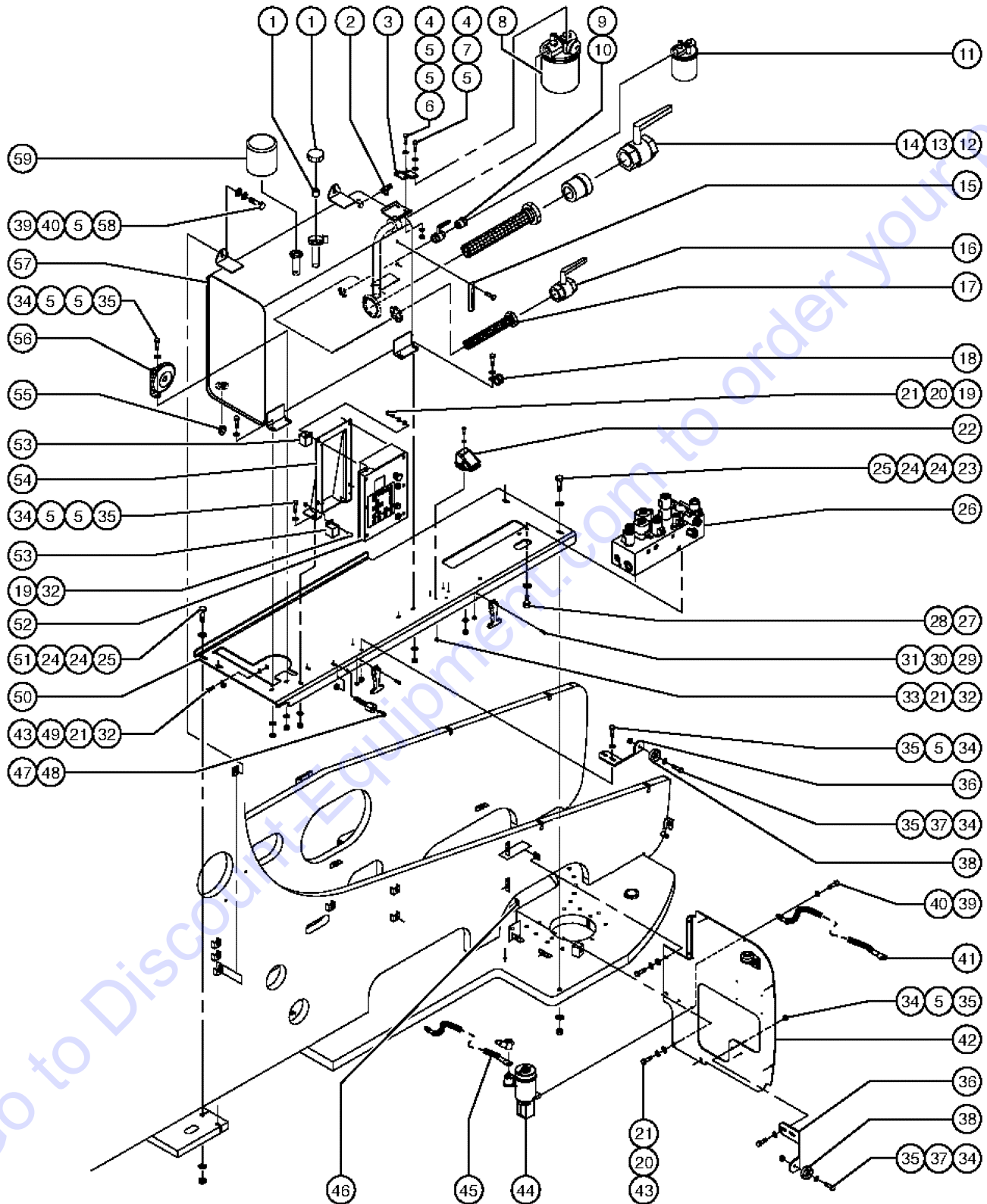
| Item | Part No. | Description | Qty. |
|------|-----------|--|------|
| 52 | 6833GT | CLAMP,0.50,#8 X 1/4,RUB CUSH.....1 | |
| 53 | 60588-SGT | TRAY,HYDRAULIC TANK MOUNTING....1 | |
| 54 | 39479GT | SCREW,HHC,1/2-13 X 2.75 | |
| 55 | | Ref. Ground Controls (refer to 306.1) | |
| 56 | 60521GT | RELAY,SEALED 30/40 AMP.....2 | |
| 57 | 60571-SGT | BRACKET,CNTL BOX MOUNTING***....1 | |
| 58 | 75014GT | PLUG,HEX,130109E,1/2 NPT***.....1 <i>Cummins and Perkins models</i> | |
| -- | 35600GT | THERMOSTAT,110 DEG.F N/O <i>Deutz models</i> | |
| 59 | 81578GT | HORN,12VDC,SPADE TERMINALS***....1 | |
| 60 | 60510GT | TANK,HYDRAULIC,55 GALLON.....1 <i>includes item 1; to SN 296</i> | |
| -- | 75258GT | TANK,HYDRAULIC,55 GALLON <i>includes item 1; from SN 297</i> | |
| 61 | 6175GT | SCREW,HHC,3/8-16 X 1 | |
| 62 | 29868GT | SPRING CLIP,3/8-16,.05-.20X.73,ZAG | |
| 63 | 60559GT | BREATHER,RESERVOIR 3 MICRON***1 | |

Go to Discount-Equipment.com to order your parts

This Page Intentionally Left Blank

Go to Discount-Equipment.com to order your parts

305.2 Hydraulic Tank Installation (from SN 431 to 500)



PARTS FINDER

**Search Website
by Part Number**



**Search Manual
Library For Parts
Manual & Lookup Part
Numbers – Purchase
or Request Quote**

Search Manuals

Enter your information to help us find the right parts manual for your machine.

* Brand:

* Model:

* Serial:

* Part Number:

SEARCH

**Can't Find Part or
Manual? Request Help
by Manufacturer,
Model & Description**

Parts Order Form

Please fill in the following information to help us find the right part for your machine.

| | |
|---------------|----------------------|
| Manufacturer: | <input type="text"/> |
| Model: | <input type="text"/> |
| Description: | <input type="text"/> |
| Part Number: | <input type="text"/> |
| Quantity: | <input type="text"/> |
| Notes: | <input type="text"/> |

Submit

Discount-Equipment.com is your online resource for quality parts & equipment.

Florida: **561-964-4949** Outside Florida TOLL FREE: **877-690-3101**

Need parts?

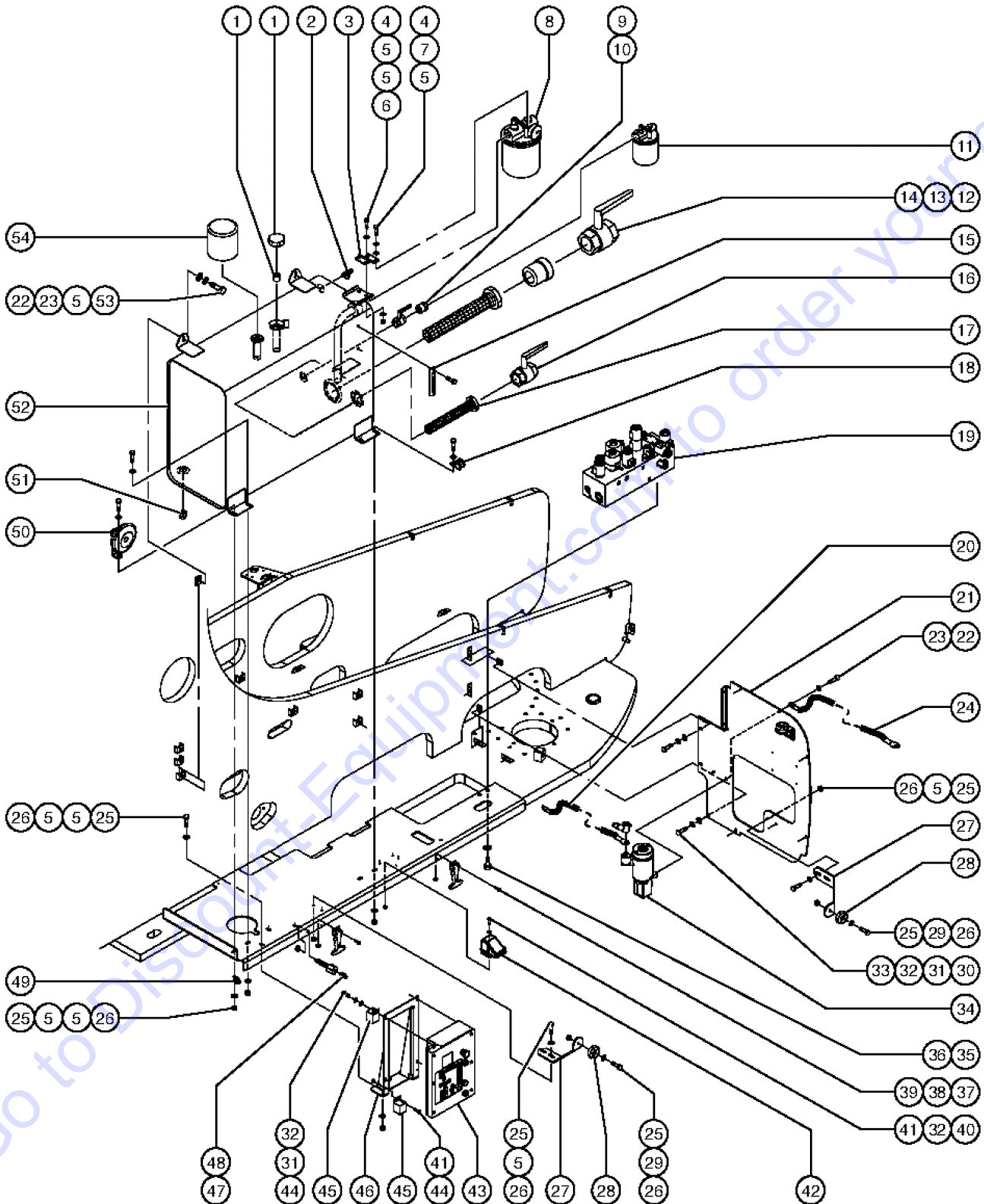
Click on this link: <http://www.discount-equipment.com/category/5443-parts/> and choose one of the options to help get the right parts and equipment you are looking for. Please have the machine model and serial number available in order to help us get you the correct parts. If you don't find the part on the website or on one of the online manuals, please fill out the request form and one of our experienced staff members will get back to you with a quote for the right part that your machine needs.

We sell worldwide for the brands: Genie, Terex, JLG, MultiQuip, Mikasa, Essick, Whiteman, Mayco, Toro Stone, Diamond Products, Generac Magnum, Airman, Haulotte, Barreto, Power Blanket, Nifty Lift, Atlas Copco, Chicago Pneumatic, Allmand, Miller Curber, Skyjack, Lull, Skytrak, Tsurumi, Husquvarna Target, Stow, Wacker, Sakai, Mi-T-M, Sullair, Basic, Dynapac, MBW, Weber, Bartell, Bennar Newman, Haulotte, Ditch Runner, Menegotti, Morrison, Contec, Buddy, Crown, Edco, Wyco, Bomag, Laymor, EZ Trench, Bil-Jax, F.S. Curtis, Gehl Pavers, Heli, Honda, ICS/PowerGrit, IHI, Partner, Imer, Clipper, MMD, Koshin, Rice, CH&E, General Equipment, Amida, Coleman, NAC, Gradall, Square Shooter, Kent, Stanley, Tamco, Toku, Hatz, Kohler, Robin, Wisconsin, Northrock, Oztec, Toker TK, Rol-Air, APT, Wylie, Ingersoll Rand / Doosan, Innovatech, Con X, Ammann, Mecalac, Makinex, Smith Surface Prep, Small Line, Wanco, Yanmar

305.2 Hydraulic Tank Installation (from SN 431 to 500)

| Item | Part No. | Description | Qty. | Item | Part No. | Description | Qty. |
|------|-----------|---|------|------|-----------|---------------------------------------|------|
| 1 | 75113GT | FILLER NECK/CAP ASSY.HYD TANK*...1 | | 40 | 6021GT | WASHER,LOCK,.375 | |
| 2 | 48918GT | TEE,RUN,520428-6.....1 | | 41 | 75719GT | CABLE,GROUND,79" W/PIGTAIL.....1 | |
| 3 | 60936-SGT | BRACKET,RETURN FILTER.....1 | | 42 | 75591GT | PLATE,SWING CHASSIS BULKHEAD....1 | |
| 4 | 10107GT | SCREW,HHC,5/16-18 X .75 | | 43 | 6888GT | SCREW,HHC,1/4-20 X 1 | |
| 5 | 5397GT | WASHER,FLAT,USS,5/16",Y | | 44 | 102710GT | PUMP,AUXILIARY,DUAL,12V.....1 | |
| 6 | 6782GT | NUT,NYLOCK,5/16-18 | | -- | 75454GT | PUMP,(75592 APU) | |
| 7 | 6886GT | WASHER,LOCK,.313 | | -- | 102659GT | PUMP,(102710 APU) | |
| 8 | 60508GT | FILTER,RETURN,ASSY 10 MICRON.....1 | | -- | 147290GT | SHAFT SEAL, APU | |
| -- | 52768GT | GAUGE,MED.PRESSUR FILTER,50530 | | -- | 37187GT | SEAL KIT, 37185 PUMP | |
| -- | 61326GT | FILTER ELEMENT,10 MICRON,60508 | | -- | 37191GT | GASKET, PUMP / MOTOR (36179) | |
| 9 | 75255GT | UNION,STR.THREAD 12*.....1 | | -- | 62412GT | SOLENOID,MOTOR START,60511,APU | |
| 10 | 48995GT | VALVE,BALL,12 MSAE-12 FSAE.....1 | | -- | 62413GT | MOTOR, 60511, APU, 12VDC | |
| 11 | 56653GT | FILTER,RETURN,ASSY,BETA 10.....1 | | -- | 62414GT | SEAL, SHAFT, 60511 APU | |
| -- | 44207GT | FILTER ELEMENT,BETA(10)=200 | | 45 | 75409GT | BATTERY CABLE.....1 | |
| 12 | 75256GT | VALVE BALL,24 FSAE-24 FSAE***1 | | 46 | 56912GT | SPRING CLIP,1/4-20,.025-.15X.54,ZAG | |
| 13 | 75254GT | UNION,STR.THREAD 24***.....1 | | 47 | 28646GT | ZERK,GREASE,1/8 NPT.....1 | |
| 14 | 75257GT | STRAINER ASSY,#24 O-RING.....1 | | 48 | 48885GT | CONNECTOR,BULKHEAD,FEMALE-4...1 | |
| 15 | 215229GT | GAUGE,HYDRAULIC TANK T/L VL.....1 | | 49 | 6833GT | CLAMP,0.50,#8 X 1/4,RUB CUSH.....1 | |
| 16 | 48996GT | VALVE,BALL,16 MSAE-16 FSAE***1 | | 50 | 75589GT | TRAY,HYDRAULIC TANK MOUNTING....1 | |
| 17 | 75253GT | STRAINER ASSY,#16 O-RING.....1 | | 51 | 39479GT | SCREW,HHC,1/2-13 X 2.75 | |
| 18 | 60838GT | CLAMP,1.00,#16 X 7/16,RUB CUSH | | 52 | | Ref. Ground Controls (refer to 306.1) | |
| 19 | 8914GT | SCREW,HHC,1/4-20 X .625 | | 53 | 60521GT | RELAY,SEALED 30/40 AMP.....2 | |
| 20 | 6356GT | WASHER,LOCK,.25 | | 54 | 60571-SGT | BRACKET,CNTL BOX MOUNTING***.....1 | |
| 21 | 6638GT | WASHER,FLAT,USS,1/4"Y | | 55 | 75014GT | PLUG,HEX,130109E,1/2 NPT***1 | |
| 22 | 50161GT | SENSOR,TILT TURNTABLE(PLSTC).....1 | | | | <i>Cummins and Perkins models</i> | |
| 23 | 6732GT | SCREW,HHC,1/2-13 X 3.25 | | -- | 35600GT | THERMOSTAT,110 DEG.F N/O | |
| 24 | 6095GT | WASHER,FLAT,USS,1/2",Y | | | | <i>Deutz models</i> | |
| 25 | 6198GT | NUT,NYLOCK,1/2-13 | | 56 | 81578GT | HORN,12VDC,SPADE TERMINALS***.....1 | |
| 26 | | Ref. Function Manifold (refer to 706.2) | | 57 | 75258GT | TANK,HYDRAULIC,55 GALLON.....1 | |
| 27 | 33987GT | SCREW,HHC,1/2-13 X 1, GR 5 | | | | <i>includes item 1</i> | |
| 28 | 6033GT | WASHER,LOCK,0.5" | | 58 | 29868GT | SPRING CLIP,3/8-16,.05-.20X.73,ZAG | |
| 29 | 75041GT | SCREW,PHILLIPS,PHM,10-32 X 1 | | 59 | 60559GT | BREATHER,RESERVOIR 3 | |
| 30 | 45363GT | LATCH,FLEXIBLE.....2 | | | | MICRON***.....1 | |
| -- | 75076GT | KEEPER,LATCH (45363) | | | | | |
| 31 | 6178GT | NUT,NYLOCK,10-32 | | | | | |
| 32 | 6091GT | NUT,NYLOCK,1/4-20 | | | | | |
| 33 | 6090GT | SCREW,HHC,1/4-20 X .75 | | | | | |
| 34 | 6019GT | SCREW,HHC,3/8-16 X 1.25 GRD 5 | | | | | |
| 35 | 4828GT | NUT,NYLOCK,3/8-16 | | | | | |
| 36 | 60727-SGT | FORMING,COVER STOP.....2 | | | | | |
| 37 | 6097GT | WASHER,FLAT,USS,3/8",Y | | | | | |
| 38 | 50974GT | BUMPER,RUBBER,COVERS.....2 | | | | | |
| 39 | 6175GT | SCREW,HHC,3/8-16 X 1 | | | | | |

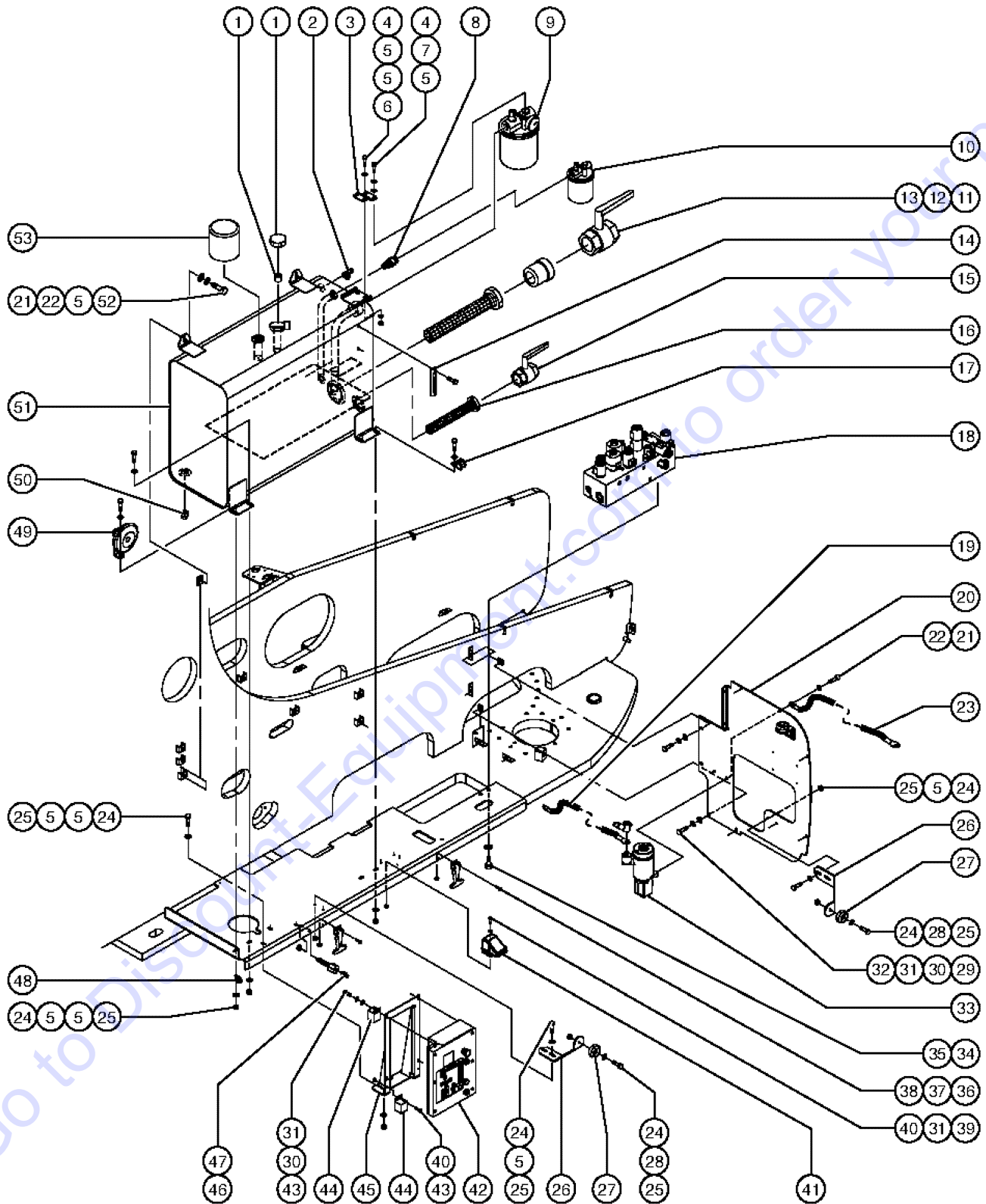
305.3 Hydraulic Tank Installation (from SN 501 to 541)



305.3 Hydraulic Tank Installation (from SN 501 to 541)

| Item | Part No. | Description | Qty. | Item | Part No. | Description | Qty. |
|------|-----------|---|------|------|-----------|---------------------------------------|------|
| 1 | 75113GT | FILLER NECK/CAP ASSY.HYD TANK*...1 | | -- | 62413GT | MOTOR, 60511, APU, 12VDC | |
| 2 | 48918GT | TEE,RUN,520428-6.....1 | | -- | 62414GT | SEAL, SHAFT, 60511 APU | |
| 3 | 60936-SGT | BRACKET,RETURN FILTER.....1 | | 35 | 33987GT | SCREW,HHC,1/2-13 X 1, GR 5 | |
| 4 | 10107GT | SCREW,HHC,5/16-18 X .75 | | 36 | 6033GT | WASHER,LOCK,0.5" | |
| 5 | 5397GT | WASHER,FLAT,USS,5/16",Y | | 37 | 75041GT | SCREW,PHILLIPS,PHM,10-32 X 1 | |
| 6 | 6782GT | NUT,NYLOCK,5/16-18 | | 38 | 45363GT | LATCH,FLEXIBLE.....2 | |
| 7 | 6886GT | WASHER,LOCK,.313 | | -- | 75076GT | KEEPER,LATCH (45363) | |
| 8 | 60508GT | FILTER,RETURN,ASSY 10 MICRON.....1 | | 39 | 6178GT | NUT,NYLOCK,10-32 | |
| -- | 52768GT | GAUGE,MED.PRESSUR FILTER,50530 | | 40 | 6090GT | SCREW,HHC,1/4-20 X .75 | |
| -- | 61326GT | FILTER ELEMENT,10 MICRON,60508 | | 41 | 6091GT | NUT,NYLOCK,1/4-20 | |
| 9 | 75255GT | UNION,STR.THREAD 12*.....1 | | 42 | 50161GT | SENSOR,TILT TURNTABLE(PLSTC).....1 | |
| 10 | 48995GT | VALVE,BALL,12 MSAE-12 FSAE.....1 | | 43 | | Ref. Ground Controls (refer to 306.1) | |
| 11 | 56653GT | FILTER,RETURN,ASSY,BETA 10.....1 | | 44 | 8914GT | SCREW,HHC,1/4-20 X .625 | |
| -- | 44207GT | FILTER ELEMENT,BETA(10)=200 | | 45 | 60521GT | RELAY,SEALED 30/40 AMP.....2 | |
| 12 | 75256GT | VALVE BALL,24 FSAE-24 FSAE***1 | | 46 | 60571-SGT | BRACKET,CNTL BOX MOUNTING***1 | |
| 13 | 75254GT | UNION,STR.THREAD 24***1 | | 47 | 28646GT | ZERK,GREASE,1/8 NPT.....1 | |
| 14 | 75257GT | STRAINER ASSY,#24 O-RING.....1 | | 48 | 48885GT | CONNECTOR,BULKHEAD,FEMALE-4...1 | |
| 15 | 215229GT | GAUGE,HYDRAULIC TANK T/L VL.....1 | | 49 | 6833GT | CLAMP,0.50,#8 X 1/4,RUB CUSH | |
| 16 | 48996GT | VALVE,BALL,16 MSAE-16 FSAE***1 | | 50 | 81578GT | HORN,12VDC,SPADE TERMINALS***1 | |
| 17 | 75253GT | STRAINER ASSY,#16 O-RING.....1 | | 51 | 75014GT | PLUG,HEX,130109E,1/2 NPT***1 | |
| 18 | 60838GT | CLAMP,1.00,#16 X 7/16,RUB CUSH | | | | <i>Cummins and Perkins models</i> | |
| 19 | | Ref. Function Manifold (refer to 706.2) | | -- | 35600GT | THERMOSTAT,110 DEG.F N/O | |
| 20 | 75409GT | BATTERY CABLE.....1 | | | | <i>Deutz models</i> | |
| 21 | 75591GT | PLATE,SWING CHASSIS BULKHEAD....1 | | 52 | 75258GT | TANK,HYDRAULIC,55 GALLON.....1 | |
| 22 | 6175GT | SCREW,HHC,3/8-16 X 1 | | | | <i>includes item 1</i> | |
| 23 | 6021GT | WASHER,LOCK,.375 | | 53 | 29868GT | SPRING CLIP,3/8-16,.05-.20X.73,ZAG | |
| 24 | 75719GT | CABLE,GROUND,79" W/PIGTAIL.....1 | | 54 | 60559GT | BREATHER,RESERVOIR 3 | |
| 25 | 4828GT | NUT,NYLOCK,3/8-16 | | | | MICRON***1 | |
| 26 | 6019GT | SCREW,HHC,3/8-16 X 1.25 GRD 5 | | | | | |
| 27 | 60727-SGT | FORMING,COVER STOP.....2 | | | | | |
| 28 | 50974GT | BUMPER,RUBBER,COVERS.....2 | | | | | |
| 29 | 6097GT | WASHER,FLAT,USS,3/8",Y | | | | | |
| 30 | 6888GT | SCREW,HHC,1/4-20 X 1 | | | | | |
| 31 | 6356GT | WASHER,LOCK,.25 | | | | | |
| 32 | 6638GT | WASHER,FLAT,USS,1/4"Y | | | | | |
| 33 | 56912GT | SPRING CLIP,1/4-20,.025-.15X.54,ZAG | | | | | |
| 34 | 102710GT | PUMP,AUXILIARY,DUAL,12V.....1 | | | | | |
| -- | 75454GT | PUMP,(75592 APU) | | | | | |
| -- | 102659GT | PUMP,(102710 APU) | | | | | |
| -- | 147290GT | SHAFT SEAL, APU | | | | | |
| -- | 37187GT | SEAL KIT, 37185 PUMP | | | | | |
| -- | 37191GT | GASKET, PUMP / MOTOR (36179) | | | | | |
| -- | 62412GT | SOLENOID,MOTOR START,60511,APU | | | | | |

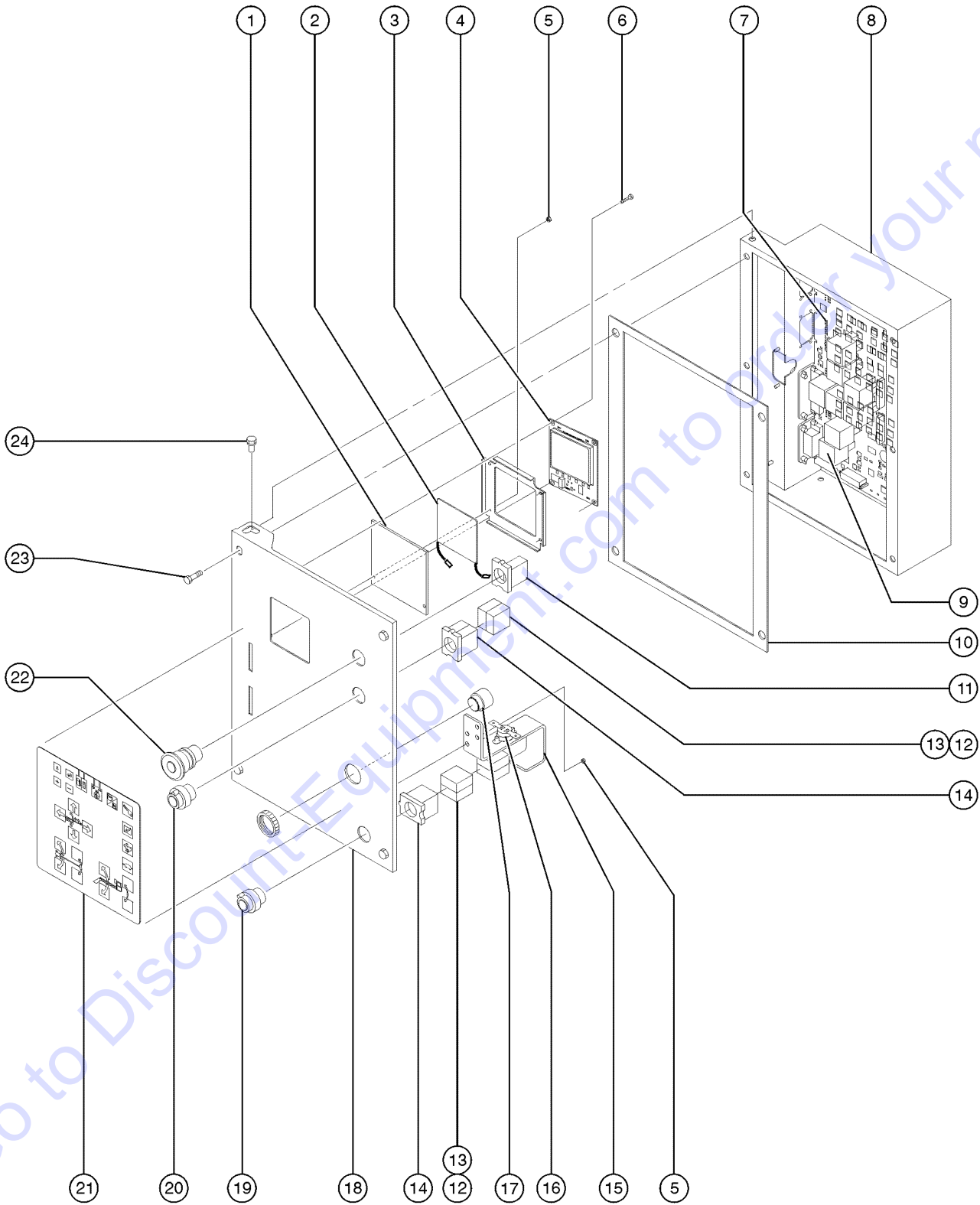
305.4 Hydraulic Tank Installation (from SN 542)



305.4 Hydraulic Tank Installation (from SN 542)

| Item | Part No. | Description | Qty. | Item | Part No. | Description | Qty. |
|------|-----------|--|------|------|-----------|---|------|
| 1 | 75113GT | FILLER NECK/CAP ASSY.HYD TANK*...1 | | 30 | 6356GT | WASHER,LOCK,.25 | |
| 2 | 48918GT | TEE,RUN,520428-6.....1 | | 31 | 6638GT | WASHER,FLAT,USS,1/4"Y | |
| 3 | 60936-SGT | BRACKET,RETURN FILTER.....1 | | 32 | 56912GT | SPRING CLIP,1/4-20,.025-.15X.54,ZAG | |
| 4 | 10107GT | SCREW,HHC,5/16-18 X .75 | | 33 | 102710GT | PUMP,AUXILIARY,DUAL,12V.....1 | |
| 5 | 5397GT | WASHER,FLAT,USS,5/16",Y | | -- | 102659GT | PUMP,(102710 APU) from SN 1086 | |
| 6 | 6782GT | NUT,NYLOCK,5/16-18 | | -- | 147290GT | SHAFT SEAL, APU | |
| 7 | 6886GT | WASHER,LOCK,.313 | | -- | 37187GT | SEAL KIT, 37185 PUMP | |
| 8 | 75971GT | UNION,STR.THREAD -8.....1 to SN 649 | | -- | 37191GT | GASKET, PUMP / MOTOR (36179) | |
| 9 | 60508GT | FILTER,RETURN,ASSY 10 MICRON.....1 | | -- | 62412GT | SOLENOID,MOTOR START,60511,APU | |
| -- | 228823GT | FILTER ELEMENT,BETA(10)=1000 use with hydraulic fluid fire resistant option | | -- | 62413GT | MOTOR, 60511, APU, 12VDC | |
| -- | 52768GT | GAUGE,MED.PRESSUR FILTER,50530 | | -- | 62414GT | SEAL, SHAFT, 60511 APU | |
| -- | 61326GT | FILTER ELEMENT,10 MICRON,60508 | | -- | 75454GT | PUMP,(75592 APU) to SN 1085 | |
| 10 | 78622GT | FILTER ASSY,SAE8,10 MIC,PAPR**.....1 to SN 649 | | 34 | 33987GT | SCREW,HHC,1/2-13 X 1, GR 5 | |
| -- | 44788GT | FILTER ELEMENT,10MICRON,PAPER* to SN 649 | | 35 | 6033GT | WASHER,LOCK,0.5" | |
| 11 | 75256GT | VALVE BALL,24 FSAE-24 FSAE***.....1 from SN 542 to SN 676 | | 36 | 75041GT | SCREW,PHILLIPS,PHM,10-32 X 1 | |
| -- | 75256GT | VALVE BALL,24 FSAE-24 FSAE*** from SN 837 | | 37 | 45363GT | LATCH,FLEXIBLE.....2 | |
| 12 | 75254GT | UNION,STR.THREAD 24***.....1 from SN 542 to SN 676 | | 37 | 75076GT | KEEPER,LATCH (45363) | |
| -- | 75254GT | UNION,STR.THREAD 24*** from SN 837 | | 38 | 6178GT | NUT,NYLOCK,10-32 | |
| 13 | 75257GT | STRAINER ASSY,#24 O-RING.....1 | | 39 | 6090GT | SCREW,HHC,1/4-20 X .75 | |
| 14 | 215229GT | GAUGE,HYDRAULIC TANK T/L VL.....1 | | 40 | 6091GT | NUT,NYLOCK,1/4-20 | |
| 15 | 48996GT | VALVE,BALL,16 MSAE-16 FSAE***.....1 from SN 542 to SN 676 | | 41 | 50161GT | SENSOR,TILT TURNTABLE(PLSTC).....1 | |
| -- | 48996GT | VALVE,BALL,16 MSAE-16 FSAE*** from SN 837 | | 42 | | Ref. Ground Controls (refer to 306.1) | |
| 16 | 75253GT | STRAINER ASSY,#16 O-RING.....1 | | 43 | 8914GT | SCREW,HHC,1/4-20 X .625 | |
| 17 | 60838GT | CLAMP,1.00,#16 X 7/16,RUB CUSH | | 44 | 60521GT | RELAY,SEALED 30/40 AMP.....2 | |
| 18 | | Ref. Function Manifold (refer to 706.2 or 706.3) | | 45 | 60571-SGT | BRACKET,CNTL BOX MOUNTING***.....1 | |
| 19 | 75409GT | BATTERY CABLE.....1 | | 46 | 28646GT | ZERK,GREASE,1/8 NPT.....1 | |
| 20 | 75591GT | PLATE,SWING CHASSIS BULKHEAD....1 | | 47 | 48885GT | CONNECTOR,BULKHEAD,FEMALE-4...1 | |
| 21 | 6175GT | SCREW,HHC,3/8-16 X 1 | | 48 | 6833GT | CLAMP,0.50,#8 X 1/4,RUB CUSH | |
| 22 | 6021GT | WASHER,LOCK,.375 | | 49 | 81578GT | HORN,12VDC,SPADE TERMINALS*** | |
| 23 | 75719GT | CABLE,GROUND,79" W/PIGTAIL.....1 | | 50 | 75014GT | PLUG,HEX,130109E,1/2 NPT***.....1 Cummins and Perkins models | |
| 24 | 4828GT | NUT,NYLOCK,3/8-16 | | -- | 35600GT | THERMOSTAT,110 DEG.F N/O Deutz models; to SN 618 | |
| 25 | 6019GT | SCREW,HHC,3/8-16 X 1.25 GRD 5 | | -- | 75014GT | PLUG,HEX,130109E,1/2 NPT*** Deutz models; from SN 619 | |
| 26 | 60727-SGT | FORMING,COVER STOP.....2 | | 51 | 75645GT | TANK,HYDRAULIC,55 GALLON.....1 includes item 1 | |
| 27 | 50974GT | BUMPER,RUBBER,COVERS.....2 | | 52 | 29868GT | SPRING CLIP,3/8-16,.05-.20X.73,ZAG | |
| 28 | 6097GT | WASHER,FLAT,USS,3/8",Y | | 53 | 60559GT | BREATHER,RESERVOIR 3 MICRON***.....1 | |
| 29 | 6888GT | SCREW,HHC,1/4-20 X 1 | | | | | |

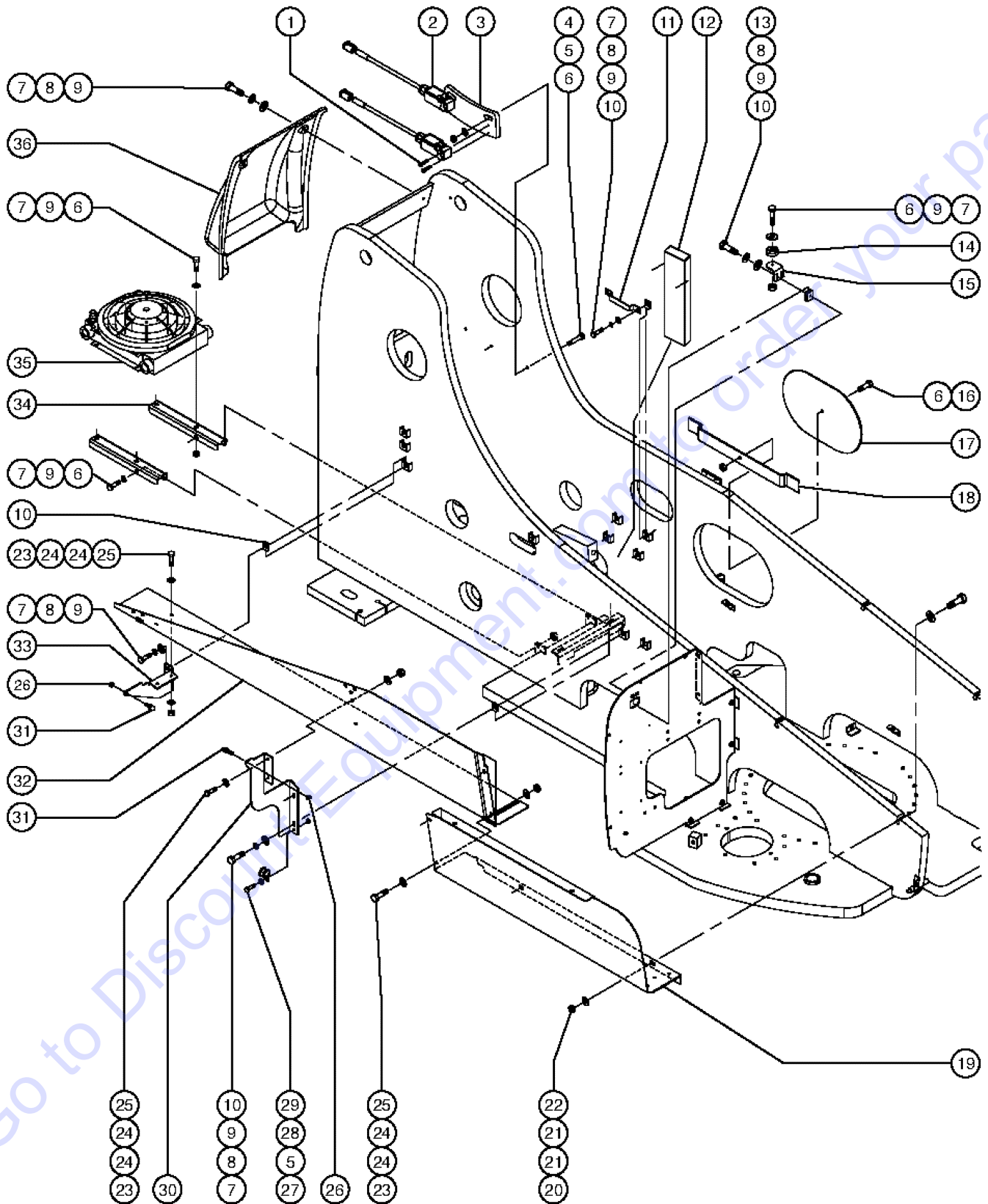
306.1 Ground Controls



306.1 Ground Controls

| Item | Part No. | Description | Qty. | Item | Part No. | Description | Qty. |
|------|------------|--|------|------|-----------|--|------|
| -- | 102696GT | CONTROL BOX ASSY,TURNTABLE*** to SN 1028 | | 10 | 62378GT | GASKET,GROUND CNTRL.SUPERBOOM..... | 1 |
| -- | 122915-SGT | CONTROL BOX ASSY,TCON 200 from SN 1029 to 2666 | | 11 | 66812GT | BUTTON,PUSH,RED MUSHROOM HEAD..... | 1 |
| -- | 146134GT | CONTROL BOX ASSY, TCON 212 use with PCON V2.10; from SN 2667 to 2709 | | -- | 146478GT | BOOT(BELLOWS),E-STOP,BLACK | |
| -- | 146386GT | CONTROL BOX ASSY, TCON V3.00 from SN 2710 to 2911 | | -- | 66818GT | CONTACT,NC | |
| -- | 1258460GT | CONTROL BOX ASSY,TCON PGMD from SN 2912 | | -- | 66821GT | BASE,WITHOUT CONTACTS | |
| -- | 60754GT | HARNESS,TCON J2 LIMIT SWITCH to SN 2709 | | 12 | 66816GT | CONTACT,N.O.***..... | 6 |
| -- | 146191GT | HARNESS, TCON J2 LS 2009 from SN 2710 | | 13 | 66818GT | CONTACT,NC..... | 6 |
| -- | 121657GT | FUSE HOLDER,ATC 1-20 AMPS from SN 2710 | | 14 | 66821GT | BASE,WITHOUT CONTACTS..... | 2 |
| -- | 67505GT | FUSE,10 AMP,ATC from SN 2710 | | 15 | 229420GT | BRACKET, KS CONTACT CLAMP..... | 1 |
| -- | 61358GT | HARNESS,POWER,TCON J5 HARNESS to SN 329 | | -- | 229421GT | ASSY,BRACKET,KS CONTACT BLOCK LCD heater option (includes thermostat switch item 122793) | |
| -- | 75551GT | HARNESS,TCON J5 POWER from SN 330 to 920 | | 16 | 122793GT | SWITCH,THERMOSTAT 60F OPEN LCD heater option | |
| -- | 101888GT | HARNESS,TCON J5 POWER from SN 921 | | -- | 6272GT | RIVET,STL,STL,P.125 X .25 LCD heater option | |
| 1 | 62374GT | LENS,LCD,GRND.CONTROL..... | 1 | 17 | 62379GT | ALARM,AUDIO,SUPERBOOM***..... | 1 |
| 2 | 122406GT | ASSEMBLY,LCD HEATER ALC1000 LCD heater option (transparent heater) | | -- | 72326GT | NUT - PLASTIC,RING FOR ALARMS | |
| -- | 229423GT | FIELD KIT,LCD HEATER LCD heater option | | 18 | T108870GT | COVER, CONTROL BOX, SB SERV | |
| 3 | 62375GT | CLIP,LCD,GRND.CONTROL..... | 1 | 19 | 122516GT | KIT,RECOVERY SVC LARGE BOOMS...1 | |
| 4 | 62376GT | PCB.ASSY,LCD,GROUND,SUPERBOOM.1 | | -- | 122366GT | KEYSWITCH,CONTACTS LOCK | |
| 5 | 12344GT | NUT,NYLOCK,6-32 | | -- | 88150GT | KEYSWITCH,3 POS.MOM.DR,W/KEY** | |
| 6 | 81551GT | SCREW,PHIL,PHM,6-32 X 1/4 SS | | 20 | 122517GT | KIT,KEYSWITCH SVC S100/120..... | 1 |
| 7 | | For a PCB not listed please contact Discount-equipment to order a PCB programmed to your current version of software. | | -- | 122366GT | KEYSWITCH,CONTACTS LOCK | |
| -- | 122787GT | PCB ASSY,ECM,SB TCON,V200 from SN 1029 to 2666 | | -- | 66811GT | KEYSWITCH,3POS.MNTND.DR WKEY** includes: keyswitch and one set of keys, not included: base and contacts. | |
| -- | 146154GT | PCB, ASSY, ECM, SB TCON V212 from SN 2667 to 2709 | | 21 | 50811GT | SWITCH,MEMBRANE,GROUND CONTROL..... | 1 |
| -- | 146461GT | PCB, ASSY, ECM, SB TCON V300 from SN 2710 to 2911 | | 22 | 122519GT | KIT,ESTOP SVC LARGE BOOM..... | 1 |
| -- | T109430GT | KIT,PCB,ASSY,ECM,SB TCON V3.12 from SN 2912 | | 23 | 7339GT | SCREW, HHC, 1/4-20 X .5 | |
| 8 | 58593GT | BOX,EMPTY (122915) does not include items 10 or 18 | | 24 | 88315GT | SCREW,SHS,1/4-20 X .25 ZINC | |
| 9 | 34052GT | RELAY,SPDT,12V(AUTO) PLUG IN**..... | 8 | | | | |

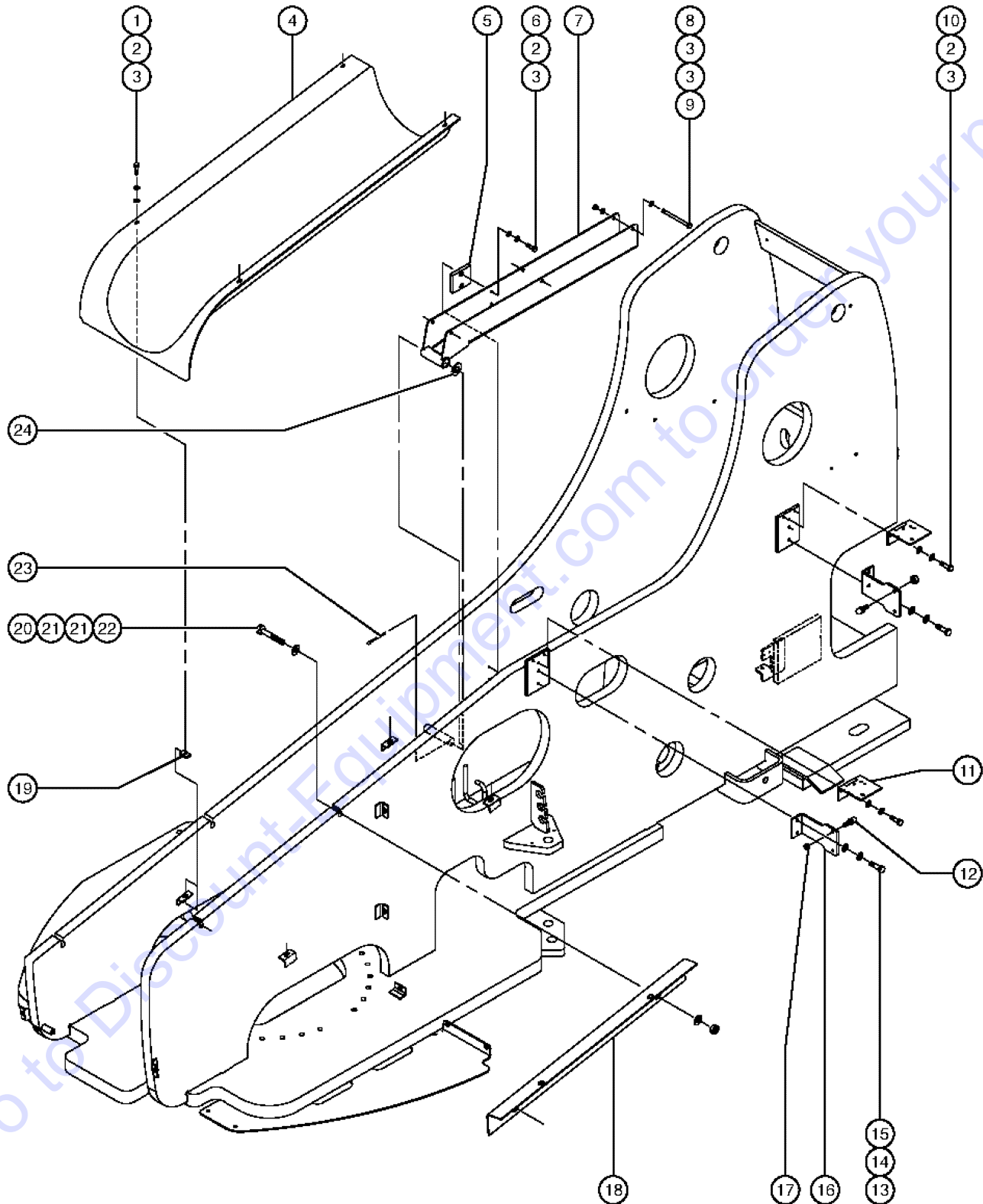
307.1 Turntable Attached Components - Tank Side



307.1 Turntable Attached Components - Tank Side

| Item | Part No. | Description | Qty. | Item | Part No. | Description | Qty. |
|------|----------------|---|------|------|-----------|--|------|
| 1 | 51063GT | SCREW,PHILLIPS,RHM,10-32 X 1.5 | | 25 | 6091GT | NUT,NYLOCK,1/4-20 | |
| 2A | 75030GT | LIMIT SWITCH,SAFETY.....2 to SN 2709 | | 26 | 6002GT | NUT,LP NYLOCK,5/16-18 | |
| -- | 53983GT | STRAIN RELIEF, PG13,5 to SN 2709 | | 27 | 10107GT | SCREW,HHC,5/16-18 X .75 | |
| -- | 75910GT | WIRE ASSEMBLY,16/4SJO,9.5"PLUG to SN 2709 | | 28 | 60838GT | CLAMP,1.00,#16 X 7/16,RUB CUSH.....1 | |
| -- | 75913GT | LIMIT SWITCH, SAFETY,NO WIRE to SN 2709 | | 29 | 6782GT | NUT,NYLOCK,5/16-18 | |
| 2B | 146198GT | LIMIT SWITCH,SAFETY from SN 2710 | | 30 | 60655-SGT | STRUT SUPPORT,TANK SIDE.....1 | |
| -- | 110771-74B18GT | SWITCH,LIMIT,ROLLER NO/NC GOLD from SN 2710 | | 31 | 40265GT | BALL STUD,GAS STRUT (38593)***.....2 | |
| -- | 128636GT | ROLLER,ARM,LIMIT SWITCH,ZCY500 from SN 2710 | | 32 | 75122-SGT | TURNTABLE COVER MOUNT ASSY.....1 to SN 687 | |
| -- | 146325GT | CONN.SQZ,PG 11,,34-.47,W/ORING from SN 2710 | | -- | 102993GT | TURNTABLE COVER MOUNT ASSY from SN 688 | |
| 3 | 60341-SGT | PLATE,ANGLE LIMIT SWITCH,MACH....1 | | -- | 102994GT | TURNTABLE COVER MOUNT ASSY SYM | |
| 3A | 61141GT | SHIM,ANGLE LIMIT SWITCH MOUNT for 60341, as required (.06 inch/1.52 mm thickness) | | 33 | 60670-SGT | STRUT SUPPORT.....1 | |
| 4 | 14033GT | SCREW,HHC,3/8-16 X 2.75 | | 34 | 102205PGT | FORMING, COOLER SUPPORT PAINTE.....2 from SN 985 | |
| 5 | 5397GT | WASHER,FLAT,USS,5/16",Y | | 35 | 71259GT | OIL COOLER W/FAN, 12VDC.....1 from SN 985 | |
| 6 | 7713GT | NUT, LP NYLOCK, 3/8-16 | | -- | 75854GT | FAN - VENTED | |
| 7 | 6175GT | SCREW,HHC,3/8-16 X 1 | | -- | 75855GT | THERMOSTAT -OIL COOLER (71259) | |
| 8 | 6021GT | WASHER,LOCK,.375 | | 36 | 60671GT | COVER,REAR MAST.....1 | |
| 9 | 6097GT | WASHER,FLAT,USS,3/8",Y | | | | | |
| 10 | 29868GT | SPRING CLIP,3/8-16,.05-.20X.73,ZAG | | | | | |
| 11 | 61350-SGT | CLAMP,INTAKE EXTENSION,DEUTZ.....2 Deutz models | | | | | |
| 12 | 61347GT | WELDMENT,INTAKE EXT.DEUTZ.....1 Deutz models | | | | | |
| -- | 60875GT | TRIM MOLDING | | | | | |
| 13 | 6019GT | SCREW,HHC,3/8-16 X 1.25 GRD 5 | | | | | |
| 14 | 50974GT | BUMPER,RUBBER,COVERS.....1 | | | | | |
| 15 | 60729-SGT | FORMING,COVER STOP.....1 | | | | | |
| 16 | 8516GT | SCREW, HCC, 3/8-16 X 1.50 Deutz models | | | | | |
| 17 | 75057-SGT | SWING COVER,DEUTZ.....1 Deutz models | | | | | |
| 18 | 75058-SGT | SWING COVER BRACKET,DEUTZ.....1 Deutz models | | | | | |
| 19 | 60496-SGT | FORMING,INNER COVER.....1 | | | | | |
| 20 | 6198GT | NUT,NYLOCK,1/2-13 | | | | | |
| 21 | 6095GT | WASHER,FLAT,USS,1/2",Y | | | | | |
| 22 | 39479GT | SCREW,HHC,1/2-13 X 2.75 | | | | | |
| 23 | 6888GT | SCREW,HHC,1/4-20 X 1 | | | | | |
| 24 | 6638GT | WASHER,FLAT,USS,1/4"Y | | | | | |

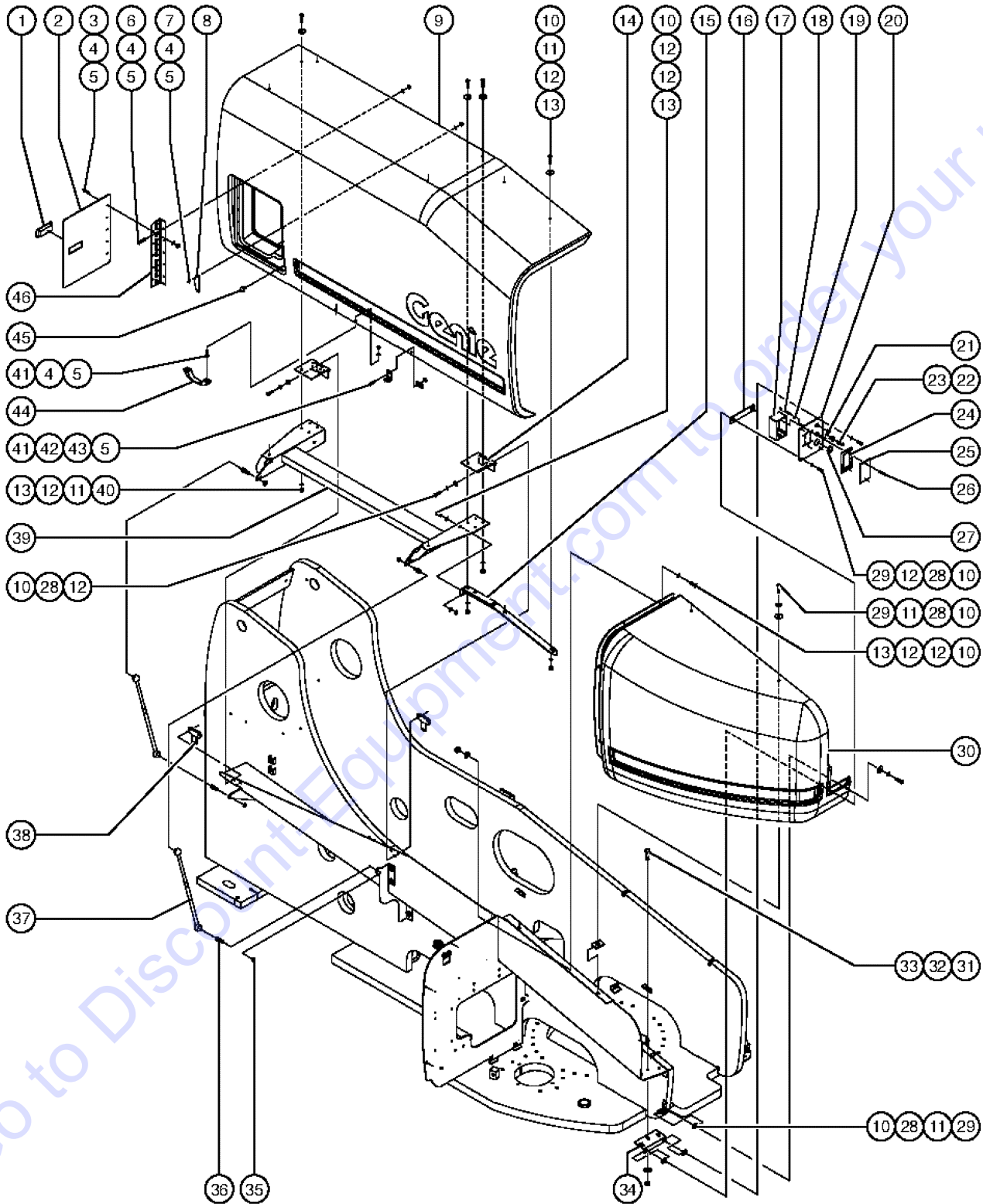
308.1 Turntable Attached Components - Engine Side



308.1 Turntable Attached Components - Engine Side

| Item | Part No. | Description | Qty. |
|------|-----------|--------------------------------------|------|
| 1 | 6888GT | SCREW,HHC,1/4-20 X 1 | |
| 2 | 6356GT | WASHER,LOCK,.25 | |
| 3 | 6638GT | WASHER,FLAT,USS,1/4"Y | |
| 4 | 61179GT | COVER,CENTER,SUPERBOOM.....1 | |
| 5 | 45209GT | WEAR PAD,4X2X.5 W/INSERT***.....1 | |
| 6 | 6090GT | SCREW,HHC,1/4-20 X .75 | |
| 7 | 60759-SGT | WELDMENT,CABLE TRAY.....1 | |
| 8 | 11413GT | SCREW,HHC,1/4-20 X 4 | |
| 9 | 6889GT | NUT,LP NYLOCK,1/4-20 | |
| 10 | 7339GT | SCREW, HHC, 1/4-20 X .5 | |
| 11 | 75073GT | HINGE,.375X.120THK.,SLOTTED.....2 | |
| 12 | 40265GT | BALL STUD,GAS STRUT (38593)***.....2 | |
| 13 | 8255GT | SCREW,HHC,3/8-16 X .75 | |
| 14 | 6021GT | WASHER,LOCK,.375 | |
| 15 | 5397GT | WASHER,FLAT,USS,5/16",Y | |
| 16 | 60583-SGT | FORMING,GAS STRUT MOUNT.....2 | |
| 17 | 6002GT | NUT,LP NYLOCK,5/16-18 | |
| 18 | 60483-SGT | SUPPORT,FUEL TANK COVER.....1 | |
| 19 | 56912GT | SPRING CLIP,1/4-20,.025-.15X.54,ZAG | |
| 20 | 39479GT | SCREW,HHC,1/2-13 X 2.75 | |
| 21 | 6095GT | WASHER,FLAT,USS,1/2",Y | |
| 22 | 6198GT | NUT,NYLOCK,1/2-13 | |
| 23 | 5361GT | PIN,COTTER,.125 X 1.5.....1 | |
| 24 | 30748GT | WASHER,SHIM,1.01 X 1.63 X.062 | |

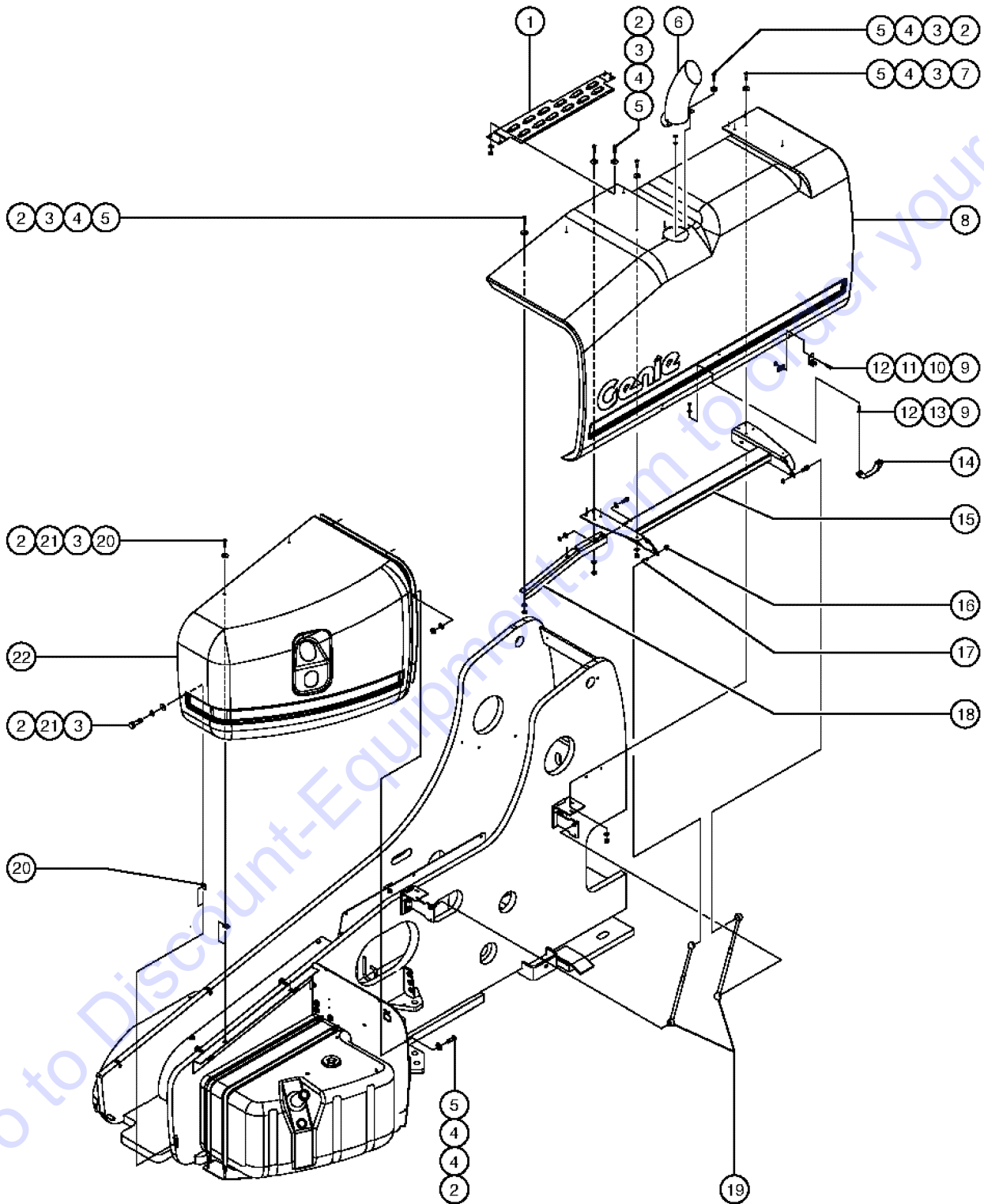
309.1 Turntable Covers - Tank Side



309.1 Turntable Covers - Tank Side

| Item | Part No. | Description | Qty. | Item | Part No. | Description | Qty. |
|------|-----------|--|-----------------------------------|------|-----------|--|------|
| 1 | 60964GT | LATCH,PANEL..... | 1 | 24 | 74052GT | GASKET,COVER,GFCI,WEATHERPROOF. | 1 |
| 2 | 75108-SGT | GRND.CNTRLS ACCESS COVER..... <i>USA/Canada/Australia</i> | 1 | 25 | 10777GT | COVER,BLANK..... | 1 |
| -- | 60966GT | COVER,TURNTABLE COVER ACCESS <i>Europe/Asia/South America</i> | | 26 | 75067GT | SCREW,6-32 X 7/8 PPMS ZINC | |
| 3 | 5094GT | SCREW,RHM,10-32 X .5 | | 27 | 21187GT | PLUG,NYLON 1.38 BLACK DOMED..... | 1 |
| 4 | 6146GT | WASHER,FLAT,MS,#10,Y | | 28 | 6356GT | WASHER,LOCK,.25 | |
| 5 | 6178GT | NUT,NYLOCK,10-32 | | 29 | 56912GT | SPRING CLIP,1/4-20,.025-.15X.54,ZAG | |
| 6 | 6147GT | SCREW,RHM,10-32 X 1 | | 30 | 75110-SGT | COVER ASSY.W/DECAL TURNTBL.ROT..... | 1 |
| 7 | 6873GT | SCREW,FHM,10-32 X 1 | | -- | 111328GT | TURNTABLE COVER W/SYM DECAL LT <i>Europe/Asia/South America</i> | |
| 8 | 60892GT | LATCH,PLATE,CONTROL BOX COVER..... | 1 | 31 | 6175GT | SCREW,HHC,3/8-16 X 1 | |
| 9 | 102950GT | COVER W/WRD DECALS TNK SIDE SB..... | 1 | 32 | 6097GT | WASHER,FLAT,USS,3/8",Y | |
| -- | 111330GT | COVER ASSY W/WORD DECALS SB <i>includes items 1-8, 10-15, and 39-46; USA/Canada/Australia; to SN 1292</i> | | 33 | 4828GT | NUT,NYLOCK,3/8-16 | |
| -- | 122894GT | COVER W/SYM DEC TNK SD 120/125 <i>includes items 1-8, 10-15, and 39-46; Europe/Asia/South America; to SN 3191</i> | | 34 | 60895-SGT | BRACKET,PANEL MOUNT..... | 1 |
| -- | 226110GT | COVER ASSY W/WORD DECALS SB <i>includes items 1-8, 10-15, and 39-46; USA/Canada/Australia; from SN 3192</i> | | 35 | 6002GT | NUT,LP NYLOCK,5/16-18 | |
| -- | 226111GT | COVER W/SYM DEC TNK SD 120/125 <i>includes items 1-8, 10-15, and 39-46; Europe/Asia/South America; from SN 3192</i> | | 36 | 33555GT | BALL STUD**..... | 4 |
| -- | 60874GT | TRIMLOCK,1/4..... | 120-inches | 37 | 122272GT | GAS STRUT,202 LBS FORCE..... <i>ball studs are not included</i> | 2 |
| 10 | 6888GT | SCREW,HHC,1/4-20 X 1 | | 38 | 75642-SGT | PLATE,TAP BLOCK HINGE MNT PTD.... <i>from SN 424</i> | 2 |
| 11 | 12906GT | WASHER,FENDER,.25 X 1.25 X.062 | | 39 | 60578GT | COVER SUPPORT,WELDMENT..... | 1 |
| 12 | 6638GT | WASHER,FLAT,USS,1/4"Y | | 40 | 8915GT | SCREW,HHC,1/4-20 X 1.25 | |
| 13 | 6091GT | NUT,NYLOCK,1/4-20 | | 41 | 6606GT | SCREW,RHM,10-32 X .75 | |
| 14 | 75073GT | HINGE,..375X.120THK.,SLOTTED..... | 2 | 42 | 75076GT | KEEPER,LATCH (45363)..... | 2 |
| 15 | 60872GT | SUPPORT,COVER (61112,61117)..... | 1 | 43 | 50790GT | PLATE,COVER LATCH BACKING..... | 2 |
| 16 | 61279-SGT | MOUNT,PANEL BACKING..... | 1 | 44 | 60884GT | HANDLE,GRAB..... | 1 |
| 17 | 75069GT | T-BOX 2.75 X 4.5 X 2.5..... | 1 | 45 | 34619GT | BUMPER,RUBBER***..... | 2 |
| 18 | 60728GT | WIRE CABLE, 10GA/3 SJO JKT..... | 1960-inches <i>to SN 769</i> | 46 | 60893GT | HINGE,SWING CONTROL BOX..... | 1 |
| -- | 43955GT | WIRE CABLE,12/3 CON.TPE JKT..... | 1960-inches <i>from SN 770</i> | | | | |
| 19 | 6935GT | LOCKNUT,ELEC,1/2"..... | 1 | | | | |
| 20 | 89539PGT | MOUNT,PANEL,PAINTED..... | 1 | | | | |
| 21 | 15243GT | PLUG,NYLON .875 BLACK DOMED..... | 1 | | | | |
| 22 | 6595GT | PLUG,ELECTRICAL,DOMESTIC..... | 1 | | | | |
| 23 | 61278GT | CONN. SQZ,1/2NPT .56-.63..... | 1 | | | | |

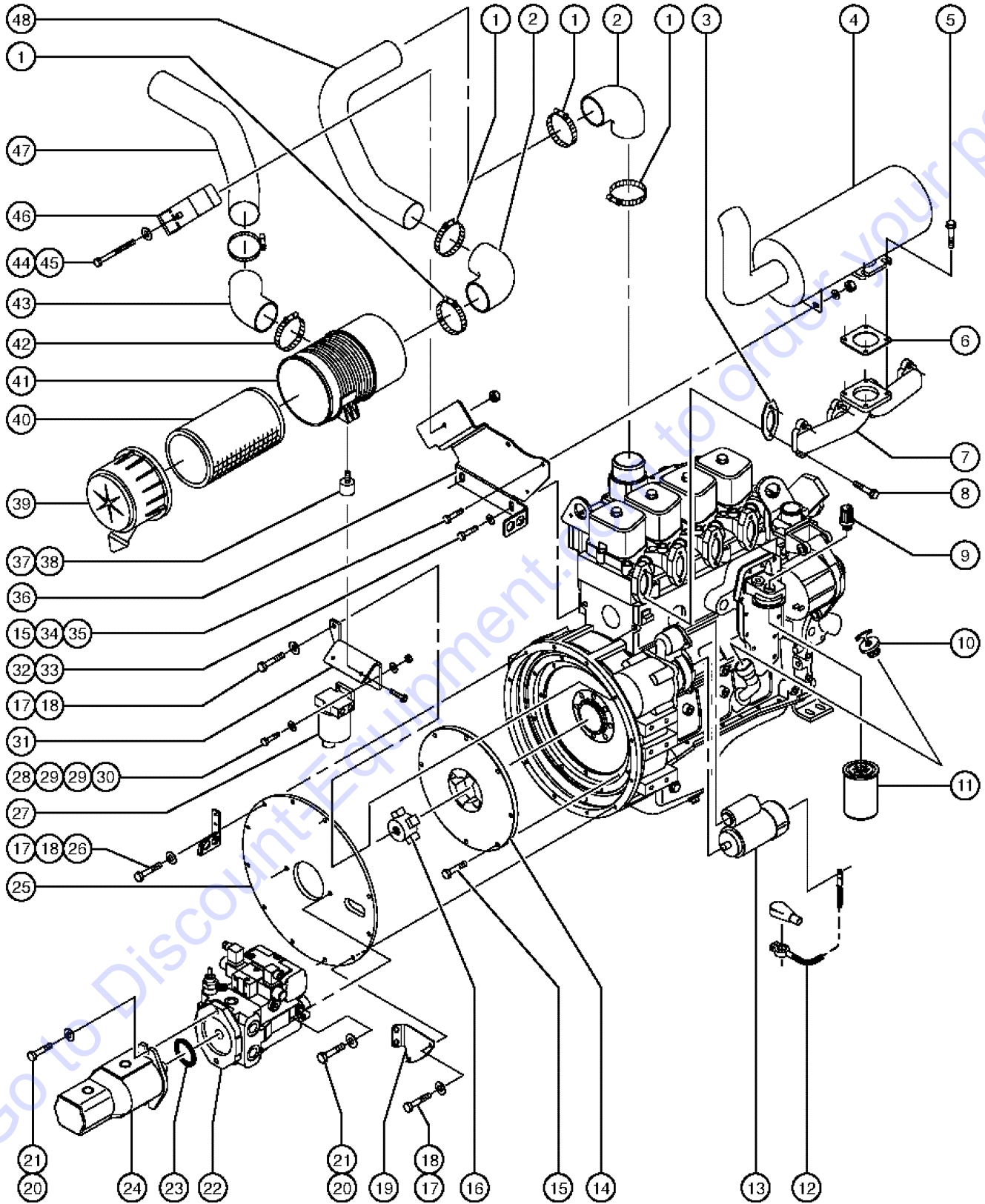
310.1 Turntable Covers - Engine Side



310.1 Turntable Covers - Engine Side

| Item | Part No. | Description | Qty. |
|------|-----------|--|------|
| 1 | 60595-SGT | SUPPORT,ENGINE COVER GRAY.....1 | |
| 2 | 6888GT | SCREW,HHC,1/4-20 X 1 | |
| 3 | 12906GT | WASHER,FENDER,.25 X 1.25 X.062 | |
| 4 | 6638GT | WASHER,FLAT,USS,1/4"Y | |
| 5 | 6091GT | NUT,NYLOCK,1/4-20 | |
| 6 | 101964GT | WELDMENT,EXHAUST TUBE.....1 | |
| 7 | 8915GT | SCREW,HHC,1/4-20 X 1.25 | |
| 8 | 102948GT | COVER W/WRD DECALS ENG SIDE SB.....1 <i>includes items 1-6, 9, 12-15, and 18; to SN 3191</i> | |
| -- | 102947GT | COVER W/SYM DECALS ENG SIDE SB <i>includes items 1-6, 9, 12-15, and 18; to SN 3191</i> | |
| -- | 226123GT | COVER W/WRD DECALS ENG SIDE SB <i>includes items 1-6, 9, 12-15, and 18; from SN 3192</i> | |
| -- | 226124GT | COVER W/SYM DECALS ENG SIDE SB <i>includes items 1-6, 9, 12-15, and 18; from SN 3192</i> | |
| -- | 60874GT | TRIMLOCK,1/4.....120-inches | |
| 9 | 6606GT | SCREW,RHM,10-32 X .75 | |
| 10 | 75076GT | KEEPER,LATCH (45363).....2 | |
| 11 | 50790GT | PLATE,COVER LATCH BACKING.....2 | |
| 12 | 6178GT | NUT,NYLOCK,10-32 | |
| 13 | 6146GT | WASHER,FLAT,MS,#10,Y | |
| 14 | 60884GT | HANDLE,GRAB.....1 | |
| 15 | 60578GT | COVER SUPPORT,WELDMENT.....1 | |
| 16 | 6002GT | NUT,LP NYLOCK,5/16-18 | |
| 17 | 33555GT | BALL STUD**.....4 | |
| 18 | 60872GT | SUPPORT,COVER (61112,61117).....1 | |
| 19 | 122272GT | GAS STRUT,202 LBS FORCE.....2 <i>ball studs are not included</i> | |
| 20 | 56912GT | SPRING CLIP,1/4-20,.025-.15X.54,ZAG | |
| 21 | 6356GT | WASHER,LOCK,.25 | |
| 22 | 75112-SGT | COVER ASSY.W/DECALS,FUEL TANK.....1 <i>USA/Canada/Australia</i> | |
| -- | 111329GT | FUEL CVR W/SYM DECAL S100/120 <i>Europe/Asia/South America</i> | |

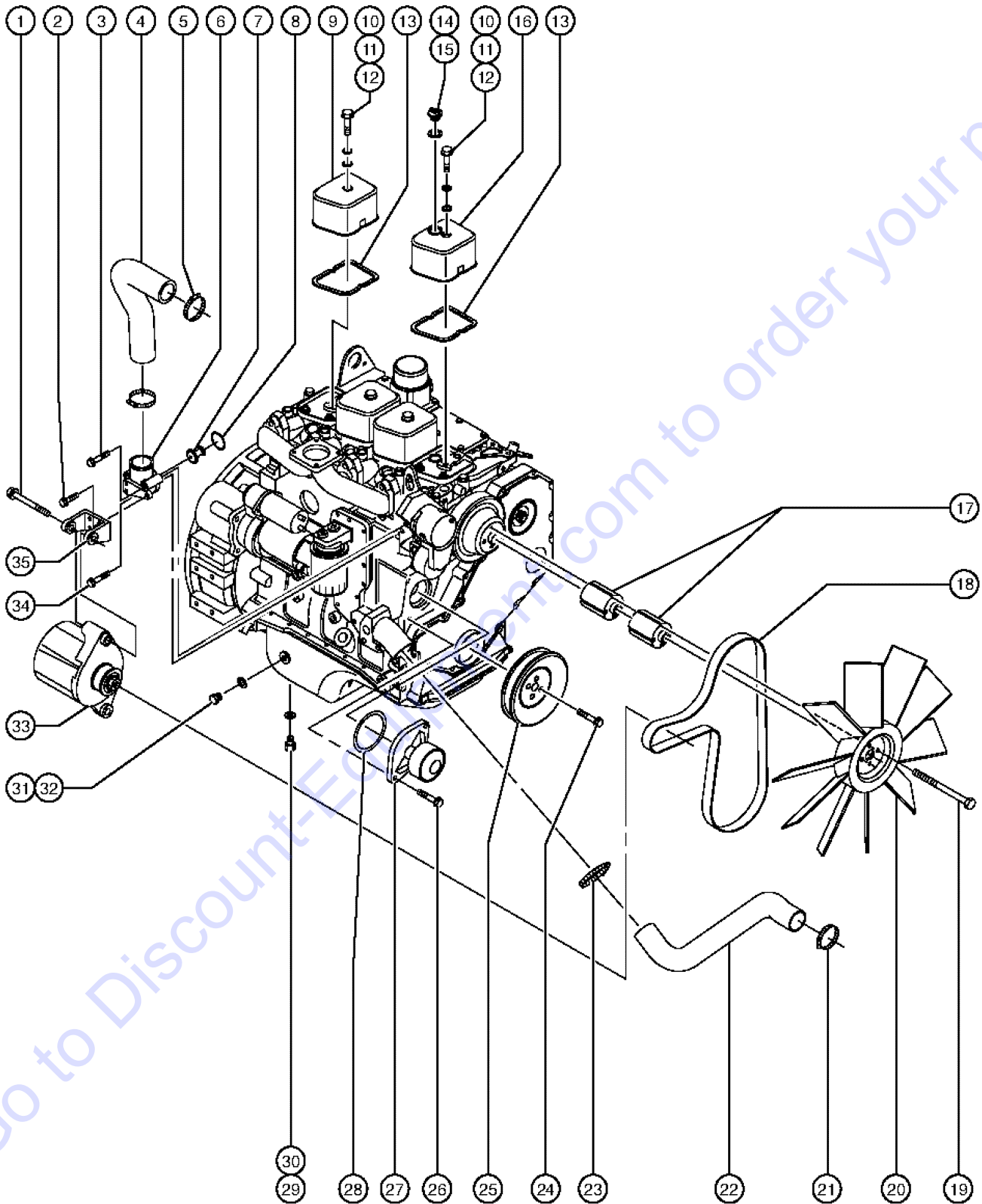
401.1 Cummins 4B3.9L Engine - View 1 (to SN 935)



401.1 Cummins 4B3.9L Engine - View 1 (to SN 935)

| Item | Part No. | Description | Qty. | Item | Part No. | Description | Qty. |
|------|-----------|---|------|------|-----------|--|------|
| -- | 62438GT | MANUAL,CUMMINS B3.9L, WORKSHOP | | -- | 60584GT | GROMMET,RUBBER .75 X .19 X 1** | |
| -- | 61357GT | HARNESS,CUMMINS ENGINE* to SN 148 | | 27 | 75020GT | SEPRTR/FLTR,FUEL DSL,15GPH,.30....1 | |
| -- | 75085GT | HARNESS, SOLENOID from SN 149 | | -- | 62433GT | FILTER,ELEMENT,30 MIC,75020 | |
| -- | 75587GT | HARNESS,CUMMINS ENGINE,SUPR from SN 530 | | 28 | 8915GT | SCREW,HHC,1/4-20 X 1.25 | |
| -- | 88151GT | FUSE,70 AMP | | 29 | 6638GT | WASHER,FLAT,USS,1/4"Y | |
| -- | 75618GT | FUSE,10 A INLINE TIME DELAY to SN 529 | | 30 | 6091GT | NUT,NYLOCK,1/4-20 | |
| -- | 23082GT | FUSE,15 AMP,TIME DELAY from SN 530 | | 31 | 61243-SGT | WELDMNT,AIR CLEANER CUMMINS.....1 | |
| -- | 45782GT | DIODE,6 AMP,200 PIV,BULK | | 32 | 75029GT | SCREW,HHC,M12 X 1.75X 25MM,8.8 | |
| -- | 75187GT | PAINT,AEROSOL,TITANIUM BLACK | | 33 | 49410GT | WASHER,FLAT,M12 | |
| 1 | 30489GT | CLAMP,HOSE,3.50 | | 34 | 5397GT | WASHER,FLAT,USS,5/16",Y | |
| 2 | 60561GT | ELBOW,INLET,CUMMINS.....2 | | 35 | 4828GT | NUT,NYLOCK,3/8-16 | |
| 3 | 75150GT | GASKET,EXH.MNFLD.CUMMINS,B3.9L.4 | | 36 | 75044-SGT | BRACKET,MUFFLER,SUPPORT,CUM...1 | |
| 4 | 60550GT | MUFFLER,NELSON 3.9L.....1 | | -- | 60584GT | GROMMET,RUBBER .75 X .19 X 1** | |
| -- | 61337GT | MUFFLER,CATALYTIC,CUMMINS | | 37 | 60585GT | ISOLATOR,VIBRATION,M8 MALE/FEM.....2 | |
| 5 | 75052GT | SCREW,SER/FLNG 10M-1.5X20MM BK | | 38 | 49378GT | SCREW,HHC,M8 X 16 | |
| 6 | 75151GT | GASKET,MUFFLER,CUMMINS, B3.9L...1 | | 39 | 75451GT | AIR CLEANER COVER, SUPERBOOM*.....1 | |
| 7 | 75152GT | EXHAUST MANIFOLD,CUMMINS,B3.9L.....1 | | -- | 52866GT | EVACUATOR VALVE-AIR CLEANER | |
| 8 | 75157GT | SCREW,HHC,M10 X 1.5 X 65,GR8,8 | | -- | 75450GT | AIR CLEANER CLIPS, SUPERBOOM | |
| 9 | 75153GT | SENSOR,OIL PRESS,VDO360-004***...1 | | 40 | 62425GT | FILTER,AIR CLEANER, SUPERBOOM...1 | |
| 10 | 75155GT | CAP,OIL FILLER,CUMMINS, B3.9.....1 | | 41A | 81467GT | AIR CLEANER,NELSON.....1 for first time replacement, also order 81468 | |
| 11 | 62436GT | FILTER,OIL, CUMMINS B3.9L.....1 | | 41B | 81468GT | MOUNTING BAND,AIR CLEANER | |
| 12 | 60930GT | CABLE,BATTERY POSITIVE.....1 | | 42 | 30971GT | CLAMP,HOSE,3.00" | |
| 13 | 75156GT | STARTER,12V,CUMMINS, B3.9.....1 to SN 772 | | 43 | 61270GT | ELBOW,45 DEG,INLET.....1 | |
| -- | 89837GT | STARTER,12V,CUMMINS, B3.9/B4.5 from SN 773 | | 44 | 5387GT | SCREW,HHC,3/8-16 X 4 | |
| 14 | 61078GT | FLYWHEEL DRIVE PLATE,SAE 10.....1 | | 45 | 6097GT | WASHER,FLAT,USS,3/8",Y | |
| 15 | 6019GT | SCREW,HHC,3/8-16 X 1.25 GRD 5 | | 46 | 75046-SGT | CLAMP,AIR INTAKE TUBE.....1 | |
| 16 | 61077GT | COUPLER,HUB,14 TOOTH.....1 | | 47 | 61271GT | TUBE,INLET,CUMMINS.....1 | |
| 17 | 44064GT | SCREW,HHC,M10 X 30MM, | | 48 | 75045GT | TUBE,INLET,CUMMINS.....1 | |
| 18 | 22699GT | WASHER,FLAT,M10,ZINC PLTD. | | | | | |
| 19 | 60883GT | FORMING,TEST PORT MOUNT.....1 | | | | | |
| 20 | 10597GT | SCREW,HHC,1/2-13 X 1.25 GR5 | | | | | |
| 21 | 13066GT | WASHER,FLAT,.5 HARDENED | | | | | |
| 22 | | Ref. Drive Pump (refer to 711.1) | | | | | |
| 23 | 62407GT | O-RING,PISTON PUMP TO GEARPUMP.....1 | | | | | |
| 24 | | Ref. Function Pump (refer to 711.1) | | | | | |
| 25 | 60322-SGT | PLATE,PUMP MOUNT.....1 | | | | | |
| 26 | 75100GT | BRACKET, CABLE MOUNT.....1 | | | | | |

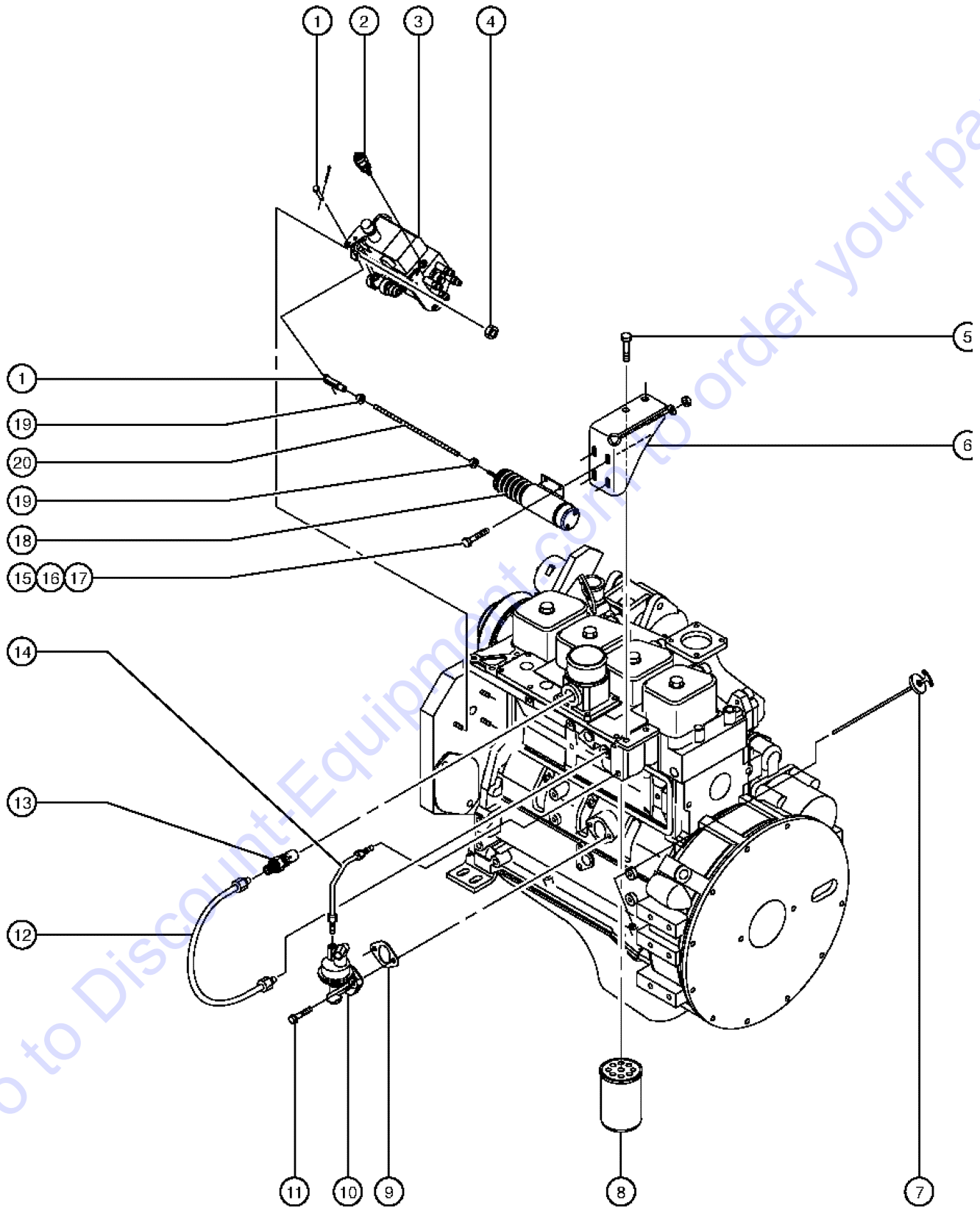
402.1 Cummins 4B3.9L Engine - View 2 (to SN 935)



402.1 Cummins 4B3.9L Engine - View 2 (to SN 935)

| Item | Part No. | Description | Qty. |
|------|----------|--|------|
| -- | 75188GT | BELT,TIMING,CUMMINS, B3.9 | |
| 1 | 75158GT | SCREW,HHC,M10 X 1.5 X 95,GR8.8 | |
| 2 | 75159GT | SCREW,HHC,M8X1.25X 25MM,GR8.8 | |
| 3 | 75185GT | SCREW,HHC,M8X1.25X 70MM,GR8.8 | |
| 4 | 60586GT | RADIATOR HOSE,UPPER-CUMMINS....1 | |
| 5 | 22672GT | CLAMP,HOSE,1.75.....1 | |
| 6 | 75161GT | THERMOSTAT HOUSING,CUMMINS,B3.9.....1 | |
| 7 | 75162GT | THERMOSTAT,CUMMINS, B3.9.....1 | |
| 8 | 75163GT | GASKET,THERMOSTAT,CUMMINS,B3.9.1 | |
| 9 | 75164GT | VALVE COVER,CUMMINS, B3.9.....3 | |
| 10 | 75165GT | SCREW,HHC,M8X1.25X 21MM,GR8.8 | |
| 11 | 75166GT | WASHER,VALVE COVR.CUMMINS,B3.9.....4 | |
| 12 | 75167GT | ISOLATOR,VALVE COVR.CUMMINS3.9.....4 | |
| 13 | 75168GT | GASKET,VALVE CVR.CUMMINS, B3.9.....4 | |
| 14 | 75169GT | CAP,OIL FILLER,VALV.CVR.CUMMIN....1 | |
| 15 | 75170GT | O-RING,FILLER CAP,CUMMINS,B3.9....1 | |
| 16 | 75172GT | VALVE COVER,CUMMINS, B3.9.....1 | |
| 17 | 75173GT | SPACER,FAN,CUMMINS, B3.9.....2 | |
| 18 | 62437GT | BELT,SERPENTINE, CUMMINS B3.9L...1 | |
| 19 | 75174GT | SCREW,HHC,M8X1.25X 95MM,GR8.8 | |
| 20 | 75171GT | FAN,PULLER,CUMMINS,4B3.9,60213....1 | |
| 21 | 45435GT | CLAMP,HOSE,2.50"***.....2 | |
| 22 | 60587GT | RADIATOR HOSE,LOWER-CUMMINS...1 to SN 476 | |
| 22 | 75606GT | RADIATOR HOSE,LOWER-CUMMINS from SN 477 | |
| 23 | 30971GT | CLAMP,HOSE,3.00".....1 | |
| 24 | 75175GT | SCREW,HHC,M12X 1.25X36MM,GR8.8 | |
| 25 | 75176GT | PULLEY,CRANKSHAFT,CUMMINS B3.9.....1 | |
| 26 | 75177GT | SCREW,HHC,M8X1.25X 22MM,GR8.8 | |
| 27 | 75178GT | PUMP, WATER,CUMMINS B3.9.....1 | |
| 28 | 75179GT | O-RING,WATER PUMP,CUMMINS B3.9.....1 | |
| 29 | 75180GT | PLUG,ENGINE OIL, CUMMINS B3.9....1 | |
| 30 | 75181GT | WASHER,OIL DRAIN, CUMMINS B3.9...1 | |
| 31 | 75182GT | PLUG,ENGINE OIL, CUMMINS B3.9....1 | |
| 32 | 75183GT | WASHER,OIL DRAIN, CUMMINS B3.9...1 | |
| 33 | 75102GT | ALTERNATOR,CUMMINS 4B3.9, 95A....1 | |
| -- | 75184GT | HARNESS,ALTERNATR,CUMMINS B3.9 | |
| 34 | 75186GT | SCREW,HHC,M8X1.25X 35MM,GR8.8 | |
| 35 | 75160GT | ALTERNATOR,STAY,CUMMINS B3.9....1 | |

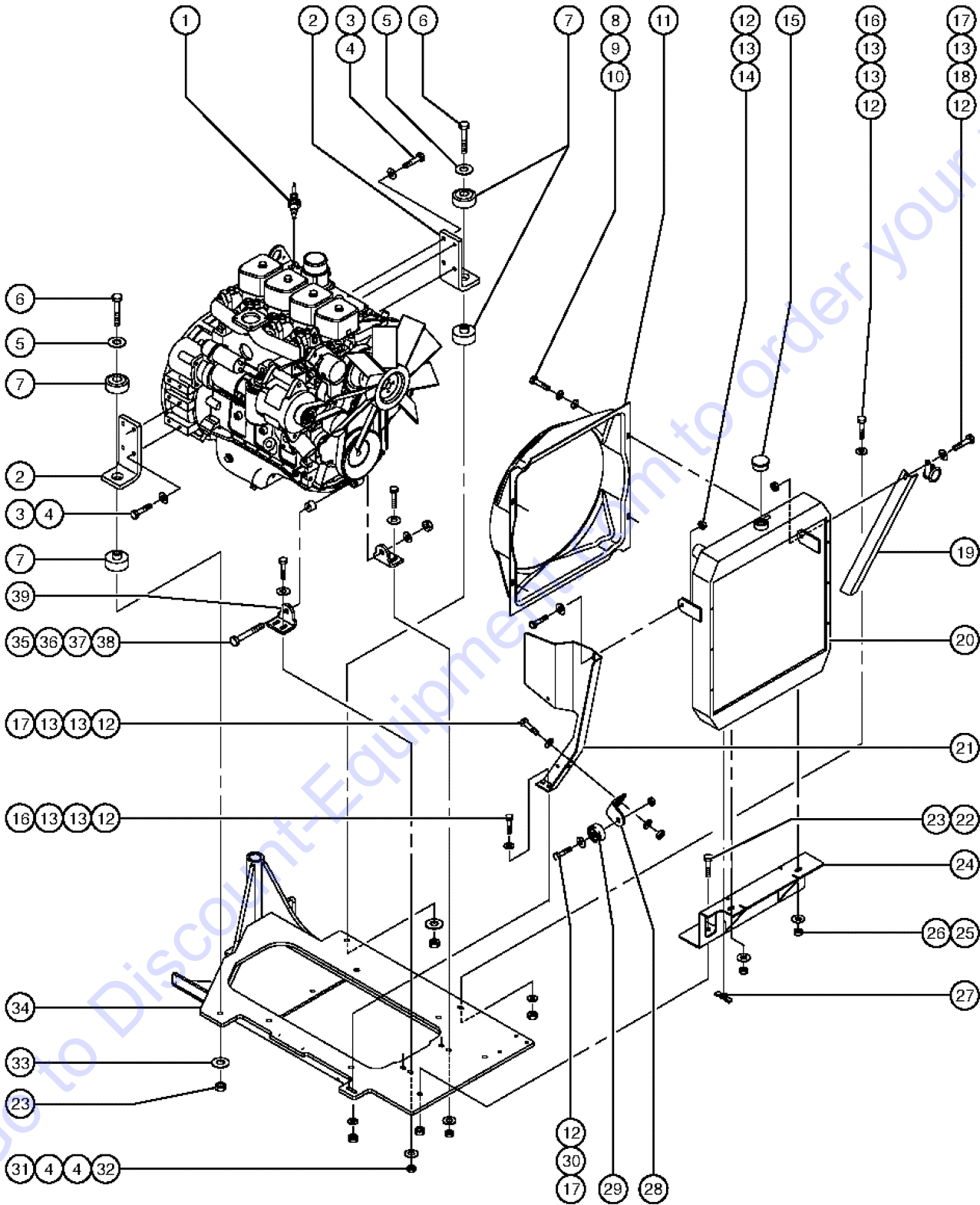
403.1 Cummins 4B3.9L Engine - View 3 (to SN 935)



403.1 Cummins 4B3.9L Engine - View 3 (to SN 935)

| Item | Part No. | Description | Qty. |
|------|--------------|--|------|
| 1 | 21130GT | CLEVIS YOKE-1/4-28,PLTD W/PIN.....1 <i>includes clevis pin and cotter pin</i> | 1 |
| 2 | 75189GT | VALVE,FUEL SHUTOFF,CUMMINSB3.9.....1 | 1 |
| 3 | 75190GT | PUMP,FUEL INJECTION,CUMMINB3.9.....1 <i>includes item 2</i> | 1 |
| 4 | 75202GT | NUT,HEX,FLANGE,M8X1.25,CUMMINS | |
| 5 | 75192GT | SCREW,HHC,M12X 1.75X35MM,GR8.8 | |
| 6 | 60569-SGT | BRACKET,THROTTLE MOUNT CUMM.....1 | 1 |
| 7 | 75193GT | DIPSTICK,CUMMINS, B3.9.....1 | 1 |
| -- | 75194GT | DIPSTICK,TUBE,CUMMINS, B3.9 | |
| 8 | 62435GT | FILTER,FUEL,CUMMINS B3.9L,SPIN....1 | 1 |
| 9 | 102300GT | GASKET, FUEL PUMP CUMMINS B4.5.....1 | 1 |
| 10 | 75196GT | PUMP,FUEL LIFT, CUMMINS, B3.9.....1 | 1 |
| -- | 61152GT | ELBOW,45DEG,TO MALE PIPE | |
| 11 | 75159GT | SCREW,HHC,M8X1.25X 25MM,GR8.8 | |
| 12 | 75199GT | TUBE,STARTING AID,CUMMINS,B3.9...1 | 1 |
| 13 | 75200GT | HEATER,START AID,CUMMINS B3.9....1 | 1 |
| 14 | 75197GT | TUBE,FUEL SUPPLY,CUMMINS, B3.9...1 | 1 |
| -- | 75198GT | WASHER,FUEL SUPPLY,CUMMINSB3.9 | |
| 15 | 6090GT | SCREW,HHC,1/4-20 X .75 | |
| 16 | 6638GT | WASHER,FLAT,USS,1/4"Y | |
| 17 | 6091GT | NUT,NYLOCK,1/4-20 | |
| 18 | 89998GT | KIT,SERVICE,SOLENOID MODULE.....1 | 1 |
| -- | 52537GT | BOOT,SOLENOID,29073 | |
| -- | 58165GT | SOLENOID UPDATE KIT*** | |
| -- | 75085GT | HARNES, SOLENOID | |
| 19 | 21496GT | NUT,HEX,1/4-28 | |
| 20 | 30785-1000GT | THREADED ROD,1/4-28 X 10 IN***1 | 1 |

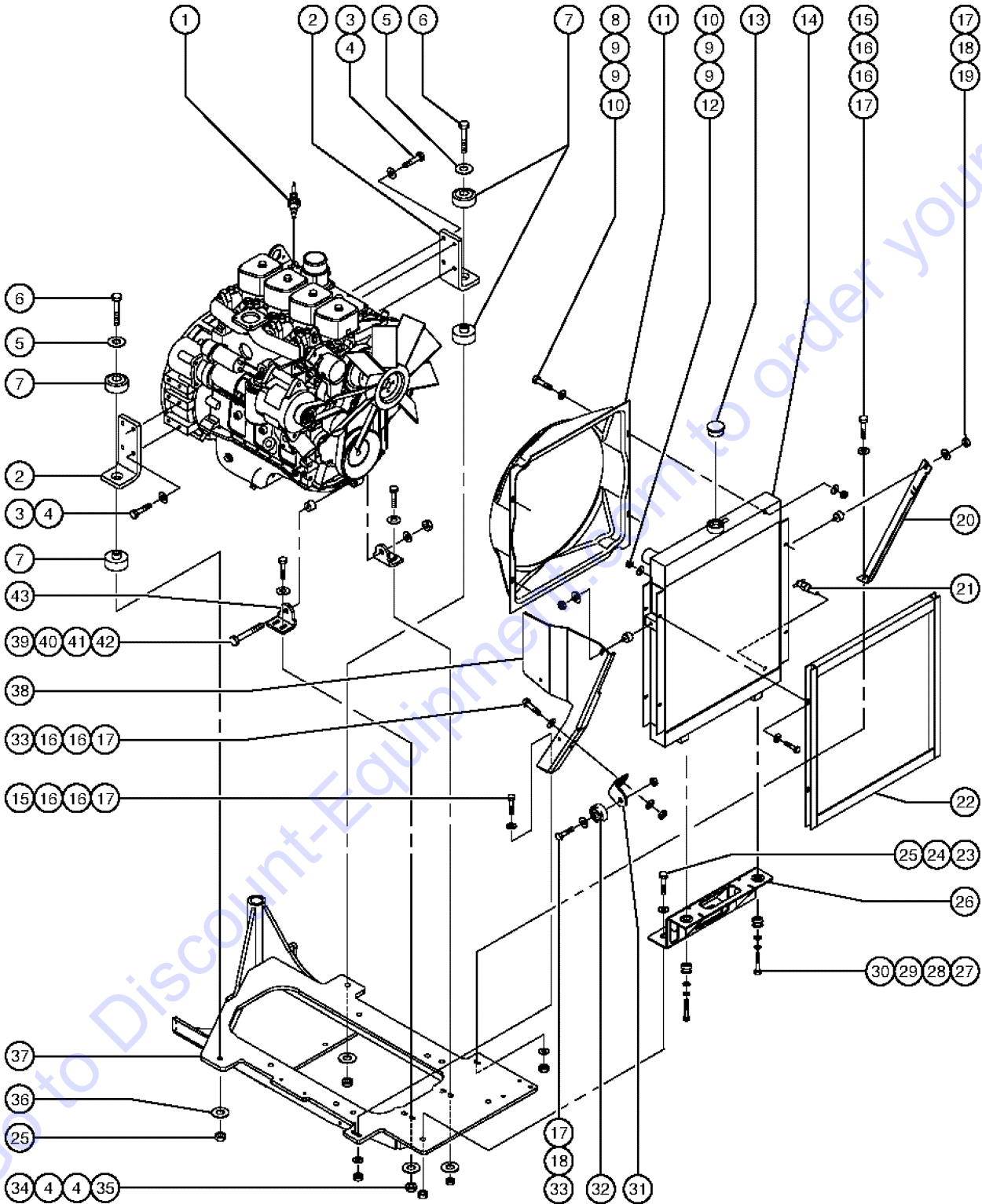
404.1 Cummins 4B3.9L Engine - View 4 (to SN 935)



404.1 Cummins 4B3.9L Engine - View 4 (to SN 935)

| Item | Part No. | Description | Qty. | Item | Part No. | Description | Qty. |
|------|-----------|---|------|------|----------|--|------|
| 1 | 75154GT | SENSOR,COOLANT TEMP.VDO323-419..... | 1 | 37 | 34550GT | WASHER,LOCK,.75 PLTD | |
| 2 | 60552-SGT | BRACKET,ENGINE MOUNT,CUMMINS..... | 2 | 38 | 75136GT | NUT,HEX,HEAVY DUTY JAM,3/4-10 | |
| 3 | 27584GT | SCREW,HHC,M12 X 35MM | | 39 | 75137GT | BRACKET,ENGINE SUPPORT,CUMMINS..... | 2 |
| 4 | 49410GT | WASHER,FLAT,M12 | | | | | |
| 5 | 33418GT | WASHER,FLAT,.625 X 2.25 X.15 | | | | | |
| 6 | 59746GT | SCREW,HHC,5/8-11 X 4.0*** | | | | | |
| 7 | 102045GT | ISOLATOR,ENGINE VIBRATION..... | 2 | | | | |
| 8 | 7339GT | SCREW, HHC, 1/4-20 X .5 | | | | | |
| 9 | 6356GT | WASHER,LOCK,.25 | | | | | |
| 10 | 6638GT | WASHER,FLAT,USS,1/4"Y | | | | | |
| 11 | 60649GT | SHROUD,FAN (FIBERGLASS)..... | 1 | | | | |
| 12 | 4828GT | NUT,NYLOCK,3/8-16 | | | | | |
| 13 | 5397GT | WASHER,FLAT,USS,5/16",Y | | | | | |
| 14 | 6175GT | SCREW,HHC,3/8-16 X 1 | | | | | |
| 15 | 75434GT | CAP,RADIATOR,7 PSI, AKG..... | 1 | | | | |
| 16 | 8516GT | SCREW, HCC, 3/8-16 X 1.50 | | | | | |
| 17 | 6019GT | SCREW,HHC,3/8-16 X 1.25 GRD 5 | | | | | |
| 18 | 60838GT | CLAMP,1.00,#16 X 7/16,RUB CUSH | | | | | |
| 19 | 60592-SGT | RADIATOR STRUT,LEFT (INBOARD).... | 1 | | | | |
| 20 | 75291GT | RADIATOR,CUMMINS/PERKINS..... | 1 | | | | |
| | | <i>includes items 15 and 27</i> | | | | | |
| -- | 75438-SGT | RADIATOR UPGRADE KIT,SUPERB | | | | | |
| 21 | 111400GT | RADIATOR STRUT ASSEMBLY, RIGHT..... | 1 | | | | |
| | | <i>USA/Canada/Australia</i> | | | | | |
| -- | 60593-SGT | RADIATOR STRUT,RIGHT(OUTBORD) <i>Europe/Asia/South America</i> | | | | | |
| 22 | 29883GT | SCREW,HHC,5/8-11 X 1.75 GRD.8..... | 2 | | | | |
| 23 | 6024GT | NUT,NYLOCK,5/8-11 | | | | | |
| 24 | 60640-SGT | WELDMENT,RADIATOR MOUNT..... | 1 | | | | |
| 25 | 6198GT | NUT,NYLOCK,1/2-13 | | | | | |
| 26 | 11209GT | WASHER,FLAT,USS,7/16",Y | | | | | |
| 27 | 75435GT | VALVE,RADIATOR DRAIN, AKG..... | 1 | | | | |
| 28 | 60729-SGT | FORMING,COVER STOP..... | 1 | | | | |
| 29 | 50974GT | BUMPER,RUBBER,COVERS..... | 1 | | | | |
| 30 | 6097GT | WASHER,FLAT,USS,3/8",Y | | | | | |
| 31 | 49366GT | NUT,NYLOCK,M12X1.75 | | | | | |
| 32 | 60868GT | SCREW,HHC,M12 X 45 | | | | | |
| 33 | 6035GT | WASHER,FLAT,USS,5/8",Y | | | | | |
| 34 | | Ref. Engine Tray (refer to 408.1) | | | | | |
| 35 | 75135GT | SCREW,HHC,3/4-10 X 6 (CUMMINS) | | | | | |
| 36 | 75120GT | ISOLATOR,CUMMINS 4B3.9L ENGINE..... | 1 | | | | |

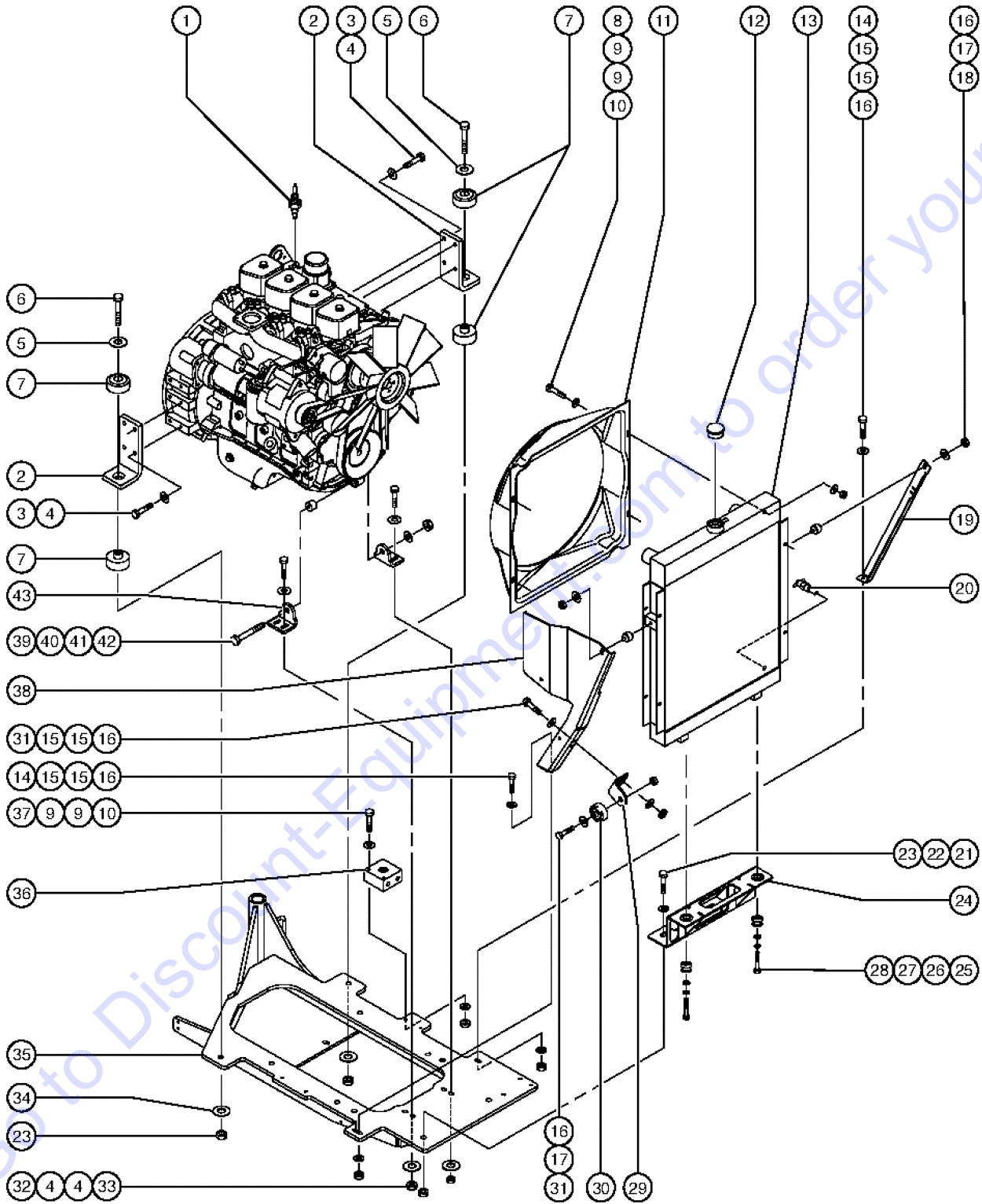
404.2 Cummins 4B3.9L Engine - View 4 (from SN 285 to 476)



404.2 Cummins 4B3.9L Engine - View 4 (from SN 285 to 476)

| Item | Part No. | Description | Qty. | Item | Part No. | Description | Qty. |
|------|-----------|--|------|------|-----------|--|------|
| 1 | 75154GT | SENSOR,COOLANT TEMP.VDO323-419..... | 1 | -- | 122026PGT | RADIATOR STRUT,RIGHT <i>Europe/Asia/South America</i> | |
| 2 | 60552-SGT | BRACKET,ENGINE MOUNT,CUMMINS..... | 2 | 39 | 75135GT | SCREW,HHC,3/4-10 X 6 (CUMMINS) | |
| 3 | 27584GT | SCREW,HHC,M12 X 35MM | | 40 | 75120GT | ISOLATOR,CUMMINS 4B3.9L ENGINE..... | 1 |
| 4 | 49410GT | WASHER,FLAT,M12 | | 41 | 34550GT | WASHER,LOCK,.75 PLTD | |
| 5 | 33418GT | WASHER,FLAT,.625 X 2.25 X.15 | | 42 | 75136GT | NUT,HEX,HEAVY DUTY JAM,3/4-10 | |
| 6 | 59746GT | SCREW,HHC,5/8-11 X 4.0*** | | 43 | 75137GT | BRACKET,ENGINE SUPPORT,CUMMINS..... | 2 |
| 7 | 102045GT | ISOLATOR,ENGINE VIBRATION..... | 2 | | | | |
| 8 | 6888GT | SCREW,HHC,1/4-20 X 1 | | | | | |
| 9 | 6638GT | WASHER,FLAT,USS,1/4"Y | | | | | |
| 10 | 6091GT | NUT,NYLOCK,1/4-20 | | | | | |
| 11 | 60649GT | SHROUD,FAN (FIBERGLASS)..... | 1 | | | | |
| 12 | 6090GT | SCREW,HHC,1/4-20 X .75 | | | | | |
| 13 | 75434GT | CAP,RADIATOR,7 PSI, AKG..... | 1 | | | | |
| 14 | 75291GT | RADIATOR,CUMMINS/PERKINS..... <i>includes items 13 and 21</i> | 1 | | | | |
| 15 | 8516GT | SCREW, HCC, 3/8-16 X 1.50 | | | | | |
| 16 | 5397GT | WASHER,FLAT,USS,5/16",Y | | | | | |
| 17 | 4828GT | NUT,NYLOCK,3/8-16 | | | | | |
| 18 | 6097GT | WASHER,FLAT,USS,3/8",Y | | | | | |
| 19 | 75260GT | ISOLATOR,FLEX-BOLT SANDWICH***..... | 2 | | | | |
| 20 | 75262-SGT | RADIATOR STRUT,LEFT, PAINTED..... | 1 | | | | |
| 21 | 75435GT | VALVE,RADIATOR DRAIN, AKG..... | 1 | | | | |
| 22 | 75300GT | WELDMENT,RADIATOR SHROUD..... | 1 | | | | |
| 23 | 29883GT | SCREW,HHC,5/8-11 X 1.75 GRD.8..... | 2 | | | | |
| 24 | 13064GT | WASHER,FLAT,.625 HARDENED..... | 2 | | | | |
| 25 | 6024GT | NUT,NYLOCK,5/8-11 | | | | | |
| 26 | 75297-SGT | WELDMENT,RADIATOR MOUNT,PAINTD..... | 1 | | | | |
| 27 | 13918GT | SCREW,HHC,3/8-16 X 1.75,GRD.8..... | 2 | | | | |
| 28 | 6021GT | WASHER,LOCK,.375..... | 2 | | | | |
| 29 | 44714GT | WASHER,.375X1.25X.100 | | | | | |
| 30 | 122026PGT | RADIATOR STRUT,RIGHT..... | 2 | | | | |
| 31 | 60729-SGT | FORMING,COVER STOP..... | 1 | | | | |
| 32 | 50974GT | BUMPER,RUBBER,COVERS..... | 1 | | | | |
| 33 | 6019GT | SCREW,HHC,3/8-16 X 1.25 GRD 5 | | | | | |
| 34 | 49366GT | NUT,NYLOCK,M12X1.75 | | | | | |
| 35 | 60868GT | SCREW,HHC,M12 X 45 | | | | | |
| 36 | 6035GT | WASHER,FLAT,USS,5/8",Y | | | | | |
| 37 | 75124-SGT | ENGINE TRAY PIVOT ASSEMBLY | | | | | |
| 38 | 111396GT | RADIATOR STRUT ASSEMBLY,RIGHT..... <i>USA/Canada/Australia</i> | 1 | | | | |

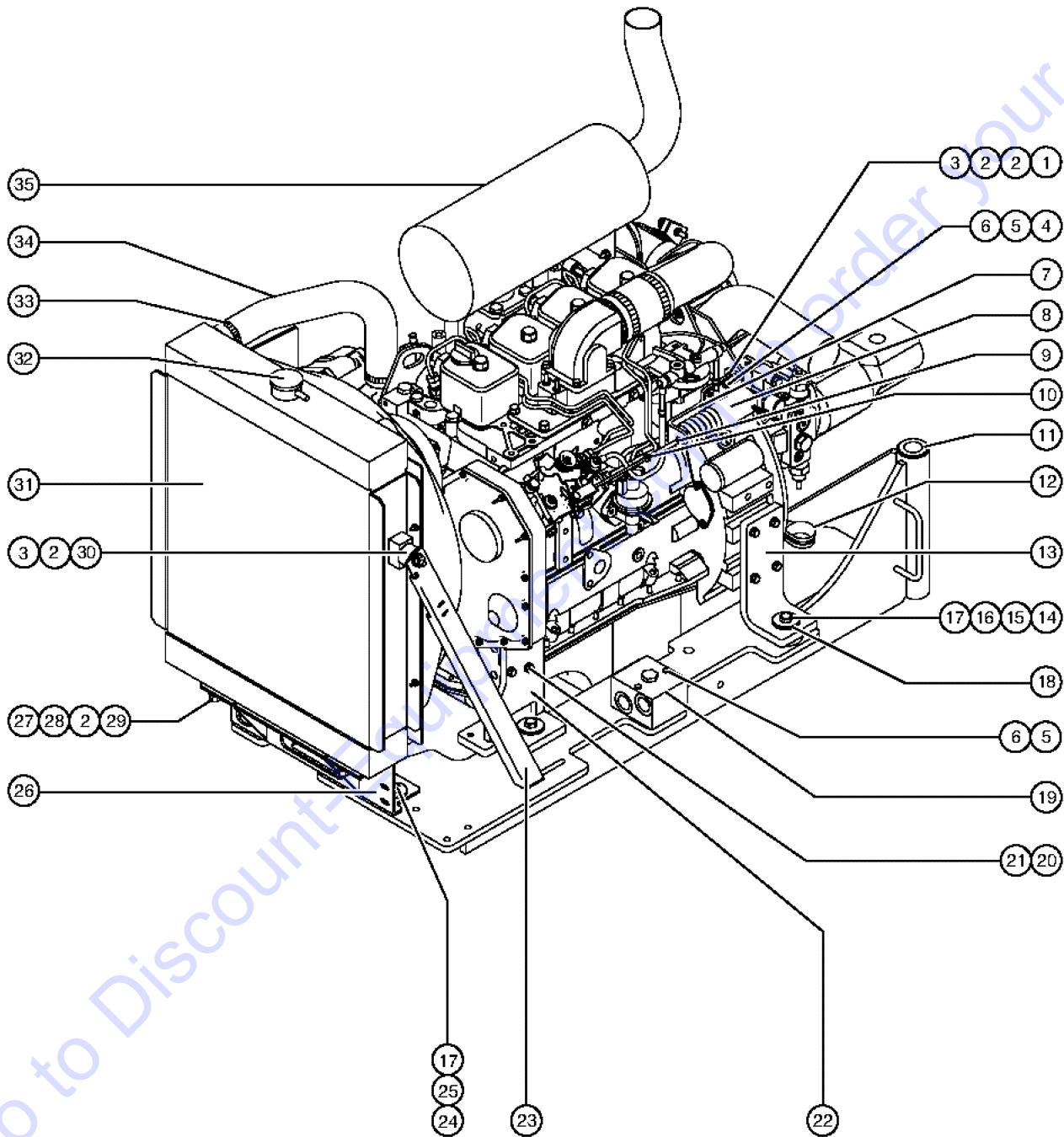
404.3 Cummins 4B3.9L Engine - View 4 (from SN 477 to 935)



404.3 Cummins 4B3.9L Engine - View 4 (from SN 477 to 935)

| Item | Part No. | Description | Qty. | Item | Part No. | Description | Qty. |
|------|-----------|--|------|------|-----------|--|------|
| 1 | 75154GT | SENSOR,COOLANT TEMP.VDO323-419..... | 1 | 38 | 111396GT | RADIATOR STRUT ASSEMBLY,RIGHT..... | 1 |
| 2 | 60552-SGT | BRACKET,ENGINE MOUNT,CUMMINS..... | 2 | -- | 122026PGT | RADIATOR STRUT,RIGHT <i>USA/Canada/Australia</i> | |
| 3 | 27584GT | SCREW,HHC,M12 X 35MM | | | | RADIATOR STRUT,RIGHT <i>Europe/Asia/South America</i> | |
| 4 | 49410GT | WASHER,FLAT,M12 | | 39 | 75135GT | SCREW,HHC,3/4-10 X 6 (CUMMINS) | |
| 5 | 33418GT | WASHER,FLAT,.625 X 2.25 X.15 | | 40 | 75120GT | ISOLATOR,CUMMINS 4B3.9L ENGINE..... | 1 |
| 6 | 59746GT | SCREW,HHC,5/8-11 X 4.0*** | | 41 | 34550GT | WASHER,LOCK,.75 PLTD | |
| 7 | 102045GT | ISOLATOR,ENGINE VIBRATION..... | 2 | 42 | 75136GT | NUT,HEX,HEAVY DUTY JAM,3/4-10 | |
| 8 | 6888GT | SCREW,HHC,1/4-20 X 1 | | 43 | 75137GT | BRACKET,ENGINE SUPPORT,CUMMINS..... | 2 |
| 9 | 6638GT | WASHER,FLAT,USS,1/4"Y | | | | | |
| 10 | 6091GT | NUT,NYLOCK,1/4-20 | | | | | |
| 11 | 60649GT | SHROUD,FAN (FIBERGLASS)..... | 1 | | | | |
| 12 | 75434GT | CAP,RADIATOR,7 PSI, AKG..... | 1 | | | | |
| 13 | 75547GT | RADIATOR..... | 1 | | | | |
| | | <i>includes items 12 and 20</i> | | | | | |
| 14 | 8516GT | SCREW, HCC, 3/8-16 X 1.50 | | | | | |
| 15 | 5397GT | WASHER,FLAT,USS,5/16",Y | | | | | |
| 16 | 4828GT | NUT,NYLOCK,3/8-16 | | | | | |
| 17 | 6097GT | WASHER,FLAT,USS,3/8",Y | | | | | |
| 18 | 75260GT | ISOLATOR,FLEX-BOLT SANDWICH***..... | 2 | | | | |
| 19 | 75262-SGT | RADIATOR STRUT,LEFT, PAINTED..... | 1 | | | | |
| 20 | 75435GT | VALVE,RADIATOR DRAIN, AKG..... | 1 | | | | |
| 21 | 29883GT | SCREW,HHC,5/8-11 X 1.75 GRD.8..... | 2 | | | | |
| 22 | 13064GT | WASHER,FLAT,.625 HARDENED..... | 2 | | | | |
| 23 | 6024GT | NUT,NYLOCK,5/8-11 | | | | | |
| 24 | 75297-SGT | WELDMENT,RADIATOR MOUNT,PAINTD..... | 1 | | | | |
| 25 | 13918GT | SCREW,HHC,3/8-16 X 1.75,GRD.8..... | 2 | | | | |
| 26 | 6021GT | WASHER,LOCK,.375 | | | | | |
| 27 | 44714GT | WASHER,.375X1.25X.100 | | | | | |
| 28 | 75259GT | ISOLATOR,CENTER BONDED..... | 2 | | | | |
| 29 | 60729-SGT | FORMING,COVER STOP..... | 1 | | | | |
| 30 | 50974GT | BUMPER,RUBBER,COVERS..... | 1 | | | | |
| 31 | 6019GT | SCREW,HHC,3/8-16 X 1.25 GRD 5 | | | | | |
| 32 | 49366GT | NUT,NYLOCK,M12X1.75 | | | | | |
| 33 | 60868GT | SCREW,HHC,M12 X 45 | | | | | |
| 34 | 6035GT | WASHER,FLAT,USS,5/8",Y | | | | | |
| 35 | | Ref. Engine Tray (refer to 408.2) | | | | | |
| 36 | 75651GT | MANIFOLD,COOLER BYPASS | | | | | |
| -- | 102166GT | VALVE,CHECK,30 PSI | | | | | |
| -- | 44224GT | SEAL KIT, VALVE | | | | | |
| 37 | 6115GT | SCREW,HHC,1/4-20 X 3.5 | | | | | |

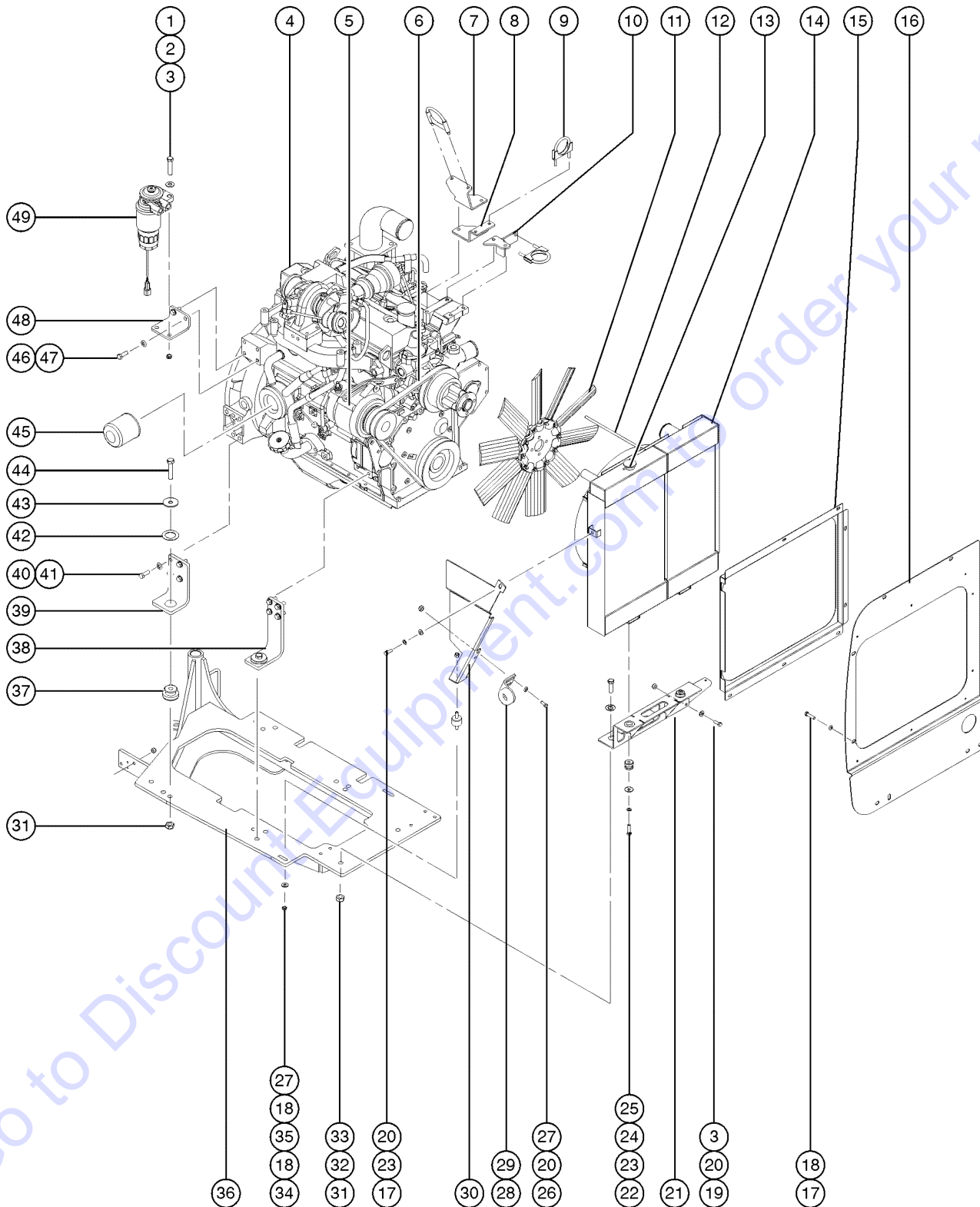
405.1 Cummins B4.5 C80 Engine - View 1 (from SN 936 to 2547)



405.1 Cummins B4.5 C80 Engine - View 1 (from SN 936 to 2547)

| Item | Part No. | Description | Qty. | Item | Part No. | Description | Qty. |
|------|-----------|--|------|------|----------|--|------|
| -- | 61078GT | FLYWHEEL DRIVE PLATE,SAE 10 to SN 1028 | | 30 | 75260GT | ISOLATOR,FLEX-BOLT SANDWICH*** | 2 |
| -- | 33023GT | FLYWHEEL FLANGE,SAE 8/12.375 from SN 1029 | | 31 | 75547GT | RADIATOR..... | 1 |
| -- | 61077GT | COUPLER,HUB,14 TOOTH to SN 1028 | | -- | 70518GT | RADIATOR from SN 985 | |
| -- | 29749GT | COUPLER,SMALL METAL,15T,*** from SN 1029 | | 32 | 75434GT | CAP,RADIATOR,7 PSI, AKG..... | 1 |
| -- | 102182GT | HARNESS,ENGINE,CUMMINS 2004 to SN 1028 | | -- | 65473GT | CAP,RADIATOR,PERKINS/FORD from SN 985 | |
| -- | 102707GT | HARNESS,ENGINE,CUMMINS 4.5 from SN 1029 to SN 1260 | | 33 | 45435GT | CLAMP,HOSE,2.50**** | 4 |
| -- | 111117GT | HARNESS,CUMMINS ENGINE from SN 1261 | | 34 | 60586GT | RADIATOR HOSE,UPPER-CUMMINS.... | 1 |
| 1 | 6019GT | SCREW,HHC,3/8-16 X 1.25 GRD 5 | | 35 | 60550GT | MUFFLER,NELSON 3.9L..... | 1 |
| 2 | 5397GT | WASHER,FLAT,USS,5/16",Y | | -- | 61337GT | MUFFLER,CATALYTIC,CUMMINS | |
| 3 | 4828GT | NUT,NYLOCK,3/8-16 | | -- | 75151GT | GASKET,MUFFLER,CUMMINS, B3.9L | |
| 4 | 6090GT | SCREW,HHC,1/4-20 X .75 | | | | | |
| 5 | 6638GT | WASHER,FLAT,USS,1/4"Y | | | | | |
| 6 | 6091GT | NUT,NYLOCK,1/4-20 | | | | | |
| 7 | 102035PGT | FORMING,THROTTLE SOL MNT CUM..... | 1 | | | | |
| 8 | 89998GT | KIT,SERVICE,SOLENOID MODULE..... | 1 | | | | |
| 9 | 102048GT | CABLE ASSY,THROTTLE..... | 1 | | | | |
| 10 | 21496GT | NUT,HEX,1/4-28 | | | | | |
| 11 | 35675GT | BEARING,FL,1.25IDX1.5ODX1.25L..... | 2 | | | | |
| 12 | 77181GT | CLAMP,1.63,#26 X 3/8,RUB CUSH..... | 1 | | | | |
| 13 | 102044PGT | BRACKET,ENGINE MOUNT,CUMMINS..... | 2 | | | | |
| 14 | 13004GT | SCREW,HHC,5/8-11 X 3 GRD.8..... | 4 | | | | |
| 15 | 33418GT | WASHER,FLAT,.625 X 2.25 X.15 | | | | | |
| 16 | 6035GT | WASHER,FLAT,USS,5/8",Y | | | | | |
| 17 | 6024GT | NUT,NYLOCK,5/8-11 | | | | | |
| 18 | 102045GT | ISOLATOR,ENGINE VIBRATION..... | 4 | | | | |
| 19 | | Ref. Hydraulic Oil Cooler Manifold (refer to 404.3) | | | | | |
| 20 | 27584GT | SCREW,HHC,M12 X 35MM | | | | | |
| 21 | 49410GT | WASHER,FLAT,M12 | | | | | |
| 22 | 102043GT | WELDMENT,ENGINE MOUNT,RT,FRONT..... | 1 | | | | |
| 23 | 75262PGT | RADIATOR STRUT,LEFT,PAINTED..... | 1 | | | | |
| 24 | 29883GT | SCREW,HHC,5/8-11 X 1.75 GRD.8..... | 2 | | | | |
| 25 | 13064GT | WASHER,FLAT,.625 HARDENED | | | | | |
| 26 | 75297PGT | WELDMENT,RADIATOR MOUNT..... | 1 | | | | |
| 27 | 13918GT | SCREW,HHC,3/8-16 X 1.75,GRD.8..... | 2 | | | | |
| 28 | 6021GT | WASHER,LOCK,.375 | | | | | |
| 29 | 75259GT | ISOLATOR,CENTER BONDED..... | 2 | | | | |

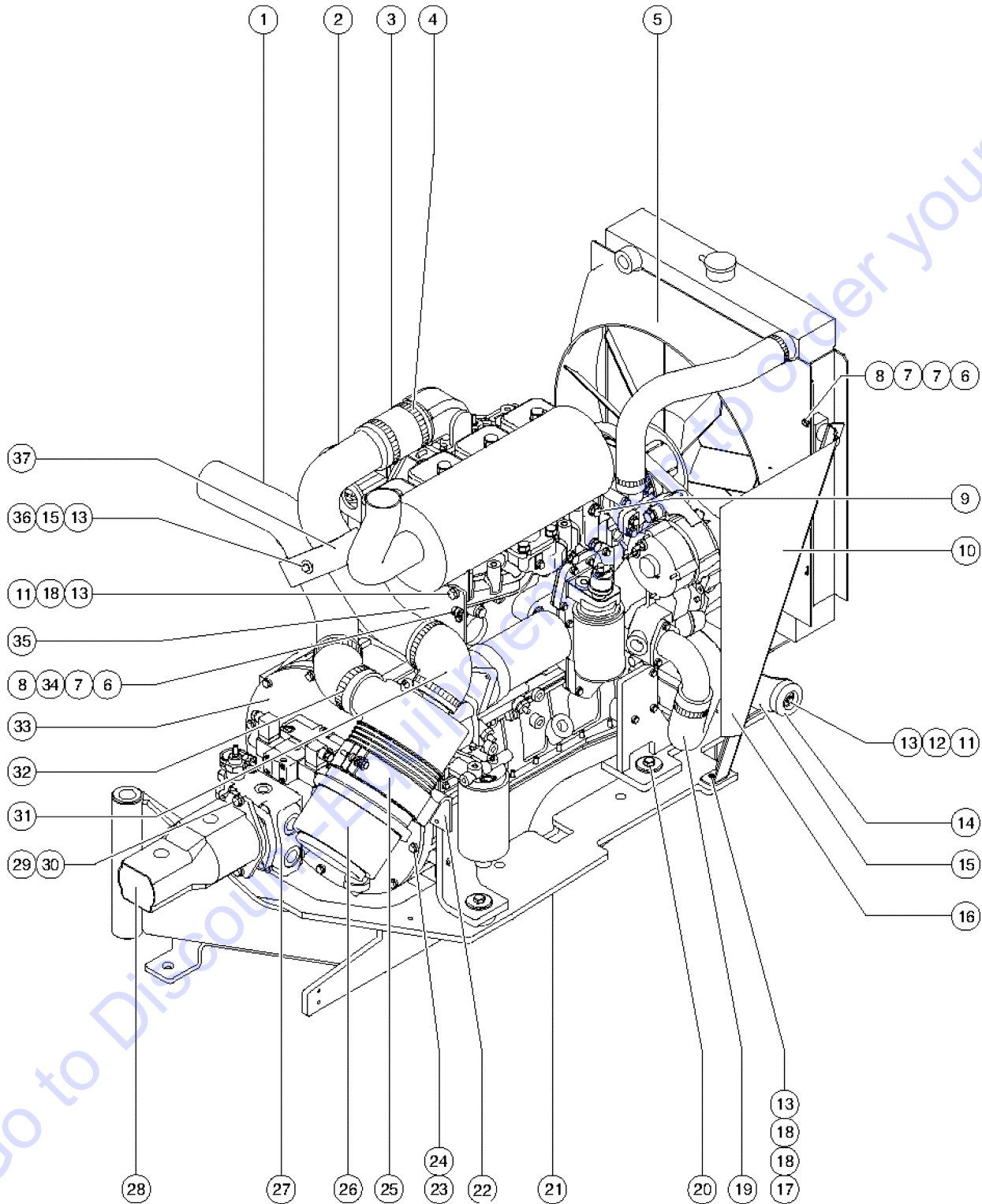
405.2 Cummins B3.3T Engine - View 1 (from SN 2548)



405.2 Cummins B3.3T Engine - View 1 (from SN 2548)

| Item | Part No. | Description | Qty. | Item | Part No. | Description | Qty. |
|------|-----------|--|------|------|----------|-------------------------------------|------|
| -- | 122877GT | HARNES, CUMMINS ENGINE T3 | | 37 | 102045GT | ISOLATOR, ENGINE VIBRATION | |
| -- | 139612GT | KIT CB 15A T2 RPM SOLENOID 3W <i>includes item 128829; to SN 2588</i> | | 38 | 122409GT | FORMING, MOUNT, ENGINE, FRONT.....2 | |
| -- | 128829GT | CIRCUIT BRKR 15A TYPE 2 METAL <i>from SN 2589</i> | | 39 | 122410GT | FORMING, MOUNT, ENGINE, REAR.....2 | |
| 1 | 13000GT | SCREW, HHC, 5/16-18 X 1.25 | | 40 | 27584GT | SCREW, HHC, M12 X 35MM | |
| 2 | 6638GT | WASHER, FLAT, USS, 1/4" Y | | 41 | 49410GT | WASHER, FLAT, M12 | |
| 3 | 6782GT | NUT, NYLOCK, 5/16-18 | | 42 | 18596GT | WASHER, FLAT, 1.56 X 2.5 X .061 | |
| 4 | 122402GT | ENGINE KIT, CUMMINS B3.3T.....1 | | 43 | 33418GT | WASHER, FLAT, .625 X 2.25 X .15 | |
| 5 | 146046GT | ALTERNATOR.....1 | | 44 | 13004GT | SCREW, HHC, 5/8-11 X 3 GRD.8 | |
| 6 | 146047GT | BELT.....1 | | 45 | 122708GT | OIL FILTER.....1 | |
| 6A | 1277970GT | WATER PUMP, CUMMINS, B3.3.....1 | | 46 | 27034GT | SCREW, HHC, M10 X 25MM, GR 8.8 | |
| 7 | 122625GT | BRACKET, SUPPORT, EXH. CUM T3.....1 | | 47 | 22699GT | WASHER, FLAT, M10, ZINC PLTD. | |
| 8 | 122424GT | BRACKET, CAC 2 TUBING MOUNT.....1 | | 48 | 111639GT | FORMING, FUEL FILTER MOUNT.....1 | |
| 9 | 71911GT | CLAMP, MUFFLER, 2.50 INCH.....4 | | 49 | 122709GT | FUEL FILTER.....1 | |
| 10 | 122335GT | BRACKET, CAC INTAKE TUBE MOUNT.....1 | | | | | |
| 11 | 122438GT | FAN, 19.0", BREEZA.....1 | | | | | |
| 12 | 30490GT | HOSE, 1/4 FUEL LINE, SAE 30R7.....16-inches | | | | | |
| 13 | 65473GT | CAP, RADIATOR, PERKINS/FORD.....1 | | | | | |
| 14 | 122404GT | ASSY, RAD/CAC, CUMMINS B3.3T.....1 | | | | | |
| 15 | 122594GT | FORMING, BAFFLE BOX.....1 | | | | | |
| 16 | 128505GT | FORMING, ENGINE BAFFLE.....1 | | | | | |
| 17 | 8255GT | SCREW, HHC, 3/8-16 X .75 | | | | | |
| 18 | 6097GT | WASHER, FLAT, USS, 3/8", Y | | | | | |
| 19 | 13002GT | SCREW, HHC, 5/16-18 X 1 GR5 | | | | | |
| 20 | 5397GT | WASHER, FLAT, USS, 5/16", Y | | | | | |
| 21 | 122415GT | WELDMENT, RADIATOR MOUNT, CUM.....1 | | | | | |
| 22 | 8516GT | SCREW, HCC, 3/8-16 X 1.50 | | | | | |
| 23 | 6021GT | WASHER, LOCK, .375 | | | | | |
| 24 | 44714GT | WASHER, .375 X 1.25 X .100 | | | | | |
| 25 | 75259GT | ISOLATOR, CENTER BONDED | | | | | |
| 26 | 6019GT | SCREW, HHC, 3/8-16 X 1.25 GRD 5 | | | | | |
| 27 | 4828GT | NUT, NYLOCK, 3/8-16 | | | | | |
| 28 | 50974GT | BUMPER, RUBBER, COVERS | | | | | |
| 29 | 60729GT | FORMING, COVER STOP*** | | | | | |
| 30 | 122412GT | RADIATOR STRUT, RIGHT.....1 | | | | | |
| 31 | 6024GT | NUT, NYLOCK, 5/8-11 | | | | | |
| 32 | 13064GT | WASHER, FLAT, .625 HARDENED | | | | | |
| 33 | 29883GT | SCREW, HHC, 5/8-11 X 1.75 GRD.8 | | | | | |
| 34 | 7713GT | NUT, LP NYLOCK, 3/8-16 | | | | | |
| 35 | 122428GT | MOUNT, 1" FLEX-BOLT SANDWICH.....1 | | | | | |
| 36 | | Ref. ENGINE TRAY (refer to 408.2).....1 | | | | | |

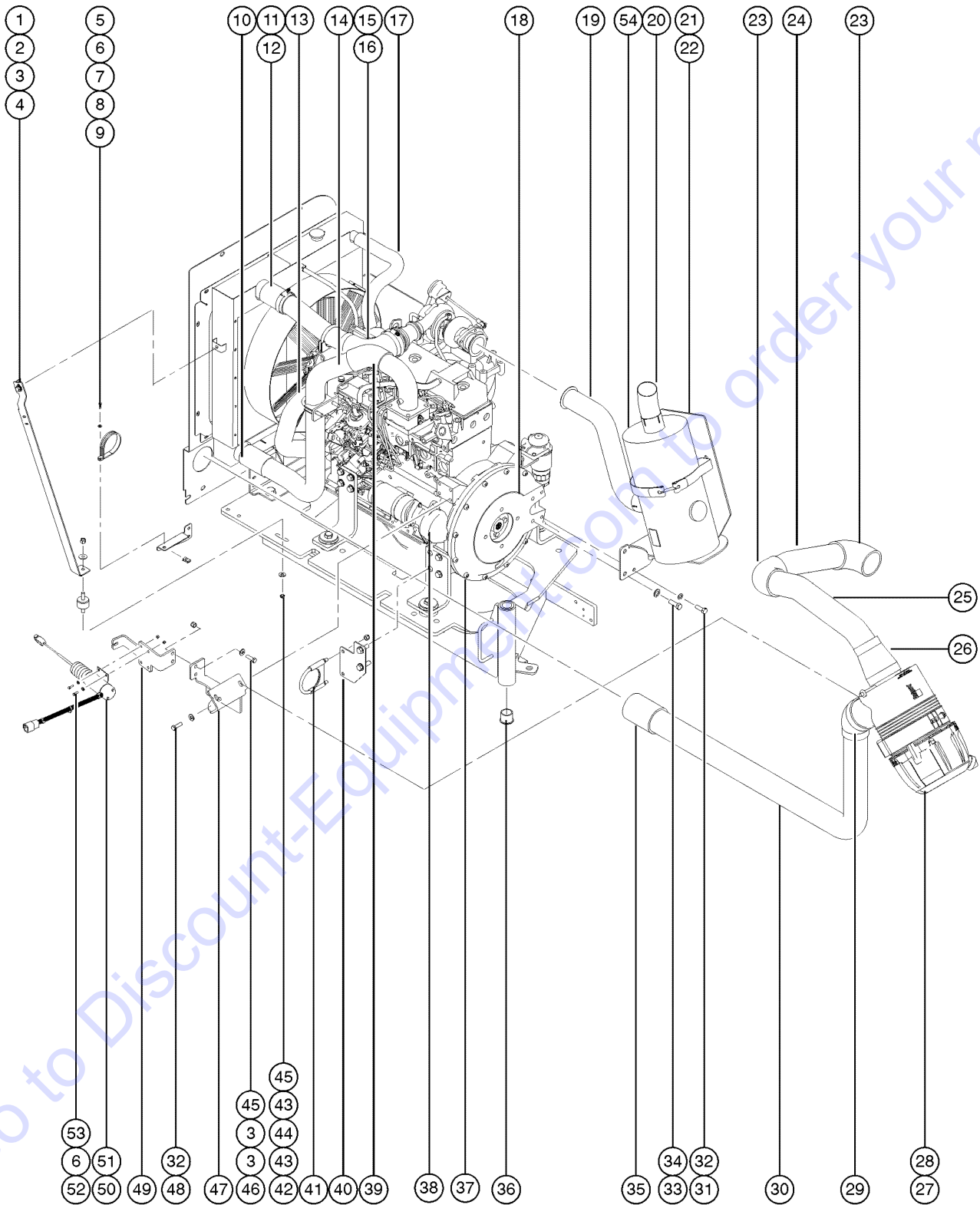
406.1 Cummins B4.5 C80 Engine - View 2 (from SN 936 to 2547)



406.1 Cummins B4.5 C80 Engine - View 2 (from SN 936 to 2547)

| Item | Part No. | Description | Qty. |
|------|-----------|---|------|
| 1 | 61271GT | TUBE,INLET,CUMMINS.....1 | 1 |
| 2 | 75045GT | TUBE,INLET,CUMMINS.....1 | 1 |
| 3 | 60596GT | HOSE INLET.....1 | 1 |
| 4 | 30489GT | CLAMP,HOSE,3.50.....6 | 6 |
| 5 | 60649GT | SHROUD,FAN (FIBERGLASS).....1 | 1 |
| 6 | 6091GT | NUT,NYLOCK,1/4-20 | |
| 7 | 6638GT | WASHER,FLAT,USS,1/4"Y | |
| 8 | 6090GT | SCREW,HHC,1/4-20 X .75 | |
| 9 | 75052GT | SCREW,SER/FLNG 10M-1.5X20MM BK | |
| 10 | 111397GT | RADIATOR STRUT ASSEMBLY,RIGHT.....1 <i>USA/Canada/Australia</i> | 1 |
| -- | 122026PGT | RADIATOR STRUT,RIGHT <i>Europe/Asia/South America</i> | |
| 11 | 6019GT | SCREW,HHC,3/8-16 X 1.25 GRD 5 | |
| 12 | 6097GT | WASHER,FLAT,USS,3/8",Y | |
| 13 | 4828GT | NUT,NYLOCK,3/8-16 | |
| 14 | 50974GT | BUMPER,RUBBER,COVERS.....1 | 1 |
| 15 | 60729PGT | FORMING,COVER STOP**.....1 | 1 |
| 16 | 122026GT | RADIATOR STRUT,RIGHT***.....1 | 1 |
| 17 | 8516GT | SCREW, HCC, 3/8-16 X 1.50 | |
| 18 | 5397GT | WASHER,FLAT,USS,5/16",Y | |
| 19 | 102031GT | RADIATOR HOSE,LOWER-CUMMINS...1 | 1 |
| 20 | 102042GT | WELDMENT,ENGINE MOUNT,LF,FRONT.....2 | 2 |
| 21 | | Ref. Engine Tray (refer to 408.2) | |
| 22 | 61242PGT | BRACKET,AIR CLEANER CUMMINS....1 | 1 |
| 23 | 44064GT | SCREW,HHC,M10 X 30MM, | |
| 24 | 22699GT | WASHER,FLAT,M10,ZINC PLTD. | |
| 25 | 81468GT | MOUNTING BAND,AIR CLEANER.....1 | 1 |
| 26 | 81467GT | AIR CLEANER,NELSON.....1 | 1 |
| -- | 62425GT | FILTER,AIR CLEANER, SUPERBOOM | |
| 27 | | Ref. Drive Pump (refer to 711.1) | |
| 28 | | Ref. Function Pump (refer to 711.1) | |
| 29 | 10597GT | SCREW,HHC,1/2-13 X 1.25 GR5 | |
| 30 | 13066GT | WASHER,FLAT,.5 HARDENED | |
| 31 | 60561GT | ELBOW,INLET,CUMMINS.....1 | 1 |
| 32 | 61270GT | ELBOW,45 DEG,INLET.....1 | 1 |
| 33 | 60322-SGT | PLATE,PUMP MOUNT.....1 | 1 |
| 34 | 6833GT | CLAMP,0.50,#8 X 1/4,RUB CUSH.....1 | 1 |
| 35 | 102034PGT | BRACKET,MUFFLER,SUPT,CUMMINS..1 | 1 |
| 36 | 12981GT | SCREW,HHC,3/8-16 X 4.5 | |
| 37 | 75046-SGT | CLAMP,AIR INTAKE TUBE.....1 | 1 |

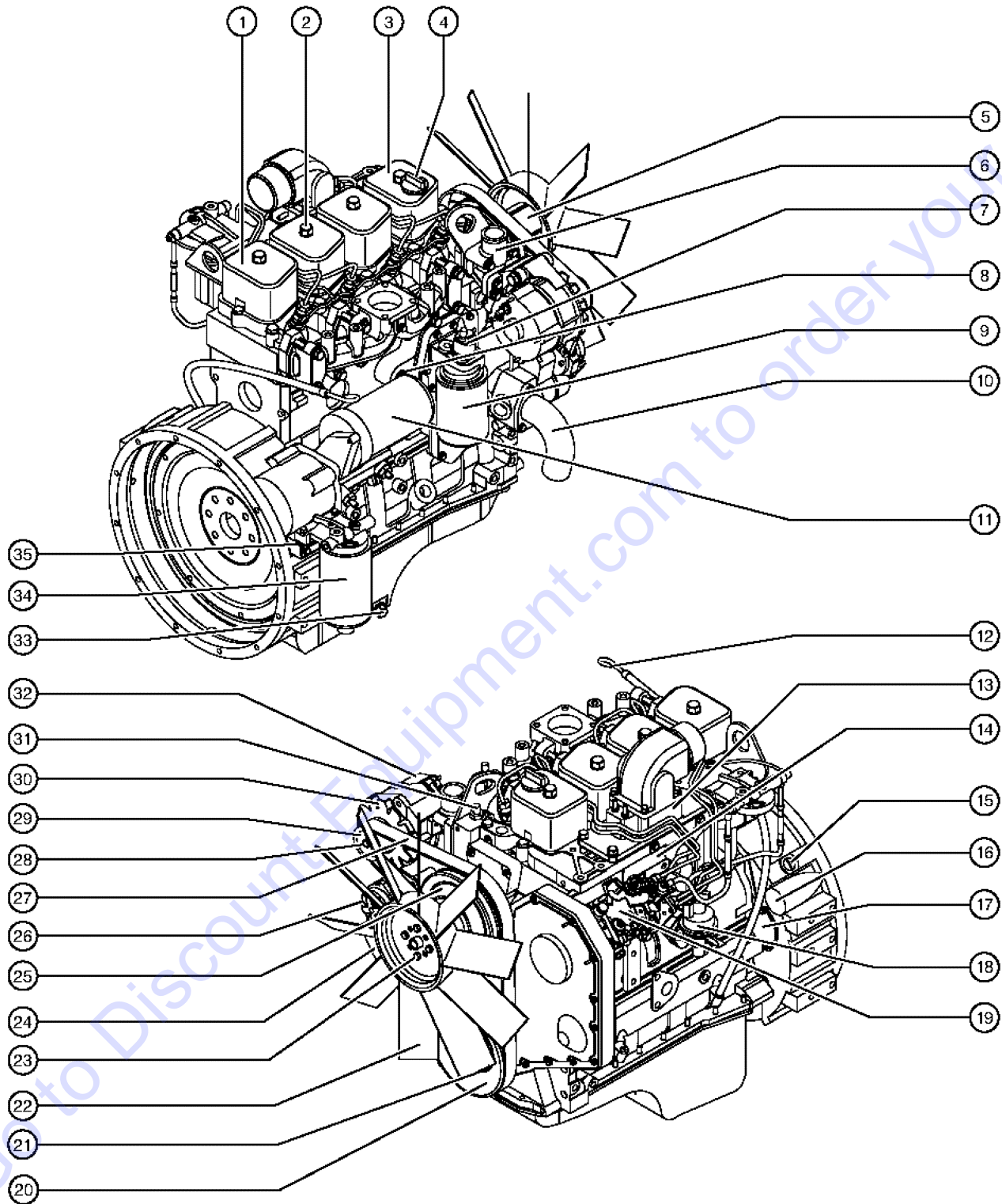
406.2 Cummins B3.3T Engine - View 2 (from SN 2548)



406.2 Cummins B3.3T Engine - View 2 (from SN 2548)

| Item | Part No. | Description | Qty. | Item | Part No. | Description | Qty. |
|------|----------|---|------|------|----------|--|------|
| 1 | 8255GT | SCREW,HHC,3/8-16 X .75 | | 40 | 122423GT | BRACKET,INTAKE MOUNT,CUM.....1 | 1 |
| 2 | 6021GT | WASHER,LOCK,.375 | | 41 | 122414GT | U-BOLT,GUILLOTINE,3" | |
| 3 | 5397GT | WASHER,FLAT,USS,5/16",Y | | 42 | 7713GT | NUT, LP NYLOCK, 3/8-16 | |
| 4 | 122411GT | RADIATOR STRUT,LEFT.....1 | 1 | 43 | 6097GT | WASHER,FLAT,USS,3/8",Y | |
| 5 | 6888GT | SCREW,HHC,1/4-20 X 1 | | 44 | 122428GT | MOUNT,1"FLEX-BOLT SANDWICH.....1 | 1 |
| 6 | 6638GT | WASHER,FLAT,USS,1/4"Y | | 45 | 4828GT | NUT,NYLOCK,3/8-16 | |
| 7 | 70257GT | CLAMP,3.0,#48 X 1/4,RUB CUSH | | 46 | 6019GT | SCREW,HHC,3/8-16 X 1.25 GRD 5 | |
| 8 | 122413GT | BRACKET,INTAKE TUBE SUPPORT.....1 | 1 | 47 | | FORMING,AIR CLEANER.....1 <i>shown component no longer available, must install kit 146307 for first time replacement</i> | 1 |
| 9 | 56912GT | SPRING CLIP,1/4-20,.025-.15X.54,ZAG | | -- | 146307GT | SERVICE KIT, THROTTLE, B3.3T <i>Includes parts 146352 and 146306</i> | |
| 10 | 122434GT | HOSE,CAC,2.5"ID X 4.0".....1 | 1 | 48 | 27034GT | SCREW,HHC,M10 X 25MM,GR 8.8 | |
| 11 | 122427GT | TUBE,CAC 1 CUM.B3.3T.....1 | 1 | 49 | | FORMING,SOLENOID MOUNT.....1 <i>shown component no longer available, must install kit 146307 for first time replacement</i> | 1 |
| 12 | 122591GT | CLAMP,CONST TRQ 2.25"-3.13"OD | | -- | 146352GT | WLDT, AIR CLEANER/SOLENOID MNT <i>Can be ordered sparely if kit 146307 was previously installed</i> | |
| 13 | 122408GT | HOSE,LOWER RADIATOR,CUMMINS...1 | 1 | 50 | 101957GT | SOLENOID,THROTTLE,ASSY.TROMB...1 | 1 |
| 14 | 122425GT | TUBE,AIR INTAKE,UPPER.....1 | 1 | 51 | | CABLE ASSY,THROTTLE,CUM B3.3T....1 <i>shown component no longer available, must install kit 146307 for first time replacement</i> | 1 |
| 15 | 122435GT | REDUCER,90 DEG,CAC, 3.0"-2.5".....1 | 1 | -- | 146306GT | THROTTLE LINK, STEEL <i>Can be ordered sparely if kit 146307 was previously installed</i> | |
| 16 | 122592GT | CLAMP,CONST TRQ 2.75"-3.63"OD | | 52 | 6090GT | SCREW,HHC,1/4-20 X .75 | |
| 17 | 122407GT | HOSE,UPPER RADIATOR,CUMMINS....1 | 1 | 53 | 6091GT | NUT,NYLOCK,1/4-20 | |
| 18 | 70381GT | COVER,FLYWHEEL CASTING.....1 | 1 | 54 | 70444GT | MUFFLER,2.5"INLET/OUTLET.....1 | 1 |
| 18A | 122472GT | COUPLER,15 TOOTH,FBA,CUM B3.3T.....1 | 1 | | | | |
| 19 | 122604GT | TUBE, EXHAUST CUMMINS B3.3T.....1 | 1 | | | | |
| 20 | 122615GT | TUBE,EXHAUST CUMMINS T3.....1 | 1 | | | | |
| 21 | 122605GT | WLDT, MUFFLER BRKT, CUMMINS T3.....1 | 1 | | | | |
| 22 | 122470GT | CLAMP,MUFFLER,CUM B3.3T | | | | | |
| 23 | 60561GT | ELBOW,INLET,CUMMINS.....1 | 1 | | | | |
| 24 | 122614GT | TUBE,INTAKE,CUMMINS T3.....1 | 1 | | | | |
| 25 | 122613GT | TUBE,INTAKE,CUMMINS T3.....1 | 1 | | | | |
| 26 | 122432GT | REDUCER,RUBBER,4.0 X 3.0.....1 | 1 | | | | |
| 27 | 122466GT | AIR CLEANER,CUMMINS B3.3T.....1 | 1 | | | | |
| -- | 146044GT | AIR FILTER, PRIMARY ELEMENT.....1 | 1 | | | | |
| -- | 146045GT | AIR FILTER, SECONDARY ELEMENT....1 | 1 | | | | |
| 28 | 122467GT | AIR CLEANER,CLAMP,CUM B3.3T.....1 | 1 | | | | |
| 29 | 122603GT | REDUCER,45 DEG, 3.75"-3.00".....1 | 1 | | | | |
| 30 | 122602GT | TUBE,AIR INTAKE 1,CUM.B3.3T.....1 | 1 | | | | |
| 31 | 22697GT | SCREW,HHC,M10 X 65MM,GR8.8 | | | | | |
| 32 | 22699GT | WASHER,FLAT,M10,ZINC PLTD. | | | | | |
| 33 | 54177GT | SCREW,HHC,1/2-13 X 1.5 GRD 8 | | | | | |
| 34 | 13066GT | WASHER,FLAT,.5 HARDENED | | | | | |
| 35 | 60596GT | HOSE INLET.....1 | 1 | | | | |
| 36 | 35675GT | BEARING,FL,1.25IDX1.5ODX1.25L | | | | | |
| 37 | 61110GT | SCREW,SHC,M10X1.5X30 GR 12.9 | | | | | |
| 38 | 139798GT | STARTER, 12V, CUMMINS B3.3T | | | | | |
| 39 | 122433GT | ELBOW,45 DEG, CAC,2.5".....1 | 1 | | | | |

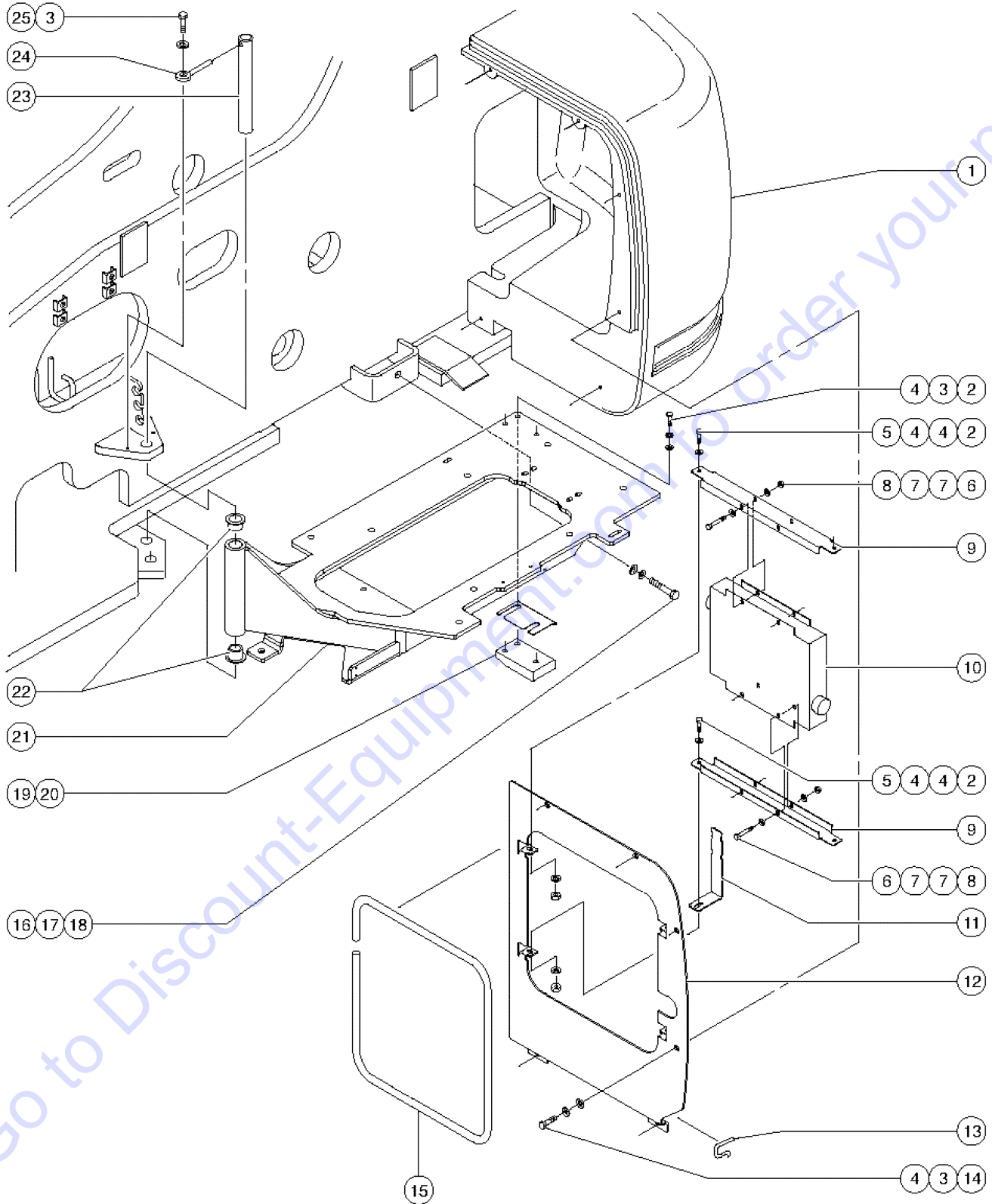
407.1 Cummins B4.5 C80 Engine - View 3 (from SN 936 to 2547)



407.1 Cummins B4.5 C80 Engine - View 3 (from SN 936 to 2547)

| Item | Part No. | Description | Qty. | Item | Part No. | Description | Qty. |
|------|----------|---|------|------|-----------|--|------|
| -- | 102289GT | STRAINER,FUEL CUMMINS B4.5 | | 23 | 102579GT | SCREW,HHC,M10X1.5X100MM,GR8.8 | |
| -- | 102577GT | THERMOSTAT,W/GSKT CUMINS B4.5 <i>includes gasket</i> | | 24 | 102302GT | PUMP, WATER,CUMMINS B4.5.....1 | 1 |
| -- | 102578GT | VALVE, PRESS REGU CUMINS B4.5 | | -- | 75179GT | O-RING,WATER PUMP,CUMMINS B3.9 | |
| -- | 75150GT | GASKET,EXH.MNFLD.CUMMINS,B3.9L | | 25 | 102574GT | PULLEY,CRANKSHAFT,CUMMINS B4.5.....1 | 1 |
| -- | 102652GT | VALVE,FUEL SHUTOFF,CUMMIN B4.5 | | 26 | 102303GT | BELT TENSIONER CUMMINS B4.5.....1 | 1 |
| 1 | 75164GT | VALVE COVER,CUMMINS, B3.9.....3 | 3 | 27 | 102203GT | BELT,SERPENTINE, CUMMINS B4.5.....1 | 1 |
| -- | 75168GT | GASKET,VALVE CVR.CUMMINS, B3.9 | | 28 | 102295GT | RETAINER, ALTERNATOR PULLEY.....1 | 1 |
| 2 | 75165GT | SCREW,HHC,M8X1.25X 21MM,GR8.8 | | 29 | 102576GT | PULLEY,ALTERNATOR.....1 | 1 |
| -- | 102286GT | ISOLATOR-NOISE,CUMMINS B4.5 | | 30 | 102573GT | FAN,ALTERNATOR,CUMMINS B4.5.....1 | 1 |
| 3 | 75172GT | VALVE COVER,CUMMINS, B3.9.....1 | 1 | 31 | 102058GT | SENSOR,COOLANT TEMP.....1 | 1 |
| -- | 75168GT | GASKET,VALVE CVR.CUMMINS, B3.9 | | 32 | 75102GT | ALTERNATOR,CUMMINS 4B3.9, 95A.....1 <i>from SN 936 to SN 1260</i> | 1 |
| 4 | 75169GT | CAP,OIL FILLER,VALV.CVR.CUMMIN.....1 | 1 | -- | 111119GT | ALTERNATOR,CUMMINS B4.5 <i>from SN 1261</i> | |
| -- | 102280GT | O-RING,FILLER CAP CUMINS, B4.5 | | 33 | 75180GT | PLUG,ENGINE OIL, CUMMINS B3.9.....1 | 1 |
| 5 | 102281GT | SPACER,FAN,CUMMINS, B4.5.....2 | 2 | -- | 75181GT | WASHER,OIL DRAIN, CUMMINS B3.9 | |
| 6 | 102282GT | THERMOSTAT HOUSING,CUMINS,B4.5.....1 | 1 | -- | 75182GT | PLUG,ENGINE OIL, CUMMINS B3.9 | |
| -- | 75163GT | GASKET,THERMOSTAT,CUMMINS,B3.9 | | -- | 75183GT | WASHER,OIL DRAIN, CUMMINS B3.9 | |
| 7 | 75153GT | SENSOR,OIL PRESS,VDO360-004***1 | 1 | 34 | 102287GT | SEPARATOR-FUEL/WTR CUMIN B4.5.....1 | 1 |
| 8 | 102285GT | PLUG,PIPE 3/4 NPT CUMMINS B4.5.....1 | 1 | 35 | 102101PGT | FORMING,FUEL FILTER MOUNT,PNTD.....1 | 1 |
| 9 | 102288GT | FILTER,OIL,CUMMINS B4.5***1 | 1 | -- | 102291GT | GASKET,HTR INTAKE CUMMINS B4.5 | |
| 10 | 102283GT | WATER INLET CONNEC CUMINS B4.5.....1 | 1 | | | | |
| -- | 102284GT | SEAL,WATER INLET CUMMINS B4.5 | | | | | |
| 11 | 89837GT | STARTER,12V,CUMMINS, B3.9/B4.5.....1 | 1 | | | | |
| 12 | 102301GT | DIPSTICK,CUMMINS, B4.5.....1 | 1 | | | | |
| 13 | 102290GT | HEATER,INTAKE AIR CUMINS B4.5.....1 | 1 | | | | |
| -- | 102291GT | GASKET,HTR INTAKE CUMMINS B4.5 | | | | | |
| 14 | 102292GT | COVER, PUSH ROD CUMMINS B4.5.....1 | 1 | | | | |
| -- | 102293GT | GASKET,PUSH RD CVR CUMINS B4.5 | | | | | |
| 15 | 102296GT | PLUG,THREADED CUMMINS B4.5.....1 | 1 | | | | |
| 16 | 102297GT | PLUG,O-RING CUMMINS B4.5.....1 | 1 | | | | |
| -- | 102298GT | SEAL, O-RING CUMMINS B4.5 | | | | | |
| 17 | 102294GT | PLATE, COVER CUMMINS B4.5.....1 | 1 | | | | |
| 18 | 102299GT | PUMP, FUEL TRNSFR CUMMINS B4.5.....1 | 1 | | | | |
| -- | 102300GT | GASKET, FUEL PUMP CUMMINS B4.5 | | | | | |
| 19 | 102575GT | PUMP, FUEL INJECTN CUMMINS B4.5.....1 | 1 | | | | |
| -- | 102653GT | INJECTOR,FUEL,CUMMINS, B4.5 | | | | | |
| -- | 102654GT | SEAL,FUEL INJEC CUMMINS B4.5 | | | | | |
| 20 | 75176GT | PULLEY,CRANKSHAFT,CUMMINS B3.9.....1 | 1 | | | | |
| 21 | 75175GT | SCREW,HHC,M12X 1.25X36MM,GR8.8 | | | | | |
| 22 | 75171GT | FAN,PULLER,CUMMINS,4B3.9,60213....1 | 1 | | | | |

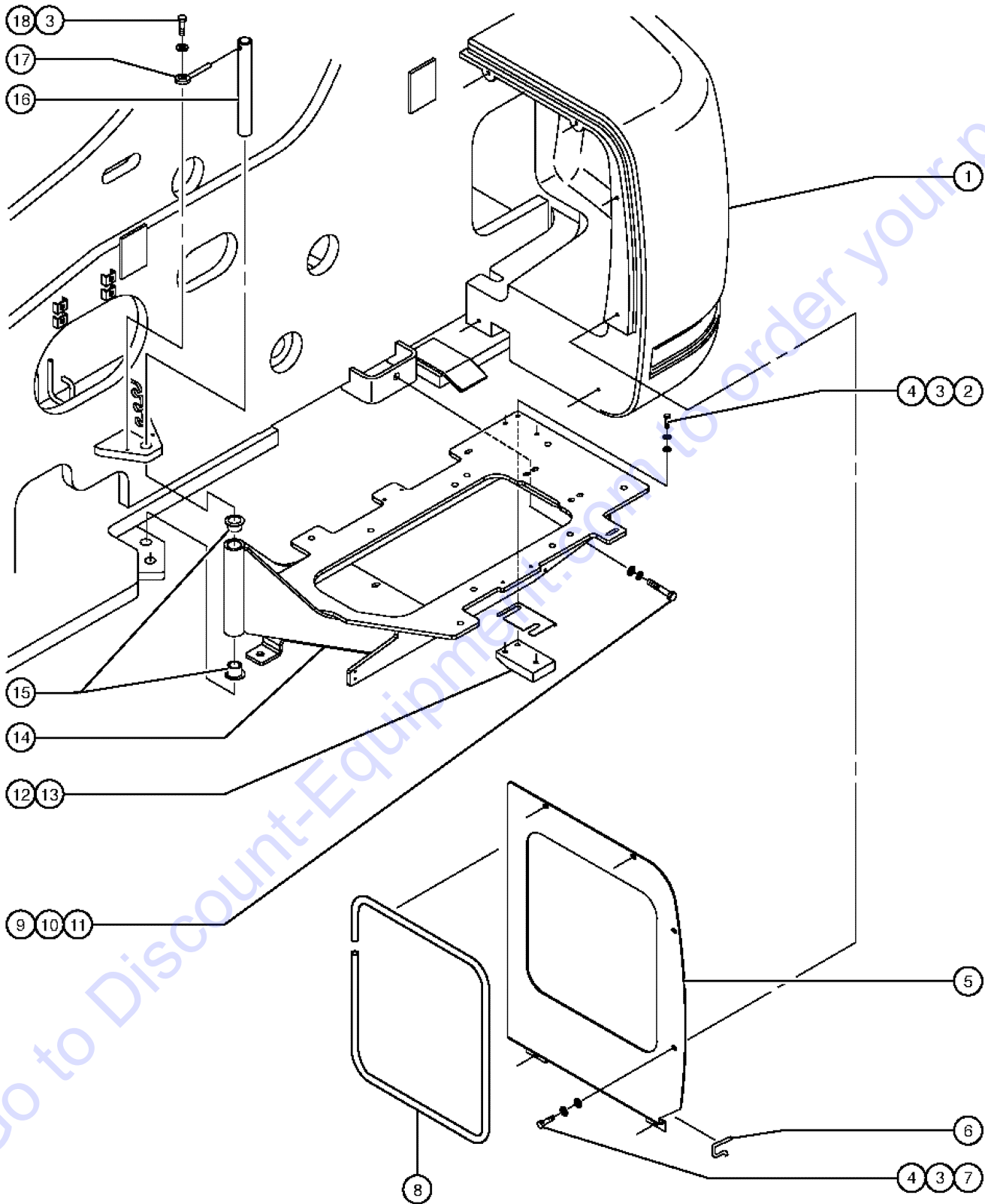
408.1 Cummins Engine Attached Components (to SN 476)



408.1 Cummins Engine Attached Components (to SN 476)

| Item | Part No. | Description | Qty. |
|------|-----------|--|-----------|
| 1 | 111185GT | COUNTERWEIGHT,S120/125, 8300LB..... | 1 |
| -- | 38859GT | WASHER,FLAT,USS,1",Y | |
| -- | 61282GT | SCREW,HHC,1-8 X 9.5,GD2,YEL | |
| 2 | 6019GT | SCREW,HHC,3/8-16 X 1.25 GRD 5 | |
| 3 | 6021GT | WASHER,LOCK,.375 | |
| 4 | 5397GT | WASHER,FLAT,USS,5/16",Y | |
| 5 | 4828GT | NUT,NYLOCK,3/8-16 | |
| 6 | 6091GT | NUT,NYLOCK,1/4-20 | |
| 7 | 6638GT | WASHER,FLAT,USS,1/4"Y | |
| 8 | 42571GT | SCREW,HHC,1/4-20 X 3.25 | |
| 9 | 60687-SGT | FORMING,COOLER SUPPORT..... | 2 |
| 10 | 60597GT | OIL COOLER,W/O FAN..... | 1 |
| 11 | 60820-SGT | BRACKET,OIL COOLER BYPASS..... | 1 |
| 12 | 60560-SGT | BULKHEAD,SWING CHASSIS..... | 1 |
| 13 | 60875GT | TRIM MOLDING | |
| 14 | 6175GT | SCREW,HHC,3/8-16 X 1 | |
| 15 | 81476GT | TRIMLOCK, 1/16..... | 96-inches |
| 16 | 51131GT | SCREW,HHC,5/8-11 X 2.5 | |
| 17 | 6036GT | WASHER,LOCK,.625 PLTD | |
| 18 | 6035GT | WASHER,FLAT,USS,5/8",Y | |
| 19 | 60637GT | WEAR PAD,ENGINE SUPPORT..... | 1 |
| 20 | 60826GT | SHIM,WEAR PAD ENGINE TRAY | |
| 21 | 75124-SGT | ENGINE TRAY PIVOT ASSEMBLY..... <i>includes item 22</i> | 1 |
| 22 | 35675GT | BEARING,FL,1.25IDX1.5ODX1.25L..... | 2 |
| 23 | 60625GT | PIN,1.25DIAX15.63LG,CHAMFER..... | 1 |
| 24 | 825019GT | ROD END,.375X3.69,ZAG..... | 1 |
| 25 | 8516GT | SCREW, HCC, 3/8-16 X 1.50 | |

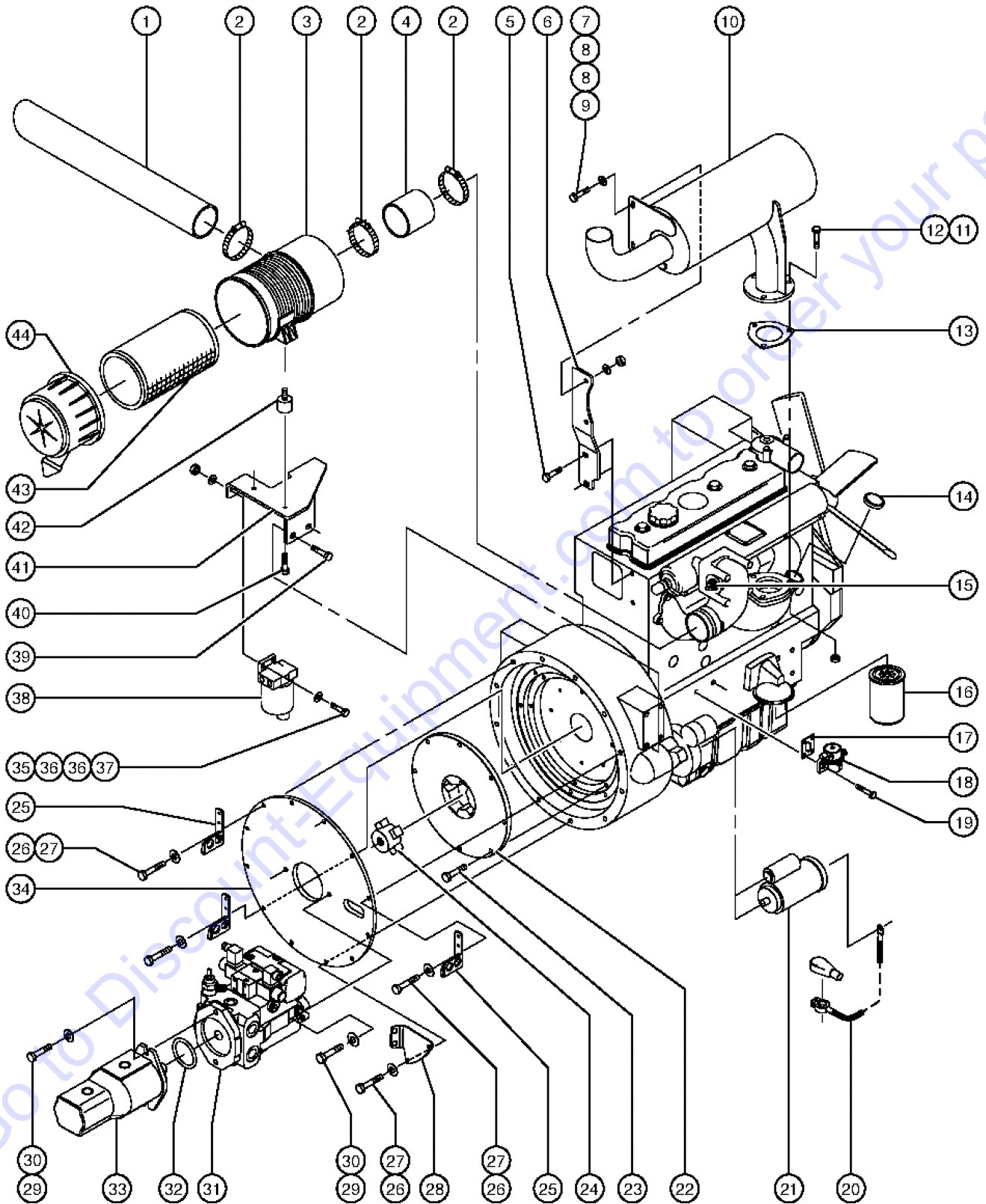
408.2 Cummins Engine Attached Components (from SN 477)



408.2 Cummins Engine Attached Components (from SN 477)

| Item | Part No. | Description | Qty. |
|------|-----------|--|------|
| -- | | Ref. Hydraulic Oil Cooler With Fan (refer to 307.1) <i>from SN 248</i> | |
| 1 | 60501GT | COUNTERWEIGHT,S120/125,8000LBS.1 <i>from SN 477 to SN 1373</i> | |
| -- | 111185GT | COUNTERWEIGHT,S120/125, 8300LB <i>from SN 1374</i> | |
| -- | 38859GT | WASHER,FLAT,USS,1",Y | |
| -- | 61282GT | SCREW,HHC,1-8 X 9.5,GD2,YEL | |
| 2 | 6019GT | SCREW,HHC,3/8-16 X 1.25 GRD 5 | |
| 3 | 6021GT | WASHER,LOCK,.375 | |
| 4 | 5397GT | WASHER,FLAT,USS,5/16",Y | |
| 5 | 75607PGT | INTAKE BAFFLE,PAINTED.....1 | |
| 6 | 60875GT | TRIM MOLDING | |
| 7 | 6175GT | SCREW,HHC,3/8-16 X 1 | |
| 8 | 81476GT | TRIMLOCK, 1/16.....96-inches | |
| 9 | 51131GT | SCREW,HHC,5/8-11 X 2.5 | |
| 10 | 6036GT | WASHER,LOCK,.625 PLTD | |
| 11 | 6035GT | WASHER,FLAT,USS,5/8",Y | |
| 12 | 60637GT | WEAR PAD,ENGINE SUPPORT.....1 | |
| 13 | 60826GT | SHIM,WEAR PAD ENGINE TRAY | |
| 14 | 75460GT | ENGINE TRAY PIVOT ASSEMBLY.....1 <i>includes item 15; from SN 477 to SN 772</i> | |
| -- | 146054GT | ENGINE TRAY ASSEMBLY <i>from SN 2548</i> | |
| -- | 89511-SGT | ENGINE TRAY ASSEMBLY <i>includes item 15; from SN 773 to SN 2547</i> | |
| 15 | 35675GT | BEARING,FL,1.25IDX1.5ODX1.25L.....2 | |
| 16 | 60625GT | PIN,1.25DIAX15.63LG,CHAMFER.....1 | |
| 17 | 825019GT | ROD END,.375X3.69,ZAG.....1 | |
| 18 | 8516GT | SCREW, HCC, 3/8-16 X 1.50 | |

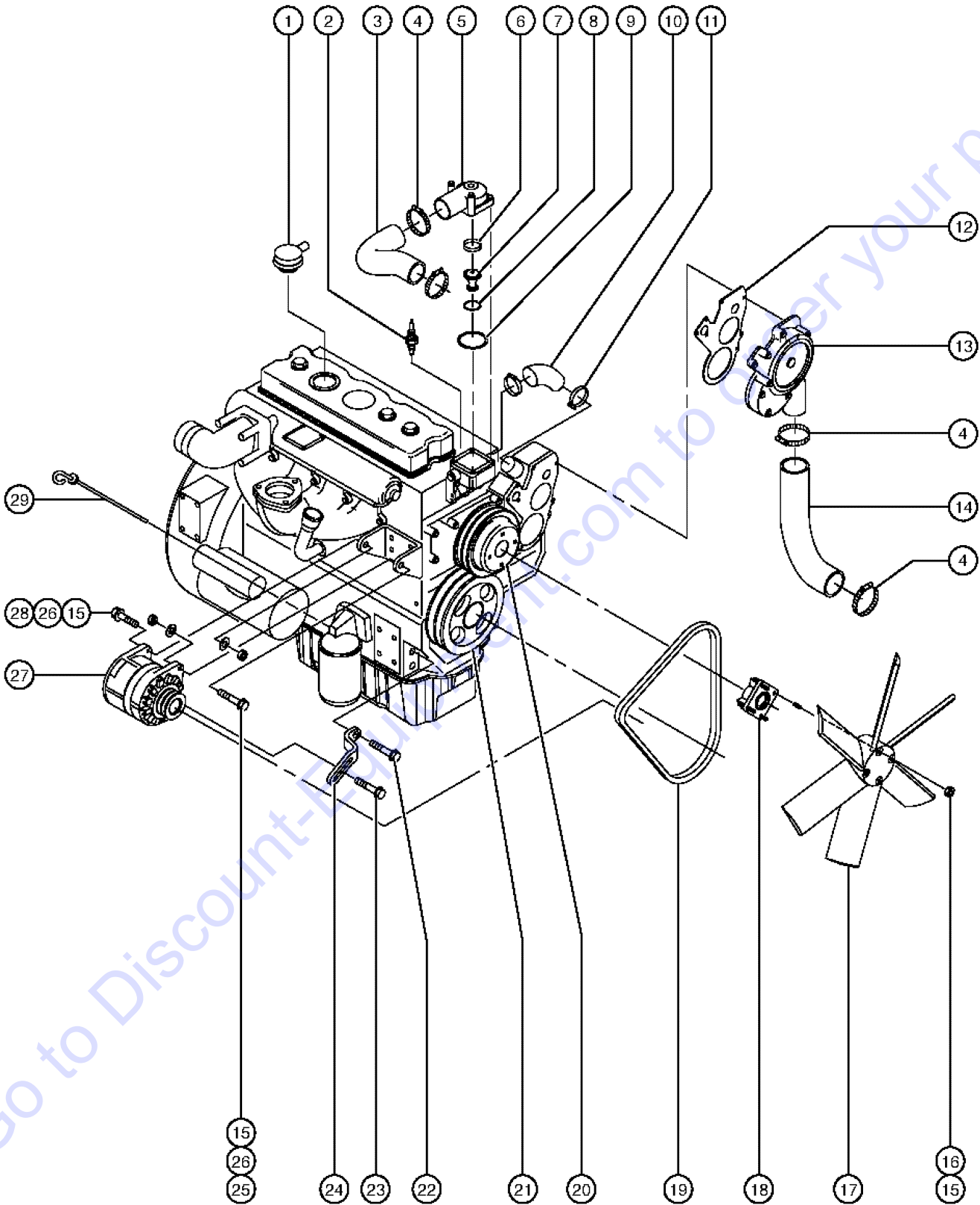
409.1 Perkins 1004-42 Engine - View 1 (to SN 932)



409.1 Perkins 1004-42 Engine - View 1 (to SN 932)

| Item | Part No. | Description | Qty. | Item | Part No. | Description | Qty. |
|------|-----------|--|------|------|-----------|---|------|
| -- | 62429GT | MANUAL,PERKINS1004-42,WORKSHOP | | 26 | 44064GT | SCREW,HHC,M10 X 30MM, | |
| -- | 58165GT | SOLENOID UPDATE KIT*** to SN 148 | | 27 | 22699GT | WASHER,FLAT,M10,ZINC PLTD. | |
| -- | 75085GT | HARNES, SOLENOID from SN 149 to SN 792 | | 28 | 60883GT | FORMING,TEST PORT MOUNT.....1 | |
| -- | 75588GT | HARNES,PERKINS ENGINE,SUPBOOM from SN 793 | | 29 | 10597GT | SCREW,HHC,1/2-13 X 1.25 GR5 | |
| -- | 88151GT | FUSE,70 AMP | | 30 | 13066GT | WASHER,FLAT,.5 HARDENED | |
| -- | 23082GT | FUSE,15 AMP,TIME DELAY | | 31 | | Ref. Drive Pump (refer to 711.1) | |
| -- | 45782GT | DIODE,6 AMP,200 PIV,BULK | | 32 | 62407GT | O-RING,PISTON PUMP TO GEARPUMP.....1 | |
| 1 | 60882GT | HOSE,AIR CLEANER INTAKE.....1 | | 33 | | Ref. Function Pump (refer to 711.1) | |
| 2 | 30971GT | CLAMP,HOSE,3.00".....3 | | 34 | 60322-SGT | PLATE,PUMP MOUNT.....1 | |
| 3A | 81467GT | AIR CLEANER,NELSON.....1 for first time replacement, also order 81468 | | 35 | 8915GT | SCREW,HHC,1/4-20 X 1.25 | |
| 3B | 81468GT | MOUNTING BAND,AIR CLEANER | | 36 | 6638GT | WASHER,FLAT,USS,1/4"Y | |
| 3C | 75450GT | AIR CLEANER CLIPS, SUPERBOOM | | 37 | 6091GT | NUT,NYLOCK,1/4-20 | |
| 4 | 60596GT | HOSE INLET.....1 | | 38 | 75020GT | SEPRTR/FLTR,FUEL DSL,15GPH,.30....1 | |
| 5 | 75303GT | SCREW,PERKINS 1004-42 | | -- | 31817GT | ELBOW,90DEG.1/4MPT-3/8 BARB | |
| 6 | 60566-SGT | BRACKET,MUFFLER,PERKINS.....1 | | -- | 60807GT | FITTING,1/4 NPT 3/8 BARB | |
| 7 | 6019GT | SCREW,HHC,3/8-16 X 1.25 GRD 5 | | -- | 62433GT | FILTER,ELEMENT,30 MIC,75020 | |
| 8 | 5397GT | WASHER,FLAT,USS,5/16",Y | | 39 | 49381GT | SCREW,HHC,M12 X 30 | |
| 9 | 4828GT | NUT,NYLOCK,3/8-16 | | 40 | 49378GT | SCREW,HHC,M8 X 16 | |
| 10 | | MUFFLER,PERKINS 1004-42 (60549)....1 (component no longer available) | | 41 | 60632-SGT | WELD.AIR CLEANER MNT PERKINS....1 | |
| -- | 101634GT | MUFFLER,CATALYTIC,2.5 I/O | | 42 | 60585GT | ISOLATOR,VIBRATION,M8 MALE/FEM.....2 | |
| -- | 101637GT | OPTION,SCRUB/SPARK ARREST*** | | 43 | 62425GT | FILTER,AIR CLEANER, SUPERBOOM...1 | |
| 11 | 75304GT | SCREW,PERKINS 1004-42 | | 44 | 75451GT | AIR CLEANER COVER, SUPERBOOM*.....1 | |
| 12 | 75305GT | NUT,PERKINS 1004-42 | | | | | |
| 13 | 75306GT | GASKET,MUFFLER,PERKINS 1004-42.....1 | | | | | |
| 14 | 75307GT | CAPOIL FILLER,PERKINS 1004-42.....1 | | | | | |
| 15 | 75341GT | HEATER,START AID,PERKIN1004-42....1 | | | | | |
| 16 | 62427GT | FILTER,OIL,PERKINS 1004-42(SB).....1 | | | | | |
| 17 | 75308GT | GASKET,FUEL PUMP,PERKIN1004-42.....1 | | | | | |
| 18 | 75309GT | PUMP,FUEL LIFT,PERKINS1004-42.....1 includes item 17 | | | | | |
| -- | 61152GT | ELBOW,45DEG,TO MALE PIPE | | | | | |
| 19 | 75310GT | SCREW,PERKINS 1004-42 | | | | | |
| 20 | 60930GT | CABLE,BATTERY POSITIVE.....1 | | | | | |
| 21 | 75311GT | STARTER,PERKINS 1004-42.....1 | | | | | |
| 22 | 61078GT | FLYWHEEL DRIVE PLATE,SAE 10.....1 | | | | | |
| 23 | 42175GT | SCREW,HHC,3/8-24 X 1.25" | | | | | |
| 24 | 61077GT | COUPLER,HUB,14 TOOTH.....1 | | | | | |
| 25 | 75100GT | BRACKET, CABLE MOUNT.....3 | | | | | |
| -- | 60584GT | GROMMET,RUBBER .75 X .19 X 1** | | | | | |

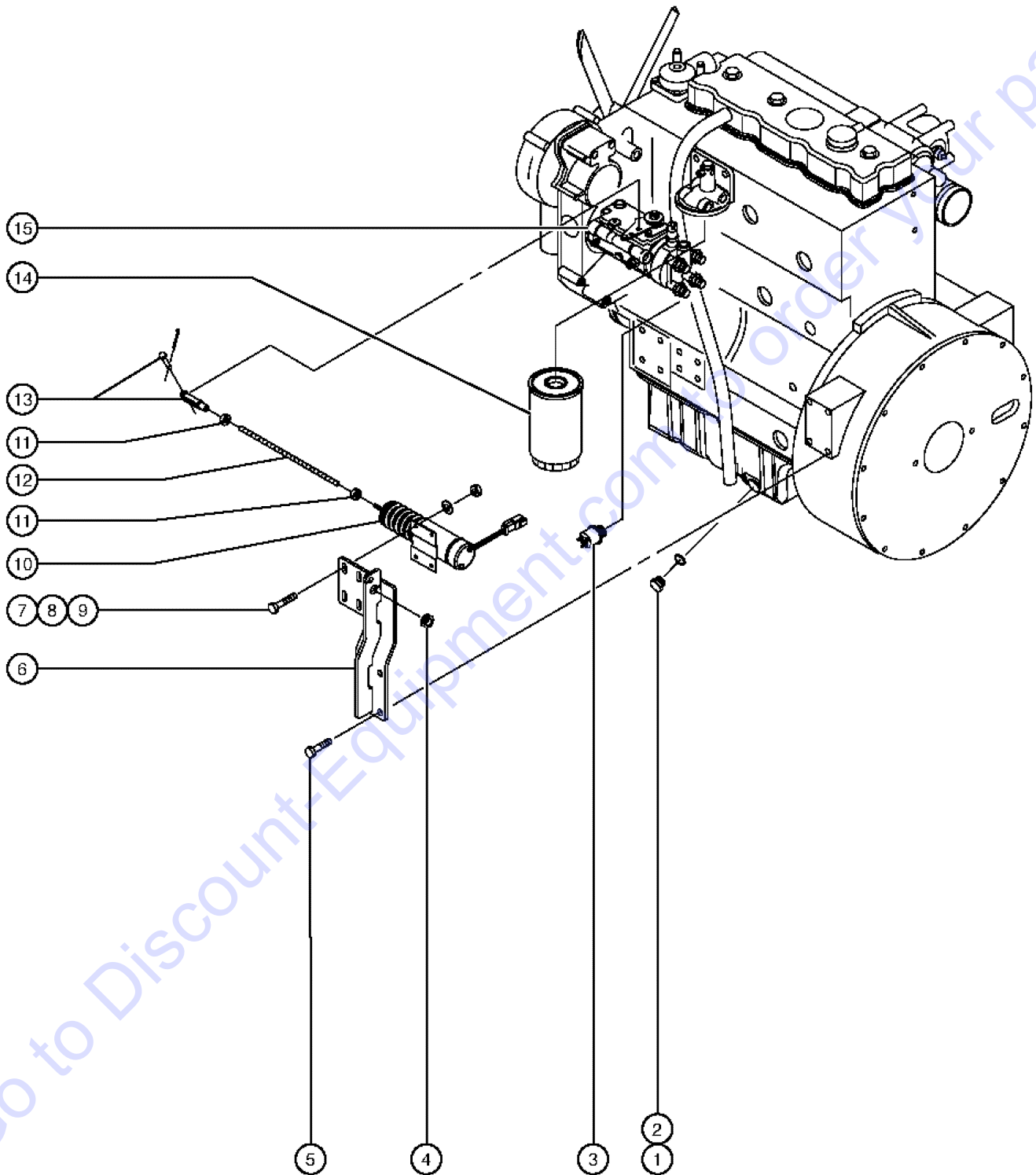
410.1 Perkins 1004-42 Engine - View 2 (to SN 932)



410.1 Perkins 1004-42 Engine - View 2 (to SN 932)

| Item | Part No. | Description | Qty. |
|------|----------|---|------|
| 1 | 75312GT | BREATHER CAP,PERKINS 1004-42.....1 | 1 |
| 2 | 75314GT | SENSOR,COOLANT TEMP,PERKINS***.....1 | 1 |
| 3 | 60576GT | RADIATOR HOSE,UPPER-PERKINS.....1 | 1 |
| 4 | 30971GT | CLAMP,HOSE,3.00".....4 | 4 |
| 5 | 75315GT | THERMOSTAT HSING ASSY,PERKINS.....1 <i>includes items 6-9</i> | 1 |
| -- | 75320GT | SCREW,THERMSTAT,PERKIN1004-42 | |
| -- | 75321GT | SCREW,THERMSTAT.PERKINS1004-42 | |
| 6 | 75316GT | THERMOSTAT,RETAING.RING,PERKIN.1 | 1 |
| 7 | 75317GT | THERMOSTAT,PERKINS 1004-42.....1 | 1 |
| 8 | 75318GT | O-RING,THERMOSTAT,PERKIN,1004-...1 | 1 |
| 9 | 75319GT | O-RING,THERMOSTAT HSING.PERKIN.....1 | 1 |
| 10 | 75322GT | HOSE ASSY,H2O PUMP,PERKINS1004.....1 <i>includes item 11</i> | 1 |
| 11 | 75323GT | CLAMP,HOSE,1IN.,PERKIN 1004-42.....2 | 2 |
| 12 | 75324GT | GASKET,H2O PUMP,PERKIN 1004-42...1 | 1 |
| 13 | 75325GT | PUMP, WATER,PERKINS 1004-42.....1 <i>includes item 12</i> | 1 |
| 14 | 60577GT | RADIATOR HOSE,LOWER-PERKINS.....1 <i>to SN 476</i> | 1 |
| -- | 75555GT | RADIATOR HOSE,LOWER-PERKINS <i>from SN 477</i> | |
| 15 | 75326GT | NUT,FAN BLADE,PERKINS 1004-42 | |
| 16 | 75327GT | STUD,FAN SPACR,PERKINS 1004-42 | |
| 17 | 75328GT | FAN,PULLER,PERKINS,1004-42.....1 | 1 |
| 18 | 75329GT | SPACER,FAN,PERKINS, 1004-42.....1 | 1 |
| 19 | 62428GT | BELT,V, PERKINS 1004-42 (SB).....1 <i>part sold in pairs</i> | 1 |
| 20 | 75330GT | PULLEY,FAN,PERKINS 1004-42.....1 | 1 |
| 21 | 75331GT | PULLEY,CRANKSHAFT,PERKINS 1004.....1 | 1 |
| -- | 75332GT | SCREW,CRANKSHFT,PERKIN 1004-42 | |
| 22 | 75333GT | SCREW,ALT.LEVER.PERKINS1004-42 | |
| 23 | 75334GT | SCREW,ALT.MNT.PERKINS 1004-42 | |
| 24 | 75335GT | ALTERNATOR,STAY,PERKIN 1004-42.....1 | 1 |
| 25 | 75336GT | SCREW,ALTERNATR.PERKINS1004-42 | |
| 26 | 75337GT | WASHER,ALTNATR.PERKINS 1004-42 | |
| 27 | 75338GT | ALTERNATOR,55A,PERKINS 1004-42...1 | 1 |
| 28 | 75339GT | SCREW,ALT.MNT.PERKINS 1004-42 | |
| 29 | 75340GT | DIPSTICK,PERKINS 1004-42.....1 | 1 |

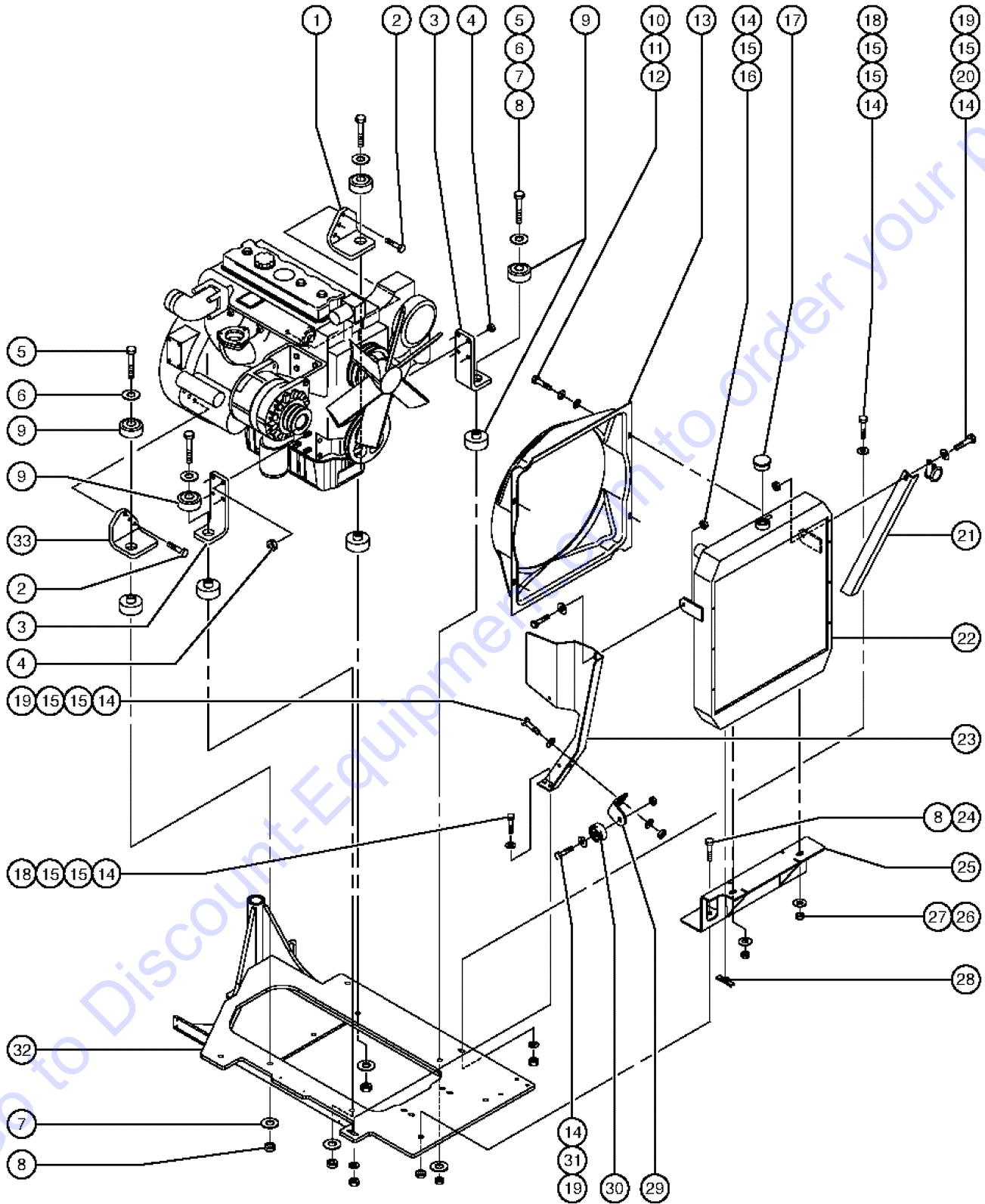
411.1 Perkins 1004-42 Engine - View 3 (to SN 932)



411.1 Perkins 1004-42 Engine - View 3 (to SN 932)

| Item | Part No. | Description | Qty. |
|------|--------------|---|------|
| 1 | 75342GT | PLUG,ENGINE OIL,PERKIN 1004-42.....2 | |
| 2 | 75343GT | WASHER,OIL DRAIN,PERKIN1004-42...2 | |
| 3 | 75344GT | SENSOR,OIL PRESSUR,PERKIN,1004.....1 | |
| 4 | 60889GT | GROMMET,RUBBER .44 X .25 X .69.....1 | |
| 5 | 49381GT | SCREW,HHC,M12 X 30 | |
| 6 | 60651-SGT | WELD,FUEL/WATER SEPERATOR MNT.....1 | |
| 7 | 6090GT | SCREW,HHC,1/4-20 X .75 | |
| 8 | 6638GT | WASHER,FLAT,USS,1/4"Y | |
| 9 | 6091GT | NUT,NYLOCK,1/4-20 | |
| 10 | 89998GT | KIT,SERVICE,SOLENOID MODULE.....1 | |
| -- | 58165GT | SOLENOID UPDATE KIT*** | |
| -- | 75085GT | HARNESS, SOLENOID | |
| 11 | 21496GT | NUT,HEX,1/4-28 | |
| 12 | 30785-1000GT | THREADED ROD,1/4-28 X 10 IN***.....1 | |
| 13 | 21130GT | CLEVIS YOKE-1/4-28,PLTD W/PIN.....1 | |
| 14 | 62426GT | FILTER,FUEL,PERKINS 1004-42(SB.....1 | |
| -- | 61065GT | HOSE END,90DEG,.19 HS X.13 MPT | |
| -- | 61150GT | ADAPTER,3/16" TUBE X 1/8" FNPT | |
| 15 | 75345GT | PUMP,FUEL INJECTION,PERKIN1004.....1 | |
| -- | 75346GT | VALVE,FUEL SHUTOFF,PERKIN,1004 | |
| -- | 75347GT | O-RING,INJ.PUMP,PERKIN,1004-42 | |

412.1 Perkins 1004-42 Engine - View 4 (to SN 284)



412.1 Perkins 1004-42 Engine - View 4 (to SN 284)

| Item | Part No. | Description | Qty. |
|------|-----------|--|------|
| 1 | 60553-SGT | BRACKET,ENG.MOUNT,LF,PERKINS.....1 | |
| 2 | 49381GT | SCREW,HHC,M12 X 30 | |
| 3 | 60564PGT | BRACKET,ENG.MOUNT,FRT.PERKINS..2 | |
| 4 | 75353GT | NUT,ENGINE MNT.PERKINS 1004-42 | |
| 5 | 59746GT | SCREW,HHC,5/8-11 X 4.0*** | |
| 6 | 33418GT | WASHER,FLAT,.625 X 2.25 X.15 | |
| 7 | 6035GT | WASHER,FLAT,USS,5/8",Y | |
| 8 | 6024GT | NUT,NYLOCK,5/8-11 | |
| 9 | 102045GT | ISOLATOR,ENGINE VIBRATION.....4 | |
| 10 | 7339GT | SCREW, HHC, 1/4-20 X .5 | |
| 11 | 6356GT | WASHER,LOCK,.25 | |
| 12 | 6638GT | WASHER,FLAT,USS,1/4"Y | |
| 13 | 60649GT | SHROUD,FAN (FIBERGLASS).....1 | |
| 14 | 4828GT | NUT,NYLOCK,3/8-16 | |
| 15 | 5397GT | WASHER,FLAT,USS,5/16",Y | |
| 16 | 6175GT | SCREW,HHC,3/8-16 X 1 | |
| 17 | 75138GT | CAP,RADIATOR,10 PSI, COPAR.....1 | |
| 18 | 8516GT | SCREW, HCC, 3/8-16 X 1.50 | |
| 19 | 6019GT | SCREW,HHC,3/8-16 X 1.25 GRD 5 | |
| 20 | 60838GT | CLAMP,1.00,#16 X 7/16,RUB CUSH.....1 | |
| 21 | 60592-SGT | RADIATOR STRUT,LEFT (INBOARD).....1 | |
| 22 | 75547GT | RADIATOR.....1 <i>includes items 17 and 28</i> | |
| 23 | 111400GT | RADIATOR STRUT ASSEMBLY, RIGHT.....1 <i>USA/Canada/Australia</i> | |
| -- | 60593-SGT | RADIATOR STRUT,RIGHT(OUTBORD) <i>Europe/Asia/South America</i> | |
| 24 | 29883GT | SCREW,HHC,5/8-11 X 1.75 GRD.8.....2 | |
| 25 | 60640-SGT | WELDMENT,RADIATOR MOUNT.....1 | |
| 26 | 6198GT | NUT,NYLOCK,1/2-13 | |
| 27 | 11209GT | WASHER,FLAT,USS,7/16",Y | |
| 28 | 75139GT | VALVE,RADIATOR DRAIN, COPAR.....1 | |
| 29 | 60729-SGT | FORMING,COVER STOP.....1 | |
| 30 | 50974GT | BUMPER,RUBBER,COVERS.....1 | |
| 31 | 6097GT | WASHER,FLAT,USS,3/8",Y | |
| 32 | | Ref. Engine Tray (refer to 416.1) | |
| 33 | 60554-SGT | BRACKET,ENG.MOUNT,RT,PERKINS....1 | |

PARTS FINDER

**Search Website
by Part Number**



**Search Manual
Library For Parts
Manual & Lookup Part
Numbers – Purchase
or Request Quote**

Search Manuals

Enter your information to help us find the right parts manual for your machine.

* Brand:

* Model:

* Serial:

* Part Number:

SEARCH

**Can't Find Part or
Manual? Request Help
by Manufacturer,
Model & Description**

Parts Order Form

Please fill in the following information to help us find the right part for your machine.

| | |
|---------------|----------------------|
| Manufacturer: | <input type="text"/> |
| Model: | <input type="text"/> |
| Description: | <input type="text"/> |
| Part Number: | <input type="text"/> |
| Quantity: | <input type="text"/> |
| Notes: | <input type="text"/> |

Discount-Equipment.com is your online resource for quality parts & equipment.

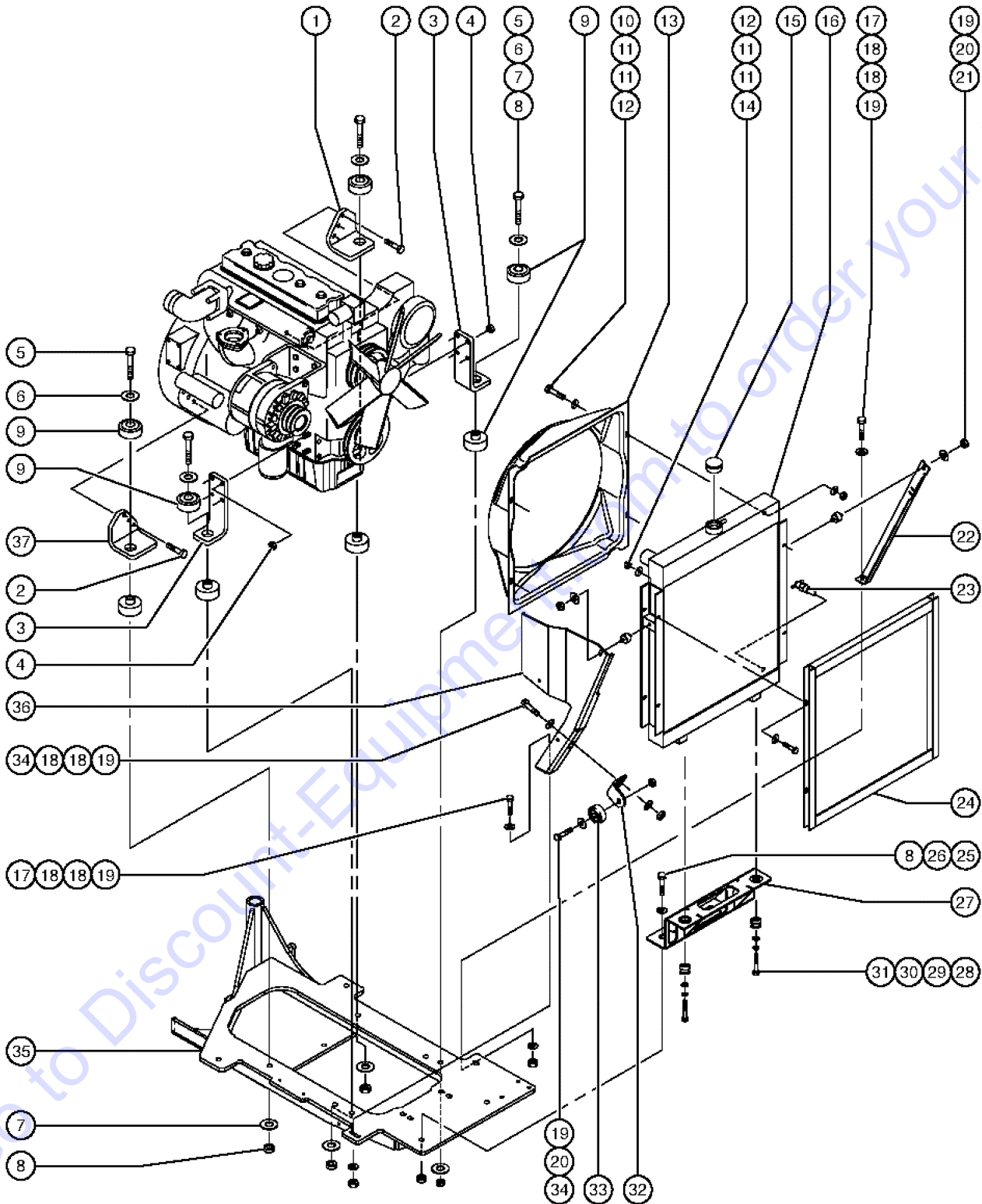
Florida: **561-964-4949** Outside Florida TOLL FREE: **877-690-3101**

Need parts?

Click on this link: <http://www.discount-equipment.com/category/5443-parts/> and choose one of the options to help get the right parts and equipment you are looking for. Please have the machine model and serial number available in order to help us get you the correct parts. If you don't find the part on the website or on one of the online manuals, please fill out the request form and one of our experienced staff members will get back to you with a quote for the right part that your machine needs.

We sell worldwide for the brands: Genie, Terex, JLG, MultiQuip, Mikasa, Essick, Whiteman, Mayco, Toro Stone, Diamond Products, Generac Magnum, Airman, Haulotte, Barreto, Power Blanket, Nifty Lift, Atlas Copco, Chicago Pneumatic, Allmand, Miller Curber, Skyjack, Lull, Skytrak, Tsurumi, Husquvarna Target, Stow, Wacker, Sakai, Mi-T-M, Sullair, Basic, Dynapac, MBW, Weber, Bartell, Bennar Newman, Haulotte, Ditch Runner, Menegotti, Morrison, Contec, Buddy, Crown, Edco, Wyco, Bomag, Laymor, EZ Trench, Bil-Jax, F.S. Curtis, Gehl Pavers, Heli, Honda, ICS/PowerGrit, IHI, Partner, Imer, Clipper, MMD, Koshin, Rice, CH&E, General Equipment, Amida, Coleman, NAC, Gradall, Square Shooter, Kent, Stanley, Tamco, Toku, Hatz, Kohler, Robin, Wisconsin, Northrock, Oztec, Toker TK, Rol-Air, APT, Wylie, Ingersoll Rand / Doosan, Innovatech, Con X, Ammann, Mecalac, Makinex, Smith Surface Prep, Small Line, Wanco, Yanmar

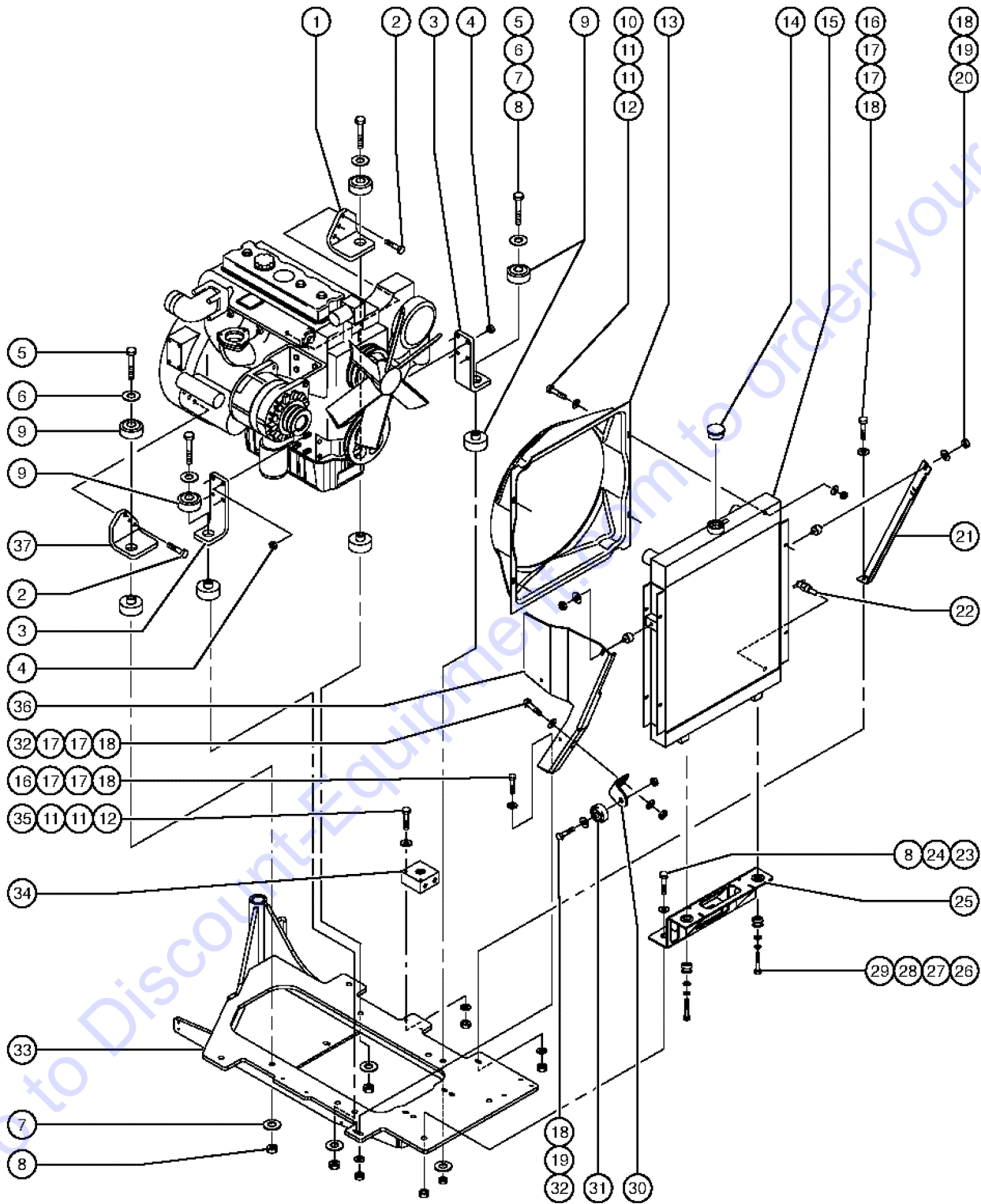
412.2 Perkins 1004-42 Engine - View 4 (from SN 285 to 476)



412.2 Perkins 1004-42 Engine - View 4 (from SN 285 to 476)

| Item | Part No. | Description | Qty. |
|------|-----------|---|------|
| 1 | 60553-SGT | BRACKET,ENG.MOUNT,LF,PERKINS.....1 | |
| 2 | 49381GT | SCREW,HHC,M12 X 30 | |
| 3 | 60564PGT | BRACKET,ENG.MOUNT,FRT.PERKINS..2 | |
| 4 | 75353GT | NUT,ENGINE MNT.PERKINS 1004-42 | |
| 5 | 59746GT | SCREW,HHC,5/8-11 X 4.0*** | |
| 6 | 33418GT | WASHER,FLAT,.625 X 2.25 X.15 | |
| 7 | 6035GT | WASHER,FLAT,USS,5/8",Y | |
| 8 | 6024GT | NUT,NYLOCK,5/8-11 | |
| 9 | 102045GT | ISOLATOR,ENGINE VIBRATION.....4 | |
| 10 | 6888GT | SCREW,HHC,1/4-20 X 1 | |
| 11 | 6638GT | WASHER,FLAT,USS,1/4"Y | |
| 12 | 6091GT | NUT,NYLOCK,1/4-20 | |
| 13 | 60649GT | SHROUD,FAN (FIBERGLASS).....1 | |
| 14 | 6090GT | SCREW,HHC,1/4-20 X .75 | |
| 15 | 75434GT | CAP,RADIATOR,7 PSI, AKG.....1 | |
| 16 | 75291GT | RADIATOR,CUMMINS/PERKINS.....1 <i>includes items 15 and 23</i> | |
| 17 | 8516GT | SCREW, HCC, 3/8-16 X 1.50 | |
| 18 | 5397GT | WASHER,FLAT,USS,5/16",Y | |
| 19 | 4828GT | NUT,NYLOCK,3/8-16 | |
| 20 | 6097GT | WASHER,FLAT,USS,3/8",Y | |
| 21 | 75260GT | ISOLATOR,FLEX-BOLT SANDWICH***2 | |
| 22 | 75262-SGT | RADIATOR STRUT,LEFT, PAINTED.....1 | |
| 23 | 75435GT | VALVE,RADIATOR DRAIN, AKG.....1 | |
| 24 | 75300GT | WELDMENT,RADIATOR SHROUD.....1 | |
| 25 | 29883GT | SCREW,HHC,5/8-11 X 1.75 GRD.8.....2 | |
| 26 | 13064GT | WASHER,FLAT,.625 HARDENED.....2 | |
| 27 | 75297-SGT | WELDMENT,RADIATOR MOUNT,PAINTD.....1 | |
| 28 | 13918GT | SCREW,HHC,3/8-16 X 1.75,GRD.8.....2 | |
| 29 | 6021GT | WASHER,LOCK,.375 | |
| 30 | 44714GT | WASHER,.375X1.25X.100 | |
| 31 | 75259GT | ISOLATOR,CENTER BONDED.....2 | |
| 32 | 60729-SGT | FORMING,COVER STOP.....1 | |
| 33 | 50974GT | BUMPER,RUBBER,COVERS.....1 | |
| 34 | 6019GT | SCREW,HHC,3/8-16 X 1.25 GRD 5 | |
| 35 | | Ref. Engine Tray (refer to 416.1) | |
| 36 | 111398GT | RADIATOR STRUT ASSEMBLY,RIGHT.....1 <i>USA/Canada/Australia</i> | |
| -- | 122026PGT | RADIATOR STRUT,RIGHT <i>Europe/Asia/South America</i> | |
| 37 | 60554-SGT | BRACKET,ENG.MOUNT,RT,PERKINS....1 | |

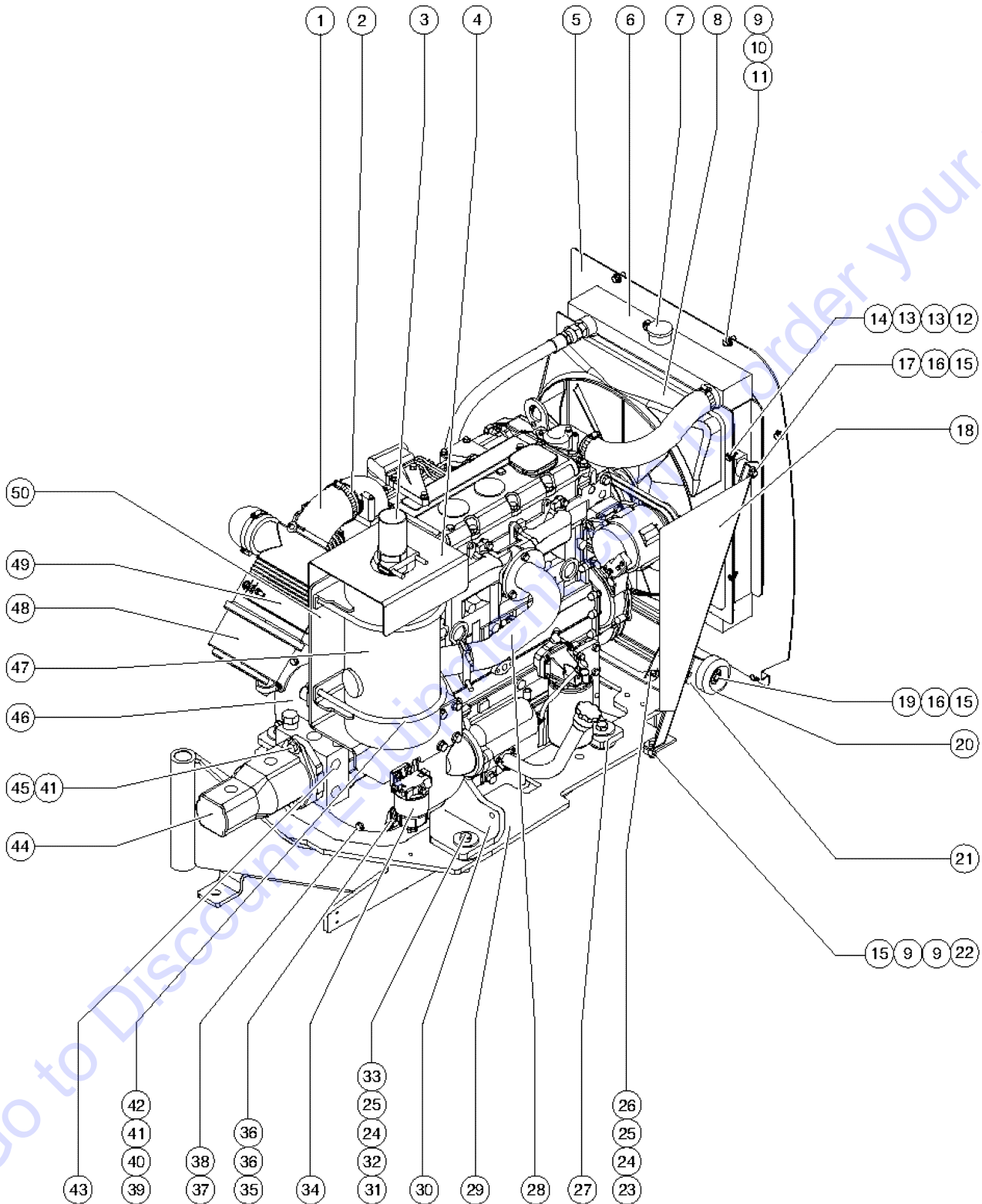
412.3 Perkins 1004-42 Engine - View 4 (from 477 to 932)



412.3 Perkins 1004-42 Engine - View 4 (from 477 to 932)

| Item | Part No. | Description | Qty. |
|------|-----------|---|------|
| 1 | 60553PGT | BRACKET,ENG.MOUNT,LF,PERKINS.....1 | |
| 2 | 49381GT | SCREW,HHC,M12 X 30 | |
| 3 | 60564PGT | BRACKET,ENG.MOUNT,FRT.PERKINS..2 | |
| 4 | 75353GT | NUT,ENGINE MNT.PERKINS 1004-42....8 | |
| 5 | 59746GT | SCREW,HHC,5/8-11 X 4.0*** | |
| 6 | 33418GT | WASHER,FLAT,.625 X 2.25 X.15 | |
| 7 | 6035GT | WASHER,FLAT,USS,5/8",Y | |
| 8 | 6024GT | NUT,NYLOCK,5/8-11 | |
| 9 | 102045GT | ISOLATOR,ENGINE VIBRATION.....4 | |
| 10 | 6888GT | SCREW,HHC,1/4-20 X 1 | |
| 11 | 6638GT | WASHER,FLAT,USS,1/4" | |
| 12 | 6091GT | NUT,NYLOCK,1/4-20 | |
| 13 | 60649GT | SHROUD,FAN (FIBERGLASS).....1 | |
| 14 | 75434GT | CAP,RADIATOR,7 PSI, AKG.....1 | |
| 15 | 75547GT | RADIATOR.....1 <i>includes items 14 and 22</i> | |
| 16 | 8516GT | SCREW, HCC, 3/8-16 X 1.50 | |
| 17 | 5397GT | WASHER,FLAT,USS,5/16",Y | |
| 18 | 4828GT | NUT,NYLOCK,3/8-16 | |
| 19 | 6097GT | WASHER,FLAT,USS,3/8",Y | |
| 20 | 75260GT | ISOLATOR,FLEX-BOLT SANDWICH***2 | |
| 21 | 75262-SGT | RADIATOR STRUT,LEFT, PAINTED.....1 | |
| 22 | 75435GT | VALVE,RADIATOR DRAIN, AKG.....1 | |
| 23 | 29883GT | SCREW,HHC,5/8-11 X 1.75 GRD.8.....2 | |
| 24 | 13064GT | WASHER,FLAT,.625 HARDENED.....2 | |
| 25 | 75297-SGT | WELDMENT,RADIATOR MOUNT,PAINTD.....1 | |
| 26 | 13918GT | SCREW,HHC,3/8-16 X 1.75,GRD.8.....2 | |
| 27 | 6021GT | WASHER,LOCK,.375 | |
| 28 | 44714GT | WASHER,.375X1.25X.100 | |
| 29 | 75259GT | ISOLATOR,CENTER BONDED.....2 | |
| 30 | 60729-SGT | FORMING,COVER STOP.....1 | |
| 31 | 50974GT | BUMPER,RUBBER,COVERS.....1 | |
| 32 | 6019GT | SCREW,HHC,3/8-16 X 1.25 GRD 5 | |
| 33 | | Ref. Engine Tray (refer to 416.1) | |
| 34 | | Ref Hydraulic Oil Cooler Manifold (refer to 404.3) | |
| 35 | 6115GT | SCREW,HHC,1/4-20 X 3.5 | |
| 36 | 111398GT | RADIATOR STRUT ASSEMBLY,RIGHT.....1 <i>USA/Canada/Australia</i> | |
| -- | 122026PGT | RADIATOR STRUT,RIGHT <i>Europe/Asia/South America</i> | |
| 37 | 60554-SGT | BRACKET,ENG.MOUNT,RT,PERKINS....1 | |

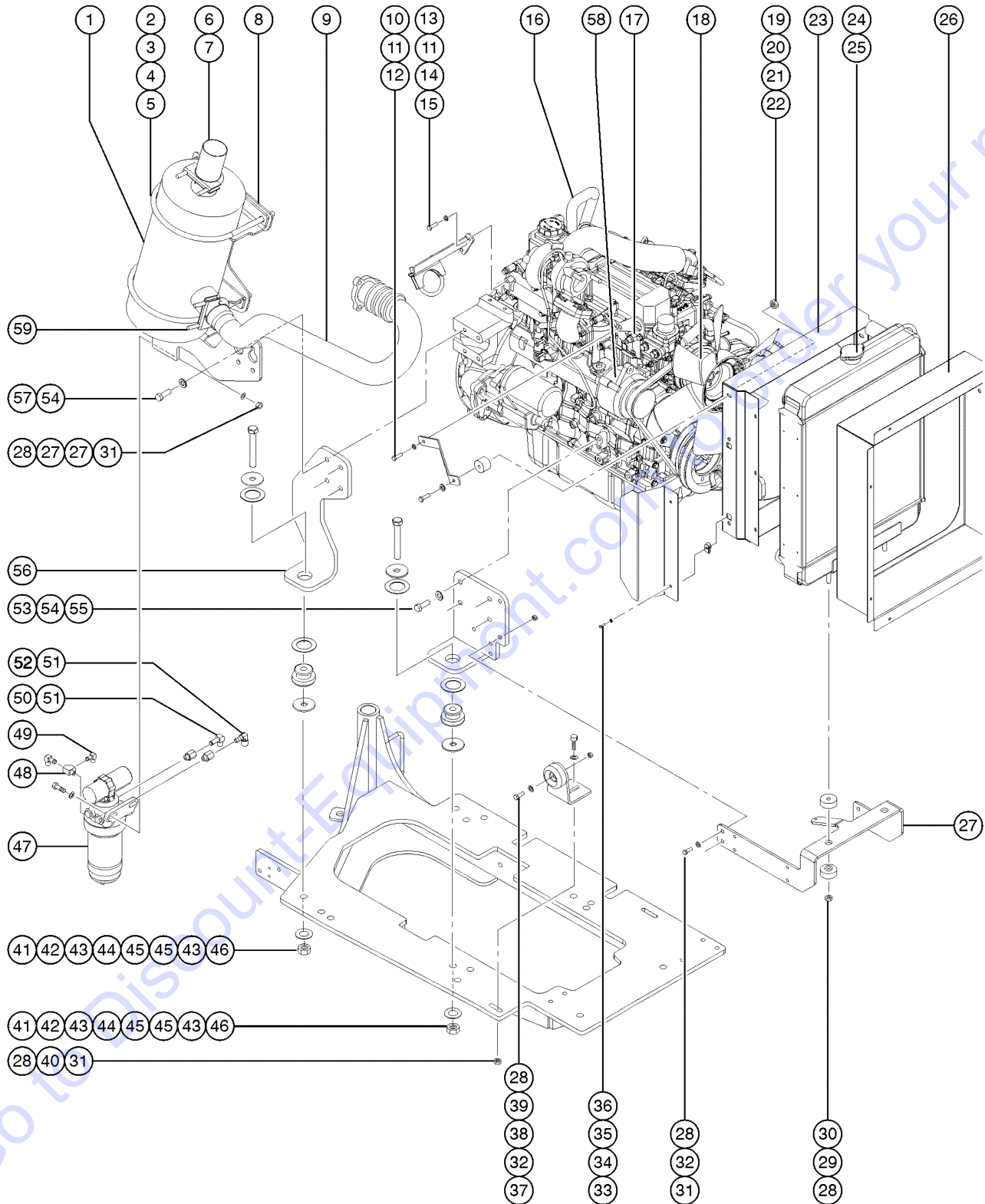
413.1 Perkins 1104C-44 Engine - View 1 (from SN 933 to 2552)



413.1 Perkins 1104C-44 Engine - View 1 (from SN 933 to 2552)

| Item | Part No. | Description | Qty. | Item | Part No. | Description | Qty. |
|------|-------------|--|------|------|-----------|--|------|
| -- | 101767GT | HARNES,PERKINS ENGINE,1104 to SN 1028 | | 29 | | Ref. Engine Tray (refer to 416.2) | |
| -- | 102706GT | HARNES,ENGINE,PERKINS 1104 from SN 1029 | | 30 | 101931PGT | MOUNT,PERKINS 1104 RH PAINTED....1 | |
| -- | 102638GT | ADAPTER-FUEL FILTER, PERK 1104 | | 31 | 13003GT | SCREW,HHC,5/8-11 X 3.5 GRD.8.....4 | |
| 1 | 61270GT | ELBOW,45 DEG,INLET.....2 | | 32 | 33418GT | WASHER,FLAT,.625 X 2.25 X.15 | |
| 2 | 30489GT | CLAMP,HOSE,3.50.....6 | | 33 | 102045GT | ISOLATOR,ENGINE VIBRATION.....4 | |
| 3 | 94324-500GT | TUBE,RD,STL,ALUMIZD,2.5 X .065.....1 from SN 1042 | | 34 | 75020GT | SEPRTR/FLTR,FUEL DSL,15GPH,.30....1 | |
| 4 | 70554PGT | HEAT SHIELD,PERKINS MUFFLER.....1 | | -- | 62433GT | FILTER,ELEMENT,30 MIC,75020 | |
| 5 | 101486PGT | BAFFLE,1104-C PERKINS PAINTED....1 | | 35 | 75100GT | BRACKET, CABLE MOUNT.....2 | |
| 6 | 75547GT | RADIATOR.....1 to SN 984 | | 36 | 60584GT | GROMMET,RUBBER .75 X .19 X 1**....4 | |
| -- | 70518GT | RADIATOR from SN 985 | | 37 | 44064GT | SCREW,HHC,M10 X 30MM, | |
| 7 | 75434GT | CAP,RADIATOR,7 PSI, AKG.....1 to SN 984 | | 38 | 22699GT | WASHER,FLAT,M10,ZINC PLTD. | |
| -- | 65473GT | CAP,RADIATOR,PERKINS/FORD from SN 985 | | 39 | 70449GT | U-BOLT,1/2-13 X 8.5.....2 | |
| 8 | 60649GT | SHROUD,FAN (FIBERGLASS).....1 | | 40 | 70483GT | FORMING,8.5' MUFFLER MOUNT.....2 | |
| 9 | 5397GT | WASHER,FLAT,USS,5/16",Y | | 41 | 13066GT | WASHER,FLAT,5 HARDENED.....6 | |
| 10 | 6021GT | WASHER,LOCK,.375 | | 42 | 66777GT | NUT,TOP LOCK,1/2-13 | |
| 11 | 6175GT | SCREW,HHC,3/8-16 X 1 | | 43 | | Ref. Drive Pump (refer to 711.1) | |
| 12 | 6888GT | SCREW,HHC,1/4-20 X 1 | | 44 | | Ref. Function Pump (refer to 711.1) | |
| 13 | 6638GT | WASHER,FLAT,USS,1/4"Y | | 45 | 10597GT | SCREW,HHC,1/2-13 X 1.25 GR5 | |
| 14 | 6091GT | NUT,NYLOCK,1/4-20 | | 46 | 60322-SGT | PLATE,PUMP MOUNT.....1 | |
| 15 | 4828GT | NUT,NYLOCK,3/8-16 | | -- | 101638GT | OPTION, SPARK ARREST | |
| 16 | 6097GT | WASHER,FLAT,USS,3/8",Y | | -- | 29749GT | COUPLER,SMALL METAL,15T,*** from SN 1029 | |
| 17 | 75260GT | ISOLATOR,FLEX-BOLT SANDWICH***.....2 | | -- | 33023GT | FLYWHEEL FLANGE,SAE 8/12.375 from SN 1029 | |
| 18 | 111399GT | RADIATOR STRUT ASSEMBLY,RIGHT.....1 USA/Canada/Australia | | -- | 61077GT | COUPLER,HUB,14 TOOTH to SN 1028 | |
| -- | 122026PGT | RADIATOR STRUT,RIGHT Europe/Asia/South America | | -- | 61078GT | FLYWHEEL DRIVE PLATE,SAE 10 to SN 1028 | |
| 19 | 6019GT | SCREW,HHC,3/8-16 X 1.25 GRD 5 | | 47 | 70444GT | MUFFLER,2.5"INLET/OUTLET.....1 | |
| 20 | 50974GT | BUMPER,RUBBER,COVERS.....1 | | -- | 101634GT | MUFFLER,CATALYTIC,2.5 I/O | |
| 21 | 60729-SGT | FORMING,COVER STOP.....1 | | 48 | 81467GT | AIR CLEANER,NELSON.....1 | |
| 22 | 8516GT | SCREW, HCC, 3/8-16 X 1.50 | | -- | 62425GT | FILTER,AIR CLEANER, SUPERBOOM | |
| 23 | 29883GT | SCREW,HHC,5/8-11 X 1.75 GRD.8.....2 | | 49 | 81468GT | MOUNTING BAND,AIR CLEANER.....1 | |
| 24 | 13064GT | WASHER,FLAT,.625 HARDENED.....4 | | 50 | 101513PGT | BRACKET,MUFFLER MOUNT PAINTED.....1 to SN 1041 | |
| 25 | 75297PGT | WELDMENT,RADIATOR MOUNT.....1 | | -- | 70555PGT | BRACKET,MUFFLER MOUNT PAINTED | |
| 26 | 6024GT | NUT,NYLOCK,5/8-11 | | | | | |
| 27 | 60564PGT | BRACKET,ENG.MOUNT,FRT.PERKINS..2 | | | | | |
| 28 | 101229GT | WELDMENT,EXHAUST HEAD PIPE.....1 to SN 1041 | | | | | |
| -- | 70553GT | WELDMENT,EXHAUST HEADER from SN 1042 | | | | | |

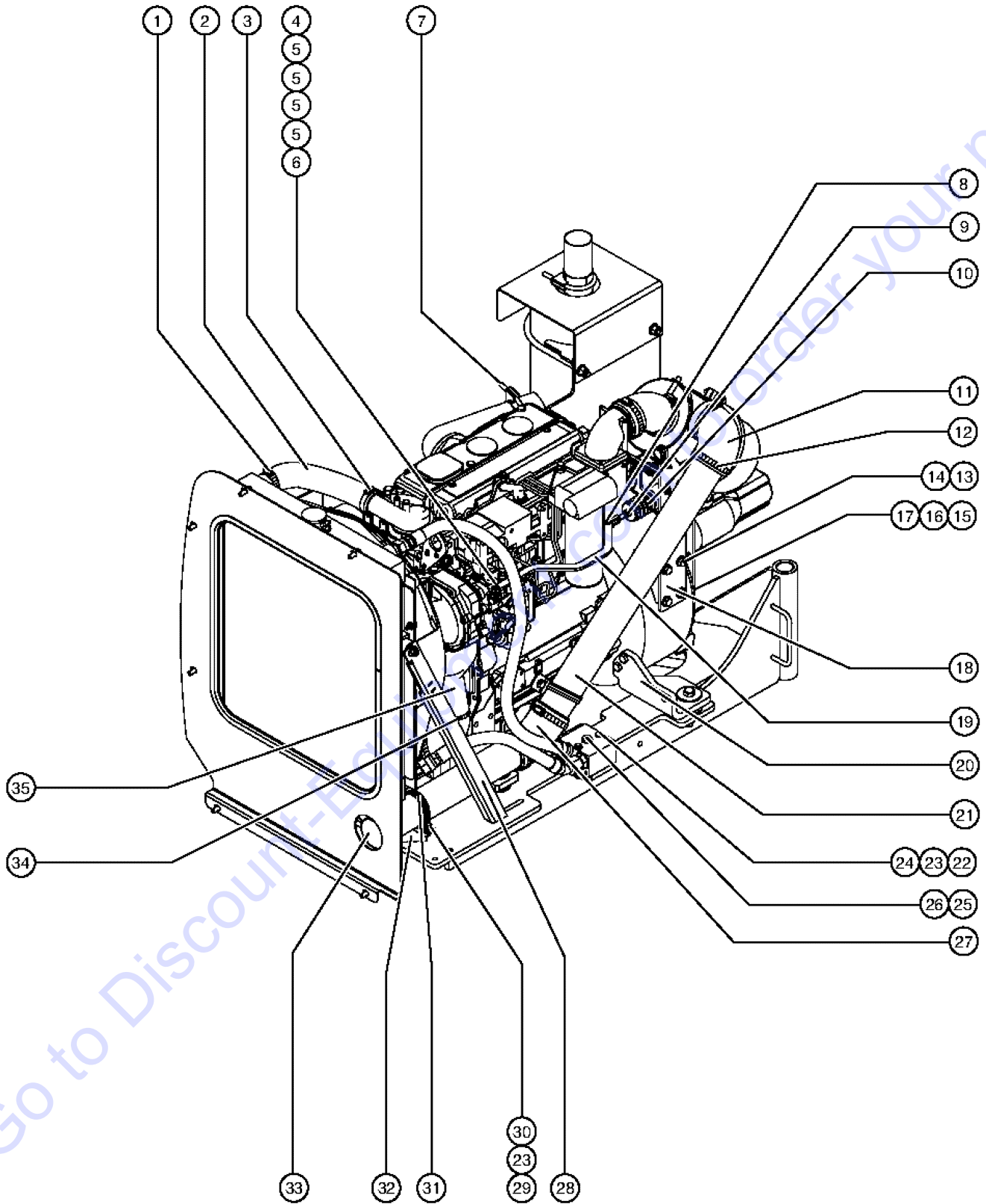
413.2 Perkins 804D-33T Engine - View 1 (from SN 2553)



413.2 Perkins 804D-33T Engine - View 1 (from SN 2553)

| Item | Part No. | Description | Qty. | Item | Part No. | Description | Qty. |
|------|-------------|---|------|------|-----------|--|------|
| -- | 122593GT | HARNESS,PERKINS 804D-33T | | 34 | 6638GT | WASHER,FLAT,USS,1/4"Y | |
| -- | 128829GT | CIRCUIT BRKR 15A TYPE 2 METAL <i>from SN 2589</i> | | 35 | 139066GT | FORMING, BELT GUARD | |
| -- | 139612GT | KIT CB 15A T2 RPM SOLENOID 3W <i>includes item 128829; to SN 2588</i> | | 36 | 56912GT | SPRING CLIP,1/4-20,.025-.15X.54,ZAG | |
| 1 | 70444GT | MUFFLER,2.5"INLET/OUTLET.....1 | | 37 | 6019GT | SCREW,HHC,3/8-16 X 1.25 GRD 5 | |
| 2 | 70449GT | U-BOLT,1/2-13 X 8.5 | | 38 | 50974GT | BUMPER,RUBBER,COVERS | |
| 3 | 70483GT | FORMING,8.5' MUFFLER MOUNT | | 39 | 54363GT | BRACKET,RUBBER BUMPER,ENGCOVER <i>to SN 2668</i> | |
| 4 | 13066GT | WASHER,FLAT,.5 HARDENED | | -- | 60778-SGT | FORMING,COVER STOP <i>from SN 2669</i> | |
| 5 | 66777GT | NUT,TOP LOCK,1/2-13 | | 40 | 5397GT | WASHER,FLAT,USS,5/16",Y | |
| 6 | 94324-500GT | TUBE,RD,STL,ALUMIZD,2.5 X .065 | | 41 | 6024GT | NUT,NYLOCK,5/8-11 | |
| 7 | 71911GT | CLAMP,MUFFLER, 2.50 INCH | | 42 | 13064GT | WASHER,FLAT,.625 HARDENED | |
| 8 | 122702GT | WLDT, MUFFLER BRKT, PERK T3.....1 | | 43 | 33418GT | WASHER,FLAT,.625 X 2.25 X.15 | |
| 9 | 122701GT | WELDMENT, EXHAUST, 804T.....1 | | 44 | 102045GT | ISOLATOR,ENGINE VIBRATION | |
| 10 | 85064GT | SCREW,SHC,M8 X 1.25 X 16 MM | | 45 | 18596GT | WASHER,FLAT,1.56 X 2.5 X .061 | |
| 11 | 49408GT | WASHER,LOCK,M8 | | 46 | 13003GT | SCREW,HHC,5/8-11 X 3.5 GRD.8 | |
| 12 | 101604PGT | BRACKET,FAN SHROUD,RH,PAINTED | | 47 | 101644GT | FUEL LIFT PUMP/FILTER ASSY.....1 | |
| 13 | 23057GT | SCREW,HHC,M8 X 20MM | | 48 | 41468GT | TEE,BRASS STREET,.12 NPT.....1 | |
| 14 | 128280GT | WELDMENT, EXHAUST SUPPORT.....1 <i>to SN 2668</i> | | 49 | 38922GT | ELBOW,90DEG.1/8MPT-5/16 BARB.....2 | |
| 15 | 71911GT | CLAMP,MUFFLER, 2.50 INCH <i>to SN 2668</i> | | 50 | 31817GT | ELBOW,90DEG.1/4MPT-3/8 BARB.....2 | |
| 16 | 128661GT | HOSE, CRANKCASE BREATHER.....1 | | 51 | 101628GT | ADAPTER,1/4 FNPT X 1/2-20 UNF.....2 | |
| 17 | 128638GT | SENSOR, TEMP. SENDER, M16X1.5.....1 <i>does not include 128801 or 128858</i> | | 52 | 54205GT | HOSE END,BARB,1/4 MNPTX5/16,90....1 | |
| -- | 128801GT | O-RING, M16, ISO <i>order separately</i> | | 53 | 27584GT | SCREW,HHC,M12 X 35MM.....14 | |
| -- | 128858GT | WASHER, RETAINING, M16 <i>order separately</i> | | 54 | 49410GT | WASHER,FLAT,M12 | |
| 18 | 75328GT | FAN,PULLER,PERKINS,1004-42.....1 | | 55 | 128243GT | WELDMENT, ENGINE MNT, RF.....1 | |
| 19 | 22571GT | NUT,HEX,M8 X 1.25 | | 56 | 128242GT | ENGINE MOUNT, RR.....1 | |
| 20 | 60585GT | ISOLATOR,VIBRATION,M8 MALE/FEM | | 57 | 27584GT | SCREW,HHC,M12 X 35MM | |
| 21 | 33277GT | WASHER,FLAT,M8,YELLOW ZINC | | 58 | 146048GT | ALTERNATOR | |
| 22 | 101629GT | SCREW,HHC,M8 X 10MM | | 59 | 71911GT | CLAMP,MUFFLER, 2.50 INCH <i>from SN 2669</i> | |
| 23 | 101603PGT | SHROUD,FAN,PERKINS PAINTED.....1 | | | | | |
| 24 | 65473GT | CAP,RADIATOR,PERKINS/FORD.....1 | | | | | |
| 25 | 110304GT | RADIATOR,FORD/PERKINS***.....1 | | | | | |
| 26 | 128247GT | FORMING, FAN BAFFLE.....1 | | | | | |
| 27 | 101606PGT | BRACKET,RADIATOR SUPPORT PNTD.....1 | | | | | |
| 28 | 4828GT | NUT,NYLOCK,3/8-16 | | | | | |
| 29 | 24038GT | SHOCK MOUNT,SMALL | | | | | |
| 30 | 24037GT | SHOCK MOUNT,LARGE** | | | | | |
| 31 | 8516GT | SCREW, HCC, 3/8-16 X 1.50 | | | | | |
| 32 | 6097GT | WASHER,FLAT,USS,3/8",Y | | | | | |
| 33 | 6090GT | SCREW,HHC,1/4-20 X .75 | | | | | |

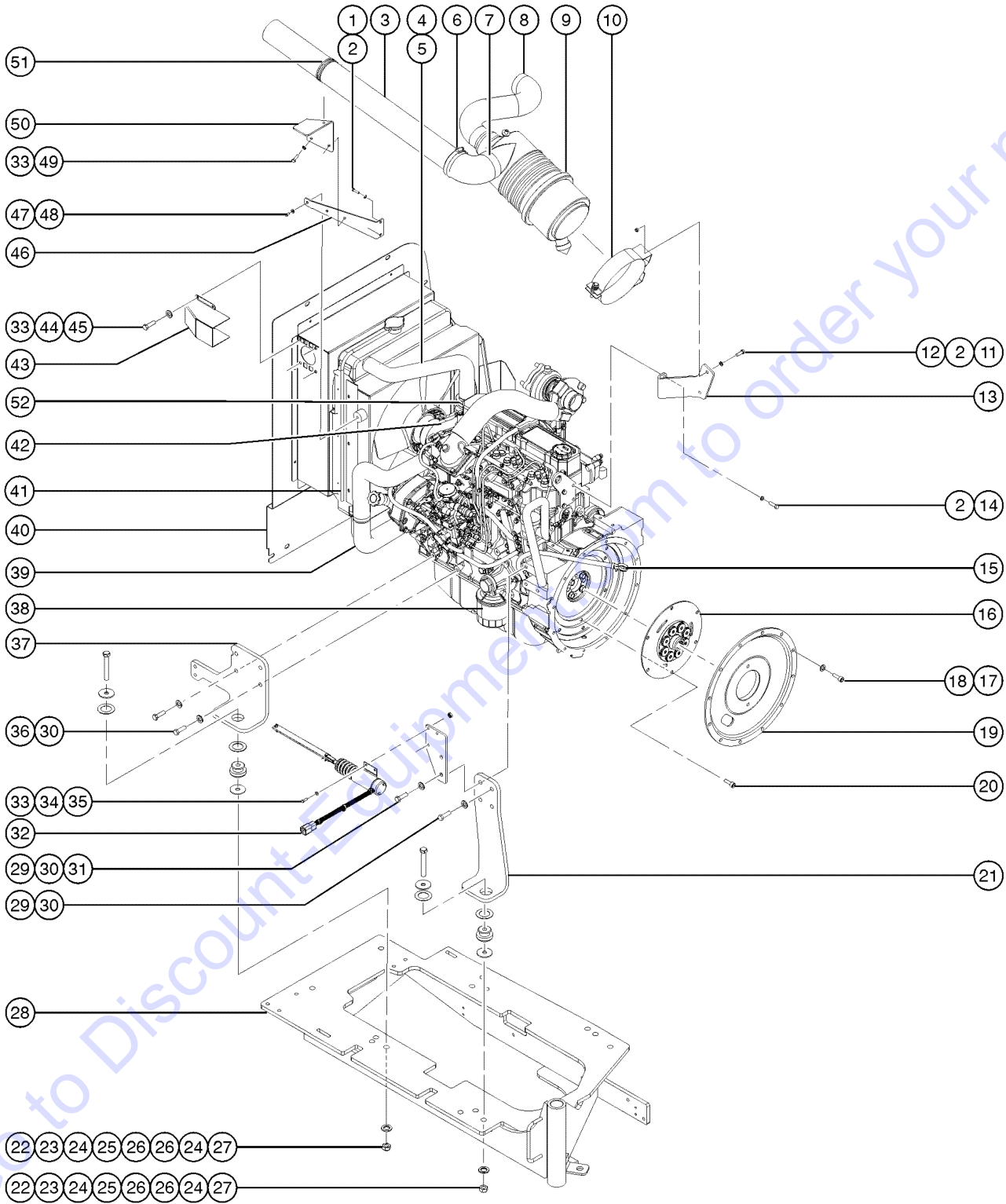
414.1 Perkins 1104C-44 Engine - View 2 (from SN 933 to 2552)



414.1 Perkins 1104C-44 Engine - View 2 (from SN 933 to 2552)

| Item | Part No. | Description | Qty. |
|------|--------------|--|------|
| 1 | 22672GT | CLAMP,HOSE,1.75..... | 1 |
| 2 | 60576GT | RADIATOR HOSE,UPPER-PERKINS..... | 1 |
| 3 | 1261395GT | CLAMP,HOSE,ADJ,2" HOSE,DEUTZ T..... | 1 |
| 4 | 5365GT | NUT,NYLOCK,10-24 | |
| 5 | 56660GT | WASHER,RIVETING | |
| 6 | 6584GT | SCREW,SHS,10-24 X .625 | |
| 7 | 71911GT | CLAMP,MUFFLER, 2.50 INCH..... | 2 |
| 8 | 21130GT | CLEVIS YOKE-1/4-28,PLTD W/PIN..... | 1 |
| 9 | 21496GT | NUT,HEX,1/4-28 | |
| 10 | 101957GT | SOLENOID,THROTTLE,ASSY.TROMB... | 1 |
| 11 | 60561GT | ELBOW,INLET,CUMMINS..... | 1 |
| 12 | 30489GT | CLAMP,HOSE,3.50..... | 6 |
| 13 | 49381GT | SCREW,HHC,M12 X 30 | |
| 14 | 49410GT | WASHER,FLAT,M12 | |
| 15 | 49863GT | CLAMP,1.13,#18 X 3/8,RUB CUSH*..... | 1 |
| 16 | 44064GT | SCREW,HHC,M10 X 30MM, | |
| 17 | 22699GT | WASHER,FLAT,M10,ZINC PLTD. | |
| 18 | 101217PGT | PLATE,THROTTLE ACTUATOR MOUNT..... | 1 |
| 19 | 101219GT | THROTTLE LINKAGE,PERKINS 1104C..... | 1 |
| 20 | 101930PGT | MOUNT,PERKINS 1104 LF PAINTED..... | 1 |
| 21 | 81738-2800GT | TUBE,RD,STL 3 X 18GA ALUMINIZD..... | 1 |
| 22 | 6115GT | SCREW,HHC,1/4-20 X 3.5 to SN 984 | |
| 23 | 6638GT | WASHER,FLAT,USS,1/4"Y | |
| 24 | 6091GT | NUT,NYLOCK,1/4-20 | |
| 25 | 75651GT | MANIFOLD,COOLER BYPASS..... includes item 28; to SN 984 | 1 |
| 26 | 102166GT | VALVE,CHECK,30 PSI..... to SN 984 | 1 |
| -- | 44224GT | SEAL KIT, VALVE | |
| 27 | 61270GT | ELBOW,45 DEG,INLET..... | 2 |
| 28 | 75262PGT | RADIATOR STRUT,LEFT,PAINTED..... to SN 2099 | 1 |
| -- | 122333GT | RADIATOR STRUT,LEFT from SN 2100 | |
| 29 | 6888GT | SCREW,HHC,1/4-20 X 1 | |
| 30 | 56912GT | SPRING CLIP,1/4-20,.025-.15X.54,ZAG | |
| 31 | 70257GT | CLAMP,3.0,#48 X 1/4,RUB CUSH..... | 2 |
| 32 | 101347PGT | BRACKET,AIR TUBE SUPPORT PAINT..... | 1 |
| 33 | 81738-1900GT | TUBE,RD,STL 3 X 18GA ALUMINIZD..... | 1 |
| 34 | 45435GT | CLAMP,HOSE,2.50"***..... | 2 |
| 35 | 75555GT | RADIATOR HOSE,LOWER-PERKINS..... | 1 |

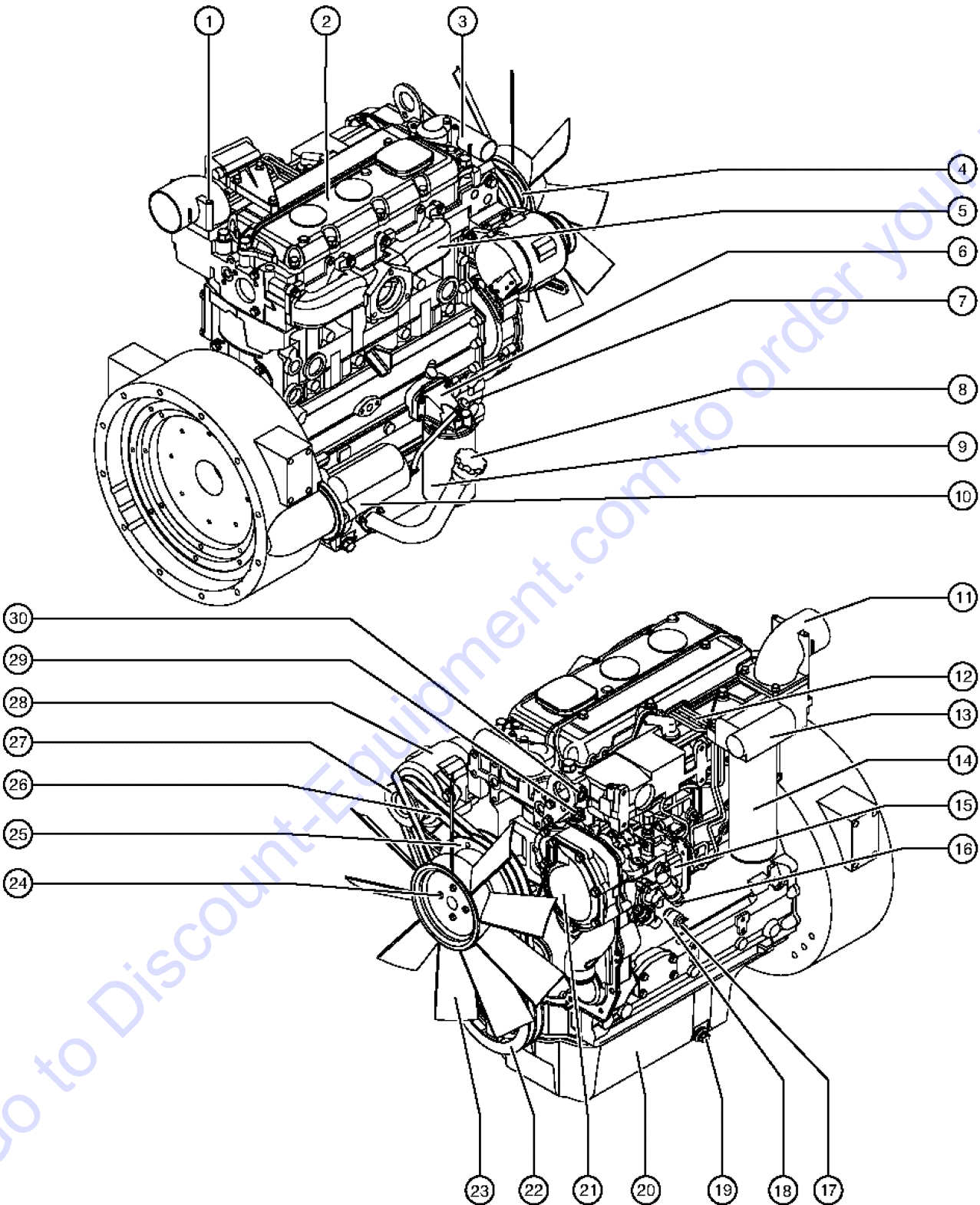
414.2 Perkins 804D-33T Engine - View 2 (from SN 2553)



414.2 Perkins 804D-33T Engine - View 2 (from SN 2553)

| Item | Part No. | Description | Qty. | Item | Part No. | Description | Qty. |
|------|--------------|--|------|------|---------------|-------------------------------------|------|
| -- | 102348GT | SENDING UNIT,OIL PRESS PERKINS... | 1 | 34 | 6638GT | WASHER,FLAT,USS,1/4"Y | |
| -- | 102651GT | ADPTR,OIL PRESS SEND PERK T2.... | 1 | 35 | 6091GT | NUT,NYLOCK,1/4-20 | |
| 1 | 23057GT | SCREW,HHC,M8 X 20MM | | 36 | 27584GT | SCREW,HHC,M12 X 35MM..... | 14 |
| 2 | 49408GT | WASHER,LOCK,M8 | | 37 | 128245GT | ENGINE MOUNT, LF..... | 1 |
| 3 | 81738-3300GT | TUBE,RD,STL 3 X 18GA ALUMINIZD.... | 1 | 38 | 101613GT | ELEMENT,OIL FILTER,PERKINS***... | 1 |
| 4 | 101601GT | HOSE,RADIATOR,UPPER,PERKINS..... | 1 | 39 | 101602GT | HOSE,RADIATOR,LOWER,PERKINS..... | 1 |
| 5 | 35434GT | CLAMP,HOSE,2.00*** | | 40 | 128250GT | FORMING, ENGINE BAFFLE..... | 1 |
| 6 | 30489GT | CLAMP,HOSE,3.50 | | 41 | 106226-4000GT | TUBING, VINYL, 1/2" CLEAR..... | 1 |
| 7 | 60561GT | ELBOW,INLET,CUMMINS..... | 1 | 42 | 226060GT | PUMP,WATER,PERKINS 804D-33T | |
| 8 | 128207GT | HOSE, AIR INTAKE, 804T..... | 1 | -- | 226061GT | GASKET-PUMP WATE,PERK 804D-33T | |
| 9 | 81467GT | AIR CLEANER,NELSON..... | 1 | 43 | 128249GT | FORMING, INTAKE DUCT..... | 1 |
| 10 | 81468GT | MOUNTING BAND,AIR CLEANER..... | 1 | 44 | 14295GT | WASHER,SHIM,.265 X .5 X .030 | |
| 11 | 49378GT | SCREW,HHC,M8 X 16 | | 45 | 56912GT | SPRING CLIP,1/4-20,.025-.15X.54,ZAG | |
| 12 | 6091GT | NUT,NYLOCK,1/4-20 | | 46 | 128246GT | BRACKET, FAN SHROUD, LH..... | 1 |
| 13 | 128248GT | FORMING, FILTER SUPPORT..... | 1 | 47 | 101629GT | SCREW,HHC,M8 X 10MM | |
| 14 | 49379GT | SCREW,HHC,M8 X 1.25 X 25 | | 48 | 33277GT | WASHER,FLAT,M8,YELLOW ZINC | |
| 15 | 128424GT | ASSEMBLY, DIPSTICK TUBE..... | 1 | 49 | 6638GT | WASHER,FLAT,USS,1/4"Y | |
| 16 | 128004GT | COUPLER,15 TOOTH,FBA,SAE8***..... | 1 | 50 | 128421GT | FORMING, INTAKE TUBE MNT..... | 1 |
| 17 | 27034GT | SCREW,HHC,M10 X 25MM,GR 8.8 | | 51 | 70257GT | CLAMP,3.0,#48 X 1/4,RUB CUSH | |
| 18 | 22699GT | WASHER,FLAT,M10,ZINC PLTD. | | 52 | 226127GT | THERMOSTAT, 180 DEG.F | |
| 19 | 61781GT | CASTING,SAE 4 PUMP MOUNT,MACHI..... | 1 | -- | 226128GT | GASKET, (226127) | |
| 20 | 62476GT | SCREW,SHC,M10X1.5X20MM (75090) | | | | | |
| 21 | 128244GT | ENGINE MOUNT, LR..... | 1 | | | | |
| 22 | 6024GT | NUT,NYLOCK,5/8-11 | | | | | |
| 23 | 13064GT | WASHER,FLAT,.625 HARDENED | | | | | |
| 24 | 33418GT | WASHER,FLAT,.625 X 2.25 X.15 | | | | | |
| 25 | 102045GT | ISOLATOR,ENGINE VIBRATION | | | | | |
| 26 | 18596GT | WASHER,FLAT,1.56 X 2.5 X .061 | | | | | |
| 27 | 13003GT | SCREW,HHC,5/8-11 X 3.5 GRD.8 | | | | | |
| 28 | | Ref. ENGINE TRAY (refer to 416.2)..... | 1 | | | | |
| 29 | 60868GT | SCREW,HHC,M12 X 45 | | | | | |
| 30 | 49410GT | WASHER,FLAT,M12 | | | | | |
| 31 | 128554GT | PLATE, SOLENOID MOUNT..... | 1 | | | | |
| 32 | 101957GT | SOLENOID,THROTTLE,ASSY.TROMB | | | | | |
| -- | 128555GT | THROTTLE, LINKAGE | | | | | |
| -- | 53471GT | WIRE LOOM,3/8 NYLON,HI TEMP | | | | | |
| -- | 60525GT | CONN,RECEP 4 WAY,12-14GA | | | | | |
| -- | 60526GT | LOCK,RECEP 4 WAY,12-14GA | | | | | |
| -- | 60757GT | PLUG,SEAL,12-18 GA | | | | | |
| -- | 6578GT | CABLE TIE,7 3/8" | | | | | |
| -- | 73711GT | TERM,DEUTSCH, PIN #12-14 | | | | | |
| -- | 89998GT | KIT,SERVICE,SOLENOID MODULE | | | | | |
| 33 | 6090GT | SCREW,HHC,1/4-20 X .75 | | | | | |

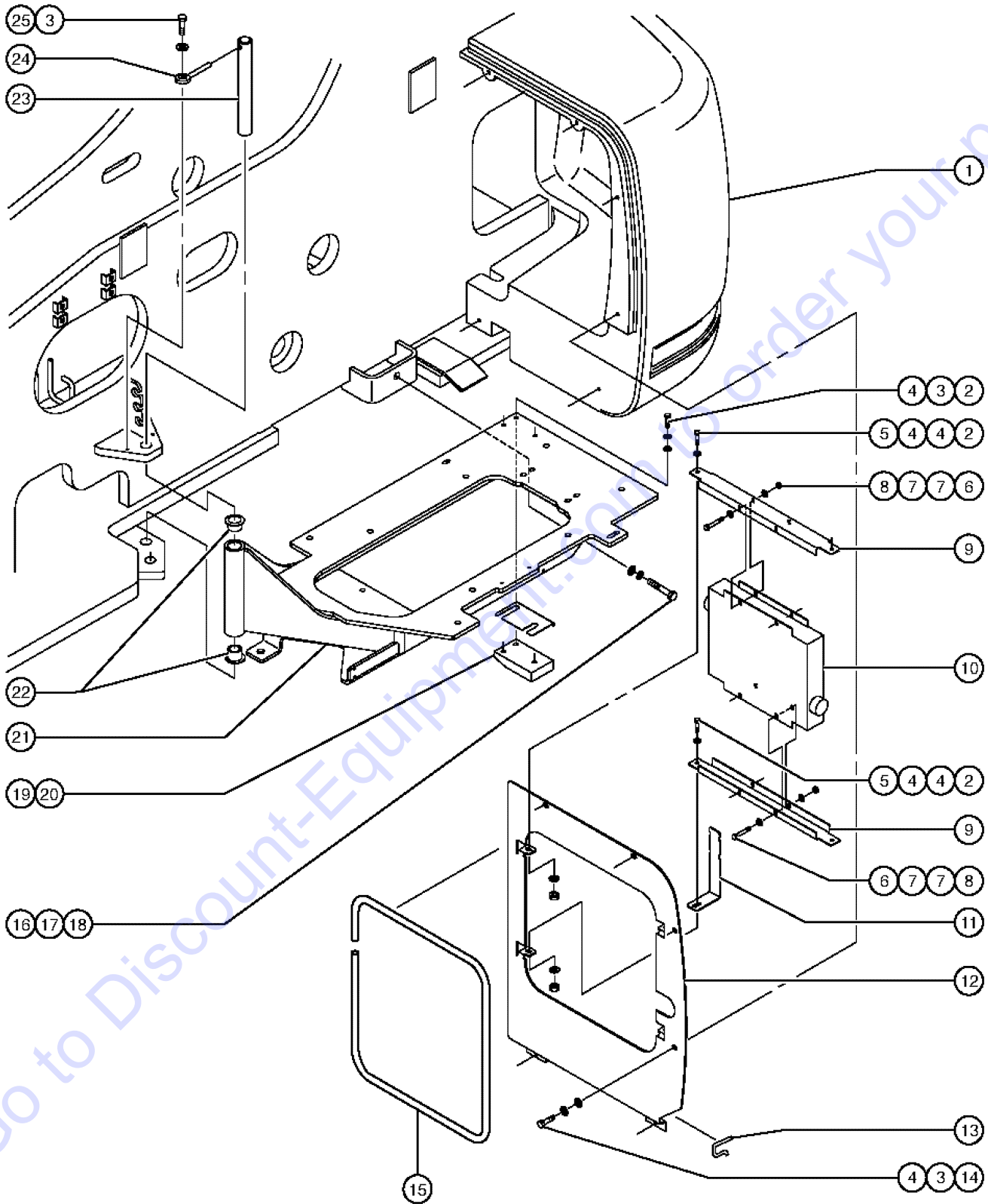
415.1 Perkins 1104C-44 Engine - View 3 (from SN 933 to 2552)



415.1 Perkins 1104C-44 Engine - View 3 (from SN 933 to 2552)

| Item | Part No. | Description | Qty. | Item | Part No. | Description | Qty. |
|------|----------|--------------------------------------|------|------|----------|--------------------------------------|------|
| -- | 102603GT | THERMOSTAT,PERK 1104C | | 27 | 102645GT | PULLEY,ALTERNATOR, PERK 1104C....1 | 1 |
| -- | 102604GT | GASKET-THERMOSTAT,PERK 1104C | | 28 | 102646GT | ALTERNATOR,PERKINS 1104C-44.....1 | 1 |
| -- | 141922GT | WLDMT,CHASSIS,STC III ISO MNT | | 29 | 34058GT | SENDING UNIT,TMP,FRD,GM,PRK704.....1 | 1 |
| 1 | 102636GT | SCREW - AIR INLET,PERK 1104C | | 30 | 75314GT | SENSOR,COOLANT TEMP,PERKINS***.....1 | 1 |
| 2 | 102599GT | COVER- VALVE PERKINS 1104C-44.....1 | 1 | | | | |
| -- | 102600GT | SEAL-VALVE COVER PERKINS 1104C | | | | | |
| -- | 102601GT | SCREW, VALVE COVER, PERK 1104C | | | | | |
| 3 | 102602GT | THERMOSTAT HOUSING,PERK 1104C.....1 | 1 | | | | |
| 4 | 75329GT | SPACER,FAN,PERKINS, 1004-42.....1 | 1 | | | | |
| 5 | 102605GT | MANIFOLD,EXHAUST, PERKINS 1104.....1 | 1 | | | | |
| -- | 102630GT | SEAL- EXHAUST MANIFOLD PERK-44 | | | | | |
| 6 | 123084GT | HEAD / OIL FILTER.....1 | 1 | | | | |
| 7 | 102631GT | DIPSTICK,PERKINS 1104C-44.....1 | 1 | | | | |
| 8 | 102635GT | CAP,OIL FILLER,PERKINS 1104C.....1 | 1 | | | | |
| 9 | 102632GT | FILTER,OIL,PERKINS 1104C-44.....1 | 1 | | | | |
| 10 | 226627GT | STARTER,ENG,PERK T3 6/8/10K.....1 | 1 | | | | |
| 11 | 102637GT | AIR INLET, PERKINS 1104C-44.....1 | 1 | | | | |
| -- | 75310GT | SCREW,PERKINS 1004-42 | | | | | |
| 12 | 102647GT | FUEL LINE-INJECTOR, CYL1 PERK....1 | 1 | | | | |
| -- | 102648GT | FUEL LINE-INJECTOR, CYL2 PERK | | | | | |
| -- | 102649GT | FUEL LINE-INJECTOR, CYL3 PERK | | | | | |
| -- | 102650GT | FUEL LINE-INJECTOR, CYL4 PERK | | | | | |
| 13 | 102638GT | ADAPTER-FUEL FILTER, PERK 1104....1 | 1 | | | | |
| 14 | 102639GT | FILTER,FUEL, PERKINS 1104C.....1 | 1 | | | | |
| 15 | 102640GT | PUMP,FUEL INJECTN,PERK 1104C....1 | 1 | | | | |
| 16 | 102453GT | SOLENOID FUELINJEC,PERKIN,1004..1 | 1 | | | | |
| 17 | 102348GT | SENDING UNIT,OIL PRESS PERKINS...1 | 1 | | | | |
| 18 | 102651GT | ADPTR,OIL PRESS SEND PERK T2....1 | 1 | | | | |
| 19 | 75342GT | PLUG,ENGINE OIL,PERKIN 1004-42....1 | 1 | | | | |
| -- | 75343GT | WASHER,OIL DRAIN,PERKIN1004-42 | | | | | |
| 20 | 102641GT | OIL PAN,PERKINS 1104C-44.....1 | 1 | | | | |
| -- | 102642GT | GASKET - OIL PAN, PERKIN 1104C | | | | | |
| 21 | 102643GT | PUMP, WATER,PERKINS 1104C-44.....1 | 1 | | | | |
| -- | 102644GT | GASKET-PUMP WATE,PERK 1104C-44 | | | | | |
| 22 | 75331GT | PULLEY,CRANKSHAFT,PERKINS 1004.....1 | 1 | | | | |
| -- | 75332GT | SCREW,CRANKSHFT,PERKIN 1004-42 | | | | | |
| 23 | 75328GT | FAN,PULLER,PERKINS,1004-42.....1 | 1 | | | | |
| 24 | 75327GT | STUD,FAN SPACR,PERKINS 1004-42....4 | 4 | | | | |
| -- | 75326GT | NUT,FAN BLADE,PERKINS 1004-42 | | | | | |
| 25 | 75330GT | PULLEY,FAN,PERKINS 1004-42.....1 | 1 | | | | |
| 26 | 102598GT | BELT,V,(2) PERKINS 1104C-44.....2 | 2 | | | | |

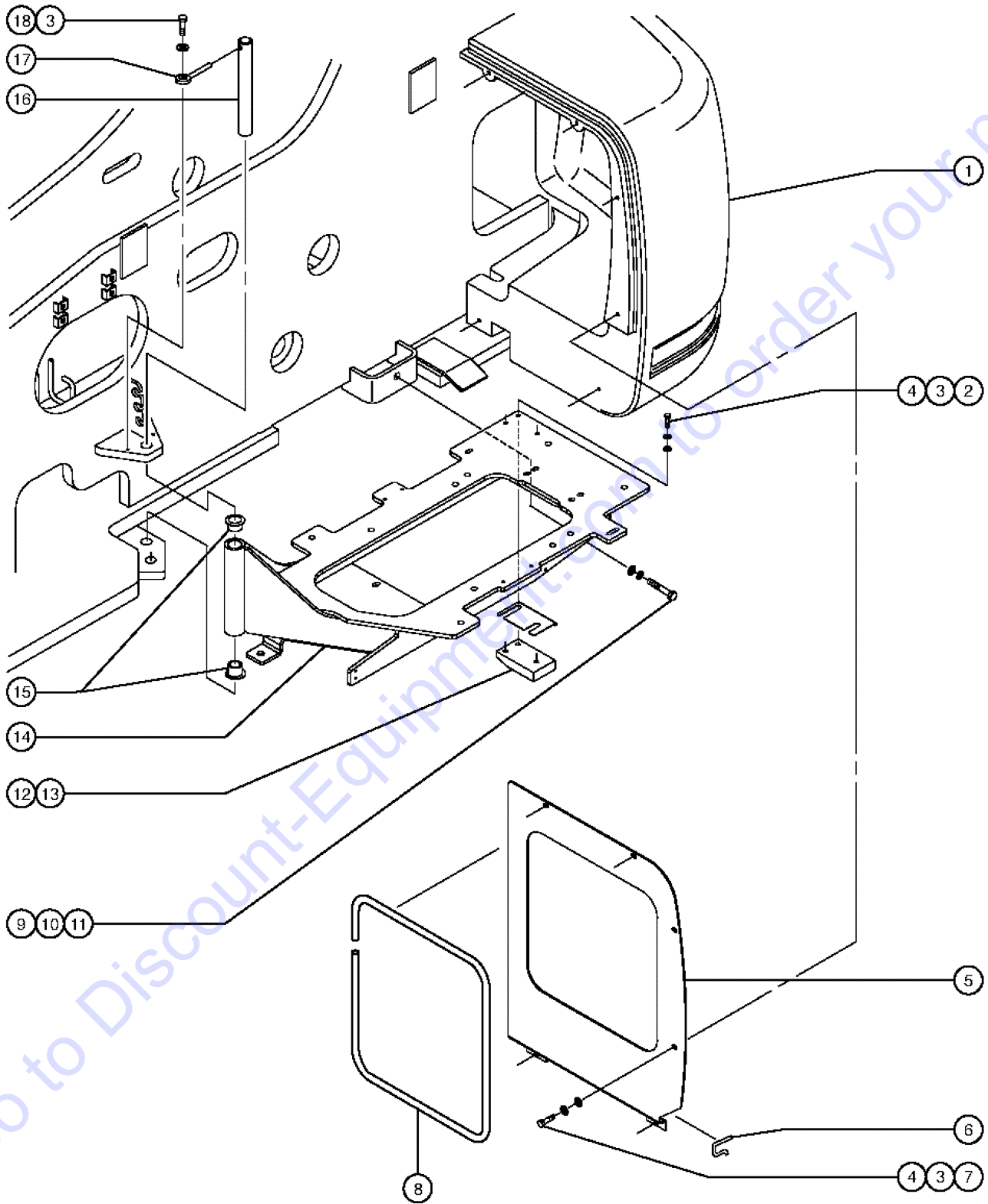
416.1 Perkins Engine Attached Components (to SN 476)



416.1 Perkins Engine Attached Components (to SN 476)

| Item | Part No. | Description | Qty. |
|------|-----------|---|------|
| 1 | | Ref. Counterweight, Front (refer to 408.1) | |
| 2 | 6019GT | SCREW,HHC,3/8-16 X 1.25 GRD 5 | |
| 3 | 6021GT | WASHER,LOCK,.375 | |
| 4 | 5397GT | WASHER,FLAT,USS,5/16",Y | |
| 5 | 4828GT | NUT,NYLOCK,3/8-16 | |
| 6 | 6091GT | NUT,NYLOCK,1/4-20 | |
| 7 | 6638GT | WASHER,FLAT,USS,1/4"Y | |
| 8 | 42571GT | SCREW,HHC,1/4-20 X 3.25 | |
| 9 | 60687-SGT | FORMING,COOLER SUPPORT.....2 | |
| 10 | 60597GT | OIL COOLER,W/O FAN.....1 | |
| 11 | 60820-SGT | BRACKET,OIL COOLER BYPASS.....1 | |
| 12 | 60560-SGT | BULKHEAD,SWING CHASSIS.....1 | |
| 13 | 60875GT | TRIM MOLDING | |
| 14 | 6175GT | SCREW,HHC,3/8-16 X 1 | |
| 15 | 60875GT | TRIM MOLDING.....66-inches | |
| 16 | 51131GT | SCREW,HHC,5/8-11 X 2.5 | |
| 17 | 6036GT | WASHER,LOCK,.625 PLTD | |
| 18 | 6035GT | WASHER,FLAT,USS,5/8",Y | |
| 19 | 60637GT | WEAR PAD,ENGINE SUPPORT.....1 | |
| 20 | 60826GT | SHIM,WEAR PAD ENGINE TRAY | |
| 21 | 75124-SGT | ENGINE TRAY PIVOT ASSEMBLY.....1 <i>includes item 22</i> | |
| 22 | 35675GT | BEARING,FL,1.25IDX1.5ODX1.25L.....2 | |
| 23 | 60625GT | PIN,1.25DIAX15.63LG,CHAMFER.....1 | |
| 24 | 825019GT | ROD END,.375X3.69,ZAG.....1 | |
| 25 | 8516GT | SCREW, HCC, 3/8-16 X 1.50 | |

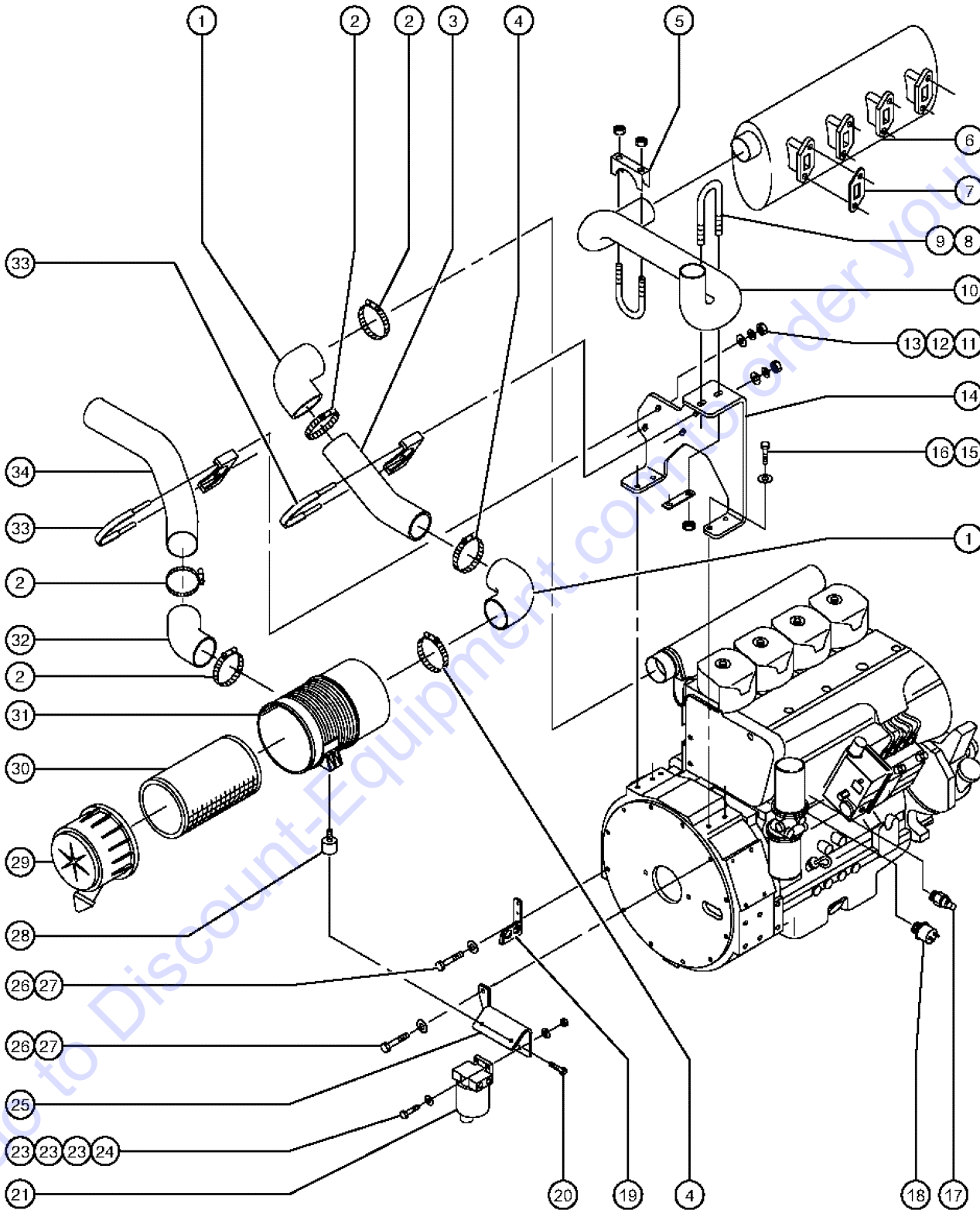
416.2 Perkins Engine Attached Components (from SN 477)



416.2 Perkins Engine Attached Components (from SN 477)

| Item | Part No. | Description | Qty. |
|------|-----------|--|------|
| -- | | Ref. Hydraulic Oil Cooler (refer to 307.1) | |
| 1 | | Ref. Counterweight, Front (refer to 408.1) | |
| 2 | 6019GT | SCREW,HHC,3/8-16 X 1.25 GRD 5 | |
| 3 | 6021GT | WASHER,LOCK, .375 | |
| 4 | 5397GT | WASHER,FLAT,USS,5/16",Y | |
| 5 | 75607PGT | INTAKE BAFFLE,PAINTED.....1 | |
| 6 | 60875GT | TRIM MOLDING | |
| 7 | 6175GT | SCREW,HHC,3/8-16 X 1 | |
| 8 | 60875GT | TRIM MOLDING.....66-inches | |
| 9 | 51131GT | SCREW,HHC,5/8-11 X 2.5 | |
| 10 | 6036GT | WASHER,LOCK, .625 PLTD | |
| 11 | 6035GT | WASHER,FLAT,USS,5/8",Y | |
| 12 | 60637GT | WEAR PAD,ENGINE SUPPORT.....1 | |
| 13 | 60826GT | SHIM,WEAR PAD ENGINE TRAY | |
| 14 | 75460GT | ENGINE TRAY PIVOT ASSEMBLY.....1 <i>includes item 15; to SN 772</i> | |
| -- | 146054GT | ENGINE TRAY ASSEMBLY <i>includes item 15; from SN 2553</i> | |
| -- | 89511-SGT | ENGINE TRAY ASSEMBLY <i>includes item 15; from SN 773 to 2552</i> | |
| 15 | 35675GT | BEARING,FL,1.25IDX1.5ODX1.25L.....2 | |
| 16 | 60625GT | PIN,1.25DIAX15.63LG,CHAMFER.....1 | |
| 17 | 825019GT | ROD END, .375X3.69,ZAG.....1 | |
| 18 | 8516GT | SCREW, HCC, 3/8-16 X 1.50 | |

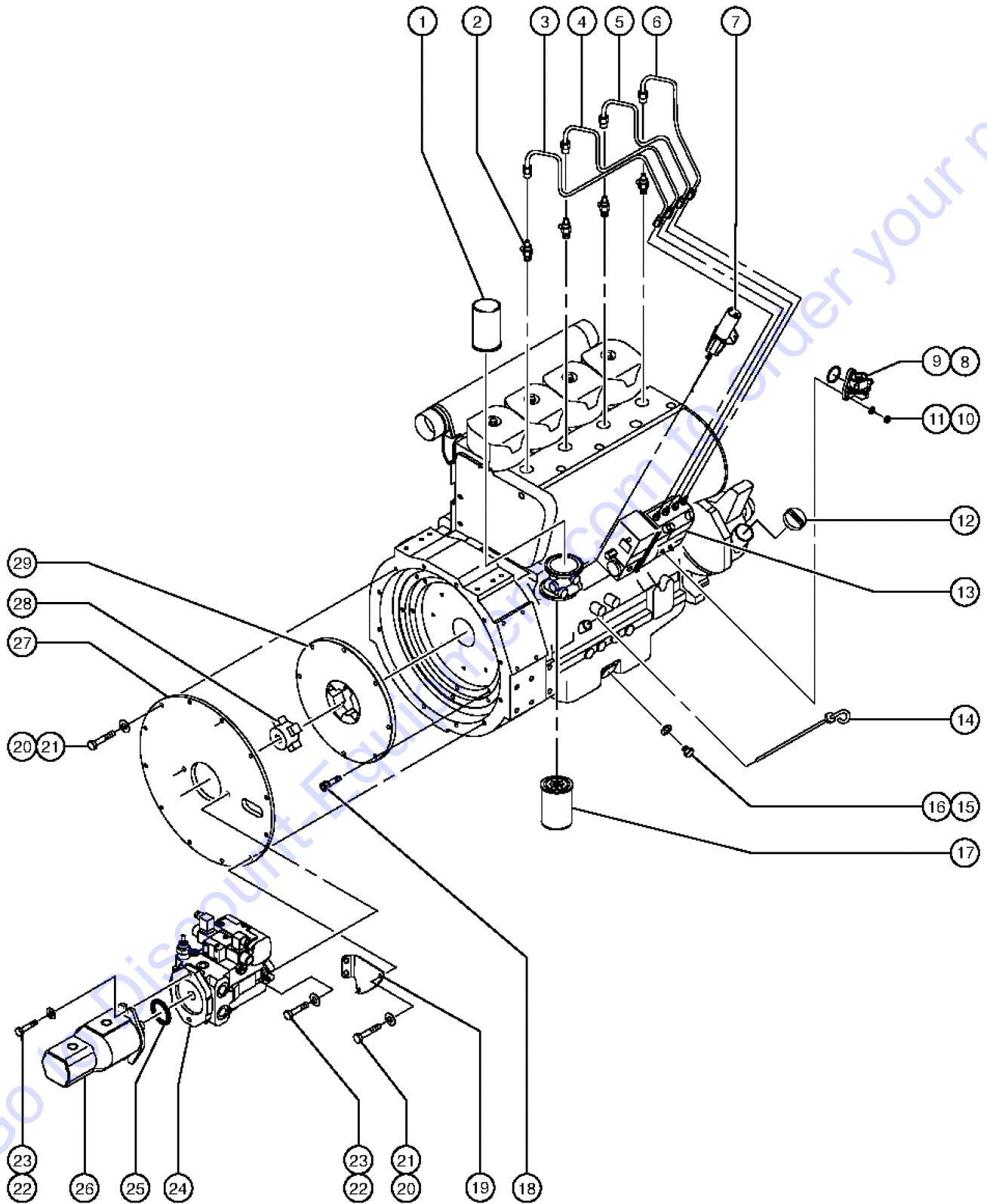
417.1 Deutz F4L913 Engine - View 1 (to SN 920)



417.1 Deutz F4L913 Engine - View 1 (to SN 920)

| Item | Part No. | Description | Qty. | Item | Part No. | Description | Qty. |
|------|-----------|--------------------------------------|------|------|----------|--|------|
| -- | 62434GT | MANUAL,DEUTZ F4L913, WORKSHOP | | 28 | 60585GT | ISOLATOR,VIBRATION,M8 MALE/FEM..... | 2 |
| -- | 75084GT | HARNESS,DEUTZ ENGINE to SN 148 | | 29 | 75451GT | AIR CLEANER COVER, SUPERBOOM*..... | 1 |
| -- | 75084GT | HARNESS,DEUTZ ENGINE from SN 149 | | 30 | 62425GT | FILTER,AIR CLEANER, SUPERBOOM...1 | |
| -- | 75586GT | HARNESS,DEUTZ ENGINE from SN 620 | | 31A | 81467GT | AIR CLEANER,NELSON.....1 for first time replacement, also order 81468 | |
| -- | 75085GT | HARNESS, SOLENOID to SN 619 | | 31B | 81468GT | MOUNTING BAND,AIR CLEANER | |
| -- | 88151GT | FUSE,70 AMP | | 31C | 75450GT | AIR CLEANER CLIPS, SUPERBOOM | |
| -- | 75433GT | FUSE,20 AMP, AGC20 | | 32 | 61270GT | ELBOW,45 DEG,INLET.....1 | |
| -- | 23082GT | FUSE,15 AMP,TIME DELAY | | 33 | 61273GT | CLAMP-HEAVY DUTY.....2 | |
| -- | 45782GT | DIODE,6 AMP,200 PIV,BULK | | 34 | 61156GT | TUBE,ENGINE INTAKE,DEUTZ.....1 | |
| 1 | 60561GT | ELBOW,INLET,CUMMINS..... | 2 | | | | |
| -- | 88064GT | REDUCER,3" TO 2.75" | | | | | |
| 2 | 30971GT | CLAMP,HOSE,3.00"..... | 4 | | | | |
| 3 | 61155GT | TUBE,AIR INTAKE,DEUTZ..... | 1 | | | | |
| 4 | 30489GT | CLAMP,HOSE,3.50"..... | 2 | | | | |
| 5 | 75358GT | CLAMP,MUFFLER,DEUTZ F4L913..... | 1 | | | | |
| 6 | 75359GT | MUFFLER,DEUTZ,F4L913..... | 1 | | | | |
| -- | 75000GT | MUFFLER,CATALYTIC,DEUTZ*F4L913 | | | | | |
| 7 | 75360GT | GASKET,EXHAUST,DEUTZ F4L913..... | 4 | | | | |
| 8 | 16584GT | U-BOLT, KIT 5/16-18 X 2.5 ***..... | 1 | | | | |
| 9 | 6037GT | NUT,HEX,5/16-18,GR5 | | | | | |
| 10 | 60856GT | TAILPIPE,DEUTZ 913..... | 1 | | | | |
| 11 | 4828GT | NUT,NYLOCK,3/8-16 | | | | | |
| 12 | 6021GT | WASHER,LOCK,.375 | | | | | |
| 13 | 5397GT | WASHER,FLAT,USS,5/16",Y | | | | | |
| 14 | 61157-SGT | MOUNT,DEUTZ TUBE..... | 1 | | | | |
| 15 | 27034GT | SCREW,HHC,M10 X 25MM,GR 8.8 | | | | | |
| 16 | 22699GT | WASHER,FLAT,M10,ZINC PLTD. | | | | | |
| 17 | 72355GT | OIL TEMP SENSOR(60323)..... | 1 | | | | |
| 18 | 75473GT | SENSOR,OIL PRS KIT,VDO0360-040.... | 1 | | | | |
| 19 | 75100GT | BRACKET, CABLE MOUNT..... | 1 | | | | |
| -- | 60584GT | GROMMET,RUBBER .75 X .19 X 1** | | | | | |
| 20 | 49378GT | SCREW,HHC,M8 X 16 | | | | | |
| 21 | 75020GT | SEPRTR/FLTR,FUEL DSL,15GPH,.30.... | 1 | | | | |
| -- | 62433GT | FILTER,ELEMENT,30 MIC,75020 | | | | | |
| 22 | 8915GT | SCREW,HHC,1/4-20 X 1.25 | | | | | |
| 23 | 6638GT | WASHER,FLAT,USS,1/4"Y | | | | | |
| 24 | 6091GT | NUT,NYLOCK,1/4-20 | | | | | |
| 25 | 61243-SGT | WELDMENT,AIR CLEANER CUMMINS..... | 1 | | | | |
| 26 | 44064GT | SCREW,HHC,M10 X 30MM, | | | | | |
| 27 | 22699GT | WASHER,FLAT,M10,ZINC PLTD. | | | | | |

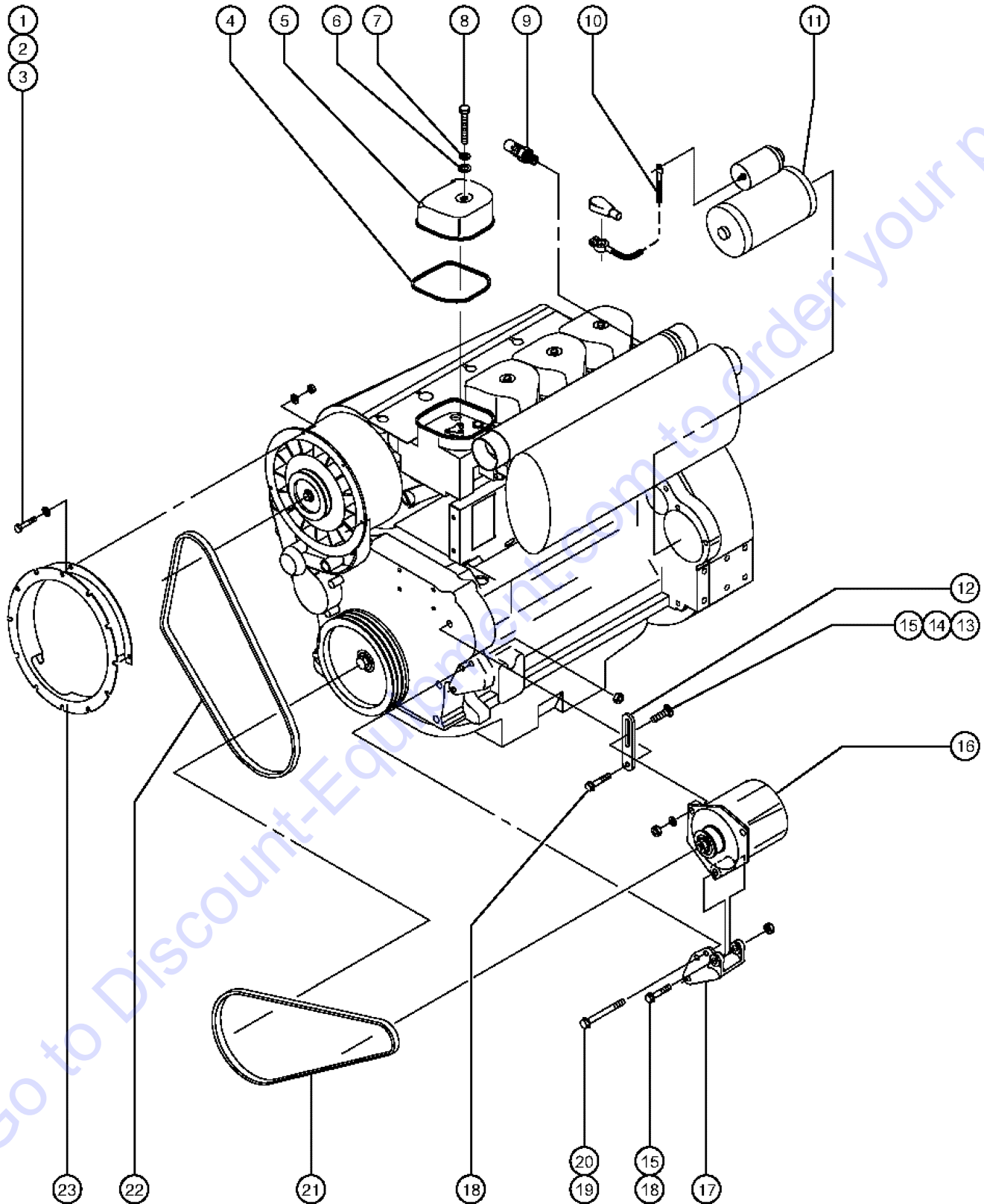
418.1 Deutz F4L913 Engine - View 2 (to SN 920)



418.1 Deutz F4L913 Engine - View 2 (to SN 920)

| Item | Part No. | Description | Qty. |
|------|-----------|--|------|
| 1 | 108543GT | FILTER / FUEL / SPIN-ON..... | 1 |
| -- | 58566GT | FILTER HEAD (29560) | |
| 2 | 75361GT | INJECTOR,FUEL,DEUTZ F4L913..... | 4 |
| 3 | 75362GT | FUEL LINE,INJECT.1DEUTZ F4L913..... | 1 |
| 4 | 75363GT | FUEL LINE,INJECT.2DEUTZ F4L913..... | 1 |
| 5 | 75364GT | FUEL LINE,INJECT.3DEUTZ F4L913..... | 1 |
| 6 | 75365GT | FUEL LINE,INJECT.4DEUTZ F4L913..... | 1 |
| 7 | 75366GT | SOLENOID,SHUTDOWN DEUTZ F4L913..... | 1 |
| 8 | 75367GT | PUMP,FUEL LIFT DEUTZ F4L913..... | 1 |
| 9 | 72243GT | MOUNTING O-RING (75367)..... | 1 |
| 10 | 75379GT | NUT,M6,FUEL PUMP,DEUTZ F4L913 | |
| 11 | 75380GT | WASHER,LOCK,M6,DEUTZ F4L913 | |
| 12 | 75369GT | CAP,OIL FILLER, DEUTZ F4L913..... | 1 |
| -- | 75377GT | O-RING,OIL FILLER (75369) | |
| 13 | 75370GT | PUMP,FUEL INJECTN.DEUTZ F4L913..... <i>includes items 8-11</i> | 1 |
| -- | 75371GT | O-RING,FUEL INJ.PUMP (75370) | |
| 14 | 75372GT | DIPSTICK,DEUTZ F4L913 | |
| 15 | 75374GT | PLUG,ENGINE OIL, DEUTZ F4L913..... | 3 |
| 16 | 75375GT | WASHER,OIL DRAIN DEUTZ F4L913..... | 3 |
| 17 | 62430GT | FILTER,OIL, DEUTZ F4L913..... | 1 |
| 18 | 61110GT | SCREW,SHC,M10X1.5X30 GR 12.9..... | 9 |
| 19 | 60883GT | FORMING,TEST PORT MOUNT..... | 1 |
| 20 | 44064GT | SCREW,HHC,M10 X 30MM, | |
| 21 | 22699GT | WASHER,FLAT,M10,ZINC PLTD. | |
| 22 | 10597GT | SCREW,HHC,1/2-13 X 1.25 GR5 | |
| 23 | 13066GT | WASHER,FLAT,.5 HARDENED | |
| 24 | | Ref. Drive Pump (refer to 711.1) | |
| 25 | 62407GT | O-RING,PISTON PUMP TO GEARPUMP..... | 1 |
| 26 | | Ref. Function Pump (refer to 711.1) | |
| 27 | 60322-SGT | PLATE,PUMP MOUNT..... | 1 |
| 28 | 61077GT | COUPLER,HUB,14 TOOTH..... | 1 |
| 29 | 61078GT | FLYWHEEL DRIVE PLATE,SAE 10..... | 1 |

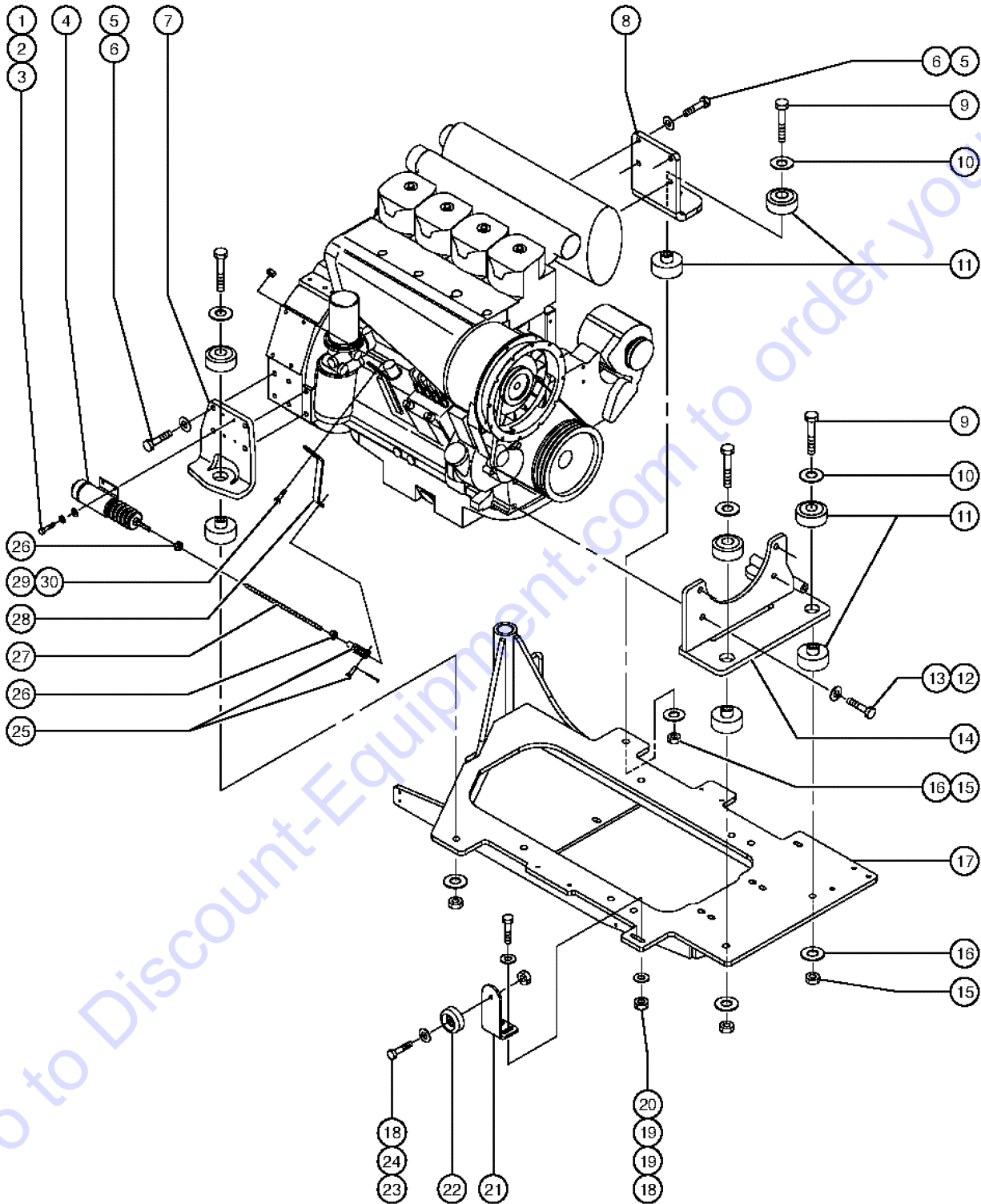
419.1 Deutz F4L913 Engine - View 3 (to SN 920)



419.1 Deutz F4L913 Engine - View 3 (to SN 920)

| Item | Part No. | Description | Qty. |
|------|-----------|---|------|
| 1 | 75381GT | SCREW,HHC,M6 X 1 X 20 | |
| 2 | 75382GT | WASHER,FLAT,M6,DEUTZ F4L913 | |
| 3 | 75383GT | NUT,M6,BLOWER,DEUTZ F4L913 | |
| 4 | 75384GT | GASKET,CYL.COVR. DEUTZ F4L913.....4 | |
| 5 | 75385GT | CYLINDER HEAD CVR.DEUTZ F4L913.....4 | |
| 6 | 75388GT | SEAL,CYL.HED.CVR.DEUTZ,F4L913.....4 | |
| 7 | 75387GT | WASHER,CYL.HED CVR.DEUTZF4L913.....4 | |
| 8 | 75386GT | SCREW,HHC,M8 X 1.25 X 30 | |
| 9 | 75389GT | GLOW PLUG,DEUTZ F4L913.....1 | |
| -- | 75390GT | SOLENOID,GLOW PLUG,DEUTZF4L913 | |
| 10 | 61318GT | BATTERY CABLE,POSITIVE DEUTZ.....1 | |
| 11 | 75391GT | STARTER, DEUTZ F4L913.....1 | |
| -- | 75392GT | SOLENOID,STARTER,DEUTZ F4L913 | |
| 12 | 75394GT | ALTERNATOR STAY,DEUTZ F4L913.....1 | |
| 13 | 75416GT | BOLT,CARRIAGE,M8X1.25X25,DEUTZ | |
| 14 | 75417GT | WASHER,FLAT,M8 DEUTZ, F4L913 | |
| 15 | 75418GT | NUT,M8,ALTERNATOR,DEUTZ F4L913 | |
| 16 | 75393GT | ALTERNATOR, DEUTZ (55AMP) ***.....1 | |
| 16B | 1274614GT | ALTERNATOR PULLEY | |
| 17 | 75419GT | ALTERNATOR,STAY,DEUTZ,F4L913.....1 | |
| 18 | 75420GT | SCREW,HHC,M8 X 1.25 X 120 | |
| 19 | 75421GT | SCREW,HHC,M10 X 1.5 X 140 | |
| 20 | 75422GT | NUT,HEX,M10,ALTER.DEUTZ F4L913 | |
| 21 | 62432GT | BELT,V, ALTERNATR.DEUTZ F4L913.....1 | |
| 22 | 62431GT | BELT,V, BLOWER, DEUTZ F4L913.....1 | |
| 22 | T107605GT | SWITCH,FAN BELT.....1 | |
| 22 | T107606GT | HARNESS, FAN BELT SWITCH.....1 | |
| 23 | 75423GT | SHROUD,DEUTZ,AIR INTAKE.....1 | |

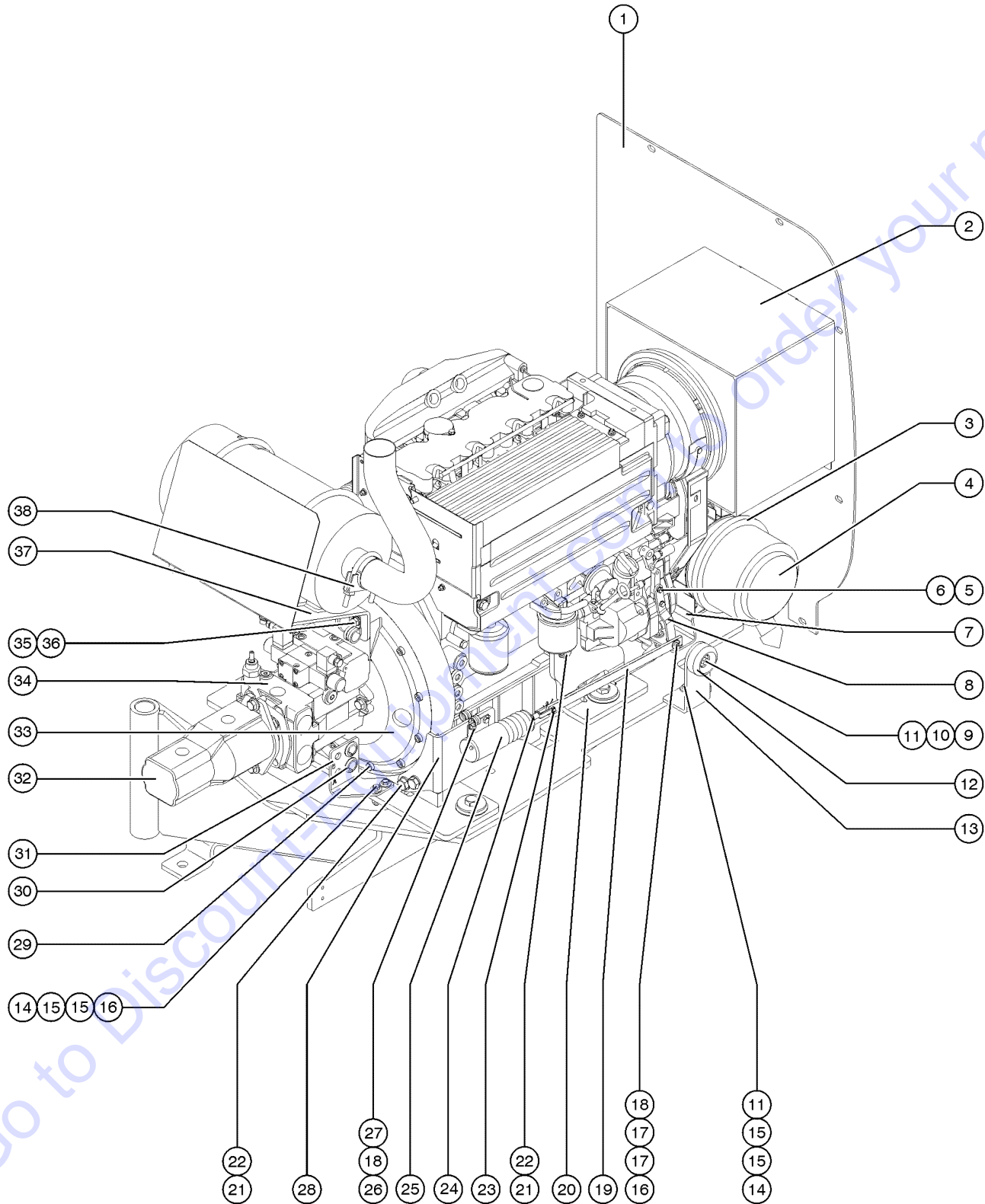
420.1 Deutz F4L913 Engine - View 4 (to SN 920)



420.1 Deutz F4L913 Engine - View 4 (to SN 920)

| Item | Part No. | Description | Qty. |
|------|--------------|--|------|
| 1 | 7339GT | SCREW, HHC, 1/4-20 X .5 | |
| 2 | 6356GT | WASHER, LOCK, .25 | |
| 3 | 6638GT | WASHER, FLAT, USS, 1/4"Y | |
| 4 | 89998GT | KIT, SERVICE, SOLENOID MODULE.....1 | |
| -- | 58165GT | SOLENOID UPDATE KIT*** | |
| -- | 75085GT | HARNESS, SOLENOID | |
| 5 | 44064GT | SCREW, HHC, M10 X 30MM, | |
| 6 | 49410GT | WASHER, FLAT, M12 | |
| 7 | 75083-SGT | BRACKET, ENGINE MOUNT RR, DEUTZ.....1 | |
| 8 | 60619-SGT | BRACKET, ENG. MOUNT LH/RR.....1 | |
| 9 | 59746GT | SCREW, HHC, 5/8-11 X 4.0***.....4 <i>for use with two-piece isolator</i> | |
| 9A | 13003GT | SCREW, HHC, 5/8-11 X 3.5 GRD.8.....4 <i>for use with one-piece isolator 102045</i> | |
| 10 | 33418GT | WASHER, FLAT, .625 X 2.25 X .15.....4 | |
| 11 | | ISOLATOR, TWO-PIECE <i>component no longer available</i> | |
| 11A | 102045GT | ISOLATOR, ENGINE VIBRATION.....4 | |
| 11A | 18596GT | WASHER, FLAT, 1.56 X 2.5 X .061.....8 <i>for use with one-piece isolator 102045</i> | |
| 12 | 75398GT | SCREW, HHC, M14 X 2 X 100 | |
| 13 | 75399GT | WASHER, FLAT, M14, DEUTZ F4L913 | |
| 14 | 89906GT | WELDMENT, GENERATOR MOUNT, DEUTZ.....1 | |
| 15 | 6024GT | NUT, NYLOCK, 5/8-11 | |
| 16 | 6035GT | WASHER, FLAT, USS, 5/8", Y | |
| 17 | 75124-SGT | ENGINE TRAY PIVOT ASSEMBLY.....1 <i>to SN 475</i> | |
| -- | 75460GT | ENGINE TRAY PIVOT ASSEMBLY <i>from SN 476 to SN 772</i> | |
| -- | 89511-SGT | ENGINE TRAY ASSEMBLY <i>from SN 773</i> | |
| 18 | 4828GT | NUT, NYLOCK, 3/8-16 | |
| 19 | 5397GT | WASHER, FLAT, USS, 5/16", Y | |
| 20 | 8516GT | SCREW, HCC, 3/8-16 X 1.50 | |
| 21 | 60778-SGT | FORMING, COVER STOP.....1 | |
| 22 | 50974GT | BUMPER, RUBBER, COVERS.....1 | |
| 23 | 6019GT | SCREW, HHC, 3/8-16 X 1.25 GRD 5 | |
| 24 | 6097GT | WASHER, FLAT, USS, 3/8", Y | |
| 25 | 21130GT | CLEVIS YOKE-1/4-28, PLTD W/PIN.....1 | |
| 26 | 21496GT | NUT, HEX, 1/4-28 | |
| 27 | 30785-1000GT | THREADED ROD, 1/4-28 X 10 IN***.....1 | |
| 28 | 75082-SGT | FORMING, THROTTLE ARM DEUTZ.....1 | |
| 29 | 6090GT | SCREW, HHC, 1/4-20 X .75 | |
| 30 | 6889GT | NUT, LP NYLOCK, 1/4-20 | |

421.1 Deutz BF4L-2011 / TD2011-L04i Engine - View 1 (from SN 921)



421.1 Deutz BF4L-2011 / TD2011-L04i Engine - View 1 (from SN 921)

| Item | Part No. | Description | Qty. | Item | Part No. | Description | Qty. |
|------|-----------|---|------|------|-----------|--|------|
| -- | 102114GT | HARNESS,DEUTZ ENGINE to SN 1028 | | 16 | 6584GT | SCREW,SHS,10-24 X .625 | |
| -- | 102708GT | HARNESS,ENGINE,DEUTZ BF4L2011 from SN 1029 to SN 1578 | | 17 | 6638GT | WASHER,FLAT,USS,1/4"Y | |
| -- | 122051GT | HARNESS,ENGINE,DEUTZ BF4L2011 from SN 1579 to 2588 | | 18 | 5365GT | NUT,NYLOCK,10-24 | |
| -- | 122875GT | HARN,ENGINE T3,DEUTZ BF4L2011 from SN 2589 | | 19 | 139322GT | THROTTLE LINKAGE, DSL from SN 2417 | |
| -- | 139612GT | KIT CB 15A T2 RPM SOLENOID 3W includes item 128829; to SN 2588 | | 19 | 88512GT | THROTTLE LINK,DSL***.....1 to SN 2416 | |
| -- | 128829GT | CIRCUIT BRKR 15A TYPE 2 METAL from SN 2589 | | 20 | 70439PGT | FORMING,ENGINE MOUNT PAINTED...1 | |
| -- | 101638GT | OPTION, SPARK ARREST | | 21 | 22558GT | SCREW,HHC,M14 X 40MM,GR 8.8 | |
| -- | T114678GT | SHUTDOWN SOLENOID,12V, DEUTZ models from SN 2588 to 2871 must order harness p/n T113801 for first time replacement; from SN 2588 | | 22 | 49411GT | WASHER,FLAT,M14 | |
| -- | T113801GT | HARNESS,RELAY,FUEL SOLENOID from SN 2588 to 2871 | | 23 | 21130GT | CLEVIS YOKE-1/4-28,PLTD W/PIN.....1 | |
| -- | 139624GT | SWITCH, OIL PRESSURE 1.5 BAR.....1 (replaced 65765) | | 24 | 21496GT | NUT,HEX,1/4-28 | |
| -- | 139666GT | KIT,OP SWITCH,DEUTZ | | 25 | 101957GT | SOLENOID,THROTTLE,ASSY.TROMB...1 | |
| 1 | 102210PGT | BAFFLE,AIR INTAKE,DEUTZ PAINTD....1 | | 26 | 6091GT | NUT,NYLOCK,1/4-20 | |
| 2 | 111401GT | AIR BOX ASSEMBLY, DEUTZ, SERV.....1 USA/Canada/Australia; to SN 2238 | | 27 | 6888GT | SCREW,HHC,1/4-20 X 1 | |
| -- | 102218PGT | WELDMENT,AIR BOX,DEUTZ PAINTED Europe/Asia/South America; to SN 2238 | | 28 | 139321GT | FORMING, SOLENOID MOUNT*** from SN 2417 | |
| -- | 122266GT | WELDMENT, AIR BOX, DEUTZ Europe/Asia/South America; from SN 2239 | | 28 | 70478PGT | FORMING,SOLENOID MOUNT PAINTED.....1 to SN 2416 | |
| -- | 146053GT | AIR BOX ASSE, DEUTZ W/ W DECAL USA/Canada/Australia; from SN 2239 | | 29 | 44064GT | SCREW,HHC,M10 X 30MM,.....9 use wih flex plate 33024; to SN 1806 | |
| 3 | 81468GT | MOUNTING BAND,AIR CLEANER.....1 | | -- | 22699GT | WASHER,FLAT,M10,ZINC PLTD. use wih flex plate 33024; to SN 1806 | |
| 4 | 81467GT | AIR CLEANER,NELSON.....1 | | -- | 62476GT | SCREW,SHC,M10X1.5X20MM (75090) use with coupler 128004; from SN 1807 | |
| -- | 62425GT | FILTER,AIR CLEANER, SUPERBOOM | | 30 | 60584GT | GROMMET,RUBBER .75 X .19 X 1**.....2 to SN 984 | |
| 5 | 22578GT | SCREW,HHC,M6 X 20MM,GR8.8 | | 31 | 102204PGT | FORMING,TEST PORT MTG.DEUTZ.....1 to SN 984 | |
| 6 | 49407GT | WASHER,LOCK,M6 | | 32 | | Ref. Function Pump (refer to 711.1) | |
| 7 | 102209PGT | FORMING,AIR CLEANER MOUNT PNTD.....1 | | 33 | 70381GT | COVER,FLYWHEEL CASTING to SN 1806 | |
| 8 | 50787-SGT | LEVER, GOVERNOR ACTUATOR from SN 2417 | | -- | 128004GT | COUPLER,15 TOOTH,FBA,SAE8*** from SN 1807 | |
| 8 | 70479PGT | FORMING,THROTTLE ARM PAINTED...1 to SN 2416 | | -- | 128023GT | KIT,FBA STYLE COUPLER,SAE8 upgrade kit, replaces flex plate and coupler, includes coupler 128004 | |
| 9 | 6019GT | SCREW,HHC,3/8-16 X 1.25 GRD 5 | | -- | 33024GT | FLYWHEEL FLANGE,GREEN PLASTIC to SN 1806 | |
| 10 | 6097GT | WASHER,FLAT,USS,3/8",Y | | -- | 37003GT | COUPLER,HUB,15 TOOTH 7/16BOLT* from SN 1029 to 1806 | |
| 11 | 4828GT | NUT,NYLOCK,3/8-16 | | -- | 70451GT | COUPLER,HUB,14 TOOTH to SN 1028 | |
| 12 | 50974GT | BUMPER,RUBBER,COVERS.....1 | | 34 | | Ref. Drive Pump (refer to 711.1) | |
| 13 | 60778-SGT | FORMING,COVER STOP.....1 | | 35 | 30489GT | CLAMP,HOSE,3.50.....3 | |
| 14 | 8516GT | SCREW, HCC, 3/8-16 X 1.50 | | 36 | 85053GT | SCREW,HHC,M10 X 1.5 X70,GR 8.8 | |
| 15 | 5397GT | WASHER,FLAT,USS,5/16",Y | | 37 | 70448PGT | FORMING,MUFFLER MOUNT.....1 | |

421.1 Deutz BF4L-2011 / TD2011-L04i Engine - View 1 (from SN 921)
(continued)

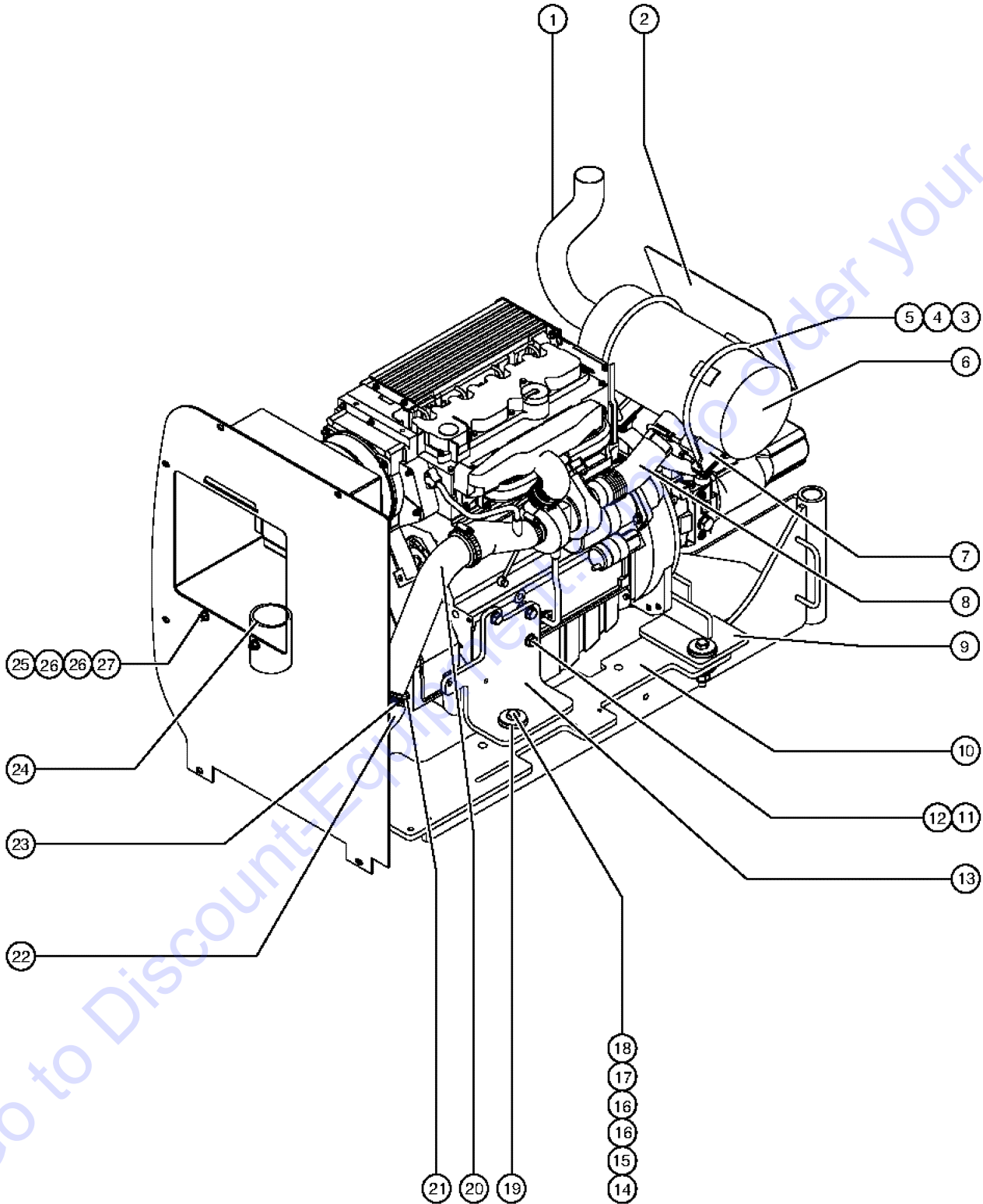
| Item | Part No. | Description | Qty. |
|------|----------|-------------------------------|------|
| 38 | 71911GT | CLAMP,MUFFLER, 2.50 INCH..... | 2 |

Go to Discount-Equipment.com to order your parts

This Page Intentionally Left Blank

Go to Discount-Equipment.com to order your parts

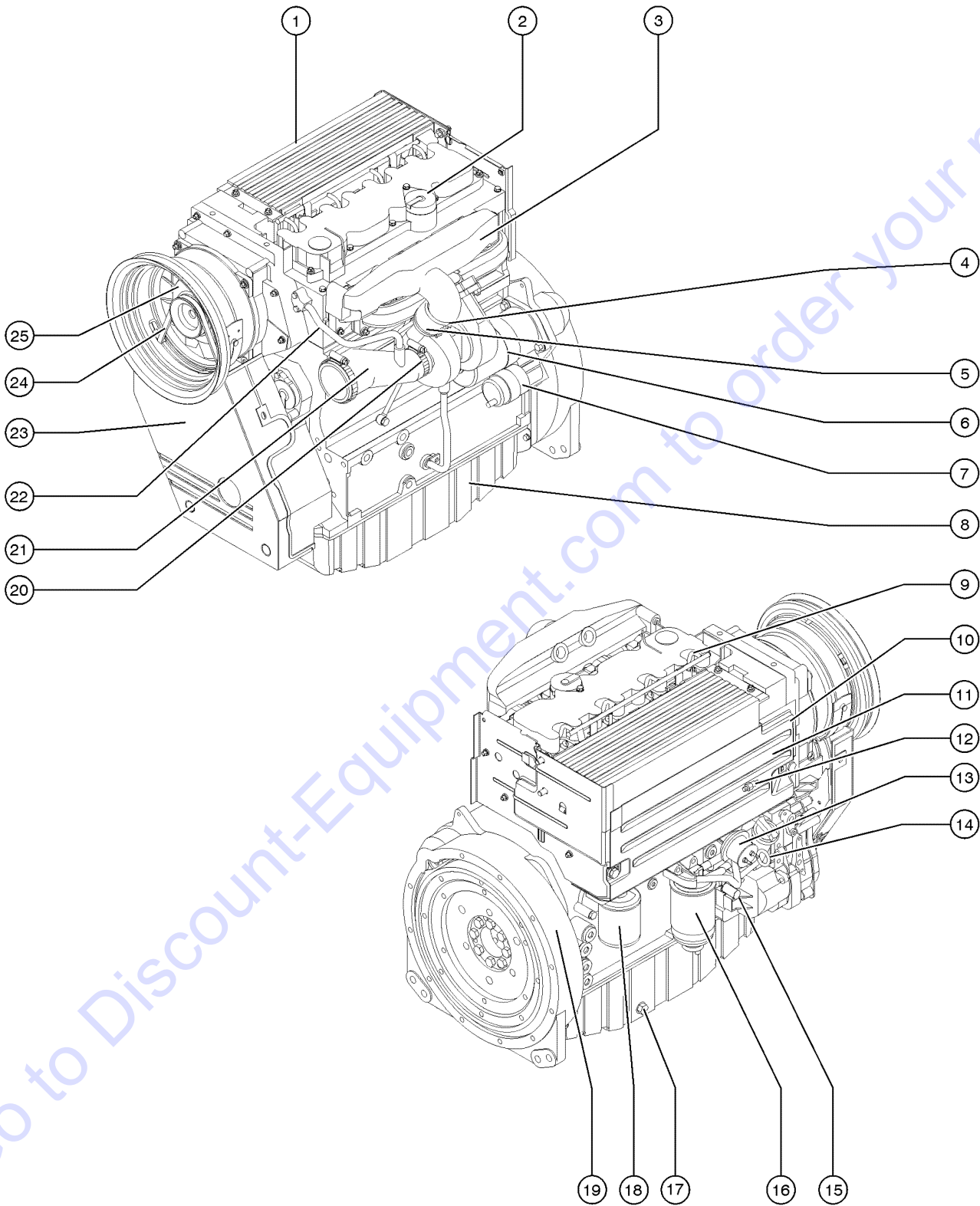
422.1 Deutz BF4L-2011 / TD2011-L04i Engine - View 2 (from SN 921)



422.1 Deutz BF4L-2011 / TD2011-L04i Engine - View 2 (from SN 921)

| Item | Part No. | Description | Qty. |
|------|--------------|------------------------------------|------|
| -- | 139983GT | EXHAUST PIPE GASKET | |
| 1 | 70447GT | TAIL PIPE,DEUTZ..... | 1 |
| 2 | 102237PGT | FORMING,HEAT SHIELD,MUFFLER.... | 1 |
| 3 | 70449GT | U-BOLT,1/2-13 X 8.5 | |
| 4 | 66777GT | NUT,TOP LOCK,1/2-13 | |
| 5 | 13066GT | WASHER,FLAT,5 HARDENED | |
| 6 | 70444GT | MUFFLER,2.5"INLET/OUTLET..... | 1 |
| -- | 101634GT | MUFFLER,CATALYTIC,2.5 I/O | |
| 7 | 70483GT | FORMING,8.5' MUFFLER MOUNT..... | 2 |
| 8 | 70445GT | FLEX PIPE,EXHAUST,2.5" DIA..... | 1 |
| 8B | 139983GT | EXHAUST PIPE GASKET | |
| 8B | 71911GT | CLAMP,MUFFLER, 2.50 INCH | |
| 9 | 70440GT | WELDMENT,REAR ENGINE MOUNT.... | 1 |
| 10 | | Ref. Engine Tray (refer to 424.2) | |
| 11 | 22558GT | SCREW,HHC,M14 X 40MM,GR 8.8 | |
| 12 | 49411GT | WASHER,FLAT,M14 | |
| 13 | 70438PGT | FORMING,ENGINE MOUNT PAINTED...1 | |
| 14 | 13003GT | SCREW,HHC,5/8-11 X 3.5 GRD.8..... | 4 |
| 15 | 33418GT | WASHER,FLAT,.625 X 2.25 X .15..... | 4 |
| 16 | 18596GT | WASHER,FLAT,1.56 X 2.5 X .061..... | 8 |
| 17 | 13064GT | WASHER,FLAT,.625 HARDENED..... | 4 |
| 18 | 6024GT | NUT,NYLOCK,5/8-11..... | 4 |
| 19 | 102045GT | ISOLATOR,ENGINE VIBRATION..... | 4 |
| 20 | 102208GT | TUBE,AIR INTAKE,DEUTZ..... | 1 |
| 21 | 88064GT | REDUCER,3" TO 2.75"..... | 1 |
| 22 | 60561GT | ELBOW,INLET,CUMMINS..... | 1 |
| 23 | 30489GT | CLAMP,HOSE,3.50..... | 3 |
| 24 | 106211-475GT | HOSE,RUBBER 3"ID X .25 BLACK..... | 1 |
| 25 | 4828GT | NUT,NYLOCK,3/8-16 | |
| 26 | 5397GT | WASHER,FLAT,USS,5/16",Y | |
| 27 | 6175GT | SCREW,HHC,3/8-16 X 1 | |

423.1 Deutz BF4L2011 / TD2011-L04i Engine - View 3 (from SN 921)

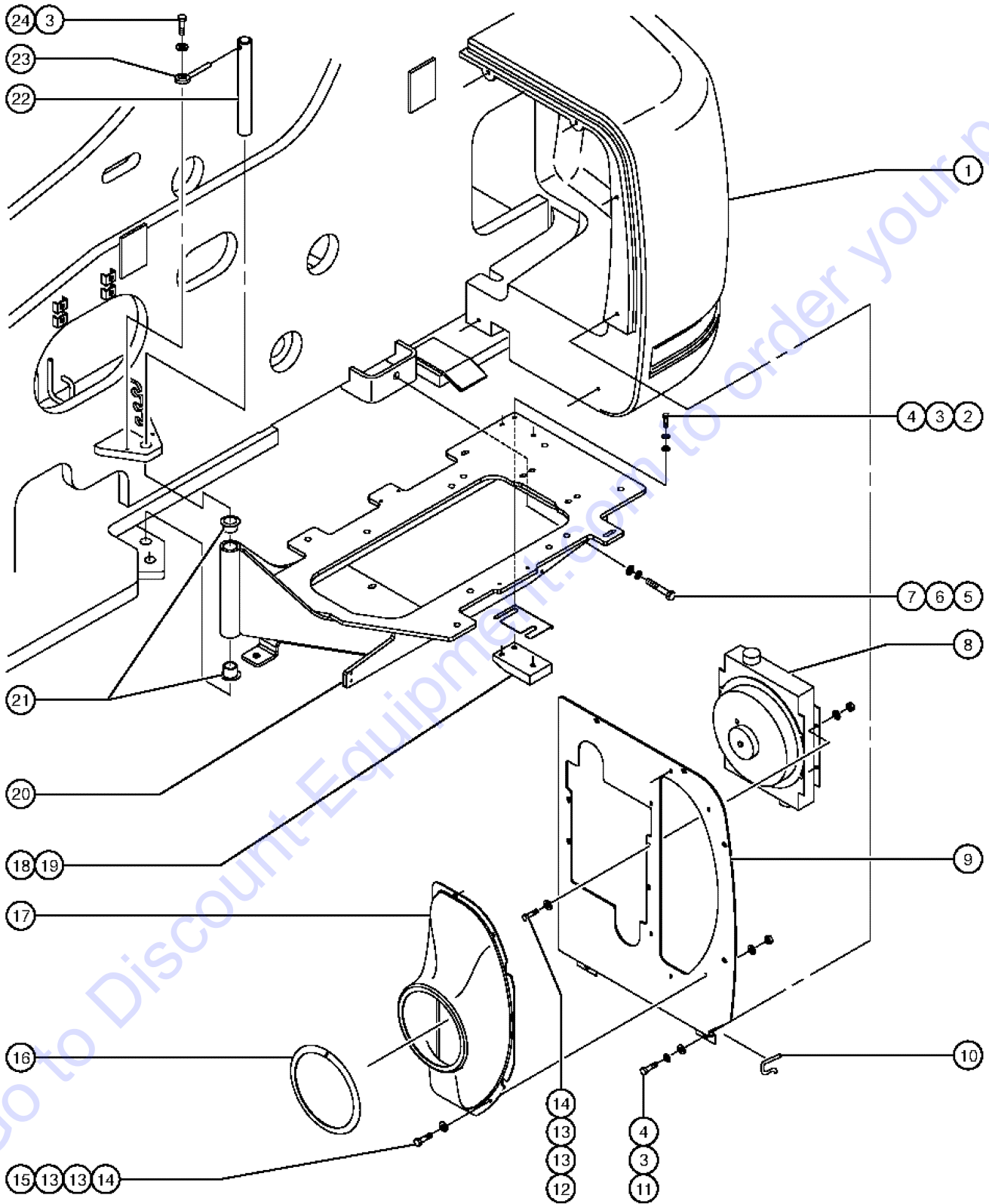


Go to Discount-Equipment.com to order your parts

423.1 Deutz BF4L2011 / TD2011-L04i Engine - View 3 (from SN 921)

| Item | Part No. | Description | Qty. | Item | Part No. | Description | Qty. |
|------|-----------|---|------|------|-----------|--|------|
| 1 | 161189GT | ENGINE,DEUTZ, TD2011L04i TPEM | | -- | 102585GT | O-RING,DIPSTICK,DEUTZ F4L2011 <i>use with item 49922; to SN 2187</i> | |
| 2 | 29557GT | CAP,OIL FILLER,DEUTZ,DIESEL ***.....1 | | -- | 52352GT | DIPSTICK-F3L1011F (DEUTZ) <i>from SN 2188</i> | |
| 3 | 102590GT | EXHAUST MANIFOLD, DEUTZ F4L201.....1 | | -- | 111402GT | O-RING, FUEL LIFT PUMP | |
| -- | 29559GT | GASKET,EXHAUST | | -- | 111668GT | PUMP,FUEL 2011 DEUTZ *** <i>from SN 921</i> | |
| 4 | 102593GT | CLAMP, 3 INCH.....2 | | 16 | 29560GT | FILTER,FUEL/WTR SEP, DTZ 1008.....1 <i>Genie Genuine Part. See PN 1254826 for compatible aftermarket replacement.</i> | |
| 5 | 226106GT | RUBBER SLEEVES, TD 2011L04i.....1 | | -- | 1254826GT | FUEL FILTER W/SEP,DEUTZ,1008.....1 <i>Genie Aftermarket Part. Filter for Deutz F3L 1011F Engine.</i> | |
| 6 | 139709GT | STARTER, 12V.....1 | | -- | 236946GT | PLASTIC FILTER HEAD | |
| -- | 139621GT | KIT, HEAT GUARD, DEUTZ STARTER | | -- | 58566GT | FILTER HEAD (29560) | |
| 7 | 49915GT | SOLENOID-STARTR DEUTZF4L1011F*.....1 | | 17 | 102587GT | PLUG,ENGINE OIL,DEUTZ F4L2011.....1 | |
| 8 | 102586GT | OIL PAN,DEUTZ F4L2011.....1 | | 18 | 49924GT | FILTER,OIL,DEUTZ F4L1011F.....1 <i>Genie Genuine Part. See PN 1255653 for compatible aftermarket replacement.</i> | |
| 9 | 102595GT | FUEL LINE-INJECTOR, DEUTZ BF4L....4 | | -- | 1255653GT | FILTER,OIL,DEUTZ,REPLACEMENT.....1 <i>Genie Aftermarket Part. Compatible with Genie Genuine Part 49924.</i> | |
| -- | 102592GT | FUEL LINE, DEUTZ F4L2011 | | 19 | 102580GT | FLYWHEEL HOUSING DEUTZ F4L2011.....1 | |
| -- | 88091GT | FUEL RETURN,DAPCO 1/4" | | 20 | 30971GT | CLAMP,HOSE,3.00" | |
| -- | 102581GT | PUMP,FUEL INJ,DEUTZ BF4L20 <i>class A injection pump; provide SN of engine to service to get correct injection pump (A, B, C, D)</i> | | 21 | 226103GT | INLET REDUCER,TD 2011L04i | |
| -- | T108732GT | PUMP,FUEL INJ,DEUTZ BF4L20 <i>class B injection pump; provide SN of engine to service to get correct injection pump (A, B, C, D)</i> | | 22 | 226104GT | BREATHER PIPE, TD 2011L04i.....1 | |
| -- | T108733GT | PUMP,FUEL INJ,DEUTZ BF4L20 <i>class C injection pump; provide SN of engine to service to get correct injection pump (A, B, C, D)</i> | | -- | 226105GT | GASKET,BREATHER PIPE (226104) | |
| -- | T108734GT | PUMP,FUEL INJ,DEUTZ BF4L20 <i>class D injection pump; provide SN of engine to service to get correct injection pump (A, B, C, D)</i> | | 23 | 146061GT | V-BELT GUARD, DEUTZ 2011.....1 | |
| -- | 89792GT | INJECTOR, FUEL(DEUTZ F3L2011F) | | 24 | 102589GT | V-BELT, DEUTZ F4L2011.....1 2238 | |
| -- | 102584GT | SEAL,INJECTOR,DEUTZ F4L2011 | | -- | 58630GT | V-BELT, DEUTZ TD2011LOAI <i>from SN 2239</i> | |
| -- | 102596GT | CYLINDER HEAD CVR.DEUTZ BF4L20 | | 25 | 58249GT | ALTERNATOR, DEUTZ,BF4L2011***1 | |
| -- | 102597GT | GASKET,CYL.COVR. DEUTZ BF4L201 | | -- | 1280590GT | PULLEY,ALTERNATOR,DEUTZ BF4L2011 <i>for 58249</i> | |
| -- | 102582GT | GASKET, FUEL INJEC PUMP DUTZ | | -- | 1280591GT | SPACER,ALT PULLEY,DEUTZ BF4L2011 <i>for 58249</i> | |
| 10 | 102594GT | COVER, ENGINE,DEUTZ F4L2011.....1 | | | | | |
| 11 | 111445GT | SENDING UNIT,OIL TEMP SWCH,DTZ.....1 | | | | | |
| 12 | T114678GT | SHUTDOWN SOLENOID,12V, DEUTZ....1 <i>(must order cable assembly, 58256, if replacing 32752) (does not include o-ring)</i> | | | | | |
| -- | 45782GT | DIODE,6 AMP,200 PIV,BULK | | | | | |
| -- | 58256GT | SOLENOID CABLE ASSY*** | | | | | |
| -- | 72255GT | CONNECTOR, DEUTZ FUEL SHUTOFF* <i>(does not include diode, 45782)</i> | | | | | |
| 13 | 58299GT | SENDING UNIT,OIL PRESS.,DEUTZ*....1 | | | | | |
| 14 | 49922GT | DIPSTICK - DEUTZ F4L1011F.....1 <i>to SN 2187</i> | | | | | |

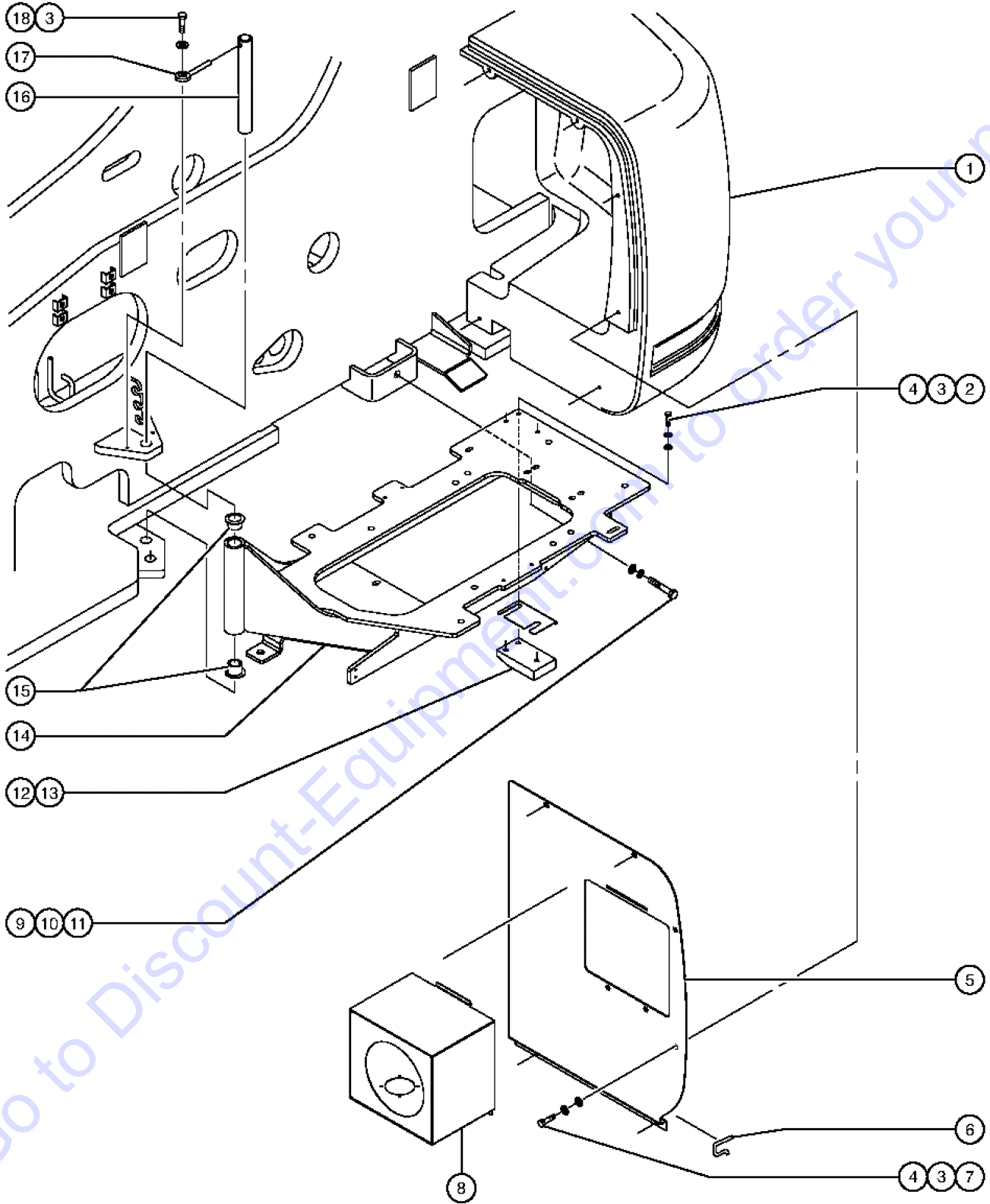
424.1 Deutz Engine Attached Components (to SN 920)



424.1 Deutz Engine Attached Components (to SN 920)

| Item | Part No. | Description | Qty. |
|------|-----------|---|------|
| 1 | | Ref. Counterweight, Front (refer to 408.1) | |
| 2 | 6019GT | SCREW,HHC,3/8-16 X 1.25 GRD 5 | |
| 3 | 6021GT | WASHER,LOCK, .375 | |
| 4 | 5397GT | WASHER,FLAT,USS,5/16",Y | |
| 5 | 51131GT | SCREW,HHC,5/8-11 X 2.5 | |
| 6 | 6036GT | WASHER,LOCK, .625 PLTD | |
| 7 | 6035GT | WASHER,FLAT,USS,5/8",Y | |
| 8 | 60507GT | OIL COOLER, W/FAN.....1 to SN 618 | |
| -- | 71259GT | OIL COOLER W/FAN, 12VDC from SN 619 | |
| -- | 75376GT | FAN,OIL COOLER 60507 | |
| -- | 75854GT | FAN - VENTED | |
| -- | 75855GT | THERMOSTAT -OIL COOLER (71259) | |
| 9 | 60992PGT | BULKHEAD,SWING CHASSIS DEUTZ...1 to SN 618 | |
| -- | 75969PGT | BULKHEAD,SWING CHASSIS DEUTZ from SN 619 | |
| 10 | 60875GT | TRIM MOLDING | |
| 11 | 6175GT | SCREW,HHC,3/8-16 X 1 | |
| 12 | 42571GT | SCREW,HHC,1/4-20 X 3.25 | |
| 13 | 6638GT | WASHER,FLAT,USS,1/4"Y | |
| 14 | 6091GT | NUT,NYLOCK,1/4-20 | |
| 15 | 6888GT | SCREW,HHC,1/4-20 X 1 | |
| 16 | 81476GT | TRIMLOCK, 1/16 | |
| 17 | 111326GT | FAN SHROUD DEUTZ,T1 W/WRD DECA.....1 USA/Canada/Australia | |
| -- | 60855GT | SHROUD,AIR COOLER INLET-DEUTZ Europe/Asia/South America | |
| 18 | 60637GT | WEAR PAD,ENGINE SUPPORT.....1 | |
| 19 | 60826GT | SHIM,WEAR PAD ENGINE TRAY | |
| 20 | 75124-SGT | ENGINE TRAY PIVOT ASSEMBLY.....1 includes item 21; to SN 475 | |
| -- | 75460GT | ENGINE TRAY PIVOT ASSEMBLY includes item 21; from SN 476 to SN 772 | |
| -- | 89511-SGT | ENGINE TRAY ASSEMBLY includes item 21; from SN 773 | |
| 21 | 35675GT | BEARING,FL,1.25IDX1.5ODX1.25L.....2 | |
| 22 | 60625GT | PIN,1.25DIAX15.63LG,CHAMFER.....1 | |
| 23 | 825019GT | ROD END, .375X3.69,ZAG.....1 | |
| 24 | 8516GT | SCREW, HCC, 3/8-16 X 1.50 | |

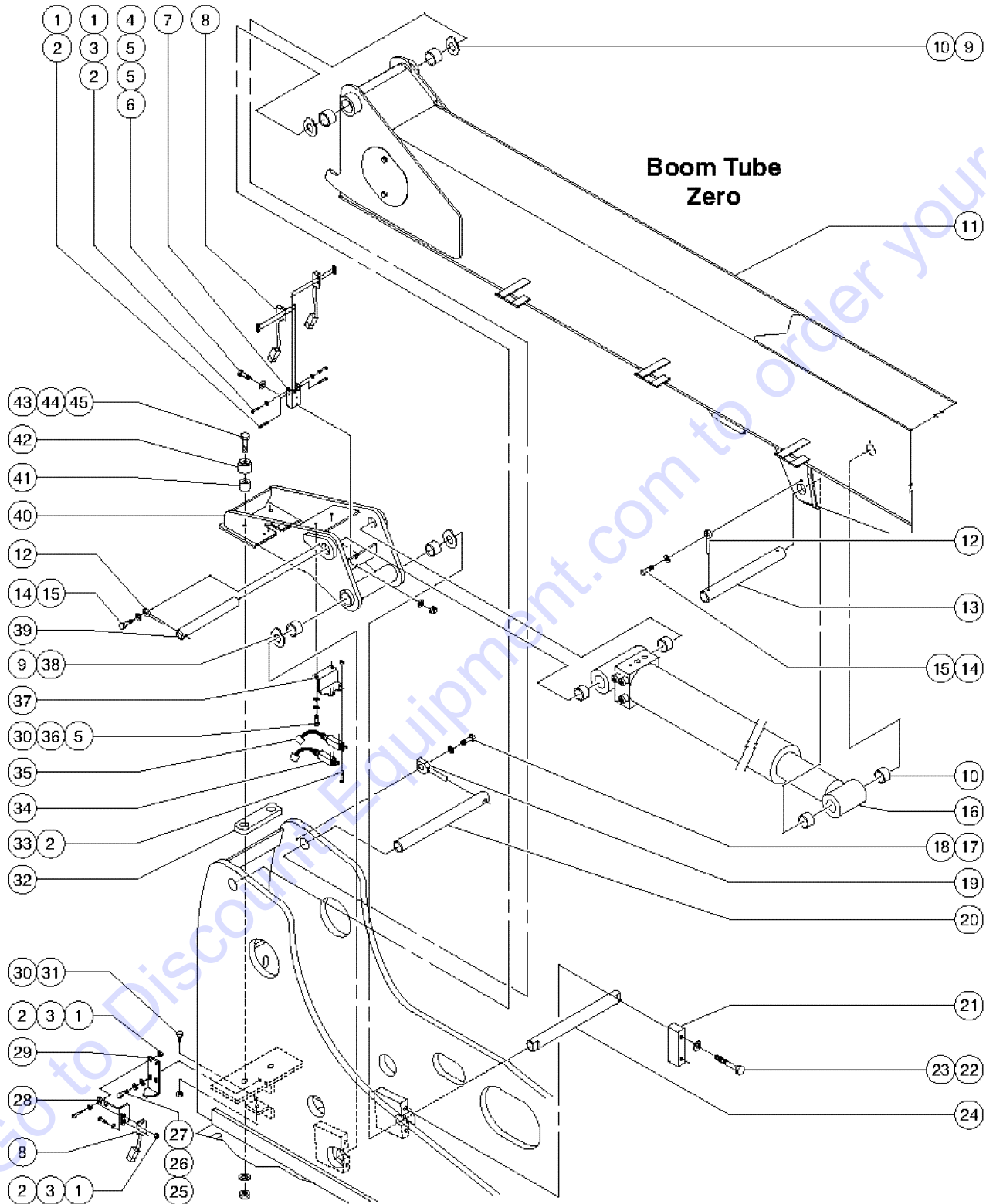
424.2 Deutz Engine Attached Components (from SN 921)



424.2 Deutz Engine Attached Components (from SN 921)

| Item | Part No. | Description | Qty. |
|------|-----------|--|------|
| -- | | Ref. Hydraulic Oil Cooler With Fan (refer to 307.1) | |
| 1 | | Ref. Counterweight, Front (refer to 408.1) | |
| 2 | 6019GT | SCREW,HHC,3/8-16 X 1.25 GRD 5 | |
| 3 | 6021GT | WASHER,LOCK,.375 | |
| 4 | 5397GT | WASHER,FLAT,USS,5/16",Y | |
| 5 | 102210PGT | BAFFLE,AIR INTAKE,DEUTZ PAINTD....1 | |
| 6 | 60875GT | TRIM MOLDING | |
| 7 | 6175GT | SCREW,HHC,3/8-16 X 1 | |
| 8 | 111401GT | AIR BOX ASSEMBLY, DEUTZ, SERV.....1 <i>USA/Canada/Australia</i> | |
| -- | 102218PGT | WELDMENT,AIR BOX,DEUTZ PAINTED <i>Europe/Asia/South America</i> | |
| 9 | 51131GT | SCREW,HHC,5/8-11 X 2.5 | |
| 10 | 6036GT | WASHER,LOCK,.625 PLTD | |
| 11 | 6035GT | WASHER,FLAT,USS,5/8",Y | |
| 12 | 60637GT | WEAR PAD,ENGINE SUPPORT.....1 | |
| 13 | 60826GT | SHIM,WEAR PAD ENGINE TRAY | |
| 14 | 89511-SGT | ENGINE TRAY ASSEMBLY.....1 <i>includes item 15; to SN 2238</i> | |
| -- | 146054GT | ENGINE TRAY ASSEMBLY <i>from SN 2239</i> | |
| 15 | 35675GT | BEARING,FL,1.25IDX1.5ODX1.25L.....2 | |
| 16 | 60625GT | PIN,1.25DIAX15.63LG,CHAMFER.....1 | |
| 17 | 825019GT | ROD END,.375X3.69,ZAG.....1 | |
| 18 | 8516GT | SCREW, HCC, 3/8-16 X 1.50 | |

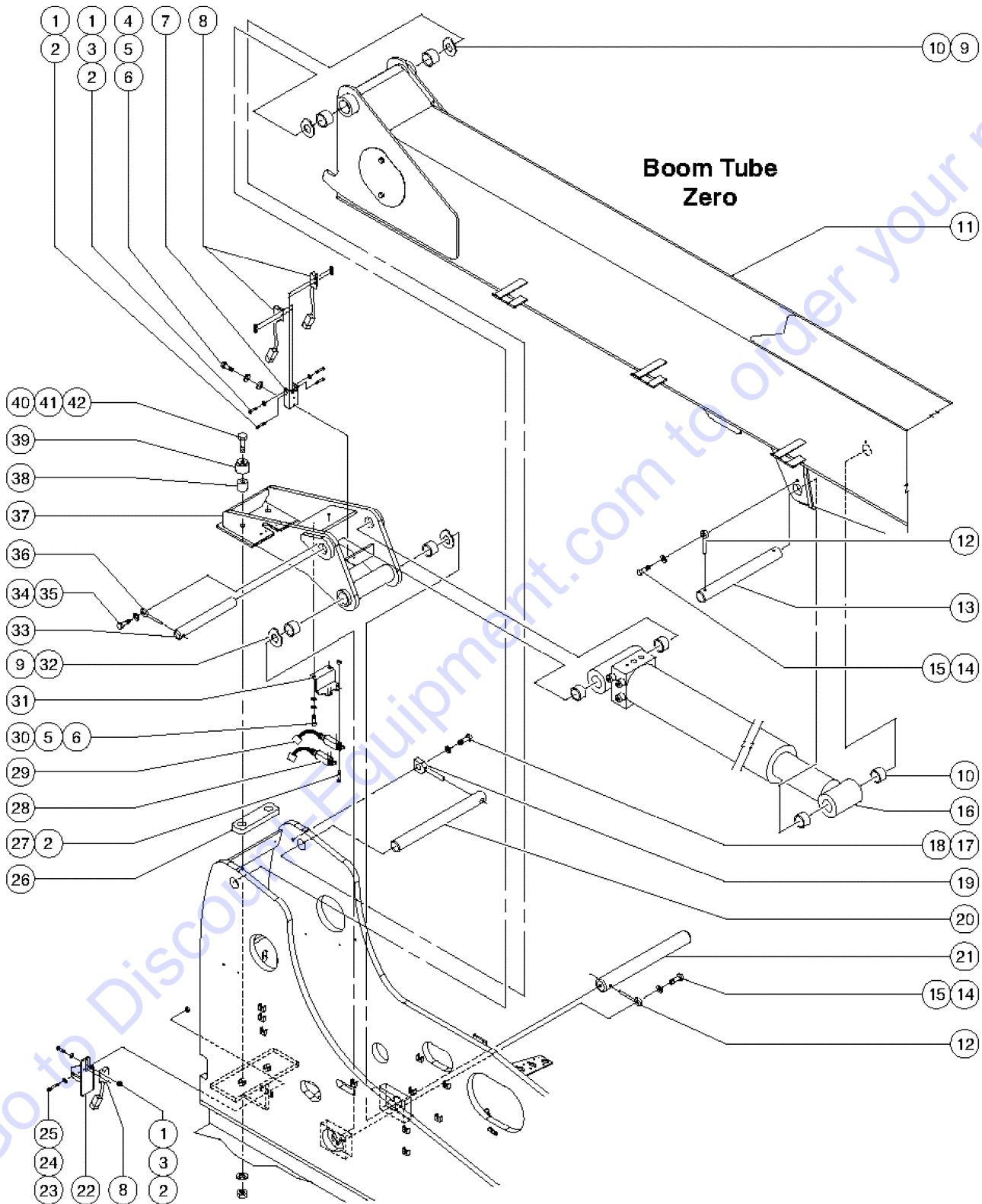
501.1 Boom Lift Cylinder (to SN 364)



501.1 Boom Lift Cylinder (to SN 364)

| Item | Part No. | Description | Qty. | Item | Part No. | Description | Qty. |
|------|-----------|---|------|------|-----------|---|------|
| 1 | 49816GT | SCREW,PHILLIPS,PHM,10-32 X .75 | | 29 | 61197-SGT | BRACKET,LIMIT SWITCH.....1 | 1 |
| 2 | 6178GT | NUT,NYLOCK,10-32 | | 30 | 6175GT | SCREW,HHC,3/8-16 X 1 | |
| 3 | 6146GT | WASHER,FLAT,MS,#10,Y | | 31 | 4828GT | NUT,NYLOCK,3/8-16 | |
| 4 | 6019GT | SCREW,HHC,3/8-16 X 1.25 GRD 5 | | 32 | 60871GT | PAD,10 X 2 X 1 LIFT CYL.MNT.....1 | 1 |
| 5 | 5397GT | WASHER,FLAT,USS,5/16",Y | | 33 | 51063GT | SCREW,PHILLIPS,RHM,10-32 X 1.5 | |
| 6 | 4828GT | NUT,NYLOCK,3/8-16 | | 34 | 75033GT | LIMIT SWITCH,OPERATIONAL.....1 | 1 |
| 7 | 61185GT | FORMING,LIMIT SWITCH MOUNT.....1 | | -- | 53983GT | STRAIN RELIEF, PG13,5 | |
| 8 | 60987GT | SWITCH,LIMIT,PROX(OPERATIONAL)...3 | | -- | 75911GT | LIMIT SWITCH,OPERATION,NO WIRE | |
| 9 | 60302GT | SHIM,BOOM PIVOT | | -- | 75912GT | WIRE ASSEMBLY,16/4SJO,9.5"RECP | |
| -- | 75096GT | SHIM,BOOM PIVOT,THIN | | 35 | 75032GT | LIMIT SWITCH,SAFETY.....1 | 1 |
| 10 | 34131GT | BEARING,2.50IDX3.00ODX2.00L.....6 | 6 | -- | 53983GT | STRAIN RELIEF, PG13,5 | |
| 11 | 62460-SGT | BOOM TUBE ASSY #0 S120*.....1 <i>includes item 10</i> | 1 | -- | 75910GT | WIRE ASSEMBLY,16/4SJO,9.5"PLUG | |
| -- | 227155GT | BOOM TUBE ASSY #0 S125 <i>includes item 10</i> | | -- | 75913GT | LIMIT SWITCH, SAFETY,NO WIRE | |
| 12 | 1256267GT | ROD END,.5 X 3.75,ZAG.....2 | 2 | 36 | 6021GT | WASHER,LOCK,.375 | |
| 13 | 60297GT | PIN,2.50DIAX11.00LG,1HOLE.....1 | 1 | 37 | 60825-SGT | FORMING,SWITCH MOUNTING.....1 | 1 |
| 14 | 8177GT | SCREW,HHC,1/2-13 X 1.5 | | 38 | 27698GT | BEARING,2.50IDX2.75ODX2.00L.....2 | 2 |
| 15 | 6033GT | WASHER,LOCK,0.5" | | 39 | 60300GT | PIN,LIFT CYL.BASE 2.50 X 17.75.....1 | 1 |
| 16 | 122522GT | KIT,SERVICE LIFT CYL REPL.....1 <i>Required for first time replacment of cylinder 50078, includes cylinder part 146324</i> | 1 | 40 | 75132-SGT | LIFT CYL.SUPPT.ASSY(LOAD MOMEN.....1 | 1 |
| -- | 146324GT | CYLINDER, PRIMARY LIFT | | -- | 111327GT | LIFT CYL.SUPPT.ASSY <i>Europe/Asia/South America</i> | |
| -- | 60984GT | VALVE COUNTERBAL.CBBB-LJN@5000.....2 <i>use on retract side V2</i> | 2 | 41 | 60693GT | SPRING,URETHANE,1 ID X 2.00 LG....2 | 2 |
| -- | 61602GT | VALVE,COUNTERBAL.CBBB-LHN@3500 <i>use on extend side V3</i> | | 42 | 61591-SGT | WELDMNT,URETHANE SPRING CUP.....2 | 2 |
| -- | 62449GT | SEAL KIT,SUN "CWCA" CB VALVES* | | 43 | 35974GT | SCREW,HHC,1-8 X 7 GRD.2 | |
| -- | 65792GT | SEAL KIT CYL.S100/120 (50078) | | 44 | 61203-SGT | PLATE,URETHANE SPRING.....2 | 2 |
| -- | 75064GT | VALVE, COUNTERBALANCE, CWCG-LGN.5000.....1 <i>use on extend side V1</i> | 1 | 45 | 29764GT | NUT,NYLOCK,1-8 | |
| 17 | 51428GT | SCREW,HHC,3/4-10 X 2.75 | | | | | |
| 18 | 34550GT | WASHER,LOCK,.75 PLTD | | | | | |
| 19 | 61341GT | ROD END,.75 X 5.00.....1 | 1 | | | | |
| 20 | 61340GT | PIN,PRI.BOOM PIVOT. 2.50X25.50.....1 | 1 | | | | |
| 21 | 60690-SGT | RETAINER,MACHINED.....2 | 2 | | | | |
| 22 | 34347GT | SCREW,HHC,3/4-10 X 4.5 | | | | | |
| 23 | 33278GT | WASHER,FLAT,.75 HARDENED.....4 | 4 | | | | |
| 24 | 60296GT | PIN,2.50DIAX19.96LG,2FLAT.....1 | 1 | | | | |
| 25 | 6090GT | SCREW,HHC,1/4-20 X .75 | | | | | |
| 26 | 6356GT | WASHER,LOCK,.25 | | | | | |
| 27 | 6638GT | WASHER,FLAT,USS,1/4"Y | | | | | |
| 28 | 61735GT | FORMING,REVERSE LOAD SWITCH....1 | 1 | | | | |

501.2 Boom Lift Cylinder (from SN 365 to 2709)



501.2 Boom Lift Cylinder (from SN 365 to 2709)

| Item | Part No. | Description | Qty. | Item | Part No. | Description | Qty. |
|------|-----------|---|------|------|-----------|---|------|
| 1 | 49816GT | SCREW,PHILLIPS,PHM,10-32 X .75 | | -- | 60984GT | VALVE COUNTERBAL.CBBD-LJN@5000.....2 <i>use on retract side V2</i> | |
| 2 | 6178GT | NUT,NYLOCK,10-32 | | -- | 61602GT | VALVE,COUNTERBAL.CBBB-LHN@3500 <i>use on extend side V3</i> | |
| 3 | 6146GT | WASHER,FLAT,MS,#10,Y | | -- | 62449GT | SEAL KIT,SUN "CWCA" CB VALVES* | |
| 4 | 6019GT | SCREW,HHC,3/8-16 X 1.25 GRD 5 | | -- | 65792GT | SEAL KIT CYL.S100/120 (50078) | |
| 5 | 6021GT | WASHER,LOCK,.375 | | -- | 75064GT | VALVE, COUNTERBALANCE, CWCG-LGN.5000.....1 <i>use on extend side V1</i> | |
| 6 | 5397GT | WASHER,FLAT,USS,5/16",Y | | 17 | 51428GT | SCREW,HHC,3/4-10 X 2.75 <i>to SN 522</i> | |
| 7 | 61185GT | FORMING,LIMIT SWITCH MOUNT.....1 | | -- | 33557GT | SCREW,HHC,3/4-10 X 2.00,GR5 <i>from SN 523</i> | |
| 8 | 60987GT | SWITCH,LIMIT,PROX(OPERATIONAL)...3 | | 18 | 34550GT | WASHER,LOCK,.75 PLTD | |
| 9 | 60302GT | SHIM,BOOM PIVOT | | 19 | 61341GT | ROD END,.75 X 5.00.....1 | |
| -- | 75096GT | SHIM,BOOM PIVOT,THIN | | 20 | 61340GT | PIN,PRI.BOOM PIVOT. 2.50X25.50.....1 | |
| 10 | 34131GT | BEARING,2.50IDX3.00ODX2.00L.....6 | | 21 | 75563GT | PIN,LOAD MOMENT.....1 <i>to SN 419</i> | |
| 11A | 62460-SGT | BOOM TUBE ASSY #0 S120*.....1 <i>includes item 10; USA/Canada/Australia; to SN 627</i> | | -- | 75698GT | PIN,2.50DIAX22.00LG,THREADED <i>from SN 420</i> | |
| 11B | 227155GT | BOOM TUBE ASSY #0 S125 <i>includes item 10; USA/Canada/Australia; to SN 627</i> | | 22 | 61735GT | FORMING,REVERSE LOAD SWITCH....1 | |
| 11C | 102998GT | BOOM TUBE ASSY #0 S120,W/WORD <i>includes item 10; USA/Canada/Australia; from SN 628 to SN 1429</i> | | 23 | 6090GT | SCREW,HHC,1/4-20 X .75 | |
| 11D | 227156GT | BOOM TUBE ASSY #0 S125,W/WORD <i>includes item 10; USA/Canada/Australia; from SN 628 to SN 1429</i> | | 24 | 6638GT | WASHER,FLAT,USS,1/4"Y | |
| 11E | 111409GT | BOOM TUBE ASSY #0 S120 W/WORD <i>includes item 10; USA/Canada/Australia; from SN 1430</i> | | 25 | 6091GT | NUT,NYLOCK,1/4-20 | |
| 11F | 227158GT | BOOM TUBE ASSY #0 S125 W/WORD <i>includes item 10; USA/Canada/Australia; from SN 1430</i> | | 26 | 60871GT | PAD,10 X 2 X 1 LIFT CYL.MNT.....1 | |
| 11G | 102995GT | BOOM TUBE ASSY #0 S120 W/SYM <i>includes item 10; Europe/Asia/South America; from SN 628 to SN 1429</i> | | 27 | 51063GT | SCREW,PHILLIPS,RHM,10-32 X 1.5 | |
| 11H | 227157GT | BOOM TUBE ASSY #0 S125,W/SYM <i>includes item 10; Europe/Asia/South America; from SN 628 to SN 1429</i> | | 28 | 75033GT | LIMIT SWITCH,OPERATIONAL.....1 | |
| 11J | 111410GT | BOOM TUBE ASSY #0 S120 W/SYM <i>includes item 10; Europe/Asia/South America; from SN 1430</i> | | 29 | 75032GT | LIMIT SWITCH,SAFETY.....1 | |
| 11K | 227159GT | BOOM TUBE ASSY #0 S125 W/SYM <i>includes item 10; Europe/Asia/South America; from SN 1430</i> | | 30 | 6175GT | SCREW,HHC,3/8-16 X 1 | |
| 12 | 1256267GT | ROD END,.5 X 3.75,ZAG.....3 | | 31 | 60825-SGT | FORMING,SWITCH MOUNTING.....1 | |
| 13 | 60297GT | PIN,2.50DIAX11.00LG,1HOLE.....1 | | 32 | 27698GT | BEARING,2.50IDX2.75ODX2.00L.....2 | |
| 14 | 8177GT | SCREW,HHC,1/2-13 X 1.5 | | 33 | 60300GT | PIN,LIFT CYL.BASE 2.50 X 17.75.....1 <i>to SN 472</i> | |
| 15 | 6033GT | WASHER,LOCK,0.5" | | -- | 75717GT | PIN,2.50DIAX17.75LG,THREADED <i>from SN 473</i> | |
| 16 | 122522GT | KIT,SERVICE LIFT CYL REPL.....1 <i>Required for first time replacment of cylinder 50078, includes cylinder part 146324; to SN 2634</i> | | 34 | 8177GT | SCREW,HHC,1/2-13 X 1.5 <i>to SN 472</i> | |
| -- | 146324GT | CYLINDER, PRIMARY LIFT <i>from SN 2635</i> | | -- | 33557GT | SCREW,HHC,3/4-10 X 2.00,GR5 <i>from SN 473</i> | |
| | | | | 35 | 6033GT | WASHER,LOCK,0.5" <i>to SN 472</i> | |
| | | | | -- | 34550GT | WASHER,LOCK,.75 PLTD <i>from SN 473</i> | |
| | | | | 36 | 1256267GT | ROD END,.5 X 3.75,ZAG.....1 <i>to SN 472</i> | |
| | | | | -- | 61341GT | ROD END,.75 X 5.00 <i>from SN 473</i> | |

501.2 Boom Lift Cylinder (from SN 365 to 2709)
(continued)

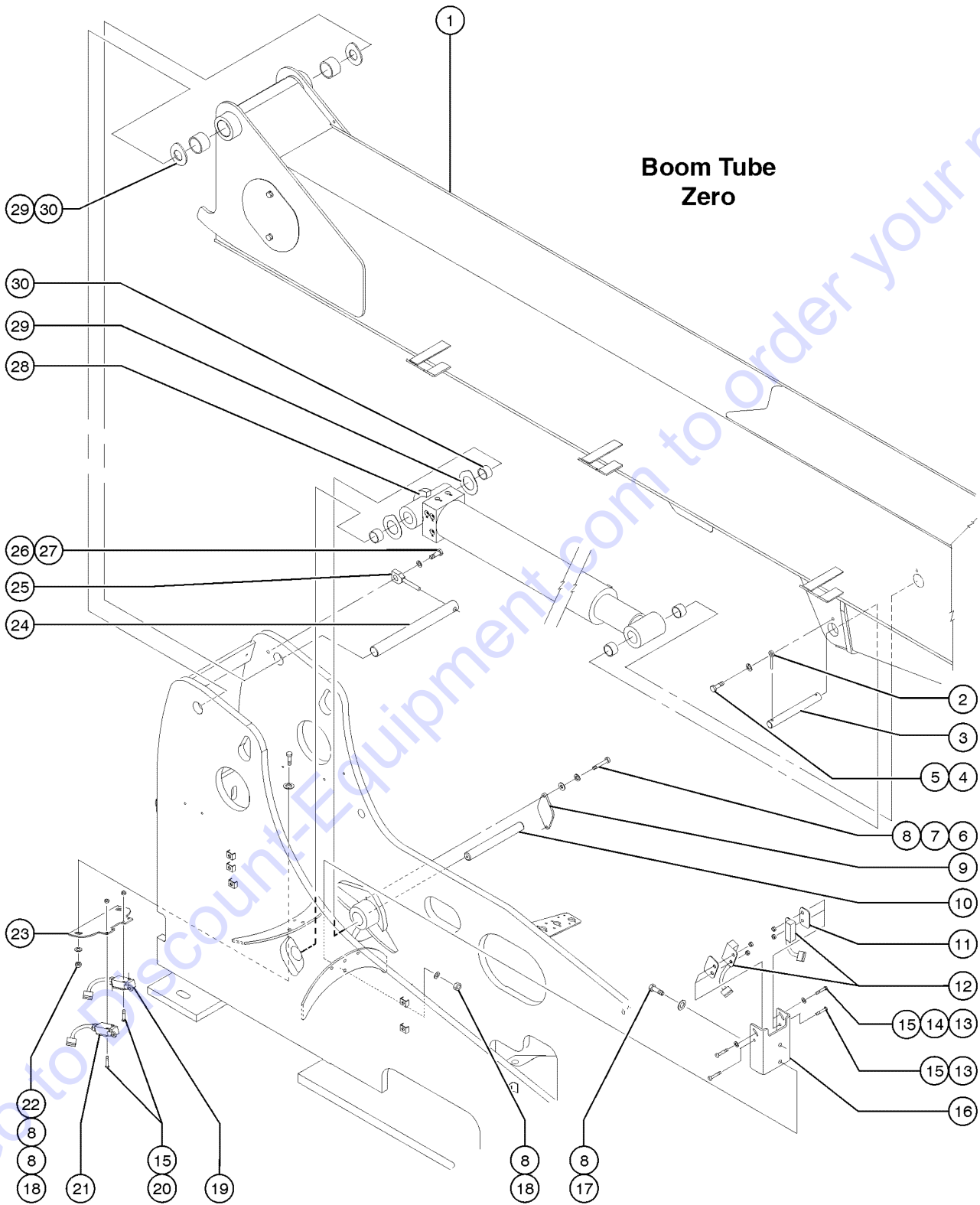
| Item | Part No. | Description | Qty. |
|------|-----------|--|------|
| 37 | 75132-SGT | LIFT CYL.SUPPT.ASSY(LOAD MOMEN.....1 <i>USA/Canada/Australia; to SN 472</i> | |
| -- | 102999GT | LIFT CYL.SUPPT.ASSY(LOAD MOMEN <i>Europe/Asia/South America</i> | |
| -- | 111327GT | LIFT CYL.SUPPT.ASSY <i>Europe/Asia/South America; to SN 472</i> | |
| -- | 75461GT | LIFT CYL.SUPPT.ASSY(LOAD MOMEN <i>USA/Canada/Australia; from SN 473</i> | |
| 38 | 60693GT | SPRING,URETHANE,1 ID X 2.00 LG.....2 | |
| 39 | 61591-SGT | WELDMENT,URETHANE SPRING CUP.....2 | |
| 40 | 35974GT | SCREW,HHC,1-8 X 7 GRD.2 | |
| 41 | 61203-SGT | PLATE,URETHANE SPRING.....2 | |
| 42 | 29764GT | NUT,NYLOCK,1-8 | |

Go to Discount-Equipment.com to order your parts

This Page Intentionally Left Blank

Go to Discount-Equipment.com to order your parts

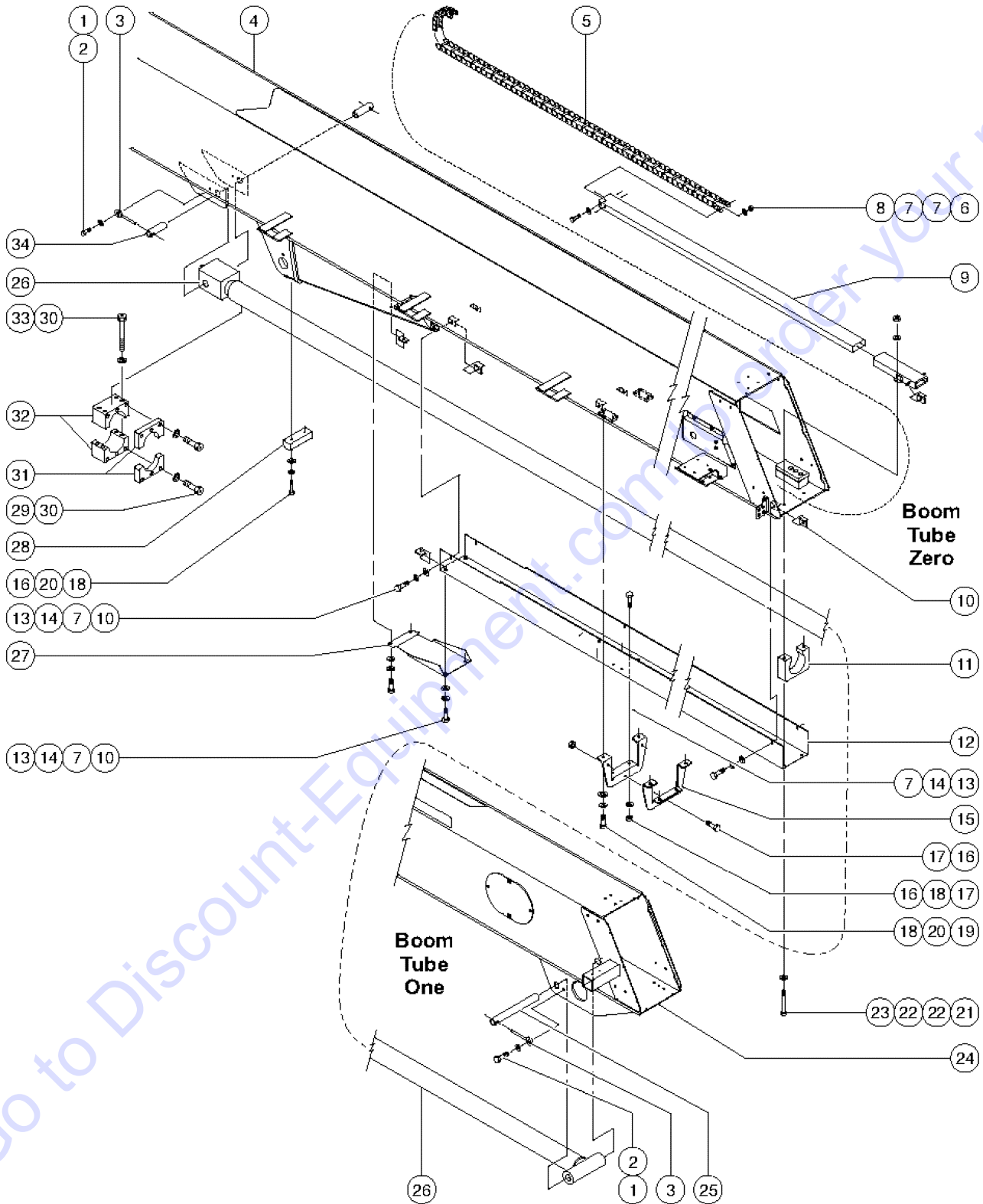
501.3 Boom Lift Cylinder (from SN 2710)



501.3 Boom Lift Cylinder (from SN 2710)

| Item | Part No. | Description | Qty. | Item | Part No. | Description | Qty. |
|------|-----------|---|------|------|----------|--|------|
| 1A | 111409GT | BOOM TUBE ASSY #0 S120 W/WORD <i>includes item 30; USA/Canada/Australia</i> | | -- | 62449GT | SEAL KIT,SUN "CWCA" CB VALVES* | |
| 1B | 227158GT | BOOM TUBE ASSY #0 S125 W/WORD <i>includes item 30; USA/Canada/Australia</i> | | -- | 65792GT | SEAL KIT CYL.S100/120 (50078) | |
| 1C | 111410GT | BOOM TUBE ASSY #0 S120 W/SYM <i>includes item 30; Europe/Asia/South America</i> | | -- | 75064GT | VALVE, COUNTERBALANCE, CWCG-LGN.5000.....1 <i>use on extend side, V1</i> | 1 |
| 1D | 227159GT | BOOM TUBE ASSY #0 S125 W/SYM <i>includes item 30; Europe/Asia/South America</i> | | 29 | 60302GT | SHIM,BOOM PIVOT | |
| 2 | 1256267GT | ROD END,.5 X 3.75,ZAG.....3 | 3 | 30 | 34131GT | BEARING,2.50IDX3.00ODX2.00L.....6 | 6 |
| 3 | 60297GT | PIN,2.50DIAX11.00LG,1HOLE.....1 | 1 | | | | |
| 4 | 8177GT | SCREW,HHC,1/2-13 X 1.5 | | | | | |
| 5 | 6033GT | WASHER,LOCK,0.5" | | | | | |
| 6 | 5224GT | SCREW,HHC,3/8-16 X 2 | | | | | |
| 7 | 6021GT | WASHER,LOCK,.375 | | | | | |
| 8 | 5397GT | WASHER,FLAT,USS,5/16",Y | | | | | |
| 9 | 146089GT | PLATE, PIN RETAINER | | | | | |
| 10 | 146091GT | PIN,2.50DIAX19.875LG,THREADED | | | | | |
| 11 | 61233GT | SHIM,PROX SWITCH.....2 | 2 | | | | |
| 12 | 60987GT | SWITCH,LIMIT,PROX(OPERATIONAL)....2 | 2 | | | | |
| 13 | 49816GT | SCREW,PHILLIPS,PHM,10-32 X .75 | | | | | |
| 14 | 6146GT | WASHER,FLAT,MS,#10,Y | | | | | |
| 15 | 6178GT | NUT,NYLOCK,10-32 | | | | | |
| 16 | 61185GT | FORMING,LIMIT SWITCH MOUNT.....1 | 1 | | | | |
| 17 | 8516GT | SCREW, HCC, 3/8-16 X 1.50 | | | | | |
| 18 | 4828GT | NUT,NYLOCK,3/8-16 | | | | | |
| 19 | 75032GT | LIMIT SWITCH,SAFETY.....1 | 1 | | | | |
| 20 | 51063GT | SCREW,PHILLIPS,RHM,10-32 X 1.5 | | | | | |
| 21 | 75033GT | LIMIT SWITCH,OPERATIONAL.....1 | 1 | | | | |
| 22 | 6019GT | SCREW,HHC,3/8-16 X 1.25 GRD 5 | | | | | |
| 23 | 146093GT | PLATE, LIMIT SWITCH MOUNT | | | | | |
| 24 | 61340GT | PIN,PRI.BOOM PIVOT. 2.50X25.50.....1 | 1 | | | | |
| 25 | 61341GT | ROD END,.75 X 5.00.....1 | 1 | | | | |
| 26 | 34348GT | SCREW,HHC,3/4-10 X 3 GRD.8 | | | | | |
| 27 | 34550GT | WASHER,LOCK,.75 PLTD | | | | | |
| 28 | 122522GT | KIT,SERVICE LIFT CYL REPL.....1 <i>Required for first time replacment of cylinder 50078, includes cylinder part 146324; to SN 2634</i> | 1 | | | | |
| -- | 146324GT | CYLINDER, PRIMARY LIFT <i>from SN 2635</i> | | | | | |
| -- | 60984GT | VALVE COUNTERBAL.CBBB-LJN@5000.....2 <i>use on retract side, V2</i> | 2 | | | | |
| -- | 61602GT | VALVE,COUNTERBAL.CBBB-LHN@3500 <i>use on extend side, V3</i> | | | | | |

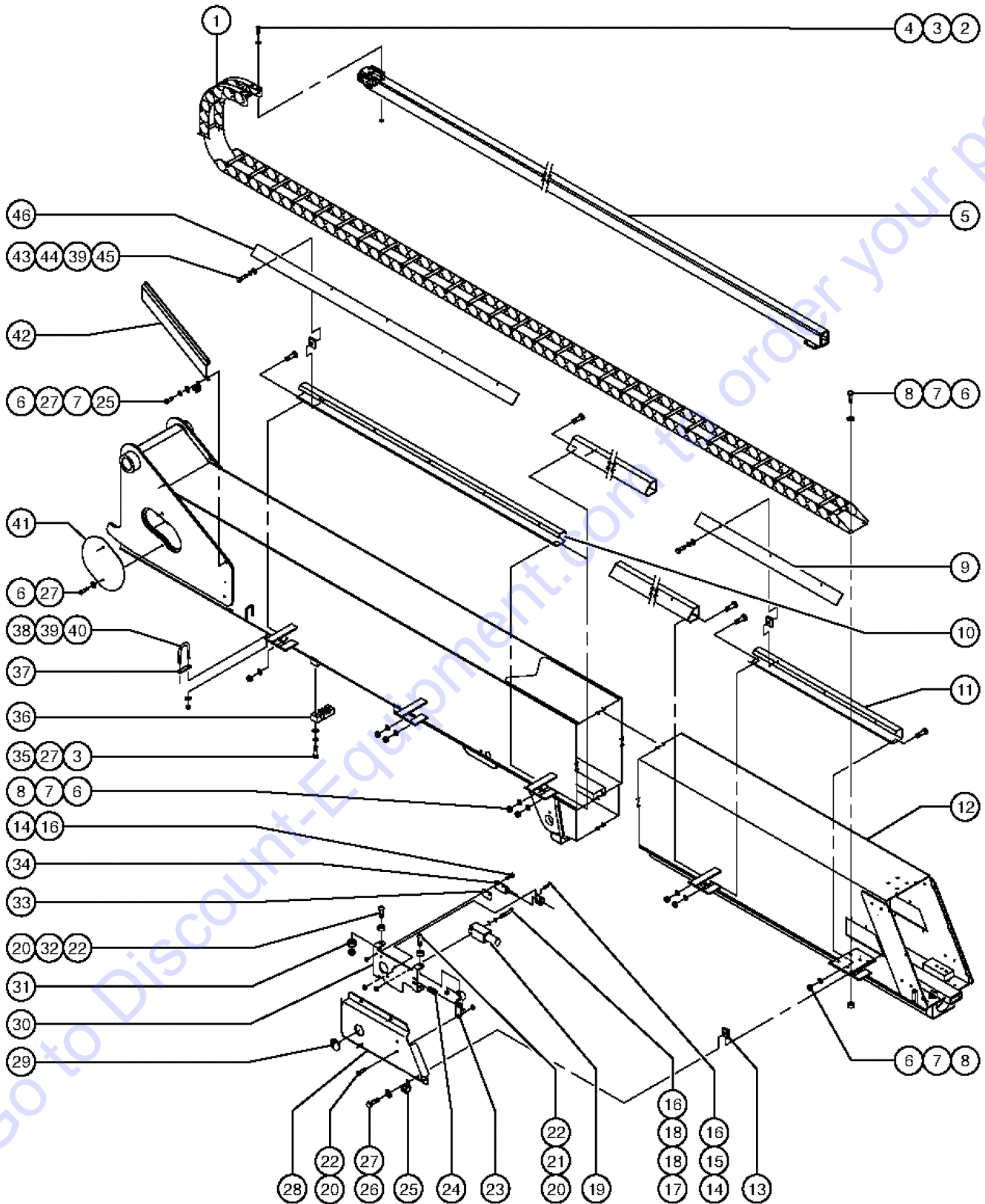
502.1 Secondary Extend Cylinder



502.1 Secondary Extend Cylinder

| Item | Part No. | Description | Qty. | Item | Part No. | Description | Qty. |
|------|-----------|--|------|------|----------|---|----------------------------|
| -- | 122334GT | STROKE LIMITER COLLAR,ASSY <i>includes items 29, 30, 31, 32 and 33; to SN 218</i> | | 25 | 60267GT | PIN,1.50DIAX12.25LG,1HOLE..... | 1 |
| 1 | 10587GT | SCREW,HHC,1/2-13 X.75 | | 26 | 50099GT | CYLINDER,SECONDARY EXTEND..... | 1 |
| 2 | 6033GT | WASHER,LOCK,0.5" | | -- | 111176GT | VALVE,COUNTERBAL 1:1,900 PSI | |
| 3 | 1256267GT | ROD END,.5 X 3.75,ZAG..... | 3 | -- | 60329GT | SEAL KIT CYL.S100/120 (50099) | |
| 4 | | Ref. Boom Tube Zero with Decals (refer to 501.1 - 501.3) | | -- | 60331GT | VALVE,COUNTERBAL.CWCA-LIN@600* | |
| 5A | 60313GT | CABLE TRACK,STEEL 60 LINKS**..... <i>to SN 2719; inside of the tube</i> | 1 | -- | 62449GT | SEAL KIT,SUN "CWCA" CB VALVES* | |
| -- | 62322GT | REPAIR LINK SET(60313) 4 LINK* <i>to SN 2719</i> | | -- | 75424GT | SEAL KIT,SUN "CWEA" CB VALVES | |
| -- | 75401GT | REPAIR LINK END SET (60313) <i>to SN 2719</i> | | 27 | 60962GT | FORMING,LOWER COVER..... | 1 |
| 5B | 122795GT | CABLE TRACK,STEEL,60 LINKS <i>from SN 2720, inside of the tube</i> | | 28 | 75011GT | BOOM #0 REST PAD..... | 1 |
| -- | 122796GT | REPAIR LINK SET(122795)4 LINK <i>from SN 2720</i> | | 29 | 75092GT | SCREW,SHC,5/16-18 X .75 GR5..... | 6 |
| -- | 122797GT | REPAIR LINK END SET(122795) <i>from SN 2720</i> | | 30 | 6886GT | WASHER,LOCK,.313 | |
| 6 | 14297GT | SCREW,BHHS,1/4-20 X .75 | | 31 | 75080GT | CUSHION,STROKE LIMITER COLLAR..... | 1-pair <i>to SN 218</i> |
| 7 | 6638GT | WASHER,FLAT,USS,1/4"Y | | 32 | 75079GT | STROKE LIMITER COLLAR..... | 1-pair <i>to SN 218</i> |
| 8 | 6090GT | SCREW,HHC,1/4-20 X .75 | | -- | 75413GT | STROKE LIMITER COLLAR <i>from SN 219</i> | |
| 9 | 60260GT | WELDMENT,INNER CABLETRACK TUBE..... | 1 | 33 | 75091GT | SCREW,SHC,3/8-16 X 4 GR 5..... | 4 |
| 10 | 56912GT | SPRING CLIP,1/4-20,.025-.15X.54,ZAG | | 34 | 60224GT | PIN,1.50DIAX2.75LG,THREADED..... | 2 |
| 11 | 60207GT | WEAR PAD,PRI.EXT.CYL.SUPPORT..... | 1 | | | | |
| 12 | 62461-SGT | COVER,PRI.EXT.CYLINDER COVER..... <i>USA/Canada/Australia; to SN 3191</i> | 2 | | | | |
| -- | 229344GT | COVER,PRI.EXT.CYL W/WORD DEC <i>USA/Canada/Australia; from SN 3192</i> | | | | | |
| -- | 229345GT | COVER,PRI.EXT.CYL W/SYM DEC <i>Europe/Asia/South America; from SN 3192</i> | | | | | |
| -- | 60266-SGT | FORMING,SECONDARY EXT.CYL CVR <i>Europe/Asia/South America; to SN 3191</i> | | | | | |
| 13 | 6888GT | SCREW,HHC,1/4-20 X 1 | | | | | |
| 14 | 6356GT | WASHER,LOCK,.25 | | | | | |
| 15 | 60960PGT | FORMING,LOWER COVER SUP,PAINT..... | 2 | | | | |
| 16 | 6175GT | SCREW,HHC,3/8-16 X 1 | | | | | |
| 17 | 4828GT | NUT,NYLOCK,3/8-16 | | | | | |
| 18 | 6097GT | WASHER,FLAT,USS,3/8",Y | | | | | |
| 19 | 8255GT | SCREW,HHC,3/8-16 X .75 | | | | | |
| 20 | 6021GT | WASHER,LOCK,.375 | | | | | |
| 21 | 38601GT | SCREW,HHC,1/2-13 X 7.5 | | | | | |
| 22 | 11209GT | WASHER,FLAT,USS,7/16",Y | | | | | |
| 23 | 6198GT | NUT,NYLOCK,1/2-13 | | | | | |
| 24 | 75666-SGT | WELDMENT,EXTENSION BOOM #1..... | 1 | | | | |

503.1 Boom Tube Zero, Cable Track (to SN 627)



PARTS FINDER

**Search Website
by Part Number**



**Search Manual
Library For Parts
Manual & Lookup Part
Numbers – Purchase
or Request Quote**

Search Manuals

Enter your information to help us find the right parts manual for your machine.

* Brand:

* Model:

* Serial:

* Part Number:

SEARCH

**Can't Find Part or
Manual? Request Help
by Manufacturer,
Model & Description**

Parts Order Form

Please fill in the following information to help us find the right part for your machine.

| | |
|---------------|----------------------|
| Manufacturer: | <input type="text"/> |
| Model: | <input type="text"/> |
| Description: | <input type="text"/> |
| Part Number: | <input type="text"/> |
| Quantity: | <input type="text"/> |
| Notes: | <input type="text"/> |

Submit

Discount-Equipment.com is your online resource for quality parts & equipment.

Florida: **561-964-4949** Outside Florida TOLL FREE: **877-690-3101**

Need parts?

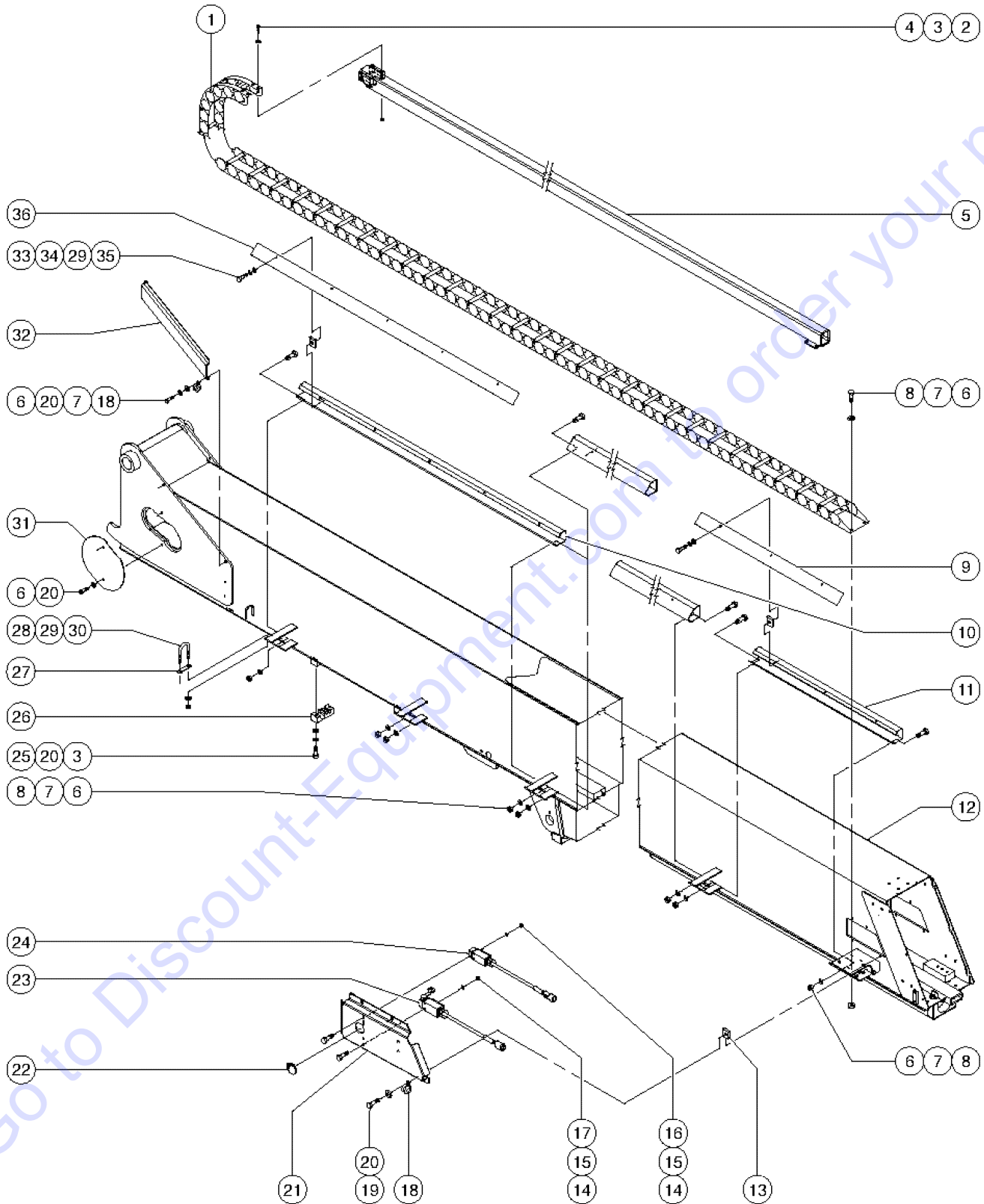
Click on this link: <http://www.discount-equipment.com/category/5443-parts/> and choose one of the options to help get the right parts and equipment you are looking for. Please have the machine model and serial number available in order to help us get you the correct parts. If you don't find the part on the website or on one of the online manuals, please fill out the request form and one of our experienced staff members will get back to you with a quote for the right part that your machine needs.

We sell worldwide for the brands: Genie, Terex, JLG, MultiQuip, Mikasa, Essick, Whiteman, Mayco, Toro Stone, Diamond Products, Generac Magnum, Airman, Haulotte, Barreto, Power Blanket, Nifty Lift, Atlas Copco, Chicago Pneumatic, Allmand, Miller Curber, Skyjack, Lull, Skytrak, Tsurumi, Husquvarna Target, Stow, Wacker, Sakai, Mi-T-M, Sullair, Basic, Dynapac, MBW, Weber, Bartell, Bennar Newman, Haulotte, Ditch Runner, Menegotti, Morrison, Contec, Buddy, Crown, Edco, Wyco, Bomag, Laymor, EZ Trench, Bil-Jax, F.S. Curtis, Gehl Pavers, Heli, Honda, ICS/PowerGrit, IHI, Partner, Imer, Clipper, MMD, Koshin, Rice, CH&E, General Equipment, Amida, Coleman, NAC, Gradall, Square Shooter, Kent, Stanley, Tamco, Toku, Hatz, Kohler, Robin, Wisconsin, Northrock, Oztec, Toker TK, Rol-Air, APT, Wylie, Ingersoll Rand / Doosan, Innovatech, Con X, Ammann, Mecalac, Makinex, Smith Surface Prep, Small Line, Wanco, Yanmar

503.1 Boom Tube Zero, Cable Track (to SN 627)

| Item | Part No. | Description | Qty. | Item | Part No. | Description | Qty. |
|------|----------|--|------|------|-----------|---|------|
| 1 | 102051GT | CABLE TRACK,STEEL 84 LINKS.....1 <i>outside of the tube</i> | 1 | 31 | 61232GT | ROLLER,LIMIT SWITCH FLOAT.....2 | 2 |
| -- | 102000GT | CROSSBAR,STEEL,CABLE TRACK <i>USA/Canada/Australia</i> | | 32 | 61253GT | BUSHING,FLANGE,.313 X.25 X.25.....2 | 2 |
| -- | 102001GT | CROSSBAR W/ TWO SEPARATORS <i>Europe</i> | | 33 | 61233GT | SHIM,PROX SWITCH | |
| -- | 102002GT | SEPARATORS,ALUM,CABLE TRACK <i>Europe</i> | | 34 | 60987GT | SWITCH,LIMIT,PROX(OPERATIONAL)...1 | 1 |
| -- | 61209GT | CLAMP,WIRE/HOSE,CABLE TRACK | | -- | 75769GT | LIMIT SWITCH, OPERATION,LSB2RO <i>can order separately if update kit 75735 was initially installed, (refer to 507.1)</i> | |
| -- | 61210GT | CLAMP, WELD,CABLE TRACK | | 35 | 5224GT | SCREW,HHC,3/8-16 X 2 | |
| -- | 62320GT | REPAIR LINK/SINGLE(60174/75) | | 36 | 60808GT | CLAMP,HOSE,SEC. EXTENSION CYL...3 | 3 |
| -- | 75402GT | REPAIR LINK END SET (60174&75) | | 37 | 75066GT | HOSE,WEAR PAD.....1 | 1 |
| -- | 83007GT | CABLE TRACK ROLLER&BKT KIT SB | | 38 | 75065GT | HOSE CLAMP,WEAR PAD.....1 | 1 |
| 2 | 14033GT | SCREW,HHC,3/8-16 X 2.75 | | 39 | 6638GT | WASHER,FLAT,USS,1/4"Y | |
| 3 | 6097GT | WASHER,FLAT,USS,3/8",Y | | 40 | 6782GT | NUT,NYLOCK,5/16-18 | |
| 4 | 4828GT | NUT,NYLOCK,3/8-16 | | 41 | 60256-SGT | COVER,BOOM SIDE.....2 | 2 |
| 5 | 60245GT | WLDMNT,CABLE TRACK GUIDE LONG*.....1 | 1 | 42 | 60822PGT | COVER,HOSE,PAINTED.....1 | 1 |
| 6 | 8255GT | SCREW,HHC,3/8-16 X .75 | | 43 | 6090GT | SCREW,HHC,1/4-20 X .75 | |
| 7 | 5397GT | WASHER,FLAT,USS,5/16",Y | | 44 | 6356GT | WASHER,LOCK,.25 | |
| 8 | 7713GT | NUT, LP NYLOCK, 3/8-16 | | 45 | 56912GT | SPRING CLIP,1/4-20,.025-.15X.54,ZAG | |
| 9 | 60866GT | COVER,HOSE TRAY.....1 | 1 | 46 | 60829GT | COVER,HOSE TRAY,84".....3 | 3 |
| 10 | 60342GT | TRAY,HOSE,84".....3 | 3 | | | | |
| 11 | 60863GT | TRAY,HOSE,45.5".....1 | 1 | | | | |
| 12 | | Ref. Boom Tube Zero with Decals (refer to 501.1 and 501.2) | | | | | |
| 13 | 29868GT | SPRING CLIP,3/8-16,.05-.20X.73,ZAG | | | | | |
| 14 | 49819GT | SCREW,PHILLIPS,PHM,10-32 X .5 | | | | | |
| 15 | 61255GT | CLAMP,NYLON LOOP.....1 | 1 | | | | |
| 16 | 6178GT | NUT,NYLOCK,10-32 | | | | | |
| 17 | 51063GT | SCREW,PHILLIPS,RHM,10-32 X 1.5 | | | | | |
| 18 | 6607GT | WASHER,LOCK,#10 PLTD | | | | | |
| 19 | 75030GT | LIMIT SWITCH,SAFETY.....1 | 1 | | | | |
| 20 | 14297GT | SCREW,BHHS,1/4-20 X .75 | | | | | |
| 21 | 61254GT | BUSHING,FLANGE,.313 X.25 X.375.....2 | 2 | | | | |
| 22 | 6889GT | NUT,LP NYLOCK,1/4-20 | | | | | |
| 23 | 61231GT | BRACKET,SWITCH PIVOT.....1 | 1 | | | | |
| 24 | 61252GT | SPRING-COMP,1.13"X.75ODX.50ID.....1 | 1 | | | | |
| 25 | 60838GT | CLAMP,1.00,#16 X 7/16,RUB CUSH.....2 | 2 | | | | |
| 26 | 6175GT | SCREW,HHC,3/8-16 X 1 | | | | | |
| 27 | 6021GT | WASHER,LOCK,.375 | | | | | |
| 28 | 60852GT | COVER,LOWER BOOM LIMIT SWITCH.....1 | 1 | | | | |
| 29 | 21187GT | PLUG,NYLON 1.38 BLACK DOMED.....1 | 1 | | | | |
| 30 | 61230GT | SWITCH MOUNT LOWER BOOM.....1 | 1 | | | | |

503.2 Boom Tube Zero, Cable Track (from SN 628)



503.2 Boom Tube Zero, Cable Track (from SN 628)

| Item | Part No. | Description | Qty. | Item | Part No. | Description | Qty. |
|------|----------|--|------|------|---------------|---|------|
| 1 | 102051GT | CABLE TRACK,STEEL 84 LINKS.....1 to SN 880 | 1 | -- | 111997GT | OPT,HOSE AND CABLE CLAMP from SN 1430 | |
| -- | 102000GT | CROSSBAR,STEEL,CABLE TRACK USA/Canada models; to SN 880 | | -- | 122034GT | KIT,SERVICE,CLAMP MOUNTS from SN 1430 | |
| -- | 102001GT | CROSSBAR W/ TWO SEPARATORS Europe; to SN 880 | | -- | 122114GT | KIT,2 LINK REPAIR W/HARDWARE from SN 1430 | |
| -- | 102002GT | SEPARATORS,ALUM,CABLE TRACK Europe; to SN 880 | | -- | 146476GT | HOSE AND CABLE CLAMP, STD from SN 2710 | |
| -- | 61209GT | CLAMP,WIRE/HOSE,CABLE TRACK to SN 880 | | -- | 146477GT | HOSE AND CABLE CLAMP, STD, TOP from SN 2710 | |
| -- | 61210GT | CLAMP, WELD,CABLE TRACK to SN 880 | | 2 | 14033GT | SCREW,HHC,3/8-16 X 2.75 | |
| -- | 62320GT | REPAIR LINK/SINGLE(60174/75) to SN 880 | | 3 | 6097GT | WASHER,FLAT,USS,3/8",Y | |
| -- | 75402GT | REPAIR LINK END SET (60174&75) to SN 880 | | 4 | 4828GT | NUT,NYLOCK,3/8-16 | |
| -- | 83007GT | CABLE TRACK ROLLER&BKT KIT SB to SN 880 | | 5 | 60245GT | WLDMNT,CABLE TRACK GUIDE LONG*1 | 1 |
| 1A | 102051GT | CABLE TRACK,STEEL 84 LINKS.....1 from SN 881 to SN 1429 | 1 | 6 | 8255GT | SCREW,HHC,3/8-16 X .75 | |
| -- | 102211GT | CROSSBAR ALUM W/SELF TAP SCREW from SN 881 to SN 1429 | | 7 | 5397GT | WASHER,FLAT,USS,5/16",Y | |
| -- | 102212GT | SELF-TAP SCREW, CABLE TRACK from SN 881 to SN 1429 | | 8 | 7713GT | NUT, LP NYLOCK, 3/8-16 | |
| -- | 102213GT | REPAIR LINK W/HARDWARE from SN 881 to SN 1429 | | 9 | 60866GT | COVER,HOSE TRAY1 | 1 |
| -- | 102214GT | REPAIR LINK W/ ROLLER from SN 881 to SN 1429 | | 10 | 60342GT | TRAY,HOSE,84"3 | 3 |
| -- | 102215GT | BRACKET,CABLE TRACK,FIXED END* from SN 881 to SN 1429 | | 11 | 60863GT | TRAY,HOSE,45.5"1 | 1 |
| -- | 102216GT | BRACKET,CABLE TRACK,MOVING END from SN 881 to SN 1429 | | 12 | | Ref. Boom Tube Zero with Decals (refer to 501.2 and 501.3) | |
| -- | 61209GT | CLAMP,WIRE/HOSE,CABLE TRACK from SN 881 to SN 1429 | | 13 | 29868GT | SPRING CLIP,3/8-16,.05-.20X.73,ZAG | |
| -- | 61210GT | CLAMP, WELD,CABLE TRACK from SN 881 to SN 1429 | | 14 | 6178GT | NUT,NYLOCK,10-32 | |
| 1B | 102051GT | CABLE TRACK,STEEL 84 LINKS.....1 from SN 1430 | 1 | 15 | 6146GT | WASHER,FLAT,MS,#10,Y | |
| -- | 102211GT | CROSSBAR ALUM W/SELF TAP SCREW from SN 1430 | | 16 | 51063GT | SCREW,PHILLIPS,RHM,10-32 X 1.5 | |
| -- | 102212GT | SELF-TAP SCREW, CABLE TRACK from SN 1430 | | 17 | 54239GT | SCREW,PHILLIPS,PHM,10-32 X 2.0 | |
| -- | 102214GT | REPAIR LINK W/ ROLLER from SN 1430 | | 18 | 60838GT | CLAMP,1.00,#16 X 7/16,RUB CUSH | |
| -- | 102215GT | BRACKET,CABLE TRACK,FIXED END* from SN 1430 | | 19 | 6175GT | SCREW,HHC,3/8-16 X 1 | |
| -- | 102216GT | BRACKET,CABLE TRACK,MOVING END from SN 1430 | | 20 | 6021GT | WASHER,LOCK,.375 | |
| -- | 111995GT | HOSE AND CABLE CLAMP,STD from SN 1430 to 2709 | | 21 | 89104PGT | Limit Switch Cover.....1 | 1 |
| -- | 111996GT | HOSE AND CABLE CLAMP,STD,TOP from SN 1430 to 2709 | | 22 | 21187GT | PLUG,NYLON 1.38 BLACK DOMED.....1 to SN 673 | 1 |
| | | | | 23 | 75030GT | LIMIT SWITCH,SAFETY.....1 to SN 2709 | 1 |
| | | | | -- | 110771-74B1GT | SWITCH,LIMIT,ROLLER NO/NC GOLD from SN 2710 | |
| | | | | -- | 128636GT | ROLLER,ARM,LIMIT SWITCH,ZCY500 from SN 2710 | |
| | | | | -- | 146198GT | LIMIT SWITCH,SAFETY from SN 2710 | |
| | | | | -- | 146325GT | CONN.SQZ,PG 11,.34-.47,W/ORING from SN 2710 | |
| | | | | 24 | 75769GT | LIMIT SWITCH, OPERATION,LSB2RO...1 | 1 |
| | | | | 25 | 5224GT | SCREW,HHC,3/8-16 X 2 | |
| | | | | 26 | 60808GT | CLAMP,HOSE,SEC. EXTENSION CYL...3 | 3 |

503.2 Boom Tube Zero, Cable Track (from SN 628)
(continued)

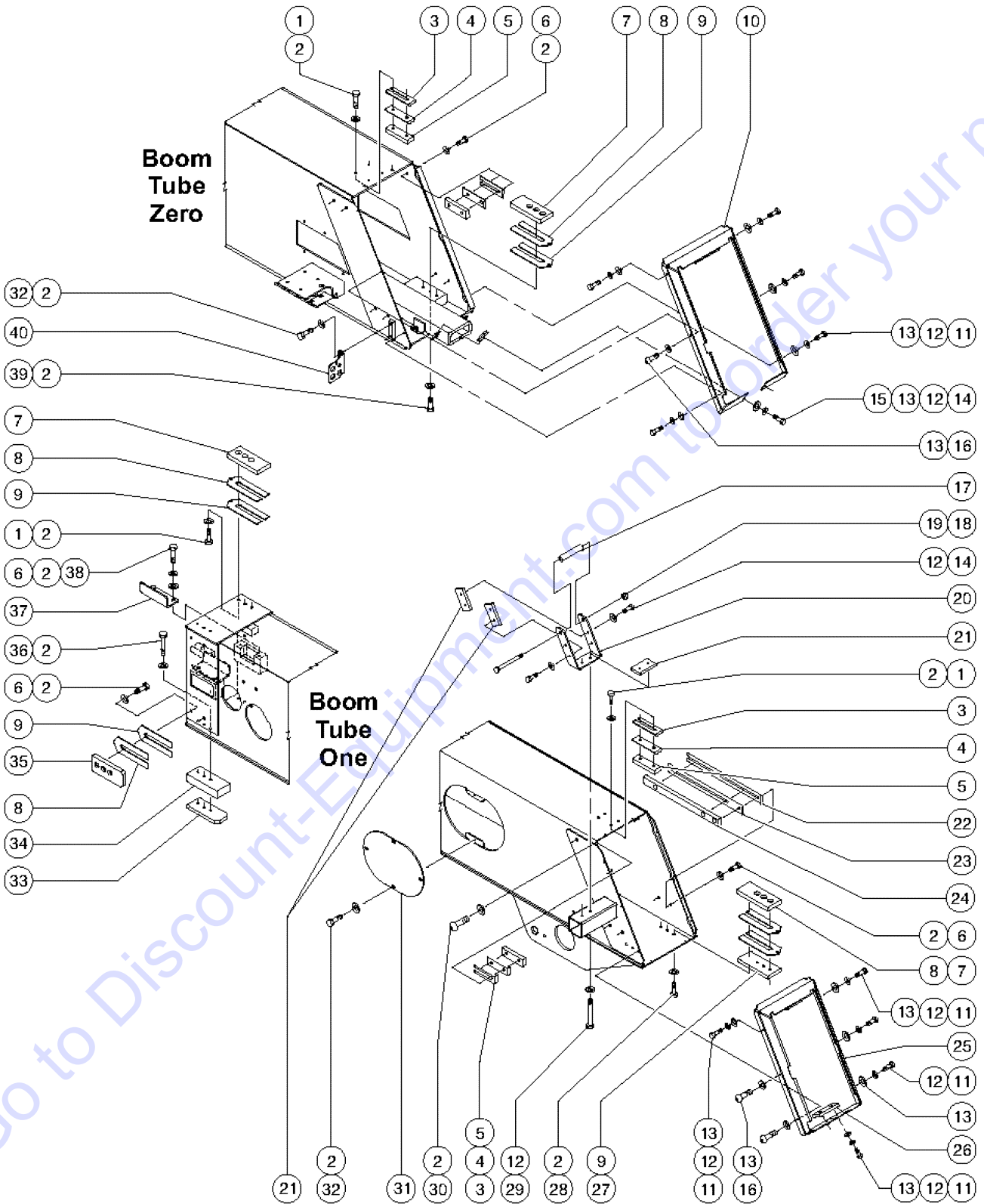
| Item | Part No. | Description | Qty. |
|------|-----------|--|------|
| -- | 122521GT | CLAMP,HOSE,ARCTIC <i>(Arctic hose option)</i> | |
| 27 | 75066GT | HOSE,WEAR PAD..... | 1 |
| 28 | 75065GT | HOSE CLAMP,WEAR PAD..... | 1 |
| 29 | 6638GT | WASHER,FLAT,USS,1/4"Y | |
| 30 | 6782GT | NUT,NYLOCK,5/16-18 | |
| 31 | 60256-SGT | COVER,BOOM SIDE..... | 2 |
| 32 | 60822PGT | COVER,HOSE,PAINTED..... | 1 |
| 33 | 6090GT | SCREW,HHC,1/4-20 X .75 | |
| 34 | 6356GT | WASHER,LOCK,.25 | |
| 35 | 56912GT | SPRING CLIP,1/4-20,.025-.15X.54,ZAG | |
| 36 | 60829GT | COVER,HOSE TRAY,84" | |

Go to Discount-Equipment.com to order your parts

This Page Intentionally Left Blank

Go to Discount-Equipment.com to order your parts

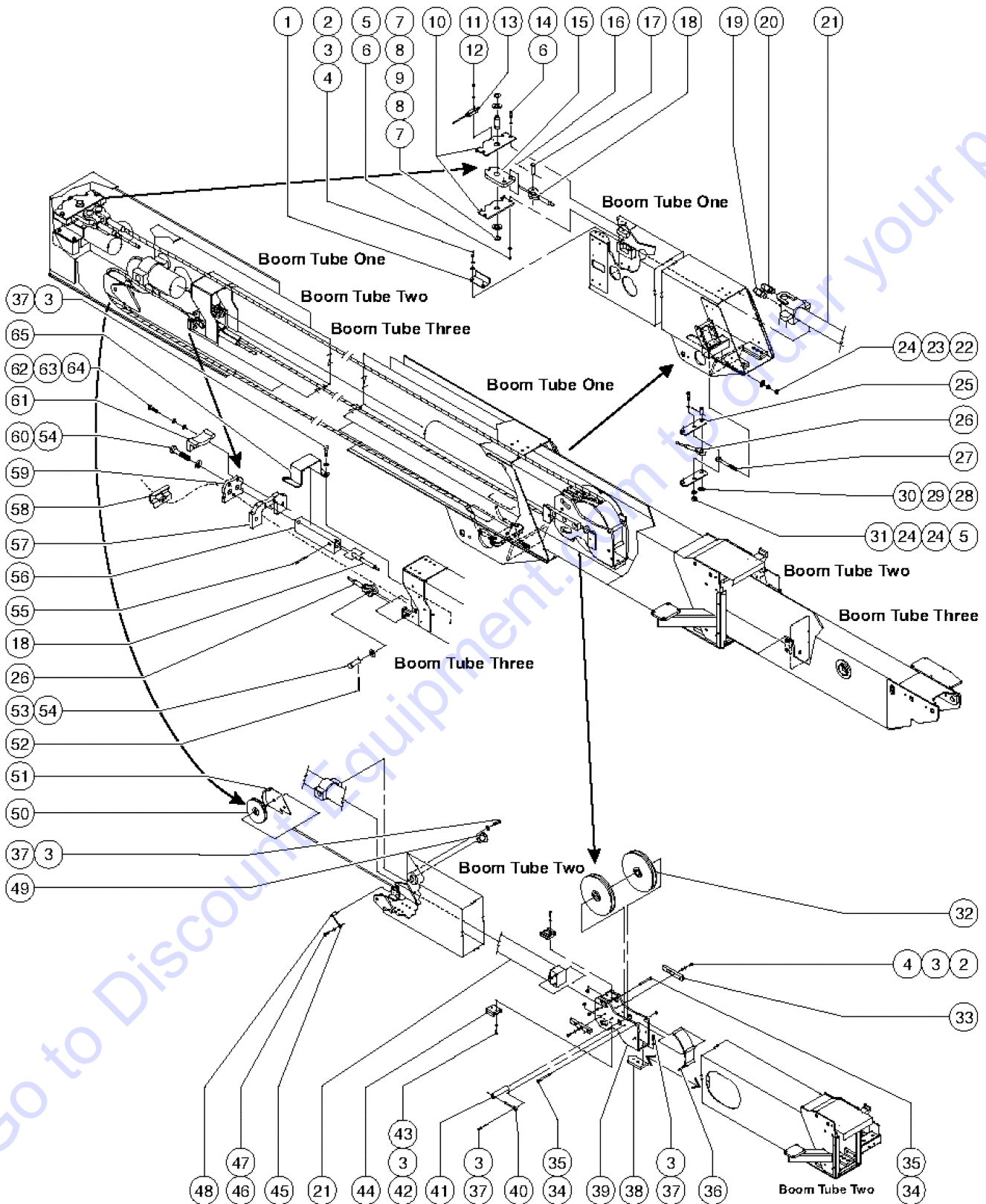
504.1 Boom Tube Zero and Boom Tube One



504.1 Boom Tube Zero and Boom Tube One

| Item | Part No. | Description | Qty. | Item | Part No. | Description | Qty. |
|------|-------------|--|------|------|----------|--------------------------------|------|
| -- | | Ref. Boom Tube One (refer to 502.1) | | 38 | 6097GT | WASHER,FLAT,USS,3/8",Y | |
| 1 | 6175GT | SCREW,HHC,3/8-16 X 1 | | 39 | 8178GT | SCREW,HHC,3/8-16 X 2.5 | |
| 2 | 6021GT | WASHER,LOCK,.375 | | 40 | 60849PGT | BRACKET,BULKHEAD,PAINTED.....1 | |
| 3 | 29080GT | SHIM,WEAR PAD,5X 1.5 16GA | | | | | |
| 4 | 38620GT | SHIM,WEAR PAD,5 X 1.5,14GA | | | | | |
| 5 | 34125GT | WEAR PAD,5 X 1.5 X .75 W/NUTS.....12 to SN 300 | | | | | |
| -- | 73461GT | WEAR PAD,5 X 1.5 X .875 W/NUTS.....14 from SN 301 | | | | | |
| 6 | 6019GT | SCREW,HHC,3/8-16 X 1.25 GRD 5 | | | | | |
| 7 | 50245GT | WEAR PAD,7 X 3 X.75 W/NUTS.....6 | | | | | |
| 8 | 60840GT | SHIM,WEAR PAD,7 X 3,16GA | | | | | |
| 9 | 60304GT | SHIM,WEAR PAD,7 X 3,12GA | | | | | |
| 10 | 60158GT | COVER MAST #1.....1 | | | | | |
| 11 | 8914GT | SCREW,HHC,1/4-20 X .625 | | | | | |
| 12 | 6356GT | WASHER,LOCK,.25 | | | | | |
| 13 | 6638GT | WASHER,FLAT,USS,1/4"Y | | | | | |
| 14 | 6090GT | SCREW,HHC,1/4-20 X .75 | | | | | |
| 15 | 56912GT | SPRING CLIP,1/4-20,.025-.15X.54,ZAG | | | | | |
| 16 | 14297GT | SCREW,BHHS,1/4-20 X .75 | | | | | |
| 17 | 34243-500GT | TUBE,UHMW, 1 X .25 X 5.00.....1 | | | | | |
| 18 | 6198GT | NUT,NYLOCK,1/2-13 | | | | | |
| 19 | 12460GT | SCREW,HHC,1/2-13 X 6.5 | | | | | |
| 20 | 60247PGT | FORM,CABLE TRACK TUBE GUIDE,PT.....1 | | | | | |
| 21 | 45209GT | WEAR PAD,4X2X.5 W/INSERT***.....3 | | | | | |
| 22 | 89847GT | SHIM,SIDE WEAR PAD,20X2,16GA**.....2 | | | | | |
| 23 | 89846GT | SHIM,SIDE WEAR PAD,20X2,14GA**.....2 | | | | | |
| 24 | 34125GT | WEAR PAD,5 X 1.5 X .75 W/NUTS.....2 to SN 794 | | | | | |
| -- | 89845GT | WEAR PAD,20X 1.5X.875 W/INST** from SN 795 | | | | | |
| 25 | 60157GT | COVER MAST #2*.....1 | | | | | |
| 26 | 61099-SGT | RETAINER,MAST COVER.....1 | | | | | |
| 27 | 60222GT | SPACER,WEAR PAD.....2 | | | | | |
| 28 | 14033GT | SCREW,HHC,3/8-16 X 2.75 | | | | | |
| 29 | 50160GT | SCREW,HHC,1/4-20 X 3.75 | | | | | |
| 30 | 57072GT | SCREW,BHHS,3/8-16 X 1.25 | | | | | |
| 31 | 60177-SGT | COVER,BOOM SIDE, PAINTED.....2 | | | | | |
| 32 | 8255GT | SCREW,HHC,3/8-16 X .75 | | | | | |
| 33 | 50246GT | WEAR PAD,7 X 3 X.75 W/NUTS.....2 | | | | | |
| 34 | 60691GT | SPACER,WEAR PAD.....2 | | | | | |
| 35 | 60239GT | WEAR PAD,7 X 3 X.625 W/INSERT.....4 | | | | | |
| 36 | 6708GT | SCREW,HHC,3/8-16 X 2.25 | | | | | |
| 37 | 60335-SGT | FORMING,CYLINDER RETAINER.....2 | | | | | |

505.1 Primary Extend Cylinder



505.1 Primary Extend Cylinder

| Item | Part No. | Description | Qty. | Item | Part No. | Description | Qty. |
|------|-----------|---|------|------|-----------|---|------|
| -- | 217709GT | KIT,EXT/RET CABLE REPLMNT,SB <i>Replaces all extension and retraction cables (contains all necessary hardware and fasteners)</i> | | 28 | 30748GT | WASHER,SHIM,1.01 X 1.63 X.062 | |
| -- | 60989GT | HARNESS,CABLE BREAK S120/125 | | 29 | 60697GT | PIN,RETRACTION CABLE.....2 | |
| 1 | 60335-SGT | FORMING,CYLINDER RETAINER.....2 | | 30 | 33247GT | PIN,COTTER,,188 X 1.75 LONG.....2 | |
| 2 | 6019GT | SCREW,HHC,3/8-16 X 1.25 GRD 5 | | 31 | 61384GT | SCREW,SHS,1/2-13 X 1.50 | |
| 3 | 6021GT | WASHER,LOCK,,.375 | | 32 | 50247GT | SHEAVE,EXTENSION CABLE.....2 | |
| 4 | 6097GT | WASHER,FLAT,USS,3/8",Y | | -- | 60422GT | Bearing, 1.5 x 2 x 1.81 inches | |
| 5 | 6198GT | NUT,NYLOCK,1/2-13 | | 33 | 60240GT | WEAR PAD,SHEAVE MOUNT.....2 | |
| 6 | 13066GT | WASHER,FLAT,.5 HARDENED.....4 | | 34 | 61385GT | SCREW,HHC,1/2-13 X 5.25 | |
| 7 | 18383GT | SNAP RING,EXTERNAL,1.5 DIA*** | | 35 | 6086GT | NUT,LP NYLOCK,1/2-13 | |
| 8 | 18596GT | WASHER,FLAT,1.56 X 2.5 X .061 | | 36 | 60215-SGT | WELDMNT,CABLE RETAINER.....1 | |
| 9 | 60179GT | PIN,1.50DIA X 2.92LG,2RING.....1 | | 37 | 6175GT | SCREW,HHC,3/8-16 X 1 | |
| 10 | 60181-SGT | PLATE,EXT.CABLE ANCHOR.....2 | | 38 | 60216GT | WEAR PAD,EXT.CABLE SHEAVE.....1 | |
| 11 | 49817GT | SCREW,PHILLIPS,PHM,10-32 X 1.25 | | 39 | 60346-SGT | SHEAVE MOUNT,EXT. CABLE MACHIN.....1 | |
| 12 | 6607GT | WASHER,LOCK,#10 PLTD | | 40 | 825019GT | ROD END,,.375X3.69,ZAG.....1 | |
| 13 | 75031GT | LIMIT SWITCH,SAFETY.....1 | | 41 | 60205GT | PIN,1.50DIA X 5.88LG,1HOLE.....1 | |
| 14 | 39479GT | SCREW,HHC,1/2-13 X 2.75 | | 42 | 5224GT | SCREW,HHC,3/8-16 X 2 | |
| 15 | 60340-SGT | PLATE,EXT.CABLE EQUALIZER MACH.....1 | | 43 | 4828GT | NUT,NYLOCK,3/8-16 | |
| -- | 54156GT | BEARING,FL,1.5IDX1.75ODX1.10LG | | 44 | 60208GT | WEAR PAD,EXT.CABLE.....2 | |
| 16 | 75396GT | PIN,COTTER,,.25 X3.18 EXT.CABLE.....2 | | 45 | 45748GT | ROD END,,250 X 2.75 LG.....2 | |
| 17 | 75397GT | PIN,CLEVIS,1.18X3.18 EXT.CABLE.....2 | | 46 | 6090GT | SCREW,HHC,1/4-20 X .75 | |
| 18 | 232841GT | CABLE ASSEMBLY,EXTEND SET.....1 <i>Contains two cables</i> | | 47 | 6356GT | WASHER,LOCK,,.25 | |
| -- | 10665GT | PIN,ROLL,,.25 X 1.5*** | | 48 | 60358GT | PIN,,.75DIA X 2.89LG,1HOLE.....2 | |
| -- | 60171GT | EXTENSION CABLE * | | 49 | 60192GT | PIN,EXTENSION CYLINDER MOUNT....2 | |
| -- | 60229GT | COUPLING,EXT.CABLE ADJUSTMENT* | | 50 | 50243GT | SHEAVE,RETRACT CABLE.....2 | |
| 19 | 60333GT | VALVE, COUNTERBAL.....1 <i>to SN 561</i> | | 51 | 122015GT | WLDMNT,RET.CABLE SHEAV.GARD.RH.....1 | |
| -- | 75424GT | SEAL KIT,SUN "CWEA" CB VALVES | | -- | 122016GT | WLDMNT,RET.CABLE SHEAV.GARD.LH.....1 | |
| -- | 75762GT | VALVE,COUNTERBAL.CWEK-LIN @600 <i>from SN 562</i> | | 52 | 75355GT | PIN,COTTER,,188X2.25 RET.CABLE....2 | |
| 20 | 60331GT | VALVE,COUNTERBAL.CWCA-LIN@600*.1 | | 53 | 75356GT | PIN,CLEVIS,,844X2.25 RET.CABLE....2 | |
| -- | 62449GT | SEAL KIT,SUN "CWCA" CB VALVES* | | 54 | 33278GT | WASHER,FLAT,.75 HARDENED | |
| 21 | 50100GT | CYLINDER,PRIMARY EXTEND.....1 | | 55 | 10665GT | PIN,ROLL,,.25 X 1.5***.....2 | |
| -- | 60332GT | SEAL KIT CYL.S100/120 (50100) | | 56 | 60229GT | COUPLING,EXT.CABLE ADJUSTMENT*.....2 | |
| 22 | 38028GT | NUT,LP NYLOCK,5/8-11 | | 57 | 60343-SGT | PLATE,EXT.CABLE ,PAINTED.....1 | |
| 23 | 45076GT | NUT,HEX,JAM,5/8-11 | | 58 | 60231GT | EXT.CABLE ADJ BOLT LOCK.....1 | |
| 24 | 13064GT | WASHER,FLAT,.625 HARDENED.....1 | | 59 | 60356-SGT | PLATE,EXT.CABLE ATTACH.MACHINE.....1 | |
| 25 | 60163-SGT | PLATE,RETRACT CABLE EQUALIZER.....2 | | 60 | 111149GT | SCREW,HHC,3/4-10X6,GR5,FULL TH....2 | |
| 26 | 232842GT | CABLE ASSEMBLY,RETRACT SET.....1 <i>Contains two cables</i> | | 61 | 111524GT | KIT,WEAR PAD, EXT CYL,SB.....1 <i>to SN 1455</i> | |
| 27 | 60164GT | ROD END,RETRACTION CABLE.....1 | | -- | 111523GT | WEAR PAD, BOOM REST <i>from SN 1456</i> | |
| | | | | 62 | 8177GT | SCREW,HHC,1/2-13 X 1.5 <i>to SN 1455</i> | |

505.1 Primary Extend Cylinder
(continued)

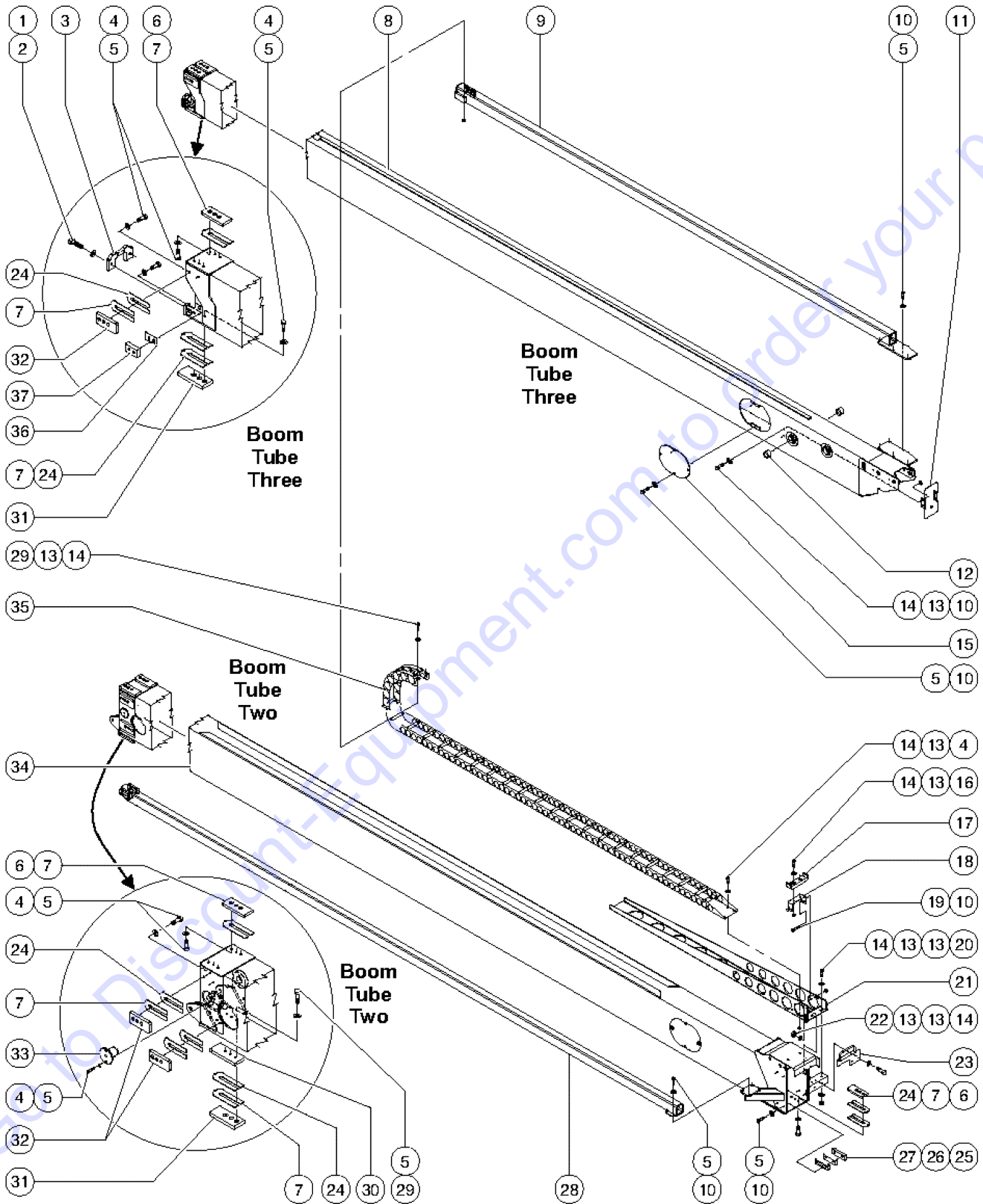
| Item | Part No. | Description | Qty. |
|------|----------|--|------|
| -- | 39479GT | SCREW,HHC,1/2-13 X 2.75 <i>from SN 1480</i> | |
| -- | 9145GT | SCREW,HHC,1/2-13 X 2.5,GR5 <i>from SN 1456 to SN 1479</i> | |
| 63 | 6033GT | WASHER,LOCK,0.5" <i>to SN 1455</i> | |
| -- | 6033GT | WASHER,LOCK,0.5" <i>from SN 1480</i> | |
| 64 | 13066GT | WASHER,FLAT,.5 HARDENED.....2 <i>from SN 1456</i> | |
| 65 | 75049PGT | FORMING,CABLE RETAINER,PAINTED.....1 | |

Go to Discount-Equipment.com to order your parts

This Page Intentionally Left Blank

Go to Discount-Equipment.com to order your parts

506.1 Boom Tube Two and Boom Tube Three



506.1 Boom Tube Two and Boom Tube Three

| Item | Part No. | Description | Qty. | Item | Part No. | Description | Qty. |
|------|-----------|---|------|------|-----------|--|------|
| 1 | 60217GT | SCREW,HHC,3/4-10 X 7 FULL THRD.....2 | | 23 | 111775PGT | WELDMENT,HOSE GUIDE ASSY,PTD.....1 <i>from SN 1430 to 1678</i> | |
| 2 | 33278GT | WASHER,FLAT,.75 HARDENED.....2 | | -- | 61745GT | CLAMP,2.25,#36 X 3/8,RUB CUSH <i>from SN 1679</i> | |
| 3 | 60343-SGT | PLATE,EXT.CABLE ,PAINTED.....1 | | 24 | 60304GT | SHIM,WEAR PAD,7 X 3,12GA | |
| 4 | 6175GT | SCREW,HHC,3/8-16 X 1 | | 25 | 34125GT | WEAR PAD,5 X 1.5 X .75 W/NUTS.....12 <i>to SN 300</i> | |
| 5 | 6021GT | WASHER,LOCK,.375 | | -- | 73461GT | WEAR PAD,5 X 1.5 X .875 W/NUTS <i>from SN 301</i> | |
| 6 | 50245GT | WEAR PAD,7 X 3 X.75 W/NUTS.....6 | | 26 | 38620GT | SHIM,WEAR PAD,5 X 1.5,14GA | |
| 7 | 60840GT | SHIM,WEAR PAD,7 X 3,16GA | | 27 | 29080GT | SHIM,WEAR PAD,5X 1.5 16GA | |
| 8 | 75103-SGT | BOOM TUBE ASSY,#3 W/BUSHINGS....1 <i>includes item 12; to SN 627</i> | | 28 | 60245GT | WLDMNT,CABLE TRACK GUIDE LONG*1 | |
| -- | 122321GT | SB BOOM #3 ASSY W/WORD DECALS <i>includes item 12; from SN 881</i> | | 29 | 14033GT | SCREW,HHC,3/8-16 X 2.75 | |
| -- | 122322GT | SB BOOM #3 ASSY SYMBOL UNITS <i>includes item 12; from SN 881</i> | | 30 | 60222GT | SPACER,WEAR PAD.....2 | |
| -- | 75483-SGT | BOOM TUBE ASSY,#3 W/BUSHINGS <i>includes item 12; from SN 628 to SN 880</i> | | 31 | 50246GT | WEAR PAD,7 X 3 X.75 W/NUTS.....4 | |
| 9 | 60242GT | WLDMNT,CABLE TRACK GUIDE SHORT.....1 <i>to SN 880</i> | | 32 | 60239GT | WEAR PAD,7 X 3 X.625 W/INSERT.....6 | |
| -- | 102018GT | WLDMNT,CABLE TRACK GUIDE,SHORT <i>from SN 881 to 1776</i> | | 33 | 60192GT | PIN,EXTENSION CYLINDER MOUNT....2 | |
| -- | 122225GT | WLDMNT,CABLE TRACK GUIDE,SHORT <i>from SN 1777</i> | | 34 | 75663-SGT | WELDMENT,EXTENSION BOOM #2.....1 <i>to SN 627</i> | |
| 10 | 8255GT | SCREW,HHC,3/8-16 X .75 | | -- | 89166-SGT | WELDMENT,EXTENSION BOOM #2 <i>from SN 628</i> | |
| 11 | 60194GT | FORMING,TUBE GUARD.....1 | | 35A | | Ref. CABLE TRACK,STEEL 50 LINKS....1 <i>Previous cable track 60175 is no longer available. For complete replacement order Cable Track 102052; to SN 880</i> | |
| 12 | 30220GT | BEARING,1.25ID X 1.5OD X 0.69L.....4 <i>use with Boom # 3 Assy item 75103-S or 75483-S; to SN 2673</i> | | -- | 102000GT | CROSSBAR,STEEL,CABLE TRACK USA/Canada models; to SN 880 | |
| -- | 30370GT | BEARING,1.25ID X 1.5OD X 1.00L <i>use with Boom # 3 Assy item 122321 or 122322; from SN 2674</i> | | -- | 102001GT | CROSSBAR W/ TWO SEPARATORS <i>Europe; to SN 880</i> | |
| 13 | 6097GT | WASHER,FLAT,USS,3/8",Y | | -- | 102002GT | SEPARATORS,ALUM,CABLE TRACK <i>Europe; to SN 880</i> | |
| 14 | 4828GT | NUT,NYLOCK,3/8-16 | | -- | 102054GT | KIT,CABLE TRACK UPDATE,SUPRBMS <i>to SN 880</i> | |
| 15 | 60177-SGT | COVER,BOOM SIDE, PAINTED.....4 | | -- | 61209GT | CLAMP,WIRE/HOSE,CABLE TRACK <i>to SN 880</i> | |
| 16 | 6019GT | SCREW,HHC,3/8-16 X 1.25 GRD 5 | | -- | 61210GT | CLAMP, WELD,CABLE TRACK <i>to SN 880</i> | |
| 17 | 60802GT | WEAR PAD,UPPER CABLE TRACK.....1 | | -- | 62320GT | REPAIR LINK/SINGLE(60174/75) <i>to SN 880</i> | |
| 18 | 75047-SGT | WELDMENT,WEAR PAD MOUNTING....1 <i>to SN 880</i> | | -- | 75402GT | REPAIR LINK END SET (60174&75) <i>to SN 880</i> | |
| -- | 102020GT | WELDMENT,WEAR PAD MOUNTING <i>from SN 881</i> | | 35B | 102052GT | CABLE TRACK,STEEL 50 LINKS.....1 <i>from SN 881</i> | |
| 19 | 7713GT | NUT, LP NYLOCK, 3/8-16 | | -- | 102211GT | CROSSBAR ALUM W/SELF TAP SCREW <i>from SN 881</i> | |
| 20 | 5387GT | SCREW,HHC,3/8-16 X 4 | | -- | 102212GT | SELF-TAP SCREW, CABLE TRACK <i>from SN 881</i> | |
| 21 | 50117-SGT | WELDMENT,CABLE TRACK SUPPORT.....1 | | -- | 102213GT | REPAIR LINK W/HARDWARE <i>from SN 881</i> | |
| -- | 122791GT | SHIM,CBL TRK SPRT WLDT,22 GA <i>from SN 1430</i> | | | | | |
| -- | 61115GT | SHIM,CABLE TRAY <i>to SN 1429</i> | | | | | |
| 22 | 12981GT | SCREW,HHC,3/8-16 X 4.5 <i>from SN 1430</i> | | | | | |

506.1 Boom Tube Two and Boom Tube Three
(continued)

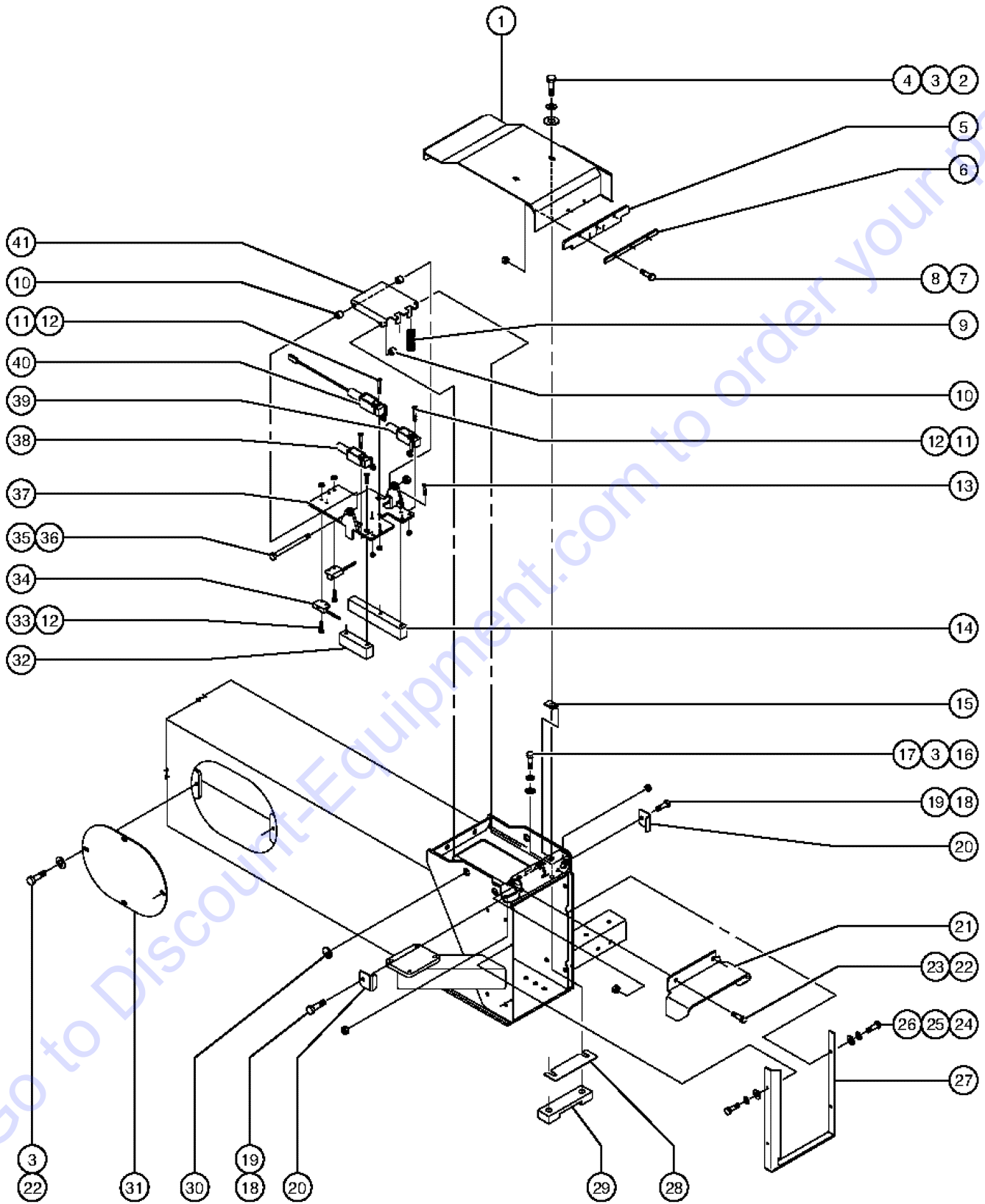
| Item | Part No. | Description | Qty. |
|------|----------|--|------|
| -- | 102214GT | REPAIR LINK W/ ROLLER <i>from SN 881</i> | |
| -- | 102215GT | BRACKET,CABLE TRACK,FIXED END* <i>from SN 881</i> | |
| -- | 102216GT | BRACKET,CABLE TRACK,MOVING END <i>from SN 881</i> | |
| -- | 111995GT | HOSE AND CABLE CLAMP,STD <i>from SN 1430 to SN 2709</i> | |
| -- | 111996GT | HOSE AND CABLE CLAMP,STD,TOP <i>from SN 1430 to SN 2709</i> | |
| -- | 111997GT | OPT,HOSE AND CABLE CLAMP <i>from SN 1430</i> | |
| -- | 122034GT | KIT,SERVICE,CLAMP MOUNTS <i>from SN 1430</i> | |
| -- | 146476GT | HOSE AND CABLE CLAMP, STD <i>from SN 2710</i> | |
| -- | 146477GT | HOSE AND CABLE CLAMP, STD, TOP <i>from SN 2710</i> | |
| 36 | 61380GT | SHIM,SIDE WEAR PAD .059 THK. | |
| 37 | 61379GT | WEAR PAD,3.5 X 2 X .625 W/INST.....2 | |

506.1 Boom Tube Two and Boom Tube Three
(continued)

This Page Intentionally Left Blank

Go to Discount-Equipment.com to order your parts

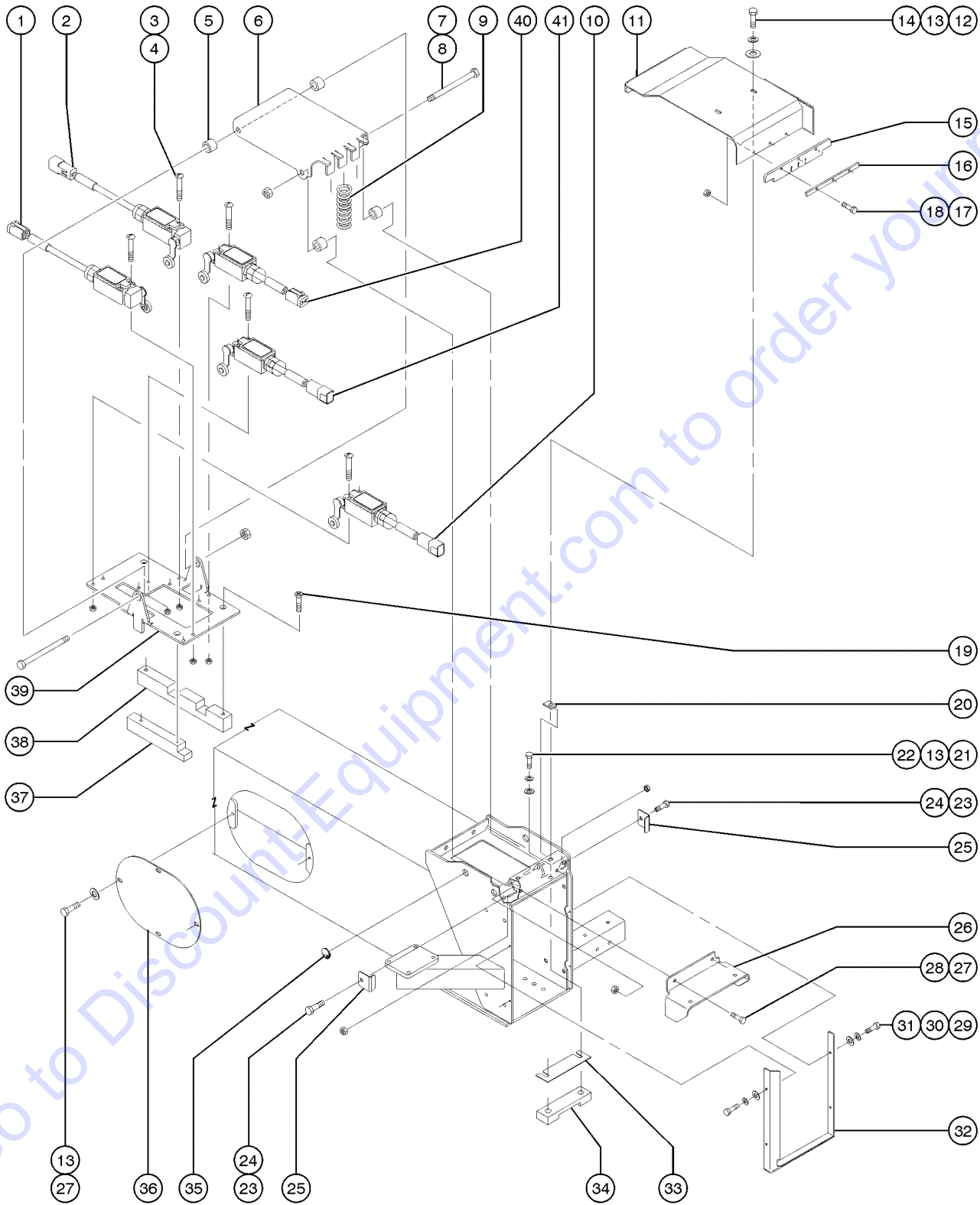
507.1 Boom Tube Two, Limit Switches (to SN 627)



507.1 Boom Tube Two, Limit Switches (to SN 627)

| Item | Part No. | Description | Qty. | Item | Part No. | Description | Qty. |
|------|-----------|---|------|------|-----------|--|------|
| -- | 60756GT | HARNESS,TCON J2 UPPER | | 35 | 22832GT | SCREW,HHC,3/8-16 X 6 | |
| 1A | 61162-SGT | FORMING,LIMIT SWITCH GUARD.....1 <i>17.875 inch overall length</i> | | 36 | 7713GT | NUT, LP NYLOCK, 3/8-16 | |
| 1B | 89171PGT | FORMING,LIMIT SWITCH GUARD <i>19.375 inch overall length</i> | | 37 | 61160GT | FORMING,LIMIT SWITCH MOUNT.....1 | |
| 2 | 6019GT | SCREW,HHC,3/8-16 X 1.25 GRD 5 | | 38 | 75031GT | LIMIT SWITCH,SAFETY.....1 | |
| 3 | 6021GT | WASHER,LOCK, .375 | | -- | 53983GT | STRAIN RELIEF, PG13,5 | |
| 4 | 6097GT | WASHER,FLAT,USS,3/8",Y | | -- | 75910GT | WIRE ASSEMBLY,16/4SJO,9.5"PLUG | |
| 5 | 61174GT | WIPER,RUBBER BOOM #3 TOP.....1 | | -- | 75913GT | LIMIT SWITCH, SAFETY,NO WIRE | |
| 6 | 61176-SGT | BAR,RUBBER WIPER BACK-UP.....1 | | 39 | 75035GT | LIMIT SWITCH,SAFETY.....1 | |
| 7 | 6888GT | SCREW,HHC,1/4-20 X 1 | | -- | 53983GT | STRAIN RELIEF, PG13,5 | |
| 8 | 6091GT | NUT,NYLOCK,1/4-20 | | -- | 75910GT | WIRE ASSEMBLY,16/4SJO,9.5"PLUG | |
| 9 | 61171GT | SPRING,1.00 DIA X .105.....2 | | -- | 75913GT | LIMIT SWITCH, SAFETY,NO WIRE | |
| 10 | 44335GT | BUSHING,FLANGE, .375X.5.....4 | | 40 | 75034GT | SWITCH,OPERATIONAL.....1 | |
| 11 | 51063GT | SCREW,PHILLIPS,RHM,10-32 X 1.5 | | -- | 53983GT | STRAIN RELIEF, PG13,5 | |
| 12 | 6178GT | NUT,NYLOCK,10-32 | | -- | 75911GT | LIMIT SWITCH,OPERATION,NO WIRE | |
| 13 | 49824GT | SCREW,PHILLIPS,FHM,10-32X1.00 | | -- | 75912GT | WIRE ASSEMBLY,16/4SJO,9.5"RECP | |
| 14 | 61391GT | WEARPAD,LMT SWITCH MOUNT-LONG*1 | | 41 | 75437-SGT | COVER,LIMIT SWITCH PIVOT ASSY.....1 <i>USA/Canada/Australia</i> | |
| 15 | 29868GT | SPRING CLIP,3/8-16,.05-.20X.73,ZAG | | -- | 61166-SGT | FORMING,LIMIT SWITCH LINK <i>Europe/Asia/South America</i> | |
| 16 | 6175GT | SCREW,HHC,3/8-16 X 1 | | | | | |
| 17 | 5397GT | WASHER,FLAT,USS,5/16",Y | | | | | |
| 18 | 33681GT | SCREW,HHC,3/8-16 X .625 | | | | | |
| 19 | 7713GT | NUT, LP NYLOCK, 3/8-16 | | | | | |
| 20 | 61294PGT | FORMING,HOSE PROTECTOR,PAINTED.....2 | | | | | |
| 21 | 60935-SGT | MOUNT,CABLE TRACK CLAMP.....1 | | | | | |
| 22 | 8255GT | SCREW,HHC,3/8-16 X .75 | | | | | |
| 23 | 4828GT | NUT,NYLOCK,3/8-16 | | | | | |
| 24 | 8914GT | SCREW,HHC,1/4-20 X .625 | | | | | |
| 25 | 6356GT | WASHER,LOCK,.25 | | | | | |
| 26 | 6638GT | WASHER,FLAT,USS,1/4"Y | | | | | |
| 27 | 60156GT | COVER MAST #3.....1 | | | | | |
| 28 | 75286GT | SHIM, WEAR PAD,THIN,SB | | | | | |
| 29 | 61164GT | WEAR PAD,BOOM #2 TOP.....1 | | | | | |
| 30 | 15243GT | PLUG,NYLON .875 BLACK DOMED.....2 | | | | | |
| 31 | 60177-SGT | COVER,BOOM SIDE, PAINTED.....2 | | | | | |
| 32 | 61161GT | WEAR PAD,LIMIT SWITCH MOUNT.....1 | | | | | |
| 33 | 49819GT | SCREW,PHILLIPS,PHM,10-32 X .5 | | | | | |
| 34 | 60987GT | SWITCH,LIMIT,PROX(OPERATIONAL)...2 | | | | | |
| -- | 75735GT | KIT,MECH.LIMIT SWITCH,S120/125.....1 <i>proximity limit switch update kit, includes 2 of item 75736 and item 75769</i> | | | | | |
| -- | 75736GT | LIMIT SWITCH, OP LSB3EO, 4EO <i>can order separately if update kit 75735 was initially installed</i> | | | | | |

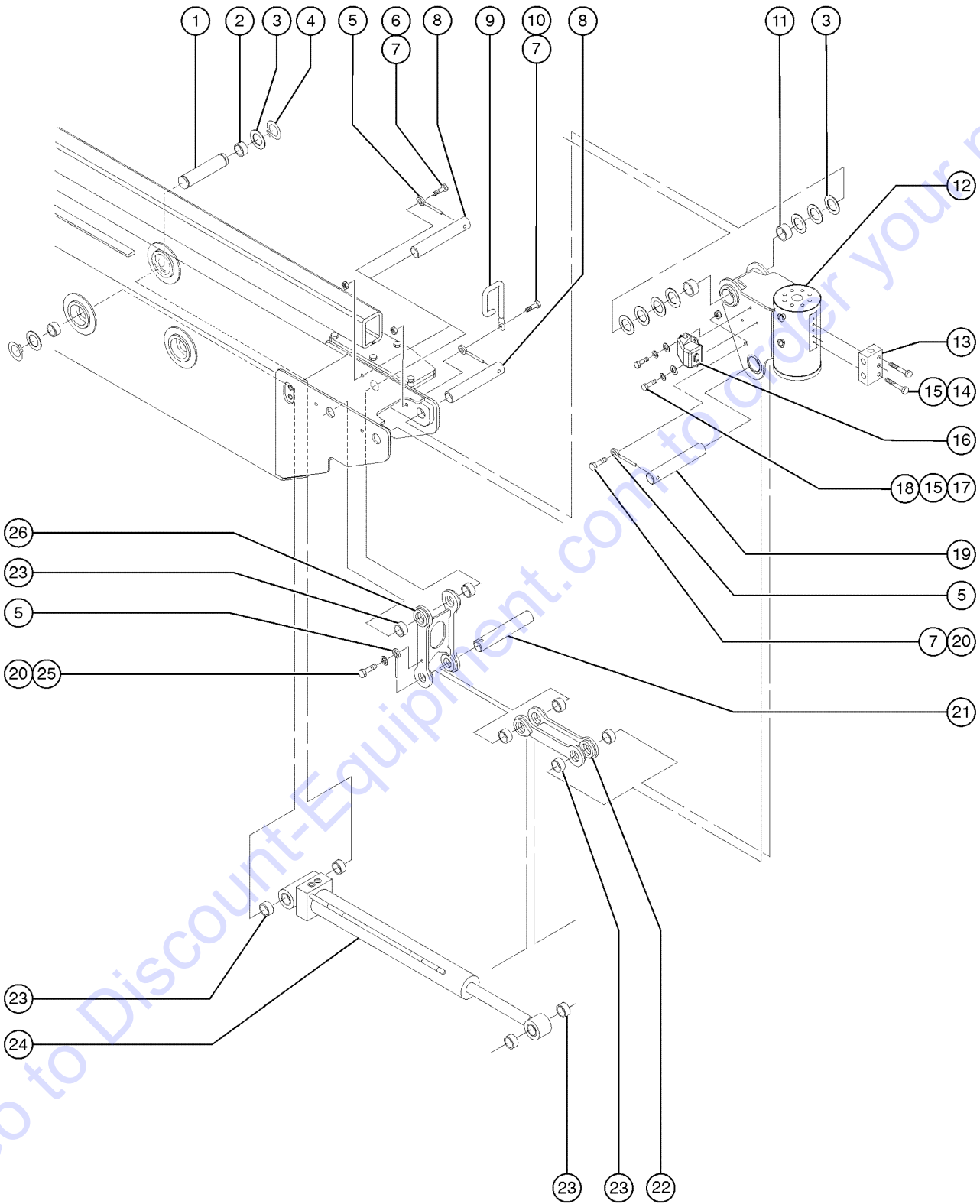
507.2 Boom Tube Two, Limit Switches (from SN 628)



507.2 Boom Tube Two, Limit Switches (from SN 628)

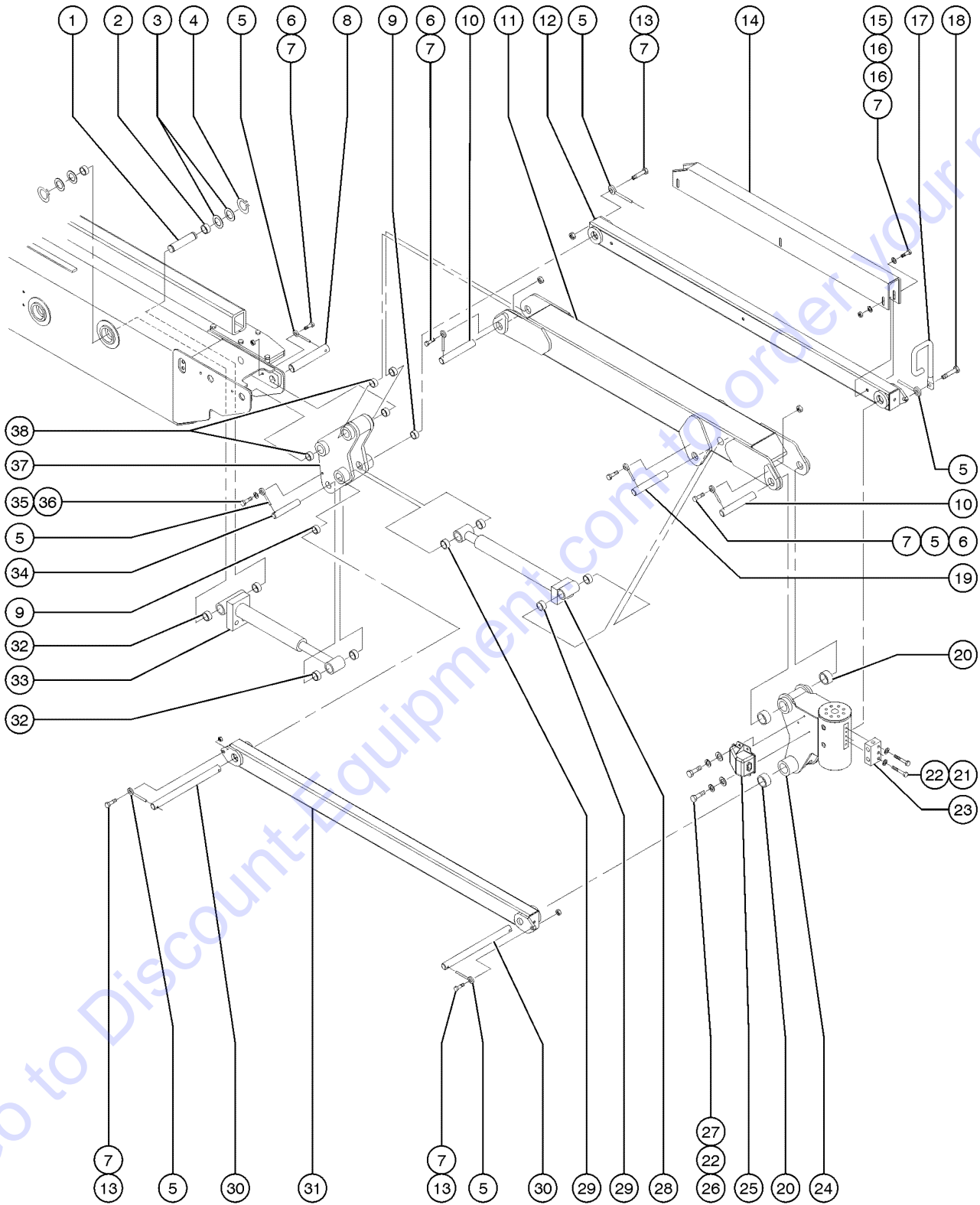
| Item | Part No. | Description | Qty. | Item | Part No. | Description | Qty. |
|------|----------------|--|------|------|-----------|--|------|
| -- | 60756GT | HARNESST, TCON J2 UPPER to SN 2709 | | 20 | 29868GT | SPRING CLIP, 3/8-16, .05-.20X.73, ZAG | |
| -- | 146192GT | HARNESST, TCON J2 UPPER 2009 from SN 2710 | | 21 | 6175GT | SCREW, HHC, 3/8-16 X 1 | |
| 1A | 75031GT | LIMIT SWITCH, SAFETY.....1 (LSB4ES) safety limit switch for boom length greater or equal 80 feet; to SN 2709 | 1 | 22 | 5397GT | WASHER, FLAT, USS, 5/16", Y | |
| -- | 53983GT | STRAIN RELIEF, PG13,5 to SN 2709 | | 23 | 33681GT | SCREW, HHC, 3/8-16 X .625 | |
| -- | 75910GT | WIRE ASSEMBLY, 16/4SJO, 9.5" PLUG to SN 2709 | | 24 | 7713GT | NUT, LP NYLOCK, 3/8-16 | |
| -- | 75913GT | LIMIT SWITCH, SAFETY, NO WIRE to SN 2709 | | 25 | 61294PGT | FORMING, HOSE PROTECTOR, PAINTED.....2 | 2 |
| 1B | 146199GT | LIMIT SWITCH, SAFETY (LSB4ES) safety limit switch for boom length greater or equal 80 feet; from SN 2710 | | 26 | 60935-SGT | MOUNT, CABLE TRACK CLAMP.....1 | 1 |
| -- | 110771-74B89GT | SWITCH, LIMIT, ROLLER NO/NC GOLD from SN 2710 | | 27 | 8255GT | SCREW, HHC, 3/8-16 X .75 | |
| -- | 128636GT | ROLLER, ARM, LIMIT SWITCH, ZCY500 from SN 2710 | | 28 | 4828GT | NUT, NYLOCK, 3/8-16 | |
| -- | 146325GT | CONN. SQZ, PG 11, .34-.47, W/ORING from SN 2710 | | 29 | 8914GT | SCREW, HHC, 1/4-20 X .625 | |
| 2 | 89109GT | LIMIT SWITCH, OPERATIONAL.....1 (LSB3RO) operational limit switch for boom length at 0 feet | 1 | 30 | 6356GT | WASHER, LOCK, .25 | |
| -- | 53983GT | STRAIN RELIEF, PG13,5 | | 31 | 6638GT | WASHER, FLAT, USS, 1/4" Y | |
| -- | 75911GT | LIMIT SWITCH, OPERATION, NO WIRE | | 32 | 60156GT | COVER MAST #3.....1 | 1 |
| -- | 75912GT | WIRE ASSEMBLY, 16/4SJO, 9.5" RECP | | 33 | 75286GT | SHIM, WEAR PAD, THIN, SB | |
| 3 | 16487GT | SCREW, RHM, 10-32 X 1.5 | | 34 | 61164GT | WEAR PAD, BOOM #2 TOP.....1 | 1 |
| 4 | 6178GT | NUT, NYLOCK, 10-32 | | 35 | 15243GT | PLUG, NYLON .875 BLACK DOMED.....2 | 2 |
| 5 | 44335GT | BUSHING, FLANGE, .375X.5.....4 | 4 | 36 | 60177-SGT | COVER, BOOM SIDE, PAINTED.....2 | 2 |
| 6 | 89164GT | FORMING, LIMIT SWITCH LINK.....1 | 1 | 37 | 89107GT | WEAR PAD, LIMIT SWITCH MNT. SHOR.....1 | 1 |
| 7 | 22832GT | SCREW, HHC, 3/8-16 X 6 | | 38 | 89106GT | WEAR PAD, LIMIT SWITCH MNT. LONG.....1 | 1 |
| 8 | 7713GT | NUT, LP NYLOCK, 3/8-16 | | 39 | 89105PGT | FORMING, LIMIT SWITCH MOUNT**.....1 | 1 |
| 9 | 61171GT | SPRING, 1.00 DIA X .105.....3 | 3 | 40 | 75031GT | LIMIT SWITCH, SAFETY.....1 (LSB3RS) safety limit switch for boom length at 0 feet | 1 |
| 10 | 89110GT | LIMIT SWITCH, OPERATIONAL.....1 (LSB4EO) operational limit switch for boom length at 100 feet | 1 | -- | 53983GT | STRAIN RELIEF, PG13,5 | |
| 11 | 89171PGT | FORMING, LIMIT SWITCH GUARD.....1 | 1 | -- | 75910GT | WIRE ASSEMBLY, 16/4SJO, 9.5" PLUG | |
| 12 | 6019GT | SCREW, HHC, 3/8-16 X 1.25 GRD 5 | | -- | 75913GT | LIMIT SWITCH, SAFETY, NO WIRE | |
| 13 | 6021GT | WASHER, LOCK, .375 | | 41 | 89110GT | LIMIT SWITCH, OPERATIONAL.....1 (LSB3EO) operational limit switch for boom length greater or equal 80 feet | 1 |
| 14 | 6097GT | WASHER, FLAT, USS, 3/8", Y | | | | | |
| 15 | 61174GT | WIPER, RUBBER BOOM #3 TOP.....1 | 1 | | | | |
| 16 | 61176-SGT | BAR, RUBBER WIPER BACK-UP.....1 | 1 | | | | |
| 17 | 6888GT | SCREW, HHC, 1/4-20 X 1 | | | | | |
| 18 | 6091GT | NUT, NYLOCK, 1/4-20 | | | | | |
| 19 | 49824GT | SCREW, PHILLIPS, FHM, 10-32X1.00 | | | | | |

508.1 Platform Rotator



| Item | Part No. | Description | Qty. | Item | Part No. | Description | Qty. |
|------|-----------|--|------|------|-----------|--|------|
| 1 | 50208GT | PIN,1.25DIA X 7.11LG,2RING.....1 <i>to SN 2673 (must use pin # 146073 if replacing boom #3 assembly)</i> | 1 | 26 | 75106-SGT | PLATFORM,LEVELING LEVER,ASSY....1 <i>(includes item 22)</i> | 1 |
| -- | 146073GT | PIN,1.25DIA X 7.9LG,2RING <i>from SN 2674</i> | | | | | |
| 2 | 30220GT | BEARING,1.25ID X 1.5OD X 0.69L.....2 <i>to SN 2673 (must use bearing # 30370 if replacing boom #3 assembly)</i> | 2 | | | | |
| -- | 30370GT | BEARING,1.25ID X 1.5OD X 1.00L <i>from SN 2674</i> | | | | | |
| 3 | 30255GT | WASHER,SHIM,1.27 X 2.13 X .062 | | | | | |
| 4 | 30217GT | SNAP RING,EXTERNAL,1.25 DIA.** | | | | | |
| 5 | 825019GT | ROD END,.375X3.69,ZAG | | | | | |
| 6 | 8516GT | SCREW, HCC, 3/8-16 X 1.50 | | | | | |
| 7 | 4828GT | NUT,NYLOCK,3/8-16 | | | | | |
| 8 | T108078GT | PIN,1.25DIA X 9.50LG,1HOLE.....2 | 2 | | | | |
| 9 | 75016-SGT | GUARD,JIB HOSE.....1 | 1 | | | | |
| 10 | 6708GT | SCREW,HHC,3/8-16 X 2.25 | | | | | |
| 11 | 30370GT | BEARING,1.25ID X 1.5OD X 1.00L.....2 | 2 | | | | |
| 12 | 122206GT | ROTATOR,MOD,NON-JIB,144 DEG***....1 <i>to SN 1776</i> | 1 | | | | |
| -- | 122944GT | SEAL KIT,8K ROTATOR*** | | | | | |
| -- | 13852GT | VALVE ASSY,BLEED*** | | | | | |
| -- | 94400GT | ROTATOR,NON-JIB,160 DEG <i>from SN 1777</i> | | | | | |
| 13 | | Ref. Platform Rotate Manifold <i>(refer to 710.1)</i> | | | | | |
| 14 | 6145GT | SCREW,HHC,1/4-20 X 1.5 | | | | | |
| 15 | 6356GT | WASHER,LOCK,.25 | | | | | |
| 16 | 1274116GT | ASSY,TILT SENSOR,PCON,S100-125....1 | 1 | | | | |
| -- | 1274045GT | HARNESS, JUMPER, SB PLAT LVL | | | | | |
| -- | 50813GT | SENSOR,TILT,PCON (PLASTIC)**** | | | | | |
| 17 | 6638GT | WASHER,FLAT,USS,1/4"Y | | | | | |
| 18 | 6090GT | SCREW,HHC,1/4-20 X .75 | | | | | |
| 19 | T108075GT | PIN,1.25DIA X 5.25LG,1HOLE.....1 | 1 | | | | |
| 20 | 6019GT | SCREW,HHC,3/8-16 X 1.25 GRD 5 | | | | | |
| 21 | 50212GT | PIN,1.25DIA X 6.50LG,1HOLE.....1 | 1 | | | | |
| 22 | 75105-SGT | PLATFORM,LEVELING LINK ASSY.....1 | 1 | | | | |
| 23 | 47377GT | BEARING,1.25 ID X 1.5 OD X .75 | | | | | |
| 24 | 50207GT | CYLINDER,PLATFORM LEVELING.....1 | 1 | | | | |
| -- | 31106GT | VALVE,CNTERBAL,CBBB-LHN@3000** <i>(locks extend side)</i> | | | | | |
| -- | 43018GT | SEAL KIT (39345) | | | | | |
| -- | 65795GT | SEAL KIT,CYL,S100/120 (50207) | | | | | |
| -- | 75061GT | VALVE,COUNTERBAL.CBBB-LHN@2000 <i>(locks retract side)</i> | | | | | |
| 25 | 6021GT | WASHER,LOCK,.375 | | | | | |

509.1 Jib Boom and Platform Rotator

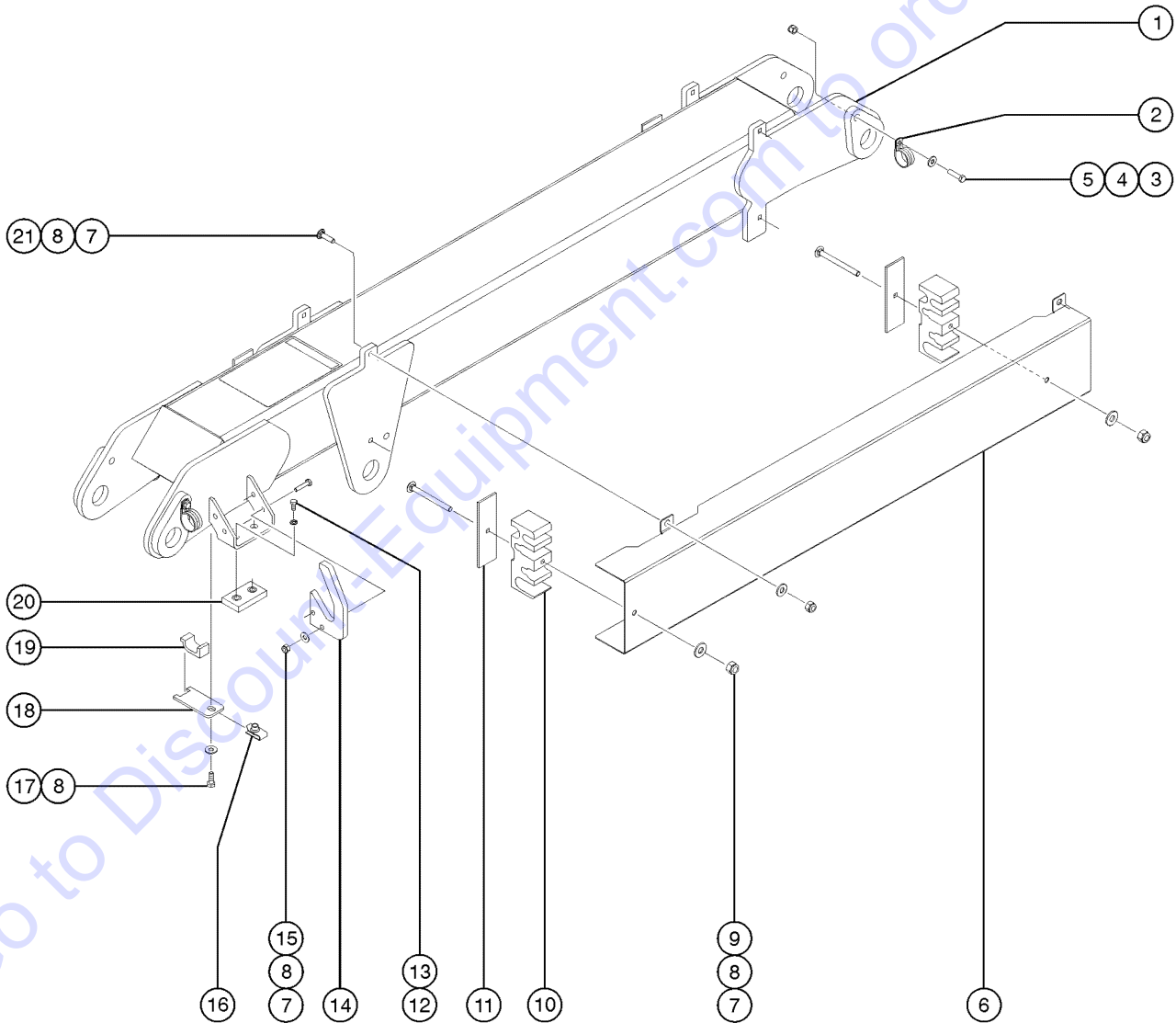
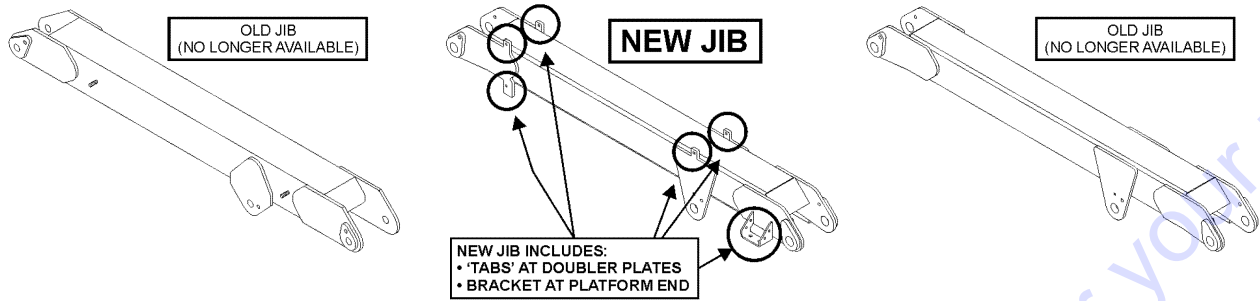


509.1 Jib Boom and Platform Rotator

| Item | Part No. | Description | Qty. | Item | Part No. | Description | Qty. |
|------|-----------|--|------|------|-----------|--|------|
| 1 | 50208GT | PIN,1.25DIAX7.11LG,2RING.....1 <i>to SN 2673 (must use pin # 146073 if replacing boom #3 assembly)</i> | 1 | -- | 13852GT | VALVE ASSY,BLEED*** <i>(use with rotator item 60505); to SN 998</i> | |
| -- | 146073GT | PIN,1.25DIAX7.9LG,2RING <i>from SN 2674</i> | | -- | 30222GT | BEARING,FL,1.25IDX1.41ODX1.50L <i>from SN 2695</i> | |
| 2 | 30220GT | BEARING,1.25ID X 1.5OD X 0.69L.....2 <i>to SN 2673 (must use bearing # 30370 if replacing boom #3 assembly)</i> | 2 | -- | 30370GT | BEARING,1.25IDX1.5ODX1.00L <i>(use with rotator item 94397); to SN 2694</i> | |
| -- | 30370GT | BEARING,1.25IDX1.5ODX1.00L <i>from SN 2674</i> | | -- | 62417GT | SEAL KIT,PLAT ROTATE*** <i>(use with rotator item 60505); to SN 998</i> | |
| 3 | 30255GT | WASHER,SHIM,1.27 X 2.13 X .062 | | -- | 75395GT | BEARING KIT,PLAT ROTATOR,SUPER <i>(use with rotator item 94397)</i> | |
| 4 | 30217GT | SNAP RING,EXTERNAL,1.25 DIA.** | | -- | 88516GT | SCREW,BLEEDER,M5X0.8 <i>(use with rotator item 94397)</i> | |
| 5 | 825019GT | ROD END,.375X3.69,ZAG.....9 | 9 | 25 | 1274116GT | ASSY,TILT SENSOR,PCON,S100-125....1 | |
| 6 | 5224GT | SCREW,HHC,3/8-16 X 2 | | -- | 1274045GT | HARNES, JUMPER, SB PLAT LVL | |
| 7 | 4828GT | NUT,NYLOCK,3/8-16 | | -- | 50813GT | SENSOR,TILT,PCON (PLASTIC)**** | |
| 8 | T108078GT | PIN,1.25DIAX9.50LG,1HOLE.....1 | 1 | 26 | 6090GT | SCREW,HHC,1/4-20 X .75 | |
| 9 | 75627GT | BEARING,1.25 X 1.5 X 2.....2 <i>to SN 1970</i> | 2 | 27 | 6638GT | WASHER,FLAT,USS,1/4"Y | |
| -- | 128268GT | BEARING,FL, 1.25X1.5X2.13.....2 <i>from SN 1971</i> | 2 | 28 | 63213GT | CYLINDER,JIB (STICK BOOMS).....1 | |
| 10 | T108076GT | PIN,1.25DIAX7.88LG,1HOLE.....2 | 2 | -- | 33428GT | VALVE,COUNTERBALANCE | |
| 11 | | SERVICE KIT,5FT JIB.....1 <i>refer to section 510.1 for jib detail</i> | 1 | -- | 43018GT | SEAL KIT (39345) | |
| 12 | 60789-SGT | COMPR. LINK,MACHINED,ENG SD***...1 <i>to SN 2056</i> | 1 | -- | 63353GT | SEAL KIT,CYL,S65 (63213) | |
| -- | 61306-SGT | COMPR.LINK,MACHINED,GND CONTR* <i>from SN 2057</i> | | 29 | 25683GT | BEARING,POLYGON,20DU12.....4 | |
| 13 | 8516GT | SCREW, HCC, 3/8-16 X 1.50 | | 30 | 81175GT | PIN,1.25DIAX14.45LG,2HOLE.....2 | |
| 14 | 75021-SGT | WELDMENT,JIB HOSE COVER,PAINT.....1 <i>to SN 2056</i> | 1 | 31 | 61306-SGT | COMPR.LINK,MACHINED,GND CONTR*.....1 | |
| -- | 128454PGT | COVER, JIB HOSES/CABLES <i>refer to section 510.1 for jib detail, (part of the upgrade service kit) or from SN 2057</i> | | 32 | 47377GT | BEARING,1.25 ID X 1.5 OD X .75.....4 | |
| 15 | 6326GT | SCREW,HHC,3/8-16 X 3 | | 33 | 89534GT | CYLINDER, PLATFORM LEVEL.....1 | |
| 16 | 6097GT | WASHER,FLAT,USS,3/8",Y | | -- | 146056GT | SEAL KIT (89534) | |
| 17 | 75016-SGT | GUARD,JIB HOSE.....1 | 1 | -- | 43018GT | SEAL KIT (39345) | |
| 18 | 13918GT | SCREW,HHC,3/8-16 X 1.75,GRD.8.....1 | 1 | -- | 61598GT | SEAL KIT,PLAT.LEVEL CYL(61387) | |
| 19 | T108077GT | PIN,1.25DIAX7.00LG,1HOLE.....1 | 1 | -- | 61602GT | VALVE,COUNTERBAL.CBBB-LHN@3500 | |
| 20 | 30370GT | BEARING,1.25IDX1.5ODX1.00L.....4 | 4 | -- | 75061GT | VALVE,COUNTERBAL.CBBB-LHN@2000 | |
| 21 | 6145GT | SCREW,HHC,1/4-20 X 1.5 | | 34 | T108075GT | PIN,1.25DIAX5.25LG,1HOLE.....1 | |
| 22 | 6356GT | WASHER,LOCK,.25 | | 35 | 6019GT | SCREW,HHC,3/8-16 X 1.25 GRD 5 | |
| 23 | | Ref. Platform Rotate Manifold (refer to 710.1) | | 36 | 6021GT | WASHER,LOCK,.375 | |
| 24 | 94397GT | ROTATOR,PLAT JIB,160 DEG***.....1 <i>replaces rotator item 60505</i> | 1 | 37 | 75134-SGT | BELL CRANK,ASSY. W/ BEARINGS.....1 <i>includes item 9</i> | |
| -- | 106421GT | SEAL KIT,ARCTIC,ROTATOR 8.2K** <i>(use with rotator item 60505); to SN 998</i> | | 38 | 75627GT | BEARING,1.25 X 1.5 X 2.....4 | |
| -- | 122944GT | SEAL KIT,8K ROTATOR*** <i>(use with rotator item 94397)</i> | | | | | |

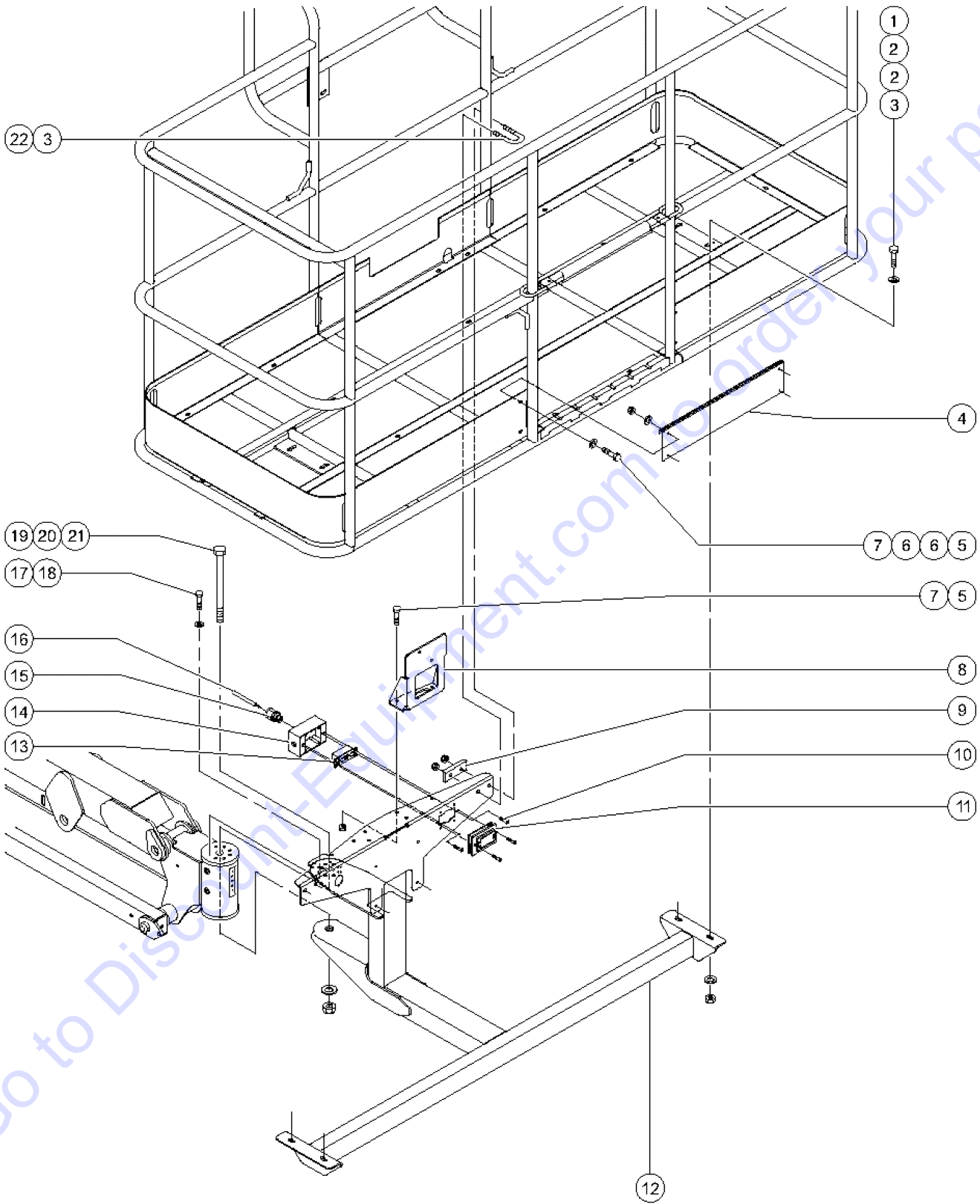
510.1 Jib Detail

NOTE: THE OLDER JIB HAS BEEN REPLACED. SEE BELOW FOR CHANGES.



| Item | Part No. | Description | Qty. |
|------|-----------|--|------|
| 1 | 128513GT | SERVICE KIT,5FT JIB.....1 <i>upgrade service kit, required for first time replacement (includes part number 128534); to SN 2056</i> | |
| -- | 128515GT | SERVICE KIT, 5FT JIB, ARCTIC <i>(Arctic option) upgrade service kit required for first time replacement; to SN 2056</i> | |
| -- | 128534GT | JIB BOOM ASSY W/WORD DECAL <i>use ONLY if service kits 128513 or 128515 have been installed on the machine, or from SN 2057</i> | |
| -- | 226107GT | JIB BOOM ASSY W/SYM DECAL <i>use ONLY if service kits 128513 or 128515 have been installed on the machine, Europe/Asia/South America, or from SN 2057</i> | |
| 2 | 61745GT | CLAMP,2.25,#36 X 3/8,RUB CUSH.....2 | |
| 3 | 5224GT | SCREW,HHC,3/8-16 X 2 | |
| 4 | 5397GT | WASHER,FLAT,USS,5/16",Y | |
| 5 | 4828GT | NUT,NYLOCK,3/8-16 | |
| 6 | 128454PGT | COVER, JIB HOSES/CABLES.....1 | |
| 7 | 6091GT | NUT,NYLOCK,1/4-20 | |
| 8 | 6638GT | WASHER,FLAT,USS,1/4"Y | |
| 9 | 128724GT | BOLT,CARRIAGE,1/4-20 X 2.75,G2 | |
| 10 | 122551GT | CLAMP,JIB HOSE/CABLE,S105,S125....2 | |
| -- | 122552GT | CLAMP,JIB HOSE/CABLE,ARCTIC <i>(part of the Arctic hose option)</i> | |
| 11 | 128483GT | BACKING PLATE, HOSE BLOCK, JIB....2 | |
| 12 | 8255GT | SCREW,HHC,3/8-16 X .75 | |
| 13 | 6021GT | WASHER,LOCK,.,375 | |
| 14 | 128482GT | HOSE GUIDE, JIB.....1 | |
| 15 | 8915GT | SCREW,HHC,1/4-20 X 1.25 | |
| 16 | 56912GT | SPRING CLIP,1/4-20,.025-.15X.54,ZAG.....1 | |
| 17 | 6090GT | SCREW,HHC,1/4-20 X .75 | |
| 18 | 119536PGT | BRACKET,HOSE CLAMP,PAINTED.....1 | |
| 19 | 119542GT | CLAMP,TWO HOSE.....1 | |
| 20 | 81640GT | WEAR PAD,3 X 1.5 X.625 W/NUTS.....1 | |
| 21 | 79456GT | BOLT,CARRIAGE,1/4-20 X 1.00,G2 | |

601.1 Platform Installation - View 1



601.1 Platform Installation - View 1

| Item | Part No. | Description | Qty. | Item | Part No. | Description | Qty. |
|------|----------|---|------|------|----------|--|------|
| -- | 102660GT | PLAT. ASSY, 4FT,SERV,S120 ANSI <i>Assemblies with Word Decals; USA/Canada models; to SN 1292</i> | | -- | 111187GT | PLAT. ASSY, 5FT,SERV,S120 <i>Assemblies with Word Decals; USA/Canada models; from SN 1293</i> | |
| -- | 111194GT | PLAT. ASSY, 4FT,SERV,S125 ANSI <i>Assemblies with Word Decals; USA/Canada models; to SN 1292</i> | | -- | 111211GT | PLAT. ASSY, 5FT,SERV,S125 <i>Assemblies with Word Decals; USA/Canada models; from SN 1293</i> | |
| -- | 102661GT | PLAT. ASSY, 5FT,SERV,S120 ANSI <i>Assemblies with Word Decals; USA/Canada models; to SN 1292</i> | | -- | 111188GT | PLAT. ASSY, 6FT,SERV,S120 <i>Assemblies with Word Decals; USA/Canada models; from SN 1293</i> | |
| -- | 111195GT | PLAT. ASSY, 5FT,SERV,S125 ANSI <i>Assemblies with Word Decals; USA/Canada models; to SN 1292</i> | | -- | 111212GT | PLAT. ASSY, 6FT,SERV,S125 <i>Assemblies with Word Decals; USA/Canada models; from SN 1293</i> | |
| -- | 102662GT | PLAT. ASSY, 6FT,SERV,S120 ANSI <i>Assemblies with Word Decals; USA/Canada models; to SN 1292</i> | | -- | 111189GT | PLAT. ASSY, 8FT,SERV,S120 <i>Assemblies with Word Decals; USA/Canada models; from SN 1293</i> | |
| -- | 111196GT | PLAT. ASSY, 6FT,SERV,S125 ANSI <i>Assemblies with Word Decals; USA/Canada models; to SN 1292</i> | | -- | 111213GT | PLAT. ASSY, 8FT,SERV,S125 <i>Assemblies with Word Decals; USA/Canada models; from SN 1293</i> | |
| -- | 102663GT | PLAT. ASSY, 8FT,SERV,S120 ANSI <i>Assemblies with Word Decals; USA/Canada models; to SN 1292</i> | | -- | 111190GT | PLAT ASSY, 4FT, AUST, S120 <i>Assemblies with Word Decals; Australia models; from SN 1293</i> | |
| -- | 111197GT | PLAT. ASSY, 8FT,SERV,S125 ANSI <i>Assemblies with Word Decals; USA/Canada models; to SN 1292</i> | | -- | 111214GT | PLAT ASSY, 4FT, AUST, S125 <i>Assemblies with Word Decals; Australian models; from SN 1293</i> | |
| -- | 102664GT | PLAT ASSY, 4FT, AUST, S120 <i>Assemblies with Word Decals; Australia models; to SN 1292</i> | | -- | 111191GT | PLAT ASSY, 5FT, AUST, S120 <i>Assemblies with Word Decals; Australia models; from SN 1293</i> | |
| -- | 111198GT | PLAT ASSY, 4FT, AUST, S125 <i>Assemblies with Word Decals; Australia models; to SN 1292</i> | | -- | 111215GT | PLAT ASSY, 5FT, AUST, S125 <i>Assemblies with Word Decals; Australian models; from SN 1293</i> | |
| -- | 102665GT | PLAT ASSY, 5FT, AUST, S120 <i>Assemblies with Word Decals; Australia models; to SN 1292</i> | | -- | 111192GT | PLAT ASSY, 6FT, AUST, S120 <i>Assemblies with Word Decals; Australia models; from SN 1293</i> | |
| -- | 111199GT | PLAT ASSY, 5FT, AUST, S125 <i>Assemblies with Word Decals; Australia models; to SN 1292</i> | | -- | 111216GT | PLAT ASSY, 6FT, AUST, S125 <i>Assemblies with Word Decals; Australian models; from SN 1293</i> | |
| -- | 102666GT | PLAT ASSY, 6FT, AUST, S120 <i>Assemblies with Word Decals; Australia models; to SN 1292</i> | | -- | 111193GT | PLAT ASSY, 8FT, AUST, S120 <i>Assemblies with Word Decals; Australia models; from SN 1293</i> | |
| -- | 111200GT | PLAT ASSY, 6FT, AUST, S125 <i>Assemblies with Word Decals; Australia models; to SN 1292</i> | | -- | 111217GT | PLAT ASSY, 8FT, AUST, S125 <i>Assemblies with Word Decals; Australian models; from SN 1293</i> | |
| -- | 102667GT | PLAT ASSY, 8FT, AUST, S120 <i>Assemblies with Word Decals; Australia models; to SN 1292</i> | | -- | 102668GT | PLAT ASSY, 4FT,CE/UK, S120 <i>Assemblies with Symbol Decals; European models; from SN 1293</i> | |
| -- | 111201GT | PLAT ASSY, 8FT, AUST, S125 <i>Assemblies with Word Decals; Australia models; to SN 1292</i> | | -- | 111202GT | PLAT ASSY, 4FT, CE/UK, S125 <i>Assemblies with Symbol Decals; European models; from SN 1293</i> | |
| -- | 111186GT | PLAT. ASSY, 4FT,SERV,S120 <i>Assemblies with Word Decals; USA/Canada models; from SN 1293</i> | | -- | 102669GT | PLAT ASSY, 5FT, CE/UK, S120 <i>Assemblies with Symbol Decals; European models; from SN 1293</i> | |
| -- | 111210GT | PLAT. ASSY, 4FT,SERV,S125 <i>Assemblies with Word Decals; USA/Canada models; from SN 1293</i> | | -- | 111203GT | PLAT ASSY, 5FT, CE/UK, S125 <i>Assemblies with Symbol Decals; European models; from SN 1293</i> | |

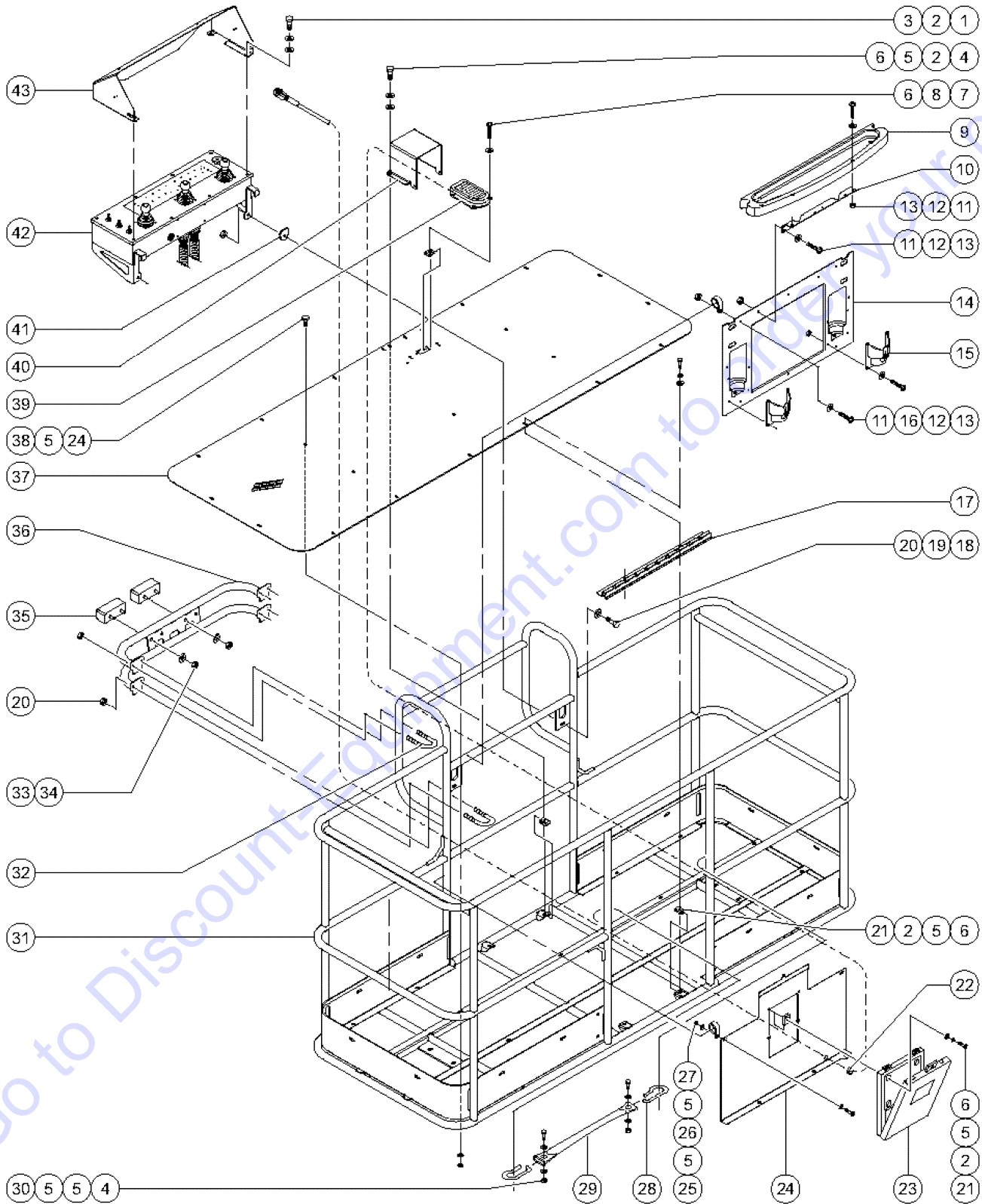
601.1 Platform Installation - View 1
(continued)

| Item | Part No. | Description | Qty. | Item | Part No. | Description | Qty. |
|------|------------|--|------|------|-----------|---|------|
| -- | 102670GT | PLAT ASSY, 6FT, CE/UK, S120 <i>Assemblies with Symbol Decals; European models; from SN 1293</i> | | 10 | 75067GT | SCREW,6-32 X 7/8 PPMS ZINC | |
| -- | 111204GT | PLAT ASSY, 6FT, CE/UK, S125 <i>Assemblies with Symbol Decals; European models; from SN 1293</i> | | 11 | 74006GT | COVER,GFCI,HORIZONTAL,WEATHER.1 | |
| -- | 102671GT | PLAT ASSY, 8FT, CE/UK, S120 <i>Assemblies with Symbol Decals; European models; from SN 1293</i> | | -- | 10777GT | COVER,BLANK | |
| -- | 111205GT | PLAT ASSY, 8FT, CE/UK, S125 <i>Assemblies with Symbol Decals; European models; from SN 1293</i> | | -- | 74052GT | GASKET,COVER,GFCI,WEATHERPROOF | |
| -- | 102672GT | PLAT ASSY, 4FT, A/SA, S120 <i>Assemblies with Symbol Decals; Asia/South America models; from SN 1293</i> | | 12 | 75123-SGT | PLATFORM SUPPORT ASSY.SUPRBOO.....1 to SN 470 | |
| -- | 111206GT | PLAT ASSY, 4FT, A/SA, S125 <i>Assemblies with Symbol Decals; Asia/South American models; from SN 1293</i> | | -- | | Ref., WELDMNT,PLATFORM SUPPORT,CE CE models (refer to 803.1) | |
| -- | 102673GT | PLAT ASSY, 5FT, A/SA, S120 <i>Assemblies with Symbol Decals; Asia/South America models; from SN 1293</i> | | -- | 60370-SGT | PLATFORM SUPPORT WELDMNT-SERV* from SN 471 to 800 | |
| -- | 111207GT | PLAT ASSY, 5FT, A/SA, S125 <i>Assemblies with Symbol Decals; Asia/South American models; from SN 1293</i> | | -- | 94326-SGT | WELDMNT,4/5FT PLATFORM SUPPOR | |
| -- | 102674GT | PLAT ASSY, 6FT, A/SA, S120 <i>Assemblies with Symbol Decals; Asia/South America models; from SN 1293</i> | | -- | 94390-SGT | OPTION,PLAT SUPPORT,STD,LRG BM ANSI models (from SN 801) | |
| -- | 111208GT | PLAT ASSY, 6FT, A/SA, S120 <i>Assemblies with Symbol Decals; Asia/South American models; from SN 1293</i> | | 13 | 13585GT | OUTLET, 110V.....1 | |
| -- | 102675GT | PLAT ASSY, 8FT, A/SA, S120 <i>Assemblies with Symbol Decals; Asia/South America models; from SN 1293</i> | | 14 | 75069GT | T-BOX 2.75 X 4.5 X 2.5.....1 | |
| -- | 111209GT | PLAT ASSY, 8FT, A/SA, S125 <i>Assemblies with Symbol Decals; Asia/South American models; from SN 1293</i> | | 15 | 7056GT | CONN, SQZ, 1/2NPT .38-.50, SM**.....2 | |
| 1 | 6019GT | SCREW,HHC,3/8-16 X 1.25 GRD 5 | | 16 | 43955GT | WIRE CABLE,12/3 CON.TPE JKT.....1960-inches S-120 | |
| 2 | 6097GT | WASHER,FLAT,USS,3/8",Y | | 17 | 6175GT | SCREW,HHC,3/8-16 X 1 to SN 784 | |
| 3 | 4828GT | NUT,NYLOCK,3/8-16 | | -- | 49857GT | SCREW,HHC,3/8-16 X .88,GRD 8 from SN 1670 | |
| 4 | 54817P-SGT | TOEBOARD,PLTFM ENTRY EUR,PNTD*.....1 to SN 827 | | -- | 77692GT | SCREW,HHC,3/8-16 X 1 GRD 8 from SN 785 to 1669 | |
| -- | 94745PGT | TOEBOARD,ENTRY EUROPEAN PNTD** from SN 828 | | 18 | 57201GT | WASHER,FLAT,313, HARDENED.....8 | |
| 5 | 6090GT | SCREW,HHC,1/4-20 X .75 | | 19 | 73928GT | SCREW,HHC,1-8 X 11,GRD 5*** | |
| 6 | 6638GT | WASHER,FLAT,USS,1/4"Y | | 20 | 122079GT | WASHER,FLAT,1.000,HARDENED.....1 | |
| 7 | 6091GT | NUT,NYLOCK,1/4-20 | | 21 | 29764GT | NUT,NYLOCK,1-8 | |
| 8 | 89425GT | WELDMNT,PLATF.MANFLD.SUPPORT.1 | | 22 | 122755GT | UBOLT,FLATTENED,1.5DIAX3/8 UNC | |
| 9 | 61339GT | PLATE,BACKING.....2 | | | | | |

This Page Intentionally Left Blank

Go to Discount-Equipment.com to order your parts

602.1 Platform Installation - View 2



602.1 Platform Installation - View 2

| Item | Part No. | Description | Qty. | Item | Part No. | Description | Qty. |
|------|------------|---|------|------|----------|--|------|
| 1 | 7339GT | SCREW, HHC, 1/4-20 X .5 to SN 791 | | -- | 139451GT | TUBE,SLIDING MIDRAIL,PAINTED | |
| 2 | 6356GT | WASHER,LOCK,.25 | | -- | 20973GT | WIRE LOOM,3/8 POLY SLIT | |
| 3 | 75144GT | WASHER,FLAT,SAE 1/4",ZINC to SN 791 | | -- | 21121GT | CABLE TIE,4" BLK,HEAT RESISTNT | |
| 4 | 6888GT | SCREW,HHC,1/4-20 X 1 | | 30 | 6091GT | NUT,NYLOCK,1/4-20 | |
| 5 | 6638GT | WASHER,FLAT,USS,1/4"Y | | 31A | 111254GT | PLAT RAILW/DECALS,4FT,750LB AN.....1 (S-120) Railing Assemblies with Word Decals; USA/Canada models; to SN 1292 | |
| 6 | 56912GT | SPRING CLIP,1/4-20,.025-.15X.54,ZAG | | 31A | 73975GT | PLATFORM RAIL ASSY, 6FT ANSI (S-125) Railing Assemblies with Word Decals; USA/Canada models; to SN 1292 | |
| 7 | 73587GT | SCREW,PHIL,10-24 X .75 | | 31A | 73976GT | PLATFORM RAIL ASSY, 8FT, ANSI (S-125) Railing Assemblies with Word Decals; USA/Canada models; to SN 1292 | |
| 8 | 6607GT | WASHER,LOCK,#10 PLTD | | 31A | 77840GT | WELDMENT W/DECALS,5FT,500LB AN (S-125) Railing Assemblies with Word Decals; USA/Canada models; to SN 1292 | |
| 9 | 60476GT | TOOL HOLDER,PLASTIC.....1 | | -- | 111255GT | PLAT RAILW/DECLAS 5FT 750LB AN (S-120) Railing Assemblies with Word Decals; USA/Canada models; to SN 1292 | |
| 10 | 60475GT | GUSSET,TOOL HOLDER,PLASTIC.....1 | | -- | 111256GT | PLAT RAIL W/DECALS 6FT 750 ANS (S-120) Railing Assemblies with Word Decals; USA/Canada models; to SN 1292 | |
| 11 | 6178GT | NUT,NYLOCK,10-32 | | -- | 111257GT | PLAT RAILW/DECALS 8FT 750 ANSI (S-120) Railing Assemblies with Word Decals; USA/Canada models; to SN 1292 | |
| 12 | 6146GT | WASHER,FLAT,MS,#10,Y | | 31B | 111250GT | PLAT RAILW/DECALS,4FT,500LB AN.....1 (S-125) Railing Assemblies with Word Decals; USA/Canada models; from SN 1293 | |
| 13 | 49816GT | SCREW,PHILLIPS,PHM,10-32 X .75 | | 31B | 111270GT | PLAT RAILW/DECALS,4FT,750LB AN (S-120) Railing Assemblies with Word Decals; USA/Canada models; from SN 1293 | |
| 14 | 75114-SGT | DECAL PLATE W/WORD DECALS.....1 USA/Canada/Australia; to SN 1292 | | -- | 111251GT | PLAT RAILW/DECALS,5FT,500LB AN (S-125) Railing Assemblies with Word Decals; USA/Canada models; from SN 1293 | |
| -- | 102200-SGT | DECAL PLATE W/SYMB DECALS S120 Europe/Asia/South America | | -- | 111252GT | PLAT RAILW/DECALS 6FT 500LB AN (S-125) Railing Assemblies with Word Decals; USA/Canada models; from SN 1293 | |
| -- | 111278GT | DECAL PLATE ASSY W/WORD DECALS USA/Canada/Australia; from SN 1293 | | -- | 111253GT | PLAT RAILW/DECALS 8FT 500 ANSI (S-125) Railing Assemblies with Word Decals; USA/Canada models; from SN 1293 | |
| 15 | 60474GT | CUP HOLDER,PLASTIC.....2 | | -- | 111271GT | PLAT RAILW/DECALS,5FT,750LB AN (S-120) Railing Assemblies with Word Decals; USA/Canada models; from SN 1293 | |
| 16 | 60478GT | CLAMP,1.25"DIA NON-CUSHIONED.....5 | | -- | 111272GT | PLAT RAILW/DECALS 6FT 750 ANSI (S-120) Railing Assemblies with Word Decals; USA/Canada models; from SN 1293 | |
| 17 | 73610PGT | STEP PLATFORM ENTRY PAINTED***1 | | | | | |
| 18 | 8516GT | SCREW, HCC, 3/8-16 X 1.50 to SN 1028 | | | | | |
| 19 | 6097GT | WASHER,FLAT,USS,3/8",Y to SN 1028 | | | | | |
| 20 | 4828GT | NUT,NYLOCK,3/8-16 to SN 1028 | | | | | |
| 21 | 6090GT | SCREW,HHC,1/4-20 X .75 | | | | | |
| 22 | 229768GT | GROMMET,RUBBER,1.0X0.094X1.375..1 | | | | | |
| 23A | 44743GT | MANUAL BOX W/DECALS***1 USA/Canada/Australia | | | | | |
| 23B | 24514GT | BOX,INSTRUCTION STORAGE Europe/Asia/South America (decal required; refer to Section100) | | | | | |
| 24 | 75537PGT | PLATE,DOCUMENT BOX MOUNT,PAINT1 | | | | | |
| 25 | 56912GT | SPRING CLIP,1/4-20,.025-.15X.54,ZAG.....2 | | | | | |
| 26 | 56424GT | CLAMP,1.25X.5 RUBBER-CUSHION.....5 | | | | | |
| 27 | 8914GT | SCREW,HHC,1/4-20 X .625 | | | | | |
| 28 | 12443GT | MIDRAIL GUIDE (HOOK).....2 | | | | | |
| 29 | 102992GT | SLIDING MIDRAIL KIT,PTD.....1 | | | | | |
| -- | 12443GT | MIDRAIL GUIDE (HOOK) | | | | | |

602.1 Platform Installation - View 2
(continued)

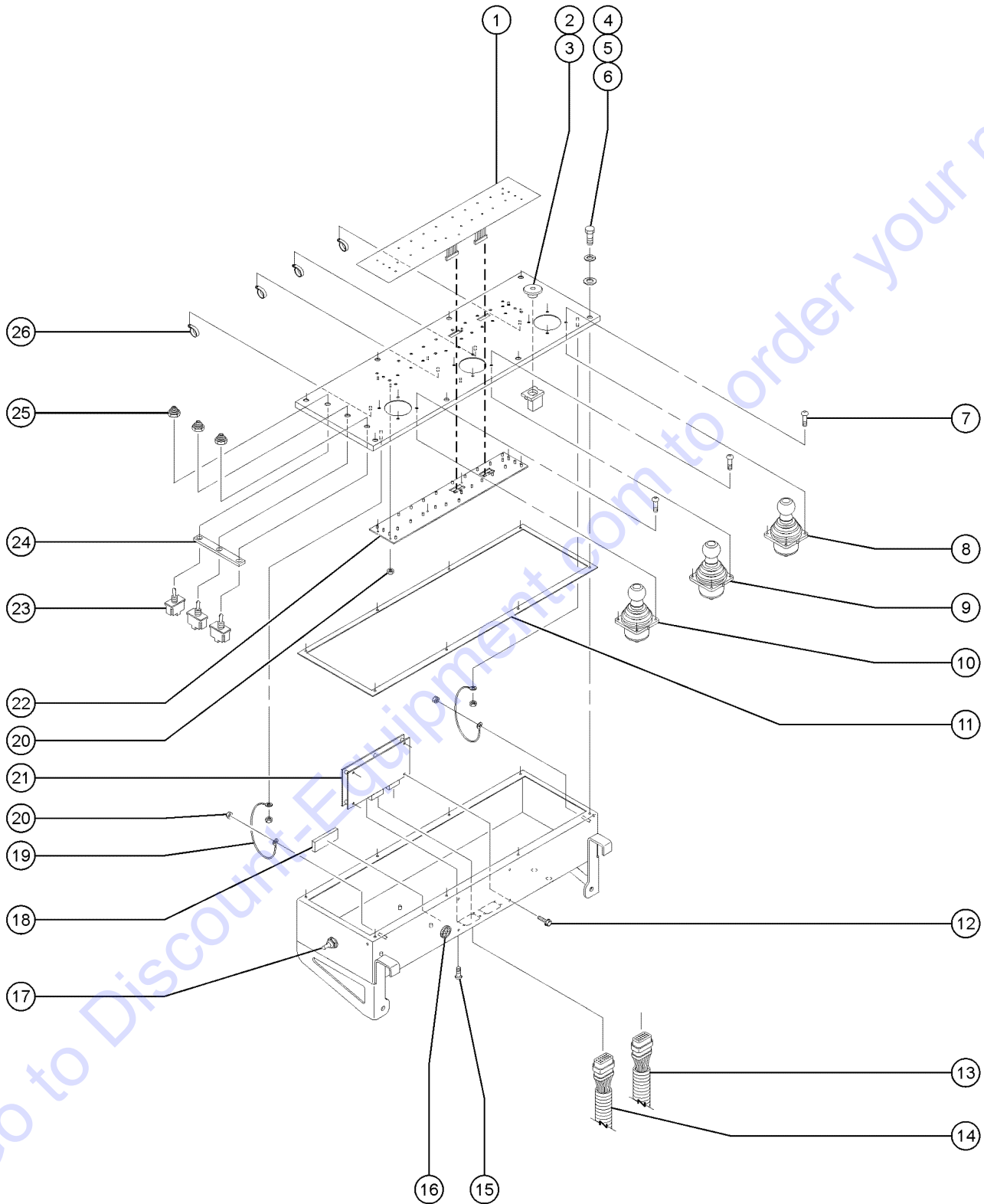
| Item | Part No. | Description | Qty. | Item | Part No. | Description | Qty. |
|------|-----------|--|------|------|-----------|---|------|
| -- | 111273GT | PLAT RAILW/DECALS 8FT 750 ANSI (S-120) Railing Assemblies with Word Decals; USA/Canada models; from SN 1293 | | 31E | 111266GT | PLAT RAILW/DECALS 750 AISA/SOA....1 (S-120) Railing Assemblies with Symbol Decals; Asia/South American models | |
| 31C | 111258GT | PLAT RAILW/DECALS 4FT 750 AUST....1 (S-120) Railing Assemblies with Word Decals; Australia models | | -- | 101378GT | PLAT ASSEMBLY,5FT,ASIA/S AM (S-125) Railing Assemblies with Symbol Decals; Asia/South American models | |
| 31C | 60042-SGT | PLATFORM WELDMENT,4 FT.....1 (S-125) Railing Assemblies with no Decals | | -- | 101381GT | PLAT ASSEMBLY,6FT,ASIA/S AM (S-125) Railing Assemblies with Symbol Decals; Asia/South American models | |
| -- | 101377GT | PLAT ASSEMBLY,5FT,AUSTRALIA*** (S-125) Railing Assemblies with Word Decals; Australia models | | -- | 101384GT | PLAT ASSEMBLY,8FT,ASIA/S AM (S-125) Railing Assemblies with Symbol Decals; Asia/South American models | |
| -- | 101383GT | PLAT RAIL ASSY,8FT,AUSTRALIA** (S-125) Railing Assemblies with Word Decals; Australia models | | -- | 111267GT | PLAT RAILW/DECALS 5FT 750A/SOA (S-120) Railing Assemblies with Symbol Decals; Asia/South American models | |
| -- | 111259GT | PLAT RAILW/DECLAS 5FT 750 AUST (S-120) Railing Assemblies with Word Decals; Australia models | | -- | 111268GT | PLAT RAILW/DECALS 6FT 750A/SOA (S-120) Railing Assemblies with Symbol Decals; Asia/South American models | |
| -- | 111260GT | PLAT RAILW/DECALS 6FT 750 AUST (S-120) Railing Assemblies with Word Decals; Australia models | | -- | 111269GT | PLAT RAILW/DECALS 8FT 750A/SOA (S-120) Railing Assemblies with Symbol Decals; Asia/South American models | |
| -- | 111261GT | PLAT RAILW/DECALS 8FT 750 AUST (S-120) Railing Assemblies with Word Decals; Australia models | | 32 | 122755GT | UBOLT,FLATTENED,1.5DIAx3/8 UNC | |
| -- | 73900GT | WELDMNT,6 FT PLATFORM (S-125) Railing Assemblies with no Decals | | 32 | 6550GT | U-BOLT,3/8 X 1 YZ | |
| 31D | 101373GT | PLATFORM ASSEMBLY,4FT,CE/UK.....1 (S-125) Railing Assemblies with Symbol Decals; European models | | 33 | 4828GT | NUT,NYLOCK,3/8-16 (S-120 only) | |
| 31D | 111262GT | PLAT RAILW/DECALS 4FT 750 EURO...1 (S-120) Railing Assemblies with Symbol Decals; European models | | 34 | 54355GT | WASHER,FLAT,SAE,3/8",Y (S-120 only) | |
| -- | 101376GT | PLATFORM ASSEMBLY,5FT,CE/UK (S-125) Railing Assemblies with Symbol Decals; European models | | 35 | 56927GT | PAD,REST,2"THICK,W/STUDS*.....2 (S-120 only) | |
| -- | 101379GT | PLATFORM RAIL ASSY,6FT,CE/UK (S-125) Railing Assemblies with Symbol Decals; European models | | 36 | 61216-SGT | WELDMENT,PLAT. STOWED SUPPORT.....1 (S-120 only) | |
| -- | 101382GT | PLATFORM RAIL ASSY,8FT,CE/UK (S-125) Railing Assemblies with Symbol Decals; European models | | 37 | 60160PGT | FLOORING,4 FT PLATFORM,PAINTED.....1 | |
| -- | 111263GT | PLAT RAILW/DECLAS 5FT 750 EURO (S-120) Railing Assemblies with Symbol Decals; European models | | -- | 54247-SGT | PLAT. FLOOR, 5FT, PAINTED | |
| -- | 111264GT | PLAT RAILW/DECALS 6FT 750 EURO (S-120) Railing Assemblies with Symbol Decals; European models | | -- | 73477PGT | FLOORING, 6'FT PLATFORM | |
| -- | 111265GT | PLAT RAILW/DECALS 8FT 750 EURO (S-120) Railing Assemblies with Symbol Decals; European models | | -- | 73478PGT | FLOORING,8 FT PLATFORM** | |
| 31E | 101375GT | PLAT ASSEMBLY,4FT,ASIA/S AM.....1 (S-125) Railing Assemblies with Symbol Decals; Asia/South American models | | 38 | 54274GT | SCREW,STEP BOLT,1/4-20 X .75 | |
| | | | | 39 | 228465GT | KIT, FOOTSWITCH, SUPERBOOM.....1 Pervious foot switch is no longer available. Order kit 228465 for first time replacement (kit includes foot switch 227515); to SN 3091 | |
| | | | | -- | 227515GT | ASSEMBLY,FOOT SWITCH from SN 3092 | |
| | | | | -- | 33576GT | CONN,SQZ,BLK,1/2NPT,.38-.50,SM | |
| | | | | 40 | 32710GT | GUARD,FOOTSWITCH,W/DECAL STEEL.....1 to SN 470 | |
| | | | | -- | 73931GT | GUARD,FOOTSWITCH,W/DECAL ALUM USA/Canada/Australia; from SN 471 to 2709 | |

602.1 Platform Installation - View 2
(continued)

| Item | Part No. | Description | Qty. |
|------|----------|---|------|
| -- | 147221GT | GUARD,FOOTSWITCH,W/DECAL ALUM <i>USA/Canada/Australia; from SN 2710</i> | |
| -- | 63766GT | COVER,FOOT SWITCH <i>Europe/Asia/South America; from SN 471 to 2709</i> | |
| -- | 147121GT | COVER, FOOT SWITCH, LARGE <i>Europe/Asia/South America; from SN 2710</i> | |
| 41 | 107860GT | PLATE,PLAT.CONTROL BOX SPACER.....2 <i>from SN 1028</i> | |
| 42 | | Ref. Platform Controls (refer to 603.1) | |
| 43 | | Ref. Platform Controls Cover (refer to 802.1) | |

Go to Discount-Equipment.com to order your parts

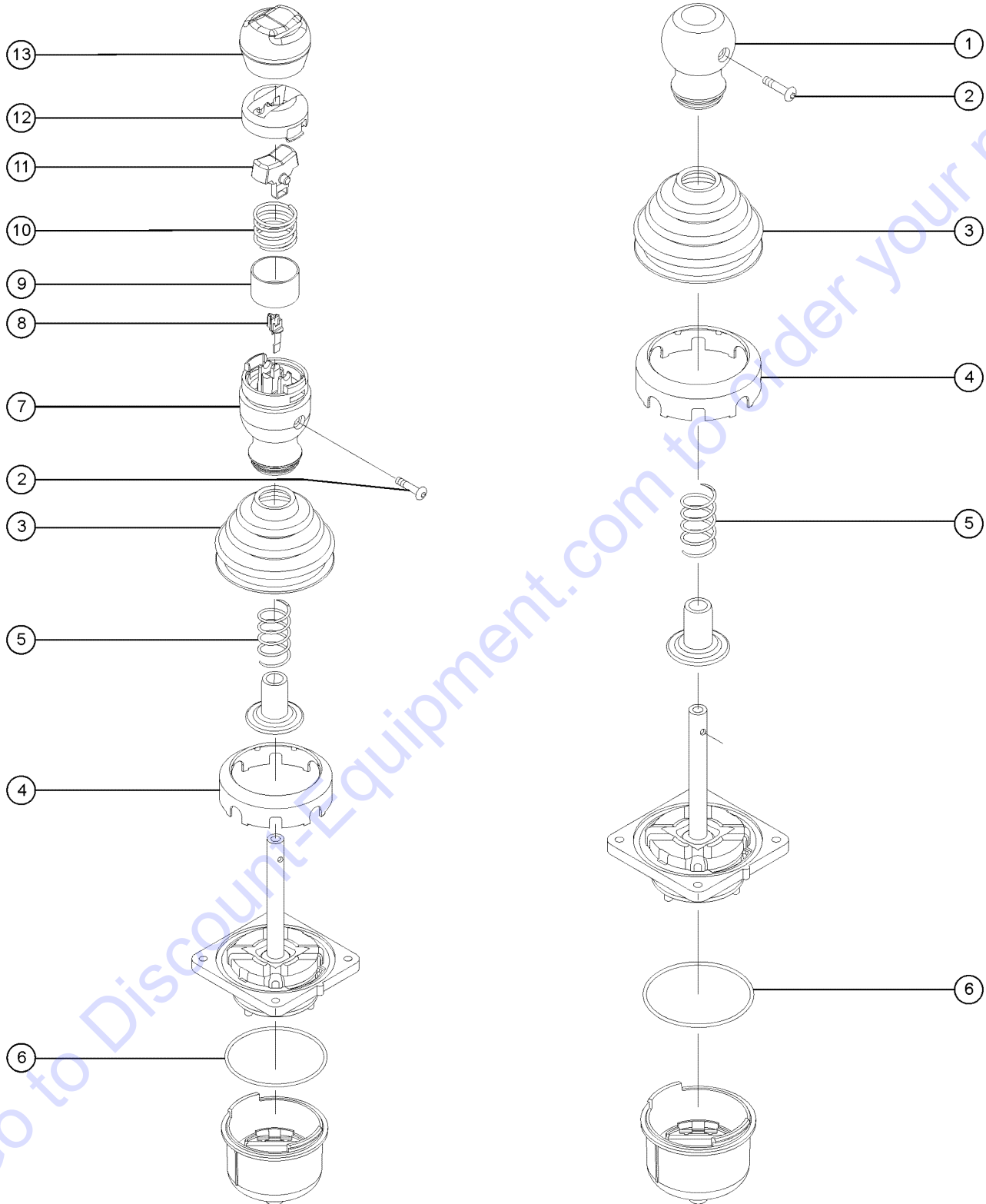
603.1 Platform Controls



603.1 Platform Controls

| Item | Part No. | Description | Qty. | Item | Part No. | Description | Qty. |
|------|----------|---|------|------|-----------|---|------|
| -- | 122021GT | CONTROL BOX ASSY,PLATFORM to SN 2666 | | -- | 61283GT | SLEAVING,PARKER TEK,2.00" | |
| -- | 146137GT | CONTROL BOX ASSY, PCON 210 from SN 2667 to 2709 | | -- | 83122GT | CONTACT RECEPTACLE 20-16AWG | |
| -- | 146389GT | CONTROL BOX ASSY, PCON V3.00 from SN 2710 | | 14A | 75408GT | HARNESS,BOOM/SAE UPPER S125.....1 to SN 2709 | |
| -- | 58626GT | CONTROL BOX (122021) NO COVER | | -- | 61283GT | SLEAVING,PARKER TEK,2.00" to SN 2709 | |
| -- | 58629GT | COVER ASSY,CONTROL BOX,122021 includes only cover and gasket | | -- | 83122GT | CONTACT RECEPTACLE 20-16AWG to SN 2709 | |
| -- | 65182GT | DECAL,PLATFORM CONTROL PANEL | | 14B | 146194GT | HARNESS, BOOM/SAE UPPER S125 from SN 2710 | |
| -- | 72088GT | DECAL,CONTROL PANEL PROTECTOR for 65182 | | -- | 121657GT | FUSE HOLDER,ATC 1-20 AMPS from SN 2710 | |
| -- | 111414GT | JOYSTICK CONNECTOR ASSEM,AMP to SN 1616 | | -- | 69864GT | FUSE,5 AMP,ATC from SN 2710 | |
| -- | 111413GT | JOYSTICK CONNECTOR ASSEM,DEUT from SN 1617 | | 15 | 62387GT | SCREW,PHM, 4-20 X .25 SELF TAP | |
| 1 | 50810GT | SWITCH,MEMBRANE,PLATFORM.....1 | | 16 | 62379GT | ALARM,AUDIO,SUPERBOOM***.....1 | |
| 2 | 122519GT | KIT,ESTOP SVC LARGE BOOM.....1 | | -- | 72326GT | NUT - PLASTIC,RING FOR ALARMS | |
| 3 | 66812GT | BUTTON,PUSH,RED MUSHROOM HEAD | | 17 | 122362GT | FIELD KIT,PL LVL REC,ALC1000 platform level recovery option | |
| -- | 146478GT | BOOT(BELLOWS),E-STOP,BLACK | | -- | 122343GT | DECAL,PLAT LVL.RECOVERY | |
| -- | 66818GT | CONTACT,NC.....1 | | -- | 122461GT | HARNESS,PLAT LEVEL RECOVERY | |
| -- | 66821GT | BASE,WITHOUT CONTACTS | | -- | 128203GT | SWITCH TOGGLE ASSY SPDT 2P MOM | |
| 4 | 7339GT | SCREW, HHC, 1/4-20 X .5 | | -- | 229567GT | PLUG, SANTOPRENE .5 BLACK DOME use if field kit part 122362 is not installed | |
| 5 | 6356GT | WASHER,LOCK,.25 | | 18 | 30997GT | CORROSION INHIBITOR,FOAM.....1 | |
| 6 | 75144GT | WASHER,FLAT,SAE 1/4",ZINC | | 19 | 62388GT | LANYARD,BEAD CHAIN, TCON.....2 | |
| 7 | 62385GT | SCREW,PHM,M5X.8X10MM SELF TAP | | 20 | 62389GT | NUT,HEX,6/32 W/STAR WASHER | |
| 8 | | Ref., JOYSTICK.....1 Dual axis for drive and steer functions or use joystick 101005, refer to 604.1 or 604.2 | | 21 | 62383GT | PCB,ASSY,ECM,PLAT, VER 1.08.....1 from SN 313 to 798 | |
| -- | | Ref., JOYSTICK Control handle for drive function and thumb rocker for steer function | | -- | 122078GT | HARNESS,PCON INTERNAL CONTROL from SN 1617 | |
| 9 | | Ref., JOYSTICK.....1 Single axis for boom extend/retract function, refer to 604.1 or 604.2 | | -- | 122401GT | PCB,ASSY,ECM,PLATFORM,VER 110 from SN 799 to 2666 | |
| 10 | | Ref., JOYSTICK.....1 Dual axis for boom up/down and turntable rotate left/right functions, refer to 604.1 or 604.2 | | -- | 146138GT | PCB,ASSY,ECM,PLATFORM,VER 210 from SN 2667 to 2709 | |
| 11 | 62382GT | GASKET,PLATF. CNTRLS.SUPERBOOM.....1 | | -- | 146390GT | PCB,ASSY,ECM,PLATFORM,VER 3.00 from SN 2710 | |
| 12 | 62386GT | SCREW,LOCKING FLANGE 6/32X.375 | | -- | 34052GT | RELAY,SPDT,12V(AUTO) PLUG IN** | |
| 13 | 60384GT | HARNESS,PCON J2.....1 (S-125) to SN 3145 | | -- | 75140GT | HARNESS,PCON INTERNAL CONTROL to SN 1616 | |
| 13 | 60950GT | HARNESS,PCON J2,(MANIFOLD).....1 (S-120) | | 22 | 62399GT | PCB,MEMBRANE/LED,SB/Z80.....1 | |
| -- | 122954GT | HARNESS,J2 PLAT MANFD W/JIB (S-125) from SN 3146 | | 23 | 13037-SGT | SWITCH,TOGGLE,SPDT,3POS MOMEN*.....3 | |
| -- | 60513GT | CONN,PLUG 23 WAY,16-20 GA WHT | | 24 | 75141GT | PLATE,TOGGLE SWITCH MOUNT,PCON.....1 | |
| | | | | 25 | 27246GT | BOOT,TOGGLE SWITCH,SHORT*.....3 | |
| | | | | 26 | 75142GT | CABLE TIE,STUD MOUNT (PCON).....5 | |

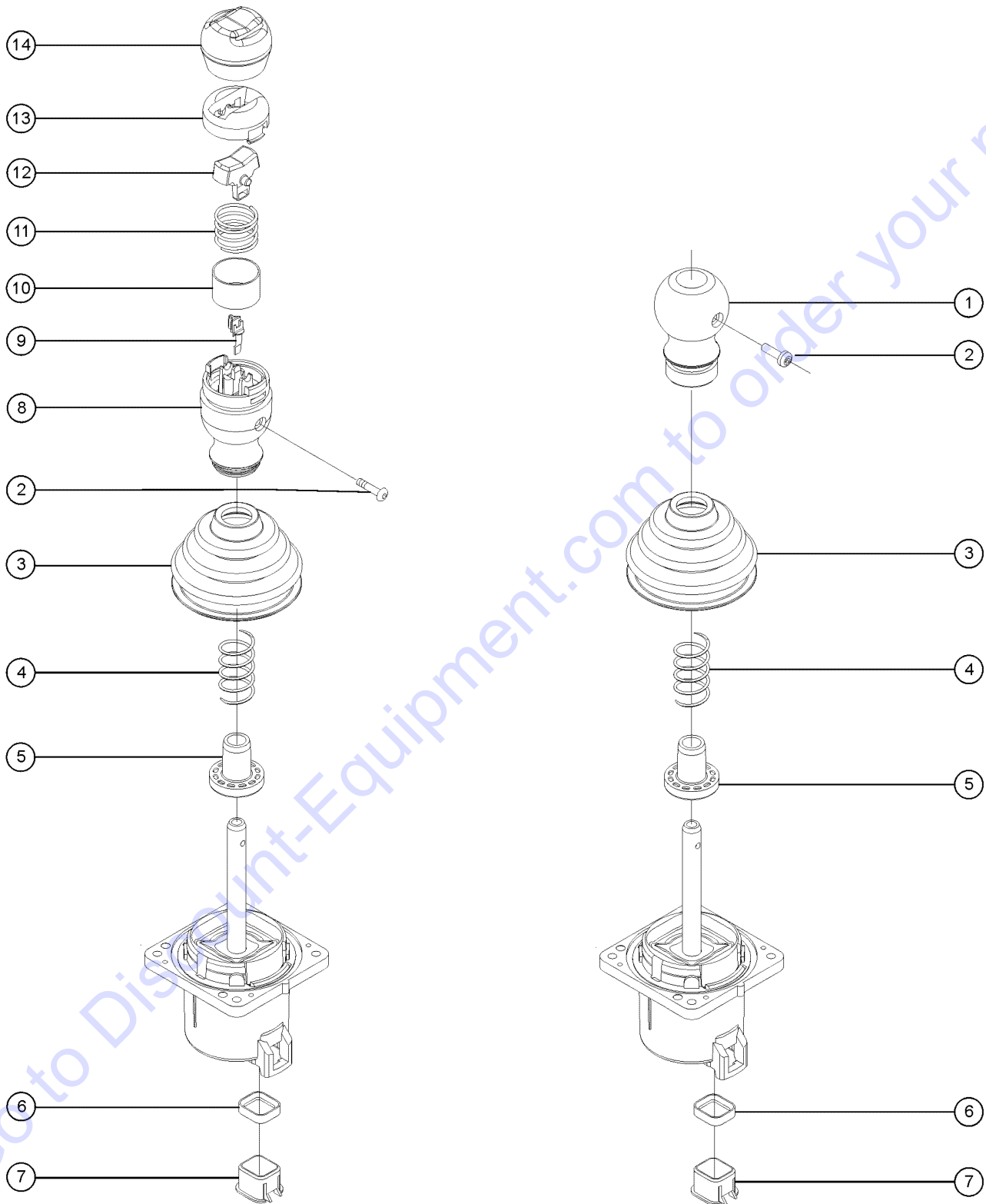
604.1 Joysticks (to SN 1616)



604.1 Joysticks (to SN 1616)

| Item | Part No. | Description | Qty. |
|------|-----------|--|------|
| -- | 111417GT | JOYSTICK W/HARN ADPTR, 2 AXIS <i>this kit converts joystick to Deutsch style connection (OEM joystick); after first time replacement, refer to section 604.2</i> | |
| -- | 111415GT | JOYSTICK W/HARN ADPTR, 1 AXIS <i>this kit converts joystick to Deutsch style connection (OEM joystick); after first time replacement, refer to section 604.2</i> | |
| -- | 111416GT | JOYSTICK W/HARN ADPTR KIT RCKR <i>this kit converts joystick to Deutsch style connection (OEM joystick); after first time replacement, refer to section 604.2</i> | |
| -- | 83098GT | TERM,AMP MTE,SOC,22-26 GA BULK | |
| -- | 119613GT | HARN JOYSTICK ADAPTOR JS100 <i>for first time replacement only</i> | |
| Z | 1269501GT | KIT, ISOLATION, 3 JOYSTICK | |
| 1 | 62392GT | KNOB,JOYSTICK, 62390/62391.....1 | |
| 2 | T112626GT | SCREW, PHM, #6-32 X .625 ZINC.....1 | |
| 3 | 139598GT | BOOT,JOYSTICK.....1 | |
| 4 | 75143GT | BOOT GUARD, JOYSTICK 62390/91.....1 | |
| 5 | | SPRING,JOYSTK CENTR,62390/91.....1 <i>no longer available from supplier</i> | |
| 6 | | O-RING,JOYSTICK, 62390/62391.....1 <i>no longer available from supplier</i> | |
| 7 | 75449GT | KNOB,ROCKER JOYSTICK 75565.....1 | |
| 8 | 75448GT | SUPPORT,SENSOR,JOYSTICK.....1 | |
| 9 | 75447GT | SWITCH SHIELD,ROCK JOYSTK75565.....1 | |
| 10 | 75446GT | SPRING,SWITCH CENTERING,75565...1 | |
| 11 | 75445GT | ROCKER ASSY.,MAGNETIC 75565.....1 | |
| 12 | 75444GT | ROCKER,RETAINER, 75565.....1 | |
| 13 | 75443GT | BOOT, ROCKER JOYSTICK 75565.....1 | |

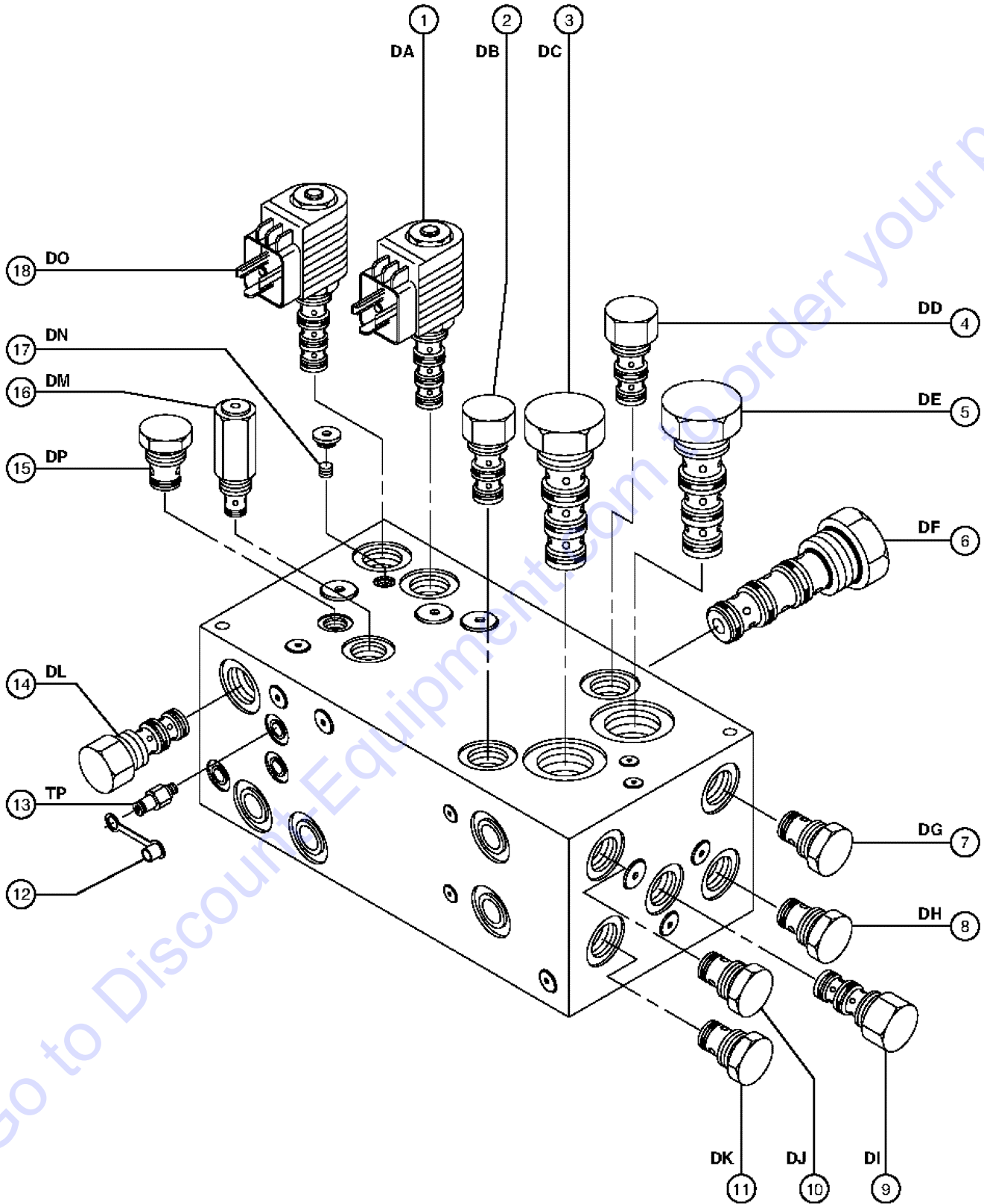
604.2 Joysticks (from SN 1617)



604.2 Joysticks (from SN 1617)

| Item | Part No. | Description | Qty. |
|------|-----------|--|------|
| -- | 101174GT | JOYSTICK,2 AXIS,DEUTSCH <i>OEM joystick (calibration required after replacement)</i> | |
| -- | 101174HGT | JOYSTICK,DUAL AXIS W/KNOB <i>aftermarket joystick (calibration required after replacement)</i> | |
| -- | 101175GT | JOYSTICK,1 AXIS,DEUTSCH <i>OEM joystick (calibration required after replacement)</i> | |
| -- | 101175HGT | JOYSTICK,SINGLE AXIS W/KNOB <i>aftermarket joystick (calibration required after replacement)</i> | |
| -- | 101005GT | JOYSTICK,1 AXIS ROCKER,DEUTSCH <i>OEM joystick (calibration required after replacement)</i> | |
| -- | 101005HGT | JOYSTICK,SINGLE AXIS W/STEER <i>aftermarket joystick (calibration required after replacement)</i> | |
| -- | 83098GT | TERM,AMP MTE,SOC,22-26 GA BULK | |
| -- | 119613GT | HARN JOYSTICK ADAPTOR JS100 <i>to SN 419 (6-pin to 7-pin adapter)</i> | |
| Z | 1269501GT | KIT, ISOLATION, 3 JOYSTICK | |
| 1 | 62392GT | KNOB,JOYSTICK, 62390/62391..... | 1 |
| 2 | T112626GT | SCREW, PHM, #6-32 X .625 ZINC..... | 1 |
| 3 | 139598GT | BOOT,JOYSTICK..... | 1 |
| 4 | | SPRING,JOYSTK CENTR,62390/91..... <i>no longer available from supplier</i> | 1 |
| 5 | 119915GT | COLLAR,JOYSTICK,CENTER..... | 1 |
| 6 | 128000GT | SEAL, CONNECTOR (DT JOYSTICKS)..... | 1 |
| 7 | 128001GT | SLEEVE,CONNECTOR,DT JOYSTICKS..... | 1 |
| 8 | 75449GT | KNOB,ROCKER JOYSTICK 75565..... | 1 |
| 9 | 75448GT | SUPPORT,SENSOR,JOYSTICK..... | 1 |
| 10 | 75447GT | SWITCH SHIELD,ROCK JOYSTK75565..... | 1 |
| 11 | 75446GT | SPRING,SWITCH CENTERING,75565... | 1 |
| 12 | 75445GT | ROCKER ASSY.,MAGNETIC 75565..... | 1 |
| 13 | 75444GT | ROCKER,RETAINER, 75565..... | 1 |
| 14 | 75443GT | BOOT, ROCKER JOYSTICK 75565..... | 1 |

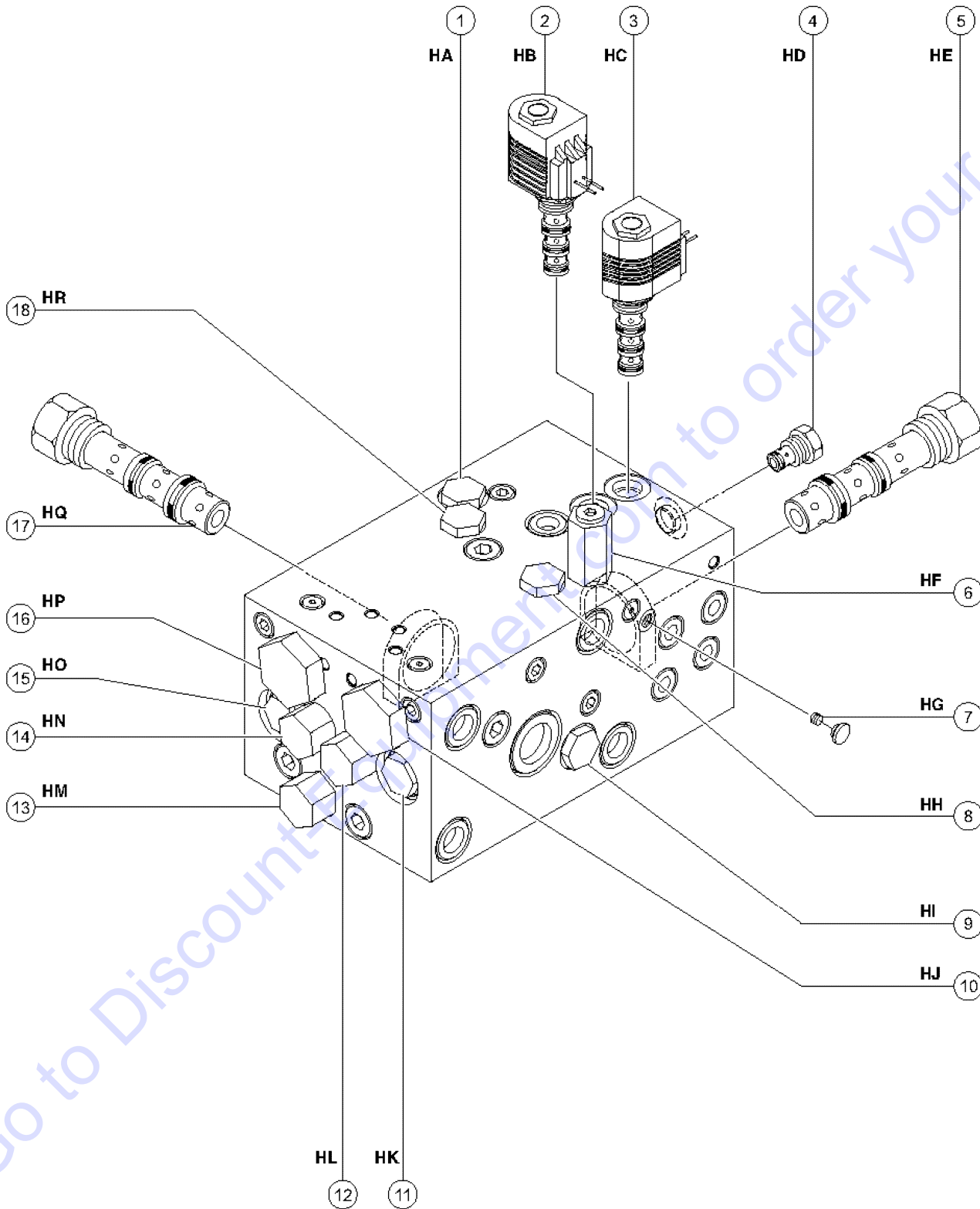
701.1 Traction Manifold (to SN 1195)



701.1 Traction Manifold (to SN 1195)

| Item | Part No. | Description | Qty. | Item | Part No. | Description | Qty. |
|------|----------|--|------|------|----------|--|------|
| -- | 50172GT | MANIFOLD,TRACTION 4WD <i>Complete</i> | | 15 | 45543GT | VALVE,CHECK, 50 PSI <i>DP, Two-speed/brake charge pressure circuit</i> | |
| 1 | 62366GT | VALVE,SOLENOID,2POS 3WAY,DIN <i>DA, Two-speed control</i> | | -- | 74902GT | SEAL KIT, VALVE | |
| -- | 52943GT | NUT,SOLENOID VALVE COIL | | 16 | 31406GT | VALVE,RELIEF 250 PSI*** <i>DM, Charge pressure circuit</i> | |
| -- | 62367GT | COIL,62366,12VDC W/DIN,SIZE 8 | | -- | 110194GT | SEAL KIT, VALVE, #10 | |
| -- | 72043GT | SEAL KIT,SOLENOID VALVE | | 17 | 52724GT | PLUG,ORIFICE,0.030 (50684) <i>DN, Brake release and two-speed shift control</i> | |
| 2 | 52723GT | VALVE-FLOW REGULATOR 2 GPM <i>DB, Drive slip limit, circle end 2 gpm / 7.6 L/min</i> | | 18 | 62366GT | VALVE,SOLENOID,2POS 3WAY,DIN <i>DO, Brake control</i> | |
| -- | 89310GT | SEAL KIT, SOLENOID VALVE | | -- | 52943GT | NUT,SOLENOID VALVE COIL | |
| 3 | 52726GT | VALVE,FLOW DIVIDER/COMBINER <i>DC, Controls flow to circle-end drive motors in forward and reverse</i> | | -- | 62367GT | COIL,62366,12VDC W/DIN,SIZE 8 | |
| -- | 84135GT | SEAL KIT, VALVE | | -- | 72043GT | SEAL KIT,SOLENOID VALVE | |
| 4 | 52723GT | VALVE-FLOW REGULATOR 2 GPM <i>DD, Drive slip limit, square end</i> | | | | | |
| -- | 89310GT | SEAL KIT, SOLENOID VALVE | | | | | |
| 5 | 52726GT | VALVE,FLOW DIVIDER/COMBINER <i>DE, Controls flow to square-end drive motors in forward and reverse</i> | | | | | |
| -- | 84135GT | SEAL KIT, VALVE | | | | | |
| 6 | 52726GT | VALVE,FLOW DIVIDER/COMBINER <i>DF, Controls flow to front and rear flow divider/combiner valves DC and DE</i> | | | | | |
| -- | 84135GT | SEAL KIT, VALVE | | | | | |
| 7 | 20318GT | VALVE,CHECK CP100-2-B-O-005 <i>DG, Anti-cavitation</i> | | | | | |
| -- | 110194GT | SEAL KIT, VALVE, #10 | | | | | |
| 8 | 20318GT | VALVE,CHECK CP100-2-B-O-005 <i>DH, Anti-cavitation</i> | | | | | |
| -- | 110194GT | SEAL KIT, VALVE, #10 | | | | | |
| 9 | 62368GT | VALVE,FLOW REGULATOR, 2.7 GPM <i>DI, Drive slip limit, front and rear</i> | | | | | |
| -- | 89310GT | SEAL KIT, SOLENOID VALVE | | | | | |
| 10 | 20318GT | VALVE,CHECK CP100-2-B-O-005 <i>DJ, Anti-cavitation</i> | | | | | |
| -- | 110194GT | SEAL KIT, VALVE, #10 | | | | | |
| 11 | 20318GT | VALVE,CHECK CP100-2-B-O-005 <i>DK, Anti-cavitation</i> | | | | | |
| -- | 110194GT | SEAL KIT, VALVE, #10 | | | | | |
| 12 | 48880GT | CAP,DIAGNOSTIC NIPPLE | | | | | |
| 13 | 48997GT | NIPPLE,DIAGNOSTIC,#4 <i>TP, Testing</i> | | | | | |
| -- | 20224GT | DIAGNOSTIC FEMALE Q-DSCNT | | | | | |
| 14 | 62369GT | VALVE,SHUTTLE, 3 POS. 3 WAY <i>DL, Charge pressure circuit that gets hot oil out of low pressure side of drive pump</i> | | | | | |
| -- | 84134GT | SEAL KIT, VALVE | | | | | |

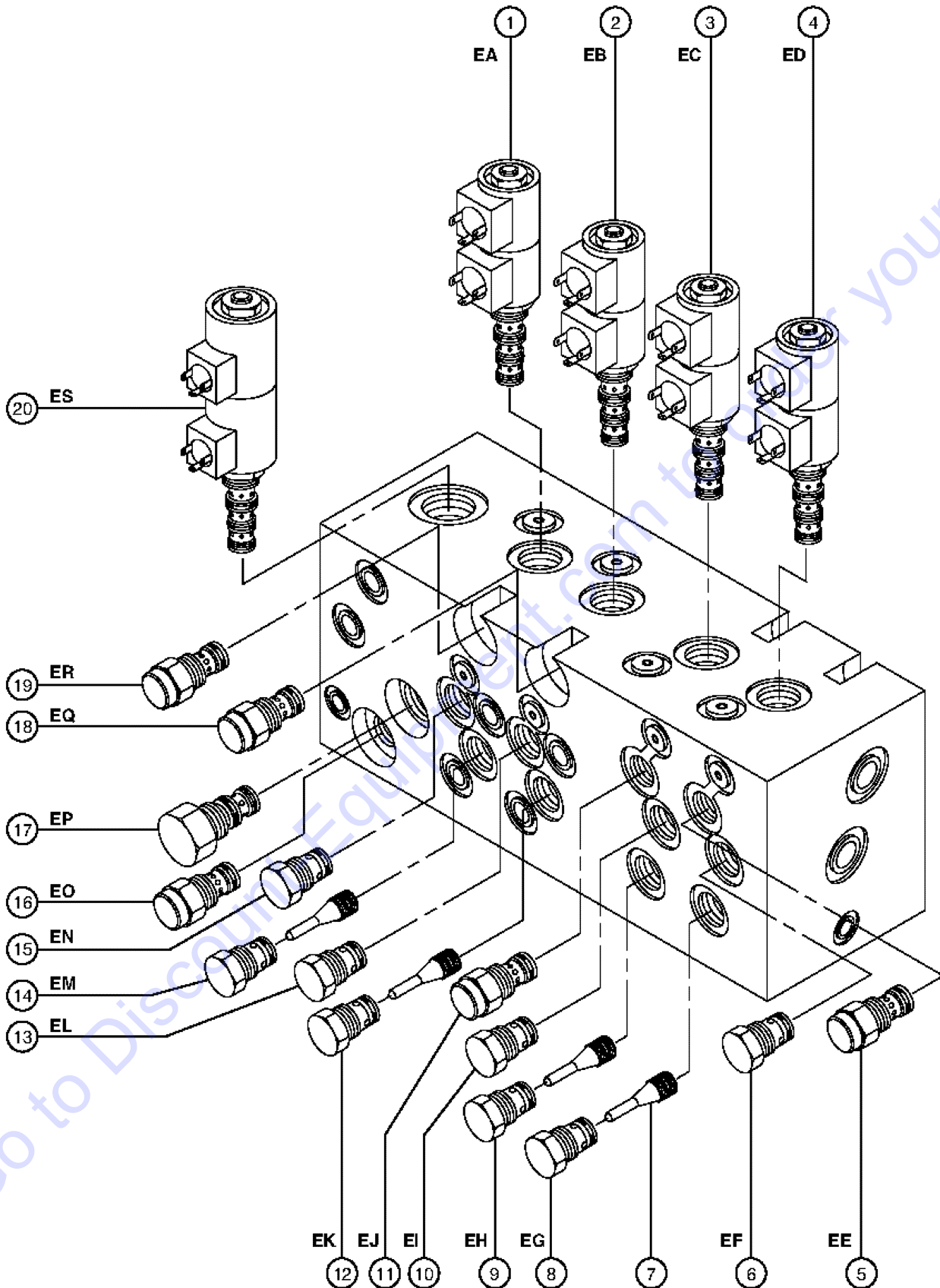
701.2 Traction Manifold (from SN 1196)



701.2 Traction Manifold (from SN 1196)

| Item | Part No. | Description | Qty. | Item | Part No. | Description | Qty. |
|------|----------|--|------|------|----------|--|------|
| -- | 70241GT | MANIFOLD, TRACTION, 4WD <i>Complete from SN 1196</i> | | 15 | 69873GT | VALVE, CHECK <i>HO, Anti-cavitation</i> | |
| 1 | 27836GT | VALVE, CHECK, 5 PSI <i>HA, Anti-cavitation; from SN 1196</i> | | -- | 74902GT | SEAL KIT, VALVE | |
| -- | 110194GT | SEAL KIT, VALVE, #10 | | 16 | 62252GT | VALVE, FLOW DIVIDER COMBINER <i>HP, Controls flow to circle end drive motors in forward and reverse</i> | |
| 2 | 77489GT | VALVE, SOLENOID 2 POS. 3 WAY <i>HB, Two-speed drive motor shift</i> | | -- | 84135GT | SEAL KIT, VALVE | |
| -- | 72043GT | SEAL KIT, SOLENOID VALVE | | 17 | 52726GT | VALVE, FLOW DIVIDER/COMBINER <i>HQ, Controls flow to divider/combiner valves FJ and FP</i> | |
| 3 | 77489GT | VALVE, SOLENOID 2 POS. 3 WAY <i>HC, Brake release</i> | | -- | 84135GT | SEAL KIT, VALVE | |
| -- | 72043GT | SEAL KIT, SOLENOID VALVE | | 18 | 69873GT | VALVE, CHECK <i>HR, Anti-cavitation</i> | |
| 4 | 69873GT | VALVE, CHECK <i>HD, Keeps brakes released in case of temporary loss of charge pressure</i> | | -- | 74902GT | SEAL KIT, VALVE | |
| -- | 74902GT | SEAL KIT, VALVE | | | | | |
| 5 | 27761GT | VALVE, SHUTTLE <i>HE, Charge pressure circuit that directs hot oil out of low pressure side of drive pump</i> | | | | | |
| -- | 84134GT | SEAL KIT, VALVE | | | | | |
| 6 | 62253GT | VALVE, RELIEF, 250 PSI <i>HF, Charge pressure circuit</i> | | | | | |
| -- | 74902GT | SEAL KIT, VALVE | | | | | |
| 7 | 102496GT | ORIFICE, PLUG 0.030 <i>HG, Brake and two-speed circuit</i> | | | | | |
| 8 | 69873GT | VALVE, CHECK <i>HH, Anti-cavitation</i> | | | | | |
| -- | 74902GT | SEAL KIT, VALVE | | | | | |
| 9 | 27836GT | VALVE, CHECK, 5 PSI <i>HI, Anti-cavitation</i> | | | | | |
| -- | 110194GT | SEAL KIT, VALVE, #10 | | | | | |
| 10 | 62252GT | VALVE, FLOW DIVIDER COMBINER <i>HJ, Controls flow to square end drive motors in forward and reverse</i> | | | | | |
| -- | 84135GT | SEAL KIT, VALVE | | | | | |
| 11 | 69873GT | VALVE, CHECK <i>HK, Anti-cavitation</i> | | | | | |
| -- | 74902GT | SEAL KIT, VALVE | | | | | |
| 12 | 52723GT | VALVE-FLOW REGULATOR 2 GPM <i>HL, Equalizes pressure on both sides of divider/combiner valve FJ</i> | | | | | |
| -- | 89310GT | SEAL KIT, SOLENOID VALVE | | | | | |
| 13 | 52723GT | VALVE-FLOW REGULATOR 2 GPM <i>HM, Equalizes pressure on both sides of divider/combiner valve FQ</i> | | | | | |
| -- | 89310GT | SEAL KIT, SOLENOID VALVE | | | | | |
| 14 | 52723GT | VALVE-FLOW REGULATOR 2 GPM <i>HN, Equalizes pressure on both sides of divider/combiner valve FQ</i> | | | | | |
| -- | 89310GT | SEAL KIT, SOLENOID VALVE | | | | | |

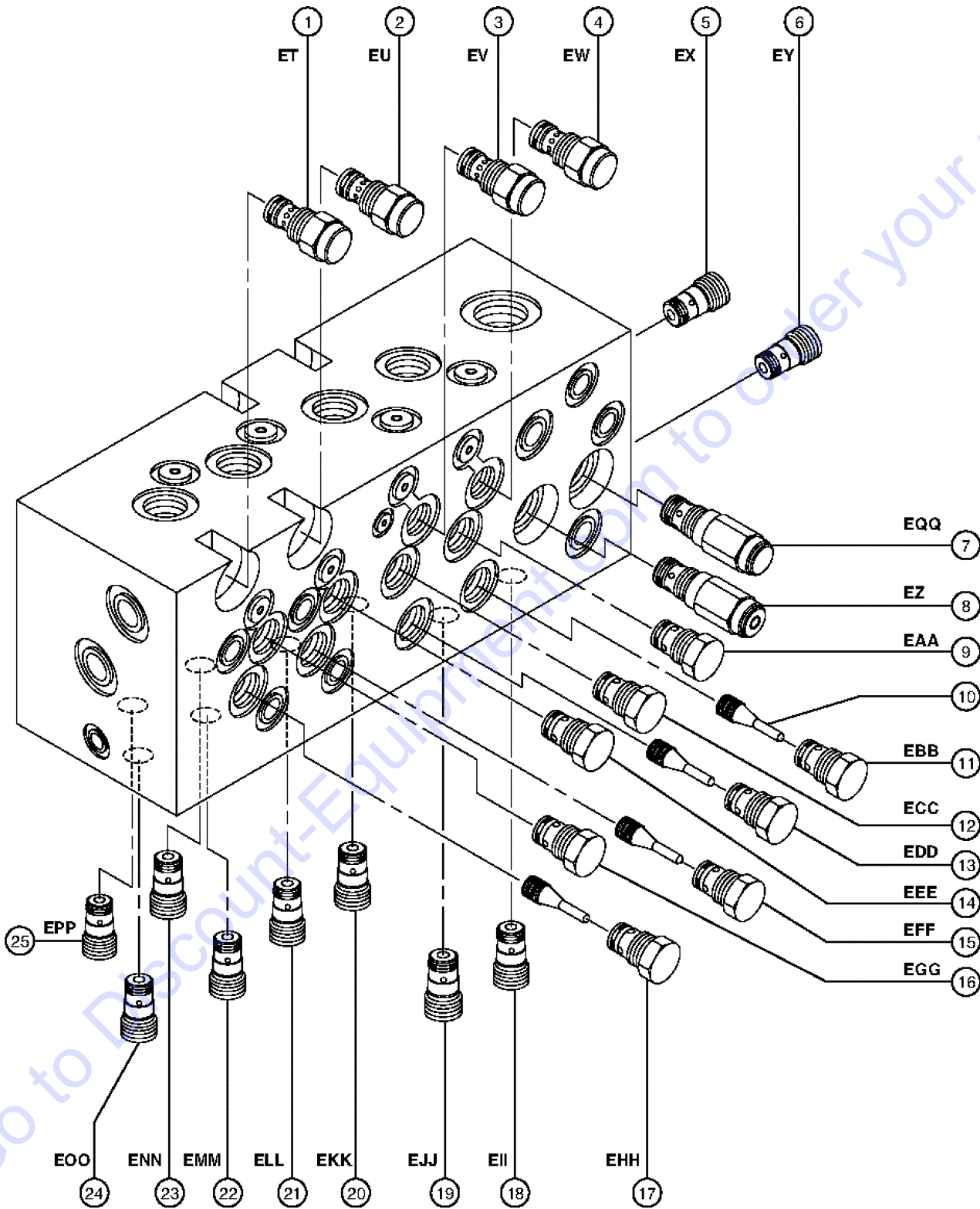
702.1 Steer and Axle Extend/Retract Manifold - View 1 (to SN 403)



702.1 Steer and Axle Extend/Retract Manifold - View 1 (to SN 403)

| Item | Part No. | Description | Qty. | Item | Part No. | Description | Qty. |
|------|----------|--|------|------|----------|---|------|
| -- | 60357GT | MANIFOLD,STEERING,4 WHEEL <i>Complete</i> | | 11 | 62347GT | VALVE-FLOW REGULATOR, 1.4 GPM* <i>EJ, Steering cylinder speed, circle end, right side, retract</i> | |
| 1 | 39346GT | VALVE,SOLENOID 3 POS.4 WAY*** <i>EA, Square end right side steer circuit</i> | | -- | 44227GT | SEAL KIT, VALVE | |
| -- | 44174GT | NUT-COIL SHORT | | 12 | 46216GT | VALVE,CHECK,IWP-S/CWP PWR ASSI <i>EK, Square end, left side, cylinder extend circuit</i> | |
| -- | 44229GT | SEAL KIT, VALVE | | -- | 44228GT | SEAL KIT, VALVE | |
| -- | 44236GT | SPACER-DUAL COIL,#8*** | | 13 | 46216GT | VALVE,CHECK,IWP-S/CWP PWR ASSI <i>EL, Square end, left side, cylinder retract circuit</i> | |
| -- | 62345GT | COIL,SOLENOID VALVE,SIZE 8,DIN | | -- | 44228GT | SEAL KIT, VALVE | |
| 2 | 39346GT | VALVE,SOLENOID 3 POS.4 WAY*** <i>EB, Square end, left side steer circuit</i> | | 14 | 46216GT | VALVE,CHECK,IWP-S/CWP PWR ASSI <i>EM, Square end, right side, cylinder extend circuit</i> | |
| -- | 44174GT | NUT-COIL SHORT | | -- | 44228GT | SEAL KIT, VALVE | |
| -- | 44229GT | SEAL KIT, VALVE | | 15 | 46216GT | VALVE,CHECK,IWP-S/CWP PWR ASSI <i>EN, Square end, right side, cylinder retract circuit</i> | |
| -- | 44236GT | SPACER-DUAL COIL,#8*** | | -- | 44228GT | SEAL KIT, VALVE | |
| -- | 62345GT | COIL,SOLENOID VALVE,SIZE 8,DIN | | 16 | 62324GT | VALVE,FLOW CONTROL, 0.1GPM* <i>EO, Pressurizes pilot lines to check valves</i> | |
| 3 | 39346GT | VALVE,SOLENOID 3 POS.4 WAY*** <i>EC, Circle end, right side steer circuit</i> | | -- | 44227GT | SEAL KIT, VALVE | |
| -- | 44174GT | NUT-COIL SHORT | | 17 | 62323GT | VALVE,DIFFERENTIAL SENSE110PSI <i>EP, Differential sensing circuit</i> | |
| -- | 44229GT | SEAL KIT, VALVE | | -- | 62337GT | SEAL KIT, VALVE | |
| -- | 44236GT | SPACER-DUAL COIL,#8*** | | 18 | 62347GT | VALVE-FLOW REGULATOR, 1.4 GPM* <i>EQ, Steering cylinder speed, square end, left side, retract</i> | |
| -- | 62345GT | COIL,SOLENOID VALVE,SIZE 8,DIN | | -- | 44227GT | SEAL KIT, VALVE | |
| 4 | 39346GT | VALVE,SOLENOID 3 POS.4 WAY*** <i>ED, Circle end, left side steer circuit</i> | | 19 | 62346GT | VALVE,FLOW REGULATOR, 2.0 GPM* <i>ER, Steering cylinder speed, square end, right side, extend</i> | |
| -- | 44174GT | NUT-COIL SHORT | | -- | 44227GT | SEAL KIT, VALVE | |
| -- | 44229GT | SEAL KIT, VALVE | | 20 | 62330GT | VALVE,SOLENOID,3POS 4WAY*** <i>ES, Axle extend/retract</i> | |
| -- | 44236GT | SPACER-DUAL COIL,#8*** | | -- | 44174GT | NUT-COIL SHORT | |
| -- | 62345GT | COIL,SOLENOID VALVE,SIZE 8,DIN | | -- | 44175GT | SPACER-DUAL COIL,#10, SCISSORS | |
| 5 | 62346GT | VALVE,FLOW REGULATOR, 2.0 GPM* <i>EE, Steering cylinder speed, circle end, left side extend</i> | | -- | 44230GT | SEAL KIT-P.N.44169,44172,44171 | |
| -- | 44227GT | SEAL KIT, VALVE | | -- | 62334GT | COIL,62328/62330,SIZE 10,DIN* | |
| 6 | 46216GT | VALVE,CHECK,IWP-S/CWP PWR ASSI <i>EF, Reverse flow check, circle end, left side, retract</i> | | | | | |
| -- | 44228GT | SEAL KIT, VALVE | | | | | |
| 7 | 62343GT | PISTON,SINGLE PILOT (CV08) | | | | | |
| 8 | 46216GT | VALVE,CHECK,IWP-S/CWP PWR ASSI <i>EG, Circle end, left side, extend/retract circuit</i> | | | | | |
| -- | 44228GT | SEAL KIT, VALVE | | | | | |
| 9 | 46216GT | VALVE,CHECK,IWP-S/CWP PWR ASSI <i>EH, Circle end, right side, extend/retract circuit</i> | | | | | |
| -- | 44228GT | SEAL KIT, VALVE | | | | | |
| 10 | 46216GT | VALVE,CHECK,IWP-S/CWP PWR ASSI <i>EI, Reverse flow check, circle end, right side, extend</i> | | | | | |
| -- | 44228GT | SEAL KIT, VALVE | | | | | |

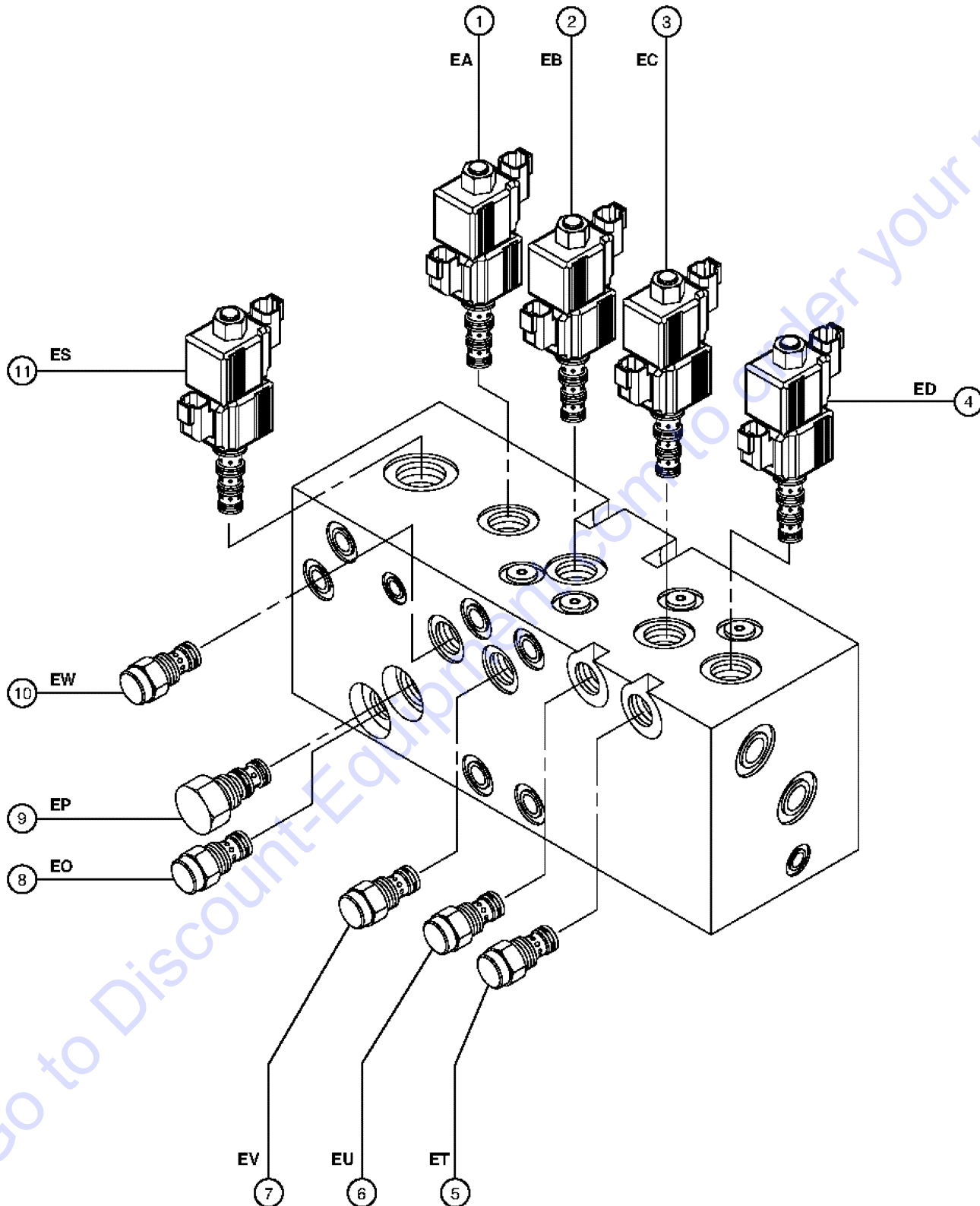
703.1 Steer and Axle Extend/Retract Manifold - View 2 (to SN 403)



703.1 Steer and Axle Extend/Retract Manifold - View 2 (to SN 403)

| Item | Part No. | Description | Qty. | Item | Part No. | Description | Qty. |
|------|----------|--|------|------|----------|--|------|
| -- | 60357GT | MANIFOLD,STEERING,4 WHEEL | | 15 | 46216GT | VALVE,CHECK,IWP-S/CWP PWR ASSI EFF, Steering cylinder lock, round end, right side, retract | |
| 1 | 62347GT | VALVE-FLOW REGULATOR, 1.4 GPM* ET, Steering cylinder speed, circle end, left side, retract | | -- | 44228GT | SEAL KIT, VALVE | |
| -- | 44227GT | SEAL KIT, VALVE | | 16 | 46216GT | VALVE,CHECK,IWP-S/CWP PWR ASSI EGG, Reverse flow check, round end, left side, extend | |
| 2 | 62346GT | VALVE,FLOW REGULATOR, 2.0 GPM* EU, Steering cylinder speed, circle end, right side, extend | | -- | 44228GT | SEAL KIT, VALVE | |
| -- | 44227GT | SEAL KIT, VALVE | | 17 | 46216GT | VALVE,CHECK,IWP-S/CWP PWR ASSI EHH, Steering cylinder lock, round end, left side, extend | |
| 3 | 62346GT | VALVE,FLOW REGULATOR, 2.0 GPM* EV, Steering cylinder speed, round end, left end, extend | | -- | 44228GT | SEAL KIT, VALVE | |
| -- | 44227GT | SEAL KIT, VALVE | | 18 | 52907GT | VALVE-CHECK, #4 SAE, 5 PSI* EII, Steering load sense, square end, right side, retract | |
| 4 | 62347GT | VALVE-FLOW REGULATOR, 1.4 GPM* EW, Steering cylinder speed, round end, right side, retract | | -- | 62341GT | SEAL KIT,52907,SIZE 4, 2 WAY | |
| -- | 44227GT | SEAL KIT, VALVE | | 19 | 52907GT | VALVE-CHECK, #4 SAE, 5 PSI* EJJ, Steering load sense, square end, left side, extend | |
| 5 | 52907GT | VALVE-CHECK, #4 SAE, 5 PSI* EX, Axle extend load sense, both ends | | -- | 62341GT | SEAL KIT,52907,SIZE 4, 2 WAY | |
| -- | 62341GT | SEAL KIT,52907,SIZE 4, 2 WAY | | 20 | 52907GT | VALVE-CHECK, #4 SAE, 5 PSI* EKK, Steering load sense, square end, right side, extend | |
| 6 | 52907GT | VALVE-CHECK, #4 SAE, 5 PSI* EY, Axle retract load sense, both ends | | -- | 62341GT | SEAL KIT,52907,SIZE 4, 2 WAY | |
| -- | 62341GT | SEAL KIT,52907,SIZE 4, 2 WAY | | 21 | 52907GT | VALVE-CHECK, #4 SAE, 5 PSI* ELL, Steering load sense, round end, right side, retract | |
| 7 | 62365GT | VALVE,RELIEF,1800 PSI,AXLE EXT EQQ, Axle extend | | -- | 62341GT | SEAL KIT,52907,SIZE 4, 2 WAY | |
| -- | 44227GT | SEAL KIT, VALVE | | 22 | 52907GT | VALVE-CHECK, #4 SAE, 5 PSI* EMM, Steering load sense, round end, right side, extend | |
| 8 | 52374GT | VALVE,RELIEF,3000PSI,GS68PUMP1 EZ, Steering pressure limit | | -- | 62341GT | SEAL KIT,52907,SIZE 4, 2 WAY | |
| -- | 44227GT | SEAL KIT, VALVE | | 23 | 52907GT | VALVE-CHECK, #4 SAE, 5 PSI* ENN, Steering load sense, square end, left side, retract | |
| 9 | 46216GT | VALVE,CHECK,IWP-S/CWP PWR ASSI EAA, Reverse flow check, square end, right side, extend | | -- | 62341GT | SEAL KIT,52907,SIZE 4, 2 WAY | |
| -- | 44228GT | SEAL KIT, VALVE | | 24 | 52907GT | VALVE-CHECK, #4 SAE, 5 PSI* EEO, Steering load sense, round end, left side, retract | |
| 10 | 62343GT | PISTON,SINGLE PILOT (CV08) | | -- | 62341GT | SEAL KIT,52907,SIZE 4, 2 WAY | |
| 11 | 46216GT | VALVE,CHECK,IWP-S/CWP PWR ASSI EBB, Steering cylinder lock, square end, right side, extend | | 25 | 52907GT | VALVE-CHECK, #4 SAE, 5 PSI* EPP, Steering load sense, round end, left side, extend | |
| -- | 44228GT | SEAL KIT, VALVE | | -- | 62341GT | SEAL KIT,52907,SIZE 4, 2 WAY | |
| 12 | 46216GT | VALVE,CHECK,IWP-S/CWP PWR ASSI ECC, Reverse flow check, square end, left side, retract | | | | | |
| -- | 44228GT | SEAL KIT, VALVE | | | | | |
| 13 | 46216GT | VALVE,CHECK,IWP-S/CWP PWR ASSI EDD, Steering cylinder lock, square end, left side, retract | | | | | |
| -- | 44228GT | SEAL KIT, VALVE | | | | | |
| 14 | 46216GT | VALVE,CHECK,IWP-S/CWP PWR ASSI EEE, Reverse flow check, round end, right side, retract | | | | | |
| -- | 44228GT | SEAL KIT, VALVE | | | | | |

704.1 Steer and Axle Extend/Retract Manifold - View 1 (from SN 404)



704.1 Steer and Axle Extend/Retract Manifold - View 1 (from SN 404)

| Item | Part No. | Description | Qty. | Item | Part No. | Description | Qty. |
|------|----------|--|------|------|----------|--|------|
| -- | 75644GT | MANIFOLD,STEERING,4 WHEEL <i>from SN 404 to SN 521</i> | | -- | 44227GT | SEAL KIT, VALVE | |
| -- | 75753GT | MANIFOLD,STEERING,4 WHEEL <i>from SN 522 to SN 1195</i> | | 6 | 62346GT | VALVE,FLOW REGULATOR, 2.0 GPM* <i>EU, Steering cylinder speed, round end, left side, extend</i> | |
| -- | 102701GT | MANIFOLD,4 WHEEL STEER <i>from SN 1196</i> | | -- | 44227GT | SEAL KIT, VALVE | |
| 1 | 39346GT | VALVE,SOLENOID 3 POS.4 WAY*** <i>EA, Steering cylinder control, square end, right side; from SN 404</i> | | 7 | 62346GT | VALVE,FLOW REGULATOR, 2.0 GPM* <i>EV, Steering cylinder speed, square end, right side, extend</i> | |
| -- | 104759GT | COIL,12VDC #8 DTSCH IP69 ECOIL <i>from SN 1196</i> | | -- | 44227GT | SEAL KIT, VALVE | |
| -- | 44174GT | NUT-COIL SHORT | | 8 | 62324GT | VALVE,FLOW CONTROL, 0.1GPM* <i>EO, Bleeds off differential valve to tank</i> | |
| -- | 44229GT | SEAL KIT, VALVE | | -- | 44227GT | SEAL KIT, VALVE | |
| -- | 44236GT | SPACER-DUAL COIL,#8*** | | 9 | 62323GT | VALVE,DIFFERENTIAL SENSE110PSI <i>EP, Meters flow to functions sensing</i> | |
| -- | 62345GT | COIL,SOLENOID VALVE,SIZE 8,DIN <i>from SN 404 to SN 1195</i> | | -- | 62337GT | SEAL KIT, VALVE | |
| 2 | 39346GT | VALVE,SOLENOID 3 POS.4 WAY*** <i>EB, Steering cylinder control, square end, left side; from SN 404</i> | | 10 | 62347GT | VALVE-FLOW REGULATOR, 1.4 GPM* <i>EW, Steering cylinder speed, square end, left side, retract</i> | |
| -- | 104759GT | COIL,12VDC #8 DTSCH IP69 ECOIL <i>from SN 1196</i> | | -- | 44227GT | SEAL KIT, VALVE | |
| -- | 44174GT | NUT-COIL SHORT | | 11 | 62330GT | VALVE,SOLENOID,3POS 4WAY*** <i>ES, Axle extend control</i> | |
| -- | 44229GT | SEAL KIT, VALVE | | -- | 104760GT | COIL,12VDC #10DTSCH IP69 ECOIL <i>from SN 1196</i> | |
| -- | 44236GT | SPACER-DUAL COIL,#8*** | | -- | 44174GT | NUT-COIL SHORT | |
| -- | 62345GT | COIL,SOLENOID VALVE,SIZE 8,DIN <i>from SN 404 to SN 1195</i> | | -- | 44175GT | SPACER-DUAL COIL,#10, SCISSORS | |
| 3 | 39346GT | VALVE,SOLENOID 3 POS.4 WAY*** <i>EC, Steering cylinder control, round end, right side; from SN 404</i> | | -- | 44230GT | SEAL KIT-P.N.44169,44172,44171 | |
| -- | 104759GT | COIL,12VDC #8 DTSCH IP69 ECOIL <i>from SN 1196</i> | | -- | 62334GT | COIL,62328/62330,SIZE 10,DIN* <i>to SN 1195</i> | |
| -- | 44174GT | NUT-COIL SHORT | | | | | |
| -- | 44229GT | SEAL KIT, VALVE | | | | | |
| -- | 44236GT | SPACER-DUAL COIL,#8*** | | | | | |
| -- | 62345GT | COIL,SOLENOID VALVE,SIZE 8,DIN <i>from SN 404 to SN 1195</i> | | | | | |
| 4 | 39346GT | VALVE,SOLENOID 3 POS.4 WAY*** <i>ED, Steering cylinder control, round end left side</i> | | | | | |
| -- | 104759GT | COIL,12VDC #8 DTSCH IP69 ECOIL <i>from SN 1196</i> | | | | | |
| -- | 44174GT | NUT-COIL SHORT | | | | | |
| -- | 44229GT | SEAL KIT, VALVE | | | | | |
| -- | 44236GT | SPACER-DUAL COIL,#8*** | | | | | |
| -- | 62345GT | COIL,SOLENOID VALVE,SIZE 8,DIN <i>to SN 1195</i> | | | | | |
| 5 | 62347GT | VALVE-FLOW REGULATOR, 1.4 GPM* <i>ET, Steering cylinder speed, round end, right side, retract</i> | | | | | |

PARTS FINDER

**Search Website
by Part Number**



**Search Manual
Library For Parts
Manual & Lookup Part
Numbers – Purchase
or Request Quote**

Search Manuals

Enter your information to help us find the right parts manual for your machine.

* Brand:

* Model:

* Serial:

* Part Number:

SEARCH

**Can't Find Part or
Manual? Request Help
by Manufacturer,
Model & Description**

Parts Order Form

Please fill in the following information to help us find the right part for your machine.

| | |
|---------------|----------------------|
| Manufacturer: | <input type="text"/> |
| Model: | <input type="text"/> |
| Description: | <input type="text"/> |
| Part Number: | <input type="text"/> |
| Quantity: | <input type="text"/> |
| Notes: | <input type="text"/> |

Submit

Discount-Equipment.com is your online resource for quality parts & equipment.

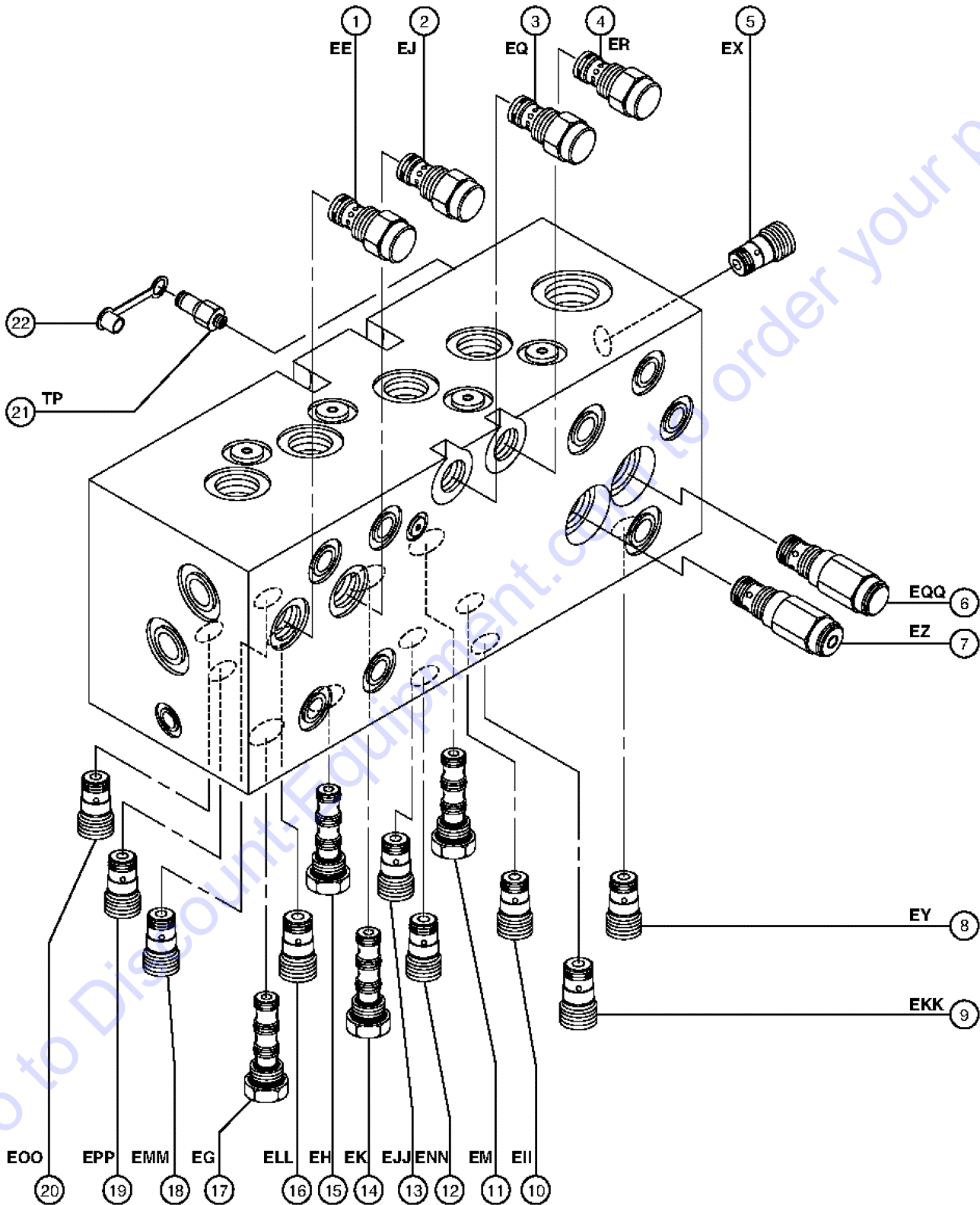
Florida: **561-964-4949** Outside Florida TOLL FREE: **877-690-3101**

Need parts?

Click on this link: <http://www.discount-equipment.com/category/5443-parts/> and choose one of the options to help get the right parts and equipment you are looking for. Please have the machine model and serial number available in order to help us get you the correct parts. If you don't find the part on the website or on one of the online manuals, please fill out the request form and one of our experienced staff members will get back to you with a quote for the right part that your machine needs.

We sell worldwide for the brands: Genie, Terex, JLG, MultiQuip, Mikasa, Essick, Whiteman, Mayco, Toro Stone, Diamond Products, Generac Magnum, Airman, Haulotte, Barreto, Power Blanket, Nifty Lift, Atlas Copco, Chicago Pneumatic, Allmand, Miller Curber, Skyjack, Lull, Skytrak, Tsurumi, Husquvarna Target, Stow, Wacker, Sakai, Mi-T-M, Sullair, Basic, Dynapac, MBW, Weber, Bartell, Bennar Newman, Haulotte, Ditch Runner, Menegotti, Morrison, Contec, Buddy, Crown, Edco, Wyco, Bomag, Laymor, EZ Trench, Bil-Jax, F.S. Curtis, Gehl Pavers, Heli, Honda, ICS/PowerGrit, IHI, Partner, Imer, Clipper, MMD, Koshin, Rice, CH&E, General Equipment, Amida, Coleman, NAC, Gradall, Square Shooter, Kent, Stanley, Tamco, Toku, Hatz, Kohler, Robin, Wisconsin, Northrock, Oztec, Toker TK, Rol-Air, APT, Wylie, Ingersoll Rand / Doosan, Innovatech, Con X, Ammann, Mecalac, Makinex, Smith Surface Prep, Small Line, Wanco, Yanmar

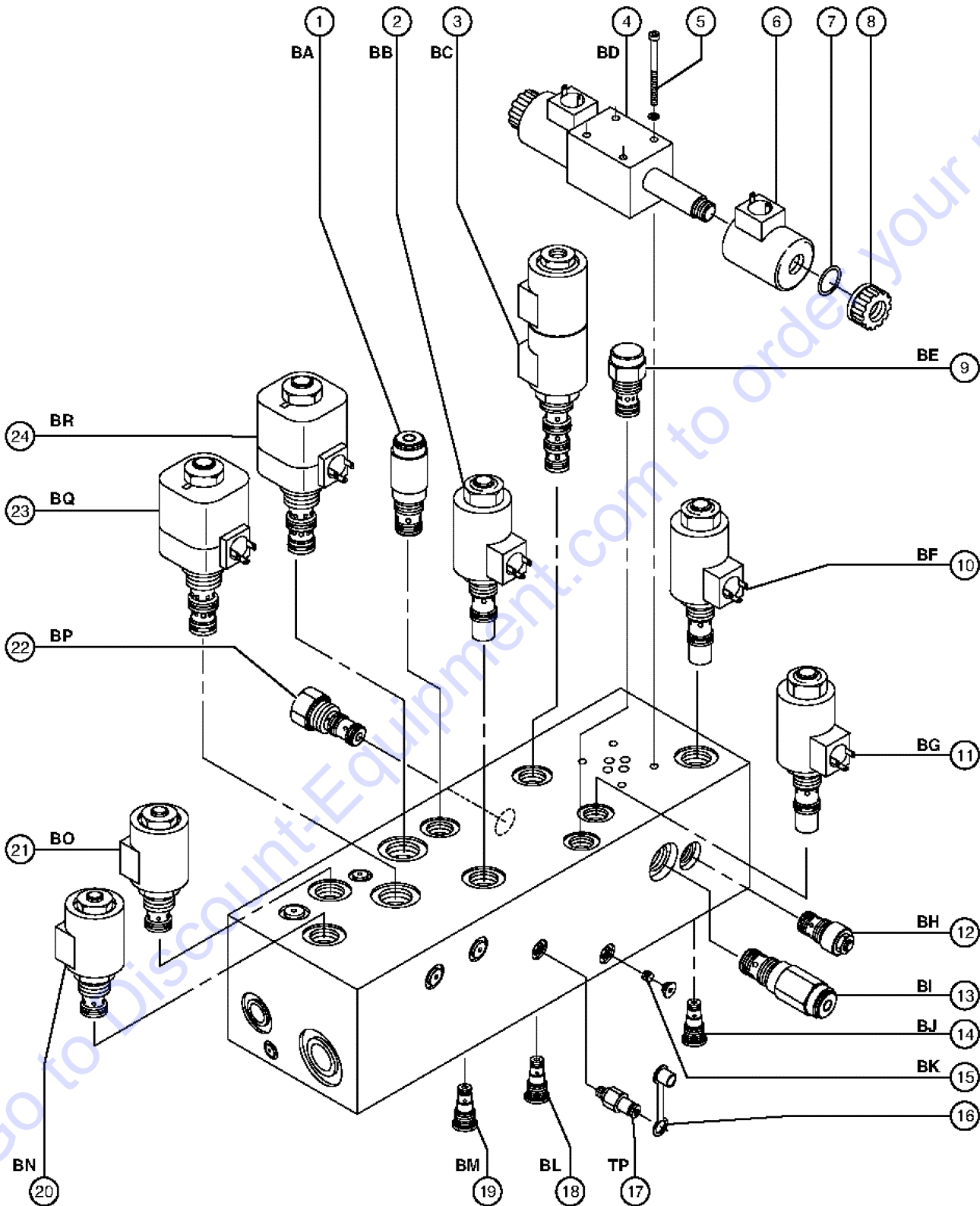
705.1 Steer and Axle Extend/Retract Manifold - View 2 (from SN 404)



705.1 Steer and Axle Extend/Retract Manifold - View 2 (from SN 404)

| Item | Part No. | Description | Qty. | Item | Part No. | Description | Qty. |
|------|----------|--|------|------|----------|--|------|
| -- | 75644GT | MANIFOLD,STEERING,4 WHEEL to SN 521 | | 13 | 52907GT | VALVE-CHECK, #4 SAE, 5 PSI* EJJ, Steering load sense, square end, left side, extend | |
| -- | 75753GT | MANIFOLD,STEERING,4 WHEEL from SN 522 to SN 1195 | | -- | 62341GT | SEAL KIT,52907,SIZE 4, 2 WAY | |
| -- | 102701GT | MANIFOLD,4 WHEEL STEER from SN 1196 | | 14 | 75453GT | VALVE,CHECK,DUAL PILOT*** EK, Steering cylinder lock, square end, left side, extend/retract; to SN 1195 | |
| 1 | 62346GT | VALVE,FLOW REGULATOR, 2.0 GPM* EE, Steering cylinder speed | | -- | 101958GT | VALVE,CHECK,DUAL PILOT,135 PSI from SN 1196 | |
| -- | 44227GT | SEAL KIT, VALVE | | 15 | 75453GT | VALVE,CHECK,DUAL PILOT*** EH, Steering cylinder lock, circle end, right side, extend/retract; to SN 1195 | |
| 2 | 62347GT | VALVE-FLOW REGULATOR, 1.4 GPM* EJ, Steering cylinder speed, circle end, left side, retract | | -- | 101958GT | VALVE,CHECK,DUAL PILOT,135 PSI from SN 1196 | |
| -- | 44227GT | SEAL KIT, VALVE | | 16 | 52907GT | VALVE-CHECK, #4 SAE, 5 PSI* ELL, Steering load sense, circle end, right side, retract | |
| 3 | 62347GT | VALVE-FLOW REGULATOR, 1.4 GPM* EQ, Steering cylinder speed, square end, right side, retract | | -- | 62341GT | SEAL KIT,52907,SIZE 4, 2 WAY | |
| -- | 44227GT | SEAL KIT, VALVE | | 17 | 75453GT | VALVE,CHECK,DUAL PILOT*** EG, Steering cylinder lock, circle end, left side, extend/retract; to SN 1195 | |
| 4 | 62346GT | VALVE,FLOW REGULATOR, 2.0 GPM* ER, Steering cylinder speed, square end, left side, extend | | -- | 101958GT | VALVE,CHECK,DUAL PILOT,135 PSI from SN 1196 | |
| -- | 44227GT | SEAL KIT, VALVE | | 18 | 52907GT | VALVE-CHECK, #4 SAE, 5 PSI* EMM, Steering load sense, circle end, right side, extend | |
| 5 | 52907GT | VALVE-CHECK, #4 SAE, 5 PSI* EX, Axle extend load sense, both ends | | -- | 62341GT | SEAL KIT,52907,SIZE 4, 2 WAY | |
| -- | 62341GT | SEAL KIT,52907,SIZE 4, 2 WAY | | 19 | 52907GT | VALVE-CHECK, #4 SAE, 5 PSI* EPP, Steering load sense, circle end, left side, extend | |
| 6 | 62365GT | VALVE,RELIEF,1800 PSI,AXLE EXT EQQ, Axle extend | | -- | 62341GT | SEAL KIT,52907,SIZE 4, 2 WAY | |
| -- | 44227GT | SEAL KIT, VALVE | | 20 | 52907GT | VALVE-CHECK, #4 SAE, 5 PSI* EOO, Steering load sense, circle end, left side, retract | |
| 7 | 52374GT | VALVE,RELIEF,3000PSI,GS68PUMP1 EZ, Steering pressure limit; to SN 521 | | -- | 62341GT | SEAL KIT,52907,SIZE 4, 2 WAY | |
| -- | 44227GT | SEAL KIT, VALVE | | 21 | 48997GT | NIPPLE,DIAGNOSTIC,#4 TP, Testing; to SN 521 | |
| 8 | 52907GT | VALVE-CHECK, #4 SAE, 5 PSI* EY, Axle retract load sense, both ends | | -- | 20224GT | DIAGNOSTIC FEMALE Q-DSCNT to SN 521 | |
| -- | 62341GT | SEAL KIT,52907,SIZE 4, 2 WAY | | 22 | 48880GT | CAP,DIAGNOSTIC NIPPLE to SN 521 | |
| 9 | 52907GT | VALVE-CHECK, #4 SAE, 5 PSI* EKK, Steering load sense, square end, right side, extend | | | | | |
| -- | 62341GT | SEAL KIT,52907,SIZE 4, 2 WAY | | | | | |
| 10 | 52907GT | VALVE-CHECK, #4 SAE, 5 PSI* ELL, Steering load sense, square end, right side, retract | | | | | |
| -- | 62341GT | SEAL KIT,52907,SIZE 4, 2 WAY | | | | | |
| 11 | 75453GT | VALVE,CHECK,DUAL PILOT*** EM, Steering cylinder lock, square end, right side, extend/retract; to SN 1195 | | | | | |
| -- | 101958GT | VALVE,CHECK,DUAL PILOT,135 PSI | | | | | |
| 12 | 52907GT | VALVE-CHECK, #4 SAE, 5 PSI* ENN, Steering load sense, square end, left side, retract | | | | | |
| -- | 62341GT | SEAL KIT,52907,SIZE 4, 2 WAY | | | | | |

706.1 Function Manifold (to SN 430)



706.1 Function Manifold (to SN 430)

| Item | Part No. | Description | Qty. | Item | Part No. | Description | Qty. |
|------|----------|--|------|------|----------|--|------|
| -- | 60366GT | MANIFOLD,FUNCTION S120/125 | | 12 | 62342GT | VALVE,COUNTERBAL.CBCA-LHN@3200 <i>BH, Boom down circuit, used only on lift cylinder part 50078</i> | |
| -- | 60389GT | HARNESS,TCON J4,MANIFOLD | | -- | 65907GT | PLUG,CAVITY,T-11A,1-2 OPEN <i>required with lift cylinder part 146324, refer to 501.1 and 501.2</i> | |
| 1 | 52905GT | VALVE-RELIEF,1800 PSI <i>BA, Boom extend pressure limit</i> | | 13 | 62325GT | VALVE,RELIEF,2600 PSI,SIZE 10 <i>BI, Turntable, boom lift and boom retract pressure limit</i> | |
| -- | 44227GT | SEAL KIT, VALVE | | -- | 44224GT | SEAL KIT, VALVE | |
| 2 | 62327GT | VALVE,SOLENOID,PROPORT. N.C.* <i>BB, Boom extend/retract proportional speed control</i> | | 14 | 52907GT | VALVE-CHECK, #4 SAE, 5 PSI* <i>BJ, Load sensing circuit, boom up/down</i> | |
| -- | 52373GT | SEAL KIT,52372,SOLENOID VALVE | | -- | 62341GT | SEAL KIT,52907,SIZE 4, 2 WAY | |
| -- | 52466GT | NUT,PROPORTNL. COIL,52372,GS68 | | 15 | 62336GT | ORIFICE PLUG, 0.040 <i>BK, Differential sensing damping</i> | |
| -- | 62335GT | COIL,PROPORTIONAL,62327,DIN | | 16 | 48880GT | CAP,DIAGNOSTIC NIPPLE | |
| 3 | 62330GT | VALVE,SOLENOID,3POS 4WAY*** <i>BC, Turntable rotate left/right</i> | | 17 | 48997GT | NIPPLE,DIAGNOSTIC,#4 <i>TP, Testing</i> | |
| -- | 44174GT | NUT-COIL SHORT | | -- | 20224GT | DIAGNOSTIC FEMALE Q-DSCNT | |
| -- | 44175GT | SPACER-DUAL COIL,#10, SCISSORS | | -- | 75098GT | HARNESS,PRESSURE TRANSDUCER | |
| -- | 44230GT | SEAL KIT-P.N.44169,44172,44171 | | 18 | 52907GT | VALVE-CHECK, #4 SAE, 5 PSI* <i>BL, Load sensing circuit, turntable rotate</i> | |
| -- | 62334GT | COIL,62328/62330,SIZE 10,DIN* | | -- | 62341GT | SEAL KIT,52907,SIZE 4, 2 WAY | |
| 4 | 97388GT | VALVE ASSY,D03,REX,3POS 4WAY <i>BD, Boom up/down</i> | | 19 | 52907GT | VALVE-CHECK, #4 SAE, 5 PSI* <i>BM, Load sensing circuit, boom extend/retract</i> | |
| -- | 102394GT | VLV,SOL,DO3,REXROTH,3POS 4 WAY | | -- | 62341GT | SEAL KIT,52907,SIZE 4, 2 WAY | |
| -- | 102395GT | SEAL KIT,REXROTH DO3 VALVE | | 20 | 62328GT | VALVE,SOLENOID,NC,POPPET* <i>BN, Boom retract sequence control</i> | |
| -- | 52385GT | SEAL KIT,52381,BOSCH DO3,GS68 | | -- | 44174GT | NUT-COIL SHORT | |
| 5 | 45916GT | SCREW,SHC,10-24 X 1.250 (D01) | | -- | 62334GT | COIL,62328/62330,SIZE 10,DIN* | |
| -- | 43255GT | SCREW,SHC,10-24 X 2 | | -- | 62338GT | SEAL KIT,62328,SIZE 12,2 PORT | |
| 6 | 97388GT | VALVE ASSY,D03,REX,3POS 4WAY | | 21 | 62328GT | VALVE,SOLENOID,NC,POPPET* <i>BO, Boom extend sequence control</i> | |
| -- | 102398GT | COIL,DIN,REXROTH DO3 VALVE | | -- | 44174GT | NUT-COIL SHORT | |
| 7 | 52385GT | SEAL KIT,52381,BOSCH DO3,GS68 | | -- | 62334GT | COIL,62328/62330,SIZE 10,DIN* | |
| -- | 102395GT | SEAL KIT,REXROTH DO3 VALVE | | -- | 62338GT | SEAL KIT,62328,SIZE 12,2 PORT | |
| 8 | 97388GT | VALVE ASSY,D03,REX,3POS 4WAY | | 22 | 62323GT | VALVE,DIFFERENTIAL SENSE110PSI <i>BP, Directs flow to functions</i> | |
| -- | 102396GT | NUT-COIL,REXROTH DO3 VALVE | | -- | 62337GT | SEAL KIT, VALVE | |
| 9 | 62324GT | VALVE,FLOW CONTROL, 0.1GPM* <i>BE, Bleeds off differential sensing valves to tank</i> | | 23 | 62329GT | VALVE,SOLENOID, 2POS 3WAY* <i>BQ, Boom retract control</i> | |
| -- | 44227GT | SEAL KIT, VALVE | | -- | 62333GT | COIL,62329,SIZE12,W/FRAME,DIN* | |
| 10 | 62327GT | VALVE,SOLENOID,PROPORT. N.C.* <i>BF, Boom up/down proportional speed control</i> | | -- | 62339GT | SEAL KIT,62329,SIZE 12, 3 WAY | |
| -- | 52373GT | SEAL KIT,52372,SOLENOID VALVE | | -- | 62344GT | NUT,COIL,DOMED,SIZE 12, 62329 | |
| -- | 52466GT | NUT,PROPORTNL. COIL,52372,GS68 | | 24 | 62329GT | VALVE,SOLENOID, 2POS 3WAY* <i>BR, Boom extend control</i> | |
| -- | 62335GT | COIL,PROPORTIONAL,62327,DIN | | -- | 62333GT | COIL,62329,SIZE12,W/FRAME,DIN* | |
| 11 | 62326GT | VALVE,PROPORTIONAL SOLENOID* <i>BG, Turntable rotate, proportional speed control</i> | | | | | |
| -- | 44227GT | SEAL KIT, VALVE | | | | | |
| -- | 62332GT | COIL,PROPORTNL.62326,SIZE8,DIN | | | | | |
| -- | 62349GT | NUT,COIL,PROPORTNL.VALVE | | | | | |

706.1 Function Manifold (to SN 430)
(continued)

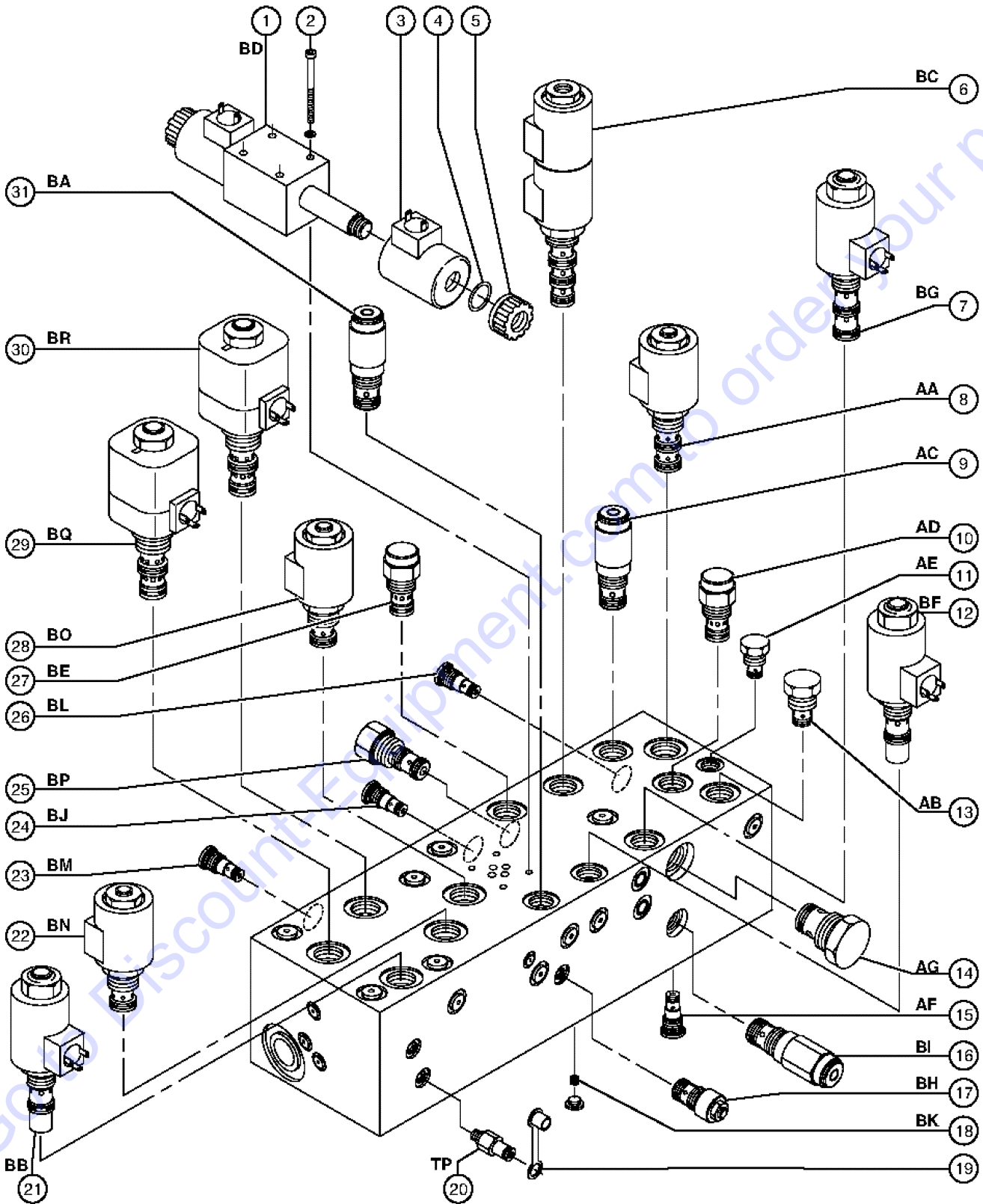
| Item | Part No. | Description | Qty. |
|------|----------|-------------------------------|------|
| -- | 62339GT | SEAL KIT,62329,SIZE 12, 3 WAY | |
| -- | 62344GT | NUT,COIL,DOMED,SIZE 12, 62329 | |

Go to Discount-Equipment.com to order your parts

This Page Intentionally Left Blank

Go to Discount-Equipment.com to order your parts

706.2 Function Manifold (from SN 431 to 574)



706.2 Function Manifold (from SN 431 to 574)

| Item | Part No. | Description | Qty. | Item | Part No. | Description | Qty. |
|------|----------|---|------|------|----------|--|------|
| -- | 75590GT | MANIFOLD,FUNCTION S120/125 <i>Complete</i> | | -- | 62335GT | COIL,PROPORTIONAL,62327,DIN | |
| -- | 75652GT | HARNESS,TCON J4,MANIFOLD | | 13 | 46216GT | VALVE,CHECK,IWP-S/CWP PWR ASSI <i>AB, Blocks flow from pump 1 and 2 to auxiliary pump</i> | |
| 1 | 97388GT | VALVE ASSY,D03,REX,3POS 4WAY <i>BD, Boom up/down</i> | | -- | 44227GT | SEAL KIT, VALVE | |
| -- | 102394GT | VLV,SOL,DO3,REXROTH,3POS 4 WAY | | 14 | 75456GT | VALVE-CHECK SIZE 12(SUPRBOOM)* <i>AG, Blocks flow from auxiliary pump, port 2A to pump 1</i> | |
| -- | 102395GT | SEAL KIT,REXROTH DO3 VALVE | | -- | 62338GT | SEAL KIT,62328,SIZE 12,2 PORT | |
| -- | 52385GT | SEAL KIT,52381,BOSCH DO3,GS68 | | 15 | 44178GT | VALVE,CHECK,5 PSI** <i>AF, Blocks flow from auxiliary pump, ports 2A and 3A to pump 2</i> | |
| 2 | 45916GT | SCREW,SHC,10-24 X 1.250 (D01) | | -- | 44224GT | SEAL KIT, VALVE | |
| -- | 43255GT | SCREW,SHC,10-24 X 2 | | 16 | 62325GT | VALVE,RELIEF,2600 PSI,SIZE 10 <i>BI, Turntable, primary lift and boom retract pressure limit</i> | |
| 3 | 97388GT | VALVE ASSY,D03,REX,3POS 4WAY | | -- | 44224GT | SEAL KIT, VALVE | |
| -- | 102398GT | COIL,DIN,REXROTH DO3 VALVE | | 17 | 62342GT | VALVE,COUNTERBAL.CBCA-LHN@3200 <i>BH, Primary lift, load holding, used only on lift cylinder part 50078</i> | |
| 4 | 52385GT | SEAL KIT,52381,BOSCH DO3,GS68 | | -- | 65907GT | PLUG,CAVITY,T-11A,1-2 OPEN <i>required with lift cylinder part 146324, refer to 501.1 and 501.2</i> | |
| -- | 102395GT | SEAL KIT,REXROTH DO3 VALVE | | 18 | 62336GT | ORIFICE PLUG, 0.040 <i>BK, Differential sensing damping</i> | |
| 5 | 97388GT | VALVE ASSY,D03,REX,3POS 4WAY | | 19 | 48880GT | CAP,DIAGNOSTIC NIPPLE | |
| -- | 102396GT | NUT-COIL,REXROTH DO3 VALVE | | 20 | 48997GT | NIPPLE,DIAGNOSTIC,#4 <i>TP, Testing</i> | |
| 6 | 62330GT | VALVE,SOLENOID,3POS 4WAY*** <i>BC, Turntable rotate left/right</i> | | 20 | 75098GT | HARNESS,PRESSURE TRANSDUCER | |
| -- | 44174GT | NUT-COIL SHORT | | -- | 20224GT | DIAGNOSTIC FEMALE Q-DSCNT | |
| -- | 44175GT | SPACER-DUAL COIL,#10, SCISSORS | | -- | 49207GT | NIPPLE,DIAGNOSTIC,ORFS,FM,SWIV | |
| -- | 44230GT | SEAL KIT-P.N.44169,44172,44171 | | -- | 52373GT | SEAL KIT,52372,SOLENOID VALVE | |
| -- | 62334GT | COIL,62328/62330,SIZE 10,DIN* | | -- | 52466GT | NUT,PROPORN.L. COIL,52372,GS68 | |
| 7 | 62326GT | VALVE,PROPORTIONAL SOLENOID* <i>BG, Turntable rotate, proportional speed control</i> | | -- | 62327GT | VALVE,SOLENOID,PROPOR.T.N.C.* <i>BB, Boom extend/retract proportional</i> | |
| -- | 44227GT | SEAL KIT, VALVE | | -- | 62335GT | COIL,PROPORTIONAL,62327,DIN | |
| -- | 62332GT | COIL,PROPORN.L. 62326,SIZE8,DIN | | 22 | 62328GT | VALVE,SOLENOID,NC,POPPET* <i>BN, Boom retract sequence control</i> | |
| -- | 62349GT | NUT,COIL,PROPORN.L. VALVE | | -- | 44174GT | NUT-COIL SHORT | |
| 8 | 75458GT | VALVE,SOLENOID,2POS3WAY,SUPRB <i>AA, Auxiliary drive/steer selector</i> | | -- | 62334GT | COIL,62328/62330,SIZE 10,DIN* | |
| -- | 44174GT | NUT-COIL SHORT | | -- | 62338GT | SEAL KIT,62328,SIZE 12,2 PORT | |
| -- | 62334GT | COIL,62328/62330,SIZE 10,DIN* | | 23 | 52907GT | VALVE-CHECK, #4 SAE, 5 PSI* <i>BM, Extension cylinder load sense</i> | |
| -- | 62337GT | SEAL KIT, VALVE | | -- | 62341GT | SEAL KIT,52907,SIZE 4, 2 WAY | |
| 9 | 52374GT | VALVE,RELIEF,3000PSI,GS68PUMP1 <i>AC, Platform manifold pressure limit</i> | | 24 | 52907GT | VALVE-CHECK, #4 SAE, 5 PSI* <i>BJ, Primary lift load sense check</i> | |
| -- | 44224GT | SEAL KIT, VALVE | | -- | 62341GT | SEAL KIT,52907,SIZE 4, 2 WAY | |
| 10 | 75457GT | VALVE-FLOW REGULATOR 3.0 GPM <i>AD, Priority flow to platform</i> | | 25 | 62323GT | VALVE,DIFFERENTIAL SENSE110PSI <i>BP, Directs flow to functions</i> | |
| -- | 44225GT | SEAL KIT, VALVE | | | | | |
| 11 | 52907GT | VALVE-CHECK, #4 SAE, 5 PSI* <i>AE, Blocks flow from pump 2 to auxiliary pump</i> | | | | | |
| -- | 62341GT | SEAL KIT,52907,SIZE 4, 2 WAY | | | | | |
| 12 | 62327GT | VALVE,SOLENOID,PROPOR.T.N.C.* <i>BF, Primary lift, proportional speed control</i> | | | | | |
| -- | 52373GT | SEAL KIT,52372,SOLENOID VALVE | | | | | |
| -- | 52466GT | NUT,PROPORN.L. COIL,52372,GS68 | | | | | |

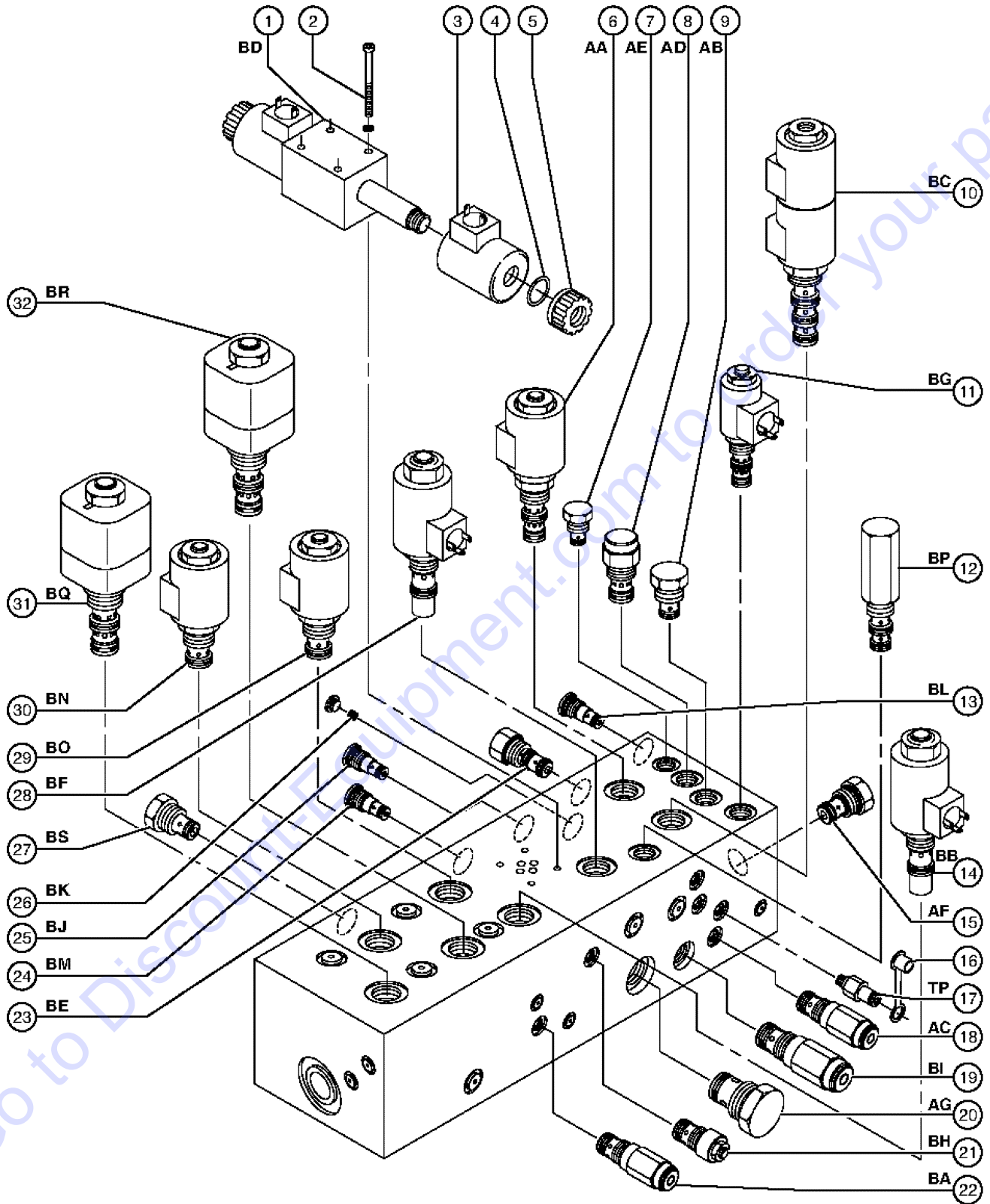
706.2 Function Manifold (from SN 431 to 574)
(continued)

| Item | Part No. | Description | Qty. |
|------|----------|---|------|
| -- | 62337GT | SEAL KIT, VALVE | |
| 26 | 52907GT | VALVE-CHECK, #4 SAE, 5 PSI* <i>BL, Turntable rotate load sense check</i> | |
| -- | 62341GT | SEAL KIT,52907,SIZE 4, 2 WAY | |
| 27 | 62324GT | VALVE,FLOW CONTROL, 0.1GPM* <i>BE, Bleeds off differential sensing valve</i> | |
| -- | 44227GT | SEAL KIT, VALVE | |
| 28 | 62328GT | VALVE,SOLENOID,NC,POPPET* <i>BO, Boom extend sequence control</i> | |
| -- | 44174GT | NUT-COIL SHORT | |
| -- | 62334GT | COIL,62328/62330,SIZE 10,DIN* | |
| -- | 62338GT | SEAL KIT,62328,SIZE 12,2 PORT | |
| 29 | 62329GT | VALVE,SOLENOID, 2POS 3WAY* <i>BQ, Boom retract control</i> | |
| -- | 62333GT | COIL,62329,SIZE12,W/FRAME,DIN* | |
| -- | 62339GT | SEAL KIT,62329,SIZE 12, 3 WAY | |
| -- | 62344GT | NUT,COIL,DOMED,SIZE 12, 62329 | |
| 30 | 62329GT | VALVE,SOLENOID, 2POS 3WAY* <i>BR, Boom extend control</i> | |
| -- | 62333GT | COIL,62329,SIZE12,W/FRAME,DIN* | |
| -- | 62339GT | SEAL KIT,62329,SIZE 12, 3 WAY | |
| -- | 62344GT | NUT,COIL,DOMED,SIZE 12, 62329 | |
| 31 | 52905GT | VALVE-RELIEF,1800 PSI <i>BA, Boom extend pressure limit</i> | |
| -- | 44227GT | SEAL KIT, VALVE | |

This Page Intentionally Left Blank

Go to Discount-Equipment.com to order your parts

706.3 Function Manifold (from SN 575)



706.3 Function Manifold (from SN 575)

| Item | Part No. | Description | Qty. | Item | Part No. | Description | Qty. |
|------|----------|---|------|------|----------|--|------|
| -- | 48883GT | PLUG,HEX,090109A-8*** | | -- | 62332GT | COIL,PROPORTNL.62326,SIZE8,DIN | |
| -- | 122439GT | MANIFOLD,FUNCTION,S120/125 <i>Requires lift cylinder replacment kit 122522 for first time replacment of manifold 75766, refer to 501.1 and 501.2</i> | | -- | 62349GT | NUT,COIL,PROPORTNL.VALVE | |
| -- | 75973GT | HARNESS,TCON J4,MANIFOLD <i>to SN 2709</i> | | 12 | 75462GT | VALVE,DIFFERENTIAL SENSE230PSI <i>BP, Directs flow to functions</i> | |
| -- | 146193GT | HARNESS, TCON J4 MANIFOLD 2009 <i>from SN 2710</i> | | -- | 62337GT | SEAL KIT, VALVE | |
| 1 | 97388GT | VALVE ASSY,D03,REX,3POS 4WAY <i>BD, Boom up/down; to SN 1012</i> | | 13 | 46216GT | VALVE,CHECK,IWP-S/CWP PWR ASSI <i>BL, Turntable rotate load sense check</i> | |
| -- | 102394GT | VLV,SOL,DO3,REXROTH,3POS 4 WAY | | -- | 44227GT | SEAL KIT, VALVE | |
| -- | 102395GT | SEAL KIT,REXROTH DO3 VALVE | | 14 | 75464GT | VALVE,SOLENOID,PROPORT. N.C. <i>BB, Boom extend/retract proportional speed control</i> | |
| -- | 52385GT | SEAL KIT,52381,BOSCH DO3,GS68 | | -- | 52373GT | SEAL KIT,52372,SOLENOID VALVE | |
| 2 | 45916GT | SCREW,SHC,10-24 X 1.250 (D01) | | -- | 52466GT | NUT,PROPORTNL. COIL,52372,GS68 | |
| -- | 43255GT | SCREW,SHC,10-24 X 2 | | -- | 62335GT | COIL,PROPORTIONAL,62327,DIN | |
| 3 | 97388GT | VALVE ASSY,D03,REX,3POS 4WAY | | 15 | 44178GT | VALVE,CHECK,5 PSI** <i>AF, Blocks flow from auxiliary pump, ports 2A and 3A to pump 2</i> | |
| -- | 102398GT | COIL,DIN,REXROTH DO3 VALVE | | -- | 44224GT | SEAL KIT, VALVE | |
| 4 | 52385GT | SEAL KIT,52381,BOSCH DO3,GS68 | | 16 | 48880GT | CAP,DIAGNOSTIC NIPPLE | |
| -- | 102395GT | SEAL KIT,REXROTH DO3 VALVE | | 17 | 48997GT | NIPPLE,DIAGNOSTIC,#4 <i>TP, Testing</i> | |
| 5 | 97388GT | VALVE ASSY,D03,REX,3POS 4WAY | | -- | 20224GT | DIAGNOSTIC FEMALE Q-DSCNT | |
| -- | 102396GT | NUT-COIL,REXROTH DO3 VALVE | | -- | 49207GT | NIPPLE,DIAGNOSTIC,ORFS,FM,SWIV | |
| 6 | 75458GT | VALVE,SOLENOID,2POS3WAY,SUPRB <i>AA, Auxiliary drive/steer selector</i> | | -- | 75098GT | HARNESS,PRESSURE TRANSDUCER | |
| -- | 44174GT | NUT-COIL SHORT | | 18 | 52374GT | VALVE,RELIEF,3000PSI,GS68PUMP1 <i>AC, Platform manifold pressure limit</i> | |
| -- | 62334GT | COIL,62328/62330,SIZE 10,DIN* | | -- | 44224GT | SEAL KIT, VALVE | |
| -- | 62337GT | SEAL KIT, VALVE | | 19 | 62325GT | VALVE,RELIEF,2600 PSI,SIZE 10 <i>BI, Turntable, primary lift and boom retract pressure limit</i> | |
| 7 | 52907GT | VALVE-CHECK, #4 SAE, 5 PSI* <i>AE, Blocks flow from pump 2 to auxiliary pump</i> | | -- | 44224GT | SEAL KIT, VALVE | |
| -- | 62341GT | SEAL KIT,52907,SIZE 4, 2 WAY | | 20 | 75456GT | VALVE-CHECK SIZE 12(SUPRBOOM)* <i>AG, Blocks flow from auxiliary pump, port 2A to pump 1</i> | |
| 8 | 75457GT | VALVE-FLOW REGULATOR 3.0 GPM <i>AD, Priority flow to platform</i> | | -- | 62338GT | SEAL KIT,62328,SIZE 12,2 PORT | |
| -- | 44225GT | SEAL KIT, VALVE | | 21 | 62342GT | VALVE,COUNTERBAL.CBCA-LHN@3200 <i>BH, Primary lift, load holding, used only on lift cylinder part 50078; to SN 2634</i> | |
| 9 | 46216GT | VALVE,CHECK,IWP-S/CWP PWR ASSI <i>AB, Blocks flow from pump 1 and 2 to auxiliary pump</i> | | -- | 65907GT | PLUG,CAVITY,T-11A,1-2 OPEN <i>required with lift cylinder part 146324, or from SN 2635, refer to 501.1 and 501.2</i> | |
| -- | 44227GT | SEAL KIT, VALVE | | 22 | 52905GT | VALVE-RELIEF,1800 PSI <i>BA, Boom extend pressure limit</i> | |
| 10 | 62330GT | VALVE,SOLENOID,3POS 4WAY*** <i>BC, Turntable rotate control, left/right</i> | | -- | 44227GT | SEAL KIT, VALVE | |
| -- | 44174GT | NUT-COIL SHORT | | 23 | 62324GT | VALVE,FLOW CONTROL, 0.1GPM* <i>BE, Leads off differential sensing valve to tank</i> | |
| -- | 44175GT | SPACER-DUAL COIL,#10, SCISSORS | | -- | 44227GT | SEAL KIT, VALVE | |
| -- | 44230GT | SEAL KIT-P.N.44169,44172,44171 | | 24 | 52907GT | VALVE-CHECK, #4 SAE, 5 PSI* <i>BM, Extension cylinder load sense check</i> | |
| -- | 62334GT | COIL,62328/62330,SIZE 10,DIN* | | | | | |
| 11 | 62326GT | VALVE,PROPORTIONAL SOLENOID* <i>BG, Turntable rotate, proportional speed control</i> | | | | | |
| -- | 44227GT | SEAL KIT, VALVE | | | | | |

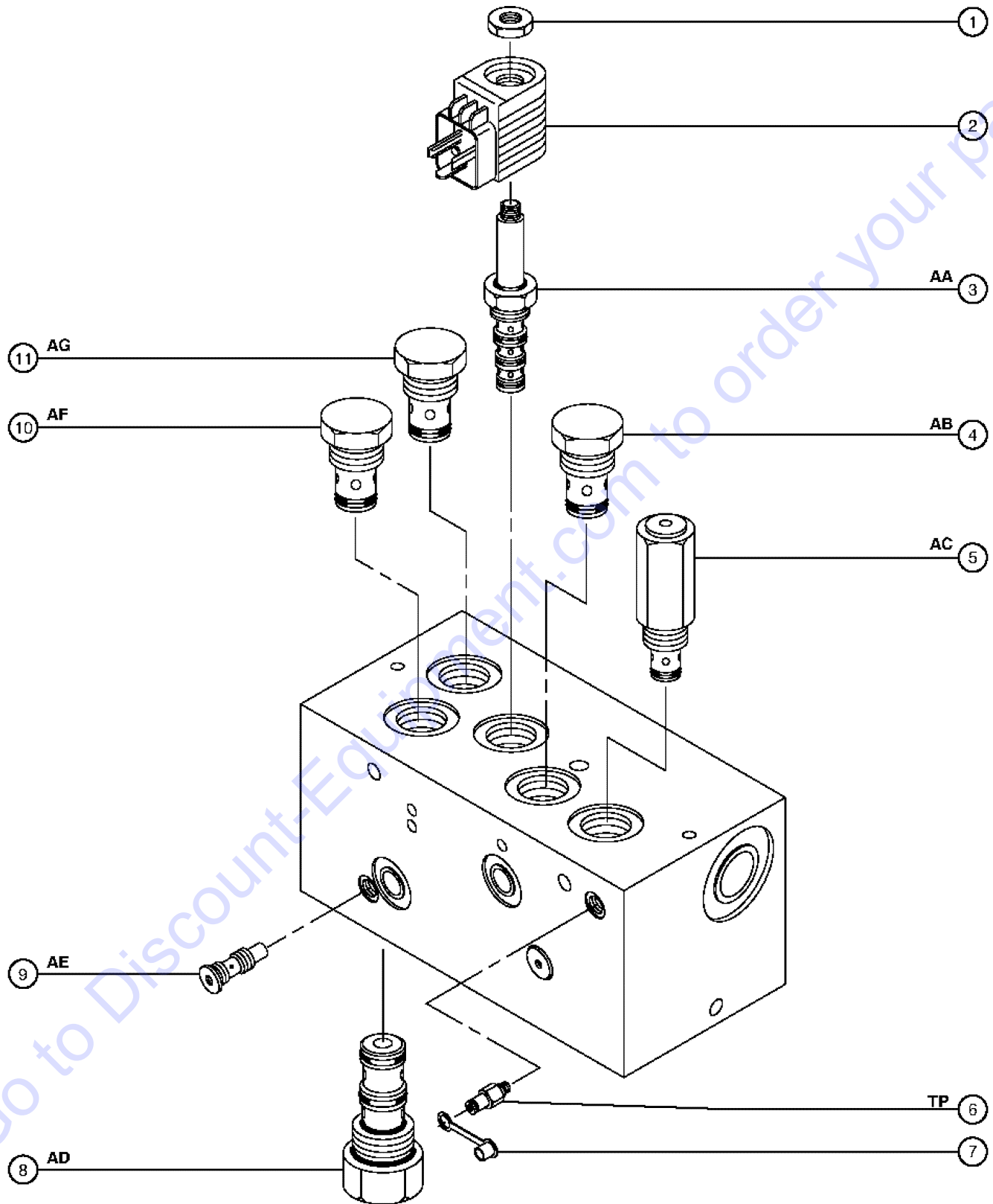
706.3 Function Manifold (from SN 575)
(continued)

| Item | Part No. | Description | Qty. |
|------|----------|---|------|
| -- | 62341GT | SEAL KIT,52907,SIZE 4, 2 WAY | |
| 25 | 52907GT | VALVE-CHECK, #4 SAE, 5 PSI* <i>BJ, Primary lift load sense check</i> | |
| -- | 62341GT | SEAL KIT,52907,SIZE 4, 2 WAY | |
| 26 | 62336GT | ORIFICE PLUG, 0.040 <i>BK, Differential sensing damping</i> | |
| 27 | 75465GT | VALVE-CHECK, #12 SAE,30 PSI <i>BS, Back pressure check, boom extend</i> | |
| -- | 62338GT | SEAL KIT,62328,SIZE 12,2 PORT | |
| 28 | 75464GT | VALVE,SOLENOID,PROPORT. N.C. <i>BF, Primary lift, proportional speed control</i> | |
| -- | 52373GT | SEAL KIT,52372,SOLENOID VALVE | |
| -- | 52466GT | NUT,PROPORTNL. COIL,52372,GS68 | |
| -- | 62335GT | COIL,PROPORTIONAL,62327,DIN | |
| 29 | 62328GT | VALVE,SOLENOID,NC,POPPET* <i>BO, Boom extend sequence control</i> | |
| -- | 44174GT | NUT-COIL SHORT | |
| -- | 62334GT | COIL,62328/62330,SIZE 10,DIN* | |
| -- | 62338GT | SEAL KIT,62328,SIZE 12,2 PORT | |
| 30 | 62328GT | VALVE,SOLENOID,NC,POPPET* <i>BN, Boom retract sequence control</i> | |
| -- | 44174GT | NUT-COIL SHORT | |
| -- | 62334GT | COIL,62328/62330,SIZE 10,DIN* | |
| -- | 62338GT | SEAL KIT,62328,SIZE 12,2 PORT | |
| 31 | 75463GT | VALVE,SOLENOID, 2POS 3WAY <i>BQ, Boom retract control</i> | |
| -- | 62333GT | COIL,62329,SIZE12,W/FRAME,DIN* | |
| -- | 62339GT | SEAL KIT,62329,SIZE 12, 3 WAY | |
| -- | 62344GT | NUT,COIL,DOMED,SIZE 12, 62329 | |
| 32 | 62329GT | VALVE,SOLENOID, 2POS 3WAY* <i>BR, Boom extend control</i> | |
| -- | 62333GT | COIL,62329,SIZE12,W/FRAME,DIN* | |
| -- | 62339GT | SEAL KIT,62329,SIZE 12, 3 WAY | |
| -- | 62344GT | NUT,COIL,DOMED,SIZE 12, 62329 | |

This Page Intentionally Left Blank

Go to Discount-Equipment.com to order your parts

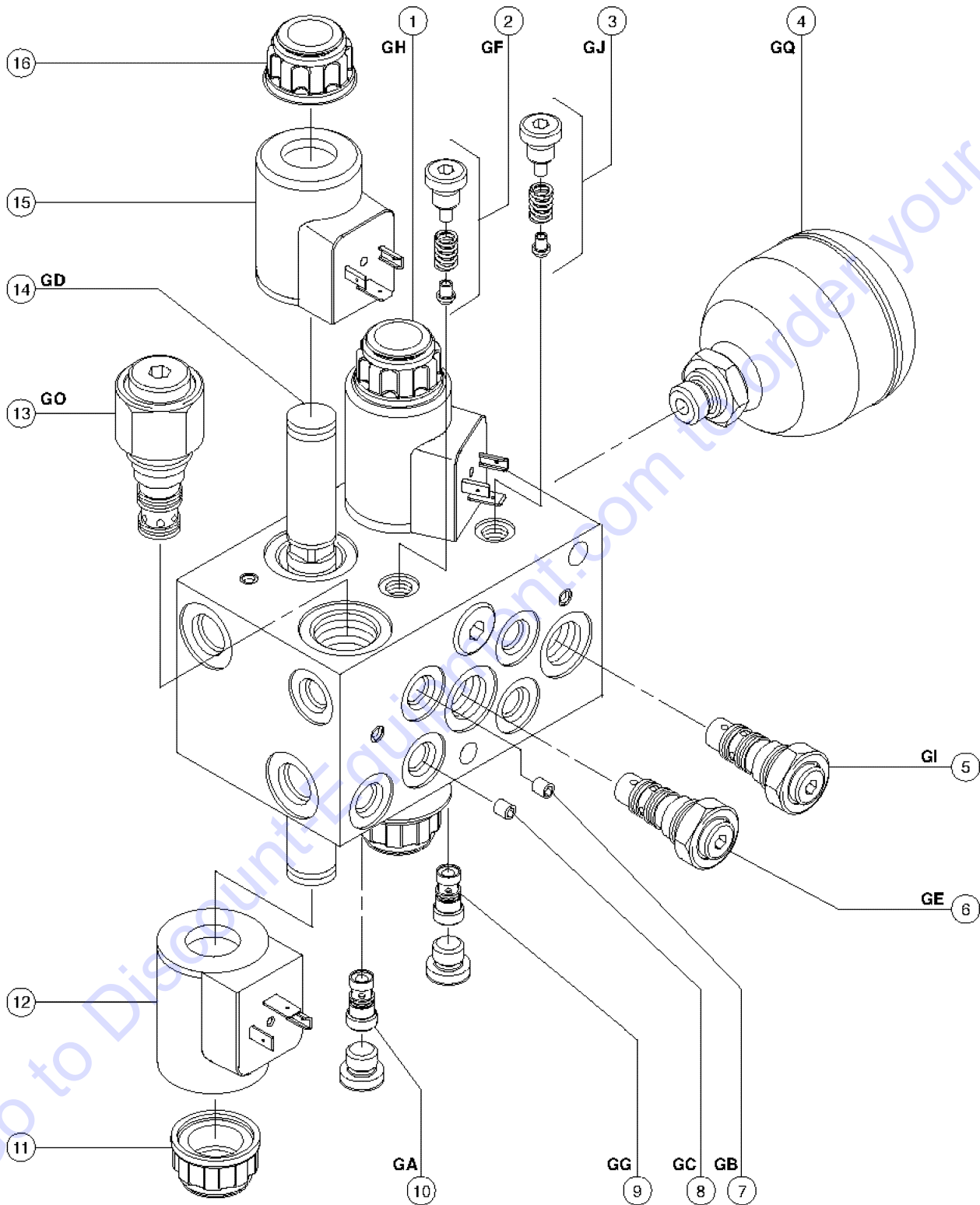
707.1 Distribution Manifold (to SN 430)



707.1 Distribution Manifold (to SN 430)

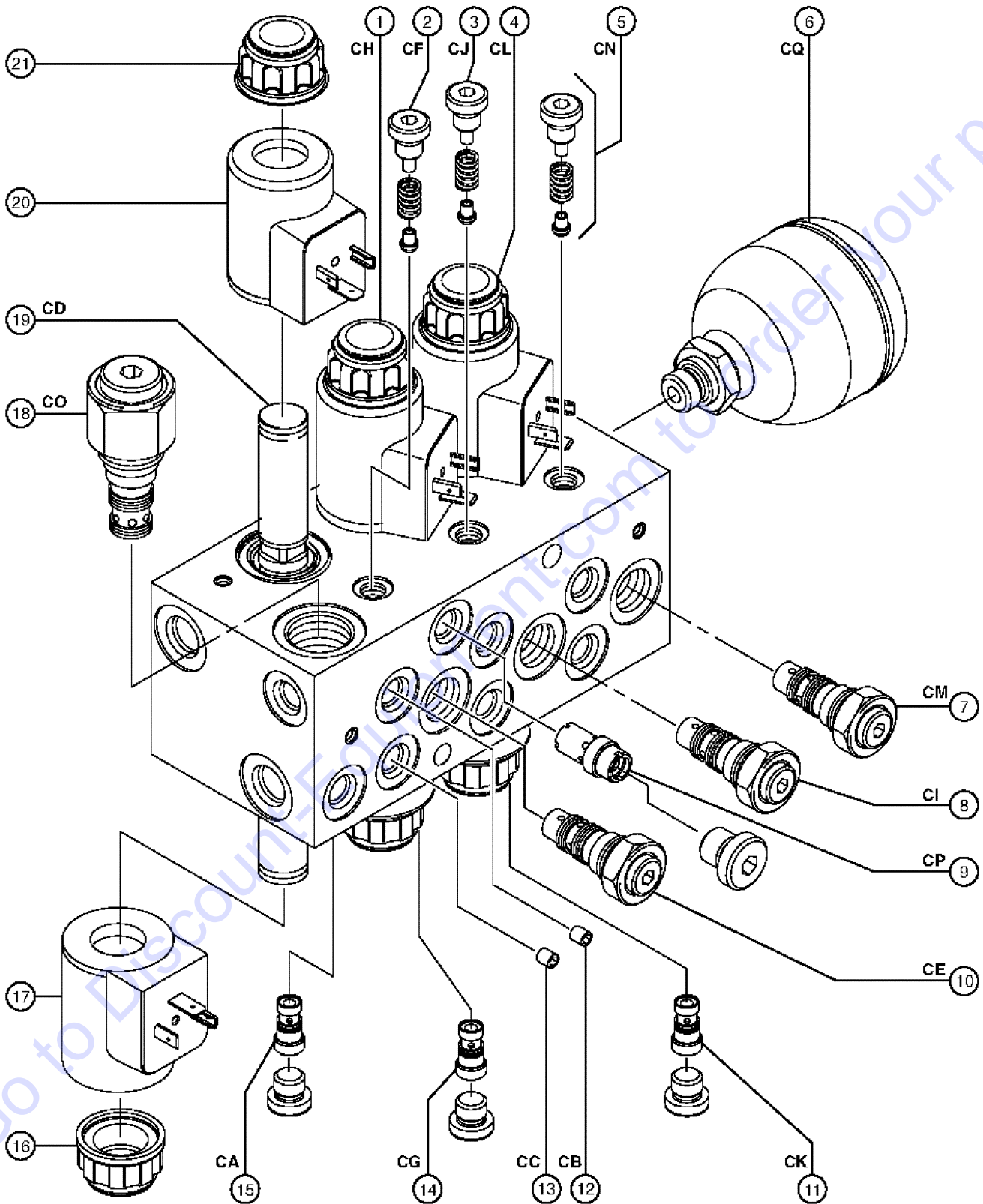
| Item | Part No. | Description | Qty. |
|------|----------|--|------|
| -- | 60487GT | MANIFOLD,PUMP DISTRIBUTION <i>Complete</i> | |
| -- | 60389GT | HARNESS,TCON J4,MANIFOLD | |
| 1 | 45912GT | NUT,SOLENOID VALVE 2P3W | |
| 2 | 62371GT | COIL,62370,12VDC W/DIN,SIZE 10 | |
| 3 | 62370GT | VALVE,SOLENOID,2POS3WAY,12VDIN <i>AA, Auxiliary drive/steer selector</i> | |
| 4 | 45543GT | VALVE,CHECK, 50 PSI <i>AB, Blocks flow from pump 1 and 2 to auxiliary pump</i> | |
| 5 | 62372GT | VALVE,RELIEF,3000 PSI <i>AC, Platform manifold relief</i> | |
| -- | 74902GT | SEAL KIT, VALVE | |
| 6 | 48997GT | NIPPLE,DIAGNOSTIC,#4 <i>TP, Testing; to SN 430</i> | |
| -- | 20224GT | DIAGNOSTIC FEMALE Q-DSCNT | |
| -- | 75098GT | HARNESS,PRESSURE TRANSDUCER | |
| 7 | 48880GT | CAP,DIAGNOSTIC NIPPLE | |
| 8 | 62373GT | VALVE,FLOW REGULATOR, 3.0 GPM <i>AD, Priority flow to platform manifold</i> | |
| 9 | 27807GT | VALVE,CHECK*** <i>AE, Blocks flow from pump 2 to auxiliary pump</i> | |
| 10 | 45481GT | VALVE,CHECK <i>AF, Blocks flow from auxiliary pump, ports 2A and 3A to pump 2</i> | |
| 11 | 27836GT | VALVE,CHECK,5 PSI <i>AG, Blocks flow from auxiliary pump, port 2A to pump 1</i> | |

708.1 Platform Manifold



| Item | Part No. | Description | Qty. |
|------|----------|---|------|
| -- | 50171GT | MANIFOLD,PLAT CONTROL NON-JIB* | |
| -- | 49612GT | O-RING KIT (ORFS FITTINGS) | |
| -- | 49613GT | PLUG AND CAP KIT-SERVICE,ORFS* | |
| 1 | 62441GT | VALVE,SOLENOID,3POS4WAY,HYDAC <i>GH, Platform level up/down</i> | |
| -- | 62353GT | COIL,SOLENOID,HYDAC MANIFOLDS | |
| -- | 62354GT | NUT,SOLENOID VALVE,HYDAC | |
| -- | 62355GT | O-RING,COIL NUT, HYDAC | |
| -- | 62363GT | SEAL KIT,SOLENOID VALVES,HYDAC | |
| 2 | 62442GT | VALVE,CHECK,PLAT.MANIFLD,HYDAC <i>GF, Platform rotate circuit</i> | |
| 3 | 62442GT | VALVE,CHECK,PLAT.MANIFLD,HYDAC <i>GJ, Platform level circuit</i> | |
| 4 | 62364GT | ACCUMULATOR,500 PSI,HYDAC <i>GQ, Hydraulic dampening</i> | |
| 5 | 62357GT | VALVE,DIFFERENTIAL SENSE,N.O. <i>GI, Platform level differential sensing circuit</i> | |
| -- | 62361GT | SEAL KIT,VALVE 62357, HYDAC | |
| 6 | 62357GT | VALVE,DIFFERENTIAL SENSE,N.O. <i>GE, Platform rotate differential sensing circuit</i> | |
| -- | 62361GT | SEAL KIT,VALVE 62357, HYDAC | |
| 7 | 62443GT | ORIFICE PLUG,.03,PLATF. HYDAC <i>GB, Platform rotate left circuit</i> | |
| 8 | 62443GT | ORIFICE PLUG,.03,PLATF. HYDAC <i>GC, Platform rotate right circuit</i> | |
| 9 | 62359GT | VALVE,SHUTTLE, HYDAC <i>GG, Platform level load sense circuit</i> | |
| -- | 62362GT | SEAL KIT,VALVE 62359, HYDAC | |
| 10 | 62359GT | VALVE,SHUTTLE, HYDAC <i>GA, Load sense circuit</i> | |
| -- | 62362GT | SEAL KIT,VALVE 62359, HYDAC | |
| 11 | 62354GT | NUT,SOLENOID VALVE,HYDAC | |
| 12 | 62353GT | COIL,SOLENOID,HYDAC MANIFOLDS | |
| 13 | 62356GT | VALVE,DIFFERENTIAL SENSE,N.C. <i>GO, Directs flow to functions</i> | |
| -- | 62360GT | SEAL KIT,VALVE 62356, HYDAC | |
| 14 | | (Ref.) VALVE,SOLENOID,3POS4WAY,HYDAC <i>Solenoid valve part 62352 is no longer available, for replacement order manifold upgrade kit 215546</i> | |
| -- | 215546GT | S100/120 PLAT MNFLD SRV KIT <i>Solenoid valve part 62352 is no longer available, for replacement order manifold upgrade kit 215546</i> | |
| 15 | 62353GT | COIL,SOLENOID,HYDAC MANIFOLDS | |
| 16 | 62354GT | NUT,SOLENOID VALVE,HYDAC | |

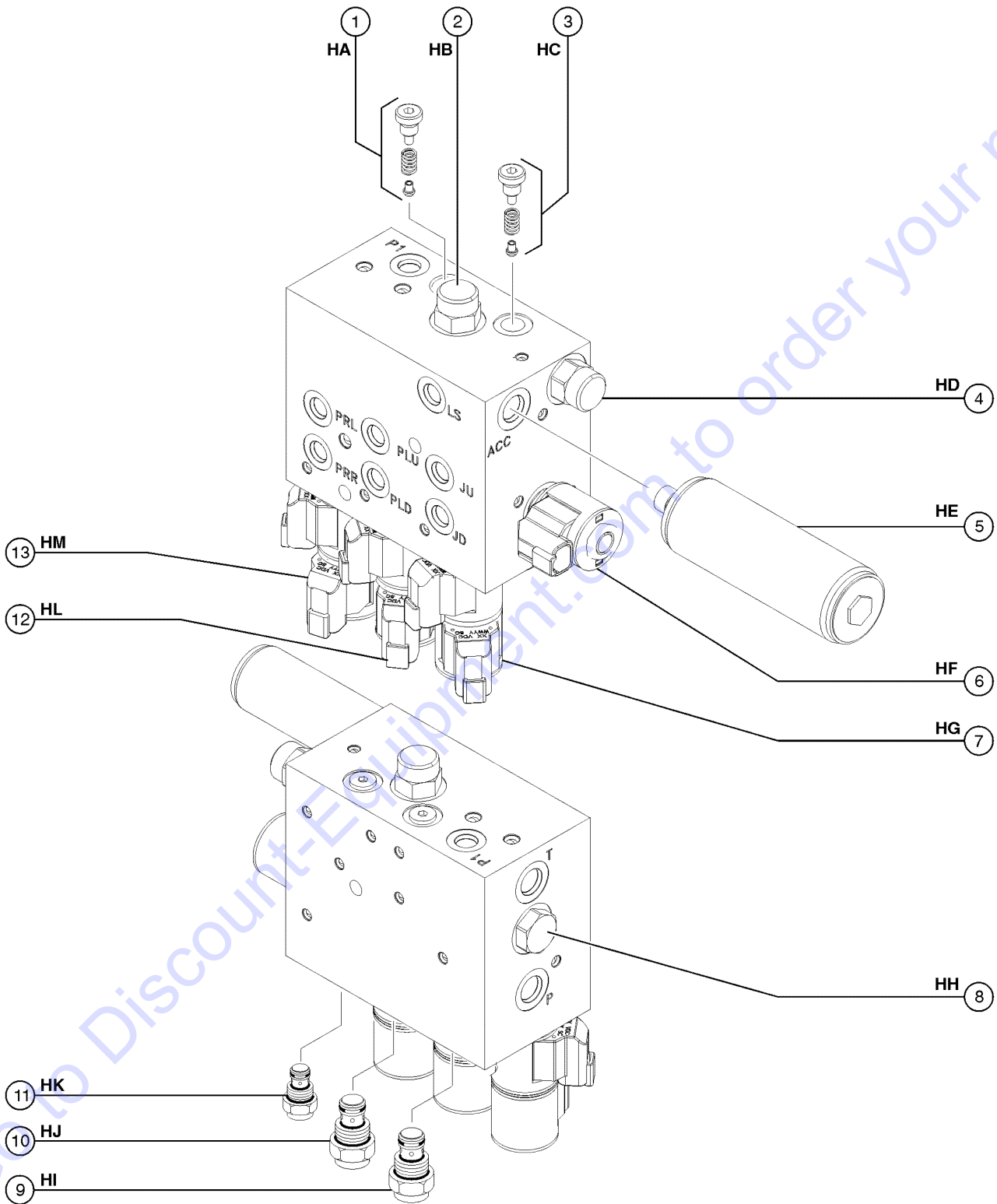
709.1 Platform Manifold (to SN 3145)



709.1 Platform Manifold (to SN 3145)

| Item | Part No. | Description | Qty. | Item | Part No. | Description | Qty. |
|------|----------|--|------|------|----------|---|------|
| -- | 230993GT | S105/125 PLAT MNFD SRV KIT <i>Shown manifold is no longer available. For a complete and first time replacement of previous manifold 60365 order service kit 230993 (includes manifold part 233942, accumulator part 122964 and harness part 122954, refer to 709.2 and 603.1)</i> | | 14 | 62359GT | VALVE,SHUTTLE, HYDAC <i>CG, Platform level load sense circuit</i> | |
| -- | 49612GT | O-RING KIT (ORFS FITTINGS) | | -- | 62362GT | SEAL KIT,VALVE 62359, HYDAC | |
| -- | 49613GT | PLUG AND CAP KIT-SERVICE,ORFS* | | 15 | 62359GT | VALVE,SHUTTLE, HYDAC <i>CA, Platform rotate load sense circuit</i> | |
| 1 | 62350GT | VALVE,SOLENOID,3POS4WAY,HYDAC <i>CH, Platform level up/down</i> | | -- | 62362GT | SEAL KIT,VALVE 62359, HYDAC | |
| -- | 62353GT | COIL,SOLENOID,HYDAC MANIFOLDS | | 16 | 62354GT | NUT,SOLENOID VALVE,HYDAC | |
| -- | 62354GT | NUT,SOLENOID VALVE,HYDAC | | 17 | 62353GT | COIL,SOLENOID,HYDAC MANIFOLDS | |
| -- | 62355GT | O-RING,COIL NUT, HYDAC | | 18 | 62356GT | VALVE,DIFFERENTIAL SENSE,N.C. <i>CO, Meters flow to functions</i> | |
| -- | 62363GT | SEAL KIT,SOLENOID VALVES,HYDAC | | -- | 62360GT | SEAL KIT,VALVE 62356, HYDAC | |
| 2 | 62442GT | VALVE,CHECK,PLAT.MANIFLD,HYDAC <i>CF, Platform rotate circuit</i> | | 19 | 230993GT | S105/125 PLAT MNFD SRV KIT <i>Solenoid valve part 62352 is no longer available, for replacement order manifold upgrade kit 230993</i> | |
| 3 | 62442GT | VALVE,CHECK,PLAT.MANIFLD,HYDAC <i>CJ, Platform level circuit</i> | | -- | 215546GT | S100/120 PLAT MNFLD SRV KIT <i>Solenoid valve part 62352 is no longer available, for replacement order manifold upgrade kit 215546</i> | |
| 4 | 62351GT | VALVE,SOLENOID,3POS4WAY,HYDAC <i>CL, Jib boom up/down</i> | | 20 | 62353GT | COIL,SOLENOID,HYDAC MANIFOLDS | |
| -- | 62353GT | COIL,SOLENOID,HYDAC MANIFOLDS | | 21 | 62354GT | NUT,SOLENOID VALVE,HYDAC | |
| -- | 62354GT | NUT,SOLENOID VALVE,HYDAC | | | | | |
| -- | 62355GT | O-RING,COIL NUT, HYDAC | | | | | |
| -- | 62363GT | SEAL KIT,SOLENOID VALVES,HYDAC | | | | | |
| 5 | 62442GT | VALVE,CHECK,PLAT.MANIFLD,HYDAC <i>CN, Jib boom circuit</i> | | | | | |
| 6 | 62364GT | ACCUMULATOR,500 PSI,HYDAC <i>CQ, Hydraulic dampening</i> | | | | | |
| 7 | 62357GT | VALVE,DIFFERENTIAL SENSE,N.O. <i>CM, Jib boom differential sensing circuit</i> | | | | | |
| -- | 62361GT | SEAL KIT,VALVE 62357, HYDAC | | | | | |
| 8 | 62357GT | VALVE,DIFFERENTIAL SENSE,N.O. <i>CI, Platform level circuit</i> | | | | | |
| -- | 62361GT | SEAL KIT,VALVE 62357, HYDAC | | | | | |
| 9 | 62358GT | VALVE,FLOW CONTROL,3GPM, HYDAC <i>CP, Bleeds off differential sensing valve to tank</i> | | | | | |
| 10 | 62357GT | VALVE,DIFFERENTIAL SENSE,N.O. <i>CE, Platform rotate differential sensing circuit</i> | | | | | |
| -- | 62361GT | SEAL KIT,VALVE 62357, HYDAC | | | | | |
| 11 | 62359GT | VALVE,SHUTTLE, HYDAC <i>CK, Jib boom load sense circuit</i> | | | | | |
| -- | 62362GT | SEAL KIT,VALVE 62359, HYDAC | | | | | |
| 12 | 62443GT | ORIFICE PLUG,.03,PLATF. HYDAC <i>CB, Platform rotate left circuit</i> | | | | | |
| 13 | 62443GT | ORIFICE PLUG,.03,PLATF. HYDAC <i>CC, Platform rotate right circuit</i> | | | | | |

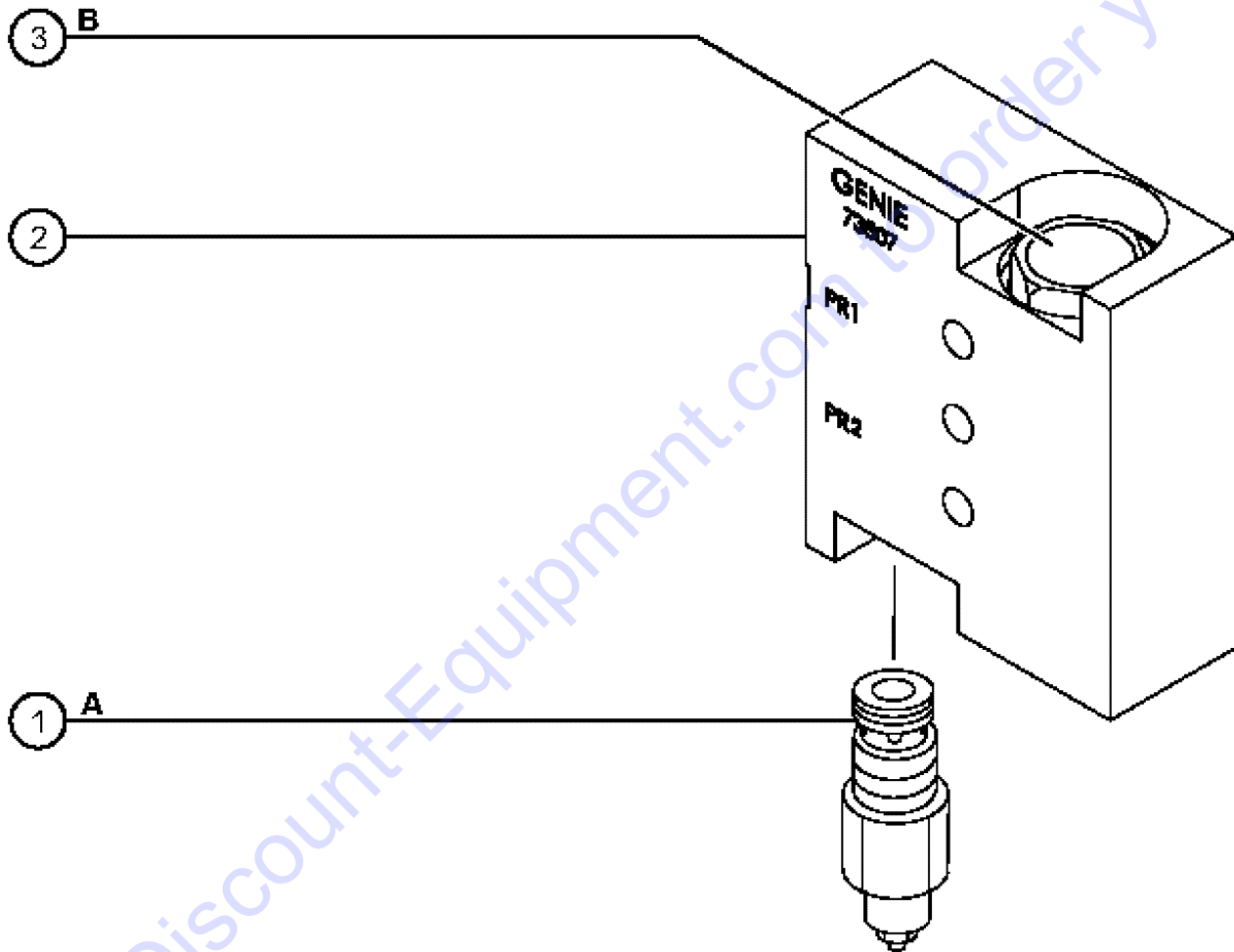
709.2 Platform Manifold (from SN 3146)



709.2 Platform Manifold (from SN 3146)

| Item | Part No. | Description | Qty. | Item | Part No. | Description | Qty. |
|------|-----------|--|------|------|----------|-----------------------|------|
| -- | 233942GT | MANIFOLD PLATFORM W/JIB <i>Does not include accumulator part 122964</i> | | -- | 229405GT | CHECK VALVE DISC..... | 1 |
| 1 | 52907GT | VALVE-CHECK, #4 SAE, 5 PSI* <i>Platform load sense circuit, platform level</i> | | -- | 230983GT | VITON SEAL KIT, VALVE | |
| -- | 62341GT | SEAL KIT,52907,SIZE 4, 2 WAY | | -- | 44174GT | NUT-COIL SHORT | |
| 2 | T107736GT | DIFFERENTIAL SENS VLV,8,150PSI <i>Directs flow to functions</i> | | | | | |
| -- | 52371GT | SEAL KIT, VALVE | | | | | |
| 3 | 52907GT | VALVE-CHECK, #4 SAE, 5 PSI* <i>Platform load sense circuit, jib up and down</i> | | | | | |
| -- | 62341GT | SEAL KIT,52907,SIZE 4, 2 WAY | | | | | |
| 4 | 62324GT | VALVE, FLOW CONTROL, 0.1GPM* <i>Bleeds off differential valve to tank</i> | | | | | |
| -- | 44228GT | SEAL KIT, VALVE | | | | | |
| 5 | 122964GT | ACCUMULATOR, 5CU IN 500 CHARGE <i>Hydraulic dampening</i> | | | | | |
| 6 | 228866GT | COIL, SOLENOID VALVE <i>Function enable valve</i> | | | | | |
| -- | 101934GT | VALVE, SOLENOID, 2 POS 2 WAY | | | | | |
| -- | 44174GT | NUT-COIL SHORT | | | | | |
| -- | 44228GT | SEAL KIT, VALVE | | | | | |
| 7 | 229407GT | PRO.DIR.CTRL, VLV, 5WY, 3POS.....1 <i>LS Directional Proportional, Jib up and down</i> | 1 | | | | |
| -- | 229411GT | VALVE COIL 10V..... | 2 | | | | |
| -- | 230983GT | VITON SEAL KIT, VALVE | | | | | |
| -- | 44174GT | NUT-COIL SHORT | | | | | |
| 8 | 46216GT | VALVE, CHECK, IWP-S/CWP PWR ASSI | | | | | |
| -- | 44227GT | SEAL KIT, VALVE | | | | | |
| 9 | 229406GT | REGULATOR, PRESS-COMP 0.30 GPM <i>Jib boom differential sensing circuit</i> | | | | | |
| -- | 44225GT | SEAL KIT, VALVE | | | | | |
| 10 | 110180GT | VALVE, COMPENSATOR, 80 PSI <i>Platform level differential sensing circuit</i> | | | | | |
| -- | 44225GT | SEAL KIT, VALVE | | | | | |
| 11 | 110180GT | VALVE, COMPENSATOR, 80 PSI <i>Platform level differential sensing circuit</i> | | | | | |
| -- | 44228GT | SEAL KIT, VALVE | | | | | |
| 12 | 229407GT | PRO.DIR.CTRL, VLV, 5WY, 3POS <i>LS Directional Proportional, Platform level up and down</i> | | | | | |
| -- | 229411GT | VALVE COIL 10V..... | 2 | | | | |
| -- | 230983GT | VITON SEAL KIT, VALVE | | | | | |
| -- | 44174GT | NUT-COIL SHORT | | | | | |
| 13 | 229407GT | PRO.DIR.CTRL, VLV, 5WY, 3POS <i>LS Directional Proportional, Platform rotate left and right</i> | | | | | |
| -- | 228866GT | COIL, SOLENOID VALVE..... | 2 | | | | |

710.1 Platform Rotate Manifold

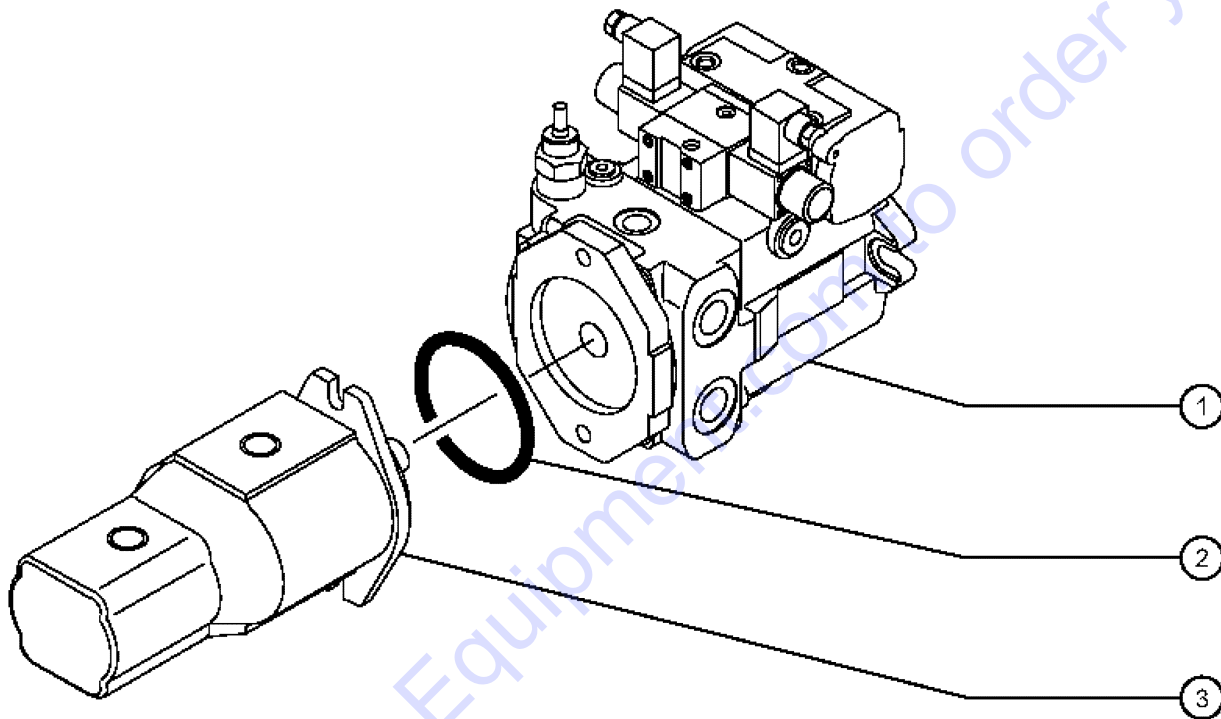


710.1 Platform Rotate Manifold

| Item | Part No. | Description | Qty. |
|------|----------|---|------|
| -- | 28750GT | O-RING KIT,FIELD SVC,ALL PROD* | |
| -- | 49612GT | O-RING KIT (ORFS FITTINGS) | |
| -- | 33994GT | PLUG AND CAP KIT-SERVICE,37 ** | |
| -- | 49613GT | PLUG AND CAP KIT-SERVICE,ORFS* | |
| 1 | 43166GT | MANIFOLD,ASSY DUAL CNTRBAL. <i>A, Platform rotate right; to SN 314</i> | |
| -- | 62506GT | VALVE - COUNTERBALANCE** <i>from SN 315</i> | |
| 2 | 73807GT | MANIFOLD,ROTATOR,CB*** | |
| -- | 13852GT | VALVE ASSY,BLEED*** <i>to SN 998</i> | |
| -- | 43018GT | SEAL KIT (39345) | |
| -- | 62507GT | O-RING, ROTATOR MANIFOLD | |
| -- | 88516GT | SCREW,BLEEDER,M5X0.8 <i>from SN 999</i> | |
| 3 | 43166GT | MANIFOLD,ASSY DUAL CNTRBAL. <i>B, Platform rotate left; to SN 314</i> | |
| -- | 62506GT | VALVE - COUNTERBALANCE** <i>from SN 315</i> | |

Go to Discount-Equipment.com to order your parts

711.1 Pumps

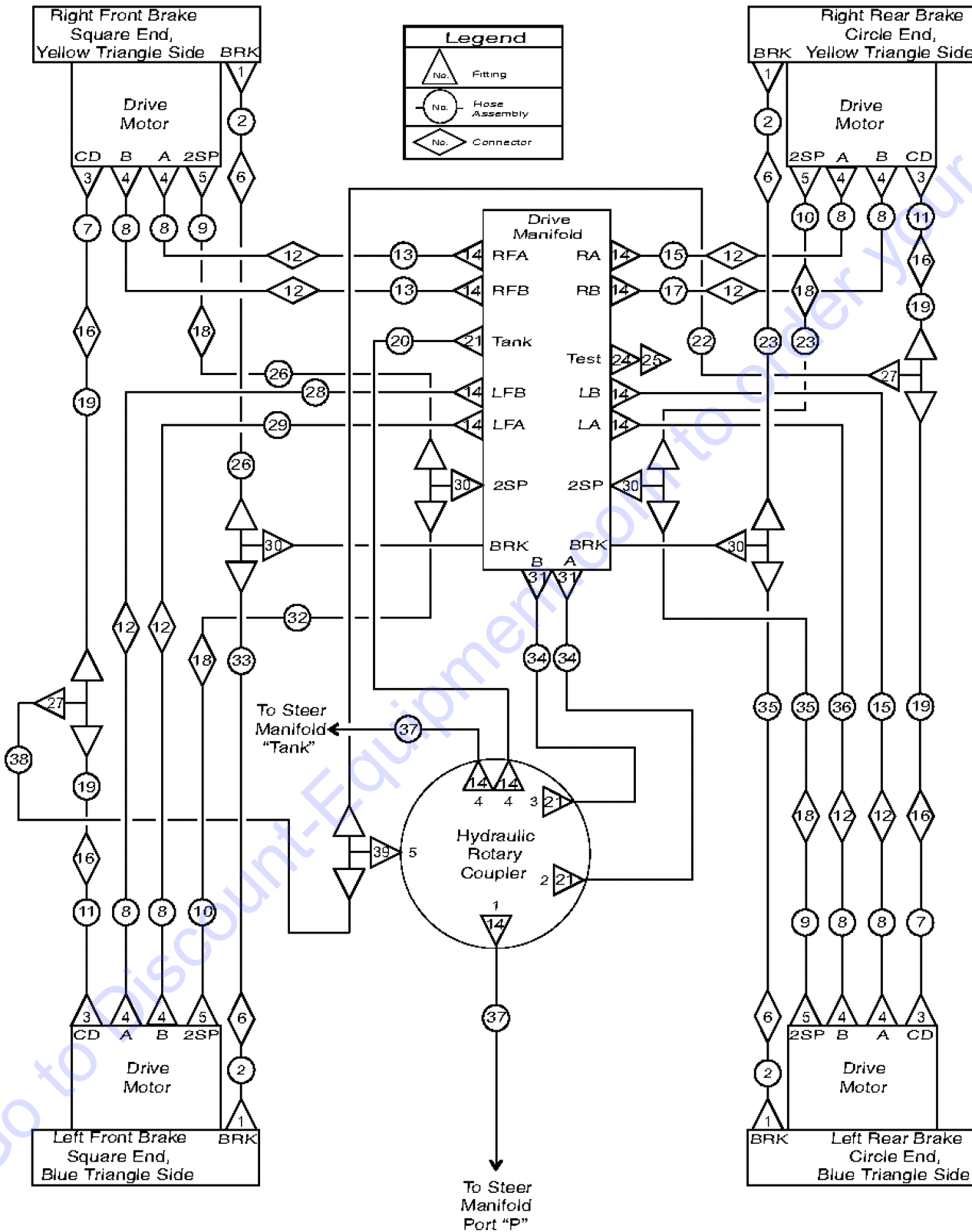


Go to Discount-Equipment.com to order your parts

| Item | Part No. | Description | Qty. |
|------|----------|--|------|
| 1A | 50170GT | PUMP,VARIABLE DISPLACEMENT.....1 <i>to SN 1028</i> | |
| -- | 62405GT | SEAL KIT,REXROTH PUMP (50170) <i>use with pump 50170; to SN 1028</i> | |
| -- | 83136GT | BLACK SOCKET,(50170) <i>use with pump 50170; to SN 1028</i> | |
| -- | 83137GT | GRAY SOCKET,(50170) <i>use with pump 50170; to SN 1028</i> | |
| 1B | 101068GT | PUMP,PISTON,46CC,B MOUNT,13T** <i>from SN 1029</i> | |
| -- | 29739GT | SEAL KIT,SAUER-DANFOSS M46*** <i>use with pump 101068; from SN 1029</i> | |
| -- | 77819GT | EDC ASSY,SAUER M46*** <i>use with pump 101068; from SN 1029</i> | |
| 2A | 62407GT | O-RING,PISTON PUMP TO GEARPUMP1 <i>use with pump 50170; to SN 1028</i> | |
| 2B | 52087GT | O-RING,2-044 BUNA*** <i>use with pump 101068; from SN 1029</i> | |
| 3A | | PUMP,2 SEC (50166) <i>component no longer available</i> | |
| -- | 62415GT | SEAL KIT,2-SEC PUMP (50166) <i>use with pump 50166</i> | |
| 3B | 122495GT | PUMP,2 SEC,29CC X 19CC,FE.....1 | |
| -- | 122494GT | KIT,SEALS & WEAR PLATE, PUMP <i>use with pump 122495</i> | |

Go to Discount-Equipment.com to order your parts

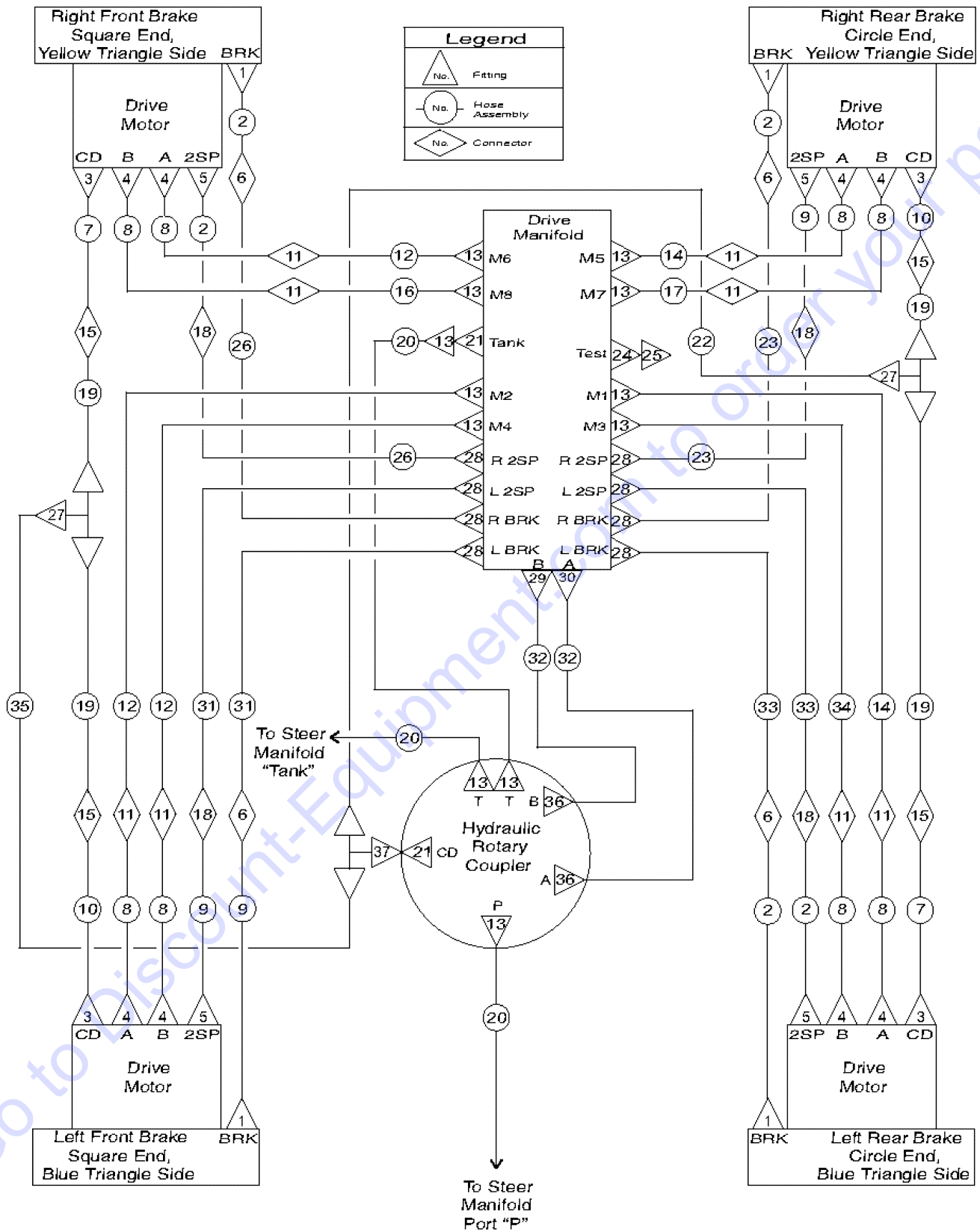
712.1 Hydraulic Hoses and Fittings - Drive System (to SN 403)



712.1 Hydraulic Hoses and Fittings - Drive System (to SN 403)

| Item | Part No. | Description | Qty. |
|------|-----------------|-------------------------------------|------|
| -- | 49612GT | O-RING KIT (ORFS FITTINGS) | |
| -- | 49613GT | PLUG AND CAP KIT-SERVICE,ORFS* | |
| 1 | 48912GT | CONN,520120-4-6***..... | 4 |
| 2 | 491165337-SGT | HOSE ASSY,1/4,45 FEM,STR FEM..... | 4 |
| 3 | 54283GT | ELBOW,90D,520220-8-10..... | 4 |
| 4 | 48948GT | CONN,520120-8-12..... | 8 |
| 5 | 48904GT | ELBOW,90D,520220-4-4..... | 4 |
| 6 | 61268GT | CONN,BULKHEAD,520801,-4..... | 4 |
| 7 | 491437029-SGT | HOSE ASSY,1/2,90 FEM,STR FEM..... | 2 |
| 8 | 611435463-SGT | HOSE ASSY 1/2" 45 FEM,STR FEM..... | 8 |
| 9 | 491165037-SGT | HOSE ASSY,1/4,45 FEM,STR FEM..... | 2 |
| 10 | 491166037-SGT | HOSE ASSY,1/4,45 FEM,STR FEM..... | 2 |
| 11 | 491835492-SGT | HOSE ASSY,1/2,STR FEM,STR FEM..... | 2 |
| 12 | 48894GT | CONN,BULKHEAD,520601-8..... | 8 |
| 13 | 6114311533-SGT | HOSE ASSY,1/2,45 FEM STR FEM..... | 2 |
| 14 | 48933GT | CONN,520120-8***..... | 11 |
| 15 | 752785529-SGT | HOSE ASSY,1/2,90 FEM,STR FEM..... | 2 |
| 16 | 61346GT | CONN,BULKHEAD,520801,-8..... | 4 |
| 17 | 752785829-SGT | HOSE ASSY,1/2,90 FEM,STR FEM..... | 1 |
| 18 | 61269GT | UNION,BULKHEAD,ORFS,520601,-4..... | 4 |
| 19 | 540855818-SGT | HOSE ASSY,1/2", FEM/FEM..... | 4 |
| 20 | 540852918-SGT | HOSE ASSY,1/2", FEM/FEM..... | 1 |
| 21 | 48960GT | FITTING,CONN,520120-12***..... | 3 |
| 22 | 610723226-SGT | HOSE ASSEMBLY, 3/4"..... | 1 |
| 23 | 49117-5835GT | HOSE ASSY,1/4,90 FEM,STR FEM..... | 2 |
| 24 | 48997GT | NIPPLE,DIAGNOSTIC,#4..... | 1 |
| -- | 20224GT | DIAGNOSTIC FEMALE Q-DSCNT | |
| 25 | 48880GT | CAP,DIAGNOSTIC NIPPLE..... | 1 |
| 26 | 4911611537-SGT | HOSE ASSY,1/4,45 FEM,STR FEM..... | 2 |
| 27 | 61345GT | TEE,BULKHEAD,52N9959-12..... | 2 |
| 28 | 49141-11263-SGT | HOSE ASSY,1/2,45 FEM,STR FEM..... | 1 |
| 29 | 49141-11063-SGT | HOSE ASSY,1/2,45 FEM,STR FEM..... | 1 |
| 30 | 48906GT | TEE,RUN,520428-4..... | 4 |
| 31 | 48963GT | FITTING,ELBOW,45D,520320-12***..... | 2 |
| 32 | 49117-11535-SGT | HOSE ASSY,1/4,90 FEM,STR FEM..... | 1 |
| 33 | 49117-11035-SGT | HOSE ASSY,1/4,90 FEM,STR FEM..... | 1 |
| 34 | 61142-3584GT | HOSE ASSY,3/4" 45 FEM,STR FEM..... | 2 |
| 35 | 491195678-SGT | HOSE ASSY,1/4,STR FEM,STR FEM..... | 2 |
| 36 | 752786329-SGT | HOSE ASSY,1/2,90 FEM,STR FEM..... | 1 |
| 37 | 49141-2963-SGT | HOSE ASSY,1/2,45 FEM,STR FEM..... | 2 |
| 38 | 610724226-SGT | HOSE ASSEMBLY,3/4 (#121)..... | 1 |
| 39 | 48962GT | TEE,BRANCH,520429-12..... | 1 |

712.2 Hydraulic Hoses and Fittings - Drive System (from SN 404)



712.2 Hydraulic Hoses and Fittings - Drive System (from SN 404)

| Item | Part No. | Description | Qty. | Item | Part No. | Description | Qty. |
|------|----------------|--|------|------|---------------|--|------|
| -- | 49612GT | O-RING KIT (ORFS FITTINGS) | | 19 | 49183-5792GT | HOSE ASSY,1/2,STR FEM,STR FEM.....4 <i>components: 48822, 48822 and 48756 @ 56 inches</i> | |
| -- | 49613GT | PLUG AND CAP KIT-SERVICE,ORFS* | | 20 | 49141-2963SGT | HOSE ASSY,1/2,45 FEM,STR FEM.....3 <i>components: 48822, 48826 and 48756 @ 54 inches</i> | |
| 1 | 48912GT | CONN,520120-4-6***..... | 4 | 21 | 75613GT | CONN,090136-12-8..... | 2 |
| 2 | 491165337SGT | HOSE ASSY,1/4,45 FEM,STR FEM.....6 <i>components: 48800, 48801 and 48751 @ 51 inches</i> | | 22 | 49183-3292GT | HOSE ASSY,1/2,STR FEM,STR FEM.....1 <i>components: 48822, 48822 and 48756 @ 31 inches</i> | |
| 3 | 54283GT | ELBOW,90D,520220-8-10.....4 <i>to SN 1084</i> | | 23 | 49117-5835GT | HOSE ASSY,1/4,90 FEM,STR FEM.....2 <i>components: 48800, 48802 and 48751 @ 56 inches</i> | |
| -- | 48933GT | CONN,520120-8*** <i>from SN 1085</i> | | 24 | 48997GT | NIPPLE,DIAGNOSTIC,#4.....1 <i>to SN 521</i> | |
| 4 | 48948GT | CONN,520120-8-12..... | 8 | -- | 20224GT | DIAGNOSTIC FEMALE Q-DSCNT <i>to SN 521</i> | |
| 5 | 48904GT | ELBOW,90D,520220-4-4..... | 4 | 25 | 48880GT | CAP,DIAGNOSTIC NIPPLE.....1 <i>to SN 521</i> | |
| 6 | 61268GT | CONN,BULKHEAD,520801,-4..... | 4 | 26 | 4911611537SGT | HOSE ASSY,1/4,45 FEM,STR FEM.....2 <i>components: 48800, 48801 and 48751 @ 113 inches</i> | |
| 7 | 49143-7029SGT | HOSE ASSY,1/2,90 FEM,STR FEM.....2 <i>components: 48822, 48827 and 48756 @ 68 inches; to SN 1084</i> | | 27 | 75612GT | TEE,BULKHEAD,52N9959-8..... | 2 |
| -- | 49141-5663GT | HOSE ASSY,1/2 STR FEM,45 DEG** <i>components: 48822, 48826 and 48756 @ 54 inches; from SN 1085</i> | | 28 | 48906GT | TEE,RUN,520428-4.....4 <i>to SN 1195</i> | |
| 8 | 61143-5163SGT | HOSE ASSY 1/2" 45 FEM,STR FEM.....8 <i>components: 48822, 48826 and 56777 @ 52 inches</i> | | -- | 48905GT | CONN,520120-4***.....8 <i>from SN 1196</i> | |
| 9 | 491166037SGT | HOSE ASSY,1/4,45 FEM,STR FEM.....2 <i>components: 48800, 48801 and 48751 @ 58 inches</i> | | 29 | 61610GT | CONN,LONG,520122-12***..... | 1 |
| 10 | 49183-5492SGT | HOSE ASSY,1/2,STR FEM,STR FEM.....2 <i>components: 48822, 48822 and 48756 @ 53 inches; to SN 1084</i> | | 30 | 48960GT | FITTING,CONN,520120-12***..... | 1 |
| -- | 49141-5663GT | HOSE ASSY,1/2 STR FEM,45 DEG** <i>components: 48822, 48826 and 48756 @ 54 inches; from SN 1085</i> | | 31 | 49117-10935GT | HOSE ASSY 1/4,90 FEM STR FEM.....2 <i>components: 48800, 48802 and 48751 @ 107 inches; to SN 1195</i> | |
| 11 | 48894GT | CONN,BULKHEAD,520601-8..... | 8 | -- | 4911610937SGT | HOSE ASSY,1/4,45 FEM,STR FEM <i>components: 48800, 48801 and 48751 @ 107 inches; from SN 1196</i> | |
| 12 | 61143-11263GT | HOSE ASSY,1/2,45 FEM STR FEM.....3 <i>components: 48822, 48826 and 56777 @ 110 inches</i> | | 32 | 94374-3130GT | HOSE ASSY,3/4,90 FEM,STR FEM.....2 <i>components: 48841, 48846 and 94358 @ 28 inches</i> | |
| 13 | 48933GT | CONN,520120-8***..... | 12 | 33 | 491195678SGT | HOSE ASSY,1/4,STR FEM,STR FEM.....2 <i>components: 48800, 48800 and 48751 @ 55 inches; to SN 1195</i> | |
| 14 | 75278-5529SGT | HOSE ASSY,1/2,90 FEM,STR FEM.....2 <i>components: 48822, 48827 and 56777 @ 53 inches</i> | | -- | 49117-5935GT | HOSE ASSY,1/4,90 FEM,STR FEM <i>components: 48800, 48802 and 48751 @ 57 inches; from SN 1196</i> | |
| 15 | 61346GT | CONN,BULKHEAD,520801,-8..... | 4 | 34 | 75278-6329SGT | HOSE ASSY,1/2,90 FEM,STR FEM.....1 <i>components: 48822, 48827 and 56777 @ 61 inches; to SN 1195</i> | |
| 16 | 61143-11553SGT | HOSE ASSY,1/2,45 FEM STR FEM.....1 <i>components: 48822, 48826 and 56777 @ 113 inches</i> | | -- | 75278-6029GT | HOSE ASSY,1/2,90 FEM,STR FEM <i>components: 48822, 48827 and 56777 @ 58 inches; from SN 1196</i> | |
| 17 | 75278-5829SGT | HOSE ASSY,1/2,90 FEM,STR FEM.....1 <i>components: 48822, 48827 and 56777 @ 56 inches; to SN 1195</i> | | 35 | 49183-4092GT | HOSE ASSY,1/2,STR FEM,STR FEM.....1 <i>components: 48822, 48822 and 48756 @ 39 inches</i> | |
| -- | 75278-5729GT | HOSE ASSY,1/2,90 FEM,STR FEM <i>components: 48822, 48827 and 56777 @ 55 inches; from SN 1196</i> | | | | | |
| 18 | 61269GT | UNION,BULKHEAD,ORFS,520601,-4..... | 4 | | | | |

712.2 Hydraulic Hoses and Fittings - Drive System (from SN 404)
(continued)

| Item | Part No. | Description | Qty. |
|------|----------|-------------------------------------|------|
| 36 | 48963GT | FITTING,ELBOW,45D,520320-12***..... | 2 |
| 37 | 48936GT | TEE,BRANCH,520429-8..... | 1 |


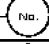

Go to Discount-Equipment.com to order your parts

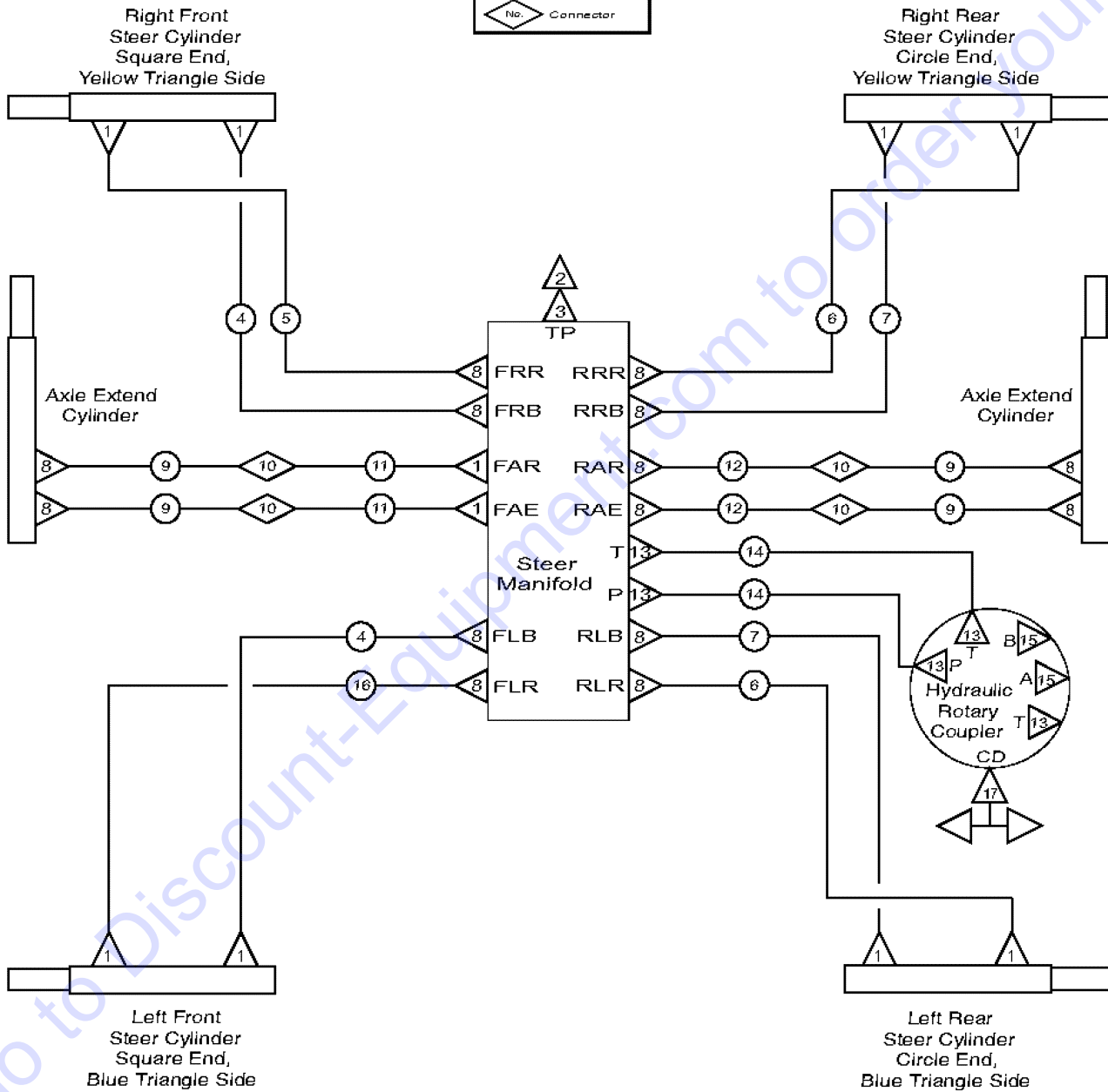
712.2 Hydraulic Hoses and Fittings - Drive System (from SN 404)
(continued)

This Page Intentionally Left Blank

Go to Discount-Equipment.com to order your parts

713.1 Hydraulic Hoses and Fittings - Steer System (to SN 403)

| Legend | |
|---|---------------|
|  | Fitting |
|  | Hose Assembly |
|  | Connector |

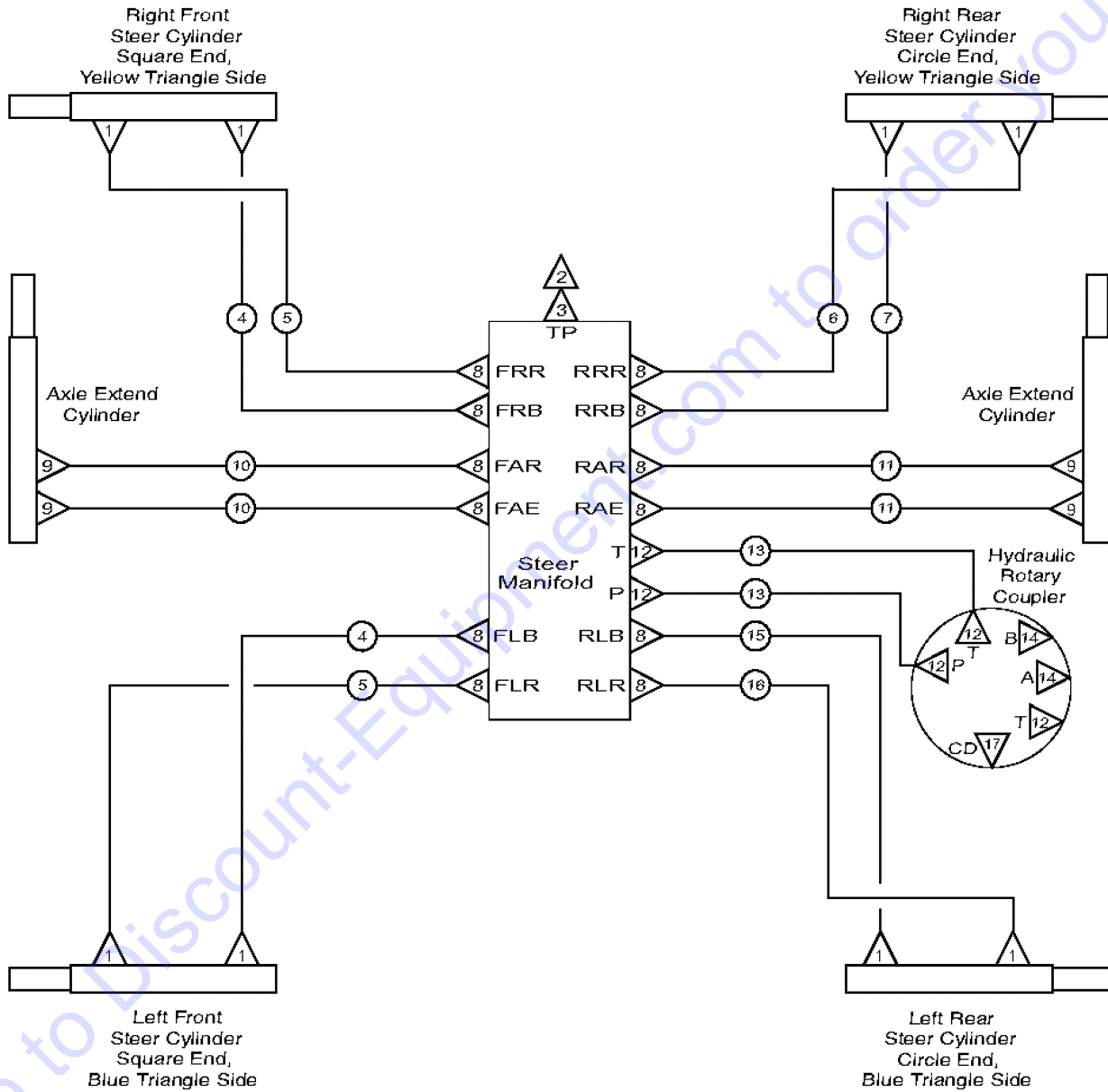


713.1 Hydraulic Hoses and Fittings - Steer System (to SN 403)

| Item | Part No. | Description | Qty. |
|------|----------------|-------------------------------------|------|
| -- | 49612GT | O-RING KIT (ORFS FITTINGS) | |
| -- | 49613GT | PLUG AND CAP KIT-SERVICE,ORFS* | |
| 1 | 48911GT | ELBOW,90D,520220-4-6***..... | 10 |
| 2 | 48880GT | CAP,DIAGNOSTIC NIPPLE..... | 1 |
| 3 | 48997GT | NIPPLE,DIAGNOSTIC,#4..... | 1 |
| -- | 20224GT | DIAGNOSTIC FEMALE Q-DSCNT | |
| 4 | 491175035-SGT | HOSE ASSY,1/4,90 FEM,STR FEM..... | 2 |
| 5 | 491175535-SGT | HOSE ASSY,1/4,90 FEM,STR FEM..... | 1 |
| 6 | 4911611837-SGT | HOSE ASSY,1/4,45 FEM,STR FEM..... | 2 |
| 7 | 4911610337-SGT | HOSE ASSY,1/4,45 FEM,STR FEM..... | 2 |
| 8 | 48912GT | CONN,520120-4-6***..... | 14 |
| 9 | 491191878-SGT | HOSE ASSY,1/4,STR FEM,STR FEM.... | 4 |
| 10 | 61269GT | UNION,BULKHEAD,ORFS,520601,-4.... | 4 |
| 11 | 491165737-SGT | HOSE ASSY,1/4,45 FEM,STR FEM..... | 2 |
| 12 | 4911711035-SGT | HOSE ASSY,1/4,90 FEM,STR FEM..... | 2 |
| 13 | 48933GT | CONN,520120-8***..... | 5 |
| 14 | 491412963-SGT | HOSE ASSY,1/2,45 FEM,STR FEM..... | 2 |
| 15 | 48963GT | FITTING,ELBOW,45D,520320-12***..... | 2 |
| 16 | 491175935-SGT | HOSE ASSY,1/4,90 FEM,STR FEM..... | 1 |
| 17 | 48962GT | TEE,BRANCH,520429-12..... | 1 |

713.2 Hydraulic Hoses and Fittings - Steer System (from SN 404)

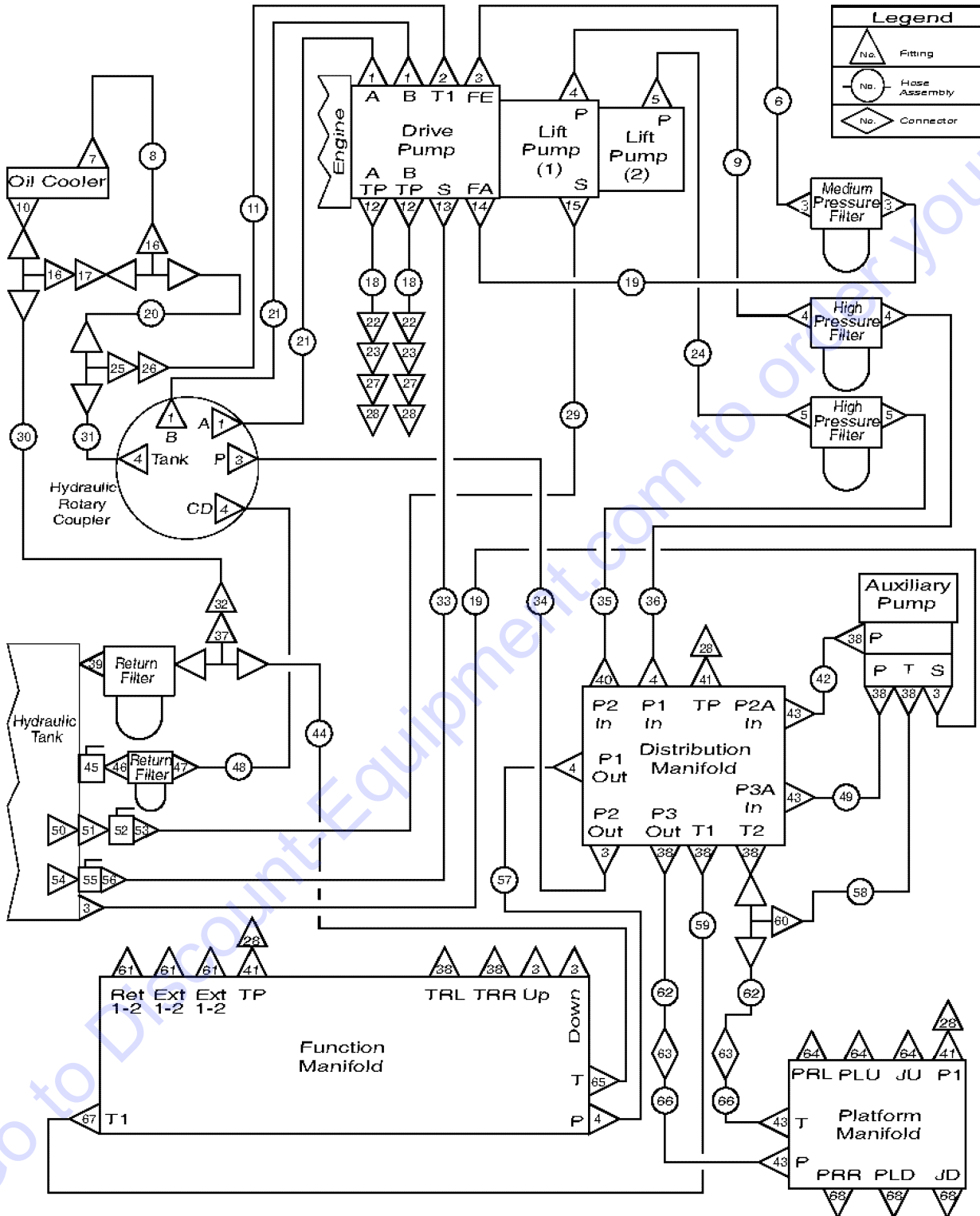
| Legend | |
|--------|---------------|
| | Fitting |
| | Hose Assembly |



713.2 Hydraulic Hoses and Fittings - Steer System (from SN 404)

| Item | Part No. | Description | Qty. |
|------|----------------|--|------|
| -- | 49612GT | O-RING KIT (ORFS FITTINGS) | |
| -- | 49613GT | PLUG AND CAP KIT-SERVICE,ORFS* | |
| 1 | 48911GT | ELBOW,90D,520220-4-6***..... | 8 |
| 2 | 48880GT | CAP,DIAGNOSTIC NIPPLE..... | 1 |
| 3 | 48997GT | NIPPLE,DIAGNOSTIC,#4..... | 1 |
| -- | 20224GT | DIAGNOSTIC FEMALE Q-DSCNT | |
| -- | 75098GT | HARNESS,PRESSURE TRANSDUCER | |
| 4 | 49117-5035SGT | HOSE ASSY,1/4,90 FEM,STR FEM..... <i>components: 48800, 48802 and 48751 @ 48 inches</i> | 2 |
| 5 | 49117-6435GT | HOSE ASSY,1/4,90 FEM,STR FEM..... <i>components: 48800, 48802 and 48751 @ 62 inches</i> | 2 |
| 6 | 49116-12237GT | HOSE ASSY,1/4,45 FEM,STR FEM..... <i>components: 48800, 48801 and 48751 @ 120 inches</i> | 1 |
| 7 | 49116-10337SGT | HOSE ASSY,1/4,45 FEM,STR FEM..... <i>components: 48800, 48801 and 48751 @ 107 inches</i> | 1 |
| 8 | 48912GT | CONN,520120-4-6***..... | 12 |
| 9 | 48905GT | CONN,520120-4***..... | 4 |
| 10 | 49117-5835GT | HOSE ASSY,1/4,90 FEM,STR FEM..... <i>components: 48800, 48802 and 48751 @ 56 inches</i> | 2 |
| 11 | 49119-10678GT | HOSE ASSY,1/4,STR FEM,STR FEM..... <i>components: 48800, 48800 and 48751 @ 105 inches</i> | 2 |
| 12 | 48933GT | CONN,520120-8***..... | 5 |
| 13 | 49141-2963SGT | HOSE ASSY,1/2,45 FEM,STR FEM..... <i>components: 48822, 48826 and 48756 @ 27 inches</i> | 2 |
| 14 | 48963GT | FITTING,ELBOW,45D,520320-12***..... | 2 |
| 15 | 49116-10337GT | HOSE ASSY,1/4,45 FEM,STR FEM..... <i>components: 48800, 48801 and 48751 @ 101 inches</i> | 1 |
| 16 | 49116-11537SGT | HOSE ASSY,1/4,45 FEM,STR FEM..... <i>components: 48800, 48801 and 48751 @ 113 inches</i> | 1 |
| 17 | 75613GT | CONN,090136-12-8..... | 1 |

714.1 Hydraulic Hoses and Fittings (to SN 364)



714.1 Hydraulic Hoses and Fittings (to SN 364)

| Item | Part No. | Description | Qty. | Item | Part No. | Description | Qty. |
|------|--------------|--|------|------|---------------|--|------|
| -- | 49612GT | O-RING KIT (ORFS FITTINGS) | | 30 | 6107312530SGT | HOSE ASSY,3/4" HOSE #68..... | 1 |
| -- | 49613GT | PLUG AND CAP KIT-SERVICE,ORFS* | | 31 | 610727226SGT | HOSE ASSEMBLY,3/4 (#67)..... | 1 |
| 1 | 48963GT | FITTING,ELBOW,45D,520320-12***..... | 4 | 32 | 61260GT | REDUCER,520123-20-12..... | 1 |
| 2 | 48946GT | CONN,520120-8-10..... | 1 | 33 | 491596118SGT | HOSE ASSY,1" HOSE #92..... | 1 |
| 3 | 48933GT | CONN,520120-8***..... | 9 | 34 | 491415113SGT | HOSE ASSY,1/2" HOSE# 90..... | 1 |
| 4 | 48960GT | FITTING,CONN,520120-12***..... | 8 | 35 | 491097029SGT | HOSE ASSY,1/2,90 FEM,STR FEM..... | 1 |
| 5 | 48948GT | CONN,520120-8-12..... | 3 | 36 | 610737230SGT | HOSE ASSEMBLY 3/4 HOSE #75..... | 1 |
| 6 | 491412754SGT | HOSE ASSY,1/2" HOSE #72..... | 1 | 37 | 61086GT | TEE,RUN,520428-20..... | 1 |
| 7 | 48959GT | FITTING,ELBOW,90D,520220-12..... | 1 | 38 | 48916GT | FITTING,CONN,520120-6..... | 8 |
| 8 | 610721930SGT | HOSE ASSEMBLY 3/4 HOSE #117..... <i>Cummins and Perkins models</i> | 1 | 39 | 61263GT | UNION,STR.THREAD 20..... | 1 |
| 9 | 610723101SGT | HOSE ASSY,3/4" HOSE #74..... | 1 | 40 | 48947GT | ELBOW,90D,520220-8-12..... | 1 |
| 10 | 61272GT | ELBOW,STRT,SWVL, 520281, -12..... <i>Cummins and Perkins models</i> | 1 | 41 | 48997GT | NIPPLE,DIAGNOSTIC,#4..... | 3 |
| -- | 48959GT | FITTING,ELBOW,90D,520220-12 <i>Deutz models</i> | | -- | 20224GT | DIAGNOSTIC FEMALE Q-DSCNT | |
| 11 | 610707952GT | HOSE ASSY,1/2,90 FEM,STR FEM..... | 1 | -- | 75098GT | HARNESS,PRESSURE TRANSDUCER | |
| 12 | 48905GT | CONN,520120-4***..... | 2 | 42 | 491282633SGT | HOSE ASSY,3/8" HOSE #85..... | 1 |
| 13 | 48984GT | CONN,520120-16..... | 1 | 43 | 48915GT | ELBOW,90D,520220-6..... | 4 |
| 14 | 48932GT | FITTING,ELBOW,90D,520220-8***..... | 1 | 44 | 611353711SGT | HOSE ASSEMBLY 1" HOSE #81..... <i>to SN 320</i> | 1 |
| 15 | 61352GT | KIT,FLANGE CODE 61 -20..... | 1 | -- | 611353611SGT | HOSE ASSY,1" HOSE #81 <i>from SN 321</i> | |
| 16 | 48962GT | TEE,BRANCH,520429-12..... <i>Cummins and Perkins models</i> | 2 | 45 | 48993GT | VALVE,BALL,12 MPT-12 FPT..... <i>to SN 296</i> | 1 |
| 17 | 60726GT | VALVE,CHECK #12 25 PSI..... <i>Cummins and Perkins models</i> | 1 | -- | 48995GT | VALVE,BALL,12 MSAE-12 FSAE <i>from SN 297</i> | |
| 18 | 610712252SGT | HOSE ASSY,HYD,1/4"HOSE #78/79..... <i>to SN 320</i> | 2 | 46 | 75043GT | NIPPLE,PIPE M/M 140137-3/4..... <i>to SN 296</i> | 1 |
| -- | 755182364SGT | HOSE ASSY,1/4" HOSE #78 &79 <i>from SN 321</i> | | -- | 75255GT | UNION,STR.THREAD 12* <i>from SN 297</i> | |
| 19 | 491432779SGT | HOSE ASSY,1/2,90 FEM,STR FEM..... | 2 | 47 | 48966GT | CONN,520102-12..... <i>to SN 296</i> | 1 |
| 20 | 610726826SGT | HOSE ASSY,3/4" HOSE #66..... | 1 | -- | 48960GT | FITTING,CONN,520120-12*** <i>from SN 297</i> | |
| 21 | 611345833SGT | HOSE ASSY,3/4" HOSE #69&70..... | 2 | 48 | 610725526SGT | HOSE ASSEMBLY,3/4 (#121)..... | 1 |
| 22 | 61269GT | UNION,BULKHEAD,ORFS,520601,-4..... <i>to SN 320</i> | 2 | 49 | 491261883SGT | HOSE ASSEMBLY 3/8 HOSE #84..... | 1 |
| -- | 75574GT | NUT,BULKHEAD,520118-4 <i>from SN 321</i> | | 50 | 60551GT | STRAINER ASSEMBLY,3" NPT..... <i>to SN 296</i> | 1 |
| 23 | 56233GT | O-RING,ORFS,-4..... <i>from SN 321</i> | 2 | -- | 75257GT | STRAINER ASSY,#24 O-RING <i>from SN 297</i> | |
| 24 | 491413613SGT | HOSE ASSY,1/2" HOSE #76..... | 1 | 51 | 61186GT | BUSHING,2 X 1.5,PLATED IRON..... <i>to SN 296</i> | 1 |
| 25 | 48969GT | TEE,BULKHEAD,RUN,520958-12..... | 1 | -- | 75254GT | UNION,STR.THREAD 24*** <i>from SN 297</i> | |
| 26 | 61262GT | ELBOW,SWIVEL 90D, 520221-12..... | 1 | 52 | 60653GT | VALVE,BALL,1.50" SAE..... <i>to SN 296</i> | 1 |
| 27 | 49207GT | NIPPLE,DIAGNOSTIC,ORFS,FM,SWIV..2 | | -- | 75256GT | VALVE BALL,24 FSAE-24 FSAE*** <i>from SN 297</i> | |
| -- | 20224GT | DIAGNOSTIC FEMALE Q-DSCNT | | 53 | 61083GT | CONN,520120-24..... | 1 |
| -- | 75098GT | HARNESS,PRESSURE TRANSDUCER | | | | | |
| 28 | 48880GT | CAP,DIAGNOSTIC NIPPLE..... | 5 | | | | |
| 29 | 752885538SGT | HOSE ASSY 1 1/2",90 FL FEMSTR*..... | 1 | | | | |

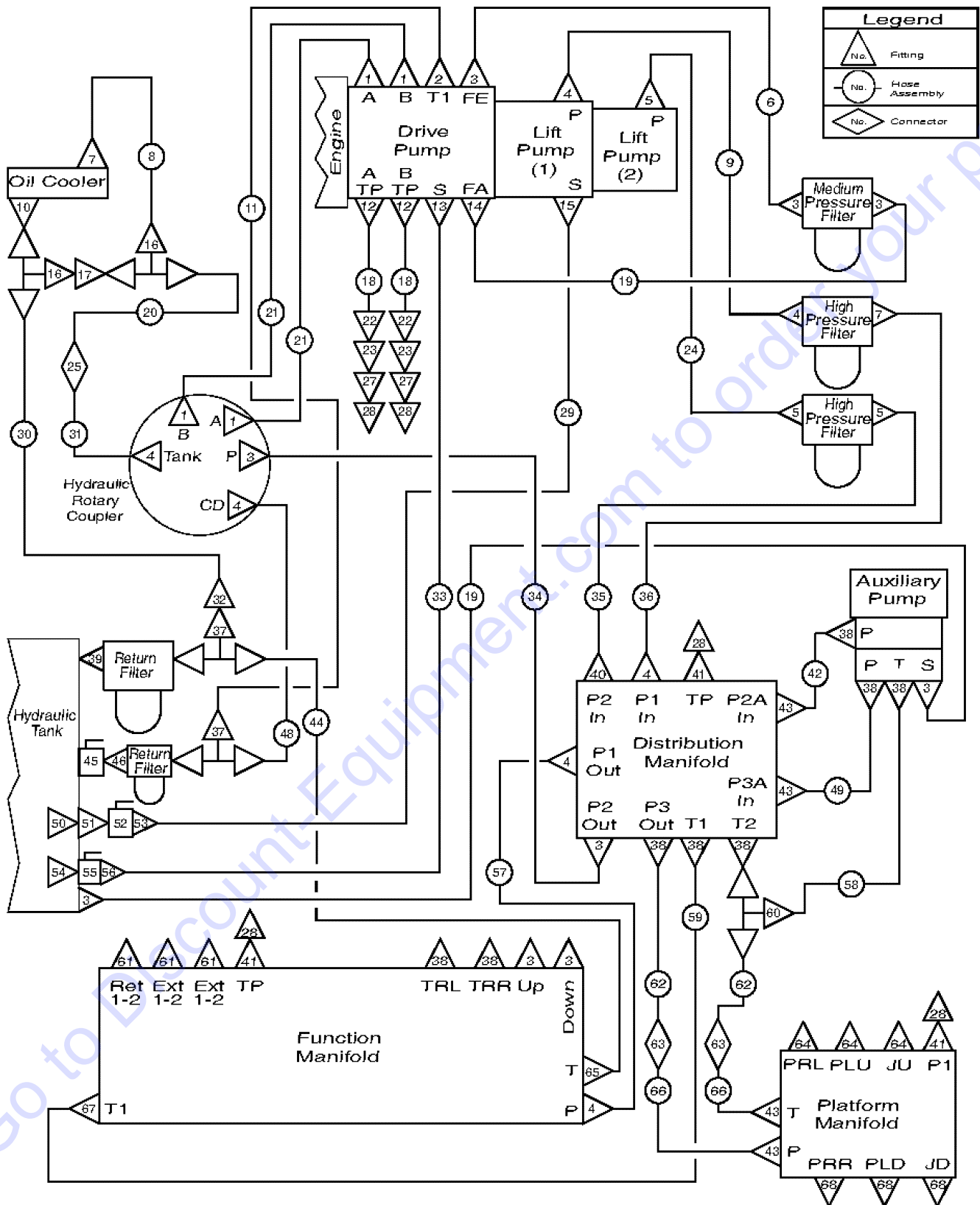
714.1 Hydraulic Hoses and Fittings (to SN 364) (continued)

| Item | Part No. | Description | Qty. |
|------|----------------|--|------|
| 54 | 45161GT | STRAINER ASSEMBLY,1.5" NPT.....1 to SN 296 | 1 |
| -- | 75253GT | STRAINER ASSY,#16 O-RING from SN 297 | |
| 55 | 61251GT | VALVE,BALL,1.00" SAE.....1 to SN 296 | 1 |
| -- | 48996GT | VALVE,BALL,16 MSAE-16 FSAE*** from SN 297 | |
| 56 | 48985GT | ELBOW,45D,520320-16.....1 | 1 |
| 57 | 61073-1955SGT | HOSE ASSY 3/4" HOSE #82.....1 to SN 320 | 1 |
| -- | 61073-2105SGT | HOSE ASSY,3/4" HOSE #82 from SN 321 | |
| 58 | 49114-1646GT | HOSE ASSY,1/4" 90 FEM,STR FEM.....1 | 1 |
| 59 | 49128-1909SGT | HOSE ASSEMBLY,3/8" HOSE #80.....1 to SN 320 | 1 |
| -- | 49128-2009SGT | HOSE ASSY,3/8" HOSE 80 from SN 321 | |
| 60 | 48875GT | TEE,RUN,SWIVEL,520432-6.....1 | 1 |
| 61 | 48937GT | ELBOW,45D,520320-8.....3 | 3 |
| 62 | 49130-51982GT | HOSE ASSY, 3/8,STR FEM,STR FEM....2 | 2 |
| 63 | 61321GT | ELBOW,90D,BLKHD,ORFS-6-6 W/NUT.....2 | 2 |
| 64 | 61259GT | ELBOW,90D,LONG,521520-4.....3 | 3 |
| 65 | 48983GT | ELBOW,90D,520220-16.....1 | 1 |
| 66 | 49130-12182SGT | HOSE ASSEMBLY 3/8,#118&119S120...2 (S-120) | 2 |
| 66 | 49130-12782SGT | HOSE ASSEMBLY 3/8,#118&119S125...2 (S-125) | 2 |
| 67 | 48930GT | FITTING,CONN,520120-6-8***.....1 | 1 |
| 68 | 48904GT | ELBOW,90D,520220-4-4.....3 | 3 |

This Page Intentionally Left Blank

Go to Discount-Equipment.com to order your parts

714.2 Hydraulic Hoses and Fittings (from SN 365 to 430)



714.2 Hydraulic Hoses and Fittings (from SN 365 to 430)

| Item | Part No. | Description | Qty. | Item | Part No. | Description | Qty. |
|------|----------------|--|------|------|-----------------|---|------|
| -- | 49612GT | O-RING KIT (ORFS FITTINGS) | | 32 | 61260GT | REDUCER,520123-20-12..... | 1 |
| -- | 49613GT | PLUG AND CAP KIT-SERVICE,ORFS* | | 33 | 491596118SGT | HOSE ASSY,1" HOSE #92..... | 1 |
| 1 | 48963GT | FITTING,ELBOW,45D,520320-12***..... | 4 | 34 | 49141-5113SGT | HOSE ASSY,1/2" HOSE# 90..... | 1 |
| 2 | 48946GT | CONN,520120-8-10..... | 1 | 35 | 49109-7029SGT | HOSE ASSY,1/2,90 FEM,STR FEM..... | 1 |
| 3 | 48933GT | CONN,520120-8***..... | 9 | 36 | 61073-7230SGT | HOSE ASSEMBLY 3/4 HOSE #75..... | 1 |
| 4 | 48960GT | FITTING,CONN,520120-12***..... | 7 | 37 | 61086GT | TEE,RUN,520428-20..... | 1 |
| 5 | 48948GT | CONN,520120-8-12..... | 3 | 38 | 48916GT | FITTING,CONN,520120-6 | |
| 6 | 49141-2754SGT | HOSE ASSY,1/2" HOSE #72..... | 1 | 39 | 61263GT | UNION,STR.THREAD 20..... | 1 |
| 7 | 48959GT | FITTING,ELBOW,90D,520220-12..... | 2 | 40 | 48947GT | ELBOW,90D,520220-8-12..... | 1 |
| 8 | 61072-1930SGT | HOSE ASSEMBLY 3/4 HOSE #117..... <i>Cummins and Perkins models</i> | 1 | 41 | 20224GT | DIAGNOSTIC FEMALE Q-DSCNT | |
| 9 | 61072-3101SGT | HOSE ASSY,3/4" HOSE #74..... | 1 | 41 | 48997GT | NIPPLE,DIAGNOSTIC,#4..... | 3 |
| 10 | 48959GT | FITTING,ELBOW,90D,520220-12 <i>Deutz models</i> | | 41 | 75098GT | HARNESS,PRESSURE TRANSDUCER | |
| 10 | 61272GT | ELBOW,STRT,SWVL, 520281, -12..... <i>Cummins and Perkins models</i> | 1 | -- | 20224GT | DIAGNOSTIC FEMALE Q-DSCNT | |
| -- | 48959GT | FITTING,ELBOW,90D,520220-12 <i>Deutz models</i> | | -- | 75098GT | HARNESS,PRESSURE TRANSDUCER | |
| 11 | 61070-7952GT | HOSE ASSY,1/2,90 FEM,STR FEM..... | 1 | 42 | 49128-2633SGT | HOSE ASSY,3/8" HOSE #85..... | 1 |
| 12 | 48905GT | CONN,520120-4***..... | 2 | 43 | 48915GT | ELBOW,90D,520220-6..... | 4 |
| 13 | 48984GT | CONN,520120-16..... | 1 | 44 | 61135-3611SGT | HOSE ASSY,1" HOSE #81..... | 1 |
| 14 | 48932GT | FITTING,ELBOW,90D,520220-8***..... | 1 | 45 | 48995GT | VALVE,BALL,12 MSAE-12 FSAE..... | 1 |
| 15 | 61352GT | KIT,FLANGE CODE 61 -20..... | 1 | 46 | 75255GT | UNION,STR.THREAD 12*..... | 1 |
| 16 | 48962GT | TEE,BRANCH,520429-12..... <i>Cummins and Perkins models</i> | 2 | 47 | 48960GT | FITTING,CONN,520120-12***..... | 1 |
| 17 | 60726GT | VALVE,CHECK #12 25 PSI..... <i>Cummins and Perkins models</i> | 1 | 48 | 61072-5526SGT | HOSE ASSEMBLY,3/4 (#121)..... | 1 |
| 18 | 75518-2364SGT | HOSE ASSY,1/4" HOSE #78 &79..... | 2 | 49 | 49126-1883SGT | HOSE ASSEMBLY 3/8 HOSE #84..... | 1 |
| 19 | 49143-2779SGT | HOSE ASSY,1/2,90 FEM,STR FEM..... | 2 | 50 | 75257GT | STRAINER ASSY,#24 O-RING..... | 1 |
| 20 | 61072-6826SGT | HOSE ASSY,3/4" HOSE #66..... | 1 | 51 | 75254GT | UNION,STR.THREAD 24***..... | 1 |
| 21 | 61134-5833SGT | HOSE ASSY,3/4" HOSE #69&70..... | 2 | 52 | 75256GT | VALVE BALL,24 FSAE-24 FSAE***..... | 1 |
| 22 | 75574GT | NUT,BULKHEAD,520118-4..... | 2 | 53 | 61083GT | CONN,520120-24..... | 1 |
| 23 | 56233GT | O-RING,ORFS,-4..... | 2 | 54 | 75253GT | STRAINER ASSY,#16 O-RING..... | 1 |
| 24 | 49141-3613SGT | HOSE ASSY,1/2" HOSE #76..... | 1 | 55 | 48996GT | VALVE,BALL,16 MSAE-16 FSAE***..... | 1 |
| 25 | 48969GT | TEE,BULKHEAD,RUN,520958-12..... | 1 | 56 | 48985GT | ELBOW,45D,520320-16..... | 1 |
| 26 | 61262GT | ELBOW,SWIVEL 90D, 520221-12..... | 1 | 57 | 61073-2105SGT | HOSE ASSY,3/4" HOSE #82..... | 1 |
| 27 | 20224GT | DIAGNOSTIC FEMALE Q-DSCNT | | 58 | 49114-1646GT | HOSE ASSY,1/4" 90 FEM,STR FEM..... | 1 |
| 27 | 49207GT | NIPPLE,DIAGNOSTIC,ORFS,FM,SWIV..2 | | 59 | 49128-2009SGT | HOSE ASSY,3/8" HOSE 80..... | 1 |
| 27 | 75098GT | HARNESS,PRESSURE TRANSDUCER | | 60 | 48875GT | TEE,RUN,SWIVEL,520432-6..... | 1 |
| -- | 20224GT | DIAGNOSTIC FEMALE Q-DSCNT | | 61 | 48937GT | ELBOW,45D,520320-8..... | 3 |
| -- | 75098GT | HARNESS,PRESSURE TRANSDUCER | | 62 | 49130-51982GT | HOSE ASSY, 3/8,STR FEM,STR FEM...2 | |
| 28 | 48880GT | CAP,DIAGNOSTIC NIPPLE..... | 5 | 63 | 61321GT | ELBOW,90D,BLKHD,ORFS-6-6 W/NUT..... | 2 |
| 29 | 75288-5538SGT | HOSE ASSY 1 1/2",90 FL FEMSTR*..... | 1 | 64 | 61259GT | ELBOW,90D,LONG,521520-4..... | 3 |
| 30 | 61073-12530SGT | HOSE ASSY,3/4" HOSE #68..... | 1 | 65 | 48983GT | ELBOW,90D,520220-16..... | 1 |
| 31 | 61072-7226SGT | HOSE ASSEMBLY,3/4 (#67)..... | 1 | 66 | 49130-120182SGT | HOSE ASSEMBLY 3/8,#118&119S120...2 (S-120) | |
| | | | | 66 | 49130-12782SGT | HOSE ASSEMBLY 3/8,#118&119S125 (S-125) | |
| | | | | 67 | 48930GT | FITTING,CONN,520120-6-8***..... | 1 |

714.2 Hydraulic Hoses and Fittings (from SN 365 to 430)
(continued)

| Item | Part No. | Description | Qty. |
|------|----------|---------------------------|------|
| 68 | 48904GT | ELBOW,90D,520220-4-4..... | 3 |

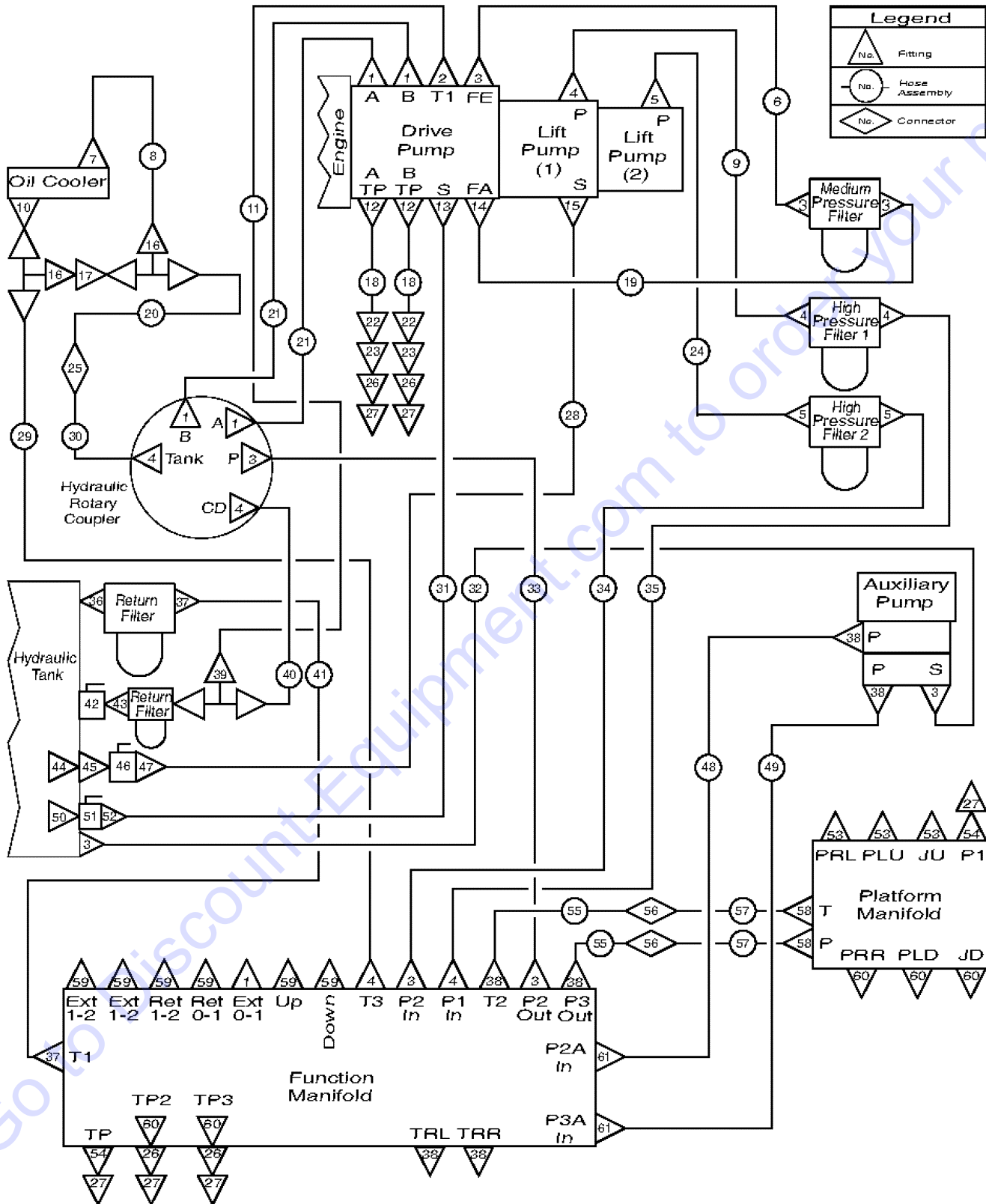
Go to Discount-Equipment.com to order your parts

714.2 Hydraulic Hoses and Fittings (from SN 365 to 430)
(continued)

This Page Intentionally Left Blank

Go to Discount-Equipment.com to order your parts

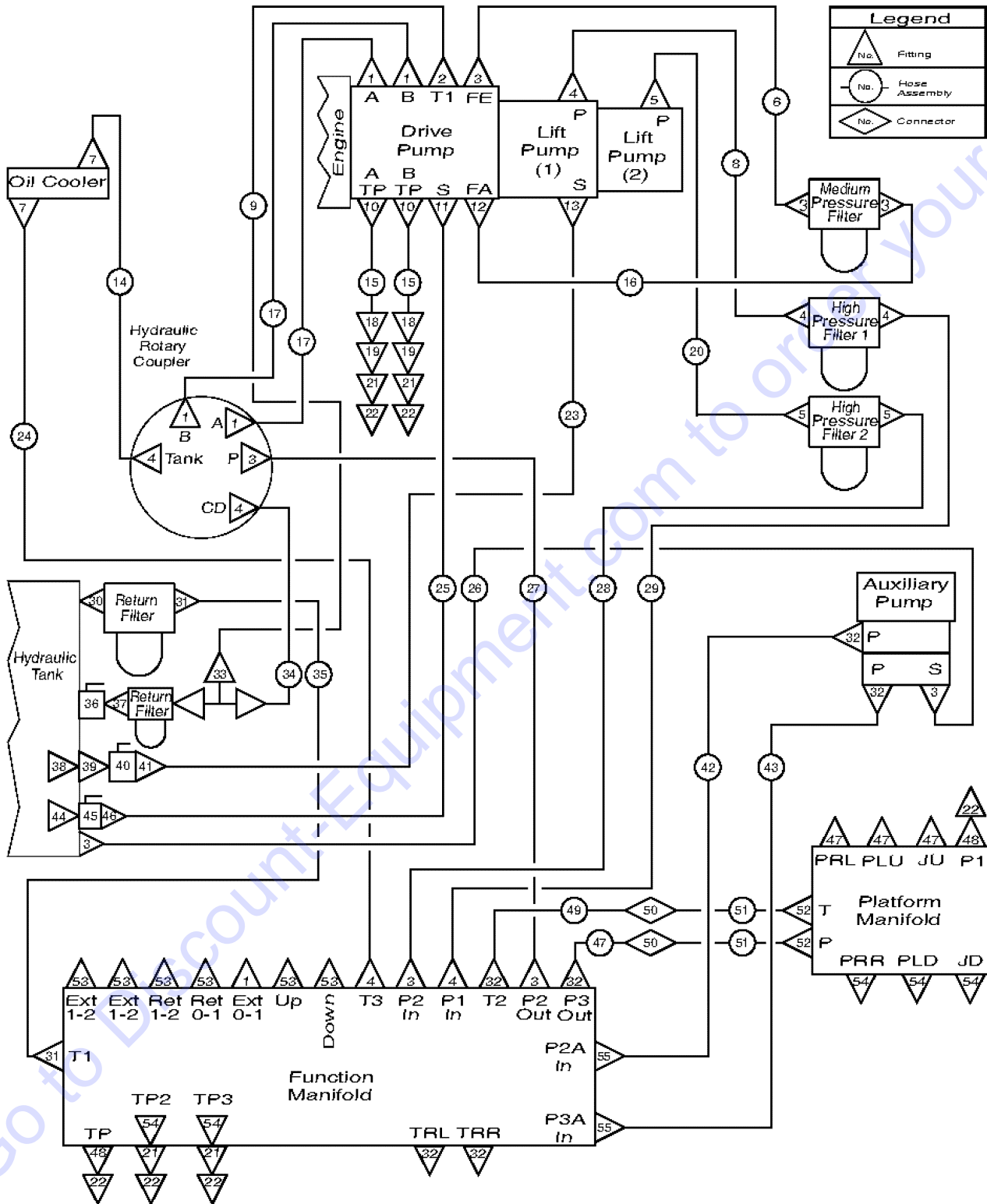
714.3 Hydraulic Hoses and Fittings (from SN 431 to 476)



714.3 Hydraulic Hoses and Fittings (from SN 431 to 476)

| Item | Part No. | Description | Qty. | Item | Part No. | Description | Qty. |
|------|---------------------------|--|------|------|-----------------------------|--|------|
| -- | 49612GT | O-RING KIT (ORFS FITTINGS) | | 36 | 61263GT | UNION,STR.THREAD 20..... | 1 |
| -- | 49613GT | PLUG AND CAP KIT-SERVICE,ORFS* | | 37 | 75654GT | CONN,520120-20..... | 2 |
| 1 | 48963GT | FITTING,ELBOW,45D,520320-12***..... | 5 | 38 | 48916GT | FITTING,CONN,520120-6..... | 6 |
| 2 | 48946GT | CONN,520120-8-10..... | 1 | 39 | 48961GT | TEE,RUN,520428-12..... | 1 |
| 3 | 48933GT | CONN,520120-8***..... | 8 | 40 | 610725526SGT | HOSE ASSEMBLY,3/4 (#121)..... | 1 |
| 4 | 48960GT | FITTING,CONN,520120-12***..... | 7 | 41 | 75672515 SGT | HOSE ASSY,1-1/4" HOSE #81..... | 1 |
| 5 | 48948GT | CONN,520120-8-12..... | 3 | 42 | 48995GT | VALVE,BALL,12 MSAE-12 FSAE..... | 1 |
| 6 | 49141-2754 SGT | HOSE ASSY,1/2" HOSE #72..... | 1 | 43 | 75255GT | UNION,STR.THREAD 12*..... | 1 |
| 7 | 48959GT | FITTING,ELBOW,90D,520220-12..... | 1 | 44 | 75257GT | STRAINER ASSY,#24 O-RING..... | 1 |
| 8 | 610731930SGT | HOSE ASSY 3/4" HOSE #117..... <i>Cummins and Perkins models</i> | 1 | 45 | 75254GT | UNION,STR.THREAD 24***..... | 1 |
| 9 | 610723101SGT | HOSE ASSY,3/4" HOSE #74..... | 1 | 46 | 75256GT | VALVE BALL,24 FSAE-24 FSAE***..... | 1 |
| 10 | 61272GT | ELBOW,STRT,SWVL, 520281, -12..... <i>Cummins and Perkins models</i> | 1 | 47 | 61083GT | CONN,520120-24..... | 1 |
| -- | 48959GT | FITTING,ELBOW,90D,520220-12 <i>Deutz models</i> | | 48 | 49126-1583 SGT | HOSE ASSY,3/8" HOSE #85..... | 1 |
| 11 | 610706626 SGT | HOSE ASSY,1/2,90 FEM,STR FEM..... | 1 | 49 | 49128-1350 SGT | HOSE ASSEMBLY 3/8 HOSE #84..... | 1 |
| 12 | 48905GT | CONN,520120-4***..... | 2 | 50 | 75253GT | STRAINER ASSY,#16 O-RING..... | 1 |
| 13 | 48984GT | CONN,520120-16..... | 1 | 51 | 48996GT | VALVE,BALL,16 MSAE-16 FSAE***..... | 1 |
| 14 | 48932GT | FITTING,ELBOW,90D,520220-8***..... | 1 | 52 | 48985GT | ELBOW,45D,520320-16..... | 1 |
| 15 | 61352GT | KIT,FLANGE CODE 61 -20..... | 1 | 53 | 61259GT | ELBOW,90D,LONG,521520-4..... | 3 |
| 16 | 48962GT | TEE,BRANCH,520429-12..... <i>Cummins and Perkins models</i> | 2 | 54 | 48997GT | NIPPLE,DIAGNOSTIC,#4..... | 2 |
| 17 | 60726GT | VALVE,CHECK #12 25 PSI..... <i>Cummins and Perkins models</i> | 1 | -- | 20224GT | DIAGNOSTIC FEMALE Q-DSCNT | |
| 18 | 75518-2272GT | HOSE ASSY,1/4" STR MALE STR FE..... | 2 | -- | 75098GT | HARNESS,PRESSURE TRANSDUCER | |
| 19 | 49143-2779 SGT | HOSE ASSY,1/2,90 FEM,STR FEM..... | 1 | 55 | 49130-51982 GT | HOSE ASSY, 3/8,STR FEM,STR FEM.... | 2 |
| 20 | 610726826 SGT | HOSE ASSY,3/4" HOSE #66..... | 1 | 56 | 61321GT | ELBOW,90D,BLKHD,ORFS-6-6 W/NUT..... | 2 |
| 21 | 61134-5833 SGT | HOSE ASSY,3/4" HOSE #69&70..... | 2 | 57 | 49130-120182 SGT | HOSE ASSEMBLY 3/8,#118&119S120... (S-120) | 2 |
| 22 | 75574GT | NUT,BULKHEAD,520118-4..... | 2 | 57 | 49130-12782 SGT | HOSE ASSEMBLY 3/8,#118&119S125 (S-125) | |
| 23 | 56233GT | O-RING,ORFS,-4..... | 2 | 58 | 48915GT | ELBOW,90D,520220-6..... | 2 |
| 24 | 49141-3613 SGT | HOSE ASSY,1/2" HOSE #76..... | 1 | 59 | 48937GT | ELBOW,45D,520320-8..... | 6 |
| 25 | 48968GT | CONN,BULKHEAD,520601-12..... | 1 | 60 | 48904GT | ELBOW,90D,520220-4-4..... | 5 |
| 26 | 49207GT | NIPPLE,DIAGNOSTIC,ORFS,FM,SWIV..4 | | 61 | 48920GT | ELBOW,45D,520320-6..... | 2 |
| -- | 20224GT | DIAGNOSTIC FEMALE Q-DSCNT | | | | | |
| -- | 75098GT | HARNESS,PRESSURE TRANSDUCER | | | | | |
| 27 | 48880GT | CAP,DIAGNOSTIC NIPPLE..... | 6 | | | | |
| 28 | 75288-5538 SGT | HOSE ASSY 1 1/2",90 FL FEMSTR*..... | 1 | | | | |
| 29 | 6107312530SGT | HOSE ASSY,3/4" HOSE #68..... | 1 | | | | |
| 30 | 610727226SGT | HOSE ASSEMBLY,3/4 (#67)..... | 1 | | | | |
| 31 | 49159-6118 SGT | HOSE ASSY,1" HOSE #92..... | 1 | | | | |
| 32 | 49143-3829 SGT | HOSE ASSY,1/2" HOSE #83..... | 1 | | | | |
| 33 | 49141-4263 SGT | HOSE ASSY,1/2" HOSE #90..... | 1 | | | | |
| 34 | 49143-6329 SGT | HOSE ASSY,1/2" HOSE #77..... | 1 | | | | |
| 35 | 610736230SGT | HOSE ASSEMBLY 3/4 HOSE #75..... | 1 | | | | |

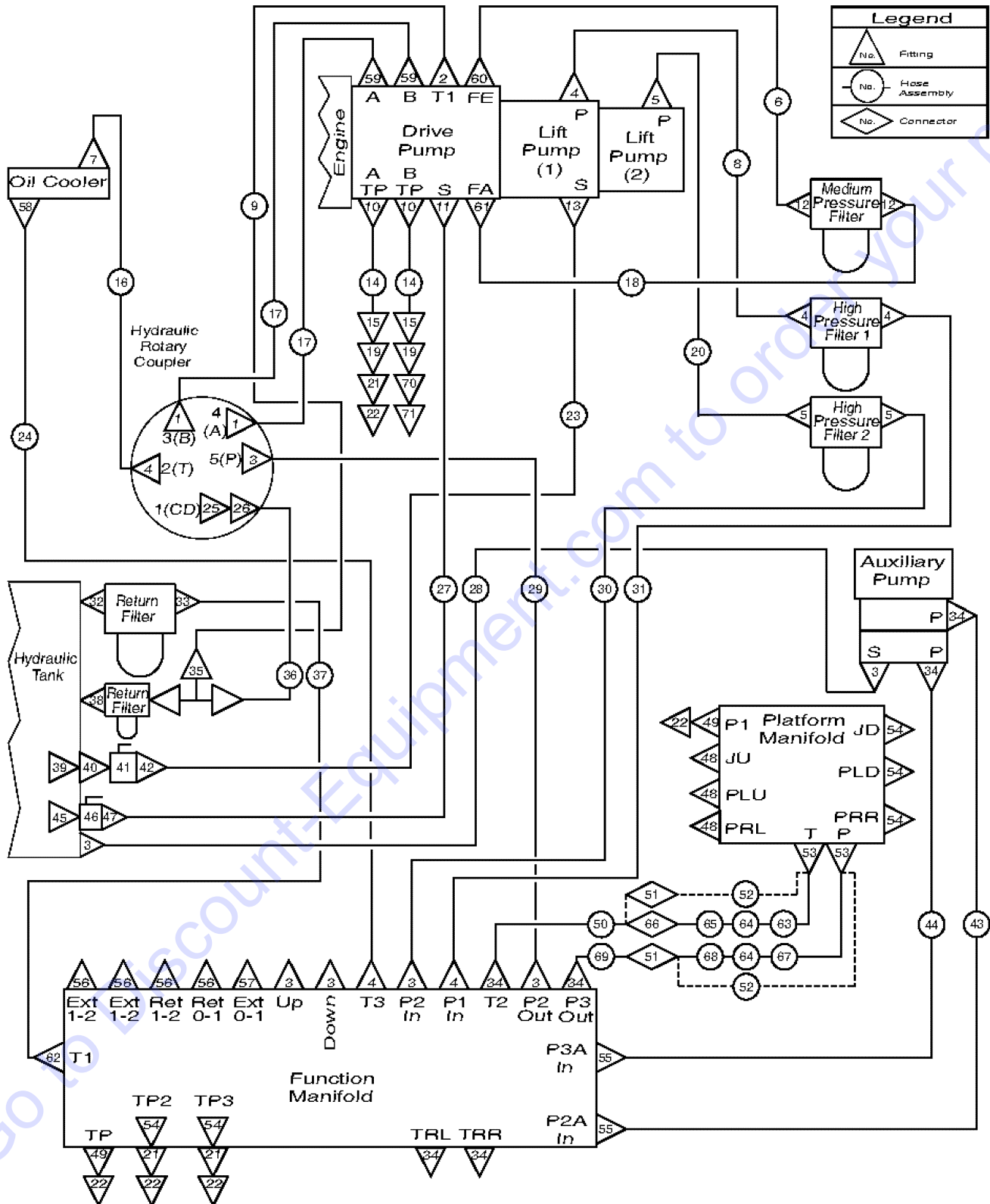
715.1 Hydraulic Hoses and Fittings - Deutz Models (from SN 477 to 541)



715.1 Hydraulic Hoses and Fittings - Deutz Models (from SN 477 to 541)

| Item | Part No. | Description | Qty. | Item | Part No. | Description | Qty. |
|------|----------------------------|--------------------------------------|------|------|----------------------------|---|------|
| -- | 49612GT | O-RING KIT (ORFS FITTINGS) | | 40 | 75256GT | VALVE BALL,24 FSAE-24 FSAE***.....1 | 1 |
| -- | 49613GT | PLUG AND CAP KIT-SERVICE,ORFS* | | 41 | 61083GT | CONN,520120-24.....1 | 1 |
| 1 | 48963GT | FITTING,ELBOW,45D,520320-12***.....5 | 5 | 42 | 49126-1583 SGT | HOSE ASSY,3/8" HOSE #85.....1 | 1 |
| 2 | 48946GT | CONN,520120-8-10.....1 | 1 | 43 | 49128-1350 SGT | HOSE ASSEMBLY 3/8 HOSE #84.....1 | 1 |
| 3 | 48933GT | CONN,520120-8***.....8 | 8 | 44 | 75253GT | STRAINER ASSY,#16 O-RING.....1 | 1 |
| 4 | 48960GT | FITTING,CONN,520120-12***.....7 | 7 | 45 | 48996GT | VALVE,BALL,16 MSAE-16 FSAE***.....1 | 1 |
| 5 | 48948GT | CONN,520120-8-12.....3 | 3 | 46 | 48985GT | ELBOW,45D,520320-16.....1 | 1 |
| 6 | 49141-2754 SGT | HOSE ASSY,1/2" HOSE #72.....1 | 1 | 47 | 61259GT | ELBOW,90D,LONG,521520-4.....3 | 3 |
| 7 | 48959GT | FITTING,ELBOW,90D,520220-12.....2 | 2 | 48 | 48997GT | NIPPLE,DIAGNOSTIC,#4.....2 | 2 |
| 8 | 61072-3101-SGT | HOSE ASSY,3/4" HOSE #74.....1 | 1 | -- | 20224GT | DIAGNOSTIC FEMALE Q-DSCNT | |
| 9 | 61070-6626 SGT | HOSE ASSY,1/2,90 FEM,STR FEM.....1 | 1 | -- | 75098GT | HARNESS,PRESSURE TRANSDUCER | |
| 10 | 48905GT | CONN,520120-4***.....2 | 2 | 49 | 61321GT | ELBOW,90D,BLKHD,ORFS-6-6 W/NUT.....2 | 2 |
| 11 | 48984GT | CONN,520120-16.....1 | 1 | 50 | 49130-51982 GT | HOSE ASSY, 3/8,STR FEM,STR FEM....2 | 2 |
| 12 | 48932GT | FITTING,ELBOW,90D,520220-8***.....1 | 1 | 51 | 49130-12018 SGT | HOSE ASSEMBLY 3/8,#118&119S120...2 (S-120) | 2 |
| 13 | 61352GT | KIT,FLANGE CODE 61 -20.....1 | 1 | 51 | 49130-12788 SGT | HOSE ASSEMBLY 3/8,#118&119S125 (S-125) | 2 |
| 14 | 61072-12126 SGT | HOSE ASSEMBLY 3/4" 45D-STR.....1 | 1 | 52 | 48915GT | ELBOW,90D,520220-6.....2 | 2 |
| 15 | 75518-2272GT | HOSE ASSY,1/4" STR MALE STR FE....2 | 2 | 53 | 48937GT | ELBOW,45D,520320-8.....6 | 6 |
| 16 | 49143-2779 SGT | HOSE ASSY,1/2,90 FEM,STR FEM.....1 | 1 | 54 | 48904GT | ELBOW,90D,520220-4-4.....5 | 5 |
| 17 | 61134-5833 SGT | HOSE ASSY,3/4" HOSE #69&70.....1 | 1 | 55 | 48920GT | ELBOW,45D,520320-6.....2 | 2 |
| 18 | 75574GT | NUT,BULKHEAD,520118-4.....2 | 2 | | | | |
| 19 | 56233GT | O-RING,ORFS,-4.....2 | 2 | | | | |
| 20 | 49141-3613 SGT | HOSE ASSY,1/2" HOSE #76.....1 | 1 | | | | |
| 21 | 49207GT | NIPPLE,DIAGNOSTIC,ORFS,FM,SWIV..4 | 4 | | | | |
| -- | 20224GT | DIAGNOSTIC FEMALE Q-DSCNT | | | | | |
| -- | 75098GT | HARNESS,PRESSURE TRANSDUCER | | | | | |
| 22 | 48880GT | CAP,DIAGNOSTIC NIPPLE.....6 | 6 | | | | |
| 23 | 75288-5538 SGT | HOSE ASSY 1 1/2",90 FL FEMSTR*.....1 | 1 | | | | |
| 24 | 61073-12530SGT | HOSE ASSY,3/4" HOSE #68.....1 | 1 | | | | |
| 25 | 49159-6118 SGT | HOSE ASSY,1" HOSE #92.....1 | 1 | | | | |
| 26 | 49143-3829 SGT | HOSE ASSY,1/2" HOSE #83.....1 | 1 | | | | |
| 27 | 49141-4263 SGT | HOSE ASSY,1/2" HOSE #90.....1 | 1 | | | | |
| 28 | 49143-6329 SGT | HOSE ASSY,1/2" HOSE #77.....1 | 1 | | | | |
| 29 | 61073-6230 SGT | HOSE ASSEMBLY 3/4 HOSE #75.....1 | 1 | | | | |
| 30 | 61263GT | UNION,STR.THREAD 20.....1 | 1 | | | | |
| 31 | 75654GT | CONN,520120-20.....2 | 2 | | | | |
| 32 | 48916GT | FITTING,CONN,520120-6.....6 | 6 | | | | |
| 33 | 48961GT | TEE,RUN,520428-12.....1 | 1 | | | | |
| 34 | 61072-5526 SGT | HOSE ASSEMBLY,3/4 (#121).....1 | 1 | | | | |
| 35 | 75657-2515 SGT | HOSE ASSY,1-1/4" HOSE #81.....1 | 1 | | | | |
| 36 | 48995GT | VALVE,BALL,12 MSAE-12 FSAE.....1 | 1 | | | | |
| 37 | 75255GT | UNION,STR.THREAD 12*.....1 | 1 | | | | |
| 38 | 75257GT | STRAINER ASSY,#24 O-RING.....1 | 1 | | | | |
| 39 | 75254GT | UNION,STR.THREAD 24***.....1 | 1 | | | | |

715.2 Hydraulic Hoses and Fittings - Deutz Models (from SN 542)



PARTS FINDER

**Search Website
by Part Number**



**Search Manual
Library For Parts
Manual & Lookup Part
Numbers – Purchase
or Request Quote**

Search Manuals

Enter your information to help us find the right parts manual for your machine.

* Brand:

* Model:

* Serial:

* Part Number:

SEARCH

**Can't Find Part or
Manual? Request Help
by Manufacturer,
Model & Description**

Parts Order Form

Please fill in the following information to help us find the right part for your machine.

| | |
|---------------|---------------------------------------|
| Manufacturer: | <input type="text"/> |
| Model: | <input type="text"/> |
| Description: | <input type="text"/> |
| Part Number: | <input type="text"/> |
| Quantity: | <input type="text"/> |
| Notes: | <input type="text"/> |
| Submit | <input type="button" value="Submit"/> |

Discount-Equipment.com is your online resource for quality parts & equipment.

Florida: **561-964-4949** Outside Florida TOLL FREE: **877-690-3101**

Need parts?

Click on this link: <http://www.discount-equipment.com/category/5443-parts/> and choose one of the options to help get the right parts and equipment you are looking for. Please have the machine model and serial number available in order to help us get you the correct parts. If you don't find the part on the website or on one of the online manuals, please fill out the request form and one of our experienced staff members will get back to you with a quote for the right part that your machine needs.

We sell worldwide for the brands: Genie, Terex, JLG, MultiQuip, Mikasa, Essick, Whiteman, Mayco, Toro Stone, Diamond Products, Generac Magnum, Airman, Haulotte, Barreto, Power Blanket, Nifty Lift, Atlas Copco, Chicago Pneumatic, Allmand, Miller Curber, Skyjack, Lull, Skytrak, Tsurumi, Husquvarna Target, Stow, Wacker, Sakai, Mi-T-M, Sullair, Basic, Dynapac, MBW, Weber, Bartell, Bennar Newman, Haulotte, Ditch Runner, Menegotti, Morrison, Contec, Buddy, Crown, Edco, Wyco, Bomag, Laymor, EZ Trench, Bil-Jax, F.S. Curtis, Gehl Pavers, Heli, Honda, ICS/PowerGrit, IHI, Partner, Imer, Clipper, MMD, Koshin, Rice, CH&E, General Equipment, Amida, Coleman, NAC, Gradall, Square Shooter, Kent, Stanley, Tamco, Toku, Hatz, Kohler, Robin, Wisconsin, Northrock, Oztec, Toker TK, Rol-Air, APT, Wylie, Ingersoll Rand / Doosan, Innovatech, Con X, Ammann, Mecalac, Makinex, Smith Surface Prep, Small Line, Wanco, Yanmar

715.2 Hydraulic Hoses and Fittings - Deutz Models (from SN 542)

| Item | Part No. | Description | Qty. | Item | Part No. | Description | Qty. |
|------|---------------------------|---|------|------|---------------------------|---|------|
| -- | 49612GT | O-RING KIT (ORFS FITTINGS) | | 20 | 49143-3529GT | HOSE ASSY,1/2,90 FEM,STR FEM** <i>from SN 921</i> | |
| -- | 49613GT | PLUG AND CAP KIT-SERVICE,ORFS* | | -- | 49143-3529GT | HOSE ASSY,1/2,90 FEM,STR FEM** <i>from SN 921</i> | |
| 1 | 48963GT | FITTING,ELBOW,45D,520320-12***.....2 | | 21 | 49207GT | NIPPLE,DIAGNOSTIC,ORFS,FM,SWIV..3 | |
| 2 | 48946GT | CONN,520120-8-10.....1 <i>to SN 1028</i> | | -- | 20224GT | DIAGNOSTIC FEMALE Q-DSCNT | |
| -- | 48947GT | ELBOW,90D,520220-8-12 <i>from SN 1029</i> | | -- | 75098GT | HARNESS,PRESSURE TRANSDUCER | |
| 3 | 48933GT | CONN,520120-8***.....7 | | 22 | 48880GT | CAP,DIAGNOSTIC NIPPLE.....5 | |
| 4 | 48960GT | FITTING,CONN,520120-12***.....6 | | 23 | 75288-5538 SGT | HOSE ASSY 1 1/2",90 FL FEMSTR*.....1 | |
| 5 | 48948GT | CONN,520120-8-12.....3 | | 24 | 61073-12530SGT | HOSE ASSY,3/4" HOSE #68.....1 <i>to SN 920</i> | |
| 6 | 49141-2754 SGT | HOSE ASSY,1/2" HOSE #72.....1 <i>to SN 920</i> | | -- | 61073-5430GT | HOSE ASSY.,3/4",90°FEM,STR FEM <i>from SN 921</i> | |
| -- | 49143-1929GT | HOSE ASSY,1/2,90 FEM,STR FEM <i>from SN 1029</i> | | 25 | 75613GT | CONN,090136-12-8.....1 | |
| -- | 49143-2829GT | HOSE ASSY,1/2,90 FEM,STR FEMM* <i>to SN 1028</i> | | 26 | 48937GT | ELBOW,45D,520320-8.....1 | |
| 7 | 48959GT | FITTING,ELBOW,90D,520220-12.....1 | | 27 | 491596118 SGT | HOSE ASSY,1" HOSE #92.....1 | |
| 8 | 61072-3101SGT | HOSE ASSY,3/4" HOSE #74.....1 <i>to SN 920</i> | | 28 | 49143-3829SGT | HOSE ASSY,1/2" HOSE #83.....1 | |
| 8 | 61073-3230GT | HOSE ASSY,3/4,90 FEM,STR FEM** <i>from SN 921</i> | | 29 | 49141-4263 SGT | HOSE ASSY,1/2" HOSE #90.....1 | |
| -- | 61073-3230GT | HOSE ASSY,3/4,90 FEM,STR FEM** <i>from SN 921</i> | | 30 | 49143-6329SGT | HOSE ASSY,1/2" HOSE #77.....1 | |
| 9 | 49143-8429GT | HOSE ASSY,1/2,90 FEM,STR FEMEM...1 | | 31 | 61073-6230SGT | HOSE ASSEMBLY 3/4 HOSE #75.....1 | |
| 10 | 48905GT | CONN,520120-4***.....2 <i>to SN 984</i> | | 32 | 61263GT | UNION,STR.THREAD 20.....1 | |
| 11 | 48984GT | CONN,520120-16.....2 | | 33 | 75654GT | CONN,520120-20.....1 | |
| 12 | 48932GT | FITTING,ELBOW,90D,520220-8***.....2 <i>from SN 921</i> | | 34 | 48916GT | FITTING,CONN,520120-6.....6 | |
| -- | 48933GT | CONN,520120-8*** <i>to SN 920</i> | | 35 | 48935GT | TEE,RUN,520428-8.....1 | |
| 13 | 61352GT | KIT,FLANGE CODE 61 -20.....1 | | 36 | 49143-6529 SGT | HOSE ASSY,1/2,90 FEM,STR FEM.....1 <i>to SN 649</i> | |
| 14 | 75518-2272GT | HOSE ASSY,1/4" STR MALE STR FE....2 <i>to SN 984</i> | | -- | 49143-7029SGT | HOSE ASSY,1/2,90 FEM,STR FEM <i>from SN 650</i> | |
| 15 | 75574GT | NUT,BULKHEAD,520118-4.....2 <i>to SN 984</i> | | 37 | 75657-2515 SGT | HOSE ASSY,1-1/4" HOSE #81.....1 | |
| 16 | 61072-12126SGT | HOSE ASSEMBLY 3/4" 45D-STR.....1 <i>to SN 920</i> | | 38 | 75971GT | UNION,STR.THREAD -8.....1 <i>to SN 649</i> | |
| -- | 61072-8326GT | HOSE ASSY,3/4,45 FEM,STR FEM <i>from SN 921</i> | | 39 | 75257GT | STRAINER ASSY,#24 O-RING.....1 | |
| 17 | 61134-5833SGT | HOSE ASSY,3/4" HOSE #69&70.....2 <i>to SN 1028</i> | | 40 | 75254GT | UNION,STR.THREAD 24*** <i>from SN 837 to SN 674</i> | |
| -- | 94374-5530GT | HOSE ASSY,3/4,90 FEM,STR FEM** <i>from SN 1029</i> | | 41 | 75256GT | VALVE BALL,24 FSAE-24 FSAE***.....1 <i>from SN 837 to SN 674</i> | |
| 18 | 49143-2779SGT | HOSE ASSY,1/2,90 FEM,STR FEM.....1 | | 42 | 61083GT | CONN,520120-24.....1 | |
| 19 | 56233GT | O-RING,ORFS,-4.....2 <i>to SN 984</i> | | 43 | 49126-1583SGT | HOSE ASSY,3/8" HOSE #85.....1 <i>to SN 574</i> | |
| 20 | 49141-3613SGT | HOSE ASSY,1/2" HOSE #76.....1 <i>to SN 920</i> | | 43 | 49126-1783GT | HOSE ASSY,3/8,45 FEM,STR FEM <i>from SN 575</i> | |
| | | | | -- | 49126-1783GT | HOSE ASSY,3/8,45 FEM,STR FEM <i>from SN 575</i> | |
| | | | | 44 | 49128-1350SGT | HOSE ASSEMBLY 3/8 HOSE #84.....1 <i>to SN 574</i> | |
| | | | | -- | 49128-1650GT | HOSE ASSEMBLY-3/8" <i>from SN 575</i> | |

715.2 Hydraulic Hoses and Fittings - Deutz Models (from SN 542)
(continued)

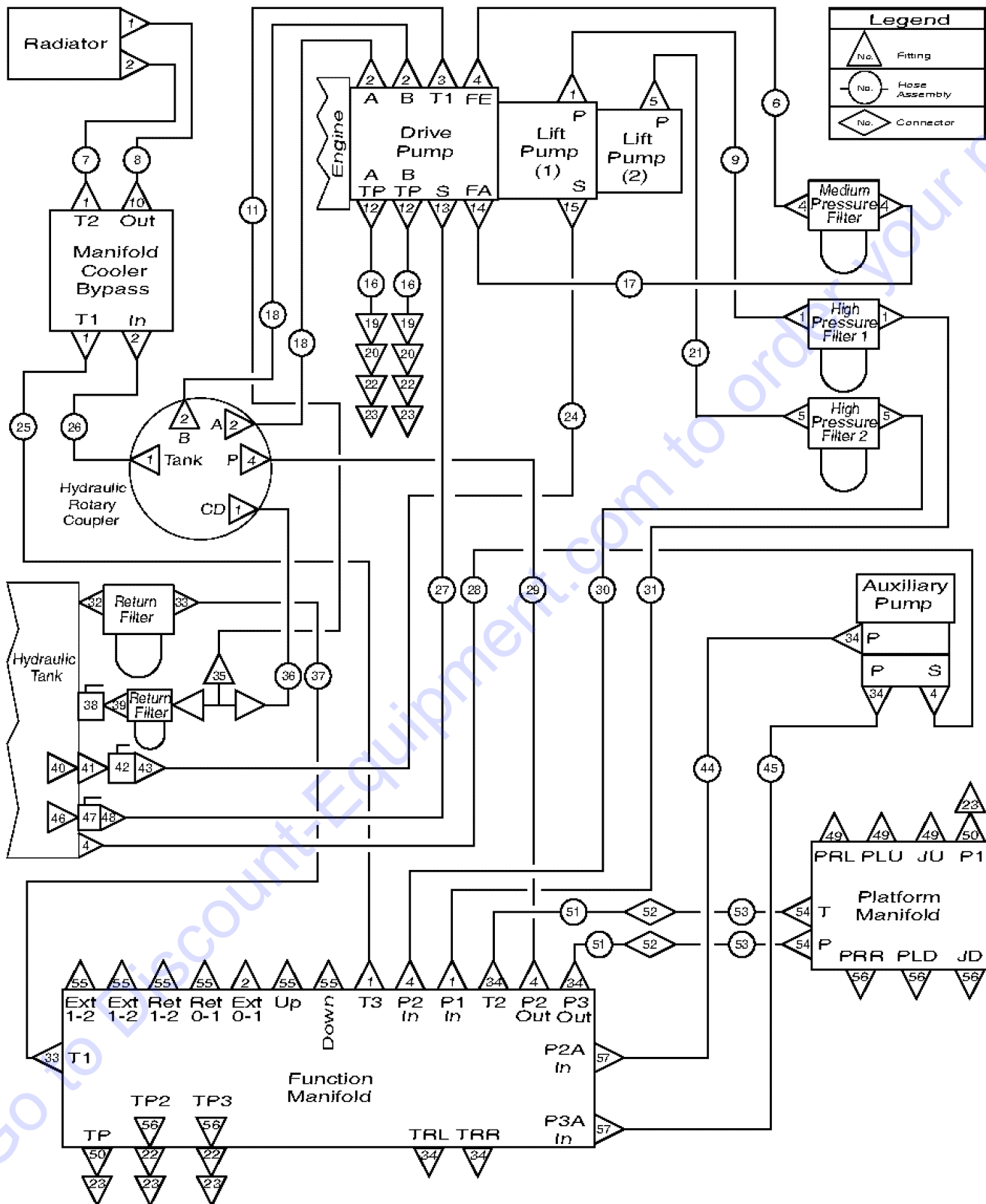
| Item | Part No. | Description | Qty. | Item | Part No. | Description | Qty. |
|------|----------------|--|------|------|---------------|---|------|
| 45 | 75253GT | STRAINER ASSY,#16 O-RING..... | 1 | 63 | 49130-49382GT | HOSE ASSEMBLY, 3/8..... | 1 |
| 46 | 48996GT | VALVE,BALL,16 MSAE-16 FSAE*** to SN 674 | 1 | 63 | 49130-55382GT | HOSE ASSY, 3/8 (S-125) from SN 1430 | 1 |
| 47 | 48985GT | ELBOW,45D,520320-16..... | 1 | 64 | 111436GT | HYRAULIC TUBE,BOOM CROSSOVER..... | 2 |
| 48 | 61259GT | ELBOW,90D,LONG,521520-4..... | 3 | | | from SN 1430 | |
| 49 | 48997GT | NIPPLE,DIAGNOSTIC,#4..... | 2 | -- | 111437GT | HYDRAULIC TWIN CLAMP | |
| -- | 20224GT | DIAGNOSTIC FEMALE Q-DSCNT | | 65 | 49130-72982GT | HOSE ASSEMBLY, 3/8..... | 1 |
| -- | 75098GT | HARNESS,PRESSURE TRANSDUCER | | | | from SN 1430 | |
| 50 | 49128-51809GT | HOSE ASSY,3/8" 90 FEM,STR FEM..... | 1 | 66 | 61080GT | FITTING,6-6BLKHEADUNION 520601... from SN 1430 | 1 |
| 51 | 61321GT | ELBOW,90D,BLKHD,ORFS-6-6 W/NUT..... | 2 | 67 | 49130-49382GT | HOSE ASSEMBLY, 3/8..... | 1 |
| 52 | 49130-12018SGT | HOSE ASSEMBLY 3/8,#118&119S120... (S-120) to SN 1429 | 2 | 67 | 49130-55382GT | HOSE ASSY, 3/8 (S-125) from SN 1430 | 1 |
| 52 | 49130-12782SGT | HOSE ASSEMBLY 3/8,#118&119S125 (S-125) from SN 542 to SN 1429 | | 68 | 49130-76382GT | HOSE ASSEMBLY, 3/8..... | 1 |
| -- | 111444GT | KIT,HOSE/HARDLINE UPGRADE,S125 (S-125) | | | | from SN 1430 | |
| -- | 111600GT | KIT,HOSE/HARDLINE UPGRADE,S120 (S-120) | | 69 | 49130-51982GT | HOSE ASSY, 3/8,STR FEM,STR FEM...1 | 1 |
| 53 | 48915GT | ELBOW,90D,520220-6..... | 2 | 70 | 49207GT | NIPPLE,DIAGNOSTIC,ORFS,FM,SWIV..1 to SN 1028 | 1 |
| 54 | 48904GT | ELBOW,90D,520220-4-4..... | 5 | -- | 20224GT | DIAGNOSTIC FEMALE Q-DSCNT | |
| 55 | 48920GT | ELBOW,45D,520320-6..... | 2 | -- | 75098GT | HARNESS,PRESSURE TRANSDUCER | |
| 56 | 48933GT | CONN,520120-8*** from SN 722 | | 71 | 48880GT | CAP,DIAGNOSTIC NIPPLE..... | 1 |
| 56 | 48937GT | ELBOW,45D,520320-8..... | 4 | | | to SN 1028 | |
| -- | 48933GT | CONN,520120-8*** from SN 722 | | | | | |
| 57 | 48963GT | FITTING,ELBOW,45D,520320-12***..... to SN 721 | 1 | | | | |
| -- | 48960GT | FITTING,CONN,520120-12*** from SN 722 | | | | | |
| 58 | 48959GT | FITTING,ELBOW,90D,520220-12..... to SN 920 | 1 | | | | |
| -- | 48960GT | FITTING,CONN,520120-12*** from SN 921 | | | | | |
| 59 | 48963GT | FITTING,ELBOW,45D,520320-12***..... to SN 1028 | 2 | | | | |
| -- | 48978GT | ELBOW,45D,520320-12-16 from SN 1029 | | | | | |
| 60 | 48933GT | CONN,520120-8***..... | 1 | | | | |
| -- | 48946GT | CONN,520120-8-10 from SN 1029 | | | | | |
| 61 | 48932GT | FITTING,ELBOW,90D,520220-8***..... to SN 1028 | 1 | | | | |
| -- | 48946GT | CONN,520120-8-10 from SN 1029 | | | | | |
| 62 | 61260GT | REDUCER,520123-20-12..... | 1 | | | | |

715.2 Hydraulic Hoses and Fittings - Deutz Models (from SN 542)
(continued)

This Page Intentionally Left Blank

Go to Discount-Equipment.com to order your parts

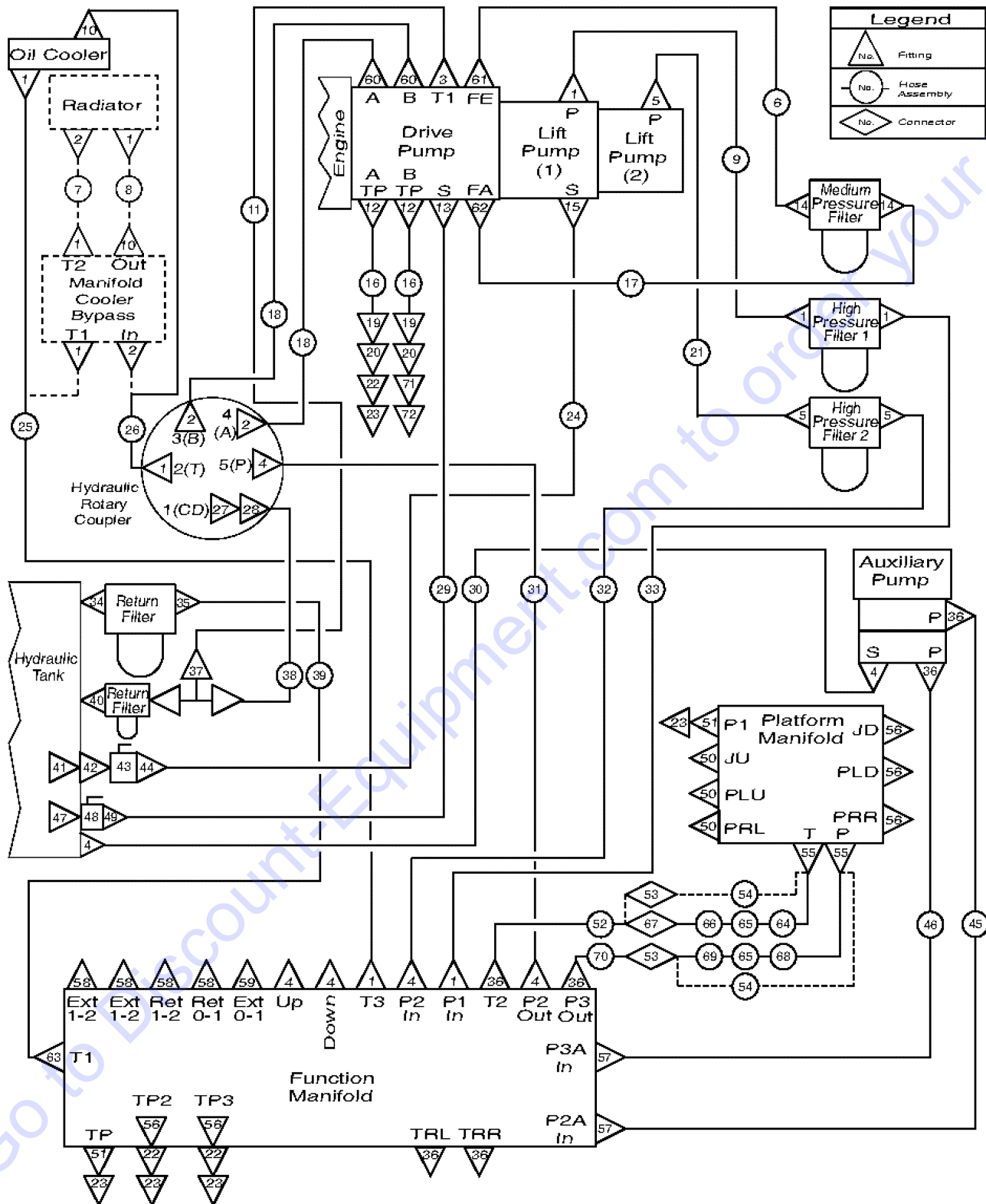
716.1 Hydraulic Hoses and Fittings - Cummins and Perkins Models (from SN 477 to 541)



716.1 Hydraulic Hoses and Fittings - Cummins and Perkins Models (from SN 477 to 541)

| Item | Part No. | Description | Qty. | Item | Part No. | Description | Qty. |
|------|---------------------------|-------------------------------------|------|------|-----------------------------|--|------|
| -- | 49612GT | O-RING KIT (ORFS FITTINGS) | | 40 | 75257GT | STRAINER ASSY,#24 O-RING..... | 1 |
| -- | 49613GT | PLUG AND CAP KIT-SERVICE,ORFS* | | 41 | 75254GT | UNION,STR.THREAD 24***..... | 1 |
| 1 | 48960GT | FITTING,CONN,520120-12***..... | 10 | 42 | 75256GT | VALVE BALL,24 FSAE-24 FSAE***..... | 1 |
| 2 | 48963GT | FITTING,ELBOW,45D,520320-12***..... | 7 | 43 | 61083GT | CONN,520120-24..... | 1 |
| 3 | 48946GT | CONN,520120-8-10..... | 1 | 44 | 49126-1583 SGT | HOSE ASSY,3/8" HOSE #85..... | 1 |
| 4 | 48933GT | CONN,520120-8***..... | 8 | 45 | 49128-1350 SGT | HOSE ASSEMBLY 3/8 HOSE #84..... | 1 |
| 5 | 48948GT | CONN,520120-8-12..... | 3 | 46 | 75253GT | STRAINER ASSY,#16 O-RING..... | 1 |
| 6 | 49141-2754 SGT | HOSE ASSY,1/2" HOSE #72..... | 1 | 47 | 48996GT | VALVE,BALL,16 MSAE-16 FSAE***..... | 1 |
| 7 | 61074-1972GT | HOSE ASSEMBLY 3/4" STR-STR..... | 1 | 48 | 48985GT | ELBOW,45D,520320-16..... | 1 |
| 8 | 61072-3826GT | HOSE ASSY,3/4" 45 FEM STR FEM..... | 1 | 49 | 61259GT | ELBOW,90D,LONG,521520-4..... | 3 |
| 9 | 61072-3101SGT | HOSE ASSY,3/4" HOSE #74..... | 1 | 50 | 48997GT | NIPPLE,DIAGNOSTIC,#4..... | 2 |
| 10 | 48959GT | FITTING,ELBOW,90D,520220-12..... | 1 | -- | 20224GT | DIAGNOSTIC FEMALE Q-DSCNT | |
| 11 | 61070-6626 SGT | HOSE ASSY,1/2,90 FEM,STR FEM..... | 1 | -- | 75098GT | HARNESS,PRESSURE TRANSDUCER | |
| 12 | 48905GT | CONN,520120-4***..... | 2 | 51 | 49130-51982 GT | HOSE ASSY, 3/8,STR FEM,STR FEM.... | 2 |
| 13 | 48984GT | CONN,520120-16..... | 1 | 52 | 61321GT | ELBOW,90D,BLKHD,ORFS-6-6 W/NUT..... | 2 |
| 14 | 48932GT | FITTING,ELBOW,90D,520220-8***..... | 1 | 53 | 49130-120182 SGT | HOSE ASSEMBLY 3/8,#118&119S120... (S-120) | 2 |
| 15 | 61352GT | KIT,FLANGE CODE 61 -20..... | 1 | 53 | 49130-12782 SGT | HOSE ASSEMBLY 3/8,#118&119S125 (S-125) | |
| 16 | 75518-2272GT | HOSE ASSY,1/4" STR MALE STR FE.... | 2 | 54 | 48915GT | ELBOW,90D,520220-6..... | 2 |
| 17 | 49143-2779 SGT | HOSE ASSY,1/2,90 FEM,STR FEM..... | 1 | 55 | 48937GT | ELBOW,45D,520320-8..... | 6 |
| 18 | 61134-5833 SGT | HOSE ASSY,3/4" HOSE #69&70..... | 2 | 56 | 48904GT | ELBOW,90D,520220-4-4..... | 5 |
| 19 | 75574GT | NUT,BULKHEAD,520118-4..... | 2 | 57 | 48920GT | ELBOW,45D,520320-6..... | 2 |
| 20 | 56233GT | O-RING,ORFS,-4..... | 2 | | | | |
| 21 | 49141-3613 SGT | HOSE ASSY,1/2" HOSE #76..... | 1 | | | | |
| 22 | 49207GT | NIPPLE,DIAGNOSTIC,ORFS,FM,SWIV..4 | | | | | |
| -- | 20224GT | DIAGNOSTIC FEMALE Q-DSCNT | | | | | |
| -- | 75098GT | HARNESS,PRESSURE TRANSDUCER | | | | | |
| 23 | 48880GT | CAP,DIAGNOSTIC NIPPLE..... | 6 | | | | |
| 24 | 75288-5538 SGT | HOSE ASSY 1 1/2",90 FL FEMSTR*..... | 1 | | | | |
| 25 | 61072-7226SGT | HOSE ASSEMBLY,3/4 (#67)..... | 1 | | | | |
| 26 | 61072-7426GT | HOSE ASSY,3/4" 45 FEM STR FEM..... | 1 | | | | |
| 27 | 49159-6118 SGT | HOSE ASSY,1" HOSE #92..... | 1 | | | | |
| 28 | 49143-3829 SGT | HOSE ASSY,1/2" HOSE #83..... | 1 | | | | |
| 29 | 49141-4263 SGT | HOSE ASSY,1/2" HOSE #90..... | 1 | | | | |
| 30 | 49143-6329 SGT | HOSE ASSY,1/2" HOSE #77..... | 1 | | | | |
| 31 | 61073-6230SGT | HOSE ASSEMBLY 3/4 HOSE #75..... | 1 | | | | |
| 32 | 61263GT | UNION,STR.THREAD 20..... | 1 | | | | |
| 33 | 75654GT | CONN,520120-20..... | 2 | | | | |
| 34 | 48916GT | FITTING,CONN,520120-6..... | 6 | | | | |
| 35 | 48961GT | TEE,RUN,520428-12..... | 1 | | | | |
| 36 | 61072-5526 SGT | HOSE ASSEMBLY,3/4 (#121)..... | 1 | | | | |
| 37 | 75657-2515 SGT | HOSE ASSY,1-1/4" HOSE #81..... | 1 | | | | |
| 38 | 48995GT | VALVE,BALL,12 MSAE-12 FSAE..... | 1 | | | | |
| 39 | 75255GT | UNION,STR.THREAD 12*..... | 1 | | | | |

716.2 Hydraulic Hoses and Fittings - Cummins and Perkins Models (from SN 542)



716.2 Hydraulic Hoses and Fittings - Cummins and Perkins Models (from SN 542)

| Item | Part No. | Description | Qty. | Item | Part No. | Description | Qty. |
|------|---------------|--|------|------|---------------|--|------|
| -- | 49612GT | O-RING KIT (ORFS FITTINGS) | | 19 | 75574GT | NUT,BULKHEAD,520118-4.....2 to SN 984 | 2 |
| -- | 49613GT | PLUG AND CAP KIT-SERVICE,ORFS* | | 20 | 56233GT | O-RING,ORFS,-4.....2 to SN 984 | 2 |
| 1 | 48960GT | FITTING,CONN,520120-12***9 to SN 984 | 9 | 21 | 49141-3613SGT | HOSE ASSY,1/2" HOSE #76.....1 to SN 932 | 1 |
| -- | 48960GT | FITTING,CONN,520120-12***6 from SN 985 | 6 | -- | 49143-3529SGT | HOSE ASSY,1/2,90 FEM,STR FEM from SN 933 | |
| 2 | 48963GT | FITTING,ELBOW,45D,520320-12***4 to SN 984 | 4 | 22 | 49207GT | NIPPLE,DIAGNOSTIC,ORFS,FM,SWIV..4 | |
| -- | 48963GT | FITTING,ELBOW,45D,520320-12***2 from SN 985 | 2 | -- | 20224GT | DIAGNOSTIC FEMALE Q-DSCNT | |
| 3 | 48946GT | CONN,520120-8-10.....1 to SN 1028 | 1 | -- | 75098GT | HARNESS,PRESSURE TRANSDUCER | |
| -- | 48947GT | ELBOW,90D,520220-8-12 from SN 1029 | | 23 | 48880GT | CAP,DIAGNOSTIC NIPPLE.....6 | 6 |
| 4 | 48933GT | CONN,520120-8***8 | 8 | 24 | 75288-5538SGT | HOSE ASSY 1 1/2",90 FL FEMSTR*1 | 1 |
| 5 | 48948GT | CONN,520120-8-12.....3 | 3 | 25 | 61072-7226SGT | HOSE ASSEMBLY,3/4 (#67).....1 to SN 984 | 1 |
| 6 | 49141-2754SGT | HOSE ASSY,1/2" HOSE #72.....1 to SN 932 | 1 | -- | 61073-5430GT | HOSE ASSY.,3/4",90°FEM,STR FEM from SN 985 | |
| -- | 49143-1929GT | HOSE ASSY,1/2,90 FEM,STR FEM from SN 1029 | | 26 | 61072-7426GT | HOSE ASSY,3/4" 45 FEM STR FEM.....1 from SN 542 to SN 984 | 1 |
| -- | 49143-2829GT | HOSE ASSY,1/2,90 FEM,STR FEMM* from SN 933 to SN 1028 | | -- | 61072-8326GT | HOSE ASSY,3/4,45 FEM,STR FEM from SN 985 | |
| 7 | 61074-1972GT | HOSE ASSEMBLY 3/4" STR-STR.....1 to SN 984 | 1 | 27 | 75613GT | CONN,090136-12-8.....1 | 1 |
| 8 | 61072-3826GT | HOSE ASSY,3/4" 45 FEM STR FEM.....1 to SN 984 | 1 | 28 | 48937GT | ELBOW,45D,520320-8.....1 | 1 |
| 9 | 61072-3101SGT | HOSE ASSY,3/4" HOSE #74.....1 to SN 932 | 1 | 29 | 491596118SGT | HOSE ASSY,1" HOSE #92.....1 | 1 |
| -- | 61073-3230GT | HOSE ASSY,3/4,90 FEM,STR FEM** from SN 933 | | 30 | 49143-3829SGT | HOSE ASSY,1/2" HOSE #83.....1 | 1 |
| 10 | 48959GT | FITTING,ELBOW,90D,520220-12.....1 | 1 | 31 | 49141-4263SGT | HOSE ASSY,1/2" HOSE #90.....1 | 1 |
| 11 | 49143-8429GT | HOSE ASSY,1/2,90 FEM,STR FEMEM...1 | 1 | 32 | 49143-6329SGT | HOSE ASSY,1/2" HOSE #77.....1 | 1 |
| 12 | 48905GT | CONN,520120-4***2 to SN 984 | 2 | 33 | 61073-6230SGT | HOSE ASSEMBLY 3/4 HOSE #75.....1 | 1 |
| 13 | 48984GT | CONN,520120-16.....1 | 1 | 34 | 61263GT | UNION,STR.THREAD 20.....1 | 1 |
| 14 | 48932GT | FITTING,ELBOW,90D,520220-8***2 from SN 933 | 2 | 35 | 75654GT | CONN,520120-20.....1 | 1 |
| -- | 48933GT | CONN,520120-8*** to SN 932 | | 36 | 48916GT | FITTING,CONN,520120-6.....6 | 6 |
| 15 | 61352GT | KIT,FLANGE CODE 61 -20.....1 | 1 | 37 | 48935GT | TEE,RUN,520428-8.....1 | 1 |
| 16 | 75518-2272GT | HOSE ASSY,1/4" STR MALE STR FE.....2 to SN 984 | 2 | 38 | 49143-6529SGT | HOSE ASSY,1/2,90 FEM,STR FEM.....1 to SN 649 | 1 |
| 17 | 49143-2779SGT | HOSE ASSY,1/2,90 FEM,STR FEM.....1 from SN 542 | 1 | -- | 49143-7029SGT | HOSE ASSY,1/2,90 FEM,STR FEM from SN 650 | |
| 18 | 61134-5833SGT | HOSE ASSY,3/4" HOSE #69&70.....2 to SN 1028 | 2 | 39 | 75657-2515SGT | HOSE ASSY,1-1/4" HOSE #81.....1 | 1 |
| 18 | 94374-5530GT | HOSE ASSY,3/4,90 FEM,STR FEM** from SN 1029 | | 40 | 75971GT | UNION,STR.THREAD -8.....1 to SN 649 | 1 |
| -- | 94374-5530GT | HOSE ASSY,3/4,90 FEM,STR FEM** from SN 1029 | | 41 | 75257GT | STRAINER ASSY,#24 O-RING.....1 | 1 |
| | | | | 42 | 75254GT | UNION,STR.THREAD 24***1 to SN 674 | 1 |
| | | | | -- | 75254GT | UNION,STR.THREAD 24*** from SN 837 | |
| | | | | 43 | 75256GT | VALVE BALL,24 FSAE-24 FSAE***.....1 to SN 674 | 1 |
| | | | | -- | 75256GT | VALVE BALL,24 FSAE-24 FSAE*** from SN 837 | |

716.2 Hydraulic Hoses and Fittings - Cummins and Perkins Models (from SN 542)
(continued)

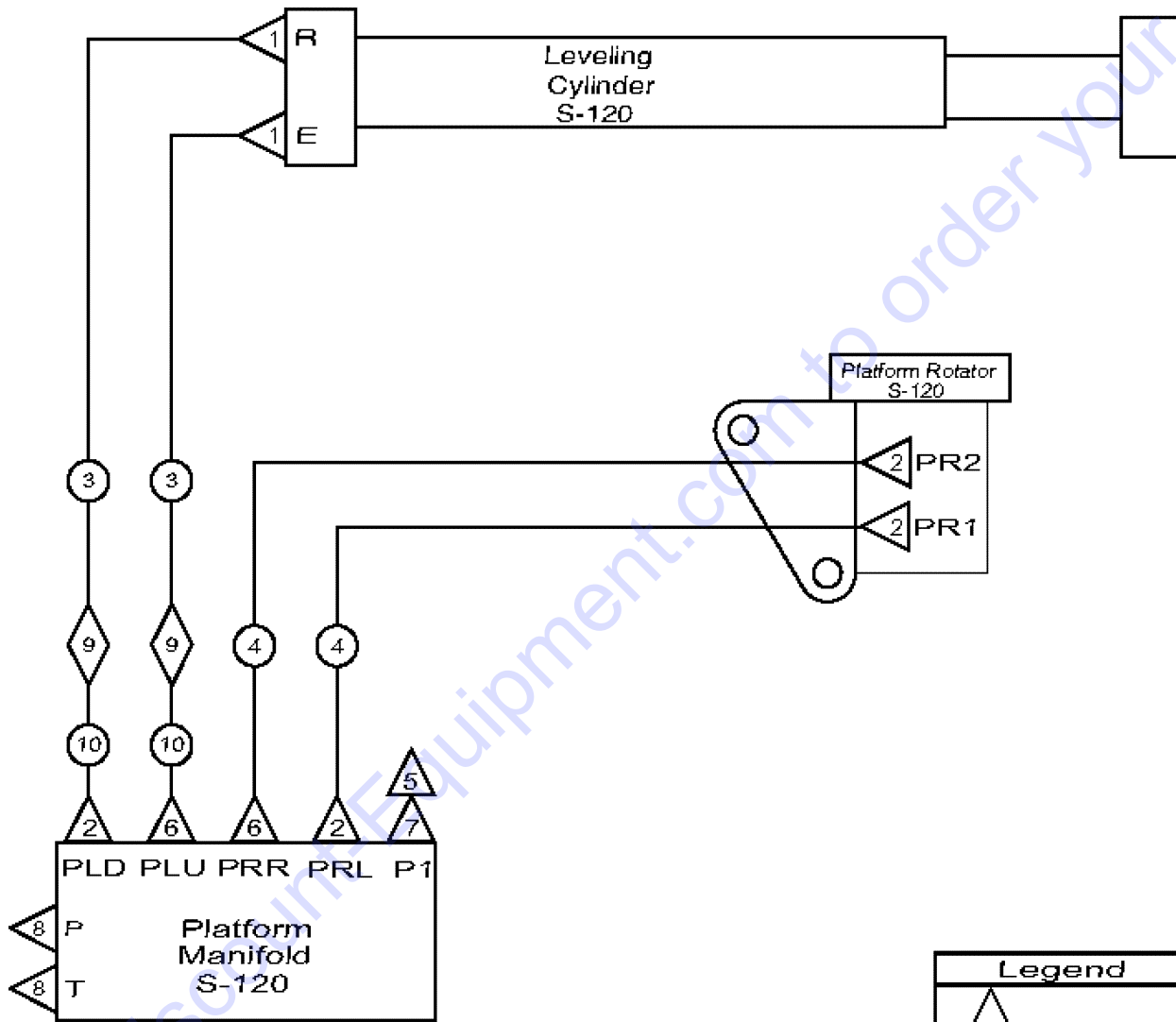
| Item | Part No. | Description | Qty. | Item | Part No. | Description | Qty. |
|------|----------------|--|------|----------------------|---------------|--|--|
| 44 | 61083GT | CONN,520120-24..... | 1 | 60 | 48978GT | ELBOW,45D,520320-12-16 from SN 1029 | |
| 45 | 49126-1583SGT | HOSE ASSY,3/8" HOSE #85..... | 1 | -- | 48978GT | ELBOW,45D,520320-12-16 from SN 1029 | |
| -- | 49126-1783GT | HOSE ASSY,3/8,45 FEM,STR FEM from SN 575 | | 61 | 48933GT | CONN,520120-8***..... | 1 |
| 46 | 49128-1350SGT | HOSE ASSEMBLY 3/8 HOSE #84..... | 1 | to SN 1028 | -- | 48946GT | CONN,520120-8-10 from SN 1029 |
| -- | 49128-1650GT | HOSE ASSEMBLY-3/8" | | 62 | 48932GT | FITTING,ELBOW,90D,520220-8***..... | 1 |
| 47 | 75253GT | STRAINER ASSY,#16 O-RING..... | 1 | to SN 1028 | -- | 48946GT | CONN,520120-8-10 from SN 1029 |
| 48 | 48996GT | VALVE,BALL,16 MSAE-16 FSAE***..... | 1 | 63 | 61260GT | REDUCER,520123-20-12..... | 1 |
| -- | 48996GT | VALVE,BALL,16 MSAE-16 FSAE*** from SN 837 | | 64 | 49130-49382GT | HOSE ASSEMBLY, 3/8..... | 1 |
| 49 | 48985GT | ELBOW,45D,520320-16..... | 1 | (S-120) from SN 1777 | 64 | 49130-55382GT | HOSE ASSY, 3/8 (S-125) from SN 1777 |
| -- | 48985GT | ELBOW,45D,520320-16 from SN 837 | | 65 | 111436GT | HYRAULIC TUBE,BOOM CROSSOVER..... | 2 |
| 50 | 61259GT | ELBOW,90D,LONG,521520-4..... | 3 | from SN 1430 | -- | 111437GT | HYDRAULIC TWIN CLAMP |
| 51 | 48997GT | NIPPLE,DIAGNOSTIC,#4..... | 2 | 66 | 49130-72982GT | HOSE ASSEMBLY, 3/8..... | 1 |
| -- | 20224GT | DIAGNOSTIC FEMALE Q-DSCNT | | from SN 1430 | 67 | 61080GT | FITTING,6-6BLKHEADUNION 520601...1 from SN 1430 |
| -- | 75098GT | HARNESS,PRESSURE TRANSDUCER | | 68 | 49130-49382GT | HOSE ASSEMBLY, 3/8..... | 1 |
| 52 | 49128-51809GT | HOSE ASSY,3/8" 90 FEM,STR FEM..... | 1 | (S-120) from SN 1777 | 68 | 49130-55382GT | HOSE ASSY, 3/8 (S-125) from SN 1777 |
| 53 | 61321GT | ELBOW,90D,BLKHD,ORFS-6-6 W/NUT..... | 2 | 69 | 49130-76382GT | HOSE ASSEMBLY, 3/8..... | 1 |
| -- | 61321GT | ELBOW,90D,BLKHD,ORFS-6-6 W/NUT..... | 1 | from SN 1430 | 70 | 49130-51982GT | HOSE ASSY, 3/8,STR FEM,STR FEM...1 to SN 1429 |
| 54 | 49130-12018SGT | HOSE ASSEMBLY 3/8,#118&119S120...2 (S-120) to SN 1429 | | 71 | 49207GT | NIPPLE,DIAGNOSTIC,ORFS,FM,SWIV...4 to SN 1028 | |
| 54 | 49130-12782SGT | HOSE ASSEMBLY 3/8,#118&119S125 (S-125) to SN 1429 | | -- | 20224GT | DIAGNOSTIC FEMALE Q-DSCNT | |
| -- | 111444GT | KIT,HOSE/HARDLINE UPGRADE,S125 (S-125) | | -- | 75098GT | HARNESS,PRESSURE TRANSDUCER | |
| -- | 111600GT | KIT,HOSE/HARDLINE UPGRADE,S120 (S-120) | | 72 | 48880GT | CAP,DIAGNOSTIC NIPPLE..... | 6 |
| 55 | 48915GT | ELBOW,90D,520220-6..... | 2 | to SN 1028 | | | |
| 56 | 48904GT | ELBOW,90D,520220-4-4..... | 5 | | | | |
| 57 | 48920GT | ELBOW,45D,520320-6..... | 2 | | | | |
| 58 | 48937GT | ELBOW,45D,520320-8..... | 4 | | | | |
| -- | 48933GT | CONN,520120-8*** from SN 722 | | | | | |
| 59 | 48963GT | FITTING,ELBOW,45D,520320-12***..... | 1 | | | | |
| -- | 48960GT | FITTING,CONN,520120-12*** from SN 722 | | | | | |
| 60 | 48963GT | FITTING,ELBOW,45D,520320-12***..... | 2 | | | | |
| | | to SN 1028 | | | | | |

716.2 Hydraulic Hoses and Fittings - Cummins and Perkins Models (from SN 542)
(continued)

This Page Intentionally Left Blank

Go to Discount-Equipment.com to order your parts

717.1 Hydraulic Hoses and Fittings - Platform Leveling and Rotation (to SN 314)

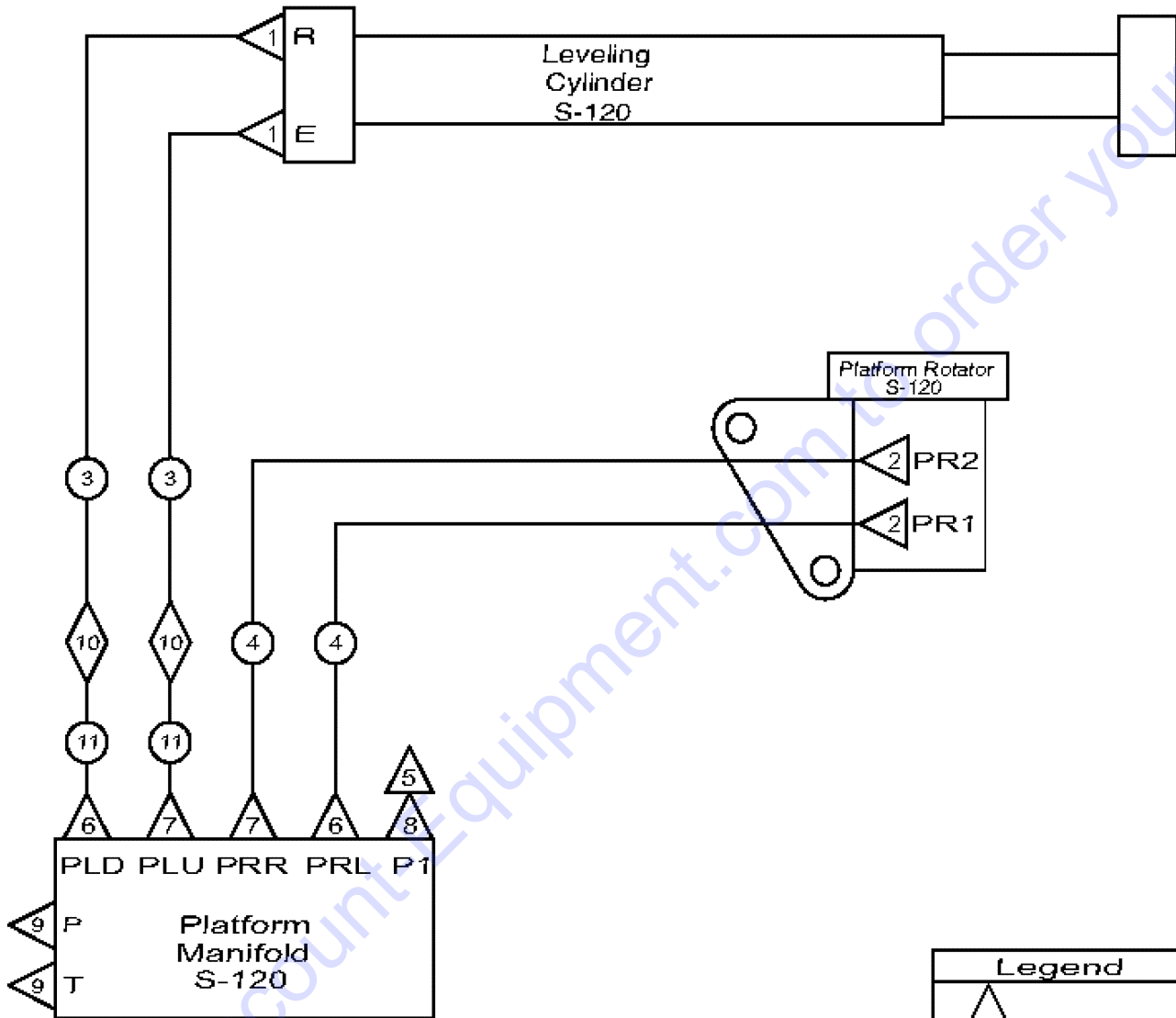


| Legend | |
|--------|---------------|
| | Fitting |
| | Hose Assembly |
| | Connector |

717.1 Hydraulic Hoses and Fittings - Platform Leveling and Rotation (to SN 314)

| Item | Part No. | Description | Qty. |
|------|--------------|-------------------------------------|------|
| 1 | 48912GT | CONN,520120-4-6***..... | 2 |
| 2 | 48904GT | ELBOW,90D,520220-4-4..... | 4 |
| 3 | 49117-3791GT | HOSE ASSY,1/4,90 FEM,STR FEM**..... | 2 |
| 4 | 491195578SGT | HOSE ASSY,1/4,STR FEM,STR FEM..... | 2 |
| 5 | 48880GT | CAP,DIAGNOSTIC NIPPLE..... | 1 |
| 6 | 61259GT | ELBOW,90D,LONG,521520-4..... | 2 |
| 7 | 48997GT | NIPPLE,DIAGNOSTIC,#4..... | 1 |
| -- | 20224GT | DIAGNOSTIC FEMALE Q-DSCNT | |
| -- | 75098GT | HARNESS,PRESSURE TRANSDUCER | |
| 8 | 48915GT | ELBOW,90D,520220-6..... | 2 |
| 9 | 61079GT | ELBOW,90D,BULKHEAD,520701-4..... | 2 |
| 10 | 49117-5591GT | HOSE ASSY,1/4,90 FEM,STR FEM**..... | 2 |

717.2 Hydraulic Hoses and Fittings - Platform Leveling and Rotation (from SN 315)



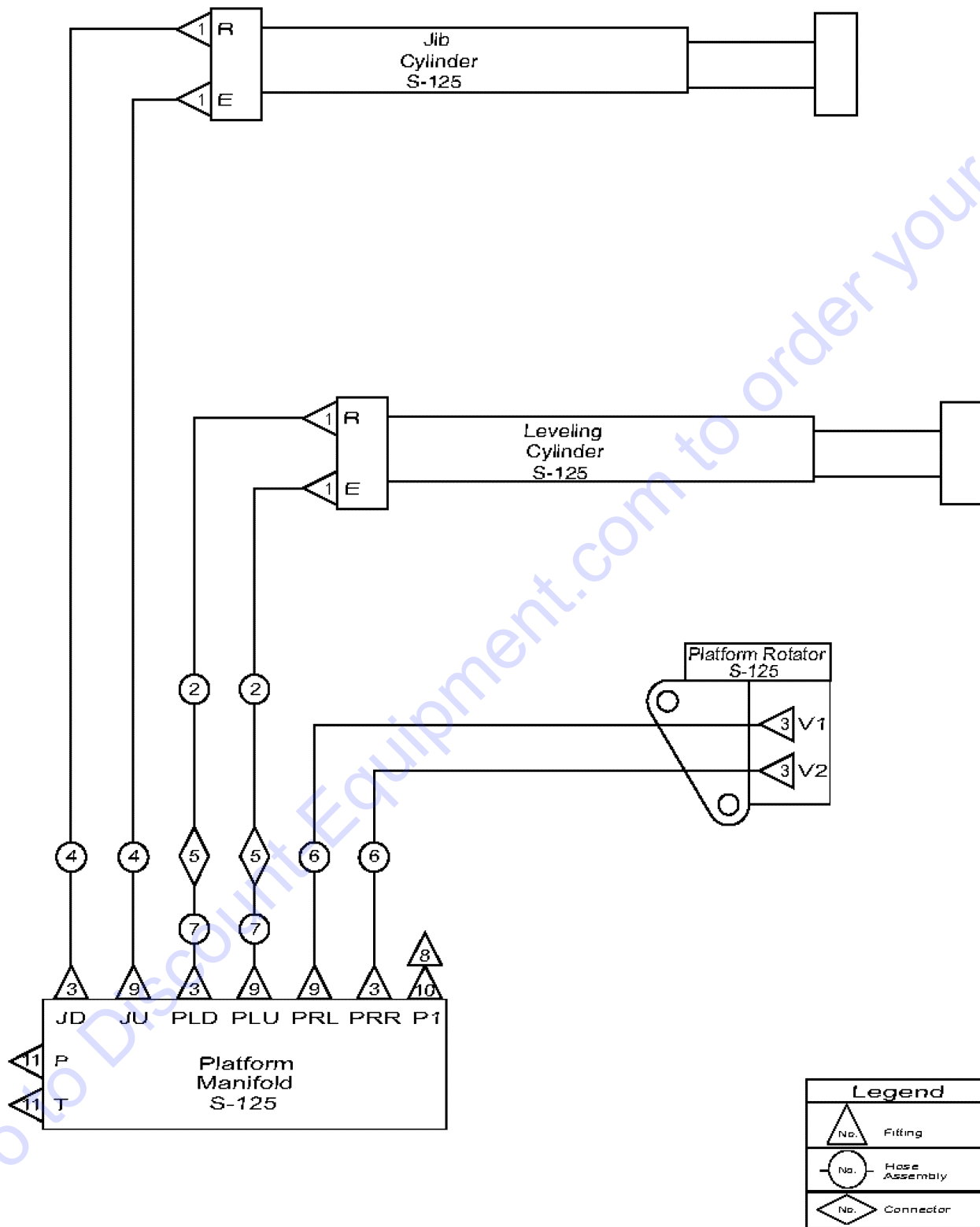
| Legend | |
|--------|---------------|
| | Fitting |
| | Hose Assembly |
| | Connector |

717.2 Hydraulic Hoses and Fittings - Platform Leveling and Rotation (from SN 315)

| Item | Part No. | Description | Qty. |
|------|--------------|--|------|
| 1 | 48912GT | CONN,520120-4-6***..... | 2 |
| 2 | 48907GT | ELBOW,45D,520320-4..... | 2 |
| 3 | 49117-3791GT | HOSE ASSY,1/4,90 FEM,STR FEM** to SN 1521 | 2 |
| -- | 49117-3191GT | HOSE ASSY,1/4,90 FEM,STR FEM from SN 1522 | |
| 4 | 49119-3848GT | HOSE ASSY,1/4,STR FEM,STR FEM..... | 2 |
| 5 | 48880GT | CAP,DIAGNOSTIC NIPPLE..... | 1 |
| 6 | 48904GT | ELBOW,90D,520220-4-4..... | 2 |
| 7 | 61259GT | ELBOW,90D,LONG,521520-4..... | 2 |
| 8 | 48997GT | NIPPLE,DIAGNOSTIC,#4..... | 1 |
| -- | 20224GT | DIAGNOSTIC FEMALE Q-DSCNT | |
| -- | 75098GT | HARNES,PRESSURE TRANSDUCER | |
| 9 | 48915GT | ELBOW,90D,520220-6..... | 2 |
| 10 | 61079GT | ELBOW,90D,BULKHEAD,520701-4..... | 2 |
| 11 | 49117-5591GT | HOSE ASSY,1/4,90 FEM,STR FEM** | 2 |

Go to Discount-Equipment.com to order your parts

718.1 Hydraulic Hoses and Fittings - Platform Leveling and Rotation (to SN 314)

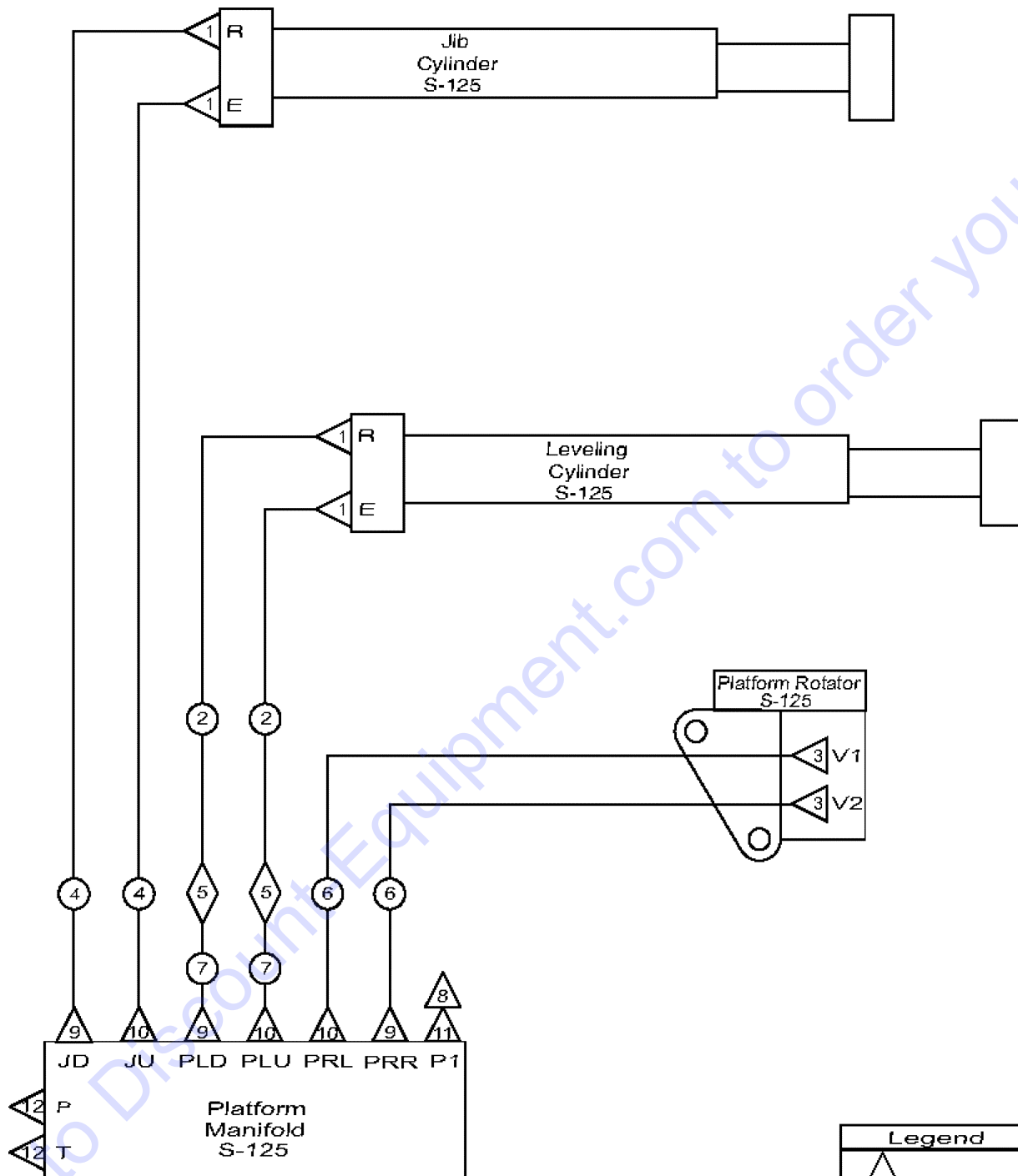


718.1 Hydraulic Hoses and Fittings - Platform Leveling and Rotation (to SN 314)

| Item | Part No. | Description | Qty. |
|------|-----------------|-------------------------------------|------|
| 1 | 48912GT | CONN,520120-4-6***..... | 4 |
| 2 | 49117-2091-SGT | HOSE ASSY,1/4,90 FEM,STR FEM..... | 2 |
| 3 | 48904GT | ELBOW,90D,520220-4-4..... | 5 |
| 4 | 49119-5678-SGT | HOSE ASSY,1/4,STR FEM,STR FEM..... | 2 |
| 5 | 61079GT | ELBOW,90D,BULKHEAD,520701-4..... | 2 |
| 6 | 49119-3878GT | HOSE ASSY,1/4,STR FEM,STR FEM..... | 2 |
| 7 | 49117-12791-SGT | HOSE ASSY,1/4" (#111/112,S125)..... | 2 |
| 8 | 48880GT | CAP,DIAGNOSTIC NIPPLE..... | 1 |
| 9 | 61259GT | ELBOW,90D,LONG,521520-4..... | 3 |
| 10 | 48997GT | NIPPLE,DIAGNOSTIC,#4..... | 1 |
| -- | 20224GT | DIAGNOSTIC FEMALE Q-DSCNT | |
| -- | 75098GT | HARNESS,PRESSURE TRANSDUCER | |
| 11 | 48915GT | ELBOW,90D,520220-6..... | 2 |

Go to Discount-Equipment.com to order your parts

718.2 Hydraulic Hoses and Fittings - Platform Leveling and Rotation (from SN 315)



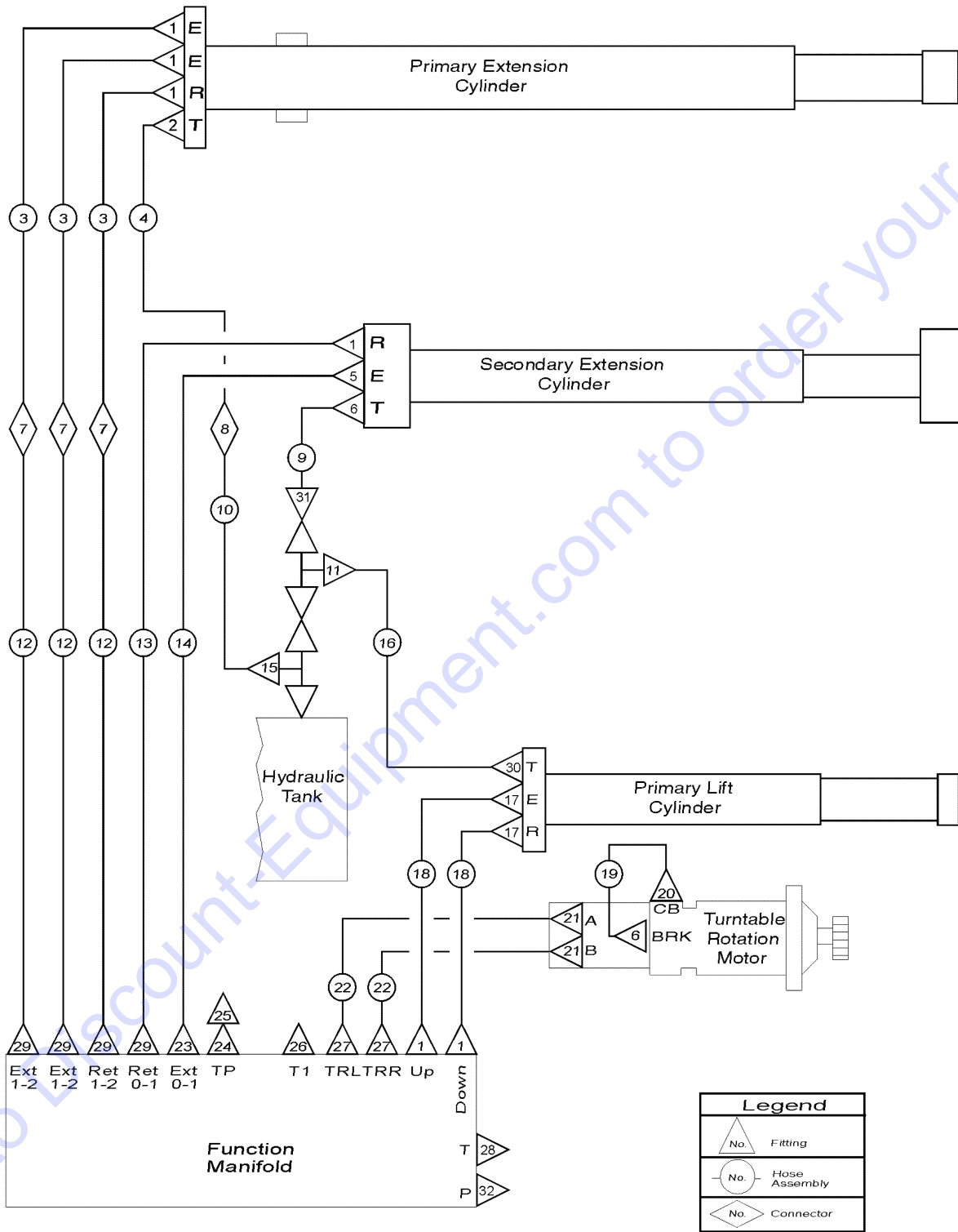
| Legend | |
|--------|---------------|
| | Fitting |
| | Hose Assembly |
| | Connector |

718.2 Hydraulic Hoses and Fittings - Platform Leveling and Rotation (from SN 315)

| Item | Part No. | Description | Qty. |
|------|-----------------|-------------------------------------|------|
| 1 | 48912GT | CONN,520120-4-6***..... | 4 |
| 2 | 49117-2091-SGT | HOSE ASSY,1/4,90 FEM,STR FEM..... | 2 |
| 3 | 48907GT | ELBOW,45D,520320-4..... | 5 |
| 4 | 49119-5648GT | HOSE ASSY,1/4,STR FEM,STR FEM..... | 2 |
| 5 | 61079GT | ELBOW,90D,BULKHEAD,520701-4..... | 2 |
| 6 | 49119-3848GT | HOSE ASSY,1/4,STR FEM,STR FEM..... | 2 |
| 7 | 49117-12791-SGT | HOSE ASSY,1/4" (#111/112,S125)..... | 2 |
| 8 | 48880GT | CAP,DIAGNOSTIC NIPPLE..... | 1 |
| 9 | 48904GT | ELBOW,90D,520220-4-4..... | 3 |
| 10 | 61259GT | ELBOW,90D,LONG,521520-4..... | 3 |
| 11 | 48997GT | NIPPLE,DIAGNOSTIC,#4..... | 1 |
| -- | 20224GT | DIAGNOSTIC FEMALE Q-DSCNT | |
| -- | 75098GT | HARNESS,PRESSURE TRANSDUCER | |
| 12 | 48915GT | ELBOW,90D,520220-6..... | 2 |

Go to Discount-Equipment.com to order your parts

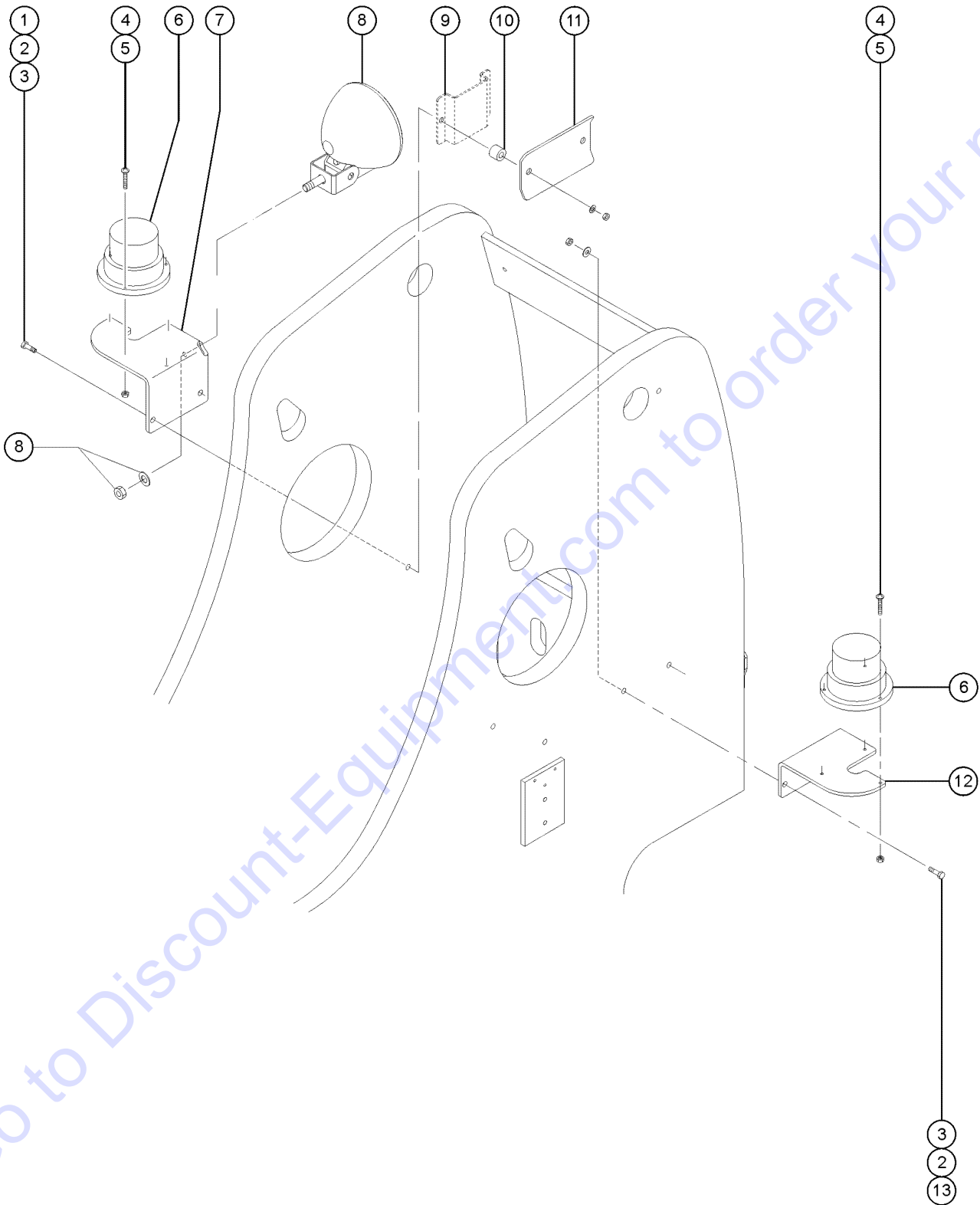
719.1 Hydraulic Hoses and Fittings - Boom Components



719.1 Hydraulic Hoses and Fittings - Boom Components

| Item | Part No. | Description | Qty. | Item | Part No. | Description | Qty. |
|------|----------------|--|------|------|----------|---|------|
| -- | 49612GT | O-RING KIT (ORFS FITTINGS) | | 25 | 48880GT | CAP,DIAGNOSTIC NIPPLE..... | 1 |
| -- | 49613GT | PLUG AND CAP KIT-SERVICE,ORFS* | | 26 | 61260GT | REDUCER,520123-20-12..... | 1 |
| 1 | 48933GT | CONN,520120-8***..... | 6 | 27 | 48916GT | FITTING,CONN,520120-6..... | 2 |
| 2 | 48907GT | ELBOW,45D,520320-4..... | 1 | 28 | 48983GT | ELBOW,90D,520220-16..... | 1 |
| 3 | 49143-42290GT | HOSE ASSY,1/2,90 FEM,STR FEMM..... | 3 | | | to SN 430 | |
| 4 | 49116-42237SGT | HOSE ASSY,1/4,45 FEM,STR FEM..... | 1 | -- | 48916GT | FITTING,CONN,520120-6 | |
| 5 | 48960GT | FITTING,CONN,520120-12***..... | 1 | | | from SN 431 | |
| 6 | 48905GT | CONN,520120-4***..... | 2 | 29 | 48937GT | ELBOW,45D,520320-8..... | 4 |
| 7 | 48894GT | CONN,BULKHEAD,520601-8..... | 3 | | | to SN 72 1 | |
| 8 | 61269GT | UNION,BULKHEAD,ORFS,520601,-4..... | 1 | -- | 48933GT | CONN,520120-8*** | |
| 9 | 49120-23181SGT | HOSE ASSEMBLY,1/4"..... | 1 | | | from SN 722 | |
| | | <i>use only with lift cylinder part 50078, refer to 501.1 and 501.2; to SN 2634</i> | | 30 | 48907GT | ELBOW,45D,520320-4 | |
| -- | 49118-23308GT | HOSE ASSEMBLY | | | | <i>use only with lift cylinder part 50078, refer to 501.1 and 501.2; to SN 2634</i> | |
| | | <i>required with lift cylinder part 146324 or from SN 2635, refer to 501.1 and 501.2</i> | | 31 | 48892GT | ELBOW,SWIVEL 90D, 520221-6..... | 1 |
| 10 | 49120-48181SGT | HOSE ASSEMBLY,1/4"..... | 1 | 32 | 48960GT | FITTING,CONN,520120-12*** | |
| 11 | 48875GT | TEE,RUN,SWIVEL,520432-6..... | 1 | | | to SN 430 | |
| 12 | 49183-48192SGT | HOSE ASSY,1/2,STR FEM,STR FEM..... | 3 | -- | 48916GT | FITTING,CONN,520120-6 | |
| | | <i>to SN 72 1</i> | | | | from SN 431 | |
| -- | 49183-46592GT | HOSE ASSY,1/2,STR FEM,STR FEM | | | | | |
| | | <i>from SN 722</i> | | | | | |
| 13 | 49183-20752GT | HOSE ASSY,1/2,STR FEM,STR FEM..... | 1 | | | | |
| 14 | 61074-20748SGT | HOSE ASSEMBLY,3/4"..... | 1 | | | | |
| 15 | 48918GT | TEE,RUN,520428-6..... | 1 | | | | |
| -- | 59335GT | CAP,520112-6 | | | | | |
| | | <i>part of service kit 122522, or from SN 2635, refer to 501.1 and 501.2</i> | | | | | |
| 16 | 49118-9708SGT | HOSE ASSEMBLY,1/4" (#106)..... | 1 | | | | |
| | | <i>use only with lift cylinder part 50078, refer to 501.1 and 501.2; to SN 2634</i> | | | | | |
| 17 | 48937GT | ELBOW,45D,520320-8..... | 2 | | | | |
| 18 | 49183-10692SGT | HOSE ASSY,1/2,STR FEM,STR FEM..... | 2 | | | | |
| 19 | 49117-1391SGT | HOSE ASSEMBLY-1/4" (#89)..... | 1 | | | | |
| 20 | 48904GT | ELBOW,90D,520220-4-4..... | 1 | | | | |
| 21 | 48931GT | CONN,520120-6-10..... | 2 | | | | |
| 22 | 49128-4009SGT | HOSE ASSEMBLY 3/8 (#87,88)..... | 2 | | | | |
| | | <i>to SN 430</i> | | | | | |
| -- | 49128-3109SGT | HOSE ASSEMBLY,3/8 | | | | | |
| | | <i>from SN 431</i> | | | | | |
| 23 | 48963GT | FITTING,ELBOW,45D,520320-12***..... | 1 | | | | |
| | | <i>to SN 72 1</i> | | | | | |
| -- | 48960GT | FITTING,CONN,520120-12*** | | | | | |
| | | <i>from SN 722</i> | | | | | |
| 24 | 48997GT | NIPPLE,DIAGNOSTIC,#4..... | 1 | | | | |
| -- | 20224GT | DIAGNOSTIC FEMALE Q-DSCNT | | | | | |
| -- | 75098GT | HARNESS,PRESSURE TRANSDUCER | | | | | |

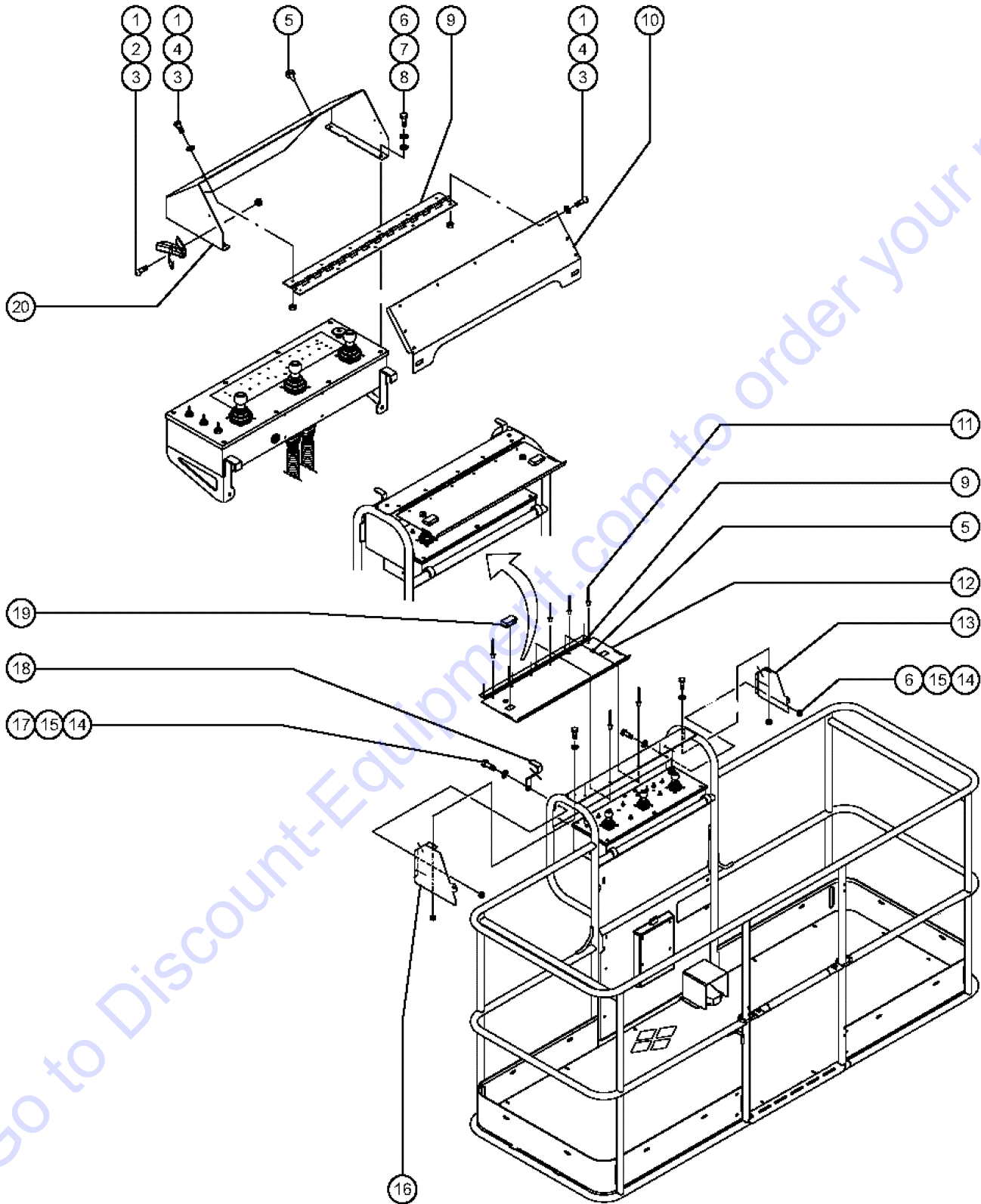
801.1 Alarm and Beacon Package, Driving Lights



801.1 Alarm and Beacon Package, Driving Lights

| Item | Part No. | Description | Qty. |
|------|-----------|---|------|
| -- | 75641GT | HARNESS,FLASH BEACON SUB ASSY | |
| -- | 73121-SGT | OPTION,DRIVING LIGHTS,SB | |
| -- | 122323GT | ALARM PKG,S100/120 | |
| -- | 82422GT | DECAL,PATCH,DRIVING LIGHT | |
| -- | 60521GT | RELAY,SEALED 30/40 AMP | |
| -- | 60520GT | SOCKET,SEALED RELAY | |
| -- | 13097GT | FUSE,10 AMP | |
| -- | 23083-SGT | FUSE HOLDER,WATERPROOF | |
| 1 | 6605GT | SCREW,HHC,3/8-16 X 3.5,GR5 | |
| 2 | 5397GT | WASHER,FLAT,USS,5/16",Y | |
| 3 | 7713GT | NUT, LP NYLOCK, 3/8-16 | |
| 4 | 49824GT | SCREW,PHILLIPS,FHM,10-32X1.00 | |
| 5 | 6178GT | NUT,NYLOCK,10-32 | |
| 6 | 56704GT | STROBE,FIREBOLT,12-80VDC,AMB**...2 <i>(replaced 20189)</i> | |
| -- | 122019GT | FLASHTUBE,U SHAPED,360DEG,BULB | |
| -- | 226393GT | FLASHTUBE,STRAIGHT,360DEG,BULB | |
| -- | 72282GT | LENS,AMBER,STROBE,FIREBOLT | |
| 7 | 60819PGT | BRACKET,STROBE.....1 | |
| -- | 60838GT | CLAMP,1.00,#16 X 7/16,RUB CUSH | |
| -- | 75249-PGT | BRACKET,BEACON,DRIVE LIGHTS,RH <i>shown</i> | |
| 8 | 107858GT | WORKLIGHT,48 VOLT.....2 | |
| 8A | 35960GT | BULB,WORKLIGHT,12V 35W | |
| 8B | 8255GT | SCREW,HHC,3/8-16 X .75 | |
| 8C | 6097GT | WASHER,FLAT,USS,3/8",Y | |
| 8D | 7713GT | NUT, LP NYLOCK, 3/8-16 | |
| 9 | | Part is no longer available.....1 <i>order item 11 upgrade kit 122633 for first time replacement; to SN 2672</i> | |
| 10 | 122951GT | TUBE,RD,ALUMINUM,1.00X.50X.820 <i>from SN 2673</i> | |
| 11 | 122949GT | FORMING,CLAMP,SIDE PLATE HOSE <i>from SN 2673</i> | |
| -- | 122633GT | UPGRADE KIT,HOSE CLAMP,SB <i>contains 1 clamp item 122949, 2 each of item 122951 and fasteners; to SN 2672</i> | |
| 12 | 60819PGT | BRACKET,STROBE.....1 <i>shown</i> | |
| -- | 60838GT | CLAMP,1.00,#16 X 7/16,RUB CUSH | |
| -- | 75250-PGT | Bracket, Tank side | |
| 13 | 14033GT | SCREW,HHC,3/8-16 X 2.75 | |

802.1 Platform Controls Cover

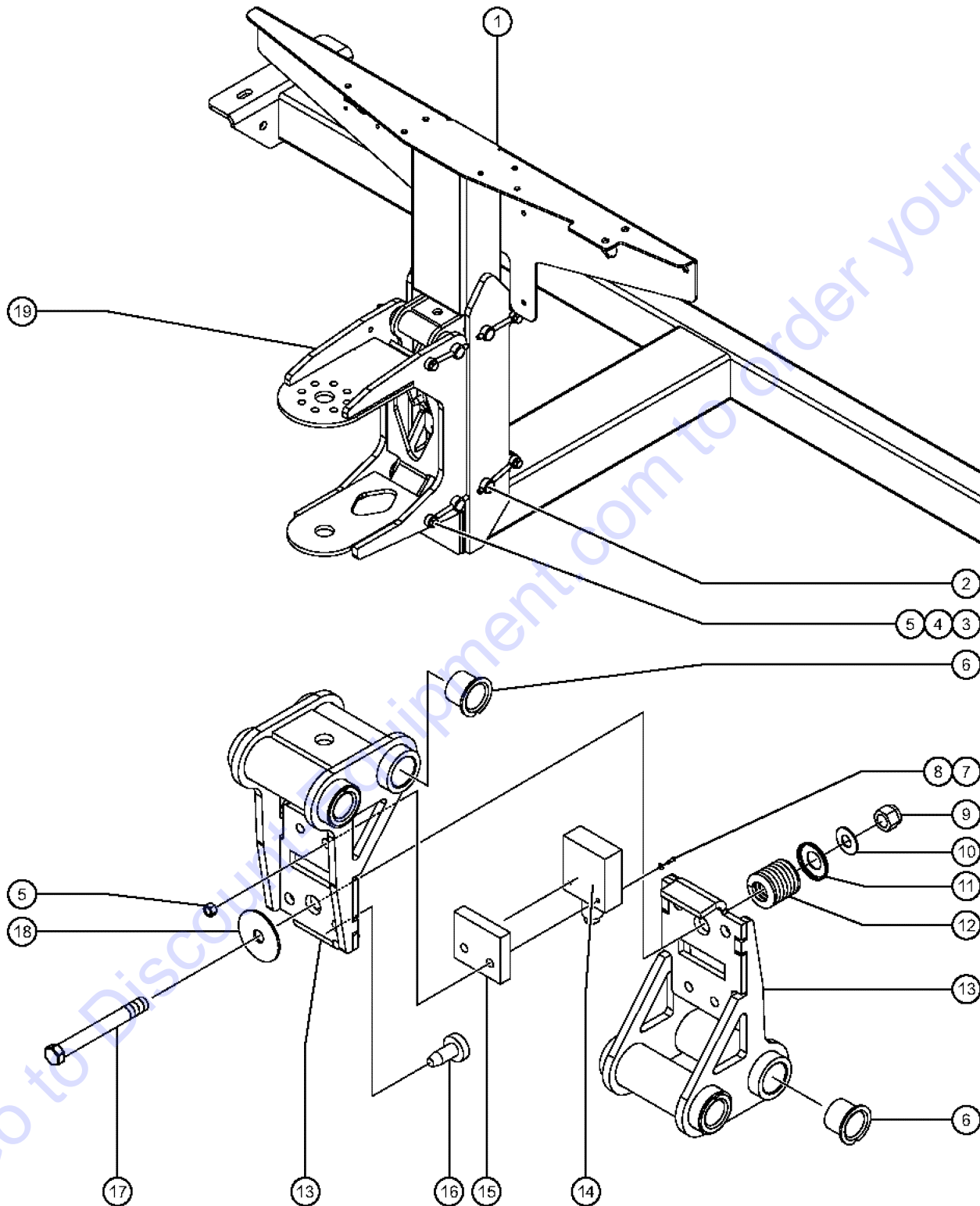


802.1 Platform Controls Cover

| Item | Part No. | Description | Qty. |
|------|-----------|---|------|
| -- | 119795GT | KIT,CONTROL BOX COVER to SN 791 | |
| -- | 88609-SGT | CONTROL BOX COVER ASSY*** from SN 792 to SN 798 | |
| -- | T109328GT | ACC,PLAT CONTROL COVER, SERV from SN 799 | |
| 1 | 55906GT | SCREW,PHILLIPS,PHM,8-32 X .5 to SN 791 | |
| -- | 49819GT | SCREW,PHILLIPS,PHM,10-32 X .5 from SN 792 | |
| 2 | 61625GT | LATCH,DRAW.....2 | |
| 3 | 18605GT | NUT,NYLOCK,8-32 to SN 791 | |
| -- | 6178GT | NUT,NYLOCK,10-32 from SN 792 | |
| 4 | 6146GT | WASHER,FLAT,MS,#10,Y | |
| 5 | 43392GT | BUMPER,BATTERY BOX & RAILS.....2 | |
| 6 | 7339GT | SCREW, HHC, 1/4-20 X .5 | |
| 7 | 6356GT | WASHER,LOCK, .25 | |
| 8 | 75144GT | WASHER,FLAT,SAE 1/4",ZINC | |
| 9 | 111526GT | HINGE,PLAT CONTROL BOX COVER...1 | |
| 10 | 60468-SGT | FORMING,PLAT.CONTROL BOX COVER.....1 to SN 791 | |
| 11 | 54486GT | RIVET,ALUM,ALUM,3/16BUTTONHEAD.11 | |
| 12 | 89915PGT | COVER,CONTROL BOX LID.....1 from SN 792 to SN 798 | |
| -- | 102676GT | LID ASSY,CONTROL BOX COVER PLT includes items 5, 11, 12, 14, 15, and 17-19; from SN 799 | |
| -- | 102785PGT | CONTROL BOX COVER,LID,PTD from SN 799 | |
| 13 | 88606PGT | COVER,CONTROL BOX RIGHT SIDE**.....1 from SN 792 | |
| 14 | 6889GT | NUT,LP NYLOCK,1/4-20 | |
| 15 | 6638GT | WASHER,FLAT,USS,1/4"Y | |
| 16 | 88607PGT | COVER,CONTROL BOX LEFT SIDE***1 from SN 792 | |
| 17 | 6888GT | SCREW,HHC,1/4-20 X 1 | |
| 18 | 102786PGT | FORMING,LATCH,CTRL BOX LID PTD.....2 | |
| 19 | 30468GT | LATCH,SLIDE, FLUSH MOUNT STYLE.....2 | |
| 20 | 60467-SGT | PLAT.CONTROL BOX GUARD,FORMING.....1 to SN 791 | |

Go to Discobuy.com to order your parts

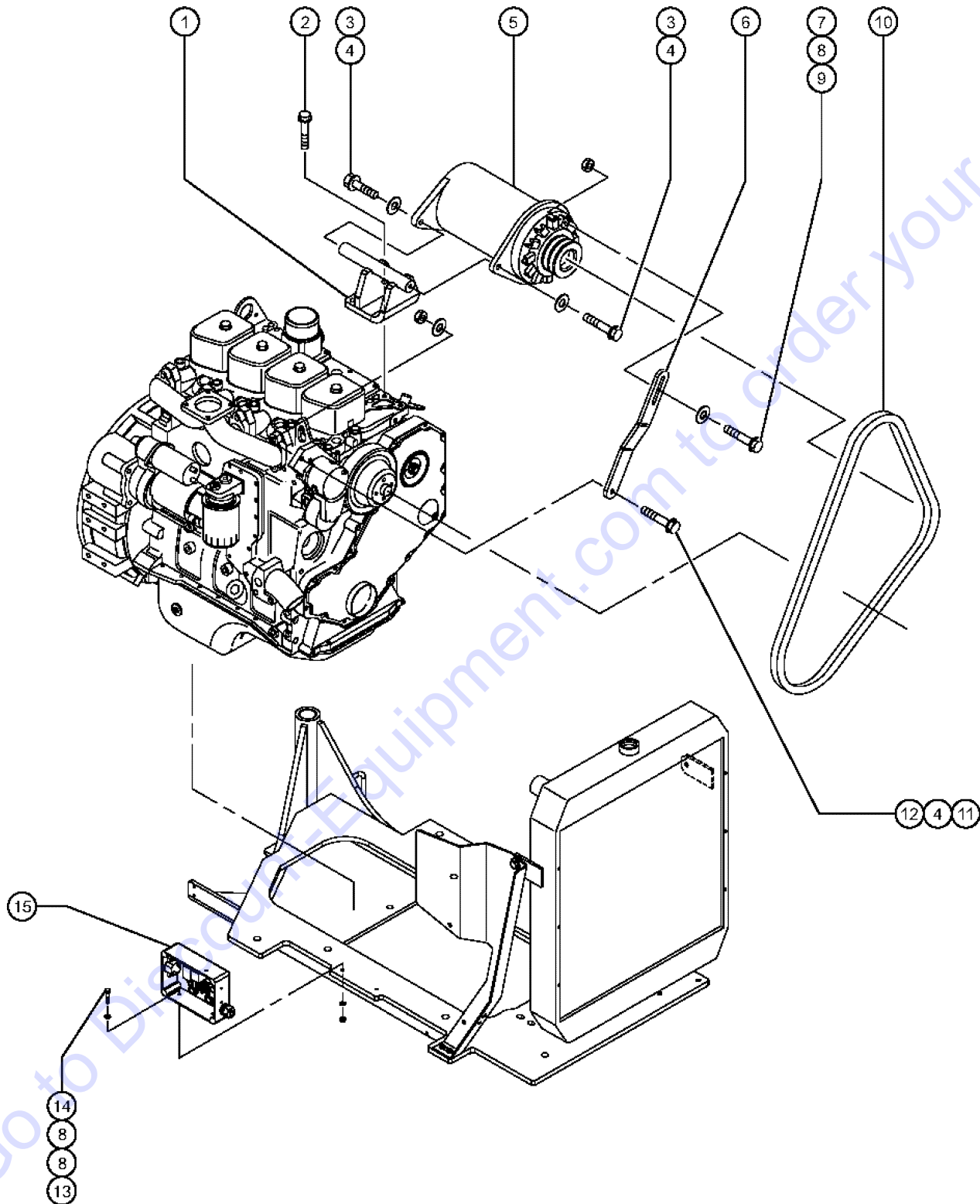
803.1 Platform Overload - European Models



803.1 Platform Overload - European Models

| Item | Part No. | Description | Qty. |
|------|----------|--|------|
| -- | 102049GT | KIT,LOADSENSE,UPGRD,S100/S120 to SN 801 | |
| -- | 102050GT | KIT,LOADSENSE,UPGRD,S105/S125 to SN 801 | |
| 1 | 61997GT | WELDMENT,PLATFORM SUPPORT,CE.....1 CE models | |
| 2 | 61726GT | PIN,0.75DIA X 5.75LG,CHAMFER.....4 | |
| -- | 94643GT | ZERK,GREASE,5/16-24,STRAIT | |
| 3 | 6888GT | SCREW,HHC,1/4-20 X 1 | |
| 4 | 45748GT | ROD END,.250 X 2.75 LG.....4 | |
| 5 | 6091GT | NUT,NYLOCK,1/4-20 | |
| 6 | 25685GT | BEARING,GARLOCK,12FDU12.....4 | |
| 7 | 49817GT | SCREW,PHILLIPS,PHM,10-32 X1.25 (S-125) | |
| 7 | 51063GT | SCREW,PHILLIPS,RHM,10-32 X 1.5.....2 (S-120) | |
| 8 | 6146GT | WASHER,FLAT,MS,#10,Y | |
| 9 | 4828GT | NUT,NYLOCK,3/8-16 | |
| 10 | 6097GT | WASHER,FLAT,USS,3/8",Y | |
| 11 | 61975GT | RETAINER,SPRING,1.21 X .375.....1 (S-125) | |
| 11 | 61977GT | RETAINER,SPRING,1.46 X .375 (S-120) | |
| 12 | 61974GT | SPRING,COMP,1" OD,232 LB/IN.....1 (S-125) | |
| 12 | 61976GT | SPRING,COMP,1-1/4"OD 352 LB/IN (S-120) | |
| 13 | 89755GT | LOAD SUPPORT W/BEARINGS.....2 includes item 6 | |
| -- | 110789GT | WASHER,SHIM .0151 THK. | |
| 14 | 94444GT | HARNESS,SWITCH,LIMIT PLUNGER....1 to SN 2709 | |
| -- | 146399GT | ASSY, LS, LOAD SENSE, ALC1000 from SN 2710 | |
| 15 | 61972GT | MOUNT,SWITCH.....1 | |
| 16 | 34619GT | BUMPER,RUBBER***.....2 | |
| 17 | 21604GT | SCREW,HHC,3/8-16 X 3.25 | |
| 18 | 80605GT | WASHER,FLAT,3/8X1.5X.06 | |
| 19 | 101845GT | ROTATOR MOUNT KIT.....1 includes item 6 | |
| -- | 110789GT | WASHER,SHIM .0151 THK. | |

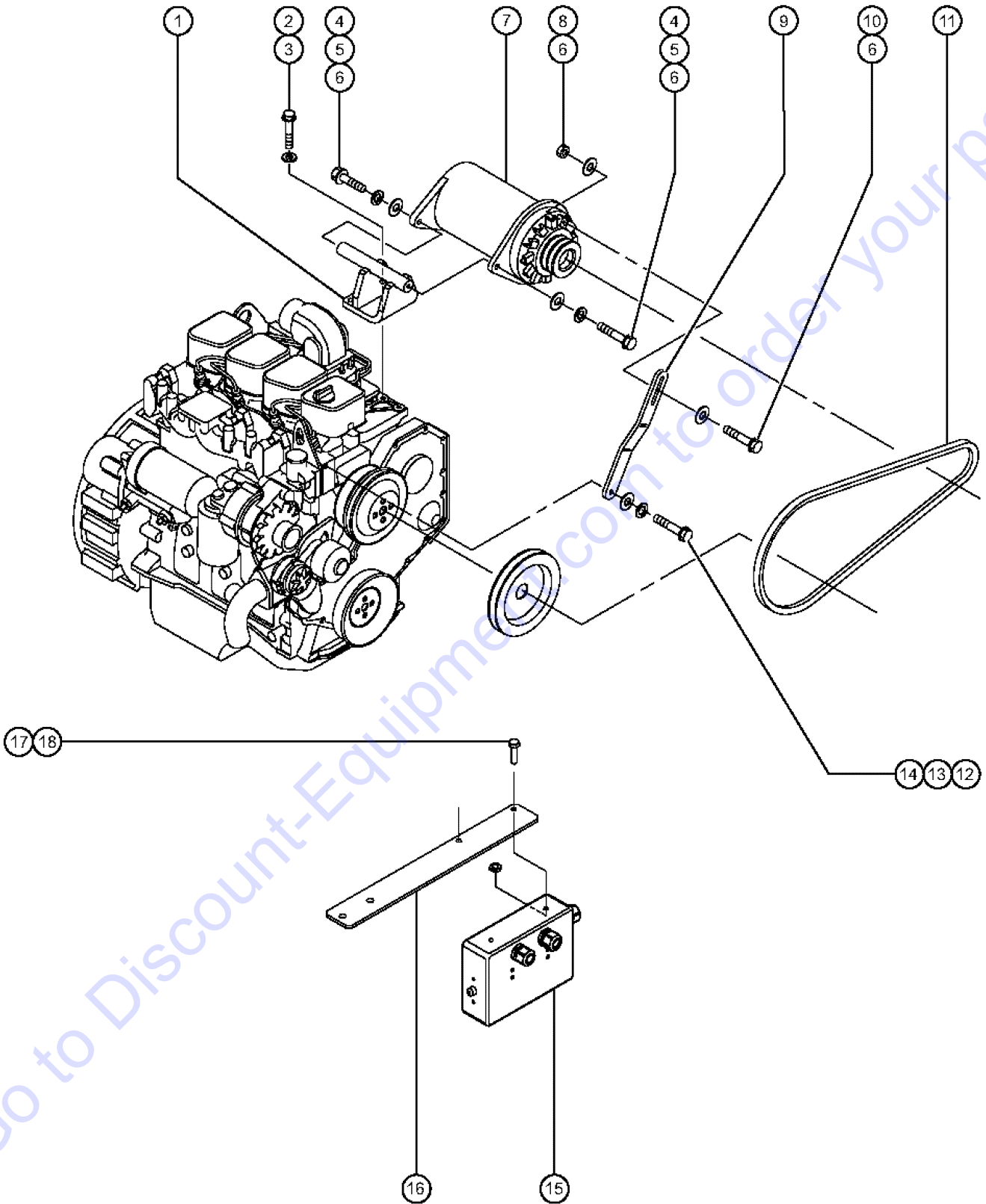
804.1 Belt Driven Generator Option - Cummins Engine (to SN 935)



804.1 Belt Driven Generator Option - Cummins Engine (to SN 935)

| Item | Part No. | Description | Qty. |
|------|-----------|--|------|
| -- | 61012-SGT | GENERATOR,3500W W/REG-CUMMINS | |
| -- | 60738GT | VOLTAGE REGULATOR,110V | |
| -- | 61010-SGT | GENERATOR,3000W 220/50-CUMMIN | |
| -- | 60739GT | VOLTAGE REGULATOR,220V | |
| 1 | 60717-SGT | WELDMNT,GENERATOR MNT-CUMMINS.....1 | |
| 2 | 27034GT | SCREW,HHC,M10 X 25MM,GR 8.8 | |
| 3 | 6175GT | SCREW,HHC,3/8-16 X 1 to SN 798 | |
| -- | 88296GT | SCREW,HHC,7/16-14 X 1.25 from SN 799 | |
| 4 | 5397GT | WASHER,FLAT,USS,5/16",Y to SN 798 | |
| -- | 20912GT | WASHER,LOCK, .437,PLTD. from SN 799 | |
| 5 | 60707GT | GENERATOR,3500W,120V,60HZ**1 | |
| -- | 102681GT | PULLY, GNRTR,220V,50HZ(89908) for 89908 generator | |
| -- | 146062GT | PULLY,GNRTR,120V,60HZ(60707) for 60707 generator | |
| -- | 75425GT | BRUSH(4REQ)(60707/60737) | |
| -- | 75426GT | BRUSH HOLDER(4REQ)(60707/60737) | |
| -- | 75427GT | BEARING (2 REQ)(60707/60737) | |
| -- | 75428GT | END PLATE,GEN.HOUSING,FAN END | |
| -- | 75429GT | END PLATE,GEN.HOUSG,BRUSH END | |
| -- | 89908GT | GENERATOR,3000W,220V,50HZ*** | |
| 6 | 60718-SGT | GENERATOR MOUNT-CUMMINS.....1 | |
| 7 | 14723GT | SCREW,HHC,5/16-18 X 1.75 | |
| 8 | 6638GT | WASHER,FLAT,USS,1/4"Y | |
| 9 | 6782GT | NUT,NYLOCK,5/16-18 | |
| 10 | 75053GT | BELT,AX38***1 | |
| 11 | 8516GT | SCREW, HCC, 3/8-16 X 1.50 | |
| 12 | 4828GT | NUT,NYLOCK,3/8-16 | |
| 13 | 8915GT | SCREW,HHC,1/4-20 X 1.25 | |
| 14 | 6091GT | NUT,NYLOCK,1/4-20 | |
| 15 | 61198GT | BOX,ELECT.GENERATOR W/REG 120V.....1 | |
| -- | 60521GT | RELAY,SEALED 30/40 AMP | |
| -- | 60887GT | CIRCUIT BREAKER, 30 AMP | |
| -- | 61194GT | BOX,ELECT.GENERATOR W/REG 220V | |
| -- | 61195GT | CIRCUIT BREAKER, 12.5 AMP | |
| -- | 61211GT | CIRCUIT BREAKER,15 AMP | |

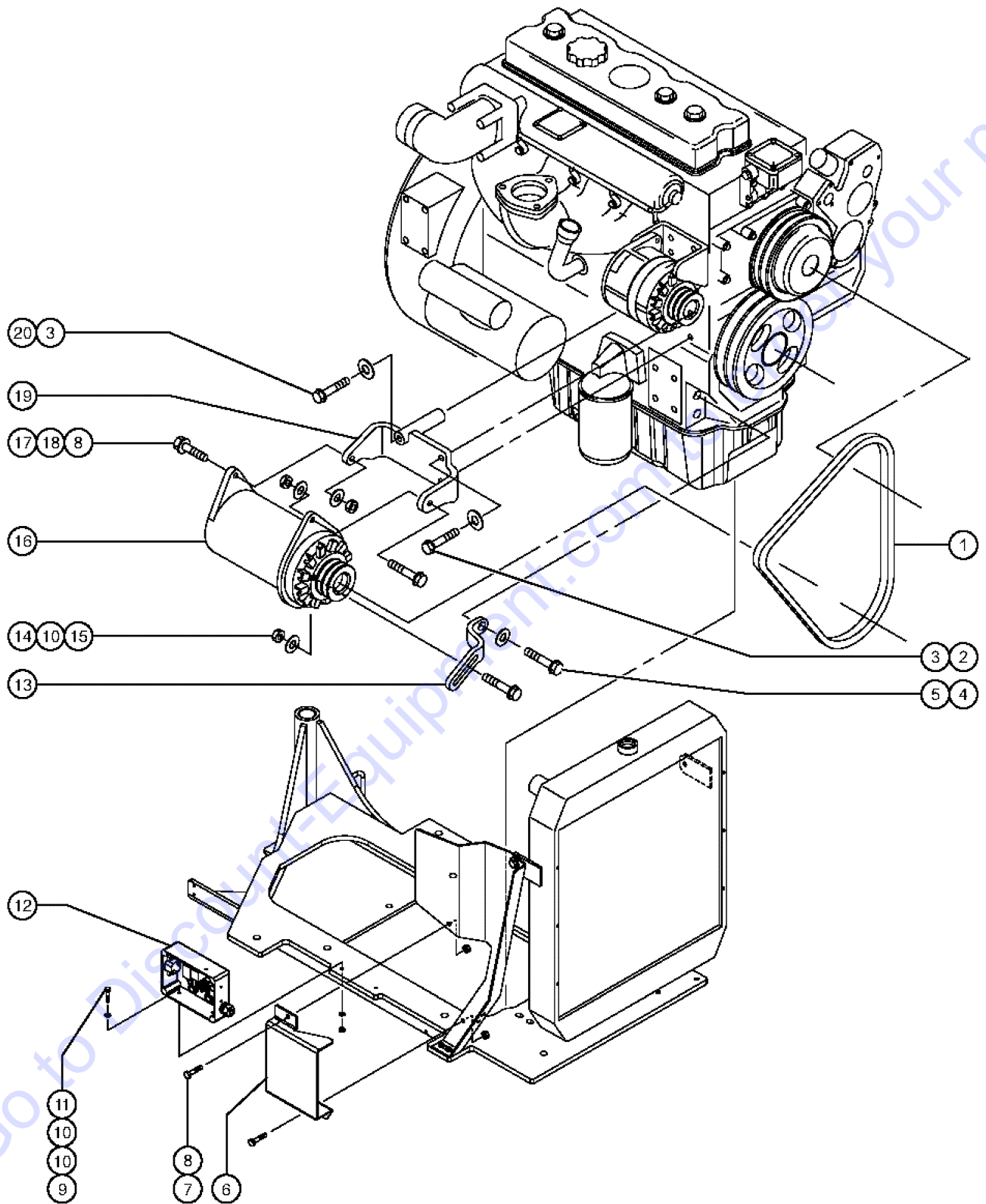
804.2 Belt Driven Generator Option - Cummins Engine (from SN 936 to 2960)



804.2 Belt Driven Generator Option - Cummins Engine (from SN 936 to 2960)

| Item | Part No. | Description | Qty. |
|------|-----------|---|------|
| -- | 102393GT | OPT,GEN BD 3500W 110/60 CUMNS | |
| -- | 60738GT | VOLTAGE REGULATOR,110V | |
| -- | 102392GT | OPT,GEN BD 3000W 220/50 CUMNS | |
| -- | 60739GT | VOLTAGE REGULATOR,220V | |
| 1 | 60717-SGT | WELDMNT,GENERATOR MNT-CUMMINS..... | 1 |
| 2 | 44064GT | SCREW,HHC,M10 X 30MM, | |
| 3 | 22699GT | WASHER,FLAT,M10,ZINC PLTD. | |
| 4 | 88296GT | SCREW,HHC,7/16-14 X 1.25 | |
| 5 | 20912GT | WASHER,LOCK,.437,PLTD. | |
| 6 | 57201GT | WASHER,FLAT,313, HARDENED..... | 2 |
| 7 | 60707GT | GENERATOR,3500W,120V,60HZ** | 1 |
| -- | 102681GT | PULLY, GNRTR,220V,50HZ(89908) <i>for 89908 generator</i> | |
| -- | 146062GT | PULLY,GNRTR,120V,60HZ(60707) <i>for 60707 generator</i> | |
| -- | 75425GT | BRUSH(4REQ)(60707/60737) | |
| -- | 75426GT | BRUSH HOLDER(4REQ)(60707/60737) | |
| -- | 75427GT | BEARING (2 REQ)(60707/60737) | |
| -- | 75428GT | END PLATE,GEN.HOUSING,FAN END | |
| -- | 75429GT | END PLATE,GEN.HOUSG,BRUSH END | |
| -- | 89908GT | GENERATOR,3000W,220V,50HZ*** | |
| 8 | 6782GT | NUT,NYLOCK,5/16-18 | |
| 9 | 102391PGT | BELT TENSIONER,CUMMINS PAINT..... | 1 |
| 10 | 14723GT | SCREW,HHC,5/16-18 X 1.75 | |
| 11 | 60725GT | BELT,AX37..... | 1 |
| 12 | 49379GT | SCREW,HHC,M8 X 1.25 X 25 | |
| 13 | 49408GT | WASHER,LOCK,M8 | |
| 14 | 33277GT | WASHER,FLAT,M8,YELLOW ZINC | |
| 15 | 61198GT | BOX,ELECT.GENERATOR W/REG 120V..... | 1 |
| -- | 60521GT | RELAY,SEALED 30/40 AMP | |
| -- | 60887GT | CIRCUIT BREAKER, 30 AMP | |
| -- | 61194GT | BOX,ELECT.GENERATOR W/REG 220V | |
| -- | 61195GT | CIRCUIT BREAKER, 12.5 AMP | |
| -- | 61211GT | CIRCUIT BREAKER,15 AMP | |
| 16 | 89493PGT | PLATE,GENERATR.CNTRL.BOX MOUNT..... | 1 |
| 17 | 6888GT | SCREW,HHC,1/4-20 X 1 | |
| 18 | 6091GT | NUT,NYLOCK,1/4-20 | |

805.1 Belt Driven Generator Option - Perkins Engine (to SN 932)

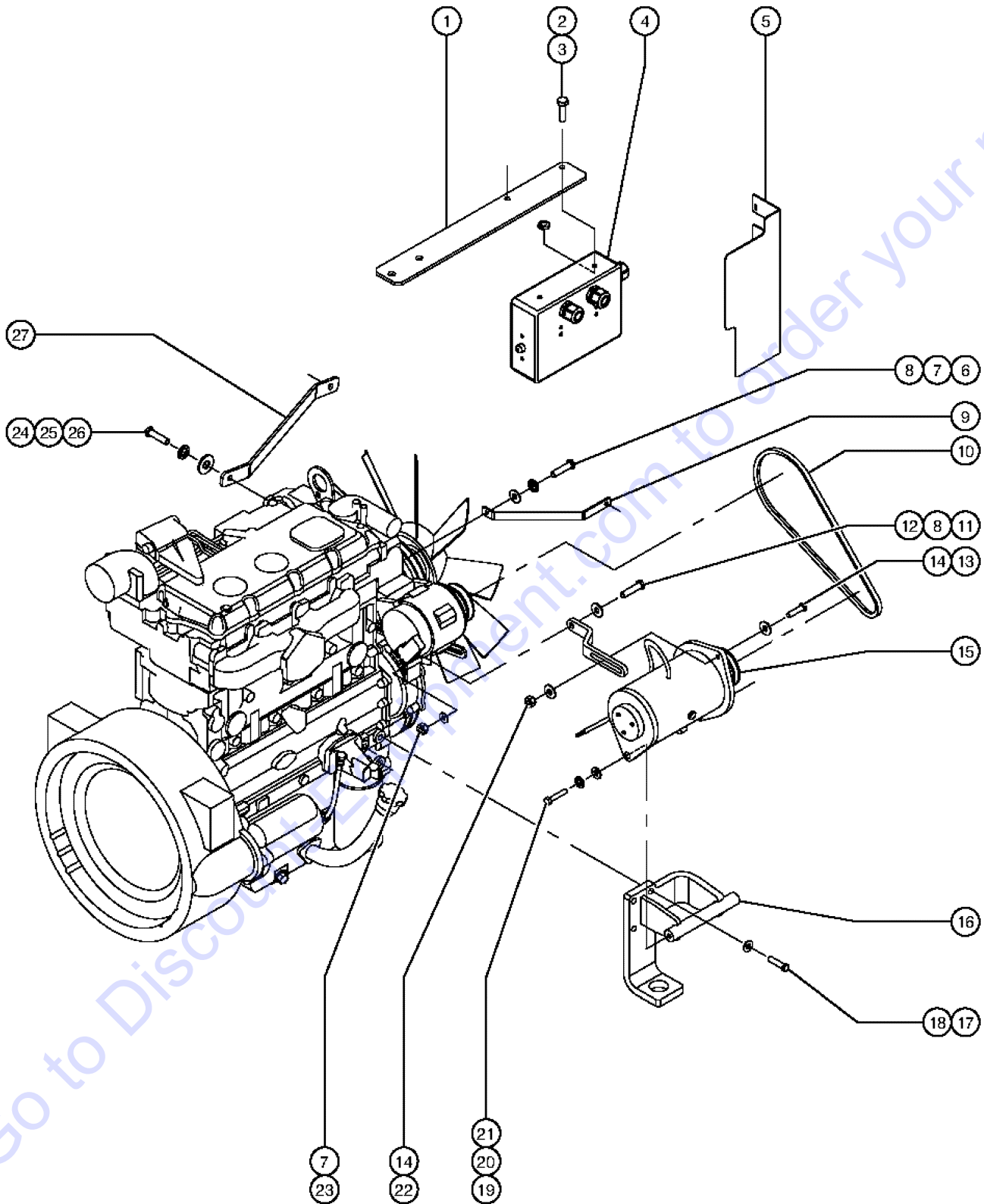


805.1 Belt Driven Generator Option - Perkins Engine (to SN 932)

| Item | Part No. | Description | Qty. |
|------|-----------|--|------|
| -- | 60738GT | VOLTAGE REGULATOR,110V | |
| -- | 60739GT | VOLTAGE REGULATOR,220V | |
| 1 | 75053GT | BELT,AX38*** | 1 |
| 2 | 44064GT | SCREW,HHC,M10 X 30MM, | |
| 3 | 22699GT | WASHER,FLAT,M10,ZINC PLTD. | |
| 4 | 59969GT | SCREW,HHC,M16 X 30 | |
| 5 | 75015GT | WASHER,FLAT M16 | |
| 6 | 60851GT | COVER,GENERATOR-PERKINS.....1 to SN 403 | |
| -- | 75275GT | COVER,GENERATOR-PERKINS from SN 404 | |
| 7 | 6175GT | SCREW,HHC,3/8-16 X 1 | |
| 8 | 4828GT | NUT,NYLOCK,3/8-16 | |
| 9 | 8915GT | SCREW,HHC,1/4-20 X 1.25 | |
| 10 | 6638GT | WASHER,FLAT,USS,1/4"Y | |
| 11 | 6091GT | NUT,NYLOCK,1/4-20 | |
| 12 | 61198GT | BOX,ELECT.GENERATOR W/REG 120V..... | 1 |
| -- | 60521GT | RELAY,SEALED 30/40 AMP | |
| -- | 60887GT | CIRCUIT BREAKER, 30 AMP | |
| -- | 61194GT | BOX,ELECT.GENERATOR W/REG 220V | |
| -- | 61195GT | CIRCUIT BREAKER, 12.5 AMP | |
| -- | 61211GT | CIRCUIT BREAKER,15 AMP | |
| 13 | 60662-SGT | BRACKET,GENERATOR..... | 1 |
| 14 | 6782GT | NUT,NYLOCK,5/16-18 | |
| 15 | 13000GT | SCREW,HHC,5/16-18 X 1.25 | |
| 16 | 60707GT | GENERATOR,3500W,120V,60HZ** | 1 |
| -- | 102681GT | PULLY, GNRTR,220V,50HZ(89908) for 89908 generator | |
| -- | 146062GT | PULLY,GNRTR,120V,60HZ(60707) for 60707 generator | |
| -- | 75425GT | BRUSH(4REQ)(60707/60737) | |
| -- | 75426GT | BRUSH HOLDER(4REQ)(60707/60737) | |
| -- | 75427GT | BEARING (2 REQ)(60707/60737) | |
| -- | 75428GT | END PLATE,GEN.HOUSING,FAN END | |
| -- | 75429GT | END PLATE,GEN.HOUSG,BRUSH END | |
| -- | 89908GT | GENERATOR,3000W,220V,50HZ*** | |
| 17 | 13918GT | SCREW,HHC,3/8-16 X 1.75,GRD.8..... | 2 |
| 18 | 5397GT | WASHER,FLAT,USS,5/16",Y | |
| 19 | 60644-SGT | WELDMENT,GENERATOR MOUNT..... | 1 |
| 20 | 55043GT | SCREW,HHC,M10 X1.5 X 120,GR8.8 | |

Go to www.genie.com to order your parts

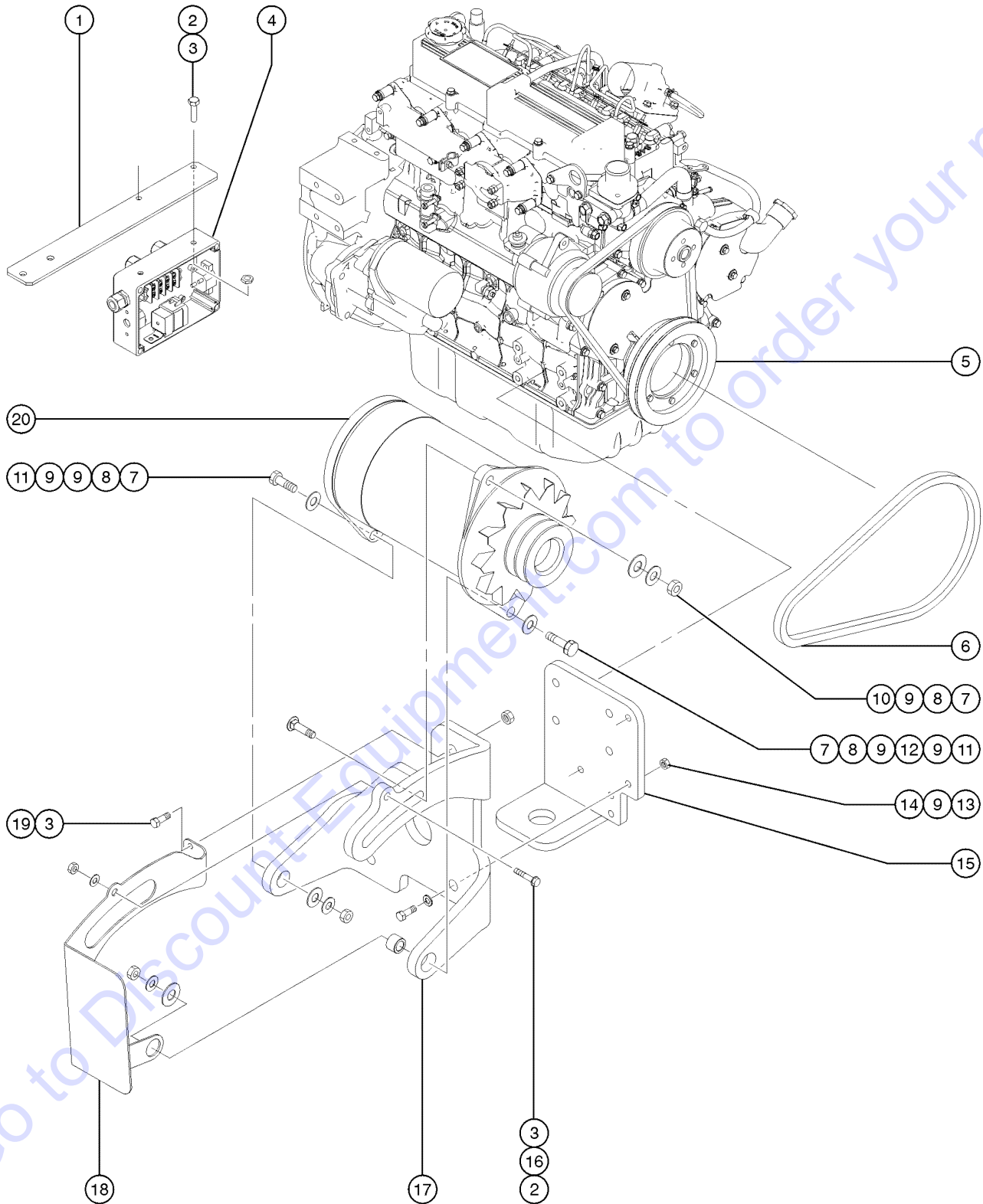
805.2 Belt Driven Generator Option - Perkins Engine (from SN 933 to 2569)



805.2 Belt Driven Generator Option - Perkins Engine (from SN 933 to 2569)

| Item | Part No. | Description | Qty. | Item | Part No. | Description | Qty. |
|------|-----------|---|------|------|-----------|-------------------------------------|------|
| -- | 106572GT | OPT,GEN BD 3500W 110/60 PERKIN | | 23 | 59680GT | NUT,HEX M10-1.5 | |
| -- | 60738GT | VOLTAGE REGULATOR,110V | | 24 | 23057GT | SCREW,HHC,M8 X 20MM | |
| -- | 106008GT | OPT,GEN BD 3000W 220/50 PERKIN | | 25 | 49408GT | WASHER,LOCK,M8 | |
| -- | 60739GT | VOLTAGE REGULATOR,220V | | 26 | 33277GT | WASHER,FLAT,M8,YELLOW ZINC | |
| 1 | 89493PGT | PLATE,GENERATR.CNTRL.BOX MOUNT..... | 1 | 27 | 101655PGT | BRACKET,RADIATOR SUPP,LH PAINT..... | 1 |
| 2 | 6888GT | SCREW,HHC,1/4-20 X 1 | | | | | |
| 3 | 6091GT | NUT,NYLOCK,1/4-20 | | | | | |
| 4 | 102236GT | ELECT.BOX,GENERATOR W/REG.220V..... | 1 | | | | |
| -- | 102235GT | ELECT.BOX,GENERATOR W/REG.120V | | | | | |
| -- | 60521GT | RELAY,SEALED 30/40 AMP | | | | | |
| -- | 60887GT | CIRCUIT BREAKER, 30 AMP | | | | | |
| -- | 61195GT | CIRCUIT BREAKER, 12.5 AMP | | | | | |
| -- | 61211GT | CIRCUIT BREAKER,15 AMP | | | | | |
| 5 | 70540GT | FAN GUARD,PERKINS..... | 1 | | | | |
| 6 | 49393GT | SCREW,HHC,M10X20,GR5,YEL ZINC | | | | | |
| 7 | 22700GT | WASHER,LOCK,M10 | | | | | |
| 8 | 22699GT | WASHER,FLAT,M10,ZINC PLTD. | | | | | |
| 9 | 101656PGT | BRACKET,RAD SUPPORT,RH PAINTED..... | 1 | | | | |
| 10 | 70545GT | BELT,AX42..... | 1 | | | | |
| 11 | 85053GT | SCREW,HHC,M10 X 1.5 X70,GR 8.8 | | | | | |
| 12 | 101654PGT | BRACKET,GENERATOR ADJUSTER PNT..... | 1 | | | | |
| 13 | 13000GT | SCREW,HHC,5/16-18 X 1.25 | | | | | |
| 14 | 6638GT | WASHER,FLAT,USS,1/4"Y | | | | | |
| 15 | 60707GT | GENERATOR,3500W,120V,60HZ** | 1 | | | | |
| -- | 102681GT | PULLY, GNRTR,220V,50HZ(89908) for 89908 generator | | | | | |
| -- | 146062GT | PULLY,GNRTR,120V,60HZ(60707) for 60707 generator | | | | | |
| -- | 75425GT | BRUSH(4REQ)(60707/60737) | | | | | |
| -- | 75426GT | BRUSH HOLDER(4REQ)(60707/60737) | | | | | |
| -- | 75427GT | BEARING (2 REQ)(60707/60737) | | | | | |
| -- | 75428GT | END PLATE,GEN.HOUSING,FAN END | | | | | |
| -- | 75429GT | END PLATE,GEN.HOUSG,BRUSH END | | | | | |
| -- | 89908GT | GENERATOR,3000W,220V,50HZ*** | | | | | |
| 16 | 101653GT | WELDMENT,GENERATOR MOUNT..... | 1 | | | | |
| 17 | 6019GT | SCREW,HHC,3/8-16 X 1.25 GRD 5 | | | | | |
| 18 | 5397GT | WASHER,FLAT,USS,5/16",Y | | | | | |
| 19 | 81852GT | SCREW,HHC,7/16-14 X 1.75 | | | | | |
| 20 | 20912GT | WASHER,LOCK,.,437,PLTD. | | | | | |
| 21 | 11209GT | WASHER,FLAT,USS,7/16",Y | | | | | |
| 22 | 6782GT | NUT,NYLOCK,5/16-18 | | | | | |

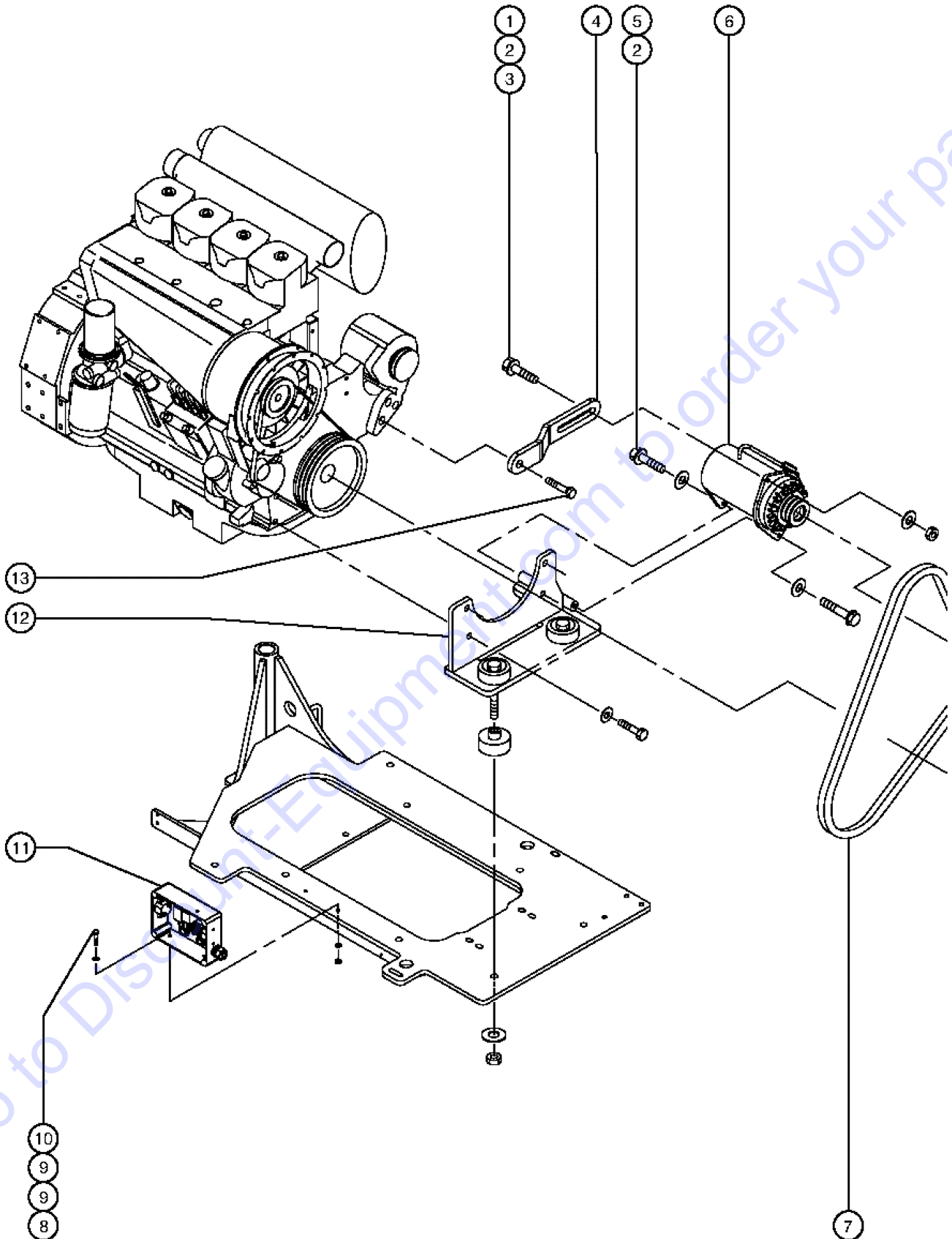
805.3 Belt Driven Generator Option - Perkins Engine (from SN 2570 to 2960)



805.3 Belt Driven Generator Option - Perkins Engine (from SN 2570 to 2960)

| Item | Part No. | Description | Qty. |
|------|----------|---|------|
| -- | 122943GT | OPT,GEN BD 3000W 220/50 | |
| -- | 122942GT | OPT, GEN BD 3500W 110/60 | |
| -- | 60738GT | VOLTAGE REGULATOR,110V | |
| -- | 60739GT | VOLTAGE REGULATOR,220V | |
| 1 | 89493PGT | PLATE,GENERATR.CNTRL.BOX MOUNT..... | 1 |
| 2 | 6888GT | SCREW,HHC,1/4-20 X 1 | |
| 3 | 6091GT | NUT,NYLOCK,1/4-20 | |
| 4 | 102236GT | ELECT.BOX,GENERATOR W/REG.220V..... | 1 |
| -- | 102235GT | ELECT.BOX,GENERATOR W/REG.120V | |
| -- | 60521GT | RELAY,SEALED 30/40 AMP | |
| -- | 60887GT | CIRCUIT BREAKER, 30 AMP | |
| -- | 61195GT | CIRCUIT BREAKER, 12.5 AMP | |
| -- | 61211GT | CIRCUIT BREAKER,15 AMP | |
| 5 | 102346GT | PULLEY KIT,PERKINS 804 (includes mounting bolts) | |
| 6 | 70397GT | BELT,AX34*** | 1 |
| 7 | 6083GT | NUT,HEX,7/16-14 | |
| 8 | 20912GT | WASHER,LOCK,.437,PLTD. | |
| 9 | 6097GT | WASHER,FLAT,USS,3/8",Y | |
| 10 | 60790GT | BOLT, CARRIAGE, 3/8-16 X 1.50, G5 | |
| 11 | 81852GT | SCREW,HHC,7/16-14 X 1.75 | |
| 12 | 45400GT | SPACER TUBE,.50 LG | |
| 13 | 4828GT | NUT,NYLOCK,3/8-16 | |
| 14 | 8516GT | SCREW, HCC, 3/8-16 X 1.50 | |
| 15 | | ENGINE MOUNT, refer to 413.2 | |
| 16 | 6638GT | WASHER,FLAT,USS,1/4"Y | |
| 17 | 128251GT | FORMING,GENERATOR MOUNT | |
| 18 | 128952GT | FORMING,BELT GUARD | |
| 19 | 8915GT | SCREW,HHC,1/4-20 X 1.25 | |
| 20 | 60707GT | GENERATOR,3500W,120V,60HZ** | 1 |
| -- | 102681GT | PULLY, GNRTR,220V,50HZ(89908) <i>for 89908 generator</i> | |
| -- | 146062GT | PULLY,GNRTR,120V,60HZ(60707) <i>for 60707 generator</i> | |
| -- | 75425GT | BRUSH(4REQ)(60707/60737) | |
| -- | 75426GT | BRUSH HOLDER(4REQ)(60707/60737) | |
| -- | 75427GT | BEARING (2 REQ)(60707/60737) | |
| -- | 75428GT | END PLATE,GEN.HOUSING,FAN END | |
| -- | 75429GT | END PLATE,GEN.HOUSG,BRUSH END | |
| -- | 89908GT | GENERATOR,3000W,220V,50HZ*** | |

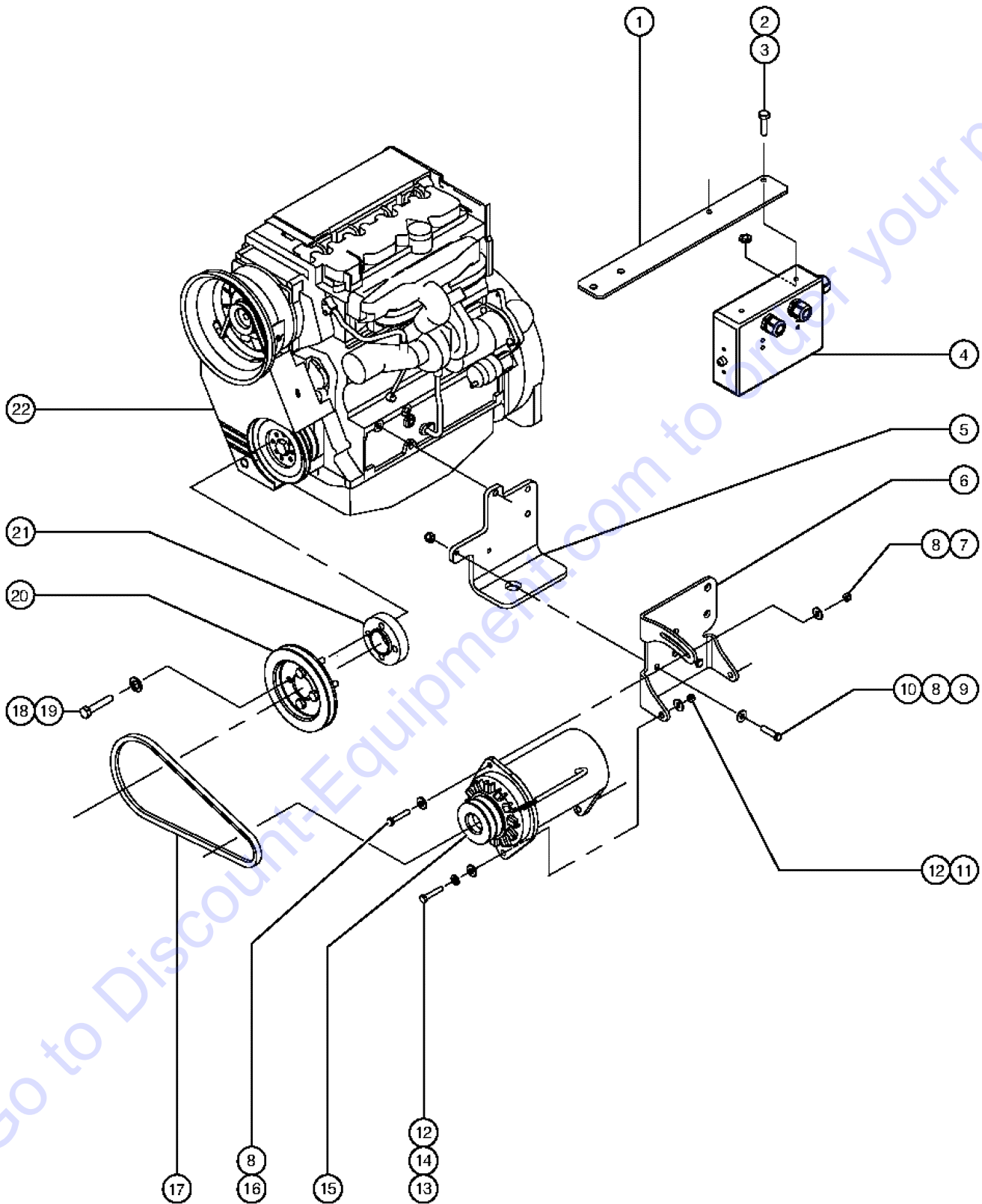
806.1 Belt Driven Generator Option - Deutz Engine (to SN 920)



806.1 Belt Driven Generator Option - Deutz Engine (to SN 920)

| Item | Part No. | Description | Qty. |
|------|-----------|---|------|
| -- | 61014-SGT | GENERATOR,3500W W/REG-DEUTZ | |
| -- | 60738GT | VOLTAGE REGULATOR,110V | |
| -- | 61011-SGT | GENERATOR,3000W 220/50-DEUTZ | |
| -- | 60739GT | VOLTAGE REGULATOR,220V | |
| 1 | 13000GT | SCREW,HHC,5/16-18 X 1.25 | |
| 2 | 5397GT | WASHER,FLAT,USS,5/16",Y | |
| 3 | 6782GT | NUT,NYLOCK,5/16-18 | |
| 4 | 89894GT | BRACKET,GENERATOR-DEUTZ.....1 | |
| 5 | 6175GT | SCREW,HHC,3/8-16 X 1 | |
| 6 | 60707GT | GENERATOR,3500W,120V,60HZ**1 | |
| -- | 102681GT | PULLY, GNRTR,220V,50HZ(89908) <i>for 89908 generator</i> | |
| -- | 146062GT | PULLY,GNRTR,120V,60HZ(60707) <i>for 60707 generator</i> | |
| -- | 75425GT | BRUSH(4REQ)(60707/60737) | |
| -- | 75426GT | BRUSH HOLDER(4REQ)(60707/60737) | |
| -- | 75427GT | BEARING (2 REQ)(60707/60737) | |
| -- | 75428GT | END PLATE,GEN.HOUSING,FAN END | |
| -- | 75429GT | END PLATE,GEN.HOUSG,BRUSH END | |
| -- | 89908GT | GENERATOR,3000W,220V,50HZ*** | |
| 7 | 75053GT | BELT,AX38***1 | |
| 8 | 8915GT | SCREW,HHC,1/4-20 X 1.25 | |
| 9 | 6638GT | WASHER,FLAT,USS,1/4"Y | |
| 10 | 6091GT | NUT,NYLOCK,1/4-20 | |
| 11 | 61198GT | BOX,ELECT.GENERATOR W/REG 120V.....1 | |
| -- | 60521GT | RELAY,SEALED 30/40 AMP | |
| -- | 60887GT | CIRCUIT BREAKER, 30 AMP | |
| -- | 61194GT | BOX,ELECT.GENERATOR W/REG 220V | |
| -- | 61195GT | CIRCUIT BREAKER, 12.5 AMP | |
| -- | 61211GT | CIRCUIT BREAKER,15 AMP | |
| 12 | 89906GT | WELDMNT,GENERATOR MOUNT,DEUTZ | |
| 13 | 75420GT | SCREW,HHC,M8 X 1.25 X 120 | |

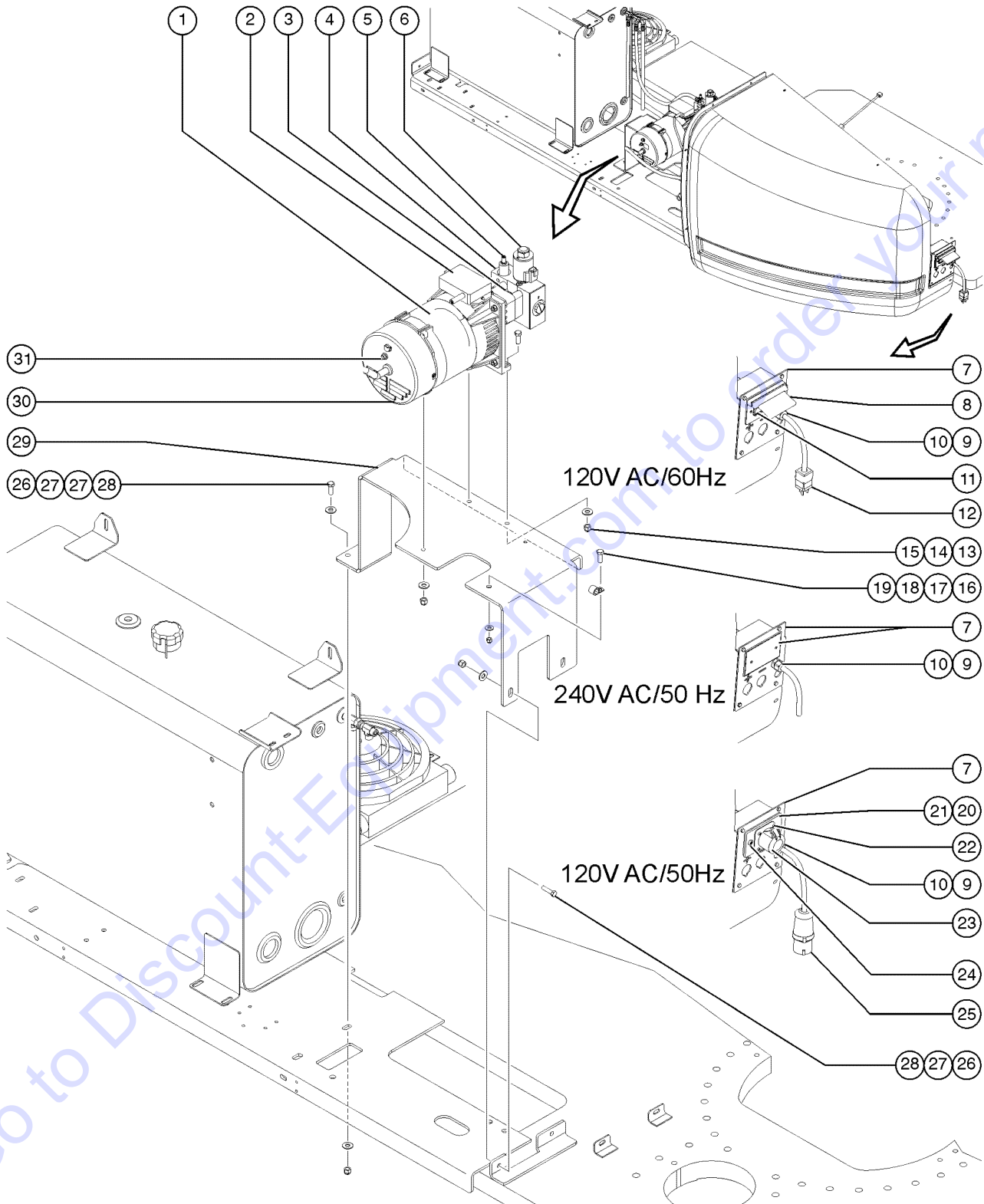
806.2 Belt Driven Generator Option - Deutz Engine (from SN 921 to 2960)



806.2 Belt Driven Generator Option - Deutz Engine (from SN 921 to 2960)

| Item | Part No. | Description | Qty. | Item | Part No. | Description | Qty. |
|------|-----------|---|------|------|----------|---|------|
| -- | 70507GT | OPT,GEN BD 3500W 110/60 DEUTZ | | 22 | 106740GT | COVER,REWORK,DEUTZ GENERATOR.....1 | 1 |
| -- | 60738GT | VOLTAGE REGULATOR,110V | | | | <i>Contact Discount-equipment if you need to rework the pulley cover to make it fit</i> | |
| -- | 70508GT | OPT,GEN BD 3000W 220/50 DEUTZ | | | | | |
| -- | 60739GT | VOLTAGE REGULATOR,220V | | | | | |
| 1 | 89493PGT | PLATE,GENERATR.CNTRL.BOX MOUNT.....1 | 1 | | | | |
| 2 | 6888GT | SCREW,HHC,1/4-20 X 1 | | | | | |
| 3 | 6091GT | NUT,NYLOCK,1/4-20 | | | | | |
| 4 | 102235GT | ELECT.BOX,GENERATOR W/REG.120V.....1 | 1 | | | | |
| -- | 102236GT | ELECT.BOX,GENERATOR W/REG.220V | | | | | |
| -- | 60521GT | RELAY,SEALED 30/40 AMP | | | | | |
| -- | 60887GT | CIRCUIT BREAKER, 30 AMP | | | | | |
| -- | 61194GT | BOX,ELECT.GENERATOR W/REG 220V | | | | | |
| -- | 61195GT | CIRCUIT BREAKER, 12.5 AMP | | | | | |
| -- | 61211GT | CIRCUIT BREAKER,15 AMP | | | | | |
| 5 | 70438PGT | FORMING,ENGINE MOUNT PAINTED...1 | 1 | | | | |
| 6 | 119533PGT | FORMING,GENERATOR MOUNT,PTD.....1 | 1 | | | | |
| 7 | 6782GT | NUT,NYLOCK,5/16-18 | | | | | |
| 8 | 5397GT | WASHER,FLAT,USS,5/16",Y | | | | | |
| 9 | 8516GT | SCREW, HCC, 3/8-16 X 1.50 | | | | | |
| 10 | 4828GT | NUT,NYLOCK,3/8-16 | | | | | |
| 11 | 6083GT | NUT,HEX,7/16-14 | | | | | |
| 12 | 11209GT | WASHER,FLAT,USS,7/16",Y | | | | | |
| 13 | 81852GT | SCREW,HHC,7/16-14 X 1.75 | | | | | |
| 14 | 20912GT | WASHER,LOCK,.437,PLTD. | | | | | |
| 15 | 60707GT | GENERATOR,3500W,120V,60HZ**1 | 1 | | | | |
| -- | 102681GT | PULLY, GNRTR,220V,50HZ(89908) <i>for 89908 generator</i> | | | | | |
| -- | 146062GT | PULLY,GNRTR,120V,60HZ(60707) <i>for 60707 generator</i> | | | | | |
| -- | 75425GT | BRUSH(4REQ)(60707/60737) | | | | | |
| -- | 75426GT | BRUSH HOLDER(4REQ)(60707/60737) | | | | | |
| -- | 75427GT | BEARING (2 REQ)(60707/60737) | | | | | |
| -- | 75428GT | END PLATE,GEN.HOUSING,FAN END | | | | | |
| -- | 75429GT | END PLATE,GEN.HOUSG,BRUSH END | | | | | |
| -- | 89908GT | GENERATOR,3000W,220V,50HZ*** | | | | | |
| 16 | 14723GT | SCREW,HHC,5/16-18 X 1.75 | | | | | |
| 17 | 70397GT | BELT,AX34***1 | 1 | | | | |
| 18 | 25927GT | SCREW,HHC,M10 X 55MM,GRD 8.8 | | | | | |
| 19 | 22700GT | WASHER,LOCK,M10 | | | | | |
| 20 | 70389GT | PULLEY,DEUTZ.....1 | 1 | | | | |
| 21 | 81069GT | SPACER,PULLEY,DEUTZ GEN.....1 | 1 | | | | |

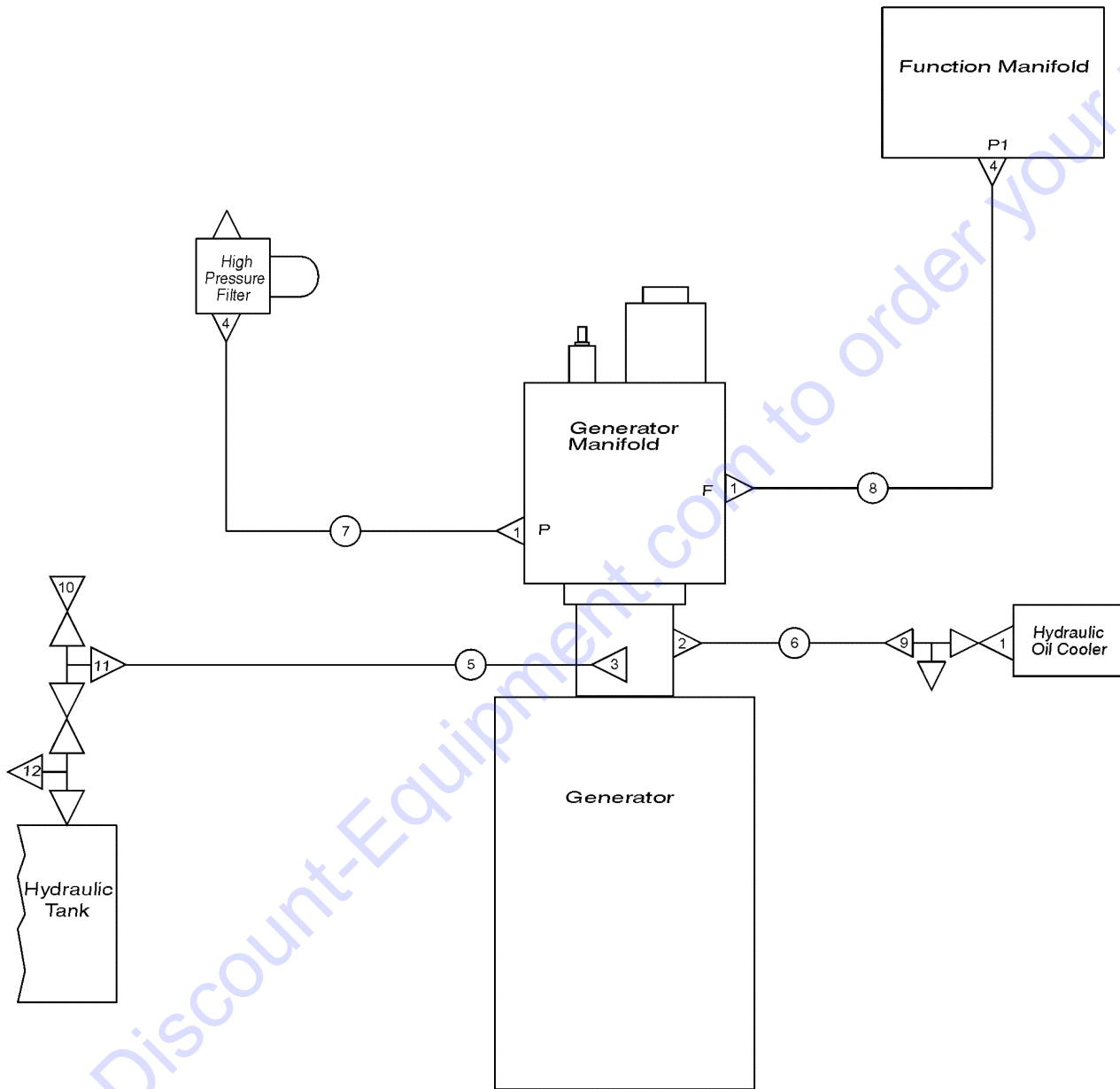
807.1 Hydraulic (MTE) Generator Option - View 1 (from SN 2961)



807.1 Hydraulic (MTE) Generator Option - View 1 (from SN 2961)

| Item | Part No. | Description | Qty. | Item | Part No. | Description | Qty. |
|------|-----------|--|------|------|----------|--|------|
| -- | 146553GT | WIRE HARNESS,JUMPER,MTE GEN,SB | | 30 | 147241GT | COVER, END, GEN, 120V.....1 <i>part of generators 139952 and 139953</i> | 1 |
| -- | 147240GT | CAPACITOR 16 F, GEN | | -- | 147262GT | COVER, END, GENERATOR, 240V <i>part of generator 139954</i> | |
| -- | 114236GT | DECAL,LABEL,CB SYMBOL | | 31 | 147239GT | BREAKER, 25 AMP, GEN.....1 <i>part of generators 139952 and 139953</i> | 1 |
| 1A | 139952GT | GENERATOR,3kW,120V/50Hz.....1 <i>(complete) includes items 2-6 and 30-31</i> | 1 | -- | 147258GT | BREAKER,15 AMP,GEN <i>part of generator 139954</i> | |
| 1B | 139953GT | GENERATOR, 3kW, 120V/60Hz <i>(complete) includes items 2-6 and 30-31</i> | | | | | |
| -- | 147239GT | BREAKER, 25 AMP, GEN 60hz | | | | | |
| 1C | 139954GT | GENERATOR,3kW,240V/50Hz <i>(complete) includes items 2-6 and 30-31</i> | | | | | |
| -- | 147258GT | BREAKER,15 AMP,GEN 50hz | | | | | |
| 2 | 1269693GT | CONTROL BOX,2KW,120/240V,50HZ.....1 <i>part of generators 139952 and 139954</i> | 1 | | | | |
| -- | 147228GT | CONTROLLER BOX, 120/240V, 60H <i>part of generator 139953</i> | | | | | |
| 3 | 147230GT | 207 HYD MOTOR ASSY, GEN.....1 | 1 | | | | |
| -- | 147231GT | SEAL KIT, HYD MOTOR, GEN | | | | | |
| 4 | 147229GT | MANIFOLD ASSEMBLY, GEN.....1 <i>(complete) includes items 5 and 6</i> | 1 | | | | |
| 5 | 147233GT | VALVE, RELIEF, GEN, 3.0kW.....1 | 1 | | | | |
| 6 | 147232GT | 12VDC PROPORTIONAL VALVE.....1 | 1 | | | | |
| 7 | | Ref. (refer to 309.1) | | | | | |
| 8 | 74006GT | COVER,GFCI,HORIZONTAL,WEATHER | | | | | |
| 9 | 7056GT | CONN, SQZ, 1/2NPT .38-.50, SM** | | | | | |
| 10 | 6595GT | PLUG,ELECTRICAL,DOMESTIC | | | | | |
| 11 | 80543GT | RECEPTACLE, 120VAC, 20A, GFCI | | | | | |
| 12 | 6595GT | PLUG,ELECTRICAL,DOMESTIC | | | | | |
| 13 | 60485GT | COVER,TURNTABLE,LEFT SIDE | | | | | |
| 14 | 5397GT | WASHER,FLAT,USS,5/16",Y | | | | | |
| 15 | 13000GT | SCREW,HHC,5/16-18 X 1.25 | | | | | |
| 16 | 6090GT | SCREW,HHC,1/4-20 X .75 | | | | | |
| 17 | 45470GT | CLAMP,0.31,#5 X 1/4,RUB CUSH | | | | | |
| 18 | 6638GT | WASHER,FLAT,USS,1/4"Y | | | | | |
| 19 | 6091GT | NUT,NYLOCK,1/4-20 | | | | | |
| 20 | T112561GT | PLATE,UK,POWER TO PLAT | | | | | |
| 21 | 81458GT | GASKET, UK POWER TO PLAT | | | | | |
| 22 | 54380GT | SCREW,PHILLIPS,PHM,8-32 X .875 | | | | | |
| 23 | T112560GT | RECEPTACLE,UK,110V | | | | | |
| 24 | 63375GT | SCREW,FHM,6-32 X .75 | | | | | |
| 25 | 144161GT | PLUG,PWR,UK,16AMP,3PIN,BLK | | | | | |
| 26 | 6019GT | SCREW,HHC,3/8-16 X 1.25 GRD 5 | | | | | |
| 27 | 6097GT | WASHER,FLAT,USS,3/8",Y | | | | | |
| 28 | 4828GT | NUT,NYLOCK,3/8-16 | | | | | |
| 29 | 146322PGT | FORMING,MTE GEN MTG PLATE,PTD | | | | | |

807.2 Hydraulic (MTE) Generator Option - View 2 (from SN 2961)



| LEGEND | |
|--------|---------------|
| | ADAPTER |
| | HOSE ASSEMBLY |
| | UNION |

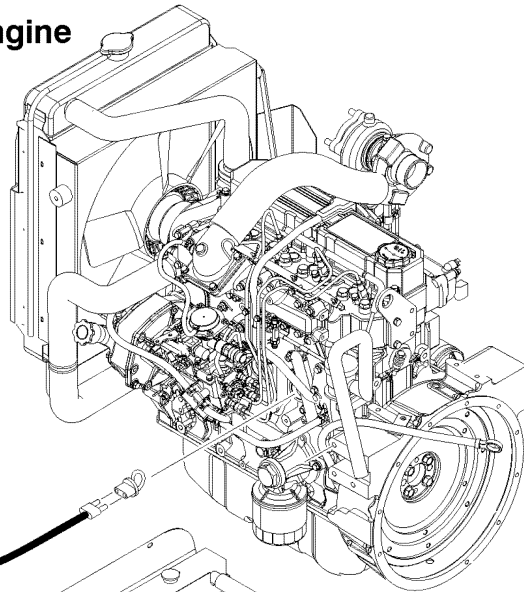
807.2 Hydraulic (MTE) Generator Option - View 2 (from SN 2961)

| Item | Part No. | Description | Qty. |
|------|--------------|------------------------------------|------|
| 1 | 48959GT | FITTING,ELBOW,90D,520220-12..... | 3 |
| 2 | 75614GT | ELBOW,90D,LONG,521520-8..... | 1 |
| 3 | 49861GT | CONN,LONG,520122-4..... | 1 |
| 4 | 48960GT | FITTING,CONN,520120-12***..... | 2 |
| 5 | 49163-2994GT | HOSE ASSY,1/4"90 FEM,STR FEM..... | 1 |
| 6 | 49142-5062GT | HOSE ASSY,1/2,90 FEM,STR FEM..... | 1 |
| 7 | 61073-6230GT | HOSE ASSY,3/4" 90 FEM STR FEM..... | 1 |
| 8 | 61074-2228GT | HOSE ASSY,3/4,STR FEM,STR FRM..... | 1 |
| 9 | 48964GT | FITTING,TEE,RUN,SWIVEL52043212.... | 1 |
| 10 | 48892GT | ELBOW,SWIVEL 90D, 520221-6..... | 1 |
| 11 | 48875GT | TEE,RUN,SWIVEL,520432-6..... | 1 |
| 12 | 48918GT | TEE,RUN,520428-6..... | 1 |

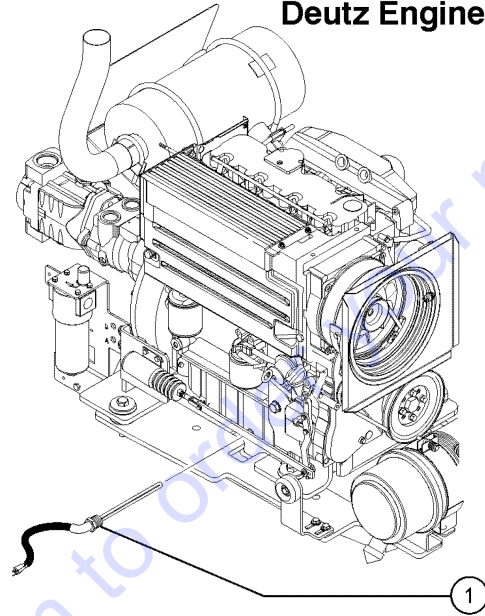
Go to Discount-Equipment.com to order your parts

808.1 Cold Start Package

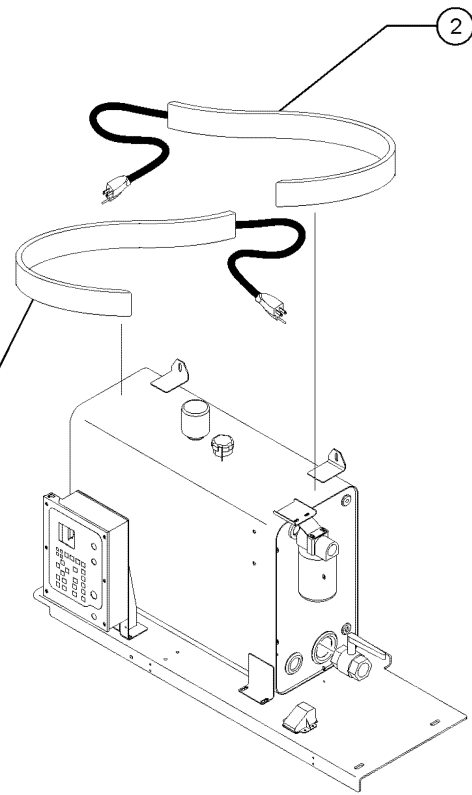
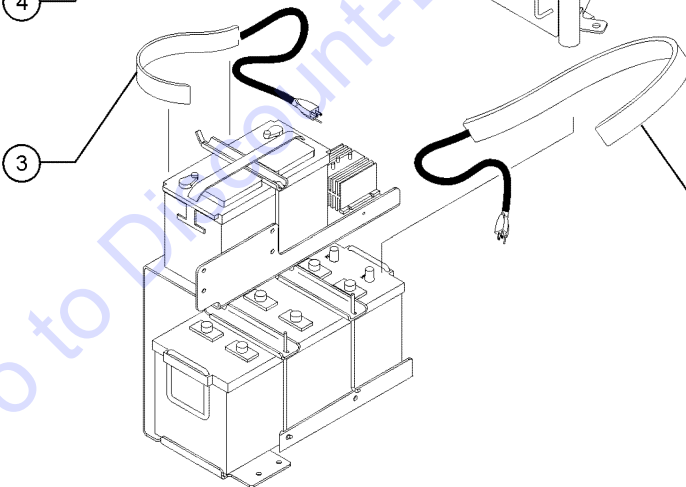
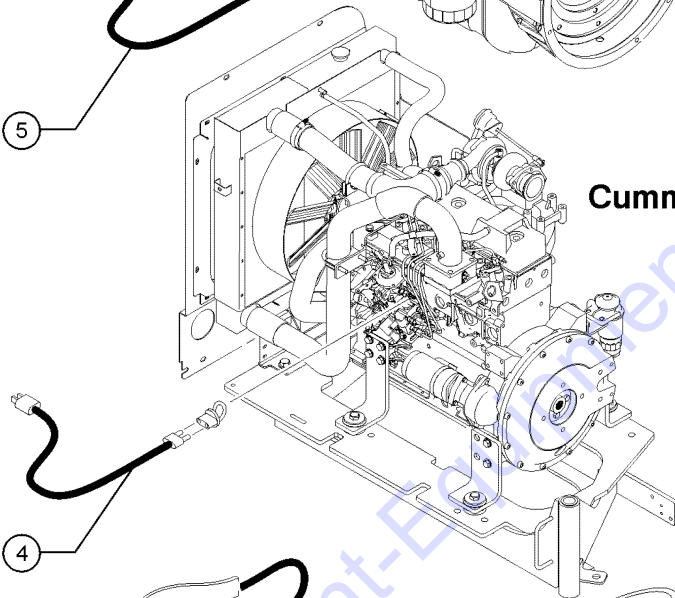
Perkins Engine



Deutz Engine



Cummins Engine



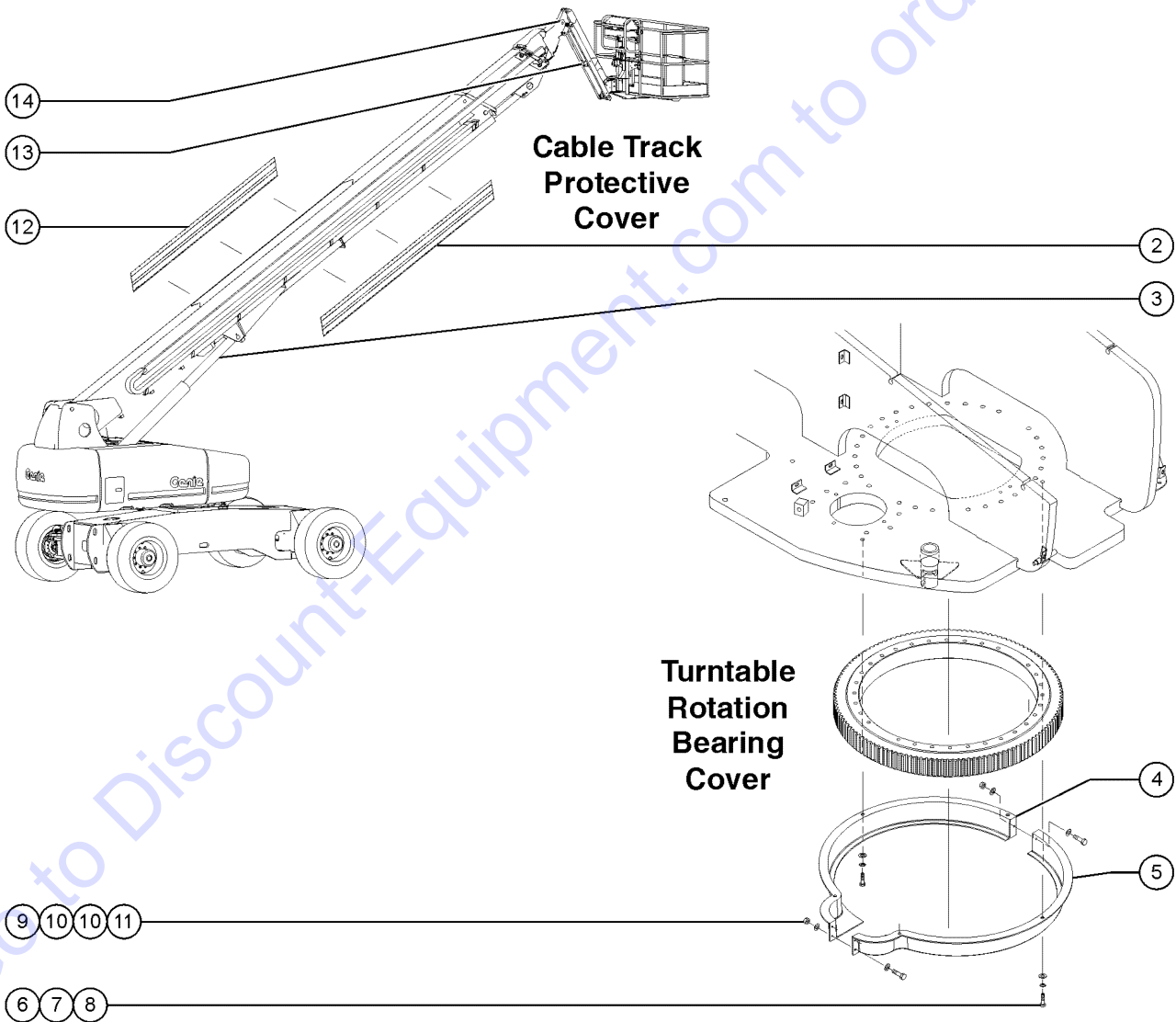
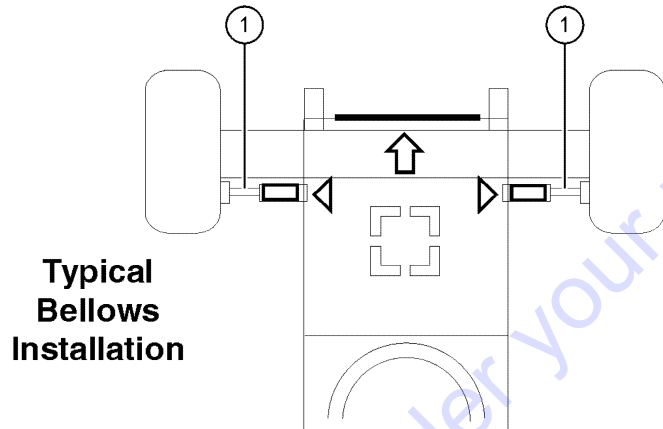
808.1 Cold Start Package

| Item | Part No. | Description | Qty. |
|------|-----------|---|------|
| -- | 61015-SGT | COLD START PKG,PERKINS,SERVICE <i>Perkins models; to SN 932</i> | |
| -- | 101660GT | COLD START OPTION,PERKINS <i>Perkins models; from SN 933 to 2552</i> | |
| -- | 122772GT | COLD START PKG,110V,PERK.804T <i>Perkins models; from SN 2553</i> | |
| -- | 61016-SGT | COLD START PKG,DEUTZ, SERVICE <i>Deutz models; to SN 920</i> | |
| -- | 128373GT | COLD START PKG, 110V, DEUTZ <i>Deutz models; from SN 921</i> | |
| -- | 60908-SGT | COLD START PKG,CUMMINS-SERVICE <i>Cummins models; to SN 935</i> | |
| -- | 122771GT | COLD START PKG,110V,CUM.B3.3T <i>Cummins models; from SN 936</i> | |
| 1 | 128274GT | OIL PAN HEATER,DEUTZ,120V,150W....1 <i>from SN 921</i> | |
| 2 | 61245GT | BLANKET,BATTERY.....3 | |
| -- | 75048GT | CABLE TIE,BLACK,36" | |
| 3 | 23877GT | CABLE TIE,28" | |
| 3 | 28853GT | BLANKET,BATTERY.....2 | |
| 4 | 61246GT | FREEZE PLUG HEATER,CUMMINS <i>to SN 935</i> | |
| -- | 122768GT | FREEZE PLUG HEATER <i>from SN 936</i> | |
| 5 | 75251GT | FREEZE PLUG HEATER,PERKINS <i>to SN 932</i> | |
| -- | 101632GT | FREEZE PLUG HEATER,PERKINS 804 <i>from SN 2553</i> | |
| -- | 101659GT | FREEZE PLUG HEATER,400W <i>from SN 933 to 2552</i> | |

Go to Discount-Equipment.com to order your parts



809.1 Hostile Environment Package - View 1

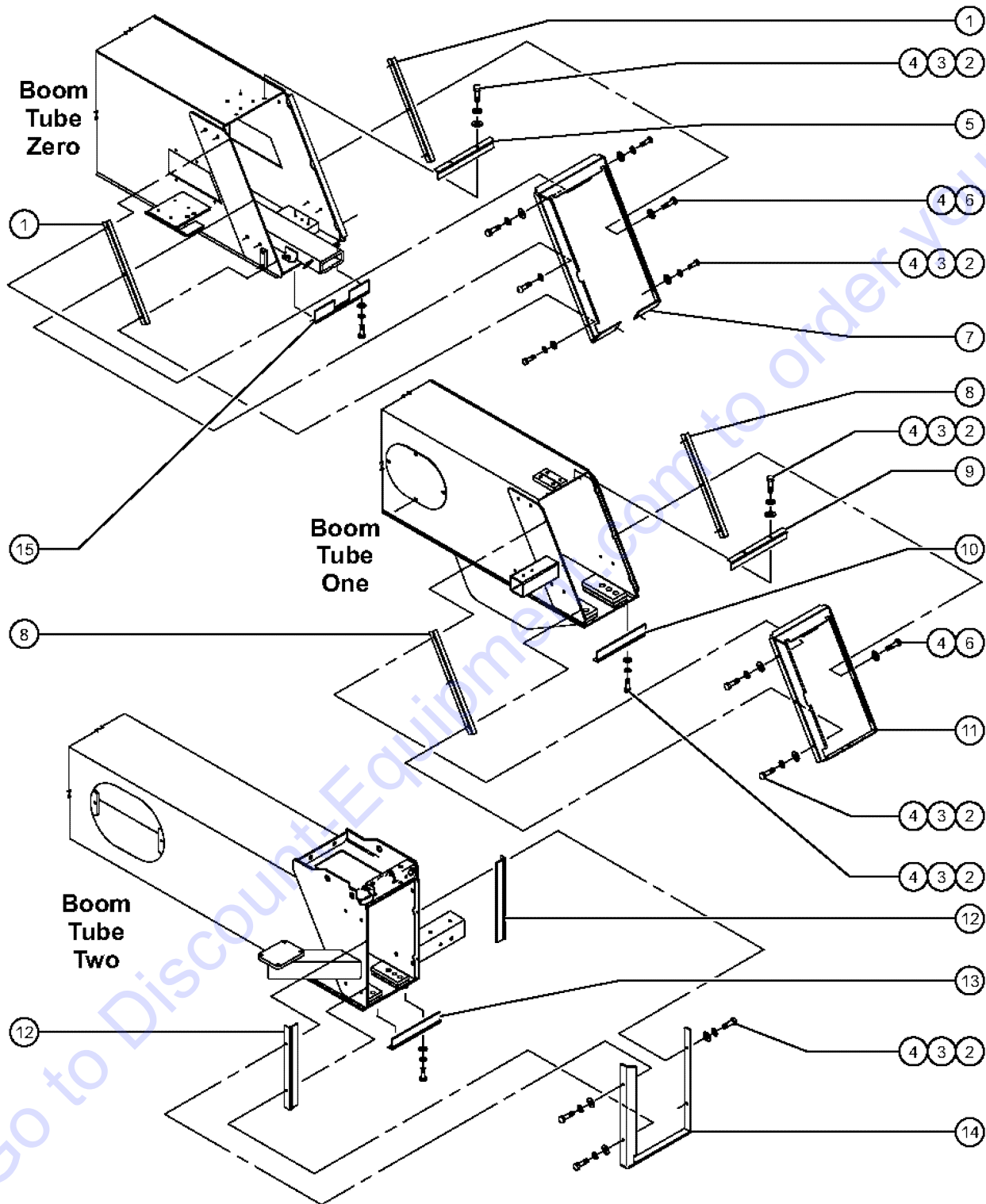


809.1 Hostile Environment Package - View 1

| Item | Part No. | Description | Qty. |
|------|----------|---|------|
| 1 | 60627GT | COVER,PROTECTIVE,STEER CYL***...4 | |
| -- | 22672GT | CLAMP,HOSE,1.75 | |
| -- | 30489GT | CLAMP,HOSE,3.50 | |
| 2 | 61298GT | COVER,84 LINK TRACK.....1 | |
| 3 | 60326GT | COVER,PROTECTIVE,LIFT CYLINDER.....1 | |
| -- | 31523GT | CLAMP,HOSE,8.50 DIA*** | |
| -- | 35432GT | CLAMP,HOSE,6.50 | |
| 4 | 61118GT | COVER,SWING BEARING FRONT.....1 | |
| 5 | 61119GT | COVER,SWING BEARING REAR.....1 | |
| 6 | 10587GT | SCREW,HHC,1/2-13 X.75 | |
| 7 | 6033GT | WASHER,LOCK,0.5" | |
| 8 | 6095GT | WASHER,FLAT,USS,1/2",Y | |
| 9 | 6090GT | SCREW,HHC,1/4-20 X .75 | |
| 10 | 6638GT | WASHER,FLAT,USS,1/4"Y | |
| 11 | 6091GT | NUT,NYLOCK,1/4-20 | |
| 12 | 61297GT | COVER,50 LINK TRACK.....1 | |
| 13 | 34505GT | COVER,PROTECTIVE,JIB CYLINDER...1 | |
| -- | 22672GT | CLAMP,HOSE,1.75 | |
| -- | 30971GT | CLAMP,HOSE,3.00" | |
| 14 | 60628GT | COVER,PROTECTIVE,PLAT.LEVELING.1 S-120 | |
| 14 | 61393GT | COVER,PROTECTIVE,PLAT.LEVLING.....1 S-125 | |
| -- | 22672GT | CLAMP,HOSE,1.75 S-125 | |
| -- | 30489GT | CLAMP,HOSE,3.50 S-125 | |
| -- | 30971GT | CLAMP,HOSE,3.00" S-120 | |
| -- | 36208GT | CLAMP,HOSE,1.25*** S-120 | |

Go to DiscountEquipment.com to order your parts

809.2 Hostile Environment Package - View 2



PARTS FINDER

**Search Website
by Part Number**



**Search Manual
Library For Parts
Manual & Lookup Part
Numbers – Purchase
or Request Quote**

Search Manuals

Enter your information to help us find the right parts manual for your machine.

* Brand:

* Model:

* Serial:

* Part Number:

SEARCH

**Can't Find Part or
Manual? Request Help
by Manufacturer,
Model & Description**

Parts Order Form

Please fill in the following information to help us find the right part for your machine.

| | |
|---------------|----------------------|
| Manufacturer: | <input type="text"/> |
| Model: | <input type="text"/> |
| Description: | <input type="text"/> |
| Part Number: | <input type="text"/> |
| Quantity: | <input type="text"/> |
| Notes: | <input type="text"/> |

Submit

Discount-Equipment.com is your online resource for quality parts & equipment.

Florida: **561-964-4949** Outside Florida TOLL FREE: **877-690-3101**

Need parts?

Click on this link: <http://www.discount-equipment.com/category/5443-parts/> and choose one of the options to help get the right parts and equipment you are looking for. Please have the machine model and serial number available in order to help us get you the correct parts. If you don't find the part on the website or on one of the online manuals, please fill out the request form and one of our experienced staff members will get back to you with a quote for the right part that your machine needs.

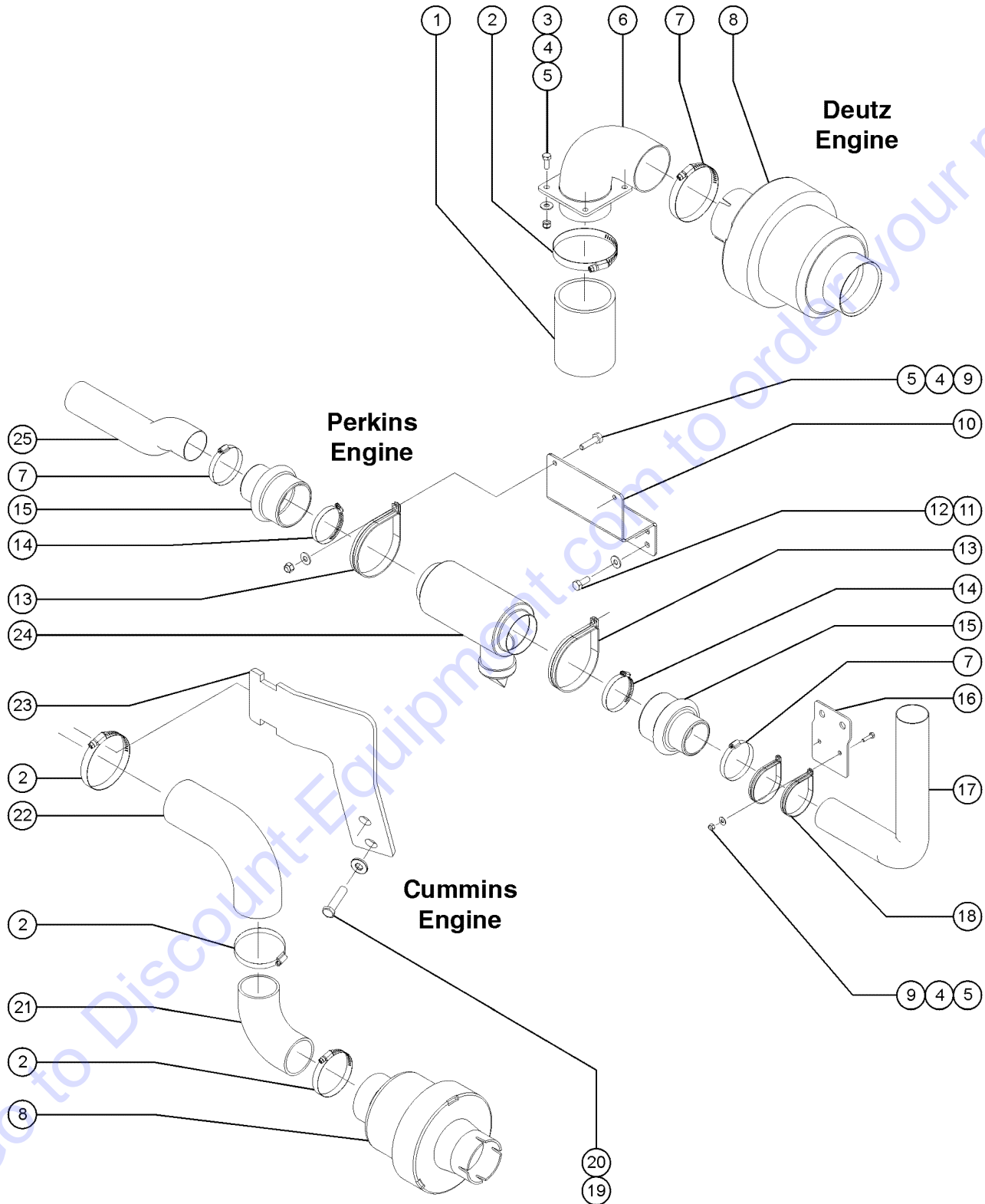
We sell worldwide for the brands: Genie, Terex, JLG, MultiQuip, Mikasa, Essick, Whiteman, Mayco, Toro Stone, Diamond Products, Generac Magnum, Airman, Haulotte, Barreto, Power Blanket, Nifty Lift, Atlas Copco, Chicago Pneumatic, Allmand, Miller Curber, Skyjack, Lull, Skytrak, Tsurumi, Husquvarna Target, Stow, Wacker, Sakai, Mi-T-M, Sullair, Basic, Dynapac, MBW, Weber, Bartell, Bennar Newman, Haulotte, Ditch Runner, Menegotti, Morrison, Contec, Buddy, Crown, Edco, Wyco, Bomag, Laymor, EZ Trench, Bil-Jax, F.S. Curtis, Gehl Pavers, Heli, Honda, ICS/PowerGrit, IHI, Partner, Imer, Clipper, MMD, Koshin, Rice, CH&E, General Equipment, Amida, Coleman, NAC, Gradall, Square Shooter, Kent, Stanley, Tamco, Toku, Hatz, Kohler, Robin, Wisconsin, Northrock, Oztec, Toker TK, Rol-Air, APT, Wylie, Ingersoll Rand / Doosan, Innovatech, Con X, Ammann, Mecalac, Makinex, Smith Surface Prep, Small Line, Wanco, Yanmar

809.2 Hostile Environment Package - View 2

| Item | Part No. | Description | Qty. |
|------|----------|---------------------------|------|
| 1 | 60232GT | BRUSH,SIDE,MAST #0..... | 2 |
| 2 | 6090GT | SCREW,HHC,1/4-20 X .75 | |
| 3 | 6356GT | WASHER,LOCK,.25 | |
| 4 | 6638GT | WASHER,FLAT,USS,1/4"Y | |
| 5 | 60233GT | BRUSH,TOP,MAST #0..... | 1 |
| 6 | 14297GT | SCREW,BHHS,1/4-20 X .75 | |
| 7 | 60158GT | COVER MAST #1..... | 1 |
| 8 | 60234GT | BRUSH,SIDE,MAST #1..... | 2 |
| 9 | 60235GT | BRUSH,TOP,MAST #1..... | 1 |
| 10 | 60244GT | BRUSH,BOTTOM,MAST #1..... | 1 |
| 11 | 60157GT | COVER MAST #2*..... | 1 |
| 12 | 60236GT | BRUSH,SIDE,MAST #2..... | 2 |
| 13 | 60237GT | BRUSH,BOTTOM,MAST #2..... | 1 |
| 14 | 60156GT | COVER MAST #3..... | 1 |
| 15 | 60243GT | BRUSH,BOTTOM,MAST #0..... | 1 |

Go to Discount-Equipment.com to order your parts

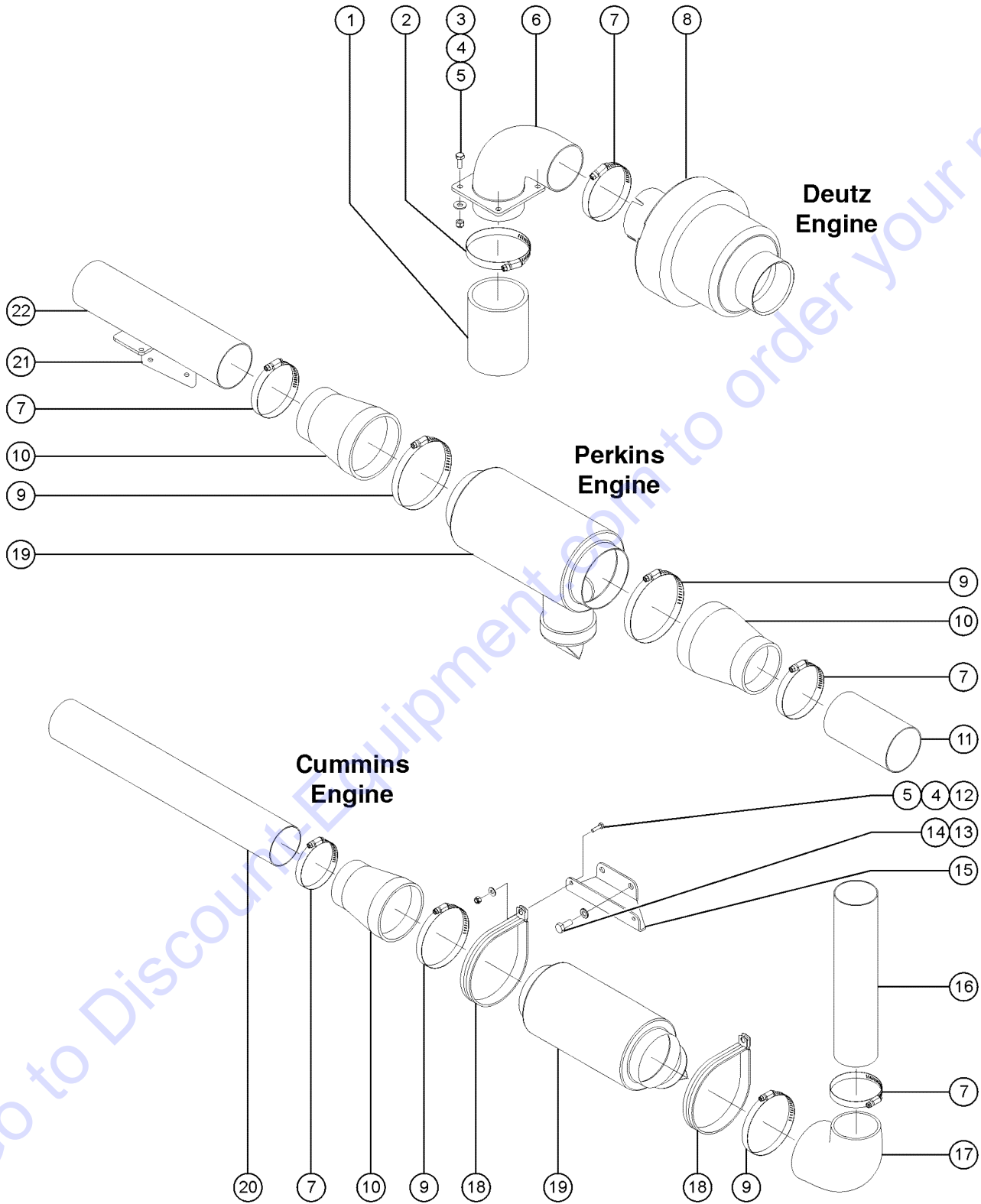
810.1 Hostile Environment Package - Engine Air Cleaners (to SN 2547)



810.1 Hostile Environment Package - Engine Air Cleaners (to SN 2547)

| Item | Part No. | Description | Qty. | Item | Part No. | Description | Qty. |
|------|--------------|---|------|------|----------|--|------|
| -- | 102253GT | PRECLEANER OPTION,DEUTZ <i>Deutz models; to SN 920</i> | | -- | 122329GT | TUBE,AIR INTAKE,LOWER <i>from SN 2100</i> | |
| -- | 70515GT | KIT,PRECLEANER DEUTZ*** <i>Deutz models; from SN 921</i> | | | | | |
| -- | 106584GT | PRECLEANER OPTION,PERKINS <i>Perkins models; from SN 933 to 2099</i> | | | | | |
| -- | 122331GT | OPTION,PRE-CLEANER PERKINS <i>Perkins models; from SN 2100</i> | | | | | |
| -- | 89970GT | OPTION,PRECLEANER CUMMINS <i>Cummins models; to SN 935</i> | | | | | |
| -- | 102183GT | OPT,AIR PRECLEANER,CUMMINS <i>Cummins models; from SN 936</i> | | | | | |
| 1 | 106211-400GT | HOSE,RUBBER 3"ID X .25 BLACK..... | 1 | | | | |
| 2 | 30489GT | CLAMP,HOSE,3.50..... | 4 | | | | |
| 3 | 6090GT | SCREW,HHC,1/4-20 X .75 | | | | | |
| 4 | 6638GT | WASHER,FLAT,USS,1/4"Y | | | | | |
| 5 | 6091GT | NUT,NYLOCK,1/4-20 | | | | | |
| 6 | 102220GT | WELDMENT,PRECLEANER,DEUTZ.... | 1 | | | | |
| 7 | 30971GT | CLAMP,HOSE,3.00"..... | 3 | | | | |
| 8 | 89959GT | PRECLEANER,INLINE 3"..... | 2 | | | | |
| 9 | 6888GT | SCREW,HHC,1/4-20 X 1 | | | | | |
| 10 | 70546PGT | BRACKET,PRE-CLEANER MOUNT PNTD..... <i>to SN 2099</i> | 1 | | | | |
| -- | 122330PGT | BRACKET,PRECLEANER MOUNT,PTD <i>from SN 2100</i> | | | | | |
| 11 | 23057GT | SCREW,HHC,M8 X 20MM | | | | | |
| 12 | 33277GT | WASHER,FLAT,M8,YELLOW ZINC | | | | | |
| 13 | 101639GT | CLAMP,5.38,#86 X 3/8,RUB CUSH | | | | | |
| 14 | 34955GT | CLAMP,HOSE,5.00..... | 2 | | | | |
| 15 | 88492GT | HOSE,HUMP 3" TO 4"..... | 2 | | | | |
| 16 | 122368GT | BRACKET,PRECLEANER,TUBING..... <i>from SN 2100</i> | 1 | | | | |
| 17 | 101657GT | TUBE,AIR INTAKE,UPPER..... <i>to SN 2099</i> | 1 | | | | |
| -- | 122328GT | TUBE,AIR INTAKE,UPPER <i>from SN 2100</i> | | | | | |
| 18 | 70257GT | CLAMP,3.0,#48 X 1/4,RUB CUSH..... <i>from SN 2100</i> | 2 | | | | |
| 19 | 6019GT | SCREW,HHC,3/8-16 X 1.25 GRD 5 | | | | | |
| 20 | 5397GT | WASHER,FLAT,USS,5/16",Y | | | | | |
| 21 | 89960GT | ELBOW,90ø,3.50 ID,RUBBER..... | 1 | | | | |
| 22 | 89972GT | ELBOW,90ø,3.50 ID, REWORKED..... | 1 | | | | |
| 23 | 102181PGT | FORMING,TUBE SUPPORT,PRE-CLEAN..... | 1 | | | | |
| 24 | 88493GT | PRECLEANER,AIR INTAKE..... | 1 | | | | |
| 25 | 101658GT | TUBE,AIR INTAKE,LOWER..... <i>to SN 2099</i> | 1 | | | | |

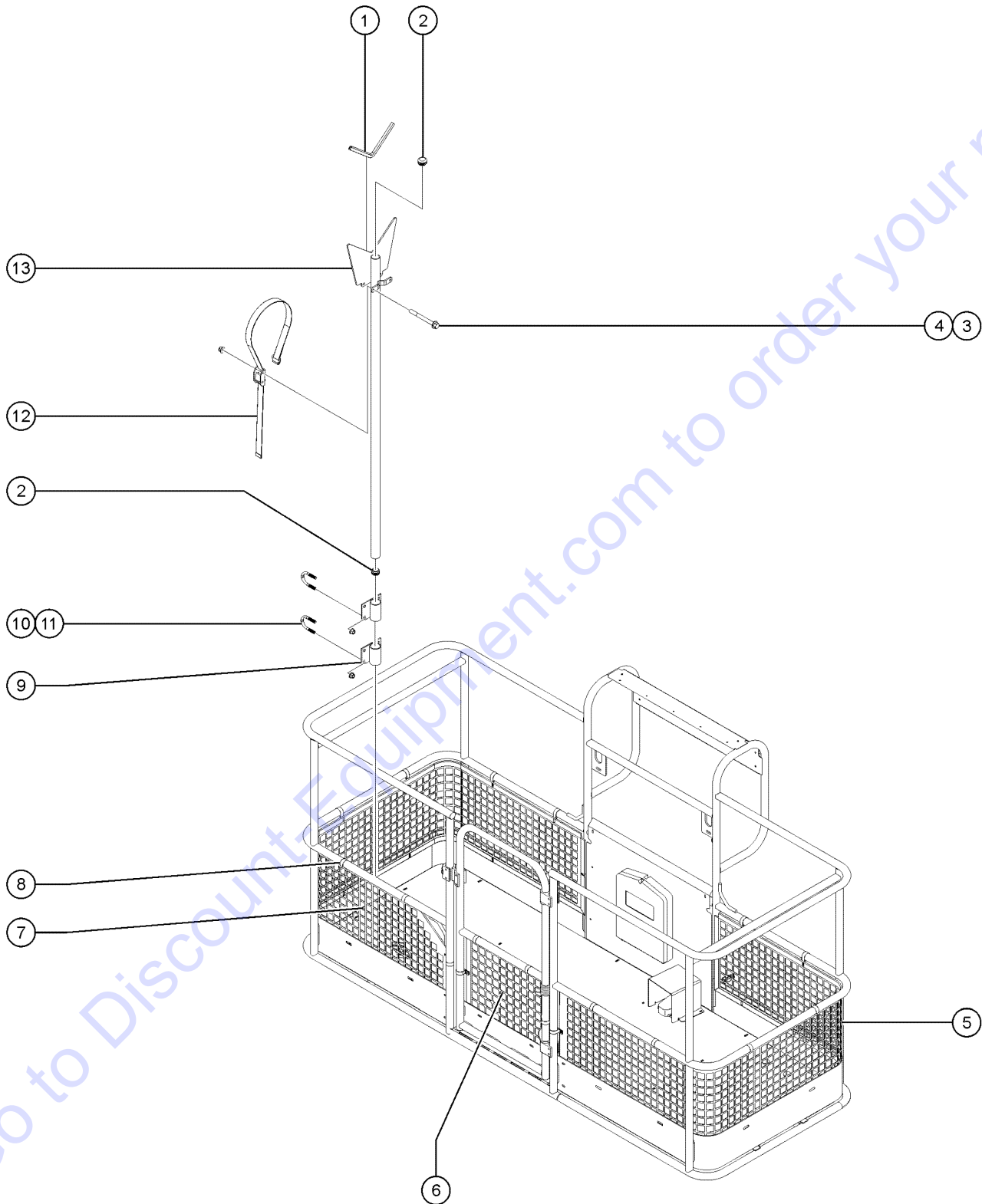
810.2 Hostile Environment Package - Engine Air Cleaners (from SN 2548)



810.2 Hostile Environment Package - Engine Air Cleaners (from SN 2548)

| Item | Part No. | Description | Qty. |
|------|--------------|-------------------------------------|------|
| -- | 70515GT | KIT,PRECLEANER DEUTZ*** | |
| -- | 122927GT | OPT,PRCLEANER,PERKINS 804T | |
| -- | 122910GT | OPT,PRECLEANER CUMMINS B3.3T | |
| 1 | 106211-400GT | HOSE,RUBBER 3"ID X .25 BLACK.....1 | |
| 2 | 30489GT | CLAMP,HOSE,3.50.....4 | |
| 3 | 6090GT | SCREW,HHC,1/4-20 X .75 | |
| 4 | 6638GT | WASHER,FLAT,USS,1/4"Y | |
| 5 | 6091GT | NUT,NYLOCK,1/4-20 | |
| 6 | 102220GT | WELDMENT,PRECLEANER,DEUTZ.....1 | |
| 7 | 30971GT | CLAMP,HOSE,3.00".....3 | |
| 8 | 89959GT | PRECLEANER,INLINE 3".....2 | |
| 9 | 34955GT | CLAMP,HOSE,5.00 | |
| 10 | 122432GT | REDUCER,RUBBER,4.0 X 3.0 | |
| 11 | 122929GT | TUBE,INTAKE,PRECLEANER,804T | |
| 12 | 6888GT | SCREW,HHC,1/4-20 X 1 | |
| 13 | 27034GT | SCREW,HHC,M10 X 25MM,GR 8.8 | |
| 14 | 22699GT | WASHER,FLAT,M10,ZINC PLTD. | |
| 15 | 122914GT | BRACKET,PRECLEANER MNT B3.3T | |
| 16 | 122912GT | TUBE,INTAKE,PRECLEANER B3.3T | |
| 17 | 122913GT | REDUCER,90DEG,4.0 X 3.0 | |
| 18 | 101639GT | CLAMP,5.38,#86 X 3/8,RUB CUSH.....2 | |
| 19 | 88493GT | PRECLEANER,AIR INTAKE | |
| 20 | 122911GT | TUBE,INTAKE,PRECLEANER B3.3T | |
| 21 | 128421GT | FORMING, INTAKE TUBE MNT | |
| 22 | 122928GT | TUBE,INTAKE,PRECLEANER,804T | |

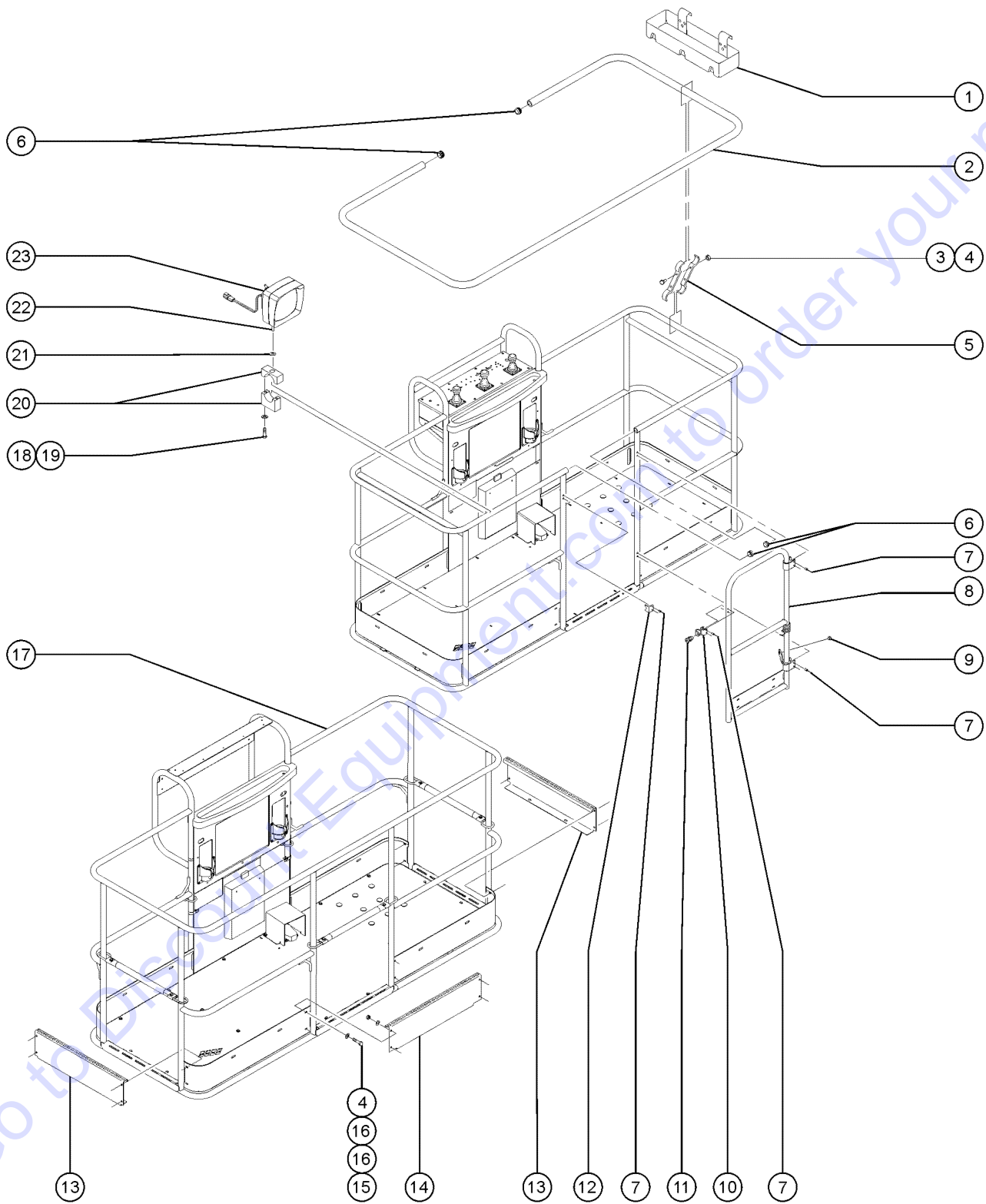
811.1 Half-mesh and Pipe Cradle Options



811.1 Half-mesh and Pipe Cradle Options

| Item | Part No. | Description | Qty. |
|------|--------------|---|------|
| A | 85300GT | PIPE CRADLE ASSY. SERV (ONE)** (ANSI & CE only) (This is a single assembly. Qty 2 of 85300GT required to complete a set) | |
| -- | 65630GT | INSTRUCTIONS-PIPE CRADLE,BOOMS | |
| B | 72875GT | DECAL,WARNING,PIPE CRADLE,BOOM | |
| C | 119395GT | OPTION,6' HALF MESH PLAT/GATE | |
| D | 119396GT | OPTION,8' HALF MESH PLAT/GATE | |
| E | | Ref. Swing Gate Option, Complete (refer to 812.1) | |
| 1 | 19018-1100GT | TRIMLOCK,BLACK,5/32"..... | 2 |
| 2 | 55753GT | BUMPER, PLASTIC, 1.25 O.D..... | 4 |
| 3 | 824083GT | SCREW,HHF,1/4-20X2.5,8,ZAG..... | 4 |
| 4 | 1277924GT | NUT,NYLOCK FLG,1/4-20,F,ZAG..... | 4 |
| 5 | 73500GT | HALF MESH,8'PLATFORM,RH***..... | 1 |
| -- | 54465GT | MESH,HALF,RH,6'PLATFORM | |
| 6 | 54457GT | MESH,HALF,SWING GATE***..... | 1 |
| 7 | 73501GT | HALF MESH,8'PLATFORM,LH..... | 1 |
| -- | 54458GT | MESH,HALF,LH,6'PLATFORM | |
| 8 | 56424GT | CLAMP,1.25X.5 RUBBER-CUSHION | |
| -- | 6090GT | SCREW,HHC,1/4-20 X .75 | |
| -- | 6091GT | NUT,NYLOCK,1/4-20 | |
| -- | 6638GT | WASHER,FLAT,USS,1/4"Y | |
| 9 | 81368GT | WELDMENT,PIPE CRADLE MOUNT..... | 4 |
| 10 | 1251600GT | U-BOLT, FLATTENED, 1.5 X 3/8 UNC,ZAG..... | 8 |
| 11 | 1274322GT | NUT,NYLOCK FLG,3/8-16,F,ZAG..... | 16 |
| 12 | 56570GT | STRAP, CONDUIT HOLDER 60****..... | 2 |
| 13 | 56525GT | WELDMENT, PIPE CRADLE..... | 2 |

812.1 Platform Options



812.1 Platform Options

| Item | Part No. | Description | Qty. | Item | Part No. | Description | Qty. |
|------|-----------|--|------|------|-----------|---|------|
| -- | 53808-SGT | AUX TOP RAIL,6'(1.25")SERVICE | | -- | 111293GT | 8' TRI-ENT ASSY AUST <i>(S-125) Australia Models; from SN 1293</i> | |
| -- | 53807-SGT | AUX TOP RAIL,8'(1.25")SERVICE | | -- | 102444GT | TRI ENT PLTF ASSY 6'ASIA/SO.AM <i>(S-125) Asia/South America Models</i> | |
| -- | 122278GT | AUX TOP RAIL,6',SWG GT, SRV | | -- | 111284GT | 6FT TRI-ENTRY ASSY A/SO.A <i>(S-120) Asia/South America Models</i> | |
| -- | 122279GT | AUX TOP RAIL,8',SWG GT, SRV | | -- | 102938GT | 8' TRI-ENT ASSY A/SO.A S105125 <i>(S-125) Asia/South America Models</i> | |
| -- | 119950GT | KIT,FIELD INSTALL,SWING GATE <i>includes 128368, 1487, 1488, and 33674</i> | | -- | 111285GT | 8FT TRI-ENT ASSY A/SO.AM <i>(S-120) Asia/South America Models</i> | |
| -- | 75527GT | HARNESS,WORKLIGHT OPT | | 1 | 9599-SGT | TOOL TRAY.....1 | |
| -- | T108991GT | HARNESS,PLAT,WORKLIGHT,12V <i>connects to work light; from SN 2900</i> | | 2 | 1259704GT | PINCH GUARD RAIL,6' PLATFORM.....1 <i>includes 55753 bumpers</i> | |
| -- | T108990GT | CABLE,12/3, WORKLIGHT, 12V <i>connects harness T108991 to harness 75527; from SN 2900</i> | | -- | 111485PGT | AUX TOP RAIL,6FT,PTD.....2 <i>for use with swing gate</i> | |
| -- | 102721PGT | TOEBOARD,8'TRI ENTRY <i>includes items 5, 13-16</i> | | -- | 111486PGT | AUX TOP RAIL,8FT,PTD.....2 <i>for use with swing gate</i> | |
| -- | 102441GT | 6' TRI ENTRY ASSY USA/CAN S125 <i>(S-125) USA/Canada Models; to SN 1292</i> | | -- | 52661GT | PINCH GUARD RAIL,8' PLATFORM**....1 | |
| -- | 111279GT | 6' TRI ENTRY ASSY ANSI <i>(S-120) USA/Canada Models; to SN 1292</i> | | 3 | 4266GT | SCREW,HHC,1/4-20 X 2 <i>to SN 1844</i> | |
| -- | 102445GT | 8' TRI-ENTRY ASSY ANSI S125 <i>(S-125) USA/Canada Models; to SN 1292</i> | | -- | 122231GT | SCREW,BHSC,1/4-20 X 1 <i>from SN 1845</i> | |
| -- | 111280GT | 8' TRI-ENTRY ASSY ANSI <i>(S-120) USA/Canada Models; to SN 1292</i> | | 4 | 6091GT | NUT,NYLOCK,1/4-20 <i>to SN 1844</i> | |
| -- | 111286GT | 6' TRI ENTRY ASSY ANSI <i>(S-120) USA/Canada Models; from SN 1293</i> | | -- | 6889GT | NUT,LP NYLOCK,1/4-20 <i>from SN 1845</i> | |
| -- | 111290GT | 6' TRI-ENT ASSY ANSI <i>(S-125) USA/Canada Models; from SN 1293</i> | | 5 | 139958GT | KIT, AUX TOP RAIL SUPPORT.....10 <i>to SN 1844</i> | |
| -- | 111287GT | 8' TRI-ENTRY ASSY ANSI <i>(S-120) USA/Canada Models; from SN 1293</i> | | -- | 122073GT | SUPPORT, RAILING.....20 <i>from SN 1845</i> | |
| -- | 111291GT | 8' TRI-ENT ASSY ANSI <i>(S-125) USA/Canada Models; from SN 1293</i> | | 6 | 55753GT | BUMPER, PLASTIC, 1.25 O.D.....4 | |
| -- | 102447GT | 8' TRI-ENTRY ASSY CE S105/125 <i>(S-125) European Models</i> | | 7 | 7265GT | RIVET,STEEL,P .25 X .375.....14 | |
| -- | 111281GT | 8' TRI-ENTRY ASSY CE/UK <i>(S-120) European Models</i> | | 8 | 128368GT | KIT,SWING GATE W/SPRING.....1 | |
| -- | 102442GT | 6' TRI-ENTRY ASSY AUST S125 <i>(S-125) Australia Models; to SN 1292</i> | | -- | 119950GT | KIT,FIELD INSTALL,SWING GATE <i>includes 128368, 1487, 1488, and 33674</i> | |
| -- | 111282GT | 6FT TRI-ENTRY ASSY AUST <i>(S-120) Australia Models; to SN 1292</i> | | -- | 1487GT | GATE LATCH CASTING--DRILLED | |
| -- | 102446GT | 8'TRI-ENTRY ASSY AUST S105/125 <i>(S-125) Australia Models; to SN 1292</i> | | -- | 1488GT | RAILING CATCH CASTING--DRILLED | |
| -- | 111283GT | 8FT TRI-ENTRY ASSY AUST <i>(S-120) Australia Models; to SN 1292</i> | | -- | 33674GT | PIN,LOCK,SHORT*** | |
| -- | 111288GT | 6' TRI-ENTRY ASSY AUST <i>(S-120) Australia Models; from SN 1293</i> | | 9 | 43392GT | BUMPER,BATTERY BOX & RAILS.....1 | |
| -- | 111292GT | 6' TRI-ENT ASSY AUST <i>(S-125) Australia Models; from SN 1293</i> | | 10 | 1487GT | GATE LATCH CASTING--DRILLED.....1 | |
| -- | 111289GT | 8FT TRI-ENTRY ASSY AUST <i>(S-120) Australia Models; from SN 1293</i> | | 11 | 33674GT | PIN,LOCK,SHORT***.....1 | |
| | | | | 12 | 1488GT | RAILING CATCH CASTING--DRILLED...1 | |
| | | | | 13 | 102721PGT | TOEBOARD,8'TRI ENTRY.....2 | |
| | | | | -- | 139438GT | TOEBOARD, TRI ENTRY 6', EURO | |
| | | | | 14 | 94745PGT | TOEBOARD,ENTRY EUROPEAN PNTD**.....1 | |
| | | | | 15 | 6090GT | SCREW,HHC,1/4-20 X .75 | |
| | | | | 16 | 6638GT | WASHER,FLAT,USS,1/4"Y | |



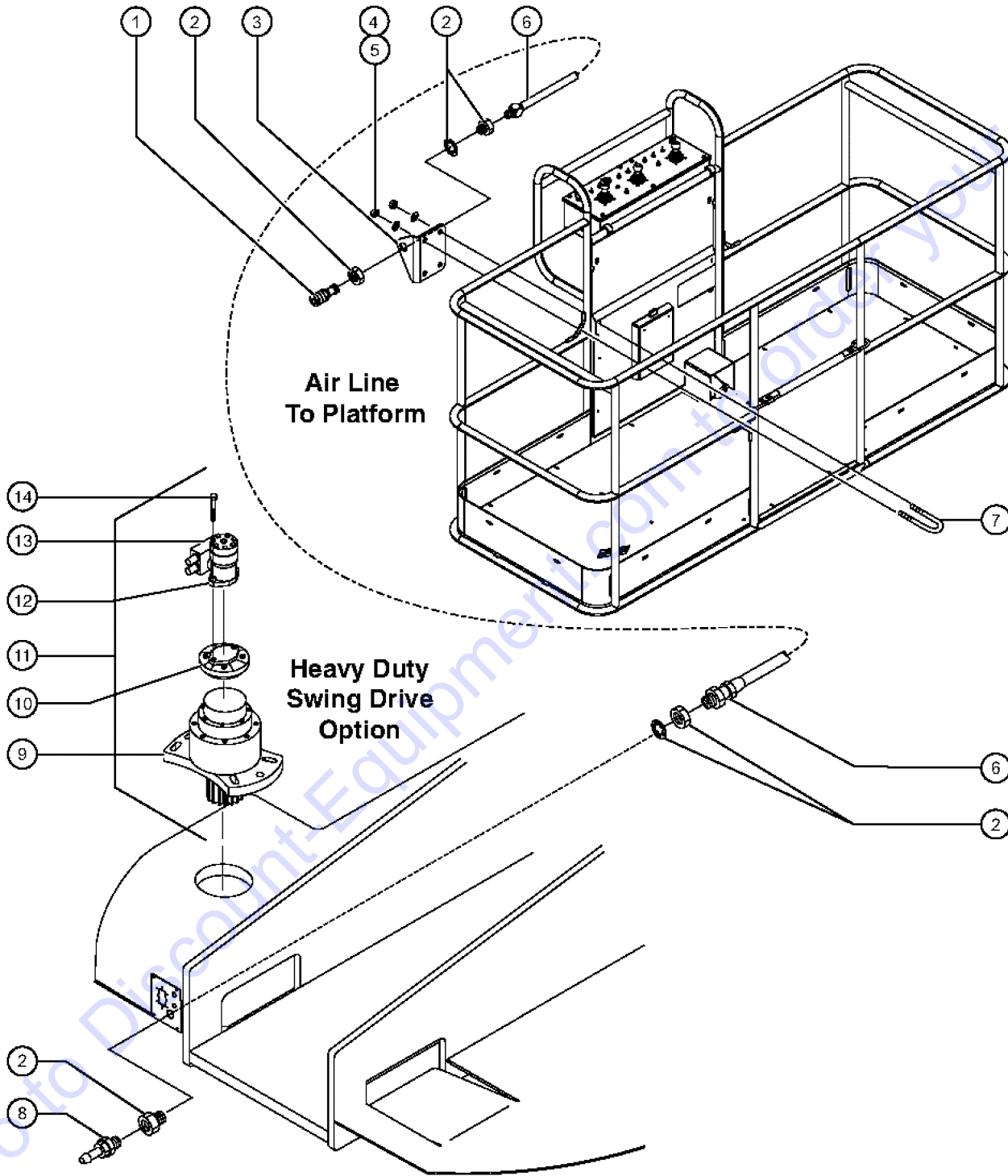
812.1 Platform Options
(continued)

| Item | Part No. | Description | Qty. | Item | Part No. | Description | Qty. |
|------|----------|--|------|------|----------|---|------|
| 17 | 107704GT | 6' TRI-ENT RAIL W/DECALS ANSI.....1 (S-125) USA/Canada Models; to SN 1292 | 1 | 23B | 71498GT | WORKLIGHT, 12V, DEUTSCH RECEPT.....2 from SN 2900 | 2 |
| 17 | 111310GT | 6' TRI-ENT RAIL W/DECALS ANSI.....1 (S-120) USA/Canada Models; to SN 1292 | 1 | | | | |
| -- | 107705GT | 8' TRI-ENT RAIL W/DECALS ANSI (S-125) USA/Canada Models; to SN 1292 | | | | | |
| -- | 111311GT | 8' TRI-ENT RAIL W/DECALS ANSI (S-120) USA/Canada Models; to SN 1292 | | | | | |
| -- | 111317GT | 6' TRI-ENT RAIL W/DECALS ANSI.....1 (S-120) USA/Canada Models; from SN 1293 | 1 | | | | |
| -- | 111319GT | 6' TRI-ENT RAIL W/DECALS ANSI.....1 (S-125) USA/Canada Models; from SN 1293 | 1 | | | | |
| -- | 111318GT | 8' TRI-ENT RAIL W/DECALS ANSI (S-120) USA/Canada Models; from SN 1293 | | | | | |
| -- | 111320GT | 8' TRI-ENT RAIL W/DECALS ANSI (S-125) USA/Canada Models; from SN 1293 | | | | | |
| -- | 107706GT | 8' TRI-ENT RAIL W/DECALS CE/UK (S-125) European Models | | | | | |
| -- | 111312GT | 8' TRI-ENT RAIL W/DECALS CE/UK (S-120) European Models | | | | | |
| -- | 107707GT | 6' TRI-ENT RAIL W/DECALS AUSTR.....1 (S-125) Australia Models | 1 | | | | |
| -- | 111313GT | 6' TRI-ENT RAIL W/DECALS AUSTR.....1 (S-120) Australia Models | 1 | | | | |
| -- | 107708GT | 8' TRI-ENT RAIL W/DECALS AUSTR (S-125) Australia Models | | | | | |
| -- | 111314GT | 8' TRI-ENT RAIL W/DECALS AUSTR (S-120) Australia Models | | | | | |
| -- | 107709GT | 6' TRI-ENT RAIL W/DECALS A/SOA.....1 (S-125) Asia/South America Models | 1 | | | | |
| -- | 111315GT | 6' TRI-ENT RAIL W/DECALS A/SOA.....1 (S-120) Asia/South America Models | 1 | | | | |
| -- | 107710GT | 8' TRI-ENT RAIL W/DECALS A/SOA (S-125) Asia/South America Models | | | | | |
| -- | 111316GT | 8' TRI-ENT RAIL W/DECALS A/SOA (S-120) Asia/South America Models | | | | | |
| 18 | 6145GT | SCREW,HHC,1/4-20 X 1.5 | | | | | |
| 19 | 6356GT | WASHER,LOCK,.25 | | | | | |
| 20 | 75519GT | CLAMP,WORKLIGHT.....2 to SN 2899 | 2 | | | | |
| -- | 35956GT | BRACKET,WORK LIGHT MOUNT 5/16" from SN 2900 | | | | | |
| 21 | 5397GT | WASHER,FLAT,USS,5/16",Y | | | | | |
| 22 | 10107GT | SCREW,HHC,5/16-18 X .75 | | | | | |
| 23 | 107858GT | WORKLIGHT,48 VOLT.....2 to SN 2899 | 2 | | | | |
| 23A | 35960GT | BULB,WORKLIGHT,12V 35W to SN 2899 | | | | | |

This Page Intentionally Left Blank

Go to Discount-Equipment.com to order your parts

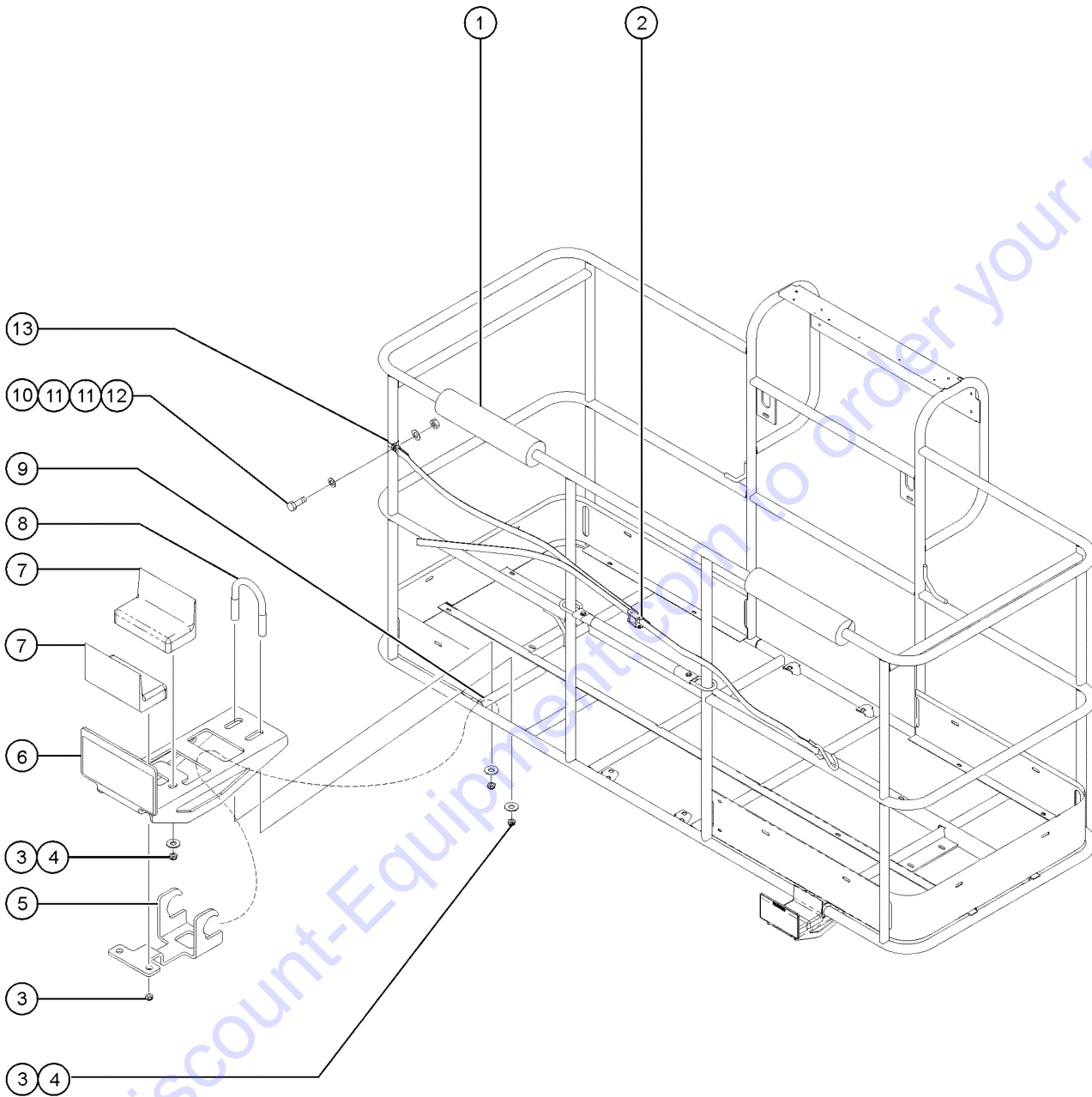
813.1 Air Line to Platform, Heavy Duty Swing Drive



813.1 Air Line to Platform, Heavy Duty Swing Drive

| Item | Part No. | Description | Qty. |
|------|--------------------------|--|------|
| -- | 50014GT | S125 AIRLINE TO PLATFORM | |
| -- | 60918GT | S120 AIRLINE TO PLATFORM | |
| -- | 44981GT | DECAL,LABEL,AIR LINE 110 PSI | |
| 1 | 49215GT | MPT,CPLR,1/4"SER,3/8"X18.....1 | 1 |
| 2 | 49212GT | FEMALE BULKHEAD CONNECTOR-8...2 | 2 |
| 3 | 60886PGT | BRACKET,AIRLINE TO PLATFORM.....1 | 1 |
| 4 | 4828GT | NUT,NYLOCK,3/8-16 | |
| 5 | 5397GT | WASHER,FLAT,USS,5/16",Y | |
| 6 | 3888-18360 GT | HOSE,1/2,LOW PRESSURE,801-8.....1 | 1 |
| 7 | 122755GT | UBOLT,FLATTENED,1.5DIAX3/8 UNC | |
| 8 | 49214GT | MALE PIPE THD,1/4" SER,3/8"X18.....1 | 1 |
| 9 | 111145GT | SWING DRIVE ASSEMBLY.....1 | 1 |
| -- | 62465GT | SEAL KIT,DRIVE HUB,TURNTBL.ROT | |
| -- | 62467GT | BEARING KIT,TURNTBL.ROT.DRVHUB | |
| 10 | 60811GT | BRAKE,TURNTABL ROT ASSY,60751*.....1 <i>to SN 1609</i> | 1 |
| -- | 62466GT | SEAL KIT,BRAKE,TURNTABLE ROT** | |
| -- | 62467GT | BEARING KIT,TURNTBL.ROT.DRVHUB | |
| 11 | 111145GT | SWING DRIVE ASSEMBLY.....1 <i>to SN 1609</i> | 1 |
| -- | 111145GT | SWING DRIVE ASSEMBLY <i>from SN 1610</i> | |
| 12 | 60812GT | MOTOR,TURNTABL ROT.ASSY.60751.....1 <i>to SN 1609</i> | 1 |
| -- | 75116GT | SEAL KIT,TURNTABL.ROT.MOTOR | |
| 13 | 128447GT | MANIFOLD,TURNTABLE ROTATION.....1 | 1 |
| 14 | 56843GT | SCREW,SHC,1/2-13 X 1.50,A574.....2 | 2 |

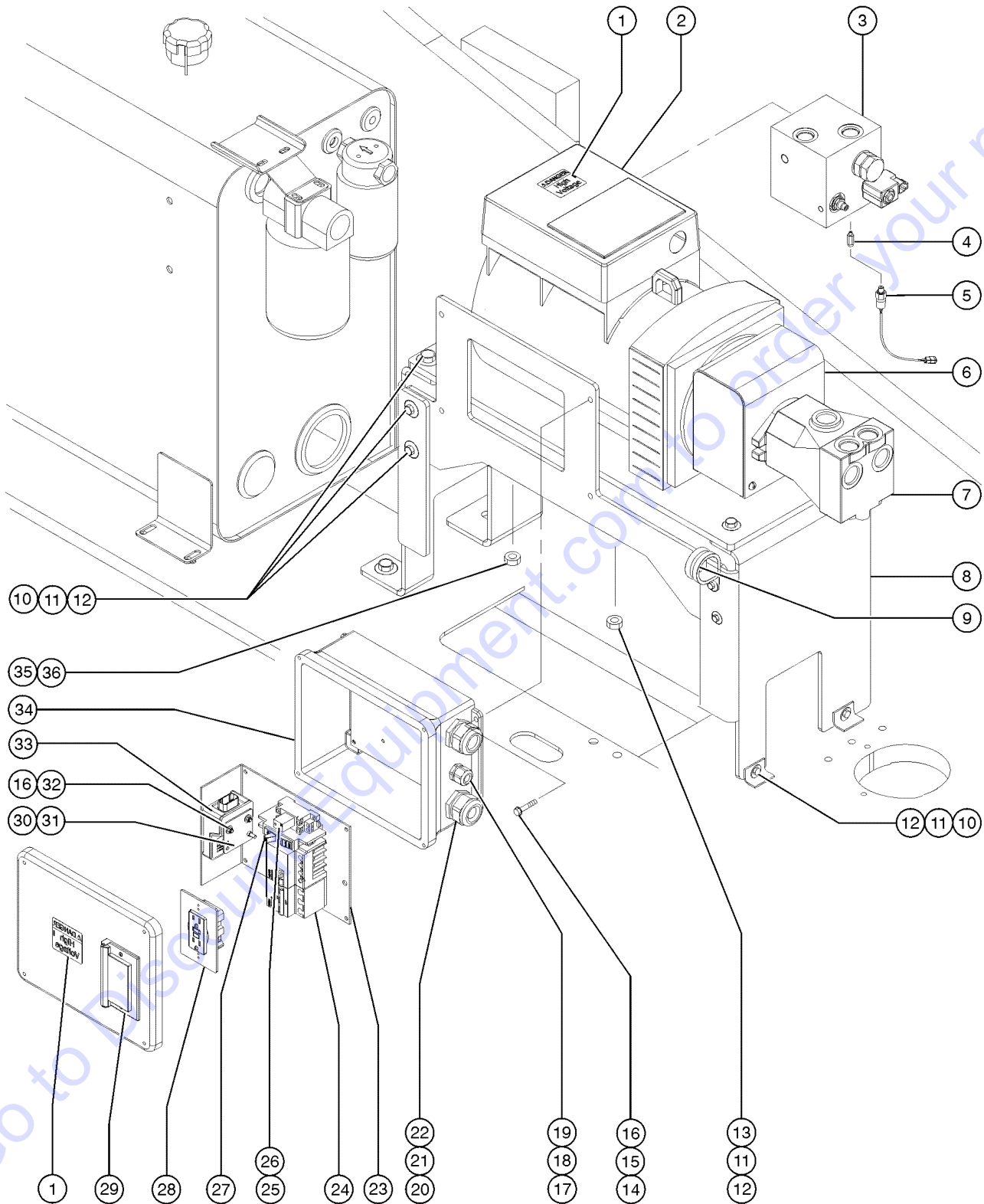
814.1 Panel Cradle Option



814.1 Panel Cradle Option

| Item | Part No. | Description | Qty. |
|------|--------------|---|------|
| -- | 77683GT | ACCESSORY,PANEL CRADLE,ANSI (ANSI models) | |
| -- | 94493-SGT | KIT,PANEL CRADLE,CE (CE models) | |
| 1 | 88377-1400GT | FOAM PAD, 3" OD X 1.25" ID X 14 IN.....2 | |
| 2 | 77664GT | ADJUSTABLE STRAP ASSY.....1 | |
| 3 | 1274322GT | NUT,NYLOCK FLG,3/8-16,F,ZAG.....8 | |
| 4 | 5397GT | WASHER,FLAT,USS,5/16",Y for machines before 2010 | |
| 5 | 228849GT | FORMING,SECONDARY SUPPORT.....2 77576P is no longer available. For machines before 2010, must install Qty 2 service kit 233992 (ANSI) or 233993 (CE) for initial replacement. | |
| 6 | 228848GT | FORMING PANEL CRADLE.....2 89724 is no longer available. For machines before 2010, must install Qty 2 service kit 233992 (ANSI) or 233993 (CE) for initial replacement. | |
| -- | 233992GT | KIT,PANEL CRADLE BRACKET,WORD.....1 (ANSI models) (includes hook, panel support bracket and installation instructions) | |
| -- | 233993GT | KIT,PANEL CRADLE BRACKET,SYMBL.....1 (CE models) (includes hook, panel support bracket and installation instructions) | |
| 7 | 56934GT | PAD,REST,1"THICK,FLANGED.....4 | |
| 7A | 824038GT | NUT,TL JAM,3/8-16,A,ZAG.....4 for 56934 | |
| 8 | 1251600GT | U-BOLT, FLATTENED, 1.5 X 3/8 UNC,ZAG.....2 | |
| 9 | 73463-1175GT | TUBE, RD, ALUM, 1.25 X .083 X 11.75...2 | |
| 10 | 1256855GT | SCREW,HHF,1/4-20X.625,8,ZAG.....1 | |
| 11 | 6638GT | WASHER,FLAT,USS,1/4"Y for machines before 2010 | |
| 12 | 1277924GT | NUT,NYLOCK FLG,1/4-20,F,ZAG.....1 | |
| 13 | 56424GT | CLAMP,1.25X.5 RUBBER-CUSHION.....1 | |

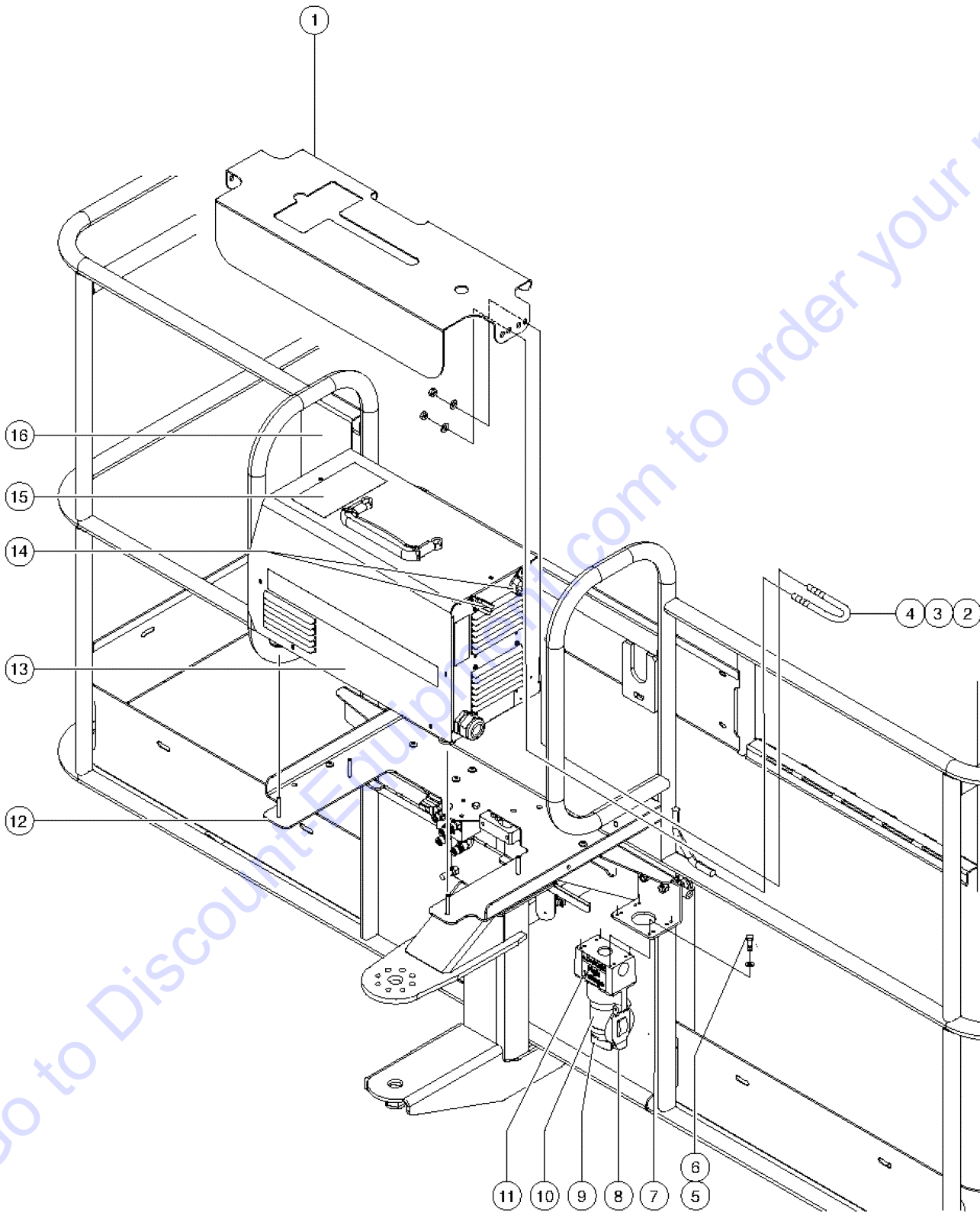
815.1 Welder Option, Chassis Components - View 1



815.1 Welder Option, Chassis Components - View 1

| Item | Part No. | Description | Qty. | Item | Part No. | Description | Qty. |
|------|-----------|---|------|------|-----------|--|------|
| -- | 226507GT | HARNESS, HYD GENERATOR,SB | | 12 | 4828GT | NUT,NYLOCK,3/8-16 | |
| -- | 226503GT | HARNESS,WELD GEN ENCLOSURE | | 13 | 8516GT | SCREW, HCC, 3/8-16 X 1.50 | |
| -- | 101506GT | WIRE CABLE,6GA/4 CONDUCTOR.....1860-inches | | 14 | 6888GT | SCREW,HHC,1/4-20 X 1 | |
| -- | 106637GT | MODULE,TIME DELAY ON BREAK 4S | | 15 | 6638GT | WASHER,FLAT,USS,1/4"Y | |
| -- | 13097GT | FUSE,10 AMP | | 16 | 6889GT | NUT,LP NYLOCK,1/4-20 | |
| -- | 102746GT | VALVE,PILOT OPER DIRECTIONAL | | 17 | 7056GT | CONN, SQZ, 1/2NPT .38-.50, SM**.....1 | |
| -- | 110220GT | DECAL,WARNING,WELDER SAFETY | | 18 | 6935GT | LOCKNUT,ELEC,1/2".....1 | |
| -- | 229404GT | KIT BONDED WELD LEAD S12 <i>(welder cable kit option only); from SN 3273</i> | | 19 | 56237GT | O-RING,ORFS,-12.....1 | |
| -- | 229385GT | CABLE,4/0 WELD LEAD,TWIN S125 <i>(part of kit option 229404); fromSN 3273</i> | | 20 | 20776GT | CABLE SQUEEZE CONN.....2 | |
| -- | 229403GT | KIT BONDED WELD LEAD S120 <i>(welder cables kit option only); from SN 3273</i> | | 21 | 18665GT | LOCKNUT,ELECTRIC,1" NPT.....2 | |
| -- | 229384GT | CABLE,4/0 WELD LEAD,TWIN S120 <i>(part of kit option 229403); from SN 3273</i> | | 22 | 106104GT | O-RING,SEAL RING,1" NPT (PKG OF 10).....2 | |
| 1 | 82237GT | DECAL,DANGER,HIGH VOLTAGE.....2 | | 23 | 102314GT | PANEL, ENCLOSURE, LINCO WELDER.....1 | |
| 2 | 106113GT | GENERATOR,HYDRO-12KEP-21-3.....1 <i>includes item 7</i> | | 24 | 106477GT | GFI/CIRCUIT BREAKER ASSEMBLY.....1 | |
| -- | 106274GT | GENERATOR,12.5 KW,W/O MOTOR*** | | 25 | 33608GT | RELAY,SOCKET,OMRON.....1 | |
| -- | 110344GT | BRUSH BOX,ASSY,GEN*** | | 26 | 33607GT | RELAY,OMRON,DPDT,12V.....1 | |
| -- | 122300GT | COVER,WELDER GENERATOR | | 27 | 106073GT | CIRCUIT BREAKER,20A,SINGLE PH.....1 | |
| -- | 21187GT | PLUG,NYLON 1.38 BLACK DOMED | | 28 | 80543GT | RECEPTACLE, 120VAC, 20A, GFCI.....1 | |
| -- | T113655GT | COUPLING, 28MM (106113) | | 29 | 74006GT | COVER,GFCI,HORIZONTAL,WEATHER.1 <i>includes mounting hardware</i> | |
| -- | T114022GT | SPIDER (106113) | | 30 | 106140PGT | BRACKET,1K OHM 10-TURN POT,PNT.....1 | |
| -- | T114023GT | COUPLING (106113) | | 31 | 102357GT | POTENTIOMETER ASSY, WELDER.....1 | |
| 3 | | MANIFOLD,DRIVE OIL DIVERTER***.....1 <i>(refer to 818.1)</i> | | 32 | 36294GT | SCREW,HHC,1/4-20 X 2.75 | |
| 4 | 146285GT | CONN, SAE#4-1/4" NPT.....1 | | 33 | 106658GT | MODULE,SX CONTROLLER,LOW AMP | |
| 5A | 146284GT | SWITCH,PRESS,#4NPT,200PSIF.....1 <i>for first time replacement, order service kit 1271398GT.</i> | | 34 | 229346GT | ASSY,ENCLOSURE,WELDER,GEN.....1 | |
| 5B | 1271398GT | KIT,GEN. PRESSURE SWITCH <i>includes pressure switch, hose, fittings and installation instructions</i> | | 35 | 6782GT | NUT,NYLOCK,5/16-18 | |
| 6 | T111766GT | MOTOR MOUNT COUPLER (106274)....1 | | 36 | 13002GT | SCREW,HHC,5/16-18 X 1 GR5 | |
| 7 | 106184GT | MOTOR,HYD 12.5KW GEN,21CC***.....1 | | | | | |
| -- | 162006GT | SEAL KIT,HYD MOTOR(106184) | | | | | |
| 8 | 102359PGT | PLATE, TOP,GENERATOR 12KW,PNTD.....1 | | | | | |
| -- | 102390PGT | PLATE,FRNT,ENCLOSURE ASSY,PNTD | | | | | |
| -- | 102606PGT | FORMING,LF,GENERATOR 12KW,PNTD | | | | | |
| -- | 102607PGT | FORMING,RT,GENERATOR 12KW,PNTD | | | | | |
| 9 | 77181GT | CLAMP,1.63,#26 X 3/8,RUB CUSH | | | | | |
| 10 | 6019GT | SCREW,HHC,3/8-16 X 1.25 GRD 5 | | | | | |
| 11 | 6097GT | WASHER,FLAT,USS,3/8",Y | | | | | |

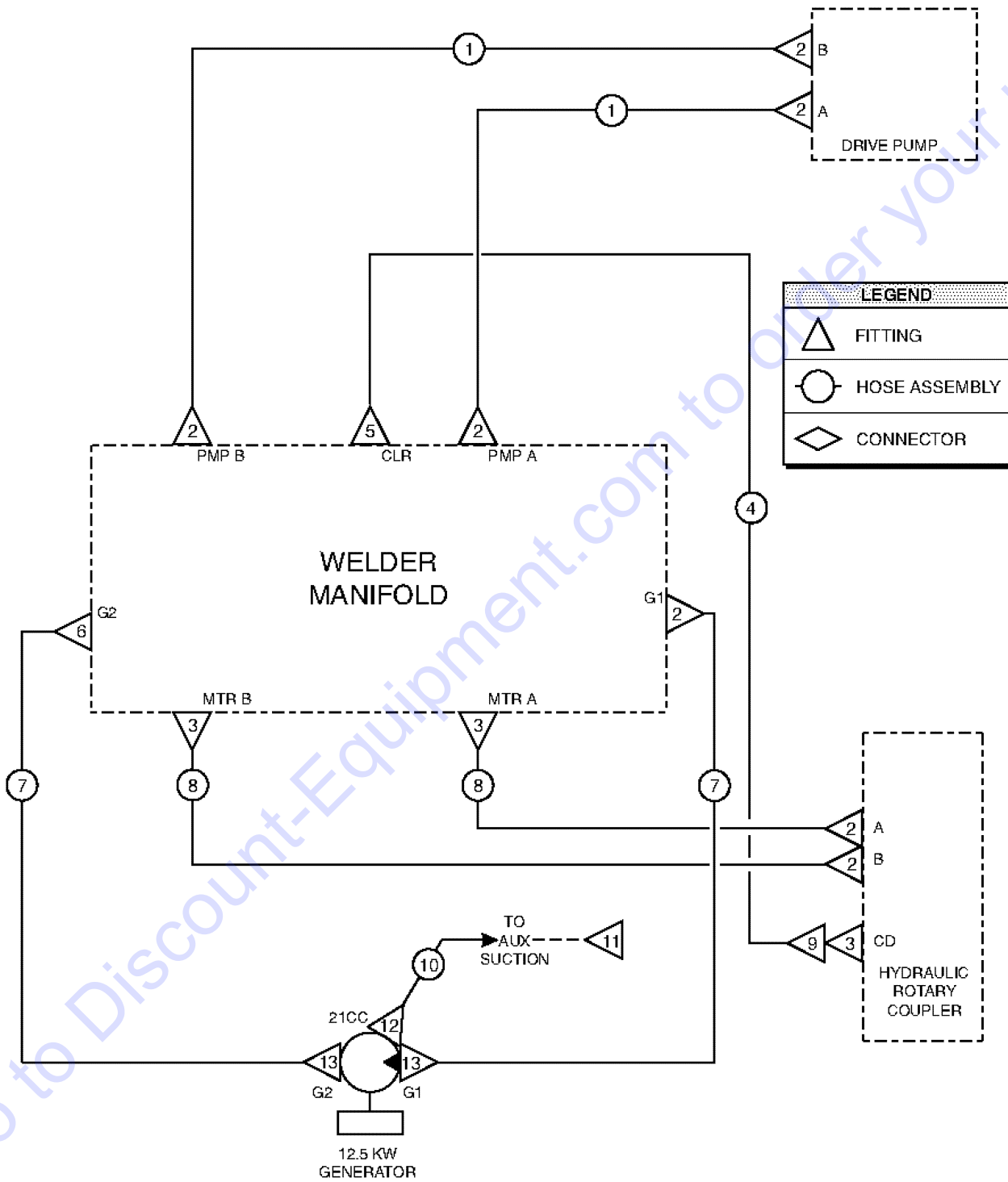
816.1 Welder Option, Platform Components - View 2



816.1 Welder Option, Platform Components - View 2

| Item | Part No. | Description | Qty. | Item | Part No. | Description | Qty. |
|------|---------------|---|------|------|-----------|--|------|
| -- | 88406GT | FIRE EXTINGUISHER | | -- | 4828GT | NUT,NYLOCK,3/8-16 | |
| -- | 82862GT | DECAL,FIRE EXTINGUISHER | | -- | 5397GT | WASHER,FLAT,USS,5/16",Y | |
| -- | 97579GT | DECAL,DANGER,TIP-OVER,WELDER** | | -- | 6782GT | NUT,NYLOCK,5/16-18 | |
| -- | 133518GT | DECAL, PATCH, GEN,ALC-500 | | 13 | 101525GT | WELDER,INVERTEC V275-S.....1 | |
| -- | 101547PGT | BRACKET,WELDER SUPPORT,PNT | | -- | 106141GT | SCREW,SECURITY,1/4-20 X 1.75LG | |
| -- | 28443GT | CABLE TIE,11.5" BLACK | | -- | 106183GT | FUSE,.6AMP,250V,WELDER,V275S | |
| -- | 110276-3600GT | FIRE SLEEVE, 1.25".....1 (S-120) | | -- | 106275GT | KIT,WELD LEADS ASSY,V275S <i>includes both cables</i> | |
| -- | 110276-5800GT | FIRE SLEEVE, 1.25".....1 (S-120) | | 14 | 18666GT | CLAMP,1.00,#16 X 1/4,RUB CUSH.....2 | |
| -- | 110276-7000GT | FIRE SLEEVE, 1.25".....1 (S-120) | | 15 | 110220GT | DECAL,WARNING,WELDER SAFETY...1 | |
| -- | 110276-1500GT | FIRE SLEEVE, 1.25".....2 (S-120 and S-125) | | 16 | 106204PGT | BRACKET,V275S WELD LEADS.....1 | |
| -- | 110276-1200GT | FIRE SLEEVE, 1.25".....2 (S-125) | | | | | |
| -- | 110276-2400GT | FIRE SLEEVE, 1.25",24"L.....1 (S-125) | | | | | |
| -- | 110276-2500GT | FIRE SLEEVE, 1.25".....1 (S-125) | | | | | |
| -- | 110276-4000GT | FIRE SLEEVE, 1.25".....1 (S-125) | | | | | |
| -- | 110276-4600GT | FIRE SLEEVE, 1.25".....1 (S-125) | | | | | |
| -- | 110277-4500GT | FIRE SLEEVE, 2.0".....1 (S-125) | | | | | |
| Q | 229925GT | ADAPTER,WELDER,208-220 | | | | | |
| 1 | 101547PGT | BRACKET,WELDER SUPPORT,PNT | | | | | |
| 2 | 5397GT | WASHER,FLAT,USS,5/16",Y | | | | | |
| 3 | 4828GT | NUT,NYLOCK,3/8-16 | | | | | |
| 4 | 122755GT | UBOLT,FLATTENED,1.5DIA X 3/8 UNC....2 | | | | | |
| 5 | 47363GT | SCREW,RHM,8-32 X .50 | | | | | |
| 6 | 35461GT | WASHER,FLAT,MS,#8,Y | | | | | |
| 7 | 101731PGT | BRACKET,POWER TO PLAT TBOX,PNT.....1 | | | | | |
| -- | 4828GT | NUT,NYLOCK,3/8-16 | | | | | |
| -- | 5397GT | WASHER,FLAT,USS,5/16",Y | | | | | |
| -- | 6550GT | U-BOLT,3/8 X 1 YZ | | | | | |
| 8 | 101732GT | COVER,WEATHERPROOF 3-PHASE | | | | | |
| 9 | 106112GT | PLUG,4-WIRE,3-PHASE,50A,MALE.....1 | | | | | |
| 10 | 106110GT | T-BOX,2.75X4.5X2.63,3PH.....1 | | | | | |
| -- | 106111GT | RECEPTCL,LOCK 3-PH,50A,4 WIRE | | | | | |
| 11 | 82237GT | DECAL,DANGER,HIGH VOLTAGE.....2 | | | | | |
| 12 | 102408PGT | BRACKET,LINCOLN WELDER,PNTD....1 | | | | | |
| -- | 102409PGT | BRACKET,WELDER MNT SUPPORT,PNT | | | | | |
| -- | 106043GT | SCREW,SECURITY,5/16-18X1.00 | | | | | |
| -- | 106044GT | U-BOLT,3/8-16X4X4.63X3.00 | | | | | |

817.1 Welder Option, Hoses and Fittings - View 3

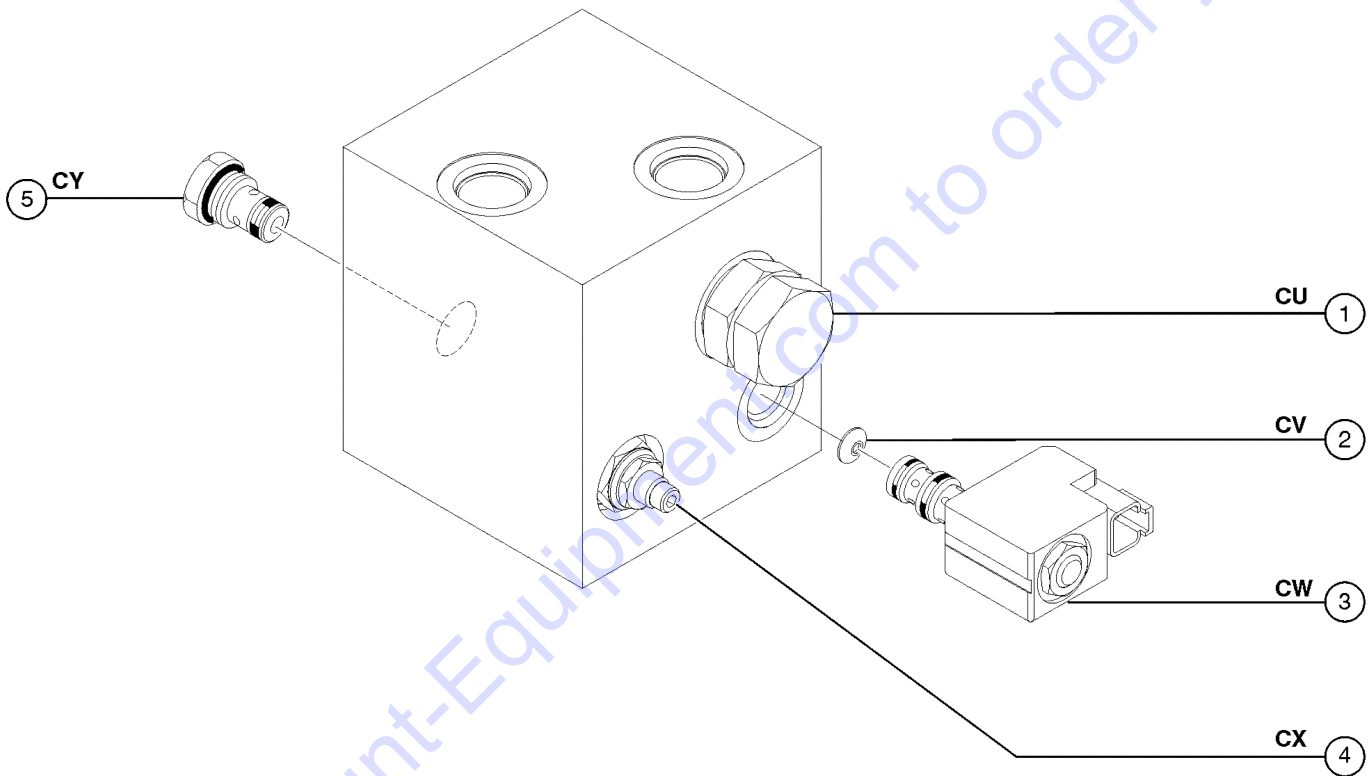


817.1 Welder Option, Hoses and Fittings - View 3

| Item | Part No. | Description | Qty. |
|------|---------------|--------------------------------------|------|
| 1 | 61134-7033GT | HOSE ASSY 3/4,90 FEM STR FEM.....2 | |
| 2 | 48963GT | FITTING,ELBOW,45D,520320-12***.....7 | |
| 3 | 48960GT | FITTING,CONN,520120-12***.....3 | |
| 4 | 49142-7062GT | HOSE ASSEMBLY,1/2".....1 | |
| 5 | 48933GT | CONN,520120-8***.....1 | |
| 6 | 48959GT | FITTING,ELBOW,90D,520220-12.....1 | |
| 7 | 102312-2088GT | HOSE ASSEMBLY,3/4",-10-12 90F,.....2 | |
| 8 | 102313-4626GT | HOSE ASSY,3/4,45 FEM,STR FEM.....2 | |
| 9 | 48964GT | FITTING,TEE,RUN,SWIVEL52043212....1 | |
| 10 | 49143-5629GT | HOSE ASSY,1/2,90 FEM,STR FEMM....1 | |
| 11 | 48938GT | FITTING,TEE,RUN,SWIVEL520432-8....1 | |
| 12 | 48948GT | CONN,520120-8-12.....1 | |
| 13 | 48958GT | CONN,520120-10-12.....2 | |

Go to Discount-Equipment.com to order your parts

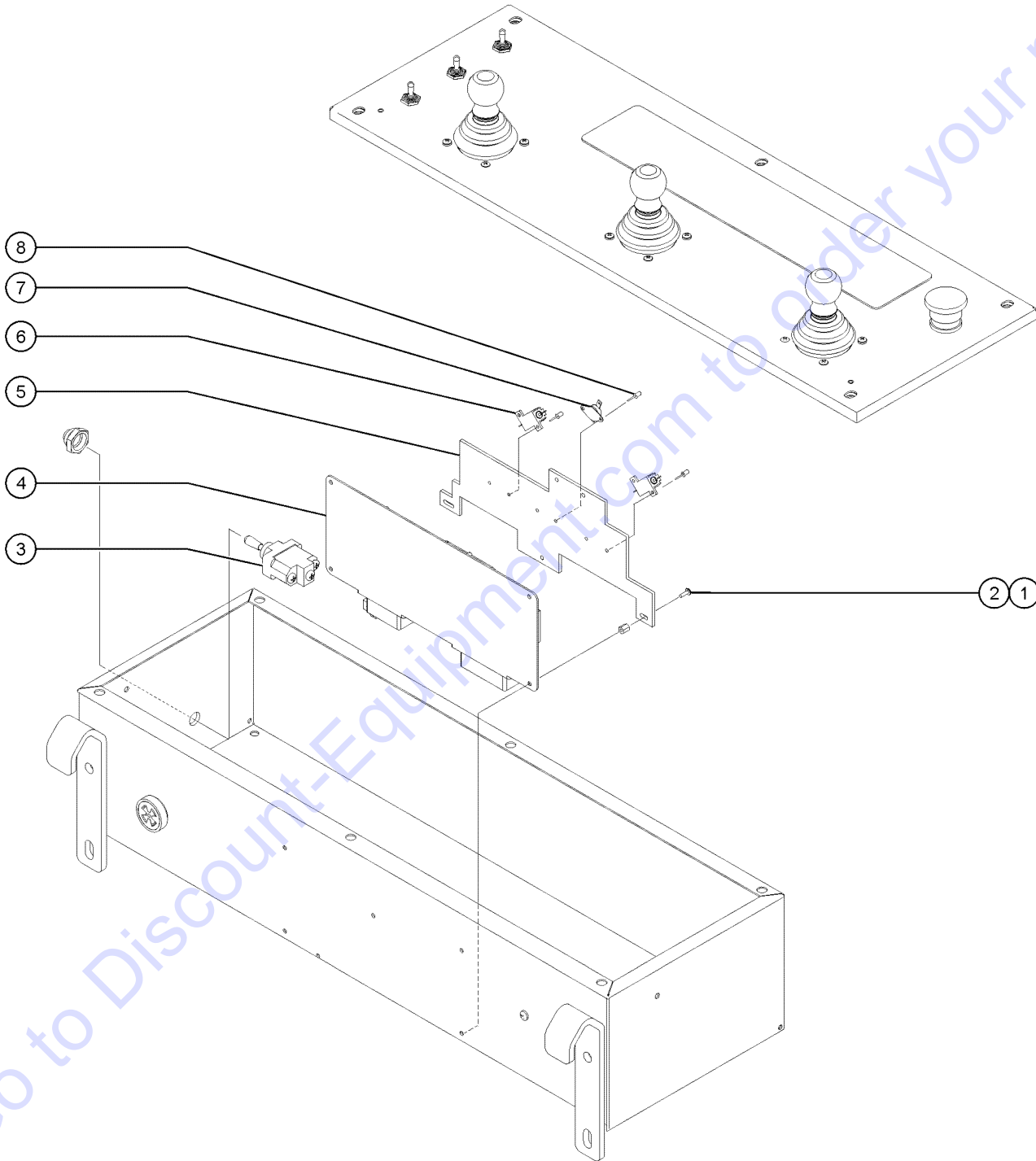
818.1 Welder Option, Oil Diverter Manifold - View 4



818.1 Welder Option, Oil Diverter Manifold - View 4

| Item | Part No. | Description | Qty. |
|------|----------|--|------|
| -- | 101516GT | MANIFOLD,DRIVE OIL DIVERTER <i>(complete)</i> | |
| 1 | 102746GT | VALVE,PILOT OPER DIRECTIONAL <i>CU, Diverter valve</i> | |
| 2 | 106394GT | ORIFICE DISC,.030,CONE <i>CV, Delays shift to drive</i> | |
| 3 | 94760GT | VALVE,SOLENOID,10V,W/OUT COIL* <i>CW, Pilot valve to diverter</i> | |
| -- | 128419GT | Seal Kit | |
| -- | 94759GT | NUT,SOLENOID | |
| -- | 94765GT | COIL-10V DC*** | |
| 4 | 122302GT | RELIEF,VALVE 270 PSI <i>CX, Charge pressure circuit</i> | |
| -- | 128416GT | Seal Kit | |
| 5 | 94757GT | VALVE,CHECK,3 PSI*** <i>CY, Prevents oil flow to generator</i> | |
| -- | 128416GT | Seal Kit | |

819.1 Circuit Board Heater Option

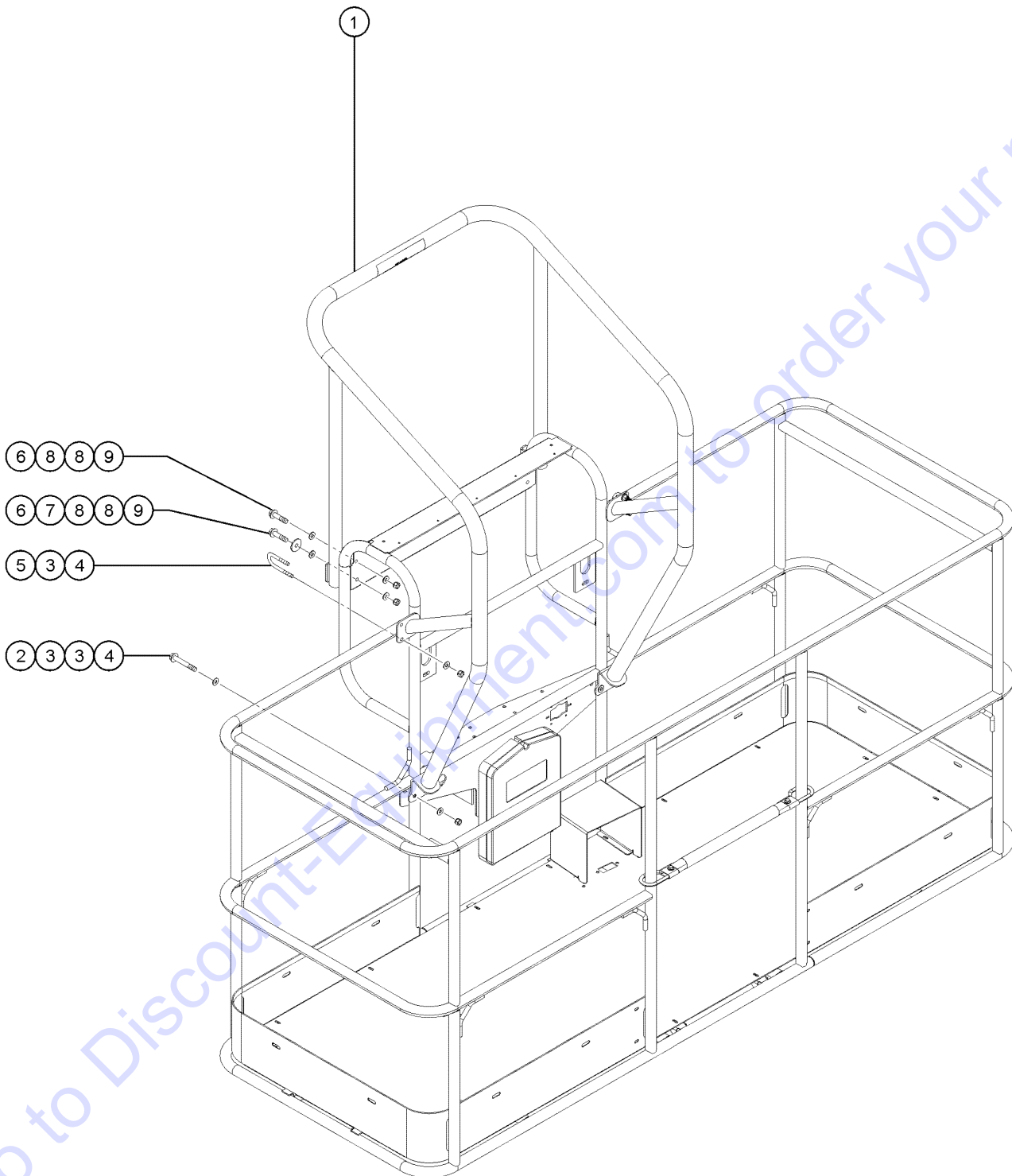


819.1 Circuit Board Heater Option

| Item | Part No. | Description | Qty. |
|------|-----------|--|------|
| -- | 122736GT | ACCESS PBOX HEATER S100/120 <i>from SN 2172</i> | |
| 1 | 81551GT | SCREW,PHIL,PHM,6-32 X 1/4 SS.....4 | |
| 2 | 119534GT | STANDOFF,1/4X1/4 M-F 6-32 S/S.....4 | |
| 3 | 128204GT | SWITCH TOGGLE ASSY SPDT 2P MNT | |
| -- | T115352GT | DECAL,OPTION CONTROL BOX HEATR | |
| 4 | | Ref. PCB Assembly, PCON (refer to 603.1) | |
| 5 | 119250GT | BRACKET,PLATFORM HEATER OPT.....1 <i>to SN 2171</i> | |
| -- | 122723GT | BRACKET,PLATFORM HEATER OPTION <i>from SN 2172</i> | |
| 6 | 27287GT | RESISTOR,10 OHM,25 WATT.....2 | |
| 7 | 119641GT | SWITCH,THERMOSTAT 85F OPEN.....1 | |
| 8 | 6272GT | RIVET,STL,STL,P,.125 X .25 | |

Go to Discount-Equipment.com to order your parts

820.1 Operator Protection Structure (from SN 792)



Go to Discount-Equipment.com to order your parts

820.1 Operator Protection Structure (from SN 792)

| Item | Part No. | Description | Qty. |
|------|----------|---|------|
| 1 | 219158GT | ACCESSORY,OPERATOR PROT STRUCT.....1 <i>(Complete) includes all fasteners</i> | 1 |
| 2 | 8178GT | SCREW,HHC,3/8-16 X 2.5.....4 | 4 |
| 3 | 6097GT | WASHER,FLAT,USS,3/8",Y.....12 | 12 |
| 4 | 4828GT | NUT,NYLOCK,3/8-16.....8 | 8 |
| 5 | 122755GT | UBOLT,FLATTENED,1.5DIA X 3/8 UNC...2 | 2 |
| 6 | 6888GT | SCREW,HHC,1/4-20 X 1.....4 | 4 |
| 7 | 15086GT | WASHER,FLAT,.375 X 1.5 X .125.....2 <i>Use only with the platform control box cover option</i> | 2 |
| 8 | 6638GT | WASHER,FLAT,USS,1/4"Y.....8 | 8 |
| 9 | 6091GT | NUT,NYLOCK,1/4-20.....4 | 4 |

Go to Discount-Equipment.com to order your parts

Part Number Index

The Part Number Index is a numeric index of all part numbers included in this manual. The index shows what page(s) the part is used on.

| Part Number | Page | Part Number | Page | Part Number | Page | Part Number | Page |
|-------------|---|---------------|---|---------------|-------------------------------|-------------|--|
| 1000256GT | 14-15 | 102031GT | 87 | 102313-4626GT | 319 | 102644GT | 117 |
| 101005GT | 191 | 102034PGT | 87 | 102314GT | 315 | 102645GT | 117 |
| 101005HGT | 191 | 102035PGT | 83 | 102346GT | 285 | 102646GT | 117 |
| 101068GT | 227 | 102042GT | 87 | 102348GT | 115, 117 | 102647GT | 117 |
| 101070GT | 31 | 102043GT | 83 | 102357GT | 315 | 102648GT | 117 |
| 10107GT | 37, 39, 43, 51- 52, 55, 57, 59, 63, 308 | 102044PGT | 83 | 102359PGT | 315 | 102649GT | 117 |
| 101174GT | 191 | 102045GT | 77, 79, 81, 83, 85, 103, 105, 107, 109, 111, 115, 129, 135 | 102390PGT | 315 | 102650GT | 117 |
| 101174HGT | 191 | 102048GT | 83 | 102391PGT | 279 | 102651GT | 115, 117 |
| 101175GT | 191 | 102049GT | 275 | 102392GT | 279 | 102652GT | 91 |
| 101175HGT | 191 | 102050GT | 275 | 102393GT | 279 | 102653GT | 91 |
| 101217PGT | 113 | 102051GT | 153, 155-156 | 102394GT | 205-206, 209- 210, 213-214 | 102654GT | 91 |
| 101219GT | 113 | 102052GT | 165-166 | 102395GT | 205-206, 209- 210, 213-214 | 102659GT | 51-52, 55, 57, 59 |
| 101229GT | 109 | 102054GT | 165-166 | 102396GT | 205-206, 209- 210, 213-214 | 102660GT | 179-180 |
| 101347PGT | 113 | 102058GT | 91 | 102398GT | 205-206, 209- 210, 213-214 | 102661GT | 179-180 |
| 101373GT | 184-185 | 102064GT | 31 | 102408PGT | 317 | 102662GT | 179-180 |
| 101375GT | 184-185 | 102101PGT | 91 | 102409PGT | 317 | 102663GT | 179-180 |
| 101376GT | 184-185 | 102106GT | 41 | 102441GT | 307-308 | 102666GT | 179-180 |
| 101377GT | 184-185 | 102114GT | 131-132 | 102442GT | 307-308 | 102669GT | 179-180 |
| 101378GT | 184-185 | 102166GT | 81, 113 | 102444GT | 307-308 | 102670GT | 180 |
| 101379GT | 184-185 | 102181PGT | 301 | 102445GT | 307-308 | 102671GT | 180 |
| 101381GT | 184-185 | 102182GT | 83 | 102446GT | 307-308 | 102672GT | 180 |
| 101382GT | 184-185 | 102183GT | 301 | 102447GT | 307-308 | 102673GT | 180 |
| 101383GT | 184-185 | 102188GT | 14-15 | 102449GT | 35 | 102674GT | 180 |
| 101384GT | 184-185 | 102190PGT | 49 | 102450GT | 35 | 102675GT | 180 |
| 101486PGT | 109 | 102200-SGT | 183-185 | 102452GT | 35 | 102676GT | 273 |
| 101506GT | 315 | 102203GT | 91 | 102453GT | 117 | 102681GT | 277, 279, 281, 283, 285, 287, 289 |
| 101513PGT | 109 | 102204PGT | 131-132 | 102496GT | 195 | 102684GT | 35 |
| 101516GT | 321 | 102205PGT | 63 | 102573GT | 91 | 102696GT | 61 |
| 101525GT | 317 | 102208GT | 135 | 102574GT | 91 | 102701GT | 201, 203 |
| 101547PGT | 317 | 102209PGT | 131-132 | 102575GT | 91 | 102704GT | 25, 39 |
| 101601GT | 115 | 102210PGT | 131-132, 141 | 102576GT | 91 | 102706GT | 109 |
| 101602GT | 115 | 102211GT | 155-156, 165- 166 | 102577GT | 91 | 102707GT | 83 |
| 101603PGT | 111 | 102212GT | 155-156, 165- 166 | 102578GT | 91 | 102708GT | 131-132 |
| 101604PGT | 111 | 102213GT | 155-156, 165- 166 | 102580GT | 137 | 102710GT | 51-52, 55, 57, 59 |
| 101606PGT | 111 | 102214GT | 155-156, 166 | 102581GT | 137 | 102721PGT | 307-308 |
| 101613GT | 115 | 102215GT | 155-156, 166 | 102582GT | 137 | 102728GT | 27 |
| 101628GT | 111 | 102216GT | 155-156, 166 | 102584GT | 137 | 102729GT | 27, 39 |
| 101629GT | 111, 115 | 102218PGT | 131-132, 141 | 102585GT | 137 | 102746GT | 315, 321 |
| 101632GT | 295 | 102220GT | 301, 303 | 102586GT | 137 | 102785PGT | 273 |
| 101634GT | 97, 109, 135 | 102225GT | 283, 285, 289 | 102587GT | 137 | 102786PGT | 273 |
| 101637GT | 97 | 102235GT | 283, 285, 289 | 102589GT | 137 | 102938GT | 307-308 |
| 101638GT | 109, 131-132 | 102236GT | 283, 285, 289 | 102590GT | 137 | 102947GT | 69 |
| 101639GT | 301, 303 | 102237PGT | 135 | 102592GT | 137 | 102948GT | 69 |
| 101644GT | 111 | 102253GT | 301 | 102593GT | 137 | 102950GT | 67 |
| 101653GT | 283 | 102279GT | 43 | 102594GT | 137 | 102992GT | 183-185 |
| 101654PGT | 283 | 102280GT | 91 | 102595GT | 137 | 102993GT | 63 |
| 101655PGT | 283 | 102281GT | 91 | 102596GT | 137 | 102994GT | 63 |
| 101656PGT | 283 | 102282GT | 91 | 102597GT | 137 | 102995GT | 145-146 |
| 101657GT | 301 | 102283GT | 91 | 102598GT | 117 | 102998GT | 145-146 |
| 101658GT | 301 | 102284GT | 91 | 102599GT | 117 | 102999GT | 146 |
| 101659GT | 295 | 102285GT | 91 | 102600GT | 117 | 104759GT | 201 |
| 101660GT | 295 | 102286GT | 91 | 102601GT | 117 | 104760GT | 201 |
| 101726GT | 41 | 102287GT | 91 | 102602GT | 117 | 10587GT | 43, 51-52, 151, 297 |
| 101731PGT | 317 | 102288GT | 91 | 102603GT | 117 | 10597GT | 21, 23, 25, 31, 37, 39, 71, 87, 97, 109, 125 |
| 101732GT | 317 | 102289GT | 91 | 102604GT | 117 | 106008GT | 283 |
| 101767GT | 109 | 102290GT | 91 | 102605GT | 117 | 106043GT | 317 |
| 101845GT | 275 | 102291GT | 91 | 102606PGT | 315 | 106044GT | 317 |
| 101888GT | 61 | 102292GT | 91 | 102607PGT | 315 | 106073GT | 315 |
| 101930PGT | 113 | 102293GT | 91 | 102630GT | 117 | 106098GT | 31 |
| 101931PGT | 109 | 102294GT | 91 | 102631GT | 117 | 106104GT | 315 |
| 101934GT | 223 | 102295GT | 91 | 102632GT | 117 | 106110GT | 317 |
| 101957GT | 89, 113, 115, 131-132 | 102296GT | 91 | 102633GT | 117 | 106111GT | 317 |
| 101958GT | 203 | 102297GT | 91 | 102635GT | 117 | 106112GT | 317 |
| 101964GT | 69 | 102298GT | 91 | 102636GT | 117 | 106113GT | 315 |
| 102000GT | 153, 155-156, 165-166 | 102299GT | 91 | 102637GT | 117 | 106118GT | 31 |
| 102001GT | 153, 155-156, 165-166 | 102300GT | 75, 91 | 102638GT | 109, 117 | 106140PGT | 315 |
| 102002GT | 153, 155-156, 165-166 | 102301GT | 91 | 102639GT | 117 | | |
| 102018GT | 165-166 | 102302GT | 91 | 102640GT | 117 | | |
| 102020GT | 165-166 | 102303GT | 91 | 102641GT | 117 | | |
| | | 102312-2088GT | 319 | 102642GT | 117 | | |
| | | | | 102643GT | 117 | | |

| Part Number | Page | Part Number | Page | Part Number | Page | Part Number | Page |
|----------------|-------------|-------------|----------|-------------|----------------------------|-------------|-------------------|
| 106141GT | 317 | 111200GT | 179-180 | 111397GT | 87 | 122247GT | 37, 39 |
| 106183GT | 317 | 111201GT | 179-180 | 111398GT | 105, 107 | 122248GT | 23, 27, 37, 39 |
| 106184GT | 315 | 111202GT | 179-180 | 111399GT | 109 | 122249GT | 23, 27 |
| 106204PGT | 317 | 111203GT | 179-180 | 111400GT | 77, 103 | 122266GT | 131-132 |
| 106211-400GT | 301, 303 | 111204GT | 180 | 111401GT | 131-132, 141 | 122272GT | 67, 69 |
| 106211-475GT | 135 | 111205GT | 180 | 111402GT | 137 | 122278GT | 307-308 |
| 106226-4000GT | 115 | 111206GT | 180 | 111409GT | 145-146, 149 | 122279GT | 307-308 |
| 106274GT | 315 | 111207GT | 180 | 111410GT | 145-146, 149 | 122300GT | 315 |
| 106275GT | 317 | 111208GT | 180 | 111413GT | 187 | 122302GT | 321 |
| 106394GT | 321 | 111209GT | 180 | 111414GT | 187 | 122321GT | 165-166 |
| 106421GT | 175 | 111210GT | 179-180 | 111415GT | 189 | 122322GT | 165-166 |
| 106477GT | 315 | 111211GT | 179-180 | 111416GT | 189 | 122323GT | 271 |
| 106572GT | 283 | 111212GT | 179-180 | 111417GT | 189 | 122328GT | 301 |
| 106584GT | 301 | 111213GT | 179-180 | 111436GT | 252, 258 | 122329GT | 301 |
| 106637GT | 315 | 111214GT | 179-180 | 111437GT | 252, 258 | 122330PGT | 301 |
| 106658GT | 315 | 111215GT | 179-180 | 111444GT | 252, 258 | 122331GT | 301 |
| 10665GT | 161-162 | 111216GT | 179-180 | 111445GT | 137 | 122333GT | 113 |
| 106740GT | 289 | 111217GT | 179-180 | 111485PGT | 307-308 | 122334GT | 151 |
| 106756GT | 35 | 111250GT | 183-185 | 111486PGT | 307-308 | 122335GT | 85 |
| 106873GT | 35 | 111251GT | 183-185 | 111523GT | 161-162 | 122336GT | 45 |
| 106874GT | 35 | 111252GT | 183-185 | 111524GT | 161-162 | 122337GT | 45 |
| 106875GT | 35 | 111253GT | 183-185 | 111526GT | 273 | 122343GT | 187 |
| 106914GT | 43 | 111254GT | 183-185 | 111600GT | 252, 258 | 122362GT | 187 |
| 107704GT | 308 | 111255GT | 183-185 | 111637GT | 49 | 122366GT | 61 |
| 107705GT | 308 | 111256GT | 183-185 | 111639GT | 85 | 122368GT | 301 |
| 107706GT | 308 | 111257GT | 183-185 | 111668GT | 137 | 122401GT | 187 |
| 107707GT | 308 | 111258GT | 184-185 | 111775PGT | 165-166 | 122402GT | 85 |
| 107708GT | 308 | 111259GT | 184-185 | 111995GT | 155-156, 166 | 122404GT | 85 |
| 107709GT | 308 | 111260GT | 184-185 | 111996GT | 155-156, 166 | 122406GT | 61 |
| 107710GT | 308 | 111261GT | 184-185 | 111997GT | 155-156, 166 | 122407GT | 89 |
| 10777GT | 67, 180 | 111262GT | 184-185 | 11209GT | 43, 77, 103, 151, 283, 289 | 122408GT | 89 |
| 107830GT | 31 | 111263GT | 184-185 | 114112GT | 14-15, 17-18 | 122409GT | 85 |
| 107858GT | 271, 308 | 111264GT | 184-185 | 11413GT | 65 | 122410GT | 85 |
| 107860GT | 185 | 111265GT | 184-185 | 114236GT | 291 | 122411GT | 89 |
| 107867GT | 29 | 111266GT | 184-185 | 114247GT | 17-18 | 122412GT | 85 |
| 108543GT | 125 | 111267GT | 184-185 | 114249GT | 17-18 | 122413GT | 89 |
| 110180GT | 223 | 111268GT | 184-185 | 114251GT | 17-18 | 122414GT | 89 |
| 110194GT | 193, 195 | 111269GT | 184-185 | 114252GT | 17-18 | 122415GT | 85 |
| 110220GT | 315, 317 | 111270GT | 183-185 | 114258GT | 13-15 | 122423GT | 89 |
| 110276-1200GT | 317 | 111271GT | 183-185 | 114389GT | 13-15 | 122424GT | 85 |
| 110276-1500GT | 317 | 111272GT | 183-185 | 114390GT | 13-15 | 122425GT | 89 |
| 110276-2400GT | 317 | 111273GT | 184-185 | 114416GT | 13-15 | 122427GT | 89 |
| 110276-2500GT | 317 | 111278GT | 183-185 | 114473GT | 17-18 | 122428GT | 85, 89 |
| 110276-3600GT | 317 | 111279GT | 307-308 | 119250GT | 323 | 122432GT | 89, 303 |
| 110276-4000GT | 317 | 111280GT | 307-308 | 119395GT | 305 | 122433GT | 89 |
| 110276-4600GT | 317 | 111281GT | 307-308 | 119396GT | 305 | 122434GT | 89 |
| 110276-5800GT | 317 | 111282GT | 307-308 | 119533PGT | 289 | 122435GT | 89 |
| 110276-7000GT | 317 | 111283GT | 307-308 | 119534GT | 323 | 122438GT | 85 |
| 110277-4500GT | 317 | 111284GT | 307-308 | 119536PGT | 177 | 122439GT | 213-214 |
| 110304GT | 111 | 111285GT | 307-308 | 119542GT | 177 | 122461GT | 187 |
| 110344GT | 315 | 111286GT | 307-308 | 119613GT | 189, 191 | 122466GT | 89 |
| 110771-74B69GT | 171 | 111287GT | 307-308 | 119619GT | 23, 27 | 122467GT | 89 |
| 110771-74BJ9GT | 63, 155-156 | 111288GT | 307-308 | 119620GT | 23, 27 | 122470GT | 89 |
| 110789GT | 275 | 111289GT | 307-308 | 119641GT | 323 | 122472GT | 89 |
| 111117GT | 83 | 111290GT | 307-308 | 119795GT | 273 | 122494GT | 227 |
| 111119GT | 91 | 111291GT | 307-308 | 119915GT | 191 | 122495GT | 227 |
| 111143GT | 45 | 111292GT | 307-308 | 119950GT | 307-308 | 122516GT | 61 |
| 111144GT | 45 | 111293GT | 307-308 | 121657GT | 61, 187 | 122517GT | 61 |
| 111145GT | 45, 311 | 111310GT | 308 | 122015GT | 161-162 | 122519GT | 61, 187 |
| 111149GT | 161-162 | 111311GT | 308 | 122016GT | 161-162 | 122521GT | 156 |
| 111176GT | 151 | 111312GT | 308 | 122019GT | 271 | 122522GT | 143, 145-146, 149 |
| 111185GT | 93, 95 | 111313GT | 308 | 122021GT | 187 | 122551GT | 177 |
| 111186GT | 179-180 | 111314GT | 308 | 122026GT | 87 | 122552GT | 177 |
| 111187GT | 179-180 | 111315GT | 308 | 122026PGT | 79, 81, 87, 105, 107, 109 | 122591GT | 89 |
| 111188GT | 179-180 | 111316GT | 308 | 122034GT | 155-156, 166 | 122592GT | 89 |
| 111189GT | 179-180 | 111317GT | 308 | 122043GT | 14-15 | 122593GT | 111 |
| 111190GT | 179-180 | 111318GT | 308 | 122051GT | 131-132 | 122594GT | 85 |
| 111191GT | 179-180 | 111319GT | 308 | 122073GT | 307-308 | 122602GT | 89 |
| 111192GT | 179-180 | 111320GT | 308 | 122078GT | 187 | 122603GT | 89 |
| 111193GT | 179-180 | 111325GT | 13-15 | 122079GT | 180 | 122604GT | 89 |
| 111194GT | 179-180 | 111326GT | 139 | 122114GT | 155-156 | 122605GT | 89 |
| 111195GT | 179-180 | 111327GT | 143, 146 | 122206GT | 173 | 122613GT | 89 |
| 111196GT | 179-180 | 111328GT | 67 | 122225GT | 165-166 | 122614GT | 89 |
| 111197GT | 179-180 | 111329GT | 69 | 122231GT | 307-308 | 122615GT | 89 |
| 111198GT | 179-180 | 111330GT | 67 | | | 122625GT | 85 |
| 111199GT | 179-180 | 111396GT | 79, 81 | | | | |

Part Number Index (continued)

| Part Number | Page | Part Number | Page | Part Number | Page | Part Number | Page |
|-------------|--------------------------------|-------------|--|-------------|---|--------------|---|
| 122633GT | 271 | 128243GT | 111 | 139666GT | 131-132 | 147258GT | 291 |
| 122701GT | 111 | 128244GT | 115 | 139709GT | 137 | 147262GT | 291 |
| 122702GT | 111 | 128245GT | 115 | 139798GT | 89 | 147290GT | 51-52, 55, 57, 59 |
| 122708GT | 85 | 128246GT | 115 | 139952GT | 291 | 1487GT | 307-308 |
| 122709GT | 85 | 128247GT | 111 | 139953GT | 291 | 1488GT | 307-308 |
| 122723GT | 323 | 128248GT | 115 | 139954GT | 291 | 15086GT | 325 |
| 122736GT | 323 | 128249GT | 115 | 139958GT | 307-308 | 15243GT | 67, 169, 171 |
| 122755GT | 180, 184-185, 311, 317, 325 | 128250GT | 115 | 139983GT | 135 | 161189GT | 137 |
| 122768GT | 295 | 128251GT | 285 | 14033GT | 23, 27, 63, 153, 155-156, 159, 165-166, 271 | 162006GT | 315 |
| 122771GT | 295 | 128268GT | 175 | 141922GT | 117 | 16487GT | 171 |
| 122772GT | 295 | 128274GT | 295 | 14295GT | 21, 115 | 16584GT | 123 |
| 122773GT | 47, 49 | 128280GT | 111 | 14297GT | 151, 153, 159, 299 | 18189GT | 47, 49 |
| 122787GT | 61 | 128368GT | 307-308 | 144161GT | 291 | 18383GT | 161-162 |
| 122791GT | 165-166 | 128373GT | 295 | 146044GT | 89 | 18396GT | 23, 27 |
| 122793GT | 61 | 128416GT | 321 | 146045GT | 89 | 18596GT | 21, 25, 85, 111, 115, 129, 135, 161-162 |
| 122795GT | 151 | 128419GT | 321 | 146046GT | 85 | 18605GT | 273 |
| 122796GT | 151 | 128421GT | 115, 303 | 146047GT | 85 | 18665GT | 315 |
| 122797GT | 151 | 128424GT | 115 | 146048GT | 111 | 18666GT | 317 |
| 122875GT | 131-132 | 128447GT | 45, 311 | 146053GT | 131-132 | 19018-1100GT | 305 |
| 122877GT | 85 | 128454PGT | 175, 177 | 146054GT | 95, 121, 141 | 20224GT | 193, 203, 205- 206, 209-210, 213-214, 217, 229, 231-232, 235, 237, 239- 240, 243-244, 247, 249, 251- 252, 255, 257- 258, 261, 263, 265, 267, 269 |
| 122894GT | 67 | 128482GT | 177 | 146056GT | 175 | 20318GT | 193 |
| 122910GT | 303 | 128483GT | 177 | 146061GT | 137 | 20776GT | 315 |
| 122911GT | 303 | 128505GT | 85 | 146062GT | 277, 279, 281, 283, 285, 287, 289 | 20912GT | 277, 279, 283, 285, 289 |
| 122912GT | 303 | 128513GT | 177 | 146073GT | 173, 175 | 20973GT | 183-185 |
| 122913GT | 303 | 128515GT | 177 | 146089GT | 149 | 21121GT | 183-185 |
| 122914GT | 303 | 128534GT | 177 | 146091GT | 149 | 21130GT | 75, 101, 113, 129, 131-132 |
| 122915-SGT | 61 | 12854GT | 115 | 146093GT | 149 | 21187GT | 67, 153, 155- 156, 315 |
| 122918GT | 43 | 128555GT | 115 | 146134GT | 61 | 214393GT | 47, 49 |
| 122919GT | 43 | 128636GT | 63, 155-156, 171 | 146137GT | 187 | 21465GT | 41, 47, 49 |
| 122927GT | 303 | 128638GT | 111 | 146138GT | 187 | 21496GT | 75, 83, 101, 113, 129, 131-132 |
| 122928GT | 303 | 128661GT | 111 | 146154GT | 61 | 215209GT | 47, 49 |
| 122929GT | 303 | 128724GT | 177 | 146191GT | 61 | 215210GT | 47, 49 |
| 122942GT | 285 | 128801GT | 111 | 146192GT | 171 | 215229GT | 51-52, 55, 57, 59 |
| 122943GT | 285 | 128829GT | 49, 85, 111, 131- 132 | 146193GT | 213-214 | 215546GT | 219, 221 |
| 122944GT | 173, 175 | 128858GT | 111 | 146194GT | 187 | 21604GT | 275 |
| 122949GT | 271 | 128952GT | 285 | 146198GT | 63, 155-156 | 217709GT | 161-162 |
| 122951GT | 271 | 128953GT | 14-15 | 146199GT | 171 | 219158GT | 325 |
| 122954GT | 187 | 128954GT | 14-15 | 146284GT | 315 | 22558GT | 131-132, 135 |
| 122964GT | 223 | 12906GT | 67, 69 | 146285GT | 315 | 22571GT | 111 |
| 123084GT | 117 | 12981GT | 87, 165-166 | 146306GT | 89 | 22578GT | 131-132 |
| 12344GT | 61 | 13000GT | 85, 281, 283, 287, 291 | 146307GT | 89 | 226060GT | 115 |
| 12443GT | 183-185 | 13002GT | 47, 49, 85, 315 | 146322PGT | 291 | 226061GT | 115 |
| 12460GT | 159 | 13003GT | 109, 111, 115, 129, 135 | 146324GT | 143, 145-146, 149 | 226103GT | 137 |
| 1251600GT | 305, 313 | 13004GT | 83, 85 | 146325GT | 63, 155-156, 171 | 226104GT | 137 |
| 1254826GT | 137 | 13037-SGT | 187 | 146352GT | 89 | 226105GT | 137 |
| 1255653GT | 137 | 13064GT | 43, 79, 81, 83, 85, 105, 107, 109, 111, 115, 135, 161-162 | 146386GT | 61 | 226106GT | 137 |
| 1256267GT | 143, 145-146, 149, 151 | 13066GT | 31, 71, 87, 89, 97, 109, 111, 125, 135, 161- 162 | 146389GT | 187 | 226107GT | 177 |
| 1256855GT | 313 | 13097GT | 271, 315 | 146390GT | 187 | 226108GT | 17-18 |
| 1258460GT | 61 | 133067GT | 17-18 | 146399GT | 275 | 226109GT | 17-18 |
| 1259704GT | 307-308 | 133205GT | 17-18 | 146420GT | 15, 17-18 | 226110GT | 67 |
| 1261395GT | 113 | 133278GT | 14-15 | 146421GT | 14-15, 17-18 | 226111GT | 67 |
| 1267807GT | 49 | 133518GT | 317 | 146423GT | 14-15 | 226123GT | 69 |
| 1268229GT | 49 | 13585GT | 180 | 146432GT | 13-15 | 226124GT | 69 |
| 1269501GT | 189, 191 | 13852GT | 173, 175, 225 | 146461GT | 61 | 226127GT | 115 |
| 1269693GT | 291 | 139066GT | 111 | 146476GT | 155-156, 166 | 226128GT | 115 |
| 1271398GT | 315 | 13918GT | 43, 79, 81, 83, 105, 107, 175, 281 | 146477GT | 155-156, 166 | 226129GT | 13-15 |
| 1274045GT | 173, 175 | 139321GT | 131-132 | 146478GT | 61, 187 | 226393GT | 271 |
| 1274116GT | 173, 175 | 139322GT | 131-132 | 146479GT | 187 | 226503GT | 315 |
| 1274322GT | 305, 313 | 139345GT | 31 | 146553GT | 291 | 226507GT | 315 |
| 1274614GT | 127 | 139438GT | 307-308 | 147121GT | 185 | 226519GT | 14-15 |
| 1277924GT | 305, 313 | 139451GT | 183-185 | 147221GT | 185 | 226627GT | 117 |
| 1277970GT | 85 | 139598GT | 189, 191 | 147228GT | 291 | | |
| 1279465GT | 47, 49 | 139612GT | 85, 111, 131-132 | 147229GT | 291 | | |
| 1279466GT | 47, 49 | 139621GT | 137 | 147230GT | 291 | | |
| 128000GT | 191 | 139624GT | 131-132 | 147231GT | 291 | | |
| 128001GT | 191 | | | 147232GT | 291 | | |
| 128004GT | 115, 131-132 | | | 147233GT | 291 | | |
| 128023GT | 131-132 | | | 147239GT | 291 | | |
| 1280590GT | 137 | | | 14723GT | 277, 279, 289 | | |
| 1280591GT | 137 | | | 147240GT | 291 | | |
| 128203GT | 187 | | | 147241GT | 291 | | |
| 128204GT | 323 | | | | | | |
| 128207GT | 115 | | | | | | |
| 128242GT | 111 | | | | | | |

Part Number Index (continued)

| Part Number | Page | Part Number | Page | Part Number | Page | Part Number | Page |
|-------------|--|--------------|---|----------------|--|-------------|---|
| 22672GT | 73, 113, 297 | 27246GT | 187 | 33418GT | 77, 79, 81, 83, 129, 131-132, 279, 281 | 44174GT | 197, 201, 205-206, 209-210, 213-214, 223 |
| 226803GT | 25 | 27287GT | 323 | | 85, 103, 105, 107, 109, 111, 115, 129, 135 | 44175GT | 197, 201, 205-210, 213-214 |
| 22697GT | 89 | 27564GT | 13-15 | | | 44178GT | 209-210, 213-214 |
| 22699GT | 71, 85, 87, 89, 97, 109, 113, 115, 123, 125, 131-132, 279, 281, 283, 303 | 27584GT | 77, 79, 81, 83, 85, 111, 115 | 33428GT | 21, 25, 175 | 44207GT | 51-52, 55, 57 |
| 22700GT | 283, 289 | 27698GT | 143, 145-146 | 33550GT | 17-18 | 44224GT | 81, 113, 205-206, 209-210, 213-214 |
| 227155GT | 143, 145-146 | 27761GT | 195 | 33555GT | 67, 69 | 44225GT | 209-210, 213-214, 223 |
| 227156GT | 145-146 | 27807GT | 217 | 33557GT | 145-146 | 44227GT | 197, 199, 201, 203, 205-206, 209-210, 213-214, 223 |
| 227157GT | 145-146 | 27836GT | 195, 217 | 33576GT | 184-185 | 44228GT | 197, 199, 223 |
| 227158GT | 145-146, 149 | 28157GT | 13-15 | 33607GT | 315 | 44229GT | 197, 201 |
| 227159GT | 145-146, 149 | 28159GT | 13-15, 17-18 | 33608GT | 315 | 44230GT | 197, 201, 205-206, 209-210, 213-214 |
| 227515GT | 184-185 | 28161GT | 13-15 | 33674GT | 307-308 | 44236GT | 197, 201 |
| 227785GT | 43 | 28164GT | 13-15 | 33681GT | 169, 171 | 44335GT | 169, 171 |
| 227796GT | 31 | 28165GT | 13-15 | 33952GT | 13-15 | 44714GT | 79, 81, 85, 105, 107 |
| 227797GT | 31 | 28171GT | 13-15, 17-18 | 33987GT | 55, 57, 59 | 44743GT | 183-185 |
| 22788GT | 23, 27, 37, 39 | 28174GT | 14-15, 17-18 | 33994GT | 225 | 44788GT | 59 |
| 22832GT | 169, 171 | 28175GT | 13-15 | 34052GT | 61, 187 | 44981GT | 17-18, 311 |
| 228465GT | 184-185 | 28176GT | 13-15 | 34058GT | 117 | 44986GT | 14-15 |
| 228823GT | 59 | 28177GT | 13-15 | 34125GT | 159, 165-166 | 45076GT | 161-162 |
| 228848GT | 313 | 28181GT | 13-15 | 34127GT | 29, 31 | 45161GT | 51-52, 240 |
| 228849GT | 313 | 28235GT | 14-15, 17-18 | 34131GT | 143, 145-146, 149 | 45209GT | 65, 159 |
| 228866GT | 223 | 28236GT | 13-15 | 34243-500GT | 159 | 45363GT | 51-52, 55, 57, 59 |
| 229344GT | 151 | 28443GT | 317 | 34347GT | 143 | 45400GT | 285 |
| 229345GT | 151 | 28646GT | 27, 39, 43, 51-52, 55, 57, 59 | 34348GT | 43, 149 | 45435GT | 73, 83, 113 |
| 229346GT | 315 | 28750GT | 225 | 34505GT | 297 | 45470GT | 291 |
| 229356GT | 14-15 | 28853GT | 295 | 34550GT | 77, 79, 81, 143, 145-146, 149 | 45481GT | 217 |
| 229384GT | 315 | 29080GT | 159, 165-166 | 34619GT | 67, 275 | 45495GT | 43 |
| 229385GT | 315 | 29557GT | 137 | 34955GT | 301, 303 | 45543GT | 193, 217 |
| 229403GT | 315 | 29559GT | 137 | 35418GT | 41 | 45708GT | 47, 49 |
| 229404GT | 315 | 29560GT | 137 | 35432GT | 297 | 45748GT | 161-162, 275 |
| 229405GT | 223 | 29739GT | 227 | 35434GT | 115 | 45782GT | 71, 97, 123, 137 |
| 229406GT | 223 | 29749GT | 83, 109 | 35461GT | 317 | 45912GT | 217 |
| 229407GT | 223 | 29764GT | 143, 146, 180 | 35600GT | 52, 55, 57, 59 | 45916GT | 205-206, 209-210, 213-214 |
| 229411GT | 223 | 29868GT | 47, 49, 52, 55, 57, 59, 63, 153, 155-156, 169, 171 | 35675GT | 83, 89, 93, 95, 119, 121, 139, 141 | 46216GT | 197, 199, 209-210, 213-214, 223 |
| 229420GT | 61 | 29883GT | 77, 79, 81, 83, 85, 103, 105, 107, 109 | 35956GT | 308 | 47363GT | 317 |
| 229421GT | 61 | 30080GT | 14-15 | 35960GT | 271, 308 | 47377GT | 173, 175 |
| 229423GT | 61 | 30143GT | 47, 49 | 35974GT | 143, 146 | 4828GT | 21, 23, 27, 41, 43, 47, 49, 51-52, 55, 57, 59, 67, 71, 77, 79, 81, 83, 85, 87, 89, 93, 97, 103, 105, 107, 109, 111, 119, 123, 129, 131-132, 135, 143, 149, 151, 153, 155-156, 161-162, 165-166, 169, 171, 173, 175, 177, 180, 183-185, 275, 277, 281, 285, 289, 291, 311, 315, 317, 325 |
| 229567GT | 187 | 30217GT | 173, 175 | 36208GT | 297 | 48875GT | 240, 243-244, 269, 293 |
| 229768GT | 183-185 | 30220GT | 165-166, 173, 175 | 36294GT | 315 | | |
| 229925GT | 317 | 30222GT | 175 | 37003GT | 131-132 | | |
| 23057GT | 111, 115, 283, 301 | 30255GT | 173, 175 | 37187GT | 51-52, 55, 57, 59 | | |
| 23082GT | 71, 97, 123 | 30370GT | 165-166, 173, 175 | 37191GT | 51-52, 55, 57, 59 | | |
| 23083-SGT | 271 | 30468GT | 273 | 38028GT | 161-162 | | |
| 230977GT | 14-15 | 30489GT | 71, 87, 109, 113, 115, 123, 131-132, 135, 297, 301, 303 | 38149GT | 14-15 | | |
| 230979GT | 33 | 30490GT | 85 | 38601GT | 151 | | |
| 230983GT | 223 | 30748GT | 65, 161-162 | 38620GT | 159, 165-166 | | |
| 230993GT | 221 | 30785-1000GT | 75, 101, 129 | 38859GT | 93, 95 | | |
| 232841GT | 161-162 | 30971GT | 71, 73, 97, 99, 123, 137, 297, 301, 303 | 38922GT | 111 | | |
| 232842GT | 161-162 | 30997GT | 187 | 39346GT | 197, 201 | | |
| 233565GT | 31 | 31106GT | 173 | 39479GT | 23, 27, 52, 55, 63, 65, 161-162 | | |
| 233566GT | 31 | 31406GT | 193 | 39888-183600GT | 311 | | |
| 233942GT | 223 | 31523GT | 297 | 40265GT | 63, 65 | | |
| 233992GT | 313 | 31658GT | 41 | 40434GT | 13-15, 17-18 | | |
| 233993GT | 313 | 31788GT | 13-15 | 41468GT | 111 | | |
| 236946GT | 137 | 31817GT | 97, 111 | 41489GT | 45 | | |
| 237068GT | 47, 49 | 32710GT | 184-185 | 42175GT | 97 | | |
| 237232GT | 35 | 33023GT | 83, 109 | 42571GT | 93, 119, 139 | | |
| 237233GT | 35 | 33024GT | 131-132 | 4266GT | 307-308 | | |
| 23877GT | 295 | 33247GT | 161-162 | 42770GT | 29 | | |
| 24037GT | 111 | 33277GT | 111, 115, 279, 283, 301 | 42941-11500GT | 47, 49 | | |
| 24038GT | 111 | 33278GT | 143, 161-162, 165-166 | 42941GT | 41 | | |
| 24514GT | 183-185 | | | 42941GT | 25, 173, 175, 225 | | |
| 25683GT | 175 | | | 43018GT | 25, 173, 175, 225 | | |
| 25685GT | 275 | | | 43166GT | 225 | | |
| 25927GT | 289 | | | 43255GT | 205-206, 209-210, 213-214 | | |
| 25994GT | 13-15 | | | 43392GT | 273, 307-308 | | |
| 27034GT | 85, 89, 115, 123, 277, 303 | | | 43594GT | 14-15 | | |
| 27204GT | 13-15, 17-18 | | | 43618GT | 21 | | |
| 27205GT | 13-15, 17-18 | | | 43955GT | 67, 180 | | |
| 27206GT | 13-15, 17-18 | | | 44064GT | 71, 87, 97, 109, 113, 123, 125, | | |
| 27207GT | 13-15, 17-18 | | | | | | |

Part Number Index (continued)

| Part Number | Page | Part Number | Page | Part Number | Page | Part Number | Page |
|-------------|--|-----------------|---|------------------|---|-----------------|---|
| 48880GT | 193, 203, 205-206, 209-210, 213-214, 217, 229, 231-232, 235, 237, 239-240, 243-244, 247, 249, 251-252, 255, 257-258, 261, 263, 265, 267, 269 | 48958GT | 319 | 49117-12791-SGT | 265, 267 | 49143-2779-SGT | 239-240, 243-244, 247, 249, 251-252, 255, 257-258 |
| 48883GT | 213-214 | 48959GT | 239-240, 243-244, 247, 249, 251-252, 255, 319 | 49117-1391-SGT | 269 | 49143-2829GT | 251-252, 257-258 |
| 48885GT | 27, 39, 43, 51-52, 55, 57, 59 | 48960GT | 229, 231-232, 239-240, 243-244, 247, 249, 251-252, 255, 269, 319 | 49117-2091-SGT | 265, 267 | 49143-3529-SGT | 257-258 |
| 48892GT | 269, 293 | 48961GT | 247, 249, 255 | 49117-3191GT | 263 | 49143-3529GT | 251-252 |
| 48894GT | 229, 231-232, 269 | 48962GT | 229, 235, 239-240, 243-244, 247 | 49117-3791GT | 261, 263 | 49143-3829-SGT | 247, 249, 251-252, 255, 257-258 |
| 48904GT | 229, 231-232, 240, 244, 247, 249, 252, 255, 258, 261, 263, 265, 267, 269 | 48963GT | 229, 232, 235, 237, 239-240, 243-244, 247, 249, 251-252, 255, 269, 319 | 49117-5035-SGT | 235, 237 | 49143-42290GT | 269 |
| 48905GT | 231-232, 237, 239-240, 243-244, 247, 249, 251-252, 255, 257-258, 269 | 48964GT | 293, 319 | 49117-5535-SGT | 235 | 49143-5629GT | 319 |
| 48906GT | 229, 231-232 | 48966GT | 239-240 | 49117-5591GT | 261, 263 | 49143-6329-SGT | 247, 249, 251-252, 255, 257-258 |
| 48907GT | 263, 267, 269 | 48968GT | 247 | 49117-5835GT | 229, 231-232, 237 | 49143-6529-SGT | 251-252, 257-258 |
| 48911GT | 235, 237 | 48969GT | 239-240, 243-244 | 49117-5935-SGT | 235 | 49143-7029-SGT | 229, 231-232, 251-252, 257-258 |
| 48912GT | 229, 231-232, 235, 237, 261, 263, 265, 267 | 48978GT | 252, 258 | 49117-5935GT | 231-232 | 49143-8429GT | 251-252, 257-258 |
| 48915GT | 239-240, 243-244, 247, 249, 252, 255, 258, 261, 263, 265, 267 | 48983GT | 240, 243-244, 269 | 49117-6435GT | 237 | 49159-6118-SGT | 239-240, 243-244, 247, 249, 251-252, 255, 257-258 |
| 48916GT | 239-240, 243-244, 247, 249, 251-252, 255, 257-258, 269 | 48984GT | 239-240, 243-244, 247, 249, 251-252, 255, 257-258 | 49118-23308GT | 269 | 49163-2994GT | 293 |
| 48918GT | 51-52, 55, 57, 59, 269, 293 | 48985GT | 240, 243-244, 247, 249, 252, 255, 258 | 49118-9708-SGT | 269 | 49183-10692-SGT | 269 |
| 48920GT | 247, 249, 252, 255, 258 | 48993GT | 51-52, 239-240 | 49119-10678GT | 237 | 49183-20752GT | 269 |
| 48930GT | 240, 243-244 | 48995GT | 51-52, 55, 57, 239-240, 243-244, 247, 249, 255 | 49119-1878-SGT | 235 | 49183-3292GT | 231-232 |
| 48931GT | 269 | 48996GT | 51-52, 55, 57, 59, 240, 243-244, 247, 249, 252, 255, 258 | 49119-3848GT | 263, 267 | 49183-4092GT | 231-232 |
| 48932GT | 239-240, 243-244, 247, 249, 251-252, 255, 257-258 | 48997GT | 193, 203, 205-206, 209-210, 213-214, 217, 229, 231-232, 235, 237, 239-240, 243-244, 247, 249, 252, 255, 257-258, 269, 319 | 49119-3878GT | 265 | 49183-46592GT | 269 |
| 48933GT | 229, 231-232, 235, 237, 239-240, 243-244, 247, 249, 251-252, 255, 257-258, 269, 319 | 49109-7029-SGT | 239-240, 243-244 | 49119-5578-SGT | 261 | 49183-48192-SGT | 269 |
| 48935GT | 251-252, 257-258 | 49114-1646GT | 240, 243-244 | 49119-5648GT | 267 | 49183-5492-SGT | 229, 231-232 |
| 48936GT | 232 | 49116-10337GT | 237 | 49119-5678-SGT | 229, 231-232, 265 | 49183-5792GT | 231-232 |
| 48937GT | 240, 243-244, 247, 249, 251-252, 255, 257-258, 269 | 49116-11537-SGT | 229, 231-232, 237 | 49120-23181-SGT | 269 | 49189-2338GT | 27, 39 |
| 48938GT | 319 | 49116-11837-SGT | 235 | 49120-48181-SGT | 269 | 49207GT | 209-210, 213-214, 239-240, 243-244, 247, 249, 251-252, 255, 257-258 |
| 48946GT | 239-240, 243-244, 247, 249, 251-252, 255, 257-258 | 49116-12237GT | 237 | 49126-1583-SGT | 247, 249, 251-252, 258 | 49212GT | 311 |
| 48947GT | 239-240, 243-244, 251-252, 257-258 | 49116-42237-SGT | 269 | 49126-1783GT | 251-252, 258 | 49214GT | 311 |
| 48948GT | 229, 231-232, 239-240, 243-244, 247, 249, 251-252, 255, 257-258 | 49116-5037-SGT | 229 | 49126-1883-SGT | 239-240, 243-244 | 49215GT | 311 |
| | | 49116-5337-SGT | 229, 231-232 | 49128-1350-SGT | 247, 249, 251-252, 255, 258 | 49366GT | 77, 79, 81 |
| | | 49116-5737-SGT | 235 | 49128-1650GT | 251-252, 258 | 49378GT | 71, 97, 115, 123 |
| | | 49116-6037-SGT | 229, 231-232 | 49128-1909-SGT | 240 | 49379GT | 115, 279 |
| | | 49117-10935GT | 231-232 | 49128-2009-SGT | 240, 243-244 | 49381GT | 97, 101, 103, 105, 107, 113 |
| | | 49117-11035-SGT | 229, 235 | 49128-2633-SGT | 239-240, 243-244 | 49393GT | 283 |
| | | 49117-11535-SGT | 229 | 49128-3109-SGT | 269 | 49407GT | 131-132 |
| | | | | 49128-4009-SGT | 269 | 49408GT | 111, 115, 279, 283 |
| | | | | 49128-51809GT | 252, 258 | 49410GT | 43, 71, 77, 79, 81, 83, 85, 111, 113, 115, 129 |
| | | | | 49130-120182-SGT | 240, 243-244, 247, 249, 252, 255, 258 | 49411GT | 131-132, 135 |
| | | | | 49130-127882-SGT | 240, 243-244, 247, 249, 252, 255, 258 | 49612GT | 219, 221, 225, 229, 231-232, 235, 237, 239-240, 243-244, 247, 249, 251-252, 255, 257-258, 269 |
| | | | | 49130-49382GT | 252, 258 | 49613GT | 219, 221, 225, 229, 231-232, 235, 237, 239-240, 243-244, 247, 249, 251-252, 255, 257-258, 269 |
| | | | | 49130-51982GT | 240, 243-244, 247, 249, 252, 255, 258 | 49775GT | 43 |
| | | | | 49130-55382GT | 252, 258 | 49816GT | 49, 143, 145-146, 149, 183-185 |
| | | | | 49130-72982GT | 252, 258 | | |
| | | | | 49141-11063-SGT | 229 | | |
| | | | | 49141-11263-SGT | 229 | | |
| | | | | 49141-2754-SGT | 239-240, 243-244, 247, 249, 251-252, 255, 257-258 | | |
| | | | | 49141-2963-SGT | 229, 231-232, 235, 237 | | |
| | | | | 49141-3613-SGT | 239-240, 243-244, 247, 249, 251-252, 255, 257-258 | | |
| | | | | 49141-4263-SGT | 247, 249, 251-252, 255, 257-258 | | |
| | | | | 49141-5113-SGT | 239-240, 243-244 | | |
| | | | | 49141-5663GT | 231-232 | | |
| | | | | 49142-5062GT | 293 | | |
| | | | | 49142-7062GT | 319 | | |
| | | | | 49143-1929GT | 251-252, 257-258 | | |

Part Number Index (continued)

| Part Number | Page | Part Number | Page | Part Number | Page | Part Number | Page |
|-------------|--|----------------|--|-------------|---|-------------|---|
| 49817GT | 21, 25, 29, 31, 161-162, 275 | 52905GT | 205-206, 210, 213-214 | 57160GT | 47, 49 | 60233GT | 299 |
| 49818GT | 47 | 52907GT | 199, 203, 205-206, 209-210, 213-214, 223 | 57201GT | 180, 279 | 60234GT | 299 |
| 49819GT | 21, 23, 25, 27, 153, 169, 273 | 52943GT | 193 | 58165GT | 75, 97, 101, 129 | 60235GT | 299 |
| 49824GT | 169, 171, 271 | 53471GT | 115 | 58222GT | 49 | 60236GT | 299 |
| 49857GT | 180 | 5361GT | 65 | 58223GT | 49 | 60237GT | 299 |
| 49861GT | 293 | 5365GT | 113, 131-132 | 58249GT | 137 | 60239GT | 159, 165-166 |
| 49863GT | 113 | 53807-SGT | 307-308 | 58256GT | 137 | 60240GT | 161-162 |
| 49915GT | 137 | 53808-SGT | 307-308 | 58299GT | 137 | 60242GT | 165-166 |
| 49922GT | 137 | 5387GT | 71, 165-166 | 58317GT | 33 | 60243GT | 299 |
| 49924GT | 137 | 5397GT | 37, 39, 43, 47, 49, 51-52, 55, 57, 59, 63, 65, 71, 77, 79, 81, 83, 85, 87, 89, 93, 95, 97, 103, 105, 107, 109, 111, 119, 121, 123, 129, 131-132, 135, 139, 141, 143, 145-146, 149, 153, 155-156, 169, 171, 177, 271, 277, 281, 283, 287, 289, 291, 301, 308, 311, 313, 317 | 58566GT | 125, 137 | 60244GT | 299 |
| 50014GT | 311 | 53983GT | 21, 25, 63, 143, 169, 171 | 58593GT | 61 | 60245GT | 153, 155-156, 165-166 |
| 50032GT | 29, 31 | 54085-2918-SGT | 229 | 58626GT | 187 | 60247PGT | 159 |
| 50035GT | 43 | 54085-5818-SGT | 229 | 58629GT | 187 | 6024GT | 77, 79, 81, 83, 85, 103, 105, 107, 109, 111, 115, 129, 135 |
| 50060-SGT | 23, 27 | 54156GT | 161-162 | 58630GT | 137 | 60256-SGT | 153, 156 |
| 50099GT | 151 | 54177GT | 89 | 59335GT | 269 | 60260GT | 151 |
| 50100GT | 161-162 | 54205GT | 111 | 59680GT | 283 | 60266-SGT | 151 |
| 50117-SGT | 165-166 | 54239GT | 155-156 | 59746GT | 77, 79, 81, 103, 105, 107, 129 | 60267GT | 151 |
| 50154GT | 37, 39 | 54247-SGT | 184-185 | 59969GT | 281 | 60296GT | 143 |
| 50160GT | 159 | 54274GT | 184-185 | 6002GT | 63, 65, 67, 69 | 60297GT | 143, 145-146, 149 |
| 50161GT | 51-52, 55, 57, 59 | 54283GT | 229, 231-232 | 60042-SGT | 184-185 | 60300GT | 143, 145-146 |
| 50169GT | 29, 31 | 54355GT | 184-185 | 60156GT | 169, 171, 299 | 60302GT | 143, 145-146, 149 |
| 50170GT | 227 | 54363GT | 111 | 60157GT | 159, 299 | 60304GT | 159, 165-166 |
| 50171GT | 219 | 54380GT | 47, 49, 291 | 60158GT | 159, 299 | 60313GT | 151 |
| 50172GT | 193 | 54457GT | 305 | 60160PGT | 184-185 | 60322-SGT | 71, 87, 97, 109, 125 |
| 50188GT | 29, 31 | 54458GT | 305 | 60163-SGT | 161-162 | 60326GT | 297 |
| 50207GT | 173 | 54465GT | 305 | 60164GT | 161-162 | 60329GT | 151 |
| 50208GT | 173, 175 | 54486GT | 273 | 60171GT | 161-162 | 60331GT | 151, 161-162 |
| 50212GT | 173 | 54817P-SGT | 180 | 60177-SGT | 159, 165-166, 169, 171 | 60332GT | 161-162 |
| 50243GT | 161-162 | 55043GT | 281 | 60179GT | 161-162 | 60333GT | 161-162 |
| 50245GT | 159, 165-166 | 55753GT | 305, 307-308 | 60181-SGT | 161-162 | 60334GT | 47, 49 |
| 50246GT | 159, 165-166 | 55906GT | 273 | 60181-SGT | 161-162 | 60335-SGT | 159, 161-162 |
| 50247GT | 161-162 | 56233GT | 239-240, 243-244, 247, 249, 251-252, 255, 257-258 | 60192GT | 161-162, 165-166 | 60336GT | 21, 23, 25, 27, 37, 39, 43, 51-52, 55, 57, 59, 143, 145-146, 149, 151, 162, 297 |
| 50787-SGT | 131-132 | 56237GT | 315 | 60194GT | 165-166 | 60337GT | 161-162 |
| 50790GT | 67, 69 | 56424GT | 183-185, 305, 313 | 6019GT | 21, 27, 37, 39, 41, 47, 49, 51-52, 55, 57, 59, 63, 71, 77, 79, 81, 83, 85, 87, 89, 93, 95, 97, 103, 105, 107, 109, 111, 119, 121, 129, 131-132, 139, 141, 143, 145-146, 149, 159, 161-162, 165-166, 169, 171, 173, 175, 180, 283, 291, 301, 315 | 6019GT | 21, 27, 37, 39, 41, 47, 49, 51-52, 55, 57, 59, 63, 71, 77, 79, 81, 83, 85, 87, 89, 93, 95, 97, 103, 105, 107, 109, 111, 119, 121, 129, 131-132, 139, 141, 143, 145-146, 149, 159, 161-162, 165-166, 169, 171, 173, 175, 180, 283, 291, 301, 315 |
| 50810GT | 187 | 56525GT | 305 | 60205GT | 161-162 | 60338GT | 161-162 |
| 50811GT | 61 | 56570GT | 305 | 6020GT | 151 | 60339GT | 161-162 |
| 50813GT | 173, 175 | 56653GT | 51-52, 55, 57 | 60208GT | 161-162 | 60340-SGT | 161-162 |
| 5094GT | 67 | 56660GT | 113 | 60215-SGT | 161-162 | 60341GT | 63 |
| 50974GT | 47, 49, 51-52, 55, 57, 59, 63, 77, 79, 81, 85, 87, 103, 105, 107, 109, 111, 129, 131-132 | 56704GT | 271 | 60216GT | 161-162 | 60342GT | 153, 155-156 |
| 51063GT | 63, 143, 145-146, 149, 153, 155-156, 169, 275 | 56843GT | 29, 31, 43, 45, 311 | 60217GT | 165-166 | 60343-SGT | 161-162, 165-166 |
| 51131GT | 93, 95, 119, 121, 139, 141 | 56912GT | 21, 25, 27, 37, 39, 41, 51-52, 55, 57, 59, 65, 67, 69, 89, 111, 113, 115, 151, 153, 156, 159, 177, 183-185 | 6021GT | 23, 27, 29, 31, 37, 39, 47, 49, 51-52, 55, 57, 59, 63, 65, 79, 81, 83, 85, 89, 93, 95, 105, 107, 109, 119, 121, 123, 139, 141, 143, 145-146, 149, 151, 153, 155-156, 159, 161-162, 165-166, 166, 169, 171, 173, 175, 177 | 60344GT | 166 |
| 51147GT | 47, 49 | 56927GT | 184-185 | 60222GT | 159, 165-166 | 60346-SGT | 161-162 |
| 51428GT | 143, 145-146 | 56934GT | 313 | 60224GT | 151 | 60356-SGT | 161-162 |
| 52087GT | 227 | 57072GT | 159 | 60229GT | 161-162 | 60357GT | 197, 199 |
| 5224GT | 149, 153, 155-156, 161-162, 175, 177 | | | 60231GT | 161-162 | 60358GT | 161-162 |
| 52352GT | 137 | | | 60232GT | 299 | 60359GT | 77, 79, 81, 83, 93, 95, 103, 105, 107, 119, 121, 129, 139, 141 |
| 52371GT | 223 | | | | | 60366GT | 205-206 |
| 52373GT | 205-206, 209-210, 213-214 | | | | | 6036GT | 93, 95, 119, 121, 139, 141 |
| 52374GT | 199, 203, 209-210, 213-214 | | | | | 60370-SGT | 180 |
| 52385GT | 205-206, 209-210, 213-214 | | | | | 6037GT | 123 |
| 52466GT | 205-206, 209-210, 213-214 | | | | | 60384GT | 187 |
| 52537GT | 75 | | | | | 60387GT | 37 |
| 52661GT | 307-308 | | | | | 60389GT | 205-206, 217 |
| 52723GT | 193, 195 | | | | | 60393-SGT | 43 |
| 52724GT | 193 | | | | | 60416-SGT | 37 |
| 52726GT | 193, 195 | | | | | 60418-SGT | 37, 39 |
| 52768GT | 51-52, 55, 57, 59 | | | | | 60422GT | 161-162 |
| 52865GT | 14-15 | | | | | 60467-SGT | 273 |
| 52866GT | 71 | | | | | 60468-SGT | 273 |
| | | | | | | 60474GT | 183-185 |
| | | | | | | 60475GT | 183-185 |
| | | | | | | 60476GT | 183-185 |
| | | | | | | 60478GT | 183-185 |
| | | | | | | 60482-SGT | 41 |

Part Number Index (continued)

| Part Number | Page | Part Number | Page | Part Number | Page | Part Number | Page |
|-------------|-------------------|-------------|-------------------|-------------|-------------------|-----------------|-------------------|
| 60483-SGT | 65 | 60687-SGT | 93, 119 | 6086GT | 161-162 | | 153, 155-156, |
| 60485GT | 291 | 60690-SGT | 143 | 60871GT | 143, 145-146 | | 159, 161-162, |
| 60486-SGT | 51-52 | 60691GT | 159 | 60872GT | 67, 69 | | 165-166, 169, |
| 60487GT | 217 | 60693GT | 143, 146 | 60874GT | 67, 69 | | 171, 175, 180, |
| 60492GT | 41 | 60697GT | 161-162 | 60875GT | 63, 93, 95, 119, | | 183-185, 271, |
| 60496-SGT | 63 | 60701-SGT | 47 | | 121, 139, 141 | | 275, 285, 291, |
| 60501GT | 95 | 60704-SGT | 51-52 | 60882GT | 97 | | 315, 325 |
| 60507GT | 139 | 60707GT | 277, 279, 281, | 60883GT | 71, 97, 125 | 60980GT | 23, 27 |
| 60508GT | 51-52, 55, 57, 59 | | 283, 285, 287, | 60884GT | 67, 69 | 60984GT | 143, 145-146, |
| 60510GT | 52 | | 289 | 60886PGT | 311 | | 149 |
| 60513GT | 187 | 60708-SGT | 47, 49 | 60887GT | 277, 279, 281, | 60987GT | 21, 25, 143, 145- |
| 60520GT | 271 | 60711GT | 47, 49 | | 283, 285, 287, | | 146, 149, 153, |
| 60521GT | 47, 49, 52, 55, | 60717-SGT | 277, 279 | | 289 | | 169 |
| | 57, 59, 271, 277, | 60718-SGT | 277 | 60889GT | 101 | 60989GT | 161-162 |
| | 279, 281, 283, | 60721GT | 47, 49 | 60890GT | 41 | 60992PGT | 139 |
| | 285, 287, 289 | 60725GT | 279 | 60892GT | 67 | 61010-SGT | 277 |
| 60525GT | 115 | 60726GT | 239-240, 243- | 60893GT | 67 | 61011-SGT | 287 |
| 60526GT | 115 | | 244, 247 | 60895-SGT | 67 | 61012-SGT | 277 |
| 6054GT | 41 | 60727-SGT | 47, 49, 51-52, | 60908-SGT | 295 | 61014-SGT | 287 |
| 60550GT | 71, 83 | | 55, 57, 59 | 6090GT | 21, 25, 27, 47, | 61015-SGT | 295 |
| 60551GT | 51-52, 239-240 | 60728GT | 67 | | 49, 51-52, 55, | 61016-SGT | 295 |
| 60552-SGT | 77, 79, 81 | 60729-SGT | 47, 49, 63, 77, | | 57, 59, 65, 75, | 61065GT | 101 |
| 60553-SGT | 103, 105 | | 79, 81, 103, 105, | | 79, 83, 87, 89, | 61070-6626-SGT | 247, 249, 255 |
| 60553PGT | 107 | | 107, 109 | | 101, 105, 111, | 61070-7952GT | 239-240, 243- |
| 60554-SGT | 103, 105, 107 | 60729GT | 85 | | 115, 129, 143, | | 244 |
| 60555GT | 23, 27 | 60729PGT | 87 | | 145-146, 151, | 61071-2252-SGT | 239-240 |
| 60559GT | 52, 55, 57, 59 | 60738GT | 277, 279, 281, | | 153, 156, 159, | 61072-12126-SGT | 249, 251-252 |
| 60560-SGT | 93, 119 | | 283, 285, 287, | | 161-162, 173, | 61072-1930-SGT | 239-240, 243- |
| 60561GT | 71, 87, 89, 113, | 60739GT | 277, 279, 281, | | 175, 177, 180, | | 244 |
| | 115, 123, 135 | | 283, 285, 287, | | 183-185, 291, | 61072-3101-SGT | 239-240, 243- |
| 60564PGT | 103, 105, 107, | | 289 | | 297, 299, 301, | | 244, 247, 249, |
| | 109 | | 289 | | 303, 305, 307- | | 251-252, 255, |
| 60566-SGT | 97 | 60745GT | 23, 27 | | 308 | | 257-258 |
| 60569-SGT | 75 | 60746GT | 29 | 60918GT | 311 | 61072-3226-SGT | 229 |
| 60571-SGT | 52, 55, 57, 59 | 60747GT | 23, 27 | 6091GT | 47, 49, 51-52, | 61072-3826GT | 255, 257-258 |
| 60575PGT | 43 | 60753-SGT | 23 | | 55, 57, 59, 63, | 61072-4226-SGT | 229 |
| 60576GT | 99, 113 | 60754GT | 61 | | 67, 69, 71, 75, | 61072-5526-SGT | 239-240, 243- |
| 60577GT | 99 | 60756GT | 169, 171 | | 79, 81, 83, 87, | | 244, 247, 249, |
| 60578GT | 67, 69 | 60757GT | 115 | | 89, 93, 97, 101, | | 255 |
| 60583-SGT | 65 | 60759-SGT | 65 | | 105, 107, 109, | 61072-6826-SGT | 239-240, 243- |
| 60584GT | 41, 47, 49, 71, | 60776-SGT | 29 | | 113, 115, 119, | | 244, 247 |
| | 97, 109, 123, | 60778-SGT | 111, 129, 131- | | 123, 131-132, | 61072-7226-SGT | 239-240, 243- |
| | 131-132 | | 132 | | 139, 145-146, | | 244, 247, 255, |
| 60585GT | 71, 97, 111, 123 | 60789-SGT | 175 | | 169, 171, 177, | 61072-7426GT | 255, 257-258 |
| 60586GT | 73, 83 | 60790GT | 285 | | 180, 183-185, | 61072-8326GT | 251-252, 257- |
| 60587GT | 73 | 60802GT | 165-166 | | 275, 277, 279, | | 258 |
| 60588-SGT | 52 | 60805GT | 41 | | 281, 283, 285, | 61073-12530-SGT | 239-240, 243- |
| 60590-SGT | 51-52 | 60807GT | 97 | | 287, 289, 291, | | 244, 247, 249, |
| 60592-SGT | 77, 103 | 60808GT | 153, 155-156 | | 297, 301, 303, | | 251-252 |
| 60593-SGT | 77, 103 | 60811GT | 45, 311 | | 305, 307-308, | 61073-1930-SGT | 247 |
| 60595-SGT | 69 | 60812GT | 45, 311 | | 325 | 61073-1955-SGT | 240 |
| 60596GT | 87, 89, 97 | 60815GT | 43 | 60928GT | 47, 49 | 61073-2105-SGT | 240, 243-244 |
| 60597GT | 93, 119 | 60819PGT | 271 | 60930GT | 47, 49, 71, 97 | 61073-3230GT | 251-252, 257- |
| 60606-SGT | 43 | 60820-SGT | 93, 119 | 60931GT | 51-52 | | 258 |
| 60609GT | 29 | 60822PGT | 153, 156 | 60935-SGT | 169, 171 | | 258 |
| 60617GT | 23 | 60825-SGT | 143, 145-146 | 60936-SGT | 51-52, 55, 57, 59 | 61073-5430GT | 251-252, 257- |
| 60618GT | 23, 27 | 60826GT | 93, 95, 119, 121, | 60937-SGT | 43 | | 258 |
| 60619-SGT | 129 | | 139, 141 | 60938GT | 41 | 61073-6230-SGT | 247, 249, 251- |
| 60625GT | 93, 95, 119, 121, | 60829GT | 153, 156 | 60940GT | 47, 49 | | 252, 255, 257- |
| | 139, 141 | 60838GT | 51-52, 55, 57, | 60941-SGT | 23, 27 | | 258 |
| 60627GT | 297 | | 59, 63, 77, 103, | 60950GT | 187 | 61073-6230GT | 293 |
| 60628GT | 297 | | 153, 155-156, | 6095GT | 37, 39, 51-52, | 61073-7230-SGT | 239-240, 243- |
| 60632-SGT | 97 | | 271 | | 55, 63, 65, 297 | | 244 |
| 60637GT | 93, 95, 119, 121, | 6083GT | 285, 289 | 60960PGT | 151 | 61074-1972GT | 255, 257-258 |
| | 139, 141 | 60840GT | 159, 165-166 | 60962GT | 151 | 61074-20748-SGT | 269 |
| 60640-SGT | 77, 103 | 60849PGT | 159 | 60964GT | 67 | 61074-2228GT | 293 |
| 60644-SGT | 281 | 60851GT | 281 | 60966GT | 67 | 61077GT | 71, 83, 97, 109, |
| 60649GT | 77, 79, 81, 87, | 60852GT | 153 | 6096GT | 37, 39, 43 | | 125 |
| | 103, 105, 107, | 60855GT | 139 | 6097GT | 27, 37, 39, 41, | 61078GT | 71, 83, 97, 109, |
| | 109 | 60856GT | 123 | | 47, 49, 51-52, | | 125 |
| 60651-SGT | 101 | 60857GT | 47, 49 | | 55, 57, 59, 63, | 61079GT | 261, 263, 265, |
| 60653GT | 51-52, 239-240 | 60858GT | 47, 49 | | 67, 71, 77, 79, | | 267 |
| 60655-SGT | 63 | 60863GT | 153, 155-156 | | 81, 85, 87, 89, | 61080GT | 252, 258 |
| 60662-SGT | 281 | 60865GT | 29 | | 103, 105, 107, | | |
| 60670-SGT | 63 | 60866GT | 153, 155-156 | | 109, 111, 129, | | |
| 60671GT | 63 | 60868GT | 77, 79, 81, 115 | | 131-132, 151, | | |

Part Number Index (continued)

| Part Number | Page | Part Number | Page | Part Number | Page | Part Number | Page |
|-----------------|---|---------------|---|-------------|---|-------------|--|
| 61083GT | 239-240, 243-244, 247, 249, 251-252, 255, 258 | 61246GT | 295 | 61385GT | 161-162 | 62328GT | 205-206, 209-210, 214 |
| 61086GT | 239-240, 243-244 | 61250GT | 43 | 61391GT | 169 | 62329GT | 205-206, 210, 214 |
| 61099-SGT | 159 | 61251GT | 51-52, 240 | 61393GT | 297 | 62330GT | 197, 201, 205-206, 209-210, 213-214 |
| 61110GT | 89, 125 | 61252GT | 153 | 6145GT | 173, 175, 308 | 62332GT | 205-206, 209-210, 213-214 |
| 61115GT | 165-166 | 61253GT | 153 | 6146GT | 43, 67, 69, 143, 145-146, 149, 155-156, 183-185, 273, 275 | 62333GT | 205-206, 210, 214 |
| 61118GT | 297 | 61254GT | 153 | 6147GT | 67 | 62334GT | 197, 201, 205-206, 209-210, 213-214 |
| 61119GT | 297 | 61255GT | 21, 153 | 61591-SGT | 143, 146 | 62335GT | 205-206, 209-210, 213-214 |
| 61128GT | 43 | 61259GT | 240, 243-244, 247, 249, 252, 255, 258, 261, 263, 265, 267 | 61598GT | 175 | 62336GT | 205-206, 209-210, 213-214 |
| 61134-5833-SGT | 239-240, 243-244, 247, 249, 251-252, 255, 257-258 | 61260GT | 239-240, 243-244, 252, 258, 269 | 61602GT | 143, 145-146, 149, 175 | 62337GT | 197, 201, 205-206, 209-210, 213-214 |
| 61134-7033GT | 319 | 61262GT | 239-240, 243-244 | 61604GT | 21, 25 | 62338GT | 205-206, 209-210, 213-214 |
| 61135-3611-SGT | 239-240, 243-244 | 61263GT | 239-240, 243-244, 247, 249, 251-252, 255, 257-258 | 61610GT | 231-232 | 62339GT | 197, 201, 205-206, 209-210, 213-214 |
| 61135-3711-SGT | 239-240 | 61268GT | 229, 231-232 | 61625GT | 273 | 62341GT | 199, 203, 205-206, 209-210, 213-214, 223 |
| 61141GT | 63 | 61269GT | 229, 231-232, 235, 239-240, 269 | 61634-SGT | 25, 27 | 62342GT | 205-206, 209-210, 213-214 |
| 61142-3584GT | 229 | 6126GT | 43 | 61649-SGT | 39 | 62343GT | 197, 199 |
| 61143-11263GT | 231-232 | 61270GT | 71, 87, 109, 113, 123 | 61654PGT | 25 | 62344GT | 205-206, 210, 214 |
| 61143-11563-SGT | 229, 231-232 | 61271GT | 71, 87 | 61662-SGT | 31 | 62345GT | 197, 201 |
| 61143-5463-SGT | 229, 231-232 | 61272GT | 239-240, 243-244, 247 | 61663PGT | 39 | 62346GT | 197, 199, 201, 203 |
| 61150GT | 101 | 61273GT | 123 | 61682PGT | 25 | 62347GT | 197, 199, 201, 203 |
| 61152GT | 75, 97 | 61278GT | 67 | 61683GT | 25 | 62349GT | 205-206, 209-210, 213-214 |
| 61155GT | 123 | 61279-SGT | 67 | 61684GT | 25 | 62350GT | 221 |
| 61156GT | 123 | 61281-SGT | 23, 27 | 61688GT | 25 | 62351GT | 221 |
| 61157-SGT | 123 | 61282GT | 93, 95 | 61726GT | 275 | 62353GT | 219, 221 |
| 6115GT | 81, 107, 113 | 61283GT | 187 | 61735GT | 143, 145-146 | 62354GT | 219, 221 |
| 61160GT | 169 | 61294PGT | 169, 171 | 61742GT | 39 | 62355GT | 219, 221 |
| 61161GT | 169 | 61297GT | 297 | 61745GT | 165-166, 177 | 62356GT | 219, 221 |
| 61162-SGT | 169 | 61298GT | 297 | 6175GT | 23, 27, 47, 49, 52, 55, 57, 59, 63, 67, 77, 93, 95, 103, 109, 119, 121, 135, 139, 141, 143, 145-146, 151, 153, 155-156, 159, 161-162, 165-166, 169, 171, 180, 277, 281, 287 | 62357GT | 219, 221 |
| 61164GT | 169, 171 | 61302GT | 37, 39 | 61781GT | 115 | 62358GT | 221 |
| 61166-SGT | 169 | 61306-SGT | 175 | 6178GT | 21, 25, 43, 51-52, 55, 57, 59, 67, 69, 143, 145-146, 149, 153, 155-169, 171, 183-185, 271, 273 | 62359GT | 219, 221 |
| 61171GT | 169, 171 | 61307GT | 23, 27, 37, 39 | 61972GT | 275 | 62360GT | 219, 221 |
| 61174GT | 169, 171 | 61308GT | 23, 27 | 61974GT | 275 | 62361GT | 219, 221 |
| 61176-SGT | 169, 171 | 61309GT | 23, 27, 37, 39 | 61975GT | 275 | 62362GT | 219, 221 |
| 61179GT | 65 | 61310-SGT | 23, 27, 37, 39 | 61976GT | 275 | 62363GT | 219, 221 |
| 61185GT | 143, 145-146, 149 | 61318GT | 47, 49, 127 | 61977GT | 275 | 62364GT | 219, 221 |
| 61186GT | 51-52, 239-240 | 61321GT | 240, 243-244, 247, 249, 252, 255, 258 | 6198GT | 37, 39, 43, 51-52, 55, 63, 65, 77, 103, 151, 159, 161-162 | 62365GT | 199, 203 |
| 61187GT | 47 | 61324-12947GT | 43 | 61997GT | 275 | 62366GT | 193 |
| 61189GT | 47, 49 | 61326GT | 51-52, 55, 57, 59 | 62252GT | 195 | 62367GT | 193 |
| 61194GT | 277, 279, 281, 287, 289 | 61337GT | 71, 83 | 62253GT | 195 | 62368GT | 193 |
| 61195GT | 277, 279, 281, 283, 285, 287, 289 | 61339GT | 180 | 62320GT | 153, 155-156, 165-166 | 62369GT | 193 |
| 61197-SGT | 143 | 61340GT | 143, 145-146, 149 | 62321GT | 43 | 62370GT | 217 |
| 61198GT | 277, 279, 281, 287 | 61341GT | 143, 145-146, 149 | 62322GT | 151 | 62371GT | 217 |
| 61203-SGT | 143, 146 | 61342GT | 43 | 62323GT | 197, 201, 205-206, 209-210 | 62372GT | 217 |
| 61209GT | 153, 155-156, 165-166 | 61345GT | 229 | 62324GT | 197, 201, 205-206, 210, 213-214, 223 | 62373GT | 217 |
| 61210GT | 153, 155-156, 165-166 | 61346GT | 229, 231-232 | 62325GT | 195 | 62374GT | 61 |
| 61211GT | 277, 279, 281, 283, 285, 287, 289 | 61347GT | 63 | 62326GT | 205-206, 209-210, 213-214 | 62375GT | 61 |
| 61216-SGT | 184-185 | 61350-SGT | 63 | 62327GT | 205-206, 209-210 | 62376GT | 61 |
| 61222GT | 43 | 61352GT | 239-240, 243-244, 247, 249, 251-252, 255, 257-258 | 61380GT | 166 | 62378GT | 61 |
| 61223GT | 43 | 61354GT | 29 | 61381GT | 21 | 62379GT | 61, 187 |
| 61225GT | 47, 49 | 61357GT | 71 | 61384GT | 161-162 | 62382GT | 187 |
| 61227GT | 13-15, 17-18 | 61358GT | 61 | | | 62383GT | 187 |
| 61230GT | 153 | 61359GT | 47 | | | 62385GT | 187 |
| 61231GT | 153 | 61368-SGT | 21, 23 | | | 62386GT | 187 |
| 61232GT | 153 | 61378-SGT | 37, 39 | | | 62387GT | 187 |
| 61233GT | 149, 153 | 61379GT | 166 | | | 62388GT | 187 |
| 61236GT | 41 | 61380GT | 166 | | | 62389GT | 187 |
| 61239-SGT | 37 | 61381GT | 21 | | | 62392GT | 189, 191 |
| 61240GT | 41 | 61384GT | 161-162 | | | | |
| 61242PGT | 87 | | | | | | |
| 61243-SGT | 71, 123 | | | | | | |
| 61245GT | 295 | | | | | | |

Part Number Index (continued)

| Part Number | Page | Part Number | Page | Part Number | Page | Part Number | Page |
|-------------|--|-------------|---|------------------|------------------------------------|--------------|------------------------------|
| 62399GT | 187 | 65187GT | 14-15 | 63, 65, 67, 69, | 73461GT | 159, 165-166 | |
| 62403GT | 29, 31 | 65188GT | 14-15 | 79, 81, 89, 105, | 73463-1175GT | 313 | |
| 62404GT | 29, 31 | 65264GT | 14-15, 17-18 | 107, 109, 113, | 73477PGT | 184-185 | |
| 62405GT | 227 | 65265GT | 14-15, 17-18 | 131-132, 139, | 73478PGT | 184-185 | |
| 62407GT | 71, 97, 125, 227 | 65266GT | 14-15, 17-18 | 151, 169, 171, | 73500GT | 305 | |
| 62411GT | 51-52 | 65267GT | 15, 17-18 | 183-185, 273, | 73501GT | 305 | |
| 62412GT | 51-52, 55, 57, 59 | 65268GT | 15, 17-18 | 275, 279, 283, | 73587GT | 183-185 | |
| 62413GT | 51-52, 55, 57, 59 | 65269GT | 14-15 | 285, 289, 301, | 73610PGT | 183-185 | |
| 62414GT | 51-52, 55, 57, 59 | 65273GT | 14-15 | 303, 315, 325 | 73711GT | 115 | |
| 62415GT | 227 | 65274GT | 14-15 | 6889GT | 65, 129, 153, | 73742GT | 39 |
| 62416GT | 21, 25 | 65275GT | 14-15 | 273, 307-308, | 73807GT | 225 | |
| 62417GT | 175 | 65276GT | 14-15 | 315 | 73900GT | 184-185 | |
| 62419GT | 21, 25 | 65278GT | 14-15, 17-18 | 69229GT | 47, 49 | 73928GT | 180 |
| 62425GT | 71, 87, 97, 109, 123, 131-132 | 65428GT | 14-15 | 69230GT | 47, 49 | 73931GT | 184-185 |
| 62426GT | 101 | 65473GT | 83, 85, 109, 111 | 6935GT | 67, 315 | 73975GT | 183-185 |
| 62427GT | 97 | 6550GT | 184-185, 317 | 69864GT | 187 | 73976GT | 183-185 |
| 62428GT | 99 | 65630GT | 305 | 69873GT | 195 | 74006GT | 180, 291, 315 |
| 62429GT | 97 | 6578GT | 115 | 7-121-07GT | 41 | 74052GT | 67, 180 |
| 62430GT | 125 | 65792GT | 143, 145-146, 149 | 70241GT | 195 | 74902GT | 193, 195, 217 |
| 62431GT | 127 | 65793GT | 23, 27 | 70257GT | 89, 113, 115, 301 | 75000GT | 123 |
| 62432GT | 127 | 65795GT | 173 | 70381GT | 89, 131-132 | 75001PGT | 21 |
| 62433GT | 71, 97, 109, 123 | 6584GT | 113, 131-132 | 70387GT | 41 | 75002GT | 21 |
| 62434GT | 123 | 65907GT | 205-206, 209- 210, 213-214 | 70389GT | 289 | 75003GT | 21 |
| 62435GT | 75 | 6595GT | 67, 291 | 70397GT | 285, 289 | 75004GT | 21 |
| 62436GT | 71 | 6605GT | 271 | 70438PGT | 135, 289 | 75006-SGT | 21 |
| 62437GT | 73 | 6606GT | 67, 69 | 70439PGT | 131-132 | 75007GT | 43 |
| 62438GT | 71 | 6607GT | 21, 23, 25, 27, 47, 153, 161- 162, 183-185 | 70440GT | 135 | 75008GT | 43 |
| 62439GT | 13-15 | 6638GT | 21, 25, 27, 29, 31, 37, 39, 41, 47, 49, 51-52, 55, 57, 59, 63, 65, 67, 69, 71, 75, 77, 79, 81, 83, 85, 87, 89, 93, 97, 101, 103, 105, 107, 109, 111, 113, 115, 119, 123, 129, 131-132, 139, 143, 145-146, 151, 153, 156, 159, 169, 171, 173, 175, 177, 180, 183-185, 273, 277, 281, 283, 285, 287, 291, 297, 299, 301, 303, 305, 307-308, 313, 315, 325 | 70444GT | 89, 109, 111, 135 | 75011GT | 151 |
| 62440-SGT | 23 | | | 70445GT | 135 | 75014GT | 52, 55, 57, 59 |
| 62441GT | 219 | | | 70447GT | 135 | 75015GT | 281 |
| 62442GT | 219, 221 | | | 70448PGT | 131-132 | 75016-SGT | 173, 175 |
| 62443GT | 219, 221 | | | 70449GT | 109, 111, 135 | 75020GT | 71, 97, 109, 123 |
| 62449GT | 143, 145-146, 149, 151, 161- 162 | | | 70451GT | 131-132 | 75021-SGT | 175 |
| 62460-SGT | 143, 145-146 | | | 70478PGT | 131-132 | 75029GT | 71 |
| 62461-SGT | 151 | | | 70479PGT | 131-132 | 75030GT | 63, 153, 155-156 |
| 62464GT | 33 | | | 70483GT | 109, 111, 135 | 75031GT | 161-162, 169, 171 |
| 62465GT | 45, 311 | | | 70507GT | 289 | 75032GT | 143, 145-146, 149 |
| 62466GT | 45, 311 | | | 70508GT | 289 | 75033GT | 143, 145-146, 149 |
| 62467GT | 45, 311 | | | 70515GT | 301, 303 | 75034GT | 169 |
| 62468GT | 33, 45 | | | 70518GT | 83, 109 | 75035GT | 169 |
| 62470-SGT | 37, 39 | | | 70540GT | 283 | 75036GT | 21, 25 |
| 62471-SGT | 37, 39 | | | 70545GT | 283 | 75037GT | 43 |
| 62472GT | 33 | | | 70546PGT | 301 | 75038GT | 21, 25 |
| 62473GT | 33 | | | 70553GT | 109 | 75039-SGT | 21, 25 |
| 62474GT | 33 | | | 70554PGT | 109 | 75040GT | 21, 25 |
| 62475GT | 33 | | | 70555PGT | 109 | 75041GT | 51-52, 55, 57, 59 |
| 62476GT | 33, 115, 131-132 | | | 7056GT | 180, 291, 315 | 75043GT | 51-52, 239-240 |
| 62477GT | 33 | | | 71259GT | 63, 139 | 75044-SGT | 71 |
| 62478GT | 33, 35 | | | 71498GT | 308 | 75045GT | 71, 87 |
| 62479GT | 33 | | | 71911GT | 85, 111, 113, 132, 135 | 75046-SGT | 71, 87 |
| 62506GT | 225 | | | 72043GT | 193, 195 | 75047-SGT | 165-166 |
| 62507GT | 225 | | | 72051GT | 14-15 | 75048GT | 295 |
| 6272GT | 61, 323 | 66717GT | 49 | 72052GT | 14-15 | 75049PGT | 162 |
| 63213GT | 175 | 66777GT | 109, 111, 135 | 72053GT | 14-15 | 75050GT | 21 |
| 6326GT | 23, 27, 175 | 66811GT | 61 | 72087GT | 14-15 | 75051GT | 51-52 |
| 63353GT | 175 | 66812GT | 61, 187 | 72088GT | 13-15, 17-18, 187 | 75052GT | 71, 87 |
| 63375GT | 291 | 66816GT | 61 | 72119GT | 14-15, 17-18 | 75053GT | 277, 281, 287 |
| 6356GT | 21, 25, 27, 29, 31, 37, 39, 41, 47, 49, 51-52, 55, 57, 59, 65, 67, 69, 77, 103, 129, 143, 151, 153, 156, 159, 161-162, 169, 171, 173, 175, 183-185, 187, 273, 299, 308 | 66818GT | 61, 187 | 72130GT | 14-15 | 75057-SGT | 63 |
| 63766GT | 185 | 66821GT | 61, 187 | 72131GT | 14-15 | 75058-SGT | 63 |
| 65182GT | 13-15, 17-18, 187 | 6708GT | 159, 173 | 72168GT | 14-15 | 75060GT | 21, 25 |
| 65185GT | 13-15 | 6732GT | 51-52, 55 | 72169GT | 14-15 | 75061GT | 173, 175 |
| 65186GT | 14-15 | 67505GT | 61 | 72243GT | 125 | 75063GT | 21, 25 |
| | | 6782GT | 37, 39, 47, 49, 51-52, 55, 57, 59, 63, 85, 153, 156, 277, 279, 281, 283, 287, 289, 315, 317 | 6833GT | 52, 55, 57, 59, 87 | 75064GT | 143, 145-146, 149 |
| | | 6873GT | 67 | 6873GT | 67 | 75065GT | 153, 156 |
| | | 6886GT | 51-52, 55, 57, 59, 151 | 6888GT | 37, 39, 41, 51- 52, 55, 57, 59, | 75066GT | 153, 156 |
| | | | | | | 75067GT | 67, 180 |
| | | | | | | 75069GT | 67, 180 |
| | | | | | | 75073GT | 65, 67 |
| | | | | | | 75076GT | 51-52, 55, 57, 59, 67, 69 |
| | | | | | | 75079GT | 151 |
| | | | | | | 75080GT | 151 |

| Part Number | Page | Part Number | Page | Part Number | Page | Part Number | Page |
|-------------|---|----------------|--|-------------|---------------|-------------|-----------------------------------|
| 75082-SGT | 129 | 75171GT | 73, 91 | 75297PGT | 83, 109 | 75388GT | 127 |
| 75083-SGT | 129 | 75172GT | 73, 91 | 75300GT | 79, 105 | 75389GT | 127 |
| 75084GT | 123 | 75173GT | 73 | 75303GT | 97 | 75390GT | 127 |
| 75085GT | 71, 75, 97, 101, 123, 129 | 75174GT | 73 | 75304GT | 97 | 75391GT | 127 |
| 75087GT | 27 | 75175GT | 73, 91 | 75305GT | 97 | 75392GT | 127 |
| 75088GT | 27 | 75176GT | 73, 91 | 75306GT | 97 | 75393GT | 127 |
| 75090GT | 33 | 75177GT | 73 | 75307GT | 97 | 75394GT | 127 |
| 75091GT | 151 | 75178GT | 73 | 75308GT | 97 | 75395GT | 175 |
| 75092GT | 151 | 75179GT | 73, 91 | 75309GT | 97 | 75396GT | 161-162 |
| 75096GT | 143, 145-146 | 75180GT | 73, 91 | 75310GT | 97, 117 | 75397GT | 161-162 |
| 75098GT | 205-206, 209-210, 213-214, 217, 237, 239-240, 243-244, 247, 249, 251-252, 255, 257-258, 261, 263, 265, 267, 269 | 75181GT | 73, 91 | 75311GT | 97 | 75398GT | 129 |
| 75100GT | 71, 97, 109, 123 | 75182GT | 73, 91 | 75312GT | 99 | 75399GT | 129 |
| 75102GT | 73, 91 | 75183GT | 73, 91 | 75314GT | 99, 117 | 75400GT | 29, 31 |
| 75103-SGT | 165-166 | 75184GT | 73 | 75315GT | 99 | 75401GT | 151 |
| 75105-SGT | 173 | 75185GT | 73 | 75316GT | 99 | 75402GT | 153, 155-156, 165-166 |
| 75106-SGT | 173 | 75186GT | 73 | 75317GT | 99 | 75404GT | 25, 39 |
| 75107GT | 33 | 75187GT | 71 | 75318GT | 99 | 75408GT | 187 |
| 75108-SGT | 67 | 75188GT | 73 | 75319GT | 99 | 75409GT | 47, 49, 51-52, 55, 57, 59 |
| 75110-SGT | 67 | 75189GT | 75 | 75320GT | 99 | 75413GT | 151 |
| 75112-SGT | 69 | 75190GT | 75 | 75321GT | 99 | 75416GT | 127 |
| 75113GT | 51-52, 55, 57, 59 | 75192GT | 75 | 75322GT | 99 | 75417GT | 127 |
| 75114-SGT | 183-185 | 75193GT | 75 | 75323GT | 99 | 75418GT | 127 |
| 75116GT | 45, 311 | 75194GT | 75 | 75324GT | 99 | 75419GT | 127 |
| 75120GT | 77, 79, 81 | 75196GT | 75 | 75325GT | 99 | 75420GT | 127, 287 |
| 75121GT | 47, 49 | 75197GT | 75 | 75326GT | 99, 117 | 75421GT | 127 |
| 75122-SGT | 63 | 75198GT | 75 | 75327GT | 99, 117 | 75422GT | 127 |
| 75123-SGT | 180 | 75199GT | 75 | 75328GT | 99, 111, 117 | 75423GT | 127 |
| 75124-SGT | 79, 93, 119, 129, 139 | 75200GT | 75 | 75329GT | 99, 117 | 75424GT | 151, 161-162 |
| 75126GT | 43 | 75202GT | 75 | 75330GT | 99, 117 | 75425GT | 277, 279, 281, 283, 285, 287, 289 |
| 75127GT | 43 | 75247PGT | 27 | 75331GT | 99, 117 | 75426GT | 277, 279, 281, 283, 285, 287, 289 |
| 75128GT | 43 | 75249-PGT | 271 | 75332GT | 99, 117 | 75427GT | 277, 279, 281, 283, 285, 287, 289 |
| 75129GT | 43 | 75250-PGT | 271 | 75333GT | 99 | 75428GT | 277, 279, 281, 283, 285, 287, 289 |
| 75130GT | 43 | 75251GT | 295 | 75334GT | 99 | 75429GT | 277, 279, 281, 283, 285, 287, 289 |
| 75132-SGT | 143, 146 | 75253GT | 51-52, 55, 57, 59, 240, 243-244, 247, 249, 252, 255, 258 | 75335GT | 99 | 75433GT | 123 |
| 75134-SGT | 175 | 75254GT | 51-52, 55, 57, 59, 239-240, 243-244, 247, 249, 255 | 75336GT | 99 | 75434GT | 77, 79, 81, 83, 105, 107, 109 |
| 75135GT | 77, 79, 81 | 75255GT | 51-52, 55, 57, 239-240, 243-244, 247, 249, 255 | 75337GT | 99 | 75435GT | 77, 79, 81, 105, 107 |
| 75136GT | 77, 79, 81 | 75256GT | 51-52, 55, 57, 59, 239-240, 243-244, 247, 249, 251-252, 255, 257-258 | 75338GT | 99 | 75437-SGT | 169 |
| 75137GT | 77, 79, 81 | 75257GT | 51-52, 55, 57, 59, 239-240, 243-244, 247, 249, 251-252, 255, 257-258 | 75339GT | 99 | 75438-SGT | 77 |
| 75138GT | 103 | 75258GT | 52, 55, 57 | 75340GT | 99 | 75443GT | 189, 191 |
| 75139GT | 103 | 75259GT | 81, 83, 85, 105, 107 | 75341GT | 97 | 75444GT | 189, 191 |
| 75140GT | 187 | 75260GT | 79, 81, 83, 105, 107, 109 | 75342GT | 101, 117 | 75445GT | 189, 191 |
| 75141GT | 187 | 75262-SGT | 79, 81, 105, 107 | 75343GT | 101, 117 | 75446GT | 189, 191 |
| 75142GT | 187 | 75262PGT | 83, 113 | 75344GT | 101 | 75447GT | 189, 191 |
| 75143GT | 189 | 75275GT | 281 | 75345GT | 101 | 75448GT | 189, 191 |
| 75144GT | 183-185, 187, 273 | 75278-5529-SGT | 229, 231-232 | 75346GT | 101 | 75449GT | 189, 191 |
| 75150GT | 71, 91 | 75278-5729GT | 231-232 | 75347GT | 101 | 75450GT | 71, 97, 123 |
| 75151GT | 71, 83 | 75278-5829-SGT | 229, 231-232 | 75348GT | 103, 105, 107 | 75451GT | 71, 97, 123 |
| 75152GT | 71 | 75278-6029GT | 231-232 | 75349GT | 103, 105, 107 | 75452-SGT | 27 |
| 75153GT | 71, 91 | 75278-6329-SGT | 229, 231-232 | 75350GT | 103, 105, 107 | 75453GT | 203 |
| 75154GT | 77, 79, 81 | 75286GT | 169, 171 | 75351GT | 103, 105, 107 | 75454GT | 55, 57, 59 |
| 75155GT | 71 | 75288-5538-SGT | 239-240, 243-244, 247, 249, 251-252, 255 | 75352GT | 103, 105, 107 | 75456GT | 209-210, 213-214 |
| 75156GT | 71 | | | 75353GT | 103, 105, 107 | 75457GT | 209-210, 213-214 |
| 75157GT | 71 | | | 75354GT | 103, 105, 107 | 75458GT | 209-210, 213-214 |
| 75158GT | 73 | | | 75355GT | 103, 105, 107 | 75460GT | 95, 121, 129, 139 |
| 75159GT | 73, 75 | | | 75356GT | 103, 105, 107 | 75461GT | 146 |
| 75160GT | 73 | | | 75357GT | 103, 105, 107 | 75462GT | 213-214 |
| 75161GT | 73 | | | 75358GT | 103, 105, 107 | 75463GT | 214 |
| 75162GT | 73 | | | 75359GT | 103, 105, 107 | 75464GT | 213-214 |
| 75163GT | 73, 91 | | | 75360GT | 103, 105, 107 | 75465GT | 214 |
| 75164GT | 73, 91 | | | 75361GT | 103, 105, 107 | | |
| 75165GT | 73, 91 | | | 75362GT | 103, 105, 107 | | |
| 75166GT | 73 | | | 75363GT | 103, 105, 107 | | |
| 75167GT | 73 | | | 75364GT | 103, 105, 107 | | |
| 75168GT | 73, 91 | | | 75365GT | 103, 105, 107 | | |
| 75169GT | 73, 91 | | | 75366GT | 103, 105, 107 | | |
| 75170GT | 73 | | | 75367GT | 103, 105, 107 | | |
| | | | | 75368GT | 103, 105, 107 | | |
| | | | | 75369GT | 103, 105, 107 | | |
| | | | | 75370GT | 103, 105, 107 | | |
| | | | | 75371GT | 103, 105, 107 | | |
| | | | | 75372GT | 103, 105, 107 | | |
| | | | | 75373GT | 103, 105, 107 | | |
| | | | | 75374GT | 103, 105, 107 | | |
| | | | | 75375GT | 103, 105, 107 | | |
| | | | | 75376GT | 103, 105, 107 | | |
| | | | | 75377GT | 103, 105, 107 | | |
| | | | | 75378GT | 103, 105, 107 | | |
| | | | | 75379GT | 103, 105, 107 | | |
| | | | | 75380GT | 103, 105, 107 | | |
| | | | | 75381GT | 103, 105, 107 | | |
| | | | | 75382GT | 103, 105, 107 | | |
| | | | | 75383GT | 103, 105, 107 | | |
| | | | | 75384GT | 103, 105, 107 | | |
| | | | | 75385GT | 103, 105, 107 | | |
| | | | | 75386GT | 103, 105, 107 | | |
| | | | | 75387GT | 103, 105, 107 | | |

Part Number Index (continued)

| Part Number | Page | Part Number | Page | Part Number | Page | Part Number | Page |
|----------------|---|--------------|--|--------------|--|--------------|---|
| 75473GT | 123 | 7713GT | 63, 85, 89, 153, | 82577GT | 17-18 | 89845GT | 159 |
| 75483-SGT | 165-166 | | 155-156, 165- | 82601GT | 17-18 | 89846GT | 159 |
| 75518-2272GT | 247, 249, 251- 252, 255, 257- 258 | | 166, 169, 171, 271 | 82602GT | 17-18 | 89847GT | 159 |
| 75518-2364-SGT | 239-240, 243- 244 | 77181GT | 83, 315 | 82603GT | 17-18 | 89894GT | 287 |
| 75519GT | 308 | 77183GT | 14-15 | 82604GT | 17-18 | 89906GT | 129, 287 |
| 75527GT | 307-308 | 77489GT | 195 | 82607GT | 17-18 | 89908GT | 277, 279, 281, 283, 285, 287, 289 |
| 75537PGT | 183-185 | 77664GT | 313 | 82671GT | 17-18 | | |
| 75547GT | 81, 83, 103, 107, 109 | 77683GT | 313 | 82698GT | 17-18 | 89915PGT | 273 |
| 75551GT | 61 | 77692GT | 180 | 82862GT | 317 | 89959GT | 301, 303 |
| 75554PGT | 41 | 77806GT | 29, 31 | 82902GT | 14-15 | 89960GT | 301 |
| 75555GT | 99, 113 | 77819GT | 227 | 82924GT | 17-18 | 89970GT | 301 |
| 75563GT | 145-146 | 77840GT | 183-185 | 83007GT | 153, 155-156 | 89972GT | 301 |
| 75574GT | 239-240, 243- 244, 247, 249, 251-252, 255, 257-258 | 78622GT | 59 | 83098GT | 189, 191 | 89979GT | 47, 49 |
| 75586GT | 123 | 79456GT | 177 | 83122GT | 187 | 89997GT | 75, 83, 101, 115, 129 |
| 75587GT | 71 | 80543GT | 291, 315 | 83136GT | 227 | 89998GT | 129 |
| 75588GT | 97 | 80605GT | 275 | 83137GT | 227 | 9145GT | 162 |
| 75589GT | 55 | 81069GT | 289 | 84134GT | 193, 195 | 94324-500GT | 109, 111 |
| 75590GT | 209-210 | 81175GT | 175 | 84135GT | 193, 195 | 94326-SGT | 180 |
| 75591GT | 55, 57, 59 | 81368GT | 305 | 85053GT | 131-132, 283 | 94374-3130GT | 231-232 |
| 75606GT | 73 | 81458GT | 291 | 85064GT | 111 | 94374-5530GT | 251-252, 257- 258 |
| 75607PGT | 95, 121 | 81467GT | 71, 87, 97, 109, 115, 123, 131- 132 | 8514GT | 25 | 94390-SGT | 180 |
| 75610GT | 47, 49 | 81468GT | 71, 87, 97, 109, 115, 123, 131- 132 | 8516GT | 63, 77, 79, 81, 85, 87, 93, 95, 103, 105, 107, 109, 111, 119, 121, 129, 131- 132, 139, 141, 149, 173, 175, 183-185, 277, 285, 289, 315 | 94397GT | 175 |
| 75612GT | 231-232 | 81476GT | 93, 95, 139 | 85300GT | 305 | 94400GT | 173 |
| 75613GT | 231-232, 237, 251-252, 257- 258 | 81551GT | 61, 323 | 88064GT | 123, 135 | 94444GT | 275 |
| 75614GT | 293 | 81578GT | 52, 55, 57, 59 | 88091GT | 41, 137 | 94493-SGT | 313 |
| 75618GT | 71 | 81640GT | 177 | 88150GT | 61 | 94643GT | 275 |
| 75627GT | 175 | 8170GT | 47, 49 | 88151GT | 71, 97, 123 | 94745PGT | 180, 307-308 |
| 75637GT | 25 | 81738-1900GT | 113 | 88296GT | 277, 279 | 94757GT | 321 |
| 75641GT | 271 | 81738-2800GT | 113 | 88315GT | 61 | 94759GT | 321 |
| 75642-SGT | 67 | 81738-3300GT | 115 | 88377-1400GT | 313 | 94760GT | 321 |
| 75644GT | 201, 203 | 8177GT | 37, 39, 143, 145- 146, 149, 161- 162 | 88406GT | 317 | 94765GT | 321 |
| 75645GT | 59 | 8178GT | 159, 325 | 88492GT | 301 | 9599-SGT | 307-308 |
| 75651GT | 81, 113 | 81852GT | 283, 285, 289 | 88493GT | 301, 303 | 97388GT | 205-206, 209- 210, 213-214 |
| 75652GT | 209-210 | 82237GT | 315, 317 | 88512GT | 131-132 | 97576GT | 14-15 |
| 75654GT | 247, 249, 251- 252, 255, 257- 258 | 82240GT | 17-18 | 88516GT | 175, 225 | 97579GT | 317 |
| 75657-2515-SGT | 247, 249, 251- 252, 255, 257- 258 | 82289GT | 13-15 | 88606PGT | 273 | 97602GT | 14-15 |
| 75663-SGT | 165-166 | 82366GT | 13-15 | 88607PGT | 273 | 97603GT | 14-15 |
| 75666-SGT | 151 | 824038GT | 313 | 88609-SGT | 273 | 97757GT | 17-18 |
| 75682GT | 45 | 824083GT | 305 | 89104PGT | 155-156 | 97815GT | 14-15, 17-18 |
| 75698GT | 145-146 | 82422GT | 14-15, 17-18, 271 | 89105PGT | 171 | 97815GT | 14-15, 17-18 |
| 75717GT | 145-146 | 82472GT | 17-18 | 89106GT | 171 | 97855GT | 14-15 |
| 75719GT | 47, 49, 51-52, 55, 57, 59 | 82473GT | 17-18 | 89107GT | 171 | 97877GT | 14-15 |
| 75735GT | 169 | 82481GT | 17-18 | 89109GT | 171 | 97890GT | 13-15 |
| 75736GT | 169 | 82487GT | 17-18 | 89110GT | 171 | T106954GT | 43 |
| 75753GT | 201, 203 | 825019GT | 23, 27, 93, 95, 119, 121, 139, 141, 161-162, 173, 175 | 8914GT | 29, 31, 47, 49, 51-52, 55, 57, 59, 159, 169, 171, 183-185 | T106955GT | 43 |
| 75762GT | 161-162 | 825030GT | 13-15 | 8915GT | 67, 69, 71, 97, 123, 177, 277, 281, 285, 287 | T106956GT | 43 |
| 75769GT | 153, 155-156 | 825032GT | 13-15 | 89164GT | 171 | T106960GT | 43 |
| 75854GT | 63, 139 | 825037GT | 13-15 | 89166-SGT | 165-166 | T107605GT | 127 |
| 75855GT | 63, 139 | 825109GT | 13-15 | 89171PGT | 169, 171 | T107606GT | 127 |
| 75910GT | 21, 25, 63, 143, 169, 171 | 825111GT | 13-15 | 89212GT | 35 | T107736GT | 223 |
| 75911GT | 143, 169, 171 | 825116GT | 13-15 | 89310GT | 193, 195 | T108075GT | 173, 175 |
| 75912GT | 143, 169, 171 | 825371GT | 13-15 | 89425GT | 180 | T108076GT | 175 |
| 75913GT | 21, 25, 63, 143, 169, 171 | 825377GT | 13-15 | 89493PGT | 279, 283, 285, 289 | T108077GT | 175 |
| 75969PGT | 139 | 825379GT | 13-15 | 89511-SGT | 95, 121, 129, 139, 141 | T108078GT | 173, 175 |
| 75971GT | 59, 251-252, 257-258 | 825383GT | 13-15 | 89534GT | 175 | T108732GT | 137 |
| 75973GT | 213-214 | 82544GT | 17-18 | 89536GT | 25 | T108733GT | 137 |
| 77046GT | 14-15 | 82547GT | 18 | 89539PGT | 67 | T108734GT | 137 |
| | | 82548GT | 17-18 | 89755GT | 275 | T108870GT | 61 |
| | | 8255GT | 23, 27, 29, 31, 47, 49, 65, 85, 89, 151, 153, 155-156, 159, 165-166, 169, 171, 177, 271 | 89597GT | 137 | T108990GT | 307-308 |
| | | | | 89833GT | 43 | T108991GT | 307-308 |
| | | | | 89837GT | 71, 91 | T109328GT | 273 |
| | | | | | | T109430GT | 61 |
| | | | | | | T110549GT | 14-15 |
| | | | | | | T111702GT | 31 |
| | | | | | | T111703GT | 31 |
| | | | | | | T111766GT | 315 |
| | | | | | | T112560GT | 291 |
| | | | | | | T112561GT | 291 |
| | | | | | | T112626GT | 189, 191 |
| | | | | | | T112773GT | 14-15, 17-18 |
| | | | | | | T113655GT | 315 |
| | | | | | | T113801GT | 131-132 |
| | | | | | | T114022GT | 315 |
| | | | | | | T114023GT | 315 |

| <u>Part Number</u> | <u>Page</u> |
|--------------------|--------------|
| T114285GT | 14-15 |
| T114286GT | 17-18 |
| T114678GT | 131-132, 137 |
| T115352GT | 323 |

Go to Discount-Equipment.com to order your parts

Part Description Index

The Part Description Index is an alphabetical index of all part descriptions included in this manual. The index shows what page(s) the part is used on.

(R e f)
VALVE, SOLENOID, 3POS4WAY, HYDAC.....219

1

12VDC PROPORTIONAL VALVE.....291

2

207 HYD MOTOR ASSY, GEN.....291

6

6' TRI ENTRY ASSY ANSI.....307-308
6' TRI ENTRY ASSY USA/CAN S125.....307-308
6' TRI-ENT ASSY ANSI.....307-308
6' TRI-ENT ASSY AUST.....307-308
6' TRI-ENT RAIL W/DECALS A/SOA.....308
6' TRI-ENT RAIL W/DECALS ANSI.....308
6' TRI-ENT RAIL W/DECALS AUSTR.....308
6' TRI-ENTRY ASSY AUST.....307-308
6' TRI-ENTRY ASSY AUST S125.....307-308
6FT TRI-ENTRY ASSY A/SO.A.....307-308
6FT TRI-ENTRY ASSY AUST.....307-308

8

8' TRI-ENT ASSY A/SO.A S105125.....307-308
8' TRI-ENT ASSY ANSI.....307-308
8' TRI-ENT ASSY AUST.....307-308
8' TRI-ENT RAIL W/DECALS A/SOA.....308
8' TRI-ENT RAIL W/DECALS ANSI.....308
8' TRI-ENT RAIL W/DECALS AUSTR.....308
8' TRI-ENT RAIL W/DECALS CE/UK.....308
8' TRI-ENTRY ASSY ANSI.....307-308
8' TRI-ENTRY ASSY ANSI S125.....307-308
8' TRI-ENTRY ASSY CE S105/125.....307-308
8' TRI-ENTRY ASSY CE/UK.....307-308
8' TRI-ENTRY ASSY AUST S105/125.....307-308
8FT TRI-ENT ASSY A/SO.AM.....307-308
8FT TRI-ENTRY ASSY AUST.....307-308

A

ACC, PLAT CONTROL COVER, SERV.....273
ACCESS PBOX HEATER S100/120.....323
ACCESSORY, OPERATOR PROT STRUCT.....325
ACCESSORY, PANEL CRADLE, ANSI.....313
ACCUMULATOR, 5CU IN 500 CHARGE.....223
ACCUMULATOR, 500 PSI, HYDAC.....219, 221
ACTIVATOR, STEER SENSOR.....23, 27
ADAPTER, 1/4 FNPT X 1/2-20 UNF.....111
ADAPTER, 3/16" TUBE X 1/8" FNPT.....101
ADAPTER, WELDER, 208-220.....317
ADAPTER-FUEL FILTER, PERK 1104.....109, 117
ADJUSTABLE STRAP ASSY.....313
ADPTR, OIL PRESS SEND PERK T2.....115, 117
AIR BOX ASSE, DEUTZ W/ W DECAL.....131-132
AIR BOX ASSEMBLY, DEUTZ, SERV.....131-132, 141

AIR CLEANER CLIPS, SUPERBOOM.....71, 97, 123
AIR CLEANER COVER, SUPERBOOM*.....71, 97, 123
AIR CLEANER, CLAMP, CUM B3.3T.....89
AIR CLEANER, CUMMINS B3.3T.....89
AIR CLEANER, NELSON.....71, 87, 97, 109, 115, 123, 131-132
AIR FILTER, PRIMARY ELEMENT.....89
AIR FILTER, SECONDARY ELEMENT.....89
AIR INLET, PERKINS 1104C-44.....117
ALARM PKG, S100/120.....271
ALARM, AUDIO, SUPERBOOM***.....61, 187
ALTERNATOR.....85, 111
ALTERNATOR PULLEY.....127
ALTERNATOR STAY, DEUTZ F4L913.....127
ALTERNATOR, DEUTZ (55AMP) ***.....127
ALTERNATOR, DEUTZ, BF4L2011***.....137
ALTERNATOR, 55A, PERKINS 1004-42.....99
ALTERNATOR, CUMMINS 4B3.9, 95A.....73, 91
ALTERNATOR, CUMMINS B4.5.....91
ALTERNATOR, PERKINS 1104C-44.....117
ALTERNATOR, STAY, CUMMINS B3.9.....73
ALTERNATOR, STAY, DEUTZ, F4L913.....127
ALTERNATOR, STAY, PERKIN 1004-42.....99
ARM, ANTI-ROTATION, SWIVEL***.....43
ASSEMBLY, DIPSTICK TUBE.....115
ASSEMBLY, FOOT SWITCH.....184-185
ASSEMBLY, FUEL TANK, 40 GAL***.....41
ASSEMBLY, LCD HEATER ALC1000.....61
ASSY, LS, LOAD SENSE, ALC1000.....275
ASSY, MED. PRESS. FILTER, SAE8.....49
ASSY, RAD/CAC, CUMMINS B3.3T.....85
ASSY, BRACKET, KS CONTACT BLOCK.....61
ASSY, ENCLOSURE, WELDER, GEN.....315
ASSY, TILT SENSOR, PCON, S100-125.....173, 175
ASSY, TIRE, 445D50/710, LH.....31
ASSY, TIRE, 445D50/710, RH.....31
AUX TOP RAIL, 6"(1.25")SERVICE.....307-308
AUX TOP RAIL, 6', SWG GT, SRV.....307-308
AUX TOP RAIL, 6FT, PTD.....307-308
AUX TOP RAIL, 8"(1.25")SERVICE.....307-308
AUX TOP RAIL, 8', SWG GT, SRV.....307-308
AUX TOP RAIL, 8FT, PTD.....307-308

B

BACKING PLATE, HOSE BLOCK, JIB.....177
B A C K U P
RING, 71.60X67.20X1.40PTFE(60334).....47, 49
BAFFLE, 1104-C PERKINS PAINTED.....109
BAFFLE, AIR INTAKE, DEUTZ PAINTD.....131-132, 141
BALL STUD**.....67, 69
BALL STUD, GAS STRUT (38593)***.....63, 65
BAR, RUBBER WIPER BACK-UP.....169, 171
BASE, WITHOUT CONTACTS.....61, 187
BATTERY CABLE.....47, 49, 51-52, 55, 57, 59
BATTERY CABLE, POSITIVE DEUTZ.....47, 49, 127
BATTERY, 12V GRP 4D, 190 AH, DRY*.....47, 49
BATTERY, 12V, 1000 CCA GRP 31.....47, 49
BEARING (2 REQ)(60707/60737).....277, 279, 281, 283, 285, 287, 289

BEARING KIT, DRIVE HUB SUPRBOOM.....33
BEARING KIT, PLAT ROTATOR, SUPER.....175
BEARING KIT, RWD 1700TB***.....35
BEARING KIT, TURNTBL. ROT. DRV HUB.....45, 311
BEARING TURNTABLE SEAL***.....43
Bearing, 1.5 x 2 x 1.81 inches.....161-162
BEARING, 1.25 ID X 1.5 OD X .75.....173, 175
BEARING, 1.25 X 1.5 X 2.....175
BEARING, 1.25ID X 1.5OD X 0.69L.....165-166, 173, 175
BEARING, 1.25IDX1.5ODX1.00L.....165-166, 173, 175
BEARING, 1.5IDX1.75ODX1.0L.....23, 27
BEARING, 1.5IDX1.75ODX1.5L, PTFE.....23, 27
BEARING, 1.75IDX2.00ODX1.50L.....23, 27
BEARING, 2.50IDX2.75ODX2.00L.....143, 145-146
BEARING, 2.50IDX3.00ODX2.00L.....143, 145-146, 149
BEARING, FL, 1.25X1.5X2.13.....175
BEARING, FL, 1.25IDX1.41ODX1.50L.....175
BEARING, FL, 1.25IDX1.5ODX1.25L.....83, 89, 93, 95, 119, 121, 139, 141
BEARING, FL, 1.5IDX1.75ODX1.10LG.....161-162
BEARING, GARLOCK, 12FDU12.....275
BEARING, POLYGON, 20DU12.....175
BEARING, TURNTABLE.....43
BELL CRANK, ASSY. W/ BEARINGS.....175
BELT.....85
BELT TENSIONER CUMMINS B4.5.....91
BELT TENSIONER, CUMMINS PAINT.....279
BELT, AX34***.....285, 289
BELT, AX37.....279
BELT, AX38***.....277, 281, 287
BELT, AX42.....283
BELT, SERPENTINE, CUMMINS B3.9L.....73
BELT, SERPENTINE, CUMMINS B4.5.....91
BELT, TIMING, CUMMINS, B3.9.....73
BELT, V, ALTERNATR. DEUTZ F4L913.....127
BELT, V, BLOWER, DEUTZ F4L913.....127
BELT, V, PERKINS 1004-42 (SB).....99
BELT, V, (2) PERKINS 1104C-44.....117
BLACK SOCKET, (50170).....227
BLANKET, BATTERY.....295
BOLT SET, NYLON, 1/4-20 W/NUT.....21
BOLT, CARRIAGE, 3/8-16 X 1.50, G5.....285
BOLT, CARRIAGE, 1/4-20 X 1.00, G2.....177
BOLT, CARRIAGE, 1/4-20 X 2.75, G2.....177
BOLT, CARRIAGE, M8X1.25X25, DEUTZ.....127
BOOM #0 REST PAD.....151
BOOM TUBE ASSY #0 S120 W/SYM.....145-146, 149
BOOM TUBE ASSY #0 S120 W/WORD.....145-146, 149
BOOM TUBE ASSY #0 S120*.....143, 145-146
BOOM TUBE ASSY #0 S120, W/WORD.....145-146
BOOM TUBE ASSY #0 S125.....143, 145-146
BOOM TUBE ASSY #0 S125 W/SYM.....145-146, 149
BOOM TUBE ASSY #0 S125 W/WORD.....145-146, 149
BOOM TUBE ASSY #0 S125 W/SYM.....145-146

| | | |
|--|--|--|
| BOOM TUBE ASSY #0 S125,W/WORD....145-146 | BRACKET,PANEL MOUNT.....67 | BUTTON,PUSH,RED MUSHROOM HEAD.....61, 187 |
| BOOM TUBE ASSY,#3 W/BUSHINGS.....165-166 | BRACKET,PLATFORM HEATER OPT.....323 | |
| BOOT GUARD, JOYSTICK 62390/91.....189 | BRACKET,PLATFORM HEATER OPTION.....323 | C |
| BOOT(BELLOWS),E-STOP,BLACK.....61, 187 | BRACKET,POWER TO PLAT TBOX,PNT....317 | CABLE ASSEMBLY,EXTEND SET.....161-162 |
| BOOT,ROCKER JOYSTICK 75565.....189, 191 | BRACKET,PRE-CLEANER MOUNT PNTD.....301 | CABLE ASSEMBLY,RETRACT SET....161-162 |
| BOOT,BATTERY TERMINAL,RED.....47, 49 | BRACKET,PRECLEANER MNT B3.3T.....303 | CABLE ASSY,THROTTLE.....83 |
| BOOT,CABLE TERMINAL,LG,RED,2/0.....47, 49 | BRACKET,PRECLEANER MOUNT,PTD.....301 | CABLE ASSY,THROTTLE,CUM B3.3T.....89 |
| BOOT,JOYSTICK.....189, 191 | BRACKET,PRECLEANER,TUBING.....301 | CABLE SQUEEZE CONN.....315 |
| BOOT,PLUG 3 WAY.....39 | BRACKET,RAD SUPPORT,RH PAINTED.....283 | CABLE TIE,11.5" BLACK.....317 |
| BOOT,SOLENOID,29073.....75 | BRACKET,RADIATOR SUPP,LH PAINT.....283 | CABLE TIE,28".....295 |
| BOOT,TOGGLE SWITCH,SHORT*.....187 | BRACKET,RADIATOR SUPPORT PNTD.....111 | CABLE TIE,4" BLK,HEAT RESISTNT.....183-185 |
| BOX,ELECT.GENERATOR W/REG 120V.....277, 279, 281, 287 | BRACKET,RETURN FILTER.....51-52, 55, 57, 59 | CABLE TIE,7 3/8".....115 |
| BOX,ELECT.GENERATOR W/REG 220V.....277, 279, 281, 287, 289 | B R A C K E T , R U B B E R | CABLE TIE,BLACK,36".....295 |
| BOX,EMPTY (122915).....61 | BUMPER,ENGCOVER.....111 | CABLE TIE,STUD MOUNT (PCON).....187 |
| BOX,INSTRUCTION STORAGE.....183-185 | BRACKET,STROBE.....271 | CABLE TRACK ROLLER&BKT KIT SB.....153, 155-156 |
| BRACKET, CABLE MOUNT.....71, 97, 109, 123 | BRACKET,SWITCH PIVOT.....153 | CABLE TRACK,STEEL 50 LINKS.....165-166 |
| BRACKET, CAC INTAKE TUBE MOUNT.....85 | BRACKET,SWITCH ROD MOUNT,PNTD...25 | CABLE TRACK,STEEL 60 LINKS**.....151 |
| BRACKET, FAN SHROUD, LH.....115 | BRACKET,THROTTLE MOUNT CUMM.....75 | CABLE TRACK,STEEL 84 LINKS.....153, 155-156 |
| BRACKET, KS CONTACT CLAMP.....61 | BRACKET,V275S WELD LEADS.....317 | CABLE TRACK,STEEL,60 LINKS.....151 |
| BRACKET, SUPPORT, EXH. CUM T3.....85 | B R A C K E T , W E L D E R | CABLE,12/3, WORKLIGHT, 12V.....307-308 |
| Bracket, Tank side.....271 | SUPPORT,PNT.....317 | CABLE,4/0 WELD LEAD,TWIN S120.....315 |
| BRACKET,1K OHM 10-TURN POT,PNT.....315 | BRACKET,WELDER SUPPORT,PNT.....317 | CABLE,4/0 WELD LEAD,TWIN S125.....315 |
| BRACKET,AIR CLEANER CUMMINS.....87 | BRACKET,WORK LIGHT MOUNT 5/16".....308 | CABLE,BATTERY.....51-52 |
| BRACKET,AIR TUBE SUPPORT PAINT.....113 | BRAKE DISC KIT,75090.....33, 45 | CABLE,BATTERY NEGATIVE.....47, 49 |
| BRACKET,AIRLINE TO PLATFORM.....311 | BRAKE KIT,RWD 1700TB***.....35 | CABLE,BATTERY POSITIVE.....47, 49, 71, 97 |
| BRACKET,BEACON,DRIVE LIGHTS,RH....271 | BRAKE,SWING DRIVE (111145).....45 | CABLE,BATTERY POSITIVE 73".....49 |
| BRACKET,BULKHEAD,PAINTED.....159 | BRAKE,TURNTABL ROT ASSY,60751*.....45, 311 | CABLE,GROUND,79" W/PIGTAIL...47, 49, 51-52, 55, 57, 59 |
| BRACKET,CABLE TRACK,FIXED END*...155-156, 166 | BREAKER, 25 AMP, GEN.....291 | CAP, COOLANT RET SYS(60721).....47, 49 |
| BRACKET,CABLE TRACK,MOVING END.....155-156, 166 | BREAKER,15 AMP,GEN.....291 | CAP,520112-6.....269 |
| BRACKET,CAC 2 TUBING MOUNT.....85 | BREATHER CAP,PERKINS 1004-42.....99 | CAP,DIAGNOSTIC NIPPLE.....193, 203, 205-206, 209-210, 213-214, 217, 229, 231-232, 235, 237, 239-240, 243-244, 247, 249, 251-252, 255, 257-258, 261, 263, 265, 267, 269 |
| BRACKET,CNTL BOX MOUNTING***.....52, 55, 57, 59 | BREATHER PIPE, TD 2011L04I.....137 | CAP,FUEL,DIESEL,1/8"VENT(GRN).....41 |
| BRACKET,ENG.MOUNT LH/RR.....129 | BREATHER,RESERVOIR 3 MICRON***.....52, 55, 57, 59 | CAP,MANUAL DISENGAGE (89212).....35 |
| BRACKET,ENG.MOUNT,FRT.PERKINS.....103, 105, 107, 109 | BRUSH BOX,ASSY,GEN***.....315 | CAP,MANUAL DISENGAGE,75090.....33 |
| BRACKET,ENG.MOUNT,LF,PERKINS.....103, 105, 107 | BRUSH HOLDER(4REQ)(60707/60737)....277, 279, 281, 283, 285, 287, 289 | CAP,OIL FILLER, DEUTZ F4L913.....125 |
| BRACKET,ENG.MOUNT,RT,PERKINS.....103, 105, 107 | BRUSH(4REQ)(60707/60737)....277, 279, 281, 283, 285, 287, 289 | CAP,OIL FILLER,CUMMINS, B3.9.....71 |
| BRACKET,ENGINE MOUNT RR,DEUTZ.....129 | BRUSH,BOTTOM,MAST #0.....299 | CAP,OIL FILLER,DEUTZ,DIESEL ***.....137 |
| BRACKET,ENGINE MOUNT,CUMMINS.....77, 79, 81, 83 | BRUSH,BOTTOM,MAST #1.....299 | CAP,OIL FILLER,PERKINS 1004-42.....97 |
| B R A C K E T , E N G I N E | BRUSH,BOTTOM,MAST #2.....299 | CAP,OIL FILLER,PERKINS 1104C.....117 |
| SUPPORT,CUMMINS.....77, 79, 81 | BRUSH,SIDE,MAST #0.....299 | CAP,OIL FILLER,VALV.CVR.CUMMIN.....73, 91 |
| BRACKET,FAN SHROUD,RH,PAINTED.....111 | BRUSH,SIDE,MAST #1.....299 | CAP,RADIATOR,10 PSI, COPAR.....103 |
| BRACKET,FUNCTION MANIFOLD MNT.....51-52 | BRUSH,SIDE,MAST #2.....299 | CAP,RADIATOR,7 PSI, AKG.....77, 79, 81, 83, 105, 107, 109 |
| BRACKET,GENERATOR.....281 | BRUSH,TOP,MAST #0.....299 | CAP,RADIATOR,PERKINS/FORD.....83, 85, 109, 111 |
| BRACKET,GENERATOR ADJUSTER PNT.....283 | BRUSH,TOP,MAST #1.....299 | CAPACITOR 16 F, GEN.....291 |
| BRACKET,GENERATOR-DEUTZ.....287 | BULB,WORKLIGHT,12V 35W.....271, 308 | CASTING,SAE 4 PUMP MOUNT,MACHI....115 |
| BRACKET,HOSE CLAMP,PAINTED.....177 | BULKHEAD,SWING CHASSIS.....93, 119 | CHANNEL, MOUNTING.....43 |
| BRACKET,HYD.ROTATOR MOUNT MNT.....43 | BULKHEAD,SWING CHASSIS DEUTZ.....139 | CHARGING WIRE.....47 |
| BRACKET,INTAKE MOUNT,CUM.....89 | BUMPER, PLASTIC, 1.25 O.D.....305, 307-308 | CHECK VALVE DISC.....223 |
| BRACKET,INTAKE TUBE SUPPORT.....89 | BUMPER,BATTERY BOX & RAILS...273, 307-308 | CIRCUIT BREAKER, 12.5 AMP.....277, 279, 281, 283, 285, 287, 289 |
| BRACKET,LIMIT SWITCH.....143 | BUMPER,RUBBER***.....67, 275 | CIRCUIT BREAKER, 20 AMP.....47 |
| BRACKET,LINCOLN WELDER,PNTD.....317 | BUMPER,RUBBER,COVERS....47, 49, 51-52, 55, 57, 59, 63, 77, 79, 81, 85, 87, 103, 105, 107, 109, 111, 129, 131-132 | CIRCUIT BREAKER, 25 AMP.....47, 49 |
| BRACKET,MUFFLER MOUNT PAINTED....109 | BUSHING, STRAIN RELIEF, 1".....29 | CIRCUIT BREAKER, 30 AMP....277, 279, 281, 283, 285, 287, 289 |
| BRACKET,MUFFLER,PERKINS.....97 | BUSHING,2 X 1.5,PLATED IRON.....51-52, 239-240 | CIRCUIT BREAKER,15 AMP....277, 279, 281, 283, 285, 287, 289 |
| BRACKET,MUFFLER,SUPPORT,CUM.....71 | BUSHING,FLANGE, .375X.5.....169, 171 | CIRCUIT BREAKER,20A,SINGLE PH.....315 |
| BRACKET,MUFFLER,SUPT,CUMMINS.....87 | BUSHING,FLANGE, .313 X.25 X.25.....153 | CIRCUIT BRKR 15A TYPE 2 METAL....49, 85, 111, 131-132 |
| BRACKET,OIL COOLER BYPASS.....93, 119 | BUSHING,FLANGE,.313 X.25 X.375.....153 | |
| | BUSHING,FUEL TANK FITTING (SM).....41 | |
| | BUSHING,RUBBER,LARGE.....41 | |

Part Description Index (continued)

| | | |
|--|--|---|
| CLAMP, 3 INCH.....137 | COIL,PROPOTNL.62326,SIZE8,DIN.....205– | CONTROL BOX ASSY, TCON 212.....61 |
| CLAMP, WELD,CABLE TRACK.....153, 155– | 206, 209–210, 213–214 | CONTROL BOX ASSY, TCON V3.00.....61 |
| 156, 165–166 | COIL,SOLENOID VALVE.....223 | CONTROL BOX ASSY,DRIVECHASSIS.....37, |
| CLAMP,0.31,#5 X 1/4,RUB CUSH.....291 | COIL,SOLENOID VALVE,SIZE 8,DIN.....197, | 39 |
| CLAMP,0.50,#8 X 1/4,RUB CUSH.....52, 55, | 201 | CONTROL BOX ASSY,PLATFORM.....187 |
| 57, 59, 87 | COIL,SOLENOID,HYDAC MANIFOLDS....219, | CONTROL BOX ASSY,TCON 200.....61 |
| CLAMP,1.00,#16 X 1/4,RUB CUSH.....317 | 221 | CONTROL BOX ASSY,TCON PGMD.....61 |
| CLAMP,1.00,#16 X 7/16,RUB CUSH.....51–52, | COIL-10V DC***.....321 | CONTROL BOX ASSY,TURNTABLE***.....61 |
| 55, 57, 59, 63, 77, 103, 153, 155–156, 271 | COLD START OPTION,PERKINS.....295 | CONTROL BOX COVER ASSY***.....273 |
| CLAMP,1.13,#18 X 3/8,RUB CUSH*.....113 | COLD START PKG, 110V, DEUTZ.....295 | CONTROL BOX COVER,LID,PTD.....273 |
| CLAMP,1.25"DIA NON-CUSHIONED.....183– | COLD START PKG,110V,CUM.B3.3T.....295 | CONTROL BOX,2KW,120/240V,50HZ.....291 |
| 185 | COLD START PKG,110V,PERK.804T.....295 | CONTROLLER BOX, 120/240V, 60H.....291 |
| CLAMP,1.25X.5 RUBBER-CUSHION.....183– | COLD START PKG,CUMMINS-SERVICE...295 | C O N T R O L L E R , S P E E D , 5 0 1 6 9 |
| 185, 305, 313 | COLD START PKG,DEUTZ, SERVICE.....295 | REXROTH.....29, 31 |
| CLAMP,1.63,#26 X 3/8,RUB CUSH.....83, 315 | COLD START PKG,PERKINS,SERVICE.....295 | COOLANT,RECOVERY BOTTLE, 4 QT*.....47, |
| CLAMP,2.25,#36 X 3/8,RUB CUSH...165–166, | COLLAR,JOYSTICK,CENTER.....191 | 49 |
| 177 | COMPR. LINK,MACHINED,ENG SD***.....175 | CORROSION INHIBITOR,FOAM.....187 |
| CLAMP,3.0,#48 X 1/4,RUB CUSH.....89, 113, | COMPR.LINK,MACHINED,GND CONTR*..175 | COUNTERWEIGHT,S120/125, 8300LB.....93, |
| 115, 301 | CONN, SAE#4-1/4" NPT.....315 | 95 |
| CLAMP,5.38,#86 X 3/8,RUB CUSH.....301, 303 | CONN, SQZ, 1/2NPT .38-.50, SM**..180, 291, | COUNTERWEIGHT,S120/125,8000LBS.....95 |
| CLAMP,AIR INTAKE TUBE.....71, 87 | 315 | COUPLER, ELECT. ROT, 11 CONT.....43 |
| CLAMP,CONST TRQ 2.25"-3.13"OD.....89 | CONN,090136-12-8...231–232, 237, 251–252, | COUPLER,15 TOOTH,FBA,CUM B3.3T.....89 |
| CLAMP,CONST TRQ 2.75"-3.63"OD.....89 | 257–258 | COUPLER,15 TOOTH,FBA,SAE8***.....115, |
| CLAMP,HOSE,1.25***.....297 | CONN,520102-12.....239–240 | 131–132 |
| CLAMP,HOSE,1.75.....73, 113, 297 | CONN,520120-10-12.....319 | COUPLER,HUB,14 TOOTH.....71, 83, 97, 109, |
| CLAMP,HOSE,1IN.,PERKIN 1004-42.....99 | CONN,520120-16.....239–240, 243–244, 247, | 125, 131–132 |
| CLAMP,HOSE,2.00***.....115 | 249, 251–252, 255, 257–258 | COUPLER,HUB,15 TOOTH 7/16BOLT*.....131– |
| CLAMP,HOSE,2.50***.....73, 83, 113 | CONN,520120-20.....247, 249, 251–252, 255, | 132 |
| CLAMP,HOSE,3.00".....71, 73, 97, 99, 123, 137, | 257–258 | COUPLER,SMALL METAL,15T,***.....83, 109 |
| 297, 301, 303 | CONN,520120-24.....239–240, 243–244, 247, | COUPLING (106113).....315 |
| CLAMP,HOSE,3.50.....71, 87, 109, 113, 115, | 249, 251–252, 255, 258 | COUPLING, 28MM (106113).....315 |
| 123, 131–132, 135, 297, 301, 303 | CONN,520120-4***.....231–232, 237, 239–240, | C O U P L I N G , E X T . C A B L E |
| CLAMP,HOSE,5.00.....301, 303 | 243–244, 247, 249, 251–252, 255, 257–258, | ADJUSTMENT*.....161–162 |
| CLAMP,HOSE,6.50.....297 | 269 | COVER ASSY W/WORD DECALS SB.....67 |
| CLAMP,HOSE,8.50 DIA***.....297 | CONN,520120-4-6***.....229, 231–232, 235, | COVER ASSY,CONTROL BOX,122021.....187 |
| CLAMP,HOSE,ADJ,2" HOSE,DEUTZ T.....113 | 237, 261, 263, 265, 267 | COVER ASSY,DRIVE CHASSIS S120.....37, |
| CLAMP,HOSE,ARCTIC.....156 | CONN,520120-6-10.....269 | 39 |
| CLAMP,HOSE,SEC. EXTENSION CYL.....153, | CONN,520120-8***.....229, 231–232, 235, 237, | COVER ASSY,DRIVE CHASSIS S120*.....37, |
| 155–156 | 239–240, 243–244, 247, 249, 251–252, 255, | 39 |
| CLAMP,HOSE,SIZE .25 TO .63....41, 47, 49 | 257–258, 269, 319 | COVER ASSY.W/DECAL TURNTBL.ROT.....67 |
| CLAMP,INTAKE EXTENSION,DEUTZ.....63 | CONN,520120-8-10...239–240, 243–244, 247, | COVER ASSY.W/DECALS,FUEL TANK.....69 |
| CLAMP,JIB HOSE/CABLE,ARCTIC.....177 | 249, 251–252, 255, 257–258 | COVER MAST #1.....159, 299 |
| CLAMP,JIB HOSE/CABLE,S105,S125.....177 | CONN,520120-8-12...229, 231–232, 239–240, | COVER MAST #2*.....159, 299 |
| CLAMP,MUFFLER, 2.50 INCH.....85, 111, 113, | 243–244, 247, 249, 251–252, 255, 257–258, | COVER MAST #3.....169, 171, 299 |
| 132, 135 | 319 | COVER SUPPORT,WELDMENT.....67, 69 |
| CLAMP,MUFFLER,CUM B3.3T.....89 | CONN,BULKHEAD,520601-12.....247 | COVER W/SYM DEC TNK SD 120/125.....67 |
| CLAMP,MUFFLER,DEUTZ F4L913.....123 | CONN,BULKHEAD,520601-8.....229, 231–232, | COVER W/SYM DECALS ENG SIDE SB.....69 |
| CLAMP,NYL DBL GRIP 1.50 - 1.63.....25 | 269 | COVER W/WRD DECALS ENG SIDE SB.....69 |
| CLAMP,NYLON LOOP.....21, 153 | CONN,BULKHEAD,520801,-4.....229, 231–232 | COVER W/WRD DECALS TNK SIDE SB.....67 |
| CLAMP,TWO HOSE.....177 | CONN,BULKHEAD,520801,-8.....229, 231–232 | COVER, CTRL BOX, SB SERV.....61 |
| CLAMP,WIRE/HOSE,CABLE TRACK.....153, | CONN,LONG,520122-12***.....231–232 | COVER, END, GEN, 120V.....291 |
| 155–156, 165–166 | CONN,LONG,520122-4.....293 | COVER, END, GENERATOR, 240V.....291 |
| CLAMP,WORKLIGHT.....308 | CONN,PLUG 23 WAY,16-20 GA WHT.....187 | COVER, ENGINE,DEUTZ F4L2011.....137 |
| CLAMP-HEAVY DUTY.....123 | CONN,RECEP 4 WAY,12-14GA.....115 | COVER, FOOT SWITCH, LARGE.....185 |
| CLEVIS YOKE-1/4-28,PLTD W/PIN.....75, 101, | CONN,SQZ,BLK,1/2NPT,.38-.50,SM.....184– | COVER, JIB HOSES/CABLES.....175, 177 |
| 113, 129, 131–132 | 185 | COVER, PUSH ROD CUMMINS B4.5.....91 |
| CLIP,LCD,GRND.CONTROL.....61 | CONN. SQZ,1/2NPT .56-.63.....67 | COVER,50 LINK TRACK.....297 |
| COIL,12VDC #10DTSCH IP69 ECOIL.....201 | CONN.MALE PIPE/ORFS-4.....43 | COVER,84 LINK TRACK.....297 |
| COIL,12VDC #8 DTSCH IP69 ECOIL.....201 | CONN,SQZ,PG 11,34-.47,W/ORING.....63, | COVER,BLANK.....67, 180 |
| COIL,62328/62330,SIZE 10,DIN*.....197, 201, | 155–156, 171 | COVER,BOOM SIDE.....153, 156 |
| 205–206, 209–210, 213–214 | CONNECTOR, DEUTZ FUEL SHUTOFF*..137 | COVER,BOOM SIDE, PAINTED.....159, 165– |
| COIL,62329,SIZE12,W/FRAME,DIN*.....205– | CONNECTOR,BULKHEAD,FEMALE-4.....27, | 166, 169, 171 |
| 206, 210, 214 | 39, 43, 51–52, 55, 57, 59 | COVER,BULKHEAD.....23, 27 |
| COIL,62366,12VDC W/DIN,SIZE 8.....193 | CONTACT RECEPTACLE 20-16AWG.....187 | COVER,CENTER,SUPERBOOM.....65 |
| COIL,62370,12VDC W/DIN,SIZE 10.....217 | CONTACT,N.O.***.....61 | COVER,CONTROL BOX LEFT SIDE***.....273 |
| COIL,DIN,REXROTH DO3 VALVE.....205–206, | CONTACT,NC.....61, 187 | COVER,CONTROL BOX LID.....273 |
| 209–210, 213–214 | CONTROL BOX (122021) NO COVER.....187 | COVER,CONTROL BOX RIGHT SIDE**.....273 |
| COIL,PROPORTIONAL,62327,DIN...205–206, | CONTROL BOX ASSY, PCON 210.....187 | COVER,DRIVE CHASSIS AXLE.....37, 39 |
| 209–210, 213–214 | CONTROL BOX ASSY, PCON V3.00.....187 | COVER,DRIVE CHASSIS END PAINT.....37 |

| | | |
|--|---|--|
| COVER,DRIVE CHASSIS END**.....39 | DECAL PLATE ASSY W/WORD | DECAL,INSTR,MAX SIDE FRC,ANSI.....14-15 |
| COVER,FLYWHEEL CASTING.....89, 131-132 | DECALS.....183-185 | DECAL,INSTR,SIDE FRC/WIND,AUS.....14-15 |
| COVER,FOOT SWITCH.....185 | DECAL PLATE W/SYMB DECALS S120...183-185 | DECAL,INSTR,FOOT SWITCH OPER.....13-15 |
| COVER,GENERATOR-PERKINS.....281 | DECAL PLATE W/WORD DECALS.....183-185 | DECAL,LABEL, ELECTRO HAZARD.....17-18 |
| COVER,GFCI,HORIZONTAL,WEATHER...180, 291, 315 | DECAL, LABEL - CHEVRON RANDO.....13-15 | DECAL,LABEL, WHEEL LOAD, S-120.....15, 17-18 |
| COVER,HOSE TRAY.....153, 155-156 | DECAL, LABEL - DIRECTION ARROWS.....21 | DECAL,LABEL,105 DB.....17-18 |
| COVER,HOSE TRAY,84".....153, 156 | DECAL, PATCH, GEN,ALC-500.....317 | DECAL,LABEL,20A CB.....14-15 |
| COVER,HOSE,PAINTED.....153, 156 | DECAL, POWER TO PLATFORM 230V**...14-15, 17-18 | DECAL,LABEL,25A CB.....14-15 |
| COVER,LIMIT SWITCH PIVOT ASSY.....169 | DECAL, SYMBOL - READ THE MANUAL...17-18 | DECAL,LABEL,30A CB.....14-15 |
| COVER,LOWER BOOM LIMIT SWITCH.....153 | DECAL,ANNUAL INSP***.....14-15 | DECAL,LABEL,40A CB.....14-15 |
| COVER,PRI.EXT.CYL W/SYM DEC.....151 | DECAL,ARROW BLUE.....13-15, 17-18 | DECAL,LABEL,AIR LINE 110 PSI...17-18, 311 |
| COVER,PRI.EXT.CYL W/WORD DEC.....151 | DECAL,ARROW YELLOW LRG 9".....13-15, 17-18 | DECAL,LABEL,CB SYMBOL.....291 |
| COVER,PROTECTIVE,JIB CYLINDER.....297 | DECAL,CAUTION,NO STEP.....14-15, 17-18 | DECAL,LABEL,CONTROLS BATTERY.....14-15 |
| COVER,PROTECTIVE,LIFT CYLINDER.....297 | DECAL,CAUTION,NO STEP***.....17-18 | DECAL,LABEL,CYLINDER COVER.....14-15 |
| COVER,PROTECTIVE,PLAT. LEVLING.....297 | DECAL,CAUTION,SHUTOFF VALVES**.....17-18 | DECAL,LABEL,DIESEL FUEL.....13-15, 17-18 |
| COVER,PROTECTIVE,PLAT.LEVELING.....297 | DECAL,CONTROL PANEL PROTECTOR...13-15, 17-18, 187 | DECAL,LABEL,FALL HAZARD***.....17-18 |
| COVER,PROTECTIVE,STEER CYL***.....297 | DECAL,COSMETIC,4X4.....14-15, 17-18 | DECAL,LABEL,LOWER MIDRAIL...14-15, 17-18 |
| COVER,REAR MAST.....63 | DECAL,COSMETIC,GENIE S-120.....15, 17-18 | DECAL,LABEL,MANUAL NOT HERE.....13-15 |
| COVER,REWORK,DEUTZ GENERATOR...289 | DECAL,COSMETIC,GENIE S-125.....14-15, 17-18 | DECAL,LABEL,MAX CAPACITY***.....17-18 |
| COVER,ROTATION GEAR.....43 | DECAL,COSMETIC,GENIE S-125.....14-15, 17-18 | DECAL,LABEL,NO SMOKING,SYMB.....17-18 |
| COVER,STEERING SENSOR.....29 | DECAL,CUMMINS ENG SPECS.....14-15 | DECAL,LABEL,OIL LEVEL IND.....17-18 |
| COVER,SWING BEARING FRONT.....297 | DECAL,DANGER DO NOT ALTER SWTC.....13-15 | DECAL,LABEL,PATENTS.....14-15 |
| COVER,SWING BEARING REAR.....297 | DECAL,DANGER,BATTERY SAFETY***.....13-15 | DECAL,LABEL,ROM CHART 120/125.....14-15, 17-18 |
| COVER,TURNTABLE COVER ACCESS.....67 | DECAL,DANGER,ELEC.HAZ.STAY CLR.....13-15, 17-18 | DECAL,LABEL,STARTER BATTERY.....14-15 |
| COVER,TURNTABLE,LEFT SIDE.....291 | DECAL,DANGER,ELECT HAZARD***.....13-15 | DECAL,LABEL,TIP OVER LMT SWTCH.....17-18 |
| COVER,WEATHERPROOF 3-PHASE.....317 | DECAL,DANGER,GEN SAFETY RULES.....13-15 | DECAL,LABEL,TIPOVER,TIRES,SYMB.....17-18 |
| COVER,WELDER GENERATOR.....315 | DECAL,DANGER,GENERAL SAFETY.....13-15 | DECAL,LABEL,TRANSPORT DIAGRAM...14-15, 17-18 |
| COVER- VALVE PERKINS 1104C-44.....117 | DECAL,DANGER,HIGH VOLTAGE.....315, 317 | DECAL,LABEL,WELD LINE INST,SYM.....17-18 |
| COVER-END, 75090 DRIVE HUB.....33 | DECAL,DANGER,MAX LOAD 340 KG.....18 | DECAL,LABEL,WELDER VOLTAGE,40V...17-18 |
| CROSSBAR ALUM W/SELF TAP SCREW.....155-156, 165-166 | DECAL,DANGER,MAX SIDE FRC,667N.....17-18 | DECAL,LABEL,WHEEL LOAD,S-125**.....14-15, 17-18 |
| CROSSBAR W/ TWO SEPARATORS.....153, 155-156, 165-166 | DECAL,DANGER,NO SMOKING.....13-15 | DECAL,LANYARD ANCHORAGE POINT...13-15, 17-18 |
| CROSSBAR,STEEL,CABLE TRACK.....153, 155-156, 165-166 | DECAL,DANGER,NO SMOKING ***.....13-15, 17-18 | DECAL,LOW/ULTRA LOW SULFR FUEL...14-15 |
| CUP HOLDER,PLASTIC.....183-185 | DECAL,DANGER,SIDE FRC 400N.....17-18 | DECAL,NOTICE,CUMMINS ENG SPEC.....14-15 |
| CUSHION,STROKE LIMITER COLLAR.....151 | DECAL,DANGER,TILT ALARM.....13-15 | DECAL,NOTICE,DEUTZ ENG SPEC.....14-15 |
| CYLINDER HEAD CVR.DEUTZ BF4L20.....137 | DECAL,DANGER,TIP-OVER,TIRES.....14-15 | DECAL,NOTICE,HAZARDOUS MAT'LS*...13-15 |
| CYLINDER HEAD CVR.DEUTZ F4L913.....127 | DECAL,DANGER,TIP-OVER,WELDER**.....317 | DECAL,NOTICE,MAX LOAD 500 LBS....14-15 |
| CYLINDER, PLATFORM LEVEL.....175 | DECAL,DANGER,TIPOVER,TILT.....13-15 | DECAL,NOTICE,MAX LOAD 750 LBS....14-15 |
| CYLINDER, PRIMARY LIFT.....143, 145-146, 149 | DECAL,DANGER,TIPOVER,TILT,SYM.....17-18 | DECAL,NOTICE,OPERATING INST.....14-15 |
| CYLINDER,AXLE EXTEND***.....25 | DECAL,DANGER/NOTICE,TIRE SPECS....14-15 | DECAL,NOTICE,PERKINS ENG SPEC.....14-15 |
| CYLINDER,AXLE EXTENSION*.....21 | DECAL,DRIVE ENABLE PATCH***.....17-18 | DECAL,NOTICE,PERKINS ENGINE,T2.....14-15 |
| CYLINDER,JIB (STICK BOOMS).....175 | DECAL,ENGINE SPEC,DEUTZ,TD2011.....14-15 | DECAL,NOTICE,SHUTOFF VALVES.....13-15 |
| CYLINDER,PLATFORM LEVELING.....173 | DECAL,ENGINE SPEC,PERKINS,804T.....14-15 | DECAL,NOTICE,TIRE SPECS.....14-15 |
| CYLINDER,PRIMARY EXTEND.....161-162 | DECAL,EXPLOSION HAZARD.....14-15 | DECAL,OPTION CONTROL BOX HEATR.....323 |
| CYLINDER,SECONDARY EXTEND.....151 | DECAL,FAULT CODES,SB/SY.....14-15 | DECAL,PATCH,DRIVING LIGHT.....14-15, 17-18, 271 |
| CYLINDER,STEERING W/DECAL.....23, 27 | DECAL,FIRE EXTINGUISHER.....317 | DECAL,PLAT LVL.RECOVERY.....187 |
| | DECAL,GROUND CONTROL PANEL.....13-15, 17-18 | DECAL,PLATFORM CONTROL PANEL.....13-15, 17-18, 187 |
| | DECAL,INST,OPER INST,SB,AUS.....14-15 | DECAL,PLATFORM OVERLOAD PATCH....17-18 |
| | DECAL,INST,ENG SPECS,CUMMINS.....14-15 | |

D

DECAL KIT, SAFETY/INST, SUPER.....13-15
 DECAL KIT,S100/120,PLAT,ANSI,WRD.....13-15
 DECAL KIT,S100/120,PLAT,AUS,WRD.....13-15
 DECAL KIT,S105/125,PLAT,ANSI,WRD.....13-15
 DECAL KIT,S105/125,PLAT,AUS,WR.....13-15
 DECAL KIT,S120,COMP,WRD,ANSI.....13-15
 DECAL KIT,S120,COMP,WRD,AUS.....13-15
 DECAL KIT,S125,COMP,WRD,ANSI.....13-15
 DECAL KIT,S125,COMP,WRD,AUS.....13-15
 DECAL KIT,SAFETY/INST,SUPER.....13-15
 DECAL KIT,SYMBOLS,SUPERBOOM.....17-18

Part Description Index (continued)

- DECAL,POWER TO PLATFORM 115V.....14-15, 17-18
 DECAL,SOLID TIRE,445/65D22.5.....14-15
 DECAL,SYMBOL-BATTERY SAFETY.....17-18
 DECAL,SYMBOL-COMP ACCESS.....17-18
 DECAL,TRIANGLE,BLUE.....13-15, 17-18
 DECAL,TRIANGLE,YELLOW.....13-15, 17-18
 DECAL,USE DEXRON***.....13-15
 DECAL,WARN,CRUSH HAZARD HAND....13-15
 DECAL,WARN,CRUSH HAZARD PLAT.....13-15, 17-18
 DECAL,WARN,FALL HAZARD.....13-15
 DECAL,WARN,IMPROPER OPERATION...13-15
 DECAL,WARN,INSTAL COVER,SYM.....14-15
 DECAL,WARN.WELD LINE INST.WORD....14-15
 DECAL,WARNING,BODILY INJURY.....14-15
 DECAL,WARNING,CRUSHING HAZARD...17-18
 D E C A L , W A R N I N G , P I P E C R A D L E , B O O M305
 DECAL,WARNING,WELDER SAFETY.....315, 317
 DECAL,WARNING,WELDLINE TO PLAT...14-15
 DECAL,WARNING-COMPART ACCESS....13-15
 DECAL,WARN,INSTAL COVER,SYM.....17-18
 DIAGNOSTIC FEMALE Q-DSCNT.....193, 203, 205-206, 209-210, 213-214, 217, 229, 231-232, 235, 237, 239-240, 243-244, 247, 249, 251-252, 255, 257-258, 261, 263, 265, 267, 269
 DIFFERENTIAL SENS VLV,8,150PSI.....223
 DIODE,6 AMP,200 PIV,BULK.....71, 97, 123, 137
 DIPSTICK - DEUTZ F4L1011F.....137
 DIPSTICK,CUMMINS, B3.9.....75
 DIPSTICK,CUMMINS, B4.5.....91
 DIPSTICK,DEUTZ F4L913.....125
 DIPSTICK,PERKINS 1004-42.....99
 DIPSTICK,PERKINS 1104C-44.....117
 DIPSTICK,TUBE,CUMMINS, B3.9.....75
 DIPSTICK,F3L1011F (DEUTZ).....137
 DISC KIT DRIVE TURNTABLE Z-60*.....45
- E**
- EDC ASSY,SAUER M46***.....227
 ELBOW,45 DEG, CAC,2.5".....89
 ELBOW,45 DEG,INLET...71, 87, 109, 113, 123
 ELBOW,45D,520320-12-16.....252, 258
 ELBOW,45D,520320-16.....240, 243-244, 247, 249, 252, 255, 258
 ELBOW,45D,520320-4.....263, 267, 269
 ELBOW,45D,520320-6.....247, 249, 252, 255, 258
 ELBOW,45D,520320-8.....240, 243-244, 247, 249, 251-252, 255, 257-258, 269
 ELBOW,45DEG,TO MALE PIPE.....75, 97
 ELBOW,90D,1/8 NPT X #4 JIC.....27, 39
 ELBOW,90D,520220-16.....240, 243-244, 269
 ELBOW,90D,520220-4-4.....229, 231-232, 240, 244, 247, 249, 252, 255, 258, 261, 263, 265, 267, 269
 ELBOW,90D,520220-4-6***.....235, 237
 ELBOW,90D,520220-6.....239-240, 243-244, 247, 249, 252, 255, 258, 261, 263, 265, 267
 ELBOW,90D,520220-8-10.....229, 231-232
 ELBOW,90D,520220-8-12.....239-240, 243-244, 251-252, 257-258
 ELBOW,90D,BLKHD,ORFS-6-6 W/NUT....240, 243-244, 247, 249, 252, 255, 258
 ELBOW,90D,BULKHEAD,520701-4.....261, 263, 265, 267
 ELBOW,90D,LONG,521520-4....240, 243-244, 247, 249, 252, 255, 258, 261, 263, 265, 267
 ELBOW,90D,LONG,521520-8.....293
 ELBOW,90DEG,1/4MPT-3/8 BARB.....97, 111
 ELBOW,90DEG,1/8MPT-5/16 BARB.....111
 ELBOW,90ø,3.50 ID, REWORKED.....301
 ELBOW,90ø,3.50 ID,RUBBER.....301
 ELBOW,INLET,CUMMINS.....71, 87, 89, 113, 115, 123, 135
 ELBOW,STRT,SWVL, 520281, -12....239-240, 243-244, 247
 ELBOW,SWIVEL 90D, 520221-12.....239-240, 243-244
 ELBOW,SWIVEL 90D, 520221-6.....269, 293
 E L E C T . B O X , G E N E R A T O R W / R E G . 1 2 0 V283, 285, 289
 E L E C T . B O X , G E N E R A T O R W / R E G . 2 2 0 V283, 285, 289
 ELEMENT,OIL FILTER,PERKINS***.....115
 ELEMENT-5 MIC, PAPER, W/BYPASS.....49
 END PLATE,GEN.HOUSG,BRUSH END.....277, 279, 281, 283, 285, 287, 289
 END PLATE,GEN.HOUSING,FAN END....277, 279, 281, 283, 285, 287, 289
 ENGINE KIT, CUMMINS B3.3T.....85
 ENGINE MOUNT, LR.....115
 ENGINE MOUNT, LF.....115
 ENGINE MOUNT, refer to 413.2.....285
 ENGINE MOUNT, RR.....111
 ENGINE TRAY ASSEMBLY.....95, 121, 141
 ENGINE TRAY ASSEMBLY.....95, 121, 129, 139, 141
 ENGINE TRAY PIVOT ASSEMBLY.....79, 93, 95, 119, 121, 129, 139
 ENGINE,DEUTZ, TD2011L04i TPEM.....137
 EVACUATOR VALVE-AIR CLEANER.....71
 EXHAUST MANIFOLD, DEUTZ F4L201.....137
 EXHAUST MANIFOLD,CUMMINS,B3.9L.....71
 EXHAUST PIPE GASKET.....135
 EXT.CABLE ADJ BOLT LOCK.....161-162
 EXTENSION CABLE *.....161-162
 EXTRUSION,RUBBER BUMPER STRIP....41
- F**
- FAN - VENTED.....63, 139
 FAN GUARD,PERKINS.....283
 FAN SHROUD DEUTZ,T1 W/WRD DECA..139
 FAN, 19.0", BREEZA.....85
 FAN,ALTERNATOR,CUMMINS B4.5.....91
 FAN,OIL COOLER 60507.....139
 FAN,PULLER,CUMMINS,4B3.9,60213.....73, 91
 FAN,PULLER,PERKINS,1004-42.....99, 111, 117
 FEMALE BULKHEAD CONNECTOR-8.....311
 FIELD KIT,LCD HEATER.....61
 FIELD KIT,PL LVL REC,ALC1000.....187
 FILLER NECK/CAP ASSY.HYD TANK*.....51-52, 55, 57, 59
 FILM,POLY,CLEAR,4.5 X 8.75.....14-15
 FILTER / FUEL / SPIN-ON.....125
 FILTER ASSY,HIGH PRESS SAE-12*.....47, 49
 FILTER ASSY,SAE8,10 MIC,PAPR**.....59
 FILTER ASY,M PRESS,SAE8,WOIND* (77139)....49
 FILTER ELEMENT,10 MICRON,60508.....51-52, 55, 57, 59
 FILTER ELEMENT,10MICRON,PAPER*.....59
 FILTER ELEMENT,BETA(10)=1000.....59
 FILTER ELEMENT,BETA(10)=200.....51-52, 55, 57
 FILTER HEAD (29560).....125, 137
 FILTER KIT,3 MICRON,MED.....47, 49
 FILTER,AIR CLEANER, SUPERBOOM.....71, 87, 97, 109, 123, 131-132
 FILTER,ELEMENT,30 MIC,75020.....71, 97, 109, 123
 FILTER,ELEMENT,BETA(5)=1000.....47, 49
 FILTER,FUEL, PERKINS 1104C.....117
 FILTER,FUEL,CUMMINS B3.9L,SPIN.....75
 FILTER,FUEL,PERKINS 1004-42(SB).....101
 FILTER,FUEL/WTR SEP, DTZ 1008.....137
 FILTER,OIL, CUMMINS B3.9L.....71
 FILTER,OIL, DEUTZ F4L913.....125
 FILTER,OIL,CUMMINS B4.5***.....91
 FILTER,OIL,DEUTZ F4L1011F.....137
 FILTER,OIL,DEUTZ,REPLACEMENT....137
 FILTER,OIL,PERKINS 1004-42(SB).....97
 FILTER,OIL,PERKINS 1104C-44.....117
 FILTER,RETURN,ASSY 10 MICRON.....51-52, 55, 57, 59
 FILTER,RETURN,ASSY,BETA 10.....51-52, 55, 57
 FIRE EXTINGUISHER.....317
 FIRE SLEEVE, 1.25".....317
 FIRE SLEEVE, 1.25",24"L.....317
 FIRE SLEEVE, 2.0".....317
 FITTING,1/4 NPT 3/8 BARB.....97
 FITTING,6-6BLKHEADUNION 520601.....252, 258
 FITTING,CONN,520120-12***...229, 231-232, 239-240, 243-244, 247, 249, 251-252, 255, 257-258, 269, 293, 319
 FITTING,CONN,520120-6.....239-240, 243-244, 247, 249, 251-252, 255, 257-258, 269
 FITTING,CONN,520120-6-8***...240, 243-244
 FITTING,ELBOW,45D,520320-12***.....229, 232, 235, 237, 239-240, 243-244, 247, 249, 251-252, 255, 257-258, 269, 319
 FITTING,ELBOW,90D,520220-12.....239-240, 243-244, 247, 249, 251-252, 255, 257-258, 293, 319
 FITTING,ELBOW,90D,520220-8***...239-240, 243-244, 247, 249, 251-252, 255, 257-258
 FITTING,TEE,RUN,SWIVEL520432-8.....319
 FITTING,TEE,RUN,SWIVEL52043212.....293, 319
 FLASHTUBE,STRAIGHT,360DEG,BULB....271
 FLASHTUBE,U SHAPED,360DEG,BULB...271
 FLEX PIPE,EXHAUST,2.5" DIA.....135
 FLOORING, 6'FT PLATFORM.....184-185
 FLOORING,4 FT PLATFORM,PAINTED...184-185
 FLOORING,8 FT PLATFORM**.....184-185
 FLYWHEEL DRIVE PLATE,SAE 10.....71, 83, 97, 109, 125
 FLYWHEEL FLANGE,GREEN PLASTIC...131-132
 FLYWHEEL FLANGE,SAE 8/12.375.....83, 109
 FLYWHEEL HOUSING DEUTZ F4L2011....137
 FOAM PAD, 3" OD X 1.25" ID X 14 IN....313

| | | |
|--|---|---|
| FORM,CABLE TRACK TUBE GUIDE,PT.....159 | F O R M I N G , R T , G E N E R A T O R | GASKET,CYL.COVR. DEUTZ F4L913.....127 |
| FORMING PANEL CRADLE.....313 | 12KW,PNTD.....315 | GASKET,EXHAUST,DEUTZ F4L913.....123 |
| FORMING, BELT GUARD.....111 | FORMING,SECONDARY EXT.CYL CVR.....151 | GASKET,EXH.MNFLD.CUMMINS,B3.9L.....71, |
| FORMING, COOLER SUPPORT PAINTE.....63 | FORMING,SECONDARY SUPPORT.....313 | 91 |
| FORMING, ENGINE BAFFLE.....115 | FORMING,SOLENOID MOUNT.....89 | GASKET,EXHAUST.....137 |
| FORMING, FAN BAFFLE.....111 | FORMING,SOLENOID MOUNT | GASKET,FUEL PUMP,PERKIN1004-42.....97 |
| FORMING, FILTER SUPPORT.....115 | PAINTED.....131-132 | G A S K E T , G R O U N D |
| FORMING, INTAKE DUCT.....115 | FORMING,SWITCH MOUNT.....21 | CNTRLS.SUPERBOOM.....61 |
| FORMING, INTAKE TUBE MNT.....115, 303 | FORMING,SWITCH MOUNTING.....143, 145- | GASKET,H2O PUMP,PERKIN 1004-42.....99 |
| FORMING, SOLENOID MOUNT***.....131-132 | 146 | GASKET,HTR INTAKE CUMMINS B4.5.....91 |
| FORMING,8.5' MUFFLER MOUNT...109, 111, | FORMING,TEST PORT MOUNT.....71, 97, 125 | GASKET,MUFFLER,CUMMINS, B3.9L.....71, |
| 135 | FORMING,TEST PORT MTG.DEUTZ.....131- | 83 |
| FORMING,AIR CLEANER.....89 | 132 | GASKET,MUFFLER,PERKINS 1004-42.....97 |
| FORMING,AIR CLEANER MOUNT | FORMING,THROTTLE ARM DEUTZ.....129 | G A S K E T , P L A T F |
| PNTD.....131-132 | FORMING,THROTTLE ARM PAINTED.....131- | CNTRLS.SUPERBOOM.....187 |
| FORMING,AXLE LIMIT SWITCH RETN.....21 | 132 | GASKET,PUSH RD CVR CUMMINS B4.5.....91 |
| FORMING,BAFFLE BOX.....85 | FORMING,THROTTLE SOL MNT CUM.....83 | GASKET,THERMOSTAT,CUMMINS,B3.9.....73, |
| FORMING,BELT GUARD.....285 | FORMING,TUBE GUARD.....165-166 | 91 |
| FORMING,BULKHEAD COVER.....23, 27 | F O R M I N G , T U B E | GASKET,VALVE CVR.CUMMINS, B3.9.....73, |
| FORMING,BULKHEAD MOUNT.....23 | SUPPORT,PRE-CLEAN.....301 | 91 |
| FORMING,BULKHEAD MOUNT,PAINTED.....27 | FREEZE PLUG HEATER.....295 | GASKET-PUMP WATE,PERK 1104C-44.....117 |
| FORMING,CABLE RETAINER,PAINTED....162 | FREEZE PLUG HEATER,400W.....295 | GASKET-PUMP WATE,PERK 804D-33T.....115 |
| FORMING,CLAMP,SIDE PLATE HOSE.....271 | FREEZE PLUG HEATER,CUMMINS.....295 | GASKET-THERMOSTAT,PERK 1104C.....117 |
| FORMING,COOLER SUPPORT.....93, 119 | FREEZE PLUG HEATER,PERKINS.....295 | GATE LATCH CASTING--DRILLED.....307-308 |
| FORMING,COVER STOP.....47, 49, 51-52, 55, | FREEZE PLUG HEATER,PERKINS 804.....295 | GAUGE,FUEL LEVEL 17" REMOTE.....41 |
| 57, 59, 63, 77, 79, 81, 103, 105, 107, 109, 111, | FUEL CVR W/SYM DECAL S100/120.....69 | GAUGE,HYDRAULIC TANK T/L VL.....51-52, |
| 129, 131-132 | FUEL FILTER.....85 | 55, 57, 59 |
| FORMING,COVER STOP**.....87 | FUEL FILTER W/SEP,DEUTZ,1008.....137 | GAUGE,MED.PRESSUR FILTER,50530.....51- |
| FORMING,COVER STOP***.....85 | FUEL LIFT PUMP/FILTER ASSY.....111 | 52, 55, 57, 59 |
| FORMING,CYLINDER RETAINER.....159, 161- | FUEL LINE, DEUTZ F4L2011.....137 | GEARBOX,WHEEL DRIV W/BRAKE,SLD....33 |
| 162 | FUEL LINE,INJECT.1DEUTZ F4L913.....125 | GENERATOR MOUNT-CUMMINS.....277 |
| FORMING,DCON MOUNT,PAINTED.....37, 39 | FUEL LINE,INJECT.2DEUTZ F4L913.....125 | GENERATOR, 3kW, 120V/60Hz.....291 |
| FORMING,DIST.MANIFOLD MTG.....51-52 | FUEL LINE,INJECT.3DEUTZ F4L913.....125 | GENERATOR,12.5 KW,W/O MOTOR***.....315 |
| FORMING,ENGINE BAFFLE.....85 | FUEL LINE,INJECT.4DEUTZ F4L913.....125 | GENERATOR,3000W 220/50-CUMMIN.....277 |
| FORMING,ENGINE MOUNT PAINTED.....131- | FUEL LINE-INJECTOR, CYL1 PERK.....117 | GENERATOR,3000W 220/50-DEUTZ.....287 |
| 132, 135, 289 | FUEL LINE-INJECTOR, CYL2 PERK.....117 | GENERATOR,3000W,220V,50HZ***.....277, |
| FORMING,EXTEND SWITCH ACTIVATR.....21 | FUEL LINE-INJECTOR, CYL3 PERK.....117 | 279, 281, 283, 285, 287, 289 |
| FORMING,FUEL FILTER MOUNT.....85 | FUEL LINE-INJECTOR, CYL4 PERK.....117 | GENERATOR,3500W W/REG-CUMMINS...277 |
| FORMING,FUEL FILTER MOUNT,PNTD.....91 | FUEL LINE-INJECTOR, DEUTZ BF4L.....137 | GENERATOR,3500W W/REG-DEUTZ.....287 |
| FORMING,FUSE COVER, PAINTED.....49 | FUEL RETURN,DAPCO 1/4".....41, 137 | GENERATOR,3500W,120V,60HZ**.....277, |
| FORMING,GAS STRUT MOUNT.....65 | FUEL RETURN,DAPCO 3/8".....41 | 279, 281, 283, 285, 287, 289 |
| FORMING,GENERATOR MOUNT.....285 | FUEL RETURN,DAPCO 5/16".....41 | GENERATOR,3kW,120V/50Hz.....291 |
| FORMING,GENERATOR MOUNT,PTD.....289 | FUSE BLOCK, ANN & ANL FUSE.....49 | GENERATOR,3kW,240V/50Hz.....291 |
| FORMING,HEAT SHIELD,MUFFLER.....135 | FUSE HOLDER,ATC 1-20 AMPS.....61, 187 | GENERATOR,HYDRO-12KEP-21-3.....315 |
| F O R M I N G , H O S E | FUSE HOLDER,WATERPROOF.....271 | GFI/CIRCUIT BREAKER ASSEMBLY.....315 |
| PROTECTOR,PAINTED.....169, 171 | FUSE,.6AMP,250V,WELDER,V275S.....317 | GLOW PLUG,DEUTZ F4L913.....127 |
| FORMING,HOSE SUPPORT,SWING.....43 | FUSE,10 A INLINE TIME DELAY.....71 | GRAY SOCKET,(50170).....227 |
| FORMING,INNER AXLE COVER.....21 | FUSE,10 AMP.....271, 315 | GRND.CNTRLS ACCESS COVER.....67 |
| FORMING,INNER AXLE COVER,PNTED.....25 | FUSE,10 AMP,ATC.....61 | GROMMET,RUBBER .44 X .25 X .69.....101 |
| FORMING,INNER COVER.....63 | FUSE,15 AMP,TIME DELAY.....71, 97, 123 | GROMMET,RUBBER .75 X .19 X 1**.....41, 47, |
| FORMING,LATCH,CTRL BOX LID PTD.....273 | FUSE,20 AMP,AGC20.....123 | 49, 71, 97, 109, 123, 131-132 |
| F O R M I N G , L F , G E N E R A T O R | FUSE,5 AMP,ATC.....187 | GROMMET,RUBBER .75 X .38 X1.13.....47, 49 |
| 12KW,PNTD.....315 | FUSE,70 AMP.....71, 97, 123 | GROMMET,RUBBER,1.0X0.094X1.375....183- |
| FORMING,LIMIT SWITCH GUARD.....169, 171 | | 185 |
| FORMING,LIMIT SWITCH LINK.....169, 171 | | G U A R D , F O O T S W I T C H , W / D E C A L |
| FORMING,LIMIT SWITCH MOUNT..143, 145- | | ALUM.....184-185 |
| 146, 149, 169 | | G U A R D , F O O T S W I T C H , W / D E C A L |
| FORMING,LIMIT SWITCH MOUNT**.....171 | | STEEL.....184-185 |
| FORMING,LOWER COVER.....151 | | GUARD,JIB HOSE.....173, 175 |
| FORMING,LOWER COVER SUP,PAINT.....151 | | GUSSET,TOOL HOLDER,PLASTIC....183-185 |
| FORMING,MOUNT,ENGINE,FRONT.....85 | | |
| FORMING,MOUNT,ENGINE,REAR.....85 | | |
| FORMING,MTE GEN MTG PLATE,PTD.....291 | | |
| FORMING,MUFFLER MOUNT.....131-132 | | |
| FORMING,PLAT.CONTROL BOX | | |
| COVER.....273 | | |
| FORMING,REVERSE LOAD SWITCH.....143, | | |
| 145-146 | | |

G

GAS STRUT,202 LBS FORCE.....67, 69
 GASKET - OIL PAN, PERKIN 1104C.....117
 GASKET, (226127).....115
 GASKET, FUEL INJEC PUMP DUTZ.....137
 GASKET, FUEL PUMP CUMMINS B4.5.....75,
 91
 GASKET, PUMP / MOTOR (36179).....51-52,
 55, 57, 59
 GASKET, UK POWER TO PLAT.....291
 GASKET,(111145).....45
 GASKET,BREATHING PIPE (226104).....137
 GASKET,COVER,GFCI,WEATHERPROOF.67,
 180
 GASKET,CYL.COVR. DEUTZ BF4L201.....137

H

HALF MESH,8'PLATFORM,LH.....305
 HALF MESH,8'PLATFORM,RH***.....305
 HANDLE,GRAB.....67, 69
 HARN JOYSTICK ADAPTOR JS100.....189,
 191
 HARN,ENGINE T3,DEUTZ BF4L2011.....131-

Part Description Index (continued)

| | | |
|--|--|---|
| HARNES, BOOM/SAE UPPER S125.....187 | HOSE AND CABLE CLAMP,STD.....155-156, 166 | HOSE ASSY,1/2" HOSE# 90.....239-240, 243-244 |
| HARNES, FAN BELT SWITCH.....127 | HOSE AND CABLE CLAMP,STD,TOP.....155-156, 166 | HOSE ASSY,1/2", FEM/FEM.....229 |
| HARNES, HYD GENERATOR,SB.....315 | HOSE ASSEMBLY.....269 | HOSE ASSY,1/2,45 FEM STR FEM.....229, 231-232 |
| HARNES, JUMPER, SB PLAT LVL.....173, 175 | HOSE ASSEMBLY 1" HOSE #81.....239-240 | HOSE ASSY,1/2,45 FEM,STR FEM.....229, 231-232, 235, 237 |
| HARNES, SOLENOID...71, 75, 97, 101, 123, 129 | HOSE ASSEMBLY 3/4 HOSE #75.....239-240, 243-244 | HOSE ASSY,1/2,90 FEM,STR FEM.....229, 231-232, 239-240, 243-244, 247, 249, 251-252, 255, 257-258, 293 |
| HARNES, TCON J2 LS 2009.....61 | HOSE ASSEMBLY 3/4 HOSE #117...239-240, 243-244 | HOSE ASSY,1/2,90 FEM,STR FEM**.....251-252 |
| HARNES, TCON J2 UPPER 2009.....171 | HOSE ASSEMBLY 3/4 HOSE #75.....247, 249, 251-252, 255, 257-258 | HOSE ASSY,1/2,90 FEM,STR FEMEM.....251-252, 257-258 |
| HARNES, TCON J4 MANIFOLD 2009.....213-214 | HOSE ASSEMBLY 3/4" 45D-STR.....249, 251-252 | HOSE ASSY,1/2,90 FEM,STR FEMM.....269, 319 |
| HARNES,ALTERNATR,CUMMINS B3.9.....73 | HOSE ASSEMBLY 3/4" STR-STR.....255, 257-258 | HOSE ASSY,1/2,90 FEM,STR FEMM*.....251-252, 257-258 |
| HARNES,BOOM/SAE UPPER S125.....187 | HOSE ASSEMBLY 3/8 (#87,88).....269 | HOSE ASSY,1/2,STR FEM,STR FEM.....229, 231-232, 269 |
| HARNES,CABLE BREAK S120/125.....161-162 | HOSE ASSEMBLY 3/8 HOSE #84.....239-240, 243-244, 247, 249, 251-252, 255, 258 | HOSE ASSY,1/4".....43 |
| HARNES,CUMMINS ENGINE.....83 | HOSE ASSEMBLY 3/8,#118&119S120.....240, 243-244, 247, 249, 252, 255, 258 | HOSE ASSY,1/4" 90 FEM,STR FEM.....240, 243-244 |
| HARNES,CUMMINS ENGINE T3.....85 | HOSE ASSEMBLY 3/8,#118&119S125.....240, 243-244, 247, 249, 252, 255, 258 | HOSE ASSY,1/4" HOSE #78 &79.....239-240, 243-244 |
| HARNES,CUMMINS ENGINE*.....71 | HOSE ASSEMBLY, 3/4".....229 | HOSE ASSY,1/4" STR MALE STR FE.....247, 249, 251-252, 255, 257-258 |
| HARNES,CUMMINS ENGINE,SUPR.....71 | HOSE ASSEMBLY, 3/8.....252, 258 | HOSE ASSY,1/4" (#111/112,S125).....265, 267 |
| HARNES,DCON 4WS.....25, 37, 39 | HOSE ASSEMBLY,1/2".....319 | HOSE ASSY,1/4"90 FEM,STR FEM.....293 |
| HARNES,DCON,4WS.....25, 39 | HOSE ASSEMBLY,1/4".....269 | HOSE ASSY,1/4,45 FEM,STR FEM.....229, 231-232, 235, 237, 269 |
| HARNES,DEUTZ ENGINE.....123, 131-132 | HOSE ASSEMBLY,1/4" (#106).....269 | HOSE ASSY,1/4,90 FEM,STR FEM.....229, 231-232, 235, 237, 263, 265, 267 |
| HARNES,ENGINE,CUMMINS 2004.....83 | HOSE ASSEMBLY,3/4 (#67).....239-240, 243-244, 247, 255, 257-258 | HOSE ASSY,1/4,90 FEM,STR FEM**.....261, 263 |
| HARNES,ENGINE,CUMMINS 4.5.....83 | HOSE ASSEMBLY,3/4 (#121).....229, 239-240, 243-244, 247, 249, 255 | HOSE ASSY,1/4,STR FEM,STR.....27, 39 |
| HARNES,ENGINE,DEUTZ BF4L2011....131-132 | HOSE ASSEMBLY,3/4".....269 | HOSE ASSY,1/4,STR FEM,STR FEM.....229, 231-232, 235, 237, 261, 263, 265, 267 |
| HARNES,ENGINE,PERKINS 1104.....109 | HOSE ASSEMBLY,3/4" (-10-12 90F,.....319 | HOSE ASSY,3/4" 45 FEM STR FEM.....255, 257-258 |
| HARNES,FLASH BEACON SUB ASSY.....271 | HOSE ASSEMBLY,3/8.....269 | HOSE ASSY,3/4" 45 FEM,STR FEM.....229 |
| HARNES,J2 PLAT MANFD W/JIB.....187 | HOSE ASSEMBLY,3/8" HOSE #80.....240 | HOSE ASSY,3/4" 90 FEM STR FEM.....293 |
| HARNES,PCON INTERNAL CONTROL...187 | HOSE ASSEMBLY-1/4" (#89).....269 | HOSE ASSY,3/4" HOSE #66.....239-240, 243-244, 247 |
| HARNES,PCON J2.....187 | HOSE ASSEMBLY-3/8".....251-252, 258 | HOSE ASSY,3/4" HOSE #68.....239-240, 243-244, 247, 249, 251-252 |
| HARNES,PCON J2,(MANIFOLD).....187 | HOSE ASSY 1 1/2",90 FL FEMSTR*.....239-240, 243-244, 247, 249, 251-252, 255, 257-258 | HOSE ASSY,3/4" HOSE #69&70.....239-240, 243-244, 247, 249, 251-252, 255, 257-258 |
| HARNES,PERKINS 804D-33T.....111 | HOSE ASSY 1/2" 45 FEM,STR FEM.....229, 231-232 | HOSE ASSY,3/4" HOSE #74.....239-240, 243-244, 247, 249, 251-252, 255, 257-258 |
| HARNES,PERKINS ENGINE,1104.....109 | HOSE ASSY 1/4,90 FEM STR FEM...231-232 | HOSE ASSY,3/4" HOSE #74.....239-240, 243-244, 247, 249, 251-252, 255, 257-258 |
| HARNES,PERKINS ENGINE,SUPBOOM...97 | HOSE ASSY 3/4" HOSE #117.....247 | HOSE ASSY,3/4" HOSE #82.....240, 243-244 |
| HARNES,PLAT LEVEL RECOVERY.....187 | HOSE ASSY 3/4" HOSE #82.....240 | HOSE ASSY,3/4,45 FEM,STR FEM.....251-252, 257-258, 319 |
| HARNES,PLAT,WORKLIGHT,12V.....307-308 | HOSE ASSY 3/4,90 FEM STR FEM.....319 | HOSE ASSY,3/4,90 FEM,STR FEM...231-232 |
| HARNES,POWER,TCON J5 HARNES.....61 | HOSE ASSY, 3/8.....252, 258 | HOSE ASSY,3/4,90 FEM,STR FEM**.....251-252, 257-258 |
| HARNES,PRESSURE TRANSDUCER...205-206, 209-210, 213-214, 217, 237, 239-240, 243-244, 247, 249, 251-252, 255, 257-258, 261, 263, 265, 267, 269 | HOSE ASSY, 3/8,STR FEM,STR FEM.....240, 243-244, 247, 249, 252, 255, 258 | HOSE ASSY,3/4,STR FEM,STR FRM.....293 |
| HARNES,RELAY,FUEL SOLENOID.....131-132 | HOSE ASSY,1" HOSE #81.....239-240, 243-244 | HOSE ASSY,3/8" 90 FEM,STR FEM.....252, 258 |
| HARNES,SWITCH,LIMIT PLUNGER.....275 | HOSE ASSY,1" HOSE #92.....239-240, 243-244, 247, 249, 251-252, 255, 257-258 | HOSE ASSY,3/8" HOSE #85.....239-240, 243-244, 247, 249, 251-252, 255, 258 |
| HARNES,TCON J2 LIMIT SWITCH.....61 | HOSE ASSY,1-1/4" HOSE #81.....247, 249, 251-252, 255, 257-258 | HOSE ASSY,3/8" HOSE 80.....240, 243-244 |
| HARNES,TCON J2 UPPER.....169, 171 | HOSE ASSY,1/2 STR FEM,45 DEG**231-232 | HOSE ASSY,3/8,45 FEM,STR FEM.....251-252, 258 |
| HARNES,TCON J4,MANIFOLD.....205-206, 209-210, 213-214, 217 | HOSE ASSY,1/2" HOSE #72.....239-240, 243-244, 247, 249, 251-252, 255, 257-258 | HOSE ASSY,H2O PUMP,PERKINS1004.....99 |
| HARNES,TCON J5 POWER.....61 | HOSE ASSY,1/2" HOSE #76.....239-240, 243-244, 247, 249, 251-252, 255, 257-258 | HOSE ASSY,3/4",90°FEM,STR FEM.....251-252, 257-258 |
| HARNES,WELD GEN ENCLOSURE.....315 | HOSE ASSY,1/2" HOSE #77.....247, 249, 251-252, 255, 257-258 | HOSE CLAMP,WEAR PAD.....153, 156 |
| HARNES,WORKLIGHT OPT.....307-308 | HOSE ASSY,1/2" HOSE #83.....247, 249, 251-252, 255, 257-258 | HOSE END,90DEG.,19 HS X.13 MPT....101 |
| HEAD / OIL FILTER.....117 | HOSE ASSY,1/2" HOSE #90.....247, 249, 251-252, 255, 257-258 | |
| HEAT SHIELD,PERKINS MUFFLER.....109 | | |
| HEATER,INTAKE AIR CUMINS B4.5.....91 | | |
| HEATER,START AID,CUMMINS B3.9.....75 | | |
| HEATER,START AID,PERKIN1004-42.....97 | | |
| HINGE,.375X.120THK.,SLOTTED.....65, 67 | | |
| HINGE,PLAT CONTROL BOX COVER.....273 | | |
| HINGE,SWING CONTROL BOX.....67 | | |
| HOLD DOWN,BATTERY.....47, 49 | | |
| HOLD DOWN,BATTERY,SMALL.....47, 49 | | |
| HOOK,BATT HOLD DOWN,10".....47, 49 | | |
| HORN,12VDC,SPADE TERMINALS***52, 55, 57, 59 | | |
| HOSE AND CABLE CLAMP, STD.....155-156, 166 | | |
| HOSE AND CABLE CLAMP, STD, TOP....155-156, 166 | | |

- HOSE END,BARB,1/4 MNPTX5/16,90.....111
 HOSE GUIDE, JIB.....177
 HOSE INLET.....87, 89, 97
 HOSE, AIR INTAKE, 804T.....115
 HOSE, CRANKCASE BREATHER.....111
 HOSE,1/2,LOW PRESSURE,801-8.....311
 HOSE,1/4 FUEL LINE,SAE 30R7.....85
 HOSE,3/8",FUEL,30R7.....41, 47, 49
 HOSE,AIR CLEANER INTAKE.....97
 HOSE,ASSY,HYD,1/4"HOSE #78/79.....239-240
 HOSE,CAC,2.5"ID X 4.0".....89
 HOSE,FUEL,3/16,SAE 30R7.....41
 HOSE,HUMP 3" TO 4".....301
 HOSE,LOWER RADIATOR,CUMMINS.....89
 HOSE,RADIATOR,LOWER,PERKINS.....115
 HOSE,RADIATOR,UPPER,PERKINS.....115
 HOSE,RUBBER 3"ID X .25 BLACK...135, 301, 303
 HOSE,UPPER RADIATOR,CUMMINS.....89
 HOSE,WEAR PAD.....153, 156
 HUB, WHEEL COVER,Z135 (106756).....35
 HYDRAULIC TWIN CLAMP.....252, 258
 HYRAULIC TUBE,BOOM CROSSOVER...252, 258
- I**
- INJECTOR, FUEL(DEUTZ F3L2011F).....137
 INJECTOR,FUEL,CUMMINS, B4.5.....91
 INJECTOR,FUEL,DEUTZ F4L913.....125
 INLET REDUCER,TD 2011L04I.....137
 INNER AXLE,MACHINED.....21, 23
 INSTRUCTIONS,INSTALL,COMP,WORD...13-15
 INSTRUCTIONS-PIPE CRADLE,BOOMS...305
 INTAKE BAFFLE,PAINTED.....95, 121
 ISOLATOR,CENTER BONDED.....81, 83, 85, 105, 107
 ISOLATOR,CUMMINS 4B3.9L ENGINE.....77, 79, 81
 ISOLATOR,ENGINE VIBRATION.....77, 79, 81, 83, 85, 103, 105, 107, 109, 111, 115, 129, 135
 ISOLATOR,FLEX-BOLT SANDWICH***.....79, 81, 83, 105, 107, 109
 ISOLATOR,TWO-PIECE.....129
 ISOLATOR,VALVE COVR.CUMMINS3.9.....73
 ISOLATOR,VIBRATION,M8 MALE/FEM.....71, 97, 111, 123
 ISOLATOR-NOISE,CUMMINS B4.5.....91
- J**
- JIB BOOM ASSY W/SYM DECAL.....177
 JIB BOOM ASSY W/WORD DECAL.....177
 JOYSTICK CONNECTOR ASSEM,AMP.....187
 JOYSTICK CONNECTOR ASSEM,DEUT...187
 JOYSTICK W/HARN ADPTR KIT RCKR.....189
 JOYSTICK W/HARN ADPTR, 1 AXIS.....189
 JOYSTICK W/HARN ADPTR, 2 AXIS.....189
 JOYSTICK,1 AXIS ROCKER,DEUTSCH.....191
 JOYSTICK,1 AXIS,DEUTSCH.....191
 JOYSTICK,2 AXIS,DEUTSCH.....191
 JOYSTICK,DUAL AXIS W/KNOB.....191
 JOYSTICK,SINGLE AXIS W/KNOB.....191
 JOYSTICK,SINGLE AXIS W/STEER.....191
- K**
- KEEPER,LATCH (45363).....51-52, 55, 57, 59, 67, 69
- KEYSWITCH,3 POS.MOM.DR,W/KEY**.....61
 KEYSWITCH,3POS.MNTND.DR WKEY**.....61
 KEYSWITCH,CONTACTS LOCK.....61
 KIT CB 15A T2 RPM SOLENOID 3W.....85, 111, 131-132
 KIT BONDED WELD LEAD S120.....315
 KIT BONDED WELD LEAD S120.....315
 KIT, AUX TOP RAIL SUPPORT.....307-308
 KIT, BATT SEPARATOR, ANSI/CSA.....47, 49
 KIT, BATT SEPARATOR, AS.....47, 49
 KIT, BATT SEPARATOR, CE.....47, 49
 KIT, FOOTSWITCH, SUPERBOOM.....184-185
 KIT, HEAT GUARD, DEUTZ STARTER.....137
 KIT, ISOLATION, 3 JOYSTICK.....189, 191
 KIT,2 LINK REPAIR W/HARDWARE.....155-156
 K I T , C A B L E T R A C K
 UPDATE,SUPRBMS.....165-166
 KIT,CONTROL BOX COVER.....273
 KIT,ESTOP SVC LARGE BOOM.....61, 187
 KIT,EXT/RET CABLE REPLMNT,SB.....161-162
 KIT,FBA STYLE COUPLER,SAE8.....131-132
 KIT,FIELD INSTALL,SWING GATE.....307-308
 KIT,FLANGE CODE 61 -20.....239-240, 243-244, 247, 249, 251-252, 255, 257-258
 KIT,GEN. PRESSURE SWITCH.....315
 KIT,HOSE/HARDLINE UPGRADE,S120...252, 258
 KIT,HOSE/HARDLINE UPGRADE,S125...252, 258
 KIT,KEYSWITCH SVC S100/120.....61
 KIT,LOADSENSE,UPGRD,S100/S120.....275
 KIT,LOADSENSE,UPGRD,S105/S125.....275
 KIT,MECH.LIMIT SWITCH,S120/125.....169
 KIT,OP SWITCH,DEUTZ.....131-132
 KIT,PANEL CRADLE BRACKET,SYMBL.....313
 KIT,PANEL CRADLE BRACKET,WORD.....313
 KIT,PANEL CRADLE,CE.....313
 KIT,PCB,ASSY,ECM,SB TCON V3.12.....61
 KIT,PRECLEANER DEUTZ***.....301, 303
 KIT,RECOVERY SVC LARGE BOOMS.....61
 KIT,REX TO SAUER DRIVE MOTOR.....31
 KIT,SEALS & WEAR PLATE, PUMP.....227
 KIT,SERVICE LIFT CYL REPL.....143, 145-146, 149
 KIT,SERVICE,CLAMP MOUNTS.....155-156, 166
 KIT,SERVICE,SOLENOID MODULE.....75, 83, 101, 115, 129
 KIT,SERVICE,STEER SENSOR.....29
 KIT,SWING GATE W/SPRING.....307-308
 KIT,WEAR PAD, EXT CYL,SB.....161-162
 KIT,WELD LEADS ASSY,V275S.....317
 KNOB,JOYSTICK, 62390/62391.....189, 191
 KNOB,ROCKER JOYSTICK 75565.....189, 191
- L**
- LANYARD,BEAD CHAIN, TCON.....187
 LATCH,DRAW.....273
 LATCH,FLEXIBLE.....51-52, 55, 57, 59
 LATCH,PANEL.....67
 LATCH,PLATE,CONTROL BOX COVER.....67
 LATCH,SLIDE, FLUSH MOUNT STYLE.....273
 LENS,AMBER,STROBE,FIREBOLT.....271
 LENS,LCD,GRND.CONTROL.....61
 LEVER, GOVERNOR ACTUATOR.....131-132
 LID ASSY,CONTROL BOX COVER PLT.....273
 LIFT CYL.SUPPT.ASSY.....143, 146
- LIFT CYL.SUPPT.ASSY(LOAD MOMEN...143, 146
 Limit Switch Cover.....155-156
 LIMIT SWITCH, OP LSB3EO, 4EO.....169
 LIMIT SWITCH, OPERATION,LSB2RO.....153, 155-156
 LIMIT SWITCH, SAFETY,NO WIRE.....21, 25, 63, 143, 169, 171
 LIMIT SWITCH,OPERATION,NO WIRE.....143, 169, 171
 LIMIT SWITCH,OPERATIONAL..43, 143, 145-146, 149, 171
 LIMIT SWITCH,SAFETY.....21, 25, 63, 143, 145-146, 149, 153, 155-156, 161-162, 169, 171
 LOAD SUPPORT W/BEARINGS.....275
 LOCK,RECEP 4 WAY,12-14GA.....115
 LOCKNUT,ELEC,1/2".....67, 315
 LOCKNUT,ELECTRIC,1" NPT.....315
- M**
- MACHINING,INNER AXLE.....25, 27
 MALE PIPE THD,1/4" SER,3/8"X18.....311
 MANIFOLD ASSEMBLY, GEN.....291
 MANIFOLD PLATFORM W/JIB.....223
 MANIFOLD,4 WHEEL STEER.....201, 203
 MANIFOLD,ASSY DUAL CNTRBAL.....225
 MANIFOLD,COOLER BYPASS.....81, 113
 MANIFOLD,DRIVE OIL DIVERTER.....321
 MANIFOLD,DRIVE OIL DIVERTER***.....315
 MANIFOLD,EXHAUST, PERKINS 1104.....117
 MANIFOLD,FUNCTION S120/125.....205-206, 209-210
 MANIFOLD,FUNCTION,S120/125.....213-214
 MANIFOLD,PLAT CONTROL NON-JIB*.....219
 MANIFOLD,PUMP DISTRIBUTION.....217
 MANIFOLD,ROTATOR,CB***.....225
 MANIFOLD,STEERING,4 WHEEL.....197, 199, 201, 203
 MANIFOLD,TRACTION 4WD.....193
 MANIFOLD,TRACTION,4WD.....195
 MANIFOLD,TURNTABLE ROTATION.....45, 311
 MANUAL BOX W/DECALS***.....183-185
 MANUAL,CUMMINS B3.9L, WORKSHOP...71
 MANUAL,DEUTZ F4L913,WORKSHOP....123
 MANUAL,PERKINS1004-42,WORKSHOP...97
 MESH,HALF,LH,6"PLATFORM.....305
 MESH,HALF,RH,6"PLATFORM.....305
 MESH,HALF,SWING GATE***.....305
 MIDRAIL GUIDE (HOOK).....183-185
 MODULE,SX CONTROLLER,LOW AMP...315
 MODULE,TIME DELAY ON BREAK 4S.....315
 MOTOR MOUNT COUPLER (106274).....315
 MOTOR, 60511, APU, 12VDC.....51-52, 55, 57, 59
 MOTOR,HYD 12.5KW GEN,21CC***.....315
 MOTOR,PISTON,2 SPEED,45CC.....31
 MOTOR,PISTON,2 SPEED,REXROTH.....29, 31
 MOTOR,SWING DRIVE (111145).....45
 MOTOR,TURNTABL ROT.ASSY.60751.....45, 311
 MOUNT,1"FLEX-BOLT SANDWICH.....85, 89
 MOUNT,CABLE TRACK CLAMP.....169, 171
 MOUNT,DEUTZ TUBE.....123
 MOUNT,PANEL BACKING.....67
 MOUNT,PANEL,PAINTED.....67
 MOUNT,PERKINS 1104 LF PAINTED.....113

Part Description Index (continued)

- MOUNT,PERKINS 1104 RH PAINTED.....109
MOUNT,SWITCH.....275
MOUNTING BAND,AIR CLEANER.....71, 87,
97, 109, 115, 123, 131-132
MOUNTING O-RING (75367).....125
MPT,CPLR,1/4"SER,3/8"X18.....311
MUFFLER,2.5"INLET/OUTLET...89, 109, 111,
135
MUFFLER,CATALYTIC,2.5 I/O.....97, 109, 135
MUFFLER,CATALYTIC,CUMMINS.....71, 83
MUFFLER,CATALYTIC,DEUTZ*F4L913.....123
MUFFLER,DEUTZ,F4L913.....123
MUFFLER,NELSON 3.9L.....71, 83
MUFFLER,PERKINS 1004-42 (60549).....97
- N**
- NIPPLE,1/8 NPT X 3.0 FFS-S.....27
NIPPLE,DIAGNOSTIC,#4.....193, 203, 205-
206, 209-210, 213-214, 217, 229, 231-232,
235, 237, 239-240, 243-244, 247, 249, 252,
255, 258, 261, 263, 265, 267, 269
NIPPLE,DIAGNOSTIC,ORFS,FM,SWIV.....209-
210, 213-214, 239-240, 243-244, 247, 249,
251-252, 255, 257-258
NIPPLE,PIPE M/M 140137-3/4.....51-52, 239-
240
NIPPLE,PIPE,LONG 1/8 X 1.5.....39
NUT - PLASTIC,RING FOR ALARMS...61, 187
NUT, LP NYLOCK, 3/8-16.....63, 85, 89, 153,
155-156, 165-166, 169, 171, 271
NUT,BULKHEAD,520118-4.....239-240, 243-
244, 247, 249, 251-252, 255, 257-258
NUT,COIL,DOMED,SIZE 12, 62329.....205-
206, 210, 214
NUT,COIL,PROPORTNL.VALVE.....205-206,
209-210, 213-214
NUT,ENGINE MNT.PERKINS 1004-42.....103,
105, 107
NUT,FAN BLADE,PERKINS 1004-42...99, 117
NUT,HEX M10-1.5.....283
NUT,HEX,1/4-28.....75, 83, 101, 113, 129, 131-
132
NUT,HEX,3/8-24.....41
NUT,HEX,5/16-18,GR5.....123
NUT,HEX,6/32 W/STAR WASHER.....187
NUT,HEX,7/16-14.....285, 289
NUT,HEX,FLANGE,M8X1.25,CUMMINS.....75
NUT,HEX,HEAVY DUTY JAM,3/4-10.....77, 79,
81
NUT,HEX,JAM,3/4-10.....43
NUT,HEX,JAM,5/8-11.....161-162
NUT,HEX,M10,ALTER.DEUTZ F4L913.....127
NUT,HEX,M8 X 1.25.....111
NUT,LP NYLOCK,1/2-13.....161-162
NUT,LP NYLOCK,1/4-20.....65, 129, 153, 273,
307-308, 315
NUT,LP NYLOCK,5/16-18.....63, 65, 67, 69
NUT,LP NYLOCK,5/8-11.....161-162
NUT,LUG,3/4-16 X 7/8 RADIUS.....29, 31
NUT,M6,BLOWER,DEUTZ F4L913.....127
NUT,M6,FUEL PUMP,DEUTZ F4L913.....125
NUT,M8,ALTERNATOR,DEUTZ F4L913.....127
NUT,NYLOCK FLG,1/4-20,F,ZAG.....305, 313
NUT,NYLOCK FLG,3/8-16,F,ZAG.....305, 313
NUT,NYLOCK,1-8.....143, 146, 180
NUT,NYLOCK,1/2-13.....37, 39, 43, 51-52, 55,
63, 65, 77, 103, 151, 159, 161-162
NUT,NYLOCK,1/4-20.....47, 49, 51-52, 55, 57,
59, 63, 67, 69, 71, 75, 79, 81, 83, 87, 89, 93,
97, 101, 105, 107, 109, 113, 115, 119, 123,
131-132, 139, 145-146, 169, 171, 177, 180,
183-185, 275, 277, 279, 281, 283, 285, 287,
289, 291, 297, 301, 303, 305, 307-308, 325
NUT,NYLOCK,10-24.....113, 131-132
NUT,NYLOCK,10-32.....21, 25, 43, 51-52, 55,
57, 59, 67, 69, 143, 145-146, 149, 153, 155-
156, 169, 171, 183-185, 271, 273
NUT,NYLOCK,3/8-16.....21, 23, 27, 41, 43, 47,
49, 51-52, 55, 57, 59, 67, 71, 77, 79, 81, 83,
85, 87, 89, 93, 97, 103, 105, 107, 109, 111,
119, 123, 129, 131-132, 135, 143, 149, 151,
153, 155-156, 161-162, 165-166, 169, 171,
173, 175, 177, 180, 183-185, 275, 277, 281,
285, 289, 291, 311, 315, 317, 325
NUT,NYLOCK,5/16-18.....37, 39, 47, 49, 51-
52, 55, 57, 59, 63, 85, 153, 156, 277, 279, 281,
283, 287, 289, 315, 317
NUT,NYLOCK,5/8-11...77, 79, 81, 83, 85, 103,
105, 107, 109, 111, 115, 129, 135
NUT,NYLOCK,6-32.....61
NUT,NYLOCK,8-32.....273
NUT,NYLOCK,M12X1.75.....77, 79, 81
NUT,PERKINS 1004-42.....97
NUT,PROPORTNL. COIL,52372,GS68.....205-
206, 209-210, 213-214
NUT,SOLENOID.....321
NUT,SOLENOID VALVE 2P3W.....217
NUT,SOLENOID VALVE COIL.....193
NUT,SOLENOID VALVE,HYDAC.....219, 221
NUT,TL JAM,3/8-16,A,ZAG.....313
NUT,TOP LOCK,1/2-13.....109, 111, 135
NUT,WING 5/16-18.....47, 49
NUT,WING,1/4-20.....47, 49
NUT,WING,3/8-16.....47, 49
NUT-COIL SHORT.....197, 201, 205-206, 209-
210, 213-214, 223
NUT-COIL,REXROTH DO3 VALVE....205-206,
209-210, 213-214
- O**
- O-RING KIT (ORFS FITTINGS).....219, 221,
225, 229, 231-232, 235, 237, 239-240, 243-
244, 247, 249, 251-252, 255, 257-258, 269
O-RING KIT,FIELD SVC,ALL PROD*.....225
O-RING, 2-158*.....29
O-RING, FUEL LIFT PUMP.....137
O-RING, M16, ISO.....111
O-RING, ROTATOR MANIFOLD.....225
O-RING, WHEEL COVER (237233).....35
O-RING,2-044 BUNA***.....227
O-RING,2-157,VITON***.....31
O-RING,67.95X2.62-NBR-70SH(HF2P)(60334).47,
49
O-RING,COIL NUT, HYDAC.....219, 221
O-RING,DIPSTICK,DEUTZ F4L2011.....137
O-RING,FILLER CAP CUMINS, B4.5.....91
O-RING,FILLER CAP,CUMMINS,B3.9.....73
O-RING,FILTER ASSY (60334)***.....49
O-RING,FUEL INJ.PUMP (75370).....125
O-RING,INJ.PUMP,PERKIN,1004-42.....101
O-RING,JOYSTICK, 62390/62391.....189
O-RING,OIL FILLER (75369).....125
O-RING,ORFS,-12.....315
O-RING,ORFS,-4.....239-240, 243-244, 247,
249, 251-252, 255, 257-258
O-RING,PISTON PUMP TO GEARPUMP...71,
97, 125, 227
- O-RING,SEAL RING,1" NPT (PKG OF
10).....315
O-RING,THERMOSTAT HSING.PERKIN.....99
O-RING,THERMOSTAT,PERKIN,1004.....99
O-RING,WATER PUMP,CUMMINS B3.9.....73,
91
OIL COOLER W/FAN, 12VDC.....63, 139
OIL COOLER,W/FAN.....139
OIL COOLER,W/O FAN.....93, 119
OIL FILTER.....85
OIL PAN HEATER,DEUTZ,120V,150W.....295
OIL PAN,DEUTZ F4L2011.....137
OIL PAN,PERKINS 1104C-44.....117
OIL SEAL,(111145).....45
OIL TEMP SENSOR(60323).....123
OPT, GEN BD 3500W 110/60.....285
OPT,AIR PRECLEANER,CUMMINS.....301
OPT,GEN BD 3000W 220/50.....285
OPT,GEN BD 3000W 220/50 CUMNS.....279
OPT,GEN BD 3000W 220/50 DEUTZ.....289
OPT,GEN BD 3000W 220/50 PERKIN.....283
OPT,GEN BD 3500W 110/60 CUMNS.....279
OPT,GEN BD 3500W 110/60 DEUTZ.....289
OPT,GEN BD 3500W 110/60 PERKIN.....283
OPT,HOSE AND CABLE CLAMP.....155-156,
166
OPT,PRCLEANER,PERKINS 804T.....303
OPT,PRECLEANER CUMMINS B3.3T.....303
OPTION, SPARK ARREST.....109, 131-132
OPTION,6' HALF MESH PLAT/GATE.....305
OPTION,8' HALF MESH PLAT/GATE.....305
OPTION,DRIVING LIGHTS,SB.....271
OPTION,PLAT SUPPORT,STD,LRG BM.....180
OPTION,PRE-CLEANER PERKINS.....301
OPTION,PRECLEANER CUMMINS.....301
OPTION,SCRUB/SPARK ARREST***.....97
ORIFICE DISC,.030,CONE.....321
ORIFICE PLUG, 0.040.....205-206, 209-210,
214
ORIFICE PLUG,.03,PLATF. HYDAC....219, 221
ORIFICE,PLUG 0.030.....195
OUTLET, 110V.....180
- P**
- PAD,10 X 2 X 1 LIFT CYL.MNT.....143, 145-
146
PAD,REST,1"THICK,FLANGED.....313
PAD,REST,2"THICK,W/STUDS*.....184-185
PAINT,AEROSOL,TITANIUM BLACK.....71
PANEL, ENCLOSURE, LINCO WELDER....315
Part is no longer available.....271
PCB ASSY,ECM,SB TCON,V200.....61
PCB, ASSY, ECM, SB TCON V212.....61
PCB, ASSY, ECM, SB TCON V300.....61
PCB,ASSY,ECM,PLAT, VER 1.08.....187
PCB,ASSY,ECM,PLATFORM,VER 110.....187
PCB,ASSY,ECM,PLATFORM,VER 210.....187
PCB,ASSY,ECM,PLATFORM,VER 3.00.....187
PCB,MEMBRANE/LED,SB/Z80.....187
PCB,ASSY,LCD,GROUND,SUPERBOOM....61
PIN,.75DIA X 2.89LG,1HOLE.....161-162
PIN,0.75DIA X 5.75LG,CHAMFER.....275
PIN,1.25DIA X 14.45LG,2HOLE.....175
PIN,1.25DIA X 15.63LG,CHAMFER.....93, 95,
119, 121, 139, 141
PIN,1.25DIA X 5.25LG,1HOLE.....173, 175
PIN,1.25DIA X 6.50LG,1HOLE.....173
PIN,1.25DIA X 7.00LG,1HOLE.....175
PIN,1.25DIA X 7.11LG,2RING.....173, 175

| | | |
|--|--|---|
| PIN,1.25DIAX7.88LG,1HOLE.....175 | PLAT ASSY, 6FT, CE/UK, S120.....180 | PLAT. ASSY, 6FT,SERV,S125.....179-180 |
| PIN,1.25DIAX7.9LG,2RING.....173, 175 | PLAT ASSY, 6FT, CE/UK, S125.....180 | PLAT. ASSY, 6FT,SERV,S125 ANSI.....179-180 |
| PIN,1.25DIAX9.50LG,1HOLE.....173, 175 | PLAT ASSY, 8FT, A/SA, S120.....180 | PLAT. ASSY, 8FT,SERV,S120.....179-180 |
| PIN,1.50DIAX12.25LG,1HOLE.....151 | PLAT ASSY, 8FT, A/SA, S125.....180 | PLAT. ASSY, 8FT,SERV,S120 ANSI.....179-180 |
| PIN,1.50DIAX2.75LG,THREADED.....151 | PLAT ASSY, 8FT, AUST, S120.....179-180 | PLAT. ASSY, 8FT,SERV,S125.....179-180 |
| PIN,1.50DIAX2.92LG,2RING.....161-162 | PLAT ASSY, 8FT, AUST, S125.....179-180 | PLAT. ASSY, 8FT,SERV,S125 ANSI.....179-180 |
| PIN,1.50DIAX4.13LG,THREADED.....23, 27 | PLAT ASSY, 8FT, CE/UK, S120.....180 | PLAT. ASSY, 8FT,SERV,S125 ANSI.....179-180 |
| PIN,1.50DIAX5.88LG,1HOLE.....161-162 | PLAT ASSY, 8FT, CE/UK, S125.....180 | PLAT. FLOOR, 5FT, PAINTED.....184-185 |
| PIN,2.50DIAX11.00LG,1HOLE..143, 145-146, 149 | PLAT RAIL ASSY,8FT,AUSTRALIA**.....184-185 | P L A T . C O N T R O L B O X GUARD,FORMING.....273 |
| PIN,2.50DIAX17.75LG,THREADED....145-146 | PLAT RAIL W/DECALS 6FT 750 ANS.....183-185 | PLATE, COVER CUMMINS B4.5.....91 |
| PIN,2.50DIAX19.875LG,THREADED.....149 | PLAT RAILW/DECALS 4FT 750 AUST.....184-185 | PLATE, FUEL TRAY BULKHEAD, PTD.....41 |
| PIN,2.50DIAX19.96LG,2FLAT143 | PLAT RAILW/DECALS 4FT 750 EURO.....184-185 | PLATE, LIMIT SWITCH MOUNT.....149 |
| PIN,2.50DIAX22.00LG,THREADED....145-146 | PLAT RAILW/DECALS 5FT 750A/SOA.....184-185 | PLATE, PIN RETAINER.....149 |
| PIN,AXLE KING.....27 | PLAT RAILW/DECALS 6FT 500LB AN.....183-185 | PLATE, SOLENOID MOUNT.....115 |
| PIN,AXLE STOP.....21, 25 | PLAT RAILW/DECALS 6FT 500LB AN.....183-185 | PLATE,ANGLE LIMIT SWITCH,MACH.....63 |
| PIN,CLEVIS, 1.50 X 4.465LONG.....21, 25 | PLAT RAILW/DECALS 6FT 750 ANSI.....183-185 | PLATE,AXLE PIN RETAINER.....21, 25 |
| PIN,CLEVIS,.844X2.25 RET.CABLE...161-162 | PLAT RAILW/DECALS 6FT 750 AUST.....184-185 | PLATE,AXLE WEAR STEEL.....23, 27, 37, 39 |
| PIN,CLEVIS,1.18X3.18 EXT.CABLE...161-162 | PLAT RAILW/DECALS 6FT 750 AUST.....184-185 | PLATE,BACKING.....180 |
| PIN,COTTER,.125 X 1.5.....65 | PLAT RAILW/DECALS 6FT 750 EURO.....184-185 | PLATE,COVER LATCH BACKING.....67, 69 |
| PIN,COTTER,.188 X 1.75 LONG.....161-162 | PLAT RAILW/DECALS 6FT 750A/SOA.....184-185 | P L A T E , D O C U M E N T B O X MOUNT,PAINT.....183-185 |
| PIN,COTTER,.188 X 2.00 LONG.....21, 25 | PLAT RAILW/DECALS 6FT 750A/SOA.....184-185 | PLATE,EXT.CABLE ,PAINTED.....161-162, 165-166 |
| PIN,COTTER,.188X2.25 RET.CABLE.....161-162 | PLAT RAILW/DECALS 6FT 750A/SOA.....184-185 | PLATE,EXT.CABLE ANCHOR.....161-162 |
| PIN,COTTER,.25 X3.18 EXT.CABLE.....161-162 | PLAT RAILW/DECALS 750 AISA/SOA.....184-185 | P L A T E , E X T . C A B L E ATTACH.MACHINE.....161-162 |
| PIN,DISENGAGE CAP, 75090.....33 | PLAT RAILW/DECALS 8FT 500 ANSI.....183-185 | PLATE,EXT.CABLE EQUALIZER MACH.....161-162 |
| PIN,DISENGAGE CAP, 89212.....35 | PLAT RAILW/DECALS 8FT 750 ANSI.....183-185 | PLATE,FRNT,ENCLOSURE ASSY,PNTD...315 |
| PIN,DOWEL,.25X.75 STNLS STEEL.....29 | PLAT RAILW/DECALS 8FT 750 ANSI.....184-185 | PLATE,FUEL TANK BULKHEAD.....41 |
| PIN,EXTENSION CYLINDER MOUNT.....161-162, 165-166 | PLAT RAILW/DECALS 8FT 750 EURO.....184-185 | P L A T E , G E N E R A T R . C N T R L . B O X MOUNT.....279, 283, 285, 289 |
| PIN,LIFT CYL.BASE 2.50 X 17.75....143, 145-146 | PLAT RAILW/DECALS 8FT 750A/SOA.....184-185 | PLATE,KING PIN RETAINER.....27 |
| PIN,LOAD MOMENT.....145-146 | PLAT RAILW/DECALS 8FT 750A/SOA.....184-185 | PLATE,PLAT.CONTROL BOX SPACER.....185 |
| PIN,LOCK,SHORT***.....307-308 | PLAT RAILW/DECALS 8FT 750A/SOA.....184-185 | PLATE,PUMP MOUNT.....71, 87, 97, 109, 125 |
| PIN,PRI.Boom PIVOT. 2.50X25.50.....143, 145-146, 149 | PLAT RAILW/DECALS 8FT 750A/SOA.....184-185 | PLATE,RETRACT CABLE EQUALIZER.....161-162 |
| PIN,RETRACTION CABLE.....161-162 | PLAT RAILW/DECALS 8FT 750A/SOA.....184-185 | PLATE,SWING CHASSIS BULKHEAD.....51-52, 55, 57, 59 |
| PIN,ROLL,.25 X 1.5***.....161-162 | PLAT RAILW/DECALS,4FT,500LB AN.....183-185 | PLATE,TAP BLOCK HINGE MNT PTD.....67 |
| PIN,TRANSPORT STORAGE HANDLE....43 | PLAT RAILW/DECALS,4FT,750LB AN.....183-185 | PLATE,THROTTLE ACTUATOR MOUNT....113 |
| PIN,TRANSPORT STORAGE LOCK.....43 | PLAT RAILW/DECALS,5FT,500LB AN.....183-185 | P L A T E , T O G G L E S W I T C H MOUNT,PCON.....187 |
| PINCH GUARD RAIL,6' PLATFORM.....307-308 | PLAT RAILW/DECALS,5FT,750LB AN.....183-185 | PLATE, TOP,GENERATOR 12KW,PNTD.....315 |
| PINCH GUARD RAIL,8' PLATFORM**.....307-308 | PLAT RAILW/DECLAS 5FT 750 AUST.....184-185 | PLATE,UK,POWER TO PLAT.....291 |
| PIPE CRADLE ASSY. SERV (ONE)**.....305 | PLAT RAILW/DECLAS 5FT 750 EURO.....184-185 | PLATE,URETHANE SPRING.....143, 146 |
| PISTON,SINGLE PILOT (CV08).....197, 199 | PLAT RAILW/DECLAS 5FT 750LB AN.....183-185 | PLATE,WEAR PAD RETENTION.....37, 39 |
| PLASTIC FILTER HEAD.....137 | PLAT ASSY, 4FT,SERV,S120.....179-180 | PLATFORM ASSEMBLY,4FT,CE/UK.....184-185 |
| PLAT ASSEMBLY,4FT,ASIA/S AM.....184-185 | PLAT. ASSY, 4FT,SERV,S120 ANSI.....179-180 | PLATFORM ASSEMBLY,5FT,CE/UK.....184-185 |
| PLAT ASSEMBLY,5FT,ASIA/S AM.....184-185 | PLAT. ASSY, 4FT,SERV,S125.....179-180 | PLATFORM RAIL ASSY, 6FT ANSI.....183-185 |
| PLAT ASSEMBLY,5FT,AUSTRALIA***.....184-185 | PLAT. ASSY, 4FT,SERV,S125 ANSI.....179-180 | PLATFORM RAIL ASSY,8FT,ANSI.....183-185 |
| PLAT ASSEMBLY,6FT,ASIA/S AM.....184-185 | PLAT. ASSY, 4FT,SERV,S125 ANSI.....179-180 | PLATFORM RAIL ASSY,6FT,CE/UK.....184-185 |
| PLAT ASSEMBLY,8FT,ASIA/S AM.....184-185 | PLAT. ASSY, 5FT,SERV,S120.....179-180 | PLATFORM RAIL ASSY,8FT,CE/UK.....184-185 |
| PLAT ASSY, 4FT, A/SA, S120.....180 | PLAT. ASSY, 5FT,SERV,S120 ANSI.....179-180 | P L A T F O R M S U P P O R T ASSY.SUPRBOO.....180 |
| PLAT ASSY, 4FT, A/SA, S125.....180 | PLAT. ASSY, 5FT,SERV,S125.....179-180 | P L A T F O R M S U P P O R T WELDMNT-SERV*.....180 |
| PLAT ASSY, 4FT, AUST, S120.....179-180 | PLAT. ASSY, 5FT,SERV,S125 ANSI.....179-180 | PLATFORM WELDMNT,4 FT.....184-185 |
| PLAT ASSY, 4FT, AUST, S125.....179-180 | PLAT. ASSY, 6FT,SERV,S120.....179-180 | PLATFORM,LEVELING LEVER,ASSY.....173 |
| PLAT ASSY, 4FT, CE/UK, S125.....179-180 | PLAT. ASSY, 6FT,SERV,S120 ANSI.....179-180 | PLATFORM,LEVELING LINK ASSY.....173 |
| PLAT ASSY, 4FT, CE/UK, S120.....179-180 | PLAT. ASSY, 6FT,SERV,S125 ANSI.....179-180 | PLUG AND CAP KIT-SERVICE,37 **.....225 |
| PLAT ASSY, 5FT, A/SA, S120.....180 | | |
| PLAT ASSY, 5FT, A/SA, S125.....180 | | |
| PLAT ASSY, 5FT, AUST, S120.....179-180 | | |
| PLAT ASSY, 5FT, AUST, S125.....179-180 | | |
| PLAT ASSY, 5FT, CE/UK, S120.....179-180 | | |
| PLAT ASSY, 5FT, CE/UK, S125.....179-180 | | |
| PLAT ASSY, 6FT, A/SA, S120.....180 | | |
| PLAT ASSY, 6FT, AUST, S120.....179-180 | | |
| PLAT ASSY, 6FT, AUST, S125.....179-180 | | |

PARTS FINDER

**Search Website
by Part Number**



**Search Manual
Library For Parts
Manual & Lookup Part
Numbers – Purchase
or Request Quote**

Search Manuals

Enter your information to help us find the right parts manual for your machine.

* Brand:

* Model:

* Serial:

* Part Number:

SEARCH

**Can't Find Part or
Manual? Request Help
by Manufacturer,
Model & Description**

Parts Order Form

Please fill in the following information to help us find the right part for your machine.

| | |
|---------------|----------------------|
| Manufacturer: | <input type="text"/> |
| Model: | <input type="text"/> |
| Description: | <input type="text"/> |
| Part Number: | <input type="text"/> |
| Quantity: | <input type="text"/> |
| Notes: | <input type="text"/> |

Submit

Discount-Equipment.com is your online resource for quality parts & equipment.

Florida: **561-964-4949** Outside Florida TOLL FREE: **877-690-3101**

Need parts?

Click on this link: <http://www.discount-equipment.com/category/5443-parts/> and choose one of the options to help get the right parts and equipment you are looking for. Please have the machine model and serial number available in order to help us get you the correct parts. If you don't find the part on the website or on one of the online manuals, please fill out the request form and one of our experienced staff members will get back to you with a quote for the right part that your machine needs.

We sell worldwide for the brands: Genie, Terex, JLG, MultiQuip, Mikasa, Essick, Whiteman, Mayco, Toro Stone, Diamond Products, Generac Magnum, Airman, Haulotte, Barreto, Power Blanket, Nifty Lift, Atlas Copco, Chicago Pneumatic, Allmand, Miller Curber, Skyjack, Lull, Skytrak, Tsurumi, Husquvarna Target, Stow, Wacker, Sakai, Mi-T-M, Sullair, Basic, Dynapac, MBW, Weber, Bartell, Bennar Newman, Haulotte, Ditch Runner, Menegotti, Morrison, Contec, Buddy, Crown, Edco, Wyco, Bomag, Laymor, EZ Trench, Bil-Jax, F.S. Curtis, Gehl Pavers, Heli, Honda, ICS/PowerGrit, IHI, Partner, Imer, Clipper, MMD, Koshin, Rice, CH&E, General Equipment, Amida, Coleman, NAC, Gradall, Square Shooter, Kent, Stanley, Tamco, Toku, Hatz, Kohler, Robin, Wisconsin, Northrock, Oztec, Toker TK, Rol-Air, APT, Wylie, Ingersoll Rand / Doosan, Innovatech, Con X, Ammann, Mecalac, Makinex, Smith Surface Prep, Small Line, Wanco, Yanmar

Part Description Index (continued)

- PLUG AND CAP KIT-SERVICE,ORFS*.....219, 221, 225, 229, 231-232, 235, 237, 239-240, 243-244, 247, 249, 251-252, 255, 257-258, 269
- PLUG, SANTOPRENE .5 BLACK DOME.....187
- PLUG,4-WIRE,3-PHASE,50A,MALE.....317
- PLUG,CAVITY,T-11A,1-2 OPEN.....205-206, 209-210, 213-214
- PLUG,DRAIN,RR TRANS.DRIVE HUBS.....33, 35
- PLUG,ELECTRICAL,DOMESTIC.....67, 291
- PLUG,ENGINE OIL, CUMMINS B3.9.....73, 91
- PLUG,ENGINE OIL, DEUTZ F4L913.....125
- PLUG,ENGINE OIL,DEUTZ F4L2011.....137
- PLUG,ENGINE OIL,PERKIN 1004-42.....101, 117
- PLUG,HEX,090109A-8**.....213-214
- PLUG,HEX,130109E,1/2 NPT***.....52, 55, 57, 59
- PLUG,NYLON .875 BLACK DOMED...67, 169, 171
- PLUG,NYLON 1.38 BLACK DOMED...67, 153, 155-156, 315
- PLUG,O-RING CUMMINS B4.5.....91
- PLUG,ORIFICE,0.030 (50684).....193
- PLUG,PIPE 3/4 NPT CUMMINS B4.5.....91
- PLUG,PIPE HEXHEAD 130109E-1/8.....43
- PLUG,PWR,UK,16AMP,3PIN,BLK.....291
- PLUG,SEAL,12-18 GA.....115
- PLUG,THREADED CUMMINS B4.5.....91
- POTENTIOMETER ASSY, WELDER.....315
- PRECLEANER OPTION,DEUTZ.....301
- PRECLEANER OPTION,PERKINS.....301
- PRECLEANER,AIR INTAKE.....301, 303
- PRECLEANER,INLINE 3".....301, 303
- PRO.DIR.CTRL,VLV,5WY,3POS.....223
- PULLEY KIT,PERKINS 804.....285
- PULLEY,ALTERNATOR.....91
- PULLEY,ALTERNATOR, PERK 1104C.....117
- P U L L E Y , A L T E R N A T O R , D E U T Z BF4L2011.....137
- PULLEY,CRANKSHAFT,CUMMINS B3.9.....73, 91
- PULLEY,CRANKSHAFT,CUMMINS B4.5.....91
- PULLEY,CRANKSHAFT,PERKINS 1004.....99, 117
- PULLEY,DEUTZ.....289
- PULLEY,FAN,PERKINS 1004-42.....99, 117
- PULLY, GNRTR,220V,50HZ(89908).....277, 279, 281, 283, 285, 287, 289
- PULLY,GNRTR,120V,60HZ(60707).....277, 279, 281, 283, 285, 287, 289
- PUMP ASSY. 60511 APU.....51-52
- PUMP, FUEL INJECTN CUMMINS B4.5.....91
- PUMP, FUEL TRNSFR CUMMINS B4.5.....91
- PUMP, WATER,CUMMINS B3.9.....73
- PUMP, WATER,CUMMINS B4.5.....91
- PUMP, WATER,PERKINS 1004-42.....99
- PUMP, WATER,PERKINS 1104C-44.....117
- PUMP(102710 APU).....51-52, 55, 57, 59
- PUMP,(75592 APU).....55, 57, 59
- PUMP,2 SEC (50166).....227
- PUMP,2 SEC,29CC X 19CC,FE.....227
- PUMP,AUXILIARY,DUAL,12V.....51-52, 55, 57, 59
- PUMP,FUEL 2011 DEUTZ ***.....137
- PUMP,FUEL INJ,DEUTZ BF4L20.....137
- PUMP,FUEL INJECTION,CUMMINB3.9.....75
- PUMP,FUEL INJECTION,PERKIN1004.....101
- PUMP,FUEL INJECTN,PERK 1104C.....117
- PUMP,FUEL INJECTN.DEUTZ F4L913.....125
- PUMP,FUEL LIFT DEUTZ F4L913.....125
- PUMP,FUEL LIFT, CUMMINS, B3.9.....75
- PUMP,FUEL LIFT,PERKINS1004-42.....97
- PUMP,PISTON,46CC,B MOUNT,13T**.....227
- PUMP,VARIABLE DISPLACEMENT.....227
- PUMP,WATER,PERKINS 804D-33T.....115

R

- RADIATOR.....81, 83, 103, 107, 109
- RADIATOR HOSE,LOWER-CUMMINS.....73, 87
- RADIATOR HOSE,LOWER-PERKINS.....99, 113
- RADIATOR HOSE,UPPER-CUMMINS.....73, 83
- RADIATOR HOSE,UPPER-PERKINS.....99, 113
- RADIATOR STRUT ASSEMBLY, RIGHT.....77, 103
- RADIATOR STRUT ASSEMBLY,RIGHT.....79, 81, 87, 105, 107, 109
- RADIATOR STRUT,LEFT.....89, 113
- RADIATOR STRUT,LEFT (INBOARD).....77, 103
- RADIATOR STRUT,LEFT, PAINTED.....79, 81, 105, 107
- RADIATOR STRUT,LEFT,PAINTED.....83, 113
- RADIATOR STRUT,RIGHT.....79, 81, 85, 87, 105, 107, 109
- RADIATOR STRUT,RIGHT(OUTBORD).....77, 103
- RADIATOR STRUT,RIGHT***.....87
- RADIATOR UPGRADE KIT,SUPERB.....77
- RADIATOR,CUMMINS/PERKINS.....77, 79, 105
- RADIATOR,FORD/PERKINS***.....111
- RAILING CATCH CASTING--DRILLED.....307-308
- RECEPTACLE, 120VAC, 20A, GFCI.....291, 315
- RECEPTACLE,UK,110V.....291
- RECEPTCL,LOCK 3-PH,50A,4 WIRE.....317
- REDUCER,3" TO 2.75".....123, 135
- REDUCER,45 DEG, 3.75"-3.00".....89
- REDUCER,520123-20-12.....239-240, 243-244, 252, 258, 269
- REDUCER,90 DEG,CAC, 3.0"-2.5".....89
- REDUCER,90DEG,4.0 X 3.0.....303
- REDUCER,RUBBER,4.0 X 3.0.....89, 303
- Ref Hydraulic Oil Cooler Manifold (refer to 404.3).....107
- REGULATOR,PRESS-COMP 0.30 GPM.....223
- RELAY MODULE(89996,89998).....47, 49
- RELAY,12VDC,70AMP,SEALED.....47, 49
- RELAY,OMRON,DPDT,12V.....315
- RELAY,SEALED 30/40 AMP.....47, 49, 52, 55, 57, 59, 271, 277, 279, 281, 283, 285, 287, 289
- RELAY,SOCKET,OMRON.....315
- RELAY,SPDT,12V(AUTO) PLUG IN**.....61, 187
- RELIEF,VALVE 270 PSI.....321
- REPAIR LINK END SET (60174&75).....153, 155-156, 165-166
- REPAIR LINK END SET (60313).....151
- REPAIR LINK END SET(122795).....151
- REPAIR LINK SET(122795)4 LINK.....151
- REPAIR LINK SET(60313) 4 LINK*.....151
- REPAIR LINK W/ ROLLER.....155-156, 166

- REPAIR LINK W/HARDWARE...155-156, 165-166
- REPAIR LINK/SINGLE(60174/75).....153, 155-156, 165-166
- RESISTOR,10 OHM,25 WATT.....323
- RETAINER, ALTERNATOR PULLEY.....91
- RETAINER,MACHINED.....143
- RETAINER,MAST COVER.....159
- RETAINER,SPRING,1.21 X .375.....275
- RETAINER,SPRING,1.46 X .375.....275
- RIVET,ALUM,ALUM,3/16BUTTONHEAD.....273
- RIVET,STEEL,P .25 X .375.....307-308
- RIVET,STL,STL,P.125 X .25.....61, 323
- ROCKER ASSY.,MAGNETIC 75565.....189, 191
- ROCKER,RETAINER, 75565.....189, 191
- ROD END,.250 X 2.75 LG.....161-162, 275
- ROD END,.375X3.69,ZAG.....23, 27, 93, 95, 119, 121, 139, 141, 161-162, 173, 175
- ROD END,.5 X 3.75,ZAG...143, 145-146, 149, 151
- ROD END,.75 X 5.00.....143, 145-146, 149
- ROD END,RETRACTION CABLE.....161-162
- ROD,SWITCH ACTIVATING.....25
- ROLLER,ARM,LIMIT SWITCH,ZCY500.....63, 155-156, 171
- ROLLER,LIMIT SWITCH FLOAT.....153
- ROTATOR MOUNT KIT.....275
- ROTATOR,ELECT,10 CONT***.....43
- ROTATOR,MOD,NON-JIB,144 DEG***.....173
- ROTATOR,NON-JIB,160 DEG.....173
- ROTATOR,PLAT JIB,160 DEG***.....175
- RUBBER SLEEVES, TD 2011L041.....137

S

- S100/120 PLAT MNFLD SRV KIT.....219, 221
- S105/125 PLAT MNFLD SRV KIT.....221
- S120 AIRLINE TO PLATFORM.....311
- S125 AIRLINE TO PLATFORM.....311
- SB BOOM #3 ASSY SYMBOL UNITS.....165-166
- SB BOOM #3 ASSY W/WORD DECALS..165-166
- SCREW - AIR INLET,PERK 1104C.....117
- SCREW, HCC, 3/8-16 X 1.50.....63, 77, 79, 81, 85, 87, 93, 95, 103, 105, 107, 109, 111, 119, 121, 129, 131-132, 139, 141, 149, 173, 175, 183-185, 277, 285, 289, 315
- SCREW, HHC, 1/4-20 X .5.....33, 35, 61, 65, 77, 103, 129, 183-185, 187, 273
- SCREW, PHM, #6-32 X .625 ZINC.....189, 191
- SCREW, VALVE COVER, PERK 1104C.....117
- SCREW,6-32 X 7/8 PPMS ZINC.....67, 180
- SCREW,ALT.LEVER.PERKINS1004-42.....99
- SCREW,ALT.MNT.PERKINS 1004-42.....99
- SCREW,ALTERNATR.PERKINS1004-42.....99
- SCREW,BHHS,1/4-20 X .75.....151, 153, 159, 299
- SCREW,BHHS,3/8-16 X 1.25.....159
- SCREW,BHSC,1/4-20 X 1.....307-308
- SCREW,BLEEDER,M5X0.8.....175, 225
- SCREW,CRANKSHFT,PERKIN 1004-42.....99, 117
- SCREW,FHM,10-32 X 1.....67
- SCREW,FHM,6-32 X .75.....291
- SCREW,FHS,1/4-20 X .75.....25
- SCREW,HEX HD FLANGE 1/4-20X1/2.....21, 25
- SCREW,HHC,1-8 X 11,GRD 5***.....180
- SCREW,HHC,1-8 X 7 GRD.2.....143, 146

| | | |
|---|--|---|
| SCREW,HHC,1-8 X 9.5,GD2,YEL.....93, 95 | SCREW,HHC,3/8-16 X 1.75,GRD.8.....43, 79, 81, 83, 105, 107, 175, 281 | SCREW,HHC,M8X1.25X 21MM,GR8.8.....73, 91 |
| SCREW,HHC,1/2-13 X 1, GR 5.....55, 57, 59 | SCREW,HHC,3/8-16 X 2.....149, 153, 155-156, 161-162, 175, 177 | SCREW,HHC,M8X1.25X 22MM,GR8.8.....73 |
| SCREW,HHC,1/2-13 X 1.25 GR5.....21, 23, 25, 31, 37, 39, 71, 87, 97, 109, 125 | SCREW,HHC,3/8-16 X 2.25.....159, 173 | SCREW,HHC,M8X1.25X 25MM,GR8.8.....73, 75 |
| SCREW,HHC,1/2-13 X 1.5.....37, 39, 143, 145-146, 149, 161-162 | SCREW,HHC,3/8-16 X 2.5.....159, 325 | SCREW,HHC,M8X1.25X 35MM,GR8.8.....73 |
| SCREW,HHC,1/2-13 X 1.5 GRD 8.....89 | SCREW,HHC,3/8-16 X 2.75.....23, 27, 63, 153, 155-156, 159, 165-166, 271 | SCREW,HHC,M8X1.25X 70MM,GR8.8.....73 |
| SCREW,HHC,1/2-13 X 1.75.....23, 27, 37, 39 | SCREW,HHC,3/8-16 X 3.....23, 27, 175 | SCREW,HHC,M8X1.25X 95MM,GR8.8.....73 |
| SCREW,HHC,1/2-13 X 2 GR5.....37, 39, 43 | SCREW,HHC,3/8-24 X 3.25.....275 | SCREW,HHF,1/4-20X.625,8,ZAG.....313 |
| SCREW,HHC,1/2-13 X 2.5,GR5.....162 | SCREW,HHC,3/8-16 X 3.5,GR5.....271 | SCREW,HHF,1/4-20X2.5,8,ZAG.....305 |
| SCREW,HHC,1/2-13 X 2.75.....23, 27, 52, 55, 63, 65, 161-162 | SCREW,HHC,3/8-16 X 4.....71, 165-166 | SCREW,LOCKING FLANGE 6/32X.375.....187 |
| SCREW,HHC,1/2-13 X 3.25.....51-52, 55 | SCREW,HHC,3/8-16 X 4.5.....87, 165-166 | SCREW,M8X1.5X20MM GR8.8(89212).....35 |
| SCREW,HHC,1/2-13 X 5.25.....161-162 | SCREW,HHC,3/8-16 X 6.....169, 171 | SCREW,PERKINS 1004-42.....97, 117 |
| SCREW,HHC,1/2-13 X 6.5.....159 | SCREW,HHC,5/16-18 X .75.....37, 39, 43, 51-52, 55, 57, 59, 63, 308 | SCREW,PHIL,10-24 X .75.....183-185 |
| SCREW,HHC,1/2-13 X 7.5.....151 | SCREW,HHC,5/16-18 X 1 GR5.....47, 49, 85, 315 | SCREW,PHIL,PHM,6-32 X 1/4 SS.....61, 323 |
| SCREW,HHC,1/2-13 X 7.5.....43, 51-52, 151, 297 | SCREW,HHC,5/16-18 X 1.25.....85, 281, 283, 287, 291 | SCREW,PHILLIPS,FHM,10-32X1.00.....169, 171, 271 |
| SCREW,HHC,1/4-20 X .625.....29, 31, 47, 49, 51-52, 55, 57, 59, 159, 169, 171, 183-185 | SCREW,HHC,5/16-18 X 1.75.....277, 279, 289 | SCREW,PHILLIPS,PHM,10-32 X .38.....47 |
| SCREW,HHC,1/4-20 X .75.....21, 25, 27, 47, 49, 51-52, 55, 57, 59, 65, 75, 79, 83, 87, 89, 101, 105, 111, 115, 129, 143, 145-146, 151, 153, 156, 159, 161-162, 173, 175, 177, 180, 183-185, 291, 297, 299, 301, 303, 305, 307-308 | SCREW,HHC,5/8-11 X 1.75 GRD.8.....77, 79, 81, 83, 85, 103, 105, 107, 109 | SCREW,PHILLIPS,PHM,10-32 X .5.....21, 23, 25, 27, 153, 169, 273 |
| SCREW,HHC,1/4-20 X 1.....37, 39, 41, 51-52, 55, 57, 59, 63, 65, 67, 69, 79, 81, 89, 105, 107, 109, 113, 131-132, 139, 151, 169, 171, 183-185, 273, 275, 279, 283, 285, 289, 301, 303, 315, 325 | SCREW,HHC,5/8-11 X 2.5.....93, 95, 119, 121, 139, 141 | SCREW,PHILLIPS,PHM,10-32 X .75.....49, 143, 145-146, 149, 183-185 |
| SCREW,HHC,1/4-20 X 1.25.....67, 69, 71, 97, 123, 177, 277, 281, 285, 287 | SCREW,HHC,5/8-11 X 3 GRD.8.....83, 85 | SCREW,PHILLIPS,PHM,10-32 X 1.....51-52, 55, 57, 59 |
| SCREW,HHC,1/4-20 X 1.5.....173, 175, 308 | SCREW,HHC,5/8-11 X 3.5 GRD.8.....109, 111, 115, 129, 135 | SCREW,PHILLIPS,PHM,10-32 X 2.0.....155-156 |
| SCREW,HHC,1/4-20 X 2.....307-308 | SCREW,HHC,5/8-11 X 4.0***..77, 79, 81, 103, 105, 107, 129 | SCREW,PHILLIPS,PHM,10-32 X1.25...21, 25, 29, 31, 161-162, 275 |
| SCREW,HHC,1/4-20 X 2.75.....315 | SCREW,HHC,7/16-14 X 1.25.....277, 279 | SCREW,PHILLIPS,PHM,10-32X 1.75.....43 |
| SCREW,HHC,1/4-20 X 3.25.....93, 119, 139 | SCREW,HHC,7/16-14 X 1.75.....283, 285, 289 | SCREW,PHILLIPS,PHM,8-32 X .5.....273 |
| SCREW,HHC,1/4-20 X 3.5.....81, 107, 113 | SCREW,HHC,M10 X 1.5 X 140.....127 | SCREW,PHILLIPS,PHM,8-32 X .875...47, 49, 291 |
| SCREW,HHC,1/4-20 X 3.75.....159 | SCREW,HHC,M10 X 1.5 X 65,GR8.8.....71 | SCREW,PHILLIPS,RHM,10-32 X 1.5..63, 143, 145-146, 149, 153, 155-156, 169, 275 |
| SCREW,HHC,1/4-20 X 4.....65 | SCREW,HHC,M10 X 1.5 X 95,GR8.8.....73 | SCREW,PHM, 4-20 X .25 SELF TAP.....187 |
| SCREW,HHC,3/4-10 X 2.00,GR5.....145-146 | SCREW,HHC,M10 X 1.5 X70,GR 8.8.....131-132, 283 | SCREW,PHM,M5X.8X10MM SELF TAP.....187 |
| SCREW,HHC,3/4-10 X 2.75.....143, 145-146 | SCREW,HHC,M10 X 25MM,GR 8.8.....85, 89, 115, 123, 277, 303 | SCREW,RHM,10-32 X .5.....67 |
| SCREW,HHC,3/4-10 X 3 GRD.8.....43, 149 | SCREW,HHC,M10 X 30MM,.....71, 87, 97, 109, 113, 123, 125, 129, 131-132, 279, 281 | SCREW,RHM,10-32 X .75.....67, 69 |
| SCREW,HHC,3/4-10 X 4 FULL THRD.....43 | SCREW,HHC,M10 X 55MM,GRD 8.8.....289 | SCREW,RHM,10-32 X 1.....67 |
| SCREW,HHC,3/4-10 X 4.5.....143 | SCREW,HHC,M10 X 65MM,GR8.8.....89 | SCREW,RHM,10-32 X 1.5.....171 |
| SCREW,HHC,3/4-10 X 6 (CUMMINS).....77, 79, 81 | SCREW,HHC,M10 X1.5 X 120,GR8.8.....281 | SCREW,RHM,8-32 X .50.....317 |
| SCREW,HHC,3/4-10 X 7 FULL THRD.....165-166 | SCREW,HHC,M10X1.5X100MM,GR8.8.....91 | SCREW,SECURITY,1/4-20 X 1.75LG.....317 |
| SCREW,HHC,3/4-10X6,GR5,FULL TH.....161-162 | SCREW,HHC,M10X20,GR5,YEL ZINC.....283 | SCREW,SECURITY,5/16-18X1.00.....317 |
| SCREW,HHC,3/8-16 X .625.....169, 171 | SCREW,HHC,M12 X 1.75X 25MM,8.8.....71 | SCREW,SER FLNG3/8UNCX3/4ZNYEL.....51-52 |
| SCREW,HHC,3/8-16 X .75.....23, 27, 29, 31, 47, 49, 65, 85, 89, 151, 153, 155-156, 159, 165-166, 169, 171, 177, 271 | SCREW,HHC,M12 X 30.....97, 101, 103, 105, 107, 113 | SCREW,SER/FLNG 10M-1.5X20MM BK...71, 87 |
| SCREW,HHC,3/8-16 X .88,GRD 8.....180 | SCREW,HHC,M12 X 35MM.....77, 79, 81, 83, 85, 111, 115 | SCREW,SHC,1/2-13 X 1.50,A574...29, 31, 43, 45, 311 |
| SCREW,HHC,3/8-16 X 1.....23, 27, 47, 49, 52, 55, 57, 59, 63, 67, 77, 93, 95, 103, 109, 119, 121, 135, 139, 141, 143, 145-146, 151, 153, 155-156, 159, 161-162, 165-166, 169, 171, 180, 277, 281, 287 | SCREW,HHC,M12 X 45.....77, 79, 81, 115 | SCREW,SHC,10-24 X 1.250 (D01)....205-206, 209-210, 213-214 |
| SCREW,HHC,3/8-16 X 1.25 GRD 5.....21, 27, 37, 39, 41, 47, 49, 51-52, 55, 57, 59, 63, 71, 77, 79, 81, 83, 85, 87, 89, 93, 95, 97, 103, 105, 107, 109, 111, 119, 121, 129, 131-132, 139, 141, 143, 145-146, 149, 159, 161-162, 165-166, 169, 171, 173, 175, 180, 283, 291, 301, 315 | SCREW,HHC,M12X 1.25X36MM,GR8.8.....73, 91 | SCREW,SHC,10-24 X 2.....205-206, 209-210, 213-214 |
| | SCREW,HHC,M12X 1.75X35MM,GR8.8.....75 | SCREW,SHC,3/8-16 X 4 GR 5.....151 |
| | SCREW,HHC,M14 X 2 X 100.....129 | SCREW,SHC,5/16-18 X .75 GR5.....151 |
| | SCREW,HHC,M14 X 40MM,GR 8.8..131-132, 135 | SCREW,SHC,5/16-18 X 2,PLATED.....45 |
| | SCREW,HHC,M16 X 30.....281 | SCREW,SHC,5/8-11 X 3.00,A574.....43 |
| | SCREW,HHC,M6 X 1 X 20.....127 | SCREW,SHC,5/8-11 X 3.75,A574.....43 |
| | SCREW,HHC,M6 X 20MM,GR8.8.....131-132 | SCREW,SHC,7/16-14 X .75,61342....43 |
| | SCREW,HHC,M8 X 1.25 X 120.....127, 287 | SCREW,SHC,M10X1.5X20MM (75090).....33, 115, 131-132 |
| | SCREW,HHC,M8 X 1.25 X 25.....115, 279 | SCREW,SHC,M10X1.5X30 GR 12.9.....89, 125 |
| | SCREW,HHC,M8 X 1.25 X 30.....127 | SCREW,SHC,M10X1.5X40MM (75090).....33 |
| | SCREW,HHC,M8 X 10MM.....111, 115 | SCREW,SHC,M10X1.5X80MM (75090).....33 |
| | SCREW,HHC,M8 X 16.....71, 97, 115, 123 | SCREW,SHC,M16 X 50MM,BLACK.....31 |
| | SCREW,HHC,M8 X 20MM.....111, 115, 283, 301 | SCREW,SHC,M16 X 60MM,BLACK.....29 |
| | | SCREW,SHC,M8 X 1.25 X 16 MM.....111 |
| | | SCREW,SHS,1/2-13 X 1.50.....161-162 |
| | | SCREW,SHS,1/4-20 X .25 ZINC.....61 |

Part Description Index (continued)

| | | |
|--|---|--|
| SCREW,SHS,10-24 X .625.....113, 131-132 | SEAL, O-RING LIP.....43 | SHIM,SIDE WEAR PAD,20X2,16GA**.....159 |
| SCREW,SHS,3/4-10 X 1.5.....43 | SEAL, POLY, CHAMFER.....43 | SHIM,STEER SENSOR ACTIVATOR.....23, 27 |
| SCREW,STEP BOLT,1/4-20 X .75.....184-185 | SEAL, SHAFT, 60511 APU.....51-52, 55, 57, 59 | SHIM,WEAR PAD ENGINE TRAY.....93, 95, 119, 121, 139, 141 |
| SCREW,THERMSTAT,PERKIN1004-42.....99 | SEAL,CYL.HED.CVR.DEUTZ,F4L913.....127 | SHIM,WEAR PAD,5 X 1.5,14GA.....159, 165-166 |
| SCREW,THERMSTAT.PERKINS1004-42.....99 | SEAL,FILTER ASSY (60334)***.....49 | SHIM,WEAR PAD,5X 1.5 16GA.....159, 165-166 |
| Seal Kit.....321 | SEAL,FUEL INJEC CUMMINS B4.5.....91 | SHIM,WEAR PAD,7 X 3,12GA.....159, 165-166 |
| SEAL KIT (39345).....25, 173, 175, 225 | SEAL,INJECTOR,DEUTZ F4L2011.....137 | SHIM,WEAR PAD,7 X 3,16GA.....159, 165-166 |
| SEAL KIT (89534).....175 | SEAL,O-RING,SQUARE.....43 | SHOCK MOUNT,LARGE**.....111 |
| SEAL KIT (89536).....25 | SEAL,WATER INLET CUMMINS B4.5.....91 | SHOCK MOUNT,SMALL.....111 |
| SEAL KIT CYL***.....23, 27 | SEAL- EXHAUST MANIFOLD PERK-44.....117 | SHROUD,AIR COOLER INLET-DEUTZ.....139 |
| SEAL KIT CYL.S100/120 (50078).....143, 145-146, 149 | SEAL-VALVE COVER PERKINS 1104C.....117 | SHROUD,DEUTZ,AIR INTAKE.....127 |
| SEAL KIT CYL.S100/120 (50099).....151 | SELF-TAP SCREW, CABLE TRACK.....155-156, 165-166 | SHROUD,FAN (FIBERGLASS).....77, 79, 81, 87, 103, 105, 107, 109 |
| SEAL KIT CYL.S100/120 (50100).....161-162 | SENDER,LOW FUEL INDICATOR.....41 | SHROUD,FAN,PERKINS PAINTED.....111 |
| SEAL KIT, 37185 PUMP.....51-52, 55, 57, 59 | SENDING UNIT,OIL PRESS PERKINS.....115, 117 | SHUTDOWN SOLENOID,12V, DEUTZ.....131-132, 137 |
| SEAL KIT, HYD MOTOR, GEN.....291 | SENDING UNIT,OIL PRESS.,DEUTZ*.....137 | SLEAVING,PARKER TEK,2.00".....187 |
| SEAL KIT, SOLENOID VALVE.....193, 195 | SENDING UNIT,OIL TEMP SWCH,DTZ.....137 | SLEEVE,CONNECTOR,DT JOYSTICKS....191 |
| SEAL KIT, VALVE.....81, 113, 193, 195, 197, 199, 201, 203, 205-206, 209-210, 213-214, 217, 223 | SENDING UNIT,TMP,FRD,GM,PRK704.....117 | SLIDING MIDRAIL KIT,PTD.....183-185 |
| SEAL KIT, VALVE, #10.....193, 195 | SENSOR, TEMP. SENDER, M16X1.5.....111 | SNAP RING,EXTERNAL,1.25 DIA.**.....173, 175 |
| SEAL KIT,2-SEC PUMP (50166).....227 | SENSOR,OIL PRESS,VDO360-004***.....71, 91 | SNAP RING,EXTERNAL,1.5 DIA***.....161-162 |
| SEAL KIT,52372,SOLENOID VALVE.....205-206, 209-210, 213-214 | SENSOR,OIL PRESSUR,PERKIN,1004.....101 | SOCKET,SEALED RELAY.....271 |
| SEAL KIT,52381,BOSCH DO3,GS68.....205-206, 209-210, 213-214 | SENSOR,COOLANT TEMP.....91 | SOLENOID CABLE ASSY***.....137 |
| SEAL KIT,52907,SIZE 4, 2 WAY.....199, 203, 205-206, 209-210, 213-214, 223 | SENSOR,COOLANT TEMP,PERKINS***.....99, 117 | SOLENOID FUELINJEC,PERKIN,1004.....117 |
| SEAL KIT,62328,SIZE 12,2 PORT.....205-206, 209-210, 213-214 | SENSOR,COOLANT TEMP,VDO323-419...77, 79, 81 | SOLENOID UPDATE KIT***.....75, 97, 101, 129 |
| SEAL KIT,62329,SIZE 12, 3 WAY.....205-206, 210, 214 | SENSOR,OIL PRS KIT,VDO0360-040.....123 | SOLENOID,GLOW PLUG,DEUTZF4L913...127 |
| SEAL KIT,8K ROTATOR***.....173, 175 | SENSOR,TILT TURNTABLE(PLSTC).....51-52, 55, 57, 59 | SOLENOID,MOTOR START,60511,APU.....51-52, 55, 57, 59 |
| SEAL KIT,ARCTIC,ROTATOR 8.2K**.....175 | SENSOR,TILT,PCON (PLASTIC)***.....173, 175 | SOLENOID,SHUTDOWN DEUTZ F4L913..125 |
| SEAL KIT,AXLE EXTEND CYL,61381.....21, 25 | SEPARATOR,DUAL BATTERY,100A.....47, 49 | SOLENOID,STARTER,DEUTZ F4L913.....127 |
| SEAL KIT,BRAKE,DRIVE HUB,S125.....33 | SEPARATOR-FUEL/WTR CUMIN B4.5.....91 | SOLENOID,THROTTLE,ASSY.TROMB.....89, 113, 115, 131-132 |
| SEAL KIT,BRAKE,TURNTABLE ROT**.....45, 311 | SEPARATORS,ALUM,CABLE TRACK.....153, 155-156, 165-166 | SOLENOID-STARTR DEUTZF4L1011F*...137 |
| SEAL KIT,CYL,S100/120 (50207).....173 | SEPRTR/FLTR,FUEL DSL,15GPH,.30.....71, 97, 109, 123 | SPACER TUBE, .50 LG.....285 |
| SEAL KIT,CYL,S65 (63213).....175 | SERIAL # LABEL,MYLAR 4X8***.....14-15 | SPACER,ALT PULLEY,DEUTZ BF4L2011.....137 |
| SEAL KIT,DRIVE HUB,TURNTBL.ROT.....45, 311 | SERVICE KIT, 5FT JIB, ARCTIC.....177 | SPACER,FAN,CUMMINS, B3.9.....73 |
| SEAL KIT,DRIVE MOTOR***.....29, 31 | SERVICE KIT, THROTTLE, B3.3T.....89 | SPACER,FAN,CUMMINS, B4.5.....91 |
| SEAL KIT,HYD MOTOR(106184).....315 | SERVICE KIT,5FT JIB.....175, 177 | SPACER,FAN,PERKINS, 1004-42.....99, 117 |
| SEAL KIT,HYD SWIVEL (75126)***.....43 | SERVICE KIT,MEC. PRESS.FILTER.....47, 49 | SPACER,FAN,DEUTZ GEN.....289 |
| SEAL KIT,MOTOR,LC/KC***.....31 | SHAFT SEAL, APU.....51-52, 55, 57, 59 | SPACER,SWIVEL MOUNT.....43 |
| SEAL KIT,PLAT ROTATE***.....175 | SHAFT SEAL,50169,REXROTH MTR.....29, 31 | SPACER,WEAR PAD.....159, 165-166 |
| SEAL KIT,PLAT.LEVEL CYL(61387).....175 | SHAFT,INPUT,DRIVE HUB 75090.....33 | SPACER-DUAL COIL,#10, SCISSORS.....197, 201, 205-206, 209-210, 213-214 |
| SEAL KIT,REXROTH DO3 VALVE.....205-206, 209-210, 213-214 | SHAFT,OUTPUT,DRIVE MTR 50169.....29, 31 | SPACER-DUAL COIL,#8***.....197, 201 |
| SEAL KIT,REXROTH PUMP (50170).....227 | SHAFT-OUTPUT (60810).....45 | SPIDER (106113).....315 |
| SEAL KIT,RWD 1700TB***.....35 | SHEAVE MOUNT,EXT. CABLE MACHIN.....161-162 | SPRING CLIP,1/4-20,.025-.15X.54,ZAG.....21, 25, 27, 37, 39, 41, 51-52, 55, 57, 59, 65, 67, 69, 89, 111, 113, 115, 151, 153, 156, 159, 177, 183-185 |
| SEAL KIT,SAUER-DANFOSS M46***.....227 | SHEAVE,EXTENSION CABLE.....161-162 | SPRING CLIP,3/8-16,.05-20X.73,ZAG.....47, 49, 52, 55, 57, 59, 63, 153, 155-156, 169, 171 |
| SEAL KIT,SOLENOID VALVE.....193, 195 | SHEAVE,RETRACT CABLE.....161-162 | SPRING,1.00 DIA X .105.....169, 171 |
| SEAL KIT,SOLENOID VALVES,HYDAC.....219, 221 | SHIM, WEAR PAD,THIN,SB.....169, 171 | SPRING,BRAKE,DRIVE 75090.....33 |
| SEAL KIT,SUN "CWCA" CB VALVES*.....143, 145-146, 149, 151, 161-162 | SHIM,ANGLE LIMIT SWITCH MOUNT.....63 | SPRING,COMP,1" OD,232 LB/IN.....275 |
| SEAL KIT,SUN "CWEA" CB VALVES.....151, 161-162 | SHIM,AXLE PIN.....21, 25 | SPRING,COMP,1-1/4"OD 352 LB/IN.....275 |
| SEAL KIT,TURNTABL.ROT.MOTOR.....45, 311 | SHIM,BOOM PIVOT.....143, 145-146, 149 | SPRING,JOYSTK CENTR,62390/91...189, 191 |
| SEAL KIT,VALVE 62356, HYDAC.....219, 221 | SHIM,BOOM PIVOT,THIN.....143, 145-146 | SPRING,SWITCH CENTERING,75565.....189, 191 |
| SEAL KIT,VALVE 62357, HYDAC.....219, 221 | SHIM,CABLE TRAY.....165-166 | SPRING,URETHANE,1 ID X 2.00 LG.....143, 146 |
| SEAL KIT,VALVE 62359, HYDAC.....219, 221 | SHIM,CBL TRK SPRT WLDT,22 GA.....165-166 | SPRING-COMP,1.13"X.75ODX.50ID.....153 |
| SEAL KIT-PN.44169,44172,44171.....197, 201, 205-206, 209-210, 213-214 | SHIM,GALVANIZED STEER YOKE.....23, 27 | STANDOFF,1/4X1/4 M-F 6-32 S/S.....323 |
| SEAL, CAP.....43 | SHIM,INNER AXLE WEAR PAD.....23, 27, 37, 39 | STARTER, 12V.....137 |
| SEAL, CONNECTOR (DT JOYSTICKS).....191 | SHIM,PAD 2.0 X 6.60.....23, 27 | STARTER, 12V, CUMMINS B3.3T.....89 |
| SEAL, O-RING CUMMINS B4.5.....91 | SHIM,PAD,10 X 6.10.....23, 27, 37, 39 | |
| | SHIM,PAD,4 X 3.60.....37, 39 | |
| | SHIM,PROX SWITCH.....149, 153 | |
| | SHIM,SIDE WEAR PAD .059 THK.....166 | |
| | SHIM,SIDE WEAR PAD,20X2,14GA**.....159 | |

- STARTER, DEUTZ F4L913.....127
 STARTER, 12V,CUMMINS, B3.9.....71
 STARTER, 12V,CUMMINS, B3.9/B4.5.....71, 91
 STARTER, ENG, PERK T3 6/8/10K.....117
 STARTER, PERKINS 1004-42.....97
 STEP PLATFORM ENTRY PAINTED***.....183-185
 STRAIN RELIEF, PG13,5.....21, 25, 63, 143, 169, 171
 STRAINER ASSEMBLY, 1.5" NPT.....51-52, 240
 STRAINER ASSEMBLY, 3" NPT.....51-52, 239-240
 STRAINER ASSY, #16 O-RING.....51-52, 55, 57, 59, 240, 243-244, 247, 249, 252, 255, 258
 STRAINER ASSY, #24 O-RING.....51-52, 55, 57, 59, 239-240, 243-244, 247, 249, 251-252, 255, 257-258
 STRAINER, FUEL CUMMINS B4.5.....91
 STRAP ASSY, FUEL TANK 52".....41
 STRAP, CONDUIT HOLDER 60***.....305
 STROBE, FIREBOLT, 12-80VDC, AMB**.....271
 STROKE LIMITER COLLAR.....151
 STROKE LIMITER COLLAR, ASSY.....151
 STRUT SUPPORT.....63
 STRUT SUPPORT, TANK SIDE.....63
 STUD, WHEEL, 3/4-16 X 3***.....33, 35
 STUD, FAN SPACR, PERKINS 1004-42.....99, 117
 SUBASSY, STEER SENSOR***.....31
 SUPPORT, RAILING.....307-308
 SUPPORT, COVER (61112, 61117).....67, 69
 SUPPORT, ENGINE COVER GRAY.....69
 SUPPORT, FUEL TANK COVER.....65
 SUPPORT, HYDRAULIC SWIVEL.....43
 SUPPORT, SENSOR, JOYSTICK.....189, 191
 SWING COVER BRACKET, DEUTZ.....63
 SWING COVER, DEUTZ.....63
 SWING DRIVE ASSEMBLY.....45, 311
 SWITCH MOUNT LOWER BOOM.....153
 SWITCH SHIELD, ROCK JOYSTK75565...189, 191
 SWITCH TOGGLE ASSY SPDT 2P MNT...323
 SWITCH TOGGLE ASSY SPDT 2P MOM...187
 SWITCH, OIL PRESSURE 1.5 BAR.....131-132
 SWITCH, FAN BELT.....127
 SWITCH, LIMIT, PROX (OPERATIONAL).....21, 25, 143, 145-146, 149, 153, 169
 SWITCH, LIMIT, ROLLER NO/NC GOLD.....63, 155-156, 171
 S W I T C H , M E M B R A N E , G R O U N D CONTROL.....61
 SWITCH, MEMBRANE, PLATFORM.....187
 SWITCH, OPERATIONAL.....169
 SWITCH, PRESS, #4NPT, 200PSIF.....315
 SWITCH, THERMOSTAT 60F OPEN.....61
 SWITCH, THERMOSTAT 85F OPEN.....323
 S W I T C H , T O G G L E , S P D T , 3 P O S MOMEN*.....187
 SWIVEL, ELECTRIC 10 CONTACT***.....43
 SWIVEL, HYD/ELEC 5 PORT/10 CONT.....43
 SWIVEL, HYD/ELEC 5 PORT/11 CONT.....43
 SWIVEL, HYDRAULIC, 5 PORT.....43
- T**
- T-BOX 2.75 X 4.5 X 2.5.....67, 180
 T-BOX, 2.75X4.5X2.63, 3PH.....317
 TAIL PIPE, DEUTZ.....135
 TAILPIPE, DEUTZ 913.....123
- TANK, HYDRAULIC, 55 GALLON.....52, 55, 57, 59
 TAPE, PROTECTIVE MASK.....14-15, 17-18
 TAPE, WARNING, BLK/YEL, 50'***.....17-18
 TEE, BRANCH, 520429-12.....229, 235, 239-240, 243-244, 247
 TEE, BRANCH, 520429-8.....232
 TEE, BRASS STREET, 12 NPT.....111
 TEE, BULKHEAD, 52N9959-12.....229
 TEE, BULKHEAD, 52N9959-8.....231-232
 TEE, BULKHEAD, RUN, 520958-12.....239-240, 243-244
 TEE, RUN, 520428-12.....247, 249, 255
 TEE, RUN, 520428-20.....239-240, 243-244
 TEE, RUN, 520428-4.....229, 231-232
 TEE, RUN, 520428-6.....51-52, 55, 57, 59, 269, 293
 TEE, RUN, 520428-8.....251-252, 257-258
 TEE, RUN, SWIVEL, 520432-6.....240, 243-244, 269, 293
 TERM, AMP MTE, SOC, 22-26 GA BULK....189, 191
 TERM, DEUTSCH, PIN #12-14.....115
 THERMOSTAT -OIL COOLER (71259).....63, 139
 THERMOSTAT HOUSING, CUMMINS, B3.9.....73
 THERMOSTAT HOUSING, CUMMINS, B4.5.....91
 THERMOSTAT HOUSING, PERK 1104C.....117
 THERMOSTAT HSING ASSY, PERKINS.....99
 THERMOSTAT, 180 DEG.F.....115
 THERMOSTAT, 110 DEG.F N/O.....52, 55, 57, 59
 THERMOSTAT, CUMMINS, B3.9.....73
 THERMOSTAT, PERK 1104C.....117
 THERMOSTAT, PERKINS 1004-42.....99
 THERMOSTAT, RETAINING RING, PERKIN.....99
 THERMOSTAT, W/GSKT CUMMINS B4.5.....91
 THREADED ROD, 1/4-28 X 10 IN***.....75, 101, 129
 THROTTLE LINK, STEEL.....89
 THROTTLE LINK, DSL***.....131-132
 THROTTLE LINKAGE, DSL.....131-132
 THROTTLE LINKAGE, PERKINS 1104C.....113
 THROTTLE, LINKAGE.....115
 TIRE & WHEEL ASSY LF-LR.....29, 31
 TIRE & WHEEL ASSY RF-RR.....29, 31
 TIRE & WHEEL ASSY, LH.....31
 TIRE & WHEEL ASSY, RH.....31
 TOEBOARD, TRI ENTRY 6', EURO.....307-308
 TOEBOARD, 8'TRI ENTRY.....307-308
 TOEBOARD, ENTRY EUROPEAN PNTD**.....180, 307-308
 TOEBOARD, PLTFM ENTRY EUR, PNTD*...180
 TOOL HOLDER, PLASTIC.....183-185
 TOOL TRAY.....307-308
 TRAY, HOSE, 45.5".....153, 155-156
 TRAY, HOSE, 84".....153, 155-156
 TRAY, HYDRAULIC TANK MOUNTING.....52, 55
 TRI ENT PLTF ASSY 6'ASIA/SO.AM.....307-308
 TRIM MOLDING.....63, 93, 95, 119, 121, 139, 141
 TRIMLOCK, 1/16.....93, 95, 139
 TRIMLOCK, 1/4.....67, 69
 TRIMLOCK, BLACK, 5/32".....305
 TUBE ASSY, FUEL TANK, 20.75"LG.....41
 TUBE, EXHAUST CUMMINS B3.3T.....89
 TUBE, RD, ALUM, 1.25 X .083 X 11.75.....313
- TUBE, AIR INTAKE 1, CUM.B3.3T.....89
 TUBE, AIR INTAKE, DEUTZ.....123, 135
 TUBE, AIR INTAKE, LOWER.....301
 TUBE, AIR INTAKE, UPPER.....89, 301
 TUBE, CAC 1 CUM.B3.3T.....89
 TUBE, ENGINE INTAKE, DEUTZ.....123
 TUBE, EXHAUST CUMMINS T3.....89
 TUBE, FUEL SUPPLY, CUMMINS, B3.9.....75
 TUBE, INLET, CUMMINS.....71, 87
 TUBE, INTAKE, CUMMINS T3.....89
 TUBE, INTAKE, PRECLEANER B3.3T.....303
 TUBE, INTAKE, PRECLEANER, 804T.....303
 TUBE, RD, ALUMINUM, 1.00X.50X.820.....271
 TUBE, RD, STL 3 X 18GA ALUMINIZD.....113, 115
 TUBE, RD, STL, ALUMIZD, 2.5 X .065.....109, 111
 TUBE, SLIDING MIDRAIL, PAINTED....183-185
 TUBE, STARTING AID, CUMMINS, B3.9.....75
 TUBE, UHMW, 1 X .25 X 5.00.....159
 TUBING, VINYL, 1/2" CLEAR.....115
 TURNTABLE COVER MOUNT ASSY.....63
 TURNTABLE COVER MOUNT ASSY SYM...63
 TURNTABLE COVER W/SYM DECAL LT....67
- U**
- U-BOLT, FLATTENED, 1.5 X 3/8 UNC.ZAG.....305, 313
 U-BOLT, KIT 5/16-18 X 2.5 ***.....123
 U-BOLT, 1/2-13 X 8.5.....109, 111, 135
 U-BOLT, 3/8 X 1 YZ.....184-185, 317
 U-BOLT, 3/8-16X4X4.63X3.00.....317
 U-BOLT, GUILLOTINE, 3".....89
 UBOLT, FLATTENED, 1.5DIAX3/8 UNC.....180, 184-185, 311, 317, 325
 UNION, BULKHEAD, ORFS, 520601, -4.....229, 231-232, 235, 239-240, 269
 UNION, STR.THREAD -8.....59, 251-252, 257-258
 UNION, STR.THREAD 12*.....51-52, 55, 57, 239-240, 243-244, 247, 249, 255
 UNION, STR.THREAD 20.....239-240, 243-244, 247, 249, 251-252, 255, 257-258
 UNION, STR.THREAD 24***.....51-52, 55, 57, 59, 239-240, 243-244, 247, 249, 251-252, 255, 257-258
 UPGRADE KIT, HOSE CLAMP, SB.....271
- V**
- V-BELT GUARD, DEUTZ 2011.....137
 V-BELT, DEUTZ F4L2011.....137
 V-BELT, DEUTZ TD2011LOAI.....137
 VALVE - COUNTERBALANCE**.....225
 VALVE ASSY, BLEED***.....173, 175, 225
 VALVE ASSY, D03, REX, 3POS 4WAY.....205-206, 209-210, 213-214
 VALVE BALL, 24 FSAE-24 FSAE***.....51-52, 55, 57, 59, 239-240, 243-244, 247, 249, 251-252, 255, 257-258
 VALVE COIL 10V.....223
 V A L V E COUNTERBAL.CBBDD-LJN@5000..143, 145-146, 149
 VALVE COVER, CUMMINS, B3.9.....73, 91
 VALVE, CHECK.....195
 VALVE, COMPENSATOR, 80 PSI.....223
 VALVE, COUNTERBAL.....161-162
 VALVE, COUNTERBALANCE, CWCG-LGN.5000.....143, 145-146, 149

Part Description Index (continued)

| | | |
|--|--|---|
| VALVE, FLOW DIVIDER COMBINER.....195 | VALVE,RADIATOR DRAIN, COPAR.....103 | WASHER,FLAT,625 HARDENED.....43, 79, 81, 83, 85, 105, 107, 109, 111, 115, 135, 161-162 |
| VALVE, PRESS REGU CUMINS B4.5.....91 | VALVE,RELIEF 250 PSI***.....193 | WASHER,FLAT,625 X 2.25 X.15.....77, 79, 81, 83, 85, 103, 105, 107, 109, 111, 115, 129, 135 |
| VALVE, RELIEF, GEN, 3.0KW.....291 | VALVE,RELIEF,1800 PSI,AXLE EXT.....199, 203 | WASHER,FLAT,75 HARDENED.....143, 161-162, 165-166 |
| VALVE,BALL,1.00" SAE.....51-52, 240 | VALVE,RELIEF,250 PSI.....195 | WASHER,FLAT,81 X 2.00 X .38.....43 |
| VALVE,BALL,1.50" SAE.....51-52, 239-240 | VALVE,RELIEF,2600 PSI,SIZE 10.....205-206, 209-210, 213-214 | WASHER,FLAT,1.000,HARDENED.....180 |
| VALVE,BALL,12 MPT-12 FPT.....51-52, 239-240 | VALVE,RELIEF,3000 PSI.....217 | WASHER,FLAT,1.56 X 2.5 X .061.....21, 25, 85, 111, 115, 129, 135, 161-162 |
| VALVE,BALL,12 MSAE-12 FSAE....51-52, 55, 57, 239-240, 243-244, 247, 249, 255 | VALVE,RELIEF,3000PSI,GS68PUMP1.....199, 203, 209-210, 213-214 | WASHER,FLAT,3/8X1.5X.06.....275 |
| VALVE,BALL,16 MSAE-16 FSAE***.....51-52, 55, 57, 59, 240, 243-244, 247, 249, 252, 255, 258 | VALVE,SHUTTLE.....195 | WASHER,FLAT,313, HARDENED.....180, 279 |
| VALVE,CB.CBBC-LHN@2200*.....21, 25 | VALVE,SHUTTLE, 3 POS. 3 WAY.....193 | WASHER,FLAT,M10,ZINC PLTD.....71, 85, 87, 89, 97, 109, 113, 115, 123, 125, 131-132, 279, 281, 283, 303 |
| VALVE,CHECK.....217 | VALVE,SHUTTLE, HYDAC.....219, 221 | WASHER,FLAT,M12.....43, 71, 77, 79, 81, 83, 85, 111, 113, 115, 129 |
| VALVE,CHECK #12 25 PSI.....239-240, 243-244, 247 | VALVE,SOLENOID 2 POS.3 WAY.....195 | WASHER,FLAT,M14.....131-132, 135 |
| VALVE,CHECK CP100-2-B-O-005.....193 | VALVE,SOLENOID 3 POS.4 WAY***.....197, 201 | WASHER,FLAT,M14,DEUTZ F4L913.....129 |
| VALVE,CHECK***.....217 | VALVE,SOLENOID, 2POS 3WAY.....214 | WASHER,FLAT,M6,DEUTZ F4L913.....127 |
| VALVE,CHECK, 50 PSI.....193, 217 | VALVE,SOLENOID, 2POS 3WAY*.....205-206, 210, 214 | WASHER,FLAT,M8 DEUTZ, F4L913.....127 |
| VALVE,CHECK,3 PSI***.....321 | VALVE,SOLENOID,10V,W/OUT COIL*.....321 | WASHER,FLAT,M8, YELLOW ZINC...111, 115, 279, 283, 301 |
| VALVE,CHECK,30 PSI.....81, 113 | VALVE,SOLENOID,2 POS 2 WAY.....223 | WASHER,FLAT,MS,#10,Y.....43, 67, 69, 143, 145-146, 149, 155-156, 183-185, 273, 275 |
| VALVE,CHECK,5 PSI.....195, 217 | VALVE,SOLENOID,2POS 3WAY,DIN.....193 | WASHER,FLAT,MS,#8,Y.....317 |
| VALVE,CHECK,5 PSI**.....209-210, 213-214 | VALVE,SOLENOID,2POS3WAY,12VDIN.....217 | WASHER,FLAT,SAE,3/8",Y.....184-185 |
| VALVE,CHECK,DUAL PILOT***.....203 | VALVE,SOLENOID,2POS3WAY,SUPRB...209-210, 213-214 | WASHER,FLAT,USS,1",Y.....93, 95 |
| VALVE,CHECK,DUAL PILOT,135 PSI.....203 | VALVE,SOLENOID,3POS 4WAY***.....197, 201, 205-206, 209-210, 213-214 | WASHER,FLAT,USS,1/2",Y.....37, 39, 51-52, 55, 63, 65, 297 |
| VALVE,CHECK,IWP-S/CWP PWR ASSI...197, 199, 209-210, 213-214, 223 | VALVE,SOLENOID,3POS4WAY,HYDAC....219, 221 | WASHER,FLAT,USS,1/4"Y.....21, 25, 27, 29, 31, 37, 39, 41, 47, 49, 51-52, 55, 57, 59, 63, 65, 67, 69, 71, 75, 77, 79, 81, 83, 85, 87, 89, 93, 97, 101, 103, 105, 107, 109, 111, 113, 115, 119, 123, 129, 131-132, 139, 143, 145-146, 151, 153, 156, 159, 169, 171, 173, 175, 177, 180, 183-185, 273, 277, 281, 283, 285, 287, 291, 297, 299, 301, 303, 305, 307-308, 313, 315, 325 |
| VALVE,CHECK,PLAT.MANIFLD,HYDAC...219, 221 | VALVE,SOLENOID,NC,POPPET*.....205-206, 209-210, 214 | WASHER,FLAT,USS,3/8",Y.....27, 37, 39, 41, 47, 49, 51-52, 55, 57, 59, 63, 67, 71, 77, 79, 81, 85, 87, 89, 103, 105, 107, 109, 111, 129, 131-132, 151, 153, 155-156, 159, 161-162, 165-166, 169, 171, 175, 180, 183-185, 271, 275, 285, 291, 315, 325 |
| VALVE,CNTERBAL,CBBB-LHN@3000**.....173 | VALVE,SOLENOID,PROPORT. N.C.....213-214 | WASHER,FLAT,USS,5/16",Y.....37, 39, 43, 47, 49, 51-52, 55, 57, 59, 63, 65, 71, 77, 79, 81, 83, 85, 87, 89, 93, 95, 97, 103, 105, 107, 109, 111, 119, 121, 123, 129, 131-132, 135, 139, 141, 143, 145-146, 149, 153, 155-156, 169, 171, 177, 271, 277, 281, 283, 287, 289, 291, 301, 308, 311, 313, 317 |
| VALVE,COUNTERBAL 1:1,900 PSI.....151 | VALVE,SOLENOID,PROPORT. N.C.*.....205-206, 209-210 | WASHER,FLAT,USS,5/8",Y.....77, 79, 81, 83, 93, 95, 103, 105, 107, 119, 121, 129, 139, 141 |
| VALVE,COUNTERBAL.CBBB-LHN@2000.173, 175 | VALVE-CHECK SIZE 12(SUPRBOOM)*...209-210, 213-214 | WASHER,FLAT,USS,7/16",Y.....43, 77, 103, 151, 283, 289 |
| VALVE,COUNTERBAL.CBBB-LHN@3500.143, 145-146, 149, 175 | VALVE-CHECK, #12 SAE,30 PSI.....214 | WASHER,FUEL SUPPLY,CUMMINSB3.9.....75 |
| VALVE,COUNTERBAL.CBCA-LHN@3200.205-206, 209-210, 213-214 | VALVE-CHECK, #4 SAE, 5 PSI*.....199, 203, 205-206, 209-210, 213-214, 223 | WASHER,LOCK,#10 PLTD.....21, 23, 25, 27, 47, 153, 161-162, 183-185 |
| VALVE,COUNTERBAL.CWCA-LIN@600*.151, 161-162 | VALVE-FLOW REGULATOR 2 GPM.....193, 195 | WASHER,LOCK,.25.....21, 25, 27, 29, 31, 37, 39, 41, 47, 49, 51-52, 55, 57, 59, 65, 67, 69, 77, 103, 129, 143, 151, 153, 156, 159, 161-162, 169, 171, 173, 175, 183-185, 187, 273, 299, 308 |
| VALVE,COUNTERBAL.CWEK-LIN @600.....161-162 | VALVE-FLOW REGULATOR 3.0 GPM.....209-210, 213-214 | WASHER,LOCK,.313....51-52, 55, 57, 59, 151 |
| VALVE,COUNTERBALANCE.....21, 25, 175 | VALVE-FLOW REGULATOR, 1.4 GPM*....197, 199, 201, 203 | |
| VALVE,DIFFERENTIAL SENSE,N.O.....219, 221 | VALVE-RELIEF,1800 PSI.....205-206, 210, 213-214 | |
| VALVE,DIFFERENTIAL SENSE,N.C.....219, 221 | VITON SEAL KIT, VALVE.....223 | |
| VALVE,DIFFERENTIAL SENSE110PSI...197, 201, 205-206, 209-210 | VLV,SOL,DO3,REXROTH,3POS 4WAY....205-206, 209-210, 213-214 | |
| VALVE,DIFFERENTIAL SENSE230PSI....213-214 | VOLTAGE REGULATOR, 110V.....277, 279, 281, 283, 285, 287, 289 | |
| VALVE,FLOW CONTROL, 0.1GPM*.....197, 201, 205-206, 210, 213-214, 223 | VOLTAGE REGULATOR,220V.....277, 279, 281, 283, 285, 287, 289 | |
| VALVE,FLOW CONTROL,3GPM, HYDAC.....221 | | |
| VALVE,FLOW DIVIDER/COMBINER.....193, 195 | | |
| VALVE,FLOW REGULATOR, 2.0 GPM*....197, 199, 201, 203 | | |
| VALVE,FLOW REGULATOR, 2.7 GPM.....193 | | |
| VALVE,FLOW REGULATOR, 3.0 GPM.....217 | | |
| VALVE,FUEL SHUTOFF,CUMMIN B4.5.....91 | | |
| VALVE,FUEL SHUTOFF,CUMMINSB3.9.....75 | | |
| VALVE,FUEL SHUTOFF,PERKIN,1004.....101 | | |
| VALVE,PILOT OPER DIRECTIONAL.....315, 321 | | |
| VALVE,PROPORTIONAL SOLENOID*.....205-206, 209-210, 213-214 | | |
| VALVE,RADIATOR DRAIN, AKG.....77, 79, 81, 105, 107 | | |

W

WASHER, RETAINING, M16.....111
WASHER,.375X1.25X.100.....79, 81, 85, 105, 107
WASHER,ALTNATR.PERKINS 1004-42.....99
WASHER,CYL.HED CVR.DEUTZF4L913...127
WASHER,FENDER,.25 X 1.25 X.062.....67, 69
WASHER,FLAT M16.....281
WASHER,FLAT.375 X 1.5 X .125.....325
WASHER,FLAT,.5 HARDENED.....31, 71, 87, 89, 97, 109, 111, 125, 135, 161-162

| | | |
|--|---|---|
| WASHER,LOCK,.375.....23, 27, 29, 31, 37, 39, 47, 49, 51-52, 55, 57, 59, 63, 65, 79, 81, 83, 85, 89, 93, 95, 105, 107, 109, 119, 121, 123, 139, 141, 143, 145-146, 149, 151, 153, 155-156, 159, 161-162, 165-166, 169, 171, 173, 175, 177 | WELDER,INVERTEC V275-S.....317 | WIRE CABLE, 10GA/3 SJO JKT.....67 |
| WASHER,LOCK,.437,PLTD.....277, 279, 283, 285, 289 | WELDMNT W/DECALS,5FT,500LB AN.....183-185 | WIRE CABLE,12/3 CON.TPE JKT.....67, 180 |
| WASHER,LOCK,.625 PLTD...93, 95, 119, 121, 139, 141 | WELDMNT, AIR BOX, DEUTZ.....131-132 | WIRE CABLE,6GA/4 CONDUCTOR.....315 |
| WASHER,LOCK,.75 PLTD.....77, 79, 81, 143, 145-146, 149 | WELDMNT, ENGINE MNT, RF.....111 | WIRE HARNESS,JUMPER,MTE GEN,SB..291 |
| WASHER,LOCK,0.5".....21, 23, 25, 27, 37, 39, 43, 51-52, 55, 57, 59, 143, 145-146, 149, 151, 162, 297 | WELDMNT, EXHAUST SUPPORT.....111 | WIRE LOOM,3/8 NYLON,HI TEMP.....115 |
| WASHER,LOCK,M10.....283, 289 | WELDMNT, EXHAUST, 804T.....111 | WIRE LOOM,3/8 POLY SLIT.....183-185 |
| WASHER,LOCK,M6.....131-132 | WELDMNT, PIPE CRADLE.....305 | WLDM'T,CHASSIS,STC III ISO MNT.....117 |
| WASHER,LOCK,M6,DEUTZ F4L913.....125 | WELDMNT,4/5FT PLATFORM SUPPOR.....180 | WLDMNT,CABLE TRACK GUIDE LONG*.....153, 155-156, 165-166 |
| WASHER,LOCK,M8.....111, 115, 279, 283 | WELDMNT,AIR BOX,DEUTZ PAINTED.....131-132, 141 | WLDMNT,CABLE TRACK GUIDE SHORT.....165-166 |
| WASHER,OIL DRAIN DEUTZ F4L913.....125 | WELDMNT,AIR CLEANER CUMMINS.....71, 123 | WLDMNT,CABLE TRACK GUIDE,SHORT.....165-166 |
| WASHER,OIL DRAIN, CUMMINS B3.9.....73, 91 | WELDMNT,AXLE KING PIN.....23 | W L D M N T , R E T . C A B L E SHEAV.GARD.LH.....161-162 |
| WASHER,OIL DRAIN,PERKIN1004-42.....101, 117 | WELDMNT,AXLE SWITCH.....25 | W L D M N T , R E T . C A B L E SHEAV.GARD.RH.....161-162 |
| WASHER,RIVETING.....113 | WELDMNT,BATTERY TRAY.....47, 49 | WLDT, AIR CLEANER/SOLENOID MNT.....89 |
| WASHER,SHIM .0151 THK.....275 | WELDMNT,BRKT,PRESSURE FILTER.....47 | WLDT, MUFFLER BRKT, CUMMINS T3.....89 |
| WASHER,SHIM,.265 X .5 X .030.....21, 115 | WELDMNT,CABLE RETAINER.....161-162 | WLDT, MUFFLER BRKT, PERK T3.....111 |
| WASHER,SHIM,1.01 X 1.63 X.062.....65, 161-162 | WELDMNT,CABLE TRACK SUPPORT...165-166 | WORKLIGHT, 12V, DEUTSCH RECEPT.....308 |
| WASHER,SHIM,1.27 X 2.13 X .062.....173, 175 | WELDMNT,CABLE TRAY.....65 | WORKLIGHT,48 VOLT.....271, 308 |
| WASHER,THRUST 5 X 1.81 BRONZE.....23, 27 | WELDMNT,ENGINE MOUNT,LF,FRONT.....87 | |
| WASHER,VALVE COVR.CUMMINS,B3.9.....73 | WELDMNT,ENGINE MOUNT,RT,FRONT.....83 | Y |
| WATER INLET CONNEC CUMINS B4.5.....91 | WELDMNT,EXHAUST HEAD PIPE.....109 | YOKE ASSEMBLY,SUPERBOOM.....23 |
| WATER PUMP,CUMMINS,B3.3.....85 | WELDMNT,EXHAUST HEADER.....109 | YOKE ASSEMBLY,SUPERBOOM,NRRW.....27 |
| WEAR PAD, BOOM REST.....161-162 | WELDMNT,EXHAUST TUBE.....69 | |
| WEAR PAD,20X 1.5X.875 W/INST*.....159 | WELDMNT,EXTENSION BOOM #1.....151 | Z |
| WEAR PAD,3 X 1.5 X.625 W/NUTS.....177 | WELDMNT,EXTENSION BOOM #2.....165-166 | ZERK,GREASE,1/8 NPT.....27, 39, 43, 51-52, 55, 57, 59 |
| WEAR PAD,3.5 X 2 X .625 W/INST.....166 | WELDMNT,GENERATOR MOUNT.....281, 283 | ZERK,GREASE,5/16-24,STRAIT.....275 |
| WEAR PAD,4X2X.5 W/INSERT***.....65, 159 | W E L D M E N T , G E N E R A T O R MNT-CUMMINS.....277, 279 | |
| WEAR PAD,5 X 1.5 X .75 W/NUTS...159, 165-166 | WELDMNT,GENERATOR MOUNT.....281, 283 | |
| WEAR PAD,5 X 1.5 X .875 W/NUTS.....159, 165-166 | W E L D M E N T , G E N E R A T O R MOUNT,DEUTZ.....129, 287 | |
| WEAR PAD,7 X 3 X.625 W/INSERT.....159, 165-166 | WELDMNT,GUIDE BRACKET.....29, 31 | |
| WEAR PAD,7 X 3 X.75 W/NUTS.....159, 165-166 | WELDMNT,HOSE GUIDE ASSY,PTD.....165-166 | |
| WEAR PAD,BOOM #2 TOP.....169, 171 | WELDMNT,INNER CABLETRACK TUBE.....151 | |
| WEAR PAD,ENGINE SUPPORT...93, 95, 119, 121, 139, 141 | WELDMNT,INTAKE EXT.DEUTZ.....63 | |
| WEAR PAD,EXT.CABLE.....161-162 | WELDMNT,JIB HOSE COVER,PAINT.....175 | |
| WEAR PAD,EXT.CABLE SHEAVE.....161-162 | WELDMNT,PIPE CRADLE MOUNT.....305 | |
| WEAR PAD,INNER AXLE.....23, 27, 37, 39 | WELDMNT,PLAT. STOWED SUPPORT.....184-185 | |
| WEAR PAD,INNER AXLE SIDE.....23, 27, 37, 39 | WELDMNT,PLATF.MANFLD.SUPPORT....180 | |
| WEAR PAD,LIMIT SWITCH MNT.LONG.....171 | WELDMNT,PLATFORM SUPPORT,CE.....275 | |
| WEAR PAD,LIMIT SWITCH MNT.SHOR.....171 | WELDMNT,PRECLEANER,DEUTZ.....301, 303 | |
| WEAR PAD,LIMIT SWITCH MOUNT.....169 | WELDMNT,RADIATOR MOUNT.....77, 83, 103, 109 | |
| WEAR PAD,PRI.EXT.CYL.SUPPORT.....151 | WELDMNT,RADIATOR MOUNT,CUM.....85 | |
| WEAR PAD,SHEAVE MOUNT.....161-162 | W E L D M E N T , R A D I A T O R MOUNT,PAINTD.....79, 81, 105, 107 | |
| WEAR PAD,UPPER CABLE TRACK.....165-166 | WELDMNT,RADIATOR SHROUD.....79, 105 | |
| WEARPAD,ACTIVATING ROD.....25 | WELDMNT,REAR ENGINE MOUNT.....135 | |
| WEARPAD,AXLE EXTEND SWITCH.....21 | WELDMNT,URETHANE SPRING CUP...143, 146 | |
| W E A R P A D , L M T S W I T C H MOUNT-LONG*.....169 | WELDMNT,WEAR PAD MOUNTING.....165-166 | |
| WELD,FUEL/WATER SEPERATOR MNT....101 | WELDMNT,6 FT PLATFORM.....184-185 | |
| WELD,AIR CLEANER MNT PERKINS.....97 | WHEEL DRIVE W/BRAKE,76:1.....35 | |
| | WHEEL DRIVE W/BRAKE,85:1.....35 | |
| | WIPER,RUBBER BOOM #3 TOP.....169, 171 | |
| | WIRE ASSEMBLY,16/4SJO,9.5"PLUG.....21, 25, 63, 143, 169, 171 | |
| | WIRE ASSEMBLY,16/4SJO,9.5"RECP.....143, 169, 171 | |

Fitting Cross References

| Genie PN | Parker PN | Description | Genie PN | Parker PN | Description |
|----------|-----------------|---|----------|---------------|---|
| 12342 | 6-4 F5OX-S | CONNECTOR,STRAIGHT THREAD TO FLARE TUBE | 42794 | 1 CR-S | ELBOW,90°,MALE PIPE |
| 13757 | 4 R6X-S | RUN TEE,SWIVEL NUT,ORFS | 42795 | BV-0839 | BALL VALVE |
| 19685 | 12-10 C5OX-S | ELBOW,90°,STRAIGHT THREAD TO FLARE TUBE | 42796 | BV-0838 | BALL VALVE |
| 22664 | 12-10 C5OX | ELBOW,90°,STRAIGHT THREAD TO FLARE TUBE | 42874 | 6-8 CLO-S | ELBOW,90°,MALE PIPE TO ORFS |
| 27431 | 8-12 F5OX-S | CONNECTOR,STRAIGHT THREAD TO FLARE TUBE | 42912 | 13943-6-4 | HOSE END,90° FEMALE SWIVEL,JIC |
| 28678 | AS-B-33 | SLEEVE,NYLON,1.81" ID | 42920 | BV-0840 | BALL VALVE,90° |
| 39871 | 6 WETX-WLN-S | UNION,90° BULKHEAD W/NUT,FLARE TUBE | 42932 | AS-B-17 | SLEEVE,NYLON,1.22" ID |
| 39872 | 4 R5OX-S | RUN TEE,STRAIGHT THREAD | 42936 | 10243-2-4 | HOSE END,FEMALE PIPE |
| 39873 | 6 C5OX-S | ELBOW,90°,STRAIGHT THREAD TO FLARE TUBE | 42953 | 1/2 DD-S | ELBOW,90°,FEMALE PIPE |
| 39874 | 8-6 C5OX-S | ELBOW,90°,STRAIGHT THREAD TO FLARE TUBE | 42956 | 6 WELO-WLNL-S | UNION,90° BULKHEAD W/NUT,ORFS |
| 39875 | 4-6 C5OX-S | ELBOW,90°,STRAIGHT THREAD TO FLARE TUBE | 45349 | 8 V5OX-S | ELBOW,45°,STRAIGHT THREAD TO FLARE TUBE |
| 39876 | 6-8 C5OX-S | ELBOW,90°,STRAIGHT THREAD TO FLARE TUBE | 45351 | 4 V5OX-S | ELBOW,45°,STRAIGHT THREAD TO FLARE TUBE |
| 39877 | 4 F5OX-S | CONNECTOR,STRAIGHT THREAD TO FLARE TUBE | 47223 | 10343-6-6 | HOSE END,MALE,JIC |
| 39878 | 6 F5OX-S | CONNECTOR,STRAIGHT THREAD TO FLARE TUBE | 47419 | PS690503-6-6 | SWIVEL,90°,STRAIGHT THREAD TO 37° FLARE |
| 39879 | 4-8 F5OX-S | CONNECTOR,STRAIGHT THREAD TO FLARE TUBE | 48750 | 421-4 | HOSE,1/4 INCH ID |
| 39880 | 6-10 F5OX-S | CONNECTOR,STRAIGHT THREAD TO FLARE TUBE | 48751 | 481TC-4 | HOSE,1/4 INCH ID |
| 39881 | 4-6 F5OX-S | CONNECTOR,STRAIGHT THREAD TO FLARE TUBE | 48752 | 482TC-4 | HOSE,1/4 INCH ID |
| 39882 | 4-HP5ON-S | PLUG,STRAIGHT THREAD | 48753 | 451TC-6 | HOSE,3/8 INCH ID |
| 39883 | 8-8 FTX-S | CONNECTOR,MALE PIPE TO FLARE TUBE | 48754 | 482TC-6 | HOSE,3/8 INCH ID |
| 39885 | 269HB 12-12 | ELBOW,90°,BEADED HOSE BARB TO MALE PIPE | 48755 | 381-6 | HOSE,3/8 INCH ID |
| 39886 | 431-6 | HOSE,3/8 INCH ID | 48756 | 451TC-8 | HOSE,1/2 INCH ID |
| 39887 | 540N-2 | HOSE,1/8 INCH ID | 48757 | 482TC-8 | HOSE,1/2 INCH ID |
| 39888 | 801-8 | HOSE,1/2 INCH ID | 48758 | 381-8 | HOSE,1/2 INCH ID |
| 39889 | 801-12 | HOSE,3/4 INCH ID | 48759 | 381-10 | HOSE,5/8 INCH ID |
| 39890 | 10643-6-6 | HOSE END,FEMALE SWIVEL,JIC | 48760 | 451TC-10 | HOSE,5/8 INCH ID |
| 39891 | 13943-6-6 | HOSE END,90° FEMALE SWIVEL,JIC | 48761 | 482TC-12 | HOSE,3/4 INCH ID |
| 39892 | 13743-6-6 | HOSE END,45° FEMALE SWIVEL,JIC | 48762 | 451TC-12 | HOSE,3/4 INCH ID |
| 39894 | 30682-8-8 | HOSE END,FEMALE SWIVEL,JIC | 48763 | 772-12 | HOSE,3/4 INCH ID |
| 39895 | 30682-10-12 | HOSE END,FEMALE SWIVEL,JIC | 48764 | 881-16 | HOSE,1 INCH ID |
| 42286 | 8-8 CTX-S | ELBOW,90°,MALE PIPE TO FLARE TUBE | 48765 | 772-16 | HOSE,1 INCH ID |
| 42756 | 8-12 CLO-S | ELBOW,90,MALE PIPE TO ORFS | 48766 | AS-B-15 | SLEEVE,NYLON,1.06" ID |
| 42757 | 8-12 FLO-S | CONNECTOR,MALE PIPE TO ORFS | 48767 | AS-B-22 | SLEEVE,NYLON,1.42" ID |
| 42758 | 4 JLO-S | UNION TEE,ORFS | 48770 | 881-8 | HOSE,1/2 INCH ID |
| 42759 | 4-4 FLO-S | CONNECTOR,MALE PIPE TO ORFS | | | |
| 42760 | 6-8 FLO-S | CONNECTOR,MALE PIPE TO ORFS | | | |
| 42761 | 1J143-6-4 | HOSE END,90° FEMALE SWIVEL,SEAL LOK | | | |
| 42762 | 1J743-6-4 | HOSE END,45° FEMALE SWIVEL,SEAL LOK | | | |
| 42768 | 1JO43-4-4 | HOSE END,MALE,SEAL LOK | | | |
| 42776 | 801-8 | HOSE,1/2 INCH ID | | | |
| 42777 | 1J743-16-16 | HOSE END,45° FEMALE SWIVEL,SEAL LOK | | | |
| 42786 | 16 CLO-S | ELBOW,90°,MALE PIPE TO ORFS | | | |
| 42787 | 16 R8LO-S | RUN TEE,SWIVEL NUT,ORFS | | | |
| 42788 | 16-8 TRLO-BL-S | REDUCER,TUBE END TO SWIVEL,ORFS | | | |
| 42789 | 6-6 CLO-S | ELBOW,90°,MALE PIPE TO ORFS | | | |
| 42790 | 8-10 V5OLO-S | ELBOW,45°,STRAIGHT THREAD TO ORFS | | | |
| 42791 | 3/4 CD-S | ELBOW,90°,MALE TO FEMALE PIPE | | | |
| 42792 | 3/4 X 1/2 PTR-S | REDUCER,MALE TO FEMALE PIPE | | | |
| 42793 | 1/2 CR-S | ELBOW,90°,MALE PIPE | | | |

Fitting Cross References (Continued)

| Genie PN | Parker PN | Description |
|----------|-------------|-------------------------------------|
| 48771 | 881-10 | HOSE,5/8 INCH ID |
| 48772 | 381-4 | HOSE,1/4 INCH ID |
| 48773 | AS-B-13 | SLEEVE,NYLON,.86" ID |
| 48800 | 1JC43-4-4 | HOSE END,FEMALE SWIVEL,SEAL LOK |
| 48801 | 1J743-4-4 | HOSE END,45° FEMALE SWIVEL,SEAL LOK |
| 48802 | 1J943-4-4 | HOSE END,90° FEMALE SWIVEL,SEAL LOK |
| 48804 | 1JM43-4-4 | HOSE END,MALE,SEAL LOK, NO O-RING |
| 48805 | 10643-4-4 | HOSE END,FEMALE SWIVEL,JIC |
| 48806 | 13943-4-4 | HOSE END,90° FEMALE SWIVEL,JIC |
| 48807 | 1JS43-4-4 | HOSE END,FEMALE SWIVEL,SEAL LOK |
| 48808 | 3JC82-8-8 | HOSE END,FEMALE SWIVEL,SEAL LOK |
| 48809 | 3JC82-12-12 | HOSE END,FEMALE SWIVEL,SEAL LOK |
| 48810 | 1JC43-6-4 | HOSE END,FEMALE SWIVEL,SEAL LOK |
| 48811 | 1J943-6-4 | HOSE END,90° FEMALE SWIVEL,SEAL LOK |
| 48812 | 1JC43-6-6 | HOSE END,FEMALE SWIVEL,SEAL LOK |
| 48813 | 1J143-6-6 | HOSE END,90° FEMALE SWIVEL,SEAL LOK |
| 48814 | 1J543-6-6 | HOSE END,90° FEMALE SWIVEL,SEAL LOK |
| 48815 | 1J743-6-6 | HOSE END,45° FEMALE SWIVEL,SEAL LOK |
| 48816 | 1J943-6-6 | HOSE END,90° FEMALE SWIVEL,SEAL LOK |
| 48817 | 1JS43-6-8 | HOSE END,FEMALE SWIVEL,SEAL LOK |
| 48818 | 1J943-8-4 | HOSE END,90° FEMALE SWIVEL,SEAL LOK |
| 48819 | 1JC43-8-6 | HOSE END,FEMALE SWIVEL,SEAL LOK |
| 48820 | 1J743-8-6 | HOSE END,45° FEMALE SWIVEL,SEAL LOK |
| 48821 | 1J943-8-6 | HOSE END,90° FEMALE SWIVEL,SEAL LOK |
| 48822 | 1JC43-8-8 | HOSE END,FEMALE SWIVEL,SEAL LOK |
| 48823 | 1JS43-8-8 | HOSE END,FEMALE SWIVEL,SEAL LOK |
| 48824 | 1J143-8-8 | HOSE END,90° FEMALE SWIVEL,SEAL LOK |
| 48825 | 1J543-8-8 | HOSE END,90° FEMALE SWIVEL,SEAL LOK |
| 48826 | 1J743-8-8 | HOSE END,45° FEMALE SWIVEL,SEAL LOK |
| 48827 | 1J943-8-8 | HOSE END,90° FEMALE SWIVEL,SEAL LOK |
| 48828 | 1JC43-10-8 | HOSE END,FEMALE SWIVEL,SEAL LOK |
| 48829 | 1JS43-10-8 | HOSE END,FEMALE SWIVEL,SEAL LOK |
| 48830 | 1J743-10-8 | HOSE END,45° FEMALE SWIVEL,SEAL LOK |
| 48831 | 1J943-10-8 | HOSE END,90° FEMALE SWIVEL,SEAL LOK |
| 48833 | 1JC43-10-10 | HOSE END,FEMALE SWIVEL,SEAL LOK |
| 48834 | 1J943-10-10 | HOSE END,90° FEMALE SWIVEL,SEAL LOK |
| 48835 | 1JS43-10-12 | HOSE END,FEMALE SWIVEL,SEAL LOK |
| 48836 | 1JC43-12-8 | HOSE END,FEMALE SWIVEL,SEAL LOK |
| 48837 | 1JS43-12-8 | HOSE END,FEMALE SWIVEL,SEAL LOK |
| 48838 | 1J743-12-8 | HOSE END,45° FEMALE SWIVEL,SEAL LOK |
| 48839 | 1J943-12-8 | HOSE END,90° FEMALE SWIVEL,SEAL LOK |
| 48840 | 1J943-12-10 | HOSE END,90° FEMALE SWIVEL,SEAL LOK |
| 48841 | 1JC43-12-12 | HOSE END,FEMALE SWIVEL,SEAL LOK |
| 48842 | 1JO43-12-12 | HOSE END,MALE,SEAL LOK |
| 48843 | 1J143-12-12 | HOSE END,90° FEMALE SWIVEL,SEAL LOK |
| 48844 | 1J543-12-12 | HOSE END,90° FEMALE SWIVEL,SEAL LOK |
| 48845 | 1J743-12-12 | HOSE END,45° FEMALE SWIVEL,SEAL LOK |
| 48846 | 1J943-12-12 | HOSE END,90° FEMALE SWIVEL,SEAL LOK |

| Genie PN | Parker PN | Description |
|----------|-----------------|---|
| 48847 | 13943-12-12 | HOSE END,90° FEMALE SWIVEL,JIC |
| 48848 | 10543-12-12 | HOSE END,MALE,STRAIGHT THREAD |
| 48849 | 1JC71-12-12 | HOSE END,FEMALE SWIVEL,SEAL LOK |
| 48850 | 1JS71-12-12 | HOSE END,FEMALE SWIVEL,SEAL LOK |
| 48851 | 1J171-12-12 | HOSE END,90° FEMALE SWIVEL,SEAL LOK |
| 48852 | 1J771-12-12 | HOSE END,45° FEMALE SWIVEL,SEAL LOK |
| 48853 | 1J971-12-12 | HOSE END,90° FEMALE SWIVEL,SEAL LOK |
| 48854 | 1JC43-16-16 | HOSE END,FEMALE SWIVEL,SEAL LOK |
| 48855 | 1J943-16-16 | HOSE END,90° FEMALE SWIVEL,SEAL LOK |
| 48856 | 1J171-16-16 | HOSE END,90° FEMALE SWIVEL,SEAL LOK |
| 48857 | 1J971-16-16 | HOSE END,90° FEMALE SWIVEL,SEAL LOK |
| 48859 | 1JS43-8-4 | HOSE END,FEMALE SWIVEL,SEAL LOK |
| 48867 | PD36BTL | DIAGNOSTIC NIPPLE,SEAL-LOK SWIVEL |
| 48873 | 6 PNLO-S | PLUG,TUBE END,ORFS |
| 48874 | 6 PNTX-S | PLUG,FLARE TUBE |
| 48875 | 6 R6LO-S | RUN TEE,SWIVEL NUT,ORFS |
| 48877 | 4 F5OLO-SW/.025 | CONNECTOR,STRAIGHT THREAD TO ORFS, W/.025 ORI |
| 48878 | 16-12 C5OLO-S | ELBOW,90°,STRAIGHT THREAD TO ORFS |
| 48879 | 8 C8LO-S | ELBOW,90°,SWIVEL NUT ORFS |
| 48880 | PD6-285 | CAP,DIAGNOSTIC NIPPLE |
| 48881 | 6 HLO-S | UNION,ORFS |
| 48883 | 8 P5ON-S | PLUG,STRAIGHT THREAD |
| 48884 | 8M18F87OMLO-S | CONNECTOR,METRIC,STRAIGHT THREAD TO ORFS |
| 48885 | 4 WGTX-WLN-S | CONNECTOR,BULKHEAD,FEMALE PIPE TO FLARE TUBE |
| 48886 | 4 F5OLO-SW/2MM | CONNECTOR,MACHINED STRAIGHT THREAD TO ORFS |
| 48887 | 4 CTX-S | ELBOW,90°,MALE PIPE TO FLARE TUBE |
| 48888 | 10-12 V5OLO-S | ELBOW,45°,STRAIGHT THREAD TO ORFS |
| 48890 | 4 S5OLO-S | BRANCH TEE,STRAIGHT THREAD TO ORFS |
| 48891 | 4 S8LO-S | BRANCH TEE,SWIVEL NUT TO ORFS |

Fitting Cross References (Continued)

| Genie PN | Parker PN | Description | Genie PN | Parker PN | Description |
|----------|-------------------|--|----------|----------------|--|
| 48892 | 6 C6LO-S | ELBOW,90°,SWIVEL NUT ORFS | 48938 | 8 R6LO-S | RUN TEE,SWIVEL NUT,ORFS |
| 48893 | 6 F5OHAO-S | UNION,STRAIGHT THREAD | 48939 | 8 S6LO-S | BRANCH TEE,SWIVEL NUT TO ORFS |
| 48894 | 8 WLO-WLNL-S | UNION,BULKHEAD,ORFS | 48940 | 8 WJLO-WLNL-S | RUN TEE, BULKHEAD,ORFS |
| 48895 | DT-370-MSMO-5 | VALVE,CHECK | 48941 | 8-4 TRLO-S | REDUCER,TUBE END TO SWIVEL,ORFS |
| 48896 | 6 JLO-S | UNION,TEE,ORFS | 48942 | 8-6 C5OLO-S | ELBOW,90°,STRAIGHT THREAD TO ORFS |
| 48897 | DT-750-MSMS-5 | VALVE,CHECK | 48943 | 8-6 F5OLO-S | CONNECTOR,STRAIGHT THREAD TO ORFS |
| 48898 | DT-750-MOMS-5 | VALVE,CHECK | 48944 | 8-8 FLO-S | CONNECTOR,MALE PIPE TO ORFS |
| 48899 | DT-620-MOMS-5 | VALVE,CHECK | 48945 | 8 FTX-S | CONNECTOR,MALE PIPE TO FLARE TUBE |
| 48900 | 4-6 F5OLO-SW/.035 | CONNECTOR,STRAIGHT THREAD TO ORFS, W/.035 ORI | 48946 | 8-10 F5OLO-S | CONNECTOR,STRAIGHT THREAD TO ORFS |
| 48902 | 16-1 AOE4G-S | ELBOW,90° LONG,FEMALE PIPE TO STRAIGHT THREAD | 48947 | 8-12 C5OLO-S | ELBOW,90°,STRAIGHT THREAD TO ORFS |
| 48903 | 1 FF-S | NIPPLE,PIPE | 48948 | 8-12 F5OLO-S | CONNECTOR,STRAIGHT THREAD TO ORFS |
| 48904 | 4 C5OLO-S | ELBOW,90°,STRAIGHT THREAD TO ORFS | 48949 | 8-16 F5OLO-S | CONNECTOR,STRAIGHT THREAD TO ORFS |
| 48905 | 4 F5OLO-S | CONNECTOR,STRAIGHT THREAD TO ORFS | 48950 | 10 C5OLO-S | ELBOW,90°,STRAIGHT THREAD TO ORFS |
| 48906 | 4 R5OLO-S | RUN TEE,STRAIGHT THREAD | 48951 | 10 CC5OLO-S | ELBOW,90° LONG,STRAIGHT THREAD TO ORFS |
| 48907 | 4 V5OLO-S | ELBOW,45°,STRAIGHT THREAD TO ORFS | 48952 | 10 F5OLO-S | CONNECTOR,STRAIGHT THREAD TO ORFS |
| 48908 | 4 R6LO-S | RUN TEE,SWIVEL NUT,ORFS | 48953 | 10 R5OLO-S | RUN TEE,STRAIGHT THREAD |
| 48909 | 4 WJLO-WLNL-S | RUN TEE, BULKHEAD,ORFS | 48954 | 10 S5OLO-S | BRANCH TEE,STRAIGHT THREAD TO ORFS |
| 48910 | 4 GTX-S W/.030 | CONNECTOR,FEMALE PIPE TO FLARE TUBE | 48955 | 10 R6LO-S | RUN TEE,SWIVEL NUT,ORFS |
| 48911 | 4-6 C5OLO-S | ELBOW,90°,STRAIGHT THREAD TO ORFS | 48956 | 10-4 TRLO-BL-S | REDUCER,TUBE END TO SWIVEL,ORFS |
| 48912 | 4-6 F5OLO-S | CONNECTOR,STRAIGHT THREAD TO ORFS | 48957 | 10-6 TRLO-BL-S | REDUCER,TUBE END TO SWIVEL,ORFS |
| 48913 | 4-6 F5OLO-SW/.030 | CONNECTOR,STRAIGHT THREAD TO ORFS, W/.030 ORI | 48958 | 10-12 F5OLO-S | CONNECTOR,STRAIGHT THREAD TO ORFS |
| 48914 | 4-8 F5OLO-S | CONNECTOR,STRAIGHT THREAD TO ORFS | 48959 | 12 C5OLO-S | ELBOW,90°,STRAIGHT THREAD TO ORFS |
| 48915 | 6 C5OLO-S | ELBOW,90°,STRAIGHT THREAD TO ORFS | 48960 | 12 F5OLO-S | CONNECTOR,STRAIGHT THREAD TO ORFS |
| 48916 | 6 F5OLO-S | CONNECTOR,STRAIGHT THREAD TO ORFS | 48961 | 12 R5OLO-S | RUN TEE,STRAIGHT THREAD |
| 48917 | 6 FF5OLO-S | CONNECTOR,LONG,STRAIGHT THREAD TO ORFS | 48962 | 12 S5OLO-S | BRANCH TEE,STRAIGHT THREAD TO ORFS |
| 48918 | 6 R5OLO-S | RUN TEE,STRAIGHT THREAD | 48963 | 12 V5OLO-S | ELBOW,45°,STRAIGHT THREAD TO ORFS |
| 48919 | 6 S5OLO-S | BRANCH TEE,STRAIGHT THREAD TO ORFS | 48964 | 12 R6LO-S | RUN TEE,SWIVEL NUT,ORFS |
| 48920 | 6 V5OLO-S | ELBOW,45°,STRAIGHT THREAD TO ORFS | 48965 | 12 CLO-S | ELBOW,90°,MALE PIPE TO ORFS |
| 48921 | 6 FLO-S | CONNECTOR,MALE PIPE TO ORFS | 48966 | 12 FLO-S | CONNECTOR,MALE PIPE TO ORFS |
| 48922 | 6-6 FLO-S | CONNECTOR,MALE PIPE TO ORFS | 48967 | 12 JLO-S | UNION TEE,ORFS |
| 48923 | 6 P5ON-S | PLUG,STRAIGHT THREAD | 48968 | 12 WLO-WLNL-S | UNION,BULKHEAD,ORFS |
| 48925 | 6 WELO-S | UNION,90° BULKHEAD,ORFS | 48969 | 12 WJLO-WLNL-S | RUN TEE, BULKHEAD,ORFS |
| 48926 | 6-4 C5OLO-S | ELBOW,90°,STRAIGHT THREAD TO ORFS | 48970 | 12 WELO-WLNL-S | UNION,90° BULKHEAD W/NUT,ORFS |
| 48927 | 6-4 F5OLO-S | CONNECTOR,STRAIGHT THREAD TO ORFS | | | |
| 48928 | 6-4 V5OLO-S | ELBOW,45°,STRAIGHT THREAD TO ORFS | | | |
| 48929 | 6-8 C5OLO-S | ELBOW,90°,STRAIGHT THREAD TO ORFS | | | |
| 48930 | 6-8 F5OLO-S | CONNECTOR,STRAIGHT THREAD TO ORFS | | | |
| 48931 | 6-10 F5OLO-S | CONNECTOR,STRAIGHT THREAD TO ORFS | | | |
| 48932 | 8 C5OLO-S | ELBOW,90°,STRAIGHT THREAD TO ORFS | | | |
| 48933 | 8 F5OLO-S | CONNECTOR,STRAIGHT THREAD TO ORFS | | | |
| 48934 | 8 FF5OLO-S | CONNECTOR,LONG,STRAIGHT THREAD TO ORFS | | | |
| 48935 | 8 R5OLO-S | RUN TEE,STRAIGHT THREAD | | | |
| 48936 | 8 S5OLO-S | BRANCH TEE,STRAIGHT THREAD TO ORFS | | | |
| 48937 | 8 V5OLO-S | ELBOW,45°,STRAIGHT THREAD TO ORFS | | | |

Fitting Cross References (Continued)

| Genie PN | Parker PN | Description | Genie PN | Parker PN | Description |
|----------|---------------|--|----------|----------------|--|
| 48971 | 12 G5G5JG5-S | TEE,FEMALE STRAIGHT THREAD | 49612 | PKT02586 | O-RING KIT (ORFS FITTINGS) |
| 48972 | 12 XHL6-S | ADAPTER, 37° MALE TO SWIVEL ORFS | 49613 | PKT06276 | PLUG AND CAP KIT-SERVICE,ORFS |
| 48973 | 12-1/2 F5OG-S | ADAPTER,FEMALE PIPE TO STRAIGHT THREAD | 49728 | 10143-12-12 | HOSE END, MALE PIPE |
| 48974 | 12-10 C5OLO-S | ELBOW,90°,STRAIGHT THREAD TO ORFS | 49729 | 16-1 F5OG-S | ADAPTER,FEMALE PIPE TO STRAIGHT THREAD |
| 48975 | 12-10 F5OLO-S | CONNECTOR,STRAIGHT THREAD TO ORFS | 49814 | 12-8 FLO-S | CONNECTOR,MALE PIPE TO ORFS |
| 48976 | 12-16 C5OLO-S | ELBOW,90°,STRAIGHT THREAD TO ORFS | 49829 | DT-500-MOMF-5 | VALVE,CHECK |
| 48977 | 12-16 F5OLO-S | CONNECTOR,STRAIGHT THREAD TO ORFS | 49831 | 881-12 | HOSE,3/4 INCH ID |
| 48978 | 12-16 V5OLO-S | ELBOW,45°,STRAIGHT THREAD TO ORFS | 49834 | 16 JLO-S | UNION TEE,ORFS |
| 48980 | 12-16 FLO-S | CONNECTOR,MALE PIPE TO ORFS | 49838 | 12-8 TRLO-BL-S | REDUCER,TUBE END TO SWIVEL,ORFS |
| 48983 | 16 C5OLO-S | ELBOW,90°,STRAIGHT THREAD TO ORFS | 49840 | 8 JLO-S | UNION TEE,ORFS |
| 48984 | 16 F5OLO-S | CONNECTOR,STRAIGHT THREAD TO ORFS | 49844 | 10-8 TRLO-BL-S | REDUCER,TUBE END TO SWIVEL,ORFS |
| 48985 | 16 V5OLO-S | ELBOW,45°,STRAIGHT THREAD TO ORFS | 49854 | 8 P5ON-S | PLUG,STRAIGHT THREAD |
| 48986 | 16 FLO-S | CONNECTOR,MALE PIPE TO ORFS | 49855 | 1JC43-16-12 | HOSE END,FEMALE SWIVEL,SEAL LOK |
| 48988 | 16 CD45-S | ELBOW,45°,MALE TO FEMALE PIPE | 49859 | 4 P5ON-S | PLUG,STRAIGHT THREAD |
| 48989 | 12 CD45-S | ELBOW,45°,MALE TO FEMALE PIPE | 49861 | 4 FF5OLO-S | CONNECTOR, LONG, STRAIGHT THREAD TO ORFS |
| 48990 | 8 CD45-S | ELBOW,45°,MALE TO FEMALE PIPE | 49867 | 12-3/4 F5OG-S | ADAPTER, FEMALE PIPE TO STRAIGHT THREAD |
| 48991 | 16-12 FLO-S | CONNECTOR,MALE PIPE TO ORFS | 51152 | 6 R6X-S | RUN TEE,SWIVEL NUT,ORFS |
| 48992 | 16-12 V5OLO-S | ELBOW,45°,STRAIGHT THREAD TO ORFS | 51153 | 6-4 TRTX-S | REDUCER,TUBE END TO SWIVEL,ORFS |
| 48993 | XV501-12 | BALL VALVE | 51154 | 4-4 GTX | CONNECTOR,FEMALE PIPE TO FLARE TUBE |
| 48994 | XV501-16 | BALL VALVE | 51264 | 881-12 | HOSE,3/4 INCH ID |
| 48995 | XV510P-12 | BALL VALVE | 51265 | 8 JLO-S | UNION TEE,ORFS |
| 48996 | XV510P-16 | BALL VALVE | 51508 | 6 BTX-S | NUT,FLARE TUBE |
| 48997 | PD341 | DIAGNOSTIC NIPPLE, STRAIGHT THREAD | 51580 | 12-8 TRLO-BL-S | TUBE END REDUCER,ORFS |
| 48998 | PD 361 | DIAGNOSTIC NIPPLE, STRAIGHT THREAD | 51628 | 6 R6X-S | RUN TEE,SWIVEL NUT,ORFS |
| 48999 | DT-500-MOMS-5 | VALVE,CHECK | 51735 | 3/8 HHP | PLUG,PIPE THREAD |
| 49201 | 10 V5OLO-S | ELBOW,45°,STRAIGHT THREAD TO ORFS | 51803 | 1J943-6-8 | HOSE END,90° FEMALE SWIVEL,SEAL LOK |
| 49202 | 1JC43-12-10 | HOSE END,FEMALE SWIVEL,SEAL LOK | 53023 | 125HBL-5-4 | FITTING,HOSE BARB TO MALE PIPE |
| 49203 | 10-8 V5OLO-S | ELBOW,45°,STRAIGHT THREAD TO ORFS | 53497 | PKT02585 | O-RING KIT |
| 49205 | 6 F5OHAO-S | UNION,STRAIGHT THREAD | 53499 | 1JC71-16-16 | HOSE END,FEMALE SWIVEL,SEAL LOK |
| 49207 | PD34BTL | DIAGNOSTIC NIPPLE,SEAL-LOK SWIVEL | 53500 | 3-904 | O-RING,STRAIGHT THREAD,-4 |
| 49209 | 8M18F870MX-S | CONNECTOR,METRIC,STRAIGHT THREAD TO FLARE TUBE | 53501 | 3-906 | O-RING,STRAIGHT THREAD,-6 |
| 49212 | 8 WGTX-WLN-S | CONNECTOR,BULKHEAD,FEMALE PIPE TO FLARE TUBE | 53502 | 3-908 | O-RING,STRAIGHT THREAD,-8 |
| 49213 | 30682-8-8 | HOSE END,FEMALE SWIVEL,JIC | 53503 | 3-910 | O-RING,STRAIGHT THREAD,-10 |
| 49216 | 831-8 | HOSE,1/2 INCH ID | | | |
| 49217 | 33982-8-8 | HOSE END,90° FEMALE SWIVEL,JIC | | | |
| 49219 | PS-B-35 | SLEEVE,NYLON,2.19" ID | | | |
| 49418 | 4-6 V5OLO-S | ELBOW,45°,STRAIGHT THREAD TO ORFS | | | |
| 49511 | DT370-MOMS-5 | VALVE,CHECK | | | |
| 49512 | 1 DD-S | ELBOW,90°,FEMALE PIPE | | | |
| 49513 | 1 FF-S | NIPPLE,PIPE | | | |
| 49514 | 10 HP5ON-S | PLUG,STRAIGHT THREAD | | | |
| 49515 | 12-16 CLO-S | ELBOW,90°,MALE PIPE TO ORFS | | | |
| 49517 | 6 HP5ON-S | PLUG,STRAIGHT THREAD | | | |
| 49519 | 16-12 F5OLO-S | CONNECTOR,STRAIGHT THREAD TO ORFS | | | |
| 49520 | 4 VTX-S | ELBOW,45°,MALE PIPE TO FLARE TUBE | | | |
| 49530 | 16 C6LO-S | ELBOW,90°,SWIVEL NUT ORFS | | | |

Fitting Cross References (Continued)

| Genie PN | Parker PN | Description | Genie PN | Parker PN | Description |
|----------|---------------|--|----------|-----------------|--|
| 53535 | 3-912 | O-RING,STRAIGHT THREAD,-12 | 61083 | 24 F5OLO-S | CONNECTOR,STRAIGHT THREAD TO ORFS |
| 53536 | 4-PNLO-S | PLUG,TUBE END,ORFS | 61086 | 20 R5OLO-S | RUN TEE,STRAIGHT THREAD |
| 53537 | 6 PNLO-S | PLUG,TUBE END,ORFS | 61090 | 24-20 F5OLO-S | CONNECTOR,STRAIGHT THREAD TO ORFS |
| 53538 | 8 PNLO-S | PLUG,TUBE END,ORFS | 61091 | 1J943 24-24 | HOSE END,90° FEMALE SWIVEL,SEAL LOK |
| 53539 | 10 PNLO-S | PLUG,TUBE END,ORFS | 61093 | 1J978-12-12 | HOSE END,90° FEMALE SWIVEL,JIC |
| 53540 | 12 PNLO-S | PLUG,TUBE END,ORFS | 61095 | 1JS43-20-16 | HOSE END,FEMALE SWIVEL,SEAL LOK |
| 53946 | 129HB-5-4 | FITTING,90° HOSE BARB TO MALE PIPE | 61100 | 811-24 | HOSE,11/2 INCH ID |
| 53951 | 8-1/4F50G-S | ADAPTER,FEMALE PIPE TO STRAIGHT THREAD | 61130 | 1JS43-24-24 | HOSE END,FEMALE SWIVEL,SEAL LOK |
| 53980 | 6 S6LO-S | BRANCH TEE,SWIVEL NUT TO ORFS | 61131 | 1JS78 12-12 | HOSE END,FEMALE SWIVEL,SEAL LOK |
| 54132 | 4 C6LO-S | ELBOW,90°,SWIVEL NUT ORFS | 61132 | 1J778-12-12 | HOSE END,45° FEMALE SWIVEL,JIC |
| 54135 | 11343-16-16 | HOSE END,MALE SWIVEL,PIPE | 61152 | 139HB-6-4 | ELBOW,45°,BARB TO MALE PIPE |
| 54283 | 8-10 C5OLO-S | ELBOW,90°,STRAIGHT THREAD TO ORFS | 61251 | BV-0750 | BALL VALVE |
| 54428 | 8M18C870MLO-S | ELBOW, 90° METRIC, STRAIGHT THREAD TO ORFS | 61259 | 4 CC5OLO-S | ELBOW,90° LONG,STRAIGHT THREAD TO ORFS |
| 54803 | FS-F-16-10 | SLEEVE,FIRE,.96" ID | 61260 | 20-12 TRLO-BL | REDUCER,TUBE END TO SWIVEL,ORFS |
| 54954 | 10143-2-4 | HOSE END, MALE PIPE | 61262 | 12 C6LO-S | ELBOW,90°,SWIVEL NUT ORFS |
| 55190 | 3/8 HP-S | PLUG,PIPE THREAD | 61263 | 20 F5OHAO-S | UNION,STRAIGHT THREAD |
| 55448 | 8 HLO-S | UNION,ORFS | 61264 | 6-10 C5OLO-S | ELBOW,90°,STRAIGHT THREAD TO ORFS |
| 55839 | 6 F65OX-S | CONNECTOR,STRAIGHT THREAD TO 37° SWIVEL | 61265 | 6 WNLO-WLNL-S | UNION,BULKHEAD 45°,ORFS |
| 55968 | 10 C5OX-S | ELBOW,90°,STRAIGHT THREAD TO FLARE TUBE | 61268 | 4 WNLO-WLNL-S | UNION,BULKHEAD 45°,ORFS |
| 56003 | 6 CC5OLO-S | ELBOW,90° LONG,STRAIGHT THREAD TO ORFS | 61269 | 4 WLO-WLNL-S | UNION,BULKHEAD,ORFS |
| 56166 | BV-0837 | BALL VALVE,90° | 61272 | 12 AOEL6 | ELBOW,90°,STRAIGHT THREAD TO ORFS SWIVEL |
| 56188 | 10143-8-6 | HOSE END, MALE PIPE | 61316 | 482TC-16 | HOSE,1 INCH ID |
| 56233 | 2-011 | O-RING,ORFS,-4 | 61321 | 6 JLO-S | UNION TEE,ORFS |
| 56234 | 2-012 | O-RING,ORFS,-6 | 61327 | 782-12 | HOSE,3/4 INCH ID |
| 56235 | 2-014 | O-RING,ORFS,-8 | 61328 | 881-24 | HOSE,11/2 INCH ID |
| 56236 | 2-016 | O-RING,ORFS,-10 | 61336 | 11943-20-24 | HOSE END,90° FLANGE HEAD |
| 56237 | 2-018 | O-RING,ORFS,-12 | 61345 | 12 WJLO-WLNL-S | RUN TEE, BULKHEAD,ORFS |
| 56238 | 2-021 | O-RING,ORFS,-16 | 61346 | 8 WNLO-WLNL-S 4 | UNION,BULKHEAD 45°,ORFS |
| 56352 | 6 WLNL-S | LOCKNUT,BULKHEAD | 61569 | 33782-8-8 | HOSE END,45° FEMALE SWIVEL,JIC |
| 56353 | 3J782-12-12 | HOSE END,45° FEMALE SWIVEL,SEAL LOK | 61610 | 12 FF5OLO-S | CONNECTOR,LONG,STRAIGHT THREAD TO ORFS |
| 56354 | 3J982-12-12 | HOSE END,90° FEMALE SWIVEL,SEAL LOK | 61742 | 1/8 X 1.5 FFF | NIPPLE,PIPE |
| 56604 | 10-8 F5OLO-S | CONNECTOR,STRAIGHT THREAD TO ORFS | 63426 | 8 PNTX-S | PLUG,FLARE TUBE |
| 56639 | 3JC82-10-10 | HOSE END,FEMALE SWIVEL,SEAL LOK | | | |
| 56640 | 3J982-10-10 | HOSE END,90° FEMALE SWIVEL,SEAL LOK | | | |
| 56655 | 3JC82-8-10 | HOSE END,FEMALE SWIVEL,SEAL LOK | | | |
| 56676 | 10-8 C5OLO-S | ELBOW,90°,STRAIGHT THREAD TO ORFS | | | |
| 56776 | 471TC-6 | HOSE,3/8 INCH ID | | | |
| 56777 | 471TC-8 | HOSE,1/2 INCH ID | | | |
| 56789 | 811-16 | HOSE,1 INCH ID | | | |
| 57884 | 3/8 FF | NIPPLE,PIPE | | | |
| 59335 | 6 FNL-S | CAP,TUBE END | | | |
| 59342 | 4 FNL-S | CAP,TUBE END | | | |
| 59371 | 8 HP5ON-S | PLUG,STRAIGHT THREAD | | | |
| 60653 | BV-0751 | BALL VALVE | | | |
| 60806 | 125HB-3-4 | FITTING,HOSE BARB TO MALE PIPE | | | |
| 61064 | 5-1/4 F50G-S | ADAPTER,FEMALE PIPE TO STRAIGHT THREAD | | | |
| 61079 | 4 WELO-WLNL-S | UNION,90° BULKHEAD W/NUT,ORFS | | | |
| 61080 | 6 WLO-WLNL-S | UNION,BULKHEAD,ORFS | | | |

Fitting Cross References (Continued)

| Genie PN | Parker PN | Description | Genie PN | Parker PN | Description |
|----------|----------------|--|----------|----------------|--|
| 64271 | 4 WLO-WLNL-S | UNION,BULKHEAD,ORFS | 75631 | 801-6 | HOSE,3/8 INCH ID |
| 64272 | 6 WLO-WLNL-S | UNION,BULKHEAD,ORFS | 75654 | 20 F5OLO-S | CONNECTOR,STRAIGHT THREAD TO ORFS |
| 65776 | 8 F65OL-S | CONNECTOR,STRAIGHT THREAD TO ORFS SWIVEL | 75655 | 1J943-20-20 | HOSE END,90° FEMALE SWIVEL,SEAL LOK |
| 65880 | 6001012 | O-RING KIT | 75656 | 881-20 | HOSE,1-1/4 INCH ID |
| 66154 | 6 WTX-WLNS | UNION,BULKHEAD,FLARE TUBE | 75971 | 8 F5OHAO-S | UNION,STRAIGHT THREAD |
| 66155 | 6 WETX-S | UNION,BULKHEAD 90°,FLARE TUBE | 77307 | 1JB43-8-8 | HOSE END,BULKHEAD,SEAL LOK |
| 66156 | 6 WLN-S | BULKHEAD LOCKNUT | 77309 | 8 WLNL-S | BULKHEAD LOCKNUT |
| 66389 | 6-8 F5OX-S | CONNECTOR,STRAIGHT THREAD TO FLARE TUBE | 77379 | 8M18C87OMX-S | ELBOW,90° METRIC,STRAIGHT THREAD TO FLARE TUBE |
| 66392 | 6 R5OX-S | RUN TEE,STRAIGHT THREAD | 77703 | 3J982-8-8 | HOSE END,90° FEMALE SWIVEL,SEAL LOK |
| 66396 | 811-12 | HOSE,3/4 INCH ID | 77711 | 801-10 | HOSE,5/8 INCH ID |
| 66829 | H3174PP | CLAMP,TUBE | 77758 | 12 WNLO-WLNL-S | UNION,BULKHEAD 45°,ORFS |
| 67217 | 4 KLO-S | UNION,CROSS,ORFS | 78091 | 6 C6X-S | ELBOW,90°,SWIVEL NUT TO FLARE TUBE |
| 67339 | 10-6 F5OX-S | CONNECTOR,STRAIGHT THREAD TO FLARE TUBE | 78684 | 30582-8-8B | HOSE END,PUSH LOK,MALE |
| 67357 | 13943-8-6 | HOSE END,90° FEMALE SWIVEL,JIC | 78852 | 549-2 | HOSE,1/8 INCH ID |
| 67358 | 10 HP5ON-S | PLUG,STRAIGHT THREAD | 78855 | 10657-4-2 | HOSE END,FEMALE SWIVEL,JIC |
| 67371 | 12 S6LO-S | BRANCH TEE,SWIVEL NUT TO ORFS | 79138 | PS-B-37 | SLEEVE,NYLON,2.38" ID |
| 67498 | 4 FNL-S | CAP, TUBE END | 79476 | 1JS43-6-8 | HOSE END,FEMALE SWIVEL,SEAL LOK |
| 67906 | DC-370-F0F0-5 | VALVE,CHECK | 79847 | 12-3/4 A0EG-S | ELBOW,90°,STRAIGHT THREAD TO FEMALE PIPE |
| 69316 | 8 FLO-S | CONNECTOR,MALE PIPE TO ORFS | 80044 | 8 CLO-S | ELBOW,90°,MALE PIPE TO ORFS |
| 69333 | H3174PP | CLAMP,HYDRAULIC HOSE | 80502 | 8 F5OX-S | CONNECTOR,STRAIGHT THREAD TO FLARE TUBE |
| 69503 | 4 F65OX-S | CONNECTOR,STRAIGHT THREAD TO 37° SWIVEL | 80503 | 8 C5OX-S | ELBOW,90°,STRAIGHT THREAD TO FLARE TUBE |
| 69775 | 8 FNL-S | CAP, TUBE END | 81010 | AS-B-27 | SLEEVE,NYLON,1.63" ID |
| 71038 | 1/4X1/4F3HG-S | ADAPTER,CONVERSION | 83052 | 821-6 | HOSE,3/8 INCH ID |
| 71196 | 12-8 F5OLO-S | CONNECTOR,STRAIGHT THREAD TO ORFS | 83053 | 821-8 | HOSE,1/2 INCH ID |
| 71383 | 1/4 CD45-S | ELBOW,45°,MALE TO FEMALE PIPE | 83054 | 821-12 | HOSE,3/4 INCH ID |
| 72270 | 12FNL-S | CAP, TUBE END | 83055 | 30682-6-6 | HOSE END,FEMALE SWIVEL,JIC |
| 73436 | 60C-4 | SLEEVE,COMPRESSION | 83056 | 30682-12-12 | HOSE END,FEMALE SWIVEL,JIC |
| 73437 | 61C-4 | NUT,COMPRESSION | 83057 | 33782-6-6 | HOSE END,45° FEMALE SWIVEL,JIC |
| 73438 | 33482-4-4B | HOSE END,PUSH LOK,MALE | 83058 | 33982-6-6 | HOSE END,90° FEMALE SWIVEL,JIC |
| 73767 | 1CD-S | ELBOW,90°,MALE TO FEMALE PIPE | 83060 | 33982-12-12 | HOSE END,90° FEMALE SWIVEL,JIC |
| 73768 | 20-16-F5OG5-S | ADAPTER,FEMALE PIPE TO STRAIGHT THREAD | 83063 | 13743-4-4 | HOSE END,45° FEMALE SWIVEL,JIC |
| 73769 | 16-20 F5OLO-S | CONNECTOR,STRAIGHT THREAD TO ORFS | | | |
| 74660 | 6-8 F42EDMLO-S | CONNECTOR,MALE BSPP TO ORFS | | | |
| 74661 | 8-8 F42EDMLO-S | CONNECTOR,MALE BSPP TO ORFS | | | |
| 75007 | 4 FLO-S | CONNECTOR,MALE PIPE TO ORFS | | | |
| 75008 | 1/8 HP-S | PLUG,PIPE THREAD | | | |
| 75014 | 1/2 HP-S | PLUG,PIPE THREAD | | | |
| 75042 | 8 WELO-WLNL-S | UNION,90° BULKHEAD W/NUT,ORFS | | | |
| 75043 | 3/4 FF-S | NIPPLE,PIPE | | | |
| 75254 | 24 F5OHAO-S | UNION,STRAIGHT THREAD | | | |
| 75255 | 12 F5OHAO-S | UNION,STRAIGHT THREAD | | | |
| 75256 | XV506P-24 | BALL VALVE | | | |
| 75574 | 4 WLNL-S | BULKHEAD LOCKNUT | | | |
| 75612 | 8 WJLO-WLNL-S | RUN TEE, BULKHEAD,ORFS | | | |
| 75613 | 12-8 F5OG5-S | ADAPTER,FEMALE PIPE TO STRAIGHT THREAD | | | |
| 75614 | 8 CC5OLO-S | ELBOW,90° LONG,STRAIGHT THREAD TO ORFS | | | |
| 75628 | 1JB43-4-4 | HOSE END,BULKHEAD,SEAL LOK | | | |

Fitting Cross References (Continued)

| Genie PN | Parker PN | Description | Genie PN | Parker PN | Description |
|----------|---------------|-------------------------------------|----------|---------------|---|
| 83064 | 13743-8-8 | HOSE END,45° FEMALE SWIVEL,JIC | 89449 | 6 WJLO-WLNL-S | RUN TEE, BULKHEAD,ORFS |
| 83065 | 13743-12-12 | HOSE END,45° FEMALE SWIVEL,JIC | 89489 | 4 WJMLO-S | BRANCH TEE,BULKHEAD,ORFS |
| 83066 | 13943-8-8 | HOSE END,90° FEMALE SWIVEL,JIC | 89551 | 1JB43-6-6 | HOSE END,BULKHEAD,SEAL LOK |
| 83067 | 14143-6-6 | HOSE END,90° FEMALE SWIVEL,JIC | 89552 | 1JB43-8-8 | HOSE END,BULKHEAD,SEAL LOK |
| 83068 | 14143-8-8 | HOSE END,90° FEMALE SWIVEL,JIC | 89593 | 20 C5OLO-S | ELBOW,90°,STRAIGHT THREAD TO ORFS |
| 83069 | 14143-12-12 | HOSE END,90° FEMALE SWIVEL,JIC | 94161 | 8-8 CLO-S | ELBOW,90°,MALE PIPE TO ORFS |
| 83070 | 772-8 | HOSE,1/2 INCH ID | 94358 | 351TC-12 | HOSE,3/4 INCH ID |
| 83071 | 10671-8-8 | HOSE END,FEMALE SWIVEL,JIC | 94418 | 20 FLO-S | CONNECTOR,MALE PIPE TO ORFS |
| 83072 | 10671-12-12 | HOSE END,FEMALE SWIVEL,JIC | 96358 | 12 TX-S | SLEEVE,FLARE TUBE |
| 83073 | 13771-8-8 | HOSE END,45° FEMALE SWIVEL,JIC | 96359 | 12 BTX-S | NUT,FLARE TUBE |
| 83074 | 13771-12-12 | HOSE END,45° FEMALE SWIVEL,JIC | 96397 | 8 F5OX-S | CONNECTOR,STRAIGHT THREAD TO FLARE TUBE |
| 83075 | 13971-8-8 | HOSE END,90° FEMALE SWIVEL,JIC | 96398 | 12-8 F5OX-S | CONNECTOR,STRAIGHT THREAD TO FLARE TUBE |
| 83076 | 13971-12-12 | HOSE END,90° FEMALE SWIVEL,JIC | 96402 | 10343-6-6 | HOSE END,MALE,JIC |
| 83077 | 14171-8-8 | HOSE END,90° FEMALE SWIVEL,JIC | 96407 | 30382-6-6B | HOSE END,MALE,JIC |
| 83078 | 14171-12-12 | HOSE END,90° FEMALE SWIVEL,JIC | | | |
| 83080 | 13943-16-16 | HOSE END,90° FEMALE SWIVEL,JIC | | | |
| 83103 | 10671-16-12 | HOSE END,FEMALE SWIVEL,JIC | | | |
| 83104 | 10671-10-12 | HOSE END,FEMALE SWIVEL,JIC | | | |
| 83112 | 1JC71-8-8 | HOSE END,FEMALE SWIVEL,SEAL LOK | | | |
| 83113 | 1JS71-16-12 | HOSE END,FEMALE SWIVEL,SEAL LOK | | | |
| 83114 | 1JS71-10-12 | HOSE END,FEMALE SWIVEL,SEAL LOK | | | |
| 83115 | 1J971-8-8 | HOSE END,90° FEMALE SWIVEL,SEAL LOK | | | |
| 83116 | 1J171-8-8 | HOSE END,90° FEMALE SWIVEL,SEAL LOK | | | |
| 83117 | 1J771-8-8 | HOSE END,45° FEMALE SWIVEL,SEAL LOK | | | |
| 83127 | 1J543-6-8 | HOSE END,90° FEMALE SWIVEL,JIC | | | |
| 83128 | 1JC43-6-8 | HOSE END,FEMALE SWIVEL,SEAL LOK | | | |
| 87033 | 12-6 TRLO-S | REDUCER,TUBE END TO SWIVEL,ORFS | | | |
| 87034 | 3J782-8-8 | HOSE END,45° FEMALE SWIVEL,SEAL LOK | | | |
| 87172 | 12 HP5ON-S | PLUG,STRAIGHT THREAD | | | |
| 87185 | 8 WNLO-WLNL-S | UNION,BULKHEAD 45°,ORFS | | | |
| 87246 | 4 C6X-S | ELBOW,90°,SWIVEL NUT TO FLARE TUBE | | | |
| 87679 | 6 LHP-S | FLANGE SEAL FITTING, MALE | | | |
| 87681 | 6PLS N0702 | BONDED SEAL | | | |
| 88100 | SR88100 | ADAPTER,OIL DRAIN,GM 3.0L | | | |
| 88311 | 1JS43-20-20 | HOSE END,FEMALE SWIVEL,SEAL LOK | | | |
| 88353 | 20 V5OLO-S | ELBOW,45°,STRAIGHT THREAD TO ORFS | | | |
| 88474 | 10081-20 | Crimp Shell, 1.25" | | | |
| 88475 | 1988-20-24 | HOSE END,90° FLANGE HEAD | | | |
| 88476 | JS88-24-24 | HOSE END,FEMALE SWIVEL,SEAL LOK | | | |
| 88477 | 1JC88-20-20 | HOSE END,FEMALE SWIVEL,SEAL LOK | | | |
| 88478 | 811-20 | HOSE,11/4 INCH ID | | | |
| 88936 | 20-16 F5OLO-S | CONNECTOR,STRAIGHT THREAD TO ORFS | | | |
| 88937 | 20-16 FLO-S | CONNECTOR,MALE PIPE TO ORFS | | | |
| 88938 | 1JC88-16-16 | HOSE END,FEMALE SWIVEL,SEAL LOK | | | |
| 88939 | 1J988-16-16 | HOSE END,90° FEMALE SWIVEL,ORFS | | | |
| 88940 | 811-16 | HOSE,1 INCH ID | | | |
| 88944 | 1J988-20-20 | HOSE END,90° FEMALE SWIVEL,ORFS | | | |
| 89403 | 16 VLO-S | ELBOW,45°,MALE PIPE TO ORFS | | | |

California Proposition 65



Operating, servicing and maintaining this equipment can expose you to chemicals including engine exhaust, carbon monoxide, phthalates, and lead, which are known to the State of California to cause cancer and birth defects or other reproductive harm. These chemicals can be emitted from or contained in other various parts and systems, fluids and some component wear by-products. To minimize exposure, avoid breathing exhaust, do not idle the engine except as necessary, service your equipment and vehicle in a well-ventilated area and wear gloves or wash your hands frequently when servicing your equipment or vehicle and after operation. For more information go to www.P65Warnings.ca.gov/passenger-vehicle.

Breathing diesel engine exhaust exposes you to chemicals known to the State of California to cause cancer and birth defects or other reproductive harm.

- Always start and operate the engine in a well-ventilated area.
- If in an enclosed area, vent the exhaust to the outside.
- Do not modify or tamper with the exhaust system.
- Do not idle the engine except as necessary.

For more information go to

www.P65warnings.ca.gov/diesel.

Distributed By:

www.P65Warnings.ca.gov to order your parts

PARTS FINDER

**Search Website
by Part Number**



**Search Manual
Library For Parts
Manual & Lookup Part
Numbers – Purchase
or Request Quote**

Search Manuals

Enter your information to help us find the right parts manual for your machine.

* Brand:

* Model:

* Serial:

* Part Number:

SEARCH

**Can't Find Part or
Manual? Request Help
by Manufacturer,
Model & Description**

Parts Order Form

Please fill in the following information to help us find the right part for your machine.

| | |
|---------------|----------------------|
| Manufacturer: | <input type="text"/> |
| Model: | <input type="text"/> |
| Description: | <input type="text"/> |
| Part Number: | <input type="text"/> |
| Quantity: | <input type="text"/> |
| Notes: | <input type="text"/> |

Submit

Discount-Equipment.com is your online resource for quality parts & equipment.

Florida: **561-964-4949** Outside Florida TOLL FREE: **877-690-3101**

Need parts?

Click on this link: <http://www.discount-equipment.com/category/5443-parts/> and choose one of the options to help get the right parts and equipment you are looking for. Please have the machine model and serial number available in order to help us get you the correct parts. If you don't find the part on the website or on one of the online manuals, please fill out the request form and one of our experienced staff members will get back to you with a quote for the right part that your machine needs.

We sell worldwide for the brands: Genie, Terex, JLG, MultiQuip, Mikasa, Essick, Whiteman, Mayco, Toro Stone, Diamond Products, Generac Magnum, Airman, Haulotte, Barreto, Power Blanket, Nifty Lift, Atlas Copco, Chicago Pneumatic, Allmand, Miller Curber, Skyjack, Lull, Skytrak, Tsurumi, Husquvarna Target, Stow, Wacker, Sakai, Mi-T-M, Sullair, Basic, Dynapac, MBW, Weber, Bartell, Bennar Newman, Haulotte, Ditch Runner, Menegotti, Morrison, Contec, Buddy, Crown, Edco, Wyco, Bomag, Laymor, EZ Trench, Bil-Jax, F.S. Curtis, Gehl Pavers, Heli, Honda, ICS/PowerGrit, IHI, Partner, Imer, Clipper, MMD, Koshin, Rice, CH&E, General Equipment, Amida, Coleman, NAC, Gradall, Square Shooter, Kent, Stanley, Tamco, Toku, Hatz, Kohler, Robin, Wisconsin, Northrock, Oztec, Toker TK, Rol-Air, APT, Wylie, Ingersoll Rand / Doosan, Innovatech, Con X, Ammann, Mecalac, Makinex, Smith Surface Prep, Small Line, Wanco, Yanmar