



Parts Manual

Serial Number Range

S-60

from SN S6016H-35001 to
S6016H-36399

S-65

and from S60H-36400

S-60X

S-60XC

S-60TRAX

S-65TRAX

Part No. 1263371

Rev A13

November 2018

Go to Discount-Equipment.com to order your parts

PARTS FINDER

**Search Website
by Part Number**



**Search Manual
Library For Parts
Manual & Lookup Part
Numbers – Purchase
or Request Quote**

Search Manuals

Enter your information to help us find the right parts manual for your machine.

* Brand:

* Model:

* Serial:

* Part Number:

SEARCH

**Can't Find Part or
Manual? Request Help
by Manufacturer,
Model & Description**

Parts Order Form

Please fill in the following information to help us find the right part for your machine.

MANUFACTURER:

MODEL:

DESCRIPTION:

SEARCH

Discount-Equipment.com is your online resource for quality parts & equipment.

Florida: **561-964-4949** Outside Florida TOLL FREE: **877-690-3101**

Need parts?

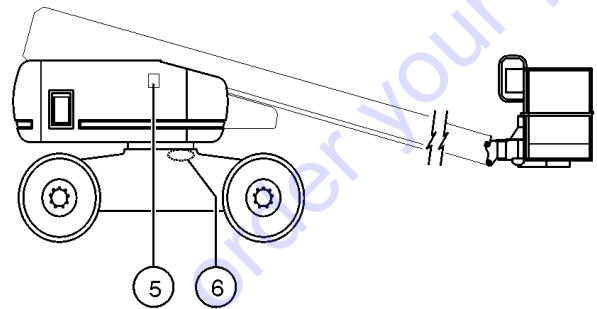
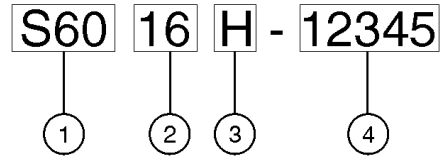
Click on this link: <http://www.discount-equipment.com/category/5443-parts/> and choose one of the options to help get the right parts and equipment you are looking for. Please have the machine model and serial number available in order to help us get you the correct parts. If you don't find the part on the website or on one of the online manuals, please fill out the request form and one of our experienced staff members will get back to you with a quote for the right part that your machine needs.

We sell worldwide for the brands: Genie, Terex, JLG, MultiQuip, Mikasa, Essick, Whiteman, Mayco, Toro Stone, Diamond Products, Generac Magnum, Airman, Haulotte, Barreto, Power Blanket, Nifty Lift, Atlas Copco, Chicago Pneumatic, Allmand, Miller Curber, Skyjack, Lull, Skytrak, Tsurumi, Husquvarna Target, Stow, Wacker, Sakai, Mi-T-M, Sullair, Basic, Dynapac, MBW, Weber, Bartell, Bennar Newman, Haulotte, Ditch Runner, Menegotti, Morrison, Contec, Buddy, Crown, Edco, Wyco, Bomag, Laymor, EZ Trench, Bil-Jax, F.S. Curtis, Gehl Pavers, Heli, Honda, ICS/PowerGrit, IHI, Partner, Imer, Clipper, MMD, Koshin, Rice, CH&E, General Equipment, Amida, Coleman, NAC, Gradall, Square Shooter, Kent, Stanley, Tamco, Toku, Hatz, Kohler, Robin, Wisconsin, Northrock, Oztec, Toker TK, Rol-Air, APT, Wylie, Ingersoll Rand / Doosan, Innovatech, Con X, Ammann, Mecalac, Makinex, Smith Surface Prep, Small Line, Wanco, Yanmar

To August 31, 2016

Genie
A TEREX BRAND

Model:
Serial number: S6016H-12345
Manufacture date: 1/2/16 **Model year:** 2016
Electrical schematic number:
Machine unladen weight:
Rated work load (including occupants):
Maximum number of platform occupants:
Maximum allowable side force:
Maximum allowable inclination of the chassis:



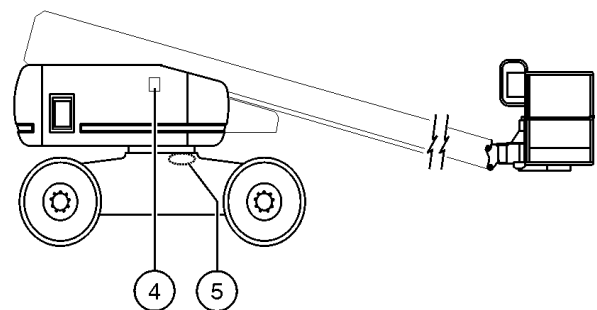
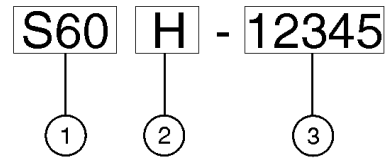
- 1 Model
- 2 Model year
- 3 Facility code

- 4 Sequence number
- 5 Serial label (located under cover)
- 6 Serial number (stamped on chassis)

From September 1, 2016

Genie
A TEREX BRAND

Model:
Serial number: S60H-12345
Year of manufacture: 2016
Electrical schematic number:
Machine unladen weight:
Rated work load (including occupants):
Maximum number of platform occupants:
Maximum allowable side force:
Maximum allowable inclination of the chassis:



- 1 Model
- 2 Facility code
- 3 Sequence number

- 4 Serial label (located under cover)
- 5 Serial number (stamped on chassis)

Table of Contents

This manual is updated frequently. For the most up-to-date parts information, visit www.discount-equipment.com

How to Read Your Serial Number.....	3
Parts Stocking List.....	7

Electronic Version

Click on any page number to view the figure.

001 Parts Stocking List

001.1 Parts Stocking List.....	10
--------------------------------	----

100 Decals

101.1 Word, Hydraulic Tank Side, Non-Steer End, ANSI and Australia.....	14
102.1 Word, Engine Side, Steer End, ANSI and Australia....	18
103.1 Word, Booms, ANSI and Australia.....	20
104.1 Word, Platform, ANSI and Australia.....	22
105.1 Symbol, Hydraulic Tank Side, Non-Steer End, ANSI and CE.....	24
106.1 Symbol, Engine Side, Steer End, ANSI and CE.....	26
107.1 Symbol, Booms, ANSI and CE.....	28
108.1 Symbol, Platform, ANSI and CE.....	30

200 Drive Chassis Components

201.1 Steer End.....	32
202.1 Non-steer End.....	36
203.1 Oscillate Valve.....	40
204.1 TraX Option Steer End.....	42
205.1 TraX Option Non-steer End.....	44
206.1 TraX Option Components.....	46

300 Turntable Components

301.1 Tank Side - View 1.....	48
302.1 Tank Side - View 2.....	50
303.1 Tank Side - Diesel Fuel Tank Installation.....	52
304.1 Tank Side - Gasoline Fuel Tank Installation.....	56
305.1 Ground Control Box, with Hour Meter - View 1, External.....	58
306.1 Ground Control Box, with Hour Meter - View 2, Internal.....	60

307.1 Ground Control Box, with LCD Readout Screen - View 1 External.....	62
308.1 Ground Control Box, with LCD Readout Screen - View 2 Internal.....	66
309.1 Engine Side.....	68
310.1 Turntable Covers.....	72
311.1 Wire Harness Diagram.....	74

400 Manifolds and Pumps

401.1 Function Manifold.....	78
402.1 Traction Manifold, 2WD.....	82
403.1 Traction Manifold, 4WD.....	84
404.1 Platform Rotate and Jib Boom/Platform Rotate Manifold.....	86
405.1 Pumps.....	88
406.1 Brake and 2 Speed Manifold.....	90

500 Engine Components

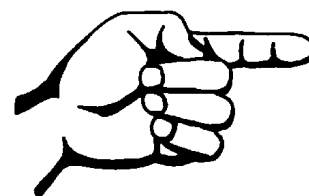
501.1 Ford MSG-425 EFI, View 1.....	92
502.1 Ford MSG-425 EFI, View 2.....	94
503.1 Ford MSG-425 EFI, View 3.....	96
504.1 Ford MSG-425 EFI, View 4.....	98
505.1 Perkins 404D-22.....	100
506.1 Perkins 404F-22, View 1.....	104
507.1 Perkins 404F-22, View 2.....	106
508.1 Perkins 404F-22, View 3.....	108
509.1 Perkins 404F-22, View 4.....	110
510.1 Deutz D2011L03i, View 1.....	112
511.1 Deutz TD2011L04i, View 1.....	116
512.1 Deutz TD2011L04i, View 2.....	118
513.1 Deutz D2.9L4, View 1.....	120
514.1 Deutz D2.9L4, View 2.....	122
515.1 Deutz D2.9L4, View 3.....	124
516.1 Deutz D2.9L4, View 4.....	126
517.1 Deutz D2.9L4, View 5.....	128
518.1 Deutz TD2.9L4, View 1 (from S60TX16H-30877).....	130
519.1 Deutz TD2.9L4, View 2 (from S60TX16H-30877).....	132
520.1 Deutz TD2.9L4, View 3 (from S60TX16H-30877).....	134
521.1 Deutz TD2.9L4, View 4 (from S60TX16H-30877).....	136
522.1 Deutz TD2.9L4, View 5 (from S60TX16H-30877).....	138

600 Boom Structure Components

601.1 Linkage Assembly.....	140
602.1 Boom Components, View 1.....	142
603.1 Boom Components, View 2.....	144
604.1 Boom Limit Switch -S-60X, S-60XC and S-60TraX ANSI Models.....	146
605.1 Boom End Components, S-60, S-60TraX and S-65TraX.....	148

606.1 Boom End Components, S-65.....	150	921.1 Hydraulic Oil Cooler Option.....	232
607.1 Boom End Components, S-60X and S60XC.....	152	922.1 Hydraulic Generator.....	234
608.1 Boom End Components, Load Sense, S-60 and S-65 CE Models.....	154	923.1 2nd LP Tank Carrier.....	236
609.1 Cable Track.....	156	924.1 Tow Package.....	238
700 Platform Components		925.1 Circuit Board Heater Option.....	240
701.1 Platform Installation (to SN 35757).....	158	926.1 Fall Arrest Bar.....	242
701.2 Platform Installation (from SN 35758).....	160	927.1 Operators Protection Alarm (to January 2017).....	244
702.1 Platform Control Box - View 1, External.....	162	927.2 Lift Guard Contact Alarm Option (from January 2017).....	246
703.1 Platform Control Box - View 2, Internal.....	166	928.1 Positive Air Shutoff.....	248
704.1 Joysticks (to SN 37446).....	168	929.1 Remote Charging.....	250
705.1 Joysticks (from SN 37447).....	170	930.1 Telematics Option.....	252
800 Hydraulic Hose Routing and Fittings		Indices	
801.1 Function Manifold, View 1.....	172	Part Number Index.....	254
802.1 Function Manifold, View 2.....	174	Part Description Index.....	263
803.1 4WD Traction Manifold.....	176	Cross References	
804.1 2WD Traction Manifold.....	178	Fittings Cross Reference.....	278
805.1 Oscillate Option.....	180		
806.1 Hydraulic Generator Option.....	182		
807.1 Hydraulic Oil Cooler Option.....	184		
808.1 Welder Option.....	186		
900 Accessories			
901.1 Drive Lights, Alarm and Beacon Packages.....	188		
902.1 Platform Accessories (to SN 35757).....	190		
902.2 Platform Accessories (from SN 35758).....	192		
903.1 Half Mesh and Swing Gate (to SN 36419).....	194		
903.2 Half Mesh with Side Entry (from SN 36420).....	196		
904.1 Tri-Entry Platform and Platform Toeboard.....	198		
905.1 Panel Cradle and Pipe Cradle.....	200		
906.1 Platform Work Lights.....	202		
907.1 Operator Protective Structure.....	204		
908.1 Aircraft Protection, Standard Entry, S-65.....	206		
909.1 Aircraft Protection, Swing Gate, S-65.....	208		
910.1 Air line and Power to Platform.....	210		
911.1 Hostile Environment, Boom Wipers.....	212		
912.1 Hostile Environment, Turntable Components.....	214		
913.1 Hostile Environment, Cylinder Bellows and Cable Track.....	216		
914.1 Hostile Environment, Engine Air Pre-Cleaners.....	218		
915.1 Welder Option, Chassis Components.....	220		
916.1 Welder Option, Platform Components.....	222		
917.1 Welder Option, Generator Components.....	224		
918.1 Welder Option, Manifold Components.....	226		
919.1 Gauge Option.....	228		
920.1 Cold Start Package.....	230		

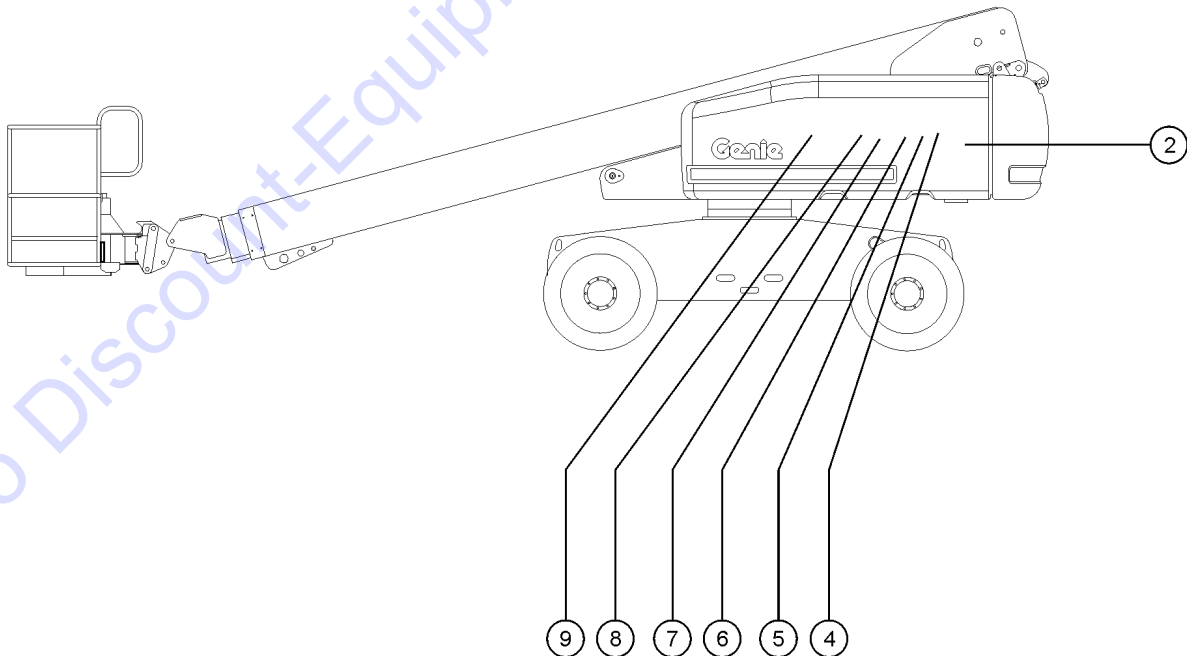
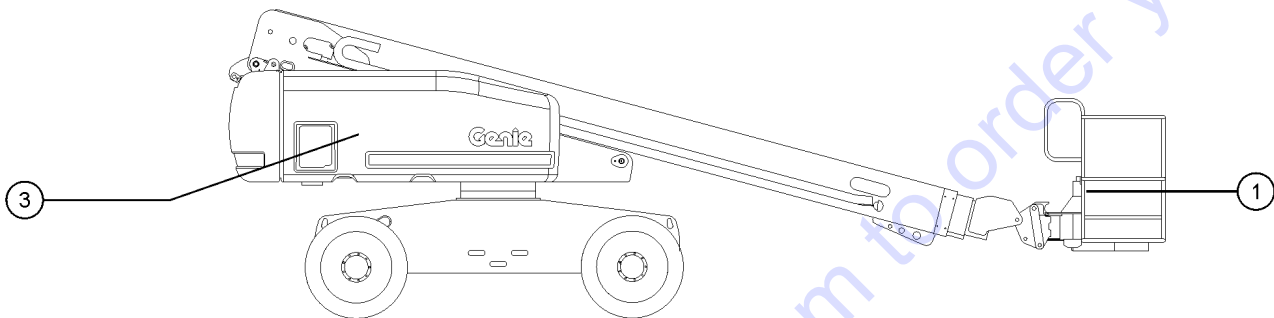
Please refer to section 001 for the Recommended Spare Parts List.



This page intentionally left blank.

Go to Discount-Equipment.com to order your parts

001.1 Parts Stocking List



001.1 Parts Stocking List

Item	Part No.	Description	Qty.	Item	Part No.	Description	Qty.
A		—Inspection Service Kits—		5		—Perkins 404F-22 Models—	
--				--	1262487GT	BELT,AIR PUMP,PERKINS 404F-22T <i>Perkins 404F-22 Models (refer to 506.1)</i>	
--	1278708GT	KIT,ENGINE SERVICE,250 HOUR,DEUTZ D2.9,,Z45/S40/S60/Z62/RT90 <i>models with Deutz D2.9L4 engine</i>		--	62420GT	FILTER,AIR*** <i>Perkins 404F-22 Models (refer to 507.1)</i>	
--	1278709GT	KIT,ENGINE SERVICE,250 HOUR,FDMSG425,Z45/S40/S60/Z62/RT90 <i>models with Ford MSG425 engine</i>		--	62421GT	FILTER,FUEL,PERKINS <i>Perkins 404F-22 Models (refer to 506.1)</i>	
B		—General Service Parts—		--	62433GT	FILTER,ELEMENT,30 MIC,75020 <i>Perkins 404F-22 Models (refer to 506.1)</i>	
--	1257733GT	PAINT,WET,TRAFFIC BLACK (1 GL)** <i>1-gallon</i>		--	89765GT	BELT, V (PERKINS 404) <i>Perkins 404F-22 Models (refer to 506.1)</i>	
--	1258567GT	PAINT, AEROSOL, TRAFFIC BLACK <i>12-ounce spray paint</i>		--	94762GT	OIL FILTER - PERKINS <i>Perkins 404F-22 Models (refer to 506.1)</i>	
--	1268GT	PAINT,AEROSOL,GENIE GRAY*** <i>12-ounce spray paint</i>		--	94889GT	FUEL FILTER ASSEMBLY <i>Perkins 404F-22 Models (refer to 506.1)</i>	
--	1283776GT	SEAL MARKER,CROSS CHECK,BLUE,TUBE		6		—Deutz TD2011-L03i Models—	
--	1484GT	PAINT,AEROSOL,BRIGHT BLUE*** <i>12-ounce spray paint</i>		--	29560GT	FILTER,FUEL/WTR SEP, DTZ 1008 <i>Deutz TD2011-L03i Models (refer to 510.1)</i>	
--	28750GT	O-RING KIT,FIELD SVC,ALL PROD* <i>O-ring kit, SAE</i>		--	32698GT	BELT,V, DEUTZ DIESEL ENGINE <i>Deutz TD2011-L03i Models (refer to 510.1)</i>	
--	32150GT	PAINT,WET,GENIE BLUE (1 GL)** <i>1-gallon</i>		--	49924GT	FILTER,OIL,DEUTZ F4L1011F <i>Deutz TD2011-L03i Models (refer to 510.1)</i>	
--	32151GT	PAINT,WET,GENIE GRAY (1 GL)** <i>1-gallon</i>		--	62420GT	FILTER,AIR*** <i>Deutz TD2011-L03i Models (refer to 510.1)</i>	
--	33994GT	PLUG AND CAP KIT-SERVICE,37 ** <i>Plug and cap kit, SAE</i>		7		—Deutz TD2011-L04i Models—	
--	49612GT	O-RING KIT (ORFS FITTINGS) <i>O-ring kit, Parker</i>		--	29560GT	FILTER,FUEL/WTR SEP, DTZ 1008 <i>Deutz TD2011-L04i Models (refer to 511.1)</i>	
--	66399GT	GREASE,DIELECTRIC 4 OZ**		--	49924GT	FILTER,OIL,DEUTZ F4L1011F <i>Deutz TD2011-L04i Models (refer to 511.1)</i>	
--	93500GT	PARKER DIGITAL PRESSURE GAUGE		--	58630GT	V-BELT, DEUTZ TD2011LOAI <i>Deutz TD2011-L04i Models (refer to 511.1)</i>	
1		—Manuals—		--	62420GT	FILTER,AIR*** <i>Deutz TD2011-L04i Models (refer to 511.1)</i>	
--	27581GT	MANUAL,AEM SAFETY		8		—Deutz D2.9L4 Models—	
--	31779GT	MANUAL,RESPON,A92.5 BOOM		--	1262487GT	BELT,AIR PUMP,PERKINS 404F-22T <i>Deutz D2.9L4 Models (refer to 517.1)</i>	
2	60857GT	FILTER,ELEMENT,BETA(5)=1000 <i>(refer to figure 309.1)</i>		--	1262866GT	FAN BELT, ALTERNATOR <i>Deutz D2.9L4 Models (refer to 517.1)</i>	
3	88917GT	FILTER,ELEMENT,BETA(10)=200 <i>(refer to figure 301.1)</i>		--	214228GT	FILTER, DEUTZ 2.9, FUEL <i>Deutz D2.9L4 Models (refer to 517.1)</i>	
4		—Perkins 404D-22 Models—		--	236260GT	PRE-FILTER,FUEL,DEUTZ TCD3.6 <i>Deutz D2.9L4 Models (refer to 517.1)</i>	
--	62420GT	FILTER,AIR*** <i>Perkins 404D-22 Models (refer to 505.1)</i>		--	49924GT	FILTER,OIL,DEUTZ F4L1011F <i>Deutz D2.9L4 Models (refer to 513.1)</i>	
--	62421GT	FILTER,FUEL,PERKINS <i>Perkins 404D-22 Models (refer to 505.1)</i>		--	62420GT	FILTER,AIR*** <i>Deutz D2.9L4 Models (refer to 515.1)</i>	
--	62433GT	FILTER,ELEMENT,30 MIC,75020 <i>Perkins 404D-22 Models (refer to 505.1)</i>		9		—Ford DSG-425 EFI Models—	
--	89765GT	BELT, V (PERKINS 404) <i>Perkins 404D-22 Models (refer to 505.1)</i>		--	119139GT	OIL FILTER,DSG-423 <i>Ford DSG-425 EFI Models (refer to 501.1)</i>	
--	94762GT	OIL FILTER - PERKINS <i>Perkins 404D-22 Models (refer to 505.1)</i>		--	119474GT	VALVE,PCV FORD DSG-423 <i>Ford DSG-425 EFI Models (refer to 502.1)</i>	

001.1 Parts Stocking List
(continued)

Item	Part No.	Description	Qty.
--	1272019GT	FILTER, FUEL <i>Ford DSG-425 EFI Models (refer to 304.1)</i>	
--	215274GT	FAN DRIVE BELT, MSG425 <i>Ford DSG-425 EFI Models (refer to 502.1)</i>	
--	215287GT	SPARK PLUG, MSG425 <i>Ford DSG-425 EFI Models (refer to 501.1)</i>	
--	77295GT	FILTER ELEMENT,AIR,NOLFF LPG <i>Ford DSG-425 EFI Models (refer to 503.1)</i>	

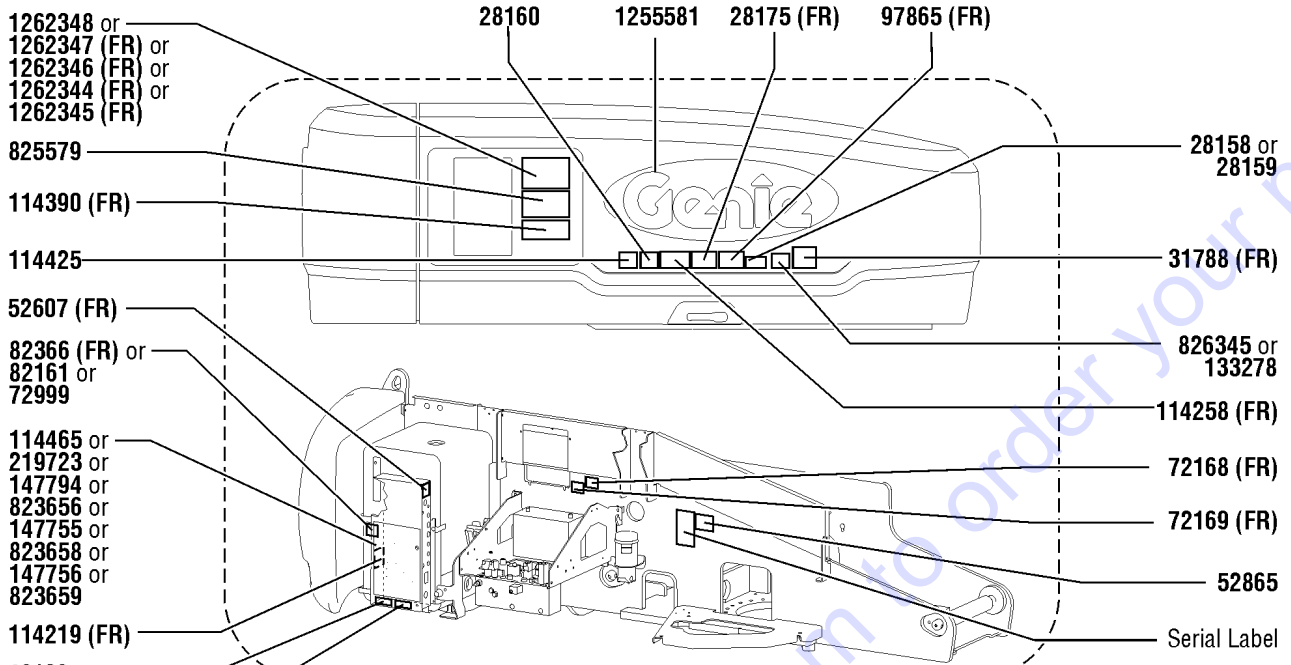
Go to Discount-Equipment.com to order your parts

This Page Intentionally Left Blank

Go to Discount-Equipment.com to order your parts

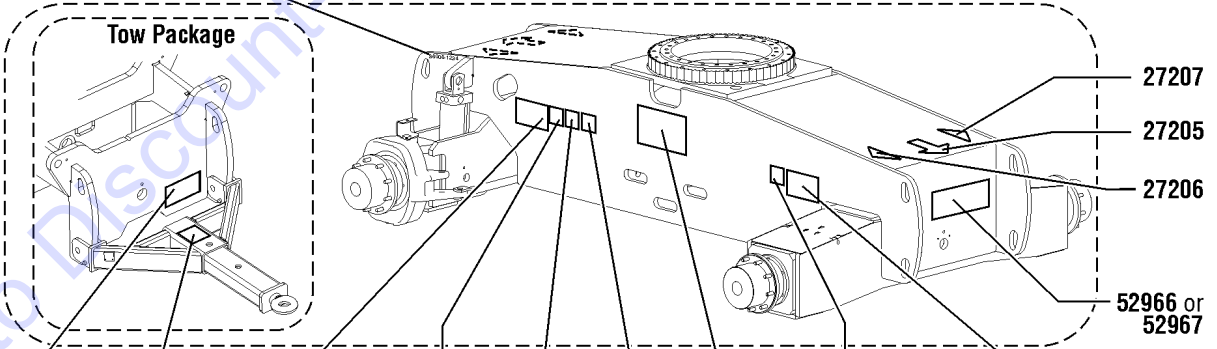
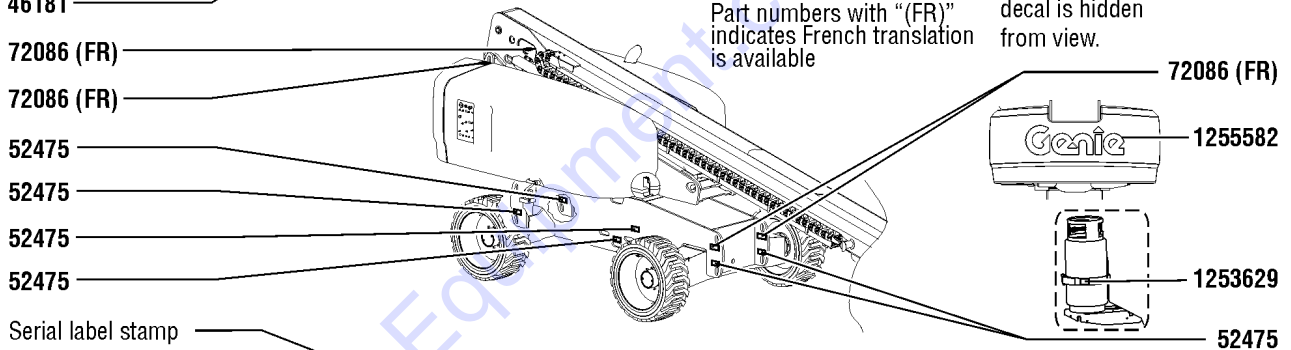


101.1 Word, Hydraulic Tank Side, Non-Steer End, ANSI and Australia



NOTE: Part numbers with "(FR)" indicates French translation is available

☐ Shading indicates decal is hidden from view.



101.1 Word, Hydraulic Tank Side, Non-Steer End, ANSI and Australia

Item	Part No.	Description	Qty.	Item	Part No.	Description	Qty.
1	27205GT	DECAL, ARROW YELLOW LRG 9".....	1	28	97865GT	DECAL, WARN, ELECTRO HAZARD.....	1
2	27206GT	DECAL, TRIANGLE, BLUE.....	1	29	114219GT	DECAL, LABEL, RELAYS, S60&65.....	1
3	27207GT	DECAL, TRIANGLE, YELLOW.....	1	30	114258GT	DECAL, DANGER, NO SMOKING.....	1
4	28158GT	DECAL, LABEL, UNLEADED GAS ONLY.....	1	31	114390GT	DECAL, DANGER, ELECT HAZARD***.....	1
		<i>Option, fuel</i>		32	114425GT	DECAL, BATTERY DISCONNECT.....	1
5	28159GT	DECAL, DIESEL.....	1			<i>Option, FMRC</i>	
		<i>Option, fuel</i>		33	114465GT	DECAL GROUND CONTROL BOX.....	1
6	28160GT	DECAL, LABEL, LIQUID PROPANE.....	1			"(S-60, S-65, S-60 Trax and S-65 Trax - AUS) (S-65 and S-65 Trax, ANSI, Deutz D2011L3i, Deutz TD2011L04i and Perkins 404D-22)"	
		<i>Option, LPG Tank</i>		34	133250GT	DECAL, DANGER TIP OVER TRAX.....	2
7	28175GT	DECAL, WARNING-COMPART ACCESS.....	1			(S-60 Trax and S-65 Trax)	
8	29104GT	DECAL, TOWING INSTRUCTIONS.....	1	35	133251GT	DECAL, WHEEL LOAD S60TRAX.....	2
		<i>Option, tow package</i>				(S-60 Trax)	
9	31788GT	DECAL, DANGER, BATTERY SAFETY***.....	1	36	133252GT	DECAL, WHEEL LOAD S65 TRAX.....	2
10	46137GT	DECAL, LPS (4"X4").....	1			(S-65 Trax)	
		<i>Option, FMRC</i>		37	133278GT	DECAL, LOW/ULTRA LOW SULFR FUEL.....	1
11	46139GT	L, NAMEPLT, USE UNDERWRITE LAB....	1			"(Deutz D2011L3i, Deutz TD2011L04i and Perkins 404D-22)"	
		<i>Option, FMRC</i>		38	147755GT	DECAL, GR CNTL PNL 60X 80X.....	1
12	46181GT	DECAL, FMRC APPROVAL, PLATE, LPS.....	1			"(S-60X, ANSI, Deutz D2011L3i, Deutz TD2011L04i and Perkins 404D-22)"	
		<i>Option, FMRC</i>		39	147756GT	DECAL, GR CNTL PNL 60XC.....	1
13	47041GT	DECAL, CAUTION, TOWING SPEED.....	1			"(S-60XC, ANSI, Deutz D2011L3i, Deutz TD2011L04i and Perkins 404D-22)"	
		<i>Option, tow package</i>		40	147792GT	DANGER, TIPOVR, TIRES FF ONLY.....	2
15	52475GT	DECAL, LABEL, TRANSPORT TIEDOWN*.....	6			"(S-60 and S-65, AUS) (S-60 XC, ANSI)"	
16	52607GT	DECAL, LABEL, TEST***.....	1	41	147794GT	DECAL, GR CNTL PNL 60TX.....	1
		(Ford Only)				"(S-60 Trax, ANSI, Deutz D2011L3i, Deutz TD2011L04i and Perkins 404D-22)"	
17	52865GT	DECAL, ANNUAL INSP***.....	1	42	219723GT	DECAL, GROUND BOX, TIER IV.....	1
		(ANSI Only)				(S-65 and S-65 Trax, ANSI, Deutz D2.9L4 and Perkins 404F-22)	
18	52966GT	DECAL, COSMETIC, 4 X 2.....	1	43	229743GT	DECAL, LABEL, WHEEL LOAD S60/60X.....	2
		<i>Option, drive</i>				(S-60 and S-60X)	
19	52967GT	DECAL, COSMETIC, 4 X 4.....	1	44	229744GT	DECAL, LABEL, WHEEL LOAD S60H/XC.....	2
		<i>Option, drive</i>				(S-60 XC)	
20	72086GT	DECAL, LABEL, LIFTING EYE.....	4	45	235372GT	DECAL, LABEL, WHEEL LOAD S65.....	2
21	72168GT	DECAL, LABEL, STARTER BATTERY.....	1			(S-65)	
		<i>Option, dual battery</i>		46	823656GT	LABEL, GBOX, S60TX ANSI TIER 4.....	1
22	72169GT	DECAL, LABEL, CONTROLS BATTERY...1				(S-60 Trax, ANSI, Deutz D2.9L4 and Perkins 404F-22)	
		<i>Option, dual battery</i>		47	823658GT	LABEL, GBOX, S60X TIER 4.....	1
23	72999GT	DECAL, LABEL, PETRO CANADA***.....	1			(S-60X, ANSI, Deutz D2.9L4 and Perkins 404F-22)	
		<i>Option, hydraulic oil</i>		48	823659GT	LABEL, GBOX, S60X TIER 4.....	1
24	82161GT	DECAL, LABEL, UCON HYDROLUBE.....	1			(S-60XC, ANSI, Deutz D2.9L4 and Perkins 404F-22)	
		<i>Option, hydraulic oil</i>					
25	82366GT	DECAL, CHEVRON RANDO HD.....	1				
		<i>Option, hydraulic oil</i>					
26	82677GT	DECAL, DANGER/LABEL, TIRE SPECS.....	2				
		(S-65 and S-60X, ANSI)					
27	82678GT	DECAL, DANGER, HI-FLOAT TIRE.....	2				
		"(S-65, S-60X and S-60XC, ANSI) Option, high floatation tires"					

101.1 Word, Hydraulic Tank Side, Non-Steer End, ANSI and Australia
(continued)

Item	Part No.	Description	Qty.
49	825579GT	DECAL, LCD, TIER 4.....1 <i>(Deutz D2.9L4 and Perkins 404F-22)</i>	1
50	826345GT	DECAL, ULS DIESEL ONLY, TIER 4.....1 <i>(Deutz D2.9L4 and Perkins 404F-22)</i>	1
51	1253629GT	DECAL, LP BOTTLE, S60.....1 <i>Option, FMRC</i>	1
52	1255581GT	DECAL COSMETIC, 10" GENIE BLUE....1	1
53	1255582GT	DECAL COSMETIC, 15" GENIE BLUE....1	1
54	1260107GT	DECAL, TRANSPORT/LIFTING, S60.....1	1
55	1262344GT	DECAL, OPERATING INSTRUCTIONS.....1 <i>(S-60X, ANSI)</i>	1
56	1262345GT	DECAL, OPERATING INSTRUCTIONS.....1 <i>(S-60XC, ANSI)</i>	1
57	1262346GT	DECAL, OPERATING INSTRUCTIONS.....1 <i>(S-60 Trax, ANSI)</i>	1
58	1262347GT	DECAL, OPERATING INSTRUCTIONS.....1 <i>(S-65 and S-65 Trax, ANSI)</i>	1
59	1262348GT	DECAL, OPERATING INSTRUCTIONS.....1 <i>(S-60, S-65, S-60 Trax and S-65 Trax - AUS)</i>	1

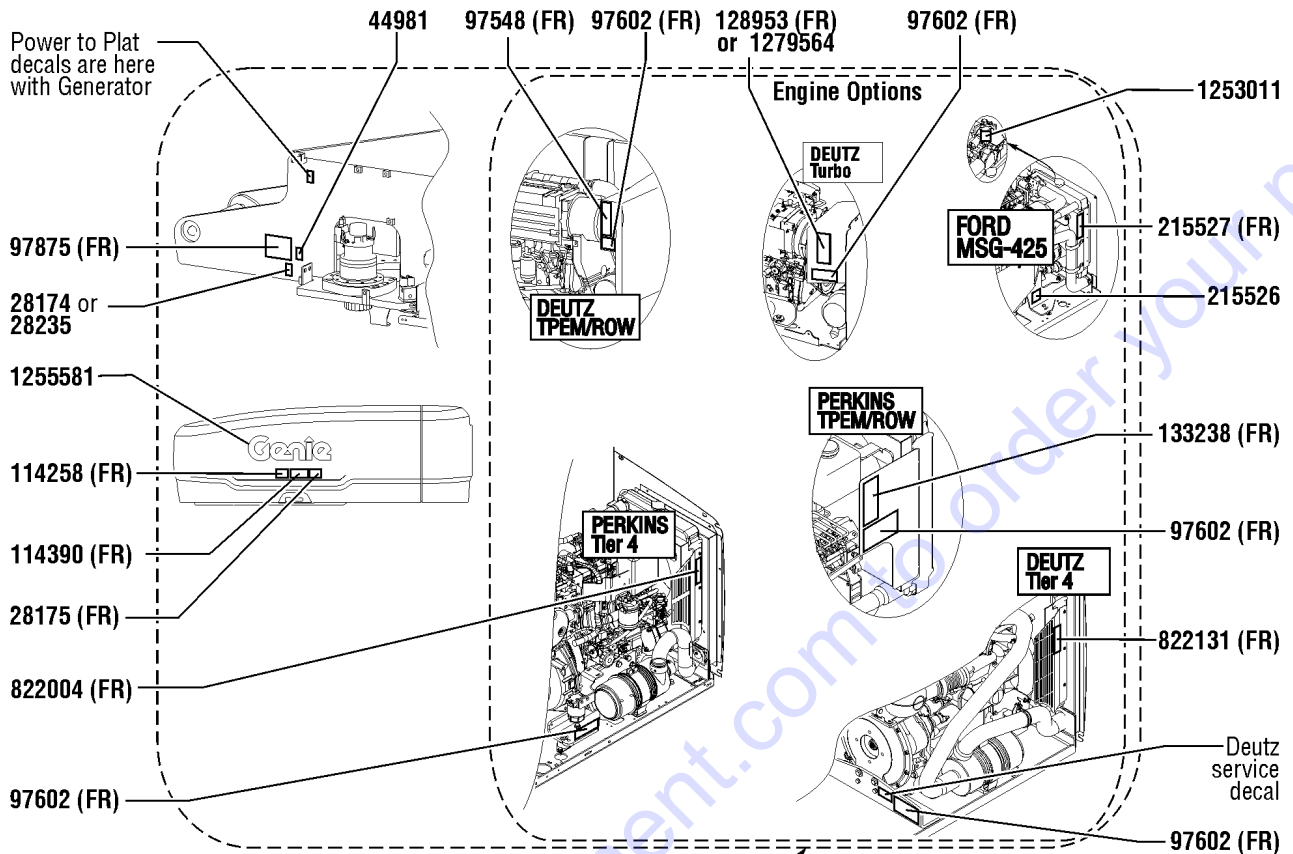
Go to Discount-Equipment.com to order your parts

101.1 Word, Hydraulic Tank Side, Non-Steer End, ANSI and Australia
(continued)

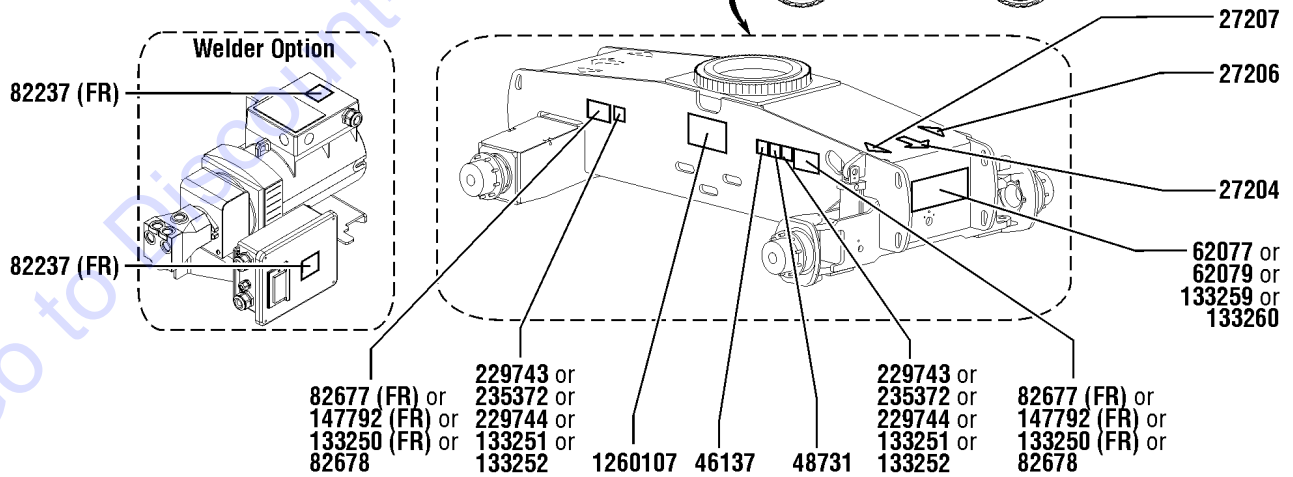
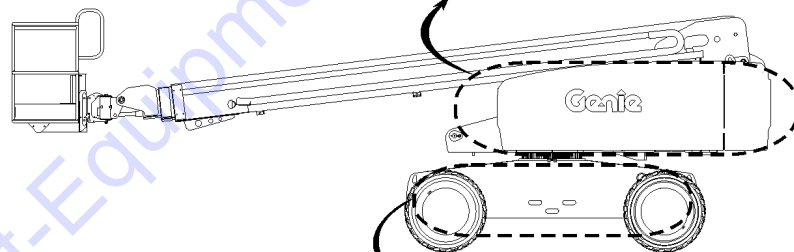
This Page Intentionally Left Blank

Go to Discount-Equipment.com to order your parts

102.1 Word, Engine Side, Steer End, ANSI and Australia



NOTE:
Part numbers with "(FR)" indicates French translation is available



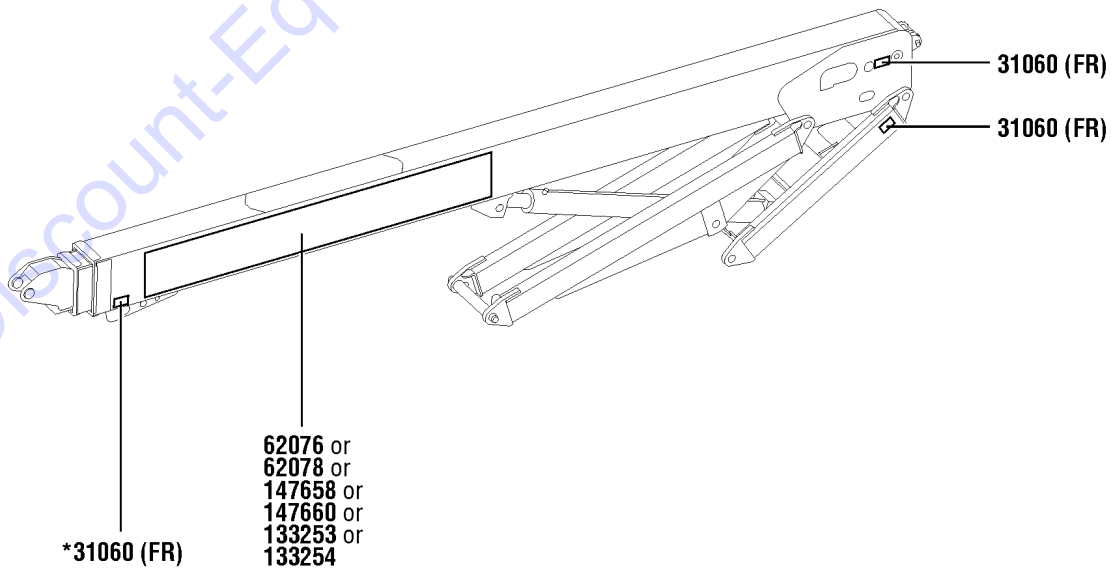
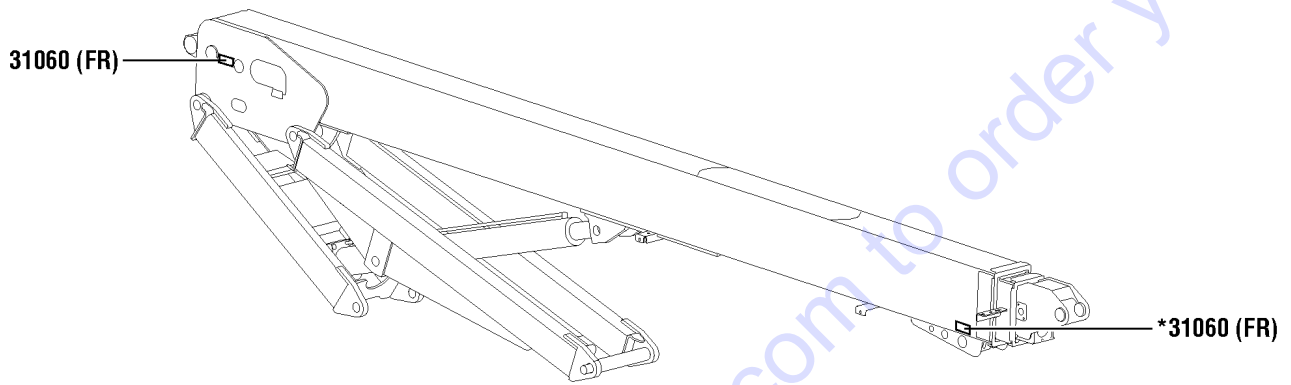
102.1 Word, Engine Side, Steer End, ANSI and Australia

Item	Part No.	Description	Qty.	Item	Part No.	Description	Qty.
1	27204GT	DECAL,ARROW BLUE.....	1	26	133260GT	DECAL,COSM, S65 TRAX.....	1
2	27206GT	DECAL,TRIANGLE,BLUE.....	1			(S-65 Trax)	
3	27207GT	DECAL,TRIANGLE,YELLOW.....	1	27	147792GT	DANGER,TIPOVR,TIRES FF ONLY.....	2
4	28174GT	DECAL, POWER TO PLATFORM 230V**.....	1			"(S-60 and S-65, AUS) (S-60XC, ANSI)"	
		(Europe except UK)		28	215526GT	DECAL,LABEL,BELT,MSG425.....	1
5	28175GT	DECAL,WARNING-COMPART ACCESS.....	1			Ford MSG-425	
6	28235GT	DECAL,POWER TO PLATFORM 115V...1	1	29	215527GT	DECAL,FORD ENGINE SPEC MSG425.....	1
		(US and UK)				Ford MSG-425	
7	44981GT	DECAL,LABEL, AIR LINE 110 PSI.....	1	30	229743GT	DECAL,LABEL,WHEEL LOAD S60/60X.....	2
		Option, airline to plat				(S-60 and S-60X)	
8	46137GT	DECAL,LPS (4"X4").....	1	31	229744GT	DECAL,LABEL,WHEEL LOAD S60H/XC.....	2
		Option, FMRC				(S-60XC)	
10	62077GT	DECAL,COSMETIC,S60.....	1	32	235372GT	DECAL,LABEL,WHEEL LOAD S65.....	2
		(S-60, S-60X and S-60XC)				(S-65)	
11	62079GT	DECAL,COSMETIC,S65.....	1	33	822004GT	DECAL, ENGINE SPEC, 404F-22.....	1
		(S-65)				Perkins 404F-22	
12	82237GT	DECAL,DANGER,HIGH VOLTAGE.....	2	34	822131GT	DECAL, ENGINE SPEC, D2.9.....	1
		Option, welder				Deutz D2.9L4	
13	82677GT	DECAL,DANGER/LABEL,TIRE SPECS.....	2	35	1253011GT	DECAL, VAPORIZER PRESSURE.....	1
		"(S-65 and S-60X, ANSI) "				"(Ford MSG-425 only) Option, FMRC"	
14	82678GT	DECAL,DANGER,HI-FLOAT TIRE.....	2	36	1255581GT	DECAL COSMETIC,10" GENIE BLUE....	1
		"(S-65, S-60X and S-60XC, ANSI) Option, high floatation tires"		37	1260107GT	DECAL, TRANSPORT/LIFTING, S60.....	1
15	97548GT	DECAL,ENGINE SPEC,DEUTZ 2011....	1				
		Deutz D2011L3i and Deutz TD2011L04i					
16	97602GT	DECAL,EXPLOSION HAZARD.....	1				
		Diesel engines					
17	97875GT	DECAL,WARN.WELD LINE INST.WORD.....	1				
		Option, weld cable line					
18	114258GT	DECAL,DANGER,NO SMOKING.....	1				
19	114390GT	DECAL,DANGER,ELECT HAZARD***....	1				
20	128953GT	DECAL,ENGINE SPEC,DEUTZ,TD2011.....	1				
		Deutz turbo					
--	1279564GT	DECAL,ENGINE SPEC,DEUTZ,TD2011 Deutz turbo; Replaces previous decal 128953					
21	133238GT	DECAL,ENGINE SPEC,PERKINS***.....	1				
		Perkins 404D-22					
22	133250GT	DECAL,DANGER TIP OVER TRAX.....	2				
		(S-60 Trax and S-65 Trax)					
23	133251GT	DECAL, WHEEL LOAD S60TRAX.....	2				
		(S-60 Trax)					
24	133252GT	DECAL, WHEEL LOAD S65 TRAX.....	2				
		(S-65 Trax)					
25	133259GT	DECAL,COSM, S60 TRAX.....	1				
		(S-60 Trax)					

103.1 Word, Booms, ANSI and Australia

NOTE:
Part numbers with "(FR)"
indicate French translation
is available

*For S-60X and S-60XC models only.

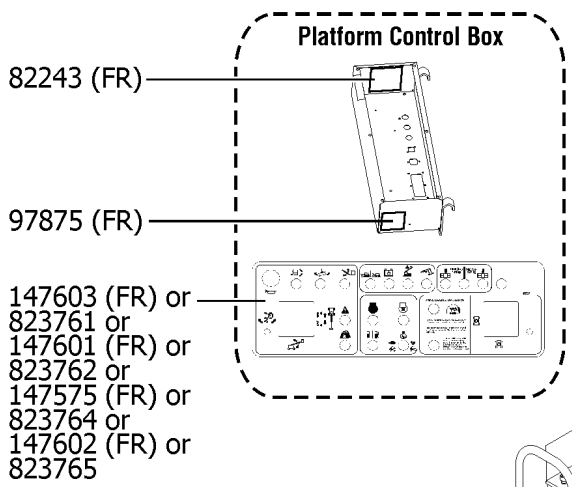


103.1 Word, Booms, ANSI and Australia

Item	Part No.	Description	Qty.
1	31060GT	DECAL,DANGER DO NOT ALTER SWTC.....	5
2	62076GT	DECAL,COSMETIC,GENIE S-60.....	1
3	62078GT	DECAL,COSMETIC,GENIE S65.....	1
4	133253GT	DECAL,COSM,GENIE S60 TRAX.....	1
5	133254GT	DECAL, COSM,GENIE S65 TRAX.....	1
6	147658GT	DECAL,COSM GENIE S60X.....	1
7	147660GT	DECAL,COSM GENIE S60XC.....	1

Go to Discount-Equipment.com to order your parts

104.1 Word, Platform, ANSI and Australia

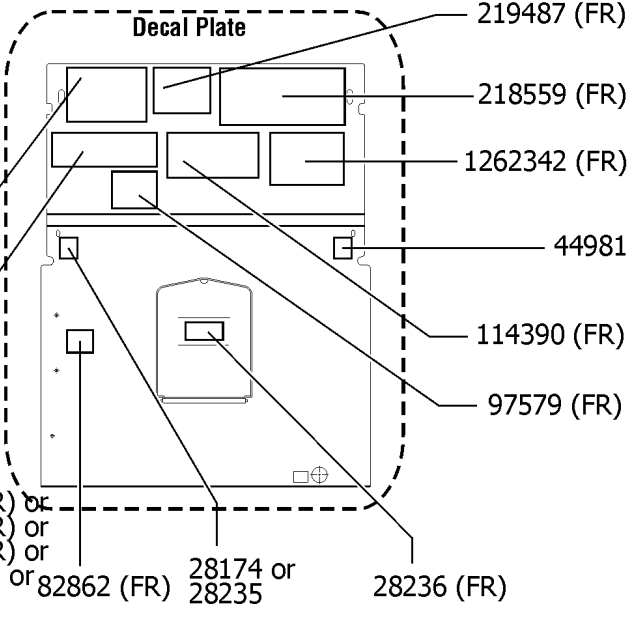
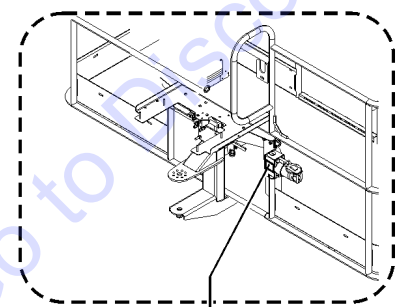
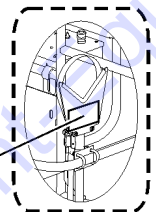
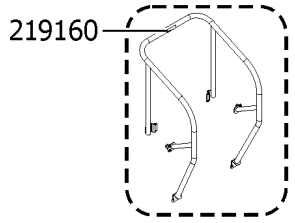
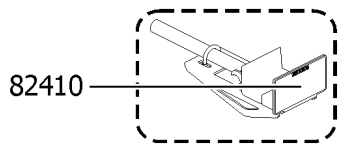
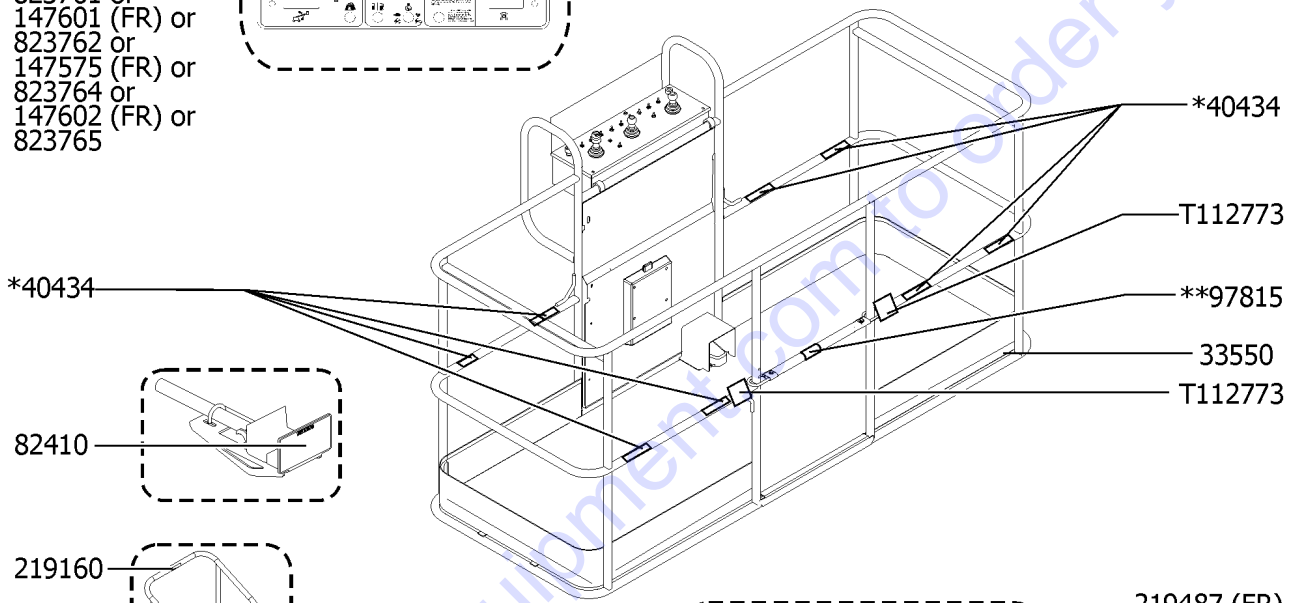


NOTE:
Part numbers with "(FR)" indicates French translation is available

** apply to all three midrails on tri-entry platform

* apply this decal to all lanyard anchorage attachments on the platform

☐ Shading indicates decal is hidden from view.



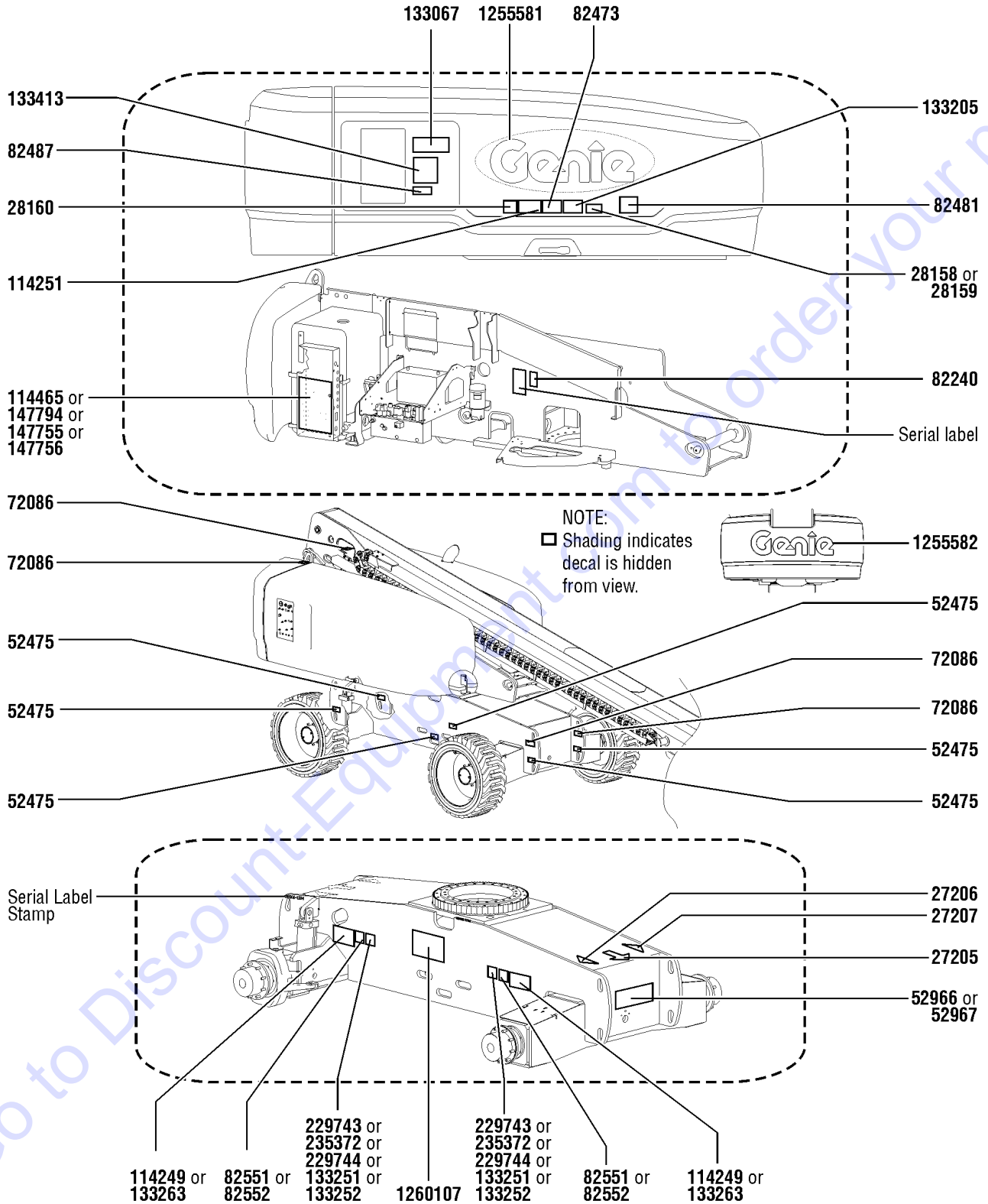
1261737 (FR) or
1261738 (FR) or
1261739 (FR) or
218549 (FR) or
218550

82862 (FR)

104.1 Word, Platform, ANSI and Australia

Item	Part No.	Description	Qty.	Item	Part No.	Description	Qty.
1	28174GT	DECAL, POWER TO PLATFORM 230V**1 <i>(Europe except UK)</i>		24	219160GT	DECAL, INSTRUCTION, OPS.....1 <i>Option</i>	
2	28235GT	DECAL,POWER TO PLATFORM 115V...1 <i>(US and UK)</i>		25	219487GT	DECAL,PLATFORM OVERLOAD.....1 <i>(AUS Only)</i>	
3	28236GT	DECAL,WARN,IMPROPER OPERATION.....1		26	823761GT	LABEL, PBOX, S65 TIER 4.....1 <i>(S-65 and S-65 Trax, ANSI, Deutz D2.9L4 and Perkins 404F-22)</i>	
4	33550GT	TAPE,WARNING,BLK/YEL, 50*** <i>(Australia models) sold in a 50' roll, apply at base of platform toeboard</i>		27	823762GT	LABEL, PBOX, S60TX ANSI TIER 4.....1 <i>(S-60 Trax, ANSI, Deutz D2.9L4 and Perkins 404F-22)</i>	
5	40434GT	DECAL,LANYARD ANCHORAGE POINT.....8		28	823764GT	LABEL, PBOX, S60X TIER 4.....1 <i>(S-60X, ANSI, Deutz D2.9L4 and Perkins 404F-22)</i>	
6	44981GT	DECAL,LABEL, AIR LINE 110 PSI.....1 <i>Option, airline to plat</i>		29	823765GT	LABEL, PBOX, S60XC TIER 4.....1 <i>(S-60XC, ANSI, Deutz D2.9L4 and Perkins 404F-22)</i>	
7	72875GT	DECAL,WARNING,PIPE CRADLE,BOOM.....2 <i>Option, Pipe Cradle</i>		30	1261737GT	DECAL,INST PLAT CAP 60X,WORD....1 <i>(S-60X, ANSI)</i>	
8	82237GT	DECAL,DANGER,HIGH VOLTAGE.....1 <i>Option, Welder</i>		31	1261738GT	DECAL,INST PLAT CAP 60XC,WORD....1 <i>(S-60XC, ANSI)</i>	
9	82243GT	DECAL FAULT CODE.....1		32	1261739GT	DECAL,INST PLAT CAP 60TX,WORD....1 <i>(S-60 Trax, ANSI)</i>	
10	82410GT	DECAL,WARNING,PANEL CRADLE.....2 <i>Option, Panel Cradle</i>		33	1262342GT	DECAL,WORD,SLOPE RATING,S60....1	
11	82862GT	DECAL,FIRE EXTINGUISHER.....1 <i>Option, Welder</i>		34	T112773GT	TAPE, PROTECTIVE MASK.....2	
12	97579GT	DECAL,DANGER,TIP-OVER,WELDER**1 <i>Option, Welder</i>					
13	97815GT	DECAL,LABEL,LOWER MIDRAIL.....1					
14	97875GT	DECAL,WARN.WELD LINE INST.WORD.....1 <i>Option, weld cable line</i>					
15	114390GT	DECAL,DANGER,ELECT HAZARD***....1					
16	114416GT	DECAL,DANGER,TIPOVER,TILT.....1					
17	147575GT	DECAL, PLAT CNTL PNL 60X 80X.....1 <i>"(S-60X, ANSI, Deutz D2011L3i, Deutz TD2011L04i and Perkins 404D-22)"</i>					
18	147601GT	DECAL, PLAT CNTL PNL 60TX.....1 <i>"(S-60 Trax, ANSI, Deutz D2011L3i, Deutz TD2011L04i and Perkins 404D-22)"</i>					
19	147602GT	DECAL, PLAT CNTL PNL 60XC.....1 <i>"(S-60XC, ANSI, Deutz D2011L3i, Deutz TD2011L04i and Perkins 404D-22)"</i>					
20	147603GT	DECAL, PLAT CNTL PNL.....1 <i>"(S-60, S-65, S-60 Trax and S-65 Trax - AUS) (S-65 and S-65 Trax, ANSI, Deutz D2011L3i, Deutz TD2011L04i and Perkins 404D-22)"</i>					
21	218549GT	DECAL,DANGER,CAP,ANSI WORD.....1 <i>(S-65, S-65 Trax, ANSI)</i>					
22	218550GT	DECAL,DANGER,CAP,AUS WORD.....1 <i>(S-60, S-65, S-60 Trax and S-65 Trax - AUS)</i>					
23	218559GT	DECAL,DANGER/WARNING COMBO....1					

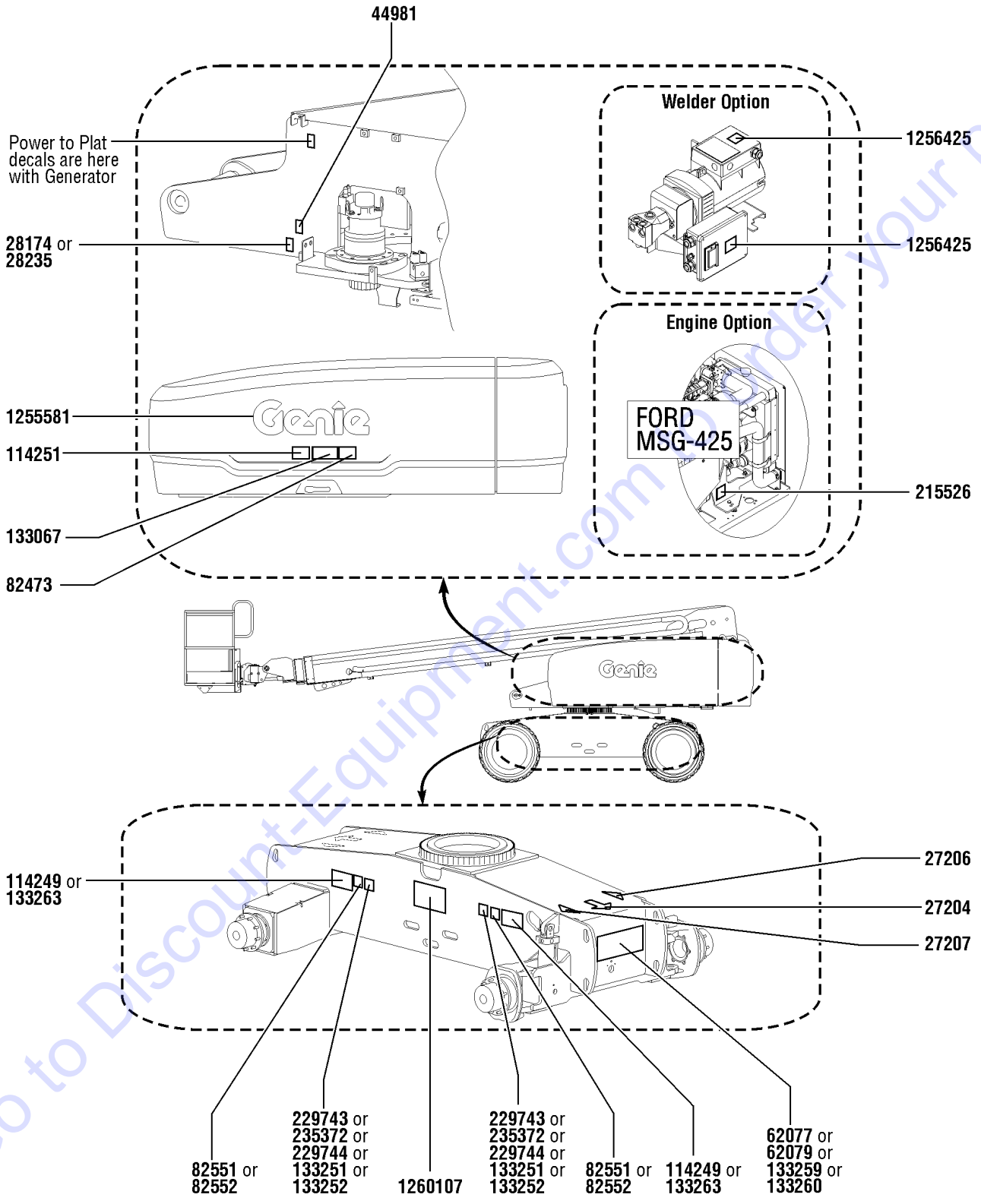
105.1 Symbol, Hydraulic Tank Side, Non-Steer End, ANSI and CE



105.1 Symbol, Hydraulic Tank Side, Non-Steer End, ANSI and CE

Item	Part No.	Description	Qty.	Item	Part No.	Description	Qty.
1	27205GT	DECAL, ARROW YELLOW LRG 9".....	1	28	147794GT	DECAL, GR CNTL PNL 60TX..... (S-60 Trax, ANSI)	1
2	27206GT	DECAL, TRIANGLE, BLUE.....	1	29	229743GT	DECAL, LABEL, WHEEL LOAD S60/60X..... (S-60 and S-60X)	2
3	27207GT	DECAL, TRIANGLE, YELLOW.....	1	30	229744GT	DECAL, LABEL, WHEEL LOAD S60H/XC..... (S-60XC)	2
4	28158GT	DECAL, LABEL, UNLEADED GAS ONLY..... <i>Option, Fuel</i>	1	31	235372GT	DECAL, LABEL, WHEEL LOAD S65..... (S-65)	2
5	28159GT	DECAL, DIESEL..... <i>Option, Fuel</i>	1	32	1255581GT	DECAL COSMETIC, 10" GENIE BLUE....	1
6	28160GT	DECAL, LABEL, LIQUID PROPANE..... <i>Option, LPG Tank</i>	1	33	1255582GT	DECAL COSMETIC, 15" GENIE BLUE....	1
7	52475GT	DECAL, LABEL, TRANSPORT TIEDOWN*.....	6	34	1260107GT	DECAL, TRANSPORT/LIFTING, S60....	1
8	52966GT	DECAL, COSMETIC, 4 X 2..... <i>Option, drive</i>	1				
9	52967GT	DECAL, COSMETIC, 4 X 4..... <i>Option, drive</i>	1				
10	72086GT	DECAL, LABEL, LIFTING EYE.....	4				
11	82240GT	DECAL, LABEL, 105 DB..... (CE Only)	1				
12	82473GT	DECAL, SYMBOL-COMP ACCESS.....	1				
13	82481GT	DECAL, SYMBOL-BATTERY SAFETY....	1				
14	82487GT	DECAL, SYMBOL - READ THE MANUAL.....	1				
15	82551GT	DECAL, LABEL, TIRE PRESSURE..... "(S-60, S-60X, S-65, S-60XC) RT air filled tires only"	2				
16	82552GT	DECAL, LABEL, TIRE PRESS HF..... "(S-60, S-60X, S-65, S-60XC) High flotation air filled tires only"	2				
17	114249GT	DECAL, LABEL, TIPOVER, TIRES, SYMB.2 "(S-60, S-60X, S-65, S-60XC) RT air filled or foam filled tires only "	2				
18	114251GT	DECAL, LABEL, NO SMOKING, SYMB....	1				
19	114465GT	DECAL GROUND CONTROL BOX..... "(S-60, S-65, S-60 Trax and S-65 Trax - CE) (S-65 and S-65 Trax - ANSI)"	1				
20	133067GT	DECAL, DANGER, ELEC. HAZ. STAY CLR.....	1				
21	133205GT	DECAL, LABEL, ELECTRO HAZARD....	1				
22	133251GT	DECAL, WHEEL LOAD S60TRAX..... (S-60 Trax)	2				
23	133252GT	DECAL, WHEEL LOAD S65 TRAX..... (S-65 Trax)	2				
24	133263GT	DECAL, LABEL, TIPOVER, TRAX, SYMB..2 (S-60 Trax and S-65 Trax)	2				
25	133413GT	DECAL, EMERGENCY LOWERING..... (CE Only)	1				
26	147755GT	DECAL, GR CNTL PNL 60X 80X..... (S-60X, ANSI)	1				
27	147756GT	DECAL, GR CNTL PNL 60XC..... (S-60XC, ANSI)	1				

106.1 Symbol, Engine Side, Steer End, ANSI and CE

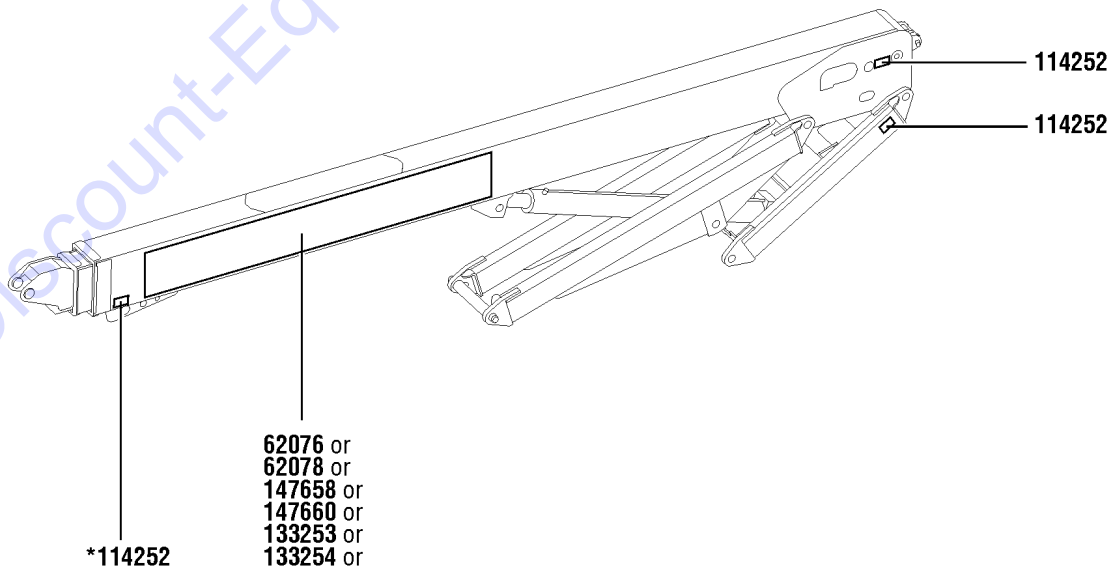
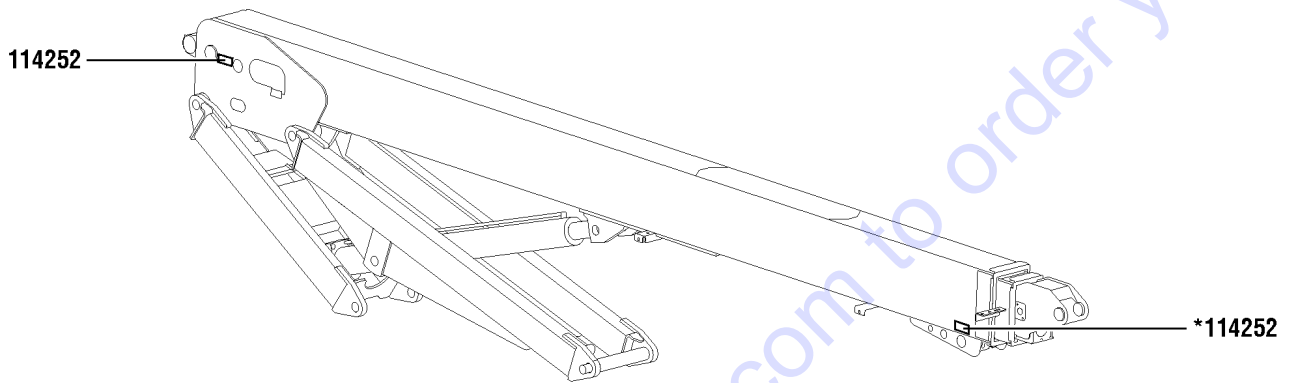


106.1 Symbol, Engine Side, Steer End, ANSI and CE

Item	Part No.	Description	Qty.	Item	Part No.	Description	Qty.
1	27204GT	DECAL,ARROW BLUE.....	1	26	1260107GT	DECAL, TRANSPORT/LIFTING, S60.....	1
2	27206GT	DECAL,TRIANGLE,BLUE.....	1				
3	27207GT	DECAL,TRIANGLE,YELLOW.....	1				
4	28174GT	DECAL, POWER TO PLATFORM 230V**.....	1				
		<i>(Europe except UK)</i>					
5	28235GT	DECAL,POWER TO PLATFORM 115V... <i>(US and UK)</i>	1				
6	44981GT	DECAL,LABEL, AIR LINE 110 PSI..... <i>Option, airline to plat</i>	1				
7	62077GT	DECAL,COSMETIC,S60..... "(S-60, S-60X and S-60XC) "	1				
8	62079GT	DECAL,COSMETIC,S65..... <i>(S-65)</i>	1				
9	82473GT	DECAL,SYMBOL-COMP ACCESS.....	1				
10	82551GT	DECAL,LABEL,TIRE PRESSURE..... "(S-60, S-60X, S-65, S-60XC) RT air filled tires only"	2				
11	82552GT	DECAL,LABEL,TIRE PRESS HF..... "(S-60, S-60X, S-65, S-60XC) High flotation air filled tires only"	2				
12	114249GT	DECAL,LABEL,TIPOVER,TIRES,SYMB.2 "(S-60, S-60X, S-65, S-60XC) RT air filled or foam filled tires only"	2				
13	114251GT	DECAL,LABEL,NO SMOKING,SYMB.....	1				
14	133067GT	DECAL,DANGER,ELEC.HAZ.STAY CLR.....	1				
15	133251GT	DECAL, WHEEL LOAD S60TRAX..... <i>(S-60 Trax)</i>	2				
16	133252GT	DECAL, WHEEL LOAD S65 TRAX..... <i>(S-65 Trax)</i>	2				
17	133259GT	DECAL,COSM, S60 TRAX..... <i>(S-60 Trax)</i>	1				
18	133260GT	DECAL,COSM, S65 TRAX..... <i>(S-65 Trax)</i>	1				
19	133263GT	DECAL,LABEL,TIPOVER,TRAX,SYMB.2 <i>(S-60 Trax and S-65 Trax)</i>	2				
20	215526GT	DECAL,LABEL,BELT,MSG425..... <i>ford msg-425</i>	1				
21	229743GT	DECAL,LABEL,WHEEL LOAD S60/60X.....	2				
		<i>(S-60 and S-60X)</i>					
22	229744GT	DECAL,LABEL,WHEEL LOAD S60H/XC.....	2				
		"(S-60XC) "					
23	235372GT	DECAL,LABEL,WHEEL LOAD S65..... <i>(S-65)</i>	2				
24	1255581GT	DECAL COSMETIC,10" GENIE BLUE....	1				
25	1256425GT	DECAL, DANGER, ELECTROCUTION HAZARD, SYMBOL.....	2				
		<i>Option, Welder</i>					

107.1 Symbol, Booms, ANSI and CE

NOTE:
*For S-60X and S-60XC models only.

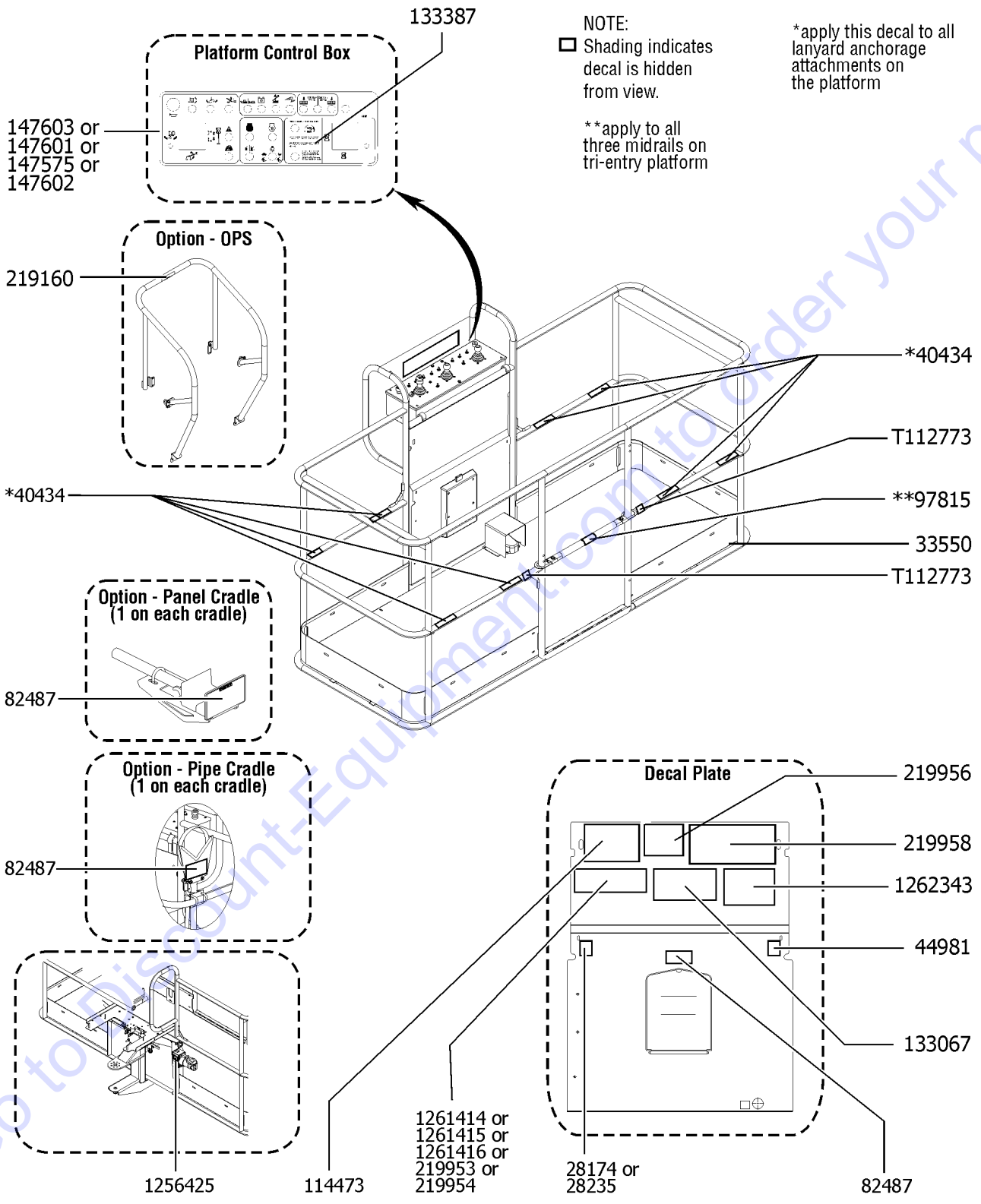


107.1 Symbol, Booms, ANSI and CE

Item	Part No.	Description	Qty.
1	62076GT	DECAL,COSMETIC,GENIE S-60.....1	1
2	62078GT	DECAL,COSMETIC,GENIE S65.....1	1
3	114252GT	DECAL,LABEL,TIP OVER LMT SWTCH.....5	5
4	133253GT	DECAL,COSM,GENIE S60 TRAX.....1	1
5	133254GT	DECAL, COSM,GENIE S65 TRAX.....1	1
6	147658GT	DECAL,COSM GENIE S60X.....1	1
7	147660GT	DECAL,COSM GENIE S60XC.....1	1

Go to Discount-Equipment.com to order your parts

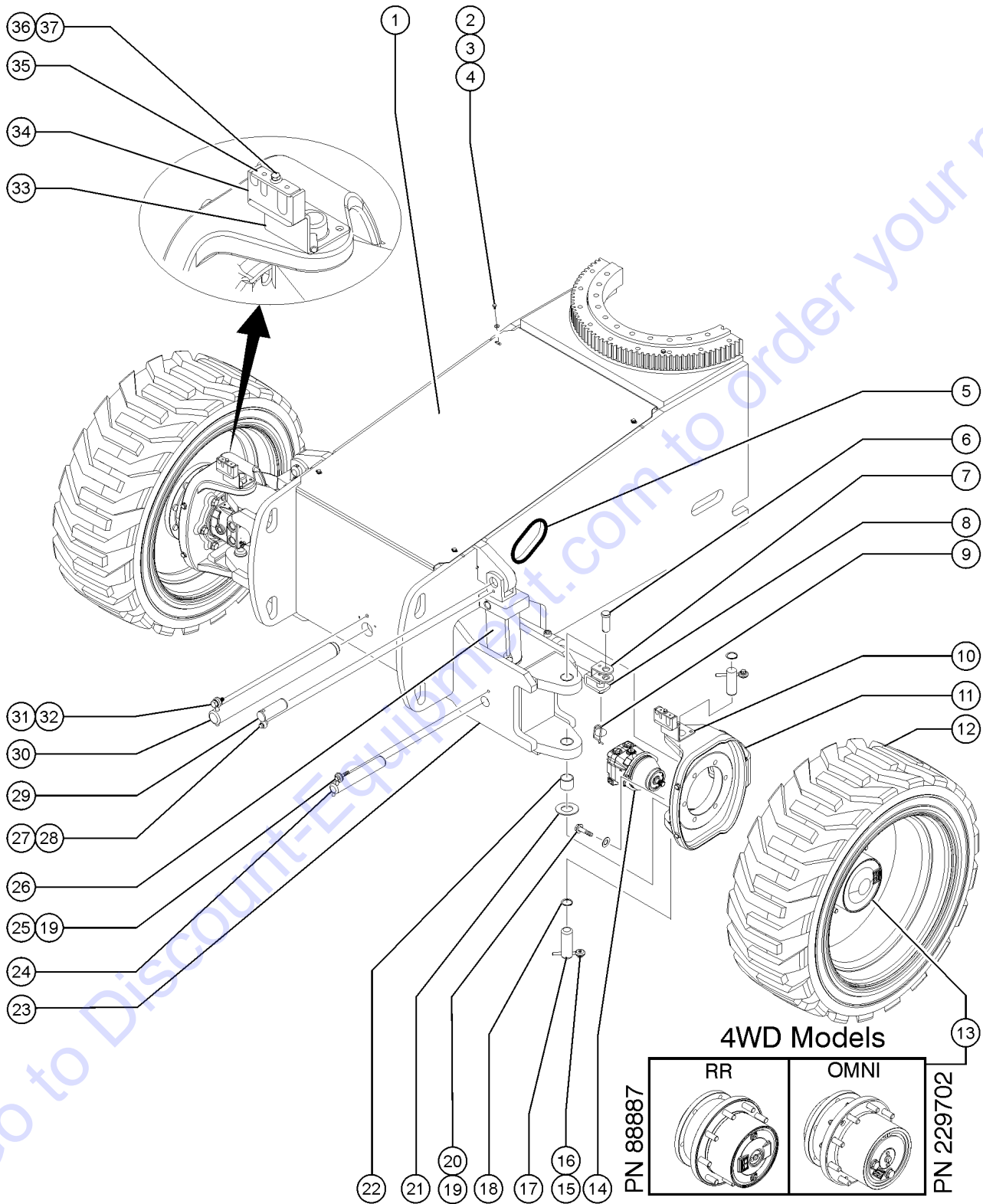
108.1 Symbol, Platform, ANSI and CE



108.1 Symbol, Platform, ANSI and CE

Item	Part No.	Description	Qty.
1	28174GT	DECAL, POWER TO PLATFORM 230V**1 (europe except UK)	1
2	28235GT	DECAL,POWER TO PLATFORM 115V...1 (Us and UK)	1
3	33550GT	TAPE,WARNING,BLK/YEL, 50*** (CE models) sold in a 50' roll, apply at base of platform toeboard	1
4	40434GT	DECAL,LANYARD ANCHORAGE POINT.....8	8
5	44981GT	DECAL,LABEL, AIR LINE 110 PSI.....1 Option, airline to platform	1
6	82487GT	DECAL, SYMBOL - READ THE MANUAL.....1	1
7	97815GT	DECAL,LABEL,LOWER MIDRAIL.....1	1
8	114473GT	DECAL,DANGER,TIPOVER,TILT,SYM....1	1
9	133067GT	DECAL,DANGER,ELEC.HAZ.STAY CLR.....1	1
10	133387GT	DECAL,DRIVE ENABLE PATCH.....1	1
11	147575GT	DECAL, PLAT CNTL PNL 60X 80X.....1 (S-60X, ANSI)	1
12	147601GT	DECAL, PLAT CNTL PNL 60TX.....1 (S-60 Trax, ANSI)	1
13	147602GT	DECAL, PLAT CNTL PNL 60XC.....1 (S-60XC, ANSI)	1
14	147603GT	DECAL, PLAT CNTL PNL.....1 "(S-60, S-65, S-60 Trax and S-65 Trax, CE) (S-65 and S-65 Trax, ANSI)"	1
15	219953GT	DECAL,TIP-OVER HAZARD,ANSI.....1 (S-65 and S-65 Trax, ANSI)	1
16	219954GT	DECAL,TIP-OVER HAZARD,CE.....1 (S-65 and S-65 Trax, CE)	1
17	219956GT	DECAL,PLATFORM OVERLOAD.....1 CE Only	1
18	219958GT	DECAL,TIP-OVER,CRUSH.....1	1
19	1256425GT	DECAL, DANGER, ELECTROCUTION HAZARD, SYMBOL.....1 Option, Welder	1
20	1261414GT	DECAL,INST PLAT CAP 60X,SYM.....1 (S-60X, ANSI)	1
21	1261415GT	DECAL,INST PLAT CAP 60XC,SYM.....1 (S-60XC, ANSI)	1
22	1261416GT	DECAL,INST PLAT CAP 60TX,SYM.....1 (S-60 Trax, ANSI)	1
23	1262343GT	DECAL,SYM,SLOPE RATING,S60.....1	1
24	219160GT	DECAL, INSTRUCTION, OPS.....1 Option	1
25	T112773GT	TAPE, PROTECTIVE MASK.....2	2

201.1 Steer End



201.1 Steer End

Item	Part No.	Description	Qty.	Item	Part No.	Description	Qty.
1	1255703GT	COVER,DRIVE CHASSIS.....1 <i>decals not included, refer to section 100</i>	1	12E	106647GT	TIRE & WHEEL ASSY,RH,FOAM,NM.....2 <i>RT, Foam-filled, Non-marking, right (S-60,S-65,S-60X,S-60XC; overall diameter: 37 inches)</i>	2
2	824059GT	SCREW,HHC,1/4-20X.75,8,ZAG		12E	106648GT	TIRE & WHEEL ASSY,LH,FOAM,NM.....2 <i>RT, Foam-filled, Non-marking, left (S-60,S-65,S-60X,S-60XC; overall diameter: 37 inches)</i>	2
3	824113GT	WASHER,FLAT,USS,1/4,ZAG		12F	110727GT	TIRE/WHEEL ASSY,LP RT W/SEALAN.....2 <i>RT, Air-filled, with sealant, left (S-60,S-65,S-60X)</i>	2
4	56912GT	SPRING CLIP,1/4-20,.025-.15X.54,ZAG		12F	110728GT	TIRE/WHEEL ASSY,LP RT W/SEALAN.....2 <i>RT, Air-filled, with sealant, right (S-60,S-65,S-60X)</i>	2
5	53386GT	GUARD, HOSE PROTECTOR.....1	1	12G	110730GT	TIRE/WHEEL ASSY,LP NM W/SEALAN.....2 <i>RT, Air-filled, Non-marking, with sealant, right (S-60,S-65,S-60X)</i>	2
6	824127GT	PIN,CLEVIS,1.0X2.41,SAE,ZAG.....4	4	12G	110731GT	TIRE/WHEEL ASSY,LP NM W/SEALAN.....2 <i>RT, Air-filled, Non-marking, with sealant, left (S-60,S-65,S-60X)</i>	2
7	59460GT	CYLINDER,STEERING***.....2	2	12H	110733GT	TIRE/WHEEL ASSY,HF W/SEALANT.....4 <i>Turf, Air-filled, with sealant (S-60,S-65,S-60X)</i>	4
--	89294GT	SEAL KIT CYLINDER (59460).....1	1	12J	228768GT	TIRE/WH ASSY,RH,FF,REPNEU***.....2 <i>RT, Foam-filled, oil based (S-60,S-65,S-60X,S-60XC)</i>	2
8	1255710GT	WELDMENT, TIE ROD.....1	1	12J	228769GT	TIRE/WH ASSY,LH,FF,REPNEU***.....2 <i>RT, Foam-filled, oil based (S-60,S-65,S-60X,S-60XC)</i>	2
9	824129GT	RUE RING,1.0,ZAG.....4	4	12K	227816GT	TIRE & WHEEL ASSY,RH,FOAM,NM.....2 <i>RT, Foam-filled, oil based (S-60,S-65,S-60X)</i>	2
10	1255705GT	BRACKET,HOSE ROUTING,AXLE LH....1	1	12K	227817GT	TIRE & WHEEL ASSY,LH,FOAM,NM.....2 <i>RT, Foam-filled, oil based (S-60,S-65,S-60X)</i>	2
11A	1270346GT	YOKE ASSY BLK W/BEARINGS,RH.....1 <i>includes bearing</i>	1	13A	229702GT	WHEEL DRIVE 57.5:1 4WD.....2	2
--	25817GT	BEARING,1.00IDX1.25ODX1.00L		--	1260084GT	END CAP, WHEEL DRIVE for 229702	
11B	1270347GT	YOKE ASSY BLK W/BEARINGS,LH.....1 <i>includes bearing</i>	1	--	139965GT	WHEEL STUD,5/8-18,OMNI*** for 229702	
--	25817GT	BEARING,1.00IDX1.25ODX1.00L.....2-2	2-2	--	139966GT	ROD,DISCONNECT,OMNI*** for 229702	
12A	88729GT	TIRE & WHEEL ASSY,AIR,RH***.....2 <i>RT, Air-filled, right (S-60,S-65,S-60X)</i>	2	--	139967GT	CAP,DISENGAGE,OMNI*** for 229702	
12A	88730GT	TIRE & WHEEL ASSY,AIR,LH.....2 <i>RT, Air-filled, left (S-60,S-65,S-60X)</i>	2	--	139968GT	O-RING,END COVER,OMNI*** for 229702	
--	88727GT	WHEEL, 24.5X11.75, 9 X 9 BCD for 88730 & 88729		--	139969GT	LINING KIT,BRAKE,OMNI*** for 229702	
--	88728GT	TIRE,355/55D625 for 88730 & 88729		--	139970GT	SEAL KIT,BRAKE,OMNI*** for 229702	
12B	77790GT	TIRE & WHEEL ASSY RH,FF.....2 <i>RT, Foam-filled, right (S-60,S-65,S-60X,S-60XC; overall diameter: 37 inches)</i>	2				
12B	77791GT	TIRE & WHEEL ASSY,LH FF***.....2 <i>RT, Foam-filled, left (S-60,S-65,S-60X,S-60XC; overall diameter: 37 inches)</i>	2				
12C	94332GT	TIRE & WHEEL ASSY,TURF SPEC***....4 <i>Turf, Air-filled (S-60,S-65,S-60X)</i>	4				
--	81164GT	TIRE,41/18LL X 22.5,14PR,TURF* for 94332					
--	94333GT	WHEEL,22.5X14.00*** for 94332					
12D	94534GT	WHEEL & TIRE ASSY,RH,NM AIR.....2 <i>RT, Air-filled, Non-marking, right (S-60,S-65,S-60X)</i>	2				
12D	94535GT	WHEEL & TIRE ASSY,LH NM AIR.....2 <i>RT, Air-filled, Non-marking, left (S-60,S-65,S-60X)</i>	2				
--	88727GT	WHEEL, 24.5X11.75, 9 X 9 BCD for 94534 & 94535					
--	94536GT	TIRE,355/55D625,14 PLY,NM for 94534 & 94535					

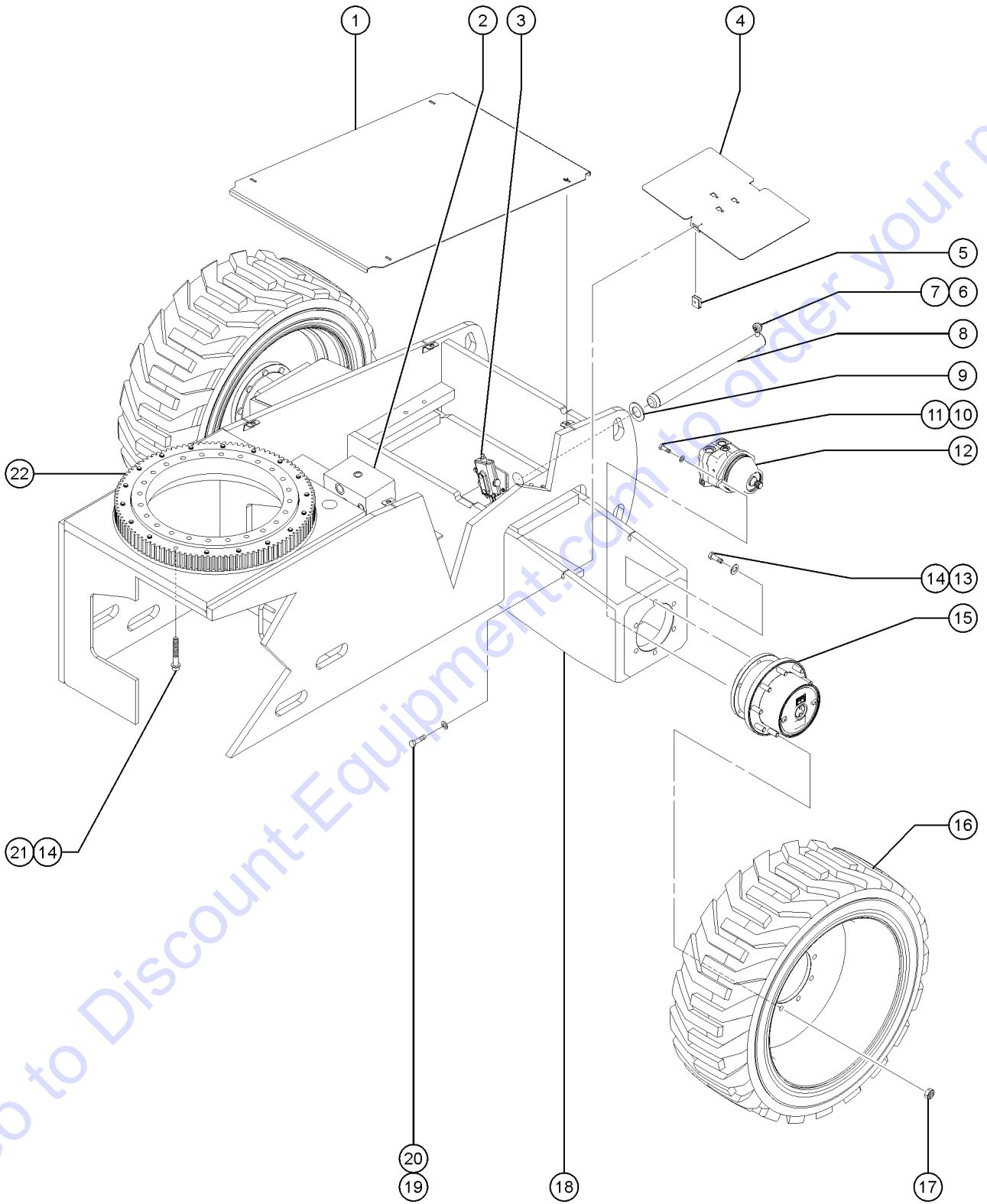
201.1 Steer End
(continued)

Item	Part No.	Description	Qty.	Item	Part No.	Description	Qty.
--	139971GT	BEARING KIT,OMNI*** <i>for 229702</i>		25	825674GT	SCREW, HHC, 5/16-18X2,8,ZAG	
--	139972GT	SEAL KIT,GEARBOX,OMNI*** <i>for 229702</i>		26	110578GT	CYLINDER,OSCILLATE,S60.....2	
--	147033GT	O-RING,PIPE PLUG KIT,OMNI*** <i>for 229702</i>		--	101255GT	SEAL KIT (89675)	
--	147034GT	PIPE PLUG KIT,OMNI*** <i>for 229702</i>		--	33428GT	VALVE,COUNTERBALANCE	
13B	229817GT	WHEEL DRIVE 56:1.....1 <i>(Trax)</i>	1	27	824089GT	SCREW,HHF,3/8-16X.75,8,ZAG	
--	102131GT	DISCONNECT KIT (88887) <i>for 102162</i>		28	1255452GT	ROD END,.375 X 2.25,ZAG	
--	102162GT	LUG,STUD/WHEEL (88887) <i>for 102162</i>		29	94221GT	PIN,1.50DIA X3.75LG,1HOLE.....2	
--	102516GT	RING,RETAINING,INTERNAL <i>for 102162</i>		30	77610GT	PIN,2.00DIA X23.13LG,CHAMFER.....1	
--	215340GT	LOCKRING, RR*** <i>for 102162</i>		31	1256267GT	ROD END,.5 X 3.75,ZAG	
--	215642GT	BRAKE KIT (88886)*** <i>for 102162</i>		32	1253498GT	SCREW,HHF,1/2-13X1.5,8,ZAG	
--	229818GT	SEAL KIT, DRIVE HUB <i>for 102162</i>		33	1255704GT	BRACKET,HOSE ROUTING,AXLE RH...1	
--	229931GT	SEAL,LIP <i>for 102162</i>		34	106516GT	CLAMP,HOSE,2X4,1X6,2X8***2	
14	88884GT	MOTOR,PISTON,30CC,4WD***2 <i>4WD models</i>	2	35	1255706GT	CLAMP TOP,HOSE ROUTING***2	
--	102155GT	BEARING,BALL DRIVE SHAFT <i>for 88884</i>		36	824095GT	SCREW,HHF,3/8-16X3,8,ZAG	
--	102158GT	O-RING,.103 X 4.737,VITON, 75D <i>for 88884</i>		37	824029GT	NUT,TL FLG,3/8-16,G,ZAG	
--	102159GT	SHAFT,15 TOOTH <i>for 88884</i>					
--	106098GT	SEAL KIT,MOTOR,LC/KC*** <i>for 88884</i>					
--	27067GT	SEAL,SHAFT-SUNDSTRAND*** <i>for 88884</i>					
--	72290GT	SNAP RING(M46 UNITS)* <i>for 88884</i>					
15	825019GT	ROD END,.375X3.69,ZAG.....2	2				
16	824091GT	SCREW,HHF,3/8-16X1.25,8,ZAG					
17	110221GT	PIN,GROOVE/HOLE,1.50 DIA X4.475.....4	4				
18	825796GT	SNAP RING,EXTERNAL,1.50,ZAG					
19	1255385GT	SCREW,HHC,5/8-11X2.25,8,ZAG.....12	12				
20	1256182GT	WASHER,FLAT,5/8,F436,HRD,ZAG.....12	12				
21	45074GT	WASHER,THRUST,1.5 X 3.5 X .187.....2	2				
22	45071GT	BEARING,1.5IDX1.75ODX1.5L					
23	1270348GT	STEER AXLE ASSY BLACK.....1 <i>includes bearing</i>	1				
--	45071GT	BEARING,1.5IDX1.75ODX1.5L					
24	77880GT	PIN,1.50DIA X9.38LG,1HOLE.....2	2				

This Page Intentionally Left Blank

Go to Discount-Equipment.com to order your parts

202.1 Non-steer End



Go to Discount-Equipment.com to order your parts

202.1 Non-steer End

Item	Part No.	Description	Qty.	Item	Part No.	Description	Qty.
1A	77624PGT	COVER,DRIVE CHASSIS.....1 <i>decals not included, refer to section 100, to SN S6015A-30299</i>	1	--	72290GT	SNAP RING(M46 UNITS)* <i>for 88885</i>	
1B	1255703GT	COVER,DRIVE CHASSIS.....1 <i>decals not included, refer to section 100, from SN S6015A-30300</i>	1	13	1255385GT	SCREW,HHC,5/8-11X2.25,8,ZAG	
2		Ref. Traction Manifold <i>(refer to 402.1 & 403.1)</i>		14	1256182GT	WASHER,FLAT,5/8,F436,HRD,ZAG	
3		Ref. Oscillate Valve <i>(refer to 203.1)</i>		15A	229702GT	WHEEL DRIVE 57.5:1 4WD.....2 <i>TYPE: OMNI. 4WD Models Visually identify which hub before ordering parts. ID tag is on end cover cap. Internal components are different for each type.</i>	2
4A	77623PGT	COVER,REAR AXLE.....2 <i>to SN S6015A-30299</i>	2	--	1260084GT	END CAP, WHEEL DRIVE <i>for 229702</i>	
4B	1255711GT	COVER,REAR AXLE.....2 <i>from SN S6015A-30300</i>	2	--	139965GT	WHEEL STUD,5/8-18,OMNI*** <i>for 229702</i>	
5	56912GT	SPRING CLIP,1/4-20,.025-.15X.54,ZAG		--	139966GT	ROD,DISCONNECT,OMNI*** <i>for 229702</i>	
6	1256267GT	ROD END,.5 X 3.75,ZAG		--	139967GT	CAP,DISENGAGE,OMNI*** <i>for 229702</i>	
7	1253498GT	SCREW,HHC,1/2-13X1.5,8,ZAG		--	139968GT	O-RING,END COVER,OMNI*** <i>for 229702</i>	
8	77950GT	PIN,2.00DIA X20.88LG,CHAMFER		--	139969GT	LINING KIT,BRAKE,OMNI*** <i>for 229702</i>	
9	1256864GT	WASHER,FLAT,2.01X3.5X.06,ZAG		--	139970GT	SEAL KIT,BRAKE,OMNI*** <i>for 229702</i>	
10	824072GT	SCREW,HHC,7/16-14X1.25,ZAG.....4	4	--	139971GT	BEARING KIT,OMNI*** <i>for 229702</i>	
11	1257078GT	WASHER, .469 X .768 HRD, ZAG.....4	4	--	139972GT	SEAL KIT,GEARBOX,OMNI*** <i>for 229702</i>	
12A	88884GT	MOTOR,PISTON,30CC,4WD*** <i>models</i>		--	147033GT	O-RING,PIPE PLUG KIT,OMNI*** <i>for 229702</i>	
--	102155GT	BEARING,BALL DRIVE SHAFT <i>for 88884</i>		--	147034GT	PIPE PLUG KIT,OMNI*** <i>for 229702</i>	
--	102158GT	O-RING,.103 X 4.737,VITON, 75D <i>for 88884</i>		15B	88887GT	WHEEL DRIVE 56:1 2WD.....2 <i>2WD models; not shown</i>	2
--	102159GT	SHAFT,15 TOOTH <i>for 88884</i>		--	102126GT	SEAL KIT,DRIVE HUB (88887) <i>for 88887</i>	
--	106098GT	SEAL KIT,MOTOR,LC/KC*** <i>for 88884</i>		--	102131GT	DISCONNECT KIT (88887) <i>for 88887</i>	
--	27067GT	SEAL,SHAFT-SUNDSTRAND*** <i>for 88884</i>		--	102162GT	LUG,STUD/WHEEL (88887) <i>for 88887</i>	
--	72290GT	SNAP RING(M46 UNITS)* <i>for 88884</i>		--	102163GT	RING,RETAINING*** <i>for 88887</i>	
12B	88885GT	MOTOR,PISTON,35CC,2WD***2 <i>2WD models, not shown</i>	2	--	102167GT	SHAFT,INPUT DRIVE HUB <i>for 88887</i>	
--	102155GT	BEARING,BALL DRIVE SHAFT <i>for 88885</i>		--	102516GT	RING,RETAINING,INTERNAL <i>for 88887</i>	
--	102158GT	O-RING,.103 X 4.737,VITON, 75D <i>for 88885</i>		--	1274613GT	HUB SCREW <i>for 88887</i>	
--	102159GT	SHAFT,15 TOOTH <i>for 88885</i>		--	215340GT	LOCKRING, RR*** <i>for 88887</i>	
--	106098GT	SEAL KIT,MOTOR,LC/KC*** <i>for 88885</i>		--	215642GT	BRAKE KIT (88886)*** <i>for 88887</i>	
--	106117GT	O-RING,2-010,VITON <i>for 88885 (Mating O-ring for Brake Port)(Extremely small)</i>					
--	27067GT	SEAL,SHAFT-SUNDSTRAND*** <i>for 88885</i>					

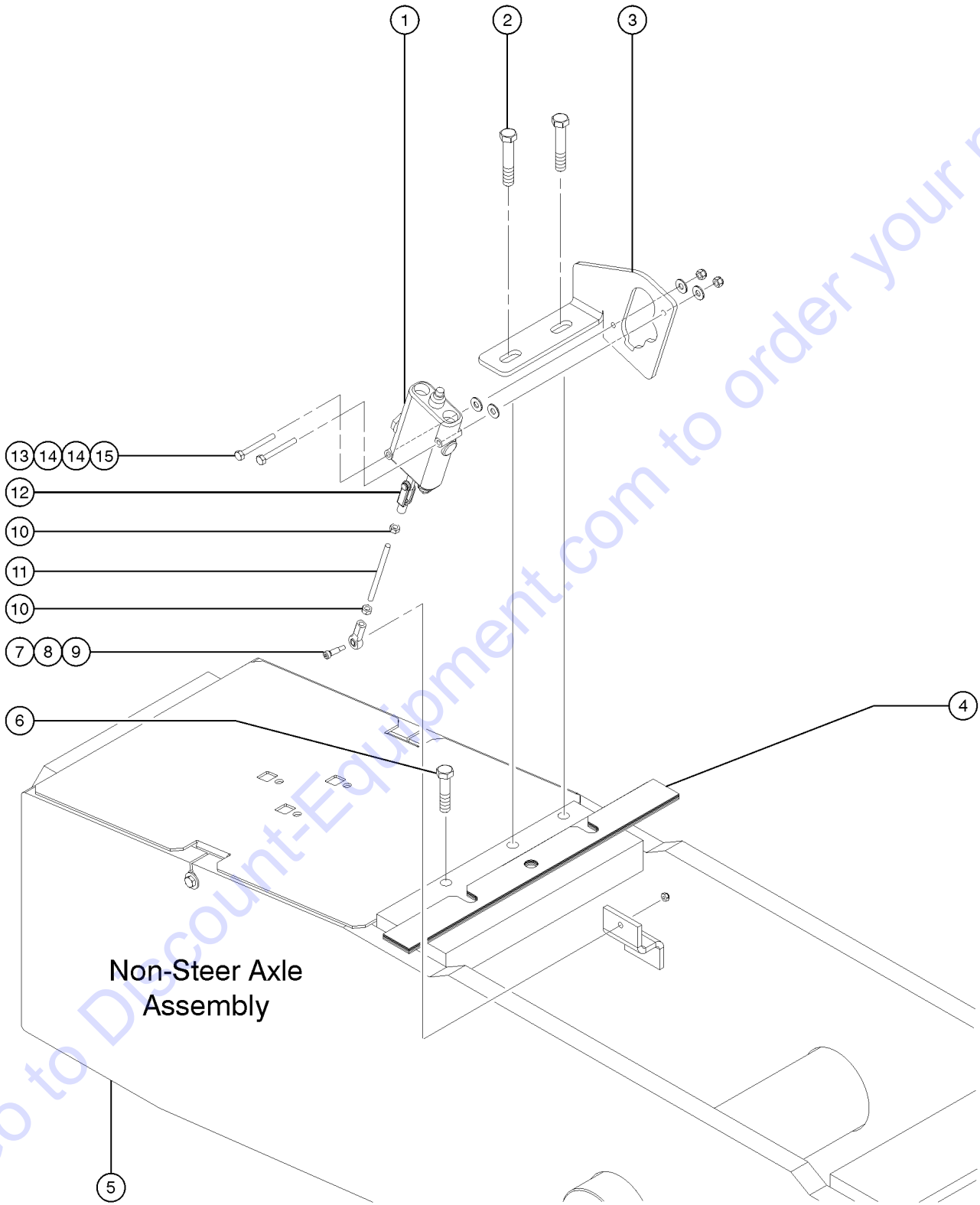
202.1 Non-steer End
 (continued)

Item	Part No.	Description	Qty.
15C	229817GT	WHEEL DRIVE 56:1.....2 <i>(trax models)</i>	
--	102131GT	DISCONNECT KIT (88887) <i>(trax models)</i>	
--	102157GT	O-RING,.070 X .239,VITON 75D <i>(trax models)</i>	
--	102158GT	O-RING,.103 X 4.737,VITON, 75D <i>(trax models)</i>	
--	102162GT	LUG,STUD/WHEEL (88887) <i>(trax models)</i>	
--	102166GT	VALVE,CHECK,30 PSI <i>(trax models)</i>	
--	102167GT	SHAFT,INPUT DRIVE HUB <i>(trax models)</i>	
--	102516GT	RING,RETAINING,INTERNAL <i>(trax models)</i>	
--	106098GT	SEAL KIT,MOTOR,LC/KC*** <i>(trax models)</i>	
--	215340GT	LOCKRING, RR*** <i>(trax models)</i>	
--	215642GT	BRAKE KIT (88886)*** <i>(trax models)</i>	
--	229818GT	SEAL KIT, DRIVE HUB <i>(trax models)</i>	
--	229931GT	SEAL,LIP <i>(trax models)</i>	
--	27067GT	SEAL,SHAFT-SUNDSTRAND*** <i>(trax models)</i>	
--	77674GT	NUT,HEX,FLANGE 5/8-18,GRD 8 ZI <i>(trax models)</i>	
--	88884GT	MOTOR,PISTON,30CC,4WD*** <i>(trax models)</i>	
16		REF. WHEEL AND TIRE ASSEMBLY <i>refer to 201.1</i>	
17	77674GT	NUT,HEX,FLANGE 5/8-18,GRD 8 ZI.....18	
18	1270349GT	NON-STEER AXLE ASSY BLACK.....1 <i>includes bearing</i>	
--	42014GT	BEARING,2.00IDX2.25ODX2.00L	
19	824063GT	SCREW,HHC,1/4-20X1.75,8,ZAG	
20	824113GT	WASHER,FLAT,USS,1/4,ZAG	
21	1256170GT	SCREW,HHC,5/8-11X4,8,ZAG.....18	
22	63468GT	BEARING,TURNTABLE ROTATION	

This Page Intentionally Left Blank

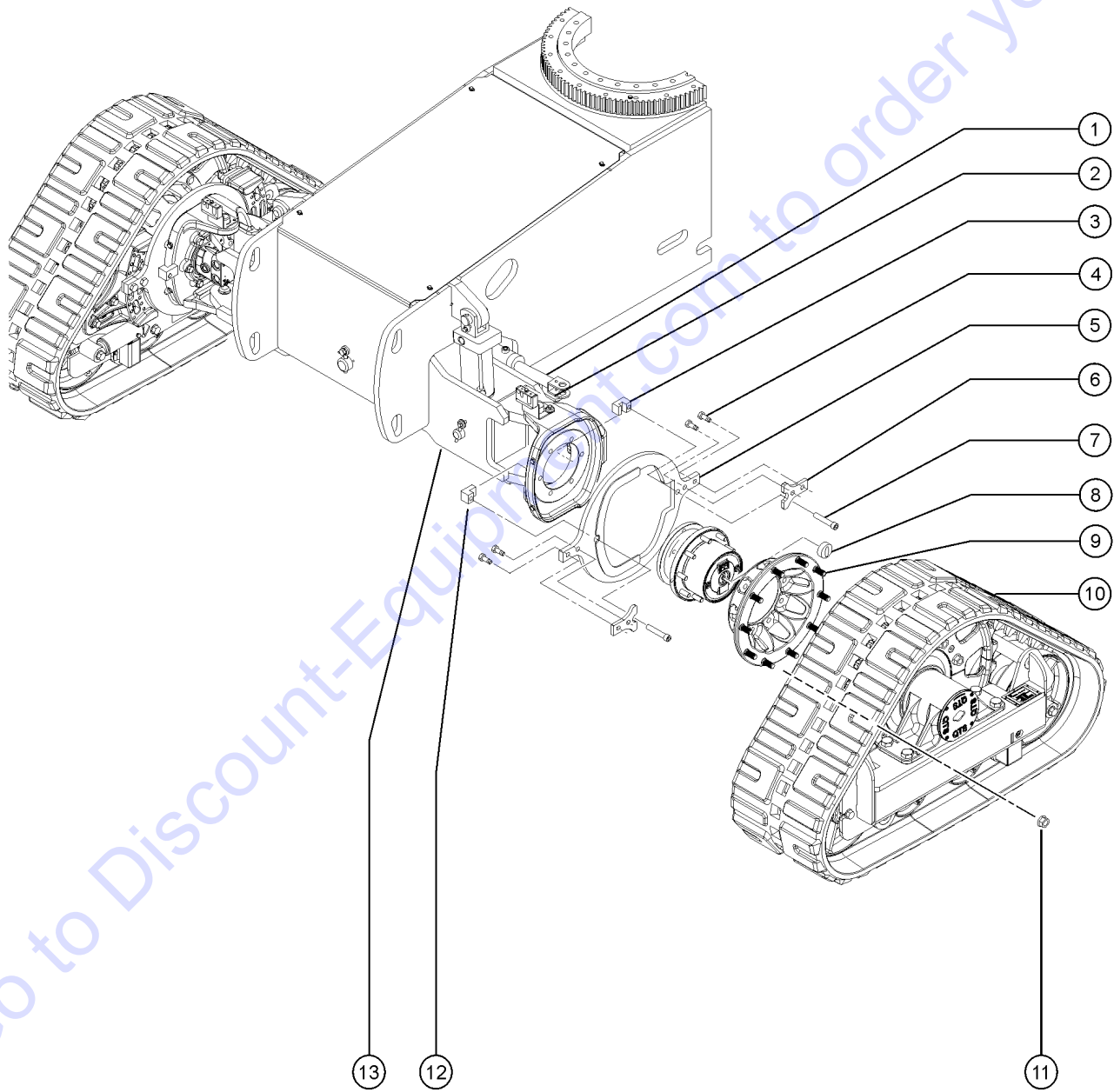
Go to Discount-Equipment.com to order your parts

203.1 Oscillate Valve



Item	Part No.	Description	Qty.
1	81552GT	VALVE,MANUAL,W/RELIEF VALVE***.....1	
--	32681GT	SEAL KIT,CONTROL VALVE for 81552	
2	1257862GT	SCREW,HHF,1/2-13X2.75,8,ZAG.....2	
3	1255712GT	BRACKET, OSCILLATE VALVE.....1	
4	81609GT	SHIM,AXLE ROTATION STOP,22G.....2	
5		REF: Non-Steer Axle.....1 refer to 202.1 or 205.1 for TraX models	
6	1255802GT	SCREW,HHF,1/2-13X2.5,8,ZAG.....1	
7	1257076GT	BOLT,SHS,1/4-28X4,ZAG.....1	
8	81691GT	ROD END,BALL JOINT 1/4-28.....1	
9	1256467GT	NUT,TL FLG,10-24,F,ZAG.....1	
10	824041GT	NUT,1/4-28,8,ZAG.....2	
11	1257077GT	ROD,THREADED,1/4-28X4,ZAG.....1	
12	21130GT	CLEVIS YOKE-1/4-28,PLTD W/PIN.....1	
13	824064GT	SCREW,HHC,1/4-20X2.25,8,ZAG.....2	
14	824113GT	WASHER,FLAT,USS,1/4,ZAG.....4	
15	824027GT	NUT,TL FLG,1/4-20,G,ZAG.....2	

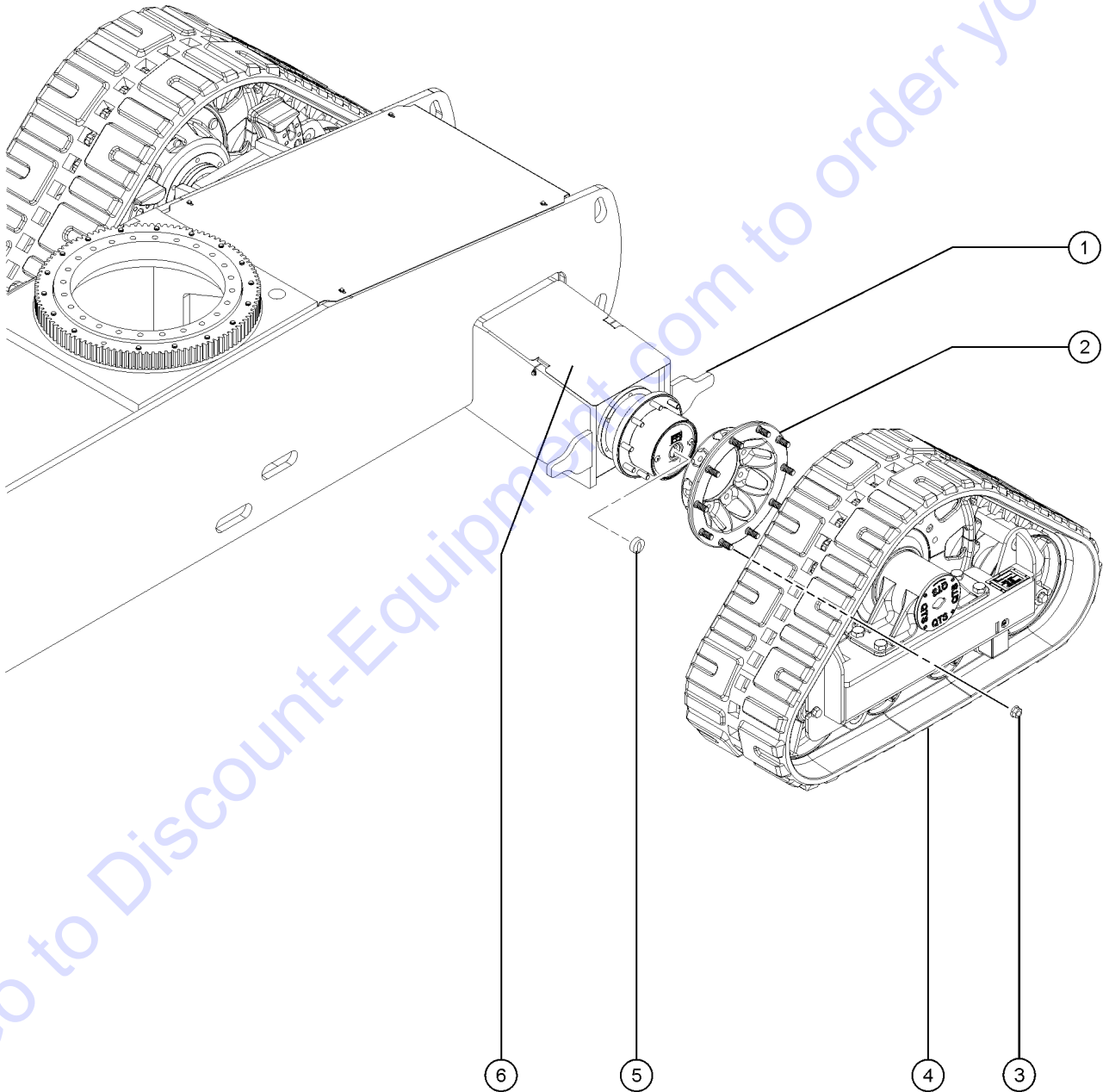
204.1 TraX Option Steer End



204.1 TraX Option Steer End

Item	Part No.	Description	Qty.
1	125865GT	CYLINDER, STEER.....	1
--	89294GT	SEAL KIT CYLINDER (59460)	
2	1255715GT	WELDMENT, TIE ROD.....	1
3	139122GT	MACH. MOUNTING BLOCK.....	1
4	94439GT	SCREW,HHC,3/4-10 X 1.5.....	4
5A	139000GT	ROTATIONAL LIMITER FRONT RIGHT.....	1
5B	139001GT	ROTATIONAL LIMITER FRONT LEFT.....	1
6	139121GT	PLATE, HAMMER SHIM 1/2.....	2
7	1284569GT	SCREW,SHC,5/8-11X1.50,GR5,PLN.....	2
8	139179GT	SEAL,TRAX HUBS.....	1
9	139002GT	SPACER.....	2
--	139140GT	STUD, 3/4-16 UNF X 2-1/2 LG for 139002	
10A	139120GT	ASSEMBLY, TRAX UNIT, RIGHT..... <i>refer to 206.1 for TRAX System service components</i>	1
10B	147149GT	ASSEMBLY, TRAX UNIT, LEFT..... <i>refer to 206.1 for TRAX System service components</i>	1
11	1257865GT	NUT,TL FLG,3/4-16,G,ZAG.....	10
12	139125GT	MACH. MOUNTING BLOCK.....	1
13	1270350GT	STEER AXLE ASSY BLK,TRAX..... <i>includes bearing</i>	1
--	45071GT	BEARING,1.5IDX1.75ODX1.5L	

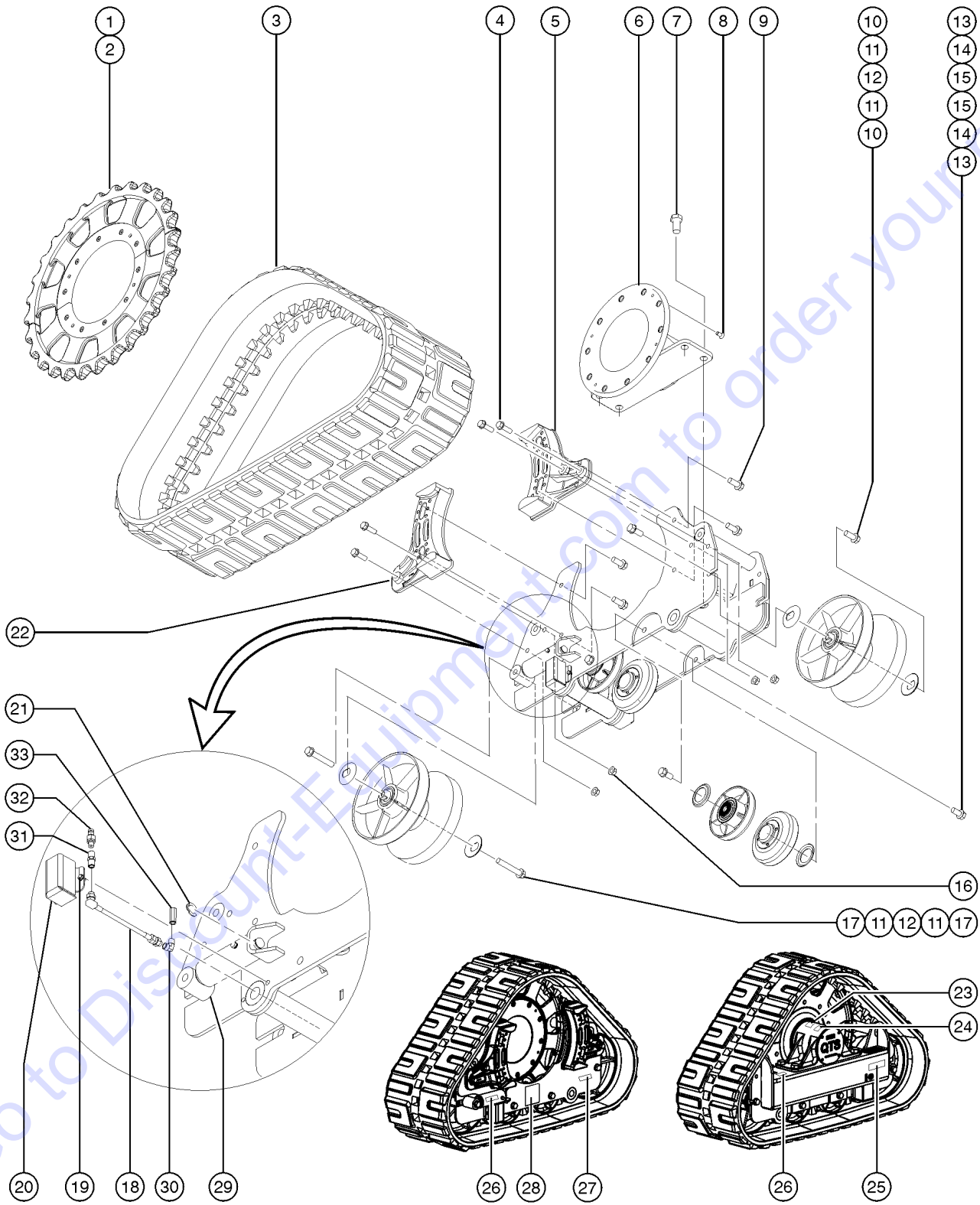
205.1 TraX Option Non-steer End



Item	Part No.	Description	Qty.
1	1270351GT	NON-STEER AXLE ASSY BLK,TRAX <i>includes bearings</i>	
--	42014GT	BEARING,2.00IDX2.25ODX2.00L	
2	139002GT	SPACER.....	2
--	139140GT	STUD, 3/4-16 UNF X 2-1/2 LG <i>for 139002</i>	
3	1257865GT	NUT,TL FLG,3/4-16,G,ZAG.....	10
4A		Ref. TRAX UNIT, RIGHT..... <i>refer to 206.1</i>	1
4B		Ref. TRAX UNIT, LEFT..... <i>refer to 206.1</i>	1
5	139179GT	SEAL,TRAX HUBS.....	2
6	1255714GT	COVER, REAR AXLE	

Go to Discount-Equipment.com to order your parts

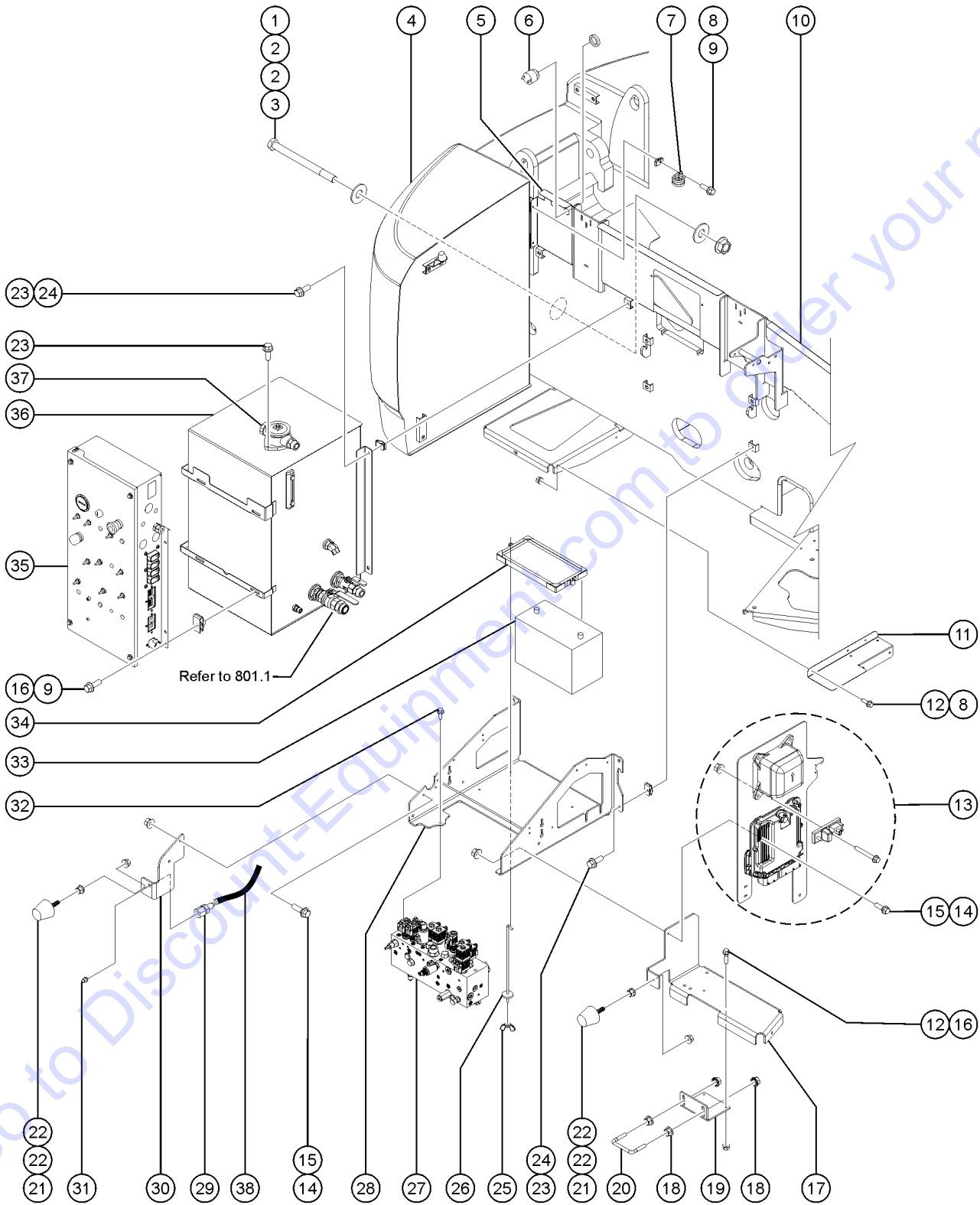
206.1 TraX Option Components



206.1 TraX Option Components

Item	Part No.	Description	Qty.	Item	Part No.	Description	Qty.
A	139262GT	KIT,TRAX,9-BOLT,S60 W/RR HUBS		26	226943GT	DECAL,CAUTION,READ INST.....1	1
--	139179GT	SEAL,TRAX HUBS		27	226945GT	DECAL,WARN,CRUSH HAZ.....1	1
B	217979GT	KIT,TRAX,9-BOLT,S60 W/OMNI HUB		28A	226941GT	DECAL,LABEL,ASSY INSTALL,R.....1	1
--	139179GT	SEAL,TRAX HUBS		28B	226942GT	DECAL,LABEL,ASSY INSTALL,I	1
C	139000GT	ROTATIONAL LIMITER FRONT RIGHT		29	215423GT	TENSIONER, TRAX	
D	139001GT	ROTATIONAL LIMITER FRONT LEFT		30	1261392GT	ELBOW,90,1/4-18NPT,FEMALE	
E	147155GT	ROTATIONAL LIMITER REAR		31	1261390GT	COUPLING - 1/4 NPT	
1	128922GT	SPROCKET, MACH. HALF RIGHT.....1	1	32	1261389GT	NIPPLE,STEEL PIPE,1/4NPTX1 LG	
2	128923GT	SPROCKET, MACH. HALF LEFT.....1	1	33	1261391GT	NIPPLE,STEEL PIPE,1/4NPTX2.5LG	
3	128926GT	TRACK, RUBBER.....1	1				
4	111155GT	SCREW,FLANGE,HHC,5/8-11X2,GR8....4	4				
5	128925GT	CAST, LIMITER STOP BRKT R.....1	1				
6	128928GT	HUB ASSEMBLY.....1	1				
--	1287812GT	SEAL,RUBBER BRAKE RELEASE,RUBBER TRACK (139120)					
--	1287813GT	O-RING,RUBBER TRACK (139120)					
7	128913GT	BOLT,HHC,1-14X2.0"GR8 PLT.....4	4				
8	128914GT	SCREW, FHSC, 1/2-13X1.00.....4	4				
9	128912GT	BOLT,FLANGE,5/8-11X1.5"GR8 PLT.....4	4				
10	128910GT	BOLT,FLANGE,3/4-10X1.75GR8 PLT.....2	2				
11	128920GT	COVER, DUST.....4	4				
12	128917GT	END BOGEY.....2	2				
13	128909GT	BOLT,FLANGE,3/4-10X1.5"GR8 PLT.....4	4				
14	128921GT	GUARD, SEAL.....4	4				
15	128918GT	SPLIT BOGEY.....4	4				
--	215424GT	BEARING, SPL BOGEY (128918) <i>for 128918</i>					
--	215425GT	SEAL, BEARING (128918) <i>for 215424</i>					
--	215426GT	SHAFT, RAISED BOSS (128918) <i>internal shaft with raised boss on end</i>					
--	215427GT	SHAFT, KNURLED (128918) <i>internal shaft with knurled end</i>					
16	128916GT	LOCKNUT,FLANGE,5/8-11,GR8.....4	4				
17	128911GT	BOLT,FLANGE,3/4-10X4.5"GR8 PLT.....2	2				
18	128927GT	HYD. HOSE ASSEMBLY 3000 PSI.....1	1				
19	128955GT	BOLT,FLANGE,5/16-18X.50 GR5.....4	4				
20A	1261393GT	ASSEMBLY, OUTSIDE HOSE GUARD <i>shown for reference only</i>					
20B	1261394GT	ASSEMBLY, INSIDE HOSE GUARD					
21	128919GT	SNAP RING.....2	2				
22	128924GT	CAST, LIMITER STOP BRKT L.....1	1				
23	226940GT	DECAL,LABEL,TORQUE.....1	1				
24	226944GT	DECAL,WARN,AVOID INJURY.....1	1				
25	226946GT	DECAL,WARN,HIGH PRESS.....1	1				

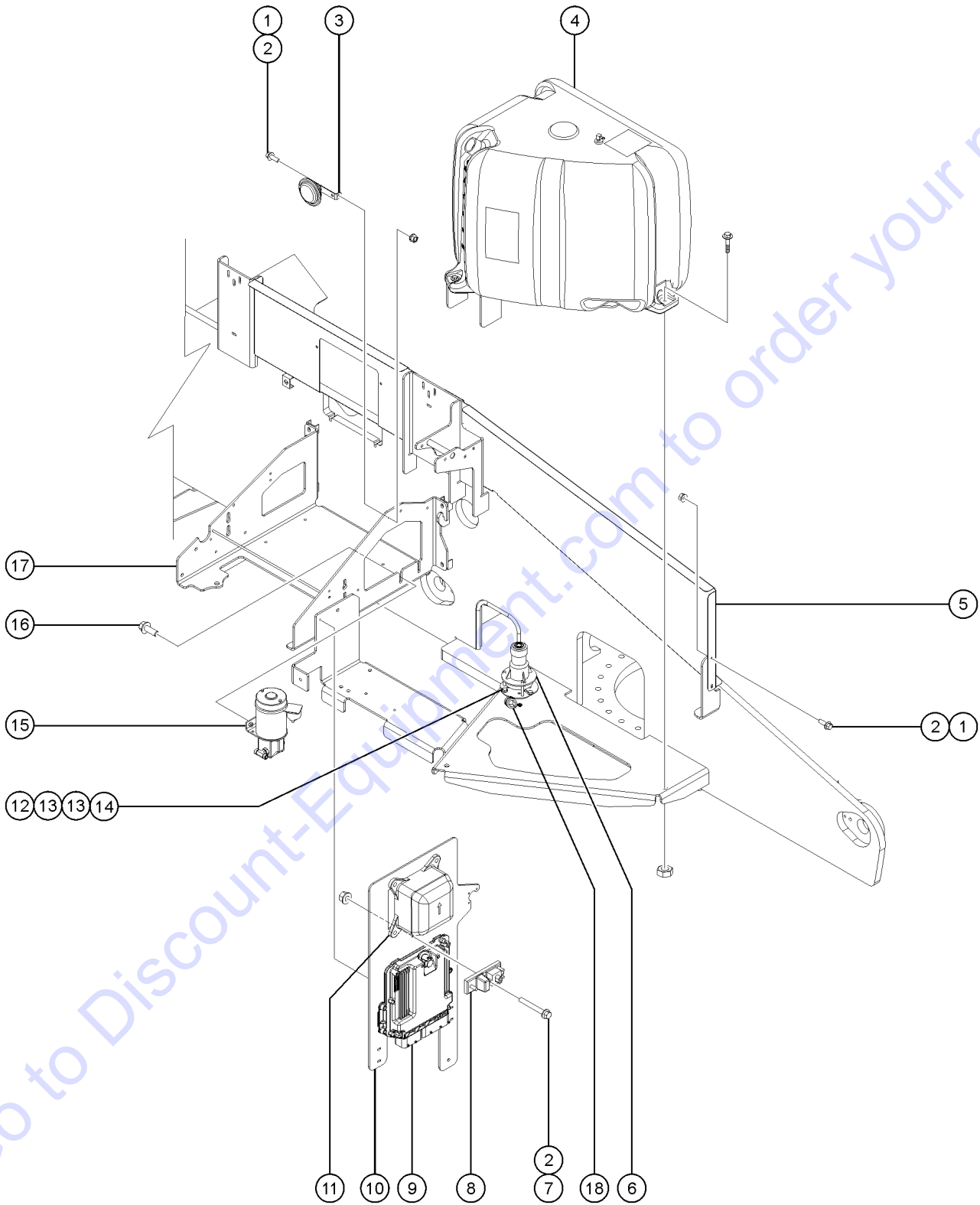
301.1 Tank Side - View 1



301.1 Tank Side - View 1

Item	Part No.	Description	Qty.	Item	Part No.	Description	Qty.
1	1255389GT	SCREW,HHC,1-8X12,5,ZAG.....	1	33C	237068GT	SEPARATOR,DUAL BATTERY,100A..... <i>for dual-battery option (not shown)</i>	1
2	1256469GT	WASHER,FLAT,1.0,USS,ZAG.....	2	34	30144GT	BATTERY HOLD DOWN,GROUP 31.....	1
3	824031GT	NUT,TL FLG,1-8,G,ZAG.....	1	35		Ref. Ground Controls..... <i>(refer to 305.1, 306.1, 307.1 or 308.1)</i>	1
4A	1253263GT	COUNTERWEIGHT, S60..... <i>(S-60X, S-60 and S-60 trax)</i>	1	36	1253800GT	ASSY, HYDRAULIC TANK..... <i>includes item 37 with fasteners and fittings</i>	1
4B	1257226GT	COUNTERWEIGHT, S65..... <i>(S-60XC, S-65 and S-65 trax)</i>	1	--	1253799GT	TANK, HYDRAULIC <i>includes sight gauge</i>	
5	1253819GT	FORMING, BULKHEAD, TS FRONT.....	1	--	21141GT	GAUGE-SIGHT,LHA-LGTB***	
6	230392GT	ALARM,DESCENT..... <i>"72326 nut not included, order separately"</i>	1	37A	110345GT	FILTER ASSY,INTANK..... <i>includes item 37B</i>	1
--	72326GT	NUT - PLASTIC,RING FOR ALARMS		--	147223GT	SEAL,FILTER LID	
7	13268GT	CLAMP,0.75,#12 X 1/4,RUB CUSH.....	1	37B	77353GT	KIT,ELEMENT**	
8	824078GT	SCREW,HHF,1/4-20X.75,8,ZAG.....	4	--	77354GT	FILTER LID,RFM165	
9	56912GT	SPRING CLIP,1/4-20,.025-.15X.54,ZAG.....	6	--	77365GT	BREATHER CAP,RFM165	
10		Ref: Bulkhead, Left Rear..... <i>(refer to 302.1)</i>	1	--	88917GT	FILTER,ELEMENT,BETA(10)=200	
11	T107829GT	FORMING,HARNESS SUPPORT,S60/65.....	1	--	94526GT	GASKET,RETURN FILTER-77353	
12	824027GT	NUT,TL FLG,1/4-20,G,ZAG.....	4	38	49189-8638GT	HOSE ASSY,1/4",STR FEM,STR F** <i>(grease hose)</i>	1
13		Ref. ECU, fuse and relay mount bracket..... <i>(refer to 302.1)</i>	1				
14	824091GT	SCREW,HHF,3/8-16X1.25,8,ZAG.....	5				
15	824029GT	NUT,TL FLG,3/8-16,G,ZAG.....	5				
16	824079GT	SCREW,HHF,1/4-20X1,8,ZAG.....	6				
17	1260112GT	FORMING, MOUNT, LATCH.....	1				
18	1261724GT	NUT,SERRATED,1/2-13,8,ZAG.....	4				
19	1260113GT	FORMING, BRACKET, LATCH.....	1				
20	1259855GT	UBOLT, 0.4724 IN D X 4 IN L.....	1				
21	1261277GT	BUMPER, RUBBER, 1.25 X 1.25 IN.....	2				
22	824028GT	NUT,TL FLG,5/16-18,G,ZAG.....	4				
23	824090GT	SCREW,HHF,3/8-16X1,8,ZAG.....	10				
24	29868GT	SPRING CLIP,3/8-16,.05-.20X.73,ZAG....	8				
25	8170GT	NUT,WING,1/4-20.....	2				
26	45708GT	HOOK,BATT HOLD DOWN,10".....	2				
27		Ref. Function Manifold..... <i>(refer to 401.1)</i>	1				
28	1253824GT	WLDMT, BATT/MANIF TRAY, S60/65.....	1				
29	48885GT	CONNECTOR,BULKHEAD,FEMALE-4...1	1				
30	1253825GT	FORMING, BRACKET, COVER STOP....1	1				
31	28646GT	ZERK,GREASE,1/8 NPT.....	1				
32	1255469GT	SCREW,HHF,1/2-13X1.25,8,ZAG.....	2				
33A	30143GT	BATTERY,12V,1000 CCA GRP 31..... <i>models with single battery (shown)</i>	1				
33B	67325GT	BATTERY,12V 1000CCA,5/16STUD W...1 <i>for dual-battery option (not shown)</i>	1				

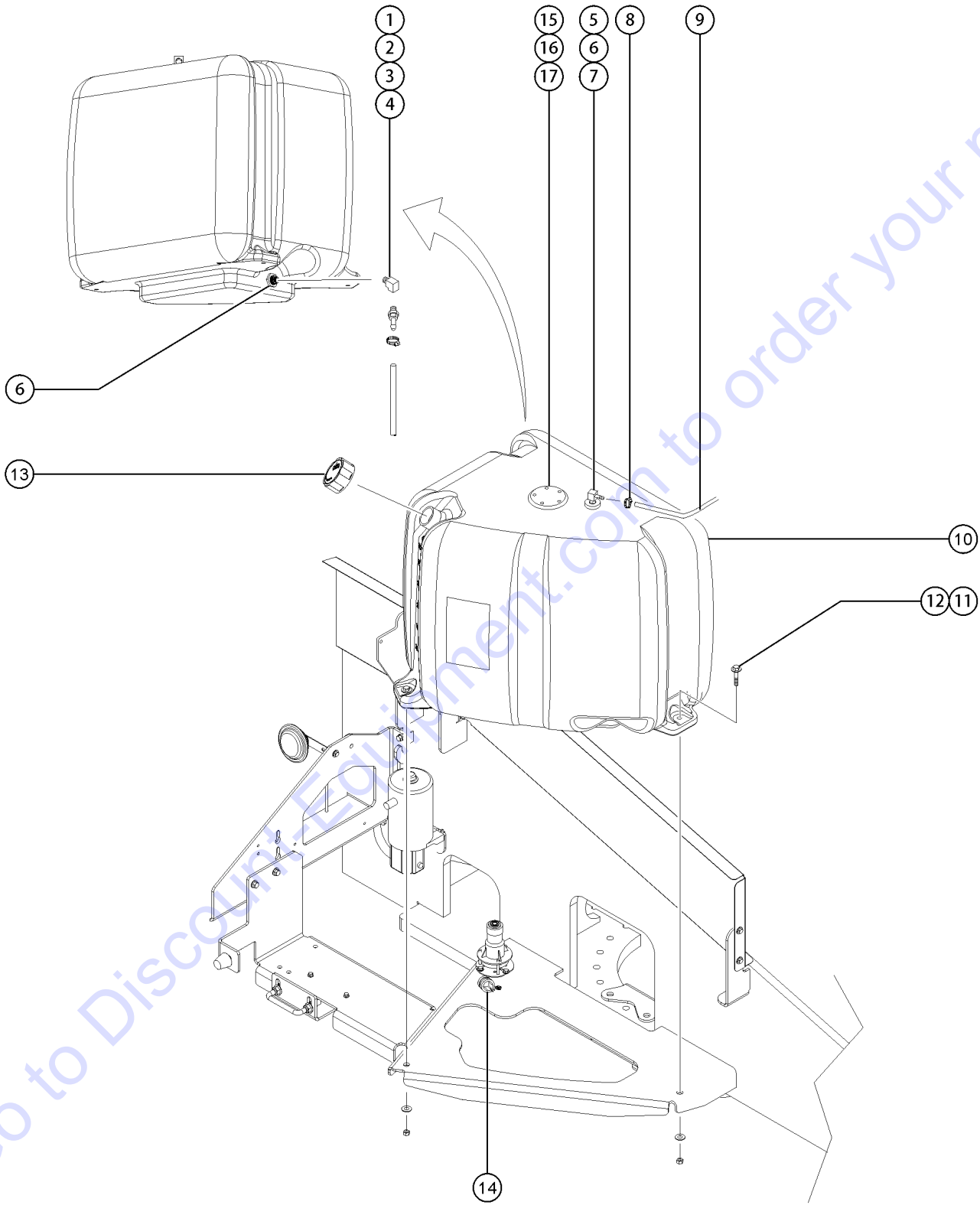
302.1 Tank Side - View 2



302.1 Tank Side - View 2

Item	Part No.	Description	Qty.	Item	Part No.	Description	Qty.
1	824078GT	SCREW,HHF,1/4-20X.75,8,ZAG.....	3	--	1251507GT	FUSE, ATM, 7.5AMP.....	2
2	824027GT	NUT,TL FLG,1/4-20,G,ZAG.....	4	12	8915GT	SCREW,HHC,1/4-20 X 1.25.....	3
3	81578GT	HORN,12VDC,SPADE TERMINALS*** ..	1	13	6638GT	WASHER,FLAT,USS,1/4"Y.....	6
4		Ref: Fuel Tank.....	1	14	6091GT	NUT,NYLOCK,1/4-20.....	3
		(refer to 303.1 or 304.1)		15	89617GT	POWER UNIT,AUX PUMP 12VDC.....	1
5	1253818GT	FORMING, BULKHEAD, TS REAR.....	1	--	147289GT	SEAL KIT, APU	
6A	1261984GT	SENSOR, LEVEL, 4.5 X 4.5 DEG.....	1	--	147290GT	SHAFT SEAL, APU	
		S-65, S-60XC, S-60X, S-60, S-60 TraX and S-65 TraX; ANSI models		--	58489GT	PUMP ASSY,AUX.POWER UNIT 89617	
6B	1263187GT	SENSOR, LEVEL,2.5 X 4.5 DEG.....	1	--	77069GT	MOTOR,12VDC,77066	
		S-65, S-60, S-60 TraX and S-65 TraX; European models		--	77071GT	SOLENOID,77066	
7	1253485GT	SCREW,HHF,1/4-20X2,8,ZAG.....	1	16	824090GT	SCREW,HHF,3/8-16X1,8,ZAG.....	2
8	824023GT	RELAY, POWER & FUSE MODULE.....	1	17		"Ref. WELDMNT,BAT/MANIF TRAY,S60/65".....	1
		models with Deutz D2.9 or Perkins 404F-22 engines				(refer to 301.1)	
--	1251508GT	FUSE, FMX, 60AMP		18	45454GT	CLAMP,RUB CUSH,0.75,#12 X 3/8*	
--	1251509GT	COVER,PRM FUSE SERVICE PART					
9		Ref: ECU.....	1				
		models with Deutz D2.9 or Perkins 404F-22 engines (This part is serialized, contact Discount-equipment with full model and SN of both the unit and engine)					
10A	823074GT	WELDMNT,ECU MOUNT,DEUTZ D2.9.....	1				
		models with Deutz D2.9 engine					
10B	823243GT	WDMT,ECU MOUNT,404F-22.....	1				
		models with Perkins 404F-22 engine					
11A	822781GT	MODULE,FUSE&RELAY,DEUTZ 2.9.....	1				
		models with Deutz D2.9 engine					
--	1251499GT	FUSE, ATM, 15AMP					
--	1251500GT	FUSE, ATM, 20AMP					
--	1251501GT	FUSE, ATM, 30AMP					
--	1251502GT	FUSE, ATM, 10AMP					
--	1251503GT	RELAY, 12V MICRO, 35AMP.....	6				
--	1251504GT	DIODE, 6A 22903-6V					
--	1251505GT	TOOL, FUSE PULLER, ATM					
--	1251510GT	CIRCUIT BREAKER,20AMP MINI					
11B	822793GT	MODULE,FUSE&RELAY,PERKINS 404F.....	1				
		models with Perkins 404F-22 engine					
--	1251499GT	FUSE, ATM, 15AMP.....	4				
--	1251500GT	FUSE, ATM, 20AMP.....	2				
--	1251502GT	FUSE, ATM, 10AMP					
--	1251503GT	RELAY, 12V MICRO, 35AMP.....	6				
--	1251504GT	DIODE, 6A 22903-6V					
--	1251505GT	TOOL, FUSE PULLER, ATM					
--	1251506GT	FUSE, ATM, 5AMP					

303.1 Tank Side - Diesel Fuel Tank Installation



303.1 Tank Side - Diesel Fuel Tank Installation

Item	Part No.	Description	Qty.	Item	Part No.	Description	Qty.
1A	22348GT	ELBOW,130339-6-6.....1 (bottom of tank) Deutz D2011L03i, Deutz D2.9L4, Perkins	1	4E	27089-2000GT	HOSE,5/16 FUEL,SAE 30R7.....1 Perkins 404D engine (20 inches)	1
1B	54124GT	HOSE END,BARB,3/8 MNPT X 5/16 Deutz TD2011L04i	1	4E	27089-9200GT	HOSE,5/16 FUEL,SAE 30R7.....1 Perkins 404D engine (92 inches)	1
2A	54124GT	HOSE END,BARB,3/8 MNPT X 5/16.....1 (bottom of tank) Deutz D2011L03i, Deutz TD2011L04i, Perkins 404-22D, Perkins 404-22F engines	1	4E	35418-13700GT	HOSE,3/16 FUEL,SAE 30R7.....1 Perkins 404D engine (137 inches)	1
2B	824471GT	FITTING,3/8 NPT TO 1/2 BARB (bottom of tank) Deutz D2.9L4 engine	1	4E	53023GT	FITTING,1/4 MPT 5/16 BARB.....1 Perkins 404D engine	1
3	65887GT	CLAMP,HOSE,1 EAR,1/2 (bottom of tank)	1	4E	54205GT	HOSE END,BARB,1/4 MNPTX5/16,90 Perkins 404D engine	1
4A	21465GT	CLAMP,HOSE,.25" - .63" X .3125.....6 Deutz D2011L03i engine	6	4E	54437GT	HOSE END,BARB,1/4 MNPTX5/16,ST....1 Perkins 404D engine	1
4A	27089GT	HOSE,5/16 FUEL,SAE 30R7...116-inches Deutz D2011L03i engine	1	4E	70257GT	CLAMP,3.0,#48 X 1/4,RUB CUSH.....1 Perkins 404D engine	1
4A	30490GT	HOSE,1/4 FUEL LINE,SAE 30R7.....127-inches Deutz D2011L03i engine	1	4E	826590GT	FITTING,3/8 NPT TO 1/4 NPT.....1 Perkins 404D engine	1
4B	21465GT	CLAMP,HOSE,.25" - .63" X .3125.....6 Deutz D2011L04i engine	6	4E	826601GT	FITTING, 3/8 NPT TO 3/16 HOSE.....1 Perkins 404D engine	1
4B	27089GT	HOSE,5/16 FUEL,SAE 30R7...106-inches Deutz D2011L04i engine	1	4E	88313GT	CLAMP,HOSE,1 EAR, 27/64.....1 Perkins 404D engine	1
4B	30490GT	HOSE,1/4 FUEL LINE,SAE 30R7.....68-inches Deutz D2011L04i engine	1	5A	34940GT	HOSE END.375 MPT X .25 HOSE.....1 Deutz D2011L03i, Deutz TD2011L04i engines	1
4B	32339GT	CLAMP,1.75,#28 X 3/8,RUB CUSH*.....1 Deutz D2011L04i engine	1	5B	27901GT	HOSE END,BARBED,RIGID,-6-6.....1 Deutz D2.9L4 engine	1
4C	1259102GT	CONNECTOR,SAE10,QUICK CON,STR.....1 Deutz D2.9L4 engine	1	5C	826590GT	FITTING,3/8 NPT TO 1/4 NPT.....1 Perkins 404-22D engine	1
4C	21465GT	CLAMP,HOSE,.25" - .63" X .3125.....6 Deutz D2.9L4 engine	6	5D	826601GT	FITTING, 3/8 NPT TO 3/16 HOSE.....1 Perkins 404-22F engine	1
4C	31983GT	CLAMP,HOSE,1 EAR, 9/16.....1 Deutz D2.9L4 engine	1	6	823356GT	TUBE,FUEL RETURN,3/8X3/8X23.5.....1 (top of tank)	1
4C	46131GT	CLAMP,HOSE,.63" - 1.0" X .5".....1 Deutz D2.9L4 engine	1	7	54324GT	FITTING,BULKHEAD,3/8NPT,FUELTK....2 (top and bottom of tank)	2
4C	824486GT	HOSE,FUEL,1/2,D2.9,PUMP.....1 Deutz D2.9L4 engine	1	8	21465GT	CLAMP,HOSE,.25" - .63" X .3125 (top of tank)	1
4C	824487GT	HOSE,FUEL,3/8,D2.9,MED PSI.....1 Deutz D2.9L4 engine	1	9	30490GT	HOSE,1/4 FUEL LINE,SAE 30R7.....126-inches fuel return (top of tank)	1
4C	824491GT	HOSE,FUEL,1/2,S60,D2.9,SUPLY.....1 Deutz D2.9L4 engine	1	10A	823396GT	FUEL TANK ASSY,35 GAL PLASTIC.....1 (includes items 6 and 7) (models without fuel sensing capability)	1
4C	824493GT	HOSE,FUEL,S60,D2.9,RTRN.....1 Deutz D2.9L4 engine	1	10B	1274331GT	ASSY,FUEL TANK,35GAL,W/PROP SENSOR.....1 (includes items 6 and 7) (models with fuel sense capability)	1
4D	27089GT	HOSE,5/16 FUEL,SAE 30R7.....64-inches Perkins models (tank to handpump)	1	11	1253478GT	SCREW,HHF,3/8-16X2,8,ZAG	1
4E	21465GT	CLAMP,HOSE,.25" - .63" X .3125.....6 Perkins 404D engine	6	12	824029GT	NUT,TL FLG,3/8-16,G,ZAG	1
4E	27089-1000GT	HOSE,5/16 FUEL,SAE 30R7.....1 Perkins 404D engine (10 inches)	1	13	101726GT	CAP,FUEL,DIESEL,1/8"VENT(GRN).....1	1
				14	45454GT	CLAMP,RUB CUSH,0.75,#12 X 3/8*	1
				15	1251757GT	SCREW,PHPM,10-32X.50,ZAG.....5 (models with fuel sense capability)	5

PARTS FINDER

**Search Website
by Part Number**



**Search Manual
Library For Parts
Manual & Lookup Part
Numbers – Purchase
or Request Quote**

Search Manuals

Enter your information to help us find the right parts manual for your machine.

* Brand:

* Model:

* Serial:

* Part Number:

SEARCH

**Can't Find Part or
Manual? Request Help
by Manufacturer,
Model & Description**

Parts Order Form

Please fill in the following information to help us find the right part for your machine.

Manufacturer:	<input type="text"/>
Model:	<input type="text"/>
Description:	<input type="text"/>
Part Number:	<input type="text"/>
Quantity:	<input type="text"/>
Notes:	<input type="text"/>

Submit

Discount-Equipment.com is your online resource for quality parts & equipment.

Florida: **561-964-4949** Outside Florida TOLL FREE: **877-690-3101**

Need parts?

Click on this link: <http://www.discount-equipment.com/category/5443-parts/> and choose one of the options to help get the right parts and equipment you are looking for. Please have the machine model and serial number available in order to help us get you the correct parts. If you don't find the part on the website or on one of the online manuals, please fill out the request form and one of our experienced staff members will get back to you with a quote for the right part that your machine needs.

We sell worldwide for the brands: Genie, Terex, JLG, MultiQuip, Mikasa, Essick, Whiteman, Mayco, Toro Stone, Diamond Products, Generac Magnum, Airman, Haulotte, Barreto, Power Blanket, Nifty Lift, Atlas Copco, Chicago Pneumatic, Allmand, Miller Curber, Skyjack, Lull, Skytrak, Tsurumi, Husquvarna Target, Stow, Wacker, Sakai, Mi-T-M, Sullair, Basic, Dynapac, MBW, Weber, Bartell, Bennar Newman, Haulotte, Ditch Runner, Menegotti, Morrison, Contec, Buddy, Crown, Edco, Wyco, Bomag, Laymor, EZ Trench, Bil-Jax, F.S. Curtis, Gehl Pavers, Heli, Honda, ICS/PowerGrit, IHI, Partner, Imer, Clipper, MMD, Koshin, Rice, CH&E, General Equipment, Amida, Coleman, NAC, Gradall, Square Shooter, Kent, Stanley, Tamco, Toku, Hatz, Kohler, Robin, Wisconsin, Northrock, Oztec, Toker TK, Rol-Air, APT, Wylie, Ingersoll Rand / Doosan, Innovatech, Con X, Ammann, Mecalac, Makinex, Smith Surface Prep, Small Line, Wanco, Yanmar

303.1 Tank Side - Diesel Fuel Tank Installation
(continued)

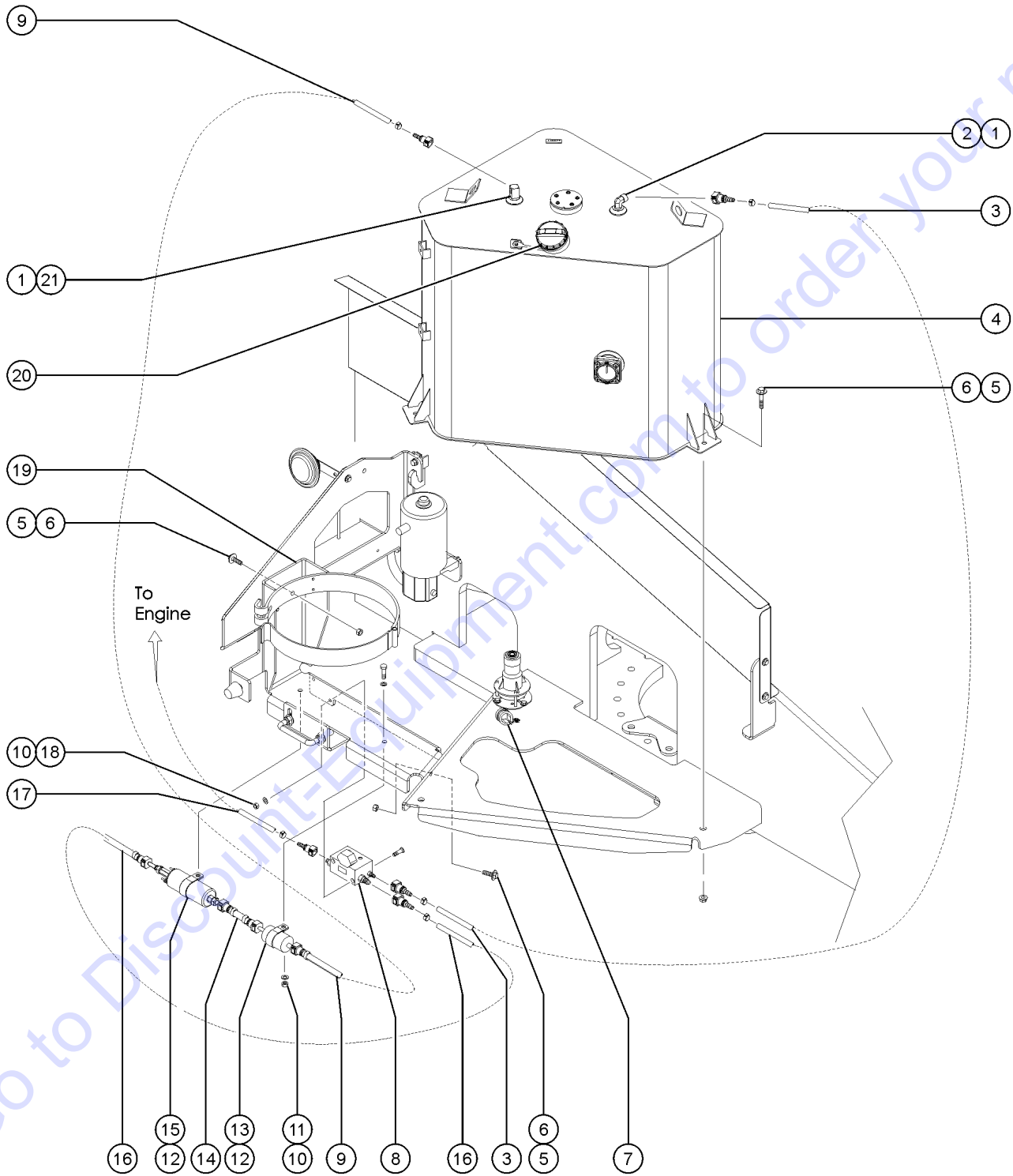
Item	Part No.	Description	Qty.
16	1271772GT	CAP, TANK, FUEL SENSOR <i>(models with fuel sense capability)</i>	
17	1271773GT	GASKET, TANK, FUEL SENSOR <i>(models with fuel sense capability)</i>	

Go to Discount-Equipment.com to order your parts

This Page Intentionally Left Blank

Go to Discount-Equipment.com to order your parts

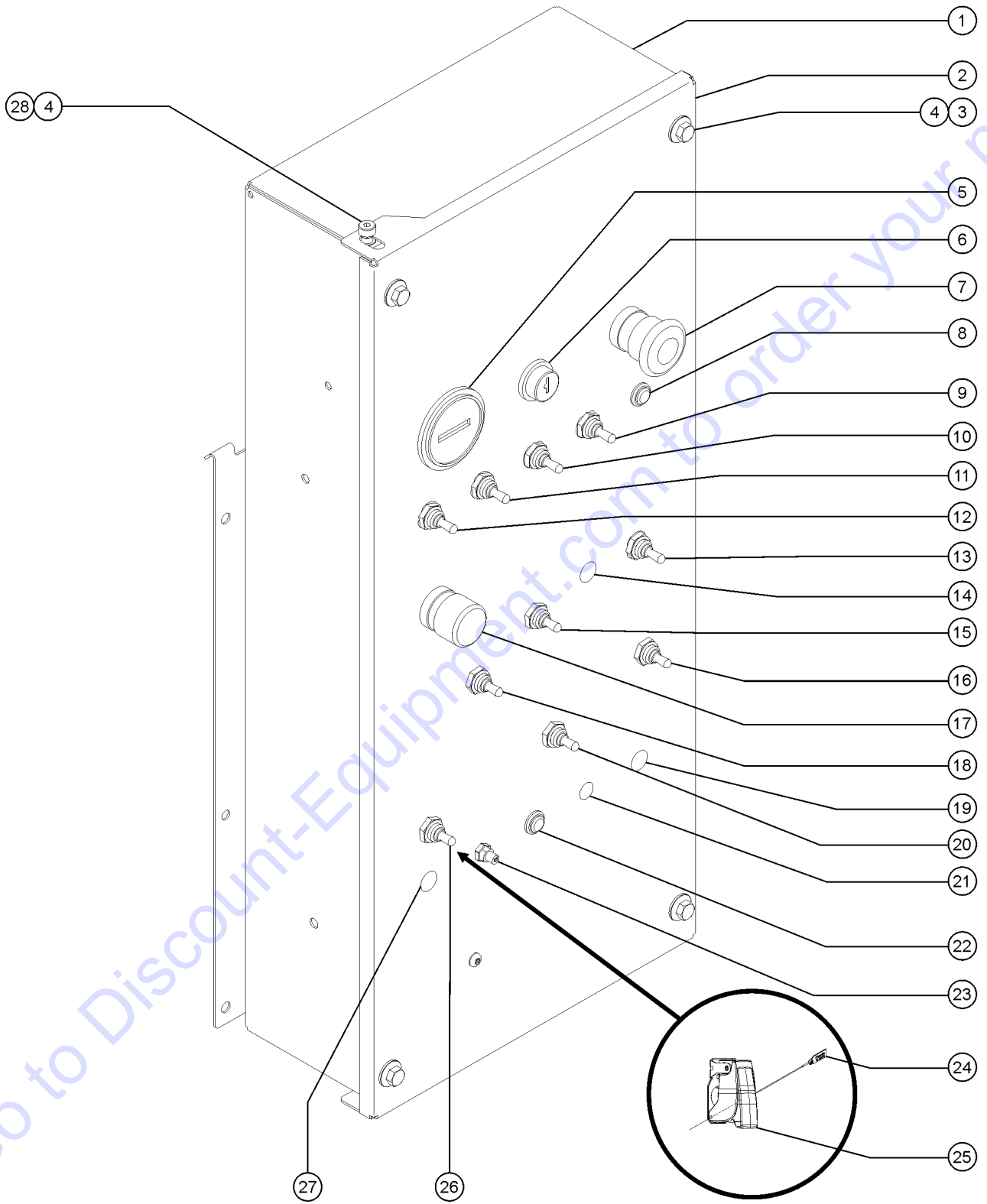
304.1 Tank Side - Gasoline Fuel Tank Installation



304.1 Tank Side - Gasoline Fuel Tank Installation

Item	Part No.	Description	Qty.
1	111818GT	FITTING,1/4 NPT X SAE J2044.....	2
2	128081GT	ELBOW,90D,1/4FPTX3/8MPT.....	1
3	236912GT	HOSE,FUEL,5/16HIGH PRS 60 IN.....	1
--	111819GT	FITTING,SAE J2044F X5/16 BARB.....	2
--	65887GT	CLAMP,HOSE,1 EAR,1/2.....	2
--	71909GT	HOSE,FUEL,5/16 HIGH PRESSURE**.....	60-inches
4	146415GT	TANK ASSY, GAS, 30 GAL.....	1
--	1257224GT	SCREW,FHS,3/8-16X2,F835,ZAG	
--	146413GT	GAUGE, FUEL LEVEL, 20/30 GAL.....	1
--	146551GT	GASKET, FUEL LEVEL SENDER, Z80...	1
--	146552GT	PLATE, COVER, FUEL LEVEL SNDR.....	1
5	824090GT	SCREW,HHF,3/8-16X1,8,ZAG	
6	824029GT	NUT,TL FLG,3/8-16,G,ZAG	
7	45454GT	CLAMP,RUB CUSH,0.75,#12 X 3/8*	
8	119170GT	FUEL SENSOR ASSY.....	1
9	236911GT	HOSE,FUEL,5/16HIGH PRS 40 IN.....	1
--	111819GT	FITTING,SAE J2044F X5/16 BARB.....	2
--	65887GT	CLAMP,HOSE,1 EAR,1/2.....	2
--	71909GT	HOSE,FUEL,5/16 HIGH PRESSURE**.....	40-inches
10	824027GT	NUT,TL FLG,1/4-20,G,ZAG	
11	824080GT	SCREW,HHF,1/4-20X1.25,8,ZAG	
12	27497GT	CLAMP,RUBBER CUSHIONED-2 5/32....	2
13	1272019GT	FILTER, FUEL.....	1
14	229203GT	HOSE,FUEL,5/16 HIGH PRES 3 IN.....	1
--	111819GT	FITTING,SAE J2044F X5/16 BARB.....	2
--	65887GT	CLAMP,HOSE,1 EAR,1/2.....	2
--	71909GT	HOSE,FUEL,5/16 HIGH PRESSURE**.....	3-inches
15	119168GT	FUEL PUMP,DSG-423 AND MSG-425....	1
16	229202GT	HOSE,FUEL,5/16 HIGH PRES 35 IN....	1
--	111819GT	FITTING,SAE J2044F X5/16 BARB.....	2
--	65887GT	CLAMP,HOSE,1 EAR,1/2.....	2
--	71909GT	HOSE,FUEL,5/16 HIGH PRESSURE**.....	35-inches
17	229201GT	HOSE,FUEL,5/16HIGH PRES 127 IN....	1
--	111819GT	FITTING,SAE J2044F X5/16 BARB.....	2
--	65887GT	CLAMP,HOSE,1 EAR,1/2.....	2
--	71909GT	HOSE,FUEL,5/16 HIGH PRESSURE**.....	127-inches
18	1253485GT	SCREW,HHF,1/4-20X2,8,ZAG	
19	77679GT	WELDMENT,LP MOUNT.....	1
20	119918GT	CAP,FUEL,GASOLINE 3.5PSI.....	1
21	146417GT	ASSY, FUEL PICKUP TUBE.....	1

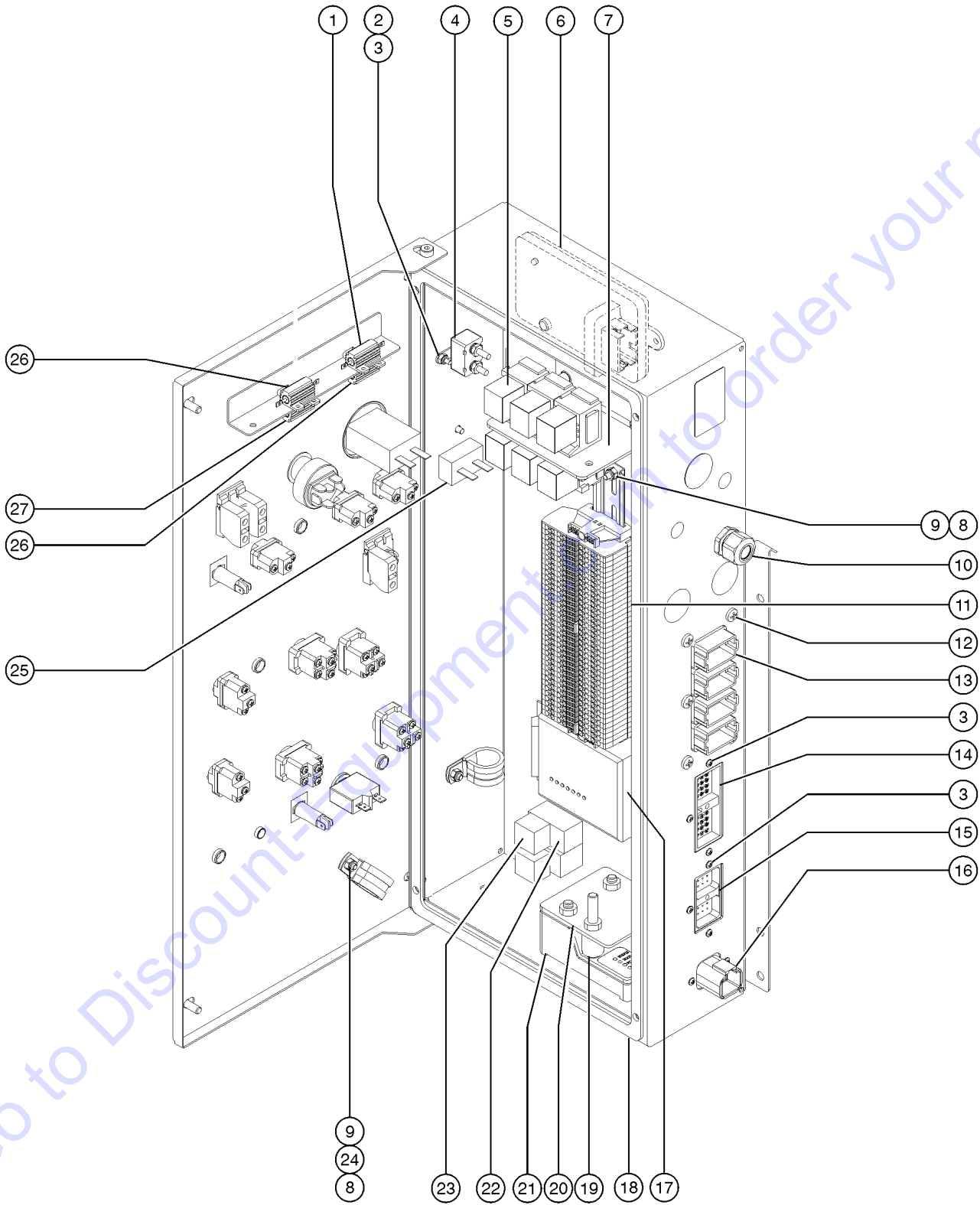
305.1 Ground Control Box, with Hour Meter - View 1, External



305.1 Ground Control Box, with Hour Meter - View 1, External

Item	Part No.	Description	Qty.	Item	Part No.	Description	Qty.
A	T106495GT	ASSY,GROUND CONTROL BOX.....1 <i>included box, lid and gasket (decals not included, refer to section 100)</i>	1	14B	128200GT	SWITCH TOGGLE ASSY SPDT 3P MOM <i>(Jib up/down) (S-65)</i>	1
1	147840GT	WELDMENT, GROUND BOX, S60/65 <i>(decals not included, refer to section 100)</i>	1	15	128202GT	SWITCH TOGGLE ASSY DPDT 3P MOM.....1 <i>(Boom extend/retract)</i>	1
2	T106482GT	WELDMENT, LID, GBOX, S60/65.....1 <i>(decals not included, refer to section 100)</i>	1	16	128202GT	SWITCH TOGGLE ASSY DPDT 3P MOM.....1 <i>(Platform rotate)</i>	1
3	1256855GT	SCREW,HHF,1/4-20X.625,8,ZAG	1	17A	66813GT	BUTTON,PUSH,BLACK W/SEAL***.....1 <i>(Function enable) (models with push button) shown</i>	1
4	T107520GT	NUTSERT,LP KNURLED,1/4-20X.165.....6	6	17B	80716GT	SWITCH,SELECTOR,BLACK <i>(Function enable) (models with selector switch) not shown</i>	1
5	19506GT	HOUR METER,10-80 VOLTS***.....1	1	18	128202GT	SWITCH TOGGLE ASSY DPDT 3P MOM.....1 <i>(Boom up/down)</i>	1
6	96008-SGT	KEYSWITCH,3 POS. W/KEYS***.....1 <i>includes key</i>	1	19	229567GT	PLUG,SANTOPRENE .5 BLACK DOME.....1	1
--	37947GT	KEYS,10 PACK*** <i>sold separately</i>	1	20	128202GT	SWITCH TOGGLE ASSY DPDT 3P MOM.....1 <i>(Turntable rotate)</i>	1
--	83093GT	KEY SINGLE***	1	21	21858GT	PLUG,NYLON .38 BLACK DOMED.....1	1
--	85239GT	NUT,RETAINER (96008)	1	22	824879GT	LIGHT,LED IND. RED 12V NH.....1	1
--	88827GT	GASKET,KEYSWITCH,PLASTIC***	1	23	147094GT	ASSY, CIRCUIT BREAKER 15A.....1 <i>(Controls)</i>	1
--	96010GT	SCREW,PHILLIPS,PHM,8-32 X.25**	1	24	1261566GT	SECURITY TIE,TOGGLE GUARD.....1 <i>CE option</i>	1
7	66812GT	BUTTON,PUSH,RED MUSHROOM HEAD.....1	1	25	1261346GT	TOGGLE SWITCH GUARD,RED.....1 <i>CE option</i>	1
--	58627GT	NUT <i>for 66812</i>	1	26	128201GT	SWITCH TOGGLE ASSY DPDT 2P MOM.....1 <i>(Auxiliary pump)</i>	1
--	73805GT	BASE,W/2 NC CONTACTS***.....1	1	27A	21858GT	PLUG,NYLON .38 BLACK DOMED.....1 <i>ANSI models</i>	1
8A	824879GT	LIGHT,LED IND. RED 12V NH.....1 <i>(Diesel models)</i>	1	27B	824879GT	LIGHT,LED IND. RED 12V NH <i>(Load sense) (Australia and CE models)</i>	1
8B	824882GT	LT.LAMP IND. AMBER 12V ENG.NH.....1 <i>(Gas/LPG models)</i>	1	28	1257410GT	BOLT,SHS,5/16X.375X1/4-20,ZAG	1
9	128204GT	SWITCH TOGGLE ASSY SPDT 2P MNT.....1 <i>(Engine speed select)</i>	1				
10A	128204GT	SWITCH TOGGLE ASSY SPDT 2P MNT.....1 <i>(Gas/LPG select)</i>	1				
10B	229567GT	PLUG,SANTOPRENE .5 BLACK DOME.....1 <i>(Diesel models)</i>	1				
11A	128200GT	SWITCH TOGGLE ASSY SPDT 3P MOM.....1 <i>(Start assist, glow plug) (diesel models)</i>	1				
11B	229567GT	PLUG,SANTOPRENE .5 BLACK DOME.....1	1				
12A	128200GT	SWITCH TOGGLE ASSY SPDT 3P MOM.....1 <i>(Starter)</i>	1				
12B	229567GT	PLUG,SANTOPRENE .5 BLACK DOME.....1	1				
13	128200GT	SWITCH TOGGLE ASSY SPDT 3P MOM.....1 <i>(Platform level)</i>	1				
14A	229567GT	PLUG,SANTOPRENE .5 BLACK DOME.....2 <i>(S-60)</i>	2				

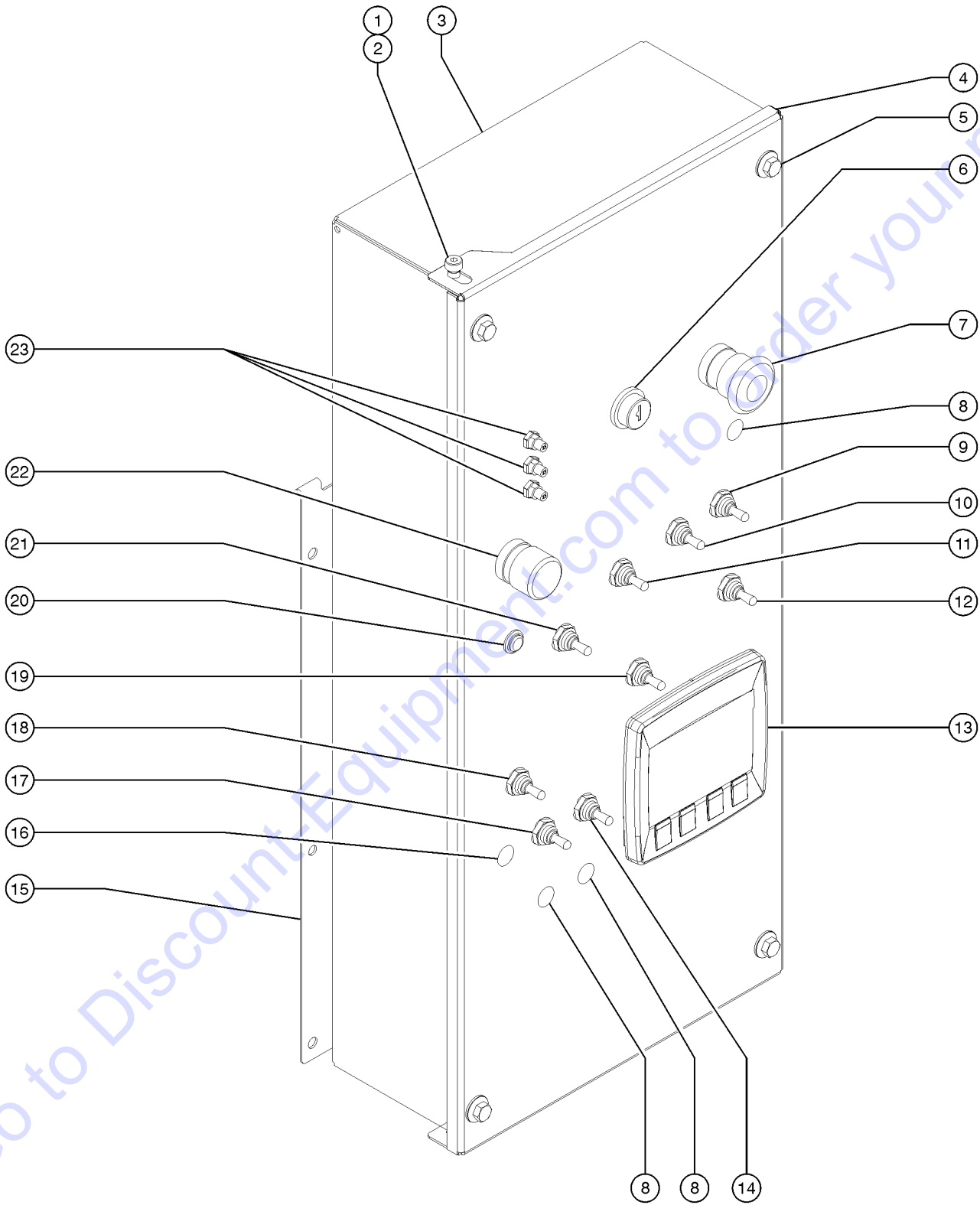
306.1 Ground Control Box, with Hour Meter - View 2, Internal



306.1 Ground Control Box, with Hour Meter - View 2, Internal

Item	Part No.	Description	Qty.	Item	Part No.	Description	Qty.
--	121846GT	RELAY,TIME DELAY,2 SEC,10A <i>models with load sense</i>		--	101995GT	RESISTOR,POT,1K OHM,2-WATT	
--	61225GT	RELAY,12VDC,70AMP,SEALED <i>(glow plug)</i>		20	106140PGT	BRACKET,1K OHM 10-TURN POT,PNT.....1 <i>models with welder option</i>	1
--	77430GT	CAPACITOR,3 MF,50VDC <i>Terminal 41</i>		21	106657GT	MODULE,CONTROL,HI AMP.....1 <i>models with welder option</i>	1
1	40614GT	RESISTOR,5 OHM,25W***.....1	1	22	33608GT	RELAY,SOCKET,OMRON.....2 <i>models with welder option (harness not included)</i>	2
2	824036GT	NUT,TL,10-32,A,ZAG		--	147455GT	HARNESS, OMRON RELAY, CR66 <i>models with welder option (not included, must order separately)</i>	
3	824214GT	SCREW,PHPM,6-32X.5,ZAG		23	33607GT	RELAY,OMRON,DPDT,12V.....2 <i>models with welder option</i>	2
4	128935GT	CIRCUIT BKR 10A TYPE 2 METAL.....1	1	24	18666GT	CLAMP,1.00,#16 X 1/4,RUB CUSH.....2	2
5A	34052GT	RELAY,SPDT,12V(AUTO) PLUG IN**.....6 <i>Diesel models</i>	6	25	106637GT	MODULE,TIME DELAY ON BREAK 4S...1 <i>models with welder option</i>	1
5B	34052GT	RELAY,SPDT,12V(AUTO) PLUG IN**.....4 <i>Gas/LPG models</i>	4	26	89575GT	RESISTOR,7.5 OHM,25 WATT,1PCNT....2	2
--	1251757GT	SCREW,PHPM,10-32X.50,ZAG		27	27287GT	RESISTOR,10 OHM,25 WATT.....1	1
--	34053GT	ASSY,RELAY SOCKET, AUTO <i>individual parts no longer available</i>					
--	824036GT	NUT,TL,10-32,A,ZAG					
6	128045GT	MODULE,LOAD SENSE 2007.....1 <i>CE models only</i>	1				
--	54365GT	SCREW,PHIL,PHM,10-32 X .5,SSTL					
--	6178GT	NUT,NYLOCK,10-32					
7	54534GT	ANGLE,RELAY MNT,W/NUTSERTS,PNT.....1	1				
--	23404GT	NUTSERT,1/4-20,STEEL CAD PLTD					
8	824036GT	NUT,TL,10-32,A,ZAG					
9	1251757GT	SCREW,PHPM,10-32X.50,ZAG					
10	7056GT	CONN,SQUEEZE,1/2NPT .38-.50,SM....1	1				
11	217043GT	ASSY, TERMINAL RAIL.....1	1				
--	217044GT	TERMINAL BLOCK, WIELAND.....43	43				
--	217045GT	TERMINAL BLOCK, END PLATE.....1	1				
--	217046GT	KIT, TERMINAL BLOCK					
--	33422GT	DIN RAIL,17".....1	1				
--	74913GT	END STOP, DIN RAIL,SCREW CLAMP.....2	2				
--	74917GT	JUMPER COMB, 2-WAY,WIELAND.....4	4				
--	74918GT	JUMPER COMB, 3-WAY,WIELAND.....1	1				
12	824226GT	SCREW,PHPSH,#12-11X.75,ZAG					
13	73736GT	CONN,RECEP 48 WAY,4 X 12.....1	1				
14	73754GT	CONN,RECEP 40 WAY,W/FLANGE.....1	1				
15	73753GT	CONN,RECEP 24 WAY,W/FLANGE.....1	1				
16	73717GT	CONN,RECEP 4 WAY,12-14GA FL***.....1	1				
17	56057GT	MODULE,IGNITION/START,12/24V.....1	1				
18	121599GT	GASKET,GBOX,S80/85 2008.....1	1				
19	102357GT	POTENTIOMETER ASSY, WELDER.....1 <i>models with welder option</i>	1				

307.1 Ground Control Box, with LCD Readout Screen - View 1 External



307.1 Ground Control Box, with LCD Readout Screen - View 1 External

Item	Part No.	Description	Qty.	Item	Part No.	Description	Qty.
A	825446GT	GBOX ASSY,PERKINS T4,SGL CAP (models with Perkins, single capacity) decals not included refer to section 100		--	128584-SGT	SWITCH TOGGLE SPDT 2P MNT SHDR	
B	825447GT	GBOX ASSY,PERKINS T4,DUAL CAP (models with Perkins, dual capacity) decals not included refer to section 100		--	27246GT	BOOT,TOGGLE SWITCH,SHORT*	
C	825448GT	GBOX ASSY,DEUTZ T4,SGL CAP (models with Deutz single capacity) decals not included refer to section 100		11	128202GT	SWITCH TOGGLE ASSY DPDT 3P MOM.....1 (Boom extend/retract)	1
D	825449GT	GBOX ASSY,DEUTZ T4,DUAL CAP (models with Deutz dual capacity) decals not included refer to section 100		--	128578GT	SCREW T-SWITCH PH/PH 6-32X1/4	
E	825445GT	GBOX ASSY,COMMON,T4		--	128584-SGT	SWITCH TOGGLE SPDT 2P MNT SHDR	
1	1257410GT	BOLT,SHS,5/16X.375X1/4-20,ZAG.....2		--	27246GT	BOOT,TOGGLE SWITCH,SHORT*	
2	T107520GT	NUTSERT,LP KNURLED,1/4-20X.165.....2		12	128202GT	SWITCH TOGGLE ASSY DPDT 3P MOM.....1 (Platform rotate)	1
3	147840GT	WELDMENT, GROUND BOX, S60/65.....1		--	128578GT	SCREW T-SWITCH PH/PH 6-32X1/4	
4	219722GT	WELDMENT,LID,GBOX.....1 (does not include decal) (refer to section one for decals)		--	128584-SGT	SWITCH TOGGLE SPDT 2P MNT SHDR	
5	1256855GT	SCREW,HHF,1/4-20X.625,8,ZAG.....4		--	27246GT	BOOT,TOGGLE SWITCH,SHORT*	
6	96008-SGT	KEYSWITCH,3 POS. W/KEYS***1		13A	1251984GT	ASSY,DISPLAY,DP200 DEUTZ T4.....1 (Deutz models)	1
--	37947GT	KEYS,10 PACK*** sold separately		--	1252684GT	SCREW,DP200 M3X10 4PACK	
--	83093GT	KEY SINGLE***		--	1252685GT	GASKET,DP200 BLACK PANEL SEAL	
7	66812GT	BUTTON,PUSH,RED MUSHROOM HEAD.....1 (58627 nut included)	1	--	219718GT	BRACKET,DP200 PANEL MOUNT	
--	58627GT	NUT.....1	1	13B	1251985GT	ASSY,DISPLAY,DP200 PERKINS T4 (Perkins models)	
8	229567GT	PLUG,SANTOPRENE .5 BLACK DOME.....1 (S-60, S-65, S-60X, S-60XC, S-60TX, S-65TX models)	1	--	1252684GT	SCREW,DP200 M3X10 4PACK	
8A	229567GT	PLUG,SANTOPRENE .5 BLACK DOME.....1 (S-60, S-65, S-60X, S-60XC, S-60TX, S-65TX models)	1	--	1252685GT	GASKET,DP200 BLACK PANEL SEAL	
8B	824879GT	LIGHT,LED IND. RED 12V NH (S-60HC model)		--	219718GT	BRACKET,DP200 PANEL MOUNT	
9	128200GT	SWITCH TOGGLE ASSY SPDT 3P MOM.....1 (Platform level)	1	14	128200GT	SWITCH TOGGLE ASSY SPDT 3P MOM.....1 (Starter)	1
--	128578GT	SCREW T-SWITCH PH/PH 6-32X1/4		--	128578GT	SCREW T-SWITCH PH/PH 6-32X1/4	
--	128584-SGT	SWITCH TOGGLE SPDT 2P MNT SHDR		--	128584-SGT	SWITCH TOGGLE SPDT 2P MNT SHDR	
--	27246GT	BOOT,TOGGLE SWITCH,SHORT*		--	27246GT	BOOT,TOGGLE SWITCH,SHORT*	
10A	229567GT	PLUG,SANTOPRENE .5 BLACK DOME.....2 (all S-60 models)	2	15A	77667GT	MOUNT,GROUND CONTROL BOX RH.....1	1
10B	128200GT	SWITCH TOGGLE ASSY SPDT 3P MOM.....2 (Jib up/down) (all S-65 models)	2	--	55912GT	PIN, STEER BELLCRANK CLEVIS	
--	128578GT	SCREW T-SWITCH PH/PH 6-32X1/4		--	6090GT	SCREW,HHC,1/4-20 X .75	
				--	6356GT	WASHER,LOCK,.25	
				15B	77641GT	MOUNT,GROUND CONTROL BOX LH.....1	1
				--	55912GT	PIN, STEER BELLCRANK CLEVIS	
				--	6090GT	SCREW,HHC,1/4-20 X .75	
				--	6356GT	WASHER,LOCK,.25	
				16A	21858GT	PLUG,NYLON .38 BLACK DOMED.....1 (ANSI models)	1
				16B	824879GT	LIGHT,LED IND. RED 12V NH (Load sense) (Australia and CE models)	
				17	128204GT	SWITCH TOGGLE ASSY SPDT 2P MNT.....1 (Engine speed select)	1

307.1 Ground Control Box, with LCD Readout Screen - View 1 External
(continued)

Item	Part No.	Description	Qty.
--	128578GT	SCREW T-SWITCH PH/PH 6-32X1/4	
--	128584-SGT	SWITCH TOGGLE SPDT 2P MNT SHDR	
--	27246GT	BOOT,TOGGLE SWITCH,SHORT*	
18	128201GT	SWITCH TOGGLE ASSY DPDT 2P MOM.....1 <i>(Emergency Power)</i>	
--	128578GT	SCREW T-SWITCH PH/PH 6-32X1/4	
--	128584-SGT	SWITCH TOGGLE SPDT 2P MNT SHDR	
--	27246GT	BOOT,TOGGLE SWITCH,SHORT*	
19	128202GT	SWITCH TOGGLE ASSY DPDT 3P MOM.....1 <i>(Turntable rotate)</i>	
--	128578GT	SCREW T-SWITCH PH/PH 6-32X1/4	
--	128584-SGT	SWITCH TOGGLE SPDT 2P MNT SHDR	
--	27246GT	BOOT,TOGGLE SWITCH,SHORT*	
20	21858GT	PLUG,NYLON .38 BLACK DOMED.....1 <i>(Diesel models)</i>	
21	128202GT	SWITCH TOGGLE ASSY DPDT 3P MOM.....1 <i>(Boom up/down)</i>	
--	128578GT	SCREW T-SWITCH PH/PH 6-32X1/4	
--	128584-SGT	SWITCH TOGGLE SPDT 2P MNT SHDR	
--	27246GT	BOOT,TOGGLE SWITCH,SHORT*	
22A	80716GT	SWITCH,SELECTOR,BLACK.....1 <i>(models with dual capacity)</i>	
22B	66813GT	BUTTON,PUSH,BLACK W/SEAL*** <i>(models with single capacity)</i>	
23A	147094GT	ASSY, CIRCUIT BREAKER 15A.....2	
23B	147094GT	ASSY, CIRCUIT BREAKER 15A.....3 <i>(models with worklight or oil cooler option)</i>	

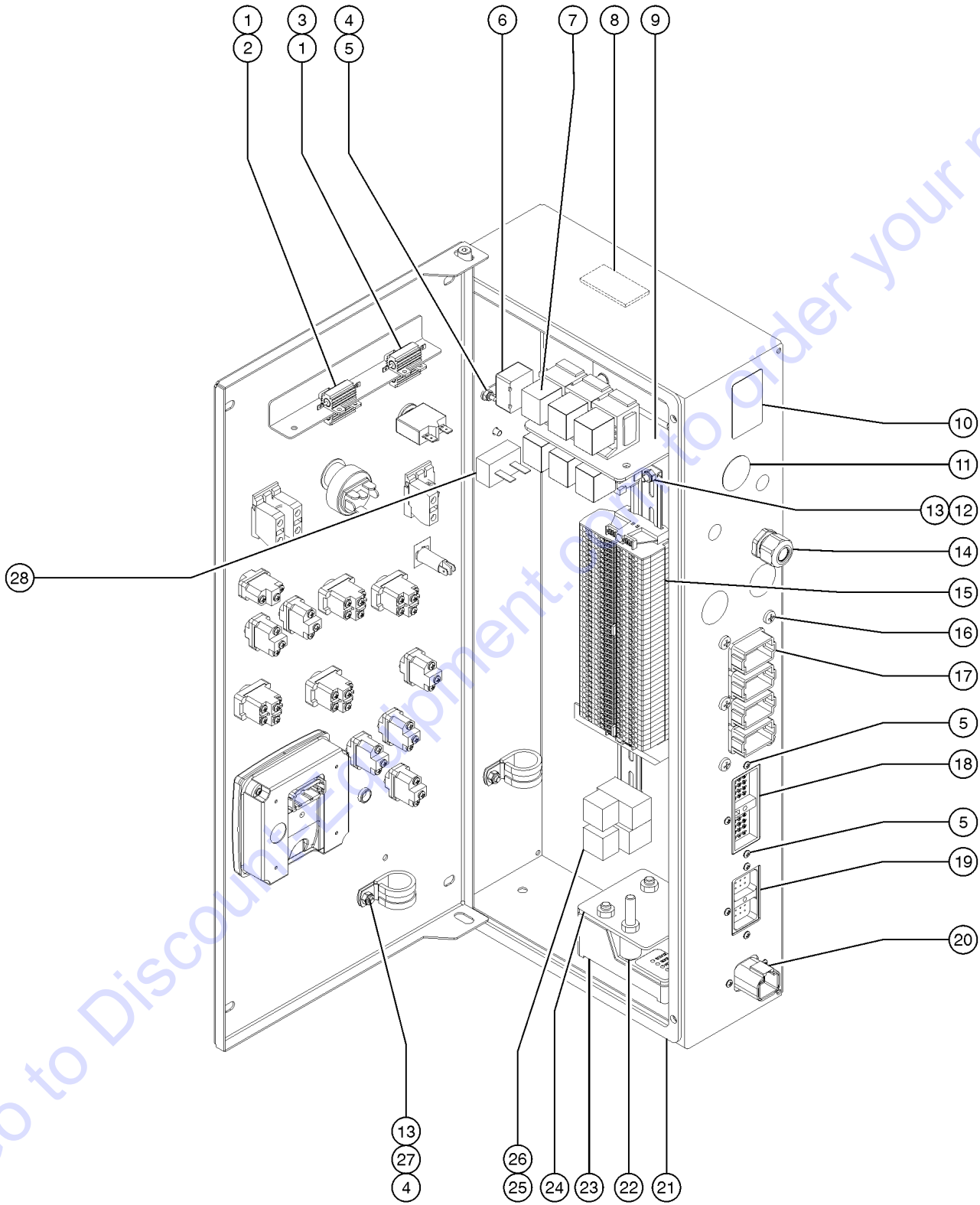
Go to Discount-Equipment.com to order your parts

307.1 Ground Control Box, with LCD Readout Screen - View 1 External
(continued)

This Page Intentionally Left Blank

Go to Discount-Equipment.com to order your parts

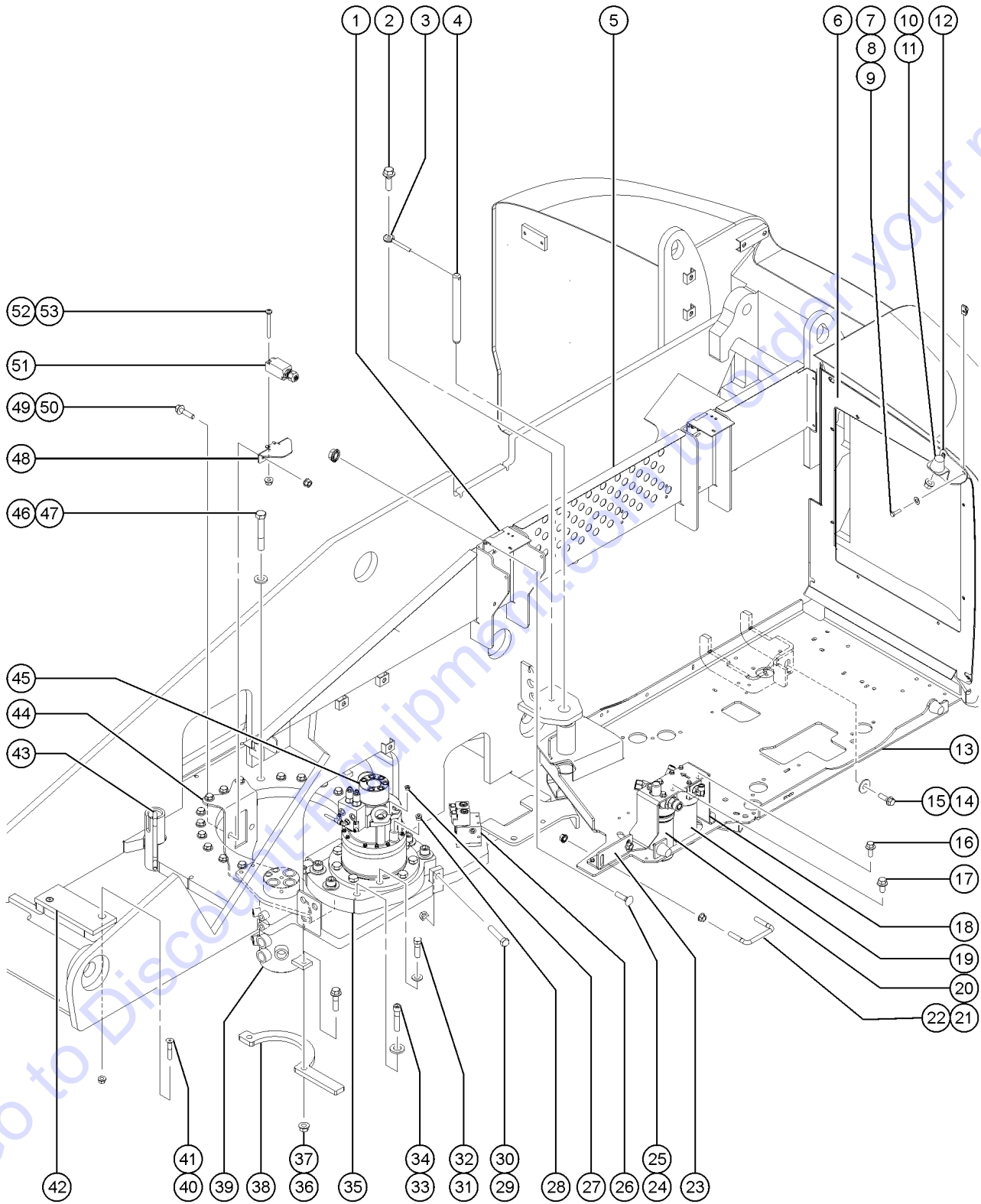
308.1 Ground Control Box, with LCD Readout Screen - View 2 Internal



308.1 Ground Control Box, with LCD Readout Screen - View 2 Internal

Item	Part No.	Description	Qty.	Item	Part No.	Description	Qty.
--	77430GT	CAPACITOR,3 MF,50VDC <i>Terminal 41</i>		23	106657GT	MODULE,CONTROL,HI AMP <i>(models with welder option)</i>	
1	89575GT	RESISTOR,7.5 OHM,25 WATT,1PCNT....2		24	106140PGT	BRACKET,1K OHM 10-TURN POT,PNT <i>(models with welder option)</i>	
2	27287GT	RESISTOR,10 OHM,25 WATT.....1		25	33607GT	RELAY,OMRON,DPDT,12V.....2 <i>(models with welder option)</i>	
3	40614GT	RESISTOR,5 OHM,25W***1		26	33608GT	RELAY,SOCKET,OMRON.....2 <i>(models with welder option) (harness not included)</i>	
4	824036GT	NUT,TL,10-32,A,ZAG		--	147455GT	HARNESS, OMRON RELAY, CR66 <i>(models with welder option) (order separately)</i>	
5	825352GT	SCREW,PHPM,10-32X1.25,ZAG		27	18666GT	CLAMP,1.00,#16 X 1/4,RUB CUSH.....2	
6	121846GT	RELAY,TIME DELAY,2 SEC,10A.....1		28	106637GT	MODULE,TIME DELAY ON BREAK 4S...1 <i>(models with welder option)</i>	
7A	34052GT	RELAY,SPDT,12V(AUTO) PLUG IN**....11 <i>(Perkins models with dual capacity)</i>					
7B	34052GT	RELAY,SPDT,12V(AUTO) PLUG IN**9 <i>(Deutz models with dual capacity)</i>					
7C	34052GT	RELAY,SPDT,12V(AUTO) PLUG IN**5 <i>(Perkins or Deutz models with single capacity)</i>					
8	30997GT	CORROSION INHIBITOR,FOAM.....1					
9A	99632GT	PLATE,PRIMARY BOOM SIDE.....1 <i>(models with single capacity)</i>					
--	1256855GT	SCREW,HHF,1/4-20X.625,8,ZAG					
--	23404GT	NUTSERT,1/4-20,STEEL CAD PLTD					
9B	99632GT	PLATE,PRIMARY BOOM SIDE.....2 <i>(models with dual capacity)</i>					
--	1256855GT	SCREW,HHF,1/4-20X.625,8,ZAG					
--	23404GT	NUTSERT,1/4-20,STEEL CAD PLTD					
10	110280GT	PLUG,NYLON, .94X1.65 BLK D0MED....1					
11	45385GT	PLUG,NYLON 1.12 BLACK DOMED					
12	6178GT	NUT,NYLOCK,10-32 <i>(use to replace nutsert)</i>					
13	1251757GT	SCREW,PHPM,10-32X.50,ZAG					
14	7057GT	CONN. SQZ,1/2NPT .39-.56 MED.....1					
15	825017GT	ASSY,TERMINAL RAIL,TIER IV					
--	216791GT	TERMINAL BLOCK,WIELAND					
--	216793GT	TERMINAL BLOCK END PLATE					
--	33422GT	DIN RAIL,17"					
--	74917GT	JUMPER COMB, 2-WAY,WIELAND					
--	74918GT	JUMPER COMB, 3-WAY,WIELAND					
16	824214GT	SCREW,PHPM,6-32X.5,ZAG					
17	73736GT	CONN,RECEP 48 WAY,4 X 12 <i>for harness, refer to 311.1</i>					
18	73754GT	CONN,RECEP 40 WAY,W/FLANGE <i>for harness, refer to 311.1</i>					
19	73753GT	CONN,RECEP 24 WAY,W/FLANGE <i>for harness, refer to 311.1</i>					
20	73717GT	CONN,RECEP 4 WAY,12-14GA FL*** <i>for harness, refer to 311.1</i>					
21	121599GT	GASKET,GBOX,S80/85 2008					
22	102357GT	POTENTIOMETER ASSY, WELDER					

309.1 Engine Side



309.1 Engine Side

Item	Part No.	Description	Qty.	Item	Part No.	Description	Qty.
1	75073GT	HINGE,,375X.120THK.,SLOTTED.....	2	--	1279466GT	O-RING,67.95X2.62-NBR-70SH(HF2P)(60334)	
--	77778GT	PLATE,HINGE SUPPORT		--	58380GT	FILTER INDICATOR-(60334)	
2	824091GT	SCREW,HHF,3/8-16X1.25,8,ZAG.....	1	--	60857GT	FILTER,ELEMENT,BETA(5)=1000	
3	825019GT	ROD END,,375X3.69,ZAG.....	1	21	1259855GT	UBOLT, 0.4724 IN D X 4 IN L.....	1
4	81724GT	PIN,1.25 X 13.25 IN,CHAMFER.....	1	22	1261724GT	NUT,SERRATED,1/2-13,8,ZAG.....	4
5	T106425GT	FORMING, BULKHEAD,RIGHT,S60/65.....	1	23	1260174GT	FORMING, ENGINE TRAY LATCH.....	1
6A	106172PGT	BAFFLE,AIR INTAKE,PAINTED***..... <i>models with Deutz D2011L03i and Perkins 404D-22 engines</i>	1	24	1256127GT	BOLT,CARRIAGE,1/4-20X1.5,ZAG.....	6
6B	110183PGT	BAFFLE,AIR INTAKE S60 PAINTED <i>models with Deutz TD2011L04i engines</i>		25	1256679GT	NUT,SERRATED,1/4-20,8,ZAG.....	6
6C		REF: Engine Baffle, FORD MSG-425 <i>(refer to 504.1)</i>		26		Ref: Brake and 2 Speed Manifold..... <i>(refer to 406.1)</i>	1
6D		REF: Engine Baffle, PERKINS 404D-22 <i>(refer to 505.1)</i>		27	39882GT	PLUG,HEX SOCKET,090109B-4.....	1
6E		REF: Engine Baffle, PERKINS 404F-22 <i>(refer to 506.1)</i>		28	109802GT	PLUG,ORB #6.....	1
6F		REF: Engine Baffle, DEUTZ D2.9 <i>(refer to 513.1)</i>		29	1256846GT	SCREW,HEX TAP,3/4-10X4,8,ZAG.....	1
7	6175GT	SCREW,HHC,3/8-16 X 1.....	2	30	1256837GT	NUT,JAM,3/4-10,A, ZAG.....	1
8	6097GT	WASHER,FLAT,USS,3/8",Y.....	2	31	1256168GT	SCREW,HHC,1/2-13X1.75,8,ZAG.....	9
9	29868GT	SPRING CLIP,3/8-16,,.05-.20X.73,ZAG.....	2	32	825353GT	WASHER,FLAT,1/2,SAE,HRD,ZAG.....	9
10	30973GT	BUMPER,RUBBER-1 X 1.25.....	1	33	1257223GT	SCREW,SHC,3/4-10X3.75,A574,ZAG.....	6
11	18503GT	NUT,LOCKING-LG.FLANGE,5/16-18.....	1	34	1256863GT	WASHER,FLAT,,.75,SAE,HRD,ZAG.....	6
12	161608GT	FORMING, BRKT, ENGINE COVER.....	1	35	77671GT	PLATE,BACKLASH ADJUSTMENT MACH.....	1
13	1253419GT	ASSY,ENGINE TRAY,W/BEARINGS.....	1	36	1251997GT	NUT,TL FLG,1/2-13,G,ZAG.....	2
--	35675GT	BEARING,FL,1.25IDX1.5ODX1.25L		37	1256172GT	SCREW,HHF,1/2-13X 2,8,ZAG.....	2
14	1256126GT	SCREW,HHF,5/8-11X2,8,ZAG.....	1	38	77803GT	PLATE,SWIVEL ROTATION STOP.....	1
15	824115GT	WASHER, FLAT, USS, 5/8, ZAG.....	1	39	89571GT	SWIVEL,HYD 8 PORT***.....	1
16	1256855GT	SCREW,HHF,1/4-20X.625,8,ZAG.....	4	--	94937GT	SEAL KIT,8-PORT SWIVEL	
17	824089GT	SCREW,HHF,3/8-16X.75,8,ZAG.....	4	--	T106954GT	SEAL, O-RING LIP	
18	161603GT	FORMING, FILTER BRKT.....	1	--	T106955GT	SEAL, POLY, CHAMFER	
--	824029GT	NUT,TL FLG,3/8-16,G,ZAG.....	2	--	T106957GT	SEAL, CAP, NOTCHED	
--	824090GT	SCREW,HHF,3/8-16X1,8,ZAG.....	2	--	T106961GT	SEAL, O-RING ENERGIZER	
19A	77139GT	FILTER ASY,M PRESS,SAE8,WOIND* <i>to SN 35558</i>		--	T106962GT	SEAL, CAP, NOTCHED	
--	60857GT	FILTER,ELEMENT,BETA(5)=1000 <i>used only on previous filter assembly 77139GT; to SN 35558</i>		40	1256842GT	SCREW,FHS,3/8-16X2.25,F835,ZAG.....	2
19B	1267807GT	ASSY, MED. PRESS. FILTER, SAE8 <i>from SN 35559</i>		41	824029GT	NUT,TL FLG,3/8-16,G,ZAG.....	2
--	1268229GT	ELEMENT-5 MIC, PAPER, W/ BYPASS <i>used only on filter assembly 1267807GT; from SN 35559</i>		42	161607GT	WEAPAD, BOOM REST.....	1
20	60334GT	FILTER ASSY,HIGH PRESS SAE-12*.....	1	43	81834GT	WELDMENT,TRANSPORT LOCK.....	1
--	1279465GT	BACKUP RING,71.60X67.20X1.40PTFE(60334)		44	77665PGT	FORMING,HYD SWIVEL BRACKET.....	2
				45	1255768GT	SWING DRIVE ASSEMBLY.....	1
				--	1255769GT	SEAL KIT, SWING BRAKE	
				--	1255770GT	KIT, FRICTION DISC	
				--	1255771GT	KIT, BRAKE SPRING	
				--	1255772GT	KIT, SWING BRAKE REBUILD	
				--	1255773GT	BRAKE TUBING	
				--	139308GT	SWING MOTOR COMPLETE***	
				--	139309GT	CBV ASSEMBLY***	
				--	139315GT	O-RING,MOTOR/BRAKE***	

309.1 Engine Side
(continued)

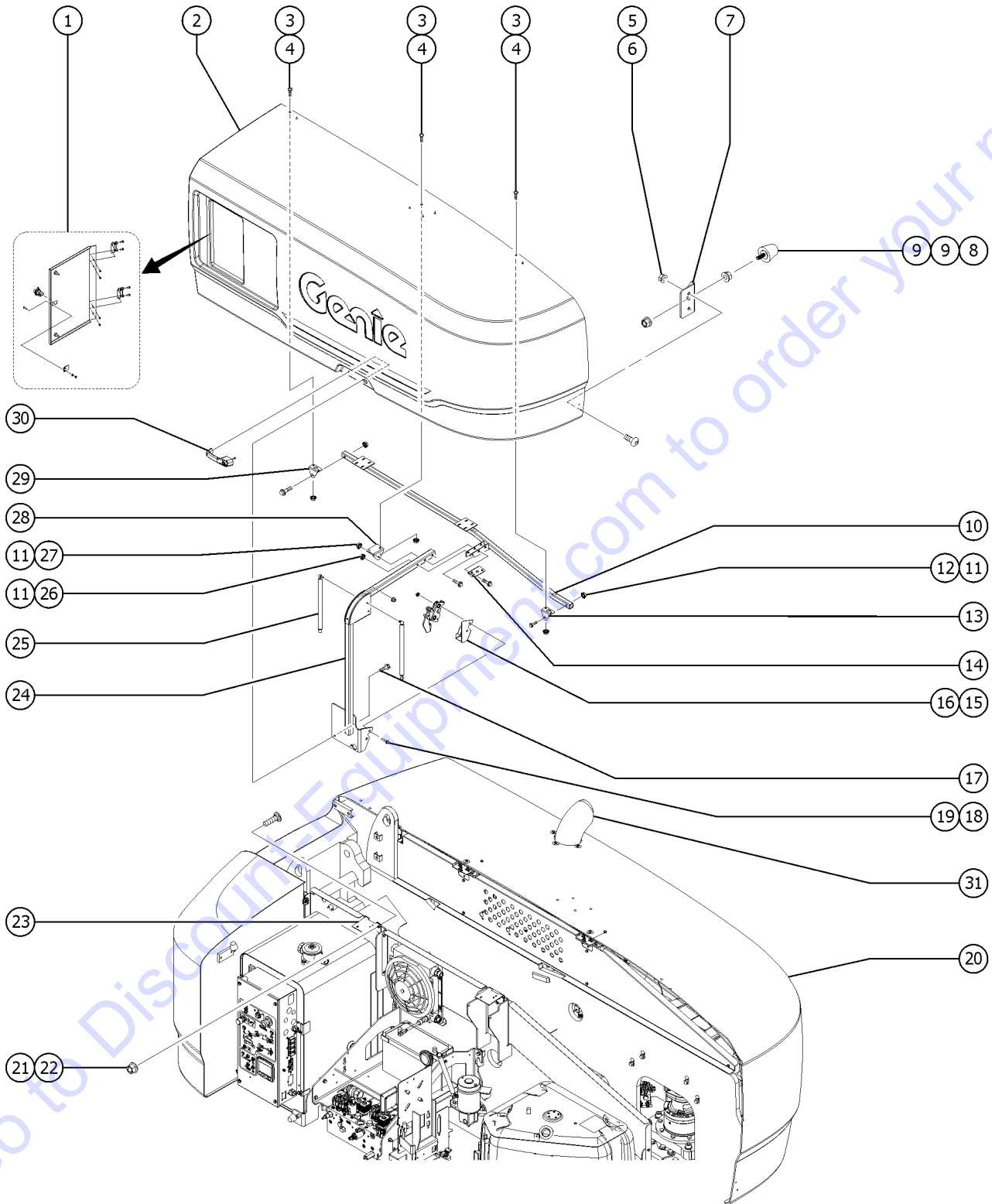
Item	Part No.	Description	Qty.
--	139323GT	VALVE,COUNTERBAL,CBCA-LIN***	
--	58304GT	SHAFT,OUTPUT	
--	75627GT	BEARING,1.25 X 1.5 X 2	
--	94620GT	SEAL KIT,SWING TORQ HUB***	
46	1256170GT	SCREW,HHC,5/8-11X4,8,ZAG.....	24
47	1256182GT	WASHER,FLAT,5/8,F436,HRD,ZAG.....	24
48	77666PGT	FORMING,DRIVE ENABLE LIMIT SW....	1
49	824079GT	SCREW,HHF,1/4-20X1,8,ZAG.....	2
50	824027GT	NUT,TL FLG,1/4-20,G,ZAG.....	2
51	88356-13103GT	SWITCH,LIMIT,W/RLLR ARM,NO/NC....	1
52	1256177GT	SCREW,PHPM,10-32X1.75,ZAG.....	2
53	824032GT	NUT,TL FLG,10-32,F,ZAG.....	2

Go to Discount-Equipment.com to order your parts

This Page Intentionally Left Blank

Go to Discount-Equipment.com to order your parts

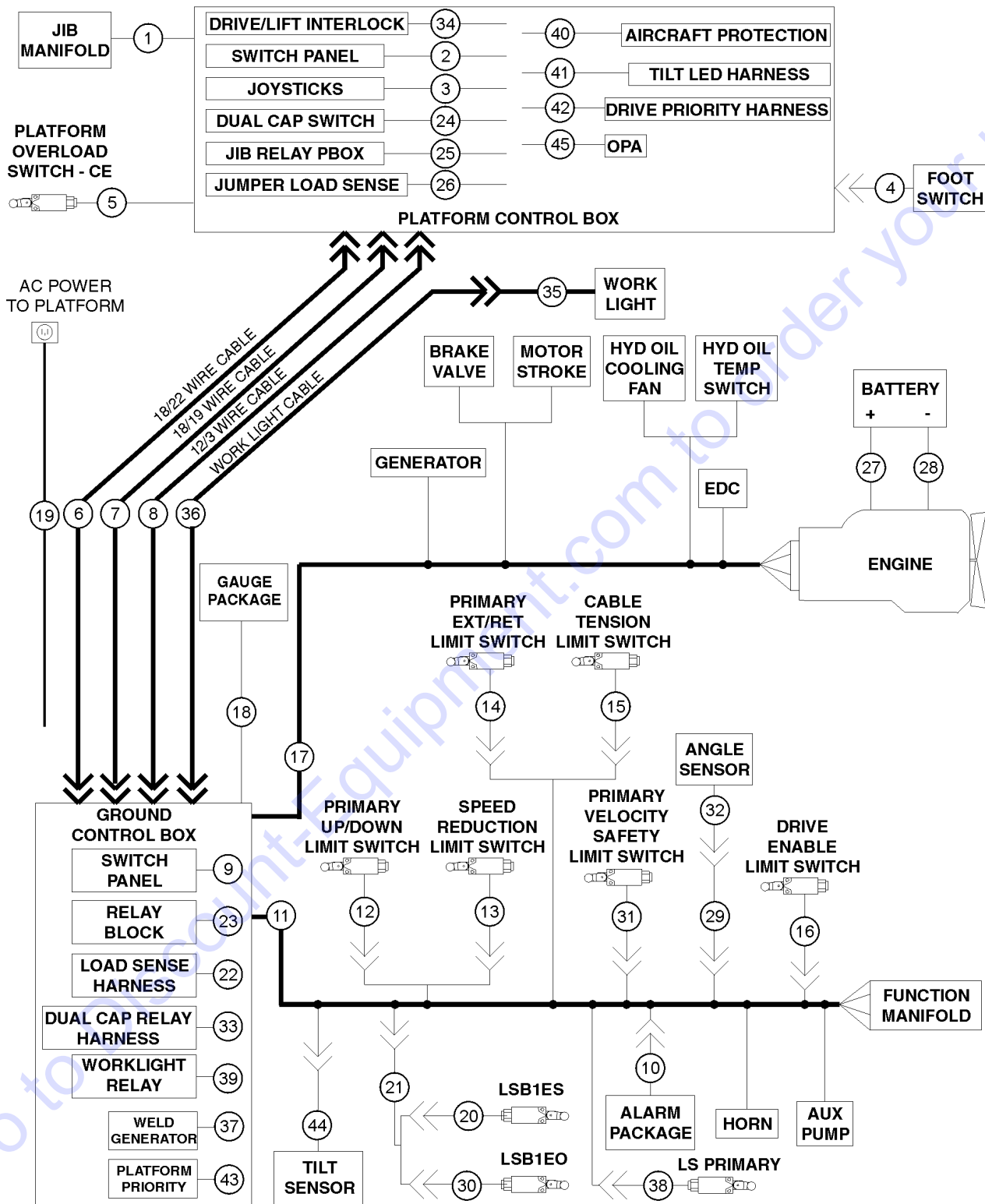
310.1 Turntable Covers



310.1 Turntable Covers

Item	Part No.	Description	Qty.	Item	Part No.	Description	Qty.
1		Ref. COVER, GROUND CONTROLS, HOSTILE ENVIRONMENT <i>(refer to 912.1)</i>		24B	1255987GT	WLDMT, ES LOWER COVER SUPPORT.....1 <i>engine side</i>	1
2	1253270GT	ASSY, TS SWING CHASSIS COVER <i>complete (decals not included, refer to section 100)</i>		25A	28301GT	GAS STRUT,250 LBS FORCE***.....4	4
--	1253265GT	COVER, SWING CHASSIS, TS.....1 <i>(decals not included, refer to section 100)</i>	1	--	72256GT	GAS STRUT,CONNECTOR (28301)	
3	1261836GT	SCREW, THM, TORX, 3/8-16X1,SS.....16	16	25B	33555GT	BALL STUD**	
4	1257628GT	NUT,SERRATED,3/8-16,8,ZAG.....16	16	25C	27377GT	RETAINER,GAS SPRING***	
5	231513GT	NUT,TL FLG,M6-1.0,DIN6927,10,ZAB....4	4	26	1256693GT	SCREW,HHF,3/8-16X2.25,8,ZAG.....4	4
6	1261837GT	SCREW, THM, TORX, M6X25, ZAB.....4	4	27	1256856GT	SCREW,HHF,3/8-16X2.5,8,ZAG.....2	2
7	1254625GT	BRACKET, BUMPER.....2	2	28	1253831GT	MOUNT, COVER SUPPORT CTR 93DEG.....2	2
8	1261277GT	BUMPER, RUBBER, 1.25 X 1.25 IN.....2	2	29	1258723GT	MOUNT, COVER SUPPORT FRONT....2	2
9	1255805GT	NUT,SERRATED,5/16-18,8,ZAG.....4	4	30	1256054GT	HANDLE,YELLOW LOCKING,CODE 455.....2 <i>key not included</i>	2
10A	1256767GT	WLDMT, TS UPPER COVER SUPPORT.....1 <i>tank side</i>	1	--	37947GT	KEYS,10 PACK*** <i>sold separately</i>	
10B	1256771GT	WLDMT, ES UPPER COVER SUPPORT.....1 <i>engine side</i>	1	--	83093GT	KEY SINGLE*** <i>sold separately</i>	
11	1274322GT	NUT,NYLOCK FLG,3/8-16,F,ZAG.....10	10	31	101964GT	WELDMENT,EXHAUST TUBE.....1	1
12	1253478GT	SCREW,HHF,3/8-16X2,8,ZAG.....4	4				
13	1258722GT	MOUNT, COVER SUPPORT REAR.....2	2				
14	1253830GT	MOUNT, COVER SUPPORT CTR 86DEG.....2	2				
15A	1261244GT	FORMING,LATCH GUARD,TS <i>tank side</i>					
15B	1261245GT	FORMING,LATCH GUARD,ES <i>engine side</i>					
16	215254GT	LATCH,ROTARY,ENGINE COVER					
17	231532GT	SCREW,HHF,M6-1.0X20,DIN6921,10.9,ZAB.4	4				
18	1255763GT	SCREW,HHF,5/16-18X1.5,8,ZAG					
19	824028GT	NUT,TL FLG,5/16-18,G,ZAG					
20	1253271GT	ASSY, ES SWING CHASSIS COVER.....1 <i>complete (decals not included, refer to section 100)</i>	1				
--	1253264GT	COVER, SWING CHASSIS, ES.....1 <i>(decals not included, refer to section 100)</i>	1				
21	1274165GT	NUT,NYLOCK,1/4-20,C,ZAG.....12	12				
22	1256127GT	BOLT,CARRIAGE,1/4-20X1.5,ZAG.....12	12				
23A	75073GT	HINGE, .375X.120THK.,SLOTTED.....4 <i>to SN S60H-38549</i>	4				
23B	1278912GT	HINGE, .375X.120THK.,SLOTTED <i>from SN S60H-38550</i>					
23C	1258724GT	SUPPORT, TAPPED HINGE.....4	4				
24A	1255986GT	WLDMT, TS LOWER COVER SUPPORT.....1 <i>tank side</i>	1				

311.1 Wire Harness Diagram



311.1 Wire Harness Diagram

Item	Part No.	Description	Qty.	Item	Part No.	Description	Qty.
A	58253GT	KIT,REPAIR,DEUTSCH PLUG,W/TUBE <i>small kit</i>		--	119061GT	CONN PLUG 12 WAY ENDCAP DT GY	
B	83129GT	KIT,REPAIR,DEUTSH CONNECTORS** <i>large kit</i>		--	119062GT	CONN PLUG 12 WAY ENDCAP DT BK	
C	61794GT	CRIMPER,DEUTSCH,LIGHT DUTY*** <i>tool</i>		8A	139734GT	HARNESS, 12/3 12V TO PLAT NJ.....1 <i>S-60</i>	
D	101191GT	WIRE LOOM,1"DIA.SLIT,HI TEMP		8B	139733GT	HARNESS, 12/3 12V TO PLAT JIB.....1 <i>S-65</i>	
E	49219GT	SLEEVE,NYLON,2.19 ID,BULK.....48-inches <i>near platform; 48 inches required</i>		9A	1261294GT	HARNESS ASSY,GBOX.....1 <i>models with Deutz D2011L03i, Deutz TD2011J04i, Perkins 404D-22 and Ford MSG-425 EFI</i>	
F	1264822GT	KIT, TRC RETROFIT, STNDRD <i>Telematics (includes 1264834)</i>		9B	1255456GT	HARNESS,GBOX,T4,S60/65.....1 <i>models with Deutz D2.9L4 and Perkins 404F-22</i>	
--	1264834GT	INSTRN, TRC RETROFIT, STNDRD		10	128005GT	HARNESS,BEACON OPTION.....1	
1	101080GT	HARNESS,JIB SELECT MANIFOLD.....1 <i>S-65</i>		11	147650GT	HARN,FUNCT MANIFOLD,S60/65.....1	
1	7056GT	CONN,SQUEEZE,1/2NPT .38-.50,SM		--	73751GT	CONN,PLUG 40 WAY,DRC SERIES	
--	7056GT	CONN,SQUEEZE,1/2NPT .38-.50,SM		12	139832GT	HARNESS, LS, OP, PRI ANGLE.....1	
2	1260105GT	HARNESS ASSY,PBOX,SNGL CAP.....1		13	139835GT	HARNESS, LS, OP, PRI, VELOCITY.....1	
--	119058GT	CONN PLUG 4 WAY ENDCAP DT.....1 <i>for 1260105</i>		14	139836GT	HARNESS, LS, OP, PRIMARY.....1	
--	119061GT	CONN PLUG 12 WAY ENDCAP DT GY.....1 <i>for 1260105</i>		15	139833GT	HARNESS, LS, OP, CABLE TENSION....1	
--	147621GT	CONN,MOLEX 10 WAY.....1 <i>for 1260105</i>		16	139834GT	HARNESS,LS,DRIVE ENABLE.....1	
--	229152GT	CONN,MOLEX 12 WAY.....1 <i>for 1260105</i>		17A	88810GT	HARNESS,DEUTZ ENGINE.....1 <i>Deutz D2011L03i engine</i>	
3	147643GT	HARN,PBOX,JOYSTICK,S60/65.....1		17B	122053GT	HARNESS,S60 TURBO DEUTZ SPEC...1 <i>Deutz TD2011L04i engine</i>	
--	81546GT	CONN,MOLEX 16 WAY		17C	822048GT	HARNESS, S60 DEUTZ D2.9 <i>Deutz D2.9L4 engine</i>	
--	99343GT	CONNECTOR,PLUG 6 WAY 18-20 GA		17D	110268GT	HARNESS PERKINS ENGINE S60 ALT.....1 <i>Perkins 404D-22 engine</i>	
--	99344GT	LOCK,PLUG 6 WAY 18-20GA <i>use with 99344</i>		17E	823146GT	HARNESS, S60 PERKINS 404F <i>Perkins 404F-22 engine</i>	
4		Ref: Foot Switch Assembly <i>(refer to 701.1)</i>		17F	822513GT	HARN,PERKINS 404F,6WAY EXT <i>Jumper for Perkins 404F-22 engine</i>	
5	121848GT	ASSY,LS,LOAD SENSE,38.5 IN.....1		17G	119777GT	HARNESS,FORD DSG423,S60.....1 <i>Ford engine</i>	
6A	139738GT	HARNESS, 18/22, CABLE NJ.....1 <i>S-60 (green/brown)</i>		17H	119483GT	FUEL JUMPER HARNESS <i>Ford engine</i>	
--	119063GT	CONN PLUG 12 WAY ENDCAP DT GR		17J	147428GT	HARNESS, FORD STARTER.....1 <i>Ford engine</i>	
--	119064GT	CONN PLUG 12 WAY ENDCAP DT BR		18A	107552GT	HARNESS,GAUGE OPT.,S60 DEUTZ....1 <i>Deutz models</i>	
6B	139737GT	HARNESS, 18/22, CABLE JIB.....1 <i>S-65 (Green, Brown plugs)</i>		18B	T108415GT	HARNESS,ENGINE GAUGE.....1 <i>Perkins models</i>	
--	119063GT	CONN PLUG 12 WAY ENDCAP DT GR		18C	1259105GT	HARNESS, FULL GAUGE OPT, FORD <i>Ford engine</i>	
--	119064GT	CONN PLUG 12 WAY ENDCAP DT BR		19A	139732GT	HARNESS, AC POWER TO PLAT NJ.....1 <i>S-60</i>	
7A	823918GT	HARNESS,18/22,CABLE2 NJ.....1 <i>S-60</i>		--	228322GT	ASSY,CABLE,12.5KW WELDER.....936-inches <i>(S-60 Welder option)</i>	
--	119061GT	CONN PLUG 12 WAY ENDCAP DT GY					
--	119062GT	CONN PLUG 12 WAY ENDCAP DT BK					
7B	823917GT	HARNESS,18/22,CABLE2 JIB.....1 <i>S-65 (Grey, Black plugs)</i>					

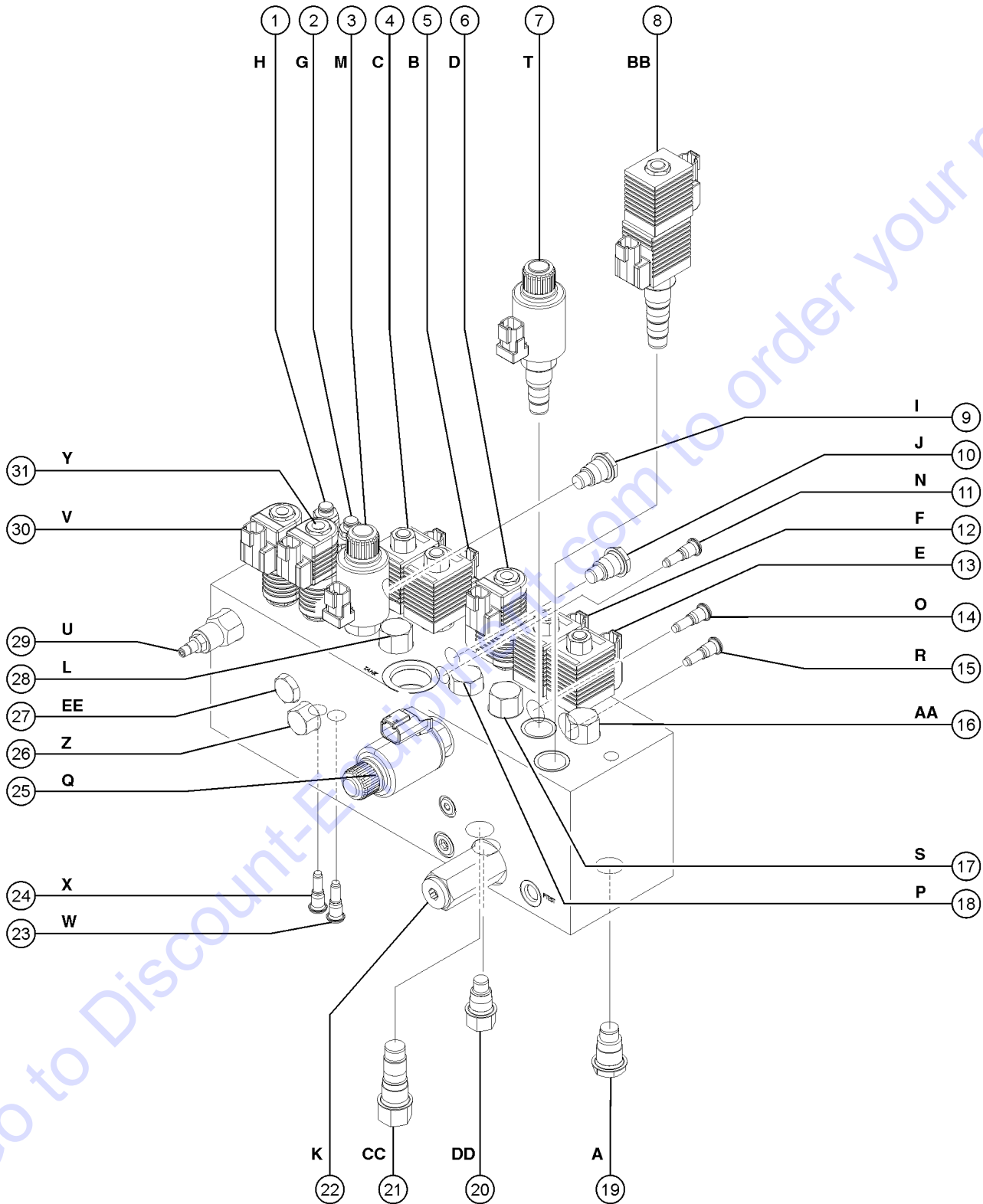
311.1 Wire Harness Diagram
(continued)

Item	Part No.	Description	Qty.	Item	Part No.	Description	Qty.
19B	139731GT	HARNESS, AC POWER TO PLAT JIB.....1 S-65		36A	T114625GT	CABLE,S60 12VDC WORK LIGHT.....1 S-60	
--	228323GT	ASSY,CABLE,12.5KW WELDER.....1008-inches (S-65 Welder option)		36B	T114626GT	CABLE,S65 12VDC WORK LIGHT.....1 S-65	
20	T108321GT	HARN,LS SAFETY,PRI.DUAL CAP.....1		37	147396GT	HARNESS,GENERATOR POWER.....1	
21	147654GT	HARN,LS CABLE,S60 DUAL CAP.....1 S-60X, S-60XC and S-60 TraX		38	T106741GT	HARN,LS,SAFETY,PRI,VELOCITY.....1	
22A	139741GT	HARNESS, LOAD SENSE, GBOX.....1		39	T114624GT	HARN,12V WORK LIGHT RELAY.....1	
--	119061GT	CONN PLUG 12 WAY ENDCAP DT GY		40	1261292GT	HARNESS ASSY,PCON,PROX KILL.....1	
--	60432GT	CONN,PLUG 8 WAY,14-18GA		41	1261297GT	HARNESS ASSY,PCON,TILT LED.....1	
22B	147255GT	HARNESS, JUMPER, LOAD SENSE.....1 <i>not shown</i>		42	1261293GT	HARNESS ASSY,PCON,DRIVE PRTY....1	
--	121846GT	RELAY,TIME DELAY,2 SEC,10A		43	1261298GT	HARNESS ASSY,GCON,PLAT PRTY	
23A	1255457GT	HARN,GBOX & RELAY WIRES,DIESEL.....1 <i>models with Deutz D2011L03i, Deutz TD2011104i and Perkins 404D-22</i>		44	1261844GT	HARNESS, TILT, 12V, CSA PROD.....1 <i>ANSI/CSA only</i>	
23B	1255460GT	HARN, GBOX AND RELAY WIRES, FO.....1 <i>models with Ford MSG-425 EFI</i>		--	1285689GT	INSTRUCTIONS,INSTALL (LEVEL SENSOR ALARM) <i>for kit 1285811</i>	
23C	1255459GT	HARNESS ASSY,RELAY 404F.....1 <i>models with Perkins 404F-22</i>		--	1285811GT	KIT,TILT ALARM,IC MODELS	
23D	1255458GT	HARNESS ASSY,RELAY D2.9.....1 <i>models with Deutz D2.9L4</i>		45A	1255555GT	HARN,PBOX,OPA,HW,12V.....1	
24	T108886GT	HARN,PBOX,DUAL CAP.....1		45B	1255030GT	PLUG,BLANKING.....1	
--	147621GT	CONN,MOLEX 10 WAY					
25	1261295GT	HARNESS ASSY,PCON,JIB					
26	1261296GT	HARNESS ASSY,PCON,LOAD SENSE					
27A	88801GT	BATTERY CABLE,POSITIVE,RED.....1 <i>models with Deutz D2011L03i, Deutz TD2011104i, Perkins 404D-22 and Ford MSG-425 EFI</i>					
27B	824849GT	BATTERY CABLE,POSITIVE,RED,T4 <i>models with Deutz D2.9L4 and Perkins 404F-22</i>					
28	88802GT	BATTERY CABLE,NEGATIVE,BLACK.....1					
29	T106600GT	HARN,ANGLE,SNSR.CONN. CABLE.....1					
30	T108322GT	HARN, LS OP PRI.DUAL CAP.....1					
31	T106741GT	HARN,LS,SAFETY,PRI,VELOCITY.....1					
32	94980GT	SENSOR,DUAL OUTPUT,ANGLE***.....1					
33A	T107130GT	HARNESS,GBOX,DUAL CAP RELAY.....1 <i>models with Deutz D2011L03i, Deutz TD2011104i, Deutz D2.9L4, Perkins 404D-22 and Ford MSG-425 EFI</i>					
33B	824996GT	HARNESS ASSY,RELAY DC T4 PERK.....1 <i>models with Perkins 404F-22</i>					
34	T108416GT	HARNESS,DRIVE/LIFT INTERLOCK.....1					
35	T114627GT	HARNESS,12V WORK LIGHTS.....1					

This Page Intentionally Left Blank

Go to Discount-Equipment.com to order your parts

401.1 Function Manifold



401.1 Function Manifold

Item	Part No.	Description	Qty.	Item	Part No.	Description	Qty.
--	161141GT	MANIFOLD,FUNCTION		--	74902GT	SEAL KIT	
--	94499GT	ACCUMULATOR,10CC,1000PSI,#6SAE (not shown)		11	27807GT	VALVE,CHECK***.....1 Differential sensing circuit, boom extend/retract	
1	62256GT	VALVE,CB 3:1 3500 PSI.....1 Platform level down		--	110200GT	SEAL KIT, VALVE, #4	
--	110202GT	SEAL KIT, VALVE, #10		12	89309GT	VALVE - SOLENOID 2POSITION 3WA...1 Boom down	
2	62256GT	VALVE,CB 3:1 3500 PSI.....1 Platform level up		--	45912GT	NUT,SOLENOID VALVE 2P3W	
--	110202GT	SEAL KIT, VALVE, #10		--	62275GT	COIL,10V	
3	107753GT	VALVE,PROPORTIONAL.....1 Boom extend/retract		--	89310GT	SEAL KIT, SOLENOID VALVE	
--	45921GT	RETAINER-N.C.PROPOR.SOLENOID		13	89309GT	VALVE - SOLENOID 2POSITION 3WA...1 Boom up/down circuit	
--	58303GT	COIL,VALVE,PROPORTIONAL***		--	45912GT	NUT,SOLENOID VALVE 2P3W	
--	89310GT	SEAL KIT, SOLENOID VALVE		--	62275GT	COIL,10V	
4	89309GT	VALVE - SOLENOID 2POSITION 3WA...1 Boom retract		--	89310GT	SEAL KIT, SOLENOID VALVE	
--	45912GT	NUT,SOLENOID VALVE 2P3W		14	27807GT	VALVE,CHECK***.....1 Differential sensing circuit, turntable rotate	
--	62275GT	COIL,10V		--	110200GT	SEAL KIT, VALVE, #4	
--	89310GT	SEAL KIT, SOLENOID VALVE		15	27807GT	VALVE,CHECK***.....1 Differential sensing circuit, boom up/down	
5	89309GT	VALVE - SOLENOID 2POSITION 3WA...1 Boom extend		--	110200GT	SEAL KIT, VALVE, #4	
--	45912GT	NUT,SOLENOID VALVE 2P3W		16	111705GT	VALVE,FLOW REGULATOR 3.5 GPM**.....1 Steer left/right circuit	
--	62275GT	COIL,10V		--	110202GT	SEAL KIT, VALVE, #10	
--	89310GT	SEAL KIT, SOLENOID VALVE		17	94599GT	VALVE,DIFFERENTIAL SENSING,110...1 Boom up/down circuit	
6	89307GT	VALVE,SOLENOID 3POS 4WAY*.....1 Turntable rotate		--	110197GT	SEAL KIT, VALVE, #10	
--	52943GT	NUT,SOLENOID VALVE COIL		18	27802GT	VALVE,DIFFERENTIAL SENSING***.....1 Turntable rotate circuit	
--	62273GT	COIL,GREEN W/ 2 PIN CONNECTOR*		--	110197GT	SEAL KIT, VALVE, #10	
--	72047GT	SEAL KIT, SOLENOID VALVE		19	27836GT	VALVE,CHECK,5 PSI.....1 Blocks flow from auxiliary pump to function pump; to SN S6016H-36020	
--	89311GT	SPACER, DUAL COIL SIZE #8		--	110194GT	SEAL KIT, VALVE, #10	
7	107753GT	VALVE,PROPORTIONAL Boom up/down circuit		--	122646GT	BYPASS VALVE RELIEF Blocks flow from auxiliary pump to function pump; from SN S6016H-36021	
--	45921GT	RETAINER-N.C.PROPOR.SOLENOID		20	32975GT	VALVE,FLOW REGULATOR 0.1 GPM.....1 Bleeds off differential sensing valves to tank	
--	58303GT	COIL,VALVE,PROPORTIONAL***		--	74902GT	SEAL KIT	
--	89310GT	SEAL KIT, SOLENOID VALVE		21	27804GT	VALVE,DIFFERENTIAL SENSING***.....1 Differential sensing circuit, meters flow to functions	
8	62260GT	VALVE,SOLENOID 3 POS,4WAY***.....1 Steer left/right		--	110201GT	SEAL KIT, VALVE, #10	
--	110196GT	SEAL KIT, VALVE, #10		22	45489GT	VALVE,RELIEF 3000 PSI***.....1 System relief	
--	52943GT	NUT,SOLENOID VALVE COIL		--	110194GT	SEAL KIT, VALVE, #10	
--	89861GT	COIL, 10V DC (D10, 20 WATT)					
9	62257GT	VALVE,CHECK, 30 PSI.....1 Differential sensing circuit, platform rotate left and jib boom up (S-65, S-65 Trax)					
--	74902GT	SEAL KIT					
10	62257GT	VALVE,CHECK, 30 PSI.....1 Differential sensing circuit, platform rotate right and jib boom down (S-65, S-65 Trax)					

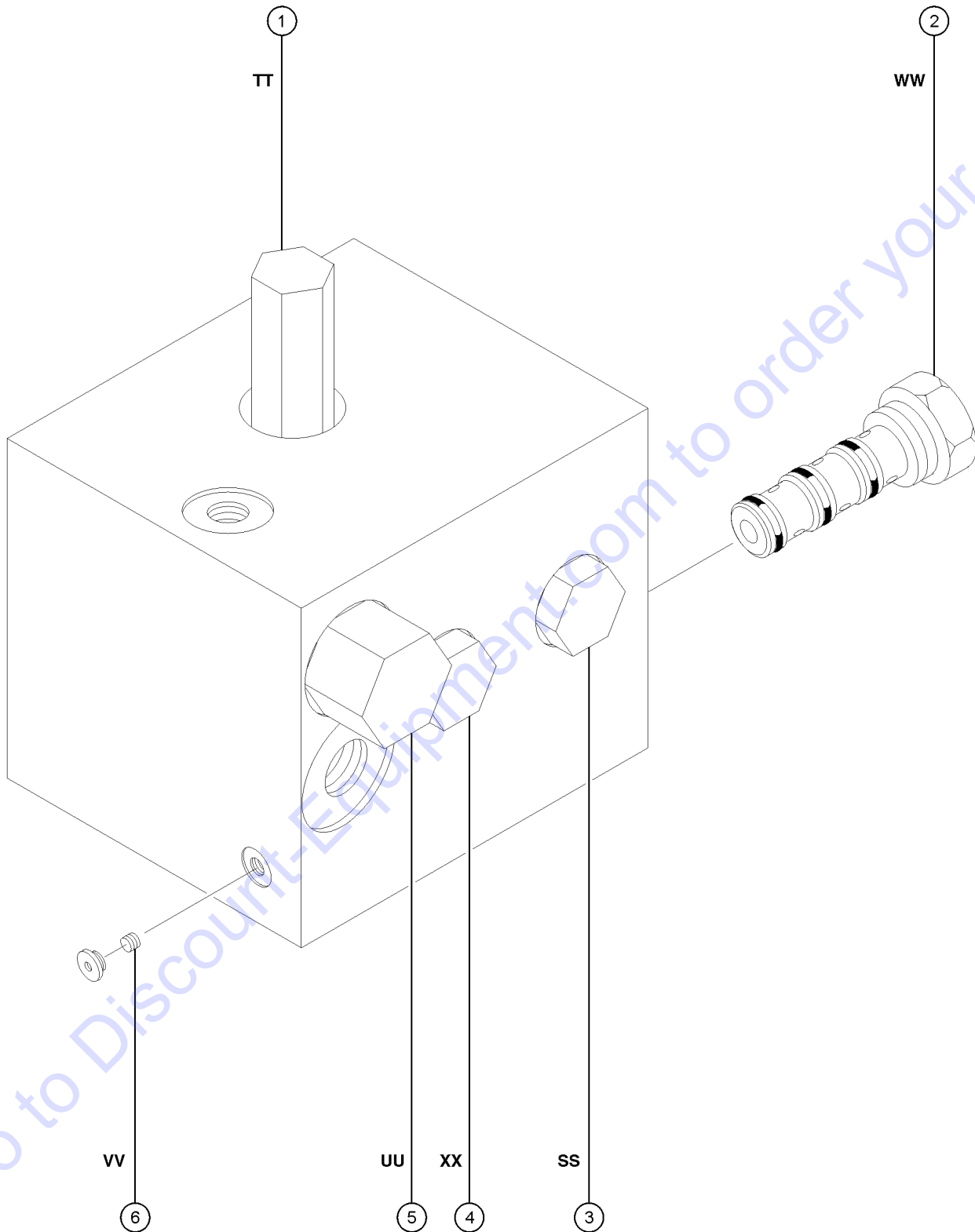
401.1 Function Manifold (continued)

Item	Part No.	Description	Qty.
23	27807GT	VALVE,CHECK***1 <i>Differential sensing circuit, platform level up</i>	
--	110200GT	SEAL KIT, VALVE, #4	
24	27807GT	VALVE,CHECK***1 <i>Differential sensing circuit, platform level down</i>	
--	110200GT	SEAL KIT, VALVE, #4	
25	102528GT	VALVE,PROPORTIONAL.....1 <i>Turntable rotate left/right</i>	
--	89312GT	SEAL KIT, SOLENOID VALVE	
--	89737GT	COIL,PROPORTIONAL VALVE***	
--	89738GT	NUT, PROPORTIONAL VALVE	
26	31100GT	VALVE,FLOW REGULATOR 0.6GPM.....1 <i>Platform rotate and jib boom (S-65, S-65 TraX)</i>	
--	74902GT	SEAL KIT	
27	62257GT	VALVE,CHECK, 30 PSI.....1 <i>Platform rotate and jib boom circuit (S-65, S-65 TraX) (prevents hydraulic hoses from draining back to tank)</i>	
--	74902GT	SEAL KIT	
28	94599GT	VALVE,DIFFERENTIAL SENSING,110...1 <i>Boom extend/retract circuit</i>	
--	110197GT	SEAL KIT, VALVE, #10	
29	62258GT	VALVE,NEEDLE***1 <i>Platform level circuit</i>	
--	110194GT	SEAL KIT, VALVE, #10	
30	89307GT	VALVE,SOLENOID 3POS 4WAY*1 <i>Platform level up/down</i>	
--	52943GT	NUT,SOLENOID VALVE COIL	
--	62273GT	COIL,GREEN W/ 2 PIN CONNECTOR*	
--	72047GT	SEAL KIT, SOLENOID VALVE	
--	89311GT	SPACER, DUAL COIL SIZE #8	
31	89307GT	VALVE,SOLENOID 3POS 4WAY*1 <i>Platform rotate and jib boom up/down (S-65, S-65 TraX)</i>	
--	52943GT	NUT,SOLENOID VALVE COIL	
--	62273GT	COIL,GREEN W/ 2 PIN CONNECTOR*	
--	72047GT	SEAL KIT, SOLENOID VALVE	
--	89311GT	SPACER, DUAL COIL SIZE #8	

This Page Intentionally Left Blank

Go to Discount-Equipment.com to order your parts

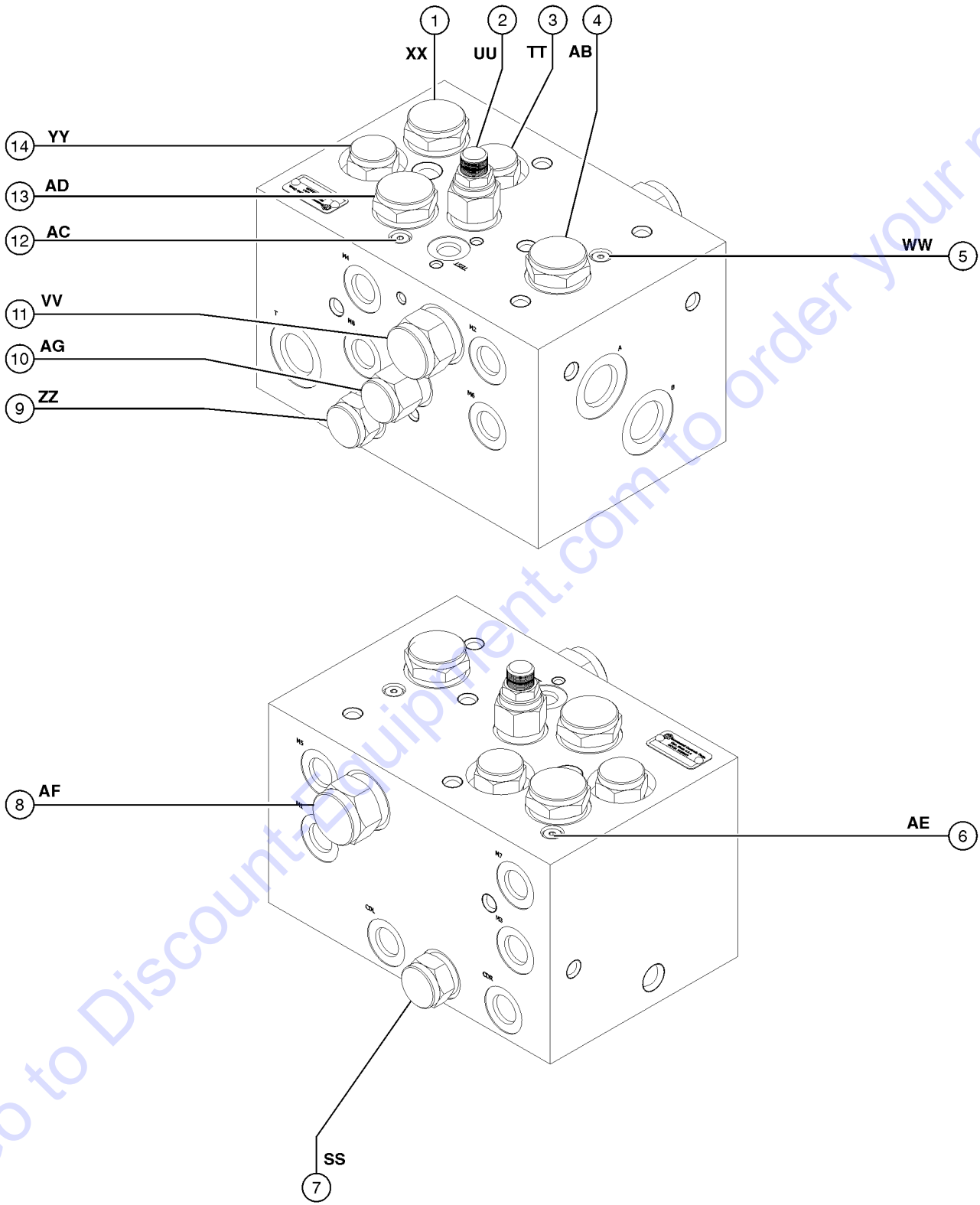
402.1 Traction Manifold, 2WD



402.1 Traction Manifold, 2WD

Item	Part No.	Description	Qty.
--	88783GT	MANIFOLD, TRACTION, 2WD	
1	94758GT	VALVE, RELIEF, 280 PSI.....1 <i>Charge Pressure circuit</i>	
--	110194GT	SEAL KIT, VALVE, #10	
2	52726GT	VALVE, FLOW DIVIDER/COMBINER.....1 <i>Controls flow to drive motors in forward and reverse</i>	
--	84135GT	SEAL KIT, VALVE	
3	27836GT	VALVE, CHECK, 5 PSI <i>Drive circuit; to SN S6016H-36020</i>	
--	110194GT	SEAL KIT, VALVE, #10	
--	122646GT	BYPASS VALVE RELIEF <i>Drive circuit; from SN S6016H-36021</i>	
4	27836GT	VALVE, CHECK, 5 PSI <i>Drive circuit; to SN S6016H-36020</i>	
--	110194GT	SEAL KIT, VALVE, #10	
--	122646GT	BYPASS VALVE RELIEF <i>Drive circuit; from SN S6016H-36021</i>	
5	27761GT	VALVE, SHUTTLE.....1 <i>Charge Pressure circuit that directs hot oil out of low pressure side of drive pump</i>	
--	84134GT	SEAL KIT, VALVE	
6	101440GT	ORIFICE PLUG, 0.070".....1 <i>Drive motor circuit</i>	

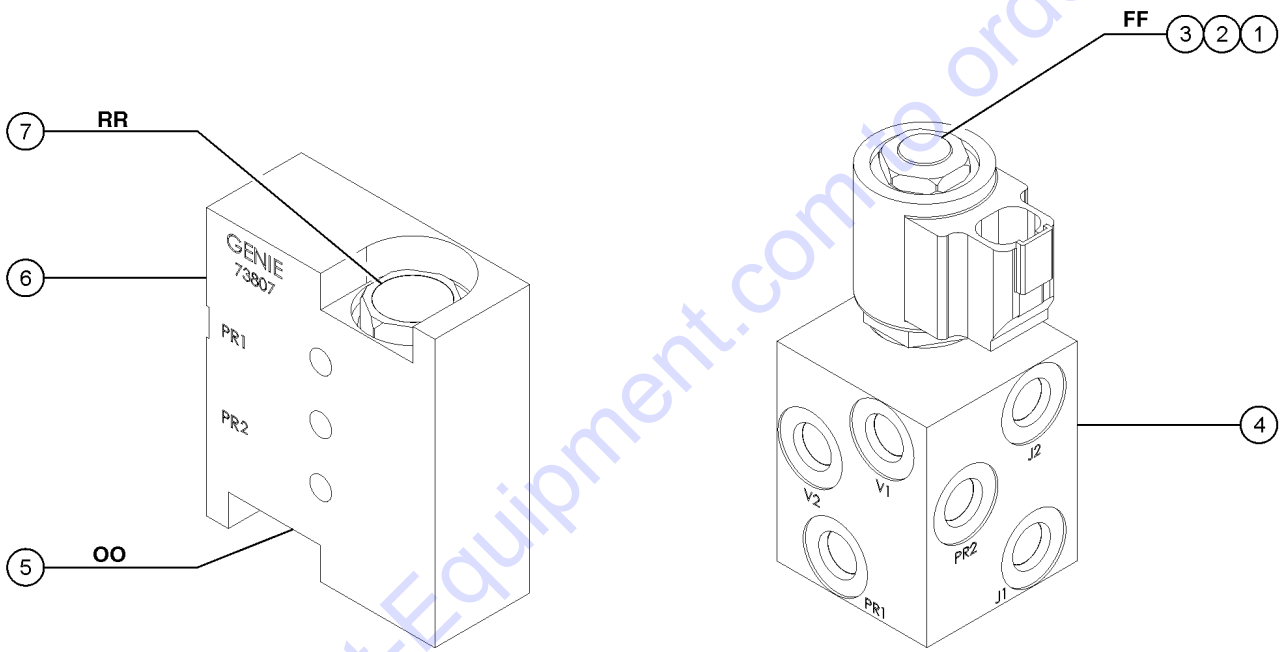
403.1 Traction Manifold, 4WD



403.1 Traction Manifold, 4WD

Item	Part No.	Description	Qty.
--	139712GT	MANIFOLD,TRACTION,4WD***	
1	139717GT	VALVE, FLOW DIVIDE/COMB,24GPM...1 <i>(controls flow to non-steer end drive motors in forward and reverse)</i>	
--	139512GT	SEAL KIT, VALVE	
2	139718GT	VALVE, RELIEF, 280PSI.....1 <i>(charge pressure circuit)</i>	
--	139528GT	SEAL KIT, VALVE	
3	139527GT	VALVE, CHECK, 5PSI.....1 <i>(steer end drive motor circuit)</i>	
4	139508GT	VALVE, FLOW DIVIDE/COMBINE 1:1.....1 <i>(controls flow to flow divider/combiner valves 1 and 13)</i>	
5	139719GT	ORIFICE, 0.040".....1 <i>(equalizes pressure on both sides of flow divider/combiner valve)</i>	
--	1287434GT	PLUG,SAE #03 (139712)	
6	139719GT	ORIFICE, 0.040".....1 <i>(equalizes pressure on both sides of flow divider/combiner valve)</i>	
--	1287434GT	PLUG,SAE #03 (139712)	
7	139527GT	VALVE, CHECK, 5PSI.....1 <i>(non-steer end drive motor circuit)</i>	
8	139716GT	VALVE, CHECK.....1 <i>(non-steer end drive motor circuit)</i>	
--	139727GT	SEAL KIT, VALVE	
9	139527GT	VALVE, CHECK, 5PSI.....1 <i>(steer end drive motor circuit)</i>	
10	139715GT	VALVE, SHUTTLE, FIXED.....1 <i>(steer end drive motor circuit)</i>	
--	139512GT	SEAL KIT, VALVE	
11	139716GT	VALVE, CHECK.....1 <i>(charge pressure circuit that directs hot oil out of low pressure side of drive pump)</i>	
12	139719GT	ORIFICE, 0.040".....1 <i>(equalizes pressure on both sides of flow divider/combiner valve)</i>	
--	1287434GT	PLUG,SAE #03 (139712)	
13	139717GT	VALVE, FLOW DIVIDE/COMB,24GPM...1 <i>(controls flow to steer end drive motors in forward and reverse)</i>	
--	139512GT	SEAL KIT, VALVE	
14	139527GT	VALVE, CHECK, 5PSI.....1 <i>(non-steer end drive motor circuit)</i>	

404.1 Platform Rotate and Jib Boom/Platform Rotate Manifold



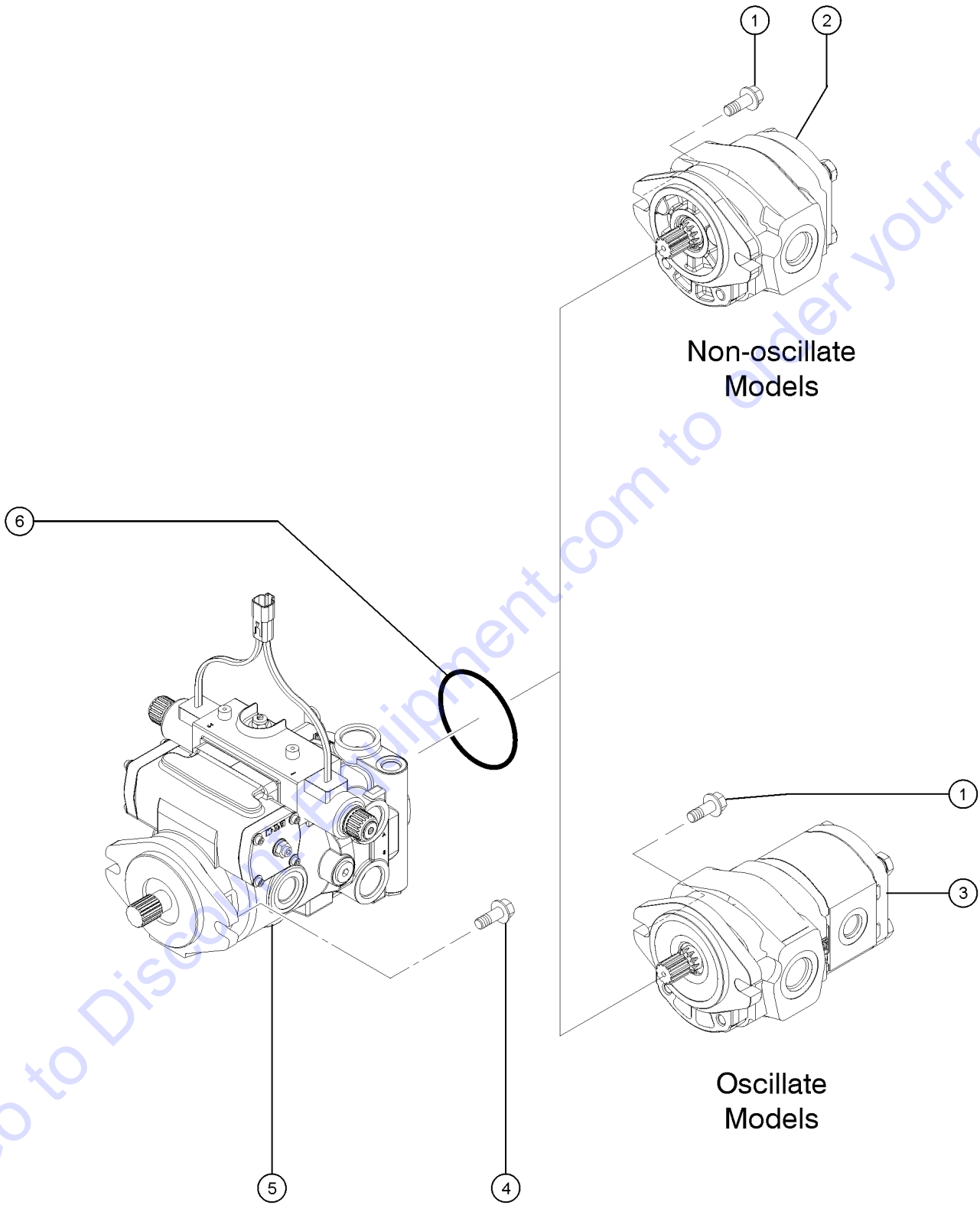
Platform Rotate Manifold

Jib Select Manifold

404.1 Platform Rotate and Jib Boom/Platform Rotate Manifold

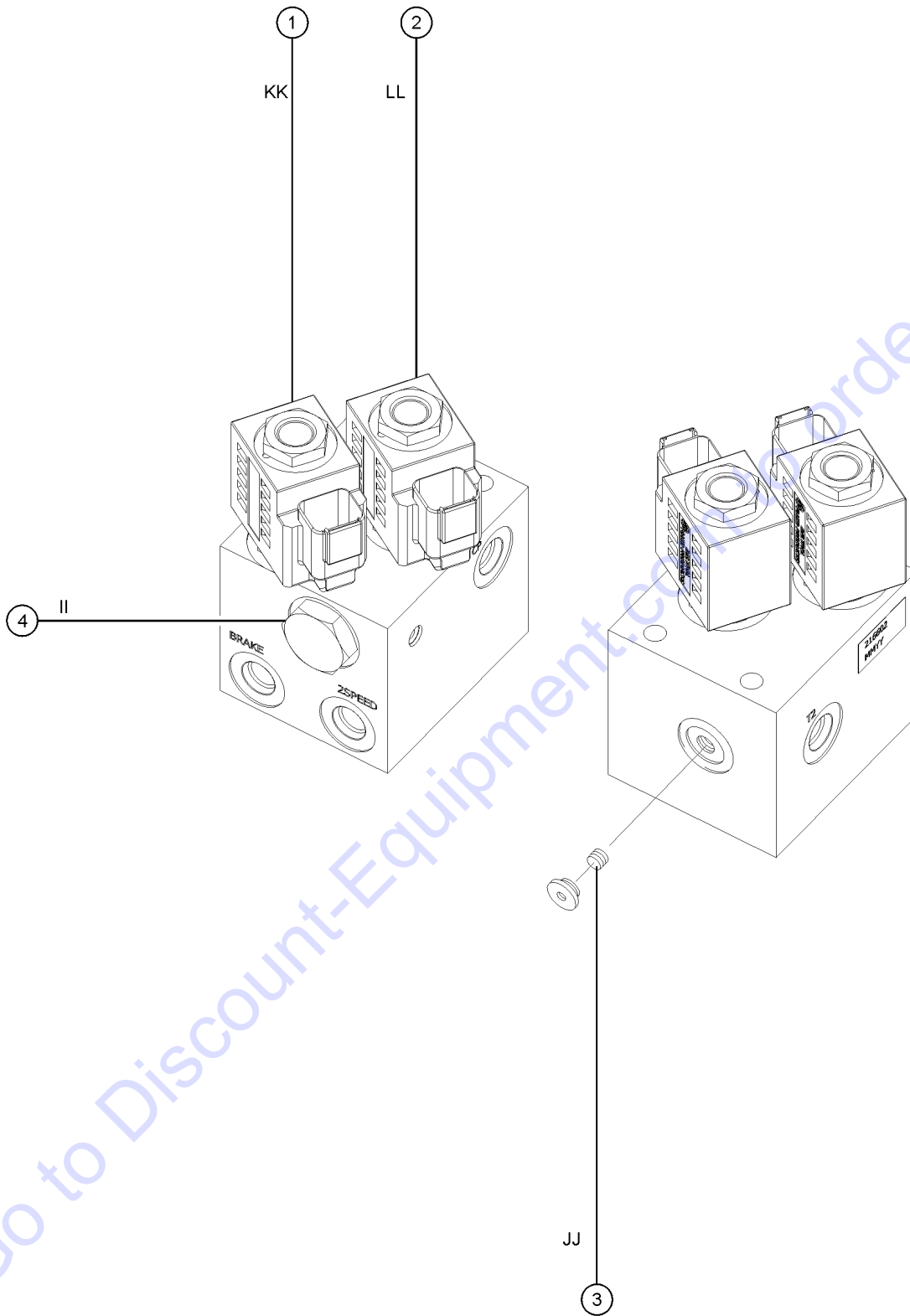
Item	Part No.	Description	Qty.
1	44174GT	NUT-COIL SHORT.....	1
2	52897GT	VALVE,SOLENOID, 2POS/3WAY***.....	1
--	52371GT	SEAL KIT, VALVE.....	1
3	104759GT	COIL,12VDC #8 DTSCH IP69 ECOIL.....	1
4A	1256670GT	MANIFOLD,JIB SELECT W/QD PLUG.... <i>includes items 1-3</i>	1
4B		MANIFOLD,JIB SELECT W/QD PLUG* (88786)..... <i>replaced by 1256670</i>	1
--	89862GT	VALVE-SOLENOID,2POS 3WAY,JIB** <i>Platform rotate/Jib boom select</i>	1
--	89864GT	SEAL KIT,SOLENOID VALVE, SV07	
5	62506GT	VALVE - COUNTERBALANCE**..... <i>Platform rotate left</i>	1
--	43018GT	SEAL KIT (39345)	
6	73807GT	MANIFOLD,ROTATOR,CB***.....	1
--	62507GT	O-RING, ROTATOR MANIFOLD	
7	62506GT	VALVE - COUNTERBALANCE**..... <i>Platform rotate right</i>	1
--	43018GT	SEAL KIT (39345)	

405.1 Pumps



Item	Part No.	Description	Qty.
1	824090GT	SCREW,HHF,3/8-16X1,8,ZAG	
2	139799GT	PUMP,LIFT,1 SECTION.....1 <i>non-oscillate models</i>	
--	147550GT	KIT, SEAL, PUMP, 1 SECTION	
3	139801GT	PUMP,LIFT,2 SECTION***.....1 <i>oscillate models</i>	
--	147549GT	KIT, SEAL, PUMP, 2 SECTION	
4	1253498GT	SCREW,HHF,1/2-13X1.5,8,ZAG	
5	77788GT	PUMP,PISTON,49CC***.....1	
--	101294GT	KIT,CHARGE PUMP	
--	106835GT	CONTROLLER W/O COILS (77788) <i>(first time replacement requires 1285505GT)</i>	
--	106836GT	O-RING,STEM,EATON	
--	106837GT	NUT,STEM,EATON***	
--	107813GT	SPACER,EATON PUMP SHAFT SEAL** <i>check pump date code, for pumps after 031505</i>	
--	107814GT	SEAL,SHAFT,EATON PUMP***	
--	107815GT	SNAP RING,PUMP SHAFT SEAL***	
--	107842GT	KIT,PUMP SHAFT SEAL W/INST*** <i>includes PNs 107813, 107814, 107815</i>	
--	128423GT	KIT,CHARGE PUMP HOUSING	
--	1285505GT	KIT,SOLENOID CONTROL SERVICE	
--	1285506GT	SEAL RING,SOLENOID CONTROL <i>(for 1285505GT)</i>	
--	43683GT	O-RING,2-042 N674-70***	
--	58431GT	SEAL KIT,PUMP SHAFT (EATON)*** <i>check pump date code, if after 031505, must also order 107813 qty 1</i>	
--	82431GT	HOSE ASM-JCAF310-06-41	
6	43683GT	O-RING,2-042 N674-70***.....1	

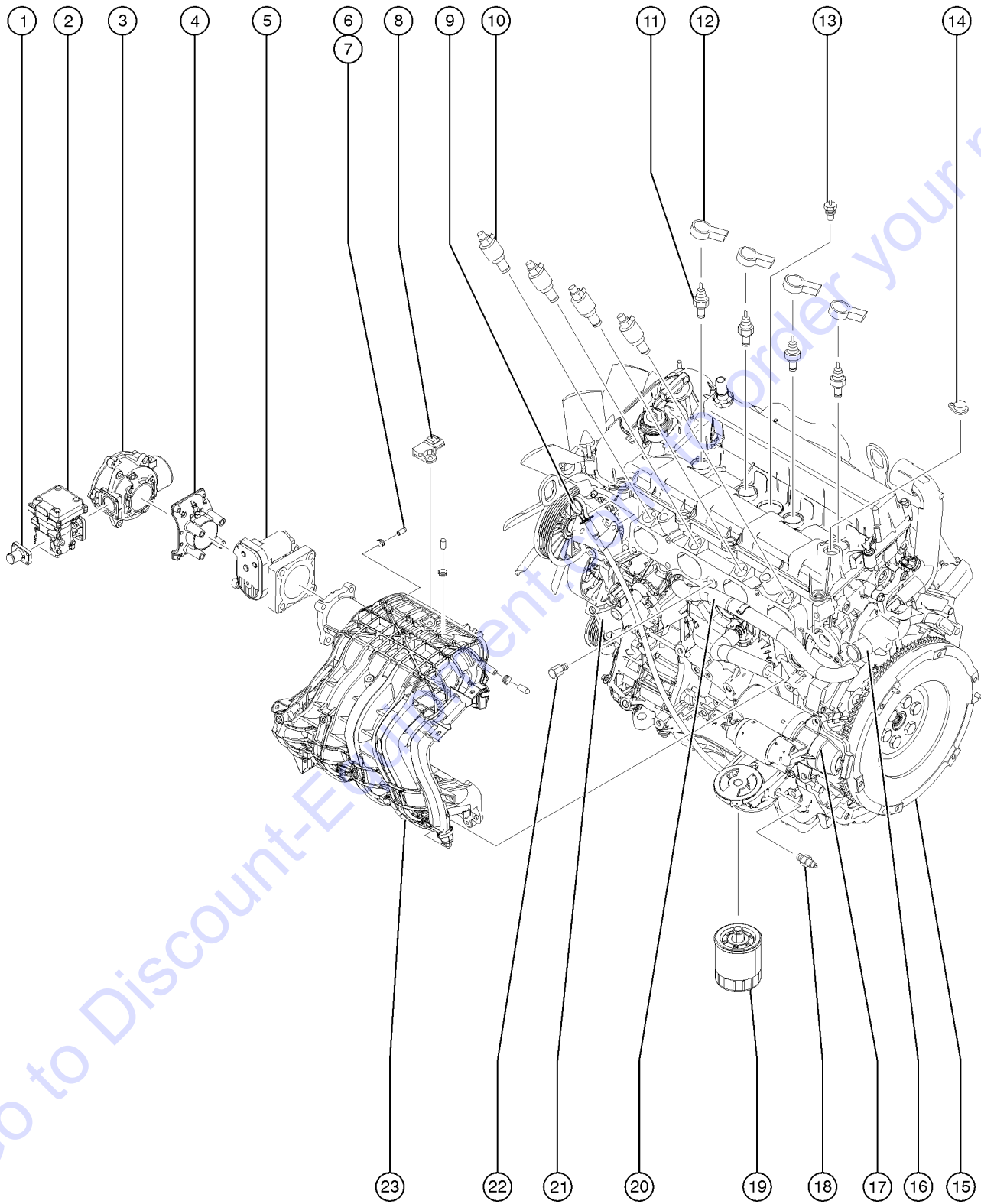
406.1 Brake and 2 Speed Manifold



406.1 Brake and 2 Speed Manifold

Item	Part No.	Description	Qty.
--	216602GT	MANIFOLD,BRAKE,2-SPEED.....1	
1	219243GT	COIL, SOLENOID VALVE, 10V.....1 <i>Brake Release</i>	
--	161144GT	SEAL KIT,SOLENOID VALVE 219247	
--	219247GT	VALVE, SOLENOID	
--	94759GT	NUT,SOLENOID	
2	219243GT	COIL, SOLENOID VALVE, 10V.....1 <i>Two Speed Motor Shift</i>	
--	161144GT	SEAL KIT,SOLENOID VALVE 219247	
--	219247GT	VALVE, SOLENOID	
--	94759GT	NUT,SOLENOID	
3	219245GT	ORIFICE PLUG .025 DIA.....1 <i>Turntable Rotation Brake Release</i>	
4	35726GT	VALVE,HYDRAULIC CHECK.....1 <i>Brake Release Circuit</i>	
--	161145GT	SEAL KIT,CHECK VALVE 219246	

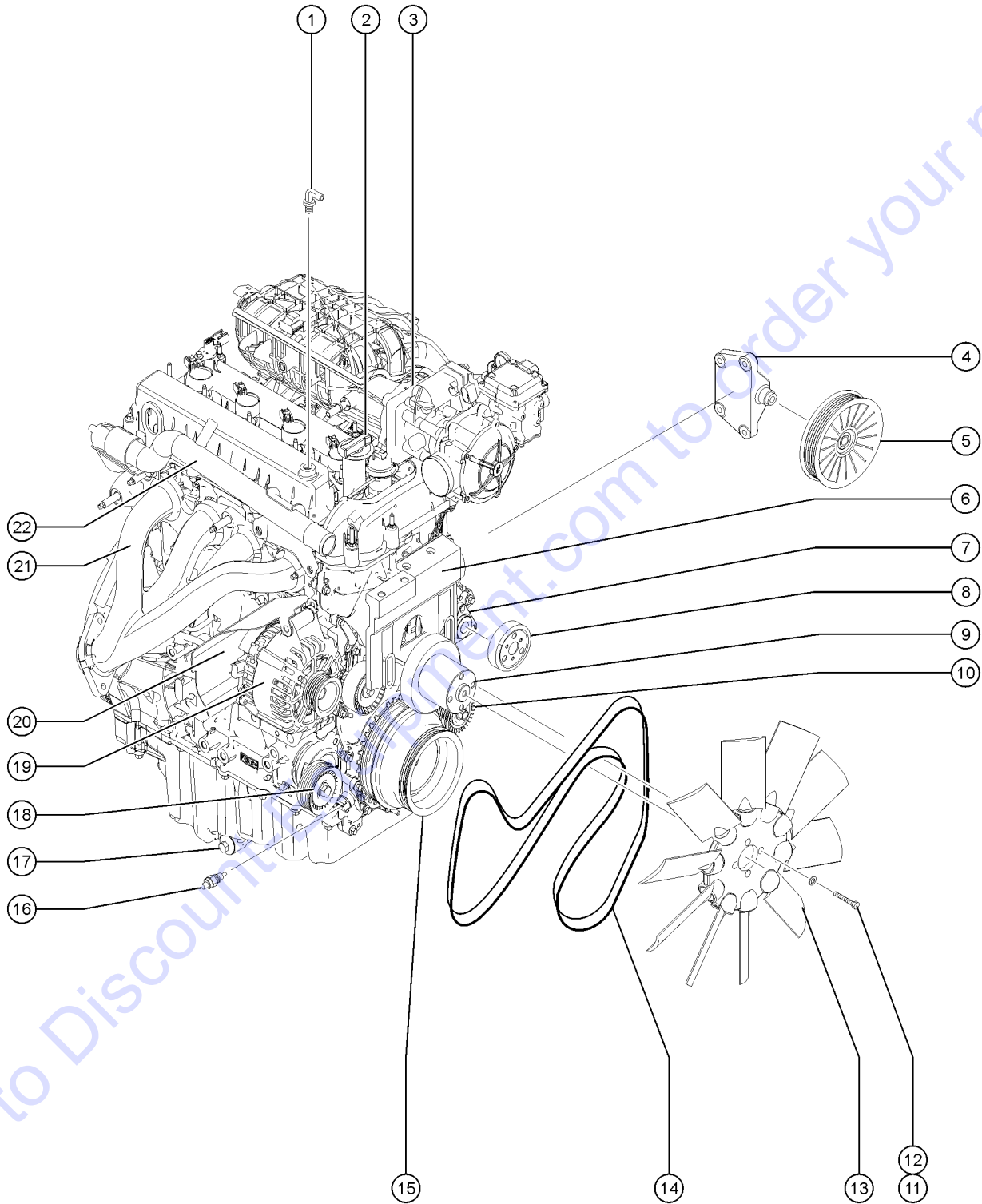
501.1 Ford MSG-425 EFI, View 1



501.1 Ford MSG-425 EFI, View 1

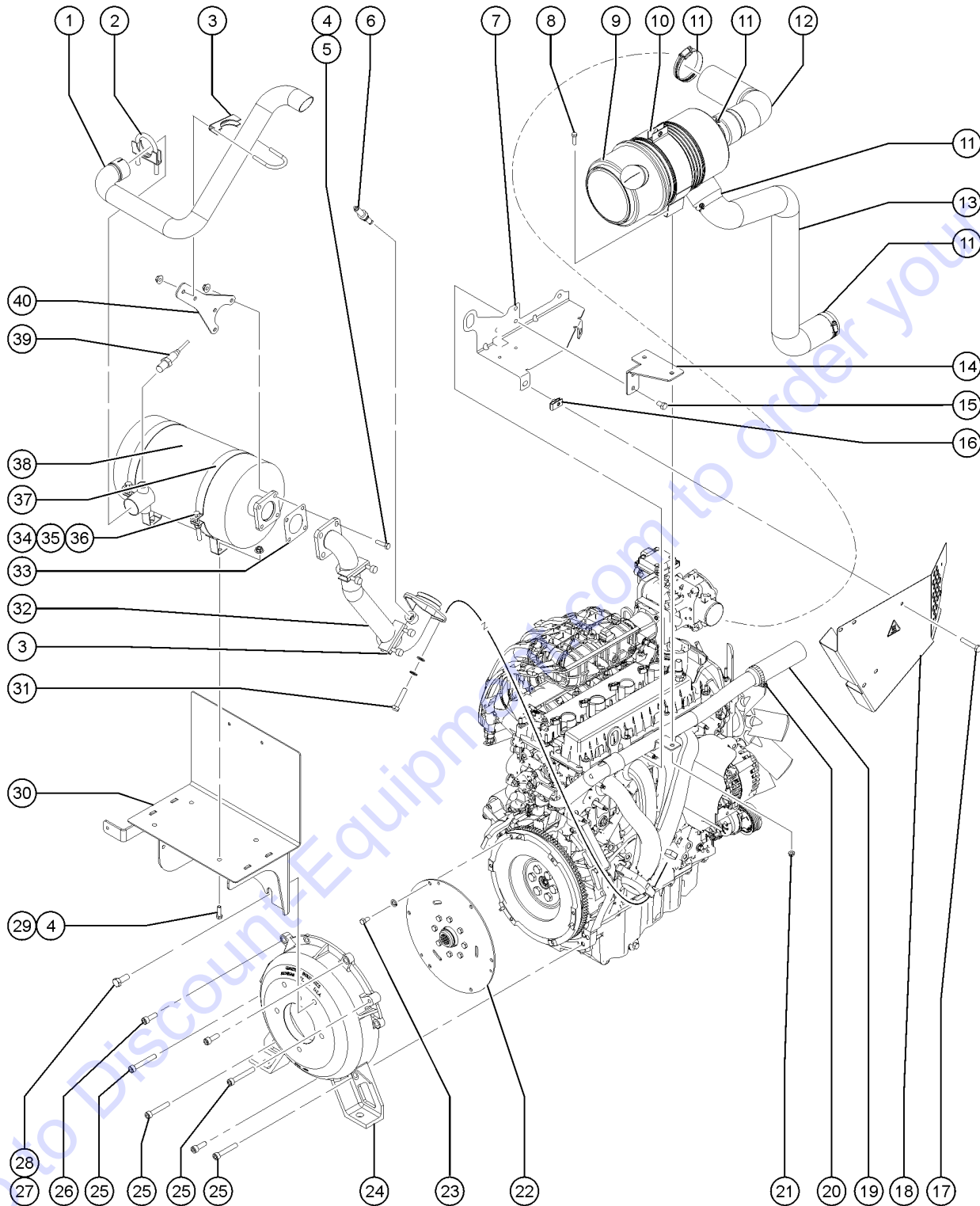
Item	Part No.	Description	Qty.	Item	Part No.	Description	Qty.
--		<i>For internal engine parts, contact engine dealer</i>		19A	1277968GT	SEPERATOR ASSY,OIL,FORD MSG.....1	1
--	1253609GT	ENGINE KIT, FORD MSG425 LPS <i>LPS only</i>		20	215302GT	HOSE, COOLANT BYPASS, MSG425....1	1
--	128165GT	RELAY,PWR/FUEL,FORD DSG423		21	215310GT	THERMOSTAT W/HOUSING, MSG425.....1	1
--	128166GT	RELAY,STARTER,FORD DSG/MSG		22	215309GT	SENSOR, KNOCK, MSG425.....1	1
--	215294GT	ENGINE HARNESS, MSG425.....1	1	23	215305GT	INTAKE MANIFOLD, MSG425.....1	1
--	215295GT	SOLENOID, VAR. TIM, MSG425		23A	1277969GT	GASKET,INTAKE MANIFOLD,MSG 425.....1	1
1	215285GT	FITTING, DEPR LP, MSG425.....1	1			<i>for 215305</i>	
2	215284GT	REGULATOR,LP PRESSURE,MSG425.....1	1				
3	215280GT	MIXER, MSG425.....1	1				
--	119546GT	KIT,FITTING,REGULATOR DSG-423 <i>for 215280</i>					
--	215281GT	O-RING, SMOOTH, MSG425					
--	215282GT	O-RING, RIBBED, MSG425					
4	215283GT	ADAPTER, MIXER/THRO, MSG425.....1	1				
5	88451GT	THROTTLE ACTUATOR*(BOSCH).....1	1				
--	88452GT	GASKET,THROTTLE ACTUATOR***					
6	217820GT	CAP, INT. MFLD. VAC, MSG425.....2	2				
7	119568GT	CLAMP,SPRING, 1/2".....3	3				
8	119475GT	MAP SENSOR, DSG-423.....1	1				
--	119965GT	COVER,DUST,IDLER,FORD DSG423					
9	220230GT	DIPSTICK, MSG425.....1	1				
--	220231GT	O-RING,DIPSTICK,MSG425 <i>(not shown, use with dipstck part 220230)</i>					
--	824028GT	NUT,TL FLG,5/16-18,G,ZAG <i>(not shown, use to mount dipstck part 220230)</i>					
--	824085GT	SCREW,HHF,5/16-18X.75,8,ZAG <i>(not shown, use to mount dipstck part 220230)</i>					
10	215299GT	INJECTOR, FUEL, MSG425.....4	4				
11	215287GT	SPARK PLUG, MSG425.....4	4				
12	215314GT	COIL ASSY, MSG425.....4	4				
13	215300GT	SENSOR, CYL. HEAD TEMP, MSG425.....1	1				
14	215308GT	SENSOR, CAM POS, MSG425.....1	1				
15	215278GT	FLYWHEEL ASSY, MSG425.....1	1				
16	215275GT	ADAPTER, WATER CONN, MSG425.....1	1				
17A	1264894GT	KIT, HD STARTER INSTALL, MSG-4.....1	1				
17B	128166GT	RELAY,STARTER,FORD DSG/MSG <i>for 215293</i>					
17C	217823GT	STARTER PLUG SEAL, MSG425 <i>for 215293</i>					
18	215301GT	SWITCH, OIL PRES, MSG425.....1	1				
19	119139GT	OIL FILTER,DSG-423.....1	1				

502.1 Ford MSG-425 EFI, View 2



Item	Part No.	Description	Qty.
--		<i>For internal engine parts, contact engine dealer</i>	
1	119474GT	VALVE,PCV FORD DSG-423.....	1
--	75631GT	HOSE,AIR 3/8	
2	58632GT	CAP,OIL FILLER,FORD DSG 423.....	1
3	215279GT	PLATE, INT. MFLD ADAP, MSG425	
4	119477GT	IDLER BRACKET.....	1
5	215298GT	UPPER IDLER PULLEY, MSG425.....	1
6	1283575GT	KIT,FAN SUPPORT RETRO,FORD MSG.....	1
		<i>For first time replacement</i>	
--	1283571GT	BRACKET,FAN,FORD MSG.....	1
		<i>included in kit 1283575GT</i>	
--	1283572GT	BRACKET,IDLER,FORD MSG.....	1
		<i>included in kit 1283575GT</i>	
--	1283573GT	BOLT, BRACKET, SUPPORT,FORD MSG.....	2
		<i>included in kit 1283575GT</i>	
--	1283574GT	SCREW,HHC,M8X1.25.80.....	1
		<i>included in kit 1283575GT</i>	
7	215288GT	WATER PUMP, MSG425.....	1
8	215289GT	WATER PUMP PULLEY, MSG425.....	1
9	215271GT	FAN PULLEY, MSG425.....	1
--	215270GT	FAN SPACER, MSG425.....	1
10	215313GT	LOWER IDLER PULLEY, MSG425.....	1
11	32309GT	SCREW,HHC,M8 X 60MM X 1.25	
12	49408GT	WASHER,LOCK,M8	
13	215269GT	FAN, MSG425.....	1
14A	215291GT	BELT, FEAD, MSG425.....	1
		<i>(shown)</i>	
14B	215274GT	FAN DRIVE BELT, MSG425	
		<i>Fan belt (not shown)</i>	
15	215273GT	CRANK PULLEY, EXT, MSG425.....	1
16	215307GT	SENSOR, CRANK POS, MSG425.....	1
17	215311GT	PLUG, OIL DRAIN, MSG425.....	1
18	215290GT	PULLEY/TENSIONER, MSG425.....	1
19A	119140GT	ALTERNATOR,FORD DSG423,MSG425.....	1
--	217824GT	CHARGE WIRE, MSG425	
19B	1253749GT	ALTERNATOR, MSG425 LPS.....	1
		<i>LPS engine only</i>	
20	227309GT	HEAT SHIELD,ALTERNATOR,FORD.....	1
21	215276GT	EXHAUST MANIFOLD, MSG425.....	1
--	215277GT	GASKET, MSG425	
--	217822GT	NUT, EXH. MANIFOLD, MSG425	
--	823816GT	GASKET,EXHAUST,FORD MSG	
22	236373GT	PIPE,COOLANT RETURN, MSG425.....	1

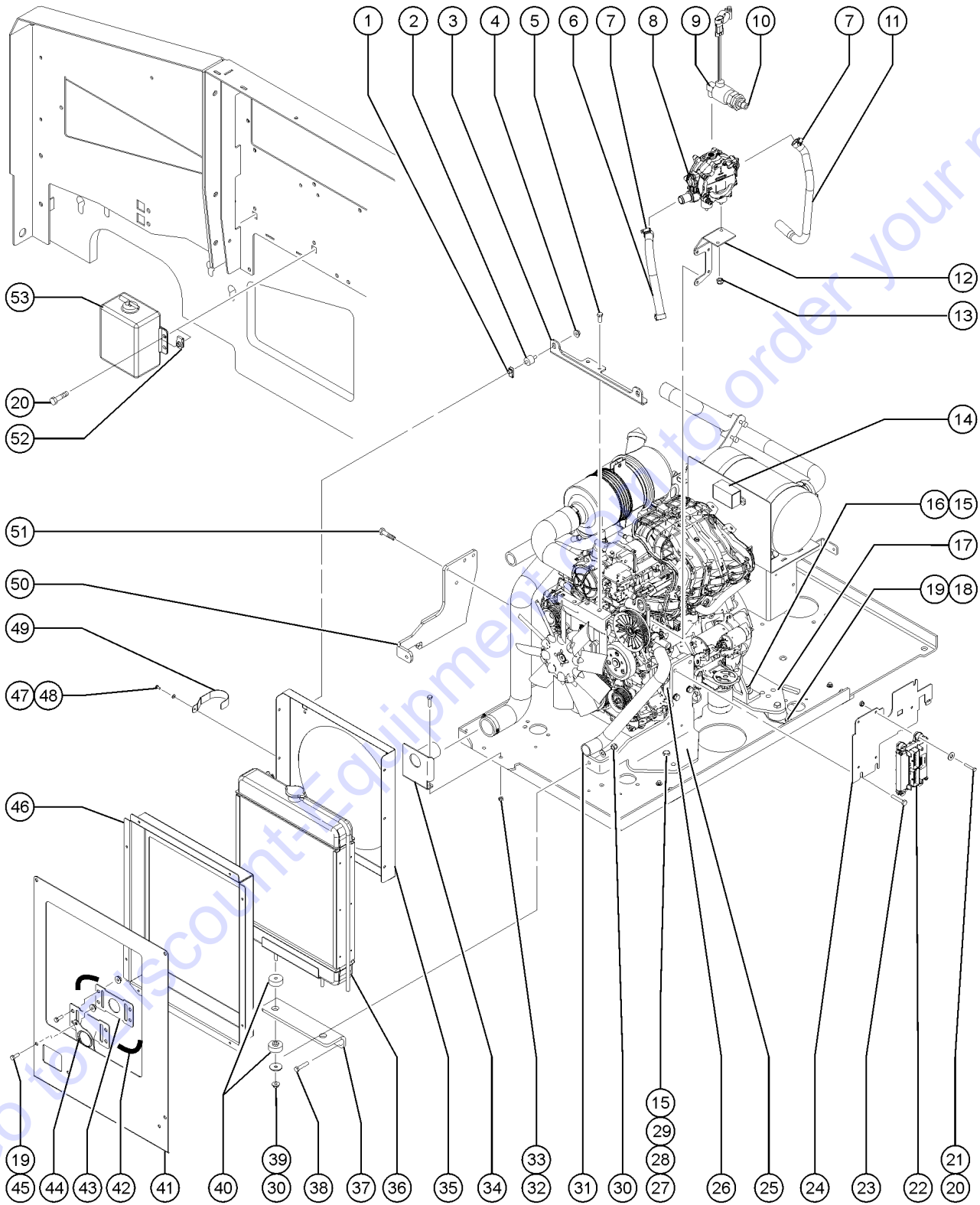
503.1 Ford MSG-425 EFI, View 3



503.1 Ford MSG-425 EFI, View 3

Item	Part No.	Description	Qty.	Item	Part No.	Description	Qty.
--		<i>For internal engine parts, contact engine dealer</i>		35	824145GT	WASHER,FLAT,M10,DIN125,ZAB	
1	237251GT	TAILPIPE, S60 MSG425.....	1	36	824025GT	NUT,TL,3/8-16,C,ZAG	
2	102121GT	CLAMP,MUFFLER,1-7/8 IN.....	1	37	119051GT	MOUNTING BAND,MUFFLER,8.0".....	2
3	32064GT	CLAMP,MUFFLER,1.75 INCH.....	3	38	215528GT	WDMT, CAT. MUFFLER, MSG425.....	1
4	824087GT	SCREW,HHF,5/16-18X1.25,8,ZAG		39	139610GT	SENSOR,AIR,CAT MONITOR.....	1
5	824028GT	NUT,TL FLG,5/16-18,G,ZAG		40	236832GT	TAILPIPE MOUNT , S40 MSG425.....	1
6	215320GT	SENSOR, O2, MSG425.....	1				
7	218668GT	FORMING, HEAT SHIELD MOUNT.....	1				
8	1256464GT	SCREW,HHC,5/16-18X.75,8,ZAG					
9	111634GT	AIR CLEANER,FORD,T3.....	1				
--	1277991GT	CLIP,AIR CLEANER COVER (58247) <i>for 58247</i>					
--	227988GT	VACUATOR VALVE					
--	38922GT	ELBOW,90DEG.1/8MPT-5/16 BARB					
--	58247GT	AIR CLEANER CAP/ FORD/NOLFF***					
--	77295GT	FILTER ELEMENT,AIR,NOLFF LPG					
10	53952GT	BRKT,AIR CLEANER ORIENTATION**.....	1				
11	45435GT	CLAMP,HOSE,2.50****.....	4				
12	237146GT	HOSE, CLEAN AIR, MSG425.....	1				
13	235659GT	HOSE, RAW AIR, MSG425.....	1				
14	216367GT	FORMING ,AIR CLEANER MOUNT.....	1				
15	1257489GT	SCREW,HHC,3/8-16X.625,8,ZAG					
16	56912GT	SPRING CLIP,1/4-20,.025-.15X.54,ZAG					
17	1256855GT	SCREW,HHF,1/4-20X.625,8,ZAG					
18	160541GT	WDMT, HEAT SHIELD, MSG425					
19	236338GT	HOSE,UPPER RADIATOR,MSG425					
20	36208GT	CLAMP,HOSE,1.25***.....	2				
21	824028GT	NUT,TL FLG,5/16-18,G,ZAG					
22	214446GT	COUPLER,15T,FBA,SAE 8,MSG425.....	1				
23	1251983GT	SCREW,HHF,M8-1.25X16,DIN6921,10.9,ZAB					
24	119052GT	PUMP MOUNT,FORD DSG423.....	1				
25	1257481GT	SCREW,SHC,M10-1.5X60,DIN912,12.9,ZAB.2					
26	1255666GT	SCREW,SHC,M10-1.5X30,DIN912,12.9,ZAB.3					
27	1255469GT	SCREW,HHF,1/2-13X1.25,8,ZAG					
28	825353GT	WASHER,FLAT,1/2,SAE,HRD,ZAG					
29	824085GT	SCREW,HHF,5/16-18X.75,8,ZAG					
30	215709GT	WELDMENT,CAT MOUNT,MSG425.....	1				
31	232874GT	SCREW,HHF,M10-1.5X30,DIN6921,10.9,ZAB					
32	218576GT	WDMT,HEADER PIPE,MSG425					
33	72343GT	GASKET,EXH FLANGE-FORD/PERKINS.....	1				
34	1256848GT	SCREW,HHC,3/8-16X2.75,8,ZAG.....	2				

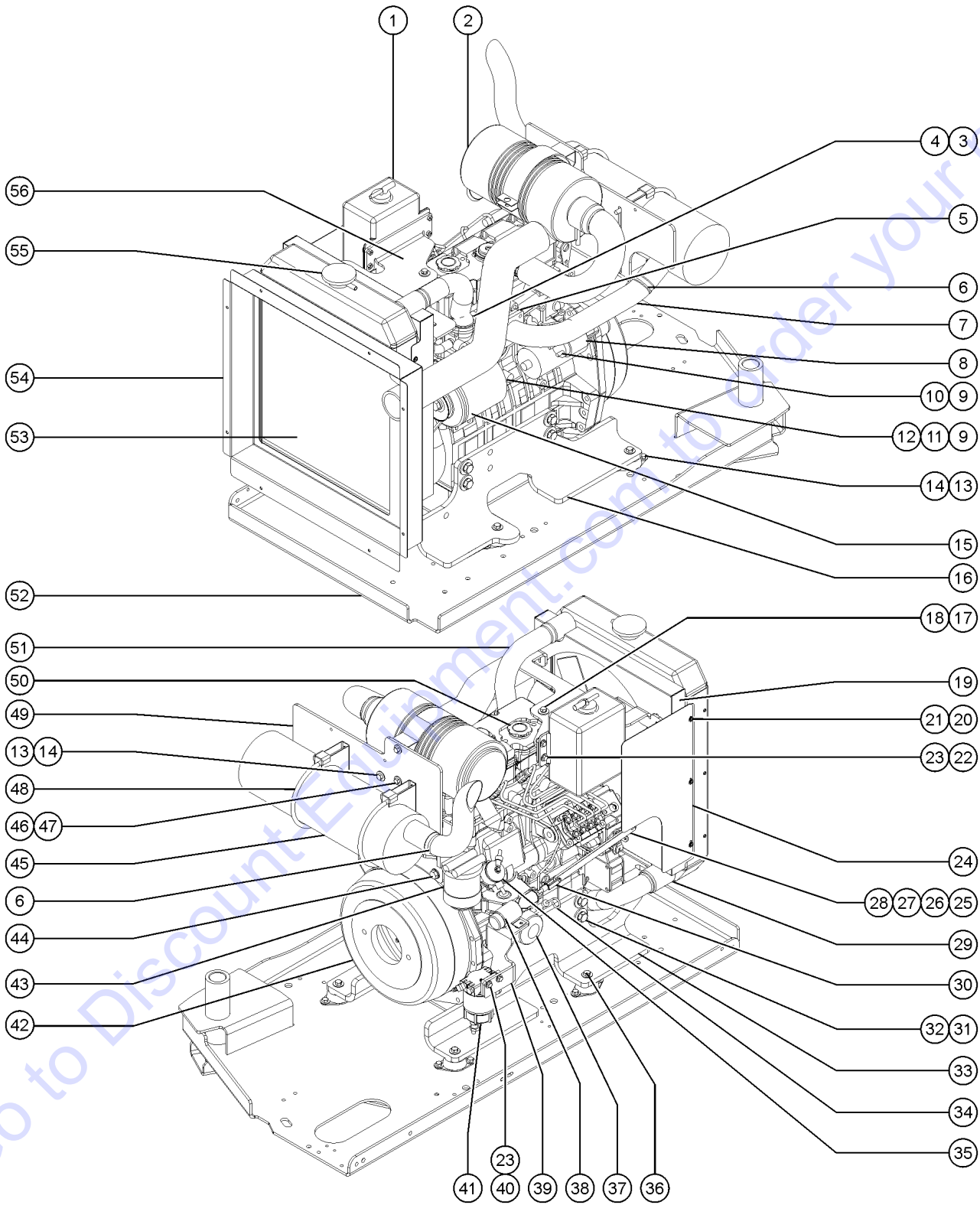
504.1 Ford MSG-425 EFI, View 4



504.1 Ford MSG-425 EFI, View 4

Item	Part No.	Description	Qty.	Item	Part No.	Description	Qty.
--		<i>For internal engine parts, contact engine dealer</i>		29	102066GT	CASTING,WASHER,REBOUND	
1	36456GT	SPRING CLIP,5/16-18,.025-.15X.....2		30	824029GT	NUT,TL FLG,3/8-16,G,ZAG	
2	219437GT	ISOLATOR, VIBRATION.....2		31	236339GT	HOSE, LOWER RADIATOR, MSG425....1	
3	237780GT	FORMING, RAD SUPPORT, MSG425....1		32	824027GT	NUT,TL FLG,1/4-20,G,ZAG	
4	1257628GT	NUT,SERRATED,3/8-16,8,ZAG		33	824078GT	SCREW,HHF,1/4-20X.75,8,ZAG	
5	1251983GT	SCREW,HHF,M8-1.25X16,DIN6921,10,9,ZAB		34	216016GT	WDMT, RAW AIR INT, S60 MSG425.....1	
6	1702GT	HOSE-HEATER,5/8 ID-BLACK.....1		35	236364GT	FAN SHROUD, MSG425.....1	
7	46131GT	CLAMP,HOSE,.63" - 1.0" X .5".....4		36A	110406GT	RADIATOR,FORD DSG423 & MSG425.....1	
8	215316GT	REGULATOR, LP, MSG425.....1		36B	119484GT	CAP,COOLANT 3/4	
--	219477GT	ISOLATOR, DEPR		37	110417PGT	FORMING,RADIATOR SUPPORT,PNTD.....1	
--	119055GT	HOSE ASSY,LP GAS <i>Attach LPG hose (119055GT) to LPG Locoff Valave, other end to LP tank</i>		38	824092GT	SCREW,HHF,3/8-16X1.5,8,ZAG	
--	73599GT	CAP,PROT.,RED,1.38ID X .75 DP <i>for 1276926</i>		39	824120GT	WASHER,FLAT,.375X1.50X.125,ZAG	
9	119232GT	LOCKOFF,LP,FORD DSG/MSG.....1		40	24038GT	SHOCK MOUNT,SMALL.....4	
10	19358GT	CONNECTOR,010102-6-4.....10		41	822695GT	BAFFLE, AIR INTAKE, S60.....1	
11	236340GT	HOSE, COOLANT, VAP, MSG425.....1		42	119218GT	TRIM,EDGE,1/8X3/4 SIDE BULB.....8-inches	
12	236423GT	FORMING, LP REG MOUNT, MSG425....1		43	238234GT	PLATE, INT. SHRD SEAL, MSG425.....1	
13	237832GT	NUT,TL FLG,M8-1.25,DIN6927,10,ZAB		44	1252050GT	WDMT, AIR INTAKE, MSG425.....1	
14A	237856GT	FUSE BOX COVER.....1 <i>(decal not included, refer to item 14B)</i>		45	1256855GT	SCREW,HHF,1/4-20X.625,8,ZAG	
14B	237857GT	FUSE BOX RELAY STICKER.....1 <i>(not shown) not included with 237856, order seperately</i>		46	822698GT	SHROUD, RADIATOR, FORD MSG425.....1	
14C	237858GT	FUSE BOX MOUNTING,LEFT.....1 <i>(not shown)</i>		47	824220GT	SCREW, PHPM SEMS ET, 10-24 X .5, ZAG	
14D	237859GT	FUSE BOX MOUNTING,RIGHT.....1 <i>(not shown)</i>		48	1253185GT	WASHER,FLAT,#10,USS,ZAG	
15	1251997GT	NUT,TL FLG,1/2-13,G,ZAG		49	237385GT	HOSE HANGER, MSG425.....2	
16	1253498GT	SCREW,HHF,1/2-13X1.5,8,ZAG		50	236421GT	ENGINE MOUNT, RIGHT, MSG425.....1	
17	236422GT	ENGINE MOUNT, REAR, MSG425.....1		51	232874GT	SCREW,HHF,M10-1.5X30,DIN6921,10,9,ZAB.4	
18A	824090GT	SCREW,HHF,3/8-16X1,8,ZAG <i>to SN 38162</i>		52	56912GT	SPRING CLIP,1/4-20,.025-.15X.54,ZAG	
18B	824091GT	SCREW,HHF,3/8-16X1.25,8,ZAG <i>from SN 38163</i>		53	70367GT	BOTTLE,COOLANT RECOVERY,3.7***.....1 <i>includes cap</i>	
19	824029GT	NUT,TL FLG,3/8-16,G,ZAG		--	106226GT	TUBING,VINYL,1/2" CLEAR	
20	824081GT	SCREW,HHF,1/4-20X1.5,8,ZAG		--	21465GT	CLAMP,HOSE,.25" - .63" X .3125 <i>(not shown) not included with 70367, must order seperately</i>	
21	824062GT	SCREW,HHC,1/4-20X1.5,8,ZAG		--	6833GT	CLAMP,0.50,#8 X 1/4,RUB CUSH <i>(not shown) not included with 70367, must order seperately</i>	
22	215317GT	CONTROL MODULE, MSG425.....1		--	72327GT	CAP, COOLANT RET SYS(54071)	
23	1257486GT	SCREW,HHF,M10-1.5X55,DIN6921,10,9,ZAB.4					
24	236425GT	FORMING, ECU MOUNT, MSG425.....1					
25	236420GT	ENGINE MOUNT, LEFT, MSG425.....1					
26	110477GT	PLATE,ENGINE SUPPORT SPACER.....1					
27	1251994GT	SCREW,HHF,1/2-13X3,8,ZAG					
28	70452GT	ISOLATOR,ENGINE VIBRATION***.....4					

505.1 Perkins 404D-22



505.1 Perkins 404D-22

Item	Part No.	Description	Qty.	Item	Part No.	Description	Qty.
--		<i>For internal engine parts, contact engine dealer</i>		--	58415GT	CLIP,AIR CLEANER END CAP*** <i>end cap not available separately</i>	
--	89765GT	BELT, V (PERKINS 404)		--	62420GT	FILTER,AIR***	
A	128831GT	ENGINE,PERKINS,DIESEL 404D-22 <i>Tier III Engine</i>		--	65810GT	BAFFLE, AIR CLEANER (27915)**	
--	106663GT	SOLENOID,SHUT DOWN PERKIN40422 <i>(for 128831 engine)</i>		--	88846GT	HOSE,AIR INLET	
--	119809GT	SWITCH, OIL PRESSURE <i>Old switch design was used with an adaptor; New switch screws directly into engine block. With older engine, remove adaptor and install new switch directly into engine block</i>		--	88847GT	HOSE,AIR CLEANER TO INTAKE	
--	128987GT	WATER PUMP <i>(for 128831 engine)</i>		3	128986GT	WATER OUTLET, VERTICAL.....1	
--	147348GT	SEAL-VALVE SYSTEM (A) <i>(for Perkins 404 engine)</i>		4	128991GT	THERMOSTAT.....1	
--	147349GT	SEAL-VALVE SYSTEM (B) <i>(for Perkins 404 engine)</i>		--	147355GT	GASKET-THERMOSTAT HSG.....1 <i>for 128991</i>	
--	147350GT	GASKET-CYLINDER HEAD <i>(for Perkins 404 engine)</i>		5	72343GT	GASKET,EXH FLANGE-FORD/PERKINS.....1	
--	147351GT	SEAL-ROCKER BOX <i>(for Perkins 404 engine)</i>		6	70385GT	CLAMP,EXHAUST,2.00 PLATED.....2	
--	147352GT	SEAL-INJECTOR <i>(for Perkins 404 engine)</i>		7	110899GT	WELDMENT,EXHAUST PIPE.....1	
--	147353GT	SEAL-INJECTOR <i>(for Perkins 404 engine)</i>		--	62845GT	NUT-FLANGE, 8MM (62849) <i>sold separately</i>	
--	58354GT	GASKET,WATER PUMP <i>(for 128831 engine)</i>		--	72343GT	GASKET,EXH FLANGE-FORD/PERKINS.....1 <i>sold separately</i>	
--	65538GT	FLYWHEEL (PERKINS KR70481U)** <i>(for 128831 engine)</i>		--	72344GT	BOLT,EXHAUST,PERKINS(54555)** <i>sold separately</i>	
--	72348GT	PUMP,LIFT(FUEL) PERKINS(54555) <i>(for 128831 engine)</i>		--	94711GT	FLANGE,EXHAUST <i>sold separately</i>	
--	77736GT	GLOW PLUG (PERKINS 404-22) <i>(for 128831 engine)</i>		--	94888GT	EXHAUST MANIFOLD <i>sold separately</i>	
--	85155GT	PUMP,PRIMER,PERKINS*** <i>(for 128831 engine)</i>		8	228457GT	STARTER, PERKINS, 404D.....1	
--	94887GT	INTAKE MANIFOLD <i>(for 128831 engine)</i>		9	231513GT	NUT,TL FLG,M6-1.0,DIN6927,10,ZAB	
--	94890GT	MANUAL,OPERATORS PERKINS 404 <i>(for 128831 engine)</i>		10	237832GT	NUT,TL FLG,M8-1.25,DIN6927,10,ZAB	
--	97473GT	SENSOR,WATER TEMPERATURE <i>(for 128831 engine)</i>		11	826215GT	WASHER,FLAT,M5,DIN125,ZAB	
1	70367GT	BOTTLE,COOLANT RECOVERY,3.7***.....1		12	826214GT	NUT,TL,M5-0.8,DIN980,10,ZAB	
--	1062264000GT	TUBING, VINYL, 1/2" CLEAR		13A	824090GT	SCREW,HHF,3/8-16X1,8,ZAG <i>to SN 38162</i>	
--	115431GT	CAP ASSY, COOLANT BOTTLE		13B	824091GT	SCREW,HHF,3/8-16X1.25,8,ZAG <i>from SN 38163</i>	
2	63463GT	AIR CLEANER,NELSON***.....1		14	824029GT	NUT,TL FLG,3/8-16,G,ZAG	
--	52866GT	EVACUATOR VALVE-AIR CLEANER		15	111029GT	ALTERNATOR,65 AMP,PERKINS 404	
--	53952GT	BRKT,AIR CLEANER ORIENTATION**		16	161611GT	FORMING, ENGINE MOUNT, PERKINS.....1	
				17	824132GT	SCREW,HHF,M8-1.25X20,DIN6921,10,9,ZAB.1	
				18	60585GT	ISOLATOR,VIBRATION,M8 MALE/FEM.....1	
				19	88990PGT	SHROUD,FAN PAINTED	
				20	824220GT	SCREW, PHPM SEMS ET, 10-24 X .5, ZAG.....1	
				21	1253185GT	WASHER,FLAT,#10,USS,ZAG	
				22	824079GT	SCREW,HHF,1/4-20X1,8,ZAG	
				23	824027GT	NUT,TL FLG,1/4-20,G,ZAG	

505.1 Perkins 404D-22

(continued)

Item	Part No.	Description	Qty.	Item	Part No.	Description	Qty.
24	54487PGT	GUARD,FAN,FORD/PERKINS,PAINTED.1		45C	70357GT	MUFFLER,CATALYTIC.....1 <i>scrubber muffler option</i>	1
25	89953GT	FLATBAR,ALUM,THROTTLE LINKAGE.....1	1	45D	822515GT	TAILPIPE, PERKINS, 404D.....1	1
26	1258824GT	BOLT,SHS,8X12XM6-1.0,ISO7379,12.9,ZAB		46	824028GT	NUT,TL FLG,5/16-18,G,ZAG	
27	824144GT	WASHER,FLAT,M8,DIN125,ZAB		47	824086GT	SCREW,HHF,5/16-18X1,8,ZAG	
28	1256455GT	NUT,TL,M6-1.0,DIN980,10,ZAB		48	88993GT	CLAMP,MUFFLER.....2	2
29	54579GT	HOSE,LOWER,RADIATOR,PERKINS.....1	1	49	88991PGT	FORMING,MUFFLER MOUNT PAINTED.....1	1
--	22672GT	CLAMP,HOSE,1.75		50	65636GT	CAP, OIL FILLER.....1	1
30	21130GT	CLEVIS YOKE-1/4-28,PLTD W/PIN.....1	1	--	65638GT	SEAL, OIL FILLER CAP.....1	1
31	1257705GT	SCREW,HHF,M14-1.5X35,DIN960,10.9,ZAB		51	54578GT	HOSE,UPPER RADIATOR,PERKINS.....1	1
32	1257810GT	WASHER,FLAT,M14,DIN6916,HRD,ZAB		--	22672GT	CLAMP,HOSE,1.75	
33	88988PGT	FORMING,ENGINE MOUNT RH PAINTE.....1	1	52		Ref. Engine Tray Assembly <i>refer to 309.1</i>	
34	128984GT	DIPSTICK, STRAIGHT SHORT.....1	1	53	110304GT	RADIATOR,FORD/PERKINS***.....1	1
--	128985GT	DIPSTICK TUBE, STRAIGHT SHORT....1	1	--	1252943GT	SPACER,FAN,PERKINS 404F.....1 <i>sold separately</i>	1
35	72348GT	PUMP,LIFT(FUEL) PERKINS(54555).....1 <i>replaced 128989</i>	1	--	24038GT	SHOCK MOUNT,SMALL.....4 <i>sold separately</i>	4
--	77990GT	KIT,SEAL,3CC PUMP***		--	77482GT	PULLEY, WATER PUMP.....1 <i>sold separately</i>	1
36	1251994GT	SCREW,HHF,1/2-13X3,8,ZAG		--	77483GT	FAN, ENGINE (104-22)(404-22)*.....1 <i>sold separately</i>	1
37	94762GT	OIL FILTER - PERKINS.....1	1	54	106003PGT	BAFFLE,PERKINS ENGINE PAINTED....1	1
38	77402GT	SOLENOID,THROTTLE ACTUATOR DSL.....1	1	55	65473GT	CAP,RADIATOR,PERKINS/FORD.....1	1
--	21130GT	CLEVIS YOKE-1/4-28,PLTD W/PIN		56	88989PGT	FORMING,UPPER RAD SUPPORT PNTD.....1	1
--	89953GT	FLATBAR,ALUM,THROTTLE LINKAGE					
39	128588GT	FORMING,SOLENOID MOUNT.....1	1				
40	824080GT	SCREW,HHF,1/4-20X1.25,8,ZAG					
41	147826GT	SEPRTR/FLTR,FUEL DSL,15GPH,.30....1 <i>(replaced 75020, the filter is the same for both assemblies)</i>	1				
--	54205GT	HOSE END,BARB,1/4 MNPTX5/16,90					
--	54437GT	HOSE END,BARB,1/4 MNPTX5/16,ST <i>(included with filter assembly)</i>					
--	62433GT	FILTER,ELEMENT,30 MIC,75020 <i>(included with filter assembly)</i>					
42	89771GT	HOUSING,PUMP MOUNT (54573).....1	1				
--	1251983GT	SCREW,HHF,M8-1.25X16,DIN6921,10.9,ZAB.6					
--	128003GT	COUPLER,15 TOOTH,FBA,PERKINS**1	1				
--	128022GT	KIT,FBA STYLE COUPLER,PERKINS <i>(includes 128003, 128024 (6 qty) and 128025)</i>					
--	128025GT	GREASE,SERVICE PACKET.....1	1				
43	94889GT	FUEL FILTER ASSEMBLY.....1	1				
--	62421GT	FILTER,FUEL,PERKINS.....1	1				
44	1257834GT	SCREW,HHF,M12-1.75X45,DIN6921,					
45A	88841GT	MUFFLER,6".....1	1				
45B	70298GT	MUFFLER,SPARK ARRESTOR.....1 <i>spark arrestor option</i>	1				

PARTS FINDER

**Search Website
by Part Number**



**Search Manual
Library For Parts
Manual & Lookup Part
Numbers – Purchase
or Request Quote**

Search Manuals

Enter your information to help us find the right parts manual for your machine.

* Brand:

* Model:

* Serial:

* Part Number:

SEARCH

**Can't Find Part or
Manual? Request Help
by Manufacturer,
Model & Description**

Parts Order Form

Please fill in the following information to help us find the right part for your machine.

Manufacturer:	<input type="text"/>
Model:	<input type="text"/>
Description:	<input type="text"/>
Part Number:	<input type="text"/>
Quantity:	<input type="text"/>
Notes:	<input type="text"/>

Submit

Discount-Equipment.com is your online resource for quality parts & equipment.

Florida: **561-964-4949** Outside Florida TOLL FREE: **877-690-3101**

Need parts?

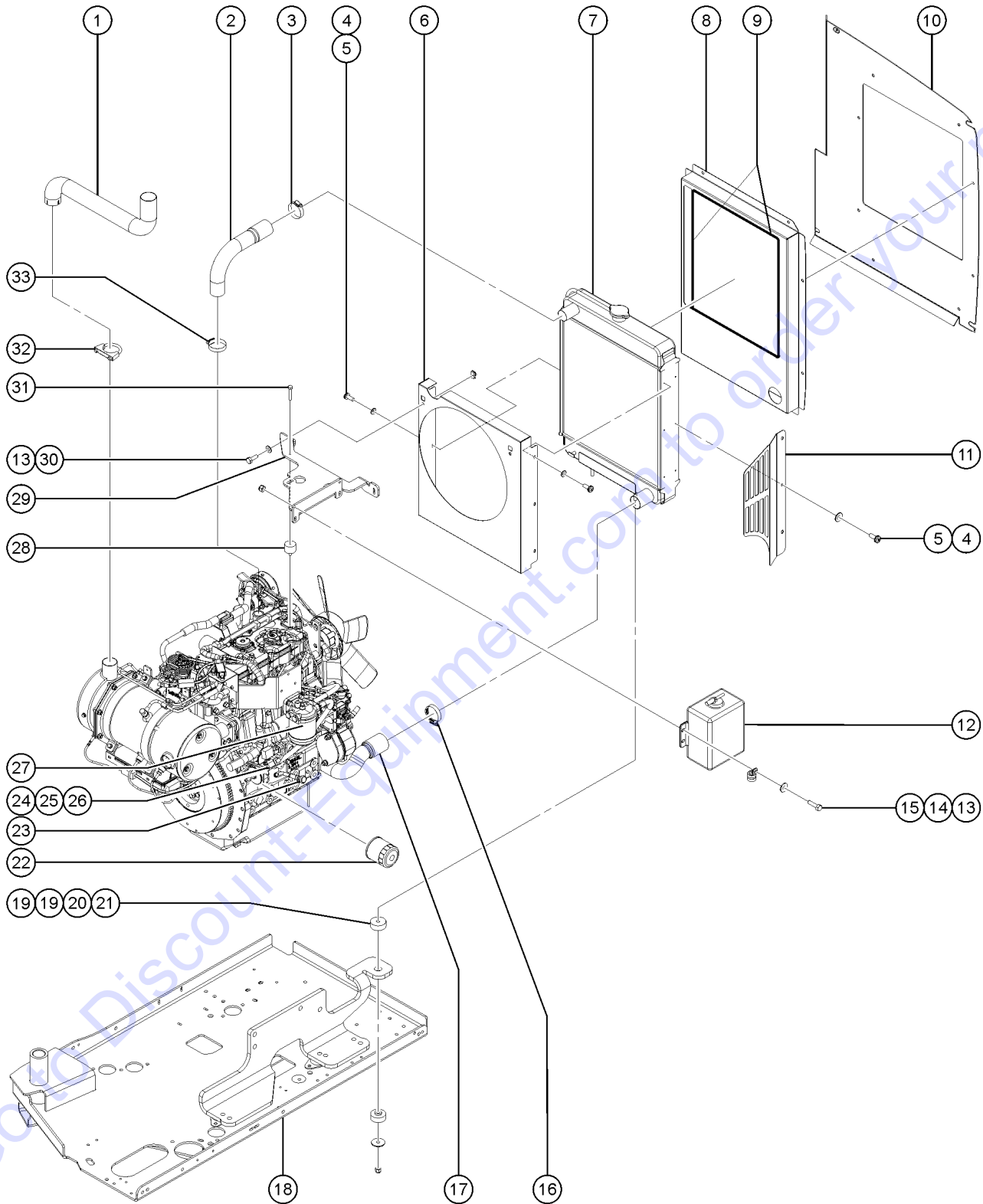
Click on this link: <http://www.discount-equipment.com/category/5443-parts/> and choose one of the options to help get the right parts and equipment you are looking for. Please have the machine model and serial number available in order to help us get you the correct parts. If you don't find the part on the website or on one of the online manuals, please fill out the request form and one of our experienced staff members will get back to you with a quote for the right part that your machine needs.

We sell worldwide for the brands: Genie, Terex, JLG, MultiQuip, Mikasa, Essick, Whiteman, Mayco, Toro Stone, Diamond Products, Generac Magnum, Airman, Haulotte, Barreto, Power Blanket, Nifty Lift, Atlas Copco, Chicago Pneumatic, Allmand, Miller Curber, Skyjack, Lull, Skytrak, Tsurumi, Husquvarna Target, Stow, Wacker, Sakai, Mi-T-M, Sullair, Basic, Dynapac, MBW, Weber, Bartell, Bennar Newman, Haulotte, Ditch Runner, Menegotti, Morrison, Contec, Buddy, Crown, Edco, Wyco, Bomag, Laymor, EZ Trench, Bil-Jax, F.S. Curtis, Gehl Pavers, Heli, Honda, ICS/PowerGrit, IHI, Partner, Imer, Clipper, MMD, Koshin, Rice, CH&E, General Equipment, Amida, Coleman, NAC, Gradall, Square Shooter, Kent, Stanley, Tamco, Toku, Hatz, Kohler, Robin, Wisconsin, Northrock, Oztec, Toker TK, Rol-Air, APT, Wylie, Ingersoll Rand / Doosan, Innovatech, Con X, Ammann, Mecalac, Makinex, Smith Surface Prep, Small Line, Wanco, Yanmar

This Page Intentionally Left Blank

Go to Discount-Equipment.com to order your parts

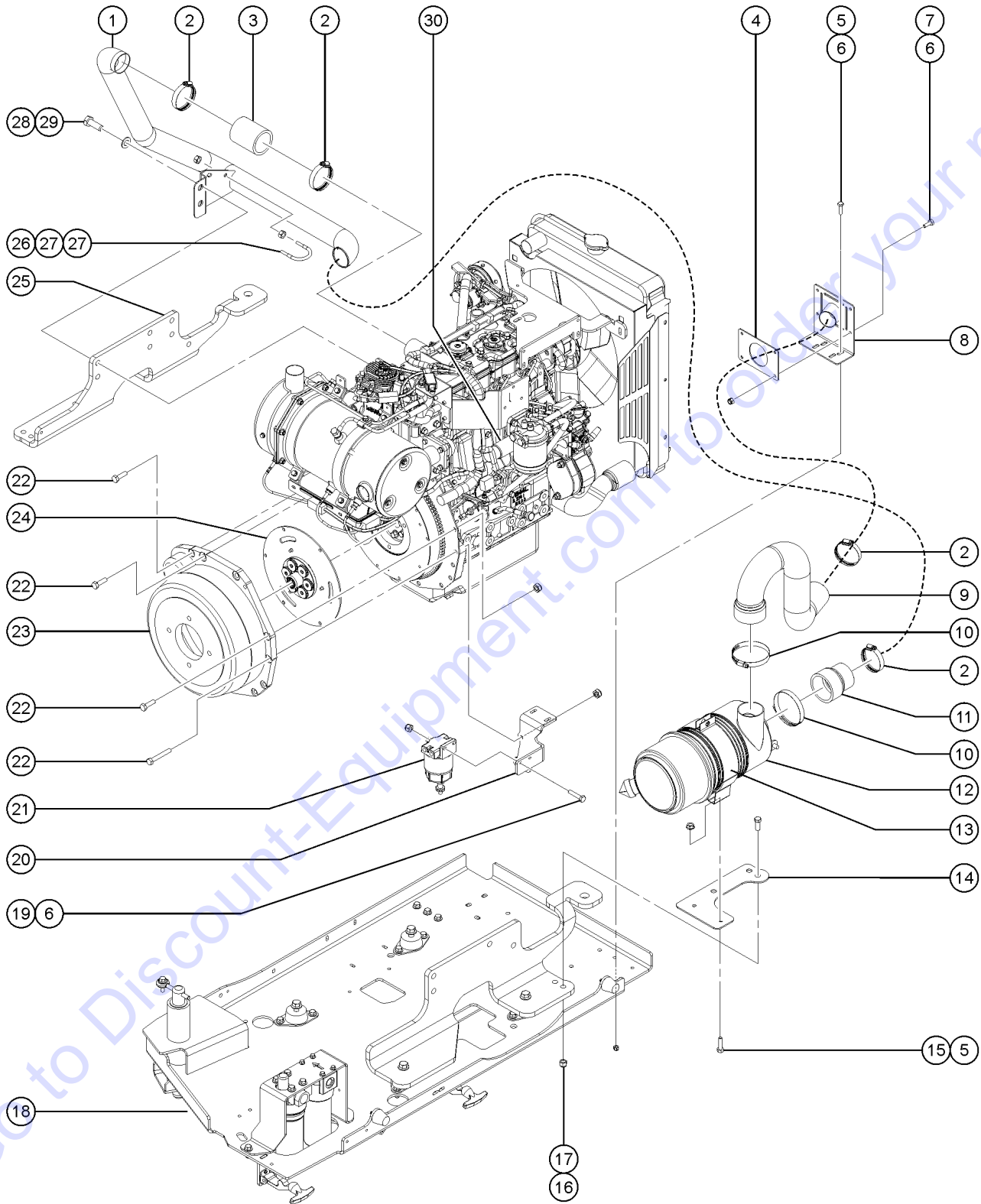
506.1 Perkins 404F-22, View 1



506.1 Perkins 404F-22, View 1

Item	Part No.	Description	Qty.	Item	Part No.	Description	Qty.
--		<i>Due to Tier 4 regulations, many engine replacement parts require the engine serial number at time of order placement. When ordering engine parts please have both machine and engine serial numbers available. For internal engine parts, contact engine dealer</i>		24	1252941GT	SWITCH,OIL PRESS,PERKINS 404F.....1	1
--	1262487GT	BELT,AIR PUMP,PERKINS 404F-22T		25	139936GT	ADAPTER,EYEBOLT	
--	89765GT	BELT, V (PERKINS 404)		26	101085GT	GASKET for 1252941	
A	214335GT	ENGINE,PERKINS,DIESEL,404F-22		27	94889GT	FUEL FILTER ASSEMBLY.....1	1
B	1262866GT	FAN BELT, ALTERNATOR		--	62421GT	FILTER,FUEL,PERKINS.....1	1
C	1262867GT	V-BELT, DEUTZ <i>also used on certain Perkins engine installations</i>		--	62433GT	FILTER,ELEMENT,30 MIC,75020	
D	1262487GT	BELT,AIR PUMP,PERKINS 404F-22T		28	60585GT	ISOLATOR,VIBRATION,M8 MALE/FEM.....1	1
E	1262027GT	PRESSURE PUMP,PERKINS 404F-22T		29	88989PGT	FORMING,UPPER RAD SUPPORT PNTD.....1	1
F	82710GT	DECAL,INSTR-MAX CAP 1200LBS		30	56912GT	SPRING CLIP,1/4-20,.025-.15X.54,ZAG.....2	2
1	161612GT	TAILPIPE,MUFFLER,PERKINS 404F.....1		31	28214GT	SCREW,HHC,M8 X 45.....1	1
2	54578GT	HOSE,UPPER RADIATOR,PERKINS.....1		32	70385GT	CLAMP,EXHAUST,2.00 PLATED.....1	1
3	22672GT	CLAMP,HOSE,1.75.....2		33	22672GT	CLAMP,HOSE,1.75.....2 (1 of 2 is hidden from view)	2
4	824220GT	SCREW, PHPM SEMS ET, 10-24 X .5, ZAG					
5	1253185GT	WASHER,FLAT,#10,USS,ZAG					
6	88990PGT	SHROUD,FAN PAINTED.....1					
7	110304GT	RADIATOR,FORD/PERKINS***.....1					
--	65473GT	CAP,RADIATOR,PERKINS/FORD					
8	822697GT	SHROUD, RADIATOR, 404F-22.....1					
9	1257685GT	TRIM SEAL,RADIATOR,PERKINS.....1					
10	215537GT	BAFFLE, S60 PERKINS, 404F-22.....1					
11	215917GT	FORMING, FAN GUARD,PERKINS 404.....1					
12	70367GT	BOTTLE,COOLANT RECOVERY,3.7***.....1					
--	115431GT	CAP ASSY, COOLANT BOTTLE					
13	824079GT	SCREW,HHF,1/4-20X1,8,ZAG					
14	6833GT	CLAMP,0.50,#8 X 1/4,RUB CUSH.....1					
15	824027GT	NUT,TL FLG,1/4-20,G,ZAG					
16	22672GT	CLAMP,HOSE,1.75.....2					
17	54579GT	HOSE,LOWER,RADIATOR,PERKINS.....1					
18		Ref. Engine Tray <i>refer to 309.1</i>					
19	24038GT	SHOCK MOUNT,SMALL.....2					
20	824120GT	WASHER,FLAT,.375X1.50X.125,ZAG					
21	824029GT	NUT,TL FLG,3/8-16,G,ZAG					
22	94762GT	OIL FILTER - PERKINS.....1					
23	128984GT	DIPSTICK, STRAIGHT SHORT.....1					
--	128985GT	DIPSTICK TUBE, STRAIGHT SHORT....1					

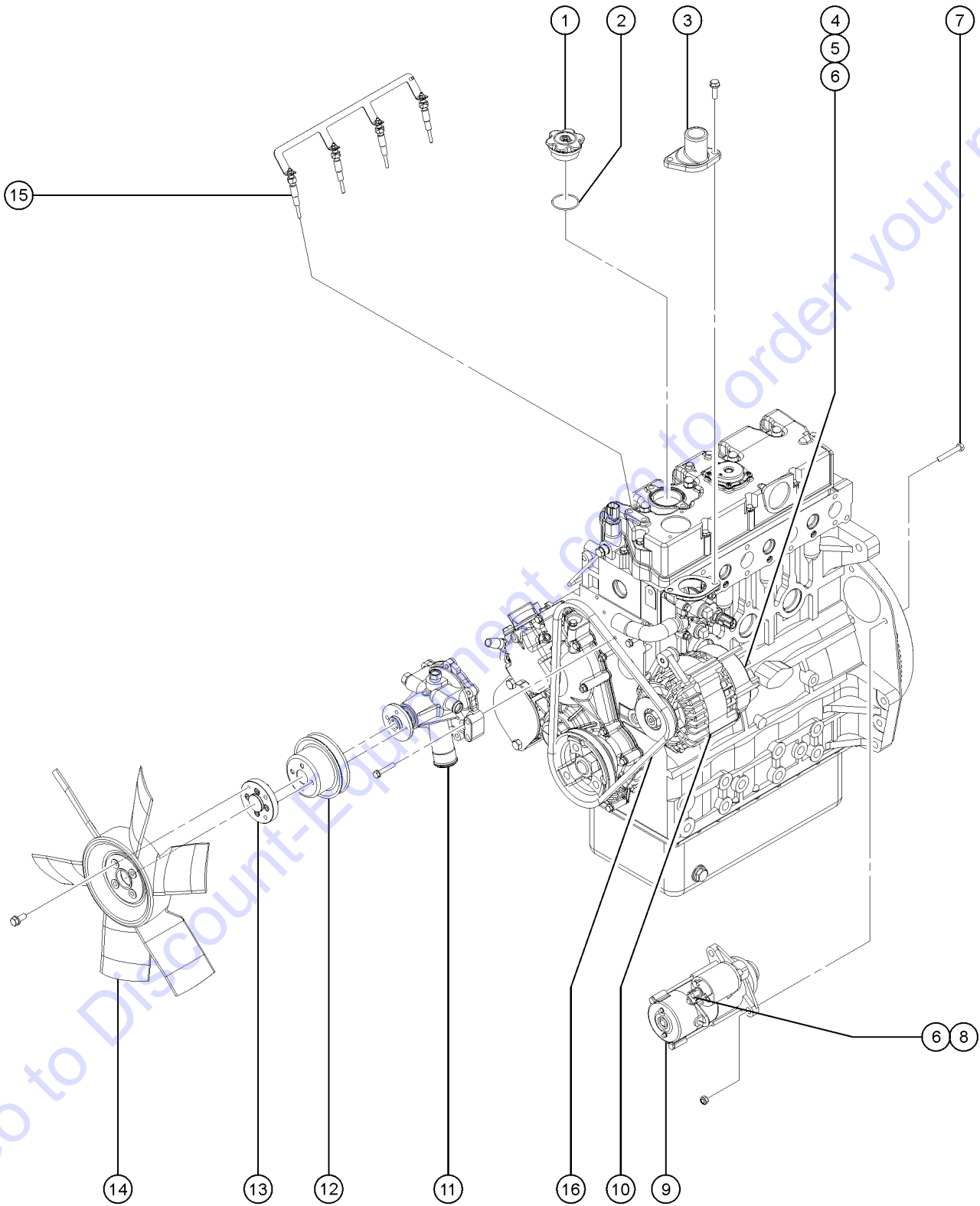
507.1 Perkins 404F-22, View 2



507.1 Perkins 404F-22, View 2

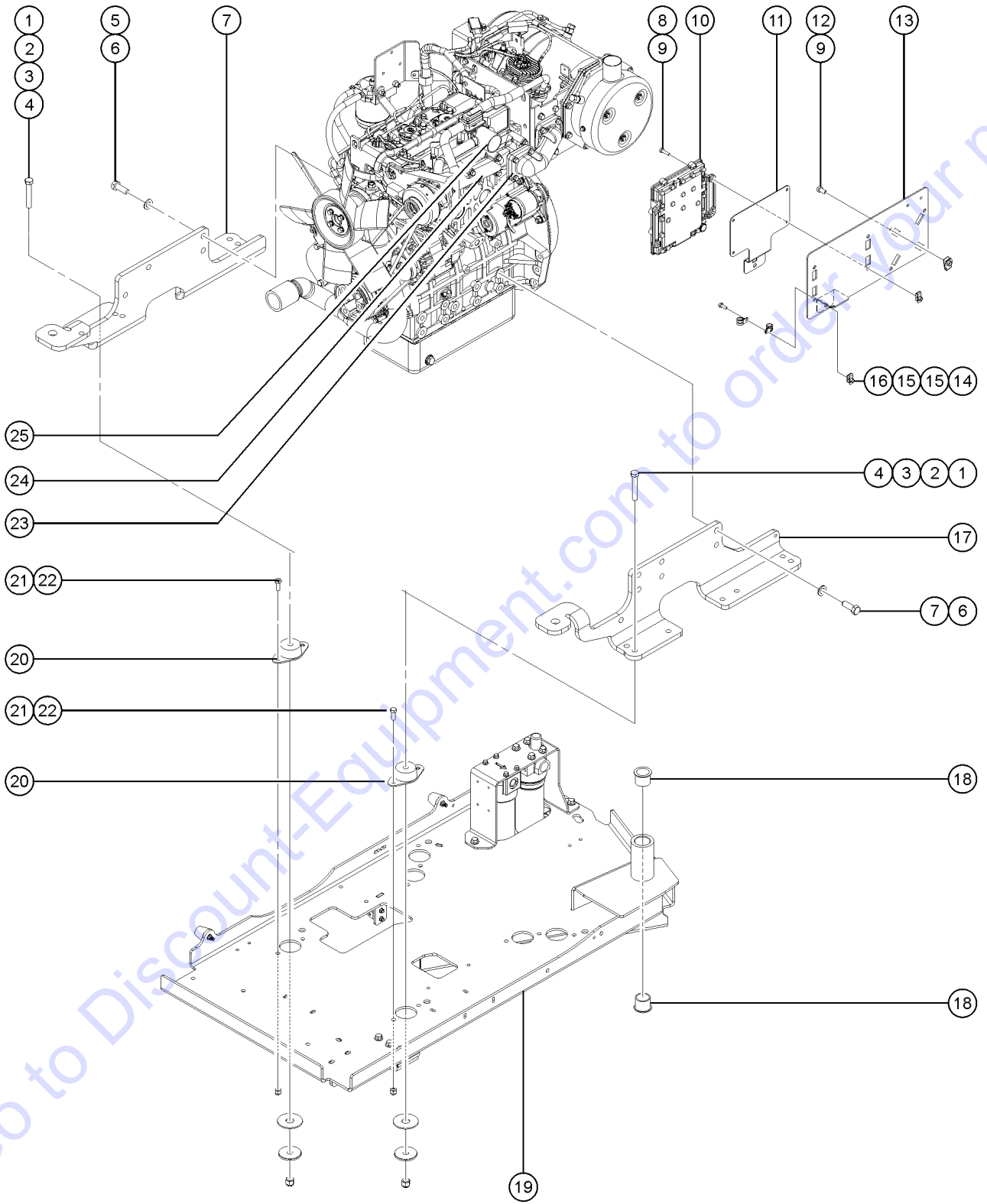
Item	Part No.	Description	Qty.	Item	Part No.	Description	Qty.
--		<i>Due to Tier 4 regulations, many engine replacement parts require the engine serial number at time of order placement. When ordering engine parts please have both machine and engine serial numbers available. For internal engine parts, contact engine dealer</i>		24	128022GT	KIT,FBA STYLE COUPLER,PERKINS....1 <i>includes 15-tooth coupler (128003), fastener kit (1263209) and grease</i>	1
A	106663GT	SOLENOID,SHUT DOWN PERKIN40422.....1	1	--	1251983GT	SCREW,HHF,M8-1.25X16,DIN6921,10.9,ZAB.6	6
B	85124GT	GASKET,SOLENOID,PERKINS 72350 <i>(for 106663)</i>		--	128003GT	COUPLER,15 TOOTH,FBA,PERKINS**.....1 <i>includes grease</i>	1
C	1257825GT	HARDWARE KIT,PERKINS 404F BELL <i>for bell housing</i>		--	128025GT	GREASE,SERVICE PACKET.....1	1
1	217703GT	WDMT, PERKINS INTAKE AIR HOSE....4	4	25		Ref. Forming Engine Mount <i>refer to 509.1</i>	
2	45435GT	CLAMP,HOSE,2.50"***.....1	1	26	80391GT	U-BOLT,5/16 -18 X 2IN**.....1	1
3	217187GT	HOSE, INTAKE, 2"ID X 3".....1	1	27	824028GT	NUT,TL FLG,5/16-18,G,ZAG.....4	4
4	1253990GT	SHEET,AIR SEAL BACKING.....1	1	28	1257705GT	SCREW,HHC,M14-1.5X35,DIN960,10.9,ZAB	
5	824018GT	SCREW,HHF,1/4-20X.75,8,ZAG		29	1257810GT	WASHER,FLAT,M14,DIN6916,HRD,ZAB	
6	824027GT	NUT,TL FLG,1/4-20,G,ZAG		30	1279271GT	SOLENOID,SHUTDOWN,PERKINS,404F-22.1	1
7	824078GT	SCREW,HHF,1/4-20X.75,8,ZAG.....1	1				
8	1254017GT	WDMT,INTAKE ADAPTER,404F.....1	1				
9	215912GT	COLD AIR HOSE, PERK 404F-22.....2	2				
10	30971GT	CLAMP,HOSE,3.00".....1	1				
11	216150GT	ADAPTER,AIR HOSE,PERK 404F.....1	1				
12	63463GT	AIR CLEANER,NELSON***.....1	1				
--	52866GT	EVACUATOR VALVE-AIR CLEANER					
--	58415GT	CLIP,AIR CLEANER END CAP*** <i>end cap not available separately</i>					
--	62420GT	FILTER,AIR***					
--	65810GT	BAFFLE, AIR CLEANER (27915)**					
13	53952GT	BRKT,AIR CLEANER ORIENTATION**.....1	1				
14	215472GT	PLATE, AIR CLEANER, 404F-22.....1	1				
15	18504GT	NUT,LOCKING-LG.FLANGE,1/4-20					
16	1251997GT	NUT,TL FLG,1/2-13,G,ZAG					
17	1253498GT	SCREW,HHF,1/2-13X1.5,8,ZAG					
18		Ref. Engine Tray <i>refer to 309.1</i>					
19	824080GT	SCREW,HHF,1/4-20X1.25,8,ZAG.....1	1				
20	128588GT	FORMING,SOLENOID MOUNT.....1	1				
21	147826GT	SEPRTR/FLTR,FUEL DSL,15GPH,.30....1	1				
--	54205GT	HOSE END,BARB,1/4 MNPTX5/16,90....1	1				
--	54437GT	HOSE END,BARB,1/4 MNPTX5/16,ST....1	1				
--	75020GT	SEPRTR/FLTR,FUEL DSL,15GPH,.30....1	1				
22	1257825GT	HARDWARE KIT,PERKINS 404F BELL.....1	1				
23	824507GT	PUMP MOUNT,PERKINS 404F-22.....1	1				

508.1 Perkins 404F-22, View 3



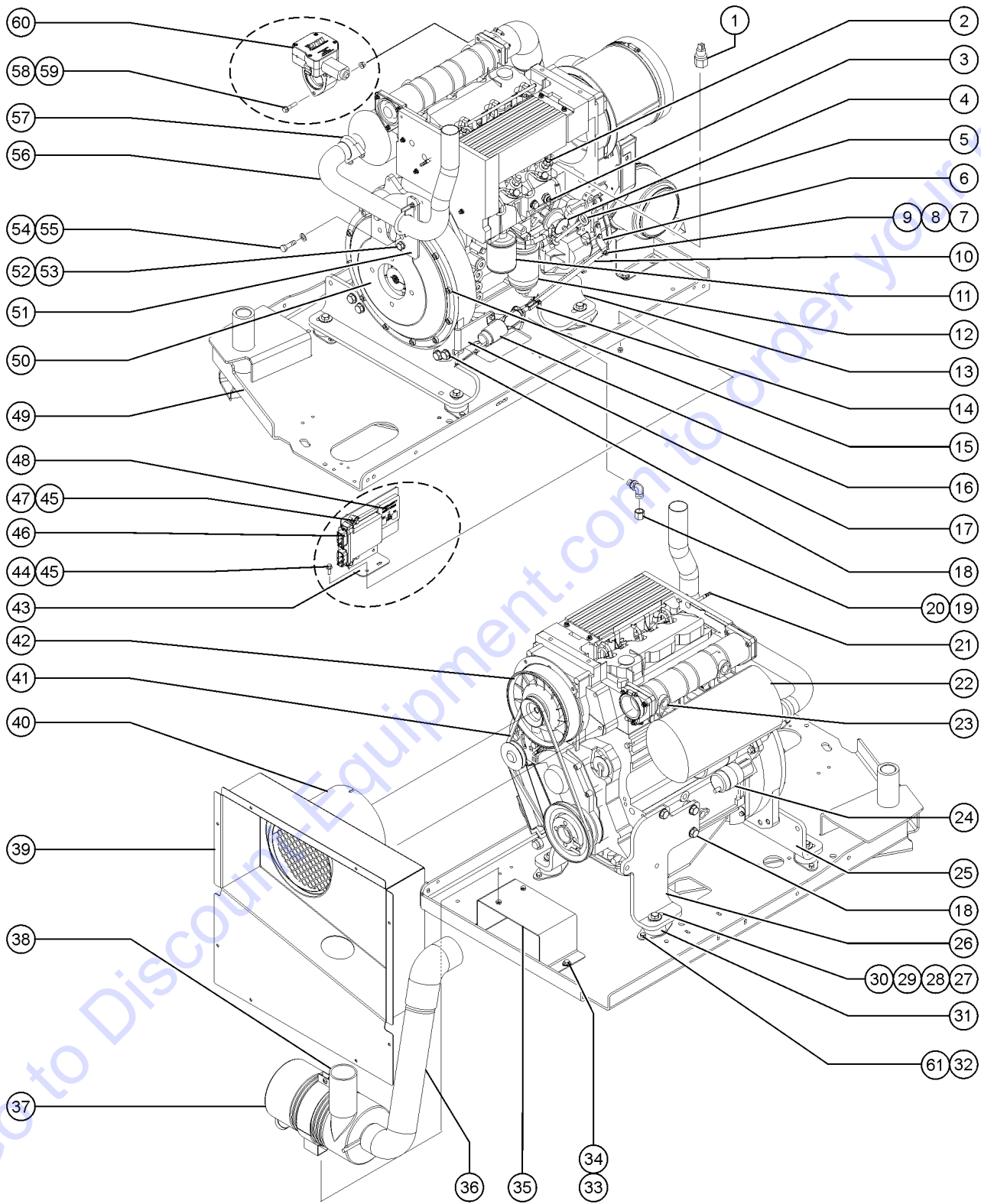
Item	Part No.	Description	Qty.
--		<i>Due to Tier 4 regulations, many engine replacement parts require the engine serial number at time of order placement. When ordering engine parts please have both machine and engine serial numbers available. For internal engine parts, contact engine dealer</i>	
A	119809GT	SWITCH, OIL PRESSURE <i>Old switch design was used with an adaptor; New switch screws directly into engine block. With older engine, remove adaptor and install new switch directly into engine block</i>	
B	97473GT	SENSOR,WATER TEMPERATURE	
C	85155GT	PUMP,PRIMER,PERKINS***	
D	128991GT	THERMOSTAT	
D	147355GT	GASKET-THERMOSTAT HSG <i>for 128991</i>	
E	72348GT	PUMP,LIFT(FUEL) PERKINS(54555)	
1	65636GT	CAP, OIL FILLER.....	1
2	65638GT	SEAL, OIL FILLER CAP.....	1
3	128986GT	WATER OUTLET, VERTICAL.....	1
4	826214GT	NUT,TL,M5-0.8,DIN980,10,ZAB	
5	826215GT	WASHER,FLAT,M5,DIN125,ZAB	
6	231513GT	NUT,TL FLG,M6-1.0,DIN6927,10,ZAB	
7	1257825GT	HARDWARE KIT,PERKINS 404F BELL	
8	237832GT	NUT,TL FLG,M8-1.25,DIN6927,10,ZAB	
9	1252940GT	STARTER,PERKINS 404F..... <i>no componets available from supplier</i>	1
10	1251814GT	ALTERNATOR - 85 AMP, INT REGULATED.....	1
11	1252942GT	PUMP,WATER,PERKINS 404F.....	1
12	77482GT	PULLEY, WATER PUMP.....	1
13	1252943GT	SPACER,FAN,PERKINS 404F.....	1
14	77483GT	FAN, ENGINE (104-22)(404-22)*.....	1
15	77736GT	GLOW PLUG (PERKINS 404-22).....	4
16	89765GT	BELT, V (PERKINS 404).....	1

509.1 Perkins 404F-22, View 4



Item	Part No.	Description	Qty.
--		<i>Due to Tier 4 regulations, many engine replacement parts require the engine serial number at time of order placement. When ordering engine parts please have both machine and engine serial numbers available. For internal engine parts, contact engine dealer</i>	
1	1251994GT	SCREW,HHF,1/2-13X3,8,ZAG.....	4
2	1255760GT	WASHER,FLAT,1/2,USS,ZAG.....	4
3	1256283GT	WASHER,FLAT,.5X2.25X.188,ZAG.....	4
4	1251997GT	NUT,TL FLG,1/2-13,G,ZAG.....	4
5	1257705GT	SCREW,HHC,M14-1.5X35,DIN960,10.9,ZAB.6	
6	1257810GT	WASHER,FLAT,M14,DIN6916,HRD,ZAB.6	
7	88988PGT	FORMING,ENGINE MOUNT RH PAINTE.....	1
8	824079GT	SCREW,HHF,1/4-20X1,8,ZAG	
9	56912GT	SPRING CLIP,1/4-20,.025-.15X.54,ZAG	
10	1280402GT	ECU,PERKINS,DIESEL,404-F22 ENGINE <i>provide engine serial number when ordering</i>	
11	216836GT	ECM MOUNT, PERK 404F-22.....	1
12	29868GT	SPRING CLIP,3/8-16,.05-.20X.73,ZAG....	2
13	216166GT	FORMING,ECU MOUNT,404F-22.....	1
14	71875GT	SPRING CLIP,1/4 TURN,.188PANEL	
15	6833GT	CLAMP,0.50,#8 X 1/4,RUB CUSH.....	2
16	1253485GT	SCREW,HHF,1/4-20X2,8,ZAG	
17	88987PGT	FORMING,ENGINE MOUNT,LH PAINTE.....	1
18	35675GT	BEARING,FL,1.25IDX1.5ODX1.25L.....	2
19	70462GT	WELDMENT,ENGINE TRAY***.....	1
20	70452GT	ISOLATOR,ENGINE VIBRATION***.....	4
21A	824090GT	SCREW,HHF,3/8-16X1,8,ZAG <i>to SN 38162</i>	
21B	824091GT	SCREW,HHF,3/8-16X1.25,8,ZAG <i>from SN 38163</i>	
22	824029GT	NUT,TL FLG,3/8-16,G,ZAG	
23A	1251816GT	FLANGE,EXHAUST,PERKINS 404F.....	1
23B	1251818GT	GASKET,EXHAUST ELBOW,PERKINS.....	1
24A	1251815GT	MANIFOLD,EXHAUST,PERKINS 404F...1	
24B	1251818GT	GASKET,EXHAUST ELBOW,PERKINS.....	1
24C	1251819GT	GASKET,EXHAUST MANIFOLD,PERK.....	1
24D	1251995GT	STUD,EXHAUST,PERKINS 404F.....	1
24E	1251996GT	NUT,EXHAUST,PERKINS 404F.....	1
25	94887GT	INTAKE MANIFOLD.....	1

510.1 Deutz D2011L03i, View 1



510.1 Deutz D2011L03i, View 1

Item	Part No.	Description	Qty.	Item	Part No.	Description	Qty.
--		<i>For internal engine parts, contact engine dealer</i>		17B	77245PGT	BRACKET,SOLEN.MOUNT BRACE,PNTD.....1 <i>(not shown)</i>	1
--	139622GT	HEAT SHIELD,DEUTZ STARTER		18	1256776GT	SCREW,HHF,M14-2.0X35,DIN6921,10.9,ZAB	
--	T114678GT	SHUTDOWN SOLENOID,12V,DEUTZ....1 <i>(must order cable assembly, 58256, if replacing 32752) (includes o-ring)</i>	1	19	54428GT	FITTING,HYDRAULIC,90DEG,O-RING...1	1
--	58256GT	SOLENOID CABLE ASSY***		20	69775GT	CAP,520112-8.....1	1
--	72255GT	CONNECTOR, DEUTZ FUEL SHUTOFF* <i>(does not include diode, 45782)</i>		21	147525GT	FITTING,BARBED,STRT,FUEL LINE....1	1
--	45782GT	DIODE,6 AMP,200 PIV,BULK		--	147526GT	FITTING,BARBED,TEE,FUEL LINE <i>(not shown)</i>	
1	111445GT	SENDING UNIT,OIL TEMP SWCH,DTZ.....1	1	--	30490GT	HOSE,1/4 FUEL LINE,SAE 30R7.....127-inches	
2	89792GT	INJECTOR, FUEL(DEUTZ F3L2011F)....2	2	22A	32695GT	MUFFLER,DEUTZ.....1	1
--	1288561GT	O-RING,FUEL INJECTOR,DEUTZ (89792) <i>for 89792</i>		22B	119117GT	MUFFLER,CAT/SPARK,DEUTZ <i>(Option - spark arresst)</i>	
3	139666GT	KIT,OP SWITCH,DEUTZ <i>(oil pressure kit for models with ALC-500 control system. includes item 139624 and instructions)</i>		22C	29559GT	GASKET,EXHAUST.....3 <i>for 119117, 3 required</i>	3
--	139624GT	SWITCH, OIL PRESSURE 1.5 BAR.....1	1	23	31408GT	GLOW PLUG,L1011.....1	1
4	111668GT	PUMP,FUEL 2011 DEUTZ ***.....1	1	24	139709GT	STARTER, 12V.....1 <i>with solenoid</i>	1
--	119344GT	KIT,PRIMER BULB		--	139621GT	KIT, HEAT GUARD, DEUTZ STARTER <i>(includes sheild 139622 and bolt 139623)</i>	
--	27089GT	HOSE,5/16 FUEL,SAE 30R7...116-inches		--	139622GT	HEAT SHIELD,DEUTZ STARTER	
5	147243GT	DIPSTICK, OIL, D2011.....1	1	--	139623GT	BOLT, GUARD, DEUTZ STARTER	
6	50787-SGT	LEVER, GOVERNOR ACTUATOR.....1	1	25	70459PGT	FORMING,REAR ENGINE MOUNT PNT*.....1	1
7	1257076GT	BOLT,SHS,1/4-28X4,ZAG		26	70461PGT	FORMING,ENGINE MOUNT,FL PAINT*.....1	1
8	825355GT	WASHER,FLAT,M6,DIN125,ZAB		27	1251994GT	SCREW,HHF,1/2-13X3,8,ZAG	
9	1256467GT	NUT,TL FLG,10-24,F,ZAG		28	1255760GT	WASHER,FLAT,1/2,USS,ZAG	
10	94485GT	THROTTLE LINKAGE,DIESEL ***.....1	1	29	1256283GT	WASHER,FLAT,.5X2.25X.188,ZAG	
11	49924GT	FILTER,OIL,DEUTZ F4L1011F.....1 <i>Genie Genuine Part. See PN 1255653 for compatible aftermarket replacement.</i>	1	30	1251997GT	NUT,TL FLG,1/2-13,G,ZAG	
--	1255653GT	FILTER,OIL,DEUTZ,REPLACEMENT....1 <i>Genie Aftermarket Part. Compatible with Genie Genuine Part 49924.</i>	1	31	70452GT	ISOLATOR,ENGINE VIBRATION***.....4	4
12	29560GT	FILTER,FUEL/WTR SEP, DTZ 1008.....1 <i>Genie Genuine Part. See PN 1254826 for compatible aftermarket replacement.</i>	1	32A	824090GT	SCREW,HHF,3/8-16X1,8,ZAG <i>to SN 38162</i>	
--	1254826GT	FUEL FILTER W/SEP,DEUTZ,1008.....1 <i>Genie Aftermarket Part. Filter for Deutz F3L 1011F Engine.</i>	1	32B	824091GT	SCREW,HHF,3/8-16X1.25,8,ZAG <i>from SN 38163</i>	
--	58566GT	FILTER HEAD (29560)		33	824086GT	SCREW,HHF,5/16-18X1,8,ZAG	
13	70460PGT	FORMING,ENGINE MOUNT,FR PAINT*.....1	1	34	1255805GT	NUT,SERRATED,5/16-18,8,ZAG	
14	21130GT	CLEVIS YOKE-1/4-28,PLTD W/PIN.....1	1	35	70351PGT	FORMING,AIR CLEANER MOUNT PNTD.....1	1
15	1255666GT	SCREW,SHC,M10-1.5X30,DIN912,12.9,ZAB		36	70375GT	HOSE,AIR CLEANER.....1	1
16	77402GT	SOLENOID,THROTTLE ACTUATOR DSL.....1	1	37	63463GT	AIR CLEANER,NELSON***.....1	1
17A	101129PGT	BRACKET,SOLENOID MOUNT PAINT....1	1	--	52866GT	EVACUATOR VALVE-AIR CLEANER	
				--	53952GT	BRKT,AIR CLEANER ORIENTATION**	
				--	58415GT	CLIP,AIR CLEANER END CAP*** <i>end cap not available separately</i>	
				--	62420GT	FILTER,AIR***	

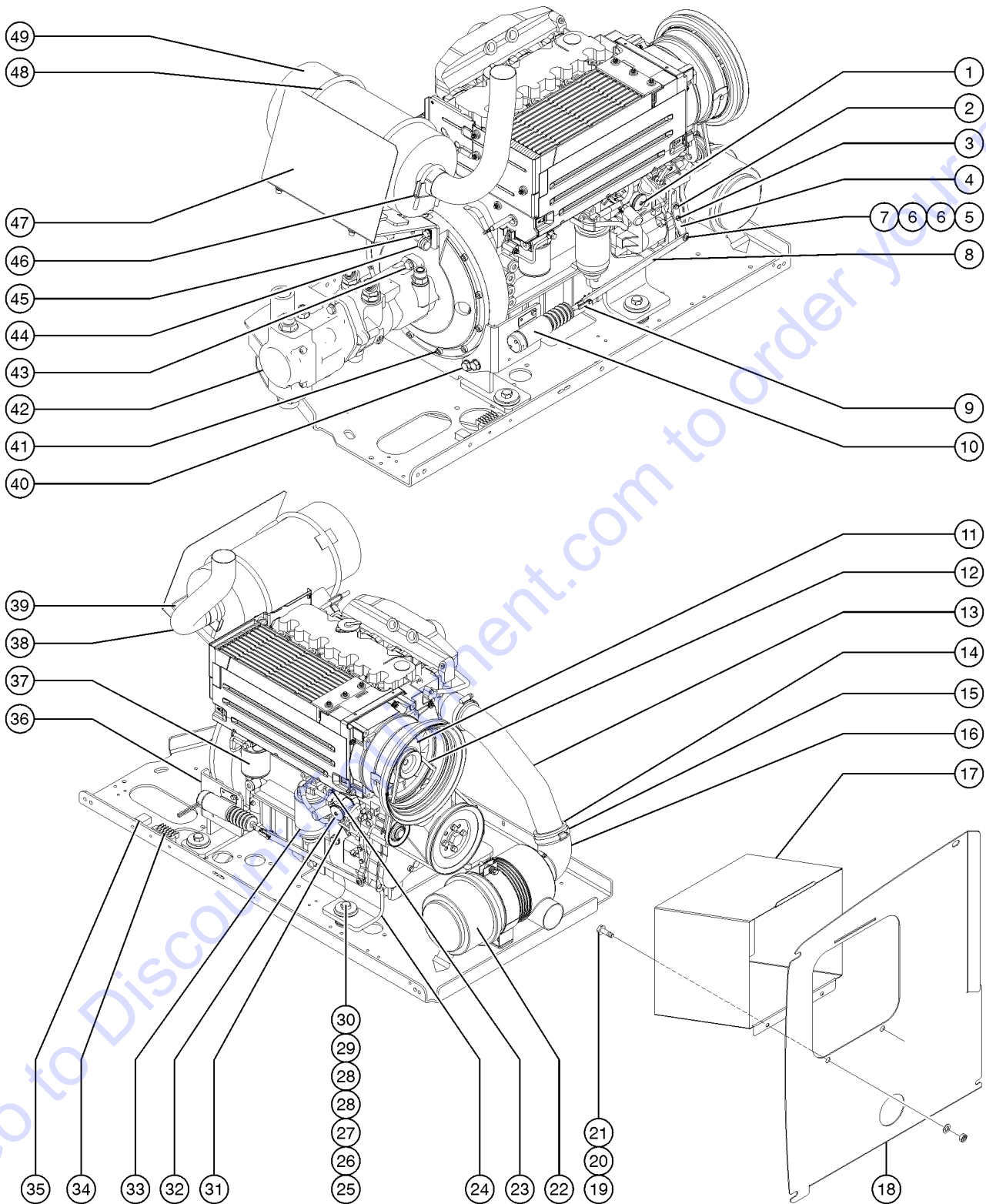
510.1 Deutz D2011L03i, View 1 (continued)

Item	Part No.	Description	Qty.
--	65810GT	BAFFLE, AIR CLEANER (27915)**	
38	101006GT	TUBE,AIR CLEANER INLET.....1	
--	30971GT	CLAMP,HOSE,3.00".....2	
39	70494PGT	FORMING,DEUTZ AIR INTAKE BAF P...1	
40	101140P-SGT	AIR INTAKE TUBE ASSY.....1	
--	119219-1000GT	TRIM,EDGE,1/8X3/4 END BULB.....1 <i>from SN S60H-37879</i>	
--	31523GT	CLAMP,HOSE,8.50 DIA*** <i>to SN S60H-37878</i>	
--	33239GT	SHEET,RUBBER,AIR INTAKE <i>to SN S60H-37878</i>	
41	32698GT	BELT,V, DEUTZ DIESEL ENGINE.....1	
42	35586GT	ALTERNATOR, DEUTZ F3L10/F4L10*....1	
43	1264229GT	BRACKET, POSITIVE AIR SHUTOFF <i>(part of the Air Shutoff option)</i>	
44	824078GT	SCREW,HHF,1/4-20X.75,8,ZAG <i>(part of the Air Shutoff option)</i>	
45	824027GT	NUT,TL FLG,1/4-20,G,ZAG <i>(part of the Air Shutoff option)</i>	
46	1264498GT	CONTROLLER, VCU, DEUTZ L03I <i>(part of the Air Shutoff option)</i>	
47	824080GT	SCREW,HHF,1/4-20X1.25,8,ZAG <i>(part of the Air Shutoff option)</i>	
48	1264499GT	CONTROLLER, DASH, BASIC PLUS <i>(part of the Air Shutoff option)</i>	
49		Ref: Engine Tray <i>refer to 309.1</i>	
50	70381GT	COVER,FLYWHEEL CASTING.....1	
--	128023GT	KIT,FBA STYLE COUPLER,SAE8	
51	70472PGT	FORMING,SOLENOID MOUNT PAINT...1	
52	1257837GT	SCREW,HHC,M10-1.5X65,DIN931,10.9,ZAB	
53	824142GT	WASHER,LOCK,M10,ZAB	
54	1257706GT	SCREW,HHC,M10-1.5X70,DIN931,10....2	
55	824145GT	WASHER,FLAT,M10,DIN125,ZAB	
56	822693GT	TAILPIPE, DEUTZ, TPEM & ROW.....1	
57	70385GT	CLAMP,EXHAUST,2.00 PLATED.....2	
58	1255763GT	SCREW,HHF,5/16-18X1.5,8,ZAG <i>(part of the Air Shutoff option)</i>	
59	824028GT	NUT,TL FLG,5/16-18,G,ZAG <i>(part of the Air Shutoff option)</i>	
60	1264497GT	VALVE, PAS, DEUTZ L03I <i>(part of the Air Shutoff option)</i>	
--	128079GT	GASKET, DEUTZ 2011 INTAKE <i>(part of the Air Shutoff option)</i>	
61	824029GT	NUT,TL FLG,3/8-16,G,ZAG	

This Page Intentionally Left Blank

Go to Discount-Equipment.com to order your parts

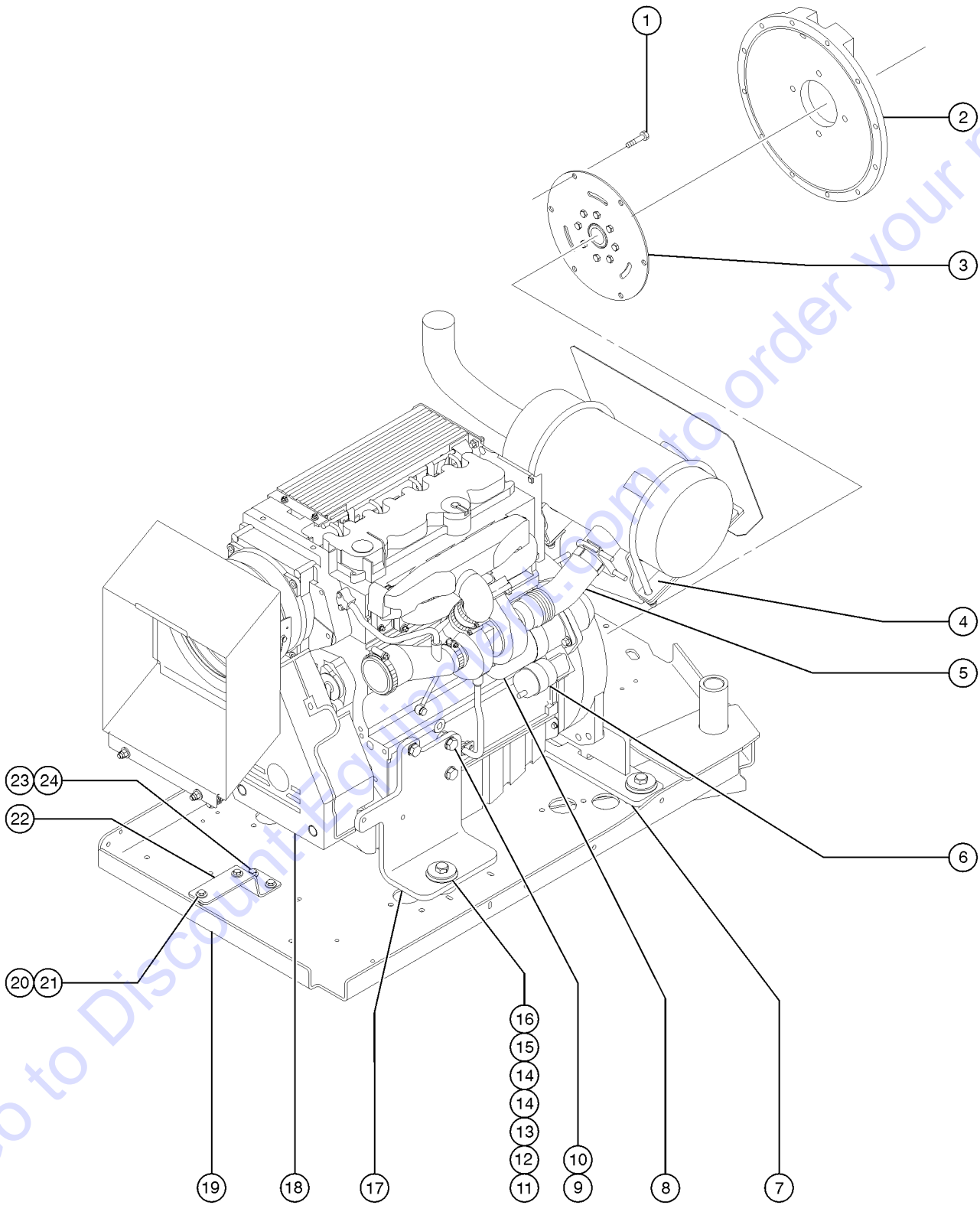
511.1 Deutz TD2011L04i, View 1



511.1 Deutz TD2011L04i, View 1

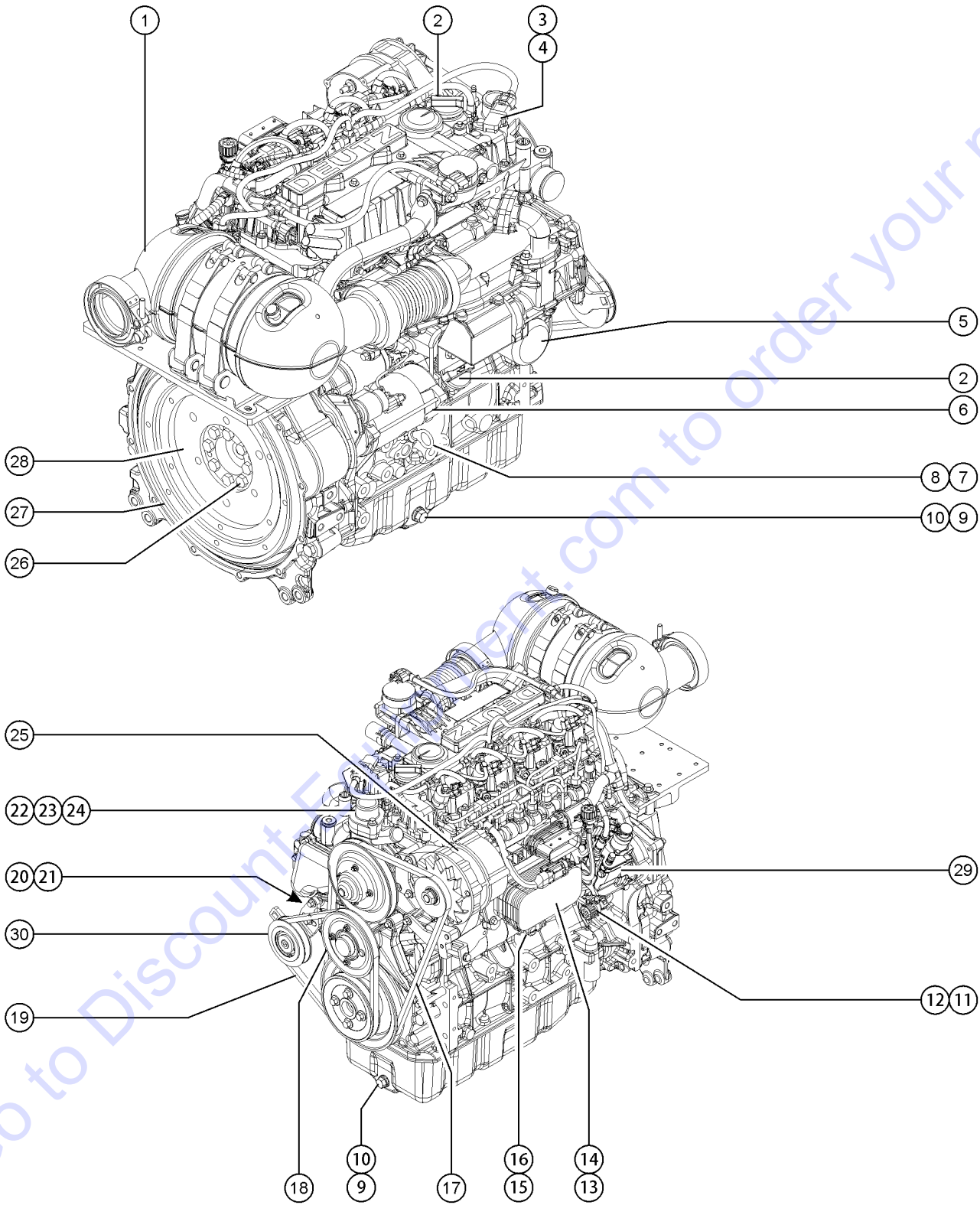
Item	Part No.	Description	Qty.	Item	Part No.	Description	Qty.
--		<i>For internal engine parts, contact engine dealer</i>		--	81468GT	MOUNTING BAND,AIR CLEANER	
--	T114678GT	SHUTDOWN SOLENOID,12V, DEUTZ....1 <i>(includes o-ring)</i>		23	111445GT	SENDING UNIT,OIL TEMP SWCH,DTZ.....1	1
--	58256GT	SOLENOID CABLE ASSY***		24	70455GT	FORMING,ENGINE MOUNT	
--	72255GT	CONNECTOR, DEUTZ FUEL SHUTOFF* <i>(does not include diode, 45782)</i>		25	1256167GT	FP,CAB TOP,RL4 BUTTE HNGE	
--	45782GT	DIODE,6 AMP,200 PIV,BULK		26	824123GT	WASHER,FLAT,.625X2.25X.188,ZAG	
1	111668GT	PUMP,FUEL 2011 DEUTZ ***.....1	1	27	102045GT	ISOLATOR,ENGINE VIBRATION	
--	111402GT	O-RING, FUEL LIFT PUMP		28	1251565GT	WASHER,SHIM,1.56X2.5X.061,ZAG	
--	27089GT	HOSE,5/16 FUEL,SAE 30R7		29	1256182GT	WASHER,FLAT,5/8,F436,HRD,ZAG	
--	30490GT	HOSE,1/4 FUEL LINE,SAE 30R7		30	1258049GT	NUT,TL,5/8-11,C,ZAG	
2	237238GT	SCREW,HHF,M6-1.0X12,DIN6921,10		31	52352GT	DIPSTICK-F3L1011F (DEUTZ).....1	
3	1257076GT	BOLT,SHS,1/4-28X4,ZAG		32	58299GT	SENDING UNIT,OIL PRESS.,DEUTZ*....1	
4	50787-SGT	LEVER, GOVERNOR ACTUATOR.....1	1	33	29560GT	FILTER,FUEL/WTR SEP, DTZ 1008.....1 <i>Genie Genuine Part. See PN 1254826 for compatible aftermarket replacement.</i>	
5	1257076GT	BOLT,SHS,1/4-28X4,ZAG.....1	1	--	1254826GT	FUEL FILTER W/SEP,DEUTZ,1008.....1 <i>Genie Aftermarket Part. Filter for Deutz F3L 1011F Engine.</i>	
6	824113GT	WASHER,FLAT,USS,1/4,ZAG.....2	2	34	89997GT	RELAY MODULE(89996,89998).....1	
7	1256467GT	NUT,TL FLG,10-24,F,ZAG.....1	1	35	128829GT	CIRCUIT BRKR 15A TYPE 2 METAL.....1	
8	139322GT	THROTTLE LINKAGE, DSL.....1	1	36	139321GT	FORMING, SOLENOID MOUNT***.....1	
9	21130GT	CLEVIS YOKE-1/4-28,PLTD W/PIN.....1 <i>includes clevis pin and cotter pin</i>	1	37	49924GT	FILTER,OIL,DEUTZ F4L1011F.....1 <i>Genie Genuine Part. See PN 1255653 for compatible aftermarket replacement.</i>	
10	77402GT	SOLENOID,THROTTLE ACTUATOR DSL.....1	1	--	1255653GT	FILTER,OIL,DEUTZ,REPLACEMENT.....1 <i>Genie Aftermarket Part. Compatible with Genie Genuine Part 49924.</i>	
11	58249GT	ALTERNATOR, DEUTZ,BF4L2011***.....1	1	38	822514GT	TAILPIPE, DEUTZ,TPEM & ROW.....1	
--	1280590GT	PULLEY,ALTERNATOR,DEUTZ BF4L2011 <i>for 58249</i>		39	70448PGT	FORMING,MUFFLER MOUNT.....1	
--	1280591GT	SPACER,ALT PULLEY,DEUTZ BF4L2011 <i>for 58249</i>		40	1251899GT	SCREW,HHF,M14-2.0X40,DIN6921,10.9,ZAB	
12	58630GT	V-BELT, DEUTZ TD2011LOAI.....1	1	41	1255666GT	SCREW,SHC,M10-1.5X30,DIN912,12.9,ZAB	
13	102227GT	TUBE,AIR INTAKE.....1	1	42		Ref: Pumps <i>refer to section 405.1</i>	
14	88064GT	REDUCER,3" TO 2.75".....1	1	43	1253498GT	SCREW,HHF,1/2-13X1.5,8,ZAG	
15	30489GT	CLAMP,HOSE,3.50.....4	4	44	60838GT	CLAMP,1.00,#16 X 7/16,RUB CUSH.....1	
16	139455GT	ELBOW,AIR INTAKE,RUBBER		45	238347GT	SCREW,HHF,M10-1.5X70,DIN6921,10.9,ZAB	
17	128896GT	WELDMENT, AIR INTAKE BOX.....1	1	46	71911GT	CLAMP,MUFFLER, 2.50 INCH.....2	
18	110183PGT	BAFFLE,AIR INTAKE S60 PAINTED.....1	1	47	102237GT	FORMING,HEAT SHIELD,MUFFLER***.....1	
19	824089GT	SCREW,HHF,3/8-16X.75,8,ZAG		48	70449GT	U-BOLT,1/2-13 X 8.5.....2	
20	1255758GT	WASHER,FLAT,3/8,USS,ZAG		49A	70444GT	MUFFLER,2.5"INLET/OUTLET.....1	
21	824025GT	NUT,TL,3/8-16,C,ZAG		49B	119117GT	MUFFLER,CAT/SPARK,DEUTZ <i>spark arrest option</i>	
22	81467GT	AIR CLEANER,NELSON.....1	1	49C	29559GT	GASKET,EXHAUST.....3 <i>for 119117, 3 required</i>	
--	52866GT	EVACUATOR VALVE-AIR CLEANER <i>for 81467</i>					
--	62425GT	FILTER,AIR CLEANER,SUPERBOOM <i>for 81467</i>					
--	75450GT	AIR CLEANER CLIPS, SUPERBOOM <i>for 81467</i>					
--	75451GT	AIR CLEANER COVER, SUPERBOOM* <i>for 81467</i>					

512.1 Deutz TD2011L04i, View 2



Item	Part No.	Description	Qty.
--		<i>For internal engine parts, contact engine dealer</i>	
--	102581GT	PUMP,FUEL INJ,DEUTZ BF4L20 <i>class A injection pump; provide SN of engine to service to get correct injection pump (A, B, C, D)</i>	
--	T108732GT	PUMP,FUEL INJ,DEUTZ BF4L20 <i>class B injection pump; provide SN of engine to service to get correct injection pump (A, B, C, D)</i>	
--	T108733GT	PUMP,FUEL INJ,DEUTZ BF4L20 <i>class C injection pump; provide SN of engine to service to get correct injection pump (A, B, C, D)</i>	
--	T108734GT	PUMP,FUEL INJ,DEUTZ BF4L20 <i>class D injection pump; provide SN of engine to service to get correct injection pump (A, B, C, D)</i>	
1	825351GT	SCREW,HHC,M10-1.5X20,DIN933,10.9,ZAB	
2	70381GT	COVER,FLYWHEEL CASTING.....1	
3	128004GT	COUPLER,15 TOOTH,FBA,SAE8***	
4	70483GT	FORMING,8.5' MUFFLER MOUNT.....1	
5	70445GT	FLEX PIPE,EXHAUST,2.5" DIA.....1	
5B	139983GT	EXHAUST PIPE GASKET	
5B	71911GT	CLAMP,MUFFLER, 2.50 INCH	
6	49915GT	SOLENOID-STARTR DEUTZF4L1011F*.....1	
7	160517GT	FORMING,ENGINE MOUNT,DEUTZ.....1	
8	139709GT	STARTER, 12V.....1	
9	22558GT	SCREW,HHC,M14 X 40MM,GR 8.8	
10	49411GT	WASHER,FLAT,M14	
11	13003GT	SCREW,HHC,5/8-11 X 3.5 GRD.8.....4	
12	33418GT	WASHER,FLAT,.625 X 2.25 X.15	
13	102045GT	ISOLATOR,ENGINE VIBRATION.....4	
14	18596GT	WASHER,FLAT,1.56 X 2.5 X .061	
15	13064GT	WASHER,FLAT,.625 HARDENED.....4	
16	6024GT	NUT,NYLOCK,5/8-11	
17	70454PGT	FORMING,ENGINE MOUNT PAINTED...1	
18	146061GT	V-BELT GUARD, DEUTZ 2011.....1	
19		Ref: Engine Tray with Bearing <i>refer to section 309.1</i>	
20	824086GT	SCREW,HHF,5/16-18X1,8,ZAG	
21	1255805GT	NUT,SERRATED,5/16-18,8,ZAG	
22	102209PGT	FORMING,AIR CLEANER MOUNT PNTD.....1	
23	824091GT	SCREW,HHF,3/8-16X1.25,8,ZAG	
24	824029GT	NUT,TL FLG,3/8-16,G,ZAG	

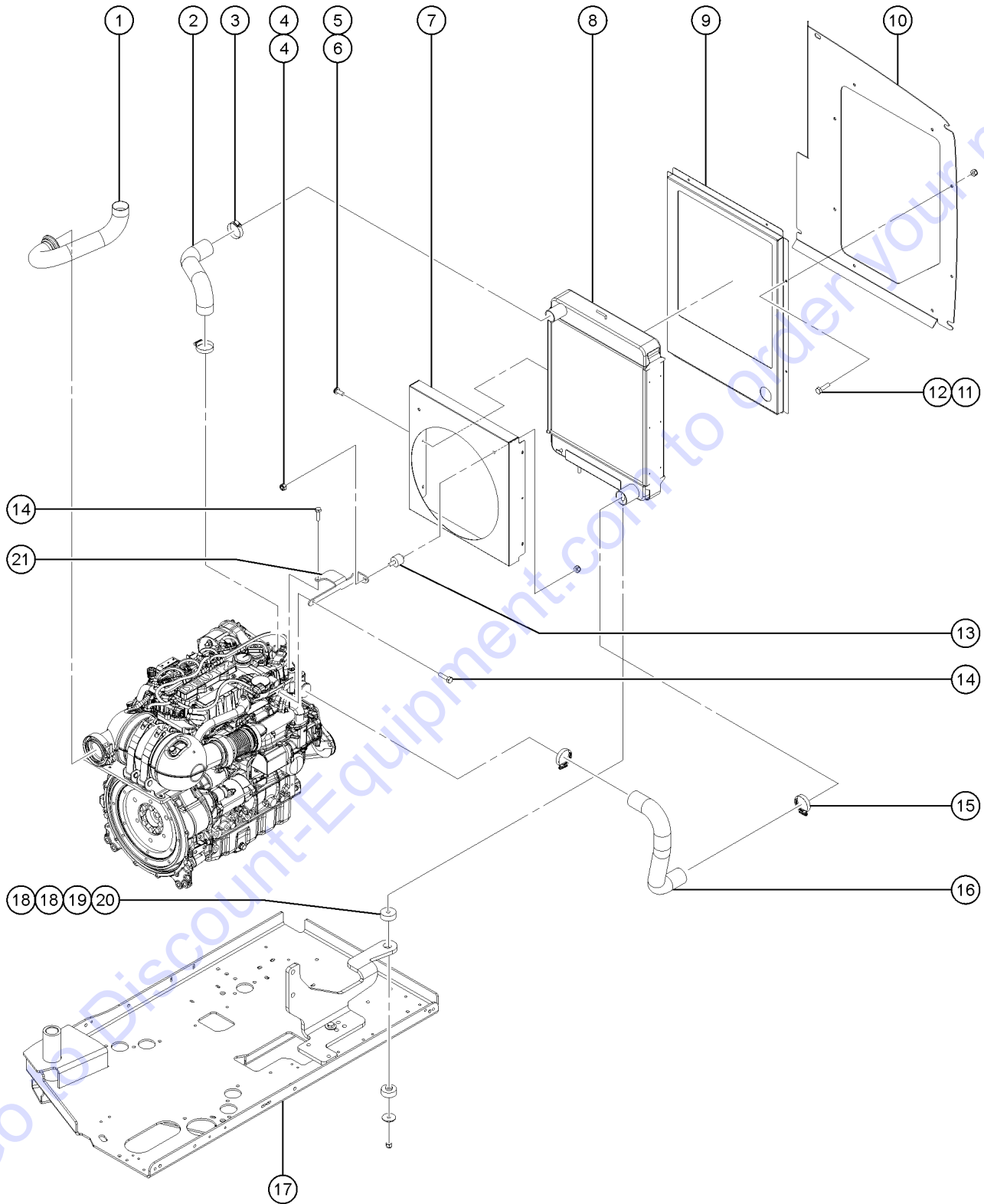
513.1 Deutz D2.9L4, View 1



513.1 Deutz D2.9L4, View 1

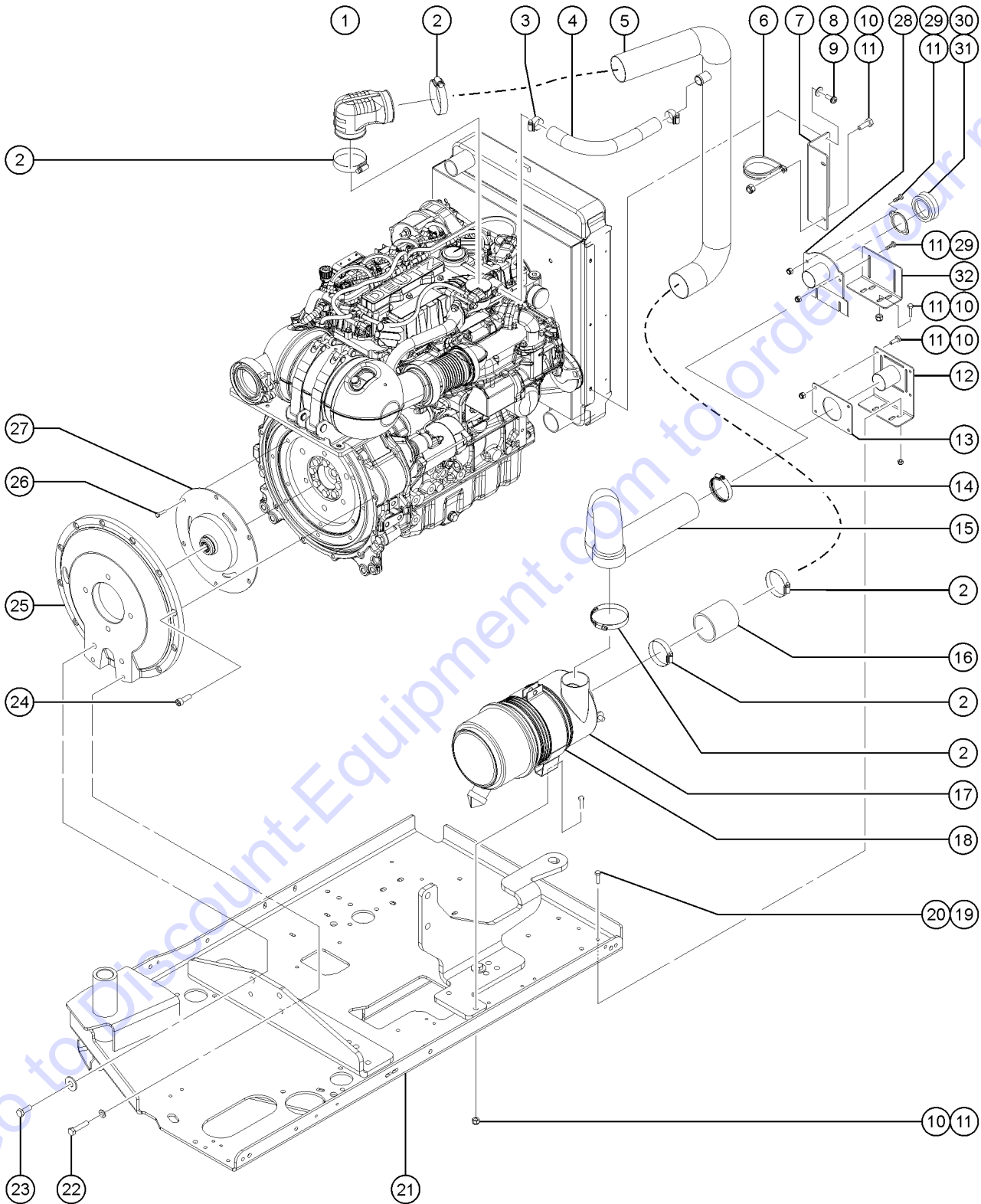
Item	Part No.	Description	Qty.	Item	Part No.	Description	Qty.
--	237188GT	ENGINE KIT, DEUTZ D2.9L4 <i>Due to Tier 4 regulations, many engine replacement parts require the engine serial number at time of order placement. When ordering engine parts please have both machine and engine serial numbers available. For internal engine parts, contact engine dealer</i>		15	824673GT	SENSOR,LOW PRESSURE,DEUTZ 2.9L.....1 <i>(oil pressure sensor)</i>	1
--	1259717GT	MANUAL, DEUTZ D2.9 ENGINE.....1	1	16	1262893GT	O-RING, OIL PRESSURE SENSOR.....1	1
--	1262870GT	GLOW PLUG, DEUTZ.....4	4	17	1262866GT	FAN BELT, ALTERNATOR.....1	1
--	1262871GT	SEAL, FRONT ENGINE,DEUTZ.....1	1	18	236248GT	PULLEY ASSEMBLY,ALTERNATOR,TCD.....1	1
--	1262872GT	SEAL, REAR ENGINE,DEUTZ.....1	1	19	1262867GT	V-BELT, DEUTZ.....1	1
--	1272624GT	KIT,WATER PUMP 2.9 L4.....1 <i>includes fasteners and 1262874 pump</i>	1	20	1262894GT	SENSOR,CAM/CRANKSHAFT POSITION.....1 <i>hidden from view (camshaft)</i>	1
--	1262875GT	O-RING, WATER PUMP.....1	1	21	1262899GT	O-RING, CAMSHAFT POSITION SENSOR.....1 <i>hidden from view</i>	1
--	1259654GT	INTAKE BREATHER.....1	1	22	1262877GT	THERMOSTAT HOUSING.....1	1
--	1259899GT	HARNESS, ENGINE, DEUTZ TD2.9.....1	1	23	1262876GT	THERMOSTAT,DEUTZ.....1	1
--	1277974GT	PINS,CONNECTOR,INJ HARNESS,D2.9		24	1262878GT	GASKET, THERMOSTAT HOUSING.....1	1
--	1285110GT	KIT,HOSE ASSY RAD VENT		25	236251GT	ALTERNATOR,95 AMP,DEUTZ.....1	1
--	1285349GT	KIT,THERMOSTAT CONVERSION		26	1262873GT	BOLT, DEUTZ FLYWHEEL.....8	8
--	1285111GT	INSTRUCTIONS ORIFICE VENT ASSEMBLY <i>For kits 1285110 and 1285349</i>		27	89785GT	RING GEAR,DEUTZ F3L2011F.....1	1
1	1262890GT	OXIDATION CATALYST,DEUTZ.....1	1	28	1259660GT	FLYWHEEL, SAE 8/10.....1 <i>order with item #26, PN 1262873, qty 8</i>	1
2	29557GT	CAP,OIL FILLER,DEUTZ,DIESEL ***.....2	2	29	1279653GT	PUMP,FUEL,HI PRESS,DEUTZ TD2.9....1	1
3	1262896GT	SENSOR,INTAKE AIR PRESSURE.....1	1	30	1279631GT	PULLEY,BELT TENSIONER,D2.9L4.....1	1
4	1262897GT	O-RING, INTAKE AIR PRESSURE SENSOR.....1	1				
5	49924GT	FILTER,OIL,DEUTZ F4L1011F.....1 <i>Genie Genuine Part. See PN 1255653 for compatible aftermarket replacement.</i>	1				
--	1255653GT	FILTER,OIL,DEUTZ,REPLACEMENT.....1 <i>Genie Aftermarket Part. Compatible with Genie Genuine Part 49924.</i>	1				
6	1254594GT	STARTER,3.2KW,DEUTZ D2.9.....1	1				
--	1262868GT	BOLT, DEUTZ STARTER <i>not included sold seperately</i>					
7	825708GT	DIPSTICK,TD2.9.....1	1				
8	1262881GT	ORING, OIL DIP STICK.....1	1				
9	102587GT	PLUG,ENGINE OIL,DEUTZ F4L2011.....2	2				
10	108538GT	RING / SEALING.....2	2				
11	1262894GT	SENSOR,CAM/CRANKSHAFT POSITION.....1 <i>(crankshaft)</i>	1				
12	1262895GT	O-RING, CRANKSHAFT POSITION SENSOR.....1	1				
13	1260357GT	OIL COOLER,TD2.9.....1	1				
14	1262883GT	GASKET, OIL COOLER, DEUTZ.....1	1				

514.1 Deutz D2.9L4, View 2



Item	Part No.	Description	Qty.
A	237188GT	ENGINE KIT, DEUTZ D2.9L4 <i>Due to Tier 4 regulations, many engine replacement parts require the engine serial number at time of order placement. When ordering engine parts please have both machine and engine serial numbers available. For internal engine parts, contact engine dealer</i>	
--	1254594GT	STARTER,3.2KW,DEUTZ D2.9 <i>no sub-components available</i>	
--	1257838GT	HARNES,INJECTOR,DEUTZ D2.9.....1	
1	822694GT	WDMT,TAIPIPE,DEUTZ D2.9 T4.....1	
2	237193GT	HOSE,UPPER RADIATOR,DEUTZ D2.9.....1	
3	22672GT	CLAMP,HOSE,1.75.....2	
4	1256679GT	NUT,SERRATED,1/4-20,8,ZAG	
5	824220GT	SCREW, PHPM SEMS ET, 10-24 X .5, ZAG	
6	1253185GT	WASHER,FLAT,#10,USS,ZAG	
7	237192GT	FAN SHROUD,DEUTZ D2.9.....1	
8	214685GT	RADIATOR, CAPLESS, DEUTZ D 2.9.....1	
9	822696GT	SHROUD, RADIATOR, DEUTZ 2.9.....1	
10	822695GT	BAFFLE, AIR INTAKE, S60.....1	
11	824078GT	SCREW,HHF,1/4-20X.75,8,ZAG	
12	824027GT	NUT,TL FLG,1/4-20,G,ZAG	
13	219437GT	ISOLATOR, VIBRATION.....1	
14	237238GT	SCREW,HHF,M6-1.0X12,DIN6921,10	
15	35434GT	CLAMP,HOSE,2.00***2	
16	237194GT	HOSE,LOWER RADIATOR,DEUTZ D2.9.....1	
17		Ref. Engine Tray <i>refer to 309.1</i>	
18	24038GT	SHOCK MOUNT,SMALL.....2	
19	824120GT	WASHER,FLAT,.375X1.50X.125,ZAG.....2	
20	824029GT	NUT,TL FLG,3/8-16,G,ZAG.....2	
21	1273919GT	FORMING, SUPPORT, RADIATOR.....1	

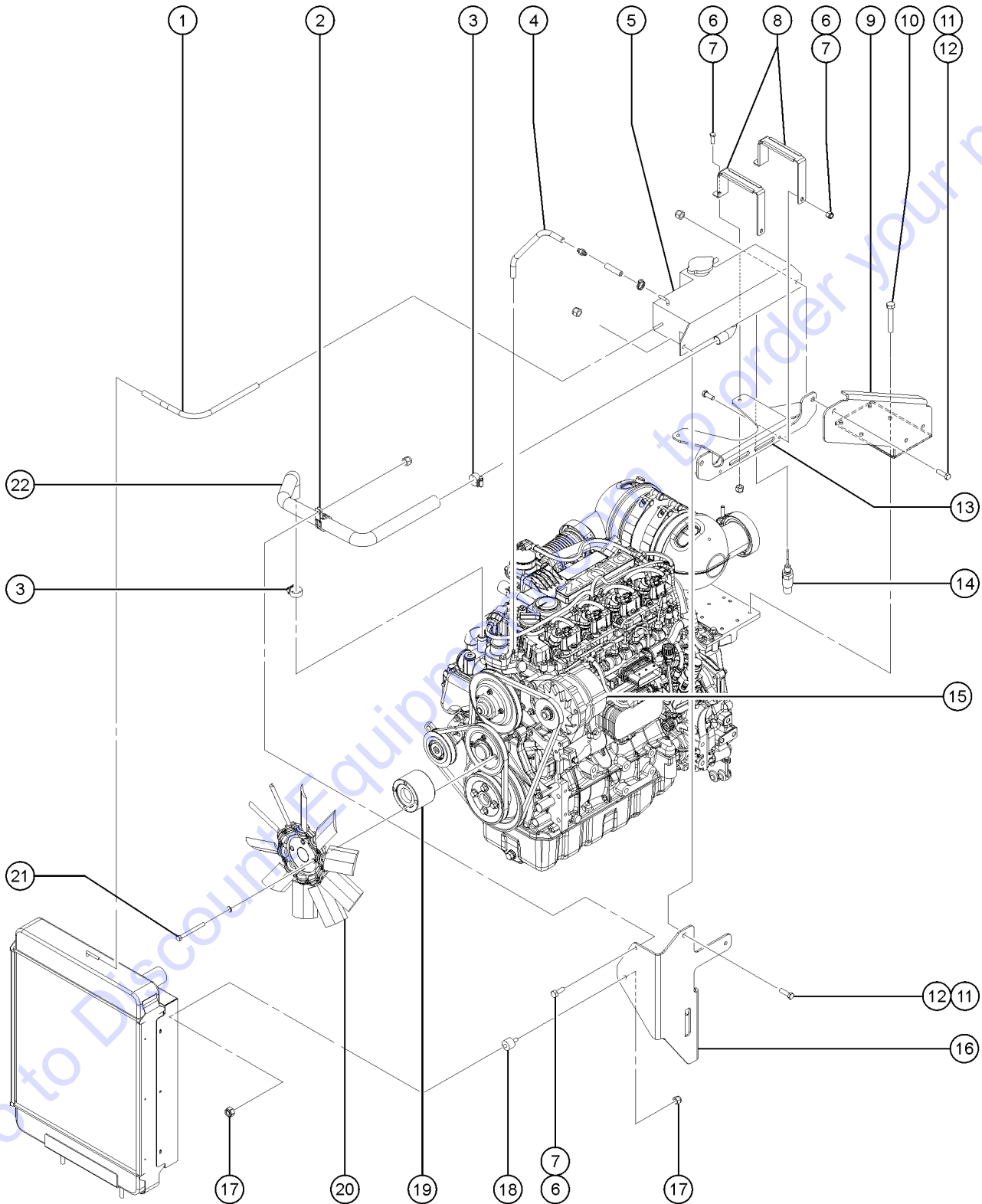
515.1 Deutz D2.9L4, View 3



515.1 Deutz D2.9L4, View 3

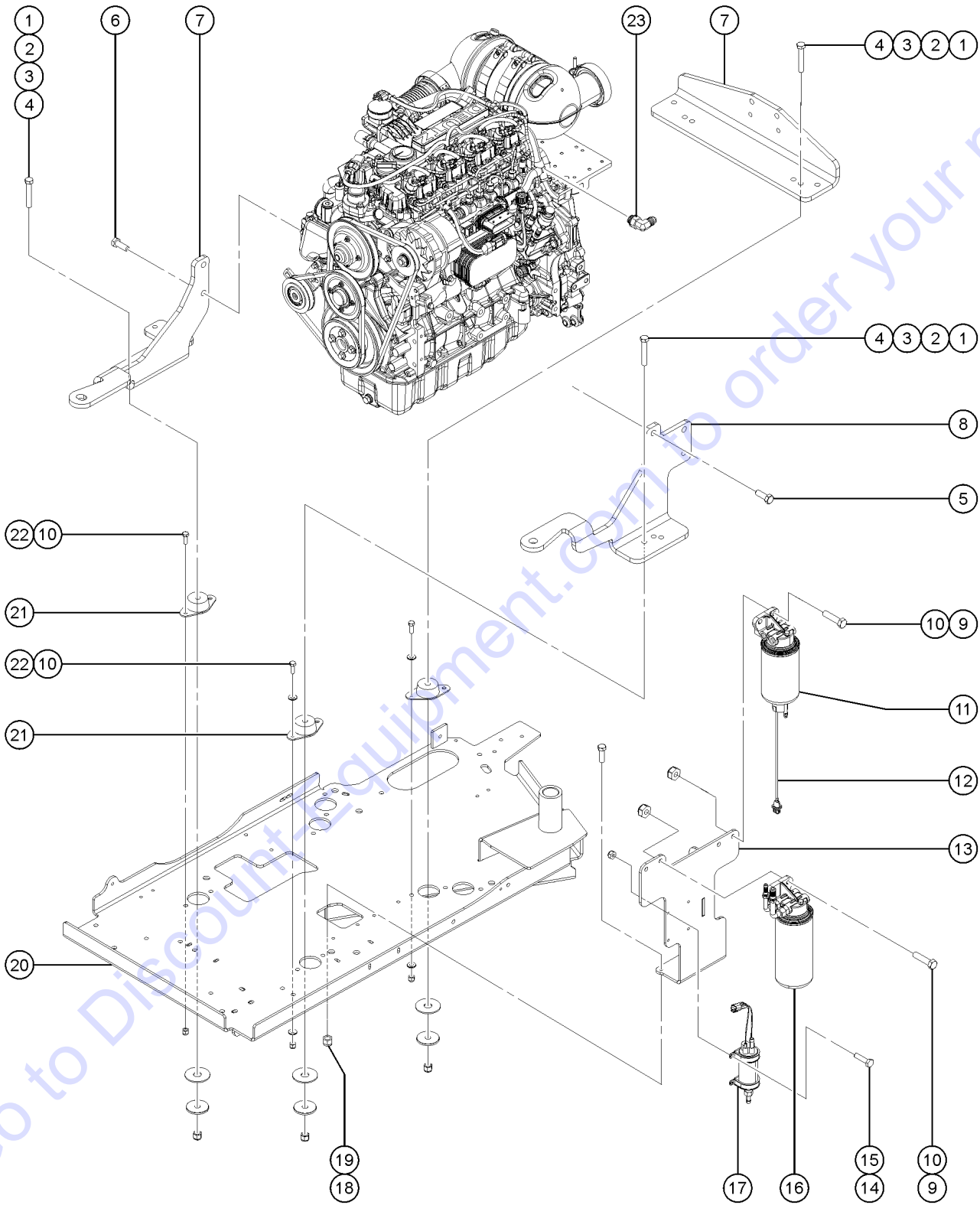
Item	Part No.	Description	Qty.	Item	Part No.	Description	Qty.
A	237188GT	ENGINE KIT, DEUTZ D2.9L4 <i>Due to Tier 4 regulations, many engine replacement parts require the engine serial number at time of order placement. When ordering engine parts please have both machine and engine serial numbers available. For internal engine parts, contact engine dealer</i>		28	1272965GT	WELDMENT, ADAPTER, INTAKE.....1 <i>from SN 36088</i>	1
--		<i>from SN 36088</i>		29	824124GT	BOLT,CARRIAGE,1/4-20X.75,5,ZAG	
1	214686GT	AIR INTAKE ELBOW,90 DEGREE.....1	1	30	1262842GT	SEAL,AIR INTAKE ADAPTER,LOWER...1 <i>from SN 36088</i>	1
2	45435GT	CLAMP,HOSE,2.50****	5	31	1273081GT	SHEET,AIR SEAL BACKING.....1 <i>from SN 36088</i>	1
3	30348GT	CLAMP,HOSE,1.00.....	2	32	1272967GT	FORMING, ADAPTER, INTAKE.....1 <i>from SN 36088</i>	1
4	1255894GT	HOSE,PCV,DEUTZ D2.9.....	1				
5	219976GT	WELDMENT,STEEL INTAKE TUBE.....	1				
6	45455GT	CLAMP,2.75,#44 X 1/4,RUB CUSH*.....	2				
7	217877GT	FORMING,CLEAN AIR BRACKET.....	1				
8	824220GT	SCREW, PHPM SEMS ET, 10-24 X .5, ZAG					
9	1253185GT	WASHER,FLAT,#10,USS,ZAG					
10	824078GT	SCREW,HHF,1/4-20X.75,8,ZAG					
11	824027GT	NUT,TL FLG,1/4-20,G,ZAG					
12	215811GT	WDMT,INTAKE ADAPTER.....1 <i>to SN 36087</i>	1				
13	215809GT	SHEET,AIR SEAL BACKING.....1 <i>to SN 36087</i>	1				
14	35434GT	CLAMP,HOSE,2.00***	1				
15	217930GT	HOSE,RAW AIR,DEUTZ D2.9.....	1				
16	34162-300GT	HOSE,AIR INTAKE 2.50" ID.....	1				
17	63463GT	AIR CLEANER,NELSON***	1				
--	52866GT	EVACUATOR VALVE-AIR CLEANER					
--	58415GT	CLIP,AIR CLEANER END CAP*** <i>end cap not available separately</i>					
--	62420GT	FILTER,AIR***					
--	65810GT	BAFFLE, AIR CLEANER (27915)**					
18A	53952GT	BRKT,AIR CLEANER ORIENTATION**	1				
18B	1263918GT	SPACER, AIR CLEANER.....	1				
19	824086GT	SCREW,HHF,5/16-18X1,8,ZAG					
20	824028GT	NUT,TL FLG,5/16-18,G,ZAG					
21		Ref. ENGINE TRAY <i>refer to 309.1</i>					
22	826008GT	SCREW,HHF,M10-1.5X75,DIN6921,10,9,ZAB					
23	1253498GT	SCREW,HHF,1/2-13X1.5,8,ZAG					
24	1255666GT	SCREW,SHC,M10-1.5X30,DIN912,12,9,ZAB					
25	70381GT	COVER,FLYWHEEL CASTING.....	1				
26	1257421GT	SCREW,HHC,M10-1.5X16,DIN933,10,9,ZAB.6					
27	128004GT	COUPLER,15 TOOTH,FBA,SAE8***.....1 <i>includes 8 bolts</i>	1				

516.1 Deutz D2.9L4, View 4



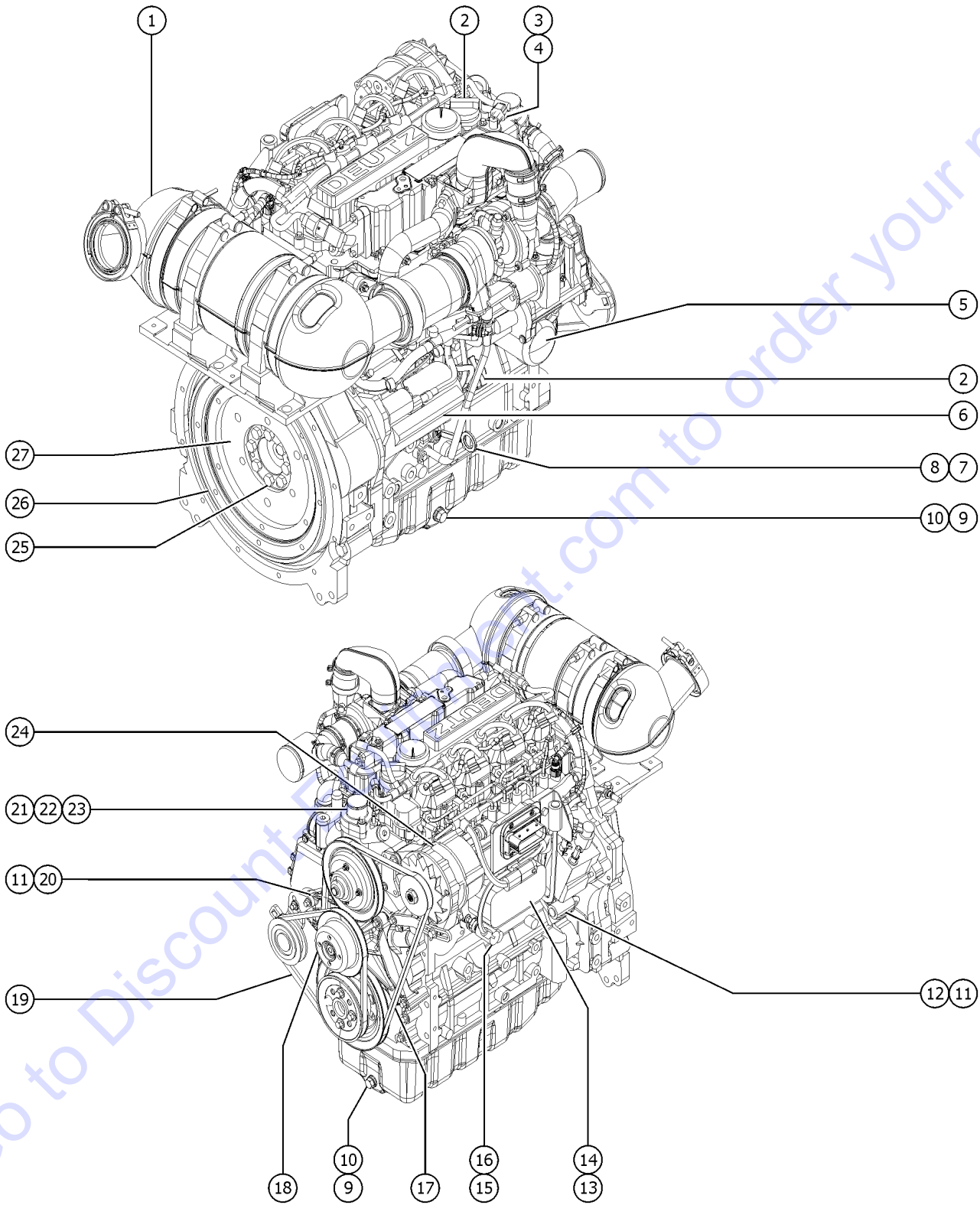
Item	Part No.	Description	Qty.
--	237188GT	ENGINE KIT, DEUTZ D2.9L4 <i>Due to Tier 4 regulations, many engine replacement parts require the engine serial number at time of order placement. When ordering engine parts please have both machine and engine serial numbers available. For internal engine parts, contact engine dealer</i>	
1	823523GT	HOSE,RADIATOR VENT,DEUTZ D2.9....1	
2	119394GT	CLAMP,1.38,#212X3/8,RUB CUSH.....1	
3	30348GT	CLAMP,HOSE,1.00.....2	
4A	823524GT	HOSE,ENGINE VENT,DEUTZ D2.9.....1 <i>(to SN S60H-37659)</i>	
4B	1283995GT	HEATER HOSE,1/4".....9-inches <i>(from SN S60H-37660)</i>	
--	1282119GT	2MM ORIFICE UNION, 1/4" HOSE.....1 <i>(from SN S60H-37660)</i>	
--	1283995GT	HEATER HOSE,1/4".....4-inches <i>(from SN S60H-37660)</i>	
--	21465GT	CLAMP,HOSE,,25" - .63" X .3125.....4	
5	161938GT	EXPANSION TANK,METAL,D2.9.....1	
5B	1274900GT	SIGHT GLASS <i>for 161938</i>	
5C	1254823GT	CAP,RADIATOR,PERKINS(94232) <i>for 161938</i>	
6	824078GT	SCREW,HHF,1/4-20X.75,8,ZAG	
7	824027GT	NUT,TL FLG,1/4-20,G,ZAG	
8A	1253922GT	FORMING,EXP TANK BAND,D2.9.....2	
8B	1254452GT	EXTRUSION,RUBBER STRIP,LG,D2.9.....2 <i>(for 1253922)</i>	
8C	1254453GT	EXTRUSION,RUBBER STRIP,SM,D2.9.....2 <i>(for 1253922)</i>	
9	1255692GT	FORMING,EXPANSION TANK SUPT.....1	
10	824133GT	SCREW,HHF,M8-1.25X25,DIN6921,10.9,ZAB	
11	824092GT	SCREW,HHF,3/8-16X1.5,8,ZAG	
12	824029GT	NUT,TL FLG,3/8-16,G,ZAG	
13	1254267GT	WDMT,EXPANSION TANK SUPT.....1	
14	218715GT	SENSOR,COOLANT LEVEL, DEUTZ.....1	
15	236251GT	ALTERNATOR,95 AMP,DEUTZ.....1	
16	214934GT	FORMING,RAD EXPSN TANK SUPT.....1	
17	1256679GT	NUT,SERRATED,1/4-20,8,ZAG	
18	219437GT	ISOLATOR, VIBRATION.....1	
19	1256599GT	SPACER, FAN, DEUTZ, 29.5MM LNG....1	
20	214682GT	FAN, 10 BLADE, 15".....1	
21	1257231GT	SCREW,HHF,M8-1.25X50,DIN6921,10.9,ZAB.4	
22	1251731GT	HOSE,EXPANSION TANK,D2.9.....1	

517.1 Deutz D2.9L4, View 5



Item	Part No.	Description	Qty.	Item	Part No.	Description	Qty.
--		<i>Due to Tier 4 regulations, many engine replacement parts require the engine serial number at time of order placement. When ordering engine parts please have both machine and engine serial numbers available. For internal engine parts, contact engine dealer</i>		21	70452GT	ISOLATOR,ENGINE VIBRATION***.....4	
				22	824091GT	SCREW,HHF,3/8-16X1.25,8,ZAG	
				23	826000GT	CONNECTOR, SAE10, QUICK CONN...1 (fuel)	
--	1262866GT	FAN BELT, ALTERNATOR					
--	1262487GT	BELT,AIR PUMP,PERKINS 404F-22T					
1	10598GT	SCREW,HHC,1/2-13 X 3					
2	101729GT	WASHER,VIBRATION ISOLATING.....4					
3	24040GT	WASHER, 1/2 PLATE (1/2 X 2.25 X 3/16).....4					
4	6198GT	NUT,NYLOCK,1/2-13					
5	22558GT	SCREW,HHC,M14 X 40MM,GR 8.8.....5					
6	237190GT	FORMING, RIGHT ENGINE MOUNT.....1					
7	237191GT	FORMING, REAR ENGINE MOUNT.....1					
8	237189GT	FORMING, LEFT ENGINE MOUNT.....1					
9	8516GT	SCREW, HCC, 3/8-16 X 1.50					
10	824029GT	NUT,TL FLG,3/8-16,G,ZAG					
11	1261239GT	ASSY,FUEL PREFILTER,DEUTZ 2.9.....1					
--	074501.0291GT	SENSOR					
--	162207GT	FITTING,ELBOW,8GS-8FJX90S.....2					
--	162209GT	FITTING,CONN,16MM-8MJ.....2					
--	236260GT	PRE-FILTER,FUEL,DEUTZ TCD3.6					
12	074501.0291GT	SENSOR.....1					
13	1257961GT	WELDMENT, FUEL FILTER BRACKET.....1					
14	29752GT	SCREW,HHC,10-24 X .75					
15	5365GT	NUT,NYLOCK,10-24					
16	214228GT	FILTER, DEUTZ 2.9, FUEL.....1					
--	1255395GT	HOSE,FUEL,1/2,D2.9,SUPPLY,QC (from engine to filter) sold separately					
--	1255396GT	FITTING,FUEL,1/2,D2.9,QC sold separately					
--	1255399GT	BOLT,BANJO,DEUTZ,QC sold separately					
--	1255400GT	WASHER,COPPER,DEUTZ,QC sold seperately					
--	162206GT	FITTING,ELBOW,6GS-6FJX90S.....1					
--	162208GT	FITTING,CONN,16MM-6MJ.....1					
16A	1256482GT	KIT,MED PRES FUEL SUPPLY,D2.9					
17	236259GT	LIFT PUMP,FUEL,DEUTZ.....2					
18	6091GT	NUT,NYLOCK,1/4-20					
19	6888GT	SCREW,HHC,1/4-20 X 1					
20		Ref: Engine Tray Assy.....1 refer to 309.1					

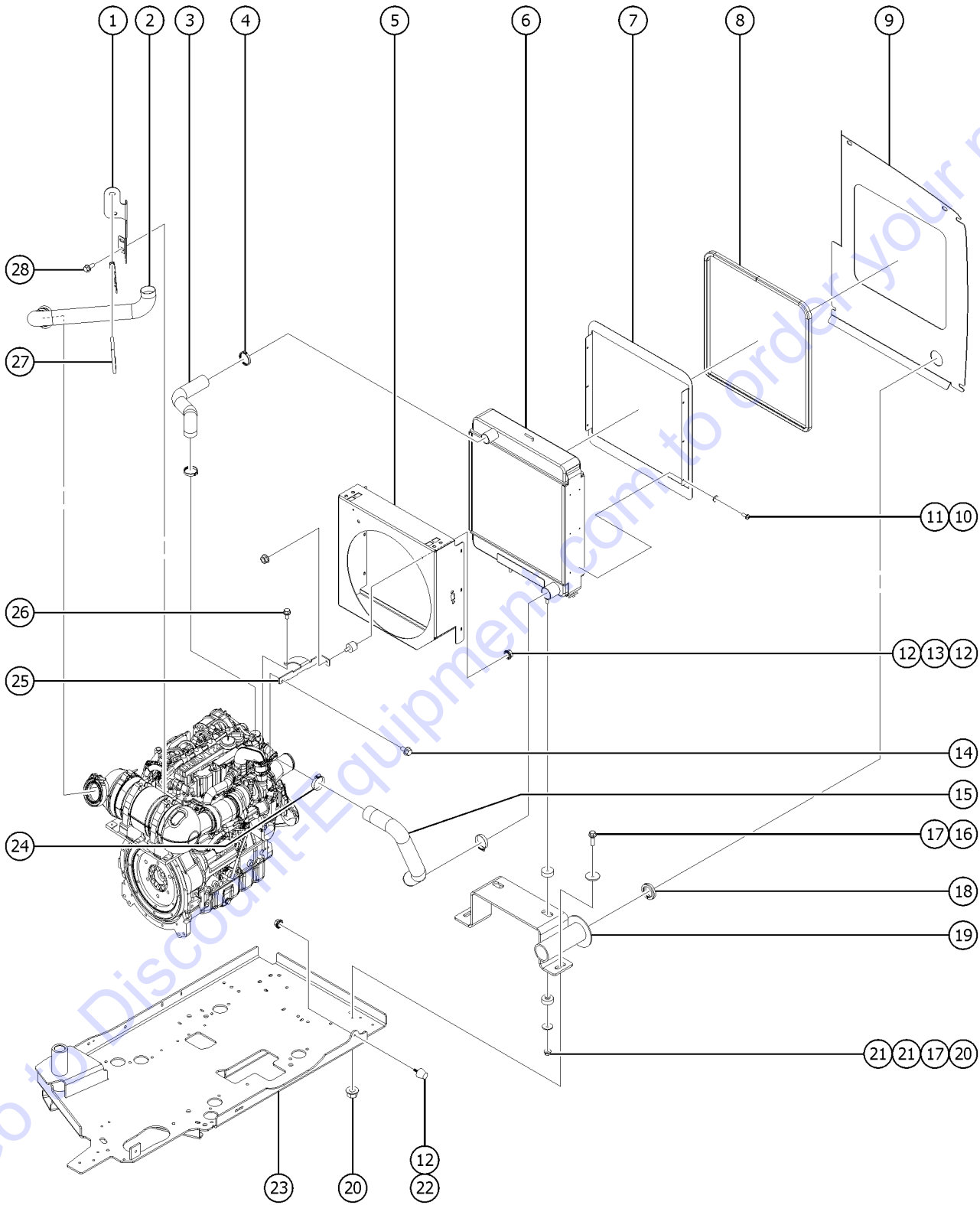
518.1 Deutz TD2.9L4, View 1 (from S60TX16H-30877)



518.1 Deutz TD2.9L4, View 1 (from S60TX16H-30877)

Item	Part No.	Description	Qty.	Item	Part No.	Description	Qty.
A	237730GT	ENGINE KIT, DEUTZ TD 2.9.....1 <i>Due to Tier 4 regulations, many engine replacement parts require the engine serial number at time of order placement. When ordering engine parts please have both machine and engine serial numbers available. For internal engine parts, contact engine dealer</i>	1	21	1262877GT	THERMOSTAT HOUSING.....1	1
B	1259717GT	MANUAL, DEUTZ D2.9 ENGINE.....1	1	22	1262876GT	THERMOSTAT,DEUTZ.....1	1
C	1262870GT	GLOW PLUG, DEUTZ.....4	4	23	1262878GT	GASKET, THERMOSTAT HOUSING.....1	1
D	1262871GT	SEAL, FRONT ENGINE,DEUTZ.....1	1	24	236251GT	ALTERNATOR,95 AMP,DEUTZ.....1	1
E	1262872GT	SEAL, REAR ENGINE,DEUTZ.....1	1	25	1262873GT	BOLT, DEUTZ FLYWHEEL.....8	8
F	1262874GT	WATER PUMP.....8	8	26	89785GT	RING GEAR,DEUTZ F3L2011F.....1	1
G	1262875GT	O-RING, WATER PUMP.....1	1	27	1259660GT	FLYWHEEL, SAE 8/10.....1 <i>order with item 25</i>	1
H	1259654GT	INTAKE BREATHER.....1	1				
I	1259899GT	HARNESS, ENGINE, DEUTZ TD2.9.....1	1				
K	1277974GT	PINS,CONNECTOR,INJ HARNESS,D2.9					
1	1262890GT	OXIDATION CATALYST,DEUTZ.....1	1				
2	29557GT	CAP,OIL FILLER,DEUTZ,DIESEL***.....2	2				
3	1262896GT	SENSOR,INTAKE AIR PRESSURE.....1	1				
4	1262897GT	O-RING, INTAKE AIR PRESSURE SENSOR.....1	1				
5	49924GT	FILTER,OIL,DEUTZ F4L1011F.....1	1				
6	1254594GT	STARTER,3.2KW,DEUTZ D2.9.....1	1				
--	1262868GT	BOLT, DEUTZ STARTER <i>not included sold seperately</i>					
7	825708GT	DIPSTICK,TD2.9.....1	1				
8	1262881GT	ORING, OIL DIP STICK.....1	1				
9	102587GT	PLUG,ENGINE OIL,DEUTZ F4L2011.....2	2				
10	108538GT	RING / SEALING.....2	2				
11A	1262894GT	SENSOR,CAM/CRANKSHAFT POSITION.....1 <i>(crankshaft)</i>	1				
11B	1262894GT	SENSOR,CAM/CRANKSHAFT POSITION.....1 <i>hidden from view (camshaft)</i>	1				
12	1262895GT	O-RING, CRANKSHAFT POSITION SENSOR.....1	1				
13	1260357GT	OIL COOLER,TD2.9.....1	1				
14	1262883GT	GASKET, OIL COOLER, DEUTZ.....1	1				
15	824673GT	SENSOR,LOW PRESSURE,DEUTZ 2.9L.....1	1				
16	1262893GT	O-RING, OIL PRESSURE SENSOR.....1	1				
17	1262866GT	FAN BELT, ALTERNATOR.....1	1				
18	1259657GT	FAN PULLEY.....1	1				
19	1262867GT	V-BELT, DEUTZ.....1	1				
20	1262899GT	O-RING, CAMSHAFT POSITION SENSOR.....1 <i>hidden from view</i>	1				

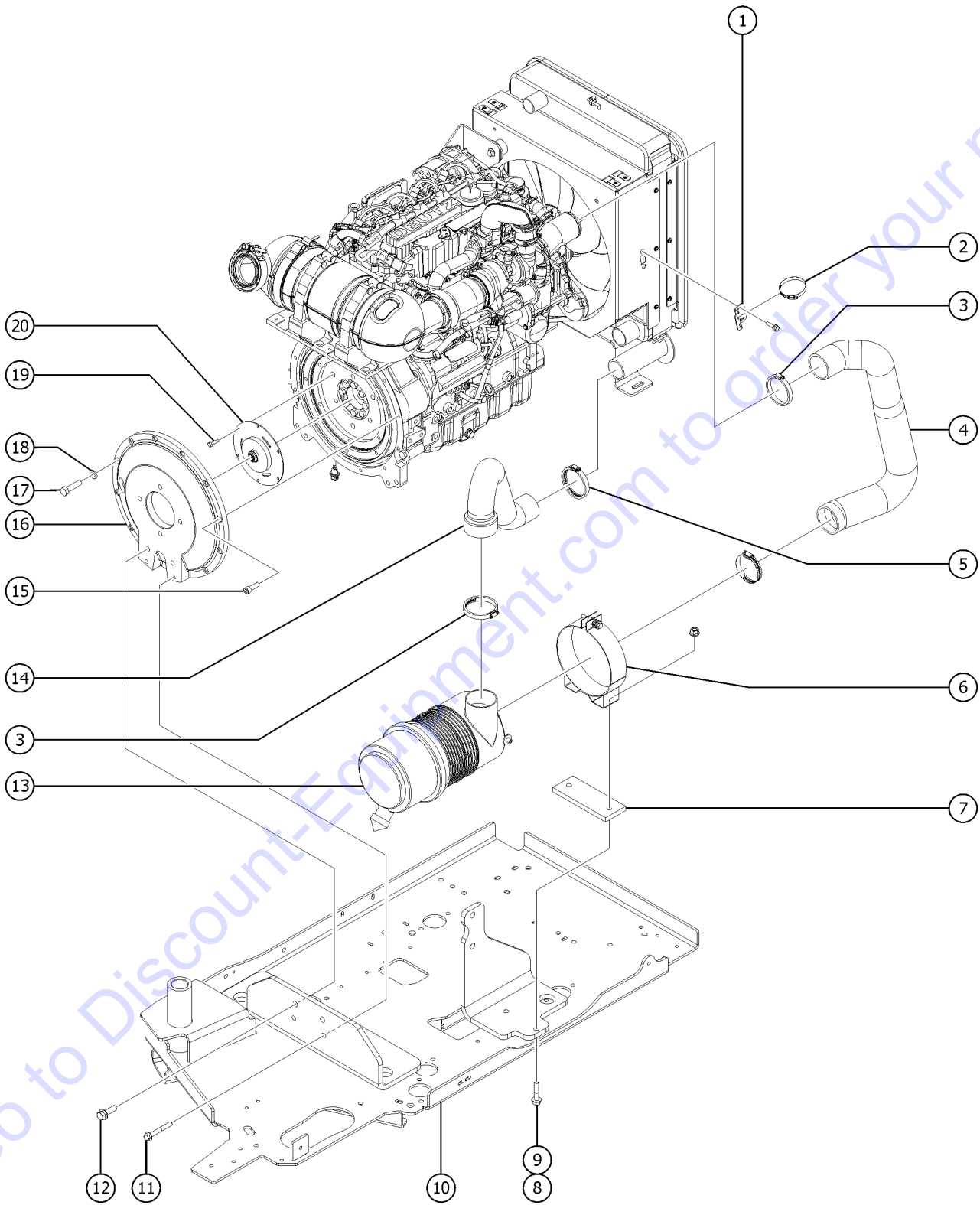
519.1 Deutz TD2.9L4, View 2 (from S60TX16H-30877)



519.1 Deutz TD2.9L4, View 2 (from S60TX16H-30877)

Item	Part No.	Description	Qty.
A		<i>Due to Tier 4 regulations, many engine replacement parts require the engine serial number at time of order placement. When ordering engine parts please have both machine and engine serial numbers available. For internal engine parts, contact engine dealer</i>	
1	1262831GT	FORMING, SUPPORT, TAILPIPE.....1	
2	826822GT	EXHAUST PIPE, TIER IV DEUTZ, Z.....1	
3	162283GT	HOSE, UPPER RADIATOR, DEUTZ D....1	
4	22672GT	CLAMP,HOSE,1.75.....2	
5	1261921GT	SHROUD, 17" FAN.....1	
6	826795GT	RADIATOR,6-CORE,19.375W X 18.1.....1	
7	1268010GT	FORMING, SHROUD, INLET, RADIATOR.....1	
8	1262841GT	TRIM SEAL,RADIATOR,DEUTZ TD2.9...1	
9	1262839GT	FORMING, BAFFLE, AIR INTAKE.....1	
10	824220GT	SCREW, PHPM SEMS ET, 10-24 X .5, ZAG.....12	
11	1253185GT	WASHER,FLAT,#10,USS,ZAG.....12	
12	1255805GT	NUT,SERRATED,5/16-18,8,ZAG.....4	
13	48498GT	ISOLATOR,AIR FILTER MOUNT.....1	
14	237238GT	SCREW,HHF,M6-1.0X12,DIN6921,10....1	
15	162284GT	HOSE,LOWER RADIATOR, 2.9L DEUT.....1	
16	824091GT	SCREW,HHF,3/8-16X1.25,8,ZAG.....2	
17	824120GT	WASHER,FLAT,.375X1.50X.125,ZAG....4	
18	1262842GT	SEAL,AIR INTAKE ADAPTER,LOWER...1	
19	1262838GT	WELDMENT, SUPPORT, RADIATOR....1	
20	824029GT	NUT,TL FLG,3/8-16,G,ZAG.....4	
21	24038GT	SHOCK MOUNT,SMALL.....4	
22	1261277GT	BUMPER, RUBBER, 1.25 X 1.25 IN.....2	
23		Ref.Engine Tray.....1 <i>refer to 309.1</i>	
24	35434GT	CLAMP,HOSE,2.00***2	
25	1273919GT	FORMING, SUPPORT, RADIATOR.....1	
26	1251983GT	SCREW,HHF,M8-1.25X16,DIN6921,10.9,ZAB.1	
27	71911GT	CLAMP,MUFFLER, 2.50 INCH.....1	
28	824132GT	SCREW,HHF,M8-1.25X20,DIN6921,10.9,ZAB.2	

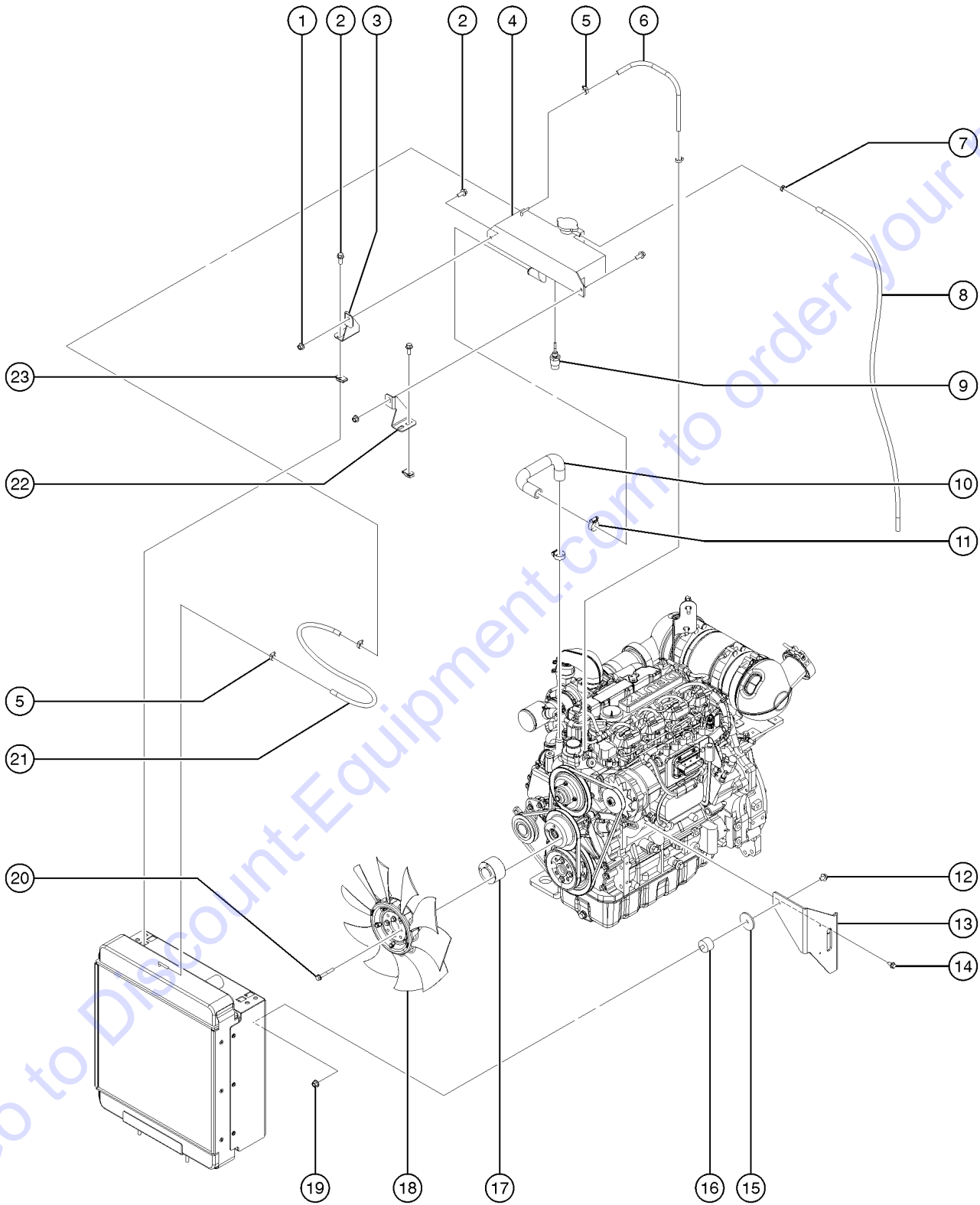
520.1 Deutz TD2.9L4, View 3 (from S60TX16H-30877)



520.1 Deutz TD2.9L4, View 3 (from S60TX16H-30877)

Item	Part No.	Description	Qty.
A		<i>Due to Tier 4 regulations, many engine replacement parts require the engine serial number at time of order placement. When ordering engine parts please have both machine and engine serial numbers available. For internal engine parts, contact engine dealer</i>	
1	823751GT	BRACKET,INTAKE PIPE,MOUNT,DEUT.....1	1
2	30971GT	CLAMP,HOSE,3.00".....2	2
3	30489GT	CLAMP,HOSE,3.50.....3	3
4	1262829GT	HOSE, INTAKE, AIR.....1	1
5	45435GT	CLAMP,HOSE,2.50***.....1	1
6	81468GT	MOUNTING BAND,AIR CLEANER.....1	1
7	1273918GT	SPACER, AIR CLEANER.....1	1
8	1255763GT	SCREW,HHF,5/16-18X1.5,8,ZAG.....2	2
9	824028GT	NUT,TL FLG,5/16-18,G,ZAG.....2	2
10		REF. ENGINE TRAY <i>refer to 309.1</i>	
11	826008GT	SCREW,HHF,M10-1.5X75,DIN6921,10.9,ZAB.2	2
12	1253498GT	SCREW,HHF,1/2-13X1.5,8,ZAG.....2	2
13	81467GT	AIR CLEANER,NELSON.....1	1
--	52866GT	EVACUATOR VALVE-AIR CLEANER <i>for 81467</i>	
--	62425GT	FILTER,AIR CLEANER,SUPERBOOM <i>for 81467</i>	
--	75450GT	AIR CLEANER CLIPS, SUPERBOOM <i>for 81467</i>	
--	75451GT	AIR CLEANER COVER, SUPERBOOM* <i>for 81467</i>	
14	1262828GT	HOSE, INTAKE, DEUTZ TD2.9.....1	1
15	1255666GT	SCREW,SHC,M10-1.5X30,DIN912,12.9,ZAB.9	9
16	70381GT	COVER,FLYWHEEL CASTING.....1	1
17	25548GT	SCREW,HHC,M10 X 40MM,GRD8.....1	1
18	824142GT	WASHER,LOCK,M10,ZAB.....1	1
19	1257421GT	SCREW,HHC,M10-1.5X16,DIN933,10.9,ZAB.6	6
20	128004GT	COUPLER,15 TOOTH,FBA,SAE8***.....1	1

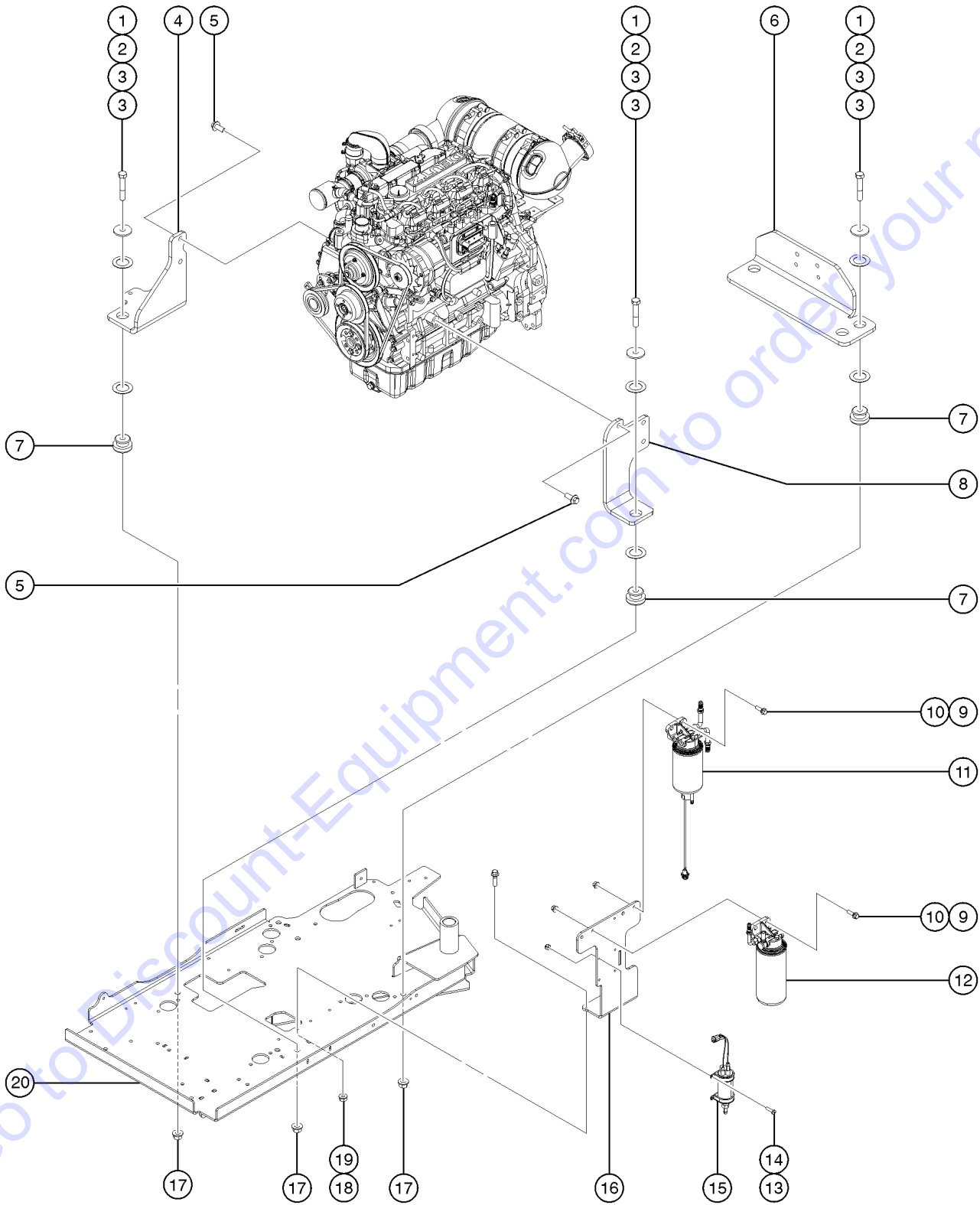
521.1 Deutz TD2.9L4, View 4 (from S60TX16H-30877)



521.1 Deutz TD2.9L4, View 4 (from S60TX16H-30877)

Item	Part No.	Description	Qty.
A		<i>Due to Tier 4 regulations, many engine replacement parts require the engine serial number at time of order placement. When ordering engine parts please have both machine and engine serial numbers available. For internal engine parts, contact engine dealer</i>	
1	824029GT	NUT,TL FLG,3/8-16,G,ZAG.....	2
2	824090GT	SCREW,HHF,3/8-16X1,8,ZAG.....	6
3	1261925GT	FORMING, BRACKET, TANK, EXPANS.....	1
4	161938GT	EXPANSION TANK,METAL,D2.9.....	1
4B	1254823GT	CAP,RADIATOR,PERKINS(94232) for 161938	
4B	1274900GT	SIGHT GLASS for 161938	
5	21465GT	CLAMP,HOSE,.25" - .63" X .3125.....	4
6	826400-1300GT	HOSE, HEATER, 1/4", 13" LONG.....	1
7	31983GT	CLAMP,HOSE,1 EAR, 9/16.....	1
8	1259441GT	HOSE,OVERFLOW,DEUTZ D2.9.....	1
9	218715GT	SENSOR,COOLANT LEVEL, DEUTZ.....	1
10	1261928GT	HOSE, TANK, EXPANSION.....	1
11	19273GT	CLAMP,HOSE,.75 **.....	2
12	237352GT	SCREW,HHF,M10-1.5X16,DIN6921,10.9,ZAB.1	
13	1256165GT	FORMING,RADIATOR SUPPORT,LH.....	1
14	1251983GT	SCREW,HHF,M8-1.25X16,DIN6921,10.9,ZAB.2	
15	1256283GT	WASHER,FLAT,.5X2.25X.188,ZAG.....	1
16	1255451GT	ISOLATOR, VIBRATION DAMPENER.....	1
17	1258641GT	SPACER, FAN, DEUTZ, 38MM LNG.....	1
18	1251496GT	FAN,10 BLADE,17",DEUTZ 2.9L.....	1
19	231529GT	NUT,TL FLG,M10-1.5,DIN6927,10,ZAB.....	1
20	1258771GT	SCREW,HHF,M8-1.25X60,DIN6921,10.9,ZAB.4	
21	826400-2500GT	HOSE, HEATER, 1/4", 25" LONG.....	1
22	1261926GT	FORMING, BRACKET, TANK, EXPANS.....	1
23	29868GT	SPRING CLIP,3/8-16,.05-.20X.73,ZAG....	4

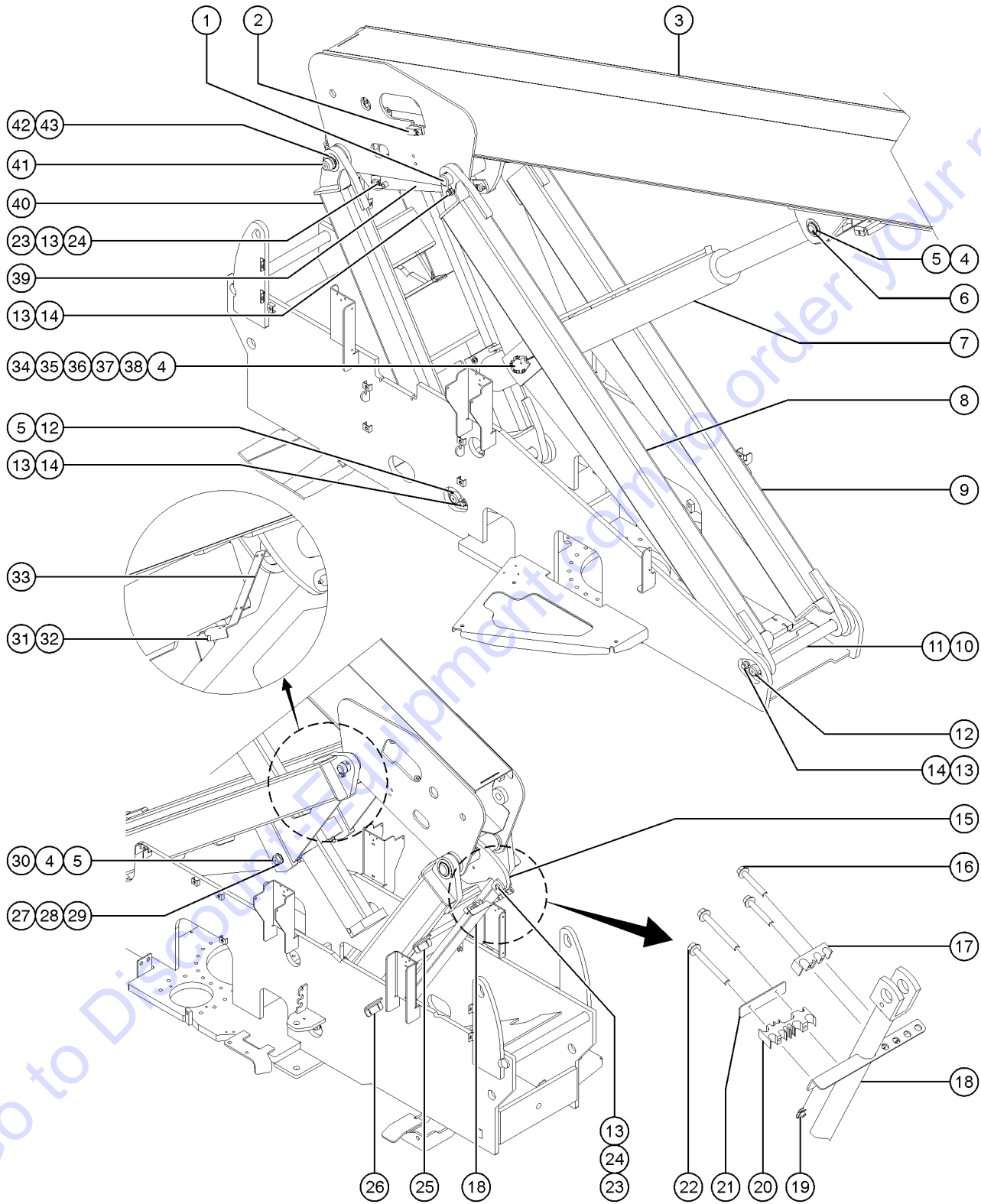
522.1 Deutz TD2.9L4, View 5 (from S60TX16H-30877)



522.1 Deutz TD2.9L4, View 5 (from S60TX16H-30877)

Item	Part No.	Description	Qty.
--		<i>Due to Tier 4 regulations, many engine replacement parts require the engine serial number at time of order placement. When ordering engine parts please have both machine and engine serial numbers available. For internal engine parts, contact engine dealer</i>	
--	824487GT	HOSE,FUEL,3/8,D2.9,MED PSI <i>Connected to fuel filter part 214228GT</i>	
--	824486GT	HOSE,FUEL,1/2,D2.9,PUMP <i>Connected to fuel/water filter part 214229GT</i>	
1	1256169GT	SCREW,HHC,5/8-11X3.5,8,ZAG.....4	
2	824123GT	WASHER,FLAT,625X2.25X.188,ZAG....4	
3	1251565GT	WASHER,SHIM,1.56X2.5X.061,ZAG....8	
4	1262832GT	FORMING, ENGINE MOUNT, RH.....1	
5	1256776GT	SCREW,HHF,M14-2.0X35,DIN6921,10.9,ZAB.5	
6	1261920GT	FORMING, MOUNT, ENGINE, REAR....1	
7	102045GT	ISOLATOR,ENGINE VIBRATION.....4	
8	1262833GT	FORMING, ENGINE MOUNT, LH.....1	
9	824091GT	SCREW,HHF,3/8-16X1.25,8,ZAG.....4	
10	824029GT	NUT,TL FLG,3/8-16,G,ZAG.....4	
11	236260GT	PRE-FILTER,FUEL,DEUTZ TCD3.6.....1	
--	162207GT	FITTING,ELBOW,8GS-8FJX90S	
--	162209GT	FITTING,CONN,16MM-8MJ	
12	214228GT	FILTER, DEUTZ 2.9, FUEL.....1	
--	1255396GT	FITTING,FUEL,1/2,D2.9,QC <i>sold seperately</i>	
--	1255399GT	BOLT,BANJO,DEUTZ,QC <i>sold seperately</i>	
--	1255400GT	WASHER,COPPER,DEUTZ,QC <i>sold seperately</i>	
--	162206GT	FITTING,ELBOW,6GS-6FJX90S	
--	162208GT	FITTING,CONN,16MM-6MJ	
12A	1256482GT	KIT,MED PRES FUEL SUPPLY,D2.9	
13	824215GT	SCREW,PHPM,10-32X.75,ZAG.....4	
14	6178GT	NUT,NYLOCK,10-32.....4	
15	236259GT	LIFT PUMP,FUEL,DEUTZ.....1	
16	1257961GT	WELDMENT, FUEL FILTER BRACKET.....1	
17	1253319GT	NUT,TL,FLG,5/8-11,G,ZAG.....4	
18	824027GT	NUT,TL FLG,1/4-20,G,ZAG.....2	
19	824079GT	SCREW,HHF,1/4-20X1,8,ZAG.....2	
20		REF. ENGINE TRAY ASSY <i>refer to 309.1</i>	

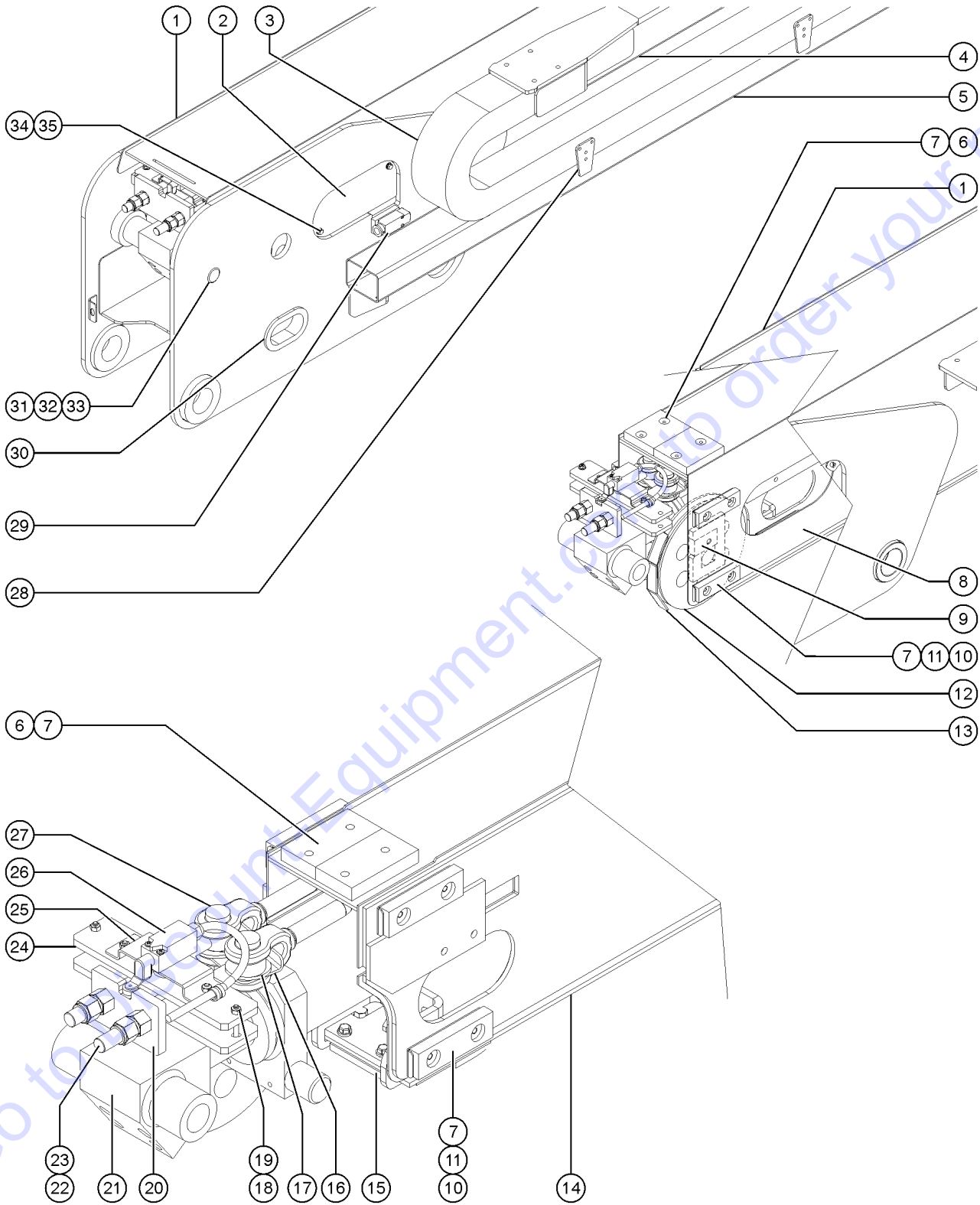
601.1 Linkage Assembly



601.1 Linkage Assembly

Item	Part No.	Description	Qty.	Item	Part No.	Description	Qty.
1	88665GT	PIN,2.25DIAX19.25LG,CHAMFER.....1	1	24	1255452GT	ROD END,.375 X 2.25,ZAG.....2	2
2		Ref: Primary Ext/Ret Harness.....1 <i>refer to 311.1</i>	1	25		Ref: Ref: Harness LS, OP, Primary Angle.....1 <i>refer to 311.1</i>	1
3		Ref: Boom Tube #1.....1 <i>refer to 602.1</i>	1	--	88356-11103GT	SWITCH,LIMIT,W/RLR ARM,NO/NC**....1	1
4	1253815GT	SNAP RING,EXTERNAL,2.00,ZAG.....2	2	26A		Ref: Ref: Harness LS, OP, Primary Velocity.....1 <i>refer to 311.1</i>	1
5	1256864GT	WASHER,FLAT,2.01X3.5X.06,ZAG.....9	9	--	88356-11103GT	SWITCH,LIMIT,W/RLR ARM,NO/NC**....1	1
6	88872GT	PIN,2.00DIAX11.18LG,2RING.....1	1	26B		Ref: Ref: Harness LS, Safety, Primary Velocity.....1 <i>refer to 311.1</i>	1
7	88653GT	CYLINDER,LIFT,S60***.....1 <i>for all S-60 and S-65 models</i>	1	--	88356-13103GT	SWITCH,LIMIT,W/RLLR ARM,NO/NC.....1	1
--	101252GT	SEAL KIT (88653) <i>for 88653</i>		27	1256107GT	SCREW,HHC,1/2-13X4.5,8,ZAG.....2	2
--	1262331GT	KIT, GLAND NUT, S60 LIFT CYL. <i>for 88653</i>		28	1255760GT	WASHER,FLAT,1/2,USS,ZAG.....2	2
--	1268376GT	NUT, PISTON, LIFT CYLINDER <i>for 88653</i>		29	1251997GT	NUT,TL FLG,1/2-13,G,ZAG	
--	1268377GT	SET SCREW, LIFT CYLINDER <i>for 88653</i>		30	88666GT	PIN,2 X 5.75 LG.....1	1
--	18720GT	BEARING,2.0IDX2.25ODX1.50L <i>for 88653</i>		31	824091GT	SCREW,HHF,3/8-16X1.25,8,ZAG	
--	61602GT	VALVE,COUNTERBAL.CBBB-LHN@3500 <i>for 88653</i>		32	824029GT	NUT,TL FLG,3/8-16,G,ZAG	
8	139601GT	ASSY, LONG LINK LT W/BEARINGS.....1	1	33	230497GT	FORMING,ANGLE SENSOR CABLE.....1	1
--	18722GT	BEARING,2.25IDX2.50ODX1.50L***		34	147834GT	ASSY, ANGLE SENSOR AND COVER...1 <i>all models</i>	1
--	88920GT	BEARING,FL,2.00IDX2.25ODX1.50L		--	110452GT	COVER,STEERING SENSOR	
9	139602GT	ASSY, LONG LINK RT W/BEARINGS.....1	1	--	60746GT	BUSHING, STRAIN RELIEF, 1"	
--	18722GT	BEARING,2.25IDX2.50ODX1.50L***		--	6607GT	WASHER,LOCK,#10 PLTD	
--	88920GT	BEARING,FL,2.00IDX2.25ODX1.50L		--	75041GT	SCREW,PHILLIPS,PHM,10-32 X 1	
10	110908GT	WELDMENT, LONG LINK SPACER.....1	1	--	94980GT	SENSOR,DUAL OUTPUT,ANGLE***	
11	1253498GT	SCREW,HHF,1/2-13X1.5,8,ZAG		35	824078GT	SCREW,HHF,1/4-20X.75,8,ZAG.....1	1
12	88676GT	PIN,2.00DIAX24.00LG,CHAMFER***.....2	2	36	147571GT	KEY, HEX, 5/16" X 2.50"LG,SS.....1	1
13	824090GT	SCREW,HHF,3/8-16X1,8,ZAG		37	147842GT	PIN, LIFT CYL, HEX END.....1	1
14	1256267GT	ROD END,.5 X 3.75,ZAG.....2	2	38	1257079GT	WASHER,FLAT,2.01X2.25X.06,ZAG.....1	1
15	77672GT	WELDMENT,TIMING LINK CAM.....1 <i>(bearings not included)</i>	1	39	81694GT	CYLINDER,MASTER.....1 <i>S-60 and S65 models</i>	1
--	30370GT	BEARING,1.25IDX1.5ODX1.00L <i>(sold separately)</i>		--	75470GT	SEAL KIT,CYL,S45 MASTER(81694) <i>for 81694</i>	
--	88919GT	BEARING,FL,2.25IDX2.50ODX1.63L <i>(sold separately)</i>		40	T106508GT	SHORT LINK W/BEARINGS, SERVICE.....1 <i>(includes items 41-43)</i>	1
16	824082GT	SCREW,HHF,1/4-20X1.75,8,ZAG.....2	2	--	18720GT	BEARING,2.0IDX2.25ODX1.50L.....2	2
17	824550GT	CLAMP, TIMING LINK, LH		--	18722GT	BEARING,2.25IDX2.50ODX1.50L***.....2	2
18	88675GT	WELDMENT,MASTER LINK.....1	1	--	T106413GT	WELDMENT, SHORT LINK, S60/65.....1	1
19	25969GT	CLIP,SPRING,1/4-20 BLACK.....4	4	41	119990GT	PIN,2.25DIAX18.75LG,CHAMFER.....1	1
20	824546GT	CLAMP, TIMING LINK, RH		42	1257080GT	WASHER,FLAT,2.27X3.5X.06,ZAG.....6	6
21	227125GT	BAR, CLAMP, TIMING LINK.....1	1	43	1254639GT	SNAP RING,EXTERNAL,2.25,ZAG.....2	2
22	824083GT	SCREW,HHF,1/4-20X2.5,8,ZAG.....2	2				
23	50742GT	PIN,1.25DIAX3.75LG,1HOLE.....1	1				

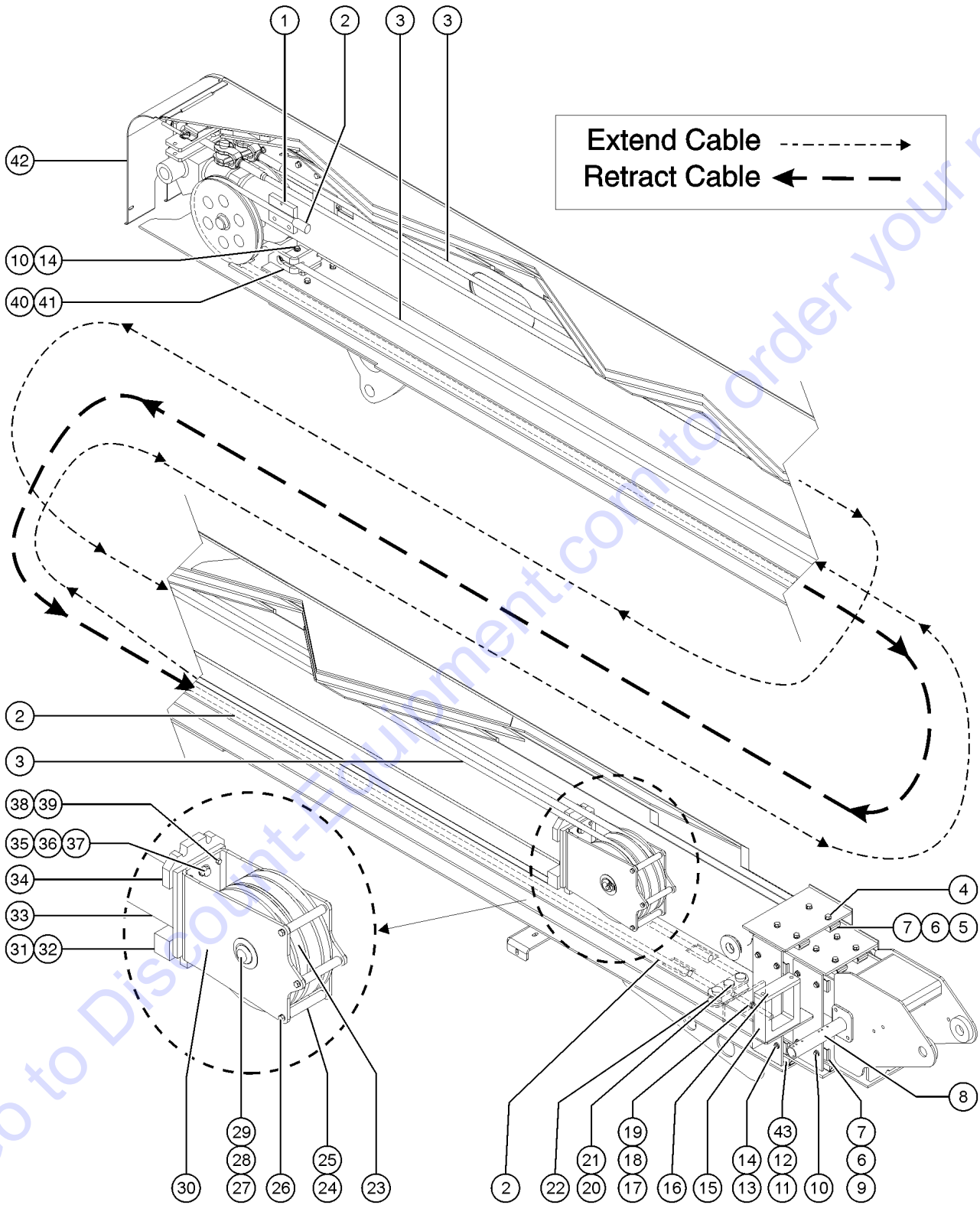
602.1 Boom Components, View 1



602.1 Boom Components, View 1

Item	Part No.	Description	Qty.	Item	Part No.	Description	Qty.
--	18720GT	BEARING,2.0IDX2.25ODX1.50L.....2 <i>sold separately</i>	2	16	77618PGT	PLATE,ANTIROTATION.....1	1
--	30370GT	BEARING,1.25IDX1.5ODX1.00L.....1 <i>sold separately</i>	1	17	1256119GT	WASHER,SHIM,1.01X1.63X.062,ZAG...2	2
--	88919GT	BEARING,FL,2.25IDX2.50ODX1.63L.....4 <i>sold separately</i>	4	18	824027GT	NUT,TL FLG,1/4-20,G,ZAG.....2	2
1A	T108890GT	#1 BOOM TUBE ASSY,W/WORD DECAL.....1 <i>for decal refer to section 100</i>	1	19	824083GT	SCREW,HHF,1/4-20X2.5,8,ZAG.....2	2
1B	T108891GT	#1 BOOM TUBE ASSY,W/SYM DECAL <i>for decal refer to section 100</i>	1	20	77795GT	MACHINED PIVOT PLATE WELDMENT.....1	1
2A	77882PGT	COVER,RH,BOOM SECTION #1.....1	1	21	88571GT	CYLINDER,BOOM EXTENSION.....1	1
2B	147403GT	COVER,LH,BOOM SECTION #1.....1	1	--	101251GT	SEAL KIT (88571)	1
3		Ref: Cable Track.....1 <i>refer to 609.1</i>	1	--	74872GT	VALVE,COUNTERBALANCE 3000 PSI*.....1	1
4		Ref: Cable Track Tube.....1 <i>refer to 609.1</i>	1	--	88667GT	VALVE,CB.CBCA-LHN@1500PSI***.....1	1
5		Ref: Cable Track Tray.....1 <i>refer to 609.1</i>	1	22	77656GT	RÖD END,CABLE	1
6	34124GT	WEAR PAD,5 X 3 X .625 W/NUTS.....4	4	23	824030GT	NUT,TL FLG,3/4-10,G,ZAG	1
--	34344GT	SHIM,SIDE PAD 16GA. 3 X 5	1	24	77654PGT	PLATE,ROCKER.....2	2
7	824089GT	SCREW,HHF,3/8-16X.75,8,ZAG	1	25	77653PGT	FORMING,LIMIT SWITCH BRACKET.....1	1
8A	147617GT	WELDMENT, BOOM SECTION #2.....1 <i>S-60X and S-60XC models</i>	1	--	824027GT	NUT,TL FLG,1/4-20,G,ZAG <i>not Included, Sold Separately</i>	1
8B	63078GT	WELDMENT,BOOM SECTION #2***.....1 <i>S-60, S-65, S-60HC, S-60TRAX and S-65TRAX models</i>	1	--	824079GT	SCREW,HHF,1/4-20X1,8,ZAG <i>not Included, Sold Separately</i>	1
9	88795PGT	CAP,EXTENSION,PAINTED.....1	1	26		Ref: Harness, Cable Tension Limit Switch.....1 <i>refer to 311.1</i>	1
--	824089GT	SCREW,HHF,3/8-16X.75,8,ZAG <i>not Included, Sold Separately</i>	1	--	119067GT	CONN,RECEP 4 WAY ENDCAP DT	1
10	30138GT	WEAR PAD,5 X 1.5 X .625 W/NUTS	1	--	19491GT	CONTACTOR,LIMIT SWITCH	1
11	29080GT	SHIM,WEAR PAD,5X 1.5 16GA <i>qty as needed</i>	1	--	43960GT	WIRE CABLE,16/4 CON.TPE JKT.....15	15
12	88568GT	SHEAVE,RETRACT CABLE(SMALLER).....2	2	--	60443GT	LOCK,RECEP 4 WAY,14-18GA	1
13	107665PGT	COVER,RETRACT SHEAVE,PAINTED.....1	1	--	73713GT	TERM,NI PIN,S&F,16-18GA,REEL	1
14A	94692GT	ASSEMBLY,BOOM TUBE #3 S60/65**....1 <i>USA, Canada and Australia models</i>	1	--	73725GT	BOOT,DTSCH,DTP4-BT	1
--	34245GT	BEARING,1.25IDX1.50X1.25L.....2	2	--	88356-13103GT	SWITCH,LIMIT,W/RLLR ARM,NO/NC	1
14B	119567GT	ASSEM,BOOM TUBE #3 S60/65,CE** <i>South America, Asia and Europe models</i>	1	--	97128GT	ROLLER ARM,LIMIT SWITCH***	1
--	34245GT	BEARING,1.25IDX1.50X1.25L.....2	2	27	19440GT	PIN,CLEVIS,1 X 2.5 LG.....2	2
15	77718GT	WEAR PAD,5 X 3 X .75.....1	1	28		Ref: Cable Track Guide.....10 <i>refer to 609.1</i>	10
--	34344GT	SHIM,SIDE PAD 16GA. 3 X 5 <i>not Included, Sold Separately</i>	1	29		Ref: Harness, Primary Ext/Ret Limit Switch.....1 <i>refer to 311.1</i>	1
--	38621GT	SHIM,PAD,5 X 3 <i>not Included, Sold Separately</i>	1	--	88356-14963GT	SWITCH,LIMIT,W/RLLR ARM,NO/NC	1
--	824090GT	SCREW,HHF,3/8-16X1,8,ZAG <i>not Included, Sold Separately</i>	1	30	71768GT	GROMMET,4.00 GRV. X .75 THK.....1	1
				31	81856GT	PIN,1.50DIA X 13.43LG,2RING.....1	1
				32	825796GT	SNAP RING,EXTERNAL,1.50,ZAG.....2	2
				33	1251565GT	WASHER,SHIM,1.56X2.5X.061,ZAG <i>1 on each side; to SN S60H-37917</i>	2
				--	1251565GT	WASHER,SHIM,1.56X2.5X.061,ZAG.....4 <i>2 on each side; from SN S60H-37918</i>	4
				34	824078GT	SCREW,HHF,1/4-20X.75,8,ZAG	1
				35	56912GT	SPRING CLIP,1/4-20,.025-.15X.54,ZAG	1

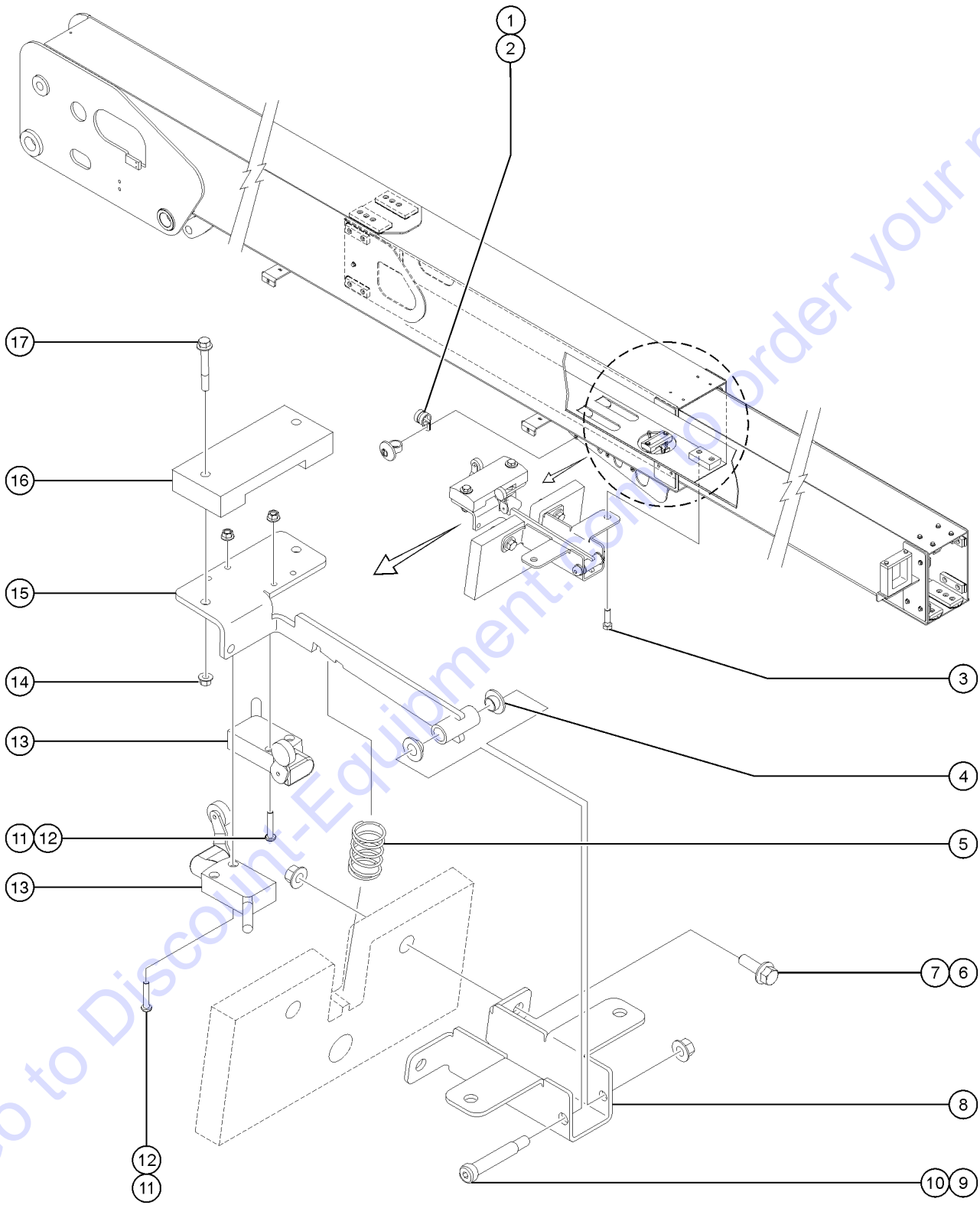
603.1 Boom Components, View 2



603.1 Boom Components, View 2

Item	Part No.	Description	Qty.	Item	Part No.	Description	Qty.
A	214690GT	KIT,EXTEND/RETRACT CABLE,S60 <i>(includes items 2 & 3) (for easier installation, suggest ordering 94510, below)</i>		34	139385GT	GUIDE, EXT CABLE, TOP.....	1
B	94510GT	TOOL,CABLE GRIP, 7/16" <i>for installation of 214690</i>		35	1255782GT	SCREW,HHC,1/2-13X2.0,8,ZAG.....	2
1	77616PGT	PLATE,BOTTOM BLOCK,PAINTED.....	1	36	825353GT	WASHER,FLAT,1/2,SAE,HRD,ZAG	
2	110340GT	CABLE ASSY, RETRACT SET (PAIR)..... <i>(one end mounts at the base, the other end mounts at the top of the mast)</i>	1	37	1256106GT	NUT,TL,1/2-13,C,ZAG	
3	110339GT	CABLE ASSY, EXTEND SET(PAIR)..... <i>(both ends mount at the base of the mast)</i>	1	38	1252978GT	SCREW,HHC,3/8-16X2.25,8,ZAG	
4	824090GT	SCREW,HHF,3/8-16X1,8,ZAG.....	8	39	824029GT	NUT,TL FLG,3/8-16,G,ZAG	
5	30138GT	WEAR PAD,5 X 1.5 X .625 W/NUTS.....	8	40	77688GT	WELDMENT,EXTENSION BRACKET.....	1
6	38620GT	SHIM,WEAR PAD,5 X 1.5,14GA.....	16	41	77713PGT	PLATE,TAP BLOCK.....	1
7	29080GT	SHIM,WEAR PAD,5X 1.5 16GA.....	16	42	101066PGT	COVER,PRIMARY BOOM,PAINTED.....	1
8		Ref: Weldment Track Pull Tube..... <i>refer to 609.1</i>	1	43	77718GT	WEAR PAD,5 X 3 X .75.....	4
9	34125GT	WEAR PAD,5 X 1.5 X .75 W/NUTS.....	8				
10	824091GT	SCREW,HHF,3/8-16X1.25,8,ZAG					
11	34344GT	SHIM,SIDE PAD 16GA. 3 X 5.....	4				
12	38621GT	SHIM,PAD,5 X 3.....	2				
13	1255629GT	SCREW,BHC,3/8-16X1.25,F835,ZAG					
14	824110GT	WASHER,LOCK,3/8,ZAG					
15		Ref: Hose/Cable Clamps..... <i>refer to 609.1</i>	1				
16		Ref: Bar Clamp, Cable Track..... <i>refer to 609.1</i>	1				
17	77051GT	NUT,NYLOCK,3/4-10,GRD.8					
18	33278GT	WASHER,FLAT,.75 HARDENED					
19	77656GT	ROD END,CABLE					
20	826379GT	PIN,CLEVIS,1X2.250,ZAG.....	4				
21	13635-10GT	PIN,COTTER,.156 X 1.75.....	4				
22	88796GT	PLATE,RETRACTION CABLE EQUALIZ.....	2				
23	88567GT	SHEAVE,EXTENSION CABLE(LARGER).....	1				
24	77648GT	ROLLER,1/2" PVC.....	1				
25	77649GT	ROLLER,1/2" ALUMINUM.....	1				
26	824078GT	SCREW,HHF,1/4-20X.75,8,ZAG.....	3				
27	88793GT	PIN,1.5 X 5.50 LG.....	1				
28	825796GT	SNAP RING,EXTERNAL,1.50,ZAG.....	2				
29	1251565GT	WASHER,SHIM,1.56X2.5X.061,ZAG					
30	139384GT	BRACKET, EXTEND SHEAVE.....	1				
31	139288GT	GUIDE, EXT. CABLE, BOTTOM.....	1				
32	1256122GT	SCREW,HHC,3/8-16X4,8,ZAG.....	2				
33		Ref: Extension Cylinder <i>refer to 602.1</i>					

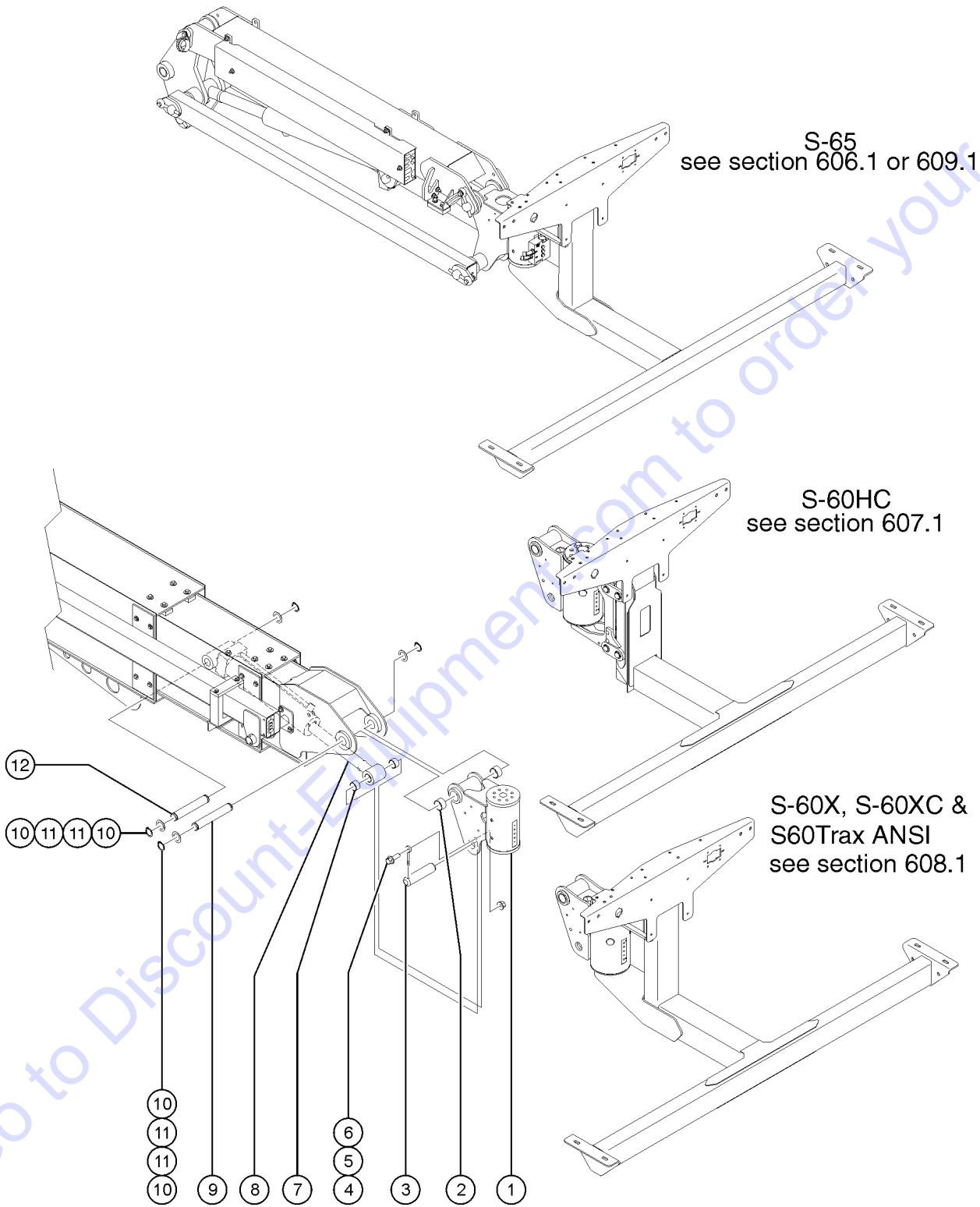
604.1 Boom Limit Switch -S-60X, S-60XC and S-60TraX ANSI Models



604.1 Boom Limit Switch -S-60X, S-60XC and S-60TraX ANSI Models

Item	Part No.	Description	Qty.
1	45470GT	CLAMP,0.31,#5 X 1/4,RUB CUSH.....1	
2	56361GT	CABLE TIE,BUTTON,BLACK,14.75LG...3	
3	824068GT	SCREW,HHC,3/8-16X1.25,8,ZAG.....2	
4	47222GT	WASHER,SHOULDER,NYLON.....2	
5	T112459GT	SPRING,0.984"OD X 1.50"LG.....1	
6	824092GT	SCREW,HHF,3/8-16X1.5,8,ZAG.....2	
7	824029GT	NUT,TL FLG,3/8-16,G,ZAG.....2	
8	147504GT	COVER, LIMIT SWITCH ARM MOUNT...1	
9	1257863GT	BOLT,SHS,3/8X1.75X5/16-18,ZAG.....1	
10	824028GT	NUT,TL FLG,5/16-18,G,ZAG.....1	
11	1258189GT	SCREW,PHPM,8-32X1,ZAG.....4	
12	1255803GT	NUT,TL FLG,8-32,F,ZAG.....4	
13	133644 14B61GT	LIMIT SWITCH,BLUE,MICRO.....2 <i>LSB1ES and LSB1EO, refer to 311.1 for wire harnesses</i>	
14	824027GT	NUT,TL FLG,1/4-20,G,ZAG.....2	
15	230329GT	WELDMENT, LIMIT SWITCH ARM.....1	
16	230331GT	WEARPAD, LIMIT SWITCH GUIDE.....1	
17	824081GT	SCREW,HHF,1/4-20X1.5,8,ZAG.....2	

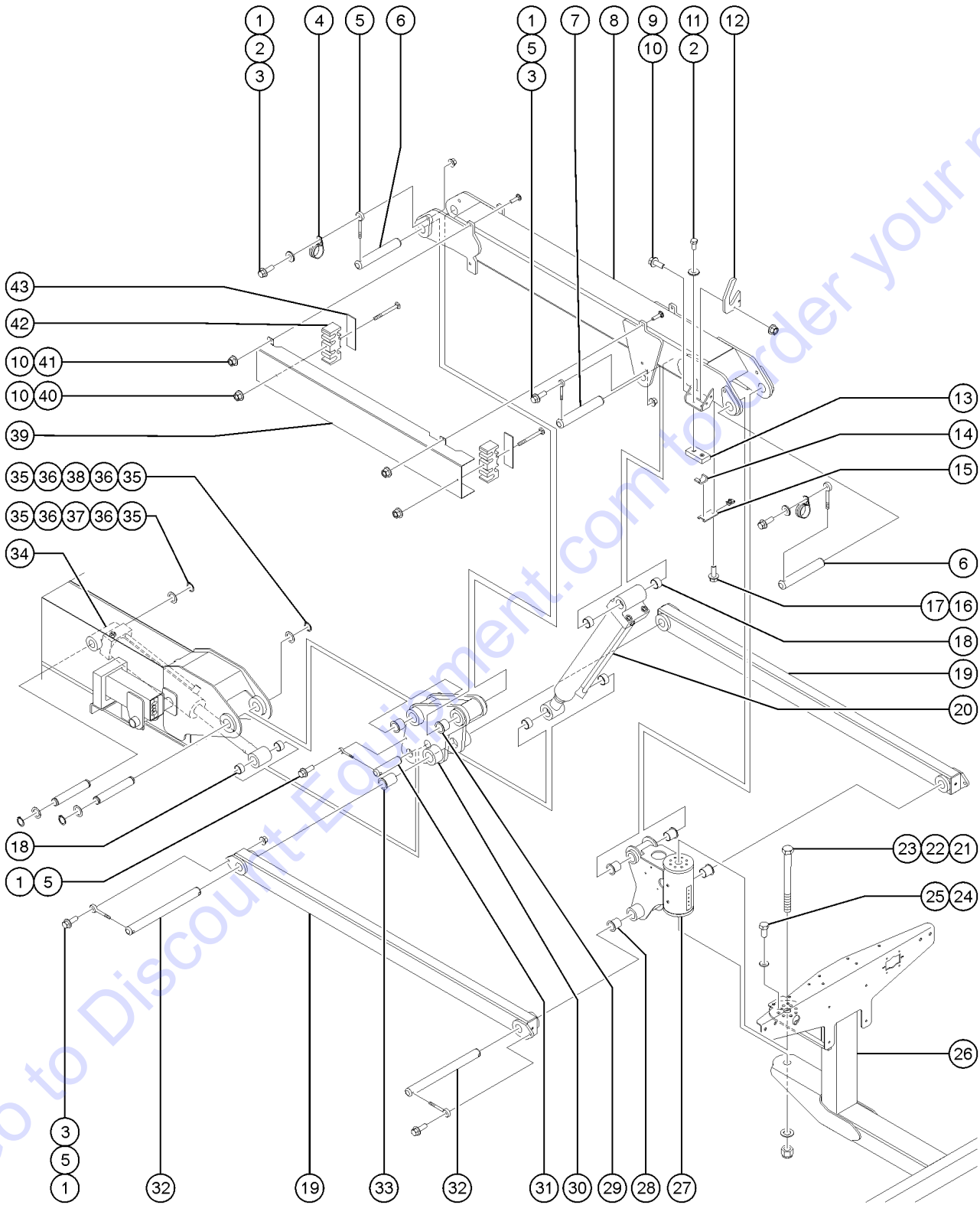
605.1 Boom End Components, S-60, S-60TraX and S-65TraX



605.1 Boom End Components, S-60, S-60TraX and S-65TraX

Item	Part No.	Description	Qty.
1	88576GT	ROTATOR, NON-JIB.....1 <i>Includes item 2; S-60 CE only</i>	1
--	122944GT	SEAL KIT, 8K ROTATOR***	
--	88516GT	SCREW, BLEEDER, M5X0.8	
2	30370GT	BEARING, 1.25IDX1.5ODX1.00L.....4	4
3	T108075GT	PIN, 1.25DIAX5.25LG, 1HOLE.....1	1
4	824091GT	SCREW, HHF, 3/8-16X1.25, 8, ZAG.....1	1
5	825019GT	ROD END, .375X3.69, ZAG.....1	1
6	824029GT	NUT, TL FLG, 3/8-16, G, ZAG.....1	1
7	25683GT	BEARING, POLYGON, 20DU12.....4	4
8	63566GT	CYLINDER, PLATFORM LEVEL***1 <i>Includes item 7</i>	1
--	101254GT	SEAL KIT (63566)	
--	77303GT	VALVE, CNTRBAL 3500 PSI, ATM VEN	
9	T111124GT	PIN, 1.25DIAX8.42LG, 2RING.....1	1
10	824164GT	SNAP RING, EXTERNAL, 1.25, ZAG.....4	4
11	824151GT	WASHER, SHIM, 1.270X2.130X.062, Z <i>as-needed</i>	
12	88870GT	PIN, 1.25DIAX7.47LG, 2RING.....1	1

606.1 Boom End Components, S-65



606.1 Boom End Components, S-65

Item	Part No.	Description	Qty.	Item	Part No.	Description	Qty.
1	824092GT	SCREW,HHF,3/8-16X1.5,8,ZAG.....	5	--	88516GT	SCREW,BLEEDER,M5X0.8 for 94397	
2	824110GT	WASHER,LOCK,3/8,ZAG.....	2	28	30222GT	BEARING,FL,1.25IDX1.41ODX1.50L.....	4
3	824029GT	NUT,TL FLG,3/8-16,G,ZAG		29	35675GT	BEARING,FL,1.25IDX1.50DX1.25L.....	4
4	77181GT	CLAMP,1.63,#26 X 3/8,RUB CUSH.....	2	30	101244GT	BELLCRANK W/BEARINGS..... includes bearings item 29 and 33	1
5	825019GT	ROD END,.375X3.69,ZAG		31	T108075GT	PIN,1.25DIAX5.25LG,1HOLE.....	1
6	T108076GT	PIN,1.25DIAX7.88LG,1HOLE.....	2	32	81175GT	PIN,1.25DIAX14.45LG,2HOLE.....	2
7	T108077GT	PIN,1.25DIAX7.00LG,1HOLE.....	1	33	128268GT	BEARING,FL, 1.25X1.5X2.13.....	2
8B	128534GT	JIB BOOM ASSY W/WORD DECAL..... USA, Canada and Australia models, includes item 8A	1	34	63566GT	CYLINDER,PLATFORM LEVEL***..... Includes item 7	1
8C	T108892GT	JIB BOOM ASSY W/SYMBOL DECAL South America, Asia and Europe models, includes item 8A		--	101254GT	SEAL KIT (63566)	
9	824079GT	SCREW,HHF,1/4-20X1,8,ZAG		--	77303GT	VALVE, CNTRBAL 3500 PSI, ATM VEN	
10	824027GT	NUT,TL FLG,1/4-20,G,ZAG		35	30217GT	SNAP RING,EXTERNAL,1.25 DIA.**.....	4
11	1256109GT	SCREW,HHC,3/8-16X.75,8,ZAG		36	824151GT	WASHER,SHIM,1.270X2.130X.062,Z	
12	128482GT	HOSE GUIDE, JIB..... to SN S6015A-29311	1	37	88870GT	PIN,1.25DIAX7.47LG,2RING.....	1
13	81640GT	WEAR PAD,3 X 1.5 X.625 W/NUTS		38	T111124GT	PIN,1.25DIAX8.42LG,2RING.....	1
14	119542GT	CLAMP,TWO HOSE.....	1	39	128454PGT	COVER, JIB HOSES/CABLES.....	1
15	119536PGT	BRACKET,HOSE CLAMP,PAINTED.....	1	40	1256180GT	BOLT,CARRIAGE,1/4-20X2.75,5,ZAG.....	2
16	824078GT	SCREW,HHF,1/4-20X.75,8,ZAG		41	1256127GT	BOLT,CARRIAGE,1/4-20X1.5,ZAG.....	4
17	56912GT	SPRING CLIP,1/4-20,.025-.15X.54,ZAG.....	1	42	824551GT	CLAMP,HOSE/CABLE,JIB.....	2
18	25683GT	BEARING,POLYGON,20DU12.....	4	43	128483GT	BACKING PLATE, HOSE BLOCK, JIB....	2
19	61306-SGT	COMPR.LINK,MACHINED,GND CONTR*..... To SN S60H-39280	2				
--	1274511GT	MACHINING, COMPRESSION LINK From SN S60H-39281					
20	63213GT	CYLINDER,JIB (STICK BOOMS)..... includes item 18	1				
--	33428GT	VALVE,COUNTERBALANCE					
--	63353GT	SEAL KIT,CYL,S65 (63213)					
21	826792GT	SCREW,HHC,1-8X11,5,ZAG.....	1				
22	824116GT	WASHER, FLAT, F436, 1.0, ZAG.....	2				
23	1257081GT	NUT,1-8,8,ZAG.....	1				
24	826791GT	SCREW,HHC,3/8-16X.875,8,ZAG.....	8				
25	826793GT	WASHER,FLAT,3/8,SAE,HRD,ZAG.....	8				
26	60370-SGT	PLATFORM SUPPORT WELDMNT-SERV*.....	1				
27	94397GT	ROTATOR,PLAT JIB,160 DEG***..... includes bearing item 28	1				
--	122944GT	SEAL KIT,8K ROTATOR*** for 94397					
--	75395GT	BEARING KIT,PLAT ROTATOR,SUPER for 94397					

PARTS FINDER

**Search Website
by Part Number**



**Search Manual
Library For Parts
Manual & Lookup Part
Numbers – Purchase
or Request Quote**

Search Manuals

Enter your information to help us find the right parts manual for your machine.

* Brand:

* Model:

* Serial:

* Part Number:

SEARCH

**Can't Find Part or
Manual? Request Help
by Manufacturer,
Model & Description**

Parts Order Form

Please fill in the following information to help us find the right part for your machine.

Manufacturer:	<input type="text"/>
Model:	<input type="text"/>
Description:	<input type="text"/>
Part Number:	<input type="text"/>
Quantity:	<input type="text"/>
Notes:	<input type="text"/>

Submit

Discount-Equipment.com is your online resource for quality parts & equipment.

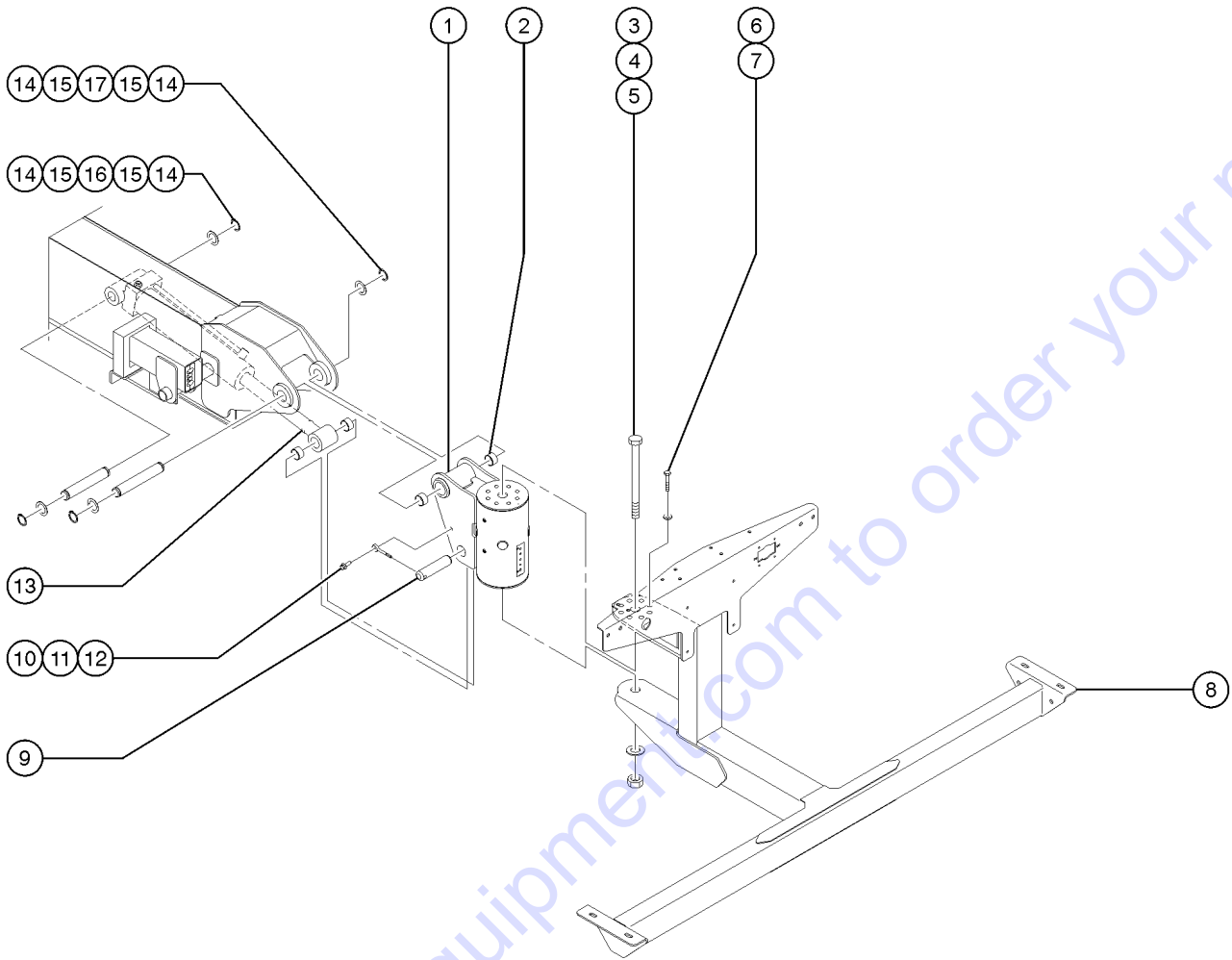
Florida: **561-964-4949** Outside Florida TOLL FREE: **877-690-3101**

Need parts?

Click on this link: <http://www.discount-equipment.com/category/5443-parts/> and choose one of the options to help get the right parts and equipment you are looking for. Please have the machine model and serial number available in order to help us get you the correct parts. If you don't find the part on the website or on one of the online manuals, please fill out the request form and one of our experienced staff members will get back to you with a quote for the right part that your machine needs.

We sell worldwide for the brands: Genie, Terex, JLG, MultiQuip, Mikasa, Essick, Whiteman, Mayco, Toro Stone, Diamond Products, Generac Magnum, Airman, Haulotte, Barreto, Power Blanket, Nifty Lift, Atlas Copco, Chicago Pneumatic, Allmand, Miller Curber, Skyjack, Lull, Skytrak, Tsurumi, Husquvarna Target, Stow, Wacker, Sakai, Mi-T-M, Sullair, Basic, Dynapac, MBW, Weber, Bartell, Bennar Newman, Haulotte, Ditch Runner, Menegotti, Morrison, Contec, Buddy, Crown, Edco, Wyco, Bomag, Laymor, EZ Trench, Bil-Jax, F.S. Curtis, Gehl Pavers, Heli, Honda, ICS/PowerGrit, IHI, Partner, Imer, Clipper, MMD, Koshin, Rice, CH&E, General Equipment, Amida, Coleman, NAC, Gradall, Square Shooter, Kent, Stanley, Tamco, Toku, Hatz, Kohler, Robin, Wisconsin, Northrock, Oztec, Toker TK, Rol-Air, APT, Wylie, Ingersoll Rand / Doosan, Innovatech, Con X, Ammann, Mecalac, Makinex, Smith Surface Prep, Small Line, Wanco, Yanmar

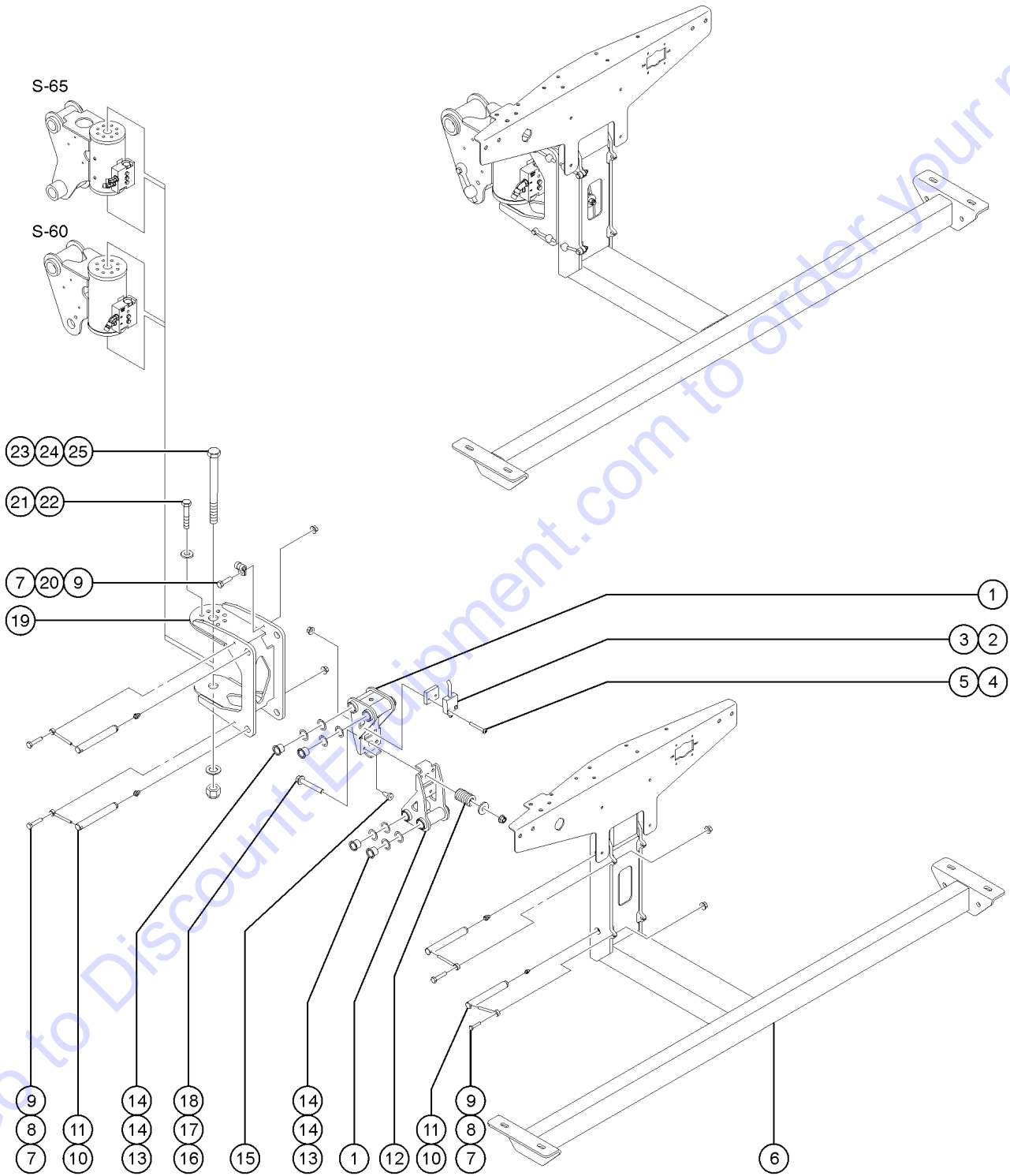
607.1 Boom End Components, S-60X and S60XC



607.1 Boom End Components, S-60X and S60XC

Item	Part No.	Description	Qty.
1	226541GT	ROTATOR,PLATFORM,15K.....1 <i>includes item 2</i>	1
--	226542GT	SEAL KIT, 15K ROTATOR <i>for 226541</i>	
2	30370GT	BEARING,1.25IDX1.5ODX1.00L.....2	2
3	824075GT	SCREW,HHC,1-8X12.75,5,ZAG.....1	1
4	824116GT	WASHER, FLAT, F436, 1.0, ZAG.....1	1
5	1257081GT	NUT,1-8,8,ZAG.....1	1
6	1256843GT	SCREW,HHC,1/2-13X1.25,8,ZAG.....8	8
7	825353GT	WASHER,FLAT,1/2,SAE,HRD,ZAG.....8	8
8A	147347GT	WELDMENT, PLAT SUPPORT.....1 <i>6ft and 8ft platforms</i>	1
8B	234242GT	WDMT,4FT/5FT PLAT. SUPPORT,15K....1 <i>4ft and 5ft Platforms</i>	1
9	T108075GT	PIN,1.25DIA X5.25LG,1HOLE.....1	1
10	824091GT	SCREW,HHF,3/8-16X1.25,8,ZAG.....1	1
11	825019GT	ROD END,.375X3.69,ZAG.....1	1
12	824029GT	NUT,TL FLG,3/8-16,G,ZAG.....1	1
13	63566GT	CYLINDER,PLATFORM LEVEL***.....1	1
--	101254GT	SEAL KIT (63566)	
--	25683GT	BEARING,POLYGON,20DU12.....4	4
--	77303GT	VALVE, CNTRBAL 3500 PSI, ATM VEN	
14	30217GT	SNAP RING,EXTERNAL,1.25 DIA.**.....4	4
15	824151GT	WASHER,SHIM,1.270X2.130X.062,Z <i>as-needed</i>	
16	88870GT	PIN,1.25DIA X7.47LG,2RING.....1	1
17	T111124GT	PIN,1.25DIA X8.42LG,2RING.....1	1

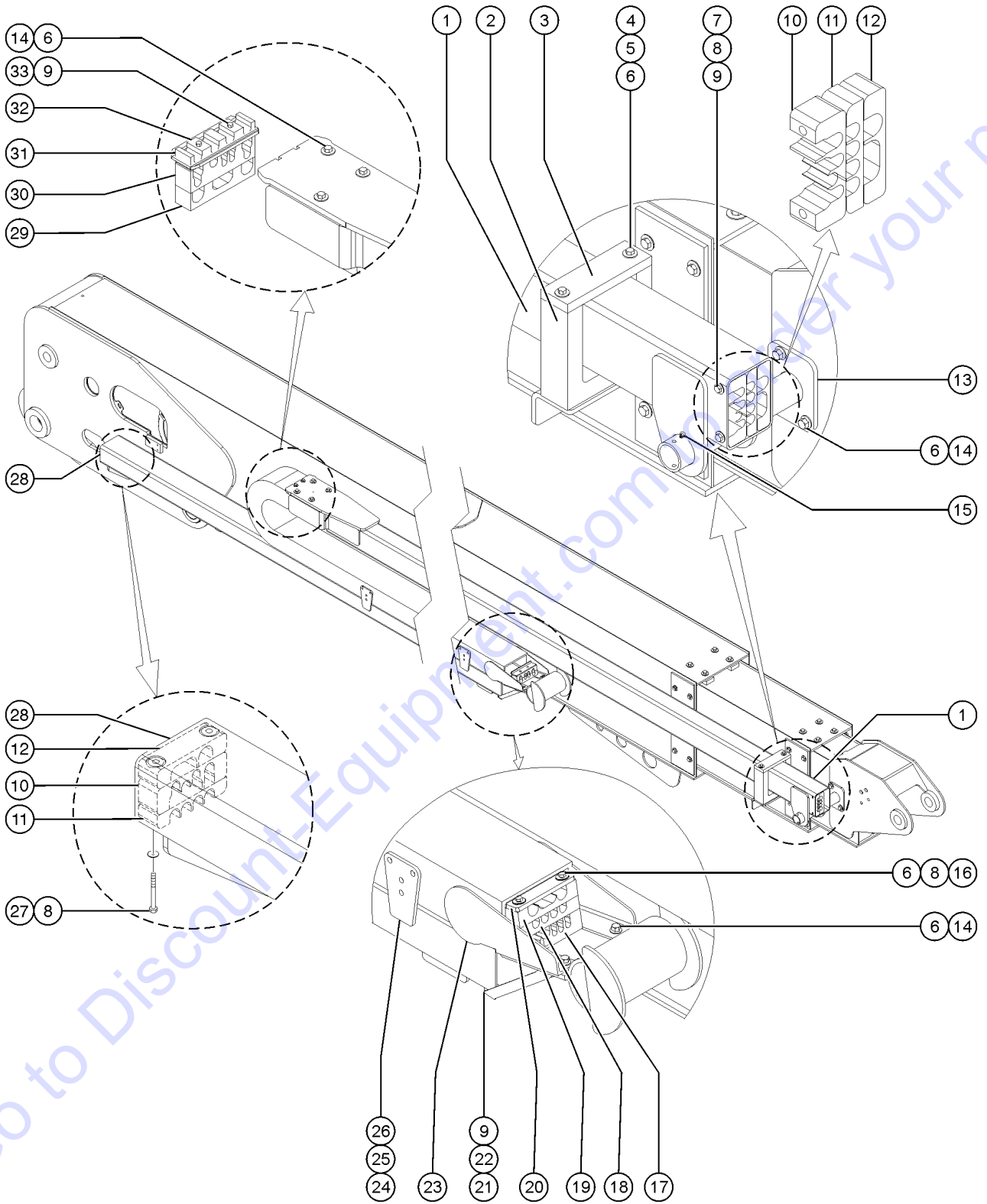
608.1 Boom End Components, Load Sense, S-60 and S-65 CE Models



608.1 Boom End Components, Load Sense, S-60 and S-65 CE Models

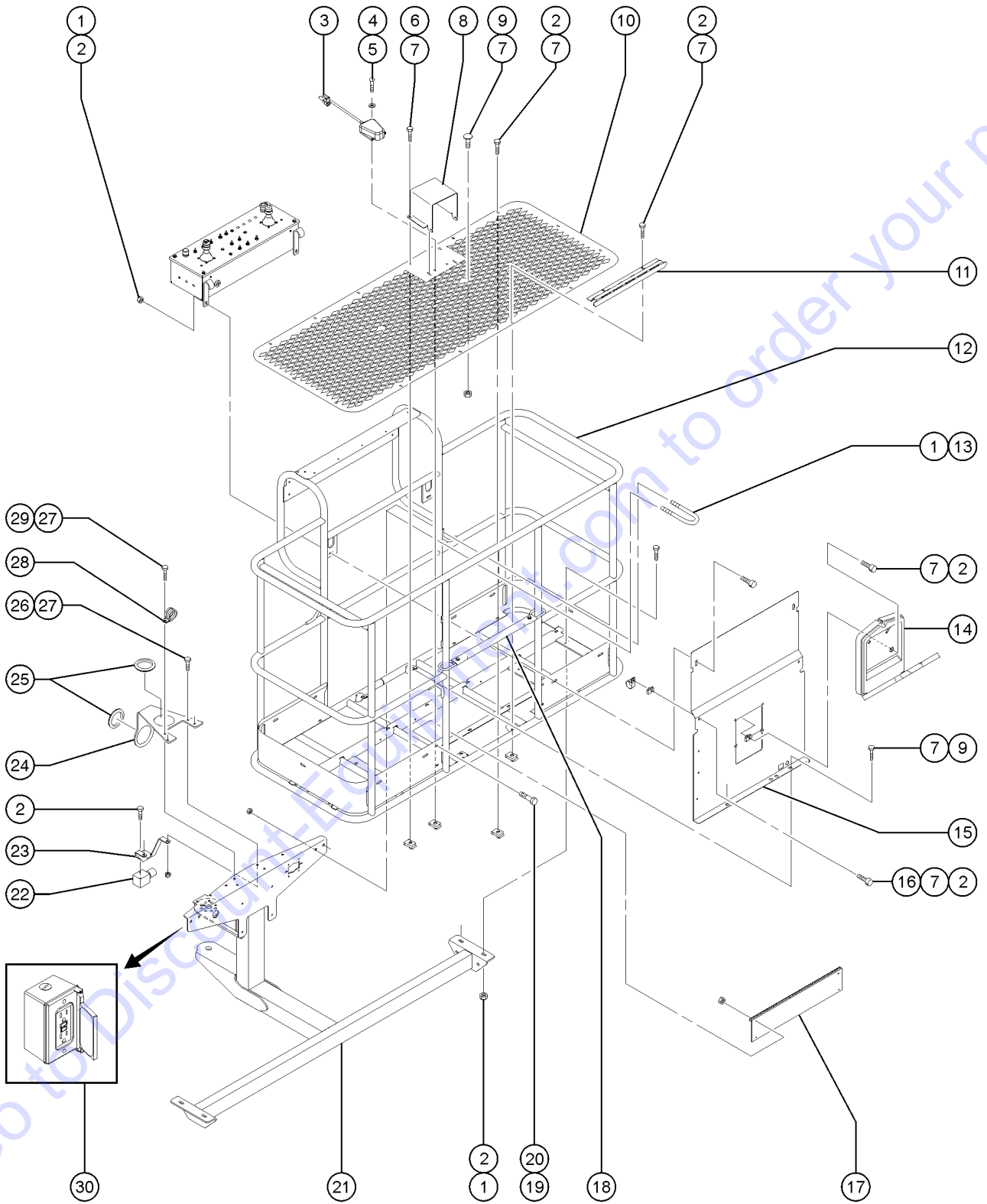
Item	Part No.	Description	Qty.
1	89755GT	LOAD SUPPORT W/BEARINGS.....	2
2	121848GT	ASSY,LS,LOAD SENSE,38.5 IN.....	1
3	61972GT	MOUNT,SWITCH.....	1
4	1257264GT	SCREW,BHC,10-32X1.5,F835,ZAG.....	2
5	824032GT	NUT,TL FLG,10-32,F,ZAG.....	2
6A	60370-SGT	PLATFORM SUPPORT WELDMNT-SERV*.....	1
		<i>ANSI models</i>	
--	94326GT	WELDMENT,4/5FT PLATFORM SUPPOR.....	1
		<i>4 ft. and 5 ft. platforms only</i>	
6B	61997GT	WELDMENT,PLATFORM SUPPORT,CE.....	1
		<i>CE models</i>	
--	94326GT	WELDMENT,4/5FT PLATFORM SUPPOR.....	1
		<i>4 ft. and 5 ft. platforms only</i>	
7	824061GT	SCREW,HHC,1/4-20X1.25,8,ZAG	
8	825020GT	ROD END, .25 X 2.75, ZAG	
9	824027GT	NUT,TL FLG,1/4-20,G,ZAG	
10	61726GT	PIN,0.75DIA X 5.75LG,CHAMFER.....	4
11	28646GT	ZERK,GREASE,1/8 NPT.....	4
12	61974GT	SPRING,COMP,1" OD,232 LB/IN.....	1
13	25685GT	BEARING,GARLOCK,12FDU12.....	8
14	110789GT	WASHER,SHIM .0151 THK. <i>as-needed</i>	
15	34619GT	BUMPER,RUBBER***.....	2
16	824095GT	SCREW,HHF,3/8-16X3,8,ZAG	
17	61975GT	RETAINER,SPRING,1.21 X .375.....	1
18	824029GT	NUT,TL FLG,3/8-16,G,ZAG	
19	101845GT	ROTATOR MOUNT KIT.....	1
--	61804GT	WELDMENT,ROTATOR SUPPORT	
20	45470GT	CLAMP,0.31,#5 X 1/4,RUB CUSH.....	1
21	826791GT	SCREW,HHC,3/8-16X.875,8,ZAG.....	8
22	826793GT	WASHER,FLAT,3/8,SAE,HRD,ZAG.....	8
23	826792GT	SCREW,HHC,1-8X11,5,ZAG.....	1
24	824116GT	WASHER, FLAT, F436, 1.0, ZAG.....	2
25	1257081GT	NUT,1-8,8,ZAG.....	1

609.1 Cable Track



Item	Part No.	Description	Qty.	Item	Part No.	Description	Qty.
1	88859GT	WELDMENT,CABLE TRACK TUBE***.....1		25	39317GT	STOP PLATFORM ROLLER	
2	81341GT	WEAR PAD,CABLE TRACK PULL TUBE.....1		26	87085GT	RIVET,ALUM,P,.188 X .25	
3	81342GT	WEAR PAD,5.5 X 1.75 X .5.....1		27	1256171GT	SCREW,HHC,1/4-20X3,8,ZAG	
4	826791GT	SCREW,HHC,3/8-16X.875,8,ZAG		28	88858GT	WELDMENT,CABLE TRACK TRAY***.....1	
5	1255758GT	WASHER,FLAT,3/8,USS,ZAG		29	228969GT	CLAMP, OPTIONS, CABLE TRACK.....1 (weld cable option)	
6	824029GT	NUT,TL FLG,3/8-16,G,ZAG		30	824549GT	CLAMP, CABLES.....1	
7	824083GT	SCREW,HHF,1/4-20X2.5,8,ZAG		31	121065GT	FORMING,CLAMP,TOP,CABLE TRACK.....1	
8	824113GT	WASHER,FLAT,USS,1/4,ZAG		32	228967GT	CLAMP, CABLE.....1	
9	824027GT	NUT,TL FLG,1/4-20,G,ZAG		33	824084GT	SCREW,HHF,1/4-20X3,8,ZAG	
10	824547GT	CLAMP, CABLES.....2					
11	227308GT	CLAMP, HOSES.....2					
12	227306GT	CLAMP ASSY,OPTIONS BLOCK W/NUT.....2 (weld cable option)					
13	81347GT	WELDMENT,TRACK PULL TUBE PIVOT.....1					
14	824090GT	SCREW,HHF,3/8-16X1,8,ZAG					
15	13635-10GT	PIN,COTTER,.156 X 1.75.....1					
16	824096GT	SCREW,HHF,3/8-16X3.5,8,ZAG					
17	824548GT	CLAMP, CABLES.....1					
18	226325GT	CLAMP, HOSES.....1					
19	228796GT	CLAMP, OPTIONS, CABLE TRACK.....1 (weld cable option)					
20	228797GT	BAR, CLAMP, CABLE TRACK.....1					
21A	1264258GT	FORMING, TRACK BRACE, LH.....1 <i>outboard bracket; furthest from boom tube (shown)</i>					
21B	1264257GT	FORMING, TRACK BRACE, RH.....1 <i>inboard bracket; closest to boom tube</i>					
22	824078GT	SCREW,HHF,1/4-20X.75,8,ZAG					
23	T114223GT	CABLE TRACK, SX, 49 LINK.....1					
--	121035GT	PIN,1.250 X 9.25, 2 RINGS <i>for T114223</i>					
--	122661GT	REPAIR KIT,4 LINK,W/GUIDE <i>for T114223</i>					
--	122662GT	END BRACKET,MOVING END <i>for T114223</i>					
--	122663GT	END BRACKET,FIXED END <i>for T114223</i>					
--	122668GT	GUIDE FINGER,PLASTIC <i>for T114223</i>					
--	218448GT	FINGER,GUIDE,CABLE TRACK <i>for T114223</i>					
--	229169GT	FLATBAR, CLAMPS, CABLE TRACK <i>for T114223</i>					
24	218448GT	FINGER,GUIDE,CABLE TRACK.....10					
--	58310GT	SCREW,10-24 X.5 TORX PAN HD*** <i>for 218448</i>					

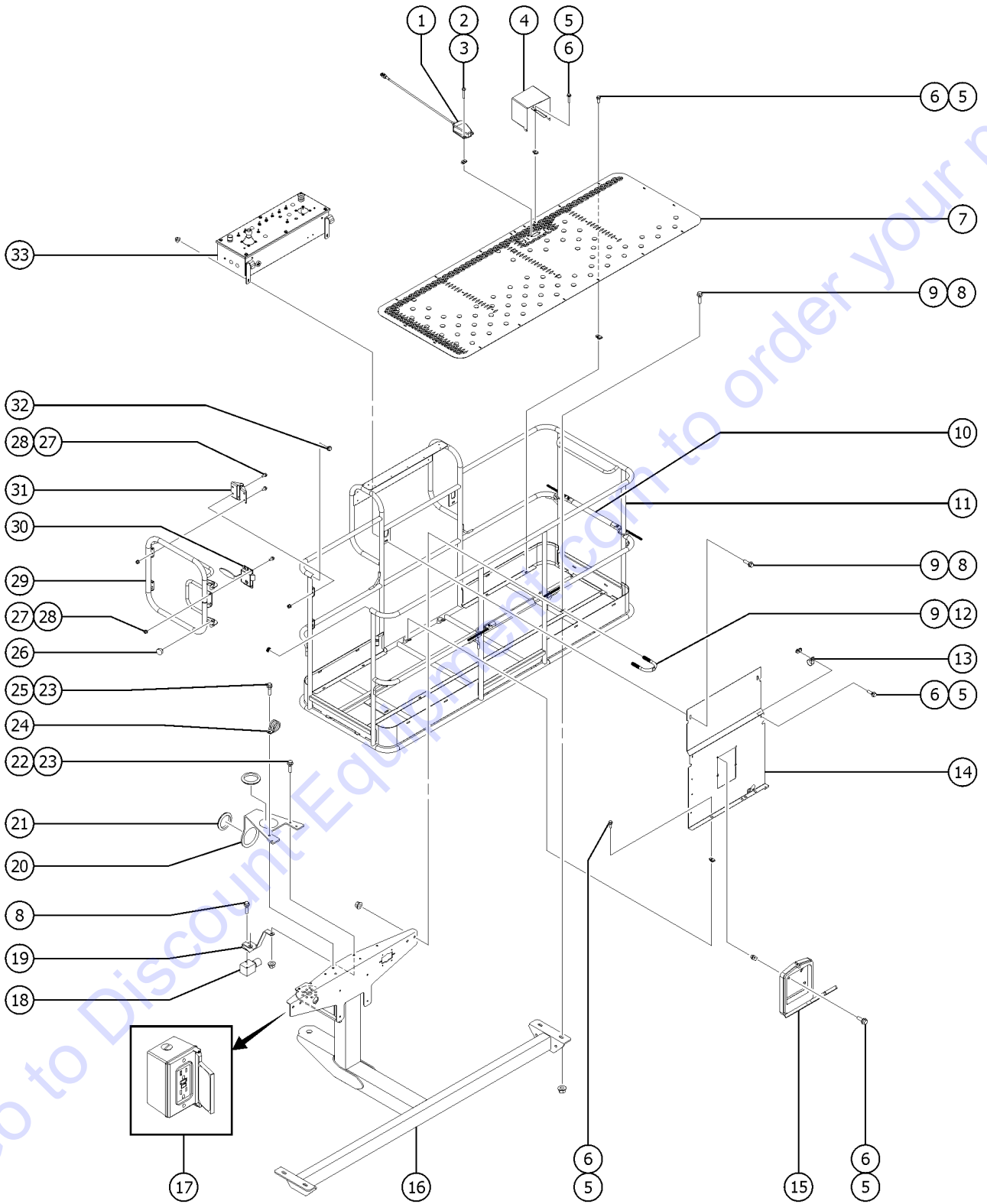
701.1 Platform Installation (to SN 35757)



701.1 Platform Installation (to SN 35757)

Item	Part No.	Description	Qty.	Item	Part No.	Description	Qty.
1	824029GT	NUT,TL FLG,3/8-16,G,ZAG		26	824086GT	SCREW,HHF,5/16-18X1,8,ZAG	
2	824091GT	SCREW,HHF,3/8-16X1.25,8,ZAG		27	824028GT	NUT,TL FLG,5/16-18,G,ZAG	
3	1254874GT	ASSEMBLY,FOOT SWITCH, S60.....1		28	77180GT	CLAMP,1.31,#21 X 3/8,RUB CUSH.....1	
4	1256460GT	SCREW,PHPM,10-24X1,ZAG		29	824087GT	SCREW,HHF,5/16-18X1.25,8,ZAG	
5	73575GT	SPRING CLIP,10-24,.025-.125X.468,ZAG		30		Ref. POWER AND AIR LINE TO PLATFORM <i>refer to 910.1</i>	
6	824079GT	SCREW,HHF,1/4-20X1,8,ZAG					
7	56912GT	SPRING CLIP,1/4-20,.025-.15X.54,ZAG					
7	824027GT	NUT,TL FLG,1/4-20,G,ZAG					
8	147121GT	COVER, FOOT SWITCH, LARGE.....1 <i>decals not included, refer to section 100</i>					
9	824078GT	SCREW,HHF,1/4-20X.75,8,ZAG					
10A	60160PGT	FLOORING,4 FT PLATFORM,PAINTED.....1					
10B	54247-SGT	PLAT. FLOOR, 5FT, PAINTED.....1					
10C	73477PGT	FLOORING, 6'FT PLATFORM.....1					
10D	73478PGT	FLOORING,8 FT PLATFORM**.....1					
11	73610PGT	STEP PLATFORM ENTRY PAINTED***.....1					
12A	161541GT	ASSY,4FT PLATFORM, NO DECALS.....1 <i>decals not included, refer to section 100</i>					
12B	161542GT	ASSY,5FT PLATFORM, NO DECALS.....1 <i>decals not included, refer to section 100</i>					
12C	160809GT	ASSY,6FT PLATFORM,NO DECALS.....1 <i>decals not included, refer to section 100</i>					
12D	160804GT	ASSY,8FT PLATFORM,NO DECALS.....1 <i>decals not included, refer to section 100</i>					
13	1251600GT	U-BOLT, FLATTENED, 1.5 X 3/8 UNC,ZAG					
14A	44743GT	MANUAL BOX W/DECALS***.....1 <i>USA/Canada/Australia</i>					
14B	24514GT	BOX,INSTRUCTION STORAGE <i>Europe/Asia/South America (decal required; refer to Section 100)</i>					
15	73574-SGT	DECAL PLATE ASSEMBLY.....1 <i>decals not included, refer to section 100</i>					
16	56424GT	CLAMP,1.25X.5 RUBBER-CUSHION					
17	94745PGT	TOEBOARD,ENTRY EUROPEAN PNTD**.....1					
18	102992GT	SLIDING MIDRAIL KIT,PTD.....1					
19	1256855GT	SCREW,HHF,1/4-20X.625,8,ZAG					
20	824027GT	NUT,TL FLG,1/4-20,G,ZAG					
21		Ref: Platform Support <i>refer to section 600</i>					
22		Ref: Jib Manifold <i>refer to 404.1</i>					
23	110671GT	PLATE,JIB,ROTATE MANIFOLD.....1					
24	106163GT	FORMING,CABLE GUIDE.....1 <i>order 55067 grommet separately</i>					
25	55067GT	GROMMET,RUBBER 3 X .19 X 3.5.....2					

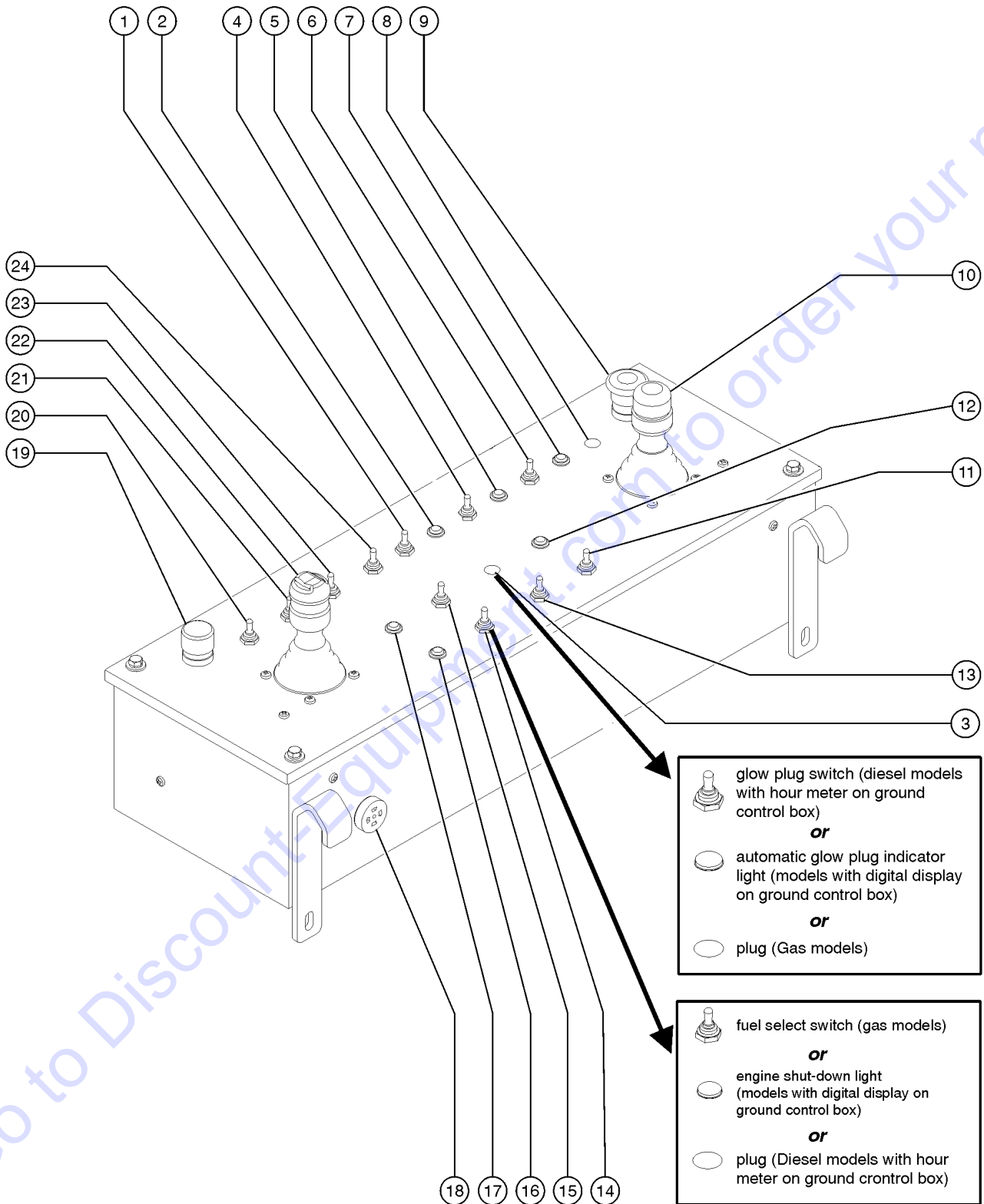
701.2 Platform Installation (from SN 35758)



701.2 Platform Installation (from SN 35758)

Item	Part No.	Description	Qty.	Item	Part No.	Description	Qty.
A	1272304GT	ASSY,8FT PLAT TRI LG,BLANK W/SIDE SWING GATE <i>Complete 8' platform assembly; Order decals separately. refer to Seciton 100.</i>		24	77180GT	CLAMP,1.31,#21 X 3/8,RUB CUSH.....1	1
B	1272303GT	ASSY,6FT PLAT DUAL LG,BLANK W/SIDE SWING GATE <i>Complete 6' platform assembly; Order decals separately. refer to Seciton 100.</i>		25	824087GT	SCREW,HHF,5/16-18X1.25,8,ZAG	
1	1254874GT	ASSEMBLY,FOOT SWITCH, S60.....1	1	26	43392GT	BUMPER,BATTERY BOX & RAILS.....2	2
2	1256460GT	SCREW,PHPM,10-24X1,ZAG.....2	2	27	824027GT	NUT,TL FLG,1/4-20,G,ZAG.....12	12
3	73575GT	SPRING CLIP,10-24,.025-.125X.468,ZAG.....2	2	28	1256855GT	SCREW,HHF,1/4-20X.625,8,ZAG.....12	12
4	147121GT	COVER, FOOT SWITCH, LARGE.....1	1	29	1272307GT	ASSY,SIDE SWING GATE.....1 <i>Complete side swing gate assembly (includes items 26-31)</i>	1
5	824078GT	SCREW,HHF,1/4-20X.75,8,ZAG.....29	29	--	1265397GT	WELDMNT, SWING GATE	
6	56912GT	SPRING CLIP,1/4-20,.025-.15X.54,ZAG.....29	29	30	1267747GT	LATCH, SWING GATE.....1	1
7A	73478GT	FLOORING, 8 FT PLATFORM***.....1 <i>for 8' platform</i>	1	31	104804GT	HINGE, SPRING, LONG LEG.....1	1
7B	1267746GT	FLOORING, 6FT PLAT,SIDE.....1 <i>for 6' platform</i>	1	32	55753GT	BUMPER, PLASTIC, 1.25 O.D.....2	2
8	824091GT	SCREW,HHF,3/8-16X1.25,8,ZAG.....7	7	33		REF. PLATFORM CONTROL BOX ASSEMBLY.....1 <i>refer to 702.1 and 703.1</i>	1
9	824029GT	NUT,TL FLG,3/8-16,G,ZAG.....10	10				
10A	102992GT	SLIDING MIDRAIL KIT,PTD.....2 <i>for 8' platform</i>	2				
10B	102992GT	SLIDING MIDRAIL KIT,PTD.....1 <i>for 6' platform</i>	1				
11A	1274859GT	ASSY,8' PLAT WELDMNT W/SIDE GATE <i>for 8' platform (includes item 10) (order floor separately)</i>					
11B	1274858GT	ASSY,6' PLAT WELDMNT W/SIDE GATE <i>for 6' platform (includes item 10)</i>					
12	1251600GT	U-BOLT, FLATTENED, 1.5 X 3/8 UNC,ZAG.....2	2				
13	56424GT	CLAMP,1.25X.5 RUBBER-CUSHION....3	3				
14	73574-SGT	DECAL PLATE ASSEMBLY.....1	1				
15	24514GT	BOX,INSTRUCTION STORAGE.....1	1				
16		REF: PLATFORM SUPPORT.....1 <i>refer to section 600</i>	1				
17		Ref. POWER AND AIR LINE TO PLATFORM <i>refer to 910.1</i>					
18		REF: JIB MANIFOLD <i>refer to 404.1</i>					
19	110671GT	PLATE,JIB,ROTATE MANIFOLD.....1	1				
20	106163GT	FORMING,CABLE GUIDE.....1 <i>order 55067 grommet separately</i>	1				
21	55067GT	GROMMET,RUBBER 3 X .19 X 3.5.....2	2				
22	824086GT	SCREW,HHF,5/16-18X1,8,ZAG					
23	824028GT	NUT,TL FLG,5/16-18,G,ZAG					

702.1 Platform Control Box - View 1, External



702.1 Platform Control Box - View 1, External

Item	Part No.	Description	Qty.	Item	Part No.	Description	Qty.
A	825441GT	PBOX ASSY,PERKINS T4,SGL CAP <i>(models with Perkins 404F-22, single capacity) decals not included refer to section 100</i>		--	56848GT	WASHER,LOCK,IND,LAMP RETAINER	
B	825442GT	PBOX ASSY,PERKINS T4,DUAL CAP <i>(models with Perkins 404F-22, dual capacity) decals not included refer to section 100</i>		5B	229567GT	PLUG,SANTOPRENE .5 BLACK DOME <i>(S-60, S-65)</i>	
C	825443GT	PBOX ASSY,DEUTZ T4,SGL CAP <i>(models with Deutz D2.9L4, single capacity) decals not included refer to section 100</i>		6A	128200GT	SWITCH TOGGLE ASSY SPDT 3P MOM.....1 <i>(Capacity range select) (S-60X, S-60XC, S-60TX, S-65TX, S-60HC)</i>	
D	825444GT	PBOX ASSY,DEUTZ T4,DUAL CAP <i>(models with Deutz D2.9L4, dual capacity) decals not included refer to section 100</i>		--	128580GT	SWITCH TOGGLE SPDT 3P MOM SHDR	
E	228311GT	S60 PBOX ASSY, COMMON		6B	229567GT	PLUG,SANTOPRENE .5 BLACK DOME.....1 <i>(S-60, S-65)</i>	
F	128578GT	SCREW T-SWITCH PH/PH 6-32X1/4 <i>(included in each toggle switch assembly)</i>		7A	824880GT	LIGHT,LED IND. AMBER 12V NH.....1 <i>(lower capacity range) (S-60X, S-60XC, S-60TX, S-65TX, S-60HC)</i>	
G	27246GT	BOOT,TOGGLE SWITCH,SHORT* <i>(included in each toggle switch assembly)</i>		--	56848GT	WASHER,LOCK,IND,LAMP RETAINER	
1	128201GT	SWITCH TOGGLE ASSY DPDT 2P MOM.....1 <i>(Auxiliary Power; includes boot and hardware)</i>		7B	229567GT	PLUG,SANTOPRENE .5 BLACK DOME.....1 <i>(S-60, S-65)</i>	
--	128581-SGT	SWITCH TOGGLE DPDT 2P MOM SHDR		8	229567GT	PLUG,SANTOPRENE .5 BLACK DOME.....1 <i>(used for optional equipment)</i>	
2A	824879GT	LIGHT,LED IND. RED 12V NH.....1 <i>(Machine not level indicator) (option)</i>		9	66812GT	BUTTON,PUSH,RED MUSHROOM HEAD.....1	
--	56848GT	WASHER,LOCK,IND,LAMP RETAINER		--	146478GT	BOOT(BELLOWS),E-STOP,BLACK	
2B	229567GT	PLUG,SANTOPRENE .5 BLACK DOME.....1 <i>(without option)</i>		--	66818GT	CONTACT, N.C.	
3A	229567GT	PLUG,SANTOPRENE .5 BLACK DOME.....1 <i>(Gas/LPG models)</i>		--	94506GT	BASE,W/3 NC CONTACTS	
3B	128200GT	SWITCH TOGGLE ASSY SPDT 3P MOM <i>(Diesel models with an hour meter in the ground control box)</i>		10		Ref. Joystick.....1 <i>refer to 704.1</i>	
--	128580GT	SWITCH TOGGLE SPDT 3P MOM SHDR <i>(Diesel models with an hour meter in the ground control box)</i>		10	139338GT	SCREW PH M5-0.8X20 DIN 7500CE....4	
3C	1254804GT	LT.LAMP IND.AMBER 12V NH <i>(models with digital display in the ground control box)</i>		11	128200GT	SWITCH TOGGLE ASSY SPDT 3P MOM.....1 <i>(Drive enable; includes boot and hardware)</i>	
4A	128204GT	SWITCH TOGGLE ASSY SPDT 2P MNT.....1 <i>(Generator) (option)</i>		--	128580GT	SWITCH TOGGLE SPDT 3P MOM SHDR	
--	128584-SGT	SWITCH TOGGLE SPDT 2P MNT SHDR		12	824879GT	LIGHT,LED IND. RED 12V NH.....1 <i>(Drive enable indicator light)</i>	
4B	229567GT	PLUG,SANTOPRENE .5 BLACK DOME.....1 <i>(without option)</i>		13	128204GT	SWITCH TOGGLE ASSY SPDT 2P MNT.....1 <i>(Engine idle select; includes boot and hardware)</i>	
5A	824880GT	LIGHT,LED IND. AMBER 12V NH.....1 <i>(upper capacity range) (S-60X, S-60XC, S-60TX, S-65TX, S-60HC)</i>		--	128584-SGT	SWITCH TOGGLE SPDT 2P MNT SHDR	
				14A	128204GT	SWITCH TOGGLE ASSY SPDT 2P MNT.....1 <i>(Gas/LPG models)(Fuel select; includes boot and hardware)</i>	
				--	128584-SGT	SWITCH TOGGLE SPDT 2P MNT SHDR	
				14B	824879GT	LIGHT,LED IND. RED 12V NH <i>(models with digital display on the ground control box)</i>	
				14C	229567GT	PLUG,SANTOPRENE .5 BLACK DOME <i>(diesel models with hour meter in ground control box)</i>	

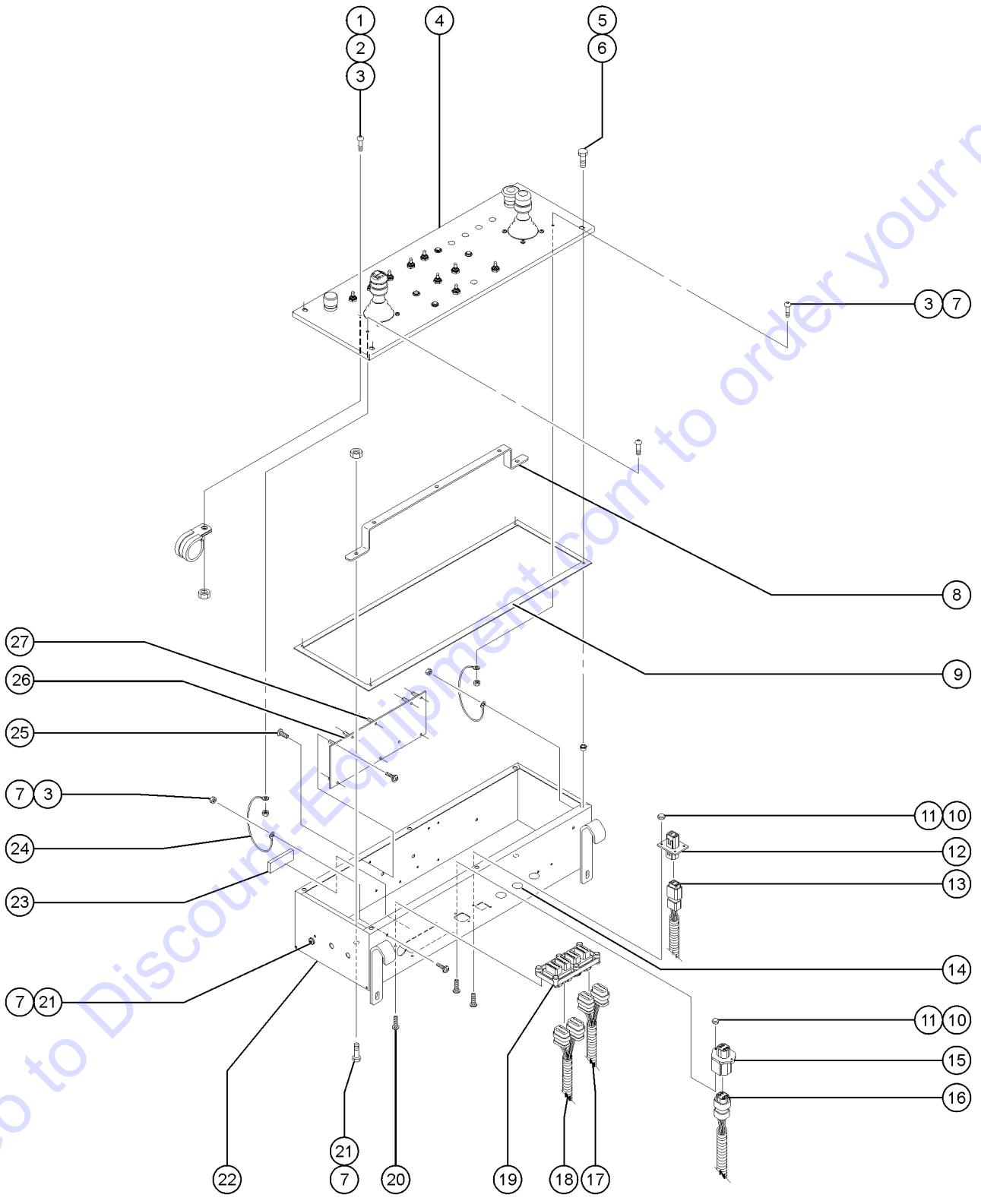
702.1 Platform Control Box - View 1, External
(continued)

Item	Part No.	Description	Qty.
15	128200GT	SWITCH TOGGLE ASSY SPDT 3P MOM.....1 <i>(Engine start; includes boot and hardware)</i>	1
--	128580GT	SWITCH TOGGLE SPDT 3P MOM SHDR	
16	824879GT	LIGHT,LED IND. RED 12V NH.....1 <i>(CE models, platform overload indicator)</i>	1
--	56848GT	WASHER,LOCK,IND,LAMP RETAINER	
17	824879GT	LIGHT,LED IND. RED 12V NH.....1 <i>(Machine malfunction indicator)</i>	1
--	56848GT	WASHER,LOCK,IND,LAMP RETAINER	
18	45383GT	ALARM,WARBLE TONE 5-30 VDC***.....1 <i>(retaining nut 72326 sold separately)</i>	1
--	72326GT	NUT - PLASTIC,RING FOR ALARMS	
19	66813GT	BUTTON,PUSH,BLACK W/SEAL***.....1	1
--	66815GT	BASE, W/1 N.O. CONTACTS***	
--	66816GT	CONTACT,N.O.***	
20	128200GT	SWITCH TOGGLE ASSY SPDT 3P MOM.....1 <i>(Platform level; includes boot and hardware)</i>	1
--	128580GT	SWITCH TOGGLE SPDT 3P MOM SHDR	
21	128202GT	SWITCH TOGGLE ASSY DPDT 3P MOM.....1 <i>(Platform rotate; includes boot and hardware)</i>	1
--	128582-SGT	SWITCH TOGGLE DPDT 3P MOM SHDR	
22		Ref. Joystick.....1 <i>refer to 704.1</i>	1
22	139338GT	SCREW PH M5-0.8X20 DIN 7500CE.....4	4
23A	128200GT	SWITCH TOGGLE ASSY SPDT 3P MOM.....1 <i>(Jib boom up/down; includes boot and hardware)</i>	1
--	128580GT	SWITCH TOGGLE SPDT 3P MOM SHDR	
23B	824880GT	LIGHT,LED IND. AMBER 12V NH.....1	1
--	56848GT	WASHER,LOCK,IND,LAMP RETAINER	
24	128204GT	SWITCH TOGGLE ASSY SPDT 2P MNT.....1 <i>(Drive speed; includes boot and hardware)</i>	1
--	128584-SGT	SWITCH TOGGLE SPDT 2P MNT SHDR	

This Page Intentionally Left Blank

Go to Discount-Equipment.com to order your parts

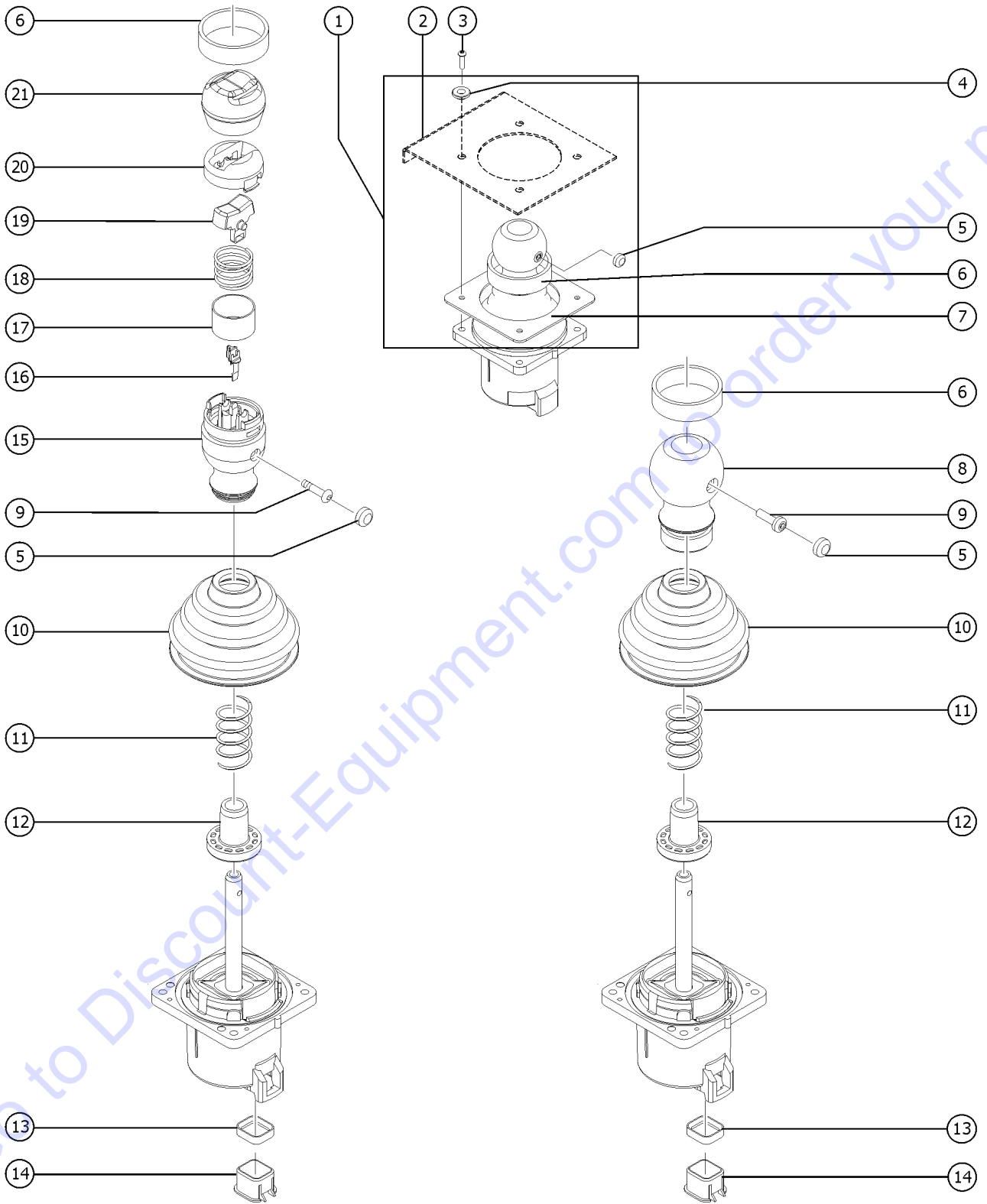
703.1 Platform Control Box - View 2, Internal



703.1 Platform Control Box - View 2, Internal

Item	Part No.	Description	Qty.
--		Ref. PLATFORM BOX HARNESS <i>refer to 311.1</i>	
--	111413GT	JOYSTICK CONNECTOR ASSEM,DEUT	
--	111420GT	OPTION,ROCKER STEER	
--	121847GT	RELAY,TIME DELAY,2 SEC,30A	
1	1257404GT	SCREW,PHPM-ST,M5-0.8X20,DIN750...8	
2	18666GT	CLAMP,1.00,#16 X 1/4,RUB CUSH.....1	
3	826214GT	NUT,TL,M5-0.8,DIN980,10,ZAB	
4	147387GT	FORMING, PLAT. BOX LID.....1	
5	1256855GT	SCREW,HHF,1/4-20X.625,8,ZAG	
6	T107520GT	NUTSERT,LP KNURLED,1/4-20X.165....4	
7	1251757GT	SCREW,PHPM,10-32X.50,ZAG	
8	119644GT	BRACKET,PBOX WIRE SUPPORT.....1	
9	81488GT	GASKET,PLATFORM CONTROL BOX....1	
10	824214GT	SCREW,PHPM,6-32X.5,ZAG	
11	824019GT	NUT,TL,6-32,A,ZAG	
12	73723GT	CONN RECEP,FLANGED.....1	
13		Ref. FOOT SWITCH WIRE HARNESS ASSEMBLY <i>refer to 311.1</i>	
14	15243GT	PLUG,NYLON .875 BLACK DOMED.....3	
15	73717GT	CONN,RECEP 4 WAY,12-14GA FL***1	
16		Ref. HARNESS,12V TO PLAT <i>refer to 311.1</i>	
17		Ref. HARNESS,18/22 BOOM 2 <i>refer to 311.1</i>	
18		Ref. HARNESS BOOM CABLE 1 <i>refer to 311.1</i>	
19	73736GT	CONN,RECEP 48 WAY,4 X 12.....1	
20	824226GT	SCREW,PHPSH,#12-11X.75,ZAG	
21	824032GT	NUT,TL FLG,10-32,F,ZAG	
22	T109350GT	PLATFORM CONTROL BOX W/DECAL	
--	81487PGT	PLATFORM CONTROL BOX,PAINTED.....1	
23	30997GT	CORROSION INHIBITOR,FOAM.....1	
24	77351GT	LANYARD,PLATFORM CONTROL BOX.....2	
25	81551GT	SCREW,PHIL,PHM,6-32 X 1/4 SS	
26	1257417GT	ASSY,PCB,ALC500 S60 S0849300.....1	
27	81550GT	STANDOFF,6-32 X 3/8L X 1/4 HEX.....10	

704.1 Joysticks (to SN 37446)

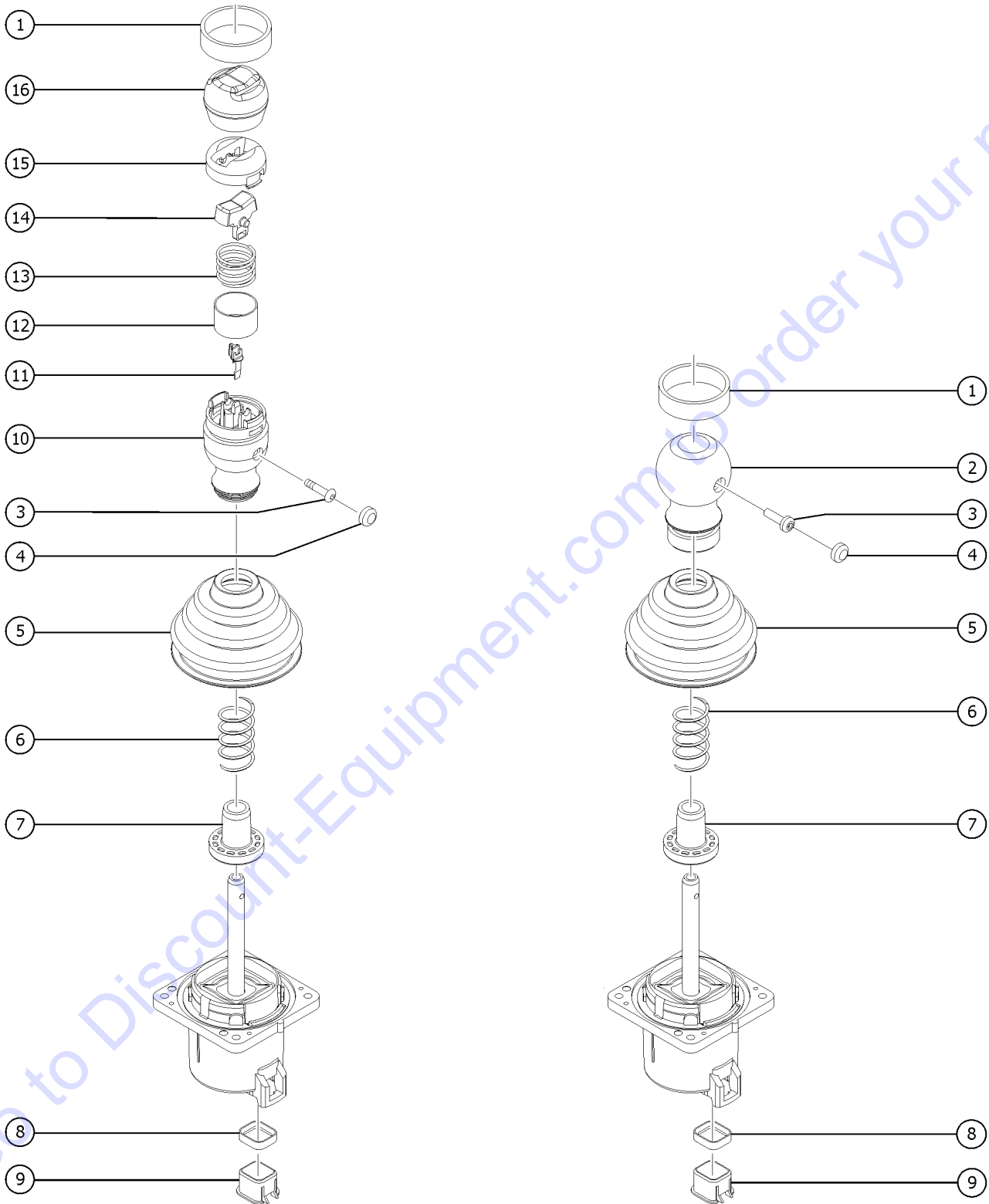


A TEREX BRAND

704.1 Joysticks (to SN 37446)

Item	Part No.	Description	Qty.	Item	Part No.	Description	Qty.
--		<i>If joystick handle is marked with blue band it is "isolated" and must be replaced with isolated joystick (refer to 705.1)</i>		19	75445GT	ROCKER ASSY.,MAGNETIC 75565.....1	1
--	101173GT	JOYSTICK,2 AXIS,ROCKER,DEUTSCH <i>(calibration required after replacement), OEM joystick</i>		20	75444GT	ROCKER,RETAINER, 75565.....1	1
--	101173HGT	JOYSTICK,DUAL AXIS W/STEER <i>(calibration required after replacement), aftermarket joystick</i>		21	75443GT	BOOT, ROCKER JOYSTICK 75565.....1	1
--	101174GT	JOYSTICK,2 AXIS,DEUTSCH <i>(calibration required after replacement), OEM joystick</i>					
--	101174HGT	JOYSTICK,DUAL AXIS W/KNOB <i>(calibration required after replacement), OEM joystick</i>					
--	101005GT	JOYSTICK,1 AXIS ROCKER,DEUTSCH <i>(calibration required after replacement), aftermarket joystick</i>					
--	101005HGT	JOYSTICK,SINGLE AXIS W/STEER <i>aftermarket joystick (calibration required after replacement)</i>					
--	119613GT	HARN JOYSTICK ADAPTOR JS100 <i>6-pin to 7-pin adapter (for 101174, 101175, 101005)</i>					
1	1269500GT	KIT, ISOLATION, 2 JOYSTICK.....1 <i>(Includes items 4 - 7)</i>	1				
2		Ref. (EXISTING PLATFORM LID)					
3		Ref. (EXISTING SCREW PH M5-0.8X20)					
4	1269498GT	SHOULDER WASHER, NYLON.....8 <i>(Included in kit 1269500GT)</i>	8				
5	1269499GT	PLUG, JOYSTICK HANDLE.....2 <i>(Included in kit 1269500GT)</i>	2				
6	1271713GT	SHRINK TUBE,BLU,3:1,40MM.....2 <i>(Included in kit 1269500GT)</i>	2				
7	1269497GT	GASKET, ISOLATION, JOYSTICK.....2 <i>(Included in kit 1269500GT)</i>	2				
8	62392GT	KNOB,JOYSTICK, 62390/62391.....1	1				
9	T112626GT	SCREW, PHM, #6-32 X .625 ZINC.....1	1				
10	139598GT	BOOT,JOYSTICK.....1	1				
11		SPRING,JOYSTK CENTR,62390/91 <i>no longer available from supplier</i>					
12	119915GT	COLLAR,JOYSTICK,CENTER.....1	1				
13	128000GT	SEAL, CONNECTOR (DT JOYSTICKS).....1	1				
14	128001GT	SLEEVE,CONNECTOR,DT JOYSTICKS.....1	1				
15	75449GT	KNOB,ROCKER JOYSTICK 75565.....1	1				
16	75448GT	SUPPORT,SENSOR,JOYSTICK.....1	1				
17	75447GT	SWITCH SHIELD,ROCK JOYSTK75565.....1	1				
18	75446GT	SPRING,SWITCH CENTERING,75565...1	1				

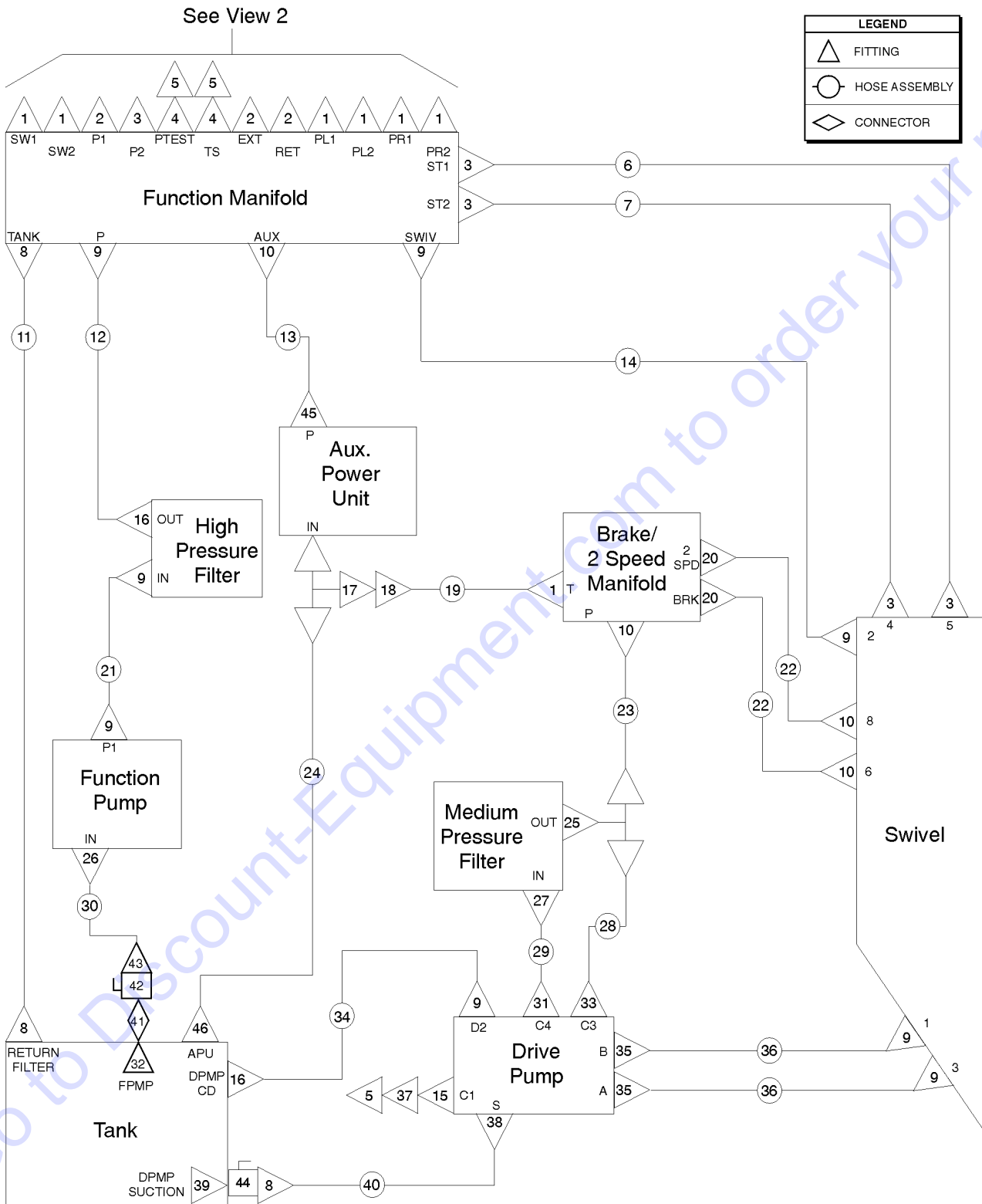
705.1 Joysticks (from SN 37447)



705.1 Joysticks (from SN 37447)

Item	Part No.	Description	Qty.
--		<i>If joystick handle is marked with blue band it is "isolated" and must be replaced with isolated joystick</i>	
--	1275259GT	JOYSTICK, ISOLATED, 2 AXIS ROCKER.....1 <i>OEM joystick (calibration required after replacement); includes Gasket part 1269497 and Shoulder Washer part 1269498 (refer to 704.1)</i>	1
--	1275248GT	JOYSTICK, ISOLATED, 2 AXIS.....1 <i>OEM joystick (calibration required after replacement); includes Gasket part 1269497 and Shoulder Washer part 1269498 (refer to 704.1)</i>	1
--	1275258GT	JOYSTICK, ISOLATED, 1 AXIS ROCKER.....1 <i>OEM joystick (calibration required after replacement); includes Gasket part 1269497 and Shoulder Washer part 1269498 (refer to 704.1)</i>	1
--	83098GT	TERM,AMP MTE,SOC,22-26 GA BULK	
1	1271713GT	SHRINK TUBE,BLU,3:1,40MM.....2	2
2	62392GT	KNOB,JOYSTICK, 62390/62391.....1	1
3	T112626GT	SCREW, PHM, #6-32 X .625 ZINC.....1	1
4	1269499GT	PLUG, JOYSTICK HANDLE.....2	2
5	139598GT	BOOT,JOYSTICK.....1	1
6		SPRING,JOYSTK CENTR,62390/91 <i>no longer available from supplier</i>	
7	119915GT	COLLAR,JOYSTICK,CENTER.....1	1
8	128000GT	SEAL, CONNECTOR (DT JOYSTICKS).....1	1
9	128001GT	SLEEVE,CONNECTOR,DT JOYSTICKS.....1	1
10	75449GT	KNOB,ROCKER JOYSTICK 75565.....1	1
11	75448GT	SUPPORT,SENSOR,JOYSTICK.....1	1
12	75447GT	SWITCH SHIELD,ROCK JOYSTK75565.....1	1
13	75446GT	SPRING,SWITCH CENTERING,75565...1	1
14	75445GT	ROCKER ASSY.,MAGNETIC 75565.....1	1
15	75444GT	ROCKER,RETAINER, 75565.....1	1
16	75443GT	BOOT, ROCKER JOYSTICK 75565.....1	1

801.1 Function Manifold, View 1

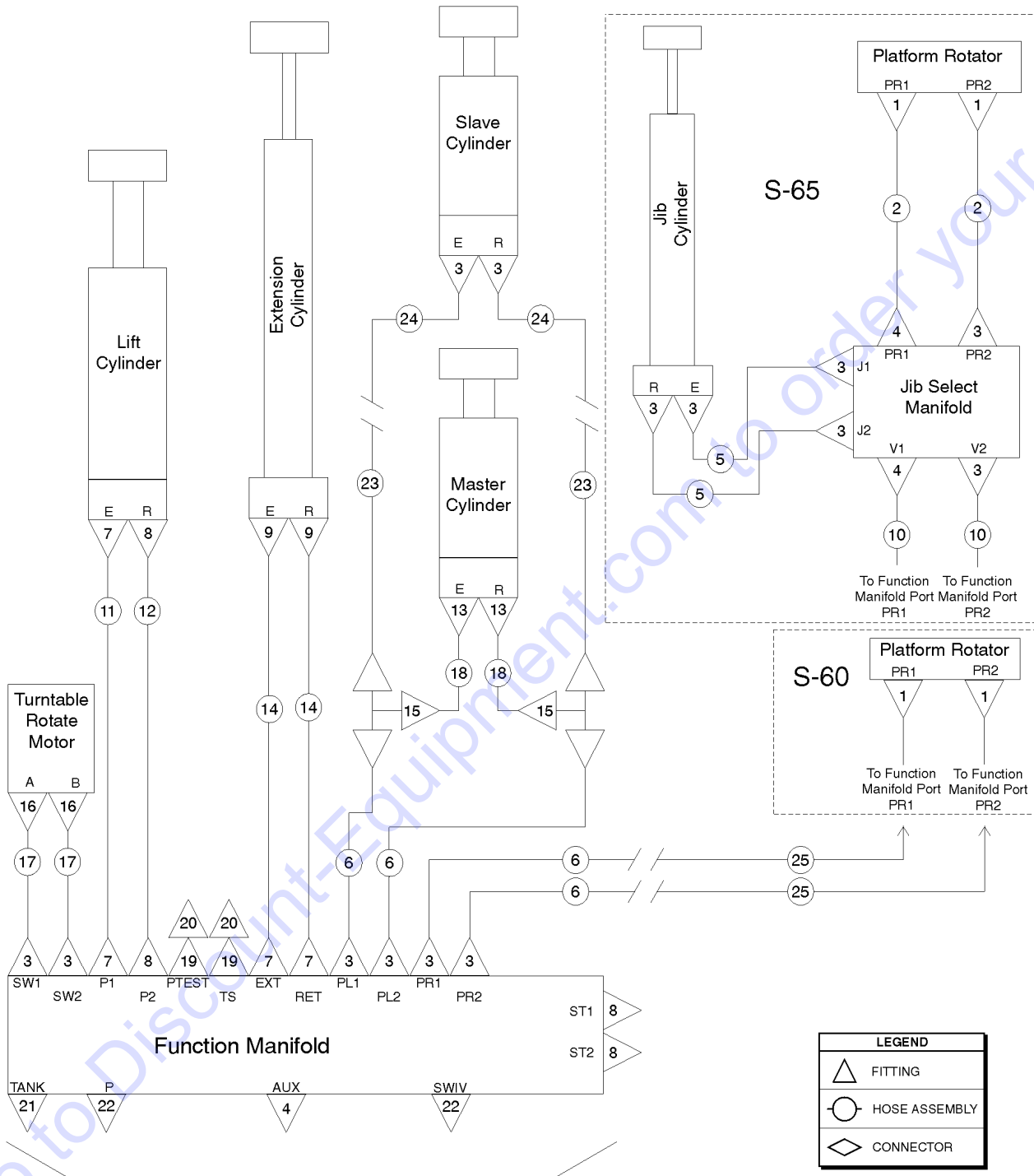


801.1 Function Manifold, View 1

Item	Part No.	Description	Qty.	Item	Part No.	Description	Qty.
--		<i>The hose lengths below reflect the length of the hose only. Refer to the 'Fittings Cross Reference' to match Genie part numbers to Parker part numbers.</i>		26	88936GT	CONN,520120-20-16.....	1
1	48905GT	CONN,520120-4***.....	7	27	48932GT	FITTING,ELBOW,90D,520220-8***.....	1
2	48933GT	CONN,520120-8***.....	3	28	49143-3429GT	HOSE ASSY,1/2,90 FEM,STR FEM..... <i>Components: Genie part numbers 48822, 48827 and 48756 @ 32 inches</i>	1
3	48916GT	CONN, 520120-6.....	5	29	49143-3629GT	HOSE ASSY,1/2,90 FEM,STR FEM..... <i>Components: Genie part numbers 48822, 48827 and 48756 @ 34 inches</i>	1
4	48998GT	NIPPLE,DIAGNOSTIC,#6 PORT***.....	2	30	1259903GT	HOSE ASSY, 1-1/4", 76.75"..... <i>Components: Genie part numbers 88474, 88477, 88944 and 88478 @ 73 inches</i>	1
5	48880GT	CAP,DIAGNOSTIC NIPPLE.....	2	31	48949GT	CONN,520120-8-16.....	1
6	49130-5782GT	HOSE ASSY 3/8, STR FEM,STR FEM.... <i>Components: Genie part numbers 48812, 48812 and 48753 @ 56 inches</i>	1	32	101491GT	STRAINER,20 SAE F/24 SAE M***	
7	49130-5582GT	HOSE ASSY 3/8, STR FEM,STR FEM.... <i>Components: Genie part numbers 48812, 48812 and 48753 @ 54 inches</i>	1	33	48946GT	CONN,520120-8-10.....	1
8	48984GT	CONN,520120-16.....	2	34	49150-9130GT	HOSE ASSY,3/4,90 FEM,STR FEM..... <i>Components: Genie part numbers 48841, 48846 and 48761 @ 88 inches</i>	1
9	48960GT	FITTING,CONN,520120-12***.....	6	35	48977GT	CONN,520120-12-16.....	2
10	48904GT	ELBOW,90D,520220-4-4.....	4	36	94374-6030GT	HOSE ASSY,3/4,90 FEM,STR FEM..... <i>Components: Genie part numbers 48841, 48846 and 84358 @ 57 inches</i>	2
11	88949-3828GT	HOSE ASSY 1",STR FEM,STR FEM.... <i>Components: Genie part numbers 88938, 88941 and 88940 @ 36 inches</i>	1	37	49207GT	NIPPLE,DIAGNOSTIC,ORFS,FM,SWIV..	1
12	1259904GT	HOSE ASSY, 3/4", 72.54" <i>Components: Genie part numbers 48841, 48841 and 48762 @ 69 inches</i>		38	48985GT	ELBOW,45D,520320-16.....	1
13	49117-2491GT	HOSE ASSY,1/4,90 FEM,STR FEM..... <i>Components: Genie part numbers 48802, 48800 and 48751 @ 23 inches</i>	1	39	147419GT	KIT,STRAINER REPLACEMENT.....	1
14	49151-6248GT	HOSE ASSY,3/4,STR FEM,STR FEM.... <i>Components: Genie part numbers 48841, 48841 and 48761 @ 60 inches</i>	1	40	88942-8354GT	HOSE ASSY,1",90 FEM,STR FEM..... <i>Components: Genie part numbers 88938, 88941, 88939 and 88940 @ 80 inches</i>	1
15	48914GT	CONN,520120-4-8.....	1	41	61263GT	UNION,STR.THREAD 20.....	1
16	48963GT	FITTING,ELBOW,45D,520320-12***.....	1	42	101494GT	VALVE,BALL,FSAE-20,FSAE-20.....	1
17	48936GT	TEE,BRANCH,520429-8.....	1	43	75654GT	CONN,520120-20.....	1
18	48941GT	REDUCER,520123-8-4.....	2	44	48996GT	VALVE,BALL,16 MSAE-16 FSAE***.....	1
19	49117-4691GT	HOSE ASSY,1/4,90 FEM,STR FEM..... <i>Components: Genie part numbers 48800, 48802 and 48751 @ 45 inches</i>	1	45	48912GT	CONN,520120-4-6***.....	1
20	48907GT	ELBOW,45D,520320-4.....	2	46	48943GT	CONN, 520120-8-6.....	1
21	61073-3930GT	HOSE ASSY.,3/4",90,FEM,STR FEM.... <i>Components: Genie part numbers 48846, 48841 and 48762 @ 36 inches</i>	1				
22	49119-2878GT	HOSE ASSY,1/4,STR FEM,STR FEM*.... <i>Components: Genie part numbers 48800, 48800 and 48751 @ 27 inches</i>	2				
23	49117-3391GT	HOSE ASSY,1/4,90 FEM,STR FEM..... <i>Components: Genie part numbers 48800, 48802 and 48751 @ 32 inches</i>	1				
24	94465-3650GT	HOSE ASSY,1/2"..... <i>Components: Genie part numbers 48808, 48808 and 39888 @ 35 inches</i>	1				
25	48936GT	TEE,BRANCH,520429-8.....	1				



802.1 Function Manifold, View 2

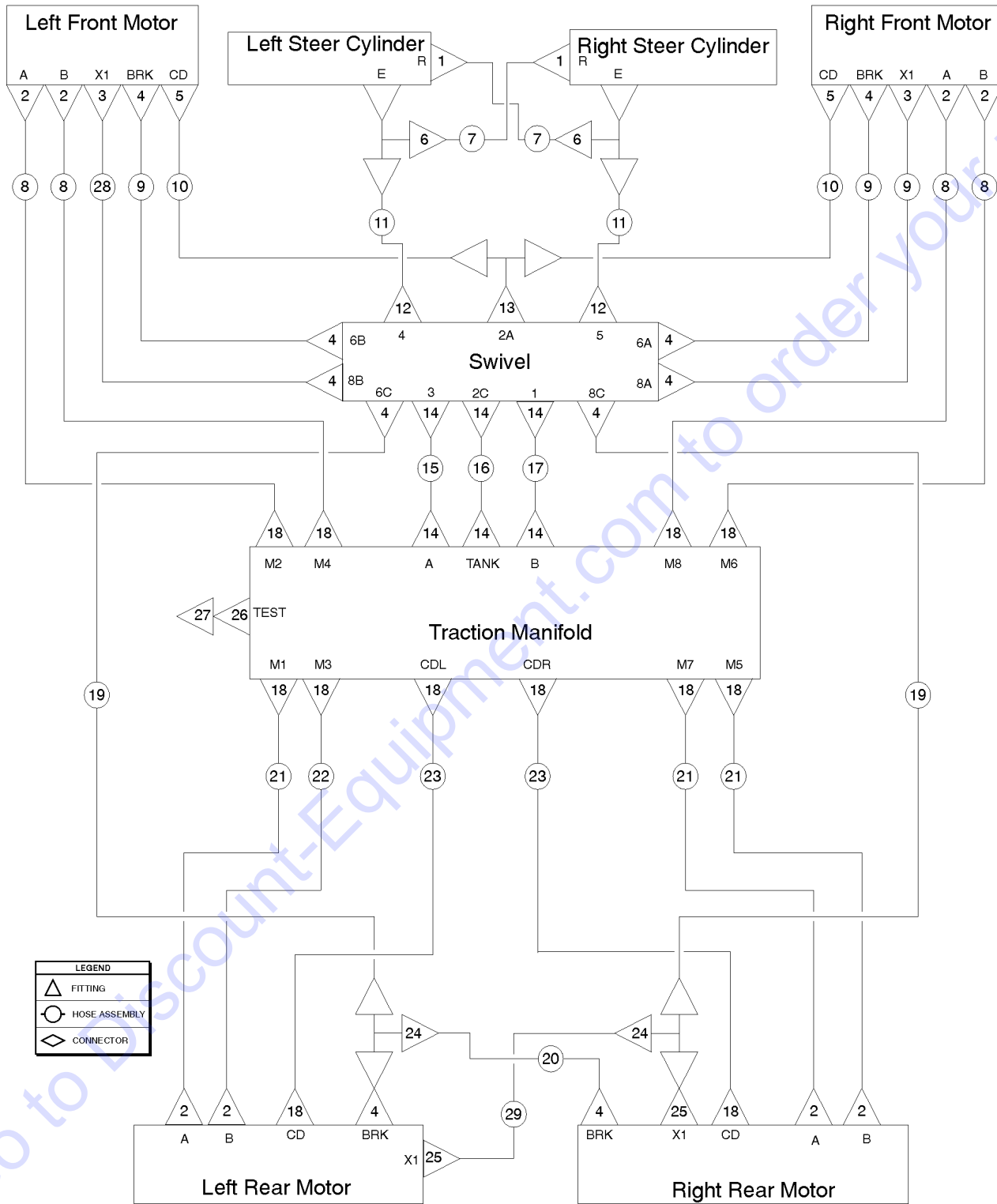


See View 1

Item	Part No.	Description	Qty.	Item	Part No.	Description	Qty.
--		<i>The hose lengths below reflect the length of the hose only. Refer to the 'Fittings Cross Reference' to match Genie part numbers to Parker part numbers.</i>		23	161523GT	HOSE ASSY,1/4,693" <i>Components: Genie part numbers 48800, 48800 and 48751 @ 691 inches;</i>	
--	48767GT	SLEEVE,NYLON,1.42 ID.....23-inches protective hose sleeve, 1.42" diameter (near platform rotator)		24	88636-2573GT	HOSE ASSY 1/4,STR FEM,STR BULK...2 <i>Components: Genie part numbers 48800, 75628 and 48751 @ 23 inches</i>	
--	49219GT	SLEEVE,NYLON,2.19 ID,BULK.....46-inches protective hose sleeve, 2.19" diameter (near platform rotator)		--	75574GT	NUT,BULKHEAD,520118-4 (item sold seperately)	
1	48907GT	ELBOW,45D,520320-4.....	2	25	1253798GT	HOSE ASSY, 1/4", 713" <i>Genie part numbers 48800, 48800 and 48751 @ 711 inches</i>	
2	49119-2878GT	HOSE ASSY,1/4,STR FEM,STR FEM*....2 (S-65) <i>Components: Genie part numbers 48800, 48800 and 48751 @ 27 inches</i>					
3	48905GT	CONN,520120-4***.....	11				
4	48904GT	ELBOW,90D,520220-4-4.....	2				
5	49119-4278GT	HOSE ASSY,1/4,STR FEM,STR FEM*....2 (S-65) <i>Components: Genie part numbers 48800, 48800 and 48751 @ 41 inches</i>					
6	88636-11973GT	HOSE ASSY 1/4,STR FEM,STR BULK...4 <i>Components: Genie part numbers 48800, 75628 and 48751 @ 117 inches</i>					
7	48933GT	CONN,520120-8***.....	4				
8	48916GT	CONN, 520120-6.....	3				
9	48937GT	ELBOW,45D,520320-8.....	2				
10	49119-79678GT	HOSE ASSY,1/4,STR FEM,STR FEM (S-65) <i>Components: Genie part numbers 48800, 48800 and 48751 @ 795 inches</i>					
11	49143-12329GT	HOSE ASSY,1/2,90 FEM,STR FEM.....1 <i>Components: Genie part numbers 48822, 48827, and 48756 @ 121 inches;</i>					
12	49128-12309GT	HOSE ASSY,3/8,STR FEM,STR,90D....1 <i>Components: Genie part numbers 48812, 48816, and 48753 @ 121 inches;</i>					
13	48911GT	ELBOW,90D,520220-4-6***.....	2				
14	49183-13492GT	HOSE ASSY,1/2,STR FEM,STR FEM....2 <i>Components: Genie part numbers 48822, 48822 and 48756 @ 133 inches</i>					
15	48908GT	FITTING,TEE,RUN,SWIVEL520432-4.....	2				
16	49418GT	FITTING,ELBOW,45D,520320-4-6**.....	2				
17	49119-7478GT	HOSE ASSY,1/4,STR FEM,STR FEM....2 <i>Components: Genie part numbers 48800, 48800 and 48751 @ 73 inches</i>					
18	227347GT	HOSE ASSY,1/4", 38.00.....2 <i>Components: Genie part numbers 48800, 48802 and 48751 @ 38 inches;</i>					
19	48998GT	NIPPLE,DIAGNOSTIC,#6 PORT***.....	2				
20	48880GT	CAP,DIAGNOSTIC NIPPLE.....	2				
21	48984GT	CONN,520120-16.....	1				
22	48960GT	FITTING,CONN,520120-12***.....	1				



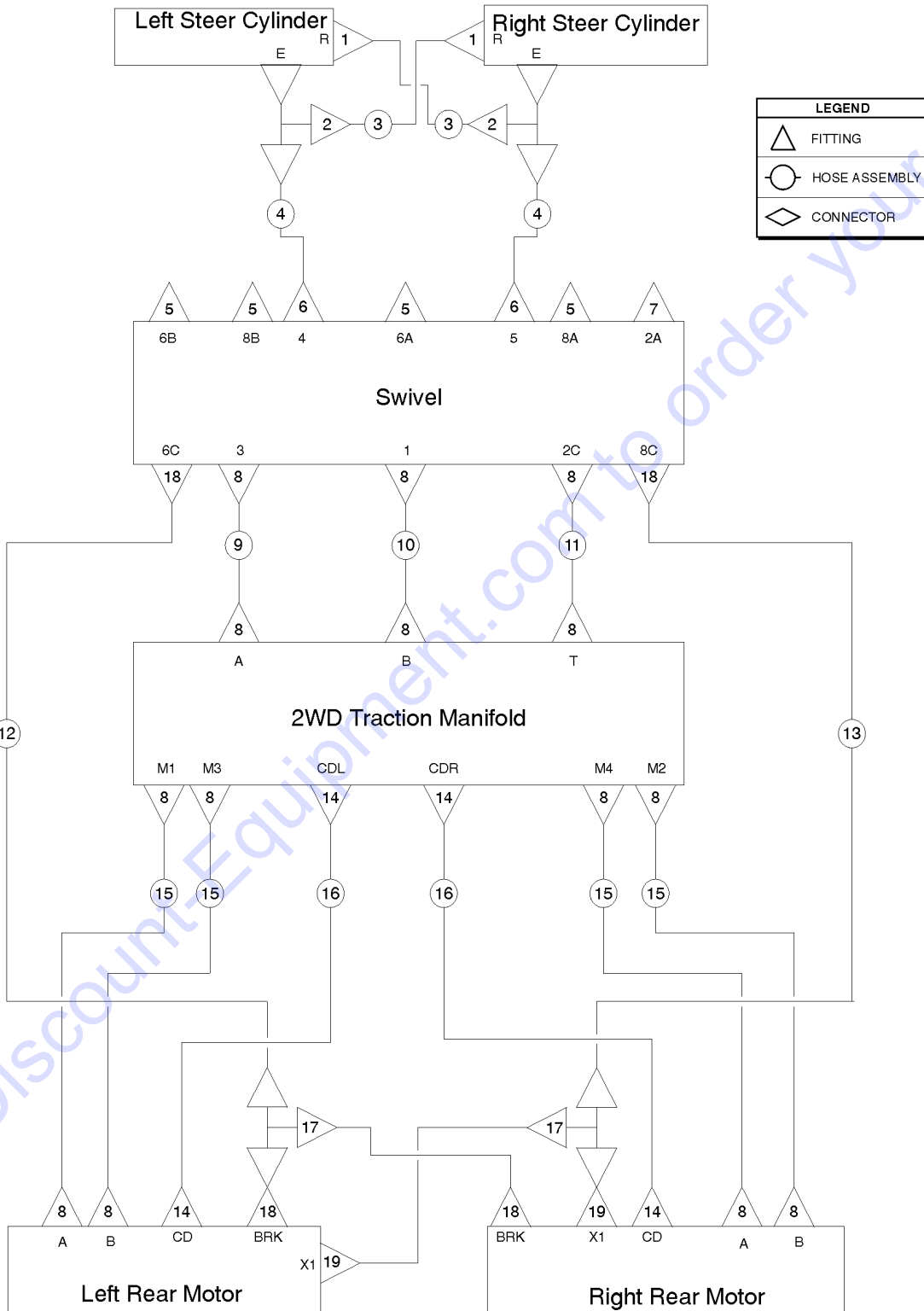
803.1 4WD Traction Manifold



803.1 4WD Traction Manifold

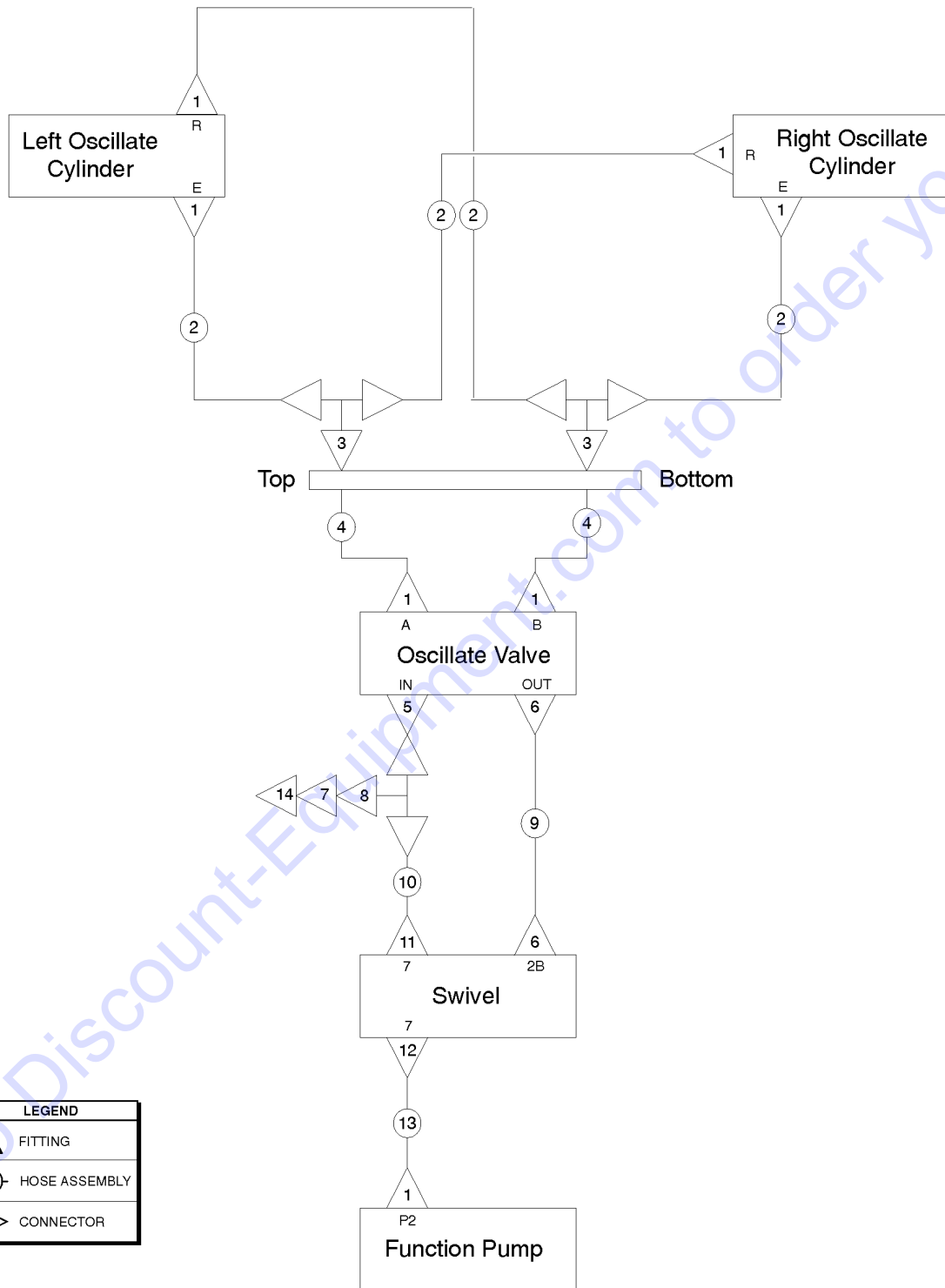
Item	Part No.	Description	Qty.	Item	Part No.	Description	Qty.
--		<i>The hose lengths below reflect the length of the hose only. Refer to the 'Fittings Cross Reference' to match Genie part numbers to Parker part numbers.</i>		20	49117-6291GT	HOSE ASSY,1/4,90 FEM,STR FEM.....1 <i>Components: Genie part numbers 48800, 48802 and 48751 @ 61 inches</i>	1
1	48915GT	ELBOW,90D,520220-6.....2	2	21	75278-5029GT	HOSE ASSY,1/2,90 FEM,STR FEM.....3 <i>Components: Genie part numbers 48822, 48827 and 56777 @ 48 inches</i>	3
2	48948GT	CONN,520120-8-12.....8	8	22	75278-5129GT	HOSE ASSY,1/2,90 FEM,STR FEM**.....1 <i>Components: Genie part numbers 48822, 48827 and 56777 @ 49 inches</i>	1
3	48912GT	CONN,520120-4-6***.....2	2	23	94464-4986GT	HOSE ASSY,1/2"****.....2 <i>Components: Genie part numbers 48808, 77703 and 39888 @ 48 inches</i>	2
4	48905GT	CONN,520120-4***.....10	10	24	48908GT	FITTING,TEE,RUN,SWIVEL520432-4.....2	2
5	48930GT	CONN,520120-6-8.....2	2	25	48911GT	ELBOW,90D,520220-4-6***.....2	2
6	48918GT	TEE,RUN,520428-6.....2	2	26	48998GT	NIPPLE,DIAGNOSTIC,#6 PORT***.....1	1
7A	49130-2482GT	HOSE ASSY 3/8, STR FEM,STR FEM.....2 <i>Components: Genie part numbers 48812, 48812 and 48753 @ 23 inches</i>	2	27	48880GT	CAP,DIAGNOSTIC NIPPLE.....1	1
7B	101795-2482GT	HOSE ASSY,3/8,STR FEM,STR FEM <i>Components: Genie part numbers 48812, 48812 and 101697 @ 23 inches (arctic option)</i>		28A	49117-10691GT	HOSE ASSY 1/4,90 FEM STR FEM.....1 <i>Components: Genie part numbers 48800, 48802 and 48751 @ 105 inches</i>	1
8	81812-13292GT	HOSE ASSY,1/2".....4 <i>Components: Genie part numbers 48822, 48822 and 56777 @ 131 inches</i>	4	28B	101790-10691GT	HOSE ASSY,1/4,90 FEM,STR FEM <i>Components: Genie part numbers 48800, 48802 and 48751 @ 105 inches (arctic option)</i>	
9A	49117-10091GT	HOSE ASSY 1/4.90 FEM STR FEM.....3 <i>Components: Genie part numbers 48800, 48802 and 48751 @ 99 inches</i>	3	29	49117-6091GT	HOSE ASSY,1/4,90 FEM,STR FEM**.....1 <i>Components: Genie part numbers 48800, 48802 and 48751 @ 59 inches</i>	1
9B	101790-10091GT	HOSE ASSY,1/4,90 FEM,STR FEM <i>Components: Genie part numbers 48800, 48802 and 101697 @ 99 inches (arctic option)</i>					
10A	49131-9603GT	HOSE ASSEMBLY 3/8".....2 <i>Components: Genie part numbers 48812, 48819 and 48753 @ 94 inches</i>	2				
10B	102230-9589GT	HOSE ASSY,3/8,STR FEM,STR FEM <i>Components: Genie part numbers 48812, 48819 and 101698 @ 94 inches (arctic option)</i>					
11	49130-4782GT	HOSE ASSY,3/8,STR FEM,STR FEM.....2 <i>Components: Genie part numbers 48812, 48812 and 48753 @ 46 inches</i>	2				
12	48916GT	CONN, 520120-6.....2	2				
13	48936GT	TEE,BRANCH,520429-8.....1	1				
14	48960GT	FITTING,CONN,520120-12***.....6	6				
15	94374-2430GT	HOSE ASSY,3/4,90 FEM,STR FEM.....1 <i>Components: Genie part numbers 48841, 48846 and 94358 @ 21 inches</i>	1				
16	94466-2336GT	HOSE ASSY,3/4".....1 <i>Components: Genie part numbers 48809, 48809 and 39889 @ 21 inches</i>	1				
17	94374-2630GT	HOSE ASSY,3/4,90 FEM,STR FEM**.....1 <i>Components: Genie part numbers 48841, 48846 and 94358 @ 23 inches</i>	1				
18	48933GT	CONN,520120-8***.....12	12				
19	49119-7578GT	HOSE ASSY,1/4 STR FEM,STR FEM.....2 <i>Components: Genie part numbers 48800, 48800 and 48751 @ 74 inches</i>	2				

804.1 2WD Traction Manifold



Item	Part No.	Description	Qty.
--		<i>The hose lengths below reflect the length of the hose only. Refer to the 'Fittings Cross Reference' to match Genie part numbers to Parker part numbers.</i>	
1	48915GT	ELBOW,90D,520220-6.....	2
2	48918GT	TEE,RUN,520428-6.....	2
3	49130-2482GT	HOSE ASSY 3/8, STR FEM,STR FEM.... <i>Components: Genie part numbers 48812, 48812 and 48753 @ 23 inches</i>	2
4A	49130-4782GT	HOSE ASSY,3/8,STR FEM,STR FEM.... <i>Components: Genie part numbers 48812, 48812 and 48753 @ 46 inches</i>	2
4B	101795-4782GT	HOSE ASSY,3/8,STR FEM,STR FEM <i>Components: Genie part numbers 48812, 48812 and 101698 @ 46 inches (arctic option)</i>	
5	49859GT	PLUG,HEX,090109A-4.....	4
6	48916GT	CONN, 520120-6.....	2
7	48883GT	PLUG,HEX,090109A-8***.....	1
8	48960GT	FITTING,CONN,520120-12***.....	14
9	94374-2330GT	HOSE ASSY,3/4,90 FEM,STR FEM..... <i>Components: Genie part numbers 48841, 48846 and 94358 @ 20 inches</i>	1
10	94374-2530GT	HOSE ASSY,3/4,90 FEM,STR FEM..... <i>Components: Genie part numbers 48841, 48846 and 94358 @ 22 inches</i>	1
11	94466-2336GT	HOSE ASSY,3/4".....	1
12	49119-7578GT	HOSE ASSY,1/4 STR FEM,STR FEM..... <i>Components: Genie part numbers 48800, 48800 and 48751 @ 74 inches</i>	1
13	49119-7578GT	HOSE ASSY,1/4 STR FEM,STR FEM..... <i>Components: Genie part numbers 48800, 48800 and 48751 @ 74 inches</i>	1
14	48933GT	CONN,520120-8***.....	4
15	94374-4730GT	HOSE ASSY,3/4,90 FEM,STR FEM..... <i>Components: Genie part numbers 48841, 48846 and 94358 @ 44 inches</i>	4
16	94464-4986GT	HOSE ASSY,1/2****..... <i>Components: Genie part numbers 48808, 77703 and 39888 @ 48 inches</i>	4
17	48908GT	FITTING,TEE,RUN,SWIVEL520432-4.....	2
18	48905GT	CONN,520120-4***.....	2
19	48911GT	ELBOW,90D,520220-4-6***.....	1

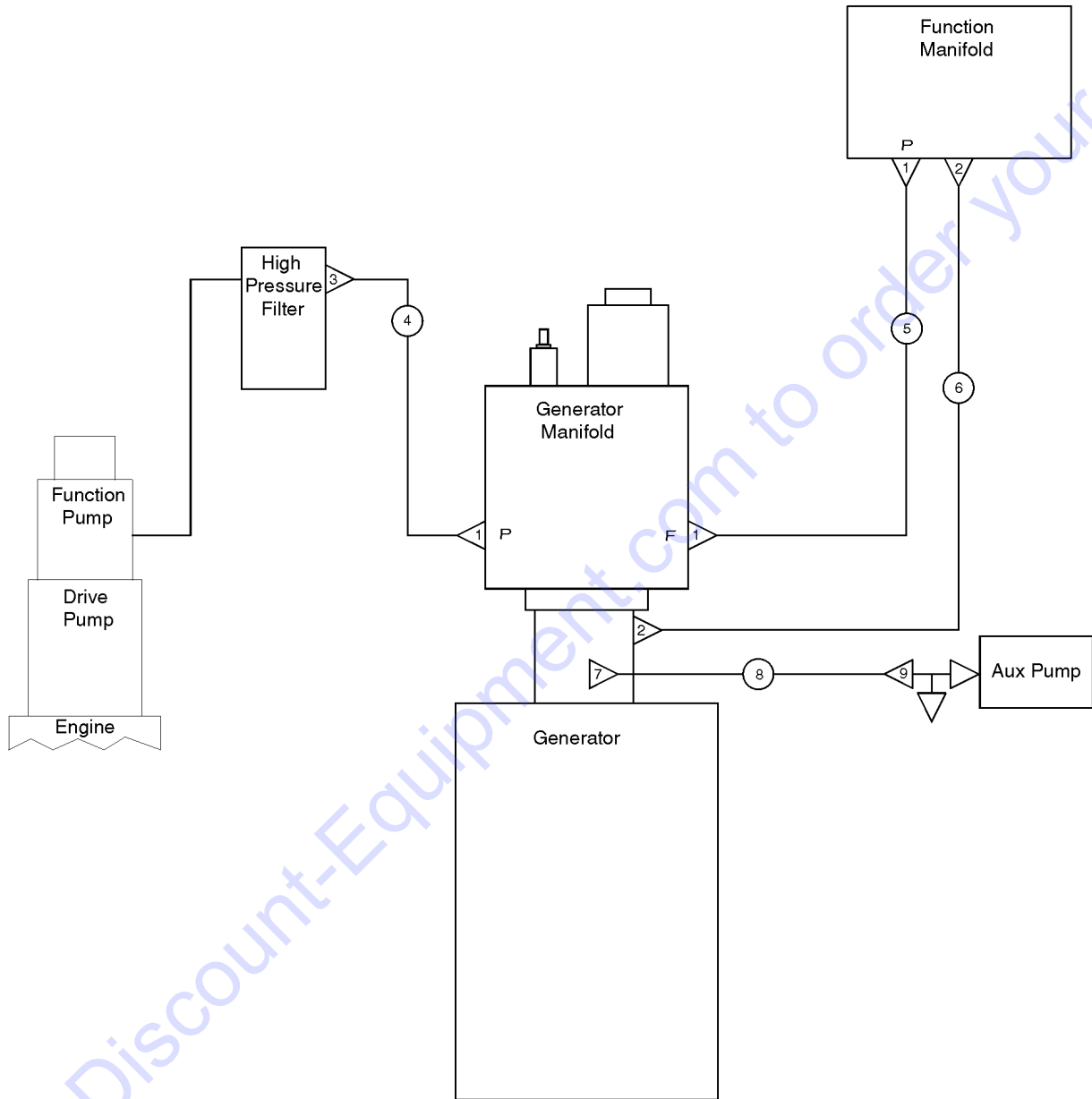
805.1 Oscillate Option



LEGEND	
	FITTING
	HOSE ASSEMBLY
	CONNECTOR

Item	Part No.	Description	Qty.
--		<i>The hose lengths below reflect the length of the hose only. Refer to the 'Fittings Cross Reference' to match Genie part numbers to Parker part numbers.</i>	
1	48912GT	CONN,520120-4-6***.....	7
2	49117-3291GT	HOSE ASSY,1/4,90 FEM,STR FEM**..... <i>Components: Genie part numbers 48800, 48802 and 48751 @ 31 inches</i>	4
3	48891GT	FITTING,TEE,BRANCH,520433-4.....	2
4	88636-8573GT	HOSE ASSY 1/4,STR FEM,STR BULK... <i>Components: Genie part numbers 48800, 75628 and 48751 @ 83 inches</i>	2
5	48914GT	CONN,520120-4-8.....	1
6	48933GT	CONN,520120-8***.....	2
7	49207GT	NIPPLE,DIAGNOSTIC,ORFS,FM,SWIV..	1
8	48908GT	FITTING,TEE,RUN,SWIVEL520432-4.....	1
9	94464-4186GT	HOSE ASSY,1/2"..... <i>Components: Genie part numbers 48808, 77703 and 39888 @ 40 inches</i>	1
10	49117-4691GT	HOSE ASSY,1/4,90 FEM,STR FEM..... <i>Components: Genie part numbers 48800, 48802 and 48751 @ 45 inches</i>	1
11A	48905GT	CONN,520120-4***.....	1
11B	49859GT	PLUG,HEX,090109A-4..... <i>models without oscillate</i>	1
12	48904GT	ELBOW,90D,520220-4-4.....	1
13	49117-5191GT	HOSE ASSY,1/4,90 FEM,STR FEM**..... <i>Components: Genie part numbers 48800, 48802 and 48751 @ 50 inches</i>	1
14	48880GT	CAP,DIAGNOSTIC NIPPLE.....	1



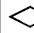
806.1 Hydraulic Generator Option

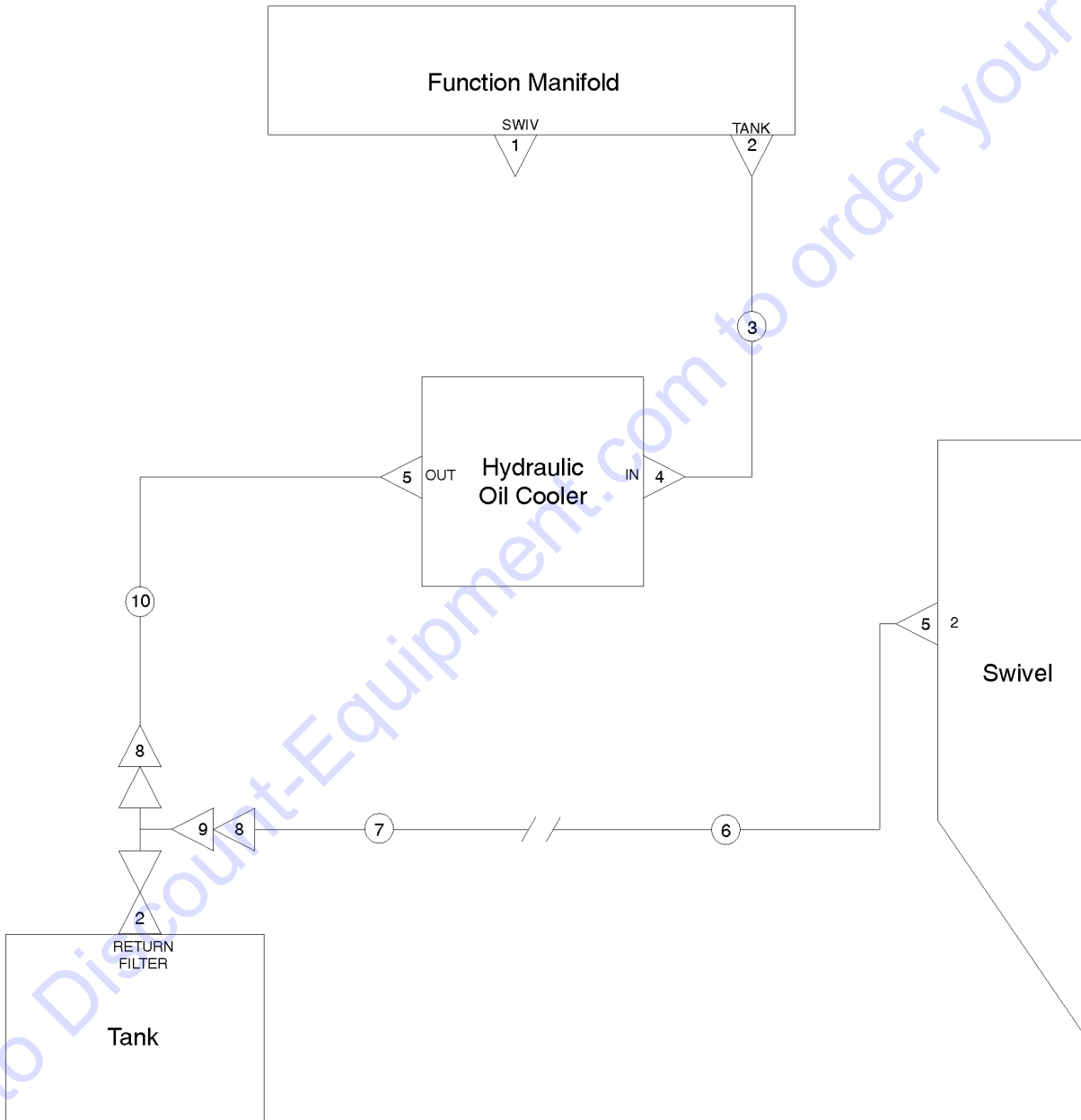


LEGEND	
	ADAPTER
	HOSE ASSEMBLY
	UNION

Item	Part No.	Description	Qty.
1	48960GT	FITTING,CONN,520120-12*** <i>(includes 45° and reducer)</i>	3
2	48933GT	CONN,520120-8***	2
3	48963GT	FITTING,ELBOW,45D,520320-12***	1
4	1259906GT	HOSE ASSY, 3/4", 34.05" <i>(components: 48841, 48846, and 48762 @ 30 inches)</i>	1
5	61073-7330GT	HOSE ASSY,3/4,90 FEM,STR FEM <i>(components: 48841, 48846, and 48762 @ 70 inches)</i>	1
6	49183-7592GT	HOSE ASSEMBLY,1/2,STR FEM <i>(components: 48822, 48822, and 48756 @ 74 inches)</i>	1
7	49861GT	CONN,LONG,520122-4	1
8	49117-6119GT	HOSE ASSY,1/4,90 FEM,STR FEM** <i>(components: 48800, 48802, and 48751 @ 60 inches)</i>	1
9	48908GT	FITTING,TEE,RUN,SWIVEL520432-4	1

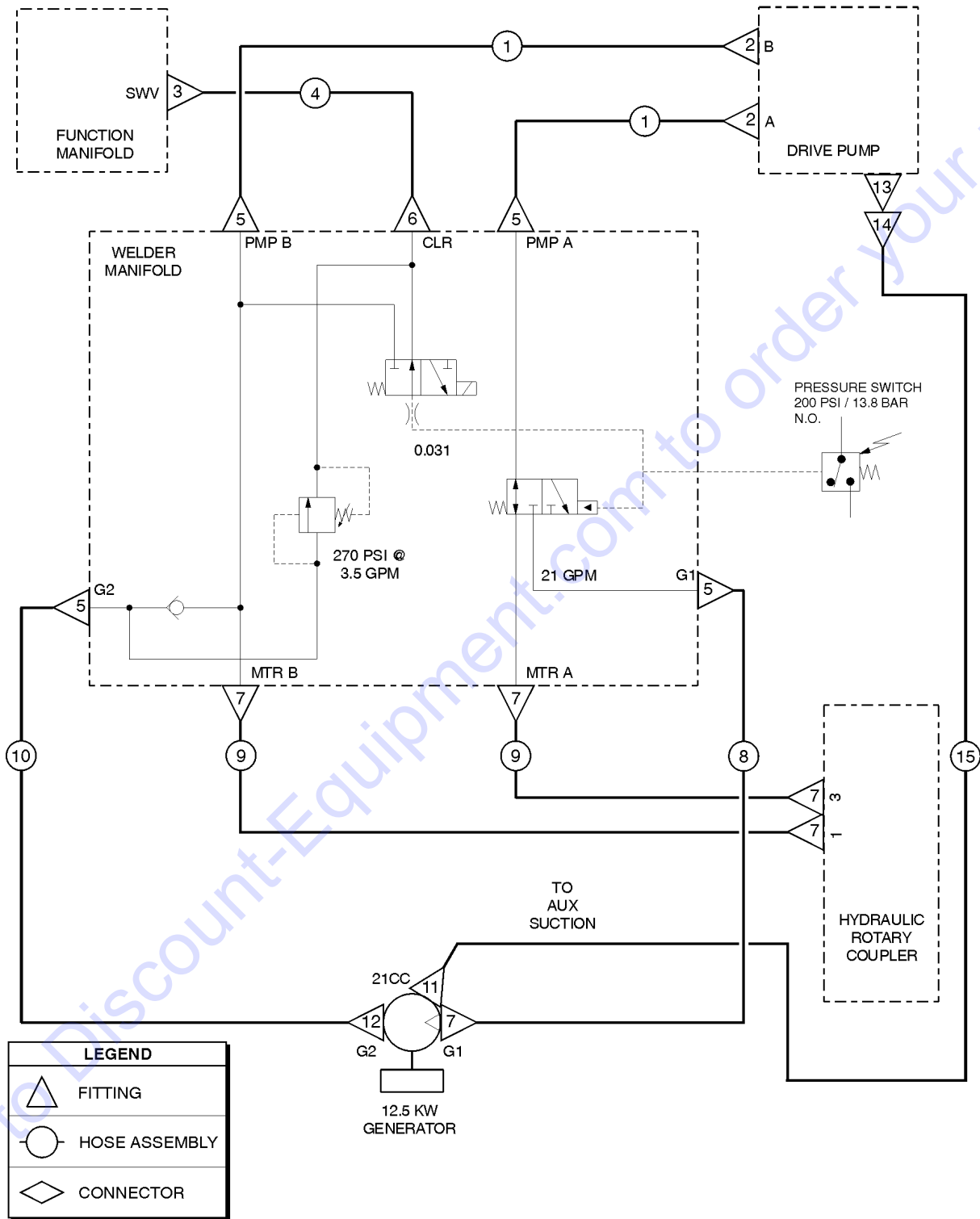
807.1 Hydraulic Oil Cooler Option

LEGEND	
	FITTING
	HOSE ASSEMBLY
	CONNECTOR



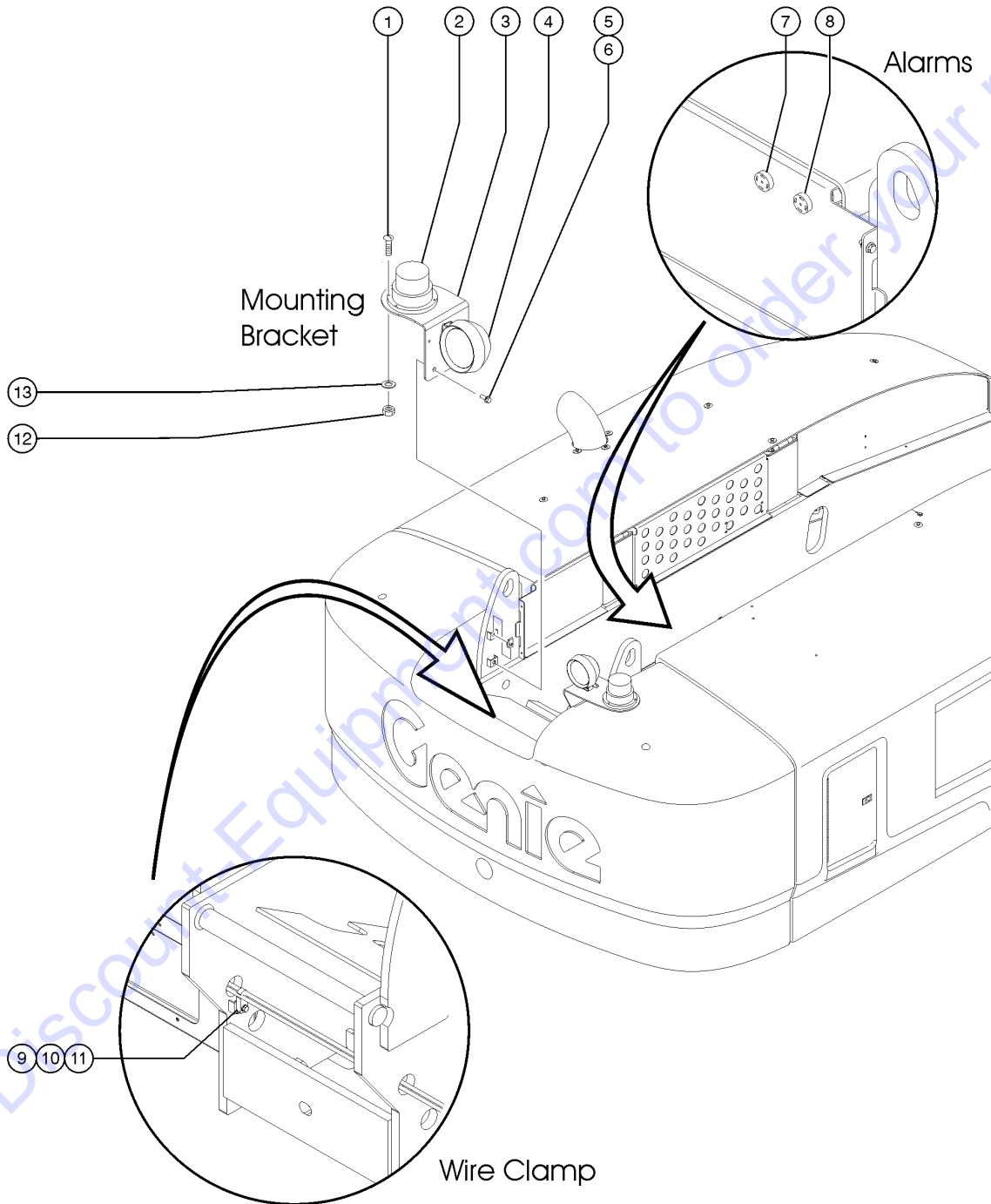
Item	Part No.	Description	Qty.
1	87172GT	PLUG,HEX SOCKET,090109B-12.....1	1
2	48984GT	CONN,520120-16.....2	2
3	88949-3828GT	HOSE ASSY 1",STR FEM,STR FEM.....1 (components: 88941, 88938, 88938, and 88940 @ 36 inches)	1
4	48878GT	ELBOW,90D,520220-16-12.....1	1
5	48960GT	FITTING,CONN,520120-12***.....2	2
6	49151-6248GT	HOSE ASSY,3/4,STR FEM,STR FEM.....1 (components: 48841, 48841, and 48761 @ 60 inches)	1
7	94205-3164GT	HOSE ASSY,3/4,45 FEM,STR MALE.....1 (components: 48842, 48845, and 48761 @ 28 inches)	1
8	101293GT	REDUCER,520123-16-12.....2	2
9	42787GT	TEE,RUN,SWIVEL,520432-16.....1	1
10	1259905GT	HOSE ASSY, 3/4", 28.55".....1 (components: 48841, 48846, and 48761 @ 24 inches)	1

808.1 Welder Option



Item	Part No.	Description	Qty.
1	162164GT	HOSE ASSY,3/4,STR FEM,STR FEM.....2 (components: 48841, 48841, and 94358 @ 38 inches)	
2	48978GT	ELBOW,45D,520320-12-16.....1	
3	48948GT	CONN,520120-8-12.....1	
4	1251842GT	HOSE ASSY,1/2,STR FEM,STR FEM.....1 (components: 48822, 48822, and 48756 @ 83 inches)	
5	48963GT	FITTING,ELBOW,45D,520320-12***.....4	
6	48933GT	CONN,520120-8***.....1	
7	48960GT	FITTING,CONN,520120-12***.....5	
8	162162GT	HOSE ASSY,3/4,45 FEM,STR FEM.....1 (components: 48841, 48845, and 48762 @ 21 inches)	
9	94374-6030GT	HOSE ASSY,3/4,90 FEM,STR FEM.....2 (components: 48841, 48846, and 94358 @ 57 inches)	
10	162163GT	HOSE ASSY,3/4,45 FEM,STR FEM.....1 (components: 48841, 48845, and 48762 @ 22 inches)	
11	48932GT	FITTING,ELBOW,90D,520220-8***.....1	
12	61610GT	CONN,LONG,520122-12***.....1	
13	67371GT	TEE,BRANCH,520433-12.....1	
14	51580GT	FITTING,REDUCER,520123-12-8***.....1	
15	218751GT	HOSE ASSY,1/2,90 FEM,STR FEM.....1 (components: 48822, 48827, and 48756 @ 60 inches)	

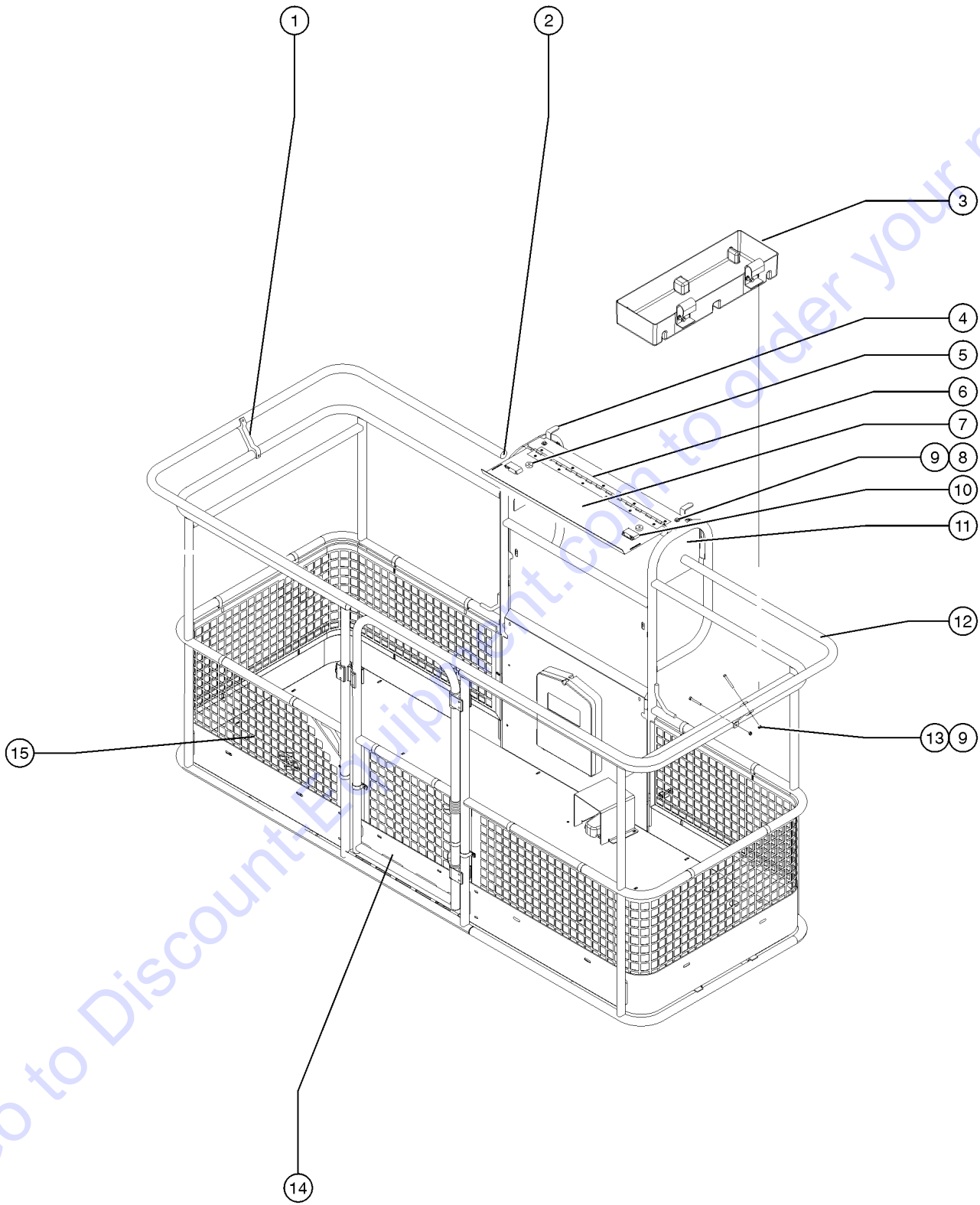
901.1 Drive Lights, Alarm and Beacon Packages



901.1 Drive Lights, Alarm and Beacon Packages

Item	Part No.	Description	Qty.
--	T109268GT	ACC, BEACON, TRVL ALARM,SERV	
1	6147GT	SCREW,RHM,10-32 X 1	
2	56704GT	STROBE,FIREBOLT,12-80VDC,AMB**...2 <i>Replaced 20189</i>	
--	122019GT	FLASHTUBE,U SHAPED,360DEG,BULB	
--	128005GT	HARNESS,BEACON OPTION	
--	226393GT	FLASHTUBE,STRAIGHT,360DEG,BULB	
--	72282GT	LENS,AMBER,STROBE,FIREBOLT	
3A	1253796GT	FORMING,LIGHT/BEACON BRKT,RH....1	
3B	1253795GT	FORMING,LIGHT/BEACON BRKT,LH....1	
4	107857GT	LIGHT, 12 VOLT.....2 <i>to SN S6016H-35957</i>	
--	823520GT	ASSY, DRIVE LIGHT, 12V LED <i>from SN S6016H-35958</i>	
5	121066GT	SCREW,HHC,FLG,3/8-16 X 1 GR8	
6	29868GT	SPRING CLIP,3/8-16,.05-.20X.73,ZAG....4	
7		REF: Descent Alarm <i>(refer to 301.1)</i>	
8	18963GT	ALARM,INTERMITTENT TONE 6-30V*...1 <i>Does not include 72326 nut</i>	
--	72326GT	NUT - PLASTIC,RING FOR ALARMS.....1	
9	822692GT	CLAMP, WIRE, 16/2.....2 <i>(one of 2 shown)</i>	
10	6175GT	SCREW,HHC,3/8-16 X 1	
11	6021GT	WASHER,LOCK,.375	
12	6178GT	NUT,NYLOCK,10-32	
13	6146GT	WASHER,FLAT,MS,#10,Y	

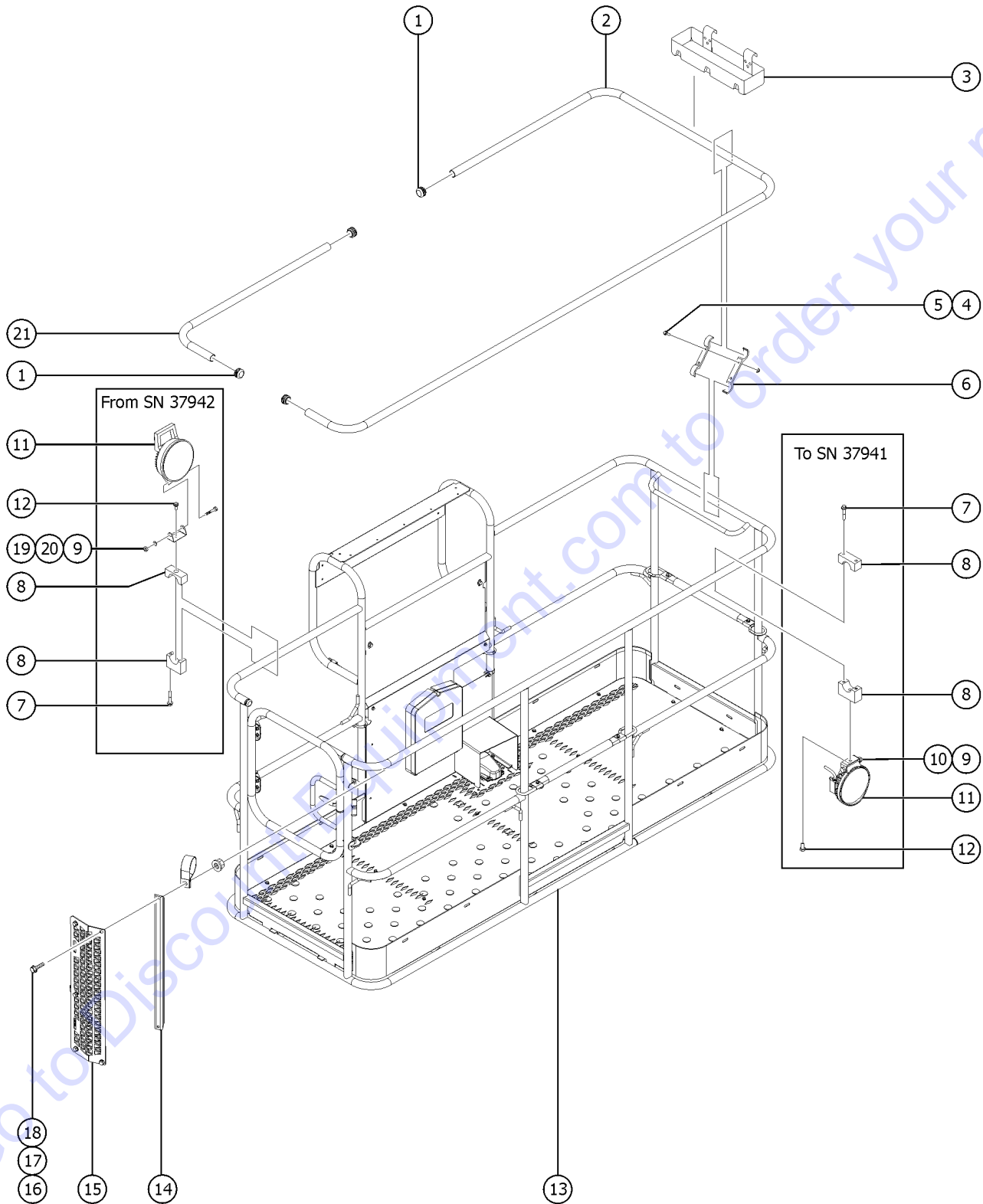
902.1 Platform Accessories (to SN 35757)



902.1 Platform Accessories (to SN 35757)

Item	Part No.	Description	Qty.
A	T109328GT	ACC,PLAT CONTROL COVER, SERV <i>includes items 7-12 and 23-25</i>	
B	53808-SGT	AUX TOP RAIL,6'(1.25")SERVICE	
C	53807-SGT	AUX TOP RAIL,8'(1.25")SERVICE	
D	122278GT	AUX TOP RAIL,6',SWG GT, SRV	
E	122279GT	AUX TOP RAIL,8',SWG GT, SRV	
1	139958GT	KIT, AUX TOP RAIL SUPPORT.....10 <i>includes 2 supports and hardware</i>	
--	122073GT	SUPPORT, RAILING.....20	
2	55753GT	BUMPER, PLASTIC, 1.25 O.D.....2	
3	9599-SGT	TOOL TRAY ACCESSORY***.....1	
--	7746GT	BRACKET-TOOL TRAY MOUNTING.....1	
4	102786PGT	FORMING,LATCH,CTRL BOX LID PTD	
5	43392GT	BUMPER,BATTERY BOX & RAILS.....2	
6	111526GT	HINGE,PLAT CONTROL BOX COVER...1	
--	54486GT	RIVET,ALUM,ALUM,3/16BUTTONHEAD <i>not included - sold seperately</i>	
7	102785PGT	CONTROL BOX COVER,LID,PTD.....1	
8	824078GT	SCREW,HHF,1/4-20X.75,8,ZAG	
9	824027GT	NUT,TL FLG,1/4-20,G,ZAG	
10	30468GT	LATCH,SLIDE, FLUSH MOUNT STYLE	
11A	88606PGT	COVER,CONTROL BOX RIGHT SIDE**.....1	
11B	88607PGT	COVER,CONTROL BOX LEFT SIDE***.....1	
12A	1259704GT	PINCH GUARD RAIL,6' PLATFORM.....1 <i>includes 55753 bumpers</i>	
--	55753GT	BUMPER, PLASTIC, 1.25 O.D. <i>not included - sold seperately</i>	
12B	52661GT	PINCH GUARD RAIL,8' PLATFORM**....1	
--	55753GT	BUMPER, PLASTIC, 1.25 O.D.	
12C	111485PGT	AUX TOP RAIL,6FT,PTD.....1 <i>for models with swing gate</i>	
12D	111486PGT	AUX TOP RAIL,8FT,PTD.....1 <i>for models with swing gate</i>	
13	1253485GT	SCREW,HHF,1/4-20X2,8,ZAG	
14		Ref: Swing Gate <i>refer to 903.1</i>	
15		Ref: Half Mesh <i>refer to 903.1</i>	

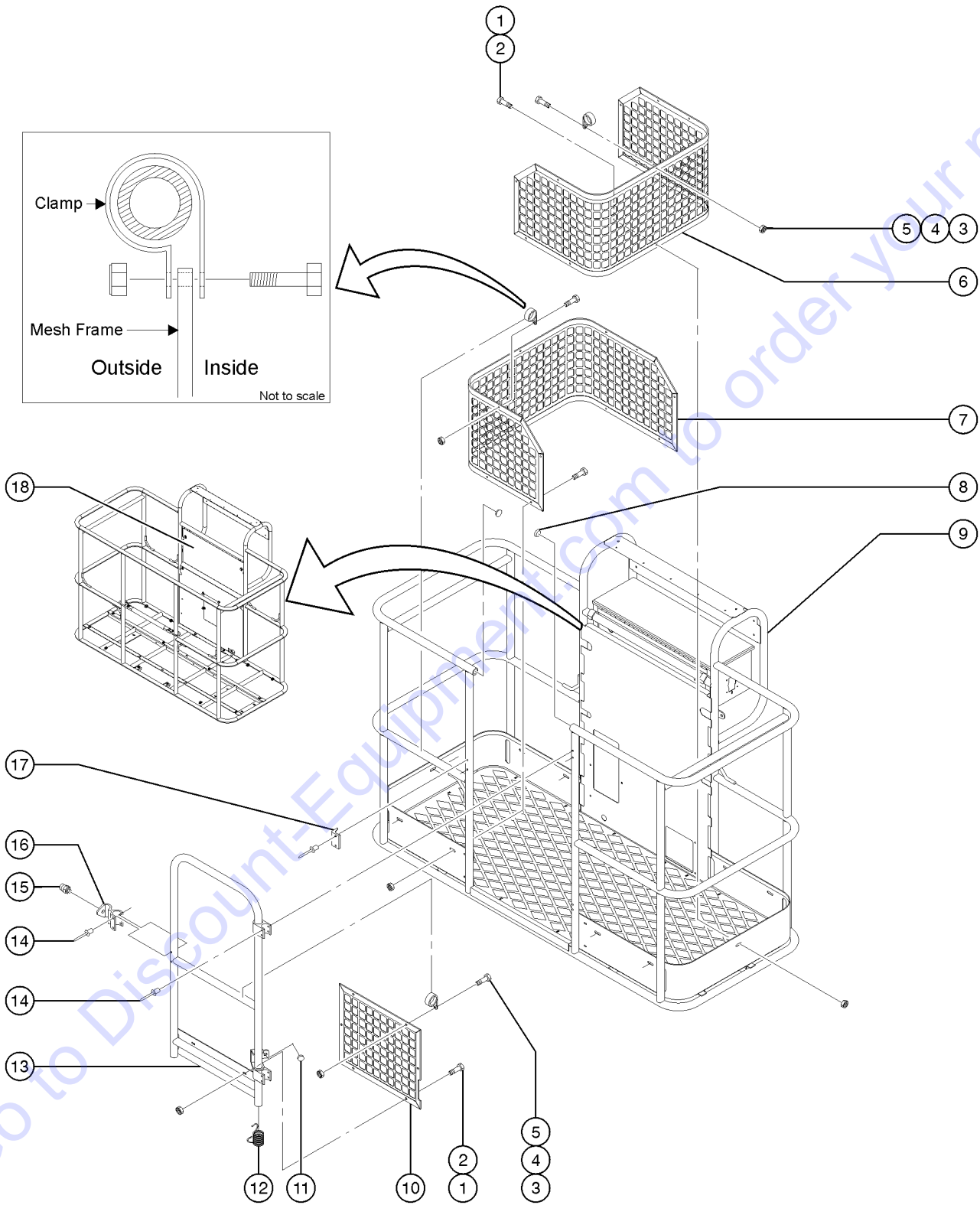
902.2 Platform Accessories (from SN 35758)



902.2 Platform Accessories (from SN 35758)

Item	Part No.	Description	Qty.
1	55753GT	BUMPER, PLASTIC, 1.25 O.D.....	4
2A	1271077GT	AUX RAIL, 8' PLAT, TRI-ENTRY..... (8 foot Platform)	1
2B	1270570GT	AUX RAIL, 6' PLAT, SIDE ENTRY..... (6 foot Platform)	1
3	9599-SGT	TOOL TRAY ACCESSORY***.....	1
4A	824079GT	SCREW,HHF,1/4-20X1,8,ZAG.....	26
		(8 foot Platform)	
4B	824079GT	SCREW,HHF,1/4-20X1,8,ZAG.....	22
		(6 foot Platform)	
5A	824027GT	NUT,TL FLG,1/4-20,G,ZAG.....	26
		(8 foot Platform)	
5B	824027GT	NUT,TL FLG,1/4-20,G,ZAG.....	22
		(6 foot Platform)	
6A	122073GT	SUPPORT, RAILING.....	26
		(8 foot Platform)	
6B	122073GT	SUPPORT, RAILING.....	22
		(6 foot Platform)	
7	824081GT	SCREW,HHF,1/4-20X1.5,8,ZAG.....	4
8	35956GT	BRACKET,WORK LIGHT MOUNT 5/16".....	2
9	75185GT	SCREW,HHC,M8X1.25X 70MM,GR8.8.....	2
10	1260688GT	NUT,NYLOCK,M8-1.25,DIN985,A270.....	2
11A	1282993GT	ASSY,WORK LIGHT,12V LED..... (to SN S60H-37941) includes item 9	2
--	22571GT	NUT,HEX,M8 X 1.25	
--	49408GT	WASHER,LOCK,M8	
11B	1282993GT	ASSY,WORK LIGHT,12V LED..... (from SN S60H-37942) includes item 9, 19, 20	2
12A	824078GT	SCREW,HHF,1/4-20X.75,8,ZAG..... (to SN S60H-37941)	2
12B	824085GT	SCREW,HHF,5/16-18X.75,8,ZAG..... (from SN S60H-37942)	2
13		Ref.WELDMENT, PLATFORM..... (refer to 701.2)	1
14	1277966GT	TUBE,SQ,STL, 1.00 x 1.00 x .120.....	1
15	1277952GT	GUARD, SWING GATE.....	1
16	824086GT	SCREW,HHF,5/16-18X1,8,ZAG.....	5
17	56424GT	CLAMP,1.25X.5 RUBBER-CUSHION....	5
18	824028GT	NUT,TL FLG,5/16-18,G,ZAG.....	5
19	22571GT	NUT,HEX,M8 X 1.25.....	2
20	49408GT	WASHER,LOCK,M8.....	2
21A	1271078GT	AUX RAIL, 8' PLAT, TRI-ENTRY..... (8 foot Platform)	1
21B	1270571GT	AUX RAIL, 6' PLAT, SIDE ENTRY..... (6 foot Platform)	1

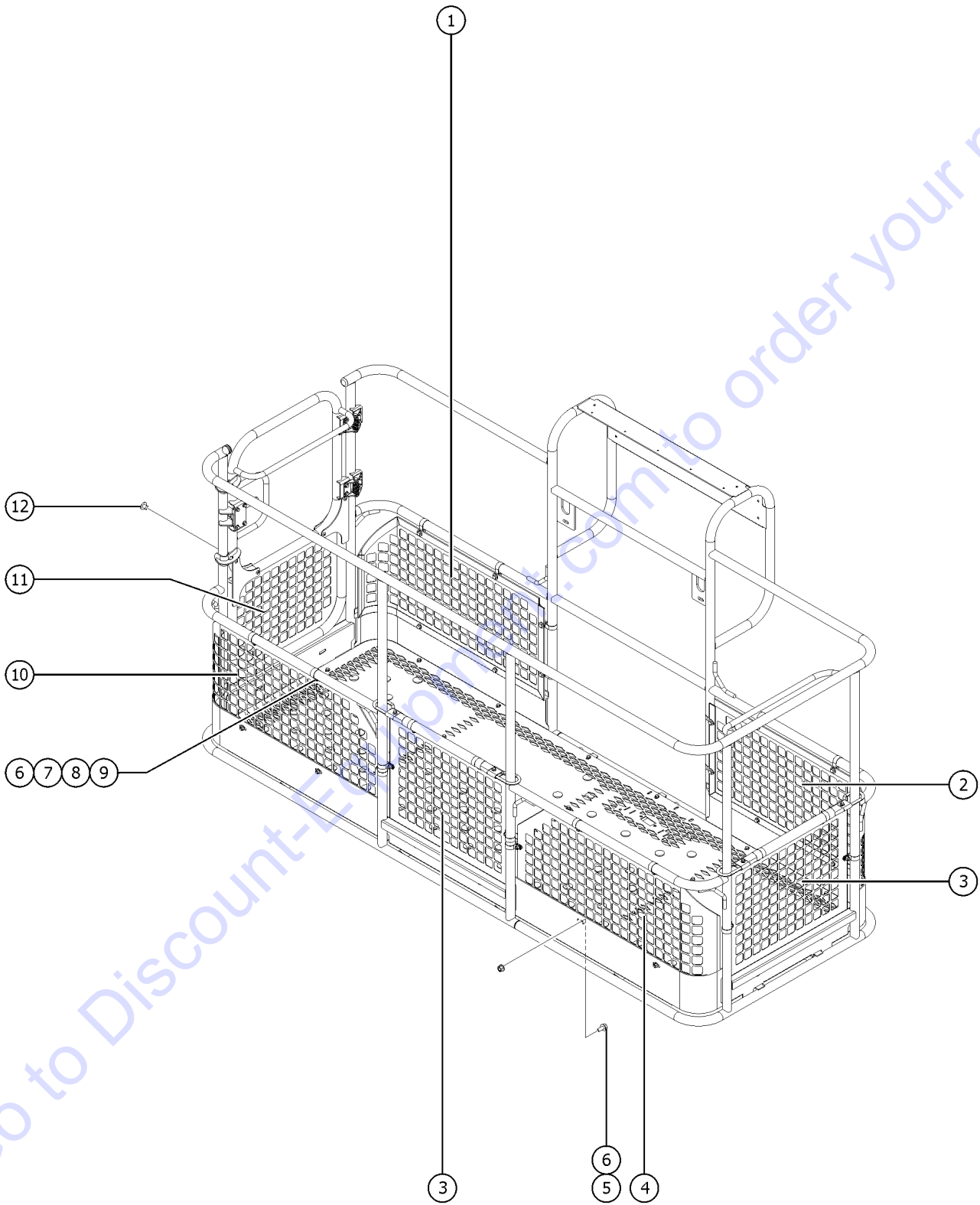
903.1 Half Mesh and Swing Gate (to SN 36419)



903.1 Half Mesh and Swing Gate (to SN 36419)

Item	Part No.	Description	Qty.
A	119950GT	KIT,FIELD INSTALL,SWING GATE <i>includes items 10-16</i>	
B	77108GT	FIELD KIT,6'1/2MESH PLAT W/GAT <i>Includes swing gate</i>	
1	824085GT	SCREW,HHF,5/16-18X.75,8,ZAG	
2	824028GT	NUT,TL FLG,5/16-18,G,ZAG	
3	824027GT	NUT,TL FLG,1/4-20,G,ZAG.....16	
4	56424GT	CLAMP,1.25X.5 RUBBER-CUSHION....16	
5	824078GT	SCREW,HHF,1/4-20X.75,8,ZAG	
6A	101852GT	MESH,HALF,LH 5' PLATFORM.....1 <i>5ft</i>	
6B	54458GT	MESH,HALF,LH,6'PLATFORM.....1 <i>6ft</i>	
6C	73501GT	HALF MESH,8'PLATFORM,LH.....1 <i>8ft</i>	
7A	101853GT	MESH,HALF,RH 5' PLATFORM.....1 <i>5ft</i>	
7B	54465GT	MESH,HALF,RH,6'PLATFORM.....1 <i>6ft</i>	
7C	73500GT	HALF MESH,8'PLATFORM,RH***.....1 <i>8ft</i>	
8	55753GT	BUMPER, PLASTIC, 1.25 O.D.....2	
9		REF: Platform Weldment.....1 <i>(refer to 701.1)</i>	
10	54457GT	MESH,HALF,SWING GATE***.....1	
11	43392GT	BUMPER,BATTERY BOX & RAILS.....1	
12	42104GT	SPRING,SHORT PLATFORM GATE.....1	
13	128374GT	WELDMENT,SWING GATE,ALUMINUM.....1	
14	824207GT	RIVET, STL, STL, DOME, 1/4 X .375, ZAG	
15	33674GT	PIN,LOCK,SHORT***.....1	
16	1487GT	GATE LATCH CASTING--DRILLED.....1	
17	1488GT	RAILING CATCH CASTING--DRILLED...1	
18	73901GT	DECAL PLATE,MESH.....1 <i>decals not included</i>	

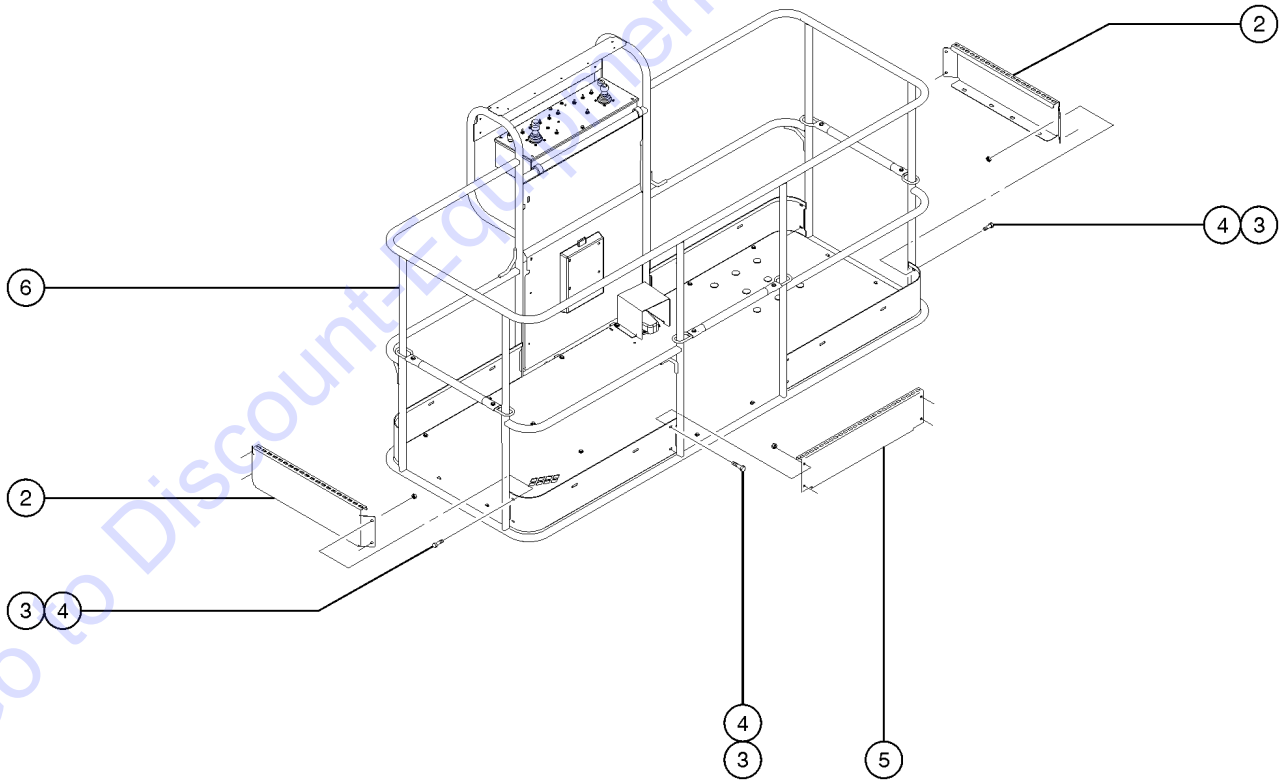
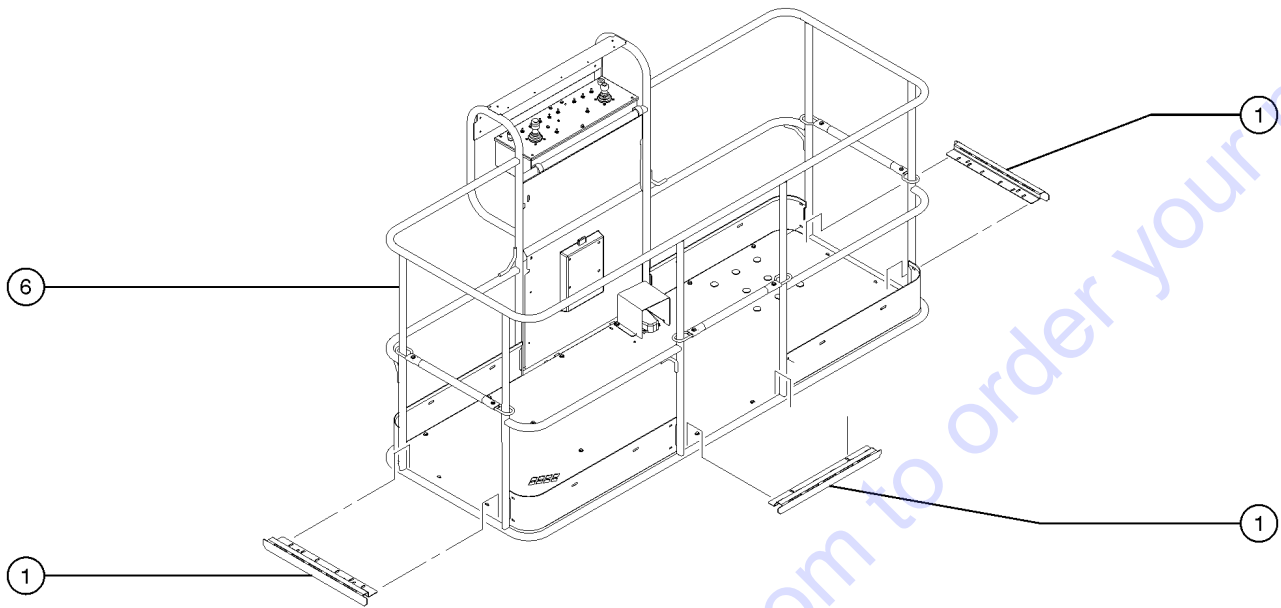
903.2 Half Mesh with Side Entry (from SN 36420)



903.2 Half Mesh with Side Entry (from SN 36420)

Item	Part No.	Description	Qty.
1A	1270994GT	PANEL, HALF MESH.....1 (8 foot Platform)	1
1B	1270314GT	PANEL, HALF MESH.....1 (6 foot Platform)	1
2	1271019GT	PANEL, HALF MESH.....1 (8 foot Platform)	1
3	1271061GT	PANEL, HALF MESH (8 and 6 foot Platform)	
4A	1271018GT	PANEL, HALF MESH.....1 (8 foot Platform)	1
4B	1270313GT	PANEL, HALF MESH.....1 (6 foot Platform)	1
5	824085GT	SCREW,HHF,5/16-18X.75,8,ZAG	
6	824028GT	NUT,TL FLG,5/16-18,G,ZAG	
7	56424GT	CLAMP,1.25X.5 RUBBER-CUSHION	
8	825358GT	WASHER,FLAT,5/16,USS,ZAG	
9	1264101GT	SCREW,HHC,5/16-18X1,8,ZAG	
10A	1271040GT	PANEL, HALF MESH.....1 (8 foot Platform)	1
10B	1270316GT	PANEL, HALF MESH.....1 (6 foot Platform)	1
11	1285700GT	WELDMENT,SWING GATE PANEL (used on 6' and 8' side entry platforms) (models from SN 37690 to 38038 required to order Swing Gate Weldment, refer to 701.2)	
--	55753GT	BUMPER, PLASTIC, 1.25 O.D.	
12	824207GT	RIVET, STL, STL, DOME, 1/4 X .375, ZAG.....8	8

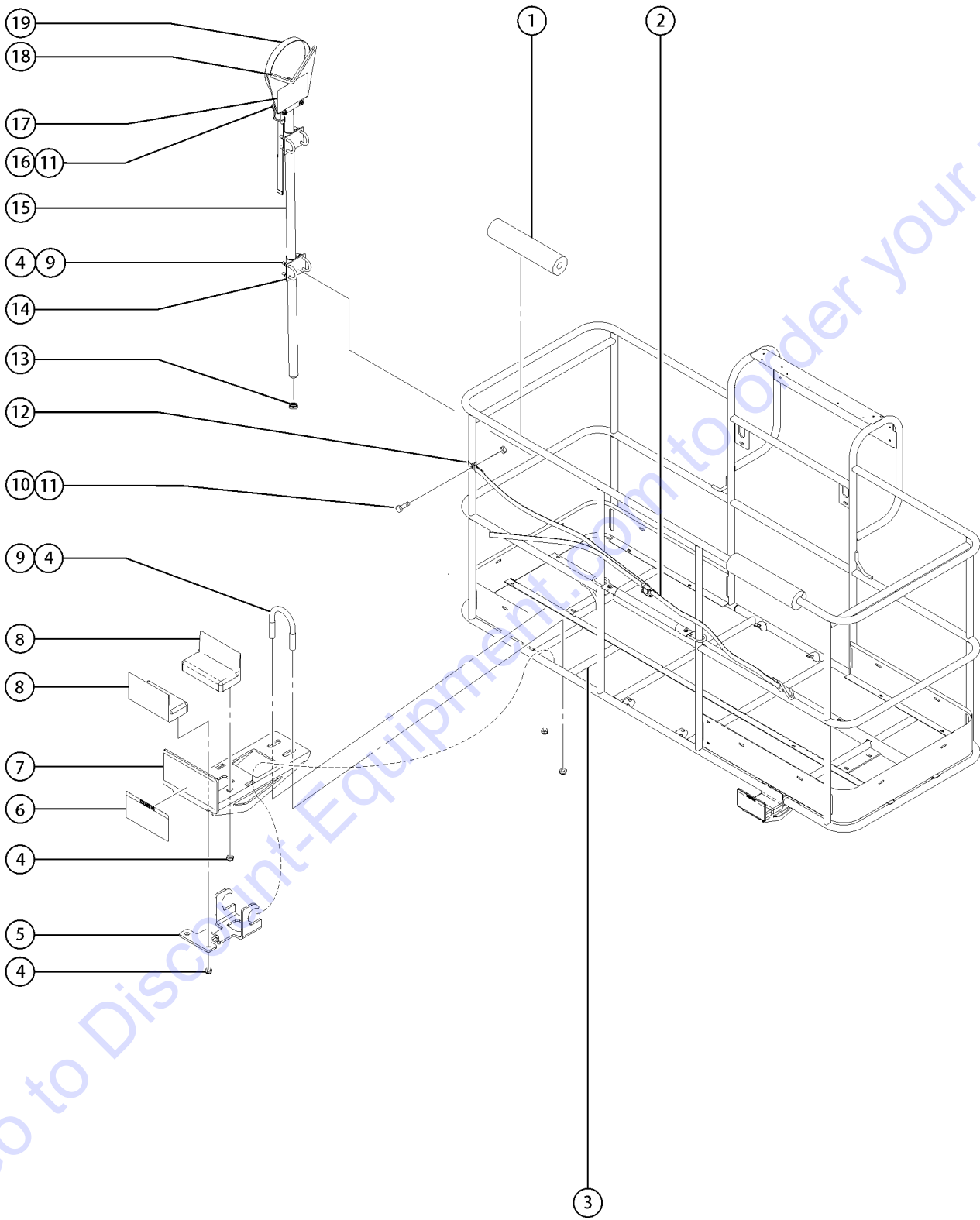
904.1 Tri-Entry Platform and Platform Toeboard



904.1 Tri-Entry Platform and Platform Toeboard

Item	Part No.	Description	Qty.
1	73610PGT	STEP PLATFORM ENTRY PAINTED***	3
2A	139438GT	TOEBOARD, TRI ENTRY 6', EURO.....	2
2B	102721PGT	TOEBOARD,8'TRI ENTRY	
3	824079GT	SCREW,HHF,1/4-20X1,8,ZAG	
4	824027GT	NUT,TL FLG,1/4-20,G,ZAG	
5	94745PGT	TOEBOARD,ENTRY EUROPEAN PNTD**	1
6A	215747GT	PLAT ASSY,TRI ENT,S60/65,6'..... <i>decals not included, refer to section 100</i>	1
--	101973GT	WELDMENT,6 FT TRI ENTRY PLAT <i>decals not included, refer to section 100</i>	
6B	215748GT	PLAT ASSY,TRI ENT,8' <i>decals not included, refer to section 100</i>	
--	94869GT	WELDMENT,8FT TRI ENTRY PLAT <i>decals not included, refer to section 100</i>	

905.1 Panel Cradle and Pipe Cradle



PARTS FINDER

**Search Website
by Part Number**



**Search Manual
Library For Parts
Manual & Lookup Part
Numbers – Purchase
or Request Quote**

Search Manuals

Enter your information to help us find the right parts manual for your machine.

* Brand:

* Model:

* Serial:

* Part Number:

SEARCH

**Can't Find Part or
Manual? Request Help
by Manufacturer,
Model & Description**

Parts Order Form

Please fill in the following information to help us find the right part for your machine.

Manufacturer:	<input type="text"/>
Model:	<input type="text"/>
Description:	<input type="text"/>
Part Number:	<input type="text"/>
Quantity:	<input type="text"/>
Notes:	<input type="text"/>

Submit

Discount-Equipment.com is your online resource for quality parts & equipment.

Florida: **561-964-4949** Outside Florida TOLL FREE: **877-690-3101**

Need parts?

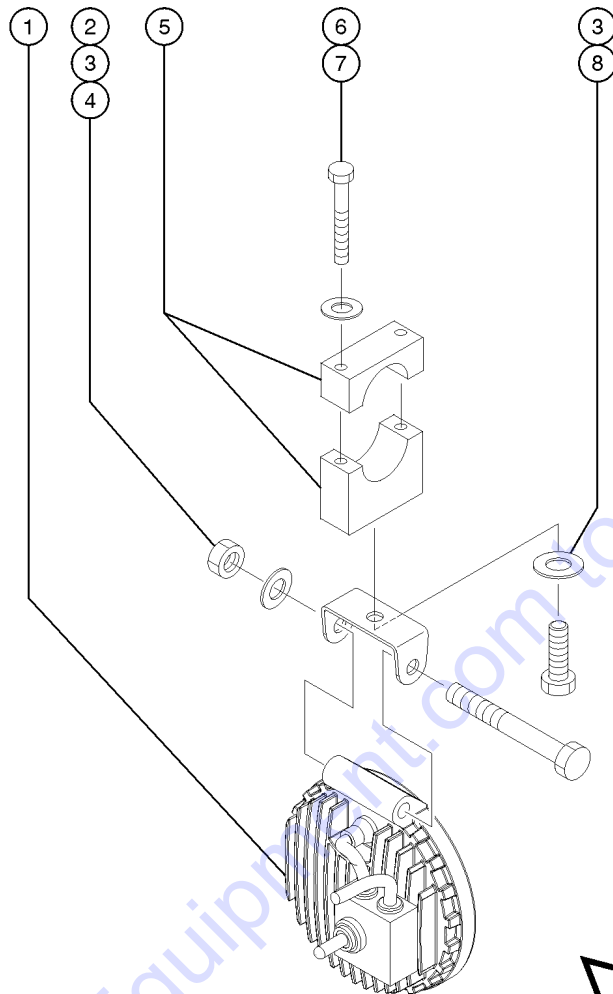
Click on this link: <http://www.discount-equipment.com/category/5443-parts/> and choose one of the options to help get the right parts and equipment you are looking for. Please have the machine model and serial number available in order to help us get you the correct parts. If you don't find the part on the website or on one of the online manuals, please fill out the request form and one of our experienced staff members will get back to you with a quote for the right part that your machine needs.

We sell worldwide for the brands: Genie, Terex, JLG, MultiQuip, Mikasa, Essick, Whiteman, Mayco, Toro Stone, Diamond Products, Generac Magnum, Airman, Haulotte, Barreto, Power Blanket, Nifty Lift, Atlas Copco, Chicago Pneumatic, Allmand, Miller Curber, Skyjack, Lull, Skytrak, Tsurumi, Husquvarna Target, Stow, Wacker, Sakai, Mi-T-M, Sullair, Basic, Dynapac, MBW, Weber, Bartell, Bennar Newman, Haulotte, Ditch Runner, Menegotti, Morrison, Contec, Buddy, Crown, Edco, Wyco, Bomag, Laymor, EZ Trench, Bil-Jax, F.S. Curtis, Gehl Pavers, Heli, Honda, ICS/PowerGrit, IHI, Partner, Imer, Clipper, MMD, Koshin, Rice, CH&E, General Equipment, Amida, Coleman, NAC, Gradall, Square Shooter, Kent, Stanley, Tamco, Toku, Hatz, Kohler, Robin, Wisconsin, Northrock, Oztec, Toker TK, Rol-Air, APT, Wylie, Ingersoll Rand / Doosan, Innovatech, Con X, Ammann, Mecalac, Makinex, Smith Surface Prep, Small Line, Wanco, Yanmar

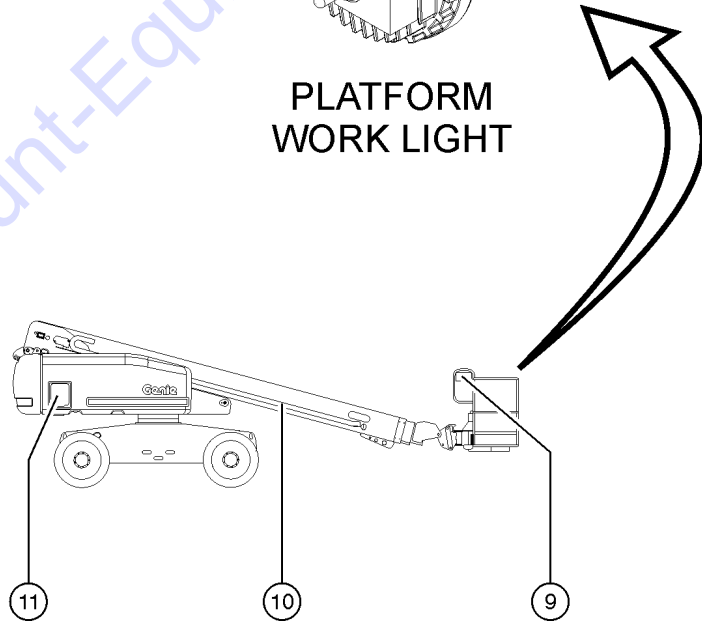
905.1 Panel Cradle and Pipe Cradle

Item	Part No.	Description	Qty.	Item	Part No.	Description	Qty.
A	77683GT	ACCESSORY,PANEL CRADLE,ANSI (ANSI/CSA models)		16	824083GT	SCREW,HHF,1/4-20X2.5,8,ZAG.....	4
--	94493-SGT	KIT,PANEL CRADLE,CE (CE/AUS models)		17	72875GT	DECAL,WARNING,PIPE CRADLE,BOOM.....	2
B	85300GT	PIPE CRADLE ASSY. SERV (ONE)**2 (ANSI & CE only) (This is a single assembly. Qty 2 of 85300GT required to complete a set)		18	19018-1100GT	TRIMLOCK,BLACK,5/32".....	2
--	65630GT	INSTRUCTIONS-PIPE CRADLE,BOOMS		19	56570GT	STRAP, CONDUIT HOLDER 60****.....	2
1	88377-1400GT	FOAM PAD, 3" OD X 1.25" ID X 14 IN.....	2				
2	77664GT	ADJUSTABLE STRAP ASSY.....	1				
3	73463-1175GT	TUBE, RD, ALUM, 1.25 X .083 X 11.75...2					
4	1274322GT	NUT,NYLOCK FLG,3/8-16,F,ZAG					
5A	233992GT	KIT,PANEL CRADLE BRACKET,WORD.....1 (ANSI models) (includes hook, panel support bracket and installation instructions)					
5B	233993GT	KIT,PANEL CRADLE BRACKET,SYMBL.....1 (CE models) (includes hook, panel support bracket and installation instructions)					
5C	228849GT	FORMING,SECONDARY SUPPORT.....2 77576P is no longer available. For machines before 2010, must install Qty 2 service kit 233992 (ANSI) or 233993 (CE) for initial replacement.					
6	82410GT	DECAL,WARNING,PANEL CRADLE.....2 (order seperately)					
7A	233992GT	KIT,PANEL CRADLE BRACKET,WORD.....1 (ANSI models) (includes hook, panel support bracket and installation instructions)					
7B	233993GT	KIT,PANEL CRADLE BRACKET,SYMBL.....1 (CE models) (includes hook, panel support bracket and installation instructions)					
7C	228848GT	FORMING PANEL CRADLE.....2 89724 is no longer available. For machines before 2010, must install Qty 2 service kit 233992 (ANSI) or 233993 (CE) for initial replacement.					
8	56934GT	PAD,REST,1"THICK,FLANGED.....	4				
9	1251600GT	U-BOLT, FLATTENED, 1.5 X 3/8 UNC,ZAG.....	10				
10	1256855GT	SCREW,HHF,1/4-20X.625,8,ZAG.....	1				
11	1277924GT	NUT,NYLOCK FLG,1/4-20,F,ZAG					
12	56424GT	CLAMP,1.25X.5 RUBBER-CUSHION.....	1				
13	55753GT	BUMPER, PLASTIC, 1.25 O.D.....	4				
14	81368GT	WELDMENT,PIPE CRADLE MOUNT.....	4				
15	56525GT	WELDMENT, PIPE CRADLE.....	2				

906.1 Platform Work Lights



PLATFORM WORK LIGHT

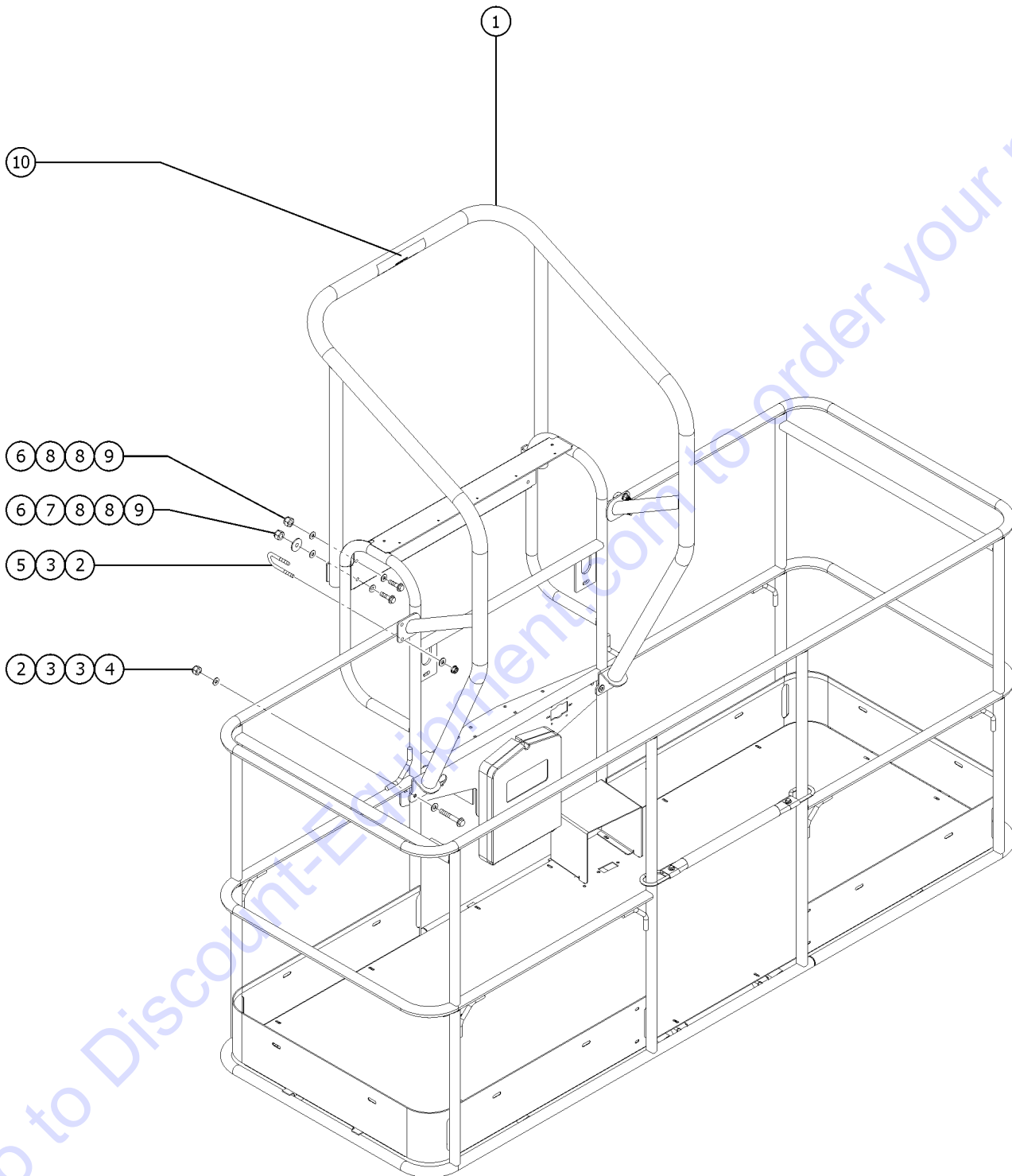


Go to Discount-Equipment.com to order your parts

906.1 Platform Work Lights

Item	Part No.	Description	Qty.
1	71498GT	WORKLIGHT, 12V, DEUTSCH RECEPT.....2 <i>includes mount (not available separately); to SN S6016H-35957</i>	
--	1282993GT	ASSY,WORK LIGHT,12V LED <i>includes mount (not available separately); from SN S6016H-35958</i>	
2	4828GT	NUT,NYLOCK,3/8-16 <i>to SN S6016H-35957</i>	
--	22571GT	NUT,HEX,M8 X 1.25 <i>from SN S6016H-35958</i>	
3	5397GT	WASHER,FLAT,USS,5/16",Y <i>to SN S6016H-35957</i>	
--	49408GT	WASHER,LOCK,M8 <i>from SN S6016H-35958</i>	
4	8178GT	SCREW,HHC,3/8-16 X 2.5 <i>to SN S6016H-35957</i>	
--	75185GT	SCREW,HHC,M8X1.25X 70MM,GR8.8 <i>from SN S6016H-35958</i>	
5	35956GT	BRACKET,WORK LIGHT MOUNT 5/16"	
6	6145GT	SCREW,HHC,1/4-20 X 1.5	
7	6356GT	WASHER,LOCK,.25	
8	10107GT	SCREW,HHC,5/16-18 X .75	
9		Ref: HARNESS,12V WORK LIGHTS <i>refer to 311.1</i>	
10		Ref: CABLE,S60 & S65 12VDC WORK LIGHT <i>refer to 311.1</i>	
11		Ref: HARN,12V WORK LIGHT RELAY <i>refer to 311.1</i>	

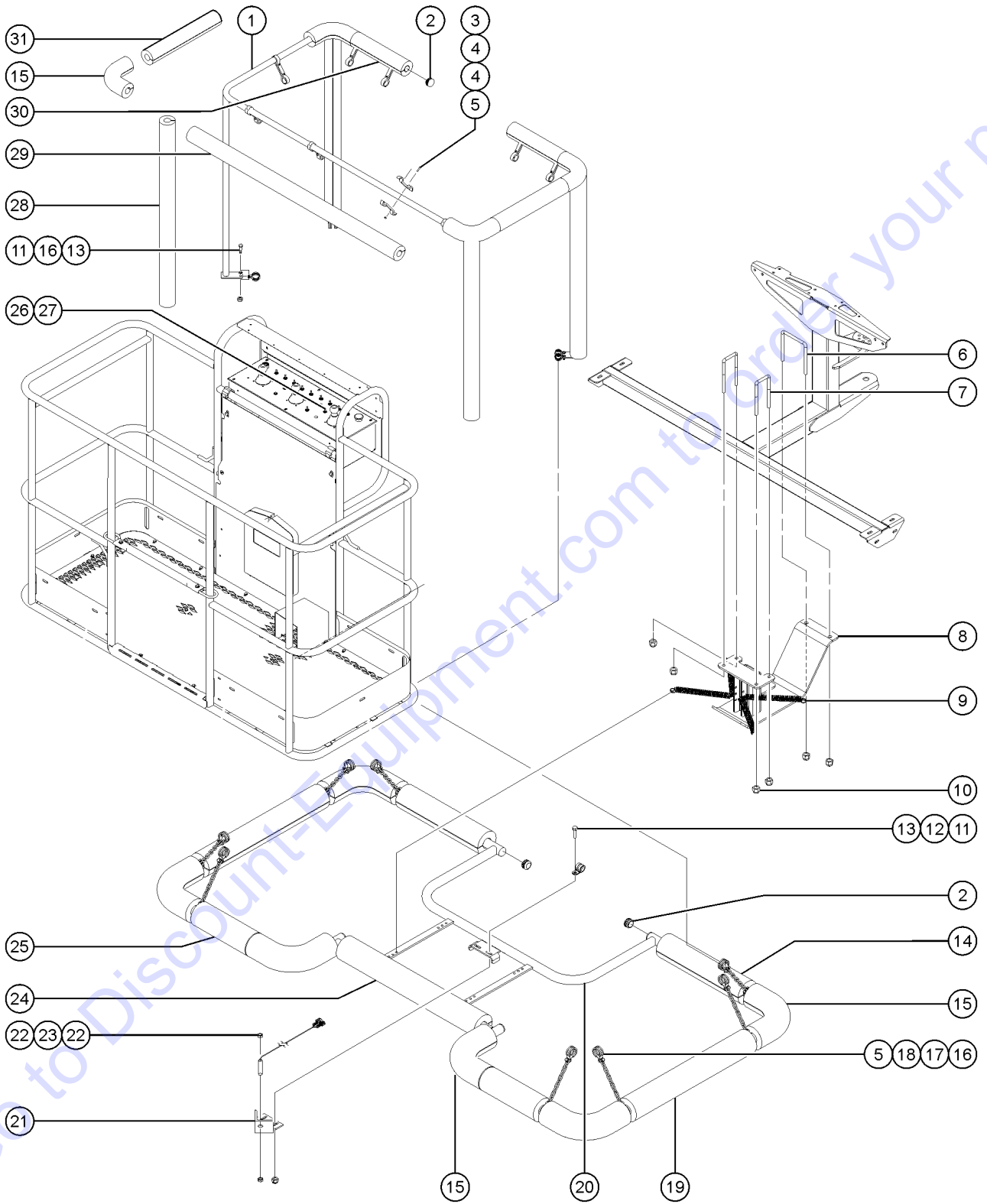
907.1 Operator Protective Structure



907.1 Operator Protective Structure

Item	Part No.	Description	Qty.
--		<i>Fits all 6' and 8' Booms</i>	
1	219158GT	ACCESSORY, OPERATOR PROT STRUCT.....1 <i>(Complete) includes all fasteners</i>	1
2	1256468GT	NUT, 3/8-16, 8, ZAG.....8	8
3	1255758GT	WASHER, FLAT, 3/8, USS, ZAG.....12	12
4	824069GT	SCREW, HHC, 3/8-16X2.5, 8, ZAG.....4	4
5	1251600GT	U-BOLT, FLATTENED, 1.5 X 3/8 UNC, ZAG.....4	4
6	1261184GT	NUT, 1/4-20, 8, ZAG.....4	4
7	824120GT	WASHER, FLAT, .375X1.50X.125, ZAG.....2 <i>Use only with the platform control box cover option</i>	2
8	824113GT	WASHER, FLAT, USS, 1/4, ZAG.....6	6
9	824060GT	SCREW, HHC, 1/4-20X1, 8, ZAG.....4	4
10	219160GT	DECAL, INSTRUCTION, OPS.....1	1

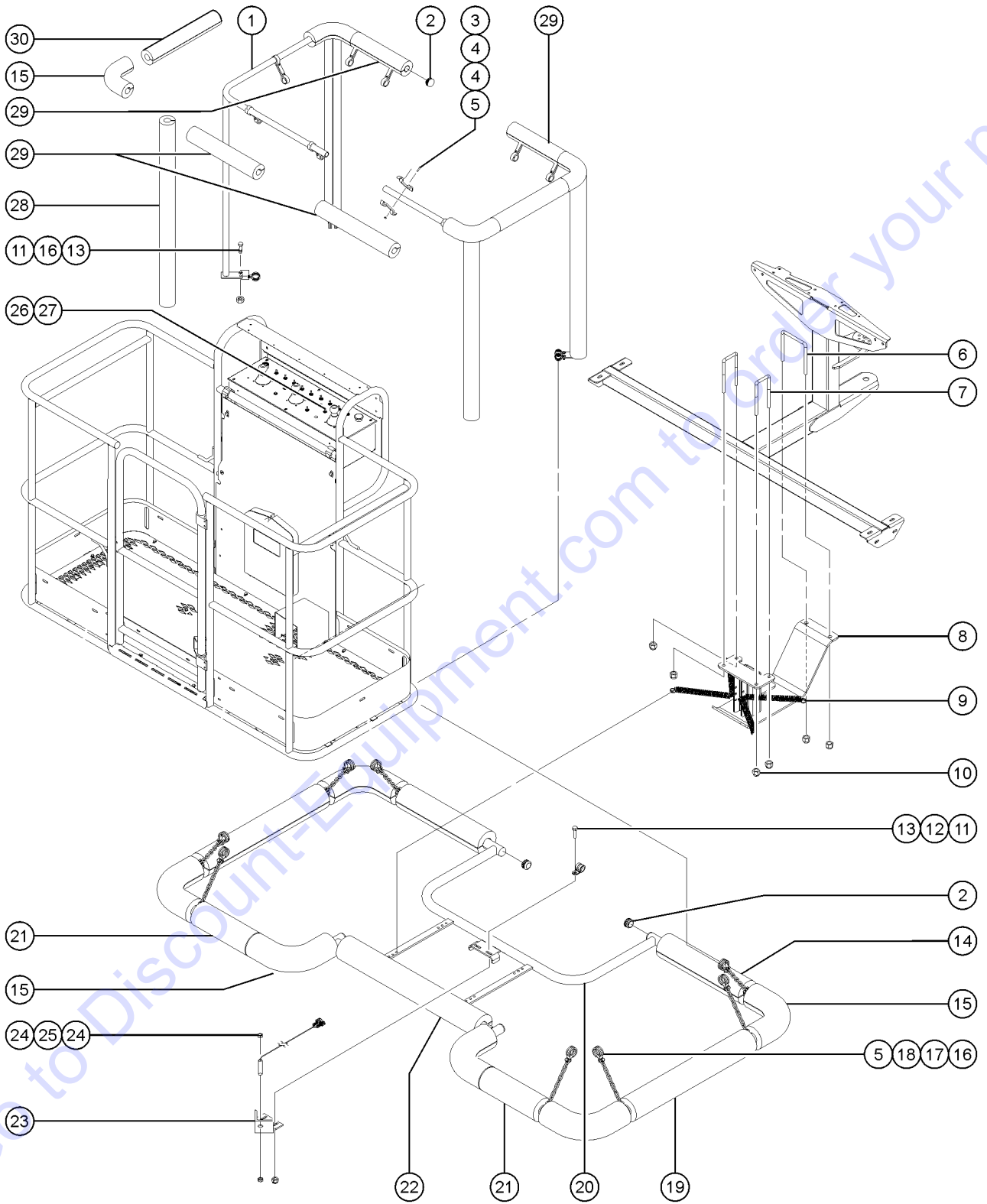
908.1 Aircraft Protection, Standard Entry, S-65



908.1 Aircraft Protection, Standard Entry, S-65

Item	Part No.	Description	Qty.
A	29261GT	MAGNET,NEODYMIUM,.375 X .100.....2 <i>not shown</i>	
1	46188GT	WELDMENT, AIRCRAFT TOP BUMPER.....1	
2	55753GT	BUMPER, PLASTIC, 1.25 O.D.	
3	824227GT	SCREW, BHC, 1/4-20 X 1, ZAG	
4	122073GT	SUPPORT, RAILING.....20	
5	824027GT	NUT,TL FLG,1/4-20,G,ZAG	
6	106044GT	U-BOLT,3/8-16X4X4.63X3.00	
7	66472GT	U-BOLT, SQR, 3/8-16X2X5, PLTD.....2	
8	822764GT	WDMT,SKID PLATE	
9	822769GT	SPRING,EXTENSION,1.92LB/IN.....4	
10	824029GT	NUT,TL FLG,3/8-16,G,ZAG	
11	6888GT	SCREW,HHC,1/4-20 X 1	
12	6833GT	CLAMP,0.50,#8 X 1/4,RUB CUSH.....1	
13	6091GT	NUT,NYLOCK,1/4-20	
14	75617-1550GT	PADDING,FOAM 3.5"OD X 1.50"ID.....2	
15	75636GT	PADDING,FOAM,3.0"X1.50ID 90DEG.....10	
16	21618GT	CLAMP,1.13,#18 X 1/4,RUB CUSH.....24	
17	824078GT	SCREW,HHF,1/4-20X.75,8,ZAG	
18	56426-700GT	CHAIN,NO.2 (11 LINKS).....8	
19	75617-2275GT	PADDING,FOAM 3.5"OD X 1.50"ID.....2	
20	822759GT	WDMT,AIRCRAFT SENSOR BUMPER...1	
21	77797GT	WELDMENT, SENSOR MOUNT.....1	
22	88390GT	NUT,HEX,M8,PLASTIC	
23	1261292GT	HARNESS ASSY,PCON,PROX KILL.....1 <i>includes 27391 proximity sensor</i>	
--	27391GT	PROXIMITY SENSOR***.....1	
24	822768GT	FOAM,AIRCRAFT PROTECTION.....1	
25	75617-1025GT	PADDING,FOAM 3.5"OD X 1.50"ID.....2	
26	128203GT	SWITCH TOGGLE ASSY SPDT 2P MOM.....1	
--	139882GT	HARN, AC PROTECTION BYPASS.....1	
27	27246GT	BOOT,TOGGLE SWITCH,SHORT*.....1	
28	1259329GT	PADDING, FOAM, 46.5".....4	
29	75617-6275GT	PADDING,FOAM 3.5"OD X 1.50"ID.....1	
30	1259328GT	PADDING, FOAM, 15.5".....2	
31	75617-2075GT	PADDING,FOAM 3.5"OD X 1.50"ID.....2	

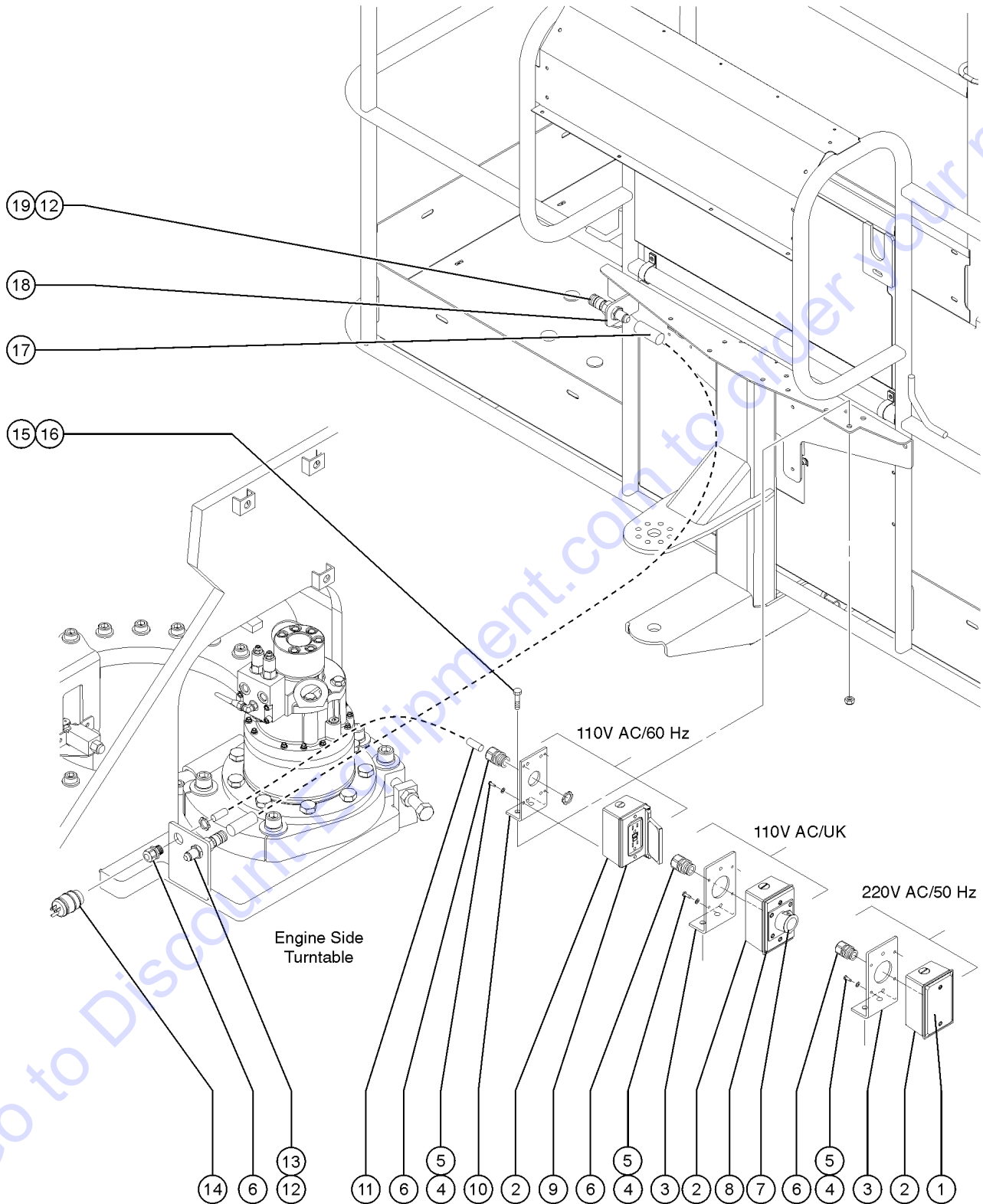
909.1 Aircraft Protection, Swing Gate, S-65



909.1 Aircraft Protection, Swing Gate, S-65

Item	Part No.	Description	Qty.
A	29216GT	COVER W/DECALS,RR.DR.CHAS,S60.....2 <i>not shown</i>	
1	822771GT	WDMT,FRAME,AIRCRAFT PROTECTION.....1	
2	55753GT	BUMPER, PLASTIC, 1.25 O.D.....4	
3	122231GT	SCREW,BHSC,1/4-20 X 1	
4	122073GT	SUPPORT, RAILING.....20	
5	824027GT	NUT,TL FLG,1/4-20,G,ZAG	
6	106044GT	U-BOLT,3/8-16X4X4.63X3.00.....1	
7	66472GT	U-BOLT, SQR, 3/8-16X2X5, PLTD.....2	
8	822764GT	WDMT,SKID PLATE.....1	
9	822769GT	SPRING,EXTENSION,1.92LB/IN.....4	
10	824029GT	NUT,TL FLG,3/8-16,G,ZAG	
11	824078GT	SCREW,HHF,1/4-20X.75,8,ZAG	
12	6833GT	CLAMP,0.50,#8 X 1/4,RUB CUSH.....1	
13	824027GT	NUT,TL FLG,1/4-20,G,ZAG	
14	75617-1550GT	PADDING,FOAM 3.5"OD X 1.50"ID.....2	
15	75636GT	PADDING,FOAM,3.0"X1.50ID 90DEG.....10	
16	21618GT	CLAMP,1.13,#18 X 1/4,RUB CUSH.....18	
17	824078GT	SCREW,HHF,1/4-20X.75,8,ZAG	
18	56426-700GT	CHAIN,NO.2 (11 LINKS).....8	
19	75617-2275GT	PADDING,FOAM 3.5"OD X 1.50"ID.....4	
20	822759GT	WDMT,AIRCRAFT SENSOR BUMPER...1	
21	75617-1025GT	PADDING,FOAM 3.5"OD X 1.50"ID.....2	
22	822768GT	FOAM,AIRCRAFT PROTECTION.....1	
23	77797GT	WELDMENT, SENSOR MOUNT.....1	
24	88390GT	NUT,HEX,M8,PLASTIC	
25	1261292GT	HARNES ASSY,PCON,PROX KILL.....1 <i>includes 27391 proximity sensor</i>	
--	27391GT	PROXIMITY SENSOR***.....1	
26	128203GT	SWITCH TOGGLE ASSY SPDT 2P MOM.....1	
--	139882GT	HARN, AC PROTECTION BYPASS.....1 <i>not shown sold seperately</i>	
27	27246GT	BOOT,TOGGLE SWITCH,SHORT*.....1	
28	1259329GT	PADDING, FOAM, 46.5".....4	
29	1259328GT	PADDING, FOAM, 15.5".....4	
30	75617-2075GT	PADDING,FOAM 3.5"OD X 1.50"ID.....2	

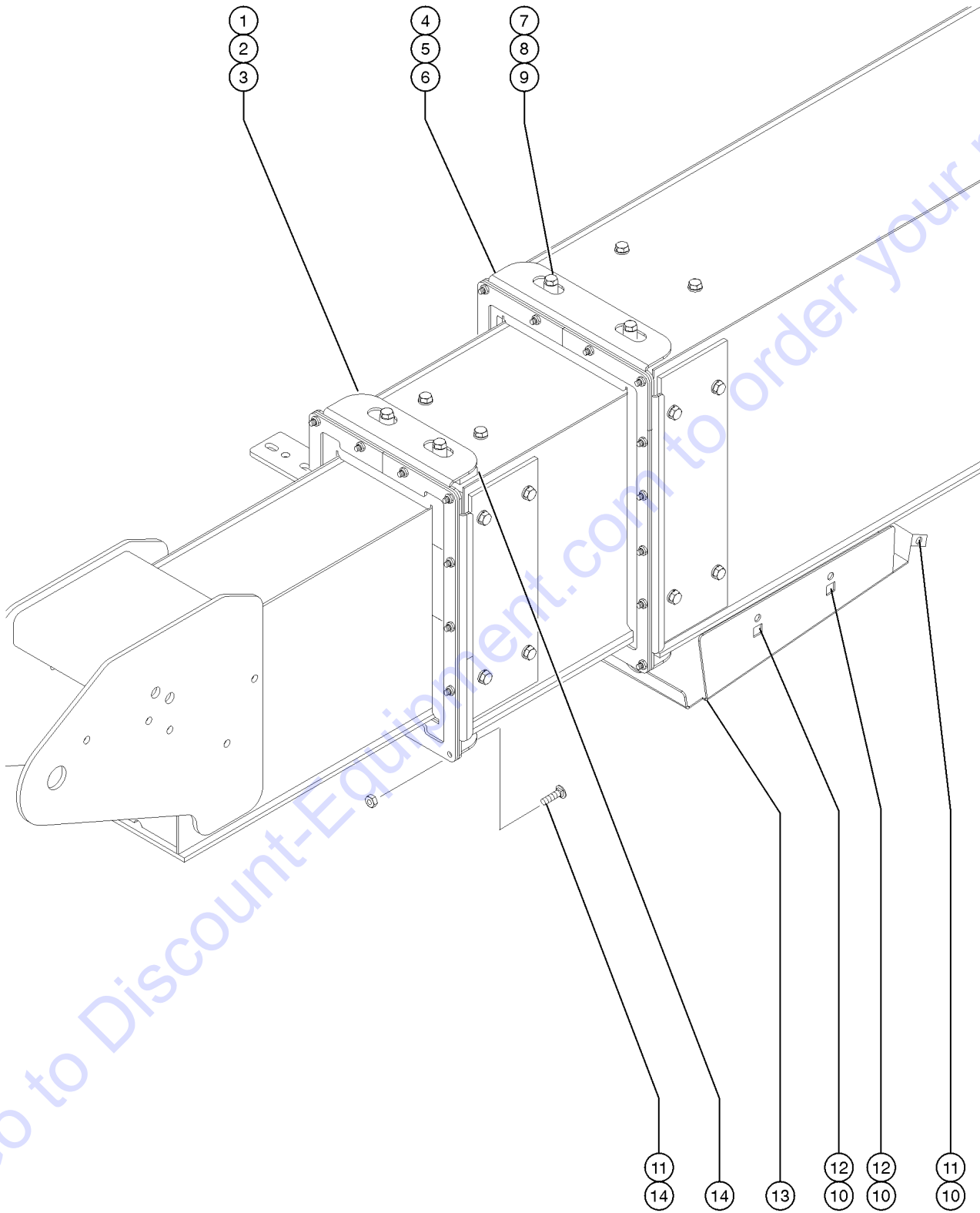
910.1 Air line and Power to Platform



910.1 Air line and Power to Platform

Item	Part No.	Description	Qty.
--	T109331GT	ACC,AIRLINE TO PLAT,S60 ,SERV	
--	119845GT	CLAMP, HYD WELD, AIR, OPT.....1	1
1	10777GT	COVER,BLANK.....1	1
--	33724GT	KIT,GASKET,UK POWER TO PLAT.	
--	81458GT	GASKET, UK POWER TO PLAT	
2	10775GT	T-BOX,2.75 X 4.5 X 2.0.....1	1
3A	81096GT	BRACKET,POWER TO PLAT, DOM.....1 <i>ANSI models</i>	1
3B	81570GT	BRACKET,POWER TO PLAT, UK <i>CE models</i>	
4	57075GT	SCREW,PHIL,8-32X.50,SELF TAP.....4	4
5	35461GT	WASHER,FLAT,MS,#8,Y.....4	4
6	7056GT	CONN,SQUEEZE,1/2NPT .38-.50,SM...2	2
--	6935GT	LOCKNUT,ELEC,1/2"	
7	T112560GT	RECEPTACLE,UK,110V.....1	1
8	T112561GT	PLATE,UK,POWER TO PLAT.....1	1
9	13585GT	OUTLET, 110V.....1	1
--	74006GT	COVER,GFCI,HORIZONTAL,WEATHER	
10	81096GT	BRACKET,POWER TO PLAT, DOM.....1	1
11		Ref: Harness, Power to Platform.....1 <i>refer to 311.1</i>	1
12	49212GT	FEMALE BULKHEAD CONNECTOR-8...2	2
13	49214GT	MALE PIPE THD,1/4" SER,3/8"X18	
14A	119403GT	CONN,PLUG 120 AC/15A DOMESTIC...1	1
14B	119404GT	CONN,RECEP 120AC/15A DOMESTIC.....1	1
14C	144161GT	PLUG,PWR,UK,16AMP,3PIN,BLK.....1	1
14D	25388GT	PLUG,FUSED,250V,13AMP,U.K.**.....1	1
14E	1280665GT	PLUG, TYPE F, 230A, 50HZ, 16A, IP44.....1	1
15	6019GT	SCREW,HHC,3/8-16 X 1.25 GRD 5.....2	2
16	4828GT	NUT,NYLOCK,3/8-16.....2	2
17A	49177-10289 4GT	HOSE ASSEMBLY,1/2"***1 <i>S-60, to SN S60H-39280</i>	1
--	49177-90894GT	HOSE ASSEMBLY,1/2"*** <i>S-60, from SN S60H-39281</i>	
17B	49177-10889 4GT	HOSE ASSEMBLY,1/2"***1 <i>S-65, to SN S60H-39280</i>	1
--	49177-93594	HOSE ASSEMBLY,1/2"*** <i>S-65, from SN S60H-39281</i>	
18	60886PGT	BRACKET,AIRLINE TO PLATFORM.....1	1
19	49215GT	MPT,CPLR,1/4"SER,3/8"X18	

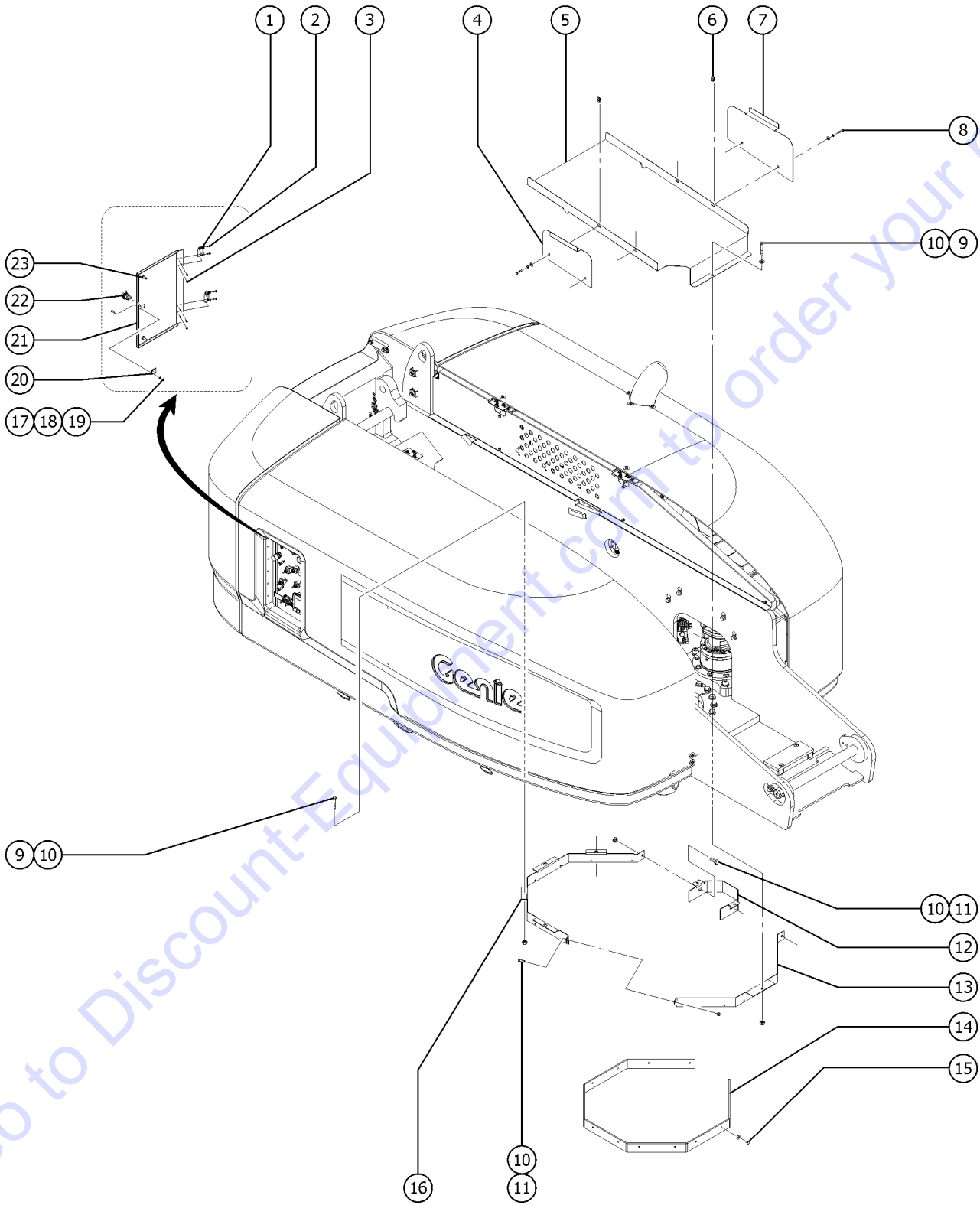
911.1 Hostile Environment, Boom Wipers



911.1 Hostile Environment, Boom Wipers

Item	Part No.	Description	Qty.
1	119087GT	FORMING BRKT, WIPER 2 TO 3.....2	2
2	119089GT	WIPER RUBBER, 2 TO 3.....1	1
3	119088GT	PLATE BACKING, WIPER 2 TO 3.....2	2
4	119084GT	FORMING BRKT, WIPER 1 TO 2.....2	2
5	119086GT	WIPER RUBBER, 1 TO 2.....1	1
6	119085GT	PLATE BACKING, WIPER 1 TO 2.....2	2
7	1256108GT	SCREW,HHC,3/8-16X2,8,ZAG.....8	8
8	101932GT	TUBE,RD,STL,DOM,75X.38X.78.....8	8
9	119090GT	SPACER, BOOM TOP.....2	2
10	824079GT	SCREW,HHF,1/4-20X1,8,ZAG.....6	6
11	824027GT	NUT,TL FLG,1/4-20,G,ZAG.....2	2
12	56912GT	SPRING CLIP,1/4-20,.025-.15X.54,ZAG.....4	4
13	147783GT	COVER,LIMIT SWITCH ASSY,S60.....1	1
14	824124GT	BOLT,CARRIAGE,1/4-20X.75,5,ZAG	

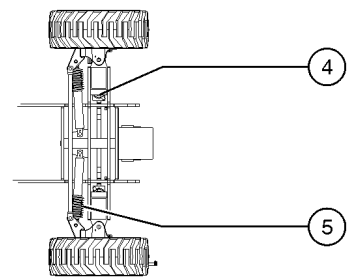
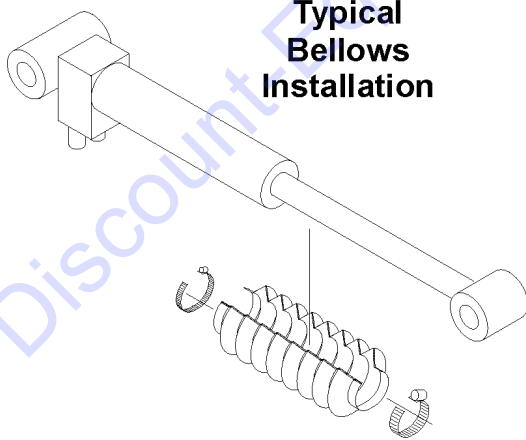
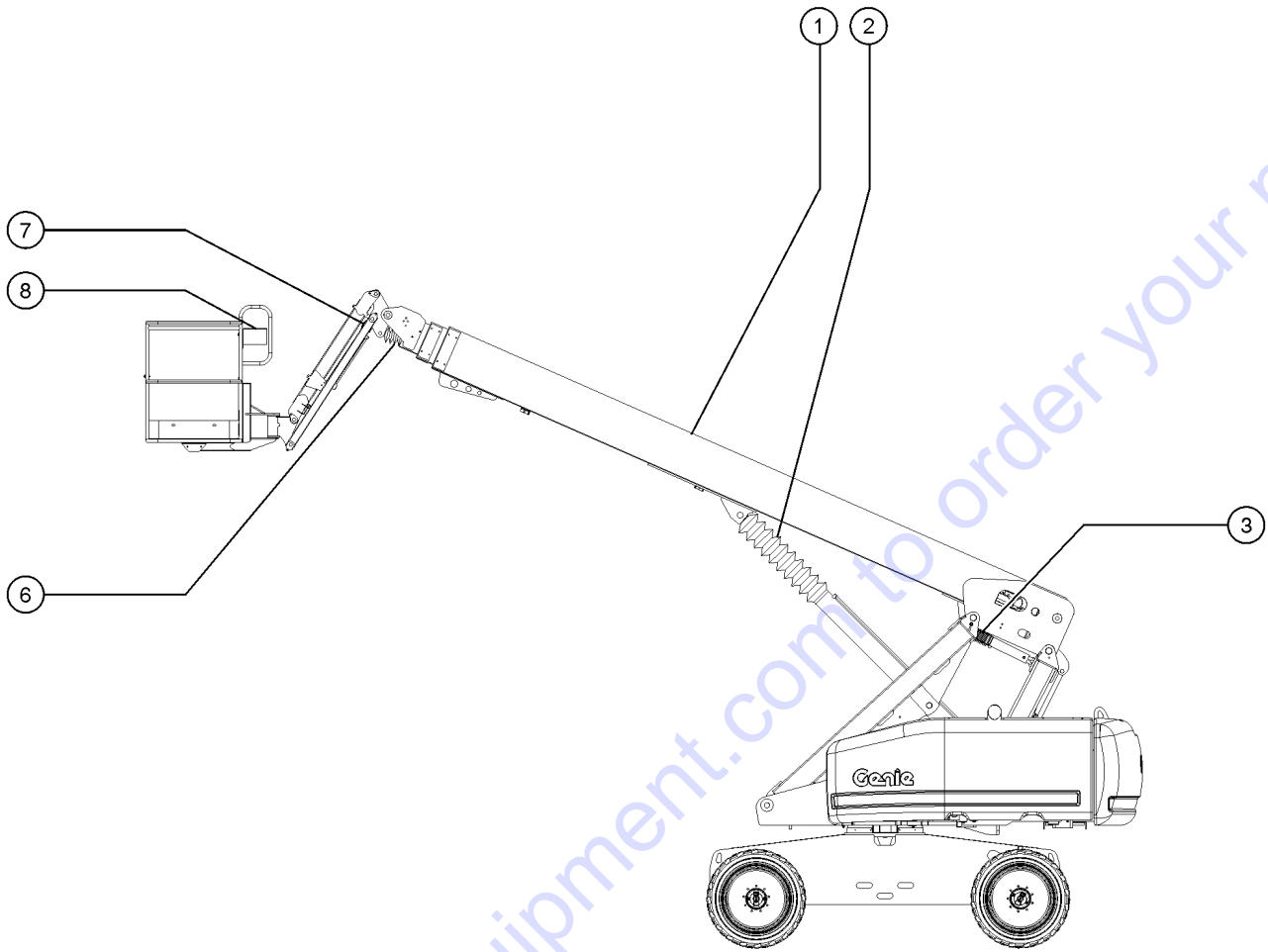
912.1 Hostile Environment, Turntable Components



912.1 Hostile Environment, Turntable Components

Item	Part No.	Description	Qty.
1	1259584GT	HINGE,CONSTANT TORQUE.....	2
2	218457GT	SCREW,HHF,M5X12,DIN6921,10.9,Z....	4
3	229845GT	SCREW,BHSCS,M5X10,SS.....	4
4	77997PGT	FORMING,TT LH SIDE COVER PAINT...1	
5	77996PGT	TURNTABLE CENTER COVER PAINTED.....	1
6	56912GT	SPRING CLIP,1/4-20,.025-.15X.54,ZAG.....	4
7	77998PGT	FORMING,TT RH SIDE COVER PAINT.....	1
8	824078GT	SCREW,HHF,1/4-20X.75,8,ZAG	
9	1256856GT	SCREW,HHF,3/8-16X2.5,8,ZAG	
10	824029GT	NUT,TL FLG,3/8-16,G,ZAG	
11	820991GT	SCREW,HHF,3/8-16X1.25,8,ZAG	
12	77879PGT	FORMING,PINION GUARD PAINTED.....	1
13	70318PGT	FORMING,WIPER GUARD RT..... <i>(models with Deluxe Hostile Option)</i>	1
14	70319GT	WIPER,RING GEAR GUARD..... <i>(models with Deluxe Hostile Option)</i>	1
15	81167GT	RIVET,ALUM,P,.25X.625.....	14
16	70317PGT	FORMING,WIPER GUARD LT..... <i>(models with Deluxe Hostile Option)</i>	1
17	1256804GT	NUT,10-32,ZAG.....	1
18	1253185GT	WASHER,FLAT,#10,USS,ZAG.....	1
19	824215GT	SCREW,PHPM,10-32X.75,ZAG.....	1
20	1261001GT	STRIKER, LATCH.....	1
21	1260979GT	ASSEMBLY, GROUND CONTROL BOX C..... <i>(complete, includes hinges, latch and fasteners)</i>	1
22	1259583GT	LATCH,PUSH BUTTON.....	1
23	34619GT	BUMPER,RUBBER***.....	2

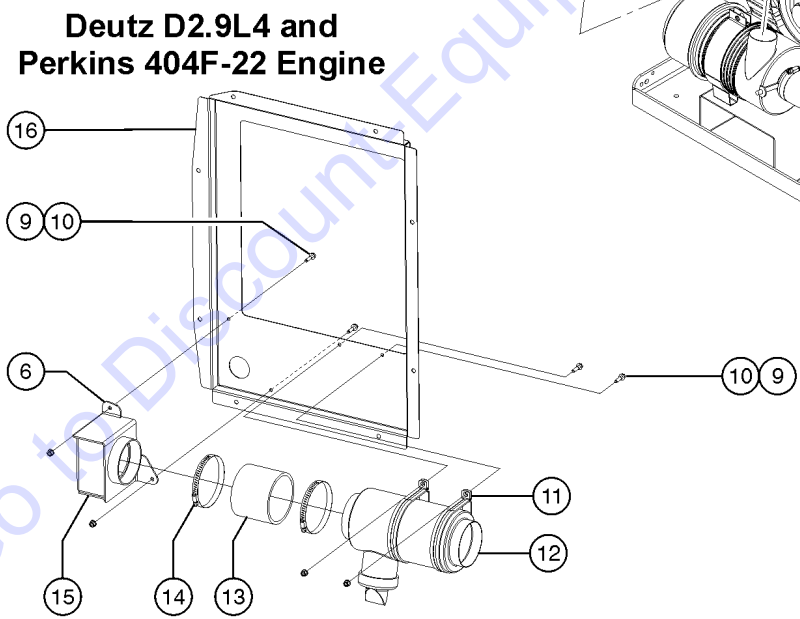
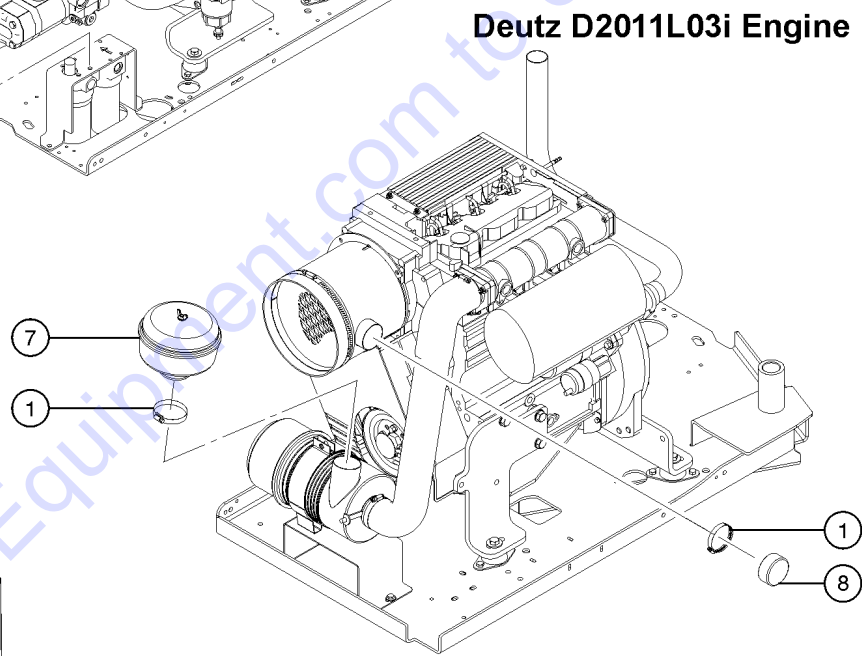
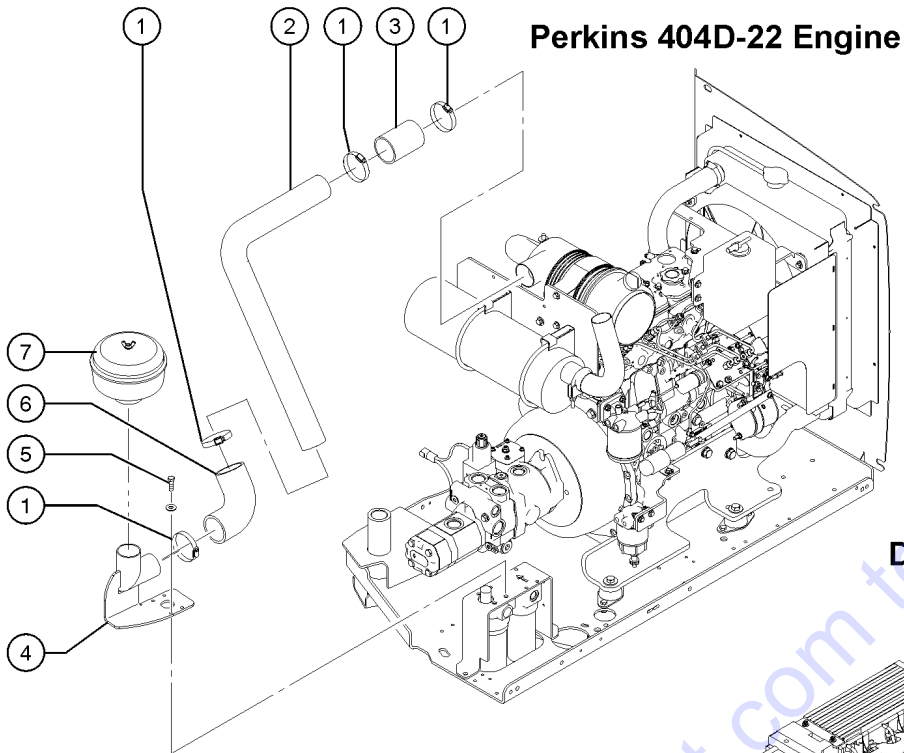
913.1 Hostile Environment, Cylinder Bellows and Cable Track



913.1 Hostile Environment, Cylinder Bellows and Cable Track

Item	Part No.	Description	Qty.
1	106099GT	COVER,CABLE TRACK.....1 <i>(not shown) models with Deluxe Hostile Option</i>	1
1	824027GT	NUT,TL FLG,1/4-20,G,ZAG.....4	4
1	824079GT	SCREW,HHF,1/4-20X1,8,ZAG.....4	4
2	94479GT	BELLOWS,CYLINDER LIFT.....1	1
--	34955GT	CLAMP,HOSE,5.00	
--	35432GT	CLAMP,HOSE,6.50	
3	94463GT	BELLOWS,MASTER CYLINDER.....1	1
--	22672GT	CLAMP,HOSE,1.75	
--	34955GT	CLAMP,HOSE,5.00	
4	63727GT	COVER, PROTECTIVE, OSCILLATE....2 <i>Oscillate Only</i>	2
--	22672GT	CLAMP,HOSE,1.75 <i>Oscillate Only</i>	
--	34955GT	CLAMP,HOSE,5.00 <i>Oscillate Only</i>	
5	34922GT	COVER,PROTECTIVE,STEERING.....2	2
--	22672GT	CLAMP,HOSE,1.75	
--	34955GT	CLAMP,HOSE,5.00	
6	94537GT	BELLOWS,CYLINDER,PLAT LEVEL.....1	1
--	1253185GT	WASHER,FLAT,#10,USS,ZAG	
--	22672GT	CLAMP,HOSE,1.75	
--	23405GT	NUTSERT,10-32 STEEL CAD PLTD	
--	826516GT	SCREW, PHPM, 10-32 X 1.0, ZAG	
--	94533GT	PLATE,BACKING BELLOWS	
7	34505GT	COVER,PROTECTIVE,JIB CYLINDER...1 <i>S-65 Only</i>	1
--	30971GT	CLAMP,HOSE,3.00" <i>S-65 Only</i>	
--	36208GT	CLAMP,HOSE,1.25*** <i>S-65 Only</i>	
8	T107895GT	DECAL,PROTECTOR,CLEAR.....1	1

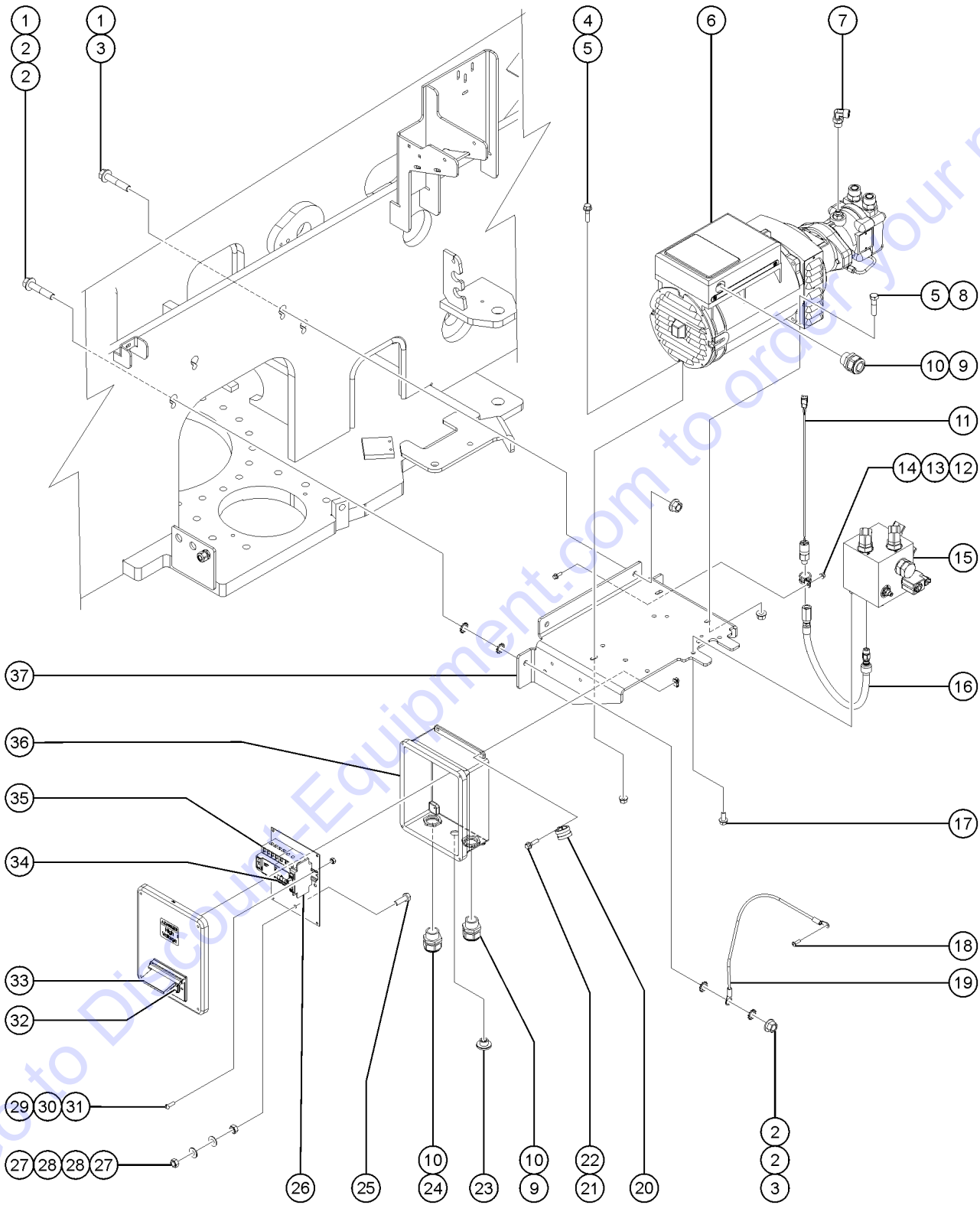
914.1 Hostile Environment, Engine Air Pre-Cleaners



914.1 Hostile Environment, Engine Air Pre-Cleaners

Item	Part No.	Description	Qty.
1	45435GT	CLAMP,HOSE,2.50"***	4
2	77891GT	TUBE,AIR INTAKE.....	1
3	34162-0400GT	HOSE,AIR INTAKE 2.5" I.D.....	1
4	1262359GT	WELDMENT, PRE-CLEANER, BRACKET	
5	824090GT	SCREW,HHF,3/8-16X1,8,ZAG	
6	34164GT	ELBOW,90 DEGR,RUBBER,2.5" I.D.*	1
7	34959GT	PRECLEANER,AIR INTAKE***	1
8	70529GT	CAP,PLASTIC,2.5 ID.....	1
9	824079GT	SCREW,HHF,1/4-20X1,8,ZAG	
10	824027GT	NUT,TL FLG,1/4-20,G,ZAG	
11	101639GT	CLAMP,5.38,#86 X 3/8,RUB CUSH.....	2
12	88493GT	PRECLEANER,AIR INTAKE.....	1
13	34955GT	CLAMP,HOSE,5.00.....	2
14	822871GT	HOSE,STRAIGHT,4" ID X 3.6" LG.....	1
15	822817GT	WELDMENT,PRECLEANER BOX.....	1
16		Ref: Shroud refer to section 500	

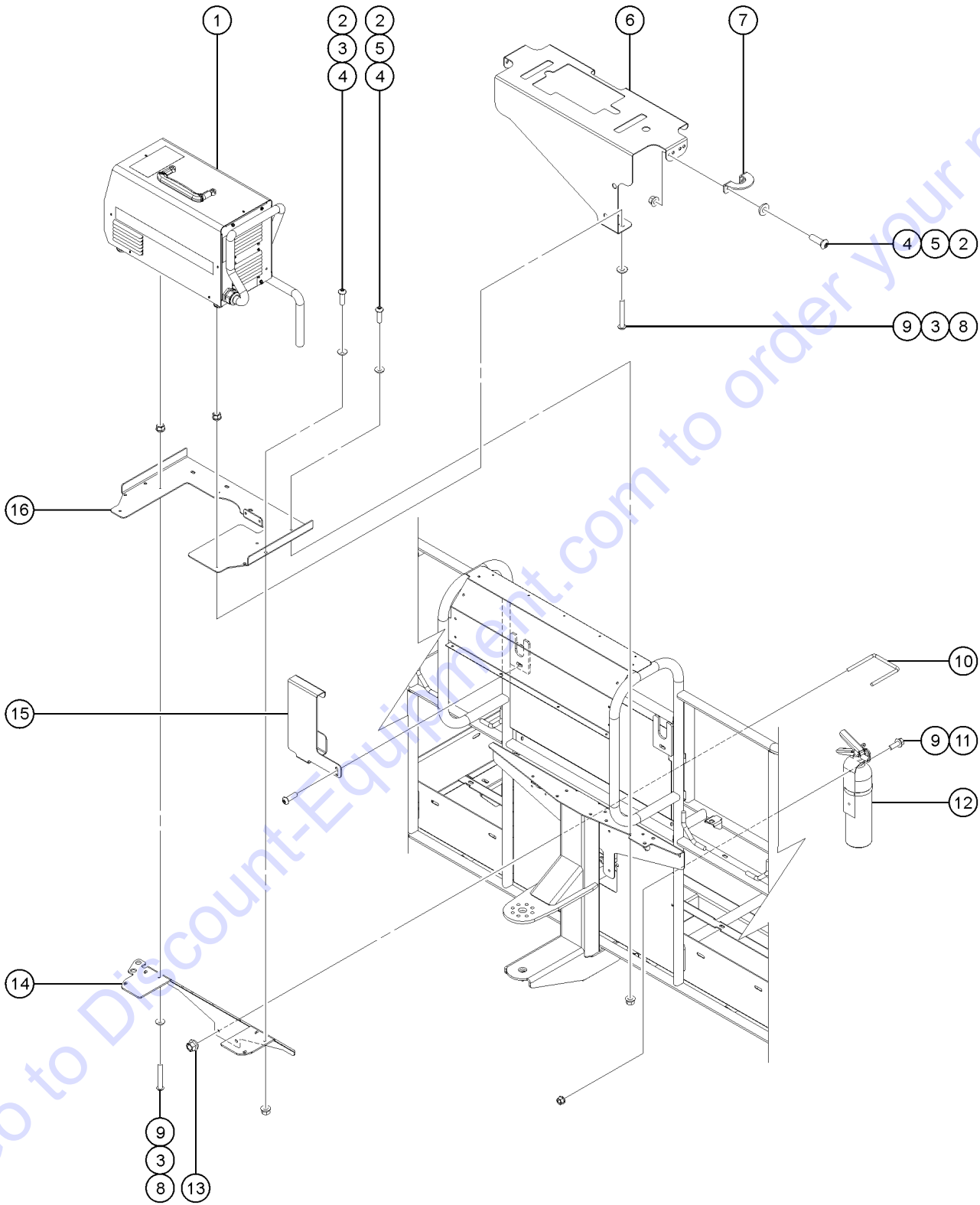
915.1 Welder Option, Chassis Components



915.1 Welder Option, Chassis Components

Item	Part No.	Description	Qty.	Item	Part No.	Description	Qty.
A	217439GT	ASSEMBLY,WELDER,TURNTABLE,S60/.1		18	1257227GT	SCREW,PHPM,10-32X.625,ZAG.....	1
B	227532GT	J-BOX ASSEMBLY,8X10.....	1	19	106520GT	GROUNDING CABLE ASSEMBLY,18"....	1
C	228320GT	KIT,WIRE,12.5KW WELDER.....	1	20	18666GT	CLAMP,1.00,#16 X 1/4,RUB CUSH.....	1
		(to SN S60H-37256)		21	824079GT	SCREW,HHF,1/4-20X1.8,ZAG.....	2
D	1280705GT	ASSEMBLY, CABLE, GEN TO J-BOX, S60/65.....	1	22	824027GT	NUT,TL FLG,1/4-20,G,ZAG.....	2
		(from SN S60H-37257)		23	106495GT	PLUG,1/2" HUBBLE.....	1
E	106203GT	CLAMP,LINK,WELD CABLE/HOSE		24	106077GT	CABLE SQUEEZE CONN .63-.75.....	1
F	106272GT	BIT,3/16,HEX SOCKET,SECURITY		25	49379GT	SCREW,HHC,M8 X 1.25 X 25.....	1
G	106521GT	GROUNDING CABLE ASSEMBLY,165"		26	106073GT	CIRCUIT BREAKER,20A,SINGLE PH....	1
H	106522GT	GROUNDING CABLE ASSEMBLY,16"		27	22571GT	NUT,HEX,M8 X 1.25.....	2
I	106523GT	GROUNDING CABLE ASSEMBLY,36***		28	6638GT	WASHER,FLAT,USS,1/4"Y.....	2
J	106607GT	HARNESS,LINCOLN WELDER***		29	54365GT	SCREW,PHIL,PHM,10-32 X .5,SSTL....	2
K	119056GT	CONN,PLUG 2 WAY,14-18GA		30	228332GT	DIN RAIL, 6.50".....	1
L	128050GT	CLAMP, HYD, WELD, AIR, OPT		31	6178GT	NUT,NYLOCK,10-32.....	2
M	1276694GT	KIT, RETROFIT, WELDGEN, MAG BREAKER		32	80543GT	RECEPTACLE, 120VAC, 20A, GFCI.....	1
1	1255802GT	SCREW,HHF,1/2-13X2.5,8,ZAG.....	4	33	74006GT	COVER,GFCI,HORIZONTAL,WEATHER.1	
2	8887GT	WASHER,STAR,EXTERNAL,.5.....	4	--	12344GT	NUT,NYLOCK,6-32	
3	1251997GT	NUT,TL FLG,1/2-13,G,ZAG.....	4	34A	227425GT	CIRCUIT BREAKER, 35A 3PH.....	1
4	824066GT	SCREW,HHF,5/16-18X1.5,8,ZAG.....	1			(to SN S60H-37256)	
5	824028GT	NUT,TL FLG,5/16-18,G,ZAG.....	3	34B	1276986GT	CIRCUIT BREAKER,MAGTRIP,3PH,40A.....	1
6		Ref. GENERATOR,HYDRA,25CC,208V***	1			(from SN S60H-37257)	
		(refer to 917.1)		35A	227424GT	CIRCUIT BREAKER,GFCI 30mA 3PH....	1
7	48932GT	FITTING,ELBOW,90D,520220-8***	1			(to SN S60H-37256)	
8	824087GT	SCREW,HHF,5/16-18X1.25,8,ZAG.....	2	35B	824617GT	CIRCUIT BREAKER,GFCI,3PH,63A,3....	1
9	20776GT	CABLE SQUEEZE CONN.....	2			(from SN S60H-37257)	
10	18665GT	LOCKNUT,ELECTRIC,1" NPT.....	3	36A	106206GT	J-BOX,CIRCUIT BREAKERS,8X10***	1
11A	146284GT	SWITCH,PRESS,#4NPT,200PSIF.....	1			(to SN S60H-37256)	
		Location changed from SN S60H-37257, for first time replacement, order service kit 1271398GT.		36B	1278471GT	JBOX, CIRCUIT BREAKERS, 8X10.....	1
						(from SN S60H-37257)	
11B	1271398GT	KIT,GEN. PRESSURE SWITCH includes pressure switch, hose, fittings and installation instructions		--	1276672GT	BOOT, ENVIRO, 3PH CIRCUIT BREAKER (from SN S60H-37257)	
12	824027GT	NUT,TL FLG,1/4-20,G,ZAG from SN S60H-37257		37	106114PGT	BRACKET,GENERATOR 12.5 KW,PNTD.....	1
13	1257993GT	CLAMP, .875, #14 X .531, RUB CUSH....	1				
		from SN S60H-37257					
14	824078GT	SCREW,HHF,1/4-20X.75,8,ZAG from SN S60H-37257					
15		Ref. MANIFOLD,DRIVE OIL DIVERTER.....	1				
		(refer to 918.1)					
16	1271313GT	HOSE ASSEMBLY,1/4",3250PSI from SN S60H-37257					
17	824085GT	SCREW,HHF,5/16-18X.75,8,ZAG.....	2				

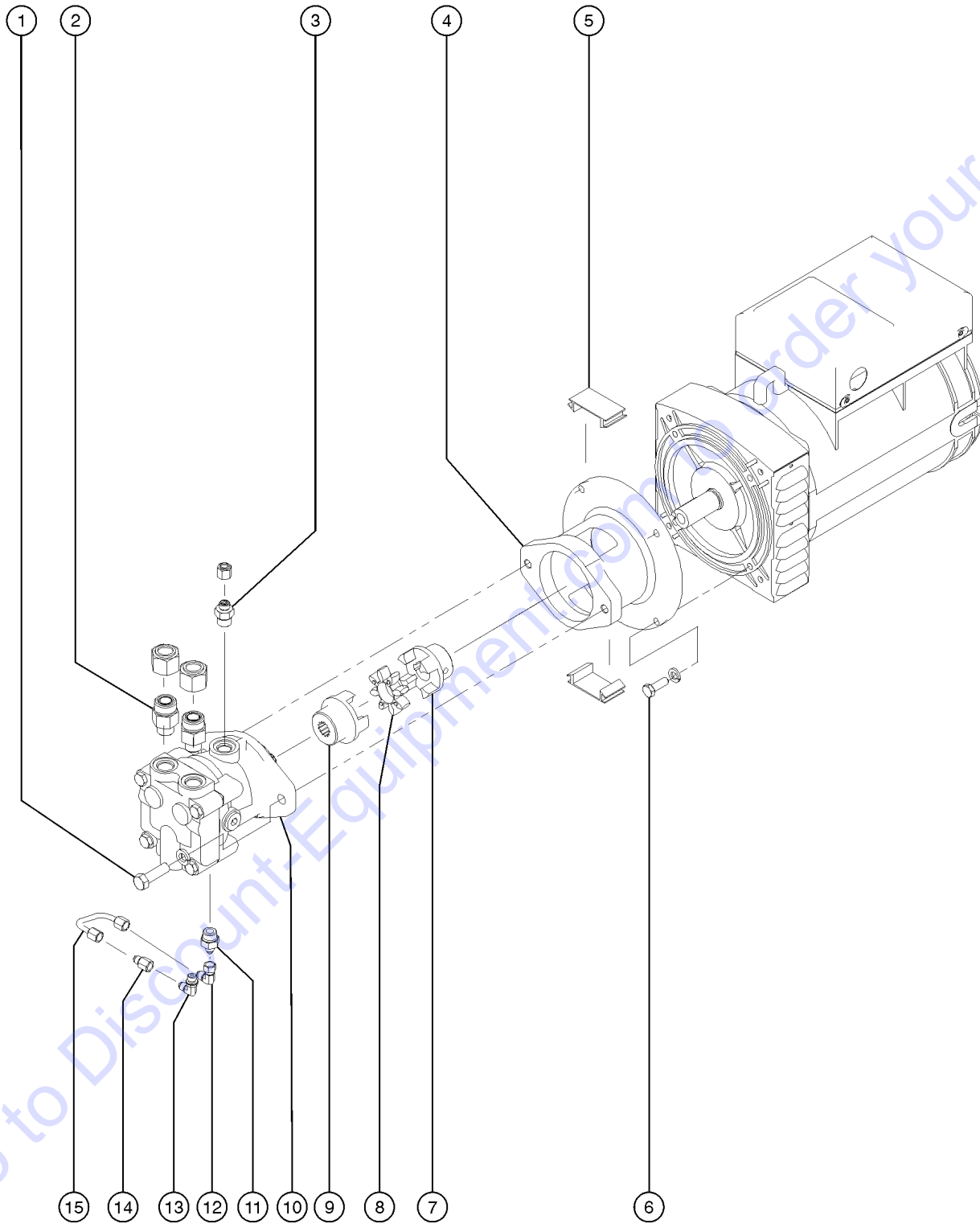
916.1 Welder Option, Platform Components



916.1 Welder Option, Platform Components

Item	Part No.	Description	Qty.
A	217440GT	ASSEMBLY,WELDER,PLATFORM,S60/6.1	
B	228320GT	KIT,WIRE,12.5KW WELDER.....1	1
C	228321GT	KIT,WIRE,12.5KW WELDER.....1	1
D	106273GT	BIT,T-27,TORX SOCKET,SECURITY.....1	1
E	214620GT	SOCKET,3P,30A,4 WIRE, FEM.....1	1
F	214621GT	SOCKET, BOOT, 3P, 30A, 4 WIRE.....1	1
G	214622GT	PLUG, BOOT, 3P, 30A, 4 WIRE.....1	1
H	106607GT	HARNES,LINCOLN WELDER***.....1	1
I	110276-1600GT	FIRE SLEEVE, 1.25"	
J	110276-2300GT	FIRE SLEEVE, 1.25"	
K	110276-2800GT	FIRE SLEEVE, 1.25"	
1A	101525GT	WELDER,INVERTEC V275-S.....1	1
		<i>shown</i>	
--	106183GT	FUSE,.6AMP,250V,WELDER,V275S	
--	106275GT	KIT,WELD LEADS ASSY,V275S	
--	214623GT	PLUG, 3P,30A, 4 WIRE, MALE,	
1B	214619GT	WELDER, MILLER, CST 280.....1	1
2	128322GT	SCREW,5/16-18X1.00,SECURITY	
		TO.....10	10
--	128323GT	BIT,TORX SOCKET,SECURITY	
3	824113GT	WASHER,FLAT,USS,1/4,ZAG.....5	5
4	824028GT	NUT,TL FLG,5/16-18,G,ZAG.....10	10
5	825358GT	WASHER,FLAT,5/16,USS,ZAG.....9	9
6	101547PGT	BRACKET,WELDER SUPPORT,PNT.....1	1
7	217366GT	BRACKET,WELDER TOP.....2	2
8	1253408GT	SCREW,BHTC-PIN,1/4-20X1.75,ZAG.....4	4
9	824027GT	NUT,TL FLG,1/4-20,G,ZAG.....6	6
10	106044GT	U-BOLT,3/8-16X4X4.63X3.00.....1	1
11	824078GT	SCREW,HHF,1/4-20X.75,8,ZAG.....2	2
12	88406GT	FIRE EXTINGUISHER.....1	1
		<i>includes mounting strap</i>	
13	824029GT	NUT,TL FLG,3/8-16,G,ZAG.....2	2
14	101701PGT	BRACKET,WELDER MNT	
		SUPPORT,PNT.....1	1
15	106204PGT	BRACKET,V275S WELD LEADS.....1	1
16	106109PGT	BRACKET,WELDER COVER,PNTD.....1	1

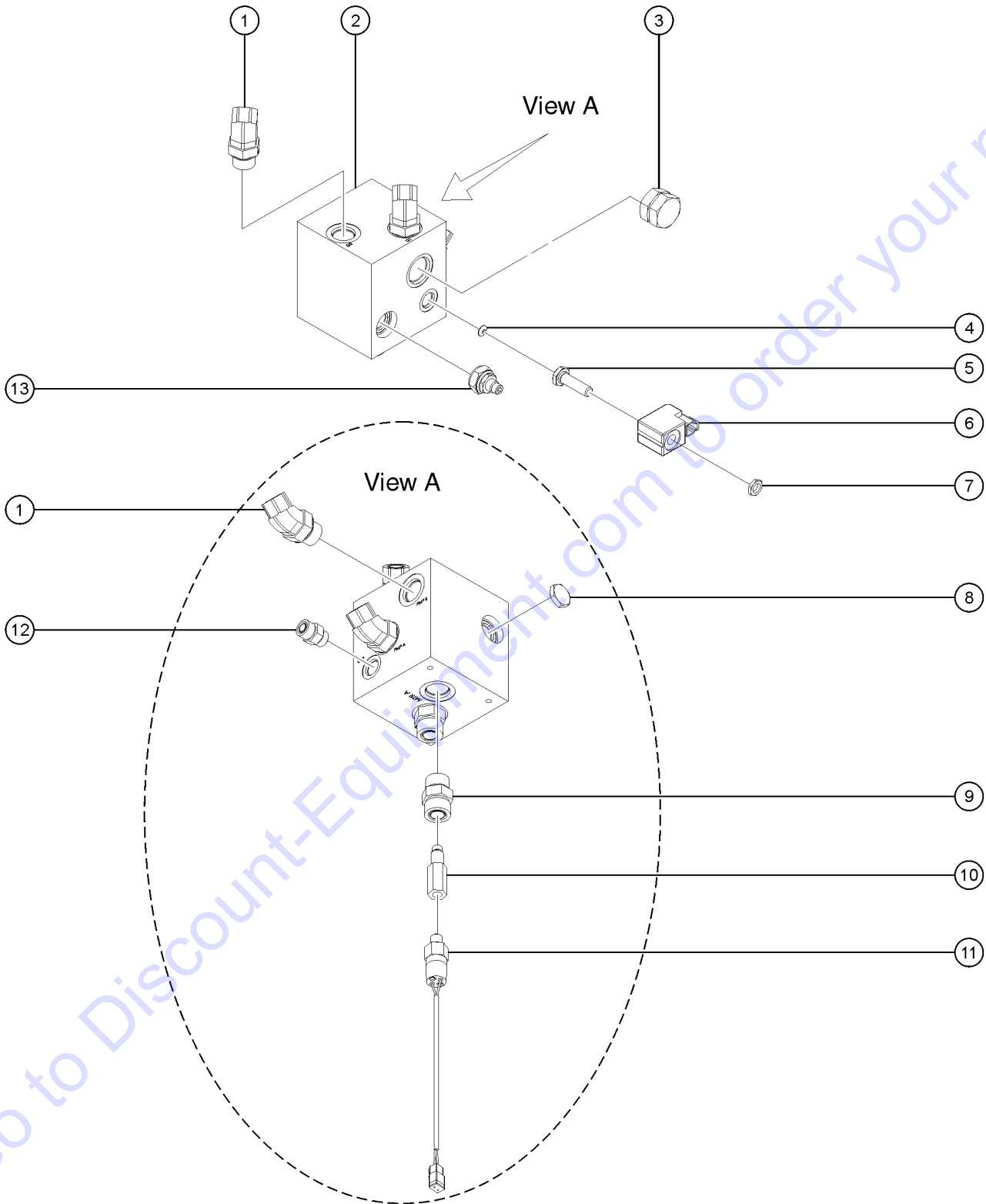
917.1 Welder Option, Generator Components



917.1 Welder Option, Generator Components

Item	Part No.	Description	Qty.
A	139367GT	GENERATOR,HYDRA,25CC,208V***.....1	
--	1273323GT	ALTERNATOR for 139367	
--	139919GT	FITTING,ORIFICE,.047	
--	32675GT	SEAL KIT,SUNSTRAND	
1	826171GT	SCREW,HHF,1/2-13X1.75,ZAG.....2	
2	48975GT	CONN,520120-12-10.....2	
3	48914GT	CONN,520120-4-8.....1	
4		Ref: Hydraulic Motor Mount.....1 <i>consult Discount-equipment</i>	
5		MOUNT COVER.....2 <i>consult Discount-equipment</i>	
6	232874GT	SCREW,HHF,M10-1.5X30,DIN6921,10.9,ZAB.4	
7	147404GT	DRIVE COUPLING,KEYED.....1	
8	58631GT	COUPLER,INSERT.....1	
9	147405GT	DRIVE COUPLING, 13 TOOTH.....1	
10	33432GT	MOTOR,HYD,25CC FIXED***.....1 <i>Sauer Motor for Harrison Generator; Consult Discount-equipment</i>	
--	147418GT	ASSY,BLEED LINE (139367)	
11	39879GT	CONNECTOR,070120-4-8.....1	
12	87246GT	ELBOW,SWIVEL NUT 90DEG,-4.....1	
13	13921GT	ELBOW,070220-4-4.....1	
14	139919GT	FITTING,ORIFICE,.047.....1	
15	147418GT	ASSY,BLEED LINE (139367).....1	

918.1 Welder Option, Manifold Components

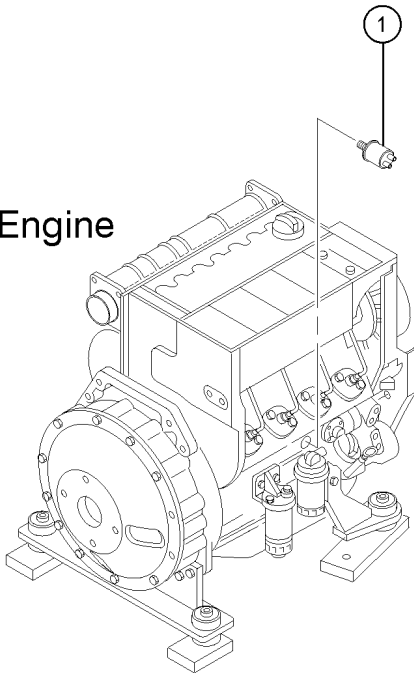


918.1 Welder Option, Manifold Components

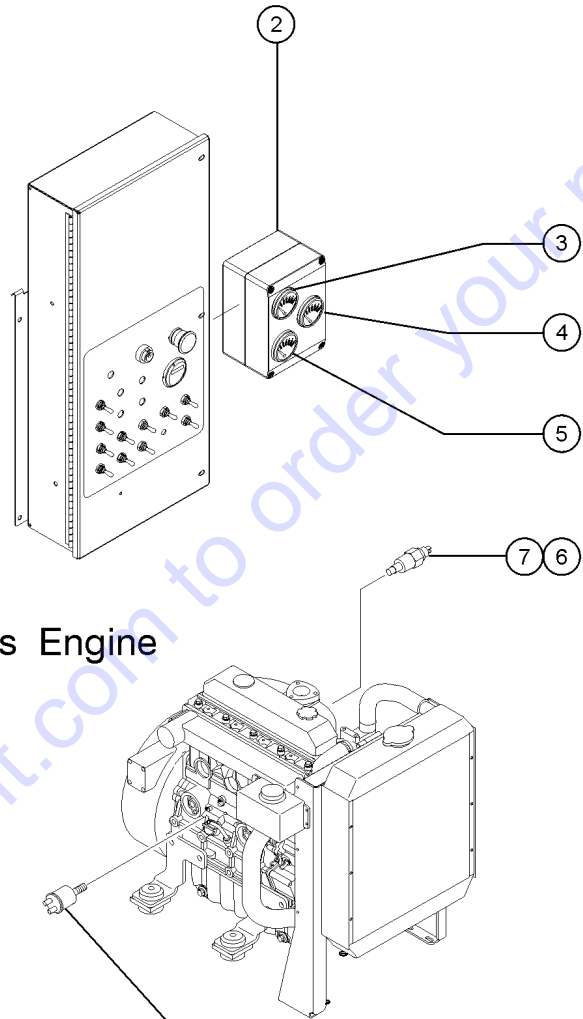
Item	Part No.	Description	Qty.
1	48963GT	FITTING,ELBOW,45D,520320-12***.....	4
2	101516GT	MANIFOLD,DRIVE OIL DIVERTER.....1 <i>(includes items 3-8 and 13)</i>	1
3	102746GT	VALVE,PILOT OPER DIRECTIONAL.....	1
4	106394GT	ORIFICE DISC,.030,CONE.....	1
5	94760GT	VALVE,SOLENOID,10V,W/OUT COIL*....	1
6	94765GT	COIL-10V DC***.....	1
7	94759GT	NUT,SOLENOID.....	1
8	94757GT	VALVE,CHECK,3 PSI***.....	1
9	48960GT	FITTING,CONN,520120-12***	2
10	146285GT	CONN, SAE#4-1/4" NPT.....	1
11A	146284GT	SWITCH,PRESS,#4NPT,200PSIF.....1 <i>for first time replacement, order service kit 1271398GT.</i>	1
11B	1271398GT	KIT,GEN. PRESSURE SWITCH <i>includes pressure switch, hose, fittings and installation instructions</i>	
12	48933GT	CONN,520120-8***	1
13	122302GT	RELIEF,VALVE 270 PSI.....	1

919.1 Gauge Option

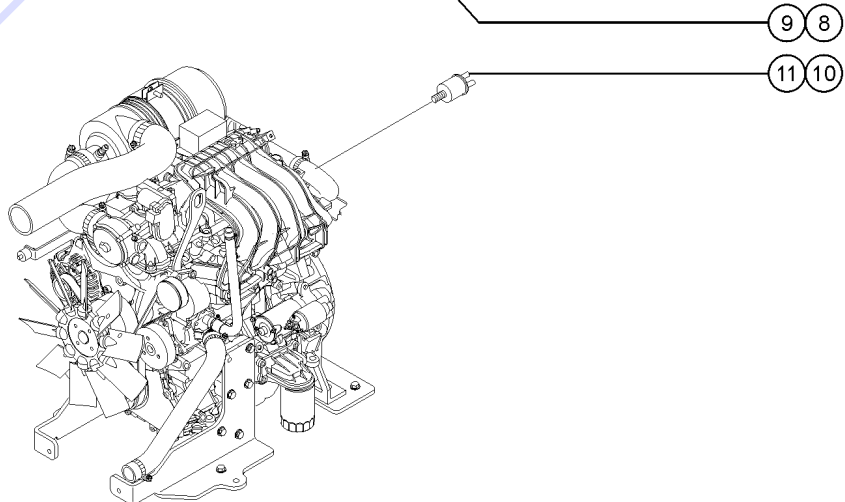
Deutz Engine



Perkins Engine



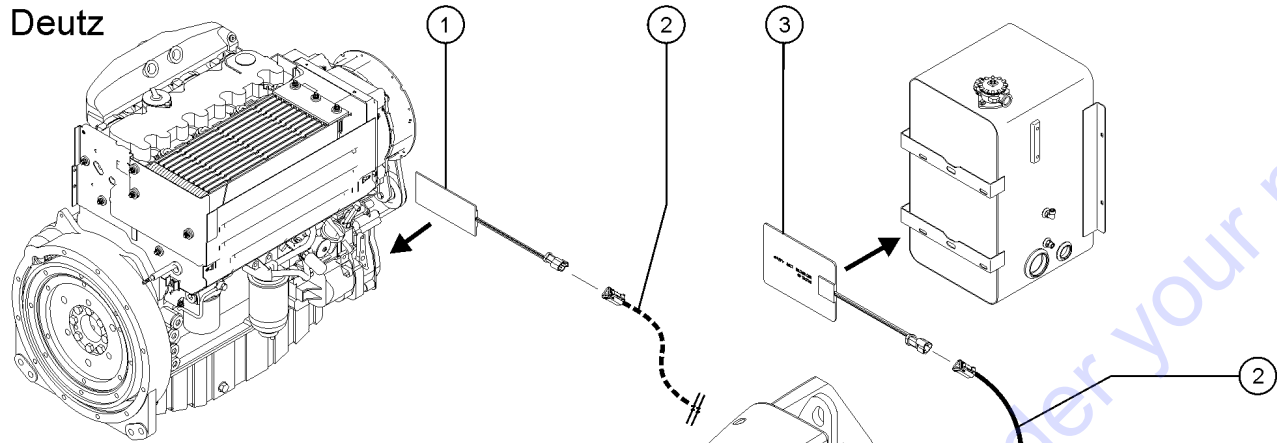
Ford Engine



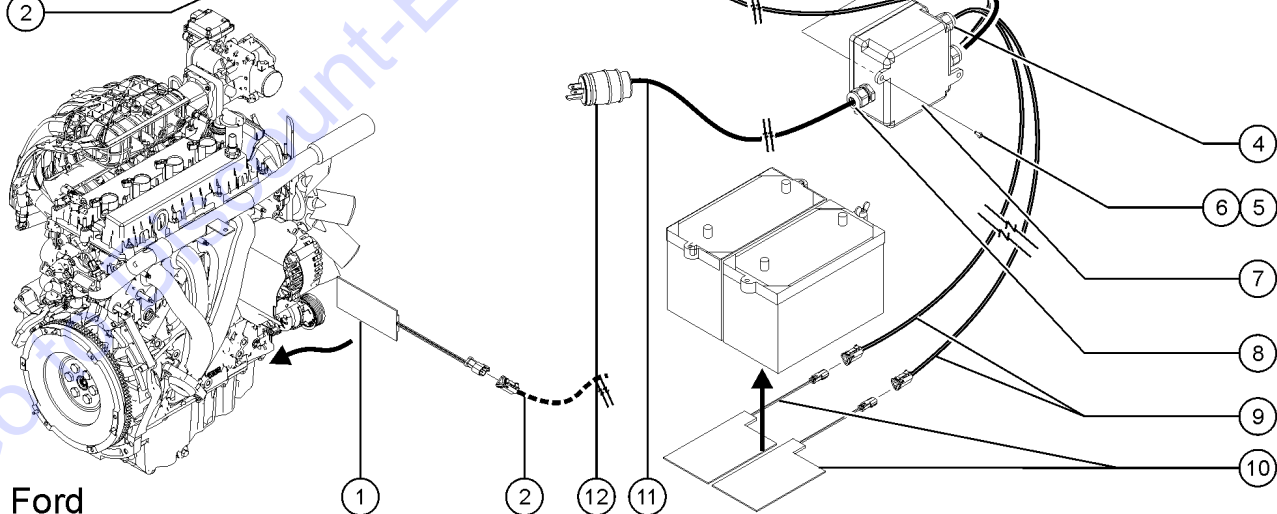
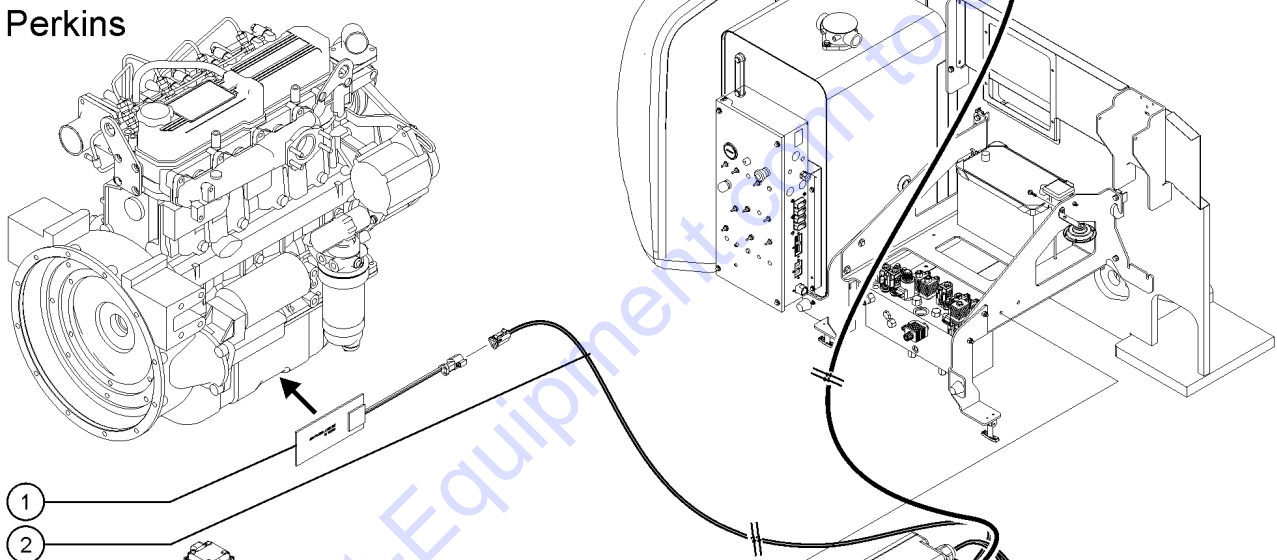
Item	Part No.	Description	Qty.
A	T109334GT	ACC,FULL GAUGE,FORD DSG423,SV	
B	T109333GT	ACC,FULL GAUGE,DEUTZ,SERV	
C	T109332GT	ACC,FULL GAUGE,PERKINS,SERV	
1	106033GT	ADAPTER,NPT 6-4	
2	101232GT	ENCLOSURE BOX,GAUGE OPT,DRILLD.....1 <i>bracket not included</i>	
--	139878GT	FORMING, GAUGE OPTION BRACKET.....1 <i>not included with 101232, must order separately</i>	
3	53761-SGT	GAUGE,VOLTAGE.....1	
4	53758-SGT	GAUGE,OIL PRESSURE W/O SENDER.....1	
5	53759-SGT	GAUGE,WATER TEMP.....1 <i>Perkins and Ford models only</i>	
6	34058GT	SENDING UNIT,TMP,FRD,GM,PRK704.....1	
7	28607GT	ADAPTER,140139-8-6.....1	
8	30810GT	SENDING UNIT,OIL PRESSURE***1 <i>dual-terminal sender</i>	
9	71038GT	ADAPTER, 1/8 X 1/4 F3H6-S.....1	
10	119418GT	ADAPTER,140130-4-4.....1	
11	119417GT	TEE,RUN,1/4" PIPE.....1	

920.1 Cold Start Package

Deutz



Perkins

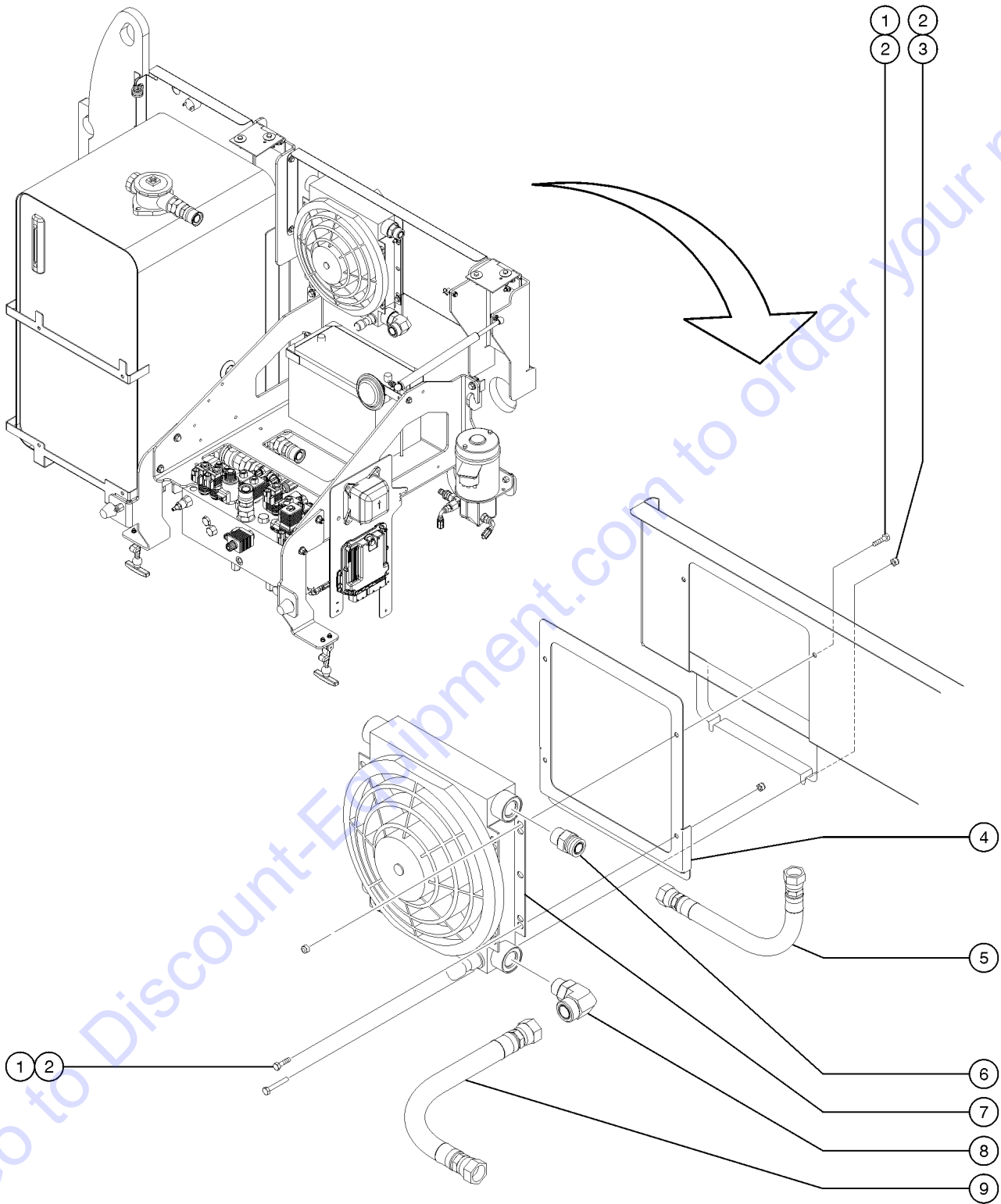


Ford

920.1 Cold Start Package

Item	Part No.	Description	Qty.	Item	Part No.	Description	Qty.
1A	216615GT	ASSY HEATER, MODEL 18, 120V.....1 <i>120V models</i>	1	--	119056GT	CONN,PLUG 2 WAY,14-18GA	
--	119066GT	CONN,RECEP 3 WAY ENDCAP DT		--	60425GT	LOCK, PLUG 2WAY, 14-18GA	
--	60441GT	LOCK,RECEP 3 WAY,14-18GA		10A	216617GT	ASSY, BATTERY HEATER, 120V <i>120V models</i>	
1B	216616GT	ASSY HEATER,MODEL 18,240V.....1 <i>240V models</i>	1	--	119065GT	CONN,RECEP 2 WAY ENDCAP DT	
--	119066GT	CONN,RECEP 3 WAY ENDCAP DT		--	60439GT	LOCK,RECEP 2 WAY, 14-18GA	
--	60441GT	LOCK,RECEP 3 WAY,14-18GA		10B	216618GT	ASSY BATTERY HEATER,240V <i>240V models</i>	
2A	216662GT	HARNESS,ENG/HYD HEATER,120V.....1 <i>120V models</i>	1	--	119065GT	CONN,RECEP 2 WAY ENDCAP DT	
--	101199-200GT	SHRINK TUBE,BLACK,RHW,1/2,3:1		--	60439GT	LOCK,RECEP 2 WAY, 14-18GA	
--	119057GT	CONN PLUG 3 WAY ENDCAP DT		11A	216606GT	HARNESS, 120V POWER CORD, 24"....1 <i>120V models includes plug and hubble</i>	1
--	60427GT	LOCK,PLUG 3 WAY,14-18GA		--	101199-200GT	SHRINK TUBE,BLACK,RHW,1/2,3:1	
2B	216683GT	HARNESS,ENG/HYD HEATER,240V.....1 <i>240V models</i>	1	--	45845GT	TERMINAL, RING, #10 YELLOW	
--	101199-200GT	SHRINK TUBE,BLACK,RHW,1/2,3:1		11B	216607GT	HARNESS, 240V POWER CORD, 24"....1 <i>240V models includes hubble</i>	1
--	119057GT	CONN PLUG 3 WAY ENDCAP DT		--	101199-200GT	SHRINK TUBE,BLACK,RHW,1/2,3:1	
--	60427GT	LOCK,PLUG 3 WAY,14-18GA		--	45845GT	TERMINAL, RING, #10 YELLOW	
3A	216612GT	ASSY,120V HEATER, HYD TANK.....1 <i>120V models</i>	1	12	119403GT	CONN,PLUG 120 AC/15A DOMESTIC...1 <i>120V models</i>	1
--	119066GT	CONN,RECEP 3 WAY ENDCAP DT					
--	60441GT	LOCK,RECEP 3 WAY,14-18GA					
3B	216611GT	ASSY,240V HEATER, HYD TANK.....1 <i>240V models</i>	1				
--	119066GT	CONN,RECEP 3 WAY ENDCAP DT					
--	60441GT	LOCK,RECEP 3 WAY,14-18GA					
4	99778GT	SQUEEZE CONNECTOR, 4 WIRE.....2 <i>included in harness</i>	2				
--	238123GT	HUBBLE NUT, PG11					
5	826516GT	SCREW, PHPM, 10-32 X 1.0, ZAG					
6	824032GT	NUT,TL FLG,10-32,F,ZAG					
7	214249GT	COLD WEATHER 120V J BOX ASSY....1	1				
--	13597GT	TERMINAL,#10 RING,BLUE.....4	4				
--	215347GT	COLD PKG GROUND, JUMPER ASSY.....1	1				
--	69776GT	TERMINAL,STRIP,4-POLE,600V***.....1	1				
8	214536GT	SQUEEZE CONN W/NUT, 2WIRE, 4MM.....1 <i>included in harness</i>	1				
9A	216655GT	HARNESS,BATT CABLE,120V <i>120V models</i>					
--	101199-200GT	SHRINK TUBE,BLACK,RHW,1/2,3:1					
--	119056GT	CONN,PLUG 2 WAY,14-18GA					
--	60425GT	LOCK, PLUG 2WAY, 14-18GA					
9B	216676GT	HARNESS,BATT CABLE,240V <i>240V models</i>					
--	101199-200GT	SHRINK TUBE,BLACK,RHW,1/2,3:1					

921.1 Hydraulic Oil Cooler Option

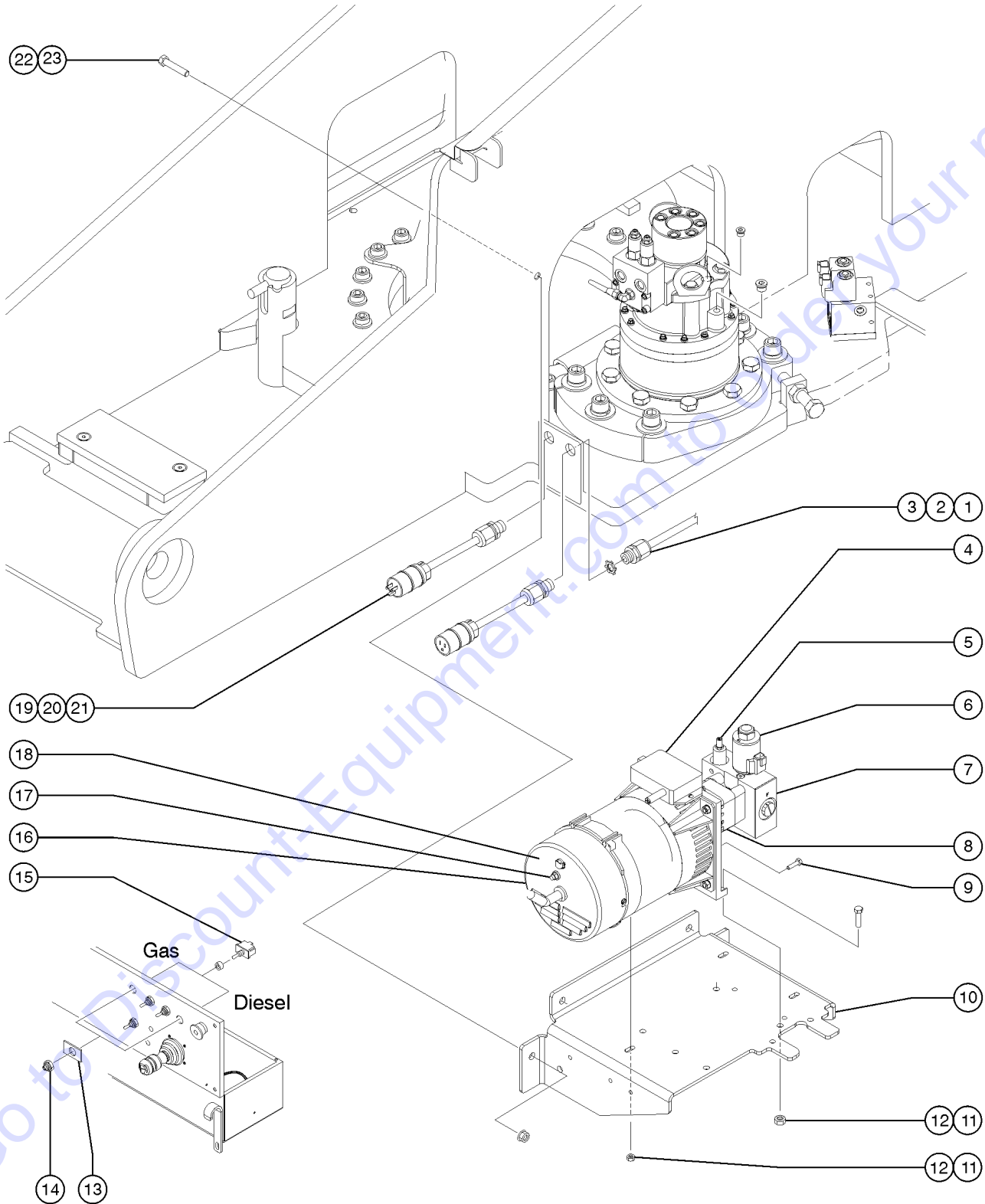


921.1 Hydraulic Oil Cooler Option

Item	Part No.	Description	Qty.
A	T109335GT	ACC, OIL COOLER,S60, SERV	
1	824078GT	SCREW,HHF,1/4-20X.75,8,ZAG.....	4
2	824027GT	NUT,TL FLG,1/4-20,G,ZAG.....	6
3	824081GT	SCREW,HHF,1/4-20X1.5,8,ZAG.....	2
4	77693GT	FORMING,OIL COOLER MOUNT.....	1
5	1259905GT	HOSE ASSY, 3/4", 28.55".....	1
6	48960GT	FITTING,CONN,520120-12***.....	1
7	71259GT	OIL COOLER W/FAN, 12VDC.....	1
8	48878GT	ELBOW,90D,520220-16-12.....	1
9	94205-3164GT	HOSE ASSY,3/4,45 FEM,STR MALE.....	1

Go to Discount-Equipment.com to order your parts

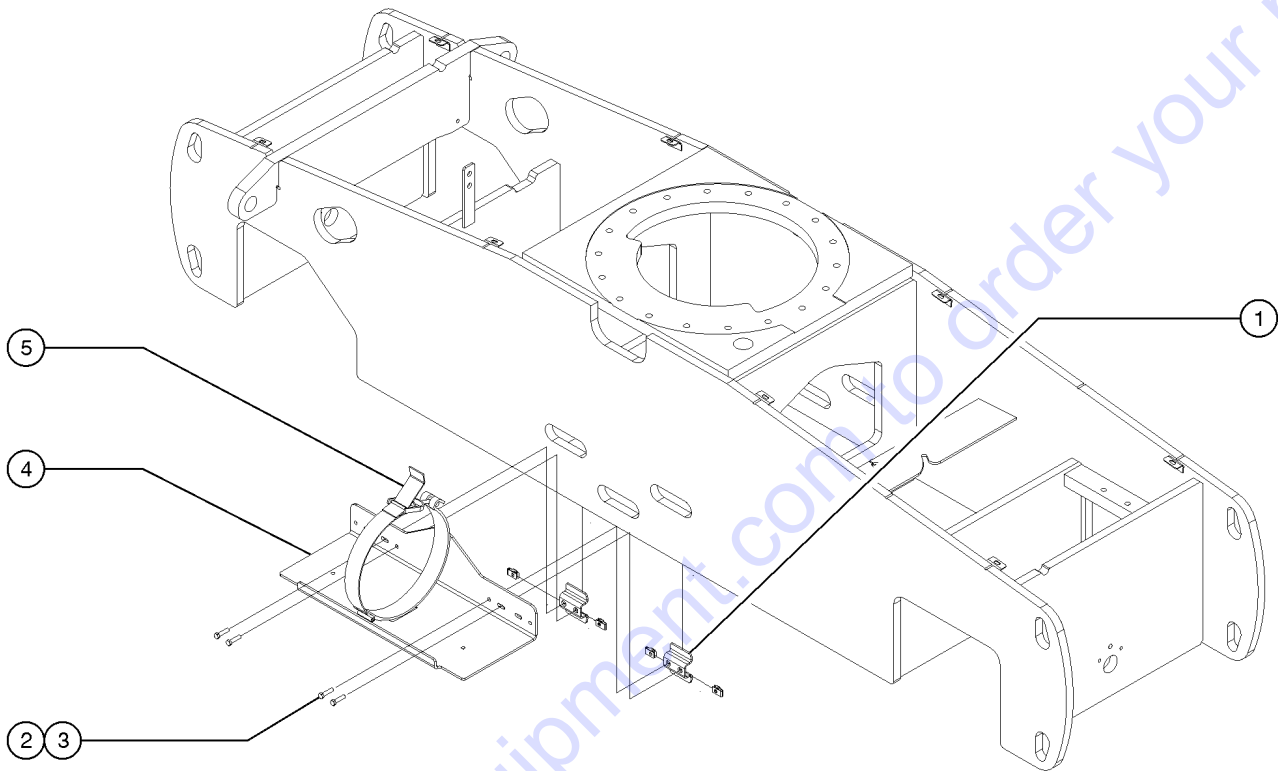
922.1 Hydraulic Generator



922.1 Hydraulic Generator

Item	Part No.	Description	Qty.	Item	Part No.	Description	Qty.
A	236923GT	FIELD KIT,MTE, 120V-50HZ, S60 <i>only for European machines already equipped with an oil cooler</i>		17A	147239GT	BREAKER, 25 AMP, GEN.....1 <i>(part of generators 139952 and 139953)</i>	1
B	216178GT	KIT,MTE&OIL COOL,120V50HZ,S60 <i>only for European machines without an oil cooler</i>		17B	147258GT	BREAKER,15 AMP,GEN <i>(part of generator 139954)</i>	
C	822687GT	FIELD KIT,MTE 120V-60HZ, S60.....1 <i>for units with oil cooler already installed</i>	1	18A	147241GT	COVER, END, GEN, 120V.....1 <i>(part of generators 139952 and 139953)</i>	1
D	822688GT	KIT,MTE&OIL COOL,120V60HZ,S60.....1 <i>for units that do not already have an oil cooler installed</i>	1	18B	147262GT	COVER, END, GENERATOR, 240V <i>(part of generator 139954)</i>	
E	236924GT	FIELD KIT,MTE, 240V-50HZ, S60 <i>only for European machines already equipped with an oil cooler</i>		19	119403GT	CONN,PLUG 120 AC/15A DOMESTIC...1	
F	216181GT	KIT,MTE&OIL COOL,240V50HZ,S60 <i>only for European machines without an oil cooler</i>		20	61278GT	CONN. SQZ,1/2NPT .56-.63.....1	1
G	1271398GT	KIT,GEN. PRESSURE SWITCH		21	6935GT	LOCKNUT,ELEC,1/2".....1	1
1	6935GT	LOCKNUT,ELEC,1/2"		22	1256172GT	SCREW,HHF,1/2-13X 2,8,ZAG.....4	4
2	7057GT	CONN. SQZ,1/2NPT .39-.56 MED.		23	1251997GT	NUT,TL FLG,1/2-13,G,ZAG.....4	4
3	119404GT	CONN,RECEP 120AC/15A DOMESTIC.....1	1				
4A	1269693GT	CONTROL BOX,2KW,120/240V,50HZ.....1 <i>(part of generators 139952 and 139954)</i>	1				
4B	147228GT	CONTROLLER BOX, 120/240V, 60H <i>(part of generator 139953)</i>					
5	147233GT	VALVE, RELIEF, GEN, 3.0kW.....1	1				
6	147232GT	12VDC PROPORTIONAL VALVE.....1	1				
7	147229GT	MANIFOLD ASSEMBLY, GEN.....1 <i>(complete, includes items 5 and 6)</i>	1				
8	147230GT	207 HYD MOTOR ASSY, GEN.....1	1				
--	147231GT	SEAL KIT, HYD MOTOR, GEN					
9	147242GT	SCREW, GEN ROTOR.....4	4				
10	106114GT	BRACKET,GENERATOR12.5 KW,PNTD*.....1	1				
--	56361GT	CABLE TIE,BUTTON,BLACK,14.75LG...1	1				
11	824028GT	NUT,TL FLG,5/16-18,G,ZAG.....3	3				
12	824066GT	SCREW,HHF,5/16-18X1.5,8,ZAG.....2	2				
13	133518GT	DECAL, PATCH, GEN,ALC-500.....1	1				
14	27246GT	BOOT,TOGGLE SWITCH,SHORT*.....1	1				
15	128204GT	SWITCH TOGGLE ASSY SPDT 2P MNT.....1	1				
16A	139952GT	GENERATOR,3kW,120V/50Hz.....1 <i>(complete, includes items 4-9 and 17-18)</i>	1				
16B	139953GT	GENERATOR, 3kW, 120V/60Hz.....1 <i>(complete, includes items 4-9 and 17-18)</i>	1				
--	147239GT	BREAKER, 25 AMP, GEN					
--	147240GT	CAPACITOR 16 F, GEN					
16C	139954GT	GENERATOR,3kW,240V/50Hz.....1 <i>(complete, includes items 4-9 and 19-20)</i>	1				

923.1 2nd LP Tank Carrier

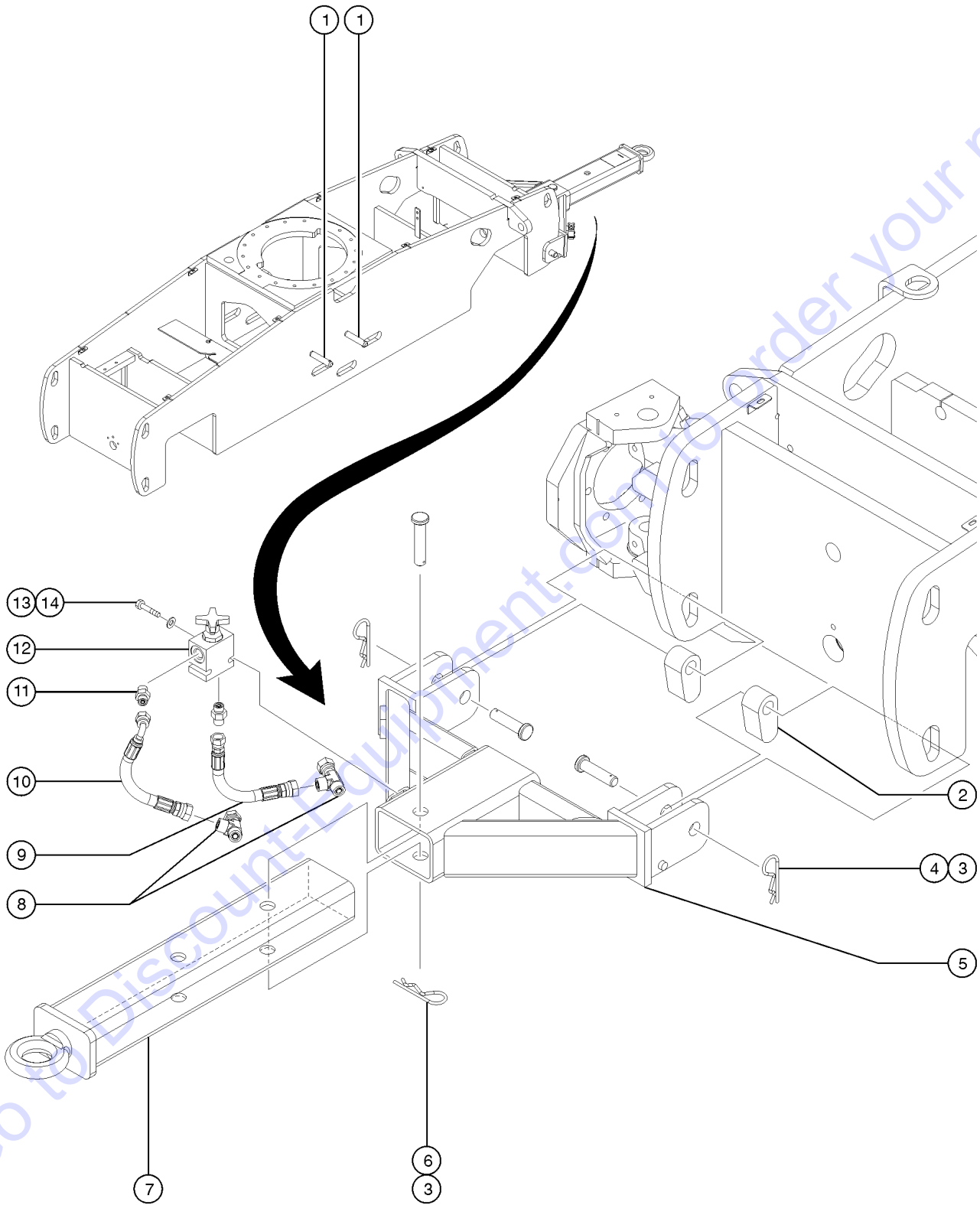


923.1 2nd LP Tank Carrier

Item	Part No.	Description	Qty.
--		NOTE: The 2nd LP Carrier may be located on either side of the machine	
1	1255731GT	FORMING,LP BRACKET MOUNT	
2	824091GT	SCREW,HHF,3/8-16X1.25,8,ZAG	
3	29868GT	SPRING CLIP,3/8-16,.05-.20X.73,ZAG	
4	1255730GT	WELDMENT,L.P. TANK MOUNT ***	
5	49000GT	L.P.TANK LATCH	

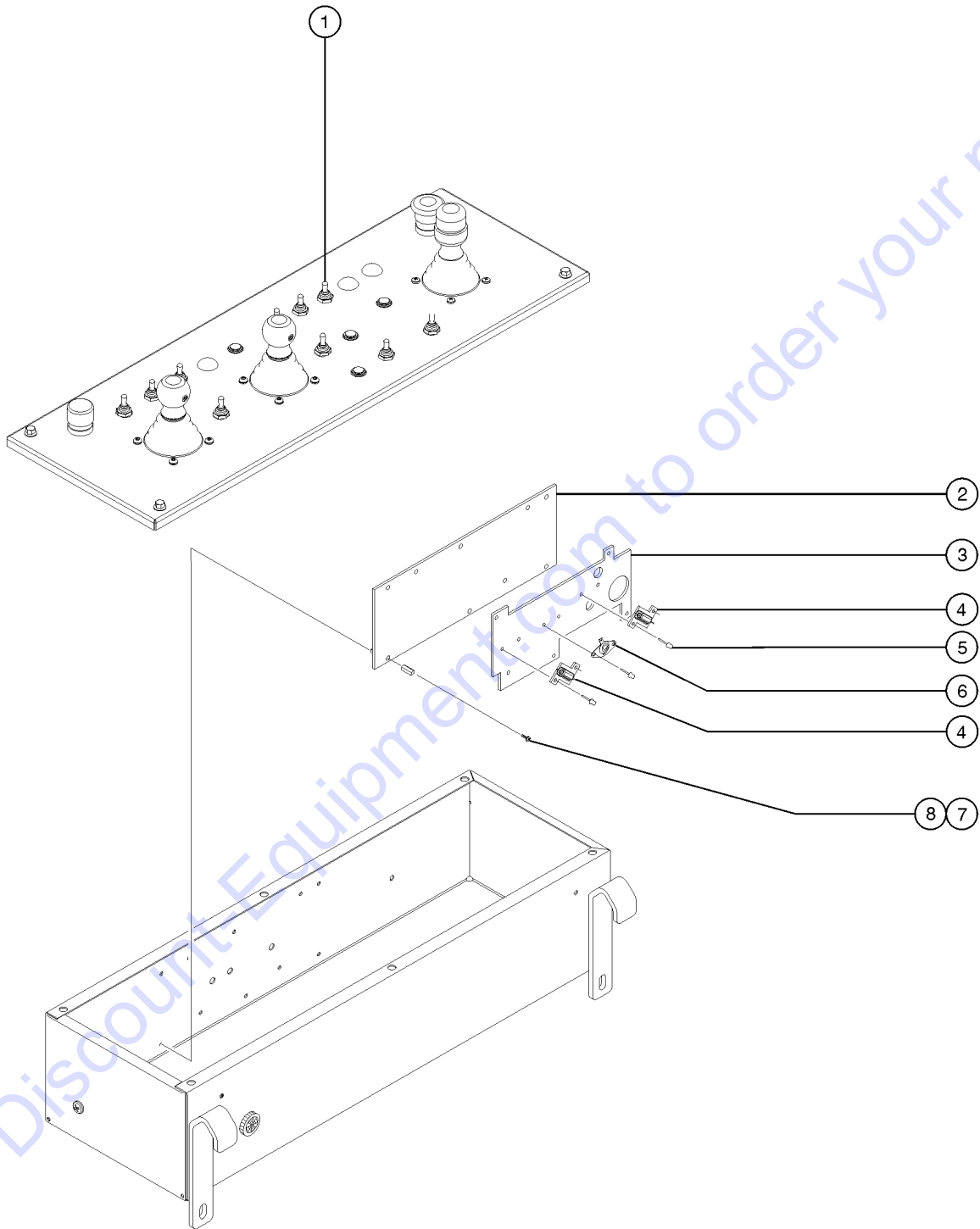
Go to Discount-Equipment.com to order your parts

924.1 Tow Package



Item	Part No.	Description	Qty.
1	47025GT	PIN,STORAGE,TOW PACKAGE.....2 <i>used to store 94420 WELDMENT,PULL BAR</i>	
2	1255727GT	PLATE,CHASSIS ATTACHMENT.....2 <i>from SN S6015A-30300</i>	
3	233108GT	RUE RING 1.25,ZAG.....3 <i>from SN S6015A-30300</i>	
4	1257868GT	PIN,CLEVIS,1.25X5.0,ZAG.....2 <i>from SN S6015A-30300</i>	
5	1255728GT	WELDMENT,TOW BAR.....1 <i>decal not included, refer to section 100</i>	
6	1257869GT	PIN,CLEVIS,1.25X6.0,ZAG.....1	
7	1255726GT	WELDMENT,PULL BAR.....1	
8	48875GT	TEE,RUN,SWIVEL,520432-6.....2	
9	49120-7131GT	HOSE ASSEMBLY,1/4".....1 <i>attach to right front steer cylinder</i>	
10	49163-7144GT	HOSE ASSEMBLY,1/4".....1 <i>includes 90-degree elbow fitting; attach to left steer cylinder</i>	
11	48912GT	CONN,520120-4-6***.....2	
12	25282GT	VALVE,NEEDLE,BRAKE RELEASE.....1	
13	824063GT	SCREW,HHC,1/4-20X1.75,8,ZAG.....2	
14	824113GT	WASHER,FLAT,USS,1/4,ZAG.....2	

925.1 Circuit Board Heater Option



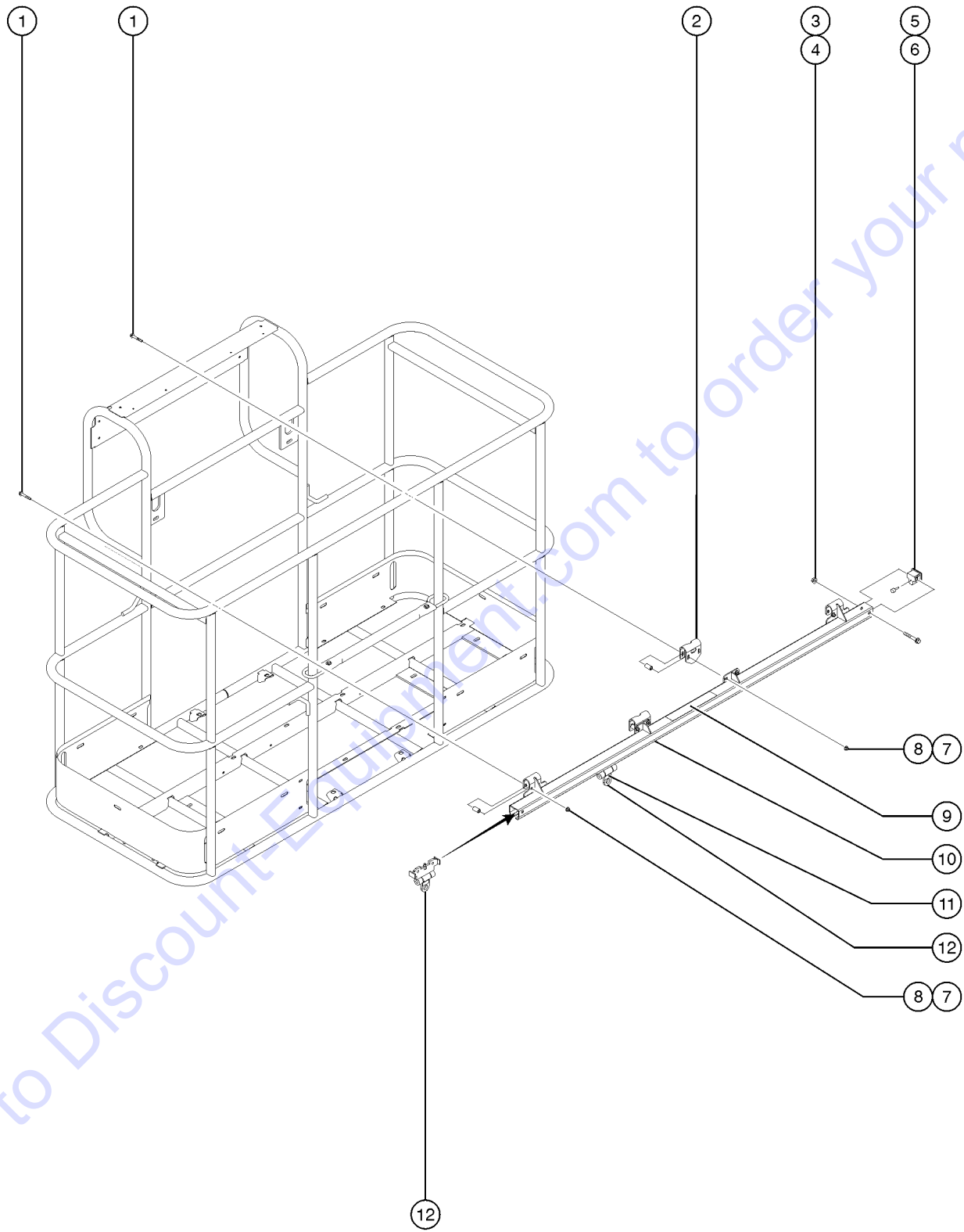
Go to DiscountEquipment.com to order your parts

925.1 Circuit Board Heater Option

Item	Part No.	Description	Qty.
A	147754GT	ACC.PBOX HEATER ALC500 GEN II	
--	119560GT	WIRING KIT,CONTROL BOX HEATER...1	
--	T115352GT	DECAL,OPTION CONTROL BOX HEATR.....1	
1	128204GT	SWITCH TOGGLE ASSY SPDT 2P MNT.....1	
2		ALC500 printed circuit board <i>refer to 703.1</i>	
3	147661GT	PLATE,PLAT HEAT,ALC500 GEN II.....1	
4	27287GT	RESISTOR,10 OHM,25 WATT.....2	
5	824206GT	RIVET,STL,STL,DOME,1/8X.25,ZAG.....6	
6	119641GT	SWITCH,THERMOSTAT 85F OPEN.....1	
7	1257402GT	SCREW,PHPM,6-32X.25,ZAG.....5	
8	119534GT	STANDOFF,1/4X1/4 M-F 6-32 S/S.....5	

Go to Discount-Equipment.com to order your parts

926.1 Fall Arrest Bar

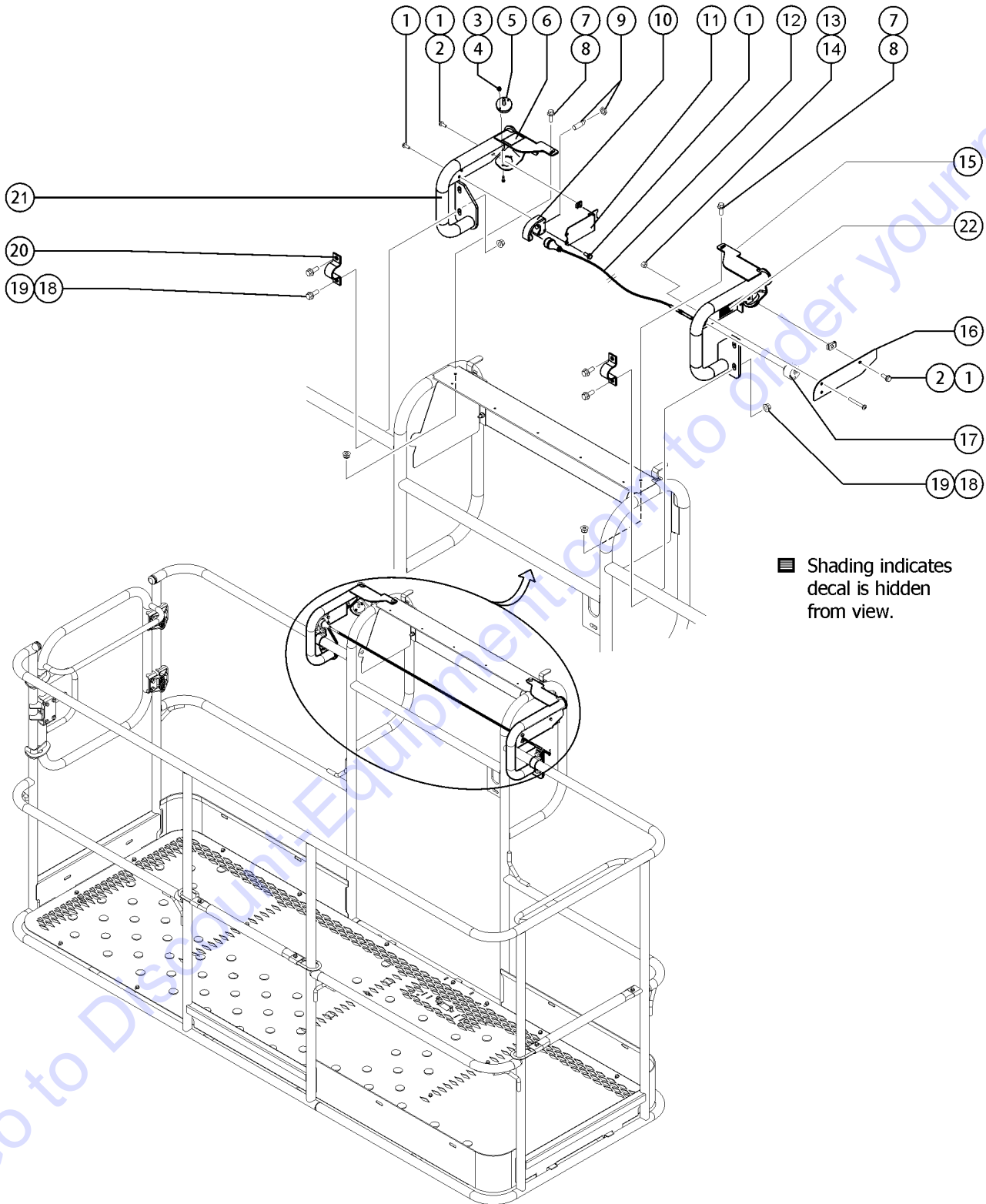


Item	Part No.	Description	Qty.
1	1256856GT	SCREW,HHF,3/8-16X2.5,8,ZAG.....	4
2	1256389GT	FORMING,INNER HANGER.....	2
3	1251997GT	NUT,TL FLG,1/2-13,G,ZAG.....	2
4	1256851GT	SCREW,HHF,1/2-13X3.5,8,ZAG.....	2
5	1260892GT	END STOP,TRACK,FALL ARREST BAR.....	2
6	36388GT	BUMPER,RUBBER,.75 X .50H,STUD....	2
7	1274322GT	NUT,NYLOCK FLG,3/8-16,F,ZAG.....	8
8	1256481GT	SPACER, HANGER BRACKET.....	8
9A	1256400GT	DECAL,TRACK,FALL ARREST BAR,WORD.....	1
9B	1260910GT	DECAL,TRACK,FALL ARREST BAR,SYMBOL.....	1
9C	1256400FRGT	DECAL,TRACK,FALL ARREST BAR,WORD FR.....	1
10A	1256377GT	ACC,FALL ARREST BAR,8FT WORD....	1
--	1256379GT	ASSY,TRACK,FALL ARREST BAR,8FT WORD <i>includes decals</i>	
10B	1261022GT	ACC,FALL ARREST BAR,8FT SYM.....	1
--	1261024GT	ASSY,TRACK,FALL ARREST BAR,8FT SYM <i>includes decals</i>	
10C	1261018GT	ACC,FALL ARREST BAR,8FT FR.....	1
--	1261020GT	ASSY,TRACK,FALL ARREST BAR,8FT FR <i>includes decals</i>	
10D	1256378GT	ACC,FALL ARREST BAR,6FT WORD....	1
--	1256380GT	ASSY,TRACK,FALL ARREST BAR,6FT WORD <i>includes decals</i>	
10E	1261023GT	ACC,FALL ARREST BAR,6FT SYM.....	1
--	1261025GT	ASSY,TRACK,FALL ARREST BAR,6FT SYM <i>includes decals</i>	
10F	1261019GT	ACC,FALL ARREST BAR,6FT FR.....	1
--	1261021GT	ASSY,TRACK,FALL ARREST BAR,6FT FR <i>includes decals</i>	
11	40434GT	DECAL,LANYARD ANCHORAGE POINT.....	1
12	1256439GT	TROLLEY, TRACK, FALL ARREST BAR.....	1

927.1 Operators Protection Alarm (to January 2017)

Item	Part No.	Description	Qty.	Item	Part No.	Description	Qty.
C	1275537GT	ASSEMBLY, OPA PROTECTION CAGE.....	1	33	237238GT	SCREW,HHF,M6-1.0X12,DIN6921,10.....	2
1	1255018GT	BASE ENCLOSURE,RED,OPA.....	1	34	1257389GT	WASHER, FLAT, M6X18X1.6,DIN9021,ZAB.....	2
2	1255021GT	SOUNDER,MIDI,OPA.....	1				
3A	1255037GT	SOUNDER LENS, OPA, BLUE..... <i>(standard lens fitted to OPA)</i>	1				
3B	1270116GT	SOUNDER LENS, OPA, RED.....	1				
3C	1270117GT	SOUNDER LENS, OPA, AMBER.....	1				
3D	1270118GT	SOUNDER LENS, OPA, CLEAR.....	1				
4	1255033GT	HARN,PIGTAIL,TAPESWITCH,OPA.....	1				
5	1255028GT	STAND OFF,CONTROL UNIT.....	4				
6	1255024GT	BRACKET,CONTROL UNIT.....	1				
7	1255025GT	SPACER,HEAT SINK.....	1				
8	1255023GT	ASSY,MODULE,CONTROL UNIT,OPA....	1				
9	1255022GT	MODULE,CONTROL UNIT,PCB,OPA....	1				
10	1255067GT	NUT,M4 NYLOCK.....	4				
11	1255066GT	WASHER,M4 NYLON.....	4				
12	1255035GT	ASSEMBLY,CABLE,TAPESWITCH.....	1				
13	1275539GT	FORMING, OPA CAP.....	1				
14	824078GT	SCREW,HHF,1/4-20X.75,8,ZAG.....	5				
15	824027GT	NUT,TL FLG,1/4-20,G,ZAG.....	9				
16	1255038GT	SCREW,M5X16 BHD.....	4				
17	1255027GT	WASHER,M5 NYLON.....	4				
18	1255890GT	DECAL,COSMETIC,GENIE.....	1				
19	1255020GT	LID ENCLOSURE,RED,OPA.....	1				
20	1255019GT	GASKET,ENCLOSURE.....	1				
21	1255029GT	ASSEMBLY,TAPESWITCH..... <i>"(6'8' platforms) (includes j-box and fasteners)"</i>	1				
22	1255036GT	ASSEMBLY RESET SWITCH.....	1				
23	1255889GT	DECAL,SYMBOL-READ THE MANUAL.....	1				
24	1255068GT	SCREW,M6X8.....	2				
25	1255047GT	SENSOR,RUBBER EDGE..... <i>(6'8' platforms)</i>	1				
26	43392GT	BUMPER,BATTERY BOX & RAILS.....	17				
27	824113GT	WASHER,FLAT,USS,1/4,ZAG.....	19				
28	1275538GT	FORMING, OPA CAGE.....	1				
29	824080GT	SCREW,HHF,1/4-20X1.25,8,ZAG.....	4				
30	1275540GT	FORMING, OPA, BRACKET.....	1				
--	1271945GT	KIT, OPA WELDER BRACKET <i>Complete assembly bracket with fasteners and U-Bolt 1251600; from SN 35544</i>					
31	824029GT	NUT,TL FLG,3/8-16,G,ZAG.....	4				
32	1251600GT	U-BOLT, FLATTENED, 1.5 X 3/8 UNC,ZAG.....	2				

927.2 Lift Guard Contact Alarm Option (from January 2017)

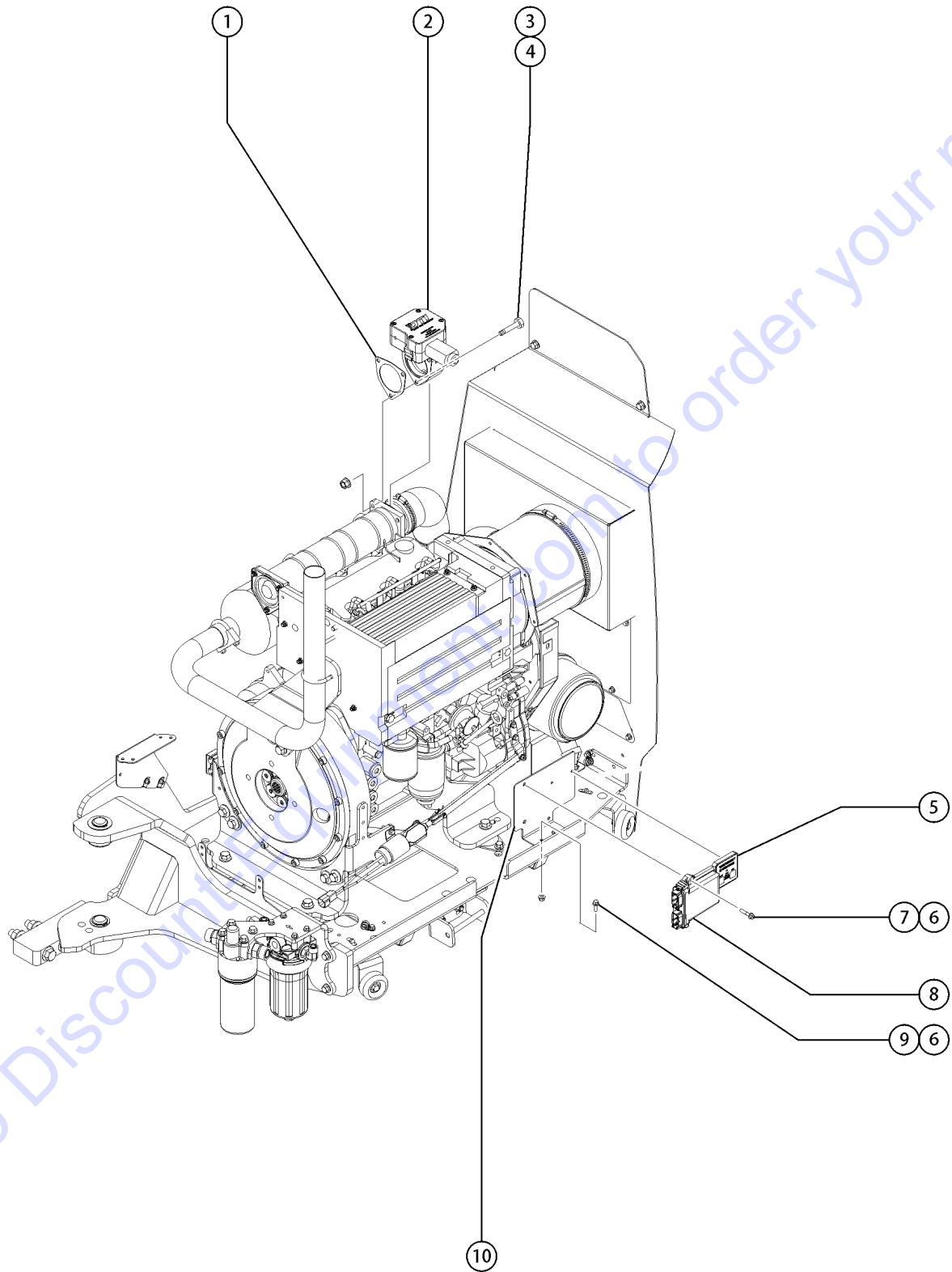


927.2 Lift Guard Contact Alarm Option (from January 2017)

Item	Part No.	Description	Qty.	Item	Part No.	Description	Qty.
--		<i>From January 2017, this option became a standard installation on all models unless the customer specifically request not to have it installed.</i>		22	1278982GT	DECAL, INSTRUCTION, ACTUATOR SWITCH SOCKET.....	1
--	1279135GT	KIT, LIFT GUARD CONTACT ALARM,6'-8' PLATFORM,NON-ALC1000					
--	1278108GT	HARNESS, CONTACT ALARM, S40,S60,S80					
--	19274GT	RELAY,SPDT,12V(AUTO)**					
--	1278121GT	MODULE, PLUS+1, CONTACT ALARM located inside the Platform Control Box					
1	1264934GT	SCREW,HHF,10-24X.5					
2	73575GT	SPRING CLIP,10-24,.025-.125X.468,ZAG					
3	12344GT	NUT,NYLOCK,6-32					
4	1256859GT	SCREW,PHPM,6-32X.875,ZAG					
5	1278111GT	ASSEMBLY, LIGHT, CONTACT ALARM.....	2				
6	1278542GT	DECAL, INSTRUCTION, CONTACT ALARM					
7	824078GT	SCREW,HHF,1/4-20X.75,8,ZAG					
8	1277924GT	NUT,NYLOCK FLG,1/4-20,F,ZAG					
9	1278119GT	ASSEMBLY, SENSOR, PROX, CONTACT ALARM.....	1				
10	1278433GT	ASSY, SENSOR W/HOUSING (Includes holder item 1277877 and sensor part 1278119)					
--	1277877GT	HOLDER, SENSOR.....	1				
11	1277873GT	FORMING, SENSOR HOLDER.....	1				
12	1278416GT	ASSEMBLY,CONTACT ALARM CABLE, LARGE.....	1				
--	1261184GT	NUT,1/4-20,8,ZAG Part of assembly 1278416					
--	1278124GT	MAGNET, 1/4-20, 15 LB. Part of assembly 1278416					
--	1278368GT	GRIP, CABLE Part of assembly 1278416					
--	1278458GT	CONTACT ALARM WIRE ASSY, LARGE Part of assembly 1278416					
13	1274168GT	NUT,NYLOCK,10-32,A,ZAG					
14	824216GT	SCREW,PHPM,10-32X1.5,ZAG					
15	1278138GT	WELDMENT, RIGHT CONTACT ALARM, LARGE.....	1				
16	1277875GT	PLATE, CABLE AND WIRE COVER.....	1				
17	1277876GT	GUIDE, CABLE.....	1				
18	1274322GT	NUT,NYLOCK FLG,3/8-16,F,ZAG					
19	824090GT	SCREW,HHF,3/8-16X1,8,ZAG					
20	1278363GT	CLAMP, 1.25 INCH TUBE.....	2				
21	1278144GT	WELDMENT, LEFT CONTACT ALARM, LARGE.....	1				



928.1 Positive Air Shutoff



928.1 Positive Air Shutoff

Item	Part No.	Description	Qty.
A	1264293GT	HARNESS, VCU TO VALVE.....1	1
B	1264294GT	HARNESS, VCU TO CONTROLS.....1	1
C	6833GT	CLAMP,0.50,#8 X 1/4,RUB CUSH.....3	3
1	128079GT	GASKET, DEUTZ 2011 INTAKE.....1	1
2	1264497GT	VALVE, PAS, DEUTZ L03l.....1	1
3	1255763GT	SCREW,HHF,5/16-18X1.5,8,ZAG	
4	824028GT	NUT,TL FLG,5/16-18,G,ZAG	
5	1264499GT	CONTROLLER, DASH, BASIC PLUS.....1	1
6	824080GT	SCREW,HHF,1/4-20X1.25,8,ZAG	
7	824027GT	NUT,TL FLG,1/4-20,G,ZAG <i>(hidden from view)</i>	
8	1264498GT	CONTROLLER, VCU, DEUTZ L03l.....1	1
9	824078GT	SCREW,HHF,1/4-20X.75,8,ZAG	
10	1264229GT	BRACKET, POSITIVE AIR SHUTOFF.....1	1

Go to Discount-Equipment.com to order your parts

PARTS FINDER

**Search Website
by Part Number**



**Search Manual
Library For Parts
Manual & Lookup Part
Numbers – Purchase
or Request Quote**

Search Manuals

Enter your information to help us find the right parts manual for your machine.

* Brand:

* Model:

* Serial:

* Part Number:

SEARCH

**Can't Find Part or
Manual? Request Help
by Manufacturer,
Model & Description**

Parts Order Form

Please fill in the following information to help us find the right part for your machine.

MANUFACTURER:

MODEL:

DESCRIPTION:

DATE:

TIME:

PHONE:

EMAIL:

ADDRESS:

CITY:

STATE:

ZIP:

COUNTRY:

SEARCH

Discount-Equipment.com is your online resource for quality parts & equipment.

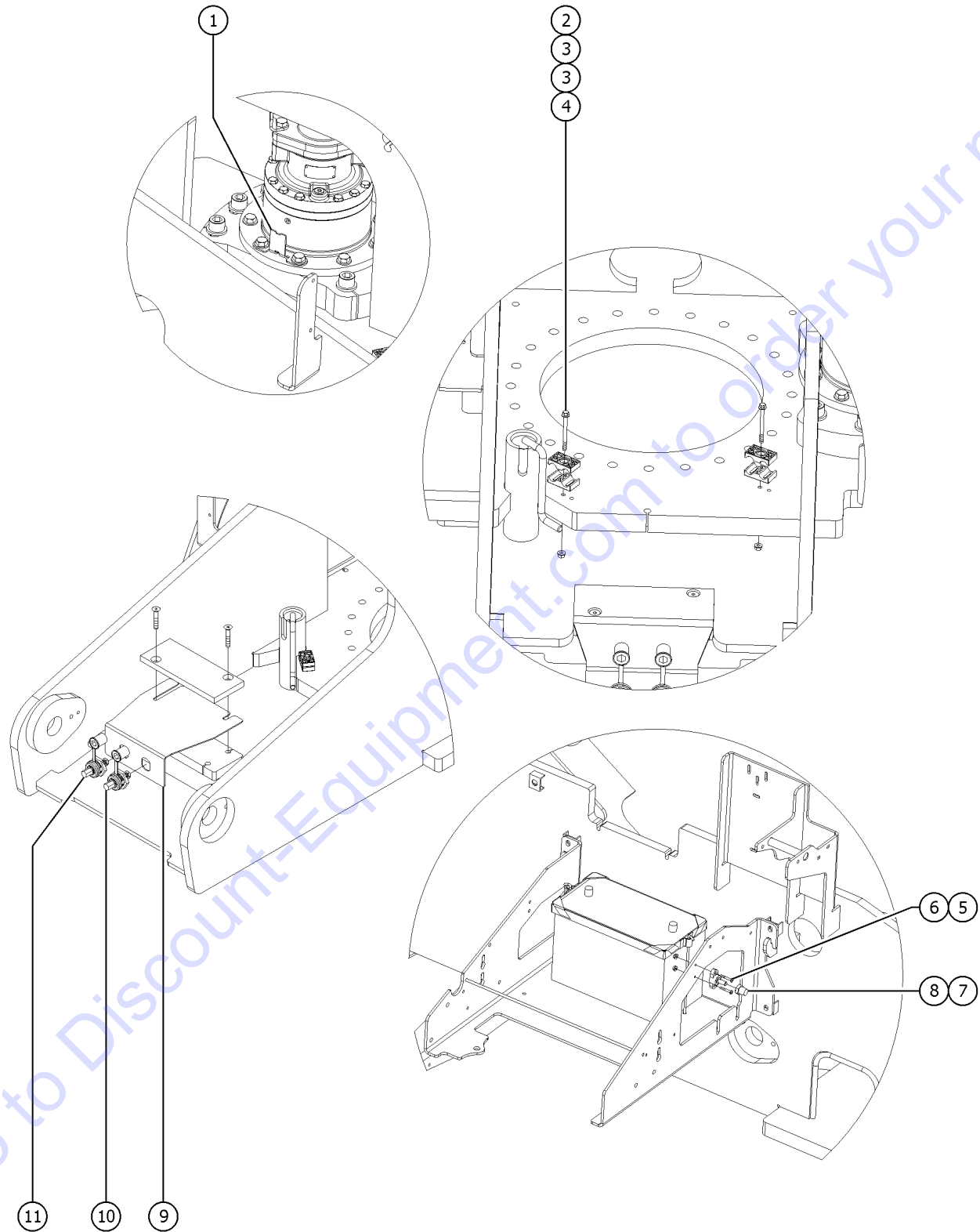
Florida: **561-964-4949** Outside Florida TOLL FREE: **877-690-3101**

Need parts?

Click on this link: <http://www.discount-equipment.com/category/5443-parts/> and choose one of the options to help get the right parts and equipment you are looking for. Please have the machine model and serial number available in order to help us get you the correct parts. If you don't find the part on the website or on one of the online manuals, please fill out the request form and one of our experienced staff members will get back to you with a quote for the right part that your machine needs.

We sell worldwide for the brands: Genie, Terex, JLG, MultiQuip, Mikasa, Essick, Whiteman, Mayco, Toro Stone, Diamond Products, Generac Magnum, Airman, Haulotte, Barreto, Power Blanket, Nifty Lift, Atlas Copco, Chicago Pneumatic, Allmand, Miller Curber, Skyjack, Lull, Skytrak, Tsurumi, Husquvarna Target, Stow, Wacker, Sakai, Mi-T-M, Sullair, Basic, Dynapac, MBW, Weber, Bartell, Bennar Newman, Haulotte, Ditch Runner, Menegotti, Morrison, Contec, Buddy, Crown, Edco, Wyco, Bomag, Laymor, EZ Trench, Bil-Jax, F.S. Curtis, Gehl Pavers, Heli, Honda, ICS/PowerGrit, IHI, Partner, Imer, Clipper, MMD, Koshin, Rice, CH&E, General Equipment, Amida, Coleman, NAC, Gradall, Square Shooter, Kent, Stanley, Tamco, Toku, Hatz, Kohler, Robin, Wisconsin, Northrock, Oztec, Toker TK, Rol-Air, APT, Wylie, Ingersoll Rand / Doosan, Innovatech, Con X, Ammann, Mecalac, Makinex, Smith Surface Prep, Small Line, Wanco, Yanmar

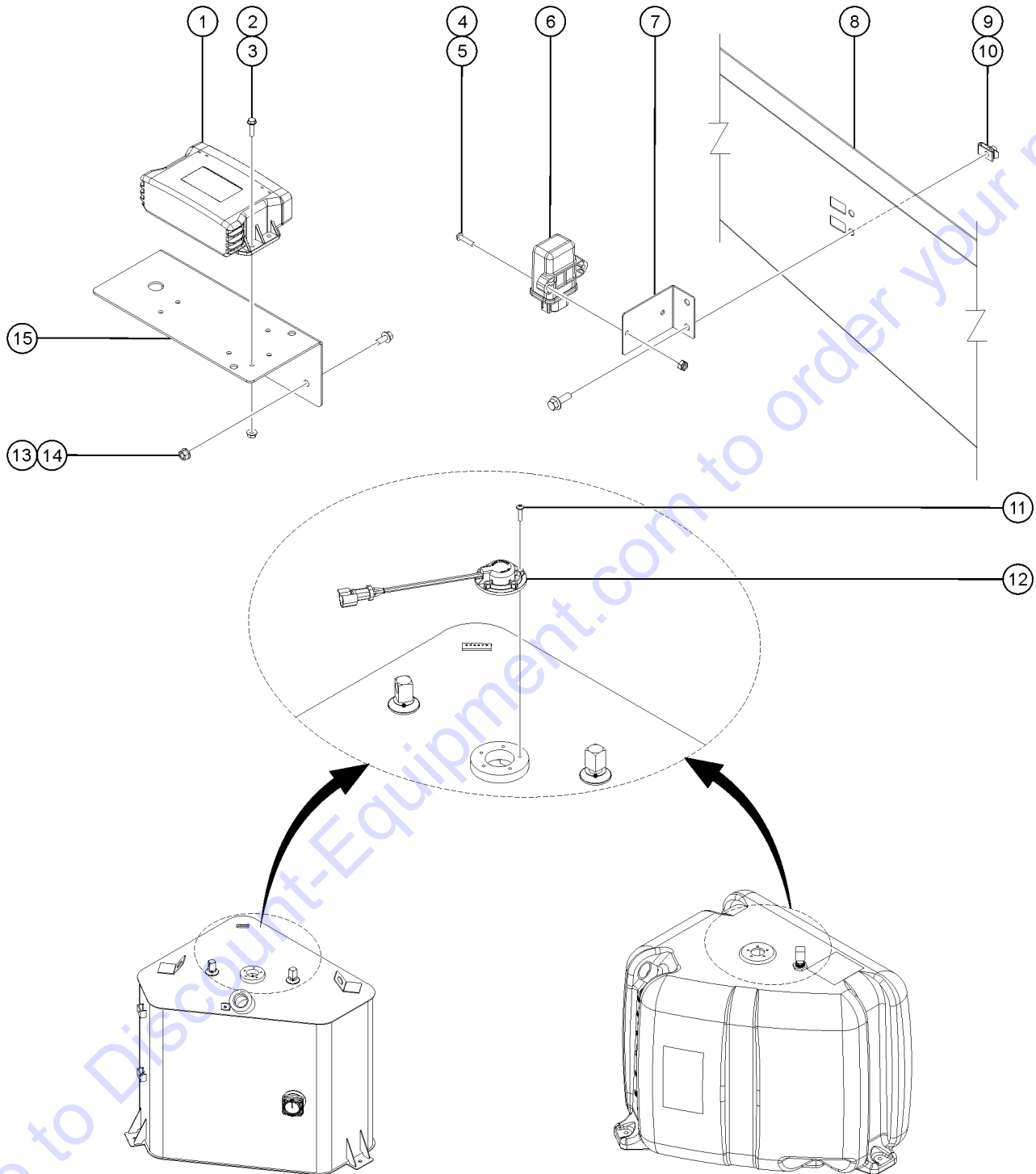
929.1 Remote Charging



929.1 Remote Charging

Item	Part No.	Description	Qty.
--	1270203GT	CABLE, RED 2/0, 110", 3/8".....1 <i>(not shown)</i>	1
--	1270204GT	CABLE, BLACK 2/0, 120", 3/8".....1 <i>(not shown)</i>	1
--	1269060GT	CABLE, RED 2/0, 20".....1 <i>(not shown)</i>	1
1	1262678GT	FORMING,HOSE GUIDE.....1	1
2	824084GT	SCREW,HHF,1/4-20X3,8,ZAG.....2	2
3A	78736GT	CLAMP,2 HOSE,PLASTIC,5/8.....4	4
3B	78736GT	CLAMP,2 HOSE,PLASTIC,5/8.....8 <i>models with hostile environment package</i>	8
4	824027GT	NUT,TL FLG,1/4-20,G,ZAG.....2	2
5	825352GT	SCREW,PHPM,10-32X1.25,ZAG.....2	2
6	824032GT	NUT,TL FLG,10-32,F,ZAG.....2	2
7	1270131GT	TERMINAL, 3/8-16 STUD TO POST.....1	1
8	94981GT	STUD,POWER 3/8" RED.....1	1
9	1269546GT	FORMING, CHARGING LUG BRACKET.....1	1
10	1270310GT	JUMPER TRMNL, BLACK, 3/8" POST....1	1
11	1270309GT	JUMPER TRMNL, RED, 3/8" POST.....1	1

930.1 Telematics Option



Item	Part No.	Description	Qty.
A	1274342GT	HARNESS, TELEMATICS, M8, ZTR.....1	
B	1274343GT	HARNESS, SENSING, FUEL, S60.....1	
1	1272326GT	KIT,ZTR,M8HBZ.....1	
--	60757GT	PLUG,SEAL,12-18 GA	
--	87757GT	CONN,PLUG 8 WAY 14-18GA,BLK	
2	1262031GT	SCREW,HHF,10-24X.75,ZAG.....4	
3	1256467GT	NUT,TL FLG,10-24,F,ZAG.....4	
4	1253490GT	SCREW,PHPM,8-32 X .75,ZAG.....2	
5	18605GT	NUT,NYLOCK,8-32.....2	
6A	1274034GT	CAN CONVERTER, 1.71 - 4.50 V R.....1 (diesel)	
6B	1274038GT	CAN CONVERTER, 1.62 - 4.35 V R.....1 (gas)	
7	1274344GT	FORMING, MODULE, CAN, SENSING,.....1	
8		REF. FORMING, BULKHEAD, TS REAR (refer to 302.1)	
9	56912GT	SPRING CLIP,1/4-20,.025-.15X.54,ZAG.....2	
10A	824078GT	SCREW,HHF,1/4-20X.75,8,ZAG.....2 (gas)	
10B	1256855GT	SCREW,HHF,1/4-20X.625,8,ZAG.....2 (diesel)	
11	824215GT	SCREW,PHPM,10-32X.75,ZAG.....5	
12A	1271770GT	SENSOR, FUEL LEVEL, 30" DIESEL.....1 (diesel)	
12B	1271771GT	SENSOR, FUEL LEVEL, 24" GAS.....1 (gas)	
13	824027GT	NUT,TL FLG,1/4-20,G,ZAG.....2	
14	1256855GT	SCREW,HHF,1/4-20X.625,8,ZAG.....2	
15	1260521GT	FORMING,TELEMATICS, TOPCON,S80.1	

Part Number Index

The Part Number Index is a numeric index of all part numbers included in this manual. The index shows what page(s) the part is used on.

Part Number	Page	Part Number	Page	Part Number	Page	Part Number	Page
07.4501.0291GT	129	106003PGT	102	110728GT	33-34	119560GT	241
101005GT	169	106033GT	229	110730GT	33-34	119567GT	143
101005HGT	169	106044GT	207, 209, 223	110731GT	33-34	119568GT	93
101006GT	114	106073GT	221	110733GT	33-34	119613GT	169
101066PGT	145	106077GT	221	110789GT	155	119641GT	241
10107GT	203	106098GT	34, 37-38	110899GT	101-102	119644GT	167
101080GT	75-76	106099GT	217	110908GT	141	119777GT	75-76
101085GT	105	106109PGT	223	111029GT	101-102	119809GT	101-102, 109
101129PGT	113-114	106114GT	235	111155GT	47	119845GT	211
101140P-SGT	114	106114PGT	221	111402GT	117	119915GT	169, 171
101173GT	169	106117GT	37-38	111413GT	167	119918GT	57
101173HGT	169	106140PGT	61, 67	111420GT	167	119950GT	195
101174GT	169	106163GT	159, 161	111445GT	113-114, 117	119965GT	93
101174HGT	169	106172PGT	69-70	111485PGT	191	119990GT	141
101191GT	75-76	106183GT	223	111486PGT	191	121035GT	157
101199-200GT	231	106203GT	221	111526GT	191	121065GT	157
101232GT	229	106204PGT	223	111634GT	97	121066GT	189
101244GT	151	106206GT	221	111668GT	113-114, 117	121599GT	61, 67
101251GT	143	106226-4000GT	101-102	111705GT	79-80	121846GT	61, 67, 76
101252GT	141	106226GT	99	111818GT	57	121847GT	167
101254GT	149, 151, 153	106272GT	221	111819GT	57	121848GT	75-76, 155
101255GT	34	106273GT	223	114219GT	15-16	122019GT	189
101293GT	185	106275GT	223	114249GT	25, 27	122053GT	75-76
101294GT	89	106394GT	227	114251GT	25, 27	122073GT	191, 193, 207, 209
101440GT	83	106495GT	221	114252GT	29	122231GT	209
101491GT	173	106516GT	34	114258GT	15-16, 19	122278GT	191
101494GT	173	106520GT	221	114390GT	15-16, 19, 23	122279GT	191
101516GT	227	106521GT	221	114416GT	23	122302GT	227
101525GT	223	106522GT	221	114425GT	15-16	122646GT	79-80, 83
101547PGT	223	106523GT	221	114465GT	15-16, 25	122661GT	157
101639GT	219	106607GT	221, 223	114473GT	31	122662GT	157
101701PGT	223	106637GT	61, 67	115431GT	101-102, 105	122663GT	157
101726GT	53-54	106647GT	33-34	119051GT	97	122668GT	157
101729GT	129	106648GT	33-34	119052GT	97	122944GT	149, 151
101790-10091GT	177	106657GT	61, 67	119055GT	99	12344GT	221, 247
101790-10691GT	177	106663GT	101-102, 107	119056GT	221, 231	1251496GT	137
101795-2482GT	177	106835GT	89	119057GT	231	1251499GT	51
101795-4782GT	179	106836GT	89	119058GT	75-76	1251500GT	51
101845GT	155	106837GT	89	119061GT	75-76	1251501GT	51
101852GT	195	107552GT	75-76	119062GT	75-76	1251502GT	51
101853GT	195	107665PGT	143	119063GT	75-76	1251503GT	51
101932GT	213	107753GT	79-80	119064GT	75-76	1251504GT	51
101964GT	73	10775GT	211	119065GT	231	1251505GT	51
101973GT	199	10777GT	211	119066GT	231	1251506GT	51
101995GT	61	107813GT	89	119067GT	143	1251507GT	51
102045GT	117, 119, 139	107814GT	89	119084GT	213	1251508GT	51
102066GT	99	107815GT	89	119085GT	213	1251509GT	51
102121GT	97	107842GT	89	119086GT	213	1251510GT	51
102126GT	37-38	107857GT	189	119087GT	213	1251565GT	117, 139, 143, 145
102131GT	34, 37-38	108538GT	121, 131	119088GT	213	1251600GT	159, 161, 201, 205, 245
102155GT	34, 37-38	109802GT	69-70	119089GT	213	1251731GT	127
102157GT	38	110183PGT	69-70, 117	119090GT	213	1251757GT	53-54, 61, 67, 167
102158GT	34, 37-38	110194GT	79-80, 83	119117GT	113-114, 117	1251814GT	109
102159GT	34, 37-38	110196GT	79-80	119139GT	11-12, 93	1251815GT	111
102162GT	34, 37-38	110197GT	79-80	119140GT	95	1251816GT	111
102163GT	37-38	110200GT	79-80	119168GT	57	1251818GT	111
102166GT	38	110201GT	79-80	119170GT	57	1251819GT	111
102167GT	37-38	110202GT	79-80	119218GT	99	1251842GT	187
102209PGT	119	110221GT	34	119219-1000GT	114	1251899GT	117
102227GT	117	110268GT	75-76	119232GT	99	1251983GT	97, 99, 102, 107, 133, 137
102230-9589GT	177	110276-1600GT	223	119344GT	113-114	1251984GT	63-64
102237GT	117	110276-2300GT	223	119394GT	127	1251985GT	63-64
102357GT	61, 67	110276-2800GT	223	119403GT	211, 231, 235	1251994GT	99, 102, 111, 113-114
102516GT	34, 37-38	110280GT	67	119404GT	211, 235	1251995GT	111
102528GT	80	110304GT	102, 105	119417GT	229	1251996GT	111
102581GT	119	110339GT	145	119418GT	229	1251997GT	69-70, 99, 107, 111, 113-114, 141, 221, 235, 243
102587GT	121, 131	110340GT	145	119474GT	11-12, 95		
102721PGT	199	110345GT	49	119475GT	93		
102746GT	227	110406GT	99	119477GT	95		
102785PGT	191	110417PGT	99	119483GT	75-76		
102786PGT	191	110452GT	141	119484GT	99		
102992GT	159, 161	110477GT	99	119534GT	241		
104759GT	87	110578GT	34	119536PGT	151		
104804GT	161	110671GT	159, 161	119542GT	151		
10598GT	129	110727GT	33-34	119546GT	93		

Part Number	Page	Part Number	Page	Part Number	Page	Part Number	Page
1252050GT	99	1255389GT	49	1256267GT	34, 37-38, 141	1257865GT	43, 45
1252684GT	63-64	1255395GT	129	1256283GT	111, 113-114,	1257868GT	239
1252685GT	63-64	1255396GT	129, 139		137	1257869GT	239
1252940GT	109	1255399GT	129, 139	1256377GT	243	1257961GT	129, 139
1252941GT	105	1255400GT	129, 139	1256378GT	243	1257993GT	221
1252942GT	109	1255451GT	137	1256379GT	243	1258049GT	117
1252943GT	102, 109	1255452GT	34, 141	1256380GT	243	1258189GT	147
1252978GT	145	1255456GT	75-76	1256389GT	243	1258567GT	11-12
1253011GT	19	1255457GT	76	1256400FRGT	243	1258641GT	137
1253185GT	99, 101-102, 105, 123, 125, 133, 215, 217	1255458GT	76	1256400GT	243	125865GT	43
1253263GT	49	1255459GT	76	1256425GT	27, 31	1258722GT	73
1253264GT	73	1255460GT	76	1256439GT	243	1258723GT	73
1253265GT	73	1255469GT	49, 97	1256455GT	102	1258724GT	73
1253270GT	73	1255555GT	76	1256460GT	159, 161	1258771GT	137
1253271GT	73	1255581GT	16, 19, 25, 27	1256464GT	97	1258824GT	102
1253319GT	139	1255582GT	16, 25	1256467GT	41, 113-114, 117, 253	1259102GT	53-54
1253408GT	223	1255629GT	145			1259105GT	75-76
1253419GT	69-70	1255653GT	113-114, 117, 121	1256468GT	205	1259328GT	207, 209
1253478GT	53-54, 73	1255666GT	97, 113-114, 117, 125, 135	1256469GT	49	1259329GT	207, 209
1253485GT	51, 57, 111, 191	1255692GT	127	1256481GT	243	1259441GT	137
1253490GT	253	1255703GT	33-34, 37-38	1256482GT	129, 139	1259583GT	215
1253498GT	34, 37-38, 89, 99, 107, 117, 125, 135, 141	1255704GT	34	1256599GT	127	1259584GT	215
1253609GT	93	1255705GT	33-34	1256670GT	87	1259654GT	121, 131
1253629GT	16	1255706GT	34	1256679GT	69-70, 123, 127	1259657GT	131
1253749GT	95	1255710GT	33-34	1256693GT	73	1259660GT	121, 131
1253795GT	189	1255711GT	37-38	1256767GT	73	1259704GT	191
1253796GT	189	1255712GT	41	1256771GT	73	1259717GT	121, 131
1253798GT	175	1255714GT	45	1256776GT	113-114, 139	1259855GT	49, 69-70
1253799GT	49	1255715GT	43	1256804GT	215	1259899GT	121, 131
1253800GT	49	1255726GT	239	1256837GT	69-70	1259903GT	173
1253815GT	141	1255727GT	239	1256842GT	69-70	1259904GT	173
1253818GT	51	1255728GT	239	1256843GT	153	1259905GT	185, 233
1253819GT	49	1255730GT	237	1256846GT	69-70	1259906GT	183
1253824GT	49	1255731GT	237	1256848GT	97	1260084GT	33-34, 37-38
1253825GT	49	1255758GT	117, 157, 205	1256851GT	243	1260105GT	75-76
1253830GT	73	1255760GT	111, 113-114, 141	1256855GT	59, 63-64, 67, 69-70, 97, 99, 159, 161, 167, 201, 253	1260107GT	16, 19, 25, 27
1253831GT	73	1255763GT	73, 114, 135, 249			1260112GT	49
1253922GT	127	1255768GT	69-70	1256856GT	73, 215, 243	1260113GT	49
1253990GT	107	1255769GT	69-70	1256859GT	247	1260174GT	69-70
1254017GT	107	1255770GT	69-70	1256863GT	69-70	1260357GT	121, 131
1254267GT	127	1255771GT	69-70	1256864GT	37-38, 141	1260521GT	253
1254452GT	127	1255772GT	69-70	1257076GT	41, 113-114, 117	1260688GT	193
1254453GT	127	1255773GT	69-70	1257077GT	41	1260892GT	243
1254594GT	121, 123, 131	1255782GT	145	1257078GT	37-38	1260910GT	243
1254625GT	73	1255802GT	41, 221	1257079GT	141	1260979GT	215
1254639GT	141	1255803GT	147	1257080GT	141	1261001GT	215
1254804GT	163-164	1255805GT	73, 113-114, 119, 133	1257081GT	151, 153, 155	1261018GT	243
1254823GT	127, 137	1255889GT	245	1257223GT	69-70	1261019GT	243
1254826GT	113-114, 117	1255890GT	245	1257224GT	57	1261020GT	243
1254874GT	159, 161	1255894GT	125	1257226GT	49	1261022GT	243
1255018GT	245	1255986GT	73	1257227GT	221	1261023GT	243
1255019GT	245	1255987GT	73	1257231GT	127	1261024GT	243
1255020GT	245	1255988GT	73	1257264GT	155	1261025GT	243
1255021GT	245	1256054GT	73	1257389GT	245	1261184GT	205, 247
1255022GT	245	1256106GT	145	1257402GT	241	1261239GT	129
1255023GT	245	1256107GT	141	1257404GT	167	1261244GT	73
1255024GT	245	1256108GT	213	1257410GT	59, 63-64	1261245GT	73
1255025GT	245	1256109GT	151	1257417GT	167	1261277GT	49, 73, 133
1255027GT	245	1256119GT	143	1257421GT	125, 135	1261292GT	76, 207, 209
1255028GT	245	1256122GT	145	1257481GT	97	1261293GT	76
1255029GT	245	1256126GT	69-70	1257486GT	99	1261294GT	75-76
1255030GT	76	1256127GT	69-70, 73, 151	1257489GT	97	1261295GT	76
1255033GT	245	1256165GT	137	1257628GT	73, 99	1261296GT	76
1255035GT	245	1256167GT	117	1257685GT	105	1261297GT	76
1255036GT	245	1256168GT	69-70	1257705GT	102, 107, 111	1261298GT	76
1255037GT	245	1256169GT	139	1257706GT	114	1261346GT	59
1255038GT	245	1256170GT	38, 70	1257733GT	11-12	1261389GT	47
1255047GT	245	1256171GT	157	1257810GT	102, 107, 111	1261390GT	47
1255066GT	245	1256172GT	69-70, 235	1257825GT	107, 109	1261391GT	47
1255067GT	245	1256177GT	70	1257834GT	102	1261392GT	47
1255068GT	245	1256180GT	151	1257837GT	114	1261393GT	47
1255385GT	34, 37-38	1256182GT	34, 37-38, 70, 117	1257838GT	123	1261394GT	47
				1257862GT	41	1261414GT	31
				1257863GT	147	1261415GT	31
						1261416GT	31

Part Number Index (continued)

Part Number	Page	Part Number	Page	Part Number	Page	Part Number	Page
1261566GT	59	1267807GT	69-70	1275537GT	245	1283573GT	95
1261724GT	49, 69-70	1268010GT	133	1275538GT	245	1283574GT	95
1261737GT	23	1268229GT	69-70	1275539GT	245	1283575GT	95
1261738GT	23	1268376GT	141	1275540GT	245	128374GT	195
1261739GT	23	1268377GT	141	1276672GT	221	1283776GT	11-12
1261836GT	73	1268GT	11-12	1276694GT	221	1283995GT	127
1261837GT	73	1269060GT	251	1276986GT	221	128423GT	89
1261844GT	76	1269497GT	169	1277873GT	247	128454PGT	151
1261920GT	139	1269498GT	169	1277875GT	247	1284569GT	43
1261921GT	133	1269499GT	169, 171	1277876GT	247	128482GT	151
1261925GT	137	1269500GT	169	1277877GT	247	128483GT	151
1261926GT	137	1269546GT	251	1277924GT	201, 247	1285110GT	121
1261928GT	137	1269693GT	235	1277952GT	193	1285111GT	121
1261984GT	51	1270116GT	245	1277966GT	193	1285349GT	121
1262027GT	105	1270117GT	245	1277968GT	93	128534GT	151
1262031GT	253	1270118GT	245	1277969GT	93	1285505GT	89
1262331GT	141	1270131GT	251	1277974GT	121, 131	1285506GT	89
1262342GT	23	1270203GT	251	1277991GT	97	1285689GT	76
1262343GT	31	1270204GT	251	1278108GT	247	1285700GT	197
1262344GT	16	1270309GT	251	1278111GT	247	128578GT	63-64, 163-164
1262345GT	16	1270310GT	251	1278119GT	247	128580GT	163-164
1262346GT	16	1270313GT	197	1278121GT	247	128581-SGT	163-164
1262347GT	16	1270314GT	197	1278124GT	247	1285811GT	76
1262348GT	16	1270316GT	197	1278138GT	247	128582-SGT	164
1262359GT	219	1270346GT	33-34	1278144GT	247	128584-SGT	63-64, 163-164
1262487GT	11-12, 105, 129	1270347GT	33-34	1278363GT	247	128588GT	102, 107
1262678GT	251	1270348GT	34	1278368GT	247	1287434GT	85
1262828GT	135	1270349GT	38	1278416GT	247	1287812GT	47
1262829GT	135	1270350GT	43	1278433GT	247	1287813GT	47
1262831GT	133	1270351GT	45	1278458GT	247	128829GT	117
1262832GT	139	1270570GT	193	1278471GT	221	128831GT	101-102
1262833GT	139	1270571GT	193	1278542GT	247	1288561GT	113-114
1262838GT	133	1270994GT	197	1278708GT	11-12	128896GT	117
1262839GT	133	1271018GT	197	1278709GT	11-12	128909GT	47
1262841GT	133	1271019GT	197	1278912GT	73	128910GT	47
1262842GT	125, 133	1271040GT	197	1278982GT	247	128911GT	47
1262866GT	11-12, 105, 121, 129, 131	1271061GT	197	1279135GT	247	128912GT	47
1262867GT	105, 121, 131	1271077GT	193	1279271GT	107	128913GT	47
1262868GT	121, 131	1271078GT	193	1279465GT	69-70	128914GT	47
1262870GT	121, 131	1271313GT	221	1279466GT	69-70	128916GT	47
1262871GT	121, 131	1271398GT	221, 227, 235	1279564GT	19	128917GT	47
1262872GT	121, 131	1271713GT	169, 171	1279631GT	121	128918GT	47
1262873GT	121, 131	1271770GT	253	1279653GT	121	128919GT	47
1262874GT	131	1271771GT	253	128000GT	169, 171	128920GT	47
1262875GT	121, 131	1271772GT	54	128001GT	169, 171	128921GT	47
1262876GT	121, 131	1271773GT	54	128003GT	102, 107	128922GT	47
1262877GT	121, 131	1271945GT	245	128004GT	119, 125, 135	128923GT	47
1262878GT	121, 131	1272019GT	12, 57	128005GT	75-76, 189	128924GT	47
1262879GT	121, 131	1272303GT	161	128022GT	102, 107	128925GT	47
1262881GT	121, 131	1272304GT	161	128023GT	114	128926GT	47
1262883GT	121, 131	1272307GT	161	128025GT	102, 107	128927GT	47
1262890GT	121, 131	1272326GT	253	1280402GT	111	128928GT	47
1262893GT	121, 131	1272624GT	121	128045GT	61	128935GT	61
1262894GT	121, 131	1272965GT	125	128050GT	221	128953GT	19
1262895GT	121, 131	1272967GT	125	1280590GT	117	128955GT	47
1262896GT	121, 131	1273081GT	125	1280591GT	117	128984GT	102, 105
1262897GT	121, 131	1273323GT	225	1280665GT	211	128985GT	102, 105
1262899GT	121, 131	1273918GT	135	1280705GT	221	128986GT	101-102, 109
1263187GT	51	1273919GT	123, 133	128079GT	114, 249	128987GT	101-102
1263918GT	125	1274034GT	253	128081GT	57	128991GT	101-102, 109
1264101GT	197	1274038GT	253	128165GT	93	13003GT	119
1264229GT	114, 249	1274165GT	73	128166GT	93	13064GT	119
1264257GT	157	1274168GT	247	128200GT	59, 63-64, 163-164	13268GT	49
1264258GT	157	1274322GT	73, 201, 243, 247		164	133067GT	25, 27, 31
1264293GT	249	1274331GT	53-54	128201GT	59, 64, 163-164	133205GT	25
1264294GT	249	1274342GT	253	128202GT	59, 63-64, 164	133238GT	19
1264497GT	114, 249	1274343GT	253	128203GT	207, 209	133250GT	15-16, 19
1264498GT	114, 249	1274344GT	253	128204GT	59, 63-64, 163-164, 235, 241	133251GT	15-16, 19, 25, 27
1264499GT	114, 249	1274511GT	151			133252GT	15-16, 19, 25, 27
1264822GT	75-76	1274613GT	37-38	1282119GT	127	133253GT	21, 29
1264834GT	75-76	1274858GT	161	128268GT	151	133254GT	21, 29
1264894GT	93	1274859GT	161	1282993GT	193, 203	133259GT	19, 27
1264934GT	247	1274900GT	127, 137	128322GT	223	133260GT	19, 27
1265397GT	161	1275248GT	171	128323GT	223	133263GT	25, 27
1267746GT	161	1275258GT	171	1283571GT	95	133278GT	15-16
1267747GT	161	1275259GT	171	1283572GT	95	133387GT	31

Part Number	Page	Part Number	Page	Part Number	Page	Part Number	Page
133413GT	25	139968GT	33-34, 37-38	147756GT	15-16, 25	215269GT	95
133518GT	235	139969GT	33-34, 37-38	147783GT	213	215270GT	95
13585GT	211	139970GT	33-34, 37-38	147792GT	15-16, 19	215271GT	95
13597GT	231	139971GT	34, 37-38	147794GT	15-16, 25	215273GT	95
13635-10GT	145, 157	139972GT	34, 37-38	147826GT	102, 107	215274GT	12, 95
139000GT	43, 47	139983GT	119	147834GT	141	215275GT	93
139001GT	43, 47	144161GT	211	147840GT	59, 63-64	215276GT	95
139002GT	43, 45	146061GT	119	147842GT	141	215277GT	95
139120GT	43	146284GT	221, 227	1484GT	11-12	215278GT	93
139121GT	43	146285GT	227	1487GT	195	215279GT	95
139122GT	43	146413GT	57	1488GT	195	215280GT	93
139125GT	43	146415GT	57	15243GT	167	215281GT	93
139140GT	43, 45	146417GT	57	160517GT	119	215282GT	93
139179GT	43, 45, 47	146478GT	163-164	160541GT	97	215283GT	93
13921GT	225	146551GT	57	160804GT	159	215284GT	93
139262GT	47	146552GT	57	160809GT	159	215285GT	93
139288GT	145	147033GT	34, 37-38	161141GT	79-80	215287GT	12, 93
139308GT	69-70	147034GT	34, 37-38	161144GT	91	215288GT	95
139309GT	69-70	147094GT	59, 64	161145GT	91	215289GT	95
139315GT	69-70	147121GT	159, 161	161523GT	175	215290GT	95
139321GT	117	147149GT	43	161541GT	159	215291GT	95
139322GT	117	147155GT	47	161542GT	159	215294GT	93
139323GT	70	147223GT	49	161603GT	69-70	215295GT	93
139338GT	163-164	147228GT	235	161607GT	69-70	215298GT	95
139367GT	225	147229GT	235	161608GT	69-70	215299GT	93
139384GT	145	147230GT	235	161611GT	101-102	215300GT	93
139385GT	145	147231GT	235	161612GT	105	215301GT	93
139438GT	199	147232GT	235	161938GT	127, 137	215302GT	93
139455GT	117	147233GT	235	162162GT	187	215305GT	93
139508GT	85	147239GT	235	162163GT	187	215307GT	95
139512GT	85	147240GT	235	162164GT	187	215308GT	93
139527GT	85	147241GT	235	162206GT	129, 139	215309GT	93
139528GT	85	147242GT	235	162207GT	129, 139	215310GT	93
139598GT	169, 171	147243GT	113-114	162208GT	129, 139	215311GT	95
139601GT	141	147255GT	76	162209GT	129, 139	215313GT	95
139602GT	141	147258GT	235	162283GT	133	215314GT	93
139610GT	97	147262GT	235	162284GT	133	215316GT	99
139621GT	113-114	147289GT	51	1702GT	99	215317GT	99
139622GT	113-114	147290GT	51	18503GT	69-70	215320GT	97
139623GT	113-114	147347GT	153	18504GT	107	215340GT	34, 37-38
139624GT	113-114	147348GT	101-102	18596GT	119	215347GT	231
139644-14B61GT	147	147349GT	101-102	18605GT	253	215423GT	47
139666GT	113-114	147350GT	101-102	18665GT	221	215424GT	47
139709GT	113-114, 119	147351GT	101-102	18666GT	61, 67, 167, 221	215425GT	47
139712GT	85	147352GT	101-102	18720GT	141, 143	215426GT	47
139715GT	85	147353GT	101-102	18722GT	141	215427GT	47
139716GT	85	147355GT	101-102, 109	18963GT	189	215472GT	107
139717GT	85	147387GT	167	19018-1100GT	201	215526GT	19, 27
139718GT	85	147396GT	76	19273GT	137	215527GT	19
139719GT	85	147403GT	143	19274GT	247	215528GT	97
139727GT	85	147404GT	225	19358GT	99	215537GT	105
139731GT	76	147405GT	225	19440GT	143	215642GT	34, 37-38
139732GT	75-76	147418GT	225	19491GT	143	215709GT	97
139733GT	75-76	147419GT	173	19506GT	59	215747GT	199
139734GT	75-76	147428GT	75-76	20776GT	221	215748GT	199
139737GT	75-76	147455GT	61, 67	21130GT	41, 102, 113-114, 117	215809GT	125
139738GT	75-76	147504GT	147	21141GT	49	215811GT	125
139741GT	76	147525GT	113-114	214228GT	11-12, 129, 139	215912GT	107
139799GT	89	147526GT	113-114	214249GT	231	215917GT	105
139801GT	89	147549GT	89	214335GT	105	216016GT	99
139832GT	75-76	147550GT	89	214446GT	97	216150GT	107
139833GT	75-76	147571GT	141	214456GT	231	216166GT	111
139834GT	75-76	147575GT	23, 31	214536GT	231	216178GT	235
139835GT	75-76	147601GT	23, 31	214619GT	223	216181GT	235
139836GT	75-76	147602GT	23, 31	214620GT	223	21618GT	207, 209
139878GT	229	147603GT	23, 31	214621GT	223	216367GT	97
139882GT	207, 209	147617GT	143	214622GT	223	216602GT	91
139919GT	225	147621GT	75-76	214623GT	223	216606GT	231
139936GT	105	147643GT	75-76	21465GT	53-54, 99, 127, 137	216607GT	231
139952GT	235	147650GT	75-76	214682GT	127	216611GT	231
139953GT	235	147654GT	76	214685GT	123	216612GT	231
139954GT	235	147658GT	21, 29	214686GT	125	216615GT	231
139958GT	191	147660GT	21, 29	214689GT	145	216616GT	231
139965GT	33-34, 37-38	147661GT	241	214934GT	127	216617GT	231
139966GT	33-34, 37-38	147754GT	241	215254GT	73	216618GT	231
139967GT	33-34, 37-38	147755GT	15-16, 25			216655GT	231

Part Number Index (continued)

Part Number	Page	Part Number	Page	Part Number	Page	Part Number	Page
216662GT	231	227988GT	97	237238GT	117, 123, 133,	30222GT	151
216676GT	231	228311GT	163-164		245	30348GT	125, 127
216683GT	231	228320GT	221, 223	237251GT	97	30370GT	141, 143, 149,
216791GT	67	228321GT	223	237352GT	137		153
216793GT	67	228322GT	75-76	237385GT	99	30468GT	191
216836GT	111	228323GT	76	237730GT	131	30489GT	117, 135
217043GT	61	228332GT	221	237780GT	99	30490GT	53-54, 113-114,
217044GT	61	228457GT	101-102	237832GT	99, 101-102, 109		117
217045GT	61	228768GT	33-34	237856GT	99	30810GT	229
217046GT	61	228769GT	33-34	237857GT	99	30971GT	107, 114, 135,
217187GT	107	228796GT	157	237858GT	99		217
217366GT	223	228797GT	157	237859GT	99	30973GT	69-70
217439GT	221	228848GT	201	238123GT	231	30997GT	67, 167
217440GT	223	228849GT	201	238234GT	99	31060GT	21
217703GT	107	228967GT	157	238347GT	117	31100GT	80
217820GT	93	228969GT	157	24038GT	99, 102, 105,	31408GT	113-114
217822GT	95	229152GT	75-76		123, 133	31523GT	114
217823GT	93	229169GT	157	24040GT	129	31779GT	11-12
217824GT	95	229201GT	57	24514GT	159, 161	31788GT	15-16
217877GT	125	229202GT	57	25282GT	239	31983GT	53-54, 137
217930GT	125	229203GT	57	25388GT	211	32064GT	97
217979GT	47	229567GT	59, 63-64, 163-	25548GT	135	32150GT	11-12
218448GT	157		164	25683GT	149, 151, 153	32151GT	11-12
218457GT	215	229702GT	33-34, 37-38	25685GT	155	32309GT	95
218549GT	23	229743GT	15-16, 19, 25, 27	25817GT	33-34	32339GT	53-54
218550GT	23	229744GT	15-16, 19, 25, 27	25969GT	141	32675GT	225
218559GT	23	229817GT	34, 38	27067GT	34, 37-38	32681GT	41
218576GT	97	229818GT	34, 38	27089-1000GT	53-54	32695GT	113-114
21858GT	59, 63-64	229845GT	215	27089-2000GT	53-54	32698GT	11-12, 114
218668GT	97	229931GT	34, 38	27089-9200GT	53-54	32975GT	79-80
218715GT	127, 137	230329GT	147	27089GT	53-54, 113-114,	33239GT	114
218751GT	187	230331GT	147		117	33278GT	145
219158GT	205	230392GT	49	27204GT	19, 27	33418GT	119
219160GT	23, 31, 205	230497GT	141	27205GT	15-16, 25	33422GT	61, 67
219243GT	91	231513GT	73, 101-102, 109	27206GT	15-16, 19, 25, 27	33428GT	34, 151
219245GT	91	231529GT	137	27207GT	15-16, 19, 25, 27	33432GT	225
219247GT	91	231532GT	73	27246GT	63-64, 163-164,	33550GT	23, 31
219437GT	99, 123, 127	232874GT	97, 99, 225		207, 209, 235	33555GT	73
219477GT	99	233108GT	239	27287GT	61, 67, 241	33607GT	61, 67
219487GT	23	233992GT	201	27377GT	73	33608GT	61, 67
219718GT	63-64	233993GT	201	27391GT	207, 209	33674GT	195
219722GT	63-64	23404GT	61, 67	27497GT	57	33724GT	211
219723GT	15-16	23405GT	217	27581GT	11-12	33994GT	11-12
219953GT	31	234242GT	153	27761GT	83	34052GT	61, 67
219954GT	31	235372GT	15-16, 19, 25, 27	27802GT	79-80	34053GT	61
219956GT	31	235659GT	97	27804GT	79-80	34058GT	229
219958GT	31	236248GT	121	27807GT	79-80	34124GT	143
219976GT	125	236251GT	121, 127, 131	27836GT	79-80, 83	34125GT	145
220230GT	93	236259GT	129, 139	27901GT	53-54	34162-0400GT	219
220231GT	93	236260GT	11-12, 129, 139	28158GT	15-16, 25	34162-300GT	125
22348GT	53-54	236338GT	97	28159GT	15-16, 25	34164GT	219
22558GT	119, 129	236339GT	99	28160GT	15-16, 25	34245GT	143
22571GT	193, 203, 221	236340GT	99	28174GT	19, 23, 27, 31	34344GT	143, 145
226325GT	157	236364GT	99	28175GT	15-16, 19	34505GT	217
226393GT	189	236373GT	95	28214GT	105	34619GT	155, 215
226541GT	153	236420GT	99	28235GT	19, 23, 27, 31	34922GT	217
226542GT	153	236421GT	99	28236GT	23	34940GT	53-54
22672GT	102, 105, 123,	236422GT	99	28301GT	73	34955GT	217, 219
	133, 217	236423GT	99	28607GT	229	34959GT	219
226940GT	47	236425GT	99	28646GT	49, 155	35418-13700GT	53-54
226941GT	47	236832GT	97	28750GT	11-12	35432GT	217
226942GT	47	236911GT	57	29080GT	143, 145	35434GT	123, 125, 133
226943GT	47	236912GT	57	29104GT	15-16	35461GT	211
226944GT	47	236923GT	235	29216GT	209	35586GT	114
226945GT	47	236924GT	235	29261GT	207	35675GT	69-70, 111, 151
226946GT	47	237068GT	49	29557GT	121, 131	35726GT	91
227125GT	141	237146GT	97	29559GT	113-114, 117	35956GT	193, 203
227306GT	157	237188GT	121, 123, 125,	29560GT	11-12, 113-114,	36208GT	97, 217
227308GT	157		127		117	36388GT	243
227309GT	95	237189GT	129	29752GT	129	36456GT	99
227347GT	175	237190GT	129	29868GT	49, 69-70, 111,	37947GT	59, 63-64, 73
227424GT	221	237191GT	129		137, 189, 237	38620GT	145
227425GT	221	237192GT	123	30138GT	143, 145	38621GT	143, 145
227532GT	221	237193GT	123	30143GT	49	38922GT	97
227816GT	33-34	237194GT	123	30144GT	49	39317GT	157
227817GT	33-34			30217GT	151, 153	39879GT	225

Part Number	Page	Part Number	Page	Part Number	Page	Part Number	Page
39882GT	69-70	48963GT	173, 183, 187,	52967GT	15-16, 25	60427GT	231
40434GT	23, 31, 243		227	53023GT	53-54	60432GT	76
40614GT	61, 67	48975GT	225	53386GT	33-34	60439GT	231
42014GT	38, 45	48977GT	173	5365GT	129	60441GT	231
42104GT	195	48978GT	187	53758-SGT	229	60443GT	143
42787GT	185	48984GT	173, 175, 185	53759-SGT	229	60585GT	101-102, 105
43018GT	87	48985GT	173	53761-SGT	229	60746GT	141
43392GT	161, 191, 195,	48996GT	173	53807-SGT	191	60757GT	253
	245	48998GT	173, 175, 177	53808-SGT	191	60838GT	117
43683GT	89	49000GT	237	53952GT	97, 101-102,	60857GT	11-12, 69-70
43960GT	143	49117-10091GT	177		107, 113-114,	60886PGT	211
44174GT	87	49117-10691GT	177		125	6090GT	63-64
44743GT	159	49117-2491GT	173	5397GT	203	6091GT	51, 129, 207
44981GT	19, 23, 27, 31	49117-3291GT	181	54124GT	53-54	6097GT	69-70
45071GT	34, 43	49117-3391GT	173	54205GT	53-54, 102, 107	61073-3930GT	173
45074GT	34	49117-4691GT	173, 181	54247-SGT	159	61073-7330GT	183
45383GT	164	49117-5191GT	181	54324GT	53-54	61225GT	61
45385GT	67	49117-6091GT	177	54365GT	61, 221	61263GT	173
45435GT	97, 107, 125,	49117-6119GT	183	54428GT	113-114	61278GT	235
	135, 219	49117-6291GT	177	54437GT	53-54, 102, 107	61306-SGT	151
45454GT	51, 53-54, 57	49119-2878GT	173, 175	54457GT	195	6145GT	203
45455GT	125	49119-4278GT	175	54458GT	195	6146GT	189
45470GT	147, 155	49119-7478GT	175	54465GT	195	6147GT	189
45489GT	79-80	49119-7578GT	177, 179	54486GT	191	61602GT	141
45708GT	49	49119-79678GT	175	54487PGT	102	61610GT	187
45782GT	113-114, 117	49120-7131GT	239	54534GT	61	61726GT	155
45845GT	231	49128-12309GT	175	54578GT	102, 105	6175GT	69-70, 189
45912GT	79-80	49130-2482GT	177, 179	54579GT	102, 105	6178GT	61, 67, 139, 189,
45921GT	79-80	49130-4782GT	177, 179	55067GT	159, 161		221
46131GT	53-54, 99	49130-5582GT	173	55753GT	161, 191, 193,	61794GT	75-76
46137GT	15-16, 19	49130-5782GT	173		195, 197, 201,	61804GT	155
46139GT	15-16	49131-9603GT	177		207, 209	61972GT	155
46181GT	15-16	49143-12329GT	175	55912GT	63-64	61974GT	155
46188GT	207	49143-3429GT	173	56057GT	61	61975GT	155
47025GT	239	49143-3629GT	173	56361GT	147, 235	6198GT	129
47041GT	15-16	49150-9130GT	173	56424GT	159, 161, 193,	61997GT	155
47222GT	147	49151-6248GT	173, 185		195, 197, 201	62076GT	21, 29
4828GT	203, 211	49163-7144GT	239	56426-700GT	207, 209	62077GT	19, 27
48498GT	133	49177-102894GT	211	56525GT	201	62078GT	21, 29
48767GT	175	49177-108894GT	211	56570GT	201	62079GT	19, 27
48875GT	239	49177-90894GT	211	56704GT	189	62256GT	79-80
48878GT	185, 233	49177-93594	211	56848GT	163-164	62257GT	79-80
48880GT	173, 175, 177,	49183-13492GT	175	56912GT	33-34, 37-38,	62258GT	80
	181	49183-7592GT	183		49, 97, 99, 105,	62260GT	79-80
48883GT	179	49189-8638GT	49		111, 143, 151,	62273GT	79-80
48885GT	49	49207GT	173, 181		159, 161, 213,	62275GT	79-80
48891GT	181	49212GT	211		215, 253	62392GT	169, 171
48904GT	173, 175, 181	49214GT	211	56934GT	201	62420GT	11-12, 101-102,
48905GT	173, 175, 177,	49215GT	211	57075GT	211		107, 113-114,
	179, 181	49219GT	75-76, 175	58247GT	97		125
48907GT	173, 175	49379GT	221	58249GT	117	62421GT	11-12, 102, 105
48908GT	175, 177, 179,	49408GT	95, 193, 203	58253GT	75-76	62425GT	117, 135
	181, 183	49411GT	119	58256GT	113-114, 117	62433GT	11-12, 102, 105
48911GT	175, 177, 179	49418GT	175	58299GT	117	62506GT	87
48912GT	173, 177, 181,	49612GT	11-12	58303GT	79-80	62507GT	87
	239	49859GT	179, 181	58304GT	70	62845GT	101-102
48914GT	173, 181, 225	49861GT	183	58310GT	157	63078GT	143
48915GT	177, 179	49915GT	119	58354GT	101-102	63213GT	151
48916GT	173, 175, 177,	49924GT	11-12, 113-114,	58380GT	69-70	63353GT	151
	179		117, 121, 131	58415GT	101-102, 107,	63463GT	101-102, 107,
48918GT	177, 179	50742GT	141		113-114, 125		113-114, 125
48930GT	177	50787-SGT	113-114, 117	58431GT	89	63468GT	38
48932GT	173, 187, 221	51580GT	187	58489GT	51	63566GT	149, 151, 153
48933GT	173, 175, 177,	52352GT	117	58566GT	113-114	6356GT	63-64, 203
	179, 181, 183,	52371GT	87	58627GT	59, 63-64	63727GT	217
	187, 227	52475GT	15-16, 25	58630GT	11-12, 117	65473GT	102, 105
48936GT	173, 177	52607GT	15-16	58631GT	225	65538GT	101-102
48937GT	175	52661GT	191	58632GT	95	65630GT	201
48941GT	173	52726GT	83	59460GT	33-34	65636GT	102, 109
48943GT	173	52865GT	15-16	60160PGT	159	65638GT	102, 109
48946GT	173	52866GT	101-102, 107,	6019GT	211	65810GT	101-102, 107,
48948GT	177, 187		113-114, 117,	6021GT	189		114, 125
48949GT	173		125, 135	6024GT	119	65887GT	53-54, 57
48960GT	173, 175, 177,	52897GT	87	60334GT	69-70	6607GT	141
	179, 183, 185,	52943GT	79-80	60370-SGT	151, 155	6638GT	51, 221
	187, 227, 233	52966GT	15-16, 25	60425GT	231	66399GT	11-12

Part Number Index (continued)

Part Number	Page	Part Number	Page	Part Number	Page	Part Number	Page
66472GT	207, 209	73599GT	99	77656GT	143, 145	822688GT	235
66812GT	59, 63-64, 163-164	73610PGT	159, 199	77664GT	201	822692GT	189
66813GT	59, 64, 164	73713GT	143	77665PGT	69-70	822693GT	114
66815GT	164	73717GT	61, 67, 167	77666PGT	70	822694GT	123
66816GT	164	73723GT	167	77667GT	63-64	822695GT	99, 123
66818GT	163-164	73725GT	143	77671GT	69-70	822696GT	123
67325GT	49	73736GT	61, 67, 167	77672GT	141	822697GT	105
67371GT	187	73751GT	75-76	77674GT	38	822698GT	99
6833GT	99, 105, 111, 207, 209, 249	73753GT	61, 67	77679GT	57	822759GT	207, 209
6888GT	129, 207	73754GT	61, 67	77683GT	201	822764GT	207, 209
6935GT	211, 235	73805GT	59	77688GT	145	822768GT	207, 209
69775GT	113-114	73807GT	87	77693GT	233	822769GT	207, 209
69776GT	231	73901GT	195	77713PGT	145	822771GT	209
70257GT	53-54	74006GT	211, 221	77718GT	143, 145	822781GT	51
70298GT	102	74872GT	143	77736GT	101-102, 109	822793GT	51
70317PGT	215	74902GT	79-80	77778GT	69-70	822817GT	219
70318PGT	215	74913GT	61	77788GT	89	822871GT	219
70319GT	215	74917GT	61, 67	77790GT	33-34	823074GT	51
70351PGT	113-114	74918GT	61, 67	77791GT	33-34	823146GT	75-76
70357GT	102	75020GT	107	77795GT	143	823243GT	51
70367GT	99, 101-102, 105	75041GT	141	77797GT	207, 209	823356GT	53-54
70375GT	113-114	75073GT	69-70, 73	77803GT	69-70	823396GT	53-54
70381GT	114, 119, 125, 135	75185GT	193, 203	77879PGT	215	823520GT	189
70385GT	101-102, 105, 114	75278-5029GT	177	77880GT	34	823523GT	127
70444GT	117	75278-5129GT	177	77882PGT	143	823524GT	127
70445GT	119	75395GT	151	77891GT	219	823656GT	15-16
70448PGT	117	75443GT	169, 171	77950GT	37-38	823658GT	15-16
70449GT	117	75444GT	169, 171	77990GT	102	823659GT	15-16
70452GT	99, 111, 113-114, 129	75445GT	169, 171	77996PGT	215	82366GT	15-16
70454PGT	119	75446GT	169, 171	77997PGT	215	823751GT	135
70455GT	117	75447GT	169, 171	77998PGT	215	823761GT	23
70459PGT	113-114	75448GT	169, 171	78736GT	251	823762GT	23
70460PGT	113-114	75449GT	169, 171	80391GT	107	823764GT	23
70461PGT	113-114	75450GT	117, 135	80543GT	221	823765GT	23
70462GT	111	75451GT	117, 135	80716GT	59, 64	823816GT	95
70472PGT	114	75470GT	141	81096GT	211	823917GT	75-76
70483GT	119	75574GT	175	81164GT	33-34	823918GT	75-76
70494PGT	114	75617-1025GT	207, 209	81167GT	215	824018GT	107
70529GT	219	75617-1550GT	207, 209	81175GT	151	824019GT	167
7056GT	61, 75-76, 211	75617-2075GT	207, 209	81341GT	157	824023GT	51
7057GT	67, 235	75617-2275GT	207, 209	81342GT	157	824025GT	97, 117
71038GT	229	75617-6275GT	207	81347GT	157	824027GT	41, 49, 51, 57, 70, 99, 101-102, 105, 107, 114, 123, 125, 127, 139, 143, 147, 151, 155, 157, 159, 161, 191, 193, 195, 199, 207, 209, 213, 217, 219, 221, 223, 233, 245, 249, 251, 253
71259GT	233	75627GT	70	81368GT	201	824028GT	49, 73, 93, 97, 102, 107, 114, 125, 135, 147, 159, 161, 193, 195, 197, 221, 223, 235, 249
71498GT	203	75631GT	95	81458GT	211	824029GT	34, 49, 53-54, 57, 69-70, 99, 101-102, 105, 111, 114, 119, 123, 127, 129, 133, 137, 139, 141, 145, 147, 149, 151, 153, 155, 157, 159, 161, 193, 195, 197, 221, 223, 235, 249
71768GT	143	75636GT	207, 209	81467GT	117, 135	824030GT	143
71875GT	111	75654GT	173	81468GT	117, 135	824031GT	49
71909GT	57	77051GT	145	81487PGT	167	824032GT	70, 155, 167, 231, 251
71911GT	117, 119, 133	77069GT	51	81488GT	167	824036GT	61, 67
72047GT	79-80	77071GT	51	81546GT	75-76	824041GT	41
72086GT	15-16, 25	77108GT	195	81550GT	167		
72168GT	15-16	77139GT	69-70	81551GT	167		
72169GT	15-16	77180GT	159, 161	81552GT	41		
72255GT	113-114, 117	77181GT	151	81570GT	211		
72256GT	73	77245PGT	113-114	81578GT	51		
72282GT	189	77295GT	12, 97	81609GT	41		
72290GT	34, 37-38	77303GT	149, 151, 153	81640GT	151		
72326GT	49, 164, 189	77351GT	167	81691GT	41		
72327GT	99	77353GT	49	81694GT	141		
72343GT	97, 101-102	77354GT	49	8170GT	49		
72344GT	101-102	77365GT	49	81724GT	69-70		
72348GT	101-102, 109	77402GT	102, 113-114, 117	8178GT	203		
72875GT	23, 201	77430GT	61, 67	81812-13292GT	177		
72999GT	15-16	7746GT	191	81834GT	69-70		
73463-1175GT	201	77482GT	102, 109	81856GT	143		
73477PGT	159	77483GT	102, 109	820991GT	215		
73478GT	161	77610GT	34	82161GT	15-16		
73478PGT	159	77616PGT	145	822004GT	19		
73500GT	195	77618PGT	143	822048GT	75-76		
73501GT	195	77623PGT	37-38	822131GT	19		
73574-SGT	159, 161	77624PGT	37-38	82237GT	19, 23		
73575GT	159, 161, 247	77641GT	63-64	82240GT	25		
		77648GT	145	82243GT	23		
		77649GT	145	822513GT	75-76		
		77653PGT	143	822514GT	117		
		77654PGT	143	822515GT	102		
				822687GT	235		

Part Number	Page	Part Number	Page	Part Number	Page	Part Number	Page
824059GT	33-34	824206GT	241	826793GT	151, 155	88988PGT	102, 111
824060GT	205	824207GT	195, 197	826795GT	133	88989PGT	102, 105
824061GT	155	824214GT	61, 67, 167	826822GT	133	88990PGT	101-102, 105
824062GT	99	824215GT	139, 215, 253	82710GT	105	88991PGT	102
824063GT	38, 239	824216GT	247	82862GT	23	88993GT	102
824064GT	41	824220GT	99, 101-102,	83093GT	59, 63-64, 73	8915GT	51
824066GT	221, 235		105, 123, 125,	83098GT	171	89294GT	33-34, 43
824068GT	147		133	83129GT	75-76	89307GT	79-80
824069GT	205	824226GT	61, 167	84134GT	83	89309GT	79-80
824072GT	37-38	824227GT	207	84135GT	83	89310GT	79-80
824075GT	153	82431GT	89	85124GT	107	89311GT	79-80
824078GT	49, 51, 99, 107,	824471GT	53-54	85155GT	101-102, 109	89312GT	80
	114, 123, 125,	824486GT	53-54, 139	8516GT	129	89571GT	69-70
	127, 141, 143,	824487GT	53-54, 139	85239GT	59	89575GT	61, 67
	145, 151, 157,	824491GT	53-54	85300GT	201	89617GT	51
	159, 161, 191,	824493GT	53-54	87085GT	157	89737GT	80
	193, 195, 207,	824507GT	107	87172GT	185	89738GT	80
	209, 215, 221,	824546GT	141	87246GT	225	89755GT	155
	223, 233, 245,	824547GT	157	87757GT	253	89765GT	11-12, 101-102,
	247, 249, 253	824548GT	157	88064GT	117		105, 109
824079GT	49, 70, 101-102,	824549GT	157	88313GT	53-54	89771GT	102
	105, 111, 139,	824550GT	141	88356-11103GT	141	89785GT	121, 131
	143, 151, 159,	824551GT	151	88356-13103GT	70, 141, 143	89792GT	113-114
	193, 199, 213,	824617GT	221	88356-14963GT	143	89861GT	79-80
	217, 219, 221	824673GT	121, 131	88377-1400GT	201	89862GT	87
824080GT	57, 102, 107,	82473GT	25, 27	88390GT	207, 209	89864GT	87
	114, 245, 249	82481GT	25	88406GT	223	89953GT	102
824081GT	99, 147, 193, 233	824849GT	76	88451GT	93	89997GT	117
824082GT	141	824879GT	59, 63-64, 163-	88452GT	93	93500GT	11-12
824083GT	141, 143, 157,		164	88493GT	219	94205-3164GT	185, 233
	201	82487GT	25, 31	88516GT	149, 151	94221GT	34
824084GT	157, 251	824880GT	163-164	88567GT	145	94326GT	155
824085GT	93, 97, 193, 195,	824882GT	59	88568GT	143	94332GT	33-34
	197, 221	824996GT	76	88571GT	143	94333GT	33-34
824086GT	102, 113-114,	825017GT	67	88576GT	149	94374-2330GT	179
	119, 125, 159,	825019GT	34, 69-70, 149,	88606PGT	191	94374-2430GT	177
	161, 193		151, 153	88607PGT	191	94374-2530GT	179
824087GT	97, 159, 161, 221	825020GT	155	88636-11973GT	175	94374-2630GT	177
824089GT	34, 69-70, 117,	825351GT	119	88636-2573GT	175	94374-4730GT	179
	143	825352GT	67, 251	88636-8573GT	181	94374-6030GT	173, 187
824090GT	49, 51, 57, 69-	825353GT	69-70, 97, 145,	88653GT	141	94397GT	151
	70, 89, 99, 101-		153	88665GT	141	94439GT	43
	102, 111, 113-	825355GT	113-114	88666GT	141	94463GT	217
	114, 137, 141,	825358GT	197, 223	88667GT	143	94464-4186GT	181
	143, 145, 157,	825441GT	163-164	88675GT	141	94464-4986GT	177, 179
	219, 247	825442GT	163-164	88676GT	141	94465-3650GT	173
824091GT	34, 49, 69-70,	825443GT	163-164	88727GT	33-34	94466-2336GT	177, 179
	99, 101-102,	825444GT	163-164	88728GT	33-34	94479GT	217
	111, 113-114,	825445GT	63-64	88729GT	33-34	94485GT	113-114
	119, 129, 133,	825446GT	63-64	88730GT	33-34	94493-SGT	201
	139, 141, 145,	825447GT	63-64	88783GT	83	94499GT	79-80
	149, 153, 159,	825448GT	63-64	88793GT	145	94506GT	163-164
	161, 237	825449GT	63-64	88795PGT	143	94510GT	145
824092GT	99, 127, 147, 151	82551GT	25, 27	88796GT	145	94526GT	49
824095GT	34, 155	82552GT	25, 27	88801GT	76	94533GT	217
824096GT	157	825579GT	16	88802GT	76	94534GT	33-34
82410GT	23, 201	825674GT	34	88810GT	75-76	94535GT	33-34
824110GT	145, 151	825708GT	121, 131	88827GT	59	94536GT	33-34
824113GT	33-34, 38, 41,	825796GT	34, 143, 145	88841GT	102	94537GT	217
	117, 157, 205,	826000GT	129	88846GT	101-102	94599GT	79-80
	223, 239, 245	826008GT	125, 135	88847GT	101-102	94620GT	70
824115GT	69-70	826171GT	225	88858GT	157	94692GT	143
824116GT	151, 153, 155	826214GT	101-102, 109,	88859GT	157	94711GT	101-102
824120GT	99, 105, 123,		167	88870GT	149, 151, 153	94745PGT	159, 199
	133, 205	826215GT	101-102, 109	88872GT	141	94757GT	227
824123GT	117, 139	826345GT	16	8887GT	221	94758GT	83
824124GT	125, 213	826379GT	145	88884GT	34, 37-38	94759GT	91, 227
824127GT	33-34	826400-1300GT	137	88885GT	37-38	94760GT	227
824129GT	33-34	826400-2500GT	137	88887GT	37-38	94762GT	11-12, 102, 105
824132GT	101-102, 133	826516GT	217, 231	88917GT	11-12, 49	94765GT	227
824133GT	127	826590GT	53-54	88919GT	141, 143	94869GT	199
824142GT	114, 135	826601GT	53-54	88920GT	141	94887GT	101-102, 111
824144GT	102	82677GT	15-16, 19	88936GT	173	94888GT	101-102
824145GT	97, 114	82678GT	15-16, 19	88942-8354GT	173	94889GT	11-12, 102, 105
824151GT	149, 151, 153	826791GT	151, 155, 157	88949-3828GT	173, 185	94890GT	101-102
824164GT	149	826792GT	151, 155	88987PGT	111	94937GT	69-70

Part Number Index (continued)

Part Number	Page
94980GT	76, 141
94981GT	251
9599-SGT	191, 193
96008-SGT	59, 63-64
96010GT	59
97128GT	143
97473GT	101-102, 109
97548GT	19
97579GT	23
97602GT	19
97815GT	23, 31
97865GT	15-16
97875GT	19, 23
99343GT	75-76
99344GT	75-76
99632GT	67
99778GT	231
T106413GT	141
T106425GT	69-70
T106482GT	59
T106495GT	59
T106508GT	141
T106600GT	76
T106741GT	76
T106954GT	69-70
T106955GT	69-70
T106957GT	69-70
T106961GT	69-70
T106962GT	69-70
T107130GT	76
T107520GT	59, 63-64, 167
T107829GT	49
T107895GT	217
T108075GT	149, 151, 153
T108076GT	151
T108077GT	151
T108321GT	76
T108322GT	76
T108415GT	75-76
T108416GT	76
T108732GT	119
T108733GT	119
T108734GT	119
T108886GT	76
T108890GT	143
T108891GT	143
T108892GT	151
T109268GT	189
T109328GT	191
T109331GT	211
T109332GT	229
T109333GT	229
T109334GT	229
T109335GT	233
T109350GT	167
T111124GT	149, 151, 153
T112459GT	147
T112560GT	211
T112561GT	211
T112626GT	169, 171
T112773GT	23, 31
T114223GT	157
T114624GT	76
T114625GT	76
T114626GT	76
T114627GT	76
T114678GT	113-114, 117
T115352GT	241

The Part Description Index is an alphabetical index of all part descriptions included in this manual. The index shows what page(s) the part is used on.

"	ALTERNATOR, DEUTZ,BF4L2011***.....117	ASSY,FUEL TANK,35GAL,W/PROP SENSOR.....53-54
"	ALTERNATOR, MSG425 LPS.....95	ASSY,GROUND CONTROL BOX.....59
"Ref. WELDMNT,BAT/MANIF TRAY,S60/65".....51	ALTERNATOR,65 AMP,PERKINS 404.....101-102	ASSY,LS,LOAD SENSE,38.5 IN.....75-76, 155
#	ALTERNATOR,95 AMP,DEUTZ.....121, 127, 131	ASSY,MODULE,CONTROL UNIT,OPA.....245
#1 BOOM TUBE ASSY,W/SYM DECAL.....143	ALTERNATOR,FORD DSG423,MSG425.....95	ASSY,PCB,ALC500 S60 S0849300.....167
#1 BOOM TUBE ASSY,W/WORD DECAL...143	ANGLE,RELAY MNT,W/NUTSERTS,PNT.....61	ASSY,RELAY SOCKET, AUTO.....61
1	ASSEM,BOOM TUBE #3 S60/65,CE**.....143	ASSY,SIDE SWING GATE.....161
12VDC PROPORTIONAL VALVE.....235	ASSEMBLY,RESET SWITCH.....245	ASSY,TERMINAL RAIL,TIER IV.....67
2	ASSEMBLY,CABLE, GEN TO J-BOX, S60/65.....221	ASSY,TRACK,FALL ARREST BAR,6FT FR.....243
207 HYD MOTOR ASSY, GEN.....235	ASSEMBLY,GROUND CONTROL BOX C.....215	ASSY,TRACK,FALL ARREST BAR,6FT SYM.....243
2MM ORIFICE UNION, 1/4" HOSE.....127	ASSEMBLY,INSIDE HOSE GUARD.....47	ASSY,TRACK,FALL ARREST BAR,6FT WORD.....243
A	ASSEMBLY,LIGHT, CONTACT ALARM.....247	ASSY,TRACK,FALL ARREST BAR,8FT FR.....243
ACC, BEACON, TRVL ALARM, SERV.....189	ASSEMBLY,OPA PROTECTION CAGE.....245	ASSY,TRACK,FALL ARREST BAR,8FT SYM.....243
ACC, OIL COOLER,S60, SERV.....233	ASSEMBLY,OUTSIDE HOSE GUARD.....47	ASSY,TRACK,FALL ARREST BAR,8FT WORD.....243
ACC,AIRLINE TO PLAT,S60 ,SERV.....211	ASSEMBLY,SENSOR, PROX, CONTACT ALARM.....247	ASSY,WORK LIGHT,12V LED.....193, 203
ACC,FALL ARREST BAR,6FT FR.....243	ASSEMBLY,TRAX UNIT, LEFT.....43	AUX RAIL, 6' PLAT, SIDE ENTRY.....193
ACC,FALL ARREST BAR,6FT SYM.....243	ASSEMBLY,TRAX UNIT, RIGHT.....43	AUX RAIL, 8' PLAT, TRI-ENTRY.....193
ACC,FALL ARREST BAR,6FT WORD.....243	ASSEMBLY,BOOM TUBE #3 S60/65**.....143	AUX TOP RAIL,6'(1.25")SERVICE.....191
ACC,FALL ARREST BAR,8FT FR.....243	ASSEMBLY,CABLE,TAPESWITCH.....245	AUX TOP RAIL,6',SWG GT, SRV.....191
ACC,FALL ARREST BAR,8FT SYM.....243	ASSEMBLY,CONTACT ALARM CABLE, LARGE.....247	AUX TOP RAIL,6FT,PTD.....191
ACC,FALL ARREST BAR,8FT WORD.....243	ASSEMBLY,FOOT SWITCH, S60.....159, 161	AUX TOP RAIL,8'(1.25")SERVICE.....191
ACC,FULL GAUGE,DEUTZ,SERV.....229	ASSEMBLY,TAPESWITCH.....245	AUX TOP RAIL,8',SWG GT, SRV.....191
ACC,FULL GAUGE,FORD DSG423,SV.....229	ASSEMBLY,WELDER,PLATFORM,S60/6.....223	AUX TOP RAIL,8FT,PTD.....191
ACC,FULL GAUGE,PERKINS,SERV.....229	ASSEMBLY,WELDER,TURNTABLE,S60/.....221	
ACC,PLAT CONTROL COVER, SERV.....191	ASSY BATTERY HEATER,240V.....231	
ACC,PBOX HEATER ALC500 GEN II.....241	ASSY HEATER, MODEL 18, 120V.....231	B
ACCESSORY,OPERATOR PROT STRUCT.....205	ASSY HEATER,MODEL 18,240V.....231	BACKING PLATE, HOSE BLOCK, JIB.....151
ACCESSORY,PANEL CRADLE,ANSI.....201	ASSY,ANGLE SENSOR AND COVER.....141	B A C K U P RING,71.60X67.20X1.40PTFE(60334).....69-70
ACCUMULATOR,10CC,1000PSI,#6SAE.....79-80	ASSY,BATTERY HEATER, 120V.....231	BAFFLE, AIR CLEANER (27915)**...101-102, 107, 114, 125
ADAPTER, 1/8 X 1/4 F3H6-S.....229	ASSY,CIRCUIT BREAKER 15A.....59, 64	BAFFLE, AIR INTAKE, S60.....99, 123
ADAPTER, MIXER/THRO, MSG425.....93	ASSY,DRIVE LIGHT, 12V LED.....189	BAFFLE, S60 PERKINS, 404F-22.....105
ADAPTER, WATER CONN, MSG425.....93	ASSY,ES SWING CHASSIS COVER.....73	BAFFLE,AIR INTAKE S60 PAINTED.....69-70, 117
ADAPTER,140130-4-4.....229	ASSY,FUEL PICKUP TUBE.....57	BAFFLE,AIR INTAKE,PAINTED***.....69-70
ADAPTER,140139-8-6.....229	ASSY,HYDRAULIC TANK.....49	BAFFLE,PERKINS ENGINE PAINTED.....102
ADAPTER,AIR HOSE,PERK 404F.....107	ASSY,LONG LINK LT W/BEARINGS.....141	BALL STUD**.....73
ADAPTER,EYEBOLT.....105	ASSY,LONG LINK RT W/BEARINGS.....141	BAR, CLAMP, CABLE TRACK.....157
ADAPTER,NPT 6-4.....229	ASSY,MED. PRESS. FILTER, SAE8.....69-70	BAR, CLAMP, TIMING LINK.....141
ADJUSTABLE STRAP ASSY.....201	ASSY,SENSOR W/HOUSING.....247	BASE ENCLOSURE,RED,OPA.....245
AIR CLEANER CAP/ FORD/NOLFF***.....97	ASSY,TERMINAL RAIL.....61	BASE, W/1 N.O. CONTACTS***.....164
AIR CLEANER CLIPS, SUPERBOOM.....117, 135	ASSY,TS SWING CHASSIS COVER.....73	BASE,W/2 NC CONTACTS***.....59
AIR CLEANER COVER, SUPERBOOM*..117, 135	ASSY,120V HEATER, HYD TANK.....231	BASE,W/3 NC CONTACTS.....163-164
AIR CLEANER,FORD,T3.....97	ASSY,240V HEATER, HYD TANK.....231	BATTERY CABLE,NEGATIVE,BLACK.....76
AIR CLEANER,NELSON.....117, 135	ASSY,4FT PLATFORM, NO DECALS.....159	BATTERY CABLE,POSITIVE,RED.....76
AIR CLEANER,NELSON***.....101-102, 107, 113-114, 125	ASSY,5FT PLATFORM, NO DECALS.....159	BATTERY HOLD DOWN,GROUP 31.....49
AIR INTAKE ELBOW,90 DEGREE.....125	ASSY,6' PLAT WELDMNT W/SIDE GATE.....161	BATTERY,12V 1000CCA,5/16STUD W.....49
AIR INTAKE TUBE ASSY.....114	ASSY,6FT PLAT DUAL LG,BLANK W/SIDE SWING GATE.....161	BATTERY,12V,1000 CCA GRP 31.....49
ALARM,DESCENT.....49	ASSY,6FT PLATFORM,NO DECALS.....159	BEARING KIT,OMNI***.....34, 37-38
ALARM,INTERMITTENT TONE 6-30V*.....189	ASSY,8' PLAT WELDMNT W/SIDE GATE.....161	BEARING KIT,PLAT ROTATOR,SUPER.....151
ALARM,WARBLE TONE 5-30 VDC***.....164	ASSY,8FT PLAT TRI LG,BLANK W/SIDE SWING GATE.....161	BEARING, SPL BOGEY (128918).....47
ALC500 printed circuit board.....241	ASSY,8FT PLATFORM,NO DECALS.....159	BEARING,1.00IDX1.25ODX1.00L.....33-34
ALTERNATOR.....225	ASSY,BLEED LINE (139367).....225	BEARING,1.25 X 1.5 X 2.....70
ALTERNATOR - 85 AMP, INT REGULATED.....109	ASSY,CABLE,12.5KW WELDER.....75-76	BEARING,1.25IDX1.50X1.25L.....143
ALTERNATOR, DEUTZ F3L10/F4L10*.....114	ASSY,DISPLAY,DP200 DEUTZ T4.....63-64	BEARING,1.25IDX1.50DX1.00L.....141, 143, 149, 153
	ASSY,DISPLAY,DP200 PERKINS T4.....63-64	BEARING,1.5IDX1.75ODX1.5L.....34, 43
	ASSY,ENGINE TRAY,W/BEARINGS.....69-70	
	ASSY,FUEL PREFILTER,DEUTZ 2.9.....129	

Part Description Index (continued)

BEARING,2.00IDX2.25ODX2.00L.....38, 45	BRACKET,AIRLINE TO PLATFORM.....211	CAP, INT. MFLD. VAC, MSG425.....93
BEARING,2.0IDX2.25ODX1.50L.....141, 143	BRACKET,CONTROL UNIT.....245	CAP, OIL FILLER.....102, 109
BEARING,2.25IDX2.50ODX1.50L***.....141	BRACKET,DP200 PANEL MOUNT.....63-64	CAP, TANK, FUEL SENSOR.....54
BEARING,BALL DRIVE SHAFT.....34, 37-38	BRACKET,FAN,FORD MSG.....95	CAP,520112-8.....113-114
BEARING,FL, 1.25X1.5X2.13.....151	BRACKET,GENERATOR 12.5 KW,PNTD.....221	CAP,COOLANT 3/4.....99
BEARING,FL,1.25IDX1.41ODX1.50L.....151	BRACKET,GENERATOR 12.5 KW,PNTD*.....235	CAP,DIAGNOSTIC NIPPLE.....173, 175, 177, 181
BEARING,FL,1.25IDX1.50DX1.25L.....69-70, 111, 151	BRACKET,HOSE CLAMP,PAINTED.....151	CAP,DISENGAGE,OMNI***.....33-34, 37-38
BEARING,FL,2.00IDX2.25ODX1.50L.....141	BRACKET,HOSE ROUTING,AXLE LH.....33-34	CAP,EXTENSION,PAINTED.....143
BEARING,FL,2.25IDX2.50ODX1.63L.....141, 143	BRACKET,HOSE ROUTING,AXLE RH.....34	CAP,FUEL,DIESEL,1/8"VENT(GRN).....53-54
BEARING,GARLOCK,12FDU12.....155	BRACKET,IDLER,FORD MSG.....95	CAP,FUEL,GASOLINE 3.5PSI.....57
BEARING,POLYGON,20DU12.....149, 151, 153	BRACKET,INTAKE PIPE,MOUNT,DEUT.....135	CAP,OIL FILLER,DEUTZ,DIESEL ***.....121, 131
BEARING,TURNTABLE ROTATION.....38	BRACKET,PBOX WIRE SUPPORT.....167	CAP,OIL FILLER,FORD DSG 423.....95
BELLCRANK W/BEARINGS.....151	BRACKET,POWER TO PLAT, DOM.....211	CAP,PLASTIC,2.5 ID.....219
BELLOWS,CYLINDER LIFT.....217	BRACKET,POWER TO PLAT, UK.....211	CAP,PROT.,RED,1.38ID X .75 DP.....99
BELLOWS,CYLINDER,PLAT LEVEL.....217	B R A C K E T , S O L E N . M O U N T	CAP,RADIATOR,PERKINS(94232).....127, 137
BELLOWS,MASTER CYLINDER.....217	BRACE,PNTD.....113-114	CAP,RADIATOR,PERKINS/FORD.....102, 105
BELT, FEAD, MSG425.....95	BRACKET,SOLENOID MOUNT PAINT.....113-114	CAPACITOR 16 F, GEN.....235
BELT, V (PERKINS 404).....11-12, 101-102, 105, 109	BRACKET,V275S WELD LEADS.....223	CAPACITOR,3 MF,50VDC.....61, 67
BELT,AIR PUMP,PERKINS 404F-22T.....11-12, 105, 129	BRACKET,WELDER COVER,PNTD.....223	CAST, LIMITER STOP BRKT L.....47
BELT,V, DEUTZ DIESEL ENGINE.....11-12, 114	B R A C K E T , W E L D E R M N T	CAST, LIMITER STOP BRKT R.....47
BIT,3/16,HEX SOCKET,SECURITY.....221	SUPPORT,PNT.....223	CASTING,WASHER,REBOUND.....99
BIT,T-27,TORX SOCKET,SECURITY.....223	BRACKET,WELDER SUPPORT,PNT.....223	CBV ASSEMBLY***.....69-70
BIT,TORX SOCKET,SECURITY.....223	BRACKET,WELDER TOP.....223	CHAIN,NO.2 (11 LINKS).....207, 209
BOLT, BRACKET, SUPPORT,FORD MSG.....95	BRACKET,WORK LIGHT MOUNT 5/16".....193, 203	CHARGE WIRE, MSG425.....95
BOLT, DEUTZ FLYWHEEL.....121, 131	BRACKET,TOOL TRAY MOUNTING.....191	CIRCUIT BKR 10A TYPE 2 METAL.....61
BOLT, DEUTZ STARTER.....121, 131	BRAKE KIT (88886)***.....34, 37-38	CIRCUIT BREAKER, 35A 3PH.....221
BOLT, GUARD, DEUTZ STARTER.....113-114	BRAKE TUBING.....69-70	CIRCUIT BREAKER,20A,SINGLE PH.....221
BOLT,BANJO,DEUTZ,QC.....129, 139	BREAKER, 25 AMP, GEN.....235	CIRCUIT BREAKER,20AMP MINI.....51
BOLT,CARRIAGE,1/4-20X.75,5,ZAG.....125, 213	BREAKER, 15 AMP,GEN.....235	CIRCUIT BREAKER,GFCI 30mA 3PH.....221
BOLT,CARRIAGE,1/4-20X1.5,ZAG.....69-70, 73, 151	BREATHER CAP,RFM165.....49	CIRCUIT BREAKER,GFCI,3PH,63A,3.....221
BOLT,CARRIAGE,1/4-20X2.75,5,ZAG.....151	BRKT,AIR CLEANER ORIENTATION**.....97, 101-102, 107, 113-114, 125	CIRCUIT BREAKER,MAGTRIP,3PH,40A.....221
BOLT,EXHAUST,PERKINS(54555)**.....101-102	BUMPER, PLASTIC, 1.25 O.D.....161, 191, 193, 195, 197, 201, 207, 209	CIRCUIT BRKR 15A TYPE 2 METAL.....117
BOLT,FLANGE,3/4-10X1.5"GR8 PLT.....47	BUMPER, RUBBER, 1.25 X 1.25 IN.....49, 73, 133	CLAMP ASSY,OPTIONS BLOCK W/NUT...157
BOLT,FLANGE,3/4-10X1.75GR8 PLT.....47	BUMPER,BATTERY BOX & RAILS...161, 191, 195, 245	CLAMP TOP,HOSE ROUTING***.....34
BOLT,FLANGE,3/4-10X4.5"GR8 PLT.....47	BUMPER,RUBBER***.....155, 215	CLAMP, .875, #14 X .531, RUB CUSH.....221
BOLT,FLANGE,5/16-18X.50 GR5.....47	BUMPER,RUBBER,.75 X .50H,STUD.....243	CLAMP, 1.25 INCH TUBE.....247
BOLT,FLANGE,5/8-11X1.5"GR8 PLT.....47	BUMPER,RUBBER-1 X 1.25.....69-70	CLAMP, CABLE.....157
BOLT,HHC,1-14X2.0"GR8 PLT.....47	BUSHING, STRAIN RELIEF, 1".....141	CLAMP, CABLES.....157
BOLT,SHS,1/4-28X4,ZAG.....41, 113-114, 117	BUTTON,PUSH,BLACK W/SEAL***.....59, 64, 164	CLAMP, HOSES.....157
BOLT,SHS,3/8X1.75X5/16-18,ZAG.....147	BUTTON,PUSH,RED MUSHROOM	CLAMP, HYD WELD, AIR, OPT.....211
BOLT,SHS,5/16X.375X1/4-20,ZAG.....59, 63-64	HEAD.....59, 63-64, 163-164	CLAMP, HYD, WELD, AIR, OPT.....221
BOLT,SHS,8X12XM6-1.0,ISO7379,12.9,ZAB.102	BYPASS VALVE RELIEF.....79-80, 83	CLAMP, OPTIONS, CABLE TRACK.....157
BOOT(BELLOWS),E-STOP,BLACK.....163-164		CLAMP, TIMING LINK, LH.....141
BOOT, ENVIRO, 3PH CIRCUIT BREAKER.....221	C	CLAMP, TIMING LINK, RH.....141
BOOT, ROCKER JOYSTICK 75565.....169, 171	CABLE ASSY, EXTEND SET(PAIR).....145	CLAMP, WIRE, 16/2.....189
BOOT,DTSCH,DTP4-BT.....143	CABLE ASSY, RETRACT SET (PAIR).....145	CLAMP,0.31,#5 X 1/4,RUB CUSH.....147, 155
BOOT,JOYSTICK.....169, 171	CABLE SQUEEZE CONN .63-.75.....221	CLAMP,0.50,#8 X 1/4,RUB CUSH.....99, 105, 111, 207, 209, 249
BOOT,TOGGLE SWITCH,SHORT*.....63-64, 163-164, 207, 209, 235	CABLE SQUEEZE CONN.....221	CLAMP,0.75,#12 X 1/4,RUB CUSH.....49
BOTTLE,COOLANT RECOVERY,3.7***.....99, 101-102, 105	CABLE TIE,BUTTON,BLACK,14.75LG.....147, 235	CLAMP,1.00,#16 X 1/4,RUB CUSH.....61, 67, 167, 221
BOX,INSTRUCTION STORAGE.....159, 161	CABLE TRACK, SX, 49 LINK.....157	CLAMP,1.00,#16 X 7/16,RUB CUSH.....117
BRACKET, BUMPER.....73	CABLE, BLACK 2/0, 120", 3/8".....251	CLAMP,1.13,#18 X 1/4,RUB CUSH.....207, 209
BRACKET, EXTEND SHEAVE.....145	CABLE, RED 2/0, 110", 3/8".....251	CLAMP,1.25X.5 RUBBER-CUSHION.....159, 161, 193, 195, 197, 201
BRACKET, OSCILLATE VALVE.....41	CABLE, RED 2/0, 20".....251	CLAMP,1.31,#21 X 3/8,RUB CUSH.....159, 161
BRACKET, POSITIVE AIR SHUTOFF.....114, 249	CABLE,S60 12VDC WORK LIGHT.....76	CLAMP,1.38,#212X3/8,RUB CUSH.....127
BRACKET,1K OHM 10-TURN POT,PNT.....61, 67	CABLE,S65 12VDC WORK LIGHT.....76	CLAMP,1.63,#26 X 3/8,RUB CUSH.....151
	CAN CONVERTER, 1.62 - 4.35 V R.....253	CLAMP,1.75,#28 X 3/8,RUB CUSH*.....53-54
	CAN CONVERTER, 1.71 - 4.50 V R.....253	CLAMP,2 HOSE,PLASTIC,5/8.....251
	CAP ASSY, COOLANT BOTTLE.....101-102, 105	CLAMP,2.75,#44 X 1/4,RUB CUSH*.....125
	CAP, COOLANT RET SYS(54071).....99	CLAMP,3.0,#48 X 1/4,RUB CUSH.....53-54
		CLAMP,5.38,#86 X 3/8,RUB CUSH.....219
		CLAMP,EXHAUST,2.00 PLATED.....101-102, 105, 114
		CLAMP,HOSE,.25" - .63" X .3125.....53-54, 99, 127, 137

CLAMP,HOSE,.63" - 1.0" X .5".....53-54, 99	CONN,520120-4-6***.....173, 177, 181, 239	COVER, FOOT SWITCH, LARGE.....159, 161
CLAMP,HOSE,.75 **.....137	CONN,520120-4-8.....173, 181, 225	COVER, JIB HOSES/CABLES.....151
CLAMP,HOSE,1 EAR, 27/64.....53-54	CONN,520120-6-8.....177	COVER, LIMIT SWITCH ARM MOUNT.....147
CLAMP,HOSE,1 EAR, 9/16.....53-54, 137	CONN,520120-8***.....173, 175, 177, 179, 181, 183, 187, 227	COVER, PROTECTIVE, OSCILLATE.....217
CLAMP,HOSE,1 EAR, 1/2.....53-54, 57	CONN,520120-8-10.....173	COVER, REAR AXLE.....45
CLAMP,HOSE,1.00.....125, 127	CONN,520120-8-12.....177, 187	COVER, SWING CHASSIS, ES.....73
CLAMP,HOSE,1.25***.....97, 217	CONN,520120-8-16.....173	COVER, SWING CHASSIS, TS.....73
CLAMP,HOSE,1.75.....102, 105, 123, 133, 217	CONN,LONG,520122-12***.....187	COVER,BLANK.....211
CLAMP,HOSE,2.00***.....123, 125, 133	CONN,LONG,520122-4.....183	COVER,CABLE TRACK.....217
CLAMP,HOSE,2.50****.....97, 107, 125, 135, 219	CONN,MOLEX 10 WAY.....75-76	COVER,CONTROL BOX LEFT SIDE***.....191
CLAMP,HOSE,2X4,1X6,2X8***.....34	CONN,MOLEX 12 WAY.....75-76	COVER,CONTROL BOX RIGHT SIDE**.....191
CLAMP,HOSE,3.00".....107, 114, 135, 217	CONN,MOLEX 16 WAY.....75-76	COVER,DRIVE CHASSIS.....33-34, 37-38
CLAMP,HOSE,3.50.....117, 135	CONN,PLUG 120 AC/15A DOMESTIC.....211, 231, 235	COVER,DUST,IDLER,FORD DSG423.....93
CLAMP,HOSE,5.00.....217, 219	CONN,PLUG 2 WAY,14-18GA.....221, 231	COVER,FLYWHEEL CASTING.....114, 119, 125, 135
CLAMP,HOSE,6.50.....217	CONN,PLUG 40 WAY,DRC SERIES.....75-76	COVER,GFCI,HORIZONTAL,WEATHER..211, 221
CLAMP,HOSE,8.50 DIA***.....114	CONN,PLUG 8 WAY 14-18GA,BLK.....253	COVER,LH,BOOM SECTION #1.....143
CLAMP,HOSE/CABLE,JIB.....151	CONN,PLUG 8 WAY,14-18GA.....76	COVER,LIMIT SWITCH ASSY,S60.....213
CLAMP,LINK,WELD CABLE/HOSE.....221	CONN,RECEP 120AC/15A DOMESTIC.....211, 235	COVER,PRIMARY BOOM,PAINTED.....145
CLAMP,MUFFLER.....102	CONN,RECEP 2 WAY ENDCAP DT.....231	COVER,PRM FUSE SERVICE PART.....51
CLAMP,MUFFLER, 2.50 INCH.....117, 119, 133	CONN,RECEP 24 WAY,W/FLANGE.....61, 67	COVER,PROTECTIVE,JIB CYLINDER.....217
CLAMP,MUFFLER,1-7/8 IN.....97	CONN,RECEP 3 WAY ENDCAP DT.....231	COVER,PROTECTIVE,STEERING.....217
CLAMP,MUFFLER,1.75 INCH.....97	CONN,RECEP 4 WAY ENDCAP DT.....143	COVER,REAR AXLE.....37-38
CLAMP,RUB CUSH,0.75,#12 X 3/8*.....51, 53-54, 57	CONN,RECEP 4 WAY,12-14GA FL***.....61, 67, 167	COVER,RETRACT SHEAVE,PAINTED.....143
CLAMP,RUBBER CUSHIONED-2 5/32.....57	CONN,RECEP 40 WAY,W/FLANGE.....61, 67	COVER,RH,BOOM SECTION #1.....143
CLAMP,SPRING,1/2".....93	CONN,RECEP 48 WAY,4 X 12.....61, 67, 167	COVER,STEERING SENSOR.....141
CLAMP,TWO HOSE.....151	CONN,SQUEEZE,1/2NPT .38-.50,SM.....61, 75-76, 211	CRANK PULLEY, EXT, MSG425.....95
CLEVIS YOKE-1/4-28,PLTD W/PIN.....41, 102, 113-114, 117	CONN,SQZ,1/2NPT .39-.56 MED.....67, 235	CRIMPER,DEUTSCH,LIGHT DUTY***.....75-76
CLIP,AIR CLEANER COVER (58247).....97	CONN,SQZ,1/2NPT .56-.63.....235	CYLINDER, STEER.....43
CLIP,AIR CLEANER END CAP***.....101-102, 107, 113-114, 125	CONNECTOR, DEUTZ FUEL SHUTOFF*.....113-114, 117	CYLINDER,BOOM EXTENSION.....143
CLIP,SPRING,1/4-20 BLACK.....141	CONNECTOR, SAE10, QUICK CONN.....129	CYLINDER,JIB (STICK BOOMS).....151
COIL ASSY, MSG425.....93	CONNECTOR,010102-6-4.....99	CYLINDER,LIFT,S60***.....141
COIL, 10V DC (D10, 20 WATT).....79-80	CONNECTOR,070120-4-8.....225	CYLINDER,MASTER.....141
COIL, SOLENOID VALVE, 10V.....91	CONNECTOR,BULKHEAD,FEMALE-4.....49	CYLINDER,OSCILLATE,S60.....34
COIL,10V.....79-80	CONNECTOR,PLUG 6 WAY 18-20 GA.....75-76	CYLINDER,PLATFORM LEVEL ***.....149, 151, 153
COIL,12VDC #8 DTSCH IP69 ECOIL.....87	CONNECTOR,SAE10,QUICK CON,STR.....53-54	CYLINDER,STEERING***.....33-34
COIL,GREEN W/ 2 PIN CONNECTOR*.....79-80	CONTACT ALARM WIRE ASSY, LARGE.....247	
COIL,PROPORTIONAL VALVE***.....80	CONTACT,N.C.....163-164	D
COIL,VALVE,PROPORTIONAL***.....79-80	CONTACT,N.O.***.....164	DANGER,TIPOVR,TIRES FF ONLY.....15-16, 19
COIL-10V DC***.....227	CONTACTOR,LIMIT SWITCH.....143	DECAL COSMETIC,10" GENIE BLUE.....16, 19, 25, 27
COLD AIR HOSE, PERK 404F-22.....107	CONTROL BOX COVER,LID,PTD.....191	DECAL COSMETIC,15" GENIE BLUE.....16, 25
COLD PKG GROUND, JUMPER ASSY.....231	CONTROL BOX,2KW,120/240V,50HZ.....235	DECAL FAULT CODE.....23
COLD WEATHER 120V J BOX ASSY.....231	CONTROL MODULE, MSG425.....99	DECAL GROUND CONTROL BOX.....15-16, 25
COLLAR,JOYSTICK,CENTER.....169, 171	CONTROLLER BOX, 120/240V, 60H.....235	DECAL PLATE ASSEMBLY.....159, 161
COMPR.LINK,MACHINED,GND CONTR*..151	CONTROLLER W/O COILS (77788).....89	DECAL PLATE,MESH.....195
CONN PLUG 12 WAY ENDCAP DT BK.....75-76	CONTROLLER, DASH, BASIC PLUS.....114, 249	DECAL, COSM,GENIE S65 TRAX.....21, 29
CONN PLUG 12 WAY ENDCAP DT BR.....75-76	CORROSION INHIBITOR,FOAM.....67, 167	DECAL, DANGER, ELECTROCUTION HAZARD, SYMBOL.....27, 31
CONN PLUG 12 WAY ENDCAP DT GR.....75-76	COUNTERWEIGHT, S60.....49	DECAL, ENGINE SPEC, 404F-22.....19
CONN PLUG 12 WAY ENDCAP DT GY.....75-76	COUNTERWEIGHT, S65.....49	DECAL, ENGINE SPEC, D2.9.....19
CONN PLUG 3 WAY ENDCAP DT.....231	COUPLER,15 TOOTH,FBA,PERKINS**.....102, 107	DECAL, INSTRUCTION, ACTUATOR SWITCH SOCKET.....247
CONN PLUG 4 WAY ENDCAP DT.....75-76	COUPLER,15 TOOTH,FBA,SAE8***.....119, 125, 135	DECAL, INSTRUCTION, CONTACT ALARM.....247
CONN RECEPT,FLANGED.....167	COUPLER,15T,FBA,SAE 8,MSG425.....97	DECAL, INSTRUCTION, OPS.....23, 31, 205
CONN, 520120-6.....173, 175, 177, 179	COUPLER,INSERT.....225	DECAL, LCD, TIER 4.....16
CONN, 520120-8-6.....173	COUPLING - 1/4 NPT.....47	DECAL, OPERATING INSTRUCTIONS.....16
CONN, SAE#4-1/4" NPT.....227	COVER W/DECALS,RR.DR.CHAS,S60.....209	DECAL, PATCH, GEN,ALC-500.....235
CONN,520120-12-10.....225	COVER, DUST.....47	DECAL, PLAT CNTL PNL.....23, 31
CONN,520120-12-16.....173	COVER, END, GEN, 120V.....235	DECAL, PLAT CNTL PNL 60TX.....23, 31
CONN,520120-16.....173, 175, 185	COVER, END, GENERATOR, 240V.....235	DECAL, PLAT CNTL PNL 60X 80X.....23, 31
CONN,520120-20.....173		DECAL, PLAT CNTL PNL 60XC.....23, 31
CONN,520120-20-16.....173		
CONN,520120-4***.....173, 175, 177, 179, 181		

Part Description Index (continued)

- DECAL, POWER TO PLATFORM 230V**...19, 23, 27, 31
 DECAL, SYMBOL - READ THE MANUAL...25, 31
 DECAL, TRANSPORT/LIFTING, S60....16, 19, 25, 27
 DECAL, VAPORIZER PRESSURE.....19
 DECAL, WHEEL LOAD S60TRAX.....15-16, 19, 25, 27
 DECAL, WHEEL LOAD S65 TRAX.....15-16, 19, 25, 27
 DECAL, ANNUAL INSP***.....15-16
 DECAL, ARROW BLUE.....19, 27
 DECAL, ARROW YELLOW LRG 9".....15-16, 25
 DECAL, BATTERY DISCONNECT.....15-16
 DECAL, CAUTION, READ INST.....47
 DECAL, CAUTION, TOWING SPEED.....15-16
 DECAL, CHEVRON RANDO HD.....15-16
 DECAL, COSM GENIE S60X.....21, 29
 DECAL, COSM GENIE S60XC.....21, 29
 DECAL, COSM, S60 TRAX.....19, 27
 DECAL, COSM, S65 TRAX.....19, 27
 DECAL, COSM, GENIE S60 TRAX.....21, 29
 DECAL, COSMETIC, 4 X 2.....15-16, 25
 DECAL, COSMETIC, 4 X 4.....15-16, 25
 DECAL, COSMETIC, GENIE.....245
 DECAL, COSMETIC, GENIE S-60.....21, 29
 DECAL, COSMETIC, GENIE S65.....21, 29
 DECAL, COSMETIC, S60.....19, 27
 DECAL, COSMETIC, S65.....19, 27
 DECAL, DANGER DO NOT ALTER SWTC.....21
 DECAL, DANGER TIP OVER TRAX.....15-16, 19
 DECAL, DANGER, BATTERY SAFETY***.....15-16
 DECAL, DANGER, CAP, ANSI WORD.....23
 DECAL, DANGER, CAP, AUS WORD.....23
 DECAL, DANGER, ELEC. HAZ. STAY CLR.....25, 27, 31
 DECAL, DANGER, ELECT HAZARD***.....15-16, 19, 23
 DECAL, DANGER, HI-FLOAT TIRE.....15-16, 19
 DECAL, DANGER, HIGH VOLTAGE.....19, 23
 DECAL, DANGER, NO SMOKING.....15-16, 19
 DECAL, DANGER, TIP-OVER, WELDER**.....23
 DECAL, DANGER, TIPOVER, TILT.....23
 DECAL, DANGER, TIPOVER, TILT, SYM.....31
 DECAL, DANGER/LABEL, TIRE SPECS.....15-16, 19
 DECAL, DANGER/WARNING COMBO.....23
 DECAL, DIESEL.....15-16, 25
 DECAL, DRIVE ENABLE PATCH.....31
 DECAL, EMERGENCY LOWERING.....25
 DECAL, ENGINE SPEC, DEUTZ 2011.....19
 DECAL, ENGINE SPEC, DEUTZ, TD2011.....19
 DECAL, ENGINE SPEC, PERKINS***.....19
 DECAL, EXPLOSION HAZARD.....19
 DECAL, FIRE EXTINGUISHER.....23
 DECAL, FMRC APPROVAL, PLATE, LPS.....15-16
 DECAL, FORD ENGINE SPEC MSG425.....19
 DECAL, GR CNTL PNL 60TX.....15-16, 25
 DECAL, GR CNTL PNL 60X 80X.....15-16, 25
 DECAL, GR CNTL PNL 60XC.....15-16, 25
 DECAL, GROUND BOX, TIER IV.....15-16
 DECAL, INST PLAT CAP 60TX, SYM.....31
 DECAL, INST PLAT CAP 60TX, WORD.....23
 DECAL, INST PLAT CAP 60X, SYM.....31
 DECAL, INST PLAT CAP 60X, WORD.....23
 DECAL, INST PLAT CAP 60XC, SYM.....31
 DECAL, INSTR-MAX CAP 1200LBS.....105
 DECAL, LABEL, AIR LINE 110 PSI.....19, 23, 27, 31
 DECAL, LABEL, ELECTRO HAZARD.....25
 DECAL, LABEL, 105 DB.....25
 DECAL, LABEL, ASSY INSTALL, I.....47
 DECAL, LABEL, ASSY INSTALL, R.....47
 DECAL, LABEL, BELT, MSG425.....19, 27
 DECAL, LABEL, CONTROLS BATTERY.....15-16
 DECAL, LABEL, LIFTING EYE.....15-16, 25
 DECAL, LABEL, LIQUID PROPANE.....15-16, 25
 DECAL, LABEL, LOWER MIDRAIL.....23, 31
 DECAL, LABEL, NO SMOKING, SYMB.....25, 27
 DECAL, LABEL, PETRO CANADA***.....15-16
 DECAL, LABEL, RELAYS, S60&65.....15-16
 DECAL, LABEL, STARTER BATTERY.....15-16
 DECAL, LABEL, TEST***.....15-16
 DECAL, LABEL, TIP OVER LMT SWTCH.....29
 DECAL, LABEL, TIPOVER, TIRES, SYMB.....25, 27
 DECAL, LABEL, TIPOVER, TRAX, SYMB.....25, 27
 DECAL, LABEL, TIRE PRESS HF.....25, 27
 DECAL, LABEL, TIRE PRESSURE.....25, 27
 DECAL, LABEL, TORQUE.....47
 DECAL, LABEL, TRANSPORT TIEDOWN*.....15-16, 25
 DECAL, LABEL, UCON HYDROLUBE.....15-16
 DECAL, LABEL, UNLEADED GAS ONLY.....15-16, 25
 DECAL, LABEL, WHEEL LOAD S60/60X.....15-16, 19, 25, 27
 DECAL, LABEL, WHEEL LOAD S60H/XC.....15-16, 19, 25, 27
 DECAL, LABEL, WHEEL LOAD S65.....15-16, 19, 25, 27
 DECAL, LANYARD ANCHORAGE POINT.....23, 31, 243
 DECAL, LOW/ULTRA LOW SULFR FUEL.....15-16
 DECAL, LP BOTTLE, S60.....16
 DECAL, LPS (4"X4").....15-16, 19
 DECAL, OPTION CONTROL BOX HEATR.....241
 DECAL, PLATFORM OVERLOAD.....23, 31
 DECAL, POWER TO PLATFORM 115V.....19, 23, 27, 31
 DECAL, PROTECTOR, CLEAR.....217
 DECAL, SYM, SLOPE RATING, S60.....31
 DECAL, SYMBOL-BATTERY SAFETY.....25
 DECAL, SYMBOL-COMP ACCESS.....25, 27
 DECAL, SYMBOL-READ THE MANUAL.....245
 DECAL, TIP-OVER HAZARD, ANSI.....31
 DECAL, TIP-OVER HAZARD, CE.....31
 DECAL, TIP-OVER, CRUSH.....31
 DECAL, TOWING INSTRUCTIONS.....15-16
 DECAL, TRACK, FALL ARREST BAR, SYMBOL.....243
 DECAL, TRACK, FALL ARREST BAR, WORD.....243
 DECAL, TRACK, FALL ARREST BAR, WORD FR.....243
 DECAL, TRIANGLE, BLUE.....15-16, 19, 25, 27
 DECAL, TRIANGLE, YELLOW.....15-16, 19, 25, 27
 DECAL, ULS DIESEL ONLY, TIER 4.....16
 DECAL, WARN, AVOID INJURY.....47
 DECAL, WARN, CRUSH HAZ.....47
 DECAL, WARN, ELECTRO HAZARD.....15-16
 DECAL, WARN, HIGH PRESS.....47
 DECAL, WARN, IMPROPER OPERATION.....23
 DECAL, WARN, WELD LINE INST. WORD.....19, 23
 DECAL, WARNING, PANEL CRADLE.....23, 201
 DECAL, WARNING, PIPE CRADLE, BOOM.....23, 201
 DECAL, WARNING-COMPART ACCESS.....15-16, 19
 DECAL, WORD, SLOPE RATING, S60.....23
 DIN RAIL, 6.50".....221
 DIN RAIL, 17".....61, 67
 DIODE, 6A 22903-6V.....51
 DIODE, 6 AMP, 200 PIV, BULK.....113-114, 117
 DIPSTICK TUBE, STRAIGHT SHORT.....102, 105
 DIPSTICK, MSG425.....93
 DIPSTICK, OIL, D2011.....113-114
 DIPSTICK, STRAIGHT SHORT.....102, 105
 DIPSTICK, TD2.9.....121, 131
 DIPSTICK-F3L1011F (DEUTZ).....117
 DISCONNECT KIT (88887).....34, 37-38
 DRIVE COUPLING, 13 TOOTH.....225
 DRIVE COUPLING, KEYED.....225
- ## E
- ECM MOUNT, PERK 404F-22.....111
 E C U , P E R K I N S , D I E S E L , 4 0 4 - F 2 2 ENGINE.....111
 ELBOW, 070220-4-4.....225
 ELBOW, 130339-6-6.....53-54
 ELBOW, 45D, 520320-12-16.....187
 ELBOW, 45D, 520320-16.....173
 ELBOW, 45D, 520320-4.....173, 175
 ELBOW, 45D, 520320-8.....175
 ELBOW, 90 DEGR, RUBBER, 2.5" I.D.*.....219
 ELBOW, 90, 1/4-18NPT, FEMALE.....47
 ELBOW, 90D, 1/4FPTX3/8MPT.....57
 ELBOW, 90D, 520220-16-12.....185, 233
 ELBOW, 90D, 520220-4-4.....173, 175, 181
 ELBOW, 90D, 520220-4-6***.....175, 177, 179
 ELBOW, 90D, 520220-6.....177, 179
 ELBOW, 90DEG, 1/8MPT-5/16 BARB.....97
 ELBOW, AIR INTAKE, RUBBER.....117
 ELBOW, SWIVEL NUT 90DEG, -4.....225
 ELEMENT-5 MIC, PAPER, W/ BYPASS.....69-70
 ENCLOSURE BOX, GAUGE OPT, DRILLD.....229
 END BOGEY.....47
 END BRACKET, FIXED END.....157
 END BRACKET, MOVING END.....157
 END CAP, WHEEL DRIVE.....33-34, 37-38
 END STOP, DIN RAIL, SCREW CLAMP.....61
 END STOP, TRACK, FALL ARREST BAR.....243
 ENGINE HARNESS, MSG425.....93
 ENGINE KIT, DEUTZ D2.9L4.....121, 123, 125, 127
 ENGINE KIT, DEUTZ TD 2.9.....131
 ENGINE KIT, FORD MSG425 LPS.....93
 ENGINE MOUNT, LEFT, MSG425.....99
 ENGINE MOUNT, REAR, MSG425.....99
 ENGINE MOUNT, RIGHT, MSG425.....99

- ENGINE,PERKINS,DIESEL 404D-22.....101-102
- ENGINE,PERKINS,DIESEL,404F-22.....105
- EVACUATOR VALVE-AIR CLEANER.....101-102, 107, 113-114, 117, 125, 135
- EXHAUST MANIFOLD.....101-102
- EXHAUST MANIFOLD, MSG425.....95
- EXHAUST PIPE GASKET.....119
- EXHAUST PIPE, TIER IV DEUTZ, Z.....133
- EXPANSION TANK,METAL,D2.9.....127, 137
- EXTRUSION,RUBBER STRIP,LG,D2.9.....127
- EXTRUSION,RUBBER STRIP,SM,D2.9.....127
- F**
- FAN BELT, ALTERNATOR.....11-12, 105, 121, 129, 131
- FAN DRIVE BELT, MSG425.....12, 95
- FAN PULLEY.....131
- FAN PULLEY, MSG425.....95
- FAN SHROUD, MSG425.....99
- FAN SHROUD,DEUTZ D2.9.....123
- FAN SPACER, MSG425.....95
- FAN, 10 BLADE, 15".....127
- FAN, ENGINE (104-22)(404-22)*.....102, 109
- FAN, MSG425.....95
- FAN,10 BLADE,17",DEUTZ 2.9L.....137
- FEMALE BULKHEAD CONNECTOR-8.....211
- FIELD KIT,6'1/2MESH PLAT W/GAT.....195
- FIELD KIT,MTE 120V-60HZ, S60.....235
- FIELD KIT,MTE, 120V-50HZ, S60.....235
- FIELD KIT,MTE, 240V-50HZ, S60.....235
- FILTER ASSY,HIGH PRESS SAE-12*.....69-70
- FILTER ASSY,INTANK.....49
- FILTER ASY,M PRESS,SAE8,WOIND*.....69-70
- FILTER ELEMENT,AIR,NOLFF LPG.....12, 97
- FILTER HEAD (29560).....113-114
- FILTER INDICATOR-(60334).....69-70
- FILTER LID,RFM165.....49
- FILTER, DEUTZ 2.9, FUEL.....11-12, 129, 139
- FILTER, FUEL.....12, 57
- FILTER,AIR CLEANER,SUPERBOOM.....117, 135
- FILTER,AIR***.....11-12, 101-102, 107, 113-114, 125
- FILTER,ELEMENT,30 MIC,75020.....11-12, 102, 105
- FILTER,ELEMENT,BETA(10)=200.....11-12, 49
- FILTER,ELEMENT,BETA(5)=1000.....11-12, 69-70
- FILTER,FUEL,PERKINS.....11-12, 102, 105
- FILTER,FUEL/WTR SEP, DTZ 1008.....11-12, 113-114, 117
- FILTER,OIL,DEUTZ F4L1011F.....11-12, 113-114, 117, 121, 131
- FILTER,OIL,DEUTZ,REPLACEMENT.....113-114, 117, 121
- FINGER,GUIDE,CABLE TRACK.....157
- FIRE EXTINGUISHER.....223
- FIRE SLEEVE, 1.25".....223
- FITTING, 3/8 NPT TO 3/16 HOSE.....53-54
- FITTING, DEPR LP, MSG425.....93
- FITTING, 1/4 MPT 5/16 BARB.....53-54
- FITTING, 1/4 NPT X SAE J2044.....57
- FITTING,3/8 NPT TO 1/2 BARB.....53-54
- FITTING,3/8 NPT TO 1/4 NPT.....53-54
- FITTING,BARBED,STRT,FUEL LINE.....113-114
- FITTING,BARBED,TEE,FUEL LINE.....113-114
- FITTING,BULKHEAD,3/8NPT,FUELTK.....53-54
- FITTING,CONN,16MM-6MJ.....129, 139
- FITTING,CONN,16MM-8MJ.....129, 139
- FITTING,CONN,520120-12***.....173, 175, 177, 179, 183, 185, 187, 227, 233
- FITTING,ELBOW,45D,520320-12***.....173, 183, 187, 227
- FITTING,ELBOW,45D,520320-4-6**.....175
- FITTING,ELBOW,6GS-6FJX90S.....129, 139
- FITTING,ELBOW,8GS-8FJX90S.....129, 139
- FITTING,ELBOW,90D,520220-8***.....173, 187, 221
- FITTING,FUEL,1/2,D2.9,QC.....129, 139
- FITTING,HYDRAULIC,90DEG,O-RING.....113-114
- FITTING,ORIFICE,.047.....225
- FITTING,REDUCER,520123-12-8***.....187
- FITTING,SAE J2044F X5/16 BARB.....57
- FITTING,TEE,BRANCH,520433-4.....181
- FITTING,TEE,RUN,SWIVEL520432-4.....175, 177, 179, 181, 183
- FLANGE,EXHAUST.....101-102
- FLANGE,EXHAUST,PERKINS 404F.....111
- FLASHTUBE,STRAIGHT,360DEG,BULB.....189
- FLASHTUBE,U SHAPED,360DEG,BULB...189
- FLATBAR, CLAMPS, CABLE TRACK.....157
- FLATBAR,ALUM,THROTTLE LINKAGE.....102
- FLEX PIPE,EXHAUST,2.5" DIA.....119
- FLOORING, 6'FT PLATFORM.....159
- FLOORING, 6FT PLAT,SIDE.....161
- FLOORING, 8 FT PLATFORM***.....161
- FLOORING,4 FT PLATFORM,PAINTED.....159
- FLOORING,8 FT PLATFORM**.....159
- FLYWHEEL (PERKINS KR70481U)**.....101-102
- FLYWHEEL ASSY, MSG425.....93
- FLYWHEEL, SAE 8/10.....121, 131
- FOAM PAD, 3" OD X 1.25" ID X 14 IN.....201
- FOAM,AIRCRAFT PROTECTION.....207, 209
- FORMING ,AIR CLEANER MOUNT.....97
- FORMING BRKT, WIPER 1 TO 2.....213
- FORMING BRKT, WIPER 2 TO 3.....213
- FORMING PANEL CRADLE.....201
- FORMING, ADAPTER, INTAKE.....125
- FORMING, BAFFLE, AIR INTAKE.....133
- FORMING, BRACKET, COVER STOP.....49
- FORMING, BRACKET, LATCH.....49
- FORMING, BRACKET, TANK, EXPANS.....137
- FORMING, BRKT, ENGINE COVER.....69-70
- FORMING, BULKHEAD, TS FRONT.....49
- FORMING, BULKHEAD, TS REAR.....51
- FORMING, BULKHEAD,RIGHT,S60/65.....69-70
- FORMING, CHARGING LUG BRACKET.....251
- FORMING, ECU MOUNT, MSG425.....99
- FORMING, ENGINE MOUNT, LH.....139
- FORMING, ENGINE MOUNT, PERKINS...101-102
- FORMING, ENGINE MOUNT, RH.....139
- FORMING, ENGINE TRAY LATCH.....69-70
- FORMING, FAN GUARD,PERKINS 404.....105
- FORMING, FILTER BRKT.....69-70
- FORMING, GAUGE OPTION BRACKET.....229
- FORMING, HEAT SHIELD MOUNT.....97
- FORMING, LEFT ENGINE MOUNT.....129
- FORMING, LP REG MOUNT, MSG425.....99
- FORMING, MODULE, CAN, SENSING.....253
- FORMING, MOUNT, ENGINE, REAR.....139
- FORMING, MOUNT, LATCH.....49
- FORMING, OPA CAGE.....245
- FORMING, OPA CAP.....245
- FORMING, OPA, BRACKET.....245
- FORMING, PLAT. BOX LID.....167
- FORMING, RAD SUPPORT, MSG425.....99
- FORMING, REAR ENGINE MOUNT.....129
- FORMING, RIGHT ENGINE MOUNT.....129
- FORMING, SENSOR HOLDER.....247
- FORMING, SHROUD, INLET, RADIATOR.....133
- FORMING, SOLENOID MOUNT***.....117
- FORMING, SUPPORT, RADIATOR.....123, 133
- FORMING, SUPPORT, TAILPIPE.....133
- FORMING, TRACK BRACE, LH.....157
- FORMING, TRACK BRACE, RH.....157
- FORMING,8.5' MUFFLER MOUNT.....119
- FORMING,AIR CLEANER MOUNT PNTD.....113-114, 119
- FORMING,ANGLE SENSOR CABLE.....141
- FORMING,CABLE GUIDE.....159, 161
- FORMING,CLAMP,TOP,CABLE TRACK.....157
- FORMING,CLEAN AIR BRACKET.....125
- FORMING,DEUTZ AIR INTAKE BAF P.....114
- FORMING,DRIVE ENABLE LIMIT SW.....70
- FORMING,ECU MOUNT,404F-22.....111
- FORMING,ENGINE MOUNT.....117
- FORMING,ENGINE MOUNT PAINTED.....119
- FORMING,ENGINE MOUNT RH PAINTE.....102, 111
- FORMING,ENGINE MOUNT,DEUTZ.....119
- FORMING,ENGINE MOUNT,FL PAINT*.....113-114
- FORMING,ENGINE MOUNT,FR PAINT*.....113-114
- FORMING,ENGINE MOUNT,LH PAINTE....111
- FORMING,EXP TANK BAND,D2.9.....127
- FORMING,EXPANSION TANK SUPT.....127
- FORMING,HARNESS SUPPORT,S60/65.....49
- FORMING,HEAT SHIELD,MUFFLER***.....117
- FORMING,HOSE GUIDE.....251
- FORMING,HYD SWIVEL BRACKET.....69-70
- FORMING,INNER HANGER.....243
- FORMING,LATCH GUARD,ES.....73
- FORMING,LATCH GUARD,TS.....73
- FORMING,LATCH,CTRL BOX LID PTD.....191
- FORMING,LIGHT/BEACON BRKT,LH.....189
- FORMING,LIGHT/BEACON BRKT,RH.....189
- FORMING,LIMIT SWITCH BRACKET.....143
- FORMING,LP BRACKET MOUNT.....237
- FORMING,MUFFLER MOUNT.....117
- FORMING,MUFFLER MOUNT PAINTED.....102
- FORMING,OIL COOLER MOUNT.....233
- FORMING,PINION GUARD PAINTED.....215
- FORMING,RAD EXPSN TANK SUPT.....127
- FORMING,RADIATOR SUPPORT,LH.....137
- FORMING,RADIATOR SUPPORT,PNTD.....99
- FORMING,REAR ENGINE MOUNT PNT*.....113-114
- FORMING,SECONDARY SUPPORT.....201
- FORMING,SOLENOID MOUNT.....102, 107
- FORMING,SOLENOID MOUNT PAINT.....114
- FORMING,TELEMATICS,TOPCON,S80.....253
- FORMING,TT LH SIDE COVER PAINT.....215
- FORMING,TT RH SIDE COVER PAINT.....215
- FORMING,UPPER RAD SUPPORT PNTD.....102, 105
- FORMING,WIPER GUARD LT.....215
- FORMING,WIPER GUARD RT.....215

Part Description Index (continued)

FPCAB TOP,RL4 BUTTE HNGE.....117	GLOW PLUG (PERKINS 404-22).....101-102, 109	HARNESS, FORD STARTER.....75-76
FUEL FILTER ASSEMBLY.....11-12, 102, 105	GLOW PLUG, DEUTZ.....121, 131	HARNESS, FULL GAUGE OPT, FORD.....75-76
FUEL FILTER W/SEP,DEUTZ,1008.....113-114, 117	GLOW PLUG,L1011.....113-114	HARNESS, JUMPER, LOAD SENSE.....76
FUEL JUMPER HARNESS.....75-76	GREASE,DIELECTRIC 4 OZ**.....11-12	HARNESS, LOAD SENSE, GBOX.....76
FUEL PUMP,DSG-423 AND MSG-425.....57	GREASE,SERVICE PACKET.....102, 107	HARNESS, LS, OP, CABLE TENSION.....75-76
FUEL SENSOR ASSY.....57	GRIP, CABLE.....247	HARNESS, LS, OP, PRI ANGLE.....75-76
FUEL TANK ASSY,35 GAL PLASTIC.....53-54	GROMMET,4.00 GRV. X .75 THK.....143	HARNESS, LS, OP, PRI, VELOCITY.....75-76
FUSE BOX COVER.....99	GROMMET,RUBBER 3 X .19 X 3.5.....159, 161	HARNESS, LS, OP, PRIMARY.....75-76
FUSE BOX MOUNTING,LEFT.....99	GROUNDING CABLE ASSEMBLY,16".....221	HARNESS, OMRON RELAY, CR66.....61, 67
FUSE BOX MOUNTING,RIGHT.....99	GROUNDING CABLE ASSEMBLY,165".....221	HARNESS, S60 DEUTZ D2.9.....75-76
FUSE BOX RELAY STICKER.....99	GROUNDING CABLE ASSEMBLY,18".....221	HARNESS, S60 PERKINS 404F.....75-76
FUSE, ATM, 10AMP.....51	GROUNDING CABLE ASSEMBLY,36***.....221	HARNESS, SENSING, FUEL, S60.....253
FUSE, ATM, 15AMP.....51	GUARD, HOSE PROTECTOR.....33-34	HARNESS, S60 PERKINS 404F.....75-76
FUSE, ATM, 20AMP.....51	GUARD, SEAL.....47	HARNESS, SENSING, FUEL, S60.....253
FUSE, ATM, 30AMP.....51	GUARD, SWING GATE.....193	HARNESS, SENSING, FUEL, S60.....253
FUSE, ATM, 5AMP.....51	GUARD,FAN,FORD/PERKINS,PAINTED....102	HARNESS, TILT, 12V, CSA PROD.....76
FUSE, ATM, 7.5AMP.....51	GUIDE FINGER,PLASTIC.....157	HARNESS, VCU TO CONTROLS.....249
FUSE, FMX, 60AMP.....51	GUIDE, CABLE.....247	HARNESS, VCU TO VALVE.....249
FUSE,.6AMP,250V,WELDER,V275S.....223	GUIDE, EXT CABLE, TOP.....145	HARNESS,12V WORK LIGHTS.....76
	GUIDE, EXT. CABLE, BOTTOM.....145	HARNESS,18/22,CABLE2 JIB.....75-76
		HARNESS,18/22,CABLE2 NJ.....75-76
		HARNESS,BATT CABLE,120V.....231
		HARNESS,BATT CABLE,240V.....231
		HARNESS,BEACON OPTION.....75-76, 189
		HARNESS,DEUTZ ENGINE.....75-76
		HARNESS,DRIVE/LIFT INTERLOCK.....76
		HARNESS,ENG/HYD HEATER,120V.....231
		HARNESS,ENG/HYD HEATER,240V.....231
		HARNESS,ENGINE GAUGE.....75-76
		HARNESS,FORD DSG423,S60.....75-76
		HARNESS,GAUGE OPT.,S60 DEUTZ.....75-76
		HARNESS,GBOX,DUAL CAP RELAY.....76
		HARNESS,GBOX,T4,S60/65.....75-76
		HARNESS,GENERATOR POWER.....76
		HARNESS,INJECTOR,DEUTZ D2.9.....123
		HARNESS,JIB SELECT MANIFOLD.....75-76
		HARNESS,LINCOLN WELDER***.....221, 223
		HARNESS,LS,DRIVE ENABLE.....75-76
		HARNESS,S60 TURBO DEUTZ SPEC.....75-76
		HEAT SHIELD,ALTERNATOR,FORD.....95
		HEAT SHIELD,DEUTZ STARTER.....113-114
		HEATER HOSE,1/4".....127
		HINGE, SPRING, LONG LEG.....161
		HINGE, .375X.120THK, .SLOTTED.....69-70, 73
		HINGE,CONSTANT TORQUE.....215
		HINGE,PLAT CONTROL BOX COVER.....191
		HOLDER, SENSOR.....247
		HOOK,BATT HOLD DOWN,10".....49
		HORN,12VDC,SPADE TERMINALS***.....51
		HOSE ASM-JCAF310-06-41.....89
		HOSE ASSEMBLY 3/8".....177
		HOSE ASSEMBLY,1/2"***.....211
		HOSE ASSEMBLY,1/2,STR FEM.....183
		HOSE ASSEMBLY,1/4".....239
		HOSE ASSEMBLY,1/4",3250PSI.....221
		HOSE ASSY 1",STR FEM,STR FEM.....173, 185
		HOSE ASSY 1/4,90 FEM STR FEM.....177
		HOSE ASSY 1/4,STR FEM,STR BULK.....175, 181
		HOSE ASSY 1/4.90 FEM STR FEM.....177
		HOSE ASSY 3/8, STR FEM,STR FEM.....173, 177, 179
		HOSE ASSY, 1-1/4", 76.75".....173
		HOSE ASSY, 1/4", 713".....175
		HOSE ASSY, 3/4", 28.55".....185, 233
		HOSE ASSY, 3/4", 34.05".....183
		HOSE ASSY, 3/4", 72.54".....173

G

GAS STRUT,250 LBS FORCE***.....73
 GAS STRUT,CONNECTOR (28301).....73
 GASKET.....105
 GASKET, DEUTZ 2011 INTAKE.....114, 249
 GASKET, FUEL LEVEL SENDER, Z80.....57
 GASKET, ISOLATION, JOYSTICK.....169
 GASKET, MSG425.....95
 GASKET, OIL COOLER, DEUTZ.....121, 131
 GASKET, TANK, FUEL SENSOR.....54
 GASKET, THERMOSTAT HOUSING.....121, 131
 GASKET, UK POWER TO PLAT.....211
 GASKET,DP200 BLACK PANEL SEAL.....63-64
 GASKET,ENCLOSURE.....245
 GASKET,EXH FLANGE-FORD/PERKINS...97, 101-102
 GASKET,EXHAUST.....113-114, 117
 GASKET,EXHAUST ELBOW,PERKINS.....111
 GASKET,EXHAUST MANIFOLD,PERK.....111
 GASKET,EXHAUST,FORD MSG.....95
 GASKET,GBOX,S80/85 2008.....61, 67
 GASKET,INTAKE MANIFOLD,MSG 425.....93
 GASKET,KEYSWITCH,PLASTIC***.....59
 GASKET,PLATFORM CONTROL BOX.....167
 GASKET,RETURN FILTER-77353.....49
 GASKET,SOLENOID,PERKINS 72350.....107
 GASKET,THROTTLE ACTUATOR***.....93
 GASKET,WATER PUMP.....101-102
 GASKET-CYLINDER HEAD.....101-102
 GASKET-THERMOSTAT HSG.....101-102, 109
 GATE LATCH CASTING--DRILLED.....195
 GAUGE, FUEL LEVEL, 20/30 GAL.....57
 GAUGE,OIL PRESSURE W/O SENDER.....229
 GAUGE,VOLTAGE.....229
 GAUGE,WATER TEMP.....229
 GAUGE-SIGHT,LHA-LGTB***.....49
 GBOX ASSY,COMMON,T4.....63-64
 GBOX ASSY,DEUTZ T4,DUAL CAP.....63-64
 GBOX ASSY,DEUTZ T4,SGL CAP.....63-64
 GBOX ASSY,PERKINS T4,DUAL CAP.....63-64
 GBOX ASSY,PERKINS T4,SGL CAP.....63-64
 GENERATOR, 3kW, 120V/60Hz.....235
 GENERATOR,3kW,120V/50Hz.....235
 GENERATOR,3kW,240V/50Hz.....235
 GENERATOR,HYDRA,25CC,208V***.....225

H

HALF MESH,8"PLATFORM,LH.....195
 HALF MESH,8"PLATFORM,RH***.....195
 HANDLE,YELLOW LOCKING,CODE 455.....73
 HARDWARE KIT,PERKINS 404F BELL.....107, 109
 HARN JOYSTICK ADAPTOR JS100.....169
 HARN, AC PROTECTION BYPASS.....207, 209
 HARN, GBOX AND RELAY WIRES, FO.....76
 HARN, LS OP PRI.DUAL CAP.....76
 HARN,12V WORK LIGHT RELAY.....76
 HARN,ANGLE,SNSR.CONN. CABLE.....76
 HARN,FUNCT MANIFOLD,S60/65.....75-76
 HARN,GBOX & RELAY WIRES,DIESEL.....76
 HARN,LS CABLE,S60 DUAL CAP.....76
 HARN,LS SAFETY,PRI.DUAL CAP.....76
 HARN,LS,SAFETY,PRI,VELOCITY.....76
 HARN,PBOX,DUAL CAP.....76
 HARN,PBOX,JOYSTICK,S60/65.....75-76
 HARN,PBOX,OPA,HW,12V.....76
 HARN,PERKINS 404F,6WAY EXT.....75-76
 HARN,PIGTAIL,TAPESWITCH,OPA.....245
 HARNESS ASSY,GBOX.....75-76
 HARNESS ASSY,GCON,PLAT PRTY.....76
 HARNESS ASSY,PBOX,SGL CAP.....75-76
 HARNESS ASSY,PCON,DRIVE PRTY.....76
 HARNESS ASSY,PCON,JIB.....76
 HARNESS ASSY,PCON,LOAD SENSE.....76
 HARNESS ASSY,PCON,PROX KILL...76, 207, 209
 HARNESS ASSY,PCON,TILT LED.....76
 HARNESS ASSY,RELAY 404F.....76
 HARNESS ASSY,RELAY D2.9.....76
 HARNESS ASSY,RELAY DC T4 PERK.....76
 HARNESS PERKINS ENGINE S60 ALT.....75-76
 HARNESS, 12/3 12V TO PLAT JIB.....75-76
 HARNESS, 12/3 12V TO PLAT NJ.....75-76
 HARNESS, 120V POWER CORD, 24".....231
 HARNESS, 18/22, CABLE JIB.....75-76
 HARNESS, 18/22, CABLE NJ.....75-76
 HARNESS, 240V POWER CORD, 24".....231
 HARNESS, AC POWER TO PLAT JIB.....76
 HARNESS, AC POWER TO PLAT NJ.....75-76
 HARNESS, CONTACT ALARM, S40,S60,S80.....247
 HARNESS, ENGINE, DEUTZ TD2.9.....121, 131

- HOSE ASSY,1",90 FEM,STR FEM.....173
 HOSE ASSY,1/2".....173, 177, 181
 HOSE ASSY,1/2"***.....177, 179
 HOSE ASSY,1/2,90 FEM,STR FEM.....173, 175, 177, 187
 HOSE ASSY,1/2,90 FEM,STR FEM**.....177
 HOSE ASSY,1/2,STR FEM,STR FEM.....175, 187
 HOSE ASSY,1/4 STR FEM,STR FEM.....177, 179
 HOSE ASSY,1/4", 38.00.....175
 HOSE ASSY,1/4",STR FEM,STR F**.....49
 HOSE ASSY,1/4,693".....175
 HOSE ASSY,1/4,90 FEM,STR FEM.....173, 177, 181
 HOSE ASSY,1/4,90 FEM,STR FEM**.....177, 181, 183
 HOSE ASSY,1/4,STR FEM,STR FEM.....175
 HOSE ASSY,1/4,STR FEM,STR FEM*.....173, 175
 HOSE ASSY,3/4".....177, 179
 HOSE ASSY,3/4,45 FEM,STR FEM.....187
 HOSE ASSY,3/4,45 FEM,STR MALE.....185, 233
 HOSE ASSY,3/4,90 FEM,STR FEM.....173, 177, 179, 183, 187
 HOSE ASSY,3/4,90 FEM,STR FEM**.....177
 HOSE ASSY,3/4,STR FEM,STR FEM.....173, 185, 187
 HOSE ASSY,3/8,STR FEM,STR FEM.....177, 179
 HOSE ASSY,3/8,STR FEM,STR,90D.....175
 HOSE ASSY,LP GAS.....99
 HOSE ASSY,3/4",90,FEM,STR FEM.....173
 HOSE END,BARB,1/4 MNPTX5/16,90.....53-54, 102, 107
 HOSE END,BARB,1/4 MNPTX5/16,ST.....53-54, 102, 107
 HOSE END,BARB,3/8 MNPT X 5/16.....53-54
 HOSE END,BARBED,RIGID,-6-6.....53-54
 HOSE END,375 MPT X .25 HOSE.....53-54
 HOSE GUIDE, JIB.....151
 HOSE HANGER, MSG425.....99
 HOSE, CLEAN AIR, MSG425.....97
 HOSE, COOLANT BYPASS, MSG425.....93
 HOSE, COOLANT, VAP, MSG425.....99
 HOSE, HEATER, 1/4", 13" LONG.....137
 HOSE, HEATER, 1/4", 25" LONG.....137
 HOSE, INTAKE, 2"ID X 3".....107
 HOSE, INTAKE, AIR.....135
 HOSE, INTAKE, DEUTZ TD2.9.....135
 HOSE, LOWER RADIATOR, MSG425.....99
 HOSE, RAW AIR, MSG425.....97
 HOSE, TANK, EXPANSION.....137
 HOSE, UPPER RADIATOR, DEUTZ D.....133
 HOSE,1/4 FUEL LINE,SAE 30R7.....53-54, 113-114, 117
 HOSE,3/16 FUEL,SAE 30R7.....53-54
 HOSE,5/16 FUEL,SAE 30R7.....53-54, 113-114, 117
 HOSE,AIR 3/8.....95
 HOSE,AIR CLEANER.....113-114
 HOSE,AIR CLEANER TO INTAKE.....101-102
 HOSE,AIR INLET.....101-102
 HOSE,AIR INTAKE 2.5" I.D.....219
 HOSE,AIR INTAKE 2.50" ID.....125
 HOSE,ENGINE VENT,DEUTZ D2.9.....127
 HOSE,EXPANSION TANK,D2.9.....127
 HOSE,FUEL,1/2,D2.9,PUMP.....53-54, 139
 HOSE,FUEL,1/2,D2.9,SUPPLY,QC.....129
 HOSE,FUEL,1/2,S60,D2.9,SUPLY.....53-54
 HOSE,FUEL,3/8,D2.9,MED PSI.....53-54, 139
 HOSE,FUEL,5/16 HIGH PRES 3 IN.....57
 HOSE,FUEL,5/16 HIGH PRES 35 IN.....57
 HOSE,FUEL,5/16 HIGH PRESSURE**.....57
 HOSE,FUEL,5/16HIGH PRES 127 IN.....57
 HOSE,FUEL,5/16HIGH PRS 40 IN.....57
 HOSE,FUEL,5/16HIGH PRS 60 IN.....57
 HOSE,FUEL,S60,D2.9,RTRN.....53-54
 HOSE,LOWER RADIATOR, 2.9L DEUT.....133
 HOSE,LOWER RADIATOR,DEUTZ D2.9.....123
 HOSE,LOWER,RADIATOR,PERKINS.....102, 105
 HOSE,OVERFLOW,DEUTZ D2.9.....137
 HOSE,PCV,DEUTZ D2.9.....125
 HOSE,RADIATOR VENT,DEUTZ D2.9.....127
 HOSE,RAW AIR,DEUTZ D2.9.....125
 HOSE,STRAIGHT,4" ID X 3.6" LG.....219
 HOSE,UPPER RADIATOR,DEUTZ D2.9.....123
 HOSE,UPPER RADIATOR,MSG425.....97
 HOSE,UPPER RADIATOR,PERKINS.....102, 105
 HOSE-HEATER,5/8 ID-BLACK.....99
 HOUR METER,10-80 VOLTS***.....59
 HOUSING,PUMP MOUNT (54573).....102
 HUB ASSEMBLY.....47
 HUB SCREW.....37-38
 HUBBLE NUT, PG11.....231
 HYD. HOSE ASSEMBLY 3000 PSI.....47
- I**
- IDLER BRACKET.....95
 INJECTOR, FUEL(DEUTZ F3L2011F).....113-114
 INJECTOR, FUEL, MSG425.....93
 INSTRN, TRC RETROFIT, STNDRD.....75-76
 INSTRUCTIONS ORIFICE VENT ASSEMBLY.....121
 INSTRUCTIONS,INSTALL (LEVEL SENSOR ALARM).....76
 INSTRUCTIONS-PIPE CRADLE,BOOMS...201
 INTAKE BREATHER.....121, 131
 INTAKE MANIFOLD.....101-102, 111
 INTAKE MANIFOLD, MSG425.....93
 ISOLATOR, DEPR.....99
 ISOLATOR, VIBRATION.....99, 123, 127
 ISOLATOR, VIBRATION DAMPENER.....137
 ISOLATOR,AIR FILTER MOUNT.....133
 ISOLATOR,ENGINE VIBRATION.....117, 119, 139
 ISOLATOR,ENGINE VIBRATION***.....99, 111, 113-114, 129
 ISOLATOR,VIBRATION,M8 MALE/FEM...101-102, 105
- J**
- J-BOX ASSEMBLY,8X10.....221
 J-BOX,CIRCUIT BREAKERS,8X10***.....221
 JBOX, CIRCUIT BREAKERS, 8X10.....221
 JIB BOOM ASSY W/SYMBOL DECAL.....151
 JIB BOOM ASSY W/WORD DECAL.....151
 JOYSTICK CONNECTOR ASSEM,DEUT...167
 JOYSTICK, ISOLATED, 1 AXIS ROCKER.....171
 JOYSTICK, ISOLATED, 2 AXIS.....171
 JOYSTICK, ISOLATED, 2 AXIS ROCKER...171
 JOYSTICK,1 AXIS ROCKER,DEUTSCH.....169
 JOYSTICK,2 AXIS,DEUTSCH.....169
- JOYSTICK,2 AXIS,ROCKER,DEUTSCH.....169
 JOYSTICK,DUAL AXIS W/KNOB.....169
 JOYSTICK,DUAL AXIS W/STEER.....169
 JOYSTICK,SINGLE AXIS W/STEER.....169
 JUMPER COMB, 2-WAY,WIELAND.....61, 67
 JUMPER COMB, 3-WAY,WIELAND.....61, 67
 JUMPER TRMNL, BLACK, 3/8" POST.....251
 JUMPER TRMNL, RED, 3/8" POST.....251
- K**
- KEY SINGLE***.....59, 63-64, 73
 KEY, HEX, 5/16" X 2.50"LG,SS.....141
 KEYS,10 PACK***.....59, 63-64, 73
 KEYSWITCH,3 POS. W/KEYS***.....59, 63-64
 KIT, AUX TOP RAIL SUPPORT.....191
 KIT, BRAKE SPRING.....69-70
 KIT, FRICTION DISC.....69-70
 KIT, GLAND NUT, S60 LIFT CYL.....141
 KIT, HD STARTER INSTALL, MSG-4.....93
 KIT, HEAT GUARD, DEUTZ STARTER.....113-114
 KIT, ISOLATION, 2 JOYSTICK.....169
 KIT, LIFT GUARD CONTACT ALARM,6'-8" PLATFORM,NON-ALC1000.....247
 KIT, OPA WELDER BRACKET.....245
 KIT, RETROFIT, WELDGEN, MAG BREAKER.....221
 KIT, SEAL, PUMP, 1 SECTION.....89
 KIT, SEAL, PUMP, 2 SECTION.....89
 KIT, SWING BRAKE REBUILD.....69-70
 KIT, TERMINAL BLOCK.....61
 KIT, TRC RETROFIT, STNDRD.....75-76
 KIT,CHARGE PUMP.....89
 KIT,CHARGE PUMP HOUSING.....89
 KIT,ELEMENT**.....49
 KIT,ENGINE SERVICE,250 HOUR,DEUTZ D2.9,,Z45/S40/S60/Z62/RT90.....11-12
 KIT,ENGINE SERVICE,250 HOUR,FDMSG425,Z45/S40/S60/Z62/RT90.11-12
 KIT,EXTEND/RETRACT CABLE,S60.....145
 KIT,FAN SUPPORT RETRO,FORD MSG.....95
 KIT,FBA STYLE COUPLER,PERKINS.....102, 107
 KIT,FBA STYLE COUPLER,SAE8.....114
 KIT,FIELD INSTALL,SWING GATE.....195
 KIT,FITTING,REGULATOR DSG-423.....93
 KIT,GASKET,UK POWER TO PLAT.....211
 KIT,GEN. PRESSURE SWITCH.....221, 227, 235
 KIT,HOSE ASSY RAD VENT.....121
 KIT,MED PRES FUEL SUPPLY,D2.9.....129, 139
 KIT,MTE&OIL COOL,120V50HZ,S60.....235
 KIT,MTE&OIL COOL,120V60HZ,S60.....235
 KIT,MTE&OIL COOL,240V50HZ,S60.....235
 KIT,OP SWITCH,DEUTZ.....113-114
 KIT,PANEL CRADLE BRACKET,SYMBL.....201
 KIT,PANEL CRADLE BRACKET,WORD.....201
 KIT,PANEL CRADLE,CE.....201
 KIT,PRIMER BULB.....113-114
 KIT,PUMP SHAFT SEAL W/INST***.....89
 KIT,REPAIR,DEUTSCH PLUG,W/TUBE.....75-76
 KIT,REPAIR,DEUTSH CONNECTORS**.....75-76
 KIT,SEAL,3CC PUMP***.....102
 KIT,SOLENOID CONTROL SERVICE.....89
 KIT,STRAINER REPLACEMENT.....173

Part Description Index (continued)

- KIT,THERMOSTAT CONVERSION.....121
KIT,TILT ALARM,IC MODELS.....76
KIT,TRAX,9-BOLT,S60 W/OMNI HUB.....47
KIT,TRAX,9-BOLT,S60 W/RR HUBS.....47
KIT,WATER PUMP 2.9 L4.....121
KIT,WELD LEADS ASSY,V275S.....223
KIT,WIRE,12.5KW WELDER.....221, 223
KIT,ZTR,M8HBZ.....253
KNOB,JOYSTICK, 62390/62391.....169, 171
KNOB,ROCKER JOYSTICK 75565.....169, 171
- L**
- L,NAMEPLT,USE UNDERWRITE LAB.....15-16
L.P.TANK LATCH.....237
LABEL, GBOX, S60TX ANSI TIER 4.....15-16
LABEL, GBOX, S60X TIER 4.....15-16
LABEL, PBOX, S60TX ANSI TIER 4.....23
LABEL, PBOX, S60X TIER 4.....23
LABEL, PBOX, S60XC TIER 4.....23
LABEL, PBOX, S65 TIER 4.....23
LANYARD,PLATFORM CONTROL BOX.....167
LATCH, SWING GATE.....161
LATCH,PUSH BUTTON.....215
LATCH,ROTARY,ENGINE COVER.....73
LATCH,SLIDE, FLUSH MOUNT STYLE.....191
LENS,AMBER,STROBE,FIREBOLT.....189
LEVER, GOVERNOR ACTUATOR.....113-114, 117
LID ENCLOSURE,RED,OPA.....245
LIFT PUMP,FUEL,DEUTZ.....129, 139
LIGHT, 12 VOLT.....189
LIGHT,LED IND. AMBER 12V NH.....163-164
LIGHT,LED IND. RED 12V NH.....59, 63-64, 163-164
LIMIT SWITCH,BLUE,MICRO.....147
LINING KIT,BRAKE,OMNI***.....33-34, 37-38
LOAD SUPPORT W/BEARINGS.....155
LOCK, PLUG 2WAY, 14-18GA.....231
LOCK,PLUG 3 WAY,14-18GA.....231
LOCK,PLUG 6 WAY 18-20GA.....75-76
LOCK,RECEP 2 WAY, 14-18GA.....231
LOCK,RECEP 3 WAY,14-18GA.....231
LOCK,RECEP 4 WAY,14-18GA.....143
LOCKNUT,ELEC,1/2".....211, 235
LOCKNUT,ELECTRIC,1" NPT.....221
LOCKNUT,FLANGE,5/8-11,GR8.....47
LOCKOFF,LP,FORD DSG/MSG.....99
LOCKRING, RR***.....34, 37-38
LOWER IDLER PULLEY, MSG425.....95
LT.LAMP IND. AMBER 12V ENG.NH.....59
LT.LAMP IND.AMBER 12V NH.....163-164
LUG,STUD/WHEEL (88887).....34, 37-38
- M**
- MACH. MOUNTING BLOCK.....43
MACHINED PIVOT PLATE WELDMENT.....143
MACHINING, COMPRESSION LINK.....151
MAGNET, 1/4-20, 15 LB.....247
MAGNET,NEODYMIUM,.375 X .100.....207
MALE PIPE THD,1/4" SER,3/8"X18.....211
MANIFOLD ASSEMBLY, GEN.....235
MANIFOLD,BRAKE,2-SPEED.....91
MANIFOLD,DRIVE OIL DIVERTER.....227
MANIFOLD,EXHAUST,PERKINS 404F.....111
MANIFOLD,FUNCTION.....79-80
MANIFOLD,JIB SELECT W/QD PLUG.....87
- MANIFOLD,JIB SELECT W/QD PLUG* (88786).....87
MANIFOLD,ROTATOR,CB***.....87
MANIFOLD,TRACTION,2WD.....83
MANIFOLD,TRACTION,4WD***.....85
MANUAL BOX W/DECALS***.....159
MANUAL, DEUTZ D2.9 ENGINE.....121, 131
MANUAL,AEM SAFETY.....11-12
MANUAL,OPERATORS PERKINS 404.....101-102
MANUAL,RESPON,A92.5 BOOM.....11-12
MAP SENSOR, DSG-423.....93
MESH,HALF,LH 5' PLATFORM.....195
MESH,HALF,LH,6' PLATFORM.....195
MESH,HALF,RH 5' PLATFORM.....195
MESH,HALF,RH,6' PLATFORM.....195
MESH,HALF,SWING GATE***.....195
MIXER, MSG425.....93
MODULE, PLUS+1, CONTACT ALARM.....247
MODULE,CONTROL UNIT,PCB,OPA.....245
MODULE,CONTROL,HI AMP.....61, 67
MODULE,FUSE&RELAY,DEUTZ 2.9.....51
MODULE,FUSE&RELAY,PERKINS 404F.....51
MODULE,IGNITION/START,12/24V.....61
MODULE,LOAD SENSE 2007.....61
MODULE,TIME DELAY ON BREAK 4S.....61, 67
MOTOR,12VDC,77066.....51
MOTOR,HYD,25CC FIXED***.....225
MOTOR,PISTON,30CC,4WD***.....34, 37-38
MOTOR,PISTON,35CC,2WD***.....37-38
MOUNT COVER.....225
MOUNT, COVER SUPPORT CTR 86DEG.....73
MOUNT, COVER SUPPORT CTR 93DEG.....73
MOUNT, COVER SUPPORT FRONT.....73
MOUNT, COVER SUPPORT REAR.....73
MOUNT,GROUND CONTROL BOX LH.....63-64
MOUNT,GROUND CONTROL BOX RH.....63-64
MOUNT,SWITCH.....155
MOUNTING BAND,AIR CLEANER.....117, 135
MOUNTING BAND,MUFFLER,8.0".....97
MPT,CPLR,1/4"SER,3/8"X18.....211
MUFFLER,2.5"INLET/OUTLET.....117
MUFFLER,6".....102
MUFFLER,CAT/SPARK,DEUTZ.....113-114, 117
MUFFLER,CATALYTIC.....102
MUFFLER,DEUTZ.....113-114
MUFFLER,SPARK ARRESTOR.....102
- N**
- NIPPLE,DIAGNOSTIC,#6 PORT***...173, 175, 177
NIPPLE,DIAGNOSTIC,ORFS,FM,SWIV....173, 181
NIPPLE,STEEL PIPE,1/4NPTX1 LG.....47
NIPPLE,STEEL PIPE,1/4NPTX2.5LG.....47
NON-STEER AXLE ASSY BLACK.....38
NON-STEER AXLE ASSY BLK,TRAX.....45
NOTE: The 2nd LP Carrier may be located on either side of the machine.....237
NUT.....59, 63-64
NUT - PLASTIC,RING FOR ALARMS.....49, 164, 189
NUT, EXH. MANIFOLD, MSG425.....95
NUT, PISTON, LIFT CYLINDER.....141
NUT, PROPORTIONAL VALVE.....80
- NUT,1-8,8,ZAG.....151, 153, 155
NUT,1/4-20,8,ZAG.....205, 247
NUT,1/4-28,8,ZAG.....41
NUT,10-32,ZAG.....215
NUT,3/8-16,8,ZAG.....205
NUT,BULKHEAD,520118-4.....175
NUT,EXHAUST,PERKINS 404F.....111
NUT,HEX,FLANGE 5/8-18,GRD 8 ZI.....38
NUT,HEX,M8 X 1.25.....193, 203, 221
NUT,HEX,M8,PLASTIC.....207, 209
NUT,JAM,3/4-10,A, ZAG.....69-70
NUT,LOCKING-LG.FLANGE,1/4-20.....107
NUT,LOCKING-LG.FLANGE,5/16-18.....69-70
NUT,M4 NYLOCK.....245
NUT,NYLOCK FLG,1/4-20,F,ZAG.....201, 247
NUT,NYLOCK FLG,3/8-16,F,ZAG.....73, 201, 243, 247
NUT,NYLOCK,1/2-13.....129
NUT,NYLOCK,1/4-20.....51, 129, 207
NUT,NYLOCK,1/4-20,C,ZAG.....73
NUT,NYLOCK,10-24.....129
NUT,NYLOCK,10-32.....61, 67, 139, 189, 221
NUT,NYLOCK,10-32,A,ZAG.....247
NUT,NYLOCK,3/4-10,GRD.8.....145
NUT,NYLOCK,3/8-16.....203, 211
NUT,NYLOCK,5/8-11.....119
NUT,NYLOCK,6-32.....221, 247
NUT,NYLOCK,8-32.....253
NUT,NYLOCK,M8-1.25,DIN985,A270.....193
NUT,RETAINER (96008).....59
NUT,SERRATED,1/2-13,8,ZAG.....49, 69-70
NUT,SERRATED,1/4-20,8,ZAG.....69-70, 123, 127
NUT,SERRATED,3/8-16,8,ZAG.....73, 99
NUT,SERRATED,5/16-18,8,ZAG.....73, 113-114, 119, 133
NUT,SOLENOID.....91, 227
NUT,SOLENOID VALVE 2P3W.....79-80
NUT,SOLENOID VALVE COIL.....79-80
NUT,STEM,EATON***.....89
NUT,TL FLG,1-8,G,ZAG.....49
NUT,TL FLG,1/2-13,G,ZAG.....69-70, 99, 107, 111, 113-114, 141, 221, 235, 243
NUT,TL FLG,1/4-20,G,ZAG.....41, 49, 51, 57, 70, 99, 101-102, 105, 107, 114, 123, 125, 127, 139, 143, 147, 151, 155, 157, 159, 161, 191, 193, 195, 199, 207, 209, 213, 217, 219, 221, 223, 233, 245, 249, 251, 253
NUT,TL FLG,10-24,F,ZAG.....41, 113-114, 117, 253
NUT,TL FLG,10-32,F,ZAG.....70, 155, 167, 231, 251
NUT,TL FLG,3/4-10,G,ZAG.....143
NUT,TL FLG,3/4-16,G,ZAG.....43, 45
NUT,TL FLG,3/8-16,G,ZAG.....34, 49, 53-54, 57, 69-70, 99, 101-102, 105, 111, 114, 119, 123, 127, 129, 133, 137, 139, 141, 145, 147, 149, 151, 153, 155, 157, 159, 161, 207, 209, 215, 223, 245
NUT,TL FLG,5/16-18,G,ZAG.....49, 73, 93, 97, 102, 107, 114, 125, 135, 147, 159, 161, 193, 195, 197, 221, 223, 235, 249
NUT,TL FLG,8-32,F,ZAG.....147
NUT,TL FLG,M10-1.5,DIN6927,10,ZAB.....137
NUT,TL FLG,M6-1.0,DIN6927,10,ZAB.....73, 101-102, 109
NUT,TL FLG,M8-1.25,DIN6927,10,ZAB.....99, 101-102, 109
NUT,TL,1/2-13,C,ZAG.....145

NUT,TL,10-32,A,ZAG.....61, 67
 NUT,TL,3/8-16,C,ZAG.....97, 117
 NUT,TL,5/8-11,C,ZAG.....117
 NUT,TL,6-32,A,ZAG.....167
 NUT,TL,FLG,5/8-11,G,ZAG.....139
 NUT,TL,M5-0.8,DIN980,10,ZAB.....101-102,
 109, 167
 NUT,TL,M6-1.0,DIN980,10,ZAB.....102
 NUT,WING,1/4-20.....49
 NUT-COIL SHORT.....87
 NUT-FLANGE, 8MM (62849).....101-102
 NUTSERT,1/4-20,STEEL CAD PLTD.....61, 67
 NUTSERT,10-32 STEEL CAD PLTD.....217
 NUTSERT,LP KNURLED,1/4-20X.165.....59,
 63-64, 167

O

O-RING KIT (ORFS FITTINGS).....11-12
 O-RING KIT,FIELD SVC,ALL PROD*.....11-12
 O-RING, CAMSHAFT POSITION
 SENSOR.....121, 131
 O-RING, CRANKSHAFT POSITION
 SENSOR.....121, 131
 O-RING, FUEL LIFT PUMP.....117
 O-RING, INTAKE AIR PRESSURE
 SENSOR.....121, 131
 O-RING, OIL PRESSURE SENSOR...121, 131
 O-RING, RIBBED, MSG425.....93
 O-RING, ROTATOR MANIFOLD.....87
 O-RING, SMOOTH, MSG425.....93
 O-RING, WATER PUMP.....121, 131
 O-RING,.070 X .239,VITON 75D.....38
 O-RING,.103 X 4.737,VITON, 75D.....34, 37-38
 O-RING,2-010,VITON.....37-38
 O-RING,2-042 N674-70***.....89
 O-RING,67.95X2.62-NBR-70SH(HF2P)(60334).69-
 70
 O-RING,DIPSTICK,MSG425.....93
 O-RING,END COVER,OMNI***.....33-34, 37-
 38
 O-RING,FUEL INJECTOR,DEUTZ
 (89792).....113-114
 O-RING,MOTOR/BRAKE***.....69-70
 O-RING,PIPE PLUG KIT,OMNI***.....34, 37-38
 O-RING,RUBBER TRACK (139120).....47
 O-RING,STEM,EATON.....89
 OIL COOLER W/FAN, 12VDC.....233
 OIL COOLER,TD2.9.....121, 131
 OIL FILTER - PERKINS.....11-12, 102, 105
 OIL FILTER,DSG-423.....11-12, 93
 OPTION,ROCKER STEER.....167
 ORIFICE DISC,.030,CONE.....227
 ORIFICE PLUG .025 DIA.....91
 ORIFICE PLUG, 0.070".....83
 ORIFICE, 0.040".....85
 ORING, OIL DIP STICK.....121, 131
 OUTLET, 110V.....211
 OXIDATION CATALYST,DEUTZ.....121, 131

P

PAD,REST,1"THICK,FLANGED.....201
 PADDING, FOAM, 15.5".....207, 209
 PADDING, FOAM, 46.5".....207, 209
 PADDING,FOAM 3.5"OD X 1.50"ID.....207, 209
 PADDING,FOAM,3.0"X1.50ID 90DEG.....207,
 209
 PAINT, AEROSOL, TRAFFIC BLACK.....11-12
 PAINT,AEROSOL,BRIGHT BLUE***.....11-12

PAINT,AEROSOL,GENIE GRAY***.....11-12
 PAINT,WET,GENIE BLUE (1 GL)**.....11-12
 PAINT,WET,GENIE GRAY (1 GL)**.....11-12
 PAINT,WET,TRAFFIC BLACK (1 GL)**.....11-
 12
 PANEL, HALF MESH.....197
 PARKER DIGITAL PRESSURE GAUGE.....11-
 12
 PBOX ASSY,DEUTZ T4,DUAL CAP....163-164
 PBOX ASSY,DEUTZ T4,SGL CAP.....163-164
 PBOX ASSY,PERKINS T4,DUAL CAP.....163-
 164
 PBOX ASSY,PERKINS T4,SGL CAP.....163-
 164
 PIN, LIFT CYL, HEX END.....141
 PIN, STEER BELLCRANK CLEVIS.....63-64
 PIN,0.75DIAX5.75LG,CHAMFER.....155
 PIN,1.25 X 13.25 IN,CHAMFER.....69-70
 PIN,1.250 X 9.25, 2 RINGS.....157
 PIN,1.25DIAX14.45LG,2HOLE.....151
 PIN,1.25DIAX3.75LG,1HOLE.....141
 PIN,1.25DIAX5.25LG,1HOLE.....149, 151, 153
 PIN,1.25DIAX7.00LG,1HOLE.....151
 PIN,1.25DIAX7.47LG,2RING.....149, 151, 153
 PIN,1.25DIAX7.88LG,1HOLE.....151
 PIN,1.25DIAX8.42LG,2RING.....149, 151, 153
 PIN,1.5 X 5.50 LG.....145
 PIN,1.50DIAX13.43LG,2RING.....143
 PIN,1.50DIAX3.75LG,1HOLE.....34
 PIN,1.50DIAX9.38LG,1HOLE.....34
 PIN,2 X 5.75 LG.....141
 PIN,2.00DIAX11.18LG,2RING.....141
 PIN,2.00DIAX20.88LG,CHAMFER.....37-38
 PIN,2.00DIAX23.13LG,CHAMFER.....34
 PIN,2.00DIAX24.00LG,CHAMFER***.....141
 PIN,2.25DIAX18.75LG,CHAMFER.....141
 PIN,2.25DIAX19.25LG,CHAMFER.....141
 PIN,CLEVIS,1 X 2.5 LG.....143
 PIN,CLEVIS,1.0X2.41,SAE,ZAG.....33-34
 PIN,CLEVIS,1.25X5.0,ZAG.....239
 PIN,CLEVIS,1.25X6.0,ZAG.....239
 PIN,CLEVIS,1X2.250,ZAG.....145
 PIN,COTTER,.156 X 1.75.....145, 157
 PIN,GROOVE/HOLE,1.50 DIAX4.475.....34
 PIN,LOCK,SHORT***.....195
 PIN,STORAGE,TOW PACKAGE.....239
 PINCH GUARD RAIL,6' PLATFORM.....191
 PINCH GUARD RAIL,8' PLATFORM**.....191
 P I N S , C O N N E C T O R , I N J
 HARNES,D2.9.....121, 131
 PIPE CRADLE ASSY. SERV (ONE)**.....201
 PIPE PLUG KIT,OMNI***.....34, 37-38
 PIPE,COOLANT RETURN, MSG425.....95
 PLAT ASSY,TRI ENT,8'.....199
 PLAT ASSY,TRI ENT,S60/65.6'.....199
 PLAT. FLOOR, 5FT, PAINTED.....159
 PLATE BACKING, WIPER 1 TO 2.....213
 PLATE BACKING, WIPER 2 TO 3.....213
 PLATE, AIR CLEANER, 404F-22.....107
 PLATE, CABLE AND WIRE COVER.....247
 PLATE, COVER, FUEL LEVEL SNDR.....57
 PLATE, HAMMER SHIM 1/2.....43
 PLATE, INT. MFLD ADAP, MSG425.....95
 PLATE, INT. SHRD SEAL, MSG425.....99
 PLATE,ANTIROTATION.....143
 PLATE,BACKING BELLOWS.....217
 PLATE,BACKLASH ADJUSTMENT
 MACH.....69-70
 PLATE,BOTTOM BLOCK,PAINTED.....145

PLATE,CHASSIS ATTACHMENT.....239
 PLATE,ENGINE SUPPORT SPACER.....99
 PLATE,HINGE SUPPORT.....69-70
 PLATE,JIB,ROTATE MANIFOLD.....159, 161
 PLATE,PLAT HEAT,ALC500 GEN II.....241
 PLATE,PRIMARY BOOM SIDE.....67
 PLATE,RETRACTION CABLE EQUALIZ.....145
 PLATE,ROCKER.....143
 PLATE,SWIVEL ROTATION STOP.....69-70
 PLATE,TAP BLOCK.....145
 PLATE,UK,POWER TO PLAT.....211
 PLATFORM CONTROL BOX W/DECAL.....167
 PLATFORM CONTROL BOX,PAINTED.....167
 P L A T F O R M S U P P O R T
 WELDMNT-SERV*.....151, 155
 PLUG AND CAP KIT-SERVICE,37 **.....11-12
 PLUG, 3P,30A, 4 WIRE, MALE,.....223
 PLUG, BOOT, 3P, 30A, 4 WIRE.....223
 PLUG, JOYSTICK HANDLE.....169, 171
 PLUG, OIL DRAIN, MSG425.....95
 PLUG, TYPE F, 230A, 50HZ, 16A, IP44.....211
 PLUG,1/2" HUBBLE.....221
 PLUG,BLANKING.....76
 PLUG,ENGINE OIL,DEUTZ F4L2011.....121,
 131
 PLUG,FUSED,250V,13AMP,U.K.**.....211
 PLUG,HEX SOCKET,090109B-12.....185
 PLUG,HEX SOCKET,090109B-4.....69-70
 PLUG,HEX,090109A-4.....179, 181
 PLUG,HEX,090109A-8***.....179
 PLUG,NYLON .38 BLACK DOMED.....59, 63-
 64
 PLUG,NYLON .875 BLACK DOMED.....167
 PLUG,NYLON 1.12 BLACK DOMED.....67
 PLUG,NYLON,.94X1.65 BLK DOMED.....67
 PLUG,ORB #6.....69-70
 PLUG,PWR,UK,16AMP,3PIN,BLK.....211
 PLUG,SAE #03 (139712).....85
 PLUG,SANTOPRENE .5 BLACK DOME.....59,
 63-64, 163-164
 PLUG,SEAL,12-18 GA.....253
 POTENTIOMETER ASSY, WELDER.....61, 67
 POWER UNIT,AUX PUMP 12VDC.....51
 PRE-FILTER,FUEL,DEUTZ TCD3.6.....11-12,
 129, 139
 PRECLEANER,AIR INTAKE.....219
 PRECLEANER,AIR INTAKE***.....219
 PRESSURE PUMP,PERKINS 404F-22T.....105
 PROXIMITY SENSOR***.....207, 209
 P U L L E Y
 ASSEMBLY,ALTERNATOR,TCD.....121
 PULLEY, WATER PUMP.....102, 109
 P U L L E Y , A L T E R N A T O R , D E U T Z
 BF4L2011.....117
 PULLEY,BELT TENSIONER,D2.9L4.....121
 PULLEY/TENSIONER, MSG425.....95
 PUMP ASSY,AUX.POWER UNIT 89617.....51
 PUMP MOUNT,FORD DSG423.....97
 PUMP MOUNT,PERKINS 404F-22.....107
 PUMP,FUEL 2011 DEUTZ ***.....113-114, 117
 PUMP,FUEL INJ,DEUTZ BF4L20.....119
 PUMP,FUEL,HI PRESS,DEUTZ TD2.9.....121
 PUMP,LIFT(FUEL) PERKINS(54555).....101-
 102, 109
 PUMP,LIFT,1 SECTION.....89
 PUMP,LIFT,2 SECTION***.....89
 PUMP,PISTON,49CC***.....89
 PUMP,PRIMER,PERKINS***.....101-102, 109
 PUMP,WATER,PERKINS 404F.....109

Part Description Index (continued)

R

- RADIATOR, CAPLESS, DEUTZ D 2.9.....123
 RADIATOR,6-CORE,19.375W X 18.1.....133
 RADIATOR,FORD DSG423 & MSG425.....99
 RADIATOR,FORD/PERKINS***.....102, 105
 RAILING CATCH CASTING--DRILLED.....195
 RECEPTACLE, 120VAC, 20A, GFCI.....221
 RECEPTACLE,UK,110V.....211
 REDUCER,3" TO 2.75".....117
 REDUCER,520123-16-12.....185
 REDUCER,520123-8-4.....173
 REF. ENGINE TRAY.....135
 REF. ENGINE TRAY ASSY.....139
 REF. FORMING, BULKHEAD, TS REAR.....253
 REF. PLATFORM CONTROL BOX ASSEMBLY.....161
 REF. WHEEL AND TIRE ASSEMBLY.....38
 Ref: Bar Clamp, Cable Track.....145
 Ref: Boom Tube #1.....141
 Ref: Brake and 2 Speed Manifold.....69-70
 Ref: Bulkhead, Left Rear.....49
 Ref: Cable Track.....143
 Ref: Cable Track Guide.....143
 Ref: Cable Track Tray.....143
 Ref: Cable Track Tube.....143
 Ref: CABLE,S60 & S65 12VDC WORK LIGHT.....203
 REF: Descent Alarm.....189
 Ref: ECU.....51
 REF: Engine Baffle, DEUTZ D2.9.....69-70
 REF: Engine Baffle, FORD MSG-425.....69-70
 REF: Engine Baffle, PERKINS 404D-22.....69-70
 REF: Engine Baffle, PERKINS 404F-22.....69-70
 Ref: Engine Tray.....114
 Ref: Engine Tray Assy.....129
 Ref: Engine Tray with Bearing.....119
 Ref: Extension Cylinder.....145
 Ref: Foot Switch Assembly.....75-76
 Ref: Fuel Tank.....51
 Ref: Half Mesh.....191
 Ref: HARN,12V WORK LIGHT RELAY.....203
 Ref: Harness, Cable Tension Limit Switch...143
 Ref: Harness, Power to Platform.....211
 Ref: Harness, Primary Ext/Ret Limit Switch.....143
 Ref: HARNESS,12V WORK LIGHTS.....203
 Ref: Hose/Cable Clamps.....145
 Ref: Hydraulic Motor Mount.....225
 REF: JIB MANIFOLD.....161
 Ref: Jib Manifold.....159
 REF: Non-Steer Axle.....41
 REF: PLATFORM SUPPORT.....161
 Ref: Platform Support.....159
 REF: Platform Weldment.....195
 Ref: Primary Ext/Ret Harness.....141
 Ref: Pumps.....117
 Ref: Ref: Harness LS, OP, Primary Angle....141
 Ref: Ref: Harness LS, OP, Primary Velocity.....141
 Ref: Ref: Harness LS, Safety, Primary Velocity.....141
 Ref: Shroud.....219
 Ref: Swing Gate.....191
 Ref: Weldment Track Pull Tube.....145
 REGULATOR, LP, MSG425.....99
 REGULATOR,LP PRESSURE,MSG425.....93
 RELAY MODULE(89996,89998).....117
 RELAY, 12V MICRO, 35AMP.....51
 RELAY, POWER & FUSE MODULE.....51
 RELAY,12VDC,70AMP,SEALED.....61
 RELAY,OMRON,DPDT,12V.....61, 67
 RELAY,PWR/FUEL,FORD DSG423.....93
 RELAY,SOCKET,OMRON.....61, 67
 RELAY,SPDT,12V(AUTO) PLUG IN**.....61, 67
 RELAY,SPDT,12V(AUTO)**.....247
 RELAY,STARTER,FORD DSG/MSG.....93
 RELAY,TIME DELAY,2 SEC,10A.....61, 67, 76
 RELAY,TIME DELAY,2 SEC,30A.....167
 RELIEF,VALVE 270 PSI.....227
 REPAIR KIT,4 LINK,W/GUIDE.....157
 RESISTOR,10 OHM,25 WATT.....61, 67, 241
 RESISTOR,5 OHM,25W***.....61, 67
 RESISTOR,7.5 OHM,25 WATT,1PCNT.....61, 67
 RESISTOR,POT,1K OHM,2-WATT.....61
 RETAINER,GAS SPRING***.....73
 RETAINER,SPRING,1.21 X .375.....155
 RETAINER-N.C.PROPOR.SOLENOID.....79-80
 RING / SEALING.....121, 131
 RING GEAR,DEUTZ F3L2011F.....121, 131
 RING,RETAINING***.....37-38
 RING,RETAINING,INTERNAL.....34, 37-38
 RIVET, STL, STL, DOME, 1/4 X .375, ZAG.....195, 197
 RIVET,ALUM,ALUM,3/16BUTTONHEAD.....191
 RIVET,ALUM,P,188 X .25.....157
 RIVET,ALUM,P,25X.625.....215
 RIVET,STL,STL,DOME,1/8X.25,ZAG.....241
 ROCKER ASSY,MAGNETIC 75565.....169, 171
 ROCKER,RETAINER, 75565.....169, 171
 ROD END, .25 X 2.75, ZAG.....155
 ROD END, .375 X 2.25,ZAG.....34, 141
 ROD END, .375X3.69,ZAG.....34, 69-70, 149, 151, 153
 ROD END,.5 X 3.75,ZAG.....34, 37-38, 141
 ROD END,BALL JOINT 1/4-28.....41
 ROD END,CABLE.....143, 145
 ROD,DISCONNECT,OMNI***.....33-34, 37-38
 ROD,THREADED,1/4-28X4,ZAG.....41
 ROLLER ARM,LIMIT SWITCH***.....143
 ROLLER,1/2" ALUMINUM.....145
 ROLLER,1/2" PVC.....145
 ROTATIONAL LIMITER FRONT LEFT.....43, 47
 ROTATIONAL LIMITER FRONT RIGHT.....43, 47
 ROTATIONAL LIMITER REAR.....47
 ROTATOR MOUNT KIT.....155
 ROTATOR,NON-JIB.....149
 ROTATOR,PLAT JIB,160 DEG***.....151
 ROTATOR,PLATFORM,15K.....153
 RUE RING 1.25,ZAG.....239
 RUE RING,1.0,ZAG.....33-34
- S**
- S60 PBOX ASSY, COMMON.....163-164
 SCREW PH M5-0.8X20 DIN 7500CE.....163-164
 SCREW T-SWITCH PH/PH 6-32X1/4.....63-64, 163-164
 SCREW, BHC, 1/4-20 X 1, ZAG.....207
 SCREW, FHSC, 1/2-13X1.00.....47
 SCREW, GEN ROTOR.....235
 SCREW, HCC, 3/8-16 X 1.50.....129
 SCREW, HHC, 5/16-18X2,8,ZAG.....34
 SCREW, PHM, #6-32 X .625 ZINC.....169, 171
 SCREW, PHPM SEMS ET, 10-24 X .5, ZAG.....99, 101-102, 105, 123, 125, 133
 SCREW, PHPM, 10-32 X 1.0, ZAG.....217, 231
 SCREW, THM, TORX, 3/8-16X1,SS.....73
 SCREW, THM, TORX, M6X25, ZAB.....73
 SCREW,10-24 X.5 TORX PAN HD***.....157
 SCREW,5/16-18X1.00,SECURITY TO.....223
 SCREW,BHC,10-32X1.5,F835,ZAG.....155
 SCREW,BHC,3/8-16X1.25,F835,ZAG.....145
 SCREW,BHSC,1/4-20 X 1.....209
 SCREW,BHSCS,M5X10,SS.....215
 SCREW,BHTC-PIN,1/4-20X1.75,ZAG.....223
 SCREW,BLEEDER,M5X0.8.....149, 151
 SCREW,DP200 M3X10 4PACK.....63-64
 SCREW,FHS,3/8-16X2,F835,ZAG.....57
 SCREW,FHS,3/8-16X2.25,F835,ZAG.....69-70
 SCREW,FLANGE,HHC,5/8-11X2,GR8.....47
 SCREW,HEX TAP,3/4-10X4,8,ZAG.....69-70
 SCREW,HHC,1-8X11.5,ZAG.....151, 155
 SCREW,HHC,1-8X12.5,ZAG.....49
 SCREW,HHC,1-8X12.75,5,ZAG.....153
 SCREW,HHC,1/2-13 X 3.....129
 SCREW,HHC,1/2-13X1.25,8,ZAG.....153
 SCREW,HHC,1/2-13X1.75,8,ZAG.....69-70
 SCREW,HHC,1/2-13X2.0,8,ZAG.....145
 SCREW,HHC,1/2-13X4.5,8,ZAG.....141
 SCREW,HHC,1/4-20 X .75.....63-64
 SCREW,HHC,1/4-20 X 1.....129, 207
 SCREW,HHC,1/4-20 X 1.25.....51
 SCREW,HHC,1/4-20 X 1.5.....203
 SCREW,HHC,1/4-20X.75,8,ZAG.....33-34
 SCREW,HHC,1/4-20X1,8,ZAG.....205
 SCREW,HHC,1/4-20X1.25,8,ZAG.....155
 SCREW,HHC,1/4-20X1.5,8,ZAG.....99
 SCREW,HHC,1/4-20X1.75,8,ZAG.....38, 239
 SCREW,HHC,1/4-20X2.25,8,ZAG.....41
 SCREW,HHC,1/4-20X3,8,ZAG.....157
 SCREW,HHC,10-24 X .75.....129
 SCREW,HHC,3/4-10 X 1.5.....43
 SCREW,HHC,3/8-16 X 1.....69-70, 189
 SCREW,HHC,3/8-16 X 1.25 GRD 5.....211
 SCREW,HHC,3/8-16 X 2.5.....203
 SCREW,HHC,3/8-16X.625,8,ZAG.....97
 SCREW,HHC,3/8-16X.75,8,ZAG.....151
 SCREW,HHC,3/8-16X.875,8,ZAG.....151, 155, 157
 SCREW,HHC,3/8-16X1.25,8,ZAG.....147
 SCREW,HHC,3/8-16X2,8,ZAG.....213
 SCREW,HHC,3/8-16X2.25,8,ZAG.....145
 SCREW,HHC,3/8-16X2.5,8,ZAG.....205
 SCREW,HHC,3/8-16X2.75,8,ZAG.....97
 SCREW,HHC,3/8-16X4,8,ZAG.....145
 SCREW,HHC,5/16-18 X .75.....203
 SCREW,HHC,5/16-18X.75,8,ZAG.....97
 SCREW,HHC,5/16-18X1,8,ZAG.....197
 SCREW,HHC,5/8-11 X 3.5 GRD.8.....119
 SCREW,HHC,5/8-11X2.25,8,ZAG.....34, 37-38
 SCREW,HHC,5/8-11X3.5,8,ZAG.....139
 SCREW,HHC,5/8-11X4,8,ZAG.....38, 70
 SCREW,HHC,7/16-14X1.25,ZAG.....37-38
 SCREW,HHC,FLG,3/8-16 X 1 GR8.....189
 SCREW,HHC,M10 X 40MM,GRD8.....135
 SCREW,HHC,M10-1.5X16,DIN933,10.9,ZAB.125, 135
 SCREW,HHC,M10-1.5X20,DIN933,10.9,ZAB.119
 SCREW,HHC,M10-1.5X65,DIN931,10.9,ZAB.114
 SCREW,HHC,M10-1.5X70,DIN931,10.....114
 SCREW,HHC,M14 X 40MM,GR 8.8.....119, 129

SCREW,HHC,M14-1.5X35,DIN960,10.9,ZAB.102, 107, 111	SCREW,HHF,M10-1.5X75,DIN6921,10.9,ZAB.125, 135	SEAL KIT,DRIVE HUB (88887).....37-38
SCREW,HHC,M8 X 1.25 X 25.....221	SCREW,HHF,M12-1.75X45,DIN6921,.....102	SEAL KIT,GEARBOX,OMNI***.....34, 37-38
SCREW,HHC,M8 X 45.....105	SCREW,HHF,M14-2.0X35,DIN6921,10.9,ZAB.113- 114, 139	SEAL KIT,MOTOR,LC/KC***.....34, 37-38
SCREW,HHC,M8 X 60MM X 1.25.....95	SCREW,HHF,M14-2.0X40,DIN6921,10.9,ZAB.117	SEAL KIT,PUMP SHAFT (EATON)***.....89
SCREW,HHC,M8X1.25.80.....95	SCREW,HHF,M5X12,DIN6921,10.9,Z.....215	SEAL KIT,SOLENOID VALVE 219247.....91
SCREW,HHC,M8X1.25X 70MM,GR8.8.....193, 203	SCREW,HHF,M6-1.0X12,DIN6921,10.....117, 123, 133, 245	SEAL KIT,SOLENOID VALVE, SV07.....87
SCREW,HHF,1/2-13X 2.8,ZAG.....69-70, 235	SCREW,PHIL,M6-1.0X20,DIN6921,10.9,ZAB.73	SEAL KIT,SUNSTRAND.....225
SCREW,HHF,1/2-13X1.25.8,ZAG.....49, 97	SCREW,HHF,M8-1.25X16,DIN6921,10.9,ZAB.97, 99, 102, 107, 133, 137	SEAL KIT,SWING TORQ HUB***.....70
SCREW,HHF,1/2-13X1.5.8,ZAG.....34, 37-38, 89, 99, 107, 117, 125, 135, 141	SCREW,HHF,M8-1.25X20,DIN6921,10.9,ZAB.101- 102, 133	S E A L M A R K E R , C R O S S
SCREW,HHF,1/2-13X1.75,ZAG.....225	SCREW,HHF,M8-1.25X25,DIN6921,10.9,ZAB.127	CHECK,BLUE,TUBE.....11-12
SCREW,HHF,1/2-13X2.5.8,ZAG.....41, 221	SCREW,HHF,M8-1.25X50,DIN6921,10.9,ZAB.127	SEAL RING,SOLENOID CONTROL.....89
SCREW,HHF,1/2-13X2.75.8,ZAG.....41	SCREW,HHF,M8-1.25X60,DIN6921,10.9,ZAB.137	SEAL, BEARING (128918).....47
SCREW,HHF,1/2-13X3.8,ZAG.....99, 102, 111, 113-114	SCREW,M5X16 BHD.....245	SEAL, CAP, NOTCHED.....69-70
SCREW,HHF,1/2-13X3.5.8,ZAG.....243	SCREW,M6X8.....245	SEAL, CONNECTOR (DT JOYSTICKS).....169, 171
SCREW,HHF,1/4-20X.625.8,ZAG.....59, 63-64, 67, 69-70, 97, 99, 159, 161, 167, 201, 253	SCREW,PHIL,8-32X.50,SELF TAP.....211	SEAL, FRONT ENGINE,DEUTZ.....121, 131
SCREW,HHF,1/4-20X.75.8,ZAG.....49, 51, 99, 107, 114, 123, 125, 127, 141, 143, 145, 151, 157, 159, 161, 191, 193, 195, 207, 209, 215, 221, 223, 233, 245, 247, 249, 253	SCREW,PHIL,PHM,10-32 X .5,SSTL.....61, 221	SEAL, O-RING ENERGIZER.....69-70
SCREW,HHF,1/4-20X1.8,ZAG.....49, 70, 101- 102, 105, 111, 139, 143, 151, 159, 193, 199, 213, 217, 219, 221	SCREW,PHIL,PHM,6-32 X 1/4 SS.....167	SEAL, O-RING LIP.....69-70
SCREW,HHF,1/4-20X1.25.8,ZAG.....57, 102, 107, 114, 245, 249	SCREW,PHILLIPS,PHM,10-32 X 1.....141	SEAL, OIL FILLER CAP.....102, 109
SCREW,HHF,1/4-20X1.5.8,ZAG.....99, 147, 193, 233	SCREW,PHILLIPS,PHM,8-32 X.25**.....59	SEAL, POLY, CHAMFER.....69-70
SCREW,HHF,1/4-20X1.75.8,ZAG.....141	SCREW,PHPM,10-24X1,ZAG.....159, 161	SEAL, REAR ENGINE,DEUTZ.....121, 131
SCREW,HHF,1/4-20X2.8,ZAG.....51, 57, 111, 191	SCREW,PHPM,10-32X.50,ZAG.....53-54, 61, 67, 167	SEAL,AIR INTAKE ADAPTER,LOWER.....125, 133
SCREW,HHF,1/4-20X2.5.8,ZAG.....141, 143, 157, 201	SCREW,PHPM,10-32X.625,ZAG.....221	SEAL,FILTER LID.....49
SCREW,HHF,1/4-20X3.8,ZAG.....157, 251	SCREW,PHPM,10-32X.75,ZAG.....139, 215, 253	SEAL,LIP.....34, 38
SCREW,HHF,10-24X.5.....247	SCREW,PHPM,10-32X1.25,ZAG.....67, 251	SEAL,RUBBER BRAKE RELEASE,RUBBER TRACK (139120).....47
SCREW,HHF,10-24X.75,ZAG.....253	SCREW,PHPM,10-32X1.5,ZAG.....247	SEAL,SHAFT,EATON PUMP***.....89
SCREW,HHF,3/8-16X.75.8,ZAG.....34, 69-70, 117, 143	SCREW,PHPM,10-32X1.75,ZAG.....70	SEAL,SHAFT-SUNDSTRAND***.....34, 37-38
SCREW,HHF,3/8-16X1.8,ZAG.....49, 51, 57, 69-70, 89, 99, 101-102, 111, 113-114, 137, 141, 143, 145, 157, 219, 247	SCREW,PHPM,6-32X.25,ZAG.....241	SEAL,TRAX HUBS.....43, 45, 47
SCREW,HHF,3/8-16X1.25.8,ZAG.....34, 49, 69- 70, 99, 101-102, 111, 113-114, 119, 129, 133, 139, 141, 145, 149, 153, 159, 161, 215, 237	SCREW,PHPM,6-32X.5,ZAG.....61, 67, 167	SEAL-INJECTOR.....101-102
SCREW,HHF,3/8-16X1.5.8,ZAG.....99, 127, 147, 151	SCREW,PHPM,6-32X.875,ZAG.....247	SEAL-ROCKER BOX.....101-102
SCREW,HHF,3/8-16X2.8,ZAG.....53-54, 73	SCREW,PHPM,8-32 X .75,ZAG.....253	SEAL-VALVE SYSTEM (A).....101-102
SCREW,HHF,3/8-16X2.25.8,ZAG.....73	SCREW,PHPM,8-32X1,ZAG.....147	SEAL-VALVE SYSTEM (B).....101-102
SCREW,HHF,3/8-16X2.5.8,ZAG.....73, 215, 243	SCREW,PHPM-ST,M5-0.8X20,DIN750.....167	SECURITY TIE,TOGGLE GUARD.....59
SCREW,HHF,3/8-16X3.8,ZAG.....34, 155	SCREW,PHPSH,#12-11X.75,ZAG.....61, 167	SENDING UNIT,OIL PRESS.,DEUTZ*.....117
SCREW,HHF,3/8-16X3.5.8,ZAG.....157	SCREW,RHM,10-32 X 1.....189	SENDING UNIT,OIL PRESSURE***.....229
SCREW,HHF,5/16-18X.75.8,ZAG.....93, 97, 193, 195, 197, 221	SCREW,SHC,3/4-10X3.75,A574,ZAG.....69-70	SENDING UNIT,OIL TEMP SWCH,DTZ.....113- 114, 117
SCREW,HHF,5/16-18X1.8,ZAG.....102, 113- 114, 119, 125, 159, 161, 193	SCREW,SHC,5/8-11X1.50,GR5,PLN.....43	SENDING UNIT,TMP,FRD,GM,PRK704.....229
SCREW,HHF,5/16-18X1.25.8,ZAG.....97, 159, 161, 221	SCREW,SHC,M10-1.5X30,DIN912,12.9,ZAB.97, 113-114, 117, 125, 135	SENSOR.....129
SCREW,HHF,5/16-18X1.5.8,ZAG.....73, 114, 135, 221, 235, 249	SCREW,SHC,M10-1.5X60,DIN912,12.9,ZAB.97	SENSOR, CAM POS, MSG425.....93
SCREW,HHF,5/8-11X2.8,ZAG.....69-70	SEAL KIT.....79-80	SENSOR, CRANK POS, MSG425.....95
SCREW,HHF,M10-1.5X16,DIN6921,10.9,ZAB.137	SEAL KIT (39345).....87	SENSOR, CYL. HEAD TEMP, MSG425.....93
SCREW,HHF,M10-1.5X30,DIN6921,10.9,ZAB.97, 99, 225	SEAL KIT (63566).....149, 151, 153	SENSOR, FUEL LEVEL, 24" GAS.....253
SCREW,HHF,M10-1.5X55,DIN6921,10.9,ZAB.99	SEAL KIT (88571).....143	SENSOR, FUEL LEVEL, 30" DIESEL.....253
SCREW,HHF,M10-1.5X70,DIN6921,10.9,ZAB.117	SEAL KIT (88653).....141	SENSOR, KNOCK, MSG425.....93
	SEAL KIT (89675).....34	SENSOR, LEVEL, 4.5 X 4.5 DEG.....51
	SEAL KIT CYLINDER (59460).....33-34, 43	SENSOR, LEVEL,2.5 X 4.5 DEG.....51
	SEAL KIT, 15K ROTATOR.....153	SENSOR, O2, MSG425.....97
	SEAL KIT, APU.....51	SENSOR,AIR,CAT MONITOR.....97
	SEAL KIT, DRIVE HUB.....34, 38	S E N S O R , C A M / C R A N K S H A F T
	SEAL KIT, HYD MOTOR, GEN.....235	POSITION.....121, 131
	SEAL KIT, SOLENOID VALVE.....79-80	SENSOR,COOLANT LEVEL, DEUTZ.....127, 137
	SEAL KIT, SWING BRAKE.....69-70	SENSOR,DUAL OUTPUT,ANGLE***.....76, 141
	SEAL KIT, VALVE.....83, 85, 87	SENSOR,INTAKE AIR PRESSURE.....121, 131
	SEAL KIT, VALVE, #10.....79-80, 83	SENSOR,LOW PRESSURE,DEUTZ 2.9L.....121, 131
	SEAL KIT, VALVE, #4.....79-80	SENSOR,RUBBER EDGE.....245
	SEAL KIT,8-PORT SWIVEL.....69-70	SENSOR,WATER TEMPERATURE.....101- 102, 109
	SEAL KIT,8K ROTATOR***.....149, 151	SEPARATOR,DUAL BATTERY,100A.....49
	SEAL KIT,BRAKE,OMNI***.....33-34, 37-38	SEPERATOR ASSY,OIL,FORD MSG.....93
	SEAL KIT,CHECK VALVE 219246.....91	SEPRTR/FLTR,FUEL DSL,15GPH,.30.....102, 107
	SEAL KIT,CONTROL VALVE.....41	SET SCREW, LIFT CYLINDER.....141
	SEAL KIT,CYL,S45 MASTER(81694).....141	SHAFT SEAL, APU.....51
	SEAL KIT,CYL,S65 (63213).....151	SHAFT, KNURLED (128918).....47

Part Description Index (continued)

SHAFT, RAISED BOSS (128918).....47	SPACER, HEAT SINK.....245	SWITCH, OIL PRES, MSG425.....93
SHAFT, 15 TOOTH.....34, 37-38	SPARK PLUG, MSG425.....12, 93	SWITCH, OIL PRESSURE.....101-102, 109
SHAFT, INPUT DRIVE HUB.....37-38	SPLIT BOGEY.....47	SWITCH, OIL PRESSURE 1.5 BAR.....113-114
SHAFT, OUTPUT.....70	SPRING CLIP, 1/4 TURN, 188PANEL.....111	SWITCH, LIMIT, W/RLLR ARM, NO/NC.....70, 141, 143
SHEAVE, EXTENSION CABLE (LARGER)....145	SPRING CLIP, 1/4-20, .025-.15X.54, ZAG.....33-34, 37-38, 49, 97, 99, 105, 111, 143, 151, 159, 161, 213, 215, 253	SWITCH, LIMIT, W/RLR ARM, NO/NC**.....141
SHEAVE, RETRACT CABLE (SMALLER).....143	S P R I N G	SWITCH, OIL PRESS, PERKINS 404F.....105
SHEET, AIR SEAL BACKING.....107, 125	CLIP, 10-24, .025-.125X.468, ZAG.....159, 161, 247	SWITCH, PRESS, #4NPT, 200PSIF.....221, 227
SHEET, RUBBER, AIR INTAKE.....114	SPRING CLIP, 3/8-16, .05-.20X.73, ZAG.....49, 69-70, 111, 137, 189, 237	SWITCH, SELECTOR, BLACK.....59, 64
SHIM, AXLE ROTATION STOP, 22G.....41	SPRING CLIP, 5/16-18, .025-.15X.....99	SWITCH, THERMOSTAT 85F OPEN.....241
SHIM, PAD, 5 X 3.....143, 145	SPRING, 0.984"OD X 1.50"LG.....147	SWIVEL, HYD 8 PORT***.....69-70
SHIM, SIDE PAD 16GA. 3 X 5.....143, 145	SPRING, COMP, 1" OD, 232 LB/IN.....155	
SHIM, WEAR PAD, 5 X 1.5, 14GA.....145	SPRING, EXTENSION, 1.92LB/IN.....207, 209	
SHIM, WEAR PAD, 5X 1.5 16GA.....143, 145	SPRING, JOYSTK CENTR, 62390/91....169, 171	
SHOCK MOUNT, SMALL.....99, 102, 105, 123, 133	SPRING, SHORT PLATFORM GATE.....195	
SHORT LINK W/BEARINGS, SERVICE.....141	SPRING, SWITCH CENTERING, 75565.....169, 171	
SHOULDER WASHER, NYLON.....169	SPROCKET, MACH. HALF LEFT.....47	
SHRINK TUBE, BLACK, RHW, 1/2, 3:1.....231	SPROCKET, MACH. HALF RIGHT.....47	
SHRINK TUBE, BLU, 3:1, 40MM.....169, 171	SQUEEZE CONN W/NUT, 2WIRE, 4MM.....231	
SHROUD, 17" FAN.....133	SQUEEZE CONNECTOR, 4 WIRE.....231	
SHROUD, RADIATOR, 404F-22.....105	STAND OFF, CONTROL UNIT.....245	
SHROUD, RADIATOR, DEUTZ 2.9.....123	STANDOFF, 1/4X1/4 M-F 6-32 S/S.....241	
SHROUD, RADIATOR, FORD MSG425.....99	STANDOFF, 6-32 X 3/8L X 1/4 HEX.....167	
SHROUD, FAN PAINTED.....101-102, 105	STARTER PLUG SEAL, MSG425.....93	
SHUTDOWN SOLENOID, 12V, DEUTZ.....113-114, 117	STARTER, 12V.....113-114, 119	
SIGHT GLASS.....127, 137	STARTER, PERKINS, 404D.....101-102	
SLEEVE, CONNECTOR, DT JOYSTICKS..169, 171	STARTER, 3.2KW, DEUTZ D2.9...121, 123, 131	
SLEEVE, NYLON, 1.42 ID.....175	STARTER, PERKINS 404F.....109	
SLEEVE, NYLON, 2.19 ID, BULK.....75-76, 175	STEER AXLE ASSY BLACK.....34	
SLIDING MIDRAIL KIT, PTD.....159, 161	STEER AXLE ASSY BLK, TRAX.....43	
SNAP RING.....47	STEP PLATFORM ENTRY PAINTED***.....159, 199	
SNAP RING (M46 UNITS)*.....34, 37-38	STOP PLATFORM ROLLER.....157	
SNAP RING, EXTERNAL, 1.25 DIA.**.....151, 153	STRAINER, 20 SAE F/24 SAE M***.....173	
SNAP RING, EXTERNAL, 1.25, ZAG.....149	STRAP, CONDUIT HOLDER 60***.....201	
SNAP RING, EXTERNAL, 1.50, ZAG.....34, 143, 145	STRIKER, LATCH.....215	
SNAP RING, EXTERNAL, 2.00, ZAG.....141	STROBE, FIREBOLT, 12-80VDC, AMB**.....189	
SNAP RING, EXTERNAL, 2.25, ZAG.....141	STUD, 3/4-16 UNF X 2-1/2 LG.....43, 45	
SNAP RING, PUMP SHAFT SEAL ***.....89	STUD, EXHAUST, PERKINS 404F.....111	
SOCKET, BOOT, 3P, 30A, 4 WIRE.....223	STUD, POWER 3/8" RED.....251	
SOCKET, 3P, 30A, 4 WIRE, FEM.....223	SUPPORT, RAILING.....191, 193, 207, 209	
SOLENOID CABLE ASSY***.....113-114, 117	SUPPORT, TAPPED HINGE.....73	
SOLENOID, VAR. TIM, MSG425.....93	SUPPORT, SENSOR, JOYSTICK.....169, 171	
SOLENOID, 77066.....51	SWING DRIVE ASSEMBLY.....69-70	
S O L E N O I D , S H U T D O W N	SWING MOTOR COMPLETE***.....69-70	
PERKIN40422.....101-102, 107	SWITCH SHIELD, ROCK JOYSTK75565...169, 171	
SOLENOID, SHUTDOWN, PERKINS, 404F-22.107	SWITCH TOGGLE ASSY DPDT 2P MOM..59, 64, 163-164	
SOLENOID, THROTTLE ACTUATOR	SWITCH TOGGLE ASSY DPDT 3P MOM..59, 63-64, 164	
DSL.....102, 113-114, 117	SWITCH TOGGLE ASSY SPDT 2P MNT...59, 63-64, 163-164, 235, 241	
SOLENOID-STARTR DEUTZF4L1011F*.....119	SWITCH TOGGLE ASSY SPDT 2P MOM.....207, 209	
SOUNDER LENS, OPA, AMBER.....245	SWITCH TOGGLE ASSY SPDT 3P MOM...59, 63-64, 163-164	
SOUNDER LENS, OPA, BLUE.....245	SWITCH TOGGLE DPDT 2P MOM	
SOUNDER LENS, OPA, CLEAR.....245	SHDR.....163-164	
SOUNDER LENS, OPA, RED.....245	SWITCH TOGGLE DPDT 3P MOM	
SOUNDER, MIDI, OPA.....245	SHDR.....164	
SPACER.....43, 45	SWITCH TOGGLE SPDT 2P MNT SHDR...63-64, 163-164	
SPACER, AIR CLEANER.....125, 135	SWITCH TOGGLE SPDT 3P MOM	
SPACER, BOOM TOP.....213	SHDR.....163-164	
SPACER, DUAL COIL SIZE #8.....79-80	SWITCH TOGGLE ASSY SPDT 3P MOM...59, 63-64, 163-164	
SPACER, FAN, DEUTZ, 29.5MM LNG.....127	SWITCH TOGGLE DPDT 2P MOM	
SPACER, FAN, DEUTZ, 38MM LNG.....137	SHDR.....164	
SPACER, HANGER BRACKET.....243	SWITCH TOGGLE ASSY SPDT 2P MNT SHDR...63-64, 163-164	
SPACER, ALT PULLEY, DEUTZ	SHDR.....164	
BF4L2011.....117	SWITCH TOGGLE SPDT 3P MOM	
SPACER, EATON PUMP SHAFT SEAL**.....89	SHDR.....163-164	
SPACER, FAN, PERKINS 404F.....102, 109		

T

T-BOX, 2.75 X 4.5 X 2.0.....211
TAILPIPE MOUNT , S40 MSG425.....97
TAILPIPE, DEUTZ, TPEM & ROW.....114
TAILPIPE, DEUTZ, TPEM & ROW.....117
TAILPIPE, PERKINS, 404D.....102
TAILPIPE, S60 MSG425.....97
TAILPIPE, MUFFLER, PERKINS 404F.....105
TANK ASSY, GAS, 30 GAL.....57
TANK, HYDRAULIC.....49
TAPE, PROTECTIVE MASK.....23, 31
TAPE, WARNING, BLK/YEL, 50***.....23, 31
TEE, BRANCH, 520429-8.....173, 177
TEE, BRANCH, 520433-12.....187
TEE, RUN, 1/4" PIPE.....229
TEE, RUN, 520428-6.....177, 179
TEE, RUN, SWIVEL, 520432-16.....185
TEE, RUN, SWIVEL, 520432-6.....239
TENSIONER, TRAX.....47
TERM, AMP MTE, SOC, 22-26 GA BULK.....171
TERM, NI PIN, S&F, 16-18GA, REEL.....143
TERMINAL BLOCK END PLATE.....67
TERMINAL BLOCK, END PLATE.....61
TERMINAL BLOCK, WIELAND.....61
TERMINAL BLOCK, WIELAND.....67
TERMINAL, 3/8-16 STUD TO POST.....251
TERMINAL, RING, #10 YELLOW.....231
TERMINAL, #10 RING, BLUE.....231
TERMINAL, STRIP, 4-POLE, 600V***.....231
THERMOSTAT.....101-102, 109
THERMOSTAT HOUSING.....121, 131
THERMOSTAT W/HOUSING, MSG425.....93
THERMOSTAT, DEUTZ.....121, 131
THROTTLE ACTUATOR*(BOSCH).....93
THROTTLE LINKAGE, DSL.....117
THROTTLE LINKAGE, DIESEL***.....113-114
TIRE & WHEEL ASSY RH, FF.....33-34
TIRE & WHEEL ASSY, AIR, LH.....33-34
TIRE & WHEEL ASSY, AIR, RH***.....33-34
TIRE & WHEEL ASSY, LH FF***.....33-34
TIRE & WHEEL ASSY, LH, FOAM, NM.....33-34
TIRE & WHEEL ASSY, RH, FOAM, NM.....33-34
TIRE & WHEEL ASSY, TURF SPEC***.....33-34
TIRE, 355/55D625.....33-34
TIRE, 355/55D625, 14 PLY, NM.....33-34
TIRE, 41/18LL X 22.5, 14PR, TURF*.....33-34
TIRE/WH ASSY, LH, FF, REPNEU***.....33-34
TIRE/WH ASSY, RH, FF, REPNEU***.....33-34
TIRE/WHEEL ASSY, HF, W/SEALANT.....33-34
TIRE/WHEEL ASSY, LP NM W/SEALAN.....33-34
TIRE/WHEEL ASSY, LP RT W/SEALAN.....33-34
TOEBOARD, TRI ENTRY 6', EURO.....199
TOEBOARD, 8'TRI ENTRY.....199

TOEBOARD,ENTRY PNTD**.....159, 199	EUROPEAN	VALVE,DIFFERENTIAL SENSING,110.....79-80	WASHER,FLAT,MS,#8,Y.....211
TOGGLE SWITCH GUARD,RED.....59		VALVE,FLOW DIVIDER/COMBINER.....83	WASHER,FLAT,USS,1/4"Y.....51, 221
TOOL TRAY ACCESSORY***.....191, 193		VALVE,FLOW REGULATOR 0.1 GPM.....79-80	WASHER,FLAT,USS,1/4,ZAG.....33-34, 38, 41, 117, 157, 205, 223, 239, 245
TOOL, FUSE PULLER, ATM.....51		VALVE,FLOW REGULATOR 0.6GPM.....80	WASHER,FLAT,USS,3/8",Y.....69-70
TOOL,CABLE GRIP, 7/16".....145		VALVE,FLOW REGULATOR 3.5 GPM**.....79-80	WASHER,FLAT,USS,5/16",Y.....203
TRACK, RUBBER.....47		VALVE,HYDRAULIC CHECK.....91	WASHER,LOCK,#10 PLTD.....141
TRIM SEAL,RADIATOR,DEUTZ TD2.9.....133		VALVE,MANUAL,W/RELIEF VALVE***.....41	WASHER,LOCK,.25.....63-64, 203
TRIM SEAL,RADIATOR,PERKINS.....105		VALVE,NEEDLE***.....80	WASHER,LOCK,.375.....189
TRIM,EDGE,1/8X3/4 END BULB.....114		VALVE,NEEDLE,BRAKE RELEASE.....239	WASHER,LOCK,3/8,ZAG.....145, 151
TRIM,EDGE,1/8X3/4 SIDE BULB.....99		VALVE,PCV FORD DSG-423.....11-12, 95	WASHER,LOCK,IND,LAMP RETAINER.....163-164
TRIMLOCK,BLACK,5/32".....201		VALVE,PILOT OPER DIRECTIONAL.....227	WASHER,LOCK,M10,ZAB.....114, 135
TROLLEY, TRACK, FALL ARREST BAR.....243		VALVE,PROPORTIONAL.....79-80	WASHER,LOCK,M8.....95, 193, 203
TUBE, RD, ALUM, 1.25 X .083 X 11.75.....201		VALVE,RELIEF 3000 PSI***.....79-80	WASHER,M4 NYLON.....245
TUBE,AIR CLEANER INLET.....114		VALVE,RELIEF,280PSI.....83	WASHER,M5 NYLON.....245
TUBE,AIR INTAKE.....117, 219		VALVE,SHUTTLE.....83	WASHER,SHIM .0151 THK.....155
TUBE,FUEL RETURN,3/8X3/8X23.5.....53-54		VALVE,SOLENOID 3 POS,4WAY***.....79-80	WASHER,SHIM,1.01X1.63X.062,ZAG.....143
TUBE,RD,STL,DOM,.75X.38X.78.....213		VALVE,SOLENOID 3POS 4WAY*.....79-80	WASHER,SHIM,1.270X2.130X.062,Z.....149, 151, 153
TUBE,SQ,STL, 1.00 x 1.00 x .120.....193		VALVE,SOLENOID, 2POS/3WAY***.....87	WASHER,SHIM,1.56X2.5X.061,ZAG.....117, 139, 143, 145
TUBING, VINYL, 1/2" CLEAR.....101-102		VALVE,SOLENOID,10V,W/OUT COIL*.....227	WASHER,SHOULDER,NYLON.....147
TUBING,VINYL,1/2" CLEAR.....99		VALVE-SOLENOID,2POS 3WAY,JIB**.....87	WASHER,STAR,EXTERNAL,.5.....221
TURNTABLE CENTER COVER PAINTED.....215			WASHER,THRUST,1.5 X 3.5 X .187.....34
			WASHER,VIBRATION ISOLATING.....129
			WATER OUTLET, VERTICAL.....101-102, 109
			WATER PUMP.....101-102, 131
			WATER PUMP PULLEY, MSG425.....95
			WATER PUMP, MSG425.....95
			WDMT, AIR INTAKE, MSG425.....99
			WDMT, CAT. MUFFLER, MSG425.....97
			WDMT, HEAT SHIELD, MSG425.....97
			WDMT, PERKINS INTAKE AIR HOSE.....107
			WDMT, RAW AIR INT, S60 MSG425.....99
			WDMT,4FT/5FT PLAT. SUPPORT,15K.....153
			WDMT,AIRCRAFT SENSOR BUMPER.....207, 209
			WDMT,ECU MOUNT,404F-22.....51
			WDMT,EXPANSION TANK SUPT.....127
			W D M T , F R A M E , A I R C R A F T PROTECTION.....209
			WDMT,HEADER PIPE,MSG425.....97
			WDMT,INTAKE ADAPTER.....125
			WDMT,INTAKE ADAPTER,404F.....107
			WDMT,SKID PLATE.....207, 209
			WDMT,TAILOUT,DEUTZ D2.9 T4.....123
			WEAPAD, BOOM REST.....69-70
			WEAR PAD,3 X 1.5 X.625 W/NUTS.....151
			WEAR PAD,5 X 1.5 X .625 W/NUTS...143, 145
			WEAR PAD,5 X 1.5 X .75 W/NUTS.....145
			WEAR PAD,5 X 3 X .625 W/NUTS.....143
			WEAR PAD,5 X 3 X .75.....143, 145
			WEAR PAD,5.5 X 1.75 X .5.....157
			WEAR PAD,CABLE TRACK PULL TUBE....157
			WEARPAD, LIMIT SWITCH GUIDE.....147
			WELDER, MILLER, CST 280.....223
			WELDER,INVERTEC V275-S.....223
			WELDMENT, ADAPTER, INTAKE.....125
			WELDMENT, AIR INTAKE BOX.....117
			WELDMENT, AIRCRAFT TOP BUMPER....207
			WELDMENT, BOOM SECTION #2.....143
			WELDMENT, FUEL FILTER BRACKET.....129, 139
			WELDMENT, GROUND BOX, S60/65.....59, 63-64
			WELDMENT, LEFT CONTACT ALARM, LARGE.....247
			WELDMENT, LID, GBOX, S60/65.....59

U

U-BOLT, FLATTENED, 1.5 X 3/8
UNC,ZAG.....159, 161, 201, 205, 245

U-BOLT, SQR, 3/8-16X2X5, PLTD.....207, 209

U-BOLT,1/2-13 X 8.5.....117

U-BOLT,3/8-16X4X4.63X3.00.....207, 209, 223

U-BOLT,5/16 -18 X 2IN**.....107

UBOLT, 0.4724 IN D X 4 IN L.....49, 69-70

UNION,STR.THREAD 20.....173

UPPER IDLER PULLEY, MSG425.....95

V

V-BELT GUARD, DEUTZ 2011.....119

V-BELT, DEUTZ.....105, 121, 131

V-BELT, DEUTZ TD2011LOAI.....11-12, 117

VACUATOR VALVE.....97

VALVE - COUNTERBALANCE**.....87

VALVE - SOLENOID 2POSITION 3WA.....79-80

VALVE, CHECK.....85

VALVE, CHECK, 5PSI.....85

VALVE, CNTRBAL 3500 PSI, ATM VEN....149, 151, 153

VALVE, FLOW DIVIDE/COMB,24GPM.....85

VALVE, FLOW DIVIDE/COMBINE 1:1.....85

VALVE, PAS, DEUTZ L03I.....114, 249

VALVE, RELIEF, 280PSI.....85

VALVE, RELIEF, GEN, 3.0kW.....235

VALVE, SHUTTLE, FIXED.....85

VALVE, SOLENOID.....91

VALVE,BALL,16 MSAE-16 FSAE***.....173

VALVE,BALL,FSAE-20,FSAE-20.....173

VALVE,CB 3:1 3500 PSI.....79-80

VALVE,CB.CBCA-LHN@1500PSI***.....143

VALVE,CHECK***.....79-80

VALVE,CHECK, 30 PSI.....79-80

VALVE,CHECK,3 PSI***.....227

VALVE,CHECK,30 PSI.....38

VALVE,CHECK,5 PSI.....79-80, 83

VALVE,COUNTERBAL,CBCA-LIN***.....70

VALVE,COUNTERBAL.CBBB-LHN@3500..141

VALVE,COUNTERBALANCE.....34, 151

VALVE,COUNTERBALANCE 3000 PSI*.....143

VALVE,DIFFERENTIAL SENSING***.....79-80

W

WASHER, .469 X .768 HRD, ZAG.....37-38

WASHER, 1/2 PLATE (1/2 X 2.25 X 3/16)....129

WASHER, FLAT, F436, 1.0, ZAG.....151, 153, 155

W A S H E R , F L A T ,
M6X18X1.6,DIN9021,ZAB.....245

WASHER, FLAT, USS, 5/8, ZAG.....69-70

WASHER,COPPER,DEUTZ,QC.....129, 139

WASHER,FLAT,#10,USS,ZAG.....99, 101-102, 105, 123, 125, 133, 215, 217

WASHER,FLAT,.375X1.50X.125,ZAG.....99, 105, 123, 133, 205

WASHER,FLAT,.5X2.25X.188,ZAG...111, 113-114, 137

WASHER,FLAT,.625 HARDENED.....119

WASHER,FLAT,.625 X 2.25 X.15.....119

WASHER,FLAT,.625X2.25X.188,ZAG.....117, 139

WASHER,FLAT,.75 HARDENED.....145

WASHER,FLAT,.75,SAE,HRD,ZAG.....69-70

WASHER,FLAT,1.0,USS,ZAG.....49

WASHER,FLAT,1.56 X 2.5 X .061.....119

WASHER,FLAT,1/2,SAE,HRD,ZAG.....69-70, 97, 145, 153

WASHER,FLAT,1/2,USS,ZAG....111, 113-114, 141

WASHER,FLAT,2.01X2.25X.06,ZAG.....141

WASHER,FLAT,2.01X3.5X.06,ZAG.....37-38, 141

WASHER,FLAT,2.27X3.5X.06,ZAG.....141

WASHER,FLAT,3/8,SAE,HRD,ZAG.....151, 155

WASHER,FLAT,3/8,USS,ZAG.....117, 157, 205

WASHER,FLAT,5/16,USS,ZAG.....197, 223

WASHER,FLAT,5/8,F436,HRD,ZAG....34, 37-38, 70, 117

WASHER,FLAT,M10,DIN125,ZAB.....97, 114

WASHER,FLAT,M14.....119

WASHER,FLAT,M14,DIN6916,HRD,ZAB...102, 107, 111

WASHER,FLAT,M5,DIN125,ZAB.....101-102, 109

WASHER,FLAT,M6,DIN125,ZAB.....113-114

WASHER,FLAT,M8,DIN125,ZAB.....102

WASHER,FLAT,MS,#10,Y.....189

Part Description Index (continued)

WELDMENT, LIMIT SWITCH ARM.....147
WELDMENT, LONG LINK SPACER.....141
WELDMENT, PIPE CRADLE.....201
WELDMENT, PLAT SUPPORT.....153
WELDMENT, PRE-CLEANER, BRACKET.....219
WELDMENT, RIGHT CONTACT ALARM, LARGE.....247
WELDMENT, SENSOR MOUNT.....207, 209
WELDMENT, SHORT LINK, S60/65.....141
WELDMENT, SUPPORT, RADIATOR.....133
WELDMENT, SWING GATE.....161
WELDMENT, TIE ROD.....33-34, 43
WELDMENT,4/5FT PLATFORM SUPPOR.....155
WELDMENT,6 FT TRI ENTRY PLAT.....199
WELDMENT,8FT TRI ENTRY PLAT.....199
WELDMENT,BOOM SECTION #2***.....143
WELDMENT,CABLE TRACK TRAY***.....157
WELDMENT,CABLE TRACK TUBE***.....157
WELDMENT,CAT MOUNT,MSG425.....97
WELDMENT,ECU MOUNT,DEUTZ D2.9.....51
WELDMENT,ENGINE TRAY***.....111
WELDMENT,EXHAUST PIPE.....101-102
WELDMENT,EXHAUST TUBE.....73
WELDMENT,EXTENSION BRACKET.....145
WELDMENT,L.P. TANK MOUNT ***.....237
WELDMENT,LID,GBOX.....63-64
WELDMENT,LP MOUNT.....57
WELDMENT,MASTER LINK.....141
WELDMENT,PIPE CRADLE MOUNT.....201
WELDMENT,PLATFORM SUPPORT,CE.....155
WELDMENT,PRECLEANER BOX.....219
WELDMENT,PULL BAR.....239
WELDMENT,ROTATOR SUPPORT.....155
WELDMENT,STEEL INTAKE TUBE.....125
WELDMENT,SWING GATE PANEL.....197
WELDMENT,SWING GATE,ALUMINUM.....195
WELDMENT,TIMING LINK CAM.....141
WELDMENT,TOW BAR.....239
WELDMENT,TRACK PULL TUBE PIVOT....157
WELDMENT,TRANSPORT LOCK.....69-70
WHEEL & TIRE ASSY,LH NM AIR.....33-34
WHEEL & TIRE ASSY,RH,NM AIR.....33-34
WHEEL DRIVE 56:1.....34, 38
WHEEL DRIVE 56:1 2WD.....37-38
WHEEL DRIVE 57.5:1 4WD.....33-34, 37-38
WHEEL STUD,5/8-18,OMNI***.....33-34, 37-38
WHEEL, 24.5X11.75, 9 X 9 BCD.....33-34
WHEEL,22.5X14.00***.....33-34
WIPER RUBBER, 1 TO 2.....213
WIPER RUBBER, 2 TO 3.....213
WIPER,RING GEAR GUARD.....215
WIRE CABLE,16/4 CON.TPE JKT.....143
WIRE LOOM,1"DIA.SLIT,HI TEMP.....75-76
WIRING KIT,CONTROL BOX HEATER.....241
WLDMT, BATT/MANIF TRAY, S60/65.....49
WLDMT, ES LOWER COVER SUPPORT.....73
WLDMT, ES UPPER COVER SUPPORT.....73
WLDMT, TS LOWER COVER SUPPORT.....73
WLDMT, TS UPPER COVER SUPPORT.....73
WORKLIGHT, 12V, DEUTSCH RECEP.....203

Z

ZERK,GREASE,1/8 NPT.....49, 155

—

—Deutz D2.9L4 Models—.....11-12
—Deutz TD2011-L03i Models—.....11-12
—Deutz TD2011-L04i Models—.....11-12
—Ford DSG-425 EFI Models—.....11-12
—General Service Parts—.....11-12
—Inspection Service Kits—.....11-12
—Manuals—.....11-12
—Perkins 404D-22 Models—.....11-12
—Perkins 404F-22 Models—.....11-12

Y

YOKE ASSY BLK W/BEARINGS,LH.....33-34
YOKE ASSY BLK W/BEARINGS,RH.....33-34

This Page Intentionally Left Blank

Go to Discount-Equipment.com to order your parts

Fitting Cross References

Genie PN	Parker PN	Description	Genie PN	Parker PN	Description
12342	6-4 F5OX-S	CONNECTOR, STRAIGHT THREAD TO FLARE TUBE	42794	1 CR-S	ELBOW, 90°, MALE PIPE
13757	4 R6X-S	RUN TEE, SWIVEL NUT, ORFS	42795	BV-0839	BALL VALVE
19685	12-10 C5OX-S	ELBOW, 90°, STRAIGHT THREAD TO FLARE TUBE	42796	BV-0838	BALL VALVE
22664	12-10 C5OX	ELBOW, 90°, STRAIGHT THREAD TO FLARE TUBE	42874	6-8 CLO-S	ELBOW, 90°, MALE PIPE TO ORFS
27431	8-12 F5OX-S	CONNECTOR, STRAIGHT THREAD TO FLARE TUBE	42912	13943-6-4	HOSE END, 90° FEMALE SWIVEL, JIC
28678	AS-B-33	SLEEVE, NYLON, 1.81" ID	42920	BV-0840	BALL VALVE, 90°
39871	6 WETX-WLN-S	UNION, 90° BULKHEAD W/NUT, FLARE TUBE	42932	AS-B-17	SLEEVE, NYLON, 1.22" ID
39872	4 R5OX-S	RUN TEE, STRAIGHT THREAD	42936	10243-2-4	HOSE END, FEMALE PIPE
39873	6 C5OX-S	ELBOW, 90°, STRAIGHT THREAD TO FLARE TUBE	42953	1/2 DD-S	ELBOW, 90°, FEMALE PIPE
39874	8-6 C5OX-S	ELBOW, 90°, STRAIGHT THREAD TO FLARE TUBE	42956	6 WELO-WLNL-S	UNION, 90° BULKHEAD W/NUT, ORFS
39875	4-6 C5OX-S	ELBOW, 90°, STRAIGHT THREAD TO FLARE TUBE	45349	8 V5OX-S	ELBOW, 45°, STRAIGHT THREAD TO FLARE TUBE
39876	6-8 C5OX-S	ELBOW, 90°, STRAIGHT THREAD TO FLARE TUBE	45351	4 V5OX-S	ELBOW, 45°, STRAIGHT THREAD TO FLARE TUBE
39877	4 F5OX-S	CONNECTOR, STRAIGHT THREAD TO FLARE TUBE	47223	10343-6-6	HOSE END, MALE, JIC
39878	6 F5OX-S	CONNECTOR, STRAIGHT THREAD TO FLARE TUBE	47419	PS690503-6-6	SWIVEL, 90°, STRAIGHT THREAD TO 37° FLARE
39879	4-8 F5OX-S	CONNECTOR, STRAIGHT THREAD TO FLARE TUBE	48750	421-4	HOSE, 1/4 INCH ID
39880	6-10 F5OX-S	CONNECTOR, STRAIGHT THREAD TO FLARE TUBE	48751	481TC-4	HOSE, 1/4 INCH ID
39881	4-6 F5OX-S	CONNECTOR, STRAIGHT THREAD TO FLARE TUBE	48752	482TC-4	HOSE, 1/4 INCH ID
39882	4-HP5ON-S	PLUG, STRAIGHT THREAD	48753	451TC-6	HOSE, 3/8 INCH ID
39883	8-8 FTX-S	CONNECTOR, MALE PIPE TO FLARE TUBE	48754	482TC-6	HOSE, 3/8 INCH ID
39885	269HB 12-12	ELBOW, 90°, BEADED HOSE BARB TO MALE PIPE	48755	381-6	HOSE, 3/8 INCH ID
39886	431-6	HOSE, 3/8 INCH ID	48756	451TC-8	HOSE, 1/2 INCH ID
39887	540N-2	HOSE, 1/8 INCH ID	48757	482TC-8	HOSE, 1/2 INCH ID
39888	801-8	HOSE, 1/2 INCH ID	48758	381-8	HOSE, 1/2 INCH ID
39889	801-12	HOSE, 3/4 INCH ID	48759	381-10	HOSE, 5/8 INCH ID
39890	10643-6-6	HOSE END, FEMALE SWIVEL, JIC	48760	451TC-10	HOSE, 5/8 INCH ID
39891	13943-6-6	HOSE END, 90° FEMALE SWIVEL, JIC	48761	482TC-12	HOSE, 3/4 INCH ID
39892	13743-6-6	HOSE END, 45° FEMALE SWIVEL, JIC	48762	451TC-12	HOSE, 3/4 INCH ID
39894	30682-8-8	HOSE END, FEMALE SWIVEL, JIC	48763	772-12	HOSE, 3/4 INCH ID
39895	30682-10-12	HOSE END, FEMALE SWIVEL, JIC	48764	881-16	HOSE, 1 INCH ID
42286	8-8 CTX-S	ELBOW, 90°, MALE PIPE TO FLARE TUBE	48765	772-16	HOSE, 1 INCH ID
42756	8-12 CLO-S	ELBOW, 90°, MALE PIPE TO ORFS	48766	AS-B-15	SLEEVE, NYLON, 1.06" ID
42757	8-12 FLO-S	CONNECTOR, MALE PIPE TO ORFS	48767	AS-B-22	SLEEVE, NYLON, 1.42" ID
42758	4 JLO-S	UNION TEE, ORFS	48770	881-8	HOSE, 1/2 INCH ID
42759	4-4 FLO-S	CONNECTOR, MALE PIPE TO ORFS			
42760	6-8 FLO-S	CONNECTOR, MALE PIPE TO ORFS			
42761	1J143-6-4	HOSE END, 90° FEMALE SWIVEL, SEAL LOK			
42762	1J743-6-4	HOSE END, 45° FEMALE SWIVEL, SEAL LOK			
42768	1JO43-4-4	HOSE END, MALE, SEAL LOK			
42776	601-8	HOSE, 1/2 INCH ID			
42777	1J743-16-16	HOSE END, 45° FEMALE SWIVEL, SEAL LOK			
42786	16 CLO-S	ELBOW, 90°, MALE PIPE TO ORFS			
42787	16 R6LO-S	RUN TEE, SWIVEL NUT, ORFS			
42788	16-8 TRLO-BL-S	REDUCER, TUBE END TO SWIVEL, ORFS			
42789	6-6 CLO-S	ELBOW, 90°, MALE PIPE TO ORFS			
42790	8-10 V5OLO-S	ELBOW, 45°, STRAIGHT THREAD TO ORFS			
42791	3/4 CD-S	ELBOW, 90°, MALE TO FEMALE PIPE			
42792	3/4 X 1/2 PTR-S	REDUCER, MALE TO FEMALE PIPE			
42793	1/2 CR-S	ELBOW, 90°, MALE PIPE			

Fitting Cross References (Continued)

Genie PN	Parker PN	Description	Genie PN	Parker PN	Description
48771	881-10	HOSE,5/8 INCH ID	48847	13943-12-12	HOSE END,90° FEMALE SWIVEL,JIC
48772	381-4	HOSE,1/4 INCH ID	48848	10543-12-12	HOSE END,MALE,STRAIGHT THREAD
48773	AS-B-13	SLEEVE,NYLON,.86" ID	48849	1JC71-12-12	HOSE END,FEMALE SWIVEL,SEAL LOK
48800	1JC43-4-4	HOSE END,FEMALE SWIVEL,SEAL LOK	48850	1JS71-12-12	HOSE END,FEMALE SWIVEL,SEAL LOK
48801	1J743-4-4	HOSE END,45° FEMALE SWIVEL,SEAL LOK	48851	1J171-12-12	HOSE END,90° FEMALE SWIVEL,SEAL LOK
48802	1J943-4-4	HOSE END,90° FEMALE SWIVEL,SEAL LOK	48852	1J771-12-12	HOSE END,45° FEMALE SWIVEL,SEAL LOK
48804	1JM43-4-4	HOSE END,MALE,SEAL LOK, NO O-RING	48853	1J971-12-12	HOSE END,90° FEMALE SWIVEL,SEAL LOK
48805	10643-4-4	HOSE END,FEMALE SWIVEL,JIC	48854	1JC43-16-16	HOSE END,FEMALE SWIVEL,SEAL LOK
48806	13943-4-4	HOSE END,90° FEMALE SWIVEL,JIC	48855	1J943-16-16	HOSE END,90° FEMALE SWIVEL,SEAL LOK
48807	1JS43-4-4	HOSE END,FEMALE SWIVEL,SEAL LOK	48856	1J171-16-16	HOSE END,90° FEMALE SWIVEL,SEAL LOK
48808	3JC82-8-8	HOSE END,FEMALE SWIVEL,SEAL LOK	48857	1J971-16-16	HOSE END,90° FEMALE SWIVEL,SEAL LOK
48809	3JC82-12-12	HOSE END,FEMALE SWIVEL,SEAL LOK	48859	1JS43-8-4	HOSE END,FEMALE SWIVEL,SEAL LOK
48810	1JC43-6-4	HOSE END,FEMALE SWIVEL,SEAL LOK	48867	PD36BTL	DIAGNOSTIC NIPPLE,SEAL-LOK SWIVEL
48811	1J943-6-4	HOSE END,90° FEMALE SWIVEL,SEAL LOK	48873	6 PNLO-S	PLUG,TUBE END,ORFS
48812	1JC43-6-6	HOSE END,FEMALE SWIVEL,SEAL LOK	48874	6 PNTX-S	PLUG,FLARE TUBE
48813	1J143-6-6	HOSE END,90° FEMALE SWIVEL,SEAL LOK	48875	6 R6LO-S	RUN TEE,SWIVEL NUT,ORFS
48814	1J543-6-6	HOSE END,90° FEMALE SWIVEL,SEAL LOK	48877	4 F5OLO-SW/.025	CONNECTOR,STRAIGHT THREAD TO ORFS, W/.025 ORI
48815	1J743-6-6	HOSE END,45° FEMALE SWIVEL,SEAL LOK	48878	16-12 C5OLO-S	ELBOW,90°,STRAIGHT THREAD TO ORFS
48816	1J943-6-6	HOSE END,90° FEMALE SWIVEL,SEAL LOK	48879	8 C6LO-S	ELBOW,90°,SWIVEL NUT ORFS
48817	1JS43-6-8	HOSE END,FEMALE SWIVEL,SEAL LOK	48880	PD6-285	CAP,DIAGNOSTIC NIPPLE
48818	1J943-8-4	HOSE END,90° FEMALE SWIVEL,SEAL LOK	48881	6 HLO-S	UNION,ORFS
48819	1JC43-8-6	HOSE END,FEMALE SWIVEL,SEAL LOK	48883	8 P5ON-S	PLUG,STRAIGHT THREAD
48820	1J743-8-6	HOSE END,45° FEMALE SWIVEL,SEAL LOK	48884	8M18F87OMLO-S	CONNECTOR,METRIC,STRAIGHT THREAD TO ORFS
48821	1J943-8-6	HOSE END,90° FEMALE SWIVEL,SEAL LOK	48885	4 WGTX-WLN-S	CONNECTOR,BULKHEAD,FEMALE PIPE TO FLARE TUBE
48822	1JC43-8-8	HOSE END,FEMALE SWIVEL,SEAL LOK	48886	4 F5OLO-SW/2MM	CONNECTOR,MACHINED STRAIGHT THREAD TO ORFS
48823	1JS43-8-8	HOSE END,FEMALE SWIVEL,SEAL LOK	48887	4 CTX-S	ELBOW,90°,MALE PIPE TO FLARE TUBE
48824	1J143-8-8	HOSE END,90° FEMALE SWIVEL,SEAL LOK	48888	10-12 V5OLO-S	ELBOW,45°,STRAIGHT THREAD TO ORFS
48825	1J543-8-8	HOSE END,90° FEMALE SWIVEL,SEAL LOK	48890	4 S5OLO-S	BRANCH TEE,STRAIGHT THREAD TO ORFS
48826	1J743-8-8	HOSE END,45° FEMALE SWIVEL,SEAL LOK	48891	4 S6LO-S	BRANCH TEE,SWIVEL NUT TO ORFS
48827	1J943-8-8	HOSE END,90° FEMALE SWIVEL,SEAL LOK			
48828	1JC43-10-8	HOSE END,FEMALE SWIVEL,SEAL LOK			
48829	1JS43-10-8	HOSE END,FEMALE SWIVEL,SEAL LOK			
48830	1J743-10-8	HOSE END,45° FEMALE SWIVEL,SEAL LOK			
48831	1J943-10-8	HOSE END,90° FEMALE SWIVEL,SEAL LOK			
48833	1JC43-10-10	HOSE END,FEMALE SWIVEL,SEAL LOK			
48834	1J943-10-10	HOSE END,90° FEMALE SWIVEL,SEAL LOK			
48835	1JS43-10-12	HOSE END,FEMALE SWIVEL,SEAL LOK			
48836	1JC43-12-8	HOSE END,FEMALE SWIVEL,SEAL LOK			
48837	1JS43-12-8	HOSE END,FEMALE SWIVEL,SEAL LOK			
48838	1J743-12-8	HOSE END,45° FEMALE SWIVEL,SEAL LOK			
48839	1J943-12-8	HOSE END,90° FEMALE SWIVEL,SEAL LOK			
48840	1J943-12-10	HOSE END,90° FEMALE SWIVEL,SEAL LOK			
48841	1JC43-12-12	HOSE END,FEMALE SWIVEL,SEAL LOK			
48842	1JO43-12-12	HOSE END,MALE,SEAL LOK			
48843	1J143-12-12	HOSE END,90° FEMALE SWIVEL,SEAL LOK			
48844	1J543-12-12	HOSE END,90° FEMALE SWIVEL,SEAL LOK			
48845	1J743-12-12	HOSE END,45° FEMALE SWIVEL,SEAL LOK			
48846	1J943-12-12	HOSE END,90° FEMALE SWIVEL,SEAL LOK			

Fitting Cross References (Continued)

Genie PN	Parker PN	Description	Genie PN	Parker PN	Description
48892	6 C6LO-S	ELBOW,90°,SWIVEL NUT ORFS	48938	8 R6LO-S	RUN TEE,SWIVEL NUT,ORFS
48893	6 F5OHAO-S	UNION,STRAIGHT THREAD	48939	8 S6LO-S	BRANCH TEE,SWIVEL NUT TO ORFS
48894	8 WLO-WLNL-S	UNION,BULKHEAD,ORFS	48940	8 WJLO-WLNL-S	RUN TEE, BULKHEAD,ORFS
48895	DT-370-MSMO-5	VALVE,CHECK	48941	8-4 TRLO-S	REDUCER,TUBE END TO SWIVEL,ORFS
48896	6 JLO-S	UNION,TEE,ORFS	48942	8-6 C5OLO-S	ELBOW,90°,STRAIGHT THREAD TO ORFS
48897	DT-750-MSMS-5	VALVE,CHECK	48943	8-6 F5OLO-S	CONNECTOR,STRAIGHT THREAD TO ORFS
48898	DT-750-MOMS-5	VALVE,CHECK	48944	8-8 FLO-S	CONNECTOR,MALE PIPE TO ORFS
48899	DT-620-MOMS-5	VALVE,CHECK	48945	8 FTX-S	CONNECTOR,MALE PIPE TO FLARE TUBE
48900	4-6 F5OLO-SW/.035	CONNECTOR,STRAIGHT THREAD TO ORFS, W/.035 ORI	48946	8-10 F5OLO-S	CONNECTOR,STRAIGHT THREAD TO ORFS
48902	16-1 AOE4G-S	ELBOW,90° LONG,FEMALE PIPE TO STRAIGHT THREAD	48947	8-12 C5OLO-S	ELBOW,90°,STRAIGHT THREAD TO ORFS
48903	1 FF-S	NIPPLE,PIPE	48948	8-12 F5OLO-S	CONNECTOR,STRAIGHT THREAD TO ORFS
48904	4 C5OLO-S	ELBOW,90°,STRAIGHT THREAD TO ORFS	48949	8-16 F5OLO-S	CONNECTOR,STRAIGHT THREAD TO ORFS
48905	4 F5OLO-S	CONNECTOR,STRAIGHT THREAD TO ORFS	48950	10 C5OLO-S	ELBOW,90°,STRAIGHT THREAD TO ORFS
48906	4 R5OLO-S	RUN TEE,STRAIGHT THREAD	48951	10 CC5OLO-S	ELBOW,90° LONG,STRAIGHT THREAD TO ORFS
48907	4 V5OLO-S	ELBOW,45°,STRAIGHT THREAD TO ORFS	48952	10 F5OLO-S	CONNECTOR,STRAIGHT THREAD TO ORFS
48908	4 R6LO-S	RUN TEE,SWIVEL NUT,ORFS	48953	10 R5OLO-S	RUN TEE,STRAIGHT THREAD
48909	4 WJLO-WLNL-S	RUN TEE, BULKHEAD,ORFS	48954	10 S5OLO-S	BRANCH TEE,STRAIGHT THREAD TO ORFS
48910	4 GTX-S W/.030	CONNECTOR,FEMALE PIPE TO FLARE TUBE	48955	10 R6LO-S	RUN TEE,SWIVEL NUT,ORFS
48911	4-6 C5OLO-S	ELBOW,90°,STRAIGHT THREAD TO ORFS	48956	10-4 TRLO-BL-S	REDUCER,TUBE END TO SWIVEL,ORFS
48912	4-6 F5OLO-S	CONNECTOR,STRAIGHT THREAD TO ORFS	48957	10-6 TRLO-BL-S	REDUCER,TUBE END TO SWIVEL,ORFS
48913	4-6 F5OLO-SW/.030	CONNECTOR,STRAIGHT THREAD TO ORFS, W/.030 ORI	48958	10-12 F5OLO-S	CONNECTOR,STRAIGHT THREAD TO ORFS
48914	4-8 F5OLO-S	CONNECTOR,STRAIGHT THREAD TO ORFS	48959	12 C5OLO-S	ELBOW,90°,STRAIGHT THREAD TO ORFS
48915	6 C5OLO-S	ELBOW,90°,STRAIGHT THREAD TO ORFS	48960	12 F5OLO-S	CONNECTOR,STRAIGHT THREAD TO ORFS
48916	6 F5OLO-S	CONNECTOR,STRAIGHT THREAD TO ORFS	48961	12 R5OLO-S	RUN TEE,STRAIGHT THREAD
48917	6 FF5OLO-S	CONNECTOR,LONG,STRAIGHT THREAD TO ORFS	48962	12 S5OLO-S	BRANCH TEE,STRAIGHT THREAD TO ORFS
48918	6 R5OLO-S	RUN TEE,STRAIGHT THREAD	48963	12 V5OLO-S	ELBOW,45°,STRAIGHT THREAD TO ORFS
48919	6 S5OLO-S	BRANCH TEE,STRAIGHT THREAD TO ORFS	48964	12 R6LO-S	RUN TEE,SWIVEL NUT,ORFS
48920	6 V5OLO-S	ELBOW,45°,STRAIGHT THREAD TO ORFS	48965	12 CLO-S	ELBOW,90°,MALE PIPE TO ORFS
48921	6 FLO-S	CONNECTOR,MALE PIPE TO ORFS	48966	12 FLO-S	CONNECTOR,MALE PIPE TO ORFS
48922	6-6 FLO-S	CONNECTOR,MALE PIPE TO ORFS	48967	12 JLO-S	UNION TEE,ORFS
48923	6 P5ON-S	PLUG,STRAIGHT THREAD	48968	12 WLO-WLNL-S	UNION,BULKHEAD,ORFS
48925	6 WELO-S	UNION,90° BULKHEAD,ORFS	48969	12 WJLO-WLNL-S	RUN TEE, BULKHEAD,ORFS
48926	6-4 C5OLO-S	ELBOW,90°,STRAIGHT THREAD TO ORFS	48970	12 WELO-WLNL-S	UNION,90° BULKHEAD W/NUT,ORFS
48927	6-4 F5OLO-S	CONNECTOR,STRAIGHT THREAD TO ORFS			
48928	6-4 V5OLO-S	ELBOW,45°,STRAIGHT THREAD TO ORFS			
48929	6-8 C5OLO-S	ELBOW,90°,STRAIGHT THREAD TO ORFS			
48930	6-8 F5OLO-S	CONNECTOR,STRAIGHT THREAD TO ORFS			
48931	6-10 F5OLO-S	CONNECTOR,STRAIGHT THREAD TO ORFS			
48932	8 C5OLO-S	ELBOW,90°,STRAIGHT THREAD TO ORFS			
48933	8 F5OLO-S	CONNECTOR,STRAIGHT THREAD TO ORFS			
48934	8 FF5OLO-S	CONNECTOR,LONG,STRAIGHT THREAD TO ORFS			
48935	8 R5OLO-S	RUN TEE,STRAIGHT THREAD			
48936	8 S5OLO-S	BRANCH TEE,STRAIGHT THREAD TO ORFS			
48937	8 V5OLO-S	ELBOW,45°,STRAIGHT THREAD TO ORFS			

Fitting Cross References (Continued)

Genie PN	Parker PN	Description	Genie PN	Parker PN	Description
48971	12 G5G5JG5-S	TEE,FEMALE STRAIGHT THREAD	49612	PKT02586	O-RING KIT (ORFS FITTINGS)
48972	12 XHL6-S	ADAPTER, 37° MALE TO SWIVEL ORFS	49613	PKT06276	PLUG AND CAP KIT-SERVICE,ORFS
48973	12-1/2 F5OG-S	ADAPTER,FEMALE PIPE TO STRAIGHT THREAD	49728	10143-12-12	HOSE END, MALE PIPE
48974	12-10 C5OLO-S	ELBOW,90°,STRAIGHT THREAD TO ORFS	49729	16-1 F5OG-S	ADAPTER,FEMALE PIPE TO STRAIGHT THREAD
48975	12-10 F5OLO-S	CONNECTOR,STRAIGHT THREAD TO ORFS	49814	12-8 FLO-S	CONNECTOR,MALE PIPE TO ORFS
48976	12-16 C5OLO-S	ELBOW,90°,STRAIGHT THREAD TO ORFS	49829	DT-500-MOMF-5	VALVE,CHECK
48977	12-16 F5OLO-S	CONNECTOR,STRAIGHT THREAD TO ORFS	49831	881-12	HOSE,3/4 INCH ID
48978	12-16 V5OLO-S	ELBOW,45°,STRAIGHT THREAD TO ORFS	49834	16 JLO-S	UNION TEE,ORFS
48980	12-16 FLO-S	CONNECTOR,MALE PIPE TO ORFS	49838	12-8 TRLO-BL-S	REDUCER,TUBE END TO SWIVEL,ORFS
48983	16 C5OLO-S	ELBOW,90°,STRAIGHT THREAD TO ORFS	49840	8 JLO-S	UNION TEE,ORFS
48984	16 F5OLO-S	CONNECTOR,STRAIGHT THREAD TO ORFS	49844	10-8 TRLO-BL-S	REDUCER,TUBE END TO SWIVEL,ORFS
48985	16 V5OLO-S	ELBOW,45°,STRAIGHT THREAD TO ORFS	49854	8 P5ON-S	PLUG,STRAIGHT THREAD
48986	16 FLO-S	CONNECTOR,MALE PIPE TO ORFS	49855	1JC43-16-12	HOSE END,FEMALE SWIVEL,SEAL LOK
48988	16 CD45-S	ELBOW,45°,MALE TO FEMALE PIPE	49859	4 P5ON-S	PLUG,STRAIGHT THREAD
48989	12 CD45-S	ELBOW,45°,MALE TO FEMALE PIPE	49861	4 FF5OLO-S	CONNECTOR, LONG, STRAIGHT THREAD TO ORFS
48990	8 CD45-S	ELBOW,45°,MALE TO FEMALE PIPE	49867	12-3/4 F5OG-S	ADAPTER,FEMALE PIPE TO STRAIGHT THREAD
48991	16-12 FLO-S	CONNECTOR,MALE PIPE TO ORFS	51152	6 R6X-S	RUN TEE,SWIVEL NUT,ORFS
48992	16-12 V5OLO-S	ELBOW,45°,STRAIGHT THREAD TO ORFS	51153	6-4 TRTX-S	REDUCER,TUBE END TO SWIVEL,ORFS
48993	XV501-12	BALL VALVE	51154	4-4 GTX	CONNECTOR,FEMALE PIPE TO FLARE TUBE
48994	XV501-16	BALL VALVE	51264	881-12	HOSE,3/4 INCH ID
48995	XV510P-12	BALL VALVE	51265	8 JLO-S	UNION TEE,ORFS
48996	XV510P-16	BALL VALVE	51508	6 BTX-S	NUT,FLARE TUBE
48997	PD341	DIAGNOSTIC NIPPLE, STRAIGHT THREAD	51580	12-8 TRLO-BL-S	TUBE END REDUCER,ORFS
48998	PD 361	DIAGNOSTIC NIPPLE, STRAIGHT THREAD	51628	6 R6X-S	RUN TEE,SWIVEL NUT,ORFS
48999	DT-500-MOMS-5	VALVE,CHECK	51735	3/8 HHP	PLUG,PIPE THREAD
49201	10 V5OLO-S	ELBOW,45°,STRAIGHT THREAD TO ORFS	51803	1J943-6-8	HOSE END,90° FEMALE SWIVEL,SEAL LOK
49202	1JC43-12-10	HOSE END,FEMALE SWIVEL,SEAL LOK	53023	125HBL-5-4	FITTING,HOSE BARB TO MALE PIPE
49203	10-8 V5OLO-S	ELBOW,45°,STRAIGHT THREAD TO ORFS	53497	PKT02585	O-RING KIT
49205	6 F5OHAO-S	UNION,STRAIGHT THREAD	53499	1JC71-16-16	HOSE END,FEMALE SWIVEL,SEAL LOK
49207	PD34BTL	DIAGNOSTIC NIPPLE,SEAL-LOK SWIVEL	53500	3-904	O-RING,STRAIGHT THREAD,-4
49209	8M18F870MX-S	CONNECTOR,METRIC,STRAIGHT THREAD TO FLARE TUBE	53501	3-906	O-RING,STRAIGHT THREAD,-6
49212	8 WGTX-WLN-S	CONNECTOR,BULKHEAD,FEMALE PIPE TO FLARE TUBE	53502	3-908	O-RING,STRAIGHT THREAD,-8
49213	30682-8-8	HOSE END,FEMALE SWIVEL,JIC	53503	3-910	O-RING,STRAIGHT THREAD,-10
49216	831-8	HOSE,1/2 INCH ID			
49217	33982-8-8	HOSE END,90° FEMALE SWIVEL,JIC			
49219	PS-B-35	SLEEVE,NYLON,2.19" ID			
49418	4-6 V5OLO-S	ELBOW,45°,STRAIGHT THREAD TO ORFS			
49511	DT370-MOMS-5	VALVE,CHECK			
49512	1 DD-S	ELBOW,90°,FEMALE PIPE			
49513	1 FF-S	NIPPLE,PIPE			
49514	10 HP5ON-S	PLUG,STRAIGHT THREAD			
49515	12-16 CLO-S	ELBOW,90°,MALE PIPE TO ORFS			
49517	6 HP5ON-S	PLUG,STRAIGHT THREAD			
49519	16-12 F5OLO-S	CONNECTOR,STRAIGHT THREAD TO ORFS			
49520	4 VTX-S	ELBOW,45°,MALE PIPE TO FLARE TUBE			
49530	16 C6LO-S	ELBOW,90°,SWIVEL NUT ORFS			

Fitting Cross References (Continued)

Genie PN	Parker PN	Description	Genie PN	Parker PN	Description
53535	3-912	O-RING,STRAIGHT THREAD,-12	61083	24 F5OLO-S	CONNECTOR,STRAIGHT THREAD TO ORFS
53536	4-PNLO-S	PLUG,TUBE END,ORFS	61086	20 R5OLO-S	RUN TEE,STRAIGHT THREAD
53537	6 PNLO-S	PLUG,TUBE END,ORFS	61090	24-20 F5OLO-S	CONNECTOR,STRAIGHT THREAD TO ORFS
53538	8 PNLO-S	PLUG,TUBE END,ORFS	61091	1J943 24-24	HOSE END,90° FEMALE SWIVEL,SEAL LOK
53539	10 PNLO-S	PLUG,TUBE END,ORFS	61093	1J978-12-12	HOSE END,90° FEMALE SWIVEL,JIC
53540	12 PNLO-S	PLUG,TUBE END,ORFS	61095	1JS43-20-16	HOSE END,FEMALE SWIVEL,SEAL LOK
53946	129HB-5-4	FITTING,90° HOSE BARB TO MALE PIPE	61100	811-24	HOSE,11/2 INCH ID
53951	8-1/4F50G-S	ADAPTER,FEMALE PIPE TO STRAIGHT THREAD	61130	1JS43-24-24	HOSE END,FEMALE SWIVEL,SEAL LOK
53980	6 S6LO-S	BRANCH TEE,SWIVEL NUT TO ORFS	61131	1JS78 12-12	HOSE END,FEMALE SWIVEL,SEAL LOK
54132	4 C6LO-S	ELBOW,90°,SWIVEL NUT ORFS	61132	1J778-12-12	HOSE END,45° FEMALE SWIVEL,JIC
54135	11343-16-16	HOSE END,MALE SWIVEL,PIPE	61152	139HB-6-4	ELBOW,45°,BARB TO MALE PIPE
54283	8-10 C5OLO-S	ELBOW,90°,STRAIGHT THREAD TO ORFS	61251	BV-0750	BALL VALVE
54428	8M18C870MLO-S	ELBOW, 90° METRIC, STRAIGHT THREAD TO ORFS	61259	4 CC5OLO-S	ELBOW,90° LONG,STRAIGHT THREAD TO ORFS
54803	FS-F-16-10	SLEEVE,FIRE,-.96" ID	61260	20-12 TRLO-BL	REDUCER,TUBE END TO SWIVEL,ORFS
54954	10143-2-4	HOSE END, MALE PIPE	61262	12 C6LO-S	ELBOW,90°,SWIVEL NUT ORFS
55190	3/8 HP-S	PLUG,PIPE THREAD	61263	20 F5OHAO-S	UNION,STRAIGHT THREAD
55448	8 HLO-S	UNION,ORFS	61264	6-10 C5OLO-S	ELBOW,90°,STRAIGHT THREAD TO ORFS
55839	6 F65OX-S	CONNECTOR,STRAIGHT THREAD TO 37° SWIVEL	61265	6 WNLO-WLNL-S	UNION,BULKHEAD 45°,ORFS
55968	10 C5OX-S	ELBOW,90°,STRAIGHT THREAD TO FLARE TUBE	61268	4 WNLO-WLNL-S	UNION,BULKHEAD 45°,ORFS
56003	6 CC5OLO-S	ELBOW,90° LONG,STRAIGHT THREAD TO ORFS	61269	4 WLO-WLNL-S	UNION,BULKHEAD,ORFS
56166	BV-0837	BALL VALVE,90°	61272	12 AOEL6	ELBOW,90°,STRAIGHT THREAD TO ORFS SWIVEL
56188	10143-8-6	HOSE END, MALE PIPE	61316	482TC-16	HOSE,1 INCH ID
56233	2-011	O-RING,ORFS,-4	61321	6 JLO-S	UNION TEE,ORFS
56234	2-012	O-RING,ORFS,-6	61327	782-12	HOSE,3/4 INCH ID
56235	2-014	O-RING,ORFS,-8	61328	881-24	HOSE,11/2 INCH ID
56236	2-016	O-RING,ORFS,-10	61336	11943-20-24	HOSE END,90° FLANGE HEAD
56237	2-018	O-RING,ORFS,-12	61345	12 WJLO-WLNL-S	RUN TEE, BULKHEAD,ORFS
56238	2-021	O-RING,ORFS,-16	61346	8 WNLO-WLNL-S 4	UNION,BULKHEAD 45°,ORFS
56352	6 WLNL-S	LOCKNUT,BULKHEAD	61569	33782-8-8	HOSE END,45° FEMALE SWIVEL,JIC
56353	3J782-12-12	HOSE END,45° FEMALE SWIVEL,SEAL LOK	61610	12 FF5OLO-S	CONNECTOR,LONG,STRAIGHT THREAD TO ORFS
56354	3J982-12-12	HOSE END,90° FEMALE SWIVEL,SEAL LOK	61742	1/8 X 1.5 FFF	NIPPLE,PIPE
56604	10-8 F5OLO-S	CONNECTOR,STRAIGHT THREAD TO ORFS	63426	8 PNTX-S	PLUG,FLARE TUBE
56639	3JC82-10-10	HOSE END,FEMALE SWIVEL,SEAL LOK			
56640	3J982-10-10	HOSE END,90° FEMALE SWIVEL,SEAL LOK			
56655	3JC82-8-10	HOSE END,FEMALE SWIVEL,SEAL LOK			
56676	10-8 C5OLO-S	ELBOW,90°,STRAIGHT THREAD TO ORFS			
56776	471TC-6	HOSE,3/8 INCH ID			
56777	471TC-8	HOSE,1/2 INCH ID			
56789	811-16	HOSE,1 INCH ID			
57884	3/8 FF	NIPPLE,PIPE			
59335	6 FNL-S	CAP,TUBE END			
59342	4 FNL-S	CAP,TUBE END			
59371	8 HP5ON-S	PLUG,STRAIGHT THREAD			
60653	BV-0751	BALL VALVE			
60806	125HB-3-4	FITTING,HOSE BARB TO MALE PIPE			
61064	5-1/4 F5OG-S	ADAPTER,FEMALE PIPE TO STRAIGHT THREAD			
61079	4 WELO-WLNL-S	UNION,90° BULKHEAD W/NUT,ORFS			
61080	6 WLO-WLNL-S	UNION,BULKHEAD,ORFS			

Fitting Cross References (Continued)

Genie PN	Parker PN	Description	Genie PN	Parker PN	Description
64271	4 WLO-WLNL-S	UNION,BULKHEAD,ORFS	75631	801-6	HOSE,3/8 INCH ID
64272	6 WLO-WLNL-S	UNION,BULKHEAD,ORFS	75654	20 F5OLO-S	CONNECTOR,STRAIGHT THREAD TO ORFS
65776	8 F65OL-S	CONNECTOR,STRAIGHT THREAD TO ORFS SWIVEL	75655	1J943-20-20	HOSE END,90° FEMALE SWIVEL,SEAL LOK
65880	6001012	O-RING KIT	75656	881-20	HOSE,1-1/4 INCH ID
66154	6 WTX-WLNS	UNION,BULKHEAD,FLARE TUBE	75971	8 F5OHAO-S	UNION,STRAIGHT THREAD
66155	6 WETX-S	UNION,BULKHEAD 90°,FLARE TUBE	77307	1JB43-8-8	HOSE END,BULKHEAD,SEAL LOK
66156	6 WLN-S	BULKHEAD LOCKNUT	77309	8 WLNL-S	BULKHEAD LOCKNUT
66389	6-8 F5OX-S	CONNECTOR,STRAIGHT THREAD TO FLARE TUBE	77379	8M18C87OMX-S	ELBOW,90° METRIC,STRAIGHT THREAD TO FLARE TUBE
66392	6 R5OX-S	RUN TEE,STRAIGHT THREAD	77703	3J982-8-8	HOSE END,90° FEMALE SWIVEL,SEAL LOK
66396	811-12	HOSE,3/4 INCH ID	77711	801-10	HOSE,5/8 INCH ID
66829	H3174PP	CLAMP,TUBE	77758	12 WNLO-WLNL-S	UNION,BULKHEAD 45°,ORFS
67217	4 KLO-S	UNION,CROSS,ORFS	78091	6 C6X-S	ELBOW,90°,SWIVEL NUT TO FLARE TUBE
67339	10-6 F5OX-S	CONNECTOR,STRAIGHT THREAD TO FLARE TUBE	78684	30582-8-8B	HOSE END,PUSH LOK,MALE
67357	13943-8-6	HOSE END,90° FEMALE SWIVEL,JIC	78852	549-2	HOSE,1/8 INCH ID
67358	10 HP5ON-S	PLUG,STRAIGHT THREAD	78855	10657-4-2	HOSE END,FEMALE SWIVEL,JIC
67371	12 S6LO-S	BRANCH TEE,SWIVEL NUT TO ORFS	79138	PS-B-37	SLEEVE,NYLON,2.38" ID
67498	4 FNL-S	CAP, TUBE END	79476	1JS43-6-8	HOSE END,FEMALE SWIVEL,SEAL LOK
67906	DC-370-F0F0-5	VALVE,CHECK	79847	12-3/4 A0EG-S	ELBOW,90°,STRAIGHT THREAD TO FEMALE PIPE
69316	8 FLO-S	CONNECTOR,MALE PIPE TO ORFS	80044	8 CLO-S	ELBOW,90°,MALE PIPE TO ORFS
69333	H3174PP	CLAMP,HYDRAULIC HOSE	80502	8 F5OX-S	CONNECTOR,STRAIGHT THREAD TO FLARE TUBE
69503	4 F65OX-S	CONNECTOR,STRAIGHT THREAD TO 37° SWIVEL	80503	8 C5OX-S	ELBOW,90°,STRAIGHT THREAD TO FLARE TUBE
69775	8 FNL-S	CAP, TUBE END	81010	AS-B-27	SLEEVE,NYLON,1.63" ID
71038	1/4X1/4F3HG-S	ADAPTER,CONVERSION	83052	821-6	HOSE,3/8 INCH ID
71196	12-8 F5OLO-S	CONNECTOR,STRAIGHT THREAD TO ORFS	83053	821-8	HOSE,1/2 INCH ID
71383	1/4 CD45-S	ELBOW,45°,MALE TO FEMALE PIPE	83054	821-12	HOSE,3/4 INCH ID
72270	12FNL-S	CAP, TUBE END	83055	30682-6-6	HOSE END,FEMALE SWIVEL,JIC
73436	60C-4	SLEEVE,COMPRESSION	83056	30682-12-12	HOSE END,FEMALE SWIVEL,JIC
73437	61C-4	NUT,COMPRESSION	83057	33782-6-6	HOSE END,45° FEMALE SWIVEL,JIC
73438	33482-4-4B	HOSE END,PUSH LOK,MALE	83058	33982-6-6	HOSE END,90° FEMALE SWIVEL,JIC
73767	1CD-S	ELBOW,90°,MALE TO FEMALE PIPE	83060	33982-12-12	HOSE END,90° FEMALE SWIVEL,JIC
73768	20-16-F5OG5-S	ADAPTER,FEMALE PIPE TO STRAIGHT THREAD	83063	13743-4-4	HOSE END,45° FEMALE SWIVEL,JIC
73769	16-20 F5OLO-S	CONNECTOR,STRAIGHT THREAD TO ORFS			
74660	6-8 F42EDMLO-S	CONNECTOR,MALE BSPP TO ORFS			
74661	8-8 F42EDMLO-S	CONNECTOR,MALE BSPP TO ORFS			
75007	4 FLO-S	CONNECTOR,MALE PIPE TO ORFS			
75008	1/8 HP-S	PLUG,PIPE THREAD			
75014	1/2 HP-S	PLUG,PIPE THREAD			
75042	8 WELO-WLNL-S	UNION,90° BULKHEAD W/NUT,ORFS			
75043	3/4 FF-S	NIPPLE,PIPE			
75254	24 F5OHAO-S	UNION,STRAIGHT THREAD			
75255	12 F5OHAO-S	UNION,STRAIGHT THREAD			
75256	XV506P-24	BALL VALVE			
75574	4 WLNL-S	BULKHEAD LOCKNUT			
75612	8 WJLO-WLNL-S	RUN TEE, BULKHEAD,ORFS			
75613	12-8 F5OG5-S	ADAPTER,FEMALE PIPE TO STRAIGHT THREAD			
75614	8 CC5OLO-S	ELBOW,90° LONG,STRAIGHT THREAD TO ORFS			
75628	1JB43-4-4	HOSE END,BULKHEAD,SEAL LOK			

Fitting Cross References (Continued)

Genie PN	Parker PN	Description	Genie PN	Parker PN	Description
83064	13743-8-8	HOSE END,45° FEMALE SWIVEL,JIC	89449	6 WJLO-WLNL-S	RUN TEE, BULKHEAD,ORFS
83065	13743-12-12	HOSE END,45° FEMALE SWIVEL,JIC	89489	4 WJMLO-S	BRANCH TEE,BULKHEAD,ORFS
83066	13943-8-8	HOSE END,90° FEMALE SWIVEL,JIC	89551	1JB43-6-6	HOSE END,BULKHEAD,SEAL LOK
83067	14143-6-6	HOSE END,90° FEMALE SWIVEL,JIC	89552	1JB43-8-8	HOSE END,BULKHEAD,SEAL LOK
83068	14143-8-8	HOSE END,90° FEMALE SWIVEL,JIC	89593	20 C5OLO-S	ELBOW,90°,STRAIGHT THREAD TO ORFS
83069	14143-12-12	HOSE END,90° FEMALE SWIVEL,JIC	94161	8-8 CLO-S	ELBOW,90°,MALE PIPE TO ORFS
83070	772-8	HOSE,1/2 INCH ID	94358	351TC-12	HOSE,3/4 INCH ID
83071	10671-8-8	HOSE END,FEMALE SWIVEL,JIC	94418	20 FLO-S	CONNECTOR,MALE PIPE TO ORFS
83072	10671-12-12	HOSE END,FEMALE SWIVEL,JIC	96358	12 TX-S	SLEEVE,FLARE TUBE
83073	13771-8-8	HOSE END,45° FEMALE SWIVEL,JIC	96359	12 BTX-S	NUT,FLARE TUBE
83074	13771-12-12	HOSE END,45° FEMALE SWIVEL,JIC	96397	8 F5OX-S	CONNECTOR,STRAIGHT THREAD TO FLARE TUBE
83075	13971-8-8	HOSE END,90° FEMALE SWIVEL,JIC	96398	12-8 F5OX-S	CONNECTOR,STRAIGHT THREAD TO FLARE TUBE
83076	13971-12-12	HOSE END,90° FEMALE SWIVEL,JIC	96402	10343-6-6	HOSE END,MALE,JIC
83077	14171-8-8	HOSE END,90° FEMALE SWIVEL,JIC	96407	30382-6-6B	HOSE END,MALE,JIC
83078	14171-12-12	HOSE END,90° FEMALE SWIVEL,JIC			
83080	13943-16-16	HOSE END,90° FEMALE SWIVEL,JIC			
83103	10671-16-12	HOSE END,FEMALE SWIVEL,JIC			
83104	10671-10-12	HOSE END,FEMALE SWIVEL,JIC			
83112	1JC71-8-8	HOSE END,FEMALE SWIVEL,SEAL LOK			
83113	1JS71-16-12	HOSE END,FEMALE SWIVEL,SEAL LOK			
83114	1JS71-10-12	HOSE END,FEMALE SWIVEL,SEAL LOK			
83115	1J971-8-8	HOSE END,90° FEMALE SWIVEL,SEAL LOK			
83116	1J171-8-8	HOSE END,90° FEMALE SWIVEL,SEAL LOK			
83117	1J771-8-8	HOSE END,45° FEMALE SWIVEL,SEAL LOK			
83127	1J543-6-8	HOSE END,90° FEMALE SWIVEL,JIC			
83128	1JC43-6-8	HOSE END,FEMALE SWIVEL,SEAL LOK			
87033	12-6 TRLO-S	REDUCER,TUBE END TO SWIVEL,ORFS			
87034	3J782-8-8	HOSE END,45° FEMALE SWIVEL,SEAL LOK			
87172	12 HP5ON-S	PLUG,STRAIGHT THREAD			
87185	8 WNLO-WLNL-S	UNION,BULKHEAD 45°,ORFS			
87246	4 C6X-S	ELBOW,90°,SWIVEL NUT TO FLARE TUBE			
87679	6 LHP-S	FLANGE SEAL FITTING, MALE			
87681	6PLS N0702	BONDED SEAL			
88100	SR88100	ADAPTER,OIL DRAIN,GM 3.0L			
88311	1JS43-20-20	HOSE END,FEMALE SWIVEL,SEAL LOK			
88353	20 V5OLO-S	ELBOW,45°,STRAIGHT THREAD TO ORFS			
88474	10081-20	Crimp Shell, 1.25"			
88475	1988-20-24	HOSE END,90° FLANGE HEAD			
88476	JS88-24-24	HOSE END,FEMALE SWIVEL,SEAL LOK			
88477	1JC88-20-20	HOSE END,FEMALE SWIVEL,SEAL LOK			
88478	811-20	HOSE,11/4 INCH ID			
88936	20-16 F5OLO-S	CONNECTOR,STRAIGHT THREAD TO ORFS			
88937	20-16 FLO-S	CONNECTOR,MALE PIPE TO ORFS			
88938	1JC88-16-16	HOSE END,FEMALE SWIVEL,SEAL LOK			
88939	1J988-16-16	HOSE END,90° FEMALE SWIVEL,ORFS			
88940	811-16	HOSE,1 INCH ID			
88944	1J988-20-20	HOSE END,90° FEMALE SWIVEL,ORFS			
89403	16 VLO-S	ELBOW,45°,MALE PIPE TO ORFS			

California Proposition 65



WARNING

Operating, servicing and maintaining this equipment can expose you to chemicals including engine exhaust, carbon monoxide, phthalates, and lead, which are known to the State of California to cause cancer and birth defects or other reproductive harm. These chemicals can be emitted from or contained in other various parts and systems, fluids and some component wear by-products. To minimize exposure, avoid breathing exhaust, do not idle the engine except as necessary, service your equipment and vehicle in a well-ventilated area and wear gloves or wash your hands frequently when servicing your equipment or vehicle and after operation. For more information go to www.P65Warnings.ca.gov/passenger-vehicle.

Breathing diesel engine exhaust exposes you to chemicals known to the State of California to cause cancer and birth defects or other reproductive harm.

- Always start and operate the engine in a well-ventilated area.
- If in an enclosed area, vent the exhaust to the outside.
- Do not modify or tamper with the exhaust system.
- Do not idle the engine except as necessary.

For more information go to www.P65warnings.ca.gov/diesel.

Distributed By:

to order your parts

PARTS FINDER

**Search Website
by Part Number**



**Search Manual
Library For Parts
Manual & Lookup Part
Numbers – Purchase
or Request Quote**

Search Manuals

Enter your information to help us find the right parts manual for your machine.

* Brand:

* Model:

* Serial:

* Part Number:

SEARCH

**Can't Find Part or
Manual? Request Help
by Manufacturer,
Model & Description**

Parts Order Form

Please fill in the following information to help us find the right part for your machine.

Manufacturer:	<input type="text"/>
Model:	<input type="text"/>
Description:	<input type="text"/>
Part Number:	<input type="text"/>
Quantity:	<input type="text"/>
Notes:	<input type="text"/>

Submit

Discount-Equipment.com is your online resource for quality parts & equipment.

Florida: **561-964-4949** Outside Florida TOLL FREE: **877-690-3101**

Need parts?

Click on this link: <http://www.discount-equipment.com/category/5443-parts/> and choose one of the options to help get the right parts and equipment you are looking for. Please have the machine model and serial number available in order to help us get you the correct parts. If you don't find the part on the website or on one of the online manuals, please fill out the request form and one of our experienced staff members will get back to you with a quote for the right part that your machine needs.

We sell worldwide for the brands: Genie, Terex, JLG, MultiQuip, Mikasa, Essick, Whiteman, Mayco, Toro Stone, Diamond Products, Generac Magnum, Airman, Haulotte, Barreto, Power Blanket, Nifty Lift, Atlas Copco, Chicago Pneumatic, Allmand, Miller Curber, Skyjack, Lull, Skytrak, Tsurumi, Husquvarna Target, Stow, Wacker, Sakai, Mi-T-M, Sullair, Basic, Dynapac, MBW, Weber, Bartell, Bennar Newman, Haulotte, Ditch Runner, Menegotti, Morrison, Contec, Buddy, Crown, Edco, Wyco, Bomag, Laymor, EZ Trench, Bil-Jax, F.S. Curtis, Gehl Pavers, Heli, Honda, ICS/PowerGrit, IHI, Partner, Imer, Clipper, MMD, Koshin, Rice, CH&E, General Equipment, Amida, Coleman, NAC, Gradall, Square Shooter, Kent, Stanley, Tamco, Toku, Hatz, Kohler, Robin, Wisconsin, Northrock, Oztec, Toker TK, Rol-Air, APT, Wylie, Ingersoll Rand / Doosan, Innovatech, Con X, Ammann, Mecalac, Makinex, Smith Surface Prep, Small Line, Wanco, Yanmar