



A TEREX BRAND



# Parts Manual

## Serial Number Range

**S-80X**

from serial number S8008-8000  
to S8016-13257

**S-80**

and from S8016H-13258 to  
S8016H-13999

**S-85**

from serial number S80H-14000  
to S80H-14097

Part No. 111335

Rev E14

November 2018

Go to Discount-Equipment.com to order your parts

# PARTS FINDER

**Search Website  
by Part Number**



**Search Manual  
Library For Parts  
Manual & Lookup Part  
Numbers – Purchase  
or Request Quote**

**Search Manuals**

Enter your information to help us find the right parts manual for your machine.

\* Brand:

\* Model:

\* Serial:

\* Part Number:

SEARCH

**Can't Find Part or  
Manual? Request Help  
by Manufacturer,  
Model & Description**

**Parts Order Form**

Please fill in the following information to help us find the right part for your machine.

Manufacturer:	<input type="text"/>
Model:	<input type="text"/>
Description:	<input type="text"/>
Part Number:	<input type="text"/>
Quantity:	<input type="text"/>
Notes:	<input type="text"/>

Submit

Discount-Equipment.com is your online resource for quality parts & equipment.

Florida: **561-964-4949** Outside Florida TOLL FREE: **877-690-3101**

**Need parts?**

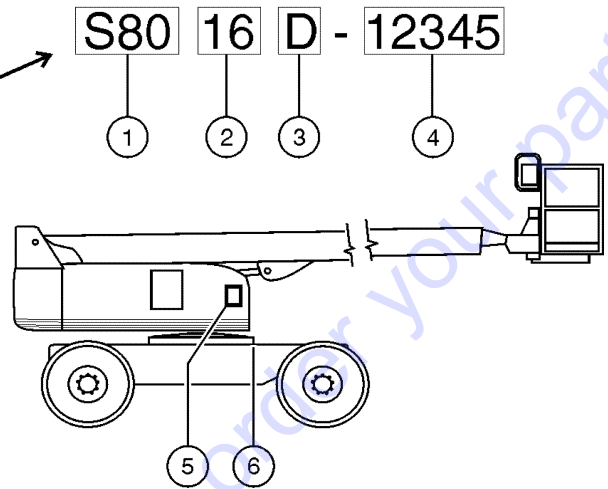
Click on this link: <http://www.discount-equipment.com/category/5443-parts/> and choose one of the options to help get the right parts and equipment you are looking for. Please have the machine model and serial number available in order to help us get you the correct parts. If you don't find the part on the website or on one of the online manuals, please fill out the request form and one of our experienced staff members will get back to you with a quote for the right part that your machine needs.

We sell worldwide for the brands: Genie, Terex, JLG, MultiQuip, Mikasa, Essick, Whiteman, Mayco, Toro Stone, Diamond Products, Generac Magnum, Airman, Haulotte, Barreto, Power Blanket, Nifty Lift, Atlas Copco, Chicago Pneumatic, Allmand, Miller Curber, Skyjack, Lull, Skytrak, Tsurumi, Husquvarna Target, Stow, Wacker, Sakai, Mi-T-M, Sullair, Basic, Dynapac, MBW, Weber, Bartell, Bennar Newman, Haulotte, Ditch Runner, Menegotti, Morrison, Contec, Buddy, Crown, Edco, Wyco, Bomag, Laymor, EZ Trench, Bil-Jax, F.S. Curtis, Gehl Pavers, Heli, Honda, ICS/PowerGrit, IHI, Partner, Imer, Clipper, MMD, Koshin, Rice, CH&E, General Equipment, Amida, Coleman, NAC, Gradall, Square Shooter, Kent, Stanley, Tamco, Toku, Hatz, Kohler, Robin, Wisconsin, Northrock, Oztec, Toker TK, Rol-Air, APT, Wylie, Ingersoll Rand / Doosan, Innovatech, Con X, Ammann, Mecalac, Makinex, Smith Surface Prep, Small Line, Wanco, Yanmar

To August 31, 2016

**Genie**  
A TEREX BRAND

Model:  
**Serial number:** S8016D-12345  
**Manufacture date:** 1/2/16      **Model year:** 2016  
**Electrical schematic number:**  
**Machine unladen weight:**  
**Rated work load (including occupants):**  
**Maximum number of platform occupants:**  
**Maximum allowable side force:**  
**Maximum allowable inclination of the chassis:**



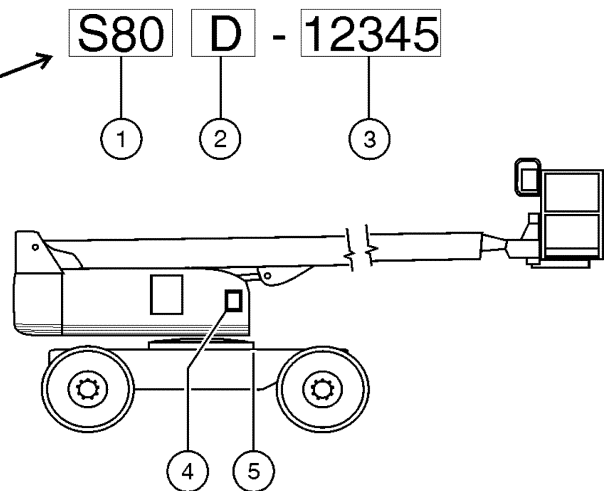
- 1 Model
- 2 Model year
- 3 Facility code

- 4 Sequence number
- 5 Serial label (located under cover)
- 6 Serial number (stamped on chassis)

From September 1, 2016

**Genie**  
A TEREX BRAND

Model:  
**Serial number:** S80D-12345  
**Year of manufacture:** 2016  
**Electrical schematic number:**  
**Machine unladen weight:**  
**Rated work load (including occupants):**  
**Maximum number of platform occupants:**  
**Maximum allowable side force:**  
**Maximum allowable inclination of the chassis:**



- 1 Model
- 2 Facility code
- 3 Sequence number

- 4 Serial label (located under cover)
- 5 Serial number (stamped on chassis)

## Table of Contents

This manual is updated frequently. For the most up-to-date parts information, visit [www.discount-equipment.com](http://www.discount-equipment.com)

How to Read Your Serial Number.....	3
Parts Stocking List.....	9

**Electronic Version**

Click on any page number to view the figure.

**001 Parts Stocking List**

001.1 Parts Stocking List.....	12
--------------------------------	----

**100 Decals**

101.1 Decals with Words, S-80X and S-80 (to SN 8499)....	14
102.1 Decals with Words, S-85 (to SN 8499).....	18
103.1 Decals with Symbols, S-80X and S-80 (to SN 8499)...	22
104.1 Decals with Symbols, S-85 (to SN 8499).....	24
105.1 Decals with Words, Hydraulic Tank Side (from SN 8500).....	26
106.1 Decals with Words, Engine Side (from SN 8500).....	28
107.1 Decals with Words, Boom (from SN 8500).....	30
108.1 Decals with Words, Platform (from SN 8500).....	32
109.1 Decals with Symbols, Hydraulic Tank Side (from SN 8500).....	34
110.1 Decals with Symbols, Engine Side (from SN 8500)....	36
111.1 Decals with Symbols, Booms (from SN 8500).....	38
112.1 Decals with Symbols, Platform (from SN 8500).....	40

**200 Drive Chassis Components**

201.1 Steer End (to SN 8973).....	42
201.2 Steer End (from SN 8974).....	46
202.1 Axle Installation (to SN 8973).....	50
202.2 Axle Installation (from SN 8974).....	52
203.1 Oscillation Control Valve.....	54
204.1 Hub Assembly - 2 WD Spindler.....	56
205.1 Drive Hub Assembly with Brake - Type 1.....	58
206.1 Drive Hub Assembly with Brake - Type 2.....	60

**300 Turntable Components**

301.1 Hydraulic and Fuel Tanks - Diesel Models.....	62
---	----

302.1 Hydraulic and Fuel Tanks - Gasoline/LPG Models.....	66
303.1 Ground Controls - View 1.....	70
303.2 Ground Controls - View 2.....	72
304.1 Ground Control - Deutz TD2.9L4.....	74
304.2 Ground Control - Perkins 404F-22T (to SN 13749)....	78
304.3 Ground Control - Perkins 404D-22T - View 1 (from SN 13750).....	82
304.4 Ground Control - Perkins 404D-22T- View 2 (from SN 13750).....	84
305.1 Turntable Covers.....	86
306.1 Turntable Rotator and Hydraulic Rotary Coupler Install.....	88
307.1 Turntable Components - Relay Panel, Diesel Models (to SN 13749).....	92
307.2 Turntable Components - Relay Panel, Deutz TD 2.9L4 (from SN 11346).....	94
307.3 Turntable Components - Relay Panel, Perkins 404F-22T (from SN 11649 to SN 13749).....	96
307.4 Turntable Components - Relay Panel, Perkins 404D-22T (from SN SN 13750).....	98
308.1 Turntable Components - Relay Panel, Gasoline/LPG Models.....	100
309.1 Turntable Counterweight, S-80X and S-80.....	102
310.1 S-80X High Capacity.....	104
311.1 Turntable Counterweight, S-85.....	106
312.1 Wire Harness Diagram, S-80X and S-80.....	108
313.1 Wire Harness Diagram, S-85.....	112

**400 Engine Components**

401.1 Perkins 804D-33 Engine - View 1.....	116
402.1 Perkins 804D-33 Engine - View 2.....	118
403.1 Perkins 804D-33 Engine - View 3.....	120
404.1 Perkins 404F-22T Engine - View 1.....	122
405.1 Perkins 404F-22T Engine - View 2.....	126
406.1 Perkins 404F-22T Engine - View 3.....	128
407.1 Perkins 404F-22T Engine - View 4.....	130
408.1 Deutz TD2011L04i Engine - View 1.....	132
409.1 Deutz TD2011L04i Engine - View 2.....	136
410.1 Deutz TD 2.9L4 Engine - View 1.....	138
411.1 Deutz TD 2.9L4 Engine - View 2.....	140
412.1 Deutz TD 2.9L4 Engine - View 3.....	142
413.1 Continental TME-27 Engine - View 1.....	144
414.1 Continental TME-27 Engine - View 2.....	146
415.1 Continental TME-27 Engine - View 3.....	148
416.1 Engine Tray.....	150
417.1 GM 3.0L Engine - View 1.....	152
418.1 GM 3.0L Engine - View 2.....	154
419.1 GM 3.0L Engine - View 3.....	156

420.1 GM 3.0L Engine - View 4.....	158	<b>800 Accessories</b>	
421.1 Perkins 404D-22T Engine - View 1.....	162	801.1 Alarm and Beacon Package, Driving Lights.....	244
422.1 Perkins 404D-22T Engine - View 2.....	164	802.1 Platform Options (to SN 13581).....	246
423.1 Perkins 404D-22T Engine - View 3.....	166	802.2 Platform Options (from SN 13582).....	248
424.1 Perkins 404D-22T Engine - View 4.....	168	803.1 Hostile Environment Package - Ground and Platform Control Box Covers.....	250
<b>500 Boom Components</b>		804.1 Hostile Environment Package - Booms, S-80X and S-80.....	252
501.1 Cable Track Installation.....	170	804.1 Hostile Environment Package - Booms, S-85.....	254
502.1 Extension Boom Tube 1.....	172	805.1 Hostile Environment Package - Turntable.....	256
502.2 Extension Boom Tube 1, S-80X (from SN 8500).....	174	806.1 Hostile Environment Package - Engine Air Cleaners.....	258
503.1 Extension Boom Tube 2.....	176	806.2 Engine Air Cleaners (Perkins 404F-22T and Deutz TD 2.9L4).....	260
504.1 Extension Boom Tube 3.....	178	807.1 Hostile Environment Package - Cylinder Bellows, S-80X and S-80.....	262
505.1 Cable Assembly and Primary Extension Cylinder.....	180	808.1 Hostile Environment Package - Cylinder Bellows, S-85.....	264
506.1 Boom Link Assembly - View 1.....	182	809.1 Panel Cradle Option.....	266
507.1 Boom Link Assembly - View 2.....	184	810.1 Dual Battery Option (to SN 8198).....	268
508.1 Platform Rotator, S-80X and S-80.....	186	811.1 Full Gauge Option - Deutz and Continental.....	270
509.1 Jib Boom and Platform Rotator, S-85.....	188	811.2 Full Gauge Option - Perkins.....	272
510.1 Platform Installation.....	190	812.1 Hydraulic Oil Cooler Option.....	274
<b>600 Platform Components</b>		813.1 Half-Mesh and Pipe Cradle Option (to SN 13581).....	276
601.1 Platform Installation (to SN 13581).....	192	813.2 Half-Mesh and Pipe Cradle Option (from SN 13582).....	278
601.2 Platform Installation (from SN 13582).....	196	814.1 Spare LPG Tank Option.....	280
602.1 Platform Controls, S-80X and S80 (to SN 12263).....	198	815.1 Welder Option, Chassis Components, S-80X and S-80 - View 1.....	282
603.1 Platform Controls, S-85 (to SN 12263).....	200	815.1 Welder Option, Chassis Components, S-85 - View 1.....	284
604.1 Platform Control Box, S-80X and S-80 (to SN 12263).....	202	816.1 Welder Option, Platform Components, S-80X and S-80 - View 2 (to SN 11204).....	286
605.1 Platform Control Box, S-85 (to SN 12263).....	204	816.1 Welder Option, Platform Components, S-85 - View 2 (to SN 11204).....	288
605.2 Platform Control Box, S-80, S-80X and S-85 (from SN 12264).....	206	816.2 Welder Option, Platform Components - View 2 (from SN 11205).....	290
606.1 Joysticks.....	210	817.1 Welder Option, Hoses and Fittings - View 3.....	292
<b>700 Hydraulic Components</b>		818.1 .1 Platform Recirculating Hydraulic Oil Option (from SN 9049).....	294
701.1 Traction Manifold (to SN 8580).....	212	819.1 Belt Generator Option - View 1.....	296
701.2 Traction Manifold (from SN 8581).....	214	819.2 Belt Generator Option (Perkins 404F-22T and Deutz TD 2.9L4) - View 1.....	298
702.1 Two-Speed/Brake Manifold.....	216	820.1 Belt Generator Option - View 2.....	300
703.1 Function Enable Valve and Platform Rotator Manifold.....	218	821.1 Platform Overload - European Models.....	302
704.1 Platform Manifold, S-80X and S-80.....	220	822.1 Air Line and Weld Cables.....	304
705.1 Platform Manifold, S-85.....	222	823.1 Aircraft Protection Package, Standard (from SN 8126 to 11087).....	306
706.1 Function Manifold.....	224	824.1 Aircraft Protection Package, Deluxe (from SN 8126 to 11087).....	308
707.1 Oil Diverter Manifold (welder option).....	226	824.2 Aircraft Protection Package (from SN 11088).....	310
708.1 Pumps.....	228		
709.1 2WD Drive and Steer System.....	230		
710.1 4WD Drive and Steer System.....	232		
711.1 Oscillate System.....	234		
712.1 Turntable Components.....	236		
713.1 Boom, S-80X and S-80.....	240		
714.1 Boom, S-85.....	242		

## Table of Contents (continued)

825.1 Operator Protection Structure.....	312
826.1 Cold Start Package (to SN 10193).....	314
827.1 Cold Start Package (from SN 10194).....	316
828.1 Arctic High Pressure Hose Kit, S-85.....	318
829.1 Arctic High Pressure Hose Kit, S-80X and S-80.....	320
830.1 Fall Arrest Bar.....	322
831.1 Operators Protection Alarm (to January 2017).....	324
831.2 Lift Guard Contact Alarm Option (from January 2017).....	326
832.1 Remote Charging Option.....	328

**Indices**

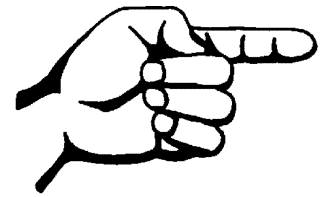
Part Number Index.....	330
Part Description Index.....	340

**Cross References**

Fittings Cross Reference.....	356
-------------------------------	-----

Go to [Discount-Equipment.com](http://Discount-Equipment.com) to order your parts

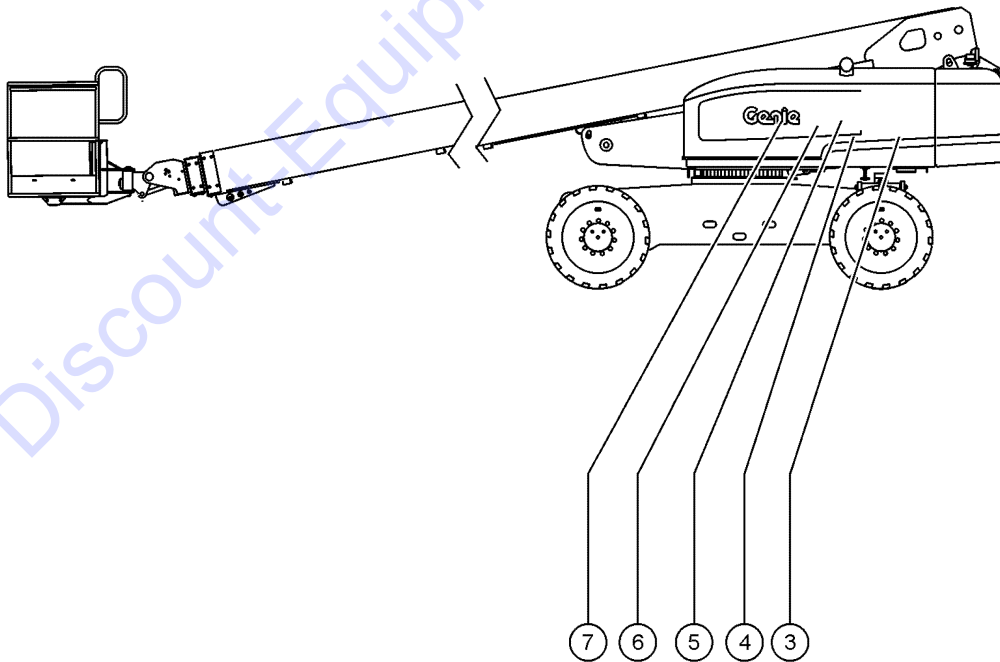
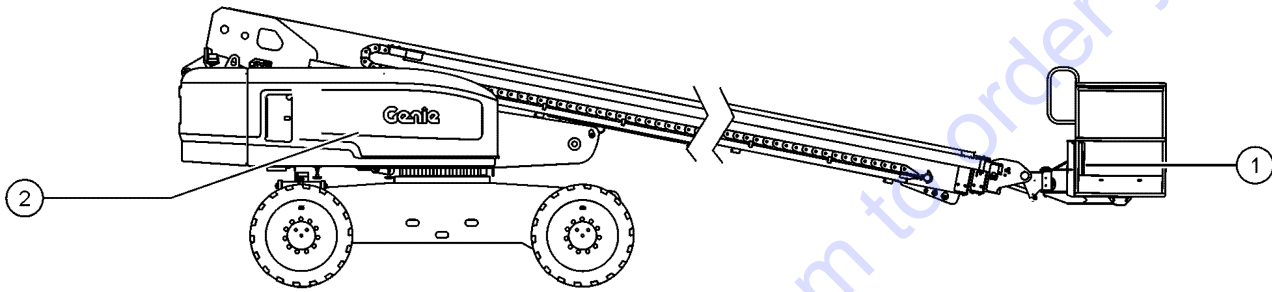
Please refer to section 001 for the Recommended Spare Parts List.



This page intentionally left blank.

Go to Discount-Equipment.com to order your parts

001.1 Parts Stocking List

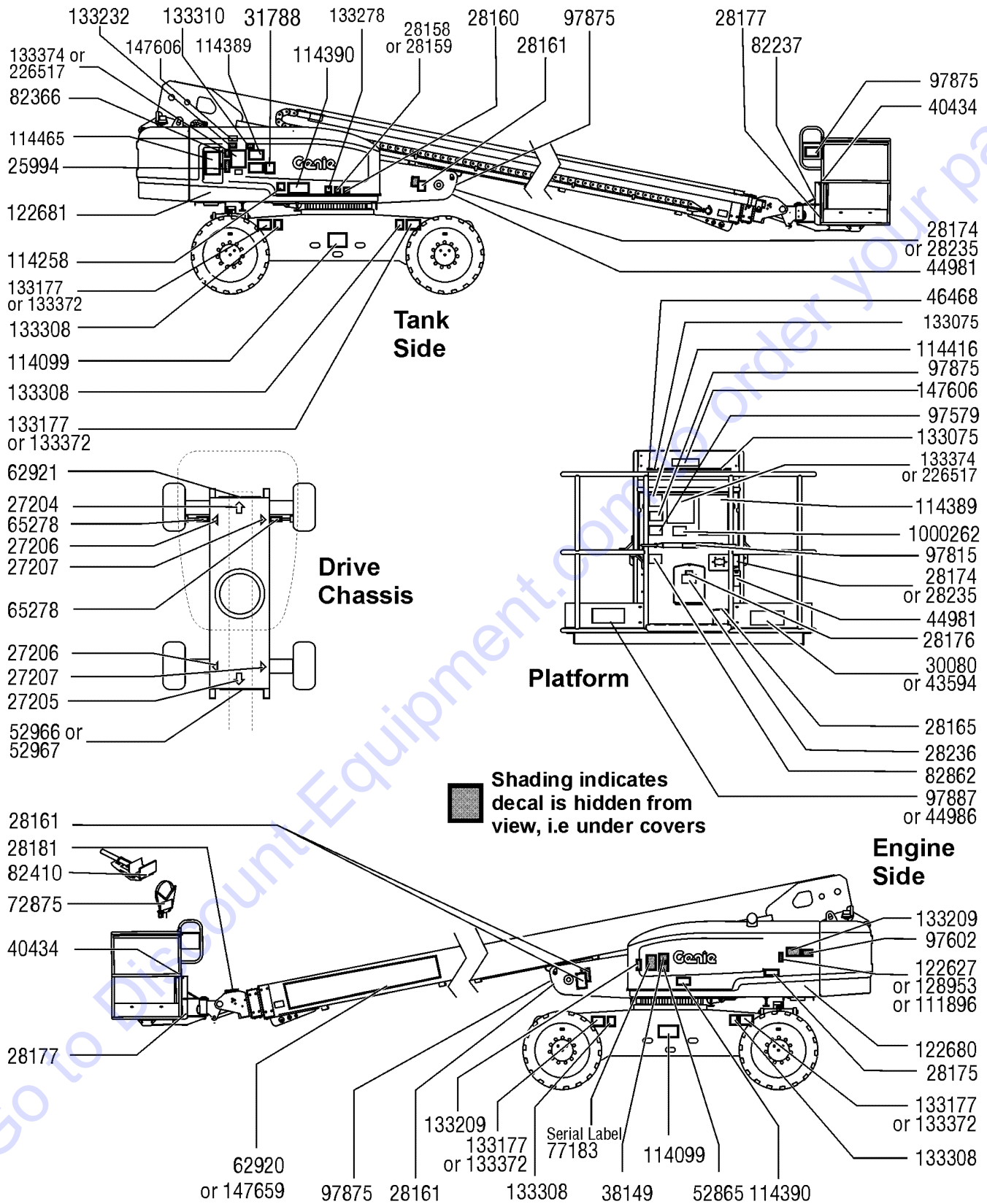




## 001.1 Parts Stocking List

Item	Part No.	Description	Qty.	Item	Part No.	Description	Qty.
A		—INSPECTION SERVICE KITS—		--	1262487GT	BELT,AIR PUMP,PERKINS 404F-22T <i>(refer to 404.1)</i>	
--				--	62420GT	FILTER,AIR*** <i>(refer to 405.1)</i>	
--	1278714GT	KIT,ENGINE SERVICE,250 HOUR,DEUTZ TD2.9,S80/Z80		--	62421GT	FILTER,FUEL,PERKINS <i>(refer to 405.1)</i>	
B		—GENERAL SERVICE PARTS—		--	62433GT	FILTER,ELEMENT,30 MIC,75020 <i>(refer to 404.1)</i>	
--				--	89765GT	BELT, V (PERKINS 404) <i>(refer to 404.1)</i>	
--	1257733GT	PAINT,WET,TRAFFIC BLACK (1 GL)** <i>1-gallon</i>		--	94762GT	OIL FILTER - PERKINS <i>(refer to 404.1)</i>	
--	1258567GT	PAINT, AEROSOL, TRAFFIC BLACK <i>12-ounce spray paint</i>		5		—Deutz TD2011L04i Models—	
--	1268GT	PAINT,AEROSOL,GENIE GRAY*** <i>12-ounce spray paint</i>		--	102589GT	V-BELT, DEUTZ F4L2011 <i>(refer to 409.1)</i>	
--	1283776GT	SEAL MARKER,CROSS CHECK,BLUE,TUBE		--	29560GT	FILTER,FUEL/WTR SEP, DTZ 1008 <i>(refer to 408.1)</i>	
--	1484GT	PAINT,AEROSOL,BRIGHT BLUE*** <i>12-ounce spray paint</i>		--	49924GT	FILTER,OIL,DEUTZ F4L1011F <i>(refer to 408.1)</i>	
--	28750GT	O-RING KIT,FIELD SVC,ALL PROD* <i>O-ring kit, SAE</i>		--	62425GT	FILTER,AIR CLEANER,SUPERBOOM <i>(refer to 408.1)</i>	
--	32150GT	PAINT,WET,GENIE BLUE (1 GL)** <i>1-gallon</i>		6		—Deutz TD 2.9L4 Models—	
--	32151GT	PAINT,WET,GENIE GRAY (1 GL)** <i>1-gallon</i>		--	1262487GT	BELT,AIR PUMP,PERKINS 404F-22T <i>(refer to 412.1)</i>	
--	33994GT	PLUG AND CAP KIT-SERVICE,37 ** <i>Plug and cap kit, SAE</i>		--	1262866GT	FAN BELT, ALTERNATOR <i>(refer to 412.1)</i>	
--	49612GT	O-RING KIT (ORFS FITTINGS) <i>O-ring kit, Parker</i>		--	214228GT	FILTER, DEUTZ 2.9, FUEL <i>(refer to 412.1)</i>	
--	60536GT	FUSE,20 AMP,MAXI <i>(refer to figure 307.1)</i>		--	236260GT	PRE-FILTER,FUEL,DEUTZ TCD3.6 <i>(refer to 411.1)</i>	
--	66399GT	GREASE,DIELECTRIC 4 OZ**		--	49924GT	FILTER,OIL,DEUTZ F4L1011F <i>(refer to 410.1)</i>	
--	93500GT	PARKER DIGITAL PRESSURE GAUGE		--	62425GT	FILTER,AIR CLEANER,SUPERBOOM <i>(refer to 411.1)</i>	
--	94327GT	FUSE,30 AMP <i>(refer to figure 307.1)</i>		7		—Continental TME-27 Models—	
--				--	111634GT	AIR CLEANER,FORD,T3 <i>(refer to 415.1)</i>	
1		—MANUALS—		--	111797GT	FILTER, GAS, SAE J2044 FITTING <i>(refer to 302.1)</i>	
--	27581GT	MANUAL,AEM SAFETY		--	111868GT	VALVE,PVC,TMEW7 <i>(refer to 414.1)</i>	
--	31779GT	MANUAL,RESPON,A92.5 BOOM		--	111890GT	SPARK PLUG, NGK BPR5ES <i>(refer to 413.1)</i>	
2		—HYD FILTERS—		--	111914GT	REGULATOR,FUEL PRESS. TME27 <i>(refer to 413.1)</i>	
--	60857GT	FILTER,ELEMENT,BETA(5)=1000 <i>All Models</i>		--	111917GT	OIL FILTER,TME 2.7L ENGINE <i>(refer to 413.1)</i>	
3		—Perkins 804D-33 Models—		--	111918GT	BELT,FEAD, TME 2.7L ENGINE <i>(refer to 413.1)</i>	
--	101613GT	ELEMENT,OIL FILTER,PERKINS*** <i>(refer to 401.1)</i>					
--	101614GT	ELEMENT,FUEL/WATER SEPARATOR <i>(refer to 402.1)</i>					
--	102534GT	V-BELT, PERKINS 804C-33 <i>(refer to 402.1) (for alternator)</i>					
--	62420GT	FILTER,AIR*** <i>(refer to 402.1)</i>					
4		—Perkins 404F-22T Models—					

101.1 Decals with Words, S-80X and S-80 (to SN 8499)



## 101.1 Decals with Words, S-80X and S-80 (to SN 8499)

Item	Part No.	Description	Qty.	Item	Part No.	Description	Qty.
A	122397GT	DECAL KIT, WORDS, S80/85 from SN 8000 to 8499		32	52865GT	DECAL,ANNUAL INSP***.....	1
B	823297GT	DECAL KIT,S80X PLAT,WORD,ANSI from SN 8500		33	52966GT	DECAL,COSMETIC,4 X 2.....	1
B	823298GT	DECAL KIT,S80X COMP,WORD,ANSI from SN 8500		34	52967GT	DECAL,COSMETIC,4 X 4.....	1
1	25994GT	DECAL,NOTICE,SHUTOFF VALVES.....	1	35	62920GT	DECAL,COSMETIC,GENIE S-80.....	1
2	27204GT	DECAL,ARROW BLUE.....	1	36	62921GT	DECAL,COSMETIC,S80.....	1
3	27205GT	DECAL,ARROW YELLOW LRG 9".....	1	37	65278GT	DECAL,CAUTION,NO STEP.....	2
4	27206GT	DECAL,TRIANGLE,BLUE.....	2	38	72875GT	DECAL,WARNING,PIPE CRADLE,BOOM.....	2
5	27207GT	DECAL,TRIANGLE,YELLOW.....	2	39	77183GT	FILM,POLY,CLEAR,4.5 X 8.75.....	1
6	28161GT	DECAL,WARN,CRUSH HAZARD HAND.....	5	--	77046GT	SERIAL # LABEL,MYLAR 4X8***	
7	28165GT	DECAL,INSTRUCT,FOOTSWITCH OPER.....	1	40	82237GT	DECAL,DANGER,HIGH VOLTAGE.....	3
8	28175GT	DECAL,WARNING-COMPART ACCESS.....	1	41	147606GT	DECAL,INST PLAT CAP S80X.....	2
9	28176GT	DECAL,LABEL,MANUAL NOT HERE.....	1	42	82366GT	DECAL,CHEVRON RANDO HD.....	1
10	28177GT	DECAL,WARN,CRUSH HAZARD PLAT.....	2	43	82410GT	DECAL,WARNING,PANEL CRADLE.....	2
11	28181GT	DECAL,WARN,FALL HAZARD.....	1	44	82862GT	DECAL,FIRE EXTINGUISHER.....	1
12	28236GT	DECAL,WARN,IMPROPER OPERATION.....	1	45	97579GT	DECAL,DANGER,TIP-OVER,WELDER**.	1
13	31788GT	DECAL,DANGER,BATTERY SAFETY***.....	1	46	97602GT	DECAL,EXPLOSION HAZARD.....	1
14	40434GT	DECAL,LANYARD ANCHORAGE POINT.....	8	47	97875GT	DECAL,WARN.WELD LINE INST.WORD.....	2
15	97815GT	DECAL,LABEL,LOWER MIDRAIL.....	1	48	97887GT	DECAL,INSTR,MAX SIDE FRC,ANSI.....	1
16	114099GT	DECAL,LABEL,TRANSPORT DIAGRAM.....	2	49	111896GT	DECAL,ENG.SPECS,CONTINENTAL.....	1
17	114258GT	DECAL,DANGER,NO SMOKING.....	1	50	122627GT	DECAL,T3 ENGINE SPEC.PERKINS.....	1
18	114389GT	DECAL,DANGER,GENERAL SAFETY.....	2	51	122680GT	DECAL RT GRAY STRIP(TANK SIDE)....	1
19	114390GT	DECAL,DANGER,ELECT HAZARD***.....	2	52	122681GT	DECAL, GRAY STRIP, LH, S80/85.....	1
20	114416GT	DECAL,DANGER,TIPOVER,TILT.....	1	53	128953GT	DECAL,ENGINE SPEC,DEUTZ,TD2011.....	1
21	114465GT	DECAL GROUND CONTROL BOX.....	1	54	133075GT	DECAL,PLATFORM CONTROL PANEL.....	1
22	37052GT	DECAL,NOTICE,MAX LOAD 500 LBS....	1	--	133307GT	DECAL,PROTECTOR,CLEAR Part of the hostile protection option	
23	28158GT	DECAL,LABEL,UNLEADED GAS ONLY.....	1	56	133177GT	DECAL,DANGER/LABEL,TIRE SPECS.....	4
24	28159GT	DECAL,DIESEL.....	1	57	133232GT	DECAL,LABEL,AUX BATTERY.....	1
25	28160GT	DECAL,LABEL,LIQUID PROPANE.....	1	58	133372GT	DECAL,DANGER/LABEL,TIRE SPECHF.....	4
26	28174GT	DECAL, POWER TO PLATFORM 230V**.....	2	59	133278GT	DECAL,LOW/ULTRA LOW SULFR FUEL.....	1
27	28235GT	DECAL,POWER TO PLATFORM 115V...2				(USA only)	
28	38149GT	DECAL,LABEL,PATENTS.....	1	60	147659GT	DECAL,COSM GENIE S80X	
29	43594GT	DECAL,NOTICE,MAX LOAD 750 LBS....	1	61	133308GT	DECAL,LABEL,WHEEL LOAD S80.....	4
30	44981GT	DECAL,LABEL, AIR LINE 110 PSI.....	2	62	133310GT	DECAL,LABEL,ENG STRT& CONTROLS.....	1
31	44986GT	DECAL,INSTR,SIDE FRC/WIND,AUS.....	1	63	133374GT	DECAL,INST,OPER INST.S80.....	2
				64	133209GT	DECAL, RELAY BLOCK, S80/85.....	1
				65	1000262GT	DECAL,DANGER,TIP OVER,PLAT.....	1
				66	226517GT	DECAL,INST,OPER INST,S80,AUS (Australia only)	

101.1 Decals with Words, S-80X and S-80 (to SN 8499)  
 (continued)

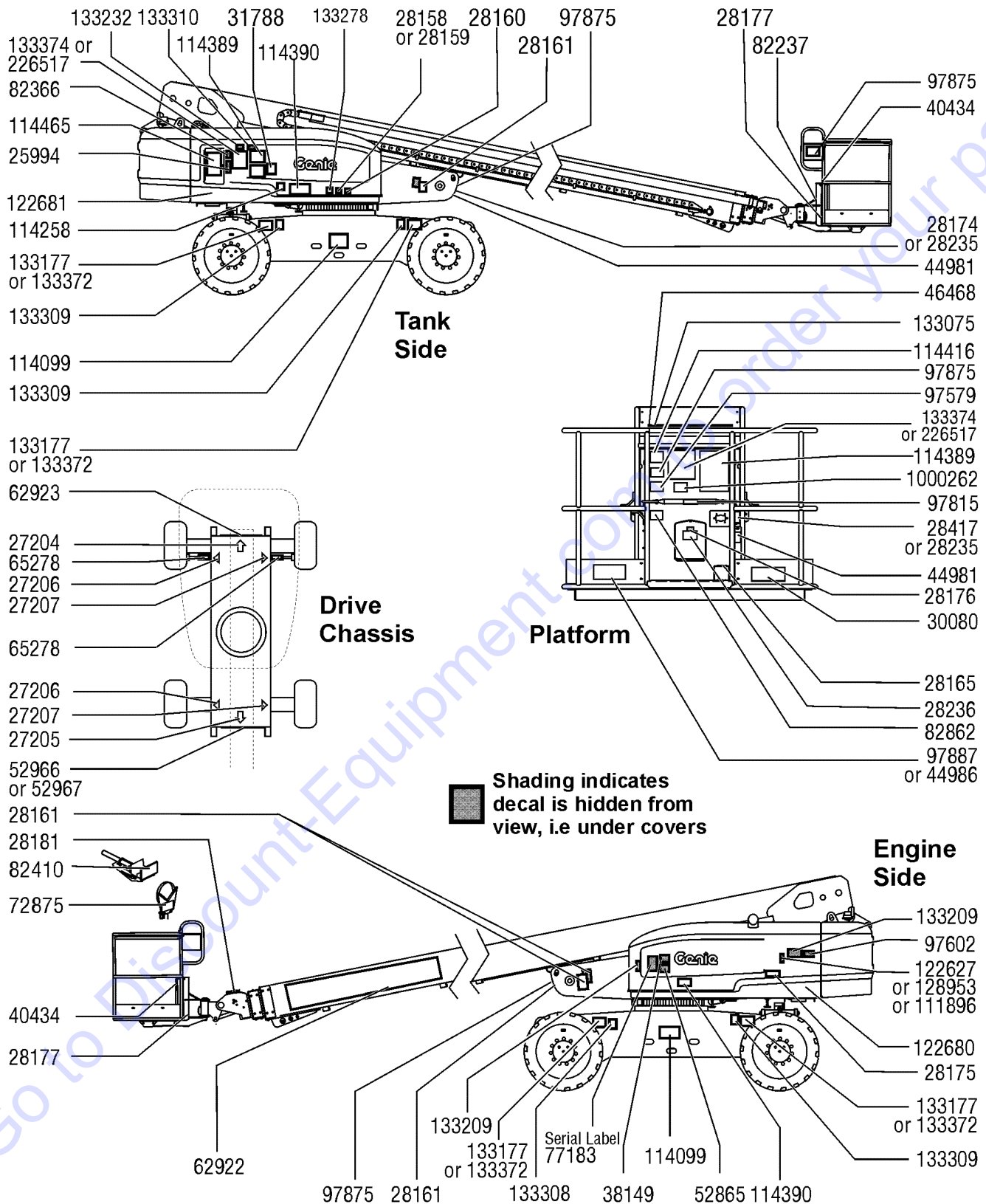
Item	Part No.	Description	Qty.
67	46468GT	DECAL,FUNCTION OVERRIDE.....1 <i>Part of airline protection package; from SN 8126</i>	

Go to Discount-Equipment.com to order your parts

***This Page Intentionally Left Blank***

Go to [Discount-Equipment.com](http://Discount-Equipment.com) to order your parts

102.1 Decals with Words, S-85 (to SN 8499)



## 102.1 Decals with Words, S-85 (to SN 8499)

Item	Part No.	Description	Qty.	Item	Part No.	Description	Qty.
--	122397GT	DECAL KIT, WORDS, S80/85 <i>from SN 8000 to 8499</i>		28	62922GT	DECAL,COSMETIC,GENIE S-85.....	1
--	823299GT	DECAL KIT,S85 PLAT,WORD,ANSI <i>from SN 8500</i>		29	62923GT	DECAL,COSMETIC,S85.....	1
--	823300GT	DECAL KIT,S85 COMP,WORD,ANSI <i>from SN 8500</i>		30	65278GT	DECAL,CAUTION,NO STEP.....	2
--	823301GT	DECAL KIT,S85 PLAT,WORD,AUS <i>from SN 8500</i>		31	72875GT	DECAL,WARNING,PIPE CRADLE,BOOM.....	2
--	823302GT	DECAL KIT,S85 COMP,WORD,AUS <i>from SN 8500</i>		32	77046GT	SERIAL # LABEL,MYLAR 4X8***.....	1
1	25994GT	DECAL,NOTICE,SHUTOFF VALVES.....	1	--	77183GT	FILM,POLY,CLEAR,4.5 X 8.75	
2	27204GT	DECAL,ARROW BLUE.....	1	33	82237GT	DECAL,DANGER,HIGH VOLTAGE.....	3
3	27205GT	DECAL,ARROW YELLOW LRG 9".....	1	34	133308GT	DECAL,LABEL,WHEEL LOAD S80.....	1
4	27206GT	DECAL,TRIANGLE,BLUE.....	2	35	82366GT	DECAL,CHEVRON RANDO HD.....	1
5	27207GT	DECAL,TRIANGLE,YELLOW.....	2	36	82410GT	DECAL,WARNING,PANEL CRADLE.....	2
6	28158GT	DECAL,LABEL,UNLEADED GAS ONLY.....	1	37	82862GT	DECAL,FIRE EXTINGUISHER.....	1
7	28159GT	DECAL,DIESEL.....	1	38	97579GT	DECAL,DANGER,TIP-OVER,WELDER**.	1
8	28160GT	DECAL,LABEL,LIQUID PROPANE.....	1	39	97602GT	DECAL,EXPLOSION HAZARD.....	1
9	28161GT	DECAL,WARN,CRUSH HAZARD HAND.....	5	40	97815GT	DECAL,LABEL,LOWER MIDRAIL.....	1
10	28165GT	DECAL,INSTRUCT,FOOTSWITCH OPER.....	1	41	97875GT	DECAL,WARN.WELD LINE INST.WORD.....	2
11	28174GT	DECAL, POWER TO PLATFORM 230V**.....	2	42	97887GT	DECAL,INSTR,MAX SIDE FRC,ANSI.....	1
12	28175GT	DECAL,WARNING-COMPART ACCESS.....	1	43	111896GT	DECAL,ENG.SPECS,CONTINENTAL.....	1
13	28176GT	DECAL,LABEL,MANUAL NOT HERE.....	1	44	114099GT	DECAL,LABEL,TRANSPORT DIAGRAM.....	2
14	28177GT	DECAL,WARN,CRUSH HAZARD PLAT.....	2	45	114258GT	DECAL,DANGER,NO SMOKING.....	1
15	28181GT	DECAL,WARN,FALL HAZARD.....	1	46	114389GT	DECAL,DANGER,GENERAL SAFETY.....	2
16	28235GT	DECAL,POWER TO PLATFORM 115V.....	2	47	114390GT	DECAL,DANGER,ELECT HAZARD***.....	2
17	28236GT	DECAL,WARN,IMPROPER OPERATION.....	1	48	114416GT	DECAL,DANGER,TIPOVER,TILT.....	1
18	30080GT	DECAL,NOTICE,MAX LOAD 500 LBS.....	1	49	114465GT	DECAL GROUND CONTROL BOX.....	1
19	31788GT	DECAL,DANGER,BATTERY SAFETY***.....	1	50	122627GT	DECAL,T3 ENGINE SPEC.PERKINS.....	1
20	38149GT	DECAL,LABEL,PATENTS.....	1	51	122680GT	DECAL RT GRAY STRIP(TANK SIDE).....	1
21	40434GT	DECAL,LANYARD ANCHORAGE POINT.....	8	52	122681GT	DECAL, GRAY STRIP, LH, S80/85.....	1
22	44981GT	DECAL,LABEL, AIR LINE 110 PSI.....	2	53	128953GT	DECAL,ENGINE SPEC,DEUTZ,TD2011.....	1
23	44986GT	DECAL,INSTR,SIDE FRC/WIND,AUS.....	1	54	133075GT	DECAL,PLATFORM CONTROL PANEL.....	1
24	46468GT	DECAL,FUNCTION OVERRIDE..... <i>Part of airline protection package; from SN 8126</i>	1	55	28417GT	BRACE PLATE <i>Part of the hostile protection option</i>	
25	52865GT	DECAL,ANNUAL INSP***.....	1	56	133177GT	DECAL,DANGER/LABEL,TIRE SPECS.....	4
26	52966GT	DECAL,COSMETIC,4 X 2.....	1	57	133209GT	DECAL, RELAY BLOCK, S80/85.....	1
27	52967GT	DECAL,COSMETIC,4 X 4.....	1	58	133232GT	DECAL,LABEL,AUX BATTERY.....	1
				59	133278GT	DECAL,LOW/ULTRA LOW SULFR FUEL..... <i>(USA only)</i>	1
				60	133309GT	DECAL,LABEL,WHEEL LOAD S85.....	4
				61	133310GT	DECAL,LABEL,ENG STRT& CONTROLS.....	1
				62	133372GT	DECAL,DANGER/LABEL,TIRE SPECHF.....	4

102.1 Decals with Words, S-85 (to SN 8499)  
(continued)

Item	Part No.	Description	Qty.
63	133374GT	DECAL,INST,OPER INST.S80.....	2
64	226517GT	DECAL,INST,OPER INST,S80,AUS (Australia only)	
65	1000262GT	DECAL,DANGER,TIP OVER,PLAT.....	1

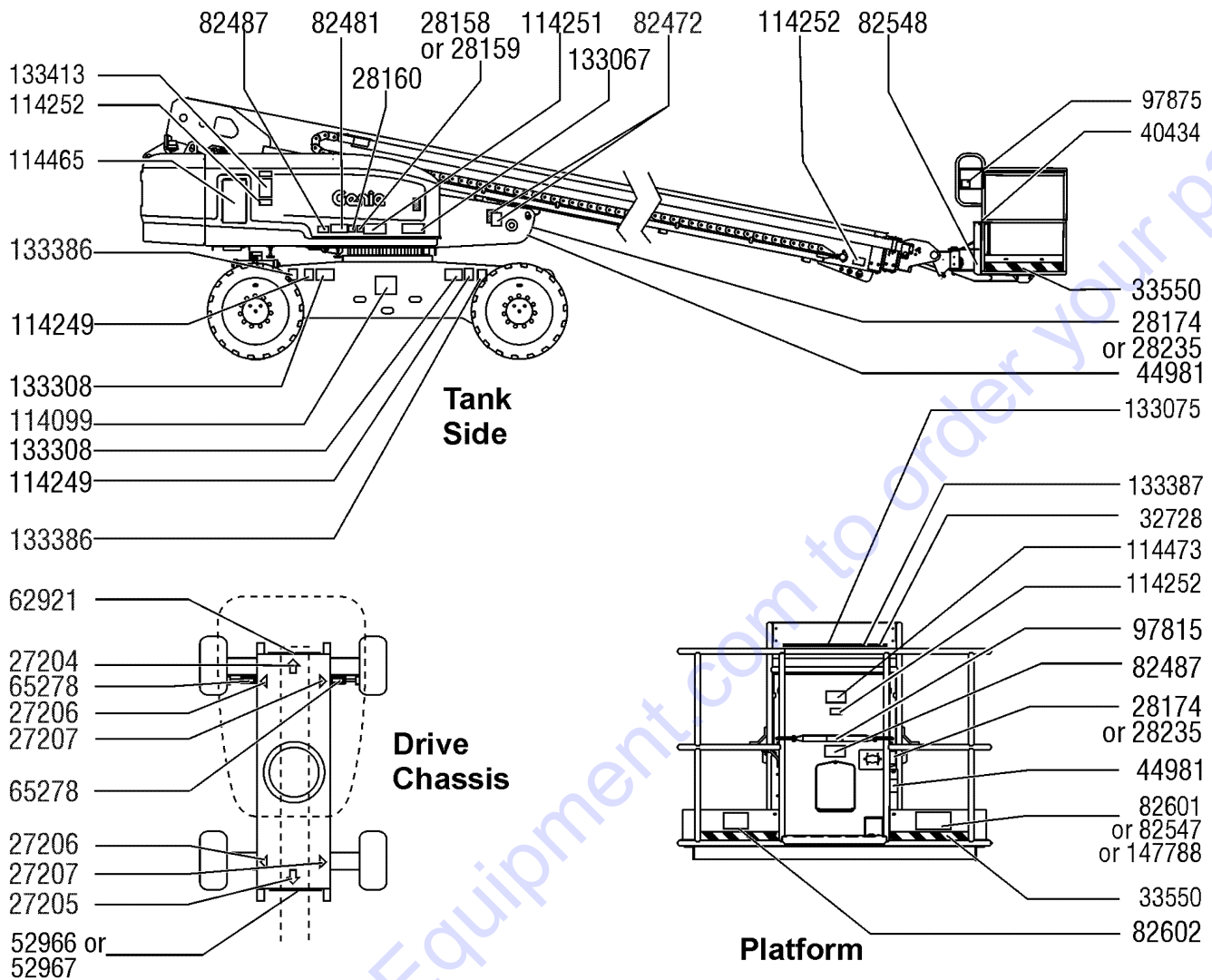
Go to Discount-Equipment.com to order your parts



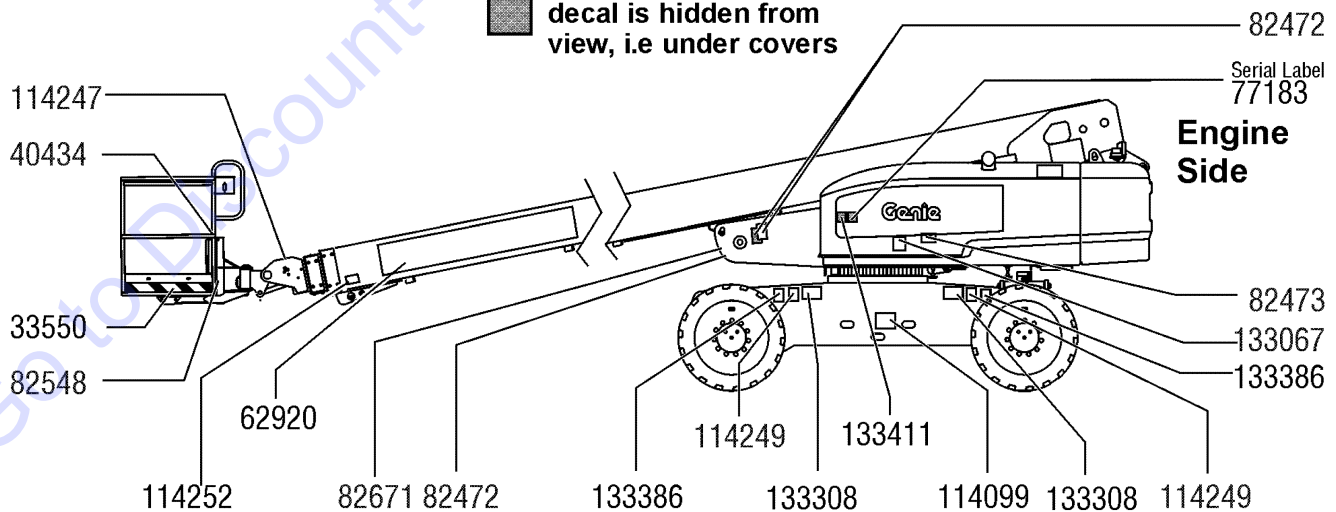
***This Page Intentionally Left Blank***

Go to [Discount-Equipment.com](http://Discount-Equipment.com) to order your parts

103.1 Decals with Symbols, S-80X and S-80 (to SN 8499)



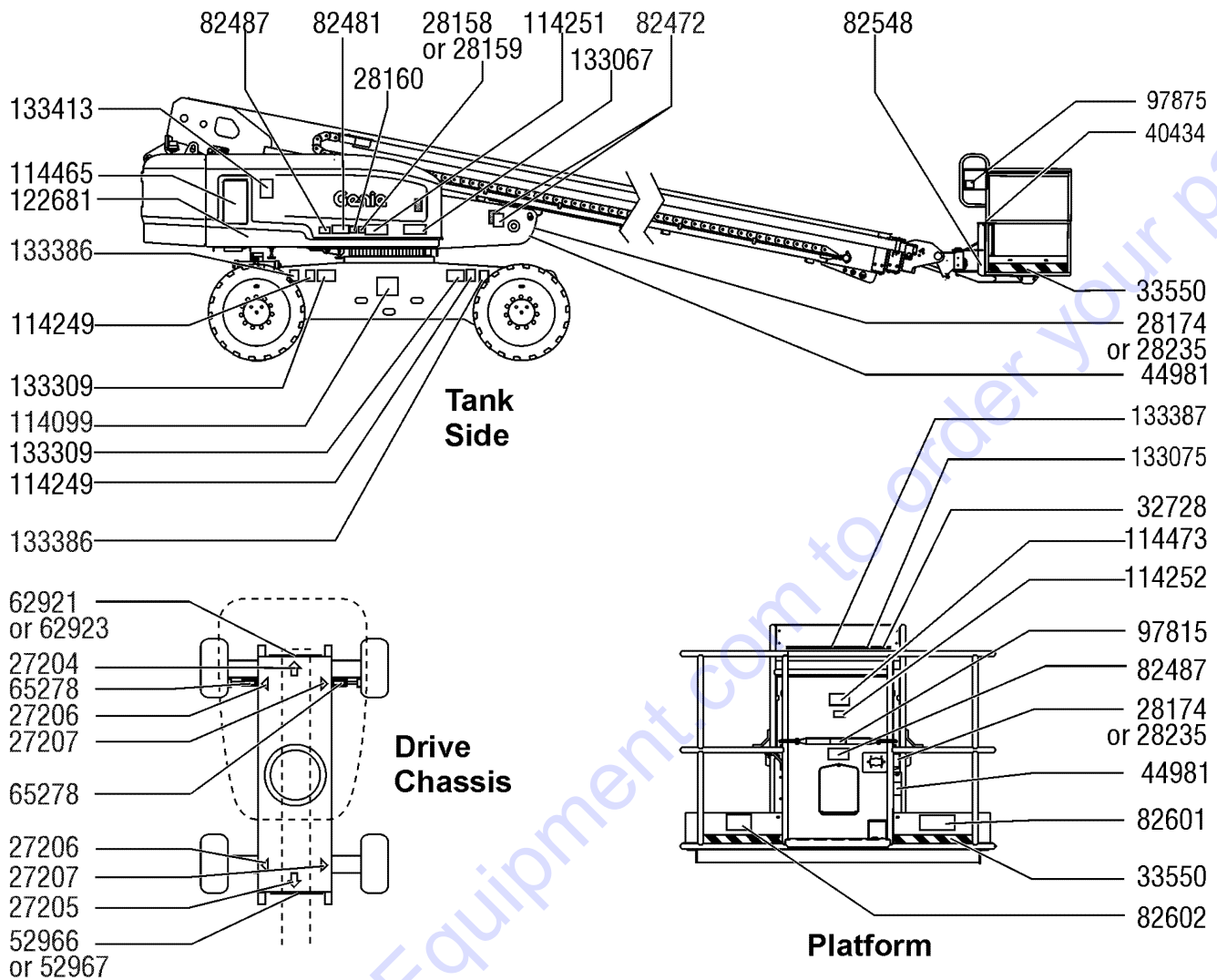
■ Shading indicates decal is hidden from view, i.e. under covers



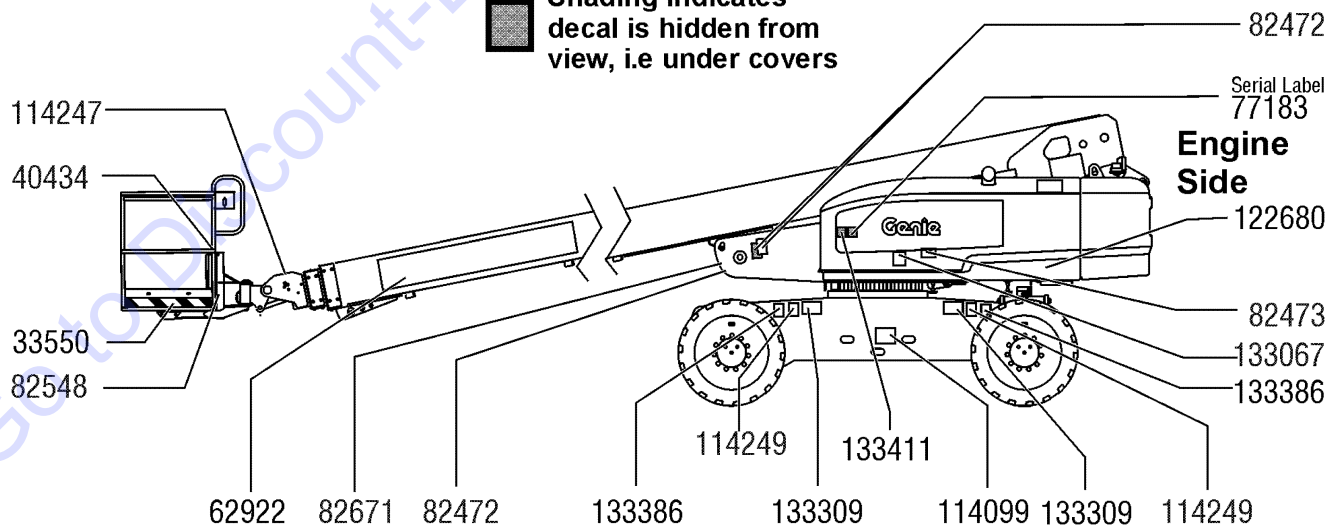
## 103.1 Decals with Symbols, S-80X and S-80 (to SN 8499)

Item	Part No.	Description	Qty.	Item	Part No.	Description	Qty.
--	122398GT	DECAL KIT, SYMBOL, S80/85		35	114465GT	DECAL GROUND CONTROL BOX.....	1
1	27204GT	DECAL,ARROW BLUE.....	1	36	114473GT	DECAL,DANGER,TIPOVER,TILT,SYM....	1
2	27205GT	DECAL,ARROW YELLOW LRG 9".....	1	37	133067GT	DECAL,DANGER,ELEC.HAZ.STAY CLR.....	2
3	27206GT	DECAL,TRIANGLE,BLUE.....	2	38	133075GT	DECAL,PLATFORM CONTROL PANEL.....	1
4	27207GT	DECAL,TRIANGLE,YELLOW.....	2	--	133307GT	DECAL,PROTECTOR,CLEAR <i>Part of the hostile protection option</i>	
5	28158GT	DECAL,LABEL,UNLEADED GAS ONLY.....	1	39	133411GT	DECAL,LABEL,106 DB***.....	1
6	28159GT	DECAL,DIESEL.....	1	40	133308GT	DECAL,LABEL,WHEEL LOAD S80.....	4
7	28160GT	DECAL,LABEL,LIQUID PROPANE.....	1	41	133386GT	LABEL,TIRE PRESSURE,HF.....	4
8	28174GT	DECAL, POWER TO PLATFORM 230V**.....	2	42	133387GT	DECAL,DRIVE ENABLE PATCH.....	1
9	28235GT	DECAL,POWER TO PLATFORM 115V...2		43	133413GT	DECAL,EMERGENCY LOWERING.....	1
10	32728GT	DECAL,OPTION GENERATOR***.....	1	44	147788GT	DECAL,INST PLAT CAPACITY,SYM.....	1
11	33550GT	TAPE,WARNING,BLK/YEL, 50'***.....	197-inches	45	97875GT	DECAL,WARN.WELD LINE INST.WORD.....	1
12	40434GT	DECAL,LANYARD ANCHORAGE POINT.....	3				
13	44981GT	DECAL,LABEL, AIR LINE 110 PSI.....	2				
14	52966GT	DECAL,COSMETIC,4 X 2.....	1				
15	52967GT	DECAL,COSMETIC,4 X 4.....	1				
16	62920GT	DECAL,COSMETIC,GENIE S-80.....	1				
17	62921GT	DECAL,COSMETIC,S80.....	2				
18	65278GT	DECAL,CAUTION,NO STEP.....	2				
19	77046GT	SERIAL # LABEL,MYLAR 4X8***.....	1				
--	77183GT	FILM,POLY,CLEAR,4.5 X 8.75					
20	82472GT	DECAL,WARNING,CRUSHING HAZARD.....	5				
21	82473GT	DECAL,SYMBOL-COMP ACCESS.....	1				
22	82481GT	DECAL,SYMBOL-BATTERY SAFETY.....	1				
23	82487GT	DECAL, SYMBOL - READ THE MANUAL.....	4				
24	82547GT	DECAL,DANGER,MAX LOAD 340 KG...1					
25	82548GT	DECAL,WARN,CRUSH HAZARD PLAT.....	2				
26	82601GT	DECAL,LABEL,MAX CAPACITY***.....	1				
27	82602GT	DECAL,DANGER,MAX SIDE FRC,667N.....	1				
28	82671GT	DECAL,LABEL,WELD LINE INST,SYM...2					
29	97815GT	DECAL,LABEL,LOWER MIDRAIL.....	1				
30	114099GT	DECAL,LABEL,TRANSPORT DIAGRAM.....	2				
31	114247GT	DECAL,LABEL,FALL HAZARD***.....	1				
32	114249GT	DECAL,LABEL,TIPOVER,TIRES,SYMB.4					
33	114251GT	DECAL,LABEL,NO SMOKING,SYMB.....	1				
34	114252GT	DECAL,LABEL,TIP OVER LMT SWTCH.....	3				

104.1 Decals with Symbols, S-85 (to SN 8499)



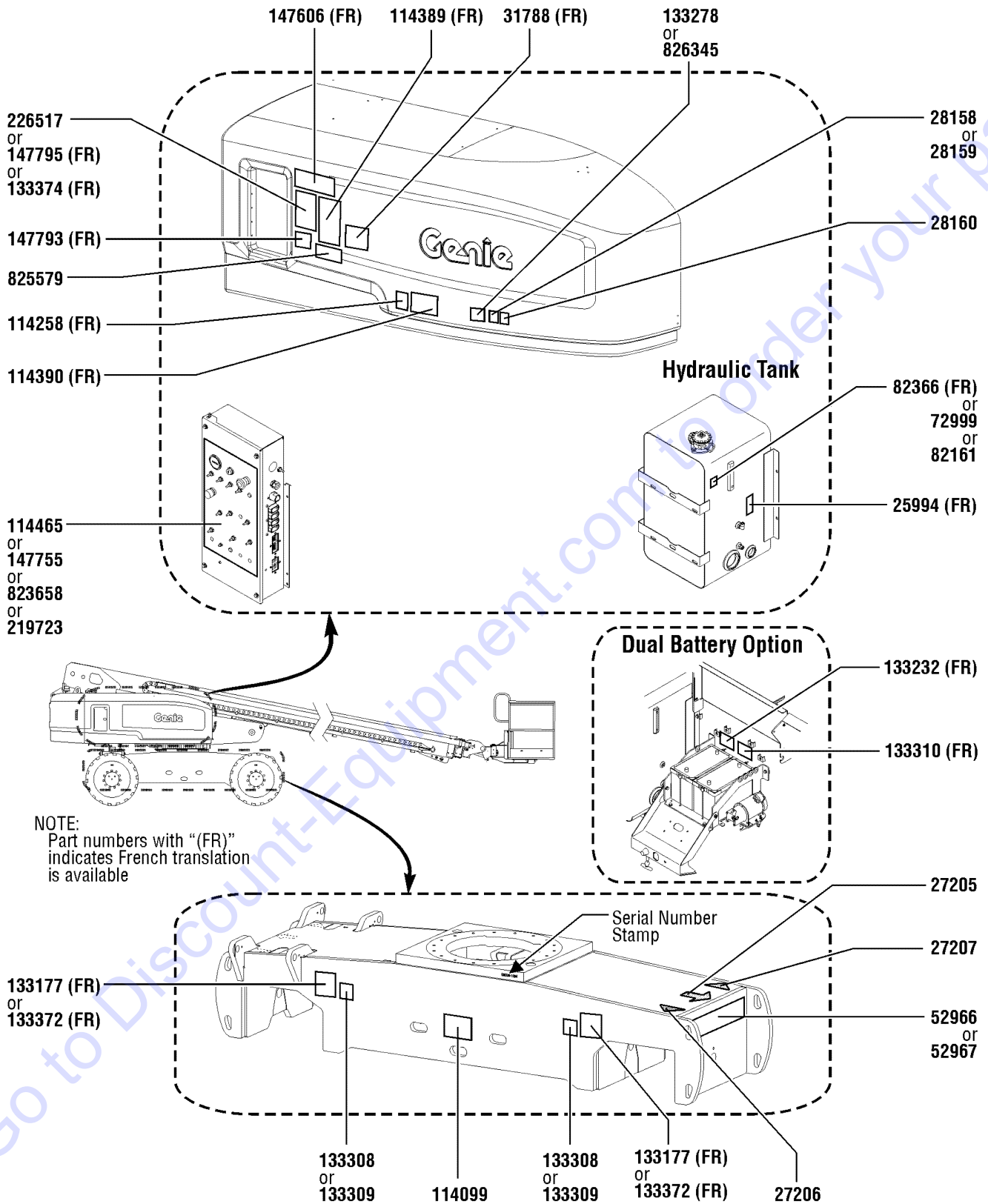
■ Shading indicates decal is hidden from view, i.e. under covers



## 104.1 Decals with Symbols, S-85 (to SN 8499)

Item	Part No.	Description	Qty.	Item	Part No.	Description	Qty.
--	122398GT	DECAL KIT, SYMBOL, S80/85		35	114252GT	DECAL,LABEL,TIP OVER LMT SWTCH.....	1
1	27204GT	DECAL,ARROW BLUE.....	1	36	114465GT	DECAL GROUND CONTROL BOX.....	1
2	27205GT	DECAL,ARROW YELLOW LRG 9".....	1	37	114473GT	DECAL,DANGER,TIPOVER,TILT,SYM....	1
3	27206GT	DECAL,TRIANGLE,BLUE.....	2	38	122680GT	DECAL RT GRAY STRIP(TANK SIDE)....	1
4	27207GT	DECAL,TRIANGLE,YELLOW.....	2	39	122681GT	DECAL, GRAY STRIP, LH, S80/85.....	1
5	28158GT	DECAL,LABEL,UNLEADED GAS ONLY.....	1	40	133067GT	DECAL,DANGER,ELEC.HAZ.STAY CLR.....	2
6	28159GT	DECAL,DIESEL.....	1	41	133075GT	DECAL,PLATFORM CONTROL PANEL.....	1
7	28160GT	DECAL,LABEL,LIQUID PROPANE.....	1	--	133307GT	DECAL,PROTECTOR,CLEAR <i>Part of the hostile protection option</i>	
8	28174GT	DECAL, POWER TO PLATFORM 230V**.....	2	42	133309GT	DECAL,LABEL,WHEEL LOAD S85.....	4
9	28235GT	DECAL,POWER TO PLATFORM 115V...2		43	133386GT	LABEL,TIRE PRESSURE,HF.....	4
10	32728GT	DECAL,OPTION GENERATOR***.....	1	44	133387GT	DECAL,DRIVE ENABLE PATCH.....	1
11	33550GT	TAPE,WARNING,BLK/YEL, 50'***.....	197-inches	45	133413GT	DECAL,EMERGENCY LOWERING.....	1
12	40434GT	DECAL,LANYARD ANCHORAGE POINT.....	3	46	133411GT	DECAL,LABEL,106 DB***.....	1
13	44981GT	DECAL,LABEL, AIR LINE 110 PSI.....	2				
14	52966GT	DECAL,COSMETIC,4 X 2.....	1				
15	52967GT	DECAL,COSMETIC,4 X 4.....	1				
16	62921GT	DECAL,COSMETIC,S80.....	1				
17	62922GT	DECAL,COSMETIC,GENIE S-85.....	1				
18	62923GT	DECAL,COSMETIC,S85.....	2				
19	65278GT	DECAL,CAUTION,NO STEP.....	2				
20	77046GT	SERIAL # LABEL,MYLAR 4X8***.....	1				
--	77183GT	FILM,POLY,CLEAR,4.5 X 8.75					
21	82472GT	DECAL,WARNING,CRUSHING HAZARD.....	5				
22	82473GT	DECAL,SYMBOL-COMP ACCESS.....	1				
23	82481GT	DECAL,SYMBOL-BATTERY SAFETY.....	1				
24	82487GT	DECAL, SYMBOL - READ THE MANUAL.....	4				
25	82548GT	DECAL,WARN,CRUSH HAZARD PLAT.....	2				
26	82601GT	DECAL,LABEL,MAX CAPACITY***.....	1				
27	82602GT	DECAL,DANGER,MAX SIDE FRC,667N.....	1				
28	82671GT	DECAL,LABEL,WELD LINE INST,SYM...2					
29	97815GT	DECAL,LABEL,LOWER MIDRAIL.....	1				
30	97875GT	DECAL,WARN.WELD LINE INST.WORD.....	1				
31	114099GT	DECAL,LABEL,TRANSPORT DIAGRAM.....	2				
32	114247GT	DECAL,LABEL,FALL HAZARD***.....	1				
33	114249GT	DECAL,LABEL,TIPOVER,TIRES,SYMB.4					
34	114251GT	DECAL,LABEL,NO SMOKING,SYMB.....	1				

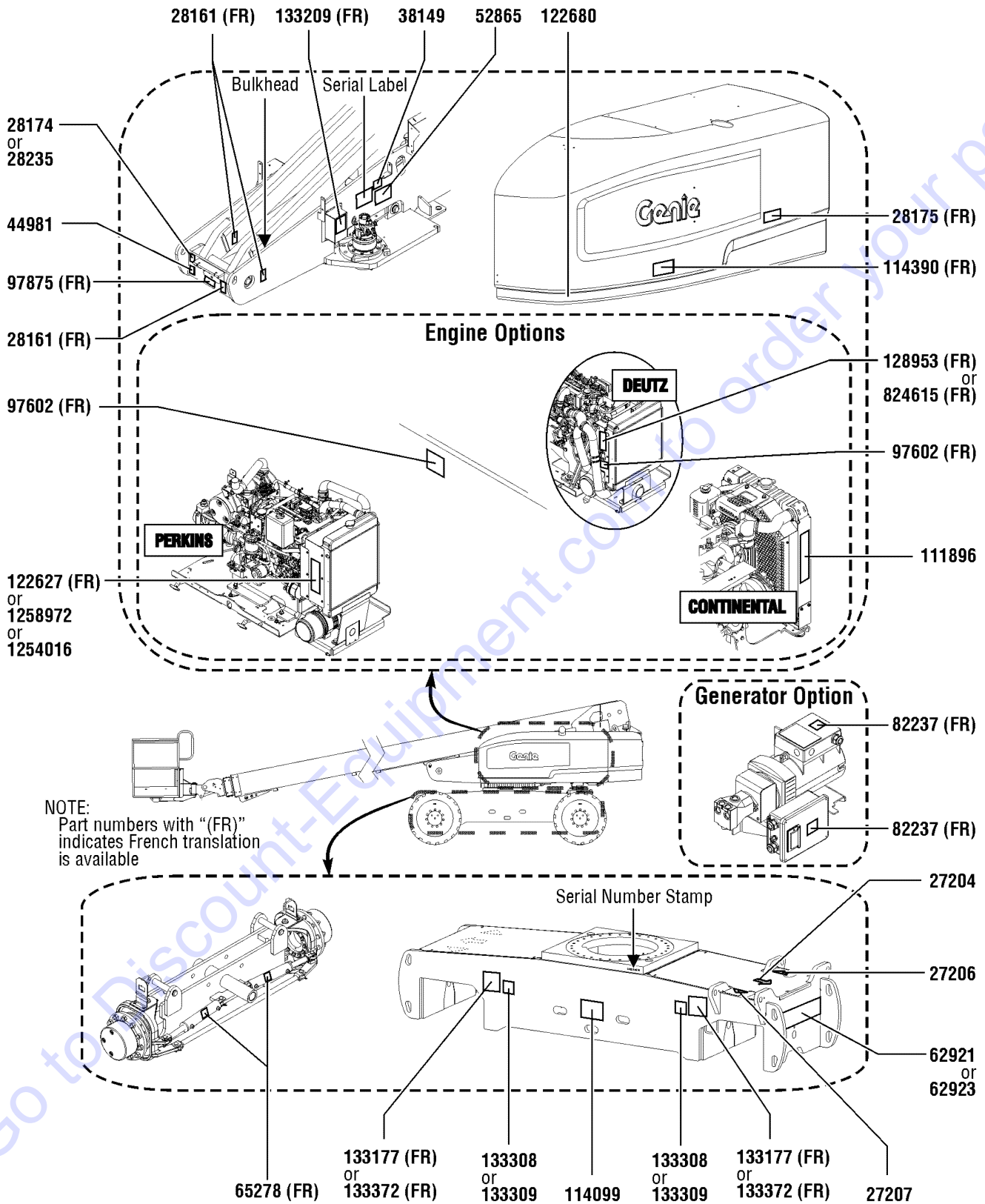
105.1 Decals with Words, Hydraulic Tank Side (from SN 8500)



## 105.1 Decals with Words, Hydraulic Tank Side (from SN 8500)

Item	Part No.	Description	Qty.	Item	Part No.	Description	Qty.
A	823295GT	DECAL KIT,S80 PLAT,WORD,AUS <i>from SN 8500</i>		21	133278GT	DECAL,LOW/ULTRA LOW SULFR FUEL.....1 <i>Perkins 804D-33, Perkins 404D-22T, Deutz TD2011L01i</i>	1
B	823296GT	DECAL KIT,S80 COMP,WORD,AUS <i>from SN 8500</i>		22	133308GT	DECAL,LABEL,WHEEL LOAD S80.....2 <i>(S-80 and S-80X models)</i>	2
C	823297GT	DECAL KIT,S80X PLAT,WORD,ANSI <i>from SN 8500</i>		23	133309GT	DECAL,LABEL,WHEEL LOAD S85.....2 <i>(S-85 models only)</i>	2
D	823298GT	DECAL KIT,S80X COMP,WORD,ANSI <i>from SN 8500</i>		24	133310GT	DECAL,LABEL,ENG STRT& CONTROLS.....1 <i>Option, Dual Battery</i>	1
E	823299GT	DECAL KIT,S85 PLAT,WORD,ANSI <i>from SN 8500</i>		25	133372GT	DECAL,DANGER/LABEL,TIRE SPECHF.....2 <i>Option, hi-floatation tires</i>	2
F	823300GT	DECAL KIT,S85 COMP,WORD,ANSI <i>from SN 8500</i>		26	133374GT	DECAL,INST,OPER INST.S80.....1 <i>(S-85 models only)</i>	1
G	823301GT	DECAL KIT,S85 PLAT,WORD,AUS <i>from SN 8500</i>		27	147606GT	DECAL,INST PLAT CAP S80X.....1 <i>(S-80X models Only)</i>	1
H	823302GT	DECAL KIT,S85 COMP,WORD,AUS <i>from SN 8500</i>		28	147755GT	DECAL,GR CNTL PNL 60X 80X.....1 <i>(S-80X models only)</i>	1
1	25994GT	DECAL,NOTICE,SHUTOFF VALVES.....1		29	147793GT	DECAL,DANGER,TIPOVR,MAX CAP.....1 <i>(S-80X models only)</i>	1
2	27205GT	DECAL,ARROW YELLOW LRG 9".....1		30	147795GT	DECAL, OPER INST 6080X GRD.....1 <i>(S-80X models only)</i>	1
3	27206GT	DECAL,TRIANGLE,BLUE.....1		31	219723GT	DECAL,GROUND BOX,TIER IV.....1 <i>(S-85 models only)</i>	1
4	27207GT	DECAL,TRIANGLE,YELLOW.....1		32	226517GT	DECAL,INST,OPER INST,S80,AUS.....1 <i>AUS, S-80 models only</i>	1
5	28158GT	DECAL,LABEL,UNLEADED GAS ONLY.....1 <i>Option, Fuel</i>	1	33	823658GT	LABEL, GBOX, S60X TIER 4.....1 <i>(S-80X models only)</i>	1
6	28159GT	DECAL,DIESEL.....1 <i>Option, Fuel</i>	1	34	825579GT	DECAL, LCD, TIER 4.....1	1
7	28160GT	DECAL,LABEL,LIQUID PROPANE.....1 <i>Option, LPG</i>	1	35	826345GT	DECAL,ULS DIESEL ONLY,TIER 4.....1 <i>(USA models only), Perkins 404F-22T, Deutz TD2.9L4</i>	1
8	31788GT	DECAL,DANGER,BATTERY SAFETY***.....1	1				
9	52966GT	DECAL,COSMETIC,4 X 2.....1 <i>Option, Drive</i>	1				
10	52967GT	DECAL,COSMETIC,4 X 4.....1 <i>Option, Drive</i>	1				
11	72999GT	DECAL,LABEL,PETRO CANADA***.....1 <i>Option, Hydraulic Oil</i>	1				
12	82161GT	DECAL,LABEL,UCON HYDROLUBE.....1 <i>Option, Hydraulic Oil</i>	1				
13	82366GT	DECAL,CHEVRON RANDO HD.....1 <i>Option, Hydraulic Oil</i>	1				
14	114099GT	DECAL,LABEL,TRANSPORT DIAGRAM.....1	1				
15	114258GT	DECAL,DANGER,NO SMOKING.....1	1				
16	114389GT	DECAL,DANGER,GENERAL SAFETY....1	1				
17	114390GT	DECAL,DANGER,ELECT HAZARD***....1	1				
18	114465GT	DECAL GROUND CONTROL BOX.....1 <i>(S-80 and S-85 models)</i>	1				
19	133177GT	DECAL,DANGER/LABEL,TIRE SPECS.....2 <i>Foam filled tires</i>	2				
20	133232GT	DECAL,LABEL,AUX BATTERY.....1 <i>Option, Dual Battery</i>	1				

106.1 Decals with Words, Engine Side (from SN 8500)

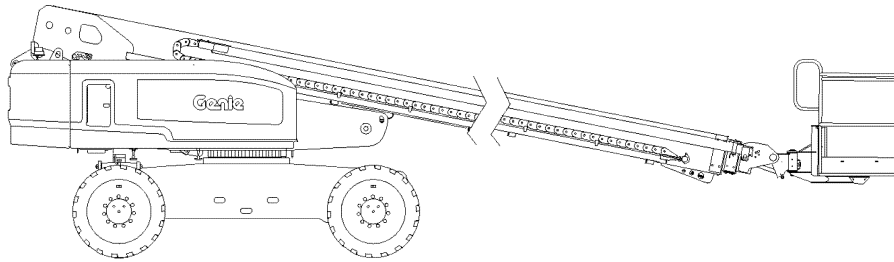




## 106.1 Decals with Words, Engine Side (from SN 8500)

Item	Part No.	Description	Qty.	Item	Part No.	Description	Qty.
1	27204GT	DECAL,ARROW BLUE.....	1	28	824615GT	DECAL,ENGINE SPEC,DEUTZTD2.9... <i>Deutz TD2.9 L4</i>	1
2	27206GT	DECAL,TRIANGLE,BLUE.....	1	29	1254016GT	DECAL,ENGINE SPEC,PERKINS 404F.....	1
3	27207GT	DECAL,TRIANGLE,YELLOW.....	1			<i>Perkins 404F-22T</i>	
4	28161GT	DECAL,WARN,CRUSH HAZARD HAND.....	3	30	1258972GT	DECAL,ENGINE SPEC,PERKINS 404D-22T.....	1
5	28174GT	DECAL, POWER TO PLATFORM 230V**.....	1			<i>Perkins 404D-22T</i>	
6	28175GT	DECAL,WARNING-COMPART ACCESS.....	1				
7	28235GT	DECAL,POWER TO PLATFORM 115V...1					
8	38149GT	DECAL,LABEL,PATENTS..... <i>(US Only)</i>	1				
9	44981GT	DECAL,LABEL, AIR LINE 110 PSI..... <i>Option, airline to plat</i>	1				
10	52865GT	DECAL,ANNUAL INSP***..... <i>(US Only)</i>	1				
11	62921GT	DECAL,COSMETIC,S80..... <i>(S-80 models only)</i>	1				
12	62923GT	DECAL,COSMETIC,S85..... <i>(S-85 models only)</i>	1				
13	65278GT	DECAL,CAUTION,NO STEP.....	2				
14	82237GT	DECAL,DANGER,HIGH VOLTAGE..... <i>Option, Welder Generator</i>	2				
15	97602GT	DECAL,EXPLOSION HAZARD..... <i>Diesel engine only</i>	2				
16	97875GT	DECAL,WARN.WELD LINE INST.WORD.....	1				
		<i>Option, weld cable line</i>					
17	111896GT	DECAL,ENG.SPECS,CONTINENTAL.... <i>TME27</i>	1				
18	114099GT	DECAL,LABEL,TRANSPORT DIAGRAM.....	1				
19	114390GT	DECAL,DANGER,ELECT HAZARD***...1					
20	122627GT	DECAL,T3 ENGINE SPEC.PERKINS.... <i>Perkins 804D-33</i>	1				
21	122680GT	DECAL RT GRAY STRIP(TANK SIDE)...1					
22	128953GT	DECAL,ENGINE SPEC,DEUTZ,TD2011.....	1				
		<i>Deutz TD2011L04i</i>					
23	133177GT	DECAL,DANGER/LABEL,TIRE SPECS.....	2				
		<i>Foam filled tires</i>					
24	133209GT	DECAL, RELAY BLOCK, S80/85.....	1				
25	133308GT	DECAL,LABEL,WHEEL LOAD S80..... <i>(S-80 and S-80X models)</i>	2				
26	133309GT	DECAL,LABEL,WHEEL LOAD S85..... <i>(S-85 models only)</i>	2				
27	133372GT	DECAL,DANGER/LABEL,TIRE SPECHF.....	2				
		<i>Option, hi-floatation tires</i>					

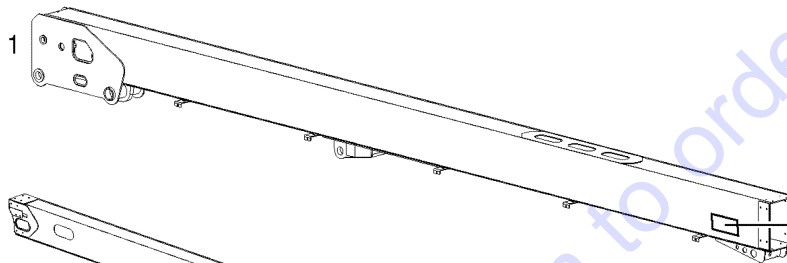
107.1 Decals with Words, Boom (from SN 8500)



NOTE:  
Part numbers with "(FR)"  
indicates French translation  
is available

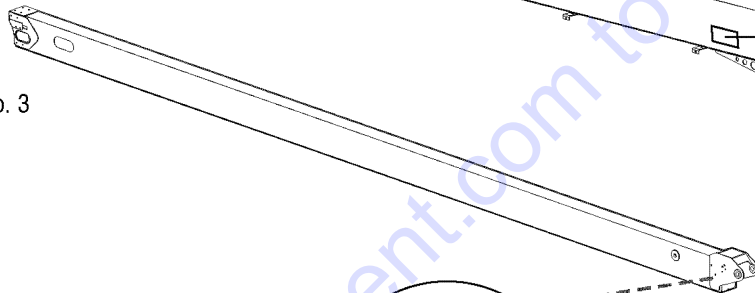
Hydraulic Tank Side

Boom no. 1

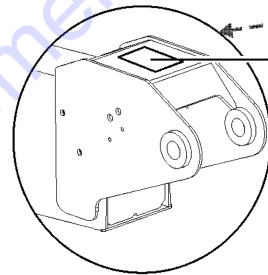


31060 (FR)

Boom no. 3

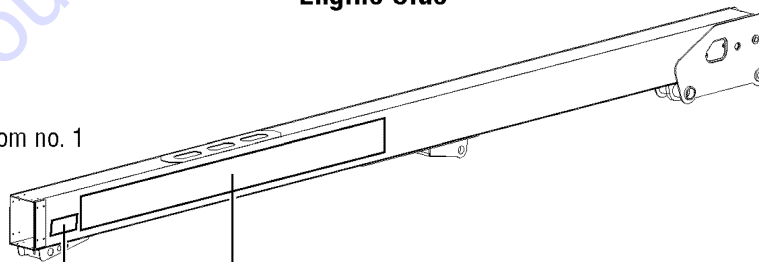


28181 (FR)



Engine Side

Boom no. 1



31060 (FR)

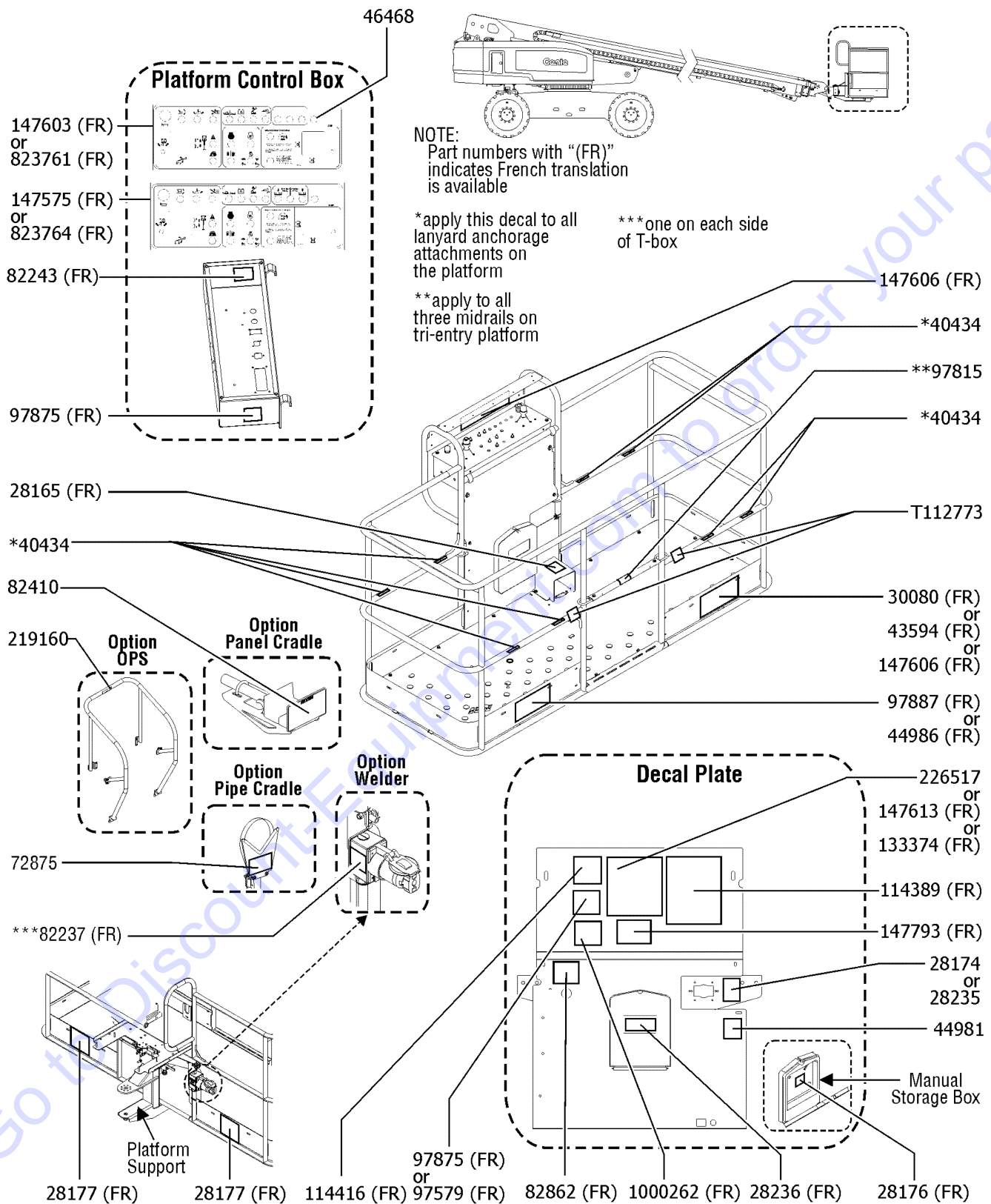
62920  
OR  
147659  
OR  
62922

## 107.1 Decals with Words, Boom (from SN 8500)

Item	Part No.	Description	Qty.
1	28181GT	DECAL,WARN,FALL HAZARD.....	1
2	31060GT	DECAL,DANGER DO NOT ALTER SWTC..... <i>(S-80X models only)</i>	2
3	62920GT	DECAL,COSMETIC,GENIE S-80..... <i>(S-80 models only)</i>	1
4	62922GT	DECAL,COSMETIC,GENIE S-85..... <i>(S-85 models only)</i>	1
5	147659GT	DECAL,COSM GENIE S80X..... <i>(S-80X models only)</i>	1

Go to Discount-Equipment.com to order your parts

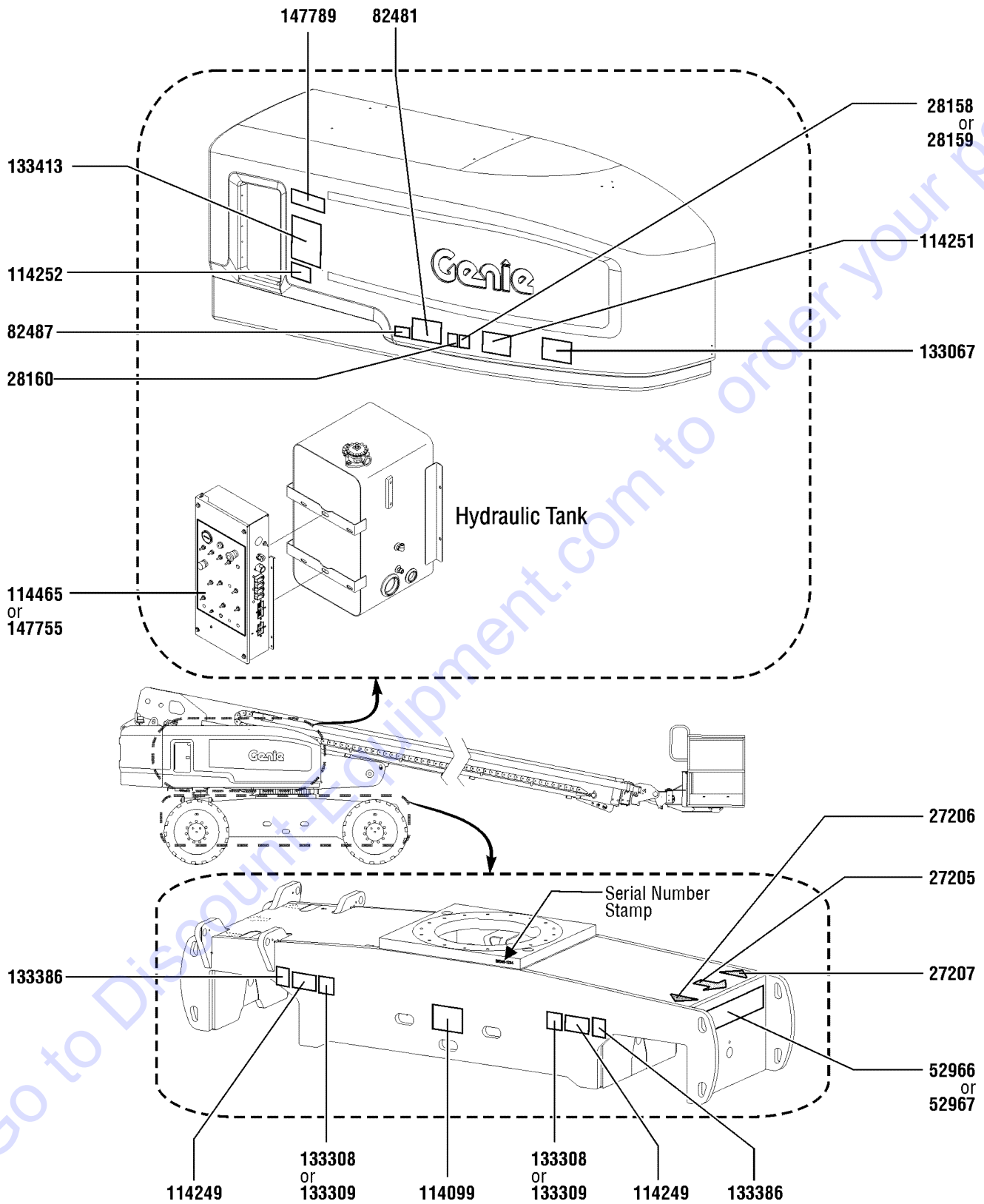
108.1 Decals with Words, Platform (from SN 8500)



## 108.1 Decals with Words, Platform (from SN 8500)

Item	Part No.	Description	Qty.	Item	Part No.	Description	Qty.
1	28165GT	DECAL,INSTRUCT,FOOTSWITCH OPER.....	1	28	147613GT	DECAL, INST OPER INST S80X PLT.....1 (S-80X models only)	1
2	28174GT	DECAL, POWER TO PLATFORM 230V**.....	1	29	147793GT	DECAL,DANGER,TIPOVR,MAX CAP.....1 (S-80X models Only)	1
3	28176GT	DECAL,LABEL,MANUAL NOT HERE.....	1	30	219160GT	DECAL, INSTRUCTION, OPS.....1 option	1
4	28177GT	DECAL,WARN,CRUSH HAZARD PLAT.....	2	31	226517GT	DECAL,INST,OPER INST,S80,AUS.....1 AUS, S-80 models only	1
5	28235GT	DECAL,POWER TO PLATFORM 115V....	1	32	823761GT	LABEL, PBOX, S65 TIER 4.....1 ANSI, S-85 models only	1
6	28236GT	DECAL,WARN,IMPROPER OPERATION.....	1	33	823764GT	LABEL, PBOX, S60X TIER 4.....1 (S-80X models only)	1
7	37052GT	DECAL,NOTICE,MAX LOAD 500 LBS....1 AUS, S-80 and S-85 models	1	34	1000262GT	DECAL,DANGER,TIP OVER,PLAT.....1	1
8	40434GT	DECAL,LANYARD ANCHORAGE POINT.....	8	35	T112773GT	TAPE, PROTECTIVE MASK.....	2
9	43594GT	DECAL,NOTICE,MAX LOAD 750 LBS....1 AUS, S-80 models only	1				
10	44981GT	DECAL,LABEL, AIR LINE 110 PSI.....1 Option, airline to plat	1				
11	44986GT	DECAL,INSTR,SIDE FRC/WIND,AUS.....1 AUS only	1				
12	46468GT	DECAL,FUNCTION OVERRIDE.....1 Option, aircraft protection	1				
13	72875GT	DECAL,WARNING,PIPE CRADLE,BOOM.....	2				
		Option, pipe cradle					
14	82237GT	DECAL,DANGER,HIGH VOLTAGE.....2 Option, welder	2				
15	82243GT	DECAL FAULT CODE.....	1				
16	82410GT	DECAL,WARNING,PANEL CRADLE.....2 Option, panel cradle	2				
17	82862GT	DECAL,FIRE EXTINGUISHER.....1 Option, welder	1				
18	97579GT	DECAL,DANGER,TIP-OVER,WELDER**.1 Option, welder	1				
19	97815GT	DECAL,LABEL,LOWER MIDRAIL.....	1				
20	97875GT	DECAL,WARN.WELD LINE INST.WORD.....	2				
		Option, weld cable line					
21	97887GT	DECAL,INSTR,MAX SIDE FRC,ANSI....1 ANSI only	1				
22	114389GT	DECAL,DANGER,GENERAL SAFETY....	1				
23	114416GT	DECAL,DANGER,TIPOVER,TILT.....	1				
24	133374GT	DECAL,INST,OPER INST.S80.....1 (S-85 models only)	1				
25	147575GT	DECAL, PLAT CNTL PNL 60X 80X.....1 (S-80X models only)	1				
26	147603GT	DECAL, PLAT CNTL PNL.....1 S-80 AUS and S-85 models	1				
27	147606GT	DECAL,INST PLAT CAP S80X.....2 (S-80X models only)	2				

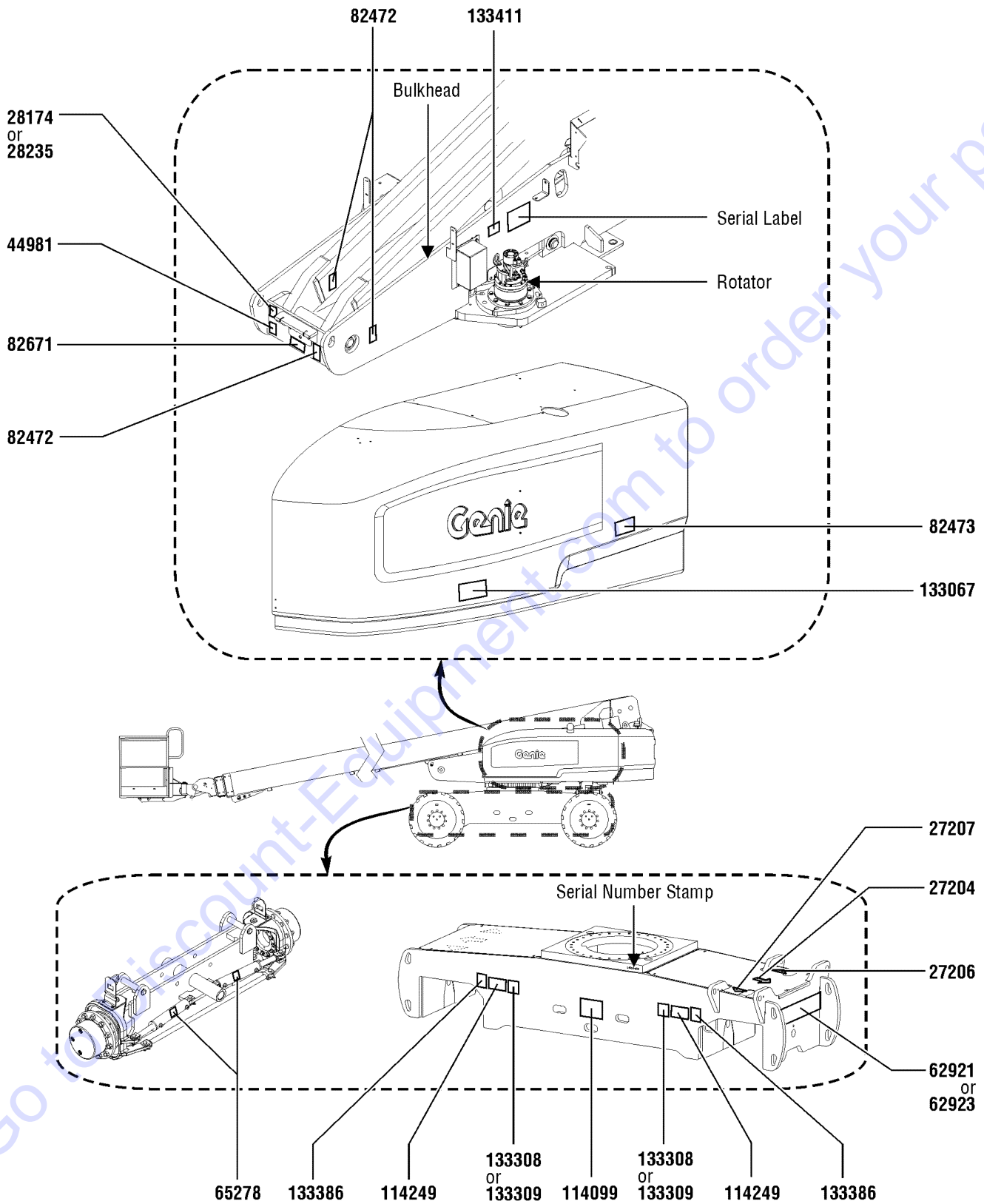
109.1 Decals with Symbols, Hydraulic Tank Side (from SN 8500)



## 109.1 Decals with Symbols, Hydraulic Tank Side (from SN 8500)

Item	Part No.	Description	Qty.
A	823435GT	DECAL KIT,S80 PLAT,SYM,CE <i>from SN 8500</i>	
B	823436GT	DECAL KIT,S80 COMP,SYM,CE <i>from SN 8500</i>	
C	823437GT	DECAL KIT,S80X PLAT,SYM,ANSI <i>from SN 8500</i>	
D	823438GT	DECAL KIT,S80X COMP,SYM,ANSI <i>from SN 8500</i>	
E	823439GT	DECAL KIT,S85 PLAT,SYM,ANSI <i>from SN 8500</i>	
F	823440GT	DECAL KIT,S85 COMP,SYM,ANSI <i>from SN 8500</i>	
G	823441GT	DECAL KIT,S85 PLAT,SYM,CE <i>from SN 8500</i>	
H	823442GT	DECAL KIT,S85 COMP,SYM,CE <i>from SN 8500</i>	
1	27205GT	DECAL,ARROW YELLOW LRG 9".....	1
2	27206GT	DECAL,TRIANGLE,BLUE.....	1
3	27207GT	DECAL,TRIANGLE,YELLOW.....	1
4	28158GT	DECAL,LABEL,UNLEADED GAS ONLY.....	1
5	28159GT	DECAL,DIESEL.....	1
6	28160GT	DECAL,LABEL,LIQUID PROPANE.....	1
7	52966GT	DECAL,COSMETIC,4 X 2.....	1
8	52967GT	DECAL,COSMETIC,4 X 4.....	1
9	82481GT	DECAL,SYMBOL-BATTERY SAFETY.....	1
10	82487GT	DECAL,SYMBOL - READ THE MANUAL.....	1
11	114099GT	DECAL,LABEL,TRANSPORT DIAGRAM.....	1
12	114249GT	DECAL,LABEL,TIPOVER,TIRES,SYMB.	2
13	114251GT	DECAL,LABEL,NO SMOKING,SYMB.....	1
14	114252GT	DECAL,LABEL,TIP OVER LMT SWTCH.....	1
15	114465GT	DECAL GROUND CONTROL BOX.....	1
16	133067GT	DECAL,DANGER,ELEC.HAZ.STAY CLR.....	1
17	133308GT	DECAL,LABEL,WHEEL LOAD S80.....	2
18	133309GT	DECAL,LABEL,WHEEL LOAD S85.....	2
19	133386GT	LABEL,TIRE PRESSURE,HF.....	2
20	133413GT	DECAL,EMERGENCY LOWERING.....	1
21	147755GT	DECAL,GR CNTL PNL 60X 80X.....	1
22	147789GT	DECAL,INST PLAT CAP 80X SYM.....	1

110.1 Decals with Symbols, Engine Side (from SN 8500)

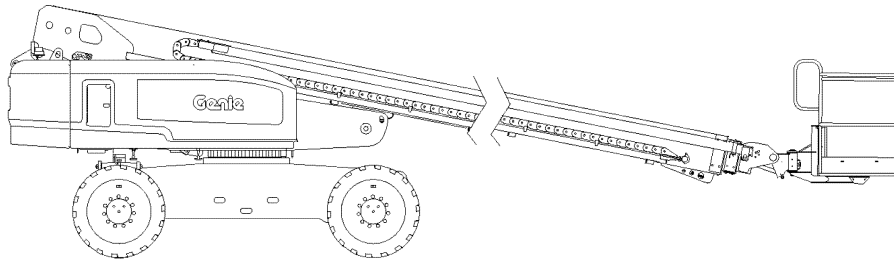




## 110.1 Decals with Symbols, Engine Side (from SN 8500)

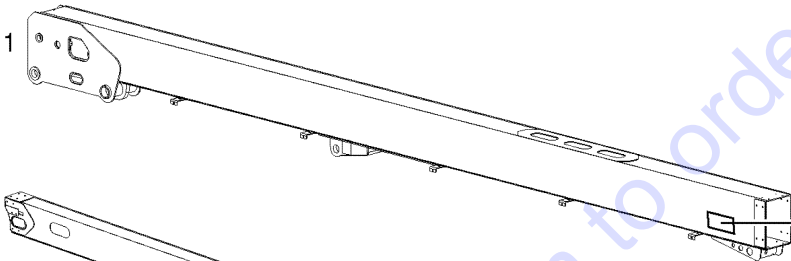
Item	Part No.	Description	Qty.
1	27204GT	DECAL,ARROW BLUE.....	1
2	27206GT	DECAL,TRIANGLE,BLUE.....	1
3	27207GT	DECAL,TRIANGLE,YELLOW.....	1
4	28174GT	DECAL, POWER TO PLATFORM 230V**.....	1
5	28235GT	DECAL,POWER TO PLATFORM 115V...1	1
6	44981GT	DECAL,LABEL, AIR LINE 110 PSI.....1 <i>Option, airline to plat</i>	1
7	62921GT	DECAL,COSMETIC,S80.....1 <i>(S-80 and S-80X models)</i>	1
8	62923GT	DECAL,COSMETIC,S85.....1 <i>(S-85 models only)</i>	1
9	65278GT	DECAL,CAUTION,NO STEP.....2	2
10	82472GT	DECAL,WARNING,CRUSHING HAZARD.....	3
11	82473GT	DECAL,SYMBOL-COMP ACCESS.....1	1
12	82671GT	DECAL,LABEL,WELD LINE INST,SYM...1 <i>Option, weld cable line</i>	1
13	114099GT	DECAL,LABEL,TRANSPORT DIAGRAM.....	1
14	114249GT	DECAL,LABEL,TIPOVER,TIRES,SYMB.2	2
15	133067GT	DECAL,DANGER,ELEC.HAZ.STAY CLR.....	1
16	133308GT	DECAL,LABEL,WHEEL LOAD S80.....2 <i>(S-80 and S-80X models)</i>	2
17	133309GT	DECAL,LABEL,WHEEL LOAD S85.....2 <i>(S-85 models only)</i>	2
18	133386GT	LABEL,TIRE PRESSURE,HF.....2 <i>Option, hi-floatation tires</i>	2
19	133411GT	DECAL,LABEL,106 DB***.....1 <i>(CE only)</i>	1

111.1 Decals with Symbols, Booms (from SN 8500)



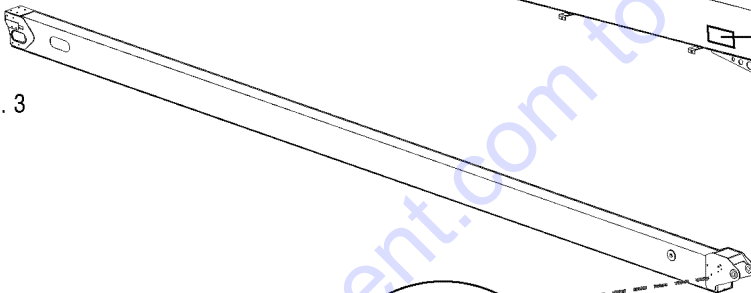
Hydraulic Tank Side

Boom no. 1

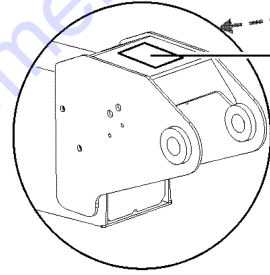


114252

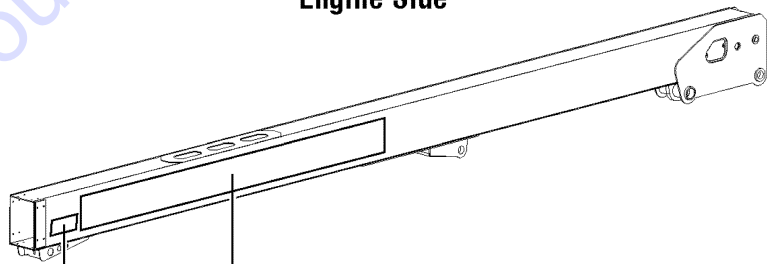
Boom no. 3



114247



Engine Side



114252

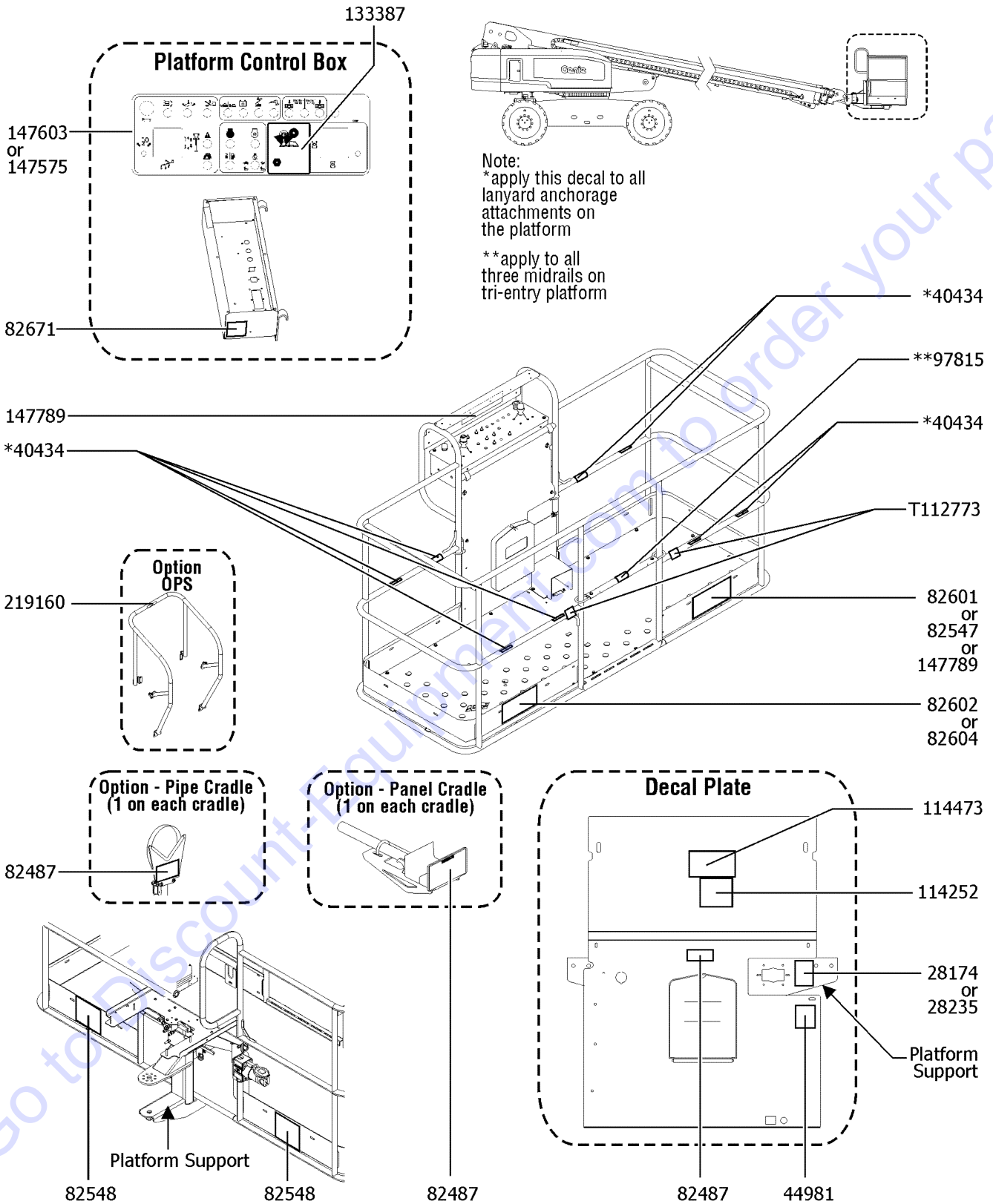
62920  
OR  
147659  
OR  
62922

## 111.1 Decals with Symbols, Booms (from SN 8500)

Item	Part No.	Description	Qty.
1	62920GT	DECAL,COSMETIC,GENIE S-80.....1 (S-80 models only)	
2	62922GT	DECAL,COSMETIC,GENIE S-85.....1 (S-85 models only)	
3	114247GT	DECAL,LABEL,FALL HAZARD***.....1	
4	114252GT	DECAL,LABEL,TIP OVER LMT SWTCH.....2 (S-80X models only)	
5	147659GT	DECAL,COSM GENIE S80X.....1 (S-80X models only)	

Go to Discount-Equipment.com to order your parts

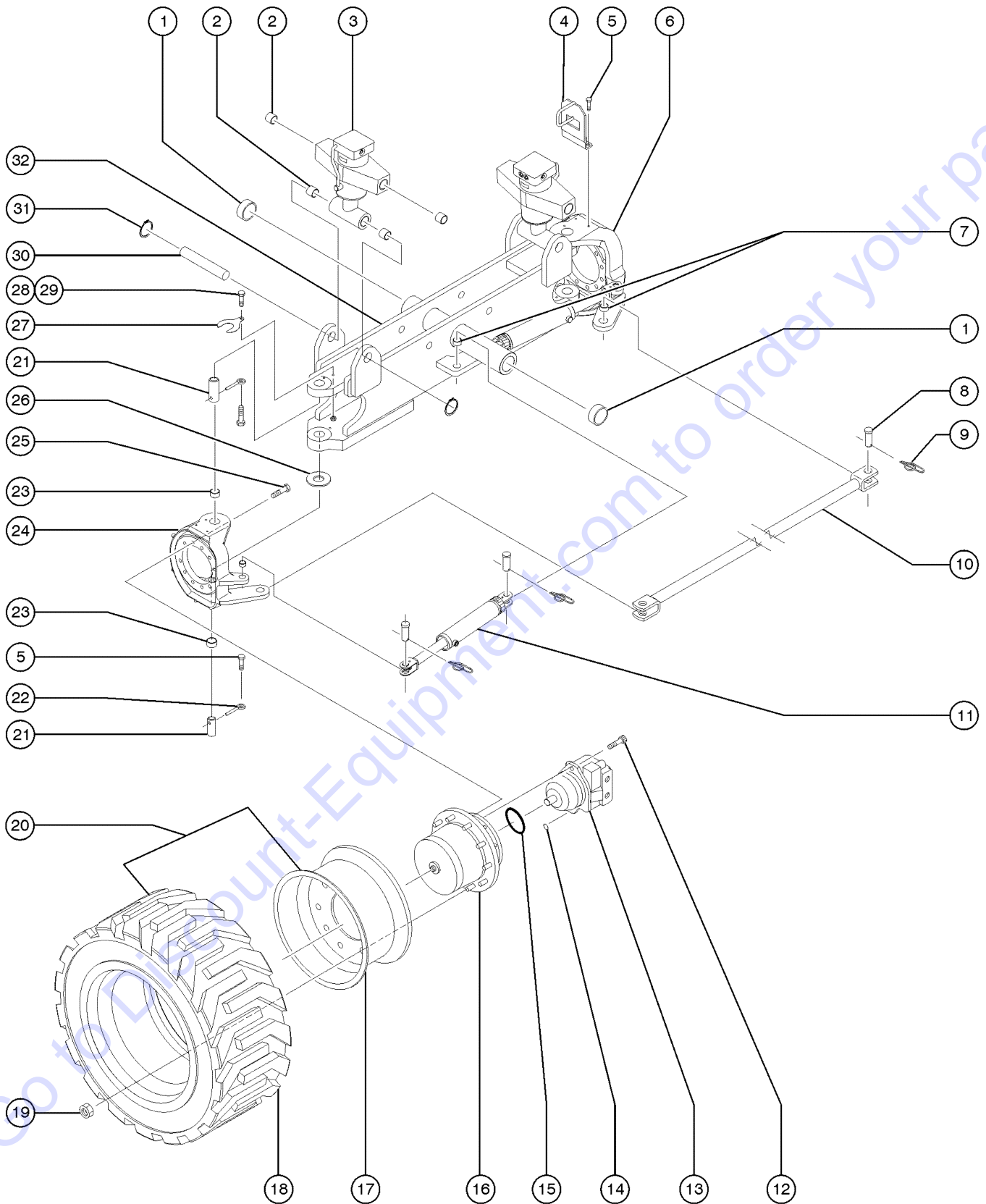
112.1 Decals with Symbols, Platform (from SN 8500)



## 112.1 Decals with Symbols, Platform (from SN 8500)

Item	Part No.	Description	Qty.
1	28174GT	DECAL, POWER TO PLATFORM 230V**.....	1
2	28235GT	DECAL,POWER TO PLATFORM 115V...1	1
3	40434GT	DECAL,LANYARD ANCHORAGE POINT.....	8
4	44981GT	DECAL,LABEL, AIR LINE 110 PSI.....1 <i>Option, airline to plat</i>	1
5	82487GT	DECAL, SYMBOL - READ THE MANUAL.....	1
6	82547GT	DECAL,DANGER,MAX LOAD 340 KG...1 <i>CE, S-80 models only</i>	1
7	82548GT	DECAL,WARN,CRUSH HAZARD PLAT.....	2
8	82601GT	DECAL,LABEL,MAX CAPACITY*** .....1 <i>CE, S-80 and S-85 models</i>	1
9	82602GT	DECAL,DANGER,MAX SIDE FRC,667N..... <i>(ANSI)</i>	1
10	82604GT	DECAL,DANGER,SIDE FRC 400N.....1 <i>(CE)</i>	1
11	82671GT	DECAL,LABEL,WELD LINE INST,SYM...1 <i>Option, weld cable line</i>	1
12	97815GT	DECAL,LABEL,LOWER MIDRAIL.....1	1
13	114252GT	DECAL,LABEL,TIP OVER LMT SWTCH..... <i>(S-80X models only)</i>	1
14	114473GT	DECAL,DANGER,TIPOVER,TILT,SYM...1	1
15	133387GT	DECAL,DRIVE ENABLE PATCH.....1	1
16	147575GT	DECAL, PLAT CNTL PNL 60X 80X.....1 <i>ANSI, S-80X models only</i>	1
17	147603GT	DECAL, PLAT CNTL PNL.....1 <i>CE, S-80 and S-85 models</i>	1
18	147789GT	DECAL, INST PLAT CAP 80X SYM.....2 <i>ANSI, S-80X models only</i>	2
19	219160GT	DECAL, INSTRUCTION, OPS.....1 <i>option</i>	1
20	T112773GT	TAPE, PROTECTIVE MASK.....	2

201.1 Steer End (to SN 8973)



## 201.1 Steer End (to SN 8973)

Item	Part No.	Description	Qty.	Item	Part No.	Description	Qty.
1	27698GT	BEARING,2.50IDX2.75ODX2.00L.....	2	--	33441GT	STUD,WHEEL,3/4-16, ( 34115 ) (Part of item 121292)	
2	119620GT	BEARING,1.75IDX2.00ODX1.50L.....	8	16A	121291GT	WHEEL DRIVE,86.74:1*** .....2 High-flotation option (refer to 206.1)	
3	81330GT	CYLINDER,OSCILLATE*** .....	2	16B	121351GT	2 WD SPINDLE,IDLER.....2 (Refer to 204.1)	
--	33428GT	VALVE,COUNTERBALANCE		17	121270GT	WHEEL,HF,22.5 X 14.00 for 121281, 121280	
--	43018GT	SEAL KIT (39345)		--	121268GT	WHEEL,24.5 X 15.00 for 227804, 227805, 227985, 228805	
--	77519GT	SEAL KIT,OSC CYLINDER (81330)*		18	81164GT	TIRE,41/18LL X 22.5,14PR,TURF* for 121281, 121280	
4	121307GT	WELDMENT,GUIDE BRACKET,YOKE....2 (4WD models)		--	101943GT	TIRE,18-625,16 PLY RT HBR,N-M for 227985, 228805	
5	75051GT	SCREW,SER FLNG3/8UNCX3/4ZNYEL.....	8	--	88261GT	TIRE,18-625,16 PLY,RT HBR for 227804, 227805	
6	111694GT	MACHINED,YOKE,RIGHT.....	1	19	34127GT	NUT,LUG,3/4-16 X 7/8 RADIUS.....	22
7	25817GT	BEARING,1.00IDX1.25ODX1.00L.....	6	20	121286GT	TIRE & WHEEL ASSY,RT LP FOAM,L....1 RT, Foam-filled, left (11 holes)	
8	19440GT	PIN,CLEVIS,1 X 2.5 LG.....	6	--	121287GT	TIRE & WHEEL ASSY,RT LP FOAM,R....1 RT, Foam-filled, right (11 holes)	
9	74389GT	RUE RING,1.00.....	6	--	121271GT	TIRE & WHEEL ASSY,FOAM NM,LH....1 RT, Foam-filled, Non-marking, left	
10	121004GT	WELDMENT, TIE ROD, S80.....	1	--	121272GT	TIRE & WHEEL ASSY,FOAM NM,RH....1 RT, Foam-filled, Non-marking, right	
11	59370GT	CYLINDER,STEER.....	2	--	227804GT	TIRE & WHEEL ASSY,RT LP FOAM,L RT, LP Foam-filled RNU, left	
--	88349GT	SEAL KIT,STEER CYL***		--	227805GT	TIRE & WHEEL ASSY,RT LP FOAM,R RT, LP Foam-filled RNU, right	
12	123164GT	SCREW,FLANGE,1/2-13X1.25,GR 8....	4	--	227985GT	TIRE & WHEEL ASSY,FOAM, NM,LH RT, Foam-filled RNU, Non-marking, left	
13	101070GT	MOTOR,PISTON,2 SPEED,45CC.....2 (4WD and High-flotation option)		--	228805GT	TIRE & WHEEL ASSY,FOAM NM,RH RT, Foam-filled RNU, Non-marking, right	
--	106098GT	SEAL KIT,MOTOR,LC/KC***		20D	121281GT	ASSEMBLY,TIRE WHEEL,HF***** .....2 Turf, Air-filled (includes items 17-18). For air- filled turf-tire replacement only. Air-filled turf- tires are intended for use only on machines factory equipped with this option. Contact Discount-equipment for additional detail.	
14	106117GT	O-RING,2-010,VITON (Mating O-ring for Brake Port)(Extremely small)		20E	121280GT	ASSY,TIRE/WHEEL,HF,W/SEALANT.....2 Turf, Air-filled with sealant (includes items 17-18). For air-filled turf-tire replacement only. Air-filled turf-tires are intended for use only on machines factory equipped with this option. Contact Discount-equipment for additional detail.	
15	106118GT	O-RING,2-157,VITON***.....2 (Motor to Hub O-ring)		21	30199GT	PIN,1.75 DIA X4.50LG,THREADED.....	4
16	121292GT	WHEEL DRIVE,58.33:1.....	2	22	825019GT	ROD END,.375X3.69,ZAG.....	4
--	106122GT	CAP,DISENGAGE,4HP/4HB*** (Part of item 121292)		23	51144GT	BEARING,1.75IDX2.00ODX1.25L.....	4
--	111361GT	SEAL KIT (111090) (Part of item 121292)		24	111692GT	MACHINED,YOKE,LEFT.....	1
--	111362GT	BOLT,WHEEL DRIVE CAP(106122) (Part of item 121292)		25	111155GT	SCREW,FLANGE,HHC,5/8-11X2,GR8..	24
--	111363GT	O-RING,DISCONNECT ROD (111060) (Part of item 121292)					
--	146495GT	O-RING Units built before 12/19/2008 must use o-ring 146495 with their end cover (if end cover assembly 226213 was used, then use o-ring 226215)					
--	226213GT	END COVER,WHEEL DRIVE *** Includes O-ring part 226215					
--	226215GT	END COVER O-RING,WHEEL DRIVE Units built after 12/19/2008 must use o-ring 226215 with their end cover (included in assembly 226213)					
--	235153GT	PIPE PLUG, MAGN for 226213					
--	235155GT	RETAINING RING, OD 8.250 large snap ring					

201.1 Steer End (to SN 8973)  
(continued)

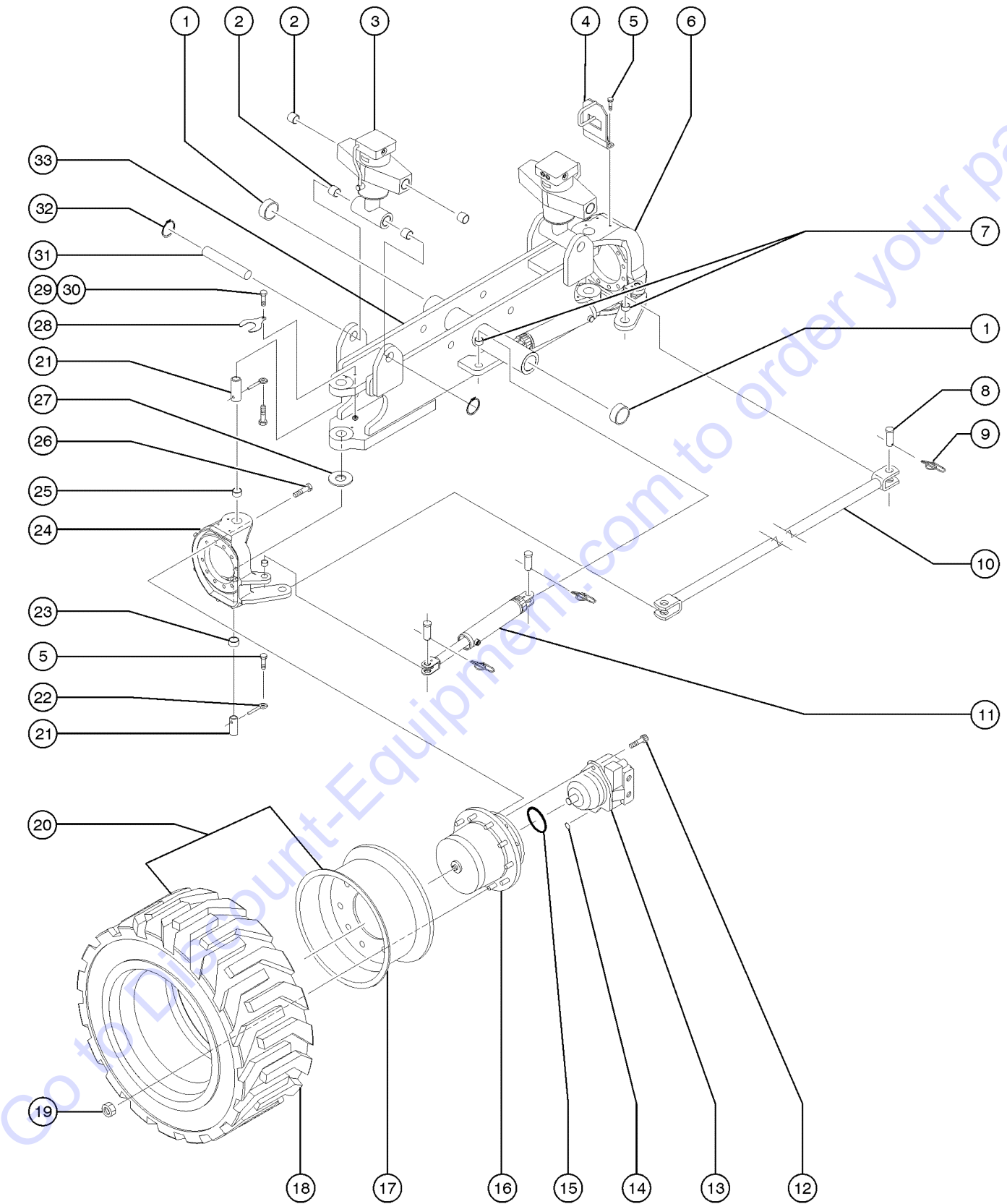
Item	Part No.	Description	Qty.
26	60555GT	WASHER, THRUST 5 X 1.81 BRONZE....2	
27	88241GT	SHIM, GALVANIZED STEER YOKE	
28	121078GT	SCREW, FLANGE, HHC, 3/8-16X2.5.....2	
29	121422GT	NUT, HEX, FLG, 3/8-16	
30	121371GT	PIN, 1.75DIA X 10.50LG, 2 RING.....2	
31	825759GT	SNAP RING, EXTERNAL, 1.75, ZAG.....4	
32	122670GT	STEER AXLE ASSY W/BEARINGS	



***This Page Intentionally Left Blank***

Go to Discount-Equipment.com to order your parts

201.2 Steer End (from SN 8974)



## 201.2 Steer End (from SN 8974)

Item	Part No.	Description	Qty.	Item	Part No.	Description	Qty.
1	27698GT	BEARING,2.50IDX2.75ODX2.00L.....	2	17	121270GT	WHEEL,HF,22.5 X 14.00 for 121281, 121280	
2	119620GT	BEARING,1.75IDX2.00ODX1.50L.....	8	--	121268GT	WHEEL,24.5 X 15.00 for 227804, 227805, 227985, 228805	
3	81330GT	CYLINDER,OSCILLATE***.....	2	18	81164GT	TIRE,41/18LL X 22.5,14PR,TURF* for 121281, 121280	
--	33428GT	VALVE,COUNTERBALANCE		--	101943GT	TIRE,18-625,16 PLY RT HBR,N-M for 227985, 228805	
--	43018GT	SEAL KIT (39345)		--	88261GT	TIRE,18-625,16 PLY,RT HBR for 227804, 227805	
--	77519GT	SEAL KIT,OSC CYLINDER (81330)*		19	34127GT	NUT,LUG,3/4-16 X 7/8 RADIUS.....	22
4	121307GT	WELDMNT,GUIDE BRACKET,YOKE....	2	20	121286GT	TIRE & WHEEL ASSY,RT LP FOAM,L....	1
		(4WD models)		--	121287GT	TIRE & WHEEL ASSY,RT LP FOAM,R....	1
5	75051GT	SCREW,SER FLNG3/8UNCX3/4ZNYEL.....	8	--	121271GT	TIRE & WHEEL ASSY,FOAM NM,LH.....	1
6	111694GT	MACHINED,YOKE,RIGHT.....	1	--	121272GT	TIRE & WHEEL ASSY,FOAM NM,RH.....	1
--	229351GT	ASSY,S-80 YOKE,W/BEARINGS,RFLR from SN 9577		--	227804GT	TIRE & WHEEL ASSY,RT LP FOAM,L....	1
7	25817GT	BEARING,1.00IDX1.25ODX1.00L.....	6	--	227805GT	TIRE & WHEEL ASSY,RT LP FOAM,R....	1
8	19440GT	PIN,CLEVIS,1 X 2.5 LG.....	6	--	227985GT	TIRE & WHEEL ASSY,FOAM NM,LH.....	1
9	74389GT	RUE RING,1.00.....	6	--	228805GT	TIRE & WHEEL ASSY,FOAM NM,RH.....	1
10	121004GT	WELDMNT, TIE ROD, S80.....	1	--	139828GT	TIRE WHEEL ASSY,LEFT,SOLID.....	1
11	59370GT	CYLINDER,STEER.....	2	--	139829GT	TIRE WHEEL ASSY,RIGHT,SOLID.....	1
--	88349GT	SEAL KIT,STEER CYL***		--	121281GT	ASSEMBLY,TIRE WHEEL,HF*****.....	1
12	227778GT	SCREW, HHF,M12-1.75X30,10.9				Turf, Air-filled (includes items 17-18). For air-filled turf-tire replacement only. Air-filled turf-tires are intended for use only on machines factory equipped with this option. Contact Discount-equipment for additional detail.	
13	101070GT	MOTOR,PISTON,2 SPEED,45CC.....	2	--	121280GT	ASSY,TIRE/WHEEL,HF,W/SEALANT.....	1
		(4WD and High-flotation option)				Turf, Air-filled with sealant (includes items 17-18). For air-filled turf-tire replacement only. Air-filled turf-tires are intended for use only on machines factory equipped with this option. Contact Discount-equipment for additional detail.	
--	106098GT	SEAL KIT,MOTOR,LC/KC***		21	30199GT	PIN,1.75 DIA X4.50LG,THREADED.....	4
14	106117GT	O-RING,2-010,VITON (Mating O-ring for Brake Port)(Extremely small)		22	825019GT	ROD END,.375X3.69,ZAG.....	4
15	106118GT	O-RING,2-157,VITON***.....	2	23	51144GT	BEARING,1.75IDX2.00ODX1.25L.....	4
		(Motor to Hub O-ring)		--	119620GT	BEARING,1.75IDX2.00ODX1.50L from SN 9577	
16A	227775GT	WHEEL DRIVE,W/BRAKE 57.49:1 (Refer to 205.1)		24	111692GT	MACHINED,YOKE,LEFT.....	1
--	1286604GT	SEAL KIT,WHEEL DRIVE W/BRAKE (227775) for 227775				to SN 9576	
--	1286605GT	BEARING KIT,WHEEL DRIVE W/BRAKE (227775) for 227775					
--	215623GT	SEAL KIT (227775) for 227775 (inventory limited to stock on hand as component is no longer available)					
--	9990046GT	COVER, PLATE for 227775					
--	9990109GT	O-RING, NBR70 for 9990046					
16B	227776GT	WHEEL DRIVE W/BRAKE 86.74:1 High-flotation option (refer to 206.1)					
--	T111507GT	SEAL KIT (121291)*** for 227776					
16C	227774GT	WHEEL DRIVE, IDLER.....	2				
		(Refer to 204.1)					

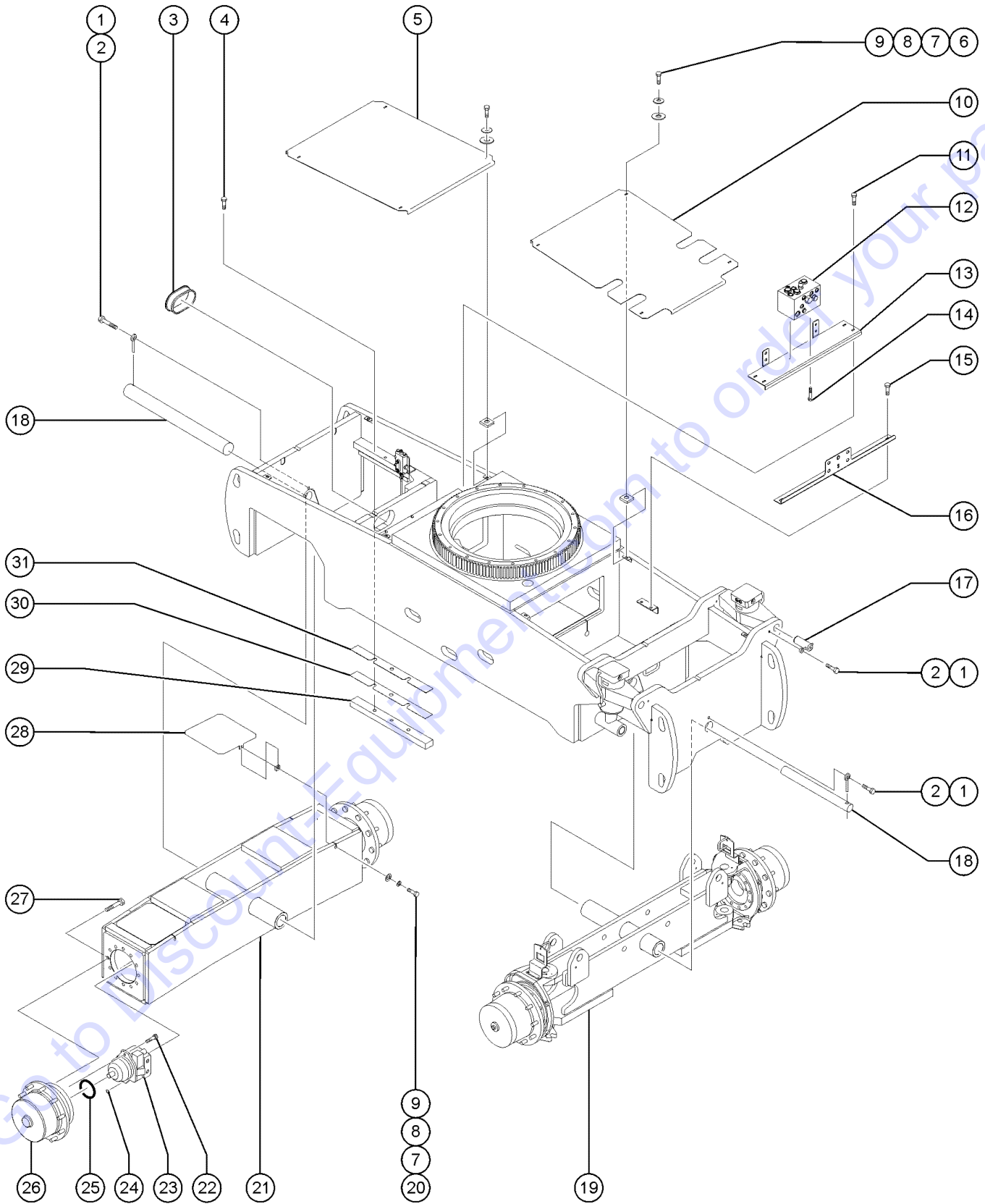
201.2 Steer End (from SN 8974)  
(continued)

Item	Part No.	Description	Qty.
--	229350GT	ASSY,S-80 YOKE,W/BEARINGS,LFRR <i>from SN 9577</i>	
25	51144GT	BEARING,1.75IDX2.00ODX1.25L.....	4
26	227779GT	SCREW,HHF,M16-2.0X50 10.9.....	2
27	60555GT	WASHER,THRUST 5 X 1.81 BRONZE....	2
28	88241GT	SHIM,GALVANIZED STEER YOKE	
29	121078GT	SCREW,FLANGE,HHC,3/8-16X2.5.....	2
30	121422GT	NUT,HEX,FLG,3/8-16	
31	121371GT	PIN,1.75DIA X 10.50LG,2 RING.....	2
32	825759GT	SNAP RING,EXTERNAL,1.75,ZAG.....	4
33	122670GT	STEER AXLE ASSY W/BEARINGS	

***This Page Intentionally Left Blank***

Go to [Discount-Equipment.com](http://Discount-Equipment.com) to order your parts

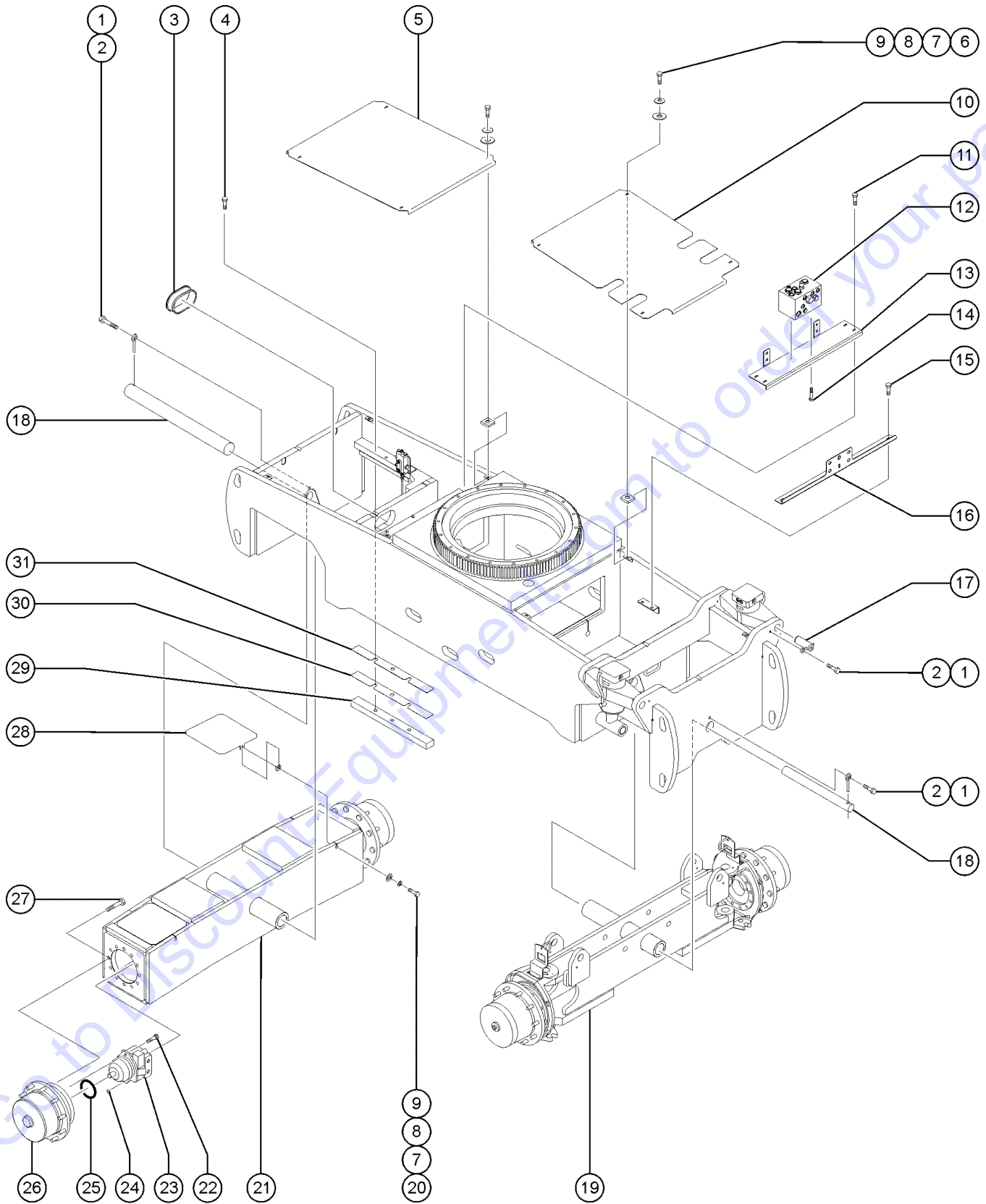
202.1 Axle Installation (to SN 8973)



## 202.1 Axle Installation (to SN 8973)

Item	Part No.	Description	Qty.	Item	Part No.	Description	Qty.
1	123167GT	FLGHCS,1/2-13X1.50,GR8,BLK PH		--	146495GT	O-RING <i>Units built before 12/19/2008 must use o-ring 146495 with their end cover (if end cover assembly 226213 was used, then use o-ring 226215)</i>	
2	1256267GT	ROD END,.5 X 3.75,ZAG.....2		--	226213GT	END COVER,WHEEL DRIVE *** <i>Includes O-ring part 226215</i>	
3	53387GT	GUARD, HOSE PROTECTOR.....1		--	226215GT	END COVER O-RING,WHEEL DRIVE <i>Units built after 12/19/2008 must use o-ring 226215 with their end cover (included in assembly 226213)</i>	
4	121071GT	SCREW,HHC,FLG,1/2-13 X 2.50GR8		--	235153GT	PIPE PLUG, MAGN <i>for 226213</i>	
5	77537GT	COVER,ASSY,DR CHASSIS REAR S80.....1		--	235155GT	RETAINING RING, OD 8.250 <i>large snap ring</i>	
6	6090GT	SCREW,HHC,1/4-20 X .75		--	33441GT	STUD,WHEEL,3/4-16, ( 34115 ) <i>(Part of item 121292)</i>	
7	6356GT	WASHER,LOCK,.25		26B	121291GT	WHEEL DRIVE,86.74:1***.....2 <i>2WD and High-flotation option (refer to 206.1)</i>	
8	6638GT	WASHER,FLAT,USS,1/4"Y		27	111155GT	SCREW,FLANGE,HHC,5/8-11X2,GR8	
9	56912GT	SPRING CLIP,1/4-20,.025-.15X.54,ZAG.....12		28	121349GT	FORMING,COVER,REAR AXLE.....2	
10	77538GT	COVER,ASSY,DRIVE CHASSIS FRONT.....1		29	88092GT	BAR,AXLE ROTATION STOP,OSC.....2	
11	121066GT	SCREW,HHC,FLG,3/8-16 X 1 GR8		30	81610GT	SHIM,AXLE ROTATION STOP,16G	
12		Ref. Traction Manifold <i>(Refer to 701.1)</i>		31	81609GT	SHIM,AXLE ROTATION STOP,22G	
13	121224GT	FORMING, TRAC. CONT. MAN. BRKT....1					
14	123166GT	FLGHCS,1/2-13X1.00,GR8,BLK PH					
15	121066GT	SCREW,HHC,FLG,3/8-16 X 1 GR8					
16	121223GT	FORMING, BULKHEAD BRKT.....1					
17	81498GT	PIN,1.75DIAX4.50LG,THREADED					
18	81378GT	PIN,2.50DIAX27.63LG,1HOLE					
19		Ref. Steer End <i>(Refer to 201.1)</i>					
20	6637GT	SCREW,HHC,1/4-20 X 1.75					
21	122671GT	NON-STEER AXLE ASSY W/BEARINGS.....1					
22	123164GT	SCREW,FLANGE,1/2-13X1.25,GR 8					
23	101070GT	MOTOR,PISTON,2 SPEED,45CC.....2 <i>(4WD and High-flotation option)</i>					
--	121668GT	MOTOR,PISTON,2 SPEED,45CC/18CC.....2 <i>(2WD models)</i>					
24	106117GT	O-RING,2-010,VITON.....2 <i>(Mating O-ring for Brake Port)(Extremely small)</i>					
25	106118GT	O-RING,2-157,VITON***.....2 <i>(Motor to Hub O-ring)</i>					
26A	121292GT	WHEEL DRIVE,58.33:1.....2					
--	106122GT	CAP,DISENGAGE,4HP/4HB*** <i>(Part of item 121292)</i>					
--	111361GT	SEAL KIT (111090) <i>(Part of item 121292)</i>					
--	111362GT	BOLT,WHEEL DRIVE CAP(106122) <i>(Part of item 121292)</i>					
--	111363GT	O-RING,DISCONNECT ROD (111060) <i>(Part of item 121292)</i>					

202.2 Axle Installation (from SN 8974)





## 202.2 Axle Installation (from SN 8974)

Item	Part No.	Description	Qty.	Item	Part No.	Description	Qty.
1	123167GT	FLGHCS,1/2-13X1.50,GR8,BLK PH		--	9990046GT	COVER, PLATE for 227775	
2	1256267GT	ROD END,.5 X 3.75,ZAG.....2		--	9990109GT	O-RING, NBR70 for 9990046	
3	53387GT	GUARD, HOSE PROTECTOR.....1		26B	227776GT	WHEEL DRIVE W/BRAKE 86.74:1 2WD and High-flotation option (refer to 206.1)	
4	121071GT	SCREW,HHC,FLG,1/2-13 X 2.50GR8		--	T111507GT	SEAL KIT (121291)*** for 227776	
5	77537GT	COVER,ASSY,DR CHASSIS REAR S80.....1		27	227779GT	SCREW,HHF,M16-2.0X50 10.9	
6	6090GT	SCREW,HHC,1/4-20 X .75		28	121349GT	FORMING,COVER,REAR AXLE.....2	
7	6356GT	WASHER,LOCK,.25		29	88092GT	BAR,AXLE ROTATION STOP,OSC.....2	
8	6638GT	WASHER,FLAT,USS,1/4"Y		30	81610GT	SHIM,AXLE ROTATION STOP,16G	
9	56912GT	SPRING		31	81609GT	SHIM,AXLE ROTATION STOP,22G	
10	77538GT	COVER,ASSY,DRIVE CHASSIS FRONT.....1					
11	121066GT	SCREW,HHC,FLG,3/8-16 X 1 GR8					
12		Ref. Traction Manifold (Refer to 701.1)					
13	121224GT	FORMING, TRAC. CONT. MAN. BRKT....1					
14	123166GT	FLGHCS,1/2-13X1.00,GR8,BLK PH					
15	121066GT	SCREW,HHC,FLG,3/8-16 X 1 GR8					
16	121223GT	FORMING, BULKHEAD BRKT.....1					
17	81498GT	PIN,1.75DIAX4.50LG,THREADED					
18	81378GT	PIN,2.50DIAX27.63LG,1HOLE					
19		Ref. Steer End (Refer to 201.2)					
20	6637GT	SCREW,HHC,1/4-20 X 1.75					
21	122671GT	NON-STEER AXLE ASSY W/BEARINGS.....1					
22	227778GT	SCREW, HHF,M12-1.75X30,10.9					
23	101070GT	MOTOR,PISTON,2 SPEED,45CC.....2 (4WD and High-flotation option)					
--	121668GT	MOTOR,PISTON,2 SPEED,45CC/18CC.....2 (2WD models)					
24	106117GT	O-RING,2-010,VITON.....2 (Mating O-ring for Brake Port)(Extremely small)					
25	106118GT	O-RING,2-157,VITON***.....2 (Motor to Hub O-ring)					
26A	227775GT	WHEEL DRIVE,W/BRAKE 57.49:1 (Refer to 205.1)					
--	1286604GT	SEAL KIT,WHEEL DRIVE W/BRAKE (227775) for 227775					
--	1286605GT	BEARING KIT,WHEEL DRIVE W/BRAKE (227775) for 227775					
--	215623GT	SEAL KIT (227775) for 227775 (inventory limited to stock on hand as component is no longer available)					



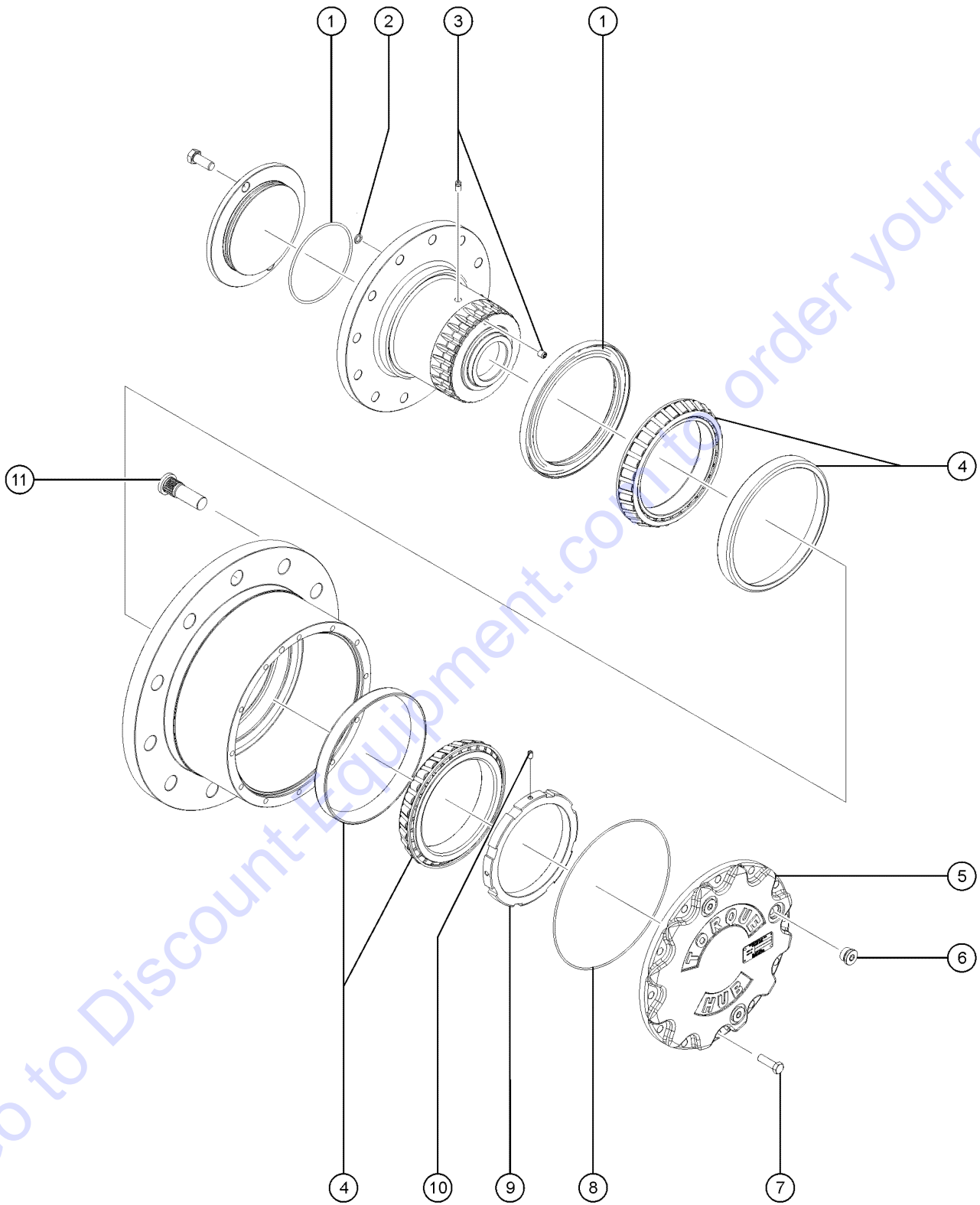


## 203.1 Oscillation Control Valve

Item	Part No.	Description	Qty.
1	121269GT	FORMING,,OSC.....	1
2	75051GT	SCREW,SER FLNG3/8UNCX3/4ZNYEL.....	2
3	21130GT	CLEVIS YOKE-1/4-28,PLTD W/PIN..... <i>(Includes clevis pin and cotter pin)</i>	2
4	21496GT	NUT,HEX,1/4-28.....	2
5	30785-600GT	THREADED ROD,1/4-28 X 6 IN***.....	1
6	49768GT	VLV,MAN,3 POS/4 WAY,CLOSE CTR*....	1
7	121067GT	SCREW,HHC,FLG,1/4-20 X 2.00.....	2
8	121421GT	NUT,FLG,1/4-20.....	2

Go to Discount-Equipment.com to order your parts

204.1 Hub Assembly - 2 WD Spindler

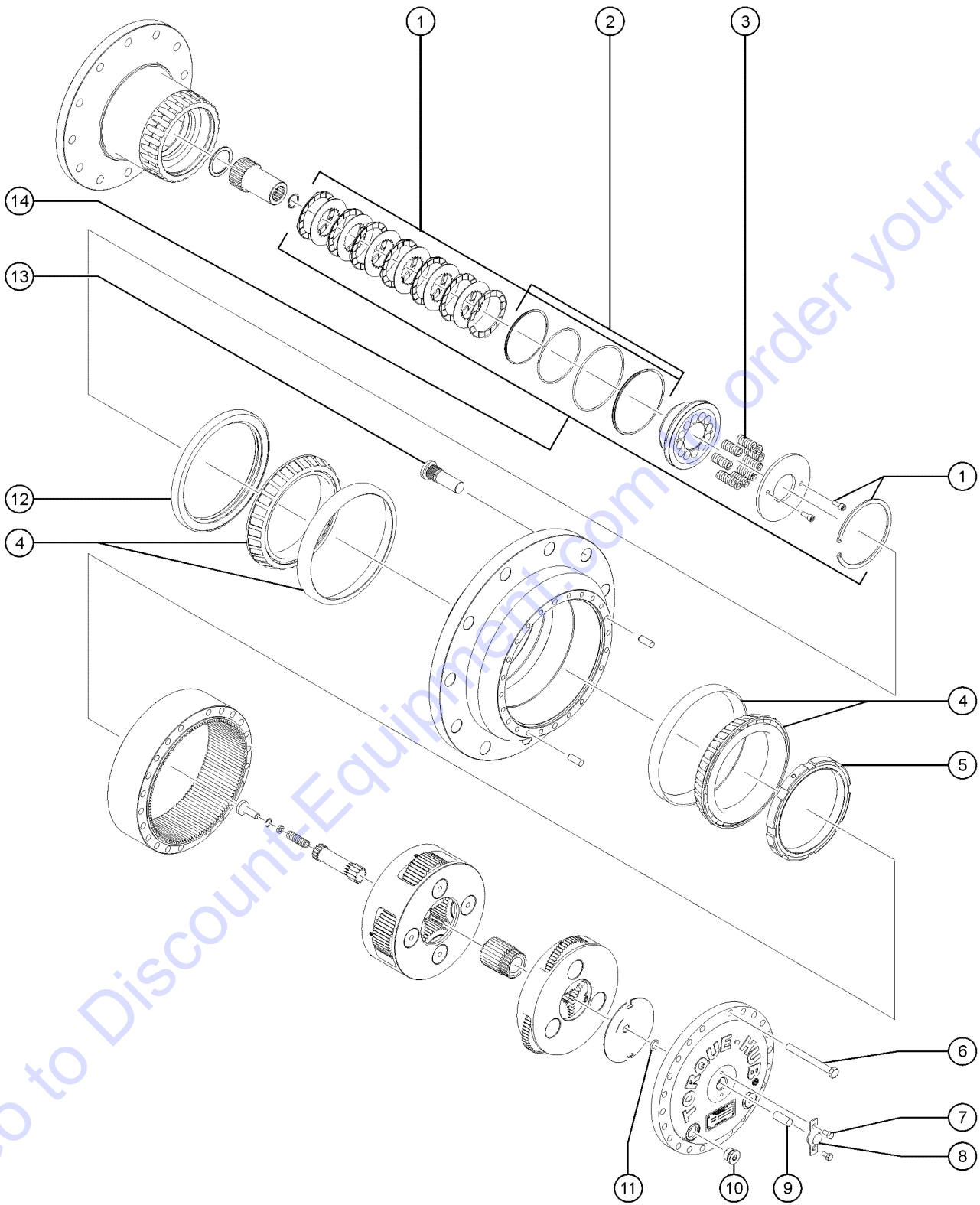


Go to Discount-Equipment.com to order your parts

## 204.1 Hub Assembly - 2 WD Spindler

Item	Part No.	Description	Qty.
--	121351GT	2 WD SPINDLE, IDLER	
--	227774GT	WHEEL DRIVE, IDLER <i>Shown</i>	
1	T111507GT	SEAL KIT (121291)*** <i>Includes O-ring part 33990</i>	
2	235135GT	O-ring.....	1
3	235136GT	EXPANSION PLUG.....	2
4	235137GT	BEARING, TAPERED - ASSY.....	2
5	122460GT	COVER PLATE (121351).....	1
6	58237GT	PLUG, TORQUE HUB, DRAIN***.....	3
7	235138GT	BOLT, HEX-UNC(.375-16, 1.25g).....	12
8	33990GT	O-RING, TORQUE HUB COVER..... <i>Part of seal kit T111507</i>	1
9	146051GT	BEARING NUT***.....	1
10	146052GT	SET SCREW***.....	1
11	33441GT	STUD, WHEEL, 3/4-16, ( 34115 ).....	11

205.1 Drive Hub Assembly with Brake - Type 1

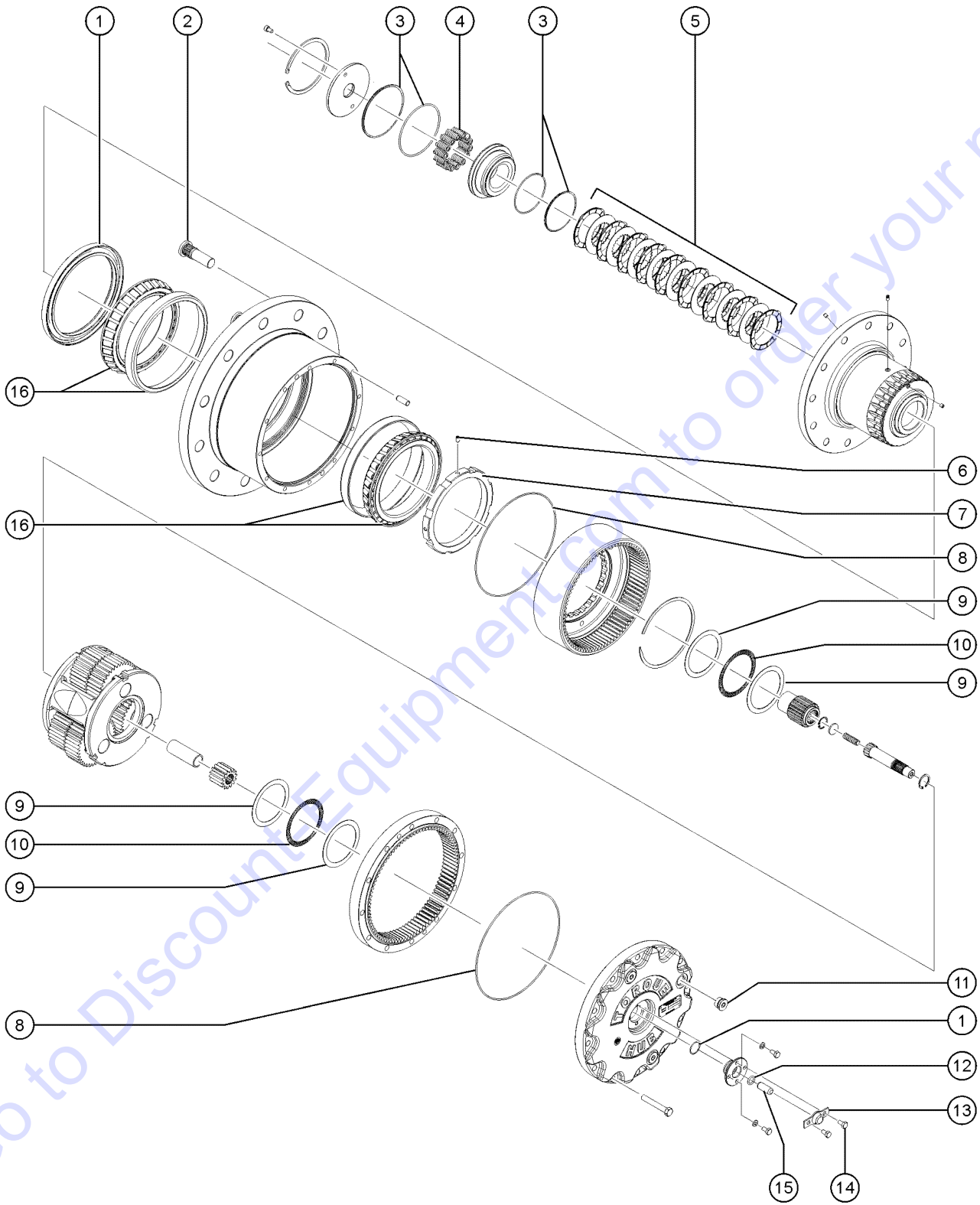


## 205.1 Drive Hub Assembly with Brake - Type 1

Item	Part No.	Description	Qty.
--	1286604GT	SEAL KIT,WHEEL DRIVE W/BRAKE (227775) <i>for 227775</i>	
--	1286605GT	BEARING KIT,WHEEL DRIVE W/BRAKE (227775) <i>for 227775</i>	
--	215623GT	SEAL KIT (227775) <i>for 227775 (inventory limited to stock on hand as component is no longer available)</i>	
--	227775GT	WHEEL DRIVE,W/BRAKE 57.49:1 <i>Shown</i>	
--	9990046GT	COVER, PLATE <i>for 227775</i>	
--	9990109GT	O-RING, NBR70 <i>for 9990046</i>	
1	235133GT	Brake Lining Kit.....	1
2	235139GT	Brake Seal Kit.....	1
3	235140GT	Spring Kit.....	1
4	235137GT	BEARING, TAPERED - ASSY.....	2
5	146051GT	BEARING NUT***.....	1
6	235151GT	BOLT,HEX-UNC(.375-16).....	22
7	111362GT	BOLT,WHEEL DRIVE CAP(106122).....	2
8	106122GT	CAP,DISENGAGE,4HP/4HB***.....	1
9	235152GT	DISENGAGE, ROD.....	1
10	235153GT	PIPE PLUG, MAGN.....	2
11	111363GT	O-RING,DISCONNECT ROD (111060)...	1
12	215623GT	SEAL KIT (227775)..... <i>Includes 2 O-rings (not shown) and bearing nut part 146051</i>	1
13	33441GT	STUD,WHEEL,3/4-16, ( 34115 ).....	11
14	235150GT	Brake Replacement Kit.....	1



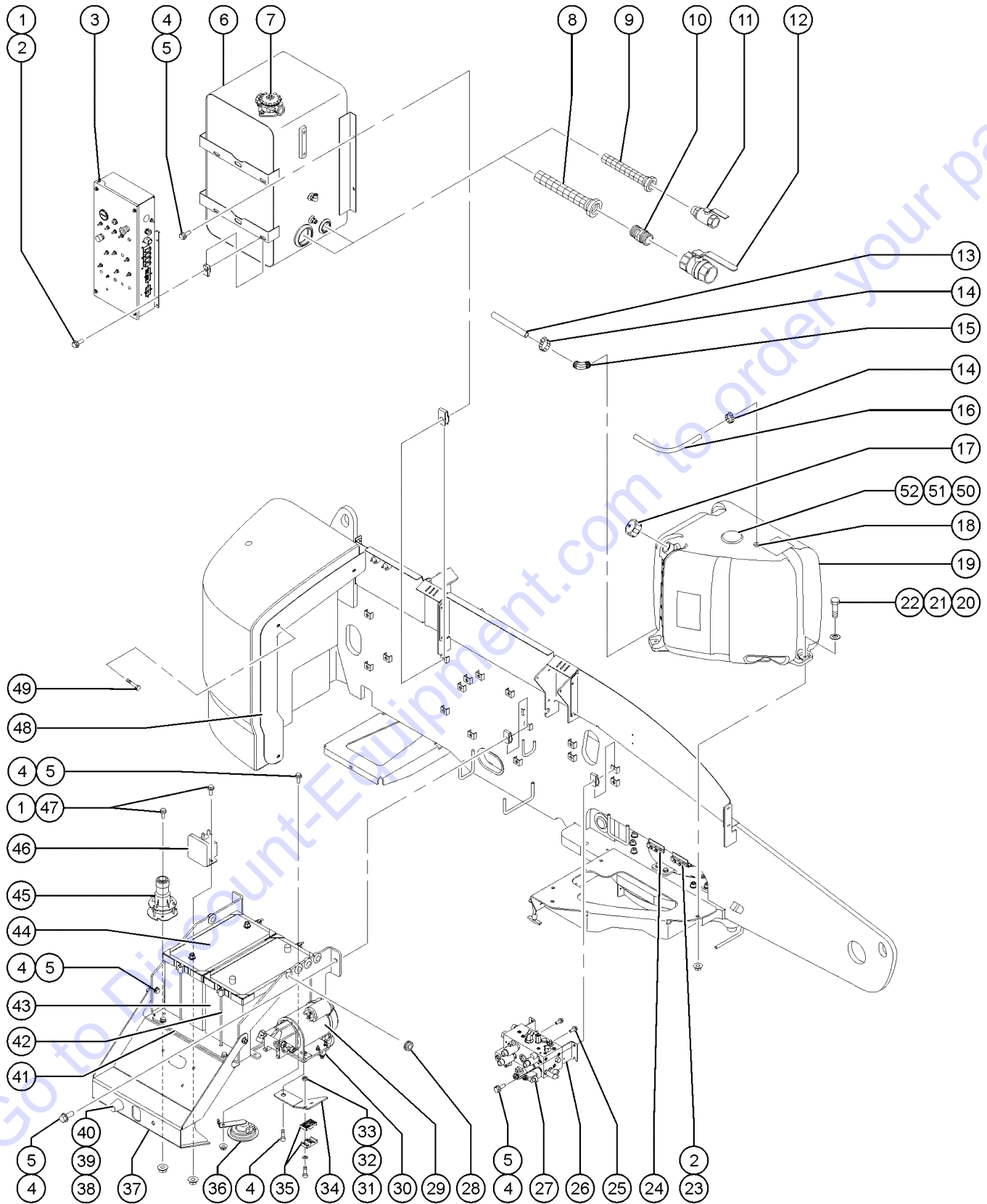
206.1 Drive Hub Assembly with Brake - Type 2



## 206.1 Drive Hub Assembly with Brake - Type 2

Item	Part No.	Description	Qty.
--	121291GT	WHEEL DRIVE,86.74:1***	
--	227776GT	WHEEL DRIVE W/BRAKE 86.74:1 <i>Shown</i>	
1	T111507GT	SEAL KIT (121291)***.....1 <i>Includes items 8 and 12</i>	
2	33441GT	STUD,WHEEL,3/4-16, ( 34115 ).....11	
3	122878GT	BRAKE LINING KIT (121291).....1	
4	122879GT	SPRING KIT (121291).....1	
5	106125GT	SEAL KIT, BRAKE, 4HP <i>(inventory limited to stock on hand as component is no longer available)</i>	
5	1286602GT	SEAL KIT,WHEEL DRIVE W/BRAKE (101584/101585)	
6	146052GT	SET SCREW***.....1	
7	146051GT	BEARING NUT***.....1	
8	33990GT	O-RING, TORQUE HUB COVER.....2 <i>Part of seal kit T111507</i>	
9	58999GT	WASHER, THRUST,(33434)**.....4	
10	65846GT	BEARING, THRUST WASHER***.....2	
11	58237GT	PLUG,TORQUE HUB,DRAIN***.....3	
12	111363GT	O-RING,DISCONNECT ROD (111060)...1 <i>Part of seal kit T111507</i>	
13	106122GT	CAP,DISENGAGE,4HP/4HB***.....1	
14	235154GT	BOLT,HEX-UNC(.250-20, .500G).....4	
15	235152GT	DISENGAGE, ROD.....1	
16	235137GT	BEARING, TAPERED - ASSY.....2	

301.1 Hydraulic and Fuel Tanks - Diesel Models



## 301.1 Hydraulic and Fuel Tanks - Diesel Models

Item	Part No.	Description	Qty.	Item	Part No.	Description	Qty.
1	121419GT	SCREW,HHF,1/4-20 X .75		18	88091GT	FUEL RETURN,DAPCO 1/4" <i>(Deutz models with fuel tank part 88684); to SN 11188</i>	
2	56912GT	SPRING CLIP,1/4-20,.025-.15X.54,ZAG		--	102106GT	FUEL RETURN,DAPCO 5/16" <i>(Perkins models with fuel tank part 88684); to SN 11188</i>	
3		Ref. GROUND CONTROL BOX		--	823356GT	TUBE,FUEL RETURN,3/8X3/8X23.5 <i>(Deutz and Perkins models with fuel tank part 823396 or 1274331); from SN 11189</i>	
4	121066GT	SCREW,HHC,FLG,3/8-16 X 1 GR8		--	219144GT	3/8 MALE NPT X 1/4 BARB <i>(Deutz and Perkins models with fuel tank part 823396)</i>	
5	29868GT	SPRING CLIP,3/8-16,.05-.20X.73,ZAG		19	88684GT	TANK,FUEL 35 GAL PLASTIC,S60.....1 <i>to SN 11188</i>	
6	111578GT	TANK, HYDRAULIC 40 GAL.....1		--	1274331GT	ASSY,FUEL TANK,35GAL,W/PROP SENSOR <i>from SN 13750</i>	
6A	21141GT	GAUGE-SIGHT,LHA-LGTB***		--	823396GT	FUEL TANK ASSY,35 GAL PLASTIC <i>from SN 11189 to 13749</i>	
7A	110345GT	FILTER ASSY,INTANK.....1 <i>includes item 7B</i>		20	5224GT	SCREW,HHC,3/8-16 X 2	
--	147223GT	SEAL,FILTER LID		21	6097GT	WASHER,FLAT,USS,3/8",Y	
7B	77353GT	KIT,ELEMENT**		22	4828GT	NUT,NYLOCK,3/8-16	
--	77354GT	FILTER LID,RFM165		23	121069GT	SCREW,HHF,1/4-20 X 1.50	
--	77365GT	BREATHER CAP,RFM165		24	121690GT	CLAMP,HALF,HARDLINE,3/8.....2	
--	88917GT	FILTER,ELEMENT,BETA(10)=200		25	16439GT	SCREW,FHS,3/8-16 X 1	
--	94526GT	GASKET,RETURN FILTER-77353		26	121687GT	FORMING,MANIFOLD MOUNT.....1	
8	75257GT	STRAINER ASSY,#24 O-RING.....1		27		Ref. FUNCTION MANIFOLD <i>(Refer to 706.1)</i>	
9	147419GT	KIT,STRAINER REPLACEMENT.....1		28	826559GT	GROMMET,.875"ID,1.25"OD,.188".....6	
10	75254GT	UNION,STR.THREAD 24***.....1		29	89617GT	POWER UNIT,AUX PUMP 12VDC.....1 <i>to SN 8198</i>	
11	48996GT	VALVE,BALL,16 MSAE-16 FSAE***.....1		--	1264969GT	MOTOR, 12VDC, I-TERMINAL <i>from SN 12608</i>	
12	75256GT	VALVE BALL,24 FSAE-24 FSAE***.....1		--	147289GT	SEAL KIT, APU	
13	27089GT	HOSE,5/16 FUEL,SAE 30R7...117-inches <i>(Deutz models with fuel tank part 88684); to SN 11188</i>		--	147290GT	SHAFT SEAL, APU	
--	27089-14100GT	HOSE,5/16 FUEL,SAE30R7 <i>(Perkins models)</i>		--	58489GT	PUMP ASSY,AUX.POWER UNIT 89617	
--	823421GT	HOSE,FUEL,1/2,GATES RLA.....125-inches <i>(Deutz models with fuel tank part 823396); from SN 11189</i>		--	77069GT	MOTOR,12VDC,77066 <i>to SN 12607</i>	
14	21465GT	CLAMP,HOSE,.25" - .63" X .3125		--	77071GT	SOLENOID,77066	
15	88294GT	ELBOW,45 DEG,3/8MPT X 3/8 BARB.....1 <i>(Perkins models with fuel tank part 88684); to SN 11188</i>		29A	146180GT	ASSEMBLY, AUX POWER UNIT, 12VD <i>Use with dual battery; from SN 8199</i>	
--	27901GT	HOSE END,BARBED,RIGID,-6-6 <i>(Perkins models with fuel tank part 823396 or 1274331); from SN 11189</i>		--	1264969GT	MOTOR, 12VDC, I-TERMINAL <i>from SN 12608</i>	
--	54124GT	HOSE END,BARB,3/8 MNPT X 5/16 <i>(Deutz models)</i>		--	146181GT	SOLENOID, APU	
16	30490-5700GT	HOSE,1/4 FUEL LINE,SAE 30R7.....57-inches <i>(Deutz models with fuel tank part 88684); to SN 11188</i>		--	146182GT	GROUND WIRE,SOLENOID	
--	42941-10300GT	HOSE,3/8",FUEL,30R7,103 INCHES <i>(Perkins models)</i>		--	37187GT	SEAL KIT, 37185 PUMP	
--	823420GT	HOSE,FUEL,3/8,GATES RLA.....123-inches <i>(Deutz models with fuel tank part 823396); from SN 11189</i>		--	37192GT	COUPLER, PUMP / MOTOR (36179)	
17	101726GT	CAP,FUEL,DIESEL,1/8"VENT(GRN).....1		--	58489GT	PUMP ASSY,AUX.POWER UNIT 89617	
				--	62414GT	SEAL, SHAFT, 60511 APU	

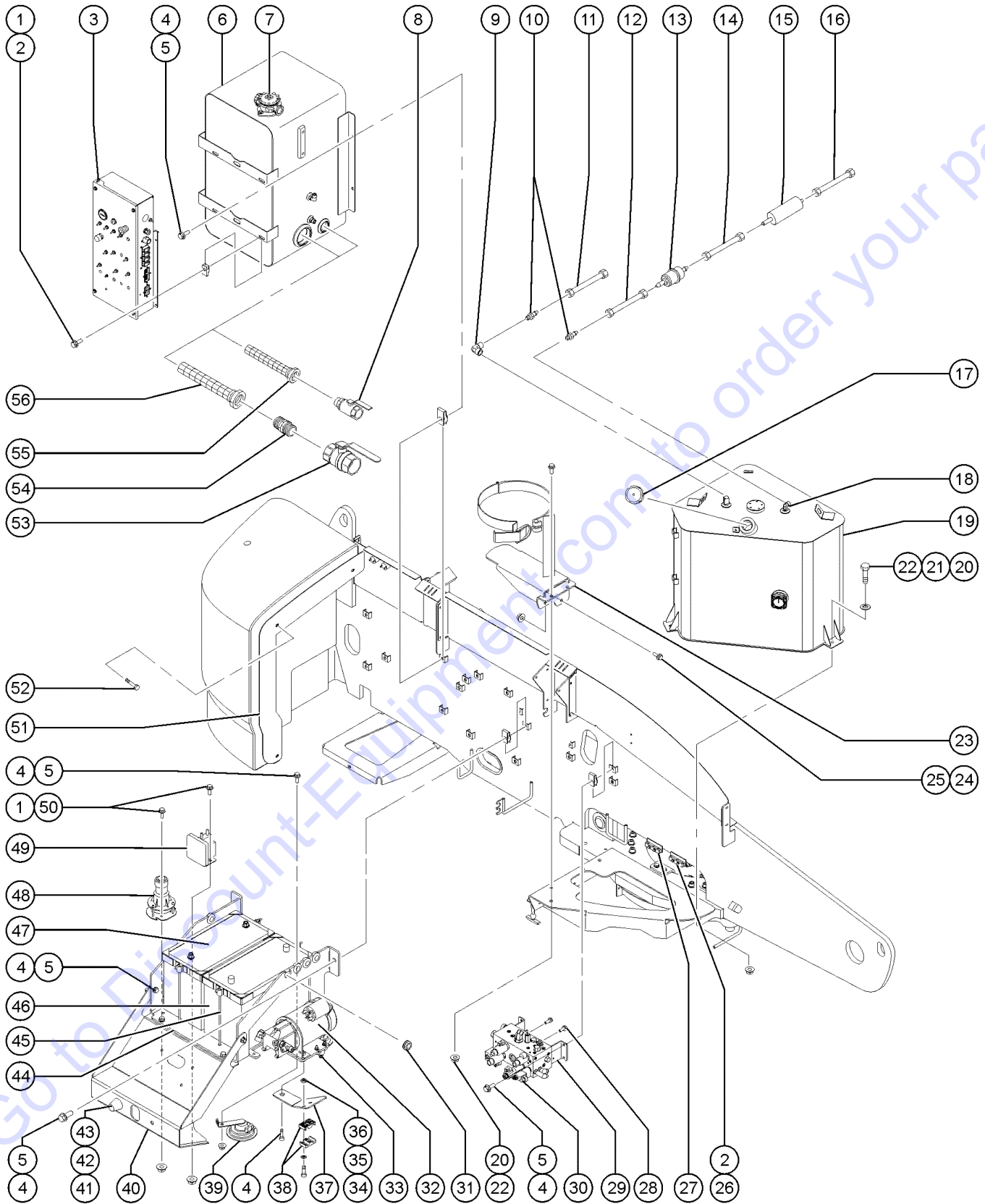
### 301.1 Hydraulic and Fuel Tanks - Diesel Models (continued)

Item	Part No.	Description	Qty.	Item	Part No.	Description	Qty.
--	77069GT	MOTOR,12VDC,77066 to SN 12607		51	1271772	CAP, TANK, FUEL SENSOR.....1 (fuel tank part 1274331); from SN 13750	
29B	81535GT	HARNESS,BATT.+ TO APU SOLENOID		52	1271773	GASKET, TANK, FUEL SENSOR.....1 (fuel tank part 1274331); from SN 13750	
--	81536GT	HARNESS,APU GND TO ENGINE BLCK					
30	94982GT	STANDOFF, 3/8" BLACK.....1					
--	4828GT	NUT,NYLOCK,3/8-16.....1					
--	5397GT	WASHER,FLAT,USS,5/16",Y.....1					
31	6145GT	SCREW,HHC,1/4-20 X 1.5					
32	6638GT	WASHER,FLAT,USS,1/4"Y					
33	6091GT	NUT,NYLOCK,1/4-20					
34	121758GT	PLATE,BAT CABLE GUIDE.....1 to SN 9654					
--	219392GT	FORMING, BAT CABLE GUIDE from SN 9655					
35	78736GT	CLAMP,2 HOSE,PLASTIC,5/8.....2					
36	81578GT	HORN,12VDC,SPADE TERMINALS***....1					
37	121259GT	WELDMENT, HOOD LATCH MOUNT.....1					
38	30973GT	BUMPER,RUBBER-1 X 1.25					
39	5397GT	WASHER,FLAT,USS,5/16",Y					
40	6782GT	NUT,NYLOCK,5/16-18					
41	121258GT	FORMING, BATTERY TRAY.....1					
42A	45708GT	HOOK,BATT HOLD DOWN,10".....4					
42B	30144GT	BATTERY HOLD DOWN,GROUP 31.....2					
43	30143GT	BATTERY,12V,1000 CCA GRP 31.....1					
44	77694GT	BATTERY,12V DEEP CYC 5/16"STUD....1 from SN 8199					
45	94077GT	SENSOR,LEVEL,4.5 DEG.....1 to SN 13231; USA/Canada/ Australia models					
--	110382GT	LEVEL SENSOR,LS60,YL,2.5X4.5 to SN 13231; European models					
--	1261984GT	SENSOR, LEVEL, 4.5 X 4.5 DEG from SN 13232; USA/Canada/ Australia models					
--	1263187GT	SENSOR, LEVEL,2.5 X 4.5 DEG from SN 13232; European models					
46	237068GT	SEPARATOR,DUAL BATTERY,100A.....1					
--	214393GT	KIT, BATT SEPARATOR, ANSI/CSA Includes part 237068					
--	215209GT	KIT, BATT SEPARATOR, CE Includes part 237068					
--	215210GT	KIT, BATT SEPARATOR, AS Includes part 237068					
47	121421GT	NUT,FLG,1/4-20					
48	121386GT	PLATE, TANK SIDE BULKHEAD.....1					
49	75051GT	SCREW,SER FLNG3/8UNCX3/4ZNYEL					
50	1251757GT	SCREW,PHPM,10-32X.50,ZAG.....5 (fuel tank part 1274331); from SN 13750					

*This Page Intentionally Left Blank*

Go to [Discount-Equipment.com](http://Discount-Equipment.com) to order your parts

302.1 Hydraulic and Fuel Tanks - Gasoline/LPG Models



## 302.1 Hydraulic and Fuel Tanks - Gasoline/LPG Models

Item	Part No.	Description	Qty.	Item	Part No.	Description	Qty.
1	121419GT	SCREW,HHF,1/4-20 X .75		21	6097GT	WASHER,FLAT,USS,3/8",Y	
2	56912GT	SPRING CLIP,1/4-20,.025-.15X.54,ZAG		22	4828GT	NUT,NYLOCK,3/8-16	
3		Ref. GROUND CONTROL BOX (Refer to 303.1)		23	121792GT	WELDMENT,LP MOUNT.....1	
4	121066GT	SCREW,HHC,FLG,3/8-16 X 1 GR8		24	123164GT	SCREW,FLANGE,1/2-13X1.25,GR 8	
5	29868GT	SPRING CLIP,3/8-16,.05-.20X.73,ZAG		25	121423GT	NUT,FLG,1/2-13	
6	111578GT	TANK, HYDRAULIC 40 GAL.....1		26	121069GT	SCREW,HHF,1/4-20 X 1.50	
6A	21141GT	GAUGE-SIGHT,LHA-LGTB***		27	121690GT	CLAMP,HALF,HARDLINE,3/8.....2	
7A	110345GT	FILTER ASSY,INTANK.....1 includes item 7B		28	16439GT	SCREW,FHS,3/8-16 X 1	
--	147223GT	SEAL,FILTER LID		29	121687GT	FORMING,MANIFOLD MOUNT.....1	
7B	77353GT	KIT,ELEMENT**		30		Ref. FUNCTION MANIFOLD (Refer to 706.1)	
--	77354GT	FILTER LID,RFM165		31	826559GT	GROMMET,.875"ID,1.25"OD,.188".....6	
--	77365GT	BREATHER CAP,RFM165		32	89617GT	POWER UNIT,AUX PUMP 12VDC.....1 to SN 8198	
--	88917GT	FILTER,ELEMENT,BETA(10)=200		--	1264969GT	MOTOR, 12VDC, I-TERMINAL from SN 12608	
--	94526GT	GASKET,RETURN FILTER-77353		--	147289GT	SEAL KIT, APU	
8	48996GT	VALVE,BALL,16 MSAE-16 FSAE***.....1		--	147290GT	SHAFT SEAL, APU	
9	128081GT	ELBOW,90D,1/4FPTX3/8MPT.....1		--	58489GT	PUMP ASSY,AUX.POWER UNIT 89617	
10	111818GT	FITTING,1/4 NPT X SAE J2044.....2		--	77069GT	MOTOR,12VDC,77066 to SN 12607	
11	111817-9800GT	HOSE ASSY,SAE J2260/J2044.....1		--	77071GT	SOLENOID,77066	
12	111817-1700GT	HOSE ASSY,SAE J2260/J2044,2END....1		32A	146180GT	ASSEMBLY, AUX POWER UNIT, 12VD Use with dual battery; from SN 8199	
13	111797GT	FILTER, GAS, SAE J2044 FITTING.....1		--	1264969GT	MOTOR, 12VDC, I-TERMINAL from SN 12608	
14	111817-1700GT	HOSE ASSY,SAE J2260/J2044,2END....1		--	146181GT	SOLENOID, APU	
15	111915GT	FUEL PUMP,TME 2.7L ENGINE.....1		--	146182GT	GROUND WIRE,SOLENOID	
16	111817-6300GT	HOSE ASSY,SAE J2260/J2044.....1		--	37187GT	SEAL KIT, 37185 PUMP	
17	119918GT	CAP,FUEL,GASOLINE 3.5PSI.....1		--	37192GT	COUPLER, PUMP / MOTOR (36179)	
18	119983GT	FUEL PICKUP,3/8X1/4NPT X 2200.....1 Use with previous tank 121839; to SN 8923		--	58489GT	PUMP ASSY,AUX.POWER UNIT 89617	
--	146417GT	ASSY, FUEL PICKUP TUBE Part of fuel tank 146415		--	62414GT	SEAL, SHAFT, 60511 APU	
19		TANK ASSY,30GAL PLASTIC Previous tank part 121839 is no longer available. Please order fuel tank 146415 (requires 3 each bolt 8924, item 20); to SN 8923		--	77069GT	MOTOR,12VDC,77066 to SN 12607	
--	146413GT	GAUGE, FUEL LEVEL, 20/30 GAL Part of fuel tank 146415		32B	81535GT	HARNESS,BATT.+ TO APU SOLENOID	
--	146415GT	TANK ASSY, GAS, 30 GAL. Shown; from SN 8924		--	81536GT	HARNESS,APU GND TO ENGINE BLCK	
--	146550GT	GASKET, FUEL LEVEL GAUGE, GAS		33	94982GT	STANDOFF, 3/8" BLACK.....1	
--	146551GT	GASKET, FUEL LEVEL SENDER, Z80		--	4828GT	NUT,NYLOCK,3/8-16.....1	
--	146552GT	PLATE, COVER, FUEL LEVEL SNDR		--	5397GT	WASHER,FLAT,USS,5/16",Y.....1	
--	49826GT	SCREW,PHILLIPS,PHM,10-32 X.625		34	6145GT	SCREW,HHC,1/4-20 X 1.5	
20	121075GT	SCREW,HHF,3/8-16X2.00 Use with previous tank 121839; to SN 8923		35	6638GT	WASHER,FLAT,USS,1/4"Y	
--	8516GT	SCREW, HCC, 3/8-16 X 1.50 Use with fuel tank 146415; from SN 8924		36	6091GT	NUT,NYLOCK,1/4-20	
				37	121758GT	PLATE,BAT CABLE GUIDE.....1 to SN 9654	
				--	219392GT	FORMING, BAT CABLE GUIDE from SN 9655	



### 302.1 Hydraulic and Fuel Tanks - Gasoline/LPG Models (continued)

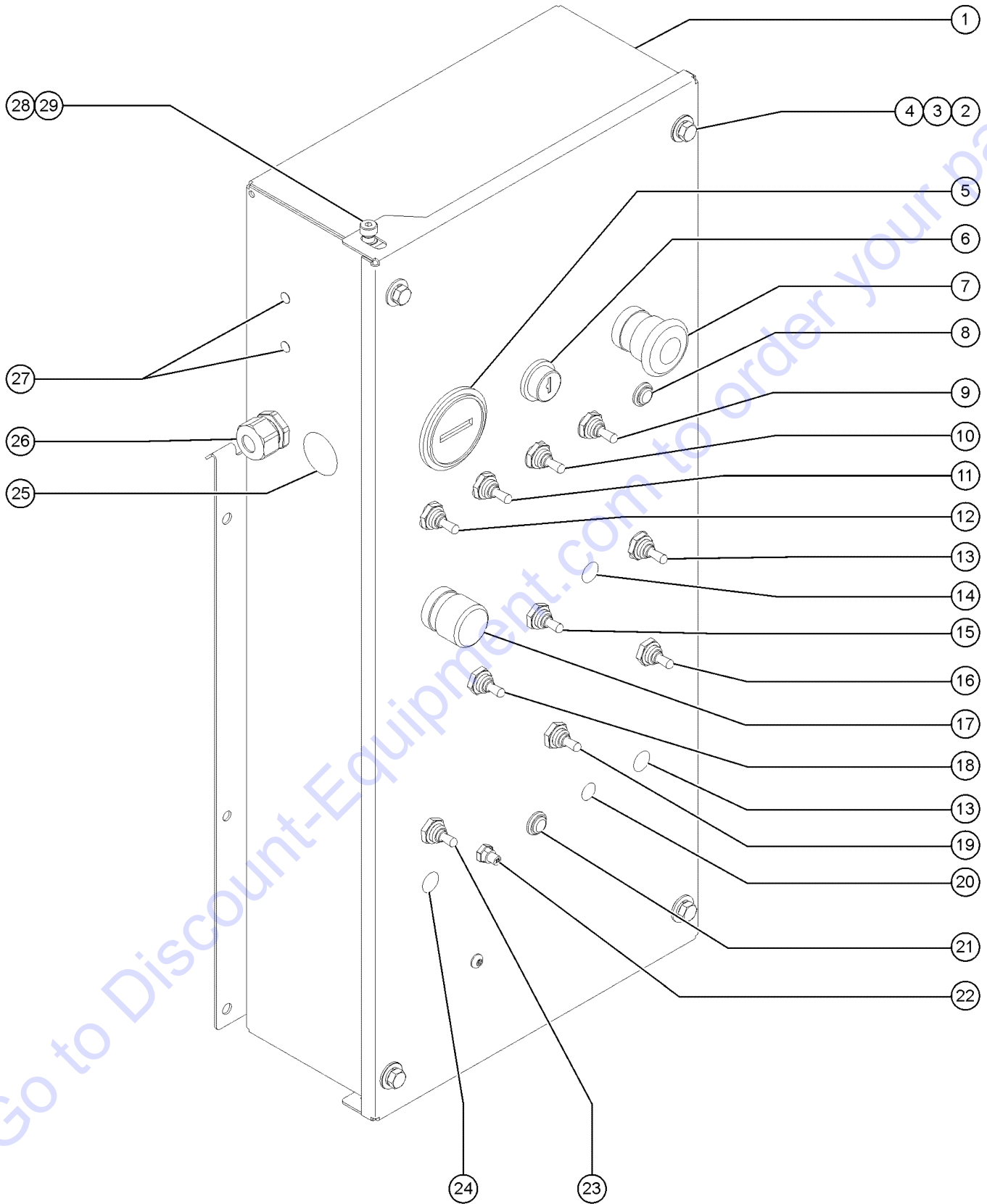
Item	Part No.	Description	Qty.
38	78736GT	CLAMP,2 HOSE,PLASTIC,5/8.....2	
39	81578GT	HORN,12VDC,SPADE TERMINALS***....1	
40	121259GT	WELDMENT, HOOD LATCH MOUNT.....1	
41	30973GT	BUMPER,RUBBER-1 X 1.25	
42	5397GT	WASHER,FLAT,USS,5/16",Y	
43	6782GT	NUT,NYLOCK,5/16-18	
44	121259GT	WELDMENT, HOOD LATCH MOUNT.....1	
45B	30144GT	BATTERY HOLD DOWN,GROUP 31.....2	
45B	45708GT	HOOK,BATT HOLD DOWN,10".....4	
46	30143GT	BATTERY,12V,1000 CCA GRP 31.....1	
47	77694GT	BATTERY,12V DEEP CYC 5/16"STUD....1 <i>from SN 8199</i>	
48	94077GT	SENSOR,LEVEL,4.5 DEG.....1 <i>to SN 13231; USA/Canada/ Australia models</i>	
--	110382GT	LEVEL SENSOR,LS60,YL,2.5X4.5 <i>to SN 13231; European models</i>	
--	1261984GT	SENSOR, LEVEL, 4.5 X 4.5 DEG <i>from SN 13232; USA/Canada/ Australia models</i>	
--	1263187GT	SENSOR, LEVEL,2.5 X 4.5 DEG <i>from SN 13232; European models</i>	
49	237068GT	SEPARATOR,DUAL BATTERY,100A.....1	
--	214393GT	KIT, BATT SEPARATOR, ANSI/CSA <i>Includes part 237068</i>	
--	215209GT	KIT, BATT SEPARATOR, CE <i>Includes part 237068</i>	
--	215210GT	KIT, BATT SEPARATOR, AS <i>Includes part 237068</i>	
50	121421GT	NUT,FLG,1/4-20	
51	121386GT	PLATE, TANK SIDE BULKHEAD.....1	
52	75051GT	SCREW,SER FLNG3/8UNCX3/4ZNYEL	
53	75256GT	VALVE BALL,24 FSAE-24 FSAE***	
54	75254GT	UNION,STR.THREAD 24***.....1	
55	147419GT	KIT,STRAINER REPLACEMENT.....1	
56	75257GT	STRAINER ASSY,#24 O-RING.....1	

302.1 Hydraulic and Fuel Tanks - Gasoline/LPG Models  
(continued)

***This Page Intentionally Left Blank***

Go to Discount-Equipment.com to order your parts

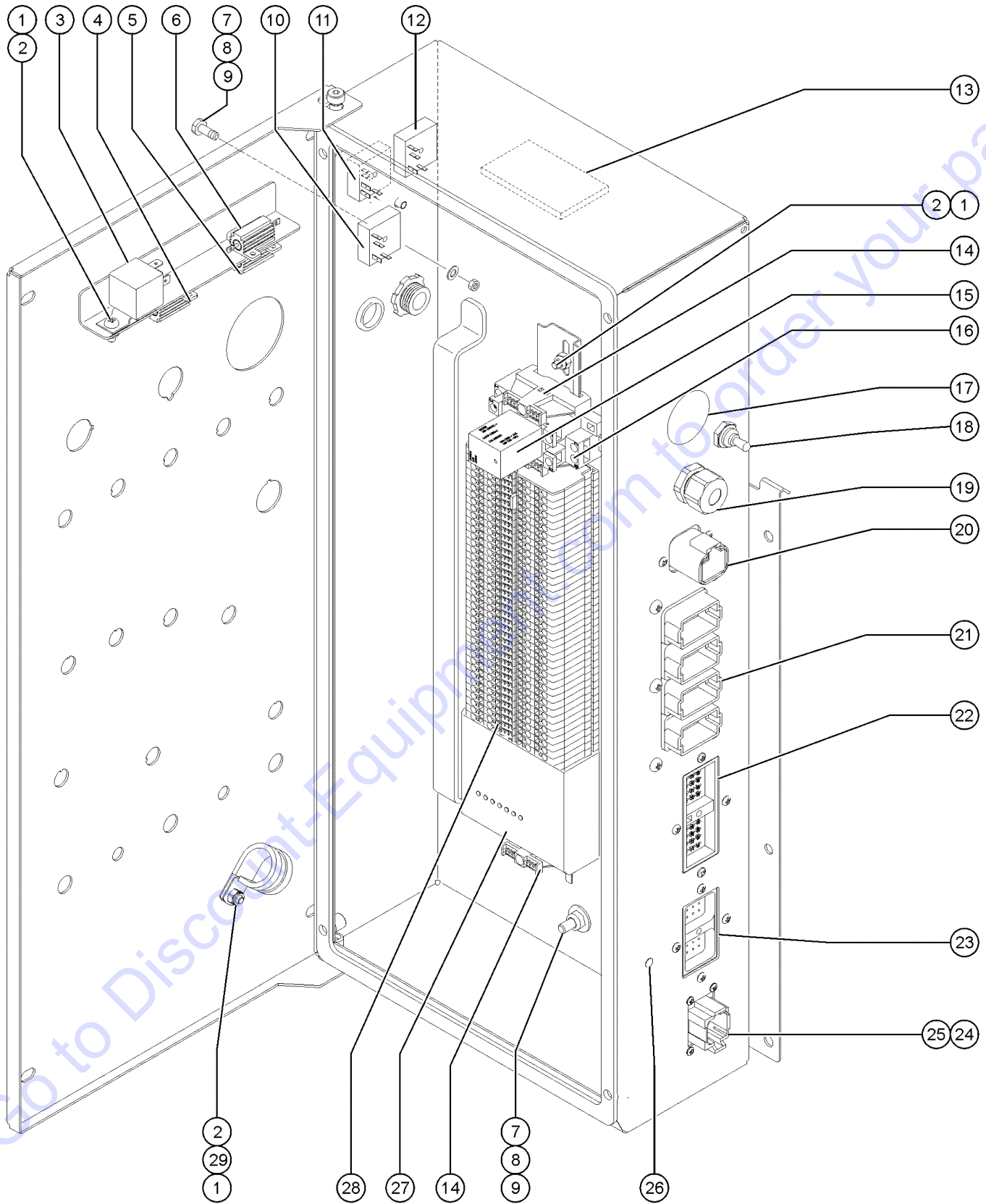
303.1 Ground Controls - View 1



## 303.1 Ground Controls - View 1

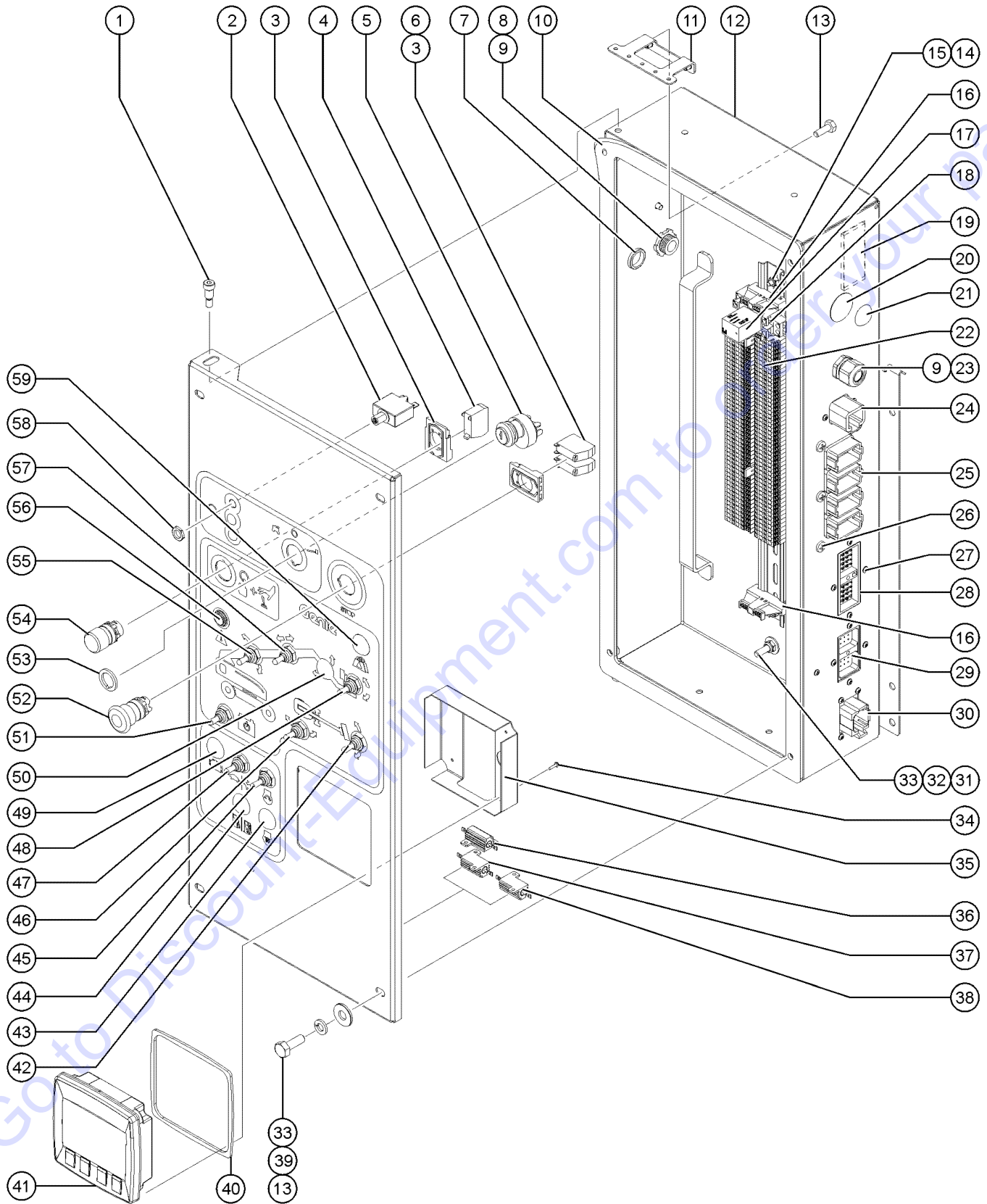
Item	Part No.	Description	Qty.	Item	Part No.	Description	Qty.
1A	121315GT	WELDMENT,GBOX,S80/85 2008.....1 to SN 10912	1	13B	128202GT	SWITCH TOGGLE ASSY DPDT 3P MOM.....1 from SN 12264	1
1B	1253160GT	WELDMENT, GBOX, S80/85 2013.....1 from SN 10913	1	14A	229567GT	PLUG,SANTOPRENE .5 BLACK DOME.....2	2
1C	122673GT	GROUND BOX LID W/DECAL.....1 Use LID part T107744 for S-80X	1	14B	128200GT	SWITCH TOGGLE ASSY SPDT 3P MOM (Jib up/down)	1
1D	T107744GT	S80X GBOX LID W/DECAL.....1 Use only with S-80X; from SN 8500	1	15	128202GT	SWITCH TOGGLE ASSY DPDT 3P MOM.....1 (Boom extend/retract)	1
2	6090GT	SCREW,HHC,1/4-20 X .75		16	128200GT	SWITCH TOGGLE ASSY SPDT 3P MOM.....1 (Platform rotate)	1
3	6353GT	SCREW,RHM,1/4-20 X .5		17	66813GT	BUTTON,PUSH,BLACK W/SEAL***.....1 "Function enable" (models with push button) shown"	1
4	6638GT	WASHER,FLAT,USS,1/4"Y		--	80716GT	SWITCH,SELECTOR,BLACK "(Function enable) (models with selector switch) not shown"	
5	19506GT	HOUR METER,10-80 VOLTS***.....1	1	18	128202GT	SWITCH TOGGLE ASSY DPDT 3P MOM.....1 (Boom up/down)	1
6	96008-SGT	KEYSWITCH,3 POS. W/KEYS***.....1	1	19	128202GT	SWITCH TOGGLE ASSY DPDT 3P MOM.....1 (Turntable rotate)	1
--	37947GT	KEYS,10 PACK***		20	21858GT	PLUG,NYLON .38 BLACK DOMED.....1 Complete LED light assembly)	1
--	83093GT	KEY SINGLE*** Includes boot		21	824879GT	LIGHT,LED IND. RED 12V NH.....1	1
--	83131GT	KEYSWITCH,3 POS W/KEYS,LOCKING		22	147094GT	ASSY, CIRCUIT BREAKER 15A.....1 (Controls)	1
--	96009GT	WASHER,NITRILE		23	128201GT	SWITCH TOGGLE ASSY DPDT 2P MOM.....1 (Auxiliary pump)	1
7	66812GT	BUTTON,PUSH,RED MUSHROOM HEAD.....1	1	24A	21858GT	PLUG,NYLON .38 BLACK DOMED.....1	1
--	66818GT	CONTACT, N.C.		24B	824879GT	LIGHT,LED IND. RED 12V NH.....1 "Load sense, (Complete LED light assembly)"	1
--	66821GT	BASE,WITHOUT CONTACTS		25	15243GT	PLUG,NYLON .875 BLACK DOMED.....1	1
--	73805GT	BASE,W/2 NC CONTACTS***		26	7056GT	CONN,SQUEEZE,1/2NPT .38-.50,SM....1	1
8A	824879GT	LIGHT,LED IND. RED 12V NH.....1 "Diesel models, (Complete LED light assembly)"	1	27	42781GT	PLUG, NYLON .250 BLACK DOMED.....1	1
8B	218167GT	LIGHT,INDICATOR,AMBER 12V ENGINE.....1 (Gas/lpg models)	1	28	88315GT	SCREW,SHS,1/4-20 X .25 ZINC.....2	2
9	128204GT	SWITCH TOGGLE ASSY SPDT 2P MNT.....1 (Engine speed select)	1	29	23404GT	NUTSERT,1/4-20,STEEL CAD PLTD.....2	2
10A	128204GT	SWITCH TOGGLE ASSY SPDT 2P MNT.....1 (Gas/lpg select)	1				
10B	229567GT	PLUG,SANTOPRENE .5 BLACK DOME					
11A	128200GT	SWITCH TOGGLE ASSY SPDT 3P MOM.....1 "(Start assist, glow plug) (Diesel models)"	1				
11B	229567GT	PLUG,SANTOPRENE .5 BLACK DOME.....1	1				
12A	128200GT	SWITCH TOGGLE ASSY SPDT 3P MOM.....1 (Starter)	1				
12B	229567GT	PLUG,SANTOPRENE .5 BLACK DOME.....1	1				
13A	128200GT	SWITCH TOGGLE ASSY SPDT 3P MOM.....1 "to SN 12263 (Platform level)"	1				

303.2 Ground Controls - View 2



Item	Part No.	Description	Qty.	Item	Part No.	Description	Qty.
--	88832GT	HARNESS,PLUG,NON-LOAD WEIGHING <i>None CE models</i>		--	216791GT	TERMINAL BLOCK,WIELAND	
1	54365GT	SCREW,PHIL,PHM,10-32 X .5,SSTL		--	216793GT	TERMINAL BLOCK END PLATE	
2	6178GT	NUT,NYLOCK,10-32		--	33422GT	DIN RAIL,17"	
3	19274GT	RELAY,SPDT,12V(AUTO)**		--	74913GT	END STOP, DIN RAIL,SCREW CLAMP	
4	89575GT	RESISTOR,7.5 OHM,25 WATT,1PCNT		--	74917GT	JUMPER COMB, 2-WAY,WIELAND	
5	40614GT	RESISTOR,5 OHM,25W***		29	18666GT	CLAMP,1.00,#16 X 1/4,RUB CUSH.....1	
6	27287GT	RESISTOR,10 OHM,25 WATT					
7	6090GT	SCREW,HHC,1/4-20 X .75					
8	6638GT	WASHER,FLAT,USS,1/4"Y					
9	6889GT	NUT,LP NYLOCK,1/4-20					
10	102406GT	MODULE,TIME DELAY ON BRK 30S <i>Deutz models</i>					
11	121846GT	RELAY,TIME DELAY,2 SEC,10A					
12	106637GT	MODULE,TIME DELAY ON BREAK 4S <i>Welder option</i>					
13	30997GT	CORROSION INHIBITOR,FOAM.....1					
14	74913GT	END STOP, DIN RAIL,SCREW CLAMP.....1 <i>(Part of item 26)</i>					
15	33607GT	RELAY,OMRON,DPDT,12V <i>Welder option</i>					
16	33608GT	RELAY,SOCKET,OMRON <i>Welder option</i>					
17	229567GT	PLUG,SANTOPRENE .5 BLACK DOME.....1					
18	128583GT	SWITCH TOGGLE SPDT 2P MOM SHDR.....1					
--	229567GT	PLUG,SANTOPRENE .5 BLACK DOME					
19	7056GT	CONN,SQUEEZE,1/2NPT .38-.50,SM....1					
20	73717GT	CONN,RECEP 4 WAY,12-14GA FL***.....1					
--	49820GT	SCREW,PHILLIPS,PHM,6-32 X .5					
21	73736GT	CONN,RECEP 48 WAY,4 X 12.....1					
--	73803GT	SCREW,SHM,PHP, #12 X .75					
22	73754GT	CONN,RECEP 40 WAY,W/FLANGE.....1					
--	49820GT	SCREW,PHILLIPS,PHM,6-32 X .5					
23	73753GT	CONN,RECEP 24 WAY,W/FLANGE.....1					
--	49820GT	SCREW,PHILLIPS,PHM,6-32 X .5					
24	87755GT	CONN,RECEP 8 WAY 14-18GA,FL <i>from SN 10913</i>					
25	60447GT	LOCK,RECEP 8 WAY,14-18GA <i>from SN 10913</i>					
26	42288GT	PLUG,NYLON .188 BLACK DOMED.....1					
27	56057GT	MODULE,IGNITION/START,12/24V.....1					
28	217442GT	ASSY,TERMINAL RAIL,S80/85 2008.....1 <i>(complete assembly); to SN 10192</i>					
--	1253154GT	ASSY, TERM RAIL, S80/85 2013 <i>(complete assembly); from SN 10193</i>					

304.1 Ground Control - Deutz TD2.9L4



## 304.1 Ground Control - Deutz TD2.9L4

Item	Part No.	Description	Qty.	Item	Part No.	Description	Qty.
--		<i>Verify Engine Make and Model Before Ordering</i>		--	216791GT	TERMINAL BLOCK,WIELAND	
--	106637GT	MODULE,TIME DELAY ON BREAK 4S <i>(Welder option)</i>		--	216793GT	TERMINAL BLOCK END PLATE	
--	121846GT	RELAY,TIME DELAY,2 SEC,10A <i>CE option</i>		--	33422GT	DIN RAIL,17"	
--	1251825GT	WELDMENT, LID, GBOX, TIER IV S80 <i>(no decal)</i>		--	74913GT	END STOP, DIN RAIL,SCREW CLAMP.....2	
1	88315GT	SCREW,SHS,1/4-20 X .25 ZINC.....2		--	74917GT	JUMPER COMB, 2-WAY,WIELAND.....3	
2	147090GT	CIRCUIT BREAKER, 15A.....1		23	7056GT	CONN,SQUEEZE,1/2NPT .38-.50,SM....1	
--	122994GT	NICKEL PLATED JAM NUT.....1		24	73717GT	CONN,RECEP 4 WAY,12-14GA FL***.....1	
3	66821GT	BASE,WITHOUT CONTACTS.....2		--	49820GT	SCREW,PHILLIPS,PHM,6-32 X .5	
4	66815GT	BASE, W/1 N.O. CONTACTS***.....1		25	73736GT	CONN,RECEP 48 WAY,4 X 12.....1	
5	96008-SGT	KEYSWITCH,3 POS. W/KEYS*** <i>includes 1 pair of keys</i>		26	73803GT	SCREW,SHM,PHP, #12 X .75	
--	37947GT	KEYS,10 PACK*** <i>use with keyswitch 96008-S</i>		27	49820GT	SCREW,PHILLIPS,PHM,6-32 X .5	
--	66814GT	BASE,WITH 2 N.O. CONTACTS*** <i>includes 2 each N.O. contacts</i>		28	73754GT	CONN,RECEP 40 WAY,W/FLANGE.....1	
--	66816GT	CONTACT,N.O.***		29	73753GT	CONN,RECEP 24 WAY,W/FLANGE.....1	
--	83093GT	KEY SINGLE*** <i>includes boot, use with keyswitch 96008-S</i>		30	87755GT	CONN,RECEP 8 WAY 14-18GA,FL.....1	
--	83131GT	KEYSWITCH,3 POS W/KEYS,LOCKING		31	6888GT	SCREW,HHC,1/4-20 X 1	
--	96009GT	WASHER,NITRILE		32	6889GT	NUT,LP NYLOCK,1/4-20	
6	66818GT	CONTACT, N.C.....2		33	6638GT	WASHER,FLAT,USS,1/4"Y	
7	15243GT	PLUG,NYLON .875 BLACK DOMED.....1		34	1252684GT	SCREW,DP200 M3X10 4PACK <i>Part of assembly 1251985</i>	
8	121753GT	HARNES,ALARM/BEACON,S80 2008.....1		35	219718GT	BRACKET,DP200 PANEL MOUNT <i>Part of assembly 1251985</i>	
9	6935GT	LOCKNUT,ELEC,1/2".....2		36	89575GT	RESISTOR,7.5 OHM,25 WATT,1PCNT....1	
10	121599GT	GASKET,GBOX,S80/85 2008.....1		37	27287GT	RESISTOR,10 OHM,25 WATT.....1	
11	1253409GT	ANGLE, RELAY MOUNTING.....1		38	40614GT	RESISTOR,5 OHM,25W***.....1	
12	1253160GT	WELDMENT, GBOX, S80/85 2013.....1		39	6356GT	WASHER,LOCK,.25	
13	6090GT	SCREW,HHC,1/4-20 X .75		40	1252685GT	GASKET,DP200 BLACK PANEL SEAL....1 <i>Part of assembly 1251985</i>	
14	6178GT	NUT,NYLOCK,10-32		41	1251984GT	ASSY,DISPLAY,DP200 DEUTZ T4.....1 <i>Including bracket part 219718, gasket part 1252685 and screws part 1252684</i>	
15	54365GT	SCREW,PHIL,PHM,10-32 X .5,SSTL		42	128200GT	SWITCH TOGGLE ASSY SPDT 3P MOM.....1 <i>Platform rotate switch</i>	
16	74913GT	END STOP, DIN RAIL,SCREW CLAMP.....2		43	229567GT	PLUG,SANTOPRENE .5 BLACK DOME.....1	
17	33607GT	RELAY,OMRON,DPDT,12V.....1 <i>Welder option</i>		44	229567GT	PLUG,SANTOPRENE .5 BLACK DOME.....1 <i>Gasoline/LPG models - Fuel select switch</i>	
18	33608GT	RELAY,SOCKET,OMRON.....1 <i>Welder option</i>		45	128200GT	SWITCH TOGGLE ASSY SPDT 3P MOM.....1 <i>Engine start switch</i>	
19	30997GT	CORROSION INHIBITOR,FOAM.....1		46	128202GT	SWITCH TOGGLE ASSY DPDT 3P MOM.....1 <i>Turntable rotate switch</i>	
20	45385GT	PLUG,NYLON 1.12 BLACK DOMED.....1		47	128204GT	SWITCH TOGGLE ASSY SPDT 2P MNT.....1 <i>Function enable switch</i>	
21	229567GT	PLUG,SANTOPRENE .5 BLACK DOME.....1					
22	1253154GT	ASSY, TERM RAIL, S80/85 2013.....1 <i>(complete assembly)</i>					



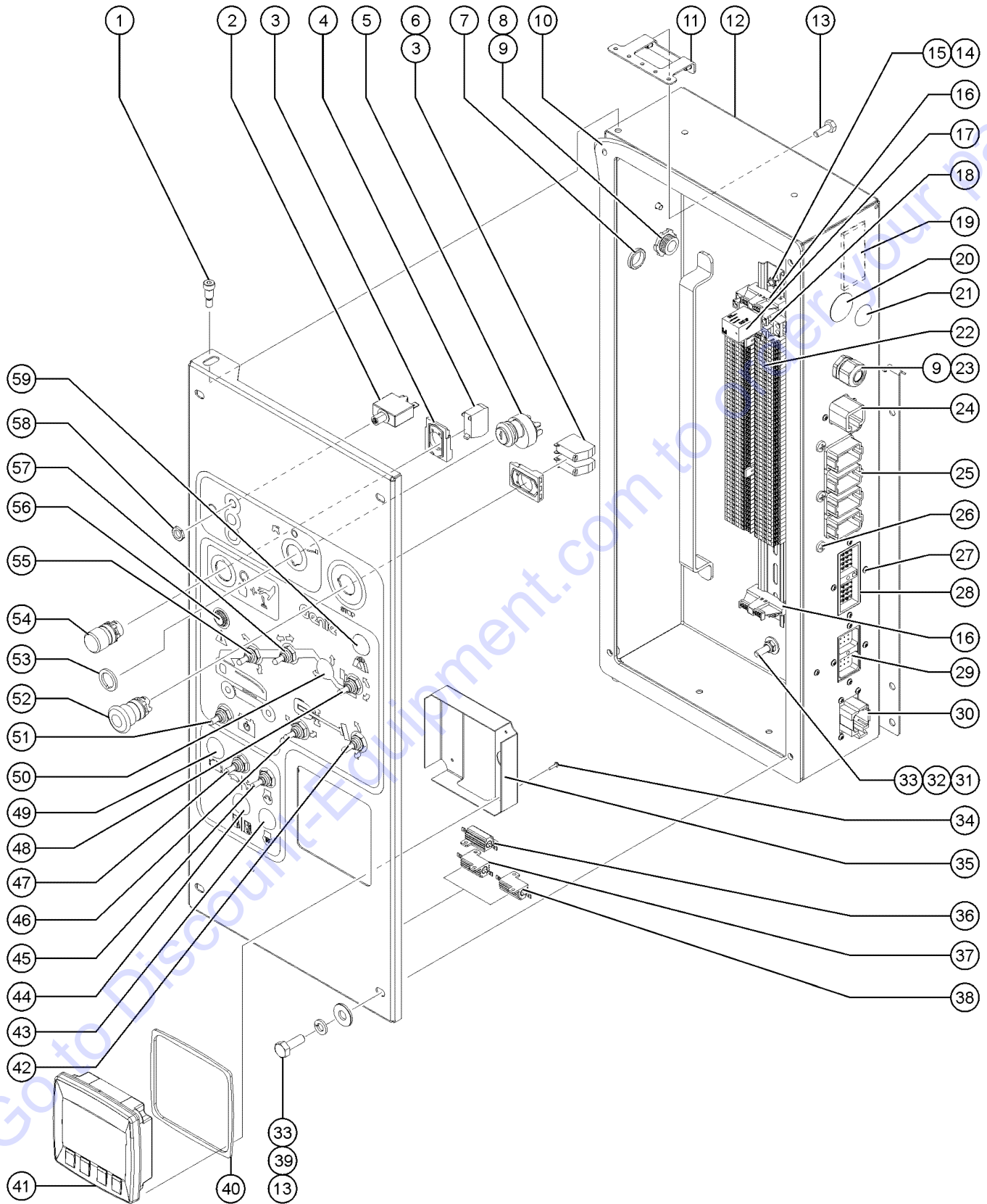
### 304.1 Ground Control - Deutz TD2.9L4 (continued)

Item	Part No.	Description	Qty.
48	128202GT	SWITCH TOGGLE ASSY DPDT 3P MOM.....1 <i>Platform level switch</i>	1
49	229567GT	PLUG,SANTOPRENE .5 BLACK DOME.....1 <i>Check engine light</i>	1
50	229567GT	PLUG,SANTOPRENE .5 BLACK DOME.....1 <i>(S-80 and S-80X models)</i>	1
--	128200GT	SWITCH TOGGLE ASSY SPDT 3P MOM <i>(S-85 models)</i>	
51	128201GT	SWITCH TOGGLE ASSY DPDT 2P MOM.....1 <i>Emergency power switch</i>	1
52	66812GT	BUTTON,PUSH,RED MUSHROOM HEAD.....1 <i>Red emergency stop button</i>	1
53	88827GT	GASKET,KEYSWITCH,PLASTIC***.....1	1
54	66813GT	BUTTON,PUSH,BLACK W/SEAL***.....1 <i>Function enable, (models with push button) shown</i>	1
--	80716GT	SWITCH,SELECTOR,BLACK <i>Function enable, (models with selector switch) not shown</i>	
55	128202GT	SWITCH TOGGLE ASSY DPDT 3P MOM.....1 <i>Boom up/down switch</i>	1
56	824879GT	LIGHT,LED IND. RED 12V NH.....1 <i>Machine malfunction indicator light</i>	1
57	128202GT	SWITCH TOGGLE ASSY DPDT 3P MOM.....1 <i>Boom extend/retract switch</i>	1
58	122994GT	NICKEL PLATED JAM NUT.....1	1
59	229567GT	PLUG,SANTOPRENE .5 BLACK DOME.....1	1

***This Page Intentionally Left Blank***

Go to [Discount-Equipment.com](http://Discount-Equipment.com) to order your parts

304.2 Ground Control - Perkins 404F-22T (to SN 13749)



## 304.2 Ground Control - Perkins 404F-22T (to SN 13749)

Item	Part No.	Description	Qty.	Item	Part No.	Description	Qty.
--		<i>Verify Engine Make and Model Before Ordering</i>		--	74913GT	END STOP, DIN RAIL, SCREW CLAMP.....	2
--	1251825GT	WELDMENT, LID, GBOX, TIER IV S80 (no decal)		--	74917GT	JUMPER COMB, 2-WAY, WIELAND.....	3
1	88315GT	SCREW, SHS, 1/4-20 X .25 ZINC.....	2	23	7056GT	CONN, SQUEEZE, 1/2NPT .38-.50, SM....	1
2	147090GT	CIRCUIT BREAKER, 15A.....	1	24	73717GT	CONN, RECEP 4 WAY, 12-14GA FL***.....	1
--	122994GT	NICKEL PLATED JAM NUT.....	1	--	49820GT	SCREW, PHILLIPS, PHM, 6-32 X .5	
3	66821GT	BASE, WITHOUT CONTACTS.....	2	25	73736GT	CONN, RECEP 48 WAY, 4 X 12.....	1
4	66815GT	BASE, W/1 N.O. CONTACTS***.....	1	26	73803GT	SCREW, SHM, PHM, #12 X .75	
5	96008-SGT	KEYSWITCH, 3 POS. W/KEYS***..... <i>includes 1 pair of keys</i>	1	27	49820GT	SCREW, PHILLIPS, PHM, 6-32 X .5	
--	37947GT	KEYS, 10 PACK*** <i>use with keyswitch 96008-S</i>		28	73754GT	CONN, RECEP 40 WAY, W/FLANGE.....	1
--	66814GT	BASE, WITH 2 N.O. CONTACTS*** <i>includes 2 each N.O. contacts</i>		29	73753GT	CONN, RECEP 24 WAY, W/FLANGE.....	1
--	66816GT	CONTACT, N.O.***		30	87755GT	CONN, RECEP 8 WAY 14-18GA, FL.....	1
--	83093GT	KEY SINGLE*** <i>includes boot, use with keyswitch 96008-S</i>		31	6888GT	SCREW, HHC, 1/4-20 X 1	
--	83131GT	KEYSWITCH, 3 POS W/KEYS, LOCKING		32	6889GT	NUT, LP NYLOCK, 1/4-20	
--	96009GT	WASHER, NITRILE		33	6638GT	WASHER, FLAT, USS, 1/4"Y	
6	66818GT	CONTACT, N.C.....	2	34	1252684GT	SCREW, DP200 M3X10 4PACK <i>Part of assembly 1251985</i>	
7	15243GT	PLUG, NYLON .875 BLACK DOMED.....	1	35	219718GT	BRACKET, DP200 PANEL MOUNT <i>Part of assembly 1251985</i>	
8	121753GT	HARNES, ALARM/BEACON, S80 2008.....	1	36	89575GT	RESISTOR, 7.5 OHM, 25 WATT, 1PCNT....	1
9	6935GT	LOCKNUT, ELEC, 1/2".....	2	37	27287GT	RESISTOR, 10 OHM, 25 WATT.....	1
10	121599GT	GASKET, GBOX, S80/85 2008.....	1	38	40614GT	RESISTOR, 5 OHM, 25W***.....	1
11	1253409GT	ANGLE, RELAY MOUNTING.....	1	39	6356GT	WASHER, LOCK, .25	
12	1253160GT	WELDMENT, GBOX, S80/85 2013.....	1	40	1252685GT	GASKET, DP200 BLACK PANEL SEAL.... <i>Part of assembly 1251985</i>	1
13	6090GT	SCREW, HHC, 1/4-20 X .75		41	1251985GT	ASSY, DISPLAY, DP200 PERKINS T4..... <i>Including bracket part 219718, gasket part 1252685 and screws part 1252684</i>	1
14	6178GT	NUT, NYLOCK, 10-32		42	128200GT	SWITCH TOGGLE ASSY SPDT 3P MOM..... <i>Platform rotate switch</i>	1
15	54365GT	SCREW, PHIL, PHM, 10-32 X .5, SSTL		43	229567GT	PLUG, SANTOPRENE .5 BLACK DOME.....	1
16	74913GT	END STOP, DIN RAIL, SCREW CLAMP.....	2	44	229567GT	PLUG, SANTOPRENE .5 BLACK DOME..... <i>Gasoline/LPG models - Fuel select switch</i>	1
17	33607GT	RELAY, OMRON, DPDT, 12V..... <i>Welder option</i>	1	45	128200GT	SWITCH TOGGLE ASSY SPDT 3P MOM..... <i>Engine start switch</i>	1
18	33608GT	RELAY, SOCKET, OMRON..... <i>Welder option</i>	1	46	128202GT	SWITCH TOGGLE ASSY DPDT 3P MOM..... <i>Turntable rotate switch</i>	1
19	30997GT	CORROSION INHIBITOR, FOAM.....	1	47	128204GT	SWITCH TOGGLE ASSY SPDT 2P MNT..... <i>Function enable switch</i>	1
20	45385GT	PLUG, NYLON 1.12 BLACK DOMED.....	1	48	128202GT	SWITCH TOGGLE ASSY DPDT 3P MOM..... <i>Platform level switch</i>	1
21	229567GT	PLUG, SANTOPRENE .5 BLACK DOME.....	1				
22	1253154GT	ASSY, TERM RAIL, S80/85 2013..... <i>(complete assembly)</i>	1				
--	216791GT	TERMINAL BLOCK, WIELAND					
--	216793GT	TERMINAL BLOCK END PLATE					
--	33422GT	DIN RAIL, 17"					

304.2 Ground Control - Perkins 404F-22T (to SN 13749)  
(continued)

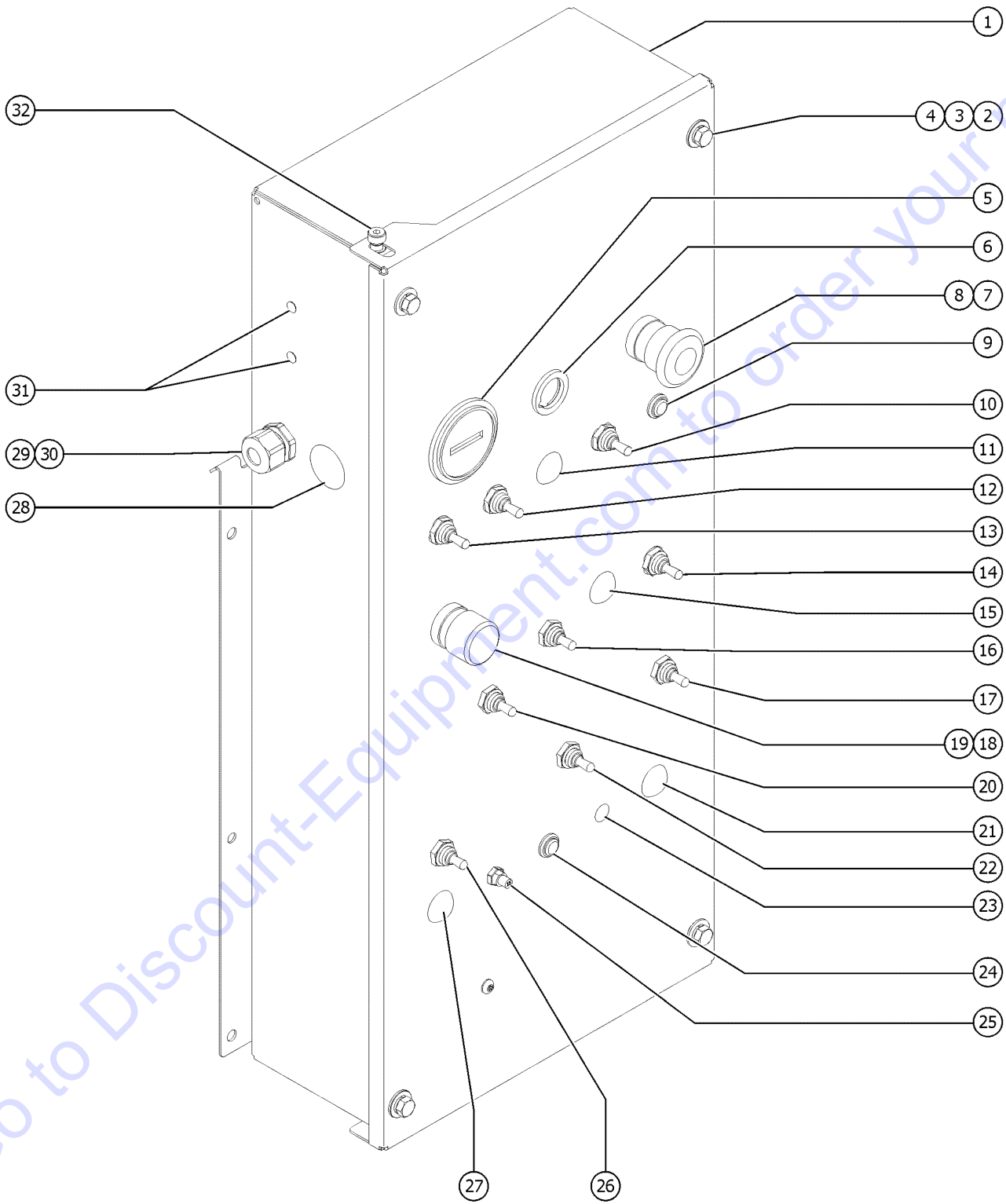
Item	Part No.	Description	Qty.
49	229567GT	PLUG,SANTOPRENE .5 BLACK DOME.....1 <i>Check engine light</i>	1
50	229567GT	PLUG,SANTOPRENE .5 BLACK DOME.....1 <i>(S-80 and S-80X models)</i>	1
--	128200GT	SWITCH TOGGLE ASSY SPDT 3P MOM <i>(S-85 models)</i>	
51	128201GT	SWITCH TOGGLE ASSY DPDT 2P MOM.....1 <i>Emergency power switch</i>	1
52	66812GT	BUTTON,PUSH,RED MUSHROOM HEAD.....1 <i>Red emergency stop button</i>	1
53	88827GT	GASKET,KEYSWITCH,PLASTIC***.....1	1
54	66813GT	BUTTON,PUSH,BLACK W/SEAL ***.....1 <i>Function enable, (models with push button) shown</i>	1
--	80716GT	SWITCH,SELECTOR,BLACK <i>Function enable, (models with selector switch) not shown</i>	
55	128202GT	SWITCH TOGGLE ASSY DPDT 3P MOM.....1 <i>Boom up/down switch</i>	1
56	824879GT	LIGHT,LED IND. RED 12V NH.....1 <i>Machine malfunction indicator light</i>	1
57	128202GT	SWITCH TOGGLE ASSY DPDT 3P MOM.....1 <i>Boom extend/retract switch</i>	1
58	122994GT	NICKEL PLATED JAM NUT.....1	1
59	229567GT	PLUG,SANTOPRENE .5 BLACK DOME.....1	1

304.2 Ground Control - Perkins 404F-22T (to SN 13749)  
(continued)

***This Page Intentionally Left Blank***

Go to Discount-Equipment.com to order your parts

304.3 Ground Control - Perkins 404D-22T - View 1 (from SN 13750)



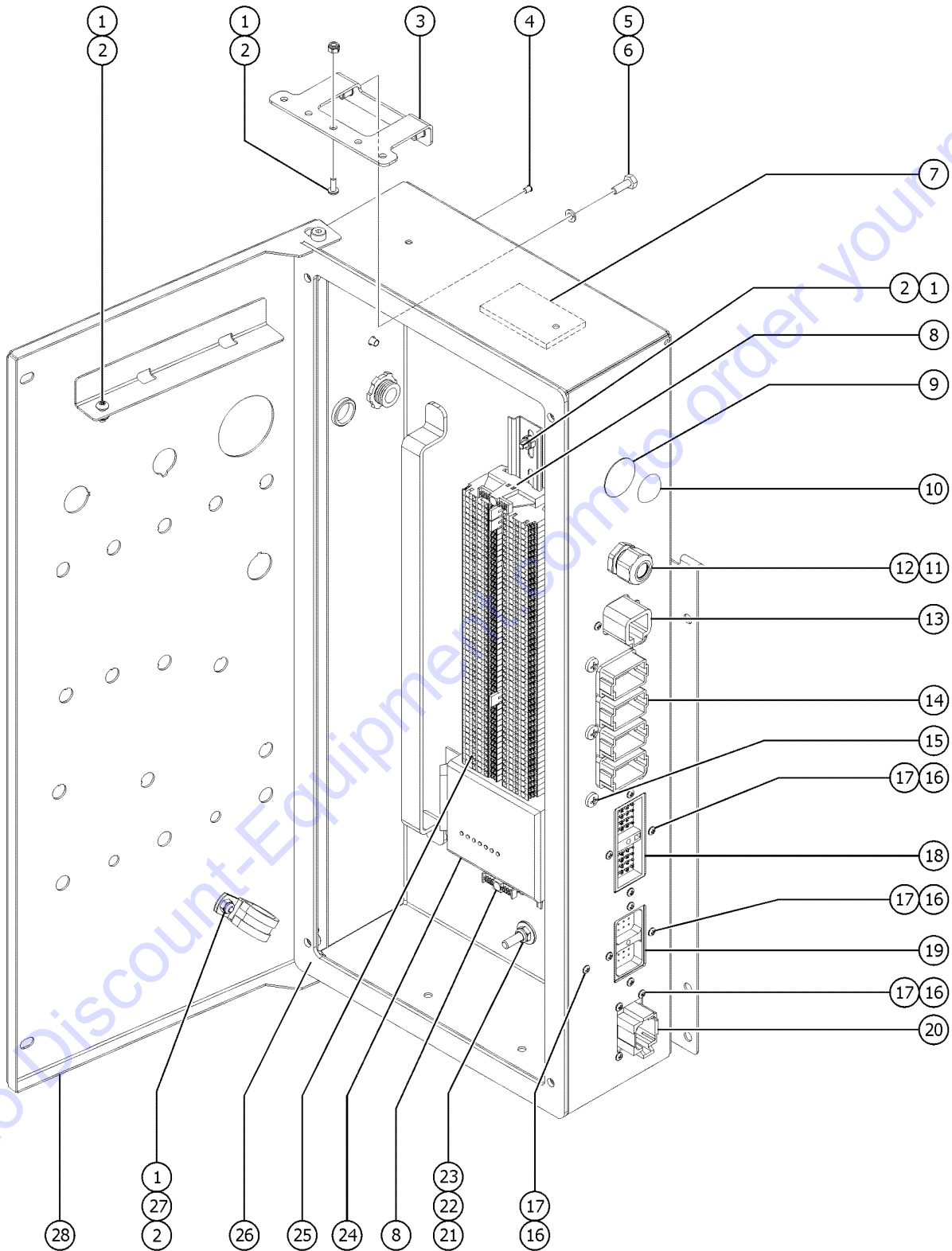
Go to Discount-Equipment.com to order your parts

## 304.3 Ground Control - Perkins 404D-22T - View 1 (from SN 13750)

Item	Part No.	Description	Qty.	Item	Part No.	Description	Qty.
A	1258617GT	ASSY,GBOX,PERKINS 404D,S80/85.....1		29	121753GT	HARNESS,ALARM/BEACON,S80 2008.....1	1
1	1253160GT	WELDMENT, GBOX, S80/85 2013.....1		30	6935GT	LOCKNUT,ELEC,1/2".....1	1
2	6090GT	SCREW,HHC,1/4-20 X .75.....4		31	42781GT	PLUG, NYLON .250 BLACK DOMED.....2	2
3	6356GT	WASHER,LOCK,.25.....4		32	88315GT	SCREW,SHS,1/4-20 X .25 ZINC.....2	2
4	6638GT	WASHER,FLAT,USS,1/4"Y.....4					
5	19506GT	HOUR METER,10-80 VOLTS***.....1					
6	88827GT	GASKET,KEYSWITCH,PLASTIC***.....1					
7	66812GT	BUTTON,PUSH,RED MUSHROOM HEAD.....1					
8	73805GT	BASE,W/2 NC CONTACTS***.....1					
--	66818GT	CONTACT, N.C.					
--	66821GT	BASE,WITHOUT CONTACTS					
9	218167GT	LIGHT,INDICATOR,AMBER 12V ENGINE.....1					
10	128204GT	SWITCH TOGGLE ASSY SPDT 2P MNT.....1					
11	229567GT	PLUG,SANTOPRENE .5 BLACK DOME.....1					
12	128200GT	SWITCH TOGGLE ASSY SPDT 3P MOM.....1					
13	128200GT	SWITCH TOGGLE ASSY SPDT 3P MOM.....1					
14	128202GT	SWITCH TOGGLE ASSY DPDT 3P MOM.....1					
15	229567GT	PLUG,SANTOPRENE .5 BLACK DOME.....1					
16	128202GT	SWITCH TOGGLE ASSY DPDT 3P MOM.....1					
17	128200GT	SWITCH TOGGLE ASSY SPDT 3P MOM.....1					
18	66813GT	BUTTON,PUSH,BLACK W/SEAL***.....1					
19	66815GT	BASE, W/1 N.O. CONTACTS***.....1					
--	66816GT	CONTACT,N.O.***					
--	66821GT	BASE,WITHOUT CONTACTS					
20	128202GT	SWITCH TOGGLE ASSY DPDT 3P MOM.....1					
21	229567GT	PLUG,SANTOPRENE .5 BLACK DOME.....1					
22	128202GT	SWITCH TOGGLE ASSY DPDT 3P MOM.....1					
23	21858GT	PLUG,NYLON .38 BLACK DOMED.....1					
24	218165GT	LIGHT,INDICATOR,RED 12V H-BRI.....1					
25	147094GT	ASSY, CIRCUIT BREAKER 15A.....1					
26	128201GT	SWITCH TOGGLE ASSY DPDT 2P MOM.....1					
27	229567GT	PLUG,SANTOPRENE .5 BLACK DOME.....1					
28	15243GT	PLUG,NYLON .875 BLACK DOMED.....1					



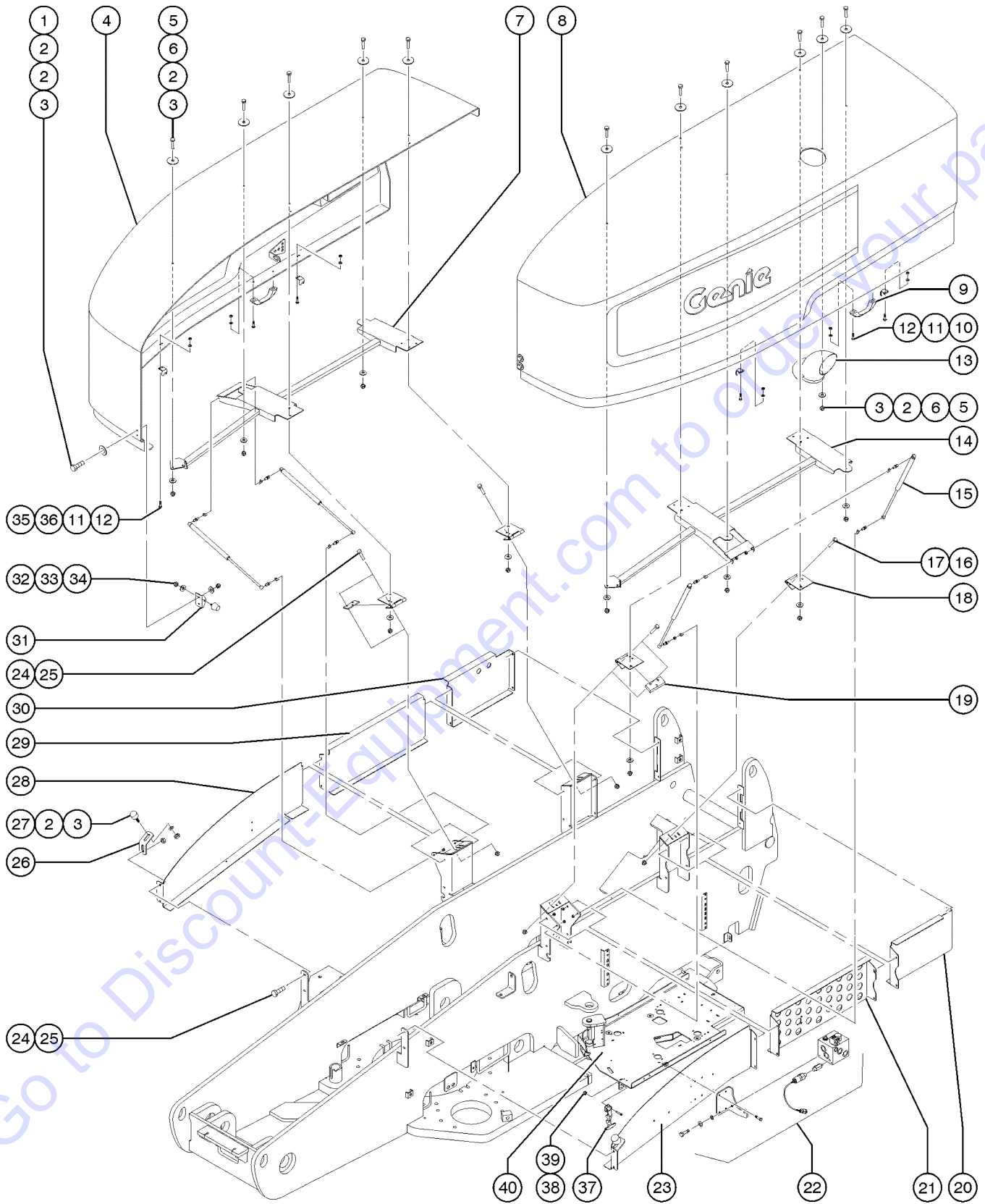
304.4 Ground Control - Perkins 404D-22T- View 2 (from SN 13750)



## 304.4 Ground Control - Perkins 404D-22T- View 2 (from SN 13750)

Item	Part No.	Description	Qty.
A	1258618GT	HARN,GBOX,PERKINS 404D,S80/85.....1	
1	54365GT	SCREW,PHIL,PHM,10-32 X .5,SSTL.....6	
2	6178GT	NUT,NYLOCK,10-32.....6	
3	1253409GT	ANGLE, RELAY MOUNTING.....1	
4	42288GT	PLUG,NYLON .188 BLACK DOMED.....1	
5	6090GT	SCREW,HHC,1/4-20 X .75.....2	
6	6356GT	WASHER,LOCK,.25.....2	
7	30997GT	CORROSION INHIBITOR,FOAM.....1	
8	74913GT	END STOP, DIN RAIL,SCREW CLAMP.....2	
9	45385GT	PLUG,NYLON 1.12 BLACK DOMED.....1	
10	229567GT	PLUG,SANTOPRENE .5 BLACK DOME.....1	
11	7056GT	CONN,SQUEEZE,1/2NPT .38-.50,SM....1	
12	6935GT	LOCKNUT,ELEC,1/2".....1	
13	73717GT	CONN,RECEP 4 WAY,12-14GA FL*** .....1	
14	73736GT	CONN,RECEP 48 WAY,4 X 12.....1	
15	73803GT	SCREW,SHM,PHP, #12 X .75.....6	
16	49820GT	SCREW,PHILLIPS,PHM,6-32 X .5.....15	
17	12344GT	NUT,NYLOCK,6-32.....15	
18	73754GT	CONN,RECEP 40 WAY,W/FLANGE.....1	
19	73753GT	CONN,RECEP 24 WAY,W/FLANGE.....1	
20	87755GT	CONN,RECEP 8 WAY 14-18GA,FL.....1	
21	6889GT	NUT,LP NYLOCK,1/4-20.....1	
22	6638GT	WASHER,FLAT,USS,1/4"Y.....1	
23	6888GT	SCREW,HHC,1/4-20 X 1.....1	
24	56057GT	MODULE,IGNITION/START,12/24V.....1	
25	1253154GT	ASSY, TERM RAIL, S80/85 2013.....1 <i>includes item 8</i>	
--	216791GT	TERMINAL BLOCK,WIELAND	
--	216793GT	TERMINAL BLOCK END PLATE	
--	33422GT	DIN RAIL,17"	
--	74917GT	JUMPER COMB, 2-WAY,WIELAND	
26	121599GT	GASKET,GBOX,S80/85 2008.....1	
27	18666GT	CLAMP,1.00,#16 X 1/4,RUB CUSH.....1	
28	121314GT	WELDMENT,LID,GBOX,S0/85 2008.....1	

305.1 Turntable Covers



## 305.1 Turntable Covers

Item	Part No.	Description	Qty.	Item	Part No.	Description	Qty.
1	6090GT	SCREW,HHC,1/4-20 X .75		25	121421GT	NUT,FLG,1/4-20	
2	6638GT	WASHER,FLAT,USS,1/4"Y		26	121891GT	FORMING,COVER BUMP STOP	
3	6091GT	NUT,NYLOCK,1/4-20		27	111663GT	BUMPER,RUB,1.00DX.75X31-18X1.2	
4A	122380GT	TANK SIDE COVER W/ WORD DECALS.....1 <i>from SN 9023</i>		28	121403GT	FORMING, BULKHEAD, LEFT REAR.....1	
4B	235158GT	TANKSIDE COVER W/WORD DECALS <i>to SN 9022</i>		29	111570GT	FORMING, COVER, REAR LEFT.....1	
4C	122381GT	TANK SIDE COVER W/ SYM DECALS...1 <i>from SN 9023</i>		30	111566GT	FORMING, BULKHEAD, FRONT LEFT...1	
4D	235159GT	TANKSIDE COVER W,SYMBOL DECALS <i>to SN 9022</i>		31	88106PGT	FORMING,COVER STOP,PAINT.....2	
5	8915GT	SCREW,HHC,1/4-20 X 1.25		32	6782GT	NUT,NYLOCK,5/16-18	
6	12906GT	WASHER,FENDER,.25 X 1.25 X.062		33	5397GT	WASHER,FLAT,USS,5/16",Y	
7	121015GT	WELDMENT,COVER SUPPORT,TANK SIDE.....1		34	30973GT	BUMPER,RUBBER-1 X 1.25.....2	
8A	122383GT	ENGINE SIDE CVR W/ WORD DECALS.....1 <i>from SN 9023</i>		35	75041GT	SCREW,PHILLIPS,PHM,10-32 X 1.....1	
8B	235160GT	ENGINE SIDE CVR W/WORD DECALS <i>to SN 9022</i>		36	75076GT	KEEPER,LATCH (45363).....4	
8C	122384GT	ENGINE SIDE COVER W/ SYM DECALS.....1 <i>from SN 9023</i>		37	45363GT	LATCH,FLEXIBLE DRAW W/O KEEPER	
8D	235161GT	ENGINE SIDE COVER W/SYM DECALS <i>to SN 9022</i>		38	6178GT	NUT,NYLOCK,10-32	
9	60884GT	HANDLE,GRAB.....2		39	75041GT	SCREW,PHILLIPS,PHM,10-32 X 1	
10	6606GT	SCREW,RHM,10-32 X .75		40		WELDMENT, ENGINE TRAY <i>(refer to 416.1)</i>	
11	6146GT	WASHER,FLAT,MS,#10,Y					
12	6178GT	NUT,NYLOCK,10-32					
13	101964GT	WELDMENT,EXHAUST TUBE.....1					
14	121014GT	WELDMENT,COVER SUPPORT,ENGINE SIDE.....1					
15	28301GT	GAS STRUT,250 LBS FORCE***.....4					
--	27377GT	RETAINER,GAS SPRING***					
--	33555GT	BALL STUD**					
--	6782GT	NUT,NYLOCK,5/16-18					
16	121420GT	SCREW,HHF,1/4-20 X 1.00					
17	121421GT	NUT,FLG,1/4-20					
18	75073GT	HINGE,.375X.120THK.,SLOTTED.....4					
19	53707GT	HINGE SPACER.....2					
20	121415GT	FORMING, COVER, RIGHT FRONT.....1					
21	121416GT	FORMING, COVER, RIGHT CENTER....1					
22		Ref., manifold <i>Part of the welder option (refer to 815.1)</i>					
23	121404GT	FORMING, BULKHEAD, RIGHT REAR...1					
24	121419GT	SCREW,HHF,1/4-20 X .75					



## 306.1 Turntable Rotator and Hydraulic Rotary Coupler Install

Item	Part No.	Description	Qty.	Item	Part No.	Description	Qty.
1	45495GT	SCREW,SHC,5/8-11 X 3.00,A574.....	22	28	6356GT	WASHER,LOCK,.25.....	2
2	13064GT	WASHER,FLAT,.625 HARDENED.....	40	29	6638GT	WASHER,FLAT,USS,1/4"Y.....	2
3	60575PGT	BRACKET,HYD.ROTATOR MOUNT MNT.....	2	30	56912GT	SPRING CLIP,1/4-20,.025-.15X.54,ZAG.....	2
4	121079GT	SCREW,HHC,FLG,1/2-13 X 3.50.....	4	31		Ref. VALVE,FUNCTION ENABLE (Refer to 703.1)	
5	121423GT	NUT,FLG,1/2-13.....	4	32	60334GT	FILTER ASSY,HIGH PRESS SAE-12*.....	1
6	122209GT	SCREW,HHF,3/8-16 X1.50		--	58222GT	O-RING,FILTER ASSY (60334)***	
7	121422GT	NUT,HEX,FLG,3/8-16		--	58223GT	SEAL,FILTER ASSY (60334)***	
8	89571GT	SWIVEL,HYD 8 PORT***.....	1	--	60857GT	FILTER,ELEMENT,BETA(5)=1000.....	1
--	94937GT	SEAL KIT,8-PORT SWIVEL		33	39882GT	PLUG,HEX SOCKET,090109B-4 Use with swing drive 88921 (top plug)	
--	T106954GT	SEAL, O-RING LIP		34	109802GT	PLUG,ORB #6 Use with swing drive 88921	
--	T106955GT	SEAL, POLY, CHAMFER		35	88212GT	SCREW,SHC,3/4-10 X 3.00,A574.....	5
--	T106957GT	SEAL, CAP, NOTCHED		36	33278GT	WASHER,FLAT,.75 HARDENED.....	5
--	T106961GT	SEAL, O-RING ENERGIZER		37	61128GT	SCREW,HHC,3/4-10 X 4 FULL THRD.....	1
--	T106962GT	SEAL, CAP, NOTCHED		38	6126GT	NUT,HEX,JAM,3/4-10.....	1
9	121467GT	HARN,LS,DRIVE EN,S80/85 2008.....	1	39	60815GT	SCREW,SHS,3/4-10 X 1.5.....	1
10	49775GT	SCREW,PHILLIPS,PHM,10-32X 1.75		40A	1255768GT	SWING DRIVE ASSEMBLY (Complete) SWING DRIVE ASSEMBLY 1255768 can be installed as a direct replacement of previous swing drives 139189 and 88921; from SN 12950	
11	6146GT	WASHER,FLAT,MS,#10,Y		--	1255769GT	SEAL KIT, SWING BRAKE (Used on swing drive 1255768); from SN 12950	
12	6178GT	NUT,NYLOCK,10-32		--	1255770GT	KIT, FRICTION DISC (Used on swing drive 1255768); from SN 12950	
13	123162GT	FLGHCS,1/2-13X1.75,GR8,BLK,PH		--	1255771GT	KIT, BRAKE SPRING (Used on swing drive 1255768); from SN 12950	
14	121311GT	FORMING,SWIVEL STOP.....	1	--	1255772GT	KIT, SWING BRAKE REBUILD (Used on swing drive 1255768); from SN 12950	
15	121066GT	SCREW,HHC,FLG,3/8-16 X 1 GR8		--	1255773GT	BRAKE TUBING (Used on swing drive 1255768); from SN 12950	
16	100379GT	BLOCK, MAST SLIDER, GR20.....	1	--	139308GT	SWING MOTOR COMPLETE*** (Used on swing drive 1255768); from SN 12950	
17	75051GT	SCREW,SER FLNG3/8UNCX3/4ZNYEL		--	139309GT	CBV ASSEMBLY*** (Used on swing drive 1255768); from SN 12950	
18		Ref. MANIFOLD,BRAKE/2 SPD W/QD PLG (Refer to 702.1)		--	139315GT	O-RING,MOTOR/BRAKE*** (Used on swing drive 1255768); from SN 12950	
19	121217GT	COVER PLATE,TUBE CLAMP #8.....	2	--	139323GT	VALVE,COUNTERBAL,CBCA-LIN*** (Used on swing drive 1255768); from SN 12950	
20	121219GT	CLAMP HALF,#8 TUBE.....	3				
21	121216GT	COVER PLATE, TUBE CLAMP #12					
22	121218GT	CLAMP HALF,#12 TUBE.....	4				
23	121067GT	SCREW,HHC,FLG,1/4-20 X 2.00.....	8				
24	121336GT	FORMING, FILTER MOUNT.....	1				
25	121419GT	SCREW,HHF,1/4-20 X .75					
26		FILTER ASY,M PRESS,SAE8,WOIND* (77139)..... component no longer available	1				
--	1267807GT	ASSY, MED. PRESS. FILTER, SAE8 from SN 13544					
--	1268229GT	ELEMENT-5 MIC, PAPER, W/ BYPASS for 1267807					
--	58222GT	O-RING,FILTER ASSY (60334)***					
--	58223GT	SEAL,FILTER ASSY (60334)***					
--	60857GT	FILTER,ELEMENT,BETA(5)=1000 for 77139					
27	4266GT	SCREW,HHC,1/4-20 X 2.....	2				

306.1 Turntable Rotator and Hydraulic Rotary Coupler Install  
(continued)

Item	Part No.	Description	Qty.	Item	Part No.	Description	Qty.
--	58304GT	SHAFT,OUTPUT <i>(Used on swing drive 1255768); from SN 12950</i>		--	41489GT	SCREW,SHC,5/16-18 X 2,PLATED <i>Manifold to motor</i>	
40B		Ref. SWING DRIVE ASSEMBLY <i>Previous SWING DRIVE ASSEMBLY 139189 is no longer available, order complete assembly 1255768 for first time replacement; from SN 8238 to 12949</i>		--	45483GT	VALVE,SHUTTLE*** <i>Use with swing drive 88921; to SN 8237</i>	
--	139308GT	SWING MOTOR COMPLETE*** <i>(Used on swing drive 139189); from SN 8238 to 12949</i>		--	58304GT	SHAFT,OUTPUT <i>Use with swing drive 88921; to SN 8237</i>	
--	139309GT	CBV ASSEMBLY*** <i>(Used on swing drive 139189); from SN 8238 to 12949</i>		--	58387GT	O-RING,MOTOR/BRAKE (88921)*** <i>Use with swing drive 88921; to SN 8237</i>	
--	139310GT	BRAKE TUBING*** <i>(Used on swing drive 139189); from SN 8238 to 12949</i>		--	58596GT	BEARING KIT,OUTER (88921) <i>Use with swing drive 88921; to SN 8237</i>	
--	139311GT	KIT,FRICTION DISC*** <i>(Used on swing drive 139189); from SN 8238 to 12949</i>		--	58597GT	BEARING KIT,INNER (88921) <i>Use with swing drive 88921; to SN 8237</i>	
--	139312GT	KIT,BRAKE SPRING*** <i>(Used on swing drive 139189); from SN 8238 to 12949</i>		--	65616GT	SEAL KIT PWR WHL MOTOR <i>Use with swing drive 88921; to SN 8237</i>	
--	139313GT	SEAL KIT,SWING BRAKE*** <i>(Used on swing drive 139189); from SN 8238 to 12949</i>		--	6886GT	WASHER,LOCK,,313 <i>Manifold to motor</i>	
--	139314GT	KIT,SWING BRAKE REBUILD*** <i>(Used on swing drive 139189); from SN 8238 to 12949</i>		--	81366GT	MANIFOLD,SWING CB & BRAKE <i>Use with swing drive 88921; to SN 8237</i>	
--	139315GT	O-RING,MOTOR/BRAKE*** <i>(Used on swing drive 139189); from SN 8238 to 12949</i>		--	83009GT	VALVE,COUNTERBALANCE(81366)*** <i>Use with swing drive 88921; to SN 8237</i>	
--	139323GT	VALVE,COUNTERBAL,CBCA-LIN*** <i>(Used on swing drive 139189); from SN 8238 to 12949</i>		--	94620GT	SEAL KIT,SWING TORQ HUB*** <i>Use with swing drive 88921; to SN 8237</i>	
--	41489GT	SCREW,SHC,5/16-18 X 2,PLATED <i>Manifold to motor</i>		--	94621GT	SWING MOTOR,COMPLETE*** <i>Use with swing drive 88921; to SN 8237</i>	
--	58304GT	SHAFT,OUTPUT <i>(Used on swing drive 139189); from SN 8238 to 12949</i>		--	94622GT	BRAKE PORT HARDLINE <i>Use with swing drive 88921; to SN 8237</i>	
--	58596GT	BEARING KIT,OUTER (88921) <i>(Used on swing drive 139189); from SN 8238 to 12949</i>		--	94623GT	KIT,FRICTION DISC <i>Use with swing drive 88921; to SN 8237</i>	
--	58597GT	BEARING KIT,INNER (88921) <i>(Used on swing drive 139189); from SN 8238 to 12949</i>		--	94624GT	KIT,BRAKE SPRING <i>Use with swing drive 88921; to SN 8237</i>	
--	6886GT	WASHER,LOCK,,313 <i>Manifold to motor</i>		--	94625GT	SEAL KIT,SWING BRAKE <i>Use with swing drive 88921; to SN 8237</i>	
--	94620GT	SEAL KIT,SWING TORQ HUB*** <i>(Used on swing drive 139189); from SN 8238 to 12949</i>		--	94626GT	KIT,SWING BRAKE REBUILD <i>Use with swing drive 88921; to SN 8237</i>	
40C		Ref. SWING DRIVE ASSEMBLY <i>Previous SWING DRIVE ASSEMBLY 88921 is no longer available, order complete assembly 1255768 for first time replacement; to SN 8237</i>		41	121393GT	MACHINED BACKLASH.....1	
				42	81986PGT	COVER,ROTATION GEAR PAINTED.....1	
				43	123163GT	FLGHCS,1/2-13X.75,GR5,BLK PH.....3	
				44	20654GT	SCREW,SHC,5/8-11 X 3.50,A574.....18	
				45	50035GT	BEARING,TURNABLE.....1	
				--	227785GT	BEARING TURNTABLE SEAL***	
				46	122382GT	RELAY COVER W/WORD DECALS.....1	
				--	111601GT	FORMING,RELAY BLOCK COVER <i>(Symbol units)</i>	
				47	41549GT	PAD,BOOM REST.....1	
				48	35714GT	SCREW,FHS,3/8-16 X 2.25	
				49	6097GT	WASHER,FLAT,USS,3/8",Y	
				50	121353GT	WELDMENT, TRANSPORT LOCK.....1	

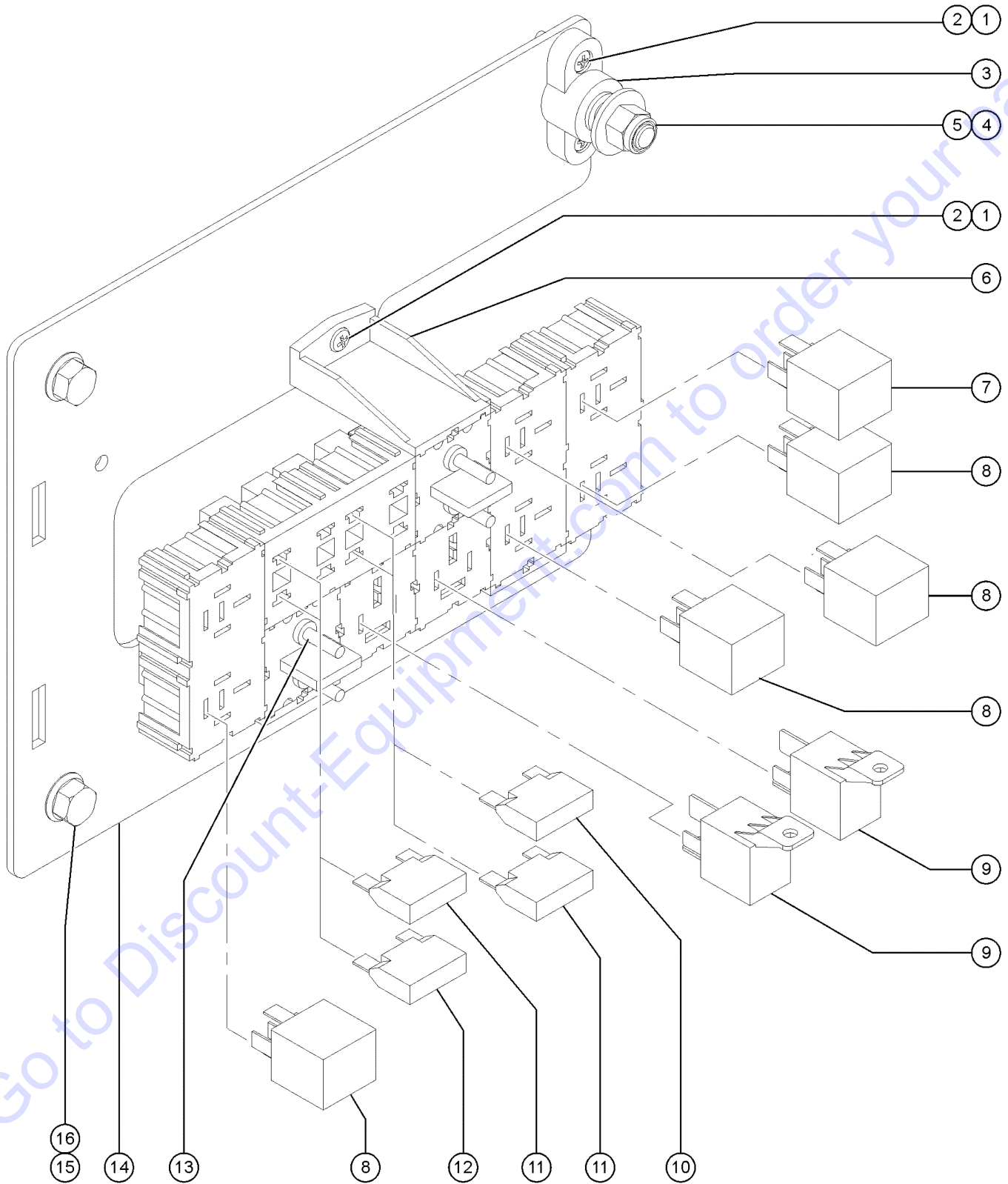
306.1 Turntable Rotator and Hydraulic Rotary Coupler Install  
(continued)

***This Page Intentionally Left Blank***

Go to Discount-Equipment.com to order your parts



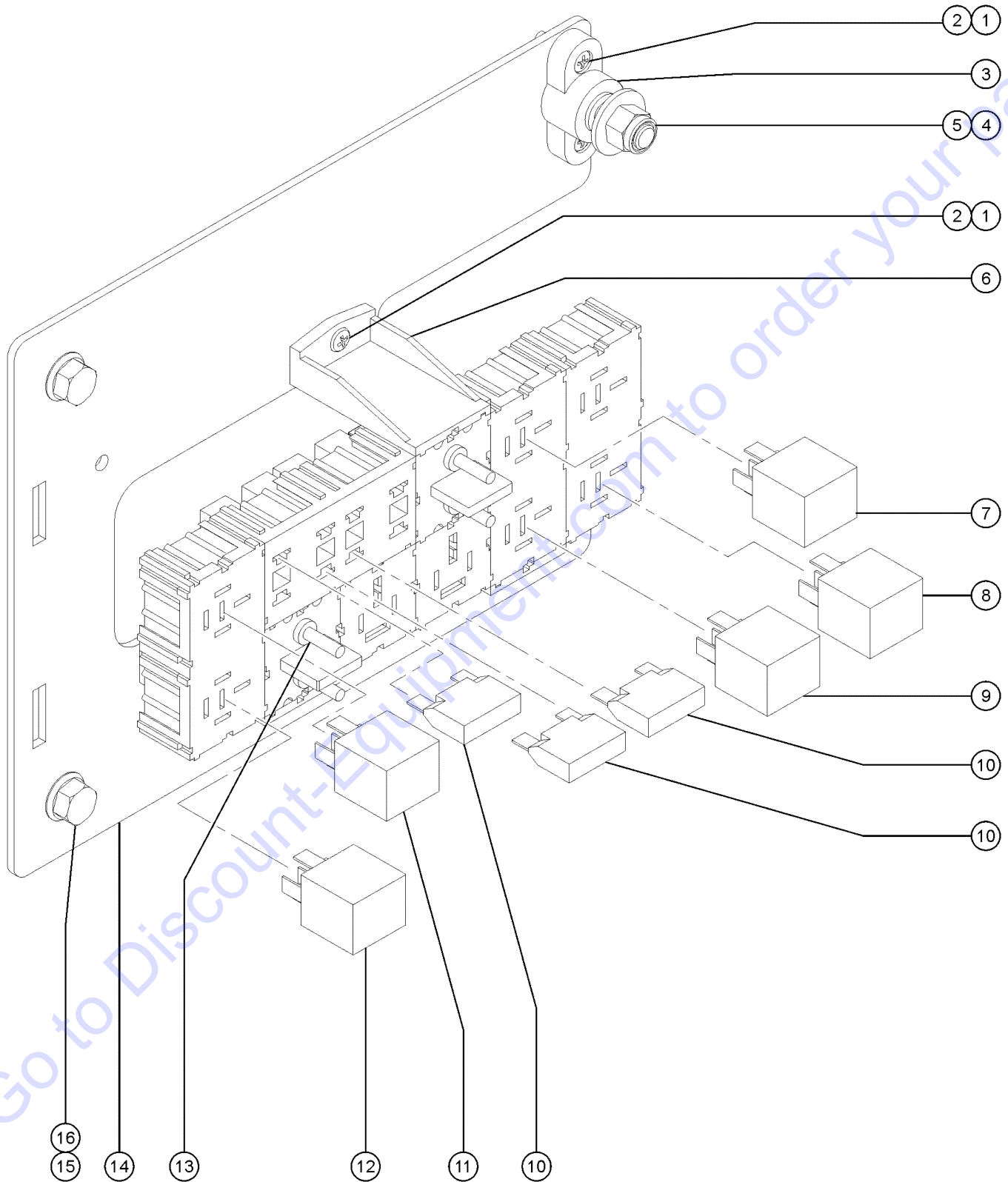
307.1 Turntable Components - Relay Panel, Diesel Models (to SN 13749)



## 307.1 Turntable Components - Relay Panel, Diesel Models (to SN 13749)

Item	Part No.	Description	Qty.
--	88159GT	LOCK,WEDGE,RLY 9.5MM	
1	6178GT	NUT,NYLOCK,10-32	
2	49816GT	SCREW,PHILLIPS,PHM,10-32 X .75	
3	94982GT	STANDOFF, 3/8" BLACK.....1	
4	6097GT	WASHER,FLAT,USS,3/8",Y	
5	4828GT	NUT,NYLOCK,3/8-16	
6	88160GT	BRACKET,LEG,RLY BLOCK.....3	
7	34052GT	RELAY,SPDT,12V(AUTO) PLUG IN**.....1 <i>(Perkins models)</i>	
8	34052GT	RELAY,SPDT,12V(AUTO) PLUG IN**.....4	
--	88167GT	CONN,DUAL RLY MODULE,10 POS	
9	61225GT	RELAY,12VDC,70AMP,SEALED.....2	
--	88162GT	CONN,POWER RLY MODULE,4POS	
10	101340GT	FUSE,60 AMP,MAXI.....1	
--	88164GT	CONN MAXI FUSE MODULE,4POS	
11	94327GT	FUSE,30 AMP.....2	
--	88164GT	CONN MAXI FUSE MODULE,4POS	
12	128978GT	CIRCUIT BREAKER TYPE 2, 10AMP.....1 <i>(Perkins models)</i>	
--	60536GT	FUSE,20 AMP,MAXI <i>(Deutz models)</i>	
--	88164GT	CONN MAXI FUSE MODULE,4POS	
13	106051GT	CONN,FEED THRU STUD.....2	
--	88164GT	CONN MAXI FUSE MODULE,4POS	
14	111602GT	PLATE, RELAY BLOCK MOUNT.....1	
15	75051GT	SCREW,SER FLNG3/8UNCX3/4ZNYEL.....4	
16	29868GT	SPRING CLIP,3/8-16,.05-.20X.73,ZAG....3	

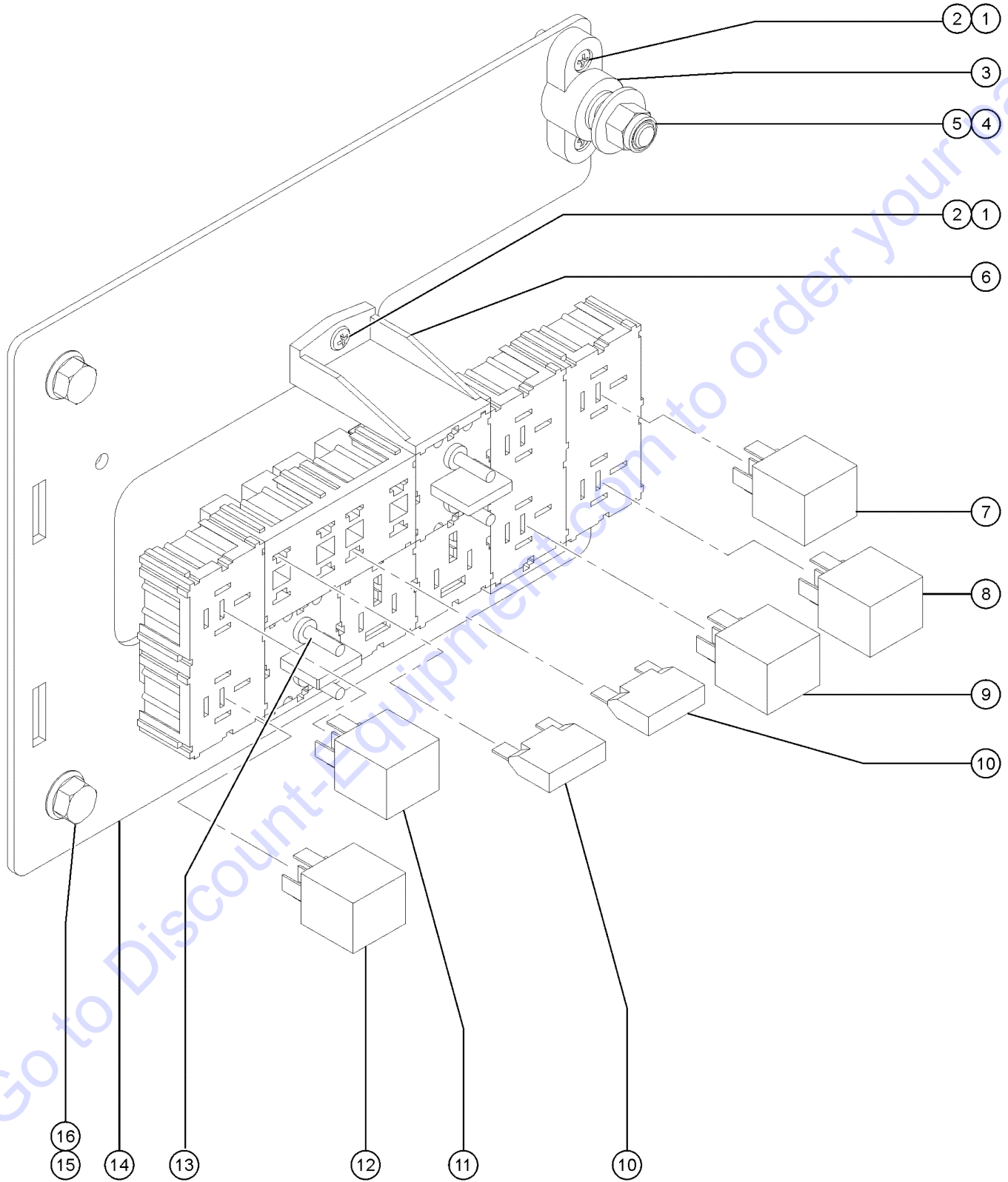
307.2 Turntable Components - Relay Panel, Deutz TD 2.9L4 (from SN 11346)



## 307.2 Turntable Components - Relay Panel, Deutz TD 2.9L4 (from SN 11346)

Item	Part No.	Description	Qty.
--	88159GT	LOCK,WEDGE,RLY 9.5MM	
1	6178GT	NUT,NYLOCK,10-32	
2	49816GT	SCREW,PHILLIPS,PHM,10-32 X .75	
3	94982GT	STANDOFF, 3/8" BLACK.....1	
4	6097GT	WASHER,FLAT,USS,3/8",Y	
5	4828GT	NUT,NYLOCK,3/8-16	
6	88160GT	BRACKET,LEG,RLY BLOCK.....3	
7	34052GT	RELAY,SPDT,12V(AUTO) PLUG IN**.....1 <i>CR2 (ENG/IGN RLY)</i>	
8	34052GT	RELAY,SPDT,12V(AUTO) PLUG IN** <i>CR6 (FUEL PUMP RLY)</i>	
9	34052GT	RELAY,SPDT,12V(AUTO) PLUG IN** <i>CR39 (VDROP RLY)</i>	
10	60536GT	FUSE,20 AMP,MAXI.....3	
--	88164GT	CONN MAXI FUSE MODULE,4POS	
11	34052GT	RELAY,SPDT,12V(AUTO) PLUG IN**.....1 <i>CR17 (OIL COOL RLY, OPTION)</i>	
12	34052GT	RELAY,SPDT,12V(AUTO) PLUG IN**.....1 <i>CR5 (HORN RLY)</i>	
13	106051GT	CONN,FEED THRU STUD.....2	
--	88164GT	CONN MAXI FUSE MODULE,4POS	
14	111602GT	PLATE, RELAY BLOCK MOUNT.....1	
15	75051GT	SCREW,SER FLNG3/8UNCX3/4ZNYEL.....4	
16	29868GT	SPRING CLIP,3/8-16,.05-.20X.73,ZAG....3	

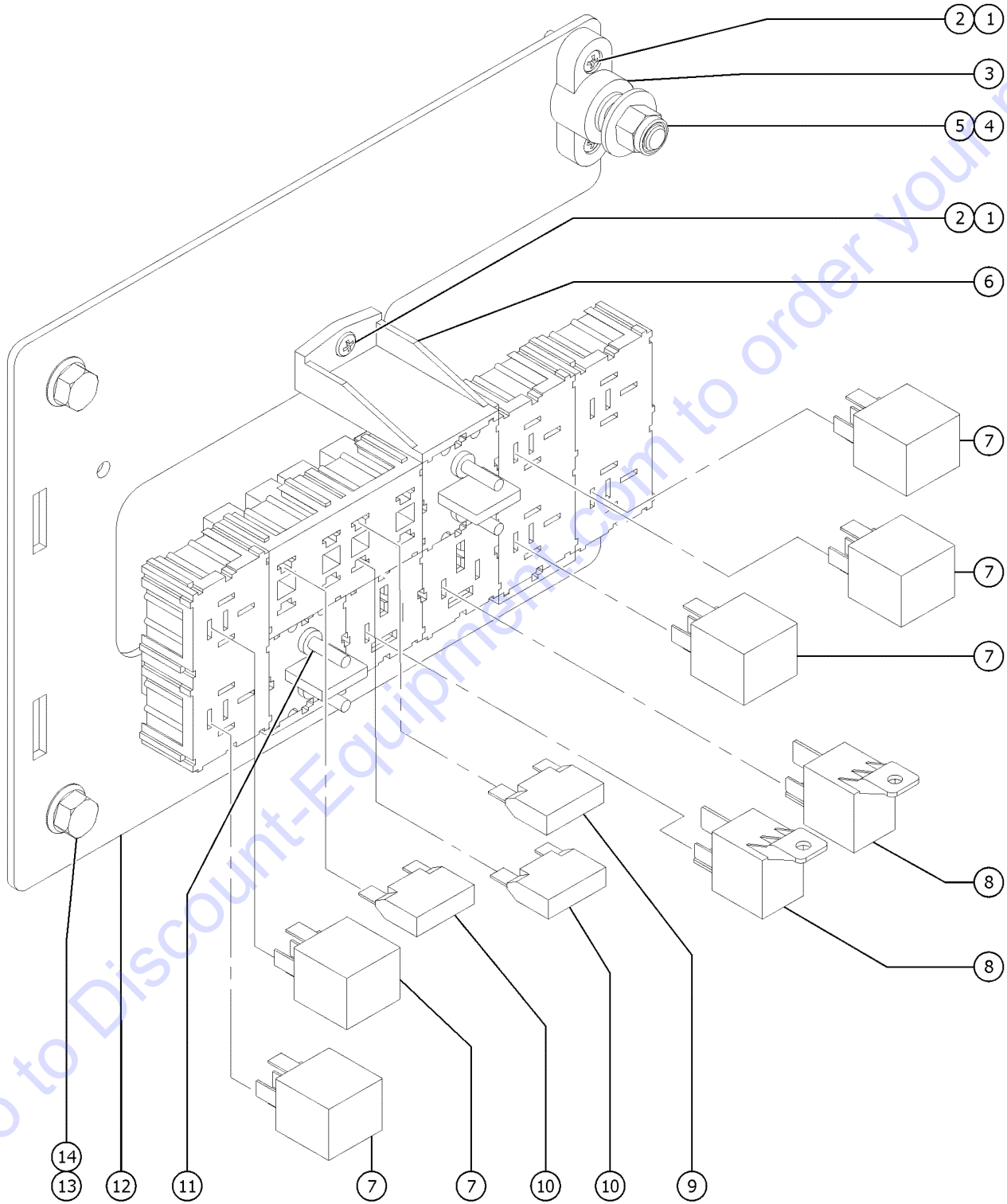
307.3 Turntable Components - Relay Panel, Perkins 404F-22T (from SN 11649 to SN 13749)



## 307.3 Turntable Components - Relay Panel, Perkins 404F-22T (from SN 11649 to SN 13749)

Item	Part No.	Description	Qty.
--	88159GT	LOCK,WEDGE,RLY 9.5MM	
1	6178GT	NUT,NYLOCK,10-32	
2	49816GT	SCREW,PHILLIPS,PHM,10-32 X .75	
3	94982GT	STANDOFF, 3/8" BLACK.....1	
4	6097GT	WASHER,FLAT,USS,3/8",Y	
5	4828GT	NUT,NYLOCK,3/8-16	
6	88160GT	BRACKET,LEG,RLY BLOCK.....3	
7	34052GT	RELAY,SPDT,12V(AUTO) PLUG IN**.....1 <i>CR4A (LOW RPM RLY)</i>	
8	34052GT	RELAY,SPDT,12V(AUTO) PLUG IN** <i>CR4B (HIGH RPM RLY)</i>	
9	34052GT	RELAY,SPDT,12V(AUTO) PLUG IN** <i>CR39B (VDROP RLY)</i>	
10	60536GT	FUSE,20 AMP,MAXI.....2	
--	88164GT	CONN MAXI FUSE MODULE,4POS	
11	34052GT	RELAY,SPDT,12V(AUTO) PLUG IN**.....1 <i>CR17 (OIL COOL RLY, OPTION)</i>	
12	34052GT	RELAY,SPDT,12V(AUTO) PLUG IN**.....1 <i>CR5 (HORN RLY)</i>	
13	106051GT	CONN,FEED THRU STUD.....2	
--	88164GT	CONN MAXI FUSE MODULE,4POS	
14	111602GT	PLATE, RELAY BLOCK MOUNT.....1	
15	75051GT	SCREW,SER FLNG3/8UNCX3/4ZNYEL.....4	
16	29868GT	SPRING CLIP,3/8-16,.05-.20X.73,ZAG....3	

307.4 Turntable Components - Relay Panel, Perkins 404D-22T (from SN SN 13750)

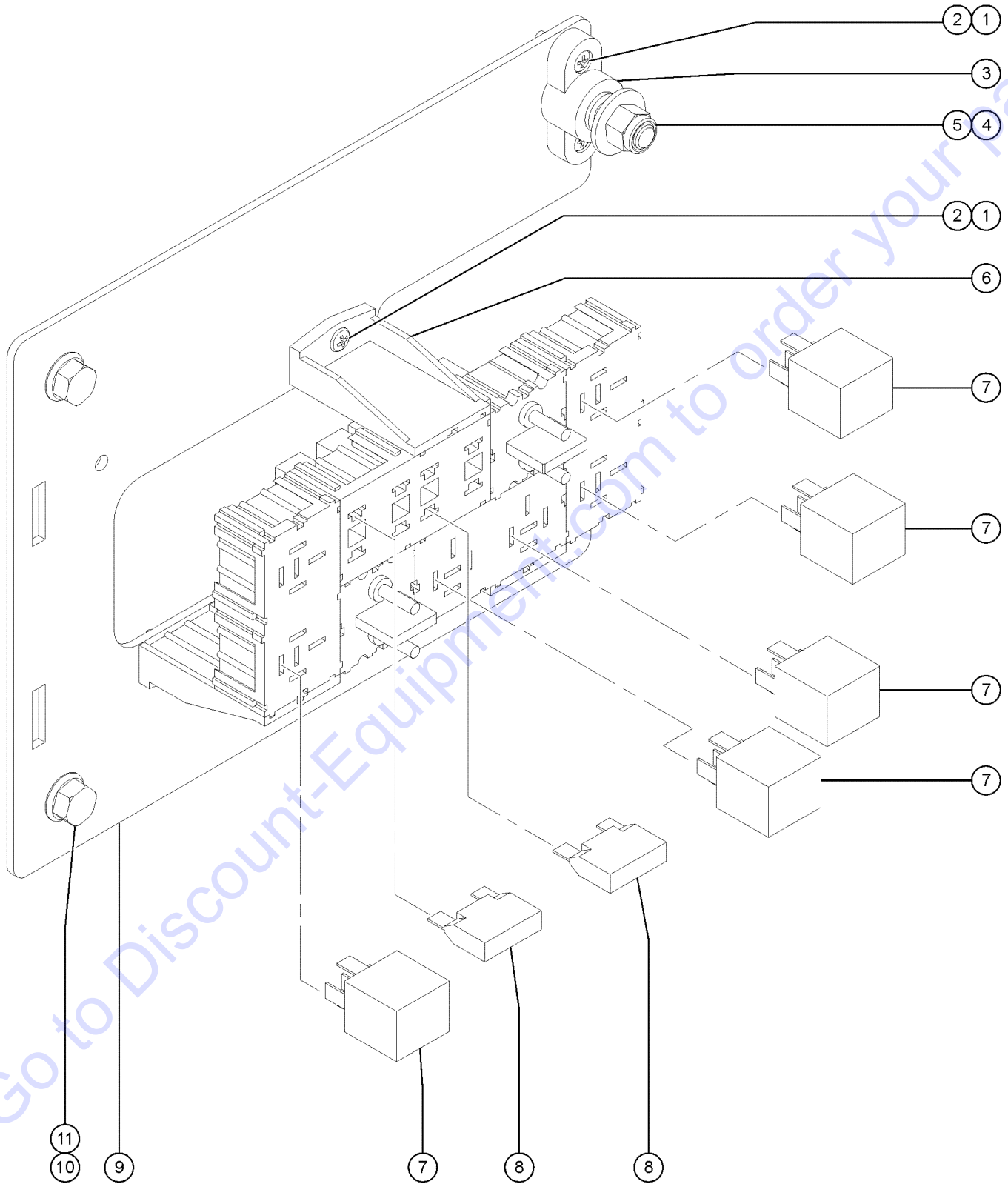


## 307.4 Turntable Components - Relay Panel, Perkins 404D-22T (from SN SN 13750)

Item	Part No.	Description	Qty.
A	88159GT	LOCK,WEDGE,RLY 9.5MM	
1	49816GT	SCREW,PHILLIPS,PHM,10-32 X .75	
2	6178GT	NUT,NYLOCK,10-32	
3	94982GT	STANDOFF, 3/8" BLACK	
4	4828GT	NUT,NYLOCK,3/8-16	
5	6097GT	WASHER,FLAT,USS,3/8",Y	
6	88160GT	BRACKET,LEG,RLY BLOCK	
7	34052GT	RELAY,SPDT,12V(AUTO) PLUG IN**.....5	
--	88167GT	CONN,DUAL RLY MODULE,10 POS	
8	61225GT	RELAY,12VDC,70AMP,SEALED.....2	
--	88162GT	CONN,POWER RLY MODULE,4POS	
9	101340GT	FUSE,60 AMP,MAXI.....1	
--	88164GT	CONN MAXI FUSE MODULE,4POS	
10	60536GT	FUSE,20 AMP,MAXI.....2	
11	106051GT	CONN,FEED THRU STUD.....2	
--	88164GT	CONN MAXI FUSE MODULE,4POS	
12	111602GT	PLATE, RELAY BLOCK MOUNT.....1	
13	75051GT	SCREW,SER FLNG3/8UNCX3/4ZNYEL.....4	
14	29868GT	SPRING CLIP,3/8-16,.05-.20X.73,ZAG....3	



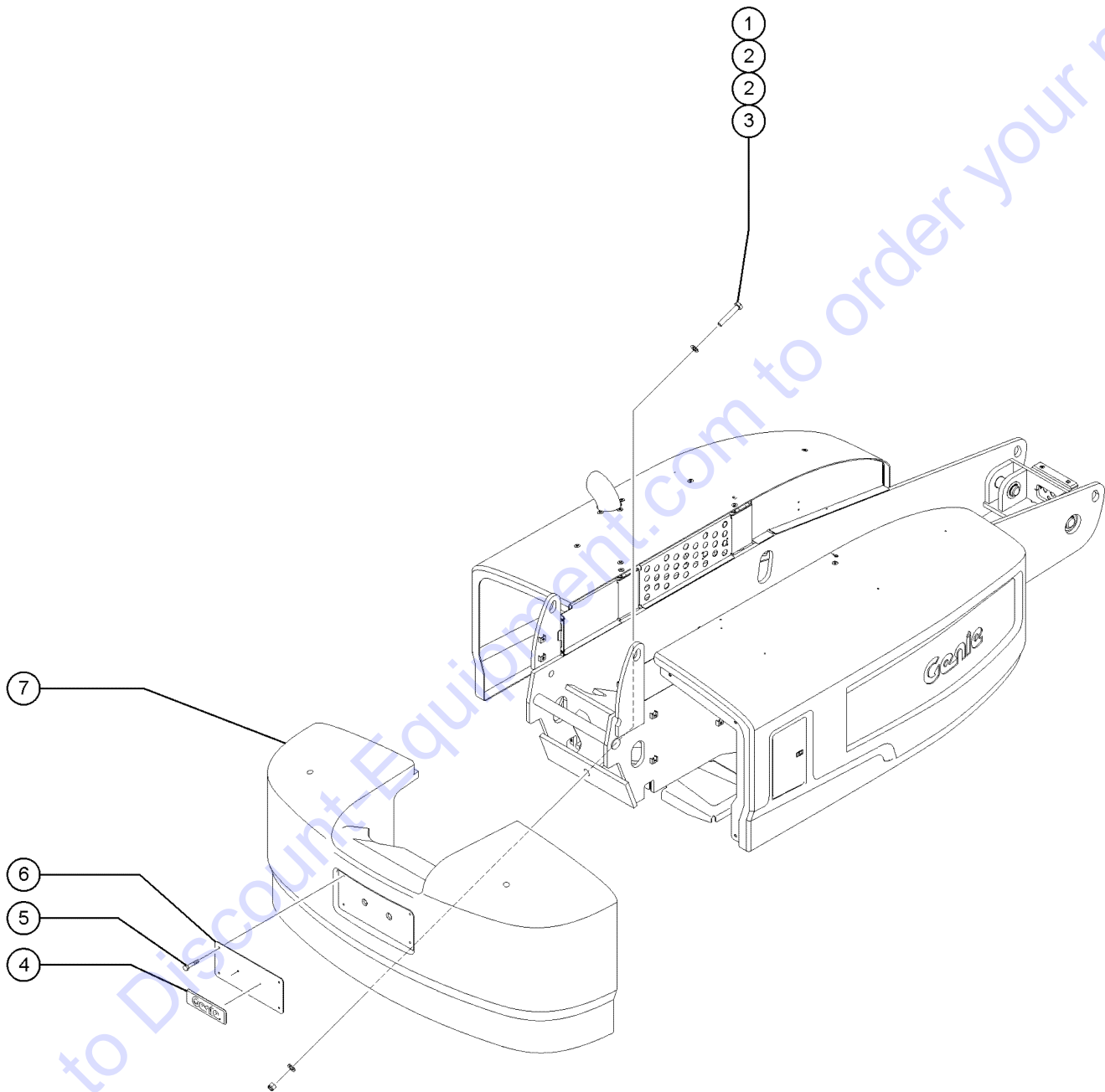
308.1 Turntable Components - Relay Panel, Gasoline/LPG Models



## 308.1 Turntable Components - Relay Panel, Gasoline/LPG Models

Item	Part No.	Description	Qty.
--	88159GT	LOCK,WEDGE,RLY 9.5MM	
1	6178GT	NUT,NYLOCK,10-32	
2	49816GT	SCREW,PHILLIPS,PHM,10-32 X .75	
3	94982GT	STANDOFF, 3/8" BLACK.....1	
4	6097GT	WASHER,FLAT,USS,3/8",Y	
5	4828GT	NUT,NYLOCK,3/8-16	
6	88160GT	BRACKET,LEG,RLY BLOCK.....3	
7	34052GT	RELAY,SPDT,12V(AUTO) PLUG IN**.....5	
--	88167GT	CONN,DUAL RLY MODULE,10 POS	
8	94327GT	FUSE,30 AMP.....2	
--	88164GT	CONN MAXI FUSE MODULE,4POS	
9	111602GT	PLATE, RELAY BLOCK MOUNT.....1	
10	75051GT	SCREW,SER FLNG3/8UNCX3/4ZNYEL.....4	
11	29868GT	SPRING CLIP,3/8-16,.05-.20X.73,ZAG...3	

309.1 Turntable Counterweight, S-80X and S-80



## 309.1 Turntable Counterweight, S-80X and S-80

Item	Part No.	Description	Qty.
1	1256466GT	SCREW,HHC,1-8X6.5,8,ZAG	
2	824116GT	WASHER, FLAT, F436, 1.0, ZAG.....	2
3	826794GT	NUT,TL,1-8,C,ZAG	
4	123376GT	EMBLEM,GENIE,12 IN..... to SN 9022	1
5	121439GT	SCREW,BH SEC,3/8-16X.75 SS to SN 9022	
6	121438GT	PLATE, GENIE LOGO MOUNT..... to SN 9022	1
7	121232GT	COUNTERWEIGHT,S80..... 10,750 lbs	1

Go to Discount-Equipment.com to order your parts

# PARTS FINDER

**Search Website  
by Part Number**



**Search Manual  
Library For Parts  
Manual & Lookup Part  
Numbers – Purchase  
or Request Quote**

**Search Manuals**

Enter your information to help us find the right parts manual for your machine.

\* Brand:

\* Model:

\* Serial:

\* Part Number:

SEARCH

**Can't Find Part or  
Manual? Request Help  
by Manufacturer,  
Model & Description**

**Parts Order Form**

Please fill in the following information to help us find the right part for your machine.

Manufacturer:	<input type="text"/>
Model:	<input type="text"/>
Description:	<input type="text"/>
Part Number:	<input type="text"/>
Quantity:	<input type="text"/>
Notes:	<input type="text"/>

Submit

Discount-Equipment.com is your online resource for quality parts & equipment.

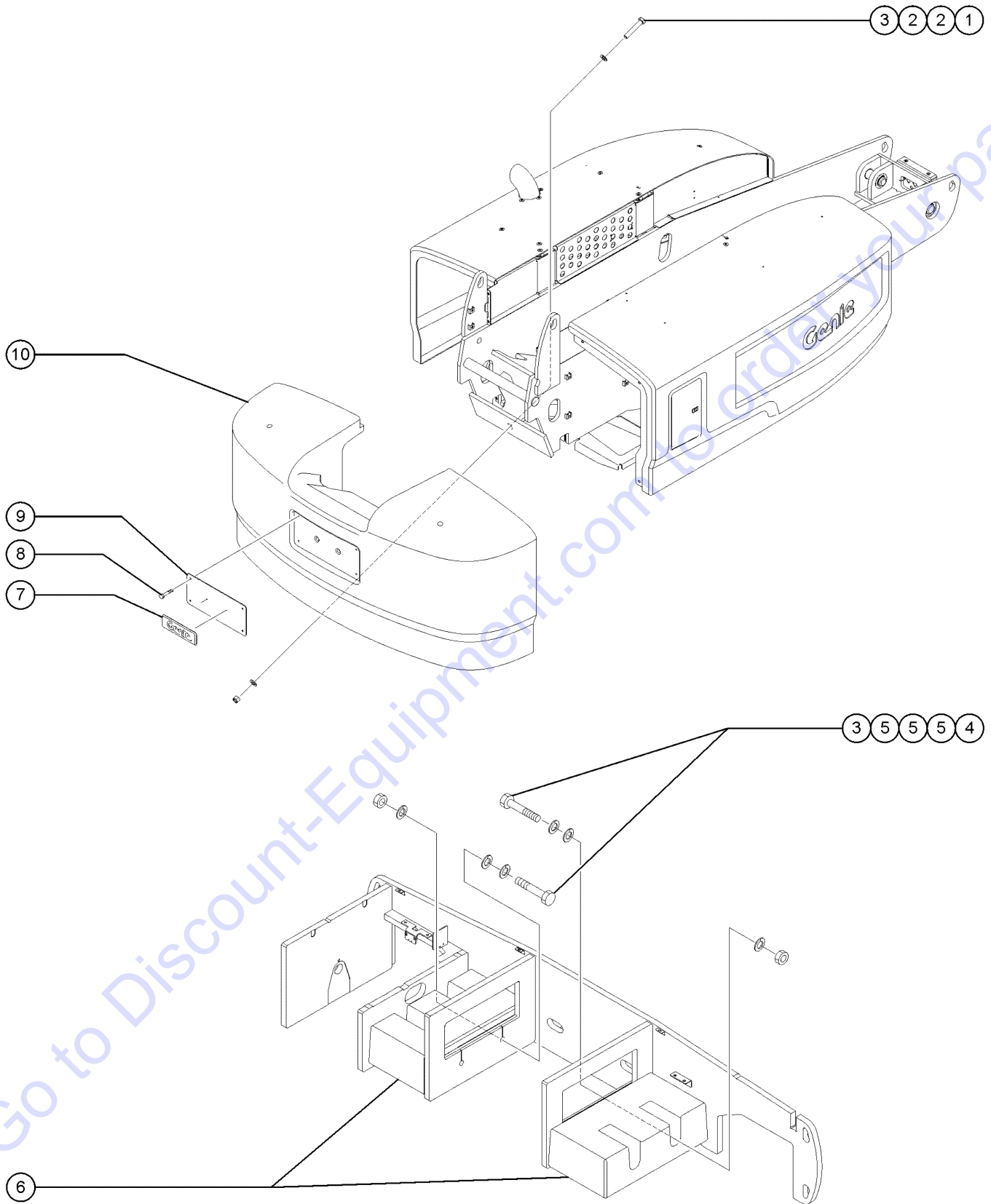
Florida: **561-964-4949** Outside Florida TOLL FREE: **877-690-3101**

**Need parts?**

Click on this link: <http://www.discount-equipment.com/category/5443-parts/> and choose one of the options to help get the right parts and equipment you are looking for. Please have the machine model and serial number available in order to help us get you the correct parts. If you don't find the part on the website or on one of the online manuals, please fill out the request form and one of our experienced staff members will get back to you with a quote for the right part that your machine needs.

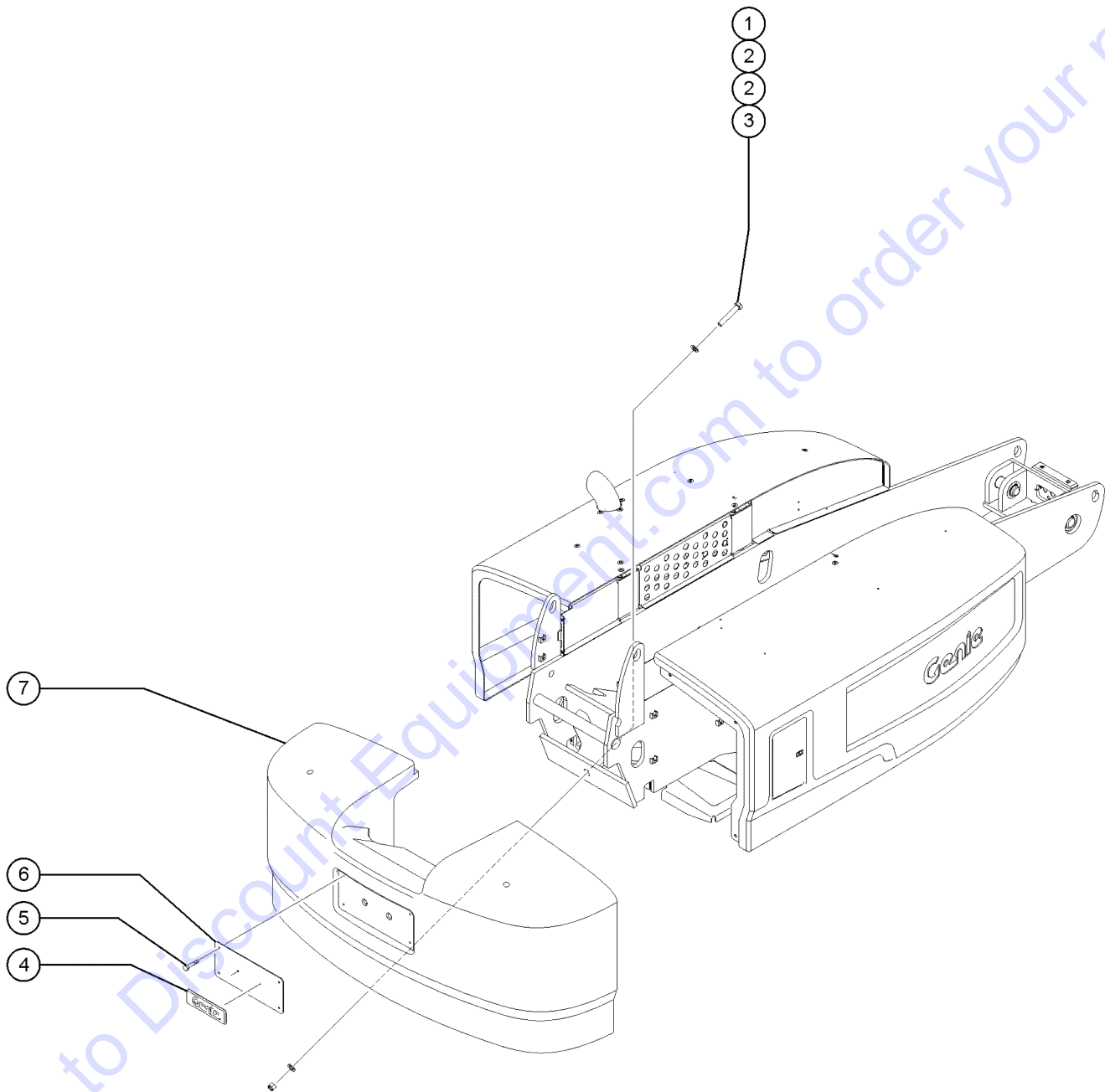
We sell worldwide for the brands: Genie, Terex, JLG, MultiQuip, Mikasa, Essick, Whiteman, Mayco, Toro Stone, Diamond Products, Generac Magnum, Airman, Haulotte, Barreto, Power Blanket, Nifty Lift, Atlas Copco, Chicago Pneumatic, Allmand, Miller Curber, Skyjack, Lull, Skytrak, Tsurumi, Husquvarna Target, Stow, Wacker, Sakai, Mi-T-M, Sullair, Basic, Dynapac, MBW, Weber, Bartell, Bennar Newman, Haulotte, Ditch Runner, Menegotti, Morrison, Contec, Buddy, Crown, Edco, Wyco, Bomag, Laymor, EZ Trench, Bil-Jax, F.S. Curtis, Gehl Pavers, Heli, Honda, ICS/PowerGrit, IHI, Partner, Imer, Clipper, MMD, Koshin, Rice, CH&E, General Equipment, Amida, Coleman, NAC, Gradall, Square Shooter, Kent, Stanley, Tamco, Toku, Hatz, Kohler, Robin, Wisconsin, Northrock, Oztec, Toker TK, Rol-Air, APT, Wylie, Ingersoll Rand / Doosan, Innovatech, Con X, Ammann, Mecalac, Makinex, Smith Surface Prep, Small Line, Wanco, Yanmar

310.1 S-80X High Capacity



Item	Part No.	Description	Qty.
1	1256466GT	SCREW,HHC,1-8X6.5,8,ZAG	
2	824116GT	WASHER, FLAT, F436, 1.0, ZAG.....2	
3	826794GT	NUT,TL,1-8,C,ZAG	
4	30286GT	SCREW,HHC,1-8 X 12IN GRD.2***	
5	38859GT	WASHER,FLAT,USS,1",Y	
6	88482GT	CASTING,CHASSIS WEIGHT.....2 <i>1,400 lbs each</i>	
7	123376GT	EMBLEM,GENIE,12 IN.....1 <i>to SN 9022</i>	
8	121439GT	SCREW,BH SEC,3/8-16X.75 SS <i>to SN 9022</i>	
9	121438GT	PLATE, GENIE LOGO MOUNT.....1 <i>to SN 9022</i>	
10	121233GT	COUNTERWEIGHT,S85.....1 <i>13,000 lbs</i>	

311.1 Turntable Counterweight, S-85



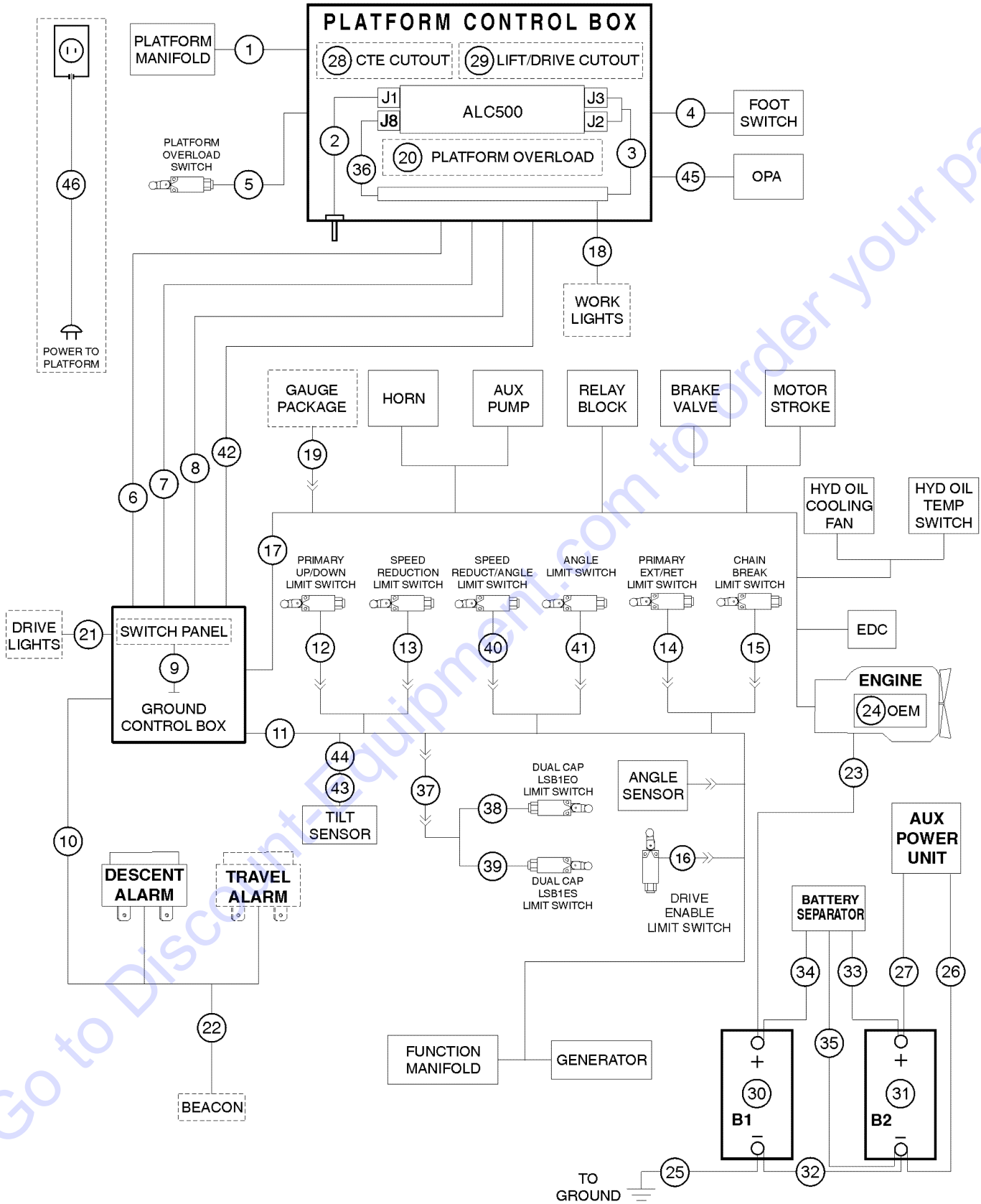


## 311.1 Turntable Counterweight, S-85

Item	Part No.	Description	Qty.
1	1256466GT	SCREW,HHC,1-8X6.5,8,ZAG	
2	824116GT	WASHER, FLAT, F436, 1.0, ZAG.....	2
3	826794GT	NUT,TL,1-8,C,ZAG	
4	123376GT	EMBLEM,GENIE,12 IN..... to SN 9022	1
5	121439GT	SCREW,BH SEC,3/8-16X.75 SS to SN 9022	
6	121438GT	PLATE, GENIE LOGO MOUNT..... to SN 9022	1
7	121233GT	COUNTERWEIGHT,S85..... 13,000 lbs	1

Go to Discount-Equipment.com to order your parts

312.1 Wire Harness Diagram, S-80X and S-80



## 312.1 Wire Harness Diagram, S-80X and S-80

Item	Part No.	Description	Qty.	Item	Part No.	Description	Qty.
B	1264822GT	KIT, TRC RETROFIT, STNDRD <i>Telematics (includes 1264834)</i>		--	1253142GT	HARNES, GBOX, PERKINS, S80/85.....1 <i>(Perkins 804D-33 models); from SN 12264 to 13231</i>	
--	1264834GT	INSTRN, TRC RETROFIT, STNDRD		9F	1280715GT	HARNES, GBOX, PERKINS 404F <i>from SN 11649 to 12263</i>	
1	121726GT	HARN, PLAT MANIFOLD, S80.....1		--	1251634GT	HARN, GBOX, PERKINS T4, S80.....1 <i>(Perkins 404F-22T models); from SN 12264 to 13231</i>	
2A	121840GT	HARNES, SERV, S80-2008 PBOX J1.....1 <i>Excluding (Deutz TD 2.9L4 and Perkins 404F-22T models)</i>		9G	1253210GT	CIRCUIT BRKR THERM AUTORESET 6.....1 <i>(used with harness 1253141, 1253142, 1280714, or 1280716); from SN 10913</i>	
2B	1280766GT	HARNES, PBOX, PERKINS 404F <i>(Perkins 404F-22T models); J2 and J3 harnesses are part of this harness, from SN 11649 to 12263</i>		9H	121731GT	HARNES, GBOX, CONTNLT, S80/85.....1 <i>(Continental models)</i>	
--	1251635GT	HARN, PBOX, PERKINS T4, S80.....1 <i>(Perkins 404F-22T models); J2 and J3 harnesses are part of this harness, from SN 12264</i>		10	121753GT	HARNES, ALARM/BEACON, S80 2008.....1	
2C	1280765GT	HARNES, PBOX, DEUTZ 2.9 <i>(Deutz 2.9L models); J2 and J3 harnesses are part of this harness, from SN 11346 to 12263</i>		--		Ref. Travel Alarm <i>(refer to 801.1)</i>	
2C	826938GT	HARN, PBOX, DEUTZ 2.9T, S80.....1 <i>(Deutz TD 2.9L4 models); J2 and J3 harnesses are part of this harness, from SN 12264</i>		--	121614GT	DESCENT ALARM, S80/85 2008.....1 <i>(alarm 45462GT)</i>	
3A	121841GT	HARNES, SERV, S80-2008 PBOX J2.....1 <i>Excluding (Deutz TD 2.9L4 and Perkins 404F-22T models)</i>		11A	121728GT	HARN, FUNCT S80/85 2008.....1 <i>to SN 8499</i>	
3B	121842GT	HARNES, SERV, S80-2008 PBOX J3.....1 <i>Excluding (Deutz TD 2.9L4 and Perkins 404F-22T models)</i>		11B	147450GT	HARN, FUNCT MANIFOLD, S80/85.....1 <i>from SN 8500</i>	
4	227516GT	ASSEMBLY, FOOT SWITCH.....1		12	121469GT	HARN, LS, BOOM ANGLE S80/85 2008...1	
5	121848GT	ASSY, LS, LOAD SENSE, 38.5 IN.....1		--	11077141C7GT	LIMIT SW. TAB, BLUE METAL	
6	121732GT	HARNES, 16/22 BOOM 1, S80-2008....1 <i>(Green - Brown)</i>		13	121499GT	HARN, LS, SPD REDUCT S80.85 2008....1 <i>to SN 8499</i>	
7	121477GT	HARNES, 18/22 BOOM 2, S80-2008....1 <i>(Grey - Black)</i>		--	11077121C7GT	LIMIT SW, TAB, BLUE METAL <i>to SN 8499</i>	
8	121478GT	HARNES, 12V TO PLAT, S80-2008.....1		14	121466GT	HARNES, LS, BOOM RET S80/85.....1	
9A	121729GT	HARNES, GBOX, DEUTZ, S80/85.....1 <i>(Deutz TD2011L04i models); to SN 10912</i>		--	88356-32163GT	SWITCH, LIMIT, TABULATED, BLUE	
9B	1280714GT	HARNES, PBOX, T3 <i>from SN 10913 to 12263</i>		15	121468GT	HARNES, LS, CHAIN BREAK S80/85.....1	
--	1253141GT	HARN, GBOX, DEUTZ, S80/85.....1 <i>(Deutz TD2011L04i models); from SN 12264 to 13231</i>		--	88356-13107GT	SWITCH, LIMIT, TABULATE, BLUE	
9C	1280713GT	HARNES, GBOX, DEUTZ 2.9 <i>from SN 11346 to 12263</i>		16	121467GT	HARN, LS, DRIVE EN, S80/85 2008.....1	
--	826937GT	HARN, GBOX, DEUTZ 2.9T, S80.....1 <i>(Deutz TD 2.9L4 models); from SN 12264 to 13231</i>		--	88356-33103GT	SWITCH, LIMIT TABULATED, BLUE	
9D	121730GT	HARNES, GBOX, PERKINS, S80/85.....1 <i>(Perkins 804D-33 models); to SN 10925</i>		17A	121471GT	HARNES, DEUTZ 2008 S80/85.....1 <i>(Deutz TD2011L04i models); to SN 9735</i>	
9E	1280716GT	HARNES, GBOX, PERKINS 804 <i>from SN 10926 to 12263</i>		17B	121470GT	HARNES, CONT TME 2008 S80/85.....1 <i>(Continental models); to SN 10002</i>	
				17C	121472GT	HARNES, PERKINS 2008 S80/85.....1 <i>(Perkins 804D-33 models); to SN 9756</i>	
				17D	1251642GT	HARNES, ENG, PERKINS T4, S80.....1 <i>(Perkins 404F-22T models); from SN 11649</i>	
				17E	216759GT	HARNES, CONT TME 2008 S80/85.....1 <i>(Continental models); from SN 10003</i>	
				17F	216760GT	HARNES, DEUTZ 2008.....1 <i>(Deutz TD2011L04i models); from SN 9736</i>	
				17G	216761GT	HARNES, PERKINS 2008 S80/85.....1 <i>(Perkins 804D-33 models); from SN 9757</i>	

312.1 Wire Harness Diagram, S-80X and S-80  
(continued)

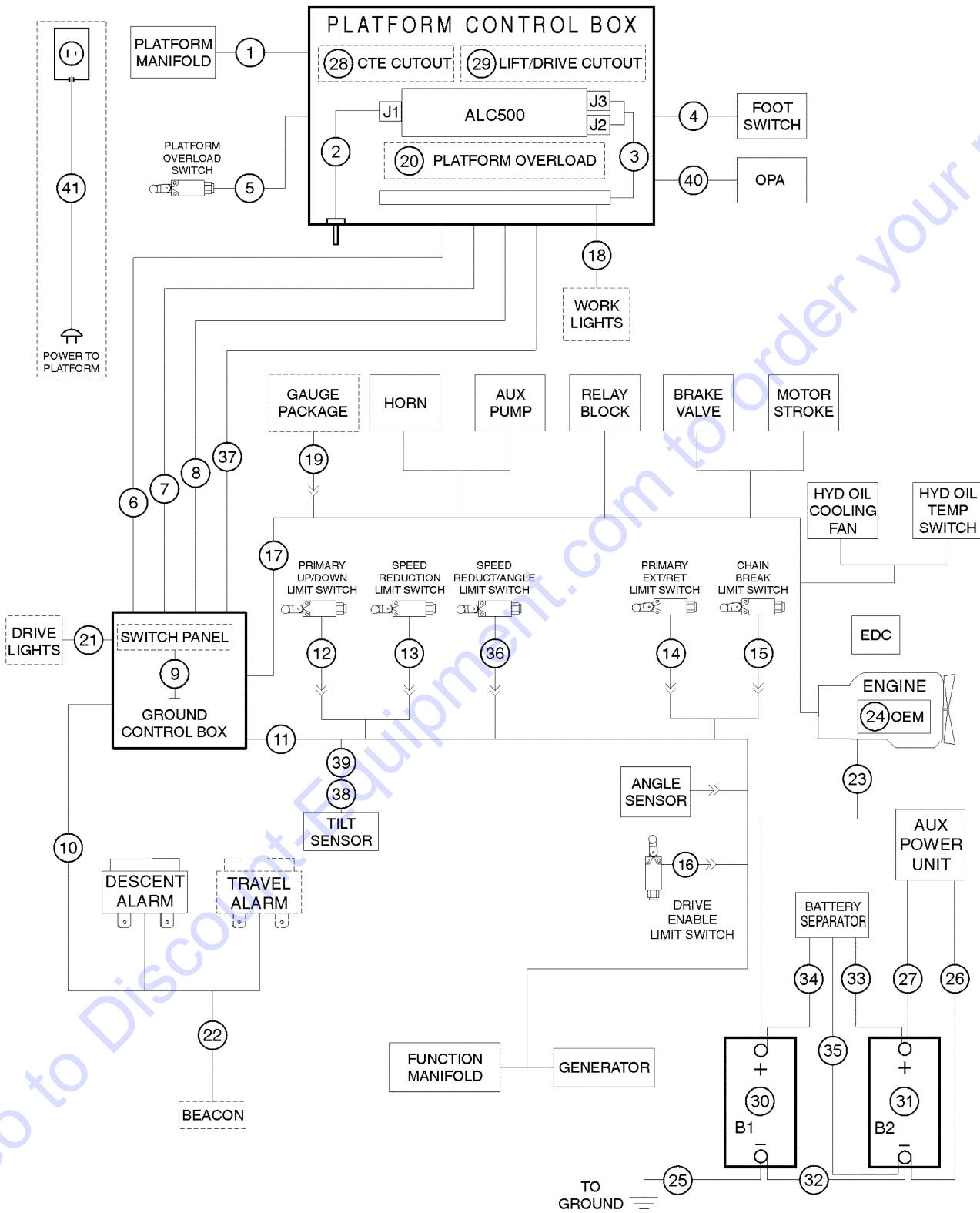
Item	Part No.	Description	Qty.	Item	Part No.	Description	Qty.
17H	824585GT	HARN, ENG, TIER IV DEUTZ, S80.....1 (Deutz TD 2.9L4 models); from SN 11346	1	29A	121461GT	HARNESS,LFT/DRV CUTOUT,S80/85....1 to SN 12263	1
17I	826710GT	HARNESS, EXTENSION, 404F-22.....1 (Perkins 404F-22T models); from SN 11649	1	29B	1258701GT	HARNESS,CE OPTION,S80/85.....1 from SN 12264	1
18A	121653GT	HARNESS,WORK LIGHTS,S80-2008.....1 to SN 8402	1	30	30143GT	BATTERY,12V,1000 CCA GRP 31 from SN 8199	1
18B	13097GT	FUSE,10 AMP.....1 Use with harness item 147406; from SN 8403 to 8621	1	31	77694GT	BATTERY,12V DEEP CYC 5/16"STUD from SN 8199	1
18C	147406GT	HARNESS, WORK LIGHTS.....1 from SN 8403 to 8621	1	32	106555GT	HARNESS,GND BATT 1 TO BATT 2 from SN 8199	1
18D	T115760GT	HARNESS,12V WORK LIGHTS.....1 from SN 8622	1	33	121618GT	HARNESS,BATT2 TO SEPERATOR,S80 from SN 8199	1
18E	T115761GT	HARNESS,12V WORK LIGHT RELAY....1 Use with harness item T115760; from SN 8622	1	34	121617GT	HARNESS,BATT1 TO SEPERATOR,S80 from SN 8199	1
19	121492GT	HARNESS,GAUGE OPT. S80/85.....1	1	35	121621GT	HARNESS,SEPERATOR GND,S80 from SN 8199	1
20A	121836GT	HARNESS,LOAD SENSE,2008.....1 to SN 12263	1	36A	147622GT	HARN,PBOX,DUAL CAP S-80X only, from SN 8500 to 12263	1
--	121843GT	RESISTOR,4.7K OHM,25 WATT	1	36B	1259219GT	HARNESS,PBOX,DUAL CAP,S80X S-80X only, from SN 12264	1
20B	219490GT	HARNESS,LS W/RECOVERY from SN 12264	1	37	147653GT	HARN, LS CABLE,S80 DUAL CAP S-80X only, from SN 8500	1
21	121447GT	HARNESS,DRV LIGHTS,S80/85 2008....1	1	38	T106478GT	HARN,LS OP PRI.DUAL CAP.....1 S-80X only, from SN 8500	1
22	121489GT	HARNESS,BEACON,S80/85 2008.....1	1	39	T106479GT	HARN,LS SAFETY,PRI.DUAL CAP.....1 S-80X only, from SN 8500	1
23	121748GT	BATTERY CABLE,POS RED 132".....1 (Perkins 804D-33 models)	1	40	T107193GT	HARN,LS OP PRI VEL LST30 from SN 8500	1
--	121474GT	CABLE, BATTERY 2/0 POS RD 123"	1	--	110771-13107GT	SWITCH,LIMIT,W/RLLR ARM,NO/NC from SN 8500	1
24A	122250GT	HARNESS,TME27 ENGINE,EPA2007....1	1	41	T107194GT	HARN,LS SAFETY PRI VEL LST3S S-80X only, from SN 8500	1
24B	122399GT	HARNESS, TD2011L04I, DEUTZ Deutz models	1	--	110771-11117GT	SWITCH,LIMIT,W/RLLR ARM,NO/NC S-80X only, from SN 8500	1
24C	1258619GT	HARNESS,ENG,PERKINS 404D,S80/85 Perkins models	1	42	229357GT	HARNESS, LIGHT PACKAGE, S80	1
24D	1275725GT	HARNESS,START ASSIST,404D Perkins models	1	43	1264947GT	KIT, LEVEL SENSOR, 6 PIN CONN. For ANSI/CSA models with 6-pin wire harness connector, includes instructions	1
25A	121747GT	BATTERY CABLE,NEG BK 116".....1 to SN 9995	1	44	1260218GT	HARNESS,TILT ALARM,12V for CSA models only	1
25B	121473GT	BATTERY CABLE,2/0,NEG,BK,84".....1 (Continental models); to SN 10002	1	--	1285689GT	INSTRUCTIONS,INSTALL (LEVEL SENSOR ALARM) for kit 1285811	1
25C	121747GT	BATTERY CABLE,NEG BK 116".....1 (Perkins 404F-22T models); from SN 11649	1	--	1285811GT	KIT,TILT ALARM,IC MODELS from 12270	1
25D	217370GT	CABLE,BATTERY NEG,BK.....1 from SN 9996	1	45A	1255555GT	HARN,PBOX,OPA,HW,12V.....1 (to January 2017)	1
26A	121483GT	CABLE, APU 2GA NEG 20".....1 to SN 8198	1	45B	1255030GT	PLUG,BLANKING.....1	1
26B	121619GT	HARNESS,BATT2 TO APU(+),S80.....1 from SN 8199	1	45C	1278108GT	HARNESS, CONTACT ALARM, S40,S60,S80.....1 (from January 2017)	1
27A	121484GT	CABLE,APU 2GA POS 24".....1 to SN 8198	1				
27B	121622GT	HARNESS,BATT2 TO APU(-),S80.....1 from SN 8199	1				
28	121521GT	OPT,CTE CUTOUT,S80/85 2008.....1	1				

312.1 Wire Harness Diagram, S-80X and S-80  
(continued)

Item	Part No.	Description	Qty.
46	30794GT	WIRE,12/3 SJEOW,BK-WH-GR/YL.....1212-inches <i>Power to platform cable option</i>	

Go to Discount-Equipment.com to order your parts

313.1 Wire Harness Diagram, S-85



## 313.1 Wire Harness Diagram, S-85

Item	Part No.	Description	Qty.	Item	Part No.	Description	Qty.
B	1264822GT	KIT, TRC RETROFIT, STNDRD <i>Telematics (includes 1264834)</i>		--	1265454GT	HARNESS, GBOX, DEUTZ 2.9T, S80 <i>(Deutz TD 2.9L4 models); from SN 13232</i>	
--	1264834GT	INSTRN, TRC RETROFIT, STNDRD		--	121730GT	HARNESS,GBOX,PERKINS,S80/85.....1 <i>(Perkins 804D-33 models); to SN 10925</i>	
1	121727GT	HARN,PLAT MANIFOLD,S85.....1		--	1253142GT	HARNESS,GBOX,PERKINS,S80/85 <i>(Perkins 804D-33 models); from SN 12264 to 13231</i>	
2	121840GT	HARNESS,SERV,S80-2008 PBOX J1.....1 <i>Excluding (Deutz TD 2.9L4 and Perkins 404F-22T models)</i>		--	1280716GT	HARNESS, GBOX, PERKINS 804 <i>from SN 10926 to 12263</i>	
--		Ref. HARNESS, PBOX, T3 <i>from SN 8000 to 12263 refer to 605.1</i>		--	1265457GT	HARNESS, GBOX, PERKINS804,S80 <i>(Perkins 804D-33 models); from SN 13232</i>	
--	1251635GT	HARN, PBOX, PERKINS T4, S80 <i>(Perkins 404F-22T models); J2 and J3 harnesses are part of this harness, from SN 12264</i>		--	1251634GT	HARN, GBOX, PERKINS T4, S80 <i>(Perkins 404F-22T models); from SN 12264 to 13231</i>	
--	1280765GT	HARNESS, PBOX, DEUTZ 2.9 <i>(Deutz 2.9L models); J2 and J3 harnesses are part of this harness, from 11346 to 12263</i>		--	1280715GT	HARNESS, GBOX, PERKINS 404F <i>from SN 11649 to 12263</i>	
--	1280766GT	HARNESS, PBOX, PERKINS 404F <i>(Perkins 404F-22T models); J2 and J3 harnesses are part of this harness, from SN 11649 to 12263</i>		--	1265456GT	HARNESS, GBOX, PERKINS404F,S80 <i>(Perkins 404F-22T models); from SN 13232</i>	
--	826938GT	HARN, PBOX, DEUTZ 2.9T, S80 <i>(Deutz TD 2.9L4 models); J2 and J3 harnesses are part of this harness, from SN 12264</i>		--	1253210GT	CIRCUIT BRKR THERM AUTORESET 6 <i>(used with harness 1253141, 1253142, 1280714, 1280716); from SN 10913</i>	
3	121841GT	HARNESS,SERV,S80-2008 PBOX J2.....1 <i>Excluding (Deutz TD 2.9L4 and Perkins 404F-22T models)</i>		--	121731GT	HARNESS,GBOX,CONTNTL,S80/85.....1 <i>(Continental models); to SN 12468</i>	
--	121842GT	HARNESS,SERV,S80-2008 PBOX J3 <i>Excluding (Deutz TD 2.9L4 and Perkins 404F-22T models)</i>		--	1253143GT	HARNESS,GBOX,CONTNTL,S80/85 <i>(Continental models); from SN 12469 to 13231</i>	
4	227516GT	ASSEMBLY,FOOT SWITCH.....1		--	1265458GT	HARNESS, GBOX, CONINENTAL,S80 <i>(Continental models); from SN 13232</i>	
5	121848GT	ASSY,LS,LOAD SENSE,38.5 IN.....1		10	121753GT	HARNESS,ALARM/BEACON,S80 2008.....1	
6	121733GT	HARNESS,16/22 BOOM 1,S85-2008.....1 <i>green/brown</i>		--		Ref. Travel Alarm <i>(refer to 801.1)</i>	
7	121480GT	HARNESS,18/22 BOOM 2,S85-2008.....1 <i>gray/black</i>		--	121614GT	DESCENT ALARM,S80/85 2008.....1 <i>(alarm 45462GT)</i>	
8	121481GT	HARNESS,12V TO PLAT,S85 2008.....1		11A	121728GT	HARN,FUNCTION S80/85 2008.....1 <i>to SN 8499</i>	
9	121729GT	HARNESS,GBOX,DEUTZ,S80/85.....1 <i>(Deutz TD2011L04i models); to SN 10912</i>		11B	147450GT	HARN,FUNCT MANIFOLD,S80/85 <i>from SN 8500 to 13231</i>	
--	1253141GT	HARN,GBOX,DEUTZ,S80/85 <i>(Deutz TD2011L04i models); from SN 12264 to 13231</i>		11C	1264385GT	HARNESS, MANIFOLD, FUNCTION <i>from SN 13232</i>	
--	1280714GT	HARNESS, PBOX, T3 <i>from SN 10913 to 12263</i>		12	121469GT	HARN,LS,BOOM ANGLE S80/85 2008...1	
--	1265455GT	HARNESS, GBOX, DEUTZ2011,S80 <i>(Deutz TD2011L04i models); from SN 13232</i>		--	110771-141C7GT	LIMIT SW.TAB,BLUE METAL	
--	1280713GT	HARNESS, GBOX, DEUTZ 2.9 <i>from SN 11346 to 12263</i>		13	121499GT	HARN,LS,SPD REDUCT S80.85 2008....1 <i>to SN 8499</i>	
--	826937GT	HARN, GBOX, DEUTZ 2.9T, S80 <i>(Deutz TD 2.9L4 models); from SN 12264 to 13231</i>		--	110771-121C7GT	LIMIT SW,TAB,BLUE METAL <i>to SN 8499</i>	
				14	121466GT	HARNESS,LS,BOOM RET S80/85.....1	
				--	88356-32163GT	SWITCH,LIMIT,TABULATED,BLUE	
				15	121468GT	HARNESS,LS,CHAIN BREAK S80/85.....1	
				--	88356-13107GT	SWITCH,LIMIT,TABULATE,BLUE	

313.1 Wire Harness Diagram, S-85  
(continued)

Item	Part No.	Description	Qty.	Item	Part No.	Description	Qty.
16	121467GT	HARN,LS,DRIVE EN,S80/85 2008.....1		24D	1275725GT	HARNESS,START ASSIST,404D <i>Perkins models</i>	
--	88356-33103GT	SWITCH,LIMIT TABULATED,BLUE		25A	121747GT	BATTERY CABLE,NEG BK 116".....1 <i>to SN 9995</i>	
17A	121471GT	HARNESS,DEUTZ 2008 S80/85.....1 <i>(Deutz TD2011L04i models); to SN 9735</i>		25B	217370GT	CABLE,BATTERY NEG,BK <i>from SN 9996</i>	
17B	216760GT	HARNESS, DEUTZ 2008 <i>(Deutz TD2011L04i models); from SN 9736</i>		25C	121473GT	BATTERY CABLE,2/0,NEG,BK,84" <i>(Continental models); to SN 10002</i>	
17C	824585GT	HARN, ENG, TIER IV DEUTZ, S80 <i>(Deutz TD 2.9L4 models); from SN 11346</i>		25D	121747GT	BATTERY CABLE,NEG BK 116" <i>(Perkins 404F-22T models); from SN 11649</i>	
17E	121472GT	HARNESS,PERKINS 2008 S80/85.....1 <i>(Perkins 804D-33 models); to SN 9756</i>		26A	121483GT	CABLE, APU 2GA NEG 20".....1 <i>to SN 8198</i>	
17F	216761GT	HARNESS,PERKINS 2008 S80/85 <i>(Perkins 804D-33 models); from SN 9757</i>		26B	121619GT	HARNESS,BATT2 TO APU(+),S80 <i>from SN 8199</i>	
17G	1251642GT	HARNESS, ENG, PERKINS T4, S80 <i>(Perkins 404F-22T); from SN 11649</i>		27A	121484GT	CABLE,APU 2GA POS 24".....1 <i>to SN 8198</i>	
17H	826710GT	HARNESS, EXTENSION, 404F-22.....1 <i>(Perkins 404F-22T models); from SN 11649 to 13620</i>		27B	121622GT	HARNESS,BATT2 TO APU(-),S80 <i>from SN 8199</i>	
17I	1272073GT	ASSEMBLY, JUNCTION, 404F-EXT, S80 <i>(Perkins 404F-22T); from SN 13621</i>		28	121521GT	OPT,CTE CUTOUT,S80/85 2008.....1	
17J	121470GT	HARNESS,CONT TME 2008 S80/85.....1 <i>(Continental models); to SN 10002</i>		29A	121461GT	HARNESS,LFT/DRV CUTOUT,S80/85....1 <i>to SN 12263</i>	
17K	216759GT	HARNESS,CONT TME 2008 S80/85 <i>(Continental models); from SN 10003</i>		29B	1258701GT	HARNESS,CE OPTION,S80/85 <i>to SN 12264</i>	
18A	121653GT	HARNESS,WORK LIGHTS,S80-2008.....1 <i>to SN 8402</i>		30	30143GT	BATTERY,12V,1000 CCA GRP 31 <i>from SN 8199</i>	
18B	147406GT	HARNESS, WORK LIGHTS <i>from SN 8403 to 8621</i>		31	77694GT	BATTERY,12V DEEP CYC 5/16"STUD <i>from SN 8199</i>	
18C	13097GT	FUSE,10 AMP <i>Use with harness item 147406; from SN 8403 to 8621</i>		32	106555GT	HARNESS,GND BATT 1 TO BATT 2 <i>from SN 8199</i>	
18D	T115760GT	HARNESS,12V WORK LIGHTS <i>from SN 8622</i>		33	121618GT	HARNESS,BATT2 TO SEPERATOR,S80 <i>from SN 8199</i>	
18E	T115761GT	HARNESS,12V WORK LIGHT RELAY <i>Use with harness item T115760; from SN 8622</i>		34	121617GT	HARNESS,BATT1 TO SEPERATOR,S80 <i>from SN 8199</i>	
19	121492GT	HARNESS,GAUGE OPT. S80/85.....1		35	121621GT	HARNESS,SEPERATOR GND,S80 <i>from SN 8199</i>	
20A	121836GT	HARNESS,LOAD SENSE,2008.....1 <i>to SN 12263</i>		36	T107193GT	HARN,LS OP PRI VEL LST30 <i>from SN 8500</i>	
--	121843GT	RESISTOR,4.7K OHM,25 WATT		--	110771-13107GT	SWITCH,LIMIT,W/RLLR ARM,NO/NC <i>from SN 8500</i>	
20B	219490GT	HARNESS,LS W/RECOVERY <i>to SN 12264</i>		37	229358GT	HARNESS, LIGHT PACKAGE, S85	
21	121447GT	HARNESS,DRV LIGHTS,S80/85 2008....1		38	1264947GT	KIT, LEVEL SENSOR, 6 PIN CONN. <i>For ANSI/CSA models with 6-pin wire harness connector, includes instructions</i>	
22	121489GT	HARNESS,BEACON,S80/85 2008.....1		39	1260218GT	HARNESS,TILT ALARM,12V <i>for CSA models only</i>	
23	121748GT	BATTERY CABLE,POS RED 132".....1 <i>(Perkins 804D-33 models)</i>		--	1285689GT	INSTRUCTIONS,INSTALL (LEVEL SENSOR ALARM) <i>for kit 1285811</i>	
--	121474GT	CABLE, BATTERY 2/0 POS RD 123".....1		--	1285811GT	KIT,TILT ALARM,IC MODELS <i>from SN 12350</i>	
24A	122250GT	HARNESS,TME27 ENGINE,EPA2007....1		40A	1255555GT	HARN,PBOX,OPA,HW,12V.....1	
24B	122399GT	HARNESS, TD2011L04I, DEUTZ.....1 <i>Deutz models</i>					
24C	1258619GT	HARNESS,ENG,PERKINS 404D,S80/85 <i>Perkins models</i>					

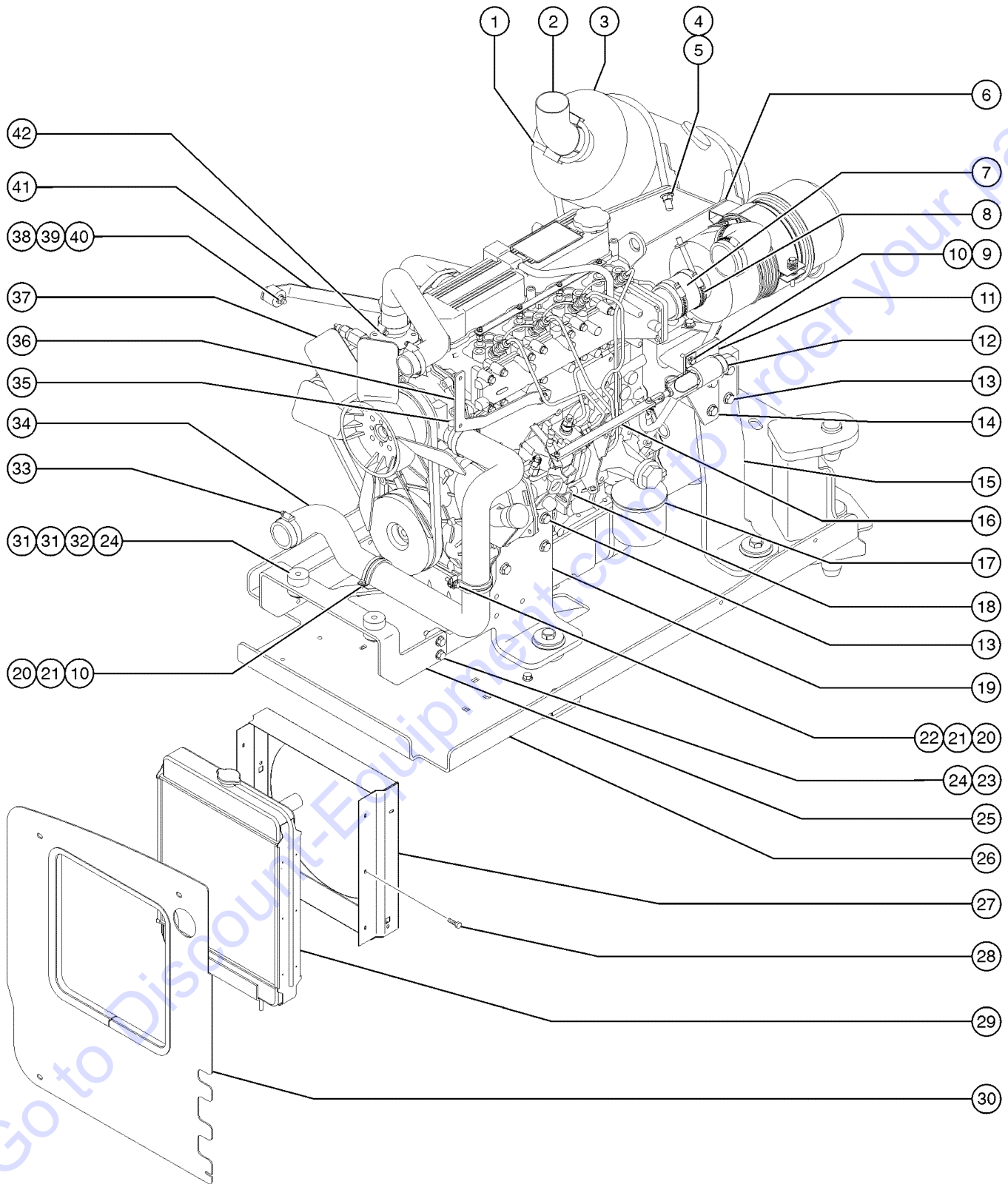


313.1 Wire Harness Diagram, S-85  
(continued)

Item	Part No.	Description	Qty.
40B	1255030GT	PLUG,BLANKING.....1 <i>(to January 2017)</i>	1
40C	1278108GT	HARNESS, CONTACT ALARM, S40,S60,S80.....1 <i>(from January 2017)</i>	1
41	30794GT	WIRE,12/3 SJEOW,BK-WH-GR/YL.....1272-inches <i>Power to platform cable option</i>	

Go to Discount-Equipment.com to order your parts

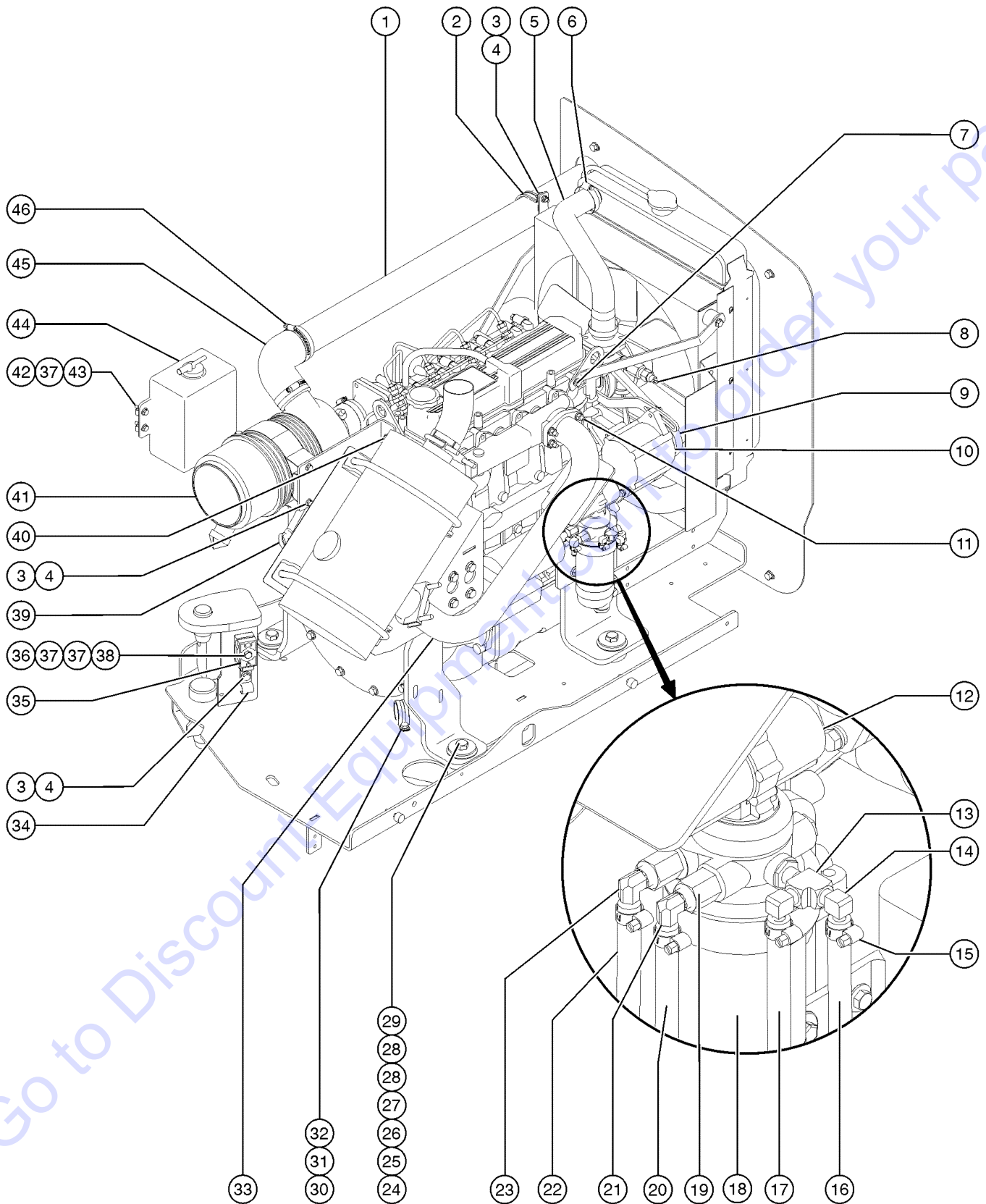
401.1 Perkins 804D-33 Engine - View 1



## 401.1 Perkins 804D-33 Engine - View 1

Item	Part No.	Description	Qty.	Item	Part No.	Description	Qty.
1	71911GT	CLAMP,MUFFLER, 2.50 INCH.....	1	33	35434GT	CLAMP,HOSE,2.00***.....	4
2	121206GT	PIPE, EXHAUST DISCHARGE.....	1	34	101602GT	HOSE,RADIATOR,LOWER,PERKINS.....	1
3	70444GT	MUFFLER,2.5"INLET/OUTLET.....	1	35	226060GT	PUMP,WATER,PERKINS 804D-33T	
--	101633GT	MUFFLER,SPARK ARREST,2.5 I/O		--	226061GT	GASKET-PUMP WATE,PERK 804D-33T	
--	101634GT	MUFFLER,CATALYTIC,2.5 I/O		36	101605PGT	BRACKET,FAN SHROUD,LH PAINTED.....	1
4	70449GT	U-BOLT,1/2-13 X 8.5.....	2	37	107545GT	FAN, PERKINS 804C-33.....	1
5	121423GT	NUT,FLG,1/2-13.....	1	38	121427GT	SCREW,HHF,M8X12	
6	121207GT	MOUNT, AIR FILTER.....	1	39	60585GT	ISOLATOR,VIBRATION,M8 MALE/FEM.....	1
7	34162-300GT	HOSE,AIR INTAKE 2.50" ID.....	1	40	121428GT	NUT,FLG,M8-1.25	
8	30971GT	CLAMP,HOSE,3.00".....	1	41	101604PGT	BRACKET,FAN SHROUD,RH,PAINTED.....	1
9	121430GT	SCREW,FLG HD,M10 X 70 GR12.9		42	226127GT	THERMOSTAT, 180 DEG.F	
10	121421GT	NUT,FLG,1/4-20		--	226128GT	GASKET, (226127)	
11	101620PGT	BRACKET,SOLENOID PAINTED.....	1				
12	77402GT	SOLENOID,THROTTLE ACTUATOR DSL.....	1				
--	21130GT	CLEVIS YOKE-1/4-28,PLTD W/PIN					
13	121431GT	SCREW,HHF,M12X30 GR12.9					
14	121432GT	SCREW,HHF,M12X35 GR12.9					
15	101610PGT	ENGINE MOUNT,LR PAINTED.....	1				
16	121814GT	THROTTLE LINKAGE,DIESEL.....	1				
--	27082GT	NUT,NYLOCK,M5X.80					
--	81128GT	SCREW,SHSH,M5XM16,ZINC					
17	101613GT	ELEMENT,OIL FILTER,PERKINS***.....	1				
18	102348GT	SENDING UNIT,OIL PRESS PERKINS...1					
--	101627GT	ADAPTER 3/8 FNPT X M16					
19	101608PGT	ENGINE MOUNT,LF PAINTED.....	1				
20	121420GT	SCREW,HHF,1/4-20 X 1.00					
21	61745GT	CLAMP,2.25,#36 X 3/8,RUB CUSH.....	1				
22	56912GT	SPRING CLIP,1/4-20,.025-.15X.54,ZAG.....	1				
23	122209GT	SCREW,HHF,3/8-16 X1.50					
24	121422GT	NUT,HEX,FLG,3/8-16					
25	101606PGT	BRACKET,RADIATOR SUPPORT PNTD.....	1				
26		Ref. Engine Tray Assembly (Refer to 416.1)					
27	101603PGT	SHROUD,FAN,PERKINS PAINTED.....	1				
28	21019GT	SCREW,PHIL,PHM,10-24 X.5,SEMS					
29	110304GT	RADIATOR,FORD/PERKINS***.....	1				
--	65473GT	CAP,RADIATOR,PERKINS/FORD					
30	121383GT	PERKINS ENGINE SIDE BULKHEAD.....	1				
--	60875-6600GT	TRIM MOULDING					
31	24038GT	SHOCK MOUNT,SMALL.....	4				
32	15086GT	WASHER,FLAT,.375 X 1.5 X .125					

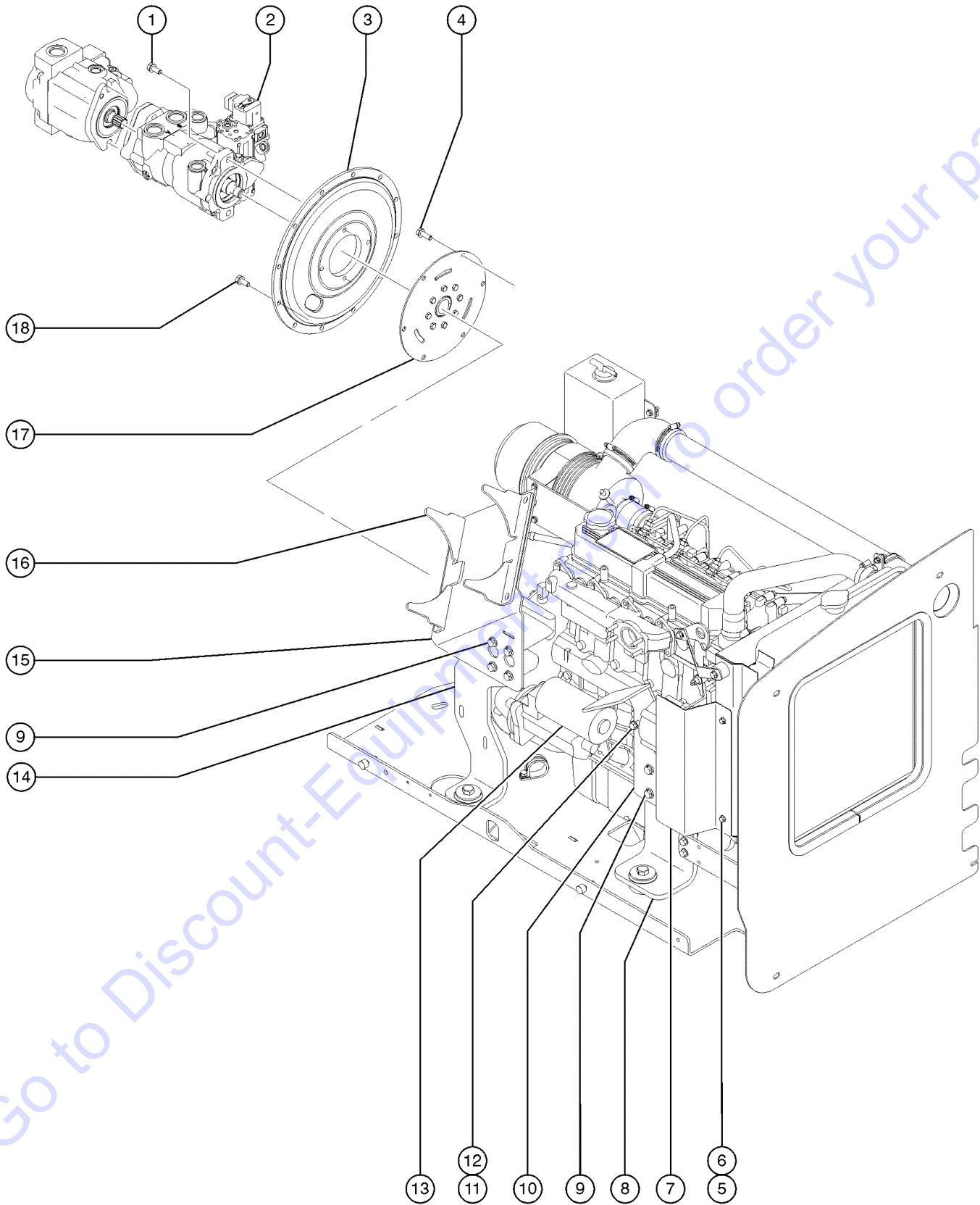
402.1 Perkins 804D-33 Engine - View 2



## 402.1 Perkins 804D-33 Engine - View 2

Item	Part No.	Description	Qty.	Item	Part No.	Description	Qty.
1	94324-3450GT	TUBE,RD,STL,ALUMIZD,2.5 X .065.....1		37	6638GT	WASHER,FLAT,USS,1/4"Y <i>from SN 9757</i>	
2	101626GT	CLAMP,2.5,#40 X 1/4,RUB CUSH		38	6091GT	NUT,NYLOCK,1/4-20 <i>from SN 9757</i>	
3	121420GT	SCREW,HHF,1/4-20 X 1.00		39	101625GT	DIP STICK TUBE ASSY.....1	
4	121421GT	NUT,FLG,1/4-20		40	121429GT	SCREW,HHF,M8 X 25.....2	
5	101601GT	HOSE,RADIATOR,UPPER,PERKINS.....1		41	63463GT	AIR CLEANER,NELSON***.....1	
6	35434GT	CLAMP,HOSE,2.00***.....4		--	52866GT	EVACUATOR VALVE-AIR CLEANER	
7	121427GT	SCREW,HHF,M8X12		--	58415GT	CLIP,AIR CLEANER END CAP*** <i>end cap not available separately</i>	
8	34058GT	SENDING UNIT,TMP,FRD,GM,PRK704.....1		--	62420GT	FILTER,AIR***	
--	28607GT	ADAPTER,140139-8-6		--	65810GT	BAFFLE, AIR CLEANER (27915)**	
9	102534GT	V-BELT, PERKINS 804C-33.....1		42	56912GT	SPRING CLIP,1/4-20,.025-.15X.54,ZAG.....7	
10	58250GT	ALTERNATOR,PERKINS 800 SERIES....1		43	6090GT	SCREW,HHC,1/4-20 X .75.....1	
--	106023GT	CONN,ALT,3WAY,PERKINS 804		44	70367GT	BOTTLE,COOLANT RECOVERY,3.7***.....1	
--	106024GT	TERM,ALT.PERKINS 804,16/14 GA		--	115431GT	CAP ASSY, COOLANT BOTTLE	
--	56689GT	SEAL,CONNECT,AMP SINGLE WIRE		45	34164GT	ELBOW,90 DEGR,RUBBER,2.5" I.D.*.....1	
11	121428GT	NUT,FLG,M8-1.25		46	30971GT	CLAMP,HOSE,3.00".....4	
12	101644GT	FUEL LIFT PUMP/FILTER ASSY.....1					
13	41468GT	TEE,BRASS STREET,.12 NPT.....1					
14	38922GT	ELBOW,90DEG.1/8MPT-5/16 BARB.....2					
15	21465GT	CLAMP,HOSE,.25" - .63" X .3125.....8					
16	27089-14100GT	HOSE,5/16 FUEL,SAE30R7.....1					
17	27089-5300GT	HOSE,5/16 FUEL,SAE30R7.....1					
18	101614GT	ELEMENT,FUEL/WATER SEPARATOR.....1					
19	101628GT	ADAPTER,1/4 FNPT X 1/2-20 UNF.....2					
20	42941-10300GT	HOSE,3/8",FUEL,30R7,103 INCHES....1					
21	31817GT	ELBOW,90DEG.1/4MPT-3/8 BARB.....1					
22	27089-6300GT	HOSE,5/16 FUEL,SAE30R7.....1					
23	54205GT	HOSE END,BARB,1/4 MNPTX5/16,90....1					
24	13003GT	SCREW,HHC,5/8-11 X 3.5 GRD.8.....4					
25	33418GT	WASHER,FLAT,.625 X 2.25 X.15					
26	102045GT	ISOLATOR,ENGINE VIBRATION.....4					
27	18596GT	WASHER,FLAT,1.56 X 2.5 X .061					
28	6035GT	WASHER,FLAT,USS,5/8",Y					
29	6024GT	NUT,NYLOCK,5/8-11					
30	75051GT	SCREW,SER FLNG3/8UNCX3/4ZNYEL					
31	32339GT	CLAMP,1.75,#28 X 3/8,RUB CUSH*.....1					
32	121422GT	NUT,HEX,FLG,3/8-16					
33	121208GT	WELDMENT,EXHAUST PIPE.....1					
34	75289GT	CLAMP,HOSE,1/2" DOUBLE.....1					
35	78736GT	CLAMP,2 HOSE,PLASTIC,5/8.....2 <i>from SN 9757</i>					
36	6637GT	SCREW,HHC,1/4-20 X 1.75 <i>from SN 9757</i>					

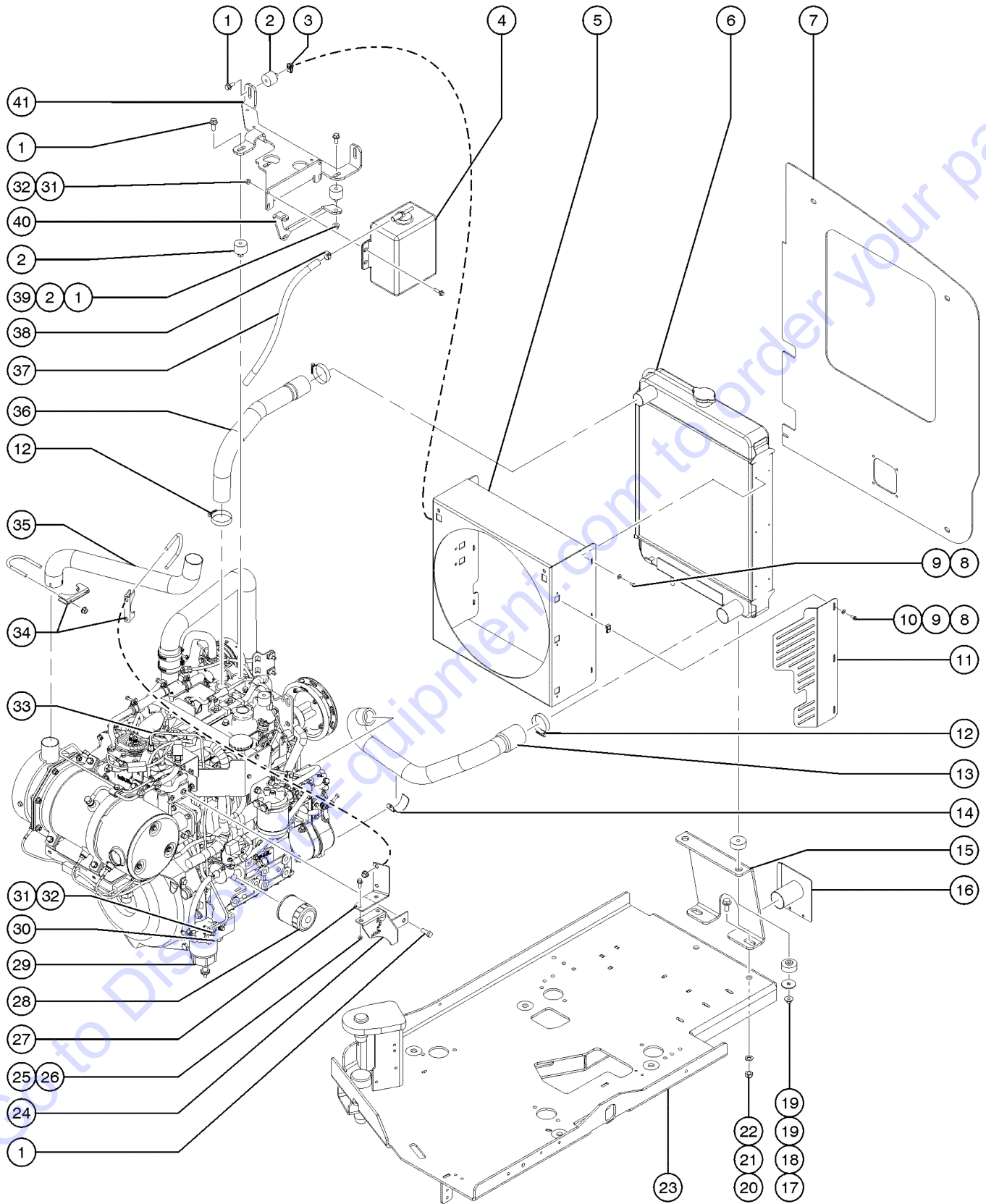
403.1 Perkins 804D-33 Engine - View 3



## 403.1 Perkins 804D-33 Engine - View 3

Item	Part No.	Description	Qty.
1	123167GT	FLGHCS,1/2-13X1.50,GR8,BLK PH	
2		Ref. DRIVE AND STEER PUMP ASSY (Refer to 708.1)	
3	61781GT	CASTING,SAE 4 PUMP MOUNT,MACHI.....1	1
4	62476GT	SCREW,SHC,M10X1.5X20MM (75090)	
5	121420GT	SCREW,HHF,1/4-20 X 1.00	
6	56912GT	SPRING CLIP,1/4-20,.025-.15X.54,ZAG.....7	7
7	102972GT	BELT GUARD W/DECAL PERKINS.....1	1
--	101624PGT	FORMING,BELT GUARD PAINTED	
8	101607PGT	ENGINE MOUNT,RF PAINTED.....1	1
9	121432GT	SCREW,HHF,M12X35 GR12.9	
10	101615PGT	BRACKET,FUEL PUMP PAINTED.....1	1
11	122209GT	SCREW,HHF,3/8-16 X1.50	
12	121422GT	NUT,HEX,FLG,3/8-16	
13	107546GT	STARTER MOTOR,PERKINS(804C-33).....1	1
14	101609GT	ENGINE MOUNT,RR.....1	1
15	121210GT	WELDMENT, MUFFLER MOUNT.....1	1
16	70483GT	FORMING,8.5' MUFFLER MOUNT.....2	2
17	128004GT	COUPLER,15 TOOTH,FBA,SAE8***.....1	1
18	75052GT	SCREW,SER/FLNG 10M-1.5X20MM BK	

404.1 Perkins 404F-22T Engine - View 1





## 404.1 Perkins 404F-22T Engine - View 1

Item	Part No.	Description	Qty.	Item	Part No.	Description	Qty.
--		Due to Tier 4 regulations, many engine replacement parts require engine serial number at time of order placement. When ordering engine parts please have both machine and engine serial numbers available. For internal engine parts, contact engine dealer		--	1262597GT	EXHAUST VALVE,PERKINS 404F	
--	1261962GT	BREATHER, PERKINS 404F-22T		--	1262599GT	DIESEL PARTICULATE FILTER,PERKINS 404F	
--	1261979GT	LIFT PUMP,PERKINS 404F-22T		--	1262607GT	DIESEL OXIDATION CATALYST,PERKINS 404F	
--	1261981GT	FUEL INJECTION PUMP,PERKINS 404F-22T		--	1262608GT	VALVE SPRING,PERKINS 404D/F	
--	1262015GT	SPEED SENSOR CAM,PERKINS 404F-22T		--	89765GT	BELT, V (PERKINS 404)	
--	1262018GT	ATOMISER (FUEL INJECTOR),PERKINS 404F-22T		1	824132GT	SCREW,HHF,M8-1.25X20,DIN6921,10.9,ZAB	
--	1262019GT	SEAL-INJECTOR,PERKINS 404D/F-22T		2	60585GT	ISOLATOR,VIBRATION,M8 MALE/FEM.....6	
--	1262021GT	TURBOCHARGER,PERKINS 404F-22T		3	230820GT	SPRING CLIP, M8-1.25, 0.8-4.0 X 13, ZAB	
--	1262023GT	GASKET-TURBOCHARGER,PERKINS 404D/F-22T		4	70367GT	BOTTLE,COOLANT RECOVERY,3.7***.....1	
--	1262024GT	GASKET(TURBOCHGR EXH),PERKINS 404D/F-22T		5	1253192GT	FAN SHROUD,PERKINS 404F-22T.....1	
--	1262026GT	IGNITION UNIT,PERKINS 404F-22T		6	110304GT	RADIATOR,FORD/PERKINS***.....1	
--	1262027GT	PRESSURE PUMP,PERKINS 404F-22T		6A	65473GT	CAP,RADIATOR,PERKINS/FORD.....1	
--	1262028GT	GASKET(CLEAN EMISN MOD),PERKINS 404F-22T		7	1253030GT	PLATE,BULKHEAD,ENGINE SIDE,PE....1	
--	1262050GT	WATER PUMP PULLEY,PERKINS 404D		8	824220GT	SCREW, PHPM SEMS ET, 10-24 X .5, ZAG	
--	1262470GT	OIL PRESSURE SWITCH,PERKINS 404F-22T		9	1253185GT	WASHER,FLAT,#10,USS,ZAG	
--	1262475GT	SPEED SENSOR,CRANK SHAFT,PERKINS 404F-22T		10	73575GT	SPRING CLIP,10-24,.025-.125X.468,ZAG	
--	1262476GT	AIR PRESSURE SENSOR,PERKINS 404F-22T		11	1254471GT	GUARD,FAN,PERKINS 404F-22T.....1	
--	1262479GT	OIL FILLER CAP,TIMING CASE,PERKINS 404D/F-22T		12	22672GT	CLAMP,HOSE,1.75.....4	
--	1262482GT	OIL COOLER,PERKINS 404D/F-22T		13	1252473GT	HOSE,LOWER RADIATOR,PERK.....1	
--	1262485GT	SUMP DRAIN PLUG,PERKINS 404D/F-22T		14	1254676GT	BRACKET,RAD HOSE HANGER,PERKIN.....1	
--	1262487GT	BELT,AIR PUMP,PERKINS 404F-22T		15	1253193GT	BRACKET,LOWER RADIATOR.....1	
--	1262492GT	GASKET,CYL HEAD COVER,404F-22T		16	1253431GT	WELDMENT,INTAKE,PERKINS 404F-....1	
--	1262493GT	STARTING RING,PERKINS 404D/F-22T		17	824029GT	NUT,TL FLG,3/8-16,G,ZAG	
--	1262495GT	CRANKSHAFT PULLEY,PERKINS 404F-22T		18	824120GT	WASHER,FLAT,.375X1.50X.125,ZAG	
--	1262499GT	GASKET,LIFT PUMP,PERKINS 404F-22T		19	24038GT	SHOCK MOUNT,SMALL.....4	
--	1262501GT	GASKET,EXHAUST MANIFOLD,PERKINS 404F-22T		20	6024GT	NUT,NYLOCK,5/8-11	
--	1262502GT	OIL SUCTION STRAINER,PERKINS 404D/F-22T		21	13064GT	WASHER,FLAT,.625 HARDENED	
--	1262594GT	CYLINDER HEAD COVER,PERKINS 404F		22	128912GT	BOLT,FLANGE,5/8-11X1.5"GR8 PLT	
--	1262596GT	INTAKE VALVE,PERKINS 404D/F		23		Ref. FORMING,ENGINE TRAY, 2.9L DEUTZ (Refer to 416.1)	
				24	825907GT	WELDMENT, EXHAUST SUPPORT.....1	
				25	824029GT	NUT,TL FLG,3/8-16,G,ZAG	
				26	824090GT	SCREW,HHF,3/8-16X1.8,ZAG	
				27	1253448GT	BRACKET,TAIPIPE BRACE,PERKINS.....1	
				28	94762GT	OIL FILTER - PERKINS.....1	
				29	75020GT	SEPRTR/FLTR,FUEL DSL,15GPH,.30....1	
				--	62433GT	FILTER,ELEMENT,30 MIC,75020	
				30	128588GT	FORMING,SOLENOID MOUNT.....1	

404.1 Perkins 404F-22T Engine - View 1  
(continued)

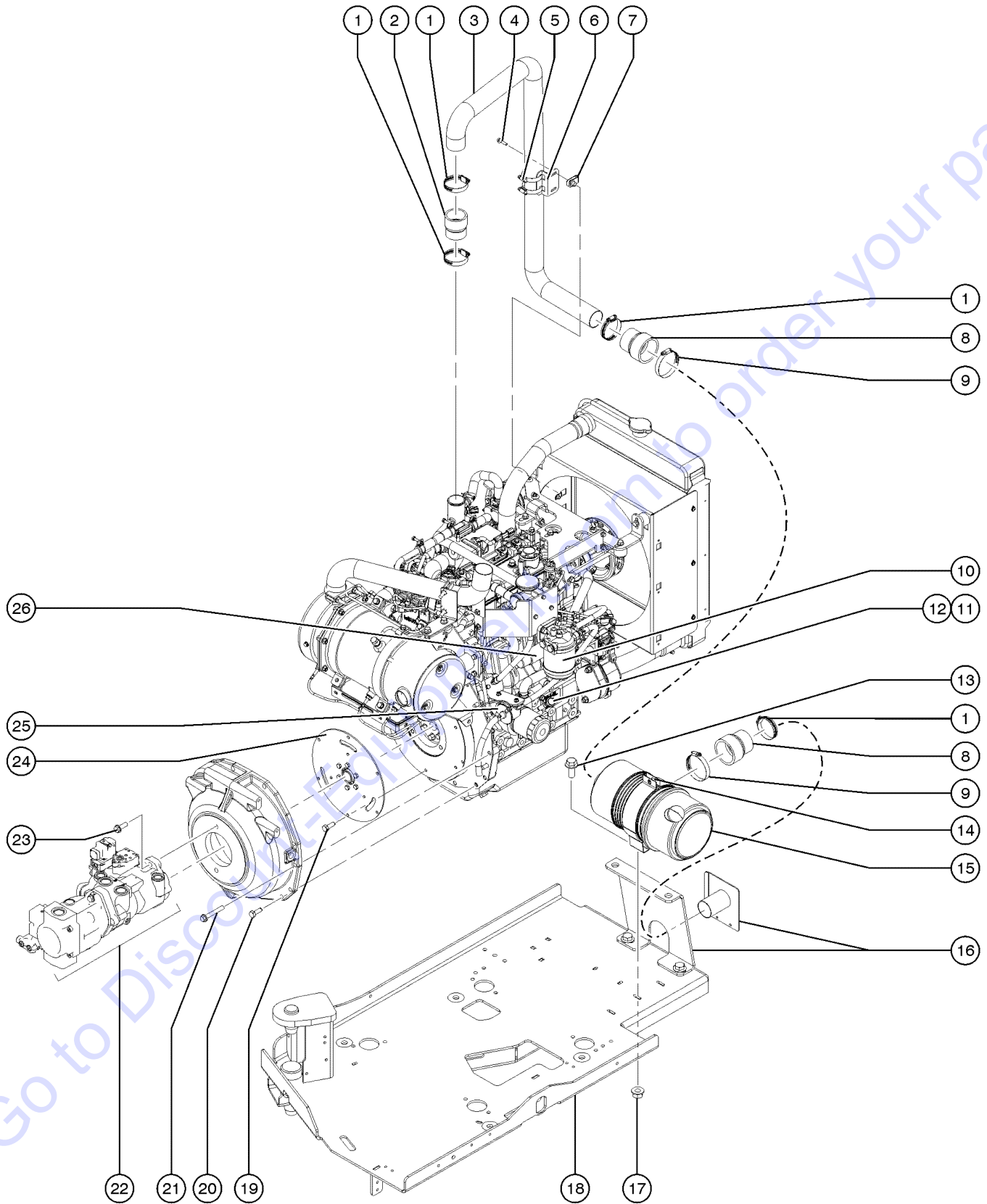
Item	Part No.	Description	Qty.
31	824079GT	SCREW,HHF,1/4-20X1,8,ZAG	
32	824027GT	NUT,TL FLG,1/4-20,G,ZAG	
33	826765GT	TUBE, STEEL, FUEL RETURN, 404F.....1	
34	70385GT	CLAMP,EXHAUST,2.00 PLATED.....2	
35	1253435GT	TAILPIPE, S80 404F-22	
36	1252979GT	HOSE,UPPER RADIATOR,PERK.....1	
37	106226GT	TUBING,VINYL,1/2" CLEAR	
38	21465GT	CLAMP,HOSE,.25" - .63" X .3125	
39	237832GT	NUT,TL FLG,M8-1.25,DIN6927,10,ZAB	
40	1253194GT	BRACE,UPPER RADIATOR SUPPORT,.....1	
41	1253191GT	BRACKET,UPPER RADIATOR.....1	

Go to Discount-Equipment.com to order your parts

*This Page Intentionally Left Blank*

Go to [Discount-Equipment.com](http://Discount-Equipment.com) to order your parts

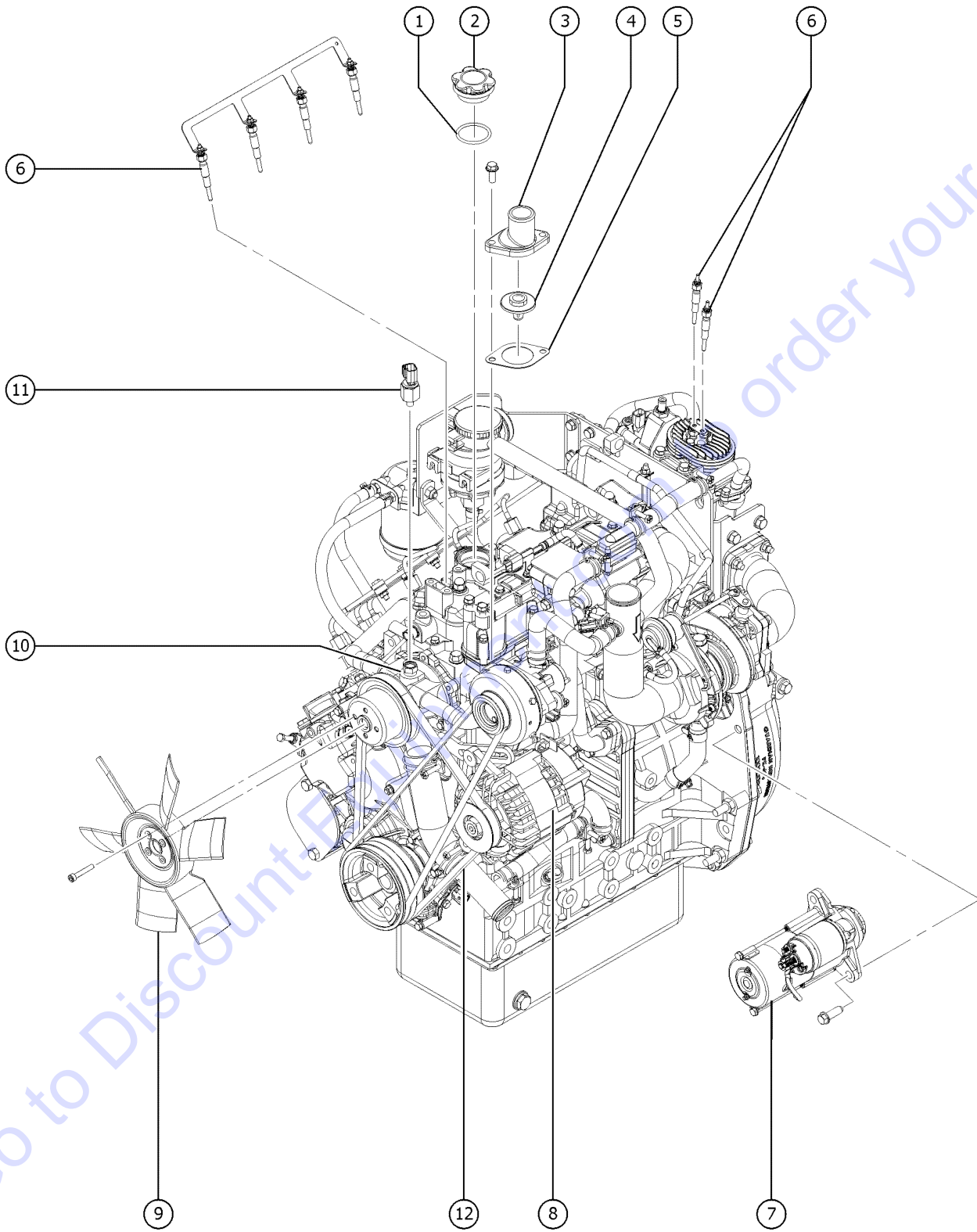
405.1 Perkins 404F-22T Engine - View 2



## 405.1 Perkins 404F-22T Engine - View 2

Item	Part No.	Description	Qty.	Item	Part No.	Description	Qty.
--		<i>Due to Tier 4 regulations, many engine replacement parts require the engine serial number at time of order placement. When ordering engine parts please have both machine and engine serial numbers available. For internal engine parts, contact engine dealer</i>		26	106663GT	SOLENOID,SHUT DOWN PERKIN40422.....	1
1	45435GT	CLAMP,HOSE,2.50"***.....	3				
2	1253487GT	ADAPTER, 2" TO 1.8", PERK 404F.....	1				
3	1254161GT	TUBE,INTAKE,PERKINS 404F-22T.....	1				
4	824079GT	SCREW,HHF,1/4-20X1,8,ZAG					
5	22672GT	CLAMP,HOSE,1.75.....	2				
6	823751GT	BRACKET,INTAKE PIPE,MOUNT,DEUT.....	1				
7	56912GT	SPRING CLIP,1/4-20,.025-.15X.54,ZAG					
8	216150GT	ADAPTER,AIR HOSE,PERK 404F.....	2				
9	30971GT	CLAMP,HOSE,3.00".....	2				
10	94889GT	FUEL FILTER ASSEMBLY.....	1				
--	62421GT	FILTER,FUEL,PERKINS					
11	89759GT	DIPSTICK, OIL (PERKINS 404).....	1				
12	97461GT	DIPSTICK TUBE,PERKINS(403C-11).....	1				
13	824079GT	SCREW,HHF,1/4-20X1,8,ZAG					
14	53952GT	BRKT,AIR CLEANER ORIENTATION**.....	1				
		<i>Includes mounting fasteners</i>					
15	63463GT	AIR CLEANER,NELSON***.....	1				
--	52866GT	EVACUATOR VALVE-AIR CLEANER					
--	58415GT	CLIP,AIR CLEANER END CAP*** <i>end cap not available separately</i>					
--	62420GT	FILTER,AIR***					
--	65810GT	BAFFLE, AIR CLEANER (27915)**					
16		Ref. LOWER RADIATOR MOUNT <i>(Refer to 404.1)</i>					
17	824027GT	NUT,TL FLG,1/4-20,G,ZAG					
18		Ref. FORMING,ENGINE TRAY, 2.9L DEUTZ <i>(Refer to 416.1)</i>					
19	128024GT	SCREW, HHC, M8 X 1.25 X 12					
20	75052GT	SCREW,SER/FLNG 10M-1.5X20MM BK					
21	27034GT	SCREW,HHC,M10 X 25MM,GR 8.8					
22		Ref. DRIVE PUMP AND FUNCTION PUMP <i>(Refer to 708.1)</i>					
23	123167GT	FLGHCS,1/2-13X1.50,GR8,BLK PH					
24	128003GT	COUPLER,15 TOOTH,FBA,PERKINS**.....	1				
		<i>includes grease</i>					
25	1252944GT	PUMP,FUEL LIFT,PERKINS 404F.....	1				

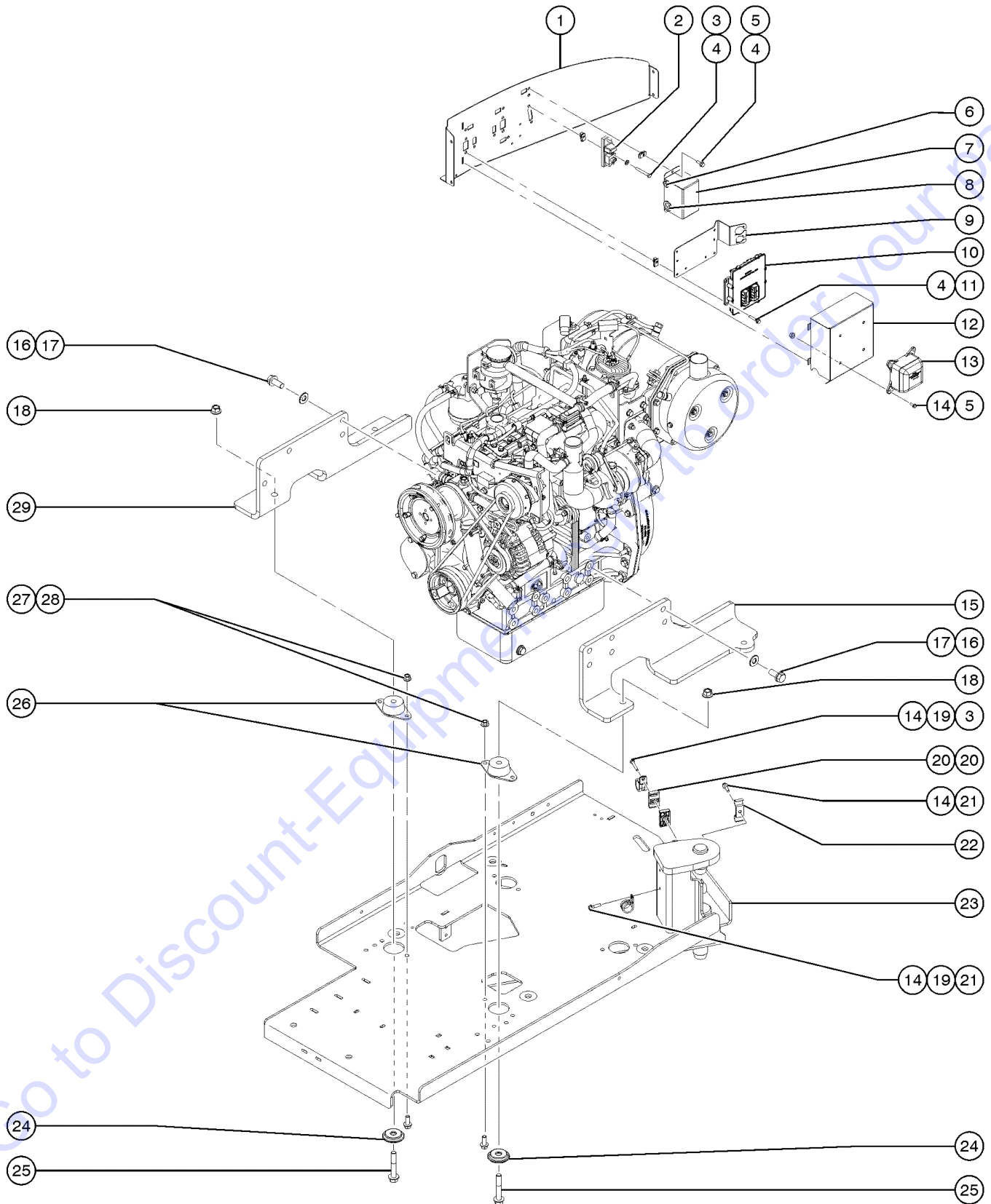
406.1 Perkins 404F-22T Engine - View 3



## 406.1 Perkins 404F-22T Engine - View 3

Item	Part No.	Description	Qty.
--		<i>Due to Tier 4 regulations, many engine replacement parts require the engine serial number at time of order placement. When ordering engine parts please have both machine and engine serial numbers available. For internal engine parts, contact engine dealer</i>	
--	97473GT	SENSOR,WATER TEMPERATURE	
--	1251819GT	GASKET,EXHAUST MANIFOLD,PERK	
1	65638GT	SEAL, OIL FILLER CAP.....	1
2	65636GT	CAP, OIL FILLER.....	1
3	128986GT	WATER OUTLET, VERTICAL.....	1
4	128991GT	THERMOSTAT.....	1
--	147355GT	GASKET-THERMOSTAT HSG..... <i>for 128991</i>	1
5	147355GT	GASKET-THERMOSTAT HSG.....	1
6	77736GT	GLOW PLUG (PERKINS 404-22).....	6
7	1252940GT	STARTER,PERKINS 404F..... <i>no componets available from supplier</i>	1
8	1251814GT	ALTERNATOR - 85 AMP, INT REGULATED.....	1
9	77483GT	FAN, ENGINE (104-22)(404-22)*.....	1
10	128987GT	WATER PUMP.....	1
11	101321GT	SWITCH,OIL PRESSURE.....	1
12	89765GT	BELT, V (PERKINS 404).....	1

407.1 Perkins 404F-22T Engine - View 4

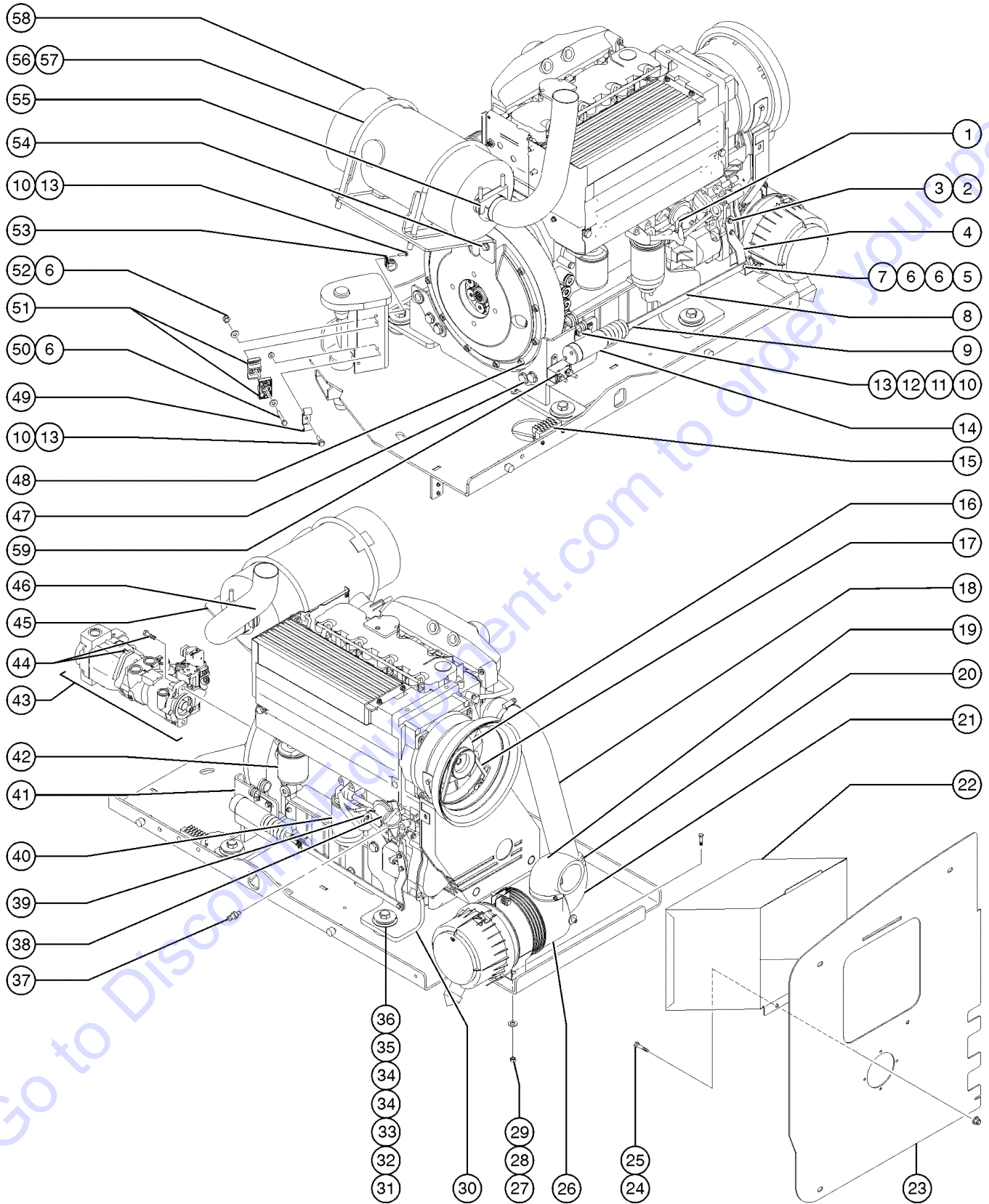




## 407.1 Perkins 404F-22T Engine - View 4

Item	Part No.	Description	Qty.
--		<i>Due to Tier 4 regulations, many engine replacement parts require the engine serial number at time of order placement. When ordering engine parts please have both machine and engine serial numbers available. For internal engine parts, contact engine dealer</i>	
1		Ref. FORMING, BULKHEAD, LEFT REAR (Refer to 305.1)	
2	824023GT	RELAY, POWER & FUSE MODULE.....1	
3	1253485GT	SCREW,HHF,1/4-20X2,8,ZAG	
4	56912GT	SPRING CLIP,1/4-20,.025-.15X.54,ZAG	
5	824078GT	SCREW,HHF,1/4-20X.75,8,ZAG	
6	824422GT	GROMMET,RUBBER,.5 X .063 X .75.....2	
7	824397GT	COVER,POWER RELAY MODULE,DEUTZ.....1	
8	826860GT	RUBBER GROMMET 1.00 X 1.563 X.....2	
9	825628GT	BRACKET,COVER,RELAY MODULE,DEUTZ 2.9L.....1	
10		Ref. ECU.....1 <i>Models with Perkins 404F-22T engines (This part is serialized, contact Discount-equipment with full model and SN of both the unit and engine)</i>	
11	824081GT	SCREW,HHF,1/4-20X1.5,8,ZAG	
12	826833GT	COVER BRACKET, ECU TIER IV.....1	
13	822793GT	MODULE,FUSE&RELAY,PERKINS 404F.....1	
14	824027GT	NUT,TL FLG,1/4-20,G,ZAG	
15	1253574GT	FORMING, ENGINE MOUNT, LH.....1	
16	1257705GT	SCREW,HHC,M14-1.5X35,DIN960,10.9,ZAB	
17	1257810GT	WASHER,FLAT,M14,DIN6916,HRD,ZAB	
18	1251997GT	NUT,TL FLG,1/2-13,G,ZAG	
19	18666GT	CLAMP,1.00,#16 X 1/4,RUB CUSH	
20	78736GT	CLAMP,2 HOSE,PLASTIC,5/8	
21	824079GT	SCREW,HHF,1/4-20X1,8,ZAG	
22	75289GT	CLAMP,HOSE,1/2" DOUBLE	
23		Ref. FORMING,ENGINE TRAY, 2.9L DEUTZ.....1 (Refer to 416.1)	
24	102066GT	CASTING,WASHER,REBOUND.....4	
25	1251994GT	SCREW,HHF,1/2-13X3,8,ZAG.....4	
26	70452GT	ISOLATOR,ENGINE VIBRATION*** .....4	
27	824029GT	NUT,TL FLG,3/8-16,G,ZAG.....8	
28	824090GT	SCREW,HHF,3/8-16X1,8,ZAG.....8	
29	1253573GT	FORMING, ENGINE MOUNT, RH.....1	

408.1 Deutz TD2011L04i Engine - View 1



## 408.1 Deutz TD2011L04i Engine - View 1

Item	Part No.	Description	Qty.	Item	Part No.	Description	Qty.
--	121471GT	HARNASS,DEUTZ 2008 S80/85		24	75051GT	SCREW,SER FLNG3/8UNCX3/4ZNYEL	
--	139612GT	KIT CB 15A T2 RPM SOLENOID 3W <i>Includes item 128829; to SN 8143</i>		25	121422GT	NUT,HEX,FLG,3/8-16	
--	102406GT	MODULE,TIME DELAY ON BRK 30S		26	81467GT	AIR CLEANER,NELSON.....1	
--	139983GT	EXHAUST PIPE GASKET		--	52866GT	EVACUATOR VALVE-AIR CLEANER <i>for 81467</i>	
--	101638GT	OPTION, SPARK ARREST		--	62425GT	FILTER,AIR CLEANER,SUPERBOOM <i>for 81467</i>	
--	T114678GT	SHUTDOWN SOLENOID,12V, DEUTZ....1 <i>Must order cable assembly, 58256, if replacing 32752) (includes o-ring)</i>		--	75450GT	AIR CLEANER CLIPS, SUPERBOOM <i>for 81467</i>	
--	58256GT	SOLENOID CABLE ASSY***		--	75451GT	AIR CLEANER COVER, SUPERBOOM* <i>for 81467</i>	
--	72255GT	CONNECTOR, DEUTZ FUEL SHUTOFF* <i>(Does not include diode, 45782)</i>		--	81468GT	MOUNTING BAND,AIR CLEANER	
--	45782GT	DIODE,6 AMP,200 PIV,BULK		27	13002GT	SCREW,HHC,5/16-18 X 1 GR5	
1	111668GT	PUMP,FUEL 2011 DEUTZ *** .....1		28	5397GT	WASHER,FLAT,USS,5/16",Y	
--	111402GT	O-RING, FUEL LIFT PUMP		29	6782GT	NUT,NYLOCK,5/16-18	
2	22578GT	SCREW,HHC,M6 X 20MM,GR8.8		30	70455GT	FORMING,ENGINE MOUNT.....1	
3	49407GT	WASHER,LOCK,M6		31	13003GT	SCREW,HHC,5/8-11 X 3.5 GRD.8	
4	50787-SGT	LEVER, GOVERNOR ACTUATOR.....1		32	33418GT	WASHER,FLAT,.625 X 2.25 X.15	
5	6584GT	SCREW,SHS,10-24 X .625		33	102045GT	ISOLATOR,ENGINE VIBRATION.....4	
6	6638GT	WASHER,FLAT,USS,1/4"Y		34	18596GT	WASHER,FLAT,1.56 X 2.5 X .061	
7	5365GT	NUT,NYLOCK,10-24		35	13064GT	WASHER,FLAT,.625 HARDENED	
8	139322GT	THROTTLE LINKAGE, DSL.....1		36	6024GT	NUT,NYLOCK,5/8-11	
9	21130GT	CLEVIS YOKE-1/4-28,PLTD W/PIN		37	139624GT	SWITCH, OIL PRESSURE 1.5 BAR	
10	121420GT	SCREW,HHF,1/4-20 X 1.00		--	139666GT	KIT,OP SWITCH,DEUTZ <i>Oil pressure kit for models with ALC-500 control system. Replaces part 65765 (Includes item 139624 and instructions)</i>	
11	45454GT	CLAMP,RUB CUSH,0.75,#12 X 3/8* .....2		38	58299GT	SENDING UNIT,OIL PRESS.,DEUTZ* ....1	
12	18666GT	CLAMP,1.00,#16 X 1/4,RUB CUSH.....1		39	52352GT	DIPSTICK-F3L1011F (DEUTZ).....1	
13	121421GT	NUT,FLG,1/4-20		40	29560GT	FILTER,FUEL/WTR SEP, DTZ 1008.....1 <i>Genie Genuine Part. See PN 1254826 for compatible aftermarket replacement.</i>	
14	121615GT	THROTTLE SOLENOID ASSY, TROMB.....1		--	1254826GT	FUEL FILTER W/SEP,DEUTZ,1008.....1 <i>Genie Aftermarket Part. Filter for Deutz F3L 1011F Engine.</i>	
--	128829GT	CIRCUIT BRKR 15A TYPE 2 METAL		41	139321GT	FORMING, SOLENOID MOUNT*** .....1	
--	89998GT	KIT,SERVICE,SOLENOID MODULE		42	49924GT	FILTER,OIL,DEUTZ F4L1011F.....1 <i>Genie Genuine Part. See PN 1255653 for compatible aftermarket replacement.</i>	
15	89997GT	RELAY MODULE(89996,89998)		--	1255653GT	FILTER,OIL,DEUTZ,REPLACEMENT .....1 <i>Genie Aftermarket Part. Compatible with Genie Genuine Part 49924.</i>	
16	58249GT	ALTERNATOR, DEUTZ,BF4L2011*** .....1		43		Ref. DRIVE PUMP AND FUNCTION PUMP <i>(Refer to 708.1)</i>	
--	1280590GT	PULLEY,ALTERNATOR,DEUTZ BF4L2011 <i>for 58249</i>		44	123167GT	FLGHCS,1/2-13X1.50,GR8,BLK PH	
--	1280591GT	SPACER,ALT PULLEY,DEUTZ BF4L2011 <i>for 58249</i>		45	70448PGT	FORMING,MUFFLER MOUNT.....1	
17	58630GT	V-BELT, DEUTZ TD2011LOAI.....1		46	70465GT	TAILPIPE,DEUTZ BF4L2011.....1	
18	121563GT	TUBE,AIR INTAKE,DEUTZ.....1		47	121688GT	SCREW,HHC,FLG,M14 X 35	
19	60561GT	ELBOW,INLET,CUMMINS.....1					
20	30489GT	CLAMP,HOSE,3.50.....3					
21	139455GT	ELBOW,AIR INTAKE,RUBBER.....1					
22	122388GT	DEUTZ,AIRBOX WITH WORD DECALS.....1					
--	121410GT	WELDMENT,COOLING AIRBOX.....1					
23	121384GT	DEUTZ ENGINE SIDE BULKHEAD.....1					

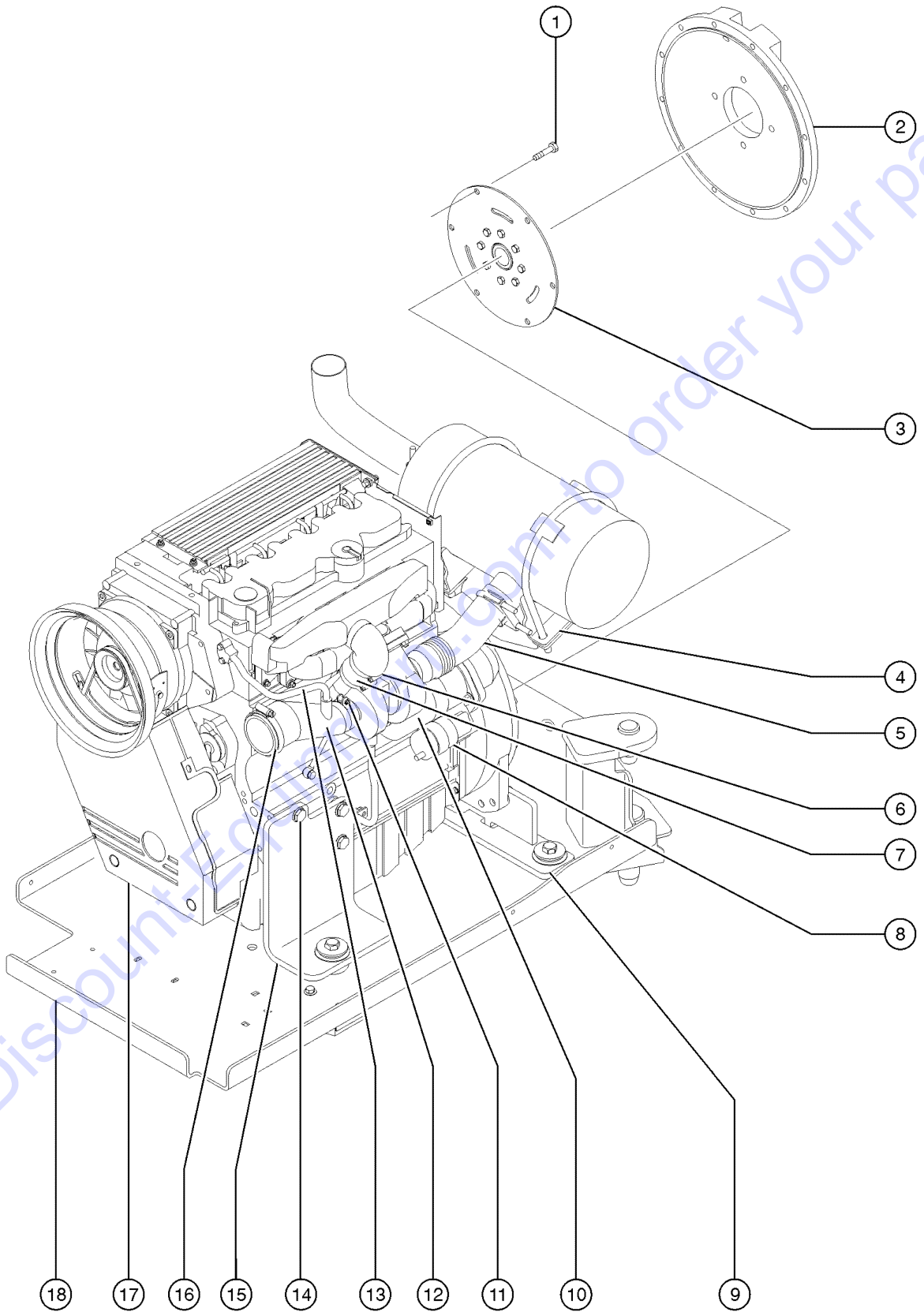
408.1 Deutz TD2011L04i Engine - View 1  
(continued)

Item	Part No.	Description	Qty.
48	61110GT	SCREW,SHC,M10X1.5X30 GR 12.9	
49	75289GT	CLAMP,HOSE,1/2" DOUBLE.....1	
50	6637GT	SCREW,HHC,1/4-20 X 1.75 <i>from SN 9736</i>	
51	78736GT	CLAMP,2 HOSE,PLASTIC,5/8.....2 <i>from SN 9736</i>	
52	6091GT	NUT,NYLOCK,1/4-20 <i>from SN 9736</i>	
53	18666GT	CLAMP,1.00,#16 X 1/4,RUB CUSH.....1	
54	121430GT	SCREW,FLG HD,M10 X 70 GR12.9	
55	71911GT	CLAMP,MUFFLER, 2.50 INCH.....1	
56	70449GT	U-BOLT,1/2-13 X 8.5.....2	
57	121423GT	NUT,FLG,1/2-13	
58	70444GT	MUFFLER,2.5"INLET/OUTLET	
--	101633GT	MUFFLER,SPARK ARREST,2.5 I/O	
--	101634GT	MUFFLER,CATALYTIC,2.5 I/O	
59	128829GT	CIRCUIT BRKR 15A TYPE 2 METAL <i>from SN 8144</i>	

*This Page Intentionally Left Blank*

Go to Discount-Equipment.com to order your parts

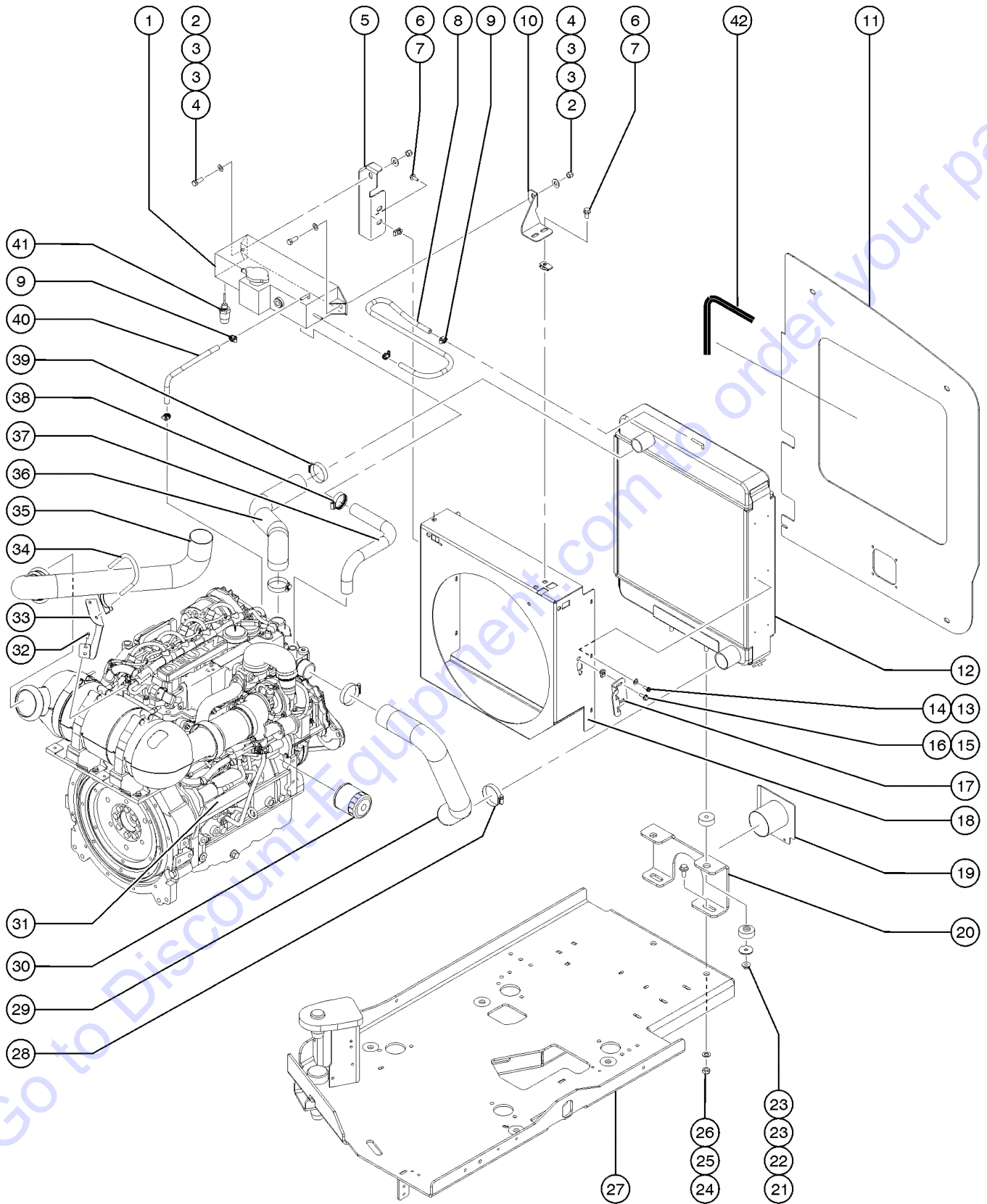
409.1 Deutz TD2011L04i Engine - View 2



## 409.1 Deutz TD2011L04i Engine - View 2

Item	Part No.	Description	Qty.
--	102581GT	PUMP,FUEL INJ,DEUTZ BF4L20 <i>Class A injection pump; provide SN of engine to service to get correct injection pump (A, B, C, D)</i>	
--	T108732GT	PUMP,FUEL INJ,DEUTZ BF4L20 <i>Class B injection pump; provide SN of engine to service to get correct injection pump (A, B, C, D)</i>	
--	T108733GT	PUMP,FUEL INJ,DEUTZ BF4L20 <i>Class C injection pump; provide SN of engine to service to get correct injection pump (A, B, C, D)</i>	
--	T108734GT	PUMP,FUEL INJ,DEUTZ BF4L20 <i>Class D injection pump; provide SN of engine to service to get correct injection pump (A, B, C, D)</i>	
--	102589GT	V-BELT, DEUTZ F4L2011	
1	62476GT	SCREW,SHC,M10X1.5X20MM (75090)	
2	70381GT	COVER,FLYWHEEL CASTING.....1	
3	128004GT	COUPLER,15 TOOTH,FBA,SAE8***.....1	
4	70483GT	FORMING,8.5' MUFFLER MOUNT.....2	
5	70445GT	FLEX PIPE,EXHAUST,2.5" DIA.....1	
5B	139983GT	EXHAUST PIPE GASKET	
5B	71911GT	CLAMP,MUFFLER, 2.50 INCH	
6	102593GT	CLAMP, 3 INCH	
7	226106GT	RUBBER SLEEVES, TD 2011L041	
8	49915GT	SOLENOID-STARTR DEUTZF4L1011F*.....1	
9	70456GT	WELDMENT,REAR ENGINE MOUNT.....1	
10	139709GT	STARTER, 12V.....1	
--	139621GT	KIT, HEAT GUARD, DEUTZ STARTER	
11	30971GT	CLAMP,HOSE,3.00"	
12	226103GT	INLET REDUCER,TD 2011L04I.....1	
13	226104GT	BREATHER PIPE, TD 2011L04I.....1	
--	226105GT	GASKET,BREATHER PIPE (226104)	
14	121688GT	SCREW,HHC,FLG,M14 X 35	
15	121694GT	FORMING,ENGINE MOUNT,LEFT FRT.....1	
16	30489GT	CLAMP,HOSE,3.50.....1	
17	146061GT	V-BELT GUARD, DEUTZ 2011.....1	
18		Ref. Engine Pivot Tray Assembly (Refer to 416.1)	

410.1 Deutz TD 2.9L4 Engine - View 1

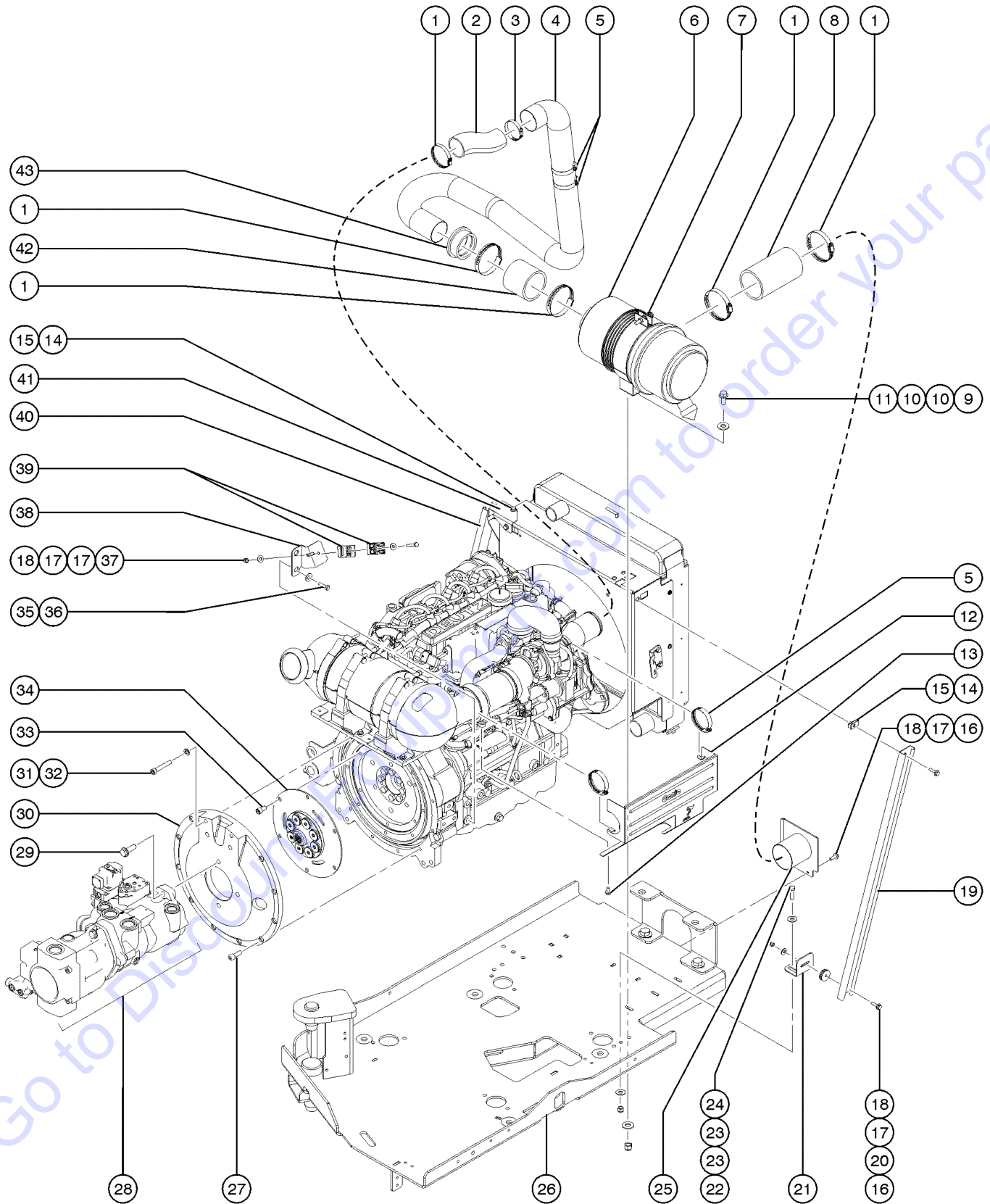




## 410.1 Deutz TD 2.9L4 Engine - View 1

Item	Part No.	Description	Qty.	Item	Part No.	Description	Qty.
--		Due to Tier 4 regulations, many engine replacement parts require the engine serial number at time of order placement. When ordering engine parts please have both machine and engine serial numbers available. For internal engine parts, contact engine d		28	35434GT	CLAMP,HOSE,2.00***.....	2
--	1272624GT	KIT,WATER PUMP 2.9 L4		29	162284GT	HOSE,LOWER RADIATOR, 2.9L DEUT	
--	1277974GT	PINS,CONNECTOR,INJ HARNESS,D2.9		30	49924GT	FILTER,OIL,DEUTZ F4L1011F.....1 <i>Genie Genuine Part. See PN 1255653 for compatible aftermarket replacement.</i>	1
1	161938GT	EXPANSION TANK,METAL,D2.9.....1		--	1255653GT	FILTER,OIL,DEUTZ,REPLACEMENT <i>Genie Aftermarket Part. Compatible with Genie Genuine Part 49924.</i>	
1B	1274900GT	SIGHT GLASS <i>for 161938</i>		31	1254594GT	STARTER,3.2KW,DEUTZ D2.9.....1	1
1C	1254823GT	CAP,RADIATOR,PERKINS(94232) <i>for 161938</i>		32	824132GT	SCREW,HHF,M8-1.25X20,DIN6921,10.9,ZAB	
2	6175GT	SCREW,HHF,3/8-16 X 1		33	1268921GT	FORMING,TAILPIPE SUPPORT,S80.....1	1
3	6097GT	WASHER,FLAT,USS,3/8",Y		34	71911GT	CLAMP,MUFFLER, 2.50 INCH.....1	1
4	4828GT	NUT,NYLOCK,3/8-16		35	162276GT	EXHAUST PIPE, 2.9L DEUTZ.....1	1
5	826825GT	BRACKET,EXPANSION TANK, LEFT M.....1	1	36	162283GT	HOSE, UPPER RADIATOR, DEUTZ D....1	1
6	75051GT	SCREW,SER FLNG3/8UNCX3/4ZNYEL		37	823229GT	HOSE,EXPANSION TANK,COMPENSATION.....1	1
7	29868GT	SPRING CLIP,3/8-16,.05-.20X.73,ZAG		38	36208GT	CLAMP,HOSE,1.25***.....2	2
8	1283995GT	HEATER HOSE,1/4".....28-inches		39	22672GT	CLAMP,HOSE,1.75.....2	2
9	21465GT	CLAMP,HOSE,.25" - .63" X .3125.....4		40	1283995GT	HEATER HOSE,1/4".....24-inches	24
10	825218GT	BRACKET,EXPANSION TANK,DEUTZ 2.....1	1	41	218715GT	SENSOR,COOLANT LEVEL, DEUTZ.....1	1
11	826832GT	BULKHEAD PLATE,6-CORE RADIATOR.....1	1	42	119218GT	TRIM,EDGE,1/8X3/4 SIDE BULB....88 - i n c h e s	88
12	826795GT	RADIATOR,6-CORE,19.375W X 18.1.....1	1				
13	21019GT	SCREW,PHIL,PHM,10-24 X.5,SEMS					
14	6146GT	WASHER,FLAT,MS,#10,Y					
15	121419GT	SCREW,HHF,1/4-20 X .75					
16	56912GT	SPRING CLIP,1/4-20,.025-.15X.54,ZAG					
17	823751GT	BRACKET,INTAKE PIPE,MOUNT,DEUT.....1	1				
18	826859GT	SHROUD,17" FAN,6-CORE RADIATOR.....1	1				
19		Ref. WLDT, INTAKE, T4 DEUTZ, Z80/S80 <i>(Refer to 411.1)</i>					
20	826835GT	FORMING,6-CORE RADIATOR MOUNT,.....1	1				
21	48425GT	NUT,FLG-LRG,3/8-16,YZ					
22	15086GT	WASHER,FLAT,.375 X 1.5 X .125					
23	24038GT	SHOCK MOUNT,SMALL.....4	4				
24	6024GT	NUT,NYLOCK,5/8-11					
25	13064GT	WASHER,FLAT,.625 HARDENED					
26	128912GT	BOLT,FLANGE,5/8-11X1.5"GR8 PLT					
27		Ref. FORMING,ENGINE TRAY, 2.9L DEUTZ <i>(Refer to 416.1)</i>					

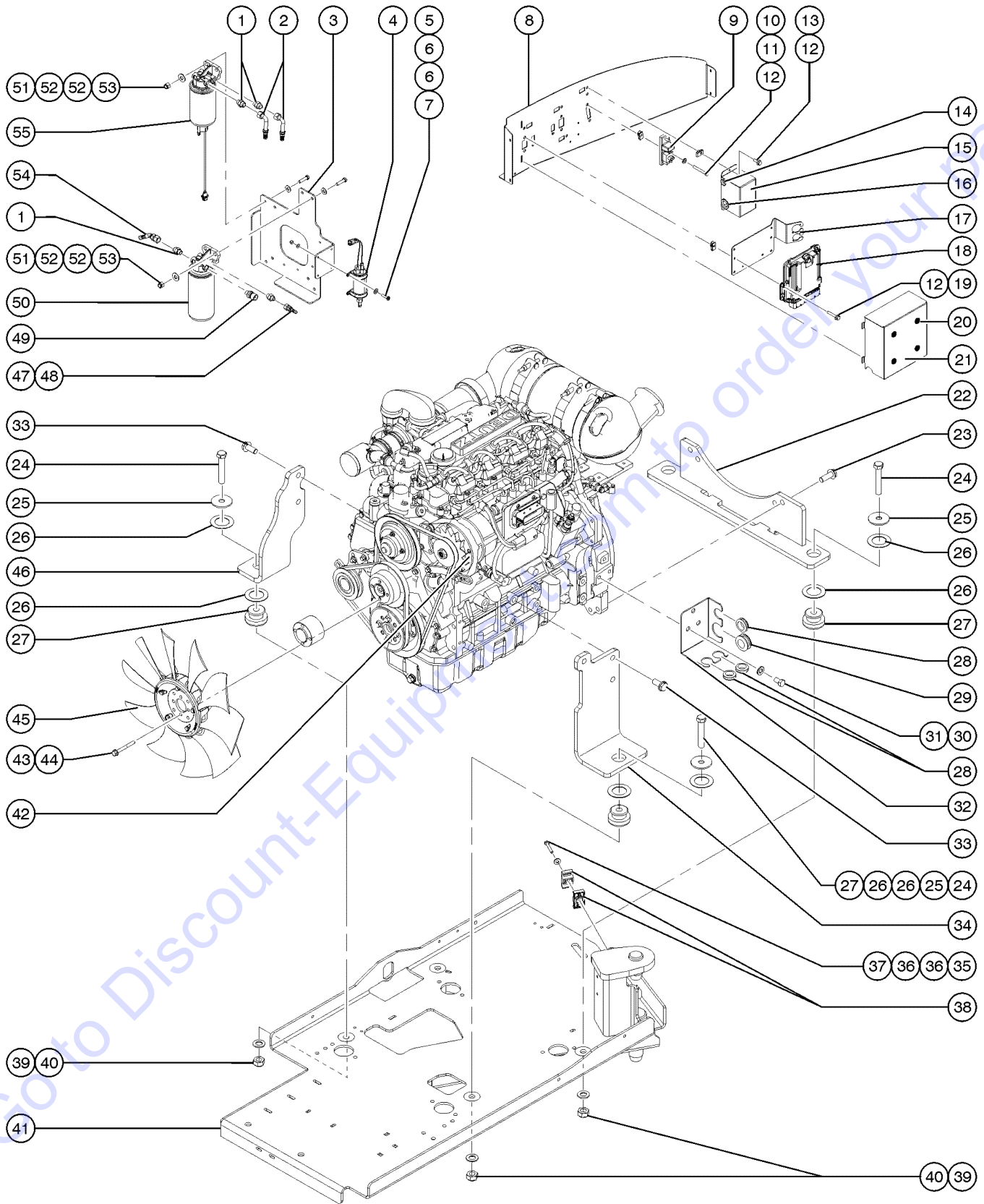
411.1 Deutz TD 2.9L4 Engine - View 2



## 411.1 Deutz TD 2.9L4 Engine - View 2

Item	Part No.	Description	Qty.	Item	Part No.	Description	Qty.
--		Due to Tier 4 regulations, many engine replacement parts require the engine serial number at time of order placement. When ordering engine parts please have both machine and engine serial numbers available. For internal engine parts, contact engine d		28		Ref. DRIVE PUMP AND FUNCTION PUMP (Refer to 708. 1)	
1	30489GT	CLAMP,HOSE,3.50.....	5	29	123167GT	FLGHCS,1/2-13X1.50,GR8,BLK PH.....	4
2	823703GT	HOSE,REDUCER,OFFSET,TURBO INLE.....	1	30	70381GT	COVER,FLYWHEEL CASTING.....	1
3	30971GT	CLAMP,HOSE,3.00".....	1	31	111748GT	SCREW,SHC,M10X1.5 X 60 GR8.8.....	2
4	823239GT	TUBE,INTAKE,DEUTZ 2.9L.....	1	32	22699GT	WASHER,FLAT,M10,ZINC PLTD.	
5	45435GT	CLAMP,HOSE,2.50"***.....	2	33	62476GT	SCREW,SHC,M10X1.5X20MM (75090).....	6
6	81467GT	AIR CLEANER,NELSON.....	1	34	128004GT	COUPLER,15 TOOTH,FBA,SAE8***.....	1
--	52866GT	EVACUATOR VALVE-AIR CLEANER for 81467		35	27585GT	SCREW,HHC,M12 X 20MM	
--	62425GT	FILTER,AIR CLEANER,SUPERBOOM for 81467		36	49410GT	WASHER,FLAT,M12	
--	75450GT	AIR CLEANER CLIPS, SUPERBOOM for 81467		37	6145GT	SCREW,HHC,1/4-20 X 1.5	
--	75451GT	AIR CLEANER COVER, SUPERBOOM* for 81467		38	825939GT	FORMING, CLAMP, BATTERY CABLE...	1
7	81468GT	MOUNTING BAND,AIR CLEANER.....	1	39	78736GT	CLAMP,2 HOSE,PLASTIC,5/8.....	2
8	106211-600GT	HOSE,RUBBER 3"ID X .25 BLACK X 6.00 LG.....	1	40	823143GT	UNISTRUT,FAN SHROUD BRACE,L,DE.....	1
9	13002GT	SCREW,HHC,5/16-18 X 1 GR5		41	1252687GT	BRACKET, STRUT BRACE.....	1
10	5397GT	WASHER,FLAT,USS,5/16",Y		42	106211-300GT	HOSE,RUBBER 3"ID X .25 BLACK.....	1
11	6782GT	NUT,NYLOCK,5/16-18		43	101640GT	REDUCER,RUBBER 3.0 - 2.5.....	1
12	1254949GT	HEAT SHIELD,DEUTZ TD2.9L.....	1				
13	1251983GT	SCREW,HHF,M8-1.25X16,DIN6921,10.9,ZAB					
14	56912GT	SPRING CLIP,1/4-20,.025-.15X.54,ZAG					
15	121419GT	SCREW,HHF,1/4-20 X .75					
16	121420GT	SCREW,HHF,1/4-20 X 1.00					
17	6638GT	WASHER,FLAT,USS,1/4"Y					
18	6091GT	NUT,NYLOCK,1/4-20					
19	823144GT	UNISTRUT,FAN SHROUD BRACE,R,DE.....	1				
20	229986GT	GROMMET RUBBER .375X1.00X.1875					
21	823147GT	FORMING,FAN SHROUD STRUT MOUNT.....	1				
22	6019GT	SCREW,HHC,3/8-16 X 1.25 GRD 5					
23	6097GT	WASHER,FLAT,USS,3/8",Y					
24	4828GT	NUT,NYLOCK,3/8-16					
25	1251928GT	WLDT, INTAKE, T4 DEUTZ, Z80/S80.....	1				
26		Ref. FORMING,ENGINE TRAY, 2.9L DEUTZ (Refer to 416. 1)					
27	61110GT	SCREW,SHC,M10X1.5X30 GR 12.9.....	10				

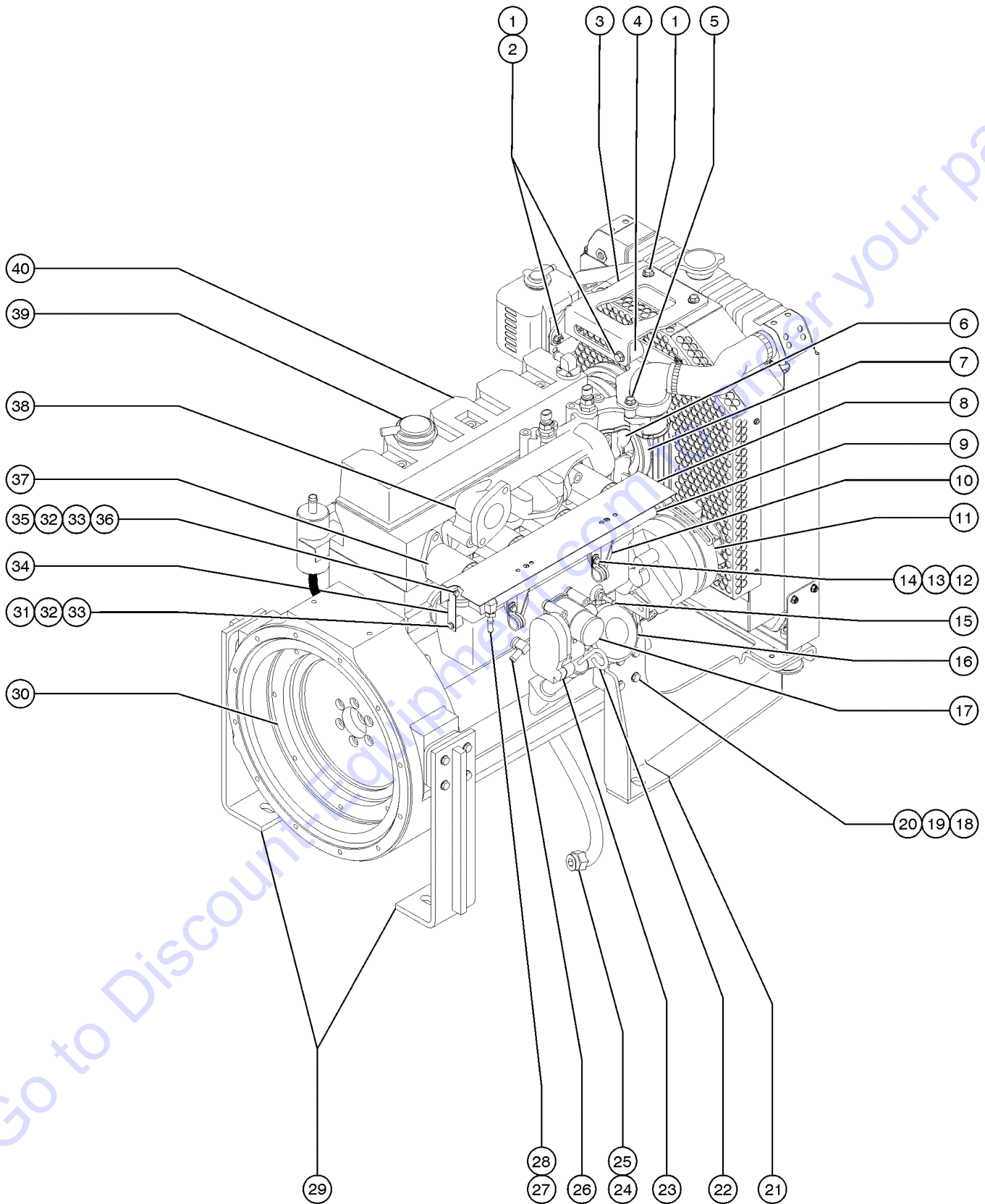
412.1 Deutz TD 2.9L4 Engine - View 3



## 412.1 Deutz TD 2.9L4 Engine - View 3

Item	Part No.	Description	Qty.	Item	Part No.	Description	Qty.
--		Due to Tier 4 regulations, many engine replacement parts require the engine serial number at time of order placement. When ordering engine parts please have both machine and engine serial numbers available. For internal engine parts, contact engine d		27	102045GT	ISOLATOR,ENGINE VIBRATION.....	4
--	1262487GT	BELT,AIR PUMP,PERKINS 404F-22T		28	124962GT	GROMMET,RUBBER,1.0 X 1.25X1.5.....	3
--	1262866GT	FAN BELT, ALTERNATOR		29	106923GT	GROMMET,RUBBER .38X1.38X1.0.....	1
1	162209GT	FITTING,CONN,16MM-8MJ.....	2	30	27585GT	SCREW,HHC,M12 X 20MM	
2	162207GT	FITTING,ELBOW,8GS-8FJX90S.....	2	31	49410GT	WASHER,FLAT,M12	
3	824298GT	BRACKET,FUEL SYSTEM,DEUTZ 2.9L.....	1	32	826873GT	FORMING, ENGINE HARNESS SUPPOR.....	1
4	236259GT	LIFT PUMP,FUEL,DEUTZ..... (replaced 214691)	2	33	121688GT	SCREW,HHC,FLG,M14 X 35	
--	823420GT	HOSE,FUEL,3/8,GATES RLA.....21-inches hose from the bottom of fuel pump to water separator		34	823012GT	MOUNT,ENGINE,LEFT SIDE.....	1
--	823421GT	HOSE,FUEL,1/2,GATES RLA.....8-inches hose from the top of fuel pump to fuel filter		35	6637GT	SCREW,HHC,1/4-20 X 1.75	
5	49816GT	SCREW,PHILLIPS,PHM,10-32 X .75		36	6638GT	WASHER,FLAT,USS,1/4"Y	
6	6146GT	WASHER,FLAT,MS,#10,Y		37	6091GT	NUT,NYLOCK,1/4-20	
7	6178GT	NUT,NYLOCK,10-32		38	78736GT	CLAMP,2 HOSE,PLASTIC,5/8.....	2
8		Ref. FORMING, BULKHEAD, LEFT REAR (Refer to 305.1)		39	6024GT	NUT,NYLOCK,5/8-11	
9	824023GT	RELAY, POWER & FUSE MODULE.....	1	40	13064GT	WASHER,FLAT,.625 HARDENED	
10	4266GT	SCREW,HHC,1/4-20 X 2		41		Ref. FORMING,ENGINE TRAY, 2.9L DEUTZ..... (Refer to 416.1)	1
11	25926GT	WASHER,FLAT,M6 PLTD.		42	236251GT	ALTERNATOR,95 AMP,DEUTZ	
12	56912GT	SPRING CLIP,1/4-20,.025-.15X.54,ZAG		43	49401GT	SCREW,HHC,M8 X 100 for fan spacer part 1251498; to SN 12515	
13	121419GT	SCREW,HHF,1/4-20 X .75		--	1258771GT	SCREW,HHF,M8-1.25X60,DIN6921,10.9,ZAB for fan part 1258641; from SN 12516	
14	824422GT	GROMMET,RUBBER,.5 X .063 X .75.....	2	44	1251498GT	FAN SPACER,3",DEUTZ 2.9L to SN 12515	
15	824397GT	COVER,POWER RELAY MODULE,DEUTZ.....	1	--	1258641GT	SPACER, FAN, DEUTZ, 38MM LNG from SN 12516	
16	826860GT	RUBBER GROMMET 1.00 X 1.563 X.....	2	45	1251496GT	FAN,10 BLADE,17",DEUTZ 2.9L	
17	825628GT	BRACKET,COVER,RELAY MODULE,DEUTZ 2.9L.....	1	46	823013GT	MOUNT,ENGINE,RIGHT SIDE	
18		Ref. ECU..... Models with Deutz D2.9 engines (This part is serialized, contact Discount-equipment with full model and SN of both the unit and engine)	1	47	824351GT	FITTING,STR,3/8 HS X 9/16-18,J	
19	121069GT	SCREW,HHF,1/4-20 X 1.50		48	162208GT	FITTING,CONN,16MM-6MJ	
20	21858GT	PLUG,NYLON .38 BLACK DOMED.....	4	49	824673GT	SENSOR,LOW PRESSURE,DEUTZ 2.9L	
21	826833GT	COVER BRACKET, ECU TIER IV.....	1	50	214228GT	FILTER, DEUTZ 2.9, FUEL	
22	823135GT	WELDMENT, REAR MOUNT,ENGINE....	1	51	4828GT	NUT,NYLOCK,3/8-16	
23	121433GT	SCREW,HHF, M14 X 40MM		52	6097GT	WASHER,FLAT,USS,3/8",Y	
24	13003GT	SCREW,HHC,5/8-11 X 3.5 GRD.8.....	4	53	8516GT	SCREW, HCC, 3/8-16 X 1.50	
25	33418GT	WASHER,FLAT,.625 X 2.25 X.15.....	4	54	826357GT	FITTING,45DEG,1/2 HS X 3/4-16,	
26	18596GT	WASHER,FLAT,1.56 X 2.5 X .061.....	8	55	1261239GT	ASSY,FUEL PREFILTER,DEUTZ 2.9.....	1
				--	074501.0291GT	SENSOR	
				--	236260GT	PRE-FILTER,FUEL,DEUTZ TCD3.6	

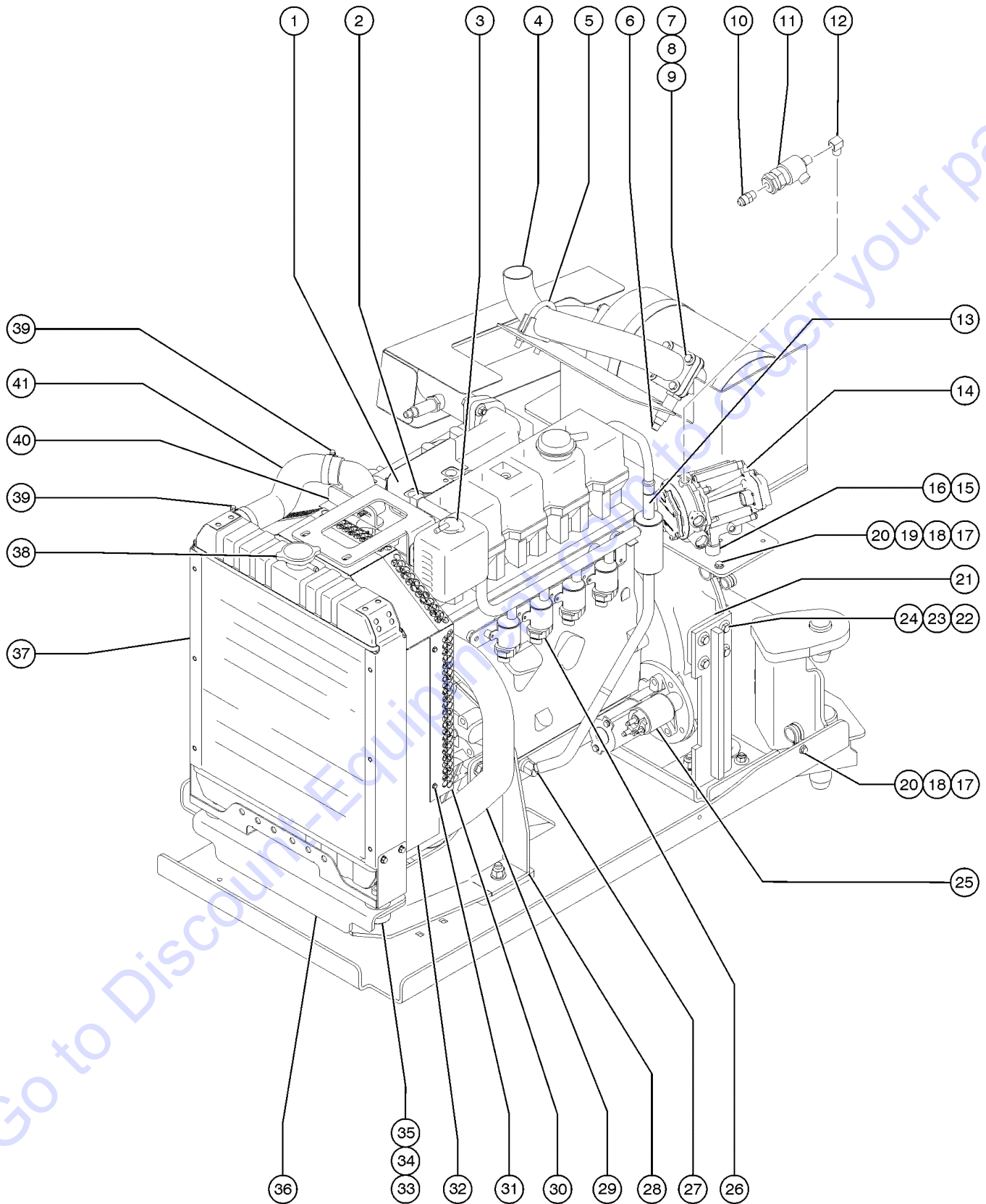
413.1 Continental TME-27 Engine - View 1



## 413.1 Continental TME-27 Engine - View 1

Item	Part No.	Description	Qty.	Item	Part No.	Description	Qty.
--	111840GT	HARNESSTME27 STARTER RELAY		23	111922GT	THROTTLE,ELECTRIC,TME2.7L ENG...1	
--	111890GT	SPARK PLUG, NGK BPR5ES		24	111859GT	FITTING PLUG,#8.....1	
--	111846GT	KIT, SPARK PLUG,NGK BPR5ES (4)		25	111860GT	HOSE ASSY,OIL DRAIN,TME27	
--	111836GT	SPARK PLUG WIRE,TME27		26	31817GT	ELBOW,90DEG.1/4MPT-3/8 BARB.....1	
--	111905GT	SENSOR,MAP, TME2.7L ENGINE		27	111818GT	FITTING,1/4 NPT X SAE J2044.....1	
--	30810GT	SENDING UNIT,OIL PRESSURE*** <i>Dual-terminal sender (gauge option)</i>		28	19363GT	ELBOW,130239-4-4.....1	
--	111903GT	SWITCH, LOW OIL PRESS, TME27		29	111857GT	ENGINE MOUNT,REAR,TME27.....1	
--	28607GT	ADAPTER,140139-8-6		30	111885GT	FLYWHEEL CONTINENTAL TME27.....1	
--	122325GT	FAN,6 BLADE,17IN.PUSH		30B	1279764GT	CAM/CRANK SENSOR,TME-27.....1	
--	111894GT	FAN SPACER,29.7MM		31	49376GT	SCREW,HHC,M6 X 25	
K	122260GT	THERMOSTAT,CONTINENTAL TME27		32	49407GT	WASHER,LOCK,M6	
L	122261GT	GASKET,THERMOSTAT,TME27		33	25926GT	WASHER,FLAT,M6 PLTD.	
1	80358GT	SCREW,FHS,M8 X 1.25 X 16		34	111827GT	BRACKET,HEAT SHIELD REAR,TME27.....1	
2	59579GT	NUT, HEX FLANGE M 8 X 1.25		--	111826GT	BRACKET,HEAT SHIELD,FRNT,TME27	
3	111854GT	BRACKET,RADIATOR SUP,TME27.....1		35	49375GT	SCREW,HHC,M6 X 16	
4	111853GT	ISOLATOR,VIB, 32 X 32 M8-1.25.....1		36	55017GT	NUT,HEX, M6	
5	49398GT	SCREW,FHS,M8 X 1.25 X 30		37	111829GT	HEAT SHIELD INJECTOR,TME27.....4	
6	111884GT	WATER PUMP, CONTINENTAL TME27.....1		--	111807GT	INJECTOR,FUEL,CONT,TME2.7L	
--	111883GT	WATER PUMP GASKET		38	111888GT	MANIFOLD,EXHAUST,TME27.....1	
7	111918GT	BELT,FEAD, TME 2.7L ENGINE.....1		--	111889GT	GASKET,EXHAUST MAN.,TME27	
--	111841GT	PULLEY,CRANKSHAFT,TME27		39	111837GT	CAP,OIL FILL,TME27.....1	
--	111842GT	WASHER,CRANKSHAFT,TME27		--	42280GT	CLAMP,HOSE, .50	
--	111843GT	BOLT,CRANKSHAFT,TME27		40	236449GT	VALVE COVER,TME27	
--	111867GT	WHEEL, CRANK POSITION					
--	22700GT	WASHER,LOCK,M10					
--	27034GT	SCREW,HHC,M10 X 25MM,GR 8.8					
8	111824GT	HEAT SHIELD,FUEL RAIL,TME27.....1					
9	111822GT	FUEL RAIL, TME27.....1					
10	111825GT	SPACER,HEAT SHIELD,TME27.....2					
11	111924GT	ALTERNATOR,TME2.7L ENGINE.....1					
12	49375GT	SCREW,HHC,M6 X 16					
13	49407GT	WASHER,LOCK,M6					
14	13268GT	CLAMP,0.75,#12 X 1/4,RUB CUSH.....2					
15	111838GT	FITTING,STR,1/8NPT X 3/16 HB.....1					
16	111917GT	OIL FILTER,TME 2.7L ENGINE.....1					
17	111919GT	ADAPTER,MIXER, TME27.....1					
18	22558GT	SCREW,HHC,M14 X 40MM,GR 8.8					
19	37505GT	WASHER,LOCK,M14					
20	67723GT	WASHER,FLAT,M14 HARDENED					
21	111847GT	ENGINE MOUNT,RIGHT FRONT,TME27.....1					
22	111845GT	DIPSTICK,CONTINENTAL,TME27.....1					

414.1 Continental TME-27 Engine - View 2

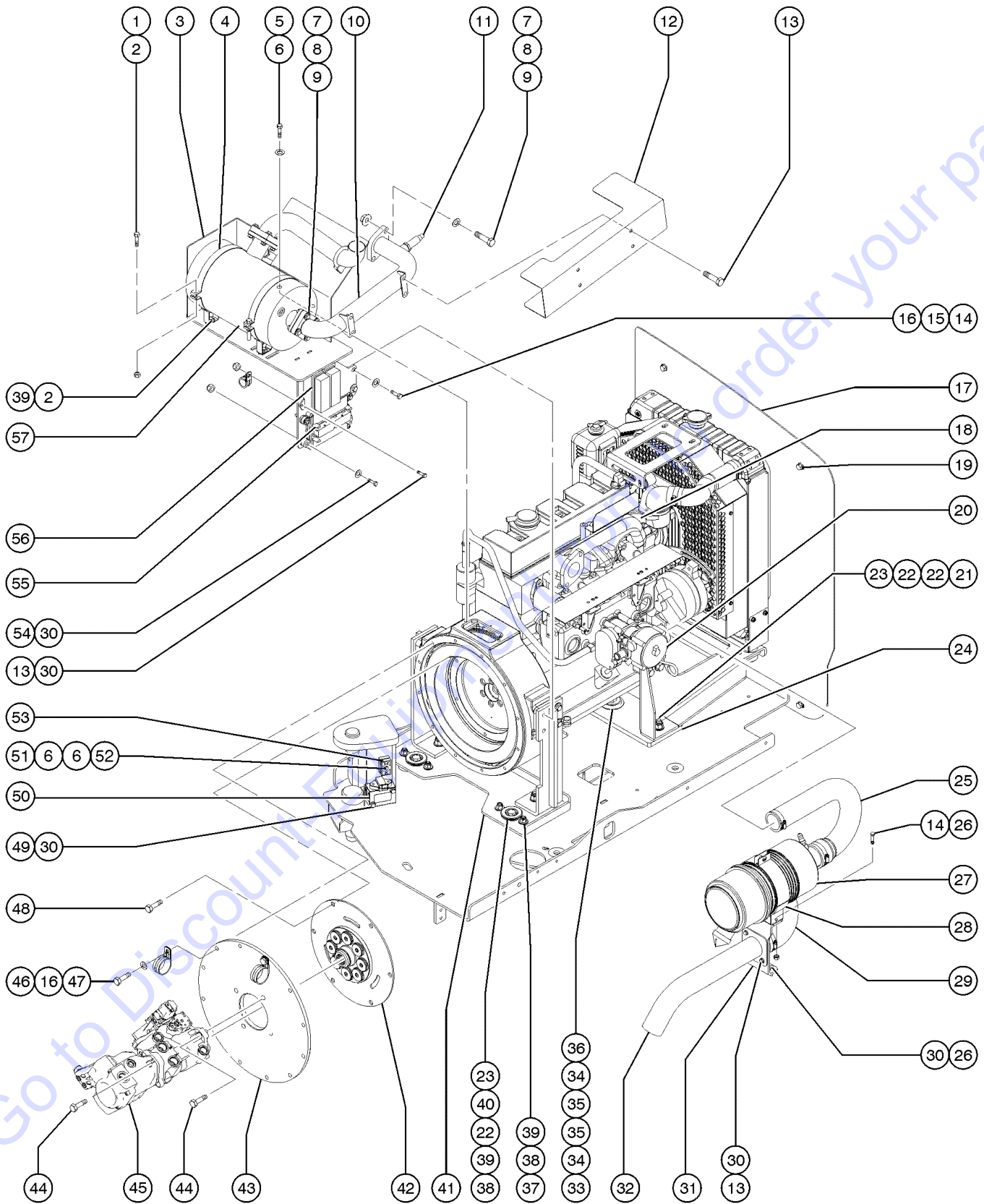




## 414.1 Continental TME-27 Engine - View 2

Item	Part No.	Description	Qty.	Item	Part No.	Description	Qty.
1	111882GT	SENSOR,ENGINE TEMP,TME27.....1	1	28	111848GT	ENGINE MOUNT,LEFT FRONT,TME27.....1	1
2	236451GT	ELBOW,1/2"H X 3/8"P,TME27.....1	1	29	111880GT	HOSE,LOWER RADIATOR, TME27.....1	1
--	236452GT	FITTING,PCV TO VLV COVER,TME27		30	111358GT	CONT FAN GUARD FT W/WORD DECAL.....1	1
--	236453GT	GASKET,PCV FITTING,TME27		--	111871GT	GUARD,FAN,FRONT,TME27	
--	236454GT	SCREW,#10-32 X 5/8"L		31	111872GT	SCREW,FRONT FAN GUARD,TME27....4	4
--	236455GT	WASHER,#10,LOCK		32	111873GT	GUARD,FAN REAR, TME27.....1	1
3	111856GT	ASST,OVERFLOW BOTTLE, TME27.....1	1	--	111874GT	SCREW,REAR FAN GUARD,TME27	
4	111808GT	WELDMENT,EXHAUST PIPE.....1	1	33	39479GT	SCREW,HHC,1/2-13 X 2.75	
5	102121GT	CLAMP,MUFFLER,1-7/8 IN.....2	2	34	111850GT	WASHER,ISOLATOR,TME27.....2	2
6	122243GT	SENSOR,O2, TME27 EPA2007.....1	1	35	111851GT	ISOLATOR,RADIATOR,TME27.....2	2
7	14723GT	SCREW,HHC,5/16-18 X 1.75		36	111849GT	BRACKET,LOWER RAD,TME27.....1	1
8	5397GT	WASHER,FLAT,USS,5/16",Y		37	111359GT	CONT RADR ASSY W/WORD DECAL...1	1
9	18503GT	NUT,LOCKING-LG.FLANGE,5/16-18		--	111855GT	RADIATOR,CONTINTNTAL	
10	19358GT	CONNECTOR,010102-6-4.....1	1	--	111864GT	PETCOCK,RADIATOR,1,4NPT	
11	119232GT	LOCKOFF,LP,FORD DSG/MSG.....1	1	38	111865GT	CAP,RADIATOR,TME27.....1	1
12	119824GT	ELBOW,90DEG,5502-04-04-B.....1	1	39	45435GT	CLAMP,HOSE,2.50"*** .....4	4
13	111869GT	OIL SEPARATOR.....1	1	40	111852GT	BRACKET,UPPER SUPPORT,TME27.....1	1
--	111868GT	VALVE,PVC, TMEW7		41	111881GT	HOSE,UPPER RADIATOR, TME27.....1	1
--	111870GT	VALVE,CHCEK,TME27					
--	42280GT	CLAMP,HOSE,.50					
14	122245GT	REGULATOR,LPG (EPR),TME27 2007.....1	1				
--	111892GT	FITTING,EPR COOLANT STRAIGHT					
--	122255GT	KIT,EPR FITTING,TME27,EPA2007					
15	110919GT	ISOLATOR,VIBRATION,M8 M/M.....4	4				
16	121428GT	NUT,FLG,M8-1.25					
17	121419GT	SCREW,HHF,1/4-20 X .75					
18	18666GT	CLAMP,1.00,#16 X 1/4,RUB CUSH					
19	45454GT	CLAMP,RUB CUSH,0.75,#12 X 3/8*					
20	121421GT	NUT,FLG,1/4-20					
21	111858GT	SPACER,ENGINE MOUNT,TME27.....2	2				
22	5224GT	SCREW,HHC,3/8-16 X 2					
23	6021GT	WASHER,LOCK,.375					
24	19934GT	WASHER,3/8 HARD.STEEL-FLAT,USS.....8	8				
25	111916GT	STARTER,TME 2.7L ENGINE.....1	1				
26	111904GT	COIL ASSEMBLY, TME2.7L ENGINE.....1	1				
--	111831GT	COIL IGNITION,TME27					
--	111832GT	BRACKET,IGNITION COIL, TME27					
--	111833GT	NUT,CLINCH,10-32 X 1					
--	111834GT	SPACER,.20 ID X .50 OD X .4 LG					
--	111835GT	SCREW,SHC,10-32 X 1					
--	6607GT	WASHER,LOCK,#10 PLTD					
27	111844GT	FITTING,OIL PAN BREATHER,TME27...1	1				

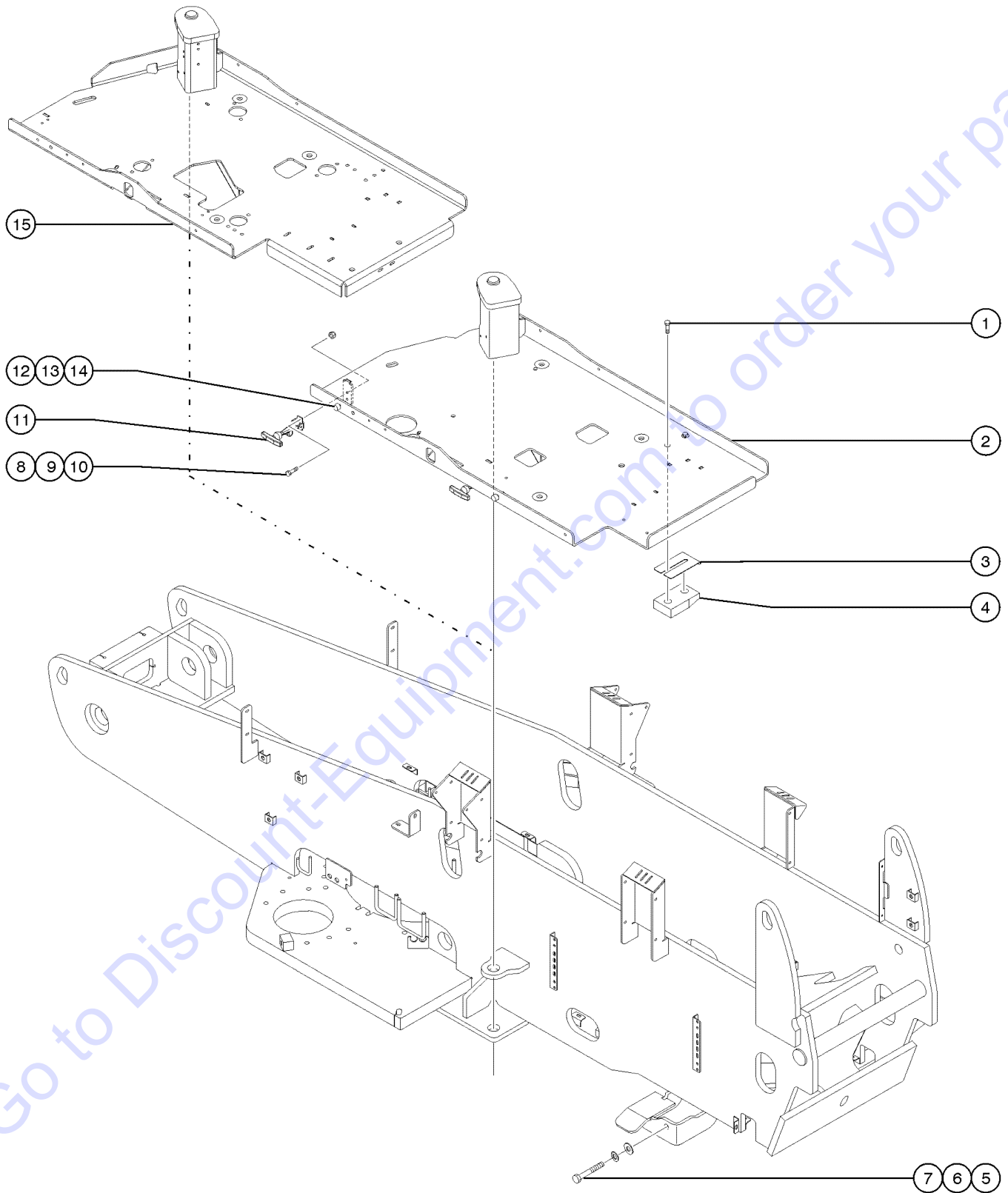
415.1 Continental TME-27 Engine - View 3



## 415.1 Continental TME-27 Engine - View 3

Item	Part No.	Description	Qty.	Item	Part No.	Description	Qty.
1	8178GT	SCREW,HHC,3/8-16 X 2.5		29	34164GT	ELBOW,90 DEGR,RUBBER,2.5" I.D.* 1	
2	121422GT	NUT,HEX,FLG,3/8-16		--	35434GT	CLAMP,HOSE,2.00***	
3	111799GT	WELDMNT,MUFFLER MOUNT 1		--	45435GT	CLAMP,HOSE,2.50****	
4	119051GT	MOUNTING BAND,MUFFLER,8.0"		30	121421GT	NUT,FLG,1/4-20	
5	10107GT	SCREW,HHC,5/16-18 X .75		31	121198GT	FORMING,AIR FILTER MT, CONT 1	
6	6638GT	WASHER,FLAT,USS,1/4"Y		32	121630GT	WELDMNT,INTAKE,CONT,S80 1	
7	61741GT	SCREW,HHC,5/16-18 X 1.50		33	13003GT	SCREW,HHC,5/8-11 X 3.5 GRD.8	
8	5397GT	WASHER,FLAT,USS,5/16",Y		34	13064GT	WASHER,FLAT,.625 HARDENED 2	
9	18503GT	NUT,LOCKING-LG.FLANGE,5/16-18		35	18596GT	WASHER,FLAT,1.56 X 2.5 X .061	
10	111794GT	WELDMNT,EXHAUST COLL.PIPE		36	6024GT	NUT,NYLOCK,5/8-11	
11	122243GT	SENSOR,O2, TME27 EPA2007 1		37	4828GT	NUT,NYLOCK,3/8-16	
12	111810GT	FORMING,HEAT SHIELD,EXH PIPE 1		38	121071GT	SCREW,HHC,FLG,1/2-13 X 2.50GR8	
13	121419GT	SCREW,HHF,1/4-20 X .75		39	102066PGT	CASTING,WASHER,REBOUND,PAINTED 3	
14	5224GT	SCREW,HHC,3/8-16 X 2		40	70452GT	ISOLATOR,ENGINE VIBRATION***	
15	6021GT	WASHER,LOCK,.375		41	121199GT	FORMING,ENGINE MOUNT,REAR,CONT. 1	
16	19934GT	WASHER,3/8 HARD.STEEL-FLAT,USS		42	128004GT	COUPLER,15 TOOTH,FBA,SAE8*** 1	
17	121385GT	CONTINENTAL ENGINE SIDE BULKHEAD 1		43	111861GT	PLATE,PUMP MOUNT,SAE 4 1	
18	111887GT	MANIFOLD,COOLANT, TME27 1		44	123167GT	FLGHCS,1/2-13X1.50,GR8,BLK PH 6	
--	111886GT	GASKET,MANIFOLD,COOLANT,TME27		45		Ref. DRIVE PUMP (REFER TO 708.1)	
19	75051GT	SCREW,SER FLNG3/8UNCX3/4ZNYEL		46	8516GT	SCREW, HCC, 3/8-16 X 1.50 1	
20	111920GT	MIXER,TME 2.7L,ENGINE 1		47	45454GT	CLAMP,RUB CUSH,0.75,#12 X 3/8*	
21	6096GT	SCREW,HHC,1/2-13 X 2 GR5		48	6175GT	SCREW,HHC,3/8-16 X 1	
22	13066GT	WASHER,FLAT,.5 HARDENED		49	121070GT	SCREW,HHF,1/4-20 X 2.50	
23	6198GT	NUT,NYLOCK,1/2-13		50	122246GT	REGULATOR,FUEL PRESS,TME27'07 1	
24	111801GT	PLATE,ENGINE MOUNT		51	6637GT	SCREW,HHC,1/4-20 X 1.75	
25	111815GT	HOSE,AIR CLEANER TO MIXER 1		52	6091GT	NUT,NYLOCK,1/4-20	
--	35434GT	CLAMP,HOSE,2.00***		53	78736GT	CLAMP,2 HOSE,PLASTIC,5/8 2	
--	45435GT	CLAMP,HOSE,2.50****		54	121069GT	SCREW,HHF,1/4-20 X 1.50	
26	121420GT	SCREW,HHF,1/4-20 X 1.00		55	122244GT	CONTROL MODULE, TME27 2007 1	
27	111634GT	AIR CLEANER,FORD,T3 1		56	122250GT	HARNESS,TME27 ENGINE,EPA2007 1	
--	1277991GT	CLIP,AIR CLEANER COVER (58247) for 58247		57	111710GT	MUFFLER,CATALYTIC,CONTINENTAL 1	
--	227988GT	VACUATOR VALVE		--	72343GT	GASKET,EXH FLANGE-FORD/PERKINS	
--	38922GT	ELBOW,90DEG.1/8MPT-5/16 BARB					
--	58247GT	AIR CLEANER CAP/ FORD/NOLFF***					
--	77295GT	FILTER ELEMENT,AIR,NOLFF LPG					
28	53952GT	BRKT,AIR CLEANER ORIENTATION** 1					

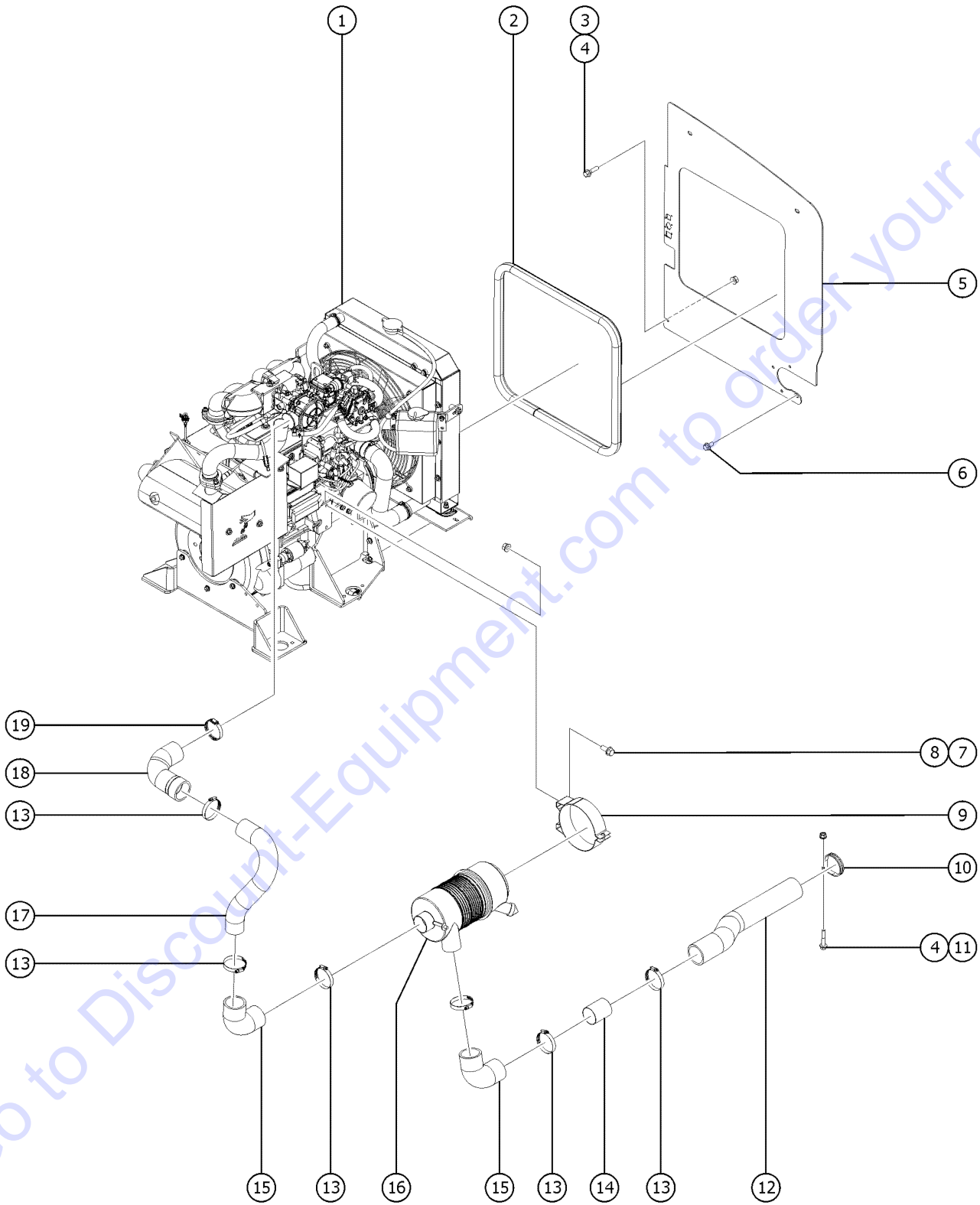
416.1 Engine Tray



Go to Discount-Equipment.com to order your parts

Item	Part No.	Description	Qty.
1	123557GT	FLGHCS,3/8-16X1.25,GR8,BLK PH	
2	121300GT	WELDMENT, ENGINE TRAY.....1	1
3	34344GT	SHIM,SIDE PAD 16GA. 3 X 5	
4	81522GT	WEAR PAD,ENGINE TRAY.....1	1
5	81110GT	SCREW,HHC,5/8-11 X 2 GRD.8	
6	6036GT	WASHER,LOCK, .625 PLTD	
7	6035GT	WASHER,FLAT,USS,5/8",Y	
8	75041GT	SCREW,PHILLIPS,PHM,10-32 X 1	
9	6146GT	WASHER,FLAT,MS,#10,Y	
10	6178GT	NUT,NYLOCK,10-32	
11	45363GT	LATCH,FLEXIBLE DRAW W/O KEEPER.....2	2
12	36388GT	BUMPER,RUBBER,.75 X .50H,STUD.....2	2
13	6638GT	WASHER,FLAT,USS,1/4"Y	
14	6091GT	NUT,NYLOCK,1/4-20	
15	162274GT	WELDMENT,ENGINE TRAY, 2.9L DEU (Models with Deutz 2.9L or Perkins 404F-22T)	

417.1 GM 3.0L Engine - View 1



# PARTS FINDER

**Search Website  
by Part Number**



**Search Manual  
Library For Parts  
Manual & Lookup Part  
Numbers – Purchase  
or Request Quote**

**Search Manuals**

Enter your information to help us find the right parts manual for your machine.

\* Brand:

\* Model:

\* Serial:

\* Part Number:

SEARCH

**Can't Find Part or  
Manual? Request Help  
by Manufacturer,  
Model & Description**

**Parts Order Form**

Please fill in the following information to help us find the right part for your machine.

Manufacturer:	<input type="text"/>
Model:	<input type="text"/>
Description:	<input type="text"/>
Part Number:	<input type="text"/>
Quantity:	<input type="text"/>
Notes:	<input type="text"/>

Submit

Discount-Equipment.com is your online resource for quality parts & equipment.

Florida: **561-964-4949** Outside Florida TOLL FREE: **877-690-3101**

**Need parts?**

Click on this link: <http://www.discount-equipment.com/category/5443-parts/> and choose one of the options to help get the right parts and equipment you are looking for. Please have the machine model and serial number available in order to help us get you the correct parts. If you don't find the part on the website or on one of the online manuals, please fill out the request form and one of our experienced staff members will get back to you with a quote for the right part that your machine needs.

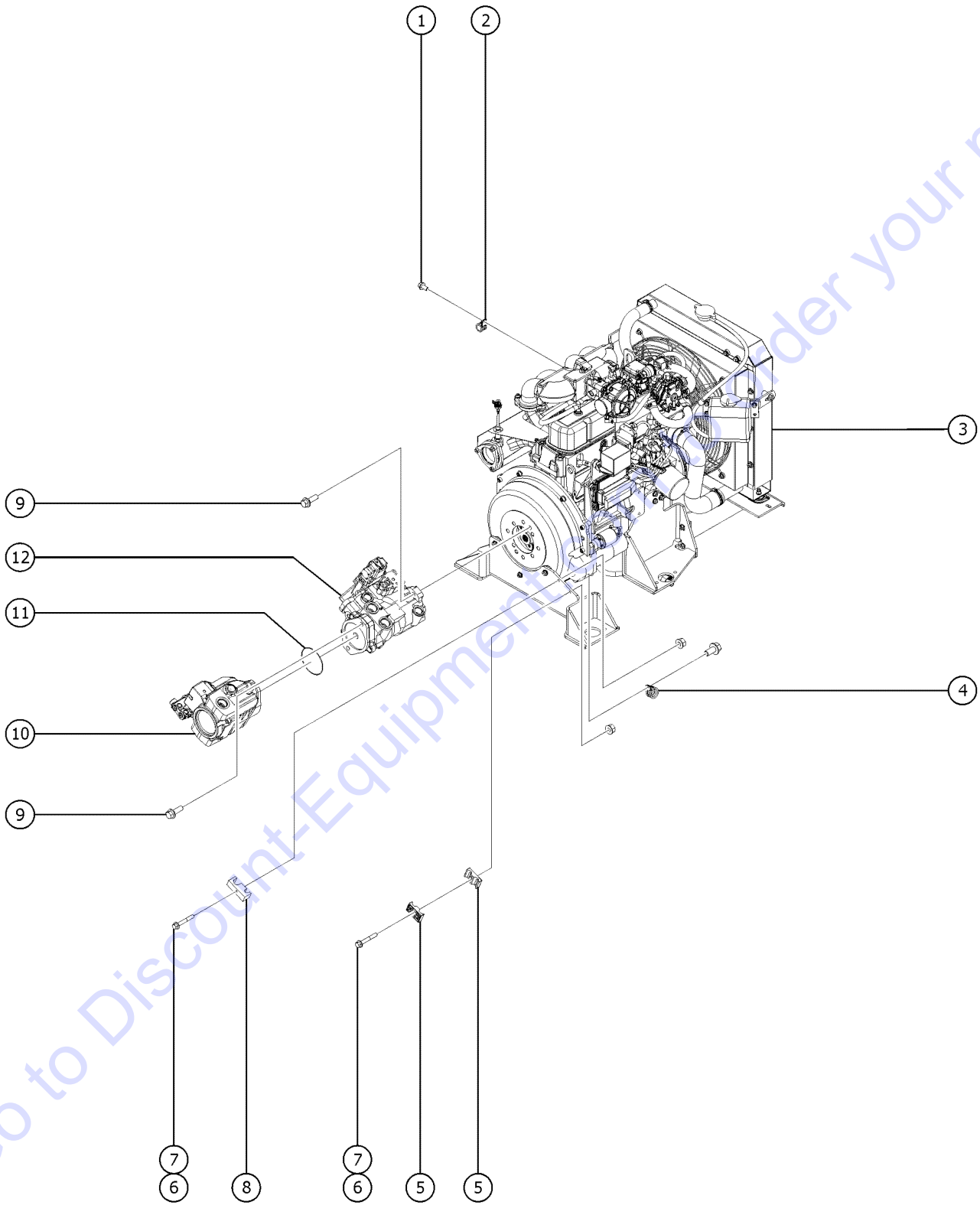
We sell worldwide for the brands: Genie, Terex, JLG, MultiQuip, Mikasa, Essick, Whiteman, Mayco, Toro Stone, Diamond Products, Generac Magnum, Airman, Haulotte, Barreto, Power Blanket, Nifty Lift, Atlas Copco, Chicago Pneumatic, Allmand, Miller Curber, Skyjack, Lull, Skytrak, Tsurumi, Husquvarna Target, Stow, Wacker, Sakai, Mi-T-M, Sullair, Basic, Dynapac, MBW, Weber, Bartell, Bennar Newman, Haulotte, Ditch Runner, Menegotti, Morrison, Contec, Buddy, Crown, Edco, Wyco, Bomag, Laymor, EZ Trench, Bil-Jax, F.S. Curtis, Gehl Pavers, Heli, Honda, ICS/PowerGrit, IHI, Partner, Imer, Clipper, MMD, Koshin, Rice, CH&E, General Equipment, Amida, Coleman, NAC, Gradall, Square Shooter, Kent, Stanley, Tamco, Toku, Hatz, Kohler, Robin, Wisconsin, Northrock, Oztec, Toker TK, Rol-Air, APT, Wylie, Ingersoll Rand / Doosan, Innovatech, Con X, Ammann, Mecalac, Makinex, Smith Surface Prep, Small Line, Wanco, Yanmar

## 417.1 GM 3.0L Engine - View 1

Item	Part No.	Description	Qty.
1		Ref. KIT,ENGINE,GM3.0L,PSI,S80/Z80 (refer to 420.1)	
2	60875-9600GT	TRIM, RUBBER "D" SEAL, 3/16 96.....1	1
3	824079GT	SCREW,HHF,1/4-20X1,8,ZAG.....1	1
4	824027GT	NUT,TL FLG,1/4-20,G,ZAG.....2	2
5	1269691GT	BULKHEAD PLATE, GM3.0L, S80.....1	1
6	824089GT	SCREW,HHF,3/8-16X.75,8,ZAG.....3	3
7	824085GT	SCREW,HHF,5/16-18X.75,8,ZAG.....2	2
8	824028GT	NUT,TL FLG,5/16-18,G,ZAG.....2	2
9	53952GT	BRKT,AIR CLEANER ORIENTATION** .....1	1
10	70257GT	CLAMP,3.0,#48 X 1/4,RUB CUSH.....1	1
11	824081GT	SCREW,HHF,1/4-20X1.5,8,ZAG.....1	1
12	88846GT	HOSE,AIR INLET.....1	1
13	30971GT	CLAMP,HOSE,3.00".....6	6
14	94324-300GT	TUBE,RD,STL,ALM,2.50X.065X3.00.....1	1
15	34164GT	ELBOW,90 DEGR,RUBBER,2.5" I.D.*.....2	2
16	63463GT	AIR CLEANER,NELSON*** .....1	1
--	52866GT	EVACUATOR VALVE-AIR CLEANER	
--	58415GT	CLIP,AIR CLEANER END CAP*** <i>end cap not available separately</i>	
--	62420GT	FILTER,AIR***	
--	65810GT	BAFFLE, AIR CLEANER (27915)**	
17	70465GT	TAILPIPE,DEUTZ BF4L2011.....1	1
18	1269549GT	HOSE,CLEANAIR,90DEG,2.25X2.5.....1	1
19	45435GT	CLAMP,HOSE,2.50"*** .....1	1



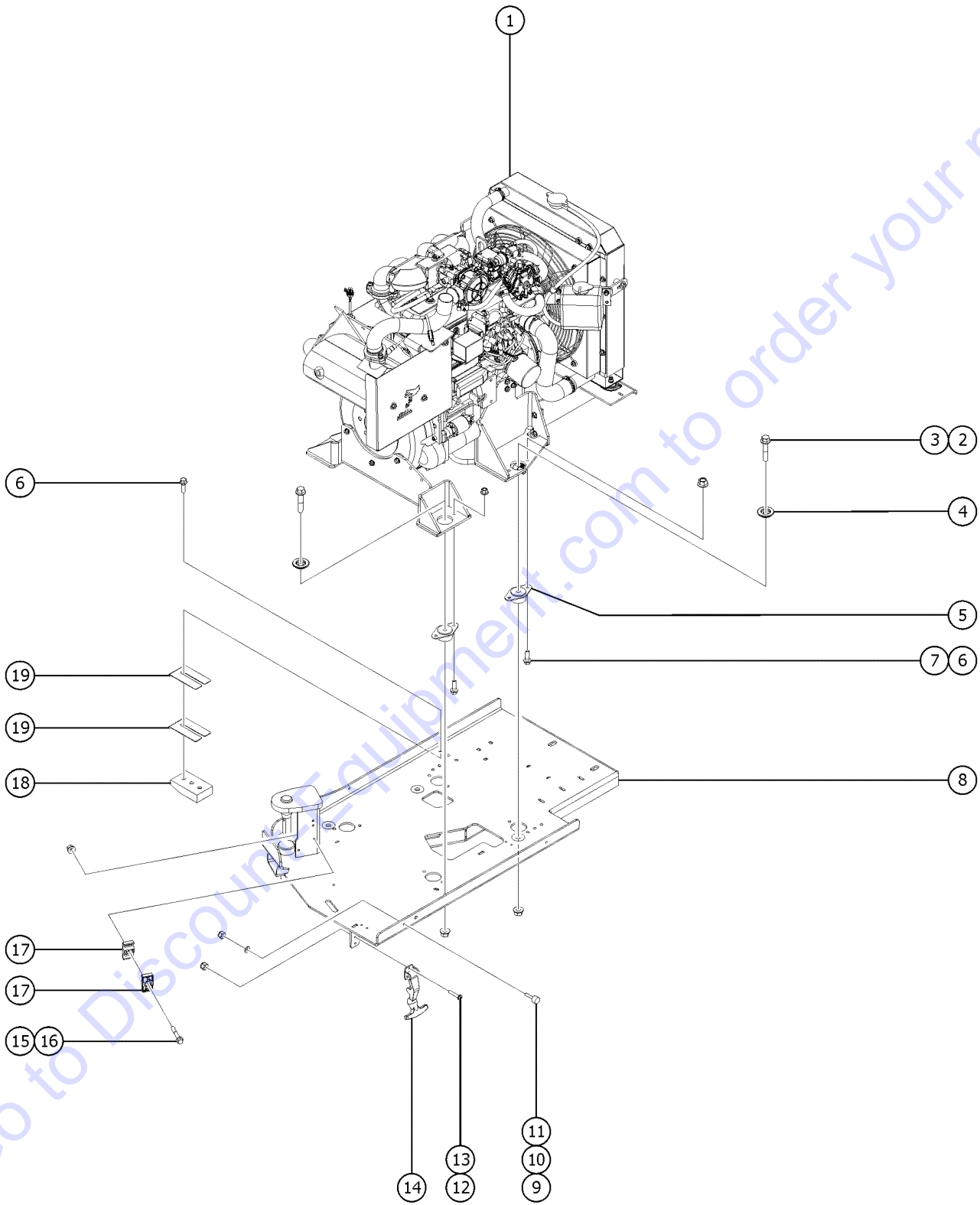
418.1 GM 3.0L Engine - View 2



Item	Part No.	Description	Qty.
1	824089GT	SCREW,HHF,3/8-16X.75,8,ZAG.....1	1
2	45454GT	CLAMP,RUB CUSH,0.75,#12 X 3/8*.....1	1
3		Ref. KIT,ENGINE,GM3.0L,PSI,S80/Z80 (refer to 420.1)	
4	13268GT	CLAMP,0.75,#12 X 1/4,RUB CUSH.....2	2
5	78736GT	CLAMP,2 HOSE,PLASTIC,5/8.....2	2
6	824082GT	SCREW,HHF,1/4-20X1.75,8,ZAG.....2	2
7	824027GT	NUT,TL FLG,1/4-20,G,ZAG.....2	2
8	121860GT	CLAMP, HOSE/CABLE.....1	1
9	1253498GT	SCREW,HHF,1/2-13X1.5,8,ZAG.....4	4
10	121310GT	PUMP,FUNCTION,38CC,LS.....1	1
11	52087GT	O-RING,2-044 BUNA***.....1	1
12	101068GT	PUMP,PISTON,46CC,B MOUNT,13T**....1	1

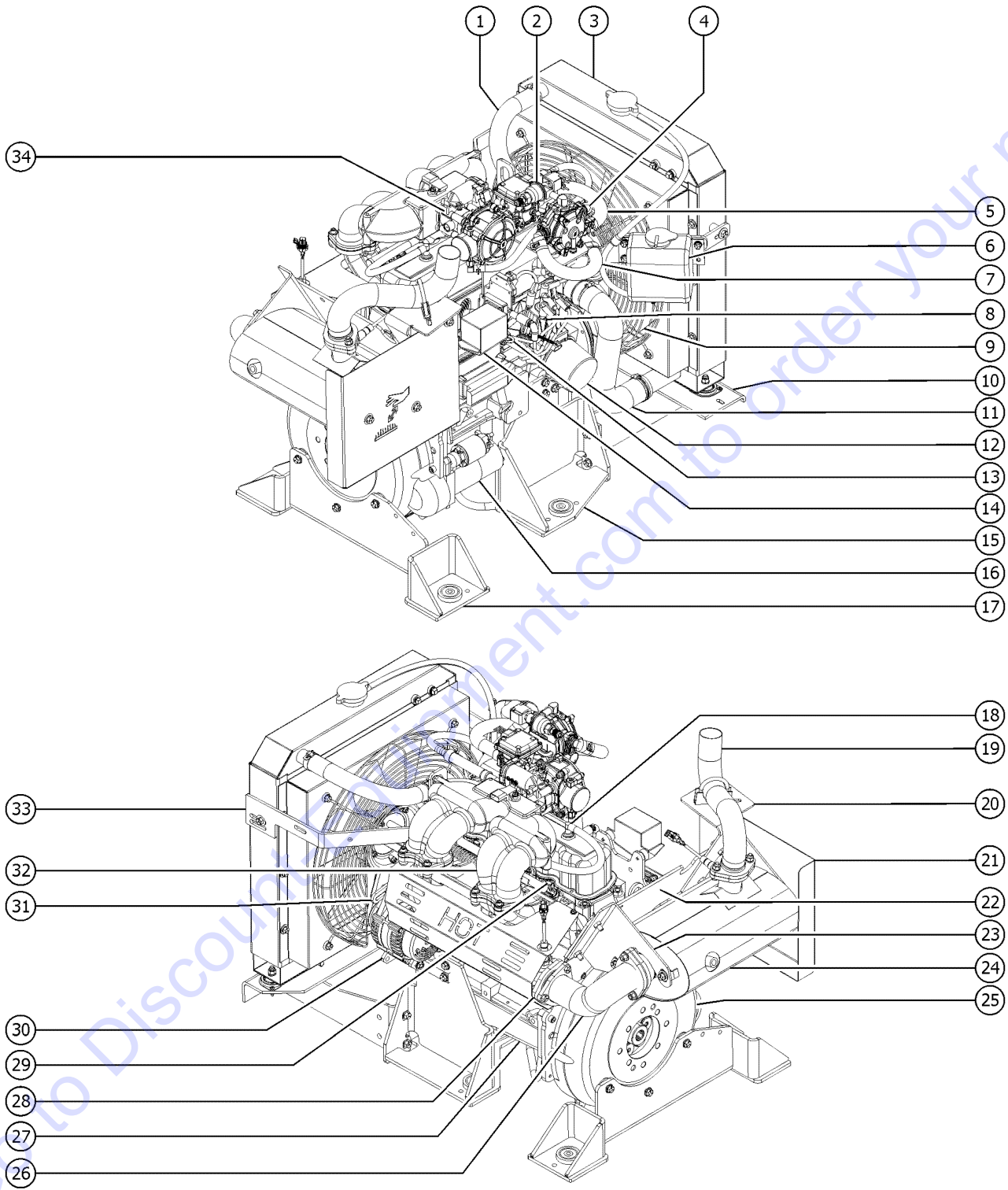
Go to Discount-Equipment.com to order your parts

419.1 GM 3.0L Engine - View 3



Item	Part No.	Description	Qty.
1		Ref. KIT,ENGINE,GM3.0L,PSI,S80/Z80 (refer to 420.1)	
2	1255802GT	SCREW,HHF,1/2-13X2.5,8,ZAG.....	4
3	1251997GT	NUT,TL FLG,1/2-13,G,ZAG.....	4
4	1274069GT	CASTING, WASHER, ENGINE ISOLAT.....	4
5	70452GT	ISOLATOR,ENGINE VIBRATION***.....	4
6	824091GT	SCREW,HHF,3/8-16X1.25,8,ZAG.....	11
7	824029GT	NUT,TL FLG,3/8-16,G,ZAG.....	8
8	162274GT	WELDMENT,ENGINE TRAY, 2.9L DEU.....	1
9	36388GT	BUMPER,RUBBER,.75 X .50H,STUD....	2
10	6638GT	WASHER,FLAT,USS,1/4"Y.....	2
11	6091GT	NUT,NYLOCK,1/4-20.....	2
12	75041GT	SCREW,PHILLIPS,PHM,10-32 X 1.....	4
13	6178GT	NUT,NYLOCK,10-32.....	4
14	45363GT	LATCH,FLEXIBLE DRAW W/O KEEPER.....	2
15	824082GT	SCREW,HHF,1/4-20X1.75,8,ZAG.....	1
16	824027GT	NUT,TL FLG,1/4-20,G,ZAG.....	1
17	78736GT	CLAMP,2 HOSE,PLASTIC,5/8.....	2
18	81522GT	WEAR PAD,ENGINE TRAY.....	1
--	48425GT	NUT,FLG-LRG,3/8-16,YZ	
19	34344GT	SHIM,SIDE PAD 16GA. 3 X 5.....	2

420.1 GM 3.0L Engine - View 4



## 420.1 GM 3.0L Engine - View 4

Item	Part No.	Description	Qty.	Item	Part No.	Description	Qty.
B	1273154GT	MANUAL, OPERATORS, GM 3.0L		12	65623GT	FILTER-OIL,GM 3.0L ENGINE.....	1
C	1273165GT	MANUAL, SVC AND REPAIR, GM 3.0L		--	1272065GT	SENDER, OIL PRESSURE, GM3.0L ENG.....	1
D	1272068GT	SENSOR, MAP, GM3.0L ENG.....	1	13A	1272026GT	DIPSTICK, GM3.0L ENG.....	1
E	1271825GT	ECM, SSI .79L / .97L		13B	1284621GT	TUBE,DIPSTICK,GM 3.0L ENG.....	1
1A	81424GT	RADIATOR HOSE,UPPER-GM.....	1	14	1272050GT	ISOLATOR, RUBBER, GM3.0L ENG.....	2
1B	1284622GT	OUTLET,T/STAT,GM 3.0L ENG.....	1	15A	1284667GT	MOUNT,ENG,GM 3.0L ENG.....	1
1C	1272070GT	THERMOSTAT, GM3.0L ENG.....	1	15B	1284618GT	SENSOR/BRKT KIT,GM 3.0L ENG..... <i>located behind engine support at distributor side of engine</i>	1
1D	1284623GT	GASKET,T/STAT COVER,GM 3.0L ENG.....	1	15C	1272038GT	GASKET, VALVE COVER, GM3.0L ENG <i>engine side cover gasket; located behind engine support at distributor side of engine</i>	1
1E	1284624GT	HOUSING,THERMOSTAT,GM 3.0L ENG.....	1	16	1272069GT	STARTER, GM3.0L ENG.....	1
1F	1284626GT	GASKET,T/S HSG,GM 3.0L ENG.....	1	17	1284666GT	BRACKET,REAR MOUNT,ALT,GM3.0L ENG.....	2
1G	1284625GT	SENSOR,AS,GM 3.0L ENG.....	1			<i>secure to bellhousing</i>	
2A	58386GT	GM 3.0, LP REGULATOR		18A	1272038GT	GASKET, VALVE COVER, GM3.0L ENG.....	1
--	1272028GT	FITTING, GM3.0L ENG <i>Vaporizer hot water supply</i>		--	1272024GT	BOLT, CYLINDER HEAD, GM3.0L ENG	
--	1272071GT	VALVE, LOCK OFF, GM3.0L ENG.....	1	--	1272030GT	GASKET, CYL HEAD, GM3.0L ENG	
2B	64066GT	HOSE ASSEMBLY,LP GAS 174" LONG.....	1	18B	65620GT	PCV VALVE-GM 3.0L ENGINE..... <i>(rear) (hose routed to intake manifold)</i>	1
3	1272060GT	RADIATOR, GM3.0L ENG.....	1	--	1272042GT	GROMMET,PCV.....	1
--	1284786GT	CAP,RADIATOR,GM 3.0L ENG.....	1			<i>(rear)</i>	
4	1272044GT	HOSE, FUEL, GM3.0L ENG <i>Vaporizer hot water return to engine (cut to size)</i>		18C	77540GT	CAP,OIL FILLER.....	1
5	1272045GT	HOSE, VAPORIZER.....	1			<i>(front) (hose routed to throttle body)</i>	
		<i>Vaporizer to Throttle Body</i>		--	1272043GT	GROMMET, PCV TUBE, GM3.0L ENG <i>(front)</i>	
6A	1272025GT	BOTTLE, OVERFLOW, GM3.0L ENG.....	1	--	1272047GT	HOSE, VAPOR, GM3.0L ENG.....	1
6B	1284630GT	HOSE, OVERFLOW.....	1			<i>(front) (adapter hose)</i>	
7	1272044GT	HOSE, FUEL, GM3.0L ENG.....	1	--	1284620GT	ELBOW.....	1
8A	77550GT	DISTRIBUTOR/GM 3.0L ENGINE.....	1			<i>(front)</i>	
--	1284627GT	SENSOR,CAMSHAFT,GM 3.0L ENG		19	1272066GT	SENSOR, O2, GM3.0L ENG.....	1
--	65624GT	CAP-DISTRIBUTOR, GM 3.0L		19A	1284643GT	TAILPIPE,EXHAUST,GM 3.0L ENG.....	1
--	65625GT	ROTOR-DISTRIBUTOR, GM 3.0L		19B	1284639GT	SEAL,EXHAUST,GM 3.0L ENG.....	1
8B	58412GT	SPARK PLUG WIRE SET,GM 3.0..... <i>set of 4 plug wires; order 1284619 coil wire separately</i>	1	20	1284644GT	BRACKET,CATALYST,GM3.0L ENG.....	1
--	1284619GT	WIRE,COIL,HVS,GM 3.0L ENG.....	1	21	1284645GT	SHIELD,HEAT,GM 3.0L ENG.....	1
8C	65622GT	SPARK PLUG-GM 3.0L ENGINE.....	4	22	1284637GT	BRACKET,MUFFLER,GM3.0L ENG.....	1
8D	77551GT	COIL-IGNITION/GM 3.0L ENGINE.....	1	23	1284642GT	BRACKET,CATALYST,GM3.0L ENG.....	1
9A	1272057GT	FAN, PULLER 18", GM3.0L ENG.....	1	24A	1284638GT	MUFFLER,CATALYST,GM3.0L ENG.....	1
9B	1272059GT	PUMP, WATER, GM3.0L ENG.....	1	24B	1284636GT	FLANGE,EXHAUST,GM3.0L ENG	
--	1284785GT	GASKET,WATER PUMP		24C	1272066GT	SENSOR, O2, GM3.0L ENG.....	1
9C	1272039GT	GASKET, TIMING CHAIN, GM3.0L		25A	1272041GT	RING GEAR, GM3.0L ENG.....	1
10A	1284633GT	SUPPORT,RADIATOR,GM 3.0L ENG.....	1	25B	1284617GT	SENSOR,C/SHAFT,GM 3.0L ENG.....	1
10B	1272049GT	ISOLATOR, GM3.0L ENG.....	2	25C	1272037GT	GASKET, OIL SEAL, GM3.0L ENG	
11	1272046GT	HOSE, RAD, LOWER, GM3.0L ENG.....	1	25C	1272062GT	SEAL, CRANKSHAFT, GM3.0L ENG..... <i>round</i>	1

420.1 GM 3.0L Engine - View 4  
(continued)

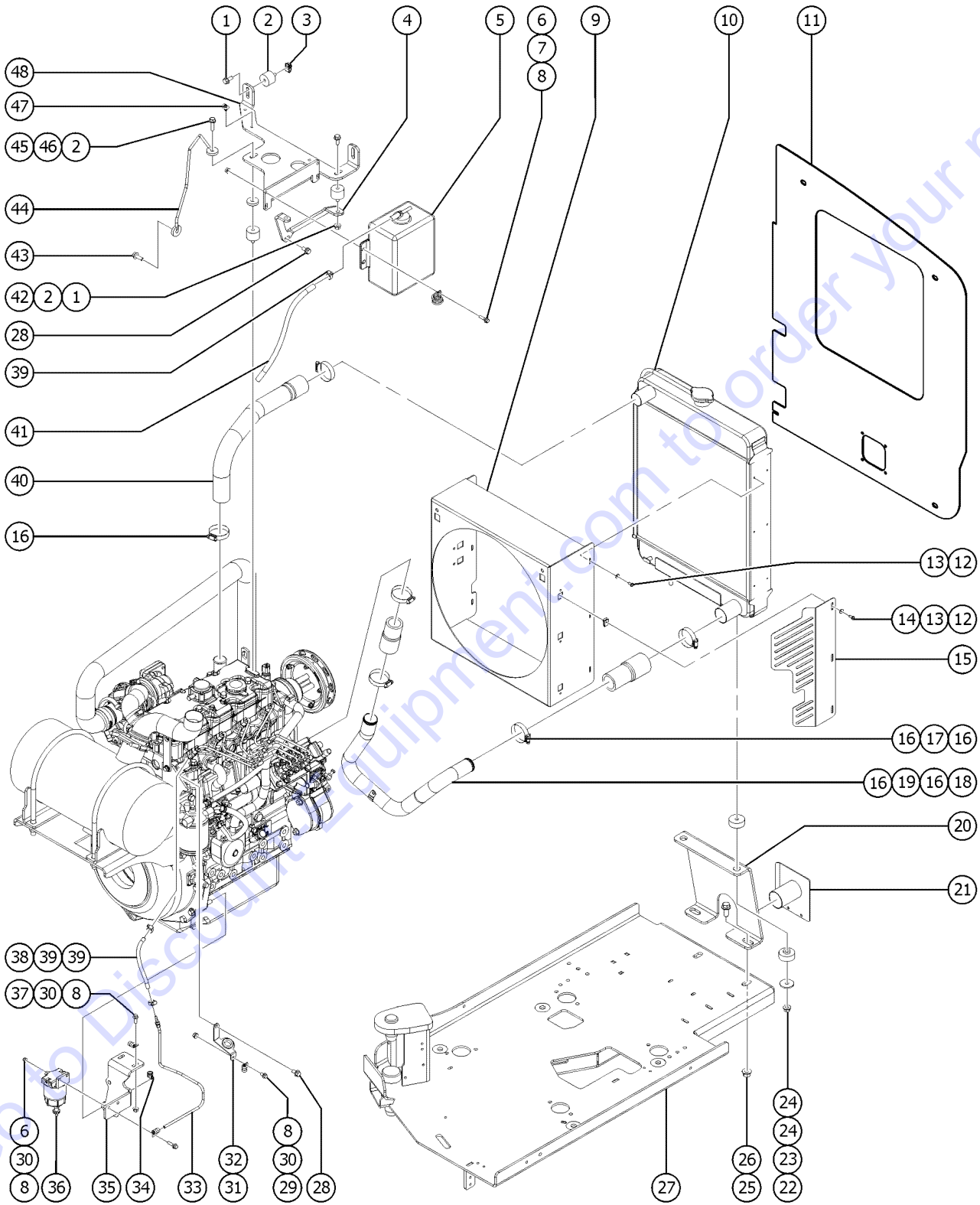
Item	Part No.	Description	Qty.	Item	Part No.	Description	Qty.
25D	1284628GT	PLATE,HOUSING,GM 3.0L ENG <i>lower inspection cover</i>		31B	1284656GT	BOLT,ALTERNATOR,GM 3.0L ENG.....1 <i>for belt tension</i>	
25E	1284629GT	DRIVE PLATE,GM 3.0L ENG <i>attached to crankshaft</i>		--	1284657GT	WASHER,ALT,GM3.0L ENG <i>for 1284656</i>	
26A	1284641GT	PIPE,EXHAUST,GM3.0L ENG.....1		32A	1284648GT	MANIFOLD,INTAKE,GM 3.0L ENG.....1 <i>upper intake manifold</i>	
26B	1272064GT	SEAL, EXHAUST, H/T, GM3.0L ENG.....1 <i>(at muffler)</i>		--	1272033GT	GASKET, INTAKE, GM3.0L ENG.....2 <i>upper intake to lower intake</i>	
26C	1272031GT	GASKET, DOUNUT, GM3.0L ENG.....1 <i>(at exhaust manifold)</i>		--	1284650GT	MANIFOLD,INTAKE,GM 3.0L ENG.....1 <i>lower intake manifold</i>	
26D	1284635GT	FLANGE,EXHAUST,GM3.0L ENG.....1		32B		REF., GASKET.....1 <i>(refer to item 28B)</i>	
27A	1272035GT	GASKET, OIL PAN, GM3.0L ENG.....1		33A	1284631GT	BRKT,RADIATOR TOP LH,GM3.0L ENG.....1 <i>exhaust side</i>	
--	1272058GT	PUMP, OIL, GM3.0L ENG		33B	1284632GT	BRKT,RADIATOR TOP RH,GM3.0L ENG.....1 <i>distributor side</i>	
27B	1272055GT	PLUG, OIL DRAIN, GM3.0L ENG		34	1271837GT	THROTTLE BODY, 40MM.....1	
--	1272036GT	GASKET, OIL PLUG, GM3.0L ENG.....1		--	1272027GT	EPR, GM3.0L ENG	
28A	1284649GT	MANIFOLD,EXHAUST,GM3.0L ENG.....1		--	1272029GT	GASKET, GM3.0L ENG <i>throttle body to intake manifold</i>	
28B	1272032GT	GASKET, INT/EXH, GM3.0L ENG.....1 <i>cylinder head to manifolds gasket</i>		--	1272048GT	INLET TO EPR, GM3.0L ENG <i>EPR inlet</i>	
28C	1284646GT	SHIELD,HEAT,GM 3.0L ENG.....1		--	1272053GT	MIXER, GM3.0L ENG	
28D	1272066GT	SENSOR, O2, GM3.0L ENG.....1		--	1272054GT	ORING, MIXER ADAPTER, GM3.0L ENG <i>mixer outlet</i>	
28E	1284647GT	EXHAUST FLANGE,GM 3.0L ENG		--	1284634GT	FITTING,THROTTLE BODY,GM3.0L ENG <i>90 degree hose fitting on mixer</i>	
28F	1272031GT	GASKET, DOUNUT, GM3.0L ENG		35	1272052GT	MANIFOLD, FUEL, GM3.0L ENG.....1 <i>not shown</i>	
29	1272061GT	RAIL, FUEL, W/INJ, GM3.0L ENG.....1		--	1284670GT	FITTING,GM 3.0L ENG.....2 <i>for 1272052</i>	
30A	77822GT	ALTERNATOR, GM3.0L ENGINE.....1		--	1284671GT	FITTING,GM 3.0L ENG.....1 <i>for 1272052</i>	
--	1284655GT	NUT,ALTERNATOR,GM 3.0L ENG.....2 <i>for 77822</i>		36	1271652GT	FILTER, FUEL, GM3.0L.....1 <i>not shown</i>	
30B	1284654GT	BRACKET,ALTERNATOR,GM3.0L ENG.....1 <i>alternator mount bracket</i>		--	1271653GT	PUMP, FUEL, HIGH PRESSURE, GM3.0L.....1 <i>not shown</i>	
--	1284653GT	SPACER,ALT,GM 3.0L ENG.....1 <i>for 1284663</i>		--	1271654GT	FITTING, FUEL PUMP, GM3.0L.....1 <i>for 1271653</i>	
--	1284660GT	WASHER,LCK,ALT,GM3.0L ENG.....1 <i>for 1284663</i>		--	1284669GT	CLAMP,RUBBER,GM3.0L ENG.....1 <i>for 1271652, 1271653</i>	
--	1284661GT	WASHER,ALT,GM3.0L ENG.....2 <i>for 1284663</i>					
--	1284662GT	NUT,ALT MNTG,GM3.0L ENG.....1 <i>for 1284663</i>					
--	1284663GT	BOLT,ALT MNTG,GM3.0LENG.....1 <i>alternator pivot bolt</i>					
--	1284664GT	WASHER,FLAT,GM3.0L ENG.....2 <i>for 1284663</i>					
--	1284665GT	BOLT,GM 3.0L ENG.....2 <i>to install 1284654</i>					
30C	1284651GT	BELT,ALTERNATOR,GM 3.0L ENG.....1					
31A	1284652GT	STRAP,ALT,GM3.0L ENG <i>alternator belt tension bracket</i>					
--	1284658GT	WASHER,LCK,ALT,GM3.0L ENG <i>for 1284659</i>					
--	1284659GT	BOLT,ALTERNATOR,GM 3.0L ENG <i>belt bracket pivot bolt</i>					

***This Page Intentionally Left Blank***

Go to [Discount-Equipment.com](http://Discount-Equipment.com) to order your parts



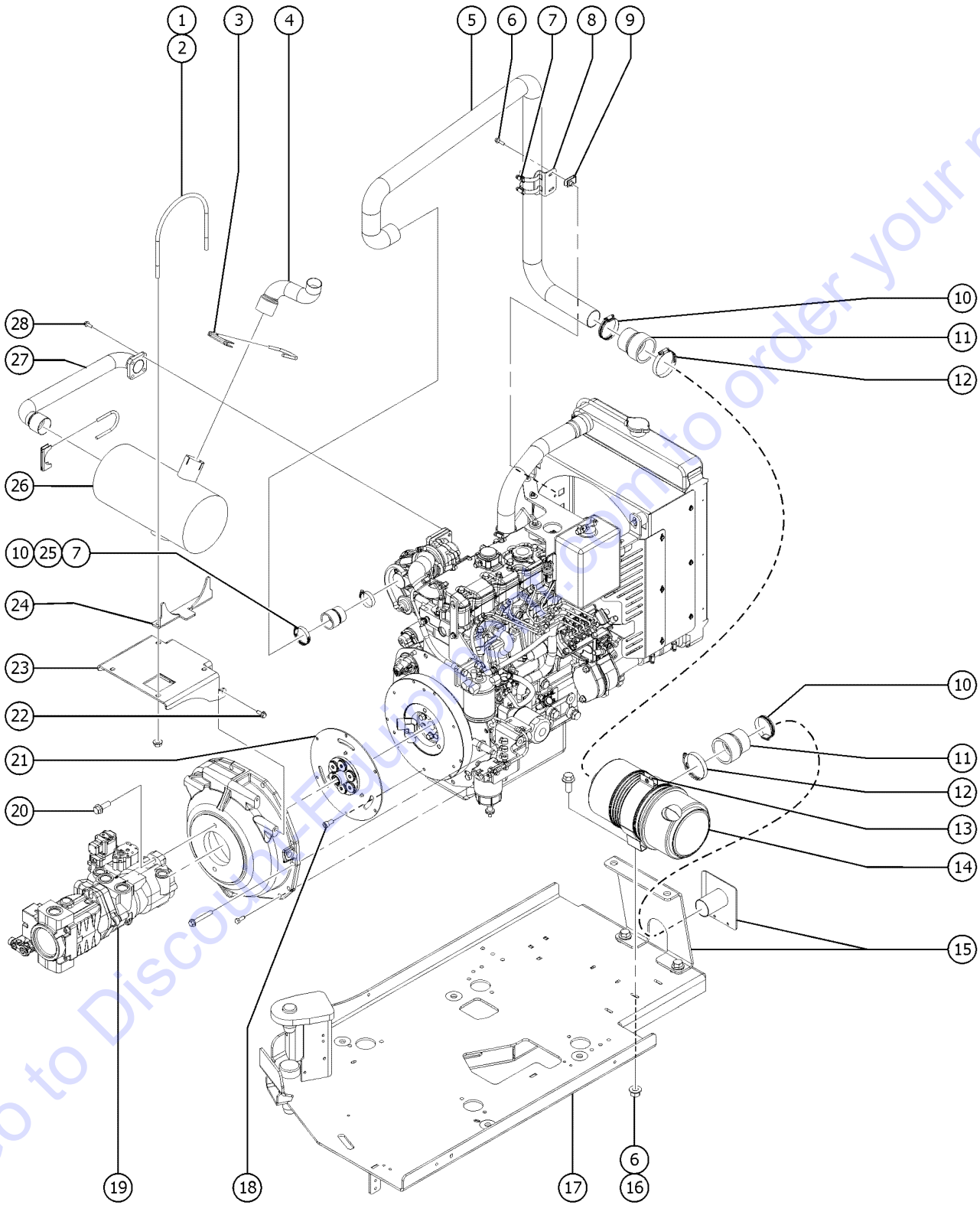
421.1 Perkins 404D-22T Engine - View 1



## 421.1 Perkins 404D-22T Engine - View 1

Item	Part No.	Description	Qty.	Item	Part No.	Description	Qty.
--		Due to Tier 4 regulations, many engine replacement parts require engine serial number at time of order placement. When ordering engine parts please have both machine and engine serial numbers available. For internal engine parts, contact engine dealer		17	1261204GT	HOSE COUPLING,RUBBER,LOWER RAD.....	1
--	1261963GT	BREATHER VALVE,PERKINS 404D-22T		18	1261882GT	WELDMNT,LOWER RADIATOR SSTL.....	1
--	1261964GT	DIPSTICK TUBE,PERKINS 404D-22T		19	1261205GT	HOSE COUPLING,RUBBER,LOWER RAD.....	1
--	1261966GT	PISTON AND RING KIT,PERKINS 404D-22T		20	1253193GT	BRACKET,LOWER RADIATOR.....	1
--	1261969GT	PISTON RING KIT,PERKINS 404D-22T		21	1253431GT	WELDMNT,INTAKE,PERKINS 404F.....	1
--	1262016GT	SPEED SENSOR,PERKINS 404D-22T		22	824029GT	NUT,TL FLG,3/8-16,G,ZAG.....	2
--	1262467GT	SOLENOID,PERKINS 404D-22T		23	824120GT	WASHER,FLAT,.375X1.50X.125,ZAG.....	2
--	1262469GT	OIL PRESSURE SWITCH,PERKINS 404D-22T		24	24038GT	SHOCK MOUNT,SMALL.....	4
--	1262490GT	GASKET,CYL HEAD COVER,PERKINS 404D-22T		25	1253319GT	NUT,TL,FLG,5/8-11,G,ZAG.....	2
--	1262496GT	SEAL,ROCKER BOX,PERKINS 404D-22T		26	1253208GT	SCREW,HHF,5/8-11X1.5,8,ZAG.....	2
--	1262498GT	O-RING,LIFT PUMP,PERKINS 404D-22T		27		Ref. FORMING,ENGINE TRAY, 2.9L DEUTZ.....	1
--	1262500GT	GASKET,EXHAUST MANIFOLD,PERKINS 404D-22T				(Refer to 416. 1)	
--	1262589GT	GASKET,AIR PIPE HOUSING,PERKINS 404D		28	1251983GT	SCREW,HHF,M8-1.25X16,DIN6921,10.9,ZAB.2	
--	1262595GT	CYLINDER HEAD COVER,PERKINS 404D		29	824077GT	SCREW, HHF, 1/4-20 X .5, 8, ZAG.....	1
--	1262598GT	EXHAUST VALVE,PERKINS 404D		30	45470GT	CLAMP,0.31,#5 X 1/4,RUB CUSH.....	4
1	824132GT	SCREW,HHF,M8-1.25X20,DIN6921,10.9,ZAB.4		31	1259890GT	FORMING, SUPPORT, FUEL RETURN.....	1
2	60585GT	ISOLATOR,VIBRATION,M8 MALE/FEM.....	5	32	1260927GT	GROMMET, RUBBER, .75X.375X1.25.....	1
3	230820GT	SPRING CLIP, M8-1.25, 0.8-4.0 X 13, ZAB.....	2	33	1259907GT	WELDMNT,FUEL RETURN LINE,404D.....	1
4	1253194GT	BRACE,UPPER RADIATOR SUPPORT,.....	1	34	112043GT	CLAMP,0.63,#10 X 3/8,RUB CUSH.....	1
5	70367GT	BOTTLE,COOLANT RECOVERY,3.7***.....	1	35	128588GT	FORMING,SOLENOID MOUNT.....	1
6	824079GT	SCREW,HHF,1/4-20X1,8,ZAG.....	6	36	75020GT	SEPRTR/FLTR,FUEL DSL,15GPH,.30....	1
7	13268GT	CLAMP,0.75,#12 X 1/4,RUB CUSH.....	1	--	21465GT	CLAMP,HOSE,.25" - .63" X .3125	
8	824027GT	NUT,TL FLG,1/4-20,G,ZAG.....	8	--	54205GT	HOSE END,BARB,1/4 MNPTX5/16,90	
9	1253192GT	FAN SHROUD,PERKINS 404F-22T.....	1	37	824078GT	SCREW,HHF,1/4-20X.75,8,ZAG.....	1
10	110304GT	RADIATOR,FORD/PERKINS***.....	1	38	35418-0600GT	HOSE,FUEL,3/16,SAE 30R7,6IN LG.....	1
11	1253030GT	PLATE,BULKHEAD,ENGINE SIDE,PE.....	1	39	21465GT	CLAMP,HOSE,.25" - .63" X .3125.....	7
12	824220GT	SCREW, PHPM SEMS ET, 10-24 X .5, ZAG.....	9	40	1252979GT	HOSE,UPPER RADIATOR,PERK.....	1
13	1253185GT	WASHER,FLAT,#10,USS,ZAG.....	9	41	106226GT	TUBING,VINYL,1/2" CLEAR.....	1
14	73575GT	SPRING CLIP,10-24,.025-.125X.468,ZAG.....	3	42	237832GT	NUT,TL FLG,M8-1.25,DIN6927,10,ZAB.....	2
15	1254471GT	GUARD,FAN,PERKINS 404F-22T.....	1	43	824133GT	SCREW,HHF,M8-1.25X25,DIN6921,10.9,ZAB.1	
16	22672GT	CLAMP,HOSE,1.75.....	6	44	1259264GT	WIRE MANAGEMENT,GUIDE ROD ASSY.....	1
				45	1255537GT	SCREW,HHF,M8-1.25X30,DIN6921,10.9,ZAB.1	
				46	1261722GT	WASHER, FLAT .394 X 1.25 X .25.....	1
				47	110149GT	CABLE TIE,DFT MOUNT,BLK,6.5".....	3
				48	1258071GT	BRACKET,UPPER RADIATOR MOUNT,4.....	1

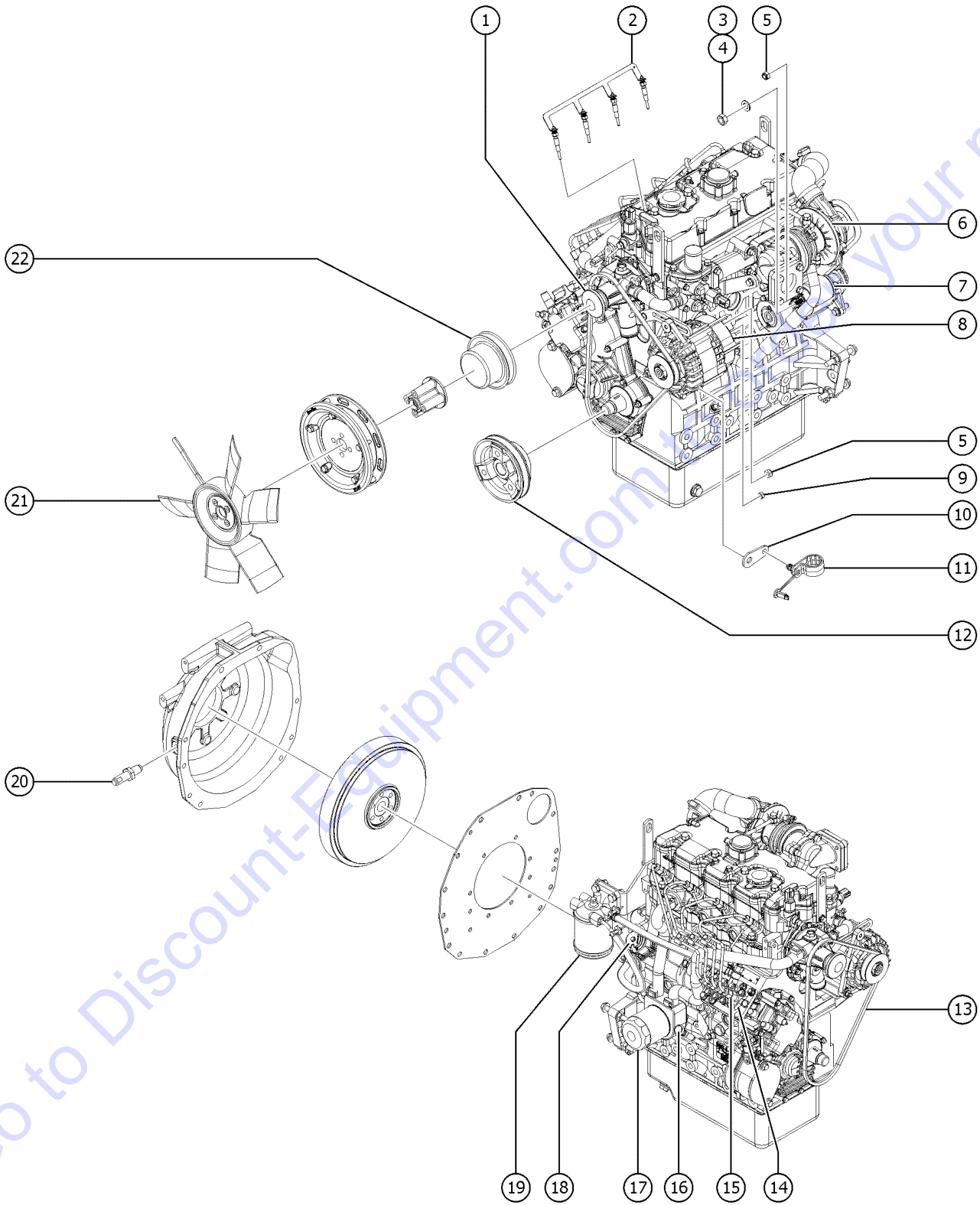
422.1 Perkins 404D-22T Engine - View 2



## 422.1 Perkins 404D-22T Engine - View 2

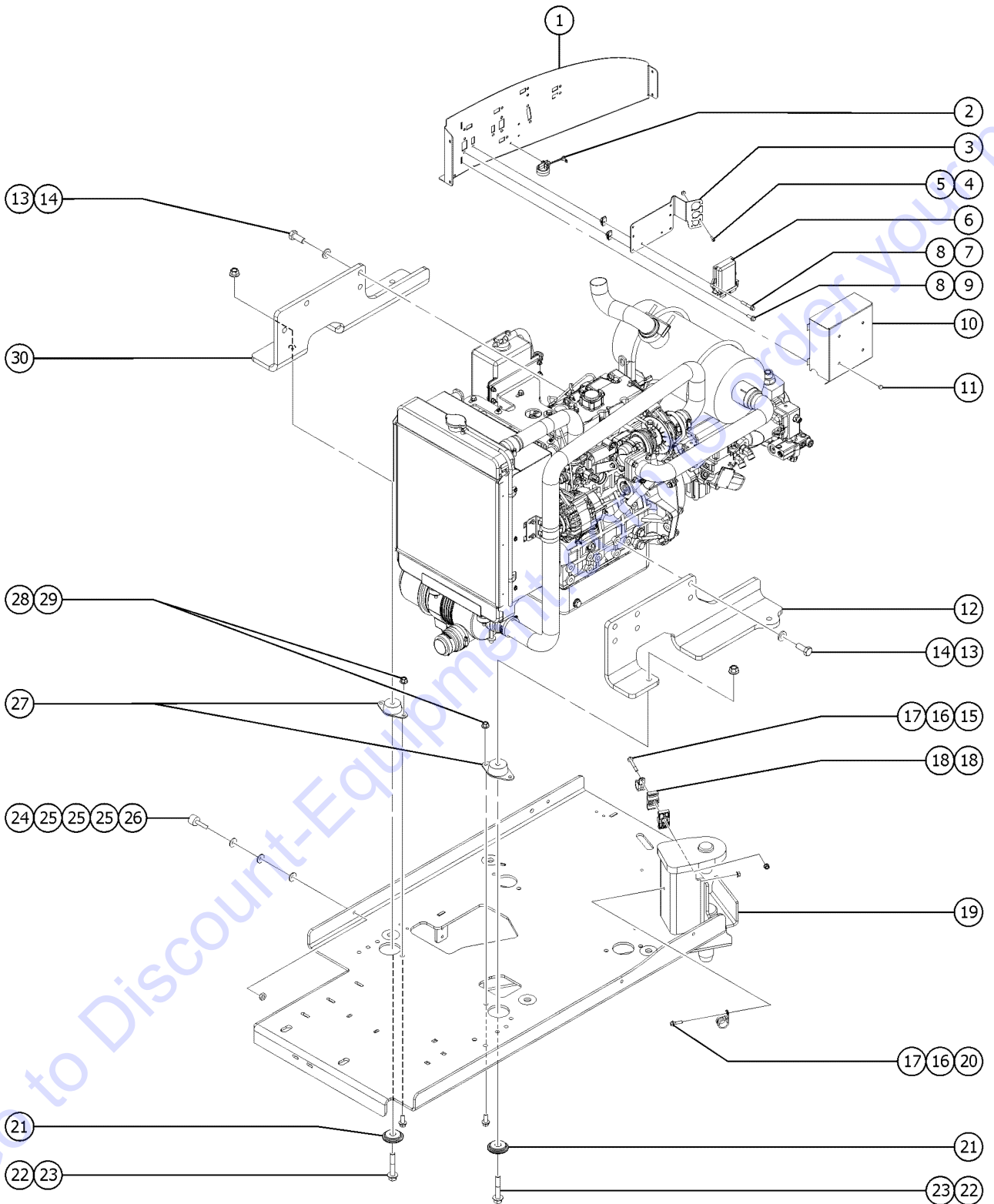
Item	Part No.	Description	Qty.	Item	Part No.	Description	Qty.
--		Due to Tier 4 regulations, many engine replacement parts require engine serial number at time of order placement. When ordering engine parts please have both machine and engine serial numbers available. For internal engine parts, contact engine dealer		27	1257995GT	WELDMENT,EXHAUST PIPE,PERKINS.....	1
1	70449GT	U-BOLT,1/2-13 X 8.5.....	2	28	824133GT	SCREW,HHF,M8-1.25X25,DIN6921,10.9,ZAB.4	
2	1251997GT	NUT,TL FLG,1/2-13,G,ZAG.....	4				
3	71911GT	CLAMP,MUFFLER, 2.50 INCH.....	1				
4	1258014GT	TAILPIPE,404D-22T,S-80.....	1				
5	1256514GT	TUBE,INTAKE,PERKINS 404D-22T.....	1				
6	824079GT	SCREW,HHF,1/4-20X1,8,ZAG.....	4				
7	22672GT	CLAMP,HOSE,1.75.....	3				
8	823751GT	BRACKET,INTAKE PIPE,MOUNT,DEUT.....	1				
9	56912GT	SPRING CLIP,1/4-20,.025-.15X.54,ZAG.....	2				
10	45435GT	CLAMP,HOSE,2.50"***.....	3				
11	216150GT	ADAPTER,AIR HOSE,PERK 404F.....	2				
12	30971GT	CLAMP,HOSE,3.00".....	2				
13	53952GT	BRKT,AIR CLEANER ORIENTATION**.....	1				
14	63463GT	AIR CLEANER,NELSON***.....	1				
--	52866GT	EVACUATOR VALVE-AIR CLEANER					
--	58415GT	CLIP,AIR CLEANER END CAP*** <i>end cap not available separately</i>					
--	62420GT	FILTER,AIR***					
--	65810GT	BAFFLE, AIR CLEANER (27915)**					
15		Ref. LOWER RADIATOR MOUNT <i>(Refer to 421.1)</i>					
16	824027GT	NUT,TL FLG,1/4-20,G,ZAG.....	2				
17		Ref. FORMING,ENGINE TRAY, 2.9LDEUTZ <i>(Refer to 416.1)</i>					
18	62476GT	SCREW,SHC,M10X1.5X20MM (75090).....	6				
19		Ref. DRIVE PUMP AND FUNCTION PUMP <i>(Refer to 708.1)</i>					
20	1253498GT	SCREW,HHF,1/2-13X1.5,8,ZAG.....	4				
21	128003GT	COUPLER,15 TOOTH,FBA,PERKINS**.....	1				
22	231530GT	SCREW,HHF,M10-1.5X25,DIN6921,10.9,ZAB.4					
23	1258568GT	MOUNT,MUFFLER,PERKINS 404D-22T.....	1				
24	70483GT	FORMING,8.5' MUFFLER MOUNT.....	2				
25	1253487GT	ADAPTER, 2" TO 1.8", PERK 404F.....	1				
26	70444GT	MUFFLER,2.5"INLET/OUTLET.....	1				

423.1 Perkins 404D-22T Engine - View 3



Item	Part No.	Description	Qty.
--		Due to Tier 4 regulations, many engine replacement parts require engine serial number at time of order placement. When ordering engine parts please have both machine and engine serial numbers available. For internal engine parts, contact engine dealer	
1	1262503GT	WATER PUMP,PERKINS 404D-22T.....1	
2	1262471GT	GLOWPLUG,ENGINE,PERKINS 404D/F.....1	
3	22571GT	NUT,HEX,M8 X 1.25.....1	
4	33277GT	WASHER,FLAT,M8,YELLOW ZINC.....1	
5	49364GT	NUT,NYLOCK,M6X1.00.....2	
6	1262022GT	TURBOCHARGER,PERKINS 404D-22T.....1	
7	1262585GT	STARTER MOTOR,PERKINS 404D.....1	
8	1262486GT	ALTERNATOR,PERKINS 404D/F-22T.....1	
9	27082GT	NUT,NYLOCK,M5X.80.....2	
10	1259757GT	WIRE MANAGEMENT, WIRE LOOM SUP.....1	
11	121603GT	CLAMP,FIXED DIA.NYLON,.875".....1	
12	1262494GT	CRANKSHAFT PULLEY,PERKINS 404D-.....1	
13	89765GT	BELT, V (PERKINS 404).....1	
14	1261980GT	FUEL INJECTOR PUMP,PERKINS 404.....1	
15	1262017GT	ATOMISER (FUEL INJECTOR),PERKINS.....1	
16	1262478GT	DIPSTICK,PERKINS 404D-22T.....1	
17	1262047GT	OIL FILTER,PERKINS 404D/F-22T.....2	
18	1261978GT	LIFT PUMP,PERKINS 404D-22T.....1	
19	1262484GT	FUEL FILTER ASSY,PERKINS 404D/.....1	
20	1281137GT	ASSEMBLY, SPEED SENSOR.....1	
21	1252686GT	FAN,10 BLADE,17",PERKINS 404F-.....1	
22	1262050GT	WATER PUMP PULLEY,PERKINS 404D.....1	

424.1 Perkins 404D-22T Engine - View 4

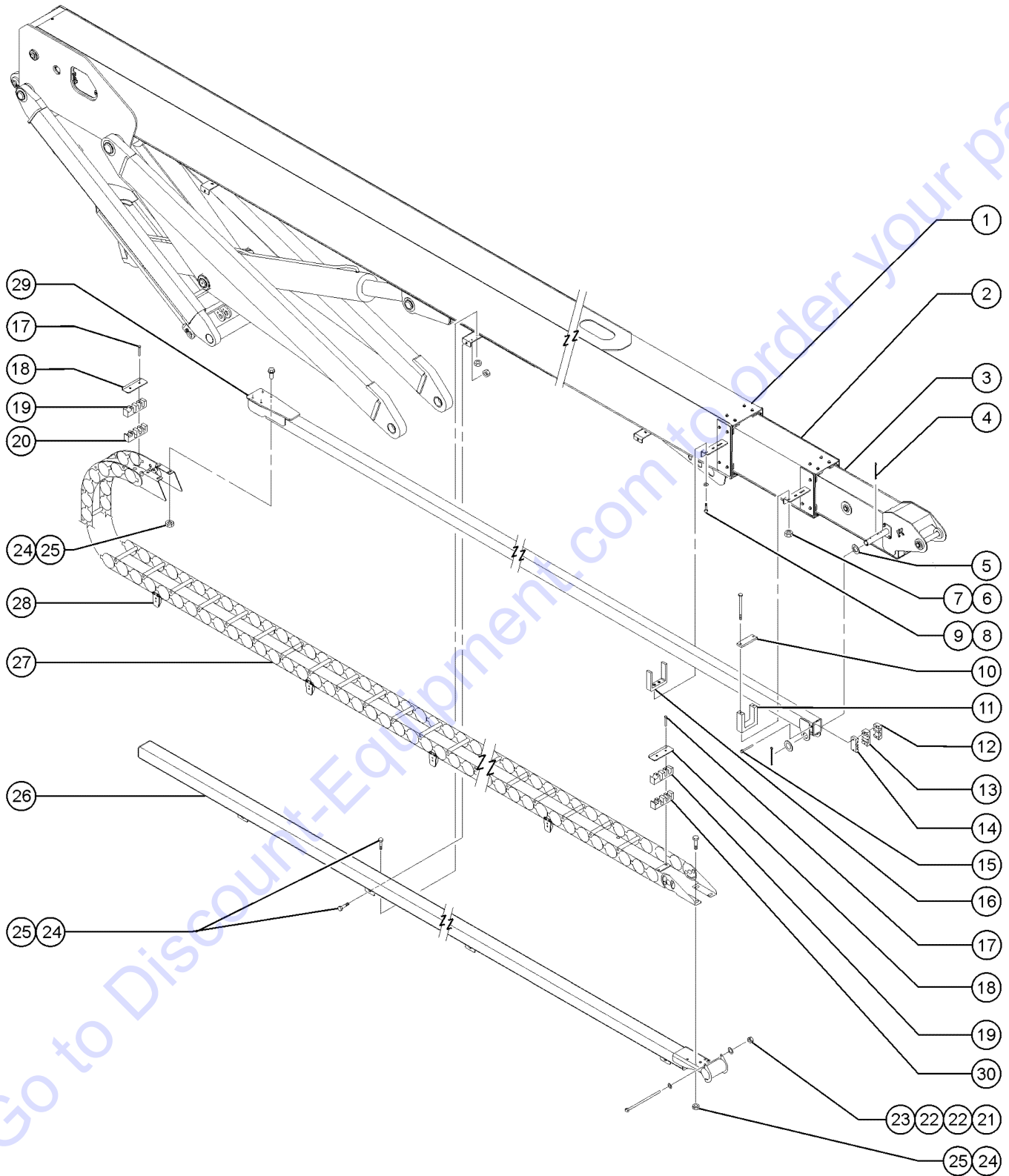


## 424.1 Perkins 404D-22T Engine - View 4

Item	Part No.	Description	Qty.
--		Due to Tier 4 regulations, many engine replacement parts require engine serial number at time of order placement. When ordering engine parts please have both machine and engine serial numbers available. For internal engine parts, contact engine dealer	
1	121403GT	FORMING, BULKHEAD, LEFT REAR.....1	
2	237829GT	CLAMP,NYLON,PUSHLOCK,1.12"DIA....1	
3	825628GT	BRACKET,COVER,RELAY MODULE,DEUTZ 2.9L.....1	
4	49820GT	SCREW,PHILLIPS,PHM,6-32 X .5.....4	
5	12344GT	NUT,NYLOCK,6-32.....4	
6		Ref. ECU.....1 <i>Models with Perkins 404TD_22T engines (This part is serialized, contact Discount- equipment with full model and SN of both the unit and engine)</i>	
7	824081GT	SCREW,HHF,1/4-20X1.5,8,ZAG.....2	
8	56912GT	SPRING CLIP,1/4-20,.025-.15X.54,ZAG.....7	
9	824078GT	SCREW,HHF,1/4-20X.75,8,ZAG.....5	
10	826833GT	COVER BRACKET, ECU TIER IV.....1	
11	21858GT	PLUG,NYLON .38 BLACK DOMED.....4	
12	1253574GT	FORMING, ENGINE MOUNT, LH.....1	
13	1257705GT	SCREW,HHC,M14-1.5X35,DIN960,10.9,ZAB.10	
14	1257810GT	WASHER,FLAT,M14,DIN6916,HRD,ZAB.10	
15	1257866GT	SCREW,HHF,1/4-20X2.25,8,ZAG.....1	
16	18666GT	CLAMP,1.00,#16 X 1/4,RUB CUSH.....2	
17	824027GT	NUT,TL FLG,1/4-20,G,ZAG.....2	
18	78736GT	CLAMP,2 HOSE,PLASTIC,5/8.....2	
19		Ref. FORMING,ENGINE TRAY, 2.9LDEUTZ <i>(Refer to 416.1)</i>	
20	824079GT	SCREW,HHF,1/4-20X1,8,ZAG.....1	
21	102066GT	CASTING,WASHER,REBOUND.....4	
22	1257862GT	SCREW,HHF,1/2-13X2.75,8,ZAG.....4	
23	1251997GT	NUT,TL FLG,1/2-13,G,ZAG.....4	
24	36388GT	BUMPER,RUBBER,.75 X .50H,STUD....2	
25	824113GT	WASHER,FLAT,USS,1/4,ZAG.....6	
26	824037GT	NUT,HH JAM,1/4-20,A,ZAG.....2	
27	70452GT	ISOLATOR,ENGINE VIBRATION*** .....4	
28	824029GT	NUT,TL FLG,3/8-16,G,ZAG.....8	
29	824090GT	SCREW,HHF,3/8-16X1,8,ZAG.....8	
30	1253573GT	FORMING, ENGINE MOUNT, RH.....1	



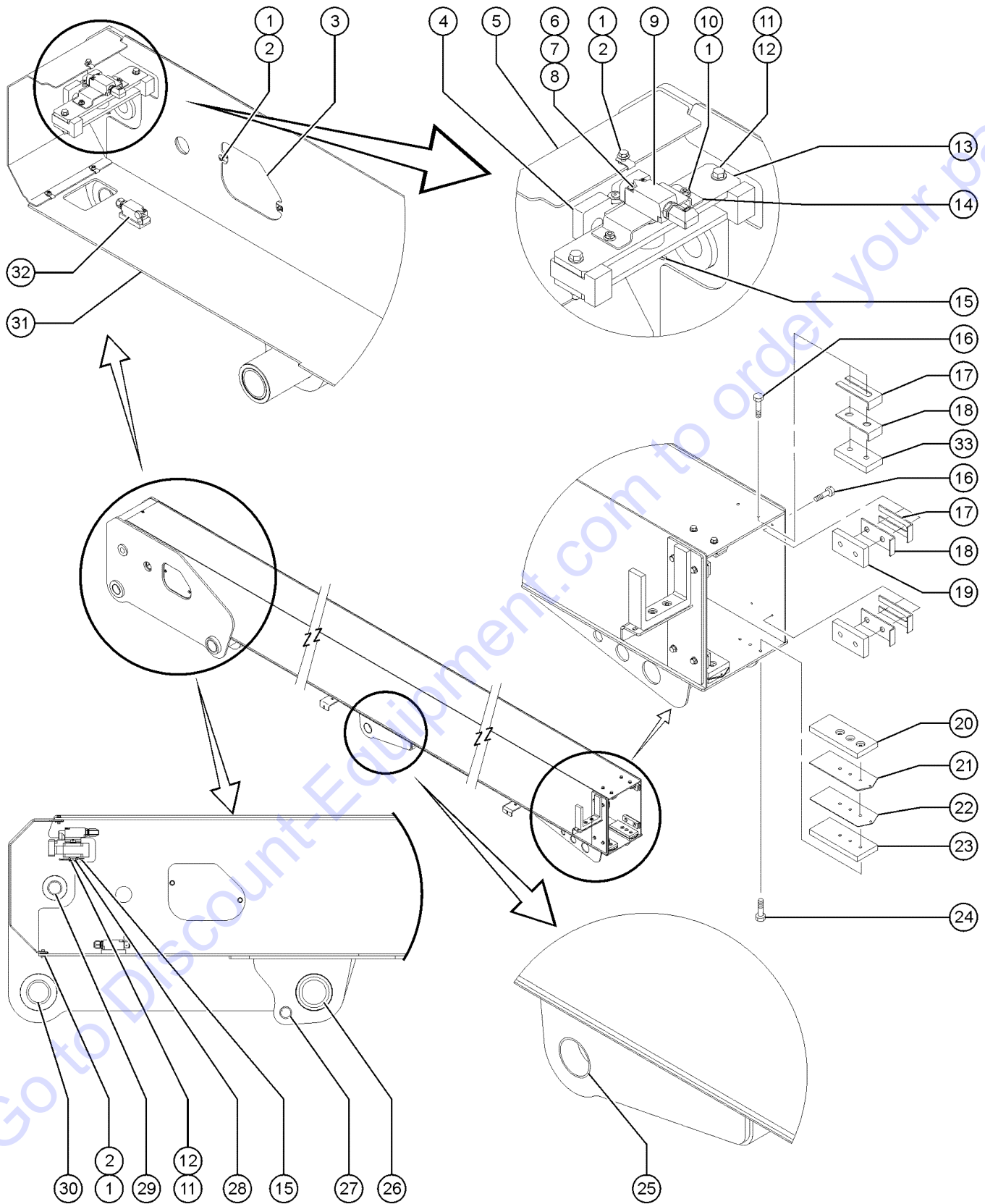
501.1 Cable Track Installation



## 501.1 Cable Track Installation

Item	Part No.	Description	Qty.	Item	Part No.	Description	Qty.
1		Ref. BOOM NUMBER 1 (Refer to 502.1)		27	121064GT	CABLE TRACK,SX,70 LNK.....	1
2		Ref. BOOM NUMBER 2 (Refer to 503.1)		--	122661GT	REPAIR KIT,4 LINK,W/GUIDE.....	1
3		Ref. BOOM NUMBER 3 (Refer to 504.1)		--	122662GT	END BRACKET,MOVING END	
4	42079GT	PIN,COTTER,.156 X 2.5.....	2	--	122663GT	END BRACKET,FIXED END	
5	18596GT	WASHER,FLAT,1.56 X 2.5 X .061.....	2	--	122664GT	ALUMINUM FLAT CROSS BAR	
6	121422GT	NUT,HEX,FLG,3/8-16		--	122665GT	FLAT BAR W/PEM NUTS	
7	81777GT	SCREW,HHC,3/8-16 X 7		--	122666GT	SEPERATOR,PLASTIC	
8	6019GT	SCREW,HHC,3/8-16 X 1.25 GRD 5		28	218448GT	FINGER,GUIDE,CABLE TRACK.....	16
9	5397GT	WASHER,FLAT,USS,5/16",Y		--	122668GT	GUIDE FINGER,PLASTIC	
10	81342GT	WEAR PAD,5.5 X 1.75 X .5.....	1	--	87085GT	RIVET,ALUM,P,.188 X .25	
11	81341GT	WEAR PAD,CABLE TRACK PULL TUBE.....	1	29	121063GT	WELDMENT,LONG,GUIDE TUBE.....	1
12	121872GT	CLAMP,PULL TUBE HOSES,RIGHT.....	1	30	121093GT	CLAMP,CABLE TRACK.....	1
13	121871GT	CLAMP,PULL TUBE HOSES,MID.....	1	--	1257230GT	CLAMP,CABLE TRACK (Arctic High Pressure Hose Kit)	
--	228891GT	CLAMP,PULL TUBE HOSES,RH..... (Arctic High Pressure Hose Kit)	1				
--	T115764GT	CLAMP,PULL TUBE,RIGHT,WK LT (Worklight option)					
14	121870GT	CLAMP,PULL TUBE HOSES,LEFT.....	1				
--	228892GT	CLAMP,PULL TUBE HOSES,LH..... (Arctic High Pressure Hose Kit)	1				
--	T115763GT	CLAMP,PULL TUBE,LEFT,WK LT (Worklight option)					
15	121070GT	SCREW,HHF,1/4-20 X 2.50					
16	81340GT	WEAR PAD ASSEMBLY,CABLE TRACK					
17	6637GT	SCREW,HHC,1/4-20 X 1.75					
--	50160GT	SCREW,HHC,1/4-20 X 3.75 (Welder and Air Line options)					
18	121065GT	FORMING,CLAMP,TOP,CABLE TRACK.....	2				
19	121095GT	CLAMP, OPTIONS, CABLETRACK..... (Welder and Air Line options)	4				
20	121093GT	CLAMP,CABLE TRACK.....	1				
--	121828GT	CLAMP,ARCTIC,CABLE TRACK..... (Arctic hose option); to SN 8296	1				
--	T115765GT	CLAMP,CABLE TRACK, WK LT (Worklight option)					
21	6091GT	NUT,NYLOCK,1/4-20					
22	6638GT	WASHER,FLAT,USS,1/4"Y					
23	121786GT	SCREW,HHC,1/4-20 X 6.0					
24	121422GT	NUT,HEX,FLG,3/8-16					
25	121066GT	SCREW,HHC,FLG,3/8-16 X 1 GR8					
26	121061GT	WELDMENT,CABLE TRACK TRAY Revised at SN 8862 but remains backward compatible					

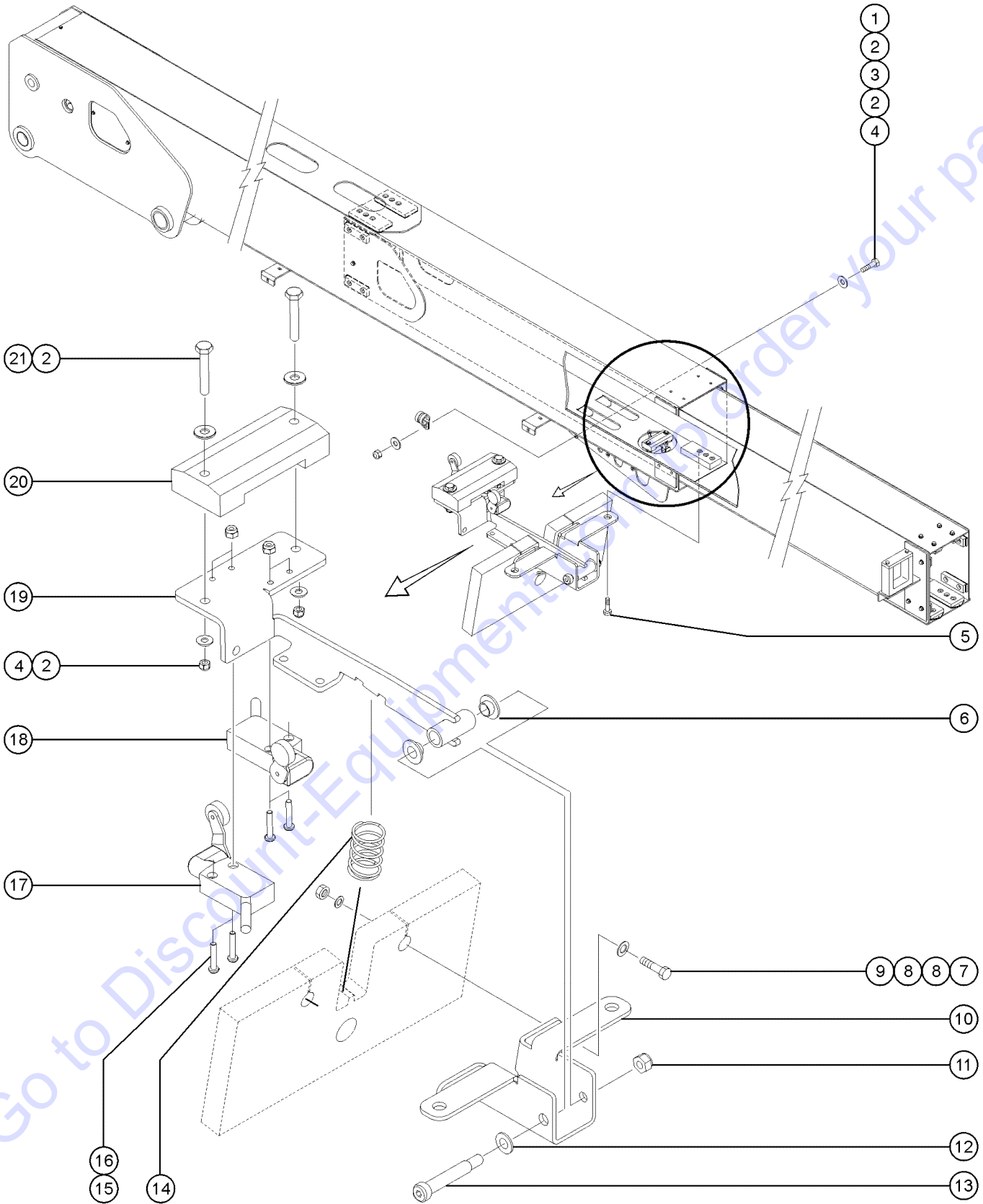
502.1 Extension Boom Tube 1



## 502.1 Extension Boom Tube 1

Item	Part No.	Description	Qty.
1	121419GT	SCREW,HHF,1/4-20 X .75.....	11
2	56912GT	SPRING CLIP,1/4-20,.025-.15X.54,ZAG.....	9
3	121029GT	COVER PLATE,BOOM.....	2
4	121180GT	ASSEMBLY,PIVOT PLATE.....	1
5	1284532GT	FORMING,COVER,PRIM.BOOM,PAINTED.	1
6	51063GT	SCREW,PHILLIPS,RHM,10-32 X 1.5....	4
7	6178GT	NUT,NYLOCK,10-32.....	2
8	6146GT	WASHER,FLAT,MS,#10,Y.....	2
9		Ref. LIMIT SWITCH (Refer to 312.1 and 313.1)	
10	121421GT	NUT,FLG,1/4-20.....	2
11	121078GT	SCREW,FLANGE,HHC,3/8-16X2.5	
12	121422GT	NUT,HEX,FLG,3/8-16.....	2
13	121028GT	PLATE,ROCKER.....	2
14	77653GT	FORMING,LIMIT SWITCH BRACKET.....	1
15	74389GT	RUE RING,1.00.....	1
16	121066GT	SCREW,HHC,FLG,3/8-16 X 1 GR8.....	14
17	29080GT	SHIM,WEAR PAD,5X 1.5 16GA	
18	38620GT	SHIM,WEAR PAD,5 X 1.5,14GA	
19	30138GT	WEAR PAD,5 X 1.5 X .625 W/NUTS.....	6
19	73461GT	WEAR PAD,5 X 1.5 X .875 W/NUTS.....	4
20	88648GT	WEAR PAD,7X3X.625 W/NUTS	
21	60304GT	SHIM,WEAR PAD,7 X 3,12GA	
22	60840GT	SHIM,WEAR PAD,7 X 3,16GA	
23	121164GT	BAR,SPACER.....	2
24	122209GT	SCREW,HHF,3/8-16 X1.50	
25	27697GT	BEARING,2.50IDX2.75ODX1.50L.....	2
26	121754GT	BEARING,3.00IDX3.50DX2.25LG.....	2
27	50560GT	BEARING,1.25IDX1.50ODX1.50L.....	1
28	826379GT	PIN,CLEVIS,1X2.250,ZAG.....	1
29	110876GT	BEARING,1.5"ID X 1.75OD X1.25L.....	2
30	101559GT	BEARING,FL,2.50IDX2.75ODX1.61L.....	2
31A	122389GT	BOOM TUBE #1 ASSY,S80,W/WORD**.....	1
31B	122390GT	BOOM TUBE #1 ASSY,S80,W/SYMB.....	1
31C	227153GT	BOOM TUBE #1 ASSY,S85,W/WORD....	1
31D	227154GT	BOOM TUBE #1 ASSY,S85,W/SYMB.....	1
32		Ref. LIMIT SWITCH (Refer to 312.1 and 313.1)	
33	30138GT	WEAR PAD,5 X 1.5 X .625 W/NUTS.....	2

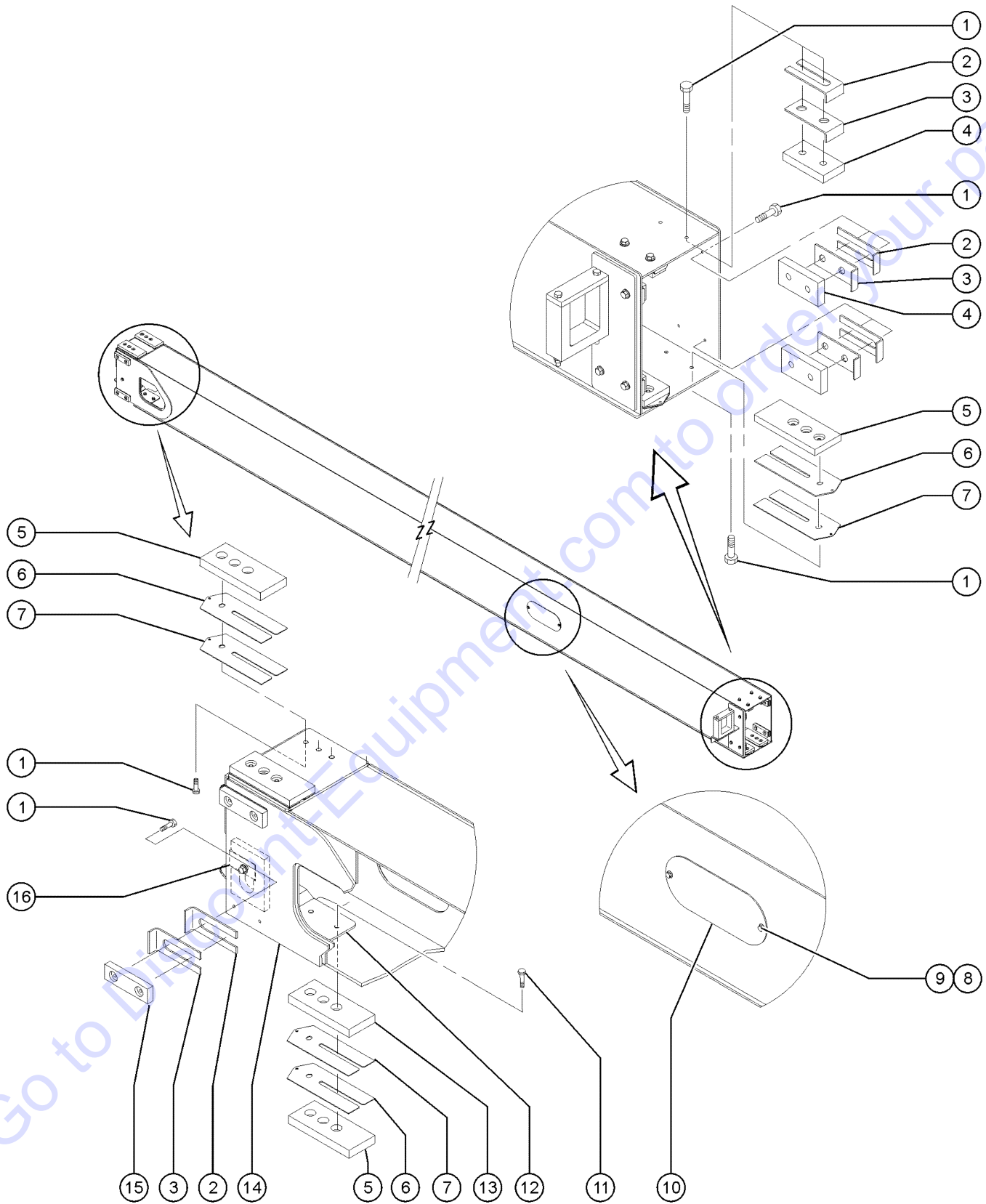
502.2 Extension Boom Tube 1, S-80X (from SN 8500)



## 502.2 Extension Boom Tube 1, S-80X (from SN 8500)

Item	Part No.	Description	Qty.
1	6888GT	SCREW,HHC,1/4-20 X 1	
2	6638GT	WASHER,FLAT,USS,1/4"Y	
3	6833GT	CLAMP,0.50,#8 X 1/4,RUB CUSH.....3	
4	6091GT	NUT,NYLOCK,1/4-20	
5	824093GT	SCREW,HHF,3/8-16X1.75,8,ZAG	
6	47222GT	WASHER,SHOULDER,NYLON.....2	
7	13918GT	SCREW,HHC,3/8-16 X 1.75,GRD.8.....2	
8	5397GT	WASHER,FLAT,USS,5/16",Y	
9	4828GT	NUT,NYLOCK,3/8-16	
10	147628GT	COVER, LIMIT SWITCH ARM MOUNT...1	
11	6782GT	NUT,NYLOCK,5/16-18	
12	6021GT	WASHER,LOCK,.375	
13	147578GT	SCREW,SHC,3/8 X 1.75 SHOULDER	
14	147662GT	SPRING,.975"OD X 1.50"LG.....1	
15	54380GT	SCREW,PHILLIPS,PHM,8-32 X .875	
16	18605GT	NUT,NYLOCK,8-32	
17	T106478GT	HARN,LS OP PRI.DUAL CAP.....1	
--	<del>1364414B1GT</del>	LIMIT SWITCH,BLUE,MICRO	
18	T106479GT	HARN,LS SAFETY,PRI.DUAL CAP.....1	
--	<del>1364414B1GT</del>	LIMIT SWITCH,BLUE,MICRO	
19	147631GT	WELDMENT, LIMIT SWITCH ARM.....1	
20	147505GT	WEARPAD, LIMIT SWITCH GUIDE.....1	
21	6637GT	SCREW,HHC,1/4-20 X 1.75	

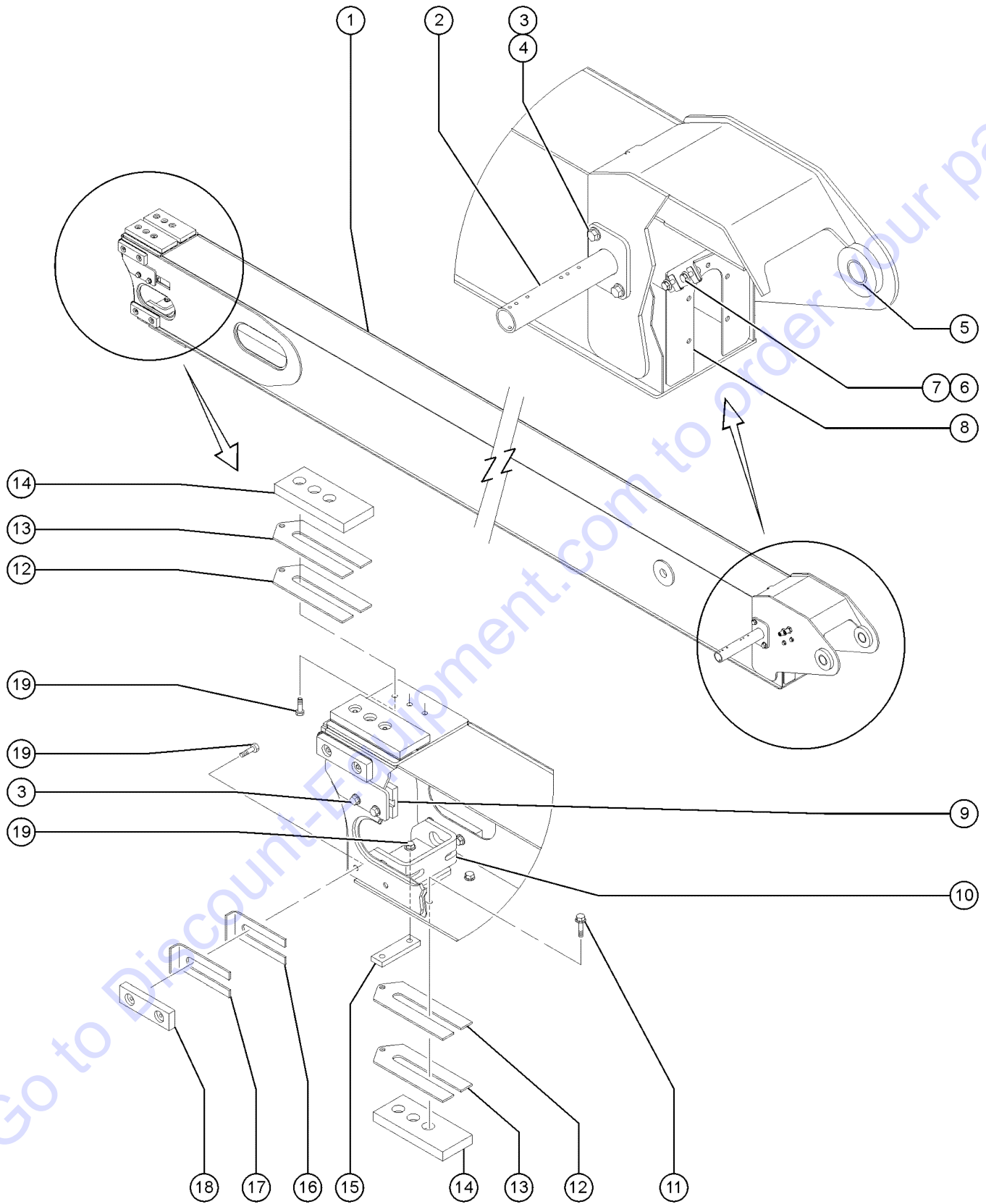
503.1 Extension Boom Tube 2



Item	Part No.	Description	Qty.
1	121066GT	SCREW,HHC,FLG,3/8-16 X 1 GR8.....	30
2	29080GT	SHIM,WEAR PAD,5X 1.5 16GA	
3	38620GT	SHIM,WEAR PAD,5 X 1.5,14GA	
4	73461GT	WEAR PAD,5 X 1.5 X .875 W/NUTS.....	6
5	88648GT	WEAR PAD,7X3X.625 W/NUTS.....	5
6	60304GT	SHIM,WEAR PAD,7 X 3,12GA	
7	60840GT	SHIM,WEAR PAD,7 X 3,16GA	
8	121419GT	SCREW,HHF,1/4-20 X .75	
9	56912GT	SPRING CLIP,1/4-20,.025-.15X.54,ZAG.....	4
10	77884GT	COVER,BOOM SECTION #2.....	2
11	122209GT	SCREW,HHF,3/8-16 X1.50	
12	121045GT	FORMING,LS RAMP.....	1
13	121164GT	BAR,SPACER.....	1
14	147620GT	WELDMENT, BOOM SEC #2, S80 DC....	1
15	30138GT	WEAR PAD,5 X 1.5 X .625 W/NUTS.....	4
16	121658GT	CAP,EXTENSION.....	2



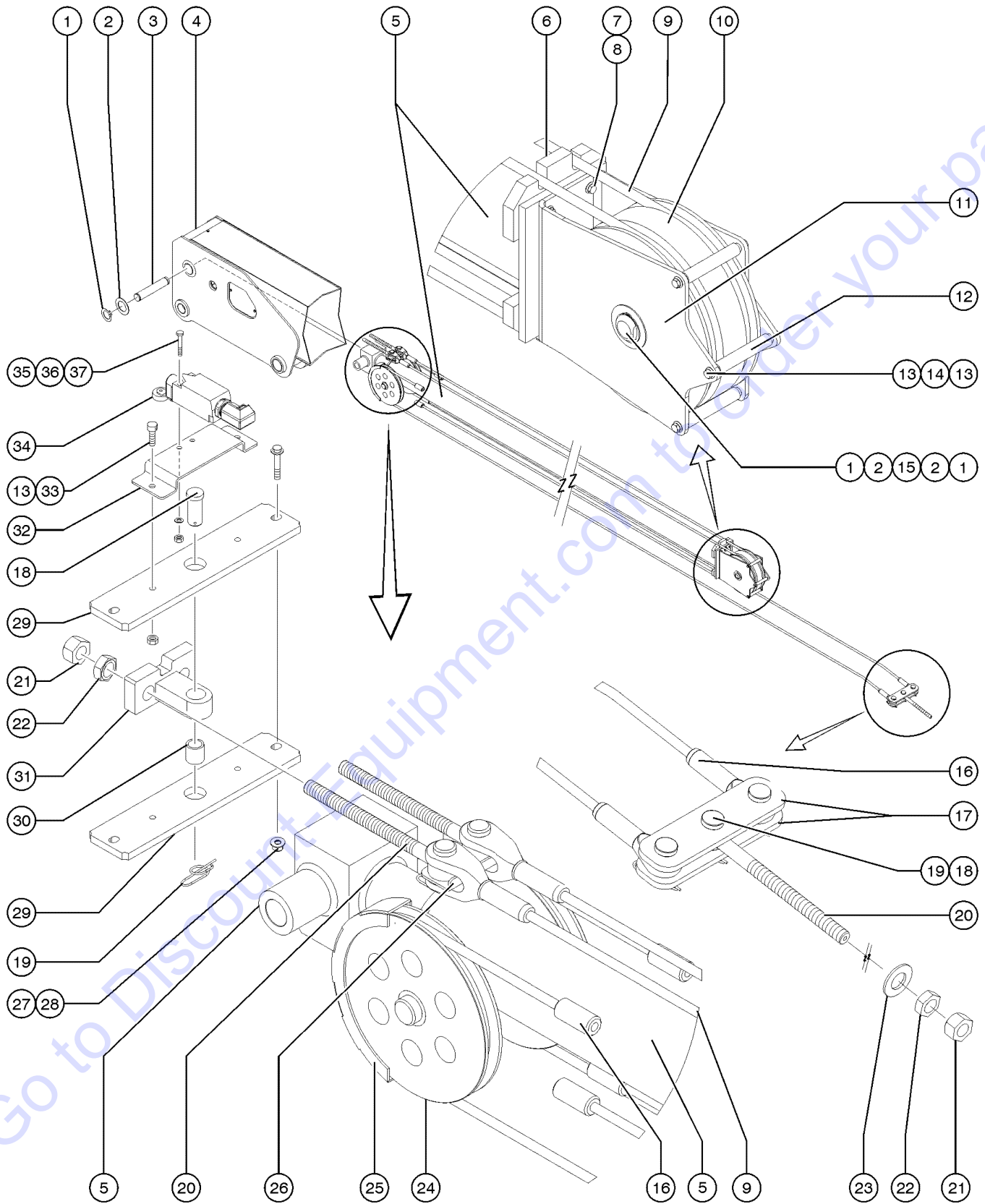
504.1 Extension Boom Tube 3



## 504.1 Extension Boom Tube 3

Item	Part No.	Description	Qty.
1	122393GT	BOOM TUBE 3 WITH WORD DECALS to SN 8360	
--	122394GT	BOOM TUBE 3 WITH SYMBOL DECALS to SN 8360	
--	147542GT	BOOM TUBE 3 W/WORD DECALS from SN 8361	
--	147543GT	BOOM TUBE 3 W/SYMBOL DECALS from SN 8361	
2	81347GT	WELDMNT,TRACK PULL TUBE PIVOT.....1	1
3	123557GT	FLGHCS,3/8-16X1.25,GR8,BLK PH	
4	121422GT	NUT,HEX,FLG,3/8-16	
5	34245GT	BEARING,1.25IDX1.50X1.25L.....2 (Part of boom item 122393 or 122394); to SN 8360	2
--	147544GT	BEARING,1.25IDX1.50ODX2.25L from SN 8361	
6	121420GT	SCREW,HHF,1/4-20 X 1.00	
7	56912GT	SPRING CLIP,1/4-20,.025-.15X.54,ZAG.....2	2
8	1285171GT	FORMNG,DEBRIS CVR #3,PAINTED,BLUE.....1	1
9	121163GT	PLATE,CABLE BLOCK.....2	2
10	121160GT	WELDMNT,EXTENSION BRACKET.....1	1
11	121763GT	SCREW,HHF,3/8-16X.75	
12	60840GT	SHIM,WEAR PAD,7 X 3,16GA.....4	4
13	60304GT	SHIM,WEAR PAD,7 X 3,12GA.....4	4
14	88648GT	WEAR PAD,7X3X.625 W/NUTS.....4	4
15	77713PGT	PLATE,TAP BLOCK.....1	1
16	29080GT	SHIM,WEAR PAD,5X 1.5 16GA.....4	4
17	38620GT	SHIM,WEAR PAD,5 X 1.5,14GA.....4	4
18	30138GT	WEAR PAD,5 X 1.5 X .625 W/NUTS.....4	4
19	121066GT	SCREW,HHC,FLG,3/8-16 X 1 GR8	

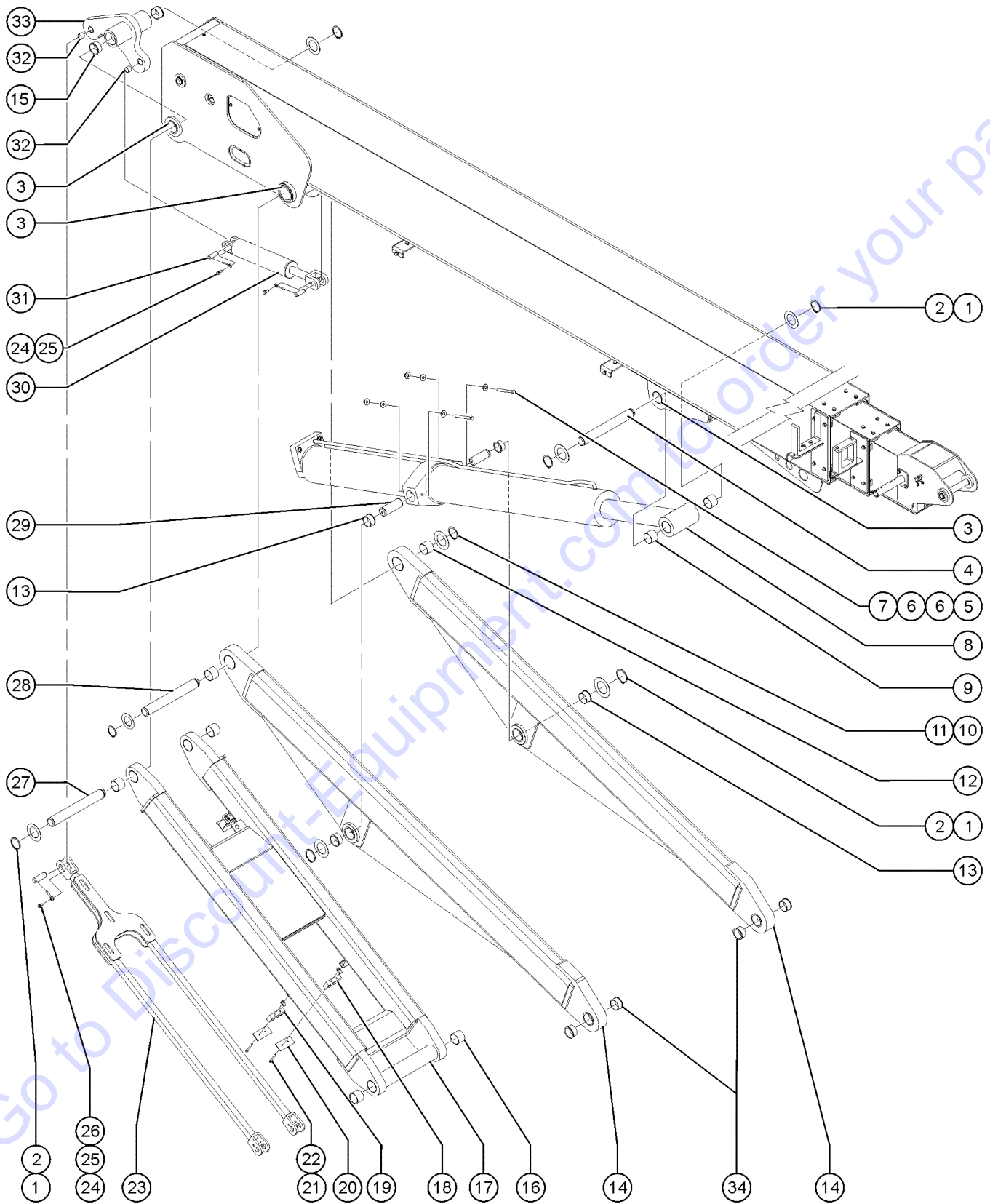
505.1 Cable Assembly and Primary Extension Cylinder



## 505.1 Cable Assembly and Primary Extension Cylinder

Item	Part No.	Description	Qty.	Item	Part No.	Description	Qty.
A	217710GT	KIT,EXT/RET CABLE REPLMNT,S80/85 <i>Replaces all extension and retraction cables (contains all necessary hardware and fasteners) (for easier installation, suggest ordering 94510, below)</i>		26	121189GT	PLATE,ANTIROTATION.....	1
B	94510GT	TOOL,CABLE GRIP, 7/16" <i>For installation of 217710</i>		27	121422GT	NUT,HEX,FLG,3/8-16	
1	825796GT	SNAP RING,EXTERNAL,1.50,ZAG.....	4	28	121078GT	SCREW,FLANGE,HHC,3/8-16X2.5	
2	18596GT	WASHER,FLAT,1.56 X 2.5 X .061.....	4	29	121028GT	PLATE,ROCKER.....	2
3	121034GT	PIN,1.500 X 15.000,2 RINGS.....	1	30	25817GT	BEARING,1.00IDX1.25ODX1.00L..... <i>(Placed inside part 77795)</i>	1
4		Ref. BOOM NUMBER 1 <i>(refer to 502.1)</i>		31	77795GT	MACHINED PIVOT PLATE WELDMENT.....	1
5	121142GT	CYLINDER,PRIMARY EXTENSION***.....	1	32	77653GT	FORMING,LIMIT SWITCH BRACKET.....	1
--	121762GT	VALVE,COUNTERBALANCE,1000 ATM..... <i>Extend valve</i>	1	33	121421GT	NUT,FLG,1/4-20	
--	146058GT	SEAL KIT (121142)		34		Ref. HARNESS,LS,CHAIN BREAK S80/85 <i>(Refer to 312.1 or 313.1)</i>	
--	43018GT	SEAL KIT (39345) <i>Used with valves 77409 and 121762</i>		35	51063GT	SCREW,PHILLIPS,RHM,10-32 X 1.5	
--	77409GT	VALVE,COUNTERBALANCE,1000 ATM..... <i>Retract valve</i>	1	36	6146GT	WASHER,FLAT,MS,#10,Y	
6	121155GT	GUIDE,EXT. CABLES.....	2	37	6178GT	NUT,NYLOCK,10-32	
7	121075GT	SCREW,HHF,3/8-16X2.00.....	4				
8	121422GT	NUT,HEX,FLG,3/8-16.....	4				
9	232843GT	CABLE ASSEMBLY,EXTEND SET..... <i>Contains two cables</i>	1				
10	121147GT	SHEAVE,EXTEND.....	1				
11	121146GT	FORMING,BRACKET,EXTEND SHEAVE.....	1				
12	121670GT	ROLLER,1/2" PVC.....	3				
13	121419GT	SCREW,HHF,1/4-20 X .75.....	8				
14	121671GT	ROLLER,1/2" ALUMINUM.....	3				
15	121156GT	PIN,DIA. 1.50 X 5.875.....	1				
16	232844GT	CABLE ASSEMBLY,RETRACT SET..... <i>Contains two cables</i>	1				
17	121044GT	PLATE,RETRACT CABLE EQUALIZER.....	2				
18	826379GT	PIN,CLEVIS,1X2.250,ZAG.....	4				
19	74389GT	RUE RING,1.00.....	4				
20	77656GT	ROD END,CABLE.....	3				
21	10258GT	NUT,NYLOCK,3/4-10,GRD.2.....	3				
22	6126GT	NUT,HEX,JAM,3/4-10.....	3				
23	33278GT	WASHER,FLAT,.75 HARDENED.....	1				
24	88568GT	SHEAVE,RETRACT CABLE(SMALLER).....	2				
25	121151GT	WELDMENT,RETRACT SHEAVE COVER.....	1				

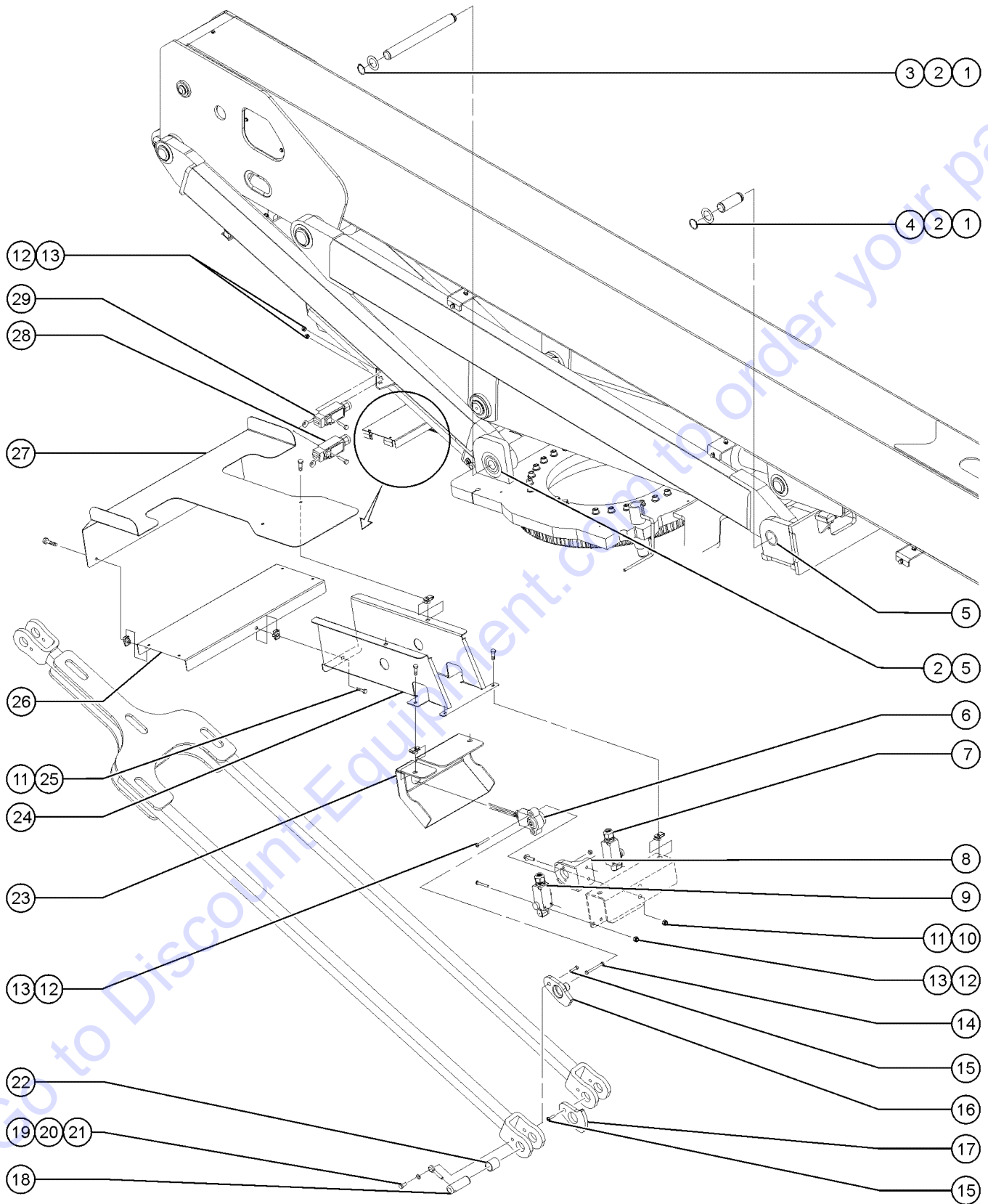
506.1 Boom Link Assembly - View 1



## 506.1 Boom Link Assembly - View 1

Item	Part No.	Description	Qty.	Item	Part No.	Description	Qty.
1	825760GT	SNAP RING,EXTERNAL,2.50,ZAG.....	6	31	119032GT	PIN,1.25DIAX4.38LG,1HOLE.....	2
2	29746GT	WASHER,FLAT,2.5 X 4 X .062.....	4	32	50560GT	BEARING,1.25IDX1.50ODX1.50L.....	2
3		Ref. BEARING (Refer to 502.1)		33	122458GT	ASSEMBLY, TIMING LINK CAM	
4	121031GT	PIN,2.50 X 12.200,2 RINGS.....	1	34	121399GT	BEARING,2.50IDX2.75OBX1.25LG.....	2
5	12461GT	SCREW,HHC,1/2-13 X 5,GRD.8.....	2				
6	6095GT	WASHER,FLAT,USS,1/2",Y.....	4				
7	6198GT	NUT,NYLOCK,1/2-13.....	2				
8	121140GT	CYLINDER,LIFT,S80-85***.....	1				
--	1251820GT	GLAND NUT SEAL ASSY					
--	146059GT	SEAL KIT (121140)					
--	31106GT	VALVE,CNTERBAL,CBBB-LHN@3000**	2				
--	43018GT	SEAL KIT (39345) Used on valve 31106					
9	27698GT	BEARING,2.50IDX2.75ODX2.00L.....	2				
10	825762GT	SNAP RING,EXTERNAL,3.00,ZAG.....	2				
11	121593GT	WASHER,FLAT,4.5 X 3.062 X .05.....	2				
12	121406GT	BEARING,3.00IDX3.25ODX2.50LG.....	2				
13	101559GT	BEARING,FL,2.50IDX2.75ODX1.61L.....	4				
14	122282GT	ASSEMBLY, WELDMENT.....	2				
15	101566GT	BEARING,FL,2.50IDX2.75ODX1.36L.....	8				
16	27698GT	BEARING,2.50IDX2.75ODX2.00L.....	4				
17	122457GT	ASSEMBLY, WELDMENT.....	1				
18	121087GT	CLAMP,HYD,SHORT LINK.....	2				
--	229327GT	CLAMP,SHORT LINK..... (Arctic High Pressure Hose Kit)	2				
19	121085GT	CLAMP,ELEC,SHORT LINK.....	2				
--	229337GT	CLAMP,ELEC.WELD OPT,SHORT LINK (Weld option); from SN 9125					
20	121089GT	CLAMP,TOP,SHORT LINK.....	4				
--	229338GT	CLAMP,TOP WELD OPT,SHORT LINK (Weld option); from SN 9125					
21	36294GT	SCREW,HHC,1/4-20 X 2.75.....	8				
22	56912GT	SPRING CLIP,1/4-20,.025-.15X.54,ZAG.....	8				
23	121646GT	WELDMENT,MASTER LINK..... (ANGLE SENSOR Calibration required after replacement)	1				
24	121066GT	SCREW,HHC,FLG,3/8-16 X 1 GR8					
25	1255452GT	ROD END,.375 X 2.25,ZAG					
26	50742GT	PIN,1.25DIAX3.75LG,1HOLE.....	1				
27	121032GT	PIN,2.500 X 19.750,2 RINGS.....	1				
28	121033GT	PIN, 3.00 X 21.50, 2 RINGS.....	1				
29	121039GT	PIN,2.500X6.900,1 RING,1 HOLE.....	2				
30	121236GT	CYLINDER,MASTER***.....	1				
--	146060GT	SEAL KIT (121236)					

507.1 Boom Link Assembly - View 2

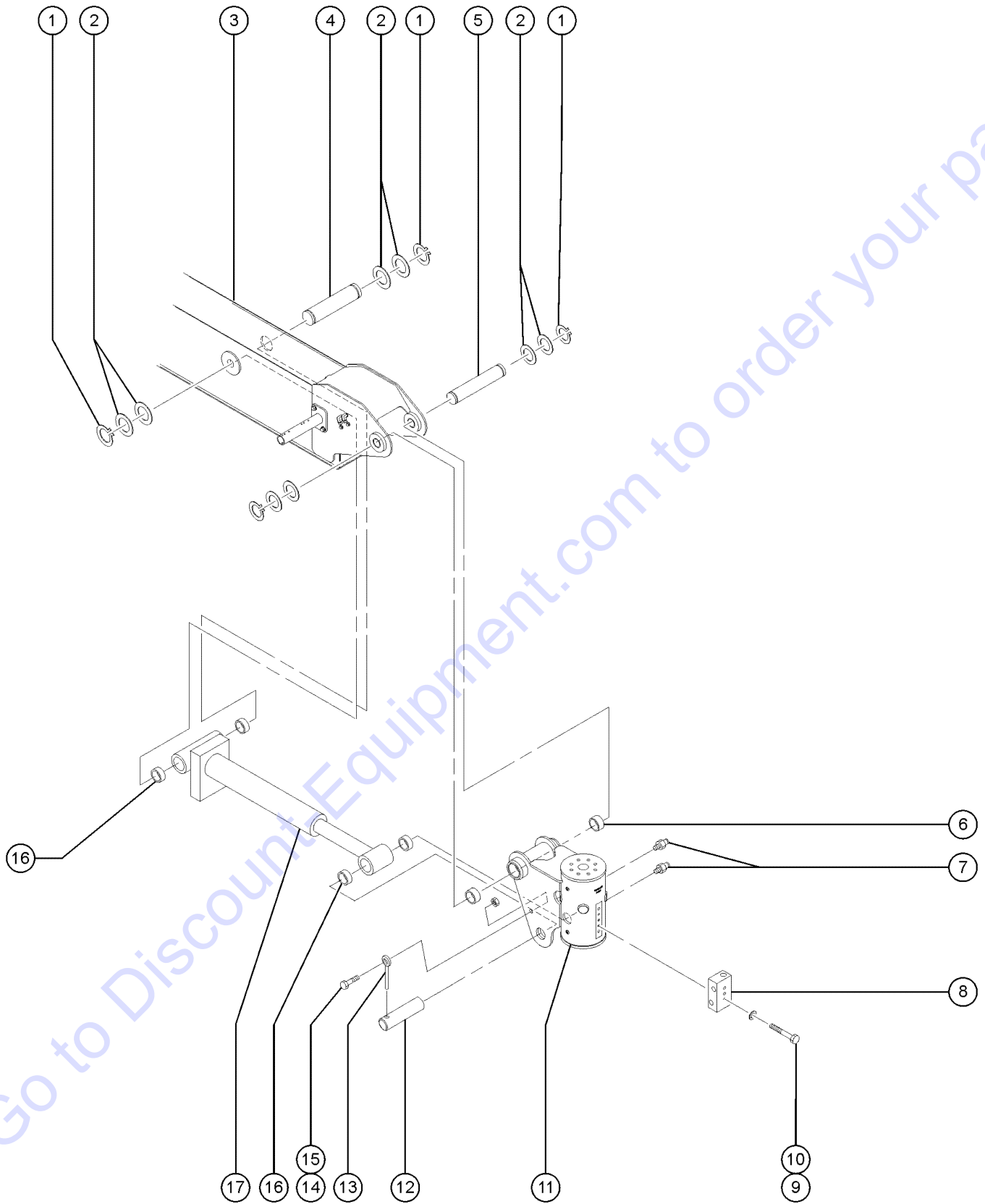


## 507.1 Boom Link Assembly - View 2

Item	Part No.	Description	Qty.	Item	Part No.	Description	Qty.
1	825760GT	SNAP RING,EXTERNAL,2.50,ZAG.....	6	--	110771-11117GT	SWITCH,LIMIT,W/RLLR ARM,NO/NC from SN 8500	
2	29746GT	WASHER,FLAT,2.5 X 4 X .062.....	6				
3	121388GT	PIN,2.50DIAX24.50,2RINGS,TAPER.....	1				
4	121387GT	PIN,2.50DIAX7.00,2 RINGS,TAPER.....	2				
5	121399GT	BEARING,2.50IDX2.75OBX1.25LG.....	4				
6	94980GT	SENSOR,DUAL OUTPUT,ANGLE***..... (Calibration required after replacement)	1				
7	121499GT	HARN,LS,SPD REDUCT S80.85 2008... Limit switch. Speed reduction, (refer to 312.1 or 313.1); to sn 8499	1				
--	110771-121C7GT	LIMIT SW,TAB,BLUE METAL to SN 8499					
8	121391GT	INJECTION,ANGLE SENSOR BRACKET.....	1				
9	121469GT	HARN,LS,BOOM ANGLE S80/85 2008... Limit switch. Speed reduction, (refer to 312.1 or 313.1); to sn 8499	1				
--	110771-141C7GT	LIMIT SW.TAB,BLUE METAL					
10	121421GT	NUT,FLG,1/4-20.....	2				
11	121420GT	SCREW,HHF,1/4-20 X 1.00.....	11				
12	6178GT	NUT,NYLOCK,10-32.....	6				
13	51063GT	SCREW,PHILLIPS,RHM,10-32 X 1.5.....	6				
14	101599GT	KEY,BALL POINT HEX.....	1				
15	75051GT	SCREW,SER FLNG3/8UNCX3/4ZNYEL.....	2				
16	121650GT	INJECTION, 10 DEGREE LIMIT CAM.....	1				
17	121651GT	INJECTION, 65 DEGREE LIMIT CAM..... to SN 8499	1				
18	50742GT	PIN,1.25DIAX3.75LG,1HOLE.....	2				
19	49857GT	SCREW,HHC,3/8-16 X .88,GRD 8.....	2				
20	6021GT	WASHER,LOCK,.375.....	2				
21	1255452GT	ROD END,.375 X 2.25,ZAG.....	2				
22	50560GT	BEARING,1.25IDX1.50ODX1.50L.....	2				
23	121865GT	LIMIT SW COVER.....	1				
24	121822GT	WELDMENT,CABLE GUIDE.....	1				
25	56912GT	SPRING CLIP,1/4-20,.025-.15X.54,ZAG.....	9				
26	121819GT	FORMING,CABLE SUPPORT.....	1				
27	1284188GT	FORMING,CABLE COVER,BLUE,S80/85.....	1				
28	T107193GT	HARN,LS OP PRI VEL LST3O..... (Refer to 312.1 or 313.1); from SN 8500	1				
--	110771-13107GT	SWITCH,LIMIT,W/RLLR ARM,NO/NC from SN 8500					
29	T107194GT	HARN,LS SAFETY PRI VEL LST3S..... S-80X only. When replacing, customer must calibrate Angle Sensor item 6 (94980). (Refer to 312.1); from sn 8500	1				



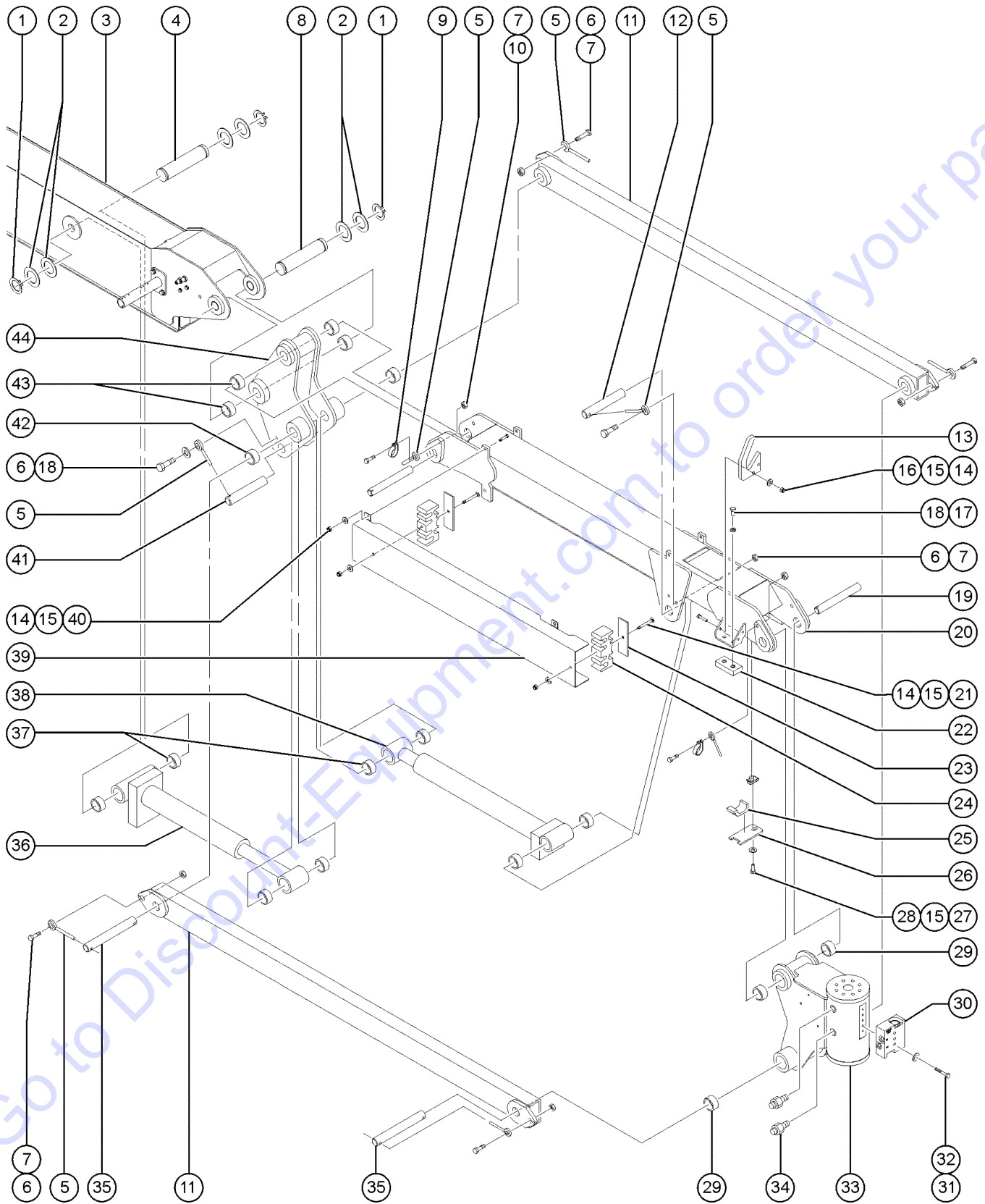
508.1 Platform Rotator, S-80X and S-80



## 508.1 Platform Rotator, S-80X and S-80

Item	Part No.	Description	Qty.
--	61283GT	SLEAVING,PARKER TEK,2.00".....24-inches	
1	824164GT	SNAP RING,EXTERNAL,1.25,ZAG.....4	
2	30255GT	WASHER,SHIM,1.27 X 2.13 X .062	
3		Ref., BOOM TUBE 3 <i>Refer to 504.1</i>	
4	88345GT	PIN,1.25DIA X 8.26LG,2RING.....1	
5	121035GT	PIN,1.250 X 9.25, 2 RINGS.....1 <i>to SN 8360</i>	
--	147485GT	PIN,1.250 X 10.125, 2 RINGS <i>from SN 8361</i>	
6	30370GT	BEARING,1.25IDX1.5ODX1.00L.....2	
7	88516GT	SCREW,BLEEDER,M5X0.8	
8		Ref., ROTATOR MANIFOLD <i>Refer to 704.1</i>	
9	6145GT	SCREW,HHC,1/4-20 X 1.5	
10	6356GT	WASHER,LOCK,.25	
11A	94398GT	ROTATOR,PLAT,NON-JIB.....1 <i>S-80; to SN 8360</i>	
--	122944GT	SEAL KIT,8K ROTATOR*** <i>Use with rotator 94398 and 88576</i>	
11B	88576GT	ROTATOR,NON-JIB <i>S-80; from SN 8361</i>	
--	122944GT	SEAL KIT,8K ROTATOR*** <i>Use with rotator 94398 and 88576</i>	
11C	226541GT	ROTATOR,PLATFORM,15K <i>S-80X; from SN 8500</i>	
--	147370GT	SEAL KIT,15K ROTATOR <i>Use with rotator 107836; to SN 8819</i>	
--	226542GT	SEAL KIT, 15K ROTATOR <i>Use with rotator 226541; from SN 8500</i>	
12	T108075GT	PIN,1.25DIA X 5.25LG,1HOLE.....1	
13	825019GT	ROD END,.375X3.69,ZAG.....2	
14	8516GT	SCREW, HCC, 3/8-16 X 1.50	
15	4828GT	NUT,NYLOCK,3/8-16	
16	25683GT	BEARING,POLYGON,20DU12.....4	
17	121234GT	CYLINDER,LEVEL.....1 <i>(Includes item 16)</i>	
--	237237GT	SEAL KIT (121234)	
--	77303GT	VALVE, CNTRBAL 3500 PSI, ATM VEN	
--	43018GT	SEAL KIT (39345) <i>Use with valve 77303</i>	

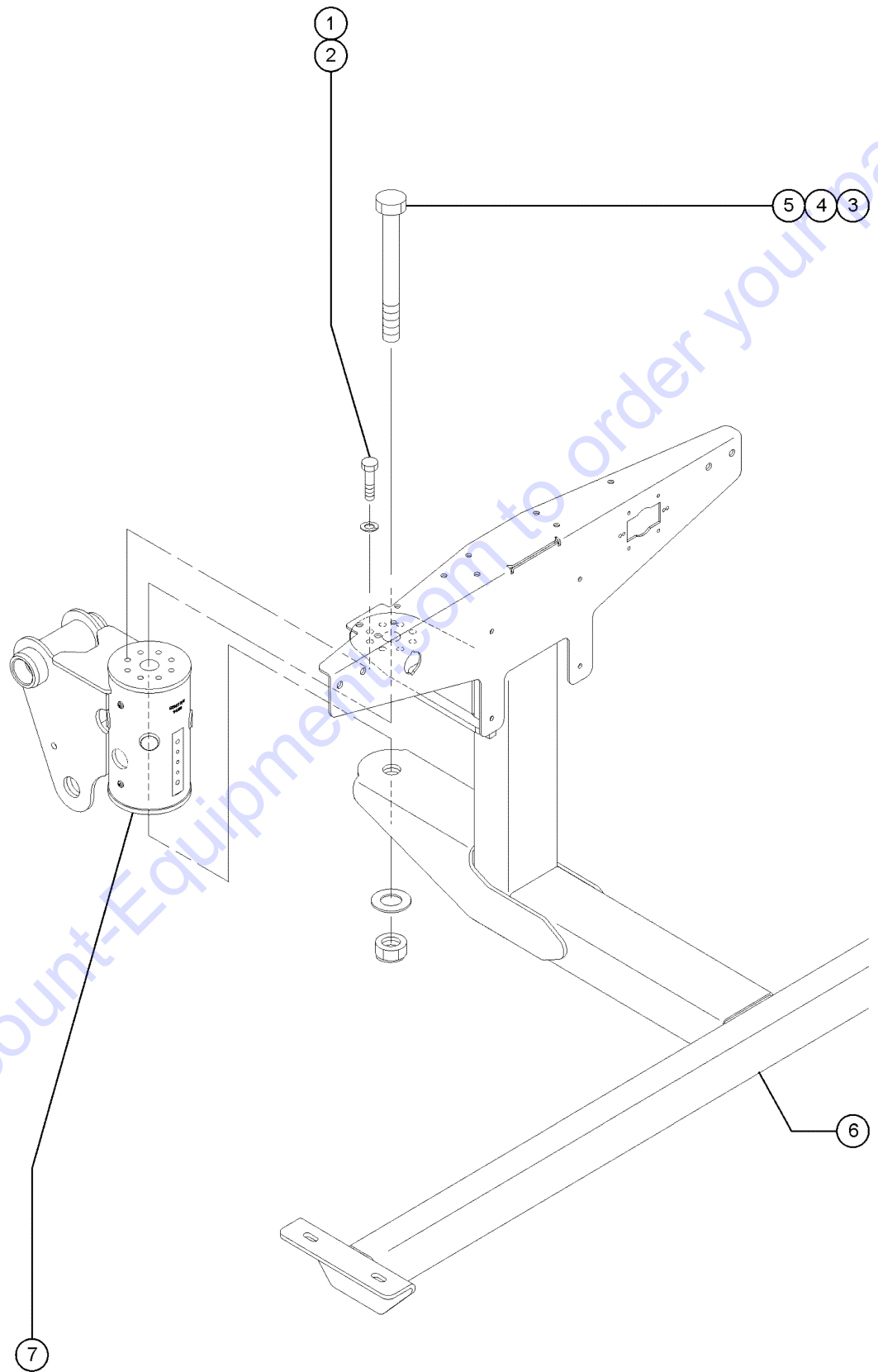
509.1 Jib Boom and Platform Rotator, S-85



## 509.1 Jib Boom and Platform Rotator, S-85

Item	Part No.	Description	Qty.	Item	Part No.	Description	Qty.
--	61283GT	SLEAVING,PARKER TEK,2.00".....24-inches		--	75395GT	BEARING KIT,PLAT ROTATOR,SUPER	
1	824164GT	SNAP RING,EXTERNAL,1.25,ZAG.....4		--	88516GT	SCREW,BLEEDER,M5X0.8	
2	30255GT	WASHER,SHIM,1.27 X 2.13 X .062		34	88516GT	SCREW,BLEEDER,M5X0.8.....2	
3		Ref., BOOM TUBE 3 (Refer to 504.1)		35	81175GT	PIN,1.25DIAX14.45LG,2HOLE	
4	88345GT	PIN,1.25DIAX8.26LG,2RING.....1		36	121234GT	CYLINDER,LEVEL.....1 (Includes item 37)	
5	825019GT	ROD END,.375X3.69,ZAG.....9		--	237237GT	SEAL KIT (121234)	
6	8516GT	SCREW, HCC, 3/8-16 X 1.50		--	43018GT	SEAL KIT (39345) Use with valve 77303	
7	4828GT	NUT,NYLOCK,3/8-16		--	77303GT	VALVE, CNTRBAL 3500 PSI, ATM VEN	
8	121035GT	PIN,1.250 X 9.25, 2 RINGS.....1 to SN 8360		37	25683GT	BEARING,POLYGON,20DU12	
--	147485GT	PIN,1.250 X 10.125, 2 RINGS from SN 8361		38	63213GT	CYLINDER,JIB (STICK BOOMS).....1 (Includes item 37)	
9	77181GT	CLAMP,1.63,#26 X 3/8,RUB CUSH.....2		--	33428GT	VALVE,COUNTERBALANCE	
10	5224GT	SCREW,HHC,3/8-16 X 2		--	43018GT	SEAL KIT (39345)	
11	61306-SGT	COMPR.LINK,MACHINED,GND CONTR*.....2		--	63353GT	SEAL KIT,CYL,S65 (63213)	
12	T108077GT	PIN,1.25DIAX7.00LG,1HOLE.....1		39	128454PGT	COVER, JIB HOSES/CABLES.....1	
13	128482GT	HOSE GUIDE, JIB.....1		40	79456GT	BOLT,CARRIAGE,1/4-20 X 1.00,G2	
14	6091GT	NUT,NYLOCK,1/4-20		41	T108075GT	PIN,1.25DIAX5.25LG,1HOLE.....1	
15	6638GT	WASHER,FLAT,USS,1/4"Y		42	128268GT	BEARING,FL, 1.25X1.5X2.13.....2	
16	8915GT	SCREW,HHC,1/4-20 X 1.25		43	75627GT	BEARING,1.25 X 1.5 X 2.....4 to SN 8360	
17	8255GT	SCREW,HHC,3/8-16 X .75		--	35675GT	BEARING,FL,1.25IDX1.5ODX1.25L from SN 8361	
18	6021GT	WASHER,LOCK,.375		44	89801GT	BELLCRANK ASSY W/BEARINGS.....1 (Includes items 42 and 43); to SN 8360	
19	T108076GT	PIN,1.25DIAX7.88LG,1HOLE.....2		--	101244GT	BELLCRANK W/BEARINGS (Includes items 42 and 43); from SN 8361	
20	128534GT	JIB BOOM ASSY W/WORD DECAL					
21	128724GT	BOLT,CARRIAGE,1/4-20 X 2.75,G2					
22	81640GT	WEAR PAD,3 X 1.5 X.625 W/NUTS.....2					
23	128483GT	BACKING PLATE, HOSE BLOCK, JIB...2					
24	121857GT	CLAMP,JIB HOSE/CABLE.....2					
25	119542GT	CLAMP,TWO HOSE.....1					
26	119536PGT	BRACKET,HOSE CLAMP,PAINTED.....1					
27	6090GT	SCREW,HHC,1/4-20 X .75					
28	56912GT	SPRING CLIP,1/4-20,.025-.15X.54,ZAG.....1					
29	30370GT	BEARING,1.25IDX1.5ODX1.00L.....4 to SN 8256					
--	30222GT	BEARING,FL,1.25IDX1.41ODX1.50L from SN 8257					
30		Ref. MANIFOLD (Refer to 703.1)					
31	6145GT	SCREW,HHC,1/4-20 X 1.5					
32	6638GT	WASHER,FLAT,USS,1/4"Y					
33	94397GT	ROTATOR,PLAT JIB,160 DEG***.....1					
--	122944GT	SEAL KIT,8K ROTATOR***					

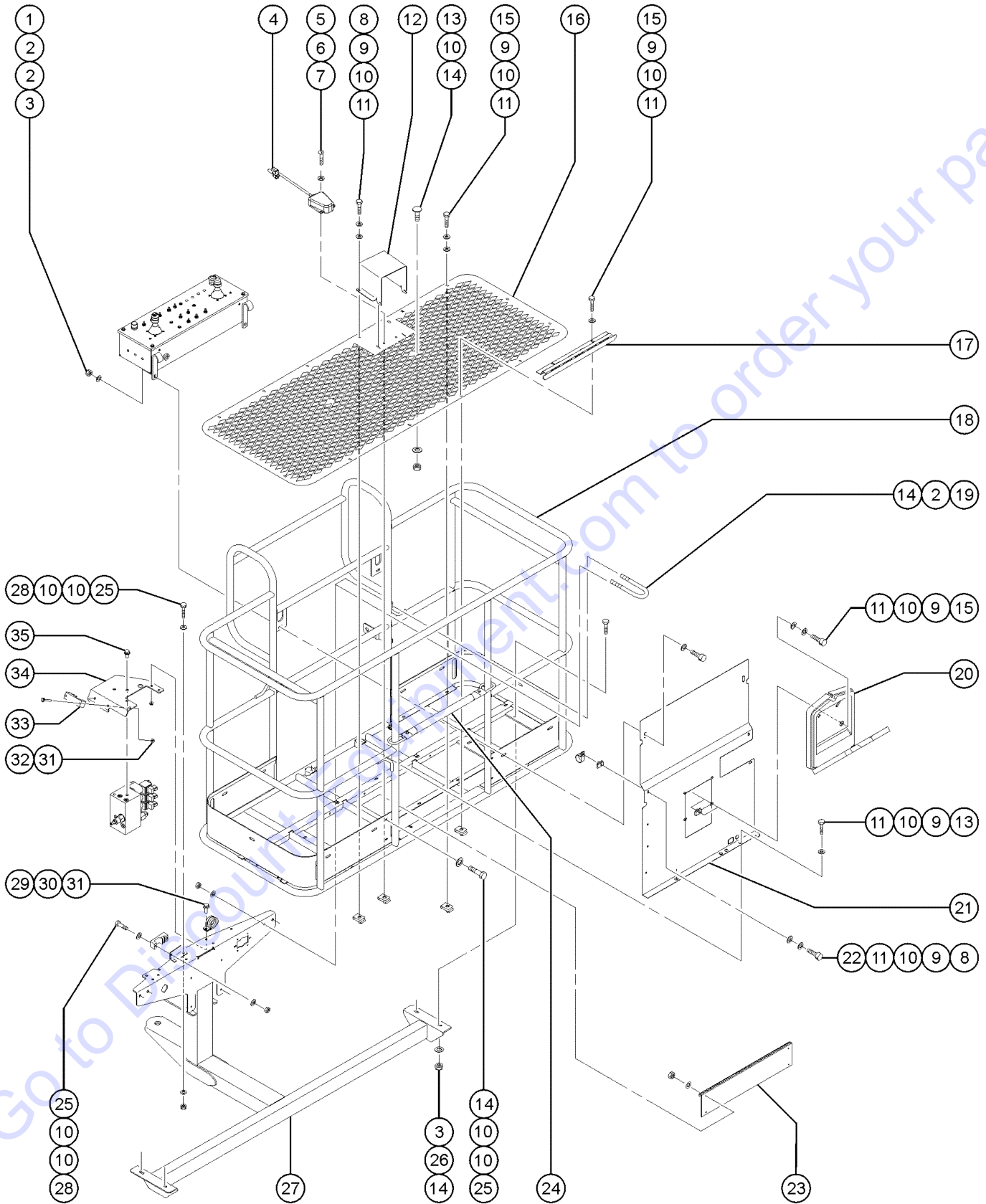
510.1 Platform Installation



Go to Discount-Equipment.com to order your parts

Item	Part No.	Description	Qty.
1	49857GT	SCREW,HHC,3/8-16 X .88,GRD 8.....8 <i>to SN 12986</i>	
--	111389GT	SCREW,HHC,1/2-13 X 1, GR 8 <i>Only for S-80X ANSI, from SN 8500</i>	
--	826791GT	SCREW,HHC,3/8-16X.875,8,ZAG <i>from SN 12987</i>	
2	57201GT	WASHER,FLAT,313, HARDENED.....8 <i>to SN 12986</i>	
--	13066GT	WASHER,FLAT,5 HARDENED <i>Only for S-80X ANSI, from SN 8500</i>	
--	826793GT	WASHER,FLAT,3/8,SAE,HRD,ZAG <i>from SN 12987</i>	
3	73928GT	SCREW,HHC,1-8 X 11,GRD 5***.....1 <i>to SN 12986</i>	
--	824075GT	SCREW,HHC,1-8X12.75,5,ZAG <i>Only for S-80X ANSI, from SN 8500</i>	
--	826792GT	SCREW,HHC,1-8X11,5,ZAG <i>from SN 12987</i>	
4	122079GT	WASHER,FLAT,1.000,HARDENED.....1 <i>to SN 12986</i>	
--	824116GT	WASHER, FLAT, F436, 1.0, ZAG <i>from SN 12987</i>	
5	29764GT	NUT,NYLOCK,1-8 <i>to SN 12986</i>	
--	826794GT	NUT,TL,1-8,C,ZAG <i>from SN 12987</i>	
6		Ref. PLATFORM MOUNT <i>(Refer to 601.1)</i>	
7		Ref. PLATFORM ROTATOR <i>(Refer to 508.1 or 509.1)</i>	

601.1 Platform Installation (to SN 13581)



601.1 Platform Installation (to SN 13581)

Item	Part No.	Description	Qty.	Item	Part No.	Description	Qty.
--	122800GT	PLATFORM ASSEMBLY,4FT USA/CAN <i>(Word decals) USA and Canadian models</i>		10	6638GT	WASHER,FLAT,USS,1/4"Y	
--	122801GT	PLATFORM ASSEMBLY,5FT USA/CAN <i>(Word decals) USA and Canadian models</i>		11	56912GT	SPRING CLIP,1/4-20,.025-.15X.54,ZAG	
--	122802GT	PLATFORM ASSEMBLY,6FT USA/CAN <i>(Word decals) USA and Canadian models</i>		12	73931GT	GUARD,FOOTSWITCH,W/DECAL ALUM.....1 <i>USA/Canada/Australia; from SN 8000 to 8310</i>	
--	122803GT	PLATFORM ASSEMBLY,8FT USA/CAN <i>(Word decals) USA and Canadian models</i>		--	147221GT	GUARD,FOOTSWITCH,W/DECAL ALUM <i>USA/Canada/Australia; from SN 8311</i>	
--	122804GT	PLAT ASSEMBLY,4FT, AUSTRALIA <i>(Word decals) Australian models</i>		--	63766GT	COVER,FOOT SWITCH <i>Europe/Asia/South America; from SN 8000 to 8310</i>	
--	122805GT	PLAT ASSEMBLY,5FT, AUSTRALIA <i>(Word decals) Australian models</i>		--	147121GT	COVER, FOOT SWITCH, LARGE <i>Europe/Asia/South America; from SN 8311</i>	
--	122806GT	PLAT ASSEMBLY,6FT, AUSTRALIA <i>(Word decals) Australian models</i>		13	54274GT	SCREW,STEP BOLT,1/4-20 X .75	
--	122807GT	PLAT ASSEMBLY,8FT, AUSTRALIA <i>(Word decals) Australian models</i>		14	4828GT	NUT,NYLOCK,3/8-16	
--	102547GT	PLAT.ASSY,4FT,S80 EUROPEAN <i>(Symbol decals) European models</i>		15	6090GT	SCREW,HHC,1/4-20 X .75	
--	102548GT	PLAT.ASSY,5FT,S80 EUROPEAN <i>(Symbol decals) European models</i>		16	60160PGT	FLOORING,4 FT PLATFORM,PAINTED.....1	
--	102549GT	PLAT.ASSY,6FT,S80 EUROPEAN <i>(Symbol decals) European models</i>		--	54247-SGT	PLAT. FLOOR, 5FT, PAINTED	
--	102550GT	PLAT.ASSY,8FT,S80 EUROPEAN <i>(Symbol decals) European models</i>		--	73477PGT	FLOORING, 6'FT PLATFORM	
--	102551GT	PLAT.ASSY,4FT,S80 ASIA/S.AMERI <i>(Symbol decals) Asia and South American models</i>		--	73478PGT	FLOORING,8 FT PLATFORM**	
--	102552GT	PLAT.ASSY,5FT,S80 ASIA/S.AMERI <i>(Symbol decals) Asia and South American models</i>		17	73610PGT	STEP PLATFORM ENTRY PAINTED***.....1	
--	102553GT	PLAT.ASSY,6FT,S80 ASIA/S.AMERI <i>(Symbol decals) Asia and South American models</i>		18	111250GT	PLAT RAILW/DECALS,4FT,500LB AN.....1 <i>USA and Canadian models</i>	
--	102554GT	PLAT.ASSY,8FT,S80 ASIA/S.AMERI <i>(Symbol decals) Asia and South American models</i>		--	111251GT	PLAT RAILW/DECALS,5FT,500LB AN <i>USA and Canadian models</i>	
1	7713GT	NUT, LP NYLOCK, 3/8-16		--	111252GT	PLAT RAILW/DECALS 6FT 500LB AN <i>USA and Canadian models</i>	
2	5397GT	WASHER,FLAT,USS,5/16",Y		--	111253GT	PLAT RAILW/DECALS 8FT 500 ANSI <i>USA and Canadian models</i>	
3	6019GT	SCREW,HHC,3/8-16 X 1.25 GRD 5		18A	60042-SGT	PLATFORM WELDMENT,4 FT.....1 <i>Australian models</i>	
4	228466GT	KIT, FOOTSWITCH, S40/S80.....1 <i>Pervious foot switch is no longer available. Order kit 228466 for first time replacement (kit includes foot switch 227516); to sn 8891</i>		--	101377GT	PLAT ASSEMBLY,5FT,AUSTRALIA*** <i>Australian models</i>	
--	227516GT	ASSEMBLY,FOOT SWITCH <i>from SN 8892</i>		--	101383GT	PLAT RAIL ASSY,8FT,AUSTRALIA** <i>Australian models</i>	
5	73587GT	SCREW,PHIL,10-24 X .75		--	73900GT	WELDMNT,6 FT PLATFORM <i>Australian models</i>	
6	6607GT	WASHER,LOCK,#10 PLTD		18B	101373GT	PLATFORM ASSEMBLY,4FT,CE/UK.....1 <i>European models</i>	
7	73575GT	SPRING CLIP,10-24,.025-.125X.468,ZAG		--	101376GT	PLATFORM ASSEMBLY,5FT,CE/UK <i>European models</i>	
8	6888GT	SCREW,HHC,1/4-20 X 1		--	101379GT	PLATFORM RAIL ASSY,6FT,CE/UK <i>European models</i>	
9	6356GT	WASHER,LOCK,.25		--	101382GT	PLATFORM RAIL ASSY,8FT,CE/UK <i>European models</i>	
				18C	101375GT	PLAT ASSEMBLY,4FT,ASIA/S AM.....1 <i>Asia and South American models</i>	
				--	101378GT	PLAT ASSEMBLY,5FT,ASIA/S AM <i>Asia and South American models</i>	





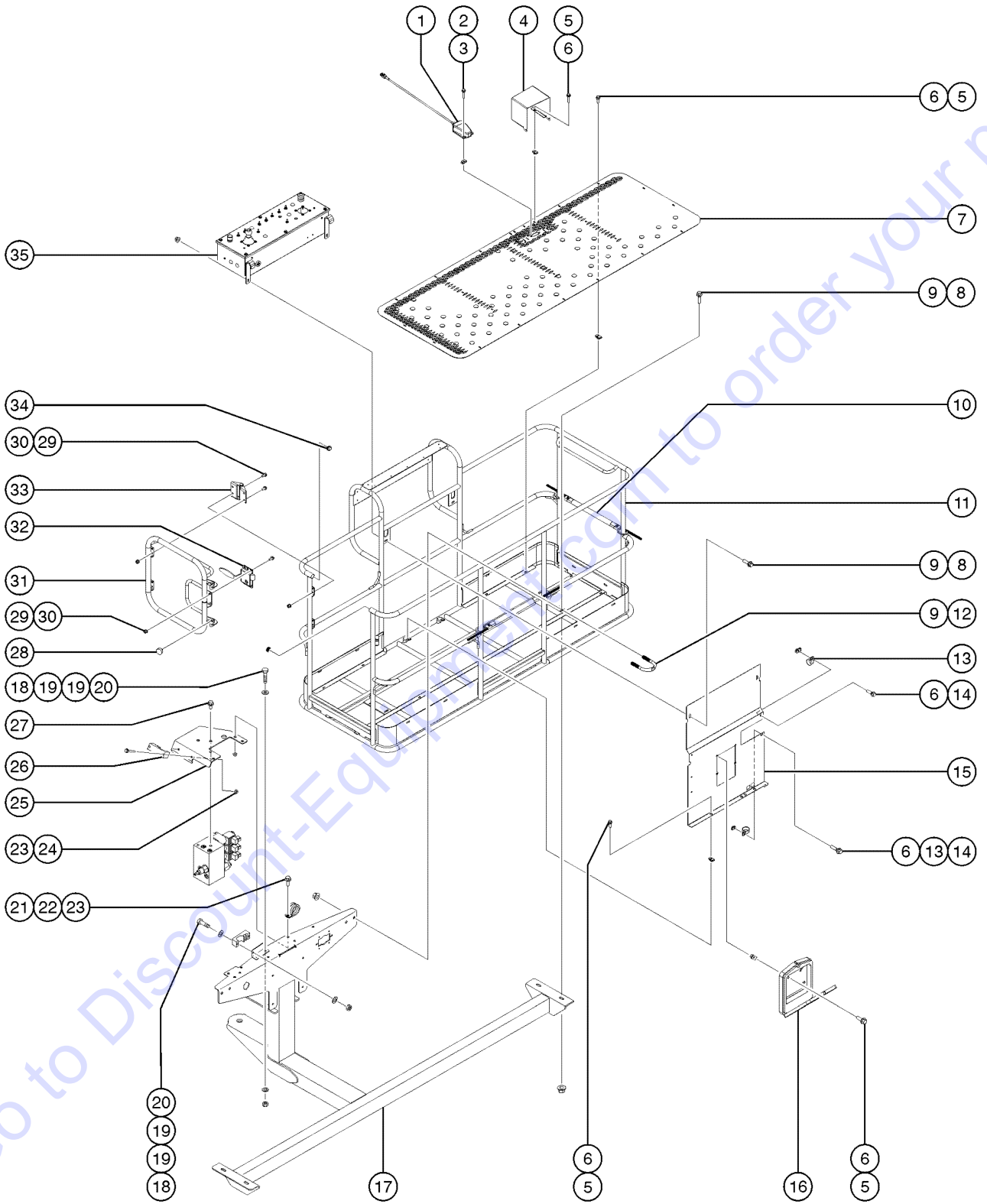
601.1 Platform Installation (to SN 13581)  
(continued)

Item	Part No.	Description	Qty.
--	101381GT	PLAT ASSEMBLY,6FT,ASIA/S AM <i>Asia and South American models</i>	
--	101384GT	PLAT ASSEMBLY,8FT,ASIA/S AM <i>Asia and South American models</i>	
19	6550GT	U-BOLT,3/8 X 1 YZ	
20A	44743GT	MANUAL BOX W/DECALS***.....1 <i>USA/Canada/Australia</i>	
20B	24514GT	BOX,INSTRUCTION STORAGE <i>Europe/Asia/South America (decal required; refer to Section100)</i>	
21	122832GT	DECAL PLATE W/WORD DECALS80/85.....1	
--	102538GT	DECAL PLATE W/SYM DECAL S80Z80	
22	56424GT	CLAMP,1.25X.5 RUBBER-CUSHION	
23	94745PGT	TOEBOARD,ENTRY EUROPEAN PNTD**.....1	
24	102992GT	SLIDING MIDRAIL KIT,PTD.....1	
--	12443GT	MIDRAIL GUIDE ( HOOK )	
--	139451GT	TUBE,SLIDING MIDRAIL,PAINTED	
--	20973GT	WIRE LOOM,3/8 POLY SLIT	
--	21121GT	CABLE TIE,4" BLK,HEAT RESISTNT	
--	6091GT	NUT,NYLOCK,1/4-20	
--	6638GT	WASHER,FLAT,USS,1/4"Y	
--	6888GT	SCREW,HHC,1/4-20 X 1	
--	97815GT	DECAL,LABEL,LOWER MIDRAIL	
25	6091GT	NUT,NYLOCK,1/4-20	
26	6097GT	WASHER,FLAT,USS,3/8",Y	
27A	60370-SGT	PLATFORM SUPPORT WELDMNT-SERV*.....1 <i>ANSI models</i>	
27B	147347GT	WELDMENT, PLAT SUPPORT <i>For S-80X ANSI only, from SN 8500</i>	
27C	102679GT	OPTION,PLAT SUPPORT,4/5FT SRV	
27D		Ref. WELDMENT,PLATFORM SUPPORT,CE <i>CE models (refer to 821.1 )</i>	
28	6145GT	SCREW,HHC,1/4-20 X 1.5	
29	121419GT	SCREW,HHF,1/4-20 X .75	
30	13268GT	CLAMP,0.75,#12 X 1/4,RUB CUSH.....1	
31	121421GT	NUT,FLG,1/4-20	
32	121067GT	SCREW,HHC,FLG,1/4-20 X 2.00	
33	121582GT	CLAMP,CABLE STRAIN RELIEF.....1	
--	T115766GT	CLAMP,STRAIN RELIEF,WK LT <i>(Worklight option)</i>	
34	121766GT	FORMING,PLATFORM MANIFOLD MNT	
35	121763GT	SCREW,HHF,3/8-16X.75	

***This Page Intentionally Left Blank***

Go to Discount-Equipment.com to order your parts

601.2 Platform Installation (from SN 13582)

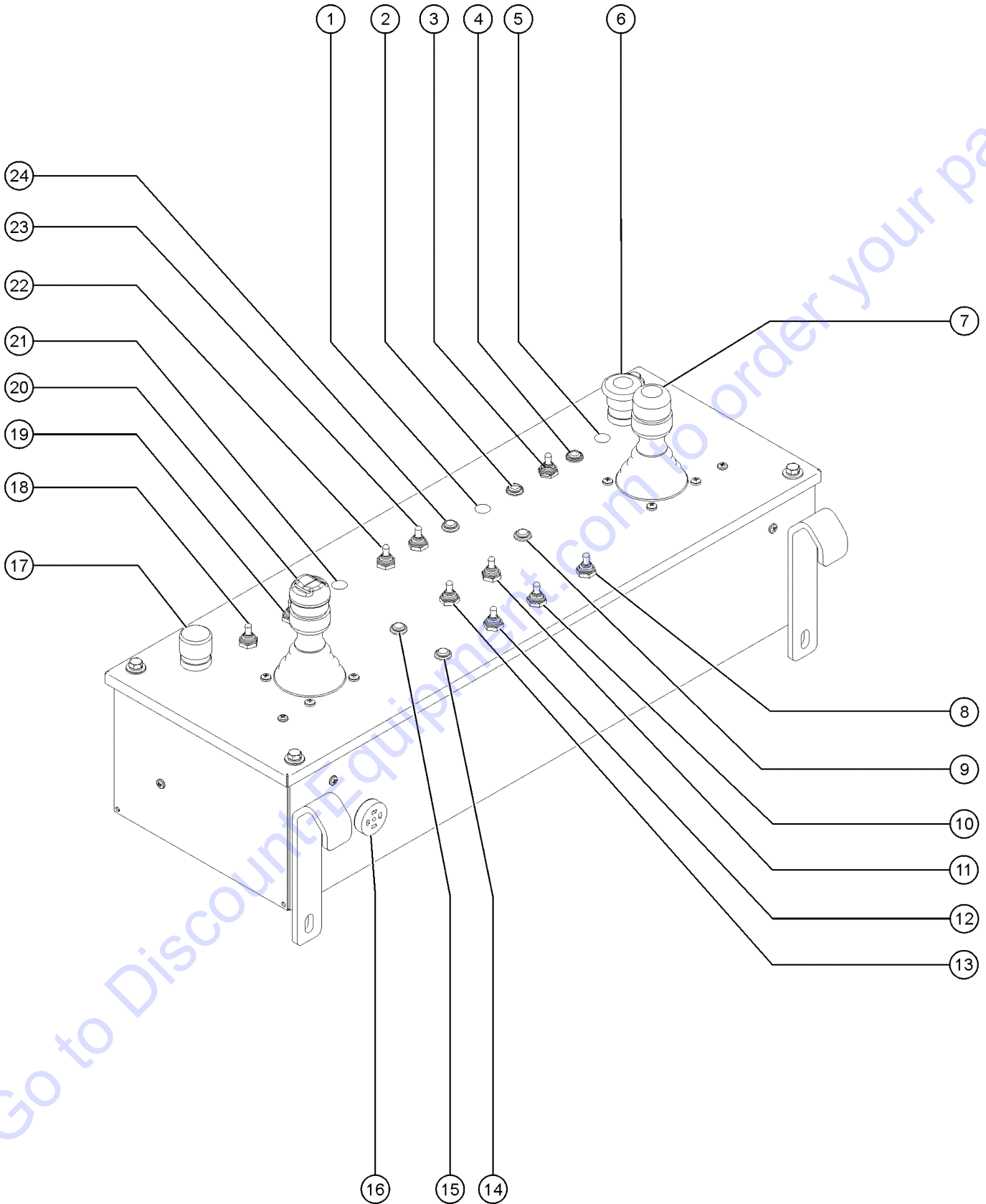


S-80X,S-80,S-85

## 601.2 Platform Installation (from SN 13582)

Item	Part No.	Description	Qty.	Item	Part No.	Description	Qty.
--	1272304GT	ASSY,8FT PLAT TRI LG,BLANK W/SIDE SWING GATE <i>Complete 8' platform assembly</i>		25	121766GT	FORMING,PLATFORM MANIFOLD MNT	
--	1272303GT	ASSY,6FT PLAT DUAL LG,BLANK W/SIDE SWING GATE <i>Complete 6' platform assembly</i>		26	121582GT	CLAMP,CABLE STRAIN RELIEF.....1	
1	227516GT	ASSEMBLY,FOOT SWITCH.....1		--	T115766GT	CLAMP,STRAIN RELIEF,WK LT <i>(Worklight option)</i>	
2	1269641GT	SCREW,HHF-S,10-24X1,5,ZAG.....2		27	121763GT	SCREW,HHF,3/8-16X.75	
3	73575GT	SPRING CLIP,10-24,.025-.125X.468,ZAG.....2		28	43392GT	BUMPER,BATTERY BOX & RAILS.....2	
4	147121GT	COVER, FOOT SWITCH, LARGE.....1		29	824027GT	NUT,TL FLG,1/4-20,G,ZAG.....12	
5	824078GT	SCREW,HHF,1/4-20X.75,8,ZAG.....27		30	1256855GT	SCREW,HHF,1/4-20X.625,8,ZAG.....12	
6	56912GT	SPRING CLIP,1/4-20,.025-.15X.54,ZAG.....30		31	1272307GT	ASSY,SIDE SWING GATE <i>Complete side swing gate assembly (includes items 28 -33)</i>	
7A	73478PGT	FLOORING,8 FT PLATFORM**.....1 <i>for 8' platform</i>		--	1265397GT	WELDMENT, SWING GATE.....1	
7B	1267746GT	FLOORING, 6FT PLAT,SIDE.....1 <i>for 6' platform</i>		32	1267747GT	LATCH, SWING GATE.....1	
8	824091GT	SCREW,HHF,3/8-16X1.25,8,ZAG.....6		33	104804GT	HINGE, SPRING, LONG LEG.....1	
9	824029GT	NUT,TL FLG,3/8-16,G,ZAG.....10		34	55753GT	BUMPER, PLASTIC, 1.25 O.D.....2	
10A	102992GT	SLIDING MIDRAIL KIT,PTD.....2 <i>for 8' platform</i>		35		REF. PLATFORM CONTROL BOX ASSEMBLY <i>(refer to 605.2)</i>	
10B	102992GT	SLIDING MIDRAIL KIT,PTD.....1 <i>for 6' platform</i>					
11A	1274859GT	ASSY,8' PLAT WELDMENT W/SIDE GATE <i>for 8' platform (includes item 10) (order floor separately)</i>					
11B	1274858GT	ASSY,6' PLAT WELDMENT W/SIDE GATE <i>for 6' platform (includes item 10)</i>					
12	1251600GT	U-BOLT, FLATTENED, 1.5 X 3/8 UNC,ZAG.....2					
13	56424GT	CLAMP,1.25X.5 RUBBER-CUSHION....3					
14	824079GT	SCREW,HHF,1/4-20X1,8,ZAG.....3					
15	89377GT	PLATE,DOCUMENT BOX MOUNT.....1					
16	24514GT	BOX,INSTRUCTION STORAGE.....1					
17A		Ref.WELDMENT,PLATFORM SUPPORT,CE <i>CE models (refer to 821.1)</i>					
17B	147347GT	WELDMENT, PLAT SUPPORT <i>For S-80X ANSI only,</i>					
17C	60370-SGT	PLATFORM SUPPORT WELDMNT-SERV* <i>ANSI models</i>					
18	6145GT	SCREW,HHC,1/4-20 X 1.5					
19	6638GT	WASHER,FLAT,USS,1/4"Y					
20	6091GT	NUT,NYLOCK,1/4-20					
21	121419GT	SCREW,HHF,1/4-20 X .75					
22	13268GT	CLAMP,0.75,#12 X 1/4,RUB CUSH.....1					
23	121421GT	NUT,FLG,1/4-20					
24	121067GT	SCREW,HHC,FLG,1/4-20 X 2.00					

602.1 Platform Controls, S-80X and S80 (to SN 12263)

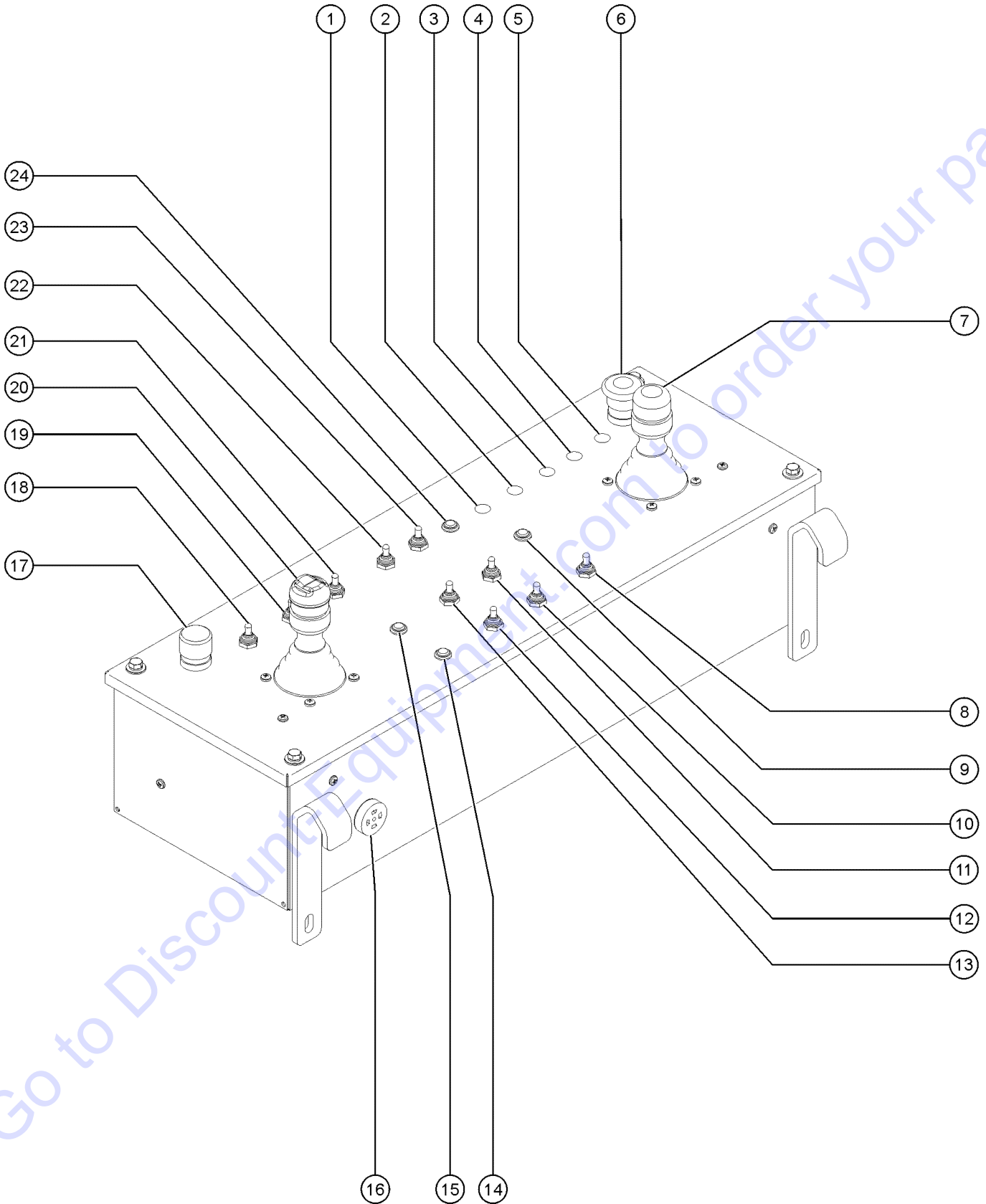


Go to DiscountEquipment.com to order your parts

## 602.1 Platform Controls, S-80X and S80 (to SN 12263)

Item	Part No.	Description	Qty.	Item	Part No.	Description	Qty.
1	229567GT	PLUG,SANTOPRENE .5 BLACK DOME.....1 (Deutz TD 2.9L4)	1	--	824879GT	LIGHT,LED IND. RED 12V NH (Perkins 404F-22T models)	
--	128204GT	SWITCH TOGGLE ASSY SPDT 2P MNT (Generator option)		13	128200GT	SWITCH TOGGLE ASSY SPDT 3P MOM.....1 (ENGINE START)	1
--	824879GT	LIGHT,LED IND. RED 12V NH (Perkins 404F-22T models)		14	824879GT	LIGHT,LED IND. RED 12V NH.....1	1
2A	824880GT	LIGHT,LED IND. AMBER 12V NH.....1 (Upper capacity range) (S-80X)	1	15	824879GT	LIGHT,LED IND. RED 12V NH.....1	1
--	824880GT	LIGHT,LED IND. AMBER 12V NH		16	45383GT	ALARM,WARBLE TONE 5-30 VDC***.....1 Does not include 72326 nut	1
2B	229567GT	PLUG,SANTOPRENE .5 BLACK DOME (S-80, S-85)		--	72326GT	NUT - PLASTIC,RING FOR ALARMS	
3A	128200GT	SWITCH TOGGLE ASSY SPDT 3P MOM.....1 (Capacity range select) (S-80X)	1	17	66813GT	BUTTON,PUSH,BLACK W/SEAL***.....1 (Horn)	1
--	128580GT	SWITCH TOGGLE SPDT 3P MOM SHDR		18	128200GT	SWITCH TOGGLE ASSY SPDT 3P MOM.....1 (Platform level up/down)	1
3B	229567GT	PLUG,SANTOPRENE .5 BLACK DOME.....1 (S-80, S-85)	1	19	128200GT	SWITCH TOGGLE ASSY SPDT 3P MOM.....1 (Platform rotate)	1
4A	824880GT	LIGHT,LED IND. AMBER 12V NH.....1 (Lower capacity range) (S-80X)	1	20		Ref. JOYSTICK.....1 (Refer to 606.1)	1
--	824879GT	LIGHT,LED IND. RED 12V NH		21	229567GT	PLUG,SANTOPRENE .5 BLACK DOME.....1	1
4B	229567GT	PLUG,SANTOPRENE .5 BLACK DOME.....1 (S-80, S-85)	1	22	128204GT	SWITCH TOGGLE ASSY SPDT 2P MNT.....1 (Drive speed select)	1
5	229567GT	PLUG,SANTOPRENE .5 BLACK DOME.....1	1	23	128201GT	SWITCH TOGGLE ASSY DPDT 2P MOM.....1 (Auxiliary power)	1
6	66812GT	BUTTON,PUSH,RED MUSHROOM HEAD.....1	1	24	824879GT	LIGHT,LED IND. RED 12V NH.....1 (Complete LED light assembly)	1
--	146478GT	BOOT(BELLOWS),E-STOP,BLACK from SN 8500		--	229567GT	PLUG,SANTOPRENE .5 BLACK DOME (Perkins 404F-22T models)	
7		Ref. JOYSTICK.....1 (Refer to 606.1)	1				
8	128200GT	SWITCH TOGGLE ASSY SPDT 3P MOM.....1 (Drive enable)	1				
9	824879GT	LIGHT,LED IND. RED 12V NH.....1	1				
10	128204GT	SWITCH TOGGLE ASSY SPDT 2P MNT.....1 (Engine speed slow/fast)	1				
11	229567GT	PLUG,SANTOPRENE .5 BLACK DOME.....1	1				
--	1254804GT	LT.LAMP IND.AMBER 12V NH (Deutz TD 2.9L4 and Perkins 404F-22T models)					
--	128200GT	SWITCH TOGGLE ASSY SPDT 3P MOM (DIESEL ONLY)					
12	128204GT	SWITCH TOGGLE ASSY SPDT 2P MNT.....1 (GAS/LP ONLY)	1				
--	229567GT	PLUG,SANTOPRENE .5 BLACK DOME (Deutz TD 2.9L4)					

603.1 Platform Controls, S-85 (to SN 12263)



Go to DiscountEquipment.com to order your parts

## 603.1 Platform Controls, S-85 (to SN 12263)

Item	Part No.	Description	Qty.	Item	Part No.	Description	Qty.
1	229567GT	PLUG,SANTOPRENE .5 BLACK DOME.....1 (Deutz TD 2.9L4)	1	16	45383GT	ALARM,WARBLE TONE 5-30 VDC***.....1 Does not include 72326 nut	1
--	128204GT	SWITCH TOGGLE ASSY SPDT 2P MNT (Generator option)		--	72326GT	NUT - PLASTIC,RING FOR ALARMS	
--	824879GT	LIGHT,LED IND. RED 12V NH (Perkins 404F-22T models)		17	66813GT	BUTTON,PUSH,BLACK W/SEAL***.....1 (Horn)	1
2	229567GT	PLUG,SANTOPRENE .5 BLACK DOME.....1	1	18	128200GT	SWITCH TOGGLE ASSY SPDT 3P MOM.....1 (Platform level up/down)	1
3	229567GT	PLUG,SANTOPRENE .5 BLACK DOME.....1	1	19	128200GT	SWITCH TOGGLE ASSY SPDT 3P MOM.....1 (Platform rotate)	1
4	229567GT	PLUG,SANTOPRENE .5 BLACK DOME.....1	1	20		Ref. JOYSTICK.....1 (Refer to 606.1)	1
5	229567GT	PLUG,SANTOPRENE .5 BLACK DOME.....1	1	21	128200GT	SWITCH TOGGLE ASSY SPDT 3P MOM.....1 (Jib boom up/down)	1
6	66812GT	BUTTON,PUSH,RED MUSHROOM HEAD.....1	1	22	128204GT	SWITCH TOGGLE ASSY SPDT 2P MNT.....1 (Drive speed select)	1
--	146478GT	BOOT(BELLOWS),E-STOP,BLACK from SN 8500		23	128201GT	SWITCH TOGGLE ASSY DPDT 2P MOM.....1 (Auxiliary power)	1
--	94506GT	BASE,W/3 NC CONTACTS		24	824879GT	LIGHT,LED IND. RED 12V NH.....1 (Complete LED light assembly)	1
7		Ref. JOYSTICK.....1 (Refer to 606.1)	1	--	229567GT	PLUG,SANTOPRENE .5 BLACK DOME (Perkins 404F-22T models)	
8	128200GT	SWITCH TOGGLE ASSY SPDT 3P MOM.....1 (Drive enable)	1				
9	824879GT	LIGHT,LED IND. RED 12V NH.....1 (Complete LED light assembly)	1				
10	128204GT	SWITCH TOGGLE ASSY SPDT 2P MNT.....1 (Engine speed slow/fast)	1				
11	229567GT	PLUG,SANTOPRENE .5 BLACK DOME.....1	1				
--	1254804GT	LT.LAMP IND.AMBER 12V NH (Deutz TD 2.9L4 and Perkins 404F-22T models)					
--	128200GT	SWITCH TOGGLE ASSY SPDT 3P MOM (Diesel only)					
12	128204GT	SWITCH TOGGLE ASSY SPDT 2P MNT.....1 (GAS/LP ONLY)	1				
--	229567GT	PLUG,SANTOPRENE .5 BLACK DOME (Deutz TD 2.9L4)					
--	824879GT	LIGHT,LED IND. RED 12V NH (Perkins 404F-22T models)					
13	128200GT	SWITCH TOGGLE ASSY SPDT 3P MOM.....1 (Engine start)	1				
14	824879GT	LIGHT,LED IND. RED 12V NH.....1 (Complete LED light assembly)	1				
15	824879GT	LIGHT,LED IND. RED 12V NH.....1 (Complete LED light assembly)	1				
--	824879GT	LIGHT,LED IND. RED 12V NH					



# PARTS FINDER

**Search Website  
by Part Number**



**Search Manual  
Library For Parts  
Manual & Lookup Part  
Numbers – Purchase  
or Request Quote**

**Search Manuals**

Enter your information to help us find the right parts manual for your machine.

\* Brand:

\* Model:

\* Serial:

\* Part Number:

SEARCH

**Can't Find Part or  
Manual? Request Help  
by Manufacturer,  
Model & Description**

**Parts Order Form**

Please fill in the following information to help us find the right part for your machine.

Manufacturer:	<input type="text"/>
Model:	<input type="text"/>
Description:	<input type="text"/>
Part Number:	<input type="text"/>
Quantity:	<input type="text"/>
Notes:	<input type="text"/>

Submit

Discount-Equipment.com is your online resource for quality parts & equipment.

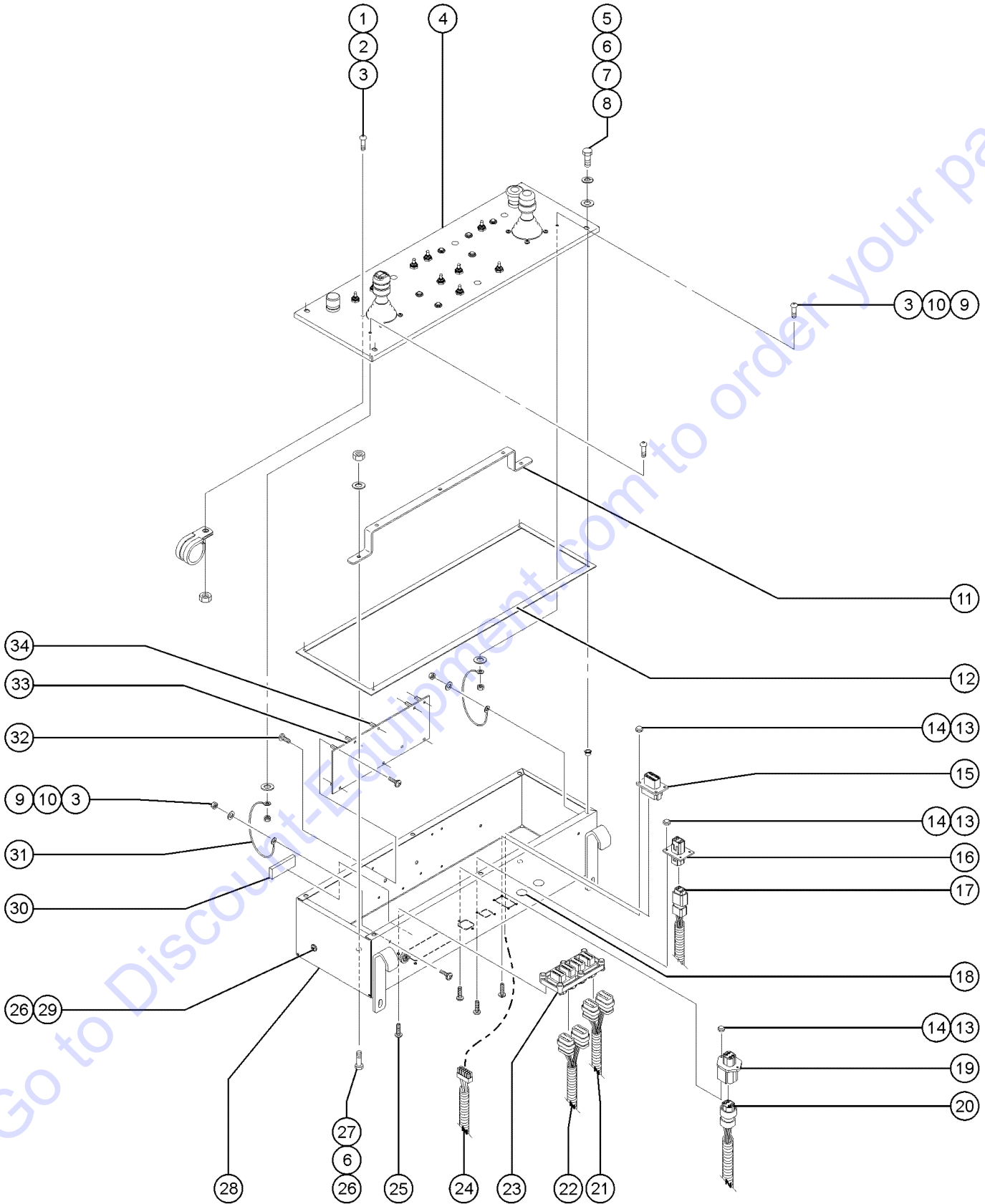
Florida: **561-964-4949** Outside Florida TOLL FREE: **877-690-3101**

**Need parts?**

Click on this link: <http://www.discount-equipment.com/category/5443-parts/> and choose one of the options to help get the right parts and equipment you are looking for. Please have the machine model and serial number available in order to help us get you the correct parts. If you don't find the part on the website or on one of the online manuals, please fill out the request form and one of our experienced staff members will get back to you with a quote for the right part that your machine needs.

We sell worldwide for the brands: Genie, Terex, JLG, MultiQuip, Mikasa, Essick, Whiteman, Mayco, Toro Stone, Diamond Products, Generac Magnum, Airman, Haulotte, Barreto, Power Blanket, Nifty Lift, Atlas Copco, Chicago Pneumatic, Allmand, Miller Curber, Skyjack, Lull, Skytrak, Tsurumi, Husquvarna Target, Stow, Wacker, Sakai, Mi-T-M, Sullair, Basic, Dynapac, MBW, Weber, Bartell, Bennar Newman, Haulotte, Ditch Runner, Menegotti, Morrison, Contec, Buddy, Crown, Edco, Wyco, Bomag, Laymor, EZ Trench, Bil-Jax, F.S. Curtis, Gehl Pavers, Heli, Honda, ICS/PowerGrit, IHI, Partner, Imer, Clipper, MMD, Koshin, Rice, CH&E, General Equipment, Amida, Coleman, NAC, Gradall, Square Shooter, Kent, Stanley, Tamco, Toku, Hatz, Kohler, Robin, Wisconsin, Northrock, Oztec, Toker TK, Rol-Air, APT, Wylie, Ingersoll Rand / Doosan, Innovatech, Con X, Ammann, Mecalac, Makinex, Smith Surface Prep, Small Line, Wanco, Yanmar

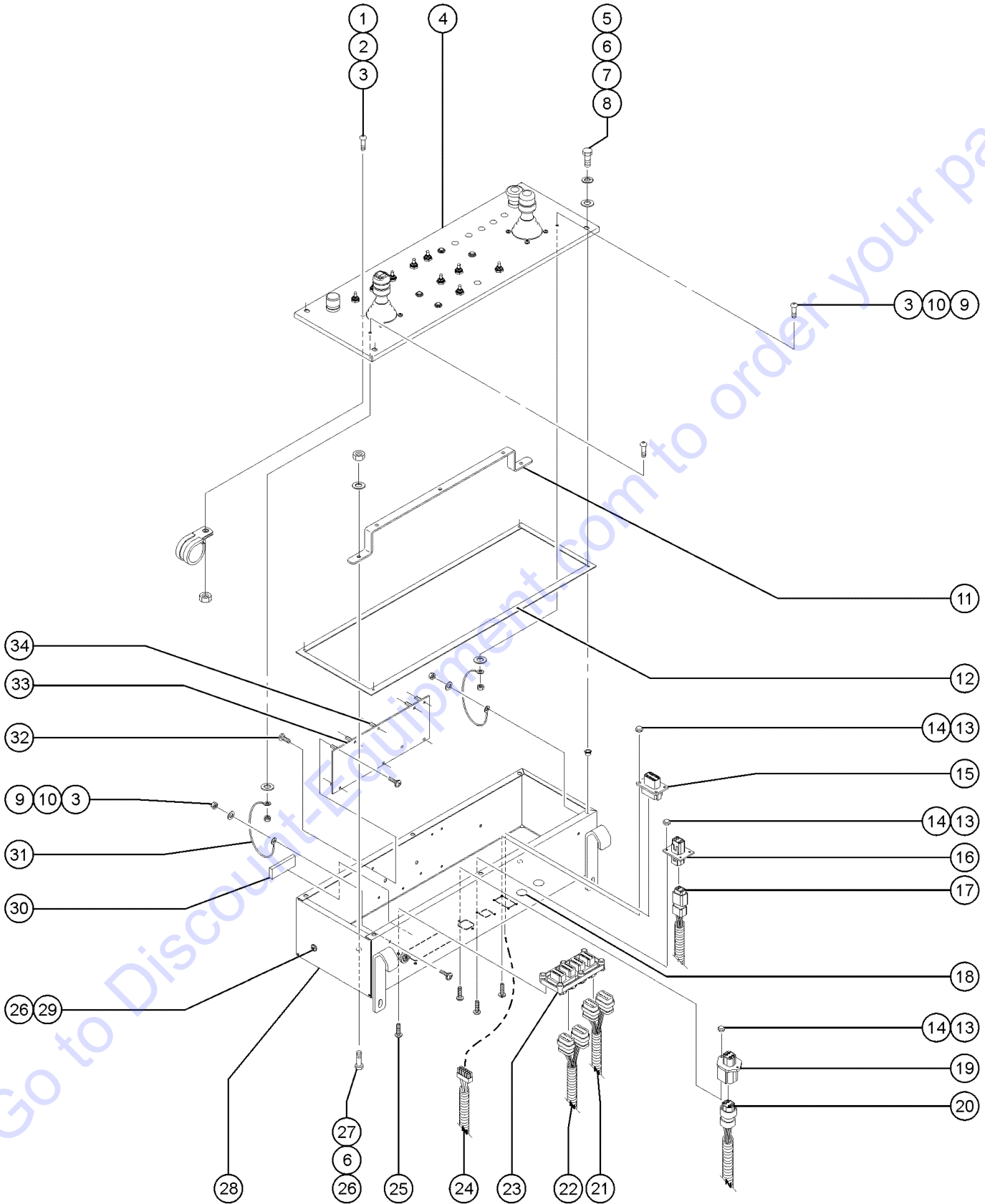
604.1 Platform Control Box, S-80X and S-80 (to SN 12263)



## 604.1 Platform Control Box, S-80X and S-80 (to SN 12263)

Item	Part No.	Description	Qty.	Item	Part No.	Description	Qty.
--	121600GT	ASSY,PBOX,DIESEL,S80/85 2008.....1 <i>"Machine model and serial number required when ordering. Please contact Discount-equipment for assistance"</i>		22		Ref. S80 HARNESS BOOM CABLE 1 <i>(Refer to 312.1)</i>	
--	121606GT	ASSY,PBOX,GAS/LP,S80/85 2008.....1 <i>"Machine model and serial number required when ordering. Please contact Discount-equipment for assistance"</i>		23	73736GT	CONN,RECEP 48 WAY,4 X 12.....1	
--	824583GT	ASSY, PBOX, T4 DEUTZ 2.9L S80.....1 <i>"(Deutz TD 2.9L4 models); Machine model and serial number required when ordering. Please contact Discount-equipment for assistance; from SN 11346"</i>		24		Ref. HARN,PLAT MANIFOLD,S80 <i>(Refer to 312.1)</i>	
--	1251637GT	ASSY, PBOX, PERKINS T4, S80.....1 <i>"(Perkins 404F-22T models); Machine model and serial number required when ordering. Please contact Discount-equipment for assistance; from SN 11649"</i>		25	73803GT	SCREW,SHM,PHP, #12 X .75	
--	111413GT	JOYSTICK CONNECTOR ASSEM,DEUT		26	77048GT	SCREW,PHM,10-32X3/4,ST TYPE F	
--	111420GT	OPTION,ROCKER STEER		27	6178GT	NUT,NYLOCK,10-32.....1	
--		Ref. PLATFORM BOX HARNESS <i>(Refer to 312.1)</i>		28	121720GT	WELDMNT,PLAT CONT BOX,2008	
1	139338GT	SCREW PH M5-0.8X20 DIN 7500CE.....8		29	6178GT	NUT,NYLOCK,10-32	
2	18666GT	CLAMP,1.00,#16 X 1/4,RUB CUSH.....1		30	30997GT	CORROSION INHIBITOR,FOAM.....1	
3	104030GT	NUT HEX M5-0.8 CLASS 8 ZINC		31	77351GT	LANYARD,PLATFORM CONTROL BOX.....2	
4	122395GT	PLAT BOX LID W/WORD DECAL.....1		32	81551GT	SCREW,PHIL,PHM,6-32 X 1/4 SS	
--	122386GT	PLATBOX LID W/SYMBOL DECALS		33A	235322GT	ASSY,PCB,ALC500-2 S80VP V204.....1 <i>"to SN 12263 Machine model and serial number required when ordering. Please contact Discount-equipment for assistance"</i>	
5	6090GT	SCREW,HHC,1/4-20 X .75		33B	1260213GT	ASSY,PCB,ALC500-II,S80.....1 <i>"from SN 12264 for Deutz TD 2.9L4 and perkins 404F-22T models "</i>	
6	6146GT	WASHER,FLAT,MS,#10,Y		34	81550GT	STANDOFF,6-32 X 3/8L X 1/4 HEX.....10	
7	6638GT	WASHER,FLAT,USS,1/4"Y					
8	23404GT	NUTSERT,1/4-20,STEEL CAD PLTD.....4 <i>to SN 8161</i>					
9	49819GT	SCREW,PHILLIPS,PHM,10-32 X .5					
10	6146GT	WASHER,FLAT,MS,#10,Y					
11	119644GT	BRACKET,PBOX WIRE SUPPORT.....1					
12	81488GT	GASKET,PLATFORM CONTROL BOX....1					
13	49820GT	SCREW,PHILLIPS,PHM,6-32 X .5					
14	12344GT	NUT,NYLOCK,6-32					
15	73730GT	CONN,RECEP 12 WAY,GRY FLANGE....1					
16	73723GT	CONN RECEP,FLANGED.....1					
17		"Ref. FOOT SWITCH WIRE HARNESS ASSEMBLY" <i>(Refer to 312.1)</i>					
18	15243GT	PLUG,NYLON .875 BLACK DOMED.....3					
19	73717GT	CONN,RECEP 4 WAY,12-14GA FL***.....1					
20		Ref. HARNESS,12V TO PLAT,S80-2008 <i>(Refer to 312.1)</i>					
21		Ref. HARNESS,18/22 BOOM 2,S80-2008 <i>(Refer to 312.1)</i>					

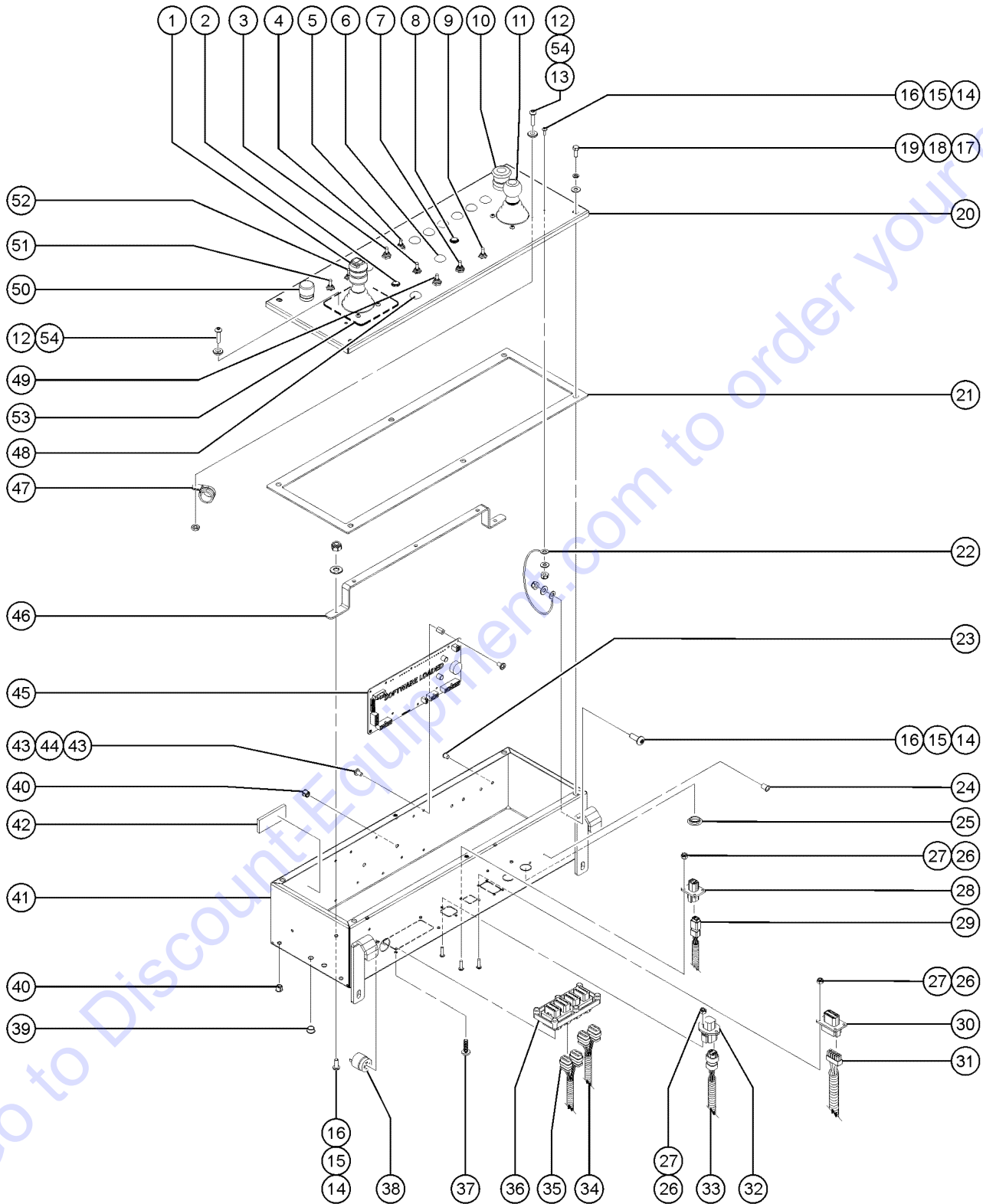
605.1 Platform Control Box, S-85 (to SN 12263)



## 605.1 Platform Control Box, S-85 (to SN 12263)

Item	Part No.	Description	Qty.	Item	Part No.	Description	Qty.
--	121600GT	ASSY,PBOX,DIESEL,S80/85 2008 <i>Machine model and serial number required when ordering. Please contact Discount-equipment for assistance</i>		21		Ref. S85 HARNESS BOOM CABLE 2 <i>(Refer to 313.1)</i>	
--	121606GT	ASSY,PBOX,GAS/LP,S80/85 2008 <i>Machine model and serial number required when ordering. Please contact Discount-equipment for assistance</i>		22		Ref. S85 HARNESS BOOM CABLE 1 <i>(Refer to 313.1)</i>	
--	824583GT	ASSY, PBOX, T4 DEUTZ 2.9L S80 <i>(Deutz TD 2.9L4 models); Machine model and serial number required when ordering. Please contact Discount-equipment for assistance; from SN 11346</i>		23	73736GT	CONN,RECEP 48 WAY,4 X 12.....1	
--	1251637GT	ASSY, PBOX, PERKINS T4, S80 <i>(Perkins 404F-22T models); Machine model and serial number required when ordering. Please contact Discount-equipment for assistance; from SN 11649</i>		24		Ref. HARN,PLAT MANIFOLD,S85 <i>(Refer to 313.1)</i>	
--	111413GT	JOYSTICK CONNECTOR ASSEM,DEUT		25	73803GT	SCREW,SHM,PHP, #12 X .75	
--	111420GT	OPTION,ROCKER STEER		26	77048GT	SCREW,PHM,10-32X3/4,ST TYPE F	
G	1280764GT	HARNESS, PBOX, T3 <i>from SN 8000 to 12263</i>		27	6178GT	NUT,NYLOCK,10-32.....1	
--		Ref. PLATFORM BOX HARNESS <i>(Refer to 313.1)</i>		28	121720GT	WELDMNT,PLAT CONT BOX,2008	
1	139338GT	SCREW PH M5-0.8X20 DIN 7500CE.....8		29	6178GT	NUT,NYLOCK,10-32	
2	18666GT	CLAMP,1.00,#16 X 1/4,RUB CUSH.....1		30	30997GT	CORROSION INHIBITOR,FOAM.....1	
3	104030GT	NUT HEX M5-0.8 CLASS 8 ZINC		31	77351GT	LANYARD,PLATFORM CONTROL BOX.....2	
4	122395GT	PLAT BOX LID W/WORD DECAL.....1		32	81551GT	SCREW,PHIL,PHM,6-32 X 1/4 SS	
--	122386GT	PLATBOX LID W/SYMBOL DECALS		33	235322GT	ASSY,PCB,ALC500-2 S80VP V204.....1 <i>Machine model and serial number required when ordering. Please contact Discount-equipment for assistance</i>	
5	6090GT	SCREW,HHC,1/4-20 X .75		34	81550GT	STANDOFF,6-32 X 3/8L X 1/4 HEX.....10	
6	6146GT	WASHER,FLAT,MS,#10,Y					
7	6638GT	WASHER,FLAT,USS,1/4"Y					
8	23404GT	NUTSERT,1/4-20,STEEL CAD PLTD.....4 <i>to SN 8161</i>					
9	49819GT	SCREW,PHILLIPS,PHM,10-32 X .5					
10	6146GT	WASHER,FLAT,MS,#10,Y					
11	119644GT	BRACKET,PBOX WIRE SUPPORT.....1					
12	81488GT	GASKET,PLATFORM CONTROL BOX....1					
13	49820GT	SCREW,PHILLIPS,PHM,6-32 X .5					
14	12344GT	NUT,NYLOCK,6-32					
15	73730GT	CONN,RECEP 12 WAY,GRY FLANGE....1					
16	73723GT	CONN RECEP,FLANGED.....1					
17		Ref. FOOT SWITCH WIRE HARNESS ASSEMBLY <i>(Refer to 313.1)</i>					
18	15243GT	PLUG,NYLON .875 BLACK DOMED.....3					
19	73717GT	CONN,RECEP 4 WAY,12-14GA FL*** .....1					
20		Ref. S85 POWER TO PLAT DC <i>(Refer to 313.1)</i>					

605.2 Platform Control Box, S-80, S-80X and S-85 (from SN 12264)



## 605.2 Platform Control Box, S-80, S-80X and S-85 (from SN 12264)

Item	Part No.	Description	Qty.	Item	Part No.	Description	Qty.
--	1260214GT	ASSY,PBOX,GAS/LP,S80/85 (Gas) Machine model and serial number required when ordering. Please contact Discount-equipment for assistance		10	66812GT	BUTTON,PUSH,RED MUSHROOM HEAD.....	1
--	1260215GT	ASSY,PBOX,DIESEL,S80/85 (Deutz TD 2011L04i and Perkins 804D-33 models) Machine model and serial number required when ordering. Please contact Discount-equipment for assistance		--	146478GT	BOOT(BELLOWS),E-STOP,BLACK	
--	824583GT	ASSY, PBOX, T4 DEUTZ 2.9L S80 (Deutz TD 2.9L4 models) Machine model and serial number required when ordering. Please contact Discount-equipment for assistance		--	94506GT	BASE,W/3 NC CONTACTS	
--	1251637GT	ASSY, PBOX, PERKINS T4, S80 (Perkins 404F-22T models) Machine model and serial number required when ordering. Please contact Discount-equipment for assistance		11		Ref.JOYSTICK.....	1 (Refer to 606.1 or 607.1)
--	121445GT	ASSY,PBOX JUMPER,GAS/LP (Gas) Machine model and serial number required when ordering. Please contact Discount-equipment for assistance		12	139338GT	SCREW PH M5-0.8X20 DIN 7500CE....	8
--	121444GT	ASSY,PBOX JUMPER,DISEL (Diesel) Machine model and serial number required when ordering. Please contact Discount-equipment for assistance		13	104030GT	NUT HEX M5-0.8 CLASS 8 ZINC.....	3
--	121456GT	HARN,PBOX,JOYSTICK,S80/85 2008		14	54365GT	SCREW,PHIL,PHM,10-32 X .5,SSTL....	7
--	121725GT	HARNESS,PBOX,S80/85 2008		15	6146GT	WASHER,FLAT,MS,#10,Y.....	6
1		Ref. JOYSTICK.....	1 (Refer to 606.1 or 607.1)	16	6178GT	NUT,NYLOCK,10-32.....	7
2	218165GT	LIGHT,INDICATOR,RED 12V H-BRI.....	1	17	6090GT	SCREW,HHC,1/4-20 X .75.....	4
3	128204GT	SWITCH TOGGLE ASSY SPDT 2P MNT.....	1	18	6356GT	WASHER,LOCK,.25.....	4
4	128200GT	SWITCH TOGGLE ASSY SPDT 3P MOM.....	1	19	6638GT	WASHER,FLAT,USS,1/4"Y.....	4
5	128201GT	SWITCH TOGGLE ASSY DPDT 2P MOM.....	1	20	147387GT	FORMING, PLAT. BOX LID.....	1
6A	229567GT	PLUG,SANTOPRENE .5 BLACK DOME.....	1 (gas)	--	T109341GT	PLAT BOX LID W/WRD DEC,S60/65 For S80/85 (contains Lid part 147387GT and Decal 147603GT)	
6B	128200GT	SWITCH TOGGLE ASSY SPDT 3P MOM.....	1 (Deutz TD 2011L04i and Perkins 804D-33 models)	21	81488GT	GASKET,PLATFORM CONTROL BOX....	1
--	1254804GT	LT.LAMP IND.AMBER 12V NH (Deutz TD 2.9L4 and Perkins 404F-22T models)		22	77351GT	LANYARD,PLATFORM CONTROL BOX.....	2
7	128204GT	SWITCH TOGGLE ASSY SPDT 2P MNT.....	1	23	42781GT	PLUG, NYLON .250 BLACK DOMED....	6
8	218165GT	LIGHT,INDICATOR,RED 12V H-BRI.....	1	24	42288GT	PLUG,NYLON .188 BLACK DOMED.....	3
9	128200GT	SWITCH TOGGLE ASSY SPDT 3P MOM.....	1	25	15243GT	PLUG,NYLON .875 BLACK DOMED.....	2
				26	12344GT	NUT,NYLOCK,6-32.....	8
				27	49820GT	SCREW,PHILLIPS,PHM,6-32 X .5.....	8
				28	73723GT	CONN RECEP,FLANGED.....	1
				29A		Ref. FOOT SWITCH WIRE HARNESS ASSEMBLY S-80X and S-80 (refer to 312.1)	
				29B		Ref. FOOT SWITCH WIRE HARNESS ASSEMBLY S-85 (refer to 313.1)	
				30	73730GT	CONN,RECEP 12 WAY,GRY FLANGE....	1
				31A		Ref. HARN,PLAT MANIFOLD,S80 S-80X and S-80 (refer to 312.1)	
				31B		Ref. HARN,PLAT MANIFOLD,S85 S-85 (refer to 313.1)	
				32	73717GT	CONN,RECEP 4 WAY,12-14GA FL***....	1
				33A		Ref. HARNESS,12V TO PLAT,S80-2008 S-80X and S-80 (refer to 312.1)	
				33B		Ref. S85 POWER TO PLAT DC S-85 (refer to 313.1)	
				34A		Ref. HARNESS,18/22 BOOM 2,S80-2008 S-80X and S-80 (refer to 312.1)	
				34B		Ref.S85 HARNESS BOOM CABLE 2 S-85 (refer to 313.1)	
				35A		Ref.S80 HARNESS BOOM CABLE 1 S-80X and S-80 (refer to 312.1)	

605.2 Platform Control Box, S-80, S-80X and S-85 (from SN 12264)  
(continued)

Item	Part No.	Description	Qty.
35B		Ref.S85 HARNESS BOOM CABLE 1 <i>S-85 (refer to 313.1)</i>	
36	73736GT	CONN,RECEP 48 WAY,4 X 12.....1	1
37	73803GT	SCREW,SHM,PHP, #12 X .75.....4	4
38	45383GT	ALARM,WARBLE TONE 5-30 VDC***.....1 <i>Does not include 72326 nut</i>	1
--	72326GT	NUT - PLASTIC,RING FOR ALARMS	
39	21858GT	PLUG,NYLON .38 BLACK DOMED.....2	2
40	30996GT	PLUG,NYLON .313 BLACK DOMED.....4	4
41	121720GT	WELDMENT,PLAT CONT BOX,2008.....1	1
42	30997GT	CORROSION INHIBITOR,FOAM.....1	1
43	81551GT	SCREW,PHIL,PHM,6-32 X 1/4 SS.....20	20
44	81550GT	STANDOFF,6-32 X 3/8L X 1/4 HEX.....10	10
45	1260213GT	ASSY,PCB,ALC500-II,S80.....1	1
46	119644GT	BRACKET,PBOX WIRE SUPPORT.....1	1
47	18666GT	CLAMP,1.00,#16 X 1/4,RUB CUSH.....1	1
48	229567GT	PLUG,SANTOPRENE .5 BLACK DOME.....8	8
49A	128204GT	SWITCH TOGGLE ASSY SPDT 2P MNT.....1 <i>(gas)</i>	1
49B	229567GT	PLUG,SANTOPRENE .5 BLACK DOME.....1 <i>(Deutz TD 2011L04i, Deutz TD 2.9L4 and Perkins 804D-33 models)</i>	1
49C	824879GT	LIGHT,LED IND. RED 12V NH <i>(Perkins 404F-22T models)</i>	
50	66813GT	BUTTON,PUSH,BLACK W/SEAL***.....1	1
--	66815GT	BASE, W/1 N.O. CONTACTS***	
51	128200GT	SWITCH TOGGLE ASSY SPDT 3P MOM.....1	1
52	128200GT	SWITCH TOGGLE ASSY SPDT 3P MOM.....1	1
53		GASKET, ISOLATION, JOYSTICK <i>For replacement please order kit 1269500GT (refer to 606.1)</i>	
--	1269500G	KIT, ISOLATION, 2 JOYSTICK	
54	1269498GT	SHOULDER WASHER, NYLON.....8 <i>(Included in Joystick isolation kit 1269500GT, refer to 606.1)</i>	8

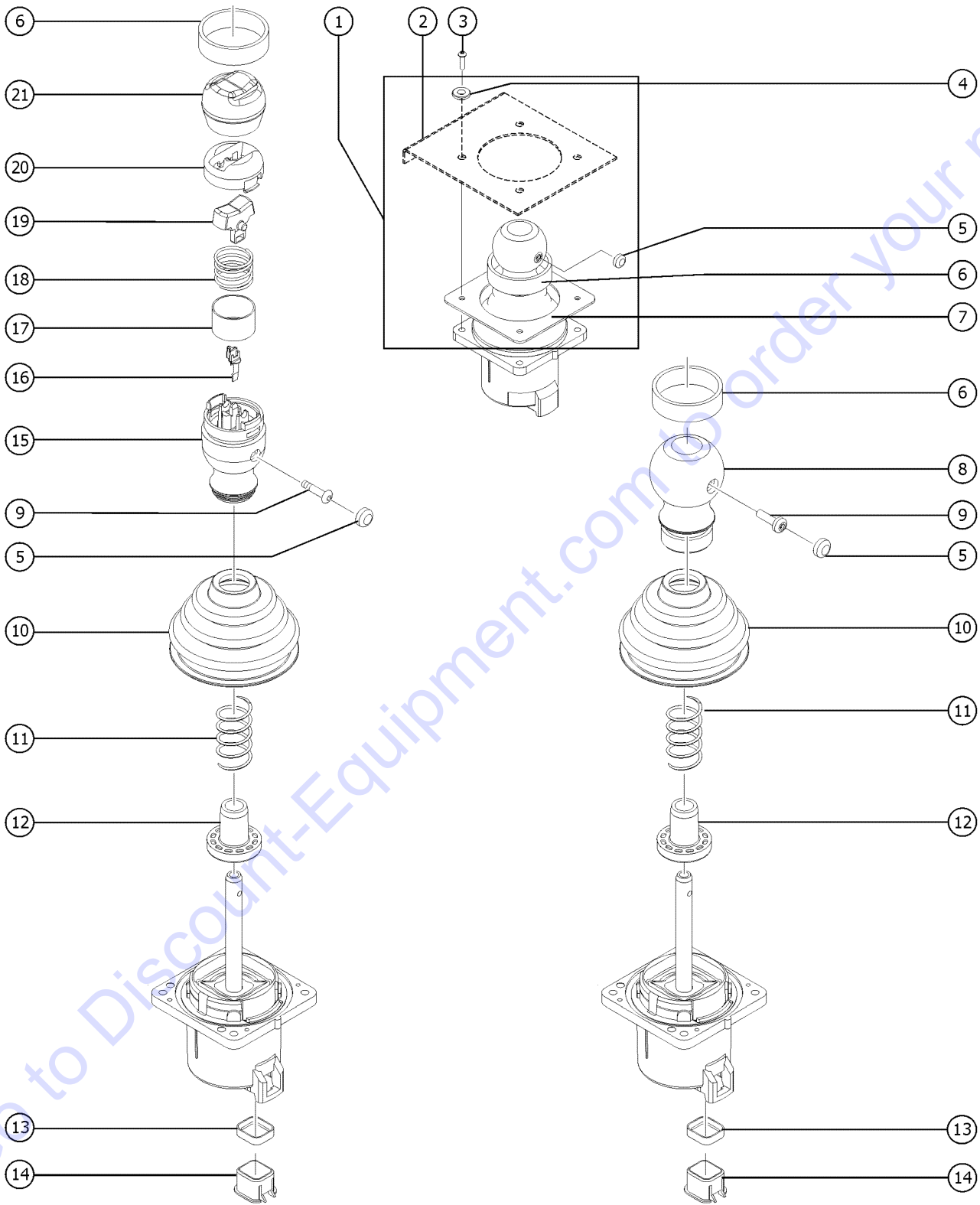


605.2 Platform Control Box, S-80, S-80X and S-85 (from SN 12264)  
(continued)

***This Page Intentionally Left Blank***

Go to Discount-Equipment.com to order your parts

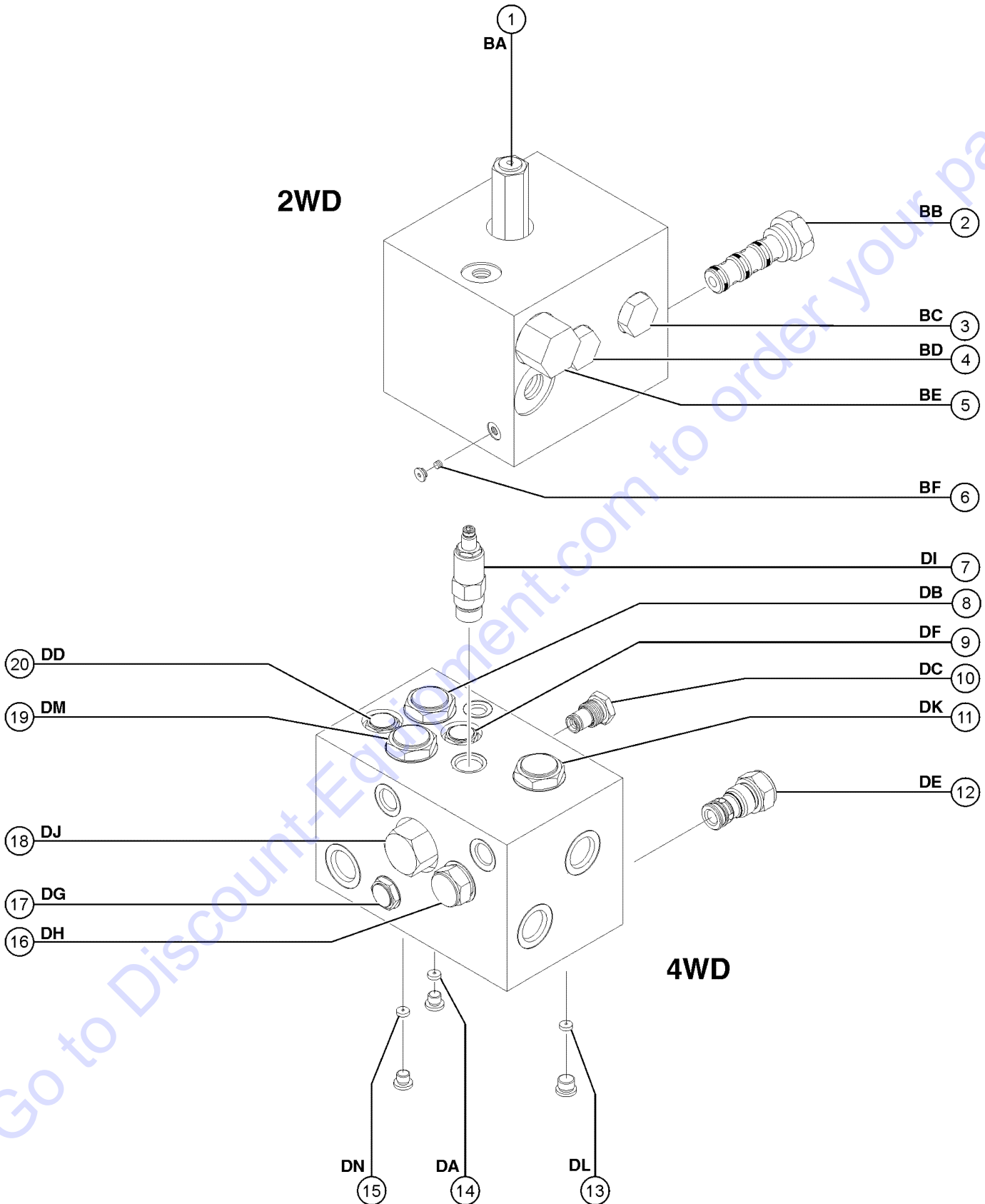
606.1 Joysticks



606.1 Joysticks

Item	Part No.	Description	Qty.	Item	Part No.	Description	Qty.
--		<i>If joystick handle is marked with blue band it is "isolated" and must be replaced with isolated joystick</i>		17	75447GT	SWITCH SHIELD,ROCK JOYSTK75565.....	1
--	101173GT	JOYSTICK,2 AXIS,ROCKER,DEUTSCH <i>(calibration required after replacement), OEM joystick</i>		18	75446GT	SPRING,SWITCH CENTERING,75565...	1
--	101173HGT	JOYSTICK,DUAL AXIS W/STEER <i>(calibration required after replacement), aftermarket joystick</i>		19	75445GT	ROCKER ASSY.,MAGNETIC 75565.....	1
--	101174GT	JOYSTICK,2 AXIS,DEUTSCH <i>(calibration required after replacement), OEM joystick</i>		20	75444GT	ROCKER,RETAINER, 75565.....	1
--	101174HGT	JOYSTICK,DUAL AXIS W/KNOB <i>(calibration required after replacement), aftermarket joystick</i>		21	75443GT	BOOT, ROCKER JOYSTICK 75565.....	1
--	101005GT	JOYSTICK,1 AXIS ROCKER,DEUTSCH <i>(calibration required after replacement), OEM joystick</i>					
--	101005HGT	JOYSTICK,SINGLE AXIS W/STEER <i>(calibration required after replacement), aftermarket joystick</i>					
--	119613GT	HARN JOYSTICK ADAPTOR JS100 <i>6-pin to 7-pin adapter (for 101174, 101175, 101005)</i>					
1	1269500GT	KIT, ISOLATION, 2 JOYSTICK.....	1				
		<i>(Includes items 4 - 7)</i>					
2		Ref. (EXISTING PLATFORM LID) <i>(Refer to 605.2)</i>					
3		Ref. (EXISTING SCREW PH M5-0.8X20) <i>(Refer to 605.2)</i>					
4	1269498GT	SHOULDER WASHER, NYLON.....	8				
		<i>(Included in kit 1269500GT)</i>					
5	1269499GT	PLUG, JOYSTICK HANDLE.....	2				
		<i>(Included in kit 1269500GT)</i>					
6	1271713GT	SHRINK TUBE,BLU,3:1,40MM.....	2				
		<i>(Included in kit 1269500GT)</i>					
7	1269497GT	GASKET, ISOLATION, JOYSTICK.....	2				
		<i>(Included in kit 1269500GT)</i>					
8	62392GT	KNOB,JOYSTICK, 62390/62391.....	1				
9	T112626GT	SCREW, PHM, #6-32 X .625 ZINC.....	1				
10	139598GT	BOOT,JOYSTICK.....	1				
11		SPRING,JOYSTK CENTR,62390/91 <i>no longer available from supplier</i>					
12	119915GT	COLLAR,JOYSTICK,CENTER.....	1				
13	128000GT	SEAL, CONNECTOR (DT JOYSTICKS).....	1				
14	128001GT	SLEEVE,CONNECTOR,DT JOYSTICKS.....	1				
15	75449GT	KNOB,ROCKER JOYSTICK 75565.....	1				
16	75448GT	SUPPORT,SENSOR,JOYSTICK.....	1				

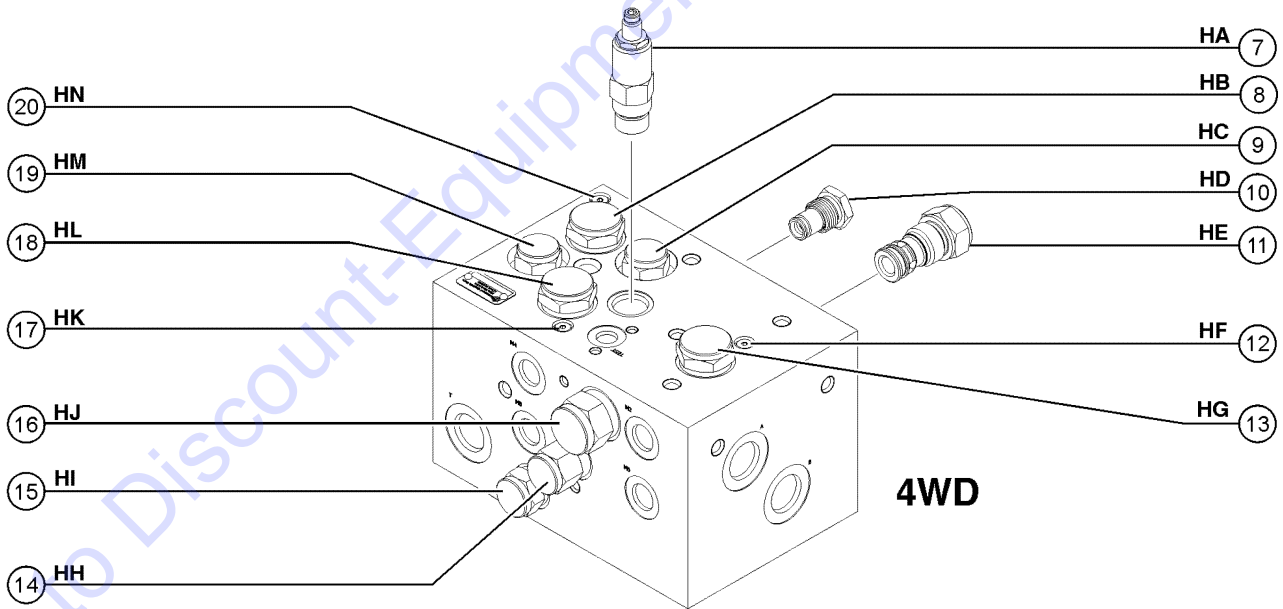
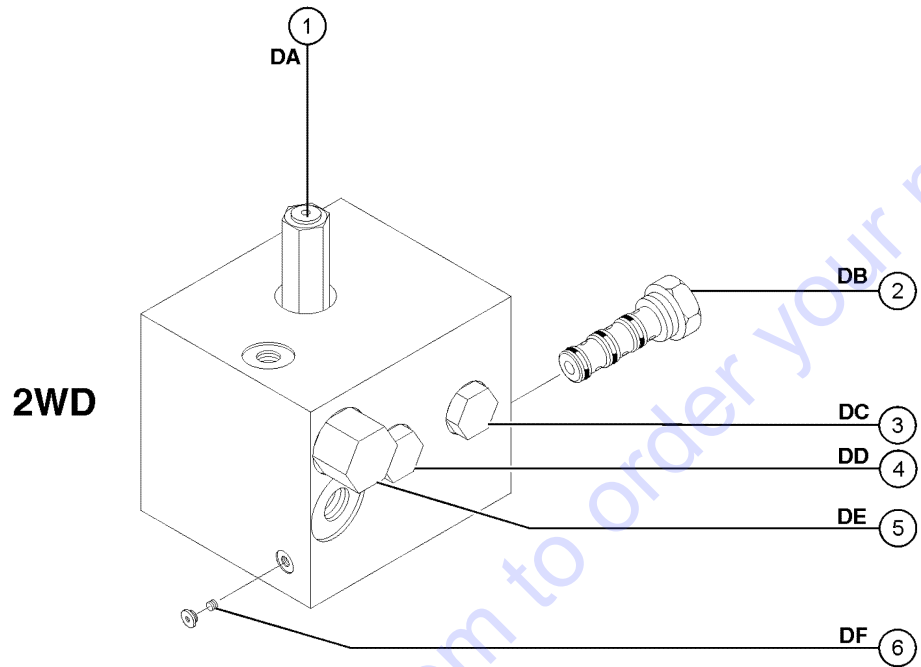
701.1 Traction Manifold (to SN 8580)



## 701.1 Traction Manifold (to SN 8580)

Item	Part No.	Description	Qty.	Item	Part No.	Description	Qty.
--	88783GT	MANIFOLD,TRACTION,2WD <i>(Complete)</i>		--	128418GT	SEAL KIT	
--		Ref. 4WD traction manifold part 88784 is no longer available; for its complete replacement customer must order part 139712 <i>(Refer to 701.2)</i>		13	94751GT	ORIFICE,0.040" <i>DL, Equalizes pressure on both sides of flow divider/combiner valve 11</i>	
--	28750GT	O-RING KIT,FIELD SVC,ALL PROD*		14	94751GT	ORIFICE,0.040" <i>DA, Equalizes pressure on both sides of flow divider/combiner valve 8</i>	
--	49612GT	O-RING KIT (ORFS FITTINGS)		15	94751GT	ORIFICE,0.040" <i>DN, Equalizes pressure on both sides of flow divider/combiner valve 19</i>	
--	33994GT	PLUG AND CAP KIT-SERVICE,37 **		16	94756GT	VALVE,CHECK, 2.5 PSI <i>DH, Steer end drive motor circuit</i>	
--	49613GT	PLUG AND CAP KIT-SERVICE,ORFS*		--	128418GT	SEAL KIT	
1	94758GT	VALVE,RELIEF,280PSI <i>BA, Charge pressure circuit</i>		17	94757GT	VALVE,CHECK,3 PSI*** <i>DG, Steer end drive motor circuit</i>	
--	110194GT	SEAL KIT, VALVE, #10		--	128416GT	SEAL KIT	
2	52726GT	VALVE,FLOW DIVIDER/COMBINER <i>BB, Controls flow to drive motors in forward and reverse</i>		18	94753GT	VALVE,SHUTTLE,40 PSI <i>DJ, Charge pressure circuit that directs hot oil out of low pressure side of drive pump</i>	
--	84135GT	SEAL KIT, VALVE		--	128417GT	SEAL KIT	
3	27836GT	VALVE,CHECK,5 PSI <i>BC, Drive circuit</i>		19	94752GT	VALVE FLOW DIVIDER/COMBINER <i>DM, Controls flow to steer end drive motors in forward and reverse</i>	
--	110194GT	SEAL KIT, VALVE, #10		--	128417GT	SEAL KIT	
4	27836GT	VALVE,CHECK,5 PSI <i>BD, Drive circuit</i>		20	94757GT	VALVE,CHECK,3 PSI*** <i>DD, Non-steer end drive motor circuit</i>	
--	110194GT	SEAL KIT, VALVE, #10		--	128416GT	SEAL KIT	
5	27761GT	VALVE,SHUTTLE <i>BE, Controls flow to drive motors in forward and reverse</i>					
--	84134GT	SEAL KIT, VALVE					
6	101440GT	ORIFICE PLUG, 0.070" <i>BF, Equalizes flow across flow divider combiner valve 2</i>					
7	101446GT	VALVE,RELIEF 280 PSI <i>DI, Charge pressure circuit</i>					
--	128416GT	SEAL KIT					
8	94752GT	VALVE FLOW DIVIDER/COMBINER <i>DB, Controls flow to non-steer end drive motors in forward and reverse</i>					
--	128417GT	SEAL KIT					
9	94757GT	VALVE,CHECK,3 PSI*** <i>DF, Steer end drive motor circuit</i>					
--	128416GT	SEAL KIT					
10	94757GT	VALVE,CHECK,3 PSI*** <i>DC, Non-steer end drive motor circuit</i>					
--	128416GT	SEAL KIT					
11	94754GT	VALVE,FLOW DIVIDER/COMBINER <i>DK, Controls flow to flow divider/combiner valves 8 and 19</i>					
--	128417GT	SEAL KIT					
12	94756GT	VALVE,CHECK, 2.5 PSI <i>DE, Non-steer end drive motor circuit</i>					

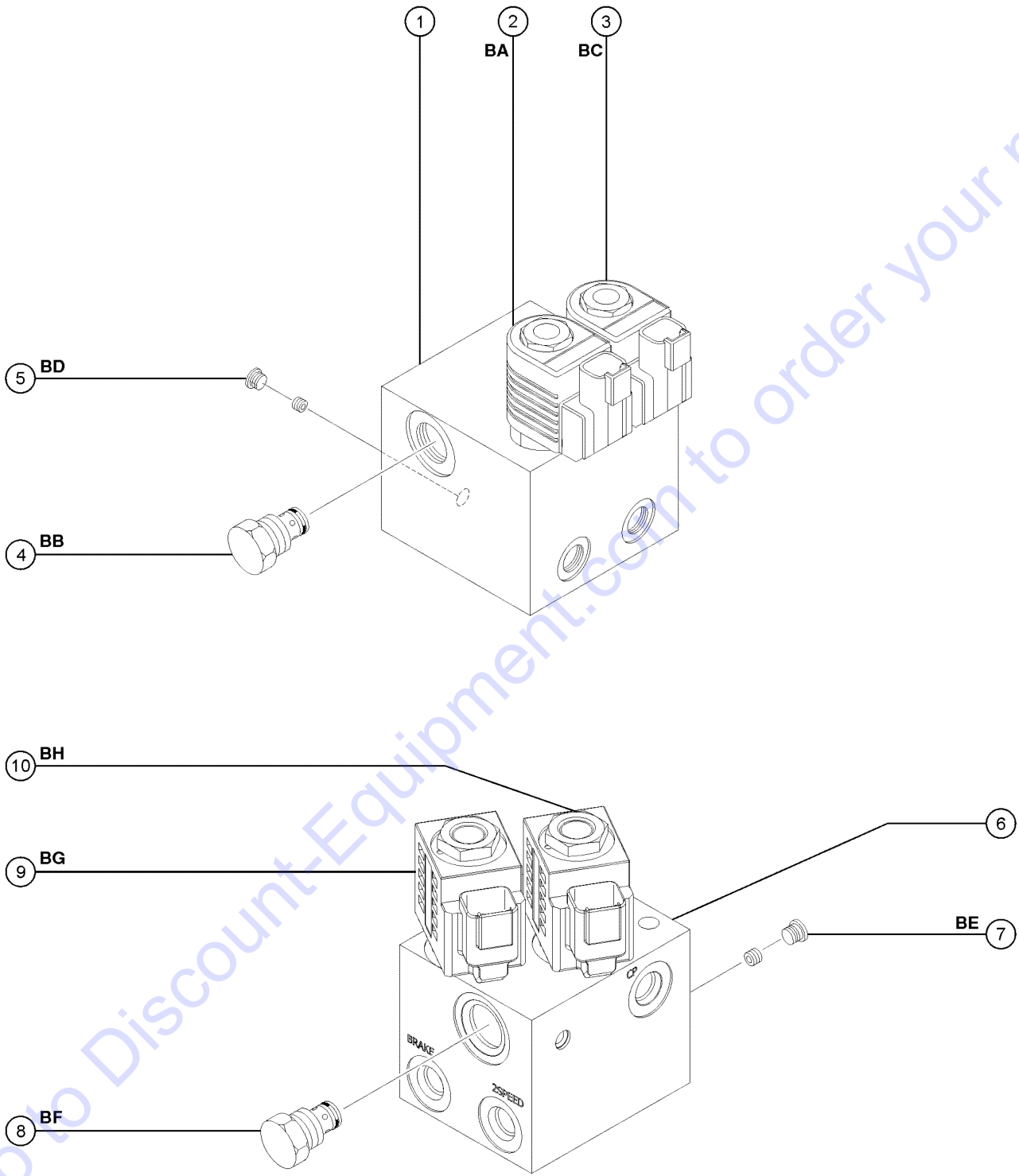
701.2 Traction Manifold (from SN 8581)



## 701.2 Traction Manifold (from SN 8581)

Item	Part No.	Description	Qty.	Item	Part No.	Description	Qty.
--	1287434GT	PLUG,SAE #03 (139712) <i>Plug for ORIFICE, 0.040"</i>		13	139508GT	VALVE, FLOW DIVIDE/COMBINE 1:1 <i>HG, Controls flow to flow divider/combiner valves 8 and 18</i>	
--	88783GT	MANIFOLD,TRACTION,2WD <i>(complete)</i>		--	139512GT	SEAL KIT, VALVE	
--	139712GT	MANIFOLD,TRACTION,4WD*** <i>(complete)</i>		14	139715GT	VALVE, SHUTTLE, FIXED <i>HH, Steer end drive motor circuit</i>	
--	28750GT	O-RING KIT,FIELD SVC,ALL PROD*		--	139512GT	SEAL KIT, VALVE	
--	49612GT	O-RING KIT (ORFS FITTINGS)		15	139527GT	VALVE, CHECK, 5PSI <i>HI, Steer end drive motor circuit</i>	
--	33994GT	PLUG AND CAP KIT-SERVICE,37 **		--	139528GT	SEAL KIT, VALVE	
--	49613GT	PLUG AND CAP KIT-SERVICE,ORFS*		16	139716GT	VALVE, CHECK <i>HJ, Charge pressure circuit that directs hot oil out of low pressure side of drive pump</i>	
1	94758GT	VALVE,RELIEF,280PSI <i>DA, Charge pressure circuit</i>		--	139727GT	SEAL KIT, VALVE	
--	110194GT	SEAL KIT, VALVE, #10		17	139719GT	ORIFICE, 0.040" <i>HK, Equalizes pressure on both sides of flow divider/combiner valve 18</i>	
2	52726GT	VALVE,FLOW DIVIDER/COMBINER <i>DB, Controls flow to drive motors in forward and reverse</i>		18	139717GT	VALVE, FLOW DIVIDE/COMB,24GPM <i>HL, Controls flow to steer end drive motors in forward and reverse</i>	
--	84135GT	SEAL KIT, VALVE		--	139512GT	SEAL KIT, VALVE	
3	27836GT	VALVE,CHECK,5 PSI <i>DC, Drive circuit</i>		19	139527GT	VALVE, CHECK, 5PSI <i>HM, Non-steer end drive motor circuit</i>	
--	110194GT	SEAL KIT, VALVE, #10		--	139528GT	SEAL KIT, VALVE	
4	27836GT	VALVE,CHECK,5 PSI <i>DD, Drive circuit</i>		20	139719GT	ORIFICE, 0.040" <i>HN, Equalizes pressure on both sides of flow divider/combiner valve 8</i>	
--	110194GT	SEAL KIT, VALVE, #10					
5	27761GT	VALVE,SHUTTLE <i>GE, Controls flow to drive motors in forward and reverse</i>					
--	84134GT	SEAL KIT, VALVE					
6	101440GT	ORIFICE PLUG, 0.070" <i>DF, Equalizes flow across flow divider combiner valve 2</i>					
7	139718GT	VALVE, RELIEF, 280PSI <i>HA, Charge pressure circuit</i>					
--	139512GT	SEAL KIT, VALVE					
8	139717GT	VALVE, FLOW DIVIDE/COMB,24GPM <i>HB, Controls flow to non-steer end drive motors in forward and reverse</i>					
--	139512GT	SEAL KIT, VALVE					
9	139527GT	VALVE, CHECK, 5PSI <i>HC, Steer end drive motor circuit</i>					
--	139528GT	SEAL KIT, VALVE					
10	139527GT	VALVE, CHECK, 5PSI <i>HD, Non-steer end drive motor circuit</i>					
--	139528GT	SEAL KIT, VALVE					
11	139716GT	VALVE, CHECK <i>HE, Non-steer end drive motor circuit</i>					
--	139727GT	SEAL KIT, VALVE					
12	139719GT	ORIFICE, 0.040" <i>HF, Equalizes pressure on both sides of flow divider/combiner valve 13</i>					

702.1 Two-Speed/Brake Manifold

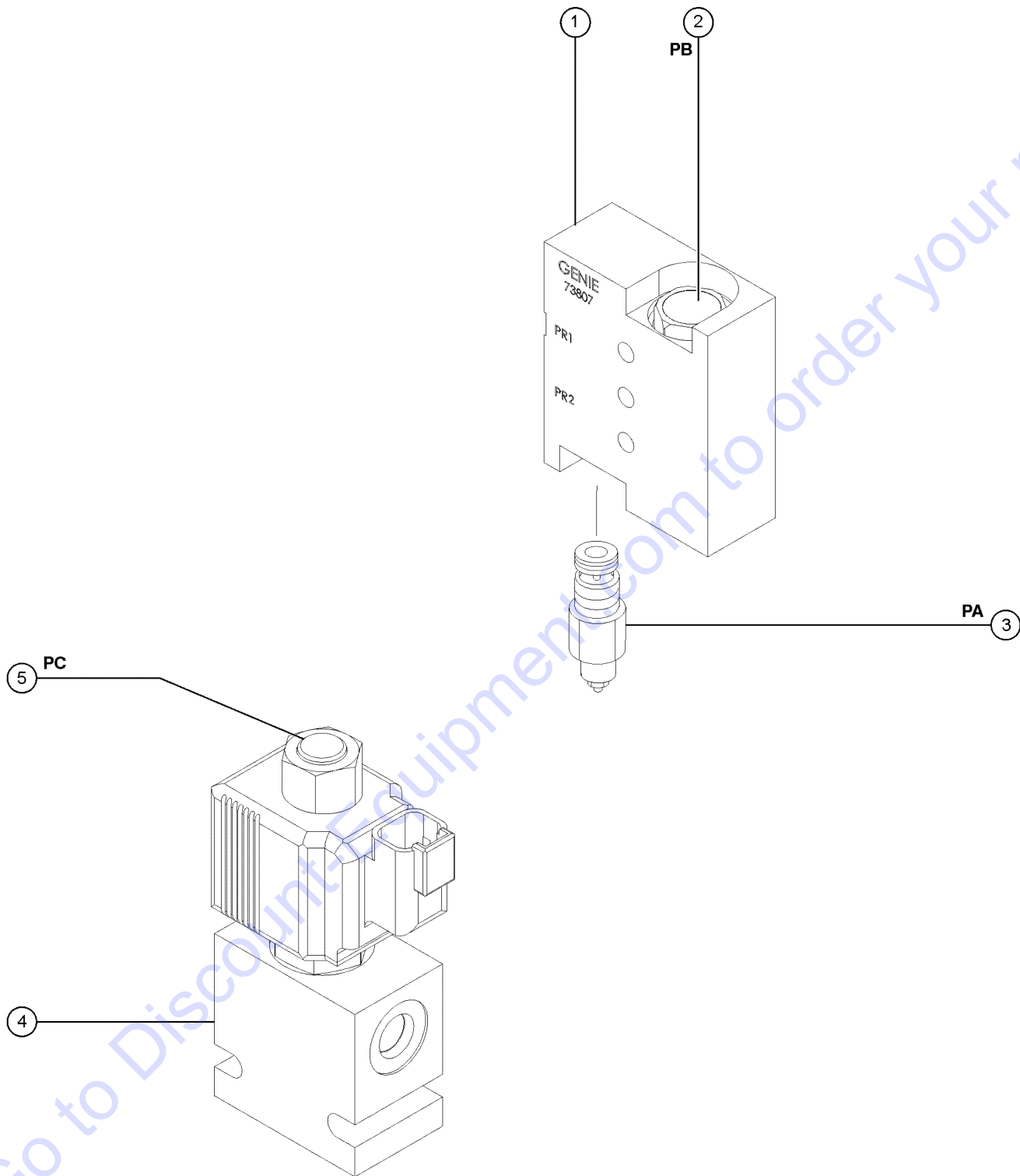




## 702.1 Two-Speed/Brake Manifold

Item	Part No.	Description	Qty.
1	88785GT	MANIFOLD,BRAKE/2 SPD W/QD PLG* (Complete); to SN 13038	
2	94760GT	VALVE,SOLENOID,10V,W/OUT COIL* BA, Brake release; to SN 13038	
--	128419GT	Seal Kit to SN 13038	
--	94759GT	NUT,SOLENOID to SN 13038	
--	94765GT	COIL-10V DC*** to SN 13038	
3	94760GT	VALVE,SOLENOID,10V,W/OUT COIL* BC, Two speed motor shift; to SN 13038	
--	128419GT	Seal Kit to SN 13038	
--	94759GT	NUT,SOLENOID to SN 13038	
--	94765GT	COIL-10V DC*** to SN 13038	
4	94761GT	VALVE,CHECK BB, Brake release circuit; to SN 13038	
--	128420GT	Seal Kit to SN 13038	
5	94764GT	ORIFICE,0.025" BD, Turntable rotaton brake release; to SN 13038	
6	216602GT	MANIFOLD,BRAKE,2-SPEED (Complete); from SN 13039	
7	219245GT	ORIFICE PLUG .025 DIA. BE, Turntable rotaton brake release; from SN 13039	
8	35726GT	VALVE,HYDRAULIC CHECK BF, Brake release circuit; from SN 13039	
--	161145GT	SEAL KIT,CHECK VALVE 219246 from SN 13039	
9	219243GT	COIL, SOLENOID VALVE, 10V BG, Brake release; from SN 13039	
--	161144GT	SEAL KIT,SOLENOID VALVE 219247 from SN 13039	
--	219247GT	VALVE, SOLENOID from SN 13039	
--	94759GT	NUT,SOLENOID from SN 13039	
10	219243GT	COIL, SOLENOID VALVE, 10V BH, Two speed motor shift; from SN 13039	
--	161144GT	SEAL KIT,SOLENOID VALVE 219247 from SN 13039	
--	219247GT	VALVE, SOLENOID from SN 13039	
--	94759GT	NUT,SOLENOID from SN 13039	

703.1 Function Enable Valve and Platform Rotator Manifold

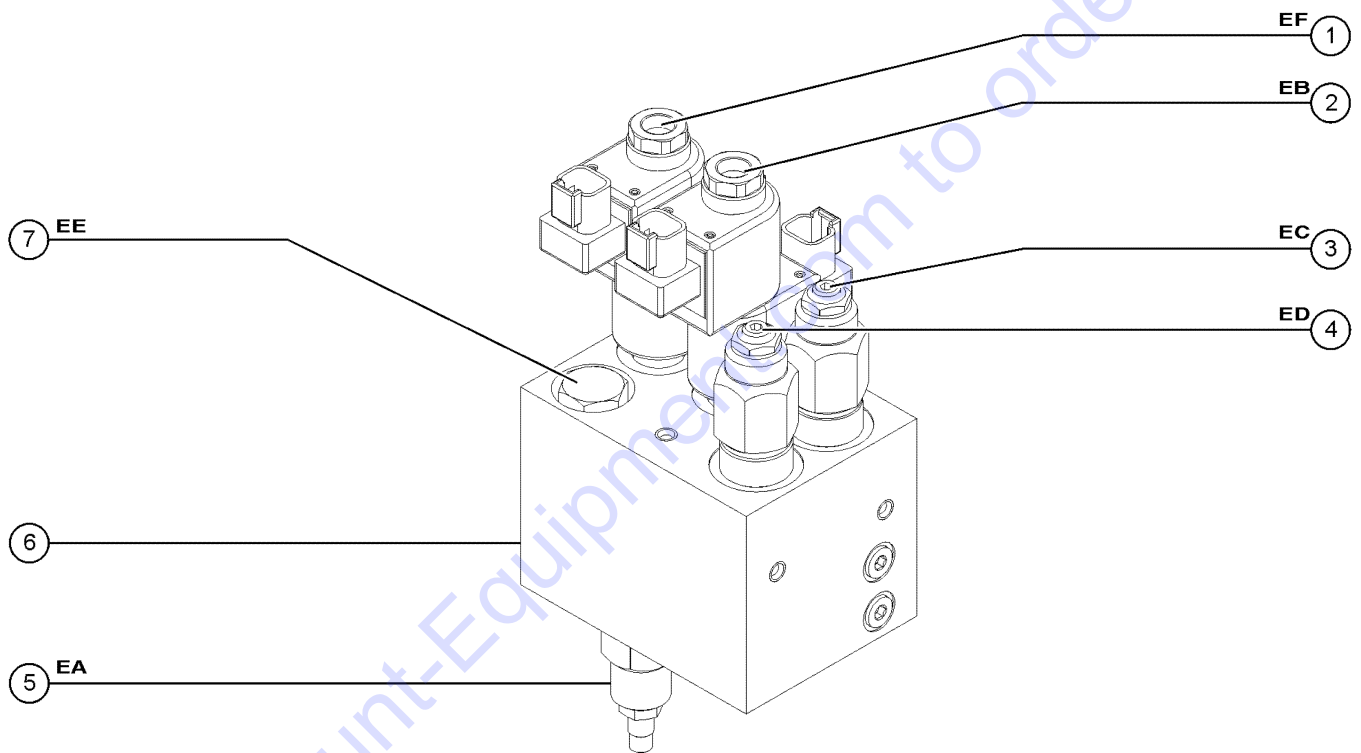


## 703.1 Function Enable Valve and Platform Rotator Manifold

Item	Part No.	Description	Qty.
1	73807GT	MANIFOLD,ROTATOR,CB*** <i>(Complete)</i>	
--	62507GT	O-RING, ROTATOR MANIFOLD	
2	62506GT	VALVE - COUNTERBALANCE** <i>PB, Platform rotate left</i>	
--	43018GT	SEAL KIT (39345)	
3	62506GT	VALVE - COUNTERBALANCE** <i>PA, Platform rotate right</i>	
--	43018GT	SEAL KIT (39345)	
4	106454GT	VALVE,FUNCTION ENABLE <i>(Complete)</i>	
5	107742GT	VALVE,SOLENOID 2 POS 2 WAY <i>PC, Differential sensing</i>	
--	89733GT	COIL,SOLENOID VALVE***	
--	89770GT	SEAL KIT, SOLENOID VALVE	

Go to Discount-Equipment.com to order your parts

704.1 Platform Manifold, S-80X and S-80

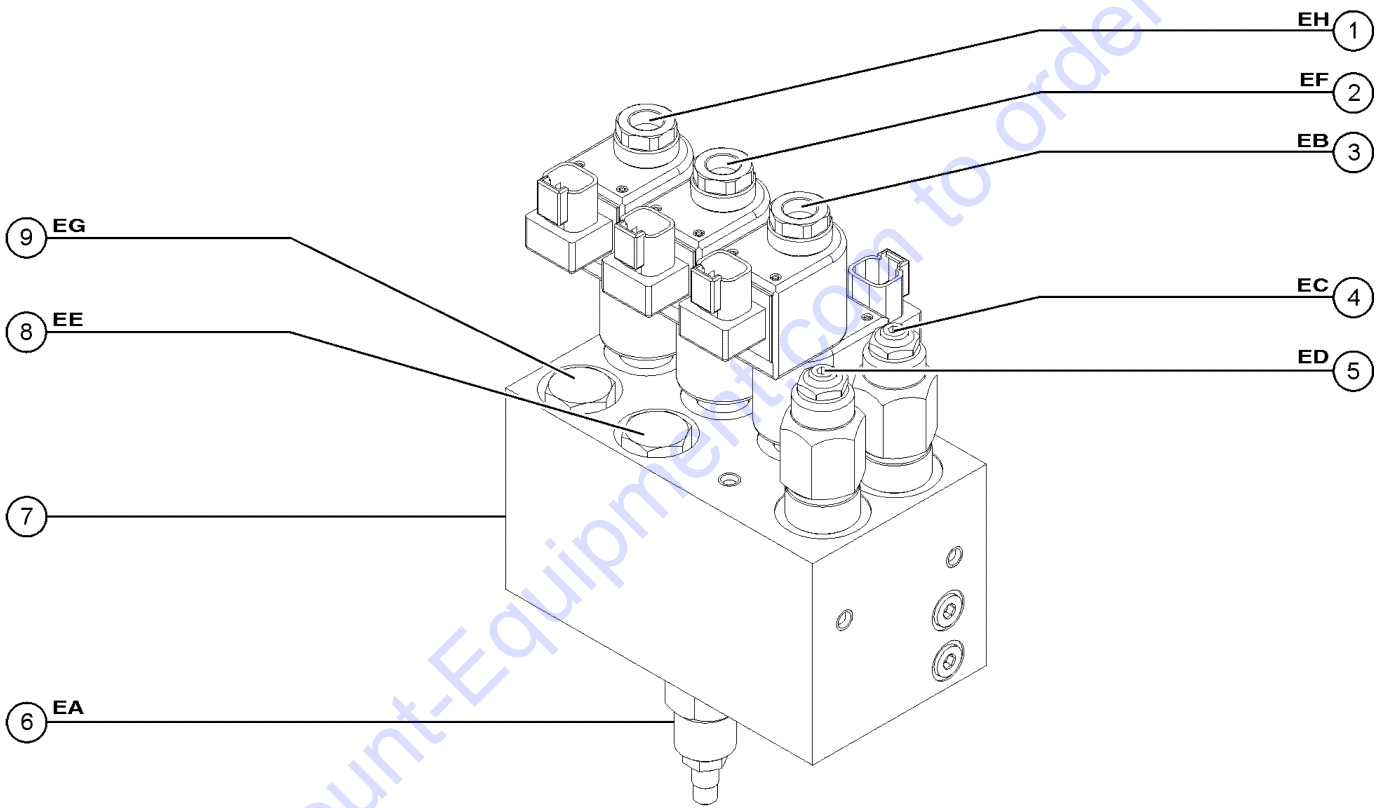


Go to Discount-Equipment.com to order your parts

## 704.1 Platform Manifold, S-80X and S-80

Item	Part No.	Description	Qty.
--	121707GT	MANIFOLD,PLATFORM,S80,2SEC <i>(Complete)</i>	
1	122121GT	SOLENOID VALVE <i>EF, Platform rotate CW/CCW</i>	
--	122120GT	SEAL KIT,SOLENOID VALVE	
--	122148GT	COIL,SOLENOID VALVE,20W	
--	52943GT	NUT,SOLENOID VALVE COIL	
2	122121GT	SOLENOID VALVE <i>EP, Platform level up/down</i>	
--	122120GT	SEAL KIT,SOLENOID VALVE	
--	122148GT	COIL,SOLENOID VALVE,20W	
--	52943GT	NUT,SOLENOID VALVE COIL	
3	50481GT	VALVE,COUNTERBALANCE,3500 PSI <i>EC, Platform level CB valve</i>	
--	43018GT	SEAL KIT (39345)	
4	50481GT	VALVE,COUNTERBALANCE,3500 PSI <i>ED, Platform level CB valve</i>	
--	43018GT	SEAL KIT (39345)	
5	62258GT	VALVE,NEEDLE*** <i>EA, Platform level</i>	
6	121707GT	MANIFOLD,PLATFORM,S80,2SEC	
7	1274553GT	PRESSURE COMP FLOW CONTROL 0.3GPM <i>EE, Platform rotate flow control</i>	
--	74902GT	SEAL KIT	

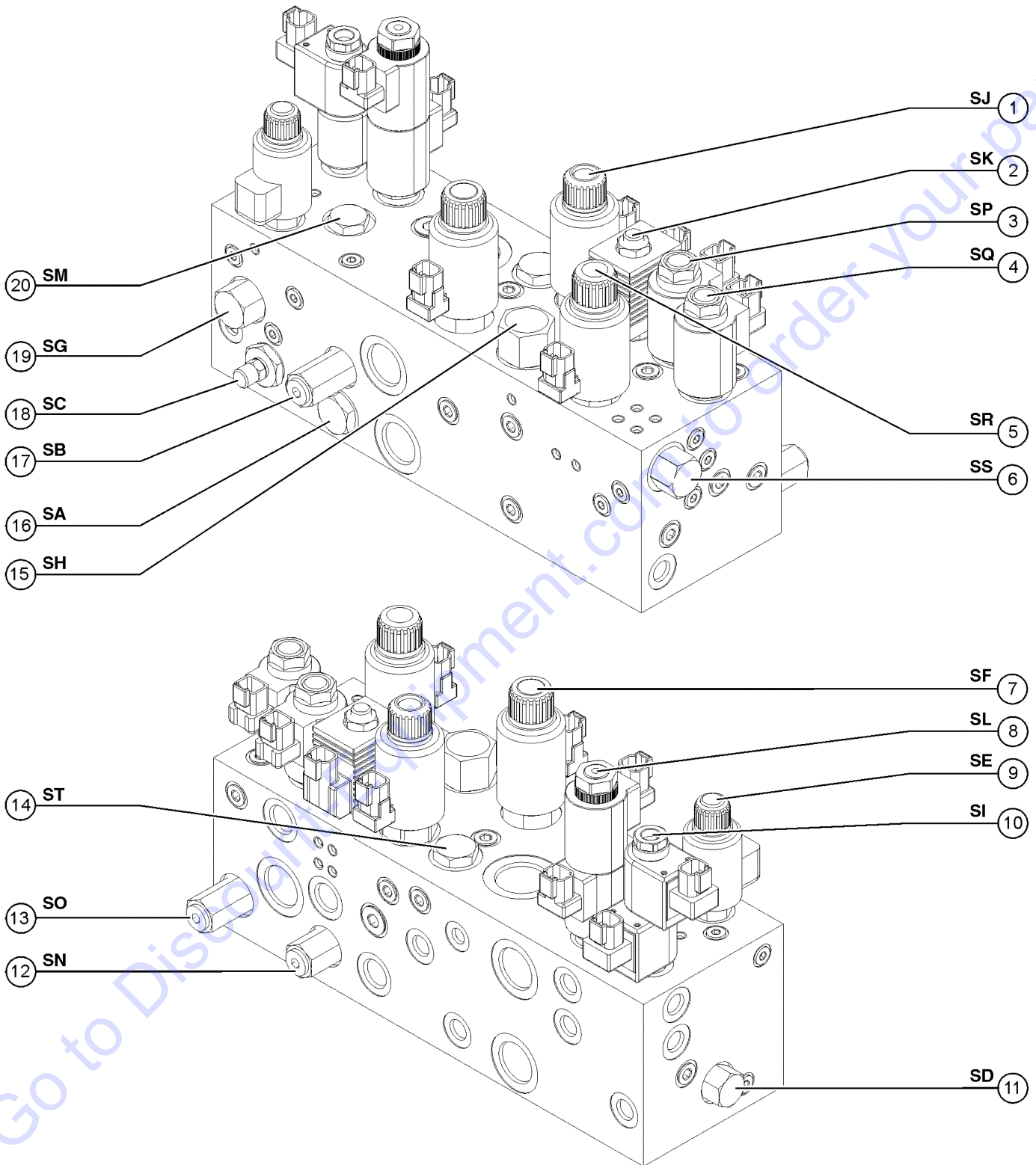
705.1 Platform Manifold, S-85



Go to Discount-Equipment.com to order your parts

Item	Part No.	Description	Qty.
--	121706GT	MANIFOLD,PLATFORM,S856,3 SEC <i>(Complete)</i>	
1	122121GT	SOLENOID VALVE <i>EH, Jib up/down</i>	
--	122120GT	SEAL KIT,SOLENOID VALVE	
--	122148GT	COIL,SOLENOID VALVE,20W	
--	52943GT	NUT,SOLENOID VALVE COIL	
2	122121GT	SOLENOID VALVE <i>EF, Platform rotate CW/CCW</i>	
--	122120GT	SEAL KIT,SOLENOID VALVE	
--	122148GT	COIL,SOLENOID VALVE,20W	
--	52943GT	NUT,SOLENOID VALVE COIL	
3	122121GT	SOLENOID VALVE <i>EB, Platform level up/down</i>	
--	122120GT	SEAL KIT,SOLENOID VALVE	
--	122148GT	COIL,SOLENOID VALVE,20W	
--	52943GT	NUT,SOLENOID VALVE COIL	
4	50481GT	VALVE,COUNTERBALANCE,3500 PSI <i>EC, Platform level CB valve</i>	
--	43018GT	SEAL KIT (39345)	
5	50481GT	VALVE,COUNTERBALANCE,3500 PSI <i>ED, Platform level CB valve</i>	
--	43018GT	SEAL KIT (39345)	
6	62258GT	VALVE,NEEDLE*** <i>EA, Platform level</i>	
7	121706GT	MANIFOLD,PLATFORM,S856,3 SEC	
8	1274553GT	PRESSURE COMP FLOW CONTROL 0.3GPM <i>(EE, Platform rotate flow control)</i>	
--	74902GT	SEAL KIT	
9	1274554GT	PRESSURE COMP FLOW CONTROL 0.8GPM <i>(EG, Jib flow control)</i>	
--	74902GT	SEAL KIT	

706.1 Function Manifold

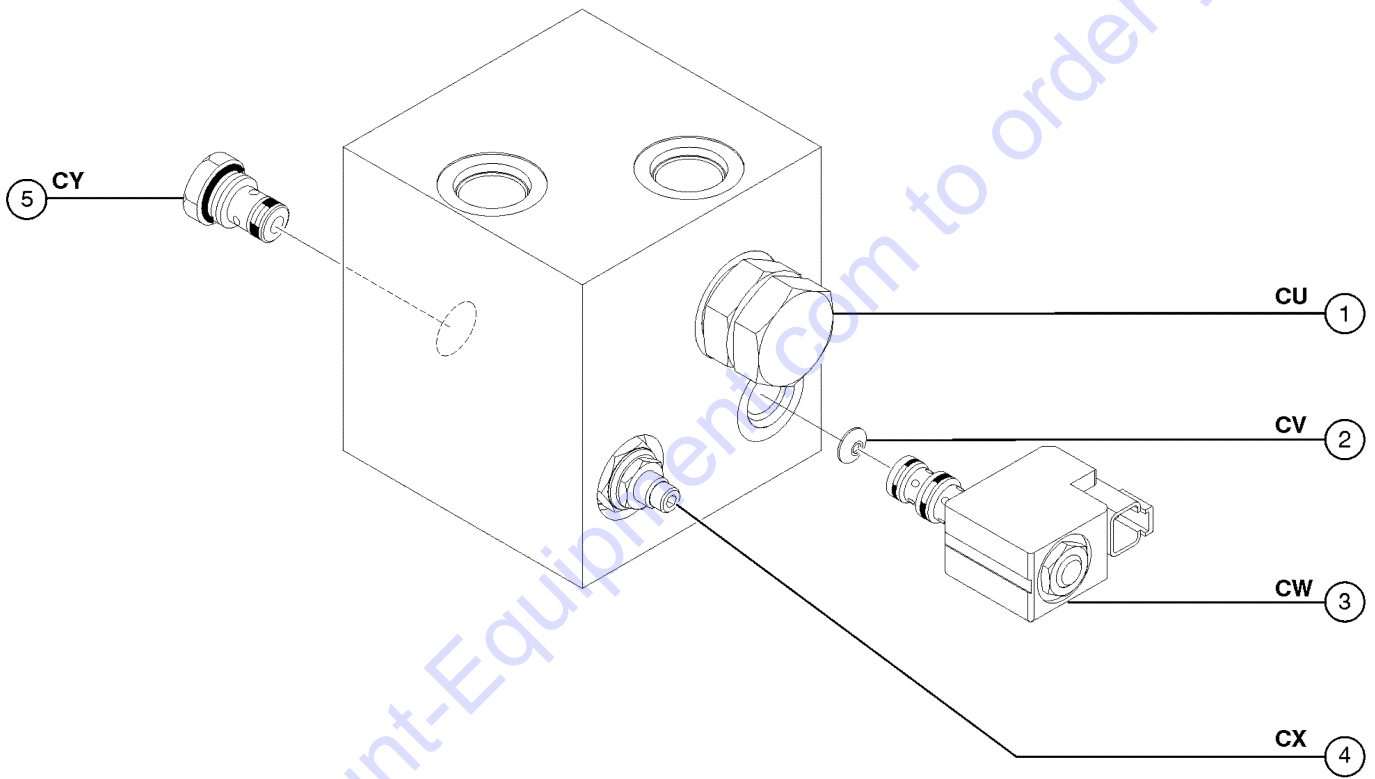




## 706.1 Function Manifold

Item	Part No.	Description	Qty.	Item	Part No.	Description	Qty.
--	121708GT	MANIFOLD,SWING S80/85,5 SEC <i>(Complete)</i>		10	122645GT	SOLENOID VALVE,SPOOL TYPE <i>SI, Swing directional</i>	
1	122643GT	Valve-Solenid 2 Postion 3WA <i>SJ, Boom up</i>		--	102940GT	NUT,SOLENOID VALVE	
--	110198GT	SEAL KIT, VALVE, #12		--	122120GT	SEAL KIT,SOLENOID VALVE	
--	122652GT	COIL, D14E 10 VDC DED		--	89733GT	COIL,SOLENOID VALVE***	
--	45921GT	RETAINER-N.C.PROPOR.SOLENOID		11	19060GT	VALVE,FLOW REGULATOR <i>SD, Oscilate flow control</i>	
2	89309GT	VALVE - SOLENOID 2POSITION 3WA <i>SK, Boom down</i>		--	74902GT	SEAL KIT	
--	45912GT	NUT,SOLENOID VALVE 2P3W		12	48415GT	VALVE,RELIEF <i>SN, Boom down relief</i>	
--	62275GT	Coil,10V		--	74902GT	SEAL KIT	
--	89310GT	SEAL KIT, SOLENOID VALVE		13	110209GT	VALVE, RELIEF, 2400 PSI <i>SO, Boom extend relief</i>	
3	122649GT	VALVE,SOLENOID,NO,POPPET <i>SP, Retract</i>		--	74902GT	SEAL KIT	
--	102940GT	NUT,SOLENOID VALVE		14	122656GT	VALVE, CHECK, 30 PSI <i>ST, Return check valve</i>	
--	111778GT	COIL,10V DC(D10,26 WATT)		--	110194GT	SEAL KIT, VALVE, #10	
--	122657GT	Seal Kit		15	122650GT	VALV, DIFFERENTIAL SENSING <i>SH, Primary lift</i>	
4	122649GT	VALVE,SOLENOID,NO,POPPET <i>SP, Extend</i>		--	122660GT	Seal Kit	
--	102940GT	NUT,SOLENOID VALVE		16	122646GT	BYPASS VALVE RELIEF <i>SA, Back flow check function pump</i>	
--	111778GT	COIL,10V DC(D10,26 WATT)		--	110194GT	SEAL KIT, VALVE, #10	
--	122657GT	Seal Kit		17	52715GT	VALVE,RELIEF 3200 PSI <i>SB, System main relief</i>	
5	107753GT	VALVE,PROPORTIONAL <i>SR, Extend/Retract proportional</i>		--	74902GT	SEAL KIT	
--	45912GT	NUT,SOLENOID VALVE 2P3W		18	122644GT	PRESSURE REDUCING VALVE <i>SC, Oscilate pressure control</i>	
--	58303GT	COIL,VALVE,PROPORTIONAL***		19	52714GT	VALVE,DIFFERENTIAL SENSING <i>SG, Differential sensing. TT rotate</i>	
--	89310GT	SEAL KIT, SOLENOID VALVE		--	74902GT	SEAL KIT	
6	122651GT	VALV, DIFFERENTIAL SENSING <i>SS, Boom extend</i>		20	122641GT	VALVE,FLOW REGULATOR <i>SM, Steering flow control</i>	
--	122657GT	Seal Kit		--	74902GT	SEAL KIT	
7	107752GT	VALVE,PROPORTIONAL <i>SF, Boom up/down proportional</i>					
--	110198GT	SEAL KIT, VALVE, #12					
--	45921GT	RETAINER-N.C.PROPOR.SOLENOID					
--	58303GT	COIL,VALVE,PROPORTIONAL***					
8	122647GT	SOLENOID VALVE SPOOL TYPE <i>SL, Steering directional</i>					
--	111778GT	COIL,10V DC(D10,26 WATT)					
--	122653GT	Coil Nut					
--	122657GT	Seal Kit					
9	102526GT	O-RING, PROPORTIONAL VALVE <i>(between coil and nut)</i>					
9	102528GT	VALVE,PROPORTIONAL <i>SE, Swing proportional</i>					
--	89312GT	SEAL KIT, SOLENOID VALVE					
--	89737GT	COIL,PROPORTIONAL VALVE***					
--	89738GT	NUT, PROPORTIONAL VALVE					

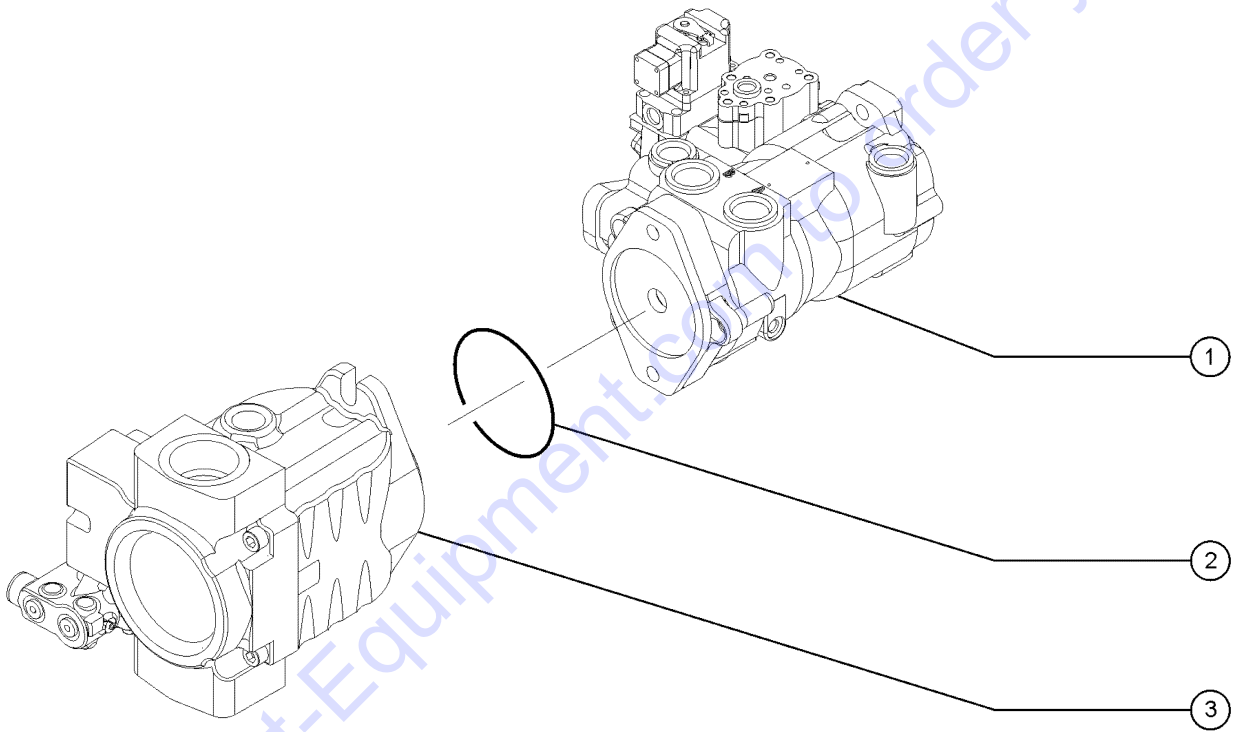
707.1 Oil Diverter Manifold (welder option)



## 707.1 Oil Diverter Manifold (welder option)

Item	Part No.	Description	Qty.
--	101516GT	MANIFOLD,DRIVE OIL DIVERTER <i>(Complete)</i>	
1	102746GT	VALVE,PILOT OPER DIRECTIONAL <i>CU, Diverter valve</i>	
2	106394GT	ORIFICE DISC,.030,CONE <i>CV, Delays shift to drive</i>	
3	94760GT	VALVE,SOLENOID,10V,W/OUT COIL* <i>CW, Pilot valve to diverter</i>	
--	128419GT	Seal Kit	
--	94759GT	NUT,SOLENOID	
--	94765GT	COIL-10V DC***	
4	122302GT	RELIEF,VALVE 270 PSI <i>CX, Charge pressure circuit</i>	
--	128416GT	Seal Kit	
5	94757GT	VALVE,CHECK,3 PSI*** <i>CY, Prevents oil flow to generator</i>	
--	128416GT	Seal Kit	

708.1 Pumps

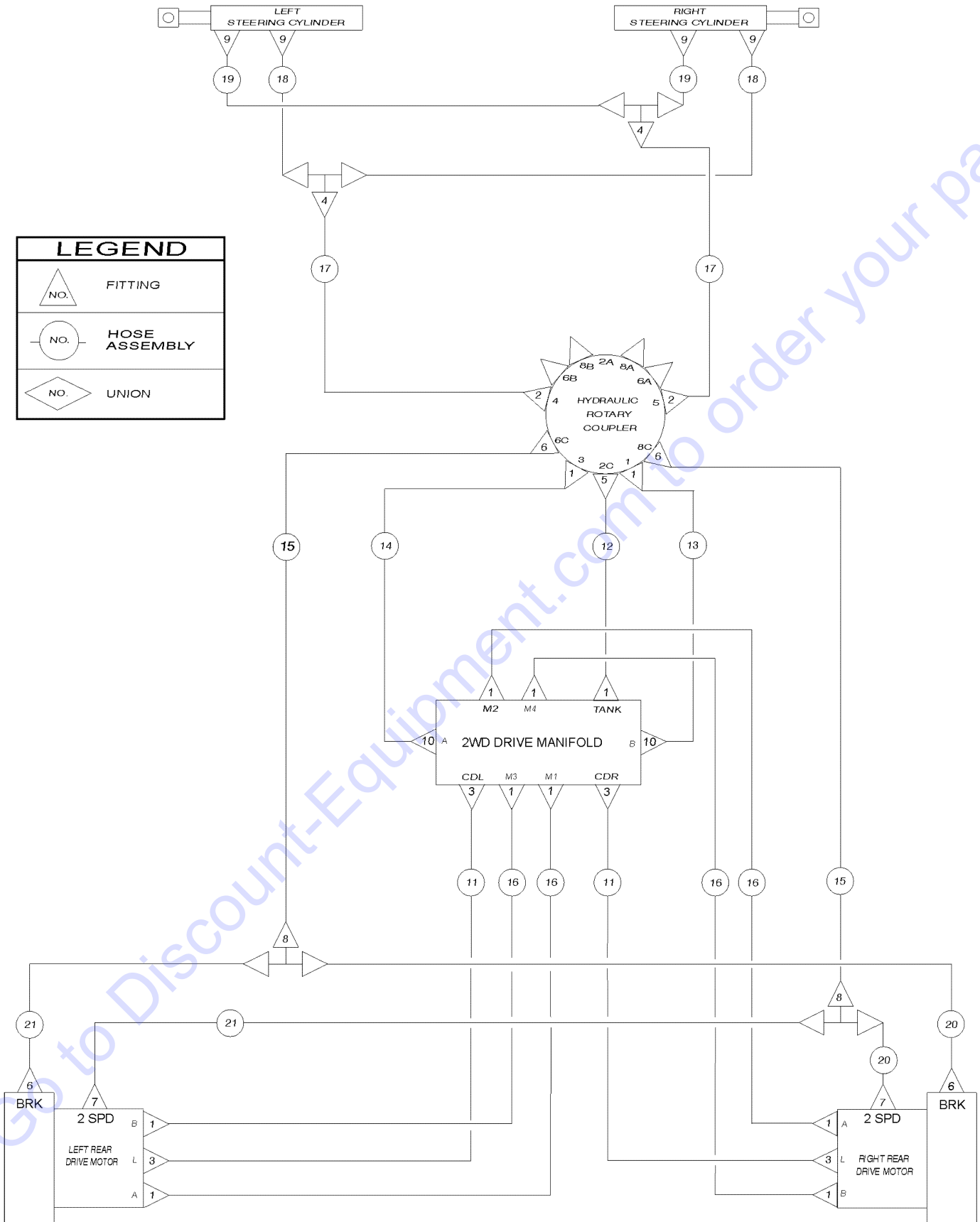


Go to Discount-Equipment.com to order your parts

Item	Part No.	Description	Qty.
1	101068GT	PUMP,PISTON,46CC,B MOUNT,13T**....1 (Drive pump)	1
--	29739GT	SEAL KIT,SAUER-DANFOSS M46***	
--	58290GT	VALVE,EDC,PILOT,SAUER,M46***	
--	77819GT	EDC ASSY,SAUER M46***	
2	52087GT	O-RING,2-044 BUNA*** .....	1
3	121310GT	PUMP,FUNCTION,38CC,LS.....	1
--	122669GT	Seal Kit	

Go to Discount-Equipment.com to order your parts

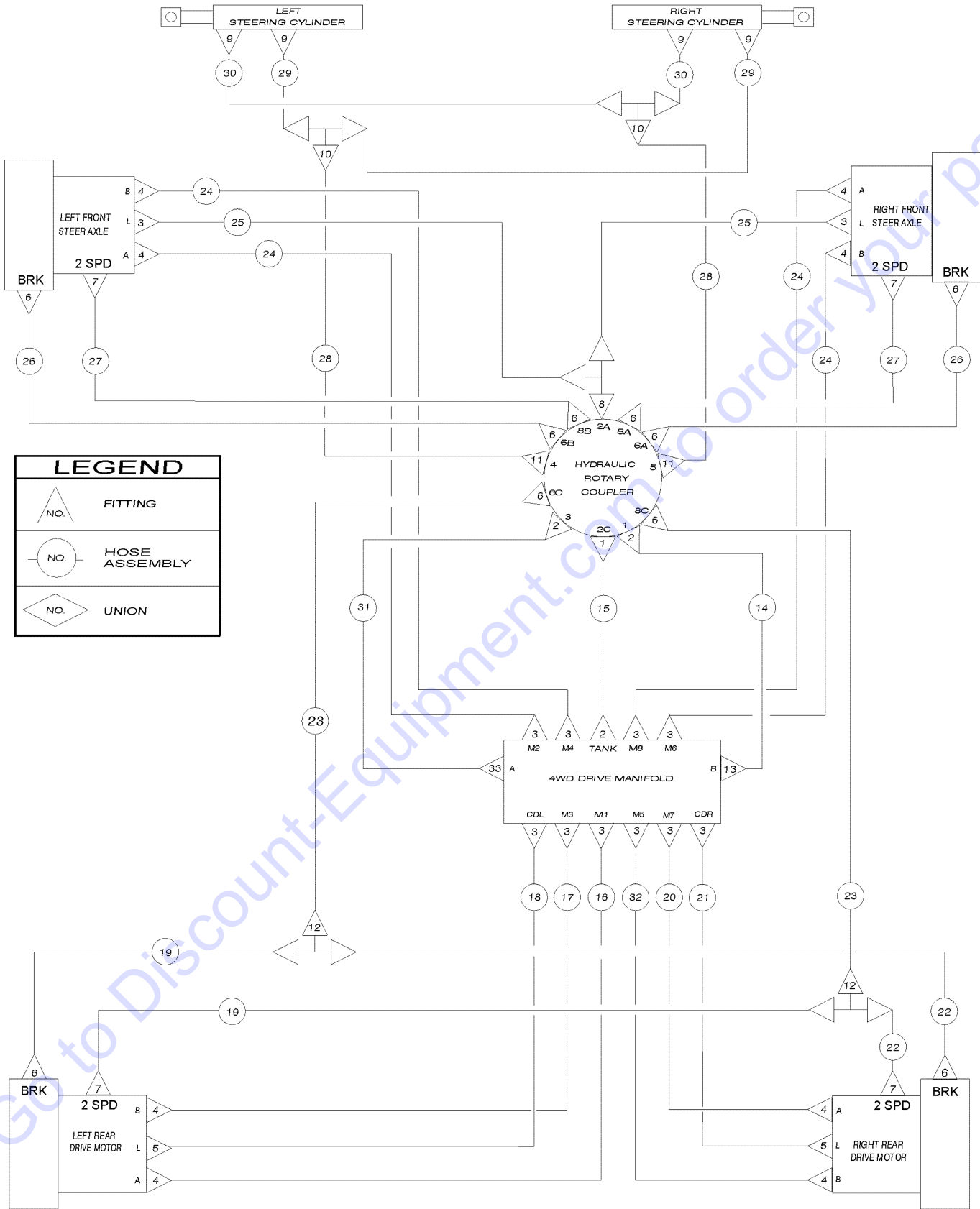
709.1 2WD Drive and Steer System



## 709.1 2WD Drive and Steer System

Item	Part No.	Description	Qty.
1	48960GT	FITTING,CONN,520120-12***.....	10
2	48916GT	CONN, 520120-6.....	2
3	48933GT	CONN,520120-8***.....	4
4	89449GT	FITTING, BRANCH BULKHEAD.....	2
5	48963GT	FITTING,ELBOW,45D,520320-12***.....	1
6	48905GT	CONN,520120-4***.....	4
7	48911GT	ELBOW,90D,520220-4-6***.....	2
8	48909GT	TEE,BULKHEAD,RUN,520958-4.....	2
9	48915GT	ELBOW,90D,520220-6.....	4
10	48959GT	FITTING,ELBOW,90D,520220-12.....	2
11	49143-5229GT	HOSE ASSY,1/2,90 FEM,STR FEM..... <i>Components: 48822, 48827 and 48756 @ 50 inches</i>	2
12	49149-2526GT	HOSE ASSY,3/4,STR FEM,STR FEM..... <i>Components: 48841, 48845 and 48761 @ 22 inches</i>	1
13	89871-2648GT	HOSE ASSY,3/4,STR FEM,STR FEM..... <i>Components: 48841, 48841 and 94358 @ 24 inches</i>	1
14	89871-2448GT	HOSE ASSY,3/4,STR FEM,STR FEM..... <i>Components: 48841, 48841 and 94358 @ 22 inches</i>	1
15	49116-3137GT	HOSE ASSY,1/4,45 FEM,STR FEM..... <i>Components: 48800, 48801 and 48751 @ 29 inches</i>	2
16	94374-5130GT	HOSE ASSY,3/4",90F,STR F..... <i>Components: 48841, 48846 and 9435 @ 48 inches</i>	4
17	49130-2957GT	HOSE ASSEMBLY,3/8..... <i>Components: 48812, 48812 and 48753 @ 27.75 inches</i>	2
18	49128-2409GT	HOSE ASSEMBLY,3/8"..... <i>Components: 48812, 48816 and 48753 @ 22 inches</i>	2
19	49128-3709GT	HOSE ASSEMBLY,3/8"..... <i>Components: 48816, 48812 and 48753 @ 35 inches</i>	2
20	49117-5391GT	HOSE ASSY,1/4,90 FEM,STR FEM..... <i>Components: 48800, 48802 and 48751 @ 52 inches</i>	2
21	217056GT	HOSE ASSY,1/4/STR FEM,STR FEM..... <i>Components: 48800, 48800 and 48751 @ 44 inches</i>	2

710.1 4WD Drive and Steer System



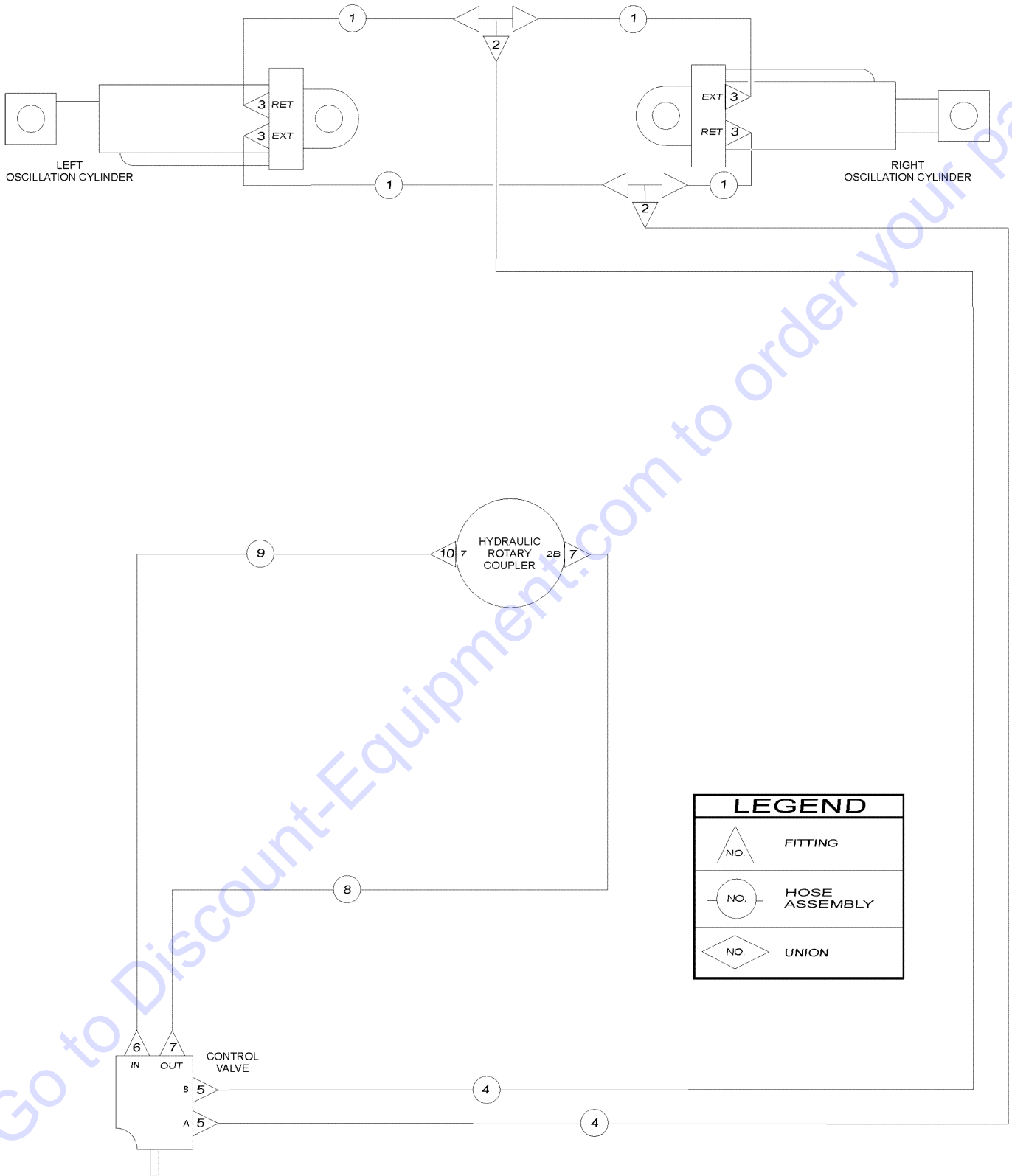
LEGEND	
	FITTING
	HOSE ASSEMBLY
	UNION



## 710.1 4WD Drive and Steer System

Item	Part No.	Description	Qty.	Item	Part No.	Description	Qty.
1	48963GT	FITTING, ELBOW, 45D, 520320-12***.....	1	26	49117-11491GT	HOSE ASSY, 1/4, 90 FEM, STR FEM**.....	2
2	48960GT	FITTING, CONN, 520120-12***.....	3			Components: 48800, 48802 and 48751 @ 113 inches	
3	48933GT	CONN, 520120-8***.....	12	--	101790-11391GT	HOSE ASSY, 1/4, 90 FEM, STR FEM.....	2
4	48948GT	CONN, 520120-8-12.....	8			Components: 48822, 48826 and 101699 @ 112 inches (Arctic hose option); to SN 8296	
5	48932GT	FITTING, ELBOW, 90D, 520220-8***.....	2	27	49119-11378GT	HOSE ASSY, 1/4, STR FEM, STR FEM.....	2
6	48905GT	CONN, 520120-4***.....	10			Components: 48800, 48800 and 48751 @ 112 inches	
7	48911GT	ELBOW, 90D, 520220-4-6***.....	4	--	101792-11378GT	HOSE ASSY, 1/4, STR FEM, STR FEM.....	2
8	48936GT	TEE, BRANCH, 520429-8.....	1			Components: 48822, 48826 and 101699 @ 112 inches (Arctic hose option); to SN 8296	
9	48915GT	ELBOW, 90D, 520220-6.....	4	28	49130-2957GT	HOSE ASSEMBLY, 3/8.....	2
10	89449GT	FITTING, BRANCH BULKHEAD.....	2			Components: 48812, 48812 and 48753 @ 27.75 inches	
11	48916GT	CONN, 520120-6.....	2	29	49128-2409GT	HOSE ASSEMBLY, 3/8".....	2
12	48909GT	TEE, BULKHEAD, RUN, 520958-4.....	2			Components: 48812, 48816 and 48753 @ 22 inches	
13	48959GT	FITTING, ELBOW, 90D, 520220-12.....	1	30	49128-3709GT	HOSE ASSEMBLY, 3/8".....	2
14	89871-2448GT	HOSE ASSY, 3/4, STR FEM, STR FEM.....	1			Components: 48816, 48812 and 48753 @ 35 inches	
15	823601GT	HOSE ASSY, 3/4, 45 FEM, STR, 25.26.....	1	31	89871-2448GT	HOSE ASSY, 3/4, STR FEM, STR FEM.....	1
		Components: 48841, 48845 and 48761 @ 22 inches				Components: 48841, 48841 and 94358 @ 22 inches; to SN 8757	
16	217051GT	HOSE ASSY, 1/2, 90 FEM, STR FEM.....	1	--	217065GT	HOSE ASSY, 3/4, 90 FEM, STR FEM.....	1
		Components: 48822, 48827 and 48758 @ 46 inches				Components: 48841, 48846 and 94358 @ 22 inches; from SN 8758	
17	217052GT	HOSE ASSY, 1/2, 90 FEM, STR FEM.....	1	32	49109-5029GT	HOSE ASSY, 1/2, 90 FEM, STR FEM**.....	2
		Components: 48822, 48827 and 48758 @ 50 inches				Components: 48822, 48827 and 48758 @ 48 inches	
18	217064GT	HOSE ASSY, 1/2, STR FEM, STR FEM.....	1	33	48959GT	FITTING, ELBOW, 90D, 520220-12.....	1
		Components: 48822, 48822 and 48756 @ 49 inches				to SN 8757	
19	217056GT	HOSE ASSY, 1/4, STR FEM, STR FEM.....	2	--	48960GT	FITTING, CONN, 520120-12***.....	1
		Components: 48800, 48800 and 48751 @ 44 inches				from SN 8758	
20	217050GT	HOSE ASSY, 1/2, 90 FEM, STR FEM.....	1				
		Components: 48822, 48827 and 48758 @ 45 inches					
21	217063GT	HOSE ASSY, 1/2, STR FEM, STR FEM.....	1				
		Components: 48822, 48822 and 48758 @ 45 inches					
22	49117-5391GT	HOSE ASSY, 1/4, 90 FEM, STR FEM.....	2				
		Components: 48800, 48802 and 48751 @ 52 inches					
23	49116-3137GT	HOSE ASSY, 1/4, 45 FEM, STR FEM.....	2				
		Components: 48800, 48801 and 48751 @ 29 inches					
24	49110-14692GT	HOSE ASSY, 1/2, STR FEM, STR FEM.....	4				
		Components: 48822, 48822 and 48758 @ 145 inches					
25	823600GT	HOSE ASSY, 1/2, 45 FEM, STR, 114.6.....	2				
		Components: 48822, 48826 and 48756 @ 112 inches					
--	122441-11463GT	HOSE ASSY, 1/2, 45 FEM, STR FEM.....	2				
		Components: 48822, 48826 and 101699 @ 112 inches (Arctic hose option); to SN 8296					

711.1 Oscillate System



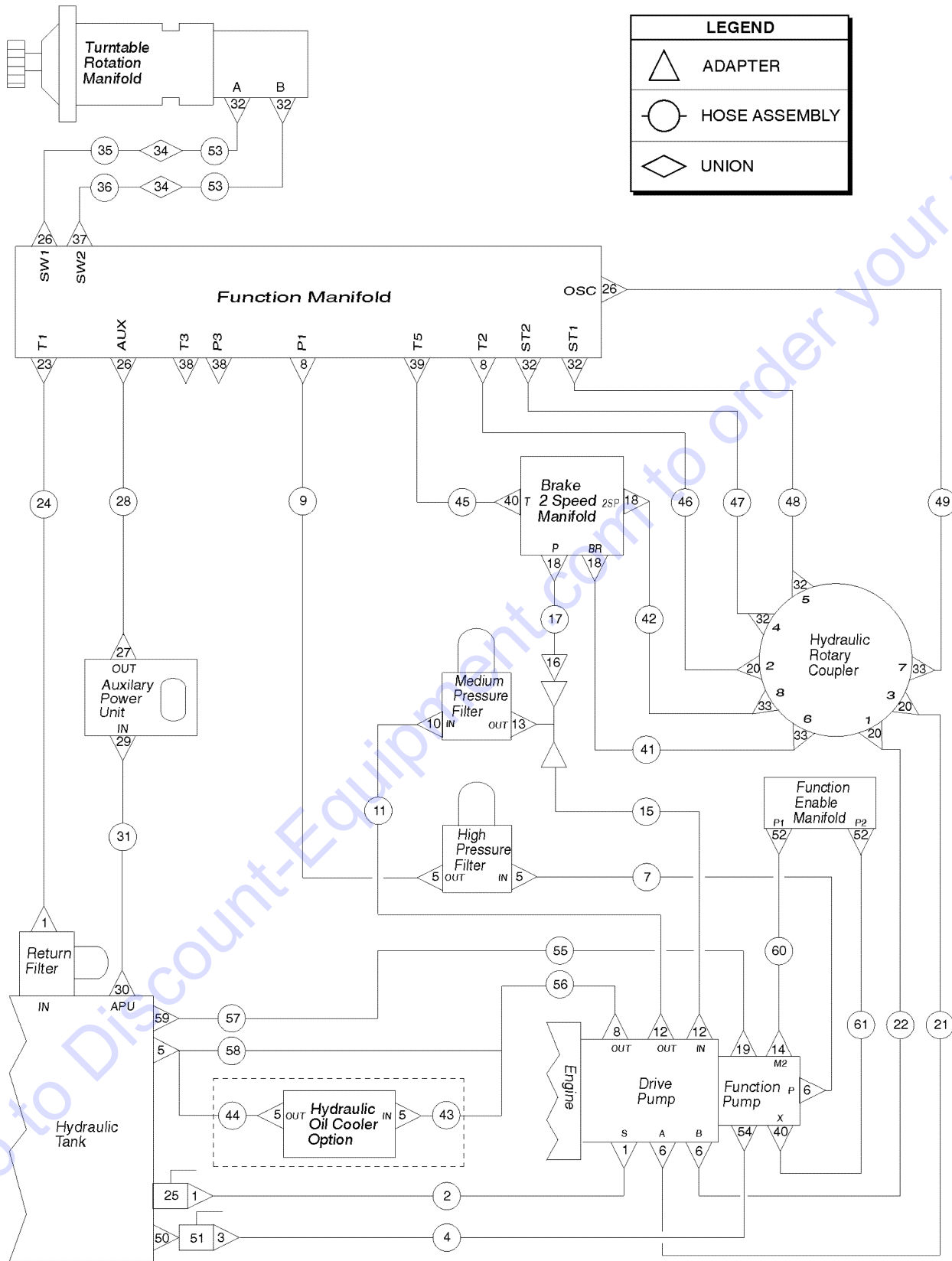
LEGEND	
	FITTING
	HOSE ASSEMBLY
	UNION

Go to Discount-Equipment.com to order your parts

Item	Part No.	Description	Qty.
1	49128-4209GT	HOSE ASSY,3/8,90D.....4 <i>Components: 48812, 48816 and 48753 @ 40 inches</i>	4
2	89449GT	FITTING, BRANCH BULKHEAD.....2	2
3	48920GT	ELBOW,45D,520320-6.....4	4
4	49130-8382GT	HOSE ASSY,FEM SW,6-6.....2 <i>Components: 48812, 48812 and 48753 @ 82 inches</i>	2
5	48915GT	ELBOW,90D,520220-6.....2	2
6	48914GT	CONN,520120-4-8.....1	1
7	48930GT	CONN,520120-6-8.....2	2
8	49128-4509GT	HOSE ASSY,3/8" 90 FEM,STR FEM.....1 <i>Components: 48812, 48816 and 48753 @ 43 inches</i>	1
9	217054GT	HOSE ASSY,1/4,90 FEM,STR FEM.....1 <i>Components: 48800, 48802 and 48751 @ 47 inches</i>	1
10	48907GT	ELBOW,45D,520320-4.....1	1

Go to Discount-Equipment.com to order your parts

712.1 Turntable Components



## 712.1 Turntable Components

Item	Part No.	Description	Qty.	Item	Part No.	Description	Qty.
1	48984GT	CONN,520120-16.....	3	24	88942-6754GT	HOSE ASSY,1,90 FEM,STR FEM..... <i>Components: 88938, 88939 and 88940 @ 64 inches</i>	1
2	88942-9554GT	HOSE ASSY,1",90 FEM,STR FEM..... <i>Components: 88938, 88939 and 88940 @ 92 inches</i>	1	25	48996GT	VALVE,BALL,16 MSAE-16 FSAE***.....	1
3	61083GT	CONN,520120-24.....	1	26	48915GT	ELBOW,90D,520220-6.....	3
4	121608-9175GT	HOSE ASSY,1-1/2,STR,90D JIC..... <i>Components: 121778, 88476, 88473 and 61100 @ 83 inches</i>	1	27	48918GT	TEE,RUN,520428-6.....	1
5	48959GT	FITTING,ELBOW,90D,520220-12.....	5	28	49128-1509GT	HOSE ASSY,3/8,90 FEM,STR FEM..... <i>Components: 48816, 48812 and 48753 @ 13 inches</i>	1
6	48977GT	CONN,520120-12-16.....	3	29	48932GT	FITTING,ELBOW,90D,520220-8***.....	1
7	94374-4330GT	HOSE ASSY,3/4,90 FEM,STR FEM..... <i>Components: 48846, 48841 and 94358 @ 40 inches</i>	1	30	48933GT	CONN,520120-8***.....	1
8	48960GT	FITTING,CONN,520120-12***.....	3	31	49183-2692GT	HOSE ASSY,1/2,STR FEM,STR FEM*.... <i>Components: 48822, 48822 and 48756 @ 24 inches</i>	1
--	48959GT	FITTING,ELBOW,90D,520220-12 <i>(use with hose 49151-3548)</i>		32	48916GT	CONN, 520120-6.....	7
--	48963GT	FITTING,ELBOW,45D,520320-12*** <i>(Welder option)</i>		33	48928GT	ELBOW,45D,520320-6-4.....	3
--	48964GT	FITTING,TEE,RUN,SWIVEL52043212 <i>(Welder option)</i>		34	61321GT	ELBOW,90D,BLKHD,ORFS-6-6 W/NUT.....	2
9	89871-5348GT	HOSE ASSY,3/4,STR FEM,STR FEM..... <i>Components: 48841, 48841 and 94358 @ 51 inches</i>	1	35	121685GT	HYD TUBE,SWING DRIVE #1.....	1
10	48933GT	CONN,520120-8***.....	1	36	121684GT	HYD TUBE,SWING DRIVE #2.....	1
11	217058GT	HOSE ASSY,1/2,90 FEM,STR FEM..... <i>Components: 48822, 48827 and 48756 @ 25 inches</i>	1	37	56003GT	ELBOW,90D,LONG,521520-6.....	1
12	42790GT	ELBOW,45D,520320-8-10.....	2	38	87172GT	PLUG,HEX SOCKET,090109B-12.....	2
13	48935GT	TEE,RUN,520428-8.....	1	39	48905GT	CONN,520120-4***.....	1
14	48912GT	CONN,520120-4-6***.....	1	40	48904GT	ELBOW,90D,520220-4-4..... <i>(Deutz and Perkins models)</i>	2
15	49143-4129GT	HOSE ASSY,1/2,90 FEM,STR FEM*.... <i>Components: 48822, 48827 and 48756 @ 39 inches</i>	1	--	48905GT	CONN,520120-4*** <i>(Continental models)</i>	
16	111572GT	REDUCER,520123-8-6.....	1	41	121357GT	HYD TUBE,BRAKE..... <i>to SN 13038</i>	1
17	121337GT	HYD TUBE,BRAKE/2SPD PRESS LINE..... <i>to SN 13038</i>	1	--	1256825GT	HYD TUBE,BRAKE <i>from SN 13039 to 13999</i>	
--	1256206GT	HYD TUBE,BRAKE/2 SPD PRESS LINE <i>from SN 13039 to 13999</i>		42	121355GT	HYD TUBE,2-SPEED..... <i>to SN 13038</i>	1
18	48927GT	CONN,520120-6-4.....	3	--	1256824GT	HYD TUBE,2-SPEED <i>from SN 13039 to 13999</i>	
19	48946GT	CONN,520120-8-10.....	1	43	121370GT	HYD TUBE, DRIVE CASE COOLER.....	1
20	48963GT	FITTING,ELBOW,45D,520320-12***.....	3	44	217059GT	HOSE ASSY,3/4,STR FEM,STR FEM..... <i>Components: 48841, 48841 and 48761 @ 16.50 inches</i>	1
21	89871-5848GT	HOSE ASSY,3/4,STR FEM..... <i>Components: 48841, 48841 and 94358 @ 56 inches</i>	1	45	49117-6191GT	HOSE ASSY,1/4,90 FEM,STR FEM..... <i>Components: 48800, 48802 and 48751 @ 60 inches</i>	1
22	89871-5648GT	HOSE ASSY,3/4,STR FEM..... <i>Components: 48841, 48841 and 94358 @ 54 inches</i>	1	46	49149-3126GT	HOSE ASSY,3/4,45 FEM,STR FEM..... <i>Components: 48845, 48841 and 48761 @ 29 inches</i>	1
23	48983GT	ELBOW,90D,520220-16.....	1	47	121682GT	HYD TUBE,STEER TUBE #2.....	1
				48	121683GT	HYD TUBE,STEER TUBE #1.....	1
				49	121681GT	HYD TUBE,OSC TUBE.....	1
				50	75254GT	UNION,STR.THREAD 24***.....	1

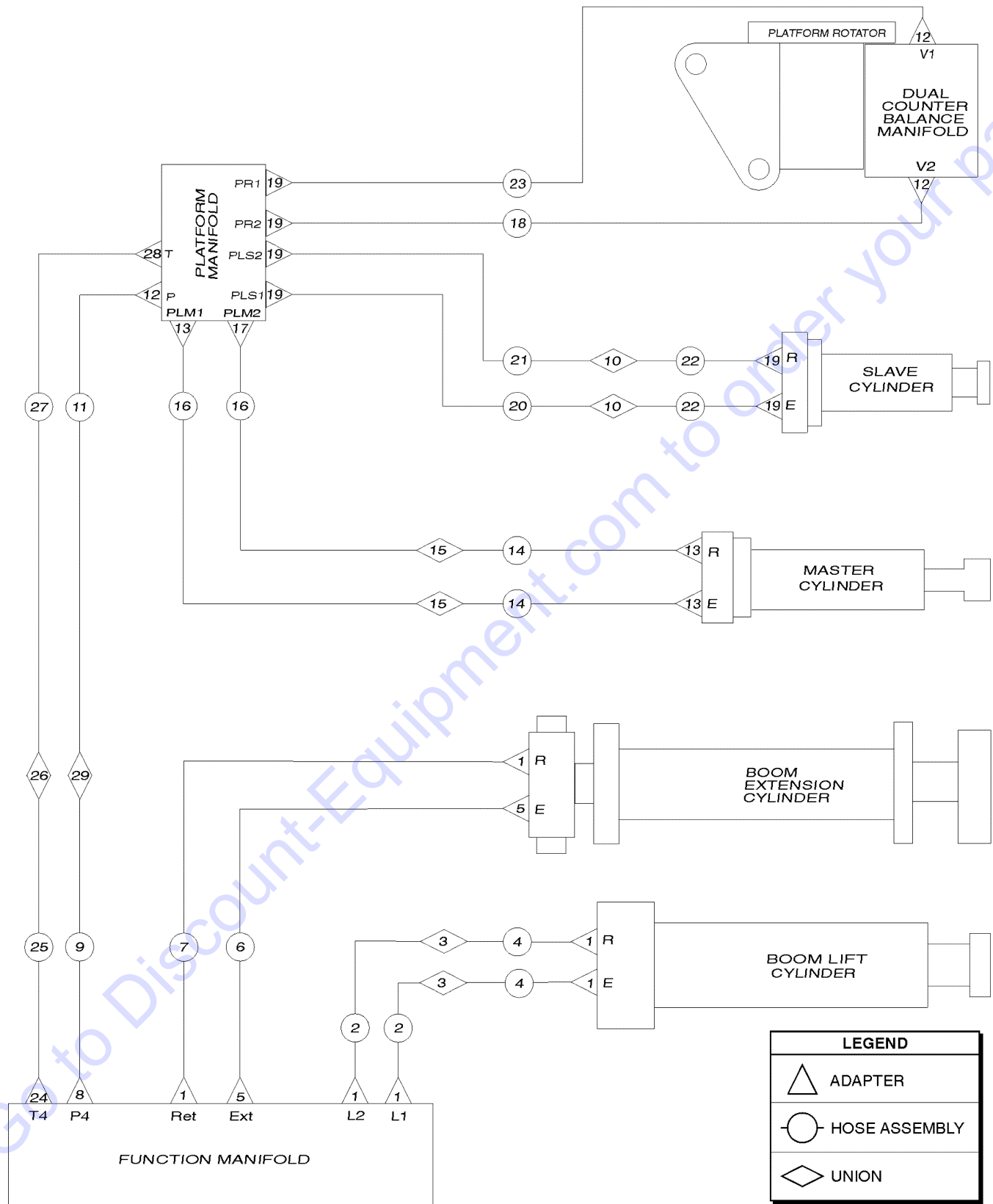
712.1 Turntable Components  
(continued)

Item	Part No.	Description	Qty.
51	75256GT	VALVE BALL,24 FSAE-24 FSAE*** .....1	
52	48907GT	ELBOW,45D,520320-4.....2 (Deutz and Perkins models)	
--	48905GT	CONN,520120-4*** (Continental models)	
53	217057GT	HOSE ASSY,3/8,90 FEM,STR FEM.....2 Components: 48812, 48816 and 48753 @ 24 inches	
54	121777GT	CONN,070121-24-24.....1	
55	49143-2829GT	HOSE ASSY,1/2,90 FEM,STR FEMM* ....1 Components: 48822, 48827 and 48756 @ 28.29 inches	
--	104186GT	SEAL, ORFS TUBE FLANGE, 8PLS.....1	
56	49150-3730GT	HOSE ASSY,3/4,90 FEM,STR FEM.....1 Components: 48841, 48846 and 48761 @ 37.30 inches; to SN 11648	
--	121222GT	SEAL, ORFS TUBE FLANGE, 12 PLS....1 use with hose 49150-3730, to SN 11648	
--	49151-3548GT	HOSE ASSY,3/4,STR FEM,STR FEM Components: 48841, 48841 and 48761 @ 33 inches; from SN 11649	
57	121366GT	HYD TUBE,FUNCTION CASE.....1	
58	121365GT	HYD TUBE, DRIVE CASE.....1	
59	75614GT	ELBOW,90D,LONG,521520-8.....1	
60	49116-1437GT	HOSE ASSY,1/4,45 FEM,STR FEM.....1	
61	49119-1378GT	HOSE ASSY,1/4,STR FEM,STR FEM.....1	

*This Page Intentionally Left Blank*

Go to Discount-Equipment.com to order your parts

713.1 Boom, S-80X and S-80

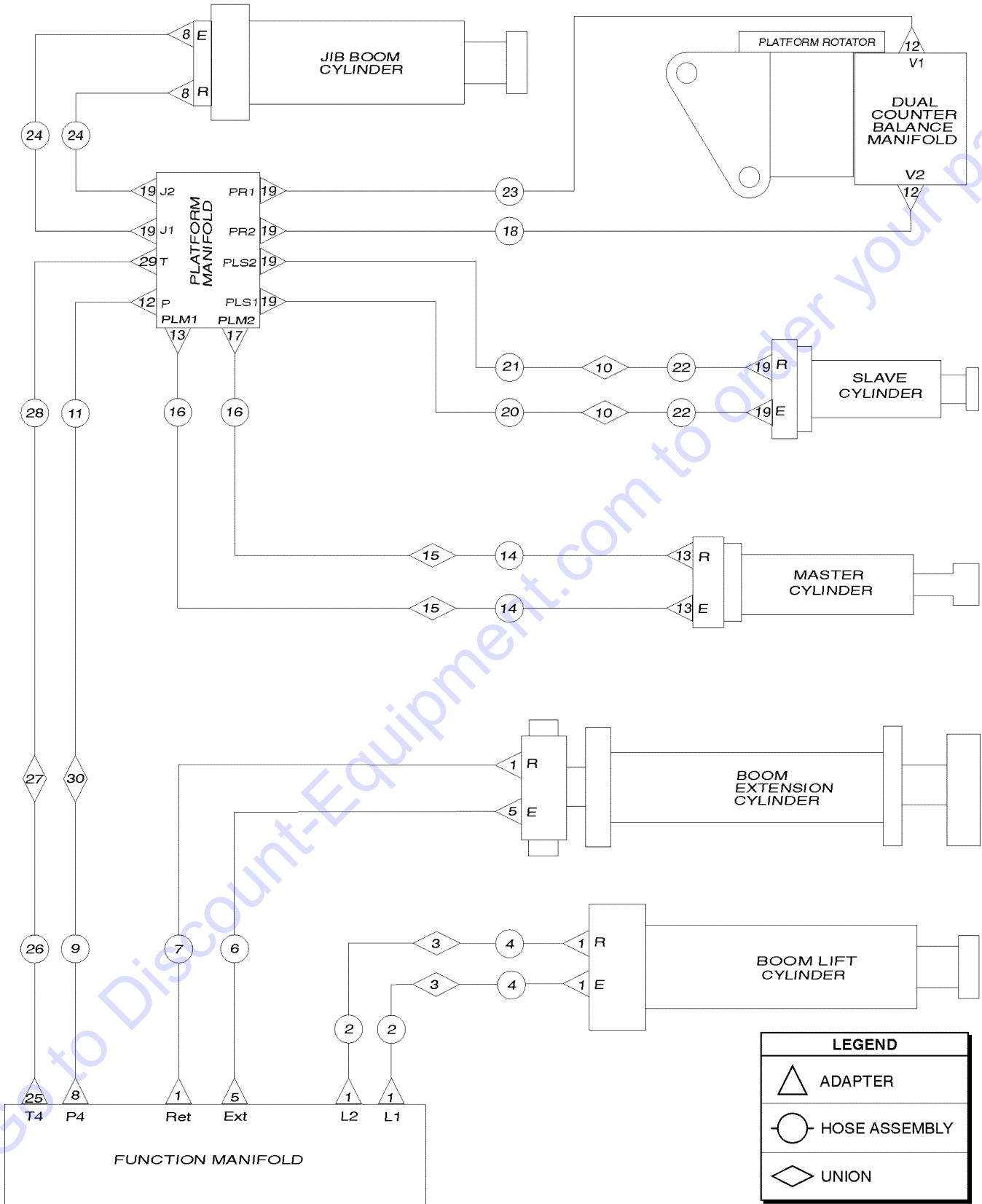




## 713.1 Boom, S-80X and S-80

Item	Part No.	Description	Qty.	Item	Part No.	Description	Qty.
1	48933GT	CONN,520120-8***	6	20	49117-4691GT	HOSE ASSY,1/4,90 FEM,STR FEM.....1 Components: 48800, 48802 and 48751 @ 45 inches	1
2	49143-14429GT	HOSE ASSY,1/2,90 FEM,STR FEMM*...2 Components: 48822, 48827 and 48756 @ 142 inches	2	21	121787-4691GT	HOSE ASSY,1/4,90L FEM,STR FEM.....1 Components: 48800, 121788 and 48751 @ 45 inches	1
3	48894GT	CONN,BULKHEAD,520601-8.....2	2	22	49117-2791GT	HOSE ASSY,1/4",90 FEM,STR FEM.....2	2
4	49137-5041GT	HOSE ASSY,1/2,90L FEM,STR FEM.....2 Components: 48822, 48824 and 48756 @ 48 inches	2	23	49116-2437GT	HOSE ASSY,1/4,45 FEM,STR FEM.....1 Components: 48800, 48801 and 48751 @ 22 inches	1
5	48960GT	FITTING,CONN,520120-12***	2	24	48916GT	CONN, 520120-6.....1	1
6	102313-17526GT	HOSE ASSY,3/4,45 FEM,STR FEM.....1 Components: 48841, 48845 and 94358 @ 172 inches	1	25	49128-50409GT	HOSE ASSY,3/8,90 FEM,STR FEM.....1 Components: 48816, 48812 and 48753 @ 502 inches	1
7	49141-17463GT	HOSE ASSY,1/2,45 FEM,STR FEM.....1 Components: 48822, 48826 and 48756 @ 172 inches	1	26	61321GT	ELBOW,90D,BLKHD,ORFS-6-6 W/NUT.....1	1
8	48912GT	CONN,520120-4-6***	1	27	49130-63782GT	HOSE ASSY,3/8",STR FEM/STR FEM...1 Components: 48812, 48812 and 48753 @ 636 inches	1
9	49117-50391GT	HOSE ASSY,1/4,90 FEM, STR FEM.....1 Components: 48800, 48802 and 48751 @ 502 inches; to SN 8861	1	28	48920GT	ELBOW,45D,520320-6.....1	1
--	49119-51078GT	HOSE ASSY,1/4 STR FEM,STR FEM Components: 48800, 48800 and 48751 @ 509 inches; from SN 8862		29	61079GT	ELBOW,90D,BULKHEAD,520701-4.....1 to SN 8861	1
10	61079GT	ELBOW,90D,BULKHEAD,520701-4.....2	2	--	61269GT	UNION,BULKHEAD,ORFS,520601,-4 from SN 8862	
11	49119-63778GT	HOSE ASSY,1/4,STR FEM,STR FEM.....1 Components: 48800, 48800 and 48751 @ 636 inches; to SN 8861	1				
--	49119-66978GT	HOSE ASSY,1/4 STR FEM,STR FEM Components: 48800, 48800 and 48751 @ 668 inches; from SN 8862					
12	48907GT	ELBOW,45D,520320-4.....4	4				
13	48904GT	ELBOW,90D,520220-4-4.....3	3				
14	49117-33391GT	HOSE ASSY,1/4,90 FEM,STR FEM.....2 Components: 48800, 48802 and 48751 @ 332 inches; to SN 8861	2				
--	49119-34078GT	HOSE ASSY,1/4,STR FEM,STR FEM* Components: 48800, 48800 and 48751 @ 339 inches; from SN 8862					
15	61268GT	CONN,BULKHEAD,520801,-4.....2 to SN 8861	2				
--	61269GT	UNION,BULKHEAD,ORFS,520601,-4 from SN 8862					
16	49116-63837GT	HOSE ASSY,1/4,45 FEM,STR FEM.....2 Components: 48800, 48801 and 48751 @ 636 inches; to SN 8861	2				
--	49119-66978GT	HOSE ASSY,1/4 STR FEM,STR FEM Components: 48800, 48800 and 48751 @ 668 inches; from SN 8862					
17	61259GT	ELBOW,90D,LONG,521520-4.....1	1				
18	49116-2637GT	HOSE ASSY,1/4,45 FEM,STR FEM.....1 Components: 48800, 48801 and 48751 @ 24 inches	1				
19	48905GT	CONN,520120-4***	6				

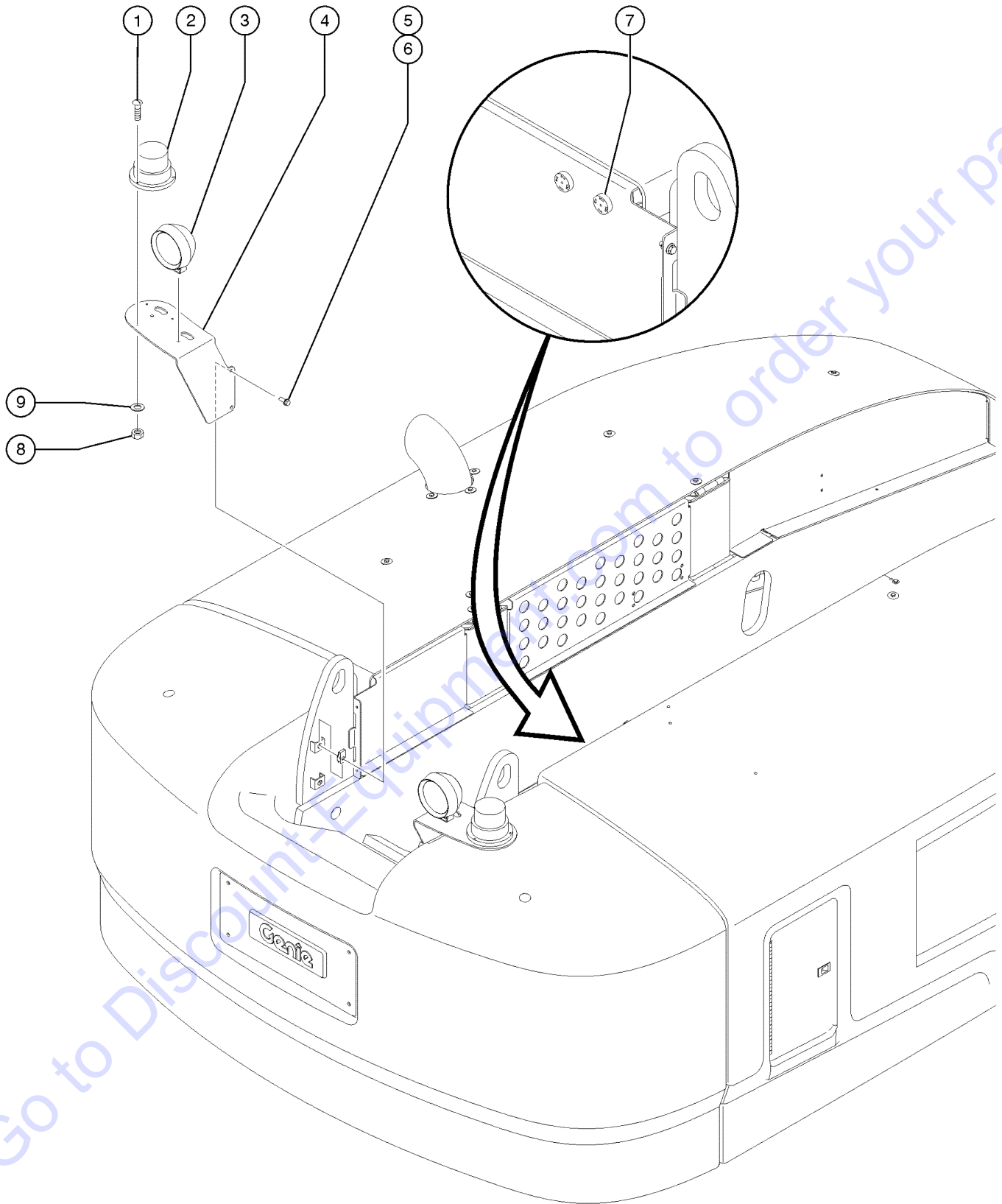
714.1 Boom, S-85



LEGEND	
	ADAPTER
	HOSE ASSEMBLY
	UNION

Item	Part No.	Description	Qty.	Item	Part No.	Description	Qty.
1	48933GT	CONN,520120-8***.....	6	20	49117-13291GT	HOSE ASSY,1/4,90 FEM,STR FEM..... <i>Components: 48800, 48802 and 48751 @ 131 inches</i>	1
2	49143-14429GT	HOSE ASSY,1/2,90 FEM,STR FEM*.... <i>Components: 48822, 48827 and 48756 @ 142 inches</i>	2	21	121787-13291GT	HOSE ASSY,1/4,90L FEM,STR FEM..... <i>Components: 48800, 121788 and 48751 @ 131 inches</i>	1
3	48894GT	CONN,BULKHEAD,520601-8.....	2	22	49117-2791GT	HOSE ASSY,1/4",90 FEM,STR FEM.....	2
4	49137-5041GT	HOSE ASSY,1/2,90L FEM,STR FEM..... <i>Components: 48822, 48824 and 48756 @ 48 inches</i>	2	23	49116-2437GT	HOSE ASSY,1/4,45 FEM,STR FEM..... <i>Components: 48800, 48801 and 48751 @ 22 inches</i>	1
5	48960GT	FITTING,CONN,520120-12***.....	2	24	217055GT	HOSE ASSY,1/4,STR FEM,STR FEM..... <i>Components: 48800, 48801 and 101697 @ 22 inches</i>	2
6	102313-17526GT	HOSE ASSY,3/4,45 FEM,STR FEM..... <i>Components: 48841, 48845 and 94358 @ 172 inches</i>	1	25	48916GT	CONN, 520120-6.....	1
7	49141-17463GT	HOSE ASSY,1/2,45 FEM,STR FEM..... <i>Components: 48822, 48826 and 48756 @ 172 inches</i>	1	26	49128-50409GT	HOSE ASSY,3/8,90 FEM,STR FEM..... <i>Components: 48816, 48812 and 48753 @ 502 inches</i>	1
8	48912GT	CONN,520120-4-6***.....	3	27	61321GT	ELBOW,90D,BLKHD,ORFS-6-6 W/NUT.....	1
9	49117-50391GT	HOSE ASSY,1/4,90 FEM, STR FEM..... <i>Components: 48800, 48802 and 48751 @ 502 inches; to SN 8861</i>	1	28	1286035GT	HOSE ASSY,HYD,3/8",STR FEM ORFS-6 X STR FEM ORFS-6 X 706"..... <i>Components: 48812, 48812 and 48753 @ 706 inches</i>	1
--	49119-51078GT	HOSE ASSY,1/4 STR FEM,STR FEM <i>Components: 48800, 48800 and 48751 @ 509 inches; from SN 8862</i>		29	48920GT	ELBOW,45D,520320-6.....	1
10	61079GT	ELBOW,90D,BULKHEAD,520701-4.....	3	30	61079GT	ELBOW,90D,BULKHEAD,520701-4..... <i>to SN 8861</i>	1
11	49119-71378GT	HOSE ASSY,1/4,STR FEM,STR FEM..... <i>Components: 48800, 48800 and 48751 @ 712 inches; to SN 8861</i>	1	--	61269GT	UNION,BULKHEAD,ORFS,520601,-4 <i>from SN 8862</i>	
--	49119-74578GT	HOSE ASSY,1/4 STR FEM,STR FEM <i>Components: 48800, 48800 and 48751 @ 744 inches; from SN 8862</i>		12	48907GT	ELBOW,45D,520320-4.....	3
12	48907GT	ELBOW,45D,520320-4.....	3	13	48904GT	ELBOW,90D,520220-4-4.....	3
13	48904GT	ELBOW,90D,520220-4-4.....	3	14	49117-33391GT	HOSE ASSY,1/4,90 FEM,STR FEM..... <i>Components: 48800, 48802 and 48751 @ 332 inches; to SN 8861</i>	2
14	49117-33391GT	HOSE ASSY,1/4,90 FEM,STR FEM..... <i>Components: 48800, 48802 and 48751 @ 332 inches; to SN 8861</i>	2	--	49119-34078GT	HOSE ASSY,1/4,STR FEM,STR FEM* <i>Components: 48800, 48800 and 48751 @ 339 inches; from SN 8862</i>	
--	49119-34078GT	HOSE ASSY,1/4,STR FEM,STR FEM* <i>Components: 48800, 48800 and 48751 @ 339 inches; from SN 8862</i>		15	61268GT	CONN,BULKHEAD,520801,-4..... <i>to SN 8861</i>	2
15	61268GT	CONN,BULKHEAD,520801,-4..... <i>to SN 8861</i>	2	--	61269GT	UNION,BULKHEAD,ORFS,520601,-4 <i>from SN 8862</i>	
--	61269GT	UNION,BULKHEAD,ORFS,520601,-4 <i>from SN 8862</i>		16	49116-71437GT	HOSE ASSY,1/4,45 FEM,STR FEM..... <i>Components: 48800, 48801 and 48751 @ 712 inches; to SN 8861</i>	2
16	49116-71437GT	HOSE ASSY,1/4,45 FEM,STR FEM..... <i>Components: 48800, 48801 and 48751 @ 712 inches; to SN 8861</i>	2	--	49119-74578GT	HOSE ASSY,1/4 STR FEM,STR FEM <i>Components: 48800, 48800 and 48751 @ 744 inches; from SN 8862</i>	
--	49119-74578GT	HOSE ASSY,1/4 STR FEM,STR FEM <i>Components: 48800, 48800 and 48751 @ 744 inches; from SN 8862</i>		17	61259GT	ELBOW,90D,LONG,521520-4.....	1
17	61259GT	ELBOW,90D,LONG,521520-4.....	1	18	49116-2637GT	HOSE ASSY,1/4,45 FEM,STR FEM..... <i>Components: 48800, 48801 and 48751 @ 24 inches</i>	1
18	49116-2637GT	HOSE ASSY,1/4,45 FEM,STR FEM..... <i>Components: 48800, 48801 and 48751 @ 24 inches</i>	1	19	48905GT	CONN,520120-4***.....	10
19	48905GT	CONN,520120-4***.....	10				

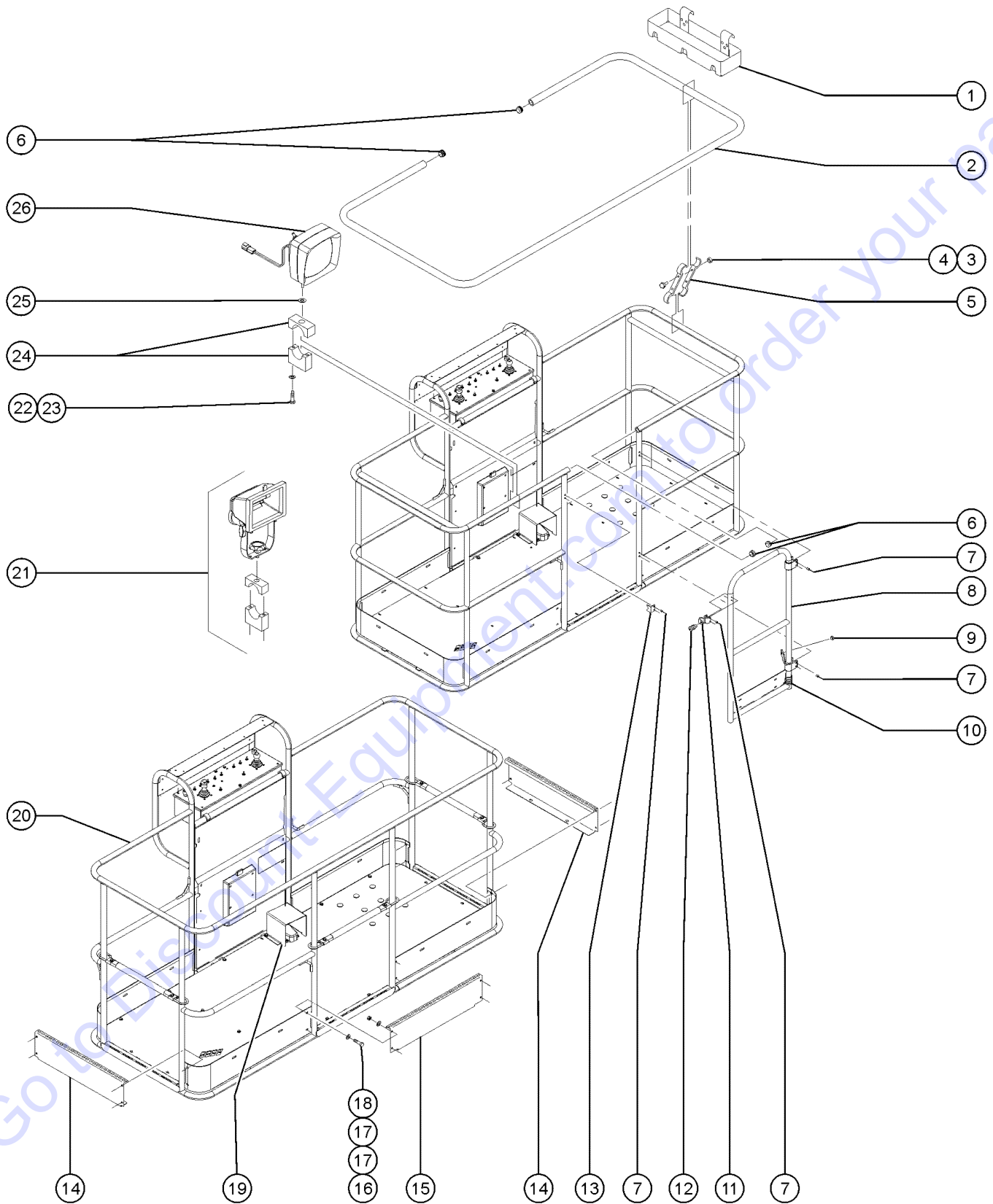
801.1 Alarm and Beacon Package, Driving Lights



## 801.1 Alarm and Beacon Package, Driving Lights

Item	Part No.	Description	Qty.
1	6147GT	SCREW,RHM,10-32 X 1	
2	56704GT	STROBE,FIREBOLT,12-80VDC,AMB** <i>Replaced 20189</i>	
--	121489GT	HARNESS,BEACON,S80/85 2008	
--	122019GT	FLASHTUBE,U SHAPED,360DEG,BULB	
--	226393GT	FLASHTUBE,STRAIGHT,360DEG,BULB	
--	72282GT	LENS,AMBER,STROBE,FIREBOLT	
3	107857GT	LIGHT, 12 VOLT.....2	
--	35960GT	BULB,WORKLIGHT,12V 35W	
4	121589GT	FORMING,DRIVE LIGHT,RIGHT,S80....1	
--	121588GT	FORMING,DRIVELIGHT,LEFT,S80-85	
5	121066GT	SCREW,HHC,FLG,3/8-16 X 1 GR8	
6	29868GT	SPRING CLIP,3/8-16,.05-.20X.73,ZAG....4	
7	18963GT	ALARM,INTERMITTENT TONE 6-30V*...1 <i>(travel alarm, for descent alarm refer to 312.1 or 313.1) Does not include 72326 nut</i>	
--	72326GT	NUT - PLASTIC,RING FOR ALARMS.....1	
8	6178GT	NUT,NYLOCK,10-32	
9	6146GT	WASHER,FLAT,MS,#10,Y	

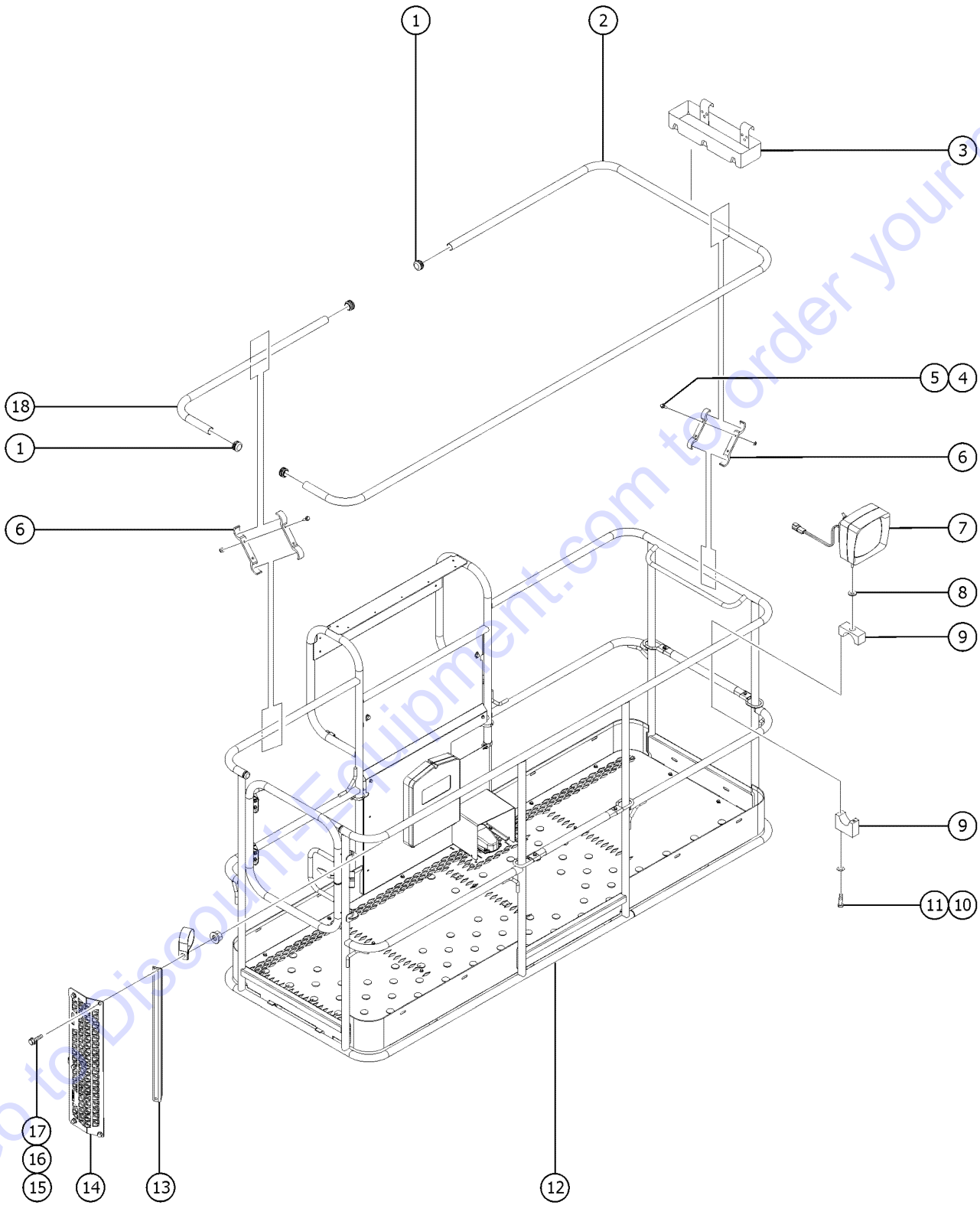
802.1 Platform Options (to SN 13581)



## 802.1 Platform Options (to SN 13581)

Item	Part No.	Description	Qty.	Item	Part No.	Description	Qty.
--	53808-SGT	AUX TOP RAIL,6'(1.25")SERVICE		14	102721PGT	TOEBOARD,8'TRI ENTRY.....	2
--	122278GT	AUX TOP RAIL,6',SWG GT, SRV		15	94745PGT	TOEBOARD,ENTRY EUROPEAN PNTD** .....	1
--	53807-SGT	AUX TOP RAIL,8'(1.25")SERVICE		16	6090GT	SCREW,HHC,1/4-20 X .75	
--	122279GT	AUX TOP RAIL,8',SWG GT, SRV		17	6638GT	WASHER,FLAT,USS,1/4"Y	
--	111486PGT	AUX TOP RAIL,8FT,PTD.....	2	18	6091GT	NUT,NYLOCK,1/4-20	
		<i>For use with swing gate</i>		19	128429GT	LARGE FOOT SWITCH COVER	
--	102721PGT	TOEBOARD,8'TRI ENTRY		20	111319GT	6' TRI-ENT RAIL W/DECALS ANSI <i>USA and Canadian models</i>	
--	122675GT	6' TRI-ENT ASSY W/DECALS ANSI <i>(Complete) USA and Canadian models</i>		--	111320GT	8' TRI-ENT RAIL W/DECALS ANSI <i>USA and Canadian models</i>	
--	122676GT	8' TRI-ENT ASSY W/DECALS ANSI <i>(Complete) USA and Canadian models</i>		--	107707GT	6' TRI-ENT RAIL W/DECALS AUSTR.....	1
--	122677GT	6' TRI-ENT ASSY W/DECALS AUSTR <i>(Complete) Australian models</i>				<i>Australian models</i>	
--	122678GT	8' TRI-ENT ASSY W/DECALS AUSTR <i>(Complete) Australian models</i>		--	107708GT	8' TRI-ENT RAIL W/DECALS AUSTR <i>Australian models</i>	
--	102439GT	8' TRI-ENT ASSY W/DECALS CE <i>(Complete) European models</i>		--	107706GT	8' TRI-ENT RAIL W/DECALS CE/UK.....	1
--	102436GT	6' TRI-ENT ASSY W/DECALS A/SOA <i>(Complete) Asia and South American models</i>				<i>European models</i>	
--	102440GT	8' TRI-ENT ASSY W/DECALS A/SOA <i>(Complete) Asia and South American models</i>		--	107709GT	6' TRI-ENT RAIL W/DECALS A/SOA.....	1
1	9599-SGT	TOOL TRAY ACCESSORY***.....	1			<i>Asia and South American models</i>	
2	1259704GT	PINCH GUARD RAIL,6' PLATFORM.....	1	21	1284764GT	WORKLIGHT,110V,250WATT,HALOGEN	
		<i>includes 55753 bumpers</i>		--	75519GT	CLAMP,WORKLIGHT	
--	52661GT	PINCH GUARD RAIL,8' PLATFORM**		22	6145GT	SCREW,HHC,1/4-20 X 1.5	
3	6889GT	NUT,LP NYLOCK,1/4-20		23	6356GT	WASHER,LOCK,.25	
4	122231GT	SCREW,BHSC,1/4-20 X 1		24	35956GT	BRACKET,WORK LIGHT MOUNT 5/16".....	2
5	122073GT	SUPPORT, RAILING.....	20	25	5397GT	WASHER,FLAT,USS,5/16",Y	
6	55753GT	BUMPER, PLASTIC, 1.25 O.D.....	4	26	71498GT	WORKLIGHT, 12V, DEUTSCH RECEPT.....	2
7	7265GT	RIVET,STEEL,P, .25 X .375.....	14				
8	128368GT	KIT,SWING GATE W/SPRING.....	1				
8A	119950GT	KIT,FIELD INSTALL,SWING GATE <i>Includes 128368</i>					
--	1487GT	GATE LATCH CASTING--DRILLED					
--	1488GT	RAILING CATCH CASTING--DRILLED					
--	33674GT	PIN,LOCK,SHORT***					
--	9596GT	HINGE CASTING <i>Special welding requirements for installation of this component. Strongly suggest ordering 128368 OR contact Discount-equipment for welding requirements.</i>					
9	43392GT	BUMPER,BATTERY BOX & RAILS.....	1				
10	42104GT	SPRING,SHORT PLATFORM GATE					
11	1487GT	GATE LATCH CASTING--DRILLED.....	1				
12	33674GT	PIN,LOCK,SHORT*** .....	1				
13	1488GT	RAILING CATCH CASTING--DRILLED...1					

802.2 Platform Options (from SN 13582)

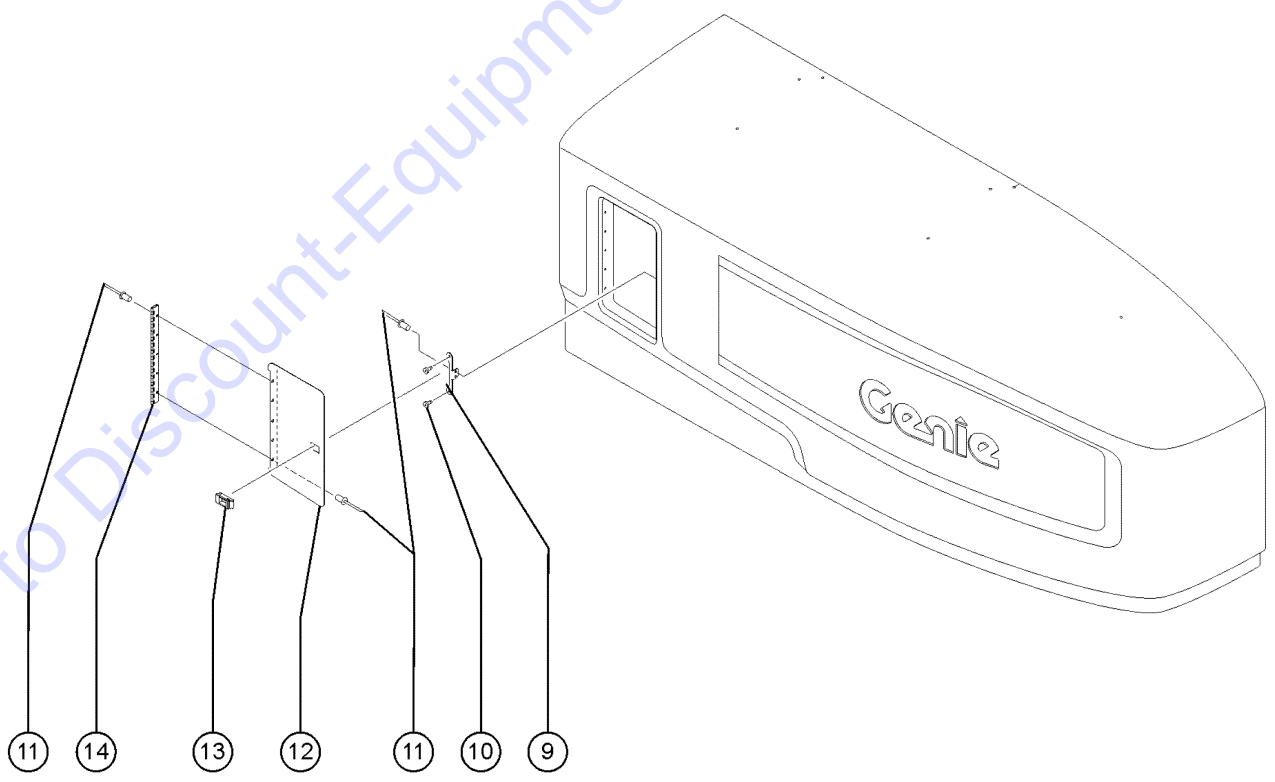
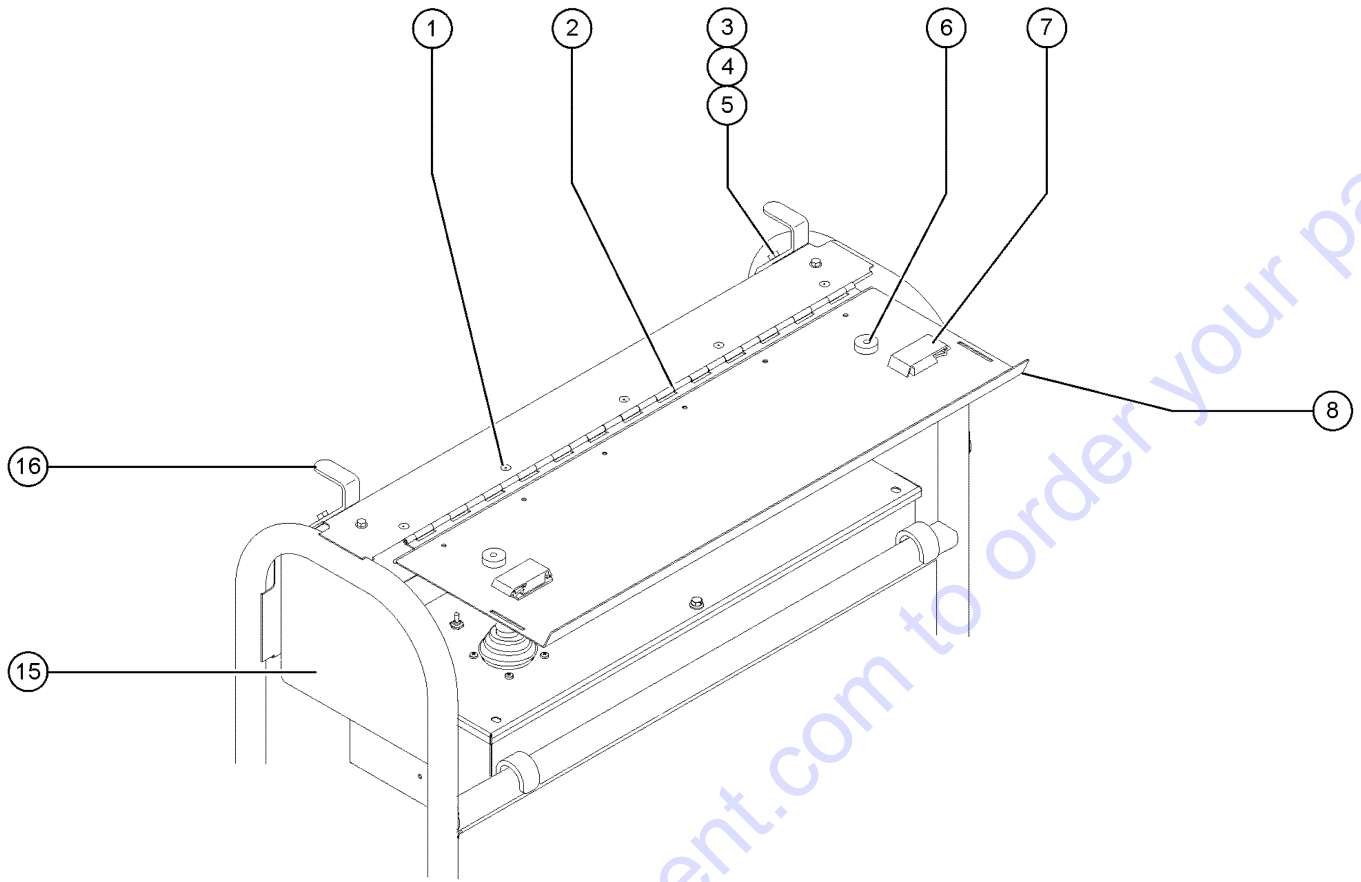




## 802.2 Platform Options (from SN 13582)

Item	Part No.	Description	Qty.
1	55753GT	BUMPER, PLASTIC, 1.25 O.D.....	4
2A	1271077GT	AUX RAIL, 8' PLAT, TRI-ENTRY..... (8 foot Platform)	1
2B	1270570GT	AUX RAIL, 6' PLAT, SIDE ENTRY..... (6 foot Platform)	1
3	9599-SGT	TOOL TRAY ACCESSORY***.....	1
4A	824079GT	SCREW,HHF,1/4-20X1,8,ZAG.....	26
		(8 foot Platform)	
4B	824079GT	SCREW,HHF,1/4-20X1,8,ZAG.....	22
		(6 foot Platform)	
5A	824027GT	NUT,TL FLG,1/4-20,G,ZAG.....	26
		(8 foot Platform)	
5B	824027GT	NUT,TL FLG,1/4-20,G,ZAG.....	22
		(6 foot Platform)	
6A	122073GT	SUPPORT, RAILING.....	26
		(8 foot Platform)	
6B	122073GT	SUPPORT, RAILING.....	22
		(6 foot Platform)	
7	71498GT	WORKLIGHT, 12V, DEUTSCH RECEPT.....	2
8	5397GT	WASHER,FLAT,USS,5/16",Y.....	2
9	35956GT	BRACKET,WORK LIGHT MOUNT 5/16".....	2
10	6145GT	SCREW,HHC,1/4-20 X 1.5.....	4
11	6356GT	WASHER,LOCK,.25.....	4
12		Ref.WELDMENT, PLATFORM..... (refer to 601.2)	1
13	1277966GT	TUBE,SQ,STL, 1.00 x 1.00 x .120.....	1
14	1277952GT	GUARD, SWING GATE.....	1
15	824086GT	SCREW,HHF,5/16-18X1,8,ZAG.....	5
16	56424GT	CLAMP,1.25X.5 RUBBER-CUSHION....	5
17	824028GT	NUT,TL FLG,5/16-18,G,ZAG.....	5
18A	1271078GT	AUX RAIL, 8' PLAT, TRI-ENTRY..... (8 foot Platform)	1
18B	1270571GT	AUX RAIL, 6' PLAT, SIDE ENTRY..... (6 foot Platform)	1

803.1 Hostile Environment Package - Ground and Platform Control Box Covers



# PARTS FINDER

**Search Website  
by Part Number**



**Search Manual  
Library For Parts  
Manual & Lookup Part  
Numbers – Purchase  
or Request Quote**

**Search Manuals**

Enter your information to help us find the right parts manual for your machine.

\* Brand:

\* Model:

\* Serial:

\* Part Number:

SEARCH

**Can't Find Part or  
Manual? Request Help  
by Manufacturer,  
Model & Description**

**Parts Order Form**

Please fill in the following information to help us find the right part for your machine.

Manufacturer:	<input type="text"/>
Model:	<input type="text"/>
Description:	<input type="text"/>
Part Number:	<input type="text"/>
Quantity:	<input type="text"/>
Notes:	<input type="text"/>

Discount-Equipment.com is your online resource for quality parts & equipment.

Florida: **561-964-4949** Outside Florida TOLL FREE: **877-690-3101**

**Need parts?**

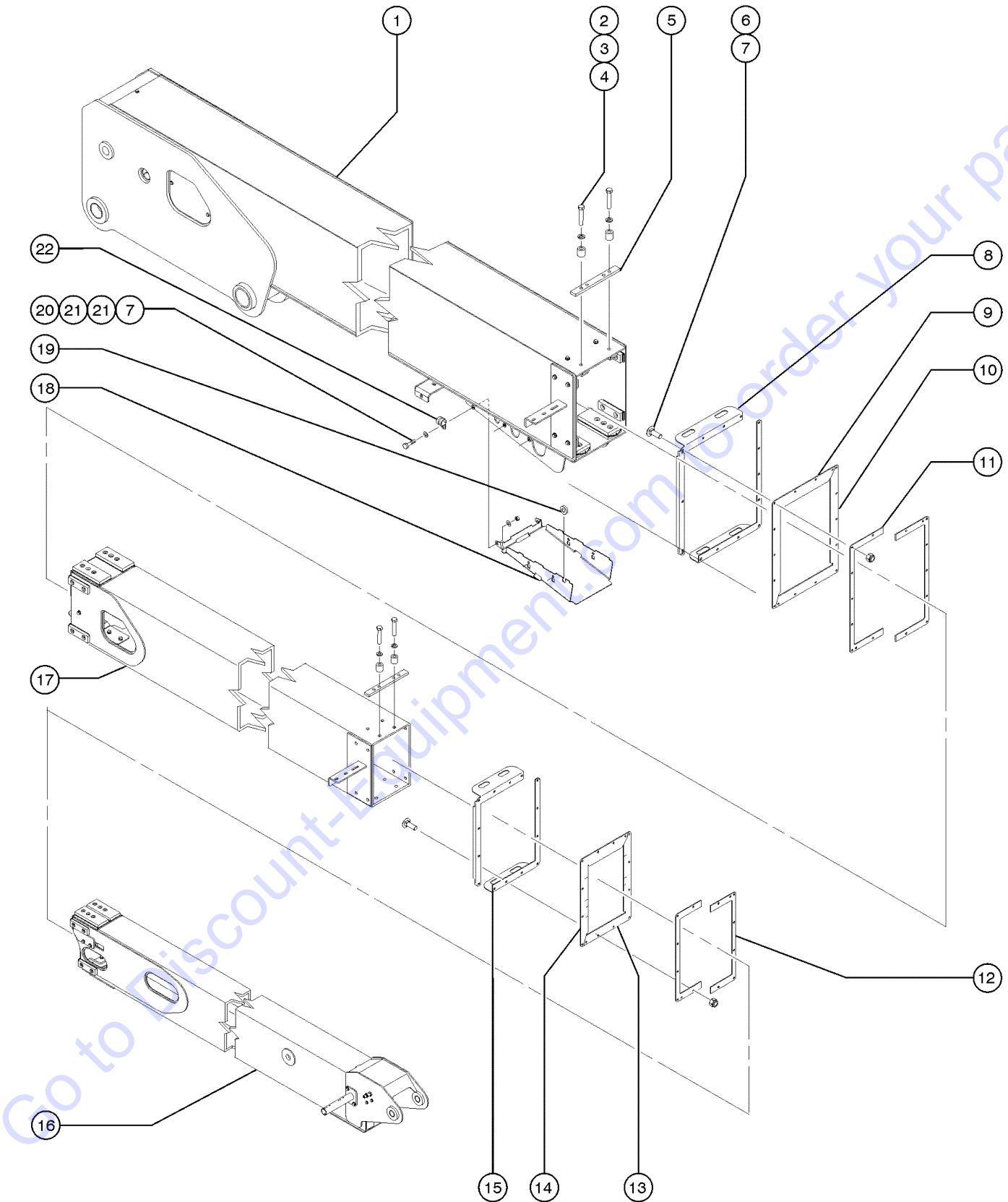
Click on this link: <http://www.discount-equipment.com/category/5443-parts/> and choose one of the options to help get the right parts and equipment you are looking for. Please have the machine model and serial number available in order to help us get you the correct parts. If you don't find the part on the website or on one of the online manuals, please fill out the request form and one of our experienced staff members will get back to you with a quote for the right part that your machine needs.

We sell worldwide for the brands: Genie, Terex, JLG, MultiQuip, Mikasa, Essick, Whiteman, Mayco, Toro Stone, Diamond Products, Generac Magnum, Airman, Haulotte, Barreto, Power Blanket, Nifty Lift, Atlas Copco, Chicago Pneumatic, Allmand, Miller Curber, Skyjack, Lull, Skytrak, Tsurumi, Husquvarna Target, Stow, Wacker, Sakai, Mi-T-M, Sullair, Basic, Dynapac, MBW, Weber, Bartell, Bennar Newman, Haulotte, Ditch Runner, Menegotti, Morrison, Contec, Buddy, Crown, Edco, Wyco, Bomag, Laymor, EZ Trench, Bil-Jax, F.S. Curtis, Gehl Pavers, Heli, Honda, ICS/PowerGrit, IHI, Partner, Imer, Clipper, MMD, Koshin, Rice, CH&E, General Equipment, Amida, Coleman, NAC, Gradall, Square Shooter, Kent, Stanley, Tamco, Toku, Hatz, Kohler, Robin, Wisconsin, Northrock, Oztec, Toker TK, Rol-Air, APT, Wylie, Ingersoll Rand / Doosan, Innovatech, Con X, Ammann, Mecalac, Makinex, Smith Surface Prep, Small Line, Wanco, Yanmar

## 803.1 Hostile Environment Package - Ground and Platform Control Box Covers

Item	Part No.	Description	Qty.
1	54486GT	RIVET,ALUM,ALUM,3/16BUTTONHEAD.11	
2	111526GT	HINGE,PLAT CONTROL BOX COVER...1	
3	6889GT	NUT,LP NYLOCK,1/4-20	
4	6638GT	WASHER,FLAT,USS,1/4"Y	
5	6888GT	SCREW,HHC,1/4-20 X 1	
6	43392GT	BUMPER,BATTERY BOX & RAILS.....2	
7	30468GT	LATCH,SLIDE, FLUSH MOUNT STYLE.....2	
8	102676GT	LID ASSY,CONTROL BOX COVER PLT.....1	
--	102785PGT	CONTROL BOX COVER,LID,PTD	
9	121832GT	FORMING,LATCH,GROUND BOX COVER.....1	
10	34619GT	BUMPER,RUBBER*** .....2	
11	53189GT	RIVET,ALUM,ALUM,P,.25X.375.....12	
12	121833GT	FORMING,GROUND BOX COVER	
13	30468GT	LATCH,SLIDE, FLUSH MOUNT STYLE	
14	121831GT	HINGE,GROUND BOX COVER.....1	
15	88607PGT	COVER,CONTROL BOX LEFT SIDE*** .....1	
--	88606PGT	COVER,CONTROL BOX RIGHT SIDE**	
16	102786PGT	FORMING,LATCH,CTRL BOX LID PTD.....2	

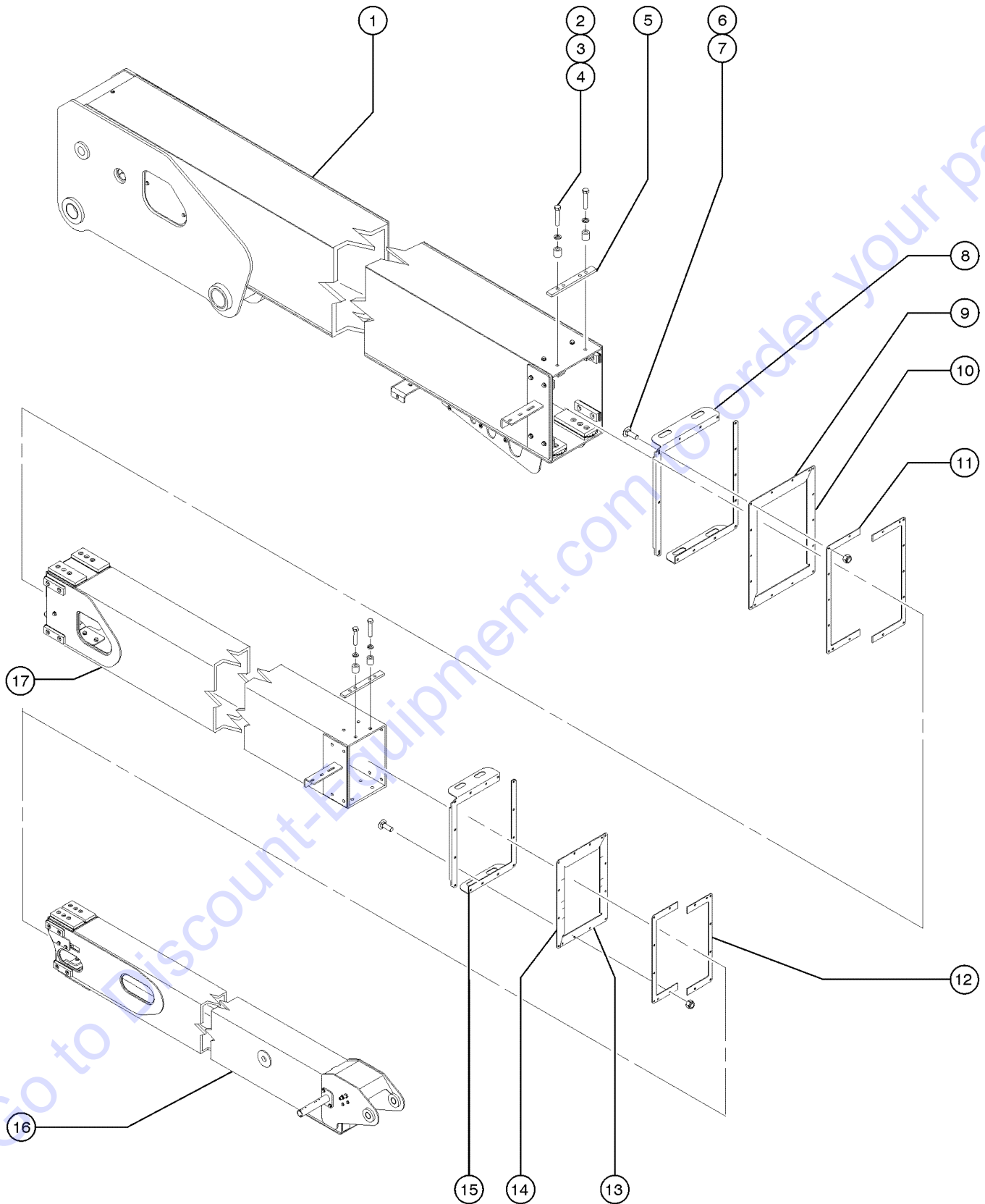
804.1 Hostile Environment Package - Booms, S-80X and S-80



## 804.1 Hostile Environment Package - Booms, S-80X and S-80

Item	Part No.	Description	Qty.
1		Ref. BOOM TUBE 1 (Refer to 502.1)	
2	5224GT	SCREW,HHC,3/8-16 X 2	
3	6021GT	WASHER,LOCK,.375	
4	101932GT	TUBE,RD,STL,DOM,,.75X.38X.78.....8	
5	121173GT	SPACER,BOOM WIPER TOP.....2	
6	6878GT	BOLT,CARRIAGE,1/4-20 X .75,G2	
7	6091GT	NUT,NYLOCK,1/4-20	
8	121166GT	FORMING,BRKT,WIPER,BOOM #1.....2	
9	121659GT	WIPER,RUBBER,S80,SEC #1, TOP.....1	
10	121660GT	WIPER,RUBBER,S80,SEC #1,BOTTOM.....1	
11	121167GT	PLATE,WIPER BACKING,BOOM #1.....2	
12	121170GT	PLATE,BACKING WIPER 2 TO 3.....2	
13	121662GT	WIPER,RUBBER,S80,SEC #2,BOT.....1	
14	121661GT	WIPER,RUBBER,S80,SEC#2, TOP.....1	
15	121169GT	FORMING,BRKT,WIPER,BOOM #2.....2	
16		Ref. BOOM TUBE 3 (Refer to 504.1)	
17		Ref. BOOM TUBE 2 (Refer to 503.1)	
18	147784GT	COVER, LIMIT SWITCH ASSY, S80.....1 <i>For S-80X ANSI only, from SN 8500</i>	
19	42646GT	GROMMET,RUBBER .25 X .50"OD.....1 <i>For S-80X ANSI only, from SN 8500</i>	
20	6888GT	SCREW,HHC,1/4-20 X 1 <i>For S-80X ANSI only, from SN 8500</i>	
21	6638GT	WASHER,FLAT,USS,1/4"Y <i>For S-80X ANSI only, from SN 8500</i>	
22	6833GT	CLAMP,0.50,#8 X 1/4,RUB CUSH.....3 <i>For S-80X ANSI only, from SN 8500</i>	

804.1 Hostile Environment Package - Booms, S-85

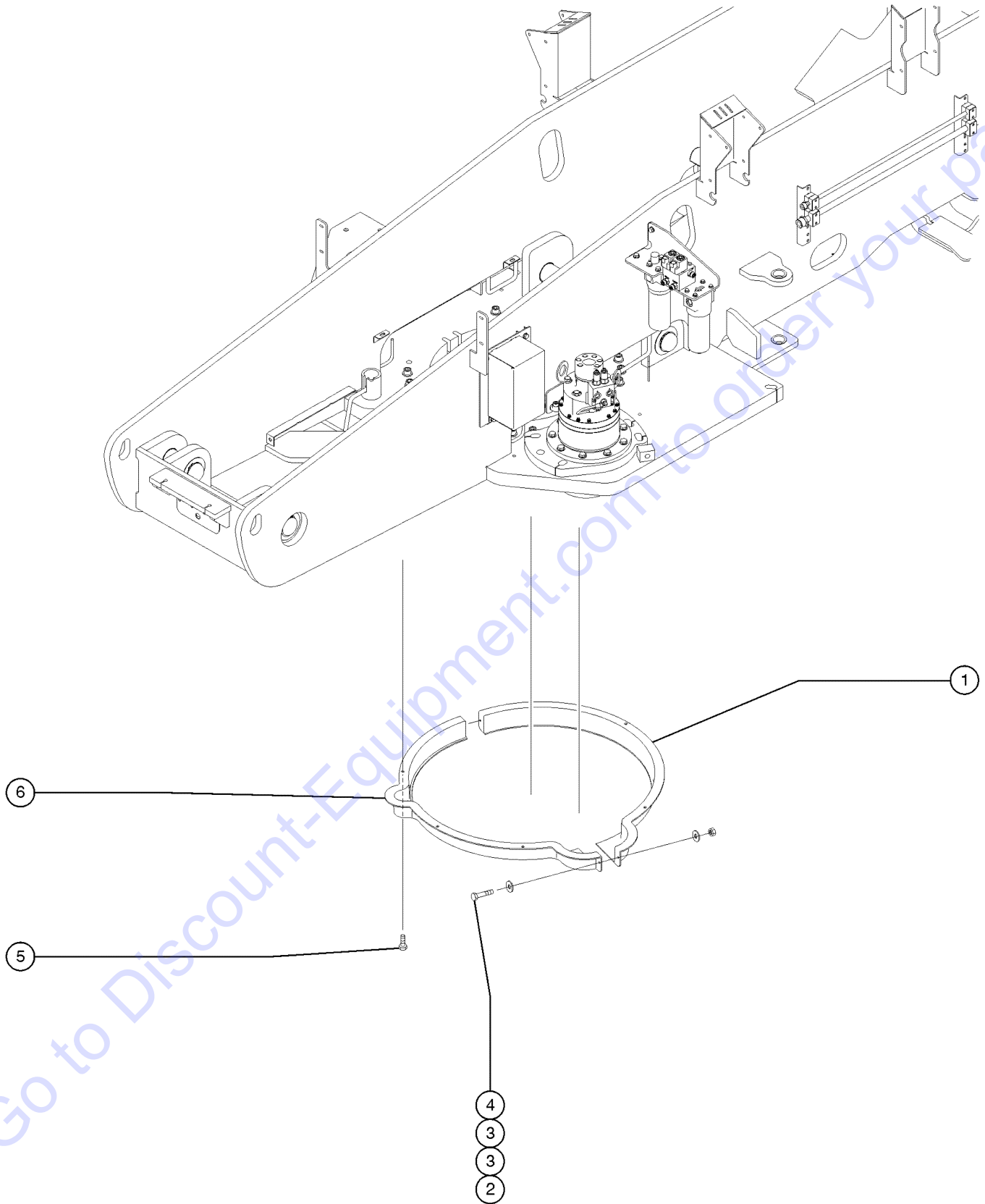


## 804.1 Hostile Environment Package - Booms, S-85

Item	Part No.	Description	Qty.
1		Ref. BOOM TUBE 1 (Refer to 502.1)	
2	5224GT	SCREW,HHC,3/8-16 X 2	
3	6021GT	WASHER,LOCK,.375	
4	101932GT	TUBE,RD,STL,DOM,.75X.38X.78.....	8
5	121173GT	SPACER,BOOM WIPER TOP.....	2
6	6878GT	BOLT,CARRIAGE,1/4-20 X .75,G2	
7	6091GT	NUT,NYLOCK,1/4-20	
8	121166GT	FORMING,BRKT,WIPER,BOOM #1.....	2
9	121659GT	WIPER,RUBBER,S80,SEC #1, TOP.....	1
10	121660GT	WIPER,RUBBER,S80,SEC #1,BOTTOM.....	1
11	121167GT	PLATE,WIPER BACKING,BOOM #1.....	2
12	121170GT	PLATE,BACKING WIPER 2 TO 3.....	2
13	121662GT	WIPER,RUBBER,S80,SEC #2,BOT.....	1
14	121661GT	WIPER,RUBBER,S80,SEC#2, TOP.....	1
15	121169GT	FORMING,BRKT,WIPER,BOOM #2.....	2
16		Ref. BOOM TUBE 3 (Refer to 504.1)	
17		Ref. BOOM TUBE 2 (Refer to 503.1)	



805.1 Hostile Environment Package - Turntable

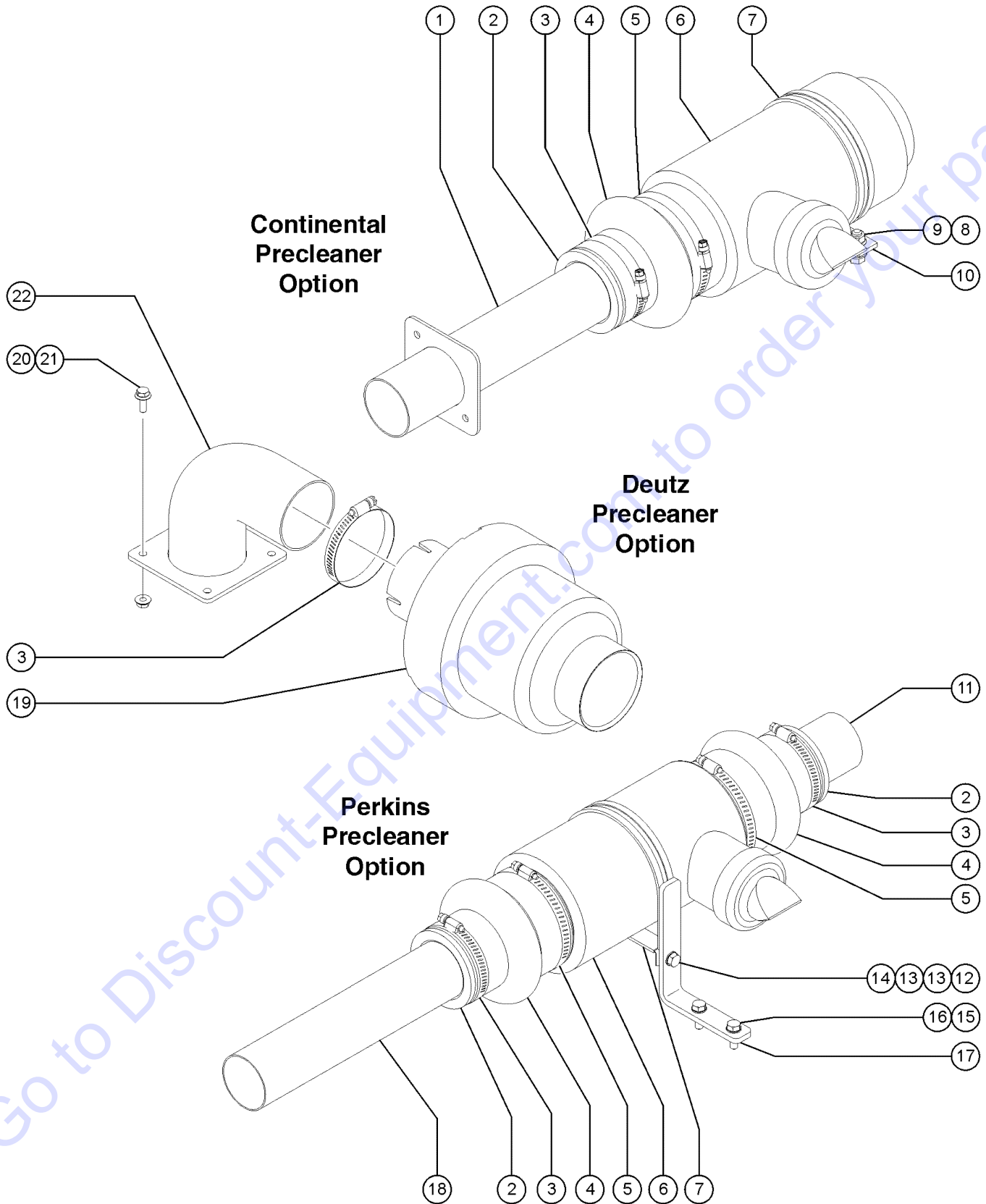


## 805.1 Hostile Environment Package - Turntable

Item	Part No.	Description	Qty.
1	121316GT	COVER,RING GEAR,FRONT.....	1
2	6090GT	SCREW,HHC,1/4-20 X .75	
3	6638GT	WASHER,FLAT,USS,1/4"Y	
4	6091GT	NUT,NYLOCK,1/4-20	
5	121066GT	SCREW,HHC,FLG,3/8-16 X 1 GR8.....	6
6	121317GT	COVER,RING GEAR,REAR.....	1

Go to Discount-Equipment.com to order your parts

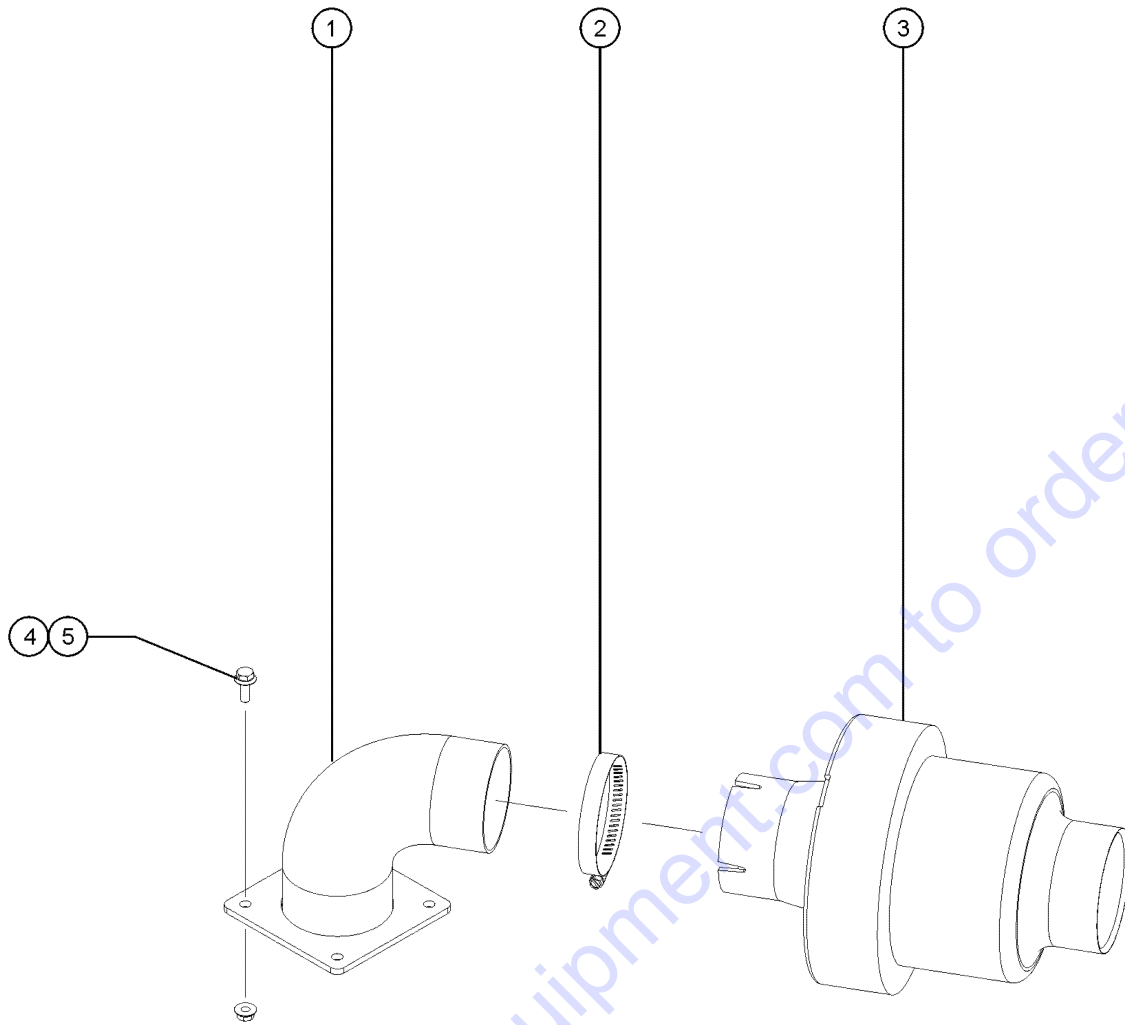
806.1 Hostile Environment Package - Engine Air Cleaners



## 806.1 Hostile Environment Package - Engine Air Cleaners

Item	Part No.	Description	Qty.
--		<i>For Engine Air Cleaner on Perkins 404F-22T and Deutz TD 2.9L4 refer to 806.2</i>	
--	61325GT	AIR CLEANER,SECONDARY ELEMENT	
1	121192GT	WELDMNT,PRECLEANER OUTLET....1	
2	101640GT	REDUCER,RUBBER 3.0 - 2.5.....3	
3	30971GT	CLAMP,HOSE,3.00".....3	
4	88492GT	HOSE,HUMP 3" TO 4".....3	
5	34955GT	CLAMP,HOSE,5.00.....3	
6	88493GT	PRECLEANER,AIR INTAKE.....2	
7	101639GT	CLAMP,5.38,#86 X 3/8,RUB CUSH.....2	
8	121066GT	SCREW,HHC,FLG,3/8-16 X 1 GR8	
9	121422GT	NUT,HEX,FLG,3/8-16	
10	121629GT	PLATE,PRECLEANER MT,CONT.....1	
11	94324-500GT	TUBE,RD,STL,ALUMIZD,2.5 X .065.....1	
12	4828GT	NUT,NYLOCK,3/8-16	
13	5397GT	WASHER,FLAT,USS,5/16",Y	
14	6019GT	SCREW,HHC,3/8-16 X 1.25 GRD 5	
15	49379GT	SCREW,HHC,M8 X 1.25 X 25	
16	33277GT	WASHER,FLAT,M8,YELLOW ZINC	
17	101612PGT	BRACKET,PRECLEANER PAINTED.....1	
18	94324-1400GT	TUBE,RD,STL,ALUMIZD,2.5 X .065	
19	89959GT	PRECLEANER,INLINE 3".....1	
20	121419GT	SCREW,HHF,1/4-20 X .75	
21	121421GT	NUT,FLG,1/4-20	
22	121413GT	WELDMNT,PRECLEANER MT,DEUTZ.....1	

806.2 Engine Air Cleaners (Perkins 404F-22T and Deutz TD 2.9L4)

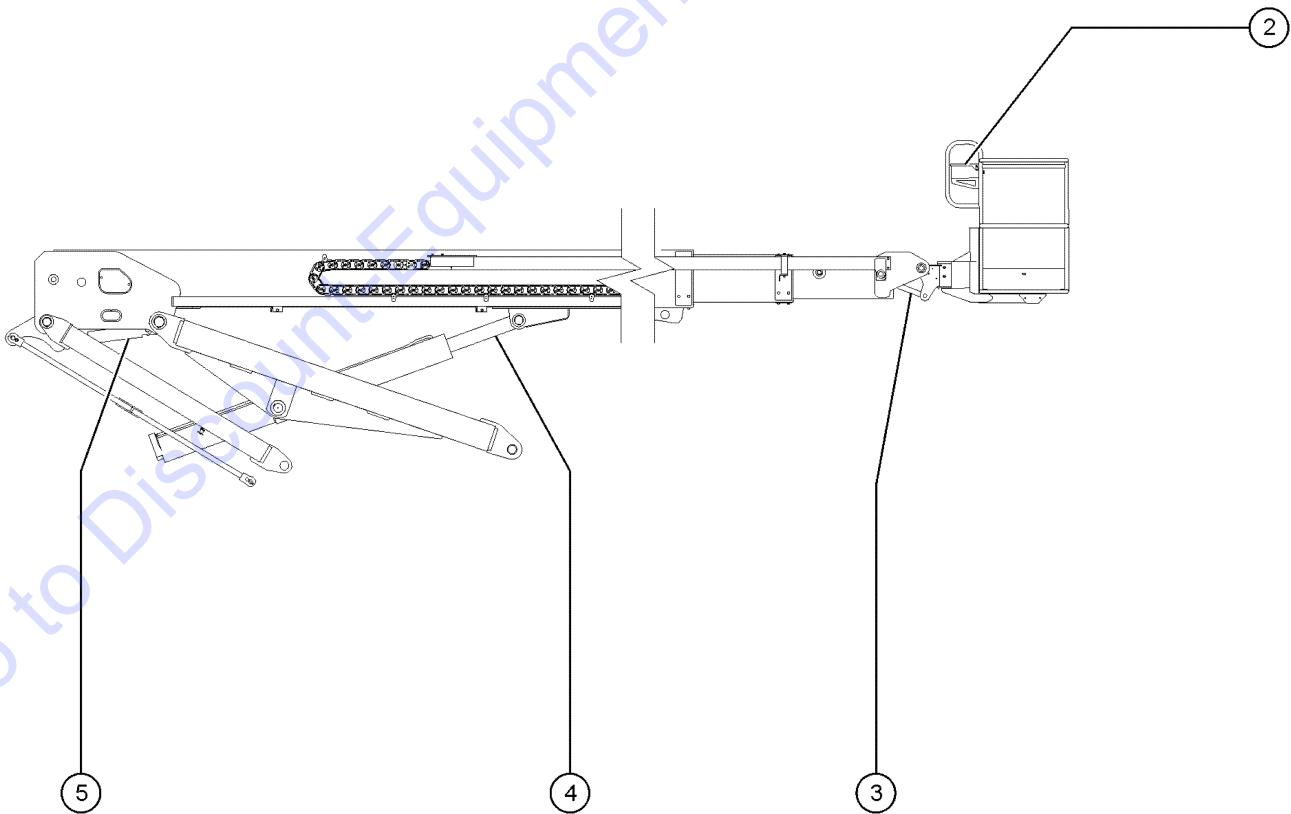
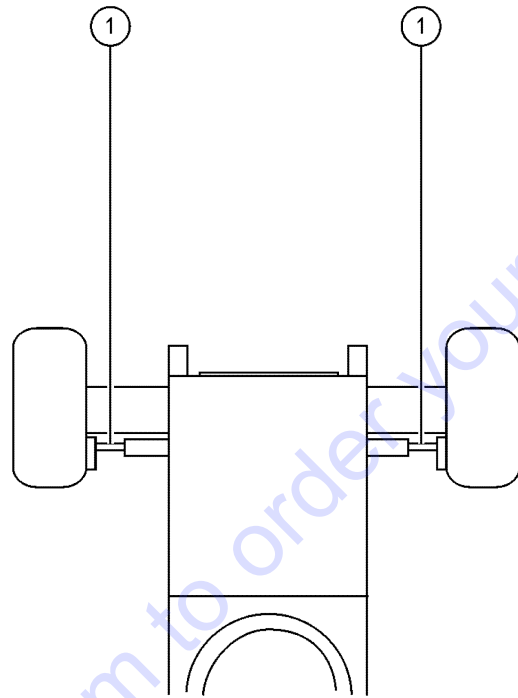
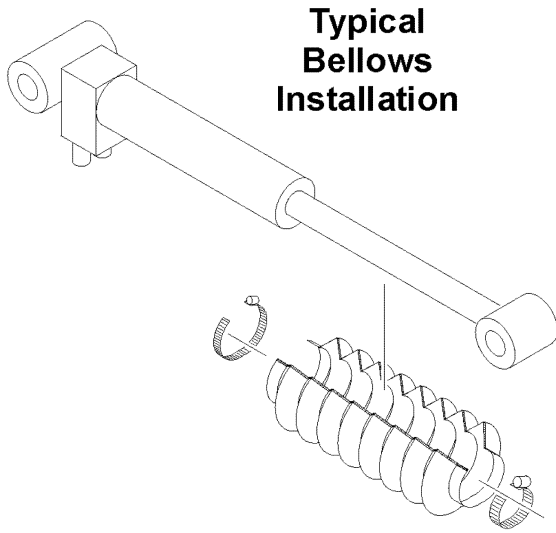


## 806.2 Engine Air Cleaners (Perkins 404F-22T and Deutz TD 2.9L4)

Item	Part No.	Description	Qty.
1	825948GT	WELDMENT, PRECLEANER MT, DEUTZ/PERKINS.....	1
2	30971GT	CLAMP,HOSE,3.00".....	1
3	89959GT	PRECLEANER,INLINE 3".....	1
4	121419GT	SCREW,HHF,1/4-20 X .75	
5	121421GT	NUT,FLG,1/4-20	

Go to Discount-Equipment.com to order your parts

807.1 Hostile Environment Package - Cylinder Bellows, S-80X and S-80

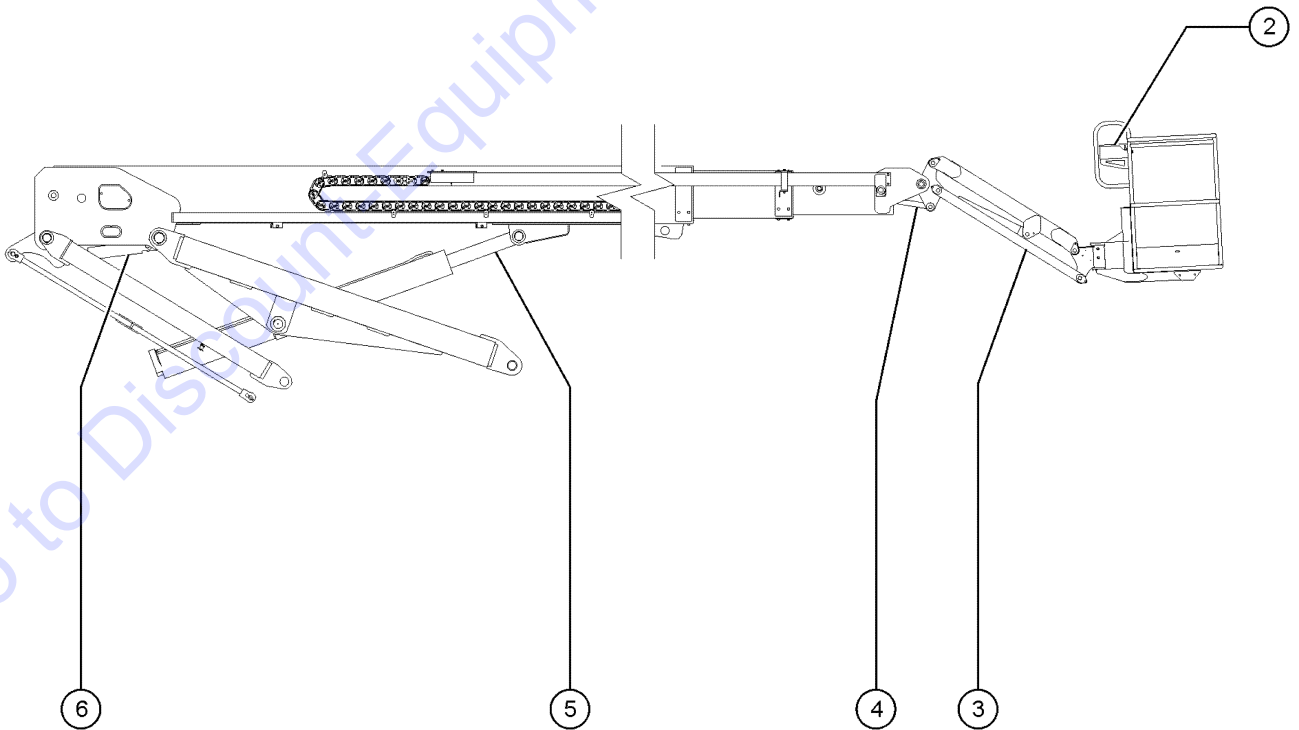
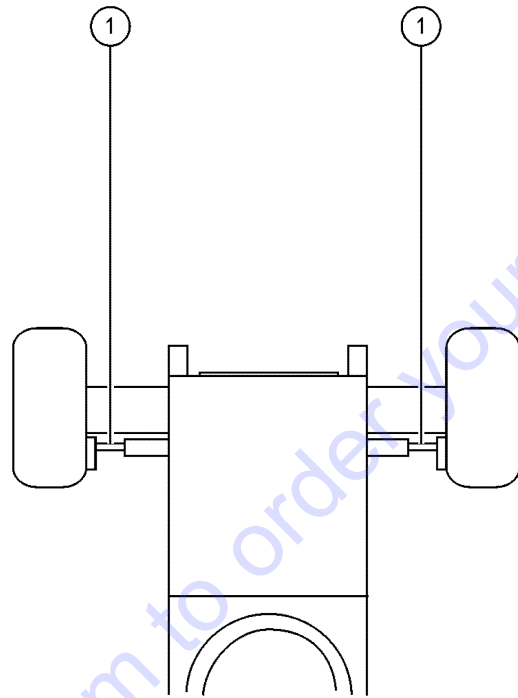
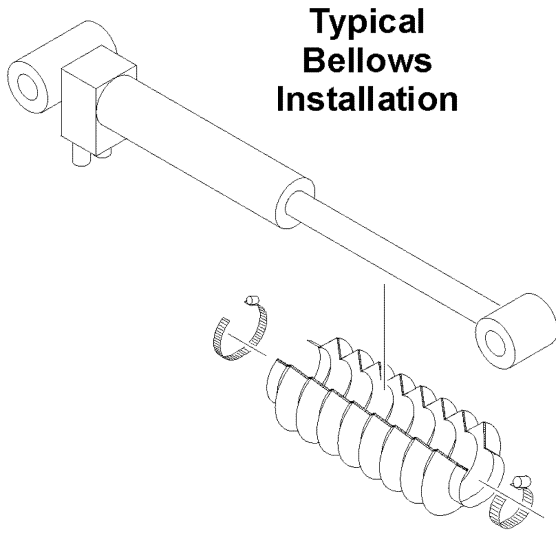


## 807.1 Hostile Environment Package - Cylinder Bellows, S-80X and S-80

Item	Part No.	Description	Qty.
--	81700GT	COVER,PROTECTIVE,OSC.CYLINDER	
--	35432GT	CLAMP,HOSE,6.50	
--	45435GT	CLAMP,HOSE,2.50***	
1	34533GT	COVER,PROTECTIVE,STEER CYL.....2	
--	30971GT	CLAMP,HOSE,3.00"	
--	35434GT	CLAMP,HOSE,2.00***	
2	133307GT	DECAL,PROTECTOR,CLEAR.....1	
3	94537GT	BELLOWS,CYLINDER,PLAT LEVEL.....1	
--	230995GT	COVER,HSE&CBL DLX HOSTILE	
--	23405GT	NUTSERT,10-32 STEEL CAD PLTD	
--	30489GT	CLAMP,HOSE,3.50	
--	49819GT	SCREW,PHILLIPS,PHM,10-32 X .5	
--	6146GT	WASHER,FLAT,MS,#10,Y	
4	121178GT	BELLOWS,LIFT CLYINDER.....1	
--	31523GT	CLAMP,HOSE,8.50 DIA***	
--	34955GT	CLAMP,HOSE,5.00	
5	121177GT	BELLOWS,MASTER CYLINDER.....1	
--	22672GT	CLAMP,HOSE,1.75	
--	34955GT	CLAMP,HOSE,5.00	



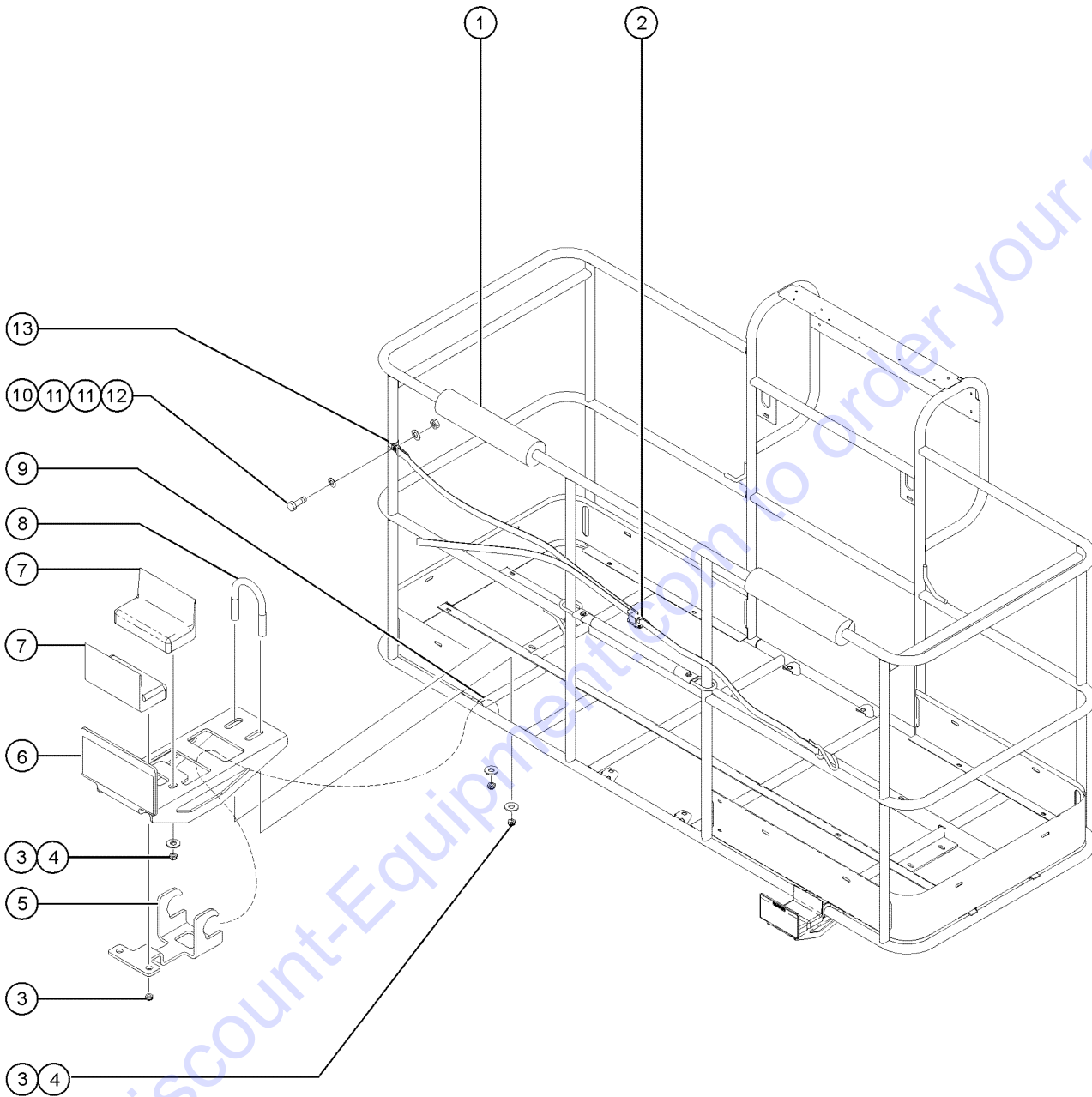
808.1 Hostile Environment Package - Cylinder Bellows, S-85



## 808.1 Hostile Environment Package - Cylinder Bellows, S-85

Item	Part No.	Description	Qty.
--	81700GT	COVER,PROTECTIVE,OSC.CYLINDER	
--	35432GT	CLAMP,HOSE,6.50	
--	45435GT	CLAMP,HOSE,2.50***	
1	34533GT	COVER,PROTECTIVE,STEER CYL.....2	
--	30971GT	CLAMP,HOSE,3.00"	
--	35434GT	CLAMP,HOSE,2.00***	
2	133307GT	DECAL,PROTECTOR,CLEAR.....1	
3	34505GT	COVER,PROTECTIVE,JIB CYLINDER...1	
--	30971GT	CLAMP,HOSE,3.00"	
--	35434GT	CLAMP,HOSE,2.00***	
4	94537GT	BELLOWS,CYLINDER,PLAT LEVEL.....1	
--	230995GT	COVER,HSE&CBL DLX HOSTILE	
--	23405GT	NUTSERT,10-32 STEEL CAD PLTD	
--	30489GT	CLAMP,HOSE,3.50	
--	49819GT	SCREW,PHILLIPS,PHM,10-32 X .5	
--	6146GT	WASHER,FLAT,MS,#10,Y	
5	121178GT	BELLOWS,LIFT CLYINDER.....1	
--	31523GT	CLAMP,HOSE,8.50 DIA***	
--	34955GT	CLAMP,HOSE,5.00	
6	121177GT	BELLOWS,MASTER CYLINDER.....1	
--	22672GT	CLAMP,HOSE,1.75	
--	34955GT	CLAMP,HOSE,5.00	

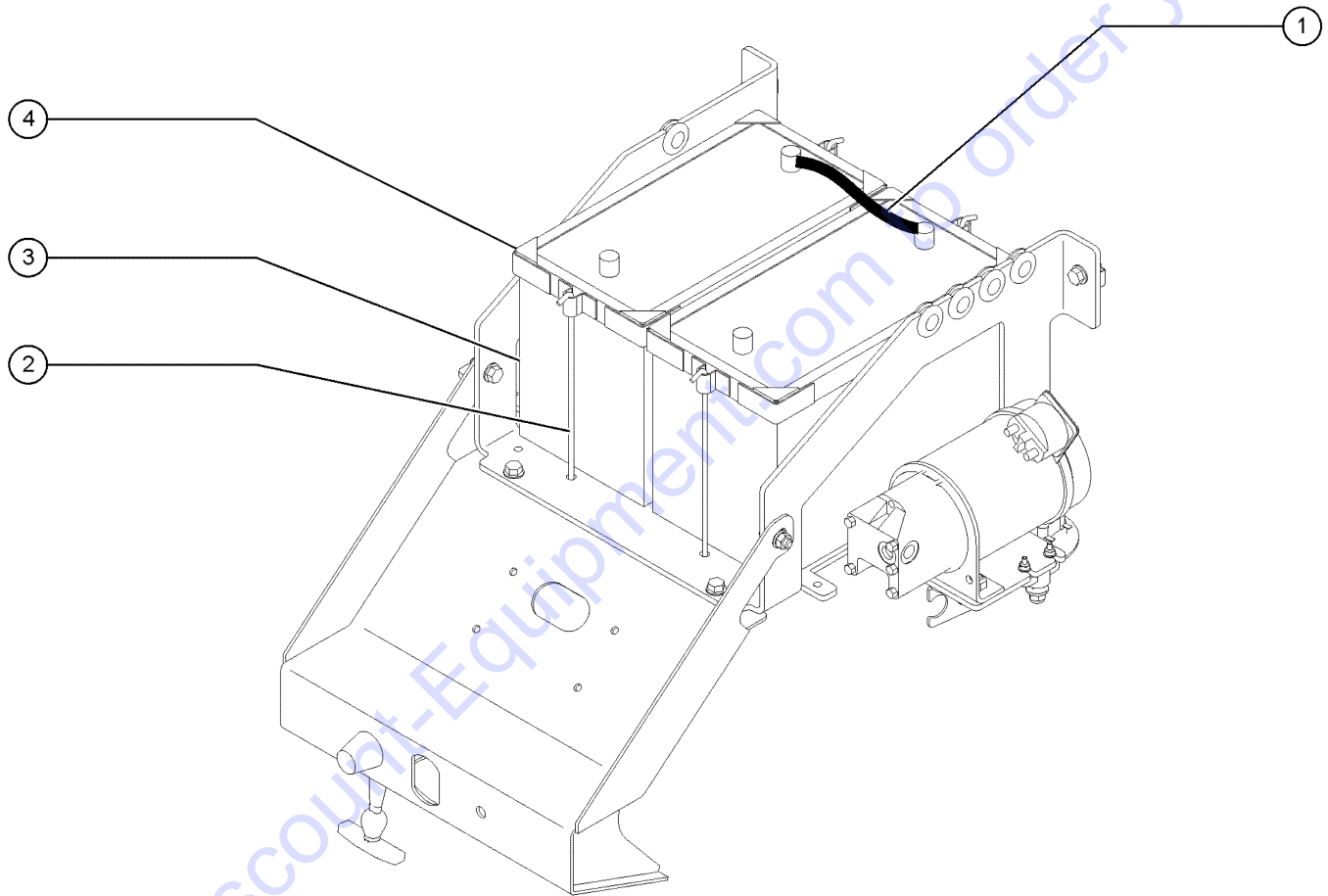
809.1 Panel Cradle Option



## 809.1 Panel Cradle Option

Item	Part No.	Description	Qty.
--	77683GT	ACCESSORY,PANEL CRADLE,ANSI (ANSI/CSA models)	
--	94493-SGT	KIT,PANEL CRADLE,CE (CE/AUS models)	
1	88377-1400GT	FOAM PAD, 3" OD X 1.25" ID X 14 IN.....2	
2	77664GT	ADJUSTABLE STRAP ASSY.....1	
3	1274322GT	NUT,NYLOCK FLG,3/8-16,F,ZAG.....8	
4	5397GT	WASHER,FLAT,USS,5/16",Y for machines before 2010	
5	228849GT	FORMING,SECONDARY SUPPORT.....2 77576P is no longer available. For machines before 2010, must install Qty 2 service kit 233992 (ANSI) or 233993 (CE) for initial replacement.	
6	228848GT	FORMING PANEL CRADLE.....2 89724 is no longer available. For machines before 2010, must install Qty 2 service kit 233992 (ANSI) or 233993 (CE) for initial replacement.	
--	233992GT	KIT,PANEL CRADLE BRACKET,WORD.....1 (ANSI/CSA models) (includes hook, panel support bracket and installation instructions)	
--	233993GT	KIT,PANEL CRADLE BRACKET,SYMBL.....1 (CE/AUS models) (includes hook, panel support bracket and installation instructions)	
7	56934GT	PAD,REST,1"THICK,FLANGED.....4	
7A	824038GT	NUT, TL JAM, 3/8-16, A, ZAG.....4 for 56934	
8	1251600GT	U-BOLT, FLATTENED, 1.5 X 3/8 UNC,ZAG.....2	
9	73463-1175GT	TUBE, RD, ALUM, 1.25 X .083 X 11.75...2	
10	1256855GT	SCREW,HHF,1/4-20X.625,8,ZAG.....1	
11	6638GT	WASHER,FLAT,USS,1/4"Y for machines before 2010	
12	1277924GT	NUT,NYLOCK FLG,1/4-20,F,ZAG.....1	
13	56424GT	CLAMP,1.25X.5 RUBBER-CUSHION.....1	

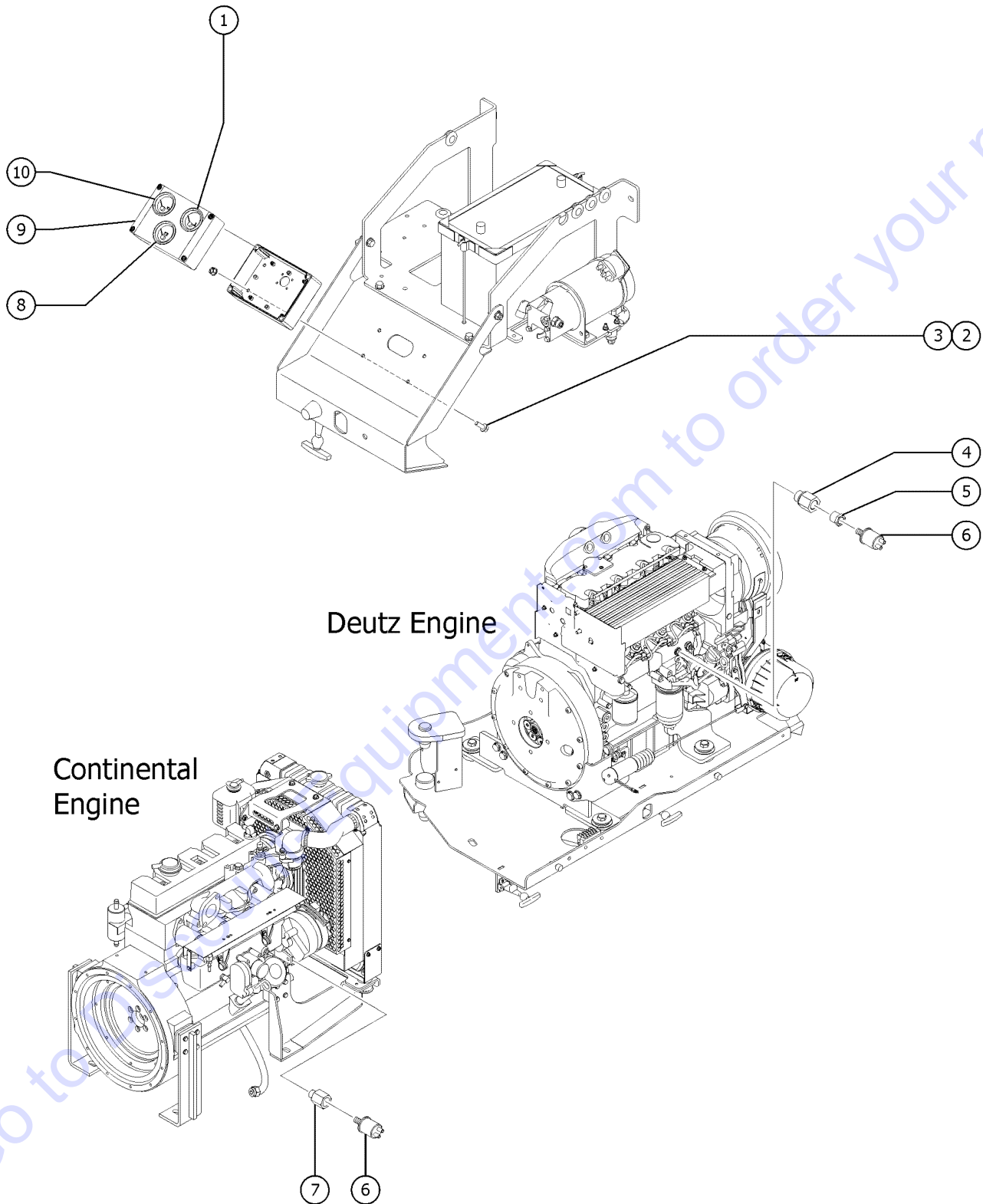
810.1 Dual Battery Option (to SN 8198)



## 810.1 Dual Battery Option (to SN 8198)

Item	Part No.	Description	Qty.
--	237068GT	SEPARATOR,DUAL BATTERY,100A	
--	214393GT	KIT, BATT SEPARATOR, ANSI/CSA <i>Includes part 237068</i>	
--	215209GT	KIT, BATT SEPARATOR, CE <i>Includes part 237068</i>	
--	215210GT	KIT, BATT SEPARATOR, AS <i>Includes part 237068</i>	
--	121617GT	HARNESS,BATT1 TO SEPERATOR,S80	
--	121618GT	HARNESS,BATT2 TO SEPERATOR,S80	
--	121619GT	HARNESS,BATT2 TO APU(+),S80	
--	121621GT	HARNESS,SEPERATOR GND,S80	
--	121622GT	HARNESS,BATT2 TO APU(-),S80	
1	106555GT	HARNESS,GND BATT 1 TO BATT 2.....1	
2	45708GT	HOOK,BATT HOLD DOWN,10".....2	
3	77694GT	BATTERY,12V DEEP CYC 5/16"STUD....1	
4	30144GT	BATTERY HOLD DOWN,GROUP 31.....1	

811.1 Full Gauge Option - Deutz and Continental

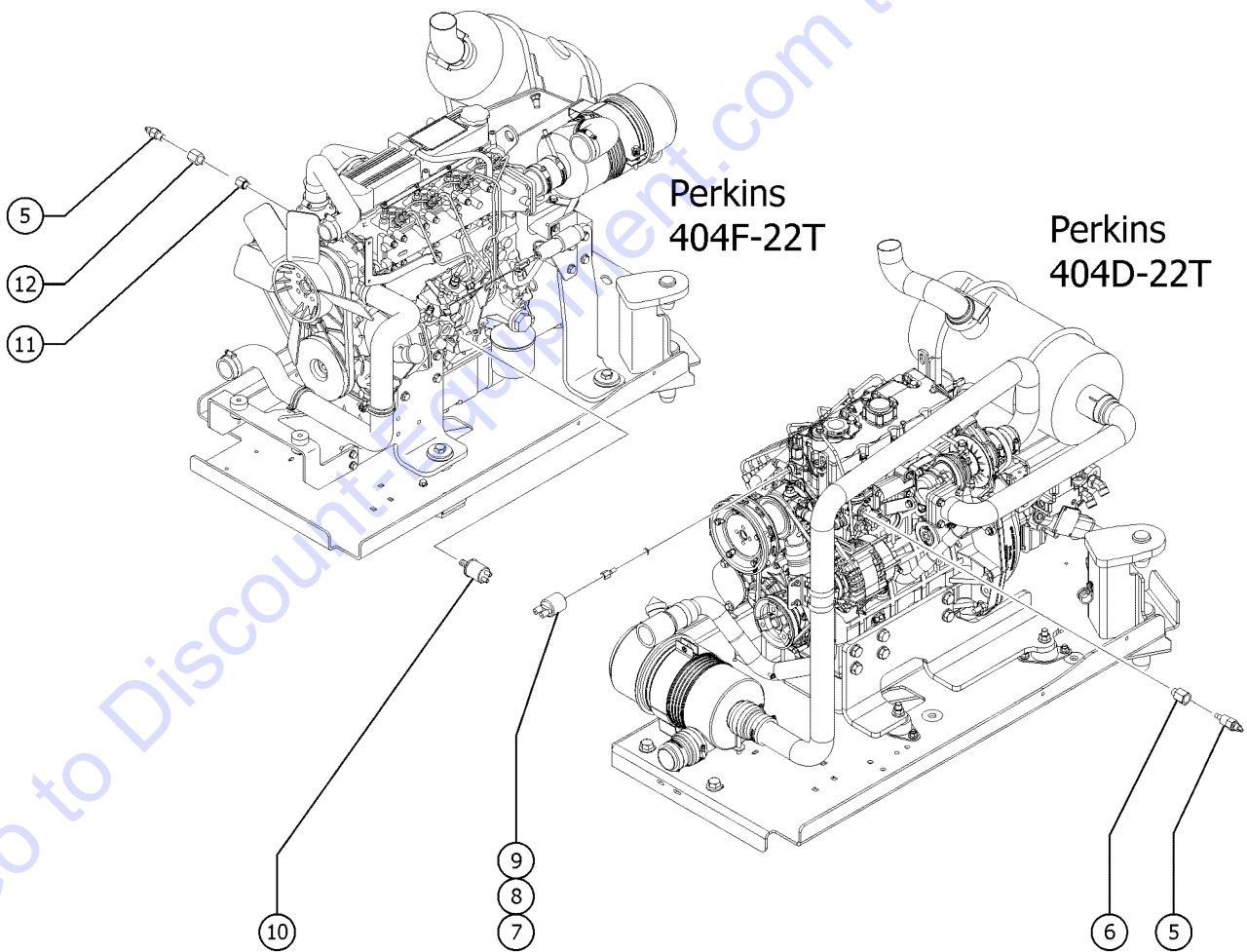
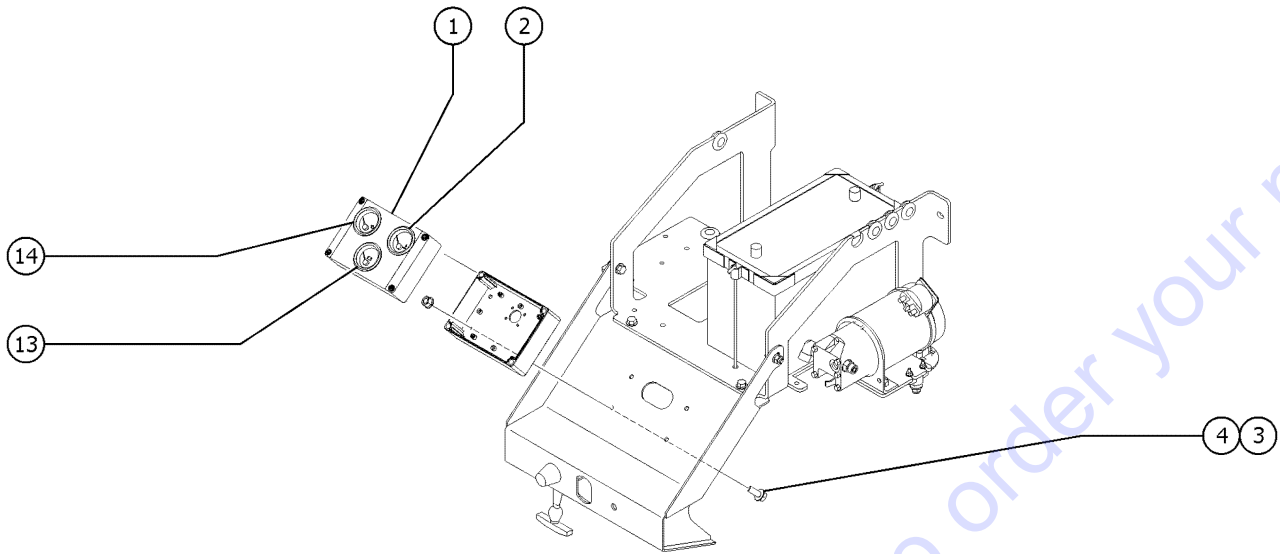


## 811.1 Full Gauge Option - Deutz and Continental

Item	Part No.	Description	Qty.
--	121512GT	OPT,FULL GAUGE, S80 DEUTZ	
--	121508GT	OPT,FULL GAUGE,S80 DUAL FUEL	
--		Ref. HARNESS,GAUGE OPT. S80/85 (Refer to 312.1 or 313.1)	
1A	53759-SGT	GAUGE,WATER TEMP.....1 (LPG models)	1
1B	53760-SGT	GAUGE,OIL TEMP (Deutz models)	
2	824059GT	SCREW,HHC,1/4-20X.75,8,ZAG.....4	4
3	824027GT	NUT,TL FLG,1/4-20,G,ZAG.....4	4
4	106034GT	ADAPTER,M18.....1	1
5	106033GT	ADAPTER,NPT 6-4.....1	1
6	30810GT	SENDING UNIT,OIL PRESSURE***.....3 <i>Dual-terminal sender</i>	3
7	28607GT	ADAPTER,140139-8-6.....2	2
8	53761-SGT	GAUGE,VOLTAGE.....1	1
9A	121490GT	ASSY,GAUGE OPT.WATER COOLED.....1 (LPG models)	1
9B	121482GT	ASSY,GAUGE OPT. OIL COOLED (Deutz models)	
9C	121491GT	ENCLOSURE BOX, GAUGE OPT.	
10	53758-SGT	GAUGE,OIL PRESSURE W/O SENDER.....1	1



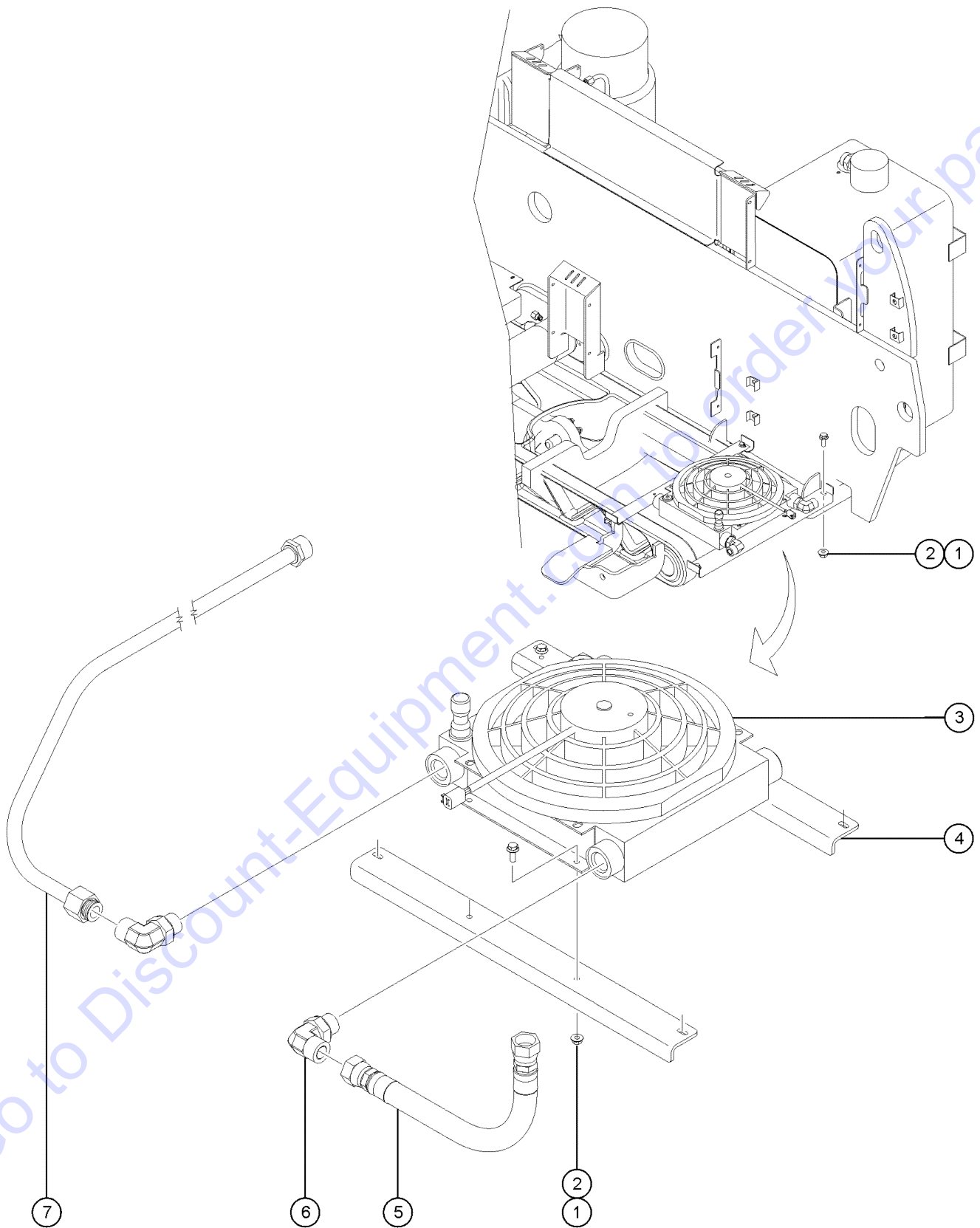
811.2 Full Gauge Option - Perkins



## 811.2 Full Gauge Option - Perkins

Item	Part No.	Description	Qty.
--	1263553GT	OPT,FULL GAUGE,S80 PERKINS 404D-22T.....	1
--	121510GT	OPT,FULL GAUGE,S80 PERKINS (Perkins, 404F-22T)	
--		Ref. HARNESS,GAUGE OPT. S80/85 (Refer to 312.1 or 313.1)	
1A	121490GT	ASSY,GAUGE OPT.WATER COOLED.....	1
1B	121510GT	OPT,FULL GAUGE,S80 PERKINS	
1C	121491GT	ENCLOSURE BOX, GAUGE OPT.	
2	53759-SGT	GAUGE,WATER TEMP.....	1
3	824059GT	SCREW,HHC,1/4-20X.75,8,ZAG.....	4
4	824027GT	NUT,TL FLG,1/4-20,G,ZAG.....	4
5	34058GT	SENDING UNIT,TMP,FRD,GM,PRK704.....	1
6	1260414GT	ADAPTER, BSPT3/8"-19 TO NPTF1/2-14.....	1
7	102348GT	SENDING UNIT,OIL PRESS PERKINS..	1
8	139936GT	ADAPTER,EYEBOLT.....	1
9	101085GT	GASKET.....	1
10	30810GT	SENDING UNIT,OIL PRESSURE*** <i>Dual-terminal sender</i> .....	3
11	101627GT	ADAPTER 3/8 FNPT X M16.....	1
12	28607GT	ADAPTER,140139-8-6.....	2
13	53761GT	GAUGE,VOLTAGE***.....	1
14	53758-SGT	GAUGE,OIL PRESSURE W/O SENDER.....	1

812.1 Hydraulic Oil Cooler Option

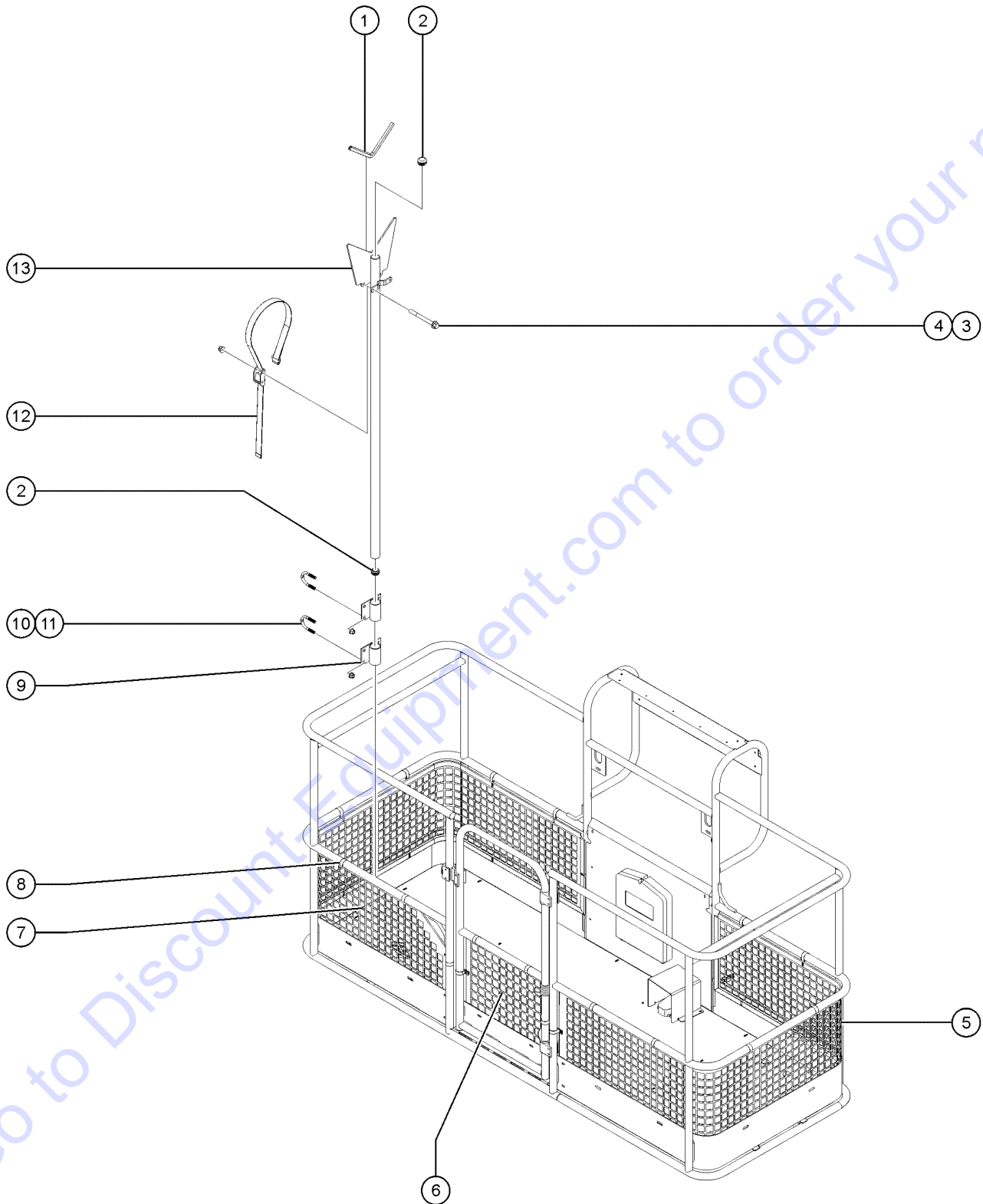


## 812.1 Hydraulic Oil Cooler Option

Item	Part No.	Description	Qty.
1	121421GT	NUT,FLG,1/4-20	
2	121419GT	SCREW,HHF,1/4-20 X .75	
3	71259GT	OIL COOLER W/FAN, 12VDC.....1	
4	121389GT	FORMING,OIL COOLER SUPPORT.....2	
5	217059GT	HOSE ASSY,3/4,STR FEM,STR FEM.....1	
6	48959GT	FITTING,ELBOW,90D,520220-12.....2	
7	121370GT	HYD TUBE, DRIVE CASE COOLER.....1	

Go to Discount-Equipment.com to order your parts

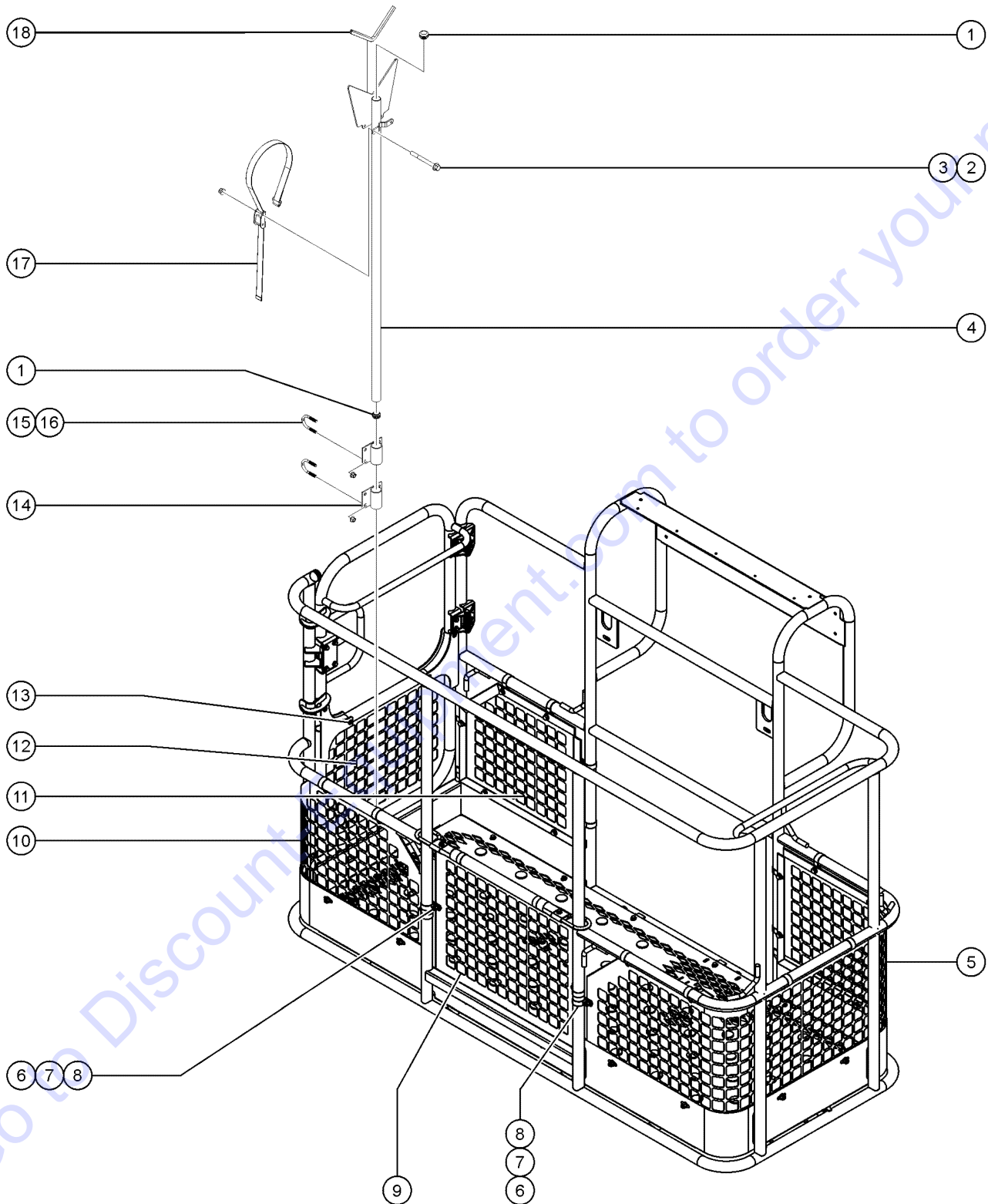
813.1 Half-Mesh and Pipe Cradle Option (to SN 13581)



## 813.1 Half-Mesh and Pipe Cradle Option (to SN 13581)

Item	Part No.	Description	Qty.
--	85300GT	PIPE CRADLE ASSY. SERV (ONE)** (ANSI & CE only) (This is a single assembly. Qty 2 of 85300GT required to complete a set)	
--	65630GT	INSTRUCTIONS-PIPE CRADLE,BOOMS	
--	72875GT	DECAL,WARNING,PIPE CRADLE,BOOM	
--		Ref. SWING GATE, COMPLETE (Refer to 802.1)	
1	19018-1100GT	TRIMLOCK,BLACK,5/32".....	2
2	55753GT	BUMPER, PLASTIC, 1.25 O.D.....	4
3	824083GT	SCREW,HHF,1/4-20X2.5,8,ZAG.....	4
4	1277924GT	NUT,NYLOCK FLG,1/4-20,F,ZAG.....	4
5	73500GT	HALF MESH,8'PLATFORM,RH***.....	1
--	54465GT	MESH,HALF,RH,6'PLATFORM	
6	54457GT	MESH,HALF,SWING GATE***.....	1
7	73501GT	HALF MESH,8'PLATFORM,LH.....	1
--	54458GT	MESH,HALF,LH,6'PLATFORM	
8	56424GT	CLAMP,1.25X.5 RUBBER-CUSHION....	18
--	6090GT	SCREW,HHC,1/4-20 X .75	
--	6091GT	NUT,NYLOCK,1/4-20	
--	6638GT	WASHER,FLAT,USS,1/4"Y	
9	81368GT	WELDMENT,PIPE CRADLE MOUNT....	4
10	1251600GT	U-BOLT, FLATTENED, 1.5 X 3/8 UNC,ZAG.....	8
11	1274322GT	NUT,NYLOCK FLG,3/8-16,F,ZAG.....	16
12	56570GT	STRAP, CONDUIT HOLDER 60****.....	2
13	56525GT	WELDMENT, PIPE CRADLE.....	2

813.2 Half-Mesh and Pipe Cradle Option (from SN 13582)

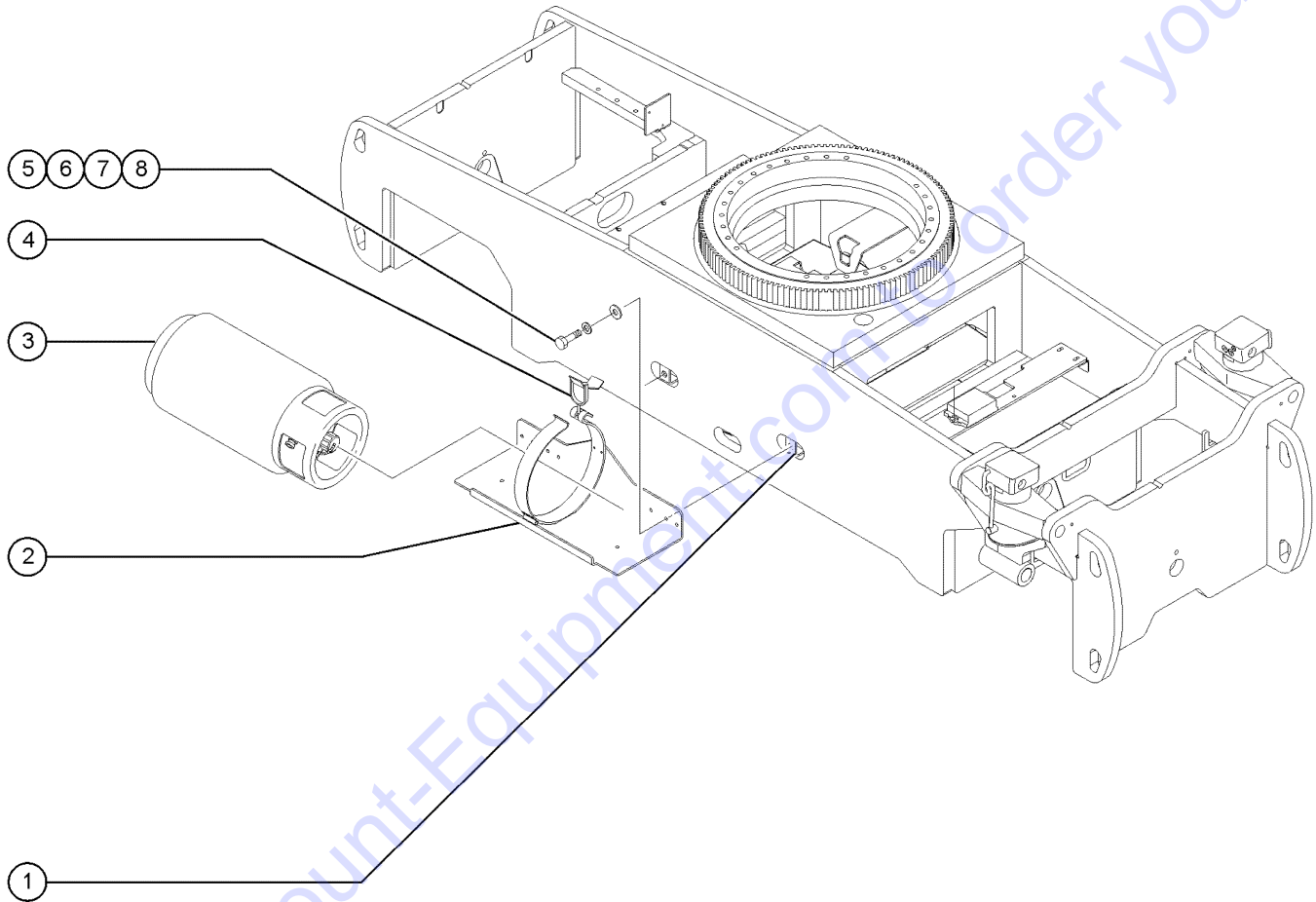


## 813.2 Half-Mesh and Pipe Cradle Option (from SN 13582)

Item	Part No.	Description	Qty.	Item	Part No.	Description	Qty.
A	85300GT	PIPE CRADLE ASSY. SERV (ONE)** (ANSI & CE only) (This is a single assembly. Qty 2 of 85300GT required to complete a set)		18	19018-1100GT	TRIMLOCK, BLACK, 5/32".....	2
--	65630GT	INSTRUCTIONS-PIPE CRADLE, BOOMS					
1	55753GT	BUMPER, PLASTIC, 1.25 O.D.....	4				
2	824083GT	SCREW, HHF, 1/4-20X2.5, 8, ZAG.....	4				
3	1277924GT	NUT, NYLOCK FLG, 1/4-20, F, ZAG.....	4				
4	56525GT	WELDMENT, PIPE CRADLE.....	2				
5A	1270313GT	PANEL, HALF MESH..... for 6' platform	1				
5B	1271019GT	PANEL, HALF MESH..... for 8' platform	1				
--	1271018GT	PANEL, HALF MESH..... for 8' platform	1				
--	1271061GT	PANEL, HALF MESH..... for 8' platform	1				
6A	824028GT	NUT, TL FLG, 5/16-18, G, ZAG..... for 6' platform	33				
6B	824028GT	NUT, TL FLG, 5/16-18, G, ZAG..... for 8' platform	36				
7A	56424GT	CLAMP, 1.25X.5 RUBBER-CUSHION.... for 6' platform	21				
7B	56424GT	CLAMP, 1.25X.5 RUBBER-CUSHION.... for 8' platform	22				
8A	824085GT	SCREW, HHF, 5/16-18X.75, 8, ZAG..... for 6' platform	33				
8B	824085GT	SCREW, HHF, 5/16-18X.75, 8, ZAG..... for 8' platform	36				
9	1271061GT	PANEL, HALF MESH.....	1				
10A	1270316GT	PANEL, HALF MESH..... for 6' platform	1				
10B	1271040GT	PANEL, HALF MESH..... for 8' platform	1				
11A	1270314GT	PANEL, HALF MESH..... for 6' platform	1				
11B	1270994GT	PANEL, HALF MESH..... for 8' platform	1				
12	1285700GT	WELDMENT, SWING GATE PANEL (used on 6' and 8' side entry platforms) (Swing Gate Weldment, refer to 601.2)					
--	55753GT	BUMPER, PLASTIC, 1.25 O.D.....	2				
13	824207GT	RIVET, STL, STL, DOME, 1/4 X .375, ZAG.....	8				
14	81368GT	WELDMENT, PIPE CRADLE MOUNT....	4				
15	1251600GT	U-BOLT, FLATTENED, 1.5 X 3/8 UNC, ZAG.....	8				
16	1274322GT	NUT, NYLOCK FLG, 3/8-16, F, ZAG.....	16				
17	56570GT	STRAP, CONDUIT HOLDER 60****	2				



814.1 Spare LPG Tank Option

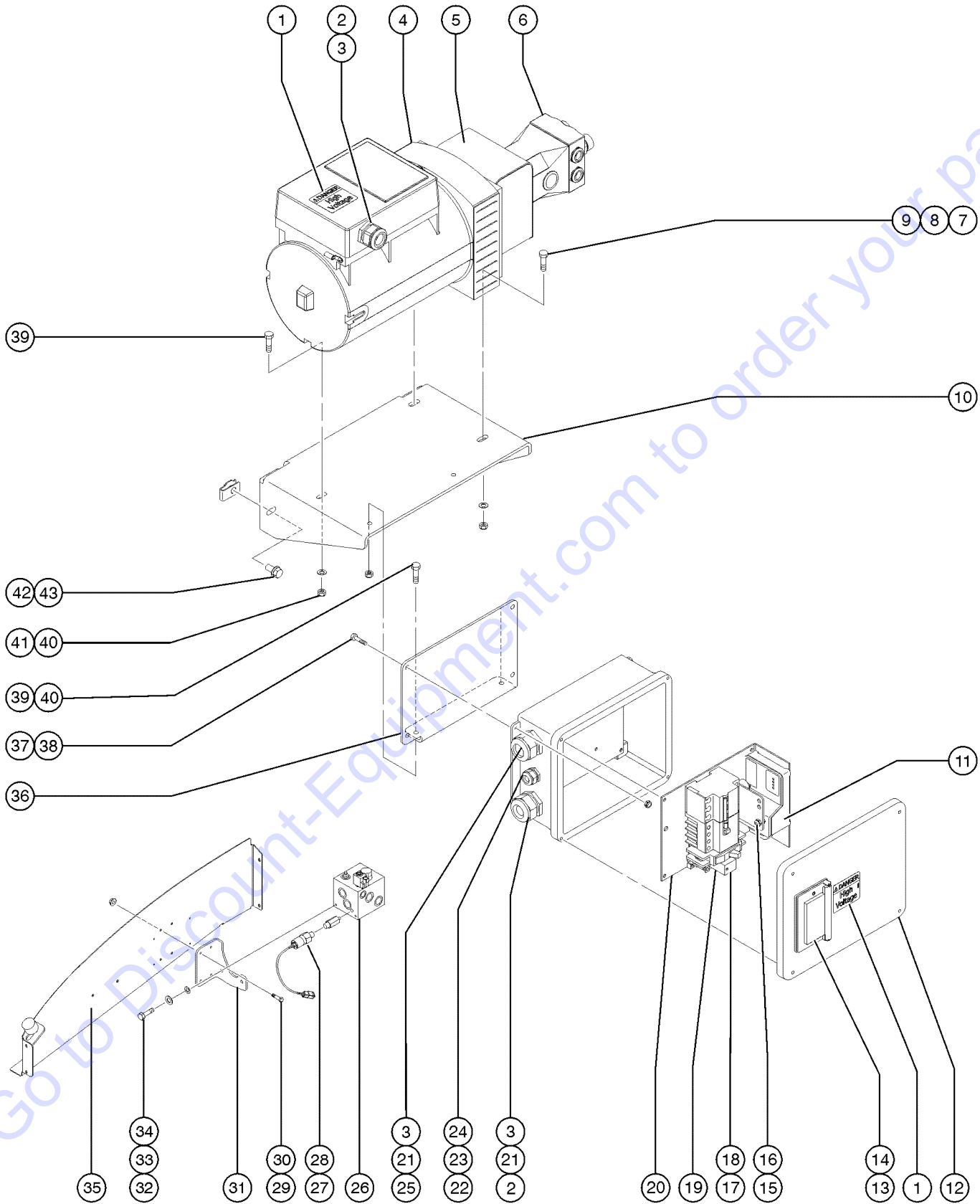


## 814.1 Spare LPG Tank Option

Item	Part No.	Description	Qty.
--	77853GT	OPTION,LP TANK 2ND	
1	77785PGT	FORMING,LP BRACKET MOUNT.....	2
2	60143-SGT	WELD, LPG TANK MOUNT.....	1
3	53605GT	TANK, 7 GAL/33.5 POUND, LP.....	1
4	49000GT	L.P.TANK LATCH.....	1
5	8516GT	SCREW, HCC, 3/8-16 X 1.50	
6	6021GT	WASHER,LOCK, .375	
7	6097GT	WASHER,FLAT,USS,3/8",Y	
8	29868GT	SPRING CLIP,3/8-16,.05-.20X.73,ZAG....	2

Go to Discount-Equipment.com to order your parts

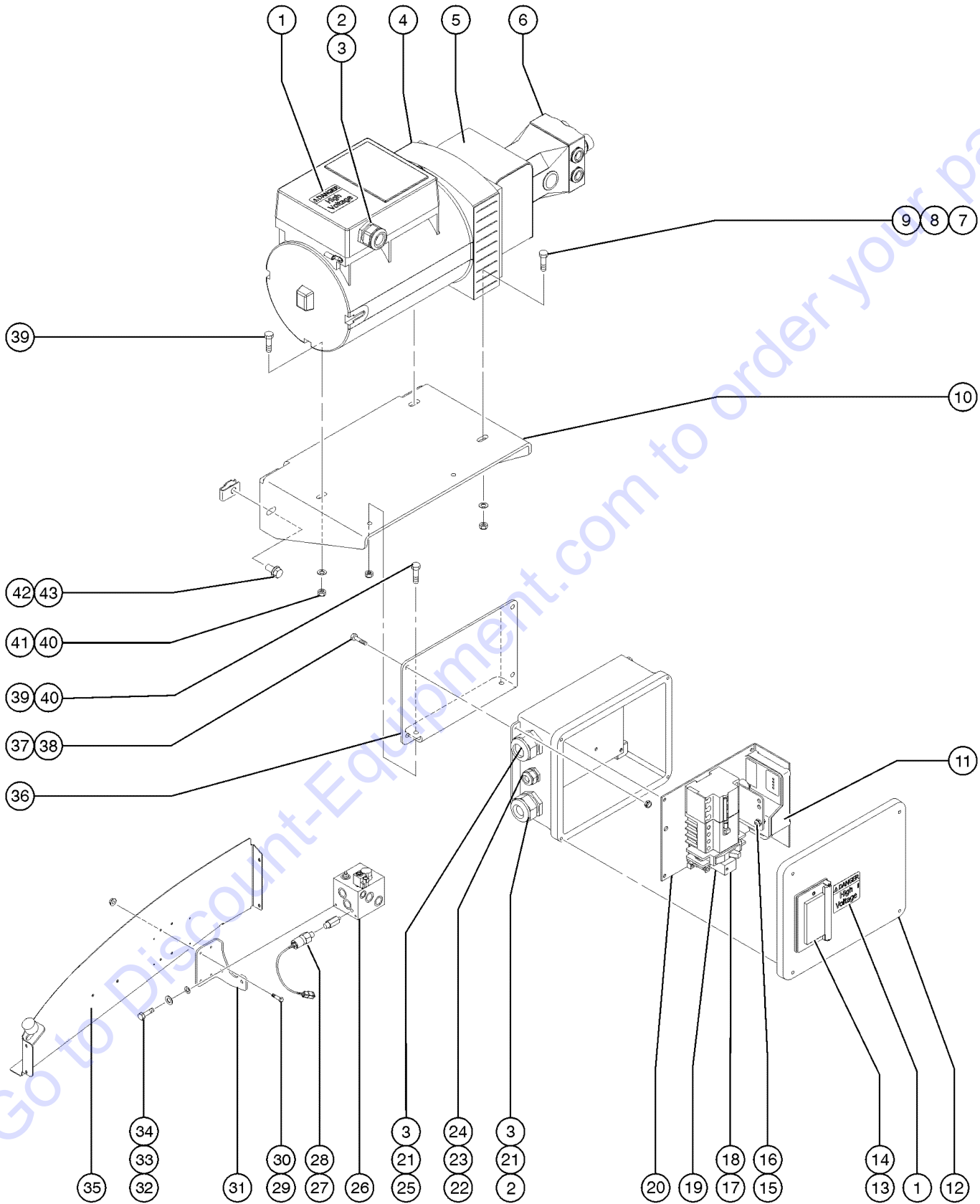
815.1 Welder Option, Chassis Components, S-80X and S-80 - View 1



## 815.1 Welder Option, Chassis Components, S-80X and S-80 - View 1

Item	Part No.	Description	Qty.	Item	Part No.	Description	Qty.
--	106115GT	WIRE CABLE 8/4 CON.SO.....1192 inche		23	56237GT	O-RING,ORFS,-12	
--	226506GT	HARNESS,WELD GENERATOR,S80		24	6935GT	LOCKNUT,ELEC,1/2"	
--	121882GT	KIT,HARNESS,12.5KW GEN,S80-08		25	106077GT	CABLE SQUEEZE CONN .63-.75.....1	
--	110220GT	DECAL,WARNING,WELDER SAFETY		26	101516GT	MANIFOLD,DRIVE OIL DIVERTER.....1	
--		Ref., Oil cooler (refer to 812.1)		--	94765GT	COIL-10V DC***	
--		Ref., Bulkhead (refer to 305.1 and 707.1)		27A	146284GT	SWITCH,PRESS,#4NPT,200PSIF.....1 <i>for first time replacement, order service kit 1271398GT.</i>	
1	82237GT	DECAL,DANGER,HIGH VOLTAGE.....2		27B	1271398GT	KIT,GEN. PRESSURE SWITCH <i>includes pressure switch, hose, fittings and installation instructions</i>	
2	106077GT	CABLE SQUEEZE CONN .63-.75		28	146285GT	CONN, SAE#4-1/4" NPT.....1	
3	18665GT	LOCKNUT,ELECTRIC,1" NPT.....2		29	121420GT	SCREW,HHF,1/4-20 X 1.00.....4	
4	106113GT	GENERATOR,HYDRO-12KEP-21-3.....1		30	121421GT	NUT,FLG,1/4-20.....4	
--	106274GT	GENERATOR,12.5 KW,W/O MOTOR***		31	121888GT	FORMING,WELD GEN MANIFOLD MT.....1	
--	110344GT	BRUSH BOX,ASSY,GEN***		32	13002GT	SCREW,HHC,5/16-18 X 1 GR5	
--	122300GT	COVER,WELDER GENERATOR		33	5397GT	WASHER,FLAT,USS,5/16",Y	
--	21187GT	PLUG,NYLON 1.38 BLACK DOMED		34	6886GT	WASHER,LOCK,.313	
--	T113655GT	COUPLING, 28MM (106113)		35		Ref. Bulkhead (refer to 305.1 for location)	
--	T114022GT	SPIDER (106113)		36	111576GT	FORMING,CONTROLBOX MT,WELD GEN.....1	
--	T114023GT	COUPLING (106113)		37	121420GT	SCREW,HHF,1/4-20 X 1.00	
5	T111766GT	MOTOR MOUNT COUPLER (106274)....1		38	121421GT	NUT,FLG,1/4-20	
6	106184GT	MOTOR,HYD 12.5KW GEN,21CC***.....1		39	13002GT	SCREW,HHC,5/16-18 X 1 GR5	
--	162006GT	SEAL KIT,HYD MOTOR(106184)		40	5397GT	WASHER,FLAT,USS,5/16",Y	
7	8516GT	SCREW, HCC, 3/8-16 X 1.50		41	6782GT	NUT,NYLOCK,5/16-18	
8	6097GT	WASHER,FLAT,USS,3/8",Y		42	121066GT	SCREW,HHC,FLG,3/8-16 X 1 GR8	
9	4828GT	NUT,NYLOCK,3/8-16		43	29868GT	SPRING CLIP,3/8-16,.05-.20X.73,ZAG....4	
10	121395GT	FORMING,WELD GENERATOR SUPPORT.....1					
11	106658GT	MODULE,SX CONTROLLER,LOW AMP.....1					
--	102357GT	POTENTIOMETER ASSY, WELDER					
--	106140PGT	BRACKET,1K OHM 10-TURN POT,PNT					
12	229346GT	ASSY,ENCLOSURE,WELDER,GEN.....1					
13	74006GT	COVER,GFCI,HORIZONTAL,WEATHER.1					
14	13585GT	OUTLET, 110V.....1					
15	6889GT	NUT,LP NYLOCK,1/4-20					
16	36294GT	SCREW,HHC,1/4-20 X 2.75					
17	33607GT	RELAY,OMRON,DPDT,12V.....1					
18	33608GT	RELAY,SOCKET,OMRON.....1					
19	106477GT	GFI/CIRCUIT BREAKER ASSEMBLY....1					
--	106375GT	GFCI,50A, 3PH					
--	227425GT	CIRCUIT BREAKER, 35A 3PH					
20	102314GT	PANEL, ENCLOSURE, LINCO WELDER.....1					
21	106104GT	O-RING,SEAL RING,1" NPT (PKG OF 10)					
22	61278GT	CONN. SQZ,1/2NPT .56-.63.					

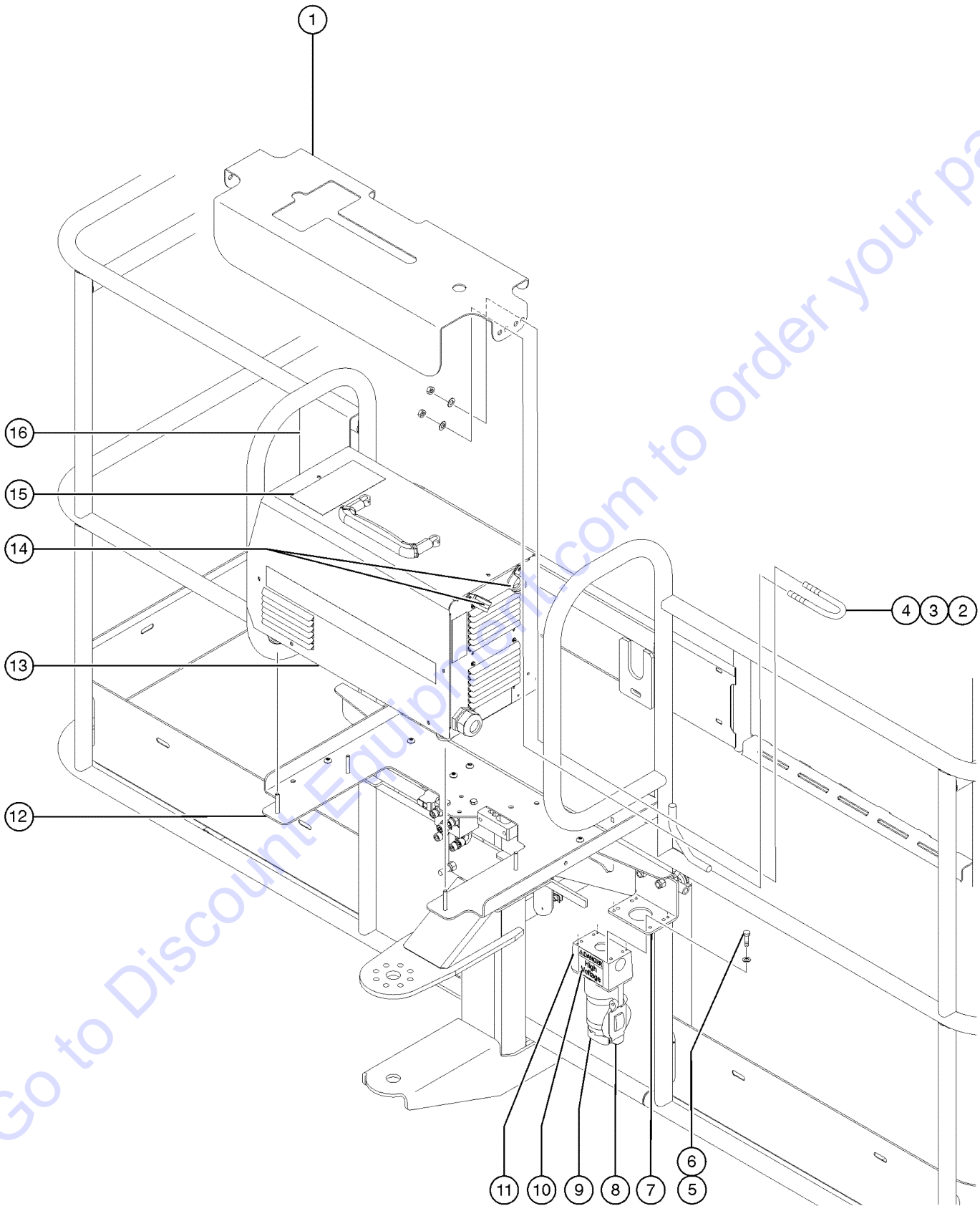
815.1 Welder Option, Chassis Components, S-85 - View 1



## 815.1 Welder Option, Chassis Components, S-85 - View 1

Item	Part No.	Description	Qty.	Item	Part No.	Description	Qty.
--	106115GT	WIRE CABLE 8/4 CON.SO.....1192 inche		26	101516GT	MANIFOLD,DRIVE OIL DIVERTER.....1	
--	226506GT	HARNESS,WELD GENERATOR,S80		--	94765GT	COIL-10V DC***	
--	121882GT	KIT,HARNESS,12.5KW GEN,S80-08		27A	146284GT	SWITCH,PRESS,#4NPT,200PSIF.....1 <i>for first time replacement, order service kit 1271398GT.</i>	
--	110220GT	DECAL,WARNING,WELDER SAFETY		27B	1271398GT	KIT,GEN. PRESSURE SWITCH <i>includes pressure switch, hose, fittings and installation instructions</i>	
1	82237GT	DECAL,DANGER,HIGH VOLTAGE.....2		28	146285GT	CONN, SAE#4-1/4" NPT.....1	
2	106077GT	CABLE SQUEEZE CONN .63-.75		29	121420GT	SCREW,HHF,1/4-20 X 1.00.....4	
3	18665GT	LOCKNUT,ELECTRIC,1" NPT.....2		30	121421GT	NUT,FLG,1/4-20.....4	
4	106113GT	GENERATOR,HYDRO-12KEP-21-3.....1		31	121888GT	FORMING,WELD GEN MANIFOLD MT.....1	
--	106274GT	GENERATOR,12.5 KW,W/O MOTOR***		32	13002GT	SCREW,HHC,5/16-18 X 1 GR5	
--	110344GT	BRUSH BOX,ASSY,GEN***		33	5397GT	WASHER,FLAT,USS,5/16",Y	
--	122300GT	COVER,WELDER GENERATOR		34	6886GT	WASHER,LOCK,.313	
--	21187GT	PLUG,NYLON 1.38 BLACK DOMED		35		Ref., Bulkhead <i>(refer to 305.1 for location)</i>	
--	T113655GT	COUPLING, 28MM (106113)		36	111576GT	FORMING,CONTROLBOX MT,WELD GEN.....1	
--	T114022GT	SPIDER (106113)		37	121420GT	SCREW,HHF,1/4-20 X 1.00	
--	T114023GT	COUPLING (106113)		38	121421GT	NUT,FLG,1/4-20	
5	T111766GT	MOTOR MOUNT COUPLER (106274)....1		39	13002GT	SCREW,HHC,5/16-18 X 1 GR5	
6	106184GT	MOTOR,HYD 12.5KW GEN,21CC***.....1		40	5397GT	WASHER,FLAT,USS,5/16",Y	
--	162006GT	SEAL KIT,HYD MOTOR(106184)		41	6782GT	NUT,NYLOCK,5/16-18	
7	8516GT	SCREW, HCC, 3/8-16 X 1.50		42	121066GT	SCREW,HHC,FLG,3/8-16 X 1 GR8	
8	6097GT	WASHER,FLAT,USS,3/8",Y		43	29868GT	SPRING CLIP,3/8-16,.05-.20X.73,ZAG....4	
9	4828GT	NUT,NYLOCK,3/8-16					
10	121395GT	FORMING,WELD GENERATOR SUPPORT.....1					
11	106658GT	MODULE,SX CONTROLLER,LOW AMP.....1					
--	102357GT	POTENTIOMETER ASSY, WELDER					
--	106140PGT	BRACKET,1K OHM 10-TURN POT,PNT					
12	229346GT	ASSY,ENCLOSURE,WELDER,GEN.....1					
13	74006GT	COVER,GFCI,HORIZONTAL,WEATHER.1					
14	13585GT	OUTLET, 110V.....1					
15	6889GT	NUT,LP NYLOCK,1/4-20					
16	36294GT	SCREW,HHC,1/4-20 X 2.75					
17	33607GT	RELAY,OMRON,DPDT,12V.....1					
18	33608GT	RELAY,SOCKET,OMRON.....1					
19	106477GT	GFI/CIRCUIT BREAKER ASSEMBLY.....1					
--	106375GT	GFCI,50A, 3PH					
--	227425GT	CIRCUIT BREAKER, 35A 3PH					
20	102314GT	PANEL, ENCLOSURE, LINCO WELDER.....1					
21	106104GT	O-RING,SEAL RING,1" NPT (PKG OF 10)					
22	61278GT	CONN. SQZ,1/2NPT .56-.63.					
23	56237GT	O-RING,ORFS,-12					
24	6935GT	LOCKNUT,ELEC,1/2"					
25	106077GT	CABLE SQUEEZE CONN .63-.75.....1					

816.1 Welder Option, Platform Components, S-80X and S-80 - View 2 (to SN 11204)

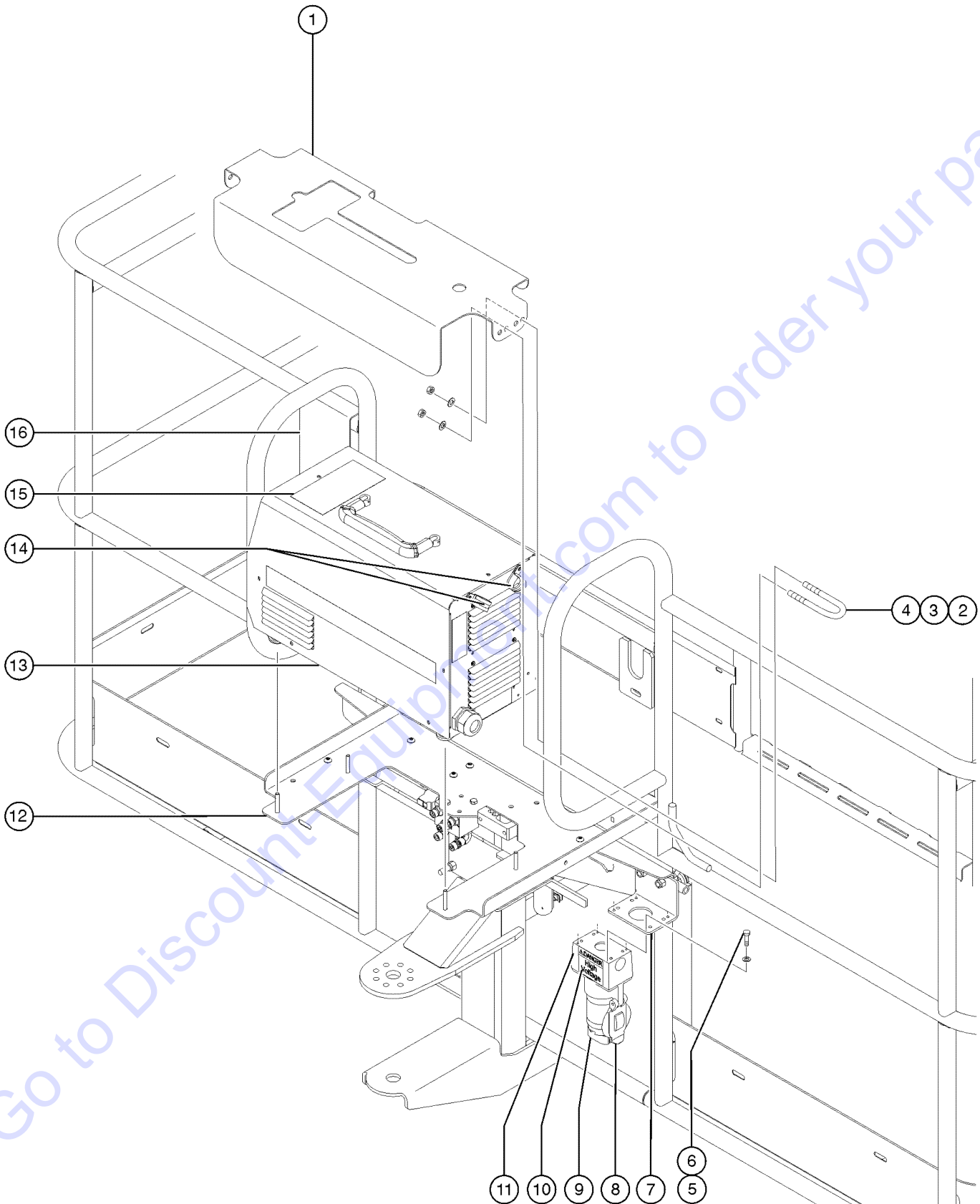


## 816.1 Welder Option, Platform Components, S-80X and S-80 - View 2 (to SN 11204)

Item	Part No.	Description	Qty.	Item	Part No.	Description	Qty.
--	10276-2500GT	FIRE SLEEVE, 1.25".....	1	16	106204PGT	BRACKET,V275S WELD LEADS.....	1
--	88406GT	FIRE EXTINGUISHER					
--	82862GT	DECAL,FIRE EXTINGUISHER					
--	97579GT	DECAL,DANGER,TIP-OVER,WELDER**					
--	97875GT	DECAL,WARN.WELD LINE INST.WORD					
--	110220GT	DECAL,WARNING,WELDER SAFETY					
--	229925GT	ADAPTER,WELDER,208-220					
1	101547PGT	BRACKET,WELDER SUPPORT,PNT.....	1				
2A	122755GT	UBOLT,FLATTENED,1.5DIA X 3/8 UNC.... (to SN 9834)	2				
2B	217366GT	BRACKET,WELDER TOP..... (from SN 9835)	2				
--	106043GT	SCREW,SECURITY,5/16-18X1.00					
3	5397GT	WASHER,FLAT,USS,5/16",Y.....	2				
4A	4828GT	NUT,NYLOCK,3/8-16..... (to SN 9834)	2				
4B	6782GT	NUT,NYLOCK,5/16-18..... (from SN 9835)	2				
5	47363GT	SCREW,RHM,8-32 X .50					
6	35461GT	WASHER,FLAT,MS,#8,Y					
7	101731PGT	BRACKET,POWER TO PLAT TBOX,PNT.....	1				
--	122755GT	UBOLT,FLATTENED,1.5DIA X 3/8 UNC					
--	4828GT	NUT,NYLOCK,3/8-16					
--	5397GT	WASHER,FLAT,USS,5/16",Y					
8	101732GT	COVER,WEATHERPROOF 3-PHASE.....	1				
9	106112GT	PLUG,4-WIRE,3-PHASE,50A,MALE.....	1				
10	82237GT	DECAL,DANGER,HIGH VOLTAGE.....	2				
11	106110GT	T-BOX,2.75X4.5X2.63,3PH.....	1				
--	106111GT	RECEPTCL,LOCK 3-PH,50A,4 WIRE					
12	102408GT	BRACKET,LINCOLN WELDER,PNTD.....	1				
--	102409GT	BRACKET,WELDER MOUNT SUPPORT					
--	106043GT	SCREW,SECURITY,5/16-18X1.00					
--	106044GT	U-BOLT,3/8-16X4X4.63X3.00					
--	4828GT	NUT,NYLOCK,3/8-16					
--	5397GT	WASHER,FLAT,USS,5/16",Y					
--	6782GT	NUT,NYLOCK,5/16-18					
13	101525GT	WELDER,INVERTEC V275-S.....	1				
--	106141GT	SCREW,SECURITY,1/4-20 X 1.75LG (Mounting fasteners)					
--	106183GT	FUSE,.6AMP,250V,WELDER,V275S					
--	106275GT	KIT,WELD LEADS ASSY,V275S Includes both cables					
14	18666GT	CLAMP,1.00,#16 X 1/4,RUB CUSH.....	2				
15	110220GT	DECAL,WARNING,WELDER SAFETY...1					



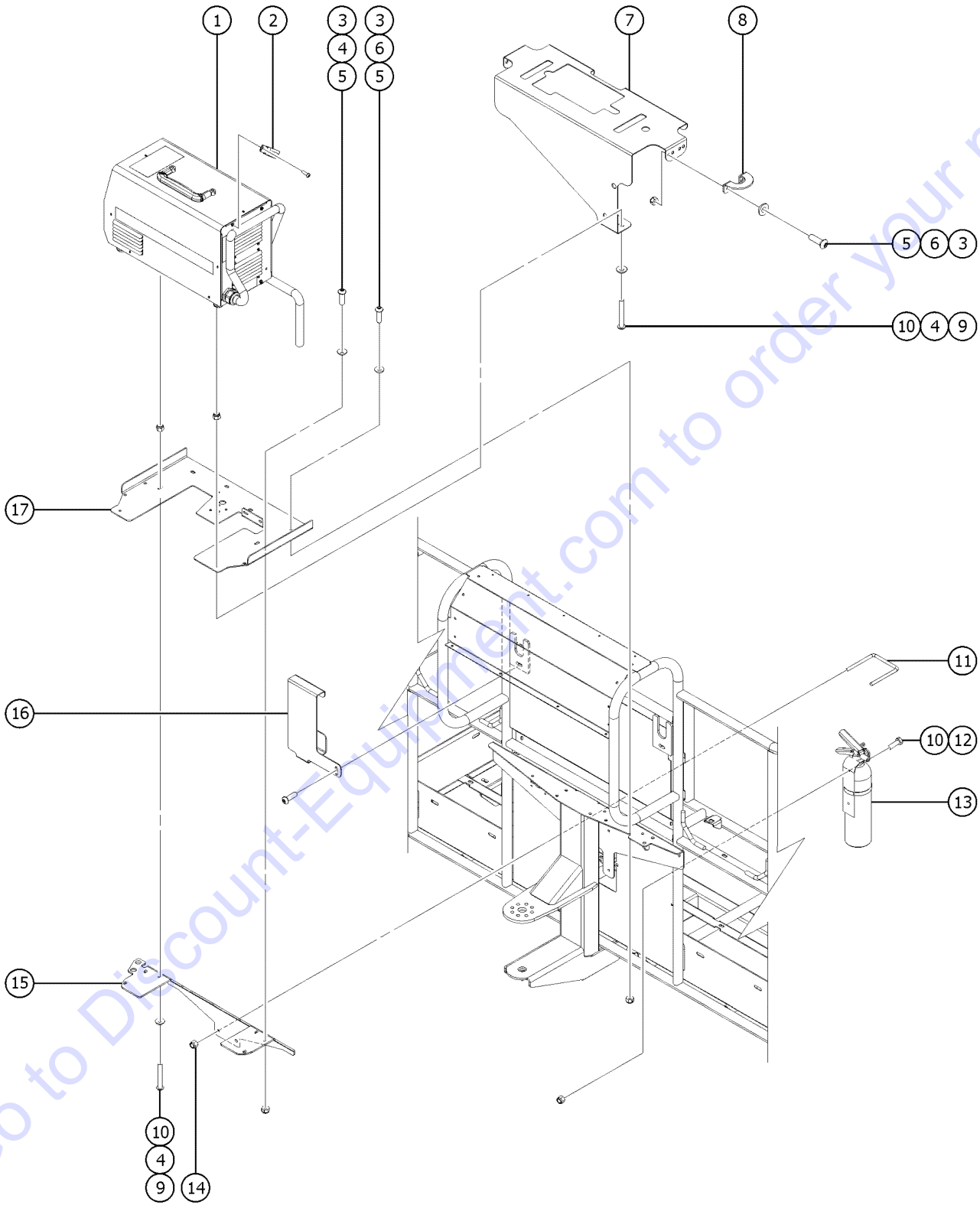
816.1 Welder Option, Platform Components, S-85 - View 2 (to SN 11204)



## 816.1 Welder Option, Platform Components, S-85 - View 2 (to SN 11204)

Item	Part No.	Description	Qty.	Item	Part No.	Description	Qty.
--	10276-1500GT	FIRE SLEEVE, 1.25".....	1	--	106275GT	KIT,WELD LEADS ASSY,V275S <i>Includes both cables</i>	
--	110276-2800GT	FIRE SLEEVE, 1.25".....	1	14	18666GT	CLAMP,1.00,#16 X 1/4,RUB CUSH.....	2
--	110276-3000GT	FIRE SLEEVE, 1.25".....	2	15	110220GT	DECAL,WARNING,WELDER SAFETY...1	
--	110276-3500GT	FIRE SLEEVE, 1.25".....	1	16	106204PGT	BRACKET,V275S WELD LEADS.....	1
--	110276-5000GT	FIRE SLEEVE, 1.25".....	1				
--	88406GT	FIRE EXTINGUISHER					
--	82862GT	DECAL,FIRE EXTINGUISHER					
--	97579GT	DECAL,DANGER,TIP-OVER,WELDER**					
--	97875GT	DECAL,WARN.WELD LINE INST.WORD					
--	110220GT	DECAL,WARNING,WELDER SAFETY					
--	229925GT	ADAPTER,WELDER,208-220					
1	101547PGT	BRACKET,WELDER SUPPORT,PNT.....	1				
2A	122755GT	UBOLT,FLATTENED,1.5DIA X 3/8 UNC.... <i>(to SN 9834)</i>	2				
2B	217366GT	BRACKET,WELDER TOP..... <i>(from SN 9835)</i>	2				
--	106043GT	SCREW,SECURITY,5/16-18X1.00					
3	5397GT	WASHER,FLAT,USS,5/16",Y.....	2				
4A	4828GT	NUT,NYLOCK,3/8-16..... <i>(to SN 9834)</i>	2				
4B	6782GT	NUT,NYLOCK,5/16-18..... <i>(from SN 9835)</i>	2				
5	47363GT	SCREW,RHM,8-32 X .50					
6	35461GT	WASHER,FLAT,MS,#8,Y					
7	101731PGT	BRACKET,POWER TO PLAT TBOX,PNT.....	1				
--	122755GT	UBOLT,FLATTENED,1.5DIA X 3/8 UNC					
--	4828GT	NUT,NYLOCK,3/8-16					
--	5397GT	WASHER,FLAT,USS,5/16",Y					
8	101732GT	COVER,WEATHERPROOF 3-PHASE.....	1				
9	106112GT	PLUG,4-WIRE,3-PHASE,50A,MALE.....	1				
10	82237GT	DECAL,DANGER,HIGH VOLTAGE.....	2				
11	106110GT	T-BOX,2.75X4.5X2.63,3PH.....	1				
--	106111GT	RECEPTCL,LOCK 3-PH,50A,4 WIRE					
12	102408GT	BRACKET,LINCOLN WELDER,PNTD.....	1				
--	102409GT	BRACKET,WELDER MOUNT SUPPORT					
--	106043GT	SCREW,SECURITY,5/16-18X1.00					
--	106044GT	U-BOLT,3/8-16X4X4.63X3.00					
--	4828GT	NUT,NYLOCK,3/8-16					
--	5397GT	WASHER,FLAT,USS,5/16",Y					
--	6782GT	NUT,NYLOCK,5/16-18					
13	101525GT	WELDER,INVERTEC V275-S.....	1				
--	106141GT	SCREW,SECURITY,1/4-20 X 1.75LG <i>(Mounting fasteners)</i>					
--	106183GT	FUSE,.6AMP,250V,WELDER,V275S					

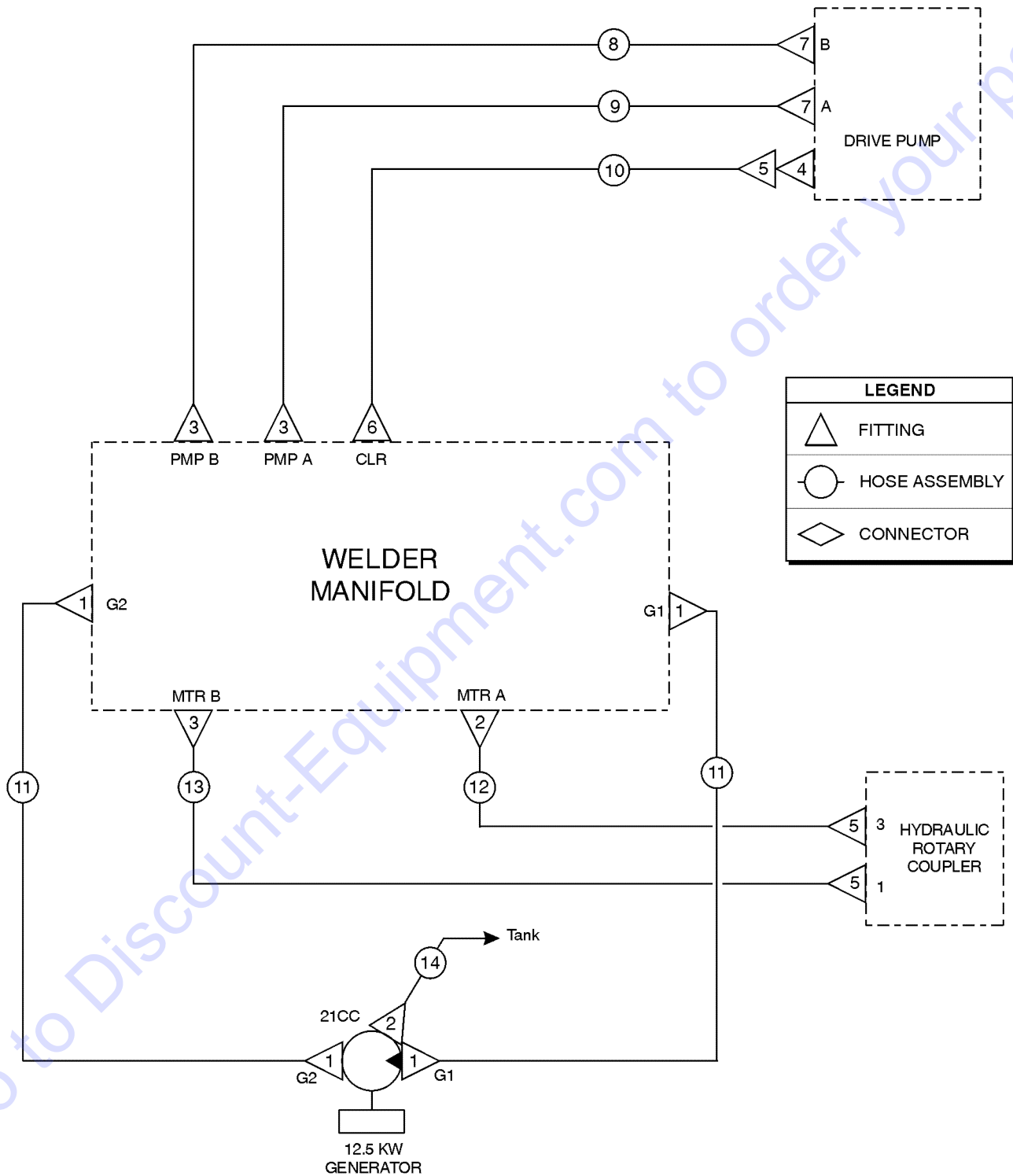
816.2 Welder Option, Platform Components - View 2 (from SN 11205)



## 816.2 Welder Option, Platform Components - View 2 (from SN 11205)

Item	Part No.	Description	Qty.
--	28443GT	CABLE TIE,11.5" BLACK	
--	110276-1500GT	FIRE SLEEVE, 1.25".....1 (S-85)	
--	110276-2500GT	FIRE SLEEVE, 1.25".....2 (S-80)	
--	110276-2800GT	FIRE SLEEVE, 1.25".....1 (S-85)	
--	110276-3000GT	FIRE SLEEVE, 1.25".....1 (S-85)	
--	110276-3500GT	FIRE SLEEVE, 1.25".....1 (S-85)	
--	110276-5000GT	FIRE SLEEVE, 1.25".....1 (S-85)	
--	214620GT	SOCKET,3P,30A,4 WIRE, FEM.....1	
--	214621GT	SOCKET, BOOT, 3P, 30A, 4 WIRE.....1	
--	214622GT	PLUG, BOOT, 3P, 30A, 4 WIRE.....1	
--	106183GT	FUSE,.6AMP,250V,WELDER,V275S	
--	106275GT	KIT,WELD LEADS ASSY,V275S	
--	214623GT	PLUG, 3P,30A, 4 WIRE, MALE,	
1A	101525GT	WELDER,INVERTEC V275-S.....1	
1B	214619GT	WELDER, MILLER, CST 280.....1	
--	18666GT	CLAMP,1.00,#16 X 1/4,RUB CUSH	
2	18666GT	CLAMP,1.00,#16 X 1/4,RUB CUSH.....3	
3	106043GT	SCREW,SECURITY,5/16-18X1.00.....10	
4	6638GT	WASHER,FLAT,USS,1/4"Y.....5	
5	6782GT	NUT,NYLOCK,5/16-18.....10	
6	5397GT	WASHER,FLAT,USS,5/16",Y.....9	
7	101547PGT	BRACKET,WELDER SUPPORT,PNT.....1	
8	217366GT	BRACKET,WELDER TOP.....2	
9	106141GT	SCREW,SECURITY,1/4-20 X 1.75LG.....4	
10	6091GT	NUT,NYLOCK,1/4-20.....6	
11	106044GT	U-BOLT,3/8-16X4X4.63X3.00.....1	
12	6090GT	SCREW,HHC,1/4-20 X .75.....2	
13	88406GT	FIRE EXTINGUISHER.....1	
14	4828GT	NUT,NYLOCK,3/8-16.....2	
15	102409PGT	BRACKET,WELDER MNT SUPPORT,PNT.....1	
16	106204PGT	BRACKET,V275S WELD LEADS.....1	
17	102408PGT	BRACKET,LINCOLN WELDER,PNTD.....1	

817.1 Welder Option, Hoses and Fittings - View 3

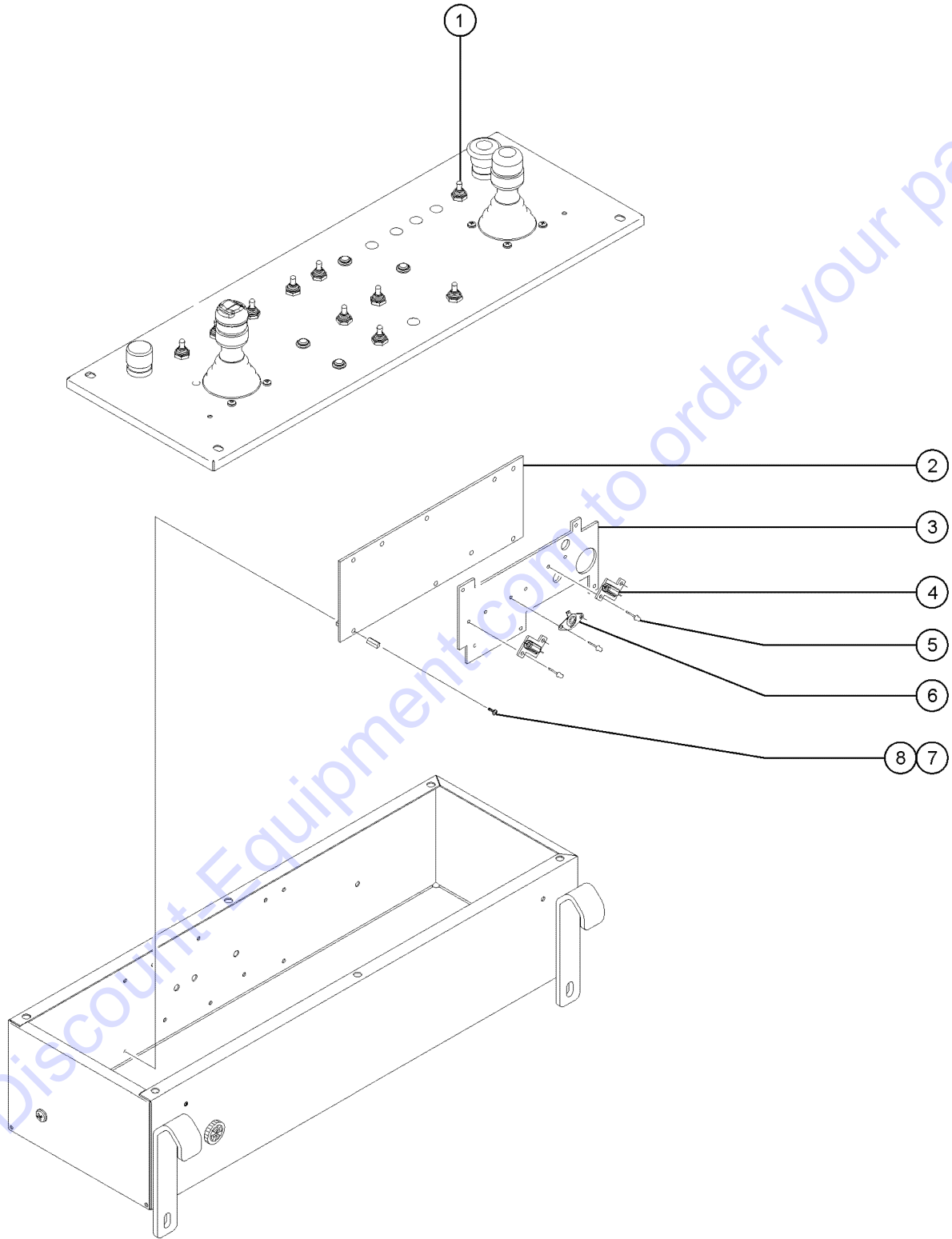


## 817.1 Welder Option, Hoses and Fittings - View 3

Item	Part No.	Description	Qty.
1	48959GT	FITTING,ELBOW,90D,520220-12.....	5
2	48948GT	CONN,520120-8-12.....	1
3	48960GT	FITTING,CONN,520120-12***.....	3
4	48964GT	FITTING,TEE,RUN,SWIVEL52043212....	1
5	48963GT	FITTING,ELBOW,45D,520320-12***.....	3
6	48933GT	CONN,520120-8***.....	1
7	48977GT	CONN,520120-12-16.....	2
8	102313-2826GT	HOSE ASSY,3/4" HYD,45F,STRF.....	1
9	102313-3126GT	HOSE ASSY,3/4" HYD,45F,STRF.....	1
10	121889GT	HOSE ASSY,1/2,45,36IN,STR 8-12.....	1
11	94374-9688GT	HOSE ASSY,3/4",90F,STR F.....	2
12	89871-4398GT	HOSE ASSY,3/4"STR-STR.....	1
13	94374-4830GT	HOSE ASSY,3/4",90F,STR F.....	1
14	121890GT	HOSE ASSY,1/2,90MD,34IN,STR.....	1

Go to Discount-Equipment.com to order your parts

818.1.1 Platform Recirculating Hydraulic Oil Option (from SN 9049)



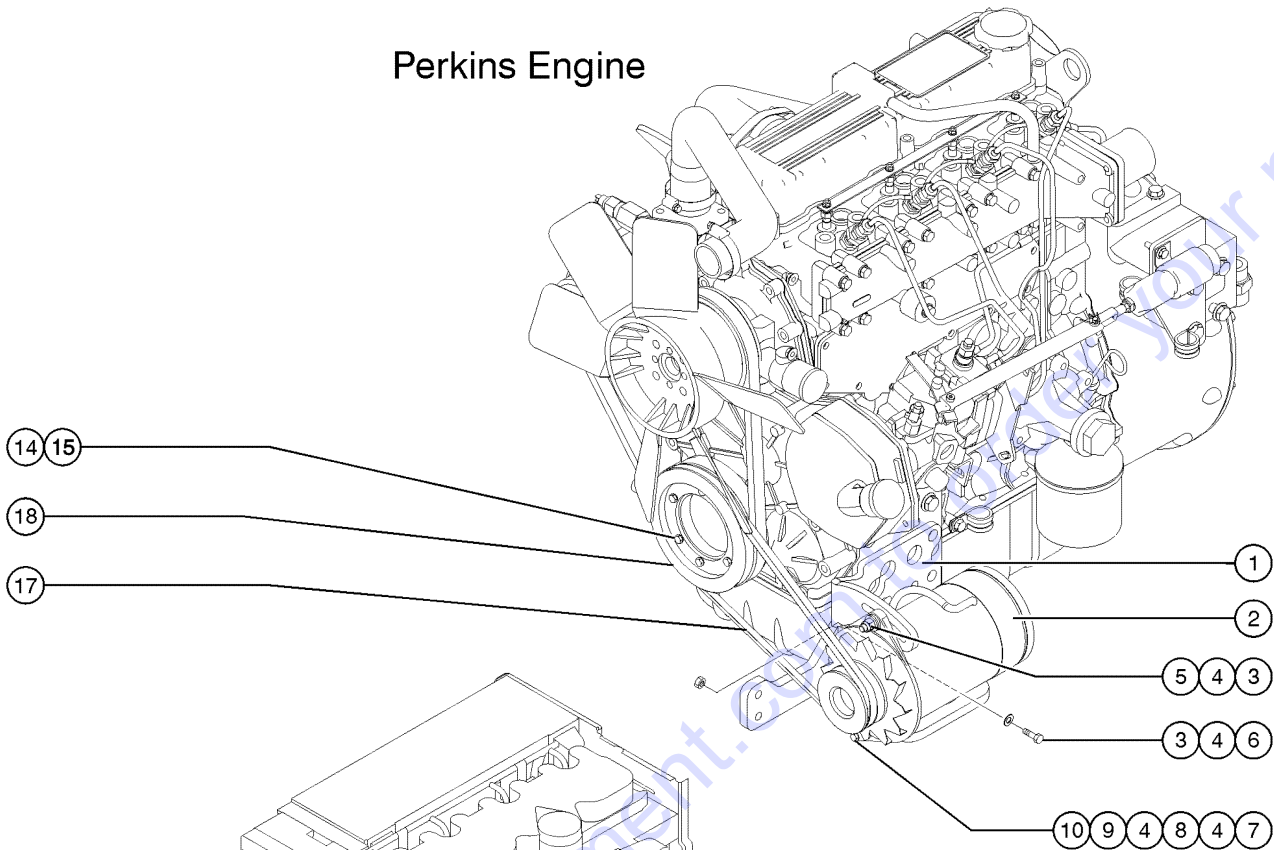
## 818.1.1 Platform Recirculating Hydraulic Oil Option (from SN 9049)

Item	Part No.	Description	Qty.
--	227777GT	ASSY, PLAT RECIRC, S80/85	
1	48908GT	FITTING, TEE, RUN, SWIVEL 520432-4.....1	1
2	48875GT	TEE, RUN, SWIVEL, 520432-6.....1	1
3	49163-1494GT	HOSE ASSY, 1/4, 90D FEM, STR FEM.....1	1
4	49117-1491GT	HOSE ASSY, 1/4, 90 FEM, STR FEM.....1	1
5	48904GT	ELBOW, 90D, 520220-4-4.....1	1
6	119907GT	CARTRIDGE, VALVE HOUSING.....1	1
7	4266GT	SCREW, HHC, 1/4-20 X 2	
8	6638GT	WASHER, FLAT, USS, 1/4"Y	
9	6091GT	NUT, NYLOCK, 1/4-20	
10	119908GT	VALVE, SOLENOID, NOR.....1	1
11	48907GT	ELBOW, 45D, 520320-4.....1	1
12	226534GT	FORMING, VALVE BRACKET.....1	1
13		Ref. Platform Manifold (Refer to 704.1 and 705.1)	

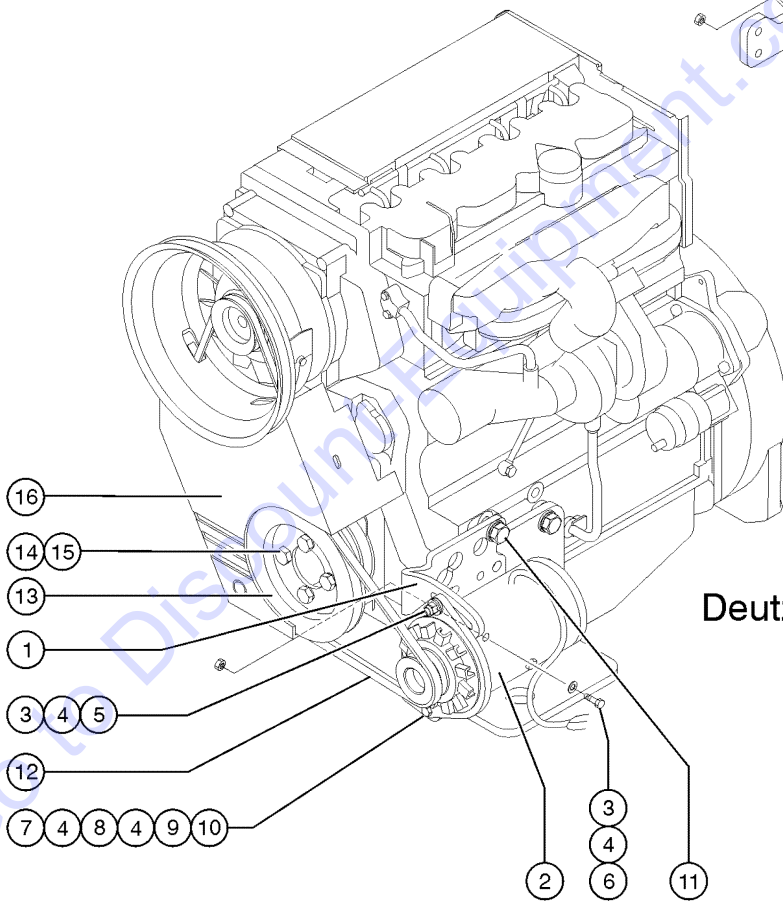


819.1 Belt Generator Option - View 1

Perkins Engine



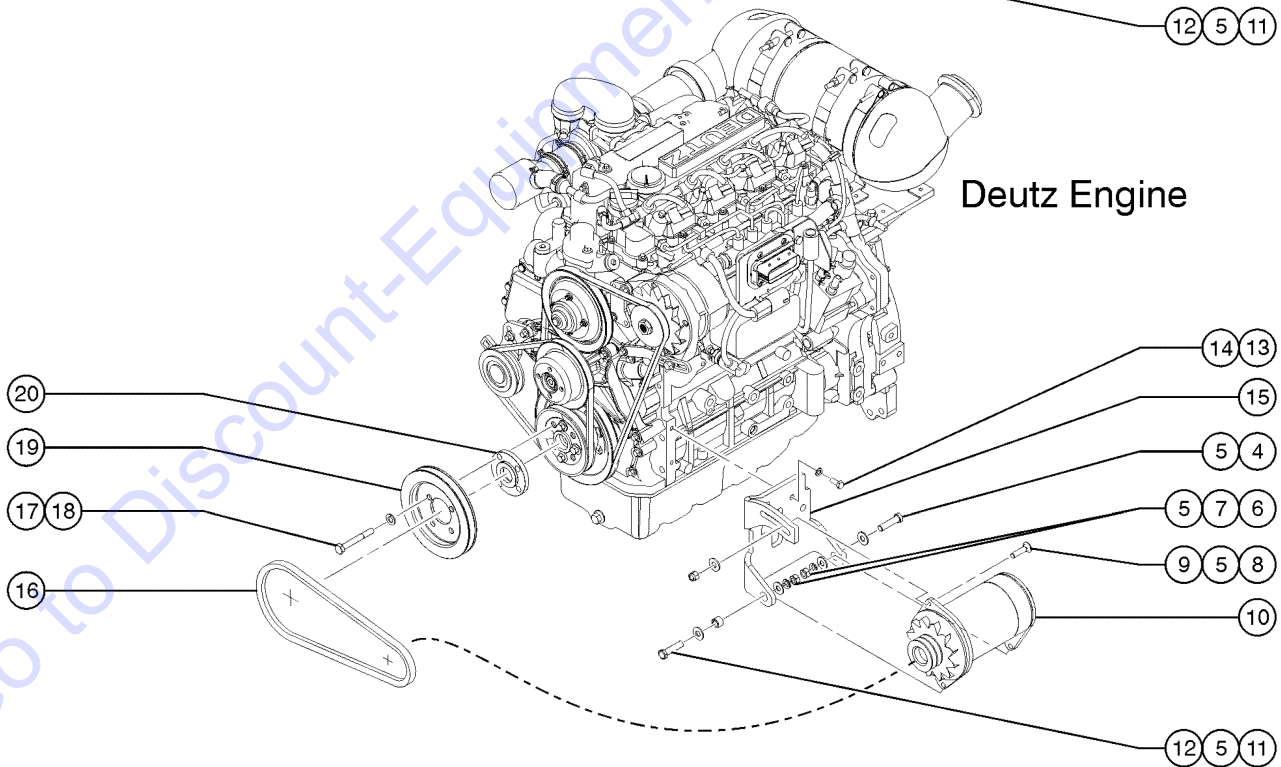
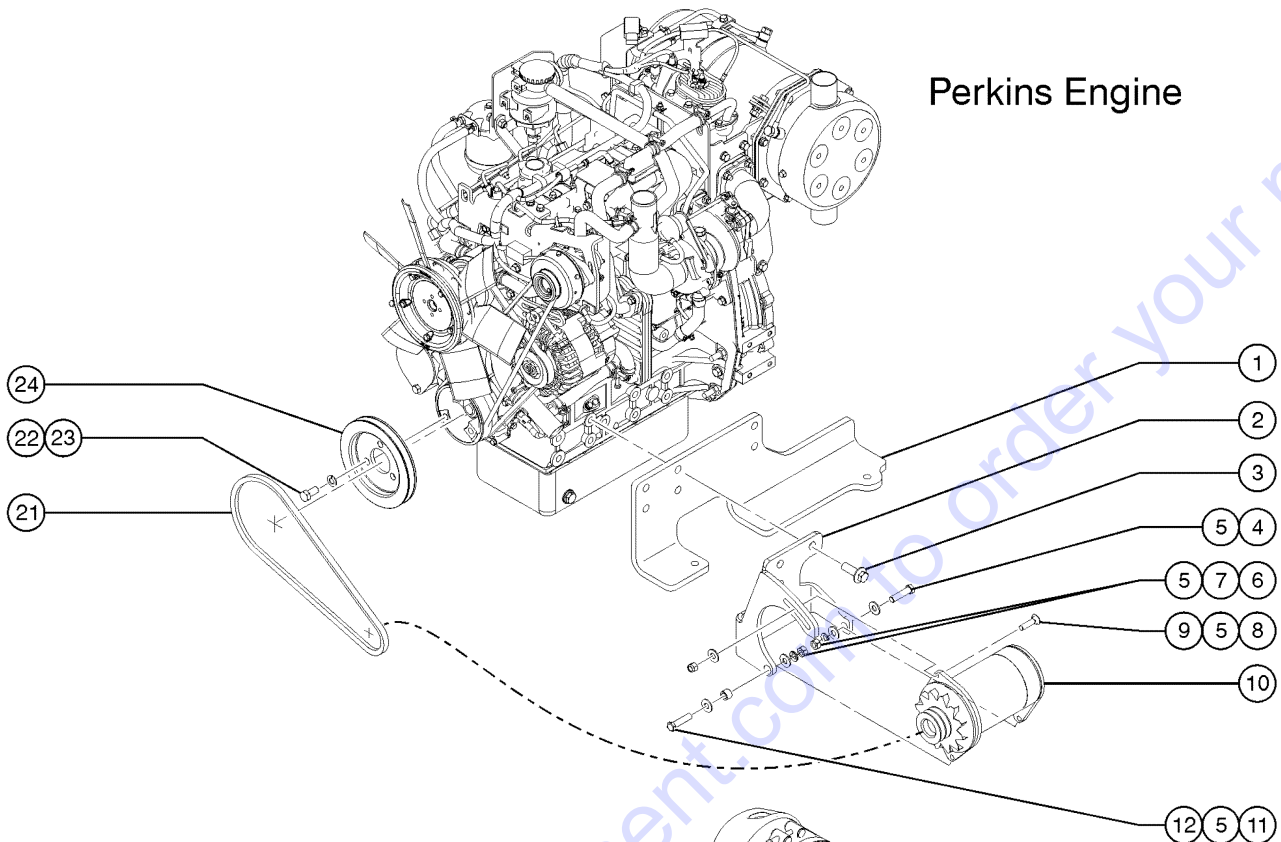
Deutz Engine



## 819.1 Belt Generator Option - View 1

Item	Part No.	Description	Qty.
1	119533PGT	FORMING,GENERATOR MOUNT,PTD	
2	60707GT	GENERATOR,3500W,120V,60HZ**	
--	89908GT	GENERATOR,3000W,220V,50HZ***	
3	4828GT	NUT,NYLOCK,3/8-16	
4	6097GT	WASHER,FLAT,USS,3/8",Y	
5	60790GT	BOLT, CARRIAGE, 3/8-16 X 1.50, G5	
6	8516GT	SCREW, HCC, 3/8-16 X 1.50	
7	81852GT	SCREW,HHC,7/16-14 X 1.75	
8	45400GT	SPACER TUBE,.50 LG	
9	20912GT	WASHER,LOCK, .437,PLTD.	
10	6083GT	NUT,HEX,7/16-14	
11	121688GT	SCREW,HHC,FLG,M14 X 35	
12	106535GT	BELT,AX33***	
13	70389GT	PULLEY,DEUTZ	
--	81069GT	SPACER,PULLEY,DEUTZ GEN	
14	25927GT	SCREW,HHC,M10 X 55MM,GRD 8.8 <i>(Perkins models)</i>	
--	22697GT	SCREW,HHC,M10 X 65MM,GR8.8 <i>(Deutz models)</i>	
15	22700GT	WASHER,LOCK,M10	
16	106740GT	COVER,REWORK,DEUTZ GENERATOR	
17	94600GT	BELT, (NAPA 9360)	
18	102346GT	PULLEY KIT,PERKINS 804	

819.2 Belt Generator Option (Perkins 404F-22T and Deutz TD 2.9L4) - View 1



## 819.2 Belt Generator Option (Perkins 404F-22T and Deutz TD 2.9L4) - View 1

Item	Part No.	Description	Qty.
1		Ref. FORMING, ENGINE MOUNT, LH (Refer to 407.1)	
2	1253175GT	FORMING, GENERATOR MOUNT	
3	1251899GT	SCREW,HHF,M14-2.0X40,DIN6921,10.9,ZAB	
4	81852GT	SCREW,HHC,7/16-14 X 1.75	
5	6097GT	WASHER,FLAT,USS,3/8",Y	
6	6083GT	NUT,HEX,7/16-14	
7	20912GT	WASHER,LOCK,.,437,PLTD.	
8	60790GT	BOLT, CARRIAGE, 3/8-16 X 1.50, G5	
9	4828GT	NUT,NYLOCK,3/8-16	
10	60707GT	GENERATOR,3500W,120V,60HZ**	
--	89908GT	GENERATOR,3000W,220V,50HZ***	
11	81852GT	SCREW,HHC,7/16-14 X 1.75	
12	45400GT	SPACER TUBE, .50 LG	
13	23057GT	SCREW,HHC,M8 X 20MM	
14	33277GT	WASHER,FLAT,M8,YELLOW ZINC	
15	1251549GT	FORMING, GENERATOR MOUNT	
16	1251542GT	V BELT, COGGED, AX32	
17	1253623GT	SCREW,HHC,M10-1.5X80,DIN931,10	
18	22700GT	WASHER,LOCK,M10	
19	1254367GT	PULLEY,DEUTZ T4 GENERATOR	
20	1253596GT	SPACER,PULLEY,DEUTZ TIER 4 GEN	
21	1253176GT	V BELT,COGGED,AX37	
22	75029GT	SCREW,HHC,M12 X 1.75X 25MM,8.8	
23	49409GT	WASHER,LOCK,M12	
24	1253177GT	PULLEY, PERKINS T4 GENERATOR	

# PARTS FINDER

**Search Website  
by Part Number**



**Search Manual  
Library For Parts  
Manual & Lookup Part  
Numbers – Purchase  
or Request Quote**

**Search Manuals**

Enter your information to help us find the right parts manual for your machine.

\* Brand:

\* Model:

\* Serial:

\* Part Number:

SEARCH

**Can't Find Part or  
Manual? Request Help  
by Manufacturer,  
Model & Description**

**Parts Order Form**

Please fill in the following information to help us find the right part for your machine.

Manufacturer:	<input type="text"/>
Model:	<input type="text"/>
Description:	<input type="text"/>
Part Number:	<input type="text"/>
Quantity:	<input type="text"/>
Notes:	<input type="text"/>

Submit

Discount-Equipment.com is your online resource for quality parts & equipment.

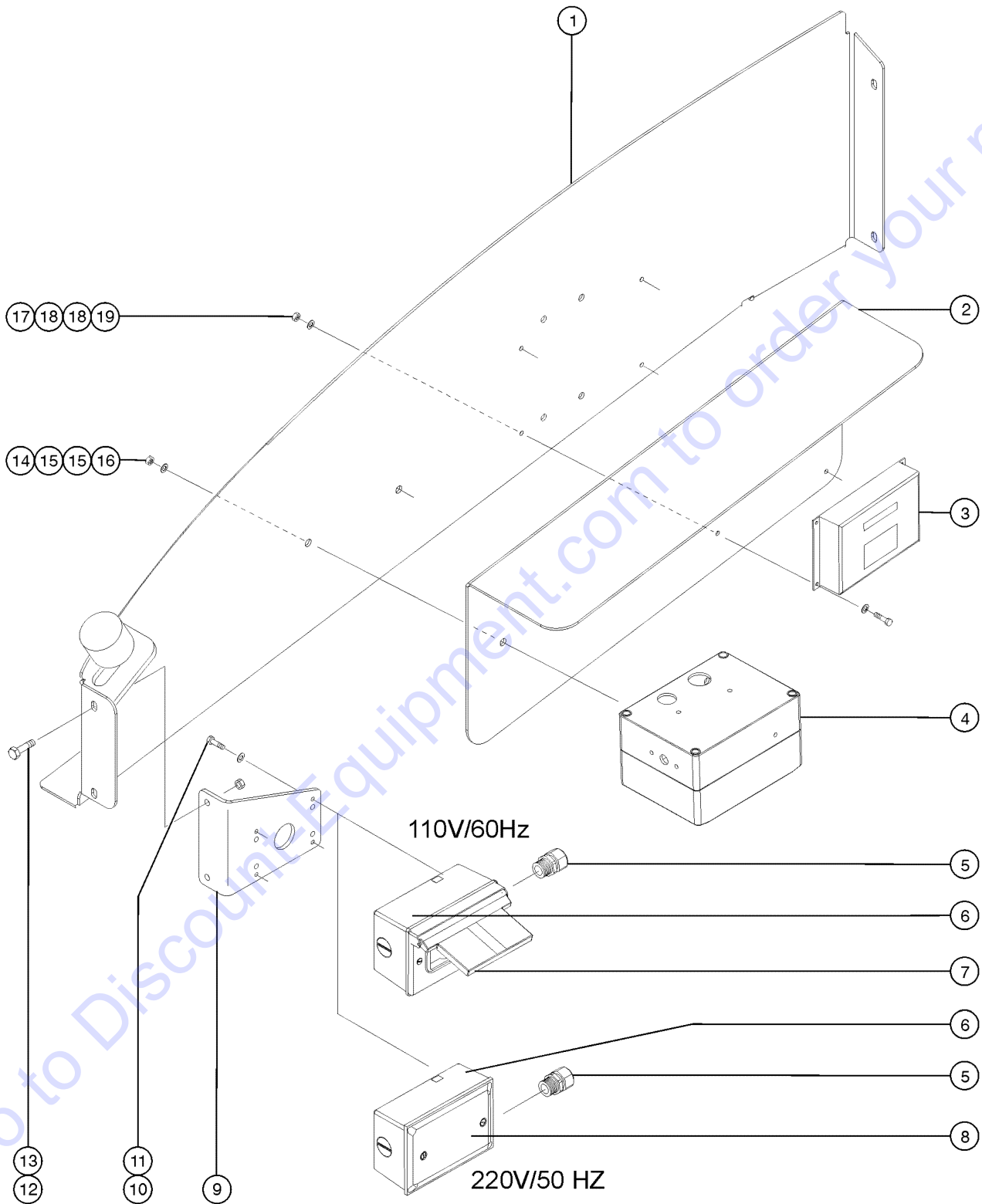
Florida: **561-964-4949** Outside Florida TOLL FREE: **877-690-3101**

**Need parts?**

Click on this link: <http://www.discount-equipment.com/category/5443-parts/> and choose one of the options to help get the right parts and equipment you are looking for. Please have the machine model and serial number available in order to help us get you the correct parts. If you don't find the part on the website or on one of the online manuals, please fill out the request form and one of our experienced staff members will get back to you with a quote for the right part that your machine needs.

We sell worldwide for the brands: Genie, Terex, JLG, MultiQuip, Mikasa, Essick, Whiteman, Mayco, Toro Stone, Diamond Products, Generac Magnum, Airman, Haulotte, Barreto, Power Blanket, Nifty Lift, Atlas Copco, Chicago Pneumatic, Allmand, Miller Curber, Skyjack, Lull, Skytrak, Tsurumi, Husquvarna Target, Stow, Wacker, Sakai, Mi-T-M, Sullair, Basic, Dynapac, MBW, Weber, Bartell, Bennar Newman, Haulotte, Ditch Runner, Menegotti, Morrison, Contec, Buddy, Crown, Edco, Wyco, Bomag, Laymor, EZ Trench, Bil-Jax, F.S. Curtis, Gehl Pavers, Heli, Honda, ICS/PowerGrit, IHI, Partner, Imer, Clipper, MMD, Koshin, Rice, CH&E, General Equipment, Amida, Coleman, NAC, Gradall, Square Shooter, Kent, Stanley, Tamco, Toku, Hatz, Kohler, Robin, Wisconsin, Northrock, Oztec, Toker TK, Rol-Air, APT, Wylie, Ingersoll Rand / Doosan, Innovatech, Con X, Ammann, Mecalac, Makinex, Smith Surface Prep, Small Line, Wanco, Yanmar

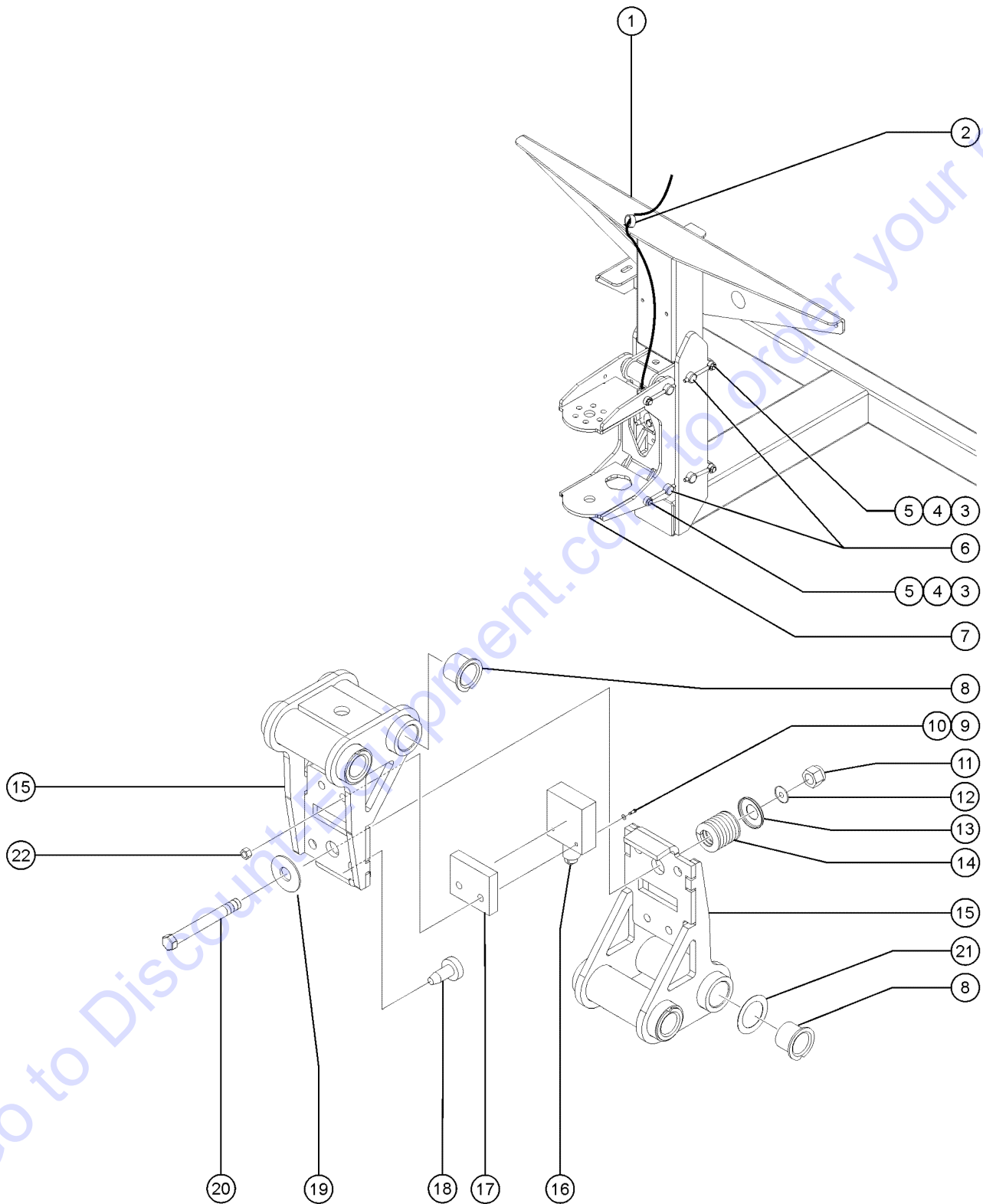
820.1 Belt Generator Option - View 2



## 820.1 Belt Generator Option - View 2

Item	Part No.	Description	Qty.
1		refer to 305.1 for location	
2	121874GT	FORMING, BELT GEN. COVER	
3	60739GT	VOLTAGE REGULATOR,220V	
--	60738GT	VOLTAGE REGULATOR,110V	
4	81558GT	HARNESS for GENERATOR W/REGULATOR <i>(Harness only, for BD generator)</i>	
--	81559GT	HARNESS for GENERATOR W/REG.220V <i>(Harness only, for BD generator)</i>	
5	7056GT	CONN,SQUEEZE,1/2NPT .38-.50,SM	
--	6935GT	LOCKNUT,ELEC,1/2"	
6	10775GT	T-BOX,2.75 X 4.5 X 2.0	
7	74006GT	COVER,GFCI,HORIZONTAL,WEATHER <i>North American models</i>	
--	80543GT	RECEPTACLE, 120VAC, 20A, GFCI	
8	10777GT	COVER,BLANK	
--	81458GT	GASKET, UK POWER TO PLAT	
9	121873GT	JUNCTION BOX OUTLET BRACKET	
10	57075GT	SCREW,PHIL,8-32X.50,SELF TAP	
11	6687GT	BUTT SPLICE,14/16GA.	
12	121419GT	SCREW,HHF,1/4-20 X .75	
13	121421GT	NUT,FLG,1/4-20	
14	6782GT	NUT,NYLOCK,5/16-18	
15	5397GT	WASHER,FLAT,USS,5/16",Y	
16	13002GT	SCREW,HHC,5/16-18 X 1 GR5	
17	6178GT	NUT,NYLOCK,10-32	
18	6146GT	WASHER,FLAT,MS,#10,Y	
19	49816GT	SCREW,PHILLIPS,PHM,10-32 X .75	

821.1 Platform Overload - European Models

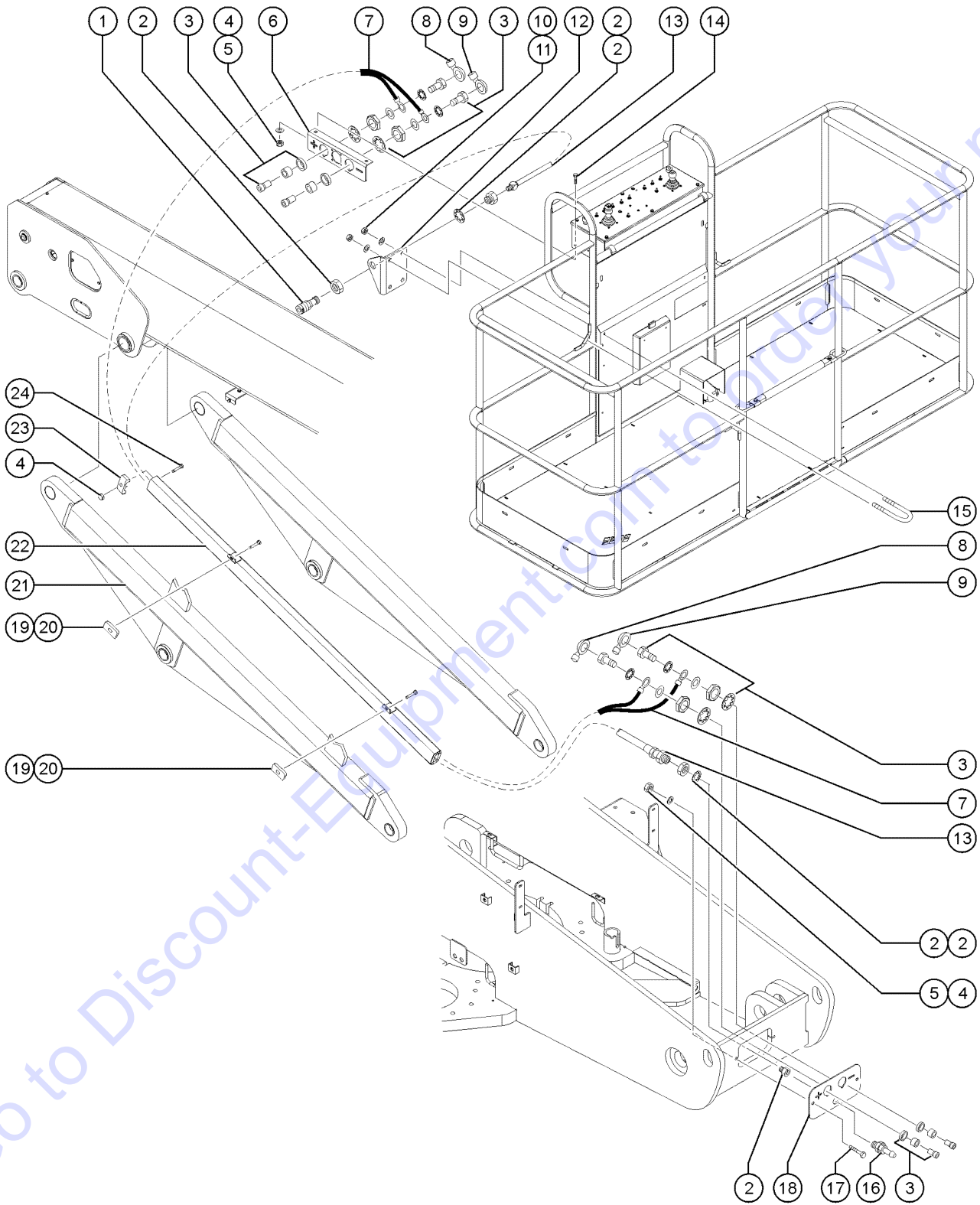




## 821.1 Platform Overload - European Models

Item	Part No.	Description	Qty.	Item	Part No.	Description	Qty.
--	128045GT	MODULE,LOAD SENSE 2007		20	21604GT	SCREW,HHC,3/8-16 X 3.25	
--	121846GT	RELAY,TIME DELAY,2 SEC,10A <i>(Part of Load Sense with Recovery option)</i>		21	110789GT	WASHER,SHIM .0151 THK.....	16
--	121847GT	RELAY,TIME DELAY,2 SEC,30A <i>(Part of Load Sense with Recovery option)</i>		22	5365GT	NUT,NYLOCK,10-24 <i>to SN 12986</i>	
1	61997GT	WELDMENT,PLATFORM SUPPORT,CE.....	1	--	824032GT	NUT,TL FLG,10-32,F,ZAG <i>from SN 12987</i>	
2	45470GT	CLAMP,0.31,#5 X 1/4,RUB CUSH.....	1				
--	824027GT	NUT,TL FLG,1/4-20,G,ZAG					
--	824078GT	SCREW,HHF,1/4-20X.75,8,ZAG					
3	6888GT	SCREW,HHC,1/4-20 X 1 <i>to SN 12986</i>					
--	824061GT	SCREW,HHC,1/4-20X1.25,8,ZAG <i>from SN 12987</i>					
4	45748GT	ROD END,.250 X 2.75 LG.....	4				
--	825020GT	ROD END, .25 X 2.75, ZAG <i>from SN 12987</i>					
5	6091GT	NUT,NYLOCK,1/4-20 <i>to SN 12986</i>					
--	824027GT	NUT,TL FLG,1/4-20,G,ZAG <i>from SN 12987</i>					
6	61726GT	PIN,0.75DIAX5.75LG,CHAMFER.....	4				
--	94643GT	ZERK,GREASE,5/16-24,STRAIT					
7	61804GT	WELDMENT,ROTATOR SUPPORT.....	1				
8	25685GT	BEARING,GARLOCK,12FDU12.....	8				
9	51063GT	SCREW,PHILLIPS,RHM,10-32 X 1.5 <i>to SN 12986</i>					
--	1257264GT	SCREW,BHC,10-32X1.5,F835,ZAG <i>from SN 12987</i>					
10	6146GT	WASHER,FLAT,MS,#10,Y					
11	4828GT	NUT,NYLOCK,3/8-16 <i>to SN 12986</i>					
--	824029GT	NUT,TL FLG,3/8-16,G,ZAG <i>from SN 12987</i>					
12	6097GT	WASHER,FLAT,USS,3/8",Y					
13	61975GT	RETAINER,SPRING,1.21 X .375.....	1				
14	61974GT	SPRING,COMP,1" OD,232 LB/IN.....	1				
--	61976GT	SPRING,COMP,1-1/4"OD 352 LB/IN <i>(Load sense, 750 lb)</i>					
15	89755GT	LOAD SUPPORT W/BEARINGS.....	2				
--	110789GT	WASHER,SHIM .0151 THK.					
16	121848GT	ASSY,LS,LOAD SENSE,38.5 IN					
17	61972GT	MOUNT,SWITCH.....	1				
18	34619GT	BUMPER,RUBBER*** .....	2				
19	80605GT	WASHER,FLAT,3/8X1.5X.06 <i>to SN 12986</i>					

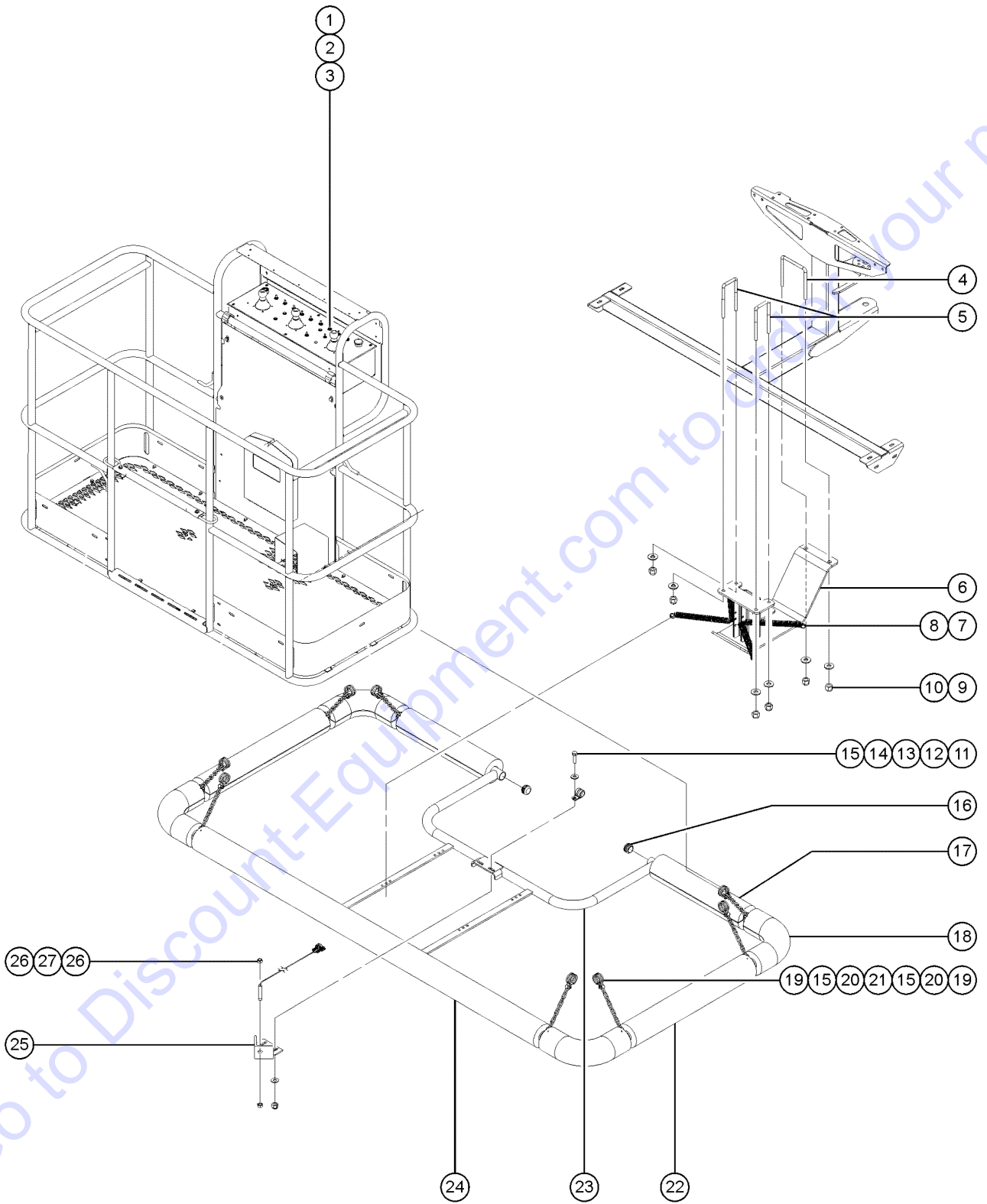
822.1 Air Line and Weld Cables



## 822.1 Air Line and Weld Cables

Item	Part No.	Description	Qty.
1	49215GT	MPT,CPLR,1/4"SER,3/8"X18.....1	1
2	49212GT	FEMALE BULKHEAD CONNECTOR-8...2	2
3	81130GT	RECEPTICLE,WELD CABLE,FEMALE...4	4
4	6091GT	NUT,NYLOCK,1/4-20	
5	6638GT	WASHER,FLAT,USS,1/4"Y	
6	88658GT	BRACKET,WELD OPTION.....1	1
7	T109690GT	WELD CABLE ASSY, S85.....1203-inches <i>Includes parts 51147 and 89977</i>	
7	T109691GT	WELD CABLE ASSY, S80.....1143-inches <i>Includes parts 51147 and 89977</i>	
8	51147GT	BOOT,CABLE TERMINAL,LG,RED,2/0...2	2
9	89977GT	BOOT,CABLE TERMINAL,BLACK,2/0.....2	2
10	4828GT	NUT,NYLOCK,3/8-16	
11	5397GT	WASHER,FLAT,USS,5/16",Y	
12	60886PGT	BRACKET,AIRLINE TO PLATFORM.....1	1
13	T109692GT	AIRLINE ASSY, S85.....1214-inches	
13	T109693GT	AIR LINE ASSY, S80.....1154-inches	
14	6090GT	SCREW,HHC,1/4-20 X .75	
15	122755GT	UBOLT,FLATTENED,1.5DIAX3/8 UNC....1	1
16	49214GT	MALE PIPE THD,1/4" SER,3/8"X18.....1	1
17	36294GT	SCREW,HHC,1/4-20 X 2.75	
18	121595GT	PLATE,WELD OPTION.....1	1
19	121899GT	PLATE,3/8-16 TAPPED.....2	2
20	122209GT	SCREW,HHF,3/8-16 X1.50	
21		Ref. ASSEMBLY,WELDMENT LONG LINK <i>(Refer to 506.1)</i>	
22	121781GT	WELDMENT,LONG LINK,CABLE COVER.....1	1
23	121785GT	CLAMP,OPTIONS,LONG LINK.....1	1
24	6145GT	SCREW,HHC,1/4-20 X 1.5	

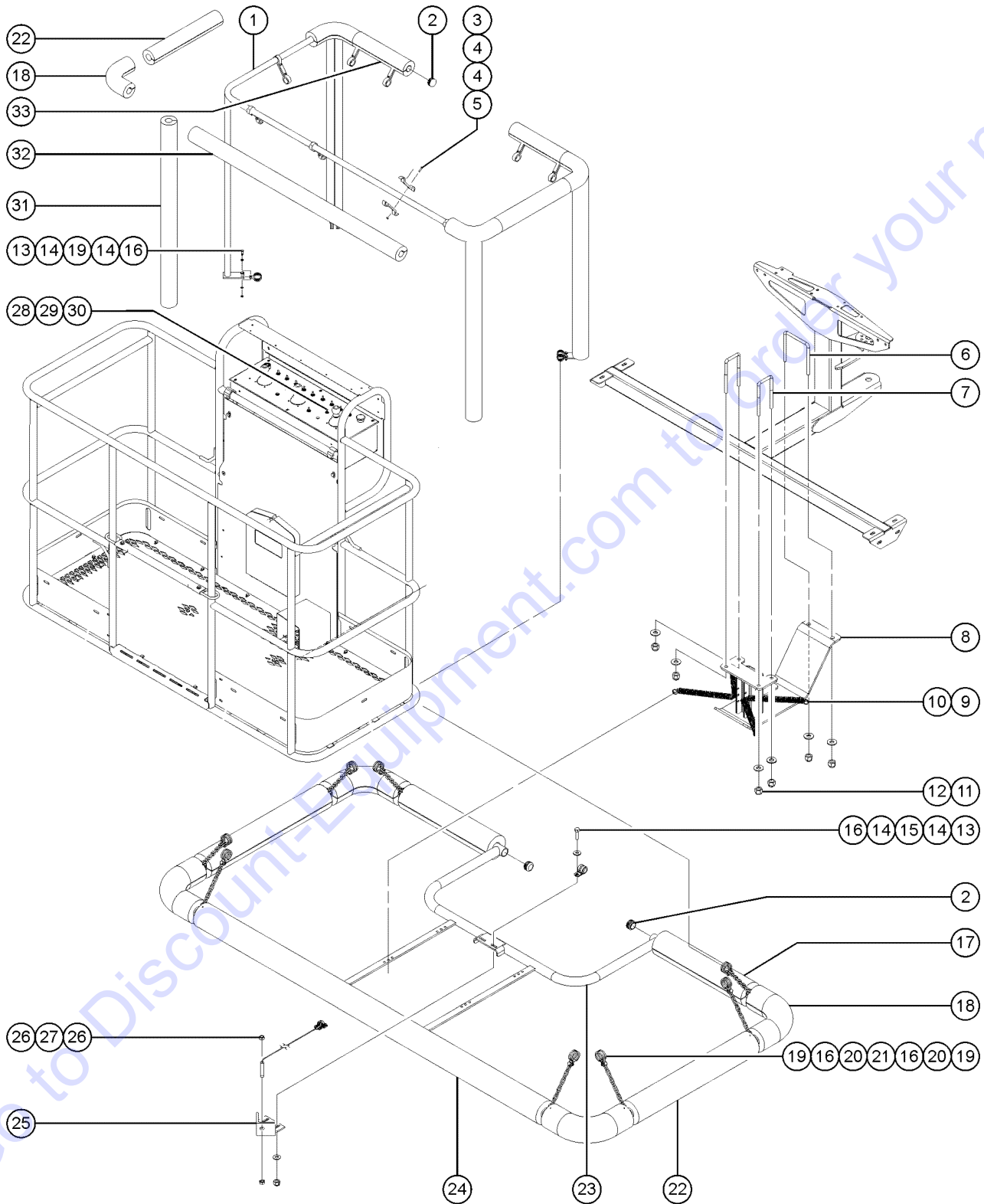
823.1 Aircraft Protection Package, Standard (from SN 8126 to 11087)



## 823.1 Aircraft Protection Package, Standard (from SN 8126 to 11087)

Item	Part No.	Description	Qty.
1	128203GT	SWITCH TOGGLE ASSY SPDT 2P MOM.....	1
--	139882GT	HARN, AC PROTECTION BYPASS.....	1
2	27246GT	BOOT,TOGGLE SWITCH,SHORT*.....	1
3		Ref. DECAL,FUNCTION OVERRIDE..... <i>(Refer to 101.1 or 102.1)</i>	1
4	106044GT	U-BOLT,3/8-16X4X4.63X3.00.....	1
5	66472GT	U-BOLT, SQR, 3/8-16X2X5, PLTD.....	2
6	139904GT	WELDMENT, SKIDPLATE**.....	1
7	88384GT	SPRING, SS, 3/4-EO750-69-4500.....	4
8	88385GT	SPRING, SS, 1/2-EO500-49-4500.....	4
9	4828GT	NUT,NYLOCK,3/8-16	
10	5397GT	WASHER,FLAT,USS,5/16",Y	
11	6888GT	SCREW,HHC,1/4-20 X 1	
12	6638GT	WASHER,FLAT,USS,1/4"Y	
13	6833GT	CLAMP,0.50,#8 X 1/4,RUB CUSH.....	1
14	6638GT	WASHER,FLAT,USS,1/4"Y	
15	6091GT	NUT,NYLOCK,1/4-20	
16	55753GT	BUMPER, PLASTIC, 1.25 O.D.....	2
17	75617-1675GT	PADDING,FOAM 3.5"OD X 1.50"ID.....	2
18	75636GT	PADDING,FOAM,3.0"X1.50ID 90DEG.....	4
19	21618GT	CLAMP,1.13,#18 X 1/4,RUB CUSH.....	16
20	6090GT	SCREW,HHC,1/4-20 X .75	
21	56426-700GT	CHAIN,NO.2 (11 LINKS).....	8
22	75617-2275GT	PADDING,FOAM 3.5"OD X 1.50"ID.....	2
23	139181GT	WELDMENT,AIRCRAFT SENSOR BUMPR.....	1
24	75617-6475GT	PADDING,FOAM 3.5"OD X 1.50"ID.....	1
25	77797GT	WELDMENT, SENSOR MOUNT.....	1
26	88390GT	NUT,HEX,M8,PLASTIC	
27	81532GT	HARNESS,PROX.KILL..... <i>includes 27391 proximity sensor</i>	1
--	27391GT	PROXIMITY SENSOR***	

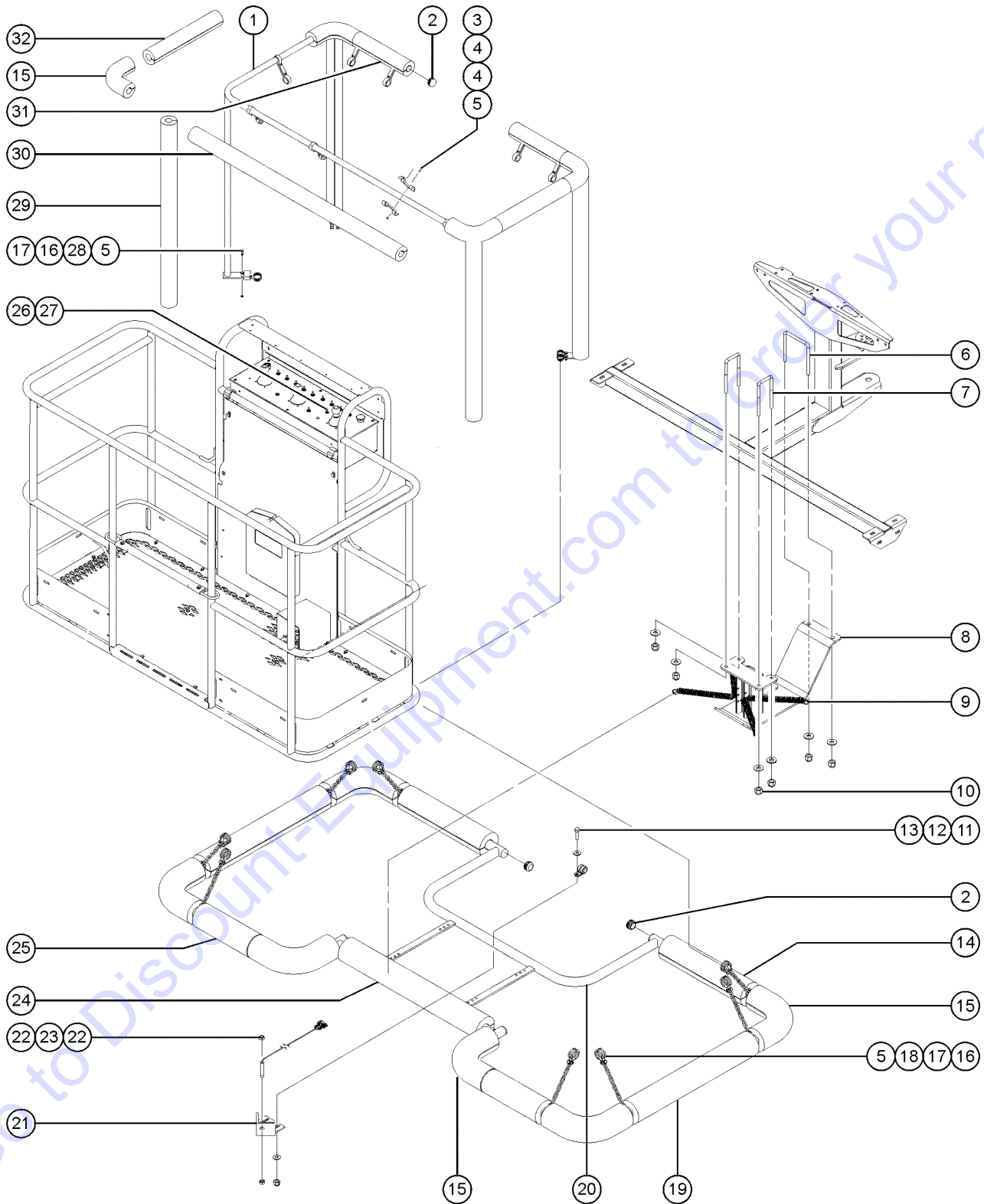
824.1 Aircraft Protection Package, Deluxe (from SN 8126 to 11087)



## 824.1 Aircraft Protection Package, Deluxe (from SN 8126 to 11087)

Item	Part No.	Description	Qty.
1	46188GT	WELDMENT, AIRCRAFT TOP BUMPER.....	1
2	55753GT	BUMPER, PLASTIC, 1.25 O.D.....	4
3	122231GT	SCREW,BHSC,1/4-20 X 1	
4	122073GT	SUPPORT, RAILING.....	20
5	6889GT	NUT,LP NYLOCK,1/4-20	
6	106044GT	U-BOLT,3/8-16X4X4.63X3.00.....	1
7	66472GT	U-BOLT, SQR, 3/8-16X2X5, PLTD.....	2
8	139904GT	WELDMENT, SKIDPLATE**.....	1
9	88384GT	SPRING, SS, 3/4-EO750-69-4500.....	4
10	88385GT	SPRING, SS, 1/2-EO500-49-4500.....	4
11	4828GT	NUT,NYLOCK,3/8-16	
12	5397GT	WASHER,FLAT,USS,5/16",Y	
13	6888GT	SCREW,HHC,1/4-20 X 1	
14	6638GT	WASHER,FLAT,USS,1/4"Y	
15	6833GT	CLAMP,0.50,#8 X 1/4,RUB CUSH.....	1
16	6091GT	NUT,NYLOCK,1/4-20	
17	75617-1675GT	PADDING,FOAM 3.5"OD X 1.50"ID.....	2
18	75636GT	PADDING,FOAM,3.0"X1.50ID 90DEG.....	8
19	21618GT	CLAMP,1.13,#18 X 1/4,RUB CUSH.....	16
20	6090GT	SCREW,HHC,1/4-20 X .75	
21	56426-700GT	CHAIN,NO.2 (11 LINKS).....	8
22	75617-2275GT	PADDING,FOAM 3.5"OD X 1.50"ID.....	4
23	139181GT	WELDMENT,AIRCRAFT SENSOR BUMPR.....	1
24	75617-6475GT	PADDING,FOAM 3.5"OD X 1.50"ID.....	1
25	77797GT	WELDMENT, SENSOR MOUNT.....	1
26	88390GT	NUT,HEX,M8,PLASTIC	
27	81532GT	HARNESS,PROX.KILL..... <i>includes 27391 proximity sensor</i>	1
--	27391GT	PROXIMITY SENSOR***	
28	128203GT	SWITCH TOGGLE ASSY SPDT 2P MOM.....	1
--	139882GT	HARN, AC PROTECTION BYPASS.....	1
29	27246GT	BOOT,TOGGLE SWITCH,SHORT*.....	1
30		Ref. DECAL,FUNCTION OVERRIDE..... <i>(Refer to 101.1 or 102.1)</i>	1
31	75617-4788GT	PADDING,FOAM 3.5"OD X 1.50"ID.....	4
32	75617-6275GT	PADDING,FOAM 3.5"OD X 1.50"ID.....	1
33	75617-1538GT	PADDING,FOAM 3.5"OD X 1.50"ID.....	2

824.2 Aircraft Protection Package (from SN 11088)

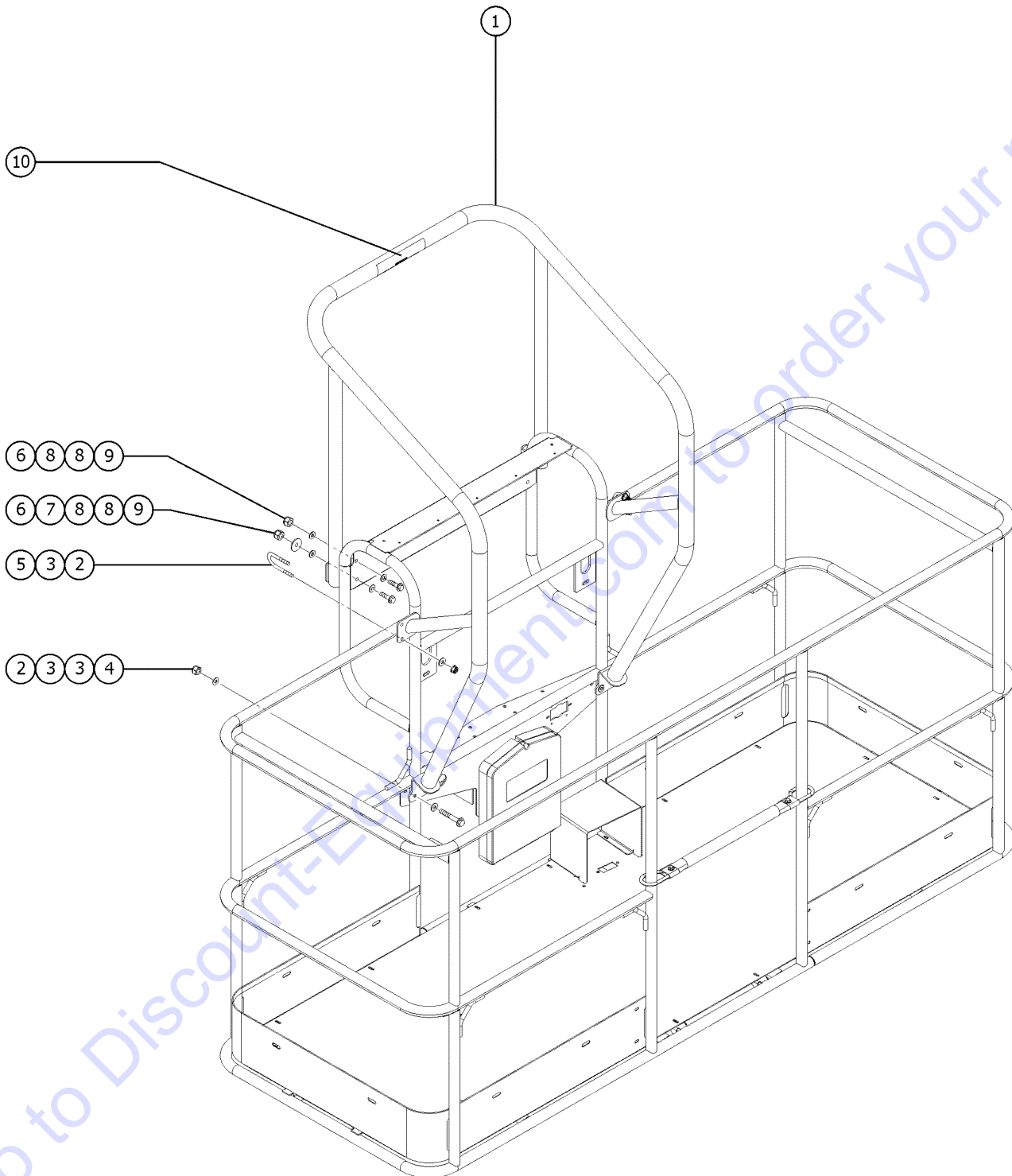




## 824.2 Aircraft Protection Package (from SN 11088)

Item	Part No.	Description	Qty.
1	46188GT	WELDMENT, AIRCRAFT TOP BUMPER.....	1
2	55753GT	BUMPER, PLASTIC, 1.25 O.D.	
3	824227GT	SCREW, BHC, 1/4-20 X 1, ZAG	
4	122073GT	SUPPORT, RAILING.....	20
5	824027GT	NUT, TL FLG, 1/4-20, G, ZAG	
6	106044GT	U-BOLT, 3/8-16X4X4.63X3.00.....	1
7	66472GT	U-BOLT, SQR, 3/8-16X2X5, PLTD.....	2
8	822764GT	WDMT, SKID PLATE.....	1
9	822769GT	SPRING, EXTENSION, 1.92LB/IN.....	4
10	824029GT	NUT, TL FLG, 3/8-16, G, ZAG	
11	6888GT	SCREW, HHC, 1/4-20 X 1	
12	6833GT	CLAMP, 0.50, #8 X 1/4, RUB CUSH.....	1
13	6091GT	NUT, NYLOCK, 1/4-20	
14	75617-1550GT	PADDING, FOAM 3.5"OD X 1.50"ID.....	2
15	75636GT	PADDING, FOAM, 3.0"X1.50ID 90DEG.....	10
16	21618GT	CLAMP, 1.13, #18 X 1/4, RUB CUSH.....	24
17	824078GT	SCREW, HHF, 1/4-20X.75, 8, ZAG	
18	56426-700GT	CHAIN, NO.2 (11 LINKS).....	8
19	75617-2275GT	PADDING, FOAM 3.5"OD X 1.50"ID.....	2
20	822759GT	WDMT, AIRCRAFT SENSOR BUMPER...1	
21	77797GT	WELDMENT, SENSOR MOUNT.....	1
22	88390GT	NUT, HEX, M8, PLASTIC	
23	1261292GT	HARNES ASSY, PCON, PROX KILL.....1 <i>includes 27391 proximity sensor</i>	
--	128580GT	SWITCH TOGGLE SPDT 3P MOM SHDR	
--	27391GT	PROXIMITY SENSOR***.....	1
24	822768GT	FOAM, AIRCRAFT PROTECTION.....	1
25	75617-1025GT	PADDING, FOAM 3.5"OD X 1.50"ID.....	2
26	128203GT	SWITCH TOGGLE ASSY SPDT 2P MOM.....	1
27	27246GT	BOOT, TOGGLE SWITCH, SHORT*.....	1
28	81802GT	PLATE, AIRCRAFT PROTECTION OPT.....	4
29	1259329GT	PADDING, FOAM, 46.5".....	4
30	75617-6275GT	PADDING, FOAM 3.5"OD X 1.50"ID.....	1
31	1259328GT	PADDING, FOAM, 15.5".....	2
32	75617-2075GT	PADDING, FOAM 3.5"OD X 1.50"ID.....	2

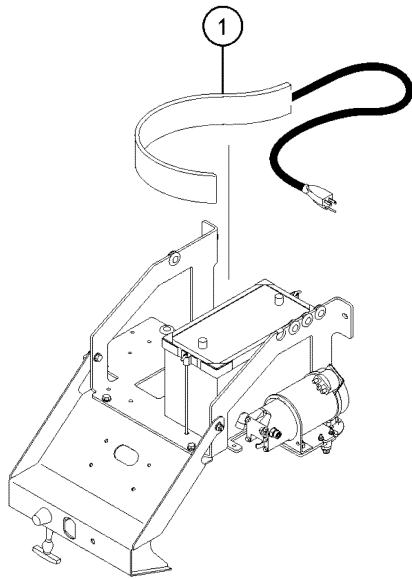
825.1 Operator Protection Structure



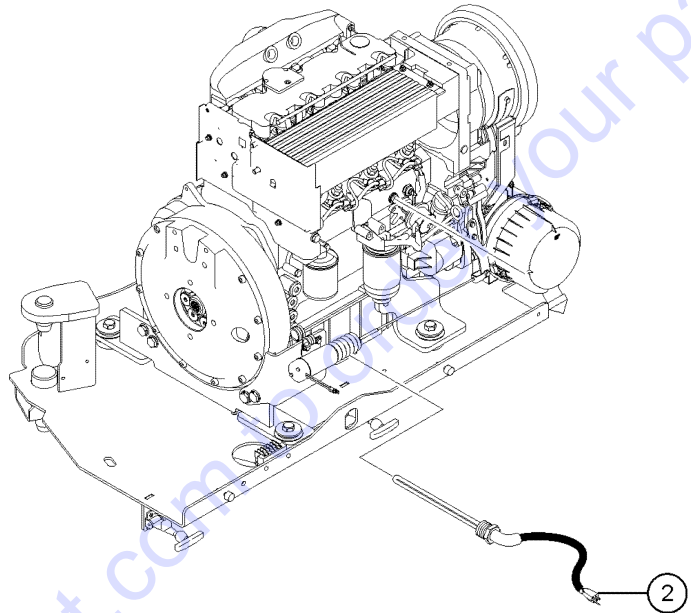
## 825.1 Operator Protection Structure

Item	Part No.	Description	Qty.
--		<i>Fits all 6' and 8' Booms</i>	
1	219158GT	ACCESSORY,OPERATOR PROT STRUCT.....1 <i>(Complete) includes all fasteners</i>	1
2	1256468GT	NUT,3/8-16,8,ZAG.....8	8
3	1255758GT	WASHER,FLAT,3/8,USS,ZAG.....12	12
4	824069GT	SCREW,HHC,3/8-16X2.5,8,ZAG.....4	4
5	1251600GT	U-BOLT, FLATTENED, 1.5 X 3/8 UNC,ZAG.....4	4
6	1261184GT	NUT,1/4-20,8,ZAG.....4	4
7	824120GT	WASHER,FLAT,.375X1.50X.125,ZAG.....2 <i>Use only with the platform control box cover option</i>	2
8	824113GT	WASHER,FLAT,USS,1/4,ZAG.....6	6
9	824060GT	SCREW,HHC,1/4-20X1,8,ZAG.....4	4
10		Ref. DECAL, INSTRUCTION, OPS.....1 <i>refer to Section 1</i>	1

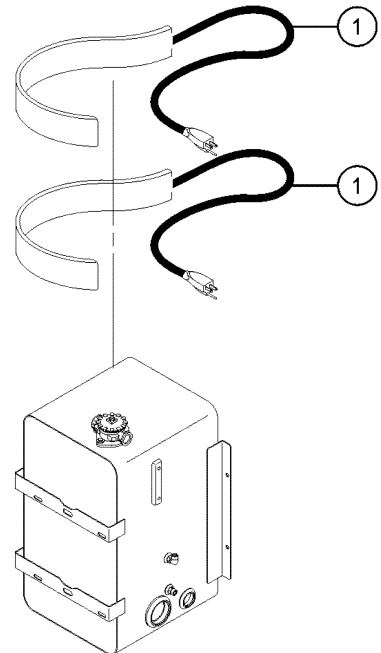
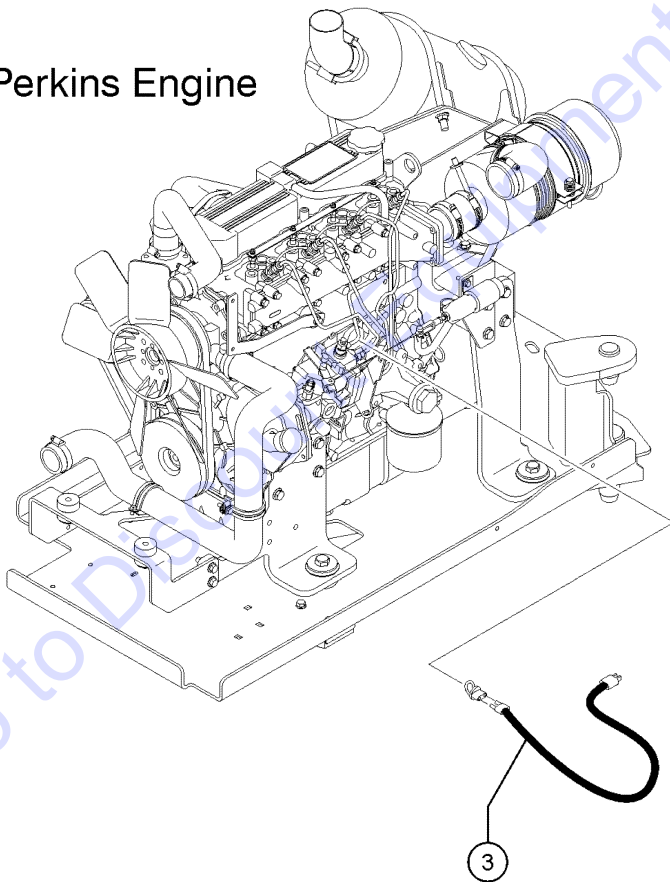
826.1 Cold Start Package (to SN 10193)



Deutz Engine



Perkins Engine



826.1 Cold Start Package (to SN 10193)

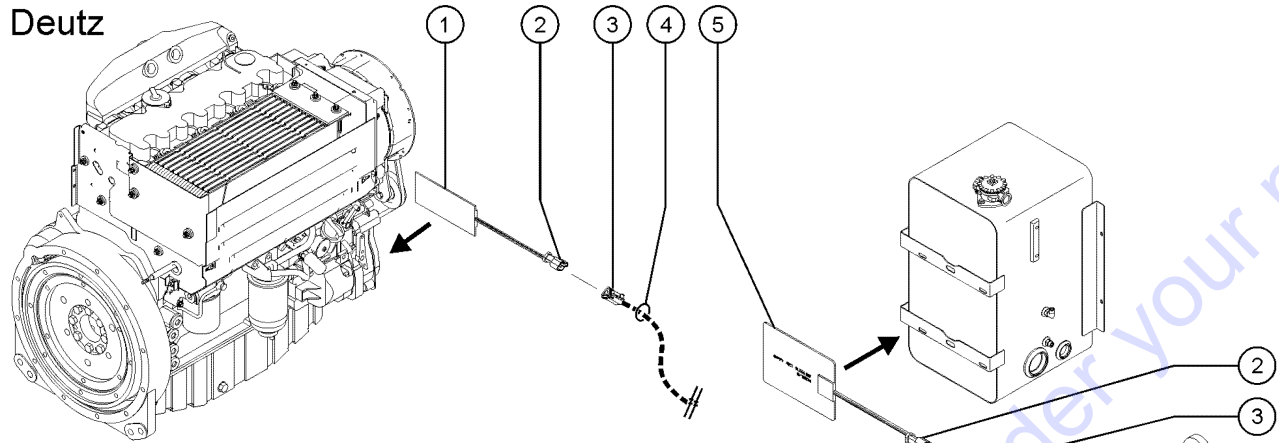
Item	Part No.	Description	Qty.
--	122548GT	COLD START PKG,110V,DEUTZ	
1	28853GT	BLANKET,BATTERY.....	3
2	128274GT	OIL PAN HEATER,DEUTZ,120V,150W....	1
3	101632GT	FREEZE PLUG HEATER,PERKINS 804.....	1

Go to Discount-Equipment.com to order your parts

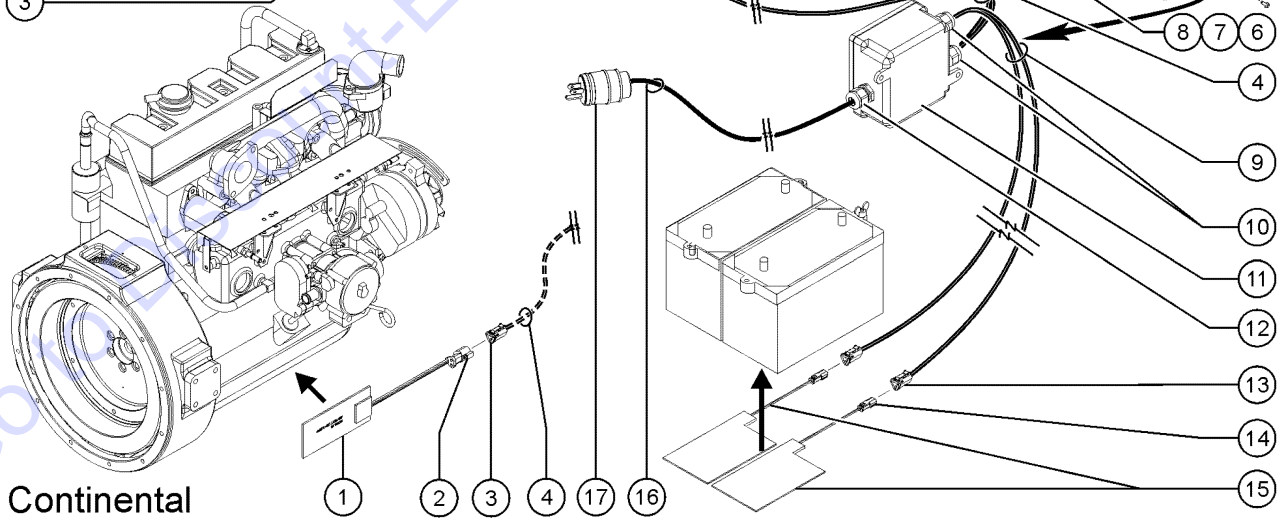
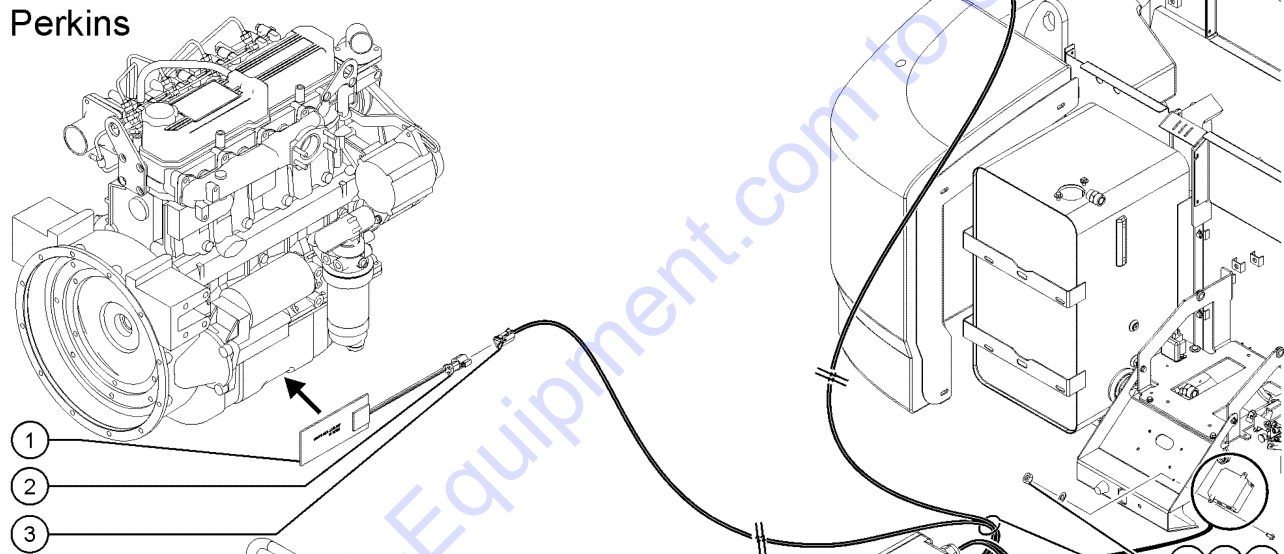


827.1 Cold Start Package (from SN 10194)

Deutz



Perkins



Continental

## 827.1 Cold Start Package (from SN 10194)

Item	Part No.	Description	Qty.	Item	Part No.	Description	Qty.
A	1259220GT	HARN,START ASSIST,PERKINS,S80.....1 <i>Perkins (to SN S80XH-14055)</i>	1	15B	216618GT	ASSY BATTERY HEATER,240V.....2 <i>(240V)</i>	2
B	1275725GT	HARNESS,START ASSIST,404D.....1 <i>Perkins 404D-22T (from SN S80XH-14056)</i>	1	16A	216645GT	HARNESS, 120V POWER CORD, 12"....1 <i>(120V) includes items 12 and 17</i>	1
C	237267GT	HARNESS,START ASSIST,S80.....1 <i>Deutz and continental models</i>	1	16B	216646GT	HARNESS, 240V POWER CORD, 12"....1 <i>(240V) includes item 12 only</i>	1
1A	216615GT	ASSY HEATER, MODEL 18, 120V.....1 <i>(120V)</i>	1	17	119403GT	CONN,PLUG 120 AC/15A DOMESTIC...1 <i>Part of wire harness</i>	1
1B	216616GT	ASSY HEATER,MODEL 18,240V.....1 <i>(240V)</i>	1				
1C	1259661GT	ASSY,ENGINE HEATER,120V.....1 <i>(120V) Deutz TD 2.9L4 models require two adhesive pads; use only one pad for other engines</i>	1				
1D	1259708GT	ASSY,ENGINE HEATER,240V.....1 <i>(240V) Deutz TD 2.9L4 models require two adhesive pads; use only one pad for other engines</i>	1				
2	119066GT	CONN,RECEP 3 WAY ENDCAP DT.....2 <i>Part of heater assembly</i>	2				
3	119057GT	CONN PLUG 3 WAY ENDCAP DT.....2 <i>Part of wire harness</i>	2				
4A	216662GT	HARNESS,ENG/HYD HEATER,120V....1 <i>(120V)</i>	1				
4B	216683GT	HARNESS,ENG/HYD HEATER,240V....1 <i>(240V)</i>	1				
5A	216612GT	ASSY,120V HEATER, HYD TANK.....1 <i>(120V)</i>	1				
5B	216611GT	ASSY,240V HEATER, HYD TANK.....1 <i>(240V)</i>	1				
6	14392GT	NUT,LP NYLOCK,10-32					
7	6146GT	WASHER,FLAT,MS,#10,Y					
8	75041GT	SCREW,PHILLIPS,PHM,10-32 X 1					
9A	216659GT	HARNESS, 120V BATT CABLE, 36".....1 <i>(120V)</i>	1				
9B	216680GT	HARNESS, 240V BATT CABLE, 36".....1 <i>(240V)</i>	1				
10	99778GT	SQUEEZE CONNECTOR, 4 WIRE.....2 <i>Part of of wire harness</i>	2				
--	238123GT	HUBBLE NUT, PG11					
11A	214249GT	COLD WEATHER 120V J BOX ASSY.....1 <i>(120V)</i>	1				
11B	237711GT	COLD WEATHER 240V J BOX ASSY.....1 <i>(240V)</i>	1				
12	214536GT	SQUEEZE CONN W/NUT, 2WIRE, 4MM.....1 <i>Part of of wire harness</i>	1				
13	119056GT	CONN,PLUG 2 WAY,14-18GA.....1	1				
14	119065GT	CONN,RECEP 2 WAY ENDCAP DT.....1	1				
15A	216617GT	ASSY, BATTERY HEATER, 120V.....2 <i>(120V)</i>	2				

828.1 Arctic High Pressure Hose Kit, S-85

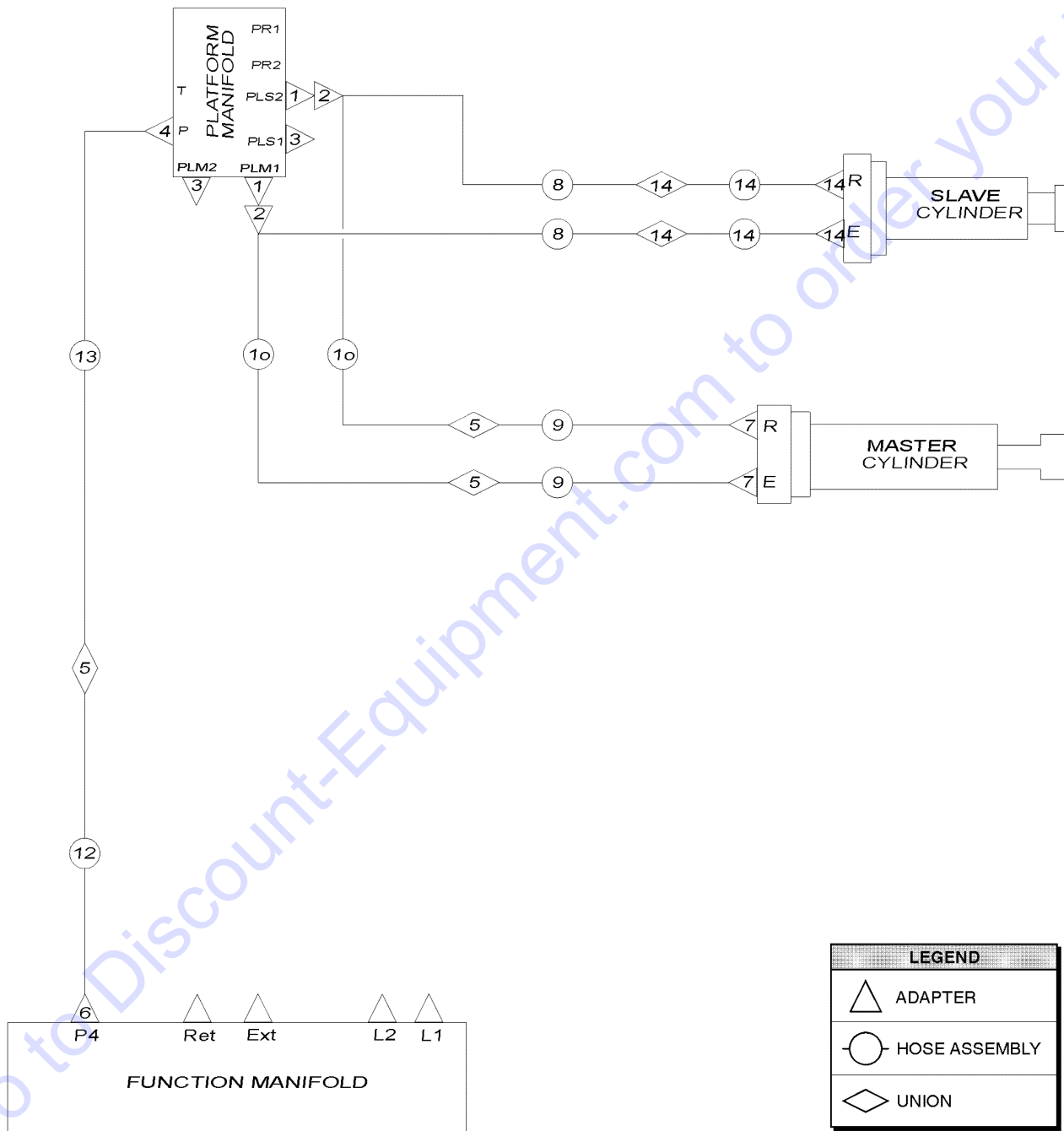


Figure 828.1



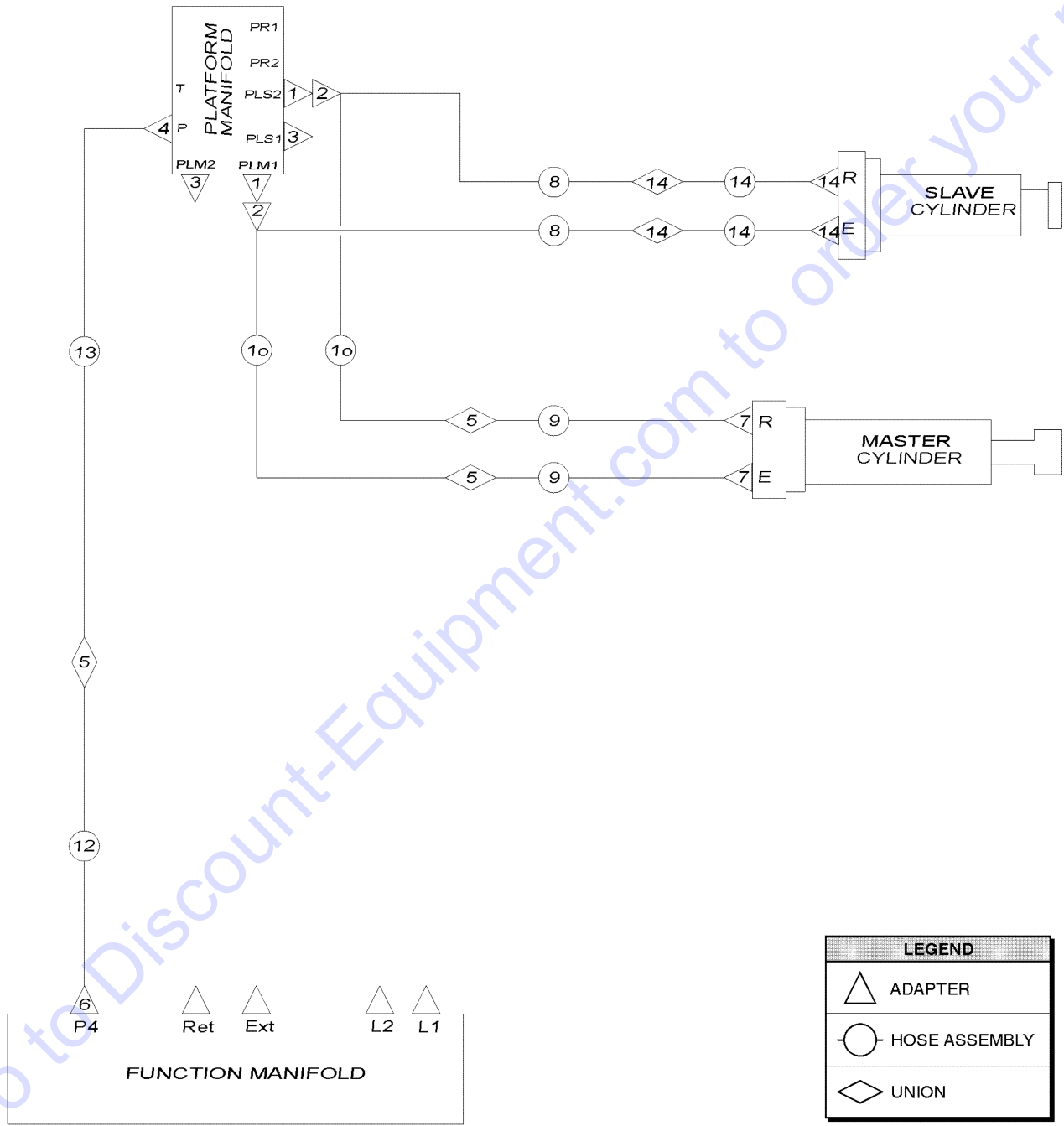


## 828.1 Arctic High Pressure Hose Kit, S-85

Item	Part No.	Description	Qty.
1	48927GT	CONN,520120-6-4.....	2
2	48875GT	TEE,RUN,SWIVEL,520432-6.....	2
3	39882GT	PLUG,HEX SOCKET,090109B-4.....	2
4	48928GT	ELBOW,45D,520320-6-4.....	1
5	61321GT	ELBOW,90D,BLKHD,ORFS-6-6 W/NUT.....	3
6	48916GT	CONN, 520120-6.....	1
7	48926GT	FITTING,ELBOW,90D,520220-6-4.....	2
8	234975GT	HOSE ASSY3/8,-4STRFEM,-6 90FEM...2	
9	49128-34109GT	HOSEASSY3/8,-6STRFEM,-6 90FEM....2	
10	49130-80582GT	HOSEASSY3/8,-6STRFEM,-6STRFEM..2	
12	49130-51082GT	HOSEASSY3/8,-6STRFEM,-6STRFEM..1	
13	49128-80609GT	HOSEASSY3/8,-6STRFEM,-6 90FEM....1	
14		(Refer to 713.1 or 714.1)	

Go to Discount-Equipment.com to order your parts

829.1 Arctic High Pressure Hose Kit, S-80X and S-80



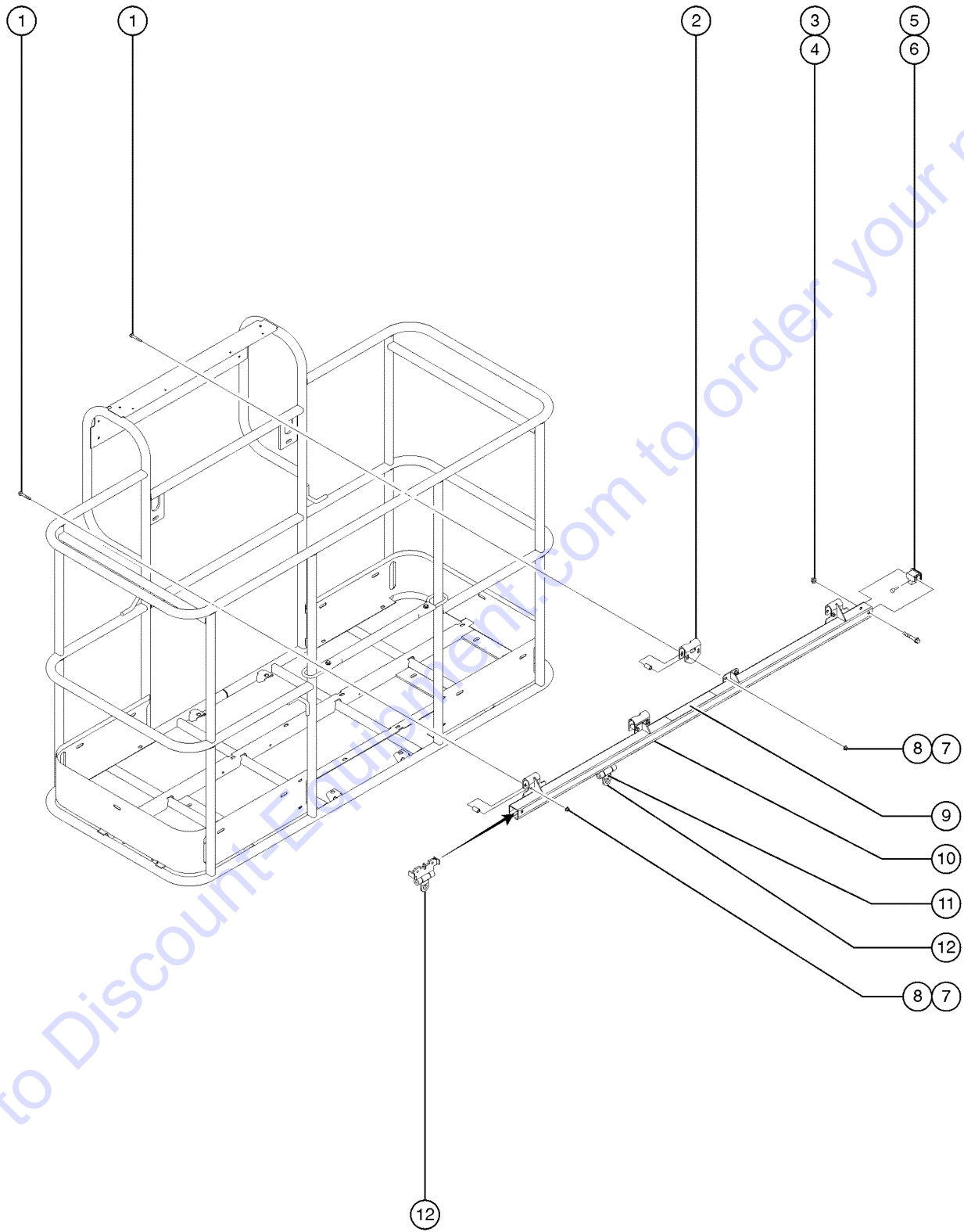
LEGEND	
	ADAPTER
	HOSE ASSEMBLY
	UNION

Figure 828.1

## 829.1 Arctic High Pressure Hose Kit, S-80X and S-80

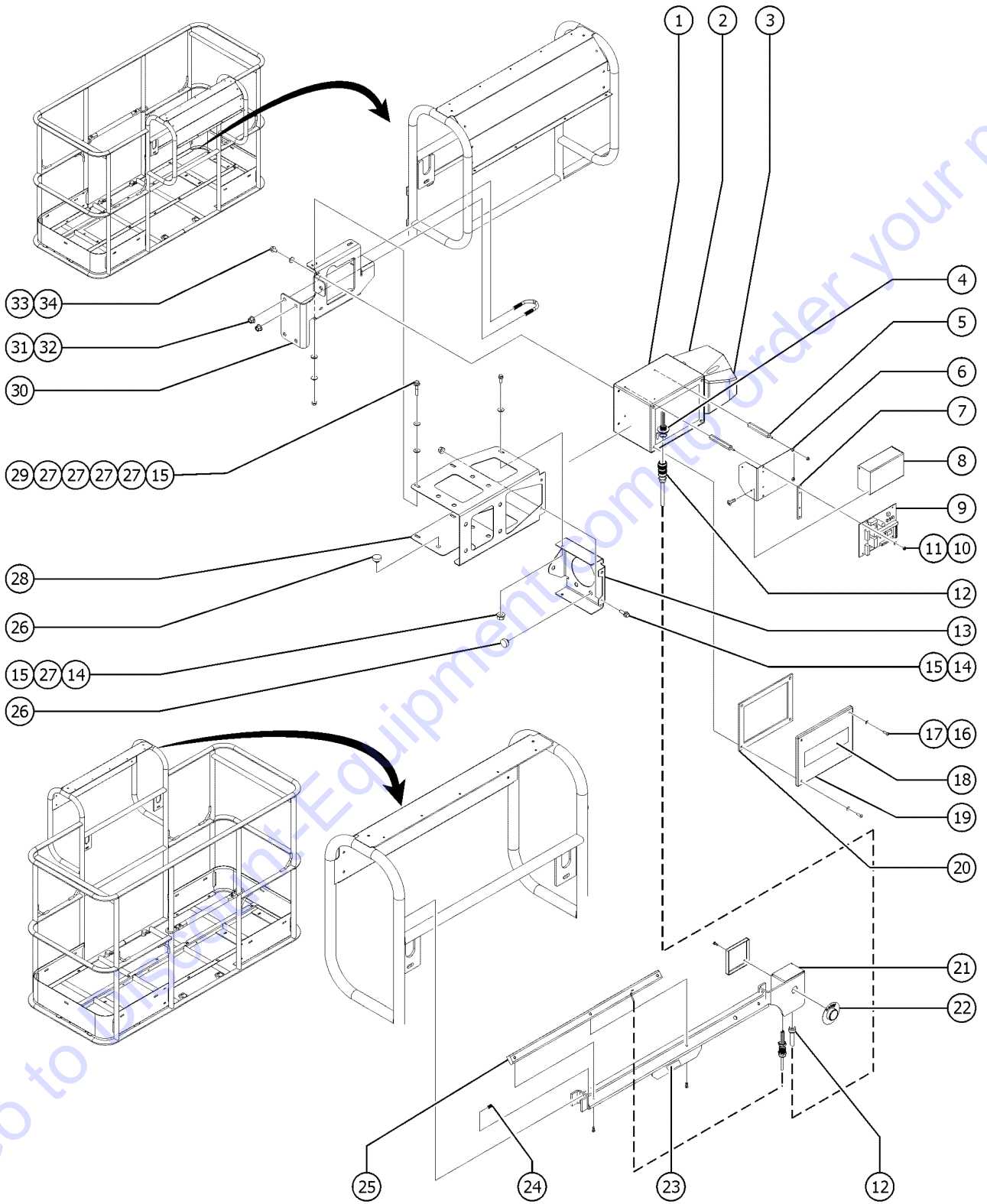
Item	Part No.	Description	Qty.
1	48927GT	CONN,520120-6-4.....	2
2	48875GT	TEE,RUN,SWIVEL,520432-6.....	2
3	39882GT	PLUG,HEX SOCKET,090109B-4.....	2
4	48928GT	ELBOW,45D,520320-6-4.....	1
5	61321GT	ELBOW,90D,BLKHD,ORFS-6-6 W/NUT.....	3
6	48916GT	CONN, 520120-6.....	1
7	48926GT	FITTING,ELBOW,90D,520220-6-4.....	2
8	228896GT	HOSEASSY3/8,-4STRFEM,-6 90FEM....	2
9	49128-34109GT	HOSEASSY3/8,-6STRFEM,-6 90FEM....	2
10	49130-66982GT	HOSEASSY3/8,-6STRFEM,-6STRFEM..	2
12	49130-51082GT	HOSEASSY3/8,-6STRFEM,-6STRFEM..	1
13	49128-67009GT	HOSEASSY3/8,-6STRFEM,-6 90FEM....	1
14		(Refer to 713.1 or 714.1)	

830.1 Fall Arrest Bar



Item	Part No.	Description	Qty.
1	1256856GT	SCREW,HHF,3/8-16X2.5,8,ZAG.....	4
2	1256389GT	FORMING,INNER HANGER.....	2
3	1251997GT	NUT,TL FLG,1/2-13,G,ZAG.....	2
4	1256851GT	SCREW,HHF,1/2-13X3.5,8,ZAG.....	2
5	1260892GT	END STOP,TRACK,FALL ARREST BAR.....	2
6	36388GT	BUMPER,RUBBER,.75 X .50H,STUD....	2
7	1274322GT	NUT,NYLOCK FLG,3/8-16,F,ZAG.....	8
8	1256481GT	SPACER, HANGER BRACKET.....	8
9A	1256400GT	DECAL,TRACK,FALL ARREST BAR,WORD.....	1
9B	1260910GT	DECAL,TRACK,FALL ARREST BAR,SYMBOL.....	1
9C	1256400FRGT	DECAL,TRACK,FALL ARREST BAR,WORD FR.....	1
10A	1256377GT	ACC,FALL ARREST BAR,8FT WORD....	1
--	1256379GT	ASSY,TRACK,FALL ARREST BAR,8FT WORD <i>includes decals</i>	
10B	1261022GT	ACC,FALL ARREST BAR,8FT SYM.....	1
--	1261024GT	ASSY,TRACK,FALL ARREST BAR,8FT SYM <i>includes decals</i>	
10C	1261018GT	ACC,FALL ARREST BAR,8FT FR.....	1
--	1261020GT	ASSY,TRACK,FALL ARREST BAR,8FT FR <i>includes decals</i>	
10D	1256378GT	ACC,FALL ARREST BAR,6FT WORD....	1
--	1256380GT	ASSY,TRACK,FALL ARREST BAR,6FT WORD <i>includes decals</i>	
10E	1261023GT	ACC,FALL ARREST BAR,6FT SYM.....	1
--	1261025GT	ASSY,TRACK,FALL ARREST BAR,6FT SYM <i>includes decals</i>	
10F	1261019GT	ACC,FALL ARREST BAR,6FT FR.....	1
--	1261021GT	ASSY,TRACK,FALL ARREST BAR,6FT FR <i>includes decals</i>	
11	40434GT	DECAL,LANYARD ANCHORAGE POINT.....	1
12	1256439GT	TROLLEY, TRACK, FALL ARREST BAR.....	1

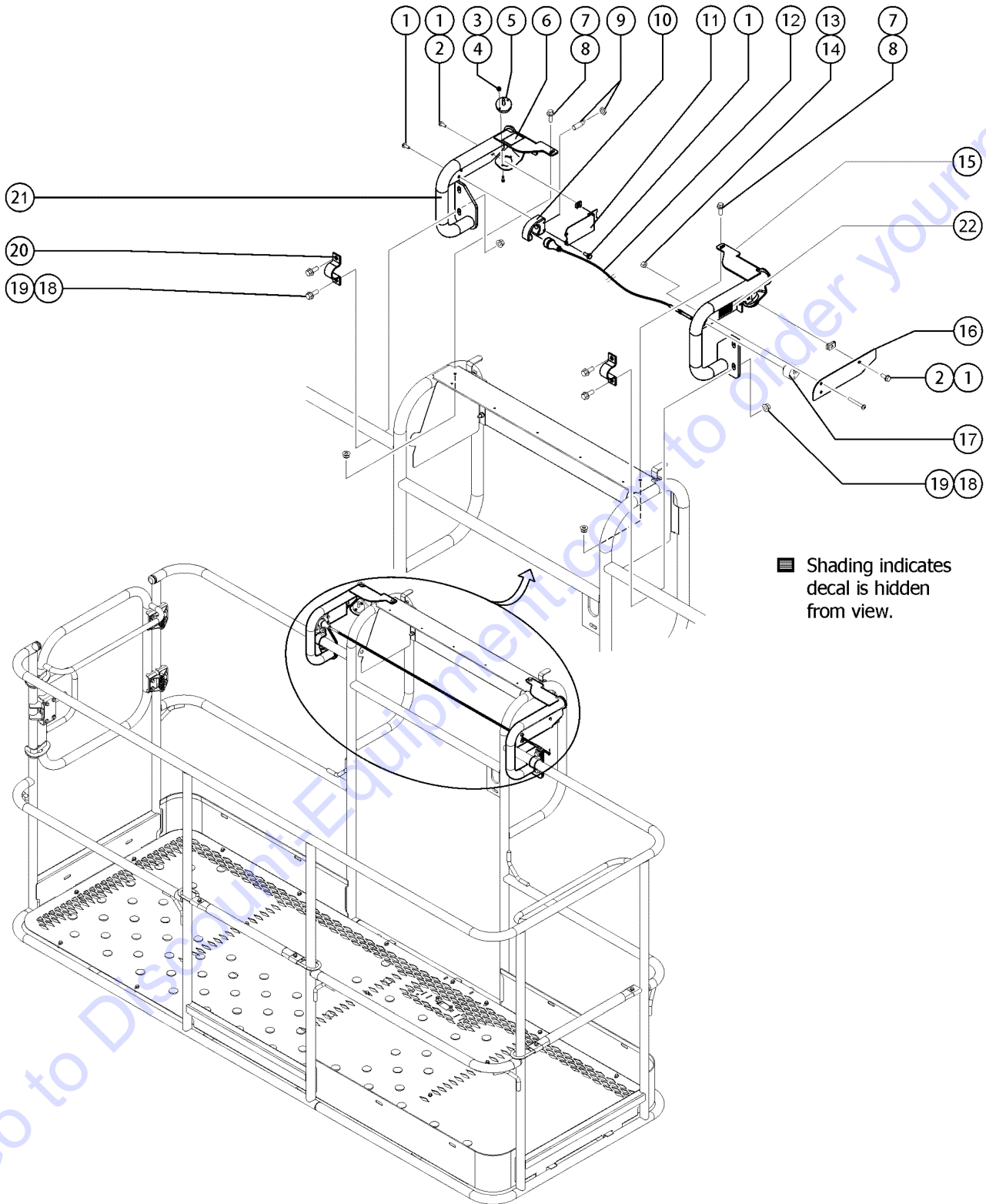
831.1 Operators Protection Alarm (to January 2017)



## 831.1 Operators Protection Alarm (to January 2017)

Item	Part No.	Description	Qty.	Item	Part No.	Description	Qty.
B	1275537GT	ASSEMBLY, OPA PROTECTION CAGE.....	1	33	237238GT	SCREW,HHF,M6-1.0X12,DIN6921,10.....	2
1	1255018GT	BASE ENCLOSURE,RED,OPA.....	1	34	1257389GT	WASHER, FLAT, M6X18X1.6,DIN9021,ZAB.....	2
2	1255021GT	SOUNDER,MIDI,OPA.....	1				
3A	1255037GT	SOUNDER LENS, OPA, BLUE..... (standard lens fitted to OPA)	1				
3B	1270116GT	SOUNDER LENS, OPA, RED.....	1				
3C	1270117GT	SOUNDER LENS, OPA, AMBER.....	1				
3D	1270118GT	SOUNDER LENS, OPA, CLEAR.....	1				
4	1255033GT	HARN,PIGTAIL,TAPESWITCH,OPA.....	1				
5	1255028GT	STAND OFF,CONTROL UNIT.....	4				
6	1255024GT	BRACKET,CONTROL UNIT.....	1				
7	1255025GT	SPACER,HEAT SINK.....	1				
8	1255023GT	ASSY,MODULE,CONTROL UNIT,OPA....	1				
9	1255022GT	MODULE,CONTROL UNIT,PCB,OPA....	1				
10	1255067GT	NUT,M4 NYLOCK.....	4				
11	1255066GT	WASHER,M4 NYLON.....	4				
12	1255035GT	ASSEMBLY,CABLE,TAPESWITCH.....	1				
13	1275539GT	FORMING, OPA CAP.....	1				
14	824078GT	SCREW,HHF,1/4-20X.75,8,ZAG.....	5				
15	824027GT	NUT,TL FLG,1/4-20,G,ZAG.....	9				
16	1255038GT	SCREW,M5X16 BHD.....	4				
17	1255027GT	WASHER,M5 NYLON.....	4				
18	1255890GT	DECAL,COSMETIC,GENIE.....	1				
19	1255020GT	LID ENCLOSURE,RED,OPA.....	1				
20	1255019GT	GASKET,ENCLOSURE.....	1				
21	1255029GT	ASSEMBLY,TAPESWITCH..... "(6/8' platforms) (includes j-box and fasteners)"	1				
22	1255036GT	ASSEMBLY RESET SWITCH.....	1				
23	1255889GT	DECAL,SYMBOL-READ THE MANUAL.....	1				
24	1255068GT	SCREW,M6X8.....	2				
25	1255047GT	SENSOR,RUBBER EDGE..... (6/8' platforms)	1				
26	43392GT	BUMPER,BATTERY BOX & RAILS.....	17				
27	824113GT	WASHER,FLAT,USS,1/4,ZAG.....	19				
28	1275538GT	FORMING, OPA CAGE.....	1				
29	824080GT	SCREW,HHF,1/4-20X1.25,8,ZAG.....	4				
30	1275540GT	FORMING, OPA, BRACKET.....	1				
--	1271945GT	KIT, OPA WELDER BRACKET Complete assembly bracket with fasteners and U-Bolt 1251600; from SN 13485					
31	824029GT	NUT,TL FLG,3/8-16,G,ZAG.....	4				
32	1251600GT	U-BOLT, FLATTENED, 1.5 X 3/8 UNC,ZAG.....	2				

831.2 Lift Guard Contact Alarm Option (from January 2017)

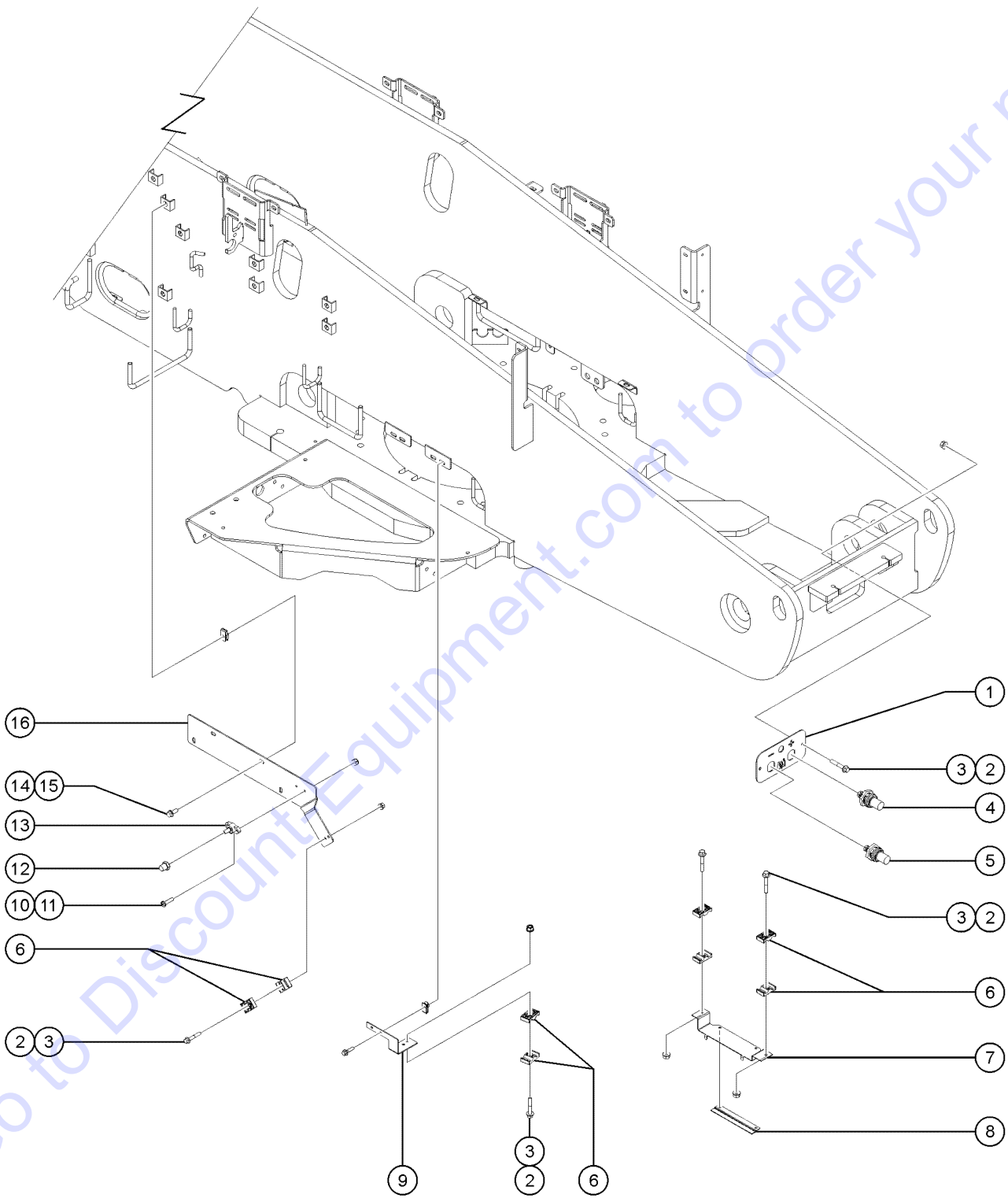




831.2 Lift Guard Contact Alarm Option (from January 2017)

Item	Part No.	Description	Qty.	Item	Part No.	Description	Qty.
--		<i>From January 2017, this option became a standard installation on all models unless the customer specifically request not to have it installed.</i>		22	1278982GT	DECAL, INSTRUCTION, ACTUATOR SWITCH SOCKET.....	1
--	1279135GT	KIT, LIFT GUARD CONTACT ALARM,6'-8' PLATFORM,NON-ALC1000					
--	1278108GT	HARNESS, CONTACT ALARM, S40,S60,S80					
--	19274GT	RELAY,SPDT,12V(AUTO)**					
--	1278121GT	MODULE, PLUS+1, CONTACT ALARM located inside the Platform Control Box					
1	1264934GT	SCREW,HHF,10-24X.5					
2	73575GT	SPRING CLIP,10-24,.025-.125X.468,ZAG					
3	12344GT	NUT,NYLOCK,6-32					
4	1256859GT	SCREW,PHPM,6-32X.875,ZAG					
5	1278111GT	ASSEMBLY, LIGHT, CONTACT ALARM.....	2				
6	1278542GT	DECAL, INSTRUCTION, CONTACT ALARM					
7	824078GT	SCREW,HHF,1/4-20X.75,8,ZAG					
8	1277924GT	NUT,NYLOCK FLG,1/4-20,F,ZAG					
9	1278119GT	ASSEMBLY, SENSOR, PROX, CONTACT ALARM.....	1				
10	1278433GT	ASSY, SENSOR W/HOUSING (Includes holder item 1277877 and sensor part 1278119)					
--	1277877GT	HOLDER, SENSOR.....	1				
11	1277873GT	FORMING, SENSOR HOLDER.....	1				
12	1278416GT	ASSEMBLY,CONTACT ALARM CABLE, LARGE.....	1				
--	1261184GT	NUT,1/4-20,8,ZAG Part of assembly 1278416					
--	1278124GT	MAGNET, 1/4-20, 15 LB. Part of assembly 1278416					
--	1278368GT	GRIP, CABLE Part of assembly 1278416					
--	1278458GT	CONTACT ALARM WIRE ASSY, LARGE Part of assembly 1278416					
13	1274168GT	NUT,NYLOCK,10-32,A,ZAG					
14	824216GT	SCREW,PHPM,10-32X1.5,ZAG					
15	1278138GT	WELDMENT, RIGHT CONTACT ALARM, LARGE.....	1				
16	1277875GT	PLATE, CABLE AND WIRE COVER.....	1				
17	1277876GT	GUIDE, CABLE.....	1				
18	1274322GT	NUT,NYLOCK FLG,3/8-16,F,ZAG					
19	824090GT	SCREW,HHF,3/8-16X1,8,ZAG					
20	1278363GT	CLAMP, 1.25 INCH TUBE.....	2				
21	1278144GT	WELDMENT, LEFT CONTACT ALARM, LARGE.....	1				

832.1 Remote Charging Option



S-80X,S-80,S-85

## 832.1 Remote Charging Option

Item	Part No.	Description	Qty.
A	1272556GT	KIT, CHARGING, REMOTE, S80/85.....	1
1	1271929GT	PLATE, MOUNTING, ACCESSORY.....	1
2	824081GT	SCREW,HHF,1/4-20X1.5,8,ZAG.....	6
3	824027GT	NUT,TL FLG,1/4-20,G,ZAG.....	6
4	1270310GT	JUMPER TRMNL, BLACK, 3/8" POST....	1
5	1270309GT	JUMPER TRMNL, RED, 3/8" POST.....	1
6	78736GT	CLAMP,2 HOSE,PLASTIC,5/8.....	8
7	1272554GT	FORMING, TOP-CLAMP, REMOTE CHARGE.....	1
8	1272555GT	FORMING, BOTTOM-CLAMP, REMOTE CHARGE.....	1
9	1271375GT	FORMING, CLAMP, CABLE.....	1
10	49816GT	SCREW,PHILLIPS,PHM,10-32 X .75.....	2
11	6178GT	NUT,NYLOCK,10-32.....	2
12	1270131GT	TERMINAL, 3/8-16 STUD TO POST.....	1
13	94981GT	STUD,POWER 3/8" RED.....	1
14	121066GT	SCREW,HHC,FLG,3/8-16 X 1 GR8.....	4
15	29868GT	SPRING CLIP,3/8-16,.05-.20X.73,ZAG....	4
16	1271819GT	FORMING, STUD MOUNT, CABLE SUPPORT.....	1

## Part Number Index

The Part Number Index is a numeric index of all part numbers included in this manual. The index shows what page(s) the part is used on.

Part Number	Page	Part Number	Page	Part Number	Page	Part Number	Page
07.4501.0291GT	.....143	102121GT	.....147	106211-600GT	.....141	111566GT	.....87
1000262GT	.....15-16, 20, 33	102313-17526GT	.....241, 243	106226GT	.....124, 163	111570GT	.....87
100379GT	.....89-90	102313-2826GT	.....293	106274GT	.....283, 285	111572GT	.....237-238
101005GT	.....211	102313-3126GT	.....293	106275GT	.....287, 289, 291	111576GT	.....283, 285
101005HGT	.....211	102314GT	.....283, 285	106375GT	.....283, 285	111578GT	.....63-64, 67-68
101068GT	.....155, 229	102346GT	.....297	106394GT	.....227	111601GT	.....90
101070GT	.....43-44, 47-48, 51, 53	102348GT	.....117, 273	106454GT	.....219	111602GT	.....93, 95, 97, 99, 101
10107GT	.....149	102357GT	.....283, 285	106477GT	.....283, 285	111634GT	.....13, 149
101085GT	.....273	102406GT	.....73, 133-134	106535GT	.....297	111663GT	.....87
101173GT	.....211	102408GT	.....287, 289	106555GT	.....110-111, 114- 115, 269	111668GT	.....133-134
101173HGT	.....211	102408PGT	.....291	106637GT	.....73, 75-76	111692GT	.....43-44, 47-48
101174GT	.....211	102409GT	.....287, 289	106637GT	.....73, 75-76	111694GT	.....43-44, 47-48
101174HGT	.....211	102409PGT	.....291	106658GT	.....283, 285	111710GT	.....149
101244GT	.....189	102436GT	.....247	106663GT	.....127	111748GT	.....141
101321GT	.....129	102439GT	.....247	106740GT	.....297	111778GT	.....225
101340GT	.....93, 99	102440GT	.....247	106923GT	.....143	111794GT	.....149
101373GT	.....193-194	102526GT	.....225	107545GT	.....117	111797GT	.....13, 67-68
101375GT	.....193-194	102528GT	.....225	107546GT	.....121	111799GT	.....149
101376GT	.....193-194	102534GT	.....13, 119	107706GT	.....247	111801GT	.....149
101377GT	.....193-194	102538GT	.....194	107707GT	.....247	111807GT	.....145
101378GT	.....193-194	102547GT	.....193-194	107708GT	.....247	111808GT	.....147
101378GT	.....193-194	102548GT	.....193-194	107709GT	.....247	111810GT	.....149
101379GT	.....193-194	102549GT	.....193-194	107710GT	.....247	111815GT	.....149
101381GT	.....194	102550GT	.....193-194	107742GT	.....219	111817-1700GT	.....67-68
101382GT	.....193-194	102551GT	.....193-194	107752GT	.....225	111817-6300GT	.....67-68
101383GT	.....193-194	102552GT	.....193-194	107753GT	.....225	111817-9800GT	.....67-68
101384GT	.....194	102553GT	.....193-194	10775GT	.....301	111818GT	.....67-68, 145
101440GT	.....213, 215	102554GT	.....193-194	10777GT	.....301	111822GT	.....145
101446GT	.....213	102581GT	.....137	107857GT	.....245	111824GT	.....145
101516GT	.....227, 283, 285	102589GT	.....13, 137	109802GT	.....89-90	111825GT	.....145
101525GT	.....287, 289, 291	10258GT	.....181	110149GT	.....163	111826GT	.....145
101547PGT	.....287, 289, 291	102593GT	.....137	110194GT	.....213, 215, 225	111827GT	.....145
101559GT	.....173, 183	102676GT	.....251	110198GT	.....225	111829GT	.....145
101566GT	.....183	102679GT	.....194	110209GT	.....225	111831GT	.....147
101599GT	.....185	102721PGT	.....247	110220GT	.....283, 285, 287, 289	111832GT	.....147
101601GT	.....119	102746GT	.....227	110276-1500GT	.....291	111833GT	.....147
101602GT	.....117	10276-1500GT	.....289	110276-2500GT	.....291	111834GT	.....147
101603PGT	.....117	10276-2500GT	.....287	110276-2800GT	.....289, 291	111835GT	.....147
101604PGT	.....117	102785PGT	.....251	110276-3000GT	.....289, 291	111836GT	.....145
101605PGT	.....117	102786PGT	.....251	110276-3500GT	.....289, 291	111837GT	.....145
101606PGT	.....117	102940GT	.....225	110276-5000GT	.....289, 291	111838GT	.....145
101607PGT	.....121	102972GT	.....121	110304GT	.....117, 123-124, 163	111840GT	.....145
101608PGT	.....117	102992GT	.....194, 197	110344GT	.....283, 285	111841GT	.....145
101609GT	.....121	104030GT	.....203, 205, 207- 208	110345GT	.....63-64, 67-68	111842GT	.....145
101610PGT	.....117	104186GT	.....238	110382GT	.....64, 68	111843GT	.....145
101612PGT	.....259	104804GT	.....197	110771-11117GT	.....110-111, 185	111844GT	.....147
101613GT	.....13, 117	106023GT	.....119	110771-121C7GT	.....109-111, 113- 115, 185	111845GT	.....145
101614GT	.....13, 119	106024GT	.....119	110771-13107GT	.....110-111, 114- 115, 185	111846GT	.....145
101615PGT	.....121	106033GT	.....271	110771-141C7GT	.....109-111, 113- 115, 185	111847GT	.....145
101620PGT	.....117	106034GT	.....271	110789GT	.....303	111848GT	.....147
101624PGT	.....121	106043GT	.....287, 289, 291	110876GT	.....173	111849GT	.....147
101625GT	.....119	106044GT	.....287, 289, 291, 307, 309, 311	110919GT	.....147	111850GT	.....147
101626GT	.....119	106051GT	.....93, 95, 97, 99	111155GT	.....43-44, 51	111851GT	.....147
101627GT	.....117, 273	106077GT	.....283, 285	111250GT	.....193-194	111852GT	.....147
101628GT	.....119	106098GT	.....43-44, 47-48	111251GT	.....193-194	111853GT	.....145
101632GT	.....315	106104GT	.....283, 285	111252GT	.....193-194	111854GT	.....145
101633GT	.....117, 134	106110GT	.....287, 289	111253GT	.....193-194	111855GT	.....147
101634GT	.....117, 134	106111GT	.....287, 289	111319GT	.....247	111856GT	.....147
101638GT	.....133-134	106112GT	.....287, 289	111320GT	.....247	111857GT	.....145
101639GT	.....259	106113GT	.....283, 285	111358GT	.....147	111858GT	.....147
101640GT	.....141, 259	106115GT	.....283, 285	111359GT	.....147	111859GT	.....145
101644GT	.....119	106117GT	.....43-44, 47-48, 51, 53	111362GT	.....43-44, 51, 59	111860GT	.....145
101726GT	.....63-64	106118GT	.....43-44, 47-48, 51, 53	111363GT	.....43-44, 51, 59, 61	111861GT	.....149
101731PGT	.....287, 289	106122GT	.....43-44, 51, 59, 61	111389GT	.....191	111864GT	.....147
101732GT	.....287, 289	106125GT	.....61	111402GT	.....133-134	111865GT	.....147
101790-11391GT	.....233	106140PGT	.....283, 285	111413GT	.....203, 205	111867GT	.....145
101792-11378GT	.....233	106141GT	.....287, 289, 291	111420GT	.....203, 205	111868GT	.....13, 147
101932GT	.....253, 255	106183GT	.....287, 289, 291	111486PGT	.....247	111869GT	.....147
101943GT	.....43-44, 47-48	106184GT	.....283, 285	111526GT	.....251	111870GT	.....147
101964GT	.....87	106204PGT	.....287, 289, 291			111871GT	.....147
102045GT	.....119, 133-134, 143	106211-300GT	.....141			111872GT	.....147
102066GT	.....131, 169					111873GT	.....147
102066PGT	.....149					111874GT	.....147
102106GT	.....63-64					111880GT	.....147

## Part Number Index (continued)

Part Number	Page	Part Number	Page	Part Number	Page	Part Number	Page
111881GT	147	121044GT	181	121300GT	151	121461GT	110-111, 114-115
111882GT	147	121045GT	177	121307GT	43-44, 47-48	121466GT	109-111, 113-115
111883GT	145	121061GT	171	121310GT	155, 229	121467GT	89-90, 109-111, 114-115
111884GT	145	121063GT	171	121311GT	89-90	121468GT	109-111, 113-115
111885GT	145	121064GT	171	121314GT	85	121469GT	109-111, 113-115
111886GT	149	121065GT	171	121315GT	71	121470GT	109-111, 114-115
111887GT	149	121066GT	51, 53, 63-64, 67-68, 89-90, 171, 173, 177, 179, 183, 245, 257, 259, 283, 285, 329	121316GT	257	121471GT	109-111, 114-115
111888GT	145			121317GT	257	121472GT	109-111, 114-115
111889GT	145			121336GT	89-90	121473GT	110-111, 114-115
111890GT	13, 145			121337GT	237-238	121474GT	110-111, 114-115
111892GT	147			121349GT	51, 53	121477GT	109-111
111894GT	145			121351GT	43-44, 57	121478GT	109-111
111896GT	15-16, 19-20, 29	121067GT	55, 89-90, 194, 197	121353GT	90	121480GT	113-115
111903GT	145			121355GT	237-238	121481GT	113-115
111904GT	147	121069GT	63-64, 67-68, 143, 149	121357GT	237-238	121482GT	271
111905GT	145			121365GT	238	121483GT	110-111, 114-115
111914GT	13	121070GT	149, 171	121366GT	238	121484GT	110-111, 114-115
111915GT	67-68	121071GT	51, 53, 149	121370GT	237-238, 275	121489GT	110-111, 114-115, 245
111916GT	147	121075GT	67-68, 181	121371GT	44, 48	121490GT	271, 273
111917GT	13, 145	121078GT	44, 48, 173, 181	121383GT	117	121491GT	271, 273
111918GT	13, 145	121079GT	89-90	121384GT	133-134	121492GT	110-111, 114-115
111919GT	145	121085GT	183	121385GT	149	121499GT	109-111, 113-115, 185
111920GT	149	121087GT	183	121386GT	64, 68	121508GT	271
111922GT	145	121089GT	183	121387GT	185	121510GT	273
111924GT	145	121093GT	171	121388GT	185	121512GT	271
112043GT	163	121095GT	171	121389GT	275	121521GT	110-111, 114-115
114099GT	15-16, 19-20, 23, 25, 27, 29, 35, 37	121140GT	183	121391GT	185	121563GT	133-134
		121142GT	181	121393GT	90	121582GT	194, 197
114247GT	23, 25, 39	121146GT	181	121395GT	283, 285	121588GT	245
114249GT	23, 25, 35, 37	121147GT	181	121399GT	183, 185	121589GT	245
114251GT	23, 25, 35	121151GT	181	121403GT	87, 169	121593GT	183
114252GT	23, 25, 35, 39, 41	121155GT	181	121404GT	87	121595GT	305
114258GT	15-16, 19-20, 27	121156GT	181	121406GT	183	121599GT	75-76, 79-80, 85
114389GT	15-16, 19-20, 27, 33	121160GT	179	121410GT	133-134	121600GT	203, 205
		121163GT	179	121413GT	259	121603GT	167
114390GT	15-16, 19-20, 27, 29	121164GT	173, 177	121415GT	87	121606GT	203, 205
		121166GT	253, 255	121416GT	87	121608-9175GT	237-238
		121167GT	253, 255	121419GT	63-64, 67-68, 87, 89-90, 139, 141, 143, 147, 149, 173, 177, 181, 194, 197, 259, 261, 275, 301	121614GT	109-111, 113-115
114416GT	15-16, 19-20, 33	121169GT	253, 255			121615GT	133-134
114465GT	15-16, 19-20, 23, 25, 27, 35	121170GT	253, 255	121420GT	87, 117, 119, 121, 133-134, 141, 149, 179, 185, 283, 285	121617GT	110-111, 114-115, 269
		121173GT	253, 255			121618GT	110-111, 114-115, 269
114473GT	23, 25, 41	121177GT	263, 265	121421GT	55, 64, 68, 87, 117, 119, 133-134, 134, 147, 149, 173, 181, 185, 194, 197, 259, 283, 285	121619GT	110-111, 114-115, 269
115431GT	119	121178GT	263, 265			121621GT	110-111, 114-115, 269
119032GT	183	121180GT	173			121622GT	110-111, 114-115, 269
119051GT	149	121189GT	181	121422GT	44, 48, 89-90, 117, 119, 121, 133-134, 149, 171, 173, 179, 181, 259	121629GT	259
119056GT	317	121192GT	259			121630GT	149
119057GT	317	121198GT	149	121423GT	67-68, 89-90, 117, 134	121646GT	183
119065GT	317	121199GT	149			121650GT	185
119066GT	317	121206GT	117	121427GT	117, 119	121651GT	185
119218GT	139	121207GT	117	121428GT	117, 119, 147	121653GT	110-111, 114-115
119232GT	147	121208GT	119	121429GT	119	121658GT	177
119403GT	317	121210GT	121	121430GT	117, 134	121659GT	253, 255
119533PGT	297	121216GT	89-90	121431GT	117	121660GT	253, 255
119536PGT	189	121217GT	89-90	121432GT	117, 121		
119542GT	189	121218GT	89-90	121433GT	143		
119613GT	211	121219GT	89-90	121438GT	103, 105, 107		
119620GT	43-44, 47-48	121222GT	238	121439GT	103, 105, 107		
119644GT	203, 205, 208	121223GT	51, 53	121444GT	207-208		
119824GT	147	121224GT	51, 53	121445GT	207-208		
119907GT	295	121232GT	103	121447GT	110-111, 114-115		
119908GT	295	121233GT	105, 107				
119915GT	211	121234GT	187, 189	121456GT	207-208		
119918GT	67-68	121236GT	183				
119950GT	247	121258GT	64				
119983GT	67-68	121259GT	64, 68				
121004GT	43-44, 47-48	121268GT	43-44, 47-48				
121014GT	87	121269GT	55				
121015GT	87	121270GT	43-44, 47-48				
121028GT	173, 181	121271GT	43-44, 47-48				
121029GT	173	121272GT	43-44, 47-48				
121031GT	183	121280GT	43-44, 47-48				
121032GT	183	121281GT	43-44, 47-48				
121033GT	183	121286GT	43-44, 47-48				
121034GT	181	121287GT	43-44, 47-48				
121035GT	187, 189	121291GT	43-44, 51, 61				
121039GT	183	121292GT	43-44, 51				

## Part Number Index (continued)

Part Number	Page	Part Number	Page	Part Number	Page	Part Number	Page
121661GT	253, 255	121871GT	171	122666GT	171	1252979GT	124, 163
121662GT	253, 255	121872GT	171	122668GT	171	1253030GT	123-124, 163
121668GT	51, 53	121873GT	301	122669GT	229	1253141GT	109-111, 113-115
121670GT	181	121874GT	301	122670GT	44, 48	1253142GT	109-111, 113-115
121671GT	181	121882GT	283, 285	122671GT	51, 53	1253143GT	113-115
121681GT	237-238	121888GT	283, 285	122673GT	71	1253154GT	73, 75-76, 79-80, 85
121682GT	237-238	121889GT	293	122675GT	247	1253160GT	71, 75-76, 79-80, 83
121683GT	237-238	121890GT	293	122676GT	247	1253175GT	299
121684GT	237-238	121891GT	87	122677GT	247	1253176GT	299
121685GT	237-238	121899GT	305	122678GT	247	1253177GT	299
121687GT	63-64, 67-68	122019GT	245	122680GT	15-16, 19-20, 25, 29	1253185GT	123-124, 163
121688GT	133-134, 137, 143, 297	122073GT	247, 249, 309, 311	122681GT	15-16, 19-20, 25	1253191GT	124
121690GT	63-64, 67-68	122079GT	191	122755GT	287, 289, 305	1253192GT	123-124, 163
121694GT	137	122120GT	221, 223, 225	122800GT	193-194	1253193GT	123-124, 163
121706GT	223	122121GT	221, 223	122801GT	193-194	1253194GT	124, 163
121707GT	221	122148GT	221, 223	122802GT	193-194	1253208GT	163
121708GT	225	122209GT	89-90, 117, 121, 173, 177, 305	122803GT	193-194	1253210GT	109-111, 113-115
121720GT	203, 205, 208	122231GT	247, 309	122804GT	193-194	1253319GT	163
121725GT	207-208	122243GT	147, 149	122805GT	193-194	1253409GT	75-76, 79-80, 85
121726GT	109-111	122244GT	149	122806GT	193-194	1253431GT	123-124, 163
121727GT	113-115	122245GT	147	122807GT	193-194	1253435GT	124
121728GT	109-111, 113-115	122246GT	149	122832GT	194	1253448GT	123-124
121729GT	109-111, 113-115	122250GT	110-111, 114-115, 149	122878GT	61	1253485GT	131
121730GT	109-111, 113-115	122255GT	147	122879GT	61	1253487GT	127, 165
121731GT	109-111, 113-115	122260GT	145	122944GT	187, 189	1253498GT	155, 165
121732GT	109-111	122261GT	145	122994GT	75-76, 79-80	1253573GT	131, 169
121733GT	113-115	122278GT	247	123162GT	89-90	1253574GT	131, 169
121747GT	110-111, 114-115	122279GT	247	123163GT	90	1253596GT	299
121748GT	110-111, 114-115	122282GT	183	123164GT	43-44, 51, 67-68	1253623GT	299
121753GT	75-76, 79-80, 83, 109-111, 113-115	122300GT	283, 285	123166GT	51, 53	1254016GT	29
121754GT	173	122302GT	227	123167GT	51, 53, 121, 127, 133-134, 141, 149	1254161GT	127
121758GT	64, 67-68	122325GT	145	123376GT	103, 105, 107	1254367GT	299
121762GT	181	122380GT	87	12344GT	85, 169, 203, 205, 207-208, 327	1254471GT	123-124, 163
121763GT	179, 194, 197	122381GT	87	123557GT	151, 179	1254594GT	139
121766GT	194, 197	122382GT	90	12443GT	194	1254676GT	123-124
121777GT	238	122383GT	87	12461GT	183	1254804GT	199, 201, 207-208
121781GT	305	122384GT	87	124962GT	143	1254823GT	139
121785GT	305	122386GT	203, 205	1251496GT	143	1254826GT	133-134
121786GT	171	122388GT	133-134	1251498GT	143	1254949GT	141
121787-13291GT	243	122389GT	173	1251542GT	299	1255018GT	325
121787-4691GT	241	122390GT	173	1251549GT	299	1255019GT	325
121792GT	67-68	122393GT	179	1251600GT	197, 267, 277, 279, 313, 325	1255020GT	325
121814GT	117	122394GT	179	1251634GT	109-111, 113-115	1255021GT	325
121819GT	185	122395GT	203, 205	1251635GT	109-111, 113-115	1255022GT	325
121822GT	185	122397GT	15-16, 19-20	1251637GT	203, 205, 207-208	1255023GT	325
121828GT	171	122398GT	23, 25	1251642GT	109-111, 114-115	1255024GT	325
121831GT	251	122399GT	110-111, 114-115	1251757GT	64	1255025GT	325
121832GT	251	122441-11463GT	233	1251814GT	129	1255027GT	325
121833GT	251	122457GT	183	1251819GT	129	1255028GT	325
121836GT	110-111, 114-115	122458GT	183	1251820GT	183	1255029GT	325
121840GT	109-111, 113-115	122460GT	57	1251825GT	75-76, 79-80	1255030GT	110-111, 115
121841GT	109-111, 113-115	122460GT	57	1251899GT	299	1255033GT	325
121842GT	109-111, 113-115	122464GT	225	1251928GT	141	1255035GT	325
121843GT	110-111, 114-115	122467GT	225	1251983GT	141, 163	1255036GT	325
121846GT	73, 75-76, 303	122469GT	225	1251984GT	75-76	1255037GT	325
121847GT	303	122650GT	225	1251985GT	79-80	1255038GT	325
121848GT	109-111, 113-115, 303	122652GT	225	1251994GT	131	1255047GT	325
121857GT	189	122653GT	225	1251997GT	131, 157, 165, 169, 323	1255066GT	325
121860GT	155	122656GT	225	1252473GT	123-124	1255067GT	325
121865GT	185	122657GT	225	1252684GT	75-76, 79-80	1255068GT	325
121870GT	171	122660GT	225	1252685GT	75-76, 79-80	1255452GT	183, 185
		122661GT	171	1252686GT	167	1255537GT	163
		122662GT	171	1252687GT	141	1255555GT	110-111, 114-115
		122663GT	171	1252940GT	129	1255653GT	133-134, 139
		122664GT	171	1252944GT	127	1255758GT	313
		122665GT	171			1255769GT	89-90
						1255770GT	89-90
						1255771GT	89-90

Part Number	Page	Part Number	Page	Part Number	Page	Part Number	Page
1255772GT	89-90	1261204GT	163	1264969GT	63-64, 67-68	1272050GT	159-160
1255773GT	89-90	1261205GT	163	1265397GT	197	1272052GT	160
1255802GT	157	1261239GT	143	1265454GT	113-115	1272053GT	160
1255889GT	325	1261292GT	311	1265455GT	113-115	1272054GT	160
1255890GT	325	1261722GT	163	1265456GT	113-115	1272055GT	160
1256206GT	237-238	1261882GT	163	1265457GT	113-115	1272057GT	159-160
1256267GT	51, 53	1261962GT	123-124	1265458GT	113-115	1272058GT	160
1256377GT	323	1261963GT	163	1267746GT	197	1272059GT	159-160
1256378GT	323	1261964GT	163	1267747GT	197	1272060GT	159-160
1256379GT	323	1261966GT	163	1267807GT	89-90	1272061GT	160
1256380GT	323	1261969GT	163	1268229GT	89-90	1272062GT	159-160
1256389GT	323	1261978GT	167	1268921GT	139	1272064GT	160
1256400FRGT	323	1261979GT	123-124	1268GT	13	1272065GT	159-160
1256400GT	323	1261980GT	167	1269497GT	211	1272066GT	159-160
1256439GT	323	1261981GT	123-124	1269498GT	208, 211	1272068GT	159-160
1256466GT	103, 105, 107	1261984GT	64, 68	1269499GT	211	1272069GT	159-160
1256468GT	313	1262015GT	123-124	1269500G	208	1272070GT	159-160
1256481GT	323	1262016GT	163	1269500GT	211	1272071GT	159-160
1256514GT	165	1262017GT	167	1269549GT	153	1272073GT	114-115
1256824GT	237-238	1262018GT	123-124	1269641GT	197	1272303GT	197
1256825GT	237-238	1262019GT	123-124	1269691GT	153	1272304GT	197
1256851GT	323	1262021GT	123-124	1270116GT	325	1272307GT	197
1256855GT	197, 267	1262022GT	167	1270117GT	325	1272554GT	329
1256856GT	323	1262023GT	123-124	1270118GT	325	1272555GT	329
1256859GT	327	1262024GT	123-124	1270131GT	329	1272556GT	329
1257230GT	171	1262026GT	123-124	1270309GT	329	1272624GT	139
1257264GT	303	1262027GT	123-124	1270310GT	329	1273154GT	159-160
1257389GT	325	1262028GT	123-124	1270313GT	279	1273165GT	159-160
1257705GT	131, 169	1262047GT	167	1270314GT	279	1274069GT	157
1257733GT	13	1262050GT	123-124, 167	1270316GT	279	1274168GT	327
1257810GT	131, 169	1262467GT	163	1270570GT	249	1274322GT	267, 277, 279, 323, 327
1257862GT	169	1262469GT	163	1270571GT	249	1274331GT	63-64
1257866GT	169	1262470GT	123-124	1270994GT	279	1274553GT	221, 223
1257995GT	165	1262471GT	167	1271018GT	279	1274554GT	223
1258014GT	165	1262475GT	123-124	1271019GT	279	1274858GT	197
1258071GT	163	1262476GT	123-124	1271040GT	279	1274859GT	197
1258567GT	13	1262478GT	167	1271061GT	279	1274900GT	139
1258568GT	165	1262479GT	123-124	1271077GT	249	1275537GT	325
1258617GT	83	1262482GT	123-124	1271078GT	249	1275538GT	325
1258618GT	85	1262484GT	167	1271375GT	329	1275539GT	325
1258619GT	110-111, 114- 115	1262485GT	123-124	1271398GT	283, 285	1275540GT	325
1258641GT	143	1262486GT	167	1271652GT	160	1275725GT	110-111, 114- 115, 317
1258701GT	110-111, 114- 115	1262487GT	13, 123-124, 143	1271653GT	160	1277873GT	327
1258771GT	143	1262490GT	163	1271654GT	160	1277875GT	327
1258972GT	29	1262492GT	123-124	1271713GT	211	1277876GT	327
1259219GT	110-111	1262493GT	123-124	1271772	64	1277877GT	327
1259220GT	317	1262494GT	167	1271773	64	1277924GT	267, 277, 279, 327
1259264GT	163	1262495GT	123-124	1271819GT	329	1277952GT	249
1259328GT	311	1262496GT	163	1271825GT	159-160	1277966GT	249
1259329GT	311	1262498GT	163	1271837GT	160	1277974GT	139
1259661GT	317	1262499GT	123-124	1271929GT	329	1277991GT	149
1259704GT	247	1262500GT	163	1271945GT	325	1278108GT	110-111, 115, 327
1259708GT	317	1262501GT	123-124	1272024GT	159-160	1278111GT	327
1259757GT	167	1262502GT	123-124	1272025GT	159-160	1278119GT	327
1259890GT	163	1262503GT	167	1272026GT	159-160	1278121GT	327
1259907GT	163	1262585GT	167	1272027GT	160	1278124GT	327
1260213GT	203, 208	1262589GT	163	1272028GT	159-160	1278138GT	327
1260214GT	207-208	1262594GT	123-124	1272029GT	160	1278144GT	327
1260215GT	207-208	1262595GT	163	1272030GT	159-160	1278363GT	327
1260218GT	110-111, 114- 115	1262596GT	123-124	1272031GT	160	1278368GT	327
1260414GT	273	1262597GT	123-124	1272032GT	160	1278416GT	327
1260892GT	323	1262598GT	163	1272033GT	160	1278433GT	327
1260910GT	323	1262599GT	123-124	1272035GT	160	1278458GT	327
1260927GT	163	1262607GT	123-124	1272036GT	160	1278542GT	327
1261018GT	323	1262608GT	123-124	1272037GT	159-160	1278714GT	13
1261019GT	323	1262866GT	13, 143	1272038GT	159-160	1278982GT	327
1261020GT	323	1260927GT	163	1272039GT	159-160	1279135GT	327
1261021GT	323	1261018GT	323	1272041GT	159-160	1279764GT	145
1261022GT	323	1261019GT	323	1272042GT	159-160	128000GT	211
1261023GT	323	1261020GT	323	1272043GT	159-160	128001GT	211
1261024GT	323	1261021GT	323	1272044GT	159-160	128003GT	127, 165
1261025GT	323	1261022GT	323	1272045GT	159-160		
1261184GT	313, 327	1261023GT	323	1272046GT	159-160		
		1261024GT	323	1272047GT	159-160		
		1261025GT	323	1272048GT	160		
		1261184GT	313, 327	1272049GT	159-160		

## Part Number Index (continued)

Part Number	Page	Part Number	Page	Part Number	Page	Part Number	Page
128004GT	121, 137, 141, 149	1284647GT	160	133308GT	15-16, 19-20, 23, 27, 29, 35, 37	147094GT	71, 83
128024GT	127	1284648GT	160	133309GT	19-20, 25, 27, 29, 35, 37	147121GT	193-194, 197
128045GT	303	1284649GT	160	133310GT	15-16, 19-20, 27	147221GT	193-194
1280590GT	133-134	1284650GT	160	133372GT	15-16, 19-20, 27, 29	147223GT	63-64, 67-68
1280591GT	133-134	1284651GT	160	133374GT	15-16, 20, 27, 33	14723GT	147
1280713GT	109-111, 113-115	1284652GT	160	133386GT	23, 25, 35, 37	147289GT	63-64, 67-68
1280714GT	109-111, 113-115	1284653GT	160	133387GT	23, 25, 41	147290GT	63-64, 67-68
1280715GT	109-111, 113-115	1284654GT	160	133411GT	23, 25, 37	147347GT	194, 197
1280716GT	109-111, 113-115	1284655GT	160	133413GT	23, 25, 35	147355GT	129
1280764GT	205	1284656GT	160	13585GT	283, 285	147370GT	187
1280765GT	109-111, 113-115	1284657GT	160	139181GT	307, 309	147387GT	207-208
1280766GT	109-111, 113-115	1284658GT	160	13918GT	175	147406GT	110-111, 114-115
128081GT	67-68	1284659GT	160	139308GT	89-90	147419GT	63-64, 68
1281137GT	167	1284660GT	160	139309GT	89-90	147450GT	109-111, 113-115
128200GT	71, 75-76, 79-80, 83, 199, 201, 207-208	1284661GT	160	139310GT	90	147485GT	187, 189
128201GT	71, 76, 80, 83, 199, 201, 207-208	1284662GT	160	139311GT	90	147505GT	175
128202GT	71, 75-76, 79-80, 83	1284663GT	160	139312GT	90	147542GT	179
128203GT	307, 309, 311	1284664GT	160	139313GT	90	147543GT	179
128204GT	71, 75-76, 79-80, 83, 199, 201, 207-208	1284665GT	160	139314GT	90	147544GT	179
128268GT	189	1284666GT	160	139315GT	89-90	147575GT	33, 41
128274GT	315	1284667GT	159-160	139321GT	133-134	147578GT	175
128368GT	247	1284669GT	160	139322GT	133-134	147603GT	33, 41
1283776GT	13	1284670GT	160	139323GT	89-90	147606GT	15-16, 27, 33
1283995GT	139	1284671GT	160	139338GT	203, 205, 207-208	147613GT	33
128416GT	213, 227	1284785GT	159-160	139451GT	194	147620GT	177
128417GT	213	1284786GT	159-160	139455GT	133-134	147622GT	110-111
1284188GT	185	128482GT	189	139508GT	215	147628GT	175
128418GT	213	128483GT	189	139512GT	215	147631GT	175
128419GT	217, 227	1285171GT	179	139527GT	215	147653GT	110-111
128420GT	217	128534GT	189	139528GT	215	147659GT	15-16, 31, 39
128429GT	247	1285689GT	110-111, 114-115	139598GT	211	147662GT	175
1284532GT	173	1285700GT	279	139612GT	133-134	147755GT	27, 35
128454PGT	189	128580GT	199, 311	139621GT	137	147784GT	253
1284617GT	159-160	1285811GT	110-111, 114-115	139624GT	133-134	147788GT	23
1284618GT	159-160	128583GT	73	139644-14B61GT	175	147789GT	35, 41
1284619GT	159-160	128588GT	123-124, 163	139666GT	133-134	147793GT	27, 33
1284620GT	159-160	1286035GT	243	139709GT	137	147795GT	27
1284621GT	159-160	1286602GT	61	139712GT	215	14848GT	13
1284622GT	159-160	1286604GT	47-48, 53, 59	139715GT	215	1487GT	247
1284623GT	159-160	1286605GT	47-48, 53, 59	139716GT	215	1488GT	247
1284624GT	159-160	128724GT	189	139717GT	215	15086GT	117, 139
1284625GT	159-160	1287434GT	215	139718GT	215	15243GT	71, 75-76, 79-80, 83, 203, 205, 207-208
1284626GT	159-160	128829GT	133-134	139719GT	215	161144GT	217
1284627GT	159-160	128912GT	123-124, 139	139727GT	215	161145GT	217
1284628GT	160	128953GT	15-16, 19-20, 29	139828GT	47-48	161938GT	139
1284629GT	160	128978GT	93	139829GT	47-48	162006GT	283, 285
1284630GT	159-160	128986GT	129	139882GT	307, 309	162207GT	143
1284631GT	160	128987GT	129	139904GT	307, 309	162208GT	143
1284632GT	160	128991GT	129	139936GT	273	162209GT	143
1284633GT	159-160	12906GT	87	139983GT	133-134, 137	162274GT	151, 157
1284634GT	160	13002GT	133-134, 141, 283, 285, 301	14392GT	317	162276GT	139
1284635GT	160	13003GT	119, 133-134, 143, 149	146051GT	57, 59, 61	162283GT	139
1284636GT	159-160	13064GT	89-90, 123-124, 133-134, 139, 143, 149	146052GT	57, 61	162284GT	139
1284637GT	159-160	13066GT	149, 191	146058GT	181	16439GT	63-64, 67-68
1284638GT	159-160	13097GT	110-111, 114-115	146059GT	183	18503GT	147, 149
1284639GT	159-160	13268GT	145, 155, 163, 194, 197	146060GT	183	18596GT	119, 133-134, 143, 149, 171, 181
1284641GT	160	133067GT	23, 25, 35, 37	146061GT	137	18605GT	175
1284642GT	159-160	133075GT	15-16, 19-20, 23, 25	146180GT	63-64, 67-68	18665GT	283, 285
1284643GT	159-160	133177GT	15-16, 19-20, 27, 29	146181GT	63-64, 67-68	18666GT	73, 85, 131, 133-134, 147, 169, 203, 205, 208, 287, 289, 291
1284644GT	159-160	133209GT	15-16, 19-20, 29	146182GT	63-64, 67-68	18963GT	245
1284645GT	159-160	133232GT	15-16, 19-20, 27	146284GT	283, 285	19018-1100GT	277, 279
1284646GT	160	133278GT	15-16, 19-20, 27	146285GT	283, 285	19060GT	225
		133307GT	15-16, 23, 25, 263, 265	146413GT	67-68	19274GT	73, 327
				146415GT	67-68	19358GT	147
				146417GT	67-68	19363GT	145
				146478GT	199, 201, 207-208	19440GT	43-44, 47-48
					208	19506GT	71, 83
				146495GT	43-44, 51		
				146550GT	67-68		
				146551GT	67-68		
				146552GT	67-68		
				147090GT	75-76, 79-80		



## Part Number Index (continued)

Part Number	Page	Part Number	Page	Part Number	Page	Part Number	Page
19934GT	147, 149	219243GT	217	232844GT	181	27761GT	213, 215
20654GT	90	219245GT	217	233992GT	267	27836GT	213, 215
20912GT	297, 299	219247GT	217	233993GT	267	27901GT	63-64
20973GT	194	219392GT	64, 67-68	23404GT	71, 203, 205	28158GT	15-16, 19-20, 23, 25, 27, 35
21019GT	117, 139	219490GT	110-111, 114-115	23405GT	263, 265	28159GT	15-16, 19-20, 23, 25, 27, 35
21121GT	194	219718GT	75-76, 79-80	234975GT	319	28160GT	15-16, 19-20, 23, 25, 27, 35
21130GT	55, 117, 133-134	219723GT	27	235133GT	59	28161GT	15-16, 19-20, 29
21141GT	63-64, 67-68	22558GT	145	235135GT	57	28165GT	15-16, 19-20, 33
21187GT	283, 285	22571GT	167	235136GT	57	28174GT	15-16, 19-20, 23, 25, 29, 33, 37, 41
214228GT	13, 143	22578GT	133-134	235137GT	57, 59, 61	28175GT	15-16, 19-20, 29
214249GT	317	226060GT	117	235138GT	57	28176GT	15-16, 19-20, 33
214393GT	64, 68, 269	226061GT	117	235139GT	59	28177GT	15-16, 19-20, 33
214536GT	317	226103GT	137	235140GT	59	28181GT	15-16, 19-20, 31
214619GT	291	226104GT	137	235150GT	59	28235GT	15-16, 19-20, 23, 25, 29, 33, 37, 41
214620GT	291	226105GT	137	235151GT	59	28236GT	15-16, 19-20, 33
214621GT	291	226106GT	137	235152GT	59, 61	28301GT	87
214622GT	291	226127GT	117	235153GT	43-44, 51, 59	28417GT	19-20
214623GT	291	226128GT	117	235154GT	61	28443GT	291
21465GT	63-64, 119, 124, 139, 163	226213GT	43-44, 51	235155GT	43-44, 51	28607GT	119, 145, 271, 273
21496GT	55	226215GT	43-44, 51	235158GT	87	28750GT	13, 213, 215
215209GT	64, 68, 269	226215GT	43-44, 51	235159GT	87	28853GT	315
215210GT	64, 68, 269	226393GT	245	235160GT	87	29080GT	173, 177, 179
215623GT	47-48, 53, 59	226506GT	283, 285	235161GT	87	29560GT	13, 133-134
21604GT	303	226517GT	15-16, 20, 27, 33	235322GT	203, 205	29739GT	229
216150GT	127, 165	226534GT	295	236251GT	143	29746GT	183, 185
21618GT	307, 309, 311	226541GT	187	236259GT	143	29764GT	191
216602GT	217	226542GT	187	236260GT	13, 143	29868GT	63-64, 67-68, 93, 95, 97, 99, 101, 139, 245, 281, 283, 285, 329
216611GT	317	22672GT	123-124, 127, 139, 163, 165, 263, 265	236449GT	145	30080GT	19-20
216612GT	317	22697GT	297	236451GT	147	30138GT	173, 177, 179
216615GT	317	22699GT	141	236452GT	147	30143GT	64, 68, 110-111, 114-115
216616GT	317	22700GT	145, 297, 299	236453GT	147	30144GT	64, 68, 269
216617GT	317	227153GT	173	236454GT	147	30199GT	43-44, 47-48
216618GT	317	227154GT	173	236455GT	147	30222GT	189
216645GT	317	227425GT	283, 285	237068GT	64, 68, 269	30255GT	187, 189
216646GT	317	227516GT	109-111, 113-115, 193-194, 197	237237GT	187, 189	30286GT	105
216659GT	317	22774GT	47-48, 57	237238GT	325	30370GT	187, 189
216662GT	317	22775GT	47-48, 53, 59	237267GT	317	30468GT	251
216663GT	317	22776GT	47-48, 53, 61	237711GT	317	30489GT	133-134, 137, 141, 263, 265
216668GT	317	22777GT	295	237829GT	169	30490-5700GT	63-64
216759GT	109-111, 114-115	227804GT	43-44, 47-48	237832GT	124, 163	30785-600GT	55
216760GT	109-111, 114-115	227805GT	43-44, 47-48	238123GT	317	30794GT	111, 115
216761GT	109-111, 114-115	22785GT	90	24038GT	117, 123-124, 139, 163	30810GT	145, 271, 273
216791GT	73, 75-76, 79-80, 85	22785GT	90	24514GT	194, 197	30971GT	117, 119, 127, 137, 141, 153, 165, 259, 261, 263, 265
216793GT	73, 75-76, 79-80, 85	22785GT	90	25683GT	187, 189	30973GT	64, 68, 87
217050GT	233	22785GT	90	25685GT	303	30996GT	208
217051GT	233	22785GT	90	25817GT	43-44, 47-48, 181	30997GT	73, 75-76, 79-80, 85, 203, 205, 208
217052GT	233	22785GT	90	25926GT	143, 145	31060GT	31
217054GT	235	22785GT	90	25927GT	297	31106GT	183
217055GT	243	22785GT	90	25994GT	15-16, 19-20, 27	31523GT	263, 265
217056GT	231, 233	22785GT	90	27034GT	127, 145	31779GT	13
217057GT	238	22785GT	90	27082GT	117, 167	31788GT	15-16, 19-20, 27
217058GT	237-238	22785GT	90	27089-14100GT	63-64, 119	31817GT	119, 145
217059GT	237-238, 275	22785GT	90	27089-5300GT	119	32150GT	13
217063GT	233	22785GT	90	27089-6300GT	119	32151GT	13
217064GT	233	22785GT	90	27089GT	63-64	32339GT	119
217065GT	233	22785GT	90	27204GT	15-16, 19-20, 23, 25, 29, 37	32728GT	23, 25
217366GT	287, 289, 291	22785GT	90	27205GT	15-16, 19-20, 23, 25, 27, 35	33277GT	167, 259, 299
217370GT	110-111, 114-115	22785GT	90	27206GT	15-16, 19-20, 23, 25, 27, 29, 35, 37		
217442GT	73	22785GT	90	27207GT	15-16, 19-20, 23, 25, 27, 29, 35, 37		
217710GT	181	22785GT	90	27246GT	307, 309, 311		
218165GT	83, 207-208	22785GT	90	27287GT	73, 75-76, 79-80		
218167GT	71, 83	22785GT	90	27377GT	87		
218448GT	171	22785GT	90	27391GT	307, 309, 311		
21858GT	71, 83, 143, 169, 208	22785GT	90	27581GT	13		
218715GT	139	22785GT	90	27585GT	141, 143		
219144GT	63-64	22785GT	90	27697GT	173		
219158GT	313	22785GT	90	27698GT	43-44, 47-48, 183		
219160GT	33, 41	22785GT	90				
		229925GT	287, 289				
		229986GT	141				
		23057GT	299				
		230820GT	123-124, 163				
		230995GT	263, 265				
		231530GT	165				
		232843GT	181				

## Part Number Index (continued)

Part Number	Page	Part Number	Page	Part Number	Page	Part Number	Page
33278GT	89-90, 181	43392GT	197, 247, 251, 325	48959GT	231, 233, 237-238, 275, 293	49409GT	299
33418GT	119, 133-134, 143	43594GT	15-16, 33	48960GT	231, 233, 237-238, 241, 243, 293	49410GT	141, 143
33422GT	73, 75-76, 79-80, 85	44743GT	194	48963GT	231, 233, 237-238, 293	49612GT	13, 213, 215
33428GT	43-44, 47-48, 189	44981GT	15-16, 19-20, 23, 25, 29, 33, 37, 41	48964GT	237-238, 293	49613GT	213, 215
33441GT	43-44, 51, 57, 59, 61	44986GT	15-16, 19-20, 33	48977GT	237-238, 293	49768GT	55
33550GT	23, 25	45363GT	87, 151, 157	48983GT	237-238	49775GT	89-90
33555GT	87	45383GT	199, 201, 208	48984GT	237-238	49816GT	93, 95, 97, 99, 101, 143, 301, 329
33607GT	73, 75-76, 79-80, 283, 285	45385GT	75-76, 79-80, 85	48996GT	63-64, 67-68, 237-238	49819GT	203, 205, 263, 265
33608GT	73, 75-76, 79-80, 283, 285	45400GT	297, 299	49000GT	281	49820GT	73, 75-76, 79-80, 85, 169, 203, 205, 207-208
33674GT	247	45435GT	127, 141, 147, 149, 153, 165, 263, 265	49109-5029GT	233	49826GT	67-68
33990GT	57, 61	45454GT	133-134, 147, 149, 155	49110-14692GT	233	49857GT	185, 191
33994GT	13, 213, 215	45470GT	163, 303	49116-1437GT	238	49915GT	137
34052GT	93, 95, 97, 99, 101	45483GT	90	49116-2437GT	241, 243	49924GT	13, 133-134, 139
34058GT	119, 273	45495GT	89-90	49116-2637GT	241, 243	50035GT	90
34127GT	43-44, 47-48	45708GT	64, 68, 269	49116-3137GT	231, 233	50160GT	171
34162-300GT	117	45748GT	303	49116-63837GT	241	50481GT	221, 223
34164GT	119, 149, 153	45782GT	133-134	49116-71437GT	243	50560GT	173, 183, 185
34245GT	179	45912GT	225	49117-11491GT	233	50742GT	183, 185
34344GT	151, 157	45921GT	225	49117-13291GT	243	50787-SGT	133-134
34505GT	265	46188GT	309, 311	49117-1491GT	295	51063GT	173, 181, 185, 303
34533GT	263, 265	46468GT	16, 19-20, 33	49117-2791GT	241, 243	51144GT	43-44, 47-48
34619GT	251, 303	47222GT	175	49117-33391GT	241, 243	51147GT	305
34955GT	259, 263, 265	47363GT	287, 289	49117-4691GT	241	52087GT	155, 229
35418-0600GT	163	4828GT	63-64, 67-68, 93, 95, 97, 99, 101, 139, 141, 143, 149, 175, 187, 189, 193-194, 259, 283, 285, 287, 289, 291, 297, 299, 303, 305, 307, 309	49117-50391GT	241, 243	5224GT	63-64, 147, 149, 189, 253, 255
35432GT	263, 265	48415GT	225	49117-5391GT	231, 233	52352GT	133-134
35434GT	117, 119, 139, 149, 263, 265	48425GT	139, 157	49117-6191GT	237-238	52661GT	247
35461GT	287, 289	48875GT	295, 319, 321	49119-11378GT	233	52714GT	225
35675GT	189	48894GT	241, 243	49119-1378GT	238	52715GT	225
35714GT	90	48904GT	237-238, 241, 243, 295	49119-1378GT	238	52726GT	213, 215
35726GT	217	48905GT	231, 233, 237-238, 241, 243	49119-34078GT	241, 243	52865GT	15-16, 19-20, 29
35956GT	247, 249	48907GT	235, 238, 241, 243, 295	49119-51078GT	241, 243	52866GT	119, 127, 133-134, 141, 153, 165
35960GT	245	48908GT	295	49119-63778GT	241	52943GT	221, 223
36208GT	139	48909GT	231, 233	49119-66978GT	241	52966GT	15-16, 19-20, 23, 25, 27, 35
36294GT	183, 283, 285, 305	48911GT	231, 233	49119-71378GT	243	52967GT	15-16, 19-20, 23, 25, 27, 35
36388GT	151, 157, 169, 323	48912GT	237-238, 241, 243	49119-74578GT	243	53189GT	251
37052GT	15-16, 33	48914GT	235	49128-1509GT	237-238	53387GT	51, 53
37187GT	63-64, 67-68	48915GT	231, 233, 235, 237-238	49128-1509GT	237-238	53605GT	281
37192GT	63-64, 67-68	48916GT	231, 233, 237-238, 241, 243, 319, 321	49128-2409GT	231, 233	5365GT	133-134, 303
37505GT	145	48918GT	237-238	49128-34109GT	319, 321	53707GT	87
37947GT	71, 75-76, 79-80	48919GT	231, 233	49128-3709GT	231, 233	53758-SGT	271, 273
38149GT	15-16, 19-20, 29	48920GT	235, 241, 243	49128-4209GT	235	53759-SGT	271, 273
38620GT	173, 177, 179	48926GT	319, 321	49128-4509GT	235	53760-SGT	271
38859GT	105	48927GT	237-238, 319, 321	49128-50409GT	241, 243	53761-SGT	271
38922GT	119, 149	48928GT	237-238, 319, 321	49128-67009GT	321	53807-SGT	247
39479GT	147	48929GT	237-238, 319, 321	49128-80609GT	319	53808-SGT	247
39882GT	89-90, 319, 321	48930GT	235	49130-2957GT	231, 233	53952GT	127, 149, 153, 165
40434GT	15-16, 19-20, 23, 25, 33, 41, 323	48932GT	233, 237-238	49130-51082GT	319, 321	5397GT	64, 67-68, 87, 133-134, 141, 147, 149, 171, 175, 193-194, 247, 249, 259, 267, 283, 285, 287, 289, 291, 301, 305, 307, 309
40614GT	73, 75-76, 79-80	48933GT	231, 233, 237-238, 241, 243, 293	49130-63782GT	241	54124GT	63-64
41468GT	119	48935GT	237-238	49130-66982GT	321	54205GT	119, 163
41489GT	90	48936GT	233	49130-80582GT	319	54247-SGT	193-194
41499GT	90	48937GT	241, 243	49130-8382GT	235	54274GT	193-194
42079GT	171	48938GT	241, 243	49137-5041GT	241, 243	54365GT	73, 75-76, 79-80, 85, 207-208
42104GT	247	48939GT	235	49141-17463GT	241, 243	54380GT	175
42280GT	145, 147	48940GT	237-238, 319, 321	49143-14429GT	241, 243	54457GT	277
42288GT	73, 85, 207-208	48941GT	231, 233, 237-238, 241, 243, 293	49143-2829GT	238		
42646GT	253	48942GT	237-238	49143-4129GT	237-238		
4266GT	89-90, 143, 295	48943GT	231, 233, 237-238, 241, 243, 293	49143-5229GT	231		
42781GT	71, 83, 207-208	48944GT	231, 233, 237-238, 241, 243, 293	49149-2526GT	231		
42790GT	237-238	48945GT	237-238, 319, 321	49149-3126GT	237-238		
42941-10300GT	63-64, 119	48946GT	237-238	49150-3730GT	238		
43018GT	43-44, 47-48, 181, 183, 187, 189, 219, 221, 223	48947GT	233	49151-3548GT	238		
		48948GT	233, 293	49163-1494GT	295		
				49183-2692GT	237-238		
				49212GT	305		
				49214GT	305		
				49215GT	305		
				49364GT	167		
				49375GT	145		
				49376GT	145		
				49379GT	259		
				49398GT	145		
				49401GT	143		
				49407GT	133-134, 145		

Part Number	Page	Part Number	Page	Part Number	Page	Part Number	Page
54458GT	277	60738GT	301	61972GT	303	66812GT	71, 76, 80, 83, 199, 201, 207-208
54465GT	277	60739GT	301	61974GT	303	66813GT	71, 76, 80, 83, 199, 201, 208
54486GT	251	60790GT	297, 299	61975GT	303	66814GT	75-76, 79-80
55017GT	145	60815GT	89-90	61976GT	303	66815GT	75-76, 79-80, 83, 208
55753GT	197, 247, 249, 277, 279, 307, 309, 311	6083GT	297, 299	6198GT	149, 183	66816GT	75-76, 79-80, 83
56003GT	237-238	60840GT	173, 177, 179	61997GT	303	66818GT	71, 75-76, 79-80, 83
56057GT	73, 85	60857GT	13, 89-90	62258GT	221, 223	66821GT	71, 75-76, 79-80, 83
56237GT	283, 285	60875-6600GT	117	62275GT	225	6687GT	301
56424GT	194, 197, 249, 267, 277, 279	60875-9600GT	153	62392GT	211	67723GT	145
56426-700GT	307, 309, 311	60884GT	87	62414GT	63-64, 67-68	6782GT	64, 68, 87, 133-134, 141, 175, 283, 285, 287, 289, 291, 301
56525GT	277, 279	60886PGT	305	62420GT	13, 119, 127, 153, 165	6833GT	175, 253, 307, 309, 311
56570GT	277, 279	6090GT	51, 53, 71, 73, 75-76, 79-80, 83, 85, 87, 119, 189, 193-194, 203, 205, 207-208, 247, 257, 277, 291, 305, 307, 309	62421GT	13, 127	6878GT	253, 255
56689GT	119	6091GT	64, 67-68, 87, 119, 134, 141, 143, 149, 151, 157, 171, 175, 189, 194, 197, 247, 253, 255, 257, 277, 291, 295, 303, 305, 307, 309, 311	62425GT	13, 133-134, 141	6886GT	90, 283, 285
56704GT	245	6095GT	183	62433GT	13, 123-124	6888GT	75-76, 79-80, 85, 175, 193-194, 251, 253, 303, 307, 309, 311
56912GT	51, 53, 63-64, 67-68, 89-90, 117, 119, 121, 127, 131, 139, 141, 143, 165, 169, 173, 177, 179, 183, 185, 189, 193-194, 197	6096GT	149	62476GT	121, 137, 141, 165	6935GT	75-76, 79-80, 83, 85, 283, 285, 301
56934GT	267	6097GT	63-64, 67-68, 90, 93, 95, 97, 99, 101, 139, 141, 143, 194, 281, 283, 285, 297, 299, 303	62506GT	219	70257GT	153
57075GT	301	61079GT	241, 243	62507GT	219	70367GT	119, 123-124, 163
57201GT	191	61083GT	237-238	62920GT	15-16, 23, 31, 39	70381GT	137, 141
58222GT	89-90	61110GT	134, 141	62921GT	15-16, 23, 25, 29, 37	70385GT	124
58223GT	89-90	61128GT	89-90	62922GT	19-20, 25, 31, 39	70389GT	297
58237GT	57, 61	61225GT	93, 99	62923GT	19-20, 25, 29, 37	70444GT	117, 134, 165
58247GT	149	61259GT	241, 243	63213GT	189	70445GT	137
58249GT	133-134	61268GT	241, 243	63353GT	189	70448PGT	133-134
58250GT	119	61269GT	241, 243	63463GT	119, 127, 153, 165	70449GT	117, 134, 165
58256GT	133-134	6126GT	89-90, 181	6353GT	71	70452GT	131, 149, 157, 169
58290GT	229	61278GT	283, 285	6356GT	51, 53, 75-76, 79-80, 83, 85, 89-90, 187, 193-194, 207-208, 247, 249	70455GT	133-134
58299GT	133-134	61283GT	187, 189	63766GT	193-194	70456GT	137
58303GT	225	61306-SGT	189	64066GT	159-160	70465GT	133-134, 153
58304GT	90	61321GT	237-238, 241, 243, 319, 321	65278GT	15-16, 19-20, 23, 25, 29, 37	70483GT	121, 137, 165
58386GT	159-160	61325GT	259	65473GT	117, 123-124	7056GT	71, 73, 75-76, 79-80, 85, 301
58387GT	90	6145GT	64, 67-68, 141, 187, 189, 194, 197, 247, 249, 305	6550GT	194	71259GT	275
58412GT	159-160	6146GT	87, 89-90, 139, 143, 151, 173, 181, 203, 205, 207-208, 245, 263, 265, 301, 303, 317	65516GT	90	71498GT	247, 249
58415GT	119, 127, 153, 165	6147GT	245	65620GT	159-160	71911GT	117, 134, 137, 139, 165
58489GT	63-64, 67-68	61726GT	303	65622GT	159-160	72255GT	133-134
58596GT	90	61741GT	149	65623GT	159-160	72282GT	245
58597GT	90	61745GT	117	65624GT	159-160	72326GT	199, 201, 208, 245
58630GT	133-134	6175GT	139, 149	65625GT	159-160	72343GT	149
58999GT	61	61781GT	121	65630GT	277, 279	7265GT	247
59370GT	43-44, 47-48	6178GT	73, 75-76, 79-80, 85, 87, 89-90, 119, 133-134, 141, 143, 149, 151, 157, 171, 175, 189, 193-194, 197, 203, 205, 207-208, 247, 251, 253, 257, 267, 277, 291, 295, 305, 307, 309	65636GT	129	72875GT	15-16, 19-20, 33, 277
59579GT	145	61804GT	303	65638GT	129	72999GT	27
60042-SGT	193-194			65810GT	119, 127, 153, 165	73461GT	173, 177
60143-SGT	281			65846GT	61	73463-1175GT	267
60160PGT	193-194			6584GT	133-134	73477PGT	193-194
6019GT	141, 171, 193-194, 259			6606GT	87	73478PGT	193-194, 197
6021GT	147, 149, 175, 185, 189, 253, 255, 281			6607GT	147, 193-194	73500GT	277
6024GT	119, 123-124, 133-134, 139, 143, 149			6637GT	51, 53, 119, 134, 143, 149, 171, 175	73501GT	277
60304GT	173, 177, 179			6638GT	51, 53, 64, 67-68, 71, 73, 75-76, 79-80, 83, 85, 87, 89-90, 119, 133-134, 141, 143, 149, 151, 157, 171, 175, 189, 193-194, 197, 203, 205, 207-208, 247, 251, 253, 257, 267, 277, 291, 295, 305, 307, 309	73575GT	123-124, 163, 193-194, 197, 327
60334GT	89-90					73587GT	193-194
6035GT	119, 151					73610PGT	193-194
6036GT	151						
60370-SGT	194, 197						
60447GT	73						
60536GT	13, 93, 95, 97, 99						
60555GT	44, 48						
60561GT	133-134						
60575PGT	89-90						
60585GT	117, 123-124, 163						
60707GT	297, 299						

## Part Number Index (continued)

Part Number	Page	Part Number	Page	Part Number	Page	Part Number	Page
73717GT	73, 75-76, 79-80, 85, 203, 205, 207-208	77181GT	189	81700GT	263, 265	824079GT	124, 127, 131, 153, 163, 165, 169, 197, 249
73723GT	203, 205, 207-208	77183GT	15-16, 19-20, 23, 25	81777GT	171	824080GT	325
73730GT	203, 205, 207-208	77295GT	149	8178GT	149	824081GT	131, 153, 169, 329
73736GT	73, 75-76, 79-80, 85, 203, 205, 208	77303GT	187, 189	81802GT	311	824082GT	155, 157
73753GT	73, 75-76, 79-80, 85	77351GT	203, 205, 207-208	81852GT	297, 299	824083GT	277, 279
73754GT	73, 75-76, 79-80, 85	77353GT	63-64, 67-68	81986PGT	90	824085GT	153, 279
73803GT	73, 75-76, 79-80, 85, 203, 205, 208	77354GT	63-64, 67-68	82161GT	27	824086GT	249
73805GT	71, 83	77365GT	63-64, 67-68	82237GT	15-16, 19-20, 29, 33, 283, 285, 287, 289	824089GT	153, 155
73807GT	219	77402GT	117	82243GT	33	824090GT	123-124, 131, 169, 327
73900GT	193-194	77409GT	181	822759GT	311	824091GT	157, 197
73928GT	191	77483GT	129	822764GT	311	824093GT	175
73931GT	193-194	77519GT	43-44, 47-48	822768GT	311	82410GT	15-16, 19-20, 33
74006GT	283, 285, 301	77537GT	51, 53	822769GT	311	824113GT	169, 313, 325
74389GT	43-44, 47-48, 173, 181	77538GT	51, 53	822793GT	131	824116GT	103, 105, 107, 191
74902GT	221, 223, 225	77540GT	159-160	823012GT	143	824120GT	123-124, 163, 313
74913GT	73, 75-76, 79-80, 85	77550GT	159-160	823013GT	143	824132GT	123-124, 139, 163
74917GT	73, 75-76, 79-80, 85	77551GT	159-160	823135GT	143	824133GT	163, 165
75020GT	123-124, 163	77653GT	173, 181	823143GT	141	824164GT	187, 189
75029GT	299	77656GT	181	823144GT	141	824207GT	279
75041GT	87, 151, 157, 317	77664GT	267	823147GT	141	824216GT	327
75051GT	43-44, 47-48, 55, 64, 68, 89-90, 93, 95, 97, 99, 101, 119, 133-134, 139, 149, 185	77683GT	267	823229GT	139	824220GT	123-124, 163
75052GT	121, 127	77694GT	64, 68, 110-111, 114-115, 269	823239GT	141	824227GT	311
75073GT	87	77713PGT	179	823295GT	27	824298GT	143
75076GT	87	77736GT	129	823296GT	27	824351GT	143
75254GT	63-64, 68, 237-238	77785PGT	281	823297GT	15-16, 27	824397GT	131, 143
75256GT	63-64, 68, 238	77795GT	181	823298GT	15-16, 27	824422GT	131, 143
75257GT	63-64, 68	77797GT	307, 309, 311	823299GT	19-20, 27	824583GT	203, 205, 207-208
75289GT	119, 131, 134	77819GT	229	823300GT	19-20, 27	824585GT	110-111, 114-115
75395GT	189	77822GT	160	823301GT	19-20, 27	824615GT	29
75443GT	211	77853GT	281	823302GT	19-20, 27	824673GT	143
75444GT	211	77884GT	177	823356GT	63-64	82472GT	23, 25, 37
75445GT	211	78736GT	64, 68, 119, 131, 134, 141, 143, 149, 155, 157, 169, 329	823396GT	63-64	82473GT	23, 25, 37
75446GT	211	79456GT	189	823420GT	63-64, 143	82481GT	23, 25, 35
75447GT	211	80358GT	145	823421GT	63-64, 143	824879GT	71, 76, 80, 199, 201, 208
75448GT	211	80543GT	301	823435GT	35	82487GT	23, 25, 35, 41
75449GT	211	80605GT	303	823436GT	35	824880GT	199
75450GT	133-134, 141	80716GT	71, 76, 80	823437GT	35	825019GT	43-44, 47-48, 187, 189
75451GT	133-134, 141	81069GT	297	823438GT	35	825020GT	303
75519GT	247	81110GT	151	823439GT	35	825218GT	139
75614GT	238	81128GT	117	823440GT	35	82547GT	23, 41
75617-1025GT	311	81130GT	305	823441GT	35	82548GT	23, 25, 41
75617-1538GT	309	81164GT	43-44, 47-48	823442GT	35	825579GT	27
75617-1550GT	311	81175GT	189	823600GT	233	8255GT	189
75617-1675GT	307, 309	81330GT	43-44, 47-48	823601GT	233	825628GT	131, 143, 169
75617-2075GT	311	81340GT	171	823658GT	27	825759GT	44, 48
75617-2275GT	307, 309, 311	81341GT	171	82366GT	15-16, 19-20, 27	825760GT	183, 185
75617-4788GT	309	81342GT	171	823703GT	141	825762GT	183
75617-6275GT	309, 311	81347GT	179	823751GT	127, 139, 165	825796GT	181
75617-6475GT	307, 309	81366GT	90	823761GT	33	825907GT	123-124
75627GT	189	81368GT	277, 279	823764GT	33	825939GT	141
75636GT	307, 309, 311	81378GT	51, 53	824023GT	131, 143	825948GT	261
77046GT	15-16, 19-20, 23, 25	81424GT	159-160	824027GT	124, 127, 131, 153, 155, 157, 163, 165, 169, 197, 249, 271, 273, 303, 311, 325, 329	82601GT	23, 25, 41
77048GT	203, 205	81458GT	301	824028GT	153, 249, 279	82602GT	23, 25, 41
77069GT	63-64, 67-68	81467GT	133-134, 141	824029GT	123-124, 131, 157, 163, 169, 197, 303, 311, 325	82604GT	41
77071GT	63-64, 67-68	81468GT	133-134, 141	824032GT	303	826345GT	27
7713GT	193-194	81488GT	203, 205, 207-208	824037GT	169	826357GT	143
		81498GT	51, 53	824038GT	267	826379GT	173, 181
		81522GT	151, 157	824059GT	271, 273	826559GT	63-64, 67-68
		81532GT	307, 309	824060GT	313	826710GT	110-111, 114-115
		81535GT	64, 67-68	824061GT	303	82671GT	23, 25, 37, 41
		81536GT	64, 67-68	824069GT	313	826765GT	124
		81550GT	203, 205, 208	824075GT	191	826791GT	191
		81551GT	203, 205, 208	824077GT	163	826792GT	191
		81558GT	301	824078GT	131, 163, 169, 197, 303, 311, 325, 327	826793GT	191
		81559GT	301				
		81578GT	64, 68				
		81609GT	51, 53				
		81610GT	51, 53				
		81640GT	189				

Part Number	Page	Part Number	Page	Part Number	Page
826794GT	103, 105, 107, 191	88942-6754GT	237-238	94981GT	329
826795GT	139	88942-9554GT	237-238	94982GT	64, 67-68, 93, 95, 97, 99, 101
826825GT	139	8915GT	87, 189	9596GT	247
826832GT	139	89309GT	225	9599-SGT	247, 249
826833GT	131, 143, 169	89310GT	225	96008-SGT	71, 75-76, 79-80
826835GT	139	89312GT	225	96009GT	71, 75-76, 79-80
826859GT	139	89377GT	197	97461GT	127
826860GT	131, 143	89449GT	231, 233, 235	97473GT	129
826873GT	143	89571GT	89-90	97579GT	15-16, 19-20, 33, 287, 289
826937GT	109-111, 113-115	89575GT	73, 75-76, 79-80	97602GT	15-16, 19-20, 29
826938GT	109-111, 113-115	89617GT	63-64, 67-68	97815GT	15-16, 19-20, 23, 25, 33, 41, 194
82862GT	15-16, 19-20, 33, 287, 289	89733GT	219, 225	97875GT	15-16, 19-20, 23, 25, 29, 33, 287, 289
83009GT	90	89737GT	225	97887GT	15-16, 19-20, 33
83093GT	71, 75-76, 79-80	89738GT	225	99778GT	317
83131GT	71, 75-76, 79-80	89755GT	303	9990046GT	47-48, 53, 59
84134GT	213, 215	89759GT	127	9990109GT	47-48, 53, 59
84135GT	213, 215	89765GT	13, 123-124, 129, 167	T106478GT	110-111, 175
8516GT	67-68, 143, 149, 187, 189, 281, 283, 285, 297	89770GT	219	T106479GT	110-111, 175
85300GT	277, 279	89801GT	189	T106954GT	89-90
87085GT	171	89871-2448GT	231, 233	T106955GT	89-90
87172GT	237-238	89871-2648GT	231	T106957GT	89-90
87755GT	73, 75-76, 79-80, 85	89871-4398GT	293	T106961GT	89-90
88091GT	63-64	89871-5348GT	237-238	T106962GT	89-90
88092GT	51, 53	89871-5648GT	237-238	T107193GT	110-111, 114-115, 185
88106PGT	87	89871-5848GT	237-238	T107194GT	110-111, 185
88159GT	93, 95, 97, 99, 101	89908GT	297, 299	T107744GT	71
88160GT	93, 95, 97, 99, 101	89959GT	259, 261	T108075GT	187, 189
88162GT	93, 99	89977GT	305	T108076GT	189
88164GT	93, 95, 97, 99, 101	89997GT	133-134	T108077GT	189
88167GT	93, 99, 101	89998GT	133-134	T108732GT	137
88212GT	89-90	93500GT	13	T108733GT	137
88241GT	44, 48	94077GT	64, 68	T108734GT	137
88261GT	43-44, 47-48	94324-1400GT	259	T109341GT	207-208
88294GT	63-64	94324-300GT	153	T109690GT	305
88315GT	71, 75-76, 79-80, 83	94324-3450GT	119	T109691GT	305
88345GT	187, 189	94324-500GT	259	T109692GT	305
88349GT	43-44, 47-48	94327GT	13, 93, 101	T109693GT	305
88356-13107GT	109-111, 113-115	94374-4330GT	237-238	T111507GT	47-48, 53, 57, 61
88356-32163GT	109-111, 113-115	94374-4830GT	293	T111766GT	283, 285
88356-33103GT	109-111, 114-115	94374-5130GT	231	T112626GT	211
88377-1400GT	267	94374-9688GT	293	T112773GT	33, 41
88384GT	307, 309	94397GT	189	T113655GT	283, 285
88385GT	307, 309	94398GT	187	T114022GT	283, 285
88390GT	307, 309, 311	94493-SGT	267	T114023GT	283, 285
88406GT	287, 289, 291	94506GT	201, 207-208	T114678GT	133-134
88482GT	105	94510GT	181	T115760GT	110-111, 114-115
88492GT	259	94526GT	63-64, 67-68	T115761GT	110-111, 114-115
88493GT	259	94537GT	263, 265	T115763GT	171
88516GT	187, 189	94600GT	297	T115764GT	171
88568GT	181	94620GT	90	T115765GT	171
88576GT	187	94621GT	90	T115766GT	194, 197
88606PGT	251	94622GT	90		
88607PGT	251	94623GT	90		
88648GT	173, 177, 179	94624GT	90		
88658GT	305	94625GT	90		
88684GT	63-64	94626GT	90		
88783GT	213, 215	94643GT	303		
88785GT	217	94745PGT	194, 247		
88827GT	76, 80, 83	94751GT	213		
88832GT	73	94752GT	213		
88846GT	153	94753GT	213		
88917GT	63-64, 67-68	94754GT	213		
		94756GT	213		
		94757GT	213, 227		
		94758GT	213, 215		
		94759GT	217, 227		
		94760GT	217, 227		
		94761GT	217		
		94762GT	13, 123-124		
		94764GT	217		
		94765GT	217, 227, 283, 285		
		94889GT	127		
		94937GT	89-90		
		94980GT	185		

## Part Description Index

The Part Description Index is an alphabetical index of all part descriptions included in this manual. The index shows what page(s) the part is used on.

- "Ref. FOOT SWITCH WIRE HARNESS ASSEMBLY".....203
- 2**  
2 WD SPINDLE, IDLER.....43-44, 57
- 3**  
3/8 MALE NPT X 1/4 BARB.....63-64
- 6**  
6' TRI-ENT ASSY W/DECALS A/SOA.....247  
6' TRI-ENT ASSY W/DECALS ANSI.....247  
6' TRI-ENT ASSY W/DECALS AUSTR.....247  
6' TRI-ENT RAIL W/DECALS A/SOA.....247  
6' TRI-ENT RAIL W/DECALS ANSI.....247  
6' TRI-ENT RAIL W/DECALS AUSTR.....247
- 8**  
8' TRI-ENT ASSY W/DECALS A/SOA.....247  
8' TRI-ENT ASSY W/DECALS ANSI.....247  
8' TRI-ENT ASSY W/DECALS AUSTR.....247  
8' TRI-ENT ASSY W/DECALS CE.....247  
8' TRI-ENT RAIL W/DECALS A/SOA.....247  
8' TRI-ENT RAIL W/DECALS ANSI.....247  
8' TRI-ENT RAIL W/DECALS AUSTR.....247  
8' TRI-ENT RAIL W/DECALS CE/UK.....247
- A**  
ACC,FALL ARREST BAR,6FT FR.....323  
ACC,FALL ARREST BAR,6FT SYM.....323  
ACC,FALL ARREST BAR,6FT WORD.....323  
ACC,FALL ARREST BAR,8FT FR.....323  
ACC,FALL ARREST BAR,8FT SYM.....323  
ACC,FALL ARREST BAR,8FT WORD.....323  
ACCESSORY,OPERATOR PROT STRUCT.....313  
ACCESSORY,PANEL CRADLE,ANSI.....267  
ADAPTER 3/8 FNPT X M16.....117, 273  
ADAPTER, 2" TO 1.8", PERK 404F.....127, 165  
ADAPTER, BSPT3/8"-19 TO NPTF1/2-14.....273  
ADAPTER, 1/4 FNPT X 1/2-20 UNF.....119  
ADAPTER,140139-8-6.....119, 145, 271, 273  
ADAPTER,AIR HOSE,PERK 404F.....127, 165  
ADAPTER,EYEBOLT.....273  
ADAPTER,M18.....271  
ADAPTER,MIXER, TME27.....145  
ADAPTER,NPT 6-4.....271  
ADAPTER,WELDER,208-220.....287, 289  
ADJUSTABLE STRAP ASSY.....267  
AIR CLEANER CAP/ FORD/NOLFF\*\*\* .....149  
AIR CLEANER CLIPS, SUPERBOOM.....133-134, 141  
AIR CLEANER COVER, SUPERBOOM\*.....133-134, 141  
AIR CLEANER,FORD,T3.....13, 149  
AIR CLEANER,NELSON.....133-134, 141  
AIR CLEANER,NELSON\*\*\*.....119, 127, 153, 165  
AIR CLEANER,SECONDARY ELEMENT...259  
AIR LINE ASSY, S80.....305  
AIR PRESSURE SENSOR,PERKINS 404F-22T.....123-124  
AIRLINE ASSY, S85.....305  
ALARM,INTERMITTENT TONE 6-30V\*.....245  
ALARM,WARBLE TONE 5-30 VDC\*\*\*.....199, 201, 208  
ALTERNATOR - 85 AMP, INT REGULATED.....129  
ALTERNATOR, DEUTZ,BF4L2011\*\*\*.....133-134  
ALTERNATOR, GM3.0L ENGINE.....160  
ALTERNATOR,95 AMP,DEUTZ.....143  
ALTERNATOR,PERKINS 404D/F-22T.....167  
ALTERNATOR,PERKINS 800 SERIES.....119  
ALTERNATOR,TME2.7L ENGINE.....145  
ALUMINUM FLAT CROSS BAR.....171  
ANGLE, RELAY MOUNTING.....75-76, 79-80, 85  
ASSEMBLY RESET SWITCH.....325  
ASSEMBLY, AUX POWER UNIT, 12VD.....63-64, 67-68  
ASSEMBLY, JUNCTION, 404F-EXT, S80.....114-115  
ASSEMBLY, LIGHT, CONTACT ALARM.....327  
ASSEMBLY, OPA PROTECTION CAGE.....325  
ASSEMBLY, SENSOR, PROX, CONTACT ALARM.....327  
ASSEMBLY, SPEED SENSOR.....167  
ASSEMBLY, TIMING LINK CAM.....183  
ASSEMBLY, WELDMENT.....183  
ASSEMBLY,CABLE, TAPESWITCH.....325  
ASSEMBLY,CONTACT ALARM CABLE, LARGE.....327  
ASSEMBLY,FOOT SWITCH.....109-111, 113-115, 193-194, 197  
ASSEMBLY,PIVOT PLATE.....173  
ASSEMBLY,TAPESWITCH.....325  
ASSEMBLY,TIRE WHEEL,HF\*\*\*\*\*.....43-44, 47-48  
ASST,OVERFLOW BOTTLE,TME27.....147  
ASSY BATTERY HEATER,240V.....317  
ASSY HEATER, MODEL 18, 120V.....317  
ASSY HEATER,MODEL 18,240V.....317  
ASSY, BATTERY HEATER, 120V.....317  
ASSY, CIRCUIT BREAKER 15A.....71, 83  
ASSY, FUEL PICKUP TUBE.....67-68  
ASSY, MED. PRESS. FILTER, SAE8.....89-90  
ASSY, PBOX, PERKINS T4, S80.....203, 205, 207-208  
ASSY, PBOX, T4 DEUTZ 2.9L S80.....203, 205, 207-208  
ASSY, PLAT RECIRC, S80/85.....295  
ASSY, SENSOR W/HOUSING.....327  
ASSY, TERM RAIL, S80/85 2013.....73, 75-76, 79-80, 85  
ASSY,120V HEATER, HYD TANK.....317  
ASSY,240V HEATER, HYD TANK.....317  
ASSY,6' PLAT WELDMENT W/SIDE GATE.....197  
ASSY,6FT PLAT DUAL LG,BLANK W/SIDE SWING GATE.....197  
ASSY,8' PLAT WELDMENT W/SIDE GATE.....197  
ASSY,8FT PLAT TRI LG,BLANK W/SIDE SWING GATE.....197  
ASSY,DISPLAY,DP200 DEUTZ T4.....75-76  
ASSY,DISPLAY,DP200 PERKINS T4.....79-80  
ASSY,ENCLOSURE,WELDER,GEN...283, 285  
ASSY,ENGINE HEATER,120V.....317  
ASSY,ENGINE HEATER,240V.....317  
ASSY,FUEL PREFILTER,DEUTZ 2.9.....143  
ASSY,FUEL TANK,35GAL,W/PROP SENSOR.....63-64  
ASSY,GAUGE OPT. OIL COOLED.....271  
ASSY,GAUGE OPT.WATER COOLED.....271, 273  
ASSY,GBOX,PERKINS 404D,S80/85.....83  
ASSY,LS,LOAD SENSE,38.5 IN.....109-111, 113-115, 303  
ASSY,MODULE,CONTROL UNIT,OPA.....325  
ASSY,PBOX JUMPER,DISEL.....207-208  
ASSY,PBOX JUMPER,GAS/LP.....207-208  
ASSY,PBOX,DIESEL,S80/85.....207-208  
ASSY,PBOX,DIESEL,S80/85 2008.....203, 205  
ASSY,PBOX,GAS/LP,S80/85.....207-208  
ASSY,PBOX,GAS/LP,S80/85 2008.....203, 205  
ASSY,PCB,ALC500-2 S80VP V204.....203, 205  
ASSY,PCB,ALC500-II,S80.....203, 208  
ASSY,S-80 YOKE,W/BEARINGS,LFRR.....48  
ASSY,S-80 YOKE,W/BEARINGS,RFLR.....47-48  
ASSY,SIDE SWING GATE.....197  
ASSY,TERMINAL RAIL,S80/85 2008.....73  
ASSY,TIRE/WHEEL,HF,W/SEALANT.....43-44, 47-48  
ASSY,TRACK,FALL ARREST BAR,6FT FR.....323  
ASSY,TRACK,FALL ARREST BAR,6FT SYM.....323  
ASSY,TRACK,FALL ARREST BAR,6FT WORD.....323  
ASSY,TRACK,FALL ARREST BAR,8FT FR.....323  
ASSY,TRACK,FALL ARREST BAR,8FT SYM.....323  
ASSY,TRACK,FALL ARREST BAR,8FT WORD.....323  
ATOMISER (FUEL INJECTOR),PERKI.....167  
ATOMISER (FUEL INJECTOR),PERKINS 404F-22T.....123-124  
AUX RAIL, 6' PLAT, SIDE ENTRY.....249  
AUX RAIL, 8' PLAT, TRI-ENTRY.....249  
AUX TOP RAIL,6'(1.25")SERVICE.....247  
AUX TOP RAIL,6',SWG GT, SRV.....247  
AUX TOP RAIL,8'(1.25")SERVICE.....247  
AUX TOP RAIL,8',SWG GT, SRV.....247  
AUX TOP RAIL,8FT,PTD.....247
- B**  
BACKING PLATE, HOSE BLOCK, JIB.....189  
BAFFLE, AIR CLEANER (27915)\*\*\*.....119, 127, 153, 165  
BALL STUD\*.....87  
BAR,AXLE ROTATION STOP,OSC.....51, 53  
BAR,SPACER.....173, 177  
BASE ENCLOSURE,RED,OPA.....325  
BASE, W/1 N.O. CONTACTS\*\*\*.....75-76, 79-80, 83, 208  
BASE,W/2 NC CONTACTS\*\*\*.....71, 83  
BASE,W/3 NC CONTACTS.....201, 207-208  
BASE,WITH 2 N.O. CONTACTS\*\*\*.....75-76, 79-80  
BASE,WITHOUT CONTACTS...71, 75-76, 79-80, 83

BATTERY CABLE,2/0,NEG,BK,84".....110-111, 114-115	BOLT, CYLINDER HEAD, GM3.0L ENG.....159-160	BRACKET,LINCOLN WELDER,PNTD.....287, 289, 291
BATTERY CABLE,NEG BK 116".....110-111, 114-115	BOLT,ALT MNTG,GM3.0LENG.....160	BRACKET,LOWER RAD,TME27.....147
BATTERY CABLE,POS RED 132".....110-111, 114-115	BOLT,ALTERNATOR,GM 3.0L ENG.....160	BRACKET,LOWER RADIATOR.....123-124, 163
BATTERY HOLD DOWN,GROUP 31.....64, 68, 269	BOLT,CARRIAGE,1/4-20 X .75,G2.....253, 255	BRACKET,MUFFLER,GM3.0L ENG.....159-160
BATTERY,12V DEEP CYC 5/16"STUD.....64, 68, 110-111, 114-115, 269	BOLT,CARRIAGE,1/4-20 X 1.00,G2.....189	BRACKET,PBOX WIRE SUPPORT...203, 205, 208
BATTERY,12V,1000 CCA GRP 31.....64, 68, 110-111, 114-115	BOLT,CARRIAGE,1/4-20 X 2.75,G2.....189	BRACKET,POWER TO PLAT TBOX,PNT.....287, 289
BEARING KIT,INNER (88921).....90	BOLT,CRANKSHAFT,TME27.....145	BRACKET,PRECLEANER PAINTED.....259
BEARING KIT,OUTER (88921).....90	BOLT,FLANGE,5/8-11X1.5"GR8 PLT.....123-124, 139	B R A C K E T , R A D H O S E HANGER,PERKIN.....123-124
BEARING KIT,PLAT ROTATOR,SUPER.....189	BOLT,GM 3.0L ENG.....160	BRACKET,RADIATOR SUP,TME27.....145
BEARING KIT,WHEEL DRIVE W/BRAKE (227775).....47-48, 53, 59	BOLT,HEX-UNC(.250-20, .500G).....61	BRACKET,RADIATOR SUPPORT PNTD.....117
BEARING NUT***.....57, 59, 61	BOLT,HEX-UNC(.375-16).....59	BRACKET,REAR MOUNT,ALT,GM3.0L ENG.....159-160
BEARING TURNABLE SEAL***.....90	BOLT,HEX-UNC(.375-16,1.25g).....57	BRACKET,SOLENOID PAINTED.....117
BEARING, TAPERED - ASSY.....57, 59, 61	BOLT,WHEEL DRIVE CAP(106122).....43-44, 51, 59	BRACKET,TAILPIPE BRACE,PERKINS.....123-124
BEARING,1.00IDX1.25ODX1.00L...43-44, 47-48, 181	BOOM TUBE #1 ASSY,S80,W/SYMB.....173	BRACKET,UPPER RADIATOR.....124
BEARING,1.25 X 1.5 X 2.....189	BOOM TUBE #1 ASSY,S80,W/WORD**.....173	BRACKET,UPPER RADIATOR MOUNT,4.....163
BEARING,1.25IDX1.50ODX1.50L.....173, 183, 185	BOOM TUBE #1 ASSY,S85,W/SYMB.....173	BRACKET,UPPER SUPPORT,TME27.....147
BEARING,1.25IDX1.50ODX2.25L.....179	BOOM TUBE #1 ASSY,S85,W/WORD.....173	BRACKET,V275S WELD LEADS.....287, 289, 291
BEARING,1.25IDX1.50X1.25L.....179	BOOM TUBE 3 W/SYMBOL DECALS.....179	BRACKET,WELD OPTION.....305
BEARING,1.25IDX1.50DX1.00L.....187, 189	BOOM TUBE 3 W/WORD DECALS.....179	B R A C K E T , W E L D E R M N T SUPPORT,PNT.....291
BEARING,1.5"ID X 1.75OD X1.25L.....173	BOOM TUBE 3 WITH SYMBOL DECALS...179	BRACKET,WELDER MOUNT SUPPORT.....287, 289
BEARING,1.75IDX2.00ODX1.25L...43-44, 47-48	BOOM TUBE 3 WITH WORD DECALS.....179	BRACKET,WELDER SUPPORT,PNT.....287, 289, 291
BEARING,1.75IDX2.00ODX1.50L...43-44, 47-48	BOOT(BELLOWS),E-STOP,BLACK.....199, 201, 207-208	BRACKET,WELDER TOP.....287, 289, 291
BEARING,2.50IDX2.75OBX1.25LG...183, 185	BOOT,ROCKER JOYSTICK 75565.....211	BRACKET,WORK LIGHT MOUNT 5/16"....247, 249
BEARING,2.50IDX2.75ODX1.50L.....173	BOOT,CABLE TERMINAL,BLACK,2/0.....305	Brake Lining Kit.....59
BEARING,2.50IDX2.75ODX2.00L...43-44, 47-48, 183	BOOT,CABLE TERMINAL,LG,RED,2/0.....305	BRAKE LINING KIT (121291).....61
BEARING,3.00IDX3.25ODX2.50LG.....183	BOOT,JOYSTICK.....211	BRAKE PORT HARDLINE.....90
BEARING,3.00IDX3.50DX2.25LG.....173	BOOT,TOGGLE SWITCH,SHORT*...307, 309, 311	Brake Replacement Kit.....59
BEARING,FL, 1.25X1.5X2.13.....189	BOTTLE, OVERFLOW, GM3.0L ENG.....159-160	Brake Seal Kit.....59
BEARING,FL,1.25IDX1.41ODX1.50L.....189	BOTTLE,COOLANT RECOVERY,3.7***.....119, 123-124, 163	BRAKE TUBING.....89-90
BEARING,FL,1.25IDX1.50DX1.25L.....189	BOX,INSTRUCTION STORAGE.....194, 197	BRAKE TUBING***.....90
BEARING,FL,2.50IDX2.75ODX1.36L.....183	BRACE PLATE.....19-20	BREATHER CAP,RFM165.....63-64, 67-68
BEARING,FL,2.50IDX2.75ODX1.61L.....173, 183	BRACE,UPPER RADIATOR SUPPORT,...124, 163	BREATHER PIPE, TD 2011L041.....137
BEARING,GARLOCK,12FDU12.....303	BRACKET, STRUT BRACE.....141	BREATHER VALVE,PERKINS 404D-22T....163
BEARING,POLYGON,20DU12.....187, 189	BRACKET,1K OHM 10-TURN POT,PNT...283, 285	BREATHER, PERKINS 404F-22T.....123-124
BEARING,THRUST WASHER***.....61	BRACKET,AIRLINE TO PLATFORM.....305	BRKT,AIR CLEANER ORIENTATION**.....127, 149, 153, 165
BEARING,TURNABLE.....90	BRACKET,ALTERNATOR,GM3.0L ENG.....160	BRKT,RADIATOR TOP LH,GM3.0L ENG....160
BELLCRANK ASSY W/BEARINGS.....189	BRACKET,CATALYST,GM3.0L ENG.....159-160	BRKT,RADIATOR TOP RH,GM3.0L ENG....160
BELLCRANK W/BEARINGS.....189	BRACKET,CONTROL UNIT.....325	BRUSH BOX,ASSY,GEN***.....283, 285
BELLOWS,CYLINDER,PLAT LEVEL.....263, 265	BRACKET,COVER,RELAY MODULE,DEUTZ 2.9L.....131, 143, 169	BULB,WORKLIGHT,12V 35W.....245
BELLOWS,LIFT CLYINDER.....263, 265	BRACKET,DP200 PANEL MOUNT.....75-76, 79-80	BULKHEAD PLATE, GM3.0L, S80.....153
BELLOWS,MASTER CYLINDER.....263, 265	BRACKET,EXPANSION TANK, LEFT M.....139	BULKHEAD PLATE,6-CORE RADIATOR.....139
BELT GUARD W/DECAL PERKINS.....121	BRACKET,EXPANSION TANK,DEUTZ 2.....139	BUMPER, PLASTIC, 1.25 O.D.....197, 247, 249, 277, 279, 307, 309, 311
BELT, (NAPA 9360).....297	BRACKET,FAN SHROUD,LH PAINTED.....117	BUMPER,BATTERY BOX & RAILS...197, 247, 251, 325
BELT, V (PERKINS 404).....13, 123-124, 129, 167	BRACKET,FAN SHROUD,RH,PAINTED.....117	BUMPER,RUB,1.00DX.75X31-18X1.2.....87
BELT,AIR PUMP,PERKINS 404F-22T.....13, 123-124, 143	BRACKET,FUEL PUMP PAINTED.....121	BUMPER,RUBBER***.....251, 303
BELT,ALTERNATOR,GM 3.0L ENG.....160	BRACKET,FUEL SYSTEM,DEUTZ 2.9L.....143	BUMPER,RUBBER,.75 X .50H,STUD.....151, 157, 169, 323
BELT,AX33***.....297	BRACKET,HEAT SHIELD REAR,TME27.....145	BUMPER,RUBBER-1 X 1.25.....64, 68, 87
BELT,FEAD, TME 2.7L ENGINE.....13, 145	BRACKET,HEAT SHIELD,FRNT,TME27.....145	BUTT SPLICE,14/16GA.....301
BLANKET,BATTERY.....315	BRACKET,HOSE CLAMP,PAINTED.....189	BUTTON,PUSH,BLACK W/SEAL***.....71, 76, 80, 83, 199, 201, 208
BLOCK, MAST SLIDER, GR20.....89-90	BRACKET,HOSE CLAMP,PAINTED.....189	BUTTON,PUSH,RED MUSHROOM HEAD.....71, 76, 80, 83, 199, 201, 207-208
BOLT, CARRIAGE, 3/8-16 X 1.50, G5.....297, 299	BRACKET,IGNITION COIL,TME27.....147	
	BRACKET,HYD.ROTATOR MOUNT MNT.....89-90	
	BRACKET,PIPE,MOUNT,DEUT.....127, 139, 165	
	BRACKET,LEG,RLY BLOCK.....93, 95, 97, 99, 101	

## Part Description Index (continued)

- BYPASS VALVE RELIEF.....225
- C**
- CABLE ASSEMBLY,EXTEND SET.....181  
 CABLE ASSEMBLY,RETRACT SET.....181  
 CABLE SQUEEZE CONN .63-.75.....283, 285  
 CABLE TIE,11.5" BLACK.....291  
 CABLE TIE,4" BLK,HEAT RESISTNT.....194  
 CABLE TIE,DFT MOUNT,BLK,6.5".....163  
 CABLE TRACK,SX,70 LNK.....171  
 CABLE, APU 2GA NEG 20".....110-111, 114-115  
 CABLE, BATTERY 2/0 POS RD 123".....110-111, 114-115  
 CABLE,APU 2GA POS 24".....110-111, 114-115  
 CABLE,BATTERY NEG,BK.....110-111, 114-115  
 CAM/CRANK SENSOR,TME-27.....145  
 CAP ASSY, COOLANT BOTTLE.....119  
 CAP, OIL FILLER.....129  
 CAP, TANK, FUEL SENSOR.....64  
 CAP,DISENGAGE,4HP/4HB\*\*\*.....43-44, 51, 59, 61  
 CAP,EXTENSION.....177  
 CAP,FUEL,DIESEL,1/8"VENT(GRN).....63-64  
 CAP,FUEL,GASOLINE 3.5PSI.....67-68  
 CAP,OIL FILL,TME27.....145  
 CAP,OIL FILLER.....159-160  
 CAP,RADIATOR,GM 3.0L ENG.....159-160  
 CAP,RADIATOR,PERKINS(94232).....139  
 CAP,RADIATOR,PERKINS/FORD.....117, 123-124  
 CAP,RADIATOR,TME27.....147  
 CAP-DISTRIBUTOR, GM 3.0L.....159-160  
 CARTRIDGE, VALVE HOUSING.....295  
 CASTING, WASHER, ENGINE ISOLAT.....157  
 CASTING,CHASSIS WEIGHT.....105  
 CASTING,SAE 4 PUMP MOUNT,MACHI.....121  
 CASTING,WASHER,REBOUND.....131, 169  
 CASTING,WASHER,REBOUND,PAINTED.149  
 CBV ASSEMBLY\*\*\*.....89-90  
 CHAIN,NO.2 (11 LINKS).....307, 309, 311  
 CIRCUIT BREAKER TYPE 2, 10AMP.....93  
 CIRCUIT BREAKER, 15A.....75-76, 79-80  
 CIRCUIT BREAKER, 35A 3PH.....283, 285  
 CIRCUIT BRKR 15A TYPE 2 METAL.....133-134  
 CIRCUIT BRKR THERM AUTORESET 6.....109-111, 113-115  
 CLAMP HALF,#12 TUBE.....89-90  
 CLAMP HALF,#8 TUBE.....89-90  
 CLAMP, 1.25 INCH TUBE.....327  
 CLAMP, 3 INCH.....137  
 CLAMP, HOSE/CABLE.....155  
 CLAMP, OPTIONS, CABLETRACK.....171  
 CLAMP,0.31,#5 X 1/4,RUB CUSH.....163, 303  
 CLAMP,0.50,#8 X 1/4,RUB CUSH.....175, 253, 307, 309, 311  
 CLAMP,0.63,#10 X 3/8,RUB CUSH.....163  
 CLAMP,0.75,#12 X 1/4,RUB CUSH.....145, 155, 163, 194, 197  
 CLAMP,1.00,#16 X 1/4,RUB CUSH.....73, 85, 131, 133-134, 147, 169, 203, 205, 208, 287, 289, 291  
 CLAMP,1.13,#18 X 1/4,RUB CUSH.....307, 309, 311  
 CLAMP,1.25X.5 RUBBER-CUSHION.....194, 197, 249, 267, 277, 279  
 CLAMP,1.63,#26 X 3/8,RUB CUSH.....189  
 CLAMP,1.75,#28 X 3/8,RUB CUSH\*.....119  
 CLAMP,2 HOSE,PLASTIC,5/8.....64, 68, 119, 131, 134, 141, 143, 149, 155, 157, 169, 329  
 CLAMP,2.25,#36 X 3/8,RUB CUSH.....117  
 CLAMP,2.5,#40 X 1/4,RUB CUSH.....119  
 CLAMP,3.0,#48 X 1/4,RUB CUSH.....153  
 CLAMP,5.38,#86 X 3/8,RUB CUSH.....259  
 CLAMP,ARCTIC,CABLE TRACK.....171  
 CLAMP,CABLE STRAIN RELIEF.....194, 197  
 CLAMP,CABLE TRACK.....171  
 CLAMP,CABLE TRACK, WK LT.....171  
 CLAMP,ELEC,SHORT LINK.....183  
 CLAMP,ELEC,WELD OPT,SHORT LINK.....183  
 CLAMP,EXHAUST,2.00 PLATED.....124  
 CLAMP,FIXED DIA,NYLON,.875".....167  
 CLAMP,HALF,HARDLINE,3/8.....63-64, 67-68  
 CLAMP,HOSE,.25" - .63" X .3125.....63-64, 119, 124, 139, 163  
 CLAMP,HOSE,.50.....145, 147  
 CLAMP,HOSE,1.25\*\*\*.....139  
 CLAMP,HOSE,1.75.....123-124, 127, 139, 163, 165, 263, 265  
 CLAMP,HOSE,1/2" DOUBLE.....119, 131, 134  
 CLAMP,HOSE,2.00\*\*\*.....117, 119, 139, 149, 263, 265  
 CLAMP,HOSE,2.50\*\*\*\*.....127, 141, 147, 149, 153, 165, 263, 265  
 CLAMP,HOSE,3.00".....117, 119, 127, 137, 141, 153, 165, 259, 261, 263, 265  
 CLAMP,HOSE,3.50.....133-134, 137, 141, 263, 265  
 CLAMP,HOSE,5.00.....259, 263, 265  
 CLAMP,HOSE,6.50.....263, 265  
 CLAMP,HOSE,8.50 DIA\*\*\*.....263, 265  
 CLAMP,HYD,SHORT LINK.....183  
 CLAMP,JIB HOSE/CABLE.....189  
 CLAMP,MUFFLER, 2.50 INCH.....117, 134, 137, 139, 165  
 CLAMP,MUFFLER,1-7/8 IN.....147  
 CLAMP,NYLON,PUSHLOCK,1.12"DIA.....169  
 CLAMP,OPTIONS, LONG LINK.....305  
 CLAMP,PULL TUBE HOSES,LEFT.....171  
 CLAMP,PULL TUBE HOSES,LH.....171  
 CLAMP,PULL TUBE HOSES,MID.....171  
 CLAMP,PULL TUBE HOSES,RH.....171  
 CLAMP,PULL TUBE HOSES,RIGHT.....171  
 CLAMP,PULL TUBE,LEFT,WK LT.....171  
 CLAMP,PULL TUBE,RIGHT,WK LT.....171  
 CLAMP,RUB CUSH,0.75,#12 X 3/8\*.....133-134, 147, 149, 155  
 CLAMP,RUBBER,GM3.0L ENG.....160  
 CLAMP,SHORT LINK.....183  
 CLAMP,STRAIN RELIEF,WK LT.....194, 197  
 CLAMP,TOP WELD OPT,SHORT LINK.....183  
 CLAMP,TOP,SHORT LINK.....183  
 CLAMP,TWO HOSE.....189  
 CLAMP,WORKLIGHT.....247  
 CLEVIS YOKE-1/4-28,PLTD W/PIN.....55, 117, 133-134  
 CLIP,AIR CLEANER COVER (58247).....149  
 CLIP,AIR CLEANER END CAP\*\*\*.....119, 127, 153, 165  
 COIL ASSEMBLY,TME2.7L ENGINE.....147  
 COIL IGNITION,TME27.....147  
 Coil Nut.....225  
 COIL, D14E 10 VDC DED.....225  
 COIL, SOLENOID VALVE, 10V.....217  
 Coil,10V.....225  
 COIL,10V DC(D10,26 WATT).....225  
 COIL,PROPORTIONAL VALVE\*\*\*.....225  
 COIL,SOLENOID VALVE\*\*\*.....219, 225  
 COIL,SOLENOID VALVE,20W.....221, 223  
 COIL,VALVE,PROPORTIONAL\*\*\*.....225  
 COIL-10V DC\*\*\*.....217, 227, 283, 285  
 COIL-IGNITION/GM 3.0L ENGINE.....159-160  
 COLD START PKG,110V,DEUTZ.....315  
 COLD WEATHER 120V J BOX ASSY.....317  
 COLD WEATHER 240V J BOX ASSY.....317  
 COLLAR,JOYSTICK,CENTER.....211  
 COMPR.LINK,MACHINED,GND CONTR\*..189  
 CONN MAXI FUSE MODULE,4POS.....93, 95, 97, 99, 101  
 CONN PLUG 3 WAY ENDCAP DT.....317  
 CONN RECEP,FLANGED.....203, 205, 207-208  
 CONN, 520120-6.....231, 233, 237-238, 241, 243, 319, 321  
 CONN, SAE#4-1/4" NPT.....283, 285  
 CONN,070121-24-24.....238  
 CONN,520120-12-16.....237-238, 293  
 CONN,520120-16.....237-238  
 CONN,520120-24.....237-238  
 CONN,520120-4\*\*\*.....231, 233, 237-238, 241, 243  
 CONN,520120-4-6\*\*\*.....237-238, 241, 243  
 CONN,520120-4-8.....235  
 CONN,520120-6-4.....237-238, 319, 321  
 CONN,520120-6-8.....235  
 CONN,520120-8\*\*\*.....231, 233, 237-238, 241, 243, 293  
 CONN,520120-8-10.....237-238  
 CONN,520120-8-12.....233, 293  
 CONN,ALT,3WAY,PERKINS 804.....119  
 CONN,BULKHEAD,520601-8.....241, 243  
 CONN,BULKHEAD,520801,-4.....241, 243  
 CONN,DUAL RLY MODULE,10 POS.....93, 99, 101  
 CONN,FEED THRU STUD.....93, 95, 97, 99  
 CONN,PLUG 120 AC/15A DOMESTIC.....317  
 CONN,PLUG 2 WAY,14-18GA.....317  
 CONN,POWER RLY MODULE,4POS.....93, 99  
 CONN,RECEP 12 WAY,GRY FLANGE.....203, 205, 207-208  
 CONN,RECEP 2 WAY ENDCAP DT.....317  
 CONN,RECEP 24 WAY,W/FLANGE.....73, 75-76, 79-80, 85  
 CONN,RECEP 3 WAY ENDCAP DT.....317  
 CONN,RECEP 4 WAY,12-14GA FL\*\*\*.....73, 75-76, 79-80, 85, 203, 205, 207-208  
 CONN,RECEP 40 WAY,W/FLANGE.....73, 75-76, 79-80, 85  
 CONN,RECEP 48 WAY,4 X 12.....73, 75-76, 79-80, 85, 203, 205, 208  
 CONN,RECEP 8 WAY 14-18GA,FL.....73, 75-76, 79-80, 85  
 CONN,SQUEEZE,1/2NPT .38-50,SM.....71, 73, 75-76, 79-80, 85, 301  
 CONN. SQZ,1/2NPT .56-.63.....283, 285  
 CONNECTOR, DEUTZ FUEL SHUTOFF\*.....133-134  
 CONNECTOR,010102-6-4.....147  
 CONT FAN GUARD FT W/WORD DECAL.....147  
 CONT RADR ASSY W/WORD DECAL.....147  
 CONTACT ALARM WIRE ASSY, LARGE.....327  
 CONTACT, N.C.....71, 75-76, 79-80, 83  
 CONTACT,N.O.\*\*\*.....75-76, 79-80, 83



CONTINENTAL ENGINE SIDE  
 BULKHEAD.....149  
 CONTROL BOX COVER,LID,PTD.....251  
 CONTROL MODULE, TME27 2007.....149  
 CORROSION INHIBITOR,FOAM.....73, 75-76,  
 79-80, 85, 203, 205, 208  
 COUNTERWEIGHT,S80.....103  
 COUNTERWEIGHT,S85.....105, 107  
 COUPLER, PUMP / MOTOR (36179)....63-64,  
 67-68  
 COUPLER,15 TOOTH,FBA,PERKINS\*\*.....127,  
 165  
 COUPLER,15 TOOTH,FBA,SAE8\*\*\*.....121,  
 137, 141, 149  
 COUPLING (106113).....283, 285  
 COUPLING, 28MM (106113).....283, 285  
 COVER BRACKET, ECU TIER IV.....131, 143,  
 169  
 COVER PLATE (121351).....57  
 COVER PLATE, TUBE CLAMP #12.....89-90  
 COVER PLATE,BOOM.....173  
 COVER PLATE,TUBE CLAMP #8.....89-90  
 COVER, FOOT SWITCH, LARGE.....193-194,  
 197  
 COVER, JIB HOSES/CABLES.....189  
 COVER, LIMIT SWITCH ARM MOUNT.....175  
 COVER, LIMIT SWITCH ASSY, S80.....253  
 COVER, PLATE.....47-48, 53, 59  
 COVER,ASSY,DR CHASSIS REAR S80.....51,  
 53  
 COVER,ASSY,DRIVE CHASSIS FRONT.....51,  
 53  
 COVER,BLANK.....301  
 COVER,BOOM SECTION #2.....177  
 COVER,CONTROL BOX LEFT SIDE\*\*\*.....251  
 COVER,CONTROL BOX RIGHT SIDE\*\*.....251  
 COVER,FLYWHEEL CASTING.....137, 141  
 COVER,FOOT SWITCH.....193-194  
 COVER,GFCI,HORIZONTAL,WEATHER..283,  
 285, 301  
 COVER,HSE&CBL DLX HOSTILE.....263, 265  
 COVER, POWER RELAY  
 MODULE,DEUTZ.....131, 143  
 COVER,PROTECTIVE,JIB CYLINDER.....265  
 COVER,PROTECTIVE,OSC.CYLINDER.....263,  
 265  
 COVER,PROTECTIVE,STEER CYL.....263,  
 265  
 COVER,REWORK,DEUTZ GENERATOR...297  
 COVER,RING GEAR,FRONT.....257  
 COVER,RING GEAR,REAR.....257  
 COVER,ROTATION GEAR PAINTED.....90  
 COVER,WEATHERPROOF 3-PHASE.....287,  
 289  
 COVER,WELDER GENERATOR.....283, 285  
 CRANKSHAFT PULLEY,PERKINS  
 404F-22T.....123-124  
 CRANKSHAFT PULLEY,PERKIS 404D-.....167  
 CYLINDER HEAD COVER,PERKINS  
 404D.....163  
 CYLINDER HEAD COVER,PERKINS  
 404F.....123-124  
 CYLINDER,JIB (STICK BOOMS).....189  
 CYLINDER,LEVEL.....187, 189  
 CYLINDER,LIFT,S80-85\*\*\*.....183  
 CYLINDER,MASTER\*\*\*.....183  
 CYLINDER,OSCILLATE\*\*\*.....43-44, 47-48  
 CYLINDER,PRIMARY EXTENSION\*\*\*.....181  
 CYLINDER,STEER.....43-44, 47-48

## D

DECAL FAULT CODE.....33  
 DECAL GROUND CONTROL BOX.....15-16,  
 19-20, 23, 25, 27, 35  
 DECAL KIT, SYMBOL, S80/85.....23, 25  
 DECAL KIT, WORDS, S80/85.....15-16, 19-20  
 DECAL KIT,S80 COMP,SYM,CE.....35  
 DECAL KIT,S80 COMP,WORD,AUS.....27  
 DECAL KIT,S80 PLAT,SYM,CE.....35  
 DECAL KIT,S80 PLAT,WORD,AUS.....27  
 DECAL KIT,S80X COMP,SYM,ANSI.....35  
 DECAL KIT,S80X COMP,WORD,ANSI.....15-  
 16, 27  
 DECAL KIT,S80X PLAT,SYM,ANSI.....35  
 DECAL KIT,S80X PLAT,WORD,ANSI.....15-16,  
 27  
 DECAL KIT,S85 COMP,SYM,ANSI.....35  
 DECAL KIT,S85 COMP,SYM,CE.....35  
 DECAL KIT,S85 COMP,WORD,ANSI.....19-20,  
 27  
 DECAL KIT,S85 COMP,WORD,AUS.....19-20,  
 27  
 DECAL KIT,S85 PLAT,SYM,ANSI.....35  
 DECAL KIT,S85 PLAT,SYM,CE.....35  
 DECAL KIT,S85 PLAT,WORD,ANSI.....19-20,  
 27  
 DECAL KIT,S85 PLAT,WORD,AUS.....19-20,  
 27  
 DECAL KIT,S85 PLAT,WORD,AUS.....19-20,  
 27  
 DECAL PLATE W/SYM DECAL S80Z80.....194  
 DECAL PLATE W/WORD DECALS80/85.....194  
 DECAL RT GRAY STRIP(TANK SIDE).....15-  
 16, 19-20, 25, 29  
 DECAL, GRAY STRIP, LH, S80/85.....15-16,  
 19-20, 25  
 DECAL, INST OPER INST S80X PLT.....33  
 DECAL, INST PLAT CAP 80X SYM.....35, 41  
 DECAL, INSTRUCTION, ACTUATOR SWITCH  
 SOCKET.....327  
 DECAL, INSTRUCTION, CONTACT  
 ALARM.....327  
 DECAL, INSTRUCTION, OPS.....33, 41  
 DECAL, LCD, TIER 4.....27  
 DECAL, OPER INST 6080X GRD.....27  
 DECAL, PLAT CNTL PNL.....33, 41  
 DECAL, PLAT CNTL PNL 60X 80X.....33, 41  
 DECAL, POWER TO PLATFORM 230V\*\*.....15-  
 16, 19-20, 23, 25, 29, 33, 37, 41  
 DECAL, RELAY BLOCK, S80/85.....15-16, 19-  
 20, 29  
 DECAL, SYMBOL - READ THE MANUAL...23,  
 25, 35, 41  
 DECAL,ANNUAL INSP\*\*\*.....15-16, 19-20, 29  
 DECAL,ARROW BLUE.....15-16, 19-20, 23,  
 25, 29, 37  
 DECAL,ARROW YELLOW LRG 9".....15-16,  
 19-20, 23, 25, 27, 35  
 DECAL,CAUTION,NO STEP.....15-16, 19-20,  
 23, 25, 29, 37  
 DECAL,CHEVRON RANDO HD.....15-16, 19-  
 20, 27  
 DECAL,COSM GENIE S80X.....15-16, 31, 39  
 DECAL,COSMETIC,4 X 2.....15-16, 19-20, 23,  
 25, 27, 35  
 DECAL,COSMETIC,4 X 4.....15-16, 19-20, 23,  
 25, 27, 35  
 DECAL,COSMETIC,GENIE.....325  
 DECAL,COSMETIC,GENIE S-80.....15-16, 23,  
 31, 39  
 DECAL,COSMETIC,GENIE S-85.....19-20, 25,  
 31, 39  
 DECAL,COSMETIC,S80.....15-16, 23, 25, 29,  
 37  
 DECAL,COSMETIC,S85.....19-20, 25, 29, 37  
 DECAL,DANGER DO NOT ALTER SWTC.....31  
 DECAL,DANGER,BATTERY SAFETY\*\*\*.....15-  
 16, 19-20, 27  
 DECAL,DANGER,ELEC.HAZ.STAY CLR...23,  
 25, 35, 37  
 DECAL,DANGER,ELECT HAZARD\*\*\*.....15-  
 16, 19-20, 27, 29  
 DECAL,DANGER,GENERAL SAFETY.....15-  
 16, 19-20, 27, 33  
 DECAL,DANGER,HIGH VOLTAGE.....15-16,  
 19-20, 29, 33, 283, 285, 287, 289  
 DECAL,DANGER,MAX LOAD 340 KG.....23, 41  
 DECAL,DANGER,MAX SIDE FRC,667N.....23,  
 25, 41  
 DECAL,DANGER,NO SMOKING.....15-16, 19-  
 20, 27  
 DECAL,DANGER,SIDE FRC 400N.....41  
 DECAL,DANGER,TIP OVER,PLAT.....15-16,  
 20, 33  
 DECAL,DANGER,TIP-OVER,WELDER\*\*.....15-  
 16, 19-20, 33, 287, 289  
 DECAL,DANGER,TIPOVER,TILT.....15-16, 19-  
 20, 33  
 DECAL,DANGER,TIPOVER,TILT,SYM.....23,  
 25, 41  
 DECAL,DANGER,TIPOVR,MAX CAP.....27, 33  
 DECAL,DANGER/LABEL,TIRE SPECHF....15-  
 16, 19-20, 27, 29  
 DECAL,DANGER/LABEL,TIRE SPECS.....15-  
 16, 19-20, 27, 29  
 DECAL,DIESEL.....15-16, 19-20, 23, 25, 27,  
 35  
 DECAL,DRIVE ENABLE PATCH.....23, 25, 41  
 DECAL,EMERGENCY LOWERING.....23, 25,  
 35  
 DECAL,ENG.SPECS,CONTINENTAL.....15-  
 16, 19-20, 29  
 DECAL,ENGINE SPEC,DEUTZ TD2.9.....29  
 DECAL,ENGINE SPEC,DEUTZ,TD2011.....15-  
 16, 19-20, 29  
 DECAL,ENGINE SPEC,PERKINS  
 404D-22T.....29  
 DECAL,ENGINE SPEC,PERKINS 404F.....29  
 DECAL,EXPLOSION HAZARD.....15-16, 19-  
 20, 29  
 DECAL,FIRE EXTINGUISHER.....15-16, 19-  
 20, 33, 287, 289  
 DECAL,FUNCTION OVERRIDE.....16, 19-20,  
 33  
 DECAL,GR CNTL PNL 60X 80X.....27, 35  
 DECAL,GROUND BOX,TIER IV.....27  
 DECAL,INST PLAT CAP S80X.....15-16, 27,  
 33  
 DECAL,INST PLAT CAPACITY,SYM.....23  
 DECAL,INST,OPER INST,S80,AUS.....15-16,  
 20, 27, 33  
 DECAL,INST,OPER INST.S80.....15-16, 20,  
 27, 33  
 DECAL,INSTR,MAX SIDE FRC,ANSI...15-16,  
 19-20, 33  
 DECAL,INSTR,SIDE FRC/WIND,AUS.....15-  
 16, 19-20, 33  
 DECAL, INSTRUCT, FOOTSWITCH  
 OPER.....15-16, 19-20, 33

## Part Description Index (continued)

- DECAL,LABEL,AIR LINE 110 PSI.....15-16, 19-20, 23, 25, 29, 33, 37, 41  
 DECAL,LABEL,106 DB\*\*\*.....23, 25, 37  
 DECAL,LABEL,AUX BATTERY.....15-16, 19-20, 27  
 DECAL,LABEL,ENG STRT& CONTROLS..15-16, 19-20, 27  
 DECAL,LABEL,FALL HAZARD\*\*\*.....23, 25, 39  
 DECAL,LABEL,LIQUID PROPANE.....15-16, 19-20, 23, 25, 27, 35  
 DECAL,LABEL,LOWER MIDRAIL...15-16, 19-20, 23, 25, 33, 41, 194  
 DECAL,LABEL,MANUAL NOT HERE...15-16, 19-20, 33  
 DECAL,LABEL,MAX CAPACITY\*\*\*.....23, 25, 41  
 DECAL,LABEL,NO SMOKING,SYMB...23, 25, 35  
 DECAL,LABEL,PATENTS.....15-16, 19-20, 29  
 DECAL,LABEL,PETRO CANADA\*\*\*.....27  
 DECAL,LABEL,TIP OVER LMT SWTCH.....23, 25, 35, 39, 41  
 DECAL,LABEL,TIPOVER,TIRES,SYMB.....23, 25, 35, 37  
 DECAL,LABEL,TRANSPORT DIAGRAM....15-16, 19-20, 23, 25, 27, 29, 35, 37  
 DECAL,LABEL,UCON HYDROLUBE.....27  
 DECAL,LABEL,UNLEADED GAS ONLY.....15-16, 19-20, 23, 25, 27, 35  
 DECAL,LABEL,WELD LINE INST,SYM.....23, 25, 37, 41  
 DECAL,LABEL,WHEEL LOAD S80.....15-16, 19-20, 23, 27, 29, 35, 37  
 DECAL,LABEL,WHEEL LOAD S85.....19-20, 25, 27, 29, 35, 37  
 DECAL,LANYARD ANCHORAGE POINT...15-16, 19-20, 23, 25, 33, 41, 323  
 DECAL,LOW/ULTRA LOW SULFR FUEL...15-16, 19-20, 27  
 DECAL,NOTICE,MAX LOAD 500 LBS.....15-16, 19-20, 33  
 DECAL,NOTICE,MAX LOAD 750 LBS.....15-16, 33  
 DECAL,NOTICE,SHUTOFF VALVES.....15-16, 19-20, 27  
 DECAL,OPTION GENERATOR\*\*\*.....23, 25  
 DECAL,PLATFORM CONTROL PANEL.....15-16, 19-20, 23, 25  
 DECAL,POWER TO PLATFORM 115V.....15-16, 19-20, 23, 25, 29, 33, 37, 41  
 DECAL,PROTECTOR,CLEAR.....15-16, 23, 25, 263, 265  
 DECAL,SYMBOL-BATTERY SAFETY.....23, 25, 35  
 DECAL,SYMBOL-COMP ACCESS.....23, 25, 37  
 DECAL,SYMBOL-READ THE MANUAL.....325  
 DECAL,T3 ENGINE SPEC.PERKINS...15-16, 19-20, 29  
 DECAL,TRACK,FALL ARREST BAR,SYMBOL.....323  
 DECAL,TRACK,FALL ARREST BAR,WORD.....323  
 DECAL,TRACK,FALL ARREST BAR,WORD FR.....323  
 DECAL,TRIANGLE,BLUE...15-16, 19-20, 23, 25, 27, 29, 35, 37  
 DECAL,TRIANGLE,YELLOW....15-16, 19-20, 23, 25, 27, 29, 35, 37
- DECAL,ULS DIESEL ONLY,TIER 4.....27  
 DECAL,WARN,CRUSH HAZARD HAND....15-16, 19-20, 29  
 DECAL,WARN,CRUSH HAZARD PLAT.....15-16, 19-20, 23, 25, 33, 41  
 DECAL,WARN,FALL HAZARD.....15-16, 19-20, 31  
 DECAL,WARN,IMPROPER OPERATION...15-16, 19-20, 33  
 DECAL,WARN,WELD LINE INST.WORD....15-16, 19-20, 23, 25, 29, 33, 287, 289  
 DECAL,WARNING,CRUSHING HAZARD...23, 25, 37  
 DECAL,WARNING,PANEL CRADLE.....15-16, 19-20, 33  
 D E C A L , W A R N I N G , P I P E CRADLE,BOOM.....15-16, 19-20, 33, 277  
 DECAL,WARNING,WELDER SAFETY.....283, 285, 287, 289  
 DECAL,WARNING-COMPART ACCESS....15-16, 19-20, 29  
 DESCENT ALARM,S80/85 2008.....109-111, 113-115  
 DEUTZ ENGINE SIDE BULKHEAD....133-134  
 DEUTZ,AIRBOX WITH WORD DECALS...133-134  
 DIESEL OXIDATION CATALYST,PERKINS 404F.....123-124  
 DIESEL PARTICULATE FILTER,PERKINS 404F.....123-124  
 DIN RAIL,17".....73, 75-76, 79-80, 85  
 DIODE,6 AMP,200 PIV,BULK.....133-134  
 DIP STICK TUBE ASSY.....119  
 DIPSTICK TUBE,PERKINS 404D-22T.....163  
 DIPSTICK TUBE,PERKINS(403C-11).....127  
 DIPSTICK, GM3.0L ENG.....159-160  
 DIPSTICK, OIL (PERKINS 404).....127  
 DIPSTICK,CONTINENTAL,TME27.....145  
 DIPSTICK,PERKINS 404D-22T.....167  
 DIPSTICK-F3L1011F (DEUTZ).....133-134  
 DISENGAGE, ROD.....59, 61  
 DISTRIBUTOR/GM 3.0L ENGINE.....159-160  
 DRIVE PLATE,GM 3.0L ENG.....160  
 Due to Tier 4 regulations, many engine replacement parts require engine serial number at time of order placement. When ordering engine parts please have both machine and engine serial numbers available. For internal engine parts, contact engine deale..123-124, 163, 165, 167, 169  
 Due to Tier 4 regulations, many engine replacement parts require the engine serial number at time of order placement. When ordering engine parts please have both machine and engine serial numbers available. For internal engine parts, contact engine d.....139, 141, 143
- E**
- ECM, SSI .79L / .97L.....159-160  
 EDC ASSY,SAUER M46\*\*\*.....229  
 ELBOW.....159-160  
 ELBOW,1/2"H X 3/8"P,TME27.....147  
 ELBOW,130239-4-4.....145  
 ELBOW,45 DEG,3/8MPT X 3/8 BARB.....63-64  
 ELBOW,45D,520320-4.....235, 238, 241, 243, 295  
 ELBOW,45D,520320-6.....235, 241, 243  
 ELBOW,45D,520320-6-4.....237-238, 319, 321
- ELBOW,45D,520320-8-10.....237-238  
 ELBOW,90 DEGR,RUBBER,2.5".I.D.\*.....119, 149, 153  
 ELBOW,90D,1/4FPTX3/8MPT.....67-68  
 ELBOW,90D,520220-16.....237-238  
 ELBOW,90D,520220-4-4.....237-238, 241, 243, 295  
 ELBOW,90D,520220-4-6\*\*\*.....231, 233  
 ELBOW,90D,520220-6.....231, 233, 235, 237-238  
 ELBOW,90D,BLKHD,ORFS-6-6 W/NUT.....237-238, 241, 243, 319, 321  
 ELBOW,90D,BULKHEAD,520701-4.....241, 243  
 ELBOW,90D,LONG,521520-4.....241, 243  
 ELBOW,90D,LONG,521520-6.....237-238  
 ELBOW,90D,LONG,521520-8.....238  
 ELBOW,90DEG,5502-04-04-B.....147  
 ELBOW,90DEG,1/4MPT-3/8 BARB.....119, 145  
 ELBOW,90DEG,1/8MPT-5/16 BARB.....119, 149  
 ELBOW,AIR INTAKE,RUBBER.....133-134  
 ELBOW,INLET,CUMMINS.....133-134  
 ELEMENT,FUEL/WATER SEPARATOR.....13, 119  
 ELEMENT,OIL FILTER,PERKINS\*\*\*.....13, 117  
 ELEMENT-5 MIC, PAPER, W/ BYPASS.....89-90  
 EMBLEM,GENIE,12 IN.....103, 105, 107  
 ENCLOSURE BOX, GAUGE OPT.....271, 273  
 END BRACKET,FIXED END.....171  
 END BRACKET,MOVING END.....171  
 END COVER O-RING,WHEEL DRIVE.....43-44, 51  
 END COVER,WHEEL DRIVE \*\*\*.....43-44, 51  
 END STOP, DIN RAIL,SCREW CLAMP.....73, 75-76, 79-80, 85  
 END STOP,TRACK,FALL ARREST BAR.....323  
 ENGINE MOUNT,LEFT FRONT,TME27.....147  
 ENGINE MOUNT,LF PAINTED.....117  
 ENGINE MOUNT,LR PAINTED.....117  
 ENGINE MOUNT,REAR,TME27.....145  
 ENGINE MOUNT,RF PAINTED.....121  
 ENGINE MOUNT,RIGHT FRONT,TME27....145  
 ENGINE MOUNT,RR.....121  
 ENGINE SIDE COVER W/ SYM DECALS.....87  
 ENGINE SIDE COVER W/SYM DECALS.....87  
 ENGINE SIDE CVR W/ WORD DECALS.....87  
 ENGINE SIDE CVR W/WORD DECALS.....87  
 EPR, GM3.0L ENG.....160  
 EVACUATOR VALVE-AIR CLEANER.....119, 127, 133-134, 141, 153, 165  
 EXHAUST FLANGE,GM 3.0L ENG.....160  
 EXHAUST PIPE GASKET.....133-134, 137  
 EXHAUST PIPE, 2.9L DEUTZ.....139  
 EXHAUST VALVE,PERKINS 404D.....163  
 EXHAUST VALVE,PERKINS 404F.....123-124  
 EXPANSION PLUG.....57  
 EXPANSION TANK,METAL,D2.9.....139
- F**
- FAN BELT, ALTERNATOR.....13, 143  
 FAN SHROUD,PERKINS 404F-22T.....123-124, 163  
 FAN SPACER,29.7MM.....145  
 FAN SPACER,3",DEUTZ 2.9L.....143  
 FAN, ENGINE (104-22)(404-22)\*.....129  
 FAN, PERKINS 804C-33.....117  
 FAN, PULLER 18", GM3.0L ENG.....159-160  
 FAN,10 BLADE,17",DEUTZ 2.9L.....143

- FAN,10 BLADE,17",PERKINS 404F.....167  
 FAN,6 BLADE,17IN.PUSH.....145  
 FEMALE BULKHEAD CONNECTOR-8.....305  
 FILM,POLY,CLEAR,4.5 X 8.75.....15-16, 19-20, 23, 25  
 FILTER ASSY,HIGH PRESS SAE-12\*.....89-90  
 FILTER ASSY,INTANK.....63-64, 67-68  
 FILTER ASY,M PRESS,SAE8,WOIND\* (77139).....89-90  
 FILTER ELEMENT,AIR,NOLFF LPG.....149  
 FILTER LID,RFM165.....63-64, 67-68  
 FILTER, DEUTZ 2.9, FUEL.....13, 143  
 FILTER, FUEL, GM3.0L.....160  
 FILTER, GAS, SAE J2044 FITTING.....13, 67-68  
 FILTER,AIR CLEANER,SUPERBOOM.....13, 133-134, 141  
 FILTER,AIR\*\*\*.....13, 119, 127, 153, 165  
 FILTER,ELEMENT,30 MIC,75020.....13, 123-124  
 FILTER,ELEMENT,BETA(10)=200.....63-64, 67-68  
 FILTER,ELEMENT,BETA(5)=1000.....13, 89-90  
 FILTER,FUEL,PERKINS.....13, 127  
 FILTER,FUEL/WTR SEP, DTZ 1008.....13, 133-134  
 FILTER,OIL,DEUTZ F4L1011F.....13, 133-134, 139  
 FILTER,OIL,DEUTZ,REPLACEMENT.....133-134, 139  
 FILTER-OIL,GM 3.0L ENGINE.....159-160  
 FINGER,GUIDE,CABLE TRACK.....171  
 FIRE EXTINGUISHER.....287, 289, 291  
 FIRE SLEEVE, 1.25".....287, 289, 291  
 FITTING PLUG,#8.....145  
 FITTING, BRANCH BULKHEAD.....231, 233, 235  
 FITTING, FUEL PUMP, GM3.0L.....160  
 FITTING, GM3.0L ENG.....159-160  
 FITTING,1/4 NPT X SAE J2044.....67-68, 145  
 FITTING,45DEG,1/2 HS X 3/4-16.....143  
 FITTING,CONN,16MM-6MJ.....143  
 FITTING,CONN,16MM-8MJ.....143  
 FITTING,CONN,520120-12\*\*\*.....231, 233, 237-238, 241, 243, 293  
 FITTING,ELBOW,45D,520320-12\*\*\*.....231, 233, 237-238, 293  
 FITTING,ELBOW,8GS-8FJX90S.....143  
 FITTING,ELBOW,90D,520220-12.....231, 233, 237-238, 275, 293  
 FITTING,ELBOW,90D,520220-6-4.....319, 321  
 FITTING,ELBOW,90D,520220-8\*\*\*.....233, 237-238  
 FITTING,EPR COOLANT STRAIGHT.....147  
 FITTING,GM 3.0L ENG.....160  
 FITTING,OIL PAN BREATHER,TME27.....147  
 FITTING,PCV TO VLV COVER,TME27.....147  
 FITTING,STR,1/8NPT X 3/16 HB.....145  
 FITTING,STR,3/8 HS X 9/16-18,J.....143  
 FITTING,TEE,RUN,SWIVEL520432-4.....295  
 FITTING,TEE,RUN,SWIVEL52043212.....237-238, 293  
 FITTING,THROTTLE BODY,GM3.0L ENG.....160  
 FLANGE,EXHAUST,GM3.0L ENG.....159-160  
 FLASHTUBE,STRAIGHT,360DEG,BULB....245  
 FLASHTUBE,U SHAPED,360DEG,BULB...245  
 FLAT BAR W/PEM NUTS.....171  
 FLEX PIPE,EXHAUST,2.5" DIA.....137  
 FLGHCS,1/2-13X.75,GR5,BLK PH.....90  
 FLGHCS,1/2-13X1.00,GR8,BLK PH.....51, 53  
 FLGHCS,1/2-13X1.50,GR8,BLK PH.....51, 53, 121, 127, 133-134, 141, 149  
 FLGHCS,1/2-13X1.75,GR8,BLK,PH.....89-90  
 FLGHCS,3/8-16X1.25,GR8,BLK PH.....151, 179  
 FLOORING, 6'FT PLATFORM.....193-194  
 FLOORING, 6FT PLAT,SIDE.....197  
 FLOORING,4 FT PLATFORM,PAINTED...193-194  
 FLOORING,8 FT PLATFORM\*\*.....193-194, 197  
 FLYWHEEL CONTINENTAL TME27.....145  
 FOAM PAD, 3" OD X 1.25" ID X 14 IN.....267  
 FOAM,AIRCRAFT PROTECTION.....311  
 FORMING PANEL CRADLE.....267  
 FORMING, BAT CABLE GUIDE.....64, 67-68  
 FORMING, BATTERY TRAY.....64  
 FORMING, BELT GEN. COVER.....301  
 FORMING, BOTTOM-CLAMP, REMOTE CHARGE.....329  
 FORMING, BULKHEAD BRKT.....51, 53  
 FORMING, BULKHEAD, FRONT LEFT.....87  
 FORMING, BULKHEAD, LEFT REAR...87, 169  
 FORMING, BULKHEAD, RIGHT REAR...87  
 FORMING, CLAMP, BATTERY CABLE.....141  
 FORMING, CLAMP, CABLE.....329  
 FORMING, COVER, REAR LEFT.....87  
 FORMING, COVER, RIGHT CENTER...87  
 FORMING, COVER, RIGHT FRONT...87  
 FORMING, ENGINE HARNESS SUPPOR.....143  
 FORMING, ENGINE MOUNT, LH.....131, 169  
 FORMING, ENGINE MOUNT, RH.....131, 169  
 FORMING, FILTER MOUNT.....89-90  
 FORMING, GENERATOR MOUNT.....299  
 FORMING, OPA CAGE.....325  
 FORMING, OPA CAP.....325  
 FORMING, OPA, BRACKET.....325  
 FORMING, PLAT. BOX LID.....207-208  
 FORMING, SENSOR HOLDER.....327  
 FORMING, SOLENOID MOUNT\*\*\*.....133-134  
 FORMING, STUD MOUNT, CABLE SUPPORT.....329  
 FORMING, SUPPORT, FUEL RETURN.....163  
 FORMING, TOP-CLAMP, REMOTE CHARGE.....329  
 FORMING, TRAC. CONT. MAN. BRKT.....51, 53  
 FORMING,,OSC.....55  
 FORMING,6-CORE RADIATOR MOUNT,...139  
 FORMING,8.5' MUFFLER MOUNT...121, 137, 165  
 FORMING,AIR FILTER MT, CONT.....149  
 FORMING,BELT GUARD PAINTED.....121  
 FORMING,BRACKET,EXTEND SHEAVE...181  
 FORMING,BRKT,WIPER,BOOM #1.....253, 255  
 FORMING,BRKT,WIPER,BOOM #2.....253, 255  
 FORMING,CABLE COVER,BLUE,S80/85...185  
 FORMING,CABLE SUPPORT.....185  
 FORMING,CLAMP,TOP,CABLE TRACK.....171  
 FORMING,CONTROLBOX MT,WELD GEN.....283, 285  
 FORMING,COVER BUMP STOP.....87  
 FORMING,COVER STOP,PAINT.....87  
 FORMING,COVER,PRIM.Boom,PAINTED.173  
 FORMING,COVER,REAR AXLE.....51, 53  
 FORMING,DRIVE LIGHT,RIGHT,S80.....245  
 FORMING,DRIVELIGHT,LEFT,S80-85.....245  
 FORMING,ENGINE MOUNT.....133-134  
 FORMING,ENGINE MOUNT,LEFT FRT.....137  
 F O R M I N G , E N G I N E MOUNT,REAR,CONT.....149  
 FORMING,FAN SHROUD STRUT MOUNT.....141  
 FORMING,GENERATOR MOUNT,PTD.....297  
 FORMING,GROUND BOX COVER.....251  
 FORMING,HEAT SHIELD,EXH PIPE.....149  
 FORMING,INNER HANGER.....323  
 FORMING,LATCH,CTRL BOX LID PTD.....251  
 FORMING,LATCH,GROUND BOX COVER.....251  
 FORMING,LIMIT SWITCH BRACKET.....173, 181  
 FORMING,LP BRACKET MOUNT.....281  
 FORMING,LS RAMP.....177  
 FORMING,MANIFOLD MOUNT.....63-64, 67-68  
 FORMING,MUFFLER MOUNT.....133-134  
 FORMING,OIL COOLER SUPPORT.....275  
 FORMING,PLATFORM MANIFOLD MNT.....194, 197  
 FORMING,RELAY BLOCK COVER.....90  
 FORMING,SECONDARY SUPPORT.....267  
 FORMING,SOLENOID MOUNT.....123-124, 163  
 FORMING,SWIVEL STOP.....89-90  
 FORMING,TAIPIPE SUPPORT,S80.....139  
 FORMING,VALVE BRACKET.....295  
 FORMING,WELD GEN MANIFOLD MT....283, 285  
 FORMING,WELD GENERATOR SUPPORT.....283, 285  
 F O R M I N G , D E B R I S C V R #3,PAINTED,BLUE.....179  
 FREEZE PLUG HEATER,PERKINS 804.....315  
 FUEL FILTER ASSEMBLY.....127  
 FUEL FILTER ASSY,PERKINS 404D/.....167  
 FUEL FILTER W/SEP,DEUTZ,1008.....133-134  
 FUEL INJECTION PUMP,PERKINS 404F-22T.....123-124  
 FUEL INJECTOR PUMP,PERKINS 404.....167  
 FUEL LIFT PUMP/FILTER ASSY.....119  
 FUEL PICKUP,3/8X1/4NPT X 2200.....67-68  
 FUEL PUMP,TME 2.7L ENGINE.....67-68  
 FUEL RAIL, TME27.....145  
 FUEL RETURN,DAPCO 1/4".....63-64  
 FUEL RETURN,DAPCO 5/16".....63-64  
 FUEL TANK ASSY,35 GAL PLASTIC.....63-64  
 FUSE,.6AMP,250V,WELDER,V275S.....287, 289, 291  
 FUSE,10 AMP.....110-111, 114-115  
 FUSE,20 AMP,MAXI.....13, 93, 95, 97, 99  
 FUSE,30 AMP.....13, 93, 101  
 FUSE,60 AMP,MAXI.....93, 99

**G**

- GAS STRUT,250 LBS FORCE\*\*\*.....87  
 GASKET.....273  
 GASKET(CLEAN EMISN MOD),PERKINS 404F-22T.....123-124  
 GASKET(TURBOCHGR EXH),PERKINS 404D/F-22T.....123-124  
 GASKET,(226127).....117  
 GASKET, CYL HEAD, GM3.0L ENG...159-160  
 GASKET, DOUNUT, GM3.0L ENG.....160  
 GASKET, FUEL LEVEL GAUGE, GAS.....67-68

## Part Description Index (continued)

GASKET, FUEL LEVEL SENDER, Z80.....67-68	GFI/CIRCUIT BREAKER ASSEMBLY.....283, 285	HARN,LS,SPD REDUCT S80.85 2008.....109-111, 113-115, 185
GASKET, GM3.0L ENG.....160	GLAND NUT SEAL ASSY.....183	HARN,PBOX,DUAL CAP.....110-111
GASKET, INT/EXH, GM3.0L ENG.....160	GLOW PLUG (PERKINS 404-22).....129	HARN,PBOX,JOYSTICK,S80/85 2008.....207-208
GASKET, INTAKE, GM3.0L ENG.....160	GLOWPLUG,ENGINE,PERKINS 404D/F.....167	HARN,PBOX,OPA,HW,12V.....110-111, 114-115
GASKET, ISOLATION, JOYSTICK.....208, 211	GM 3.0, LP REGULATOR.....159-160	HARN,PIGTAIL,TAPESWITCH,OPA.....325
GASKET, OIL PAN, GM3.0L ENG.....160	GREASE,DIELECTRIC 4 OZ**.....13	HARN,PLAT MANIFOLD,S80.....109-111
GASKET, OIL PLUG, GM3.0L ENG.....160	GRIP, CABLE.....327	HARN,PLAT MANIFOLD,S85.....113-115
GASKET, OIL SEAL, GM3.0L ENG.....159-160	GROMMET RUBBER .375X1.00X.1875.....141	HARN,START ASSIST,PERKINS,S80.....317
GASKET, TANK, FUEL SENSOR.....64	GROMMET, PCV TUBE, GM3.0L ENG.....159-160	HARNESS ASSY,PCON,PROX KILL.....311
GASKET, TIMING CHAIN, GM3.0L.....159-160	GROMMET, RUBBER, .75X.375X1.25.....163	HARNESS for GENERATOR W/REG.220V.....301
GASKET, UK POWER TO PLAT.....301	GROMMET,.875"ID,1.25"OD,.188".....63-64, 67-68	HARNESS for GENERATOR W/REGULATOR.....301
GASKET, VALVE COVER, GM3.0L ENG.....159-160	GROMMET,PCV.....159-160	HARNESS, 120V BATT CABLE, 36".....317
GASKET,AIR PIPE HOUSING,PERKINS 404D.....163	GROMMET,RUBBER .25 X .50"OD.....253	HARNESS, 120V POWER CORD, 12".....317
GASKET,BREATHER PIPE (226104).....137	GROMMET,RUBBER .38X1.38X1.0.....143	HARNESS, 240V BATT CABLE, 36".....317
GASKET,CYL HEAD COVER,404F-22T...123-124	GROMMET,RUBBER,.5 X .063 X .75.....131, 143	HARNESS, 240V POWER CORD, 12".....317
GASKET,CYL HEAD COVER,PERKINS 404D-22T.....163	GROMMET,RUBBER,1.0 X 1.25X1.5.....143	HARNESS, CONTACT ALARM, S40,S60,S80.....110-111, 115, 327
GASKET,DP200 BLACK PANEL SEAL.....75-76, 79-80	GROUND BOX LID W/DECAL.....71	HARNESS, DEUTZ 2008.....109-111, 114-115
GASKET,ENCLOSURE.....325	GROUND WIRE,SOLENOID.....63-64, 67-68	HARNESS, ENG, PERKINS T4, S80.....109-111, 114-115
GASKET,EXH FLANGE-FORD/PERKINS...149	GUARD, HOSE PROTECTOR.....51, 53	HARNESS, EXTENSION, 404F-22...110-111, 114-115
GASKET,EXHAUST MAN.,TME27.....145	GUARD, SWING GATE.....249	HARNESS, GBOX, CONINENTAL,S80.....113-115
GASKET,EXHAUST MANIFOLD,PERK.....129	GUARD,FAN REAR,TME27.....147	HARNESS, GBOX, DEUTZ 2.9.....109-111, 113-115
GASKET,EXHAUST MANIFOLD,PERKINS 404D-22T.....163	GUARD,FAN,FRONT,TME27.....147	HARNESS, GBOX, DEUTZ 2.9T, S80.....113-115
GASKET,EXHAUST MANIFOLD,PERKINS 404F-22T.....123-124	GUARD,FAN,PERKINS 404F-22T.....123-124, 163	HARNESS, GBOX, DEUTZ2011,S80.....113-115
GASKET,GBOX,S80/85 2008.....75-76, 79-80, 85	GUARD, FOOT SWITCH, W/DECAL ALUM.....193-194	HARNESS, GBOX, PERKINS 404F..109-111, 113-115
GASKET,KEYSWITCH,PLASTIC***.....76, 80, 83	GUIDE FINGER,PLASTIC.....171	HARNESS, GBOX, PERKINS 804.....109-111, 113-115
GASKET,LIFT PUMP,PERKINS 404F-22T.....123-124	GUIDE, CABLE.....327	HARNESS, GBOX, PERKINS404F,S80.....113-115
GASKET,MANIFOLD,COOLANT,TME27.....149	GUIDE,EXT. CABLES.....181	HARNESS, GBOX, PERKINS804,S80.....113-115
GASKET,PCV FITTING,TME27.....147		HARNESS, LIGHT PACKAGE, S80.....110-111
GASKET,PLATFORM CONTROL BOX.....203, 205, 207-208	<b>H</b>	HARNESS, LIGHT PACKAGE, S85.....114-115
GASKET,RETURN FILTER-77353.....63-64, 67-68	HALF MESH,8"PLATFORM,LH.....277	HARNESS, MANIFOLD, FUNCTION.....113-115
GASKET,T/S HSG,GM 3.0L ENG.....159-160	HALF MESH,8"PLATFORM,RH***.....277	HARNESS, PBOX, DEUTZ 2.9.....109-111, 113-115
GASKET,T/STAT COVER,GM 3.0L ENG.....159-160	HANDLE,GRAB.....87	HARNESS, PBOX, DEUTZ 2.9T...109-111, 113-115
GASKET,THERMOSTAT,TME27.....145	HARN JOYSTICK ADAPTOR JS100.....211	HARNESS, PBOX, PERKINS 404F...109-111, 113-115
GASKET,WATER PUMP.....159-160	HARN, AC PROTECTION BYPASS....307, 309	HARNESS, PBOX, T3.....109-111, 113-115, 205
GASKET-PUMP WATE,PERK 804D-33T.....117	HARN, ENG, TIER IV DEUTZ, S80...110-111, 114-115	HARNESS, TD2011L04I, DEUTZ.....110-111, 114-115
GASKET-THERMOSTAT HSG.....129	HARN, GBOX, DEUTZ 2.9T, S80.....109-111, 113-115	HARNESS, WORK LIGHTS.....110-111, 114-115
GASKET-TURBOCHARGER, PERKINS 404D/F-22T.....123-124	HARN, GBOX, PERKINS T4, S80.....109-111, 113-115	HARNESS,12V TO PLAT,S80-2008.....109-111
GATE LATCH CASTING--DRILLED.....247	HARN, LS CABLE,S80 DUAL CAP.....110-111	HARNESS,12V TO PLAT,S85 2008.....113-115
GAUGE, FUEL LEVEL, 20/30 GAL.....67-68	HARN, PBOX, DEUTZ 2.9T, S80.....109-111, 113-115	HARNESS,12V WORK LIGHT RELAY.....110-111, 114-115
GAUGE,OIL PRESSURE W/O SENDER..271, 273	HARN, PBOX, PERKINS T4, S80.....109-111, 113-115	HARNESS,16/22 BOOM 1,S80-2008.....109-111
GAUGE,OIL TEMP.....271	HARN,FUNCT MANIFOLD,S80/85....109-111, 113-115	HARNESS,16/22 BOOM 1,S85-2008.....113-115
GAUGE,VOLTAGE.....271	HARN,FUNCTION S80/85 2008.....109-111, 113-115	HARNESS,18/22 BOOM 2,S80-2008.....109-111
GAUGE,VOLTAGE***.....273	HARN,GBOX,DEUTZ,S80/85....109-111, 113-115	
GAUGE,WATER TEMP.....271, 273	HARN,GBOX,PERKINS 404D,S80/85.....85	
GAUGE-SIGHT,LHA-LGTB***.....63-64, 67-68	HARN,LS OP PRI VEL LST30..110-111, 114-115, 185	
GENERATOR,12.5 KW,W/O MOTOR***.....283, 285	HARN,LS OP PRI.DUAL CAP.....110-111, 175	
GENERATOR,3000W,220V,50HZ***.....297, 299	HARN,LS SAFETY PRI VEL LST3S.....110-111, 185	
GENERATOR,3500W,120V,60HZ**.....297, 299	HARN,LS SAFETY,PRI.DUAL CAP...110-111, 175	
GENERATOR,HYDRO-12KEP-21-3.....283, 285	HARN,LS,BOOM ANGLE S80/85 2008.....109-111, 113-115, 185	
GFCI,50A, 3PH.....283, 285	HARN,LS,DRIVE EN,S80/85 2008.....89-90, 109-111, 114-115	



## Part Description Index (continued)

- HYD TUBE,BRAKE.....237-238  
 HYD TUBE,BRAKE/2 SPD PRESS LINE..237-238  
 HYD TUBE,BRAKE/2SPD PRESS LINE...237-238  
 HYD TUBE,FUNCTION CASE.....238  
 HYD TUBE,OSC TUBE.....237-238  
 HYD TUBE,STEER TUBE #1.....237-238  
 HYD TUBE,STEER TUBE #2.....237-238  
 HYD TUBE,SWING DRIVE #1.....237-238  
 HYD TUBE,SWING DRIVE #2.....237-238
- I**
- IGNITION UNIT,PERKINS 404F-22T.....123-124  
 INJECTION, 10 DEGREE LIMIT CAM.....185  
 INJECTION, 65 DEGREE LIMIT CAM.....185  
 INJECTION,ANGLE SENSOR BRACKET...185  
 INJECTOR,FUEL,CONT,TME2.7L.....145  
 INLET REDUCER,TD 2011L04L.....137  
 INLET TO EPR, GM3.0L ENG.....160  
 INSTRN, TRC RETROFIT, STNDRD.....109-111, 113-115  
 INSTRUCTIONS,INSTALL (LEVEL SENSOR ALARM).....110-111, 114-115  
 I N S T R U C T I O N S - P I P E CRADLE,BOOMS.....277, 279  
 INTAKE VALVE,PERKINS 404D/F.....123-124  
 ISOLATOR, GM3.0L ENG.....159-160  
 ISOLATOR, RUBBER, GM3.0L ENG.....159-160  
 ISOLATOR,ENGINE VIBRATION.....119, 133-134, 143  
 ISOLATOR,ENGINE VIBRATION\*\*\*.....131, 149, 157, 169  
 ISOLATOR,RADIATOR,TME27.....147  
 ISOLATOR,VIB, 32 X 32 M8-1.25.....145  
 ISOLATOR,VIBRATION,M8 M/M.....147  
 ISOLATOR,VIBRATION,M8 MALE/FEM.....117, 123-124, 163
- J**
- JIB BOOM ASSY W/WORD DECAL.....189  
 JOY ST I C K C O N N E C T O R ASSEM,DEUT.....203, 205  
 JOYSTICK,1 AXIS ROCKER,DEUTSCH.....211  
 JOYSTICK,2 AXIS,DEUTSCH.....211  
 JOYSTICK,2 AXIS,ROCKER,DEUTSCH.....211  
 JOYSTICK,DUAL AXIS W/KNOB.....211  
 JOYSTICK,DUAL AXIS W/STEER.....211  
 JOYSTICK,SINGLE AXIS W/STEER.....211  
 JUMPER COMB, 2-WAY,WIELAND.....73, 75-76, 79-80, 85  
 JUMPER TRMNL, BLACK, 3/8" POST.....329  
 JUMPER TRMNL, RED, 3/8" POST.....329  
 JUNCTION BOX OUTLET BRACKET.....301
- K**
- KEEPER,LATCH (45363).....87  
 KEY SINGLE\*\*\*.....71, 75-76, 79-80  
 KEY,BALL POINT HEX.....185  
 KEYS,10 PACK\*\*\*.....71, 75-76, 79-80  
 KEYSWITCH,3 POS W/KEYS,LOCKING.....71, 75-76, 79-80  
 KEYSWITCH,3 POS. W/KEYS\*\*\*.....71, 75-76, 79-80  
 KIT CB 15A T2 RPM SOLENOID 3W.....133-134
- KIT, BATT SEPARATOR, ANSI/CSA.....64, 68, 269  
 KIT, BATT SEPARATOR, AS.....64, 68, 269  
 KIT, BATT SEPARATOR, CE.....64, 68, 269  
 KIT, BRAKE SPRING.....89-90  
 KIT, CHARGING, REMOTE, S80/85.....329  
 KIT, FOOTSWITCH, S40/S80.....193-194  
 KIT, FRICTION DISC.....89-90  
 KIT, HEAT GUARD, DEUTZ STARTER.....137  
 KIT, ISOLATION, 2 JOYSTICK.....208, 211  
 KIT, LEVEL SENSOR, 6 PIN CONN.....110-111, 114-115  
 KIT, LIFT GUARD CONTACT ALARM,6'-8' PLATFORM,NON-ALC1000.....327  
 KIT, OPA WELDER BRACKET.....325  
 KIT, SPARK PLUG,NGK BPR5ES (4).....145  
 KIT, SWING BRAKE REBUILD.....89-90  
 KIT, TRC RETROFIT, STNDRD.....109-111, 113-115  
 KIT,BRAKE SPRING.....90  
 KIT,BRAKE SPRING\*\*\*.....90  
 KIT,ELEMENT\*\*.....63-64, 67-68  
 KIT,ENGINE SERVICE,250 HOUR,DEUTZ TD2.9,S80/Z80.....13  
 KIT,EPR FITTING,TME27,EPA2007.....147  
 KIT,EXT/RET CABLE REPLMNT,S80/85.....181  
 KIT,FIELD INSTALL,SWING GATE.....247  
 KIT,FRICTION DISC.....90  
 KIT,FRICTION DISC\*\*\*.....90  
 KIT,GEN. PRESSURE SWITCH.....283, 285  
 KIT,HARNESS,12.5KW GEN,S80-08.....283, 285  
 KIT,OP SWITCH,DEUTZ.....133-134  
 KIT,PANEL CRADLE BRACKET,SYMBL.....267  
 KIT,PANEL CRADLE BRACKET,WORD.....267  
 KIT,PANEL CRADLE,CE.....267  
 KIT,SERVICE,SOLENOID MODULE.....133-134  
 KIT,STRAINER REPLACEMENT.....63-64, 68  
 KIT,SWING BRAKE REBUILD.....90  
 KIT,SWING BRAKE REBUILD\*\*\*.....90  
 KIT,SWING GATE W/SPRING.....247  
 KIT,TILT ALARM,IC MODELS...110-111, 114-115  
 KIT,WATER PUMP 2.9 L4.....139  
 KIT,WELD LEADS ASSY,V275S.....287, 289, 291  
 KNOB,JOYSTICK, 62390/62391.....211  
 KNOB,ROCKER JOYSTICK 75565.....211
- L**
- L.P.TANK LATCH.....281  
 LABEL, GBOX, S60X TIER 4.....27  
 LABEL, PBOX, S60X TIER 4.....33  
 LABEL, PBOX, S65 TIER 4.....33  
 LABEL,TIRE PRESSURE,HF.....23, 25, 35, 37  
 LANYARD,PLATFORM CONTROL BOX...203, 205, 207-208  
 LARGE FOOT SWITCH COVER.....247  
 LATCH, SWING GATE.....197  
 LATCH,FLEXIBLE DRAW W/O KEEPER.....87, 151, 157  
 LATCH,SLIDE, FLUSH MOUNT STYLE.....251  
 LENS,AMBER,STROBE,FIREBOLT.....245  
 LEVEL SENSOR,LS60,YL,2.5X4.5.....64, 68  
 LEVER, GOVERNOR ACTUATOR.....133-134  
 LID ASSY,CONTROL BOX COVER PLT.....251  
 LID ENCLOSURE,RED,OPA.....325  
 LIFT PUMP,FUEL,DEUTZ.....143
- LIFT PUMP,PERKINS 404D-22T.....167  
 LIFT PUMP,PERKINS 404F-22T.....123-124  
 LIGHT, 12 VOLT.....245  
 LIGHT,INDICATOR,AMBER.....12V ENGINE.....71, 83  
 LIGHT,INDICATOR,RED 12V H-BRI.....83, 207-208  
 LIGHT,LED IND. AMBER 12V NH.....199  
 LIGHT,LED IND. RED 12V NH.....71, 76, 80, 199, 201, 208  
 LIMIT SW COVER.....185  
 LIMIT SW,TAB,BLUE METAL.....109-111, 113-115, 185  
 LIMIT SW.TAB,BLUE METAL.....109-111, 113-115, 185  
 LIMIT SWITCH,BLUE,MICRO.....175  
 LOAD SUPPORT W/BEARINGS.....303  
 LOCK,RECEP 8 WAY,14-18GA.....73  
 LOCK,WEDGE,RLY 9.5MM.....93, 95, 97, 99, 101  
 LOCKNUT,ELEC,1/2".....75-76, 79-80, 83, 85, 283, 285, 301  
 LOCKNUT,ELECTRIC,1" NPT.....283, 285  
 LOCKOFF,LP,FORD DSG/MSG.....147  
 LT.LAMP IND.AMBER 12V NH.....199, 201, 207-208
- M**
- MACHINED BACKLASH.....90  
 MACHINED PIVOT PLATE WELDMENT.....181  
 MACHINED, YOKE, LEFT.....43-44, 47-48  
 MACHINED, YOKE, RIGHT.....43-44, 47-48  
 MAGNET, 1/4-20, 15 LB.....327  
 MALE PIPE THD,1/4" SER,3/8"X18.....305  
 MANIFOLD, FUEL, GM3.0L ENG.....160  
 MANIFOLD,BRAKE,2-SPEED.....217  
 MANIFOLD,BRAKE/2 SPD W/QD PLG\*.....217  
 MANIFOLD,COOLANT, TME27.....149  
 MANIFOLD,DRIVE OIL DIVERTER...227, 283, 285  
 MANIFOLD,EXHAUST,GM3.0L ENG.....160  
 MANIFOLD,EXHAUST,TME27.....145  
 MANIFOLD,INTAKE,GM 3.0L ENG.....160  
 MANIFOLD,PLATFORM,S80,2SEC.....221  
 MANIFOLD,PLATFORM,S856,3 SEC.....223  
 MANIFOLD,ROTATOR,CB\*\*\*.....219  
 MANIFOLD,SWING CB & BRAKE.....90  
 MANIFOLD,SWING S80/85,5 SEC.....225  
 MANIFOLD,TRACTION,2WD.....213, 215  
 MANIFOLD,TRACTION,4WD\*\*\*.....215  
 MANUAL BOX W/DECALS\*\*\*.....194  
 MANUAL, OPERATORS, GM 3.0L.....159-160  
 MANUAL, SVC AND REPAIR, GM 3.0L.....159-160  
 MANUAL,AEM SAFETY.....13  
 MANUAL,RESPON,A92.5 BOOM.....13  
 MESH,HALF,LH,6'PLATFORM.....277  
 MESH,HALF,RH,6'PLATFORM.....277  
 MESH,HALF,SWING GATE\*\*\*.....277  
 MIDRAIL GUIDE ( HOOK ).....194  
 MIXER, GM3.0L ENG.....160  
 MIXER,TME 2.7L,ENGINE.....149  
 MODULE, PLUS+1, CONTACT ALARM.....327  
 MODULE,CONTROL UNIT,PCB,OPA.....325  
 MODULE,FUSE&RELAY,PERKINS 404F.....131  
 MODULE,IGNITION/START,12/24V.....73, 85  
 MODULE,LOAD SENSE 2007.....303  
 MODULE,SX CONTROLLER,LOW AMP..283, 285

# PARTS FINDER

**Search Website  
by Part Number**



**Search Manual  
Library For Parts  
Manual & Lookup Part  
Numbers – Purchase  
or Request Quote**

**Search Manuals**

Enter your information to help us find the right parts manual for your machine.

\* Brand:

\* Model:

\* Serial:

\* Part Number:

SEARCH

**Can't Find Part or  
Manual? Request Help  
by Manufacturer,  
Model & Description**

**Parts Order Form**

Please fill in the following information to help us find the right part for your machine.

Manufacturer:	<input type="text"/>
Model:	<input type="text"/>
Description:	<input type="text"/>
Part Number:	<input type="text"/>
Quantity:	<input type="text"/>
Notes:	<input type="text"/>

Submit

Discount-Equipment.com is your online resource for quality parts & equipment.

Florida: **561-964-4949** Outside Florida TOLL FREE: **877-690-3101**

**Need parts?**

Click on this link: <http://www.discount-equipment.com/category/5443-parts/> and choose one of the options to help get the right parts and equipment you are looking for. Please have the machine model and serial number available in order to help us get you the correct parts. If you don't find the part on the website or on one of the online manuals, please fill out the request form and one of our experienced staff members will get back to you with a quote for the right part that your machine needs.

We sell worldwide for the brands: Genie, Terex, JLG, MultiQuip, Mikasa, Essick, Whiteman, Mayco, Toro Stone, Diamond Products, Generac Magnum, Airman, Haulotte, Barreto, Power Blanket, Nifty Lift, Atlas Copco, Chicago Pneumatic, Allmand, Miller Curber, Skyjack, Lull, Skytrak, Tsurumi, Husquvarna Target, Stow, Wacker, Sakai, Mi-T-M, Sullair, Basic, Dynapac, MBW, Weber, Bartell, Bennar Newman, Haulotte, Ditch Runner, Menegotti, Morrison, Contec, Buddy, Crown, Edco, Wyco, Bomag, Laymor, EZ Trench, Bil-Jax, F.S. Curtis, Gehl Pavers, Heli, Honda, ICS/PowerGrit, IHI, Partner, Imer, Clipper, MMD, Koshin, Rice, CH&E, General Equipment, Amida, Coleman, NAC, Gradall, Square Shooter, Kent, Stanley, Tamco, Toku, Hatz, Kohler, Robin, Wisconsin, Northrock, Oztec, Toker TK, Rol-Air, APT, Wylie, Ingersoll Rand / Doosan, Innovatech, Con X, Ammann, Mecalac, Makinex, Smith Surface Prep, Small Line, Wanco, Yanmar







RECEPTCL,LOCK 3-PH,50A,4 WIRE.....287, 289	SCREW PH M5-0.8X20 DIN 7500CE.....203, 205, 207-208	SCREW,HHC,3/8-16 X 3.25.....303
RECEPTICLE,WELD CABLE,FEMALE.....305	SCREW, BHC, 1/4-20 X 1, ZAG.....311	SCREW,HHC,3/8-16 X 7.....171
REDUCER,520123-8-6.....237-238	SCREW, HCC, 3/8-16 X 1.50.....67-68, 143, 149, 187, 189, 281, 283, 285, 297	SCREW,HHC,3/8-16X.875,8,ZAG.....191
REDUCER,RUBBER 3.0 - 2.5.....141, 259	SCREW, HHC, M8 X 1.25 X 12.....127	SCREW,HHC,3/8-16X2.5,8,ZAG.....313
REF. PLATFORM CONTROL BOX ASSEMBLY.....197	SCREW, HHF, 1/4-20 X .5, 8, ZAG.....163	SCREW,HHC,5/16-18 X 1 GR5.....149
REF., GASKET.....160	SCREW, HHF,M12-1.75X30,10.9.....47-48, 53	SCREW,HHC,5/16-18 X 1.50.....149
REGULATOR,FUEL PRESS,TME27'07.....149	SCREW, PHM, #6-32 X .625 ZINC.....211	SCREW,HHC,5/16-18 X 1.75.....147
REGULATOR,FUEL PRESS. TME27.....13	SCREW, PHPM SEMS ET, 10-24 X .5, ZAG.....123-124, 163	SCREW,HHC,5/8-11 X 2 GRD.8.....151
REGULATOR,LPG (EPR),TME27 2007.....147	SCREW,#10-32 X 5/8"L.....147	SCREW,HHC,5/8-11 X 3.5 GRD.8.....119, 133-134, 143, 149
RELAY COVER W/WORD DECALS.....90	SCREW,BH SEC,3/8-16X.75 SS.....103, 105, 107	SCREW,HHC,7/16-14 X 1.75.....297, 299
RELAY MODULE(89996,89998).....133-134	SCREW,BHC,10-32X1.5,F835,ZAG.....303	SCREW,HHC,FLG,1/2-13 X 2.50GR8...51, 53, 149
RELAY, POWER & FUSE MODULE.....131, 143	SCREW,BHSC,1/4-20 X 1.....247, 309	SCREW,HHC,FLG,1/2-13 X 3.50.....89-90
RELAY,12VDC,70AMP,SEALED.....93, 99	SCREW,BLEEDER,M5X0.8.....187, 189	SCREW,HHC,FLG,1/4-20 X 2.00.....55, 89-90, 194, 197
RELAY,OMRON,DPDT,12V.....73, 75-76, 79-80, 283, 285	SCREW,DP200 M3X10 4PACK.....75-76, 79-80	SCREW,HHC,FLG,3/8-16 X 1 GR8.....51, 53, 63-64, 67-68, 89-90, 171, 173, 177, 179, 183, 245, 257, 259, 283, 285, 329
RELAY,SOCKET,OMRON.....73, 75-76, 79-80, 283, 285	SCREW,FHS,3/8-16 X 1.....63-64, 67-68	SCREW,HHC,FLG,M14 X 35.....133-134, 137, 143, 297
RELAY,SPDT,12V(AUTO) PLUG IN**.....93, 95, 97, 99, 101	SCREW,FHS,3/8-16 X 2.25.....90	SCREW,HHC,M10 X 25MM,GR 8.8....127, 145
RELAY,SPDT,12V(AUTO)**.....73, 327	SCREW,FHS,M8 X 1.25 X 16.....145	SCREW,HHC,M10 X 55MM,GRD 8.8....297
RELAY,TIME DELAY,2 SEC,10A.....73, 75-76, 303	SCREW,FHS,M8 X 1.25 X 30.....145	SCREW,HHC,M10 X 65MM,GR8.8....297
RELAY,TIME DELAY,2 SEC,30A.....303	SCREW,FLANGE,1/2-13X1.25,GR 8.....43-44, 51, 67-68	SCREW,HHC,M10-1.5X80,DIN931,10.....299
RELIEF,VALVE 270 PSI.....227	SCREW,FLANGE,HHC,3/8-16X2.5.....44, 48, 173, 181	SCREW,HHC,M12 X 1.75X 25MM,8.8....299
REPAIR KIT,4 LINK,W/GUIDE.....171	SCREW,FLANGE,HHC,5/8-11X2,GR8.....43-44, 51	SCREW,HHC,M12 X 20MM.....141, 143
RESISTOR,10 OHM,25 WATT.....73, 75-76, 79-80	SCREW,FLG HD,M10 X 70 GR12.9.....117, 134	SCREW,HHC,M14 X 40MM,GR 8.8....145
RESISTOR,4.7K OHM,25 WATT.....110-111, 114-115	SCREW,FRONT FAN GUARD,TME27.....147	SCREW,HHC,M14-1.5X35,DIN960,10.9,ZAB.131, 169
RESISTOR,5 OHM,25W***.....73, 75-76, 79-80	SCREW,HHC,1-8 X 11,GRD 5***.....191	SCREW,HHC,M6 X 16.....145
RESISTOR,7.5 OHM,25 WATT,1PCNT.....73, 75-76, 79-80	SCREW,HHC,1-8 X 12IN GRD.2***.....105	SCREW,HHC,M6 X 20MM,GR8.8....133-134
RETAINER,GAS SPRING***.....87	SCREW,HHC,1-8X11.5,ZAG.....191	SCREW,HHC,M6 X 25.....145
RETAINER,SPRING,1.21 X .375.....303	SCREW,HHC,1-8X12.75,5,ZAG.....191	SCREW,HHC,M8 X 1.25 X 25.....259
RETAINER-N.C.PROPOR.SOLENOID.....225	SCREW,HHC,1-8X6.5,8,ZAG.....103, 105, 107	SCREW,HHC,M8 X 100.....143
RETAINING RING, OD 8.250.....43-44, 51	SCREW,HHC,1/2-13 X 1, GR 8.....191	SCREW,HHC,M8 X 20MM.....299
RING GEAR, GM3.0L ENG.....159-160	SCREW,HHC,1/2-13 X 2 GR5.....149	SCREW,HHF, M14 X 40MM.....143
RIVET, STL, DOME, 1/4 X .375, ZAG.....279	SCREW,HHC,1/2-13 X 2.75.....147	SCREW,HHF,1/2-13X1.5,8,ZAG.....155, 165
RIVET,ALUM,ALUM,3/16BUTTONHEAD....251	SCREW,HHC,1/2-13 X 5,GRD.8.....183	SCREW,HHF,1/2-13X2.5,8,ZAG.....157
RIVET,ALUM,ALUM,P,25X.375.....251	SCREW,HHC,1/4-20 X .75.....51, 53, 71, 73, 75-76, 79-80, 83, 85, 87, 119, 189, 193-194, 203, 205, 207-208, 247, 257, 277, 291, 305, 307, 309	SCREW,HHF,1/2-13X2.75,8,ZAG.....169
RIVET,ALUM,P,188 X .25.....171	SCREW,HHC,1/4-20 X 1.....75-76, 79-80, 85, 175, 193-194, 251, 253, 303, 307, 309, 311	SCREW,HHF,1/2-13X3,8,ZAG.....131
RIVET,STEEL,P .25 X .375.....247	SCREW,HHC,1/4-20 X 1.25.....87, 189	SCREW,HHF,1/2-13X3.5,8,ZAG.....323
ROCKER ASSY.,MAGNETIC 75565.....211	SCREW,HHC,1/4-20 X 1.5.....64, 67-68, 141, 187, 189, 194, 197, 247, 249, 305	SCREW,HHF,1/4-20 X 1.00.....87, 117, 119, 121, 133-134, 141, 149, 179, 185, 283, 285
ROCKER,RETAINER, 75565.....211	SCREW,HHC,1/4-20 X 1.75.....51, 53, 119, 134, 143, 149, 171, 175	SCREW,HHF,1/4-20 X 1.50.....63-64, 67-68, 143, 149
ROD END, .25 X 2.75, ZAG.....303	SCREW,HHC,1/4-20 X 2.....89-90, 143, 295	SCREW,HHF,1/4-20 X 2.50.....149, 171
ROD END,.250 X 2.75 LG.....303	SCREW,HHC,1/4-20 X 2.75.....183, 283, 285, 305	SCREW,HHF,1/4-20X.625,8,ZAG.....197, 267
ROD END,.375 X 2.25,ZAG.....183, 185	SCREW,HHC,1/4-20 X 3.75.....171	SCREW,HHF,1/4-20X.75,8,ZAG.....131, 163, 169, 197, 303, 311, 325, 327
ROD END,.375X3.69,ZAG.....43-44, 47-48, 187, 189	SCREW,HHC,1/4-20 X 6.0.....171	SCREW,HHF,1/4-20X1.8,ZAG...124, 127, 131, 153, 163, 165, 169, 197, 249
ROD END,.5 X 3.75,ZAG.....51, 53	SCREW,HHC,1/4-20X.75,8,ZAG.....271, 273	SCREW,HHF,1/4-20X1.25,8,ZAG.....325
ROD END,CABLE.....181	SCREW,HHC,1/4-20X1.8,ZAG.....313	SCREW,HHF,1/4-20X1.5,8,ZAG.....131, 153, 169, 329
ROLLER,1/2" ALUMINUM.....181	SCREW,HHC,1/4-20X1.25,8,ZAG.....303	SCREW,HHF,1/4-20X1.75,8,ZAG.....155, 157
ROLLER,1/2" PVC.....181	SCREW,HHC,3/4-10 X 4 FULL THRD.....89-90	SCREW,HHF,1/4-20X2,8,ZAG.....131
ROTATOR,NON-JIB.....187	SCREW,HHC,3/8-16 X .75.....189	SCREW,HHF,1/4-20X2.25,8,ZAG.....169
ROTATOR,PLAT JIB,160 DEG***.....189	SCREW,HHC,3/8-16 X .88,GRD 8.....185, 191	SCREW,HHF,1/4-20X2.5,8,ZAG.....277, 279
ROTATOR,PLAT,NON-JIB.....187	SCREW,HHC,3/8-16 X 1.....139, 149	SCREW,HHF,1/4-20X2.5,8,ZAG.....277, 279
ROTATOR,PLATFORM,15K.....187	SCREW,HHC,3/8-16 X 1.25 GRD 5.....141, 171, 193-194, 259	SCREW,HHF,10-24X.5.....327
ROTOR-DISTRIBUTOR, GM 3.0L.....159-160	SCREW,HHC,3/8-16 X 1.75,GRD.8.....175	SCREW,HHF,3/8-16 X 1.50.....89-90, 117, 121, 173, 177, 305
RUBBER GROMMET 1.00 X 1.563 X.....131, 143	SCREW,HHC,3/8-16 X 2.....63-64, 147, 149, 189, 253, 255	SCREW,HHF,3/8-16X.75.....179, 194, 197
RUBBER SLEEVES, TD 2011L041.....137	SCREW,HHC,3/8-16 X 2.5.....149	SCREW,HHF,3/8-16X.75,8,ZAG.....153, 155
RUE RING,1.00.....43-44, 47-48, 173, 181		

## S

S80X GBOX LID W/DECAL.....71

## Part Description Index (continued)

SCREW,HHF,3/8-16X1.8,ZAG...123-124, 131, 169, 327	SCREW,SHC,3/4-10 X 3.00,A574.....89-90	SEAL, ORFS TUBE FLANGE, 8PLS.....238
SCREW,HHF,3/8-16X1.25,8,ZAG.....157, 197	SCREW,SHC,3/8 X 1.75 SHOULDER.....175	SEAL, POLY, CHAMFER.....89-90
SCREW,HHF,3/8-16X1.75,8,ZAG.....175	SCREW,SHC,5/16-18 X 2,PLATED.....90	SEAL, SHAFT, 60511 APU.....63-64, 67-68
SCREW,HHF,3/8-16X2.00.....67-68, 181	SCREW,SHC,5/8-11 X 3.00,A574.....89-90	SEAL,CONNECT,AMP SINGLE WIRE.....119
SCREW,HHF,3/8-16X2.5,8,ZAG.....323	SCREW,SHC,5/8-11 X 3.50,A574.....90	SEAL,EXHAUST,GM 3.0L ENG.....159-160
SCREW,HHF,5/16-18X.75,8,ZAG.....153, 279	SCREW,SHC,M10X1.5 X 60 GR8.8.....141	SEAL,FILTER ASSY (60334)***.....89-90
SCREW,HHF,5/16-18X1.8,ZAG.....249	SCREW,SHC,M10X1.5X20MM (75090)....121, 137, 141, 165	SEAL,FILTER LID.....63-64, 67-68
SCREW,HHF,5/8-11X1.5,8,ZAG.....163	SCREW,SHC,M10X1.5X30 GR 12.9...134, 141	SEAL,ROCKER BOX,PERKINS 404D-22T.....163
SCREW,HHF,M10-1.5X25,DIN6921,10.9,ZAB.165	SCREW,SHM,PHP, #12 X .75....73, 75-76, 79-80, 85, 203, 205, 208	S E A L - I N J E C T O R , P E R K I N S 404D/F-22T.....123-124
SCREW,HHF,M12X30 GR12.9.....117	SCREW,SHS,1/4-20 X .25 ZINC.....71, 75-76, 79-80, 83	SENDER, OIL PRESSURE, GM3.0L ENG.....159-160
SCREW,HHF,M12X35 GR12.9.....117, 121	SCREW,SHS,10-24 X .625.....133-134	SENDING UNIT,OIL PRESS PERKINS.....117, 273
SCREW,HHF,M14-2.0X40,DIN6921,10.9,ZAB.299	SCREW,SHS,3/4-10 X 1.5.....89-90	SENDING UNIT,OIL PRESS..DEUTZ*.....133-134
SCREW,HHF,M16-2.0X50 10.9.....48, 53	SCREW,SHSH,M5XM16,ZINC.....117	SENDING UNIT,OIL PRESSURE***.....145, 271, 273
SCREW,HHF,M6-1.0X12,DIN6921,10.....325	SCREW,STEP BOLT,1/4-20 X .75.....193-194	SENDING UNIT,TMP,FRD,GM,PRK704....119, 273
SCREW,HHF,M8 X 25.....119	SEAL KIT.....213, 221, 223, 225	SENSOR.....143
SCREW,HHF,M8-1.25X16,DIN6921,10.9,ZAB.141, 163	Seal Kit.....217, 225, 227, 229	SENSOR, O2, GM3.0L ENG.....159-160
SCREW,HHF,M8-1.25X20,DIN6921,10.9,ZAB.123-124, 139, 163	SEAL KIT (111090).....43-44, 51	SENSOR, LEVEL, 4.5 X 4.5 DEG.....64, 68
SCREW,HHF,M8-1.25X25,DIN6921,10.9,ZAB.163, 165	SEAL KIT (121140).....183	SENSOR, LEVEL,2.5 X 4.5 DEG.....64, 68
SCREW,HHF,M8-1.25X30,DIN6921,10.9,ZAB.163	SEAL KIT (121142).....181	SENSOR, MAP, GM3.0L ENG.....159-160
SCREW,HHF,M8-1.25X60,DIN6921,10.9,ZAB.143	SEAL KIT (121234).....187, 189	SENSOR,AS,GM 3.0L ENG.....159-160
SCREW,HHF,M8X12.....117, 119	SEAL KIT (121236).....183	SENSOR,C/SHAFT,GM 3.0L ENG.....159-160
SCREW,HHF-S,10-24X1.5,ZAG.....197	SEAL KIT (121291)***.....47-48, 53, 57, 61	SENSOR,CAMSHAFT,GM 3.0L ENG.....159-160
SCREW,M5X16 BHD.....325	SEAL KIT (227775).....47-48, 53, 59	SENSOR,COOLANT LEVEL, DEUTZ.....139
SCREW,M6X8.....325	SEAL KIT (39345).....43-44, 47-48, 181, 183, 187, 189, 219, 221, 223	SENSOR,DUAL OUTPUT,ANGLE***.....185
SCREW,PHIL,10-24 X .75.....193-194	SEAL KIT PWR WHL MOTOR.....90	SENSOR,ENGINE TEMP,TME27.....147
SCREW,PHIL,8-32X.50,SELF TAP.....301	SEAL KIT, 15K ROTATOR.....187	SENSOR,LEVEL,4.5 DEG.....64, 68
SCREW,PHIL,PHM,10-24 X.5,SEMS.....117, 139	SEAL KIT, 37185 PUMP.....63-64, 67-68	SENSOR,LOW PRESSURE,DEUTZ 2.9L...143
SCREW,PHIL,PHM,10-32 X .5,SSTL....73, 75-76, 79-80, 85, 207-208	SEAL KIT, APU.....63-64, 67-68	SENSOR,MAP, TME2.7L ENGINE.....145
SCREW,PHIL,PHM,6-32 X 1/4 SS.....203, 205, 208	SEAL KIT, BRAKE, 4HP.....61	SENSOR,O2, TME27 EPA2007.....147, 149
SCREW,PHILLIPS,PHM,10-32 X .5.....203, 205, 263, 265	SEAL KIT, SOLENOID VALVE.....219, 225	SENSOR,RUBBER EDGE.....325
SCREW,PHILLIPS,PHM,10-32 X .75.....93, 95, 97, 99, 101, 143, 301, 329	SEAL KIT, SWING BRAKE.....89-90	SENSOR,WATER TEMPERATURE.....129
SCREW,PHILLIPS,PHM,10-32 X 1.....87, 151, 157, 317	SEAL KIT, VALVE.....213, 215	SENSOR/BRKT KIT,GM 3.0L ENG.....159-160
SCREW,PHILLIPS,PHM,10-32 X.625.....67-68	SEAL KIT, VALVE, #10.....213, 215, 225	SEPARATOR,DUAL BATTERY,100A.....64, 68, 269
SCREW,PHILLIPS,PHM,10-32X 1.75.....89-90	SEAL KIT, VALVE, #12.....225	SEPERATOR,PLASTIC.....171
SCREW,PHILLIPS,PHM,6-32 X .5.....73, 75-76, 79-80, 85, 169, 203, 205, 207-208	SEAL KIT,15K ROTATOR.....187	SEPRTR/FLTR,FUEL DSL,15GPH,30.....123-124, 163
SCREW,PHILLIPS,PHM,8-32 X .875.....175	SEAL KIT,8-PORT SWIVEL.....89-90	SERIAL # LABEL,MYLAR 4X8***.....15-16, 19-20, 23, 25
SCREW,PHILLIPS,RHM,10-32 X 1.5.....173, 181, 185, 303	SEAL KIT,8K ROTATOR***.....187, 189	SET SCREW***.....57, 61
SCREW,PHM,10-32X3/4,ST TYPE F.....203, 205	SEAL KIT,CHECK VALVE 219246.....217	SHAFT SEAL, APU.....63-64, 67-68
SCREW,PHPM,10-32X.50,ZAG.....64	SEAL KIT,CYL,S65 (63213).....189	SHAFT,OUTPUT.....90
SCREW,PHPM,10-32X1.5,ZAG.....327	SEAL KIT,HYD MOTOR(106184).....283, 285	SHEAVE,EXTEND.....181
SCREW,PHPM,6-32X.875,ZAG.....327	SEAL KIT,MOTOR,LC/KC***.....43-44, 47-48	SHEAVE,RETRACT CABLE(SMALLER).....181
SCREW,REAR FAN GUARD,TME27.....147	SEAL KIT,OSC CYLINDER (81330)*.....43-44, 47-48	SHIELD,HEAT,GM 3.0L ENG.....159-160
SCREW,RHM,1/4-20 X .5.....71	SEAL KIT,SAUER-DANFOSS M46***.....229	SHIM,AXLE ROTATION STOP,16G.....51, 53
SCREW,RHM,10-32 X .75.....87	SEAL KIT,SOLENOID VALVE.....221, 223, 225	SHIM,AXLE ROTATION STOP,22G.....51, 53
SCREW,RHM,10-32 X 1.....245	SEAL KIT,SOLENOID VALVE 219247.....217	SHIM,GALVANIZED STEER YOKE.....44, 48
SCREW,RHM,8-32 X .50.....287, 289	SEAL KIT,STEER CYL***.....43-44, 47-48	SHIM,SIDE PAD 16GA. 3 X 5.....151, 157
SCREW,SECURITY,1/4-20 X 1.75LG.....287, 289, 291	SEAL KIT,SWING BRAKE.....90	SHIM,WEAR PAD,5 X 1.5,14GA.....173, 177, 179
SCREW,SECURITY,5/16-18X1.00.....287, 289, 291	SEAL KIT,SWING BRAKE***.....90	SHIM,WEAR PAD,5X 1.5 16GA.....173, 177, 179
SCREW,SER FLNG3/8UNCX3/4ZNYEL.....43-44, 47-48, 55, 64, 68, 89-90, 93, 95, 97, 99, 101, 119, 133-134, 139, 149, 185	SEAL KIT,SWING TORQ HUB***.....90	SHIM,WEAR PAD,7 X 3,12GA.....173, 177, 179
SCREW,SER/FLNG 10M-1.5X20MM BK..121, 127	SEAL KIT,WHEEL DRIVE W/BRAKE (101584/101585).....61	SHOCK MOUNT,SMALL...117, 123-124, 139, 163
SCREW,SHC,10-32 X 1.....147	SEAL KIT,WHEEL DRIVE W/BRAKE (227775).....47-48, 53, 59	SHOULDER WASHER, NYLON.....208, 211
	S E A L M A R K E R , C R O S S C H E C K , B L U E , T U B E .....13	SHRINK TUBE,BLU,3:1,40MM.....211
	SEAL, CAP, NOTCHED.....89-90	SHROUD,17" FAN,6-CORE RADIATOR.....139
	SEAL, CONNECTOR (DT JOYSTICKS).....211	SHROUD,FAN,PERKINS PAINTED.....117
	SEAL, CRANKSHAFT, GM3.0L ENG.....159-160	
	SEAL, EXHAUST, H/T, GM3.0L ENG.....160	
	SEAL, O-RING ENERGIZER.....89-90	
	SEAL, O-RING LIP.....89-90	
	SEAL, OIL FILLER CAP.....129	
	SEAL, ORFS TUBE FLANGE, 12 PLS.....238	

SHUTDOWN SOLENOID,12V, DEUTZ.....133-134	SPRING,COMP,1" OD,232 LB/IN.....303	<b>T</b>
SIGHT GLASS.....139	SPRING,COMP,1-1/4"OD 352 LB/IN.....303	
SLEAVING,PARKER TEK,2.00".....187, 189	SPRING,EXTENSION,1.92LB/IN.....311	
SLEEVE,CONNECTOR,DT JOYSTICKS.....211	SPRING,JOYSTK CENTR,62390/91.....211	
SLIDING MIDRAIL KIT,PTD.....194, 197	SPRING,SHORT PLATFORM GATE.....247	
SNAP RING,EXTERNAL,1.25,ZAG.....187, 189	SPRING,SWITCH CENTERING,75565.....211	
SNAP RING,EXTERNAL,1.50,ZAG.....181	SQUEEZE CONN W/NUT, 2WIRE, 4MM.....317	
SNAP RING,EXTERNAL,1.75,ZAG.....44, 48	SQUEEZE CONNECTOR, 4 WIRE.....317	
SNAP RING,EXTERNAL,2.50,ZAG.....183, 185	STAND OFF,CONTROL UNIT.....325	
SNAP RING,EXTERNAL,3.00,ZAG.....183	STANDOFF, 3/8" BLACK.....64, 67-68, 93, 95, 97, 99, 101	
SOCKET, BOOT, 3P, 30A, 4 WIRE.....291	STANDOFF,6-32 X 3/8L X 1/4 HEX...203, 205, 208	
SOCKET,3P,30A,4 WIRE, FEM.....291	STARTER MOTOR,PERKINS 404D.....167	
SOLENOID CABLE ASSY***.....133-134	STARTER MOTOR,PERKINS(804C-33).....121	
SOLENOID VALVE.....221, 223	STARTER, 12V.....137	
SOLENOID VALVE SPOOL TYPE.....225	STARTER, GM3.0L ENG.....159-160	
SOLENOID VALVE,SPOOL TYPE.....225	STARTER,3.2KW,DEUTZ D2.9.....139	
SOLENOID, APU.....63-64, 67-68	STARTER,PERKINS 404F.....129	
SOLENOID,77066.....63-64, 67-68	STARTER,TME 2.7L ENGINE.....147	
SOLENOID,PERKINS 404D-22T.....163	STARTING RING,PERKINS	
SOLENOID,SHUT DOWN PERKIN40422...127	404D/F-22T.....123-124	
SOLENOID,THROTTLE ACTUATOR	STEER AXLE ASSY W/BEARINGS.....44, 48	
DSL.....117	STEP PLATFORM ENTRY PAINTED***.....193-194	
SOLENOID-STARTR DEUTZF4L1011F*....137	STRAINER ASSY,#24 O-RING.....63-64, 68	
SOUNDER LENS, OPA, AMBER.....325	STRAP, CONDUIT HOLDER 60****.....277, 279	
SOUNDER LENS, OPA, BLUE.....325	STRAP,ALT,GM3.0L ENG.....160	
SOUNDER LENS, OPA, CLEAR.....325	STROBE,FIREBOLT,12-80VDC,AMB**.....245	
SOUNDER LENS, OPA, RED.....325	STUD,POWER 3/8" RED.....329	
SOUNDER,MIDI,OPA.....325	STUD,WHEEL,3/4-16, ( 34115 ).....43-44, 51, 57, 59, 61	
SPACER TUBE, 50 LG.....297, 299	SUMP DRAIN PLUG,PERKINS	
SPACER, FAN, DEUTZ, 38MM LNG.....143	404D/F-22T.....123-124	
SPACER, HANGER BRACKET.....323	SUPPORT, RAILING.....247, 249, 309, 311	
SPACER, .20 ID X .50 OD X .4 LG.....147	SUPPORT,RADIATOR,GM 3.0L ENG.....159-160	
SPACER,ALT PULLEY,DEUTZ	SUPPORT,SENSOR,JOYSTICK.....211	
BF4L2011.....133-134	SWING DRIVE ASSEMBLY.....89-90	
SPACER,ALT,GM 3.0L ENG.....160	SWING MOTOR COMPLETE***.....89-90	
SPACER,BOOM WIPER TOP.....253, 255	SWING MOTOR,COMPLETE***.....90	
SPACER,ENGINE MOUNT,TME27.....147	SWITCH SHIELD,ROCK JOYSTK75565.....211	
SPACER,HEAT SHIELD,TME27.....145	SWITCH TOGGLE ASSY DPDT 2P MOM..71, 76, 80, 83, 199, 201, 207-208	
SPACER,HEAT SINK.....325	SWITCH TOGGLE ASSY DPDT 3P MOM..71, 75-76, 79-80, 83	
SPACER,PULLEY,DEUTZ GEN.....297	SWITCH TOGGLE ASSY SPDT 2P MNT....71, 75-76, 79-80, 83, 199, 201, 207-208	
SPACER,PULLEY,DEUTZ TIER 4 GEN.....299	SWITCH TOGGLE ASSY SPDT 2P MOM.....307, 309, 311	
SPARK PLUG WIRE SET,GM 3.0.....159-160	SWITCH TOGGLE ASSY SPDT 3P MOM..71, 75-76, 79-80, 83, 199, 201, 207-208	
SPARK PLUG WIRE,TME27.....145	SWITCH TOGGLE SPDT 2P MOM SHDR....73	
SPARK PLUG, NGK BPR5ES.....13, 145	SHDR.....199, 311	
SPARK PLUG-GM 3.0L ENGINE.....159-160	SWITCH, LOW OIL PRESS, TME27.....145	
SPEED SENSOR CAM,PERKINS	SWITCH, OIL PRESSURE 1.5 BAR.....133-134	
404F-22T.....123-124	SWITCH,LIMIT TABULATED,BLUE...109-111, 114-115	
SPEED SENSOR,CRANK SHAFT,PERKINS	SWITCH,LIMIT,TABULATE,BLUE.....109-111, 113-115	
404F-22T.....123-124	SWITCH,LIMIT,TABULATED,BLUE...109-111, 113-115	
SPEED SENSOR,PERKINS 404D-22T.....163	SWITCH,LIMIT,W/RLLR ARM,NO/NC.....110-111, 114-115, 185	
SPIDER (106113).....283, 285	SWITCH,OIL PRESSURE.....129	
SPRING CLIP, M8-1.25, 0.8-4.0 X 13, ZAB.....123-124, 163	SWITCH,PRESS,#4NPT,200PSIF.....283, 285	
SPRING CLIP,1/4-20,.025-15X.54,ZAG.....51, 53, 63-64, 67-68, 89-90, 117, 119, 121, 127, 131, 139, 141, 143, 165, 169, 173, 177, 179, 183, 185, 189, 193-194, 197	SWITCH,SELECTOR,BLACK.....71, 76, 80	
SPRING CLIP,10-24,.025-125X.468,ZAG.....123-124, 163, 193-194, 197, 327	SWIVEL,HYD 8 PORT***.....89-90	
SPRING CLIP,3/8-16,.05-.20X.73,ZAG.....63-64, 67-68, 93, 95, 97, 99, 101, 139, 245, 281, 283, 285, 329		
Spring Kit.....59		
SPRING KIT (121291).....61		
SPRING, SS, 1/2-EO500-49-4500.....307, 309		
SPRING, SS, 3/4-EO750-69-4500.....307, 309		
SPRING,.975"OD X 1.50"LG.....175		
		T-BOX,2.75 X 4.5 X 2.0.....301
		T-BOX,2.75X4.5X2.63,3PH.....287, 289
		TAILPIPE, S80 404F-22.....124
		TAILPIPE,404D-22T,S-80.....165
		TAILPIPE,DEUTZ BF4L2011.....133-134, 153
		TAILPIPE,EXHAUST,GM 3.0L ENG.....159-160
		TANK ASSY, GAS, 30 GAL.....67-68
		TANK ASSY,30GAL PLASTIC.....67-68
		TANK SIDE COVER W/ SYM DECALS.....87
		TANK SIDE COVER W/ WORD DECALS.....87
		TANK, 7 GAL/33.5 POUND, LP.....281
		TANK, HYDRAULIC 40 GAL.....63-64, 67-68
		TANK,FUEL 35 GAL PLASTIC,S60.....63-64
		TANKSIDE COVER W,SYMBOL DECALS...87
		TANKSIDE COVER W/WORD DECALS.....87
		TAPE, PROTECTIVE MASK.....33, 41
		TAPE,WARNING,BLK/YEL, 50***.....23, 25
		TEE,BRANCH,520429-8.....233
		TEE,BRASS STREET, 12 NPT.....119
		TEE,BULKHEAD,RUN,520958-4.....231, 233
		TEE,RUN,520428-6.....237-238
		TEE,RUN,520428-8.....237-238
		TEE,RUN,SWIVEL,520432-6.....295, 319, 321
		TERM,ALT.PERKINS 804,16/14 GA.....119
		TERMINAL BLOCK END PLATE.....73, 75-76, 79-80, 85
		TERMINAL BLOCK,WIELAND.....73, 75-76, 79-80, 85
		TERMINAL, 3/8-16 STUD TO POST.....329
		THERMOSTAT.....129
		THERMOSTAT, 180 DEG.F.....117
		THERMOSTAT, GM3.0L ENG.....159-160
		THERMOSTAT,CONTINENTAL TME27.....145
		THREADED ROD,1/4-28 X 6 IN***.....55
		THROTTLE BODY, 40MM.....160
		THROTTLE LINKAGE, DSL.....133-134
		THROTTLE LINKAGE,DIESEL.....117
		THROTTLE SOLENOID ASSY, TROMB.....133-134
		THROTTLE,ELECTRIC,TME2.7L ENG.....145
		TIRE & WHEEL ASSY,FOAM NM,LH....43-44, 47-48
		TIRE & WHEEL ASSY,FOAM NM,RH...43-44, 47-48
		TIRE & WHEEL ASSY,FOAM, NM,LH.....43-44, 47-48
		TIRE & WHEEL ASSY,RT LP FOAM,L.....43-44, 47-48
		TIRE & WHEEL ASSY,RT LP FOAM,R.....43-44, 47-48
		TIRE WHEEL ASSY,LEFT,SOLID.....47-48
		TIRE WHEEL ASSY,RIGHT,SOLID.....47-48
		TIRE,18-625,16 PLY RT HBR,N-M.....43-44, 47-48
		TIRE,18-625,16 PLY,RT HBR.....43-44, 47-48
		TIRE,41/18LL X 22.5,14PR,TURF*.....43-44, 47-48
		TOEBOARD,8"TRI ENTRY.....247
		TOEBOARD,ENTRY EUROPEAN
		PNTD**.....194, 247
		TOOL TRAY ACCESSORY***.....247, 249
		TOOL,CABLE GRIP, 7/16".....181
		TRIM MOULDING.....117
		TRIM, RUBBER "D" SEAL, 3/16 96.....153
		TRIM,EDGE,1/8X3/4 SIDE BULB.....139
		TRIMLOCK,BLACK,5/32".....277, 279
		TROLLEY, TRACK, FALL ARREST BAR.....323
		TUBE, RD, ALUM, 1.25 X .083 X 11.75.....267

## Part Description Index (continued)

- TUBE, STEEL, FUEL RETURN, 404F.....124  
TUBE,AIR INTAKE,DEUTZ.....133-134  
TUBE,DIPSTICK,GM 3.0L ENG.....159-160  
TUBE,FUEL RETURN,3/8X3/8X23.5.....63-64  
TUBE,INTAKE,DEUTZ 2.9L.....141  
TUBE,INTAKE,PERKINS 404D-22T.....165  
TUBE,INTAKE,PERKINS 404F-22T.....127  
TUBE,RD,STL,ALM,2.50X.065X3.00.....153  
TUBE,RD,STL,ALUMI2D,2.5 X .065.....119, 259  
TUBE,RD,STL,DOM, .75X.38X.78.....253, 255  
TUBE,SLIDING MIDRAIL,PAINTED.....194  
TUBE,SQ,STL, 1.00 x 1.00 x .120.....249  
TUBING,VINYL,1/2" CLEAR.....124, 163  
TURBOCHARGER,PERKINS 404D-22T...167  
TURBOCHARGER,PERKINS 404F-22T...123-124
- U**
- U-BOLT, FLATTENED, 1.5 X 3/8  
UNC,ZAG.....197, 267, 277, 279, 313, 325  
U-BOLT, SQR, 3/8-16X2X5, PLTD.....307, 309, 311  
U-BOLT,1/2-13 X 8.5.....117, 134, 165  
U-BOLT,3/8 X 1 YZ.....194  
U-BOLT,3/8-16X4X4.63X3.00.....287, 289, 291, 307, 309, 311  
UBOLT,FLATTENED,1.5DIAX3/8 UNC.....287, 289, 305  
UNION,BULKHEAD,ORFS,520601,-4.....241, 243  
UNION,STR.THREAD 24\*\*\*...63-64, 68, 237-238  
UNISTRUT,FAN SHROUD BRACE,L,DE.....141  
UNISTRUT,FAN SHROUD BRACE,R,DE.....141
- V**
- V BELT, COGGED, AX32.....299  
V BELT,COGGED,AX37.....299  
V-BELT GUARD,DEUTZ 2011.....137  
V-BELT, DEUTZ F4L2011.....13, 137  
V-BELT, DEUTZ TD2011LOAI.....133-134  
V-BELT, PERKINS 804C-33.....13, 119  
VACUATOR VALVE.....149  
VALV, DIFFERENTIAL SENSING.....225  
VALVE - COUNTERBALANCE\*\*.....219  
VALVE - SOLENOID 2POSITION 3WA.....225  
VALVE BALL,24 FSAE-24 FSAE\*\*\*.....63-64, 68, 238  
VALVE COVER,TME27.....145  
VALVE FLOW DIVIDER/COMBINER.....213  
VALVE SPRING,PERKINS 404D/F.....123-124  
VALVE, CHECK.....215  
VALVE, CHECK, 30 PSI.....225  
VALVE, CHECK, 5PSI.....215  
VALVE, CNTRBAL 3500 PSI, ATM VEN.....187, 189  
VALVE, FLOW DIVIDE/COMB,24GPM.....215  
VALVE, FLOW DIVIDE/COMBINE 1:1.....215  
VALVE, LOCK OFF, GM3.0L ENG.....159-160  
VALVE, RELIEF, 2400 PSI.....225  
VALVE, RELIEF, 280PSI.....215  
VALVE, SHUTTLE, FIXED.....215  
VALVE, SOLENOID.....217  
VALVE,BALL,16 MSAE-16 FSAE\*\*\*...63-64, 67-68, 237-238  
VALVE,CHCEK,TME27.....147  
VALVE,CHECK.....217  
VALVE,CHECK, 2.5 PSI.....213
- VALVE,CHECK,3 PSI\*\*\*.....213, 227  
VALVE,CHECK,5 PSI.....213, 215  
VALVE,CNTERBAL,CBBB-LHN@3000\*\*.....183  
VALVE,COUNTERBAL,CBCA-LIN\*\*\*.....89-90  
VALVE,COUNTERBALANCE....43-44, 47-48, 189  
VALVE,COUNTERBALANCE(81366)\*\*\*.....90  
VALVE,COUNTERBALANCE,1000 ATM.....181  
VALVE,COUNTERBALANCE,3500 PSI.....221, 223  
VALVE,DIFFERENTIAL SENSING.....225  
VALVE,EDC,PILOT,SAUER,M46\*\*\*.....229  
VALVE,FLOW DIVIDER/COMBINER.....213, 215  
VALVE,FLOW REGULATOR.....225  
VALVE,FUNCTION ENABLE.....219  
VALVE,HYDRAULIC CHECK.....217  
VALVE,NEEDLE\*\*\*.....221, 223  
VALVE,PILOT OPER DIRECTIONAL.....227  
VALVE,PROPORTIONAL.....225  
VALVE,PVC,TMEW7.....13, 147  
VALVE,RELIEF.....225  
VALVE,RELIEF 280 PSI.....213  
VALVE,RELIEF 3200 PSI.....225  
VALVE,RELIEF,280PSI.....213, 215  
VALVE,SHUTTLE.....213, 215  
VALVE,SHUTTLE\*\*\*.....90  
VALVE,SHUTTLE,40 PSI.....213  
VALVE,SOLENOID 2 POS 2 WAY.....219  
VALVE,SOLENOID,10V,W/OUT COIL\*.....217, 227  
VALVE,SOLENOID,NO,POPPET.....225  
VALVE,SOLENOID,NOR.....295  
Valve-Solenid 2 Postion 3WA.....225  
VLV,MAN,3 POS/4 WAY,CLOSE CTR\*.....55  
VOLTAGE REGULATOR,110V.....301  
VOLTAGE REGULATOR,220V.....301
- W**
- WASHER, FLAT .394 X 1.25 X .25.....163  
WASHER, FLAT, F436, 1.0, ZAG.....103, 105, 107, 191  
W A S H E R , F L A T ,  
M6X18X1.6,DIN9021,ZAB.....325  
WASHER,#10,LOCK.....147  
WASHER,3/8 HARD,STEEL-FLAT,USS....147, 149  
WASHER,ALT,GM3.0L ENG.....160  
WASHER,CRANKSHAFT,TME27.....145  
WASHER,FENDER,.25 X 1.25 X.062.....87  
WASHER,FLAT,#10,USS,ZAG.....123-124, 163  
WASHER,FLAT,.375 X 1.5 X .125.....117, 139  
WASHER,FLAT,.375X1.50X.125,ZAG.....123-124, 163, 313  
WASHER,FLAT,.5 HARDENED.....149, 191  
WASHER,FLAT,.625 HARDENED.....89-90, 123-124, 133-134, 139, 143, 149  
WASHER,FLAT,.625 X 2.25 X.15.....119, 133-134, 143  
WASHER,FLAT,.75 HARDENED.....89-90, 181  
WASHER,FLAT,1.000,HARDENED.....191  
WASHER,FLAT,1.56 X 2.5 X .061.....119, 133-134, 143, 149, 171, 181  
WASHER,FLAT,2.5 X 4 X .062.....183, 185  
WASHER,FLAT,3/8,SAE,HRD,ZAG.....191  
WASHER,FLAT,3/8,USS,ZAG.....313  
WASHER,FLAT,3/8X1.5X.06.....303  
WASHER,FLAT,313, HARDENED.....191  
WASHER,FLAT,4.5 X 3.062 X .05.....183
- WASHER,FLAT,GM3.0L ENG.....160  
WASHER,FLAT,M10,ZINC PLTD.....141  
WASHER,FLAT,M12.....141, 143  
WASHER,FLAT,M14 HARDENED.....145  
WASHER,FLAT,M14,DIN6916,HRD,ZAB...131, 169  
WASHER,FLAT,M6 PLTD.....143, 145  
WASHER,FLAT,M8,YELLOW ZINC...167, 259, 299  
WASHER,FLAT,MS,#10,Y.....87, 89-90, 139, 143, 151, 173, 181, 203, 205, 207-208, 245, 263, 265, 301, 303, 317  
WASHER,FLAT,MS,#8,Y.....287, 289  
WASHER,FLAT,USS,1",Y.....105  
WASHER,FLAT,USS,1/2",Y.....183  
WASHER,FLAT,USS,1/4"Y.....51, 53, 64, 67-68, 71, 73, 75-76, 79-80, 83, 85, 87, 89-90, 119, 133-134, 141, 143, 149, 151, 157, 171, 175, 189, 193-194, 197, 203, 205, 207-208, 247, 251, 253, 257, 267, 277, 291, 295, 305, 307, 309  
WASHER,FLAT,USS,1/4,ZAG.....169, 313, 325  
WASHER,FLAT,USS,3/8",Y.....63-64, 67-68, 90, 93, 95, 97, 99, 101, 139, 141, 143, 194, 281, 283, 285, 297, 299, 303  
WASHER,FLAT,USS,5/16",Y.....64, 67-68, 87, 133-134, 141, 147, 149, 171, 175, 193-194, 247, 249, 259, 267, 283, 285, 287, 289, 291, 301, 305, 307, 309  
WASHER,FLAT,USS,5/8",Y.....119, 151  
WASHER,ISOLATOR,TME27.....147  
WASHER,LCK,ALT,GM3.0L ENG.....160  
WASHER,LOCK,#10 PLTD.....147, 193-194  
WASHER,LOCK,.25.....51, 53, 75-76, 79-80, 83, 85, 89-90, 187, 193-194, 207-208, 247, 249  
WASHER,LOCK,.313.....90, 283, 285  
WASHER,LOCK,.375.....147, 149, 175, 185, 189, 253, 255, 281  
WASHER,LOCK,.437,PLTD.....297, 299  
WASHER,LOCK,.625 PLTD.....151  
WASHER,LOCK,M10.....145, 297, 299  
WASHER,LOCK,M12.....299  
WASHER,LOCK,M14.....145  
WASHER,LOCK,M6.....133-134, 145  
WASHER,M4 NYLON.....325  
WASHER,M5 NYLON.....325  
WASHER,NITRILE.....71, 75-76, 79-80  
WASHER,SHIM .0151 THK.....303  
WASHER,SHIM,1.27 X 2.13 X .062....187, 189  
WASHER,SHOULDER,NYLON.....175  
WASHER,THRUST 5 X 1.81 BRONZE.....44, 48  
WASHER,THRUST,(33434)\*\*.....61  
WATER OUTLET,VERTICAL.....129  
WATER PUMP.....129  
WATER PUMP GASKET.....145  
WATER PUMP PULLEY,PERKINS 404D.....123-124, 167  
WATER PUMP, CONTINENTAL TME27.....145  
WATER PUMP,PERKINS 404D-22T.....167  
WDMT,AIRCRAFT SENSOR BUMPER.....311  
WDMT,SKID PLATE.....311  
WEAR PAD ASSEMBLY,CABLE TRACK.....171  
WEAR PAD,3 X 1.5 X .625 W/NUTS.....189  
WEAR PAD,5 X 1.5 X .625 W/NUTS.....173, 177, 179  
WEAR PAD,5 X 1.5 X .875 W/NUTS...173, 177  
WEAR PAD,5.5 X 1.75 X .5.....171

WEAR PAD,7X3X.625 W/NUTS.....173, 177, 179  
 WEAR PAD,CABLE TRACK PULL TUBE....171  
 WEAR PAD,ENGINE TRAY.....151, 157  
 WEARPAD, LIMIT SWITCH GUIDE.....175  
 WELD CABLE ASSY, S80.....305  
 WELD CABLE ASSY, S85.....305  
 WELD, LPG TANK MOUNT.....281  
 WELDER, MILLER, CST 280.....291  
 WELDER,INVERTEC V275-S.....287, 289, 291  
 WELDMENT, AIRCRAFT TOP BUMPER.....309, 311  
 WELDMENT, BOOM SEC #2, S80 DC.....177  
 WELDMENT, ENGINE TRAY.....87, 151  
 WELDMENT, EXHAUST SUPPORT.....123-124  
 WELDMENT, GBOX, S80/85 2013.....71, 75-76, 79-80, 83  
 WELDMENT, HOOD LATCH MOUNT.....64, 68  
 WELDMENT, LEFT CONTACT ALARM, LARGE.....327  
 WELDMENT, LID, GBOX, TIER IV S80.....75-76, 79-80  
 WELDMENT, LIMIT SWITCH ARM.....175  
 WELDMENT, MUFFLER MOUNT.....121  
 WELDMENT, PIPE CRADLE.....277, 279  
 WELDMENT, PLAT SUPPORT.....194, 197  
 WELDMENT, PRECLEANER MT, DEUTZ/PERKINS.....261  
 WELDMENT, REAR MOUNT,ENGINE.....143  
 WELDMENT, RIGHT CONTACT ALARM, LARGE.....327  
 WELDMENT, SENSOR MOUNT.....307, 309, 311  
 WELDMENT, SKIDPLATE\*\*.....307, 309  
 WELDMENT, SWING GATE.....197  
 WELDMENT, TIE ROD, S80.....43-44, 47-48  
 WELDMENT, TRANSPORT LOCK.....90  
 WELDMENT,AIRCRAFT SENSOR BUMPR.....307, 309  
 WELDMENT,CABLE GUIDE.....185  
 WELDMENT,CABLE TRACK TRAY.....171  
 WELDMENT,COOLING AIRBOX.....133-134  
 WELDMENT,COVER SUPPORT,ENGINE SIDE.....87  
 WELDMENT,COVER SUPPORT,TANK SIDE.....87  
 WELDMENT,ENGINE TRAY, 2.9L DEU.....151, 157  
 WELDMENT,EXHAUST COLL.PIPE.....149  
 WELDMENT,EXHAUST PIPE.....119, 147  
 WELDMENT,EXHAUST PIPE,PERKINS.....165  
 WELDMENT,EXHAUST TUBE.....87  
 WELDMENT,EXTENSION BRACKET.....179  
 WELDMENT,FUEL RETURN LINE,404D....163  
 WELDMENT,GBOX,S80/85 2008.....71  
 WELDMENT,GUIDE BRACKET,YOKE.....43-44, 47-48  
 WELDMENT,INTAKE,CONT,S80.....149  
 WELDMENT,INTAKE,PERKINS 404F.....123-124, 163  
 WELDMENT,LID,GBOX,S0/85 2008.....85  
 WELDMENT,LONG LINK,CABLE COVER.....305  
 WELDMENT,LONG,GUIDE TUBE.....171  
 WELDMENT,LOWER RADIATOR SSTL,.....163  
 WELDMENT,LP MOUNT.....67-68  
 WELDMENT,MASTER LINK.....183  
 WELDMENT,MUFFLER MOUNT.....149  
 WELDMENT,PIPE CRADLE MOUNT.....277, 279  
 WELDMENT,PLAT CONT BOX,2008.....203, 205, 208  
 WELDMENT,PLATFORM SUPPORT,CE.....303  
 WELDMENT,PRECLEANER MT,DEUTZ.....259  
 WELDMENT,PRECLEANER OUTLET.....259  
 WELDMENT,REAR ENGINE MOUNT.....137  
 WELDMENT,RETRACT SHEAVE COVER.....181  
 WELDMENT,ROTATOR SUPPORT.....303  
 WELDMENT,SWING GATE PANEL.....279  
 WELDMENT,TRACK PULL TUBE PIVOT....179  
 WELDMNT,6 FT PLATFORM.....193-194  
 WHEEL DRIVE W/BRAKE 86.74:1.....47-48, 53, 61  
 WHEEL DRIVE, IDLER.....47-48, 57  
 WHEEL DRIVE,58.33:1.....43-44, 51  
 WHEEL DRIVE,86.74:1\*\*\*.....43-44, 51, 61  
 WHEEL DRIVE,W/BRAKE 57.49:1.....47-48, 53, 59  
 WHEEL, CRANK POSITION.....145  
 WHEEL,24.5 X 15.00.....43-44, 47-48  
 WHEEL,HF,22.5 X 14.00.....43-44, 47-48  
 WIPER,RUBBER,S80,SEC #1,BOTTOM...253, 255  
 WIPER,RUBBER,S80,SEC #1,TOP....253, 255  
 WIPER,RUBBER,S80,SEC #2,BOT....253, 255  
 WIPER,RUBBER,S80,SEC#2,TOP.....253, 255  
 WIRE CABLE 8/4 CON.SO.....283, 285  
 WIRE LOOM,3/8 POLY SLIT.....194  
 WIRE MANAGEMENT, WIRE LOOM SUP.....167  
 WIRE MANAGEMENT,GUIDE ROD ASSY.....163  
 WIRE,12/3 SJEOW,BK-WH-GR/YL.....111, 115  
 WIRE,COIL,HVS,GM 3.0L ENG.....159-160  
 WLDT, INTAKE, T4 DEUTZ, Z80/S80.....141  
 WORKLIGHT, 12V, DEUTSCH RECEPT.....247, 249  
 WORKLIGHT,110V,250WATT,HALOGEN....247

## Z

ZERK,GREASE,5/16-24,STRAIT.....303

## —

—Continental TME-27 Models—.....13  
 —Deutz TD 2.9L4 Models—.....13  
 —Deutz TD2011L04i Models—.....13  
 —GENERAL SERVICE PARTS—.....13  
 —HYD FILTERS—.....13  
 —INSPECTION SERVICE KITS—.....13  
 —MANUALS—.....13  
 —Perkins 404F-22T Models—.....13  
 —Perkins 804D-33 Models—.....13

## Fitting Cross References

Genie PN	Parker PN	Description	Genie PN	Parker PN	Description
12342	6-4 F5OX-S	CONNECTOR,STRAIGHT THREAD TO FLARE TUBE	42794	1 CR-S	ELBOW,90°,MALE PIPE
13757	4 R6X-S	RUN TEE,SWIVEL NUT,ORFS	42795	BV-0839	BALL VALVE
19685	12-10 C5OX-S	ELBOW,90°,STRAIGHT THREAD TO FLARE TUBE	42796	BV-0838	BALL VALVE
22664	12-10 C5OX	ELBOW,90°,STRAIGHT THREAD TO FLARE TUBE	42874	6-8 CLO-S	ELBOW,90°,MALE PIPE TO ORFS
27431	8-12 F5OX-S	CONNECTOR,STRAIGHT THREAD TO FLARE TUBE	42912	13943-6-4	HOSE END,90° FEMALE SWIVEL,JIC
28678	AS-B-33	SLEEVE,NYLON,1.81" ID	42920	BV-0840	BALL VALVE,90°
39871	6 WETX-WLN-S	UNION,90° BULKHEAD W/NUT,FLARE TUBE	42932	AS-B-17	SLEEVE,NYLON,1.22" ID
39872	4 R5OX-S	RUN TEE,STRAIGHT THREAD	42936	10243-2-4	HOSE END,FEMALE PIPE
39873	6 C5OX-S	ELBOW,90°,STRAIGHT THREAD TO FLARE TUBE	42953	1/2 DD-S	ELBOW,90°,FEMALE PIPE
39874	8-6 C5OX-S	ELBOW,90°,STRAIGHT THREAD TO FLARE TUBE	42956	6 WELO-WLNL-S	UNION,90° BULKHEAD W/NUT,ORFS
39875	4-6 C5OX-S	ELBOW,90°,STRAIGHT THREAD TO FLARE TUBE	45349	8 V5OX-S	ELBOW,45°,STRAIGHT THREAD TO FLARE TUBE
39876	6-8 C5OX-S	ELBOW,90°,STRAIGHT THREAD TO FLARE TUBE	45351	4 V5OX-S	ELBOW,45°,STRAIGHT THREAD TO FLARE TUBE
39877	4 F5OX-S	CONNECTOR,STRAIGHT THREAD TO FLARE TUBE	47223	10343-6-6	HOSE END,MALE,JIC
39878	6 F5OX-S	CONNECTOR,STRAIGHT THREAD TO FLARE TUBE	47419	PS690503-6-6	SWIVEL,90°,STRAIGHT THREAD TO 37° FLARE
39879	4-8 F5OX-S	CONNECTOR,STRAIGHT THREAD TO FLARE TUBE	48750	421-4	HOSE,1/4 INCH ID
39880	6-10 F5OX-S	CONNECTOR,STRAIGHT THREAD TO FLARE TUBE	48751	481TC-4	HOSE,1/4 INCH ID
39881	4-6 F5OX-S	CONNECTOR,STRAIGHT THREAD TO FLARE TUBE	48752	482TC-4	HOSE,1/4 INCH ID
39882	4-HP5ON-S	PLUG,STRAIGHT THREAD	48753	451TC-6	HOSE,3/8 INCH ID
39883	8-8 FTX-S	CONNECTOR,MALE PIPE TO FLARE TUBE	48754	482TC-6	HOSE,3/8 INCH ID
39885	269HB 12-12	ELBOW,90°,BEADED HOSE BARB TO MALE PIPE	48755	381-6	HOSE,3/8 INCH ID
39886	431-6	HOSE,3/8 INCH ID	48756	451TC-8	HOSE,1/2 INCH ID
39887	540N-2	HOSE,1/8 INCH ID	48757	482TC-8	HOSE,1/2 INCH ID
39888	801-8	HOSE,1/2 INCH ID	48758	381-8	HOSE,1/2 INCH ID
39889	801-12	HOSE,3/4 INCH ID	48759	381-10	HOSE,5/8 INCH ID
39890	10643-6-6	HOSE END,FEMALE SWIVEL,JIC	48760	451TC-10	HOSE,5/8 INCH ID
39891	13943-6-6	HOSE END,90° FEMALE SWIVEL,JIC	48761	482TC-12	HOSE,3/4 INCH ID
39892	13743-6-6	HOSE END,45° FEMALE SWIVEL,JIC	48762	451TC-12	HOSE,3/4 INCH ID
39894	30682-8-8	HOSE END,FEMALE SWIVEL,JIC	48763	772-12	HOSE,3/4 INCH ID
39895	30682-10-12	HOSE END,FEMALE SWIVEL,JIC	48764	881-16	HOSE,1 INCH ID
42286	8-8 CTX-S	ELBOW,90°,MALE PIPE TO FLARE TUBE	48765	772-16	HOSE,1 INCH ID
42756	8-12 CLO-S	ELBOW,90,MALE PIPE TO ORFS	48766	AS-B-15	SLEEVE,NYLON,1.06" ID
42757	8-12 FLO-S	CONNECTOR,MALE PIPE TO ORFS	48767	AS-B-22	SLEEVE,NYLON,1.42" ID
42758	4 JLO-S	UNION TEE,ORFS	48770	881-8	HOSE,1/2 INCH ID
42759	4-4 FLO-S	CONNECTOR,MALE PIPE TO ORFS			
42760	6-8 FLO-S	CONNECTOR,MALE PIPE TO ORFS			
42761	1J143-6-4	HOSE END,90° FEMALE SWIVEL,SEAL LOK			
42762	1J743-6-4	HOSE END,45° FEMALE SWIVEL,SEAL LOK			
42768	1JO43-4-4	HOSE END,MALE,SEAL LOK			
42776	801-8	HOSE,1/2 INCH ID			
42777	1J743-16-16	HOSE END,45° FEMALE SWIVEL,SEAL LOK			
42786	16 CLO-S	ELBOW,90°,MALE PIPE TO ORFS			
42787	16 R8LO-S	RUN TEE,SWIVEL NUT,ORFS			
42788	16-8 TRLO-BL-S	REDUCER,TUBE END TO SWIVEL,ORFS			
42789	6-6 CLO-S	ELBOW,90°,MALE PIPE TO ORFS			
42790	8-10 V5OLO-S	ELBOW,45°,STRAIGHT THREAD TO ORFS			
42791	3/4 CD-S	ELBOW,90°,MALE TO FEMALE PIPE			
42792	3/4 X 1/2 PTR-S	REDUCER,MALE TO FEMALE PIPE			
42793	1/2 CR-S	ELBOW,90°,MALE PIPE			

## Fitting Cross References (Continued)

Genie PN	Parker PN	Description	Genie PN	Parker PN	Description
48771	881-10	HOSE,5/8 INCH ID	48847	13943-12-12	HOSE END,90° FEMALE SWIVEL,JIC
48772	381-4	HOSE,1/4 INCH ID	48848	10543-12-12	HOSE END,MALE,STRAIGHT THREAD
48773	AS-B-13	SLEEVE,NYLON,.86" ID	48849	1JC71-12-12	HOSE END,FEMALE SWIVEL,SEAL LOK
48800	1JC43-4-4	HOSE END,FEMALE SWIVEL,SEAL LOK	48850	1JS71-12-12	HOSE END,FEMALE SWIVEL,SEAL LOK
48801	1J743-4-4	HOSE END,45° FEMALE SWIVEL,SEAL LOK	48851	1J171-12-12	HOSE END,90° FEMALE SWIVEL,SEAL LOK
48802	1J943-4-4	HOSE END,90° FEMALE SWIVEL,SEAL LOK	48852	1J771-12-12	HOSE END,45° FEMALE SWIVEL,SEAL LOK
48804	1JM43-4-4	HOSE END,MALE,SEAL LOK, NO O-RING	48853	1J971-12-12	HOSE END,90° FEMALE SWIVEL,SEAL LOK
48805	10643-4-4	HOSE END,FEMALE SWIVEL,JIC	48854	1JC43-16-16	HOSE END,FEMALE SWIVEL,SEAL LOK
48806	13943-4-4	HOSE END,90° FEMALE SWIVEL,JIC	48855	1J943-16-16	HOSE END,90° FEMALE SWIVEL,SEAL LOK
48807	1JS43-4-4	HOSE END,FEMALE SWIVEL,SEAL LOK	48856	1J171-16-16	HOSE END,90° FEMALE SWIVEL,SEAL LOK
48808	3JC82-8-8	HOSE END,FEMALE SWIVEL,SEAL LOK	48857	1J971-16-16	HOSE END,90° FEMALE SWIVEL,SEAL LOK
48809	3JC82-12-12	HOSE END,FEMALE SWIVEL,SEAL LOK	48859	1JS43-8-4	HOSE END,FEMALE SWIVEL,SEAL LOK
48810	1JC43-6-4	HOSE END,FEMALE SWIVEL,SEAL LOK	48867	PD36BTL	DIAGNOSTIC NIPPLE,SEAL-LOK SWIVEL
48811	1J943-6-4	HOSE END,90° FEMALE SWIVEL,SEAL LOK	48873	6 PNLO-S	PLUG,TUBE END,ORFS
48812	1JC43-6-6	HOSE END,FEMALE SWIVEL,SEAL LOK	48874	6 PNTX-S	PLUG,FLARE TUBE
48813	1J143-6-6	HOSE END,90° FEMALE SWIVEL,SEAL LOK	48875	6 R6LO-S	RUN TEE,SWIVEL NUT,ORFS
48814	1J543-6-6	HOSE END,90° FEMALE SWIVEL,SEAL LOK	48877	4 F5OLO-SW/.025	CONNECTOR,STRAIGHT THREAD TO ORFS, W/.025 ORI
48815	1J743-6-6	HOSE END,45° FEMALE SWIVEL,SEAL LOK	48878	16-12 C5OLO-S	ELBOW,90°,STRAIGHT THREAD TO ORFS
48816	1J943-6-6	HOSE END,90° FEMALE SWIVEL,SEAL LOK	48879	8 C8LO-S	ELBOW,90°,SWIVEL NUT ORFS
48817	1JS43-6-8	HOSE END,FEMALE SWIVEL,SEAL LOK	48880	PD6-285	CAP,DIAGNOSTIC NIPPLE
48818	1J943-8-4	HOSE END,90° FEMALE SWIVEL,SEAL LOK	48881	6 HLO-S	UNION,ORFS
48819	1JC43-8-6	HOSE END,FEMALE SWIVEL,SEAL LOK	48883	8 P5ON-S	PLUG,STRAIGHT THREAD
48820	1J743-8-6	HOSE END,45° FEMALE SWIVEL,SEAL LOK	48884	8M18F87OMLO-S	CONNECTOR,METRIC,STRAIGHT THREAD TO ORFS
48821	1J943-8-6	HOSE END,90° FEMALE SWIVEL,SEAL LOK	48885	4 WGTX-WLN-S	CONNECTOR,BULKHEAD,FEMALE PIPE TO FLARE TUBE
48822	1JC43-8-8	HOSE END,FEMALE SWIVEL,SEAL LOK	48886	4 F5OLO-SW/2MM	CONNECTOR,MACHINED STRAIGHT THREAD TO ORFS
48823	1JS43-8-8	HOSE END,FEMALE SWIVEL,SEAL LOK	48887	4 CTX-S	ELBOW,90°,MALE PIPE TO FLARE TUBE
48824	1J143-8-8	HOSE END,90° FEMALE SWIVEL,SEAL LOK	48888	10-12 V5OLO-S	ELBOW,45°,STRAIGHT THREAD TO ORFS
48825	1J543-8-8	HOSE END,90° FEMALE SWIVEL,SEAL LOK	48890	4 S5OLO-S	BRANCH TEE,STRAIGHT THREAD TO ORFS
48826	1J743-8-8	HOSE END,45° FEMALE SWIVEL,SEAL LOK	48891	4 S8LO-S	BRANCH TEE,SWIVEL NUT TO ORFS
48827	1J943-8-8	HOSE END,90° FEMALE SWIVEL,SEAL LOK			
48828	1JC43-10-8	HOSE END,FEMALE SWIVEL,SEAL LOK			
48829	1JS43-10-8	HOSE END,FEMALE SWIVEL,SEAL LOK			
48830	1J743-10-8	HOSE END,45° FEMALE SWIVEL,SEAL LOK			
48831	1J943-10-8	HOSE END,90° FEMALE SWIVEL,SEAL LOK			
48833	1JC43-10-10	HOSE END,FEMALE SWIVEL,SEAL LOK			
48834	1J943-10-10	HOSE END,90° FEMALE SWIVEL,SEAL LOK			
48835	1JS43-10-12	HOSE END,FEMALE SWIVEL,SEAL LOK			
48836	1JC43-12-8	HOSE END,FEMALE SWIVEL,SEAL LOK			
48837	1JS43-12-8	HOSE END,FEMALE SWIVEL,SEAL LOK			
48838	1J743-12-8	HOSE END,45° FEMALE SWIVEL,SEAL LOK			
48839	1J943-12-8	HOSE END,90° FEMALE SWIVEL,SEAL LOK			
48840	1J943-12-10	HOSE END,90° FEMALE SWIVEL,SEAL LOK			
48841	1JC43-12-12	HOSE END,FEMALE SWIVEL,SEAL LOK			
48842	1JO43-12-12	HOSE END,MALE,SEAL LOK			
48843	1J143-12-12	HOSE END,90° FEMALE SWIVEL,SEAL LOK			
48844	1J543-12-12	HOSE END,90° FEMALE SWIVEL,SEAL LOK			
48845	1J743-12-12	HOSE END,45° FEMALE SWIVEL,SEAL LOK			
48846	1J943-12-12	HOSE END,90° FEMALE SWIVEL,SEAL LOK			



## Fitting Cross References (Continued)

Genie PN	Parker PN	Description	Genie PN	Parker PN	Description
48892	6 C6LO-S	ELBOW,90°,SWIVEL NUT ORFS	48938	8 R6LO-S	RUN TEE,SWIVEL NUT,ORFS
48893	6 F5OHAO-S	UNION,STRAIGHT THREAD	48939	8 S6LO-S	BRANCH TEE,SWIVEL NUT TO ORFS
48894	8 WLO-WLNL-S	UNION,BULKHEAD,ORFS	48940	8 WJLO-WLNL-S	RUN TEE, BULKHEAD,ORFS
48895	DT-370-MSMO-5	VALVE,CHECK	48941	8-4 TRLO-S	REDUCER,TUBE END TO SWIVEL,ORFS
48896	6 JLO-S	UNION,TEE,ORFS	48942	8-6 C5OLO-S	ELBOW,90°,STRAIGHT THREAD TO ORFS
48897	DT-750-MSMS-5	VALVE,CHECK	48943	8-6 F5OLO-S	CONNECTOR,STRAIGHT THREAD TO ORFS
48898	DT-750-MOMS-5	VALVE,CHECK	48944	8-8 FLO-S	CONNECTOR,MALE PIPE TO ORFS
48899	DT-620-MOMS-5	VALVE,CHECK	48945	8 FTX-S	CONNECTOR,MALE PIPE TO FLARE TUBE
48900	4-6 F5OLO-SW/.035	CONNECTOR,STRAIGHT THREAD TO ORFS, W/.035 ORI	48946	8-10 F5OLO-S	CONNECTOR,STRAIGHT THREAD TO ORFS
48902	16-1 AOE4G-S	ELBOW,90° LONG,FEMALE PIPE TO STRAIGHT THREAD	48947	8-12 C5OLO-S	ELBOW,90°,STRAIGHT THREAD TO ORFS
48903	1 FF-S	NIPPLE,PIPE	48948	8-12 F5OLO-S	CONNECTOR,STRAIGHT THREAD TO ORFS
48904	4 C5OLO-S	ELBOW,90°,STRAIGHT THREAD TO ORFS	48949	8-16 F5OLO-S	CONNECTOR,STRAIGHT THREAD TO ORFS
48905	4 F5OLO-S	CONNECTOR,STRAIGHT THREAD TO ORFS	48950	10 C5OLO-S	ELBOW,90°,STRAIGHT THREAD TO ORFS
48906	4 R5OLO-S	RUN TEE,STRAIGHT THREAD	48951	10 CC5OLO-S	ELBOW,90° LONG,STRAIGHT THREAD TO ORFS
48907	4 V5OLO-S	ELBOW,45°,STRAIGHT THREAD TO ORFS	48952	10 F5OLO-S	CONNECTOR,STRAIGHT THREAD TO ORFS
48908	4 R6LO-S	RUN TEE,SWIVEL NUT,ORFS	48953	10 R5OLO-S	RUN TEE,STRAIGHT THREAD
48909	4 WJLO-WLNL-S	RUN TEE, BULKHEAD,ORFS	48954	10 S5OLO-S	BRANCH TEE,STRAIGHT THREAD TO ORFS
48910	4 GTX-S W/.030	CONNECTOR,FEMALE PIPE TO FLARE TUBE	48955	10 R6LO-S	RUN TEE,SWIVEL NUT,ORFS
48911	4-6 C5OLO-S	ELBOW,90°,STRAIGHT THREAD TO ORFS	48956	10-4 TRLO-BL-S	REDUCER,TUBE END TO SWIVEL,ORFS
48912	4-6 F5OLO-S	CONNECTOR,STRAIGHT THREAD TO ORFS	48957	10-6 TRLO-BL-S	REDUCER,TUBE END TO SWIVEL,ORFS
48913	4-6 F5OLO-SW/.030	CONNECTOR,STRAIGHT THREAD TO ORFS, W/.030 ORI	48958	10-12 F5OLO-S	CONNECTOR,STRAIGHT THREAD TO ORFS
48914	4-8 F5OLO-S	CONNECTOR,STRAIGHT THREAD TO ORFS	48959	12 C5OLO-S	ELBOW,90°,STRAIGHT THREAD TO ORFS
48915	6 C5OLO-S	ELBOW,90°,STRAIGHT THREAD TO ORFS	48960	12 F5OLO-S	CONNECTOR,STRAIGHT THREAD TO ORFS
48916	6 F5OLO-S	CONNECTOR,STRAIGHT THREAD TO ORFS	48961	12 R5OLO-S	RUN TEE,STRAIGHT THREAD
48917	6 FF5OLO-S	CONNECTOR,LONG,STRAIGHT THREAD TO ORFS	48962	12 S5OLO-S	BRANCH TEE,STRAIGHT THREAD TO ORFS
48918	6 R5OLO-S	RUN TEE,STRAIGHT THREAD	48963	12 V5OLO-S	ELBOW,45°,STRAIGHT THREAD TO ORFS
48919	6 S5OLO-S	BRANCH TEE,STRAIGHT THREAD TO ORFS	48964	12 R6LO-S	RUN TEE,SWIVEL NUT,ORFS
48920	6 V5OLO-S	ELBOW,45°,STRAIGHT THREAD TO ORFS	48965	12 CLO-S	ELBOW,90°,MALE PIPE TO ORFS
48921	6 FLO-S	CONNECTOR,MALE PIPE TO ORFS	48966	12 FLO-S	CONNECTOR,MALE PIPE TO ORFS
48922	6-6 FLO-S	CONNECTOR,MALE PIPE TO ORFS	48967	12 JLO-S	UNION TEE,ORFS
48923	6 P5ON-S	PLUG,STRAIGHT THREAD	48968	12 WLO-WLNL-S	UNION,BULKHEAD,ORFS
48925	6 WELO-S	UNION,90° BULKHEAD,ORFS	48969	12 WJLO-WLNL-S	RUN TEE, BULKHEAD,ORFS
48926	6-4 C5OLO-S	ELBOW,90°,STRAIGHT THREAD TO ORFS	48970	12 WELO-WLNL-S	UNION,90° BULKHEAD W/NUT,ORFS
48927	6-4 F5OLO-S	CONNECTOR,STRAIGHT THREAD TO ORFS			
48928	6-4 V5OLO-S	ELBOW,45°,STRAIGHT THREAD TO ORFS			
48929	6-8 C5OLO-S	ELBOW,90°,STRAIGHT THREAD TO ORFS			
48930	6-8 F5OLO-S	CONNECTOR,STRAIGHT THREAD TO ORFS			
48931	6-10 F5OLO-S	CONNECTOR,STRAIGHT THREAD TO ORFS			
48932	8 C5OLO-S	ELBOW,90°,STRAIGHT THREAD TO ORFS			
48933	8 F5OLO-S	CONNECTOR,STRAIGHT THREAD TO ORFS			
48934	8 FF5OLO-S	CONNECTOR,LONG,STRAIGHT THREAD TO ORFS			
48935	8 R5OLO-S	RUN TEE,STRAIGHT THREAD			
48936	8 S5OLO-S	BRANCH TEE,STRAIGHT THREAD TO ORFS			
48937	8 V5OLO-S	ELBOW,45°,STRAIGHT THREAD TO ORFS			

## Fitting Cross References (Continued)

Genie PN	Parker PN	Description	Genie PN	Parker PN	Description
48971	12 G5G5JG5-S	TEE,FEMALE STRAIGHT THREAD	49612	PKT02586	O-RING KIT (ORFS FITTINGS)
48972	12 XHL6-S	ADAPTER, 37° MALE TO SWIVEL ORFS	49613	PKT06276	PLUG AND CAP KIT-SERVICE,ORFS
48973	12-1/2 F5OG-S	ADAPTER,FEMALE PIPE TO STRAIGHT THREAD	49728	10143-12-12	HOSE END, MALE PIPE
48974	12-10 C5OLO-S	ELBOW,90°,STRAIGHT THREAD TO ORFS	49729	16-1 F5OG-S	ADAPTER,FEMALE PIPE TO STRAIGHT THREAD
48975	12-10 F5OLO-S	CONNECTOR,STRAIGHT THREAD TO ORFS	49814	12-8 FLO-S	CONNECTOR,MALE PIPE TO ORFS
48976	12-16 C5OLO-S	ELBOW,90°,STRAIGHT THREAD TO ORFS	49829	DT-500-MOMF-5	VALVE,CHECK
48977	12-16 F5OLO-S	CONNECTOR,STRAIGHT THREAD TO ORFS	49831	881-12	HOSE,3/4 INCH ID
48978	12-16 V5OLO-S	ELBOW,45°,STRAIGHT THREAD TO ORFS	49834	16 JLO-S	UNION TEE,ORFS
48980	12-16 FLO-S	CONNECTOR,MALE PIPE TO ORFS	49838	12-8 TRLO-BL-S	REDUCER,TUBE END TO SWIVEL,ORFS
48983	16 C5OLO-S	ELBOW,90°,STRAIGHT THREAD TO ORFS	49840	8 JLO-S	UNION TEE,ORFS
48984	16 F5OLO-S	CONNECTOR,STRAIGHT THREAD TO ORFS	49844	10-8 TRLO-BL-S	REDUCER,TUBE END TO SWIVEL,ORFS
48985	16 V5OLO-S	ELBOW,45°,STRAIGHT THREAD TO ORFS	49854	8 P5ON-S	PLUG,STRAIGHT THREAD
48986	16 FLO-S	CONNECTOR,MALE PIPE TO ORFS	49855	1JC43-16-12	HOSE END,FEMALE SWIVEL,SEAL LOK
48988	16 CD45-S	ELBOW,45°,MALE TO FEMALE PIPE	49859	4 P5ON-S	PLUG,STRAIGHT THREAD
48989	12 CD45-S	ELBOW,45°,MALE TO FEMALE PIPE	49861	4 FF5OLO-S	CONNECTOR, LONG, STRAIGHT THREAD TO ORFS
48990	8 CD45-S	ELBOW,45°,MALE TO FEMALE PIPE	49867	12-3/4 F5OG-S	ADAPTER,FEMALE PIPE TO STRAIGHT THREAD
48991	16-12 FLO-S	CONNECTOR,MALE PIPE TO ORFS	51152	6 R6X-S	RUN TEE,SWIVEL NUT,ORFS
48992	16-12 V5OLO-S	ELBOW,45°,STRAIGHT THREAD TO ORFS	51153	6-4 TRTX-S	REDUCER,TUBE END TO SWIVEL,ORFS
48993	XV501-12	BALL VALVE	51154	4-4 GTX	CONNECTOR,FEMALE PIPE TO FLARE TUBE
48994	XV501-16	BALL VALVE	51264	881-12	HOSE,3/4 INCH ID
48995	XV510P-12	BALL VALVE	51265	8 JLO-S	UNION TEE,ORFS
48996	XV510P-16	BALL VALVE	51508	6 BTX-S	NUT,FLARE TUBE
48997	PD341	DIAGNOSTIC NIPPLE, STRAIGHT THREAD	51580	12-8 TRLO-BL-S	TUBE END REDUCER,ORFS
48998	PD 361	DIAGNOSTIC NIPPLE, STRAIGHT THREAD	51628	6 R6X-S	RUN TEE,SWIVEL NUT,ORFS
48999	DT-500-MOMS-5	VALVE,CHECK	51735	3/8 HHP	PLUG,PIPE THREAD
49201	10 V5OLO-S	ELBOW,45°,STRAIGHT THREAD TO ORFS	51803	1J943-6-8	HOSE END,90° FEMALE SWIVEL,SEAL LOK
49202	1JC43-12-10	HOSE END,FEMALE SWIVEL,SEAL LOK	53023	125HBL-5-4	FITTING,HOSE BARB TO MALE PIPE
49203	10-8 V5OLO-S	ELBOW,45°,STRAIGHT THREAD TO ORFS	53497	PKT02585	O-RING KIT
49205	6 F5OHAO-S	UNION,STRAIGHT THREAD	53499	1JC71-16-16	HOSE END,FEMALE SWIVEL,SEAL LOK
49207	PD34BTL	DIAGNOSTIC NIPPLE,SEAL-LOK SWIVEL	53500	3-904	O-RING,STRAIGHT THREAD,-4
49209	8M18F870MX-S	CONNECTOR,METRIC,STRAIGHT THREAD TO FLARE TUBE	53501	3-906	O-RING,STRAIGHT THREAD,-6
49212	8 WGTX-WLN-S	CONNECTOR,BULKHEAD,FEMALE PIPE TO FLARE TUBE	53502	3-908	O-RING,STRAIGHT THREAD,-8
49213	30682-8-8	HOSE END,FEMALE SWIVEL,JIC	53503	3-910	O-RING,STRAIGHT THREAD,-10
49216	831-8	HOSE,1/2 INCH ID			
49217	33982-8-8	HOSE END,90° FEMALE SWIVEL,JIC			
49219	PS-B-35	SLEEVE,NYLON,2.19" ID			
49418	4-6 V5OLO-S	ELBOW,45°,STRAIGHT THREAD TO ORFS			
49511	DT370-MOMS-5	VALVE,CHECK			
49512	1 DD-S	ELBOW,90°,FEMALE PIPE			
49513	1 FF-S	NIPPLE,PIPE			
49514	10 HP5ON-S	PLUG,STRAIGHT THREAD			
49515	12-16 CLO-S	ELBOW,90°,MALE PIPE TO ORFS			
49517	6 HP5ON-S	PLUG,STRAIGHT THREAD			
49519	16-12 F5OLO-S	CONNECTOR,STRAIGHT THREAD TO ORFS			
49520	4 VTX-S	ELBOW,45°,MALE PIPE TO FLARE TUBE			
49530	16 C6LO-S	ELBOW,90°,SWIVEL NUT ORFS			

## Fitting Cross References (Continued)

Genie PN	Parker PN	Description	Genie PN	Parker PN	Description
53535	3-912	O-RING,STRAIGHT THREAD,-12	61083	24 F5OLO-S	CONNECTOR,STRAIGHT THREAD TO ORFS
53536	4-PNLO-S	PLUG,TUBE END,ORFS	61086	20 R5OLO-S	RUN TEE,STRAIGHT THREAD
53537	6 PNLO-S	PLUG,TUBE END,ORFS	61090	24-20 F5OLO-S	CONNECTOR,STRAIGHT THREAD TO ORFS
53538	8 PNLO-S	PLUG,TUBE END,ORFS	61091	1J943 24-24	HOSE END,90° FEMALE SWIVEL,SEAL LOK
53539	10 PNLO-S	PLUG,TUBE END,ORFS	61093	1J978-12-12	HOSE END,90° FEMALE SWIVEL,JIC
53540	12 PNLO-S	PLUG,TUBE END,ORFS	61095	1JS43-20-16	HOSE END,FEMALE SWIVEL,SEAL LOK
53946	129HB-5-4	FITTING,90° HOSE BARB TO MALE PIPE	61100	811-24	HOSE,11/2 INCH ID
53951	8-1/4F50G-S	ADAPTER,FEMALE PIPE TO STRAIGHT THREAD	61130	1JS43-24-24	HOSE END,FEMALE SWIVEL,SEAL LOK
53980	6 S6LO-S	BRANCH TEE,SWIVEL NUT TO ORFS	61131	1JS78 12-12	HOSE END,FEMALE SWIVEL,SEAL LOK
54132	4 C6LO-S	ELBOW,90°,SWIVEL NUT ORFS	61132	1J778-12-12	HOSE END,45° FEMALE SWIVEL,JIC
54135	11343-16-16	HOSE END,MALE SWIVEL,PIPE	61152	139HB-6-4	ELBOW,45°,BARB TO MALE PIPE
54283	8-10 C5OLO-S	ELBOW,90°,STRAIGHT THREAD TO ORFS	61251	BV-0750	BALL VALVE
54428	8M18C870MLO-S	ELBOW, 90° METRIC, STRAIGHT THREAD TO ORFS	61259	4 CC5OLO-S	ELBOW,90° LONG,STRAIGHT THREAD TO ORFS
54803	FS-F-16-10	SLEEVE,FIRE,.96" ID	61260	20-12 TRLO-BL	REDUCER,TUBE END TO SWIVEL,ORFS
54954	10143-2-4	HOSE END, MALE PIPE	61262	12 C6LO-S	ELBOW,90°,SWIVEL NUT ORFS
55190	3/8 HP-S	PLUG,PIPE THREAD	61263	20 F5OHAO-S	UNION,STRAIGHT THREAD
55448	8 HLO-S	UNION,ORFS	61264	6-10 C5OLO-S	ELBOW,90°,STRAIGHT THREAD TO ORFS
55839	6 F65OX-S	CONNECTOR,STRAIGHT THREAD TO 37° SWIVEL	61265	6 WNLO-WLNL-S	UNION,BULKHEAD 45°,ORFS
55968	10 C5OX-S	ELBOW,90°,STRAIGHT THREAD TO FLARE TUBE	61268	4 WNLO-WLNL-S	UNION,BULKHEAD 45°,ORFS
56003	6 CC5OLO-S	ELBOW,90° LONG,STRAIGHT THREAD TO ORFS	61269	4 WLO-WLNL-S	UNION,BULKHEAD,ORFS
56166	BV-0837	BALL VALVE,90°	61272	12 AOEL6	ELBOW,90°,STRAIGHT THREAD TO ORFS SWIVEL
56188	10143-8-6	HOSE END, MALE PIPE	61316	482TC-16	HOSE,1 INCH ID
56233	2-011	O-RING,ORFS,-4	61321	6 JLO-S	UNION TEE,ORFS
56234	2-012	O-RING,ORFS,-6	61327	782-12	HOSE,3/4 INCH ID
56235	2-014	O-RING,ORFS,-8	61328	881-24	HOSE,11/2 INCH ID
56236	2-016	O-RING,ORFS,-10	61336	11943-20-24	HOSE END,90° FLANGE HEAD
56237	2-018	O-RING,ORFS,-12	61345	12 WJLO-WLNL-S	RUN TEE, BULKHEAD,ORFS
56238	2-021	O-RING,ORFS,-16	61346	8 WNLO-WLNL-S 4	UNION,BULKHEAD 45°,ORFS
56352	6 WLNL-S	LOCKNUT,BULKHEAD	61569	33782-8-8	HOSE END,45° FEMALE SWIVEL,JIC
56353	3J782-12-12	HOSE END,45° FEMALE SWIVEL,SEAL LOK	61610	12 FF5OLO-S	CONNECTOR,LONG,STRAIGHT THREAD TO ORFS
56354	3J982-12-12	HOSE END,90° FEMALE SWIVEL,SEAL LOK	61742	1/8 X 1.5 FFF	NIPPLE,PIPE
56604	10-8 F5OLO-S	CONNECTOR,STRAIGHT THREAD TO ORFS	63426	8 PNTX-S	PLUG,FLARE TUBE
56639	3JC82-10-10	HOSE END,FEMALE SWIVEL,SEAL LOK			
56640	3J982-10-10	HOSE END,90° FEMALE SWIVEL,SEAL LOK			
56655	3JC82-8-10	HOSE END,FEMALE SWIVEL,SEAL LOK			
56676	10-8 C5OLO-S	ELBOW,90°,STRAIGHT THREAD TO ORFS			
56776	471TC-6	HOSE,3/8 INCH ID			
56777	471TC-8	HOSE,1/2 INCH ID			
56789	811-16	HOSE,1 INCH ID			
57884	3/8 FF	NIPPLE,PIPE			
59335	6 FNL-S	CAP,TUBE END			
59342	4 FNL-S	CAP,TUBE END			
59371	8 HP5ON-S	PLUG,STRAIGHT THREAD			
60653	BV-0751	BALL VALVE			
60806	125HB-3-4	FITTING,HOSE BARB TO MALE PIPE			
61064	5-1/4 F50G-S	ADAPTER,FEMALE PIPE TO STRAIGHT THREAD			
61079	4 WELO-WLNL-S	UNION,90° BULKHEAD W/NUT,ORFS			
61080	6 WLO-WLNL-S	UNION,BULKHEAD,ORFS			

## Fitting Cross References (Continued)

Genie PN	Parker PN	Description	Genie PN	Parker PN	Description
64271	4 WLO-WLNL-S	UNION,BULKHEAD,ORFS	75631	801-6	HOSE,3/8 INCH ID
64272	6 WLO-WLNL-S	UNION,BULKHEAD,ORFS	75654	20 F5OLO-S	CONNECTOR,STRAIGHT THREAD TO ORFS
65776	8 F65OL-S	CONNECTOR,STRAIGHT THREAD TO ORFS SWIVEL	75655	1J943-20-20	HOSE END,90° FEMALE SWIVEL,SEAL LOK
65880	6001012	O-RING KIT	75656	881-20	HOSE,1-1/4 INCH ID
66154	6 WTX-WLNS	UNION,BULKHEAD,FLARE TUBE	75971	8 F5OHAO-S	UNION,STRAIGHT THREAD
66155	6 WETX-S	UNION,BULKHEAD 90°,FLARE TUBE	77307	1JB43-8-8	HOSE END,BULKHEAD,SEAL LOK
66156	6 WLN-S	BULKHEAD LOCKNUT	77309	8 WLNL-S	BULKHEAD LOCKNUT
66389	6-8 F5OX-S	CONNECTOR,STRAIGHT THREAD TO FLARE TUBE	77379	8M18C87OMX-S	ELBOW,90° METRIC,STRAIGHT THREAD TO FLARE TUBE
66392	6 R5OX-S	RUN TEE,STRAIGHT THREAD	77703	3J982-8-8	HOSE END,90° FEMALE SWIVEL,SEAL LOK
66396	811-12	HOSE,3/4 INCH ID	77711	801-10	HOSE,5/8 INCH ID
66829	H3174PP	CLAMP,TUBE	77758	12 WNLO-WLNL-S	UNION,BULKHEAD 45°,ORFS
67217	4 KLO-S	UNION,CROSS,ORFS	78091	6 C6X-S	ELBOW,90°,SWIVEL NUT TO FLARE TUBE
67339	10-6 F5OX-S	CONNECTOR,STRAIGHT THREAD TO FLARE TUBE	78684	30582-8-8B	HOSE END,PUSH LOK,MALE
67357	13943-8-6	HOSE END,90° FEMALE SWIVEL,JIC	78852	549-2	HOSE,1/8 INCH ID
67358	10 HP5ON-S	PLUG,STRAIGHT THREAD	78855	10657-4-2	HOSE END,FEMALE SWIVEL,JIC
67371	12 S6LO-S	BRANCH TEE,SWIVEL NUT TO ORFS	79138	PS-B-37	SLEEVE,NYLON,2.38" ID
67498	4 FNL-S	CAP, TUBE END	79476	1JS43-6-8	HOSE END,FEMALE SWIVEL,SEAL LOK
67906	DC-370-F0F0-5	VALVE,CHECK	79847	12-3/4 A0EG-S	ELBOW,90°,STRAIGHT THREAD TO FEMALE PIPE
69316	8 FLO-S	CONNECTOR,MALE PIPE TO ORFS	80044	8 CLO-S	ELBOW,90°,MALE PIPE TO ORFS
69333	H3174PP	CLAMP,HYDRAULIC HOSE	80502	8 F5OX-S	CONNECTOR,STRAIGHT THREAD TO FLARE TUBE
69503	4 F65OX-S	CONNECTOR,STRAIGHT THREAD TO 37° SWIVEL	80503	8 C5OX-S	ELBOW,90°,STRAIGHT THREAD TO FLARE TUBE
69775	8 FNL-S	CAP, TUBE END	81010	AS-B-27	SLEEVE,NYLON,1.63" ID
71038	1/4X1/4F3HG-S	ADAPTER,CONVERSION	83052	821-6	HOSE,3/8 INCH ID
71196	12-8 F5OLO-S	CONNECTOR,STRAIGHT THREAD TO ORFS	83053	821-8	HOSE,1/2 INCH ID
71383	1/4 CD45-S	ELBOW,45°,MALE TO FEMALE PIPE	83054	821-12	HOSE,3/4 INCH ID
72270	12FNL-S	CAP, TUBE END	83055	30682-6-6	HOSE END,FEMALE SWIVEL,JIC
73436	60C-4	SLEEVE,COMPRESSION	83056	30682-12-12	HOSE END,FEMALE SWIVEL,JIC
73437	61C-4	NUT,COMPRESSION	83057	33782-6-6	HOSE END,45° FEMALE SWIVEL,JIC
73438	33482-4-4B	HOSE END,PUSH LOK,MALE	83058	33982-6-6	HOSE END,90° FEMALE SWIVEL,JIC
73767	1CD-S	ELBOW,90°,MALE TO FEMALE PIPE	83060	33982-12-12	HOSE END,90° FEMALE SWIVEL,JIC
73768	20-16-F5OG5-S	ADAPTER,FEMALE PIPE TO STRAIGHT THREAD	83063	13743-4-4	HOSE END,45° FEMALE SWIVEL,JIC
73769	16-20 F5OLO-S	CONNECTOR,STRAIGHT THREAD TO ORFS			
74660	6-8 F42EDMLO-S	CONNECTOR,MALE BSPP TO ORFS			
74661	8-8 F42EDMLO-S	CONNECTOR,MALE BSPP TO ORFS			
75007	4 FLO-S	CONNECTOR,MALE PIPE TO ORFS			
75008	1/8 HP-S	PLUG,PIPE THREAD			
75014	1/2 HP-S	PLUG,PIPE THREAD			
75042	8 WELO-WLNL-S	UNION,90° BULKHEAD W/NUT,ORFS			
75043	3/4 FF-S	NIPPLE,PIPE			
75254	24 F5OHAO-S	UNION,STRAIGHT THREAD			
75255	12 F5OHAO-S	UNION,STRAIGHT THREAD			
75256	XV506P-24	BALL VALVE			
75574	4 WLNL-S	BULKHEAD LOCKNUT			
75612	8 WJLO-WLNL-S	RUN TEE, BULKHEAD,ORFS			
75613	12-8 F5OG5-S	ADAPTER,FEMALE PIPE TO STRAIGHT THREAD			
75614	8 CC5OLO-S	ELBOW,90° LONG,STRAIGHT THREAD TO ORFS			
75628	1JB43-4-4	HOSE END,BULKHEAD,SEAL LOK			

## Fitting Cross References (Continued)

Genie PN	Parker PN	Description	Genie PN	Parker PN	Description
83064	13743-8-8	HOSE END,45° FEMALE SWIVEL,JIC	89449	6 WJLO-WLNL-S	RUN TEE, BULKHEAD,ORFS
83065	13743-12-12	HOSE END,45° FEMALE SWIVEL,JIC	89489	4 WJMLO-S	BRANCH TEE,BULKHEAD,ORFS
83066	13943-8-8	HOSE END,90° FEMALE SWIVEL,JIC	89551	1JB43-6-6	HOSE END,BULKHEAD,SEAL LOK
83067	14143-6-6	HOSE END,90° FEMALE SWIVEL,JIC	89552	1JB43-8-8	HOSE END,BULKHEAD,SEAL LOK
83068	14143-8-8	HOSE END,90° FEMALE SWIVEL,JIC	89593	20 C5OLO-S	ELBOW,90°,STRAIGHT THREAD TO ORFS
83069	14143-12-12	HOSE END,90° FEMALE SWIVEL,JIC	94161	8-8 CLO-S	ELBOW,90°,MALE PIPE TO ORFS
83070	772-8	HOSE,1/2 INCH ID	94358	351TC-12	HOSE,3/4 INCH ID
83071	10671-8-8	HOSE END,FEMALE SWIVEL,JIC	94418	20 FLO-S	CONNECTOR,MALE PIPE TO ORFS
83072	10671-12-12	HOSE END,FEMALE SWIVEL,JIC	96358	12 TX-S	SLEEVE,FLARE TUBE
83073	13771-8-8	HOSE END,45° FEMALE SWIVEL,JIC	96359	12 BTX-S	NUT,FLARE TUBE
83074	13771-12-12	HOSE END,45° FEMALE SWIVEL,JIC	96397	8 F5OX-S	CONNECTOR,STRAIGHT THREAD TO FLARE TUBE
83075	13971-8-8	HOSE END,90° FEMALE SWIVEL,JIC	96398	12-8 F5OX-S	CONNECTOR,STRAIGHT THREAD TO FLARE TUBE
83076	13971-12-12	HOSE END,90° FEMALE SWIVEL,JIC	96402	10343-6-6	HOSE END,MALE,JIC
83077	14171-8-8	HOSE END,90° FEMALE SWIVEL,JIC	96407	30382-6-6B	HOSE END,MALE,JIC
83078	14171-12-12	HOSE END,90° FEMALE SWIVEL,JIC			
83080	13943-16-16	HOSE END,90° FEMALE SWIVEL,JIC			
83103	10671-16-12	HOSE END,FEMALE SWIVEL,JIC			
83104	10671-10-12	HOSE END,FEMALE SWIVEL,JIC			
83112	1JC71-8-8	HOSE END,FEMALE SWIVEL,SEAL LOK			
83113	1JS71-16-12	HOSE END,FEMALE SWIVEL,SEAL LOK			
83114	1JS71-10-12	HOSE END,FEMALE SWIVEL,SEAL LOK			
83115	1J971-8-8	HOSE END,90° FEMALE SWIVEL,SEAL LOK			
83116	1J171-8-8	HOSE END,90° FEMALE SWIVEL,SEAL LOK			
83117	1J771-8-8	HOSE END,45° FEMALE SWIVEL,SEAL LOK			
83127	1J543-6-8	HOSE END,90° FEMALE SWIVEL,JIC			
83128	1JC43-6-8	HOSE END,FEMALE SWIVEL,SEAL LOK			
87033	12-6 TRLO-S	REDUCER,TUBE END TO SWIVEL,ORFS			
87034	3J782-8-8	HOSE END,45° FEMALE SWIVEL,SEAL LOK			
87172	12 HP5ON-S	PLUG,STRAIGHT THREAD			
87185	8 WNLO-WLNL-S	UNION,BULKHEAD 45°,ORFS			
87246	4 C6X-S	ELBOW,90°,SWIVEL NUT TO FLARE TUBE			
87679	6 LHP-S	FLANGE SEAL FITTING, MALE			
87681	6PLS N0702	BONDED SEAL			
88100	SR88100	ADAPTER,OIL DRAIN,GM 3.0L			
88311	1JS43-20-20	HOSE END,FEMALE SWIVEL,SEAL LOK			
88353	20 V5OLO-S	ELBOW,45°,STRAIGHT THREAD TO ORFS			
88474	10081-20	Crimp Shell, 1.25"			
88475	1988-20-24	HOSE END,90° FLANGE HEAD			
88476	JS88-24-24	HOSE END,FEMALE SWIVEL,SEAL LOK			
88477	1JC88-20-20	HOSE END,FEMALE SWIVEL,SEAL LOK			
88478	811-20	HOSE,11/4 INCH ID			
88936	20-16 F5OLO-S	CONNECTOR,STRAIGHT THREAD TO ORFS			
88937	20-16 FLO-S	CONNECTOR,MALE PIPE TO ORFS			
88938	1JC88-16-16	HOSE END,FEMALE SWIVEL,SEAL LOK			
88939	1J988-16-16	HOSE END,90° FEMALE SWIVEL,ORFS			
88940	811-16	HOSE,1 INCH ID			
88944	1J988-20-20	HOSE END,90° FEMALE SWIVEL,ORFS			
89403	16 VLO-S	ELBOW,45°,MALE PIPE TO ORFS			

California Proposition 65



Operating, servicing and maintaining this equipment can expose you to chemicals including engine exhaust, carbon monoxide, phthalates, and lead, which are known to the State of California to cause cancer and birth defects or other reproductive harm. These chemicals can be emitted from or contained in other various parts and systems, fluids and some component wear by-products. To minimize exposure, avoid breathing exhaust, do not idle the engine except as necessary, service your equipment and vehicle in a well-ventilated area and wear gloves or wash your hands frequently when servicing your equipment or vehicle and after operation. For more information go to [www.P65Warnings.ca.gov/passenger-vehicle](http://www.P65Warnings.ca.gov/passenger-vehicle).

Breathing diesel engine exhaust exposes you to chemicals known to the State of California to cause cancer and birth defects or other reproductive harm.

- Always start and operate the engine in a well-ventilated area.
- If in an enclosed area, vent the exhaust to the outside.
- Do not modify or tamper with the exhaust system.
- Do not idle the engine except as necessary.

For more information go to [www.P65warnings.ca.gov/diesel](http://www.P65warnings.ca.gov/diesel).

Distributed By:

[www.P65Warnings.ca.gov](http://www.P65Warnings.ca.gov) to order your parts

# PARTS FINDER

**Search Website  
by Part Number**



**Search Manual  
Library For Parts  
Manual & Lookup Part  
Numbers – Purchase  
or Request Quote**

**Search Manuals**

Enter your information to help us find the right parts manual for your machine.

\* Brand:

\* Model:

\* Serial:

\* Part Number:

SEARCH

**Can't Find Part or  
Manual? Request Help  
by Manufacturer,  
Model & Description**

**Parts Order Form**

Please fill in the following information to help us find the right part for your machine.

Manufacturer:	<input type="text"/>
Model:	<input type="text"/>
Description:	<input type="text"/>
Part Number:	<input type="text"/>
Quantity:	<input type="text"/>
Notes:	<input type="text"/>

Submit

Discount-Equipment.com is your online resource for quality parts & equipment.

Florida: **561-964-4949** Outside Florida TOLL FREE: **877-690-3101**

**Need parts?**

Click on this link: <http://www.discount-equipment.com/category/5443-parts/> and choose one of the options to help get the right parts and equipment you are looking for. Please have the machine model and serial number available in order to help us get you the correct parts. If you don't find the part on the website or on one of the online manuals, please fill out the request form and one of our experienced staff members will get back to you with a quote for the right part that your machine needs.

We sell worldwide for the brands: Genie, Terex, JLG, MultiQuip, Mikasa, Essick, Whiteman, Mayco, Toro Stone, Diamond Products, Generac Magnum, Airman, Haulotte, Barreto, Power Blanket, Nifty Lift, Atlas Copco, Chicago Pneumatic, Allmand, Miller Curber, Skyjack, Lull, Skytrak, Tsurumi, Husquvarna Target, Stow, Wacker, Sakai, Mi-T-M, Sullair, Basic, Dynapac, MBW, Weber, Bartell, Bennar Newman, Haulotte, Ditch Runner, Menegotti, Morrison, Contec, Buddy, Crown, Edco, Wyco, Bomag, Laymor, EZ Trench, Bil-Jax, F.S. Curtis, Gehl Pavers, Heli, Honda, ICS/PowerGrit, IHI, Partner, Imer, Clipper, MMD, Koshin, Rice, CH&E, General Equipment, Amida, Coleman, NAC, Gradall, Square Shooter, Kent, Stanley, Tamco, Toku, Hatz, Kohler, Robin, Wisconsin, Northrock, Oztec, Toker TK, Rol-Air, APT, Wylie, Ingersoll Rand / Doosan, Innovatech, Con X, Ammann, Mecalac, Makinex, Smith Surface Prep, Small Line, Wanco, Yanmar