



A TEREX BRAND



Parts Manual

Serial Number Range

S-100

from SN 101

S-105

Part No. 75500

Rev G30

June 2018

Go to Discount-Equipment.com to order your parts

PARTS FINDER

**Search Website
by Part Number**



**Search Manual
Library For Parts
Manual & Lookup Part
Numbers – Purchase
or Request Quote**

Search Manuals

Enter your information to search for a manual or to purchase a manual or parts.

* Brand:

* Model:

* Serial:

* Part Number:

SEARCH

**Can't Find Part or
Manual? Request Help
by Manufacturer,
Model & Description**

Parts Order Form

Please fill in the following information to request help finding a part or manual.

Manufacturer:

Model:

Description:

Quantity:

Part Number:

Part Name:

Part Description:

Part Category:

Part Location:

Part Status:

Part Condition:

Part Material:

Part Color:

Part Weight:

Part Dimensions:

Part Price:

Part Availability:

Part Lead Time:

Part Notes:

Submit

Discount-Equipment.com is your online resource for quality parts & equipment.

Florida: **561-964-4949** Outside Florida TOLL FREE: **877-690-3101**

Need parts?

Click on this link: <http://www.discount-equipment.com/category/5443-parts/> and choose one of the options to help get the right parts and equipment you are looking for. Please have the machine model and serial number available in order to help us get you the correct parts. If you don't find the part on the website or on one of the online manuals, please fill out the request form and one of our experienced staff members will get back to you with a quote for the right part that your machine needs.

We sell worldwide for the brands: Genie, Terex, JLG, MultiQuip, Mikasa, Essick, Whiteman, Mayco, Toro Stone, Diamond Products, Generac Magnum, Airman, Haulotte, Barreto, Power Blanket, Nifty Lift, Atlas Copco, Chicago Pneumatic, Allmand, Miller Curber, Skyjack, Lull, Skytrak, Tsurumi, Husquvarna Target, Stow, Wacker, Sakai, Mi-T-M, Sullair, Basic, Dynapac, MBW, Weber, Bartell, Bennar Newman, Haulotte, Ditch Runner, Menegotti, Morrison, Contec, Buddy, Crown, Edco, Wyco, Bomag, Laymor, EZ Trench, Bil-Jax, F.S. Curtis, Gehl Pavers, Heli, Honda, ICS/PowerGrit, IHI, Partner, Imer, Clipper, MMD, Koshin, Rice, CH&E, General Equipment, Amida, Coleman, NAC, Gradall, Square Shooter, Kent, Stanley, Tamco, Toku, Hatz, Kohler, Robin, Wisconsin, Northrock, Oztec, Toker TK, Rol-Air, APT, Wylie, Ingersoll Rand / Doosan, Innovatech, Con X, Ammann, Mecalac, Makinex, Smith Surface Prep, Small Line, Wanco, Yanmar



A TEREX BRAND

Model: S100
Serial number: S10008-12345
Model year: 2008 **Manufacture date:** 01/05/08
Electrical schematic number: ES0427
Machine unladen weight:

Rated work load (including occupants): 500 lb / 227 kg
Maximum number of platform occupants: 2
Maximum allowable side force : 150 lb / 670 N
Maximum allowable inclination of the chassis: 0 deg
Maximum wind speed : 28 mph/ 12.5 m/s **Maximum platform height :** 106 ft/ 32.50 m **Maximum platform reach :** 75 ft/ 22.9 m **Gradeability:** N/A
Country of manufacture: USA
This machine complies with:

ANSI A92.5-
CAN B.354.



000000

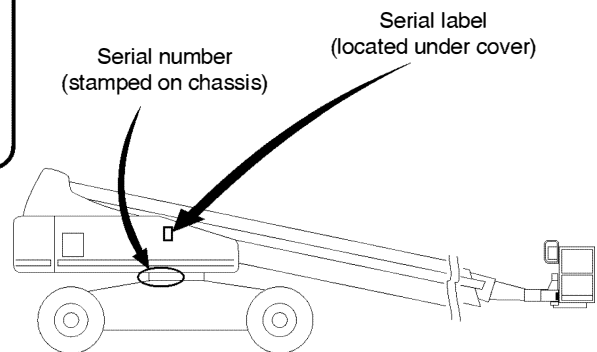
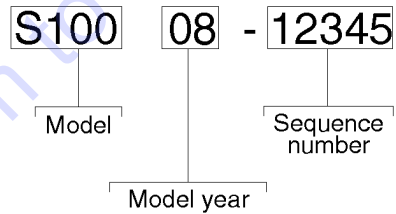


Table of Contents

This manual is updated frequently. For the most up-to-date parts information, visit www.discount-equipment.com

How to Read Your Serial Number.....	3
Parts Stocking List.....	9

Electronic Version

Click on any page number to view the figure.

100 Decals

101.1 Decals with Words.....	12
102.1 Decals with Symbols.....	16

200 Drive Chassis Components

201.1 Extendable Steer Axle Installation - View 1 (to SN 135).....	20
202.1 Extendable Steer Axle Installation - View 2 (to SN 135).....	22
203.1 Extendable Steer Axle Installation - View 1 (from SN 136).....	24
204.1 Extendable Steer Axle Installation - View 2 (from SN 136).....	26
205.1 Steer Axle Wheels and Drive Hubs (to SN 135).....	28
205.2 Steer Axle Wheels and Drive Hubs (from SN 136).....	30
206.1 Drive Hub Assembly with Brake (to SN 204).....	32
206.2 Drive Hub Assembly with Brake (from SN 205).....	34
207.1 Chassis Components (to SN 135).....	36
207.2 Chassis Components (from SN 136).....	38

300 Turntable Components

301.1 Fuel Tank Installation.....	40
302.1 Turntable Rotator and Hydraulic Rotary Coupler Installation.....	42
303.1 Turntable Rotation Drive Hub, Motor and Brake Assembly.....	44
304.1 Batteries and Hydraulic Fitters Installation (to SN 133).....	46
304.2 Batteries and Hydraulic Filters Installation (from SN 134).....	48
305.1 Hydraulic Tank Installation (to SN 136).....	50
305.2 Hydraulic Tank Installation (from SN 137 to 146).....	54

305.3 Hydraulic Tank Installation (from SN 147).....	56
306.1 Ground Controls.....	60
307.1 Turntable Attached Components - Tanks Side.....	62
308.1 Turntable Attached Components - Engine Side.....	64
309.1 Turntable Covers - Tank Side.....	66
310.1 Turntable Covers - Engine Side.....	68

400 Engine Components

401.1 Cummins 4B3.9L Engine - View 1 (to SN 218).....	70
402.1 Cummins 4B3.9L Engine - View 2 (to SN 218).....	72
403.1 Cummins 4B3.9L Engine - View 3 (to SN 218).....	74
404.1 Cummins 4B3.9L Engine - View 4 (to SN 138).....	76
404.2 Cummins 4B3.9L Engine - View 4 (from SN 139 to 218).....	78
405.1 Cummins B4.5 C 80 Engine - View 1 (from SN 219 to 664).....	80
405.2 Cummins B3.3T Engine - View 1 (from SN 665).....	82
406.1 Cummins B4.5 C80 Engine - View 2 (from SN 219 to 664).....	84
406.2 Cummins B3.3T Engine - View 2 (from SN 665).....	86
407.1 Cummins B4.5 C80 Engine - View 3 (from SN 219 to 664).....	88
408.1 Cummins Engine Attached Components (to SN 138).....	90
408.2 Cummins Engine Attached Components (from SN 139).....	92
409.1 Perkins 1004-42 Engine - View 1 (to SN 226).....	94
410.1 Perkins 1004-42 Engine - View 2 (to SN 226).....	96
411.1 Perkins 1004-42 Engine - View 3 (to SN 226).....	98
412.1 Perkins 1004-42 Engine - View 4 (to SN 127).....	100
412.2 Perkins 1004-42 Engine - View 4 (from SN 128 to 138).....	102
412.3 Perkins 1004-42 Engine - View 4 (from SN 139 to 226).....	104
413.1 Perkins 1104C-44 Engine - View 1 (from SN 227 to 683).....	106
413.2 Perkins 804D-33T Engine - View 1 (from SN 684).....	108
414.1 Perkins 1104C-44 Engine - View 2 (from SN 227 to 683).....	110
414.2 Perkins 804D-33T Engine - View 2 (from SN 684).....	112
415.1 Perkins 1104C-44 Engine - View 3 (from SN 227 to 683).....	114
416.1 Perkins Engine Attached Components (to SN 138).....	116
416.2 Perkins Engine Attached Components (from SN 139).....	118
417.1 Deutz F4L-913 Engine - View 1 (to SN 230).....	120
418.1 Deutz F4L-913 Engine - View 2 (to SN 230).....	122
419.1 Deutz F4L-913 Engine - View 3 (to SN 230).....	124
420.1 Deutz F4L-913 Engine - View 4 (to SN 230).....	126

421.1 Deutz BF4L-2011 / TD2011-L04i Engine - View 1 (from SN 231).....	128	711.1 Pumps.....	214
422.1 Deutz BF4L-2011 / TD2011-L04i Engine - View 2 (from SN 231).....	132	712.1 Hydraulic Hoses and Fittings - Drive System (to SN 135).....	216
423.1 Deutz BF4L-2011 / TD2011-L04i Engine - View 3 (from SN 231).....	134	712.2 Hydraulic Hoses and Fittings - Drive System (from SN 136).....	218
424.1 Deutz Engine Attached Components (to SN 230)....	136	713.1 Hydraulic Hoses and Fittings - Steer System (to SN 135).....	222
424.2 Deutz Engine Attached Components (from SN 231).138		713.2 Hydraulic Hoses and Fittings - Steer System (from SN 136).....	224
500 Boom Components		714.1 Hydraulic Hoses and Fittings (to SN 133).....	226
501.1 Boom Lift Cylinder (to SN 133).....	140	714.2 Hydraulic Hoses and Fittings (from SN 134 to 135).230	
501.2 Boom Lift Cylinder (from SN 134 to 805).....	142	714.3 Hydraulic Hoses and Fittings (from SN 136 to 138).232	
501.3 Boom Lift Cylinder (from SN 806).....	144	715.1 Hydraulic Hoses and Fittings - Deutz Models (from SN 139 to 148).....	234
502.1 Boom Tube One, Cable Track.....	146	715.1 Hydraulic Hoses and Fittings - Deutz Models (from SN 139 to 148).....	236
503.1 Boom Tube One and Boom Tube Two.....	148	715.2 Hydraulic Hoses and Fittings - Deutz Models (from SN 149).....	238
504.1 Primary Extend Cylinder.....	150	716.1 Hydraulic Hoses and Fittings - Cummins and Perkins Models (from SN 139 to 148).....	242
505.1 Boom Tube Two and Boom Tube Three.....	154	716.2 Hydraulic Hoses and Fittings - Cummins and Perkins Models (from SN 149).....	244
506.1 Boom Tube Two, Limit Switches (to SN 159).....	158	717.1 Hydraulic Hoses and Fittings - Platform Leveling and Rotation (to SN 131).....	248
506.2 Boom Tube Two, Limit Switches (from SN 160).....	160	717.2 Hydraulic Hoses and Fittings - Platform Leveling and Rotation (from SN 132).....	250
507.1 Platform Rotator.....	162	718.1 Hydraulic Hoses and Fittings - Platform Leveling and Rotation (to SN 131).....	252
508.1 Jib Boom and Platform Rotator.....	164	718.2 Hydraulic Hoses and Fittings - Platform leveling and Rotation (from SN 132).....	254
509.1 Jib Detail.....	166	719.1 Hydraulic Hoses and Fittings - Boom Components..256	
600 Platform Components		800 Accessories	
601.1 Platform Installation - View 1.....	168	801.1 Alarm and Beacon Package, Driving Lights.....	258
602.1 Platform Installation - View 2.....	172	802.1 Platform Controls Cover.....	260
603.1 Platform Controls.....	176	803.1 Platform Overload - European Models.....	262
604.1 Joysticks (to SN 419).....	180	804.1 Belt Driven Generator Option - Cummins Engine (to SN 218).....	264
604.2 Joysticks (from SN 420).....	182	804.2 Belt Driven Generator Option - Cummings Engine (from SN 219 to 906).....	266
700 Hydraulic Components		805.1 Belt Driven Generator Option - Perkins Engine (to SN 226).....	268
701.1 Traction Manifold (to SN 291).....	184	805.2 Belt Driven Generator Option - Perkins Engine (from SN 227 to 683).....	270
701.2 Traction Manifold (from SN 292).....	186	805.3 Belt Driven Generator Option - Perkins Engine (from SN 684 to 906).....	272
702.1 Steer and Axle Extnd/Retract Manifold - View 1 (to SN 135).....	188	806.1 Belt Driven Generator Option - Deutz Engine (to SN 230).....	274
703.1 Steer and Axle Extend/Retract Manifold - View 2 (to SN 135).....	190	806.2 Belt Driven Generator Option - Deutz Engine (from SN 231 to 906).....	276
704.1 Steer and Axle Extend/Retract Manifold - View 1 (from SN 136).....	192		
705.1 Steer and Axle Extend/Retract Manifold- View 2 (from SN 136).....	194		
706.1 Function Manifold (to SN 136).....	196		
706.2 Function Manifold (from SN 137).....	198		
707.1 Distribution Manifold (to SN 136).....	202		
708.1 Platform Manifold.....	204		
708.2 Platform Manifold Service Kit.....	206		
709.1 Platform Manifold (to SN 928).....	208		
709.2 Platform Manifold (from SN 929).....	210		
710.1 Platform Rotate Manifold.....	212		

Table of Contents (continued)

807.1 Hydraulic (MTE) Generator Option - View 1 (from SN 907).....	278
807.2 Hydraulic (MTE) Generator Option - View 2 (from SN 907).....	280
808.1 Cold Start Package.....	282
809.1 Hostile Environment Package - View 1.....	284
809.2 Hostile Environment Package - View 2.....	286
810.1 Hostile Environment Package - Engine Air Cleaners (to SN 664).....	288
810.2 Hostile Environment Package - Engine Air Cleaners (from SN 665).....	290
811.1 Half-mesh and Pipe Cradle Options.....	292
812.1 Platform Options.....	294
813.1 Air Line To Platform, Heavy Duty Swing Drive.....	298
814.1 Panel Cradle Option.....	300
815.1 Welder Option, Chassis Components - View 1.....	302
816.1 Welder Option, Platform Components - View 2.....	304
817.1 Welder Option, Hoses and Fittings - View 3.....	306
818.1 Welder Option, Oil Diverter Manifold - View 4.....	308
819.1 Circuit Board Heater Option.....	310
820.1 Operator Protection Structure (from SN 182).....	312
Indices	
Part Number Index.....	314
Part Description Index.....	325
Cross References	
Fittings Cross Reference.....	342

Required Parts

The following parts are required to perform maintenance procedures as outlined in the *Genie S-100, S-105, S-120 and S-125, Service Manuals*.

Perkins 1004-42 Models (to SN 226):

Description	Part No.
Air Filter	62425
Fuel/Water Separator Filter	62433
Fuel Filter	62426
Engine Oil Filter	62427
V-belt	62428

Perkins 1104C-42 Models (from SN 227 to 683):

Description	Part No.
Air Filter	62425
Fuel/Water Separator Element	62433
Fuel Filter	102539
Engine Oil Filter	102632
V-belt	102598

Perkins 804D-33T Models (from SN 684):

Description	Part No.
Air Filter	62425
Fuel Filter	101614
Engine Oil Filter	101613
V-belt	102534

Deutz F9L-913 Models (to SN 210):

Description	Part No.
Air Filter	62425
Fuel/Water Separator Filter	75484
Engine Oil Filter	62480
V-belt	62431

Deutz BF4L-2011 and Deutz TD2011-L041 Models (from SN 211):

Description	Part No.
Air Filter	62425
Fuel/Water Separator Filter	29560
Engine Oil Filter	49524
V-belt (from SN 921 to 2238)	102589
V-belt (from SN 2239)	58630

Cummins 4B3.9L Models (to SN 218):

Description	Part No.
Air Filter	62425
Fuel/Water Separator Filter	62433
Engine Oil Filter	62436
V-belt	62437

Cummins B4.5 C80 Models (from SN 219 to 664):

Description	Part No.
Air Filter	62425
Fuel/Water Separator Filter	102297
Engine Oil Filter	102298
Serpentine Belt	102203

Cummins B3.3 C80 Models (from SN 665):

Description	Part No.
Air Filter (Primary)	148044
Air Filter (Secondary)	148045
Fuel Filter	122709
Engine Oil Filter	122708
Serpentine Belt	148047

Recommended Parts

Description	Part No.
Genie Blue Paint, 1 Gallon	32150
Genie Blue Paint, 12 Ounce Aerosol	1494
Genie Gray Paint, 1 Gallon	32151
Genie Gray Paint, 12 Ounce Aerosol	1268

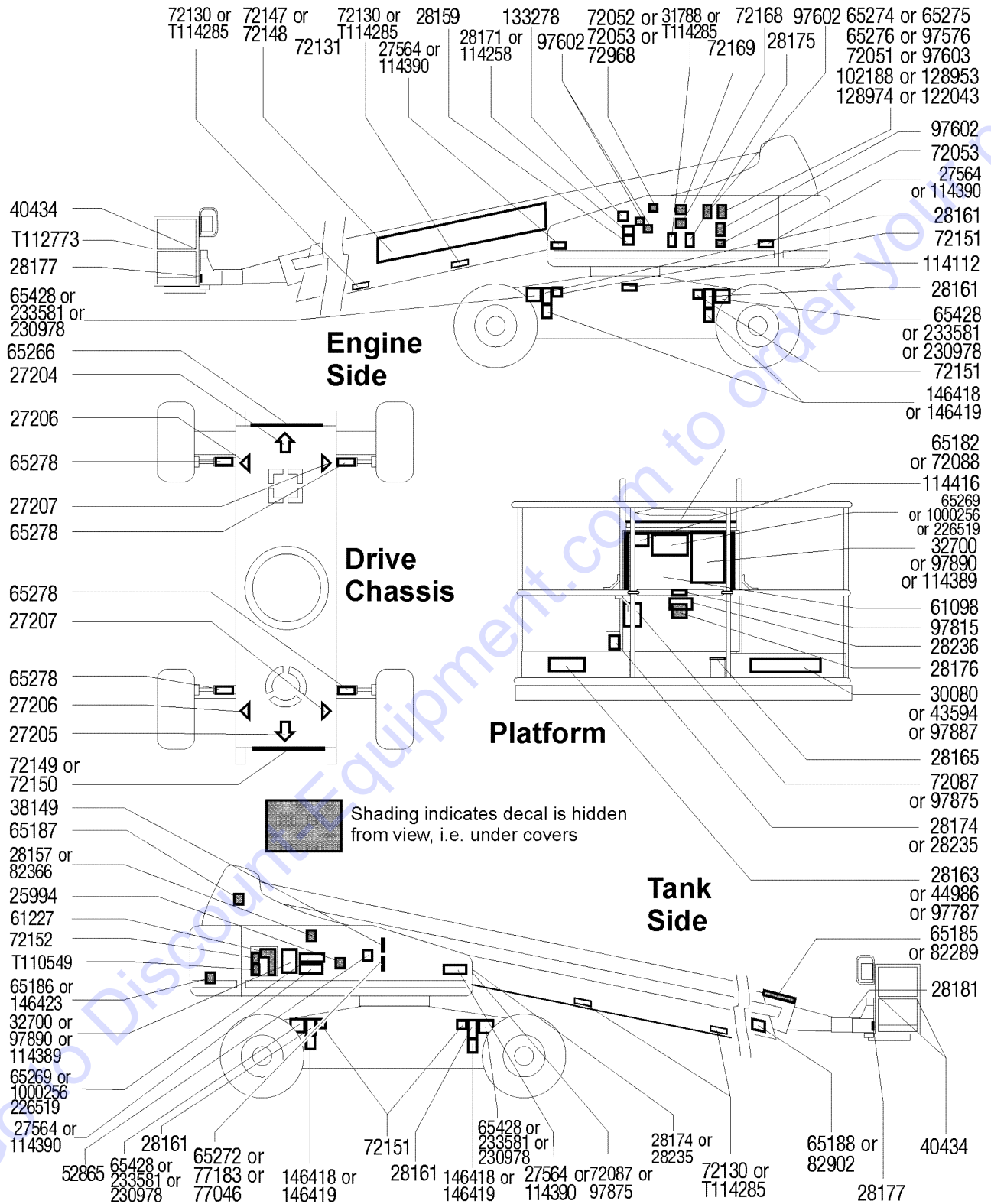
Manuals

Genie Industries offers the following support documents for these models:

Title	Part No.
EMI Safety Manual	27581
Manual of Responsibilities ANSI A92.5	31779

Go to Discount-Equipment.com to order your parts

101.1 Decals with Words



101.1 Decals with Words

Item	Part No.	Description	Qty.	Item	Part No.	Description	Qty.
A	825032GT	DECAL KIT,S105/125,PLAT,ANSI,WRD <i>Decal Kit, Platform, ANSI Word (from SN S10512-936 to 942)</i>		9	28161GT	DECAL,WARN,CRUSH HAZARD HAND.....	4
A	825365GT	DECAL KIT,S100,COMP,WRD,ANSI <i>ANSI models, Word (from SN 939)</i>		10	28164GT	DECAL,NOTICE,HAZARDOUS MAT'LS*.....	1
--	62439GT	DECAL KIT,SAFETY/INST,SUPER <i>includes items 1-35; to SN 325</i>		--	31788GT	DECAL,DANGER,BATTERY SAFETY*** <i>from SN 936</i>	
--	825383GT	INSTRUCTIONS,INSTALL,COMP,WORD		11	28165GT	DECAL,INSTRUCT,FOOTSWITCH OPER.....	1
B	825111GT	DECAL KIT,S105/125,PLAT,AUS,WR <i>Decal Kit, Platform, AUS Word (from SN S10512-936 to 942)</i>		12	28171GT	DECAL,DANGER,NO SMOKING ***.....	1
B	825373GT	DECAL KIT,S100,COMP,WRD,AUS <i>Australia models, Word (from SN 939)</i>		--	114258GT	DECAL,DANGER,NO SMOKING <i>from SN 936</i>	
--	111325GT	DECAL KIT,SAFETY/INST,SUPER <i>includes items 1-35; from SN 326 to 809</i>		13	28175GT	DECAL,WARNING-COMPART ACCESS.....	1
--	825383GT	INSTRUCTIONS,INSTALL,COMP,WORD		14	28176GT	DECAL,LABEL,MANUAL NOT HERE.....	1
C	825030GT	DECAL KIT,S100/120,PLAT,ANSI,WRD <i>Decal Kit, Platform, ANSI Word (from SN S10012-939 to 940)</i>		15	28177GT	DECAL,WARN,CRUSH HAZARD PLAT.....	2
--	146432GT	DECAL KIT, SAFETY/INST, SUPER <i>includes items 1-35; from SN 810 to 935</i>		16	28181GT	DECAL,WARN,FALL HAZARD.....	1
D	825109GT	DECAL KIT,S100/120,PLAT,AUS,WRD <i>Decal Kit, Platform, AUS Word (from SN S10012-939 to 940)</i>		17	28236GT	DECAL,WARN,IMPROPER OPERATION.....	1
--	226129GT	DECAL KIT, SAFETY/INST, SUPER <i>includes items 1-37; from SN 936</i>		18	97890GT	DECAL,DANGER,GEN SAFETY RULES.....	2
E	62439GT	DECAL KIT,SAFETY/INST,SUPER <i>includes items 1-35; to SN 325</i>		--	114389GT	DECAL,DANGER,GENERAL SAFETY <i>from SN 936</i>	
F	111325GT	DECAL KIT,SAFETY/INST,SUPER <i>includes items 1-35; from SN 326 to 809</i>		19	33952GT	DECAL,DANGER,TILT ALARM.....	1
G	146432GT	DECAL KIT, SAFETY/INST, SUPER <i>includes items 1-35; from SN 810 to 935</i>		--	114416GT	DECAL,DANGER,TIPOVER,TILT <i>from SN 936</i>	
H	226129GT	DECAL KIT, SAFETY/INST, SUPER <i>includes items 1-37; from SN 936</i>		20	40434GT	DECAL,LANYARD ANCHORAGE POINT.....	3
1	25994GT	DECAL,NOTICE,SHUTOFF VALVES.....	1	21	61227GT	DECAL,GROUND CONTROL PANEL.....	1
2	27204GT	DECAL,ARROW BLUE.....	1	22	65182GT	DECAL,PLATFORM CONTROL PANEL.....	1
3	27205GT	DECAL,ARROW YELLOW LRG 9".....	1	--	72088GT	DECAL,CONTROL PANEL PROTECTOR <i>for 65182</i>	
4	27206GT	DECAL,TRIANGLE,BLUE.....	2	23	65185GT	DECAL,DANGER DO NOT ALTER SWTC.....	1
5	27207GT	DECAL,TRIANGLE,YELLOW.....	2	--	82289GT	DECAL,DANGER DO NOT ALTER SWTC <i>from SN 160</i>	
6	27564GT	DECAL,DANGER,ELEC.HAZ.STAY CLR.....	4	24	65186GT	DECAL,DANGER DO NOT ALTER SWTC.....	1
--	114390GT	DECAL,DANGER,ELECT HAZARD*** <i>from SN 936</i>		--	146423GT	DECAL,DANGER DO NOT ALTER SWTC <i>from 810</i>	
7	28157GT	DECAL,USE DEXRON***.....	1	25	65187GT	DECAL,DANGER DO NOT ALTER SWTC.....	1
--	82366GT	DECAL, LABEL - CHEVRON RANDO <i>from SN 165</i>		26	65269GT	DECAL,NOTICE,OPERATING INST.....	2
8	28159GT	DECAL,LABEL,DIESEL FUEL.....	1			<i>to SN 325</i>	

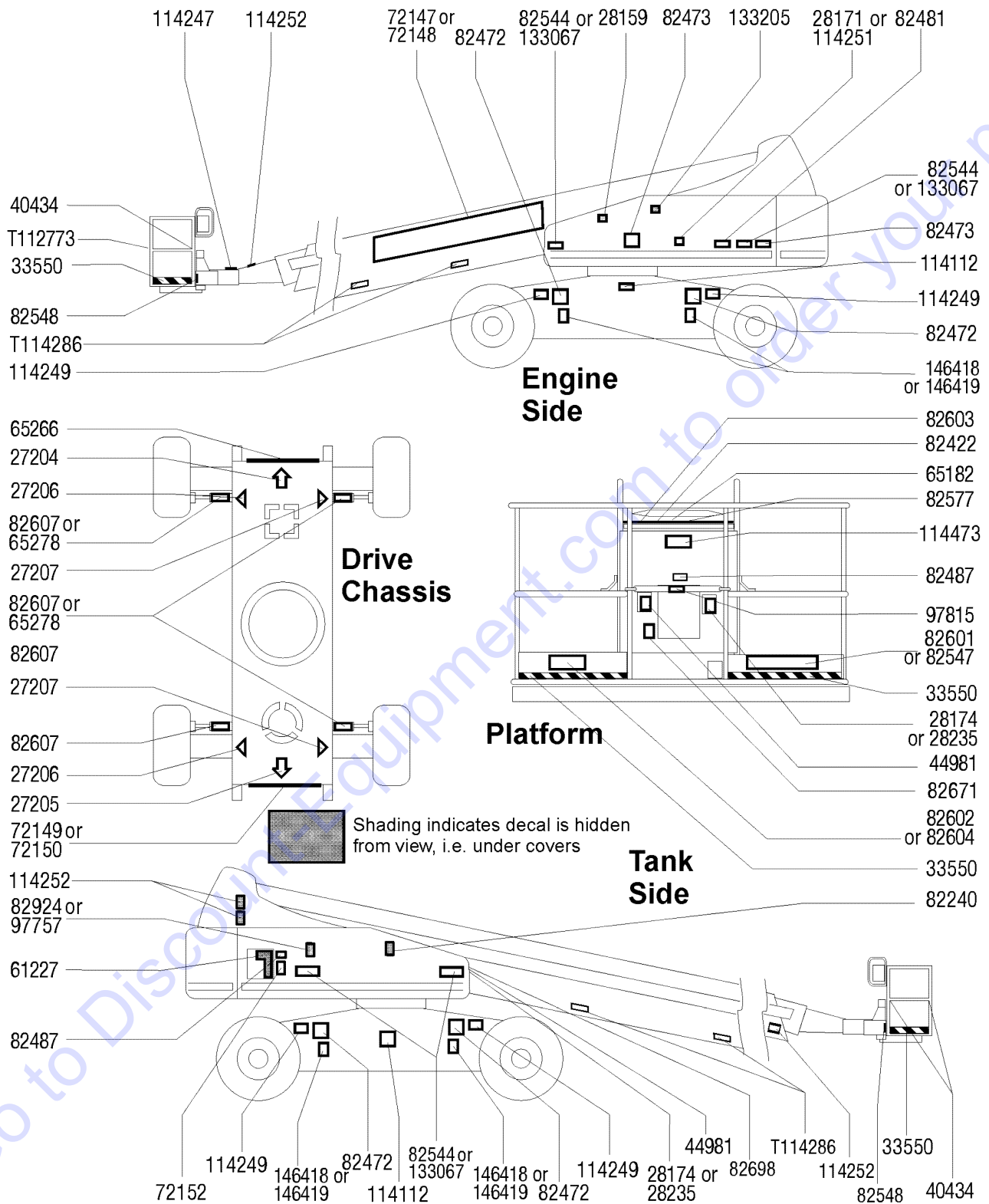
101.1 Decals with Words
(continued)

Item	Part No.	Description	Qty.	Item	Part No.	Description	Qty.
--	1000256GT	DECAL,NOTICE,OPERATING INST. <i>from SN 326</i>		--	97576GT	DECAL,EXPLOSION HAZARD <i>from SN 211 to 595</i>	
27	65278GT	DECAL,CAUTION,NO STEP.....	4	--	128953GT	DECAL,ENGINE SPEC,DEUTZ,TD2011 <i>from SN 596</i>	
28	65428GT	DECAL,DANGER,TIP-OVER,TIRES.....	4	--	65275GT	DECAL,NOTICE,CUMMINS ENG SPEC <i>to SN 218</i>	
29	72051GT	DECAL,LABEL,20A CB.....	1	--	102188GT	DECAL,CUMMINS ENG SPECS <i>from SN 219 to 664</i>	
30	72052GT	DECAL,LABEL,40A CB.....	1	--	122043GT	DECAL,INSTR,ENG.SPECS,CUMMINS <i>from SN 665</i>	
--	72968GT	DECAL,LABEL,25A CB <i>from SN 134</i>		--	65276GT	DECAL,NOTICE,PERKINS ENG SPEC <i>to SN 226</i>	
31	72053GT	DECAL,LABEL,30A CB.....	2	--	97603GT	DECAL,NOTICE,PERKINS ENGINE,T2 <i>from SN 227 to 683</i>	
32	72088GT	DECAL,CONTROL PANEL PROTECTOR.....	1	--	128974GT	DECAL,ENGINE SPEC,PERKINS,804T <i>from SN 684</i>	
33	72130GT	DECAL,WARNING,BODILY INJURY.....	2	--	133278GT	DECAL,LOW/ULTRA LOW SULFR FUEL <i>from SN 596</i>	
--	T114285GT	DECAL,WARN,INSTAL COVER,SYM.....	4	50	72087GT	DECAL,WARNING,WELDLINE TO PLAT.....	2
34	72168GT	DECAL,LABEL,STARTER BATTERY.....	1	--	97875GT	DECAL,WARN.WELD LINE INST.WORD <i>from SN 253</i>	
35	72169GT	DECAL,LABEL,CONTROLS BATTERY... <i>from SN 150</i>	1	51	82422GT	DECAL,PATCH,DRIVING LIGHT	
36	T110549GT	DECAL,FAULT CODES,SB/SY <i>from SN 936</i>		52	T112773GT	TAPE, PROTECTIVE MASK.....	2
37	52865GT	DECAL,ANNUAL INSP*** <i>USA; from SN 936</i>		53	72148GT	DECAL,COSMETIC,GENIE S-105 (S-105)	
38	97887GT	DECAL,INSTR,MAX SIDE FRC,ANSI.....	1	54	72150GT	DECAL,COSMETIC,S-105 (S-105)	
--	44986GT	DECAL,INSTR,SIDE FRC/WIND,AUS <i>Australia models</i>		55	146419GT	DECAL,LABEL, WHEEL LOAD, S-105 (S-105)	
39	28174GT	DECAL, POWER TO PLATFORM 230V**.....	1	56	30080GT	DECAL,NOTICE,MAX LOAD 500 LBS (S-105)	
--	28235GT	DECAL,POWER TO PLATFORM 115V		57	230978GT	DECAL,SOLID TIRE,385/65D22.5	
40	38149GT	DECAL,LABEL,PATENTS.....	1	57	72147GT	DECAL,COSMETIC,GENIE S-100 (S-100)	
41	97815GT	DECAL,LABEL,LOWER MIDRAIL.....	1	58	226519GT	DECAL,INST,OPER INST,SB,AUS.....	2
42	114112GT	DECAL,LABEL,TRANSPORT DIAGRAM.....	1	58	72149GT	DECAL,COSMETIC,S-100 (S-100)	
43	65188GT	DECAL,DANGER DO NOT ALTER SWTC.....	1	59	146418GT	DECAL,LABEL, WHEEL LOAD, S-100 (S-100)	
--	82902GT	DECAL,DANGER DO NOT ALTER SWTC <i>from SN 160</i>		60	43594GT	DECAL,NOTICE,MAX LOAD 750 LBS (S-100)	
44	65266GT	DECAL,COSMETIC,4X4.....	1	61	230978GT	DECAL,SOLID TIRE,385/65D22.5	
45	72152GT	DECAL,LABEL,ROM CHART,100/105.....	1	62	226519GT	DECAL,INST,OPER INST,SB,AUS.....	2
46	97602GT	DECAL,EXPLOSION HAZARD.....	1			<i>Australia models</i>	
47	77046GT	SERIAL # LABEL,MYLAR 4X8***					
--	77183GT	FILM,POLY,CLEAR,4.5 X 8.75					
48	72151GT	DECAL,NOTICE,TIRE SPECS.....	4				
49	65274GT	DECAL,NOTICE,DEUTZ ENG SPEC..... <i>to SN 210</i>	1				

This Page Intentionally Left Blank

Go to Discount-Equipment.com to order your parts

102.1 Decals with Symbols



102.1 Decals with Symbols

Item	Part No.	Description	Qty.	Item	Part No.	Description	Qty.
--	226108GT	DECAL KIT,SYMBOLS,SUPERBOOM <i>includes items 1-19; to SN 935</i>		20	27204GT	DECAL,ARROW BLUE.....	1
--	226109GT	DECAL KIT,SYMBOLS,SUPERBOOM <i>includes items 1-19; from SN 936</i>		21	27205GT	DECAL,ARROW YELLOW LRG 9".....	1
1	28159GT	DECAL,LABEL,DIESEL FUEL.....	1	22	27206GT	DECAL,TRIANGLE,BLUE.....	2
2	28171GT	DECAL,DANGER,NO SMOKING *** <i>to SN 935</i>	1	23	27207GT	DECAL,TRIANGLE,YELLOW.....	2
--	114251GT	DECAL,LABEL,NO SMOKING,SYMB <i>from SN 936</i>		24	28174GT	DECAL, POWER TO PLATFORM 230V**.....	2
3	40434GT	DECAL,LANYARD ANCHORAGE POINT.....	3	25	28235GT	DECAL,POWER TO PLATFORM 115V...2	
4	61227GT	DECAL,GROUND CONTROL PANEL.....	1	26	33550GT	TAPE,WARNING,BLK/YEL, 50***.....197 i n c h e s (CE) models	
5	65182GT	DECAL,PLATFORM CONTROL PANEL.....	1	27	44981GT	DECAL,LABEL,AIR LINE 110 PSI.....2 <i>airline to platform option</i>	
--	72088GT	DECAL,CONTROL PANEL PROTECTOR <i>for 65182</i>		28	65266GT	DECAL,COSMETIC,4X4.....	1
6	82472GT	DECAL,WARNING,CRUSHING HAZARD.....	4	29	82240GT	DECAL,LABEL,105 DB (CE) models	
7	82473GT	DECAL,SYMBOL-COMP ACCESS.....	1	30	82422GT	DECAL,PATCH,DRIVING LIGHT	
8	82487GT	DECAL, SYMBOL - READ THE MANUAL.....	2	31	82577GT	DECAL,PLATFORM OVERLOAD PATCH.....	1
9	82544GT	DECAL,DANGER,ELEC.HAZ.STAY CLR..... <i>to SN 935</i>	4	32	82602GT	DECAL,DANGER,MAX SIDE FRC,667N.....	1
--	133067GT	DECAL,DANGER,ELEC.HAZ.STAY CLR <i>from SN 936</i>		33	82604GT	DECAL,DANGER,SIDE FRC 400N.....1 (CE) models	
10	82548GT	DECAL,WARN,CRUSH HAZARD PLAT.....	2	34	82671GT	DECAL,LABEL,WELD LINE INST,SYM <i>weld line option</i>	
11	82603GT	DECAL,DRIVE ENABLE PATCH***.....	1	35	82698GT	DECAL,LABEL,WELDER VOLTAGE,40V.....	1
12	82607GT	DECAL,CAUTION,NO STEP***..... <i>to SN 935</i>	4	36	97815GT	DECAL,LABEL,LOWER MIDRAIL.....	1
--	65278GT	DECAL,CAUTION,NO STEP <i>from SN 936</i>		37	114112GT	DECAL,LABEL,TRANSPORT DIAGRAM.....	2
13	82924GT	DECAL,CAUTION,SHUTOFF VALVES**..... <i>to SN 935</i>	1	38	114473GT	DECAL,DANGER,TIPOVER,TILT,SYM....1	
--	97757GT	DECAL,LABEL,OIL LEVEL IND <i>from SN 936</i>		39	T112773GT	TAPE, PROTECTIVE MASK.....2 <i>from SN 899</i>	
14	82481GT	DECAL,SYMBOL-BATTERY SAFETY <i>from SN 936</i>		40	146419GT	DECAL,LABEL, WHEEL LOAD, S-105...4 (S-105)	
15	133205GT	DECAL,LABEL, ELECTRO HAZARD <i>from SN 936</i>		41	72148GT	DECAL,COSMETIC,GENIE S-105.....1 (S-105)	
16	114247GT	DECAL,LABEL,FALL HAZARD*** <i>from SN 936</i>		42	72150GT	DECAL,COSMETIC,S-105.....1 (S-105)	
17	114249GT	DECAL,LABEL,TIPOVER,TIRES,SYMB <i>from SN 936</i>		43	72152GT	DECAL,LABEL,ROM CHART,100/105....1 (S-105)	
18	114252GT	DECAL,LABEL,TIP OVER LMT SWTCH <i>from SN 936</i>		44	82601GT	DECAL,LABEL,MAX CAPACITY***1 (S-105)	
19	T114286GT	DECAL.WARN,INSTAL COVER,SYM....4 <i>from SN 936</i>	4	45	146418GT	DECAL,LABEL, WHEEL LOAD, S-100...4 (S-100)	
				46	72147GT	DECAL,COSMETIC,GENIE S-100.....1 (S-100)	
				47	72149GT	DECAL,COSMETIC,S-100.....1 (S-100)	

102.1 Decals with Symbols
(continued)

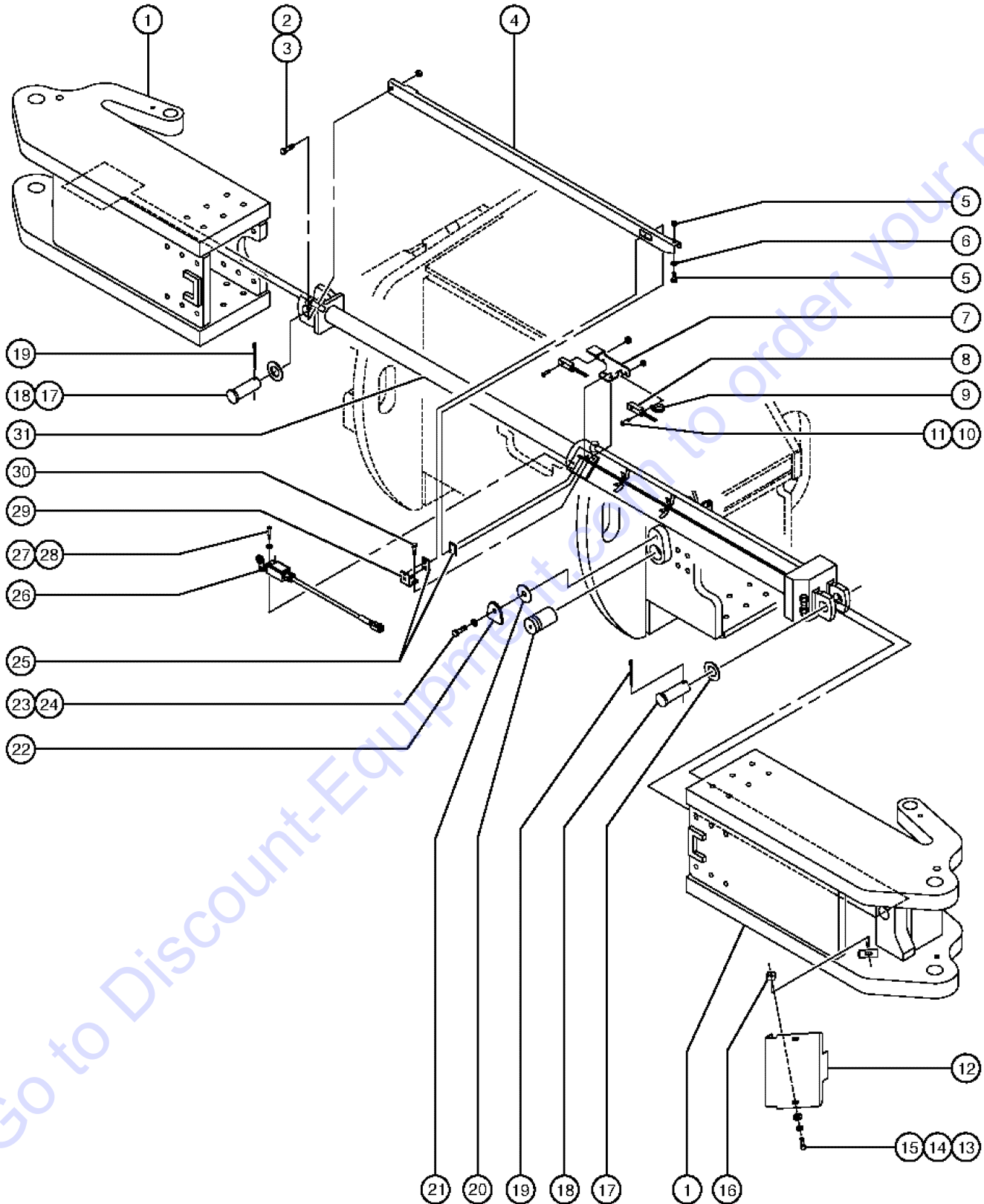
Item	Part No.	Description	Qty.
48	72152GT	DECAL,LABEL,ROM CHART,100/105....1 (S-100)	
49	82547GT	DECAL,DANGER,MAX LOAD 340 KG....1 (S-100)	

Go to Discount-Equipment.com to order your parts

This Page Intentionally Left Blank

Go to Discount-Equipment.com to order your parts

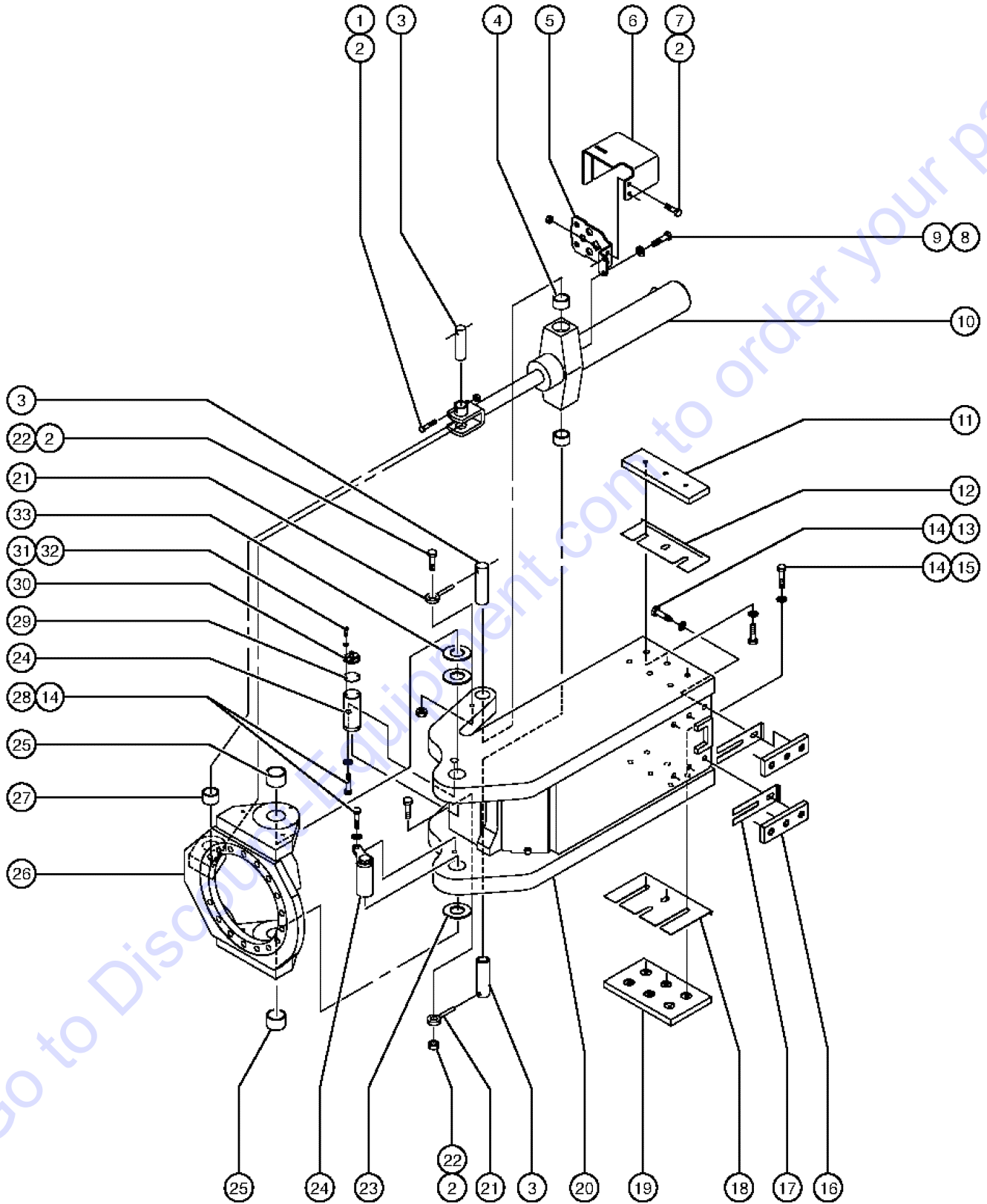
201.1 Extendable Steer Axle Installation - View 1 (to SN 135)



201.1 Extendable Steer Axle Installation - View 1 (to SN 135)

Item	Part No.	Description	Qty.
1	61368-SGT	INNER AXLE,MACHINED.....	2
2	6019GT	SCREW,HHC,3/8-16 X 1.25 GRD 5	
3	4828GT	NUT,NYLOCK,3/8-16	
4	75004GT	FORMING,EXTEND SWITCH ACTIVATR.....	2
5	75050GT	BOLT SET,NYLON,1/4-20 W/NUT..... <i>includes flange nut</i>	2
6	14295GT	WASHER,SHIM,.265 X .5 X .030	
7	75003GT	FORMING,SWITCH MOUNT.....	2
8	60987GT	SWITCH,LIMIT,PROX(OPERATIONAL)...	4
9	61255GT	CLAMP,NYLON LOOP.....	2
10	49819GT	SCREW,PHILLIPS,PHM,10-32 X .5	
11	6178GT	NUT,NYLOCK,10-32	
12	75006-SGT	FORMING,INNER AXLE COVER.....	4
13	6090GT	SCREW,HHC,1/4-20 X .75	
14	6356GT	WASHER,LOCK,.25	
15	6638GT	WASHER,FLAT,USS,1/4"Y	
16	56912GT	SPRING CLIP,1/4-20,.025-.15X.54,ZAG	
17	18596GT	WASHER,FLAT,1.56 X 2.5 X .061	
18	61604GT	PIN,CLEVIS, 1.50 X 4.465LONG.....	4
19	75063GT	PIN,COTTER,.188 X 2.00 LONG.....	4
20	75038GT	PIN,AXLE STOP.....	4
21	75040GT	SHIM,AXLE PIN	
22	75039-SGT	PLATE,AXLE PIN RETAINER.....	4
23	10597GT	SCREW,HHC,1/2-13 X 1.25 GR5	
24	6033GT	WASHER,LOCK,0.5"	
25	75002GT	WEARPAD,AXLE EXTEND SWITCH....	4
26	75036GT	LIMIT SWITCH,SAFETY.....	2
--	53983GT	STRAIN RELIEF, PG13,5	
--	75910GT	WIRE ASSEMBLY,16/4SJO,9.5"PLUG	
--	75913GT	LIMIT SWITCH, SAFETY,NO WIRE	
27	49817GT	SCREW,PHILLIPS,PHM,10-32 X1.25	
28	6607GT	WASHER,LOCK,#10 PLTD	
29	75001PGT	FORMING,AXLE LIMIT SWITCH RETN.....	2
30	75060GT	SCREW,HEX HD FLANGE 1/4-20X1/2	
31	61381GT	CYLINDER,AXLE EXTENSION*.....	2
--	33428GT	VALVE,COUNTERBALANCE	
--	43018GT	SEAL KIT (39345)	
--	62416GT	SEAL KIT,AXLE EXTEND CYL,61381	
--	62419GT	VALVE,CB.CBBC-LHN@2200*	

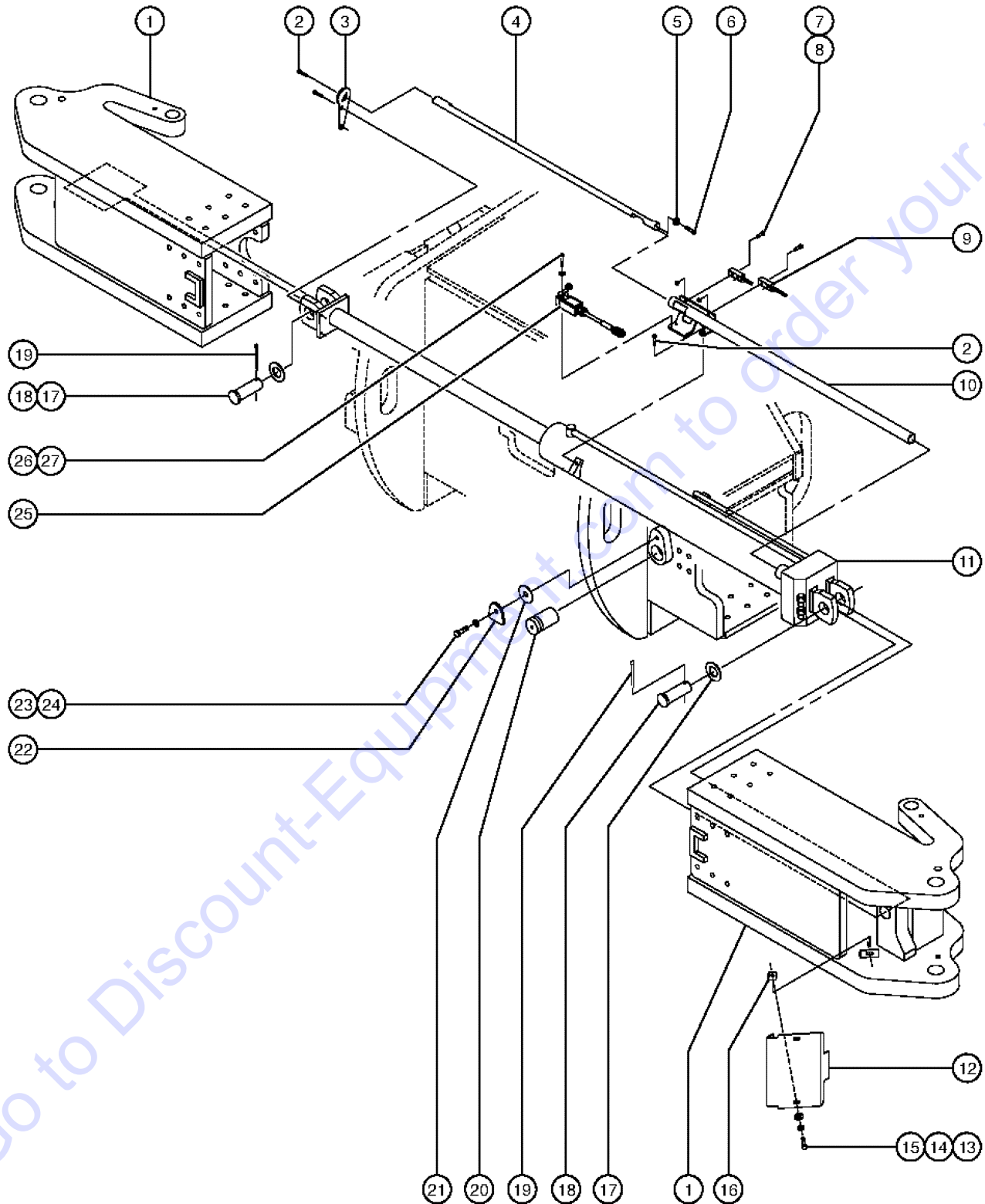
202.1 Extendable Steer Axle Installation - View 2 (to SN 135)



202.1 Extendable Steer Axle Installation - View 2 (to SN 135)

Item	Part No.	Description	Qty.
1	14033GT	SCREW,HHC,3/8-16 X 2.75	
2	4828GT	NUT,NYLOCK,3/8-16	
3	60980GT	PIN,1.50DIA X 4.13LG, THREADED.....	12
4	18396GT	BEARING,1.5ID X 1.75OD X 1.0L.....	8
5	60753GT	FORMING,BULKHEAD MOUNT.....	4
6	61281-SGT	FORMING,BULKHEAD COVER.....	2
--	60941-SGT	COVER,BULKHEAD	
7	6175GT	SCREW,HHC,3/8-16 X 1	
8	8255GT	SCREW,HHC,3/8-16 X .75	
9	6021GT	WASHER,LOCK,.375	
10	50060-SGT	CYLINDER,STEERING W/DECAL	
--	65793GT	SEAL KIT CYL***	
11	61310-SGT	PLATE,AXLE WEAR STEEL	
12	61307GT	SHIM,INNER AXLE WEAR PAD	
13	22788GT	SCREW,HHC,1/2-13 X 1.75	
14	6033GT	WASHER,LOCK,0.5"	
15	39479GT	SCREW,HHC,1/2-13 X 2.75	
16	61308GT	WEAR PAD,INNER AXLE SIDE	
17	122249GT	SHIM,PAD 2.0 X 6.60	
18	122248GT	SHIM,PAD,10 X 6.10	
19	61309GT	WEAR PAD,INNER AXLE.....	4
20	61368-SGT	INNER AXLE,MACHINED.....	1
21	825019GT	ROD END,.375 X 3.69,ZAG	
22	6326GT	SCREW,HHC,3/8-16 X 3	
23	60555GT	WASHER,THRUST 5 X 1.81 BRONZE	
24	60617GT	WELDMENT,AXLE KING PIN.....	8
25	119620GT	BEARING,1.75ID X 2.00OD X 1.50L.....	8
26	62440-SGT	YOKE ASSEMBLY,SUPERBOOM..... <i>includes items 25 and 27</i>	4
27	119619GT	BEARING,1.5ID X 1.75OD X 1.5L,PTFE.....	4
28	10597GT	SCREW,HHC,1/2-13 X 1.25 GR5	
29	60747GT	SHIM,STEER SENSOR ACTIVATOR.....	4
30	60618GT	ACTIVATOR,STEER SENSOR.....	4
31	49819GT	SCREW,PHILLIPS,PHM,10-32 X .5	
32	6607GT	WASHER,LOCK,#10 PLTD	
33	60745GT	SHIM,GALVANIZED STEER YOKE <i>as-needed</i>	

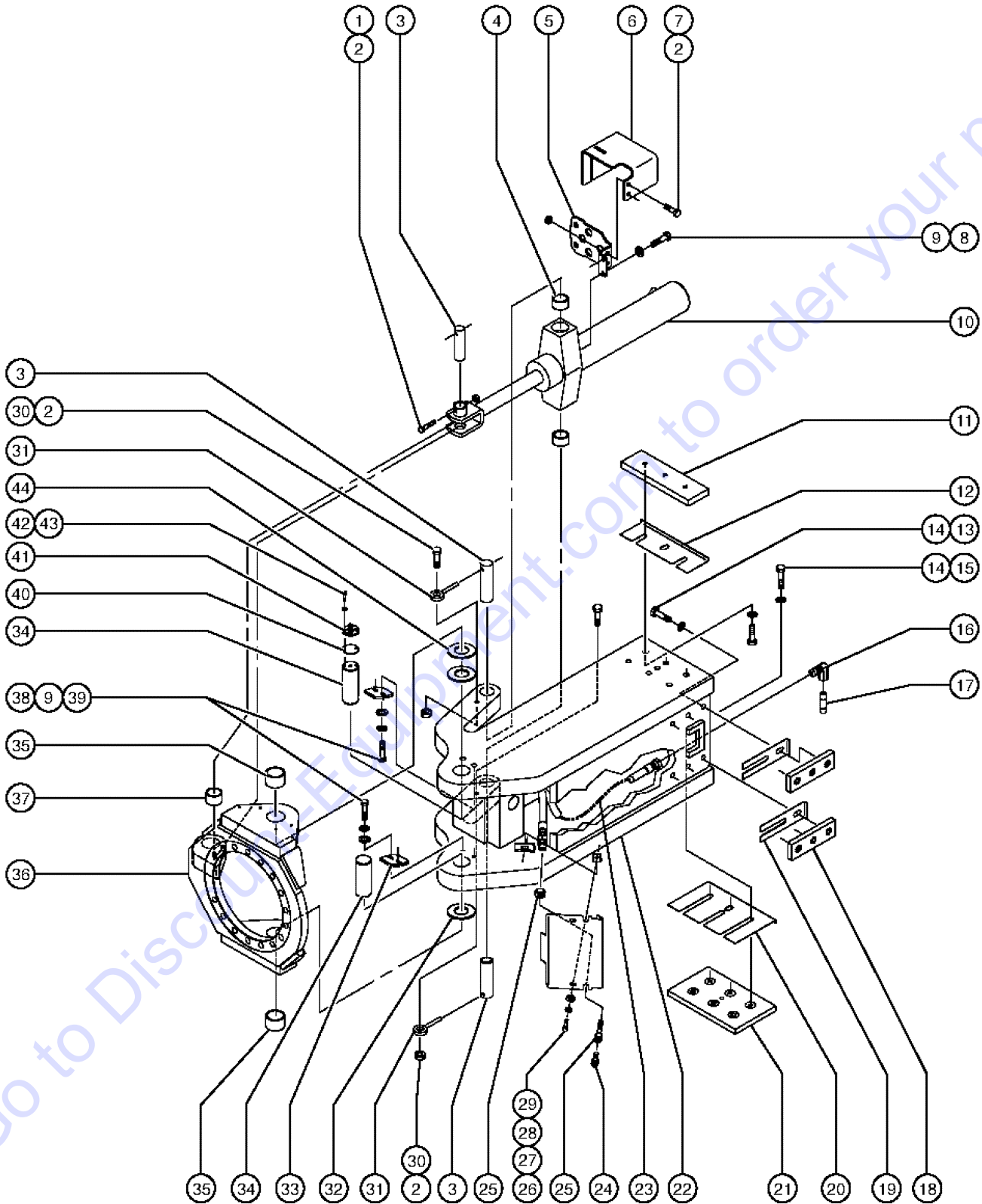
203.1 Extendable Steer Axle Installation - View 1 (from SN 136)



203.1 Extendable Steer Axle Installation - View 1 (from SN 136)

Item	Part No.	Description	Qty.
--	75404GT	HARNES,DCON 4WS to SN 1195	
--	102704GT	HARNES,DCON,4WS from SN 1196	
--	75637GT	CLAMP,NYL DBL GRIP 1.50 - 1.63	
1	61634-SGT	MACHINING,INNER AXLE.....	4
2	75060GT	SCREW,HEX HD FLANGE 1/4-20X1/2	
3	61682PGT	BRACKET,SWITCH ROD MOUNT,PNTED.....	2
4	61683GT	ROD,SWITCH ACTIVATING.....	2
5	61684GT	WEARPAD,ACTIVATING ROD.....	2
6	8514GT	SCREW,FHS,1/4-20 X .75	
7	49819GT	SCREW,PHILLIPS,PHM,10-32 X .5	
8	6178GT	NUT,NYLOCK,10-32	
9	60987GT	SWITCH,LIMIT,PROX(OPERATIONAL),64	
10	61688GT	WELDMENT,AXLE SWITCH.....	1
11	89536GT	CYLINDER,AXLE EXTEND***.....	2
--	226803GT	SEAL KIT (89536) for 89536	
--	33428GT	VALVE,COUNTERBALANCE	
--	43018GT	SEAL KIT (39345)	
--	62416GT	SEAL KIT,AXLE EXTEND CYL,61381 for 61381	
--	62419GT	VALVE,CB.CBBC-LHN@2200*	
12	61654PGT	FORMING,INNER AXLE COVER,PNTED.....	4
13	6090GT	SCREW,HHC,1/4-20 X .75	
14	6356GT	WASHER,LOCK,.25	
15	6638GT	WASHER,FLAT,USS,1/4"Y	
16	56912GT	SPRING CLIP,1/4-20,.025-.15X.54,ZAG	
17	18596GT	WASHER,FLAT,1.56 X 2.5 X .061	
18	61604GT	PIN,CLEVIS, 1.50 X 4.465LONG.....	4
19	75063GT	PIN,COTTER,.188 X 2.00 LONG	
20	75038GT	PIN,AXLE STOP.....	4
21	75040GT	SHIM,AXLE PIN	
22	75039-SGT	PLATE,AXLE PIN RETAINER.....	4
23	10597GT	SCREW,HHC,1/2-13 X 1.25 GR5	
24	6033GT	WASHER,LOCK,0.5"	
25	75036GT	LIMIT SWITCH,SAFETY.....	2
--	53983GT	STRAIN RELIEF, PG13,5	
--	75910GT	WIRE ASSEMBLY,16/4SJO,9.5"PLUG	
--	75913GT	LIMIT SWITCH, SAFETY,NO WIRE	
26	49817GT	SCREW,PHILLIPS,PHM,10-32 X1.25	
27	6607GT	WASHER,LOCK,#10 PLTD	

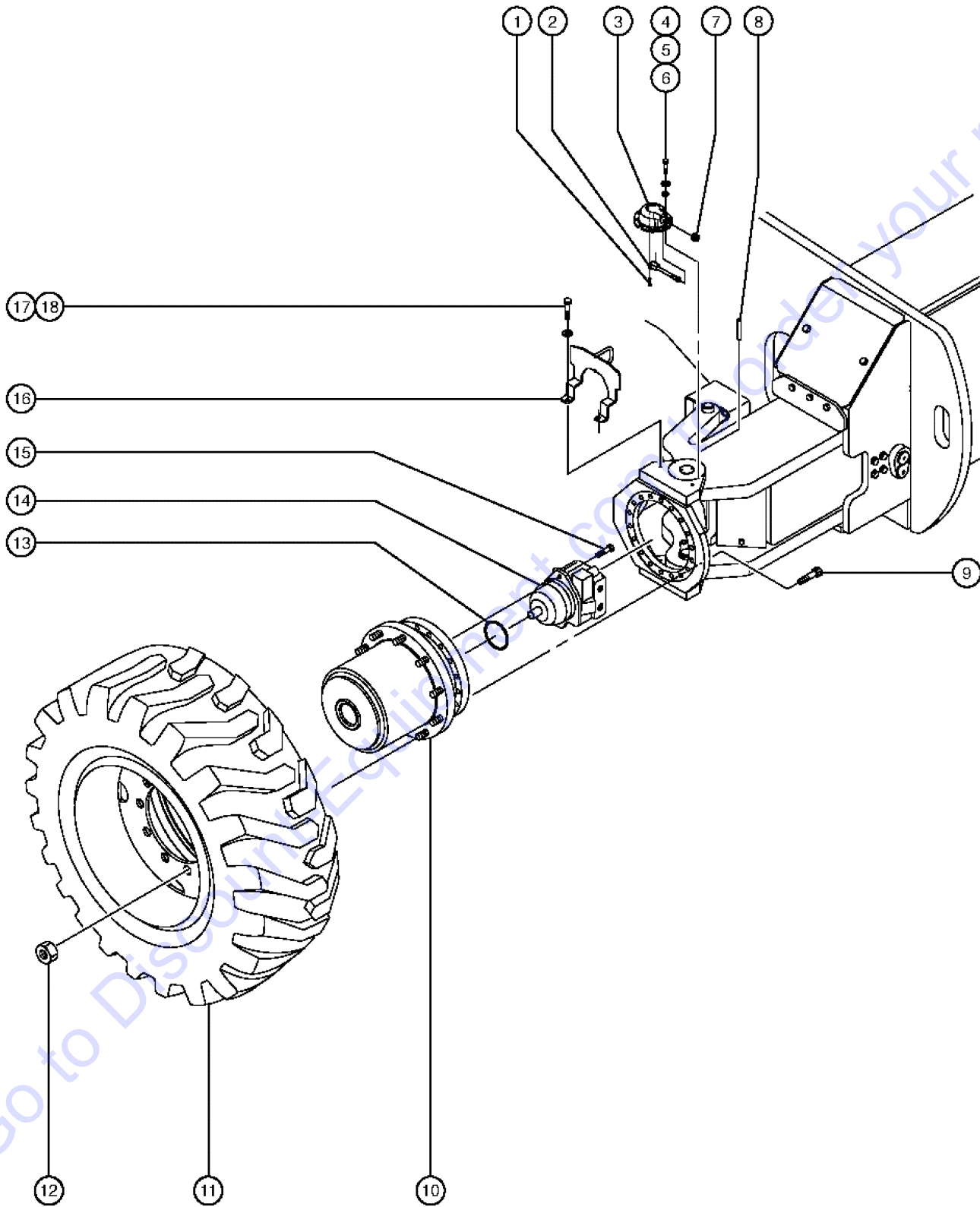
204.1 Extendable Steer Axle Installation - View 2 (from SN 136)



204.1 Extendable Steer Axle Installation - View 2 (from SN 136)

Item	Part No.	Description	Qty.	Item	Part No.	Description	Qty.
1	14033GT	SCREW,HHC,3/8-16 X 2.75		34	75087GT	PIN,AXLE KING.....	8
2	4828GT	NUT,NYLOCK,3/8-16		35	119620GT	BEARING,1.75IDX2.00ODX1.50L.....	8
3	60980GT	PIN,1.50DIA X 4.13LG,THREADED.....	12	36	75452-SGT	YOKE ASSEMBLY,SUPERBOOM,NRRW.....	4
4	18396GT	BEARING,1.5IDX1.75ODX1.0L.....	8			<i>includes items 35 and 37</i>	
5	75247PGT	FORMING,BULKHEAD MOUNT,PAINTED.....	4	37	119619GT	BEARING,1.5IDX1.75ODX1.5L,PTFE.....	4
6	61281-SGT	FORMING,BULKHEAD COVER.....	2	38	6019GT	SCREW,HHC,3/8-16 X 1.25 GRD 5	
--	60941-SGT	COVER,BULKHEAD		39	6097GT	WASHER,FLAT,USS,3/8",Y	
7	6175GT	SCREW,HHC,3/8-16 X 1		40	60747GT	SHIM,STEER SENSOR ACTIVATOR.....	4
8	8255GT	SCREW,HHC,3/8-16 X .75		41	60618GT	ACTIVATOR,STEER SENSOR.....	4
9	6021GT	WASHER,LOCK,.375		42	49819GT	SCREW,PHILLIPS,PHM,10-32 X .5	
10	50060-SGT	CYLINDER,STEERING W/DECAL.....	4	43	6607GT	WASHER,LOCK,#10 PLTD	
		<i>includes item 4</i>		44	60745GT	SHIM,GALVANIZED STEER YOKE	
--	65793GT	SEAL KIT CYL***					
11	61310-SGT	PLATE,AXLE WEAR STEEL.....	4				
12	61307GT	SHIM,INNER AXLE WEAR PAD					
13	22788GT	SCREW,HHC,1/2-13 X 1.75					
14	6033GT	WASHER,LOCK,0.5"					
15	39479GT	SCREW,HHC,1/2-13 X 2.75					
16	102729GT	ELBOW,90D,1/8 NPT X #4 JIC.....	4				
		<i>from SN 256</i>					
17	102728GT	NIPPLE,1/8 NPT X 3.0 FFS-S.....	4				
		<i>from SN 256</i>					
18	61308GT	WEAR PAD,INNER AXLE SIDE.....	16				
19	122249GT	SHIM,PAD 2.0 X 6.60					
20	122248GT	SHIM,PAD,10 X 6.10					
21	61309GT	WEAR PAD,INNER AXLE.....	4				
22	61634-SGT	MACHINING,INNER AXLE.....	4				
23	49189-2338GT	HOSE ASSY,1/4,STR FEM,STR.....	4				
		<i>from SN 256</i>					
24	28646GT	ZERK,GREASE,1/8 NPT.....	4				
		<i>from SN 256</i>					
25	48885GT	CONNECTOR,BULKHEAD,FEMALE-4...4					
		<i>from SN 256</i>					
26	6090GT	SCREW,HHC,1/4-20 X .75					
		<i>from SN 256</i>					
27	6356GT	WASHER,LOCK,.25					
		<i>from SN 256</i>					
28	6638GT	WASHER,FLAT,USS,1/4"Y					
		<i>from SN 256</i>					
29	56912GT	SPRING CLIP,1/4-20,.025-.15X.54,ZAG.....	8				
		<i>from SN 256</i>					
30	6326GT	SCREW,HHC,3/8-16 X 3					
31	825019GT	ROD END,.375X3.69,ZAG.....	8				
32	60555GT	WASHER,THRUST 5 X 1.81 BRONZE					
33	75088GT	PLATE,KING PIN RETAINER.....	8				

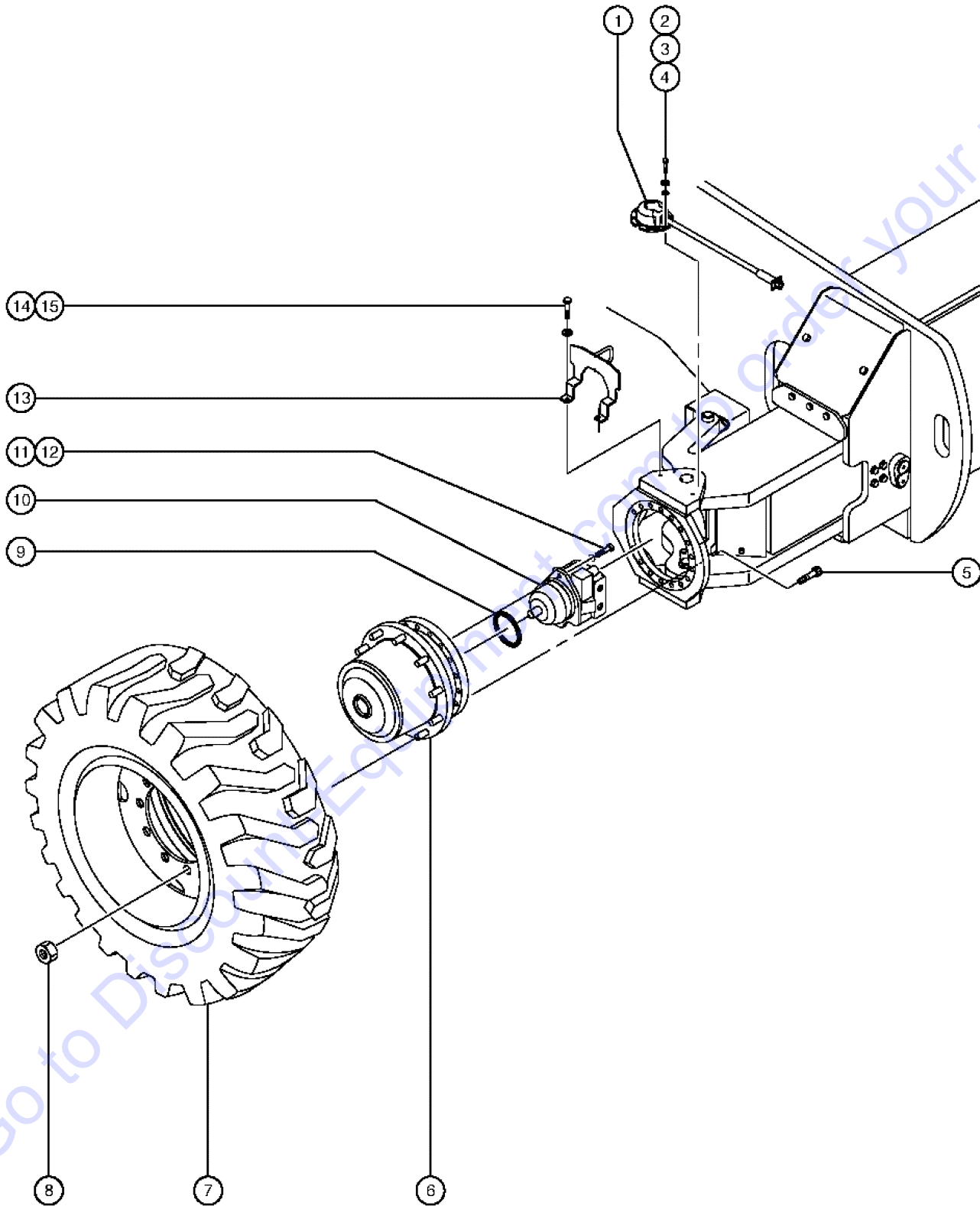
205.1 Steer Axle Wheels and Drive Hubs (to SN 135)



205.1 Steer Axle Wheels and Drive Hubs (to SN 135)

Item	Part No.	Description	Qty.
1	49817GT	SCREW,PHILLIPS,PHM,10-32 X1.25	
2	107867GT	KIT,SERVICE,STEER SENSOR.....4 <i>includes item 3</i>	
3	60609GT	COVER,STEERING SENSOR.....4	
4	8914GT	SCREW,HHC,1/4-20 X .625	
5	6356GT	WASHER,LOCK,.25	
6	6638GT	WASHER,FLAT,USS,1/4"Y	
7	60746GT	BUSHING, STRAIN RELIEF, 1".....4	
8	42770GT	PIN,DOWEL,.25X.75 STNLS STEEL	
9	60865GT	SCREW,SHC,M16 X 60MM,BLACK.....64 <i>use with drive hub 75090</i>	
10		Ref. Drive Hub with Brake (refer to 206.1)	
11	60956GT	TIRE & WHEEL ASSY.RIGHT,FOAM.....2 <i>RT, Foam-filled, right</i>	
--	60957GT	TIRE & WHEEL ASSY.LEFT,FOAM <i>RT, Foam-filled, left</i>	
12	34127GT	NUT,LUG,3/4-16 X 7/8 RADIUS.....40	
13	61354GT	O-RING, 2-158*.....4 <i>to SN 109</i>	
14	50169GT	MOTOR,PISTON,2 SPEED,REXROTH...4	
--	62403GT	SHAFT SEAL,50169,REXROTH MTR	
--	62404GT	CONTROLLER,SPEED,50169 REXROTH	
--	75400GT	SHAFT,OUTPUT,DRIVE MTR 50169	
--	77806GT	SEAL KIT,DRIVE MOTOR***	
15	56843GT	SCREW,SHC,1/2-13 X 1.50,A574.....8	
16	60776-SGT	WELDMENT,GUIDE BRACKET.....4	
17	8255GT	SCREW,HHC,3/8-16 X .75	
18	6021GT	WASHER,LOCK,.375	

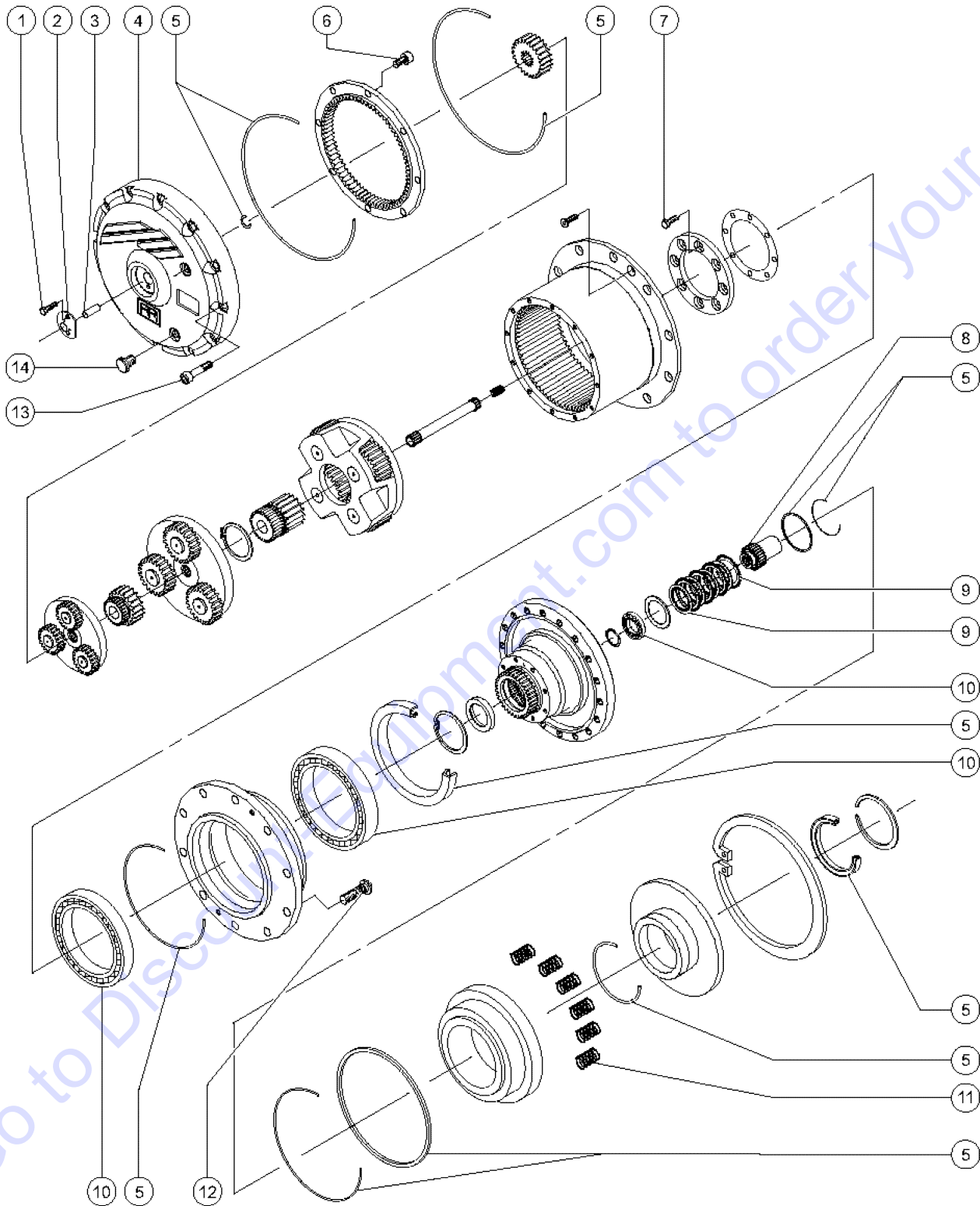
205.2 Steer Axle Wheels and Drive Hubs (from SN 136)



205.2 Steer Axle Wheels and Drive Hubs (from SN 136)

Item	Part No.	Description	Qty.
1	107830GT	SUBASSY,STEER SENSOR***.....4 <i>(calibration required after replacement)</i>	4
--	49817GT	SCREW,PHILLIPS,PHM,10-32 X1.25	
2	8914GT	SCREW,HHC,1/4-20 X .625	
3	6356GT	WASHER,LOCK,.25	
4	6638GT	WASHER,FLAT,USS,1/4"Y	
5	102064GT	SCREW,SHC,M16 X 50MM,BLACK.....64 <i>use with drive hub 89212 or 106756</i>	64
6		Ref. Drive Hub with Brake (refer to 206.2)	
7A	60956GT	TIRE & WHEEL ASSY.RIGHT,FOAM.....2 <i>RT, Foam-filled, right</i>	2
7B	60957GT	TIRE & WHEEL ASSY.LEFT,FOAM <i>RT, Foam-filled, left</i>	
7C	227798GT	TIRE & WHEEL ASSY.RIGHT,FOAM <i>RT, Foam-filled RNU, right</i>	
7D	227799GT	TIRE & WHEEL ASSY.LEFT,FOAM <i>RT, Foam-filled RNU, left</i>	
8	34127GT	NUT,LUG,3/4-16 X 7/8 RADIUS.....40	40
9	106118GT	O-RING,2-157,VITON***.....4	4
10	50169GT	MOTOR,PISTON,2 SPEED,REXROTH...4 <i>to SN 257</i>	4
--	77806GT	SEAL KIT,DRIVE MOTOR*** <i>part of piston motor 50169; to SN 257</i>	
--	62403GT	SHAFT SEAL,50169,REXROTH MTR <i>part of piston motor 50169; to SN 257</i>	
--	62404GT	CONTROLLER,SPEED,50169 REXROTH <i>part of piston motor 50169; to SN 257</i>	
--	139345GT	KIT,REX TO SAUER DRIVE MOTOR.....1 <i>Must order this kit for first time replacement, includes 4 each piston motor part 101070; to SN 257</i>	1
--	75400GT	SHAFT,OUTPUT,DRIVE MTR 50169 <i>part of piston motor 50169; to SN 257</i>	
--	101070GT	MOTOR,PISTON,2 SPEED,45CC.....4 <i>includes item 9; from SN 258</i>	4
--	106098GT	SEAL KIT,MOTOR,LC/KC*** <i>part of piston motor 101070; from SN 258</i>	
11	56843GT	SCREW,SHC,1/2-13 X 1.50,A574.....8 <i>to SN 906</i>	8
--	10597GT	SCREW,HHC,1/2-13 X 1.25 GR5 <i>from SN 907</i>	
12	13066GT	WASHER,FLAT,.5 HARDENED	
13	61662-SGT	WELDMENT,GUIDE BRACKET.....4	4
14	8255GT	SCREW,HHC,3/8-16 X .75	
15	6021GT	WASHER,LOCK,.375	

206.1 Drive Hub Assembly with Brake (to SN 204)

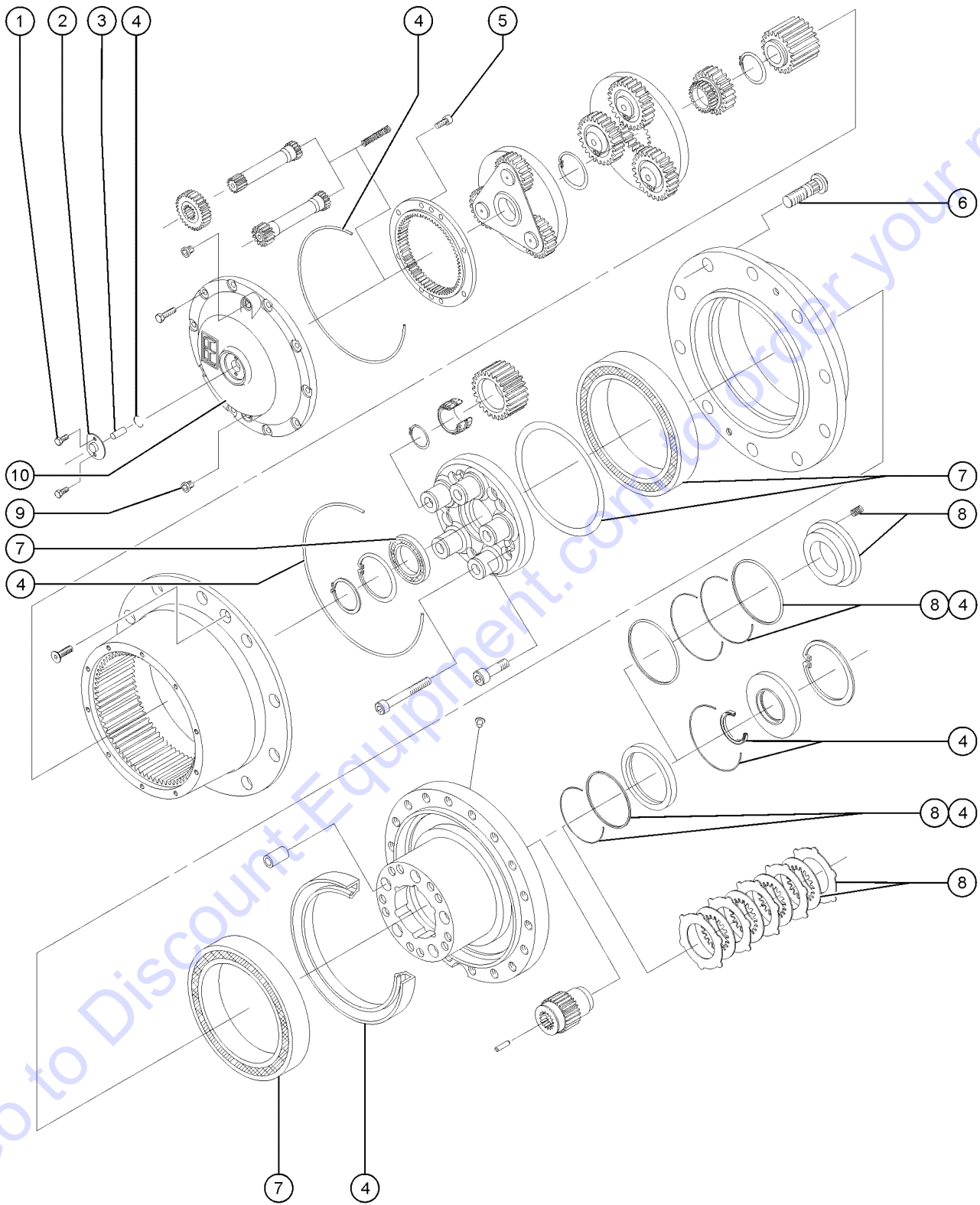


206.1 Drive Hub Assembly with Brake (to SN 204)

Item	Part No.	Description	Qty.
--	75090GT	GEARBOX,WHEEL DRIV W/BRAKE,SLD	
1	7339GT	SCREW, HHC, 1/4-20 X .5	
2	62472GT	CAP,MANUAL DISENGAGE,75090.....1	
3	62473GT	PIN,DISENGAGE CAP, 75090.....1	
4	62474GT	COVER-END, 75090 DRIVE HUB.....1	
5	58317GT	SEAL KIT,BRAKE,DRIVE HUB,S125.....1	
6	62476GT	SCREW,SHC,M10X1.5X20MM (75090)	
7	62477GT	SCREW,SHC,M10X1.5X80MM (75090)	
8	62479GT	SHAFT,INPUT,DRIVE HUB 75090.....1	
9	62468GT	BRAKE DISC KIT,75090.....1	
10	62464GT	BEARING KIT,DRIVE HUB SUPRBOOM.....1	
11	230979GT	SPRING,BRAKE,DRIVE 75090.....6 <i>single spring</i>	
12	62478GT	STUD, WHEEL, 3/4-16 X 3****	
13	62475GT	SCREW,SHC,M10X1.5X40MM (75090)	
14	75107GT	PLUG,DRAIN,RR TRANS.DRIVE HUBS.....2	

Go to Discount-Equipment.com to order your parts

206.2 Drive Hub Assembly with Brake (from SN 205)

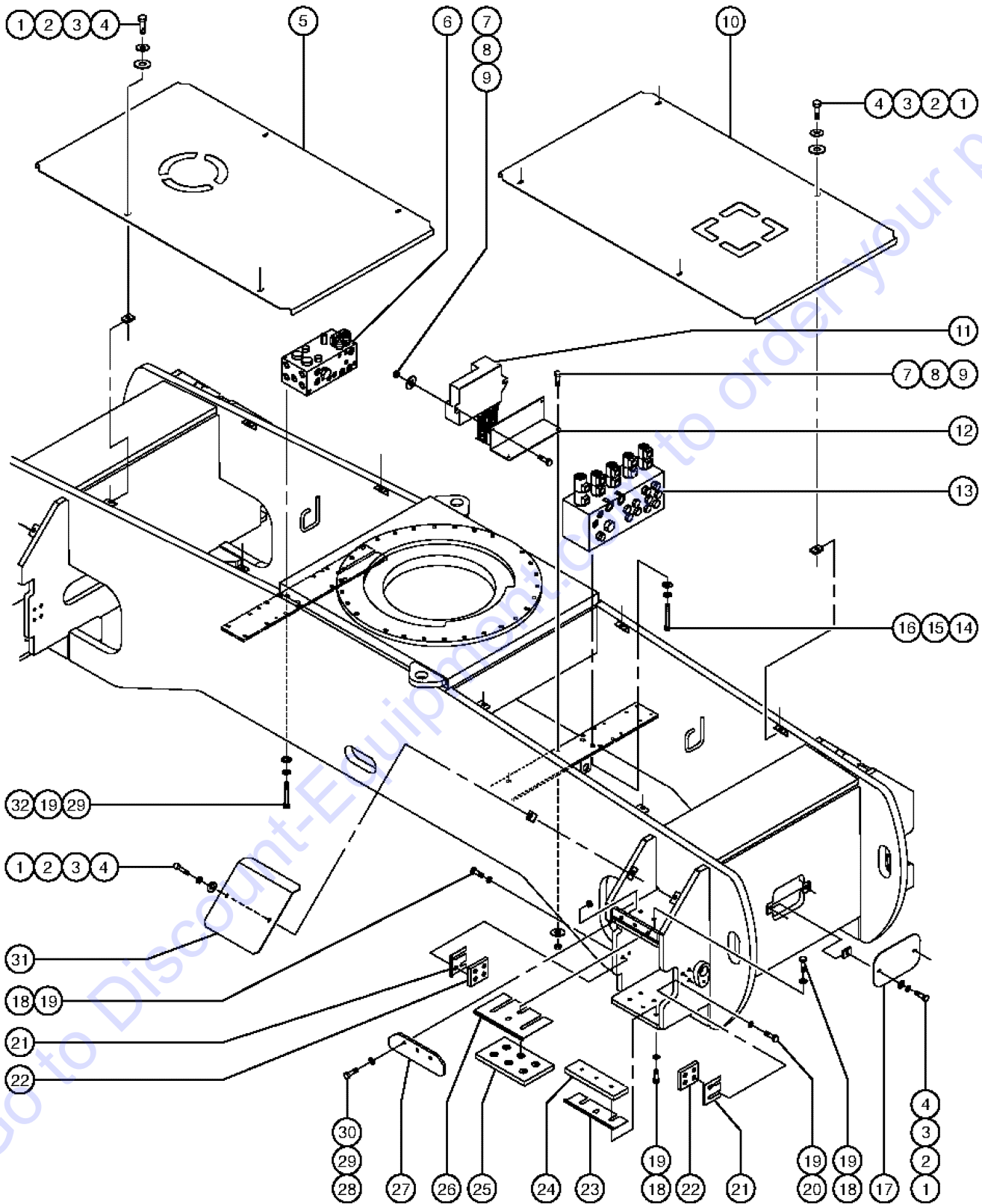


206.2 Drive Hub Assembly with Brake (from SN 205)

Item	Part No.	Description	Qty.
--	89212GT	WHEEL DRIVE W/BRAKE,85:1 to SN 291	
--	106756GT	WHEEL DRIVE W/BRAKE,76:1 from SN 292	
1	7339GT	SCREW, HHC, 1/4-20 X .5	
2	102449GT	CAP,MANUAL DISENGAGE (89212).....1	
3	102450GT	PIN,DISENGAGE CAP, 89212.....1	
4	106873GT	SEAL KIT,RWD 1700TB***.....1	
5	102452GT	SCREW,M8X1.5X20MM GR8.8(89212)	
6	62478GT	STUD, WHEEL, 3/4-16 X 3****.....10	
7	106874GT	BEARING KIT,RWD 1700TB***.....1	
8	106875GT	BRAKE KIT,RWD 1700TB***.....1	
9	102684GT	PLUG,DRAIN,RR TRANS.DRIVE HUBS.....2	
10	237233GT	HUB, WHEEL COVER,Z135 (106756) from SN 292	
--	237232GT	O-RING, WHEEL COVER (237233) from SN 292	

Go to Discount-Equipment.com to order your parts

207.1 Chassis Components (to SN 135)

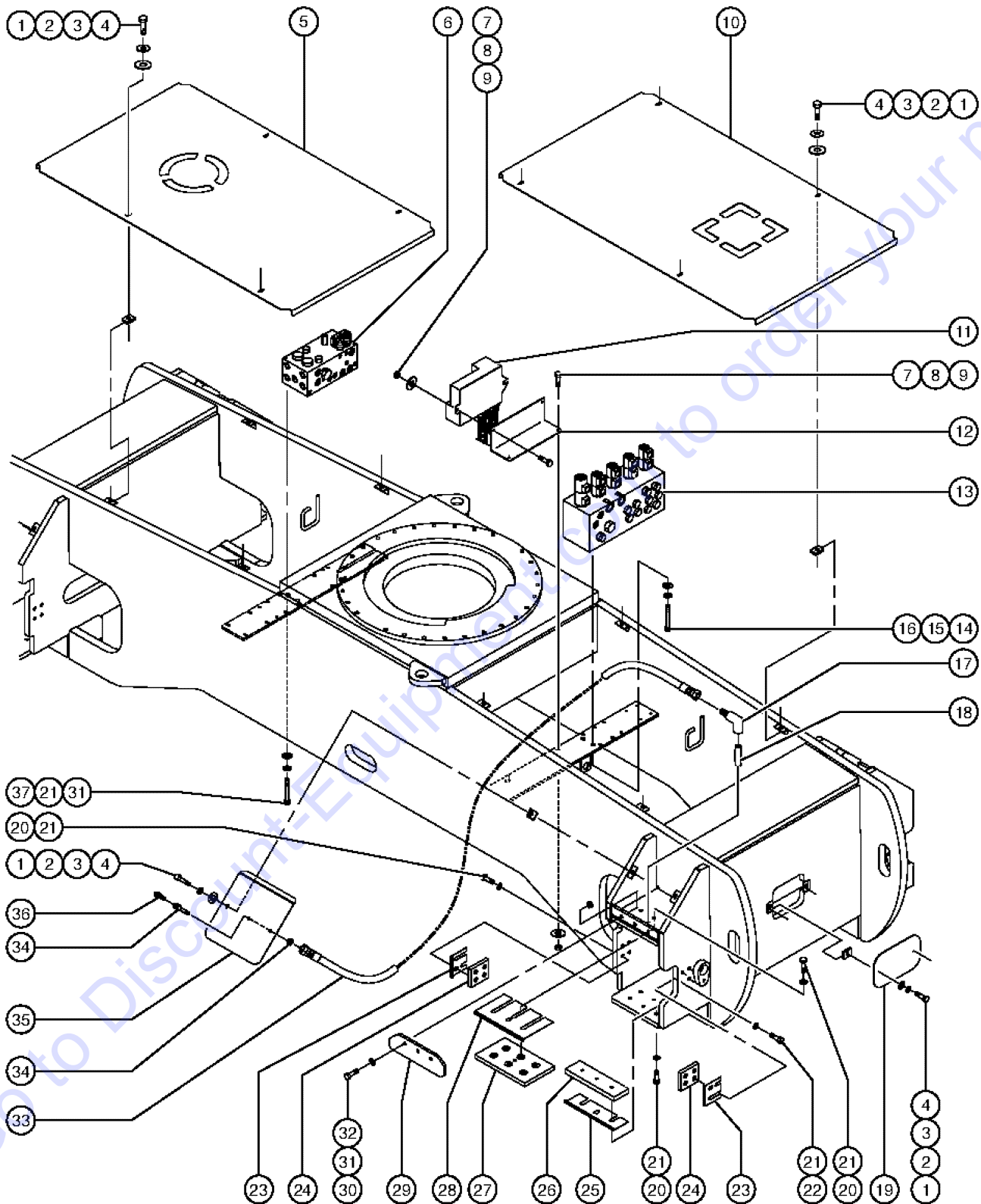


207.1 Chassis Components (to SN 135)

Item	Part No.	Description	Qty.
1	6888GT	SCREW,HHC,1/4-20 X 1	
2	6356GT	WASHER,LOCK,.25	
3	6638GT	WASHER,FLAT,USS,1/4"Y	
4	56912GT	SPRING CLIP,1/4-20,.025-.15X.54,ZAG	
5	62470-SGT	COVER ASSY,DRIVE CHASSIS S120....1	
6		Ref. Traction Manifold (refer to 701.1)	
7	6782GT	NUT,NYLOCK,5/16-18	
8	5397GT	WASHER,FLAT,USS,5/16",Y	
9	10107GT	SCREW,HHC,5/16-18 X .75	
10	62471-SGT	COVER ASSY,DRIVE CHASSIS S120*.....1	
11	50154GT	CONTROL BOX ASSY,DRIVECHASSIS.....1	
--	60387GT	HARNES,DCON 4WS	
12	61378-SGT	FORMING,DCON MOUNT,PAINTED.....1	
13		Ref. Steer and Axle Extend/Retract Manifold (refer to 702.1 or 703.1)	
14	6019GT	SCREW,HHC,3/8-16 X 1.25 GRD 5	
15	6021GT	WASHER,LOCK,.375	
16	6097GT	WASHER,FLAT,USS,3/8",Y	
17	61239-SGT	COVER,DRIVE CHASSIS END PAINT....2	
18	8177GT	SCREW,HHC,1/2-13 X 1.5	
19	6033GT	WASHER,LOCK,0.5"	
20	22788GT	SCREW,HHC,1/2-13 X 1.75	
21	122247GT	SHIM,PAD,4 X 3.60	
22	61302GT	WEAR PAD,INNER AXLE SIDE.....8	
23	61307GT	SHIM,INNER AXLE WEAR PAD	
24	61310-SGT	PLATE,AXLE WEAR STEEL.....4	
25	61309GT	WEAR PAD,INNER AXLE.....4	
26	122248GT	SHIM,PAD,10 X 6.10	
27	60418-SGT	PLATE,WEAR PAD RETENTION.....4	
28	6096GT	SCREW,HHC,1/2-13 X 2 GR5	
29	6095GT	WASHER,FLAT,USS,1/2",Y	
30	6198GT	NUT,NYLOCK,1/2-13	
31	60416-SGT	COVER,DRIVE CHASSIS AXLE.....4	
32	10597GT	SCREW,HHC,1/2-13 X 1.25 GR5	

Go to www.genieequipment.com to order your parts

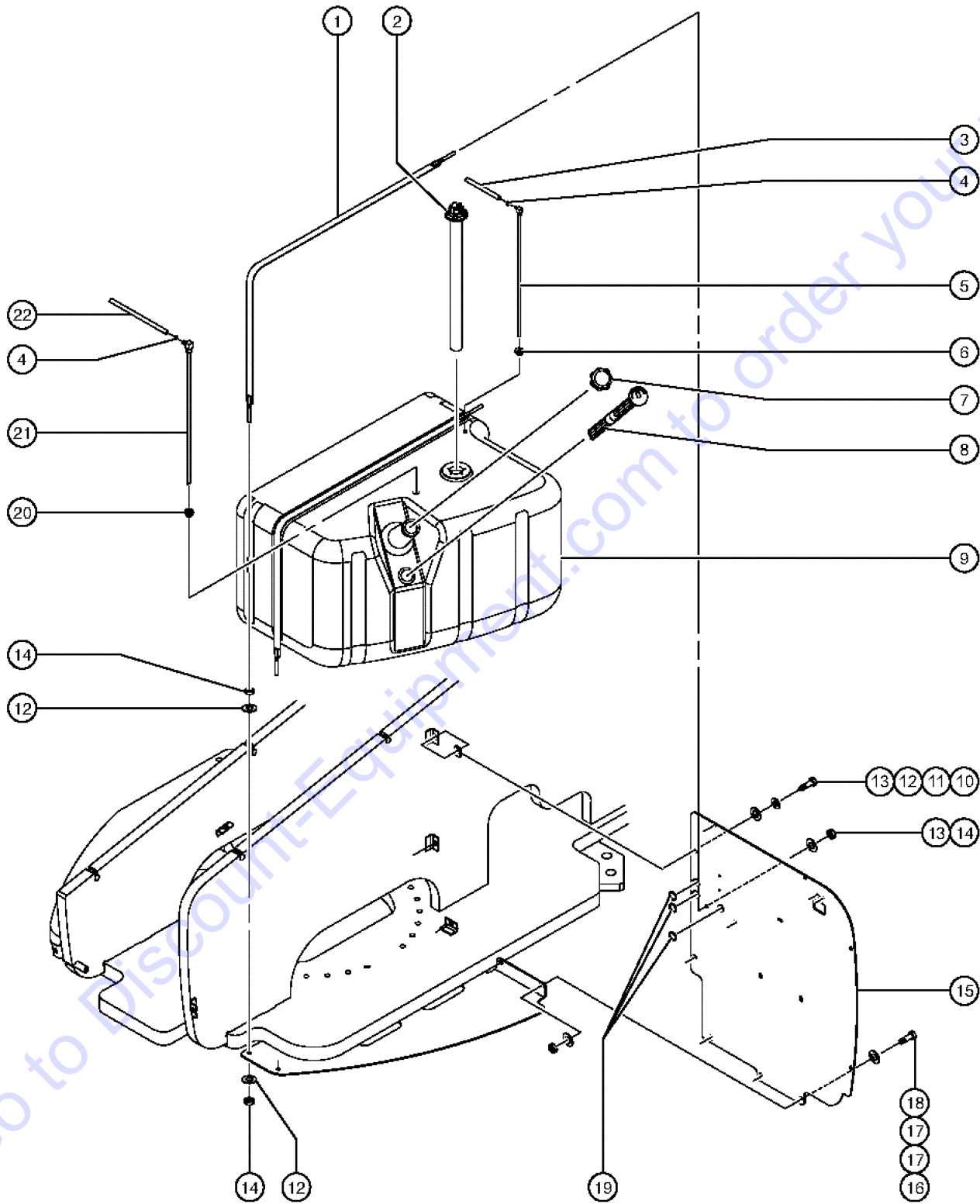
207.2 Chassis Components (from SN 136)



207.2 Chassis Components (from SN 136)

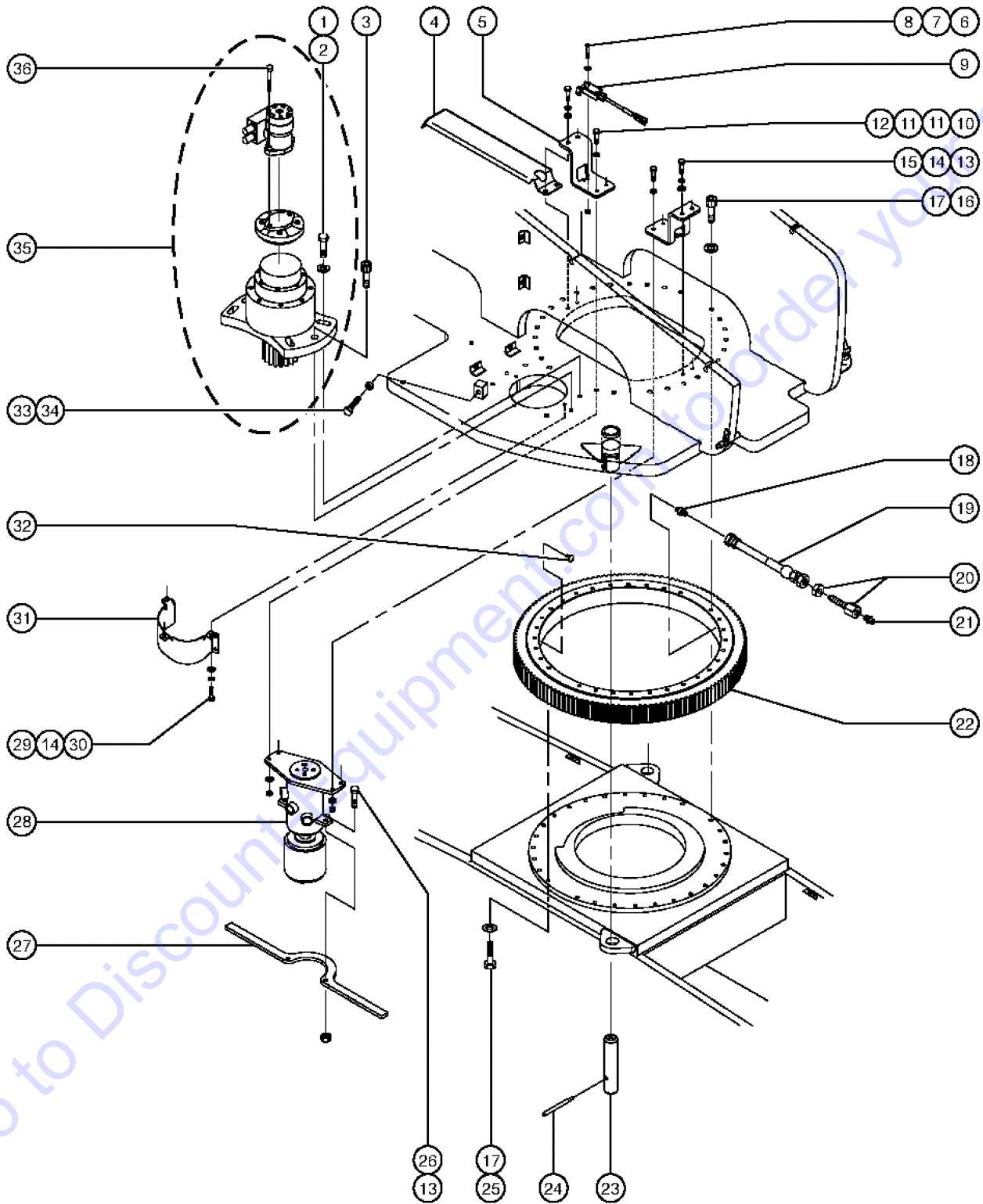
Item	Part No.	Description	Qty.	Item	Part No.	Description	Qty.
1	6888GT	SCREW,HHC,1/4-20 X 1		32	6198GT	NUT,NYLOCK,1/2-13	
2	6356GT	WASHER,LOCK,.25		33	49189-2338GT	HOSE ASSY,1/4,STR FEM,STR.....4 <i>from SN 256</i>	4
3	6638GT	WASHER,FLAT,USS,1/4"Y		34	48885GT	CONNECTOR,BULKHEAD,FEMALE-4...4	4
4	56912GT	SPRING CLIP,1/4-20,.025-.15X.54,ZAG		35	61649-SGT	COVER,DRIVE CHASSIS AXLE.....4	4
5	62470-SGT	COVER ASSY,DRIVE CHASSIS S120....1		36	28646GT	ZERK,GREASE,1/8 NPT.....4 <i>from SN 256</i>	4
6		Ref. Traction Manifold (refer to 701.2)		37	10597GT	SCREW,HHC,1/2-13 X 1.25 GR5	
7	6782GT	NUT,NYLOCK,5/16-18					
8	5397GT	WASHER,FLAT,USS,5/16",Y					
9	10107GT	SCREW,HHC,5/16-18 X .75					
10	62471-SGT	COVER ASSY,DRIVE CHASSIS S120*.....1	1				
11	50154GT	CONTROL BOX ASSY,DRIVECHASSIS.....1	1				
--	102704GT	HARNESS,DCON,4WS <i>from SN 292</i>					
--	102705GT	HARNESS,DRIVE,2WS,SB <i>from SN 292</i>					
--	73742GT	BOOT,PLUG 3 WAY <i>from SN 292</i>					
--	75404GT	HARNESS,DCON 4WS <i>to SN 291</i>					
--	75405GT	HARNESS,DCON 2WS <i>to SN 291</i>					
12	61378-SGT	FORMING,DCON MOUNT,PAINTED.....1	1				
13		Ref. Steer and Axle Extend/Retract Manifold (refer to 704.1 or 705.1)					
14	6019GT	SCREW,HHC,3/8-16 X 1.25 GRD 5					
15	6021GT	WASHER,LOCK,.375					
16	6097GT	WASHER,FLAT,USS,3/8",Y					
17	102729GT	ELBOW,90D,1/8 NPT X #4 JIC.....4 <i>from SN 256</i>	4				
18	61742GT	NIPPLE,PIPE,LONG 1/8 X 1.5.....4 <i>from SN 256</i>	4				
19	61663PGT	COVER,DRIVE CHASSIS END**.....2	2				
20	8177GT	SCREW,HHC,1/2-13 X 1.5					
21	6033GT	WASHER,LOCK,0.5"					
22	22788GT	SCREW,HHC,1/2-13 X 1.75					
23	122247GT	SHIM,PAD,4 X 3.60					
24	61302GT	WEAR PAD,INNER AXLE SIDE.....8	8				
25	61307GT	SHIM,INNER AXLE WEAR PAD					
26	61310-SGT	PLATE,AXLE WEAR STEEL.....4	4				
27	61309GT	WEAR PAD,INNER AXLE.....4	4				
28	122248GT	SHIM,PAD,10 X 6.10					
29	60418-SGT	PLATE,WEAR PAD RETENTION.....4	4				
30	6096GT	SCREW,HHC,1/2-13 X 2 GR5					
31	6095GT	WASHER,FLAT,USS,1/2",Y					

301.1 Fuel Tank Installation



Item	Part No.	Description	Qty.
1	60938GT	STRAP ASSY,FUEL TANK 52".....	2
--	31658GT	EXTRUSION,RUBBER BUMPER STRIP	
2	60890GT	SENDER,LOW FUEL INDICATOR.....	1
3	35418GT	HOSE,FUEL,3/16,SAE 30R7	
--	35418GT	HOSE,FUEL,3/16,SAE 30R7	
4	21465GT	CLAMP,HOSE,SIZE .25 TO .63.....	2
5	102106GT	FUEL RETURN,DAPCO 5/16".....	1
--	70387GT	FUEL RETURN,DAPCO 3/8"	
--	88091GT	FUEL RETURN,DAPCO 1/4"	
6	61240GT	BUSHING,FUEL TANK FITTING (SM).....	1
7	101726GT	CAP,FUEL,DIESEL,1/8"VENT(GRN).....	1
8	60492GT	GAUGE,FUEL LEVEL 17" REMOTE.....	1
		<i>to SN 178</i>	
9	61236GT	ASSEMBLY,FUEL TANK,40 GAL***	1
		<i>includes items 2, 6, 20 and 21</i>	
10	6888GT	SCREW,HHC,1/4-20 X 1	
11	6356GT	WASHER,LOCK,.25	
12	6638GT	WASHER,FLAT,USS,1/4"Y	
13	56912GT	SPRING CLIP,1/4-20,.025-.15X.54,ZAG	
14	6054GT	NUT,HEX,3/8-24	
15	60482-SGT	PLATE,FUEL TANK BULKHEAD.....	1
		<i>to SN 132</i>	
--	75554PGT	PLATE, FUEL TRAY BULKHEAD, PTD	
		<i>from SN 133</i>	
16	6019GT	SCREW,HHC,3/8-16 X 1.25 GRD 5	
17	6097GT	WASHER,FLAT,USS,3/8",Y	
18	4828GT	NUT,NYLOCK,3/8-16	
19	60584GT	GROMMET,RUBBER .75 X .19 X 1**	3
20	7-121-07GT	BUSHING,RUBBER,LARGE.....	1
21	60805GT	TUBE ASSY,FUEL TANK,20.75"LG.....	1
22	42941GT	HOSE,3/8",FUEL,30R7	

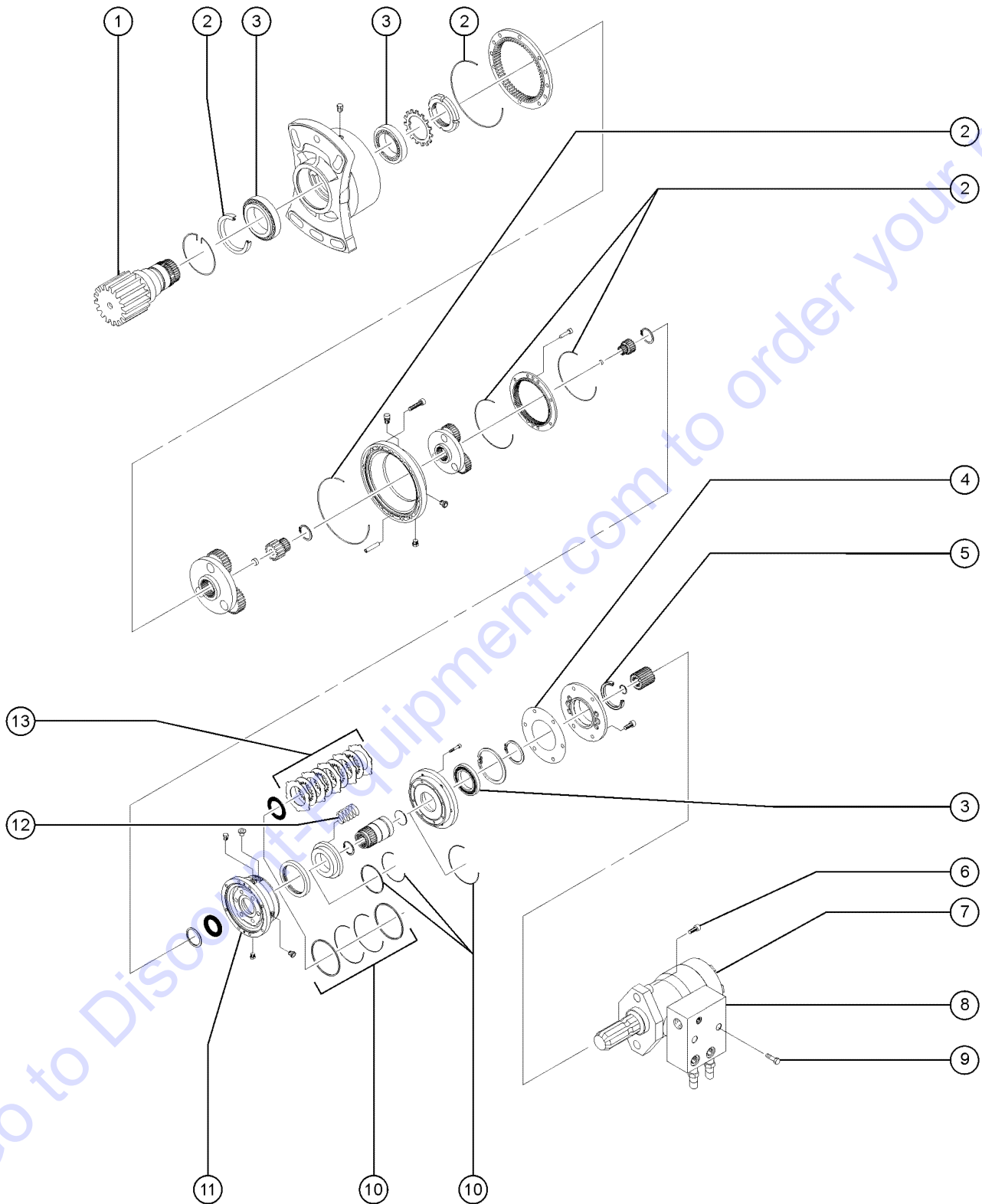
302.1 Turntable Rotator and Hydraulic Rotary Coupler Installation



302.1 Turntable Rotator and Hydraulic Rotary Coupler Installation

Item	Part No.	Description	Qty.	Item	Part No.	Description	Qty.
1	34348GT	SCREW,HHC,3/4-10 X 3 GRD.8.....	5	--	T106956GT	SEAL,O-RING,SQUARE <i>part of swivel assemblies 61342, 89437 and 107533</i>	
2	89833GT	WASHER,FLAT,.81 X 2.00 X .38.....	5	--	T106960GT	SEAL, CAP <i>part of swivel assemblies 61342, 89437 and 107533</i>	
3	60815GT	SCREW,SHS,3/4-10 X 1.5		--	75128GT	SPACER,SWIVEL MOUNT <i>part of swivel assemblies 61342 and 89437</i>	
4	60937-SGT	FORMING,HOSE SUPPORT,SWING.....	1	--	102279GT	ROTATOR,ELECT,10 CONT*** <i>part of swivel assemblies 89437 and 107533</i>	
5	60575PGT	BRACKET,HYD.ROTATOR MOUNT MNT.....	2	--	106914GT	CHANNEL, MOUNTING <i>part of swivel assemblies 107533 and 122918</i>	
6	49775GT	SCREW,PHILLIPS,PHM,10-32X 1.75		--	62321GT	SEAL KIT,HYD SWIVEL (75126)***	
7	6146GT	WASHER,FLAT,MS,#10,Y		--	75129GT	ARM,ANTI-ROTATION,SWIVEL***	
8	6178GT	NUT,NYLOCK,10-32		--	10107GT	SCREW,HHC,5/16-18 X .75	
9	75037GT	LIMIT SWITCH,OPERATIONAL.....	1	--	75130GT	SCREW,SHC,7/16-14 X .75,61342	
10	13918GT	SCREW,HHC,3/8-16 X 1.75,GRD.8.....	4	29	10587GT	SCREW,HHC,1/2-13 X.75	
11	5397GT	WASHER,FLAT,USS,5/16",Y		30	49410GT	WASHER,FLAT,M12	
12	4828GT	NUT,NYLOCK,3/8-16		31	60606-SGT	COVER,ROTATION GEAR.....	1
13	6096GT	SCREW,HHC,1/2-13 X 2 GR5		32	75008GT	PLUG,PIPE HEXHEAD 130109E-1/8.....	1
14	6033GT	WASHER,LOCK,0.5"		33	61128GT	SCREW,HHC,3/4-10 X 4 FULL THRD	
15	11209GT	WASHER,FLAT,USS,7/16",Y		34	6126GT	NUT,HEX,JAM,3/4-10	
16	45495GT	SCREW,SHC,5/8-11 X 3.00,A574.....	30	35		Ref. Turntable Rotation Drive Hub, Motor and Brake Assembly (refer to 303.1)	
17	13064GT	WASHER,FLAT,.625 HARDENED.....	58	36	56843GT	SCREW,SHC,1/2-13 X 1.50,A574.....	2
18	75007GT	CONN.MALE PIPE/ORFS-4.....	1				
19	61324-12947GT	HOSE ASSY,1/4".....	1				
20	48885GT	CONNECTOR,BULKHEAD,FEMALE-4.....	1				
21	28646GT	ZERK,GREASE,1/8 NPT.....	1				
22	50035GT	BEARING,TURNTABLE.....	1				
--	227785GT	BEARING TURNTABLE SEAL***					
23	61222GT	PIN,TRANSPORT STORAGE LOCK.....	1				
24	61223GT	PIN,TRANSPORT STORAGE HANDLE.....	1				
25	61250GT	SCREW,SHC,5/8-11 X 3.75,A574.....	28				
26	6198GT	NUT,NYLOCK,1/2-13					
27	60393-SGT	SUPPORT,HYDRAULIC SWIVEL.....	1				
28	61342GT	SWIVEL,HYD/ELEC 5 PORT/11 CONT..1 <i>(complete); to SN 135</i>					
28A	75127GT	COUPLER, ELECT. ROT, 11 CONT <i>part of swivel assembly 61342; to SN 135</i>					
--	122918GT	SWIVEL,HYD/ELEC 5 PORT/10 CONT <i>(complete) replaces swivel assemblies 61342, 89437 and 107533; from SN 136</i>					
--	122919GT	SWIVEL,ELECTRIC 10 CONTACT*** <i>part of swivel assembly 122918</i>					
--	75126GT	SWIVEL,HYDRAULIC,5 PORT <i>part of swivel assemblies 61342, 89437 and 107533</i>					
--	T106954GT	SEAL, O-RING LIP <i>part of swivel assemblies 61342, 89437 and 107533</i>					
--	T106955GT	SEAL, POLY, CHAMFER <i>part of swivel assemblies 61342, 89437 and 107533</i>					

303.1 Turntable Rotation Drive Hub, Motor and Brake Assembly

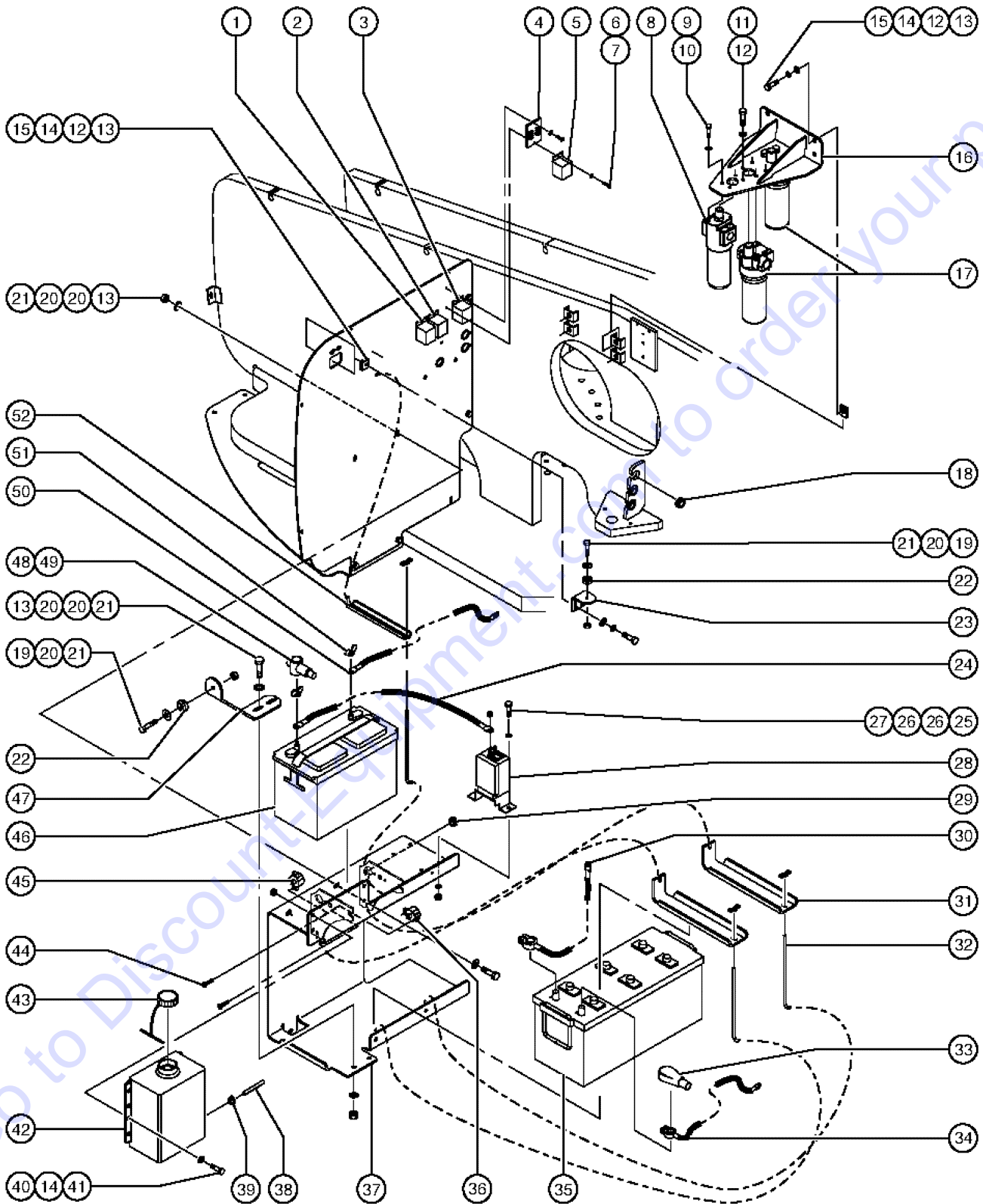


303.1 Turntable Rotation Drive Hub, Motor and Brake Assembly

Item	Part No.	Description	Qty.
--	111145GT	SWING DRIVE ASSEMBLY	
1		SHAFT-OUTPUT (60810).....1 <i>component no longer available</i>	
2	62465GT	SEAL KIT,DRIVE HUB,TURNTBL.ROT...1	
3	62467GT	BEARING KIT,TURNTBL.ROT.DRVHUB.....1	
4	122336GT	GASKET,(111145).....1	
5	122337GT	OIL SEAL,(111145).....1	
6	56843GT	SCREW,SHC,1/2-13 X 1.50,A574	
7	60812GT	MOTOR,TURNTABL ROT.ASSY.60751.....1 <i>to SN 414</i>	
--	111144GT	MOTOR,SWING DRIVE (111145) <i>from SN 415</i>	
--	75116GT	SEAL KIT,TURNTABL.ROT.MOTOR	
8	128447GT	MANIFOLD,TURNTABLE ROTATION....1	
9	41489GT	SCREW,SHC,5/16-18 X 2,PLATED	
10	62466GT	SEAL KIT,BRAKE,TURNTABLE ROT**...1	
11	60811GT	BRAKE,TURNTABL ROT ASSY,60751* <i>includes items 3, 9, 11 and 12; to SN 414</i>	
--	111143GT	BRAKE,SWING DRIVE (111145) <i>from SN 415</i>	
12	75682GT	DISC KIT DRIVE TURNTABLE Z-60*....1	
13	62468GT	BRAKE DISC KIT,75090.....1	

Go to Discount-Equipment.com to order your parts

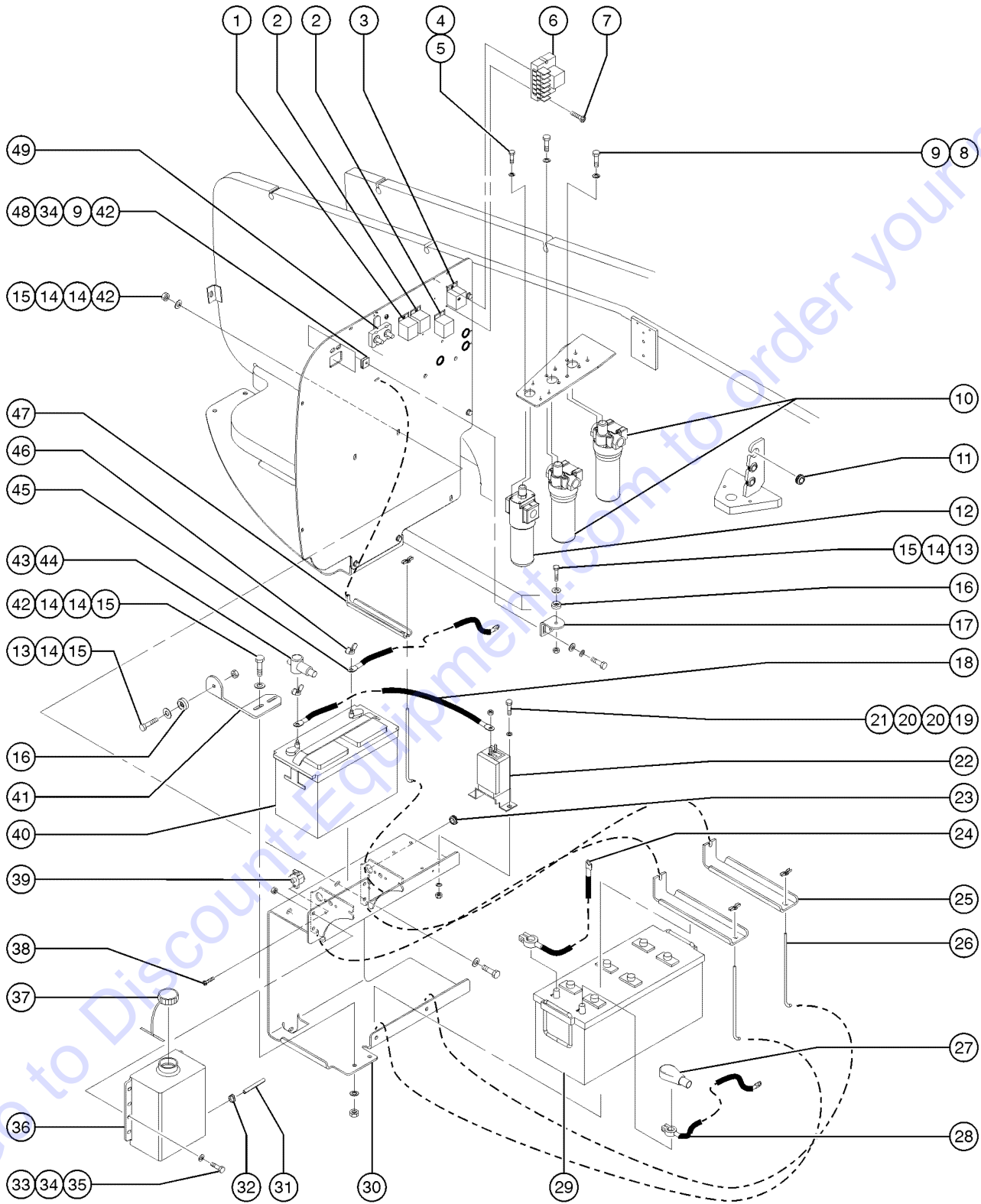
304.1 Batteries and Hydraulic Fitters Installation (to SN 133)



304.1 Batteries and Hydraulic Fitters Installation (to SN 133)

Item	Part No.	Description	Qty.	Item	Part No.	Description	Qty.
1	60521GT	RELAY,SEALED 30/40 AMP.....1 <i>Deutz models</i>	1	--	215209GT	KIT, BATT SEPARATOR, CE <i>includes part 237068</i>	
2	61225GT	RELAY,12VDC,70AMP,SEALED.....1 <i>Deutz models</i>	1	--	215210GT	KIT, BATT SEPARATOR, AS <i>includes part 237068</i>	
3	60521GT	RELAY,SEALED 30/40 AMP.....1 <i>Deutz models</i>	1	29	60584GT	GROMMET,RUBBER .75 X .19 X 1**.....1	
3	61225GT	RELAY,12VDC,70AMP,SEALED <i>Cummins and Perkins models</i>	1	30	60928GT	CABLE,BATTERY NEGATIVE.....1	
4	89997GT	RELAY MODULE(89996,89998).....1	1	31	60711GT	HOLD DOWN,BATTERY.....2	
5	61225GT	RELAY,12VDC,70AMP,SEALED.....1	1	32	45708GT	HOOK,BATT HOLD DOWN,10"	
6	49818GT	SCREW,PHILLIPS,PHM,10-32 X .38		32	8170GT	NUT,WING,1/4-20	
7	6607GT	WASHER,LOCK,#10 PLTD		33	18189GT	BOOT,BATTERY TERMINAL,RED.....1	
8	122773GT	SERVICE KIT,MEC. PRESS.FILTER.....1	1	34	60930GT	CABLE,BATTERY POSITIVE <i>Cummins and Perkins models</i>	
--	60857GT	FILTER,ELEMENT,BETA(5)=1000 <i>use with 77139</i>		34	61318GT	BATTERY CABLE,POSITIVE DEUTZ.....1 <i>Deutz models</i>	
--	60858GT	FILTER KIT,3 MICRON,MED <i>use with 75573</i>		35	57160GT	BATTERY,12V GRP 4D,190 AH,DRY*.....1	
9	8914GT	SCREW,HHC,1/4-20 X .625		36	61187GT	CIRCUIT BREAKER, 20 AMP.....1 <i>includes mounting nuts</i>	
10	6356GT	WASHER,LOCK,.25		37	60708-SGT	WELDMENT,BATTERY TRAY.....1	
11	8255GT	SCREW,HHC,3/8-16 X .75		38	42941-11500GT	HOSE,3/8",FUEL,30R7	
12	6021GT	WASHER,LOCK,.375		39	21465GT	CLAMP,HOSE,SIZE .25 TO .63.....1	
13	6019GT	SCREW,HHC,3/8-16 X 1.25 GRD 5		40	13002GT	SCREW,HHC,5/16-18 X 1 GR5	
14	5397GT	WASHER,FLAT,USS,5/16",Y		41	6782GT	NUT,NYLOCK,5/16-18	
15	29868GT	SPRING CLIP,3/8-16,.05-.20X.73,ZAG		42	60721GT	COOLANT,RECOVERY BOTTLE, 4 QT*.....1	
16	60701-SGT	WELDMENT,BRKT,PRESSURE FILTER.....1	1	43	75121GT	CAP, COOLANT RET SYS(60721).....1	
17	1279465GT	BACKUP RING,71.60X67.20X1.40PTFE(60334)		44	54380GT	SCREW,PHILLIPS,PHM,8-32 X .875	
17	60334GT	FILTER ASSY,HIGH PRESS SAE-12*.....2	2	45	75610GT	CIRCUIT BREAKER, 25 AMP.....1 <i>includes mounting nuts</i>	
17	60857GT	FILTER,ELEMENT,BETA(5)=1000		46	30143GT	BATTERY,12V,1000 CCA GRP 31.....1	
18	1279466GT	O-RING,67.95X2.62-NBR-70SH(HF2P)(60334)		47	60727-SGT	FORMING,COVER STOP.....1	
18	61189GT	GROMMET,RUBBER .75 X .38 X1.13.....3	3	48	51147GT	BOOT,CABLE TERMINAL,LG,RED,2/0...1	
19	6175GT	SCREW,HHC,3/8-16 X 1		49	69230GT	NUT,WING,3/8-16	
20	6097GT	WASHER,FLAT,USS,3/8",Y		50	75719GT	CABLE,GROUND,79" W/PIGTAIL.....1	
21	4828GT	NUT,NYLOCK,3/8-16		51	69229GT	NUT,WING 5/16-18.....2	
22	50974GT	BUMPER,RUBBER,COVERS.....2	2	52	60940GT	HOLD DOWN,BATTERY,SMALL.....1	
23	60729-SGT	FORMING,COVER STOP.....1	1				
24	61359GT	CHARGING WIRE.....1	1				
24	75409GT	BATTERY CABLE <i>from SN 133 to SN 133</i>					
25	6090GT	SCREW,HHC,1/4-20 X .75					
26	6638GT	WASHER,FLAT,USS,1/4"Y					
27	6091GT	NUT,NYLOCK,1/4-20					
28	237068GT	SEPARATOR,DUAL BATTERY,100A.....1	1				
--	214393GT	KIT, BATT SEPARATOR, ANSI/CSA <i>includes part 237068</i>					

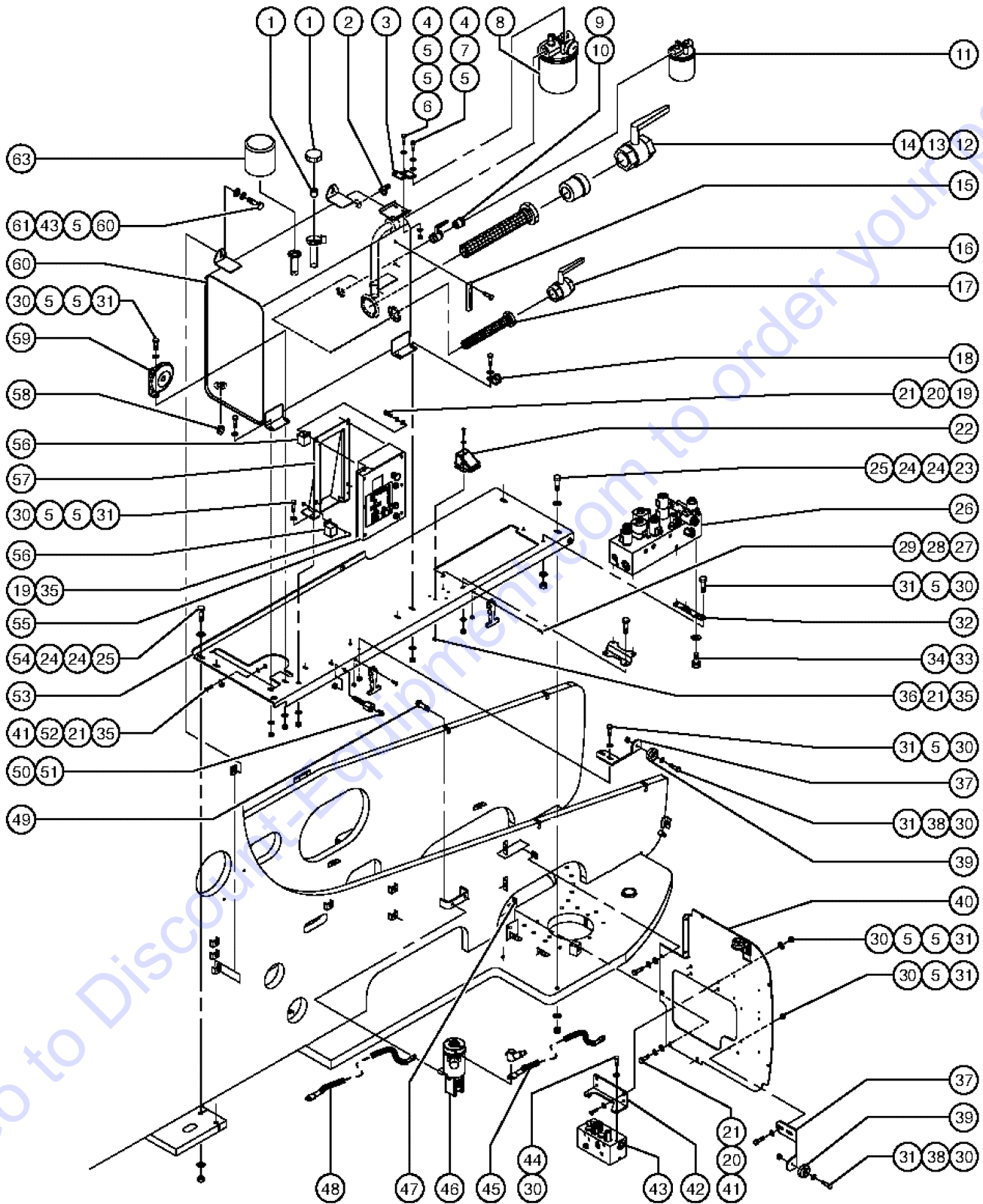
304.2 Batteries and Hydraulic Filters Installation (from SN 134)



304.2 Batteries and Hydraulic Filters Installation (from SN 134)

Item	Part No.	Description	Qty.	Item	Part No.	Description	Qty.
--	66717GT	FUSE BLOCK, ANN & ANL FUSE		19	6090GT	SCREW,HHC,1/4-20 X .75	
--	102190PGT	FORMING,FUSE COVER, PAINTED		20	6638GT	WASHER,FLAT,USS,1/4"Y	
1	60521GT	RELAY,SEALED 30/40 AMP.....1 <i>Deutz models</i>	1	21	6091GT	NUT,NYLOCK,1/4-20	
2	61225GT	RELAY,12VDC,70AMP,SEALED.....2 <i>Deutz models</i>	2	22	237068GT	SEPARATOR,DUAL BATTERY,100A.....1	
3	60521GT	RELAY,SEALED 30/40 AMP.....1 <i>Deutz and Perkins models</i>	1	--	214393GT	KIT, BATT SEPARATOR, ANSI/CSA <i>includes part 237068</i>	
--	61225GT	RELAY,12VDC,70AMP,SEALED <i>Cummins</i>		--	215209GT	KIT, BATT SEPARATOR, CE <i>includes part 237068</i>	
4	8914GT	SCREW,HHC,1/4-20 X .625		--	215210GT	KIT, BATT SEPARATOR, AS <i>includes part 237068</i>	
5	6356GT	WASHER,LOCK,.25		23	60584GT	GROMMET,RUBBER .75 X .19 X 1**.....1	
6	89997GT	RELAY MODULE(89996,89998).....1	1	24	60928GT	CABLE,BATTERY NEGATIVE.....1	
7	49816GT	SCREW,PHILLIPS,PHM,10-32 X .75		25	60711GT	HOLD DOWN,BATTERY.....2	
8	8255GT	SCREW,HHC,3/8-16 X .75		26	45708GT	HOOK,BATT HOLD DOWN,10".....4	
9	6021GT	WASHER,LOCK,.375		--	8170GT	NUT,WING,1/4-20	
10	60334GT	FILTER ASSY,HIGH PRESS SAE-12*.....2	2	27	18189GT	BOOT,BATTERY TERMINAL,RED.....1	
--	1279465GT	BACKUP RING,71.60X67.20X1.40PTFE(60334)		28	61318GT	BATTERY CABLE,POSITIVE DEUTZ.....1 <i>Deutz models</i>	
--	1279466GT	O-RING,67.95X2.62-NBR-70SH(HF2P)(60334)		--	60930GT	CABLE,BATTERY POSITIVE <i>Cummins and Perkins models</i>	
--	60857GT	FILTER,ELEMENT,BETA(5)=1000		29	57160GT	BATTERY,12V GRP 4D,190 AH,DRY*.....1	
11	61189GT	GROMMET,RUBBER .75 X .38 X 1.13.....3	3	30	60708-SGT	WELDMENT,BATTERY TRAY.....1	
12	122773GT	SERVICE KIT,MEC. PRESS.FILTER <i>to SN 232</i>		31	42941-11500GT	HOSE,3/8",FUEL,30R7.....115-inches	
--		FILTER ASY,M PRESS,SAE8,WOIND* (77139) <i>from SN 233 (component no longer available)</i>		32	21465GT	CLAMP,HOSE,SIZE .25 TO .63.....1	
--	58222GT	O-RING,FILTER ASSY (60334)***		33	13002GT	SCREW,HHC,5/16-18 X 1 GR5	
--	58223GT	SEAL,FILTER ASSY (60334)***		34	5397GT	WASHER,FLAT,USS,5/16",Y	
--	60857GT	FILTER,ELEMENT,BETA(5)=1000 <i>for 77139</i>		35	6782GT	NUT,NYLOCK,5/16-18	
--	60858GT	FILTER KIT,3 MICRON,MED <i>for 75573</i>		36	60721GT	COOLANT,RECOVERY BOTTLE, 4 QT*.....1	
12A	1267807GT	ASSY, MED. PRESS. FILTER, SAE8		37	75121GT	CAP, COOLANT RET SYS(60721).....1	
--	1268229GT	ELEMENT-5 MIC, PAPER, W/BYPASS <i>for 1267807</i>		38	54380GT	SCREW,PHILLIPS,PHM,8-32 X .875	
13	6175GT	SCREW,HHC,3/8-16 X 1		39	75610GT	CIRCUIT BREAKER, 25 AMP.....1	
14	6097GT	WASHER,FLAT,USS,3/8",Y		40	30143GT	BATTERY,12V,1000 CCA GRP 31.....1	
15	4828GT	NUT,NYLOCK,3/8-16		41	60727-SGT	FORMING,COVER STOP.....1	
16	50974GT	BUMPER,RUBBER,COVERS.....2	2	42	6019GT	SCREW,HHC,3/8-16 X 1.25 GRD 5	
17	60729-SGT	FORMING,COVER STOP.....1	1	43	51147GT	BOOT,CABLE TERMINAL,LG,RED,2/0...1	
18	75409GT	BATTERY CABLE.....1	1	44	69230GT	NUT,WING,3/8-16	
--	111637GT	CABLE,BATTERY POSITIVE 73" <i>Cummins models; from SN 665</i>		45	75719GT	CABLE,GROUND,79" W/PIGTAIL.....1	
--	60930GT	CABLE,BATTERY POSITIVE <i>Perkins models; from SN 684</i>		46	69229GT	NUT,WING 5/16-18	
				47	60940GT	HOLD DOWN,BATTERY,SMALL.....1	
				48	29868GT	SPRING CLIP,3/8-16,.05-.20X.73,ZAG	
				49	128829GT	CIRCUIT BRKR 15A TYPE 2 METAL <i>Deutz models</i>	

305.1 Hydraulic Tank Installation (to SN 136)



305.1 Hydraulic Tank Installation (to SN 136)

Item	Part No.	Description	Qty.	Item	Part No.	Description	Qty.
1	75113GT	FILLER NECK/CAP ASSY.HYD TANK*...1		22	50161GT	SENSOR,TILT TURNTABLE(PLSTC)....1	
2	48918GT	TEE,RUN,520428-6.....1		23	6732GT	SCREW,HHC,1/2-13 X 3.25	
3	60936-SGT	BRACKET,RETURN FILTER.....1		24	6095GT	WASHER,FLAT,USS,1/2",Y	
4	10107GT	SCREW,HHC,5/16-18 X .75		25	6198GT	NUT,NYLOCK,1/2-13	
5	5397GT	WASHER,FLAT,USS,5/16",Y		26		Ref. Function Manifold (refer to 706.1)	
6	6782GT	NUT,NYLOCK,5/16-18		27	75041GT	SCREW,PHILLIPS,PHM,10-32 X 1	
7	6886GT	WASHER,LOCK,.313		28	45363GT	LATCH,FLEXIBLE.....2	
8	60508GT	FILTER,RETURN,ASSY 10 MICRON....1		--	75076GT	KEEPER,LATCH (45363)	
--	52768GT	GAUGE,MED.PRESSUR FILTER,50530		29	6178GT	NUT,NYLOCK,10-32	
--	61326GT	FILTER ELEMENT,10 MICRON,60508		30	6019GT	SCREW,HHC,3/8-16 X 1.25 GRD 5	
9	75043GT	NIPPLE,PIPE M/M 140137-3/4.....1		31	4828GT	NUT,NYLOCK,3/8-16	
--	75255GT	UNION,STR.THREAD 12* from SN 128		32	60590-SGT	BRACKET,FUNCTION MANIFOLD MNT.....2	
10	48993GT	VALVE,BALL,12 MPT-12 FPT.....1		33	10587GT	SCREW,HHC,1/2-13 X.75	
--	48995GT	VALVE,BALL,12 MSAE-12 FSAE from SN 128		34	6033GT	WASHER,LOCK,0.5"	
11	56653GT	FILTER,RETURN,ASSY,BETA 10.....1		35	6091GT	NUT,NYLOCK,1/4-20	
--	44207GT	FILTER ELEMENT,BETA(10)=200		36	6090GT	SCREW,HHC,1/4-20 X .75	
--	56653GT	FILTER,RETURN,ASSY,BETA 10 from SN 128		37	60727-SGT	FORMING,COVER STOP.....2	
12	60653GT	VALVE,BALL,1.50" SAE.....1		38	6097GT	WASHER,FLAT,USS,3/8",Y	
--	75256GT	VALVE BALL,24 FSAE-24 FSAE*** from SN 128		39	50974GT	BUMPER,RUBBER,COVERS.....2	
13	61186GT	BUSHING,2 X 1.5,PLATED IRON.....1		40	60486-SGT	PLATE,SWING CHASSIS BULKHEAD....1	
--	75254GT	UNION,STR.THREAD 24*** from SN 128		41	6888GT	SCREW,HHC,1/4-20 X 1	
14	60551GT	STRAINER ASSEMBLY,3" NPT.....1		42	60704-SGT	FORMING,DIST.MANIFOLD MTG.....1	
--	75257GT	STRAINER ASSY,#24 O-RING from SN 128		43		Ref. Distribution Manifold (refer to 707.1)	
15	215229GT	GAUGE,HYDRAULIC TANK T/L VL.....1		44	6021GT	WASHER,LOCK,.375	
16	61251GT	VALVE,BALL,1.00" SAE.....1		45	60931GT	CABLE,BATTERY.....1	
--	48996GT	VALVE,BALL,16 MSAE-16 FSAE*** from SN 128		--	75409GT	BATTERY CABLE from SN 133	
17	45161GT	STRAINER ASSEMBLY,1.5" NPT.....1		46	102710GT	PUMP,AUXILIARY,DUAL,12V.....1	
--	75253GT	STRAINER ASSY,#16 O-RING from SN 128				When replacing power units with 4 hoses, the 1/4 hose with the 90 deg fitting closest to the electric motor is no longer needed (the other end should T into the tank line). Remove and cap off this hose.	
18	60838GT	CLAMP,1.00,#16 X 7/16,RUB CUSH		--	102659GT	PUMP,(102710 APU)	
19	8914GT	SCREW,HHC,1/4-20 X .625		--	147290GT	SHAFT SEAL, APU	
20	6356GT	WASHER,LOCK,.25		--	37187GT	SEAL KIT, 37185 PUMP	
21	6638GT	WASHER,FLAT,USS,1/4"Y		--	37191GT	GASKET, PUMP / MOTOR (36179)	
				--	62411GT	PUMP ASSY. 60511 APU	
				--	62412GT	SOLENOID,MOTOR START,60511,APU	
				--	62413GT	MOTOR, 60511, APU, 12VDC	
				--	62414GT	SEAL, SHAFT, 60511 APU	
				47	56912GT	SPRING CLIP,1/4-20,.025-.15X.54,ZAG	
				48	75719GT	CABLE,GROUND,79" W/PIGTAIL.....1	
				49	75051GT	SCREW,SER FLNG3/8UNCX3/4ZNYEL	

305.1 Hydraulic Tank Installation (to SN 136)
(continued)

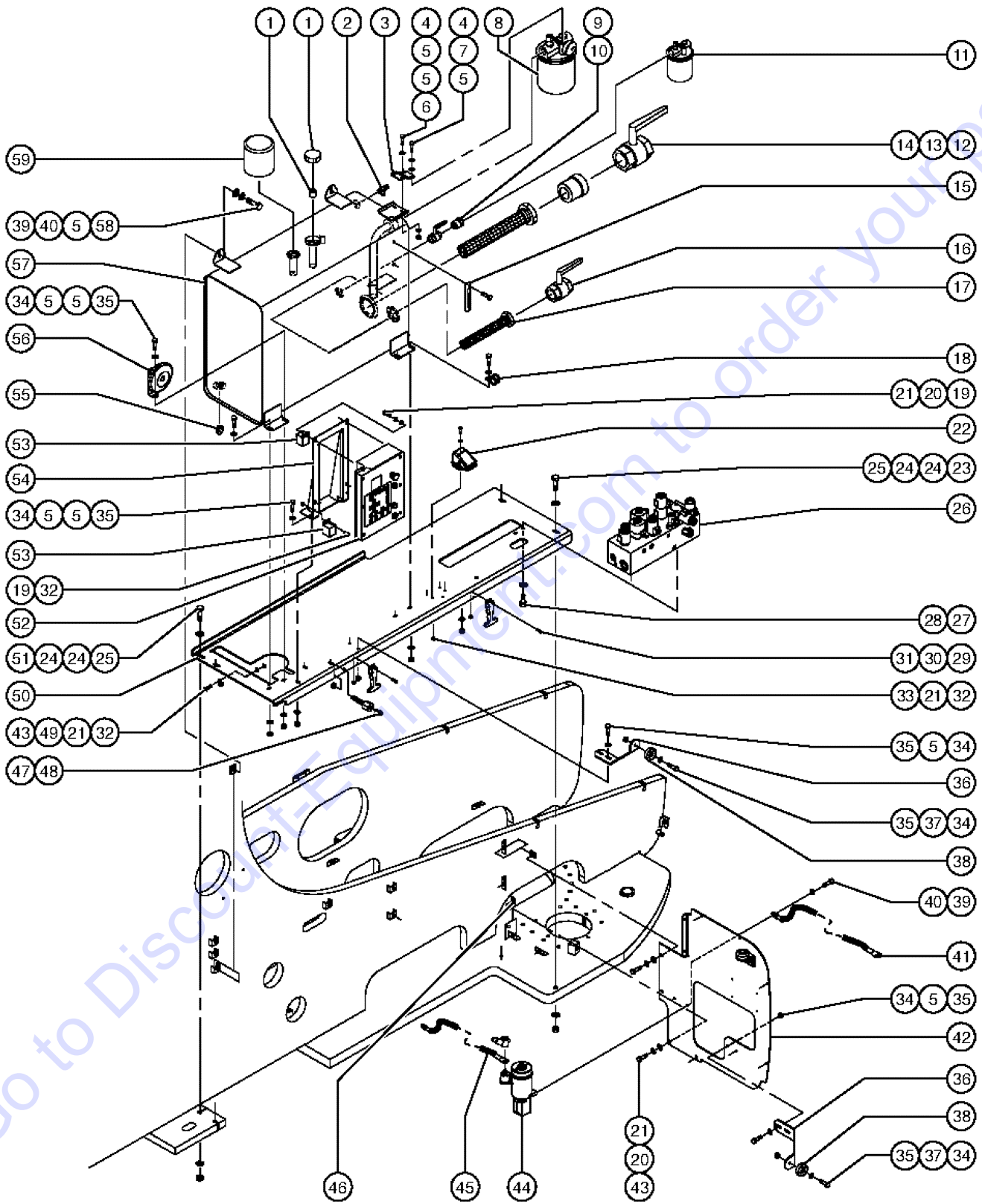
Item	Part No.	Description	Qty.
50	28646GT	ZERK,GREASE,1/8 NPT.....	1
51	48885GT	CONNECTOR,BULKHEAD,FEMALE-4...	1
52	6833GT	CLAMP,0.50,#8 X 1/4,RUB CUSH.....	1
53	60588-SGT	TRAY,HYDRAULIC TANK MOUNTING....	1
54	39479GT	SCREW,HHC,1/2-13 X 2.75	
55		Ref. Ground Controls (refer to 306.1)	
56	60521GT	RELAY,SEALED 30/40 AMP.....	2
57	60571-SGT	BRACKET,CNTL BOX MOUNTING***	1
58	75014GT	PLUG,HEX,130109E,1/2 NPT***.....	1
		<i>Cummins and Perkins models</i>	
--	35600GT	THERMOSTAT,110 DEG.F N/O <i>Deutz models;</i>	
59	81578GT	HORN,12VDC,SPADE TERMINALS***	1
60	60510GT	TANK,HYDRAULIC,55 GALLON.....	1
		<i>includes item 1; to SN 127</i>	
--	75258GT	TANK,HYDRAULIC,55 GALLON <i>includes item 1; from SN 128</i>	
61	6175GT	SCREW,HHC,3/8-16 X 1	
62	29868GT	SPRING CLIP,3/8-16,.05-.20X.73,ZAG	
63	60559GT	BREATHER,RESERVOIR 3 MICRON***	1

Go to Discount-Equipment.com to order your parts

This Page Intentionally Left Blank

Go to Discount-Equipment.com to order your parts

305.2 Hydraulic Tank Installation (from SN 137 to 146)



PARTS FINDER

**Search Website
by Part Number**



**Search Manual
Library For Parts
Manual & Lookup Part
Numbers – Purchase
or Request Quote**

Search Manuals

Enter your information to help us find the right parts manual for your machine.

* Brand:

* Model:

* Serial:

* Part Number:

SEARCH

**Can't Find Part or
Manual? Request Help
by Manufacturer,
Model & Description**

Parts Order Form

Please fill in the following information to help us find the right part for your machine.

MANUFACTURER:

MODEL:

DESCRIPTION:

SEARCH

Discount-Equipment.com is your online resource for quality parts & equipment.

Florida: **561-964-4949** Outside Florida TOLL FREE: **877-690-3101**

Need parts?

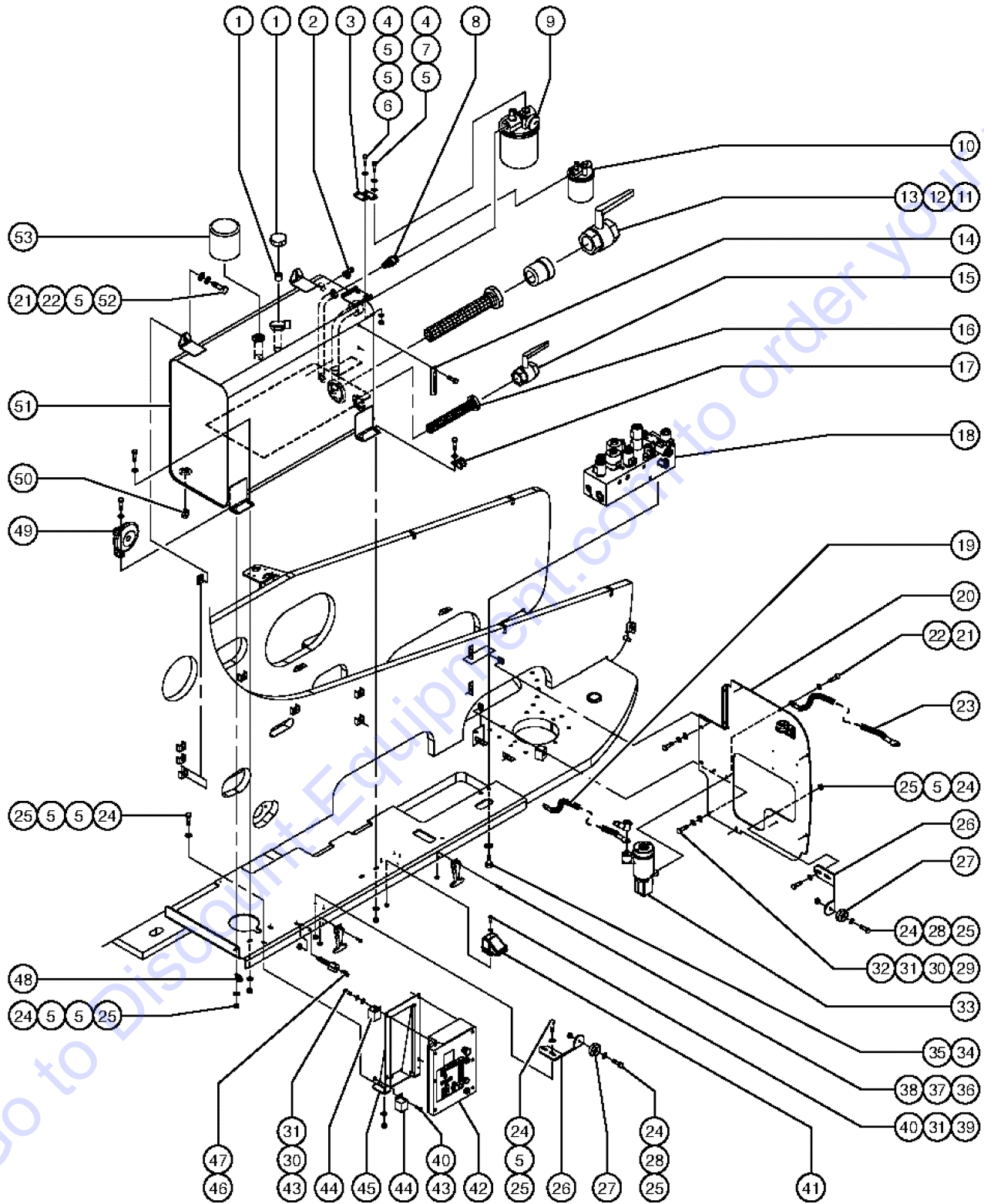
Click on this link: <http://www.discount-equipment.com/category/5443-parts/> and choose one of the options to help get the right parts and equipment you are looking for. Please have the machine model and serial number available in order to help us get you the correct parts. If you don't find the part on the website or on one of the online manuals, please fill out the request form and one of our experienced staff members will get back to you with a quote for the right part that your machine needs.

We sell worldwide for the brands: Genie, Terex, JLG, MultiQuip, Mikasa, Essick, Whiteman, Mayco, Toro Stone, Diamond Products, Generac Magnum, Airman, Haulotte, Barreto, Power Blanket, Nifty Lift, Atlas Copco, Chicago Pneumatic, Allmand, Miller Curber, Skyjack, Lull, Skytrak, Tsurumi, Husquvarna Target, Stow, Wacker, Sakai, Mi-T-M, Sullair, Basic, Dynapac, MBW, Weber, Bartell, Bennar Newman, Haulotte, Ditch Runner, Menegotti, Morrison, Contec, Buddy, Crown, Edco, Wyco, Bomag, Laymor, EZ Trench, Bil-Jax, F.S. Curtis, Gehl Pavers, Heli, Honda, ICS/PowerGrit, IHI, Partner, Imer, Clipper, MMD, Koshin, Rice, CH&E, General Equipment, Amida, Coleman, NAC, Gradall, Square Shooter, Kent, Stanley, Tamco, Toku, Hatz, Kohler, Robin, Wisconsin, Northrock, Oztec, Toker TK, Rol-Air, APT, Wylie, Ingersoll Rand / Doosan, Innovatech, Con X, Ammann, Mecalac, Makinex, Smith Surface Prep, Small Line, Wanco, Yanmar

305.2 Hydraulic Tank Installation (from SN 137 to 146)

Item	Part No.	Description	Qty.	Item	Part No.	Description	Qty.
1	75113GT	FILLER NECK/CAP ASSY.HYD TANK*...1		40	6021GT	WASHER,LOCK,.375	
2	48918GT	TEE,RUN,520428-6.....1		41	75719GT	CABLE,GROUND,79" W/PIGTAIL.....1	
3	60936-SGT	BRACKET,RETURN FILTER.....1		42	75591GT	PLATE,SWING CHASSIS BULKHEAD....1	
4	10107GT	SCREW,HHC,5/16-18 X .75		43	6888GT	SCREW,HHC,1/4-20 X 1	
5	5397GT	WASHER,FLAT,USS,5/16",Y		44	102710GT	PUMP,AUXILIARY,DUAL,12V.....1	
6	6782GT	NUT,NYLOCK,5/16-18		--	75454GT	PUMP,(75592 APU)	
7	6886GT	WASHER,LOCK,.313		--	102659GT	PUMP,(102710 APU)	
8	60508GT	FILTER,RETURN,ASSY 10 MICRON.....1		--	147290GT	SHAFT SEAL, APU	
--	52768GT	GAUGE,MED.PRESSUR FILTER,50530		--	37187GT	SEAL KIT, 37185 PUMP	
--	61326GT	FILTER ELEMENT,10 MICRON,60508		--	37191GT	GASKET, PUMP / MOTOR (36179)	
9	75255GT	UNION,STR.THREAD 12*.....1		--	62412GT	SOLENOID,MOTOR START,60511,APU	
10	48995GT	VALVE,BALL,12 MSAE-12 FSAE.....1		--	62413GT	MOTOR, 60511, APU, 12VDC	
11	56653GT	FILTER,RETURN,ASSY,BETA 10.....1		--	62414GT	SEAL, SHAFT, 60511 APU	
--	44207GT	FILTER ELEMENT,BETA(10)=200		45	75409GT	BATTERY CABLE.....1	
12	75256GT	VALVE BALL,24 FSAE-24 FSAE***1		46	56912GT	SPRING CLIP,1/4-20,.025-.15X.54,ZAG	
13	75254GT	UNION,STR.THREAD 24***.....1		47	28646GT	ZERK,GREASE,1/8 NPT.....1	
14	75257GT	STRAINER ASSY,#24 O-RING.....1		48	48885GT	CONNECTOR,BULKHEAD,FEMALE-4...1	
15	215229GT	GAUGE,HYDRAULIC TANK T/L VL.....1		49	6833GT	CLAMP,0.50,#8 X 1/4,RUB CUSH.....1	
16	48996GT	VALVE,BALL,16 MSAE-16 FSAE***1		50	75589GT	TRAY,HYDRAULIC TANK MOUNTING....1	
17	75253GT	STRAINER ASSY,#16 O-RING.....1		51	39479GT	SCREW,HHC,1/2-13 X 2.75	
18	60838GT	CLAMP,1.00,#16 X 7/16,RUB CUSH		52		Ref. Ground Controls (refer to 306.1)	
19	8914GT	SCREW,HHC,1/4-20 X .625		53	60521GT	RELAY,SEALED 30/40 AMP.....2	
20	6356GT	WASHER,LOCK,.25		54	60571-SGT	BRACKET,CNTL BOX MOUNTING***.....1	
21	6638GT	WASHER,FLAT,USS,1/4"Y		55	75014GT	PLUG,HEX,130109E,1/2 NPT***1	
22	50161GT	SENSOR,TILT TURNTABLE(PLSTC).....1				<i>Cummins and Perkins models</i>	
23	6732GT	SCREW,HHC,1/2-13 X 3.25		--	35600GT	THERMOSTAT,110 DEG.F N/O	
24	6095GT	WASHER,FLAT,USS,1/2",Y				<i>Deutz models</i>	
25	6198GT	NUT,NYLOCK,1/2-13		56	81578GT	HORN,12VDC,SPADE TERMINALS***.....1	
26		Ref. Function Manifold (refer to 706.2)		57	75258GT	TANK,HYDRAULIC,55 GALLON.....1	
27	33987GT	SCREW,HHC,1/2-13 X 1, GR 5				<i>includes item 1</i>	
28	6033GT	WASHER,LOCK,0.5"		58	29868GT	SPRING CLIP,3/8-16,.05-.20X.73,ZAG	
29	75041GT	SCREW,PHILLIPS,PHM,10-32 X 1		59	60559GT	BREATHER,RESERVOIR 3	
30	45363GT	LATCH,FLEXIBLE.....2				MICRON***.....1	
--	75076GT	KEEPER,LATCH (45363)					
31	6178GT	NUT,NYLOCK,10-32					
32	6091GT	NUT,NYLOCK,1/4-20					
33	6090GT	SCREW,HHC,1/4-20 X .75					
34	6019GT	SCREW,HHC,3/8-16 X 1.25 GRD 5					
35	4828GT	NUT,NYLOCK,3/8-16					
36	60727-SGT	FORMING,COVER STOP.....2					
37	6097GT	WASHER,FLAT,USS,3/8",Y					
38	50974GT	BUMPER,RUBBER,COVERS.....2					
39	6175GT	SCREW,HHC,3/8-16 X 1					

305.3 Hydraulic Tank Installation (from SN 147)



305.3 Hydraulic Tank Installation (from SN 147)

Item	Part No.	Description	Qty.	Item	Part No.	Description	Qty.
1	75113GT	FILLER NECK/CAP ASSY.HYD TANK*...1		26	60727-SGT	FORMING,COVER STOP.....2	
2	48918GT	TEE,RUN,520428-6.....1		27	50974GT	BUMPER,RUBBER,COVERS.....2	
--	48915GT	ELBOW,90D,520220-6 <i>from SN 740</i>		28	6097GT	WASHER,FLAT,USS,3/8",Y	
3	60936-SGT	BRACKET,RETURN FILTER.....1		29	6888GT	SCREW,HHC,1/4-20 X 1	
4	10107GT	SCREW,HHC,5/16-18 X .75		30	6356GT	WASHER,LOCK,.25	
5	5397GT	WASHER,FLAT,USS,5/16",Y		31	6638GT	WASHER,FLAT,USS,1/4"Y	
6	6782GT	NUT,NYLOCK,5/16-18		32	56912GT	SPRING CLIP,1/4-20,.025-.15X.54,ZAG	
7	6886GT	WASHER,LOCK,.313		33	102710GT	PUMP,AUXILIARY,DUAL,12V.....1	
8	75255GT	UNION,STR.THREAD 12*.....1 <i>to SN 148</i>		--	75454GT	PUMP,(75592 APU) <i>to SN 260</i>	
--	48995GT	VALVE,BALL,12 MSAE-12 FSAE		--	102659GT	PUMP,(102710 APU) <i>from 261</i>	
--	75971GT	UNION,STR.THREAD -8.....1 <i>to SN 162</i>		--	147290GT	SHAFT SEAL, APU	
9	60508GT	FILTER,RETURN,ASSY 10 MICRON.....1		--	37187GT	SEAL KIT, 37185 PUMP	
--	228823GT	FILTER ELEMENT,BETA(10)=1000 <i>use with hydraulic fluid fire resistant option</i>		--	37191GT	GASKET, PUMP / MOTOR (36179)	
--	52768GT	GAUGE,MED.PRESSUR FILTER,50530		--	62412GT	SOLENOID,MOTOR START,60511,APU	
--	61326GT	FILTER ELEMENT,10 MICRON,60508		--	62413GT	MOTOR, 60511, APU, 12VDC	
10	78622GT	FILTER ASSY,SAE8,10 MIC,PAPR**.....1 <i>to SN 162</i>		--	62414GT	SEAL, SHAFT, 60511 APU	
--	44788GT	FILTER ELEMENT,10MICRON,PAPER*		34	33987GT	SCREW,HHC,1/2-13 X 1, GR 5	
11	75256GT	VALVE BALL,24 FSAE-24 FSAE***1 <i>to SN 165</i>		35	6033GT	WASHER,LOCK,0.5"	
--	75256GT	VALVE BALL,24 FSAE-24 FSAE*** <i>from SN 205</i>		36	75041GT	SCREW,PHILLIPS,PHM,10-32 X 1	
12	75254GT	UNION,STR.THREAD 24***1 <i>to SN 165</i>		37	45363GT	LATCH,FLEXIBLE.....2	
--	75254GT	UNION,STR.THREAD 24*** <i>from SN 205</i>		--	75076GT	KEEPER,LATCH (45363)	
13	75257GT	STRAINER ASSY,#24 O-RING.....1		38	6178GT	NUT,NYLOCK,10-32	
14	215229GT	GAUGE,HYDRAULIC TANK T/L VL.....1		39	6090GT	SCREW,HHC,1/4-20 X .75	
15	48996GT	VALVE,BALL,16 MSAE-16 FSAE***1 <i>to SN 165</i>		40	6091GT	NUT,NYLOCK,1/4-20	
--	48996GT	VALVE,BALL,16 MSAE-16 FSAE*** <i>from SN 205</i>		41	50161GT	SENSOR,TILT TURNTABLE(PLSTC).....1	
16	75253GT	STRAINER ASSY,#16 O-RING.....1		42		Ref. Ground Controls (refer to 306.1)	
17	60838GT	CLAMP,1.00,#16 X 7/16,RUB CUSH		43	8914GT	SCREW,HHC,1/4-20 X .625	
18		Ref. Function Manifold (refer to 706.2 or 706.3)		44	60521GT	RELAY,SEALED 30/40 AMP.....2	
19	75409GT	BATTERY CABLE.....1		45	60571-SGT	BRACKET,CNTL BOX MOUNTING***1	
20	75591GT	PLATE,SWING CHASSIS BULKHEAD....1		46	28646GT	ZERK,GREASE,1/8 NPT.....1	
21	6175GT	SCREW,HHC,3/8-16 X 1		47	48885GT	CONNECTOR,BULKHEAD,FEMALE-4...1	
22	6021GT	WASHER,LOCK,.375		48	6833GT	CLAMP,0.50,#8 X 1/4,RUB CUSH	
23	75719GT	CABLE,GROUND,79" W/PIGTAIL.....1		49	81578GT	HORN,12VDC,SPADE TERMINALS***	
24	4828GT	NUT,NYLOCK,3/8-16		50	75014GT	PLUG,HEX,130109E,1/2 NPT***.....1 <i>Cummins and Perkins models</i>	
25	6019GT	SCREW,HHC,3/8-16 X 1.25 GRD 5		--	35600GT	THERMOSTAT,110 DEG.F N/O <i>Deutz models; to SN 158</i>	
				--	75014GT	PLUG,HEX,130109E,1/2 NPT*** <i>Deutz models; from SN 159</i>	
				51	75645GT	TANK,HYDRAULIC,55 GALLON.....1 <i>includes item 1</i>	
				52	29868GT	SPRING CLIP,3/8-16,.05-.20X.73,ZAG	

305.3 Hydraulic Tank Installation (from SN 147)
(continued)

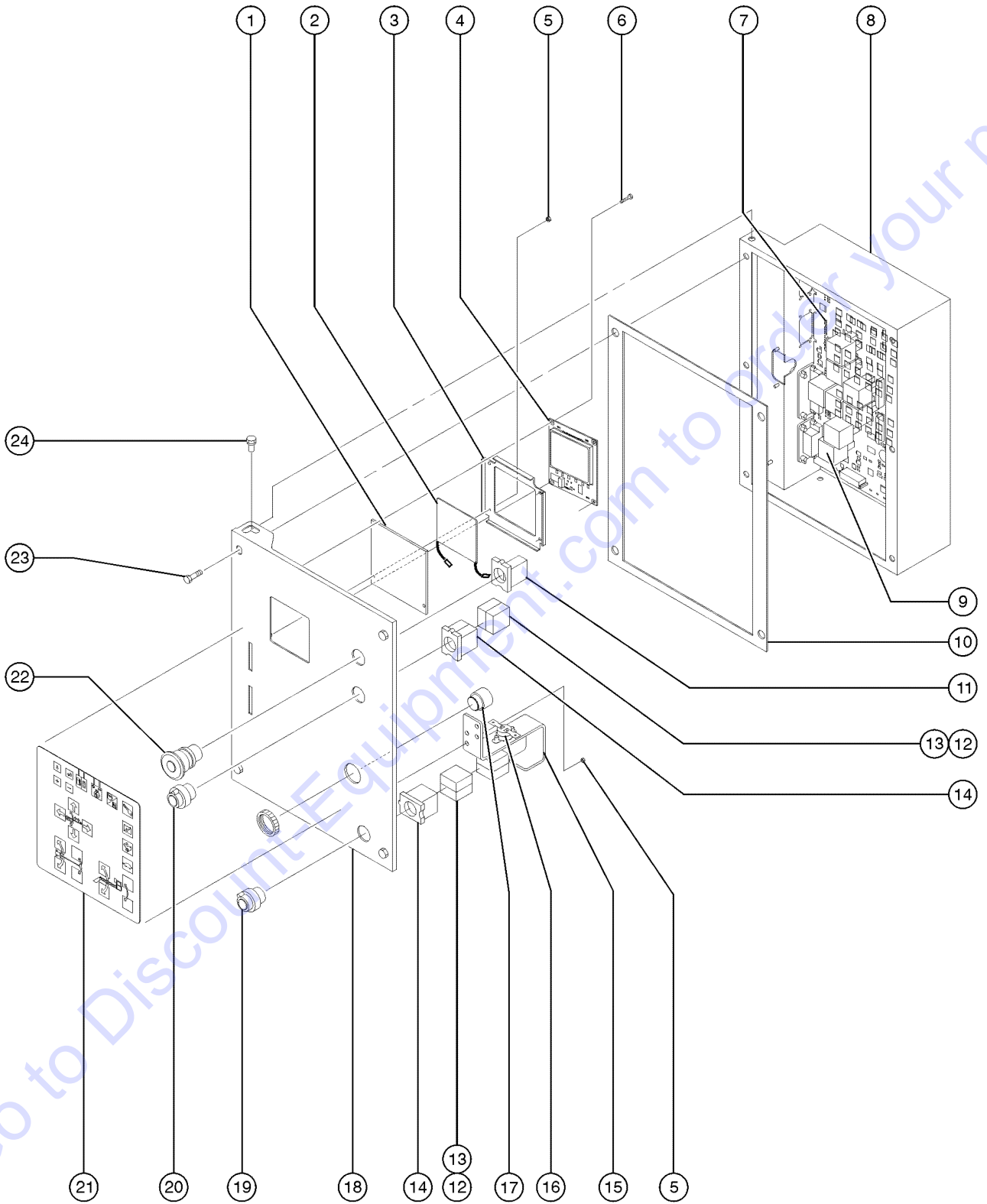
Item	Part No.	Description	Qty.
53	60559GT	BREATHER,RESERVOIR 3 MICRON**1	

Go to Discount-Equipment.com to order your parts

This Page Intentionally Left Blank

Go to Discount-Equipment.com to order your parts

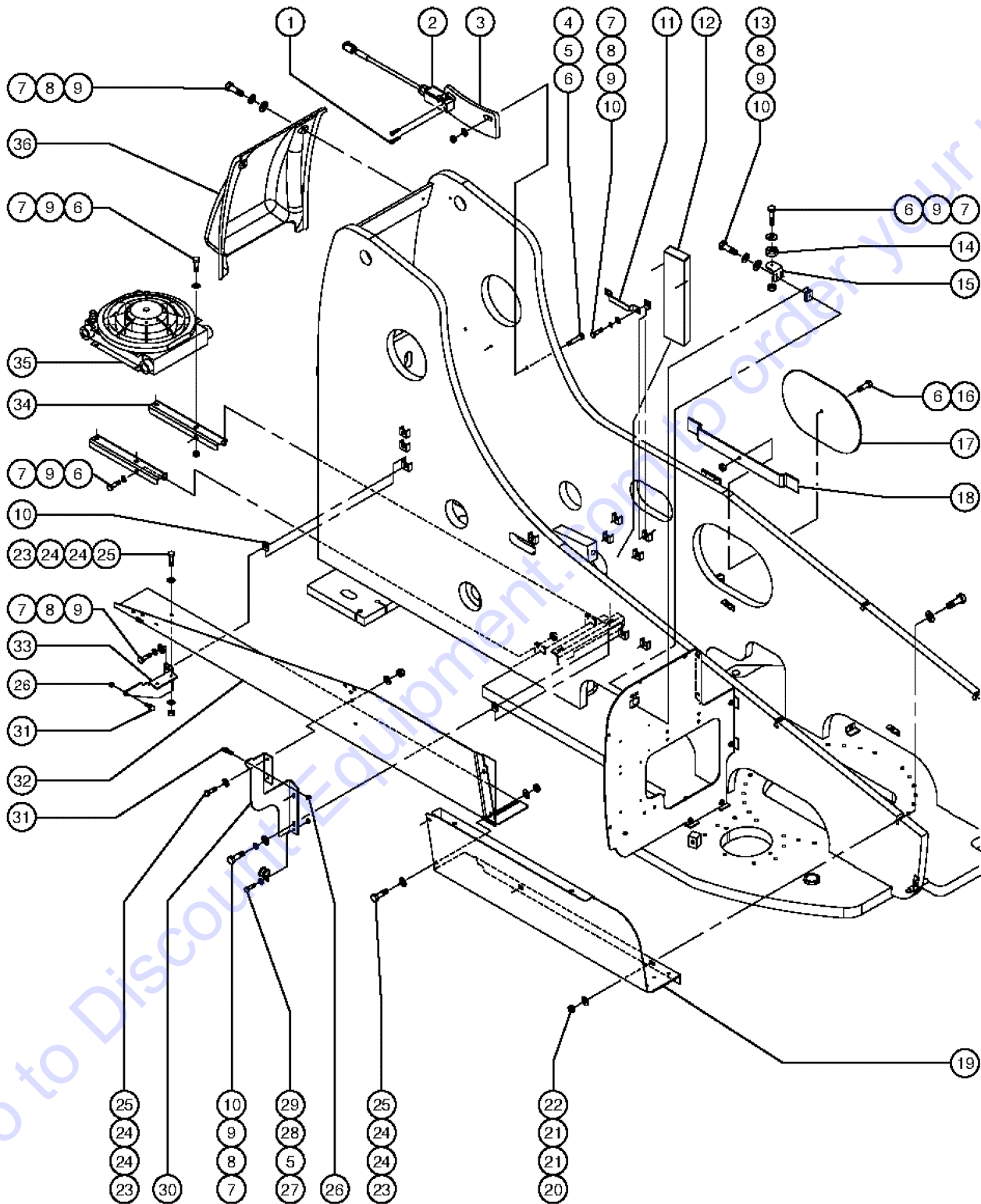
306.1 Ground Controls



306.1 Ground Controls

Item	Part No.	Description	Qty.	Item	Part No.	Description	Qty.
--	102696GT	CONTROL BOX ASSY,TURNTABLE*** to SN 252		10	62378GT	GASKET,GROUND CNTRL.SUPERBOOM.....	1
--	122915-SGT	CONTROL BOX ASSY,TCON 200 from SN 253 to 756		11	66812GT	BUTTON,PUSH,RED MUSHROOM HEAD.....	1
--	146134GT	CONTROL BOX ASSY, TCON 212 use with PCON V2.10; from SN 757 to 805		--	146478GT	BOOT(BELLOWS),E-STOP,BLACK	
--	146386GT	CONTROL BOX ASSY, TCON V3.00 from SN 806		--	66818GT	CONTACT,NC	
--	1258460GT	CONTROL BOX ASSY,TCON PGMD from SN 877		--	66821GT	BASE,WITHOUT CONTACTS	
--	60978GT	HARNESS,TCON J2 LIMIT SWITCH to SN 805		12	66816GT	CONTACT,N.O.***.....	6
--	146195GT	HARNESS, TCON J2 LS 2009 from SN 806		13	66818GT	CONTACT,NC.....	6
--	121657GT	FUSE HOLDER,ATC 1-20 AMPS from SN 806		14	66821GT	BASE,WITHOUT CONTACTS.....	2
--	67505GT	FUSE,10 AMP,ATC from SN 806		15	229420GT	BRACKET, KS CONTACT CLAMP.....	1
--	61358GT	HARNESS,POWER,TCON J5 HARNESS to SN 132		--	229421GT	ASSY,BRACKET,KS CONTACT BLOCK LCD heater option (includes thermostat switch item 122793)	
--	75551GT	HARNESS,TCON J5 POWER from SN 133 to 230		16	122793GT	SWITCH,THERMOSTAT 60F OPEN LCD heater option	
--	101888GT	HARNESS,TCON J5 POWER from SN 231		--	6272GT	RIVET,STL,STL,P.125 X .25 LCD heater option	
1	62374GT	LENS,LCD,GRND.CONTROL.....	1	17	62379GT	ALARM,AUDIO,SUPERBOOM***.....	1
2	122406GT	ASSEMBLY,LCD HEATER ALC1000 LCD heater option (transparent heater)		--	72326GT	NUT - PLASTIC,RING FOR ALARMS	
--	229423GT	FIELD KIT,LCD HEATER LCD heater option		18	T108870GT	COVER, CONTROL BOX, SB SERV	
3	62375GT	CLIP,LCD,GRND.CONTROL.....	1	19	122516GT	KIT,RECOVERY SVC LARGE BOOMS...1	
4	62376GT	PCB,ASSY,LCD,GROUND,SUPERBOOM.1		--	122366GT	KEYSWITCH,CONTACTS LOCK	
5	12344GT	NUT,NYLOCK,6-32		--	88150GT	KEYSWITCH,3 POS.MOM.DR,W/KEY**	
6	81551GT	SCREW,PHIL,PHM,6-32 X 1/4 SS		20	122517GT	KIT,KEYSWITCH SVC S100/120.....	1
7	Ref.	For a PCB not listed please contact the Discount-equipment to order a PCB programmed to your current version of software.		--	122366GT	KEYSWITCH,CONTACTS LOCK	
--	122787GT	PCB ASSY,ECM,SB TCON,V200 from SN 253 to 756		--	66811GT	KEYSWITCH,3POS.MNTND.DR WKEY** includes: keyswitch and one set of keys, not included: base and contacts.	
--	146154GT	PCB, ASSY, ECM, SB TCON V212 from SN 757 to 805		21	50811GT	SWITCH,MEMBRANE,GROUND CONTROL.....	1
--	146461GT	PCB, ASSY, ECM, SB TCON V300 from 806 to 876		22	122519GT	KIT,ESTOP SVC LARGE BOOM.....	1
--	T109430GT	KIT,PCB,ASSY,ECM,SB TCON V3.12 from SN 877		23	7339GT	SCREW, HHC, 1/4-20 X .5	
8	58593GT	BOX,EMPTY (122915) does not include items 10 or 18		24	88315GT	SCREW,SHS,1/4-20 X .25 ZINC	
9	34052GT	RELAY,SPDT,12V(AUTO) PLUG IN**.....	8				

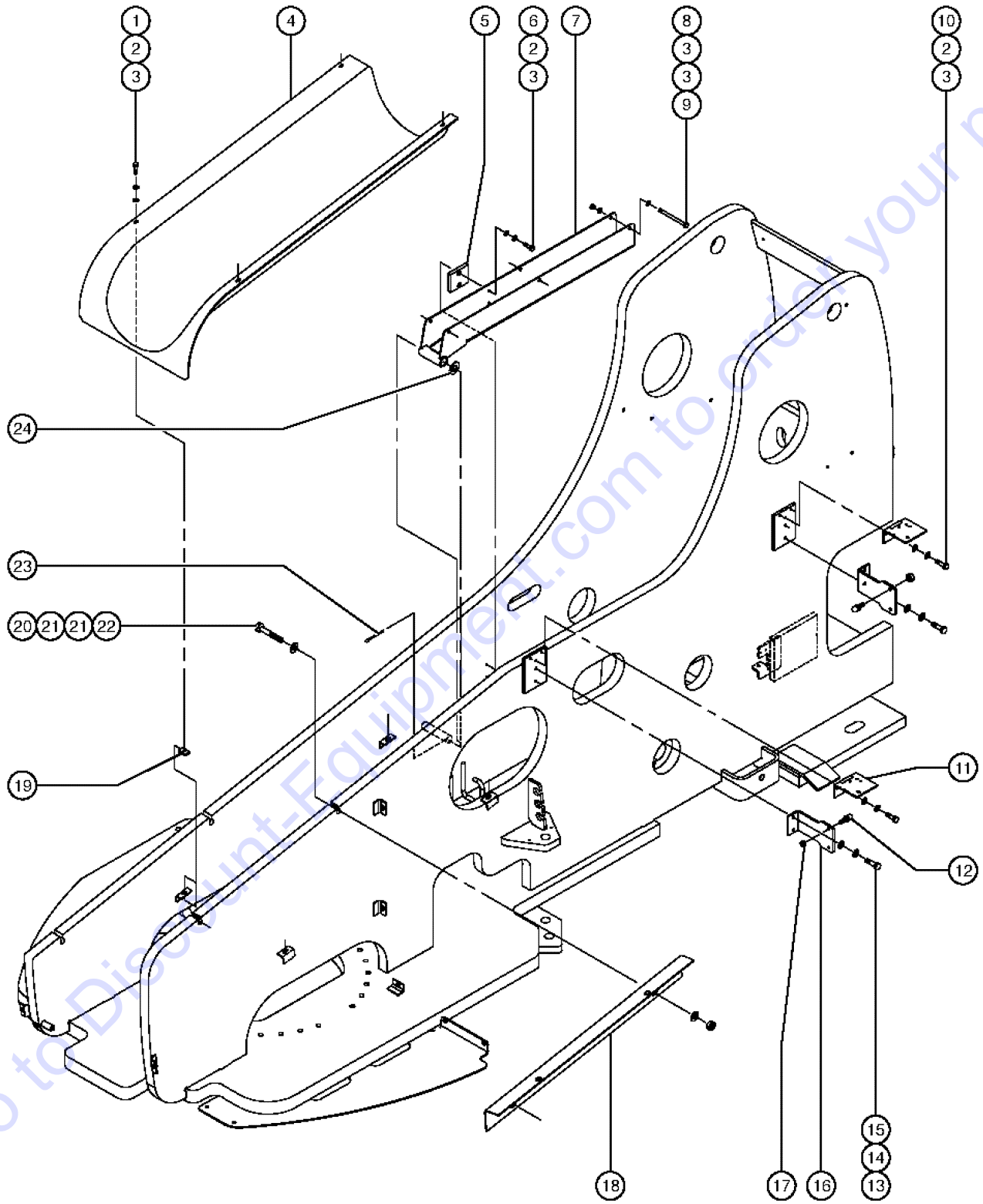
307.1 Turntable Attached Components - Tanks Side



307.1 Turntable Attached Components - Tanks Side

Item	Part No.	Description	Qty.	Item	Part No.	Description	Qty.
1	51063GT	SCREW,PHILLIPS,RHM,10-32 X 1.5		25	6091GT	NUT,NYLOCK,1/4-20	
2A	75030GT	LIMIT SWITCH,SAFETY.....2 to SN 805		26	6002GT	NUT,LP NYLOCK,5/16-18	
--	53983GT	STRAIN RELIEF, PG13,5 to SN 805		27	10107GT	SCREW,HHC,5/16-18 X .75	
--	75910GT	WIRE ASSEMBLY,16/4SJO,9.5"PLUG to SN 805		28	60838GT	CLAMP,1.00,#16 X 7/16,RUB CUSH.....1	
--	75913GT	LIMIT SWITCH, SAFETY,NO WIRE to SN 805		29	6782GT	NUT,NYLOCK,5/16-18	
2B	146198GT	LIMIT SWITCH,SAFETY from SN 806		30	60655-SGT	STRUT SUPPORT,TANK SIDE.....1	
--	110771-74B18GT	SWITCH,LIMIT,ROLLER NO/NC GOLD from SN 806		31	40265GT	BALL STUD,GAS STRUT (38593)***.....2	
--	128636GT	ROLLER,ARM,LIMIT SWITCH,ZCY500 from SN 806		32	75122-SGT	TURNTABLE COVER MOUNT ASSY.....1 to SN 164	
--	146325GT	CONN.SQZ,PG 11,,34-.47,W/ORING from SN 806		--	102993GT	TURNTABLE COVER MOUNT ASSY from SN 165	
3	60341-SGT	PLATE,ANGLE LIMIT SWITCH,MACH....1		--	102994GT	TURNTABLE COVER MOUNT ASSY SYM	
3A	61141GT	SHIM,ANGLE LIMIT SWITCH MOUNT for 60341, as required (.06 inch/1.52 mm thickness)		33	60670-SGT	STRUT SUPPORT.....1	
4	14033GT	SCREW,HHC,3/8-16 X 2.75		34	102205PGT	FORMING, COOLER SUPPORT PAINTE.....2 from SN 248	
5	5397GT	WASHER,FLAT,USS,5/16",Y		35	71259GT	OIL COOLER W/FAN, 12VDC.....1 from SN 248	
6	7713GT	NUT, LP NYLOCK, 3/8-16		--	75854GT	FAN - VENTED	
7	6175GT	SCREW,HHC,3/8-16 X 1		--	75855GT	THERMOSTAT -OIL COOLER (71259)	
8	6021GT	WASHER,LOCK,.375		36	60671GT	COVER,REAR MAST.....1	
9	6097GT	WASHER,FLAT,USS,3/8",Y					
10	29868GT	SPRING CLIP,3/8-16,.05-.20X.73,ZAG					
11	61350-SGT	CLAMP,INTAKE EXTENSION,DEUTZ.....2 Deutz models					
12	61347GT	WELDMENT,INTAKE EXT.DEUTZ.....1 Deutz models					
--	60875GT	TRIM MOLDING					
13	6019GT	SCREW,HHC,3/8-16 X 1.25 GRD 5					
14	50974GT	BUMPER,RUBBER,COVERS.....1					
15	60729-SGT	FORMING,COVER STOP.....1					
16	8516GT	SCREW, HCC, 3/8-16 X 1.50 Deutz models					
17	75057-SGT	SWING COVER,DEUTZ.....1 Deutz models					
18	75058-SGT	SWING COVER BRACKET,DEUTZ.....1 Deutz models					
19	60496-SGT	FORMING,INNER COVER.....1					
20	6198GT	NUT,NYLOCK,1/2-13					
21	6095GT	WASHER,FLAT,USS,1/2",Y					
22	39479GT	SCREW,HHC,1/2-13 X 2.75					
23	6888GT	SCREW,HHC,1/4-20 X 1					
24	6638GT	WASHER,FLAT,USS,1/4"Y					

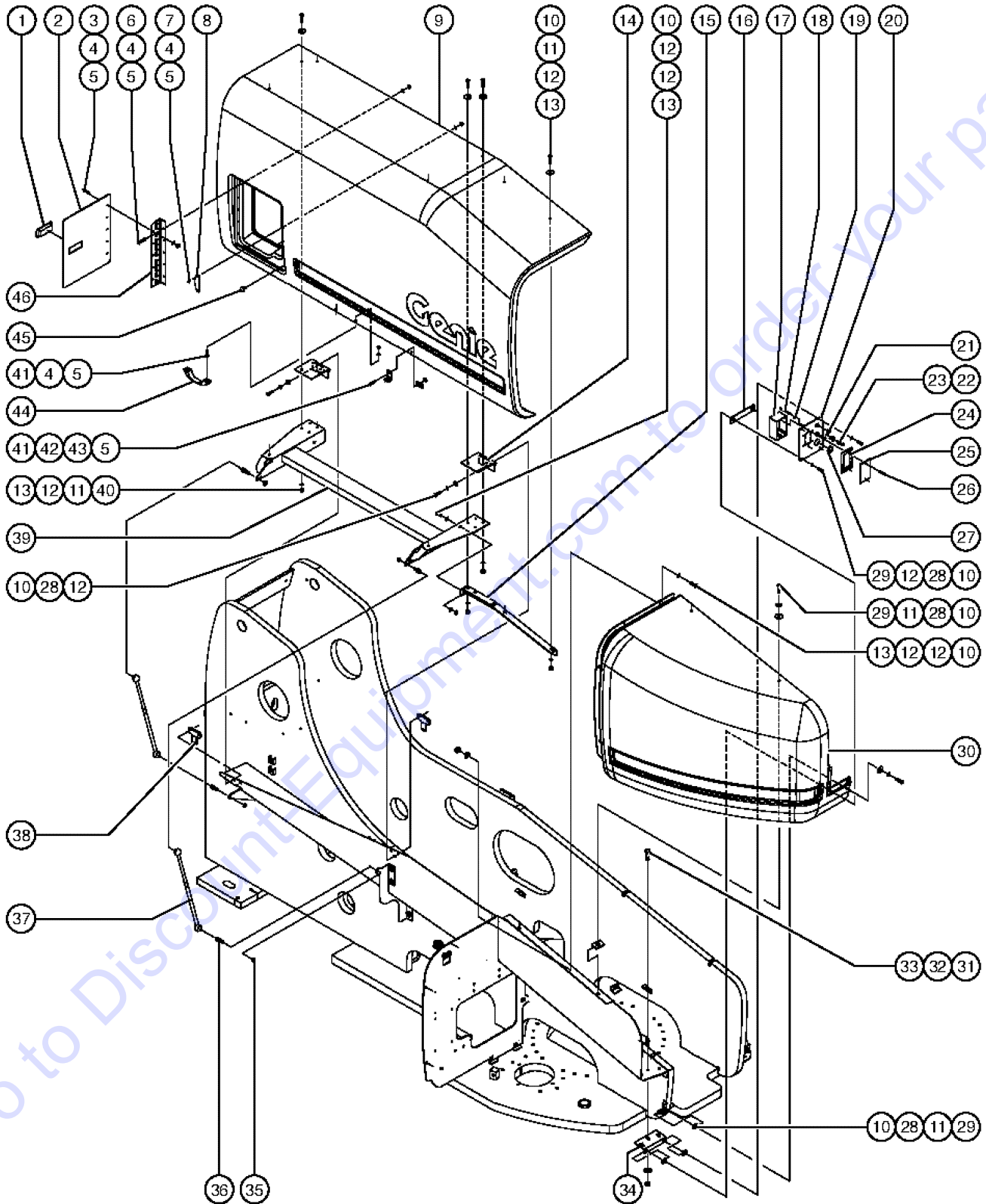
308.1 Turntable Attached Components - Engine Side



308.1 Turntable Attached Components - Engine Side

Item	Part No.	Description	Qty.
1	6888GT	SCREW,HHC,1/4-20 X 1	
2	6356GT	WASHER,LOCK,.25	
3	6638GT	WASHER,FLAT,USS,1/4"Y	
4	61179GT	COVER,CENTER,SUPERBOOM.....1	
5	45209GT	WEAR PAD,4X2X.5 W/INSERT***.....1	
6	6090GT	SCREW,HHC,1/4-20 X .75	
7	60759-SGT	WELDMENT,CABLE TRAY.....1	
8	11413GT	SCREW,HHC,1/4-20 X 4	
9	6889GT	NUT,LP NYLOCK,1/4-20	
10	7339GT	SCREW, HHC, 1/4-20 X .5	
11	75073GT	HINGE,.375X.120THK.,SLOTTED.....2	
12	40265GT	BALL STUD,GAS STRUT (38593)***.....2	
13	8255GT	SCREW,HHC,3/8-16 X .75	
14	6021GT	WASHER,LOCK,.375	
15	5397GT	WASHER,FLAT,USS,5/16",Y	
16	60583-SGT	FORMING,GAS STRUT MOUNT.....2	
17	6002GT	NUT,LP NYLOCK,5/16-18	
18	60483-SGT	SUPPORT,FUEL TANK COVER.....1	
19	56912GT	SPRING CLIP,1/4-20,.025-.15X.54,ZAG	
20	39479GT	SCREW,HHC,1/2-13 X 2.75	
21	6095GT	WASHER,FLAT,USS,1/2",Y	
22	6198GT	NUT,NYLOCK,1/2-13	
23	5361GT	PIN,COTTER,.125 X 1.5.....1	
24	30748GT	WASHER,SHIM,1.01 X 1.63 X.062	

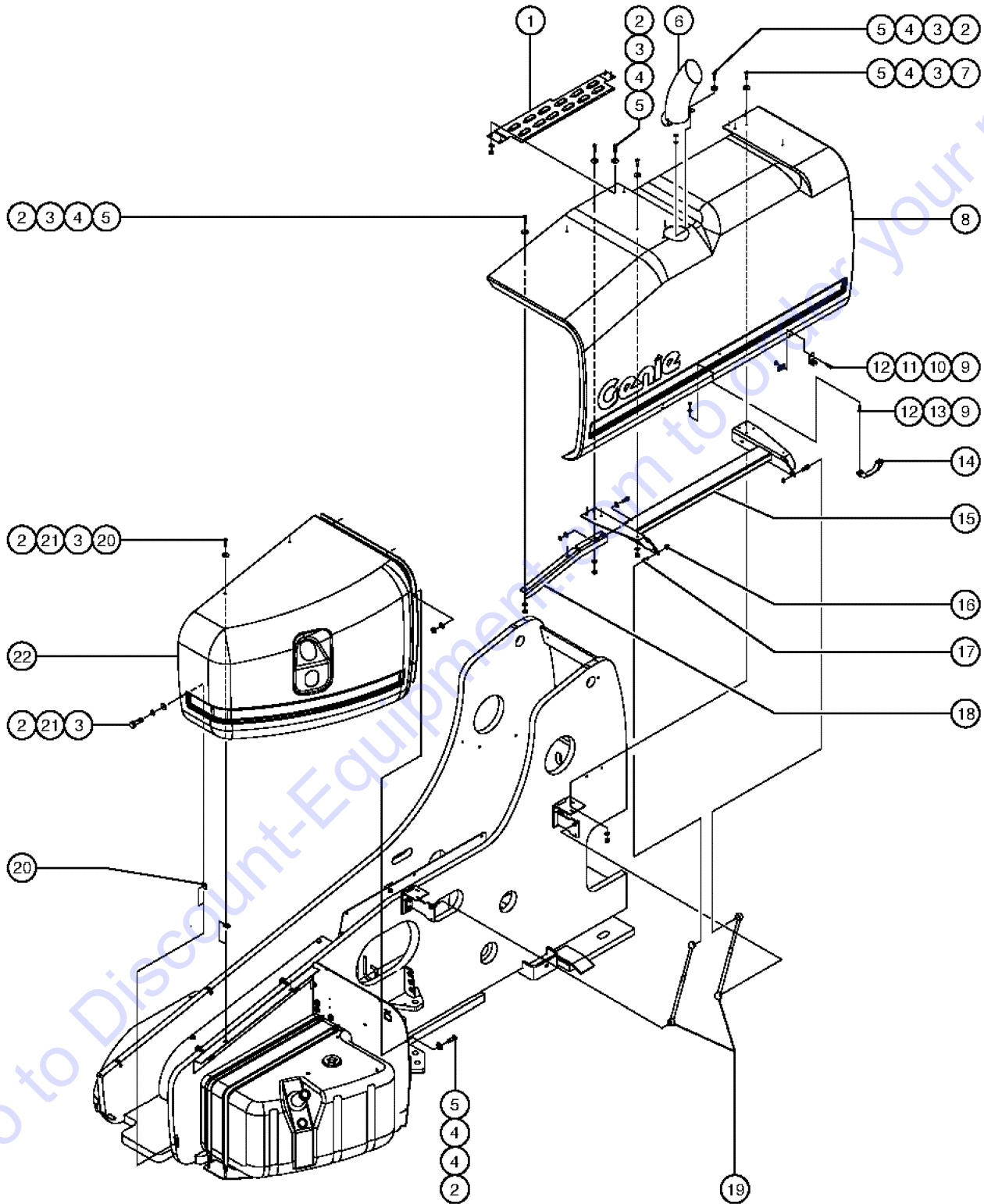
309.1 Turntable Covers - Tank Side



309.1 Turntable Covers - Tank Side

Item	Part No.	Description	Qty.	Item	Part No.	Description	Qty.
1	60964GT	LATCH,PANEL.....	1	20	89539PGT	MOUNT,PANEL,PAINTED.....	1
2	60966GT	COVER,TURNTABLE COVER ACCESS <i>Europe/Asia/South America</i>		21	15243GT	PLUG,NYLON .875 BLACK DOMED.....	1
2	75108-SGT	GRND.CNTRLS ACCESS COVER.....	1	22	6595GT	PLUG,ELECTRICAL,DOMESTIC.....	1
--	60966GT	COVER,TURNTABLE COVER ACCESS <i>Europe/Asia/South America</i>		23	61278GT	CONN. SQZ,1/2NPT .56-.63.....	1
3	5094GT	SCREW,RHM,10-32 X .5		24	74052GT	GASKET,COVER,GFCI,WEATHERPROOF.1	
4	6146GT	WASHER,FLAT,MS,#10,Y		25	10777GT	COVER,BLANK.....	1
5	6178GT	NUT,NYLOCK,10-32		26	75067GT	SCREW,6-32 X 7/8 PPMS ZINC	
6	6147GT	SCREW,RHM,10-32 X 1		27	21187GT	PLUG,NYLON 1.38 BLACK DOMED.....	1
7	6873GT	SCREW,FHM,10-32 X 1		28	6356GT	WASHER,LOCK,.25	
8	60892GT	LATCH,PLATE,CONTROL BOX COVER.....	1	29	56912GT	SPRING CLIP,1/4-20,.025-.15X.54,ZAG	
9	102950GT	COVER W/WRD DECALS TNK SIDE SB.....	1	30	75110-SGT	COVER ASSY.W/DECAL TURNTBL.ROT.....	1
		<i>includes items 1-8, 10-15, and 39-46; USA/Canada/Australia; to SN 325</i>				<i>USA/Canada/Australia</i>	
--	102949GT	COVER W/SYM DECALS TNK SIDE SB <i>includes items 1-8, 10-15, and 39-46; Europe/Asia/South America; to SN 935</i>		31	11328GT	DECAL,OPER.INST." GLL <i>Europe/Asia/South America</i>	
--	122895GT	COVER W/WRD DEC TNK SD 100/105 <i>includes items 1-8, 10-15, and 39-46; USA/Canada/Australia; from SN 326 to SN 935</i>		--	6175GT	SCREW,HHC,3/8-16 X 1	
--	229342GT	COVER W/WRD DEC TNK SD 100/105 <i>includes items 1-8, 10-15, and 39-46; USA/Canada/Australia; from SN 936</i>		32	6097GT	WASHER,FLAT,USS,3/8",Y	
--	229343GT	COVER W/SYM DECALS TNK SIDE SB <i>includes items 1-8, 10-15, and 39-46; Europe/Asia/South America; from SN 936</i>		33	4828GT	NUT,NYLOCK,3/8-16	
--	60874GT	TRIMLOCK,1/4.....	120-inches	34	60895-SGT	BRACKET,PANEL MOUNT.....	1
10	6888GT	SCREW,HHC,1/4-20 X 1		35	6002GT	NUT,LP NYLOCK,5/16-18	
11	12906GT	WASHER,FENDER,.25 X 1.25 X.062		36	33555GT	BALL STUD**.....	4
12	6638GT	WASHER,FLAT,USS,1/4"Y		37	122272GT	GAS STRUT,202 LBS FORCE.....	2
13	6091GT	NUT,NYLOCK,1/4-20				<i>ball studs are not included</i>	
14	75073GT	HINGE,.375X.120THK.,SLOTTED.....	2	38	75642-SGT	PLATE,TAP BLOCK HINGE MNT PTD....	2
15	60872GT	SUPPORT,COVER (61112,61117).....	1			<i>from SN 138</i>	
16	61279-SGT	MOUNT,PANEL BACKING.....	1	39	60578GT	COVER SUPPORT,WELDMENT.....	1
17	75069GT	T-BOX 2.75 X 4.5 X 2.5.....	1	40	8915GT	SCREW,HHC,1/4-20 X 1.25	
18	43955GT	WIRE CABLE,12/3 CON.TPE JKT.....	1720-inches	41	6606GT	SCREW,RHM,10-32 X .75	
		<i>from SN 178</i>		42	75076GT	KEEPER,LATCH (45363).....	2
18	60728GT	WIRE CABLE, 10GA/3 SJO JKT.....	1720-inches	43	50790GT	PLATE,COVER LATCH BACKING.....	2
		<i>to SN 177</i>		44	60884GT	HANDLE,GRAB.....	1
--	43955GT	WIRE CABLE,12/3 CON.TPE JKT.....	1780-inches	45	34619GT	BUMPER,RUBBER***.....	2
		<i>from SN 178</i>		46	60893GT	HINGE,SWING CONTROL BOX.....	1
19	6935GT	LOCKNUT,ELEC,1/2".....	1				

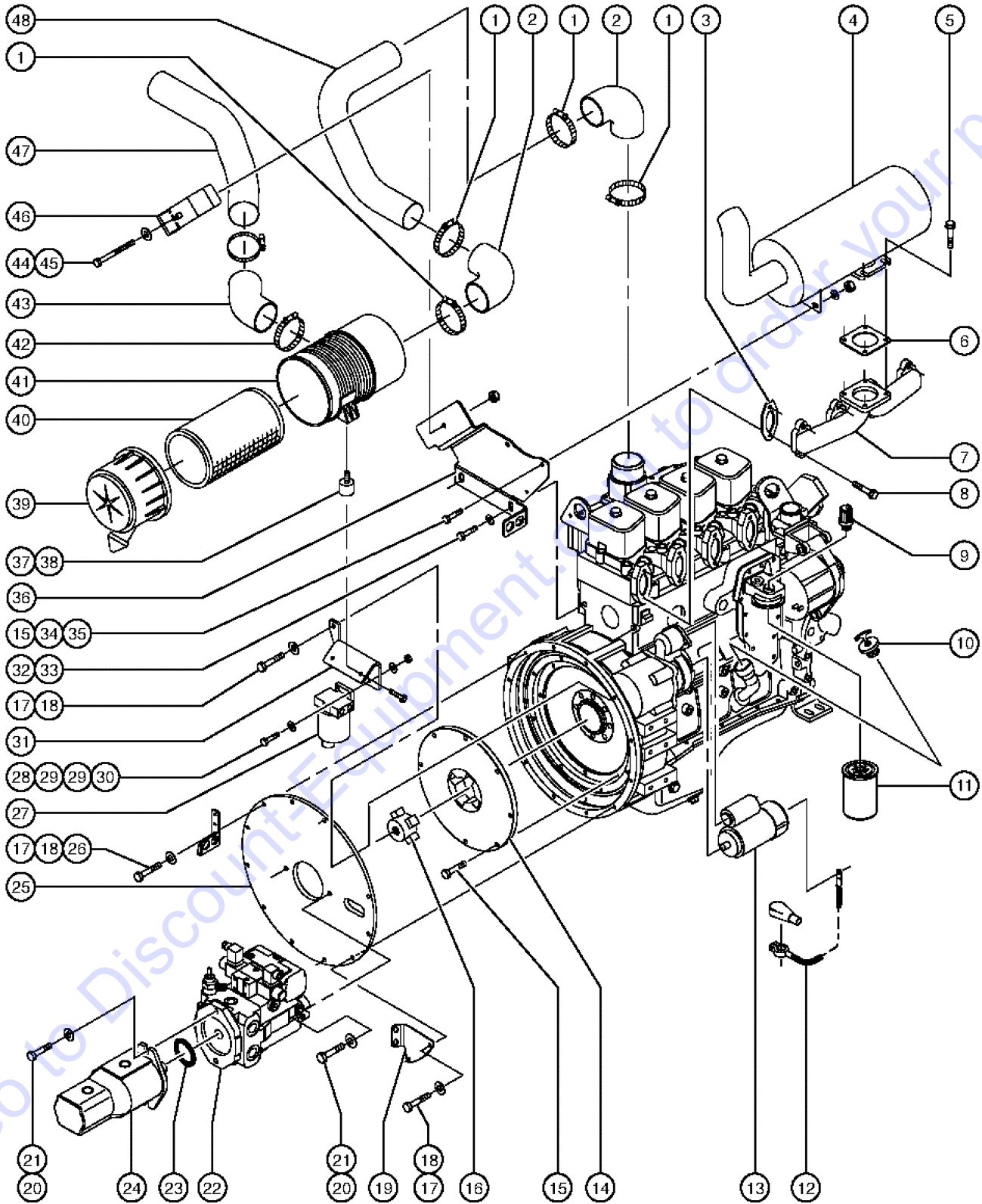
310.1 Turntable Covers - Engine Side



310.1 Turntable Covers - Engine Side

Item	Part No.	Description	Qty.
1	60595-SGT	SUPPORT,ENGINE COVER GRAY.....1	
2	6888GT	SCREW,HHC,1/4-20 X 1	
3	12906GT	WASHER,FENDER,.25 X 1.25 X.062	
4	6638GT	WASHER,FLAT,USS,1/4"Y	
5	6091GT	NUT,NYLOCK,1/4-20	
6	101964GT	WELDMENT,EXHAUST TUBE.....1	
7	8915GT	SCREW,HHC,1/4-20 X 1.25	
8	102948GT	COVER W/WRD DECALS ENG SIDE SB.....1 <i>includes items 1-6, 9, 12-15, and 18; to SN 935</i>	
--	102947GT	COVER W/SYM DECALS ENG SIDE SB <i>includes items 1-6, 9, 12-15, and 18; to SN 935</i>	
--	226123GT	COVER W/WRD DECALS ENG SIDE SB <i>includes items 1-6, 9, 12-15, and 18; from SN 936</i>	
--	226124GT	COVER W/SYM DECALS ENG SIDE SB <i>includes items 1-6, 9, 12-15, and 18; from SN 936</i>	
--	60874GT	TRIMLOCK,1/4.....120-inches	
9	6606GT	SCREW,RHM,10-32 X .75	
10	75076GT	KEEPER,LATCH (45363).....2	
11	50790GT	PLATE,COVER LATCH BACKING.....2	
12	6178GT	NUT,NYLOCK,10-32	
13	6146GT	WASHER,FLAT,MS,#10,Y	
14	60884GT	HANDLE,GRAB.....1	
15	60578GT	COVER SUPPORT,WELDMENT.....1	
16	6002GT	NUT,LP NYLOCK,5/16-18	
17	33555GT	BALL STUD**.....4	
18	60872GT	SUPPORT,COVER (61112,61117).....1	
19	122272GT	GAS STRUT,202 LBS FORCE.....2 <i>ball studs are not included</i>	
20	56912GT	SPRING CLIP,1/4-20,.025-.15X.54,ZAG	
21	6356GT	WASHER,LOCK,.25	
22	75112-SGT	COVER ASSY.W/DECALS,FUEL TANK.....1 <i>USA/Canada/Australia</i>	
--	111329GT	FUEL CVR W/SYM DECAL S100/120 <i>Europe/Asia/South America</i>	

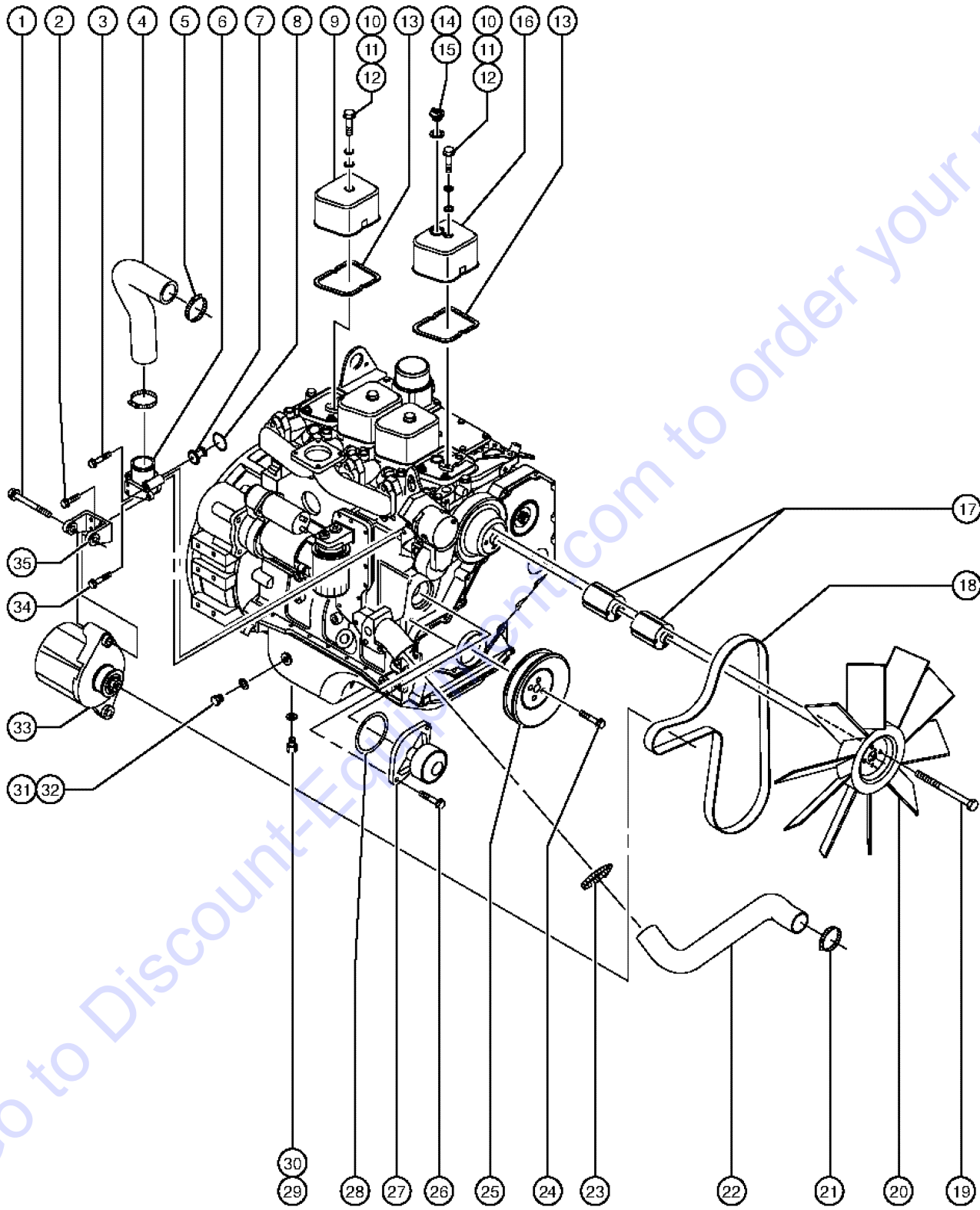
401.1 Cummins 4B3.9L Engine - View 1 (to SN 218)



401.1 Cummins 4B3.9L Engine - View 1 (to SN 218)

Item	Part No.	Description	Qty.	Item	Part No.	Description	Qty.
--	62438GT	MANUAL,CUMMINS B3.9L, WORKSHOP		--	62433GT	FILTER,ELEMENT,30 MIC,75020	
--	61357GT	HARNES, CUMMINS ENGINE* to SN 186		28	8915GT	SCREW,HHC,1/4-20 X 1.25	
--	75587GT	HARNES, CUMMINS ENGINE,SUPR from SN 187		29	6638GT	WASHER,FLAT,USS,1/4"Y	
--	88151GT	FUSE,70 AMP		30	6091GT	NUT,NYLOCK,1/4-20	
--	75618GT	FUSE,10 A INLINE TIME DELAY to SN 186		31	61243-SGT	WELDMENT,AIR CLEANER CUMMINS.....1	1
--	23082GT	FUSE,15 AMP,TIME DELAY from SN 187		32	75029GT	SCREW,HHC,M12 X 1.75X 25MM,8.8	
--	45782GT	DIODE,6 AMP,200 PIV,BULK		33	49410GT	WASHER,FLAT,M12	
--	75187GT	PAINT,AEROSOL,TITANIUM BLACK		34	5397GT	WASHER,FLAT,USS,5/16",Y	
1	30489GT	CLAMP,HOSE,3.50		35	4828GT	NUT,NYLOCK,3/8-16	
2	60561GT	ELBOW,INLET,CUMMINS.....2	2	36	75044-SGT	BRACKET,MUFFLER,SUPPORT,CUM...1	1
3	75150GT	GASKET,EXH.MNFLD.CUMMINS,B3.9L.4	4	--	60584GT	GROMMET,RUBBER .75 X .19 X 1**	
4	60550GT	MUFFLER,NELSON 3.9L.....1	1	37	60585GT	ISOLATOR,VIBRATION,M8 MALE/FEM.....2	2
--	61337GT	MUFFLER,CATALYTIC,CUMMINS		38	49378GT	SCREW,HHC,M8 X 16	
5	75052GT	SCREW,SER/FLNG 10M-1.5X20MM BK		39	75451GT	AIR CLEANER COVER, SUPERBOOM*.....1	1
6	75151GT	GASKET,MUFFLER,CUMMINS, B3.9L...1	1	--	52866GT	EVACUATOR VALVE-AIR CLEANER	
7	75152GT	EXHAUST MANIFOLD,CUMMINS,B3.9L.....1	1	--	75450GT	AIR CLEANER CLIPS, SUPERBOOM	
8	75157GT	SCREW,HHC,M10 X 1.5 X 65,GR8.8		40	62425GT	FILTER,AIR CLEANER, SUPERBOOM...1	1
9	75153GT	SENSOR,OIL PRESS,VDO360-004***...1	1	41A	81467GT	AIR CLEANER,NELSON.....1 for first time replacement, also order 81468	1
10	75155GT	CAP,OIL FILLER,CUMMINS, B3.9.....1	1	--	52866GT	EVACUATOR VALVE-AIR CLEANER for 81467	
11	62436GT	FILTER,OIL, CUMMINS B3.9L.....1	1	--	62425GT	FILTER,AIR CLEANER, SUPERBOOM for 81467	
12	60930GT	CABLE,BATTERY POSITIVE.....1	1	--	75450GT	AIR CLEANER CLIPS, SUPERBOOM for 81467	
13	75156GT	STARTER,12V,CUMMINS, B3.9.....1 to SN 177	1	--	75451GT	AIR CLEANER COVER, SUPERBOOM* for 81467	
--	89837GT	STARTER,12V,CUMMINS, B3.9/B4.5 from SN 187		41B	81468GT	MOUNTING BAND,AIR CLEANER	
14	61078GT	FLYWHEEL DRIVE PLATE,SAE 10.....1	1	42	30971GT	CLAMP,HOSE,3.00"	
15	6019GT	SCREW,HHC,3/8-16 X 1.25 GRD 5		43	61270GT	ELBOW,45 DEG,INLET.....1	1
16	61077GT	COUPLER,HUB,14 TOOTH.....1	1	44	5387GT	SCREW,HHC,3/8-16 X 4	
17	44064GT	SCREW,HHC,M10 X 30MM,		45	6097GT	WASHER,FLAT,USS,3/8",Y	
18	22699GT	WASHER,FLAT,M10,ZINC PLTD.		46	75046-SGT	CLAMP,AIR INTAKE TUBE.....1	1
19	60883GT	FORMING,TEST PORT MOUNT.....1	1	47	61271GT	TUBE,INLET,CUMMINS.....1	1
20	10597GT	SCREW,HHC,1/2-13 X 1.25 GR5		48	75045GT	TUBE,INLET,CUMMINS.....1	1
21	13066GT	WASHER,FLAT,.5 HARDENED					
22		Ref. Drive Pump (refer to 711.1)					
23	62407GT	O-RING,PISTON PUMP TO GEARPUMP.....1	1				
24		Ref. Function Pump (refer to 711.1)					
25	60322-SGT	PLATE,PUMP MOUNT.....1	1				
26	75100GT	BRACKET, CABLE MOUNT.....1	1				
--	60584GT	GROMMET,RUBBER .75 X .19 X 1**					
27	75020GT	SEPRTR/FLTR,FUEL DSL,15GPH,.30....1	1				

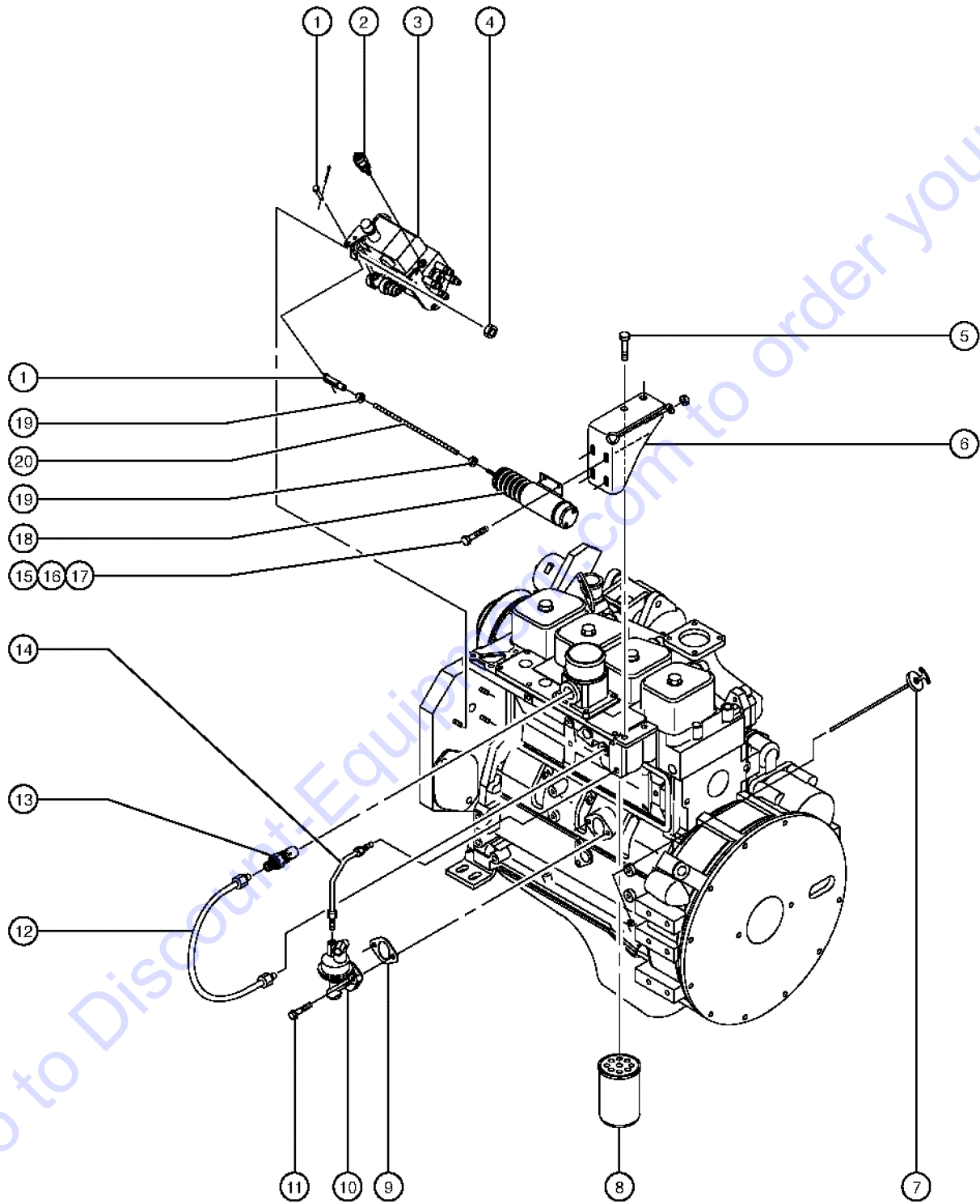
402.1 Cummins 4B3.9L Engine - View 2 (to SN 218)



402.1 Cummins 4B3.9L Engine - View 2 (to SN 218)

Item	Part No.	Description	Qty.
--	75188GT	BELT,TIMING,CUMMINS, B3.9	
1	75158GT	SCREW,HHC,M10 X 1.5 X 95,GR8.8	
2	75159GT	SCREW,HHC,M8X1.25X 25MM,GR8.8	
3	75185GT	SCREW,HHC,M8X1.25X 70MM,GR8.8	
4	60586GT	RADIATOR HOSE,UPPER-CUMMINS....1	
5	22672GT	CLAMP,HOSE,1.75.....1	
6	75161GT	THERMOSTAT HOUSING,CUMMINS,B3.9.....1	
7	75162GT	THERMOSTAT,CUMMINS, B3.9.....1	
8	75163GT	GASKET,THERMOSTAT,CUMMINS,B3.9.1	
9	75164GT	VALVE COVER,CUMMINS, B3.9.....3	
10	75165GT	SCREW,HHC,M8X1.25X 21MM,GR8.8	
11	75166GT	WASHER,VALVE COVR.CUMMINS,B3.9.....4	
12	75167GT	ISOLATOR,VALVE COVR.CUMMINS3.9.....4	
13	75168GT	GASKET,VALVE CVR.CUMMINS, B3.9.....4	
14	75169GT	CAP,OIL FILLER,VALV.CVR.CUMMIN....1	
15	75170GT	O-RING,FILLER CAP,CUMMINS,B3.9....1	
16	75172GT	VALVE COVER,CUMMINS, B3.9.....1	
17	75173GT	SPACER,FAN,CUMMINS, B3.9.....2	
18	62437GT	BELT,SERPENTINE, CUMMINS B3.9L...1	
19	75174GT	SCREW,HHC,M8X1.25X 95MM,GR8.8	
20	75171GT	FAN,PULLER,CUMMINS,4B3.9,60213....1	
21	45435GT	CLAMP,HOSE,2.50"***2	
22	60587GT	RADIATOR HOSE,LOWER-CUMMINS...1	
--	75606GT	RADIATOR HOSE,LOWER-CUMMINS <i>from SN 139</i>	
23	30971GT	CLAMP,HOSE,3.00"1	
24	75175GT	SCREW,HHC,M12X 1.25X36MM,GR8.8	
25	75176GT	PULLEY,CRANKSHAFT,CUMMINS B3.9.....1	
26	75177GT	SCREW,HHC,M8X1.25X 22MM,GR8.8	
27	75178GT	PUMP, WATER,CUMMINS B3.9.....1	
28	75179GT	O-RING,WATER PUMP,CUMMINS B3.9.....1	
29	75180GT	PLUG,ENGINE OIL, CUMMINS B3.9....1	
30	75181GT	WASHER,OIL DRAIN, CUMMINS B3.9...1	
31	75182GT	PLUG,ENGINE OIL, CUMMINS B3.9....1	
32	75183GT	WASHER,OIL DRAIN, CUMMINS B3.9...1	
33	75102GT	ALTERNATOR,CUMMINS 4B3.9, 95A....1	
--	75184GT	HARNESS,ALTERNATR,CUMMINS B3.9	
34	75186GT	SCREW,HHC,M8X1.25X 35MM,GR8.8	
35	75160GT	ALTERNATOR,STAY,CUMMINS B3.9....1	

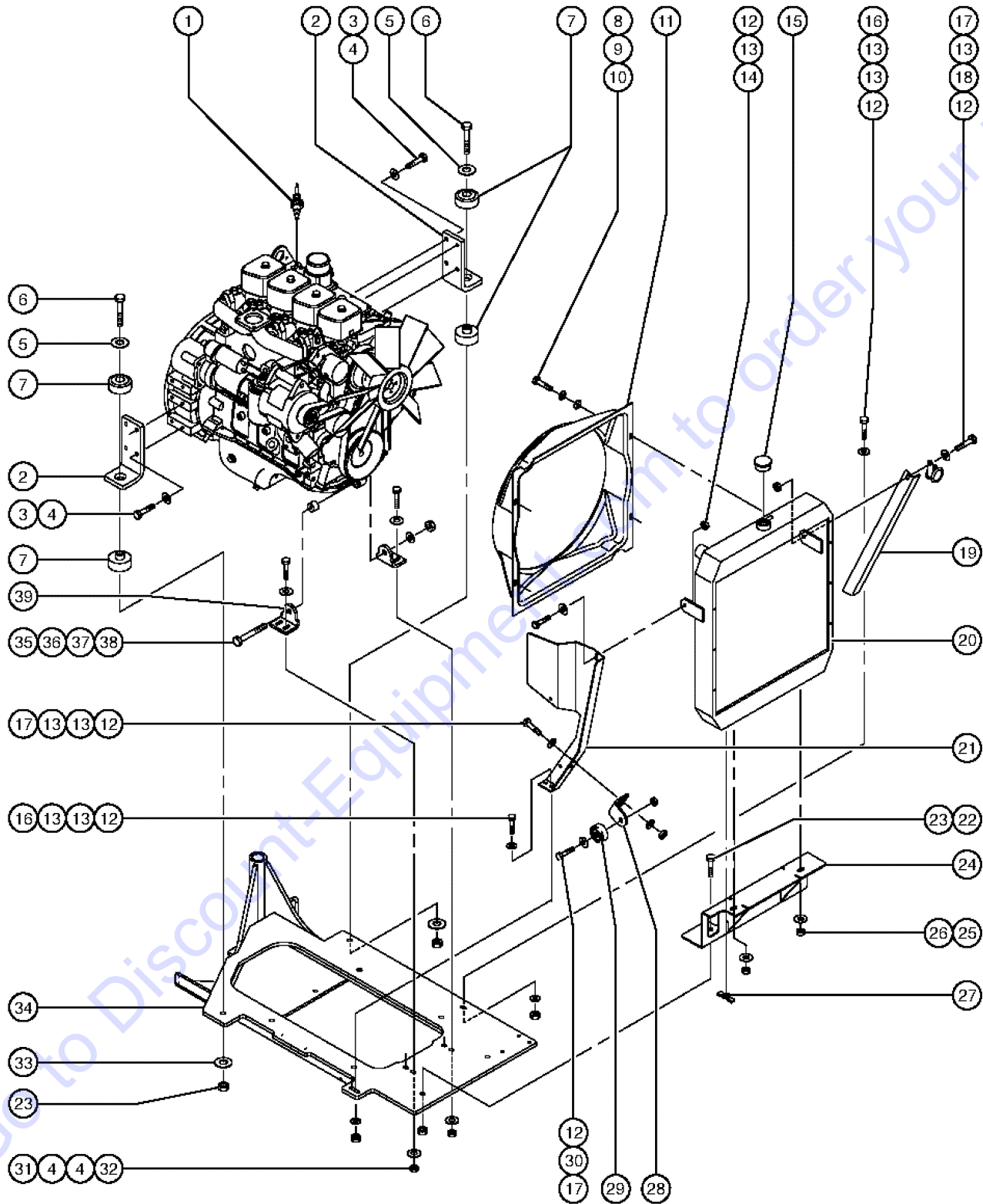
403.1 Cummins 4B3.9L Engine - View 3 (to SN 218)



403.1 Cummins 4B3.9L Engine - View 3 (to SN 218)

Item	Part No.	Description	Qty.
1	21130GT	CLEVIS YOKE-1/4-28,PLTD W/PIN.....1 <i>includes clevis pin and cotter pin</i>	1
2	75189GT	VALVE,FUEL SHUTOFF,CUMMINSB3.9.....1	1
3	75190GT	PUMP,FUEL INJECTION,CUMMINB3.9.....1 <i>includes item 2</i>	1
4	75202GT	NUT,HEX,FLANGE,M8X1.25,CUMMINS	
5	75192GT	SCREW,HHC,M12X 1.75X35MM,GR8.8	
6	60569-SGT	BRACKET,THROTTLE MOUNT CUMM.....1	1
7	75193GT	DIPSTICK,CUMMINS, B3.9.....1	1
--	75194GT	DIPSTICK,TUBE,CUMMINS, B3.9	
8	62435GT	FILTER,FUEL,CUMMINS B3.9L,SPIN....1	1
9	102300GT	GASKET, FUEL PUMP CUMMINS B4.5.....1	1
10	75196GT	PUMP,FUEL LIFT, CUMMINS, B3.9.....1	1
--	61152GT	ELBOW,45DEG,TO MALE PIPE	
11	75159GT	SCREW,HHC,M8X1.25X 25MM,GR8.8	
12	75199GT	TUBE,STARTING AID,CUMMINS,B3.9...1	1
13	75200GT	HEATER,START AID,CUMMINS B3.9....1	1
14	75197GT	TUBE,FUEL SUPPLY,CUMMINS, B3.9...1	1
--	75198GT	WASHER,FUEL SUPPLY,CUMMINSB3.9	
15	6090GT	SCREW,HHC,1/4-20 X .75	
16	6638GT	WASHER,FLAT,USS,1/4"Y	
17	6091GT	NUT,NYLOCK,1/4-20	
18	89998GT	KIT,SERVICE,SOLENOID MODULE.....1	1
--	52537GT	BOOT,SOLENOID,29073	
--	58165GT	SOLENOID UPDATE KIT***	
--	75085GT	HARNES, SOLENOID <i>to SN 186</i>	
19	21496GT	NUT,HEX,1/4-28	
20	30785-1000GT	THREADED ROD,1/4-28 X 10 IN***.....1	1

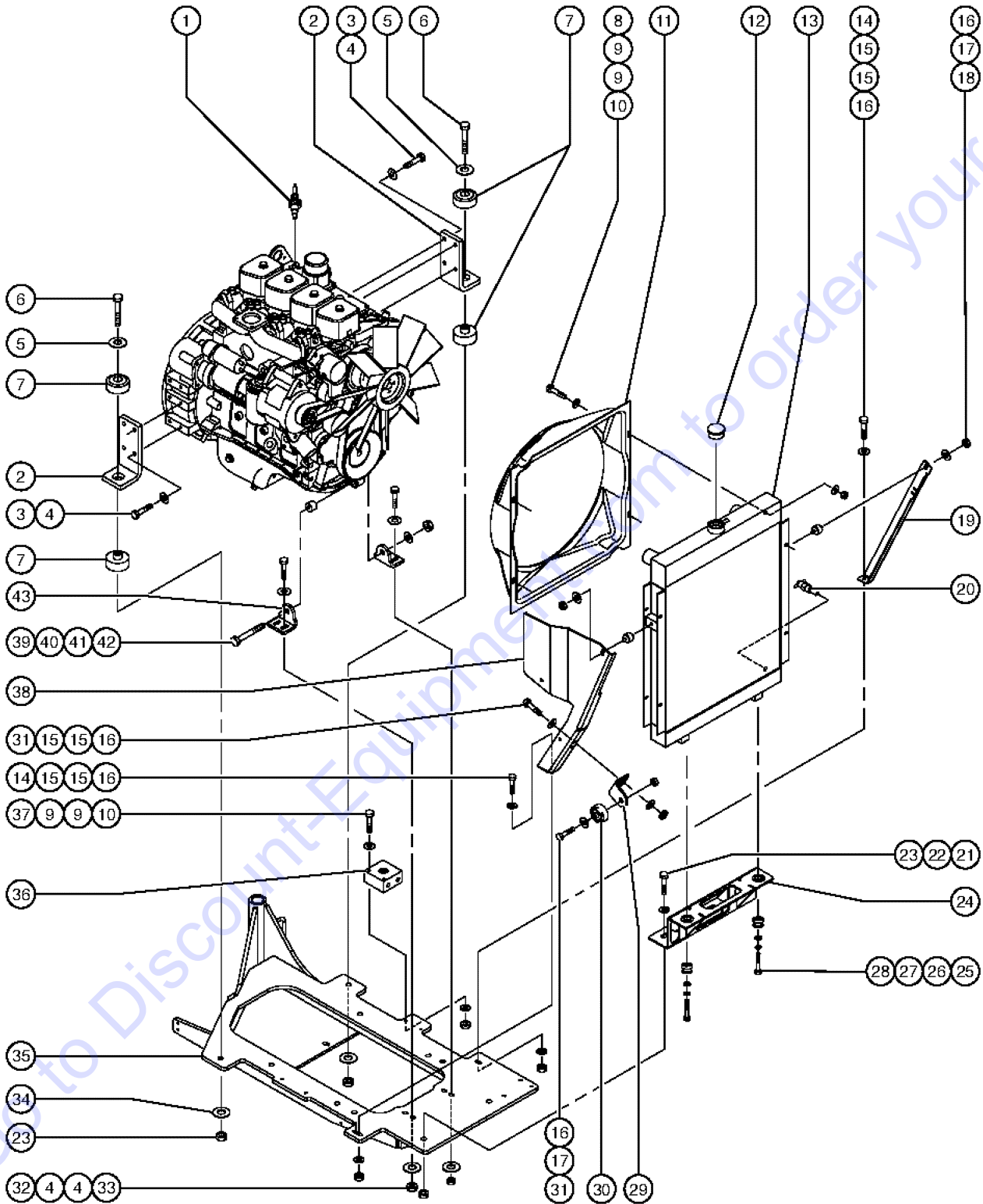
404.1 Cummins 4B3.9L Engine - View 4 (to SN 138)



404.1 Cummins 4B3.9L Engine - View 4 (to SN 138)

Item	Part No.	Description	Qty.	Item	Part No.	Description	Qty.
1	75154GT	SENSOR,COOLANT TEMP.VDO323-419.....	1	37	34550GT	WASHER,LOCK,.75 PLTD	
2	60552-SGT	BRACKET,ENGINE MOUNT,CUMMINS.....	2	38	75136GT	NUT,HEX,HEAVY DUTY JAM,3/4-10	
3	27584GT	SCREW,HHC,M12 X 35MM		39	75137GT	BRACKET,ENGINE SUPPORT,CUMMINS.....	2
4	49410GT	WASHER,FLAT,M12					
5	33418GT	WASHER,FLAT,.625 X 2.25 X.15					
6	59746GT	SCREW,HHC,5/8-11 X 4.0***					
7	102045GT	ISOLATOR,ENGINE VIBRATION.....	2				
8	7339GT	SCREW, HHC, 1/4-20 X .5					
9	6356GT	WASHER,LOCK,.25					
10	6638GT	WASHER,FLAT,USS,1/4"Y					
11	60649GT	SHROUD,FAN (FIBERGLASS).....	1				
12	4828GT	NUT,NYLOCK,3/8-16					
13	5397GT	WASHER,FLAT,USS,5/16",Y					
14	6175GT	SCREW,HHC,3/8-16 X 1					
15	75434GT	CAP,RADIATOR,7 PSI, AKG.....	1				
16	8516GT	SCREW, HCC, 3/8-16 X 1.50					
17	6019GT	SCREW,HHC,3/8-16 X 1.25 GRD 5					
18	60838GT	CLAMP,1.00,#16 X 7/16,RUB CUSH					
19	60592-SGT	RADIATOR STRUT,LEFT (INBOARD).....	1				
20	75291GT	RADIATOR,CUMMINS/PERKINS.....	1				
		<i>includes items 15 and 27</i>					
--	75438-SGT	RADIATOR UPGRADE KIT,SUPERB <i>to SN 127</i>					
21	111400GT	RADIATOR STRUT ASSEMBLY, RIGHT.....	1				
		<i>USA/Canada/Australia</i>					
--	60593-SGT	RADIATOR STRUT,RIGHT(OUTBORD) <i>Europe/Asia/South America</i>					
22	29883GT	SCREW,HHC,5/8-11 X 1.75 GRD.8.....	2				
23	6024GT	NUT,NYLOCK,5/8-11					
24	60640-SGT	WELDMENT,RADIATOR MOUNT.....	1				
25	6198GT	NUT,NYLOCK,1/2-13					
26	11209GT	WASHER,FLAT,USS,7/16",Y					
27	75435GT	VALVE,RADIATOR DRAIN, AKG.....	1				
28	60729-SGT	FORMING,COVER STOP.....	1				
29	50974GT	BUMPER,RUBBER,COVERS.....	1				
30	6097GT	WASHER,FLAT,USS,3/8",Y					
31	49366GT	NUT,NYLOCK,M12X1.75					
32	60868GT	SCREW,HHC,M12 X 45					
33	6035GT	WASHER,FLAT,USS,5/8",Y					
34		Ref. Engine Tray (refer to 408.1)					
35	75135GT	SCREW,HHC,3/4-10 X 6 (CUMMINS)					
36	75120GT	ISOLATOR,CUMMINS 4B3.9L ENGINE.....	1				

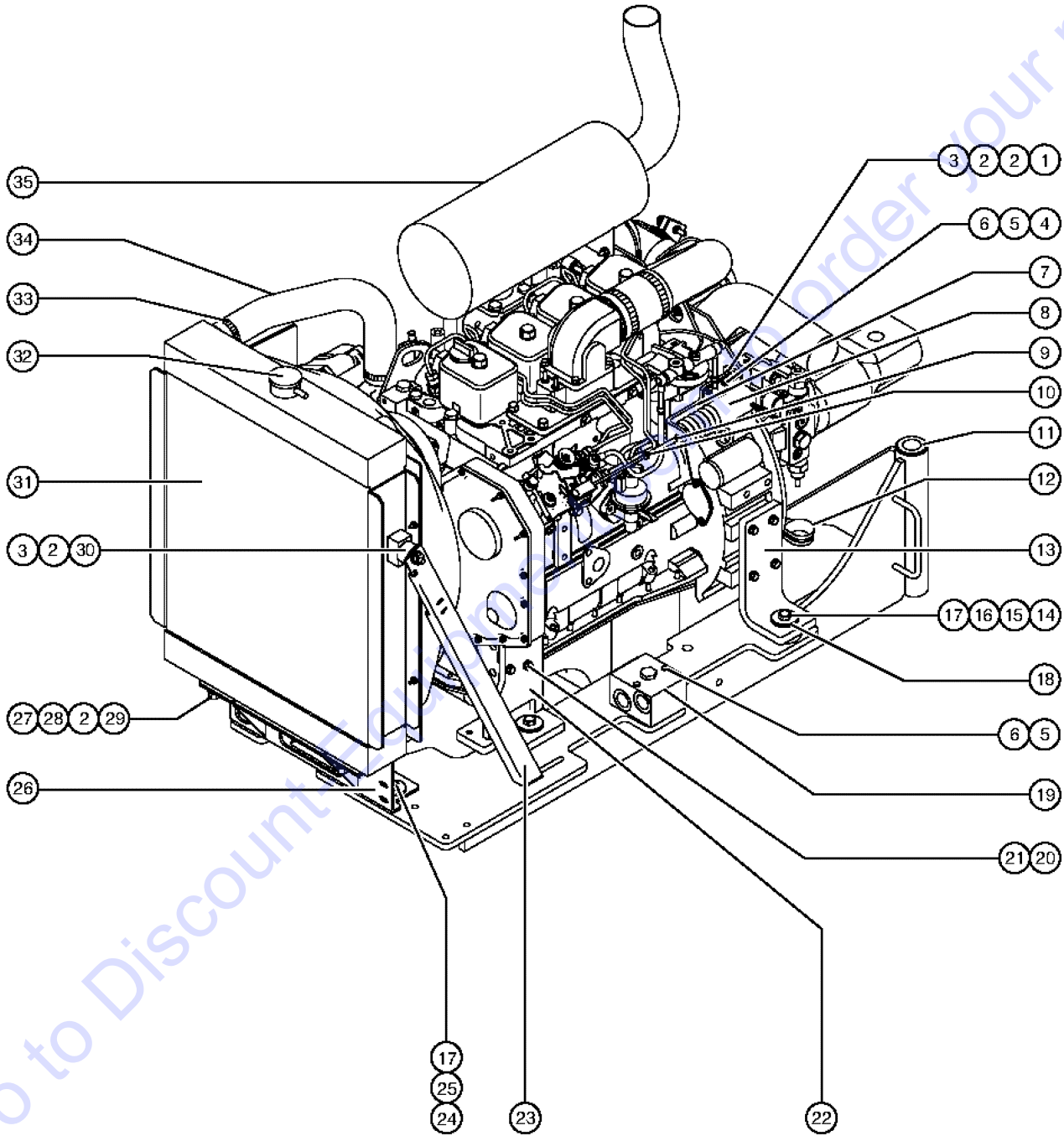
404.2 Cummins 4B3.9L Engine - View 4 (from SN 139 to 218)



404.2 Cummins 4B3.9L Engine - View 4 (from SN 139 to 218)

Item	Part No.	Description	Qty.	Item	Part No.	Description	Qty.
1	75154GT	SENSOR,COOLANT TEMP.VDO323-419.....	1	38	111396GT	RADIATOR STRUT ASSEMBLY,RIGHT.....	1
2	60552-SGT	BRACKET,ENGINE MOUNT,CUMMINS.....	2	--	122026PGT	RADIATOR STRUT,RIGHT <i>USA/Canada/Australia</i>	
3	27584GT	SCREW,HHC,M12 X 35MM				RADIATOR STRUT,RIGHT <i>Europe/Asia/South America</i>	
4	49410GT	WASHER,FLAT,M12		39	75135GT	SCREW,HHC,3/4-10 X 6 (CUMMINS)	
5	33418GT	WASHER,FLAT,.625 X 2.25 X.15		40	75120GT	ISOLATOR,CUMMINS 4B3.9L ENGINE.....	1
6	59746GT	SCREW,HHC,5/8-11 X 4.0***		41	34550GT	WASHER,LOCK,.75 PLTD	
7	102045GT	ISOLATOR,ENGINE VIBRATION.....	2	42	75136GT	NUT,HEX,HEAVY DUTY JAM,3/4-10	
8	6888GT	SCREW,HHC,1/4-20 X 1		43	75137GT	BRACKET,ENGINE SUPPORT,CUMMINS.....	2
9	6638GT	WASHER,FLAT,USS,1/4"Y					
10	6091GT	NUT,NYLOCK,1/4-20					
11	60649GT	SHROUD,FAN (FIBERGLASS).....	1				
12	75434GT	CAP,RADIATOR,7 PSI, AKG.....	1				
13	75547GT	RADIATOR.....	1				
		<i>includes items 12 and 20</i>					
14	8516GT	SCREW, HCC, 3/8-16 X 1.50					
15	5397GT	WASHER,FLAT,USS,5/16",Y					
16	4828GT	NUT,NYLOCK,3/8-16					
17	6097GT	WASHER,FLAT,USS,3/8",Y					
18	75260GT	ISOLATOR,FLEX-BOLT SANDWICH***.....	2				
19	75262-SGT	RADIATOR STRUT,LEFT, PAINTED.....	1				
20	75435GT	VALVE,RADIATOR DRAIN, AKG.....	1				
21	29883GT	SCREW,HHC,5/8-11 X 1.75 GRD.8.....	2				
22	13064GT	WASHER,FLAT,.625 HARDENED.....	2				
23	6024GT	NUT,NYLOCK,5/8-11					
24	75297-SGT	WELDMENT,RADIATOR MOUNT,PAINTD.....	1				
25	13918GT	SCREW,HHC,3/8-16 X 1.75,GRD.8.....	2				
26	6021GT	WASHER,LOCK,.375					
27	44714GT	WASHER,.375X1.25X.100					
28	122026PGT	RADIATOR STRUT,RIGHT.....	2				
29	60729-SGT	FORMING,COVER STOP.....	1				
30	50974GT	BUMPER,RUBBER,COVERS.....	1				
31	6019GT	SCREW,HHC,3/8-16 X 1.25 GRD 5					
32	49366GT	NUT,NYLOCK,M12X1.75					
33	60868GT	SCREW,HHC,M12 X 45					
34	6035GT	WASHER,FLAT,USS,5/8",Y					
35		Ref. Engine Tray (refer to 408.2)					
36	75651GT	MANIFOLD,COOLER BYPASS					
--	102166GT	VALVE,CHECK,30 PSI					
--	44224GT	SEAL KIT, VALVE					
37	6115GT	SCREW,HHC,1/4-20 X 3.5					

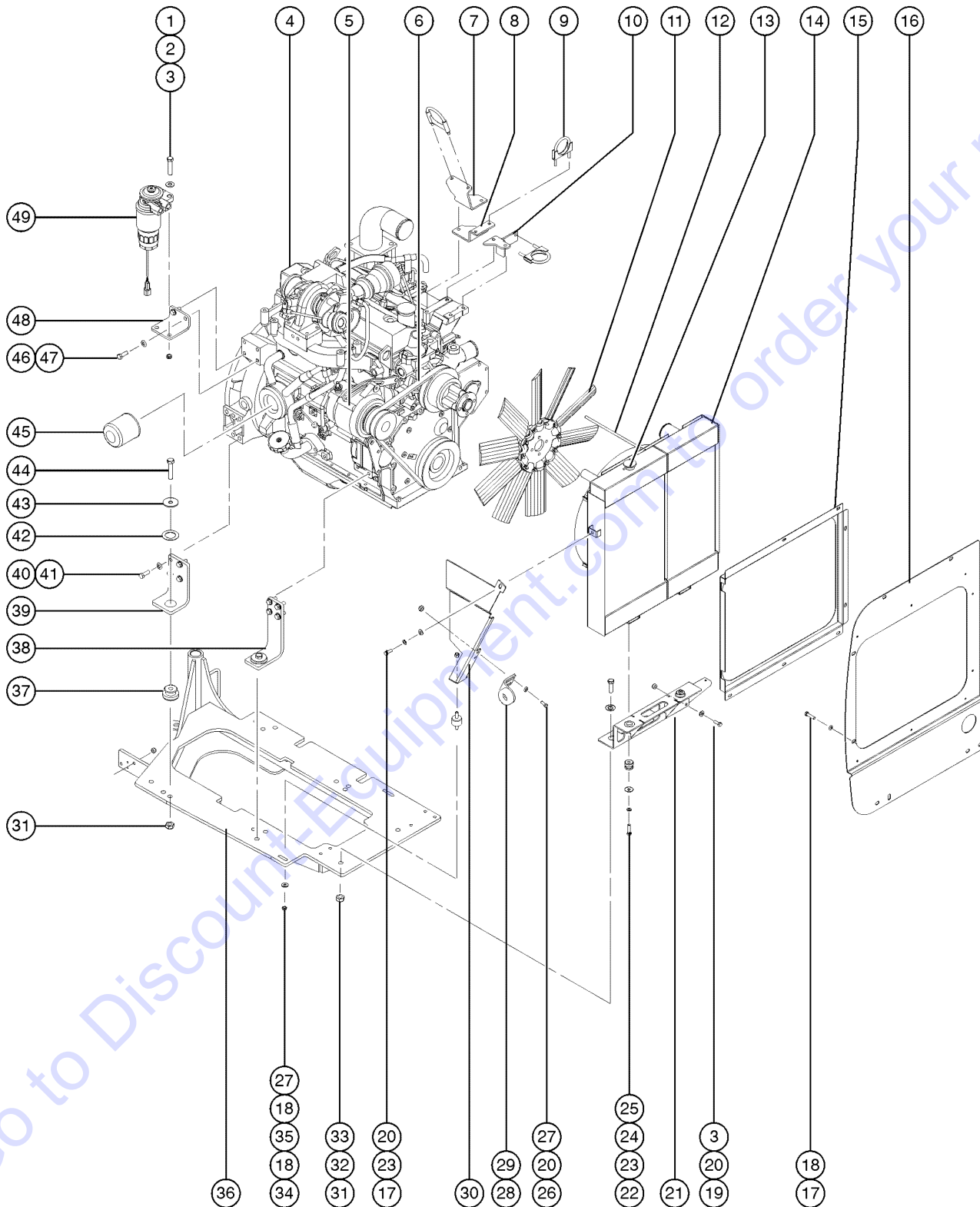
405.1 Cummins B4.5 C 80 Engine - View 1 (from SN 219 to 664)



405.1 Cummins B4.5 C 80 Engine - View 1 (from SN 219 to 664)

Item	Part No.	Description	Qty.	Item	Part No.	Description	Qty.
--	61078GT	FLYWHEEL DRIVE PLATE,SAE 10 <i>from SN 219 to SN 252</i>		30	75260GT	ISOLATOR,FLEX-BOLT SANDWICH***	2
--	33023GT	FLYWHEEL FLANGE,SAE 8/12.375 <i>from SN 253</i>		31	75547GT	RADIATOR.....	1
--	61077GT	COUPLER,HUB,14 TOOTH <i>from SN 219 to SN 252</i>		--	70518GT	RADIATOR <i>from SN 248</i>	
--	29749GT	COUPLER,SMALL METAL,15T,*** <i>from SN 253</i>		32	75434GT	CAP,RADIATOR,7 PSI, AKG.....	1
--	102182GT	HARNESS,ENGINE,CUMMINS 2004 <i>from SN 219 to SN 252</i>		--	65473GT	CAP,RADIATOR,PERKINS/FORD <i>from SN 248</i>	
--	102707GT	HARNESS,ENGINE,CUMMINS 4.5 <i>from SN 253 to SN 319</i>		33	45435GT	CLAMP,HOSE,2.50"***	4
--	111117GT	HARNESS,CUMMINS ENGINE <i>from SN 320</i>		34	60586GT	RADIATOR HOSE,UPPER-CUMMINS....	1
1	6019GT	SCREW,HHC,3/8-16 X 1.25 GRD 5		35	60550GT	MUFFLER,NELSON 3.9L.....	1
2	5397GT	WASHER,FLAT,USS,5/16",Y		--	61337GT	MUFFLER,CATALYTIC,CUMMINS	
3	4828GT	NUT,NYLOCK,3/8-16		--	75151GT	GASKET,MUFFLER,CUMMINS, B3.9L	
4	6090GT	SCREW,HHC,1/4-20 X .75					
5	6638GT	WASHER,FLAT,USS,1/4"Y					
6	6091GT	NUT,NYLOCK,1/4-20					
7	102035PGT	FORMING,THROTTLE SOL MNT CUM.....	1				
8	89998GT	KIT,SERVICE,SOLENOID MODULE.....	1				
9	102048GT	CABLE ASSY,THROTTLE.....	1				
10	21496GT	NUT,HEX,1/4-28					
11	35675GT	BEARING,FL,1.25IDX1.5ODX1.25L.....	2				
12	77181GT	CLAMP,1.63,#26 X 3/8,RUB CUSH.....	1				
13	102044PGT	BRACKET,ENGINE MOUNT,CUMMINS.....	2				
14	13004GT	SCREW,HHC,5/8-11 X 3 GRD.8.....	4				
15	33418GT	WASHER,FLAT,.625 X 2.25 X.15					
16	6035GT	WASHER,FLAT,USS,5/8",Y					
17	6024GT	NUT,NYLOCK,5/8-11					
18	102045GT	ISOLATOR,ENGINE VIBRATION.....	4				
19		Ref. Hydraulic Oil Cooler Manifold (refer to 404.3)					
20	27584GT	SCREW,HHC,M12 X 35MM					
21	49410GT	WASHER,FLAT,M12					
22	102043GT	WELDMENT,ENGINE MOUNT,RT,FRONT.....	1				
23	75262PGT	RADIATOR STRUT,LEFT,PAINTED.....	1				
24	29883GT	SCREW,HHC,5/8-11 X 1.75 GRD.8.....	2				
25	13064GT	WASHER,FLAT,.625 HARDENED					
26	75297PGT	WELDMENT,RADIATOR MOUNT.....	1				
27	13918GT	SCREW,HHC,3/8-16 X 1.75,GRD.8.....	2				
28	6021GT	WASHER,LOCK,.375					
29	75259GT	ISOLATOR,CENTER BONDED.....	2				

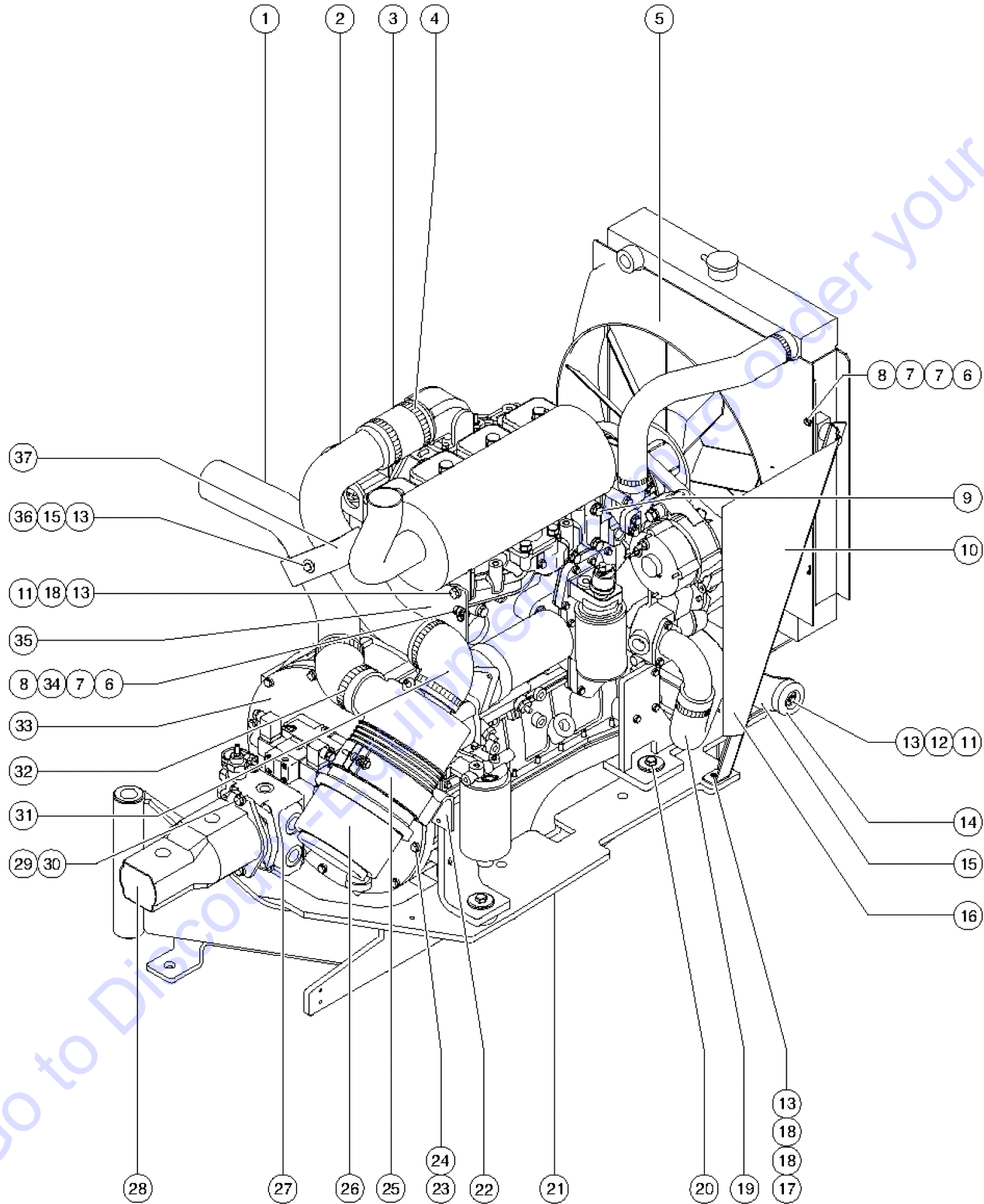
405.2 Cummins B3.3T Engine - View 1 (from SN 665)



405.2 Cummins B3.3T Engine - View 1 (from SN 665)

Item	Part No.	Description	Qty.	Item	Part No.	Description	Qty.
--	122877GT	HARNES, CUMMINS ENGINE T3		37	102045GT	ISOLATOR, ENGINE VIBRATION	
--	128829GT	CIRCUIT BRKR 15A TYPE 2 METAL <i>from SN 710</i>		38	122409GT	FORMING, MOUNT, ENGINE, FRONT.....2	
--	139612GT	KIT CB 15A T2 RPM SOLENOID 3W <i>includes item 128829; to SN 709</i>		39	122410GT	FORMING, MOUNT, ENGINE, REAR.....2	
1	13000GT	SCREW, HHC, 5/16-18 X 1.25		40	27584GT	SCREW, HHC, M12 X 35MM	
2	6638GT	WASHER, FLAT, USS, 1/4"Y		41	49410GT	WASHER, FLAT, M12	
3	6782GT	NUT, NYLOCK, 5/16-18		42	18596GT	WASHER, FLAT, 1.56 X 2.5 X .061	
4	122402GT	ENGINE KIT, CUMMINS B3.3T.....1		43	33418GT	WASHER, FLAT, .625 X 2.25 X .15	
5	146046GT	ALTERNATOR.....1		44	13004GT	SCREW, HHC, 5/8-11 X 3 GRD.8	
6	146047GT	BELT.....1		45	122708GT	OIL FILTER.....1	
6A	1277970GT	WATER PUMP, CUMMINS, B3.3.....1		46	27034GT	SCREW, HHC, M10 X 25MM, GR 8.8	
7	122625GT	BRACKET, SUPPORT, EXH. CUM T3.....1		47	22699GT	WASHER, FLAT, M10, ZINC PLTD.	
8	122424GT	BRACKET, CAC 2 TUBING MOUNT.....1		48	111639GT	FORMING, FUEL FILTER MOUNT.....1	
9	71911GT	CLAMP, MUFFLER, 2.50 INCH.....4		49	122709GT	FUEL FILTER.....1	
10	122335GT	BRACKET, CAC INTAKE TUBE MOUNT.....1					
11	122438GT	FAN, 19.0", BREEZA.....1					
12	30490GT	HOSE, 1/4 FUEL LINE, SAE 30R7.....16-inches					
13	65473GT	CAP, RADIATOR, PERKINS/FORD.....1					
14	122404GT	ASSY, RAD/CAC, CUMMINS B3.3T.....1					
15	122594GT	FORMING, BAFFLE BOX.....1					
16	128505GT	FORMING, ENGINE BAFFLE.....1					
17	8255GT	SCREW, HHC, 3/8-16 X .75					
18	6097GT	WASHER, FLAT, USS, 3/8", Y					
19	13002GT	SCREW, HHC, 5/16-18 X 1 GR5					
20	5397GT	WASHER, FLAT, USS, 5/16", Y					
21	122415GT	WELDMENT, RADIATOR MOUNT, CUM.....1					
22	8516GT	SCREW, HCC, 3/8-16 X 1.50					
23	6021GT	WASHER, LOCK, .375					
24	44714GT	WASHER, .375X1.25X.100					
25	75259GT	ISOLATOR, CENTER BONDED					
26	6019GT	SCREW, HHC, 3/8-16 X 1.25 GRD 5					
27	4828GT	NUT, NYLOCK, 3/8-16					
28	50974GT	BUMPER, RUBBER, COVERS					
29	60729GT	FORMING, COVER STOP***					
30	122412GT	RADIATOR STRUT, RIGHT.....1					
31	6024GT	NUT, NYLOCK, 5/8-11					
32	13064GT	WASHER, FLAT, .625 HARDENED					
33	29883GT	SCREW, HHC, 5/8-11 X 1.75 GRD.8					
34	7713GT	NUT, LP NYLOCK, 3/8-16					
35	122428GT	MOUNT, 1" FLEX-BOLT SANDWICH.....1					
36		Ref. ENGINE TRAY (refer to 408.2).....1					

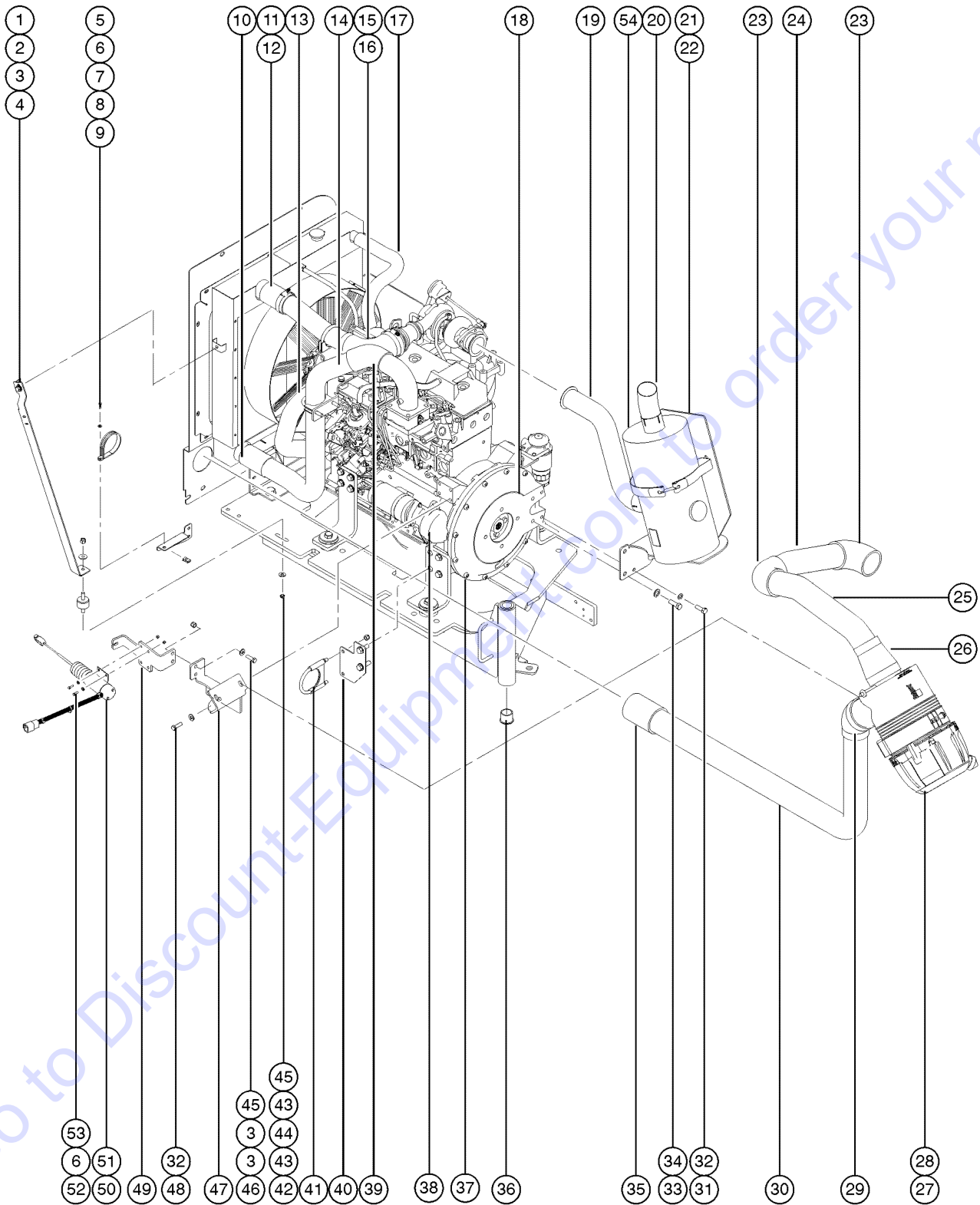
406.1 Cummins B4.5 C80 Engine - View 2 (from SN 219 to 664)



406.1 Cummins B4.5 C80 Engine - View 2 (from SN 219 to 664)

Item	Part No.	Description	Qty.	Item	Part No.	Description	Qty.
1	61271GT	TUBE,INLET,CUMMINS.....	1	34	6833GT	CLAMP,0.50,#8 X 1/4,RUB CUSH.....	1
2	75045GT	TUBE,INLET,CUMMINS.....	1	35	102034PGT	BRACKET,MUFFLER,SUPT,CUMMINS..	1
3	60596GT	HOSE INLET.....	1	36	12981GT	SCREW,HHC,3/8-16 X 4.5	
4	30489GT	CLAMP,HOSE,3.50.....	6	37	75046-SGT	CLAMP,AIR INTAKE TUBE.....	1
5	60649GT	SHROUD,FAN (FIBERGLASS).....	1				
6	6091GT	NUT,NYLOCK,1/4-20					
7	6638GT	WASHER,FLAT,USS,1/4"Y					
8	6090GT	SCREW,HHC,1/4-20 X .75					
9	75052GT	SCREW,SER/FLNG 10M-1.5X20MM BK					
10	111397GT	RADIATOR STRUT ASSEMBLY,RIGHT.....	1				
		<i>USA/Canada/Australia</i>					
--	122026PGT	RADIATOR STRUT,RIGHT <i>Europe/Asia/South America</i>					
11	6019GT	SCREW,HHC,3/8-16 X 1.25 GRD 5					
12	6097GT	WASHER,FLAT,USS,3/8",Y					
13	4828GT	NUT,NYLOCK,3/8-16					
14	50974GT	BUMPER,RUBBER,COVERS.....	1				
15	60729PGT	FORMING,COVER STOP**.....	1				
16	122026GT	RADIATOR STRUT,RIGHT***.....	1				
17	8516GT	SCREW, HCC, 3/8-16 X 1.50					
18	5397GT	WASHER,FLAT,USS,5/16",Y					
19	102031GT	RADIATOR HOSE,LOWER-CUMMINS...1					
20	102042GT	WELDMENT,ENGINE MOUNT,LF,FRONT.....	2				
21		Ref. Engine Tray (refer to 408.2)					
22	61242PGT	BRACKET,AIR CLEANER CUMMINS....	1				
23	44064GT	SCREW,HHC,M10 X 30MM,					
24	22699GT	WASHER,FLAT,M10,ZINC PLTD.					
25	81468GT	MOUNTING BAND,AIR CLEANER.....	1				
26	81467GT	AIR CLEANER,NELSON.....	1				
--	52866GT	EVACUATOR VALVE-AIR CLEANER <i>for 81467</i>					
--	62425GT	FILTER,AIR CLEANER, SUPERBOOM <i>for 81467</i>					
--	75450GT	AIR CLEANER CLIPS, SUPERBOOM <i>for 81467</i>					
--	75451GT	AIR CLEANER COVER, SUPERBOOM* <i>for 81467</i>					
27		Ref. Drive Pump (refer to 711.1)					
28		Ref. Function Pump (refer to 711.1)					
29	10597GT	SCREW,HHC,1/2-13 X 1.25 GR5					
30	13066GT	WASHER,FLAT,.5 HARDENED					
31	60561GT	ELBOW,INLET,CUMMINS.....	1				
32	61270GT	ELBOW,45 DEG,INLET.....	1				
33	60322-SGT	PLATE,PUMP MOUNT.....	1				

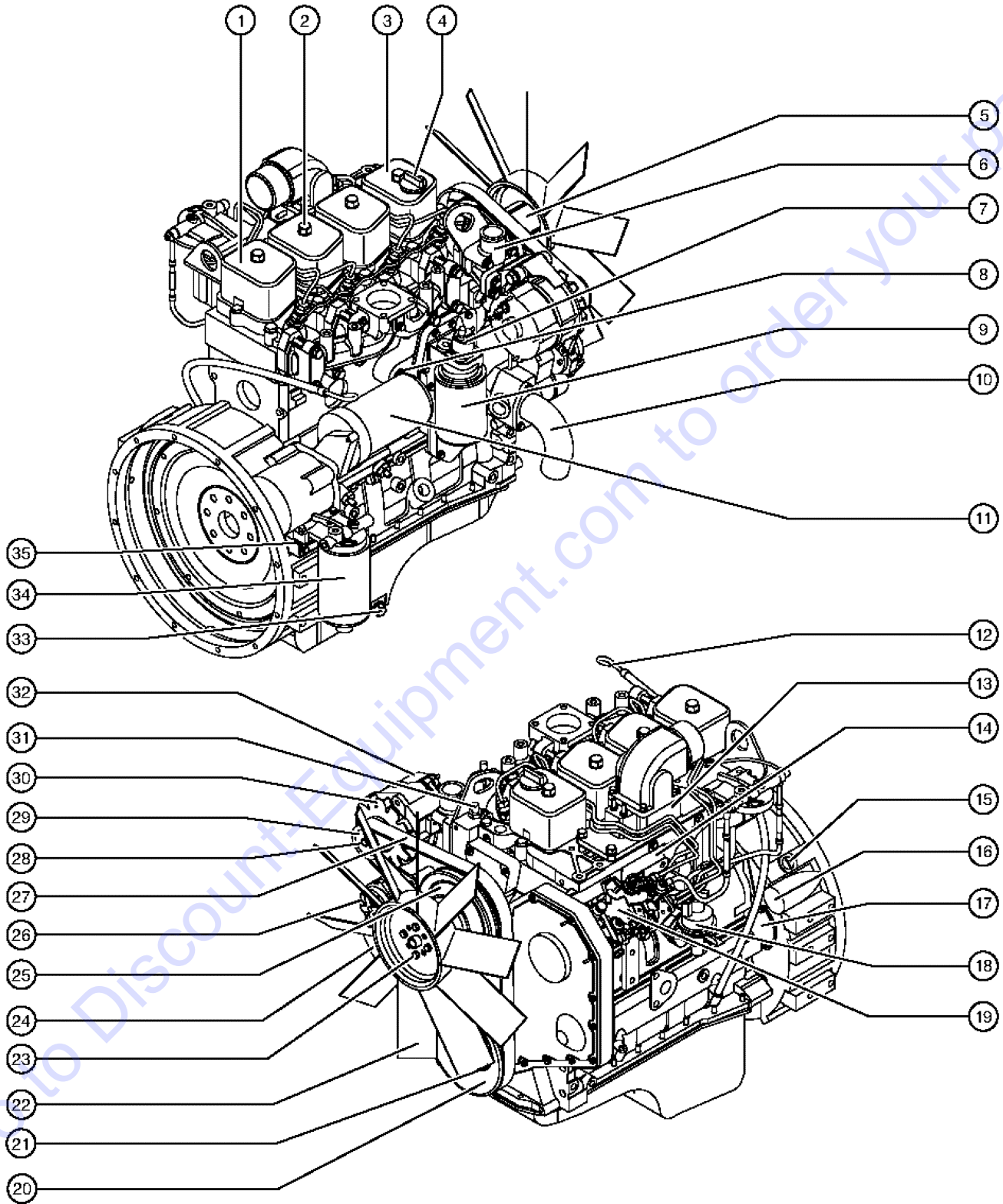
406.2 Cummins B3.3T Engine - View 2 (from SN 665)



406.2 Cummins B3.3T Engine - View 2 (from SN 665)

Item	Part No.	Description	Qty.	Item	Part No.	Description	Qty.
1	8255GT	SCREW,HHC,3/8-16 X .75		40	122423GT	BRACKET,INTAKE MOUNT,CUM.....1	1
2	6021GT	WASHER,LOCK,.375		41	122414GT	U-BOLT,GUILLOTINE,3"	
3	5397GT	WASHER,FLAT,USS,5/16",Y		42	7713GT	NUT, LP NYLOCK, 3/8-16	
4	122411GT	RADIATOR STRUT,LEFT.....1	1	43	6097GT	WASHER,FLAT,USS,3/8",Y	
5	6888GT	SCREW,HHC,1/4-20 X 1		44	122428GT	MOUNT,1"FLEX-BOLT SANDWICH.....1	1
6	6638GT	WASHER,FLAT,USS,1/4"Y		45	4828GT	NUT,NYLOCK,3/8-16	
7	70257GT	CLAMP,3.0,#48 X 1/4,RUB CUSH		46	6019GT	SCREW,HHC,3/8-16 X 1.25 GRD 5	
8	122413GT	BRACKET,INTAKE TUBE SUPPORT.....1	1	47		FORMING,AIR CLEANER.....1 <i>shown component no longer available, must install kit 146307 for first time replacement</i>	1
9	56912GT	SPRING CLIP,1/4-20,.025-.15X.54,ZAG		--	146307GT	SERVICE KIT, THROTTLE, B3.3T <i>Includes parts 146352 and 146306</i>	
10	122434GT	HOSE,CAC,2.5"ID X 4.0".....1	1	48	27034GT	SCREW,HHC,M10 X 25MM,GR 8.8	
11	122427GT	TUBE,CAC 1 CUM.B3.3T.....1	1	49		FORMING,SOLENOID MOUNT.....1 <i>shown component no longer available, must install kit 146307 for first time replacement</i>	1
12	122591GT	CLAMP,CONST TRQ 2.25"-3.13"OD		--	146352GT	WLDT, AIR CLEANER/SOLENOID MNT <i>Can be ordered sparely if kit 146307 was previously installed</i>	
13	122408GT	HOSE,LOWER RADIATOR,CUMMINS...1	1	50	101957GT	SOLENOID,THROTTLE,ASSY.TROMB...1	1
14	122425GT	TUBE,AIR INTAKE,UPPER.....1	1	51		CABLE ASSY,THROTTLE,CUM B3.3T....1 <i>shown component no longer available, must install kit 146307 for first time replacement</i>	1
15	122435GT	REDUCER,90 DEG,CAC, 3.0"-2.5".....1	1	--	146306GT	THROTTLE LINK, STEEL <i>Can be ordered sparely if kit 146307 was previously installed</i>	
16	122592GT	CLAMP,CONST TRQ 2.75"-3.63"OD		52	6090GT	SCREW,HHC,1/4-20 X .75	
17	122407GT	HOSE,UPPER RADIATOR,CUMMINS....1	1	53	6091GT	NUT,NYLOCK,1/4-20	
18	70381GT	COVER,FLYWHEEL CASTING.....1	1	54	70444GT	MUFFLER,2.5"INLET/OUTLET.....1	1
18A	122472GT	COUPLER,15 TOOTH,FBA,CUM B3.3T.....1	1				
19	122604GT	TUBE, EXHAUST CUMMINS B3.3T.....1	1				
20	122615GT	TUBE,EXHAUST CUMMINS T3.....1	1				
21	122605GT	WLDT, MUFFLER BRKT, CUMMINS T3.....1	1				
22	122470GT	CLAMP,MUFFLER,CUM B3.3T					
23	60561GT	ELBOW,INLET,CUMMINS.....1	1				
24	122614GT	TUBE,INTAKE,CUMMINS T3.....1	1				
25	122613GT	TUBE,INTAKE,CUMMINS T3.....1	1				
26	122432GT	REDUCER,RUBBER,4.0 X 3.0.....1	1				
27	122466GT	AIR CLEANER,CUMMINS B3.3T.....1	1				
--	146044GT	AIR FILTER, PRIMARY ELEMENT.....1	1				
--	146045GT	AIR FILTER, SECONDARY ELEMENT....1	1				
28	122467GT	AIR CLEANER,CLAMP,CUM B3.3T.....1	1				
29	122603GT	REDUCER,45 DEG, 3.75"-3.00".....1	1				
30	122602GT	TUBE,AIR INTAKE 1,CUM.B3.3T.....1	1				
31	22697GT	SCREW,HHC,M10 X 65MM,GR8.8					
32	22699GT	WASHER,FLAT,M10,ZINC PLTD.					
33	54177GT	SCREW,HHC,1/2-13 X 1.5 GRD 8					
34	13066GT	WASHER,FLAT,.5 HARDENED					
35	60596GT	HOSE INLET.....1	1				
36	35675GT	BEARING,FL,1.25IDX1.5ODX1.25L					
37	61110GT	SCREW,SHC,M10X1.5X30 GR 12.9					
38	139798GT	STARTER, 12V, CUMMINS B3.3T					
39	122433GT	ELBOW,45 DEG, CAC,2.5".....1	1				

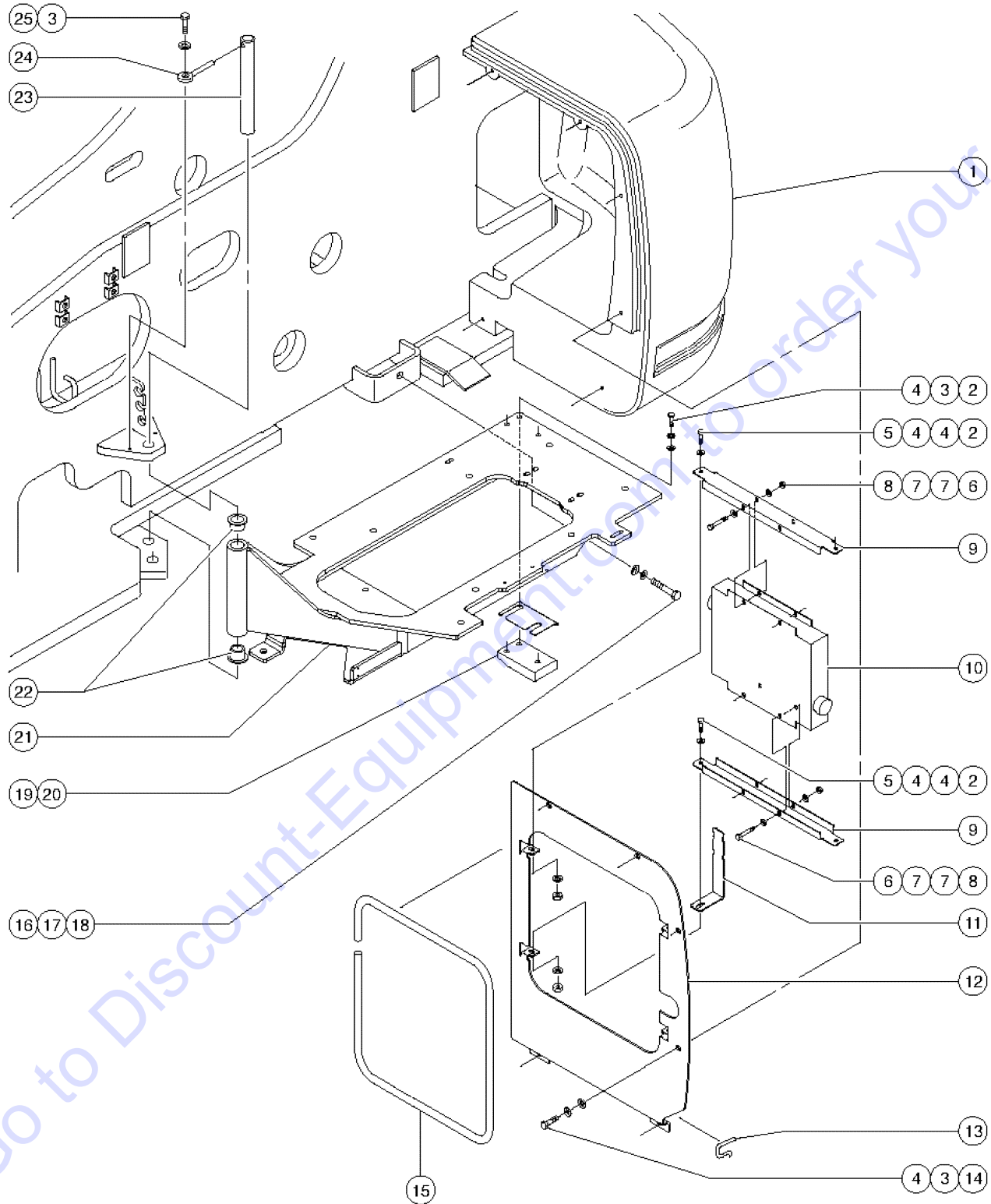
407.1 Cummins B4.5 C80 Engine - View 3 (from SN 219 to 664)



407.1 Cummins B4.5 C80 Engine - View 3 (from SN 219 to 664)

Item	Part No.	Description	Qty.	Item	Part No.	Description	Qty.
--	102289GT	STRAINER,FUEL CUMMINS B4.5		23	102579GT	SCREW,HHC,M10X1.5X100MM,GR8.8	
--	102577GT	THERMOSTAT,W/GSKT CUMINS B4.5 <i>includes gasket</i>		24	102302GT	PUMP, WATER,CUMMINS B4.5.....1	1
--	102578GT	VALVE, PRESS REGU CUMINS B4.5		--	75179GT	O-RING,WATER PUMP,CUMMINS B3.9	
--	75150GT	GASKET,EXH.MNFLD.CUMMINS,B3.9L		25	102574GT	PULLEY,CRANKSHAFT,CUMMINS B4.5.....1	1
--	102652GT	VALVE,FUEL SHUTOFF,CUMMIN B4.5		26	102303GT	BELT TENSIONER CUMMINS B4.5.....1	1
1	75164GT	VALVE COVER,CUMMINS, B3.9.....3	3	27	102203GT	BELT,SERPENTINE, CUMMINS B4.5.....1	1
--	75168GT	GASKET,VALVE CVR.CUMMINS, B3.9		28	102295GT	RETAINER, ALTERNATOR PULLEY.....1	1
2	75165GT	SCREW,HHC,M8X1.25X 21MM,GR8.8		29	102576GT	PULLEY,ALTERNATOR.....1	1
--	102286GT	ISOLATOR-NOISE,CUMMINS B4.5		30	102573GT	FAN,ALTERNATOR,CUMMINS B4.5.....1	1
3	75172GT	VALVE COVER,CUMMINS, B3.9.....1	1	31	102058GT	SENSOR,COOLANT TEMP.....1	1
--	75168GT	GASKET,VALVE CVR.CUMMINS, B3.9		32	75102GT	ALTERNATOR,CUMMINS 4B3.9, 95A.....1 <i>from SN 219 to SN 319</i>	1
4	75169GT	CAP,OIL FILLER,VALV.CVR.CUMMIN.....1	1	--	111119GT	ALTERNATOR,CUMMINS B4.5 <i>from SN 320</i>	
--	102280GT	O-RING,FILLER CAP CUMINS, B4.5		33	75180GT	PLUG,ENGINE OIL, CUMMINS B3.9.....1	1
5	102281GT	SPACER,FAN,CUMMINS, B4.5.....2	2	--	75181GT	WASHER,OIL DRAIN, CUMMINS B3.9	
6	102282GT	THERMOSTAT HOUSING,CUMINS,B4.5.....1	1	--	75182GT	PLUG,ENGINE OIL, CUMMINS B3.9	
--	75163GT	GASKET,THERMOSTAT,CUMMINS,B3.9		--	75183GT	WASHER,OIL DRAIN, CUMMINS B3.9	
7	75153GT	SENSOR,OIL PRESS,VDO360-004***1	1	34	102287GT	SEPARATOR-FUEL/WTR CUMIN B4.5.....1	1
8	102285GT	PLUG,PIPE 3/4 NPT CUMMINS B4.5.....1	1	35	102101PGT	FORMING,FUEL FILTER MOUNT,PNTD.....1	1
9	102288GT	FILTER,OIL,CUMMINS B4.5***1	1	--	102291GT	GASKET,HTR INTAKE CUMMINS B4.5	
10	102283GT	WATER INLET CONNEC CUMINS B4.5.....1	1				
--	102284GT	SEAL,WATER INLET CUMMINS B4.5					
11	89837GT	STARTER,12V,CUMMINS, B3.9/B4.5.....1	1				
12	102301GT	DIPSTICK,CUMMINS, B4.5.....1	1				
13	102290GT	HEATER,INTAKE AIR CUMINS B4.5.....1	1				
--	102291GT	GASKET,HTR INTAKE CUMMINS B4.5					
14	102292GT	COVER, PUSH ROD CUMMINS B4.5.....1	1				
--	102293GT	GASKET,PUSH RD CVR CUMINS B4.5					
15	102296GT	PLUG,THREADED CUMMINS B4.5.....1	1				
16	102297GT	PLUG,O-RING CUMMINS B4.5.....1	1				
--	102298GT	SEAL, O-RING CUMMINS B4.5					
17	102294GT	PLATE, COVER CUMMINS B4.5.....1	1				
18	102299GT	PUMP, FUEL TRNSFR CUMMINS B4.5.....1	1				
--	102300GT	GASKET, FUEL PUMP CUMMINS B4.5					
19	102575GT	PUMP, FUEL INJECTN CUMMINS B4.5.....1	1				
--	102653GT	INJECTOR,FUEL,CUMMINS, B4.5					
--	102654GT	SEAL,FUEL INJEC CUMMINS B4.5					
20	75176GT	PULLEY,CRANKSHAFT,CUMMINS B3.9.....1	1				
21	75175GT	SCREW,HHC,M12X 1.25X36MM,GR8.8					
22	75171GT	FAN,PULLER,CUMMINS,4B3.9,60213....1	1				

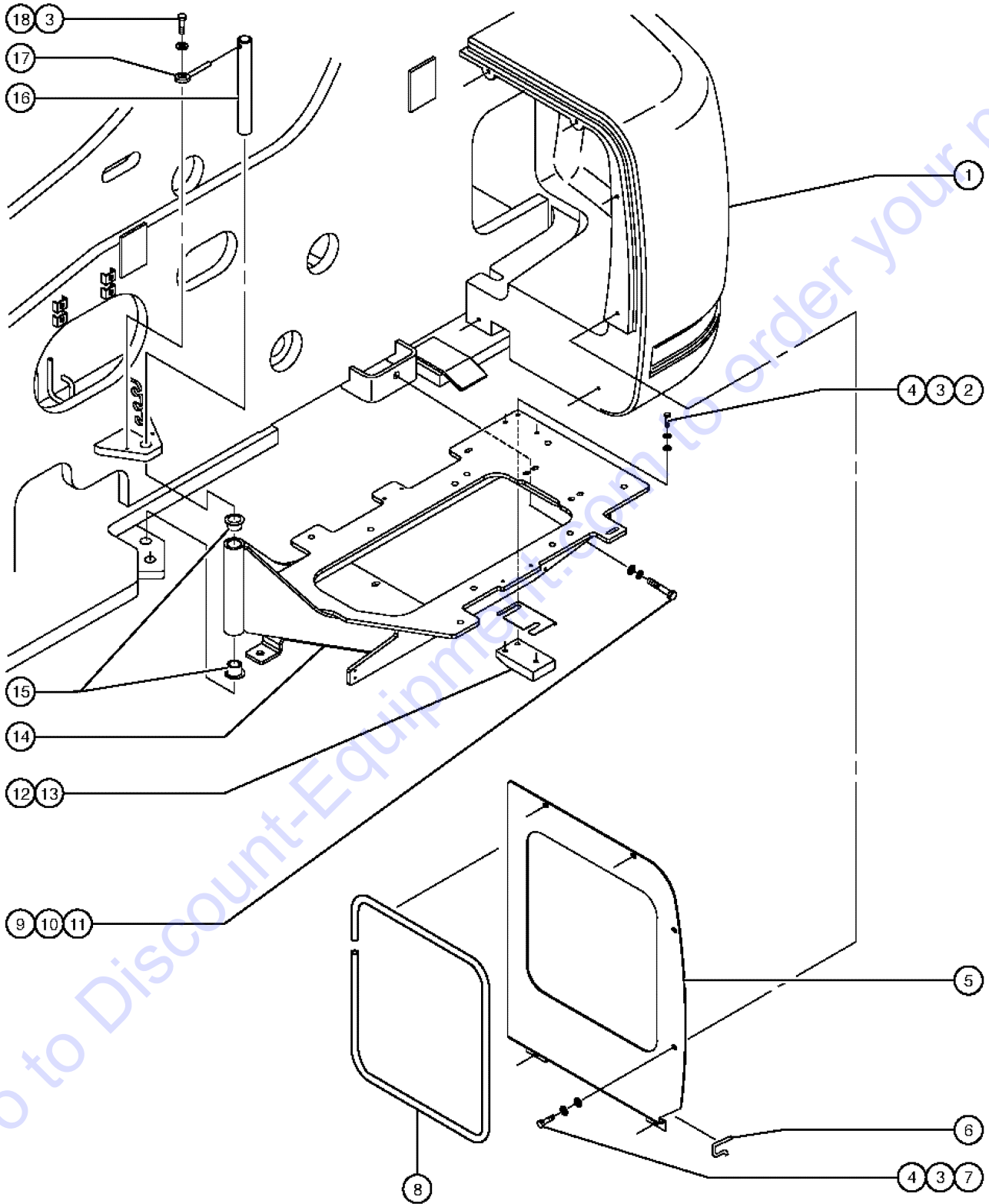
408.1 Cummins Engine Attached Components (to SN 138)



408.1 Cummins Engine Attached Components (to SN 138)

Item	Part No.	Description	Qty.
1	61587GT	COUNTERWEIGHT,S100/105.....	1
--	35974GT	SCREW,HHC,1-8 X 7 GRD.2	
--	38859GT	WASHER,FLAT,USS,1",Y	
2	6019GT	SCREW,HHC,3/8-16 X 1.25 GRD 5	
3	6021GT	WASHER,LOCK,.375	
4	5397GT	WASHER,FLAT,USS,5/16",Y	
5	4828GT	NUT,NYLOCK,3/8-16	
6	6091GT	NUT,NYLOCK,1/4-20	
7	6638GT	WASHER,FLAT,USS,1/4"Y	
8	42571GT	SCREW,HHC,1/4-20 X 3.25	
9	60687-SGT	FORMING,COOLER SUPPORT.....	2
10	60597GT	OIL COOLER,W/O FAN.....	1
11	60820-SGT	BRACKET,OIL COOLER BYPASS.....	1
12	60560-SGT	BULKHEAD,SWING CHASSIS.....	1
13	60875GT	TRIM MOLDING	
14	6175GT	SCREW,HHC,3/8-16 X 1	
15	81476GT	TRIMLOCK, 1/16.....96-inches	
16	51131GT	SCREW,HHC,5/8-11 X 2.5	
17	6036GT	WASHER,LOCK,.625 PLTD	
18	6035GT	WASHER,FLAT,USS,5/8",Y	
19	60637GT	WEAR PAD,ENGINE SUPPORT.....	1
20	60826GT	SHIM,WEAR PAD ENGINE TRAY	
21	75124-SGT	ENGINE TRAY PIVOT ASSEMBLY..... <i>includes item 22; to SN 138</i>	1
22	35675GT	BEARING,FL,1.25IDX1.5ODX1.25L.....	2
23	60625GT	PIN,1.25DIAX15.63LG,CHAMFER.....	1
24	825019GT	ROD END,.375X3.69,ZAG.....	1
25	8516GT	SCREW, HCC, 3/8-16 X 1.50	

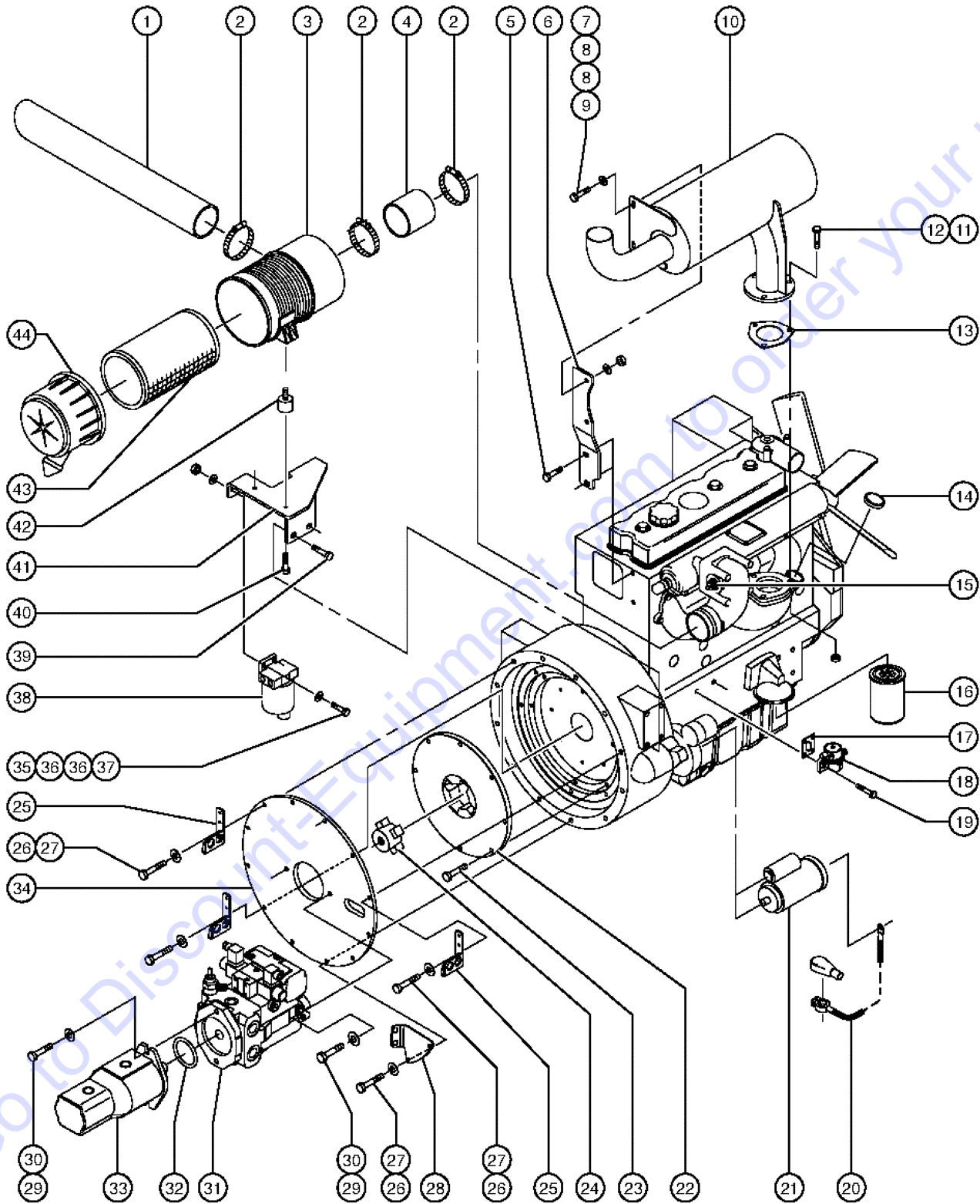
408.2 Cummins Engine Attached Components (from SN 139)



408.2 Cummins Engine Attached Components (from SN 139)

Item	Part No.	Description	Qty.
--		Ref. Hydraulic Oil Cooler With Fan (refer to 307.1)	
1		Ref. Counterweight, Front (refer to 408.1)	
2	6019GT	SCREW,HHC,3/8-16 X 1.25 GRD 5	
3	6021GT	WASHER,LOCK,.375	
4	5397GT	WASHER,FLAT,USS,5/16",Y	
5	75607PGT	INTAKE BAFFLE,PAINTED.....1	
6	60875GT	TRIM MOLDING	
7	6175GT	SCREW,HHC,3/8-16 X 1	
8	81476GT	TRIMLOCK, 1/16.....96-inches	
9	51131GT	SCREW,HHC,5/8-11 X 2.5	
10	6036GT	WASHER,LOCK,.625 PLTD	
11	6035GT	WASHER,FLAT,USS,5/8",Y	
12	60637GT	WEAR PAD,ENGINE SUPPORT.....1	
13	60826GT	SHIM,WEAR PAD ENGINE TRAY	
14	75460GT	ENGINE TRAY PIVOT ASSEMBLY.....1 <i>includes item 15; from SN 139 to SN 177</i>	
--	146054GT	ENGINE TRAY ASSEMBLY <i>from SN 665</i>	
--	89511-SGT	ENGINE TRAY ASSEMBLY <i>includes item 15; from SN 178 to SN 664</i>	
15	35675GT	BEARING,FL,1.25IDX1.5ODX1.25L.....2	
16	60625GT	PIN,1.25DIAX15.63LG,CHAMFER.....1	
17	825019GT	ROD END,.375X3.69,ZAG.....1	
18	8516GT	SCREW, HCC, 3/8-16 X 1.50	

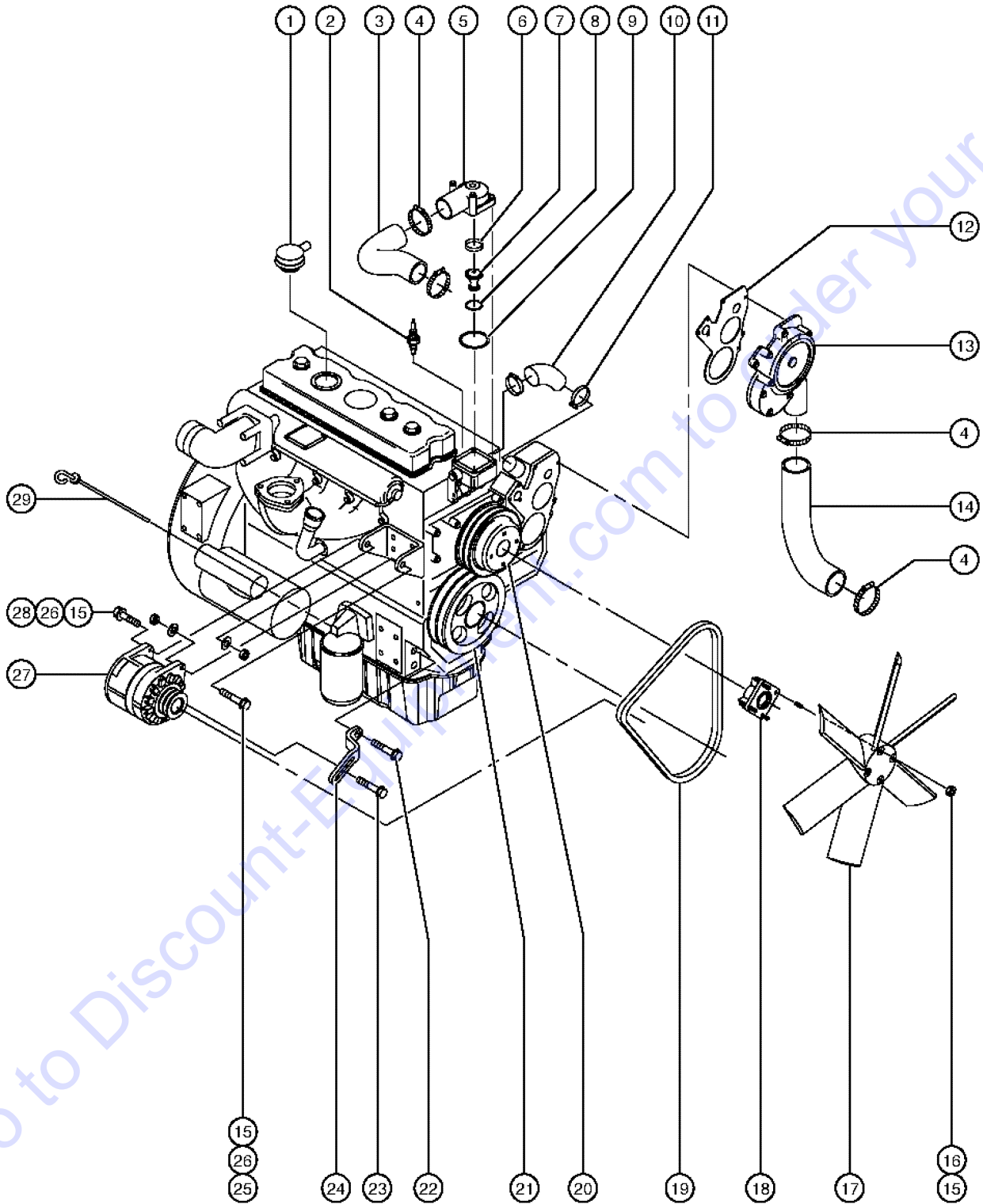
409.1 Perkins 1004-42 Engine - View 1 (to SN 226)



409.1 Perkins 1004-42 Engine - View 1 (to SN 226)

Item	Part No.	Description	Qty.	Item	Part No.	Description	Qty.
--	62429GT	MANUAL,PERKINS1004-42,WORKSHOP		20	60930GT	CABLE,BATTERY POSITIVE.....	1
--	58165GT	SOLENOID UPDATE KIT*** to SN 127		21	75311GT	STARTER,PERKINS 1004-42.....	1
--	75085GT	HARNESS, SOLENOID from SN 128 to SN 182		22	61078GT	FLYWHEEL DRIVE PLATE,SAE 10.....	1
--	75588GT	HARNESS,PERKINS ENGINE,SUPBOOM from SN 183 to SN 226		23	42175GT	SCREW,HHC,3/8-24 X 1.25"	
--	88151GT	FUSE,70 AMP		24	61077GT	COUPLER,HUB,14 TOOTH.....	1
--	23082GT	FUSE,15 AMP,TIME DELAY		25	75100GT	BRACKET, CABLE MOUNT.....	3
--	45782GT	DIODE,6 AMP,200 PIV,BULK		--	60584GT	GROMMET,RUBBER .75 X .19 X 1**	
1	60882GT	HOSE,AIR CLEANER INTAKE.....	1	26	44064GT	SCREW,HHC,M10 X 30MM,	
2	30971GT	CLAMP,HOSE,3.00".....	3	27	22699GT	WASHER,FLAT,M10,ZINC PLTD.	
3A	81467GT	AIR CLEANER,NELSON..... for first time replacement, also order 81468	1	28	60883GT	FORMING,TEST PORT MOUNT.....	1
--	52866GT	EVACUATOR VALVE-AIR CLEANER for 81467		29	10597GT	SCREW,HHC,1/2-13 X 1.25 GR5	
--	62425GT	FILTER,AIR CLEANER, SUPERBOOM for 81467		30	13066GT	WASHER,FLAT,.5 HARDENED	
--	75450GT	AIR CLEANER CLIPS, SUPERBOOM for 81467		31		Ref. Drive Pump (refer to 711.1)	
--	75451GT	AIR CLEANER COVER, SUPERBOOM* for 81467		32	62407GT	O-RING,PISTON PUMP TO GEARPUMP.....	1
3B	81468GT	MOUNTING BAND,AIR CLEANER		33		Ref. Function Pump (refer to 711.1)	
3C	75450GT	AIR CLEANER CLIPS, SUPERBOOM		34	60322-SGT	PLATE,PUMP MOUNT.....	1
4	60596GT	HOSE INLET.....	1	35	8915GT	SCREW,HHC,1/4-20 X 1.25	
5	75303GT	SCREW,PERKINS 1004-42		36	6638GT	WASHER,FLAT,USS,1/4"Y	
6	60566-SGT	BRACKET,MUFFLER,PERKINS.....	1	37	6091GT	NUT,NYLOCK,1/4-20	
7	6019GT	SCREW,HHC,3/8-16 X 1.25 GRD 5		38	75020GT	SEPRTR/FLTR,FUEL DSL,15GPH,.30....	1
8	5397GT	WASHER,FLAT,USS,5/16",Y		--	31817GT	ELBOW,90DEG.1/4MPT-3/8 BARB	
9	4828GT	NUT,NYLOCK,3/8-16		--	60807GT	FITTING,1/4 NPT 3/8 BARB	
10		MUFFLER,PERKINS 1004-42 (60549).... (component no longer available)	1	--	62433GT	FILTER,ELEMENT,30 MIC,75020	
--	101634GT	MUFFLER,CATALYTIC,2.5 I/O		39	49381GT	SCREW,HHC,M12 X 30	
--	101637GT	OPTION,SCRUB/SPARK ARREST***		40	49378GT	SCREW,HHC,M8 X 16	
11	75304GT	SCREW,PERKINS 1004-42		41	60632-SGT	WELD.AIR CLEANER MNT PERKINS....	1
12	75305GT	NUT,PERKINS 1004-42		42	60585GT	ISOLATOR,VIBRATION,M8 MALE/FEM.....	2
13	75306GT	GASKET,MUFFLER,PERKINS 1004-42.....	1	43	62425GT	FILTER,AIR CLEANER, SUPERBOOM...1	
14	75307GT	CAP,OIL FILLER,PERKINS 1004-42.....	1	44	75451GT	AIR CLEANER COVER, SUPERBOOM*.....	1
15	75341GT	HEATER,START AID,PERKIN1004-42....	1				
16	62427GT	FILTER,OIL,PERKINS 1004-42(SB).....	1				
17	75308GT	GASKET,FUEL PUMP,PERKIN1004-42.....	1				
18	75309GT	PUMP,FUEL LIFT,PERKINS1004-42..... includes item 17	1				
--	61152GT	ELBOW,45DEG,TO MALE PIPE					
19	75310GT	SCREW,PERKINS 1004-42					

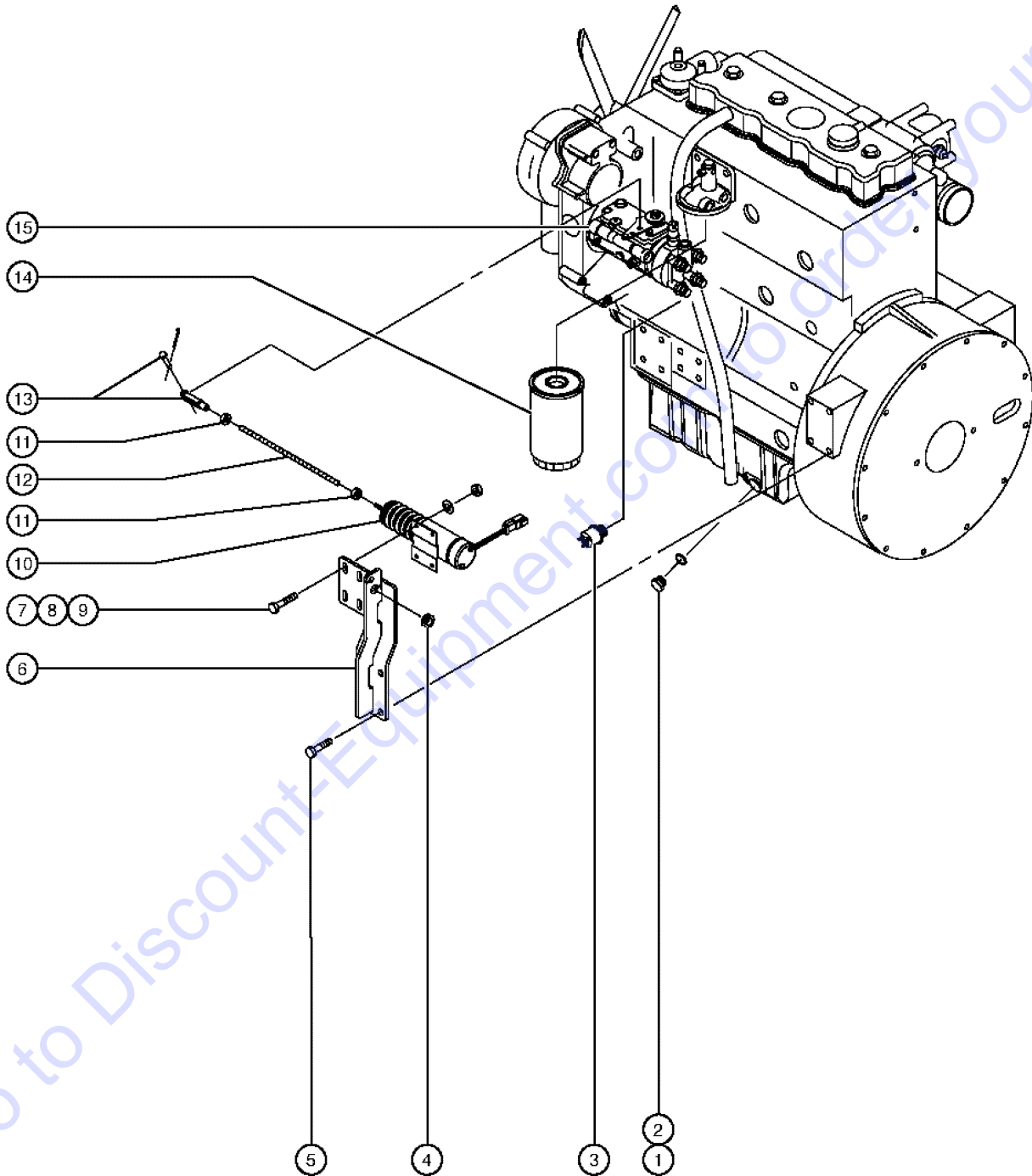
410.1 Perkins 1004-42 Engine - View 2 (to SN 226)



410.1 Perkins 1004-42 Engine - View 2 (to SN 226)

Item	Part No.	Description	Qty.
1	75312GT	BREATHER CAP,PERKINS 1004-42.....1	1
2	75314GT	SENSOR,COOLANT TEMP,PERKINS***.....1	1
3	60576GT	RADIATOR HOSE,UPPER-PERKINS.....1	1
4	30971GT	CLAMP,HOSE,3.00".....4	4
5	75315GT	THERMOSTAT HSING ASSY,PERKINS.....1 <i>includes items 6-9</i>	1
--	75320GT	SCREW,THERMSTAT,PERKIN1004-42	
--	75321GT	SCREW,THERMSTAT.PERKINS1004-42	
6	75316GT	THERMOSTAT,RETAING.RING,PERKIN.1	1
7	75317GT	THERMOSTAT,PERKINS 1004-42.....1	1
8	75318GT	O-RING,THERMOSTAT,PERKIN,1004-...1	1
9	75319GT	O-RING,THERMOSTAT HSING.PERKIN.....1	1
10	75322GT	HOSE ASSY,H2O PUMP,PERKINS1004.....1 <i>includes item 11</i>	1
11	75323GT	CLAMP,HOSE,1IN.,PERKIN 1004-42.....2	2
12	75324GT	GASKET,H2O PUMP,PERKIN 1004-42...1	1
13	75325GT	PUMP, WATER,PERKINS 1004-42.....1 <i>includes item 12</i>	1
14	60577GT	RADIATOR HOSE,LOWER-PERKINS.....1 <i>to SN 138</i>	1
--	75555GT	RADIATOR HOSE,LOWER-PERKINS <i>from SN 139</i>	
15	75326GT	NUT,FAN BLADE,PERKINS 1004-42	
16	75327GT	STUD,FAN SPACR,PERKINS 1004-42	
17	75328GT	FAN,PULLER,PERKINS,1004-42.....1	1
18	75329GT	SPACER,FAN,PERKINS, 1004-42.....1	1
19	62428GT	BELT,V, PERKINS 1004-42 (SB).....1 <i>part sold in pairs</i>	1
20	75330GT	PULLEY,FAN,PERKINS 1004-42.....1	1
21	75331GT	PULLEY,CRANKSHAFT,PERKINS 1004.....1	1
--	75332GT	SCREW,CRANKSHFT,PERKIN 1004-42	
22	75333GT	SCREW,ALT.LEVER.PERKINS1004-42	
23	75334GT	SCREW,ALT.MNT.PERKINS 1004-42	
24	75335GT	ALTERNATOR,STAY,PERKIN 1004-42.....1	1
25	75336GT	SCREW,ALTERNATR.PERKINS1004-42	
26	75337GT	WASHER,ALTNATR.PERKINS 1004-42	
27	75338GT	ALTERNATOR,55A,PERKINS 1004-42...1	1
28	75339GT	SCREW,ALT.MNT.PERKINS 1004-42	
29	75340GT	DIPSTICK,PERKINS 1004-42.....1	1

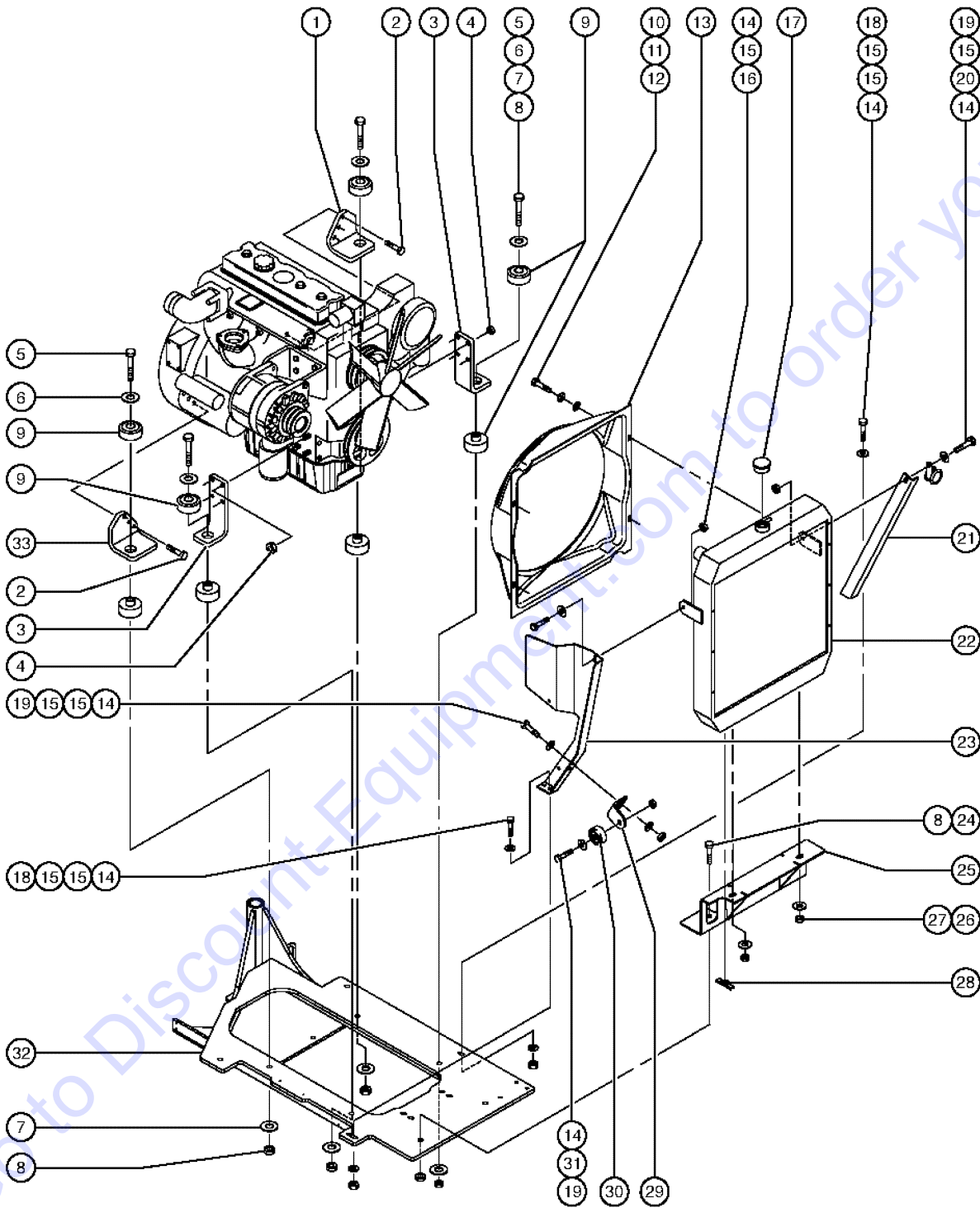
411.1 Perkins 1004-42 Engine - View 3 (to SN 226)



411.1 Perkins 1004-42 Engine - View 3 (to SN 226)

Item	Part No.	Description	Qty.
1	75342GT	PLUG,ENGINE OIL,PERKIN 1004-42.....2	
2	75343GT	WASHER,OIL DRAIN,PERKIN1004-42...2	
3	75344GT	SENSOR,OIL PRESSUR,PERKIN,1004.....1	
4	60889GT	GROMMET,RUBBER .44 X .25 X .69.....1	
5	49381GT	SCREW,HHC,M12 X 30	
6	60651-SGT	WELD,FUEL/WATER SEPERATOR MNT.....1	
7	6090GT	SCREW,HHC,1/4-20 X .75	
8	6638GT	WASHER,FLAT,USS,1/4"Y	
9	6091GT	NUT,NYLOCK,1/4-20	
10	89998GT	KIT,SERVICE,SOLENOID MODULE.....1	
--	58165GT	SOLENOID UPDATE KIT***	
--	75085GT	HARNES, SOLENOID to SN 183	
11	21496GT	NUT,HEX,1/4-28	
12	30785-1000GT	THREADED ROD,1/4-28 X 10 IN***.....1	
13	21130GT	CLEVIS YOKE-1/4-28,PLTD W/PIN.....1	
14	62426GT	FILTER,FUEL,PERKINS 1004-42(SB.....1	
--	61065GT	HOSE END,90DEG,.19 HS X.13 MPT	
--	61150GT	ADAPTER,3/16" TUBE X 1/8" FNPT	
15	75345GT	PUMP,FUEL INJECTION,PERKIN1004.....1	
--	75346GT	VALVE,FUEL SHUTOFF,PERKIN,1004	
--	75347GT	O-RING,INJ.PUMP,PERKIN,1004-42	

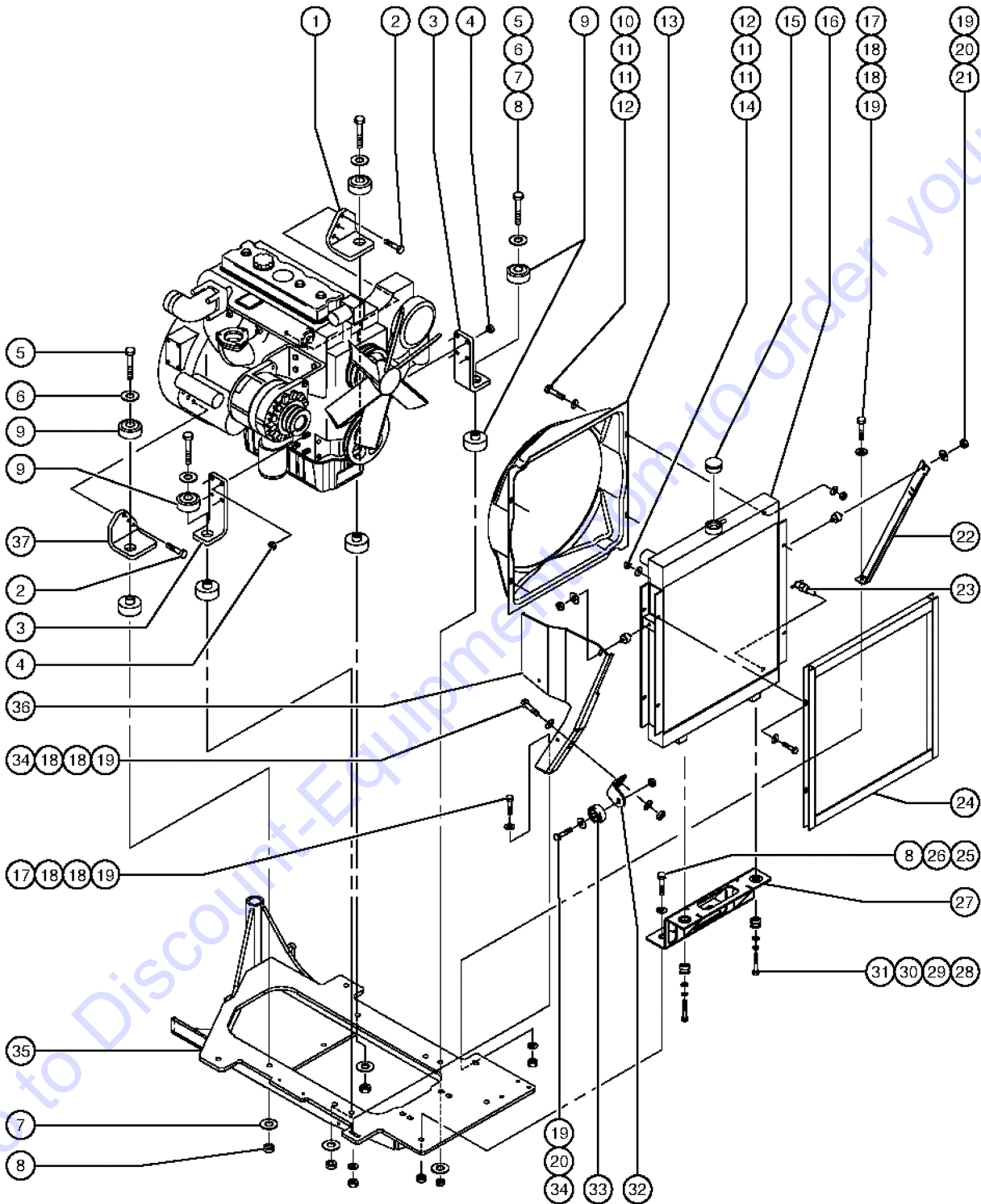
412.1 Perkins 1004-42 Engine - View 4 (to SN 127)



412.1 Perkins 1004-42 Engine - View 4 (to SN 127)

Item	Part No.	Description	Qty.
1	60553-SGT	BRACKET,ENG.MOUNT,LF,PERKINS.....1	
2	49381GT	SCREW,HHC,M12 X 30	
3	60564PGT	BRACKET,ENG.MOUNT,FRT.PERKINS..2	
4	75353GT	NUT,ENGINE MNT.PERKINS 1004-42	
5	59746GT	SCREW,HHC,5/8-11 X 4.0***	
6	33418GT	WASHER,FLAT,.625 X 2.25 X.15	
7	6035GT	WASHER,FLAT,USS,5/8",Y	
8	6024GT	NUT,NYLOCK,5/8-11	
9	102045GT	ISOLATOR,ENGINE VIBRATION.....4	
10	7339GT	SCREW, HHC, 1/4-20 X .5	
11	6356GT	WASHER,LOCK,.25	
12	6638GT	WASHER,FLAT,USS,1/4"Y	
13	60649GT	SHROUD,FAN (FIBERGLASS).....1	
14	4828GT	NUT,NYLOCK,3/8-16	
15	5397GT	WASHER,FLAT,USS,5/16",Y	
16	6175GT	SCREW,HHC,3/8-16 X 1	
17	75138GT	CAP,RADIATOR,10 PSI, COPAR.....1	
18	8516GT	SCREW, HCC, 3/8-16 X 1.50	
19	6019GT	SCREW,HHC,3/8-16 X 1.25 GRD 5	
20	60838GT	CLAMP,1.00,#16 X 7/16,RUB CUSH.....1	
21	60592-SGT	RADIATOR STRUT,LEFT (INBOARD).....1	
22	75547GT	RADIATOR.....1 <i>includes items 17 and 28</i>	
23	111400GT	RADIATOR STRUT ASSEMBLY, RIGHT.....1 <i>USA/Canada/Australia</i>	
--	60593-SGT	RADIATOR STRUT,RIGHT(OUTBORD) <i>Europe/Asia/South America</i>	
24	29883GT	SCREW,HHC,5/8-11 X 1.75 GRD.8.....2	
25	60640-SGT	WELDMENT,RADIATOR MOUNT.....1	
26	6198GT	NUT,NYLOCK,1/2-13	
27	11209GT	WASHER,FLAT,USS,7/16",Y	
28	75139GT	VALVE,RADIATOR DRAIN, COPAR.....1	
29	60729-SGT	FORMING,COVER STOP.....1	
30	50974GT	BUMPER,RUBBER,COVERS.....1	
31	6097GT	WASHER,FLAT,USS,3/8",Y	
32		Ref. Engine Tray (refer to 416.1)	
33	60554-SGT	BRACKET,ENG.MOUNT,RT,PERKINS....1	

412.2 Perkins 1004-42 Engine - View 4 (from SN 128 to 138)



412.2 Perkins 1004-42 Engine - View 4 (from SN 128 to 138)

Item	Part No.	Description	Qty.
1	60553-SGT	BRACKET,ENG.MOUNT,LF,PERKINS.....1	
2	49381GT	SCREW,HHC,M12 X 30	
3	60564PGT	BRACKET,ENG.MOUNT,FRT.PERKINS..2	
4	75353GT	NUT,ENGINE MNT.PERKINS 1004-42	
5	59746GT	SCREW,HHC,5/8-11 X 4.0***	
6	33418GT	WASHER,FLAT,.625 X 2.25 X.15	
7	6035GT	WASHER,FLAT,USS,5/8",Y	
8	6024GT	NUT,NYLOCK,5/8-11	
9	102045GT	ISOLATOR,ENGINE VIBRATION.....4	
10	6888GT	SCREW,HHC,1/4-20 X 1	
11	6638GT	WASHER,FLAT,USS,1/4"Y	
12	6091GT	NUT,NYLOCK,1/4-20	
13	60649GT	SHROUD,FAN (FIBERGLASS).....1	
14	6090GT	SCREW,HHC,1/4-20 X .75	
15	75434GT	CAP,RADIATOR,7 PSI, AKG.....1	
16	75291GT	RADIATOR,CUMMINS/PERKINS.....1 <i>includes items 15 and 23; from SN 128 to SN 138</i>	
17	8516GT	SCREW, HCC, 3/8-16 X 1.50	
18	5397GT	WASHER,FLAT,USS,5/16",Y	
19	4828GT	NUT,NYLOCK,3/8-16	
20	6097GT	WASHER,FLAT,USS,3/8",Y	
21	75260GT	ISOLATOR,FLEX-BOLT SANDWICH***.....2	
22	75262-SGT	RADIATOR STRUT,LEFT, PAINTED.....1	
23	75435GT	VALVE,RADIATOR DRAIN, AKG.....1	
24	75300GT	WELDMENT,RADIATOR SHROUD.....1	
25	29883GT	SCREW,HHC,5/8-11 X 1.75 GRD.8.....2	
26	13064GT	WASHER,FLAT,.625 HARDENED.....2	
27	75297-SGT	WELDMENT,RADIATOR MOUNT,PAINTD.....1	
28	13918GT	SCREW,HHC,3/8-16 X 1.75,GRD.8.....2	
29	6021GT	WASHER,LOCK,.375	
30	44714GT	WASHER,.375X1.25X.100	
31	122026PGT	RADIATOR STRUT,RIGHT.....2	
32	60729-SGT	FORMING,COVER STOP.....1	
33	50974GT	BUMPER,RUBBER,COVERS.....1	
34	6019GT	SCREW,HHC,3/8-16 X 1.25 GRD 5	
35		Ref. Engine Tray (refer to 416.1)	
36	111398GT	RADIATOR STRUT ASSEMBLY,RIGHT.....1 <i>USA/Canada/Australia</i>	
--	122026PGT	RADIATOR STRUT,RIGHT <i>Europe/Asia/South America</i>	
37	60554-SGT	BRACKET,ENG.MOUNT,RT,PERKINS....1	

PARTS FINDER

**Search Website
by Part Number**



**Search Manual
Library For Parts
Manual & Lookup Part
Numbers – Purchase
or Request Quote**

Search Manuals

Enter your information to search for a manual or to purchase a manual or parts.

* Brand:

* Model:

* Serial:

* Part Number:

SEARCH

**Can't Find Part or
Manual? Request Help
by Manufacturer,
Model & Description**

Parts Order Form

Please fill in the following information:

Manufacturer:

Model:

Description:

Quantity:

Part Number:

Part Name:

Part Description:

Part Category:

Part Location:

Part Status:

Part Condition:

Part Material:

Part Color:

Part Weight:

Part Dimensions:

Part Price:

Part Lead Time:

Part Availability:

Part Notes:

Submit

Discount-Equipment.com is your online resource for quality parts & equipment.

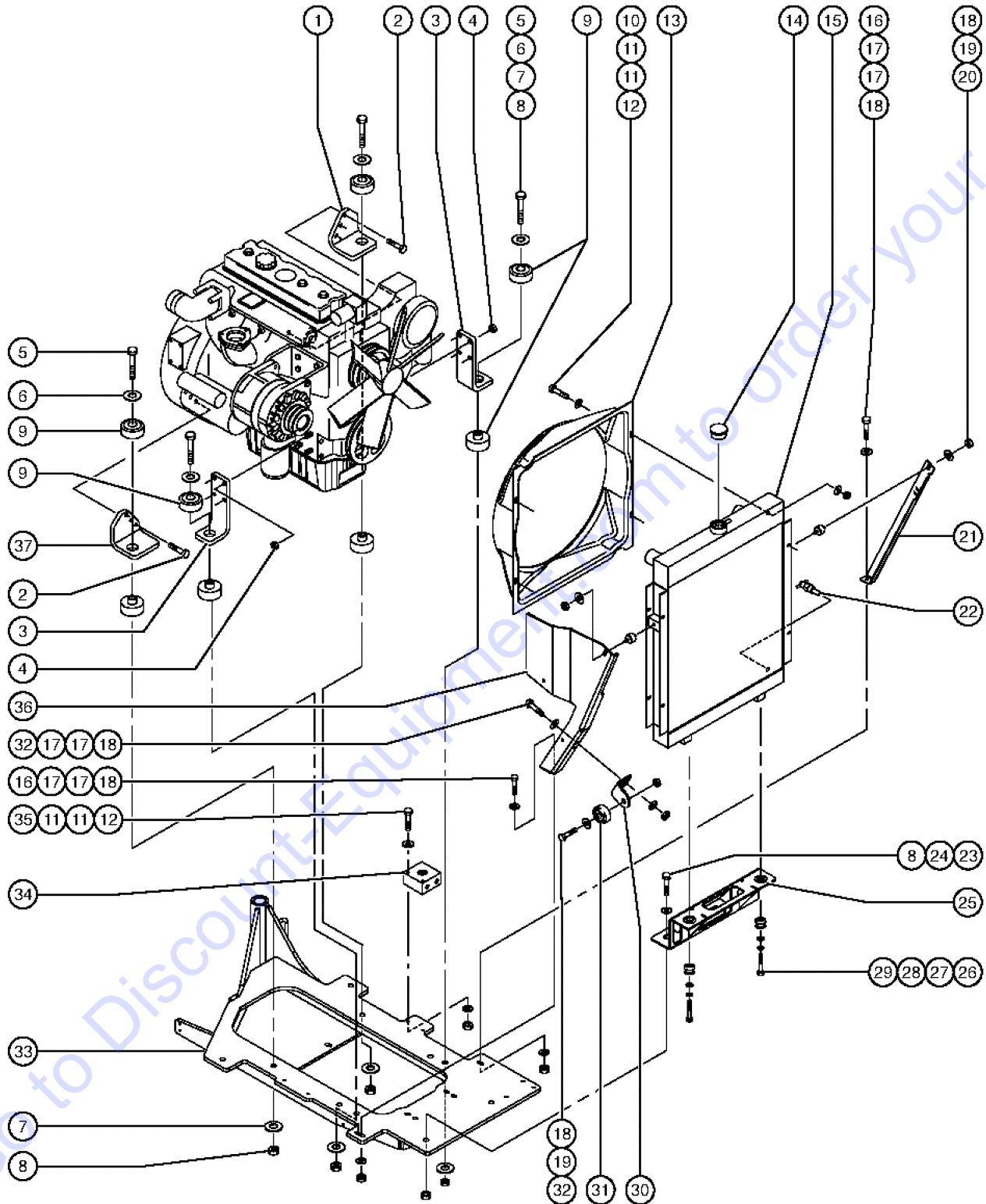
Florida: **561-964-4949** Outside Florida TOLL FREE: **877-690-3101**

Need parts?

Click on this link: <http://www.discount-equipment.com/category/5443-parts/> and choose one of the options to help get the right parts and equipment you are looking for. Please have the machine model and serial number available in order to help us get you the correct parts. If you don't find the part on the website or on one of the online manuals, please fill out the request form and one of our experienced staff members will get back to you with a quote for the right part that your machine needs.

We sell worldwide for the brands: Genie, Terex, JLG, MultiQuip, Mikasa, Essick, Whiteman, Mayco, Toro Stone, Diamond Products, Generac Magnum, Airman, Haulotte, Barreto, Power Blanket, Nifty Lift, Atlas Copco, Chicago Pneumatic, Allmand, Miller Curber, Skyjack, Lull, Skytrak, Tsurumi, Husquvarna Target, Stow, Wacker, Sakai, Mi-T-M, Sullair, Basic, Dynapac, MBW, Weber, Bartell, Bennar Newman, Haulotte, Ditch Runner, Menegotti, Morrison, Contec, Buddy, Crown, Edco, Wyco, Bomag, Laymor, EZ Trench, Bil-Jax, F.S. Curtis, Gehl Pavers, Heli, Honda, ICS/PowerGrit, IHI, Partner, Imer, Clipper, MMD, Koshin, Rice, CH&E, General Equipment, Amida, Coleman, NAC, Gradall, Square Shooter, Kent, Stanley, Tamco, Toku, Hatz, Kohler, Robin, Wisconsin, Northrock, Oztec, Toker TK, Rol-Air, APT, Wylie, Ingersoll Rand / Doosan, Innovatech, Con X, Ammann, Mecalac, Makinex, Smith Surface Prep, Small Line, Wanco, Yanmar

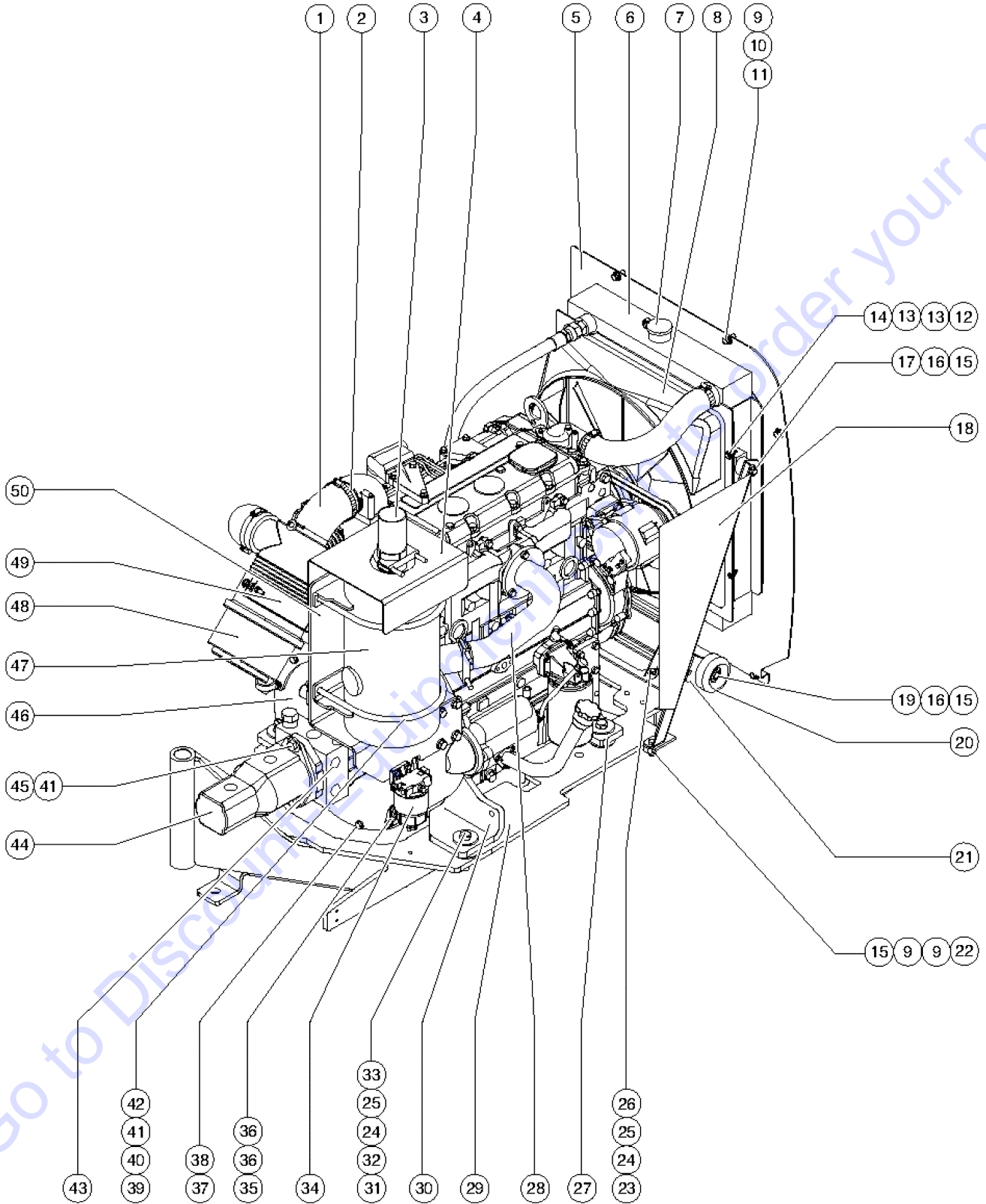
412.3 Perkins 1004-42 Engine - View 4 (from SN 139 to 226)



412.3 Perkins 1004-42 Engine - View 4 (from SN 139 to 226)

Item	Part No.	Description	Qty.
1	60553PGT	BRACKET,ENG.MOUNT,LF,PERKINS.....1	
2	49381GT	SCREW,HHC,M12 X 30	
3	60564PGT	BRACKET,ENG.MOUNT,FRT.PERKINS..2	
4	75353GT	NUT,ENGINE MNT.PERKINS 1004-42....8	
5	59746GT	SCREW,HHC,5/8-11 X 4.0***	
6	33418GT	WASHER,FLAT,.625 X 2.25 X.15	
7	6035GT	WASHER,FLAT,USS,5/8",Y	
8	6024GT	NUT,NYLOCK,5/8-11	
9	102045GT	ISOLATOR,ENGINE VIBRATION.....4	
10	6888GT	SCREW,HHC,1/4-20 X 1	
11	6638GT	WASHER,FLAT,USS,1/4"	
12	6091GT	NUT,NYLOCK,1/4-20	
13	60649GT	SHROUD,FAN (FIBERGLASS).....1	
14	75434GT	CAP,RADIATOR,7 PSI, AKG.....1	
15	75547GT	RADIATOR.....1 <i>includes items 14 and 22</i>	
16	8516GT	SCREW, HCC, 3/8-16 X 1.50	
17	5397GT	WASHER,FLAT,USS,5/16",Y	
18	4828GT	NUT,NYLOCK,3/8-16	
19	6097GT	WASHER,FLAT,USS,3/8",Y	
20	75260GT	ISOLATOR,FLEX-BOLT SANDWICH***2	
21	75262-SGT	RADIATOR STRUT,LEFT, PAINTED.....1	
22	75435GT	VALVE,RADIATOR DRAIN, AKG.....1	
23	29883GT	SCREW,HHC,5/8-11 X 1.75 GRD.8.....2	
24	13064GT	WASHER,FLAT,.625 HARDENED.....2	
25	75297-SGT	WELDMENT,RADIATOR MOUNT,PAINTD.....1	
26	13918GT	SCREW,HHC,3/8-16 X 1.75,GRD.8.....2	
27	6021GT	WASHER,LOCK,.375	
28	44714GT	WASHER,.375X1.25X.100	
29	75259GT	ISOLATOR,CENTER BONDED.....2	
30	60729-SGT	FORMING,COVER STOP.....1	
31	50974GT	BUMPER,RUBBER,COVERS.....1	
32	6019GT	SCREW,HHC,3/8-16 X 1.25 GRD 5	
33		Ref. Engine Tray (refer to 416.1)	
34		Ref Hydraulic Oil Cooler Manifold (refer to 404.3)	
35	6115GT	SCREW,HHC,1/4-20 X 3.5	
36	111398GT	RADIATOR STRUT ASSEMBLY,RIGHT.....1 <i>USA/Canada/Australia</i>	
--	122026PGT	RADIATOR STRUT,RIGHT <i>Europe/Asia/South America</i>	
37	60554-SGT	BRACKET,ENG.MOUNT,RT,PERKINS....1	

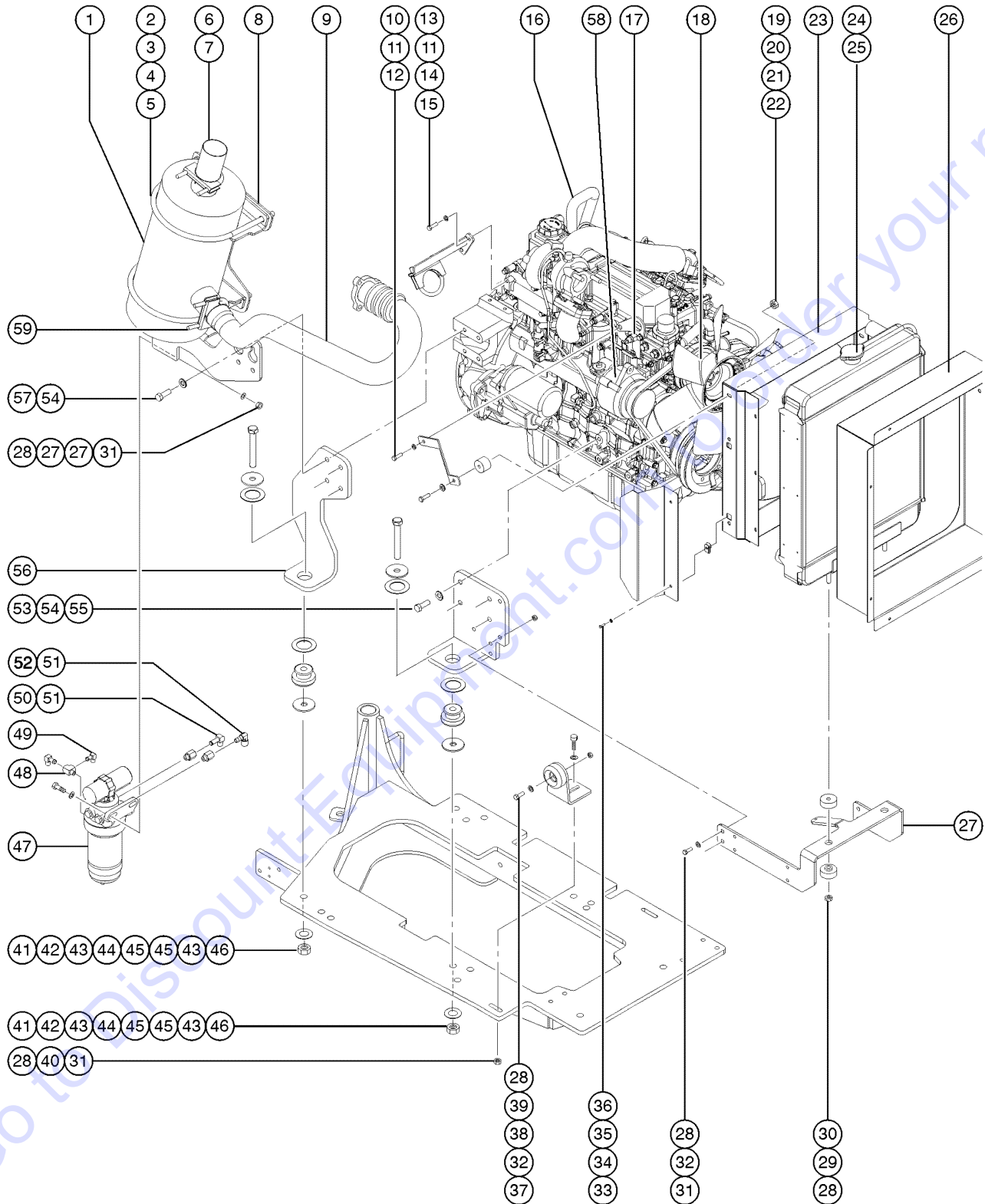
413.1 Perkins 1104C-44 Engine - View 1 (from SN 227 to 683)



413.1 Perkins 1104C-44 Engine - View 1 (from SN 227 to 683)

Item	Part No.	Description	Qty.	Item	Part No.	Description	Qty.
--	101767GT	HARNES,PERKINS ENGINE,1104 to SN 254		29		Ref. Engine Tray (refer to 416.2)	
--	102706GT	HARNES,ENGINE,PERKINS 1104 from SN 255		30	101931PGT	MOUNT,PERKINS 1104 RH PAINTED....1	
--	102638GT	ADAPTER-FUEL FILTER, PERK 1104		31	13003GT	SCREW,HHC,5/8-11 X 3.5 GRD.8.....4	
1	61270GT	ELBOW,45 DEG,INLET.....2		32	33418GT	WASHER,FLAT,.625 X 2.25 X.15	
2	30489GT	CLAMP,HOSE,3.50.....6		33	102045GT	ISOLATOR,ENGINE VIBRATION.....4	
3	94324-500GT	TUBE,RD,STL,ALUMIZD,2.5 X .065.....1 from SN 255		34	75020GT	SEPRTR/FLTR,FUEL DSL,15GPH,.30....1	
4	70554PGT	HEAT SHIELD,PERKINS MUFFLER.....1		--	62433GT	FILTER,ELEMENT,30 MIC,75020	
5	101486PGT	BAFFLE,1104-C PERKINS PAINTED....1		35	75100GT	BRACKET, CABLE MOUNT.....2	
6	75547GT	RADIATOR.....1 to SN 247		36	60584GT	GROMMET,RUBBER .75 X .19 X 1**....4	
--	70518GT	RADIATOR from SN 248		37	44064GT	SCREW,HHC,M10 X 30MM,	
7	75434GT	CAP,RADIATOR,7 PSI, AKG.....1 to SN 247		38	22699GT	WASHER,FLAT,M10,ZINC PLTD.	
--	65473GT	CAP,RADIATOR,PERKINS/FORD from SN 248		39	70449GT	U-BOLT,1/2-13 X 8.5.....2	
8	60649GT	SHROUD,FAN (FIBERGLASS).....1		40	70483GT	FORMING,8.5' MUFFLER MOUNT.....2	
9	5397GT	WASHER,FLAT,USS,5/16",Y		41	13066GT	WASHER,FLAT,5 HARDENED.....6	
10	6021GT	WASHER,LOCK,.375		42	66777GT	NUT,TOP LOCK,1/2-13	
11	6175GT	SCREW,HHC,3/8-16 X 1		43		Ref. Drive Pump (refer to 711.1)	
12	6888GT	SCREW,HHC,1/4-20 X 1		44		Ref. Function Pump (refer to 711.1)	
13	6638GT	WASHER,FLAT,USS,1/4"Y		45	10597GT	SCREW,HHC,1/2-13 X 1.25 GR5	
14	6091GT	NUT,NYLOCK,1/4-20		46	60322-SGT	PLATE,PUMP MOUNT.....1	
15	4828GT	NUT,NYLOCK,3/8-16		--	101638GT	OPTION, SPARK ARREST	
16	6097GT	WASHER,FLAT,USS,3/8",Y		--	29749GT	COUPLER,SMALL METAL,15T,*** from SN 255	
17	75260GT	ISOLATOR,FLEX-BOLT SANDWICH***.....2		--	33023GT	FLYWHEEL FLANGE,SAE 8/12.375 from SN 255	
18	111399GT	RADIATOR STRUT ASSEMBLY,RIGHT.....1 USA/Canada/Australia		--	61077GT	COUPLER,HUB,14 TOOTH to SN 254	
--	122026PGT	RADIATOR STRUT,RIGHT Europe/Asia/South America		--	61078GT	FLYWHEEL DRIVE PLATE,SAE 10 to SN 254	
19	6019GT	SCREW,HHC,3/8-16 X 1.25 GRD 5		47	70444GT	MUFFLER,2.5"INLET/OUTLET.....1	
20	50974GT	BUMPER,RUBBER,COVERS.....1		--	101634GT	MUFFLER,CATALYTIC,2.5 I/O	
21	60729-SGT	FORMING,COVER STOP.....1		48	81467GT	AIR CLEANER,NELSON.....1	
22	8516GT	SCREW, HCC, 3/8-16 X 1.50		--	52866GT	EVACUATOR VALVE-AIR CLEANER for 81467	
23	29883GT	SCREW,HHC,5/8-11 X 1.75 GRD.8.....2		--	62425GT	FILTER,AIR CLEANER, SUPERBOOM for 81467	
24	13064GT	WASHER,FLAT,.625 HARDENED.....4		--	75450GT	AIR CLEANER CLIPS, SUPERBOOM for 81467	
25	75297PGT	WELDMENT,RADIATOR MOUNT.....1		--	75451GT	AIR CLEANER COVER, SUPERBOOM* for 81467	
26	6024GT	NUT,NYLOCK,5/8-11		49	81468GT	MOUNTING BAND,AIR CLEANER.....1	
27	60564PGT	BRACKET,ENG.MOUNT,FRT.PERKINS..2		50	101513PGT	BRACKET,MUFFLER MOUNT PAINTED.....1 to SN 254	
28	101229GT	WELDMENT,EXHAUST HEAD PIPE.....1 to SN 254		--	70555PGT	BRACKET,MUFFLER MOUNT PAINTED from SN 255	
--	70553GT	WELDMENT,EXHAUST HEADER from SN 255					

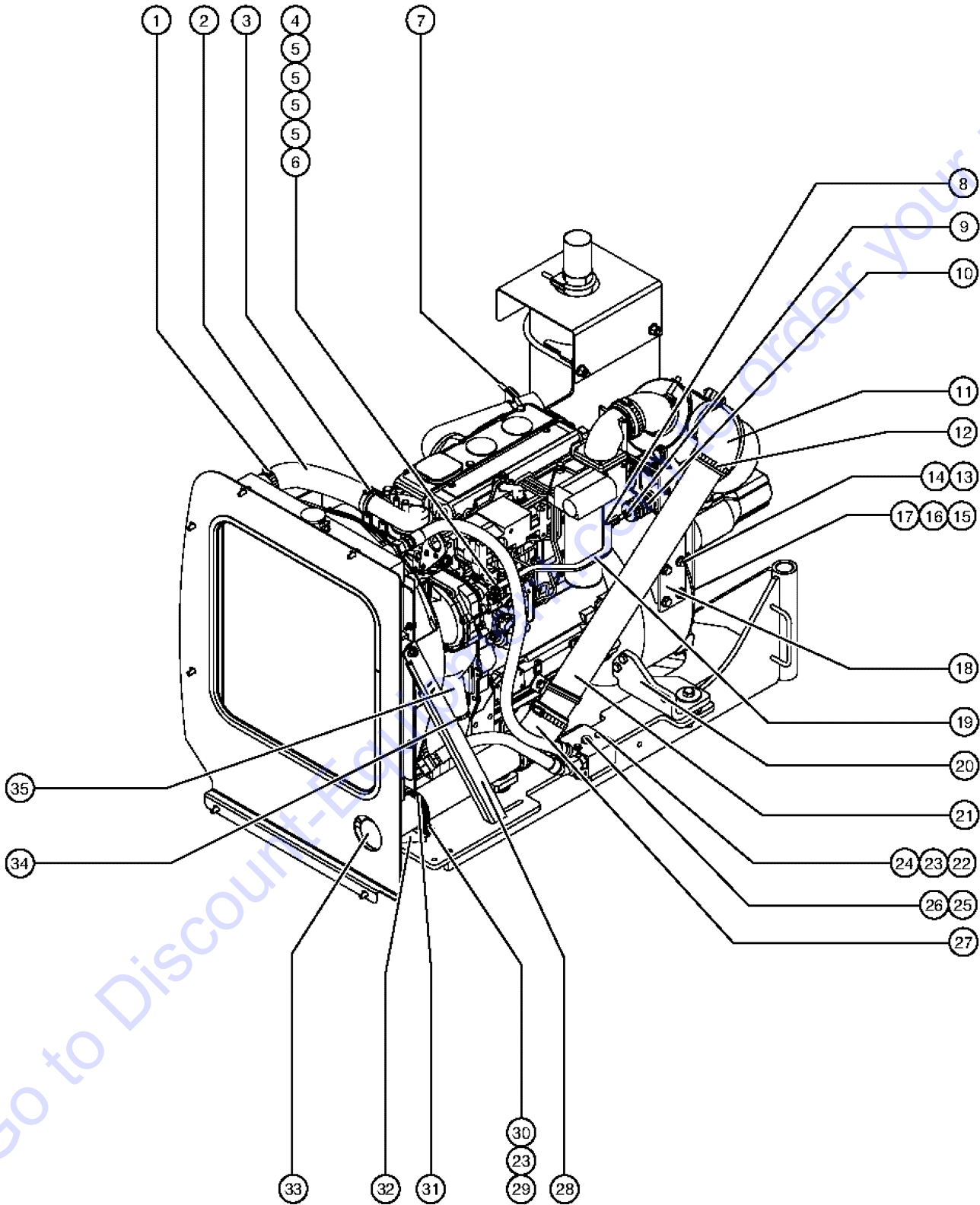
413.2 Perkins 804D-33T Engine - View 1 (from SN 684)



413.2 Perkins 804D-33T Engine - View 1 (from SN 684)

Item	Part No.	Description	Qty.	Item	Part No.	Description	Qty.
--	122593GT	HARNES,PERKINS 804D-33T		34	6638GT	WASHER,FLAT,USS,1/4"Y	
--	139612GT	KIT CB 15A T2 RPM SOLENOID 3W <i>includes item 128829; to SN 709</i>		35	139066GT	FORMING, BELT GUARD	
--	128829GT	CIRCUIT BRKR 15A TYPE 2 METAL <i>from SN 710</i>		36	56912GT	SPRING CLIP,1/4-20,.025-.15X.54,ZAG	
1	70444GT	MUFFLER,2.5"INLET/OUTLET.....1		37	6019GT	SCREW,HHC,3/8-16 X 1.25 GRD 5	
2	70449GT	U-BOLT,1/2-13 X 8.5		38	50974GT	BUMPER,RUBBER,COVERS	
3	70483GT	FORMING,8.5' MUFFLER MOUNT		39	54363GT	BRACKET,RUBBER BUMPER,ENGCOVER <i>to SN 756</i>	
4	13066GT	WASHER,FLAT,.5 HARDENED		--	60778-SGT	FORMING,COVER STOP <i>from SN 757</i>	
5	66777GT	NUT,TOP LOCK,1/2-13		40	5397GT	WASHER,FLAT,USS,5/16",Y	
6	94324-500GT	TUBE,RD,STL,ALUMIZD,2.5 X .065		41	6024GT	NUT,NYLOCK,5/8-11	
7	71911GT	CLAMP,MUFFLER, 2.50 INCH		42	13064GT	WASHER,FLAT,.625 HARDENED	
8	122702GT	WLDT, MUFFLER BRKT, PERK T3.....1		43	33418GT	WASHER,FLAT,.625 X 2.25 X.15	
9	122701GT	WELDMNT, EXHAUST, 804T.....1		44	102045GT	ISOLATOR,ENGINE VIBRATION	
10	85064GT	SCREW,SHC,M8 X 1.25 X 16 MM		45	18596GT	WASHER,FLAT,1.56 X 2.5 X .061	
11	49408GT	WASHER,LOCK,M8		46	13003GT	SCREW,HHC,5/8-11 X 3.5 GRD.8	
12	101604PGT	BRACKET,FAN SHROUD,RH,PAINTED		47	101644GT	FUEL LIFT PUMP/FILTER ASSY.....1	
13	23057GT	SCREW,HHC,M8 X 20MM		48	41468GT	TEE,BRASS STREET,.12 NPT.....1	
14	128280GT	WELDMNT, EXHAUST SUPPORT.....1 <i>to SN 756</i>		49	38922GT	ELBOW,90DEG.1/8MPT-5/16 BARB.....1	
15	30438GT	CLAMP,MUFFLER,2 1/4" ID. <i>to SN 756</i>		50	31817GT	ELBOW,90DEG.1/4MPT-3/8 BARB.....2	
16	128661GT	HOSE, CRANKCASE BREATHER.....1		51	101628GT	ADAPTER,1/4 FNPT X 1/2-20 UNF.....2	
17	128638GT	SENSOR, TEMP. SENDER, M16X1.5.....1 <i>does not include 128801 or 128858</i>		52	54205GT	HOSE END,BARB,1/4 MNPTX5/16,90....1	
--	128801GT	O-RING, M16, ISO <i>order separately</i>		53	27584GT	SCREW,HHC,M12 X 35MM.....14	
--	128858GT	WASHER, RETAINING, M16 <i>order separately</i>		54	49410GT	WASHER,FLAT,M12	
18	75328GT	FAN,PULLER,PERKINS,1004-42.....1		55	128243GT	WELDMNT, ENGINE MNT, RF.....1	
19	22571GT	NUT,HEX,M8 X 1.25		56	128242GT	ENGINE MOUNT, RR.....1	
20	60585GT	ISOLATOR,VIBRATION,M8 MALE/FEM		57	27584GT	SCREW,HHC,M12 X 35MM	
21	33277GT	WASHER,FLAT,M8,YELLOW ZINC		58	146048GT	ALTERNATOR	
22	101629GT	SCREW,HHC,M8 X 10MM		59	71911GT	CLAMP,MUFFLER, 2.50 INCH <i>from SN 757</i>	
23	101603PGT	SHROUD,FAN,PERKINS PAINTED.....1					
24	65473GT	CAP,RADIATOR,PERKINS/FORD.....1					
25	110304GT	RADIATOR,FORD/PERKINS***.....1					
26	128247GT	FORMING, FAN BAFFLE.....1					
27	101606PGT	BRACKET,RADIATOR SUPPORT PNTD.....1					
28	4828GT	NUT,NYLOCK,3/8-16					
29	24038GT	SHOCK MOUNT,SMALL					
30	24037GT	SHOCK MOUNT,LARGE**					
31	8516GT	SCREW, HCC, 3/8-16 X 1.50					
32	6097GT	WASHER,FLAT,USS,3/8",Y					
33	6090GT	SCREW,HHC,1/4-20 X .75					

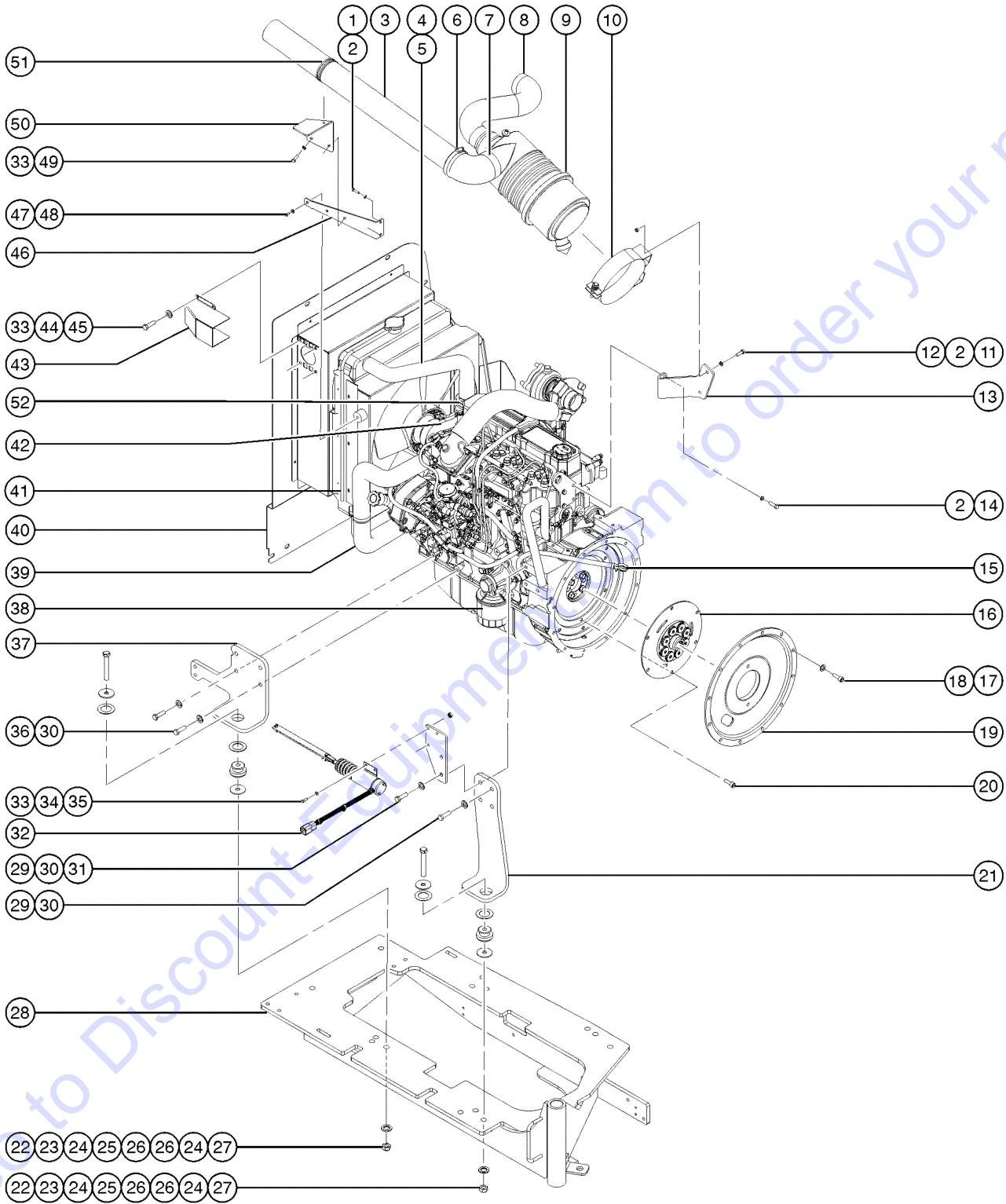
414.1 Perkins 1104C-44 Engine - View 2 (from SN 227 to 683)



414.1 Perkins 1104C-44 Engine - View 2 (from SN 227 to 683)

Item	Part No.	Description	Qty.
1	22672GT	CLAMP,HOSE,1.75.....	1
2	60576GT	RADIATOR HOSE,UPPER-PERKINS.....	1
3	1261395GT	CLAMP,HOSE,ADJ,2" HOSE,DEUTZ T.....	1
4	5365GT	NUT,NYLOCK,10-24	
5	56660GT	WASHER,RIVETING	
6	6584GT	SCREW,SHS,10-24 X .625	
7	71911GT	CLAMP,MUFFLER, 2.50 INCH.....	2
8	21130GT	CLEVIS YOKE-1/4-28,PLTD W/PIN.....	1
9	21496GT	NUT,HEX,1/4-28	
10	101957GT	SOLENOID,THROTTLE,ASSY.TROMB...1	
11	60561GT	ELBOW,INLET,CUMMINS.....	1
12	30489GT	CLAMP,HOSE,3.50.....	6
13	49381GT	SCREW,HHC,M12 X 30	
14	49410GT	WASHER,FLAT,M12	
15	49863GT	CLAMP,1.13,#18 X 3/8,RUB CUSH*.....	1
16	44064GT	SCREW,HHC,M10 X 30MM,	
17	22699GT	WASHER,FLAT,M10,ZINC PLTD.	
18	101217PGT	PLATE,THROTTLE ACTUATOR MOUNT.....	1
19	101219GT	THROTTLE LINKAGE,PERKINS 1104C.....	1
20	101930PGT	MOUNT,PERKINS 1104 LF PAINTED.....	1
21	81738-2800GT	TUBE,RD,STL 3 X 18GA ALUMINIZD.....	1
22	6115GT	SCREW,HHC,1/4-20 X 3.5 to SN 247	
23	6638GT	WASHER,FLAT,USS,1/4"Y	
24	6091GT	NUT,NYLOCK,1/4-20	
25	75651GT	MANIFOLD,COOLER BYPASS.....1 includes item 28; to SN 247	
26	102166GT	VALVE,CHECK,30 PSI.....1 to SN 247	
--	44224GT	SEAL KIT, VALVE	
27	61270GT	ELBOW,45 DEG,INLET.....	2
28	75262PGT	RADIATOR STRUT,LEFT,PAINTED.....1 to SN 559	
--	122333GT	RADIATOR STRUT,LEFT from SN 560	
29	6888GT	SCREW,HHC,1/4-20 X 1	
30	56912GT	SPRING CLIP,1/4-20,.025-.15X.54,ZAG	
31	70257GT	CLAMP,3.0,#48 X 1/4,RUB CUSH.....	2
32	101347PGT	BRACKET,AIR TUBE SUPPORT PAINT.....	1
33	81738-1900GT	TUBE,RD,STL 3 X 18GA ALUMINIZD.....	1
34	45435GT	CLAMP,HOSE,2.50"***.....	2
35	75555GT	RADIATOR HOSE,LOWER-PERKINS.....	1

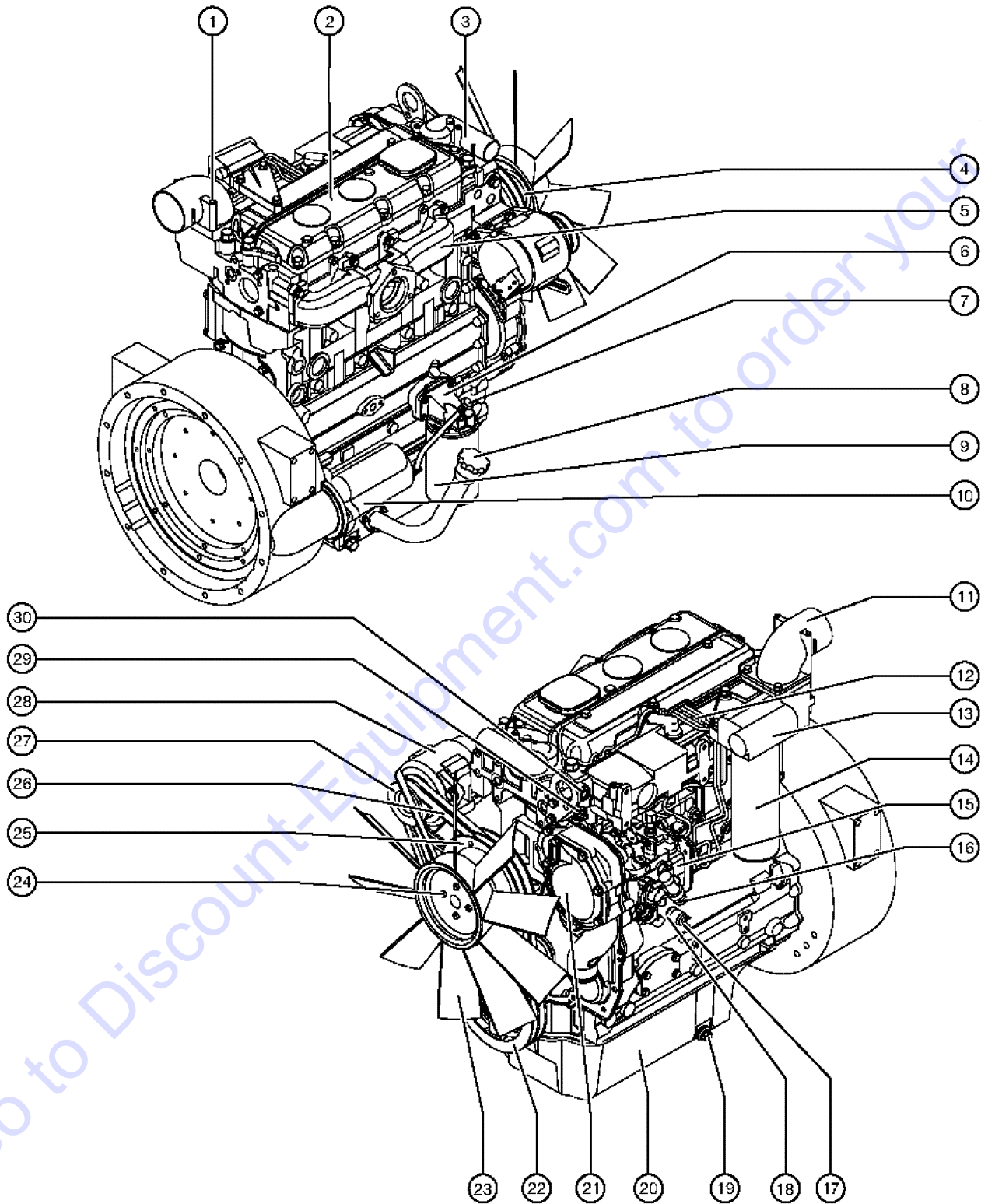
414.2 Perkins 804D-33T Engine - View 2 (from SN 684)



414.2 Perkins 804D-33T Engine - View 2 (from SN 684)

Item	Part No.	Description	Qty.	Item	Part No.	Description	Qty.
1	23057GT	SCREW,HHC,M8 X 20MM		36	27584GT	SCREW,HHC,M12 X 35MM.....	14
2	49408GT	WASHER,LOCK,M8		37	128245GT	ENGINE MOUNT, LF.....	1
3	81738-3300GT	TUBE,RD,STL 3 X 18GA ALUMINIZD.....	1	38	101613GT	ELEMENT,OIL FILTER,PERKINS***.....	1
4	101601GT	HOSE,RADIATOR,UPPER,PERKINS.....	1	39	101602GT	HOSE,RADIATOR,LOWER,PERKINS.....	1
5	35434GT	CLAMP,HOSE,2.00***		40	128250GT	FORMING, ENGINE BAFFLE.....	1
6	30489GT	CLAMP,HOSE,3.50		41	106226-4000GT	TUBING, VINYL, 1/2" CLEAR.....	1
7	60561GT	ELBOW,INLET,CUMMINS.....	1	42	226060GT	PUMP,WATER,PERKINS 804D-33T	
8	128207GT	HOSE, AIR INTAKE, 804T.....	1	--	226061GT	GASKET-PUMP WATE,PERK 804D-33T	
9	81467GT	AIR CLEANER,NELSON.....	1	43	128249GT	FORMING, INTAKE DUCT.....	1
10	81468GT	MOUNTING BAND,AIR CLEANER.....	1	44	14295GT	WASHER,SHIM,.265 X .5 X .030	
11	49378GT	SCREW,HHC,M8 X 16		45	56912GT	SPRING CLIP,1/4-20,.025-.15X.54,ZAG	
12	6091GT	NUT,NYLOCK,1/4-20		46	128246GT	BRACKET, FAN SHROUD, LH.....	1
13	128248GT	FORMING, FILTER SUPPORT.....	1	47	101629GT	SCREW,HHC,M8 X 10MM	
14	49379GT	SCREW,HHC,M8 X 1.25 X 25		48	33277GT	WASHER,FLAT,M8,YELLOW ZINC	
15	128424GT	ASSEMBLY, DIPSTICK TUBE.....	1	49	6638GT	WASHER,FLAT,USS,1/4"Y	
16	128004GT	COUPLER,15 TOOTH,FBA,SAE8***.....	1	50	128421GT	FORMING, INTAKE TUBE MNT.....	1
17	27034GT	SCREW,HHC,M10 X 25MM,GR 8.8		51	70257GT	CLAMP,3.0,#48 X 1/4,RUB CUSH	
18	22699GT	WASHER,FLAT,M10,ZINC PLTD.		52	226127GT	THERMOSTAT, 180 DEG.F	
19	61781GT	CASTING,SAE 4 PUMP MOUNT,MACHI.....	1	--	226128GT	GASKET, (226127)	
20	62476GT	SCREW,SHC,M10X1.5X20MM (75090)					
21	128244GT	ENGINE MOUNT, LR.....	1				
22	6024GT	NUT,NYLOCK,5/8-11					
23	13064GT	WASHER,FLAT,.625 HARDENED					
24	33418GT	WASHER,FLAT,.625 X 2.25 X .15					
25	102045GT	ISOLATOR,ENGINE VIBRATION					
26	18596GT	WASHER,FLAT,1.56 X 2.5 X .061					
27	13003GT	SCREW,HHC,5/8-11 X 3.5 GRD.8					
28		Ref. ENGINE TRAY (refer to 416.2).....	1				
29	60868GT	SCREW,HHC,M12 X 45					
30	49410GT	WASHER,FLAT,M12					
31	128554GT	PLATE, SOLENOID MOUNT.....	1				
32	101957GT	SOLENOID,THROTTLE,ASSY.TROMB					
--	128555GT	THROTTLE, LINKAGE					
--	53471GT	WIRE LOOM,3/8 NYLON,HI TEMP					
--	60525GT	CONN,RECEP 4 WAY,12-14GA					
--	60526GT	LOCK,RECEP 4 WAY,12-14GA					
--	60757GT	PLUG,SEAL,12-18 GA					
--	6578GT	CABLE TIE,7 3/8"					
--	73711GT	TERM,DEUTSCH, PIN #12-14					
--	89998GT	KIT,SERVICE,SOLENOID MODULE					
33	6090GT	SCREW,HHC,1/4-20 X .75					
34	6638GT	WASHER,FLAT,USS,1/4"Y					
35	6091GT	NUT,NYLOCK,1/4-20					

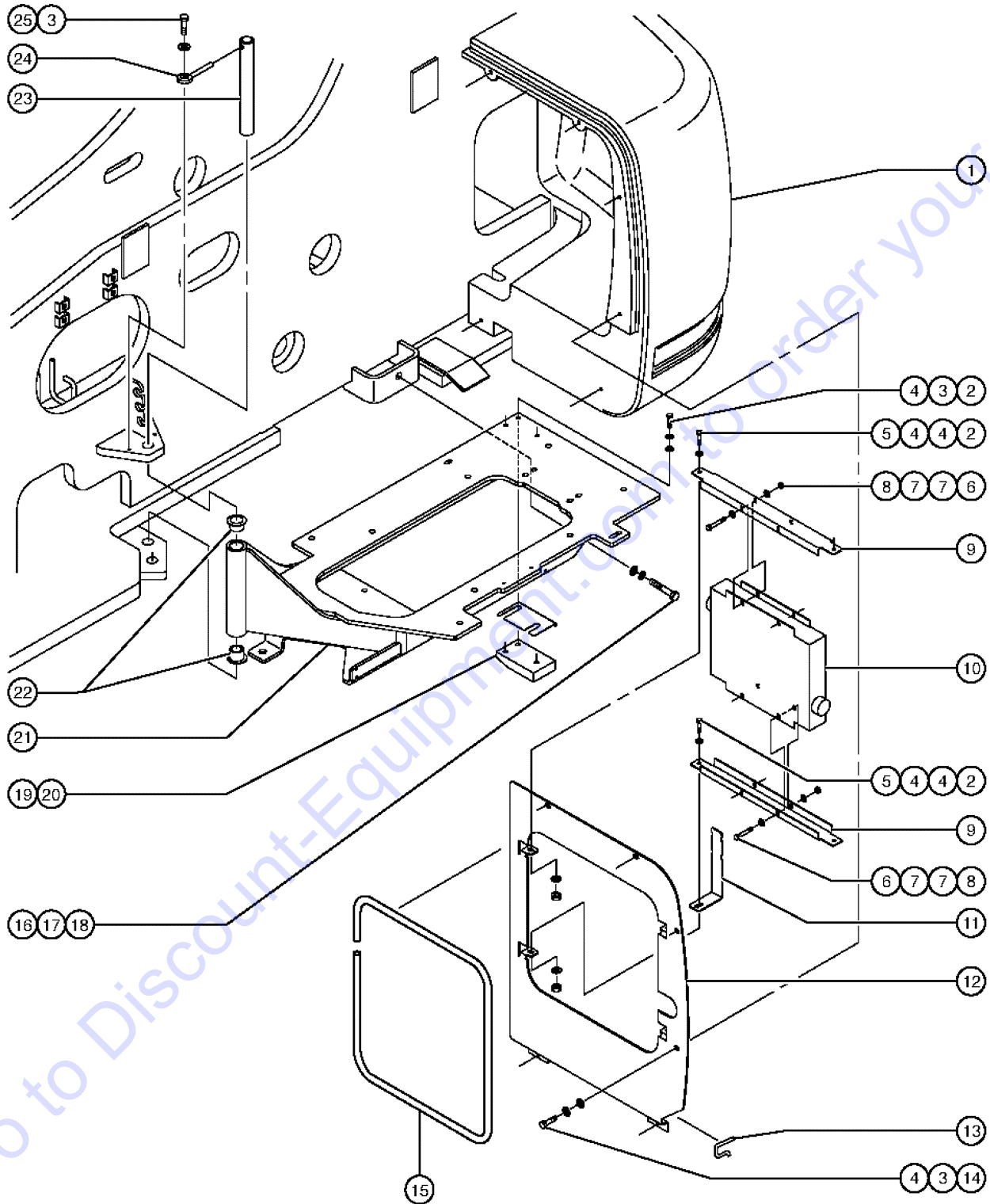
415.1 Perkins 1104C-44 Engine - View 3 (from SN 227 to 683)



415.1 Perkins 1104C-44 Engine - View 3 (from SN 227 to 683)

Item	Part No.	Description	Qty.	Item	Part No.	Description	Qty.
--	102603GT	THERMOSTAT,PERK 1104C		27	102645GT	PULLEY,ALTERNATOR, PERK 1104C....1	1
--	102604GT	GASKET-THERMOSTAT,PERK 1104C		28	102646GT	ALTERNATOR,PERKINS 1104C-44.....1	1
--	141922GT	WLDMT,CHASSIS,STC III ISO MNT		29	34058GT	SENDING UNIT,TMP,FRD,GM,PRK704.....1	1
1	102636GT	SCREW - AIR INLET,PERK 1104C		30	75314GT	SENSOR,COOLANT TEMP,PERKINS***.....1	1
--	102599GT	COVER- VALVE PERKINS 1104C-44.....1					
--	102600GT	SEAL-VALVE COVER PERKINS 1104C					
--	102601GT	SCREW, VALVE COVER, PERK 1104C					
3	102602GT	THERMOSTAT HOUSING,PERK 1104C.....1	1				
4	75329GT	SPACER,FAN,PERKINS, 1004-42.....1	1				
5	102605GT	MANIFOLD,EXHAUST, PERKINS 1104.....1	1				
--	102630GT	SEAL- EXHAUST MANIFOLD PERK-44					
6	123084GT	HEAD / OIL FILTER.....1	1				
7	102631GT	DIPSTICK,PERKINS 1104C-44.....1	1				
8	102635GT	CAP,OIL FILLER,PERKINS 1104C.....1	1				
9	102632GT	FILTER,OIL,PERKINS 1104C-44.....1	1				
10	226627GT	STARTER,ENG,PERK T3 6/8/10K.....1	1				
11	102637GT	AIR INLET, PERKINS 1104C-44.....1	1				
--	75310GT	SCREW,PERKINS 1004-42					
12	102647GT	FUEL LINE-INJECTOR, CYL1 PERK....1	1				
--	102648GT	FUEL LINE-INJECTOR, CYL2 PERK					
--	102649GT	FUEL LINE-INJECTOR, CYL3 PERK					
--	102650GT	FUEL LINE-INJECTOR, CYL4 PERK					
13	102638GT	ADAPTER-FUEL FILTER, PERK 1104....1	1				
14	102639GT	FILTER,FUEL, PERKINS 1104C.....1	1				
15	102640GT	PUMP,FUEL INJECTN,PERK 1104C....1	1				
16	102453GT	SOLENOID FUELINJEC,PERKIN,1004..1	1				
17	102348GT	SENDING UNIT,OIL PRESS PERKINS...1	1				
18	102651GT	ADPTR,OIL PRESS SEND PERK T2....1	1				
19	75342GT	PLUG,ENGINE OIL,PERKIN 1004-42....1	1				
--	75343GT	WASHER,OIL DRAIN,PERKIN1004-42					
20	102641GT	OIL PAN,PERKINS 1104C-44.....1	1				
--	102642GT	GASKET - OIL PAN, PERKIN 1104C					
21	102643GT	PUMP, WATER,PERKINS 1104C-44.....1	1				
--	102644GT	GASKET-PUMP WATE,PERK 1104C-44					
22	75331GT	PULLEY,CRANKSHAFT,PERKINS 1004.....1	1				
--	75332GT	SCREW,CRANKSHFT,PERKIN 1004-42					
23	75328GT	FAN,PULLER,PERKINS,1004-42.....1	1				
24	75327GT	STUD,FAN SPACR,PERKINS 1004-42....4	4				
--	75326GT	NUT,FAN BLADE,PERKINS 1004-42					
25	75330GT	PULLEY,FAN,PERKINS 1004-42.....1	1				
26	102598GT	BELT,V,(2) PERKINS 1104C-44.....2	2				

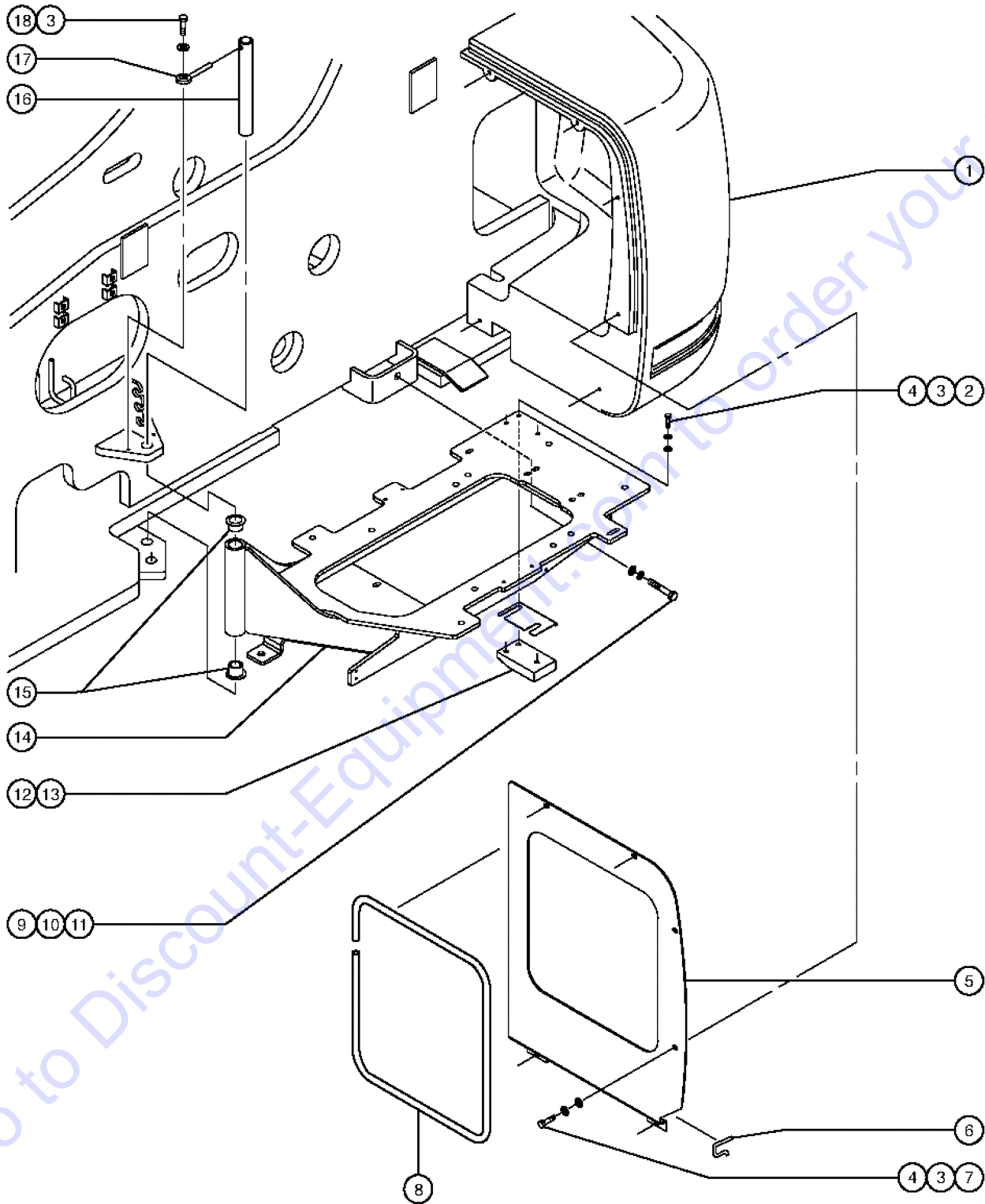
416.1 Perkins Engine Attached Components (to SN 138)



416.1 Perkins Engine Attached Components (to SN 138)

Item	Part No.	Description	Qty.
1		Ref. Counterweight, Front (refer to 408.1)	
2	6019GT	SCREW,HHC,3/8-16 X 1.25 GRD 5	
3	6021GT	WASHER,LOCK,.375	
4	5397GT	WASHER,FLAT,USS,5/16",Y	
5	4828GT	NUT,NYLOCK,3/8-16	
6	6091GT	NUT,NYLOCK,1/4-20	
7	6638GT	WASHER,FLAT,USS,1/4"Y	
8	42571GT	SCREW,HHC,1/4-20 X 3.25	
9	60687-SGT	FORMING,COOLER SUPPORT.....2	
10	60597GT	OIL COOLER,W/O FAN.....1	
11	60820-SGT	BRACKET,OIL COOLER BYPASS.....1	
12	60560-SGT	BULKHEAD,SWING CHASSIS.....1	
13	60875GT	TRIM MOLDING	
14	6175GT	SCREW,HHC,3/8-16 X 1	
15	60875GT	TRIM MOLDING.....66-inches	
16	51131GT	SCREW,HHC,5/8-11 X 2.5	
17	6036GT	WASHER,LOCK,.625 PLTD	
18	6035GT	WASHER,FLAT,USS,5/8",Y	
19	60637GT	WEAR PAD,ENGINE SUPPORT.....1	
20	60826GT	SHIM,WEAR PAD ENGINE TRAY	
21	75124-SGT	ENGINE TRAY PIVOT ASSEMBLY.....1 <i>includes item 22</i>	
22	35675GT	BEARING,FL,1.25IDX1.5ODX1.25L.....2	
23	60625GT	PIN,1.25DIAX15.63LG,CHAMFER.....1	
24	825019GT	ROD END,.375X3.69,ZAG.....1	
25	8516GT	SCREW, HCC, 3/8-16 X 1.50	

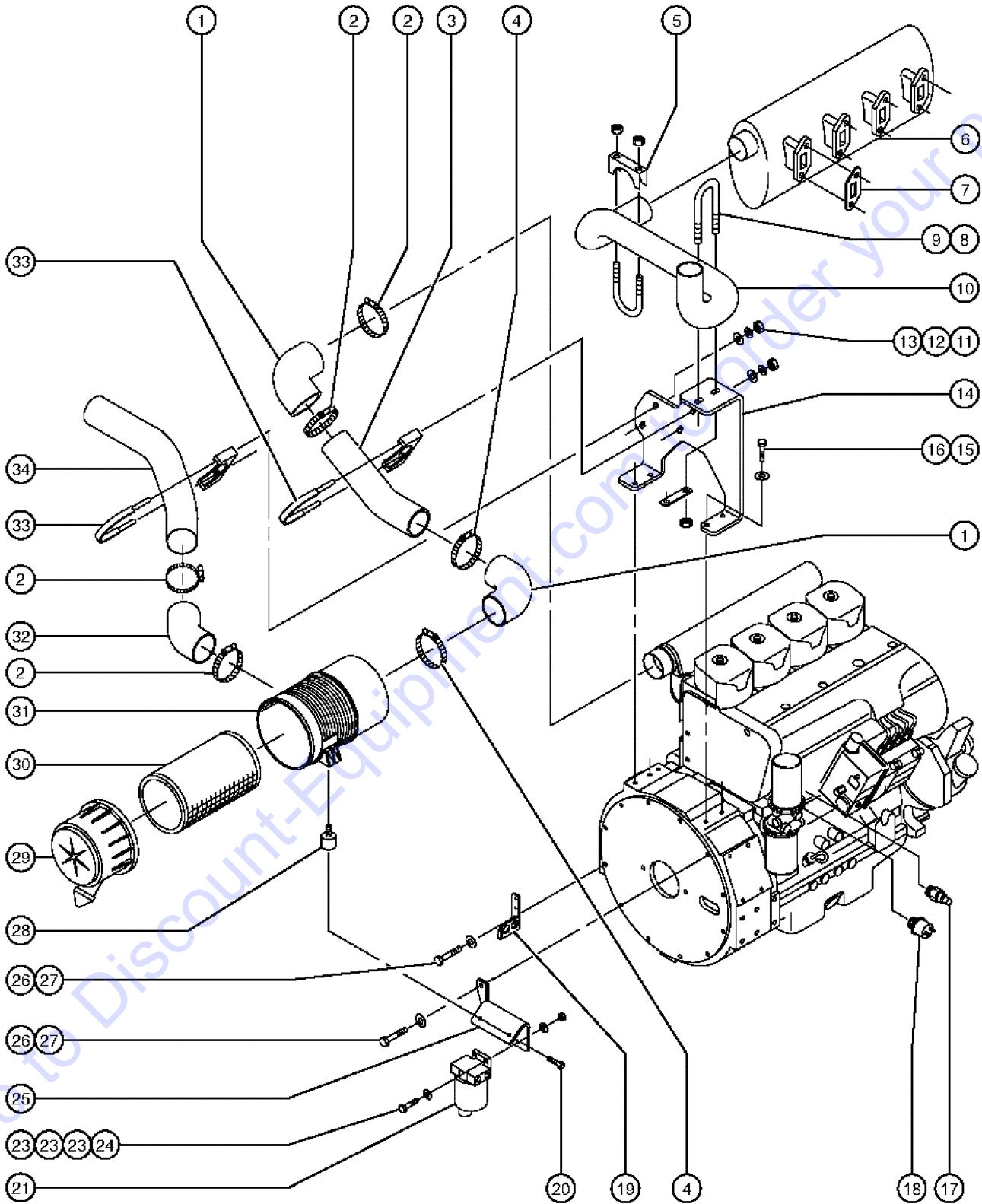
416.2 Perkins Engine Attached Components (from SN 139)



416.2 Perkins Engine Attached Components (from SN 139)

Item	Part No.	Description	Qty.
--		Ref. Hydraulic Oil Cooler (refer to 307.1)	
1		Ref. Counterweight, Front (refer to 408.1)	
2	6019GT	SCREW,HHC,3/8-16 X 1.25 GRD 5	
3	6021GT	WASHER,LOCK, .375	
4	5397GT	WASHER,FLAT,USS,5/16",Y	
5	75607PGT	INTAKE BAFFLE,PAINTED.....1	
6	60875GT	TRIM MOLDING	
7	6175GT	SCREW,HHC,3/8-16 X 1	
8	60875GT	TRIM MOLDING.....66-inches	
9	51131GT	SCREW,HHC,5/8-11 X 2.5	
10	6036GT	WASHER,LOCK, .625 PLTD	
11	6035GT	WASHER,FLAT,USS,5/8",Y	
12	60637GT	WEAR PAD,ENGINE SUPPORT.....1	
13	60826GT	SHIM,WEAR PAD ENGINE TRAY	
14	75460GT	ENGINE TRAY PIVOT ASSEMBLY.....1 <i>includes item 15; from SN 139 to SN 177</i>	
--	146054GT	ENGINE TRAY ASSEMBLY <i>includes item 15; from SN 684</i>	
--	89511-SGT	ENGINE TRAY ASSEMBLY <i>includes item 15; from SN 178 to 683</i>	
15	35675GT	BEARING,FL,1.25IDX1.5ODX1.25L.....2	
16	60625GT	PIN,1.25DIAX15.63LG,CHAMFER.....1	
17	825019GT	ROD END,.375X3.69,ZAG.....1	
18	8516GT	SCREW, HCC, 3/8-16 X 1.50	

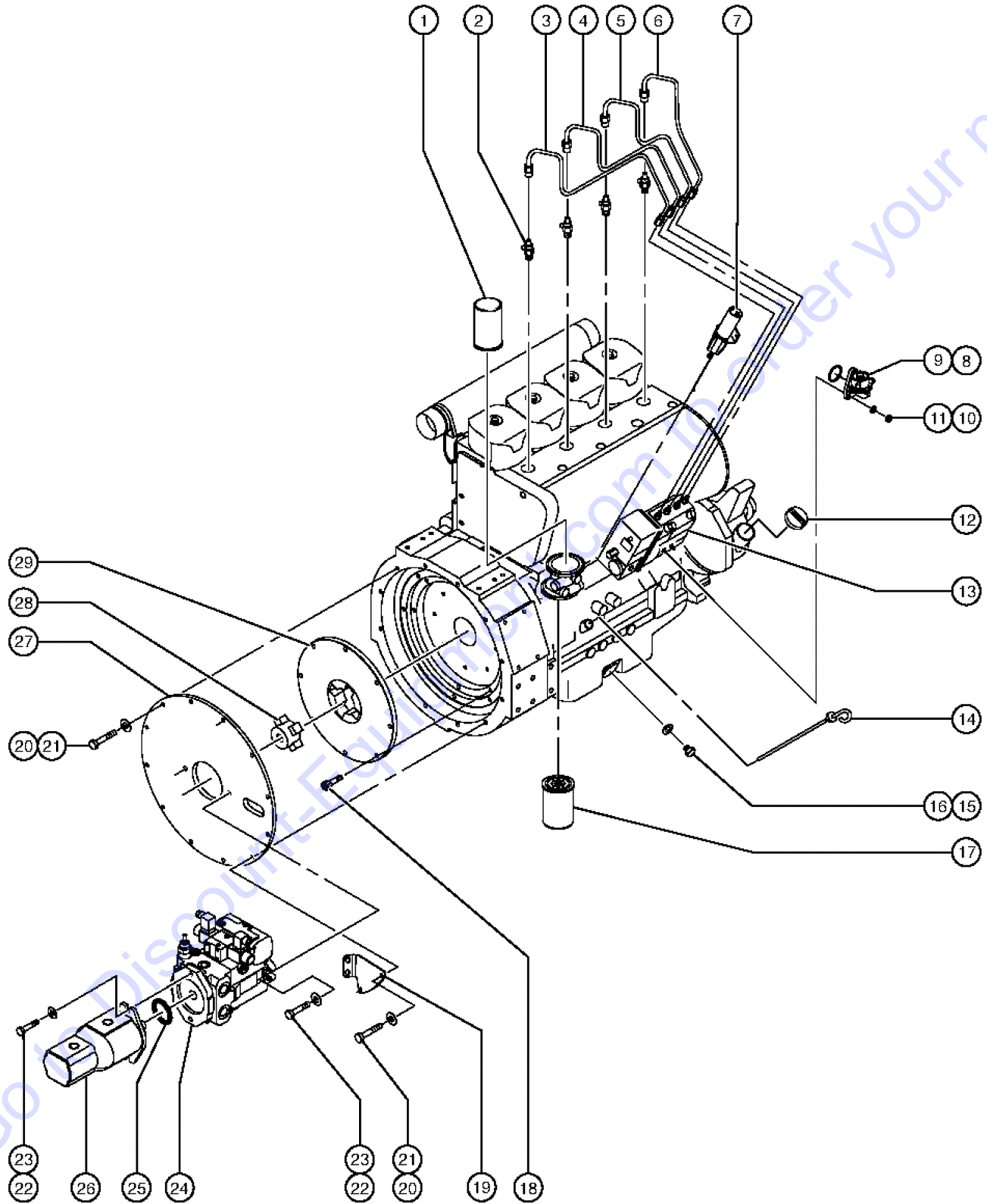
417.1 Deutz F4L-913 Engine - View 1 (to SN 230)



417.1 Deutz F4L-913 Engine - View 1 (to SN 230)

Item	Part No.	Description	Qty.	Item	Part No.	Description	Qty.
--	62434GT	MANUAL,DEUTZ F4L913, WORKSHOP		28	60585GT	ISOLATOR,VIBRATION,M8 MALE/FEM.....	2
--	62356GT	VALVE,DIFFERENTIAL SENSE,N.C. to SN 154		29	75451GT	AIR CLEANER COVER, SUPERBOOM*.....	1
--	75084GT	HARNES,DEUTZ ENGINE from SN 155 to SN 158		30	62425GT	FILTER,AIR CLEANER, SUPERBOOM...1	
--	75586GT	HARNES,DEUTZ ENGINE from SN 160		31A	81467GT	AIR CLEANER,NELSON.....1 for first time replacement, also order 81468	
--	75085GT	HARNES, SOLENOID to SN 157		--	52866GT	EVACUATOR VALVE-AIR CLEANER for 81467	
--	88151GT	FUSE,70 AMP		--	62425GT	FILTER,AIR CLEANER, SUPERBOOM for 81467	
--	75433GT	FUSE,20 AMP, AGC20		--	75450GT	AIR CLEANER CLIPS, SUPERBOOM for 81467	
--	28082GT	GROMMET,RUBBER .18 X .13 X .31		--	75451GT	AIR CLEANER COVER, SUPERBOOM* for 81467	
--	45782GT	DIODE,6 AMP,200 PIV,BULK		31B	81468GT	MOUNTING BAND,AIR CLEANER	
1	60561GT	ELBOW,INLET,CUMMINS.....	2	31C	75450GT	AIR CLEANER CLIPS, SUPERBOOM	
--	88064GT	REDUCER,3" TO 2.75"		32	61270GT	ELBOW,45 DEG,INLET.....	1
2	30971GT	CLAMP,HOSE,3.00".....	4	33	61273GT	CLAMP-HEAVY DUTY.....	2
3	61155GT	TUBE,AIR INTAKE,DEUTZ.....	1	34	61156GT	TUBE,ENGINE INTAKE,DEUTZ.....	1
4	30489GT	CLAMP,HOSE,3.50.....	2				
5	75358GT	CLAMP,MUFFLER,DEUTZ F4L913.....	1				
6	75359GT	MUFFLER,DEUTZ,F4L913.....	1				
--	75000GT	MUFFLER,CATALYTIC,DEUTZ*F4L913					
7	75360GT	GASKET,EXAUST,DEUTZ F4L913.....	4				
8	16584GT	U-BOLT, KIT 5/16-18 X 2.5 ***.....	1				
9	6037GT	NUT,HEX,5/16-18,GR5					
10	60856GT	TAILPIPE,DEUTZ 913.....	1				
11	4828GT	NUT,NYLOCK,3/8-16					
12	6021GT	WASHER,LOCK,.375					
13	5397GT	WASHER,FLAT,USS,5/16",Y					
14	61157-SGT	MOUNT,DEUTZ TUBE.....	1				
15	27034GT	SCREW,HHC,M10 X 25MM,GR 8.8					
16	22699GT	WASHER,FLAT,M10,ZINC PLTD.					
17	72355GT	OIL TEMP SENSOR(60323).....	1				
18	75473GT	SENSOR,OIL PRS KIT,VDO0360-040....	1				
19	75100GT	BRACKET, CABLE MOUNT.....	1				
--	60584GT	GROMMET,RUBBER .75 X .19 X 1**					
20	49378GT	SCREW,HHC,M8 X 16					
21	75020GT	SEPRTR/FLTR,FUEL DSL,15GPH,.30....	1				
--	62433GT	FILTER,ELEMENT,30 MIC,75020					
22	8915GT	SCREW,HHC,1/4-20 X 1.25					
23	6638GT	WASHER,FLAT,USS,1/4"Y					
24	6091GT	NUT,NYLOCK,1/4-20					
25	61243-SGT	WELDMENT,AIR CLEANER CUMMINS.....	1				
26	44064GT	SCREW,HHC,M10 X 30MM,					
27	22699GT	WASHER,FLAT,M10,ZINC PLTD.					

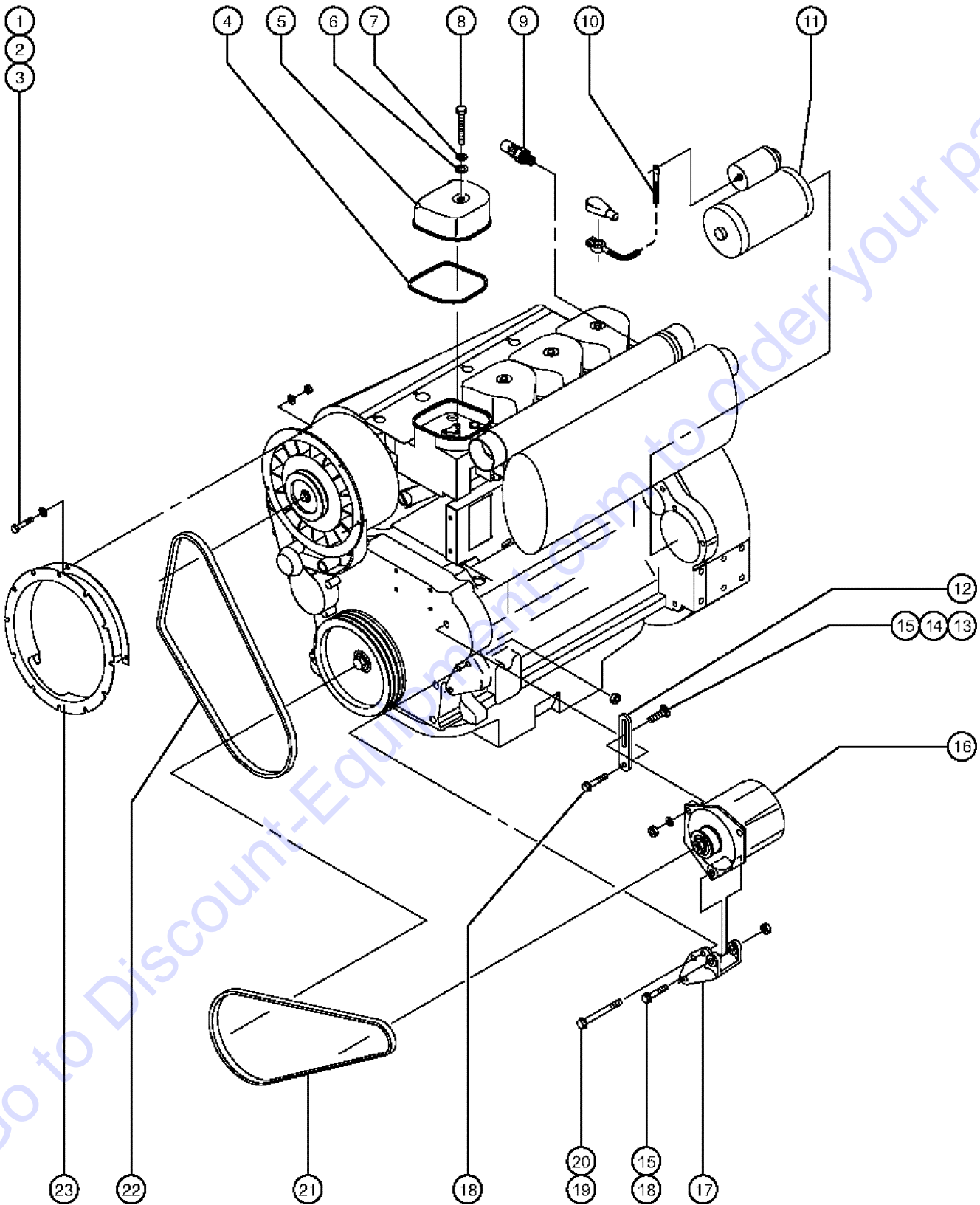
418.1 Deutz F4L-913 Engine - View 2 (to SN 230)



418.1 Deutz F4L-913 Engine - View 2 (to SN 230)

Item	Part No.	Description	Qty.
1	108543GT	FILTER / FUEL / SPIN-ON.....	1
--	58566GT	FILTER HEAD (29560) <i>plastic</i>	
2	75361GT	INJECTOR,FUEL,DEUTZ F4L913.....	4
3	75362GT	FUEL LINE,INJECT.1DEUTZ F4L913.....	1
4	75363GT	FUEL LINE,INJECT.2DEUTZ F4L913.....	1
5	75364GT	FUEL LINE,INJECT.3DEUTZ F4L913.....	1
6	75365GT	FUEL LINE,INJECT.4DEUTZ F4L913.....	1
7	75366GT	SOLENOID,SHUTDOWN DEUTZ F4L913.....	1
8	75367GT	PUMP,FUEL LIFT DEUTZ F4L913.....	1
9	72243GT	MOUNTING O-RING (75367).....	1
10	75379GT	NUT,M6,FUEL PUMP,DEUTZ F4L913	
11	75380GT	WASHER,LOCK,M6,DEUTZ F4L913	
12	75369GT	CAP,OIL FILLER, DEUTZ F4L913.....	1
--	75377GT	O-RING,OIL FILLER (75369)	
13	75370GT	PUMP,FUEL INJECTN.DEUTZ F4L913.....	1
		<i>includes items 8-11</i>	
--	75371GT	O-RING,FUEL INJ.PUMP (75370)	
14	75372GT	DIPSTICK,DEUTZ F4L913	
15	75374GT	PLUG,ENGINE OIL, DEUTZ F4L913.....	3
16	75375GT	WASHER,OIL DRAIN DEUTZ F4L913.....	3
17	62430GT	FILTER,OIL, DEUTZ F4L913.....	1
18	61110GT	SCREW,SHC,M10X1.5X30 GR 12.9.....	9
19	60883GT	FORMING,TEST PORT MOUNT.....	1
20	44064GT	SCREW,HHC,M10 X 30MM,	
21	22699GT	WASHER,FLAT,M10,ZINC PLTD.	
22	10597GT	SCREW,HHC,1/2-13 X 1.25 GR5	
23	13066GT	WASHER,FLAT,.5 HARDENED	
24		Ref. Drive Pump (refer to 711.1)	
25	62407GT	O-RING,PISTON PUMP TO GEARPUMP.....	1
26		Ref. Function Pump (refer to 711.1)	
27	60322-SGT	PLATE,PUMP MOUNT.....	1
28	61077GT	COUPLER,HUB,14 TOOTH.....	1
29	61078GT	FLYWHEEL DRIVE PLATE,SAE 10.....	1

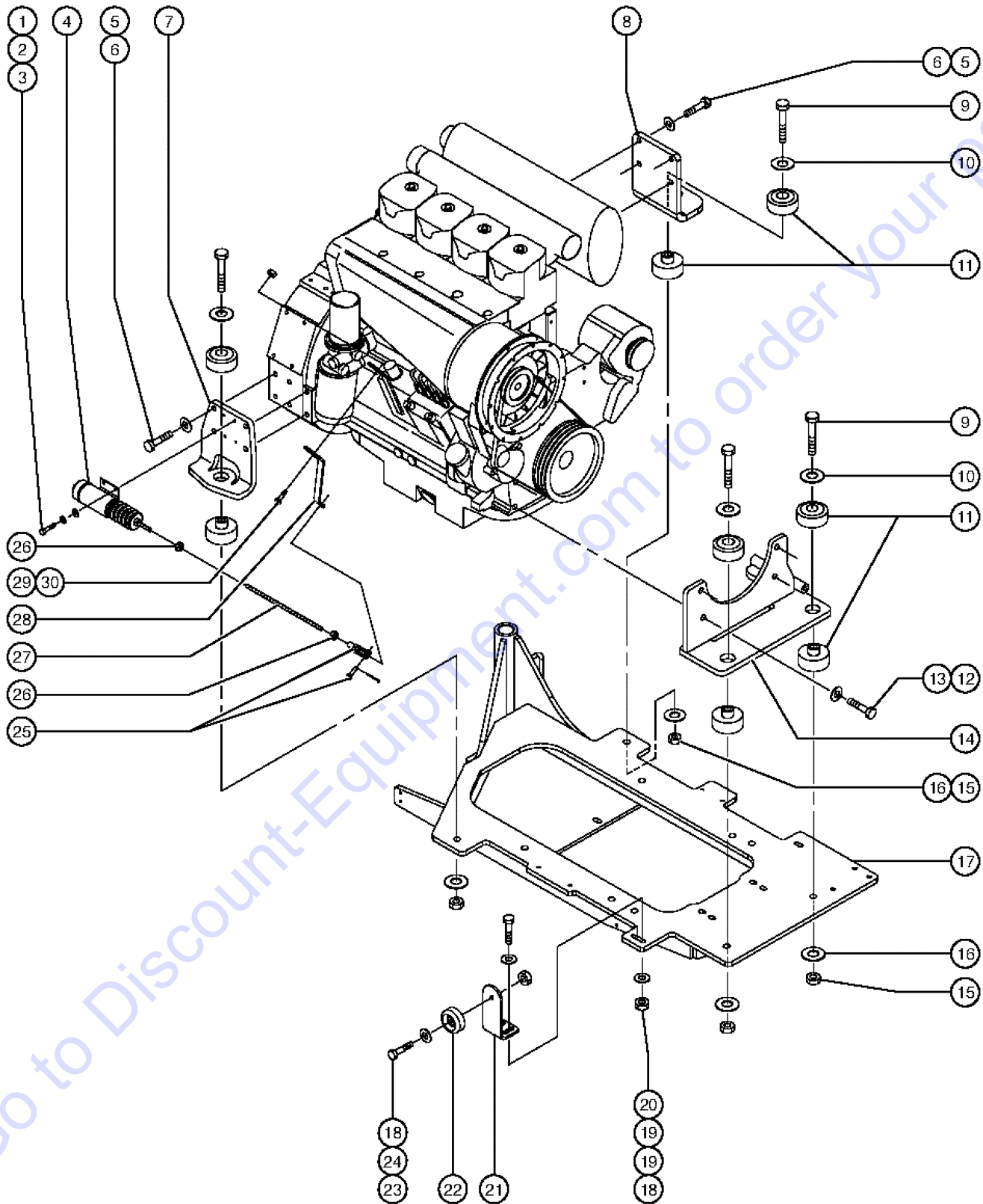
419.1 Deutz F4L-913 Engine - View 3 (to SN 230)



419.1 Deutz F4L-913 Engine - View 3 (to SN 230)

Item	Part No.	Description	Qty.
1	75381GT	SCREW,HHC,M6 X 1 X 20	
2	75382GT	WASHER,FLAT,M6,DEUTZ F4L913	
3	75383GT	NUT,M6,BLOWER,DEUTZ F4L913	
4	75384GT	GASKET,CYL.COVR. DEUTZ F4L913.....4	
5	75385GT	CYLINDER HEAD CVR.DEUTZ F4L913.....4	
6	75388GT	SEAL,CYL.HED.CVR.DEUTZ,F4L913.....4	
7	75387GT	WASHER,CYL.HED CVR.DEUTZF4L913.....4	
8	75386GT	SCREW,HHC,M8 X 1.25 X 30	
9	75389GT	GLOW PLUG,DEUTZ F4L913.....1	
--	75390GT	SOLENOID,GLOW PLUG,DEUTZF4L913	
10	61318GT	BATTERY CABLE,POSITIVE DEUTZ.....1	
11	75391GT	STARTER, DEUTZ F4L913.....1	
--	75392GT	SOLENOID,STARTER,DEUTZ F4L913	
12	75394GT	ALTERNATOR STAY,DEUTZ F4L913.....1	
13	75416GT	BOLT,CARRIAGE,M8X1.25X25,DEUTZ	
14	75417GT	WASHER,FLAT,M8 DEUTZ, F4L913	
15	75418GT	NUT,M8,ALTERNATOR,DEUTZ F4L913	
16	75393GT	ALTERNATOR, DEUTZ (55AMP) ***.....1	
16B	1274614GT	ALTERNATOR PULLEY	
17	75419GT	ALTERNATOR,STAY,DEUTZ,F4L913.....1	
18	75420GT	SCREW,HHC,M8 X 1.25 X 120	
19	75421GT	SCREW,HHC,M10 X 1.5 X 140	
20	75422GT	NUT,HEX,M10,ALTER.DEUTZ F4L913	
21	62432GT	BELT,V, ALTERNATR.DEUTZ F4L913.....1	
22	62431GT	BELT,V, BLOWER, DEUTZ F4L913.....1	
22	T107605GT	SWITCH,FAN BELT.....1	
22	T107606GT	HARNESS, FAN BELT SWITCH.....1	
23	75423GT	SHROUD,DEUTZ,AIR INTAKE.....1	

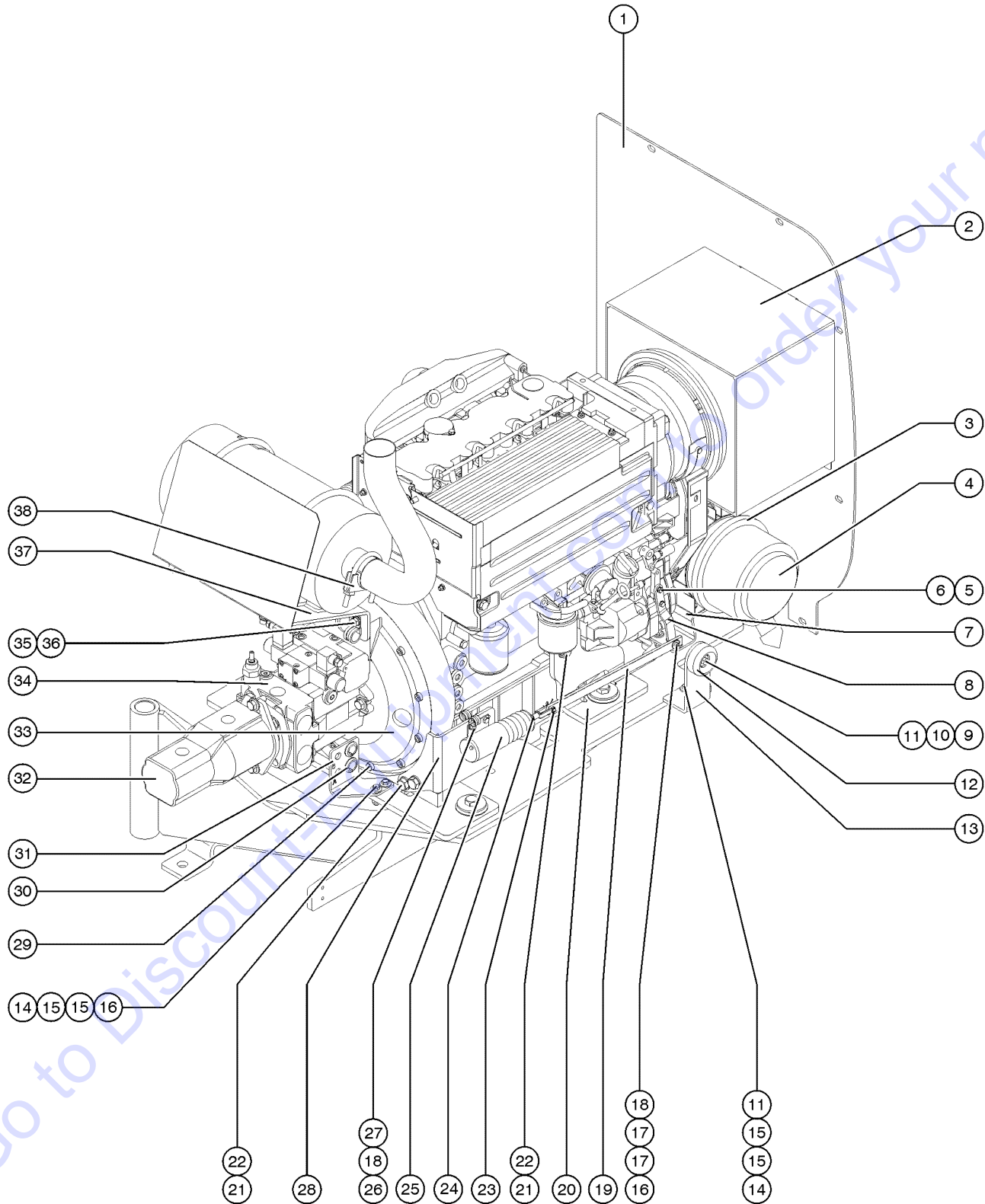
420.1 Deutz F4L-913 Engine - View 4 (to SN 230)



420.1 Deutz F4L-913 Engine - View 4 (to SN 230)

Item	Part No.	Description	Qty.	Item	Part No.	Description	Qty.
1	7339GT	SCREW, HHC, 1/4-20 X .5		30	6889GT	NUT,LP NYLOCK,1/4-20	
2	6356GT	WASHER,LOCK,.25					
3	6638GT	WASHER,FLAT,USS,1/4"Y					
4	89998GT	KIT,SERVICE,SOLENOID MODULE.....1					
--	58165GT	SOLENOID UPDATE KIT***					
--	75085GT	HARNES, SOLENOID to SN 158					
5	44064GT	SCREW,HHC,M10 X 30MM,					
6	49410GT	WASHER,FLAT,M12					
7	75083-SGT	BRACKET,ENGINE MOUNT RR,DEUTZ.....1					
8	60619-SGT	BRACKET,ENG.MOUNT LH/RR.....1					
9	59746GT	SCREW,HHC,5/8-11 X 4.0***4 for use with two-piece isolator					
9A	13003GT	SCREW,HHC,5/8-11 X 3.5 GRD.8.....4 for use with one-piece isolator 102045					
10	33418GT	WASHER,FLAT,625 X 2.25 X.15.....4					
11		ISOLATOR,TWO-PIECE component no longer available					
11A	102045GT	ISOLATOR,ENGINE VIBRATION.....4					
11A	18596GT	WASHER,FLAT,1.56 X 2.5 X .061.....8 for use with one-piece isolator 102045					
12	75398GT	SCREW,HHC,M14 X 2 X 100					
13	75399GT	WASHER,FLAT,M14,DEUTZ F4L913					
14	89906GT	WELDMNT,GENERATOR MOUNT,DEUTZ.....1					
15	6024GT	NUT,NYLOCK,5/8-11					
16	6035GT	WASHER,FLAT,USS,5/8",Y					
17	75124-SGT	ENGINE TRAY PIVOT ASSEMBLY.....1 to SN 138					
--	75460GT	ENGINE TRAY PIVOT ASSEMBLY from SN 139 to SN 177					
--	89511-SGT	ENGINE TRAY ASSEMBLY from SN 178					
18	4828GT	NUT,NYLOCK,3/8-16					
19	5397GT	WASHER,FLAT,USS,5/16",Y					
20	8516GT	SCREW, HCC, 3/8-16 X 1.50					
21	60778-SGT	FORMING,COVER STOP.....1					
22	50974GT	BUMPER,RUBBER,COVERS.....1					
23	6019GT	SCREW,HHC,3/8-16 X 1.25 GRD 5					
24	6097GT	WASHER,FLAT,USS,3/8",Y					
25	21130GT	CLEVIS YOKE-1/4-28,PLTD W/PIN.....1					
26	21496GT	NUT,HEX,1/4-28					
27	30785-1000GT	THREADED ROD,1/4-28 X 10 IN***1					
28	75082-SGT	FORMING,THROTTLE ARM DEUTZ.....1					
29	6090GT	SCREW,HHC,1/4-20 X .75					

421.1 Deutz BF4L-2011 / TD2011-L04i Engine - View 1 (from SN 231)



421.1 Deutz BF4L-2011 / TD2011-L04i Engine - View 1 (from SN 231)

Item	Part No.	Description	Qty.	Item	Part No.	Description	Qty.
--	102114GT	HARNES,DEUTZ ENGINE to SN 252		8	70479PGT	FORMING,THROTTLE ARM PAINTED...1 to SN 627	
--	139612GT	KIT CB 15A T2 RPM SOLENOID 3W includes item 128829; to SN 709		9	6019GT	SCREW,HHC,3/8-16 X 1.25 GRD 5	
--	128829GT	CIRCUIT BRKR 15A TYPE 2 METAL from SN 710		10	6097GT	WASHER,FLAT,USS,3/8",Y	
--	102708GT	HARNES,ENGINE,DEUTZ BF4L2011 from SN 253 to 401		11	4828GT	NUT,NYLOCK,3/8-16	
--	122051GT	HARNES,ENGINE,DEUTZ BF4L2011 from SN 402 to 709		12	50974GT	BUMPER,RUBBER,COVERS.....1	
--	122875GT	HARN,ENGINE T3,DEUTZ BF4L2011 from SN 710		13	60778-SGT	FORMING,COVER STOP.....1	
--	101638GT	OPTION, SPARK ARREST		14	8516GT	SCREW, HCC, 3/8-16 X 1.50	
--	T114678GT	SHUTDOWN SOLENOID,12V, DEUTZ models from SN 710 to 864 must order harness p/n T113801 for first time replacement; from SN 710		15	5397GT	WASHER,FLAT,USS,5/16",Y	
--	T113801GT	HARNES,RELAY,FUEL SOLENOID from SN 710 to 864		16	6584GT	SCREW,SHS,10-24 X .625	
--	139624GT	SWITCH, OIL PRESSURE 1.5 BAR.....1 (replaced 65765)		17	6638GT	WASHER,FLAT,USS,1/4"Y	
--	139666GT	KIT,OP SWITCH,DEUTZ (oil pressure kit for models with ALC-500 control system. replaces 65765. includes item 139624 and instructions)		18	5365GT	NUT,NYLOCK,10-24	
1	102210PGT	BAFFLE,AIR INTAKE,DEUTZ PAINTD....1		19	139322GT	THROTTLE LINKAGE, DSL from SN 628	
2	111401GT	AIR BOX ASSEMBLY, DEUTZ, SERV.....1 USA/Canada/Australia; to SN 594		19	88512GT	THROTTLE LINK,DSL***1 to SN 627	
--	102218PGT	WELDMENT,AIR BOX,DEUTZ PAINTED Europe/Asia/South America; to SN 594		20	70439PGT	FORMING,ENGINE MOUNT PAINTED...1	
--	122266GT	WELDMENT, AIR BOX, DEUTZ Europe/Asia/South America; from SN 595		21	22558GT	SCREW,HHC,M14 X 40MM,GR 8.8	
--	146053GT	AIR BOX ASSE, DEUTZ W/ W DECAL USA/Canada/Australia; from SN 595		22	49411GT	WASHER,FLAT,M14	
3	81468GT	MOUNTING BAND,AIR CLEANER.....1		23	21130GT	CLEVIS YOKE-1/4-28,PLTD W/PIN.....1	
4	81467GT	AIR CLEANER,NELSON.....1		24	21496GT	NUT,HEX,1/4-28	
--	52866GT	EVACUATOR VALVE-AIR CLEANER for 81467		25	101957GT	SOLENOID,THROTTLE,ASSY.TROMB...1	
--	62425GT	FILTER,AIR CLEANER, SUPERBOOM for 81467		26	6091GT	NUT,NYLOCK,1/4-20	
--	75450GT	AIR CLEANER CLIPS, SUPERBOOM for 81467		27	6888GT	SCREW,HHC,1/4-20 X 1	
--	75451GT	AIR CLEANER COVER, SUPERBOOM* for 81467		28	139321GT	FORMING, SOLENOID MOUNT*** from SN 628	
5	22578GT	SCREW,HHC,M6 X 20MM,GR8.8		28	70478PGT	FORMING,SOLENOID MOUNT PAINTED.....1 to SN 627	
6	49407GT	WASHER,LOCK,M6		29	44064GT	SCREW,HHC,M10 X 30MM,.....9 use wih flex plate 33024; to SN 491	
7	102209PGT	FORMING,AIR CLEANER MOUNT PNTD.....1		--	22699GT	WASHER,FLAT,M10,ZINC PLTD. use wih flex plate 33024; to SN 491	
8	50787-SGT	LEVER, GOVERNOR ACTUATOR from SN 628		--	62476GT	SCREW,SHC,M10X1.5X20MM (75090) use with coupler 128004; from SN 492	
				30	60584GT	GROMMET,RUBBER .75 X .19 X 1**2 to SN 247	
				31	102204PGT	FORMING,TEST PORT MTG.DEUTZ.....1 to SN 247	
				32		Ref. Function Pump (refer to 711.1)	
				33	70381GT	COVER,FLYWHEEL CASTING to SN 491	
				--	128004GT	COUPLER,15 TOOTH,FBA,SAE8*** from SN 492	
				--	128023GT	KIT,FBA STYLE COUPLER,SAE8 upgrade kit, replaces flex plate and coupler, includes coupler 128004	
				--	33024GT	FLYWHEEL FLANGE,GREEN PLASTIC to SN 491	

421.1 Deutz BF4L-2011 / TD2011-L04i Engine - View 1 (from SN 231)
 (continued)

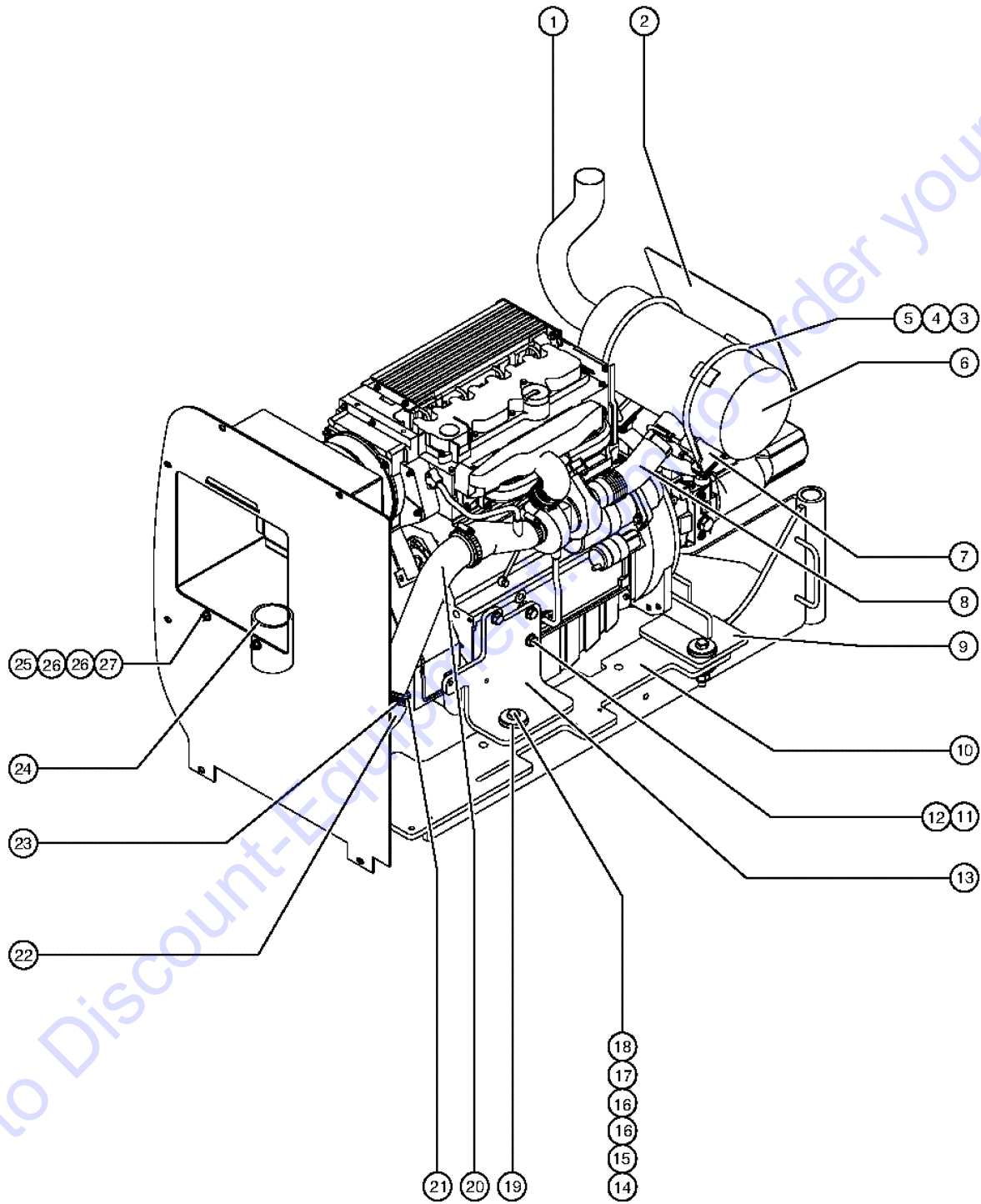
Item	Part No.	Description	Qty.
--	37003GT	COUPLER,HUB,15 TOOTH 7/16BOLT* <i>from SN 253 to 491</i>	
--	70451GT	COUPLER,HUB,14 TOOTH <i>to SN 252</i>	
34		Ref. Drive Pump (refer to 711.1)	
35	30489GT	CLAMP,HOSE,3.50.....	3
36	85053GT	SCREW,HHC,M10 X 1.5 X70,GR 8.8	
37	70448PGT	FORMING,MUFFLER MOUNT.....	1
38	71911GT	CLAMP,MUFFLER, 2.50 INCH.....	2

Go to Discount-Equipment.com to order your parts

This Page Intentionally Left Blank

Go to Discount-Equipment.com to order your parts

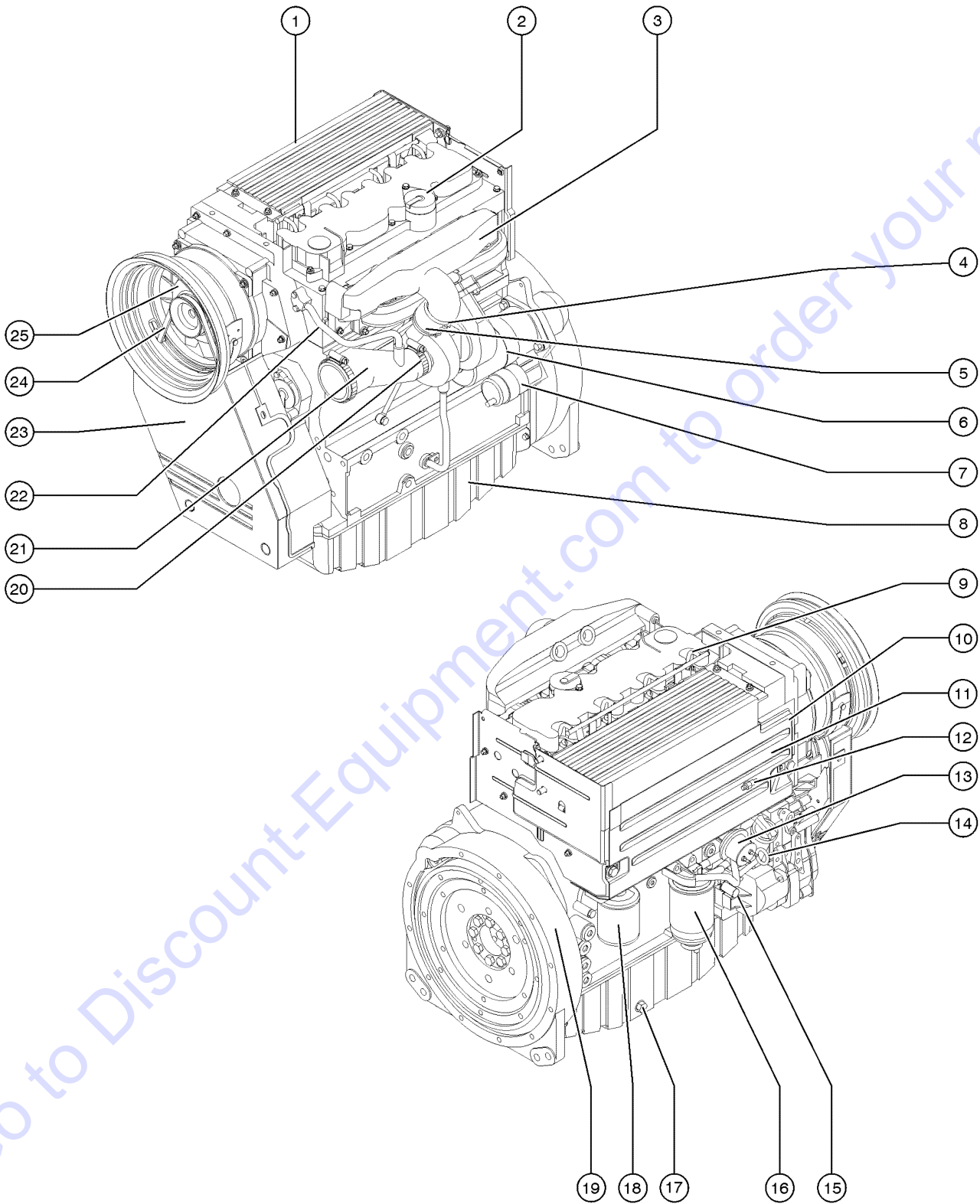
422.1 Deutz BF4L-2011 / TD2011-L04i Engine - View 2 (from SN 231)



422.1 Deutz BF4L-2011 / TD2011-L04i Engine - View 2 (from SN 231)

Item	Part No.	Description	Qty.
--	139983GT	EXHAUST PIPE GASKET	
1	70447GT	TAIL PIPE,DEUTZ.....	1
2	102237PGT	FORMING,HEAT SHIELD,MUFFLER....	1
3	70449GT	U-BOLT,1/2-13 X 8.5	
4	66777GT	NUT,TOP LOCK,1/2-13	
5	13066GT	WASHER,FLAT,.5 HARDENED	
6	70444GT	MUFFLER,2.5"INLET/OUTLET.....	1
--	101634GT	MUFFLER,CATALYTIC,2.5 I/O	
7	70483GT	FORMING,8.5' MUFFLER MOUNT.....	2
8	70445GT	FLEX PIPE,EXHAUST,2.5" DIA.....	1
8B	139983GT	EXHAUST PIPE GASKET	
8B	71911GT	CLAMP,MUFFLER, 2.50 INCH	
9	70440GT	WELDMENT,REAR ENGINE MOUNT....	1
10		Ref. Engine Tray (refer to 424.2)	
11	22558GT	SCREW,HHC,M14 X 40MM,GR 8.8	
12	49411GT	WASHER,FLAT,M14	
13	70438PGT	FORMING,ENGINE MOUNT PAINTED...1	
14	13003GT	SCREW,HHC,5/8-11 X 3.5 GRD.8.....	4
15	33418GT	WASHER,FLAT,.625 X 2.25 X .15	
16	18596GT	WASHER,FLAT,1.56 X 2.5 X .061	
17	13064GT	WASHER,FLAT,.625 HARDENED.....	4
18	6024GT	NUT,NYLOCK,5/8-11	
19	102045GT	ISOLATOR,ENGINE VIBRATION.....	4
20	102208GT	TUBE,AIR INTAKE,DEUTZ.....	1
21	88064GT	REDUCER,3" TO 2.75".....	1
22	60561GT	ELBOW,INLET,CUMMINS.....	1
23	30489GT	CLAMP,HOSE,3.50.....	3
24	106211-475GT	HOSE,RUBBER 3"ID X .25 BLACK.....	1
25	4828GT	NUT,NYLOCK,3/8-16	
26	5397GT	WASHER,FLAT,USS,5/16",Y	
27	6175GT	SCREW,HHC,3/8-16 X 1	

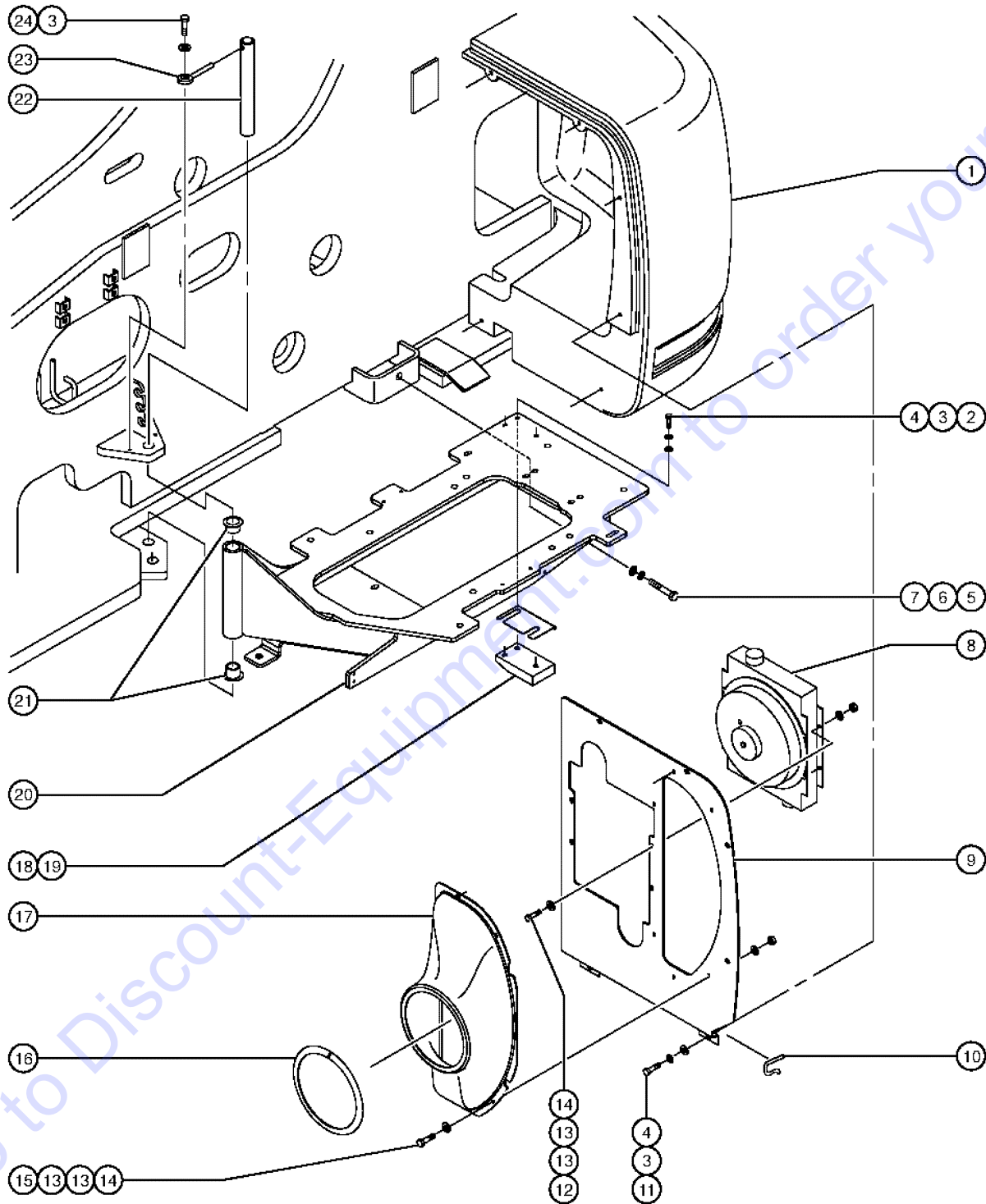
423.1 Deutz BF4L-2011 / TD2011-L04i Engine - View 3 (from SN 231)



423.1 Deutz BF4L-2011 / TD2011-L04i Engine - View 3 (from SN 231)

Item	Part No.	Description	Qty.	Item	Part No.	Description	Qty.
1	161189GT	ENGINE,DEUTZ, TD2011L04i TP		--	102585GT	O-RING,DIPSTICK,DEUTZ F4L2011 use with item 49922; to SN 583	
2	29557GT	CAP,OIL FILLER,DEUTZ,DIESEL ***.....1		--	52352GT	DIPSTICK-F3L1011F (DEUTZ) from SN 584	
3	102590GT	EXHAUST MANIFOLD, DEUTZ F4L201.....1		--	111402GT	O-RING, FUEL LIFT PUMP	
--	29559GT	GASKET,EXHAUST		--	111668GT	PUMP,FUEL 2011 DEUTZ *** from SN 231	
4	102593GT	CLAMP, 3 INCH.....2		16	29560GT	FILTER,FUEL/WTR SEP, DTZ 1008.....1 Genie Genuine Part. See PN 1254826 for compatible aftermarket replacement.	
5	226106GT	RUBBER SLEEVES, TD 2011L04i.....1		--	1254826GT	FUEL FILTER W/SEP,DEUTZ,1008.....1 Genie Aftermarket Part. Filter for Deutz F3L 1011F Engine.	
6	139709GT	STARTER, 12V.....1		--	236946GT	PLASTIC FILTER HEAD	
--	139621GT	KIT, HEAT GUARD, DEUTZ STARTER		--	58566GT	FILTER HEAD (29560)	
7	49915GT	SOLENOID-STARTR DEUTZF4L1011F*.....1		17	102587GT	PLUG,ENGINE OIL,DEUTZ F4L2011.....1	
8	102586GT	OIL PAN,DEUTZ F4L2011.....1		18	49924GT	FILTER,OIL,DEUTZ F4L1011F.....1 Genie Genuine Part. See PN 1255653 for compatible aftermarket replacement.	
9	102595GT	FUEL LINE-INJECTOR, DEUTZ BF4L....4		--	1255653GT	FILTER,OIL,DEUTZ,REPLACEMENT.....1 Genie Aftermarket Part. Compatible with Genie Genuine Part 49924.	
--	102592GT	FUEL LINE, DEUTZ F4L2011		19	102580GT	FLYWHEEL HOUSING DEUTZ F4L2011.....1	
--	88091GT	FUEL RETURN,DAPCO 1/4"		20	30971GT	CLAMP,HOSE,3.00"	
--	102581GT	PUMP,FUEL INJ,DEUTZ BF4L20 class A injection pump; provide SN of engine to service to get correct injection pump (A, B, C, D)		21	226103GT	INLET REDUCER,TD 2011L04i	
--	T108732GT	PUMP,FUEL INJ,DEUTZ BF4L20 class B injection pump; provide SN of engine to service to get correct injection pump (A, B, C, D)		22	226104GT	BREATHER PIPE, TD 2011L04i.....1	
--	T108733GT	PUMP,FUEL INJ,DEUTZ BF4L20 class C injection pump; provide SN of engine to service to get correct injection pump (A, B, C, D)		--	226105GT	GASKET,BREATHER PIPE (226104)	
--	T108734GT	PUMP,FUEL INJ,DEUTZ BF4L20 class D injection pump; provide SN of engine to service to get correct injection pump (A, B, C, D)		23	146061GT	V-BELT GUARD, DEUTZ 2011.....1	
--	89792GT	INJECTOR, FUEL(DEUTZ F3L2011F)		24	102589GT	V-BELT, DEUTZ F4L2011.....1 from SN 231 to 595	
--	102584GT	SEAL,INJECTOR,DEUTZ F4L2011		--	58630GT	V-BELT, DEUTZ TD2011LOAI from SN 596	
--	102596GT	CYLINDER HEAD CVR.DEUTZ BF4L20		25	58249GT	ALTERNATOR, DEUTZ,BF4L2011***1	
--	102597GT	GASKET,CYL.COVR. DEUTZ BF4L201		--	1280590GT	PULLEY,ALTERNATOR,DEUTZ BF4L2011 for 58249	
--	102582GT	GASKET, FUEL INJEC PUMP DUTZ		--	1280591GT	SPACER,ALT PULLEY,DEUTZ BF4L2011 for 58249	
10	102594GT	COVER, ENGINE,DEUTZ F4L2011.....1					
11	111445GT	SENDING UNIT,OIL TEMP SWCH,DTZ.....1					
12	T114678GT	SHUTDOWN SOLENOID,12V, DEUTZ....1 (must order cable assembly, 58256, if replacing 32752) (does not include o-ring)					
--	45782GT	DIODE,6 AMP,200 PIV,BULK					
--	58256GT	SOLENOID CABLE ASSY***					
--	72255GT	CONNECTOR, DEUTZ FUEL SHUTOFF* (does not include diode, 45782)					
13	58299GT	SENDING UNIT,OIL PRESS.,DEUTZ*....1					
14	49922GT	DIPSTICK - DEUTZ F4L1011F.....1 to SN 583					

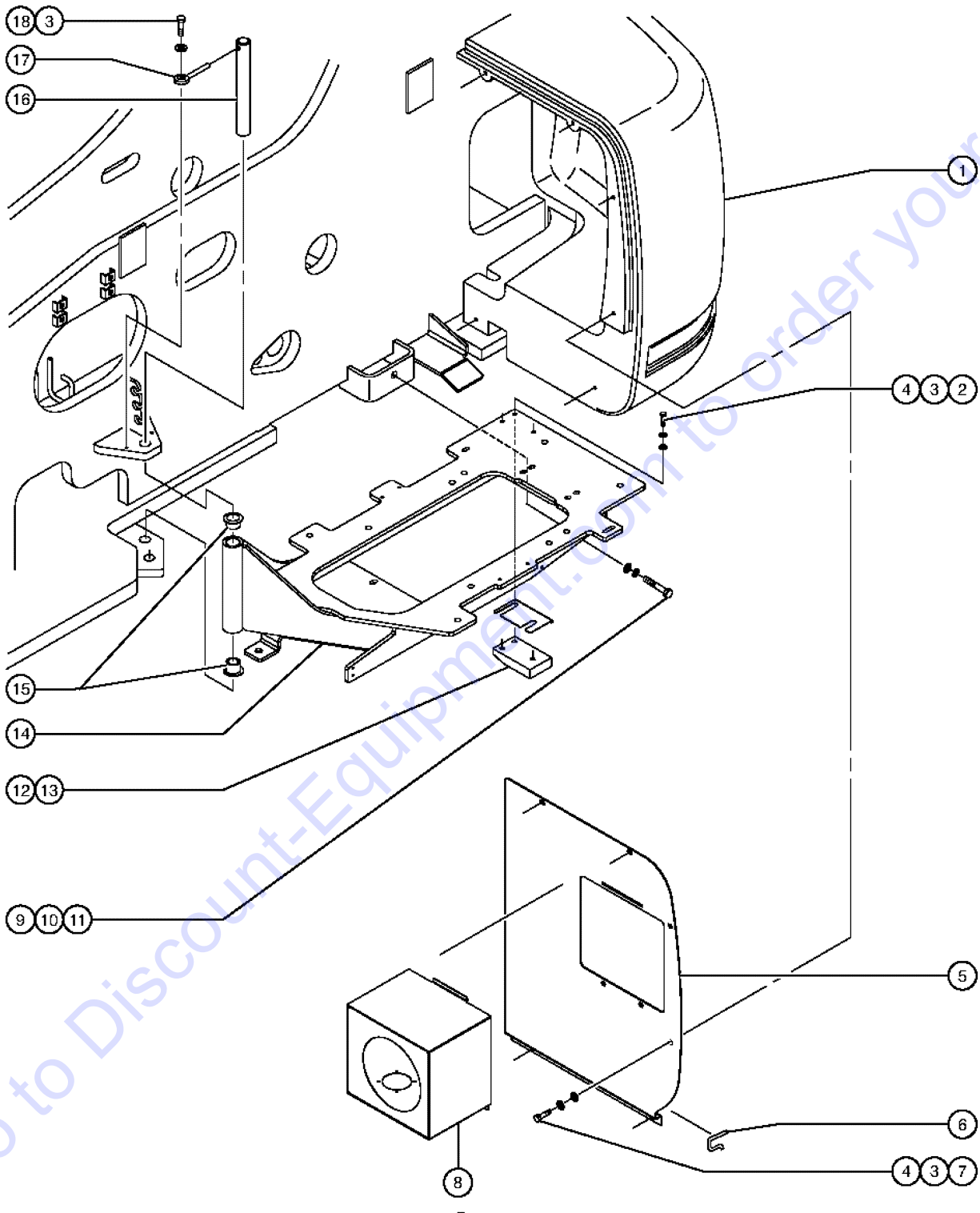
424.1 Deutz Engine Attached Components (to SN 230)



424.1 Deutz Engine Attached Components (to SN 230)

Item	Part No.	Description	Qty.
1		Ref. Counterweight, Front (refer to 408.1)	
2	6019GT	SCREW,HHC,3/8-16 X 1.25 GRD 5	
3	6021GT	WASHER,LOCK, .375	
4	5397GT	WASHER,FLAT,USS,5/16",Y	
5	51131GT	SCREW,HHC,5/8-11 X 2.5	
6	6036GT	WASHER,LOCK, .625 PLTD	
7	6035GT	WASHER,FLAT,USS,5/8",Y	
8	60507GT	OIL COOLER, W/FAN.....1 to SN 158	
--	71259GT	OIL COOLER W/FAN, 12VDC from SN 159	
--	75376GT	FAN,OIL COOLER 60507	
--	75854GT	FAN - VENTED	
--	75855GT	THERMOSTAT -OIL COOLER (71259)	
9	60992PGT	BULKHEAD,SWING CHASSIS DEUTZ...1 to SN 158	
--	75969PGT	BULKHEAD,SWING CHASSIS DEUTZ from SN 159	
10	60875GT	TRIM MOLDING	
11	6175GT	SCREW,HHC,3/8-16 X 1	
12	42571GT	SCREW,HHC,1/4-20 X 3.25	
13	6638GT	WASHER,FLAT,USS,1/4"Y	
14	6091GT	NUT,NYLOCK,1/4-20	
15	6888GT	SCREW,HHC,1/4-20 X 1	
16	81476GT	TRIMLOCK, 1/16	
17	111326GT	FAN SHROUD DEUTZ,T1 W/WRD DECA.....1 USA/Canada/Australia	
--	60855GT	SHROUD,AIR COOLER INLET-DEUTZ Europe/Asia/South America	
18	60637GT	WEAR PAD,ENGINE SUPPORT.....1	
19	60826GT	SHIM,WEAR PAD ENGINE TRAY	
20	75124-SGT	ENGINE TRAY PIVOT ASSEMBLY.....1 includes item 21; to SN 138	
--	75460GT	ENGINE TRAY PIVOT ASSEMBLY includes item 21; from SN 139 to 177	
--	89511-SGT	ENGINE TRAY ASSEMBLY includes item 21; from SN 178	
21	35675GT	BEARING,FL,1.25IDX1.5ODX1.25L.....2	
22	60625GT	PIN,1.25DIAX15.63LG,CHAMFER.....1	
23	825019GT	ROD END, .375X3.69,ZAG.....1	
24	8516GT	SCREW, HCC, 3/8-16 X 1.50	

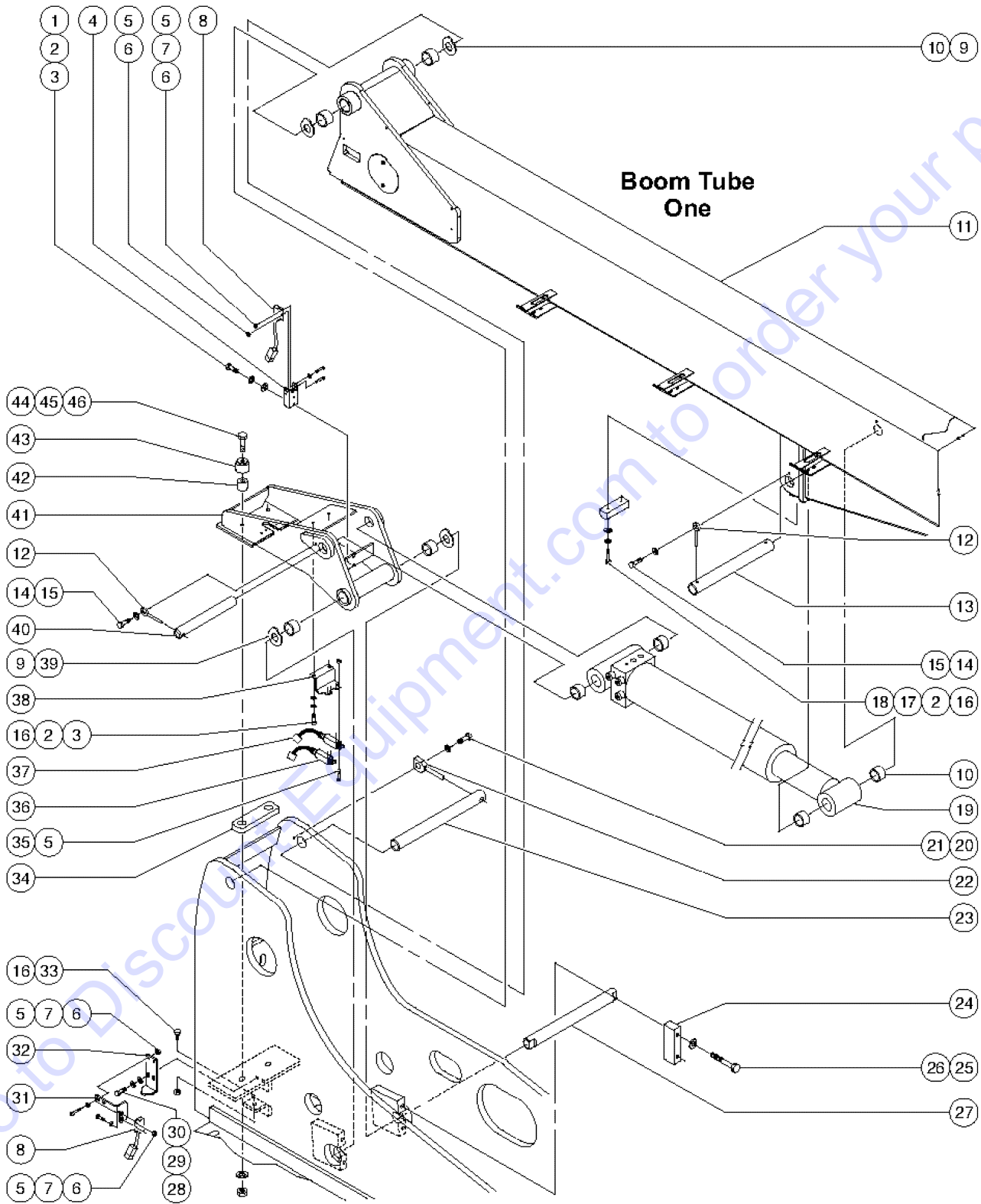
424.2 Deutz Engine Attached Components (from SN 231)



424.2 Deutz Engine Attached Components (from SN 231)

Item	Part No.	Description	Qty.
--		Ref. Hydraulic Oil Cooler With Fan (refer to 307.1)	
1		Ref. Counterweight, Front (refer to 408.1)	
2	6019GT	SCREW,HHC,3/8-16 X 1.25 GRD 5	
3	6021GT	WASHER,LOCK,.375	
4	5397GT	WASHER,FLAT,USS,5/16",Y	
5	102210PGT	BAFFLE,AIR INTAKE,DEUTZ PAINTD....1	
6	81476GT	TRIMLOCK, 1/16	
7	6175GT	SCREW,HHC,3/8-16 X 1	
8	111401GT	AIR BOX ASSEMBLY, DEUTZ, SERV.....1 <i>USA/Canada/Australia</i>	
--	102218PGT	WELDMENT,AIR BOX,DEUTZ PAINTED <i>Europe/Asia/South America</i>	
9	51131GT	SCREW,HHC,5/8-11 X 2.5	
10	6036GT	WASHER,LOCK,.625 PLTD	
11	6035GT	WASHER,FLAT,USS,5/8",Y	
12	60637GT	WEAR PAD,ENGINE SUPPORT.....1	
13	60826GT	SHIM,WEAR PAD ENGINE TRAY	
14	89511-SGT	ENGINE TRAY ASSEMBLY.....1 <i>includes item 15; from SN 231 to 595</i>	
--	146054GT	ENGINE TRAY ASSEMBLY <i>from SN 596</i>	
15	35675GT	BEARING,FL,1.25IDX1.5ODX1.25L.....2	
16	60625GT	PIN,1.25DIAX15.63LG,CHAMFER.....1	
17	825019GT	ROD END,.375X3.69,ZAG.....1	
18	8516GT	SCREW, HCC, 3/8-16 X 1.50	

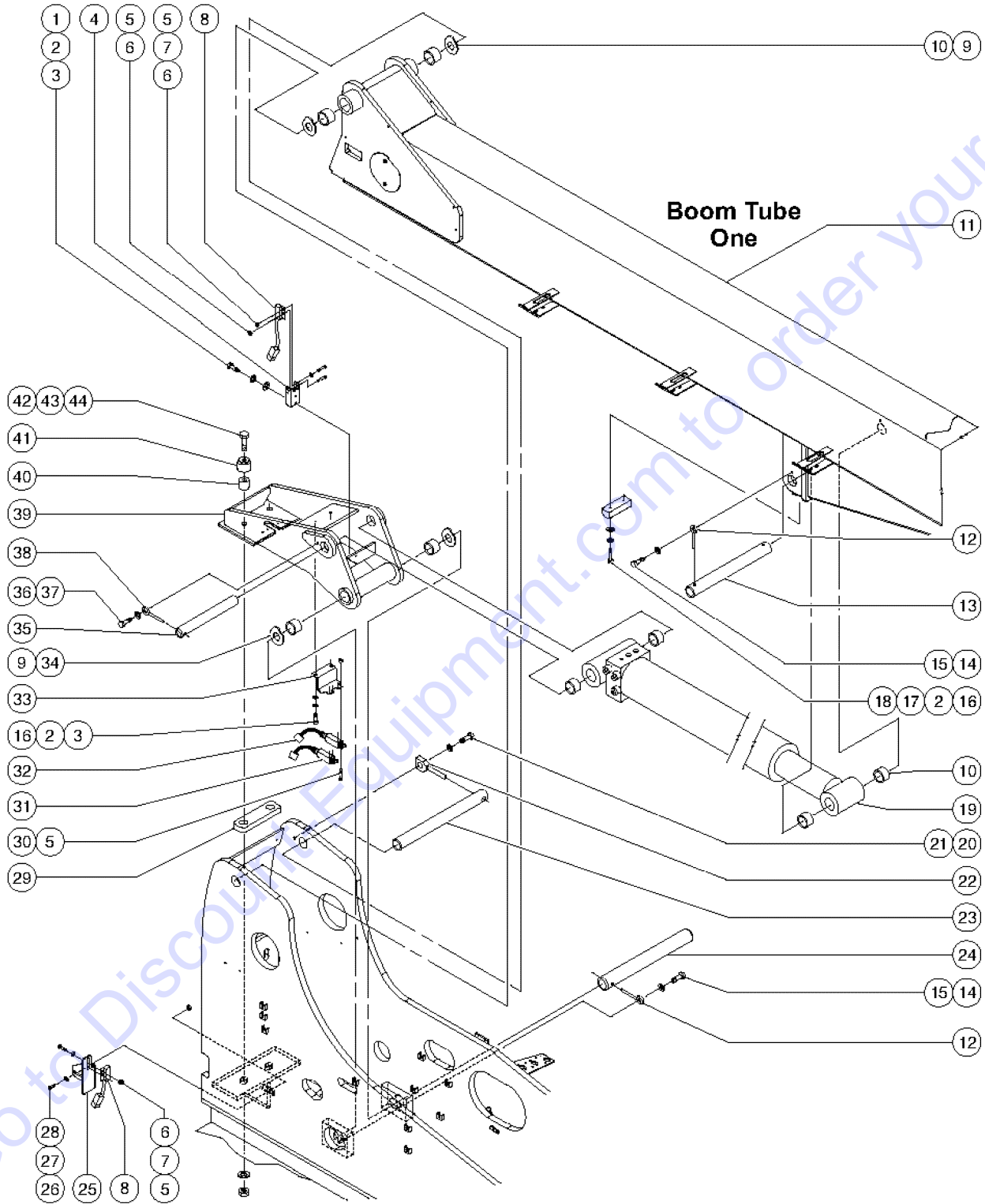
501.1 Boom Lift Cylinder (to SN 133)



501.1 Boom Lift Cylinder (to SN 133)

Item	Part No.	Description	Qty.	Item	Part No.	Description	Qty.
1	6019GT	SCREW,HHC,3/8-16 X 1.25 GRD 5		28	6090GT	SCREW,HHC,1/4-20 X .75	
2	6021GT	WASHER,LOCK,.375		29	6356GT	WASHER,LOCK,.25	
3	5397GT	WASHER,FLAT,USS,5/16",Y		30	6638GT	WASHER,FLAT,USS,1/4"Y	
4	61185GT	FORMING,LIMIT SWITCH MOUNT.....1		31	61735GT	FORMING,REVERSE LOAD SWITCH....1	
5	6178GT	NUT,NYLOCK,10-32		32	61197-SGT	BRACKET,LIMIT SWITCH.....1	
6	49816GT	SCREW,PHILLIPS,PHM,10-32 X .75		33	4828GT	NUT,NYLOCK,3/8-16	
7	6146GT	WASHER,FLAT,MS,#10,Y		34	60871GT	PAD,10 X 2 X 1 LIFT CYL.MNT.....1	
8	60987GT	SWITCH,LIMIT,PROX(OPERATIONAL)...3		35	51063GT	SCREW,PHILLIPS,RHM,10-32 X 1.5	
9	60302GT	SHIM,BOOM PIVOT		36	75033GT	LIMIT SWITCH,OPERATIONAL.....1	
--	75096GT	SHIM,BOOM PIVOT,THIN		--	53983GT	STRAIN RELIEF, PG13,5	
10	34131GT	BEARING,2.50IDX3.00ODX2.00L.....6		--	75911GT	LIMIT SWITCH,OPERATION,NO WIRE	
11	75436-SGT	BOOM TUBE ASSY. #1 S100/S105 <i>USA/Canada/Australia</i>		--	75912GT	WIRE ASSEMBLY,16/4SJO,9.5"RECP	
--	102997GT	BOOM TUBE ASSY. #1 S100/S105** <i>Europe/Asia/South America</i>		37	75032GT	LIMIT SWITCH,SAFETY.....1	
12	1256267GT	ROD END,.5 X 3.75,ZAG.....2		--	53983GT	STRAIN RELIEF, PG13,5	
13	60297GT	PIN,2.50DIAX11.00LG,1HOLE.....1		--	75910GT	WIRE ASSEMBLY,16/4SJO,9.5"PLUG	
14	8177GT	SCREW,HHC,1/2-13 X 1.5		--	75913GT	LIMIT SWITCH, SAFETY,NO WIRE	
15	6033GT	WASHER,LOCK,0.5"		38	60825-SGT	FORMING,SWITCH MOUNTING.....1	
16	6175GT	SCREW,HHC,3/8-16 X 1		39	27698GT	BEARING,2.50IDX2.75ODX2.00L.....2	
17	6097GT	WASHER,FLAT,USS,3/8",Y		40	60300GT	PIN,LIFT CYL.BASE 2.50 X 17.75.....1	
18	75011GT	BOOM #0 REST PAD.....1		41	75132-SGT	LIFT CYL.SUPPT.ASSY(LOAD MOMEN.....1 <i>USA/Canada/Australia</i>	
19	122522GT	KIT,SERVICE LIFT CYL REPL.....1 <i>Required for first time replacment of cylinder 50078, includes cylinder part 146324</i>		--	111327GT	LIFT CYL.SUPPT.ASSY <i>Europe/Asia/South America</i>	
--	146324GT	CYLINDER, PRIMARY LIFT		42	60693GT	SPRING,URETHANE,1 ID X 2.00 LG.....2	
--	34131GT	BEARING,2.50IDX3.00ODX2.00L <i>use on both ends of cylinder (item 10)</i>		43	61591-SGT	WELDMNT,URETHANE SPRING CUP.....2	
--	60984GT	VALVE COUNTERBAL.CBBB-LJN@5000.....2 <i>use on retract side V2</i>		44	35974GT	SCREW,HHC,1-8 X 7 GRD.2	
--	61602GT	VALVE,COUNTERBAL.CBBB-LHN@3500 <i>use on extend side V3</i>		45	61203-SGT	PLATE,URETHANE SPRING.....2	
--	62449GT	SEAL KIT,SUN "CWCA" CB VALVES*		46	29764GT	NUT,NYLOCK,1-8	
--	65792GT	SEAL KIT CYL.S100/120 (50078)					
--	75064GT	VALVE, COUNTERBALANCE, CWCG-LGN.5000.....1 <i>use on extend side V1</i>					
20	51428GT	SCREW,HHC,3/4-10 X 2.75					
21	34550GT	WASHER,LOCK,.75 PLTD					
22	61341GT	ROD END,.75 X 5.00.....1					
23	61340GT	PIN,PRI.BOOM PIVOT. 2.50X25.50.....1					
24	60690-SGT	RETAINER,MACHINED.....2					
25	34347GT	SCREW,HHC,3/4-10 X 4.5					
26	33278GT	WASHER,FLAT,.75 HARDENED.....4					
27	60296GT	PIN,2.50DIAX19.96LG,2FLAT.....1					

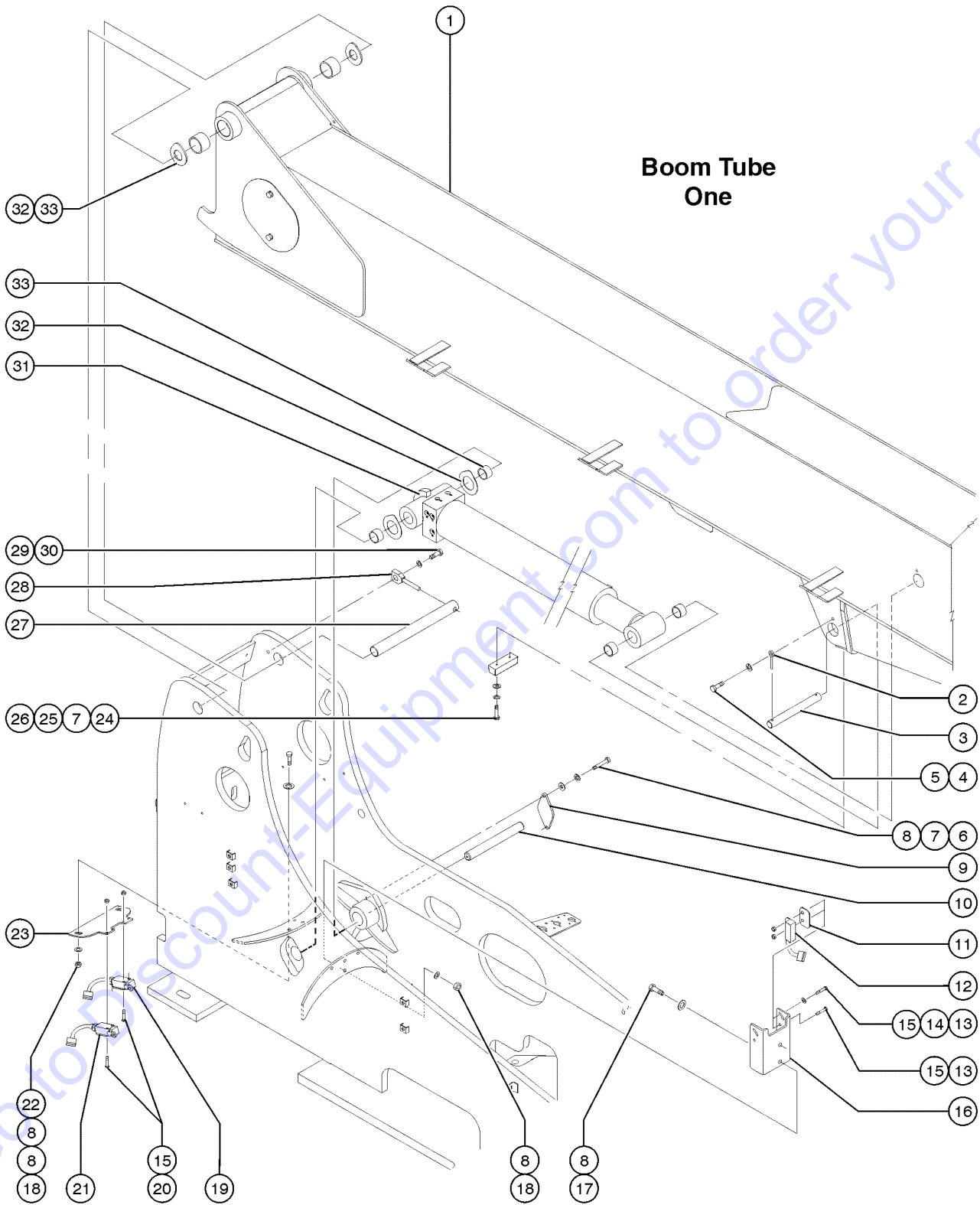
501.2 Boom Lift Cylinder (from SN 134 to 805)



501.2 Boom Lift Cylinder (from SN 134 to 805)

Item	Part No.	Description	Qty.	Item	Part No.	Description	Qty.
1	6019GT	SCREW,HHC,3/8-16 X 1.25 GRD 5		20	51428GT	SCREW,HHC,3/4-10 X 2.75	
2	6021GT	WASHER,LOCK,.375		21	34550GT	WASHER,LOCK,.75 PLTD	
3	5397GT	WASHER,FLAT,USS,5/16",Y		22	61341GT	ROD END,.75 X 5.00.....1	
4	61185GT	FORMING,LIMIT SWITCH MOUNT.....1		23	61340GT	PIN,PRI.BOOM PIVOT. 2.50X25.50.....1	
5	6178GT	NUT,NYLOCK,10-32		24	75563GT	PIN,LOAD MOMENT.....1 to SN 136	
6	49816GT	SCREW,PHILLIPS,PHM,10-32 X .75		--	75698GT	PIN,2.50DIAX22.00LG,THREADED	
7	6146GT	WASHER,FLAT,MS,#10,Y		25	61735GT	FORMING,REVERSE LOAD SWITCH....1	
8	60987GT	SWITCH,LIMIT,PROX(OPERATIONAL)...3		26	6090GT	SCREW,HHC,1/4-20 X .75	
9	60302GT	SHIM,BOOM PIVOT		27	6638GT	WASHER,FLAT,USS,1/4"Y.....2	
--	75096GT	SHIM,BOOM PIVOT,THIN		28	6091GT	NUT,NYLOCK,1/4-20	
10	34131GT	BEARING,2.50IDX3.00ODX2.00L.....6		29	60871GT	PAD,10 X 2 X 1 LIFT CYL.MNT.....1	
11	75436-SGT	BOOM TUBE ASSY. #1 S100/S105.....1 <i>includes item 10; to SN 159</i>		30	51063GT	SCREW,PHILLIPS,RHM,10-32 X 1.5	
--	102996GT	BOOM TUBE ASSY. #1 S100/S105 <i>includes item 10; USA/Canada/Australia; from SN 160 to SN 376</i>		31	75033GT	LIMIT SWITCH,OPERATIONAL.....1	
--	102997GT	BOOM TUBE ASSY. #1 S100/S105** <i>includes item 10; Europe/Asia/South America; from SN 160 to SN 376</i>		32	75032GT	LIMIT SWITCH,SAFETY.....1	
--	111411GT	BOOM TUBE ASSY #1 S100 W/WORD <i>includes item 10; USA/Canada/Australia; from SN 377</i>		33	60825-SGT	FORMING,SWITCH MOUNTING.....1	
--	111412GT	BOOM TUBE ASSY #1 S100 W/SYM <i>includes item 10; Europe/Asia/South America; from SN 377</i>		34	27698GT	BEARING,2.50IDX2.75ODX2.00L.....2	
12	1256267GT	ROD END,.5 X 3.75,ZAG.....3		35	60300GT	PIN,LIFT CYL.BASE 2.50 X 17.75.....1 to SN 138	
13	60297GT	PIN,2.50DIAX11.00LG,1HOLE.....1		--	75717GT	PIN,2.50DIAX17.75LG,THREADED from SN 139	
14	8177GT	SCREW,HHC,1/2-13 X 1.5		36	8177GT	SCREW,HHC,1/2-13 X 1.5 to SN 138	
15	6033GT	WASHER,LOCK,0.5"		--	33557GT	SCREW,HHC,3/4-10 X 2.00,GR5 from SN 139	
16	6175GT	SCREW,HHC,3/8-16 X 1		37	6033GT	WASHER,LOCK,0.5" to SN 138	
17	6097GT	WASHER,FLAT,USS,3/8",Y		--	34550GT	WASHER,LOCK,.75 PLTD from SN 139	
18	75011GT	BOOM #0 REST PAD.....1		38	1256267GT	ROD END,.5 X 3.75,ZAG.....1 to SN 138	
19	122522GT	KIT,SERVICE LIFT CYL REPL.....1 <i>Required for first time replacment of cylinder 50078, includes cylinder part 146324; to SN 739</i>		--	61341GT	ROD END,.75 X 5.00 from SN 139	
--	146324GT	CYLINDER, PRIMARY LIFT from SN 740		39	75132-SGT	LIFT CYL.SUPPT.ASSY(LOAD MOMEN.....1 USA/Canada/Australia; to SN 138	
--	34131GT	BEARING,2.50IDX3.00ODX2.00L <i>use on both ends of cylinder (item 10)</i>		--	102999GT	LIFT CYL.SUPPT.ASSY(LOAD MOMEN Europe/Asia/South America; from SN 139	
--	60984GT	VALVE COUNTERBAL.CBBB-LJN@5000.....2 <i>use on retract side V2</i>		--	111327GT	LIFT CYL.SUPPT.ASSY USA/Canada/Australia; to SN 138	
--	61602GT	VALVE,COUNTERBAL.CBBB-LHN@3500 <i>use on extend side V3</i>		--	75461GT	LIFT CYL.SUPPT.ASSY(LOAD MOMEN USA/Canada/Australia; from SN 139	
--	62449GT	SEAL KIT,SUN "CWCA" CB VALVES*		40	60693GT	SPRING,URETHANE,1 ID X 2.00 LG.....2	
--	65792GT	SEAL KIT CYL.S100/120 (50078)		41	61591-SGT	WELDMENT,URETHANE SPRING CUP.....2	
--	75064GT	VALVE, COUNTERBALANCE, CWCG-LGN.5000.....1 <i>use on extend side V1</i>		42	35974GT	SCREW,HHC,1-8 X 7 GRD.2	
				43	61203-SGT	PLATE,URETHANE SPRING.....2	
				44	29764GT	NUT,NYLOCK,1-8	

501.3 Boom Lift Cylinder (from SN 806)

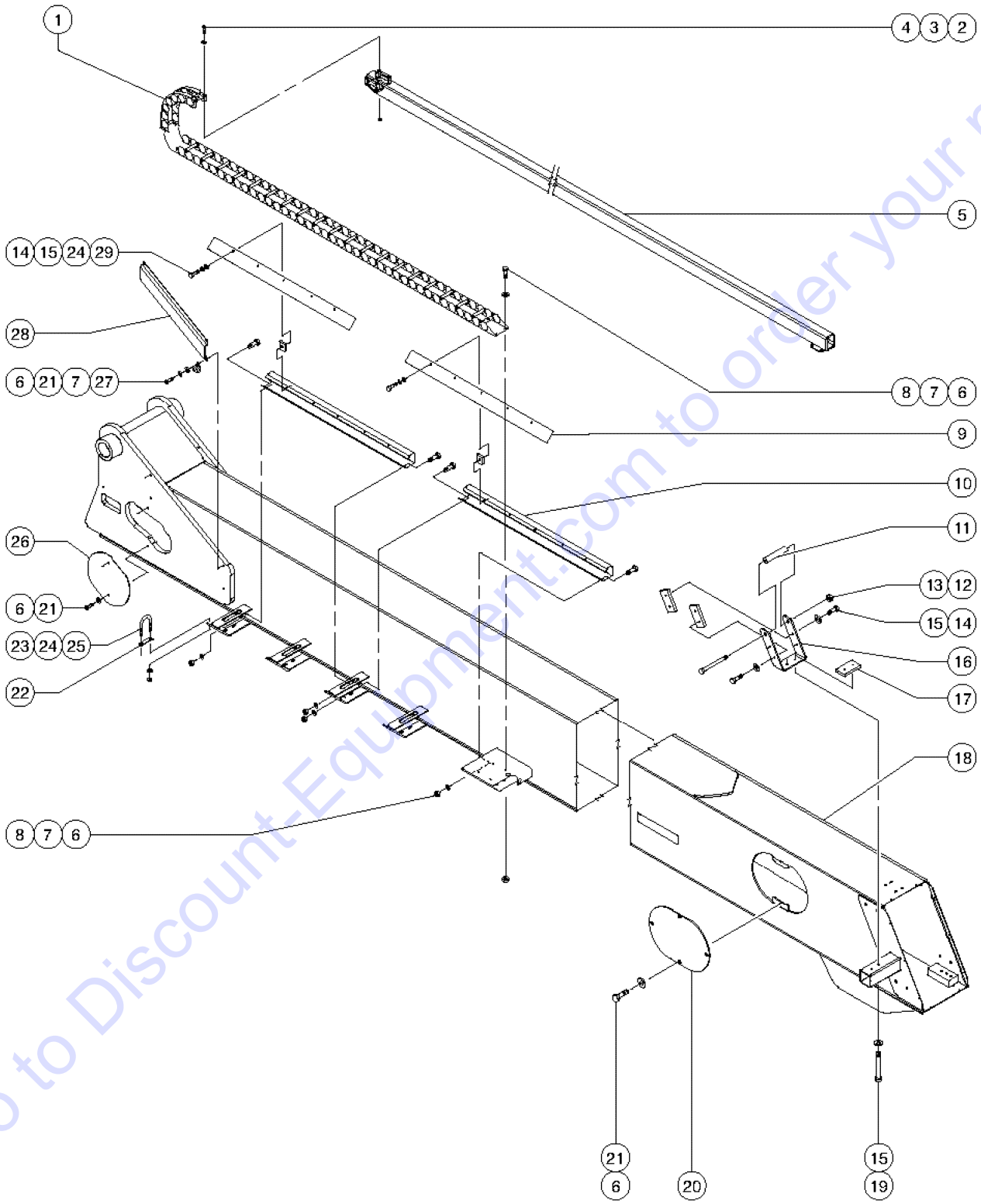


Boom Tube
One

501.3 Boom Lift Cylinder (from SN 806)

Item	Part No.	Description	Qty.	Item	Part No.	Description	Qty.
1	111411GT	BOOM TUBE ASSY #1 S100 W/WORD <i>includes item 33; USA/Canada/Australia</i>		--	60984GT	VALVE COUNTERBAL.CBBB-LJN@5000.....2 <i>use on retract side, V2</i>	
--	111412GT	BOOM TUBE ASSY #1 S100 W/SYM <i>includes item 33; Europe/Asia/South America</i>		--	61602GT	VALVE,COUNTERBAL.CBBB-LHN@3500 <i>use on extend side, V3</i>	
--	226130GT	BOOM TUBE ASSY #1 S105 W/WORD <i>includes item 33; USA/Canada/Australia</i>		--	62449GT	SEAL KIT,SUN "CWCA" CB VALVES*	
--	226131GT	BOOM TUBE ASSY #1 S105 W/SYM <i>includes item 33; Europe/Asia/South America</i>		--	65792GT	SEAL KIT CYL.S100/120 (50078)	
2	1256267GT	ROD END,.5 X 3.75,ZAG.....3	3	--	75064GT	VALVE, COUNTERBALANCE, CWCG-LGN.5000.....1 <i>use on extend side, V1</i>	1
3	60297GT	PIN,2.50DIA X11.00LG,1HOLE.....1	1	32	60302GT	SHIM,BOOM PIVOT.....as-needed	
4	8177GT	SCREW,HHC,1/2-13 X 1.5		33	34131GT	BEARING,2.50IDX3.00ODX2.00L.....6	6
5	6033GT	WASHER,LOCK,0.5"					
6	5224GT	SCREW,HHC,3/8-16 X 2					
7	6021GT	WASHER,LOCK,.375					
8	5397GT	WASHER,FLAT,USS,5/16",Y					
9	146089GT	PLATE, PIN RETAINER					
10	146091GT	PIN,2.50DIA X19.875LG,THREADED					
11	61233GT	SHIM,PROX SWITCH.....1	1				
12	60987GT	SWITCH,LIMIT,PROX(OPERATIONAL)....1	1				
13	49816GT	SCREW,PHILLIPS,PHM,10-32 X .75					
14	6146GT	WASHER,FLAT,MS,#10,Y					
15	6178GT	NUT,NYLOCK,10-32					
16	61185GT	FORMING,LIMIT SWITCH MOUNT.....1	1				
17	8516GT	SCREW, HCC, 3/8-16 X 1.50					
18	4828GT	NUT,NYLOCK,3/8-16					
19	75032GT	LIMIT SWITCH,SAFETY.....1	1				
20	51063GT	SCREW,PHILLIPS,RHM,10-32 X 1.5					
21	75033GT	LIMIT SWITCH,OPERATIONAL.....1	1				
22	6019GT	SCREW,HHC,3/8-16 X 1.25 GRD 5					
23	146093GT	PLATE, LIMIT SWITCH MOUNT					
24	6175GT	SCREW,HHC,3/8-16 X 1					
25	6097GT	WASHER,FLAT,USS,3/8",Y					
26	75011GT	BOOM #0 REST PAD					
27	61340GT	PIN,PRI.BOOM PIVOT. 2.50X25.50.....1	1				
28	61341GT	ROD END,.75 X 5.00.....1	1				
29	34348GT	SCREW,HHC,3/4-10 X 3 GRD.8					
30	34550GT	WASHER,LOCK,.75 PLTD					
31	122522GT	KIT,SERVICE LIFT CYL REPL.....1 <i>Required for first time replacment of cylinder 50078, includes cylinder part 146324; to SN 739</i>	1				
--	146324GT	CYLINDER, PRIMARY LIFT <i>from SN 740</i>					
--	34131GT	BEARING,2.50IDX3.00ODX2.00L <i>use on both ends of cylinder (item 33)</i>					

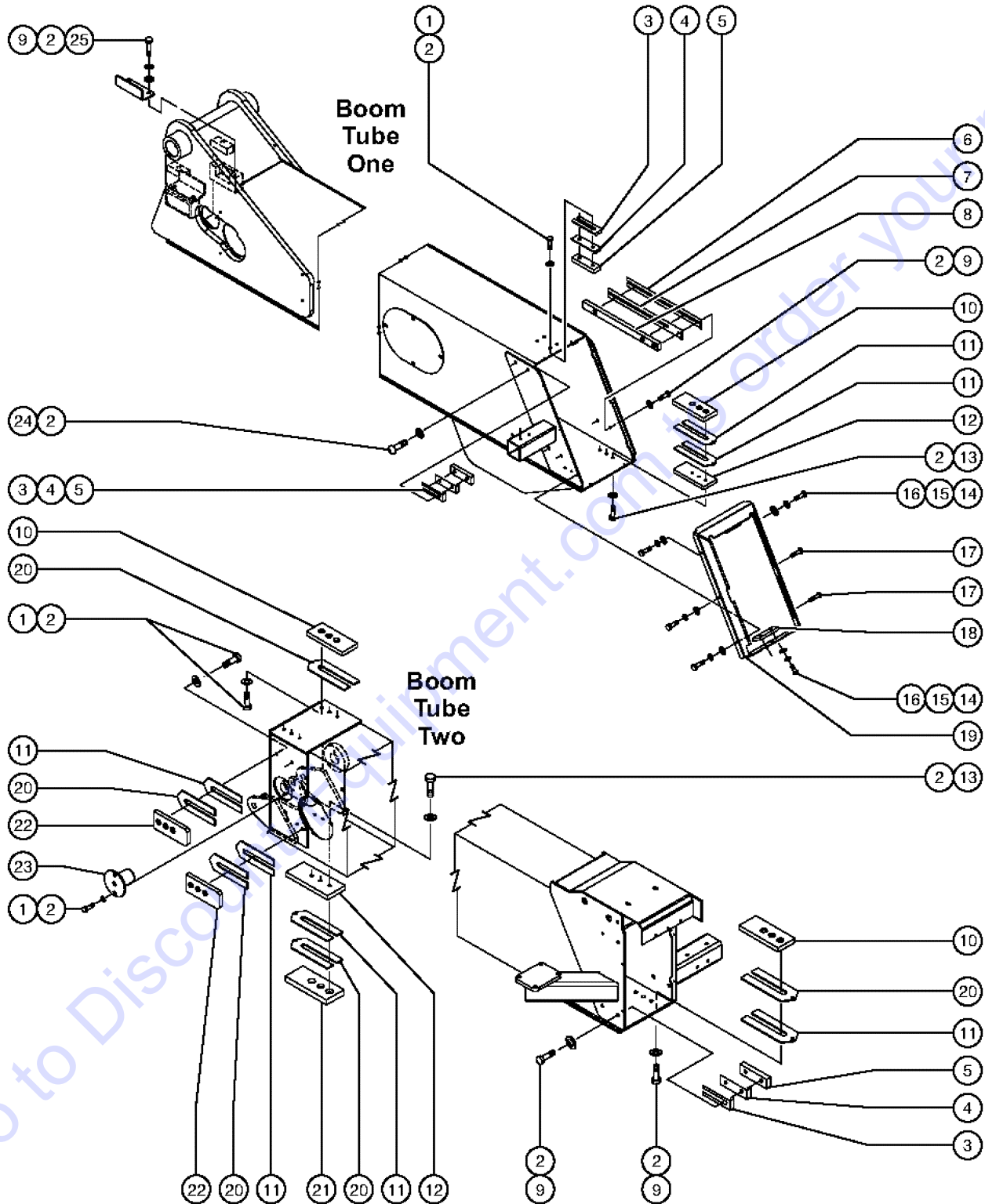
502.1 Boom Tube One, Cable Track



502.1 Boom Tube One, Cable Track

Item	Part No.	Description	Qty.	Item	Part No.	Description	Qty.
1	102053GT	CABLE TRACK,STEEL 50 LINKS.....1 to SN 209	1	--	146476GT	HOSE AND CABLE CLAMP, STD from SN 806	
--	61209GT	CLAMP,WIRE/HOSE,CABLE TRACK to SN 209		--	146477GT	HOSE AND CABLE CLAMP, STD, TOP from SN 806	
--	61210GT	CLAMP, WELD,CABLE TRACK to SN 209		2	14033GT	SCREW,HHC,3/8-16 X 2.75	
--	62320GT	REPAIR LINK/SINGLE(60174/75) use with cable track 61249; to SN 209		3	6097GT	WASHER,FLAT,USS,3/8",Y	
--	75125GT	CABLE TRACK,FLATBAR,60174/75 use with cable track 61249; to SN 209		4	4828GT	NUT,NYLOCK,3/8-16	
--	75402GT	REPAIR LINK END SET (60174&75) use with cable track 61249; to SN 209		5	60245GT	WLDMNT,CABLE TRACK GUIDE LONG*.....1	1
1A	102053GT	CABLE TRACK,STEEL 50 LINKS.....1 from SN 210 to SN 376	1	6	8255GT	SCREW,HHC,3/8-16 X .75	
--	102211GT	CROSSBAR ALUM W/SELF TAP SCREW from SN 210 to SN 376		7	5397GT	WASHER,FLAT,USS,5/16",Y	
--	102212GT	SELF-TAP SCREW, CABLE TRACK from SN 210 to SN 376		8	7713GT	NUT, LP NYLOCK, 3/8-16	
--	102213GT	REPAIR LINK W/HARDWARE from SN 210 to SN 376		9	60829GT	COVER,HOSE TRAY,84".....2	2
--	102214GT	REPAIR LINK W/ ROLLER from SN 210 to SN 376		10	60342GT	TRAY,HOSE,84".....2	2
--	102215GT	BRACKET,CABLE TRACK,FIXED END* from SN 210 to SN 376		11	34243-500GT	TUBE,UHMW, 1 X .25 X 5.00.....1	1
--	102216GT	BRACKET,CABLE TRACK,MOVING END from SN 210 to SN 376		12	6198GT	NUT,NYLOCK,1/2-13	
--	61209GT	CLAMP,WIRE/HOSE,CABLE TRACK from SN 210 to SN 376		13	12460GT	SCREW,HHC,1/2-13 X 6.5	
--	61210GT	CLAMP, WELD,CABLE TRACK from SN 210 to SN 376		14	6090GT	SCREW,HHC,1/4-20 X .75	
1B	102053GT	CABLE TRACK,STEEL 50 LINKS.....1 from SN 377	1	15	6356GT	WASHER,LOCK,.25	
--	102211GT	CROSSBAR ALUM W/SELF TAP SCREW from SN 377		16	60247PGT	FORM,CABLE TRACK TUBE GUIDE,PT.....1	1
--	102212GT	SELF-TAP SCREW, CABLE TRACK from SN 377		17	45209GT	WEAR PAD,4X2X.5 W/INSERT***.....3	3
--	102214GT	REPAIR LINK W/ ROLLER from SN 377		18		Ref. Boom Tube One with Decals (refer to 501.1 - 501.3)	
--	102215GT	BRACKET,CABLE TRACK,FIXED END* from SN 377		19	50160GT	SCREW,HHC,1/4-20 X 3.75	
--	102216GT	BRACKET,CABLE TRACK,MOVING END from SN 377		20	60177-SGT	COVER,BOOM SIDE, PAINTED.....2	2
--	111995GT	HOSE AND CABLE CLAMP,STD from SN 377 to 805		21	6021GT	WASHER,LOCK,.375	
--	111996GT	HOSE AND CABLE CLAMP,STD,TOP from SN 377 to 805		22	75066GT	HOSE,WEAR PAD.....1	1
--	111997GT	OPT,HOSE AND CABLE CLAMP from SN 377		23	75065GT	HOSE CLAMP,WEAR PAD.....1	1
--	122034GT	KIT,SERVICE,CLAMP MOUNTS from SN 377		24	6638GT	WASHER,FLAT,USS,1/4"Y	
--	122114GT	KIT,2 LINK REPAIR W/HARDWARE from SN 377		25	6782GT	NUT,NYLOCK,5/16-18	
				26	60256-SGT	COVER,BOOM SIDE.....2	2
				27	60838GT	CLAMP,1.00,#16 X 7/16,RUB CUSH.....2	2
				28	60822PGT	COVER,HOSE,PAINTED.....1	1
				29	56912GT	SPRING CLIP,1/4-20,.025-.15X.54,ZAG.....10	10

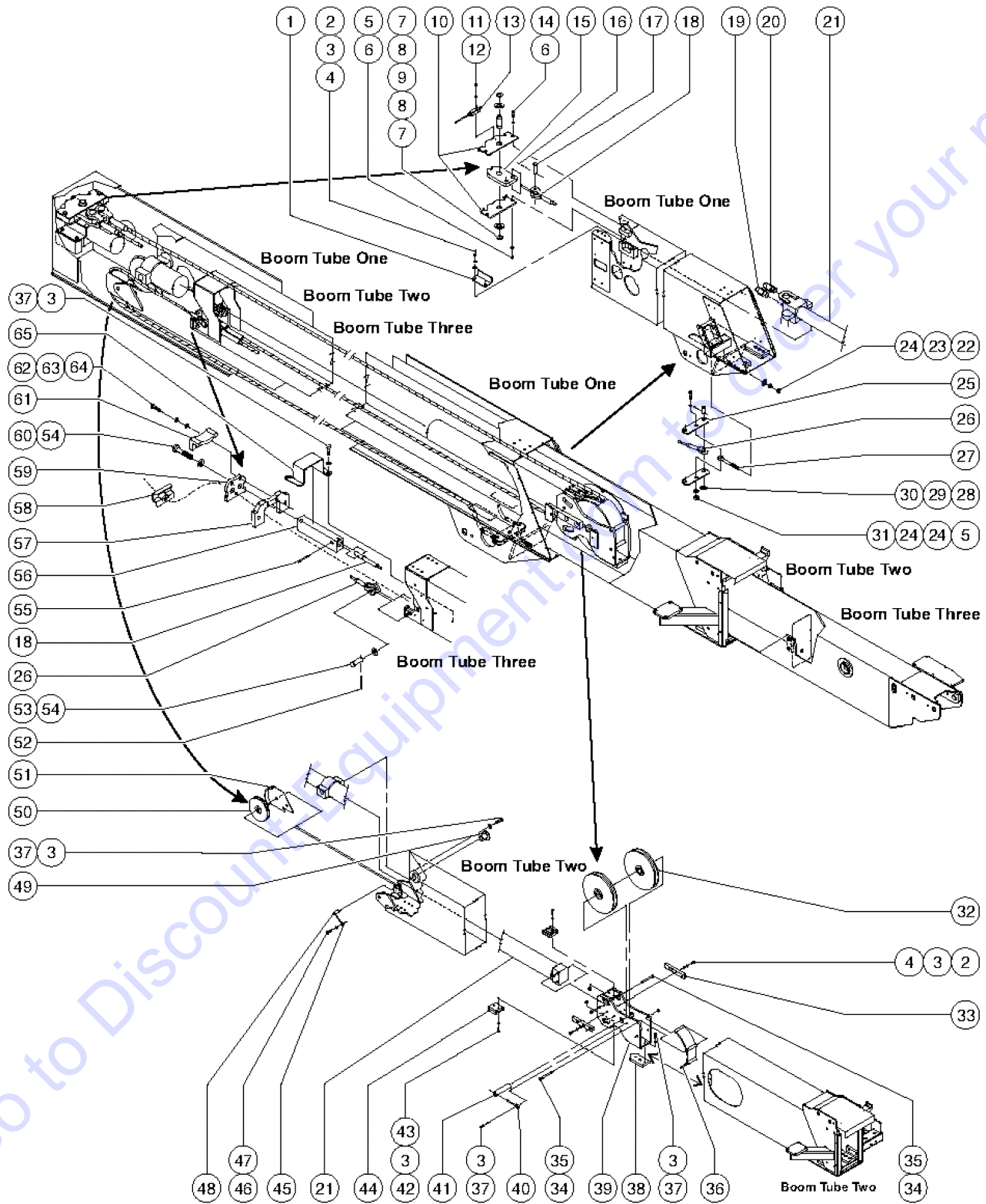
503.1 Boom Tube One and Boom Tube Two



503.1 Boom Tube One and Boom Tube Two

Item	Part No.	Description	Qty.
1	6175GT	SCREW,HHC,3/8-16 X 1	
2	6021GT	WASHER,LOCK, .375	
3	29080GT	SHIM,WEAR PAD,5X 1.5 16GA	
4	38620GT	SHIM,WEAR PAD,5 X 1.5,14GA	
5	34125GT	WEAR PAD,5 X 1.5 X .75 W/NUTS.....8 to SN 129	
--	73461GT	WEAR PAD,5 X 1.5 X .875 W/NUTS from SN 130	
6	29080GT	SHIM,WEAR PAD,5X 1.5 16GA to SN 184	
--	89847GT	SHIM,SIDE WEAR PAD,20X2,16GA** from SN 185	
7	38620GT	SHIM,WEAR PAD,5 X 1.5,14GA to SN 184	
--	89846GT	SHIM,SIDE WEAR PAD,20X2,14GA** from SN 185	
8	34125GT	WEAR PAD,5 X 1.5 X .75 W/NUTS.....2 to SN 129	
--	73461GT	WEAR PAD,5 X 1.5 X .875 W/NUTS from SN 130 to SN 184	
--	89845GT	WEAR PAD,20X 1.5X.875 W/INST** from SN 185	
9	6019GT	SCREW,HHC,3/8-16 X 1.25 GRD 5	
10	50245GT	WEAR PAD,7 X 3 X.75 W/NUTS.....6	
11	60304GT	SHIM,WEAR PAD,7 X 3,12GA	
12	60222GT	SPACER,WEAR PAD.....4	
13	14033GT	SCREW,HHC,3/8-16 X 2.75	
14	8914GT	SCREW,HHC,1/4-20 X .625	
15	6356GT	WASHER,LOCK, .25	
16	6638GT	WASHER,FLAT,USS,1/4"Y	
17	14297GT	SCREW,BHHS,1/4-20 X .75	
18	61099-SGT	RETAINER,MAST COVER.....1	
19	60157GT	COVER MAST #2*.....1	
20	60840GT	SHIM,WEAR PAD,7 X 3,16GA	
21	50246GT	WEAR PAD,7 X 3 X.75 W/NUTS.....2	
22	60239GT	WEAR PAD,7 X 3 X.625 W/INSERT.....4	
23	60192GT	PIN,EXTENSION CYLINDER MOUNT....2	
24	57072GT	SCREW,BHHS,3/8-16 X 1.25	
25	6097GT	WASHER,FLAT,USS,3/8",Y	

504.1 Primary Extend Cylinder



504.1 Primary Extend Cylinder

Item	Part No.	Description	Qty.	Item	Part No.	Description	Qty.
--	217709GT	KIT,EXT/RET CABLE REPLMNT,SB <i>Replaces all extension and retraction cables (contains all necessary hardware and fasteners)</i>		29	60697GT	PIN,RETRACTION CABLE.....	2
1	60335-SGT	FORMING,CYLINDER RETAINER.....	2	30	33247GT	PIN,COTTER,,188 X 1.75 LONG.....	2
2	6019GT	SCREW,HHC,3/8-16 X 1.25 GRD 5		31	61384GT	SCREW,SHS,1/2-13 X 1.50	
3	6021GT	WASHER,LOCK,,.375		32	50247GT	SHEAVE,EXTENSION CABLE.....	2
4	6097GT	WASHER,FLAT,USS,3/8",Y		--	60422GT	Bearing, 1.5 x 2 x 1.81 inches	
5	6198GT	NUT,NYLOCK,1/2-13		33	60240GT	WEAR PAD,SHEAVE MOUNT.....	2
6	13066GT	WASHER,FLAT,5 HARDENED.....	4	34	61385GT	SCREW,HHC,1/2-13 X 5.25	
7	18383GT	SNAP RING,EXTERNAL,1.5 DIA***		35	6086GT	NUT,LP NYLOCK,1/2-13	
8	18596GT	WASHER,FLAT,1.56 X 2.5 X .061		36	60215-SGT	WELDMENT,CABLE RETAINER.....	1
9	60179GT	PIN,1.50DIA X 2.92LG,2RING.....	1	37	6175GT	SCREW,HHC,3/8-16 X 1	
10	60181-SGT	PLATE,EXT.CABLE ANCHOR.....	2	38	60216GT	WEAR PAD,EXT.CABLE SHEAVE.....	1
11	49817GT	SCREW,PHILLIPS,PHM,10-32 X 1.25		39	60346-SGT	SHEAVE MOUNT,EXT. CABLE MACHIN.....	1
12	6607GT	WASHER,LOCK,#10 PLTD		40	825019GT	ROD END,,375X3.69,ZAG.....	1
13	75031GT	LIMIT SWITCH,SAFETY.....	1	41	60205GT	PIN,1.50DIA X 5.88LG,1HOLE.....	1
14	39479GT	SCREW,HHC,1/2-13 X 2.75		42	5224GT	SCREW,HHC,3/8-16 X 2	
15	60340-SGT	PLATE,EXT.CABLE EQUALIZER MACH.....	1	43	4828GT	NUT,NYLOCK,3/8-16	
--	54156GT	BEARING,FL,1.5IDX1.75ODX1.10LG		44	60208GT	WEAR PAD,EXT.CABLE.....	2
16	75396GT	PIN,COTTER,,.25 X 3.18 EXT.CABLE.....	2	45	45748GT	ROD END,,250 X 2.75 LG.....	2
17	75397GT	PIN,CLEVIS,1.18X3.18 EXT.CABLE.....	2	46	6090GT	SCREW,HHC,1/4-20 X .75	
18	232841GT	CABLE ASSEMBLY,EXTEND SET..... <i>Contains two cables</i>	1	47	6356GT	WASHER,LOCK,,.25	
--	10665GT	PIN,ROLL,,.25 X 1.5***		48	60358GT	PIN,,.75DIA X 2.89LG,1HOLE.....	2
--	60171GT	EXTENSION CABLE *		49	60192GT	PIN,EXTENSION CYLINDER MOUNT....	2
--	60229GT	COUPLING,EXT.CABLE ADJUSTMENT*		50	50243GT	SHEAVE,RETRACT CABLE.....	2
19	60333GT	VALVE, COUNTERBAL..... <i>to SN 149</i>	1	51	122015GT	WLDMNT,RET.CABLE SHEAV.GARD.RH.....	1
--	75424GT	SEAL KIT,SUN "CWEA" CB VALVES		52	122016GT	WLDMNT,RET.CABLE SHEAV.GARD.LH.....	1
--	75762GT	VALVE,COUNTERBAL.CWEK-LIN @600 <i>from SN 150</i>		--	75355GT	PIN,COTTER,,188X2.25 RET.CABLE....	2
20	60331GT	VALVE,COUNTERBAL.CWCA-LIN@600*.1		53	75356GT	PIN,CLEVIS,,844X2.25 RET.CABLE....	2
--	62449GT	SEAL KIT,SUN "CWCA" CB VALVES*		54	33278GT	WASHER,FLAT,,.75 HARDENED	
21	50100GT	CYLINDER,PRIMARY EXTEND.....	1	55	10665GT	PIN,ROLL,,.25 X 1.5***.....	2
--	60332GT	SEAL KIT CYL.S100/120 (50100)		56	60229GT	COUPLING,EXT.CABLE ADJUSTMENT*.....	2
22	38028GT	NUT,LP NYLOCK,5/8-11		57	60343-SGT	PLATE,EXT.CABLE ,PAINTED.....	1
23	45076GT	NUT,HEX,JAM,5/8-11		58	60231GT	EXT.CABLE ADJ BOLT LOCK.....	1
24	13064GT	WASHER,FLAT,.625 HARDENED.....	1	59	60356-SGT	PLATE,EXT.CABLE ATTACH.MACHINE.....	1
25	60163-SGT	PLATE,RETRACT CABLE EQUALIZER.....	2	60	111149GT	SCREW,HHC,3/4-10X6,GR5,FULL TH....	2
26	232842GT	CABLE ASSEMBLY,RETRACT SET..... <i>Contains two cables</i>	1	61	111524GT	KIT,WEAR PAD, EXT CYL,SB..... <i>to SN 366</i>	1
27	60164GT	ROD END,RETRACTION CABLE.....	1	--	111523GT	WEAR PAD, BOOM REST <i>from SN 367</i>	
28	30748GT	WASHER,SHIM,1.01 X 1.63 X .062		62	8177GT	SCREW,HHC,1/2-13 X 1.5 <i>to SN 366</i>	
				--	39479GT	SCREW,HHC,1/2-13 X 2.75 <i>from SN 370</i>	

504.1 Primary Extend Cylinder
(continued)

Item	Part No.	Description	Qty.
--	9145GT	SCREW,HHC,1/2-13 X 2.5,GR5 <i>from SN 367 to SN 369</i>	
63	6033GT	WASHER,LOCK,0.5" <i>to SN 366</i>	
--	6033GT	WASHER,LOCK,0.5" <i>from SN 370</i>	
64	13066GT	WASHER,FLAT,5 HARDENED.....2 <i>from SN 367</i>	
65	75049PGT	FORMING,CABLE RETAINER,PAINTED.....1	

Go to Discount-Equipment.com to order your parts

PARTS FINDER

Search Website
by Part Number



Search Manual
Library For Parts
Manual & Lookup Part
Numbers – Purchase
or Request Quote

Can't Find Part or
Manual? Request Help
by Manufacturer,
Model & Description

Discount-Equipment.com is your online resource for quality parts & equipment.

Florida: **561-964-4949** Outside Florida TOLL FREE: **877-690-3101**

Need parts?

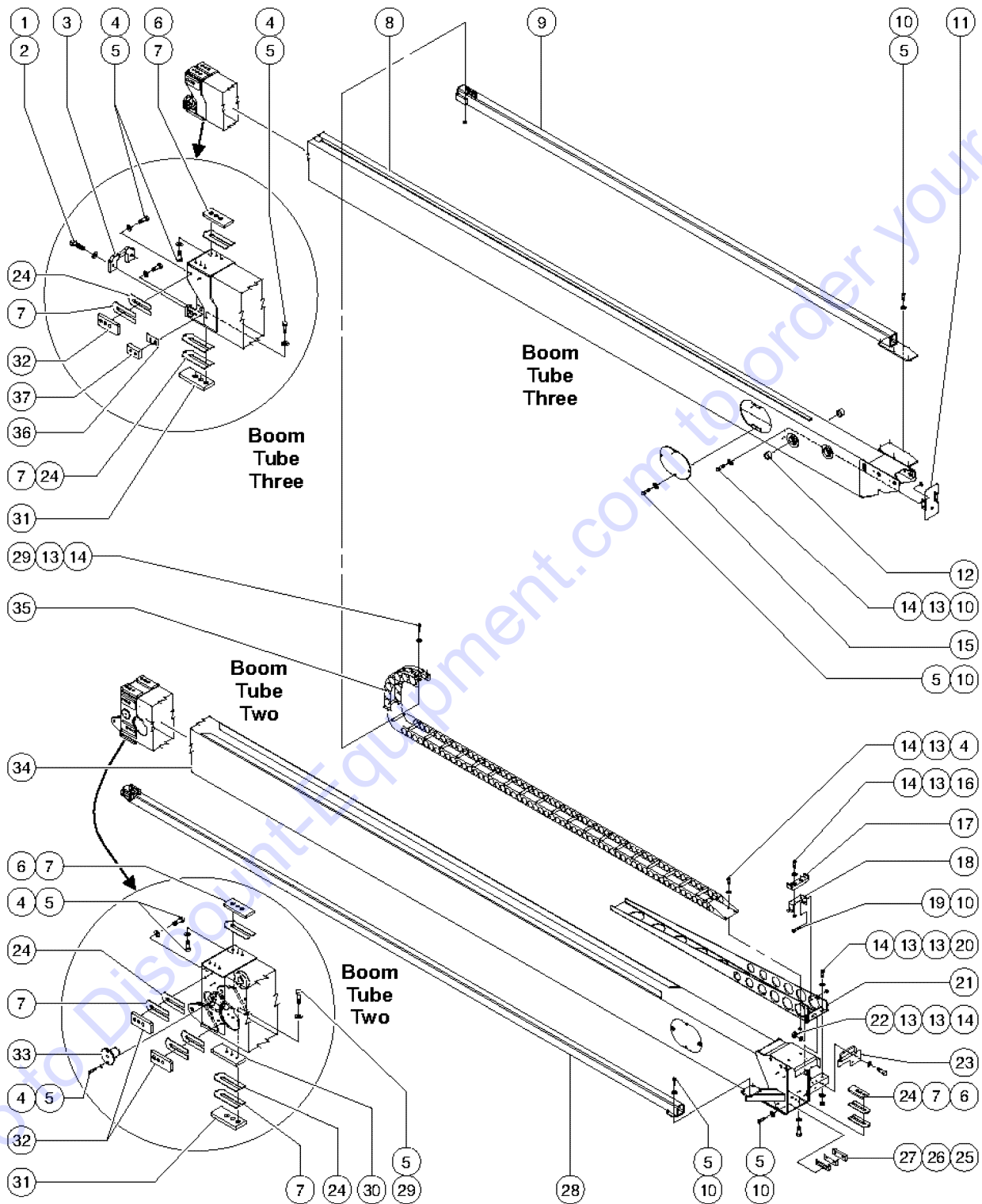
Click on this link: <http://www.discount-equipment.com/category/5443-parts/> and choose one of the options to help get the right parts and equipment you are looking for. Please have the machine model and serial number available in order to help us get you the correct parts. If you don't find the part on the website or on one of the online manuals, please fill out the request form and one of our experienced staff members will get back to you with a quote for the right part that your machine needs.

We sell worldwide for the brands: Genie, Terex, JLG, MultiQuip, Mikasa, Essick, Whiteman, Mayco, Toro Stone, Diamond Products, Generac Magnum, Airman, Haulotte, Barreto, Power Blanket, Nifty Lift, Atlas Copco, Chicago Pneumatic, Allmand, Miller Curber, Skyjack, Lull, Skytrak, Tsurumi, Husquvarna Target, Stow, Wacker, Sakai, Mi-T-M, Sullair, Basic, Dynapac, MBW, Weber, Bartell, Bennar Newman, Haulotte, Ditch Runner, Menegotti, Morrison, Contec, Buddy, Crown, Edco, Wyco, Bomag, Laymor, EZ Trench, Bil-Jax, F.S. Curtis, Gehl Pavers, Heli, Honda, ICS/PowerGrit, IHI, Partner, Imer, Clipper, MMD, Koshin, Rice, CH&E, General Equipment, Amida, Coleman, NAC, Gradall, Square Shooter, Kent, Stanley, Tamco, Toku, Hatz, Kohler, Robin, Wisconsin, Northrock, Oztec, Toker TK, Rol-Air, APT, Wylie, Ingersoll Rand / Doosan, Innovatech, Con X, Ammann, Mecalac, Makinex, Smith Surface Prep, Small Line, Wanco, Yanmar

This Page Intentionally Left Blank

Go to Discount-Equipment.com to order your parts

505.1 Boom Tube Two and Boom Tube Three



505.1 Boom Tube Two and Boom Tube Three

Item	Part No.	Description	Qty.	Item	Part No.	Description	Qty.
1	60217GT	SCREW,HHC,3/4-10 X 7 FULL THRD.....2		23	111775PGT	WELDMENT,HOSE GUIDE ASSY,PTD.....1 <i>from SN 377 to 442</i>	
2	33278GT	WASHER,FLAT,.75 HARDENED.....2		--	61745GT	CLAMP,2.25,#36 X 3/8,RUB CUSH <i>from SN 443</i>	
3	60343-SGT	PLATE,EXT.CABLE ,PAINTED.....1		24	60304GT	SHIM,WEAR PAD,7 X 3,12GA	
4	6175GT	SCREW,HHC,3/8-16 X 1		25	34125GT	WEAR PAD,5 X 1.5 X .75 W/NUTS.....12 <i>to SN 129</i>	
5	6021GT	WASHER,LOCK,.375		--	73461GT	WEAR PAD,5 X 1.5 X .875 W/NUTS <i>from SN 130</i>	
6	50245GT	WEAR PAD,7 X 3 X.75 W/NUTS.....6		26	38620GT	SHIM,WEAR PAD,5 X 1.5,14GA	
7	60840GT	SHIM,WEAR PAD,7 X 3,16GA		27	29080GT	SHIM,WEAR PAD,5X 1.5 16GA	
8	75103-SGT	BOOM TUBE ASSY,#3 W/BUSHINGS....1 <i>includes item 12; to SN 159</i>		28	60245GT	WLDMNT,CABLE TRACK GUIDE LONG*1	
--	122321GT	SB BOOM #3 ASSY W/WORD DECALS <i>includes item 12; from SN 210</i>		29	14033GT	SCREW,HHC,3/8-16 X 2.75	
--	122322GT	SB BOOM #3 ASSY SYMBOL UNITS <i>includes item 12; from SN 210</i>		30	60222GT	SPACER,WEAR PAD.....2	
--	75483-SGT	BOOM TUBE ASSY,#3 W/BUSHINGS <i>includes item 12; from SN 160 to SN 209</i>		31	50246GT	WEAR PAD,7 X 3 X.75 W/NUTS.....4	
9	60242GT	WLDMNT,CABLE TRACK GUIDE SHORT.....1 <i>to SN 209</i>		32	60239GT	WEAR PAD,7 X 3 X.625 W/INSERT.....6	
--	102018GT	WLDMNT,CABLE TRACK GUIDE,SHORT <i>from SN 210 to 481</i>		33	60192GT	PIN,EXTENSION CYLINDER MOUNT....2	
--	122225GT	WLDMNT,CABLE TRACK GUIDE,SHORT <i>from SN 482</i>		34	75663-SGT	WELDMENT,EXTENSION BOOM #2.....1 <i>to SN 159</i>	
10	8255GT	SCREW,HHC,3/8-16 X .75		--	89166-SGT	WELDMENT,EXTENSION BOOM #2 <i>from SN 160</i>	
11	60194GT	FORMING,TUBE GUARD.....1		35A		Ref. CABLE TRACK,STEEL 50 LINKS....1 <i>Previous cable track 60175 is no longer available. For complete replacement order Cable Track 102052; to SN 209</i>	
12	30220GT	BEARING,1.25ID X 1.5OD X 0.69L.....4 <i>use with Boom # 3 Assy item 75103-S or 75483-S; to SN 788</i>		--	102000GT	CROSSBAR,STEEL,CABLE TRACK USA/Canada models; to SN 209	
--	30370GT	BEARING,1.25ID X 1.5OD X 1.00L <i>use with Boom # 3 Assy item 122321 or 122322; from SN 789</i>		--	102001GT	CROSSBAR W/ TWO SEPARATORS Europe; to SN 209	
13	6097GT	WASHER,FLAT,USS,3/8",Y		--	102002GT	SEPARATORS,ALUM,CABLE TRACK Europe; to SN 209	
14	4828GT	NUT,NYLOCK,3/8-16		--	102054GT	KIT,CABLE TRACK UPDATE,SUPRBMS to SN 209	
15	60177-SGT	COVER,BOOM SIDE, PAINTED.....4		--	61209GT	CLAMP,WIRE/HOSE,CABLE TRACK to SN 209	
16	6019GT	SCREW,HHC,3/8-16 X 1.25 GRD 5		--	61210GT	CLAMP, WELD,CABLE TRACK to SN 209	
17	60802GT	WEAR PAD,UPPER CABLE TRACK.....1		--	62320GT	REPAIR LINK/SINGLE(60174/75) to SN 209	
18	75047-SGT	WELDMENT,WEAR PAD MOUNTING....1 <i>to SN 209</i>		--	75402GT	REPAIR LINK END SET (60174&75) to SN 209	
--	102020GT	WELDMENT,WEAR PAD MOUNTING <i>from SN 210</i>		35B	102052GT	CABLE TRACK,STEEL 50 LINKS.....1 <i>from SN 210</i>	
19	7713GT	NUT, LP NYLOCK, 3/8-16		--	102211GT	CROSSBAR ALUM W/SELF TAP SCREW <i>from SN 210</i>	
20	5387GT	SCREW,HHC,3/8-16 X 4		--	102212GT	SELF-TAP SCREW, CABLE TRACK <i>from SN 210</i>	
21	50117-SGT	WELDMENT,CABLE TRACK SUPPORT.....1		--	102213GT	REPAIR LINK W/HARDWARE <i>from SN 210</i>	
--	122791GT	SHIM,CBL TRK SPRT WLDT,22 GA <i>from SN 377</i>					
--	61115GT	SHIM,CABLE TRAY <i>to SN 376</i>					
22	12981GT	SCREW,HHC,3/8-16 X 4.5 <i>from SN 377</i>					

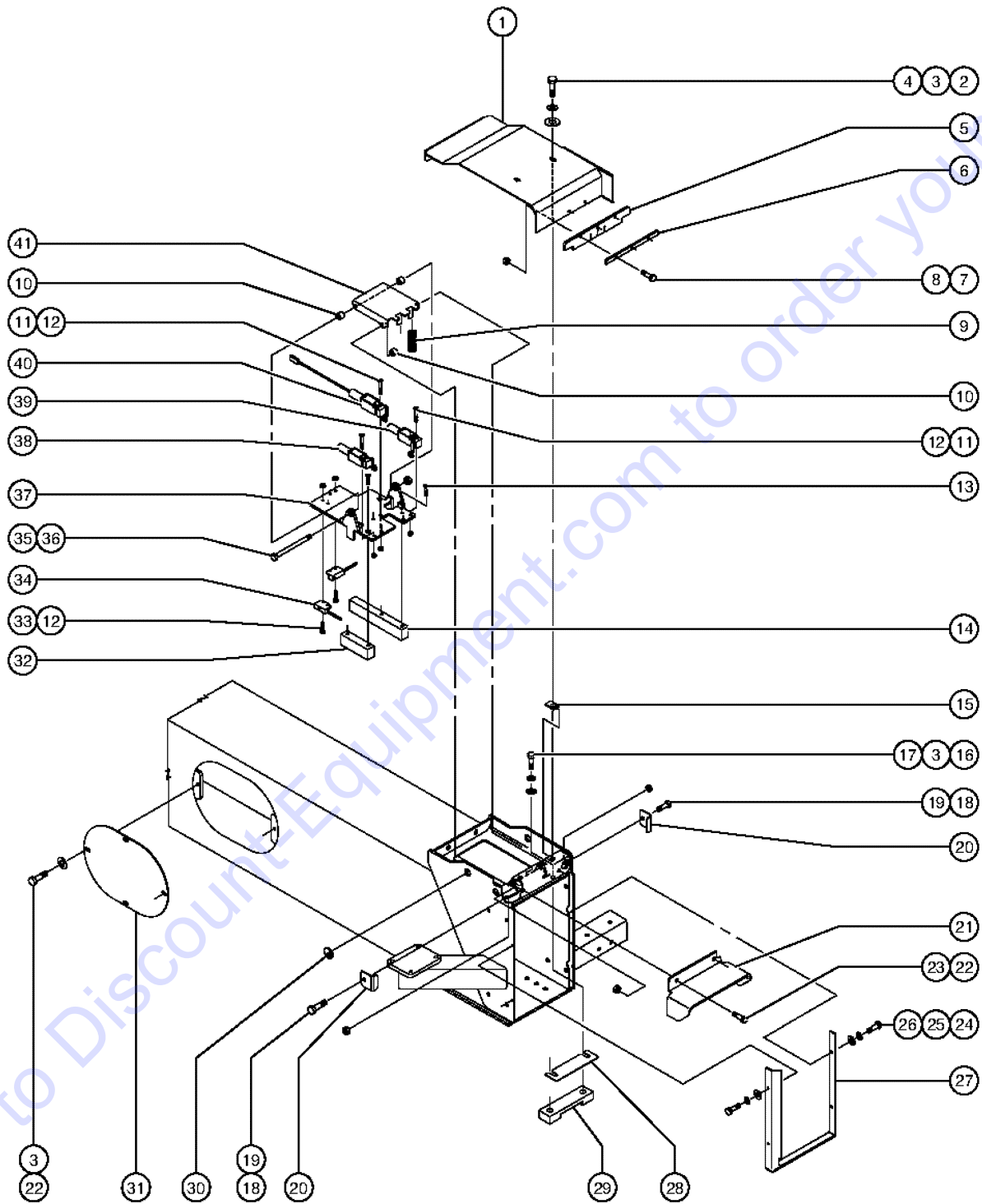
505.1 Boom Tube Two and Boom Tube Three
(continued)

Item	Part No.	Description	Qty.
--	102214GT	REPAIR LINK W/ ROLLER <i>from SN 210</i>	
--	102215GT	BRACKET,CABLE TRACK,FIXED END* <i>from SN 210</i>	
--	102216GT	BRACKET,CABLE TRACK,MOVING END <i>from SN 210</i>	
--	111995GT	HOSE AND CABLE CLAMP,STD <i>from SN 377 to 805</i>	
--	111996GT	HOSE AND CABLE CLAMP,STD,TOP <i>from SN 377 to 805</i>	
--	111997GT	OPT,HOSE AND CABLE CLAMP <i>from SN 377</i>	
--	122034GT	KIT,SERVICE,CLAMP MOUNTS <i>from SN 377</i>	
--	146476GT	HOSE AND CABLE CLAMP, STD <i>from SN 806</i>	
--	146477GT	HOSE AND CABLE CLAMP, STD, TOP <i>from SN 806</i>	
36	61380GT	SHIM,SIDE WEAR PAD .059 THK.	
37	61379GT	WEAR PAD,3.5 X 2 X .625 W/INST.....2	

This Page Intentionally Left Blank

Go to Discount-Equipment.com to order your parts

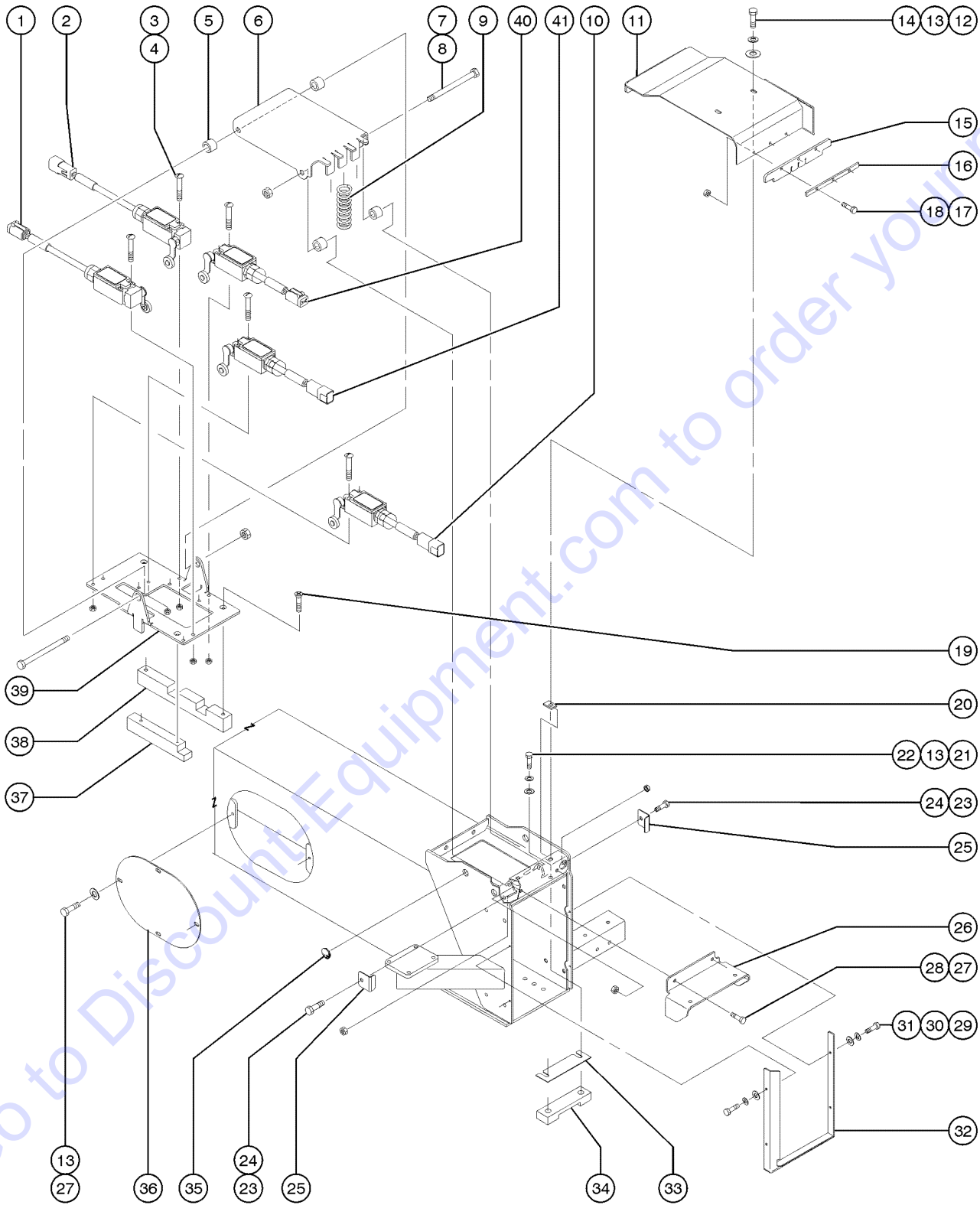
506.1 Boom Tube Two, Limit Switches (to SN 159)



506.1 Boom Tube Two, Limit Switches (to SN 159)

Item	Part No.	Description	Qty.	Item	Part No.	Description	Qty.
--	60976GT	HARNESS,TCON J2 UPPER		--	53983GT	STRAIN RELIEF, PG13,5	
1A	61162-SGT	FORMING,LIMIT SWITCH GUARD.....1 <i>17.875 inch overall length</i>		--	75910GT	WIRE ASSEMBLY,16/4SJO,9.5"PLUG	
1B	89171PGT	FORMING,LIMIT SWITCH GUARD <i>19.375 inch overall length</i>		--	75913GT	LIMIT SWITCH, SAFETY,NO WIRE	
2	6019GT	SCREW,HHC,3/8-16 X 1.25 GRD 5		39	75035GT	LIMIT SWITCH,SAFETY.....1	
3	6021GT	WASHER,LOCK,.375		--	53983GT	STRAIN RELIEF, PG13,5	
4	6097GT	WASHER,FLAT,USS,3/8",Y		--	75910GT	WIRE ASSEMBLY,16/4SJO,9.5"PLUG	
5	61174GT	WIPER,RUBBER BOOM #3 TOP.....1		--	75913GT	LIMIT SWITCH, SAFETY,NO WIRE	
6	61176-SGT	BAR,RUBBER WIPER BACK-UP.....1		40	75034GT	SWITCH,OPERATIONAL.....1	
7	6888GT	SCREW,HHC,1/4-20 X 1		--	53983GT	STRAIN RELIEF, PG13,5	
8	6091GT	NUT,NYLOCK,1/4-20		--	75911GT	LIMIT SWITCH,OPERATION,NO WIRE	
9	61171GT	SPRING,1.00 DIA X .105.....2		--	75912GT	WIRE ASSEMBLY,16/4SJO,9.5"RECP	
10	44335GT	BUSHING,FLANGE, .375X.5.....4		41	75437-SGT	COVER,LIMIT SWITCH PIVOT ASSY.....1 <i>USA/Canada/Australia</i>	
11	51063GT	SCREW,PHILLIPS,RHM,10-32 X 1.5		--	61166-SGT	FORMING,LIMIT SWITCH LINK <i>Europe/Asia/South America</i>	
12	6178GT	NUT,NYLOCK,10-32					
13	49824GT	SCREW,PHILLIPS,FHM,10-32X1.00					
14	61391GT	WEARPAD,LMT SWITCH MOUNT-LONG*.....1					
15	29868GT	SPRING CLIP,3/8-16,.05-.20X.73,ZAG					
16	6175GT	SCREW,HHC,3/8-16 X 1					
17	5397GT	WASHER,FLAT,USS,5/16",Y					
18	33681GT	SCREW,HHC,3/8-16 X .625					
19	7713GT	NUT, LP NYLOCK, 3/8-16					
20	61294PGT	FORMING,HOSE PROTECTOR,PAINTED.....2					
21	60935-SGT	MOUNT,CABLE TRACK CLAMP.....1					
22	8255GT	SCREW,HHC,3/8-16 X .75					
23	4828GT	NUT,NYLOCK,3/8-16					
24	8914GT	SCREW,HHC,1/4-20 X .625					
25	6356GT	WASHER,LOCK,.25					
26	6638GT	WASHER,FLAT,USS,1/4"Y					
27	60156GT	COVER MAST #3.....1					
28	75286GT	SHIM, WEAR PAD,THIN,SB					
29	61164GT	WEAR PAD,BOOM #2 TOP.....1					
30	15243GT	PLUG,NYLON .875 BLACK DOMED.....2					
31	60177-SGT	COVER,BOOM SIDE, PAINTED.....2					
32	61161GT	WEAR PAD,LIMIT SWITCH MOUNT.....1					
33	49819GT	SCREW,PHILLIPS,PHM,10-32 X .5					
34	60987GT	SWITCH,LIMIT,PROX(OPERATIONAL)...2					
35	22832GT	SCREW,HHC,3/8-16 X 6					
36	7713GT	NUT, LP NYLOCK, 3/8-16					
37	61160GT	FORMING,LIMIT SWITCH MOUNT.....1					
38	75031GT	LIMIT SWITCH,SAFETY.....1					

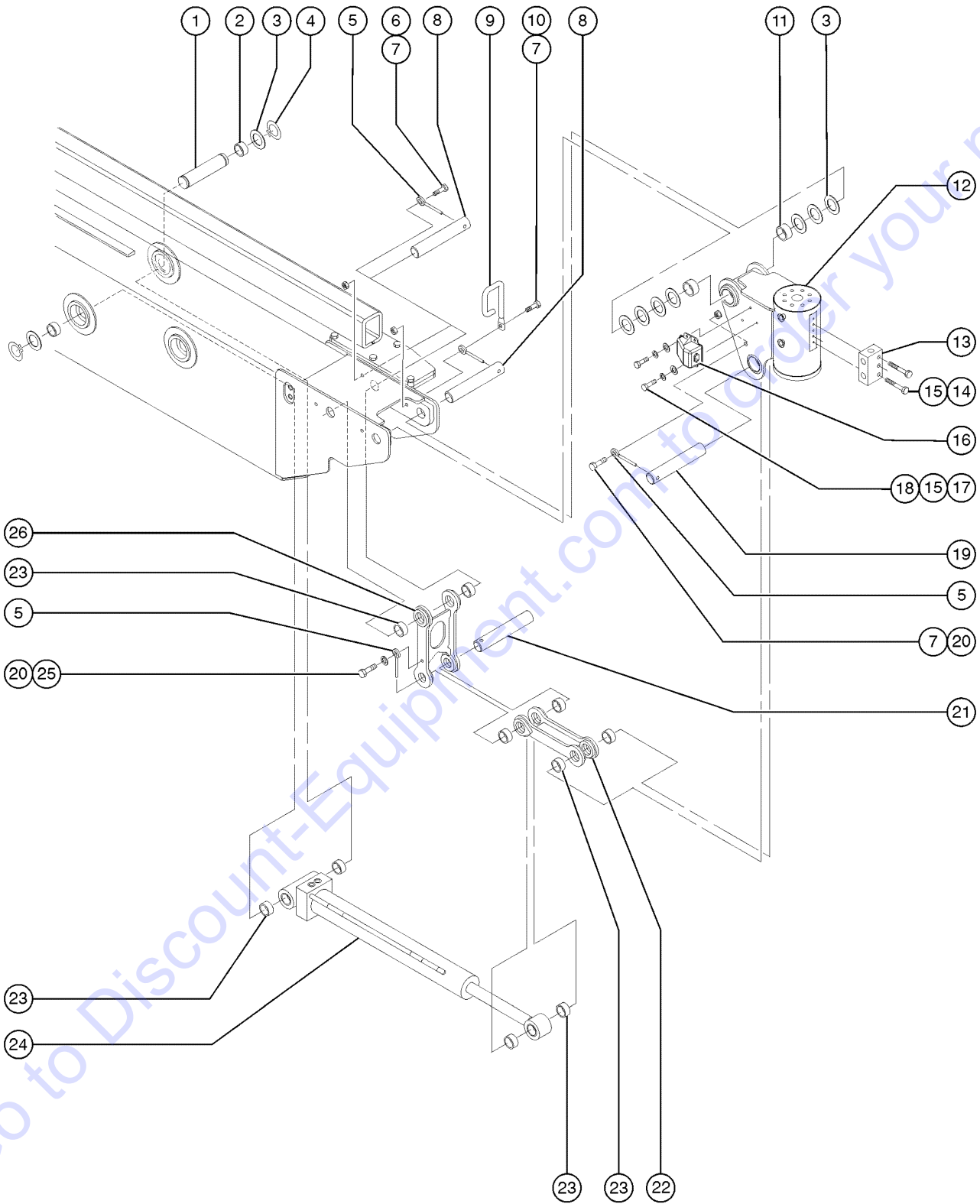
506.2 Boom Tube Two, Limit Switches (from SN 160)



506.2 Boom Tube Two, Limit Switches (from SN 160)

Item	Part No.	Description	Qty.	Item	Part No.	Description	Qty.
--	60976GT	HARNESS,TCON J2 UPPER to SN 805		20	29868GT	SPRING CLIP,3/8-16,.05-.20X.73,ZAG	
--	146196GT	HARNESS, TCON J2 UPPER 2009 from SN 806		21	6175GT	SCREW,HHC,3/8-16 X 1	
1A	75031GT	LIMIT SWITCH,SAFETY.....1 (LSB4ES) safety limit switch for boom length greater or equal 80 feet; to SN 805	1	22	5397GT	WASHER,FLAT,USS,5/16",Y	
--	53983GT	STRAIN RELIEF, PG13,5 to SN 805		23	33681GT	SCREW,HHC,3/8-16 X .625	
--	75910GT	WIRE ASSEMBLY,16/4SJO,9.5"PLUG to SN 805		24	7713GT	NUT, LP NYLOCK, 3/8-16	
--	75913GT	LIMIT SWITCH, SAFETY,NO WIRE to SN 805		25	61294PGT	FORMING,HOSE PROTECTOR,PAINTED.....2	2
1B	146199GT	LIMIT SWITCH,SAFETY (LSB4ES) safety limit switch for boom length greater or equal 80 feet; from SN 806		26	60935-SGT	MOUNT,CABLE TRACK CLAMP.....1	1
--	110771-74B89GT	SWITCH,LIMIT,ROLLER NO/NC GOLD from SN 806		27	8255GT	SCREW,HHC,3/8-16 X .75	
--	128636GT	ROLLER,ARM,LIMIT SWITCH,ZCY500 from SN 806		28	4828GT	NUT,NYLOCK,3/8-16	
--	146325GT	CONN.SQZ,PG 11,.34-.47,W/ORING from SN 806		29	8914GT	SCREW,HHC,1/4-20 X .625	
2	89109GT	LIMIT SWITCH,OPERATIONAL.....1 (LSB3RO) operational limit switch for boom length at 0 feet	1	30	6356GT	WASHER,LOCK,.25	
--	53983GT	STRAIN RELIEF, PG13,5		31	6638GT	WASHER,FLAT,USS,1/4"Y	
--	75911GT	LIMIT SWITCH,OPERATION,NO WIRE		32	60156GT	COVER MAST #3.....1	1
--	75912GT	WIRE ASSEMBLY,16/4SJO,9.5"RECP		33	75286GT	SHIM, WEAR PAD,THIN,SB	
3	16487GT	SCREW,RHM,10-32 X 1.5		34	61164GT	WEAR PAD,BOOM #2 TOP.....1	1
4	6178GT	NUT,NYLOCK,10-32		35	15243GT	PLUG,NYLON .875 BLACK DOMED.....2	2
5	44335GT	BUSHING,FLANGE, .375X.5.....4	4	36	60177-SGT	COVER,BOOM SIDE, PAINTED.....2	2
6	89164GT	FORMING,LIMIT SWITCH LINK.....1	1	37	89107GT	WEAR PAD,LIMIT SWITCH MNT.SHOR.....1	1
7	22832GT	SCREW,HHC,3/8-16 X 6		38	89106GT	WEAR PAD,LIMIT SWITCH MNT.LONG.....1	1
8	7713GT	NUT, LP NYLOCK, 3/8-16		39	89105PGT	FORMING,LIMIT SWITCH MOUNT**.....1	1
9	61171GT	SPRING,1.00 DIA X .105.....3	3	40	75031GT	LIMIT SWITCH,SAFETY (LSB3RS) safety limit switch for boom length at 0 feet	
10	89110GT	LIMIT SWITCH,OPERATIONAL.....1 (LSB4EO) operational limit switch for boom length at 100 feet	1	--	53983GT	STRAIN RELIEF, PG13,5	
11	89171PGT	FORMING,LIMIT SWITCH GUARD.....1	1	--	75910GT	WIRE ASSEMBLY,16/4SJO,9.5"PLUG	
12	6019GT	SCREW,HHC,3/8-16 X 1.25 GRD 5		--	75913GT	LIMIT SWITCH, SAFETY,NO WIRE	
13	6021GT	WASHER,LOCK,.375		41	89110GT	LIMIT SWITCH,OPERATIONAL (LSB3EO) operational limit switch for boom length greater or equal 80 feet	
14	6097GT	WASHER,FLAT,USS,3/8",Y					
15	61174GT	WIPER,RUBBER BOOM #3 TOP.....1	1				
16	61176-SGT	BAR,RUBBER WIPER BACK-UP.....1	1				
17	6888GT	SCREW,HHC,1/4-20 X 1					
18	6091GT	NUT,NYLOCK,1/4-20					
19	49824GT	SCREW,PHILLIPS,FHM,10-32X1.00					

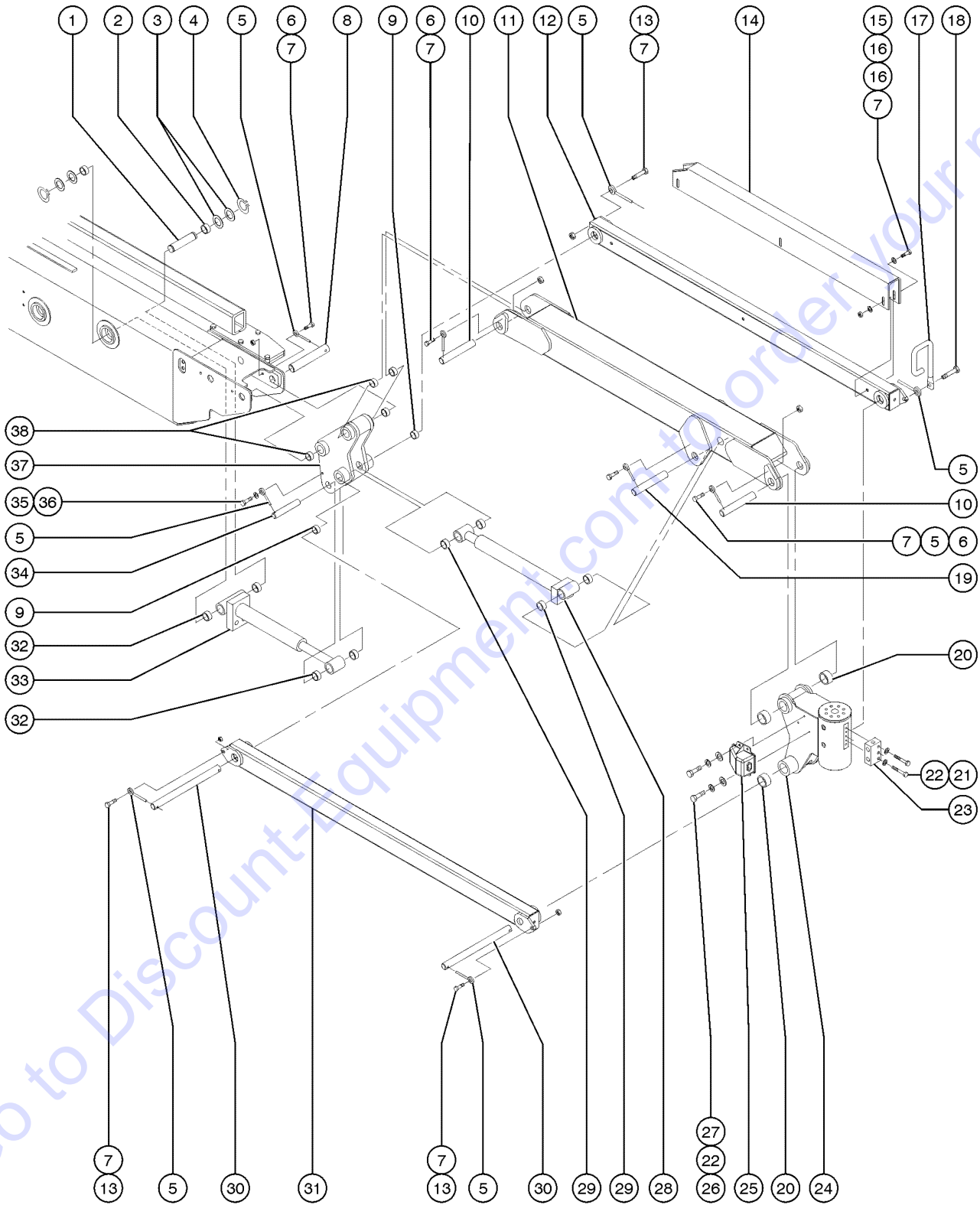
507.1 Platform Rotator



507.1 Platform Rotator

Item	Part No.	Description	Qty.	Item	Part No.	Description	Qty.
1	50208GT	PIN,1.25DIAX7.11LG,2RING.....1 <i>to SN 788 (must use pin # 146073 if replacing boom #3 assembly)</i>	1	25	6021GT	WASHER,LOCK,.375	
--	146073GT	PIN,1.25DIAX7.9LG,2RING <i>from SN 789</i>		26	75106-SGT	PLATFORM,LEVELING LEVER,ASSY....1 <i>(includes item 22)</i>	
2	30220GT	BEARING,1.25ID X 1.5OD X 0.69L.....2 <i>to SN 788 (must use bearing # 30370 if replacing boom #3 assembly)</i>	2				
--	30370GT	BEARING,1.25ID X 1.5OD X 1.00L <i>from SN 789</i>					
3	30255GT	WASHER,SHIM,1.27 X 2.13 X .062					
4	30217GT	SNAP RING,EXTERNAL,1.25 DIA.**					
5	825019GT	ROD END,.375X3.69,ZAG					
6	8516GT	SCREW, HCC, 3/8-16 X 1.50					
7	4828GT	NUT,NYLOCK,3/8-16					
8	T108078GT	PIN,1.25DIAX9.50LG,1HOLE.....2	2				
9	75016-SGT	GUARD,JIB HOSE.....1	1				
10	6708GT	SCREW,HHC,3/8-16 X 2.25					
11	30370GT	BEARING,1.25ID X 1.5OD X 1.00L.....2 <i>to SN 481</i>	2				
12	122206GT	ROTATOR,MOD,NON-JIB,144 DEG***1 <i>to SN 481</i>	1				
--	122944GT	SEAL KIT,8K ROTATOR***					
--	13852GT	VALVE ASSY,BLEED***					
--	94400GT	ROTATOR,NON-JIB,160 DEG <i>from SN 482</i>					
13		Ref. Platform Rotate Manifold <i>(refer to 710.1)</i>					
14	6145GT	SCREW,HHC,1/4-20 X 1.5					
15	6356GT	WASHER,LOCK,.25					
16	1274116GT	ASSY,TILT SENSOR,PCON,S100-125....1	1				
--	1274045GT	HARNES, JUMPER, SB PLAT LVL					
--	50813GT	SENSOR,TILT,PCON (PLASTIC)****					
17	6638GT	WASHER,FLAT,USS,1/4"Y					
18	6090GT	SCREW,HHC,1/4-20 X .75					
19	T108075GT	PIN,1.25DIAX5.25LG,1HOLE.....1	1				
20	6019GT	SCREW,HHC,3/8-16 X 1.25 GRD 5					
21	50212GT	PIN,1.25DIAX6.50LG,1HOLE.....1	1				
22	75105-SGT	PLATFORM,LEVELING LINK ASSY.....1	1				
23	47377GT	BEARING,1.25 ID X 1.5 OD X .75					
24	50207GT	CYLINDER,PLATFORM LEVELING.....1	1				
--	31106GT	VALVE,CNTERBAL,CBBB-LHN@3000** <i>(locks extend side)</i>					
--	43018GT	SEAL KIT (39345)					
--	65795GT	SEAL KIT,CYL,S100/120 (50207)					
--	75061GT	VALVE,COUNTERBAL.CBBB-LHN@2000 <i>(locks retract side)</i>					

508.1 Jib Boom and Platform Rotator

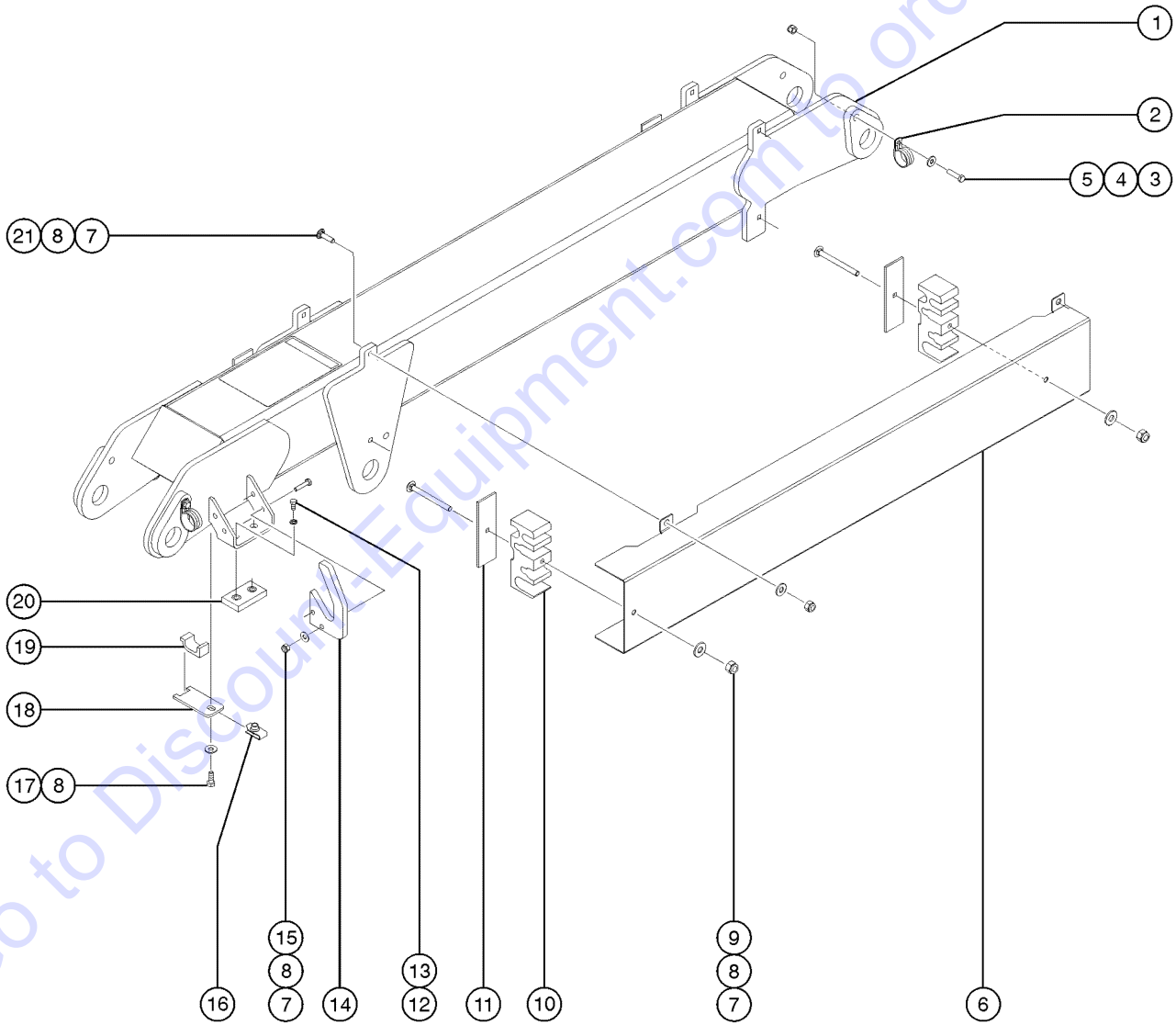
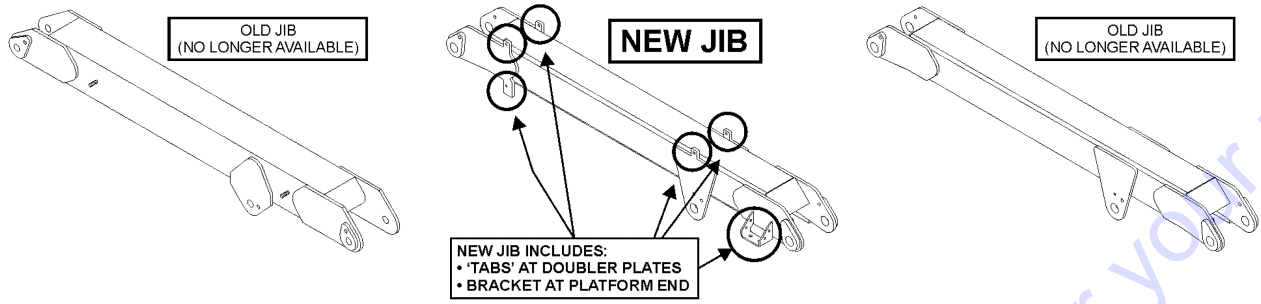


508.1 Jib Boom and Platform Rotator

Item	Part No.	Description	Qty.	Item	Part No.	Description	Qty.
1	50208GT	PIN,1.25DIAX7.11LG,2RING.....1 <i>to SN 788 (must use pin # 146073 if replacing boom #3 assembly)</i>	1	--	106421GT	SEAL KIT,ARCTIC,ROTATOR 8.2K** <i>(use with rotator item 60505); to SN 250</i>	
--	146073GT	PIN,1.25DIAX7.9LG,2RING <i>from SN 789</i>		--	122944GT	SEAL KIT,8K ROTATOR*** <i>(use with rotator item 94397)</i>	
2	30220GT	BEARING,1.25ID X 1.5OD X 0.69L.....2 <i>to SN 788 (must use bearing # 30370 if replacing boom #3 assembly)</i>	2	--	13852GT	VALVE ASSY,BLEED*** <i>(use with rotator item 60505); to SN 250</i>	
--	30370GT	BEARING,1.25IDX1.5ODX1.00L <i>from SN 789</i>		--	30370GT	BEARING,1.25IDX1.5ODX1.00L <i>(use with rotator item 94397)</i>	
3	30255GT	WASHER,SHIM,1.27 X 2.13 X .062		--	62417GT	SEAL KIT,PLAT ROTATE*** <i>(use with rotator item 60505); to SN 250</i>	
4	30217GT	SNAP RING,EXTERNAL,1.25 DIA.**		--	75395GT	BEARING KIT,PLAT ROTATOR,SUPER <i>(use with rotator item 94397)</i>	
5	825019GT	ROD END,.375X3.69,ZAG.....9	9	--	88516GT	SCREW,BLEEDER,M5X0.8 <i>(use with rotator item 94397)</i>	
6	5224GT	SCREW,HHC,3/8-16 X 2		25	1274116GT	ASSY,TILT SENSOR,PCON,S100-125....1	
7	4828GT	NUT,NYLOCK,3/8-16		--	1274045GT	HARNESS, JUMPER, SB PLAT LVL	
8	T108078GT	PIN,1.25DIAX9.50LG,1HOLE.....1	1	--	50813GT	SENSOR,TILT,PCON (PLASTIC)****	
9	75627GT	BEARING,1.25 X 1.5 X 2.....2 <i>to SN 522</i>	2	26	6090GT	SCREW,HHC,1/4-20 X .75	
--	128268GT	BEARING,FL, 1.25X1.5X2.13.....2 <i>from SN 523</i>	2	27	6638GT	WASHER,FLAT,USS,1/4"Y	
10	T108076GT	PIN,1.25DIAX7.88LG,1HOLE.....2	2	28	63213GT	CYLINDER,JIB (STICK BOOMS).....1	
11		SERVICE KIT,5FT JIB.....1 <i>refer to section 509.1 for jib detail</i>	1	--	33428GT	VALVE,COUNTERBALANCE	
12	60789-SGT	COMPR.LINK,MACHINED,ENG SD***...1 <i>to SN 542</i>	1	--	43018GT	SEAL KIT (39345)	
--	61306-SGT	COMPR.LINK,MACHINED,GND CONTR* <i>from SN 543</i>		--	63353GT	SEAL KIT,CYL,S65 (63213)	
13	8516GT	SCREW, HCC, 3/8-16 X 1.50		29	25683GT	BEARING,POLYGON,20DU12.....4	
14	75021-SGT	WELDMENT,JIB HOSE COVER,PAINT.....1 <i>to SN 542</i>	1	30	81175GT	PIN,1.25DIAX14.45LG,2HOLE.....2	
--	128454PGT	COVER, JIB HOSES/CABLES <i>refer to section 509.1 for jib detail, (part of the upgrade service kit) or from SN 543</i>		31	61306-SGT	COMPR.LINK,MACHINED,GND CONTR*.....1	
15	6326GT	SCREW,HHC,3/8-16 X 3		32	47377GT	BEARING,1.25 ID X 1.5 OD X .75.....4	
16	6097GT	WASHER,FLAT,USS,3/8",Y		33	89534GT	CYLINDER, PLATFORM LEVEL.....1	
17	75016-SGT	GUARD,JIB HOSE.....1	1	--	146056GT	SEAL KIT (89534)	
18	13918GT	SCREW,HHC,3/8-16 X 1.75,GRD.8.....1	1	--	43018GT	SEAL KIT (39345)	
19	T108077GT	PIN,1.25DIAX7.00LG,1HOLE.....1	1	--	61598GT	SEAL KIT,PLAT.LEVEL CYL(61387)	
20	30370GT	BEARING,1.25IDX1.5ODX1.00L.....4 <i>to SN 800</i>	4	--	61602GT	VALVE,COUNTERBAL.CBBB-LHN@3500	
--	30222GT	BEARING,FL,1.25IDX1.41ODX1.50L <i>from SN 801</i>		--	75061GT	VALVE,COUNTERBAL.CBBB-LHN@2000	
21	6145GT	SCREW,HHC,1/4-20 X 1.5		34	T108075GT	PIN,1.25DIAX5.25LG,1HOLE.....1	
22	6356GT	WASHER,LOCK,.25		35	6019GT	SCREW,HHC,3/8-16 X 1.25 GRD 5	
23		Ref. Platform Rotate Manifold (refer to 710.1)		36	6021GT	WASHER,LOCK,.375	
24	94397GT	ROTATOR,PLAT JIB,160 DEG***.....1 <i>replaces rotator item 60505</i>	1	37	75134-SGT	BELL CRANK,ASSY. W/ BEARINGS.....1 <i>includes item 9</i>	
				38	75627GT	BEARING,1.25 X 1.5 X 2.....4	

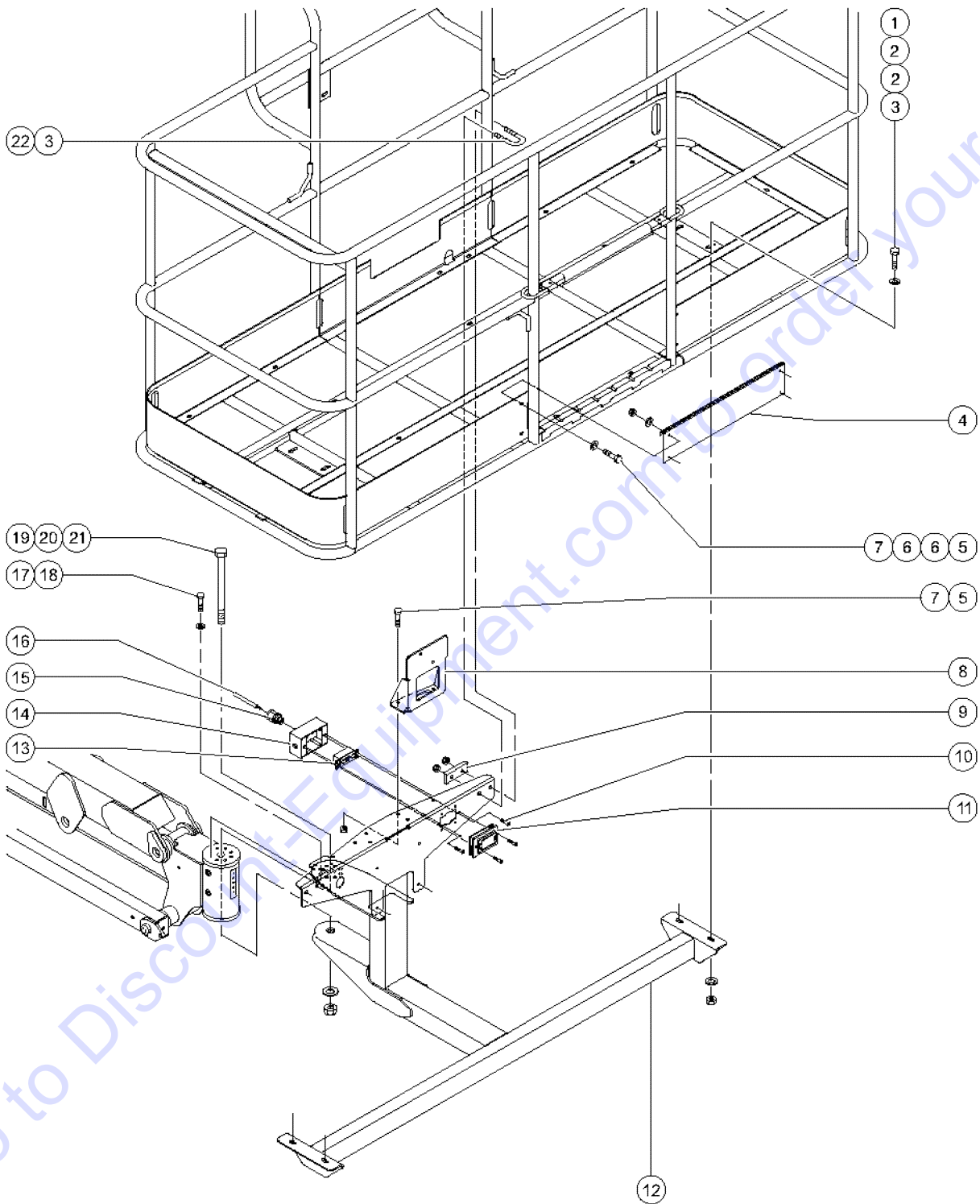
509.1 Jib Detail

NOTE: THE OLDER JIB HAS BEEN REPLACED. SEE BELOW FOR CHANGES.



Item	Part No.	Description	Qty.
1	128513GT	SERVICE KIT,5FT JIB.....1 <i>upgrade service kit, required for first time replacement (includes part number 128534); to SN 542</i>	
--	128515GT	SERVICE KIT, 5FT JIB, ARCTIC <i>(Arctic option) upgrade service kit required for first time replacement; to SN 542</i>	
--	128534GT	JIB BOOM ASSY W/WORD DECAL <i>use ONLY if service kits 128513 or 128515 have been installed on the machine, or from SN 543</i>	
--	226107GT	JIB BOOM ASSY W/SYM DECAL <i>use ONLY if service kits 128513 or 128515 have been installed on the machine, Europe/Asia/South America, or from SN 543</i>	
2	61745GT	CLAMP,2.25,#36 X 3/8,RUB CUSH.....2	
3	5224GT	SCREW,HHC,3/8-16 X 2	
4	5397GT	WASHER,FLAT,USS,5/16",Y	
5	4828GT	NUT,NYLOCK,3/8-16	
6	128454PGT	COVER, JIB HOSES/CABLES.....1	
7	6091GT	NUT,NYLOCK,1/4-20	
8	6638GT	WASHER,FLAT,USS,1/4"Y	
9	128724GT	BOLT,CARRIAGE,1/4-20 X 2.75,G2	
10	122551GT	CLAMP,JIB HOSE/CABLE,S105,S125....2	
--	122552GT	CLAMP,JIB HOSE/CABLE,ARCTIC <i>(part of the Arctic hose option)</i>	
11	128483GT	BACKING PLATE, HOSE BLOCK, JIB....2	
12	8255GT	SCREW,HHC,3/8-16 X .75	
13	6021GT	WASHER,LOCK,.,375	
14	128482GT	HOSE GUIDE, JIB.....1	
15	8915GT	SCREW,HHC,1/4-20 X 1.25	
16	56912GT	SPRING CLIP,1/4-20,.025-.15X.54,ZAG.....1	
17	6090GT	SCREW,HHC,1/4-20 X .75	
18	119536PGT	BRACKET,HOSE CLAMP,PAINTED.....1	
19	119542GT	CLAMP,TWO HOSE.....1	
20	81640GT	WEAR PAD,3 X 1.5 X.625 W/NUTS.....1	
21	79456GT	BOLT,CARRIAGE,1/4-20 X 1.00,G2	

601.1 Platform Installation - View 1



601.1 Platform Installation - View 1

Item	Part No.	Description	Qty.	Item	Part No.	Description	Qty.
--	102660GT	PLAT. ASSY, 4FT,SERV,S120 ANSI <i>Assemblies with Word Decals; USA/Canada models; to SN 325</i>		--	111187GT	PLAT. ASSY, 5FT,SERV,S120 <i>Assemblies with Word Decals; USA/Canada models; from SN 326</i>	
--	111194GT	PLAT. ASSY, 4FT,SERV,S125 ANSI <i>Assemblies with Word Decals; USA/Canada models; to SN 325</i>		--	111211GT	PLAT. ASSY, 5FT,SERV,S125 <i>Assemblies with Word Decals; USA/Canada models; from SN 326</i>	
--	102661GT	PLAT. ASSY, 5FT,SERV,S120 ANSI <i>Assemblies with Word Decals; USA/Canada models; to SN 325</i>		--	111188GT	PLAT. ASSY, 6FT,SERV,S120 <i>Assemblies with Word Decals; USA/Canada models; from SN 326</i>	
--	111195GT	PLAT. ASSY, 5FT,SERV,S125 ANSI <i>Assemblies with Word Decals; USA/Canada models; to SN 325</i>		--	111212GT	PLAT. ASSY, 6FT,SERV,S125 <i>Assemblies with Word Decals; USA/Canada models; from SN 326</i>	
--	102662GT	PLAT. ASSY, 6FT,SERV,S120 ANSI <i>Assemblies with Word Decals; USA/Canada models; to SN 325</i>		--	111189GT	PLAT. ASSY, 8FT,SERV,S120 <i>Assemblies with Word Decals; USA/Canada models; from SN 326</i>	
--	111196GT	PLAT. ASSY, 6FT,SERV,S125 ANSI <i>Assemblies with Word Decals; USA/Canada models; to SN 325</i>		--	111213GT	PLAT. ASSY, 8FT,SERV,S125 <i>Assemblies with Word Decals; USA/Canada models; from SN 326</i>	
--	102663GT	PLAT. ASSY, 8FT,SERV,S120 ANSI <i>Assemblies with Word Decals; USA/Canada models; to SN 325</i>		--	111190GT	PLAT ASSY, 4FT, AUST, S120 <i>Assemblies with Word Decals; Australia models; from SN 326</i>	
--	111197GT	PLAT. ASSY, 8FT,SERV,S125 ANSI <i>Assemblies with Word Decals; USA/Canada models; to SN 325</i>		--	111214GT	PLAT ASSY, 4FT, AUST, S125 <i>Assemblies with Word Decals; Australian models; from SN 326</i>	
--	102664GT	PLAT ASSY, 4FT, AUST, S120 <i>Assemblies with Word Decals; Australia models; to SN 325</i>		--	111191GT	PLAT ASSY, 5FT, AUST, S120 <i>Assemblies with Word Decals; Australia models; from SN 326</i>	
--	111198GT	PLAT ASSY, 4FT, AUST, S125 <i>Assemblies with Word Decals; Australia models; to SN 325</i>		--	111215GT	PLAT ASSY, 5FT, AUST, S125 <i>Assemblies with Word Decals; Australian models; from SN 326</i>	
--	102665GT	PLAT ASSY, 5FT, AUST, S120 <i>Assemblies with Word Decals; Australia models; to SN 325</i>		--	111192GT	PLAT ASSY, 6FT, AUST, S120 <i>Assemblies with Word Decals; Australia models; from SN 326</i>	
--	111199GT	PLAT ASSY, 5FT, AUST, S125 <i>Assemblies with Word Decals; Australia models; to SN 325</i>		--	111216GT	PLAT ASSY, 6FT, AUST, S125 <i>Assemblies with Word Decals; Australian models; from SN 326</i>	
--	102666GT	PLAT ASSY, 6FT, AUST, S120 <i>Assemblies with Word Decals; Australia models; to SN 325</i>		--	111193GT	PLAT ASSY, 8FT, AUST, S120 <i>Assemblies with Word Decals; Australia models; from SN 326</i>	
--	111200GT	PLAT ASSY, 6FT, AUST, S125 <i>Assemblies with Word Decals; Australia models; to SN 325</i>		--	111217GT	PLAT ASSY, 8FT, AUST, S125 <i>Assemblies with Word Decals; Australian models; from SN 326</i>	
--	102667GT	PLAT ASSY, 8FT, AUST, S120 <i>Assemblies with Word Decals; Australia models; to SN 325</i>		--	102668GT	PLAT ASSY, 4FT,CE/UK, S120 <i>Assemblies with Symbol Decals; European models</i>	
--	111201GT	PLAT ASSY, 8FT, AUST, S125 <i>Assemblies with Word Decals; Australia models; to SN 325</i>		--	111202GT	PLAT ASSY, 4FT, CE/UK, S125 <i>Assemblies with Symbol Decals; European models</i>	
--	111186GT	PLAT. ASSY, 4FT,SERV,S120 <i>Assemblies with Word Decals; USA/Canada models; from SN 326</i>		--	102669GT	PLAT ASSY, 5FT, CE/UK, S120 <i>Assemblies with Symbol Decals; European models</i>	
--	111210GT	PLAT. ASSY, 4FT,SERV,S125 <i>Assemblies with Word Decals; USA/Canada models; from SN 326</i>		--	111203GT	PLAT ASSY, 5FT, CE/UK, S125 <i>Assemblies with Symbol Decals; European models</i>	

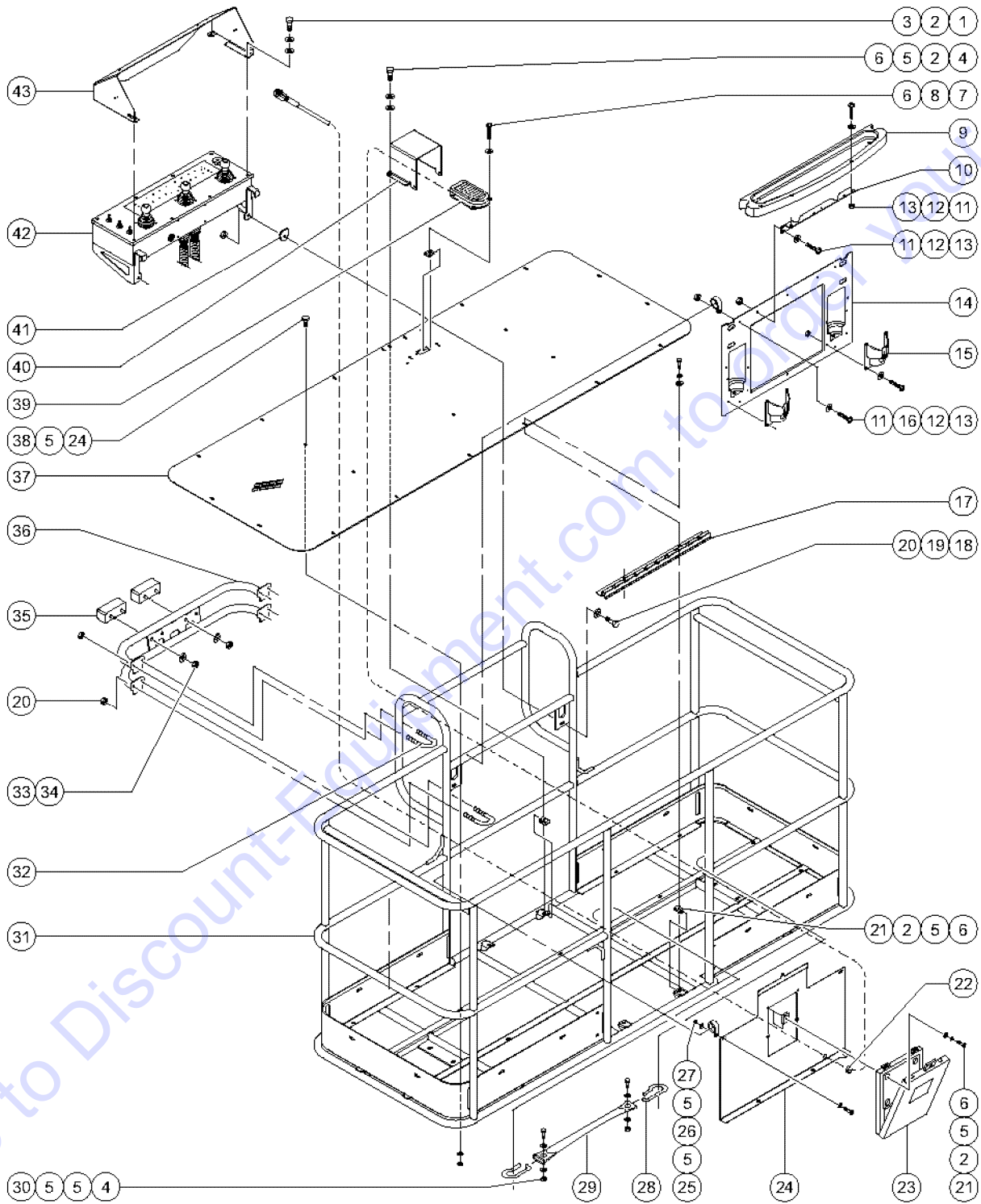
601.1 Platform Installation - View 1
(continued)

Item	Part No.	Description	Qty.	Item	Part No.	Description	Qty.
--	102670GT	PLAT ASSY, 6FT, CE/UK, S120 <i>Assemblies with Symbol Decals; European models</i>		--	74052GT	GASKET,COVER,GFCI,WEATHERPROOF	
--	111204GT	PLAT ASSY, 6FT, CE/UK, S125 <i>Assemblies with Symbol Decals; European models</i>		12	75123-SGT	PLATFORM SUPPORT ASSY.SUPRBOO.....1 <i>to SN 135</i>	
--	102671GT	PLAT ASSY, 8FT, CE/UK, S120 <i>Assemblies with Symbol Decals; European models</i>		--		Ref., WELDMENT,PLATFORM SUPPORT,CE <i>CE models (refer to 803.1)</i>	
--	111205GT	PLAT ASSY, 8FT, CE/UK, S125 <i>Assemblies with Symbol Decals; European models</i>		--	60370-SGT	PLATFORM SUPPORT WELDMNT-SERV* <i>from SN 136 to 194</i>	
--	102672GT	PLAT ASSY, 4FT, A/SA, S120 <i>Assemblies with Symbol Decals; Asia/South America models</i>		--	94390-SGT	OPTION,PLAT SUPPORT,STD,LRG BM <i>ANSI models (from SN 195)</i>	
--	111206GT	PLAT ASSY, 4FT, A/SA, S125 <i>Assemblies with Symbol Decals; Asia/South American models</i>		13	94326-SGT	WELDMENT,4/5FT PLATFORM SUPPOR	
--	102673GT	PLAT ASSY, 5FT, A/SA, S120 <i>Assemblies with Symbol Decals; Asia/South America models</i>		--	13585GT	OUTLET, 110V.....1	
--	111207GT	PLAT ASSY, 5FT, A/SA, S125 <i>Assemblies with Symbol Decals; Asia/South American models</i>		14	75069GT	T-BOX 2.75 X 4.5 X 2.5.....1	
--	102674GT	PLAT ASSY, 6FT, A/SA, S120 <i>Assemblies with Symbol Decals; Asia/South America models</i>		15	7056GT	CONN, SQZ, 1/2NPT .38-.50, SM**.....2	
--	111208GT	PLAT ASSY, 6FT, A/SA, S120 <i>Assemblies with Symbol Decals; Asia/South American models</i>		16	43955GT	WIRE CABLE,12/3 CON.TPE JKT.....1740-inches	
--	102675GT	PLAT ASSY, 8FT, A/SA, S120 <i>Assemblies with Symbol Decals; Asia/South America models</i>		17	6175GT	SCREW,HHC,3/8-16 X 1 <i>to SN 181</i>	
--	111209GT	PLAT ASSY, 8FT, A/SA, S125 <i>Assemblies with Symbol Decals; Asia/South American models</i>		--	49857GT	SCREW,HHC,3/8-16 X .88,GRD 8 <i>from SN 444</i>	
1	6019GT	SCREW,HHC,3/8-16 X 1.25 GRD 5		--	77692GT	SCREW,HHC,3/8-16 X 1 GRD 8 <i>from SN 182 to SN 443</i>	
2	6097GT	WASHER,FLAT,USS,3/8",Y		18	57201GT	WASHER,FLAT,313, HARDENED.....8	
3	4828GT	NUT,NYLOCK,3/8-16		19	73928GT	SCREW,HHC,1-8 X 11,GRD 5***	
4	54817P-SGT	TOEBOARD,PLTFM ENTRY EUR,PNTD*.....1 <i>to SN 203</i>		20	122079GT	WASHER,FLAT,1.000,HARDENED.....1	
--	94745PGT	TOEBOARD,ENTRY EUROPEAN PNTD** <i>from SN 204</i>		21	29764GT	NUT,NYLOCK,1-8	
5	6090GT	SCREW,HHC,1/4-20 X .75		22	122755GT	UBOLT,FLATTENED,1.5DIAX3/8 UNC	
6	6638GT	WASHER,FLAT,USS,1/4"Y					
7	6091GT	NUT,NYLOCK,1/4-20					
8	89425GT	WELDMENT,PLATF.MANFLD.SUPPORT.1					
9	61339GT	PLATE,BACKING.....2					
10	75067GT	SCREW,6-32 X 7/8 PPMS ZINC					
11	74006GT	COVER,GFCI,HORIZONTAL,WEATHER.1					
--	10777GT	COVER,BLANK					

This Page Intentionally Left Blank

Go to Discount-Equipment.com to order your parts

602.1 Platform Installation - View 2



602.1 Platform Installation - View 2

Item	Part No.	Description	Qty.	Item	Part No.	Description	Qty.
1	7339GT	SCREW, HHC, 1/4-20 X .5 to SN 181		--	139451GT	TUBE,SLIDING MIDRAIL,PAINTED	
2	6356GT	WASHER,LOCK,.25		--	20973GT	WIRE LOOM,3/8 POLY SLIT	
3	75144GT	WASHER,FLAT,SAE 1/4",ZINC to SN 181		--	21121GT	CABLE TIE,4" BLK,HEAT RESISTNT	
4	6888GT	SCREW,HHC,1/4-20 X 1		30	6091GT	NUT,NYLOCK,1/4-20	
5	6638GT	WASHER,FLAT,USS,1/4"Y		31A	111254GT	PLAT RAILW/DECALS,4FT,750LB AN.....1 (S-100) Railing Assemblies with Word Decals; USA/Canada models; to SN 325	
6	56912GT	SPRING CLIP,1/4-20,.025-.15X.54,ZAG		31A	73975GT	PLATFORM RAIL ASSY, 6FT ANSI (S-105) Railing Assemblies with Word Decals; USA/Canada models; to SN 325	
7	73587GT	SCREW,PHIL,10-24 X .75		31A	73976GT	PLATFORM RAIL ASSY, 8FT, ANSI (S-105) Railing Assemblies with Word Decals; USA/Canada models; to SN 325	
8	6607GT	WASHER,LOCK,#10 PLTD		31A	77840GT	WELDMENT W/DECALS,5FT,500LB AN (S-105) Railing Assemblies with Word Decals; USA/Canada models; to SN 325	
9	60476GT	TOOL HOLDER,PLASTIC.....1		--	111255GT	PLAT RAILW/DECLAS 5FT 750LB AN (S-100) Railing Assemblies with Word Decals; USA/Canada models; to SN 325	
10	60475GT	GUSSET,TOOL HOLDER,PLASTIC.....1		--	111256GT	PLAT RAIL W/DECALS 6FT 750 ANS (S-100) Railing Assemblies with Word Decals; USA/Canada models; to SN 325	
11	6178GT	NUT,NYLOCK,10-32		--	111257GT	PLAT RAILW/DECALS 8FT 750 ANSI (S-100) Railing Assemblies with Word Decals; USA/Canada models; to SN 325	
12	6146GT	WASHER,FLAT,MS,#10,Y		31B	111250GT	PLAT RAILW/DECALS,4FT,500LB AN.....1 (S-105) Railing Assemblies with Word Decals; USA/Canada models; from SN 326	
13	49816GT	SCREW,PHILLIPS,PHM,10-32 X .75		31B	111270GT	PLAT RAILW/DECALS,4FT,750LB AN (S-100) Railing Assemblies with Word Decals; USA/Canada models; to SN 326	
14	75114-SGT	DECAL PLATE W/WORD DECALS USA/Canada/Australia; to SN 325		--	111251GT	PLAT RAILW/DECALS,5FT,500LB AN (S-105) Railing Assemblies with Word Decals; USA/Canada models; from SN 326	
--	102200-SGT	DECAL PLATE W/SYMB DECALS S120 Europe/Asia/South America		--	111252GT	PLAT RAILW/DECALS 6FT 500LB AN (S-105) Railing Assemblies with Word Decals; USA/Canada models; from SN 326	
--	111278GT	DECAL PLATE ASSY W/WORD DECALS USA/Canada/Australia; from SN 326		--	111253GT	PLAT RAILW/DECALS 8FT 500 ANSI (S-105) Railing Assemblies with Word Decals; USA/Canada models; from SN 326	
15	60474GT	CUP HOLDER,PLASTIC.....2		--	111271GT	PLAT RAILW/DECALS,5FT,750LB AN (S-100) Railing Assemblies with Word Decals; USA/Canada models; to SN 326	
16	60478GT	CLAMP,1.25"DIA NON-CUSHIONED.....5		--	111272GT	PLAT RAILW/DECALS 6FT 750 ANSI (S-100) Railing Assemblies with Word Decals; USA/Canada models; to SN 326	
17	73610PGT	STEP PLATFORM ENTRY PAINTED***1		--	111273GT	PLAT RAILW/DECALS 8FT 750 ANSI (S-100) Railing Assemblies with Word Decals; USA/Canada models; to SN 326	
18	8516GT	SCREW, HCC, 3/8-16 X 1.50 to SN 252		31C	111258GT	PLAT RAILW/DECALS 4FT 750 AUST.....1 (S-100) Railing Assemblies with Word Decals; Australia models	
19	6097GT	WASHER,FLAT,USS,3/8",Y to SN 252		31C	60042-SGT	PLATFORM WELDMENT,4 FT.....1 (S-105) Railing Assemblies with no Decals	
20	4828GT	NUT,NYLOCK,3/8-16 to SN 252					
21	6090GT	SCREW,HHC,1/4-20 X .75					
22	229768GT	GROMMET,RUBBER,1.0X0.094X1.375..1					
23A	44743GT	MANUAL BOX W/DECALS***1 USA/Canada/Australia					
23B	24514GT	BOX,INSTRUCTION STORAGE Europe/Asia/South America (decals required; refer to Section100)					
24	75537PGT	PLATE,DOCUMENT BOX MOUNT,PAINT.....1					
25	56912GT	SPRING CLIP,1/4-20,.025-.15X.54,ZAG.....2					
26	56424GT	CLAMP,1.25X.5 RUBBER-CUSHION.....5					
27	8914GT	SCREW,HHC,1/4-20 X .625					
28	12443GT	MIDRAIL GUIDE (HOOK).....2					
29	102992GT	SLIDING MIDRAIL KIT,PTD.....1					
--	12443GT	MIDRAIL GUIDE (HOOK)					

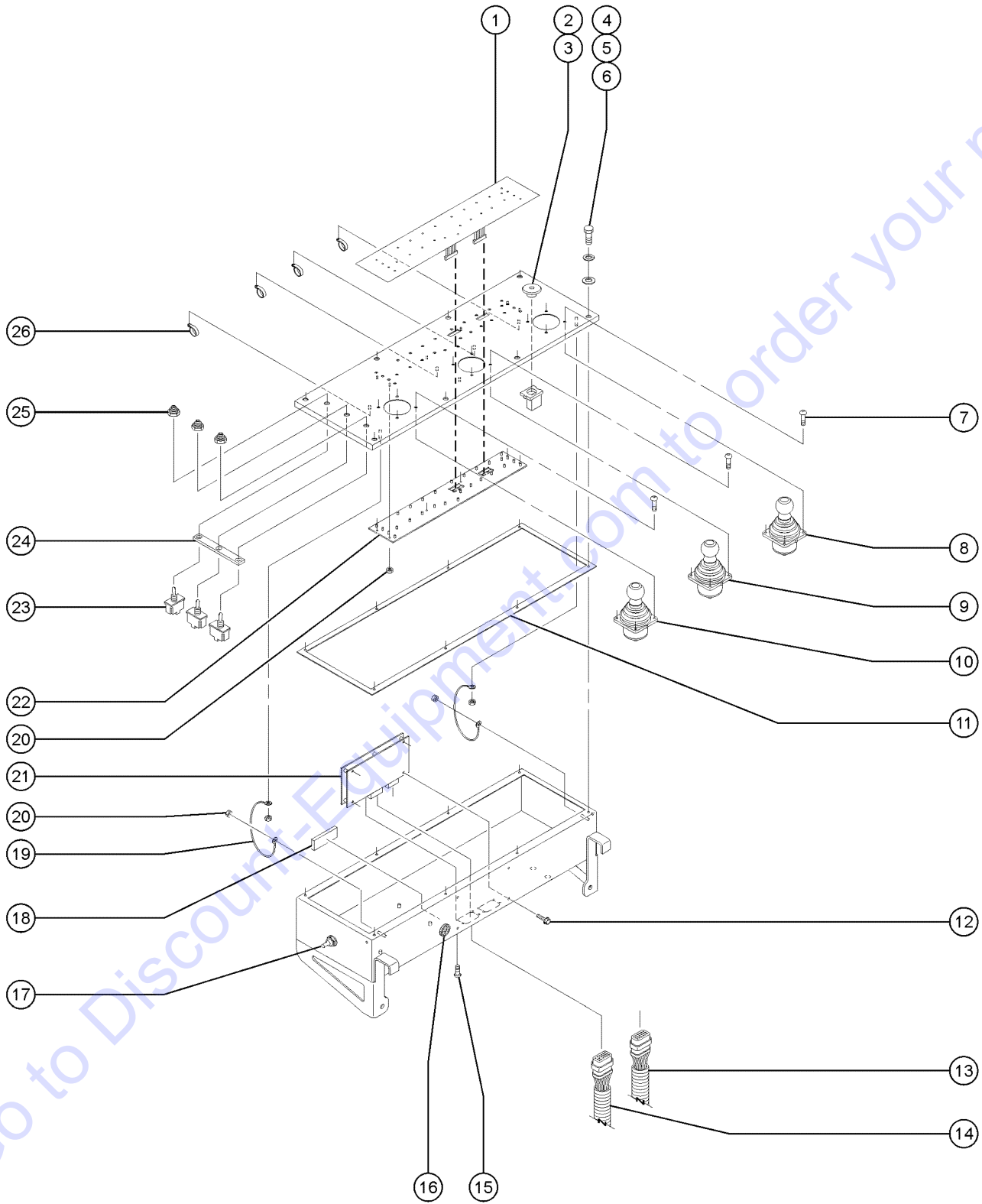
602.1 Platform Installation - View 2
(continued)

Item	Part No.	Description	Qty.	Item	Part No.	Description	Qty.
--	101377GT	PLAT ASSEMBLY,5FT,AUSTRALIA*** (S-105) Railing Assemblies with Word Decals; Australia models		--	101384GT	PLAT ASSEMBLY,8FT,ASIA/S AM (S-105) Railing Assemblies with Symbol Decals; Asia/South American models	
--	101383GT	PLAT RAIL ASSY,8FT,AUSTRALIA** (S-105) Railing Assemblies with Word Decals; Australia models		--	111267GT	PLAT RAILW/DECALS 5FT 750A/SOA (S-100) Railing Assemblies with Symbol Decals; Asia/South American models	
--	111259GT	PLAT RAILW/DECLAS 5FT 750 AUST (S-100) Railing Assemblies with Word Decals; Australia models		--	111268GT	PLAT RAILW/DECALS 6FT 750A/SOA (S-100) Railing Assemblies with Symbol Decals; Asia/South American models	
--	111260GT	PLAT RAILW/DECALS 6FT 750 AUST (S-100) Railing Assemblies with Word Decals; Australia models		--	111269GT	PLAT RAILW/DECALS 8FT 750A/SOA (S-100) Railing Assemblies with Symbol Decals; Asia/South American models	
--	111261GT	PLAT RAILW/DECALS 8FT 750 AUST (S-100) Railing Assemblies with Word Decals; Australia models		32	122755GT	UBOLT,FLATTENED,1.5DIA X 3/8 UNC	
--	73900GT	WELDMNT,6 FT PLATFORM (S-105) Railing Assemblies with no Decals		33	4828GT	NUT,NYLOCK,3/8-16 (S-100 only)	
31D	101373GT	PLATFORM ASSEMBLY,4FT,CE/UK.....1 (S-105) Railing Assemblies with Symbol Decals; European models		34	54355GT	WASHER,FLAT,SAE,3/8",Y (S-100 only)	
31D	111262GT	PLAT RAILW/DECALS 4FT 750 EURO...1 (S-100) Railing Assemblies with Symbol Decals; European models		35	56927GT	PAD,REST,2" THICK,W/STUDS*.....2 (S-100 only)	
--	101376GT	PLATFORM ASSEMBLY,5FT,CE/UK (S-105) Railing Assemblies with Symbol Decals; European models		36	61216-SGT	WELDMENT,PLAT. STOWED SUPPORT.....1 (S-100 only)	
--	101379GT	PLATFORM RAIL ASSY,6FT,CE/UK (S-105) Railing Assemblies with Symbol Decals; European models		37	54247-SGT	PLAT. FLOOR, 5FT, PAINTED	
--	101382GT	PLATFORM RAIL ASSY,8FT,CE/UK (S-105) Railing Assemblies with Symbol Decals; European models		37	60160PGT	FLOORING,4 FT PLATFORM,PAINTED.....1	
--	111263GT	PLAT RAILW/DECLAS 5FT 750 EURO (S-100) Railing Assemblies with Symbol Decals; European models		37	73477PGT	FLOORING, 6'FT PLATFORM	
--	111264GT	PLAT RAILW/DECALS 6FT 750 EURO (S-100) Railing Assemblies with Symbol Decals; European models		37	73478PGT	FLOORING,8 FT PLATFORM**	
--	111265GT	PLAT RAILW/DECALS 8FT 750 EURO (S-100) Railing Assemblies with Symbol Decals; European models		--	54247-SGT	PLAT. FLOOR, 5FT, PAINTED	
31E	101375GT	PLAT ASSEMBLY,4FT,ASIA/S AM.....1 (S-105) Railing Assemblies with Symbol Decals; Asia/South American models		--	73477PGT	FLOORING, 6'FT PLATFORM	
31E	111266GT	PLAT RAILW/DECALS 750 AISA/SOA...1 (S-100) Railing Assemblies with Symbol Decals; Asia/South American models		--	73478PGT	FLOORING,8 FT PLATFORM**	
--	101378GT	PLAT ASSEMBLY,5FT,ASIA/S AM (S-105) Railing Assemblies with Symbol Decals; Asia/South American models		38	54274GT	SCREW,STEP BOLT,1/4-20 X .75	
--	101381GT	PLAT ASSEMBLY,6FT,ASIA/S AM (S-105) Railing Assemblies with Symbol Decals; Asia/South American models		39	228465GT	KIT, FOOTSWITCH, SUPERBOOM.....1 Pervious foot switch is no longer available. Order kit 228465 for first time replacement (kit includes foot switch 227515); to SN 918	
				--	227515GT	ASSEMBLY,FOOT SWITCH from SN 919	
				--	33576GT	CONN,SQZ,BLK,1/2NPT,.38-.50,SM	
				40	32710GT	GUARD,FOOTSWITCH,W/DECAL STEEL.....1 to SN 135	
				--	73931GT	GUARD,FOOTSWITCH,W/DECAL ALUM USA/Canada/Australia; from SN 136 to 809	
				--	147221GT	GUARD,FOOTSWITCH,W/DECAL ALUM USA/Canada/Australia; from SN 810	
				--	63766GT	COVER,FOOT SWITCH Europe/Asia/South America; from SN 136 to 809	
				--	147121GT	COVER, FOOT SWITCH, LARGE Europe/Asia/South America; from SN 810	

Item	Part No.	Description	Qty.
41	107860GT	PLATE,PLAT.CONTROL BOX SPACER..... <i>from SN 136 to SN 252</i>	2
42		Ref. Platform Controls (refer to 603.1)	
43		Ref. Platform Controls Cover (refer to 802.1)	

Go to Discount-Equipment.com to order your parts

603.1 Platform Controls



603.1 Platform Controls

Item	Part No.	Description	Qty.	Item	Part No.	Description	Qty.
--	122021GT	CONTROL BOX ASSY,PLATFORM to SN 756		--	61283GT	SLEAVING,PARKER TEK,2.00"	
--	146137GT	CONTROL BOX ASSY, PCON 210 from SN 757 to 805		--	83122GT	CONTACT RECEPTACLE 20-16AWG	
--	146389GT	CONTROL BOX ASSY, PCON V3.00 from SN 806		14A	75407GT	HARNESS,BOOM,SAE UPPER 100/105.....1 to SN 805	1
--	58626GT	CONTROL BOX (122021) NO COVER		--	60512GT	CONN,PLUG 23 WAY,16-20 GA BLK to SN 805	
--	58629GT	COVER ASSY,CONTROL BOX,122021 includes only cover and gasket		--	61283GT	SLEAVING,PARKER TEK,2.00" to SN 805	
--	65182GT	DECAL,PLATFORM CONTROL PANEL		--	83122GT	CONTACT RECEPTACLE 20-16AWG to SN 805	
--	72088GT	DECAL,CONTROL PANEL PROTECTOR for 65182		14B	146197GT	HARNESS, BOOM/SAE UPPER S105 from SN 806	
--	111414GT	JOYSTICK CONNECTOR ASSEM,AMP to SN 419		--	121657GT	FUSE HOLDER,ATC 1-20 AMPS from SN 806	
--	111413GT	JOYSTICK CONNECTOR ASSEM,DEUT from SN 420		--	69864GT	FUSE,5 AMP,ATC from SN 806	
1	50810GT	SWITCH,MEMBRANE,PLATFORM.....1	1	15	62387GT	SCREW,PHM, 4-20 X .25 SELF TAP	
2	122519GT	KIT,ESTOP SVC LARGE BOOM		16	62379GT	ALARM,AUDIO,SUPERBOOM***.....1	1
3	66812GT	BUTTON,PUSH,RED MUSHROOM HEAD		--	72326GT	NUT - PLASTIC,RING FOR ALARMS	
--	146478GT	BOOT(BELLOWS),E-STOP,BLACK		17	122362GT	FIELD KIT,PL LVL REC,ALC1000 platform level recovery option	
--	66818GT	CONTACT,NC.....1	1	--	122343GT	DECAL,PLAT LVL.RECOVERY	
--	66821GT	BASE,WITHOUT CONTACTS		--	122461GT	HARNESS,PLAT LEVEL RECOVERY	
4	7339GT	SCREW, HHC, 1/4-20 X .5		--	128203GT	SWITCH TOGGLE ASSY SPDT 2P MOM	
5	6356GT	WASHER,LOCK,.25		--	229567GT	PLUG, SANTOPRENE .5 BLACK DOME use if field kit part 122362 is not installed	
6	75144GT	WASHER,FLAT,SAE 1/4",ZINC		18	30997GT	CORROSION INHIBITOR,FOAM.....1	1
7	62385GT	SCREW,PHM,M5X.8X10MM SELF TAP		19	62388GT	LANYARD,BEAD CHAIN, TCON.....2	2
8		Ref., JOYSTICK.....1 Dual axis for drive and steer functions or use joystick 101005, refer to 604.1 or 604.2	1	20	62389GT	NUT,HEX,6/32 W/STAR WASHER	
--		Ref., JOYSTICK Control handle for drive function and thumb rocker for steer function		21	62383GT	PCB,ASSY,ECM,PLAT, VER 1.08.....1 from SN 131 to 185	1
9		Ref., JOYSTICK Single axis for boom extend/retract function, refer to 604.1 or 604.2		--	122078GT	HARNESS,PCON INTERNAL CONTROL from SN 420	
10		Ref., JOYSTICK Dual axis for boom up/down and turntable rotate left/right functions, refer to 604.1 or 604.2		--	122401GT	PCB,ASSY,ECM,PLATFORM,VER 110 from SN 186 to 756	
11	62382GT	GASKET,PLATF. CNTRLS.SUPERBOOM.....1	1	--	146138GT	PCB,ASSY,ECM,PLATFORM,VER 210 from SN 757 to 805	
12	62386GT	SCREW,LOCKING FLANGE 6/32X.375		--	146390GT	PCB,ASSY,ECM,PLATFORM,VER 3.00 from SN 806	
13	60384GT	HARNESS,PCON J2.....1 (S-105) to SN 928	1	--	34052GT	RELAY,SPDT,12V(AUTO) PLUG IN**	
13	60950GT	HARNESS,PCON J2,(MANIFOLD).....1 (S-100)	1	--	75140GT	HARNESS,PCON INTERNAL CONTROL to SN 419	
--	122954GT	HARNESS,J2 PLAT MANFD W/JIB (S-105) from SN 929		22	62399GT	PCB,MEMBRANE/LED,SB/Z80.....1	1
--	60513GT	CONN,PLUG 23 WAY,16-20 GA WHT		23	13037-SGT	SWITCH,TOGGLE,SPDT,3POS MOMEN*.....3	3
				24	75141GT	PLATE,TOGGLE SWITCH MOUNT,PCON.....1	1
				25	27246GT	BOOT,TOGGLE SWITCH,SHORT*.....3	3

603.1 Platform Controls
(continued)

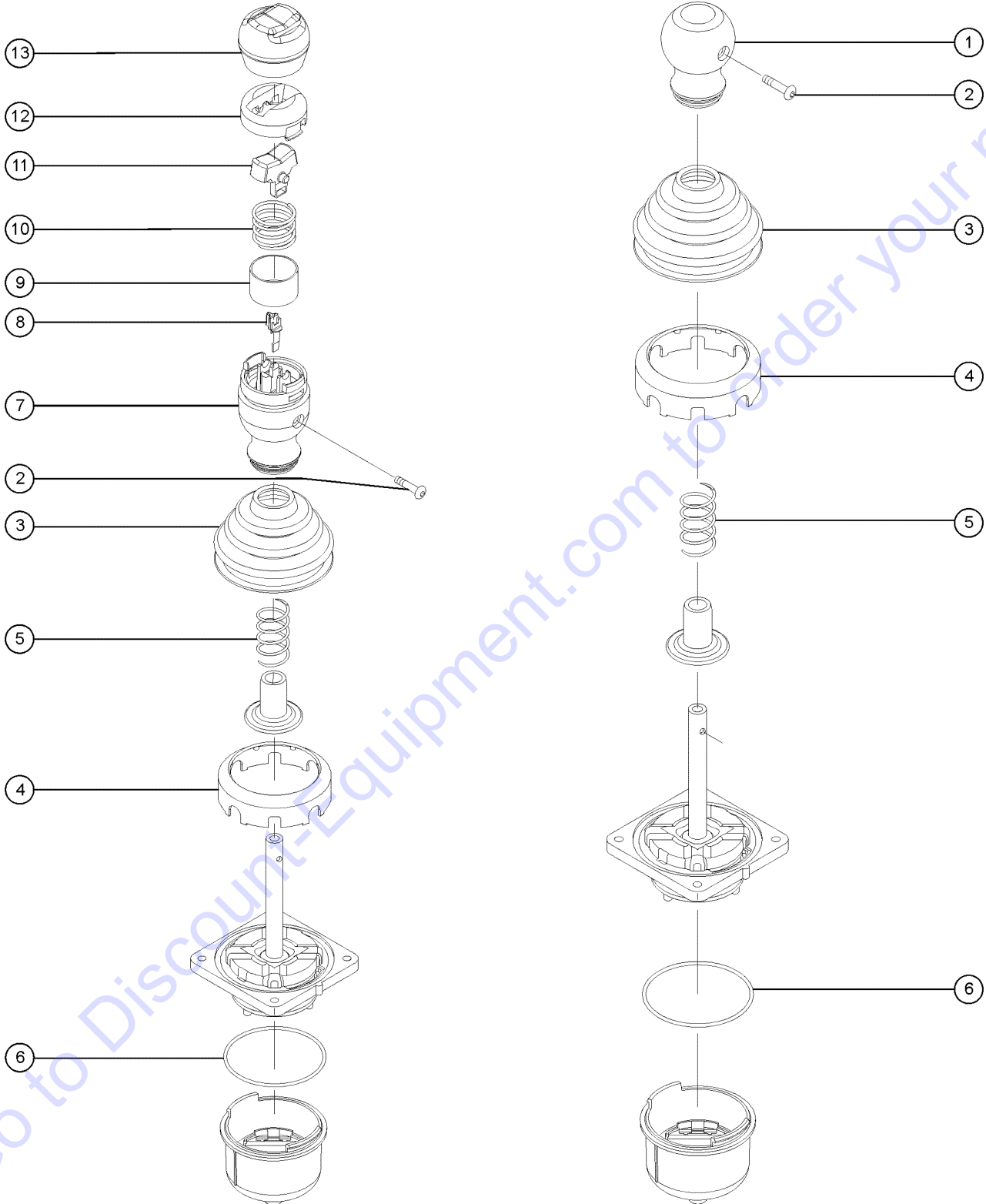
Item	Part No.	Description	Qty.
26	75142GT	CABLE TIE,STUD MOUNT (PCON).....5	

Go to Discount-Equipment.com to order your parts

This Page Intentionally Left Blank

Go to Discount-Equipment.com to order your parts

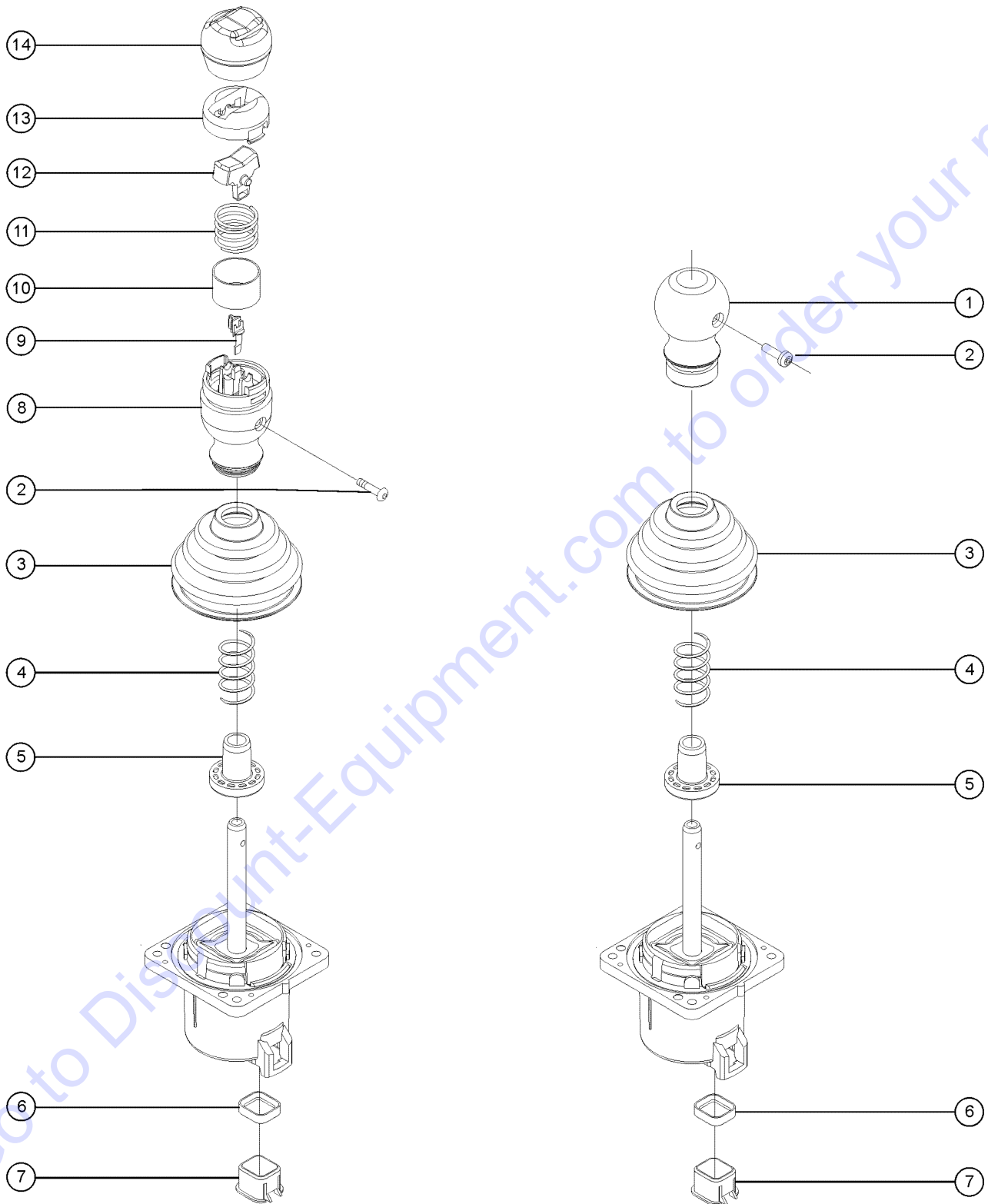
604.1 Joysticks (to SN 419)



Go to Discount-Equipment.com to order your parts

Item	Part No.	Description	Qty.
--	111417GT	JOYSTICK W/HARN ADPTR, 2 AXIS <i>this kit converts joystick to Deutsch style connection (OEM joystick); after first time replacement, refer to section 604.2</i>	
--	111415GT	JOYSTICK W/HARN ADPTR, 1 AXIS <i>this kit converts joystick to Deutsch style connection (OEM joystick); after first time replacement, refer to section 604.2</i>	
--	111416GT	JOYSTICK W/HARN ADPTR KIT RCKR <i>this kit converts joystick to Deutsch style connection (OEM joystick); after first time replacement, refer to section 604.2</i>	
--	83098GT	TERM,AMP MTE,SOC,22-26 GA BULK	
--	119613GT	HARN JOYSTICK ADAPTOR JS100 <i>for first time replacement only</i>	
Z	1269501GT	KIT, ISOLATION, 3 JOYSTICK	
1	62392GT	KNOB,JOYSTICK, 62390/62391.....1	
2	T112626GT	SCREW, PHM, #6-32 X .625 ZINC.....1	
3	139598GT	BOOT,JOYSTICK.....1	
4	75143GT	BOOT GUARD, JOYSTICK 62390/91.....1	
5		SPRING,JOYSTK CENTR,62390/91.....1 <i>no longer available from supplier</i>	
6		O-RING,JOYSTICK, 62390/62391.....1 <i>no longer available from supplier</i>	
7	75449GT	KNOB,ROCKER JOYSTICK 75565.....1	
8	75448GT	SUPPORT,SENSOR,JOYSTICK.....1	
9	75447GT	SWITCH SHIELD,ROCK JOYSTK75565.....1	
10	75446GT	SPRING,SWITCH CENTERING,75565...1	
11	75445GT	ROCKER ASSY.,MAGNETIC 75565.....1	
12	75444GT	ROCKER,RETAINER, 75565.....1	
13	75443GT	BOOT, ROCKER JOYSTICK 75565.....1	

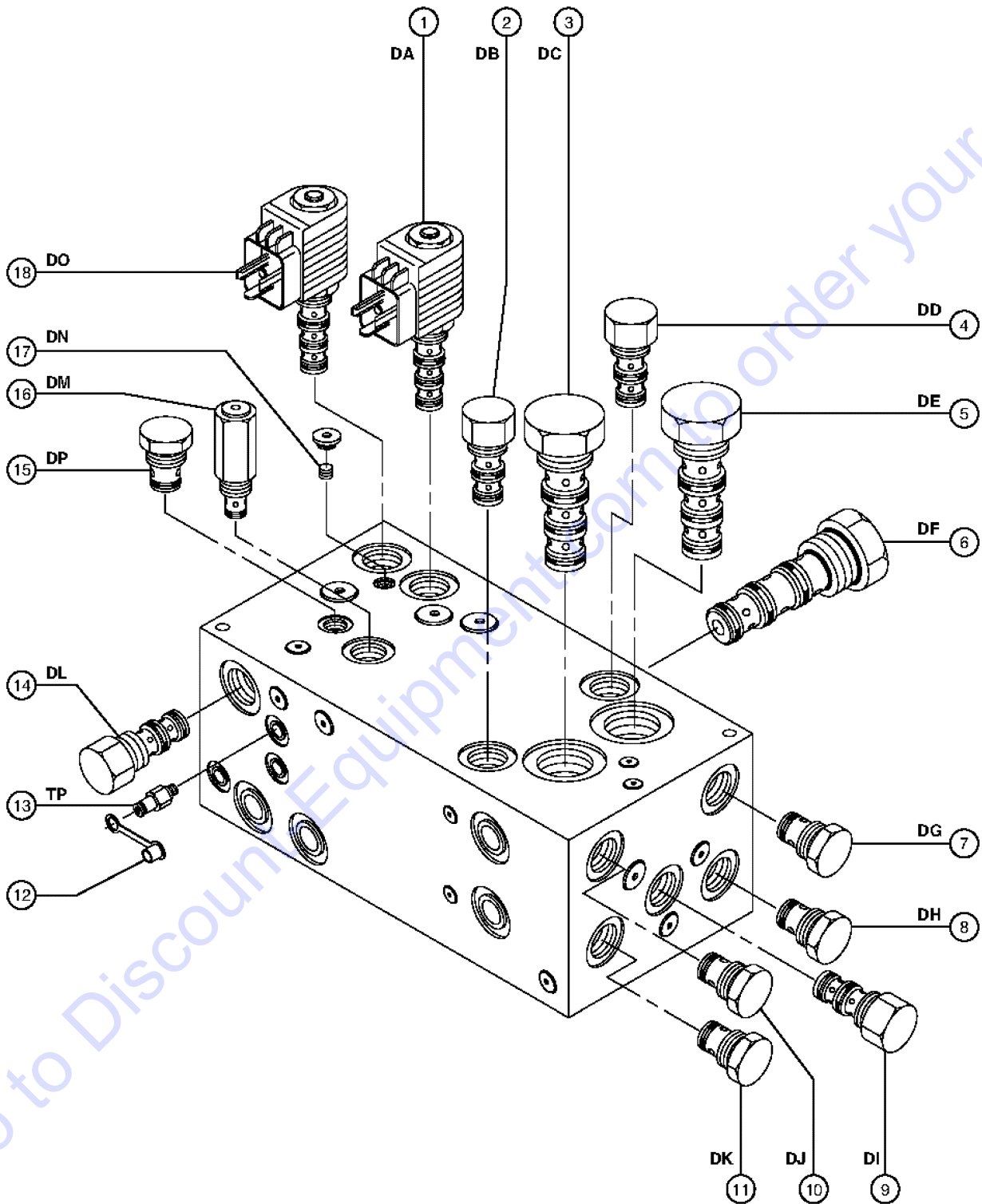
604.2 Joysticks (from SN 420)



604.2 Joysticks (from SN 420)

Item	Part No.	Description	Qty.
--	101174GT	JOYSTICK,2 AXIS,DEUTSCH <i>OEM joystick (calibration required after replacement)</i>	
--	101174HGT	JOYSTICK,DUAL AXIS W/KNOB <i>aftermarket joystick (calibration required after replacement)</i>	
--	101175GT	JOYSTICK,1 AXIS,DEUTSCH <i>OEM joystick (calibration required after replacement)</i>	
--	101175HGT	JOYSTICK,SINGLE AXIS W/KNOB <i>aftermarket joystick (calibration required after replacement)</i>	
--	101005GT	JOYSTICK,1 AXIS ROCKER,DEUTSCH <i>OEM joystick (calibration required after replacement)</i>	
--	101005HGT	JOYSTICK,SINGLE AXIS W/STEER <i>aftermarket joystick (calibration required after replacement)</i>	
--	83098GT	TERM,AMP MTE,SOC,22-26 GA BULK	
--	119613GT	HARN JOYSTICK ADAPTOR JS100 <i>Used only on units prior to SN 420 (6-pin to 7-pin adapter)</i>	
Z	1269501GT	KIT, ISOLATION, 3 JOYSTICK	
1	62392GT	KNOB,JOYSTICK, 62390/62391.....	1
2	T112626GT	SCREW, PHM, #6-32 X .625 ZINC.....	1
3	139598GT	BOOT,JOYSTICK.....	1
4		SPRING,JOYSTK CENTR,62390/91..... <i>no longer available from supplier</i>	1
5	119915GT	COLLAR,JOYSTICK,CENTER.....	1
6	128000GT	SEAL, CONNECTOR (DT JOYSTICKS).....	1
7	128001GT	SLEEVE,CONNECTOR,DT JOYSTICKS.....	1
8	75449GT	KNOB,ROCKER JOYSTICK 75565.....	1
9	75448GT	SUPPORT,SENSOR,JOYSTICK.....	1
10	75447GT	SWITCH SHIELD,ROCK JOYSTK75565.....	1
11	75446GT	SPRING,SWITCH CENTERING,75565...1	
12	75445GT	ROCKER ASSY.,MAGNETIC 75565.....1	
13	75444GT	ROCKER,RETAINER, 75565.....1	
14	75443GT	BOOT, ROCKER JOYSTICK 75565.....1	

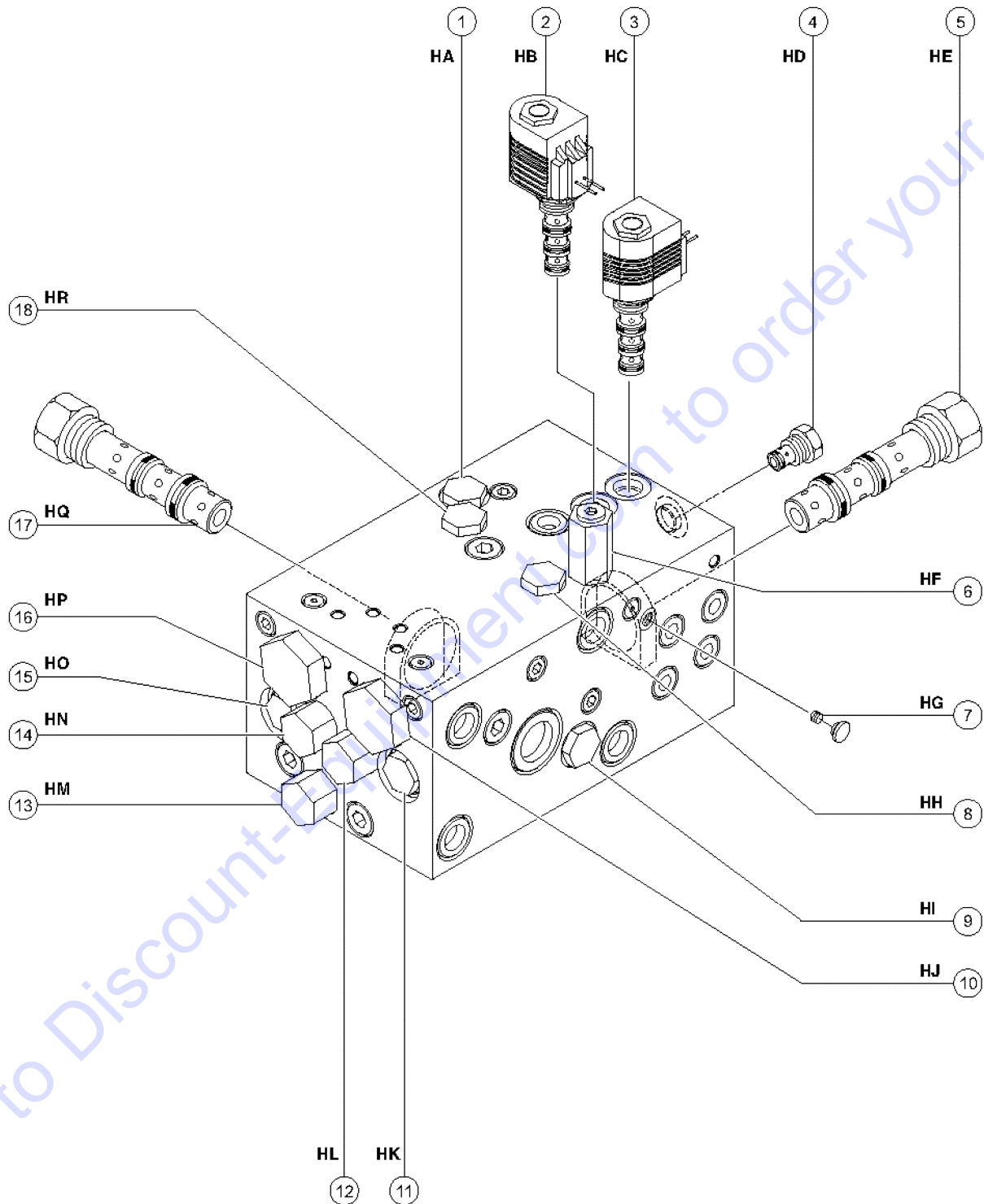
701.1 Traction Manifold (to SN 291)



701.1 Traction Manifold (to SN 291)

Item	Part No.	Description	Qty.	Item	Part No.	Description	Qty.
--	50172GT	MANIFOLD,TRACTION 4WD <i>Complete</i>		15	45543GT	VALVE,CHECK, 50 PSI <i>DP, 2 speed/brake charge pressure circuit</i>	
1	62366GT	VALVE,SOLENOID,2POS 3WAY,DIN <i>DA, Two-speed control</i>		--	74902GT	SEAL KIT, VALVE	
--	52943GT	NUT,SOLENOID VALVE COIL		16	31406GT	VALVE,RELIEF 250 PSI*** <i>DM, Charge pressure circuit</i>	
--	62367GT	COIL,62366,12VDC W/DIN,SIZE 8		--	110194GT	SEAL KIT, VALVE, #10	
--	72043GT	SEAL KIT,SOLENOID VALVE		17	52724GT	PLUG,ORIFICE,0.030 (50684) <i>DN, Brake release and two-speed shift control</i>	
2	52723GT	VALVE-FLOW REGULATOR 2 GPM <i>DB, Drive slip limit, circle end 2 gpm / 7.6 L/min</i>		18	62366GT	VALVE,SOLENOID,2POS 3WAY,DIN <i>DO, Brake control; to SN 291</i>	
--	89310GT	SEAL KIT, SOLENOID VALVE		--	52943GT	NUT,SOLENOID VALVE COIL	
3	52726GT	VALVE,FLOW DIVIDER/COMBINER <i>DC, Controls flow to circle-end drive motors in forward and reverse</i>		--	62367GT	COIL,62366,12VDC W/DIN,SIZE 8	
--	84135GT	SEAL KIT, VALVE		--	72043GT	SEAL KIT,SOLENOID VALVE	
4	52723GT	VALVE-FLOW REGULATOR 2 GPM <i>DD, Drive slip limit, square end</i>					
--	89310GT	SEAL KIT, SOLENOID VALVE					
5	52726GT	VALVE,FLOW DIVIDER/COMBINER <i>DE, Controls flow to square-end drive motors in forward and reverse</i>					
--	84135GT	SEAL KIT, VALVE					
6	52726GT	VALVE,FLOW DIVIDER/COMBINER <i>DF, Controls flow to front and rear flow divider/combiner valves DC and DE</i>					
--	84135GT	SEAL KIT, VALVE					
7	20318GT	VALVE,CHECK CP100-2-B-O-005 <i>DG, Anti-cavitation</i>					
--	110194GT	SEAL KIT, VALVE, #10					
8	20318GT	VALVE,CHECK CP100-2-B-O-005 <i>DH, Anti-cavitation</i>					
--	110194GT	SEAL KIT, VALVE, #10					
9	62368GT	VALVE,FLOW REGULATOR, 2.7 GPM <i>DI, Drive slip limit, front and rear</i>					
--	89310GT	SEAL KIT, SOLENOID VALVE					
10	20318GT	VALVE,CHECK CP100-2-B-O-005 <i>DJ, Anti-cavitation</i>					
--	110194GT	SEAL KIT, VALVE, #10					
11	20318GT	VALVE,CHECK CP100-2-B-O-005 <i>DK, Anti-cavitation</i>					
--	110194GT	SEAL KIT, VALVE, #10					
12	48880GT	CAP,DIAGNOSTIC NIPPLE					
13	48997GT	NIPPLE,DIAGNOSTIC,#4 <i>TP, Testing</i>					
--	20224GT	DIAGNOSTIC FEMALE Q-DSCNT					
14	62369GT	VALVE,SHUTTLE, 3 POS. 3 WAY <i>DL, Charge pressure circuit that gets hot oil out of low pressure side of drive pump</i>					
--	84134GT	SEAL KIT, VALVE					

701.2 Traction Manifold (from SN 292)

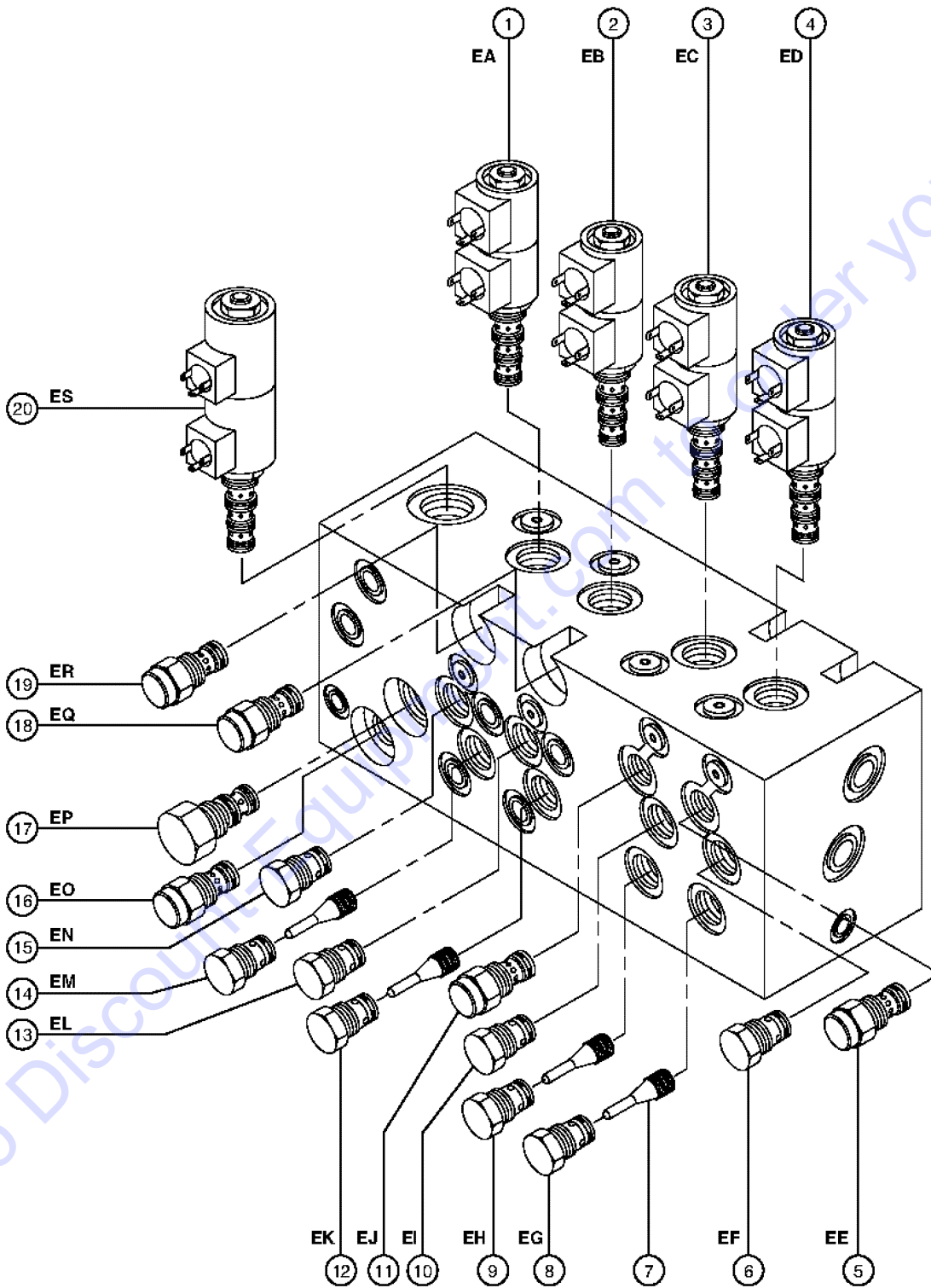


Go to Discount-[www.discount-terex.com](#) to order your parts

701.2 Traction Manifold (from SN 292)

Item	Part No.	Description	Qty.	Item	Part No.	Description	Qty.
--	70241GT	MANIFOLD, TRACTION, 4WD <i>Complete</i>		15	69873GT	VALVE, CHECK <i>HO, Anti-cavitation</i>	
1	27836GT	VALVE, CHECK, 5 PSI <i>HA, Anti-cavitation</i>		--	74902GT	SEAL KIT, VALVE	
--	110194GT	SEAL KIT, VALVE, #10		16	62252GT	VALVE, FLOW DIVIDER COMBINER <i>HP, Controls flow to circle end drive motors in forward and reverse</i>	
2	77489GT	VALVE, SOLENOID 2 POS. 3 WAY <i>HB, Two-speed drive motor shift</i>		--	84135GT	SEAL KIT, VALVE	
--	72043GT	SEAL KIT, SOLENOID VALVE		17	52726GT	VALVE, FLOW DIVIDER/COMBINER <i>HQ, Controls flow to divider/combiner valves FJ and FP</i>	
3	77489GT	VALVE, SOLENOID 2 POS. 3 WAY <i>HC, Brake release</i>		--	84135GT	SEAL KIT, VALVE	
--	72043GT	SEAL KIT, SOLENOID VALVE		18	69873GT	VALVE, CHECK <i>HR, Anti-cavitation</i>	
4	69873GT	VALVE, CHECK <i>HD, Keeps brakes released in case of temporary loss of charge pressure</i>		--	74902GT	SEAL KIT, VALVE	
--	74902GT	SEAL KIT, VALVE					
5	27761GT	VALVE, SHUTTLE <i>HE, Charge pressure circuit that directs hot oil out of low pressure side of drive pump</i>					
--	84134GT	SEAL KIT, VALVE					
6	62253GT	VALVE, RELIEF, 250 PSI <i>HF, Charge pressure circuit</i>					
--	74902GT	SEAL KIT, VALVE					
7	102496GT	ORIFICE, PLUG 0.030 <i>HG, Brake and two-speed circuit</i>					
8	69873GT	VALVE, CHECK <i>HH, Anti-cavitation</i>					
--	74902GT	SEAL KIT, VALVE					
9	27836GT	VALVE, CHECK, 5 PSI <i>HI, Anti-cavitation;</i>					
--	110194GT	SEAL KIT, VALVE, #10					
10	62252GT	VALVE, FLOW DIVIDER COMBINER <i>HJ, Controls flow to square end drive motors in forward and reverse</i>					
--	84135GT	SEAL KIT, VALVE					
11	69873GT	VALVE, CHECK <i>HK, Anti-cavitation</i>					
--	74902GT	SEAL KIT, VALVE					
12	52723GT	VALVE-FLOW REGULATOR 2 GPM <i>HL, Equalizes pressure on both sides of divider/combiner valve FJ</i>					
--	89310GT	SEAL KIT, SOLENOID VALVE					
13	52723GT	VALVE-FLOW REGULATOR 2 GPM <i>HM, Equalizes pressure on both sides of divider/combiner valve FQ</i>					
--	89310GT	SEAL KIT, SOLENOID VALVE					
14	52723GT	VALVE-FLOW REGULATOR 2 GPM <i>HN, Equalizes pressure on both sides of divider/combiner valve FQ</i>					
--	89310GT	SEAL KIT, SOLENOID VALVE					

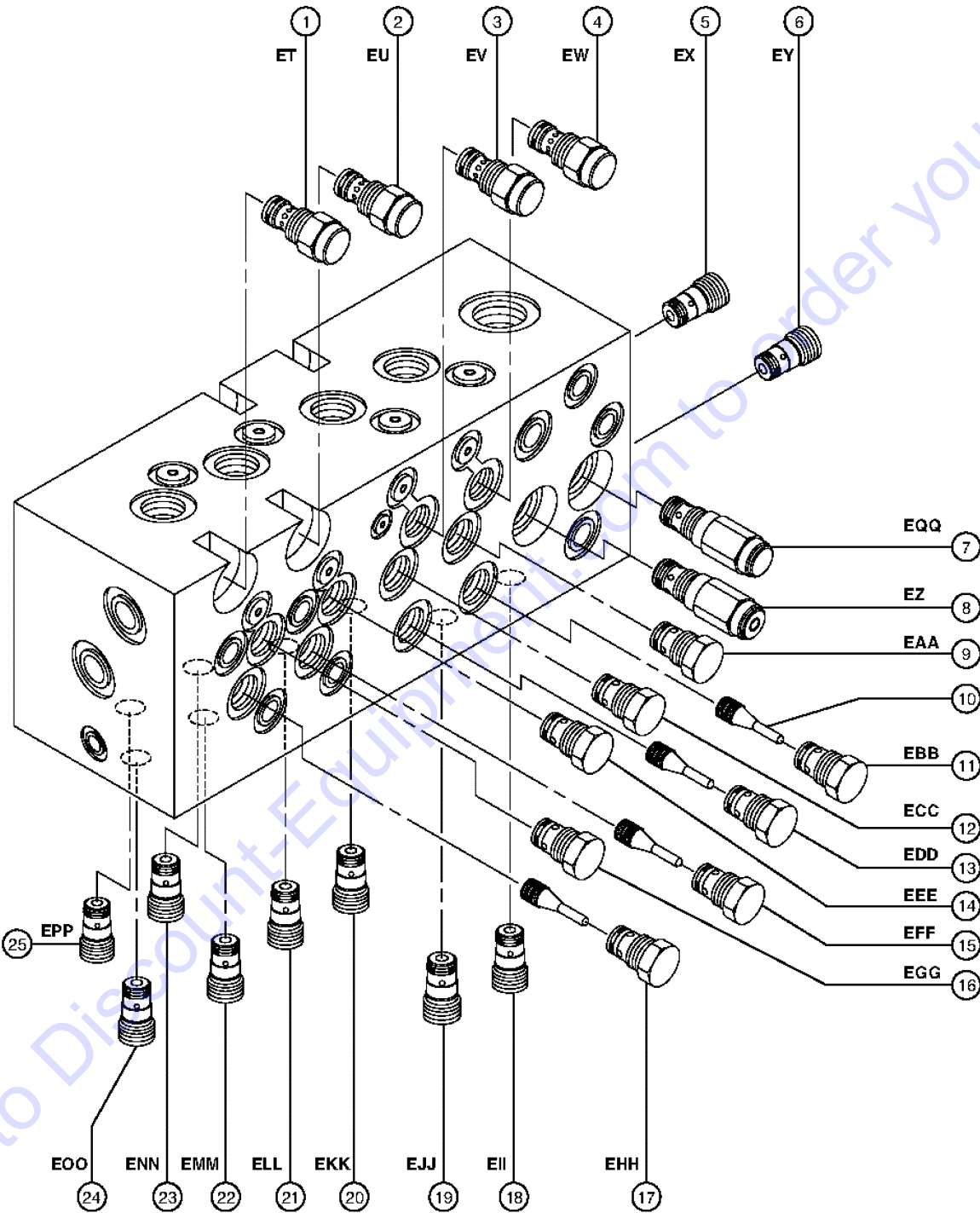
702.1 Steer and Axle Extnd/Retract Manifold - View 1 (to SN 135)



702.1 Steer and Axle Extnd/Retract Manifold - View 1 (to SN 135)

Item	Part No.	Description	Qty.	Item	Part No.	Description	Qty.
--	60357GT	MANIFOLD,STEERING,4 WHEEL <i>Complete to SN 135</i>		11	62347GT	VALVE-FLOW REGULATOR, 1.4 GPM* <i>EJ, Steering cylinder speed, circle end, right side, retract</i>	
1	39346GT	VALVE,SOLENOID 3 POS.4 WAY*** <i>EA, Square end right side steer circuit</i>		--	44227GT	SEAL KIT, VALVE	
--	44174GT	NUT-COIL SHORT		12	46216GT	VALVE,CHECK,IWP-S/CWP PWR ASSI <i>EK, Square end, left side, cylinder extend circuit</i>	
--	44229GT	SEAL KIT, VALVE		--	44228GT	SEAL KIT, VALVE	
--	44236GT	SPACER-DUAL COIL,#8***		13	46216GT	VALVE,CHECK,IWP-S/CWP PWR ASSI <i>EL, Square end, left side, cylinder retract circuit</i>	
--	62345GT	COIL,SOLENOID VALVE,SIZE 8,DIN		--	44228GT	SEAL KIT, VALVE	
2	39346GT	VALVE,SOLENOID 3 POS.4 WAY*** <i>EB, Square end, left side steer circuit</i>		14	46216GT	VALVE,CHECK,IWP-S/CWP PWR ASSI <i>EM, Square end, right side, cylinder extend circuit</i>	
--	44174GT	NUT-COIL SHORT		--	44228GT	SEAL KIT, VALVE	
--	44229GT	SEAL KIT, VALVE		15	46216GT	VALVE,CHECK,IWP-S/CWP PWR ASSI <i>EN, Square end, right side, cylinder retract circuit</i>	
--	44236GT	SPACER-DUAL COIL,#8***		--	44228GT	SEAL KIT, VALVE	
--	62345GT	COIL,SOLENOID VALVE,SIZE 8,DIN		16	62324GT	VALVE,FLOW CONTROL, 0.1GPM* <i>EO, Pressurizes pilot lines to check</i>	
3	39346GT	VALVE,SOLENOID 3 POS.4 WAY*** <i>EC, Circle end, right side steer circuit</i>		--	44227GT	SEAL KIT, VALVE	
--	44174GT	NUT-COIL SHORT		17	62323GT	VALVE,DIFFERENTIAL SENSE110PSI <i>EP, Differential sensing circuit</i>	
--	44229GT	SEAL KIT, VALVE		--	62337GT	SEAL KIT, VALVE	
--	44236GT	SPACER-DUAL COIL,#8***		18	62347GT	VALVE-FLOW REGULATOR, 1.4 GPM* <i>EQ, Steering cylinder speed, square end, left side, retract</i>	
--	62345GT	COIL,SOLENOID VALVE,SIZE 8,DIN		--	44227GT	SEAL KIT, VALVE	
4	39346GT	VALVE,SOLENOID 3 POS.4 WAY*** <i>ED, Circle end, left side steer circuit</i>		19	62346GT	VALVE,FLOW REGULATOR, 2.0 GPM* <i>ER, Steering cylinder speed, square end, right side, extend</i>	
--	44174GT	NUT-COIL SHORT		--	44227GT	SEAL KIT, VALVE	
--	44229GT	SEAL KIT, VALVE		20	62330GT	VALVE,SOLENOID,3POS 4WAY*** <i>ES, Axle extend/retract</i>	
--	44236GT	SPACER-DUAL COIL,#8***		--	44174GT	NUT-COIL SHORT	
--	62345GT	COIL,SOLENOID VALVE,SIZE 8,DIN		--	44175GT	SPACER-DUAL COIL,#10, SCISSORS	
5	62346GT	VALVE,FLOW REGULATOR, 2.0 GPM* <i>EE, Steering cylinder speed, circle end, left side extend</i>		--	44230GT	SEAL KIT-P.N.44169,44172,44171	
--	44227GT	SEAL KIT, VALVE		--	62334GT	COIL,62328/62330,SIZE 10,DIN*	
6	46216GT	VALVE,CHECK,IWP-S/CWP PWR ASSI <i>EF, Reverse flow check, circle end, left side, retract</i>					
--	44228GT	SEAL KIT, VALVE					
7	62343GT	PISTON,SINGLE PILOT (CV08)					
8	46216GT	VALVE,CHECK,IWP-S/CWP PWR ASSI <i>EG, Circle end, left side, extend/retract circuit</i>					
--	44228GT	SEAL KIT, VALVE					
9	46216GT	VALVE,CHECK,IWP-S/CWP PWR ASSI <i>EH, Circle end, right side, extend/retract circuit</i>					
--	44228GT	SEAL KIT, VALVE					
10	46216GT	VALVE,CHECK,IWP-S/CWP PWR ASSI <i>EI, Reverse flow check, circle end, right side, extend</i>					
--	44228GT	SEAL KIT, VALVE					

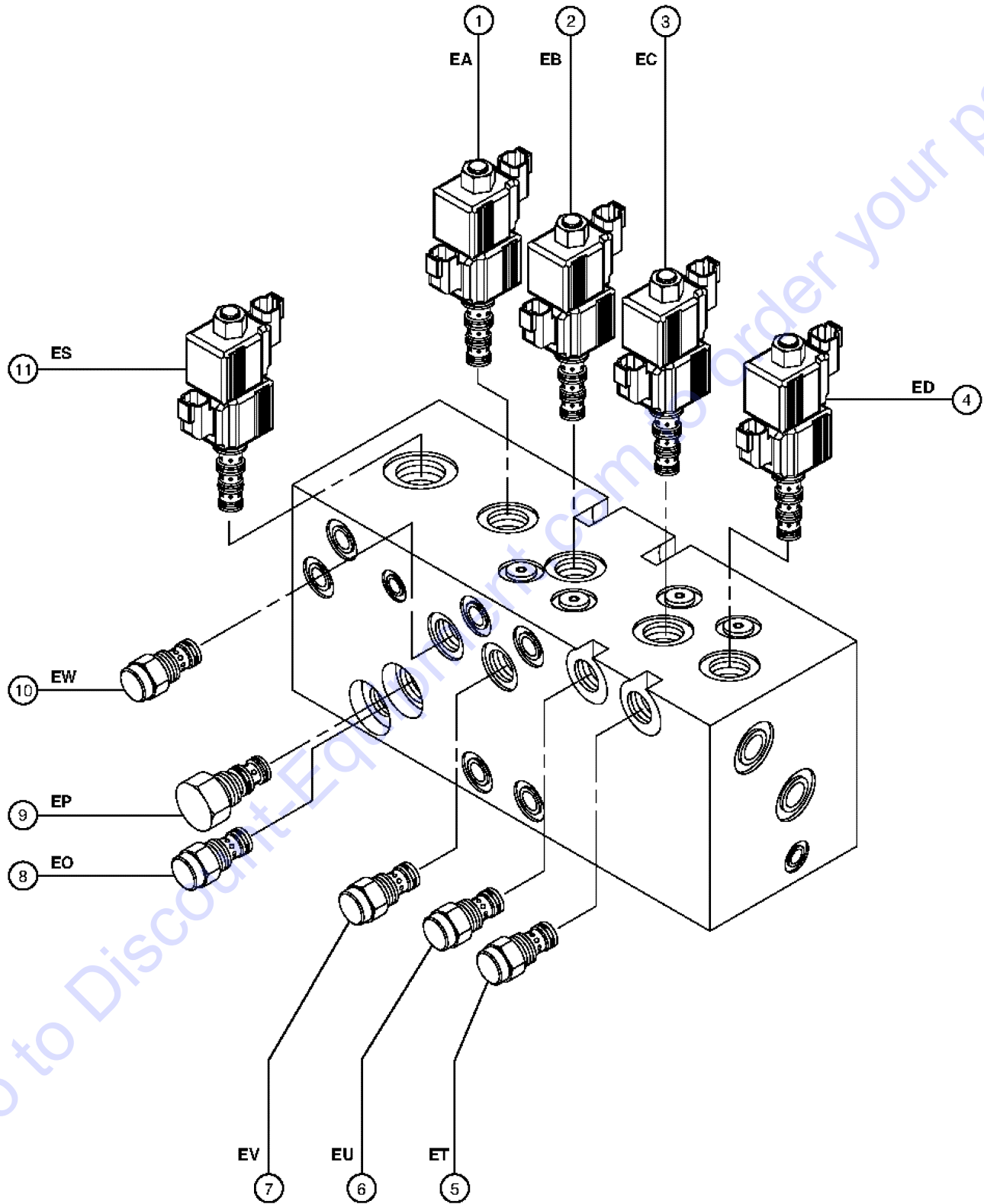
703.1 Steer and Axle Extend/Retract Manifold - View 2 (to SN 135)



703.1 Steer and Axle Extend/Retract Manifold - View 2 (to SN 135)

Item	Part No.	Description	Qty.	Item	Part No.	Description	Qty.
--	60357GT	MANIFOLD,STEERING,4 WHEEL		--	44228GT	SEAL KIT, VALVE	
1	62347GT	VALVE-FLOW REGULATOR, 1.4 GPM* <i>ET, Steering cylinder speed, circle end, left side, retract; to SN 135</i>		15	46216GT	VALVE,CHECK,IWP-S/CWP PWR ASSI <i>EFF, Steering cylinder lock, round end, right side, retract</i>	
--	44227GT	SEAL KIT, VALVE		--	44228GT	SEAL KIT, VALVE	
2	62346GT	VALVE,FLOW REGULATOR, 2.0 GPM* <i>EU, Steering cylinder speed, circle end, right side, extend; to SN 135</i>		16	46216GT	VALVE,CHECK,IWP-S/CWP PWR ASSI <i>EGG, Reverse flow check, round end, left side, extend</i>	
--	44227GT	SEAL KIT, VALVE		--	44228GT	SEAL KIT, VALVE	
3	62346GT	VALVE,FLOW REGULATOR, 2.0 GPM* <i>EV, Steering cylinder speed, round end, left end, extend; to SN 135</i>		17	46216GT	VALVE,CHECK,IWP-S/CWP PWR ASSI <i>EHH, Steering cylinder lock, round end, left side, extend</i>	
--	44227GT	SEAL KIT, VALVE		--	44228GT	SEAL KIT, VALVE	
4	62347GT	VALVE-FLOW REGULATOR, 1.4 GPM* <i>EW, Steering cylinder speed, round end, right side, retract; to SN 135</i>		18	52907GT	VALVE-CHECK, #4 SAE, 5 PSI* <i>EI, Steering load sense, square end, right side, retract</i>	
--	44227GT	SEAL KIT, VALVE		--	62341GT	SEAL KIT,52907,SIZE 4, 2 WAY	
5	52907GT	VALVE-CHECK, #4 SAE, 5 PSI* <i>EX, Axle extend load sense, both ends; to SN 135</i>		19	52907GT	VALVE-CHECK, #4 SAE, 5 PSI* <i>EJJ, Steering load sense, square end, left side, extend</i>	
--	62341GT	SEAL KIT,52907,SIZE 4, 2 WAY		--	62341GT	SEAL KIT,52907,SIZE 4, 2 WAY	
6	52907GT	VALVE-CHECK, #4 SAE, 5 PSI* <i>EY, Axle retract load sense, both ends; to SN 135</i>		20	52907GT	VALVE-CHECK, #4 SAE, 5 PSI* <i>EKK, Steering load sense, square end, right side, extend</i>	
--	62341GT	SEAL KIT,52907,SIZE 4, 2 WAY		--	62341GT	SEAL KIT,52907,SIZE 4, 2 WAY	
7	62365GT	VALVE,RELIEF,1800 PSI,AXLE EXT <i>EQQ, Axle extend; to SN 135</i>		21	52907GT	VALVE-CHECK, #4 SAE, 5 PSI* <i>ELL, Steering load sense, round end, right side, retract</i>	
--	44227GT	SEAL KIT, VALVE		--	62341GT	SEAL KIT,52907,SIZE 4, 2 WAY	
8	52374GT	VALVE,RELIEF,3000PSI,GS68PUMP1 <i>EZ, Steering pressure limit; to SN 135</i>		22	52907GT	VALVE-CHECK, #4 SAE, 5 PSI* <i>EMM, Steering load sense, round end, right side, extend</i>	
--	44227GT	SEAL KIT, VALVE		--	62341GT	SEAL KIT,52907,SIZE 4, 2 WAY	
9	46216GT	VALVE,CHECK,IWP-S/CWP PWR ASSI <i>EAA, Reverse flow check, square end, right side, extend; to SN 135</i>		23	52907GT	VALVE-CHECK, #4 SAE, 5 PSI* <i>ENN, Steering load sense, square end, left side, retract</i>	
--	44228GT	SEAL KIT, VALVE		--	62341GT	SEAL KIT,52907,SIZE 4, 2 WAY	
10	62343GT	PISTON,SINGLE PILOT (CV08)		24	52907GT	VALVE-CHECK, #4 SAE, 5 PSI* <i>EOO, Steering load sense, round end, left side, retract</i>	
11	46216GT	VALVE,CHECK,IWP-S/CWP PWR ASSI <i>EBB, Steering cylinder lock, square end, right side, extend; to SN 135</i>		--	62341GT	SEAL KIT,52907,SIZE 4, 2 WAY	
--	44228GT	SEAL KIT, VALVE		25	52907GT	VALVE-CHECK, #4 SAE, 5 PSI* <i>EPP, Steering load sense, round end, left side, extend</i>	
12	46216GT	VALVE,CHECK,IWP-S/CWP PWR ASSI <i>ECC, Reverse flow check, square end, left side, retract</i>		--	62341GT	SEAL KIT,52907,SIZE 4, 2 WAY	
--	44228GT	SEAL KIT, VALVE		13	46216GT	VALVE,CHECK,IWP-S/CWP PWR ASSI <i>EDD, Steering cylinder lock, square end, left side, retract</i>	
13	46216GT	VALVE,CHECK,IWP-S/CWP PWR ASSI <i>EDD, Steering cylinder lock, square end, left side, retract</i>		--	44228GT	SEAL KIT, VALVE	
--	44228GT	SEAL KIT, VALVE		14	46216GT	VALVE,CHECK,IWP-S/CWP PWR ASSI <i>EEE, Reverse flow check, round end, right side, retract</i>	

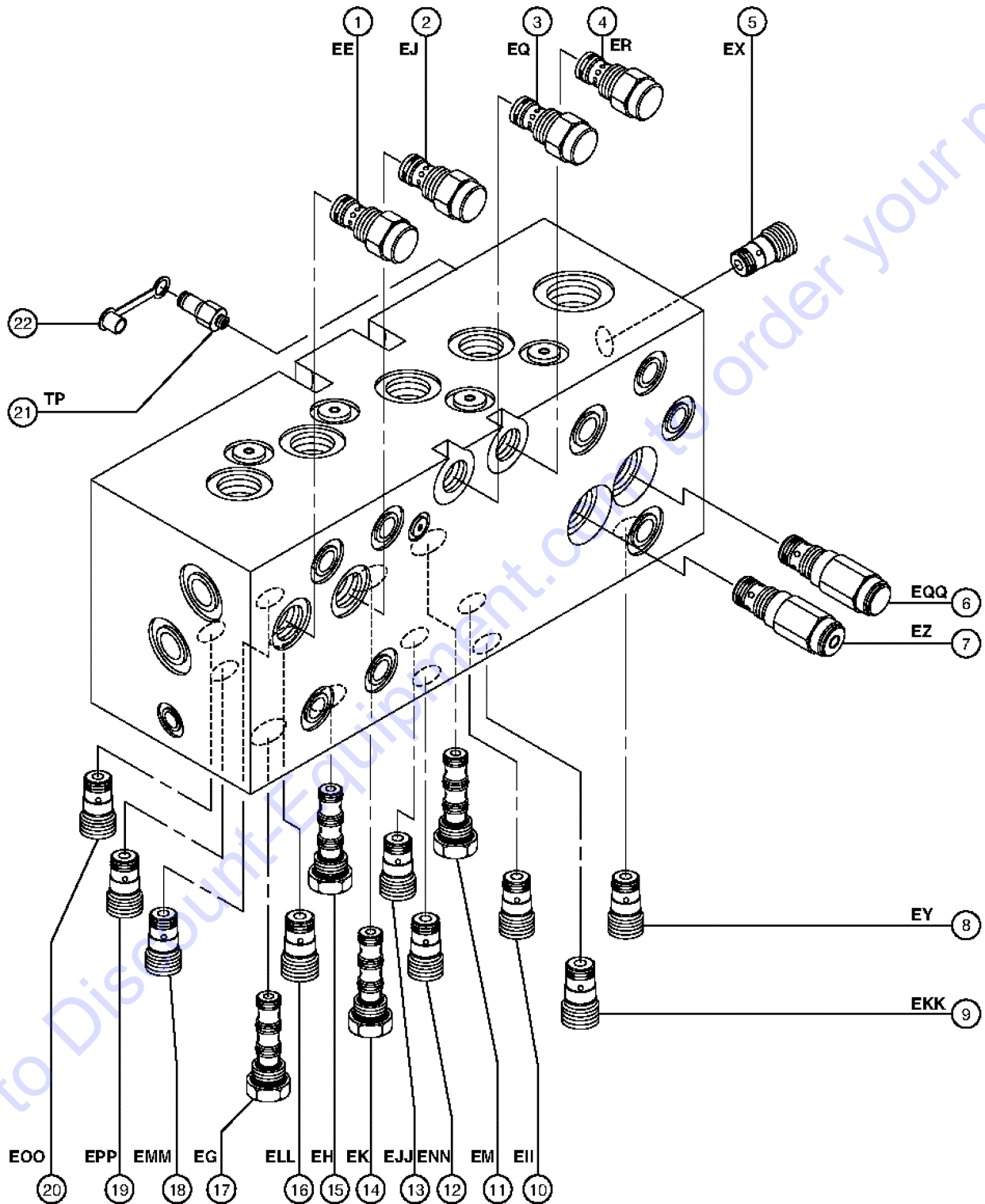
704.1 Steer and Axle Extend/Retract Manifold - View 1 (from SN 136)



704.1 Steer and Axle Extend/Retract Manifold - View 1 (from SN 136)

Item	Part No.	Description	Qty.	Item	Part No.	Description	Qty.
--	75644GT	MANIFOLD,STEERING,4 WHEEL to SN 146		6	62346GT	VALVE,FLOW REGULATOR, 2.0 GPM* EU, Steering cylinder speed, round end, left side, extend	
--	75753GT	MANIFOLD,STEERING,4 WHEEL from SN 147 to SN 291		--	44227GT	SEAL KIT, VALVE	
--	102701GT	MANIFOLD,4 WHEEL STEER from SN 292		7	62346GT	VALVE,FLOW REGULATOR, 2.0 GPM* EV, Steering cylinder speed, square end, right side, extend	
1	39346GT	VALVE,SOLENOID 3 POS.4 WAY*** EA, Steering cylinder control, square end, right side		--	44227GT	SEAL KIT, VALVE	
--	104759GT	COIL,12VDC #8 DTSCH IP69 ECOIL from SN 292		8	62324GT	VALVE,FLOW CONTROL, 0.1GPM* EO, Bleeds off differential valve to tank	
--	44174GT	NUT-COIL SHORT		--	44227GT	SEAL KIT, VALVE	
--	44229GT	SEAL KIT, VALVE		9	62323GT	VALVE,DIFFERENTIAL SENSE110PSI EP, Meters flow to functions sensing	
--	44236GT	SPACER-DUAL COIL,#8***		--	62337GT	SEAL KIT, VALVE	
--	62345GT	COIL,SOLENOID VALVE,SIZE 8,DIN to SN 291		10	62347GT	VALVE-FLOW REGULATOR, 1.4 GPM* EW, Steering cylinder speed, square end, left side, retract	
2	39346GT	VALVE,SOLENOID 3 POS.4 WAY*** EB, Steering cylinder control, square end, left side		--	44227GT	SEAL KIT, VALVE	
--	104759GT	COIL,12VDC #8 DTSCH IP69 ECOIL from SN 292		11	62330GT	VALVE,SOLENOID,3POS 4WAY*** ES, Axle extend control; from SN 136	
--	44174GT	NUT-COIL SHORT		--	104760GT	COIL,12VDC #10DTSCH IP69 ECOIL from SN 292	
--	44229GT	SEAL KIT, VALVE		--	44174GT	NUT-COIL SHORT	
--	44236GT	SPACER-DUAL COIL,#8***		--	44175GT	SPACER-DUAL COIL,#10, SCISSORS	
--	62345GT	COIL,SOLENOID VALVE,SIZE 8,DIN to SN 291		--	44230GT	SEAL KIT-P.N.44169,44172,44171	
3	39346GT	VALVE,SOLENOID 3 POS.4 WAY*** EC, Steering cylinder control, round end, right side		--	62334GT	COIL,62328/62330,SIZE 10,DIN* to SN 291	
--	104759GT	COIL,12VDC #8 DTSCH IP69 ECOIL from SN 292					
--	44174GT	NUT-COIL SHORT					
--	44229GT	SEAL KIT, VALVE					
--	44236GT	SPACER-DUAL COIL,#8***					
--	62345GT	COIL,SOLENOID VALVE,SIZE 8,DIN to SN 291					
4	39346GT	VALVE,SOLENOID 3 POS.4 WAY*** ED, Steering cylinder control, round end left side					
--	104759GT	COIL,12VDC #8 DTSCH IP69 ECOIL					
--	44174GT	NUT-COIL SHORT					
--	44229GT	SEAL KIT, VALVE					
--	44236GT	SPACER-DUAL COIL,#8***					
--	62345GT	COIL,SOLENOID VALVE,SIZE 8,DIN to SN 291					
5	62347GT	VALVE-FLOW REGULATOR, 1.4 GPM* ET, Steering cylinder speed, round end, right side, retract					
--	44227GT	SEAL KIT, VALVE					

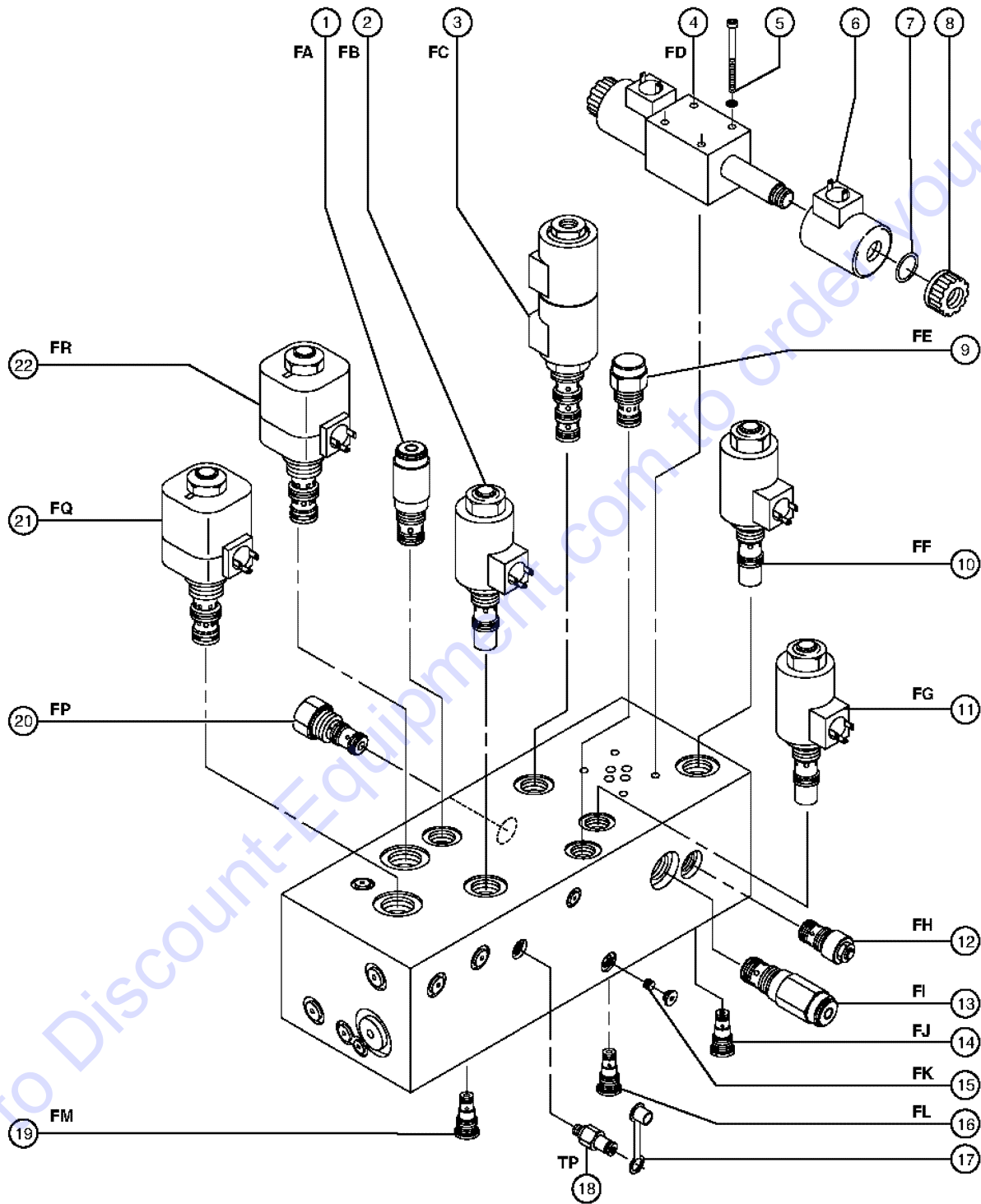
705.1 Steer and Axle Extend/Retract Manifold- View 2 (from SN 136)



705.1 Steer and Axle Extend/Retract Manifold- View 2 (from SN 136)

Item	Part No.	Description	Qty.	Item	Part No.	Description	Qty.
--	75644GT	MANIFOLD,STEERING,4 WHEEL <i>from SN 136 to SN 146</i>		--	62341GT	SEAL KIT,52907,SIZE 4, 2 WAY	
--	75753GT	MANIFOLD,STEERING,4 WHEEL <i>from SN 147 to SN 251</i>		13	52907GT	VALVE-CHECK, #4 SAE, 5 PSI* <i>EJ, Steering load sense, square end, left side, extend</i>	
--	102701GT	MANIFOLD,4 WHEEL STEER <i>from SN 252</i>		--	62341GT	SEAL KIT,52907,SIZE 4, 2 WAY	
1	62346GT	VALVE,FLOW REGULATOR, 2.0 GPM* <i>EE, Steering cylinder speed</i>		14	75453GT	VALVE,CHECK,DUAL PILOT*** <i>EK, Steering cylinder lock, square end, left side, extend/retract; to SN 251</i>	
--	44227GT	SEAL KIT, VALVE		--	101958GT	VALVE,CHECK,DUAL PILOT,135 PSI <i>from SN 252</i>	
2	62347GT	VALVE-FLOW REGULATOR, 1.4 GPM* <i>EJ, Steering cylinder speed, circle end, left side, retract</i>		15	75453GT	VALVE,CHECK,DUAL PILOT*** <i>EH, Steering cylinder lock, circle end, right side, extend/retract; to SN 251</i>	
--	44227GT	SEAL KIT, VALVE		--	101958GT	VALVE,CHECK,DUAL PILOT,135 PSI <i>from SN 252</i>	
3	62347GT	VALVE-FLOW REGULATOR, 1.4 GPM* <i>EQ, Steering cylinder speed, square end, right side, retract</i>		16	52907GT	VALVE-CHECK, #4 SAE, 5 PSI* <i>EL, Steering load sense, circle end, right side, retract</i>	
--	44227GT	SEAL KIT, VALVE		--	62341GT	SEAL KIT,52907,SIZE 4, 2 WAY	
4	62346GT	VALVE,FLOW REGULATOR, 2.0 GPM* <i>ER, Steering cylinder speed, square end, left side, extend</i>		17	75453GT	VALVE,CHECK,DUAL PILOT*** <i>EG, Steering cylinder lock, circle end, left side, extend/retract; to SN 251</i>	
--	44227GT	SEAL KIT, VALVE		--	101958GT	VALVE,CHECK,DUAL PILOT,135 PSI <i>from SN 252</i>	
5	52907GT	VALVE-CHECK, #4 SAE, 5 PSI* <i>EX, Axle extend load sense, both ends</i>		18	52907GT	VALVE-CHECK, #4 SAE, 5 PSI* <i>EM, Steering load sense, circle end, right side, extend</i>	
--	62341GT	SEAL KIT,52907,SIZE 4, 2 WAY		--	62341GT	SEAL KIT,52907,SIZE 4, 2 WAY	
6	62365GT	VALVE,RELIEF,1800 PSI,AXLE EXT <i>EQ, Axle extend</i>		19	52907GT	VALVE-CHECK, #4 SAE, 5 PSI* <i>EP, Steering load sense, circle end, left side, extend</i>	
--	44227GT	SEAL KIT, VALVE		--	62341GT	SEAL KIT,52907,SIZE 4, 2 WAY	
7	52374GT	VALVE,RELIEF,3000PSI,GS68PUMP1 <i>EZ, Steering pressure limit; from SN 136 to SN 147</i>		20	52907GT	VALVE-CHECK, #4 SAE, 5 PSI* <i>EO, Steering load sense, circle end, left side, retract</i>	
--	44227GT	SEAL KIT, VALVE		--	62341GT	SEAL KIT,52907,SIZE 4, 2 WAY	
8	52907GT	VALVE-CHECK, #4 SAE, 5 PSI* <i>EY, Axle retract load sense, both ends</i>		21	48997GT	NIPPLE,DIAGNOSTIC,#4 <i>TP, Testing; to SN 147</i>	
--	62341GT	SEAL KIT,52907,SIZE 4, 2 WAY		--	20224GT	DIAGNOSTIC FEMALE Q-DSCNT <i>to SN 147</i>	
9	52907GT	VALVE-CHECK, #4 SAE, 5 PSI* <i>EK, Steering load sense, square end, right side, extend</i>		22	48880GT	CAP,DIAGNOSTIC NIPPLE <i>to SN 147</i>	
--	62341GT	SEAL KIT,52907,SIZE 4, 2 WAY					
10	52907GT	VALVE-CHECK, #4 SAE, 5 PSI* <i>EI, Steering load sense, square end, right side, retract</i>					
--	62341GT	SEAL KIT,52907,SIZE 4, 2 WAY					
11	75453GT	VALVE,CHECK,DUAL PILOT*** <i>EM, Steering cylinder lock, square end, right side, extend/retract; to SN 251</i>					
--	101958GT	VALVE,CHECK,DUAL PILOT,135 PSI <i>from SN 252</i>					
12	52907GT	VALVE-CHECK, #4 SAE, 5 PSI* <i>ENN, Steering load sense, square end, left side, retract</i>					

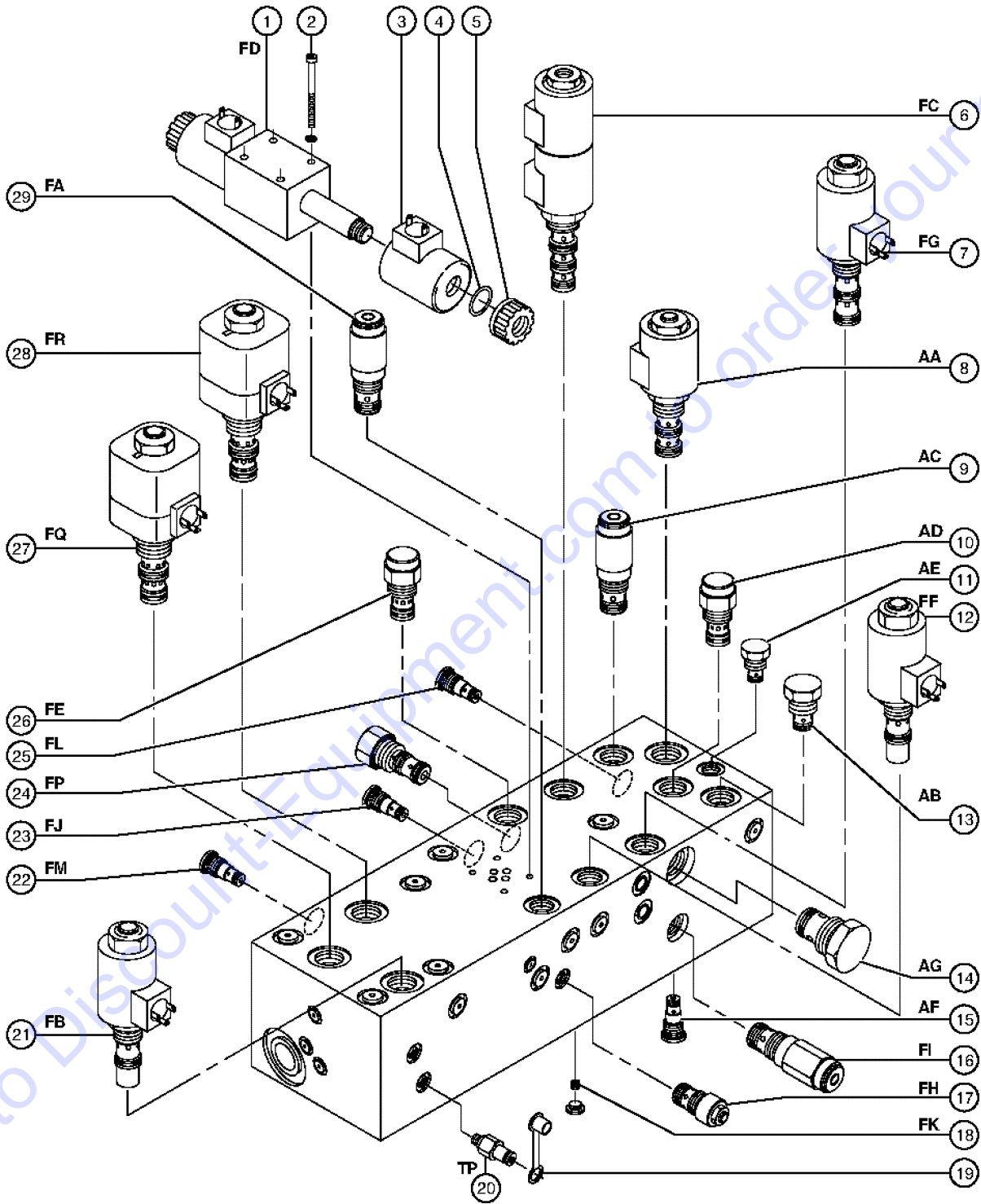
706.1 Function Manifold (to SN 136)



706.1 Function Manifold (to SN 136)

Item	Part No.	Description	Qty.	Item	Part No.	Description	Qty.
--	60506GT	MANIFOLD,FUNCTION S100/105		12	62342GT	VALVE,COUNTERBAL.CBCA-LHN@3200 <i>FH, Boom down circuit, used only on lift cylinder part 50078</i>	
--	60389GT	HARNESS,TCON J4,MANIFOLD		--	65907GT	PLUG,CAVITY,T-11A,1-2 OPEN <i>required with lift cylinder part 146324, refer to 501.1 and 501.2</i>	
1	44227GT	SEAL KIT, VALVE		13	62325GT	VALVE,RELIEF,2600 PSI,SIZE 10 <i>FI, Turntable rotate, boom lift and boom retract pressure limit</i>	
1	52905GT	VALVE-RELIEF,1800 PSI <i>FA, Boom extend pressure limit</i>		--	44224GT	SEAL KIT, VALVE	
--	52373GT	SEAL KIT,52372,SOLENOID VALVE		14	52907GT	VALVE-CHECK, #4 SAE, 5 PSI* <i>FJ, Loading sensing circuit, boom up/down</i>	
--	52466GT	NUT,PROPORTNL. COIL,52372,GS68		--	62341GT	SEAL KIT,52907,SIZE 4, 2 WAY	
--	62327GT	VALVE,SOLENOID,PROPORT. N.C.* <i>FB, Boom extend/retract solenoid valve proportional speed control</i>		15	62336GT	ORIFICE PLUG, 0.040 <i>FK, Differential sensing damping</i>	
--	62335GT	COIL,PROPORTIONAL,62327,DIN		16	48880GT	CAP,DIAGNOSTIC NIPPLE	
3	62330GT	VALVE,SOLENOID,3POS 4WAY*** <i>FC, Turntable rotate control, left/right</i>		17	48997GT	NIPPLE,DIAGNOSTIC,#4 <i>TP, Testing</i>	
--	44174GT	NUT-COIL SHORT		--	20224GT	DIAGNOSTIC FEMALE Q-DSCNT	
--	44175GT	SPACER-DUAL COIL,#10, SCISSORS		--	75098GT	HARNESS,PRESSURE TRANSDUCER	
--	44230GT	SEAL KIT-P.N.44169,44172,44171		18	52907GT	VALVE-CHECK, #4 SAE, 5 PSI* <i>FL, Loading sensing circuit, turntable rotate</i>	
--	62334GT	COIL,62328/62330,SIZE 10,DIN*		--	62341GT	SEAL KIT,52907,SIZE 4, 2 WAY	
4	97388GT	VALVE ASSY,D03,REX,3POS 4WAY <i>FD, Boom up/down DO3, 12V DC Rexroth replacement for Bosch component</i>		19	52907GT	VALVE-CHECK, #4 SAE, 5 PSI* <i>FM, Extension cylinder load sense check</i>	
--	102394GT	VLV,SOL,DO3,REXROTH,3POS 4 WAY		--	62341GT	SEAL KIT,52907,SIZE 4, 2 WAY	
--	102395GT	SEAL KIT,REXROTH DO3 VALVE		20	62323GT	VALVE,DIFFERENTIAL SENSE110PSI <i>FP, Directs flow to functions</i>	
--	52385GT	SEAL KIT,52381,BOSCH DO3,GS68		--	62337GT	SEAL KIT, VALVE	
5	45916GT	SCREW,SHC,10-24 X 1.250 (D01)		21	62329GT	VALVE,SOLENOID, 2POS 3WAY* <i>FQ, Boom retract control</i>	
--	43255GT	SCREW,SHC,10-24 X 2		--	62333GT	COIL,62329,SIZE12,W/FRAME,DIN*	
6	97388GT	VALVE ASSY,D03,REX,3POS 4WAY		--	62339GT	SEAL KIT,62329,SIZE 12, 3 WAY	
--	102398GT	COIL,DIN,REXROTH DO3 VALVE		--	62344GT	NUT,COIL,DOMED,SIZE 12, 62329	
7	52385GT	SEAL KIT,52381,BOSCH DO3,GS68		22	62329GT	VALVE,SOLENOID, 2POS 3WAY* <i>FR, Boom extend control</i>	
--	102395GT	SEAL KIT,REXROTH DO3 VALVE		--	62333GT	COIL,62329,SIZE12,W/FRAME,DIN*	
8	97388GT	VALVE ASSY,D03,REX,3POS 4WAY		--	62339GT	SEAL KIT,62329,SIZE 12, 3 WAY	
--	102396GT	NUT-COIL,REXROTH DO3 VALVE		--	62344GT	NUT,COIL,DOMED,SIZE 12, 62329	
9	62324GT	VALVE,FLOW CONTROL, 0.1GPM* <i>FE, Bleeds off differential sensing valve to tank</i>					
--	44227GT	SEAL KIT, VALVE					
10	62327GT	VALVE,SOLENOID,PROPORT. N.C.* <i>FF, Primary lift, proportional speed contro</i>					
--	52373GT	SEAL KIT,52372,SOLENOID VALVE					
--	52466GT	NUT,PROPORTNL. COIL,52372,GS68					
--	62335GT	COIL,PROPORTIONAL,62327,DIN					
11	62326GT	VALVE,PROPORTIONAL SOLENOID* <i>FG, Turntable rotate, proportional speed control</i>					
--	44227GT	SEAL KIT, VALVE					
--	62332GT	COIL,PROPORTNL.62326,SIZE8,DIN					
--	62349GT	NUT,COIL,PROPORTNL.VALVE					

706.2 Function Manifold (from SN 137)



706.2 Function Manifold (from SN 137)

Item	Part No.	Description	Qty.	Item	Part No.	Description	Qty.
--	48883GT	PLUG,HEX,090109A-8***		--	62341GT	SEAL KIT,52907,SIZE 4, 2 WAY	
--	122440GT	MANIFOLD,FUNCTION,S100/105 <i>Requires lift cylinder replacment kit 122522 for first time replacment of manifold 75653, refer to 501.1 and 501.2</i>		12	62327GT	VALVE,SOLENOID,PROPORT. N.C.* <i>FF, Primary lift, proportional valve speed control</i>	
--	75973GT	HARNESS,TCON J4,MANIFOLD <i>to SN 805</i>		--	52373GT	SEAL KIT,52372,SOLENOID VALVE	
--	146193GT	HARNESS, TCON J4 MANIFOLD 2009 <i>from SN 806</i>		--	52466GT	NUT,PROPORTNL. COIL,52372,GS68	
1	97388GT	VALVE ASSY,D03,REX,3POS 4WAY <i>FD, Boom up/down DO3, 12V DC Rexroth replacement for Bosch component</i>		--	62335GT	COIL,PROPORTIONAL,62327,DIN	
--	102394GT	VLV,SOL,DO3,REXROTH,3POS 4 WAY		13	46216GT	VALVE,CHECK,IWP-S/CWP PWR ASSI <i>AB, Blocks flow from pump 1 and 2 to auxiliary pump</i>	
--	102395GT	SEAL KIT,REXROTH DO3 VALVE		--	44227GT	SEAL KIT, VALVE	
--	52385GT	SEAL KIT,52381,BOSCH DO3,GS68		14	75456GT	VALVE-CHECK SIZE 12(SUPRBOOM)* <i>AG, Blocks flow from auxiliary pump, port 2A to pump 1</i>	
2	45916GT	SCREW,SHC,10-24 X 1.250 (D01)		--	62338GT	SEAL KIT,62328,SIZE 12,2 PORT	
--	43255GT	SCREW,SHC,10-24 X 2		15	44178GT	VALVE,CHECK,5 PSI** <i>AF, Blocks flow from auxiliary pump, ports 2A and 3A to pump 2</i>	
3	97388GT	VALVE ASSY,D03,REX,3POS 4WAY		--	44224GT	SEAL KIT, VALVE	
--	102398GT	COIL,DIN,REXROTH DO3 VALVE		16	62325GT	VALVE,RELIEF,2600 PSI,SIZE 10 <i>FI, Turntable, primary lift and boom retract pressure limit</i>	
4	52385GT	SEAL KIT,52381,BOSCH DO3,GS68		--	44224GT	SEAL KIT, VALVE	
--	102395GT	SEAL KIT,REXROTH DO3 VALVE		17	62342GT	VALVE,COUNTERBAL.CBCA-LHN@3200 <i>FH, Primary lift, load holding, used only on lift cylinder part 50078; to SN 739</i>	
5	97388GT	VALVE ASSY,D03,REX,3POS 4WAY		--	65907GT	PLUG,CAVITY,T-11A,1-2 OPEN <i>required with lift cylinder part 146324, or from SN 740, refer to 501.1 and 501.2</i>	
--	102396GT	NUT-COIL,REXROTH DO3 VALVE		18	62336GT	ORIFICE PLUG, 0.040 <i>FK, Differential sensing damping</i>	
6	62330GT	VALVE,SOLENOID,3POS 4WAY*** <i>FC, Turntable rotate control, left/right</i>		19	48880GT	CAP,DIAGNOSTIC NIPPLE	
--	44174GT	NUT-COIL SHORT		20	20224GT	DIAGNOSTIC FEMALE Q-DSCNT	
--	44175GT	SPACER-DUAL COIL,#10, SCISSORS		--	49207GT	NIPPLE,DIAGNOSTIC,ORFS,FM,SWIV	
--	44230GT	SEAL KIT-P.N.44169,44172,44171		--	75098GT	HARNESS,PRESSURE TRANSDUCER	
--	62334GT	COIL,62328/62330,SIZE 10,DIN*		21	62327GT	VALVE,SOLENOID,PROPORT. N.C.* <i>FF, Boom extend/retract solenoid valve proportional speed control</i>	
7	62326GT	VALVE,PROPORTIONAL SOLENOID* <i>FG, Turntable rotate, proportional speed control</i>		--	52373GT	SEAL KIT,52372,SOLENOID VALVE	
--	44227GT	SEAL KIT, VALVE		--	52466GT	NUT,PROPORTNL. COIL,52372,GS68	
--	62332GT	COIL,PROPORTNL.62326,SIZE8,DIN		--	62335GT	COIL,PROPORTIONAL,62327,DIN	
--	62349GT	NUT,COIL,PROPORTNL.VALVE		22	52907GT	VALVE-CHECK, #4 SAE, 5 PSI* <i>FM, Extension cylinder load sense check</i>	
8	75458GT	VALVE,SOLENOID,2POS3WAY,SUPRB <i>AA, Auxiliary drive/steer selector</i>		--	62341GT	SEAL KIT,52907,SIZE 4, 2 WAY	
--	44174GT	NUT-COIL SHORT		23	52907GT	VALVE-CHECK, #4 SAE, 5 PSI* <i>FJ, Primary lift load sense check</i>	
--	62334GT	COIL,62328/62330,SIZE 10,DIN*		--	62341GT	SEAL KIT,52907,SIZE 4, 2 WAY	
--	62337GT	SEAL KIT, VALVE		24	62323GT	VALVE,DIFFERENTIAL SENSE110PSI <i>FP, Directs flow to functions</i>	
9	52374GT	VALVE,RELIEF,3000PSI,GS68PUMP1 <i>AC, Platform manifold pressure limit</i>					
--	44224GT	SEAL KIT, VALVE					
10	75457GT	VALVE-FLOW REGULATOR 3.0 GPM <i>AD, Priority flow to platform</i>					
--	44225GT	SEAL KIT, VALVE					
11	52907GT	VALVE-CHECK, #4 SAE, 5 PSI* <i>AE, Blocks flow from pump 2 to auxiliary</i>					

706.2 Function Manifold (from SN 137)
(continued)

Item	Part No.	Description	Qty.
--	62337GT	SEAL KIT, VALVE	
25	52907GT	VALVE-CHECK, #4 SAE, 5 PSI* <i>FL, Extension cylinder load sense check</i>	
--	62341GT	SEAL KIT,52907,SIZE 4, 2 WAY	
26	62324GT	VALVE,FLOW CONTROL, 0.1GPM* <i>FE, Bleeds off differential sensing valve to tank</i>	
--	44227GT	SEAL KIT, VALVE	
27	62329GT	VALVE,SOLENOID, 2POS 3WAY* <i>FQ, Boom retract control</i>	
--	62333GT	COIL,62329,SIZE12,W/FRAME,DIN*	
--	62339GT	SEAL KIT,62329,SIZE 12, 3 WAY	
--	62344GT	NUT,COIL,DOMED,SIZE 12, 62329	
28	62329GT	VALVE,SOLENOID, 2POS 3WAY* <i>FR, Boom extend control</i>	
--	62333GT	COIL,62329,SIZE12,W/FRAME,DIN*	
--	62339GT	SEAL KIT,62329,SIZE 12, 3 WAY	
--	62344GT	NUT,COIL,DOMED,SIZE 12, 62329	
29	52905GT	VALVE-RELIEF,1800 PSI <i>FA, Boom extend pressure limit</i>	
--	44227GT	SEAL KIT, VALVE	

This Page Intentionally Left Blank

Go to Discount-Equipment.com to order your parts

PARTS FINDER

**Search Website
by Part Number**



**Search Manual
Library For Parts
Manual & Lookup Part
Numbers – Purchase
or Request Quote**

Search Manuals

Enter your information to help us find the right parts manual for your machine.

* Brand:

* Model:

* Serial:

* Part Number:

SEARCH

**Can't Find Part or
Manual? Request Help
by Manufacturer,
Model & Description**

Parts Order Form

Please fill in the following information to help us find the right part for your machine.

MANUFACTURER:

MODEL:

DESCRIPTION:

DATE:

TIME:

PHONE:

EMAIL:

ADDRESS:

CITY:

STATE:

ZIP:

SEARCH

Discount-Equipment.com is your online resource for quality parts & equipment.

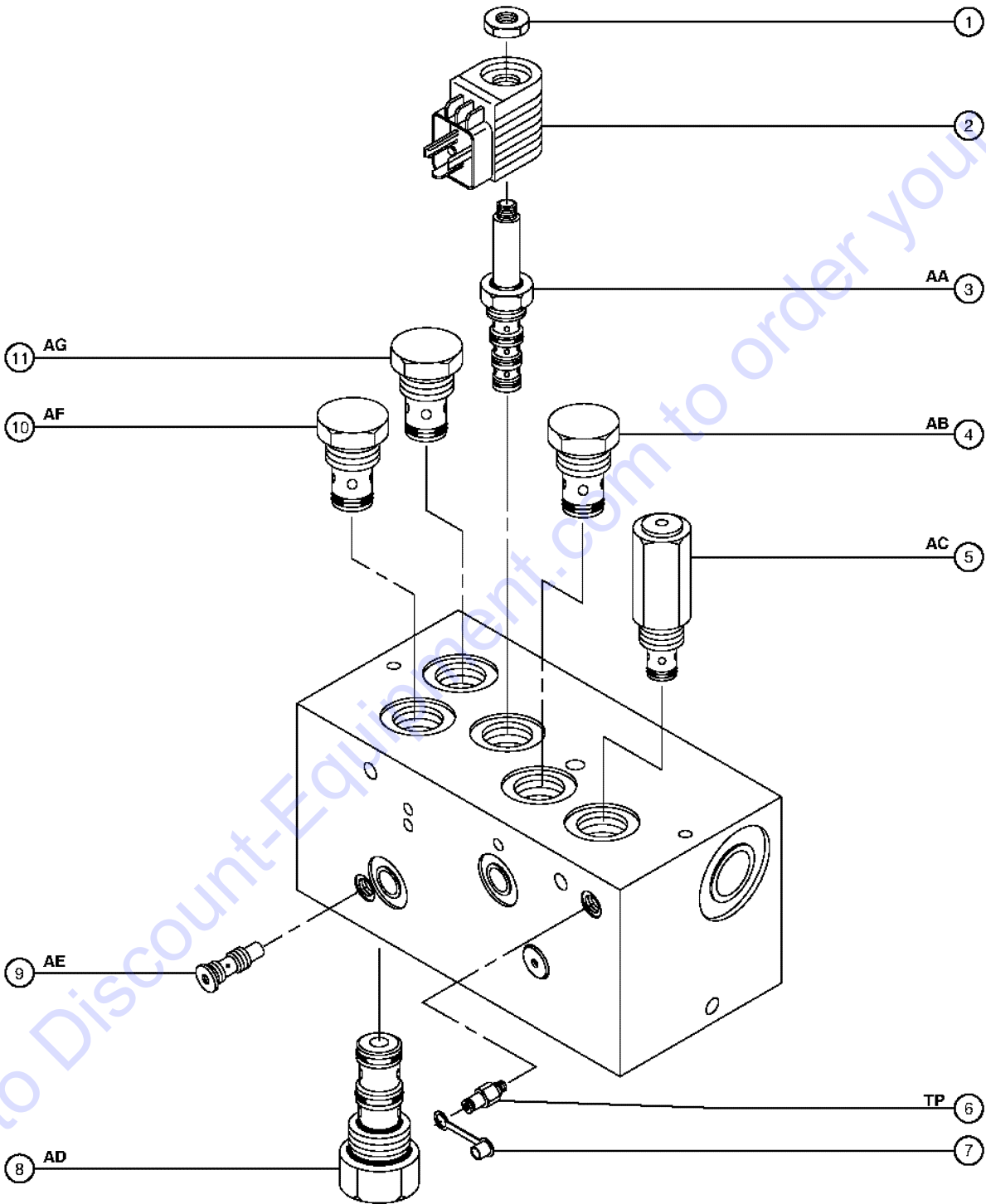
Florida: **561-964-4949** Outside Florida TOLL FREE: **877-690-3101**

Need parts?

Click on this link: <http://www.discount-equipment.com/category/5443-parts/> and choose one of the options to help get the right parts and equipment you are looking for. Please have the machine model and serial number available in order to help us get you the correct parts. If you don't find the part on the website or on one of the online manuals, please fill out the request form and one of our experienced staff members will get back to you with a quote for the right part that your machine needs.

We sell worldwide for the brands: Genie, Terex, JLG, MultiQuip, Mikasa, Essick, Whiteman, Mayco, Toro Stone, Diamond Products, Generac Magnum, Airman, Haulotte, Barreto, Power Blanket, Nifty Lift, Atlas Copco, Chicago Pneumatic, Allmand, Miller Curber, Skyjack, Lull, Skytrak, Tsurumi, Husquvarna Target, Stow, Wacker, Sakai, Mi-T-M, Sullair, Basic, Dynapac, MBW, Weber, Bartell, Bennar Newman, Haulotte, Ditch Runner, Menegotti, Morrison, Contec, Buddy, Crown, Edco, Wyco, Bomag, Laymor, EZ Trench, Bil-Jax, F.S. Curtis, Gehl Pavers, Heli, Honda, ICS/PowerGrit, IHI, Partner, Imer, Clipper, MMD, Koshin, Rice, CH&E, General Equipment, Amida, Coleman, NAC, Gradall, Square Shooter, Kent, Stanley, Tamco, Toku, Hatz, Kohler, Robin, Wisconsin, Northrock, Oztec, Toker TK, Rol-Air, APT, Wylie, Ingersoll Rand / Doosan, Innovatech, Con X, Ammann, Mecalac, Makinex, Smith Surface Prep, Small Line, Wanco, Yanmar

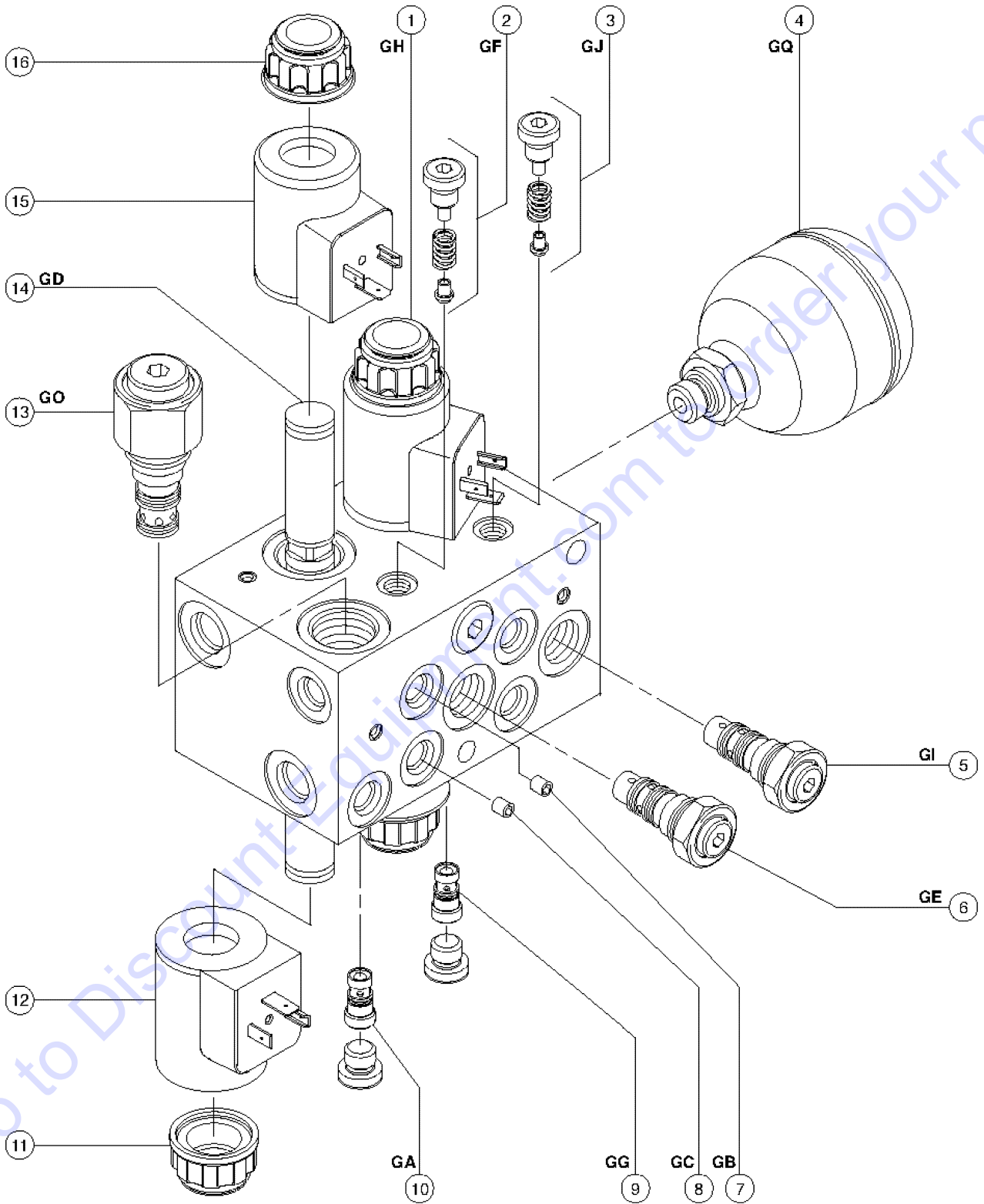
707.1 Distribution Manifold (to SN 136)



707.1 Distribution Manifold (to SN 136)

Item	Part No.	Description	Qty.
--	60487GT	MANIFOLD,PUMP DISTRIBUTION <i>Complete</i>	
--	60389GT	HARNESS,TCON J4,MANIFOLD	
1	45912GT	NUT,SOLENOID VALVE 2P3W	
2	62371GT	COIL,62370,12VDC W/DIN,SIZE 10	
3	62370GT	VALVE,SOLENOID,2POS3WAY,12VDIN <i>AA, Auxiliary drive/steer selector</i>	
4	45543GT	VALVE,CHECK, 50 PSI <i>AB, Blocks flow from pump 1 and 2 to auxiliary pump</i>	
5	62372GT	VALVE,RELIEF,3000 PSI <i>AC, Platform manifold relief</i>	
--	74902GT	SEAL KIT, VALVE	
6	48997GT	NIPPLE,DIAGNOSTIC,#4 <i>TP, Testing</i>	
--	20224GT	DIAGNOSTIC FEMALE Q-DSCNT	
--	75098GT	HARNESS,PRESSURE TRANSDUCER	
7	48880GT	CAP,DIAGNOSTIC NIPPLE	
8	62373GT	VALVE,FLOW REGULATOR, 3.0 GPM <i>AD, Priority flow to platform manifold</i>	
9	27807GT	VALVE,CHECK*** <i>AE, Blocks flow from pump 2 to auxiliary pump</i>	
10	45481GT	VALVE,CHECK <i>AF, Blocks flow from auxiliary pump, ports 2A and 3A to pump 2</i>	
11	27836GT	VALVE,CHECK,5 PSI <i>AG, Blocks flow from auxiliary pump, port 2A to pump 1</i>	

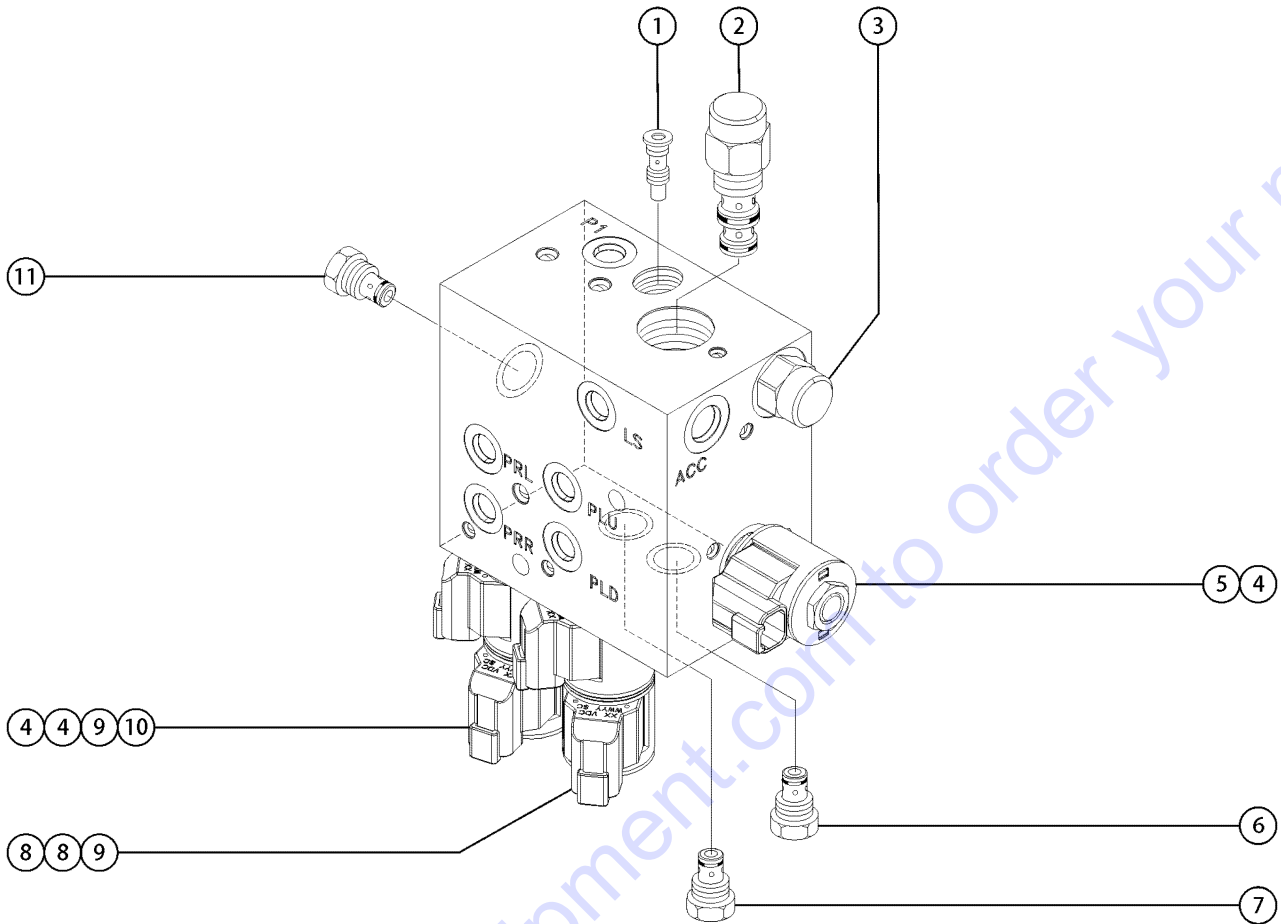
708.1 Platform Manifold



708.1 Platform Manifold

Item	Part No.	Description	Qty.	Item	Part No.	Description	Qty.
--	215546GT	S100/120 PLAT MNFLD SRV KIT <i>Shown manifold is no longer available. For a complete and first time replacement of previous manifold 50171 order service kit 215546 (includes manifold part 122962, accumulator part 122964 and harness part 122963, refer to 708.2)</i>		15	62353GT	COIL,SOLENOID,HYDAC MANIFOLDS	
				16	62354GT	NUT,SOLENOID VALVE,HYDAC	
--	49612GT	O-RING KIT (ORFS FITTINGS)					
--	49613GT	PLUG AND CAP KIT-SERVICE,ORFS*					
1	62441GT	VALVE,SOLENOID,3POS4WAY,HYDAC <i>GH, Platform level up/down</i>					
--	62353GT	COIL,SOLENOID,HYDAC MANIFOLDS					
--	62354GT	NUT,SOLENOID VALVE,HYDAC					
--	62355GT	O-RING,COIL NUT, HYDAC					
--	62363GT	SEAL KIT,SOLENOID VALVES,HYDAC					
2	62442GT	VALVE,CHECK,PLAT.MANIFLD,HYDAC <i>GF, Platform rotate circuit</i>					
3	62442GT	VALVE,CHECK,PLAT.MANIFLD,HYDAC <i>GJ, Platform level circuit</i>					
4	62364GT	ACCUMULATOR,500 PSI,HYDAC <i>GQ, Hydraulic dampening</i>					
5	62357GT	VALVE,DIFFERENTIAL SENSE,N.O. <i>GI, Platform level differential sensing</i>					
--	62361GT	SEAL KIT,VALVE 62357, HYDAC					
6	62357GT	VALVE,DIFFERENTIAL SENSE,N.O. <i>GE, Platform rotate differential sensing</i>					
--	62361GT	SEAL KIT,VALVE 62357, HYDAC					
7	62443GT	ORIFICE PLUG,.03,PLATF. HYDAC <i>GB, Platform rotate left circuit</i>					
8	62443GT	ORIFICE PLUG,.03,PLATF. HYDAC <i>GC, Platform rotate right circuit</i>					
9	62359GT	VALVE,SHUTTLE, HYDAC <i>GG, Platform level load sense circuit</i>					
--	62362GT	SEAL KIT,VALVE 62359, HYDAC					
10	62359GT	VALVE,SHUTTLE, HYDAC <i>GA, Load sense circuit</i>					
--	62362GT	SEAL KIT,VALVE 62359, HYDAC					
11	62354GT	NUT,SOLENOID VALVE,HYDAC					
12	62353GT	COIL,SOLENOID,HYDAC MANIFOLDS					
13	62356GT	VALVE,DIFFERENTIAL SENSE,N.C. <i>GO, Meters flow to functions</i>					
--	62360GT	SEAL KIT,VALVE 62356, HYDAC					
14		(Ref.) VALVE,SOLENOID,3POS4WAY,HYDAC <i>Solenoid valve part 62352 is no longer available, for replacement order manifold upgrade kit 215546</i>					
--	215546GT	S100/120 PLAT MNFLD SRV KIT <i>Solenoid valve part 62352 is no longer available, for replacement order manifold upgrade kit 215546</i>					

708.2 Platform Manifold Service Kit

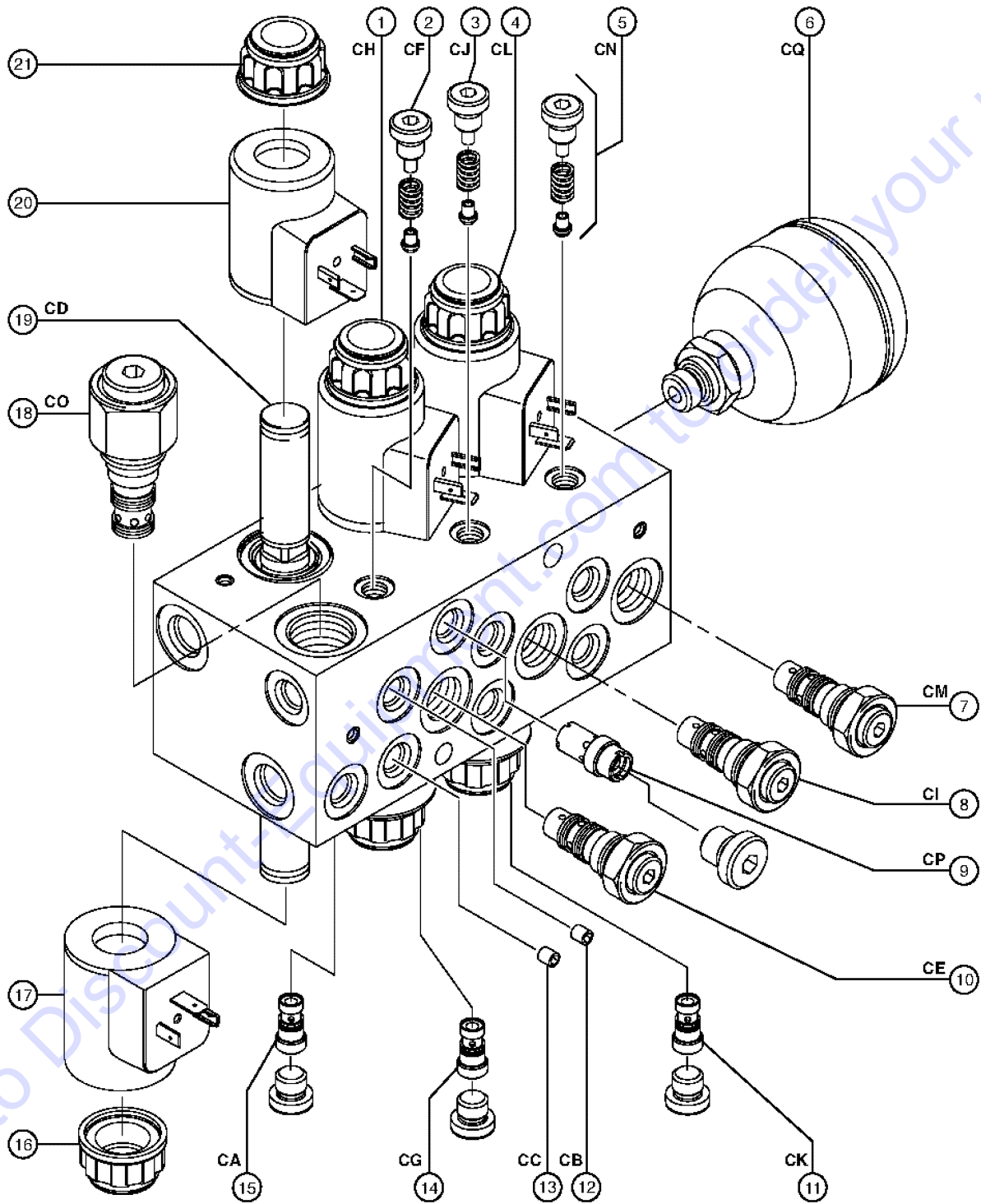


Go to Discount-Equipment.com to order your parts

Item	Part No.	Description	Qty.
--	215546GT	S100/120 PLAT MNFLD SRV KIT	
1	52907GT	VALVE-CHECK, #4 SAE, 5 PSI*.....1	1
2	T107736GT	DIFFERENTIAL SENS VLV,8,150PSI.....1	1
3	62324GT	VALVE,FLOW CONTROL, 0.1GPM*.....1	1
4	228866GT	COIL,SOLENOID VALVE.....4	4
5	101934GT	VALVE,SOLENOID,2 POS 2 WAY.....1	1
6	110180GT	VALVE, COMPENSATOR, 80 PSI.....1	1
7	229406GT	REGULATOR,PRESS-COMP 0.30 GPM.....1	1
8	229411GT	VALVE COIL 10V.....2	2
9	229407GT	PRO.DIR.CTRL,VLV,5WY,3POS.....2	2
10	229405GT	CHECK VALVE DISC.....1	1
11	218730GT	VALVE,CHECK,10 PSI.....1	1

Go to Discount-Equipment.com to order your parts

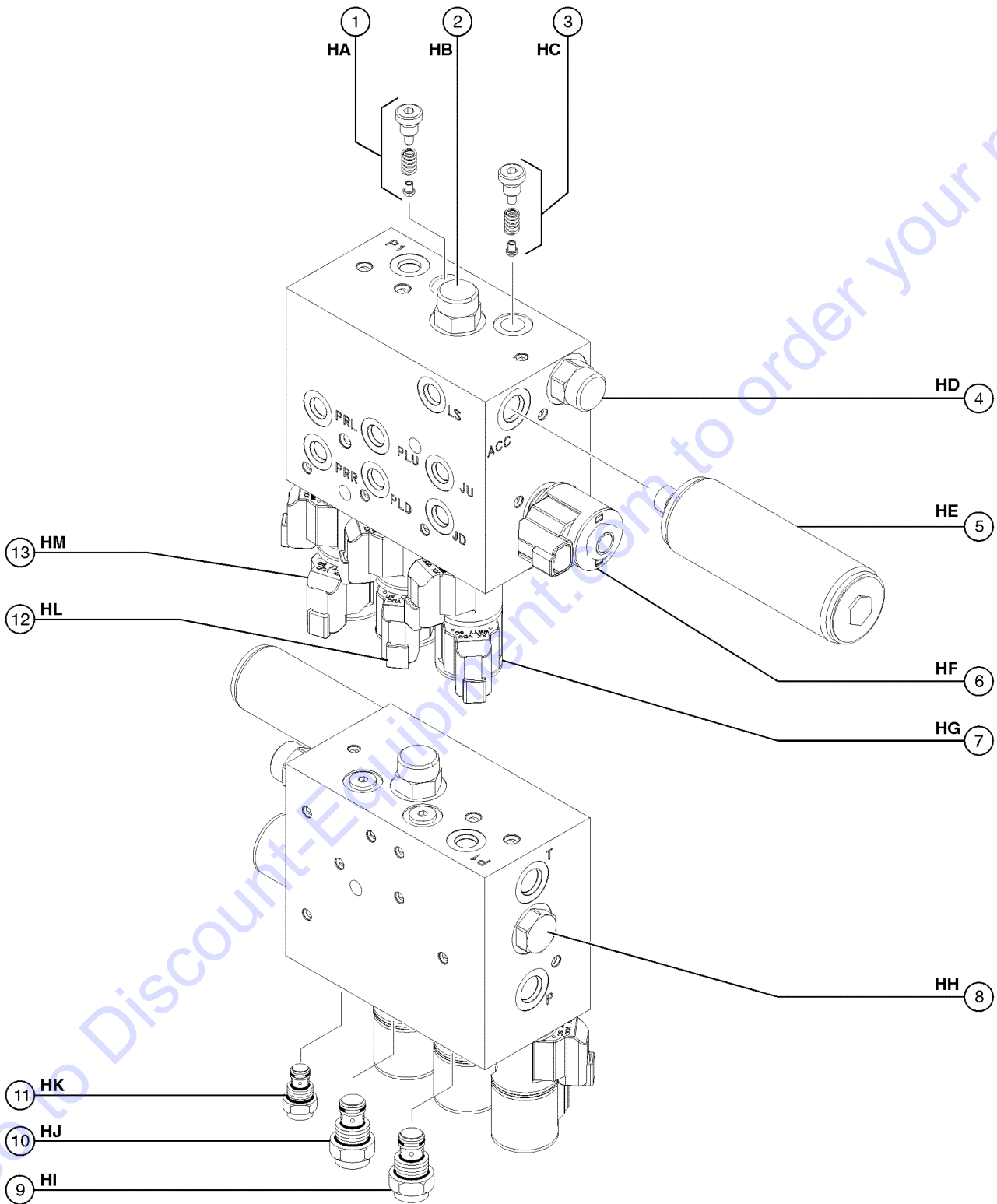
709.1 Platform Manifold (to SN 928)



709.1 Platform Manifold (to SN 928)

Item	Part No.	Description	Qty.	Item	Part No.	Description	Qty.
--	230993GT	S105/125 PLAT MNFD SRV KIT <i>Shown manifold is no longer available. For a complete and first time replacement of previous manifold 60365 order service kit 230993 (includes manifold part 233942, accumulator part 122964 and harness part 122954, refer to 709.2 and 603.1)</i>		--	62362GT	SEAL KIT,VALVE 62359, HYDAC	
--	49612GT	O-RING KIT (ORFS FITTINGS)		15	62359GT	VALVE,SHUTTLE, HYDAC <i>CA, Platform rotate load sense circuit</i>	
--	49613GT	PLUG AND CAP KIT-SERVICE,ORFS*		--	62362GT	SEAL KIT,VALVE 62359, HYDAC	
1	62350GT	VALVE,SOLENOID,3POS4WAY,HYDAC <i>CH, Platform level up/down</i>		16	62354GT	NUT,SOLENOID VALVE,HYDAC	
--	62353GT	COIL,SOLENOID,HYDAC MANIFOLDS		17	62353GT	COIL,SOLENOID,HYDAC MANIFOLDS	
--	62354GT	NUT,SOLENOID VALVE,HYDAC		18	62356GT	VALVE,DIFFERENTIAL SENSE,N.C. <i>CO, Directs flow to functions</i>	
--	62355GT	O-RING,COIL NUT, HYDAC		--	62360GT	SEAL KIT,VALVE 62356, HYDAC	
--	62363GT	SEAL KIT,SOLENOID VALVES,HYDAC		19		(Ref.) VALVE,SOLENOID,3POS4WAY,HYDAC <i>Solenoid valve part 62352 is no longer available, for replacement order manifold upgrade kit 215546</i>	
2	62442GT	VALVE,CHECK,PLAT.MANIFLD,HYDAC <i>CF, Platform rotate circuit</i>		--	215546GT	S100/120 PLAT MNFLD SRV KIT <i>Solenoid valve part 62352 is no longer available, for replacement order manifold upgrade kit 215546</i>	
3	62442GT	VALVE,CHECK,PLAT.MANIFLD,HYDAC <i>CJ, Platform level circuit</i>		20	62353GT	COIL,SOLENOID,HYDAC MANIFOLDS	
4	62351GT	VALVE,SOLENOID,3POS4WAY,HYDAC <i>CL, Jib boom up/down</i>		21	62354GT	NUT,SOLENOID VALVE,HYDAC	
--	62353GT	COIL,SOLENOID,HYDAC MANIFOLDS					
--	62354GT	NUT,SOLENOID VALVE,HYDAC					
--	62355GT	O-RING,COIL NUT, HYDAC					
--	62363GT	SEAL KIT,SOLENOID VALVES,HYDAC					
5	62442GT	VALVE,CHECK,PLAT.MANIFLD,HYDAC <i>CN, Jib boom circuit</i>					
6	62364GT	ACCUMULATOR,500 PSI,HYDAC <i>CQ, Hydraulic dampening</i>					
7	62357GT	VALVE,DIFFERENTIAL SENSE,N.O. <i>CM, Jib boom differential sensing circuit</i>					
--	62361GT	SEAL KIT,VALVE 62357, HYDAC					
8	62357GT	VALVE,DIFFERENTIAL SENSE,N.O. <i>CI, Platform level circuit</i>					
--	62361GT	SEAL KIT,VALVE 62357, HYDAC					
9	62358GT	VALVE,FLOW CONTROL,3GPM, HYDAC <i>CP, Bleeds off differential sensing valve to tank</i>					
10	62357GT	VALVE,DIFFERENTIAL SENSE,N.O. <i>CE, Platform rotate differential sensing</i>					
--	62361GT	SEAL KIT,VALVE 62357, HYDAC					
11	62359GT	VALVE,SHUTTLE, HYDAC <i>CK, Jib boom load sense circuit</i>					
--	62362GT	SEAL KIT,VALVE 62359, HYDAC					
12	62443GT	ORIFICE PLUG,.03,PLATF. HYDAC <i>CB, Platform rotate left circuit</i>					
13	62443GT	ORIFICE PLUG,.03,PLATF. HYDAC <i>CC, Platform rotate right circuit</i>					
14	62359GT	VALVE,SHUTTLE, HYDAC <i>CG, Platform level load sense circuit</i>					

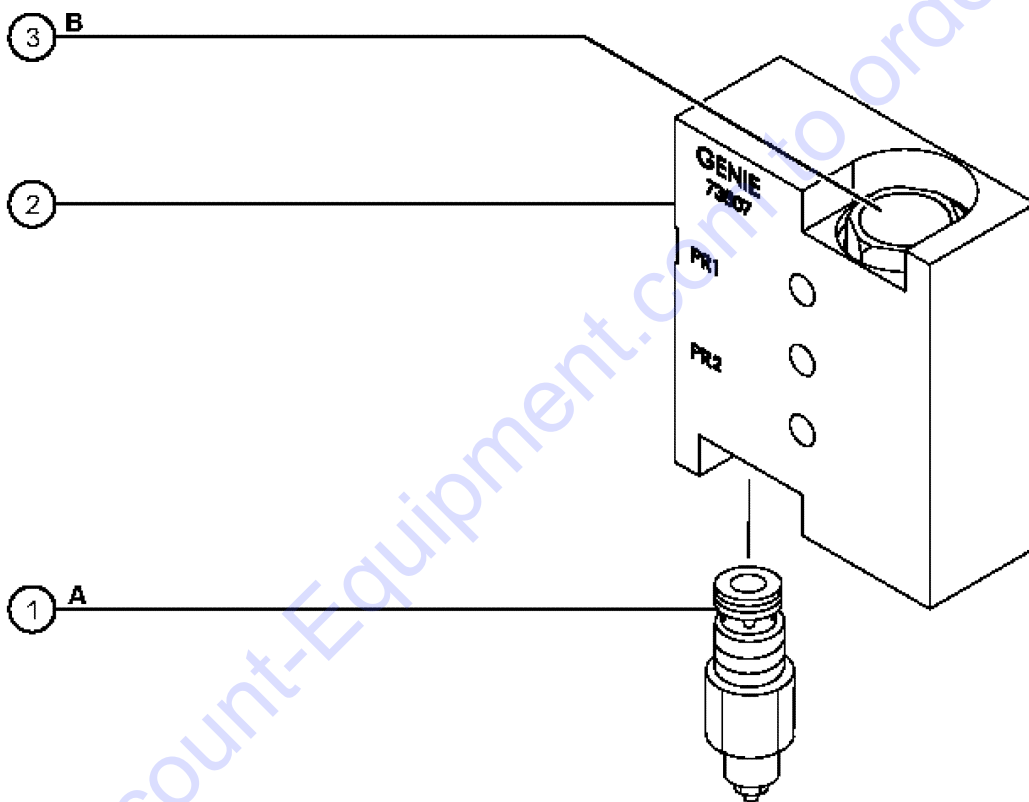
709.2 Platform Manifold (from SN 929)



709.2 Platform Manifold (from SN 929)

Item	Part No.	Description	Qty.	Item	Part No.	Description	Qty.
--	233942GT	MANIFOLD PLATFORM W/JIB <i>Does not include accumulator part 122964</i>		--	229405GT	CHECK VALVE DISC.....	1
1	52907GT	VALVE-CHECK, #4 SAE, 5 PSI* <i>Platform load sense circuit, platform level</i>		--	230983GT	VITON SEAL KIT, VALVE	
--	62341GT	SEAL KIT,52907,SIZE 4, 2 WAY		--	44174GT	NUT-COIL SHORT	
2	T107736GT	DIFFERENTIAL SENS VLV,8,150PSI <i>Directs flow to functions</i>					
--	52371GT	SEAL KIT, VALVE					
3	52907GT	VALVE-CHECK, #4 SAE, 5 PSI* <i>Platform load sense circuit, jib up and down</i>					
--	62341GT	SEAL KIT,52907,SIZE 4, 2 WAY					
4	62324GT	VALVE, FLOW CONTROL, 0.1GPM* <i>Bleeds off differential valve to tank</i>					
--	44228GT	SEAL KIT, VALVE					
5	122964GT	ACCUMULATOR, 5CU IN 500 CHARGE <i>Hydraulic dampening</i>					
6	228866GT	COIL, SOLENOID VALVE <i>Function enable valve</i>					
--	101934GT	VALVE, SOLENOID, 2 POS 2 WAY					
--	44174GT	NUT-COIL SHORT					
--	44228GT	SEAL KIT, VALVE					
7	229407GT	PRO.DIR.CTRL, VLV, 5WY, 3POS.....1 <i>LS Directional Proportional, Jib up and down</i>	1				
--	229411GT	VALVE COIL 10V.....	2				
--	230983GT	VITON SEAL KIT, VALVE					
--	44174GT	NUT-COIL SHORT					
8	46216GT	VALVE, CHECK, IWP-S/CWP PWR ASSI					
--	44227GT	SEAL KIT, VALVE					
9	229406GT	REGULATOR, PRESS-COMP 0.30 GPM <i>Jib boom differential sensing circuit</i>					
--	44225GT	SEAL KIT, VALVE					
10	110180GT	VALVE, COMPENSATOR, 80 PSI <i>Platform level differential sensing circuit</i>					
--	44225GT	SEAL KIT, VALVE					
11	110180GT	VALVE, COMPENSATOR, 80 PSI <i>Platform rotate differential sensing circuit</i>					
--	44228GT	SEAL KIT, VALVE					
12	229407GT	PRO.DIR.CTRL, VLV, 5WY, 3POS <i>LS Directional Proportional, Platform level up and down</i>					
--	229411GT	VALVE COIL 10V.....	2				
--	230983GT	VITON SEAL KIT, VALVE					
--	44174GT	NUT-COIL SHORT					
13	229407GT	PRO.DIR.CTRL, VLV, 5WY, 3POS <i>LS Directional Proportional, Platform rotate left and right</i>					
--	228866GT	COIL, SOLENOID VALVE.....	2				

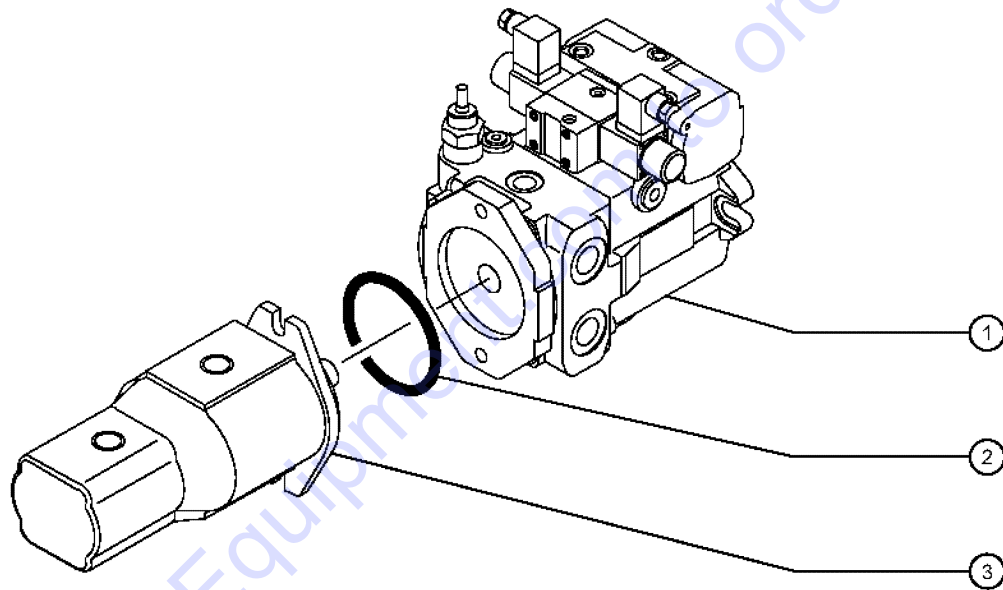
710.1 Platform Rotate Manifold



710.1 Platform Rotate Manifold

Item	Part No.	Description	Qty.
--	28750GT	O-RING KIT,FIELD SVC,ALL PROD*	
--	49612GT	O-RING KIT (ORFS FITTINGS)	
--	33994GT	PLUG AND CAP KIT-SERVICE,37 **	
--	49613GT	PLUG AND CAP KIT-SERVICE,ORFS*	
1	43166GT	MANIFOLD,ASSY DUAL CNTRBAL. <i>A, Platform rotate right; to SN 131</i>	
--	62506GT	VALVE - COUNTERBALANCE** <i>from SN 132</i>	
2	73807GT	MANIFOLD,ROTATOR,CB***	
--	13852GT	VALVE ASSY,BLEED*** <i>to SN 250</i>	
--	43018GT	SEAL KIT (39345)	
--	62507GT	O-RING, ROTATOR MANIFOLD	
--	88516GT	SCREW,BLEEDER,M5X0.8 <i>from SN 251</i>	
3	43166GT	MANIFOLD,ASSY DUAL CNTRBAL. <i>B, Platform rotate left; to SN 131</i>	
--	62506GT	VALVE - COUNTERBALANCE** <i>from SN 132</i>	

711.1 Pumps

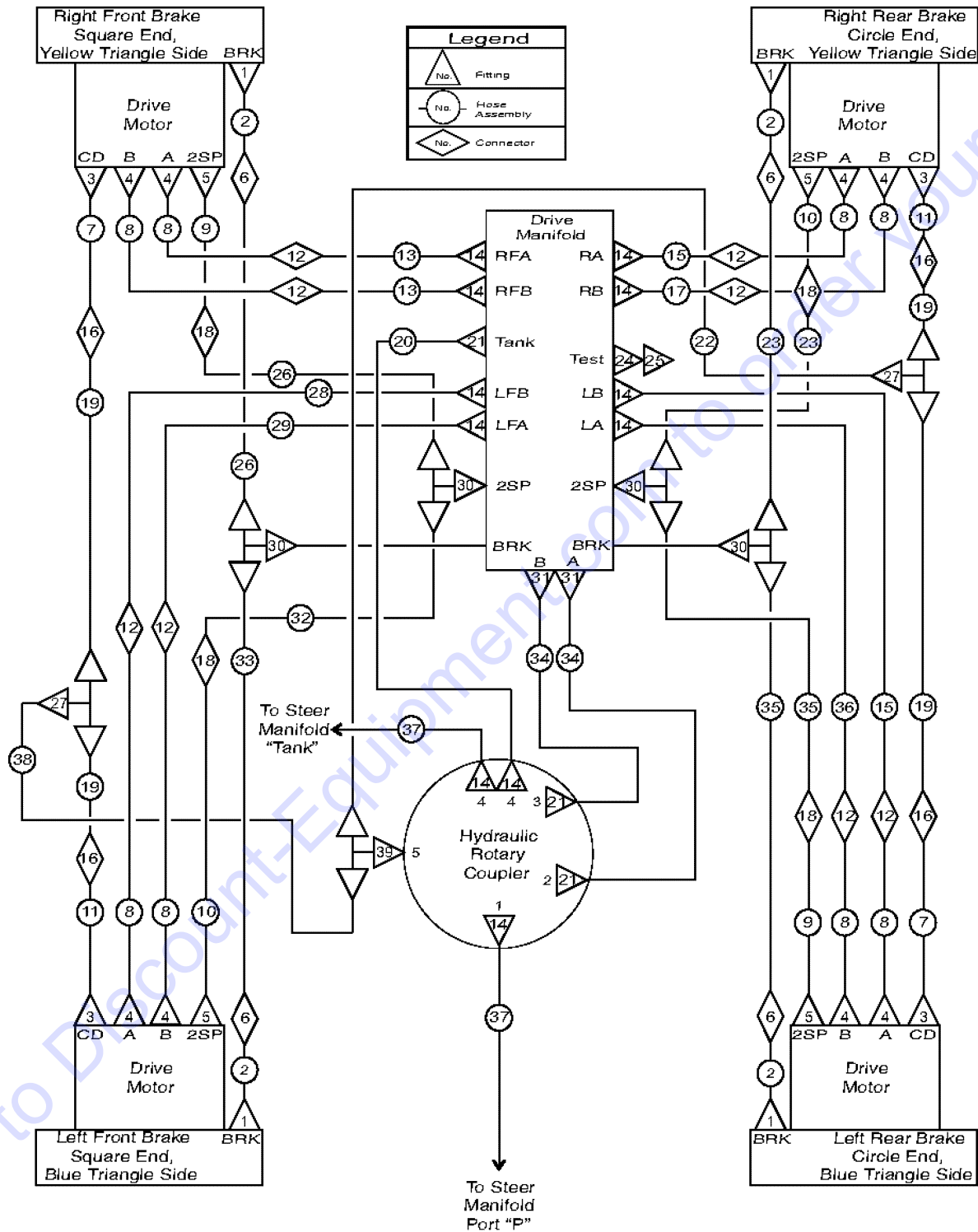


Go to Discount-Equipment.com to order your parts

Item	Part No.	Description	Qty.
1A	50170GT	PUMP,VARIABLE DISPLACEMENT.....1 <i>to SN 252</i>	
--	62405GT	SEAL KIT,REXROTH PUMP (50170) <i>use with pump 50170; to SN 252</i>	
--	83136GT	BLACK SOCKET,(50170) <i>use with pump 50170; to SN 252</i>	
--	83137GT	GRAY SOCKET,(50170) <i>use with pump 50170; to SN 252</i>	
1B	101068GT	PUMP,PISTON,46CC,B MOUNT,13T** <i>from SN 253</i>	
--	29739GT	SEAL KIT,SAUER-DANFOSS M46*** <i>use with pump 101068; from SN 253</i>	
--	77819GT	EDC ASSY,SAUER M46*** <i>use with pump 101068; from SN 253</i>	
2A	62407GT	O-RING,PISTON PUMP TO GEARPUMP1 <i>use with pump 50170; to SN 252</i>	
2B	52087GT	O-RING,2-044 BUNA*** <i>use with pump 101068; from SN 253</i>	
3A		PUMP,2 SEC (50166) <i>component no longer available</i>	
--	62415GT	SEAL KIT,2-SEC PUMP (50166) <i>use with pump 50166</i>	
3B	122495GT	PUMP,2 SEC,29CC X 19CC,FE.....1	
--	122494GT	KIT,SEALS & WEAR PLATE, PUMP <i>use with pump 122495</i>	

Go to Discount-Equipment.com to order your parts

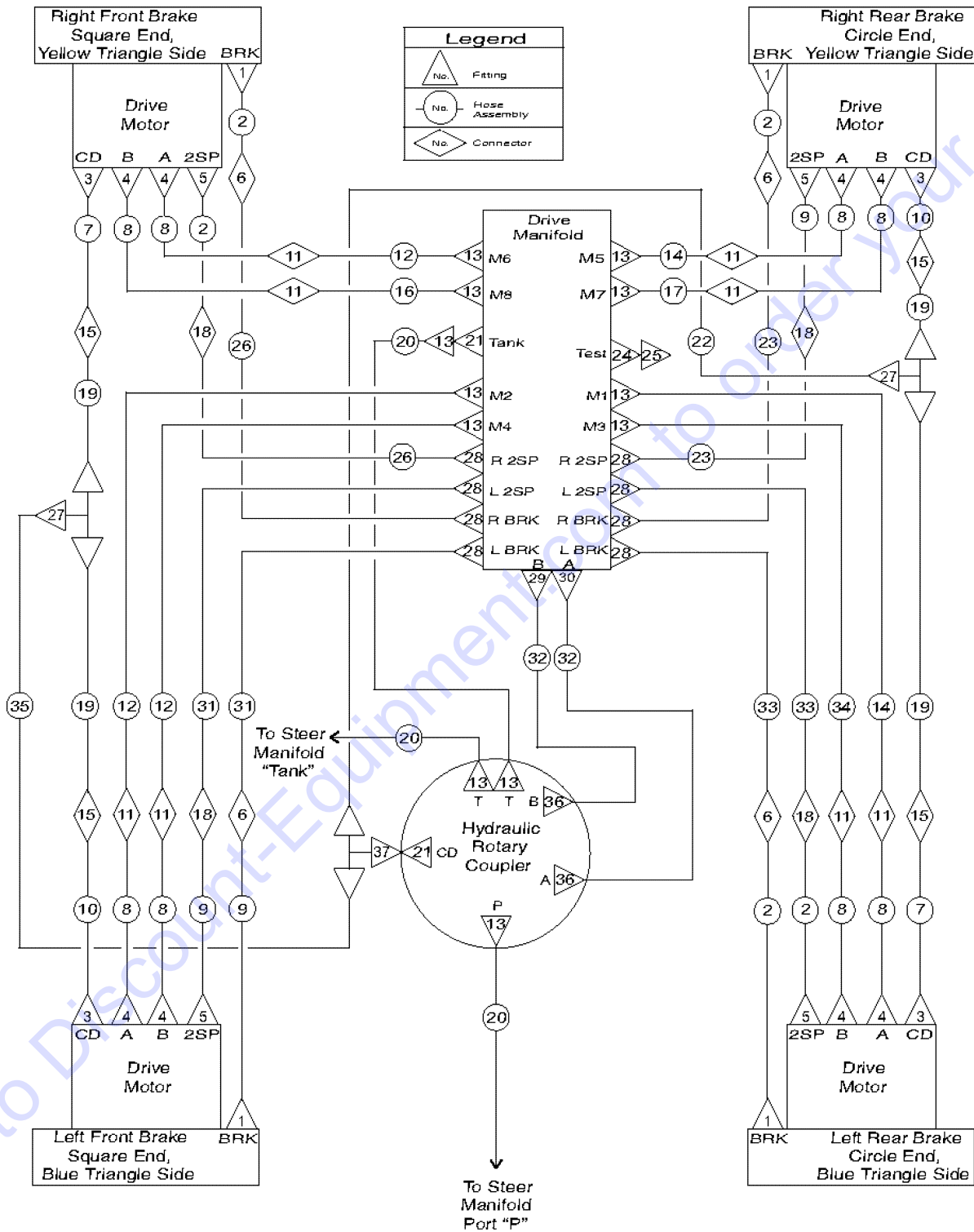
712.1 Hydraulic Hoses and Fittings - Drive System (to SN 135)



712.1 Hydraulic Hoses and Fittings - Drive System (to SN 135)

Item	Part No.	Description	Qty.
--	49612GT	O-RING KIT (ORFS FITTINGS)	
--	49613GT	PLUG AND CAP KIT-SERVICE,ORFS*	
1	48912GT	CONN,520120-4-6***.....	4
2	491165337-SGT	HOSE ASSY,1/4,45 FEM,STR FEM.....	4
3	54283GT	ELBOW,90D,520220-8-10.....	4
4	48948GT	CONN,520120-8-12.....	8
5	48904GT	ELBOW,90D,520220-4-4.....	4
6	61268GT	CONN,BULKHEAD,520801,-4.....	4
7	491437029-SGT	HOSE ASSY,1/2,90 FEM,STR FEM.....	2
8	611435463-SGT	HOSE ASSY 1/2" 45 FEM,STR FEM.....	8
9	491165037-SGT	HOSE ASSY,1/4,45 FEM,STR FEM.....	2
10	491166037-SGT	HOSE ASSY,1/4,45 FEM,STR FEM.....	2
11	491835492-SGT	HOSE ASSY,1/2,STR FEM,STR FEM.....	2
12	48894GT	CONN,BULKHEAD,520601-8.....	8
13	6114311533-SGT	HOSE ASSY,1/2,45 FEM STR FEM.....	2
14	48933GT	CONN,520120-8***.....	11
15	752785529-SGT	HOSE ASSY,1/2,90 FEM,STR FEM.....	2
16	61346GT	CONN,BULKHEAD,520801,-8.....	4
17	752785829-SGT	HOSE ASSY,1/2,90 FEM,STR FEM.....	1
18	61269GT	UNION,BULKHEAD,ORFS,520601,-4.....	4
19	540855818-SGT	HOSE ASSY,1/2", FEM/FEM.....	4
20	540852918-SGT	HOSE ASSY,1/2", FEM/FEM.....	1
21	48960GT	FITTING,CONN,520120-12***.....	3
22	610723226-SGT	HOSE ASSEMBLY, 3/4".....	1
23	49117-5835GT	HOSE ASSY,1/4,90 FEM,STR FEM.....	2
24	48997GT	NIPPLE,DIAGNOSTIC,#4.....	1
--	20224GT	DIAGNOSTIC FEMALE Q-DSCNT	
25	48880GT	CAP,DIAGNOSTIC NIPPLE.....	1
26	4911611537-SGT	HOSE ASSY,1/4,45 FEM,STR FEM.....	2
27	61345GT	TEE,BULKHEAD,52N9959-12.....	2
28	49141-11263-SGT	HOSE ASSY,1/2,45 FEM,STR FEM.....	1
29	49141-11063-SGT	HOSE ASSY,1/2,45 FEM,STR FEM.....	1
30	48906GT	TEE,RUN,520428-4.....	4
31	48963GT	FITTING,ELBOW,45D,520320-12***.....	2
32	49117-11535-SGT	HOSE ASSY,1/4,90 FEM,STR FEM.....	1
33	49117-11035-SGT	HOSE ASSY,1/4,90 FEM,STR FEM.....	1
34	61142-3584GT	HOSE ASSY,3/4" 45 FEM,STR FEM.....	2
35	491195678-SGT	HOSE ASSY,1/4,STR FEM,STR FEM.....	2
36	752786329-SGT	HOSE ASSY,1/2,90 FEM,STR FEM.....	1
37	49141-2963-SGT	HOSE ASSY,1/2,45 FEM,STR FEM.....	2
38	610724226-SGT	HOSE ASSEMBLY,3/4 (#121).....	1
39	48962GT	TEE,BRANCH,520429-12.....	1

712.2 Hydraulic Hoses and Fittings - Drive System (from SN 136)



712.2 Hydraulic Hoses and Fittings - Drive System (from SN 136)

Item	Part No.	Description	Qty.	Item	Part No.	Description	Qty.
--	49612GT	O-RING KIT (ORFS FITTINGS)		19	49183-5792GT	HOSE ASSY,1/2,STR FEM,STR FEM.....4 <i>components: 48822, 48822 and 48756 @ 56 inches</i>	
--	49613GT	PLUG AND CAP KIT-SERVICE,ORFS*		20	49141-2963SGT	HOSE ASSY,1/2,45 FEM,STR FEM.....3 <i>components: 48822, 48826 and 48756 @ 54 inches</i>	
1	48912GT	CONN,520120-4-6***.....4		21	75613GT	CONN,090136-12-8.....2	
2	491165337SGT	HOSE ASSY,1/4,45 FEM,STR FEM.....6 <i>components: 48800, 48801 and 48751 @ 51 inches</i>		22	49183-3292GT	HOSE ASSY,1/2,STR FEM,STR FEM.....1 <i>components: 48822, 48822 and 48756 @ 31 inches</i>	
3	54283GT	ELBOW,90D,520220-8-10.....4 <i>to SN 257</i>		23	49117-5835GT	HOSE ASSY,1/4,90 FEM,STR FEM.....2 <i>components: 48800, 48802 and 48751 @ 56 inches</i>	
--	48933GT	CONN,520120-8*** <i>from SN 258</i>		24	48997GT	NIPPLE,DIAGNOSTIC,#4.....1 <i>to SN 147</i>	
4	48948GT	CONN,520120-8-12.....8		--	20224GT	DIAGNOSTIC FEMALE Q-DSCNT <i>to SN 147</i>	
5	48904GT	ELBOW,90D,520220-4-4.....4		25	48880GT	CAP,DIAGNOSTIC NIPPLE.....1 <i>to SN 147</i>	
6	61268GT	CONN,BULKHEAD,520801,-4.....4		26	4911611537SGT	HOSE ASSY,1/4,45 FEM,STR FEM.....2 <i>components: 48800, 48801 and 48751 @ 113 inches</i>	
7	49143-7029SGT	HOSE ASSY,1/2,90 FEM,STR FEM.....2 <i>components: 48822, 48827 and 48756 @ 68 inches; to SN 257</i>		27	75612GT	TEE,BULKHEAD,52N9959-8.....2	
--	49141-5663GT	HOSE ASSY,1/2 STR FEM,45 DEG** <i>components: 48822, 48826 and 48756 @ 54 inches; from SN 258</i>		28	48906GT	TEE,RUN,520428-4.....4 <i>to SN 291</i>	
8	61143-5163SGT	HOSE ASSY 1/2" 45 FEM,STR FEM.....8 <i>components: 48822, 48826 and 56777 @ 52 inches</i>		--	48905GT	CONN,520120-4***.....8 <i>from SN 292</i>	
9	491166037SGT	HOSE ASSY,1/4,45 FEM,STR FEM.....2 <i>components: 48800, 48801 and 48751 @ 58 inches</i>		29	61610GT	CONN,LONG,520122-12***.....1	
10	49183-5492SGT	HOSE ASSY,1/2,STR FEM,STR FEM.....2 <i>components: 48822, 48822 and 48756 @ 53 inches; to SN 257</i>		30	48960GT	FITTING,CONN,520120-12***.....1	
--	49141-5663GT	HOSE ASSY,1/2 STR FEM,45 DEG** <i>components: 48822, 48826 and 48756 @ 54 inches; from SN 258</i>		31	49117-10935GT	HOSE ASSY 1/4,90 FEM STR FEM.....2 <i>components: 48800, 48802 and 48751 @ 107 inches; to SN 291</i>	
11	48894GT	CONN,BULKHEAD,520601-8.....8		--	4911610937SGT	HOSE ASSY,1/4,45 FEM,STR FEM <i>components: 48800, 48801 and 48751 @ 107 inches; from 292</i>	
12	61143-11263GT	HOSE ASSY,1/2,45 FEM STR FEM.....3 <i>components: 48822, 48826 and 56777 @ 110 inches</i>		32	94374-3130GT	HOSE ASSY,3/4,90 FEM,STR FEM.....2 <i>components: 48841, 48846 and 94358 @ 28 inches</i>	
13	48933GT	CONN,520120-8***.....12		33	491195678SGT	HOSE ASSY,1/4,STR FEM,STR FEM.....2 <i>components: 48800, 48800 and 48751 @ 55 inches; to SN 291</i>	
14	75278-5529SGT	HOSE ASSY,1/2,90 FEM,STR FEM.....2 <i>components: 48822, 48827 and 56777 @ 53 inches</i>		--	49117-5935GT	HOSE ASSY,1/4,90 FEM,STR FEM <i>components: 48800, 48802 and 48751 @ 57 inches; from SN 292</i>	
15	61346GT	CONN,BULKHEAD,520801,-8.....4		34	75278-6329SGT	HOSE ASSY,1/2,90 FEM,STR FEM.....1 <i>components: 48822, 48827 and 56777 @ 61 inches; to SN 291</i>	
16	61143-11553SGT	HOSE ASSY,1/2,45 FEM STR FEM.....1 <i>components: 48822, 48826 and 56777 @ 113 inches</i>		--	75278-6029GT	HOSE ASSY,1/2,90 FEM,STR FEM <i>components: 48822, 48827 and 56777 @ 58 inches; from SN 292</i>	
17	75278-5829SGT	HOSE ASSY,1/2,90 FEM,STR FEM.....1 <i>components: 48822, 48827 and 56777 @ 56 inches; to SN 291</i>		35	49183-4092GT	HOSE ASSY,1/2,STR FEM,STR FEM.....1 <i>components: 48822, 48822 and 48756 @ 39 inches</i>	
--	75278-5729GT	HOSE ASSY,1/2,90 FEM,STR FEM <i>components: 48822, 48827 and 56777 @ 55 inches; from SN 292</i>					
18	61269GT	UNION,BULKHEAD,ORFS,520601,-4.....4					

712.2 Hydraulic Hoses and Fittings - Drive System (from SN 136)
(continued)

Item	Part No.	Description	Qty.
36	48963GT	FITTING,ELBOW,45D,520320-12***.....	2
37	48936GT	TEE,BRANCH,520429-8.....	1

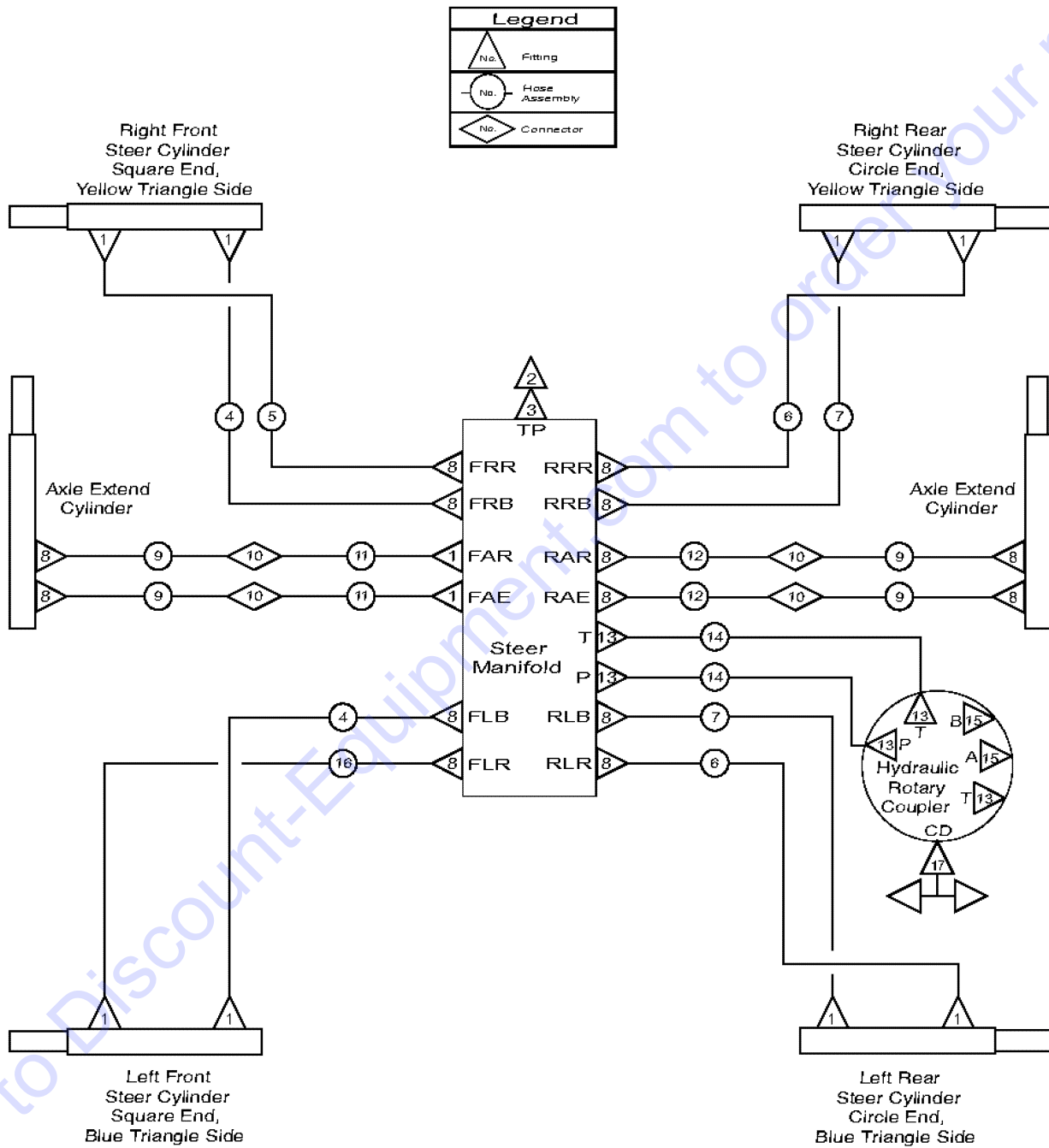
Go to Discount-Equipment.com to order your parts

712.2 Hydraulic Hoses and Fittings - Drive System (from SN 136)
(continued)

This Page Intentionally Left Blank

Go to Discount-Equipment.com to order your parts

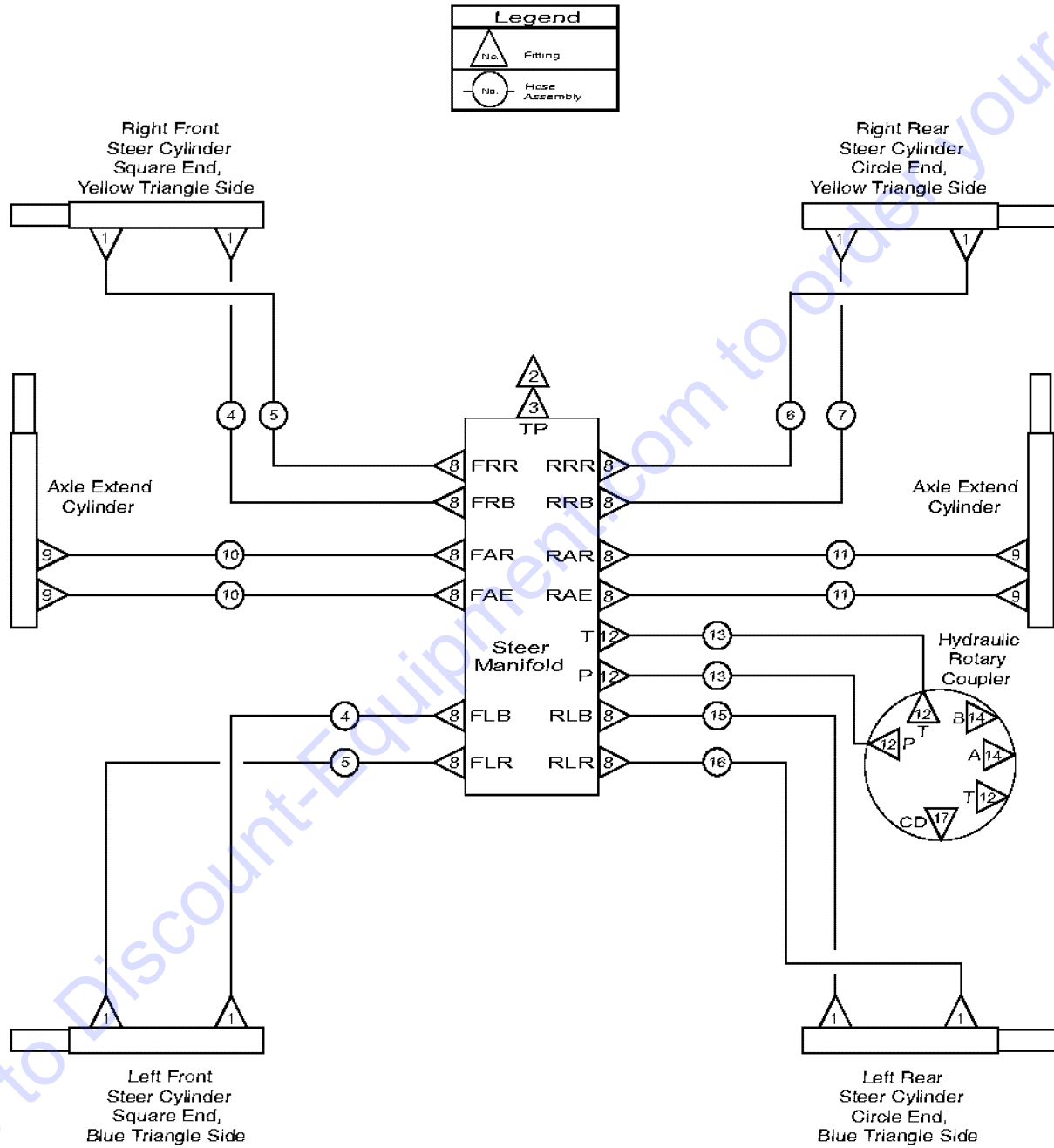
713.1 Hydraulic Hoses and Fittings - Steer System (to SN 135)



713.1 Hydraulic Hoses and Fittings - Steer System (to SN 135)

Item	Part No.	Description	Qty.
--	49612GT	O-RING KIT (ORFS FITTINGS)	
--	49613GT	PLUG AND CAP KIT-SERVICE,ORFS*	
1	48911GT	ELBOW,90D,520220-4-6***.....	10
2	48880GT	CAP,DIAGNOSTIC NIPPLE.....	1
3	48997GT	NIPPLE,DIAGNOSTIC,#4.....	1
--	20224GT	DIAGNOSTIC FEMALE Q-DSCNT	
4	491175035-SGT	HOSE ASSY,1/4,90 FEM,STR FEM.....	2
5	491175535-SGT	HOSE ASSY,1/4,90 FEM,STR FEM.....	1
6	4911611837-SGT	HOSE ASSY,1/4,45 FEM,STR FEM.....	2
7	4911610337-SGT	HOSE ASSY,1/4,45 FEM,STR FEM.....	2
8	48912GT	CONN,520120-4-6***.....	14
9	491191878-SGT	HOSE ASSY,1/4,STR FEM,STR FEM....	4
10	61269GT	UNION,BULKHEAD,ORFS,520601,-4....	4
11	491165737-SGT	HOSE ASSY,1/4,45 FEM,STR FEM.....	2
12	4911711035-SGT	HOSE ASSY,1/4,90 FEM,STR FEM.....	2
13	48933GT	CONN,520120-8***.....	5
14	491412963-SGT	HOSE ASSY,1/2,45 FEM,STR FEM.....	2
15	48963GT	FITTING,ELBOW,45D,520320-12***.....	2
16	491175335-SGT	HOSE ASSY,1/4,90 FEM,STR FEM.....	1
17	48962GT	TEE,BRANCH,520429-12.....	1

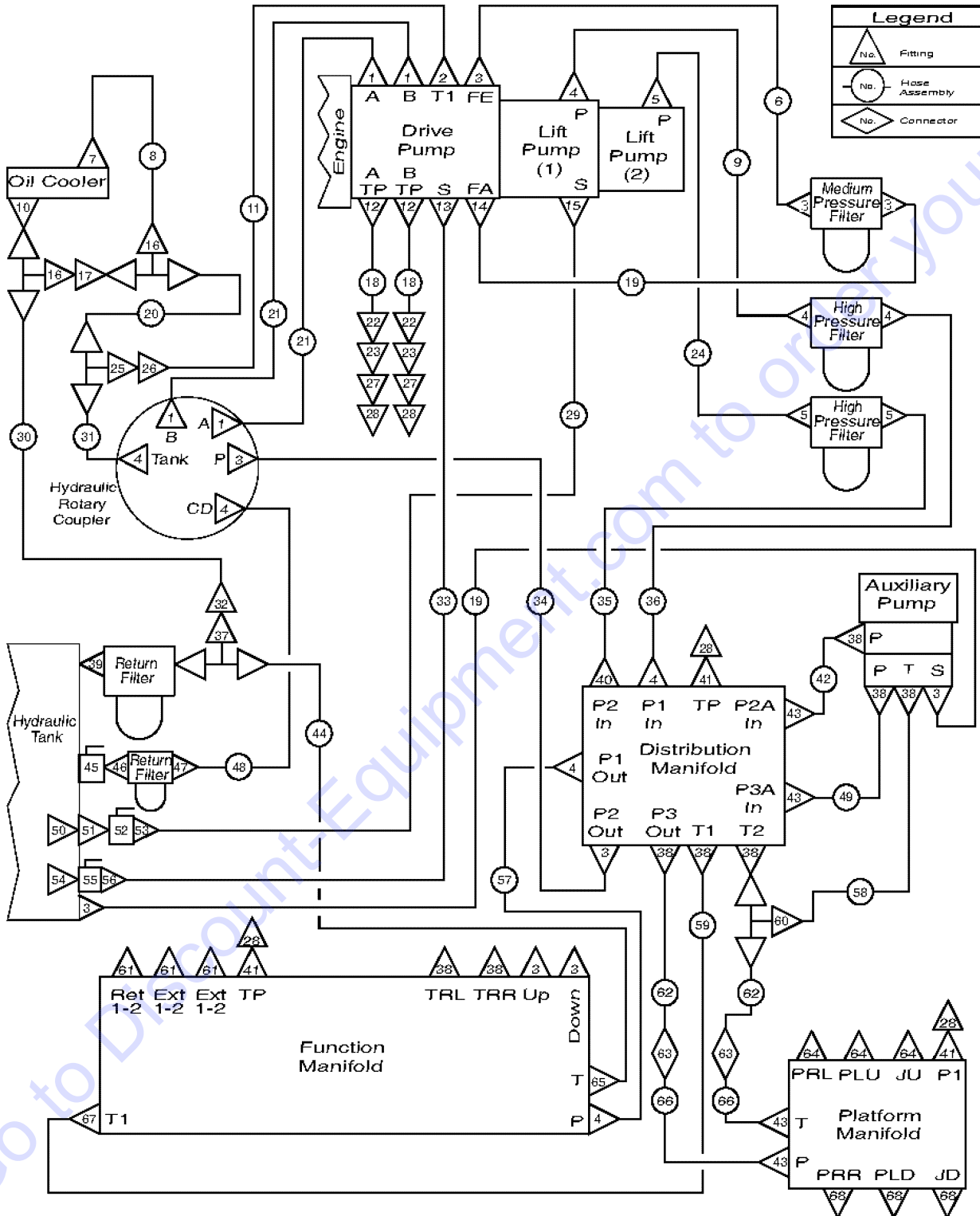
713.2 Hydraulic Hoses and Fittings - Steer System (from SN 136)



713.2 Hydraulic Hoses and Fittings - Steer System (from SN 136)

Item	Part No.	Description	Qty.
--	49612GT	O-RING KIT (ORFS FITTINGS)	
--	49613GT	PLUG AND CAP KIT-SERVICE,ORFS*	
1	48911GT	ELBOW,90D,520220-4-6***.....	8
2	48880GT	CAP,DIAGNOSTIC NIPPLE.....	1
3	48997GT	NIPPLE,DIAGNOSTIC,#4.....	1
--	20224GT	DIAGNOSTIC FEMALE Q-DSCNT	
--	75098GT	HARNESS,PRESSURE TRANSDUCER	
4	49117-5035SGT	HOSE ASSY,1/4,90 FEM,STR FEM..... <i>components: 48800, 48802 and 48751 @ 48 inches</i>	2
5	49117-6435GT	HOSE ASSY,1/4,90 FEM,STR FEM..... <i>components: 48800, 48802 and 48751 @ 62 inches</i>	2
6	49116-12237GT	HOSE ASSY,1/4,45 FEM,STR FEM..... <i>components: 48800, 48801 and 48751 @ 120 inches</i>	1
7	49116-10337SGT	HOSE ASSY,1/4,45 FEM,STR FEM..... <i>components: 48800, 48801 and 48751 @ 107 inches</i>	1
8	48912GT	CONN,520120-4-6***.....	12
9	48905GT	CONN,520120-4***.....	4
10	49117-5835GT	HOSE ASSY,1/4,90 FEM,STR FEM..... <i>components: 48800, 48802 and 48751 @ 56 inches</i>	2
11	49119-10678GT	HOSE ASSY,1/4,STR FEM,STR FEM..... <i>components: 48800, 48800 and 48751 @ 105 inches</i>	2
12	48933GT	CONN,520120-8***.....	5
13	49141-2963SGT	HOSE ASSY,1/2,45 FEM,STR FEM..... <i>components: 48822, 48826 and 48756 @ 27 inches</i>	2
14	48963GT	FITTING,ELBOW,45D,520320-12***.....	2
15	49116-10337GT	HOSE ASSY,1/4,45 FEM,STR FEM..... <i>components: 48800, 48801 and 48751 @ 101 inches</i>	1
16	49116-11537SGT	HOSE ASSY,1/4,45 FEM,STR FEM..... <i>components: 48800, 48801 and 48751 @ 113 inches</i>	1
17	75613GT	CONN,090136-12-8.....	1

714.1 Hydraulic Hoses and Fittings (to SN 133)



714.1 Hydraulic Hoses and Fittings (to SN 133)

Item	Part No.	Description	Qty.	Item	Part No.	Description	Qty.
--	49612GT	O-RING KIT (ORFS FITTINGS)		30	6107312530SGT	HOSE ASSY,3/4" HOSE #68.....	1
--	49613GT	PLUG AND CAP KIT-SERVICE,ORFS*		31	610727226SGT	HOSE ASSEMBLY,3/4 (#67).....	1
1	48963GT	FITTING,ELBOW,45D,520320-12***.....	4	32	61260GT	REDUCER,520123-20-12.....	1
2	48946GT	CONN,520120-8-10.....	1	33	491596118SGT	HOSE ASSY,1" HOSE #92.....	1
3	48933GT	CONN,520120-8***.....	9	34	491415113SGT	HOSE ASSY,1/2" HOSE# 90.....	1
4	48960GT	FITTING,CONN,520120-12***.....	8	35	491097029SGT	HOSE ASSY,1/2,90 FEM,STR FEM.....	1
5	48948GT	CONN,520120-8-12.....	3	36	610737230SGT	HOSE ASSEMBLY 3/4 HOSE #75.....	1
6	491412754SGT	HOSE ASSY,1/2" HOSE #72.....	1	37	61086GT	TEE,RUN,520428-20.....	1
7	48959GT	FITTING,ELBOW,90D,520220-12.....	1	38	48916GT	FITTING,CONN,520120-6.....	8
8	610721930SGT	HOSE ASSEMBLY 3/4 HOSE #117..... <i>Cummins and Perkins models; to SN 133</i>	1	39	61263GT	UNION,STR.THREAD 20.....	1
9	610723101SGT	HOSE ASSY,3/4" HOSE #74.....	1	40	48947GT	ELBOW,90D,520220-8-12.....	1
10	61272GT	ELBOW,STRT,SWVL, 520281, -12..... <i>Cummins and Perkins models; to SN 133</i>	1	41	48997GT	NIPPLE,DIAGNOSTIC,#4.....	3
--	48959GT	FITTING,ELBOW,90D,520220-12 <i>Deutz models; to SN 133</i>		--	20224GT	DIAGNOSTIC FEMALE Q-DSCNT	
11	610707952GT	HOSE ASSY,1/2,90 FEM,STR FEM.....	1	--	75098GT	HARNESS,PRESSURE TRANSDUCER	
12	48905GT	CONN,520120-4***.....	2	42	491282633SGT	HOSE ASSY,3/8" HOSE #85.....	1
13	48984GT	CONN,520120-16.....	1	43	48915GT	ELBOW,90D,520220-6.....	4
14	48932GT	FITTING,ELBOW,90D,520220-8***.....	1	44	611353711SGT	HOSE ASSEMBLY 1" HOSE #81..... <i>to SN 131</i>	1
15	61352GT	KIT,FLANGE CODE 61 -20.....	1	--	611353611SGT	HOSE ASSY,1" HOSE #81 <i>from SN 132 to SN 133</i>	
16	48962GT	TEE,BRANCH,520429-12..... <i>Cummins and Perkins models; to SN 133</i>	2	45	48993GT	VALVE,BALL,12 MPT-12 FPT..... <i>to SN 127</i>	1
17	60726GT	VALVE,CHECK #12 25 PSI..... <i>Cummins and Perkins models; to SN 133</i>	1	--	48995GT	VALVE,BALL,12 MSAE-12 FSAE <i>from SN 128</i>	
18	610712252SGT	HOSE ASSY,HYD,1/4"HOSE #78/79..... <i>to SN 131</i>	2	46	75043GT	NIPPLE,PIPE M/M 140137-3/4..... <i>to SN 127</i>	1
--	755182364SGT	HOSE ASSY,1/4" HOSE #78 & 79 <i>from SN 132 to SN 133</i>		--	75255GT	UNION,STR.THREAD 12* <i>from SN 128</i>	
19	491432779SGT	HOSE ASSY,1/2,90 FEM,STR FEM.....	2	47	48966GT	CONN,520102-12..... <i>to SN 127</i>	1
20	610726826SGT	HOSE ASSY,3/4" HOSE #66.....	1	--	48960GT	FITTING,CONN,520120-12*** <i>from SN 128</i>	
21	611345833SGT	HOSE ASSY,3/4" HOSE #69&70.....	2	48	610725526SGT	HOSE ASSEMBLY,3/4 (#121).....	1
22	61269GT	UNION,BULKHEAD,ORFS,520601,-4..... <i>to SN 131</i>	2	49	491261883SGT	HOSE ASSEMBLY 3/8 HOSE #84.....	1
--	75574GT	NUT,BULKHEAD,520118-4 <i>from SN 132 to SN 133</i>		50	60551GT	STRAINER ASSEMBLY,3" NPT..... <i>to SN 127</i>	1
23	56233GT	O-RING,ORFS,-4..... <i>from SN 132 to SN 133</i>	2	--	75257GT	STRAINER ASSY,#24 O-RING <i>from SN 128</i>	
24	491413613SGT	HOSE ASSY,1/2" HOSE #76.....	1	51	61186GT	BUSHING,2 X 1.5,PLATED IRON..... <i>to SN 127</i>	1
25	48969GT	TEE,BULKHEAD,RUN,520958-12.....	1	--	75254GT	UNION,STR.THREAD 24*** <i>from SN 128</i>	
26	61262GT	ELBOW,SWIVEL 90D, 520221-12.....	1	52	60653GT	VALVE,BALL,1.50" SAE.....	1
27	49207GT	NIPPLE,DIAGNOSTIC,ORFS,FM,SWIV..2		--	75256GT	VALVE BALL,24 FSAE-24 FSAE*** <i>from SN 128</i>	
--	20224GT	DIAGNOSTIC FEMALE Q-DSCNT		53	61083GT	CONN,520120-24..... <i>to SN 133</i>	1
--	75098GT	HARNESS,PRESSURE TRANSDUCER					
28	48880GT	CAP,DIAGNOSTIC NIPPLE.....	5				
29	752885538SGT	HOSE ASSY 1 1/2",90 FL FEMSTR*.....	1				

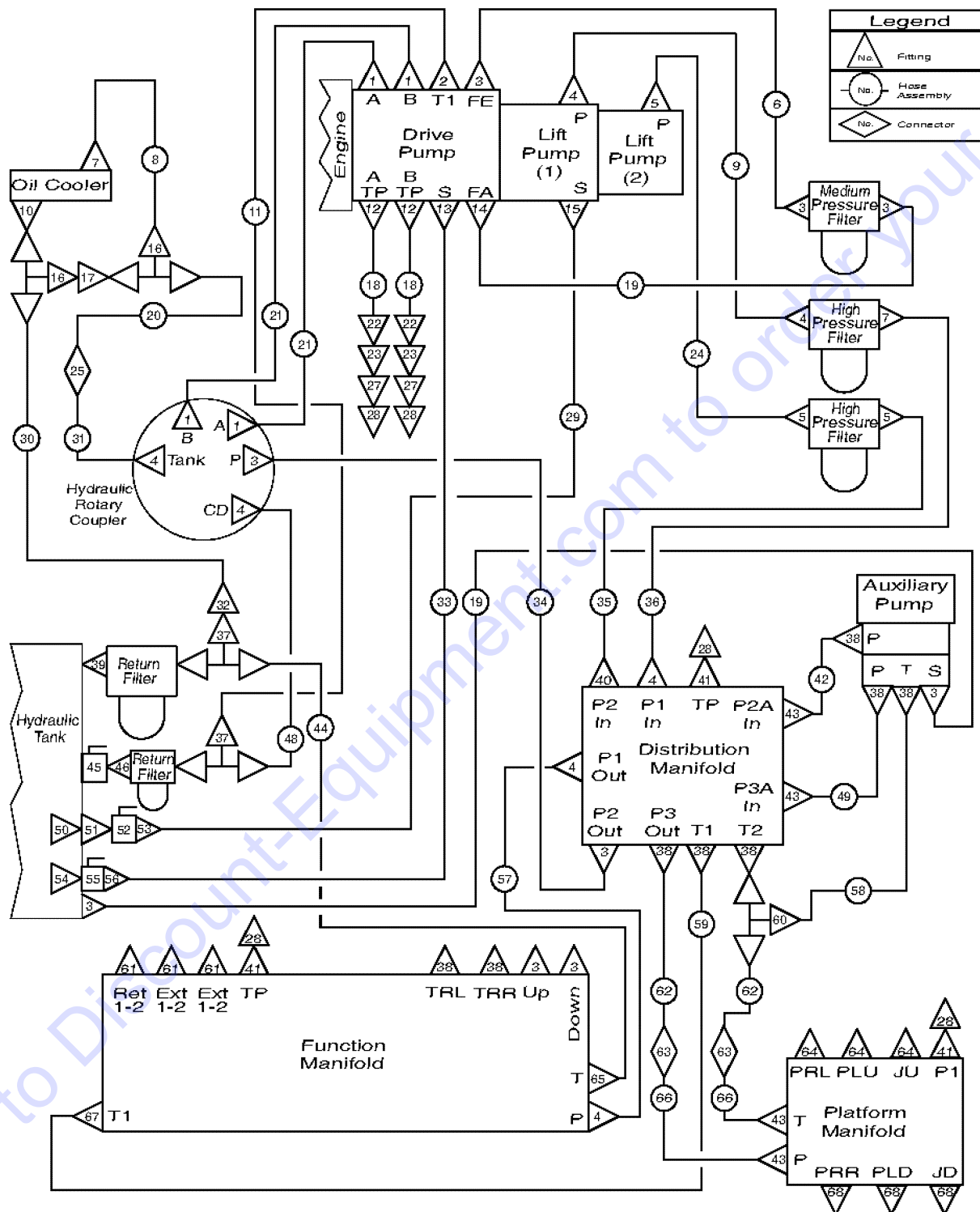
714.1 Hydraulic Hoses and Fittings (to SN 133) (continued)

Item	Part No.	Description	Qty.
54	45161GT	STRAINER ASSEMBLY,1.5" NPT.....1 to SN 127	1
--	75253GT	STRAINER ASSY,#16 O-RING from SN 128	
55	61251GT	VALVE,BALL,1.00" SAE.....1 to SN 127	1
--	48996GT	VALVE,BALL,16 MSAE-16 FSAE*** from SN 128	
56	48985GT	ELBOW,45D,520320-16.....1	1
57	61073-1955SGT	HOSE ASSY 3/4" HOSE #82.....1 to SN 131	1
--	61073-2105SGT	HOSE ASSY,3/4" HOSE #82 from SN 132 to SN 133	
58	49114-1646GT	HOSE ASSY,1/4" 90 FEM,STR FEM.....1	1
59	49128-1909SGT	HOSE ASSEMBLY,3/8" HOSE #80.....1 to SN 131	1
--	49128-2009SGT	HOSE ASSY,3/8" HOSE 80 from SN 132 to SN 133	
60	48875GT	TEE,RUN,SWIVEL,520432-6.....1	1
61	48937GT	ELBOW,45D,520320-8.....3	3
62	49130-51982GT	HOSE ASSY, 3/8,STR FEM,STR FEM....2	2
63	61321GT	ELBOW,90D,BLKHD,ORFS-6-6 W/NUT.....2	2
64	61259GT	ELBOW,90D,LONG,521520-4.....3	3
65	48983GT	ELBOW,90D,520220-16.....1	1
66	49130-10782SGT	HOSE ASSEMBLY 3/8,#118&119S100...2 (S-100)	2
66	49130-114582SGT	HOSE ASSEMBLY 3/8,#118&119S105 (S-105)	
67	48930GT	FITTING,CONN,520120-6-8***.....1	1
68	48904GT	ELBOW,90D,520220-4-4.....3	3

This Page Intentionally Left Blank

Go to Discount-Equipment.com to order your parts

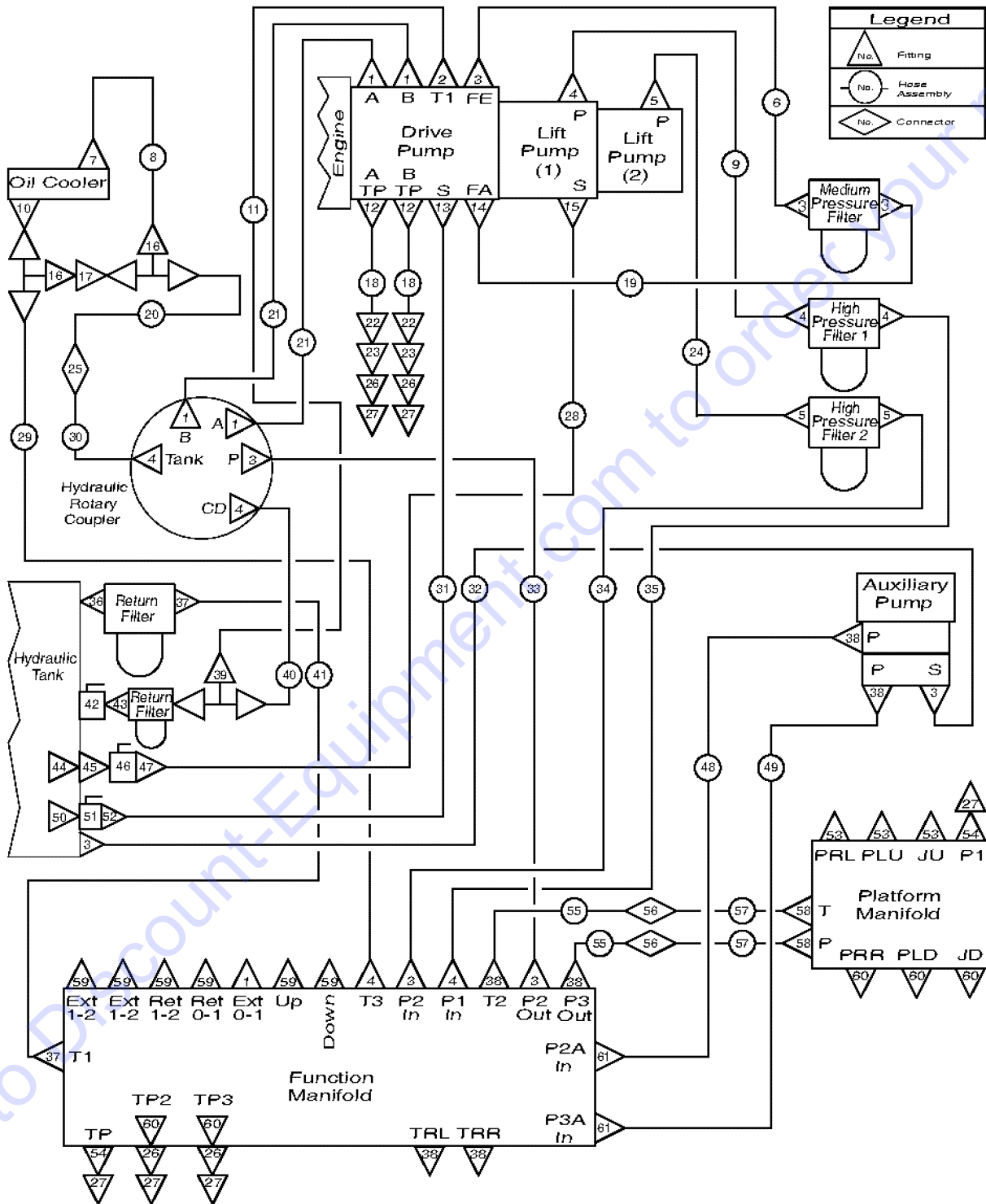
714.2 Hydraulic Hoses and Fittings (from SN 134 to 135)



714.2 Hydraulic Hoses and Fittings (from SN 134 to 135)

Item	Part No.	Description	Qty.	Item	Part No.	Description	Qty.
--	49612GT	O-RING KIT (ORFS FITTINGS)		36	61073-7230SGT	HOSE ASSEMBLY 3/4 HOSE #75.....	1
--	49613GT	PLUG AND CAP KIT-SERVICE,ORFS*		37	61086GT	TEE,RUN,520428-20.....	1
1	48963GT	FITTING,ELBOW,45D,520320-12***.....	4	38	48916GT	FITTING,CONN,520120-6.....	
2	48946GT	CONN,520120-8-10.....	1	39	61263GT	UNION,STR.THREAD 20.....	1
3	48933GT	CONN,520120-8***.....	9	40	48947GT	ELBOW,90D,520220-8-12.....	1
4	48960GT	FITTING,CONN,520120-12***.....	7	41	48997GT	NIPPLE,DIAGNOSTIC,#4.....	3
5	48948GT	CONN,520120-8-12.....	3	--	20224GT	DIAGNOSTIC FEMALE Q-DSCNT	
6	49141-2754SGT	HOSE ASSY,1/2" HOSE #72.....	1	--	75098GT	HARNESS,PRESSURE TRANSDUCER	
7	48959GT	FITTING,ELBOW,90D,520220-12.....	2	42	49128-2633SGT	HOSE ASSY,3/8" HOSE #85.....	1
8	61072-1930SGT	HOSE ASSEMBLY 3/4 HOSE #117..... <i>Cummins and Perkins models</i>	1	43	48915GT	ELBOW,90D,520220-6.....	4
9	61072-3101SGT	HOSE ASSY,3/4" HOSE #74.....	1	44	61135-3611SGT	HOSE ASSY,1" HOSE #81.....	1
10	61272GT	ELBOW,STRT,SWVL, 520281, -12..... <i>Cummins and Perkins models</i>	1	45	48995GT	VALVE,BALL,12 MSAE-12 FSAE.....	1
--	48959GT	FITTING,ELBOW,90D,520220-12 <i>Deutz models</i>		46	75255GT	UNION,STR.THREAD 12*.....	1
11	61070-7952GT	HOSE ASSY,1/2,90 FEM,STR FEM.....	1	47	48960GT	FITTING,CONN,520120-12***.....	1
12	48905GT	CONN,520120-4***.....	2	48	61072-5526SGT	HOSE ASSEMBLY,3/4 (#121).....	1
13	48984GT	CONN,520120-16.....	1	49	49126-1883SGT	HOSE ASSEMBLY 3/8 HOSE #84.....	1
14	48932GT	FITTING,ELBOW,90D,520220-8***.....	1	50	75257GT	STRAINER ASSY,#24 O-RING.....	1
15	61352GT	KIT,FLANGE CODE 61 -20.....	1	51	75254GT	UNION,STR.THREAD 24***.....	1
16	48962GT	TEE,BRANCH,520429-12..... <i>Cummins and Perkins models</i>	2	52	75256GT	VALVE BALL,24 FSAE-24 FSAE***.....	1
17	60726GT	VALVE,CHECK #12 25 PSI..... <i>Cummins and Perkins models</i>	1	53	61083GT	CONN,520120-24.....	1
18	75518-2364SGT	HOSE ASSY,1/4" HOSE #78 &79.....	2	54	75253GT	STRAINER ASSY,#16 O-RING.....	1
19	49143-2779SGT	HOSE ASSY,1/2,90 FEM,STR FEM.....	2	55	48996GT	VALVE,BALL,16 MSAE-16 FSAE***.....	1
20	61072-6826SGT	HOSE ASSY,3/4" HOSE #66.....	1	56	48985GT	ELBOW,45D,520320-16.....	1
21	61134-5833SGT	HOSE ASSY,3/4" HOSE #69&70.....	2	57	61073-2105SGT	HOSE ASSY,3/4" HOSE #82.....	1
22	75574GT	NUT,BULKHEAD,520118-4.....	2	58	49114-1646GT	HOSE ASSY,1/4" 90 FEM,STR FEM.....	1
23	56233GT	O-RING,ORFS,-4.....	2	59	49128-2009SGT	HOSE ASSY,3/8" HOSE 80.....	1
24	49141-3613SGT	HOSE ASSY,1/2" HOSE #76.....	1	60	48875GT	TEE,RUN,SWIVEL,520432-6.....	1
25	48969GT	TEE,BULKHEAD,RUN,520958-12.....	1	61	48937GT	ELBOW,45D,520320-8.....	3
26	61262GT	ELBOW,SWIVEL 90D, 520221-12.....	1	62	49130-51982GT	HOSE ASSY, 3/8,STR FEM,STR FEM....	2
27	49207GT	NIPPLE,DIAGNOSTIC,ORFS,FM,SWIV..	2	63	61321GT	ELBOW,90D,BLKHD,ORFS-6-6 W/NUT.....	2
--	20224GT	DIAGNOSTIC FEMALE Q-DSCNT		64	61259GT	ELBOW,90D,LONG,521520-4.....	3
--	75098GT	HARNESS,PRESSURE TRANSDUCER		65	48983GT	ELBOW,90D,520220-16.....	1
28	48880GT	CAP,DIAGNOSTIC NIPPLE.....	5	66	49130-10782SGT	HOSE ASSEMBLY 3/8,#118&119S100... (S-100)	2
29	75288-5538SGT	HOSE ASSY 1 1/2",90 FL FEMSTR*.....	1	66	49130-11482SGT	HOSE ASSEMBLY 3/8,#118&119S105 (S-105)	
30	61073-12530SGT	HOSE ASSY,3/4" HOSE #68.....	1	67	48930GT	FITTING,CONN,520120-6-8***.....	1
31	61072-7226SGT	HOSE ASSEMBLY,3/4 (#67).....	1	68	48904GT	ELBOW,90D,520220-4-4.....	3
32	61260GT	REDUCER,520123-20-12.....	1				
33	49159-6118SGT	HOSE ASSY,1" HOSE #92.....	1				
34	49141-5113SGT	HOSE ASSY,1/2" HOSE# 90.....	1				
35	49109-7029SGT	HOSE ASSY,1/2,90 FEM,STR FEM.....	1				

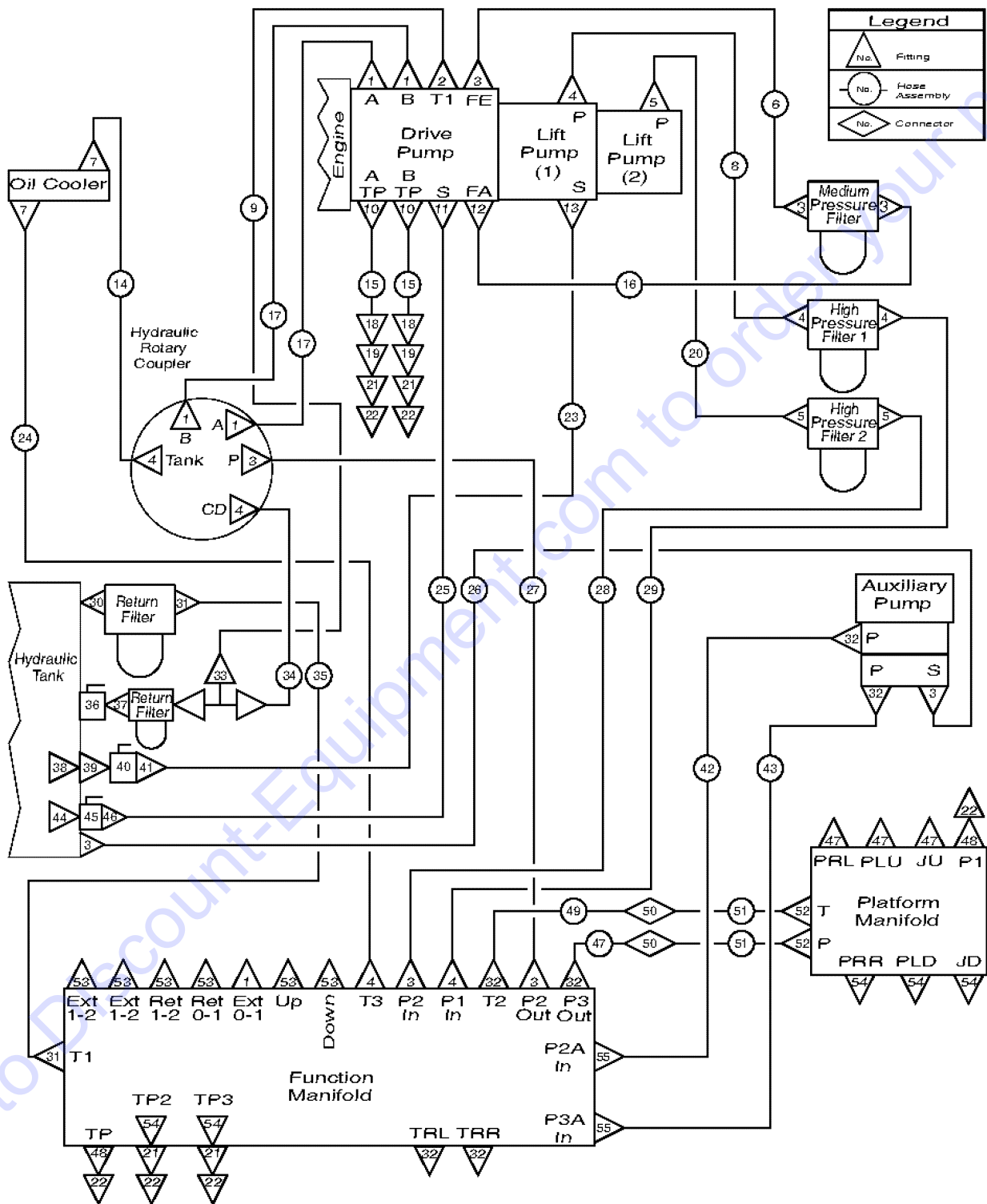
714.3 Hydraulic Hoses and Fittings (from SN 136 to 138)



714.3 Hydraulic Hoses and Fittings (from SN 136 to 138)

Item	Part No.	Description	Qty.	Item	Part No.	Description	Qty.
--	49612GT	O-RING KIT (ORFS FITTINGS)		33	49141-4263SGT	HOSE ASSY,1/2" HOSE #90.....	1
--	49613GT	PLUG AND CAP KIT-SERVICE,ORFS*		34	49143-6329SGT	HOSE ASSY,1/2" HOSE #77.....	1
1	48963GT	FITTING,ELBOW,45D,520320-12***.....	5	35	61073-6230SGT	HOSE ASSEMBLY 3/4 HOSE #75.....	1
2	48946GT	CONN,520120-8-10.....	1	36	61263GT	UNION,STR.THREAD 20.....	1
3	48933GT	CONN,520120-8***.....	8	37	75654GT	CONN,520120-20.....	2
4	48960GT	FITTING,CONN,520120-12***.....	7	38	48916GT	FITTING,CONN,520120-6.....	6
5	48948GT	CONN,520120-8-12.....	3	39	48961GT	TEE,RUN,520428-12.....	1
6	49141-2754SGT	HOSE ASSY,1/2" HOSE #72.....	1	40	61072-5526SGT	HOSE ASSEMBLY,3/4 (#121).....	1
7	48959GT	FITTING,ELBOW,90D,520220-12.....	1	41	75657-2515SGT	HOSE ASSY,1-1/4" HOSE #81.....	1
8	61073-1930SGT	HOSE ASSY 3/4" HOSE #117..... <i>Cummins and Perkins models</i>	1	42	48995GT	VALVE,BALL,12 MSAE-12 FSAE.....	1
9	61072-3101SGT	HOSE ASSY,3/4" HOSE #74..... <i>from SN 136 to SN 138</i>	1	43	75255GT	UNION,STR.THREAD 12*.....	1
10	61272GT	ELBOW,STRT,SWVL, 520281, -12..... <i>Cummins and Perkins models</i>	1	44	75257GT	STRAINER ASSY,#24 O-RING.....	1
--	48959GT	FITTING,ELBOW,90D,520220-12 <i>Deutz models</i>		45	75254GT	UNION,STR.THREAD 24***.....	1
11	61070-6626SGT	HOSE ASSY,1/2,90 FEM,STR FEM.....	1	46	75256GT	VALVE BALL,24 FSAE-24 FSAE***.....	1
12	48905GT	CONN,520120-4***.....	2	47	61083GT	CONN,520120-24.....	1
13	48984GT	CONN,520120-16.....	1	48	49126-1583SGT	HOSE ASSY,3/8" HOSE #85.....	1
14	48932GT	FITTING,ELBOW,90D,520220-8***.....	1	49	49128-1350SGT	HOSE ASSEMBLY 3/8 HOSE #84.....	1
15	61352GT	KIT,FLANGE CODE 61 -20.....	1	50	75253GT	STRAINER ASSY,#16 O-RING.....	1
16	48962GT	TEE,BRANCH,520429-12..... <i>Cummins and Perkins models</i>	2	51	48996GT	VALVE,BALL,16 MSAE-16 FSAE***.....	1
17	60726GT	VALVE,CHECK #12 25 PSI..... <i>Cummins and Perkins models</i>	1	52	48985GT	ELBOW,45D,520320-16.....	1
18	75518-2364SGT	HOSE ASSY,1/4" HOSE #78 &79..... <i>SN 136</i>	2	53	61259GT	ELBOW,90D,LONG,521520-4.....	3
--	75518-2272GT	HOSE ASSY,1/4" STR MALE STR FE <i>from SN 137</i>		54	48997GT	NIPPLE,DIAGNOSTIC,#4.....	2
19	49143-2779SGT	HOSE ASSY,1/2,90 FEM,STR FEM.....	1	--	20224GT	DIAGNOSTIC FEMALE Q-DSCNT	
20	61072-6826SGT	HOSE ASSY,3/4" HOSE #66.....	1	--	75098GT	HARNESS,PRESSURE TRANSDUCER	
21	61134-5833SGT	HOSE ASSY,3/4" HOSE #69&70.....	2	55	49130-51982GT	HOSE ASSY, 3/8,STR FEM,STR FEM....	2
22	75574GT	NUT,BULKHEAD,520118-4.....	2	56	61321GT	ELBOW,90D,BLKHD,ORFS-6-6 W/NUT.....	2
23	56233GT	O-RING,ORFS,-4.....	2	57	49130-106782SGT	HOSE ASSEMBLY 3/8,#118&119S100... <i>(S-100)</i>	2
24	49141-3613SGT	HOSE ASSY,1/2" HOSE #76.....	1	57	49130-114582SGT	HOSE ASSEMBLY 3/8,#118&119S105 <i>(S-105)</i>	
25	48968GT	CONN,BULKHEAD,520601-12.....	1	58	48915GT	ELBOW,90D,520220-6.....	2
26	49207GT	NIPPLE,DIAGNOSTIC,ORFS,FM,SWIV..4		59	48937GT	ELBOW,45D,520320-8.....	6
--	20224GT	DIAGNOSTIC FEMALE Q-DSCNT		60	48904GT	ELBOW,90D,520220-4-4.....	5
--	75098GT	HARNESS,PRESSURE TRANSDUCER		61	48920GT	ELBOW,45D,520320-6.....	2
27	48880GT	CAP,DIAGNOSTIC NIPPLE.....	6				
28	75288-5538SGT	HOSE ASSY 1 1/2",90 FL FEMSTR*.....	1				
29	61073-12530SGT	HOSE ASSY,3/4" HOSE #68.....	1				
30	61072-7226SGT	HOSE ASSEMBLY,3/4 (#67).....	1				
31	49159-6118SGT	HOSE ASSY,1" HOSE #92.....	1				
32	49143-3829SGT	HOSE ASSY,1/2" HOSE #83.....	1				

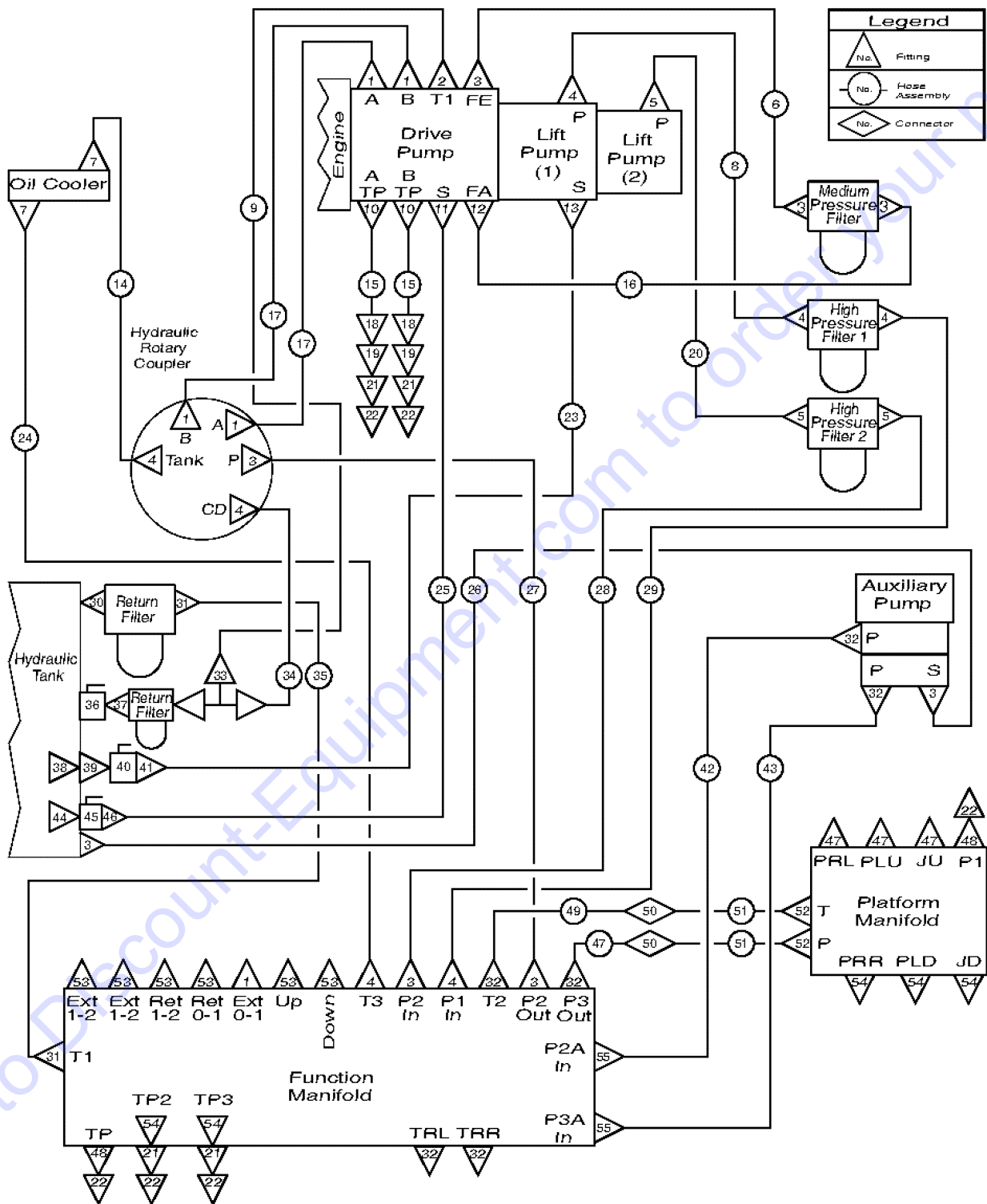
715.1 Hydraulic Hoses and Fittings - Deutz Models (from SN 139 to 148)



715.1 Hydraulic Hoses and Fittings - Deutz Models (from SN 139 to 148)

Item	Part No.	Description	Qty.	Item	Part No.	Description	Qty.
--	49612GT	O-RING KIT (ORFS FITTINGS)		40	75256GT	VALVE BALL,24 FSAE-24 FSAE***.....1	1
--	49613GT	PLUG AND CAP KIT-SERVICE,ORFS*		41	61083GT	CONN,520120-24.....1	1
1	48963GT	FITTING,ELBOW,45D,520320-12***.....5	5	42	49126-1583 SGT	HOSE ASSY,3/8" HOSE #85.....1	1
2	48946GT	CONN,520120-8-10.....1	1	43	49128-1350 SGT	HOSE ASSEMBLY 3/8 HOSE #84.....1	1
3	48933GT	CONN,520120-8***.....8	8	44	75253GT	STRAINER ASSY,#16 O-RING.....1	1
4	48960GT	FITTING,CONN,520120-12***.....7	7	45	48996GT	VALVE,BALL,16 MSAE-16 FSAE***.....1	1
5	48948GT	CONN,520120-8-12.....3	3	46	48985GT	ELBOW,45D,520320-16.....1	1
6	49141-2754 SGT	HOSE ASSY,1/2" HOSE #72.....1	1	47	61259GT	ELBOW,90D,LONG,521520-4.....3	3
7	48959GT	FITTING,ELBOW,90D,520220-12.....2	2	48	48997GT	NIPPLE,DIAGNOSTIC,#4.....2	2
8	61072-3101-SGT	HOSE ASSY,3/4" HOSE #74.....1	1	--	20224GT	DIAGNOSTIC FEMALE Q-DSCNT	
9	61070-6626 SGT	HOSE ASSY,1/2,90 FEM,STR FEM.....1	1	--	75098GT	HARNESS,PRESSURE TRANSDUCER	
10	48905GT	CONN,520120-4***.....2	2	49	61321GT	ELBOW,90D,BLKHD,ORFS-6-6 W/NUT.....2	2
11	48984GT	CONN,520120-16.....1	1	50	49130-51982 GT	HOSE ASSY, 3/8,STR FEM,STR FEM....2	2
12	48932GT	FITTING,ELBOW,90D,520220-8***.....1	1	51	49130-10578 SGT	HOSE ASSEMBLY 3/8,#118&119S100...2 (S-100)	2
13	61352GT	KIT,FLANGE CODE 61 -20.....1	1	52	48915GT	ELBOW,90D,520220-6.....2	2
14	61072-12126 SGT	HOSE ASSEMBLY 3/4" 45D-STR.....1	1	53	48937GT	ELBOW,45D,520320-8.....6	6
15	75518-2272GT	HOSE ASSY,1/4" STR MALE STR FE....2	2	54	48904GT	ELBOW,90D,520220-4-4.....5	5
16	49143-2779 SGT	HOSE ASSY,1/2,90 FEM,STR FEM.....1	1	55	48920GT	ELBOW,45D,520320-6.....2	2
17	61134-5833 SGT	HOSE ASSY,3/4" HOSE #69&70.....1	1				
18	75574GT	NUT,BULKHEAD,520118-4.....2	2				
19	56233GT	O-RING,ORFS,-4.....2	2				
20	49141-3613 SGT	HOSE ASSY,1/2" HOSE #76.....1	1				
21	49207GT	NIPPLE,DIAGNOSTIC,ORFS,FM,SWIV..4	4				
--	20224GT	DIAGNOSTIC FEMALE Q-DSCNT					
--	75098GT	HARNESS,PRESSURE TRANSDUCER					
22	48880GT	CAP,DIAGNOSTIC NIPPLE.....6	6				
23	75288-5538 SGT	HOSE ASSY 1 1/2",90 FL FEMSTR*.....1	1				
24	61073-12530SGT	HOSE ASSY,3/4" HOSE #68.....1	1				
25	49159-6118 SGT	HOSE ASSY,1" HOSE #92.....1	1				
26	49143-3829 SGT	HOSE ASSY,1/2" HOSE #83.....1	1				
27	49141-4263 SGT	HOSE ASSY,1/2" HOSE #90.....1	1				
28	49143-6329 SGT	HOSE ASSY,1/2" HOSE #77.....1	1				
29	61073-6230 SGT	HOSE ASSEMBLY 3/4 HOSE #75.....1	1				
30	61263GT	UNION,STR.THREAD 20.....1	1				
31	75654GT	CONN,520120-20.....2	2				
32	48916GT	FITTING,CONN,520120-6.....6	6				
33	48961GT	TEE,RUN,520428-12.....1	1				
34	61072-5526 SGT	HOSE ASSEMBLY,3/4 (#121).....1	1				
35	75657-2515 SGT	HOSE ASSY,1-1/4" HOSE #81.....1	1				
36	48995GT	VALVE,BALL,12 MSAE-12 FSAE.....1	1				
37	75255GT	UNION,STR.THREAD 12*.....1	1				
38	75257GT	STRAINER ASSY,#24 O-RING.....1	1				
39	75254GT	UNION,STR.THREAD 24***.....1	1				

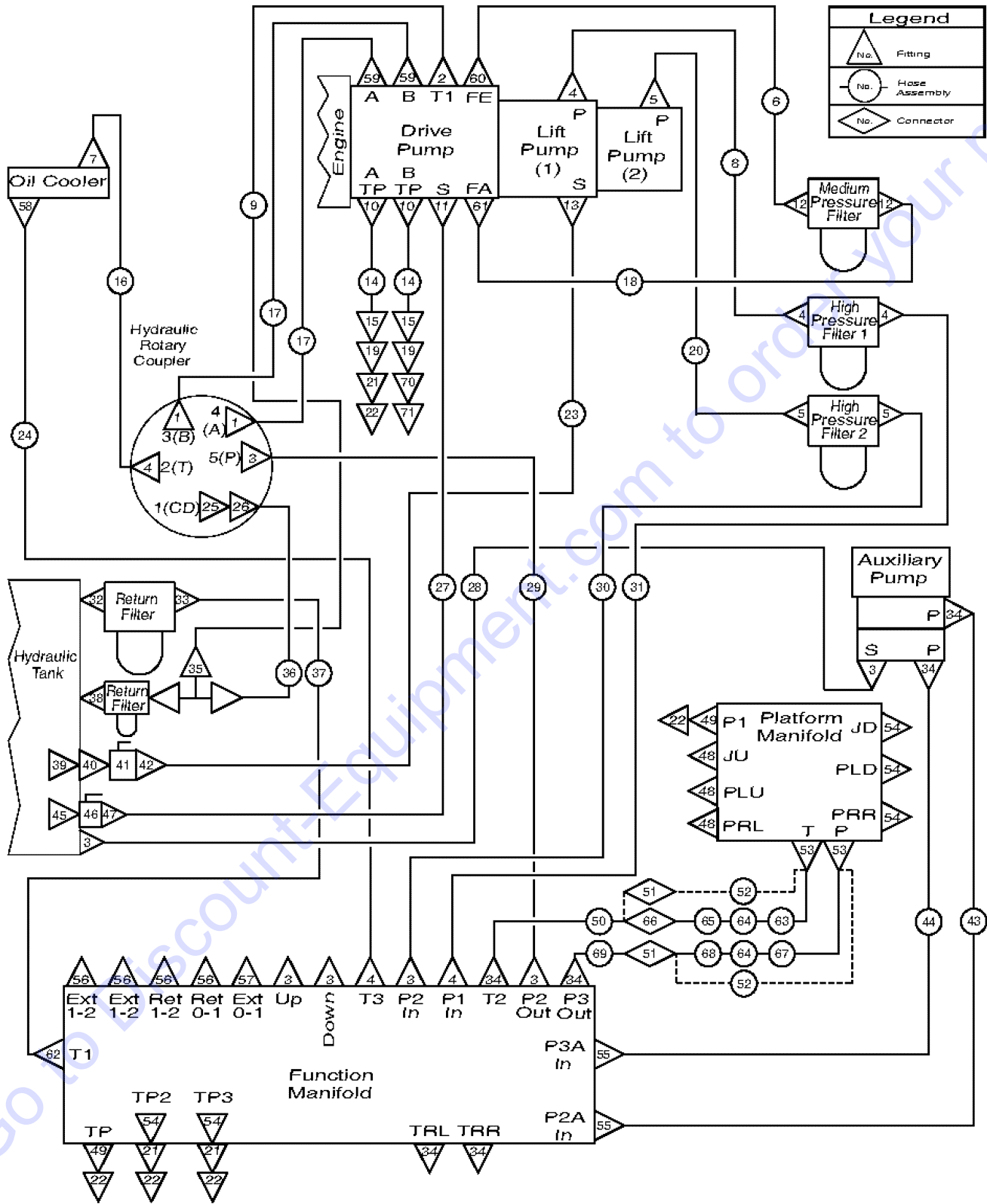
715.1 Hydraulic Hoses and Fittings - Deutz Models (from SN 139 to 148)



715.1 Hydraulic Hoses and Fittings - Deutz Models (from SN 139 to 148)

Item	Part No.	Description	Qty.	Item	Part No.	Description	Qty.
--	49612GT	O-RING KIT (ORFS FITTINGS)		40	75256GT	VALVE BALL,24 FSAE-24 FSAE***.....1	1
--	49613GT	PLUG AND CAP KIT-SERVICE,ORFS*		41	61083GT	CONN,520120-24.....1	1
1	48963GT	FITTING,ELBOW,45D,520320-12***.....5	5	42	491261583 SGT	HOSE ASSY,3/8" HOSE #85.....1	1
2	48946GT	CONN,520120-8-10.....1	1	43	491281350 SGT	HOSE ASSEMBLY 3/8 HOSE #84.....1	1
3	48933GT	CONN,520120-8***.....8	8	44	75253GT	STRAINER ASSY,#16 O-RING.....1	1
4	48960GT	FITTING,CONN,520120-12***.....7	7	45	48996GT	VALVE,BALL,16 MSAE-16 FSAE***.....1	1
5	48948GT	CONN,520120-8-12.....3	3	46	48985GT	ELBOW,45D,520320-16.....1	1
6	491412754 SGT	HOSE ASSY,1/2" HOSE #72.....1	1	47	61259GT	ELBOW,90D,LONG,521520-4.....3	3
7	48959GT	FITTING,ELBOW,90D,520220-12.....2	2	48	48997GT	NIPPLE,DIAGNOSTIC,#4.....2	2
8	610723101SGT	HOSE ASSY,3/4" HOSE #74.....1	1	--	20224GT	DIAGNOSTIC FEMALE Q-DSCNT	
9	610706626 SGT	HOSE ASSY,1/2,90 FEM,STR FEM.....1	1	--	75098GT	HARNESS,PRESSURE TRANSDUCER	
10	48905GT	CONN,520120-4***.....2	2	49	61321GT	ELBOW,90D,BLKHD,ORFS-6-6 W/NUT.....2	2
11	48984GT	CONN,520120-16.....1	1	50	4913051982 GT	HOSE ASSY, 3/8,STR FEM,STR FEM....2	2
12	48932GT	FITTING,ELBOW,90D,520220-8***.....1	1	51	491311452 SGT	HOSE ASSEMBLY 3/8,#118&119S105 (S-105)	
13	61352GT	KIT,FLANGE CODE 61 -20.....1	1	52	48915GT	ELBOW,90D,520220-6.....2	2
14	6107212126 SGT	HOSE ASSEMBLY 3/4" 45D-STR.....1	1	53	48937GT	ELBOW,45D,520320-8.....6	6
15	75518-2272GT	HOSE ASSY,1/4" STR MALE STR FE....2	2	54	48904GT	ELBOW,90D,520220-4-4.....5	5
16	491432779 SGT	HOSE ASSY,1/2,90 FEM,STR FEM.....1	1	55	48920GT	ELBOW,45D,520320-6.....2	2
17	611345833 SGT	HOSE ASSY,3/4" HOSE #69&70.....1	1				
18	75574GT	NUT,BULKHEAD,520118-4.....2	2				
19	56233GT	O-RING,ORFS,-4.....2	2				
20	491413613 SGT	HOSE ASSY,1/2" HOSE #76.....1	1				
21	49207GT	NIPPLE,DIAGNOSTIC,ORFS,FM,SWIV..4	4				
--	20224GT	DIAGNOSTIC FEMALE Q-DSCNT					
--	75098GT	HARNESS,PRESSURE TRANSDUCER					
22	48880GT	CAP,DIAGNOSTIC NIPPLE.....6	6				
23	752885538 SGT	HOSE ASSY 1 1/2",90 FL FEMSTR*.....1	1				
24	6107312530SGT	HOSE ASSY,3/4" HOSE #68.....1	1				
25	491596118 SGT	HOSE ASSY,1" HOSE #92.....1	1				
26	491433829 SGT	HOSE ASSY,1/2" HOSE #83.....1	1				
27	491414263 SGT	HOSE ASSY,1/2" HOSE #90.....1	1				
28	491436329 SGT	HOSE ASSY,1/2" HOSE #77.....1	1				
29	610736230 SGT	HOSE ASSEMBLY 3/4 HOSE #75.....1	1				
30	61263GT	UNION,STR.THREAD 20.....1	1				
31	75654GT	CONN,520120-20.....2	2				
32	48916GT	FITTING,CONN,520120-6.....6	6				
33	48961GT	TEE,RUN,520428-12.....1	1				
34	610725526 SGT	HOSE ASSEMBLY,3/4 (#121).....1	1				
35	756572515 SGT	HOSE ASSY,1-1/4" HOSE #81.....1	1				
36	48995GT	VALVE,BALL,12 MSAE-12 FSAE.....1	1				
37	75255GT	UNION,STR.THREAD 12*.....1	1				
38	75257GT	STRAINER ASSY,#24 O-RING.....1	1				
39	75254GT	UNION,STR.THREAD 24***.....1	1				

715.2 Hydraulic Hoses and Fittings - Deutz Models (from SN 149)



715.2 Hydraulic Hoses and Fittings - Deutz Models (from SN 149)

Item	Part No.	Description	Qty.	Item	Part No.	Description	Qty.
--	49612GT	O-RING KIT (ORFS FITTINGS)		--	20224GT	DIAGNOSTIC FEMALE Q-DSCNT	
--	49613GT	PLUG AND CAP KIT-SERVICE,ORFS*		--	75098GT	HARNES,PRESSURE TRANSDUCER	
1	48963GT	FITTING,ELBOW,45D,520320-12***.....2		22	48880GT	CAP,DIAGNOSTIC NIPPLE.....5	
2	48946GT	CONN,520120-8-10.....1 to SN 252		23	75288-5538 SGT	HOSE ASSY 1 1/2",90 FL FEMSTR*.....1	
--	48947GT	ELBOW,90D,520220-8-12 from SN 253		24	6107312530SGT	HOSE ASSY,3/4" HOSE #68.....1 to SN 230	
3	48933GT	CONN,520120-8***.....7		--	61073-5430GT	HOSE ASSY.,3/4",90°FEM,STR FEM from SN 231	
4	48960GT	FITTING,CONN,520120-12***.....6		25	75613GT	CONN,090136-12-8.....1	
5	48948GT	CONN,520120-8-12.....3		26	48937GT	ELBOW,45D,520320-8.....1	
6	49141-2754 SGT	HOSE ASSY,1/2" HOSE #72.....1 to SN 230		27	491596118SGT	HOSE ASSY,1" HOSE #92.....1	
--	49143-1929GT	HOSE ASSY,1/2,90 FEM,STR FEM from SN 253		28	49143-3829SGT	HOSE ASSY,1/2" HOSE #83.....1	
--	49143-2829GT	HOSE ASSY,1/2,90 FEM,STR FEM* from SN 231 to SN 252		29	49141-4263SGT	HOSE ASSY,1/2" HOSE #90.....1	
7	48959GT	FITTING,ELBOW,90D,520220-12.....1		30	49143-6329SGT	HOSE ASSY,1/2" HOSE #77.....1	
8	610723101SGT	HOSE ASSY,3/4" HOSE #74.....1 to SN 230		31	61073-6230SGT	HOSE ASSEMBLY 3/4 HOSE #75.....1	
--	61073-3230GT	HOSE ASSY,3/4,90 FEM,STR FEM** from SN 231		32	61263GT	UNION,STR.THREAD 20.....1	
9	49143-8429GT	HOSE ASSY,1/2,90 FEM,STR FEMEM...1		33	75654GT	CONN,520120-20.....1	
10	48905GT	CONN,520120-4***.....2		34	48916GT	FITTING,CONN,520120-6.....6	
11	48984GT	CONN,520120-16.....2		35	48935GT	TEE,RUN,520428-8.....1	
12	48932GT	FITTING,ELBOW,90D,520220-8***.....2 from SN 231		36	49143-6529SGT	HOSE ASSY,1/2,90 FEM,STR FEM.....1 to SN 162	
--	48933GT	CONN,520120-8*** to SN 230		--	49143-7029SGT	HOSE ASSY,1/2,90 FEM,STR FEM from SN 163	
13	61352GT	KIT,FLANGE CODE 61 -20.....1		37	75657-2515 SGT	HOSE ASSY,1-1/4" HOSE #81.....1	
14	75518-2272GT	HOSE ASSY,1/4" STR MALE STR FE.....2 to SN 247		38	75971GT	UNION,STR.THREAD -8.....1 to SN 162	
15	75574GT	NUT,BULKHEAD,520118-4.....2 to SN 247		39	75257GT	STRAINER ASSY,#24 O-RING.....1 from SN 149	
16	6107212126SGT	HOSE ASSEMBLY 3/4" 45D-STR.....1 to SN 230		40	75254GT	UNION,STR.THREAD 24***.....1	
--	61072-8326GT	HOSE ASSY,3/4,45 FEM,STR FEM from SN 231		41	75256GT	VALVE BALL,24 FSAE-24 FSAE***.....1 to SN 165	
17	611345833SGT	HOSE ASSY,3/4" HOSE #69&70.....2 to SN 252		42	61083GT	CONN,520120-24.....1	
--	94374-5530GT	HOSE ASSY,3/4,90 FEM,STR FEM** from SN 253		43	49126-1583SGT	HOSE ASSY,3/8" HOSE #85.....1 to SN 150	
18	49143-2779SGT	HOSE ASSY,1/2,90 FEM,STR FEM.....1		43	49126-1783GT	HOSE ASSY,3/8,45 FEM,STR FEM from SN 151	
19	56233GT	O-RING,ORFS,-4.....2 to SN 247		--	49126-1783GT	HOSE ASSY,3/8,45 FEM,STR FEM from SN 151	
20	49141-3613SGT	HOSE ASSY,1/2" HOSE #76.....1 to SN 230		44	49128-1350SGT	HOSE ASSEMBLY 3/8 HOSE #84.....1 to SN 150	
--	49143-3529GT	HOSE ASSY,1/2,90 FEM,STR FEM** from SN 231		--	49128-1650GT	HOSE ASSEMBLY-3/8" from SN 151	
21	49207GT	NIPPLE,DIAGNOSTIC,ORFS,FM,SWIV..3		45	75253GT	STRAINER ASSY,#16 O-RING.....1	
				46	48996GT	VALVE,BALL,16 MSAE-16 FSAE***.....1	
				47	48985GT	ELBOW,45D,520320-16.....1	
				48	61259GT	ELBOW,90D,LONG,521520-4.....3	
				49	48997GT	NIPPLE,DIAGNOSTIC,#4.....2	

715.2 Hydraulic Hoses and Fittings - Deutz Models (from SN 149) (continued)

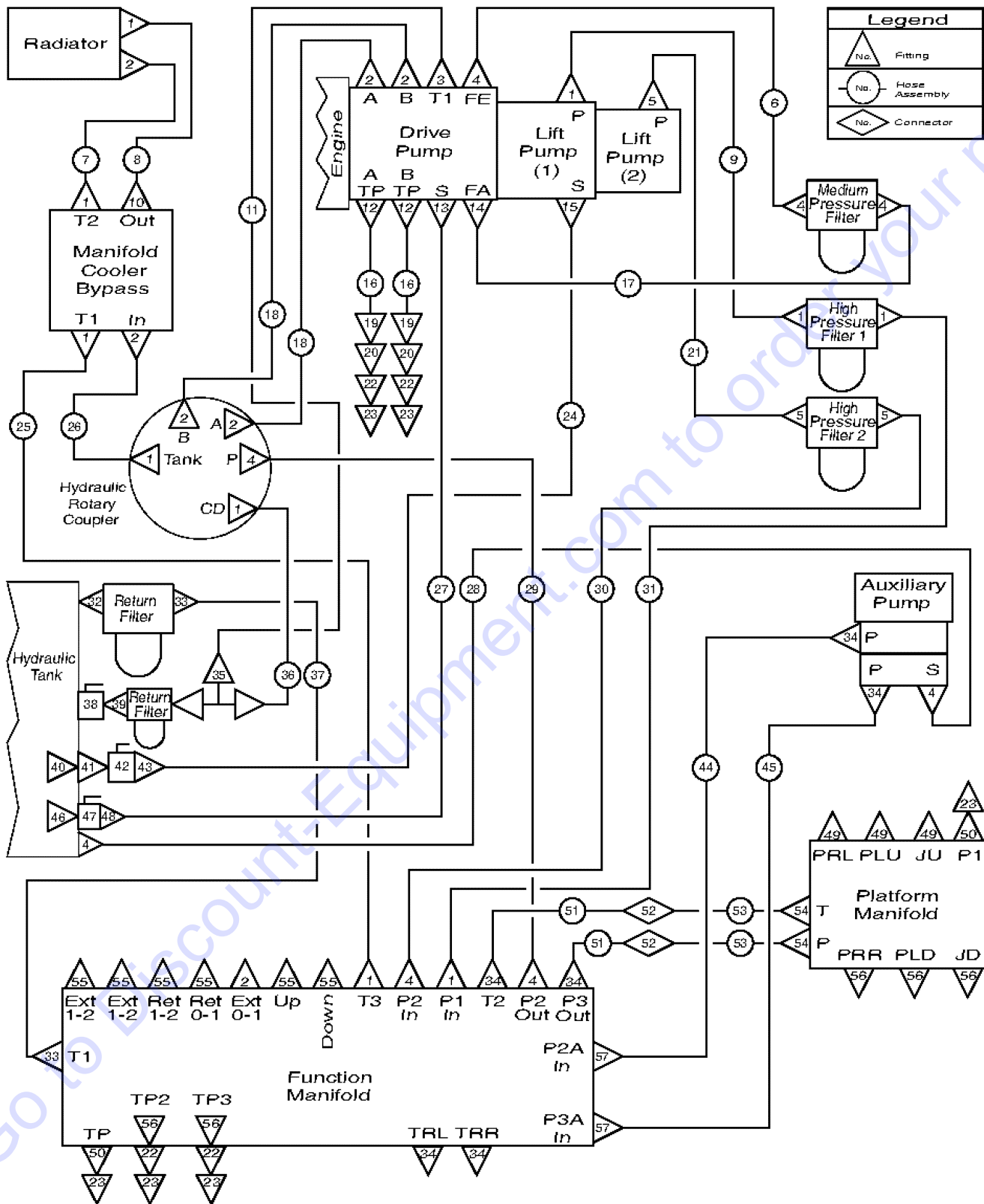
Item	Part No.	Description	Qty.	Item	Part No.	Description	Qty.
--	20224GT	DIAGNOSTIC FEMALE Q-DSCNT		67	49130-48782GT	HOSE ASSEMBLY, 3/8.....1 (S-100) from SN 377	
--	75098GT	HARNESS,PRESSURE TRANSDUCER		67	49130-55982GT	HOSE ASSY, 3/8 (S-105) from SN 377	
50	49128-37809GT	HOSE ASSY,3/8,90,FEM,STR,FEM.....1		68	49130-76382GT	HOSE ASSEMBLY, 3/8.....1 from SN 377	
51	61321GT	ELBOW,90D,BLKHD,ORFS-6-6 W/NUT.....2		69	49128-37809GT	HOSE ASSY,3/8,90,FEM,STR,FEM.....1 to SN 376	
52	49130-106782SGT	HOSE ASSEMBLY 3/8,#118&119S100...2 to SN 376		--	49130-37982GT	HOSE ASSY, 3/8,STR FEM,STR FEM from SN 377	
52	49130-114382SGT	HOSE ASSEMBLY 3/8,#118&119S105 to SN 376		70	49207GT	NIPPLE,DIAGNOSTIC,ORFS,FM,SWIV..1 to SN 247	
--	111762GT	KIT,HOSE/HARDLINE UPGRADE,S100		--	20224GT	DIAGNOSTIC FEMALE Q-DSCNT	
--	111763GT	KIT,HOSE/HARDLINE UPGRADE,S105		--	75098GT	HARNESS,PRESSURE TRANSDUCER	
53	48915GT	ELBOW,90D,520220-6.....2		71	48880GT	CAP,DIAGNOSTIC NIPPLE.....1 to SN 247	
54	48904GT	ELBOW,90D,520220-4-4.....5					
55	48920GT	ELBOW,45D,520320-6.....2					
56	48937GT	ELBOW,45D,520320-8.....4 to SN 167					
--	48933GT	CONN,520120-8*** from SN 168					
57	48963GT	FITTING,ELBOW,45D,520320-12***.....1 to SN 167					
--	48960GT	FITTING,CONN,520120-12*** from SN 168					
58	48959GT	FITTING,ELBOW,90D,520220-12.....1 to SN 252					
--	48960GT	FITTING,CONN,520120-12*** from SN 253					
59	48963GT	FITTING,ELBOW,45D,520320-12***.....2 to SN 252					
--	48978GT	ELBOW,45D,520320-12-16 from SN 253					
60	48933GT	CONN,520120-8***.....1 to SN 252					
--	48946GT	CONN,520120-8-10 from SN 253					
61	48932GT	FITTING,ELBOW,90D,520220-8***.....1 to SN 252					
--	48946GT	CONN,520120-8-10 from SN 253					
62	61260GT	REDUCER,520123-20-12.....1					
63	49130-48782GT	HOSE ASSEMBLY, 3/8.....1 (S-100) from SN 377					
63	49130-55982GT	HOSE ASSY, 3/8 (S-105) from SN 377					
64	111436GT	HYRAULIC TUBE,BOOM CROSSOVER.....2 from SN 377					
--	111437GT	HYDRAULIC TWIN CLAMP					
65	49130-72982GT	HOSE ASSEMBLY, 3/8.....1 from SN 377					
66	61080GT	FITTING,6-6BLKHEADUNION 520601...1 from SN 377					

715.2 Hydraulic Hoses and Fittings - Deutz Models (from SN 149)
(continued)

This Page Intentionally Left Blank

Go to Discount-Equipment.com to order your parts

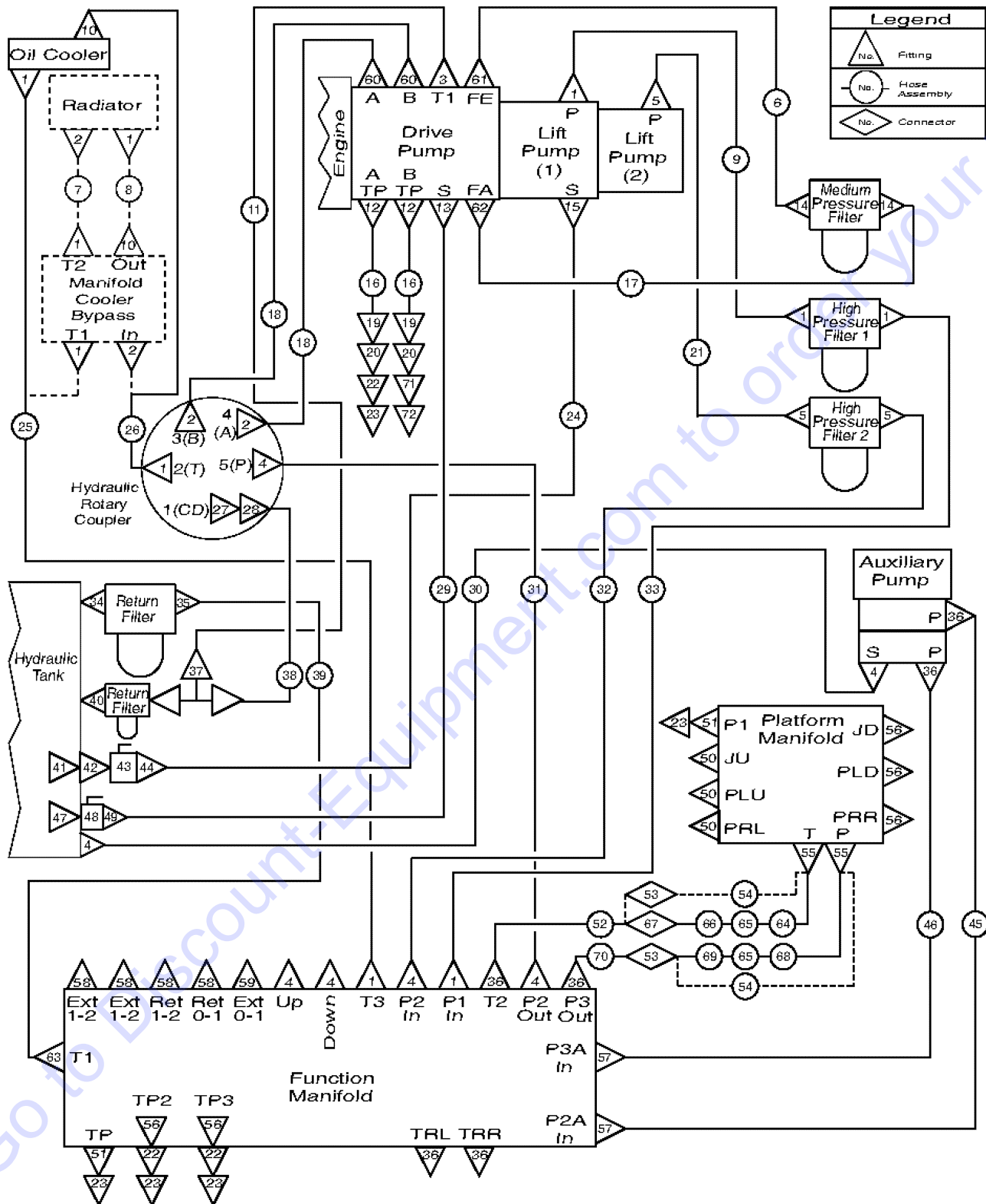
716.1 Hydraulic Hoses and Fittings - Cummins and Perkins Models (from SN 139 to 148)



716.1 Hydraulic Hoses and Fittings - Cummins and Perkins Models (from SN 139 to 148)

Item	Part No.	Description	Qty.	Item	Part No.	Description	Qty.
--	49612GT	O-RING KIT (ORFS FITTINGS)		40	75257GT	STRAINER ASSY,#24 O-RING.....	1
--	49613GT	PLUG AND CAP KIT-SERVICE,ORFS*		41	75254GT	UNION,STR.THREAD 24***.....	1
1	48960GT	FITTING,CONN,520120-12***.....	10	42	75256GT	VALVE BALL,24 FSAE-24 FSAE***.....	1
2	48963GT	FITTING,ELBOW,45D,520320-12***.....	7	43	61083GT	CONN,520120-24.....	1
3	48946GT	CONN,520120-8-10.....	1	44	49126-1583 SGT	HOSE ASSY,3/8" HOSE #85.....	1
4	48933GT	CONN,520120-8***.....	8	45	49128-1350 SGT	HOSE ASSEMBLY 3/8 HOSE #84.....	1
5	48948GT	CONN,520120-8-12.....	3	46	75253GT	STRAINER ASSY,#16 O-RING.....	1
6	49141-2754 SGT	HOSE ASSY,1/2" HOSE #72.....	1	47	48996GT	VALVE,BALL,16 MSAE-16 FSAE***.....	1
7	61074-1972GT	HOSE ASSEMBLY 3/4" STR-STR.....	1	48	48985GT	ELBOW,45D,520320-16.....	1
8	61072-3826GT	HOSE ASSY,3/4" 45 FEM STR FEM.....	1	49	61259GT	ELBOW,90D,LONG,521520-4.....	3
9	61072-3101SGT	HOSE ASSY,3/4" HOSE #74.....	1	50	48997GT	NIPPLE,DIAGNOSTIC,#4.....	2
10	48959GT	FITTING,ELBOW,90D,520220-12.....	1	--	20224GT	DIAGNOSTIC FEMALE Q-DSCNT	
11	61070-6626 SGT	HOSE ASSY,1/2,90 FEM,STR FEM.....	1	--	75098GT	HARNESS,PRESSURE TRANSDUCER	
12	48905GT	CONN,520120-4***.....	2	51	49130-51982 GT	HOSE ASSY, 3/8,STR FEM,STR FEM....	2
13	48984GT	CONN,520120-16.....	1	52	61321GT	ELBOW,90D,BLKHD,ORFS-6-6 W/NUT.....	2
14	48932GT	FITTING,ELBOW,90D,520220-8***.....	1	53	49130-10782 SGT	HOSE ASSEMBLY 3/8,#118&119S100... (S-100)	2
15	61352GT	KIT,FLANGE CODE 61 -20.....	1	53	49130-114582 SGT	HOSE ASSEMBLY 3/8,#118&119S105 (S-105) from SN 139 to SN 148	
16	75518-2272GT	HOSE ASSY,1/4" STR MALE STR FE....	2	54	48915GT	ELBOW,90D,520220-6.....	2
17	49143-2779 SGT	HOSE ASSY,1/2,90 FEM,STR FEM.....	1	55	48937GT	ELBOW,45D,520320-8.....	6
18	61134-5833 SGT	HOSE ASSY,3/4" HOSE #69&70.....	2	56	48904GT	ELBOW,90D,520220-4-4.....	5
19	75574GT	NUT,BULKHEAD,520118-4.....	2	57	48920GT	ELBOW,45D,520320-6.....	2
20	56233GT	O-RING,ORFS,-4.....	2				
21	49141-3613 SGT	HOSE ASSY,1/2" HOSE #76.....	1				
22	49207GT	NIPPLE,DIAGNOSTIC,ORFS,FM,SWIV..4					
--	20224GT	DIAGNOSTIC FEMALE Q-DSCNT					
--	75098GT	HARNESS,PRESSURE TRANSDUCER					
23	48880GT	CAP,DIAGNOSTIC NIPPLE.....	6				
24	75288-5538 SGT	HOSE ASSY 1 1/2",90 FL FEMSTR*.....	1				
25	61072-7226SGT	HOSE ASSEMBLY,3/4 (#67).....	1				
26	61072-7426GT	HOSE ASSY,3/4" 45 FEM STR FEM.....	1				
27	49159-6118 SGT	HOSE ASSY,1" HOSE #92.....	1				
28	49143-3829 SGT	HOSE ASSY,1/2" HOSE #83.....	1				
29	49141-4263 SGT	HOSE ASSY,1/2" HOSE #90.....	1				
30	49143-6329 SGT	HOSE ASSY,1/2" HOSE #77.....	1				
31	61073-6230 SGT	HOSE ASSEMBLY 3/4 HOSE #75.....	1				
32	61263GT	UNION,STR.THREAD 20.....	1				
33	75654GT	CONN,520120-20.....	2				
34	48916GT	FITTING,CONN,520120-6.....	6				
35	48961GT	TEE,RUN,520428-12.....	1				
36	61072-5526 SGT	HOSE ASSEMBLY,3/4 (#121).....	1				
37	75657-2515 SGT	HOSE ASSY,1-1/4" HOSE #81.....	1				
38	48995GT	VALVE,BALL,12 MSAE-12 FSAE.....	1				
39	75255GT	UNION,STR.THREAD 12*.....	1				

716.2 Hydraulic Hoses and Fittings - Cummins and Perkins Models (from SN 149)



716.2 Hydraulic Hoses and Fittings - Cummins and Perkins Models (from SN 149)

Item	Part No.	Description	Qty.	Item	Part No.	Description	Qty.
--	49612GT	O-RING KIT (ORFS FITTINGS)		21	49141-3613SGT	HOSE ASSY,1/2" HOSE #76.....1 to SN 226	1
--	49613GT	PLUG AND CAP KIT-SERVICE,ORFS*		--	49143-3529SGT	HOSE ASSY,1/2,90 FEM,STR FEM from SN 227	
1	48960GT	FITTING,CONN,520120-12***9 to SN 247	9	22	49207GT	NIPPLE,DIAGNOSTIC,ORFS,FM,SWIV..3	3
--	48960GT	FITTING,CONN,520120-12***6 from SN 248	6	--	20224GT	DIAGNOSTIC FEMALE Q-DSCNT	
2	48963GT	FITTING,ELBOW,45D,520320-12***4 to SN 247	4	--	75098GT	HARNES,PRESSURE TRANSDUCER	
--	48963GT	FITTING,ELBOW,45D,520320-12***2 from SN 248	2	23	48880GT	CAP,DIAGNOSTIC NIPPLE.....5	5
3	48946GT	CONN,520120-8-10.....1 to SN 252	1	24	75288-5538SGT	HOSE ASSY 1 1/2",90 FL FEMSTR*1	1
--	48947GT	ELBOW,90D,520220-8-12 from SN 253		25	61072-7226SGT	HOSE ASSEMBLY,3/4 (#67).....1 to SN 247	1
4	48933GT	CONN,520120-8***8	8	--	61073-5430GT	HOSE ASSY.,3/4",90°FEM,STR FEM from SN 248	
5	48948GT	CONN,520120-8-12.....3	3	26	61072-7426GT	HOSE ASSY,3/4" 45 FEM STR FEM.....1 to SN 247	1
6	49141-2754SGT	HOSE ASSY,1/2" HOSE #72.....1 to SN 226	1	--	61072-8326GT	HOSE ASSY,3/4,45 FEM,STR FEM from SN 248	
--	49143-1929GT	HOSE ASSY,1/2,90 FEM,STR FEM from SN 253		27	75613GT	CONN,090136-12-8.....1	1
--	49143-2829GT	HOSE ASSY,1/2,90 FEM,STR FEMM* from SN 227 to SN 252		28	48937GT	ELBOW,45D,520320-8.....1	1
7	61074-1972GT	HOSE ASSEMBLY 3/4" STR-STR.....1 to SN 247	1	29	49159-6118SGT	HOSE ASSY,1" HOSE #92.....1	1
8	61072-3826GT	HOSE ASSY,3/4" 45 FEM STR FEM.....1 to SN 247	1	30	49143-3829SGT	HOSE ASSY,1/2" HOSE #83.....1	1
9	61072-3101SGT	HOSE ASSY,3/4" HOSE #74.....1 to SN 226	1	31	49141-4263SGT	HOSE ASSY,1/2" HOSE #90.....1	1
--	61073-3230GT	HOSE ASSY,3/4,90 FEM,STR FEM** from SN 227		32	49143-6329SGT	HOSE ASSY,1/2" HOSE #77.....1	1
10	48959GT	FITTING,ELBOW,90D,520220-12.....1	1	33	61073-6230SGT	HOSE ASSEMBLY 3/4 HOSE #75.....1	1
11	49143-8429GT	HOSE ASSY,1/2,90 FEM,STR FEMEM...1	1	34	61263GT	UNION,STR.THREAD 20.....1	1
12	48905GT	CONN,520120-4***2	2	35	75654GT	CONN,520120-20.....1	1
13	48984GT	CONN,520120-16.....1	1	36	48916GT	FITTING,CONN,520120-6.....6	6
14	48932GT	FITTING,ELBOW,90D,520220-8***2 from SN 227	2	37	48935GT	TEE,RUN,520428-8.....1	1
--	48933GT	CONN,520120-8*** to SN 227		38	49143-6529SGT	HOSE ASSY,1/2,90 FEM,STR FEM.....1 to SN 162	1
15	61352GT	KIT,FLANGE CODE 61 -20.....1	1	--	49143-7029SGT	HOSE ASSY,1/2,90 FEM,STR FEM from SN 163	
16	75518-2272GT	HOSE ASSY,1/4" STR MALE STR FE....2 to SN 247	2	39	75657-2515SGT	HOSE ASSY,1-1/4" HOSE #81.....1	1
17	49143-2779SGT	HOSE ASSY,1/2,90 FEM,STR FEM.....1	1	40	75971GT	UNION,STR.THREAD -8.....1 to SN 162	1
18	61134-5833SGT	HOSE ASSY,3/4" HOSE #69&70.....2 to SN 252	2	41	75257GT	STRAINER ASSY,#24 O-RING.....1	1
--	94374-5530GT	HOSE ASSY,3/4,90 FEM,STR FEM** from SN 253		42	75254GT	UNION,STR.THREAD 24***1 to SN 165	1
19	75574GT	NUT,BULKHEAD,520118-4.....2 to SN 247	2	--	75254GT	UNION,STR.THREAD 24*** from SN 205	
20	56233GT	O-RING,ORFS,-4.....2 to SN 247	2	43	75256GT	VALVE BALL,24 FSAE-24 FSAE***1 to SN 165	1
				--	75256GT	VALVE BALL,24 FSAE-24 FSAE*** from SN 205 to SN 165	
				44	61083GT	CONN,520120-24.....1	1
				45	49126-1583SGT	HOSE ASSY,3/8" HOSE #85.....1 to SN 150	1

716.2 Hydraulic Hoses and Fittings - Cummins and Perkins Models (from SN 149)
(continued)

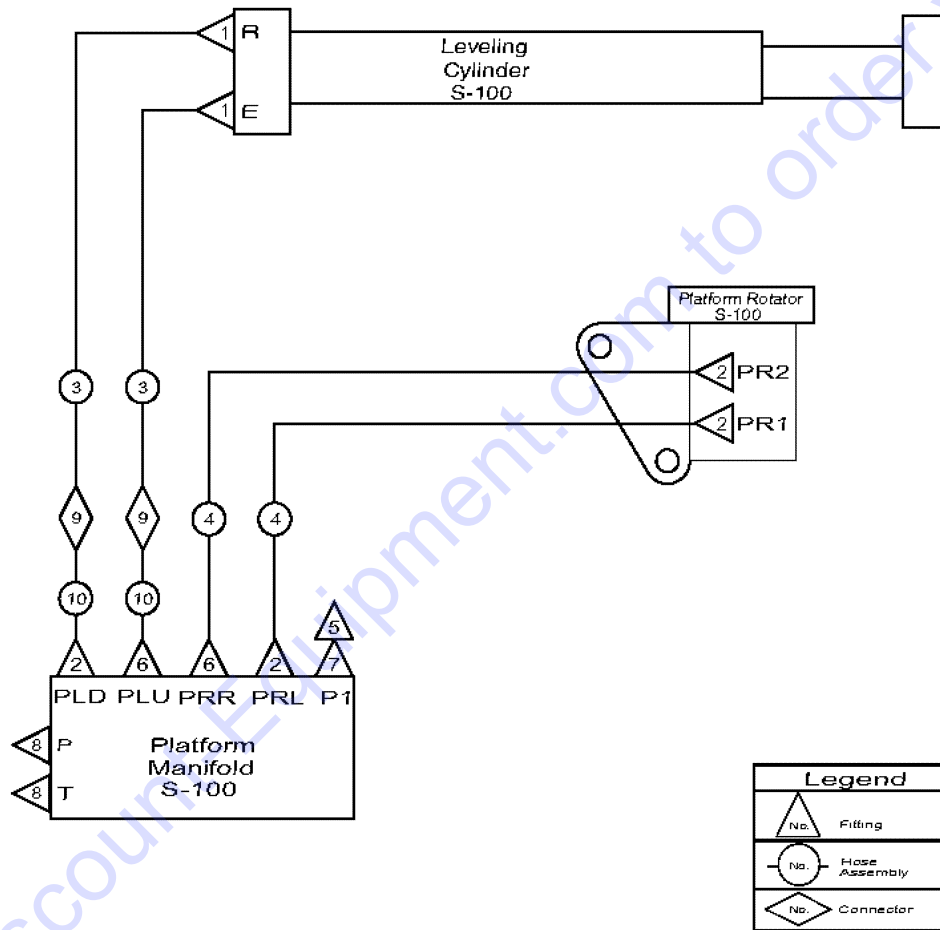
Item	Part No.	Description	Qty.	Item	Part No.	Description	Qty.
--	49126-1783GT	HOSE ASSY,3/8,45 FEM,STR FEM <i>from SN 151</i>		--	48946GT	CONN,520120-8-10 <i>from SN 253</i>	
46	49128-1350SGT	HOSE ASSEMBLY 3/8 HOSE #84.....1 <i>to SN 150</i>	1	62	48932GT	FITTING,ELBOW,90D,520220-8***.....1 <i>to SN 252</i>	1
--	49128-1650GT	HOSE ASSEMBLY-3/8" <i>from SN 151</i>		--	48946GT	CONN,520120-8-10 <i>from SN 253</i>	
47	75253GT	STRAINER ASSY,#16 O-RING.....1	1	63	61260GT	REDUCER,520123-20-12.....1	1
48	48996GT	VALVE,BALL,16 MSAE-16 FSAE***.....1 <i>to SN 164</i>	1	64	49130-48782GT	HOSE ASSEMBLY, 3/8.....1 <i>(S-100) from SN 482</i>	1
--	48996GT	VALVE,BALL,16 MSAE-16 FSAE*** <i>from SN 205</i>		64	49130-55382GT	HOSE ASSY, 3/8 <i>(S-105) from SN 482</i>	
49	48985GT	ELBOW,45D,520320-16.....1 <i>to SN 164</i>	1	65	111436GT	HYRAULIC TUBE,BOOM CROSSOVER.....2 <i>from SN 377</i>	2
--	48985GT	ELBOW,45D,520320-16 <i>from SN 205</i>		--	111437GT	HYDRAULIC TWIN CLAMP	
50	61259GT	ELBOW,90D,LONG,521520-4.....3	3	66	49130-59782GT	HOSE ASSY, 3/8,STR FEM,STR FEM....1 <i>from SN 377</i>	1
51	48997GT	NIPPLE,DIAGNOSTIC,#4.....2	2	67	61080GT	FITTING,6-6BLKHEADUNION 520601...1 <i>from SN 377</i>	1
--	20224GT	DIAGNOSTIC FEMALE Q-DSCNT		68	49130-48782GT	HOSE ASSEMBLY, 3/8.....14 <i>(S-100) from SN 482</i>	14
--	75098GT	HARNES,PRESSURE TRANSDUCER		68	49130-55982GT	HOSE ASSY, 3/8 <i>(S-105) from SN 482</i>	
52	49128-37809GT	HOSE ASSY,3/8,90,FEM,STR,FEM.....1	1	69	49130-62982GT	HOSE ASSY 451TC-6.....1 <i>from SN 377</i>	1
53	61321GT	ELBOW,90D,BLKHD,ORFS-6-6 W/NUT.....2 <i>to SN 376</i>	2	69	49130-76382GT	HOSE ASSEMBLY, 3/8.....1 <i>from SN 377</i>	1
--	61321GT	ELBOW,90D,BLKHD,ORFS-6-6 W/NUT.....1 <i>from SN 377</i>	1	70	49128-37809GT	HOSE ASSY,3/8,90,FEM,STR,FEM.....1 <i>to SN 376</i>	1
54	49130-105782SGT	HOSE ASSEMBLY 3/8,#118&119S100...2 <i>(S-100) to SN 376</i>	2	--	49130-37982GT	HOSE ASSY, 3/8,STR FEM,STR FEM <i>from SN 377</i>	
54	49130-105782SGT	HOSE ASSEMBLY 3/8,#118&119S105 <i>(S-105) to SN 376</i>		71	49207GT	NIPPLE,DIAGNOSTIC,ORFS,FM,SWIV..1 <i>to SN 247</i>	1
--	111762GT	KIT,HOSE/HARDLINE UPGRADE,S100 <i>(S-100)</i>		--	20224GT	DIAGNOSTIC FEMALE Q-DSCNT	
--	111763GT	KIT,HOSE/HARDLINE UPGRADE,S105 <i>(S-105)</i>		--	75098GT	HARNES,PRESSURE TRANSDUCER	
55	48915GT	ELBOW,90D,520220-6.....2	2	72	48880GT	CAP,DIAGNOSTIC NIPPLE.....1 <i>to SN 247</i>	1
56	48904GT	ELBOW,90D,520220-4-4.....5	5				
57	48920GT	ELBOW,45D,520320-6.....2	2				
58	48937GT	ELBOW,45D,520320-8.....4 <i>to SN 167</i>	4				
--	48933GT	CONN,520120-8*** <i>from SN 168</i>					
59	48963GT	FITTING,ELBOW,45D,520320-12***.....1 <i>to SN 167</i>	1				
--	48960GT	FITTING,CONN,520120-12*** <i>from SN 168</i>					
60	48963GT	FITTING,ELBOW,45D,520320-12***.....2 <i>to SN 252</i>	2				
--	48933GT	CONN,520120-8*** <i>from SN 253</i>					
61	48933GT	CONN,520120-8***.....1 <i>to SN 252</i>	1				

716.2 Hydraulic Hoses and Fittings - Cummins and Perkins Models (from SN 149)
(continued)

This Page Intentionally Left Blank

Go to Discount-Equipment.com to order your parts

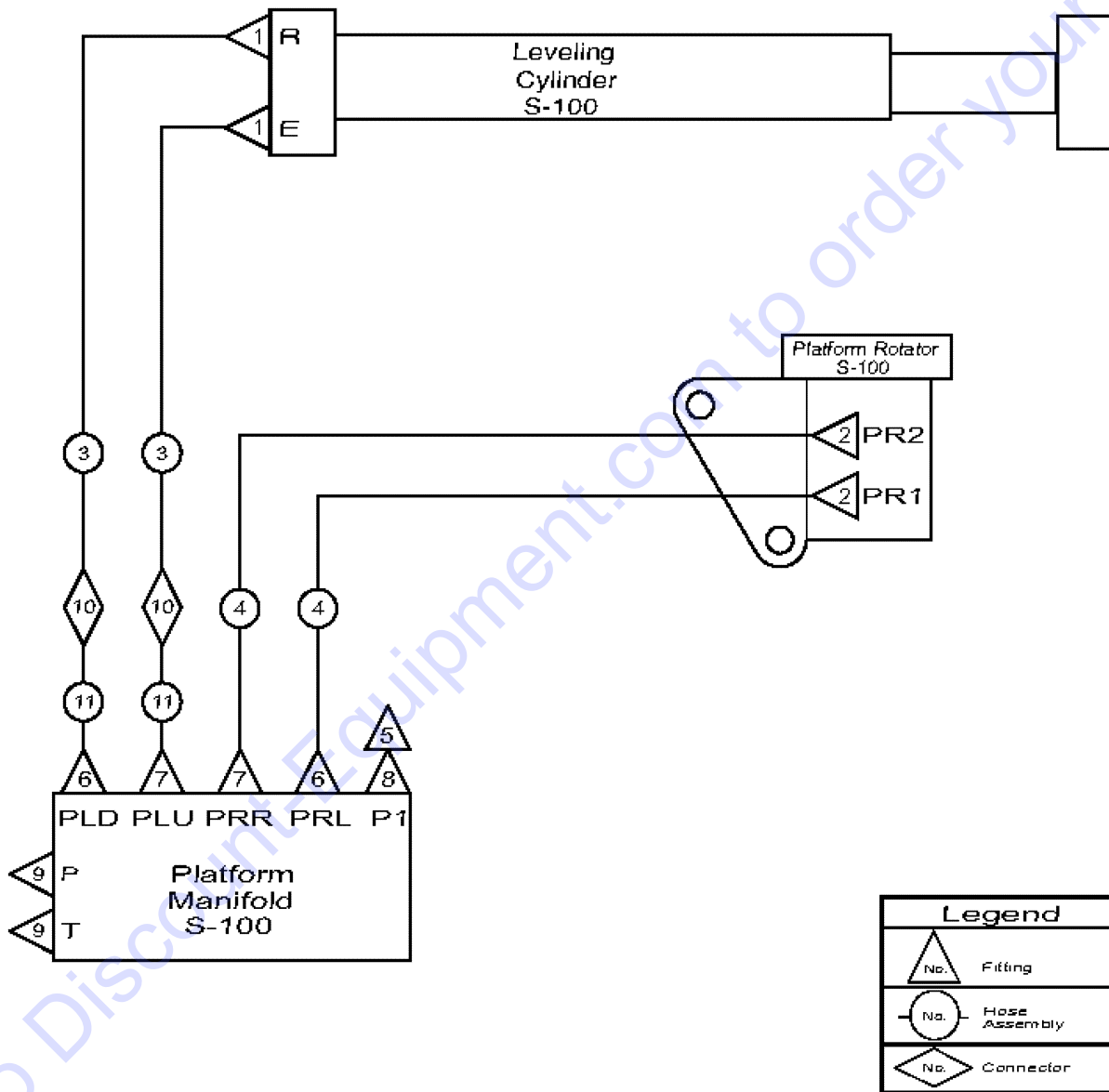
717.1 Hydraulic Hoses and Fittings - Platform Leveling and Rotation (to SN 131)



717.1 Hydraulic Hoses and Fittings - Platform Leveling and Rotation (to SN 131)

Item	Part No.	Description	Qty.
1	48912GT	CONN,520120-4-6***.....	2
2	48904GT	ELBOW,90D,520220-4-4.....	4
3	49117-3791GT	HOSE ASSY,1/4,90 FEM,STR FEM**.....	2
4	491195578SGT	HOSE ASSY,1/4,STR FEM,STR FEM.....	2
5	48880GT	CAP,DIAGNOSTIC NIPPLE.....	1
6	61259GT	ELBOW,90D,LONG,521520-4.....	2
7	48997GT	NIPPLE,DIAGNOSTIC,#4.....	1
--	20224GT	DIAGNOSTIC FEMALE Q-DSCNT	
--	75098GT	HARNESS,PRESSURE TRANSDUCER	
8	48915GT	ELBOW,90D,520220-6.....	2
9	61079GT	ELBOW,90D,BULKHEAD,520701-4.....	2
10	49117-5591GT	HOSE ASSY,1/4,90 FEM,STR FEM**.....	2

717.2 Hydraulic Hoses and Fittings - Platform Leveling and Rotation (from SN 132)



PARTS FINDER

**Search Website
by Part Number**



**Search Manual
Library For Parts
Manual & Lookup Part
Numbers – Purchase
or Request Quote**

Search Manuals

Enter your information to search for a manual or to purchase a manual or parts.

* Brand:

* Model:

* Serial:

* Part Number:

SEARCH

**Can't Find Part or
Manual? Request Help
by Manufacturer,
Model & Description**

Parts Order Form

Please fill in the following information:

Manufacturer:

Model:

Description:

Quantity:

Part Number:

Part Name:

Part Description:

Part Category:

Part Location:

Part Status:

Part Condition:

Part Material:

Part Color:

Part Weight:

Part Dimensions:

Part Price:

Part Lead Time:

Part Availability:

Part Notes:

Submit

Discount-Equipment.com is your online resource for quality parts & equipment.

Florida: **561-964-4949** Outside Florida TOLL FREE: **877-690-3101**

Need parts?

Click on this link: <http://www.discount-equipment.com/category/5443-parts/> and choose one of the options to help get the right parts and equipment you are looking for. Please have the machine model and serial number available in order to help us get you the correct parts. If you don't find the part on the website or on one of the online manuals, please fill out the request form and one of our experienced staff members will get back to you with a quote for the right part that your machine needs.

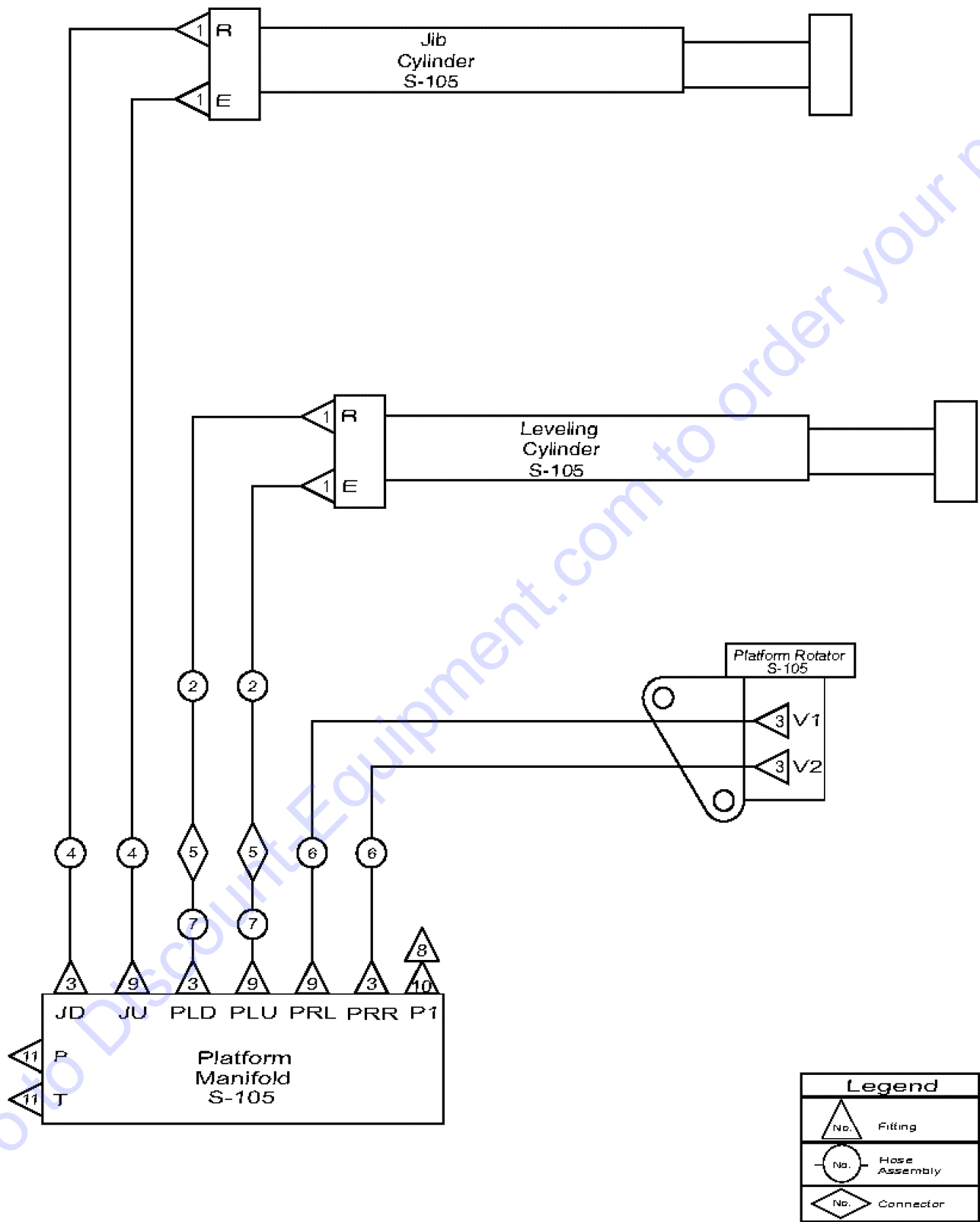
We sell worldwide for the brands: Genie, Terex, JLG, MultiQuip, Mikasa, Essick, Whiteman, Mayco, Toro Stone, Diamond Products, Generac Magnum, Airman, Haulotte, Barreto, Power Blanket, Nifty Lift, Atlas Copco, Chicago Pneumatic, Allmand, Miller Curber, Skyjack, Lull, Skytrak, Tsurumi, Husquvarna Target, Stow, Wacker, Sakai, Mi-T-M, Sullair, Basic, Dynapac, MBW, Weber, Bartell, Bennar Newman, Haulotte, Ditch Runner, Menegotti, Morrison, Contec, Buddy, Crown, Edco, Wyco, Bomag, Laymor, EZ Trench, Bil-Jax, F.S. Curtis, Gehl Pavers, Heli, Honda, ICS/PowerGrit, IHI, Partner, Imer, Clipper, MMD, Koshin, Rice, CH&E, General Equipment, Amida, Coleman, NAC, Gradall, Square Shooter, Kent, Stanley, Tamco, Toku, Hatz, Kohler, Robin, Wisconsin, Northrock, Oztec, Toker TK, Rol-Air, APT, Wylie, Ingersoll Rand / Doosan, Innovatech, Con X, Ammann, Mecalac, Makinex, Smith Surface Prep, Small Line, Wanco, Yanmar

717.2 Hydraulic Hoses and Fittings - Platform Leveling and Rotation (from SN 132)

Item	Part No.	Description	Qty.
1	48912GT	CONN,520120-4-6***.....	2
2	48907GT	ELBOW,45D,520320-4.....	2
3	49117-3791GT	HOSE ASSY,1/4,90 FEM,STR FEM** to SN 380	2
--	49117-3191GT	HOSE ASSY,1/4,90 FEM,STR FEM from SN 381	
4	49119-3848GT	HOSE ASSY,1/4,STR FEM,STR FEM.....	2
5	48880GT	CAP,DIAGNOSTIC NIPPLE.....	1
6	48904GT	ELBOW,90D,520220-4-4.....	2
7	61259GT	ELBOW,90D,LONG,521520-4.....	2
8	48997GT	NIPPLE,DIAGNOSTIC,#4.....	1
--	20224GT	DIAGNOSTIC FEMALE Q-DSCNT	
--	75098GT	HARNES,PRESSURE TRANSDUCER	
9	48915GT	ELBOW,90D,520220-6.....	2
10	61079GT	ELBOW,90D,BULKHEAD,520701-4.....	2
11	49117-5591GT	HOSE ASSY,1/4,90 FEM,STR FEM**	2

Go to Discount-Equipment.com to order your parts

718.1 Hydraulic Hoses and Fittings - Platform Leveling and Rotation (to SN 131)



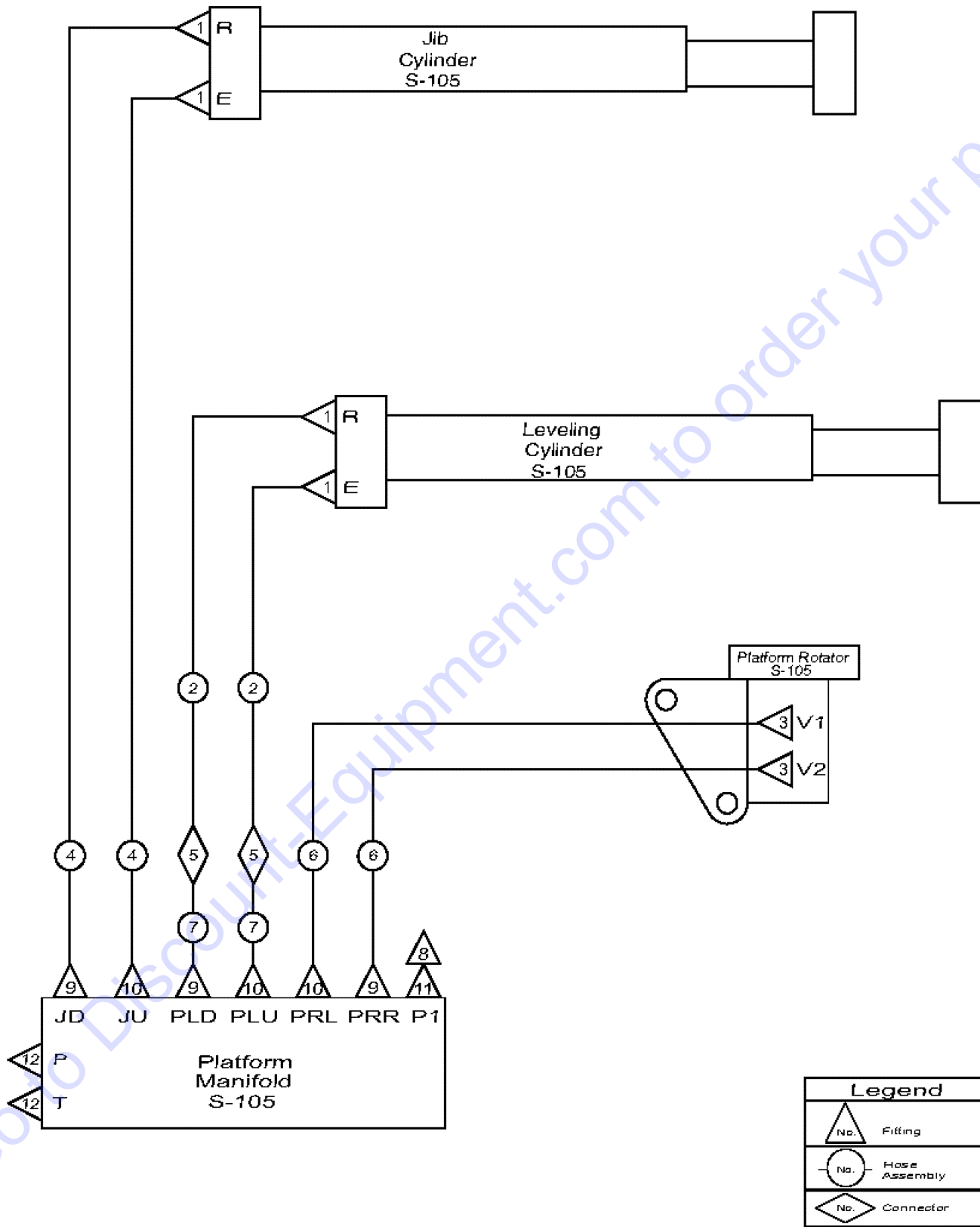
718.1 Hydraulic Hoses and Fittings - Platform Leveling and Rotation (to SN 131)

Item	Part No.	Description	Qty.
1	48912GT	CONN,520120-4-6***.....	4
2	49117-2091-SGT	HOSE ASSY,1/4,90 FEM,STR FEM.....	2
3	48904GT	ELBOW,90D,520220-4-4.....	5
4	49119-5678-SGT	HOSE ASSY,1/4,STR FEM,STR FEM.....	2
5	61079GT	ELBOW,90D,BULKHEAD,520701-4.....	2
6	49119-3878GT	HOSE ASSY,1/4,STR FEM,STR FEM.....	2
7	49117-12791-SGT	HOSE ASSY,1/4" (#111/112,S125).....	2
8	48880GT	CAP,DIAGNOSTIC NIPPLE.....	1
9	61259GT	ELBOW,90D,LONG,521520-4.....	3
10	48997GT	NIPPLE,DIAGNOSTIC,#4.....	1
--	20224GT	DIAGNOSTIC FEMALE Q-DSCNT	
--	75098GT	HARNESS,PRESSURE TRANSDUCER	
11	48915GT	ELBOW,90D,520220-6.....	2

Go to Discount-Equipment.com to order your parts



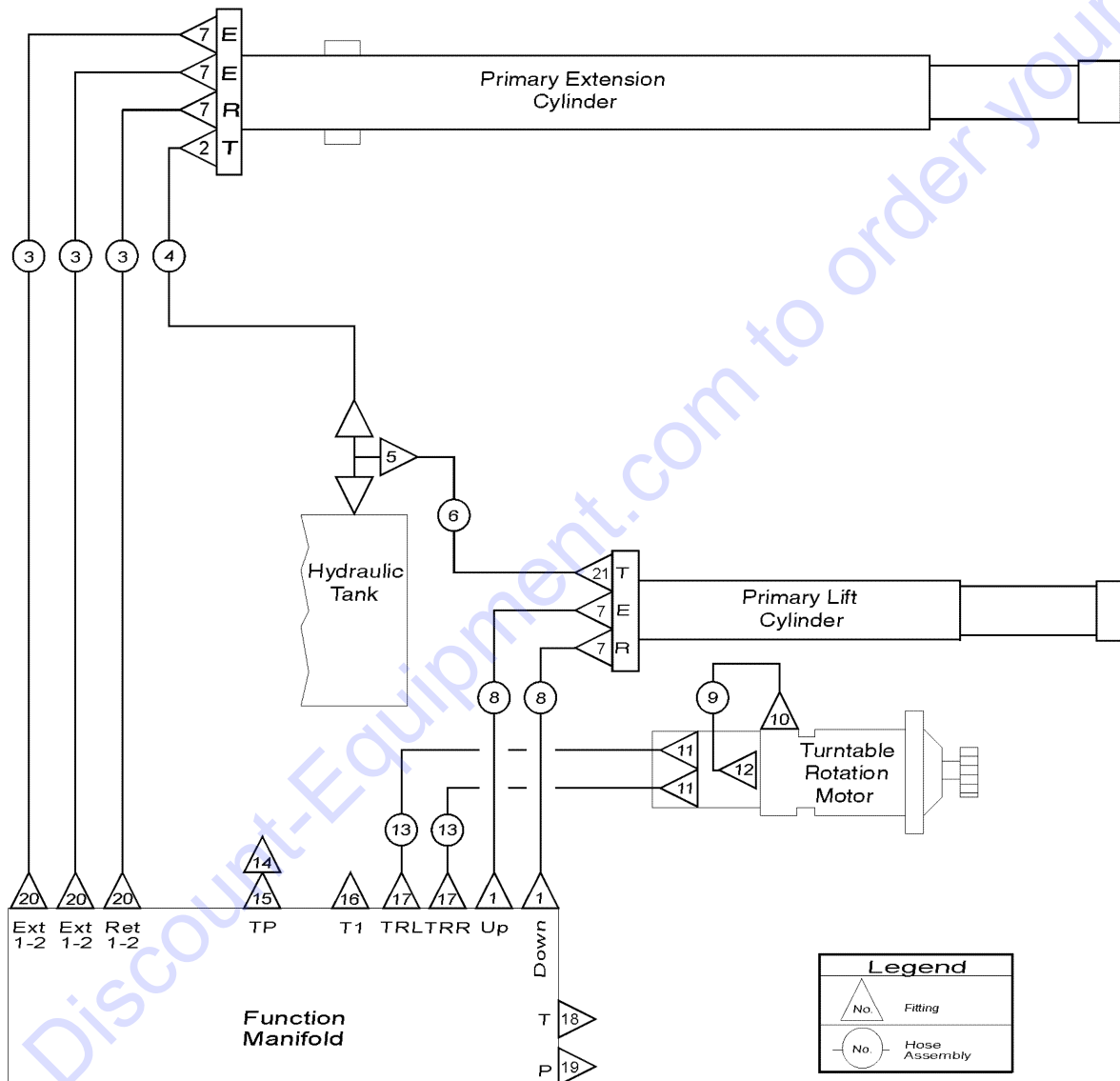
718.2 Hydraulic Hoses and Fittings - Platform leveling and Rotation (from SN 132)



718.2 Hydraulic Hoses and Fittings - Platform leveling and Rotation (from SN 132)

Item	Part No.	Description	Qty.
1	48912GT	CONN,520120-4-6***.....	4
2	49117-2091-SGT	HOSE ASSY,1/4,90 FEM,STR FEM.....	2
3	48907GT	ELBOW,45D,520320-4.....	5
4	49119-5648GT	HOSE ASSY,1/4,STR FEM,STR FEM.....	2
5	61079GT	ELBOW,90D,BULKHEAD,520701-4.....	2
6	49119-3848GT	HOSE ASSY,1/4,STR FEM,STR FEM.....	2
7	49117-12791-SGT	HOSE ASSY,1/4" (#111/112,S125).....	2
8	48880GT	CAP,DIAGNOSTIC NIPPLE.....	1
9	48904GT	ELBOW,90D,520220-4-4.....	3
10	61259GT	ELBOW,90D,LONG,521520-4.....	3
11	48997GT	NIPPLE,DIAGNOSTIC,#4.....	1
--	20224GT	DIAGNOSTIC FEMALE Q-DSCNT	
--	75098GT	HARNESS,PRESSURE TRANSDUCER	
12	48915GT	ELBOW,90D,520220-6.....	2

719.1 Hydraulic Hoses and Fittings - Boom Components



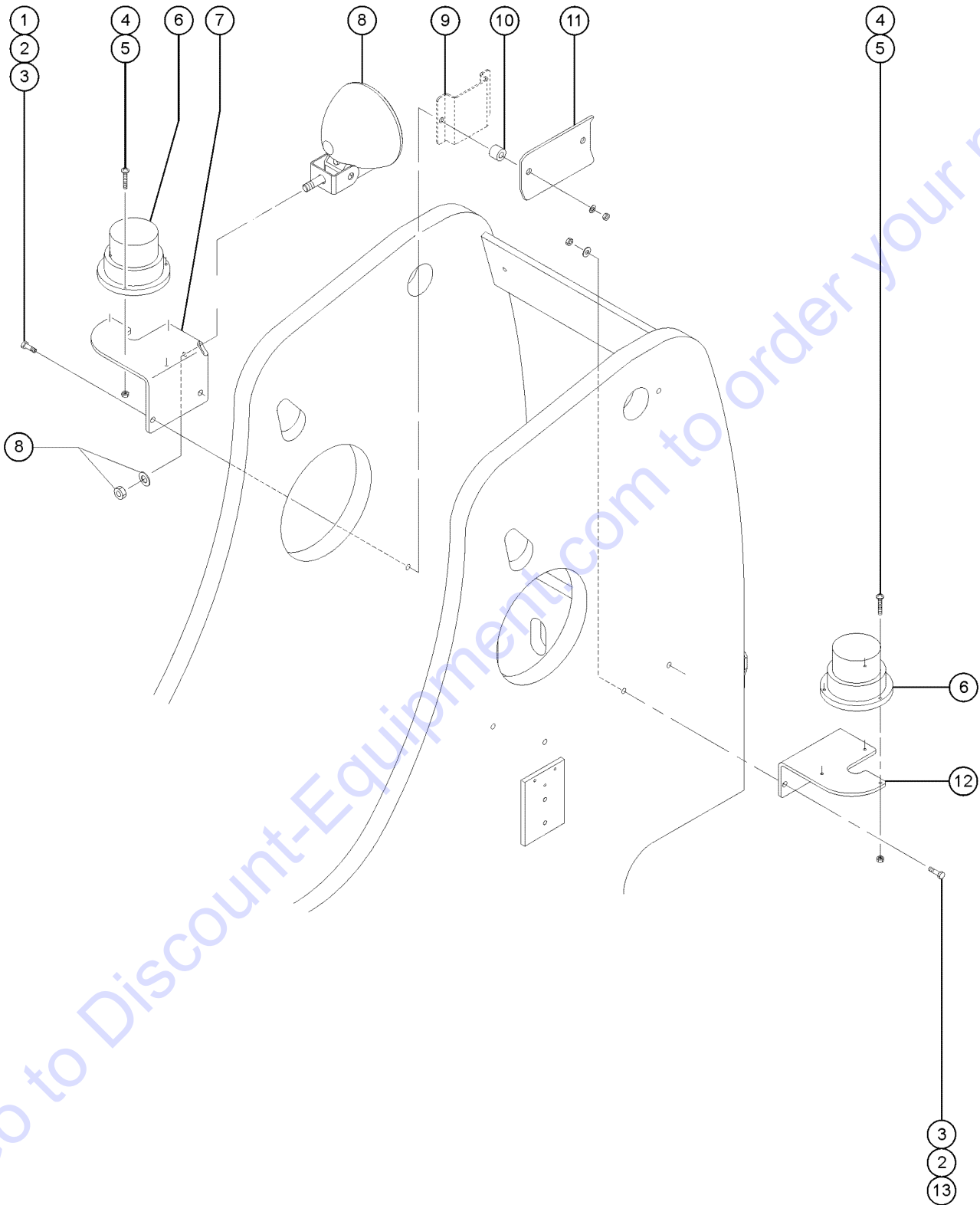
Go to Discount-Equipment.com to order your parts

719.1 Hydraulic Hoses and Fittings - Boom Components

Item	Part No.	Description	Qty.
--	49612GT	O-RING KIT (ORFS FITTINGS)	
--	49613GT	PLUG AND CAP KIT-SERVICE,ORFS*	
1	48933GT	CONN,520120-8***.....	6
2	48907GT	ELBOW,45D,520320-4.....	1
3	49143-12192GT	Hose Assembly - Components: Genie part numbers 48822, 48822 and 48756 @ 120 inches.....	3
4	49120-12381 SGT	HOSE ASSEMBLY-1/4" (#100).....	1
5	48918GT	TEE,RUN,520428-6..... <i>use only with lift cylinder part 50078, refer to 501.1 and 501.2; to SN 739</i>	1
--	48915GT	ELBOW,90D,520220-6 <i>from SN 740</i>	
--	59335GT	CAP,520112-6 <i>part of service kit 122522, or from SN 740, refer to 501.1 and 501.2</i>	
6	49118-9708 SGT	HOSE ASSEMBLY,1/4" (#106)..... <i>use only with lift cylinder part 50078, refer to 501.1 and 501.2; to SN 739</i>	1
7	48937GT	ELBOW,45D,520320-8.....	3
8	49183-10692 SGT	HOSE ASSY,1/2,STR FEM,STR FEM	
9	49117-1391 SGT	HOSE ASSEMBLY-1/4" (#89).....	1
10	48904GT	ELBOW,90D,520220-4-4.....	1
11	48931GT	CONN,520120-6-10.....	2
12	48905GT	CONN,520120-4***.....	2
13	49128-4009 SGT	HOSE ASSEMBLY 3/8 (#87,88)..... <i>to SN 136</i>	2
--	49128-3109 SGT	HOSE ASSEMBLY,3/8 <i>from SN 137</i>	
14	48880GT	CAP,DIAGNOSTIC NIPPLE.....	1
15	48997GT	NIPPLE,DIAGNOSTIC,#4.....	1
--	20224GT	DIAGNOSTIC FEMALE Q-DSCNT	
--	75098GT	HARNES,PRESSURE TRANSDUCER	
16	61260GT	REDUCER,520123-20-12.....	1
17	48916GT	FITTING,CONN,520120-6.....	2
18	48983GT	ELBOW,90D,520220-16..... <i>to SN 135</i>	1
--	48916GT	FITTING,CONN,520120-6 <i>from SN 136</i>	
19	48960GT	FITTING,CONN,520120-12***..... <i>to SN 135</i>	1
--	48916GT	FITTING,CONN,520120-6 <i>from SN 136</i>	
20	48937GT	ELBOW,45D,520320-8..... <i>to SN 167</i>	4
--	48933GT	CONN,520120-8*** <i>from SN 168</i>	
21	48907GT	ELBOW,45D,520320-4 <i>use only with lift cylinder part 50078, refer to 501.1 and 501.2; to SN 739</i>	

Go to DiscountEquipment.com to order your parts

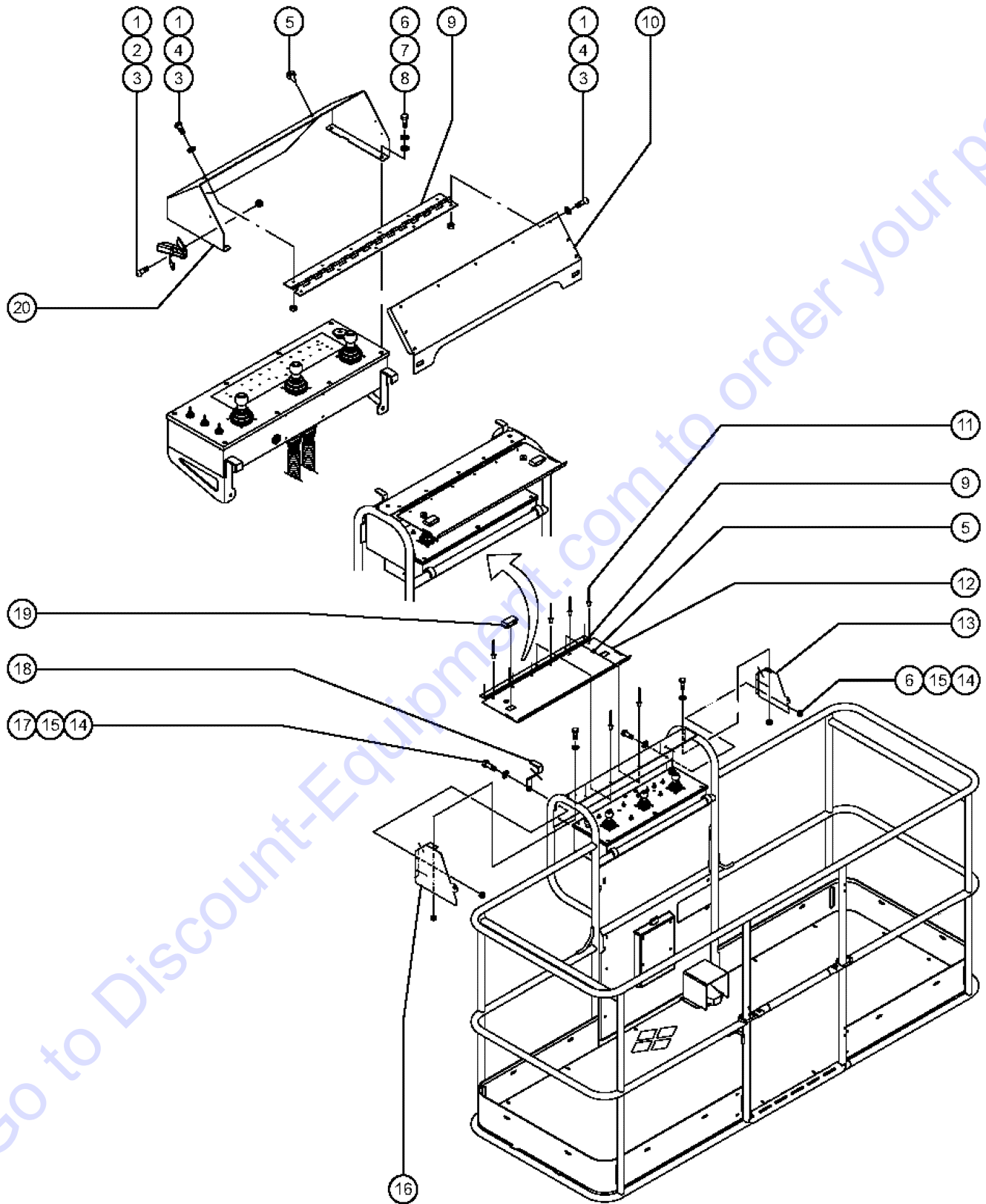
801.1 Alarm and Beacon Package, Driving Lights



801.1 Alarm and Beacon Package, Driving Lights

Item	Part No.	Description	Qty.
--	75641GT	HARNESS,FLASH BEACON SUB ASSY	
--	73121-SGT	OPTION,DRIVING LIGHTS,SB	
--	122323GT	ALARM PKG,S100/120	
--	82422GT	DECAL,PATCH,DRIVING LIGHT	
--	60521GT	RELAY,SEALED 30/40 AMP	
--	60520GT	SOCKET,SEALED RELAY	
--	13097GT	FUSE,10 AMP	
--	23083-SGT	FUSE HOLDER,WATERPROOF	
1	6605GT	SCREW,HHC,3/8-16 X 3.5,GR5	
2	5397GT	WASHER,FLAT,USS,5/16",Y	
3	7713GT	NUT, LP NYLOCK, 3/8-16	
4	49824GT	SCREW,PHILLIPS,FHM,10-32X1.00	
5	6178GT	NUT,NYLOCK,10-32	
6	56704GT	STROBE,FIREBOLT,12-80VDC,AMB**...2 <i>(replaced 20189)</i>	
--	122019GT	FLASHTUBE,U SHAPED,360DEG,BULB	
--	226393GT	FLASHTUBE,STRAIGHT,360DEG,BULB	
--	72282GT	LENS,AMBER,STROBE,FIREBOLT	
7	60819PGT	BRACKET,STROBE.....1	
--	60838GT	CLAMP,1.00,#16 X 7/16,RUB CUSH	
--	75249-PGT	BRACKET,BEACON,DRIVE LIGHTS,RH <i>shown</i>	
8	107858GT	WORKLIGHT,48 VOLT.....2	
8A	35960GT	BULB,WORKLIGHT,12V 35W	
8B	8255GT	SCREW,HHC,3/8-16 X .75	
8C	6097GT	WASHER,FLAT,USS,3/8",Y	
8D	7713GT	NUT, LP NYLOCK, 3/8-16	
9		Part is no longer available.....1 <i>order item 11 upgrade kit 122633 for first time replacement; to SN 788</i>	
10	122951GT	TUBE,RD,ALUMINUM,1.00X.50X.820 <i>from SN 789</i>	
11	122949GT	FORMING,CLAMP,SIDE PLATE HOSE <i>from SN 789</i>	
--	122633GT	UPGRADE KIT,HOSE CLAMP,SB <i>contains 1 clamp item 122949, 2 each of item 122951 and fasteners; to SN 788</i>	
12	60819PGT	BRACKET,STROBE.....1 <i>shown</i>	
--	60838GT	CLAMP,1.00,#16 X 7/16,RUB CUSH	
--	75250-PGT	Bracket, Tank side	
13	14033GT	SCREW,HHC,3/8-16 X 2.75	

802.1 Platform Controls Cover

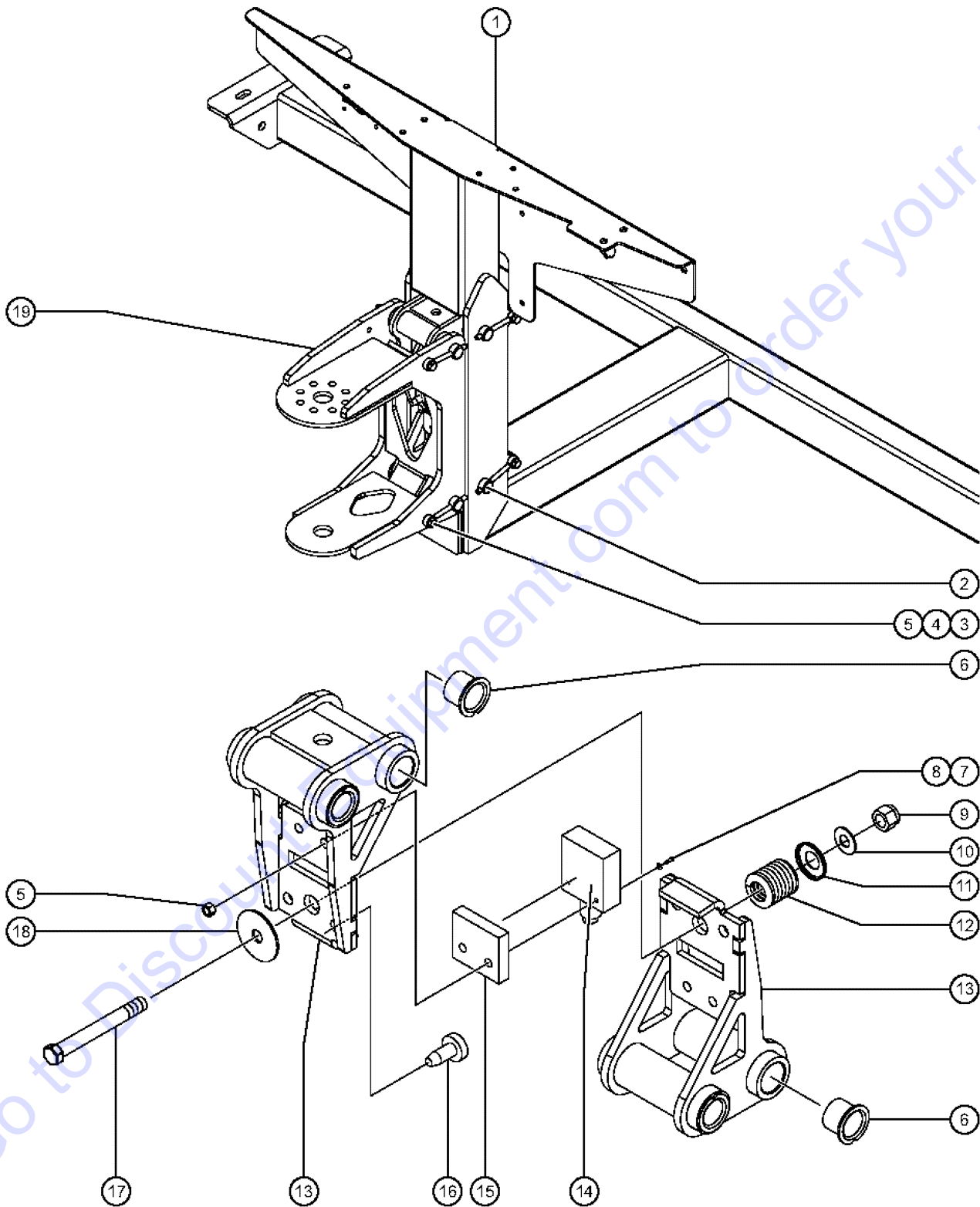


802.1 Platform Controls Cover

Item	Part No.	Description	Qty.
--	119795GT	KIT,CONTROL BOX COVER to SN 181	
--	88609-SGT	CONTROL BOX COVER ASSY*** from SN 182 to SN 185	
--	T109328GT	ACC,PLAT CONTROL COVER, SERV from SN 186	
1	55906GT	SCREW,PHILLIPS,PHM,8-32 X .5 to SN 181	
--	49819GT	SCREW,PHILLIPS,PHM,10-32 X .5 from SN 182	
2	61625GT	LATCH,DRAW.....2	
3	18605GT	NUT,NYLOCK,8-32 to SN 181	
--	6178GT	NUT,NYLOCK,10-32 from SN 182	
4	6146GT	WASHER,FLAT,MS,#10,Y	
5	43392GT	BUMPER,BATTERY BOX & RAILS.....2	
6	7339GT	SCREW, HHC, 1/4-20 X .5	
7	6356GT	WASHER,LOCK,.25	
8	75144GT	WASHER,FLAT,SAE 1/4",ZINC	
9	111526GT	HINGE,PLAT CONTROL BOX COVER...1	
10	60468-SGT	FORMING,PLAT.CONTROL BOX COVER.....1	
11	54486GT	RIVET,ALUM,ALUM,3/16BUTTONHEAD.11	
12	89915PGT	COVER,CONTROL BOX LID.....1 from SN 182 to SN 185	
--	102676GT	LID ASSY,CONTROL BOX COVER PLT includes items 5, 11, 12, 14, 15, and 17-19; from SN 186	
--	102785PGT	CONTROL BOX COVER,LID,PTD from SN 186	
13	88606PGT	COVER,CONTROL BOX RIGHT SIDE**.....1 from SN 182	
14	6889GT	NUT,LP NYLOCK,1/4-20	
15	6638GT	WASHER,FLAT,USS,1/4"Y	
16	88607PGT	COVER,CONTROL BOX LEFT SIDE***.....1 from SN 182	
17	6888GT	SCREW,HHC,1/4-20 X 1	
18	102786PGT	FORMING,LATCH,CTRL BOX LID PTD.....2	
19	30468GT	LATCH,SLIDE, FLUSH MOUNT STYLE.....2	
20	60467-SGT	PLAT.CONTROL BOX GUARD,FORMING.....1 to SN 181	

Go to www.Genie.com to order your parts

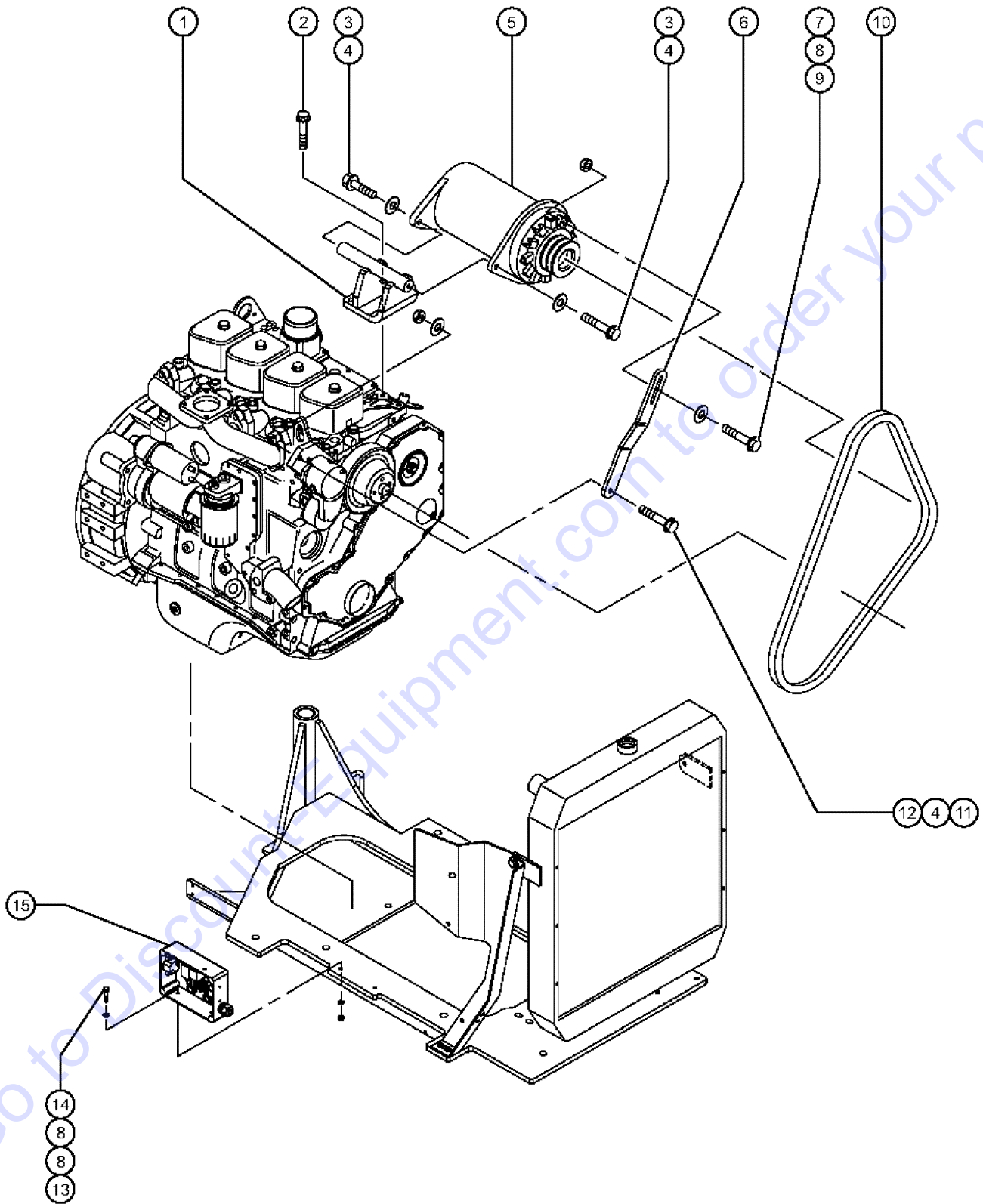
803.1 Platform Overload - European Models



803.1 Platform Overload - European Models

Item	Part No.	Description	Qty.
--	102049GT	KIT,LOADSENSE,UPGRD,S100/S120 to SN 195	
--	102050GT	KIT,LOADSENSE,UPGRD,S105/S125 to SN 195	
1	61997GT	WELDMENT,PLATFORM SUPPORT,CE.....1 CE models	
2	61726GT	PIN,0.75DIA X 5.75LG,CHAMFER.....4	
2	94643GT	ZERK,GREASE,5/16-24,STRAIT	
--	94643GT	ZERK,GREASE,5/16-24,STRAIT	
3	6888GT	SCREW,HHC,1/4-20 X 1	
4	45748GT	ROD END,.250 X 2.75 LG.....4	
5	6091GT	NUT,NYLOCK,1/4-20	
6	25685GT	BEARING,GARLOCK,12FDU12.....4	
7	49817GT	SCREW,PHILLIPS,PHM,10-32 X 1.25.....2 (S105)	
7	51063GT	SCREW,PHILLIPS,RHM,10-32 X 1.5 (S100)	
8	6146GT	WASHER,FLAT,MS,#10,Y	
9	4828GT	NUT,NYLOCK,3/8-16	
10	6097GT	WASHER,FLAT,USS,3/8",Y	
11	61975GT	RETAINER,SPRING,1.21 X .375.....1 (S105)	
11	61977GT	RETAINER,SPRING,1.46 X .375 (S100)	
12	61974GT	SPRING,COMP,1" OD,232 LB/IN.....1 (S105)	
12	61976GT	SPRING,COMP,1-1/4"OD 352 LB/IN (S100)	
13	89755GT	LOAD SUPPORT W/BEARINGS.....2 includes item 6	
--	110789GT	WASHER,SHIM .0151 THK.	
14	94444GT	HARNES,SWITCH,LIMIT PLUNGER....1 to SN 809	
--	146399GT	ASSY, LS, LOAD SENSE, ALC1000 from SN 810	
15	61972GT	MOUNT,SWITCH.....1	
16	34619GT	BUMPER,RUBBER***.....2	
17	21604GT	SCREW,HHC,3/8-16 X 3.25	
18	80605GT	WASHER,FLAT,3/8X1.5X.06	
19	101845GT	ROTATOR MOUNT KIT.....1 includes item 6	
--	110789GT	WASHER,SHIM .0151 THK.	

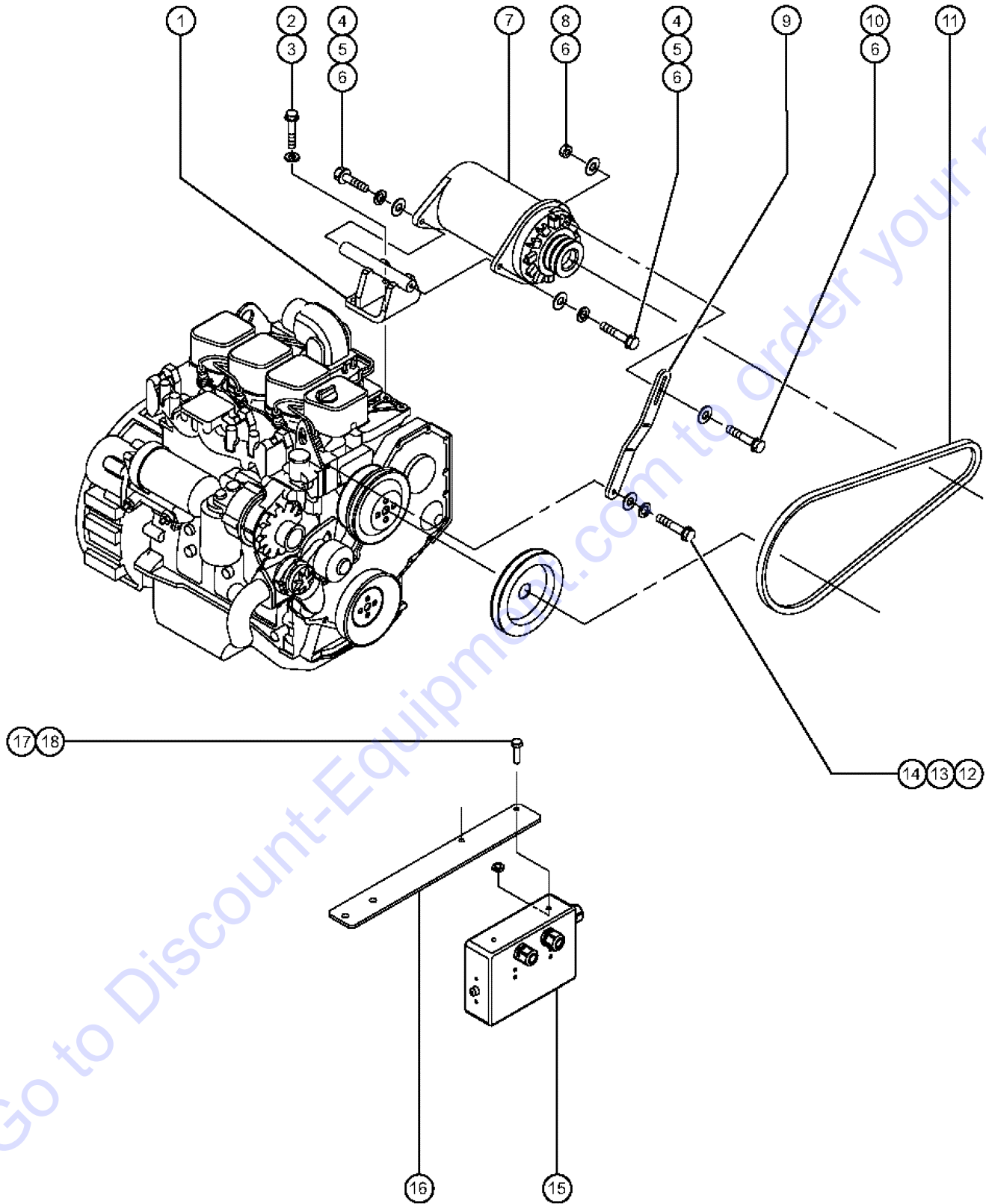
804.1 Belt Driven Generator Option - Cummins Engine (to SN 218)



804.1 Belt Driven Generator Option - Cummins Engine (to SN 218)

Item	Part No.	Description	Qty.
--	61012-SGT	GENERATOR,3500W W/REG-CUMMINS	
--	60738GT	VOLTAGE REGULATOR,110V	
--	61010-SGT	GENERATOR,3000W 220/50-CUMMIN	
--	60739GT	VOLTAGE REGULATOR,220V	
1	60717-SGT	WELDMNT,GENERATOR MNT-CUMMINS.....	1
2	27034GT	SCREW,HHC,M10 X 25MM,GR 8.8	
3	6175GT	SCREW,HHC,3/8-16 X 1 to SN 185	
--	88296GT	SCREW,HHC,7/16-14 X 1.25 from SN 186 to SN 218	
4	5397GT	WASHER,FLAT,USS,5/16",Y to SN 185	
--	20912GT	WASHER,LOCK,,437,PLTD. from SN 186 to SN 218	
5	60707GT	GENERATOR,3500W,120V,60HZ**	1
--	102681GT	PULLY, GNRTR,220V,50HZ(89908) for 89908 generator	
--	146062GT	PULLY,GNRTR,120V,60HZ(60707) for 60707 generator	
--	75425GT	BRUSH(4REQ)(60707/60737)	
--	75426GT	BRUSH HOLDER(4REQ)(60707/60737)	
--	75427GT	BEARING (2 REQ)(60707/60737)	
--	75428GT	END PLATE,GEN.HOUSING,FAN END	
--	75429GT	END PLATE,GEN.HOUSG,BRUSH END	
--	89908GT	GENERATOR,3000W,220V,50HZ***	
6	60718-SGT	GENERATOR MOUNT-CUMMINS.....	1
7	14723GT	SCREW,HHC,5/16-18 X 1.75	
8	6638GT	WASHER,FLAT,USS,1/4"Y	
9	6782GT	NUT,NYLOCK,5/16-18	
10	75053GT	BELT,AX38***	1
11	8516GT	SCREW, HCC, 3/8-16 X 1.50	
12	4828GT	NUT,NYLOCK,3/8-16	
13	8915GT	SCREW,HHC,1/4-20 X 1.25	
14	6091GT	NUT,NYLOCK,1/4-20	
15	61198GT	BOX,ELECT.GENERATOR W/REG 120V.....	1
--	60521GT	RELAY,SEALED 30/40 AMP	
--	60887GT	CIRCUIT BREAKER, 30 AMP	
--	61194GT	BOX,ELECT.GENERATOR W/REG 220V	
--	61195GT	CIRCUIT BREAKER, 12.5 AMP	
--	61211GT	CIRCUIT BREAKER,15 AMP	

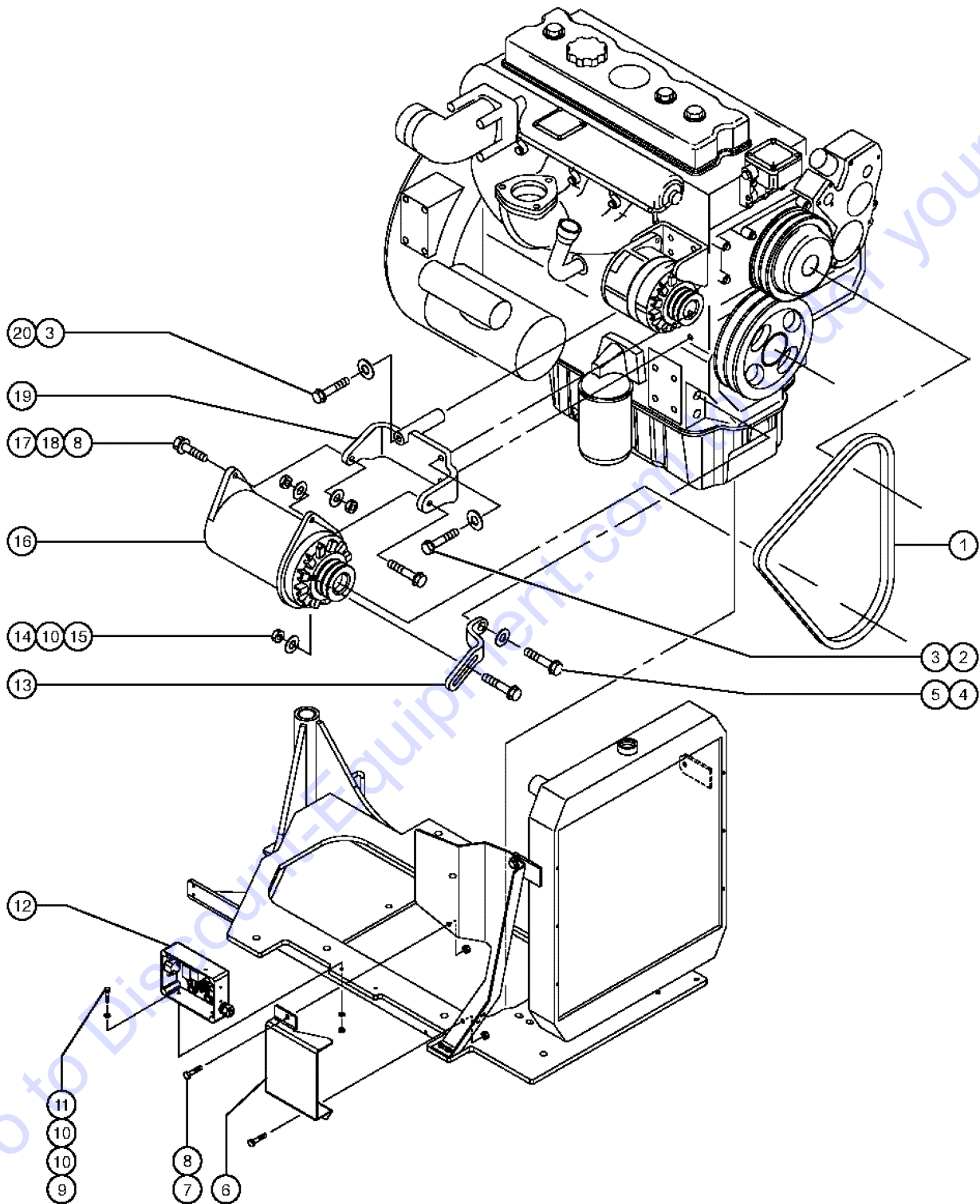
804.2 Belt Driven Generator Option - Cummings Engine (from SN 219 to 906)



804.2 Belt Driven Generator Option - Cummings Engine (from SN 219 to 906)

Item	Part No.	Description	Qty.
--	102393GT	OPT,GEN BD 3500W 110/60 CUMNS	
--	60738GT	VOLTAGE REGULATOR,110V	
--	102392GT	OPT,GEN BD 3000W 220/50 CUMNS	
--	60739GT	VOLTAGE REGULATOR,220V	
1	60717-SGT	WELDMNT,GENERATOR MNT-CUMMINS.....	1
2	44064GT	SCREW,HHC,M10 X 30MM,	
3	22699GT	WASHER,FLAT,M10,ZINC PLTD.	
4	88296GT	SCREW,HHC,7/16-14 X 1.25	
5	20912GT	WASHER,LOCK,.437,PLTD.	
6	57201GT	WASHER,FLAT,313, HARDENED.....	2
7	60707GT	GENERATOR,3500W,120V,60HZ**	1
--	102681GT	PULLY, GNRTR,220V,50HZ(89908) <i>for 89908 generator</i>	
--	146062GT	PULLY,GNRTR,120V,60HZ(60707) <i>for 60707 generator</i>	
--	75425GT	BRUSH(4REQ)(60707/60737)	
--	75426GT	BRUSH HOLDER(4REQ)(60707/60737)	
--	75427GT	BEARING (2 REQ)(60707/60737)	
--	75428GT	END PLATE,GEN.HOUSING,FAN END	
--	75429GT	END PLATE,GEN.HOUSG,BRUSH END	
--	89908GT	GENERATOR,3000W,220V,50HZ***	
8	6782GT	NUT,NYLOCK,5/16-18	
9	102391PGT	BELT TENSIONER,CUMMINS PAINT.....	1
10	14723GT	SCREW,HHC,5/16-18 X 1.75	
11	60725GT	BELT,AX37.....	1
12	49379GT	SCREW,HHC,M8 X 1.25 X 25	
13	49408GT	WASHER,LOCK,M8	
14	33277GT	WASHER,FLAT,M8,YELLOW ZINC	
15	61198GT	BOX,ELECT.GENERATOR W/REG 120V.....	1
--	60521GT	RELAY,SEALED 30/40 AMP	
--	60887GT	CIRCUIT BREAKER, 30 AMP	
--	61194GT	BOX,ELECT.GENERATOR W/REG 220V	
--	61195GT	CIRCUIT BREAKER, 12.5 AMP	
--	61211GT	CIRCUIT BREAKER,15 AMP	
16	89493PGT	PLATE,GENERATR.CNTRL.BOX MOUNT.....	1
17	6888GT	SCREW,HHC,1/4-20 X 1	
18	6091GT	NUT,NYLOCK,1/4-20	

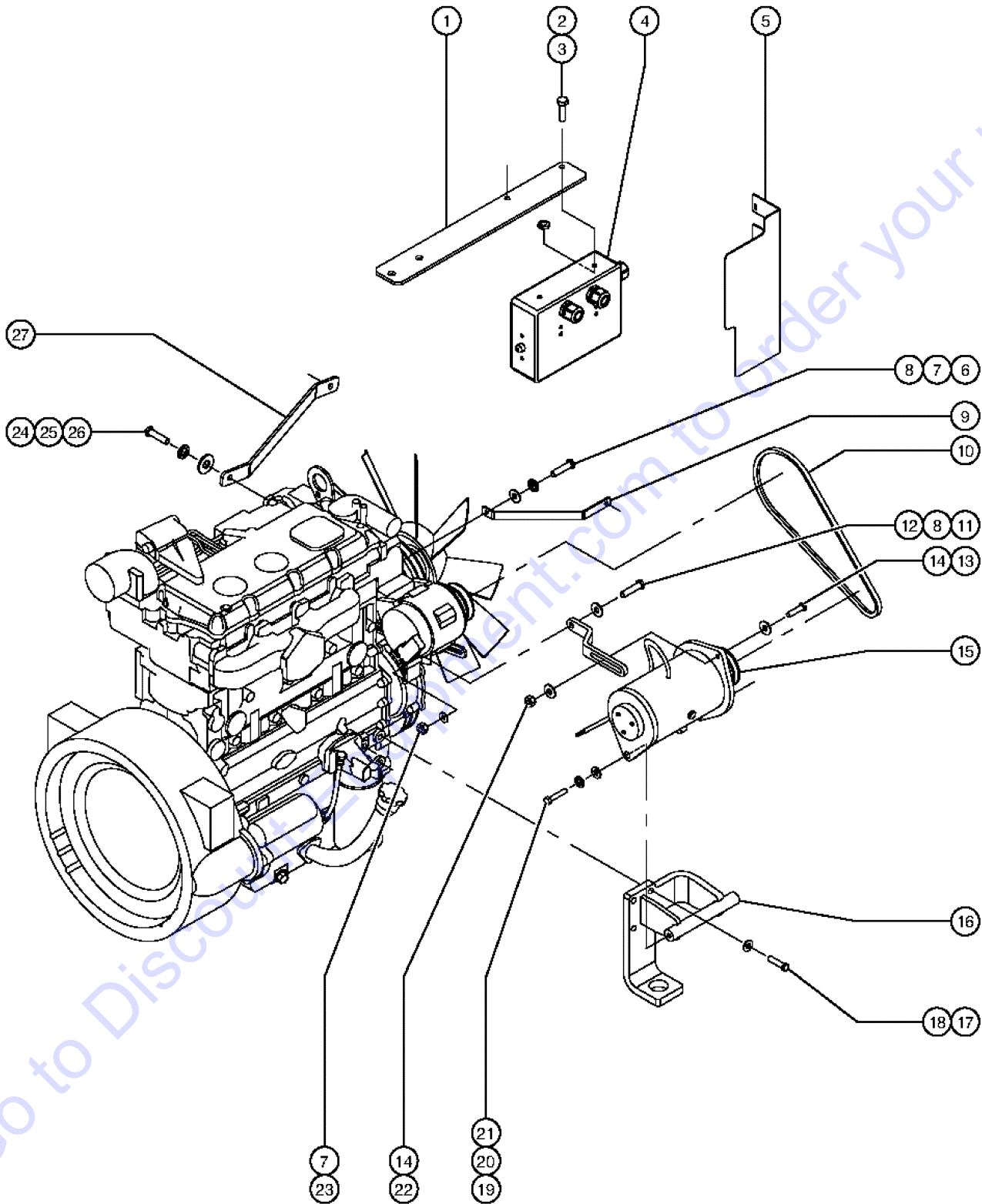
805.1 Belt Driven Generator Option - Perkins Engine (to SN 226)



805.1 Belt Driven Generator Option - Perkins Engine (to SN 226)

Item	Part No.	Description	Qty.
--	60738GT	VOLTAGE REGULATOR,110V	
--	60739GT	VOLTAGE REGULATOR,220V	
1	75053GT	BELT,AX38***	1
2	44064GT	SCREW,HHC,M10 X 30MM,	
3	22699GT	WASHER,FLAT,M10,ZINC PLTD.	
4	59969GT	SCREW,HHC,M16 X 30	
5	75015GT	WASHER,FLAT M16	
6	60851GT	COVER,GENERATOR-PERKINS.....1 to SN 127	
--	75275GT	COVER,GENERATOR-PERKINS from SN 128	
7	6175GT	SCREW,HHC,3/8-16 X 1	
8	4828GT	NUT,NYLOCK,3/8-16	
9	8915GT	SCREW,HHC,1/4-20 X 1.25	
10	6638GT	WASHER,FLAT,USS,1/4"Y	
11	6091GT	NUT,NYLOCK,1/4-20	
12	61198GT	BOX,ELECT.GENERATOR W/REG 120V.....	1
--	60521GT	RELAY,SEALED 30/40 AMP	
--	60887GT	CIRCUIT BREAKER, 30 AMP	
--	61195GT	CIRCUIT BREAKER, 12.5 AMP	
--	61211GT	CIRCUIT BREAKER,15 AMP	
--	61994GT	FORMING,GUSSET,PLAT SUPPORT	
13	60662-SGT	BRACKET,GENERATOR.....	1
14	6782GT	NUT,NYLOCK,5/16-18	
15	13000GT	SCREW,HHC,5/16-18 X 1.25	
16	60707GT	GENERATOR,3500W,120V,60HZ**	1
--	102681GT	PULLY, GNRTR,220V,50HZ(89908) for 89908 generator	
--	146062GT	PULLY,GNRTR,120V,60HZ(60707) for 60707 generator	
--	75425GT	BRUSH(4REQ)(60707/60737)	
--	75426GT	BRUSH HOLDER(4REQ)(60707/60737)	
--	75427GT	BEARING (2 REQ)(60707/60737)	
--	75428GT	END PLATE,GEN.HOUSING,FAN END	
--	75429GT	END PLATE,GEN.HOUSG,BRUSH END	
--	89908GT	GENERATOR,3000W,220V,50HZ***	
17	13918GT	SCREW,HHC,3/8-16 X 1.75,GRD.8.....	2
18	5397GT	WASHER,FLAT,USS,5/16",Y	
19	60644-SGT	WELDMENT,GENERATOR MOUNT.....	1
20	55043GT	SCREW,HHC,M10 X1.5 X 120,GR8.8	

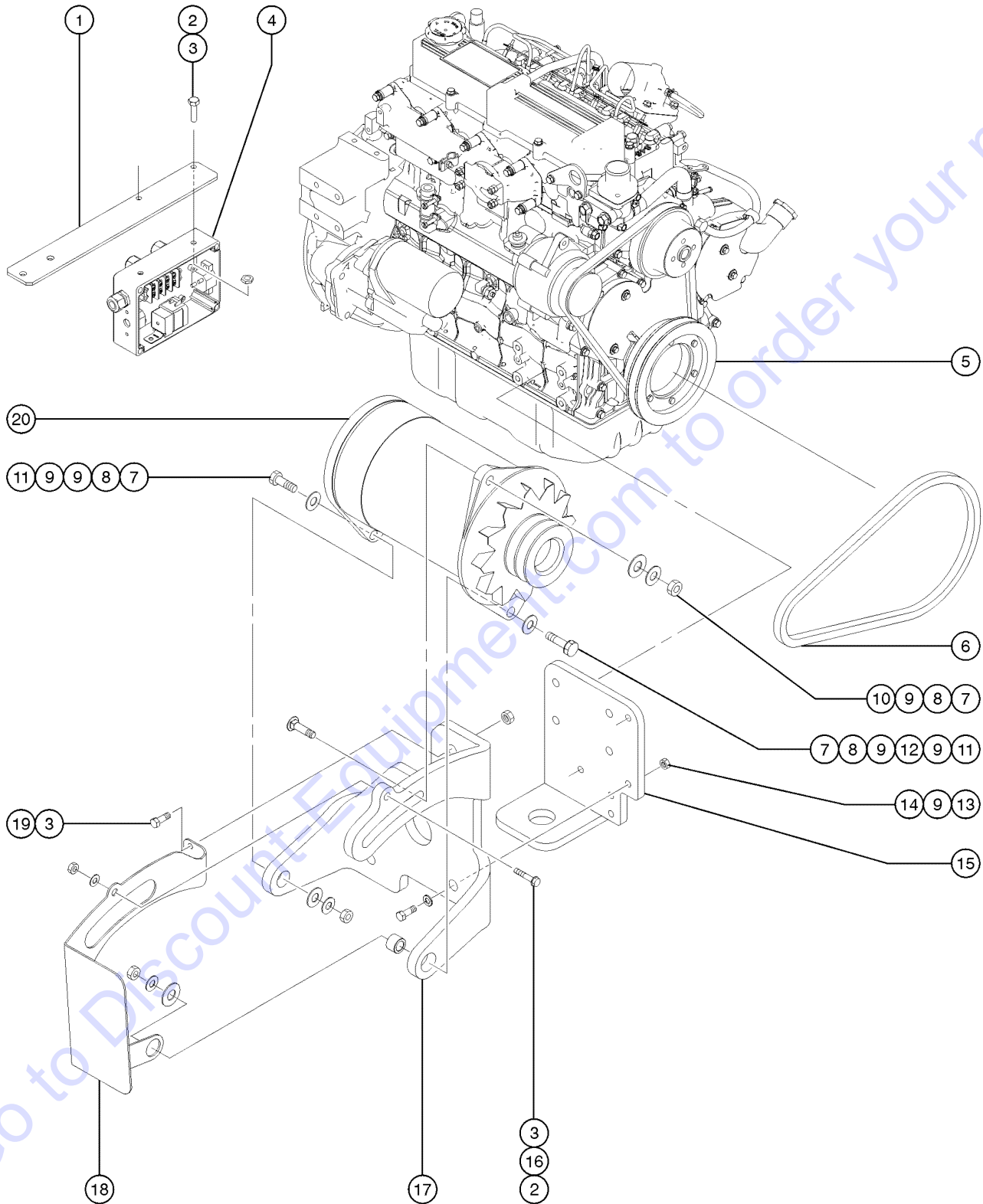
805.2 Belt Driven Generator Option - Perkins Engine (from SN 227 to 683)



805.2 Belt Driven Generator Option - Perkins Engine (from SN 227 to 683)

Item	Part No.	Description	Qty.	Item	Part No.	Description	Qty.
--	106572GT	OPT,GEN BD 3500W 110/60 PERKIN		23	59680GT	NUT,HEX M10-1.5	
--	60738GT	VOLTAGE REGULATOR,110V		24	23057GT	SCREW,HHC,M8 X 20MM	
--	106008GT	OPT,GEN BD 3000W 220/50 PERKIN		25	49408GT	WASHER,LOCK,M8	
--	60739GT	VOLTAGE REGULATOR,220V		26	33277GT	WASHER,FLAT,M8,YELLOW ZINC	
1	89493PGT	PLATE,GENERATR.CNTRL.BOX MOUNT.....	1	27	101655PGT	BRACKET,RADIATOR SUPP,LH PAINT.....	1
2	6888GT	SCREW,HHC,1/4-20 X 1					
3	6091GT	NUT,NYLOCK,1/4-20					
4	102236GT	ELECT.BOX,GENERATOR W/REG.220V.....	1				
--	102235GT	ELECT.BOX,GENERATOR W/REG.120V					
--	60521GT	RELAY,SEALED 30/40 AMP					
--	60887GT	CIRCUIT BREAKER, 30 AMP					
--	61195GT	CIRCUIT BREAKER, 12.5 AMP					
--	61211GT	CIRCUIT BREAKER,15 AMP					
5	70540GT	FAN GUARD,PERKINS.....	1				
6	49393GT	SCREW,HHC,M10X20,GR5,YEL ZINC					
7	22700GT	WASHER,LOCK,M10					
8	22699GT	WASHER,FLAT,M10,ZINC PLTD.					
9	101656PGT	BRACKET,RAD SUPPORT,RH PAINTED.....	1				
10	70545GT	BELT,AX42.....	1				
11	85053GT	SCREW,HHC,M10 X 1.5 X70,GR 8.8					
12	101654PGT	BRACKET,GENERATOR ADJUSTER PNT.....	1				
13	13000GT	SCREW,HHC,5/16-18 X 1.25					
14	6638GT	WASHER,FLAT,USS,1/4"Y					
15	60707GT	GENERATOR,3500W,120V,60HZ**	1				
--	102681GT	PULLY, GNRTR,220V,50HZ(89908) <i>for 89908 generator</i>					
--	146062GT	PULLY,GNRTR,120V,60HZ(60707) <i>for 60707 generator</i>					
--	75425GT	BRUSH(4REQ)(60707/60737)					
--	75426GT	BRUSH HOLDER(4REQ)(60707/60737)					
--	75427GT	BEARING (2 REQ)(60707/60737)					
--	75428GT	END PLATE,GEN.HOUSING,FAN END					
--	75429GT	END PLATE,GEN.HOUSG,BRUSH END					
--	89908GT	GENERATOR,3000W,220V,50HZ***					
16	101653GT	WELDMENT,GENERATOR MOUNT.....	1				
17	6019GT	SCREW,HHC,3/8-16 X 1.25 GRD 5					
18	5397GT	WASHER,FLAT,USS,5/16",Y					
19	81852GT	SCREW,HHC,7/16-14 X 1.75					
20	20912GT	WASHER,LOCK,.437,PLTD.					
21	11209GT	WASHER,FLAT,USS,7/16",Y					
22	6782GT	NUT,NYLOCK,5/16-18					

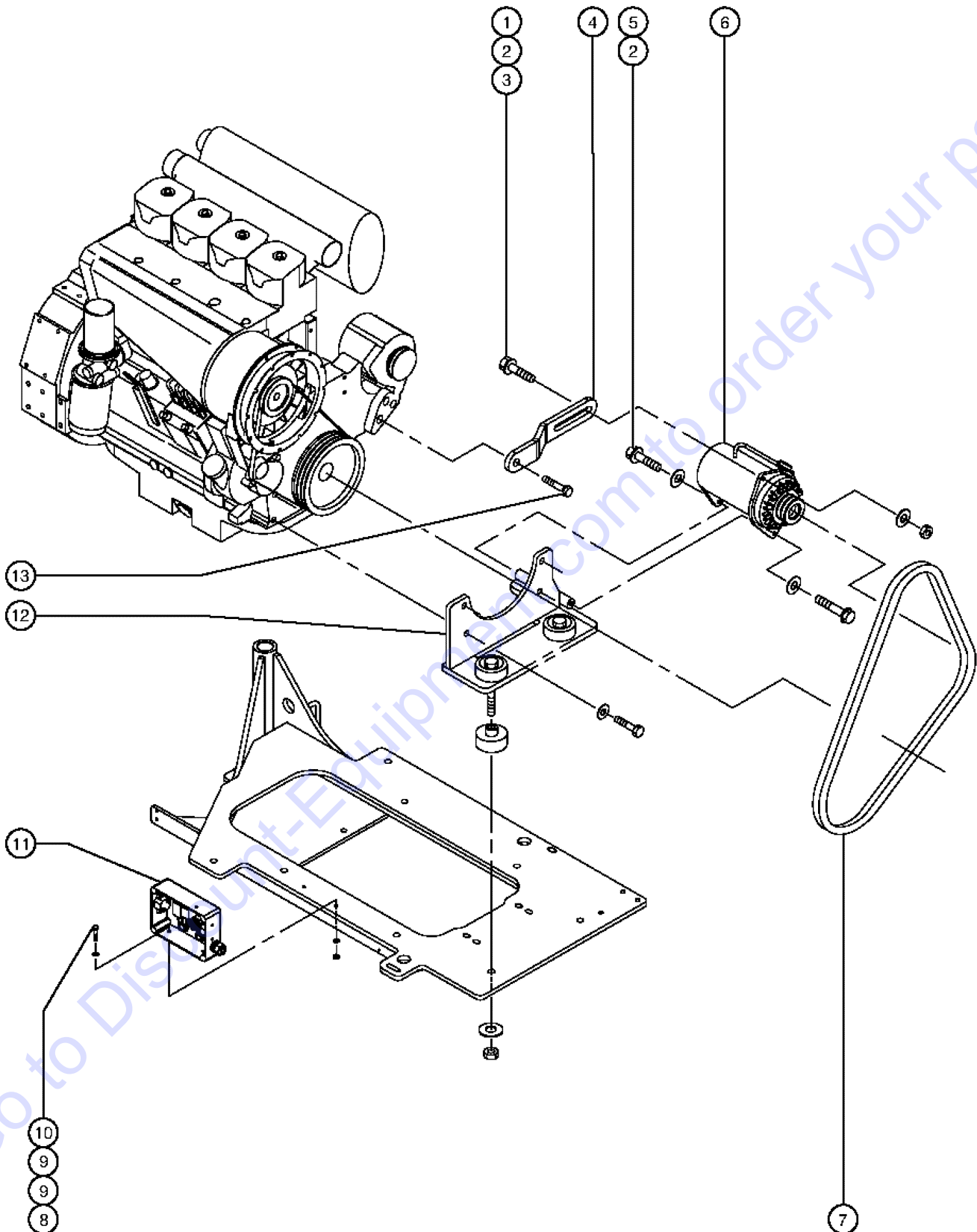
805.3 Belt Driven Generator Option - Perkins Engine (from SN 684 to 906)



805.3 Belt Driven Generator Option - Perkins Engine (from SN 684 to 906)

Item	Part No.	Description	Qty.
--	122943GT	OPT,GEN BD 3000W 220/50	
--	122942GT	OPT, GEN BD 3500W 110/60	
--	60738GT	VOLTAGE REGULATOR,110V	
--	60739GT	VOLTAGE REGULATOR,220V	
1	89493PGT	PLATE,GENERATR.CNTRL.BOX MOUNT.....	1
2	6888GT	SCREW,HHC,1/4-20 X 1	
3	6091GT	NUT,NYLOCK,1/4-20	
4	102236GT	ELECT.BOX,GENERATOR W/REG.220V.....	1
--	102235GT	ELECT.BOX,GENERATOR W/REG.120V	
--	60521GT	RELAY,SEALED 30/40 AMP	
--	60887GT	CIRCUIT BREAKER, 30 AMP	
--	61195GT	CIRCUIT BREAKER, 12.5 AMP	
--	61211GT	CIRCUIT BREAKER,15 AMP	
5	102346GT	PULLEY KIT,PERKINS 804 (includes mounting bolts)	
6	70397GT	BELT,AX34***	1
7	6083GT	NUT,HEX,7/16-14	
8	20912GT	WASHER,LOCK,.437,PLTD.	
9	6097GT	WASHER,FLAT,USS,3/8",Y	
10	60790GT	BOLT, CARRIAGE, 3/8-16 X 1.50, G5	
11	81852GT	SCREW,HHC,7/16-14 X 1.75	
12	45400GT	SPACER TUBE,.50 LG	
13	4828GT	NUT,NYLOCK,3/8-16	
14	8516GT	SCREW, HCC, 3/8-16 X 1.50	
15		ENGINE MOUNT, refer to 413.2	
16	6638GT	WASHER,FLAT,USS,1/4"Y	
17	128251GT	FORMING,GENERATOR MOUNT	
18	128952GT	FORMING,BELT GUARD	
19	8915GT	SCREW,HHC,1/4-20 X 1.25	
20	60707GT	GENERATOR,3500W,120V,60HZ**	1
--	102681GT	PULLY, GNRTR,220V,50HZ(89908) <i>for 89908 generator</i>	
--	146062GT	PULLY,GNRTR,120V,60HZ(60707) <i>for 60707 generator</i>	
--	75425GT	BRUSH(4REQ)(60707/60737)	
--	75426GT	BRUSH HOLDER(4REQ)(60707/60737)	
--	75427GT	BEARING (2 REQ)(60707/60737)	
--	75428GT	END PLATE,GEN.HOUSING,FAN END	
--	75429GT	END PLATE,GEN.HOUSG,BRUSH END	
--	89908GT	GENERATOR,3000W,220V,50HZ***	

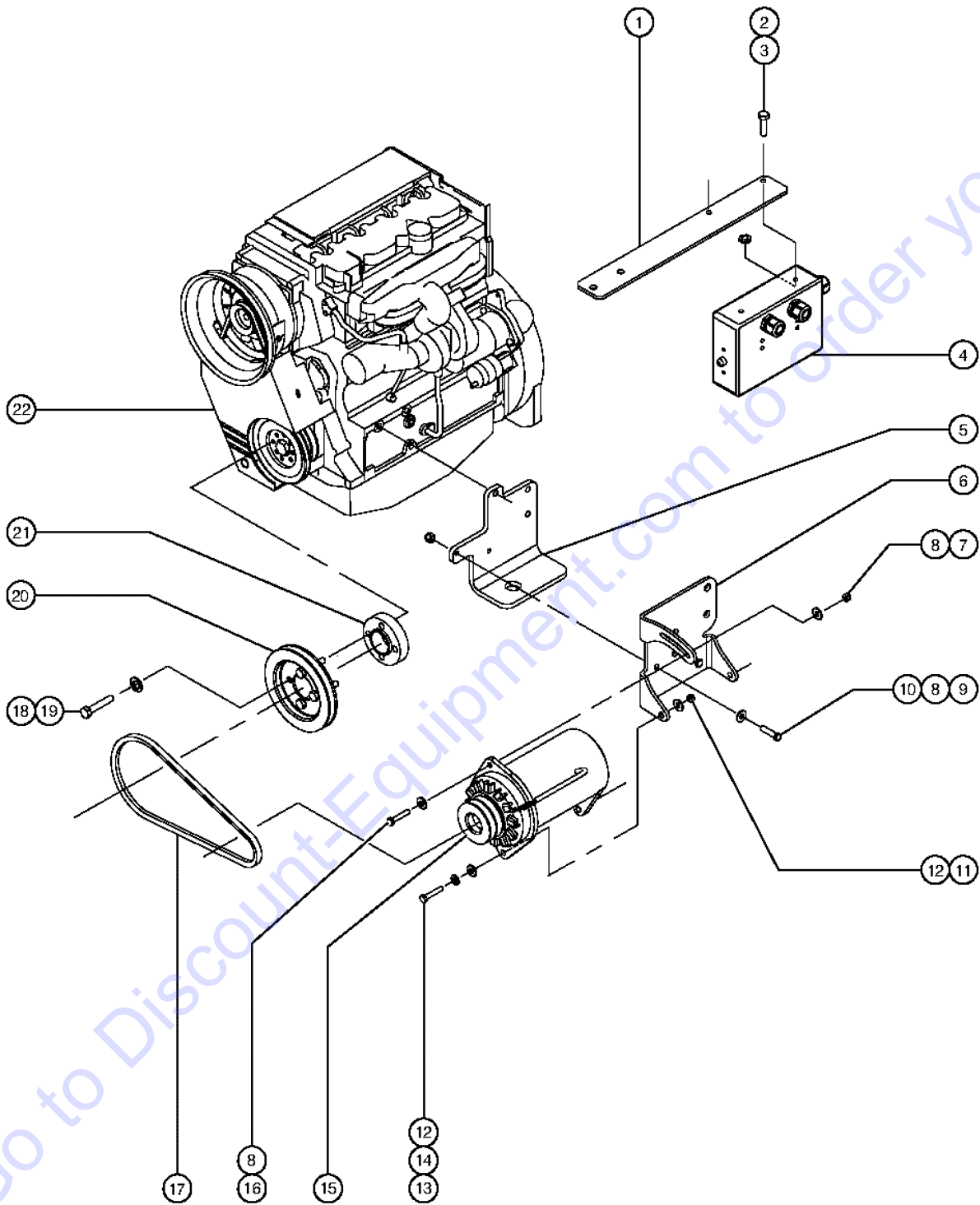
806.1 Belt Driven Generator Option - Deutz Engine (to SN 230)



806.1 Belt Driven Generator Option - Deutz Engine (to SN 230)

Item	Part No.	Description	Qty.
--	61014-SGT	GENERATOR,3500W W/REG-DEUTZ	
--	60738GT	VOLTAGE REGULATOR,110V	
--	61011-SGT	GENERATOR,3000W 220/50-DEUTZ	
--	60739GT	VOLTAGE REGULATOR,220V	
1	13000GT	SCREW,HHC,5/16-18 X 1.25	
2	5397GT	WASHER,FLAT,USS,5/16",Y	
3	6782GT	NUT,NYLOCK,5/16-18	
4	89894GT	BRACKET,GENERATOR-DEUTZ.....1	
5	6175GT	SCREW,HHC,3/8-16 X 1	
6	60707GT	GENERATOR,3500W,120V,60HZ**1	
--	102681GT	PULLY, GNRTR,220V,50HZ(89908) <i>for 89908 generator</i>	
--	146062GT	PULLY,GNRTR,120V,60HZ(60707) <i>for 60707 generator</i>	
--	75425GT	BRUSH(4REQ)(60707/60737)	
--	75426GT	BRUSH HOLDER(4REQ)(60707/60737)	
--	75427GT	BEARING (2 REQ)(60707/60737)	
--	75428GT	END PLATE,GEN.HOUSING,FAN END	
--	75429GT	END PLATE,GEN.HOUSG,BRUSH END	
--	89908GT	GENERATOR,3000W,220V,50HZ***	
7	75053GT	BELT,AX38***1	
8	8915GT	SCREW,HHC,1/4-20 X 1.25	
9	6638GT	WASHER,FLAT,USS,1/4"Y	
10	6091GT	NUT,NYLOCK,1/4-20	
11	61198GT	BOX,ELECT.GENERATOR W/REG 120V.....1	
--	60521GT	RELAY,SEALED 30/40 AMP	
--	60887GT	CIRCUIT BREAKER, 30 AMP	
--	61194GT	BOX,ELECT.GENERATOR W/REG 220V	
--	61195GT	CIRCUIT BREAKER, 12.5 AMP	
--	61211GT	CIRCUIT BREAKER,15 AMP	
12	89906GT	WELDMNT,GENERATOR MOUNT,DEUTZ	
13	75420GT	SCREW,HHC,M8 X 1.25 X 120	

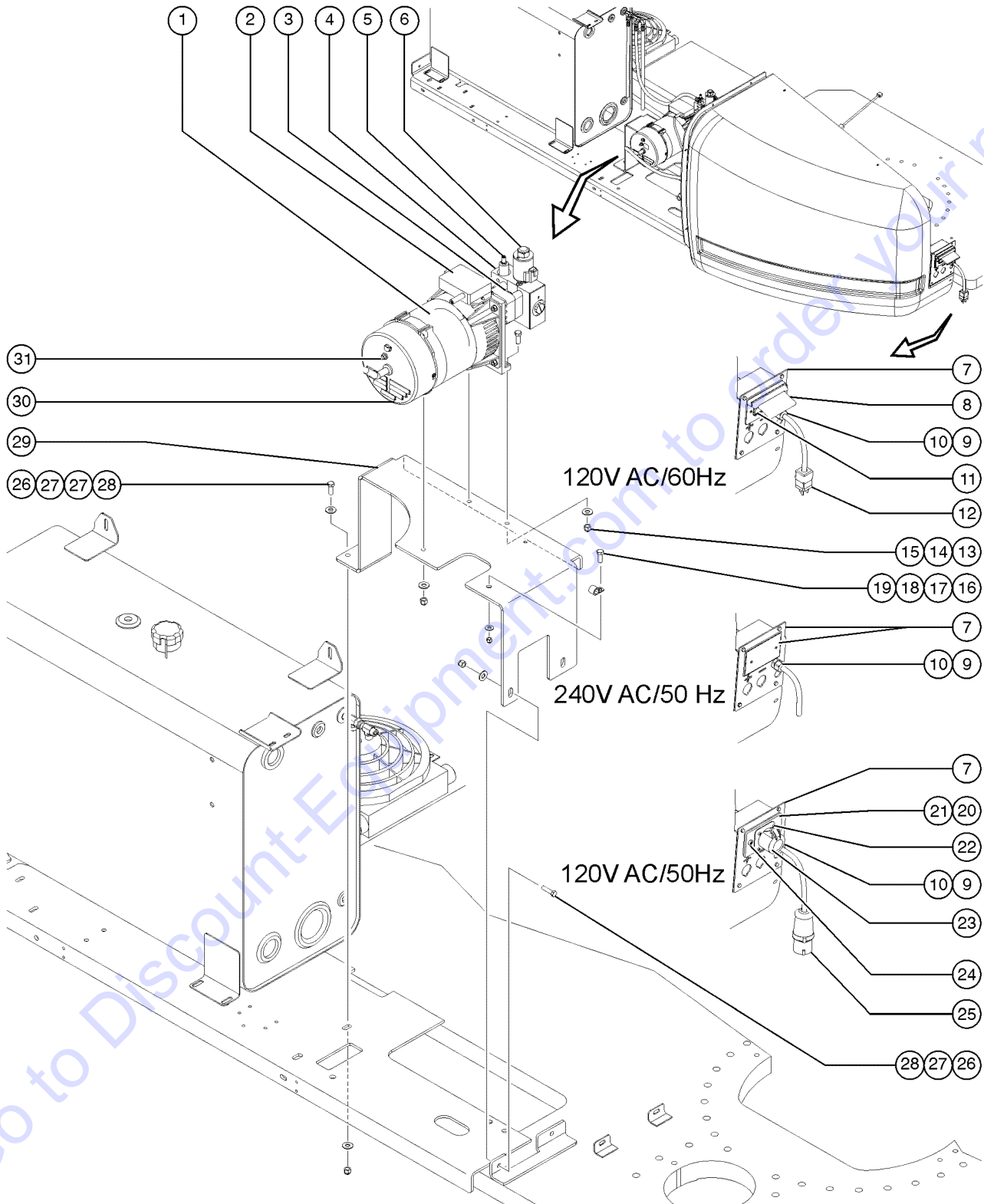
806.2 Belt Driven Generator Option - Deutz Engine (from SN 231 to 906)



806.2 Belt Driven Generator Option - Deutz Engine (from SN 231 to 906)

Item	Part No.	Description	Qty.	Item	Part No.	Description	Qty.
--	70507GT	OPT,GEN BD 3500W 110/60 DEUTZ		22	106740GT	COVER,REWORK,DEUTZ GENERATOR.....1	
--	60738GT	VOLTAGE REGULATOR,110V				<i>Contact Discount-equipment if you need to rework the pulley cover to make it fit</i>	
--	70508GT	OPT,GEN BD 3000W 220/50 DEUTZ					
--	60739GT	VOLTAGE REGULATOR,220V					
1	89493PGT	PLATE,GENERATR.CNTRL.BOX MOUNT.....1					
2	6888GT	SCREW,HHC,1/4-20 X 1					
3	6091GT	NUT,NYLOCK,1/4-20					
4	102235GT	ELECT.BOX,GENERATOR W/REG.120V.....1					
--	102236GT	ELECT.BOX,GENERATOR W/REG.220V					
--	60521GT	RELAY,SEALED 30/40 AMP					
--	60887GT	CIRCUIT BREAKER, 30 AMP					
--	61194GT	BOX,ELECT.GENERATOR W/REG 220V					
--	61195GT	CIRCUIT BREAKER, 12.5 AMP					
--	61211GT	CIRCUIT BREAKER,15 AMP					
5	70438PGT	FORMING,ENGINE MOUNT PAINTED...1					
6	119533PGT	FORMING,GENERATOR MOUNT,PTD.....1					
7	6782GT	NUT,NYLOCK,5/16-18					
8	5397GT	WASHER,FLAT,USS,5/16",Y					
9	8516GT	SCREW, HCC, 3/8-16 X 1.50					
10	4828GT	NUT,NYLOCK,3/8-16					
11	6083GT	NUT,HEX,7/16-14					
12	11209GT	WASHER,FLAT,USS,7/16",Y					
13	81852GT	SCREW,HHC,7/16-14 X 1.75					
14	20912GT	WASHER,LOCK,.437,PLTD.					
15	60707GT	GENERATOR,3500W,120V,60HZ**1					
--	102681GT	PULLY, GNRTR,220V,50HZ(89908) <i>for 89908 generator</i>					
--	146062GT	PULLY,GNRTR,120V,60HZ(60707) <i>for 60707 generator</i>					
--	75425GT	BRUSH(4REQ)(60707/60737)					
--	75426GT	BRUSH HOLDER(4REQ)(60707/60737)					
--	75427GT	BEARING (2 REQ)(60707/60737)					
--	75428GT	END PLATE,GEN.HOUSING,FAN END					
--	75429GT	END PLATE,GEN.HOUSG,BRUSH END					
--	89908GT	GENERATOR,3000W,220V,50HZ***					
16	14723GT	SCREW,HHC,5/16-18 X 1.75					
17	70397GT	BELT,AX34***1					
18	25927GT	SCREW,HHC,M10 X 55MM,GRD 8.8					
19	22700GT	WASHER,LOCK,M10					
20	70389GT	PULLEY,DEUTZ.....1					
21	81069GT	SPACER,PULLEY,DEUTZ GEN.....1					

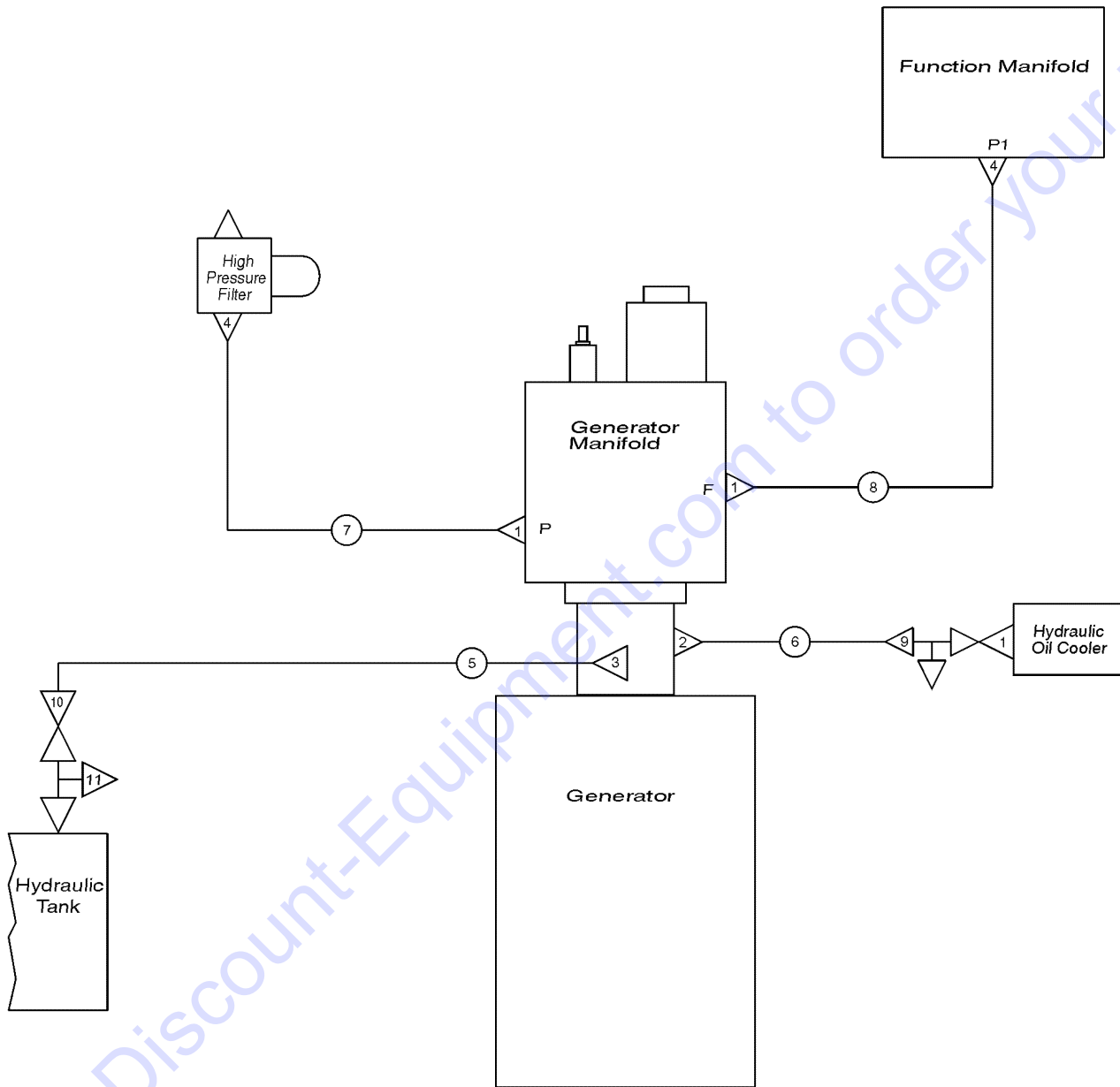
807.1 Hydraulic (MTE) Generator Option - View 1 (from SN 907)



807.1 Hydraulic (MTE) Generator Option - View 1 (from SN 907)

Item	Part No.	Description	Qty.	Item	Part No.	Description	Qty.
--	146553GT	WIRE HARNESS,JUMPER,MTE GEN,SB		23	T112560GT	RECEPTACLE,UK,110V	
--	147240GT	CAPACITOR 16 F, GEN		24	63375GT	SCREW,FHM,6-32 X .75	
--	114236GT	DECAL,LABEL,CB SYMBOL		25	144161GT	PLUG,PWR,UK,16AMP,3PIN,BLK	
1A	139952GT	GENERATOR,3kW,120V/50Hz.....1 <i>(complete) includes items 2-6 and 30-31</i>		26	6019GT	SCREW,HHC,3/8-16 X 1.25 GRD 5	
1B	139953GT	GENERATOR, 3kW, 120V/60Hz <i>(complete) includes items 2-6 and 30-31</i>		27	6097GT	WASHER,FLAT,USS,3/8",Y	
--	119067GT	CONN,RECEP 4 WAY ENDCAP DT		28	4828GT	NUT,NYLOCK,3/8-16	
--	147229GT	MANIFOLD ASSEMBLY, GEN		29	146322PGT	FORMING,MTE GEN MTG PLATE,PTD	
--	147230GT	207 HYD MOTOR ASSY, GEN		30	147241GT	COVER, END, GEN, 120V.....1 <i>part of generators 139952 and 139953</i>	
--	147231GT	SEAL KIT, HYD MOTOR, GEN		--	147262GT	COVER, END, GENERATOR, 240V <i>part of generator 139954</i>	
--	147233GT	VALVE, RELIEF, GEN, 3.0kW		31	147239GT	BREAKER, 25 AMP, GEN.....1 <i>part of generators 139952 and 139953</i>	
--	147239GT	BREAKER, 25 AMP, GEN 60hz		--	147258GT	BREAKER,15 AMP,GEN <i>part of generator 139954</i>	
--	147240GT	CAPACITOR 16 F, GEN					
--	147242GT	SCREW, GEN ROTOR					
1C	139954GT	GENERATOR,3kW,240V/50Hz <i>(complete) includes items 2-6 and 30-31</i>					
--	147258GT	BREAKER,15 AMP,GEN 50hz					
2	1269693GT	CONTROL BOX,2KW,120/240V,50HZ.....1 <i>part of generators 139952 and 139954</i>					
--	147228GT	CONTROLLER BOX, 120/240V, 60H <i>part of generator 139953</i>					
3	147230GT	207 HYD MOTOR ASSY, GEN.....1					
--	147231GT	SEAL KIT, HYD MOTOR, GEN					
4	147229GT	MANIFOLD ASSEMBLY, GEN.....1 <i>(complete) includes items 5 and 6</i>					
5	147233GT	VALVE, RELIEF, GEN, 3.0kW.....1					
6	147232GT	12VDC PROPORTIONAL VALVE.....1					
7		Ref. (refer to 309.1)					
8	74006GT	COVER,GFCI,HORIZONTAL,WEATHER					
9	7056GT	CONN, SQZ, 1/2NPT .38-.50, SM**					
10	6595GT	PLUG,ELECTRICAL,DOMESTIC					
11	80543GT	RECEPTACLE, 120VAC, 20A, GFCI					
12	6595GT	PLUG,ELECTRICAL,DOMESTIC					
13	60485GT	COVER,TURNTABLE,LEFT SIDE					
14	5397GT	WASHER,FLAT,USS,5/16",Y					
15	13000GT	SCREW,HHC,5/16-18 X 1.25					
16	6090GT	SCREW,HHC,1/4-20 X .75					
17	45470GT	CLAMP,0.31,#5 X 1/4,RUB CUSH					
18	6638GT	WASHER,FLAT,USS,1/4"Y					
19	6091GT	NUT,NYLOCK,1/4-20					
20	T112561GT	PLATE,UK,POWER TO PLAT					
21	81458GT	GASKET, UK POWER TO PLAT					
22	54380GT	SCREW,PHILLIPS,PHM,8-32 X .875					

807.2 Hydraulic (MTE) Generator Option - View 2 (from SN 907)



LEGEND	
	ADAPTER
	HOSE ASSEMBLY
	UNION

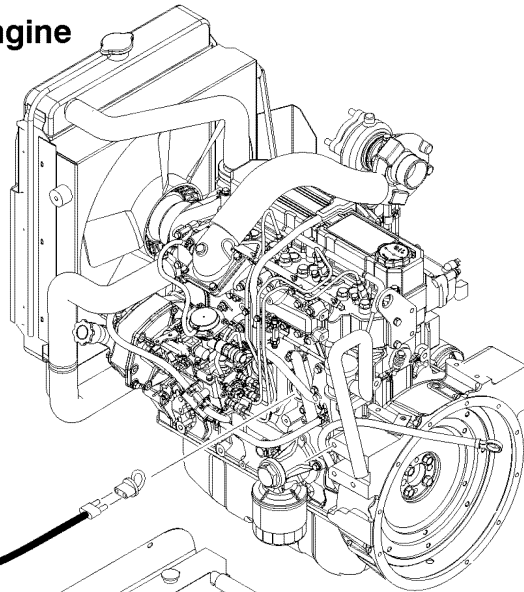
807.2 Hydraulic (MTE) Generator Option - View 2 (from SN 907)

Item	Part No.	Description	Qty.
1	48959GT	FITTING,ELBOW,90D,520220-12.....	3
2	75614GT	ELBOW,90D,LONG,521520-8.....	1
3	49861GT	CONN,LONG,520122-4.....	1
4	48960GT	FITTING,CONN,520120-12***.....	2
5	49163-2994GT	HOSE ASSY,1/4"90 FEM,STR FEM.....	1
6	49142-5062GT	HOSE ASSY,1/2,90 FEM,STR FEM.....	1
7	61073-6230GT	HOSE ASSY,3/4" 90 FEM STR FEM.....	1
8	61074-2228GT	HOSE ASSY,3/4,STR FEM,STR FRM.....	1
9	48964GT	FITTING,TEE,RUN,SWIVEL52043212....	1
10	48892GT	ELBOW,SWIVEL 90D, 520221-6.....	1
11	48918GT	TEE,RUN,520428-6.....	1

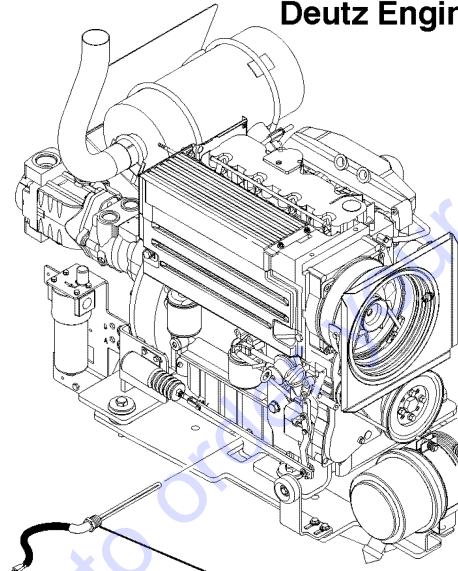
Go to Discount-Equipment.com to order your parts

808.1 Cold Start Package

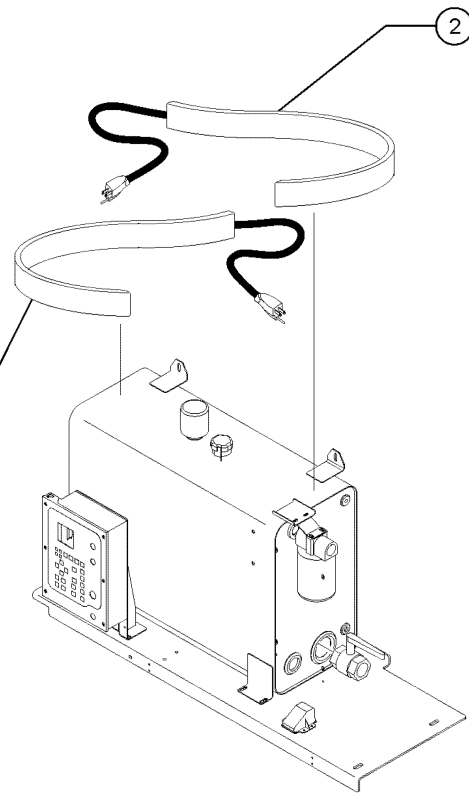
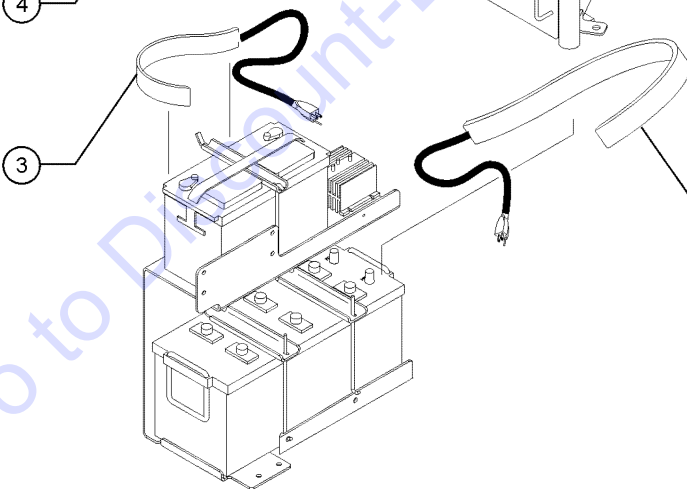
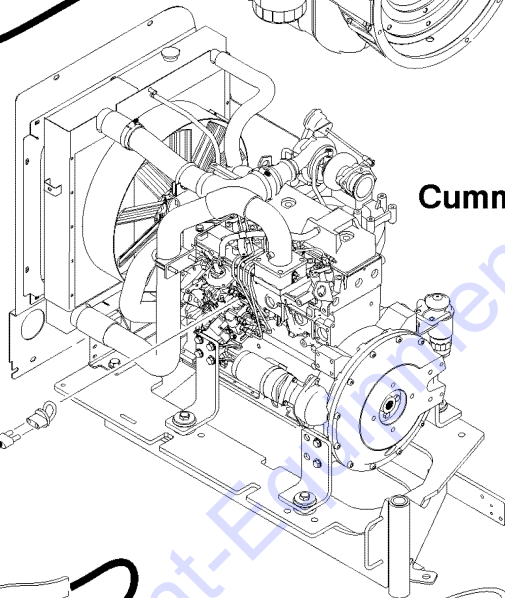
Perkins Engine



Deutz Engine



Cummins Engine

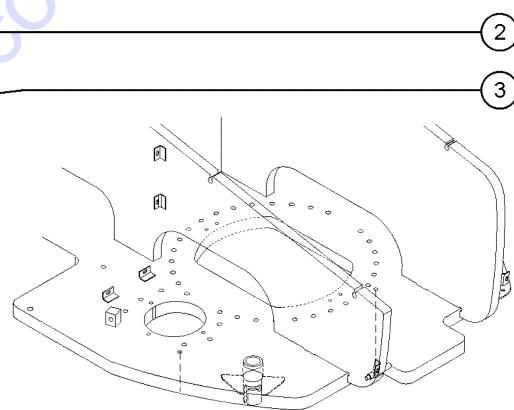
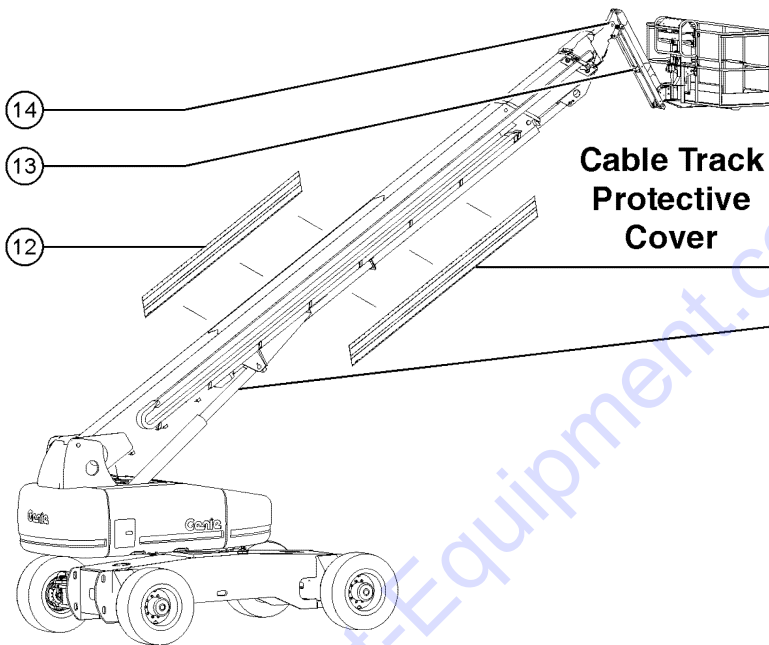
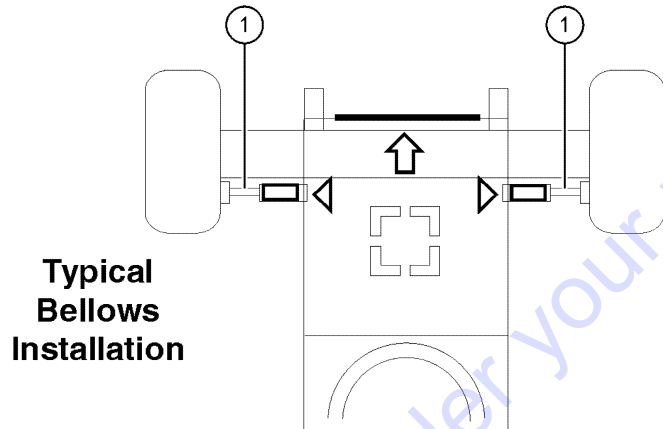


808.1 Cold Start Package

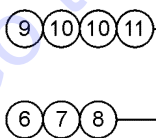
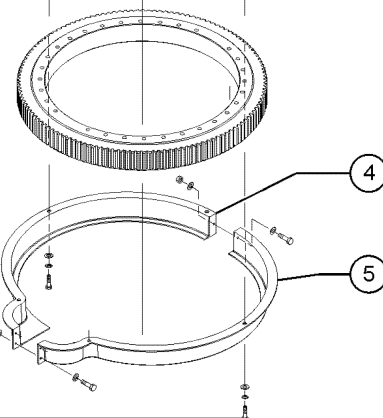
Item	Part No.	Description	Qty.
--	61015-SGT	COLD START PKG,PERKINS,SERVICE <i>Perkins models; to SN 226</i>	
--	101660GT	COLD START OPTION,PERKINS <i>Perkins models; from SN 227 to 683</i>	
--	122772GT	COLD START PKG,110V,PERK.804T <i>Perkins models; from SN 684</i>	
--	61016-SGT	COLD START PKG,DEUTZ, SERVICE <i>Deutz models; to SN 230</i>	
--	128373GT	COLD START PKG, 110V, DEUTZ <i>Deutz models; from SN 231</i>	
--	60908-SGT	COLD START PKG,CUMMINS-SERVICE <i>Cummins models; to SN 218</i>	
--	122771GT	COLD START PKG,110V,CUM.B3.3T <i>Cummins models; from SN 219</i>	
1	128274GT	OIL PAN HEATER,DEUTZ,120V,150W....1 <i>from SN 231</i>	
2	61245GT	BLANKET,BATTERY.....3	
--	75048GT	CABLE TIE,BLACK,36"	
3	23877GT	CABLE TIE,28"	
3	28853GT	BLANKET,BATTERY.....2	
4	61246GT	FREEZE PLUG HEATER,CUMMINS <i>to SN 218</i>	
--	122768GT	FREEZE PLUG HEATER <i>from SN 219</i>	
5	75251GT	FREEZE PLUG HEATER,PERKINS <i>to SN 226</i>	
--	101632GT	FREEZE PLUG HEATER,PERKINS 804 <i>from SN 684</i>	
--	101659GT	FREEZE PLUG HEATER,400W <i>from SN 227 to 683</i>	

Go to Discount-Equipment.com to order your parts

809.1 Hostile Environment Package - View 1



Turntable Rotation Bearing Cover

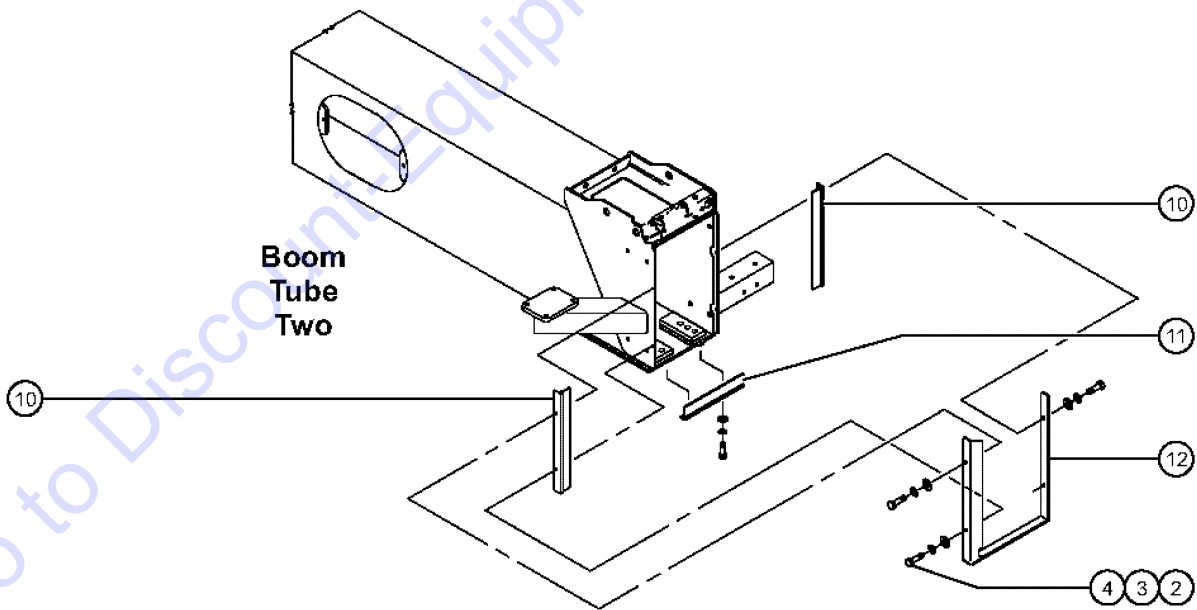
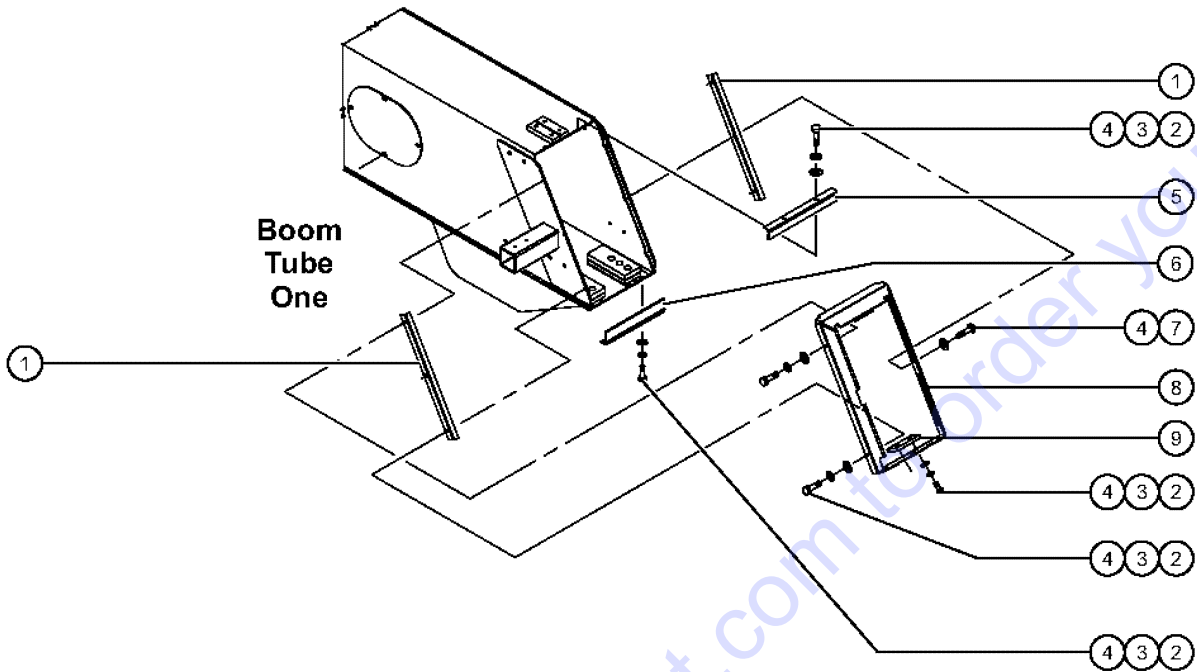


809.1 Hostile Environment Package - View 1

Item	Part No.	Description	Qty.
1	60627GT	COVER,PROTECTIVE,STEER CYL***	4
--	22672GT	CLAMP,HOSE,1.75	
--	30489GT	CLAMP,HOSE,3.50	
2	61297GT	COVER,50 LINK TRACK.....	1
3	60326GT	COVER,PROTECTIVE,LIFT CYLINDER.....	1
--	31523GT	CLAMP,HOSE,8.50 DIA***	
--	35432GT	CLAMP,HOSE,6.50	
4	61118GT	COVER,SWING BEARING FRONT.....	1
5	61119GT	COVER,SWING BEARING REAR.....	1
6	10587GT	SCREW,HHC,1/2-13 X.75	
7	6033GT	WASHER,LOCK,0.5"	
8	6095GT	WASHER,FLAT,USS,1/2",Y	
9	6090GT	SCREW,HHC,1/4-20 X .75	
10	6638GT	WASHER,FLAT,USS,1/4"Y	
11	6091GT	NUT,NYLOCK,1/4-20	
12	61297GT	COVER,50 LINK TRACK.....	1
13	34505GT	COVER,PROTECTIVE,JIB CYLINDER...	1
--	22672GT	CLAMP,HOSE,1.75	
--	30971GT	CLAMP,HOSE,3.00"	
14	60628GT	COVER,PROTECTIVE,PLAT.LEVELING.1 S-100	
14	61393GT	COVER,PROTECTIVE,PLAT.LEVLING.....1 S-105	
--	22672GT	CLAMP,HOSE,1.75 S-105	
--	30489GT	CLAMP,HOSE,3.50 S-105	
--	30971GT	CLAMP,HOSE,3.00" S-100	
--	36208GT	CLAMP,HOSE,1.25*** S-100	

Go to DiscountEquipment.com to order your parts

809.2 Hostile Environment Package - View 2

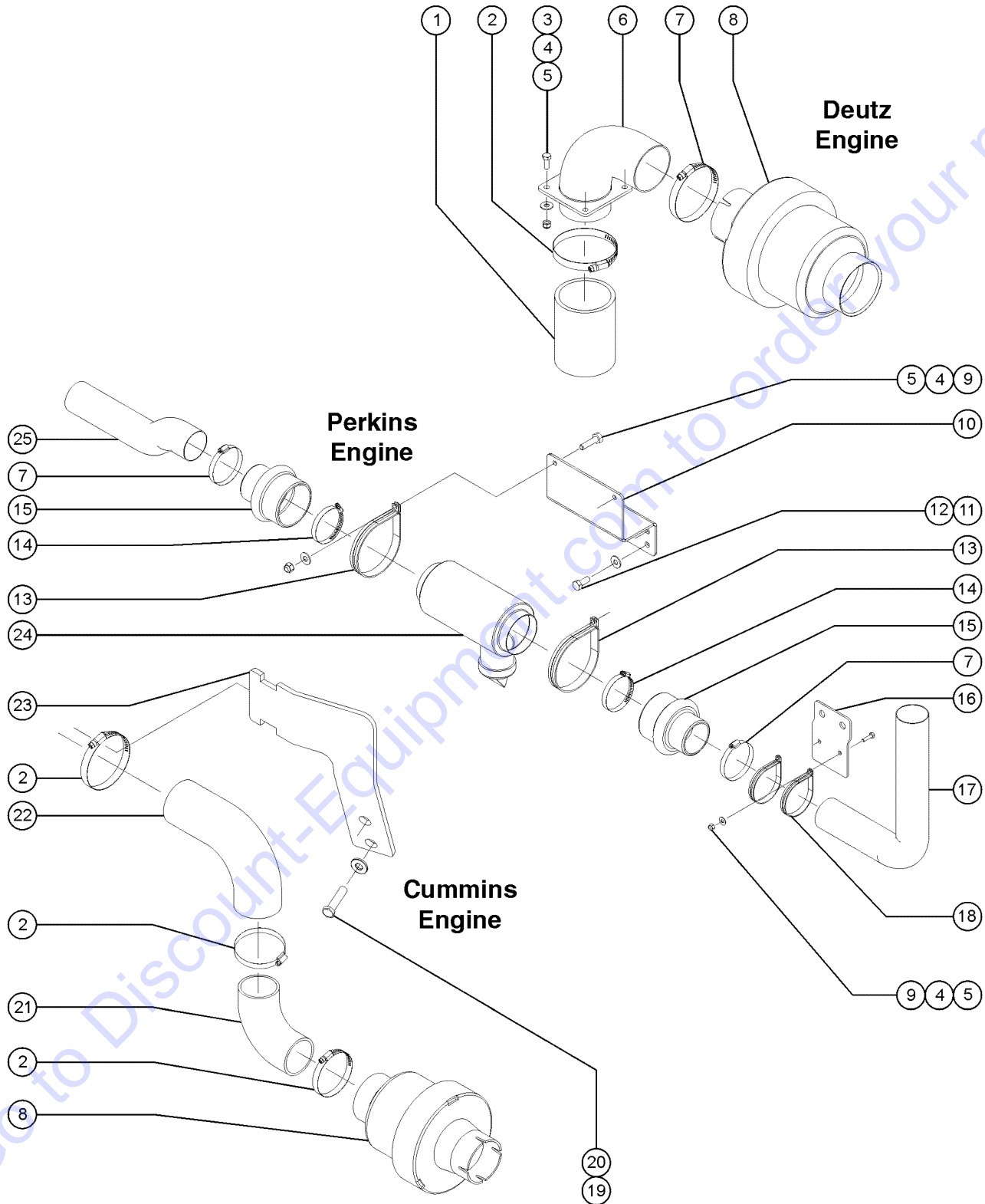


809.2 Hostile Environment Package - View 2

Item	Part No.	Description	Qty.
1	60234GT	BRUSH,SIDE,MAST #1.....	2
2	6090GT	SCREW,HHC,1/4-20 X .75	
3	6356GT	WASHER,LOCK,.25	
4	6638GT	WASHER,FLAT,USS,1/4"Y	
5	60235GT	BRUSH,TOP,MAST #1.....	1
6	60244GT	BRUSH,BOTTOM,MAST #1.....	1
7	14297GT	SCREW,BHHS,1/4-20 X .75	
8	60157GT	COVER MAST #2*.....	1
9	61099-SGT	RETAINER,MAST COVER.....	1
10	60236GT	BRUSH,SIDE,MAST #2.....	2
11	60237GT	BRUSH,BOTTOM,MAST #2.....	1
12	60156GT	COVER MAST #3.....	1

Go to Discount-Equipment.com to order your parts

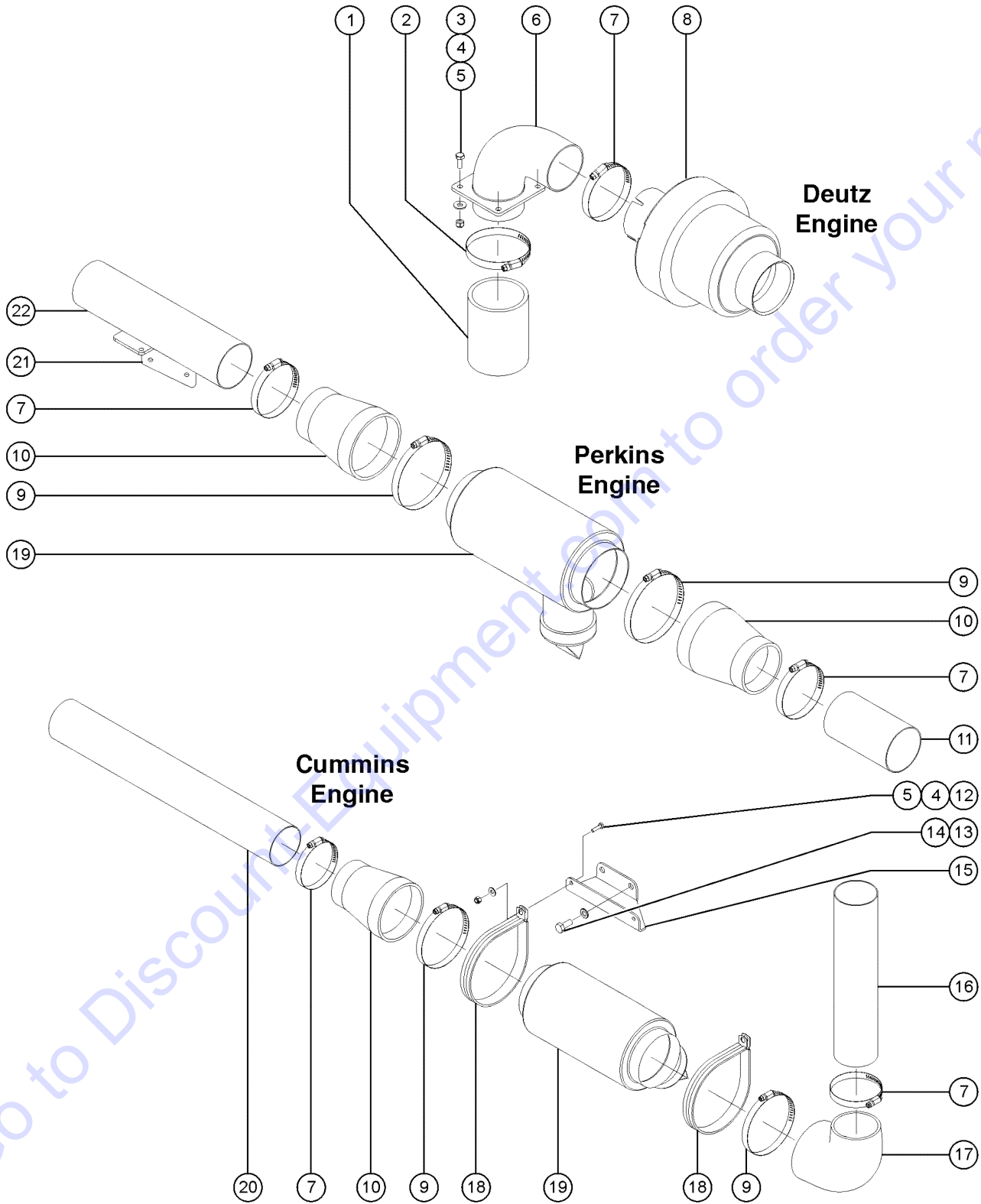
810.1 Hostile Environment Package - Engine Air Cleaners (to SN 664)



810.1 Hostile Environment Package - Engine Air Cleaners (to SN 664)

Item	Part No.	Description	Qty.	Item	Part No.	Description	Qty.
--	102253GT	PRECLEANER OPTION,DEUTZ <i>Deutz models; to SN 230</i>		--	122329GT	TUBE,AIR INTAKE,LOWER <i>from SN 560</i>	
--	70515GT	KIT,PRECLEANER DEUTZ*** <i>Deutz models; from SN 231</i>					
--	106584GT	PRECLEANER OPTION,PERKINS <i>Perkins models; from SN 228 to 559</i>					
--	122331GT	OPTION,PRE-CLEANER PERKINS <i>Perkins models; from SN 560</i>					
--	89970GT	OPTION,PRECLEANER CUMMINS <i>Cummins models; to SN 217</i>					
--	102183GT	OPT,AIR PRECLEANER,CUMMINS <i>Cummins models; from SN 218</i>					
1	106211-400GT	HOSE,RUBBER 3"ID X .25 BLACK.....	1				
2	30489GT	CLAMP,HOSE,3.50.....	4				
3	6090GT	SCREW,HHC,1/4-20 X .75					
4	6638GT	WASHER,FLAT,USS,1/4"Y					
5	6091GT	NUT,NYLOCK,1/4-20					
6	102220GT	WELDMENT,PRECLEANER,DEUTZ....	1				
7	30971GT	CLAMP,HOSE,3.00".....	3				
8	89959GT	PRECLEANER,INLINE 3".....	2				
9	6888GT	SCREW,HHC,1/4-20 X 1					
10	70546PGT	BRACKET,PRE-CLEANER MOUNT PNTD..... <i>to SN 559</i>	1				
--	122330PGT	BRACKET,PRECLEANER MOUNT,PTD <i>from SN 560</i>					
11	23057GT	SCREW,HHC,M8 X 20MM					
12	33277GT	WASHER,FLAT,M8,YELLOW ZINC					
13	101639GT	CLAMP,5.38,#86 X 3/8,RUB CUSH					
14	34955GT	CLAMP,HOSE,5.00.....	2				
15	88492GT	HOSE,HUMP 3" TO 4".....	2				
16	122368GT	BRACKET,PRECLEANER,TUBING..... <i>from SN 560</i>	1				
17	101657GT	TUBE,AIR INTAKE,UPPER..... <i>to SN 559</i>	1				
--	122328GT	TUBE,AIR INTAKE,UPPER <i>from SN 560</i>					
18	70257GT	CLAMP,3.0,#48 X 1/4,RUB CUSH..... <i>from SN 560</i>	2				
19	6019GT	SCREW,HHC,3/8-16 X 1.25 GRD 5					
20	5397GT	WASHER,FLAT,USS,5/16",Y					
21	89960GT	ELBOW,90ø,3.50 ID,RUBBER.....	1				
22	89972GT	ELBOW,90ø,3.50 ID, REWORKED.....	1				
23	102181PGT	FORMING,TUBE SUPPORT,PRE-CLEAN.....	1				
24	88493GT	PRECLEANER,AIR INTAKE.....	1				
25	101658GT	TUBE,AIR INTAKE,LOWER..... <i>to SN 559</i>	1				

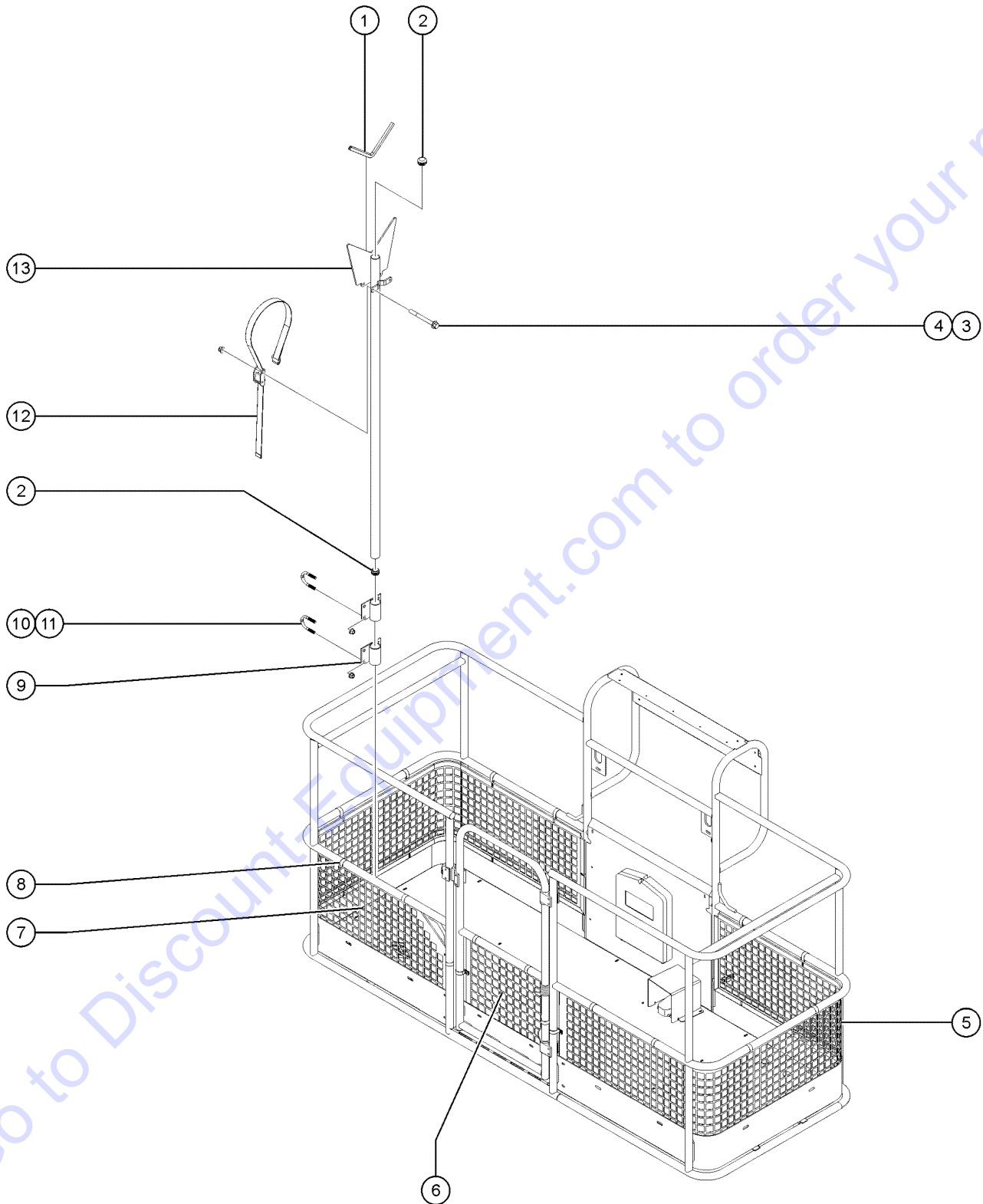
810.2 Hostile Environment Package - Engine Air Cleaners (from SN 665)



810.2 Hostile Environment Package - Engine Air Cleaners (from SN 665)

Item	Part No.	Description	Qty.
--	70515GT	KIT,PRECLEANER DEUTZ***	
--	122927GT	OPT,PRCLEANER,PERKINS 804T	
--	122910GT	OPT,PRECLEANER CUMMINS B3.3T	
1	106211-400GT	HOSE,RUBBER 3"ID X .25 BLACK.....1	
2	30489GT	CLAMP,HOSE,3.50.....4	
3	6090GT	SCREW,HHC,1/4-20 X .75	
4	6638GT	WASHER,FLAT,USS,1/4"Y	
5	6091GT	NUT,NYLOCK,1/4-20	
6	102220GT	WELDMENT,PRECLEANER,DEUTZ.....1	
7	30971GT	CLAMP,HOSE,3.00".....3	
8	89959GT	PRECLEANER,INLINE 3".....2	
9	34955GT	CLAMP,HOSE,5.00	
10	122432GT	REDUCER,RUBBER,4.0 X 3.0	
11	122929GT	TUBE,INTAKE,PRECLEANER,804T	
12	6888GT	SCREW,HHC,1/4-20 X 1	
13	27034GT	SCREW,HHC,M10 X 25MM,GR 8.8	
14	22699GT	WASHER,FLAT,M10,ZINC PLTD.	
15	122914GT	BRACKET,PRECLEANER MNT B3.3T	
16	122912GT	TUBE,INTAKE,PRECLEANER B3.3T	
17	122913GT	REDUCER,90DEG,4.0 X 3.0	
18	101639GT	CLAMP,5.38,#86 X 3/8,RUB CUSH.....2	
19	88493GT	PRECLEANER,AIR INTAKE	
20	122911GT	TUBE,INTAKE,PRECLEANER B3.3T	
21	128421GT	FORMING, INTAKE TUBE MNT	
22	122928GT	TUBE,INTAKE,PRECLEANER,804T	

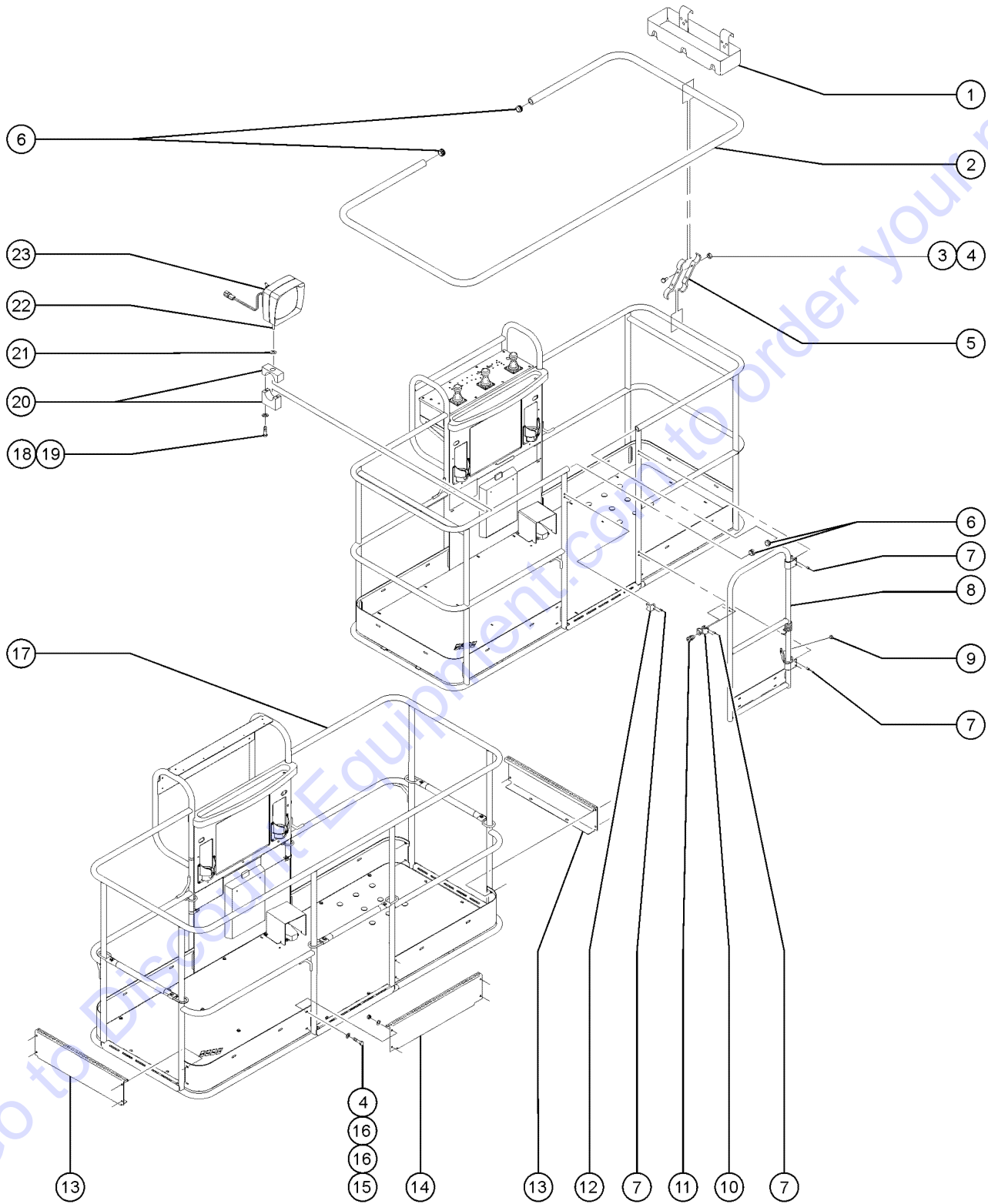
811.1 Half-mesh and Pipe Cradle Options



811.1 Half-mesh and Pipe Cradle Options

Item	Part No.	Description	Qty.
A	85300GT	PIPE CRADLE ASSY. SERV (ONE)** (ANSI & CE only) (This is a single assembly. Qty 2 of 85300GT required to complete a set)	
--	65630GT	INSTRUCTIONS-PIPE CRADLE,BOOMS	
B	72875GT	DECAL,WARNING,PIPE CRADLE,BOOM	
C	119395GT	OPTION,6' HALF MESH PLAT/GATE	
D	119396GT	OPTION,8' HALF MESH PLAT/GATE	
E		Ref. Swing Gate Option, Complete (refer to 812.1)	
1	19018-1100GT	TRIMLOCK,BLACK,5/32".....	2
2	55753GT	BUMPER, PLASTIC, 1.25 O.D.....	4
3	824083GT	SCREW,HHF,1/4-20X2.5,8,ZAG.....	4
4	1277924GT	NUT,NYLOCK FLG,1/4-20,F,ZAG.....	4
5	73500GT	HALF MESH,8'PLATFORM,RH***.....	1
6	54465GT	MESH,HALF,RH,6'PLATFORM	
--	54457GT	MESH,HALF,SWING GATE***.....	1
7	73501GT	HALF MESH,8'PLATFORM,LH.....	1
--	54458GT	MESH,HALF,LH,6'PLATFORM	
8	56424GT	CLAMP,1.25X.5 RUBBER-CUSHION	
--	6090GT	SCREW,HHC,1/4-20 X .75	
--	6091GT	NUT,NYLOCK,1/4-20	
--	6638GT	WASHER,FLAT,USS,1/4"Y	
9	81368GT	WELDMENT,PIPE CRADLE MOUNT.....	4
10	1251600GT	U-BOLT, FLATTENED, 1.5 X 3/8 UNC,ZAG.....	8
11	1274322GT	NUT,NYLOCK FLG,3/8-16,F,ZAG.....	16
12	56570GT	STRAP, CONDUIT HOLDER 60****.....	2
13	56525GT	WELDMENT, PIPE CRADLE.....	2

812.1 Platform Options



812.1 Platform Options

Item	Part No.	Description	Qty.	Item	Part No.	Description	Qty.
--	53808-SGT	AUX TOP RAIL,6'(1.25")SERVICE		--	102444GT	TRI ENT PLTF ASSY 6'ASIA/SO.AM (S-105) Asia/South America Models	
--	53807-SGT	AUX TOP RAIL,8'(1.25")SERVICE		--	111284GT	6FT TRI-ENTRY ASSY A/SO.A (S-100) Asia/South America Models	
--	122278GT	AUX TOP RAIL,6',SWG GT, SRV		--	102938GT	8' TRI-ENT ASSY A/SO.A S105125 (S-105) Asia/South America Models	
--	122279GT	AUX TOP RAIL,8',SWG GT, SRV		--	111285GT	8FT TRI-ENT ASSY A/SO.AM (S-100) Asia/South America Models	
--	119950GT	KIT,FIELD INSTALL,SWING GATE <i>includes 128368, 1487, 1488, and 33674</i>		1	9599-SGT	TOOL TRAY.....1	
--	75527GT	HARNESS,WORKLIGHT OPT		2	1259704GT	PINCH GUARD RAIL,6' PLATFORM.....1 <i>includes 55753 bumpers</i>	
--	T108991GT	HARNESS,PLAT,WORKLIGHT,12V <i>connects to work light; from SN 884</i>		--	111485PGT	AUX TOP RAIL,6FT,PTD.....2 <i>for use with swing gate</i>	
--	T108989GT	CABLE,12/3, WORKLIGHT,12V <i>connects harness T108991 to harness 75527; from SN 884</i>		--	111486PGT	AUX TOP RAIL,8FT,PTD.....2 <i>for use with swing gate</i>	
--	102721PGT	TOEBOARD,8'TRI ENTRY <i>includes items 5, 13-16</i>		--	52661GT	PINCH GUARD RAIL,8' PLATFORM**....1	
--	102441GT	6' TRI ENTRY ASSY USA/CAN S125 (S-105) USA/Canada Models; to SN 325		3	4266GT	SCREW,HHC,1/4-20 X 2 <i>to SN 495</i>	
--	111279GT	6' TRI ENTRY ASSY ANSI (S-100) USA/Canada Models; to SN 325		--	122231GT	SCREW,BHSC,1/4-20 X 1 <i>from SN 496</i>	
--	102445GT	8' TRI-ENTRY ASSY ANSI S125 (S-105) USA/Canada Models; to SN 325		4	6091GT	NUT,NYLOCK,1/4-20 <i>to SN 495</i>	
--	111280GT	8' TRI-ENTRY ASSY ANSI (S-100) USA/Canada Models; to SN 325		--	6889GT	NUT,LP NYLOCK,1/4-20 <i>from SN 496</i>	
--	111286GT	6' TRI ENTRY ASSY ANSI (S-100) USA/Canada Models; from SN 326		5	139958GT	KIT, AUX TOP RAIL SUPPORT.....10 <i>to SN 495</i>	
--	111290GT	6' TRI-ENT ASSY ANSI (S-105) USA/Canada Models; from SN 326		--	122073GT	SUPPORT, RAILING.....20 <i>from SN 496</i>	
--	111287GT	8' TRI-ENTRY ASSY ANSI (S-100) USA/Canada Models; from SN 326		6	55753GT	BUMPER, PLASTIC, 1.25 O.D.....4	
--	111291GT	8' TRI-ENT ASSY ANSI (S-105) USA/Canada Models; from SN 326		7	7265GT	RIVET,STEEL,P .25 X .375.....14	
--	102447GT	8' TRI-ENTRY ASSY CE S105/125 (S-105) European Models		8	128368GT	KIT,SWING GATE W/SPRING.....1	
--	111281GT	8' TRI-ENTRY ASSY CE/UK (S-100) European Models		--	119950GT	KIT,FIELD INSTALL,SWING GATE <i>includes 128368, 1487, 1488, and 33674</i>	
--	102442GT	6' TRI-ENTRY ASSY AUST S125 (S-105) Australia Models; to SN 325		--	1487GT	GATE LATCH CASTING--DRILLED	
--	111282GT	6FT TRI-ENTRY ASSY AUST (S-100) Australia Models; to SN 325		--	1488GT	RAILING CATCH CASTING--DRILLED	
--	102446GT	8'TRI-ENTRY ASSY AUST S105/125 (S-105) Australia Models; to SN 325		--	33674GT	PIN,LOCK,SHORT***	
--	111283GT	8FT TRI-ENTRY ASSY AUST (S-100) Australia Models; to SN 325		9	43392GT	BUMPER,BATTERY BOX & RAILS.....1	
--	111288GT	6' TRI-ENTRY ASSY AUST (S-100) Australia Models; from SN 326		10	1487GT	GATE LATCH CASTING--DRILLED.....1	
--	111292GT	6' TRI-ENT ASSY AUST (S-105) Australia Models; from SN 326		11	33674GT	PIN,LOCK,SHORT***.....1	
--	111289GT	8FT TRI-ENTRY ASSY AUST (S-100) Australia Models; from SN 326		12	1488GT	RAILING CATCH CASTING--DRILLED...1	
--	111293GT	8' TRI-ENT ASSY AUST (S-105) Australia Models; from SN 326		13	102721PGT	TOEBOARD,8'TRI ENTRY.....2	
				--	139438GT	TOEBOARD, TRI ENTRY 6', EURO	
				14	94745PGT	TOEBOARD,ENTRY EUROPEAN PNTD**1	
				15	6090GT	SCREW,HHC,1/4-20 X .75	
				16	6638GT	WASHER,FLAT,USS,1/4"Y	
				17	107704GT	6' TRI-ENT RAIL W/DECALS ANSI.....1 (S-105) USA/Canada Models; to SN 325	

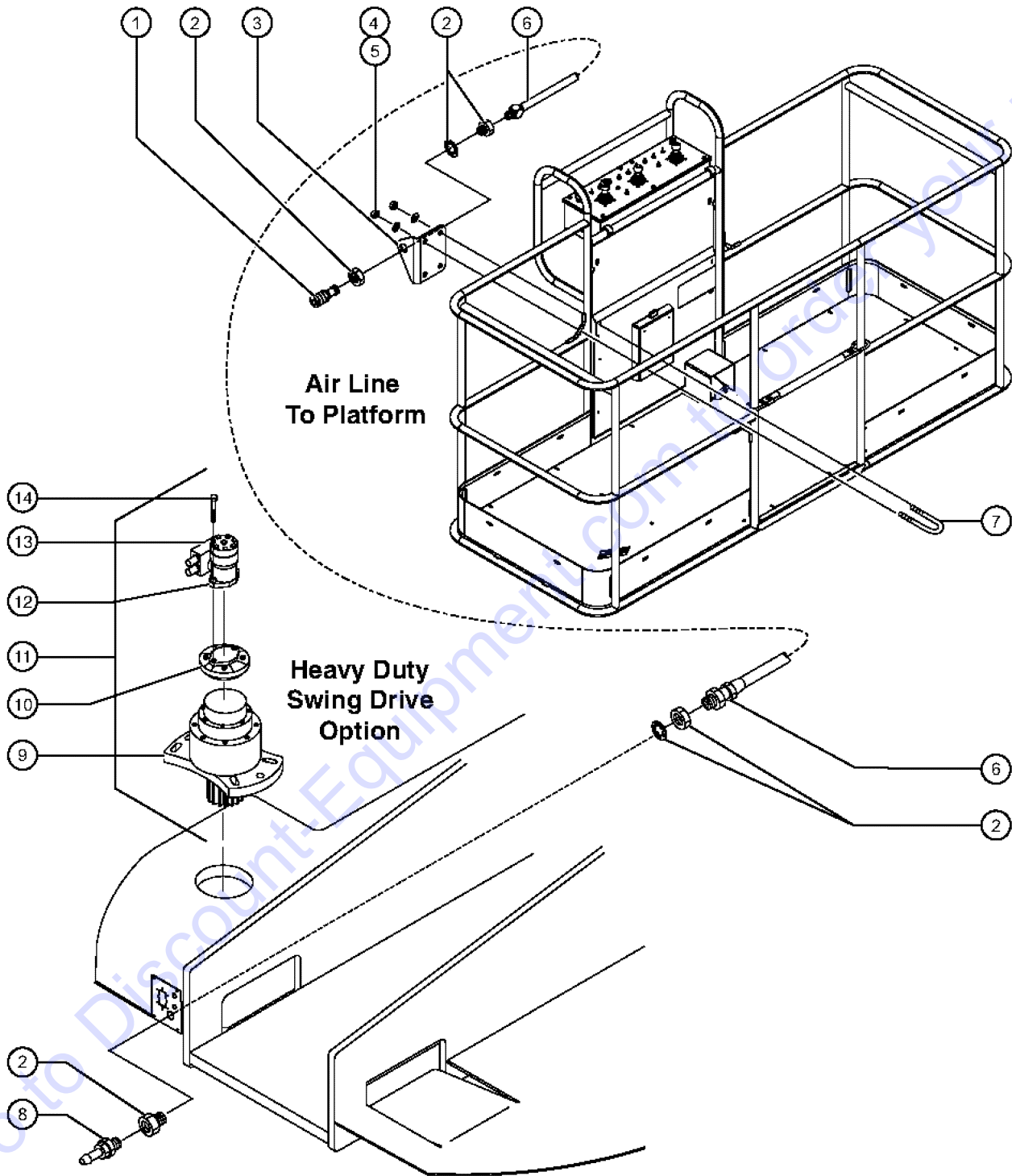
812.1 Platform Options (continued)

Item	Part No.	Description	Qty.
17	111310GT	6' TRI-ENT RAIL W/DECALS ANSI.....1 <i>(S-100) USA/Canada Models; to SN 325</i>	
--	107705GT	8' TRI-ENT RAIL W/DECALS ANSI <i>(S-105) USA/Canada Models; to SN 325</i>	
--	111311GT	8' TRI-ENT RAIL W/DECALS ANSI <i>(S-100) USA/Canada Models; to SN 325</i>	
--	111317GT	6' TRI-ENT RAIL W/DECALS ANSI.....1 <i>(S-100) USA/Canada Models; from SN 326</i>	
--	111319GT	6' TRI-ENT RAIL W/DECALS ANSI.....1 <i>(S-105) USA/Canada Models; from SN 326</i>	
--	111318GT	8' TRI-ENT RAIL W/DECALS ANSI <i>(S-100) USA/Canada Models; from SN 326</i>	
--	111320GT	8' TRI-ENT RAIL W/DECALS ANSI <i>(S-105) USA/Canada Models; from SN 326</i>	
--	107706GT	8' TRI-ENT RAIL W/DECALS CE/UK <i>(S-105) European Models</i>	
--	111312GT	8' TRI-ENT RAIL W/DECALS CE/UK <i>(S-100) European Models</i>	
--	107707GT	6' TRI-ENT RAIL W/DECALS AUSTR.....1 <i>(S-105) Australia Models</i>	
--	111313GT	6' TRI-ENT RAIL W/DECALS AUSTR.....1 <i>(S-100) Australia Models</i>	
--	107708GT	8' TRI-ENT RAIL W/DECALS AUSTR <i>(S-105) Australia Models</i>	
--	111314GT	8' TRI-ENT RAIL W/DECALS AUSTR <i>(S-100) Australia Models</i>	
--	107709GT	6' TRI-ENT RAIL W/DECALS A/SOA.....1 <i>(S-105) Asia/South America Models</i>	
--	111315GT	6' TRI-ENT RAIL W/DECALS A/SOA.....1 <i>(S-100) Asia/South America Models</i>	
--	107710GT	8' TRI-ENT RAIL W/DECALS A/SOA <i>(S-105) Asia/South America Models</i>	
--	111316GT	8' TRI-ENT RAIL W/DECALS A/SOA <i>(S-100) Asia/South America Models</i>	
18	6145GT	SCREW,HHC,1/4-20 X 1.5	
19	6356GT	WASHER,LOCK,.25	
20	75519GT	CLAMP,WORKLIGHT.....2 <i>to SN 883</i>	
--	35956GT	BRACKET,WORK LIGHT MOUNT 5/16" <i>from SN 884</i>	
21	5397GT	WASHER,FLAT,USS,5/16",Y	
22	10107GT	SCREW,HHC,5/16-18 X .75	
23	107858GT	WORKLIGHT,48 VOLT.....2 <i>to SN 883</i>	
23A	35960GT	BULB,WORKLIGHT,12V 35W <i>to SN 883</i>	
23B	71498GT	WORKLIGHT, 12V, DEUTSCH RECEPT.....2 <i>from SN 884</i>	

This Page Intentionally Left Blank

Go to Discount-Equipment.com to order your parts

813.1 Air Line To Platform, Heavy Duty Swing Drive



813.1 Air Line To Platform, Heavy Duty Swing Drive

Item	Part No.	Description	Qty.
--	60920GT	S100 AIRLINE TO PLATFORM	
--	60921GT	S100/120 PWR PLAT,220/50 EURO	
--	44981GT	DECAL,LABEL,AIR LINE 110 PSI	
1	49215GT	MPT,CPLR,1/4"SER,3/8"X18.....1	1
2	49212GT	FEMALE BULKHEAD CONNECTOR-8...2	2
3	60886PGT	BRACKET,AIRLINE TO PLATFORM.....1	1
4	4828GT	NUT,NYLOCK,3/8-16	
5	5397GT	WASHER,FLAT,USS,5/16",Y	
6	3888-18360 GT	HOSE,1/2,LOW PRESSURE,801-8.....1	1
7	122755GT	UBOLT,FLATTENED,1.5DIAX3/8 UNC	
8	49214GT	MALE PIPE THD,1/4" SER,3/8"X18.....1	1
9	111145GT	SWING DRIVE ASSEMBLY.....1	1
--	62465GT	SEAL KIT,DRIVE HUB,TURNTBL.ROT	
--	62467GT	BEARING KIT,TURNTBL.ROT.DRVHUB	
10	60811GT	BRAKE,TURNTABL ROT ASSY,60751*.....1 <i>to SN 1609</i>	1
--	62466GT	SEAL KIT,BRAKE,TURNTABLE ROT**	
--	62467GT	BEARING KIT,TURNTBL.ROT.DRVHUB	
11	111145GT	SWING DRIVE ASSEMBLY.....1 <i>to SN 414</i>	1
--	111145GT	SWING DRIVE ASSEMBLY <i>from SN 415</i>	
12	60812GT	MOTOR,TURNTABL ROT.ASSY.60751.....1 <i>to SN 414</i>	1
--	75116GT	SEAL KIT,TURNTABL.ROT.MOTOR	
13	128447GT	MANIFOLD,TURNTABLE ROTATION.....1	1
14	56843GT	SCREW,SHC,1/2-13 X 1.50,A574.....2	2

PARTS FINDER

**Search Website
by Part Number**



**Search Manual
Library For Parts
Manual & Lookup Part
Numbers – Purchase
or Request Quote**

Search Manuals

Enter your information to help us find the right parts manual for your machine.

* Brand:

* Model:

* Serial:

* Part Number:

SEARCH

**Can't Find Part or
Manual? Request Help
by Manufacturer,
Model & Description**

Parts Order Form

Please fill in the following information to help us find the right part for your machine.

Manufacturer:	<input type="text"/>
Model:	<input type="text"/>
Description:	<input type="text"/>
Part Number:	<input type="text"/>
Quantity:	<input type="text"/>
Notes:	<input type="text"/>

Submit

Discount-Equipment.com is your online resource for quality parts & equipment.

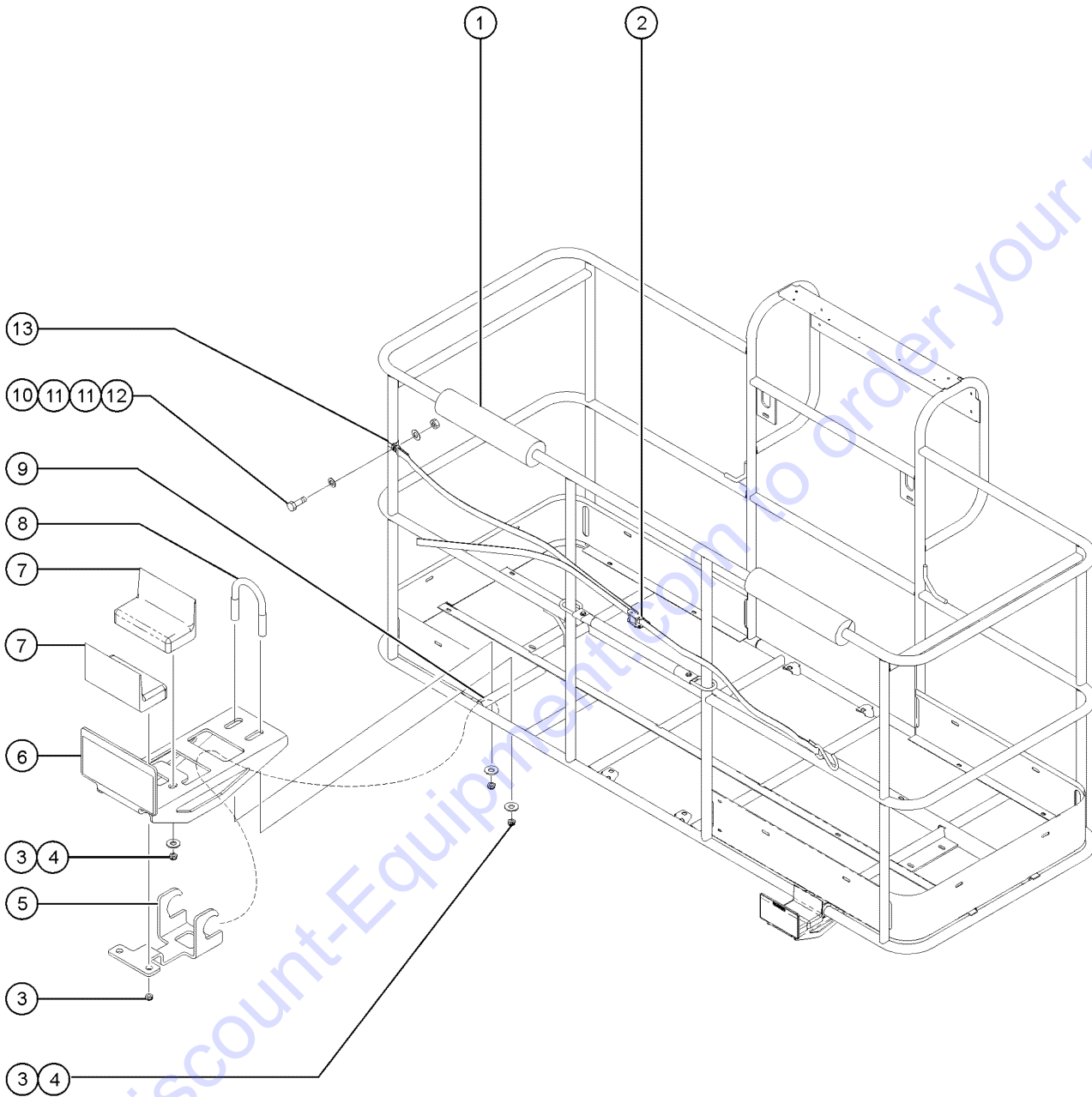
Florida: **561-964-4949** Outside Florida TOLL FREE: **877-690-3101**

Need parts?

Click on this link: <http://www.discount-equipment.com/category/5443-parts/> and choose one of the options to help get the right parts and equipment you are looking for. Please have the machine model and serial number available in order to help us get you the correct parts. If you don't find the part on the website or on one of the online manuals, please fill out the request form and one of our experienced staff members will get back to you with a quote for the right part that your machine needs.

We sell worldwide for the brands: Genie, Terex, JLG, MultiQuip, Mikasa, Essick, Whiteman, Mayco, Toro Stone, Diamond Products, Generac Magnum, Airman, Haulotte, Barreto, Power Blanket, Nifty Lift, Atlas Copco, Chicago Pneumatic, Allmand, Miller Curber, Skyjack, Lull, Skytrak, Tsurumi, Husquvarna Target, Stow, Wacker, Sakai, Mi-T-M, Sullair, Basic, Dynapac, MBW, Weber, Bartell, Bennar Newman, Haulotte, Ditch Runner, Menegotti, Morrison, Contec, Buddy, Crown, Edco, Wyco, Bomag, Laymor, EZ Trench, Bil-Jax, F.S. Curtis, Gehl Pavers, Heli, Honda, ICS/PowerGrit, IHI, Partner, Imer, Clipper, MMD, Koshin, Rice, CH&E, General Equipment, Amida, Coleman, NAC, Gradall, Square Shooter, Kent, Stanley, Tamco, Toku, Hatz, Kohler, Robin, Wisconsin, Northrock, Oztec, Toker TK, Rol-Air, APT, Wylie, Ingersoll Rand / Doosan, Innovatech, Con X, Ammann, Mecalac, Makinex, Smith Surface Prep, Small Line, Wanco, Yanmar

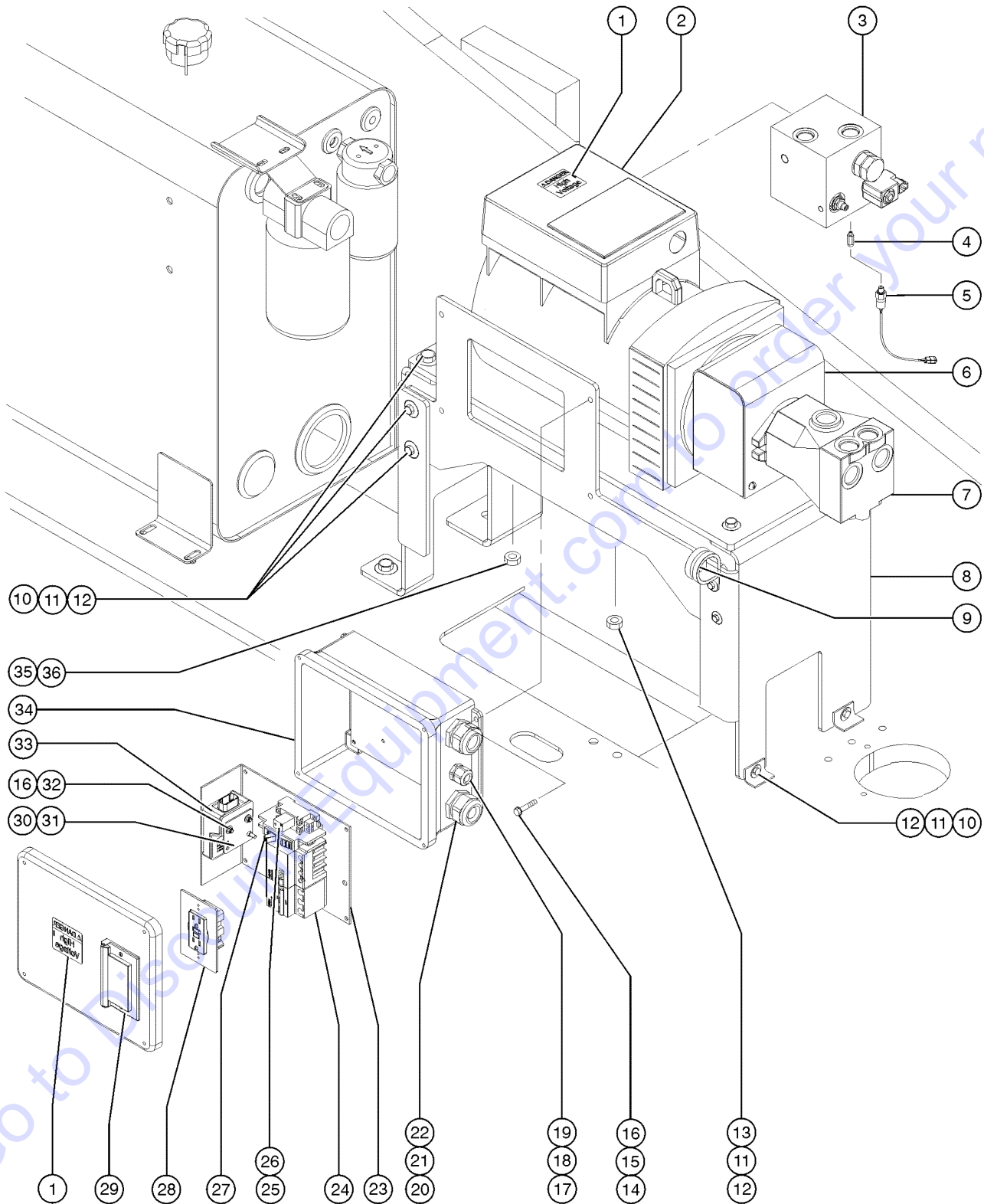
814.1 Panel Cradle Option



814.1 Panel Cradle Option

Item	Part No.	Description	Qty.
--	77683GT	ACCESSORY,PANEL CRADLE,ANSI (ANSI models)	
--	94493-SGT	KIT,PANEL CRADLE,CE (CE models)	
1	88377-1400GT	FOAM PAD, 3" OD X 1.25" ID X 14 IN.....2	
2	77664GT	ADJUSTABLE STRAP ASSY.....1	
3	1274322GT	NUT,NYLOCK FLG,3/8-16,F,ZAG.....8	
4	5397GT	WASHER,FLAT,USS,5/16",Y for machines before 2010	
5	228849GT	FORMING,SECONDARY SUPPORT.....2 77576P is no longer available. For machines before 2010, must install Qty 2 service kit 233992 (ANSI) or 233993 (CE) for initial replacement.	
6	228848GT	FORMING PANEL CRADLE.....2 89724 is no longer available. For machines before 2010, must install Qty 2 service kit 233992 (ANSI) or 233993 (CE) for initial replacement.	
--	233992GT	KIT,PANEL CRADLE BRACKET,WORD.....1 (ANSI models) (includes hook, panel support bracket and installation instructions)	
--	233993GT	KIT,PANEL CRADLE BRACKET,SYMBL.....1 (CE models) (includes hook, panel support bracket and installation instructions)	
7	56934GT	PAD,REST,1"THICK,FLANGED.....4	
7A	824038GT	NUT,TL JAM,3/8-16,A,ZAG.....4 for 56934	
8	1251600GT	U-BOLT, FLATTENED, 1.5 X 3/8 UNC,ZAG.....2	
9	73463-1175GT	TUBE, RD, ALUM, 1.25 X .083 X 11.75...2	
10	1256855GT	SCREW,HHF,1/4-20X.625,8,ZAG.....1	
11	6638GT	WASHER,FLAT,USS,1/4"Y for machines before 2010	
12	1277924GT	NUT,NYLOCK FLG,1/4-20,F,ZAG.....1	
13	56424GT	CLAMP,1.25X.5 RUBBER-CUSHION.....1	

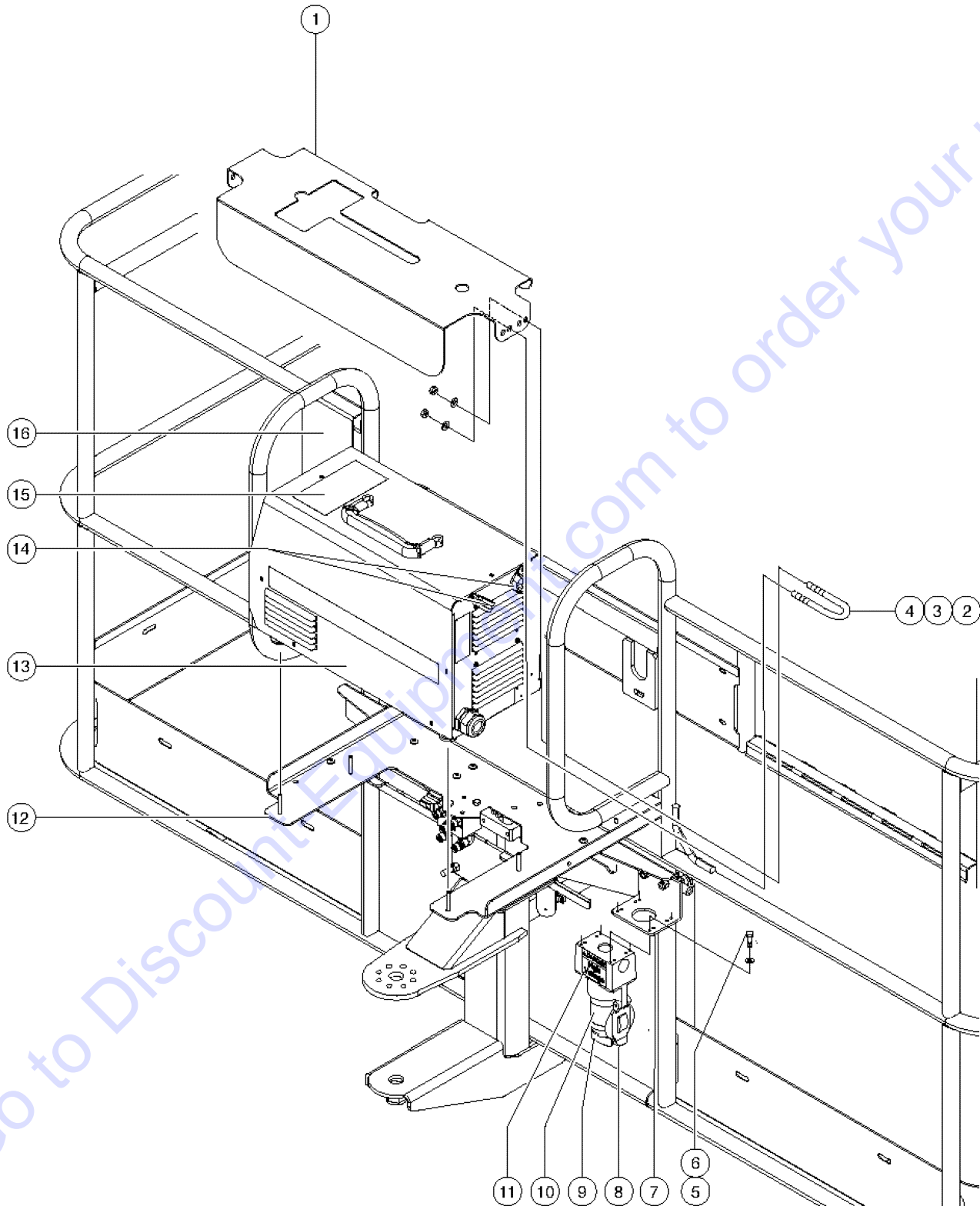
815.1 Welder Option, Chassis Components - View 1



815.1 Welder Option, Chassis Components - View 1

Item	Part No.	Description	Qty.	Item	Part No.	Description	Qty.
--	226507GT	HARNESS, HYD GENERATOR,SB		12	4828GT	NUT,NYLOCK,3/8-16	
--	226503GT	HARNESS,WELD GEN ENCLOSURE		13	8516GT	SCREW, HCC, 3/8-16 X 1.50	
--	101506GT	WIRE CABLE,6GA/4 CONDUCTOR.....1620-inches		14	6888GT	SCREW,HHC,1/4-20 X 1	
--	106637GT	MODULE,TIME DELAY ON BREAK 4S		15	6638GT	WASHER,FLAT,USS,1/4"Y	
--	13097GT	FUSE,10 AMP		16	6889GT	NUT,LP NYLOCK,1/4-20	
--	102746GT	VALVE,PILOT OPER DIRECTIONAL		17	7056GT	CONN, SQZ, 1/2NPT .38-.50, SM**.....1	
--	110220GT	DECAL,WARNING,WELDER SAFETY		18	6935GT	LOCKNUT,ELEC,1/2".....1	
--	229402GT	KIT BONDED WELD LEAS S105 <i>(welder cable kit option only); from SN 940</i>		19	56237GT	O-RING,ORFS,-12.....1	
--	229383GT	CABLE, 4/0 WELD LEAD,TWIN S105 <i>(part of kit option 229402); fromSN 940</i>		20	20776GT	CABLE SQUEEZE CONN.....2	
--	229401GT	KIT BONDED WELD LEAD, S100 <i>(welder cables kit option only); from SN 940</i>		21	18665GT	LOCKNUT,ELECTRIC,1" NPT.....2	
--	229382GT	CABLE,4/0 WELD LEAD,TWIN S100 <i>(part of kit option 229401); fromSN 940</i>		22	106104GT	O-RING,SEAL RING,1" NPT (PKG OF 10).....2	
1	82237GT	DECAL,DANGER,HIGH VOLTAGE.....2		23	102314GT	PANEL, ENCLOSURE, LINCO WELDER.....1	
2	106113GT	GENERATOR,HYDRO-12KEP-21-3.....1 <i>includes item 7</i>		24	106477GT	GFI/CIRCUIT BREAKER ASSEMBLY.....1	
--	106274GT	GENERATOR,12.5 KW,W/O MOTOR***		25	33608GT	RELAY,SOCKET,OMRON.....1	
--	110344GT	BRUSH BOX,ASSY,GEN***		26	33607GT	RELAY,OMRON,DPDT,12V.....1	
--	122300GT	COVER,WELDER GENERATOR		27	106073GT	CIRCUIT BREAKER,20A,SINGLE PH.....1	
--	21187GT	PLUG,NYLON 1.38 BLACK DOMED		28	80543GT	RECEPTACLE, 120VAC, 20A, GFCI.....1	
--	T113655GT	COUPLING, 28MM (106113)		29	74006GT	COVER,GFCI,HORIZONTAL,WEATHER.1 <i>includes mounting hardware</i>	
--	T114022GT	SPIDER (106113)		30	106140PGT	BRACKET,1K OHM 10-TURN POT,PNT.....1	
--	T114023GT	COUPLING (106113)		31	102357GT	POTENTIOMETER ASSY, WELDER.....1	
3		MANIFOLD,DRIVE OIL DIVERTER***1 <i>(refer to 818.1)</i>		32	36294GT	SCREW,HHC,1/4-20 X 2.75	
4	146285GT	CONN, SAE#4-1/4" NPT.....1		33	106658GT	MODULE,SX CONTROLLER,LOW AMP	
5A	146284GT	SWITCH,PRESS,#4NPT,200PSIF.....1 <i>for first time replacement, order service kit 1271398GT.</i>		34	229346GT	ASSY,ENCLOSURE,WELDER,GEN.....1	
5B	1271398GT	KIT,GEN. PRESSURE SWITCH <i>includes pressure switch, hose, fittings and installation instructions</i>		35	6782GT	NUT,NYLOCK,5/16-18	
6	T111766GT	MOTOR MOUNT COUPLER (106274)....1		36	13002GT	SCREW,HHC,5/16-18 X 1 GR5	
7	106184GT	MOTOR,HYD 12.5KW GEN,21CC***.....1					
--	162006GT	SEAL KIT,HYD MOTOR(106184)					
8	102359PGT	PLATE, TOP,GENERATOR 12KW,PNTD.....1					
--	102390PGT	PLATE,FRNT,ENCLOSURE ASSY,PNTD					
--	102606PGT	FORMING,LF,GENERATOR 12KW,PNTD					
--	102607PGT	FORMING,RT,GENERATOR 12KW,PNTD					
9	77181GT	CLAMP,1.63,#26 X 3/8,RUB CUSH					
10	6019GT	SCREW,HHC,3/8-16 X 1.25 GRD 5					
11	6097GT	WASHER,FLAT,USS,3/8",Y					

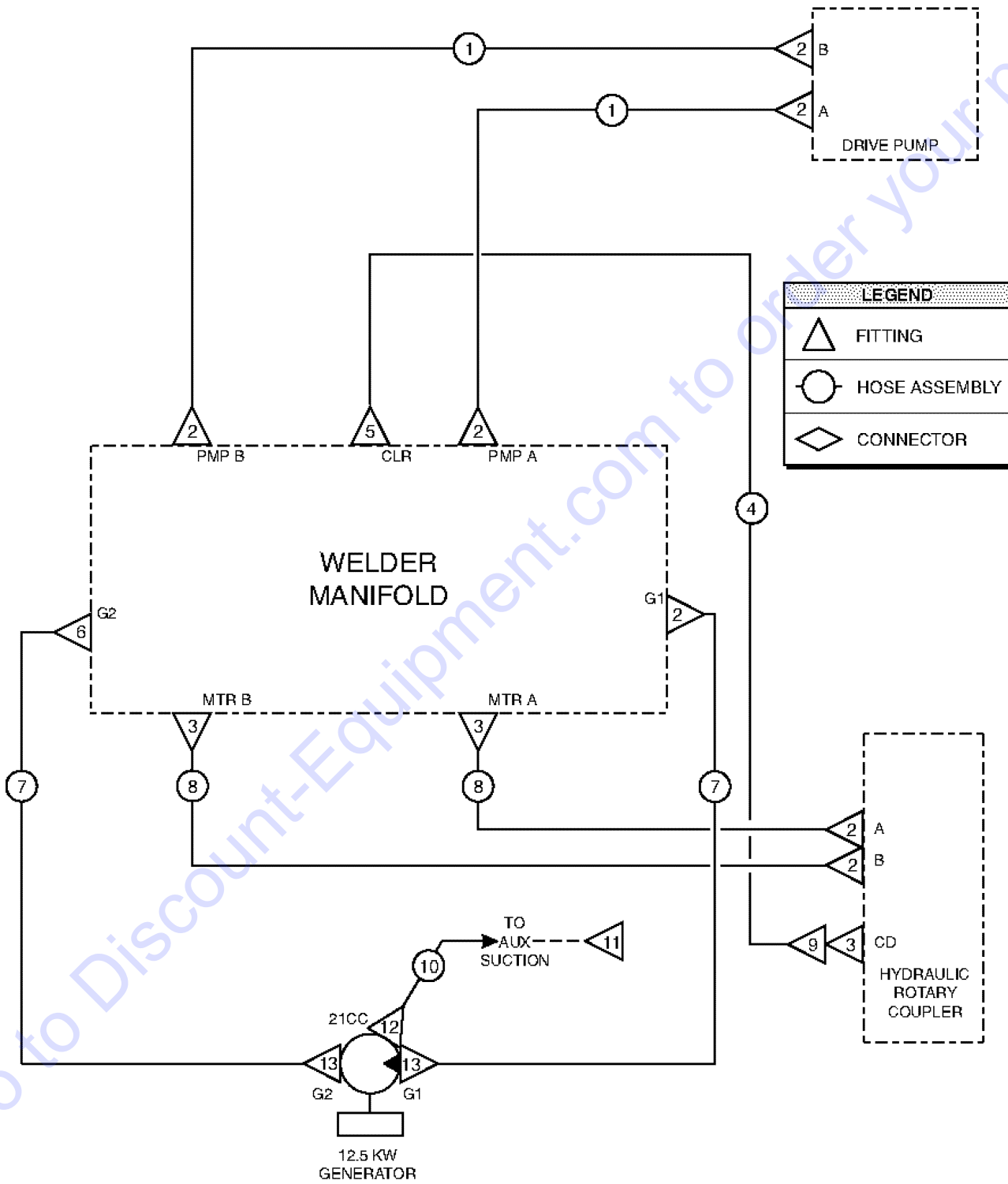
816.1 Welder Option, Platform Components - View 2



816.1 Welder Option, Platform Components - View 2

Item	Part No.	Description	Qty.	Item	Part No.	Description	Qty.
--	88406GT	FIRE EXTINGUISHER		--	4828GT	NUT,NYLOCK,3/8-16	
--	82862GT	DECAL,FIRE EXTINGUISHER		--	5397GT	WASHER,FLAT,USS,5/16",Y	
--	97579GT	DECAL,DANGER,TIP-OVER,WELDER**		--	6782GT	NUT,NYLOCK,5/16-18	
--	133518GT	DECAL, PATCH, GEN,ALC-500		13	101525GT	WELDER,INVERTEC V275-S.....1	
--	101547PGT	BRACKET,WELDER SUPPORT,PNT		--	106141GT	SCREW,SECURITY,1/4-20 X 1.75LG	
--	28443GT	CABLE TIE,11.5" BLACK		--	106183GT	FUSE,.6AMP,250V,WELDER,V275S	
--	110276-3600GT	FIRE SLEEVE, 1.25".....1 (S-100)		--	106275GT	KIT,WELD LEADS ASSY,V275S <i>includes both cables</i>	
--	110276-5800GT	FIRE SLEEVE, 1.25".....1 (S-100)		14	18666GT	CLAMP,1.00,#16 X 1/4,RUB CUSH.....2	
--	110276-7000GT	FIRE SLEEVE, 1.25".....1 (S-100)		15	110220GT	DECAL,WARNING,WELDER SAFETY...1	
--	110276-1500GT	FIRE SLEEVE, 1.25".....2 (S-100 and S-105)		16	106204PGT	BRACKET,V275S WELD LEADS.....1	
--	110276-1200GT	FIRE SLEEVE, 1.25".....2 (S-105)					
--	110276-2400GT	FIRE SLEEVE, 1.25",24"L.....1 (S-105)					
--	110276-2500GT	FIRE SLEEVE, 1.25".....1 (S-105)					
--	110276-4000GT	FIRE SLEEVE, 1.25".....1 (S-105)					
--	110276-4600GT	FIRE SLEEVE, 1.25".....1 (S-105)					
--	110277-4500GT	FIRE SLEEVE, 2.0".....1 (S-105)					
--	229925GT	ADAPTER,WELDER,208-220					
1	101547PGT	BRACKET,WELDER SUPPORT,PNT					
2	5397GT	WASHER,FLAT,USS,5/16",Y					
3	4828GT	NUT,NYLOCK,3/8-16					
4	122755GT	UBOLT,FLATTENED,1.5DIA X 3/8 UNC....2					
5	47363GT	SCREW,RHM,8-32 X .50					
6	35461GT	WASHER,FLAT,MS,#8,Y					
7	101731PGT	BRACKET,POWER TO PLAT TBOX,PNT.....1					
--	4828GT	NUT,NYLOCK,3/8-16					
--	5397GT	WASHER,FLAT,USS,5/16",Y					
--	6550GT	U-BOLT,3/8 X 1 YZ					
8	101732GT	COVER,WEATHERPROOF 3-PHASE					
9	106112GT	PLUG,4-WIRE,3-PHASE,50A,MALE.....1					
10	106110GT	T-BOX,2.75X4.5X2.63,3PH.....1					
--	106111GT	RECEPTCL,LOCK 3-PH,50A,4 WIRE					
11	82237GT	DECAL,DANGER,HIGH VOLTAGE.....2					
12	102408PGT	BRACKET,LINCOLN WELDER,PNTD....1					
--	102409PGT	BRACKET,WELDER MNT SUPPORT,PNT					
--	106043GT	SCREW,SECURITY,5/16-18X1.00					
--	106044GT	U-BOLT,3/8-16X4X4.63X3.00					

817.1 Welder Option, Hoses and Fittings - View 3

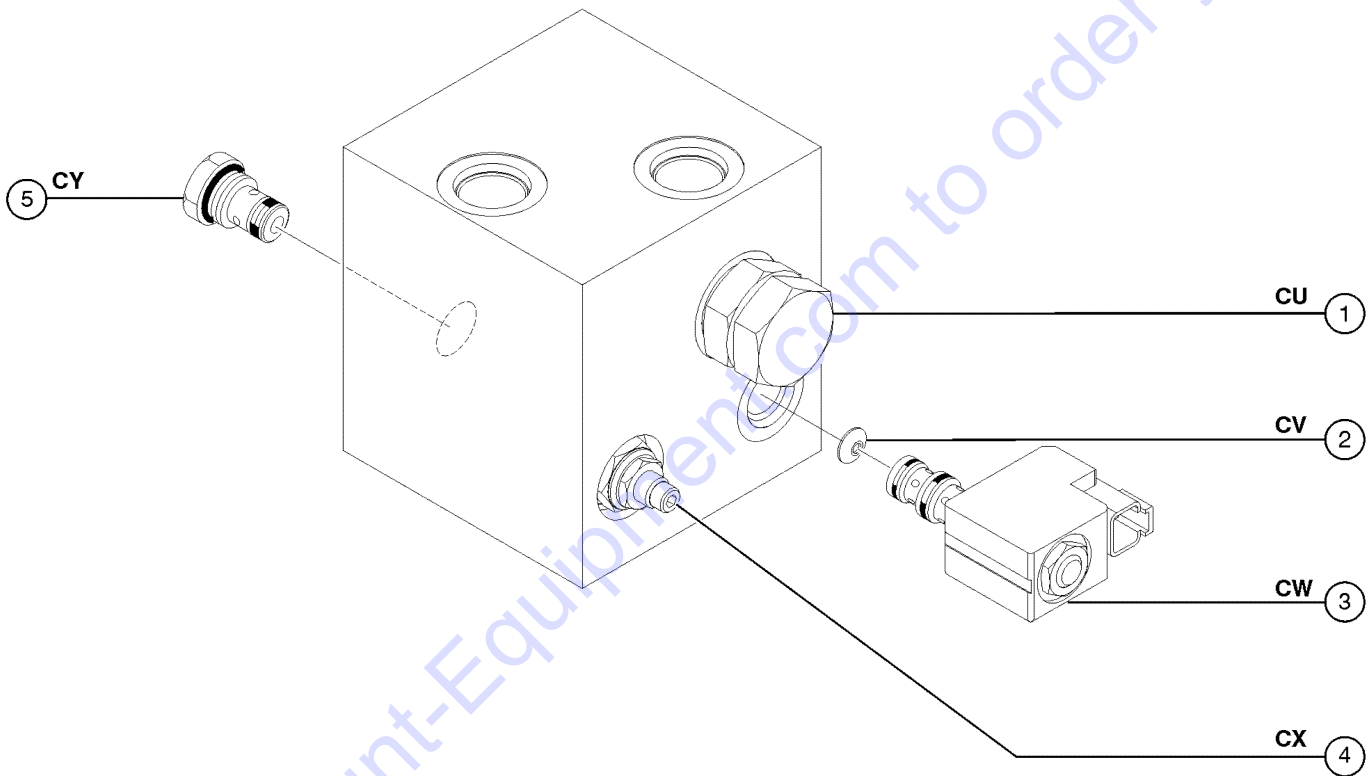


817.1 Welder Option, Hoses and Fittings - View 3

Item	Part No.	Description	Qty.
1	61134-7033GT	HOSE ASSY 3/4,90 FEM STR FEM.....2	
2	48963GT	FITTING,ELBOW,45D,520320-12***.....7	
3	48960GT	FITTING,CONN,520120-12***.....3	
4	49142-7062GT	HOSE ASSEMBLY,1/2".....1	
5	48933GT	CONN,520120-8***.....1	
6	48959GT	FITTING,ELBOW,90D,520220-12.....1	
7	102312-2088GT	HOSE ASSEMBLY,3/4",-10-12 90F,.....2	
8	102313-4626GT	HOSE ASSY,3/4,45 FEM,STR FEM.....2	
9	48964GT	FITTING,TEE,RUN,SWIVEL52043212....1	
10	49143-5629GT	HOSE ASSY,1/2,90 FEM,STR FEMM....1	
11	48938GT	FITTING,TEE,RUN,SWIVEL520432-8....1	
12	48948GT	CONN,520120-8-12.....1	
13	48958GT	CONN,520120-10-12.....2	

Go to Discount-Equipment.com to order your parts

818.1 Welder Option, Oil Diverter Manifold - View 4

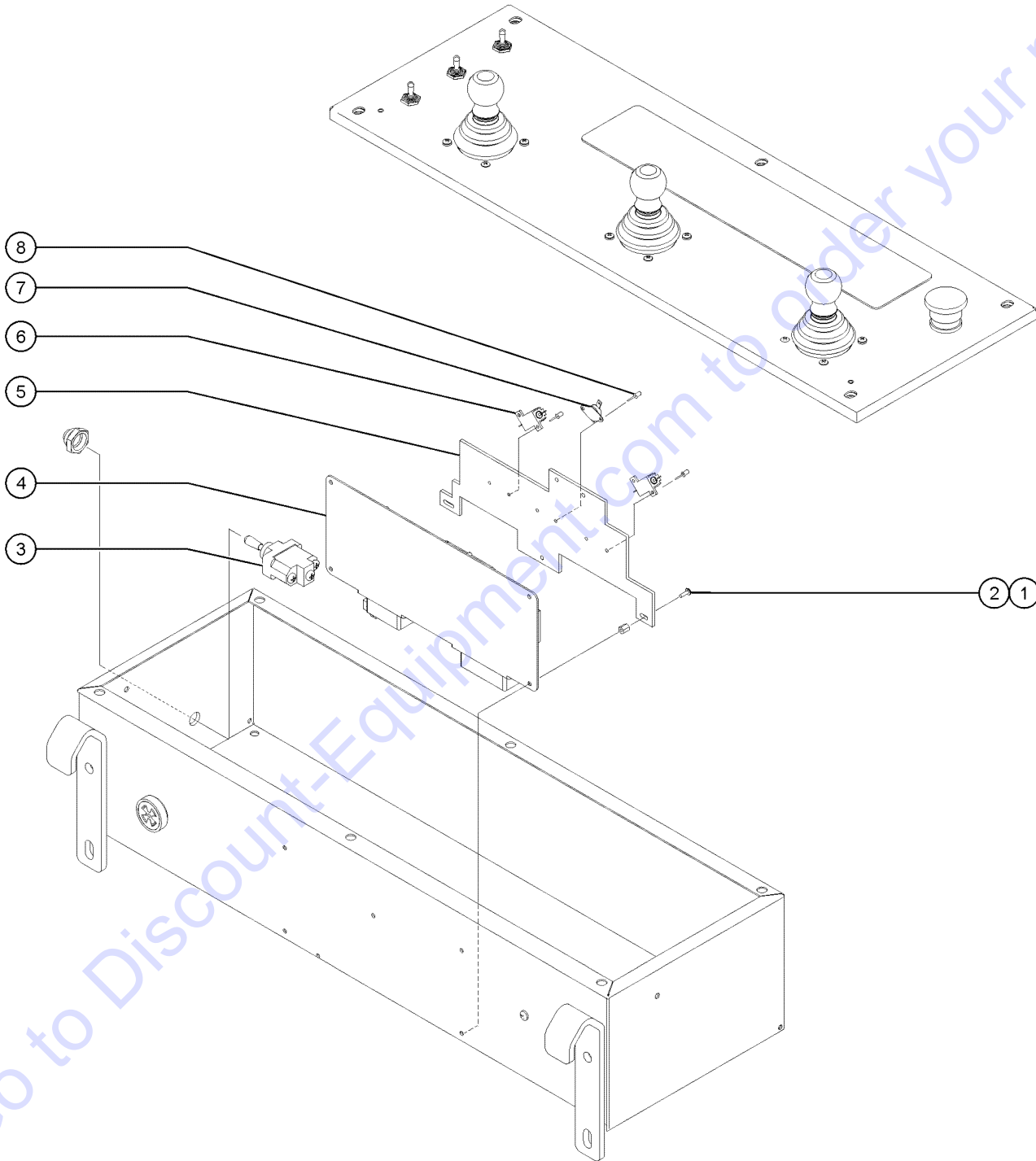


Go to Discount-Equipment.com to order your parts

818.1 Welder Option, Oil Diverter Manifold - View 4

Item	Part No.	Description	Qty.
--	101516GT	MANIFOLD,DRIVE OIL DIVERTER <i>(complete)</i>	
1	102746GT	VALVE,PILOT OPER DIRECTIONAL <i>CU, Diverter valve</i>	
2	106394GT	ORIFICE DISC,.030,CONE <i>CV, Delays shift to drive</i>	
3	94760GT	VALVE,SOLENOID,10V,W/OUT COIL* <i>CW, Pilot valve to diverter</i>	
--	128419GT	Seal Kit	
--	94759GT	NUT,SOLENOID	
--	94765GT	COIL-10V DC***	
4	122302GT	RELIEF,VALVE 270 PSI <i>CX, Charge pressure circuit</i>	
--	128416GT	Seal Kit	
5	94757GT	VALVE,CHECK,3 PSI*** <i>CY, Prevents oil flow to generator</i>	
--	128416GT	Seal Kit	

819.1 Circuit Board Heater Option



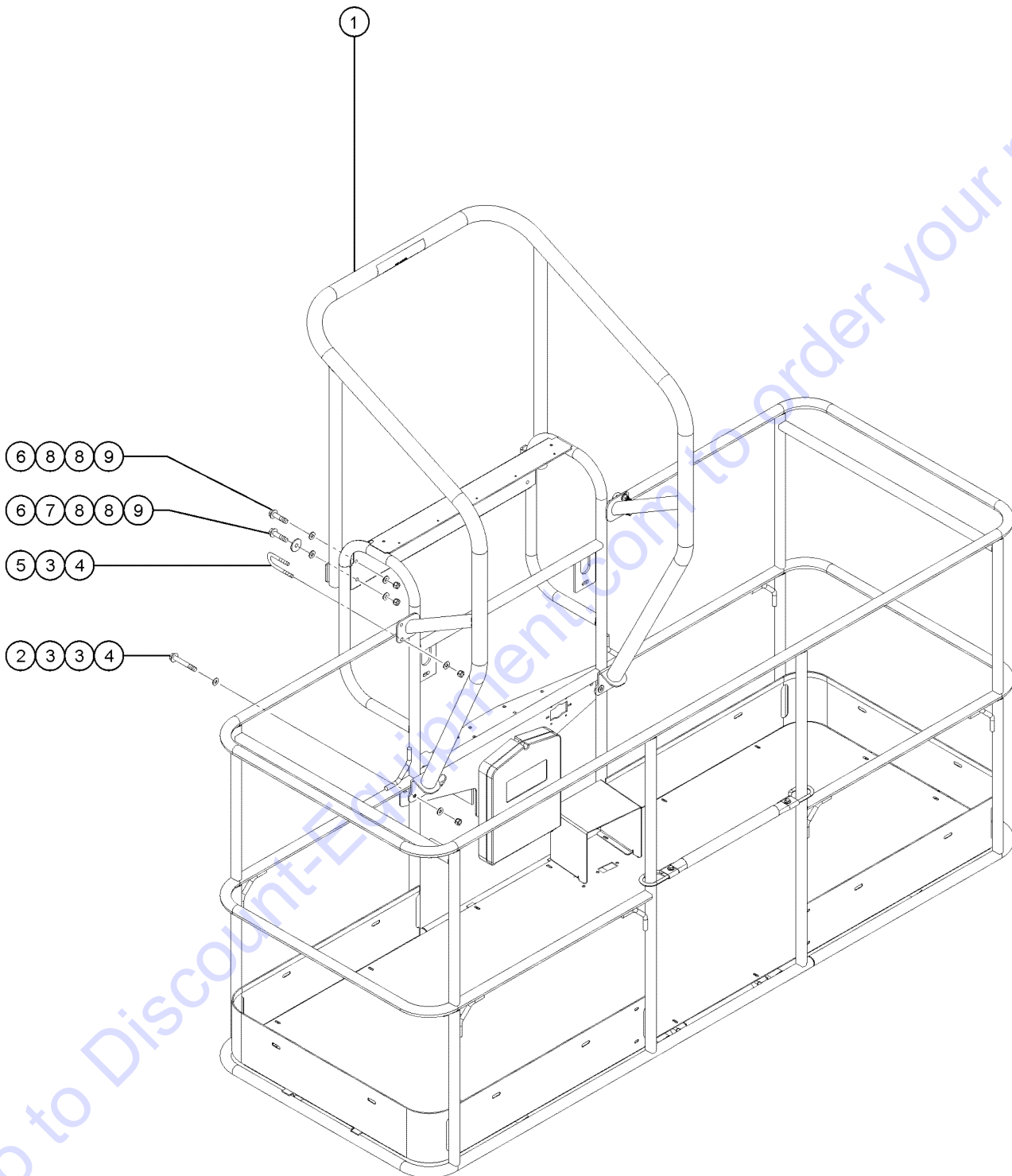
Go to Discount-Equipment.com to order your parts

819.1 Circuit Board Heater Option

Item	Part No.	Description	Qty.
--	122736GT	ACCESS PBOX HEATER S100/120 <i>from SN 603</i>	
1	81551GT	SCREW,PHIL,PHM,6-32 X 1/4 SS.....4	
2	119534GT	STANDOFF,1/4X1/4 M-F 6-32 S/S.....4	
3	128204GT	SWITCH TOGGLE ASSY SPDT 2P MNT	
--	T115352GT	DECAL,OPTION CONTROL BOX HEATR	
4		Ref. PCB Assembly, PCON (refer to 603.1)	
5	119250GT	BRACKET,PLATFORM HEATER OPT.....1 <i>to SN 602</i>	
--	122723GT	BRACKET,PLATFORM HEATER OPTION <i>from SN 603</i>	
6	27287GT	RESISTOR,10 OHM,25 WATT.....2	
7	119641GT	SWITCH,THERMOSTAT 85F OPEN.....1	
8	6272GT	RIVET,STL,STL,P,.125 X .25	

Go to Discount-Equipment.com to order your parts

820.1 Operator Protection Structure (from SN 182)



820.1 Operator Protection Structure (from SN 182)

Item	Part No.	Description	Qty.
1	219158GT	ACCESSORY,OPERATOR PROT STRUCT.....1 <i>(Complete) includes all fasteners</i>	1
2	8178GT	SCREW,HHC,3/8-16 X 2.5.....4	4
3	6097GT	WASHER,FLAT,USS,3/8",Y.....12	12
4	4828GT	NUT,NYLOCK,3/8-16.....8	8
5	122755GT	UBOLT,FLATTENED,1.5DIA X 3/8 UNC...2	2
6	6888GT	SCREW,HHC,1/4-20 X 1.....4	4
7	15086GT	WASHER,FLAT,.375 X 1.5 X .125.....2 <i>Use only with the platform control box cover option</i>	2
8	6638GT	WASHER,FLAT,USS,1/4"Y.....8	8
9	6091GT	NUT,NYLOCK,1/4-20.....4	4

Go to Discount-Equipment.com to order your parts

Part Number Index

The Part Number Index is a numeric index of all part numbers included in this manual. The index shows what page(s) the part is used on.

Part Number	Page	Part Number	Page	Part Number	Page	Part Number	Page
1000256GT	14	102042GT	85	102390PGT	303	102654GT	89
101005GT	183	102043GT	81	102391PGT	267	102659GT	51–52, 55, 57–58
101005HGT	183	102044PGT	81	102392GT	267	102660GT	169–170
101068GT	215	102045GT	77, 79, 81, 83,	102393GT	267	102661GT	169–170
101070GT	31		101, 103, 105,	102394GT	197, 199–200	102662GT	169–170
10107GT	37, 39, 43, 51–		107, 109, 113,	102395GT	197, 199–200	102663GT	169–170
	52, 55, 57–58,		127, 133	102396GT	197, 199–200	102664GT	169–170
	63, 296	102048GT	81	102398GT	197, 199–200	102665GT	169–170
101174GT	183	102049GT	263	102408PGT	305	102666GT	169–170
101174HGT	183	102050GT	263	102409PGT	305	102667GT	169–170
101175GT	183	102052GT	155–156	102441GT	295–296	102668GT	169–170
101175HGT	183	102053GT	147	102442GT	295–296	102669GT	169–170
101217PGT	111	102054GT	155–156	102444GT	295–296	102670GT	170
101219GT	111	102058GT	89	102445GT	295–296	102671GT	170
101229GT	107	102064GT	31	102446GT	295–296	102672GT	170
101347PGT	111	102101PGT	89	102447GT	295–296	102673GT	170
101373GT	174–175	102106GT	41	102449GT	35	102674GT	170
101375GT	174–175	102114GT	129–130	102450GT	35	102675GT	170
101376GT	174–175	102166GT	79, 111	102452GT	35	102676GT	261
101377GT	174–175	102181PGT	289	102453GT	115	102681GT	265, 267, 269,
101378GT	174–175	102182GT	81	102496GT	187		271, 273, 275,
101379GT	174–175	102183GT	289	102573GT	89		277
101381GT	174–175	102188GT	14	102574GT	89	102684GT	35
101382GT	174–175	102190PGT	49	102575GT	89	102686GT	61
101383GT	174–175	102200-SGT	173–175	102576GT	89	102701GT	193, 195
101384GT	174–175	102203GT	89	102577GT	89	102704GT	25, 39
101486PGT	107	102204PGT	129–130	102578GT	89	102705GT	39
101506GT	303	102205PGT	63	102579GT	89	102706GT	107
101513PGT	107	102208GT	133	102580GT	135	102707GT	81
101516GT	309	102209PGT	129–130	102581GT	135	102708GT	129–130
101525GT	305	102210PGT	129–130, 139	102582GT	135	102710GT	51–52, 55, 57–58
101547PGT	305	102211GT	147, 155–156	102584GT	135	102721PGT	295–296
101601GT	113	102212GT	147, 155–156	102585GT	135	102728GT	27
101602GT	113	102213GT	147, 155–156	102586GT	135	102729GT	27, 39
101603PGT	109	102214GT	147, 156	102587GT	135	102746GT	303, 309
101604PGT	109	102215GT	147, 156	102589GT	135	102785PGT	261
101606PGT	109	102216GT	147, 156	102590GT	135	102786PGT	261
101613GT	113	102218PGT	129–130, 139	102592GT	135	102938GT	295–296
101628GT	109	102220GT	289, 291	102593GT	135	102947GT	69
101629GT	109, 113	102235GT	271, 273, 277	102594GT	135	102948GT	69
101632GT	283	102236GT	271, 273, 277	102595GT	135	102949GT	67
101634GT	95, 107, 133	102237PGT	133	102596GT	135	102950GT	67
101637GT	95	102253GT	289	102597GT	135	102992GT	173–175
101638GT	107, 129–130	102279GT	43	102598GT	115	102993GT	63
101639GT	289, 291	102280GT	89	102599GT	115	102994GT	63
101644GT	109	102281GT	89	102600GT	115	102996GT	143
101653GT	271	102282GT	89	102601GT	115	102997GT	141, 143
101654PGT	271	102283GT	89	102602GT	115	102999GT	143
101655PGT	271	102284GT	89	102603GT	115	104759GT	193
101656PGT	271	102285GT	89	102604GT	115	104760GT	193
101657GT	289	102286GT	89	102605GT	115	10587GT	43, 51–52, 285
101658GT	289	102287GT	89	102606PGT	303	10597GT	21, 23, 25, 31,
101659GT	283	102288GT	89	102607PGT	303		37, 39, 71, 85,
101660GT	283	102289GT	89	102630GT	115		95, 107, 123
101726GT	41	102290GT	89	102631GT	115	106008GT	271
101731PGT	305	102291GT	89	102632GT	115	106043GT	305
101732GT	305	102292GT	89	102635GT	115	106044GT	305
101767GT	107	102293GT	89	102636GT	115	106073GT	303
101845GT	263	102294GT	89	102637GT	115	106098GT	31
101888GT	61	102295GT	89	102638GT	107, 115	106104GT	303
101930PGT	111	102296GT	89	102639GT	115	106110GT	305
101931PGT	107	102297GT	89	102640GT	115	106111GT	305
101934GT	207, 211	102298GT	89	102641GT	115	106112GT	305
101957GT	87, 111, 113,	102299GT	89	102642GT	115	106113GT	303
	129–130	102300GT	75, 89	102643GT	115	106118GT	31
101958GT	195	102301GT	89	102644GT	115	106140PGT	303
101964GT	69	102302GT	89	102645GT	115	106141GT	305
102000GT	155–156	102303GT	89	102646GT	115	106183GT	305
102001GT	155–156	102312-2088GT	307	102647GT	115	106184GT	303
102002GT	155–156	102313-4626GT	307	102648GT	115	106204PGT	305
102018GT	155–156	102314GT	303	102649GT	115	106211-400GT	289, 291
102020GT	155–156	102346GT	273	102650GT	115	106211-475GT	133
102031GT	85	102348GT	115	102651GT	115	106226-4000GT	113
102034PGT	85	102357GT	303	102652GT	89	106274GT	303
102035PGT	81	102359PGT	303	102653GT	89	106275GT	305

Part Number	Page	Part Number	Page	Part Number	Page	Part Number	Page
106394GT	309	111211GT	169-170	111436GT	240, 246	122323GT	259
106421GT	165	111212GT	169-170	111437GT	240, 246	122328GT	289
106477GT	303	111213GT	169-170	111445GT	135	122329GT	289
106572GT	271	111214GT	169-170	111485PGT	295-296	122330PGT	289
106584GT	289	111215GT	169-170	111486PGT	295-296	122331GT	289
106637GT	303	111216GT	169-170	111523GT	151-152	122333GT	111
106658GT	303	111217GT	169-170	111524GT	151-152	122335GT	83
10665GT	151-152	111250GT	173-175	111526GT	261	122336GT	45
106740GT	277	111251GT	173-175	111637GT	49	122337GT	45
106756GT	35	111252GT	173-175	111639GT	83	122343GT	177-178
106873GT	35	111253GT	173-175	111668GT	135	122362GT	177-178
106874GT	35	111254GT	173-175	111762GT	240, 246	122366GT	61
106875GT	35	111255GT	173-175	111763GT	240, 246	122368GT	289
106914GT	43	111256GT	173-175	111775PGT	155-156	122401GT	177-178
107704GT	295-296	111257GT	173-175	111995GT	147, 156	122402GT	83
107705GT	296	111258GT	173-175	111996GT	147, 156	122404GT	83
107706GT	296	111259GT	174-175	111997GT	147, 156	122406GT	61
107707GT	296	111260GT	174-175	11209GT	43, 77, 101, 271, 277	122407GT	87
107708GT	296	111261GT	174-175	11328GT	67	122408GT	87
107709GT	296	111262GT	174-175	114112GT	14, 17-18	122409GT	83
107710GT	296	111263GT	174-175	11413GT	65	122410GT	83
10777GT	67, 170	111264GT	174-175	114236GT	279	122411GT	87
107830GT	31	111265GT	174-175	114247GT	17-18	122412GT	83
107858GT	259, 296	111266GT	174-175	114249GT	17-18	122413GT	87
107860GT	175	111267GT	174-175	114251GT	17-18	122414GT	87
107867GT	29	111268GT	174-175	114252GT	17-18	122415GT	83
108543GT	123	111269GT	174-175	114258GT	13-14	122423GT	87
110180GT	207, 211	111270GT	173-175	114389GT	13-14	122424GT	83
110194GT	185, 187	111271GT	173-175	114390GT	13-14	122425GT	87
110220GT	303, 305	111272GT	173-175	114416GT	13-14	122427GT	87
110276-1200GT	305	111273GT	173-175	114473GT	17-18	122428GT	83, 87
110276-1500GT	305	111278GT	173-175	119067GT	279	122432GT	87, 291
110276-2400GT	305	111279GT	295-296	119250GT	311	122433GT	87
110276-2500GT	305	111280GT	295-296	119395GT	293	122434GT	87
110276-3600GT	305	111281GT	295-296	119396GT	293	122435GT	87
110276-4000GT	305	111282GT	295-296	119533PGT	277	122438GT	83
110276-4600GT	305	111283GT	295-296	119534GT	311	122440GT	199-200
110276-5800GT	305	111284GT	295-296	119536PGT	167	122461GT	177-178
110276-7000GT	305	111285GT	295-296	119542GT	167	122466GT	87
110277-4500GT	305	111286GT	295-296	119613GT	181, 183	122467GT	87
110304GT	109	111287GT	295-296	119619GT	23, 27	122470GT	87
110344GT	303	111288GT	295-296	119620GT	23, 27	122472GT	87
110771-74B69GT	161	111289GT	295-296	119641GT	311	122494GT	215
110771-74BJ9GT	63	111290GT	295-296	119795GT	261	122495GT	215
110789GT	263	111291GT	295-296	119915GT	183	122516GT	61
111117GT	81	111292GT	295-296	119950GT	295-296	122517GT	61
111119GT	89	111293GT	295-296	121657GT	61, 177-178	122519GT	61, 177-178
111143GT	45	111310GT	296	122015GT	151-152	122522GT	141, 143, 145
111144GT	45	111311GT	296	122016GT	151-152	122551GT	167
111145GT	45, 299	111312GT	296	122019GT	259	122552GT	167
111149GT	151-152	111313GT	296	122021GT	177-178	122591GT	87
111186GT	169-170	111314GT	296	122026GT	85	122592GT	87
111187GT	169-170	111315GT	296	122026PGT	79, 85, 103, 105, 107	122593GT	109
111188GT	169-170	111316GT	296	122034GT	147, 156	122594GT	83
111189GT	169-170	111317GT	296	122043GT	14	122602GT	87
111190GT	169-170	111318GT	296	122051GT	129-130	122603GT	87
111191GT	169-170	111319GT	296	122073GT	295-296	122604GT	87
111192GT	169-170	111320GT	296	122078GT	177-178	122605GT	87
111193GT	169-170	111325GT	13-14	122079GT	170	122613GT	87
111194GT	169-170	111326GT	137	122114GT	147	122614GT	87
111195GT	169-170	111327GT	141, 143	122206GT	163	122615GT	87
111196GT	169-170	111329GT	69	122225GT	155-156	122625GT	83
111197GT	169-170	111396GT	79	122231GT	295-296	122633GT	259
111198GT	169-170	111397GT	85	122247GT	37, 39	122701GT	109
111199GT	169-170	111398GT	103, 105	122248GT	23, 27, 37, 39	122702GT	109
111200GT	169-170	111399GT	107	122249GT	23, 27	122708GT	83
111201GT	169-170	111400GT	77, 101	122266GT	129-130	122709GT	83
111202GT	169-170	111401GT	129-130, 139	122272GT	67, 69	122723GT	311
111203GT	169-170	111402GT	135	122278GT	295-296	122736GT	311
111204GT	170	111411GT	143, 145	122279GT	295-296	122755GT	170, 174-175, 299, 305, 313
111205GT	170	111412GT	143, 145	122300GT	303	122768GT	283
111206GT	170	111413GT	177-178	122302GT	309	122771GT	283
111207GT	170	111414GT	177-178	122321GT	155-156	122772GT	283
111208GT	170	111415GT	181	122322GT	155-156	122773GT	47, 49
111209GT	170	111416GT	181			122787GT	61
111210GT	169-170	111417GT	181				

Part Number Index (continued)

Part Number	Page	Part Number	Page	Part Number	Page	Part Number	Page
122791GT	155–156	128447GT	45, 299	146048GT	109	19018-1100GT	293
122793GT	61	128454PGT	165, 167	146053GT	129–130	20224GT	185, 195, 197, 199–200, 203, 217, 219–220, 223, 225, 227– 228, 231, 233, 235, 237, 239– 240, 243, 245– 246, 249, 251, 253, 255, 257
122875GT	129–130	128482GT	167	146054GT	93, 119, 139	20318GT	185
122877GT	83	128483GT	167	146056GT	165	20776GT	303
122895GT	67	128505GT	83	146061GT	135	20912GT	265, 267, 271, 273, 277
122910GT	291	128513GT	167	146062GT	265, 267, 269, 271, 273, 275, 277	20973GT	173–175
122911GT	291	128515GT	167	146073GT	163, 165	21121GT	173–175
122912GT	291	128534GT	167	146089GT	145	21130GT	75, 99, 111, 127, 129–130
122913GT	291	128554GT	113	146091GT	145	21187GT	67, 303
122914GT	291	128555GT	113	146093GT	145	214393GT	47, 49
122915-SGT	61	128636GT	63, 161	146134GT	61	21465GT	41, 47, 49
122918GT	43	128638GT	109	146137GT	177–178	21496GT	75, 81, 99, 111, 127, 129–130
122919GT	43	128661GT	109	146138GT	177–178	215209GT	47, 49
122927GT	291	128724GT	167	146154GT	61	215210GT	47, 49
122928GT	291	128801GT	109	146193GT	199–200	215229GT	51–52, 55, 57–58
122929GT	291	128829GT	49, 83, 109, 129– 130	146195GT	61	215546GT	205, 207, 209
122942GT	273	128858GT	109	146196GT	61	21604GT	263
122943GT	273	128852GT	273	146197GT	161	217709GT	151–152
122944GT	163, 165	128953GT	14	146198GT	177–178	218730GT	207
122949GT	259	128974GT	14	146199GT	63	219158GT	313
122951GT	259	12906GT	67, 69	146284GT	161	22558GT	129–130, 133
122954GT	177–178	12981GT	85, 155–156	146285GT	303	22571GT	109
122964GT	211	13000GT	83, 269, 271, 275, 279	146286GT	303	22578GT	129–130
123084GT	115	13002GT	47, 49, 83, 303	146306GT	87	226060GT	113
12344GT	61	13003GT	107, 109, 113, 127, 133	146307GT	87	226061GT	113
12443GT	173–175	13004GT	81, 83	146322PGT	279	226103GT	135
12460GT	147	13037-SGT	177–178	146324GT	141, 143, 145	226104GT	135
1251600GT	293, 301	13064GT	43, 79, 81, 83, 103, 105, 107, 109, 113, 133, 151–152	146325GT	63, 161	226105GT	135
1254826GT	135	13066GT	31, 71, 85, 87, 95, 107, 109, 123, 133, 151– 152	146352GT	87	226106GT	135
1255653GT	135	13097GT	259, 303	146386GT	61	226107GT	167
1256267GT	141, 143, 145	133067GT	17–18	146389GT	177–178	226108GT	17–18
1256855GT	301	133205GT	17–18	146390GT	177–178	226109GT	17–18
1258460GT	61	133278GT	14	146399GT	263	226123GT	69
1259704GT	295–296	133518GT	305	146418GT	14, 17–18	226124GT	69
1261395GT	111	13585GT	170	146419GT	14, 17–18	226127GT	113
1267807GT	49	13852GT	163, 165, 213	146423GT	13–14	226128GT	113
1268229GT	49	139066GT	109	146432GT	13–14	226129GT	13–14
1269501GT	181, 183	13918GT	43, 79, 81, 103, 105, 165, 269	146461GT	61	226130GT	145
1269693GT	279	139321GT	129–130	146476GT	147, 156	226131GT	145
1271398GT	303	139322GT	129–130	146477GT	147, 156	226393GT	259
1274045GT	163, 165	139345GT	31	146478GT	61, 177–178	226503GT	303
1274116GT	163, 165	139438GT	295–296	146553GT	279	226507GT	303
1274322GT	293, 301	139451GT	173–175	147121GT	174–175	226519GT	14
1274614GT	125	139598GT	181, 183	147221GT	174–175	226627GT	115
1277924GT	293, 301	139612GT	83, 109, 129–130	147228GT	279	22672GT	73, 111, 285
1277970GT	83	139621GT	135	147229GT	279	226803GT	25
1279465GT	47, 49	139624GT	129–130	147230GT	279	22697GT	87
1279466GT	47, 49	139666GT	129–130	147231GT	279	22699GT	71, 83, 85, 87, 95, 107, 111, 113, 121, 123, 129–130, 267, 269, 271, 291
128000GT	183	139709GT	135	147232GT	279	22700GT	271, 277
128001GT	183	139798GT	87	147233GT	279	227515GT	174–175
128004GT	113, 129–130	139952GT	279	147239GT	279	227785GT	43
128023GT	129–130	139953GT	279	147230GT	265, 267, 277	227798GT	31
1280590GT	135	139954GT	279	147240GT	279	227799GT	31
1280591GT	135	139958GT	295–296	147241GT	279	22788GT	23, 27, 37, 39
128203GT	177–178	139983GT	133	147242GT	279	22832GT	159, 161
128204GT	311	14033GT	23, 27, 63, 147, 149, 155–156, 259	147258GT	279	228465GT	174–175
128207GT	113	141922GT	115	147262GT	279	228823GT	57–58
128242GT	109	14295GT	21, 113	147290GT	51–52, 55, 57–58	228848GT	301
128243GT	109	14297GT	149, 287	1487GT	295–296	228849GT	301
128244GT	113	144161GT	279	1488GT	295–296	228866GT	207, 211
128245GT	113	146044GT	87	15086GT	313	229342GT	67
128246GT	113	146045GT	87	15243GT	67, 159, 161		
128247GT	109	146046GT	83	161189GT	135		
128248GT	113	146047GT	83	162006GT	303		
128249GT	113	14922GT	115	16487GT	161		
128250GT	113	14295GT	21, 113	16584GT	121		
128251GT	273	14297GT	149, 287	18189GT	47, 49		
128268GT	165	144161GT	279	18383GT	151–152		
128274GT	283	146044GT	87	18396GT	23, 27		
128280GT	109	146045GT	87	18596GT	21, 25, 83, 109, 113, 127, 133, 151–152		
128368GT	295–296	146046GT	83	18605GT	261		
128373GT	283	146047GT	83	18665GT	303		
128416GT	309			18666GT	305		
128419GT	309						
128421GT	113, 291						
128424GT	113						

Part Number Index (continued)

Part Number	Page	Part Number	Page	Part Number	Page	Part Number	Page
229343GT	67	29557GT	135	34955GT	289, 291	45470GT	279
229346GT	303	29559GT	135	35418GT	41	45481GT	203
229382GT	303	29560GT	135	35432GT	285	45495GT	43
229383GT	303	29739GT	215	35434GT	113	45543GT	185, 203
229401GT	303	29749GT	81, 107	35461GT	305	45708GT	47, 49
229402GT	303	29764GT	141, 143, 170	35600GT	52, 55, 57-58	45748GT	151-152, 263
229405GT	207, 211	29868GT	47, 49, 52, 55, 57-58, 63, 159, 161	35675GT	81, 87, 91, 93, 117, 119, 137, 139	45782GT	71, 95, 121, 135
229406GT	207, 211					45912GT	203
229407GT	207, 211					45916GT	197, 199-200
229411GT	207, 211	29883GT	77, 79, 81, 83, 101, 103, 105, 107	35956GT	296	46216GT	189, 191, 199- 200, 211
229420GT	61			35960GT	259, 296		
229421GT	61			35974GT	91, 141, 143	47363GT	305
229423GT	61	30080GT	14	36208GT	285	47377GT	163, 165
229567GT	177-178	30143GT	47, 49	36294GT	303	4828GT	21, 23, 27, 41, 43, 47, 49, 51- 52, 55, 57-58, 67, 71, 77, 79, 81, 83, 85, 87, 91, 95, 101, 103, 105, 107, 109, 117, 121, 127, 129-130, 133, 141, 145, 147, 151-152, 155- 156, 159, 161, 163, 165, 167, 170, 173-175, 263, 265, 269, 273, 277, 279, 299, 303, 305, 313
229768GT	173-175	30217GT	163, 165	37003GT	130		
229925GT	305	30220GT	155-156, 163, 165	37187GT	51-52, 55, 57-58		
23057GT	109, 113, 271, 289	30222GT	165	37191GT	51-52, 55, 57-58		
		30225GT	163, 165	38028GT	151-152		
23082GT	71, 95	30255GT	155-156, 163, 165	38149GT	14		
23083-SGT	259	30370GT	155-156, 163, 165	38620GT	149, 155-156		
230978GT	14			38859GT	91		
230979GT	33	30438GT	109	38922GT	109		
230983GT	211	30468GT	261	39346GT	189, 193		
230993GT	209	30489GT	71, 85, 107, 111, 113, 121, 130, 133, 285, 289, 291	39479GT	23, 27, 52, 55, 63, 65, 151-152		
232841GT	151-152			39888-183600GT	299		
232842GT	151-152	30490GT	83	40265GT	63, 65		
233942GT	211			40434GT	13-14, 17-18		
233992GT	301	30748GT	65, 151-152	41468GT	109		
233993GT	301	30785-1000GT	75, 99, 127	41489GT	45		
236946GT	135	30971GT	71, 73, 95, 97, 121, 135, 285, 289, 291	42175GT	95		
237068GT	47, 49			42571GT	91, 117, 137	48875GT	228, 231
237232GT	35	30997GT	177-178	4266GT	295-296	48880GT	185, 195, 197, 199-200, 203, 217, 219-220, 223, 225, 227- 228, 231, 233, 235, 237, 239- 240, 243, 245- 246, 249, 251, 253, 255, 257
237233GT	35	31106GT	163	42770GT	29		
23877GT	283	31406GT	185	42941-11500GT	47, 49		
24037GT	109	31523GT	285	42941GT	41		
24038GT	109	31658GT	41	43018GT	21, 25, 163, 165, 213		
24514GT	173-175	31788GT	13-14	43166GT	213		
25683GT	165	31817GT	95, 109	43255GT	197, 199-200		
25685GT	263	32710GT	174-175	43392GT	261, 295-296		
25927GT	277	33023GT	81, 107	43594GT	14	48883GT	199-200
25994GT	13-14	33024GT	129-130	43955GT	67, 170	48885GT	27, 39, 43, 52, 55, 57-58
27034GT	83, 87, 113, 121, 265, 291	33247GT	151-152	44064GT	71, 85, 95, 107, 111, 121, 123, 127, 129-130, 267, 269	48892GT	281
		33277GT	109, 113, 267, 271, 289			48894GT	217, 219-220
27204GT	13-14, 17-18	33278GT	141, 151-152, 155-156	44174GT	189, 193, 197, 199-200, 211	48904GT	217, 219-220, 228, 231, 233, 235, 237, 240, 243, 246, 249, 251, 253, 255, 257
27205GT	13-14, 17-18	33418GT	77, 79, 81, 83, 101, 103, 105, 107, 109, 113, 127, 133	44175GT	189, 193, 197, 199-200		
27206GT	13-14, 17-18			44178GT	199-200		
27207GT	13-14, 17-18	33428GT	21, 25, 165	44207GT	51-52, 55	48905GT	219-220, 225, 227-228, 231, 233, 235, 237, 239-240, 243, 245-246, 257
27246GT	177-178	33550GT	17-18	44224GT	79, 111, 197, 199-200		
27287GT	311	33555GT	67, 69	44225GT	199-200, 211		
27564GT	13-14	33557GT	143	44227GT	189, 191, 193, 195, 197, 199- 200, 211	48906GT	217, 219-220
27584GT	77, 79, 81, 83, 109, 113	33576GT	174-175			48907GT	251, 255, 257
		33607GT	303	44228GT	189, 191, 211	48911GT	223, 225
27698GT	141, 143	33608GT	303	44229GT	189, 193	48912GT	217, 219-220, 223, 225, 249, 251, 253, 255
27761GT	187	33674GT	295-296	44230GT	189, 193, 197, 199-200		
27807GT	203	33681GT	159, 161			48915GT	57-58, 227-228, 231, 233, 235, 237, 240, 243, 246, 249, 251, 253, 255, 257
27836GT	187, 203	33952GT	13-14	44236GT	189, 193		
28082GT	121	33987GT	55, 57-58	44335GT	159, 161		
28157GT	13-14	33994GT	213	44714GT	79, 83, 103, 105		
28159GT	13-14, 17-18	34052GT	61, 177-178	44743GT	173-175		
28161GT	13-14	34058GT	115	44788GT	57-58		
28164GT	13-14	34125GT	149, 155-156	44981GT	17-18, 299	48916GT	227-228, 231, 233, 235, 237, 239-240, 243, 245-246, 257
28165GT	13-14	34127GT	29, 31	44986GT	14		
28171GT	13-14, 17-18	34131GT	141, 143, 145	45076GT	151-152		
28174GT	14, 17-18	34243-500GT	147	45161GT	51-52, 228		
28175GT	13-14	34347GT	141	45209GT	65, 147	48918GT	51-52, 55, 57- 58, 257, 281
28176GT	13-14	34348GT	43, 145	45363GT	51-52, 55, 57-58		
28177GT	13-14	34505GT	285	45400GT	273	48920GT	233, 235, 237, 240, 243, 246
28181GT	13-14	34550GT	77, 79, 141, 143, 145	45435GT	73, 81, 111		
28235GT	14, 17-18						
28236GT	13-14						
28443GT	305						
28646GT	27, 39, 43, 52, 55, 57-58						
28750GT	213						
28853GT	283						
29080GT	149, 155-156	34619GT	67, 263				

Part Number Index (continued)

Part Number	Page	Part Number	Page	Part Number	Page	Part Number	Page
48930GT	228, 231		233, 235, 237,	49130-55982GT	240, 246	49408GT	109, 113, 267,
48931GT	257		239-240, 243,	49130-59782GT	246		271
48932GT	227-228, 231,	48997GT	185, 195, 197,	49130-62982GT	246	49410GT	43, 71, 77, 79,
	233, 235, 237,		203, 217, 219-	49130-72982GT	240		81, 83, 109, 111,
	239-240, 243,		220, 223, 225,	49130-76382GT	240, 246		113, 127
	245-246		227-228, 231,	49141-11063-SGT	217	49411GT	129-130, 133
48933GT	217, 219-220,		233, 235, 237,	49141-11263-SGT	217	49612GT	205, 209, 213,
	223, 225, 227-		239-240, 243,	49141-2754-SGT	227-228, 231,		217, 219-220,
	228, 231, 233,		246, 249, 251,		233, 235, 237,		223, 225, 227-
	235, 237, 239-		253, 255, 257		239-240, 243,		228, 231, 233,
	240, 243, 245-				245-246		235, 237, 239-
	246, 257, 307	49109-7029-SGT	227-228, 231	49141-2963-SGT	217, 219-220,		240, 243, 245-
48935GT	239-240, 245-	49114-1646GT	228, 231		223, 225	49613GT	246, 257
	246	49116-10337GT	225	49141-3613-SGT	227-228, 231,		205, 209, 213,
48936GT	220	49116-10937-SGT	219-220, 223,		233, 235, 237,		217, 219-220,
48937GT	228, 231, 233,		225		239-240, 243,		223, 225, 227-
	235, 237, 239-	49116-11537-SGT	217, 219-220,		245-246		228, 231, 233,
	240, 243, 245-		225	49141-4263-SGT	233, 235, 237,		235, 237, 239-
	246, 257	49116-11837-SGT	223		239-240, 243,		240, 243, 245-
48938GT	307	49116-12237GT	225		245-246		246, 257
48946GT	227-228, 231,	49116-5037-SGT	217	49141-5113-SGT	227-228, 231	49775GT	43
	233, 235, 237,	49116-5337-SGT	217, 219-220	49141-5663GT	219-220	49816GT	49, 141, 143,
	239-240, 243,	49116-5737-SGT	223	49142-5062GT	281		145, 173-175
	245-246	49116-6037-SGT	217, 219-220	49142-7062GT	307	49817GT	21, 25, 29, 31,
48947GT	227-228, 231,	49117-10935GT	219-220	49143-12192GT	257		151-152, 263
	239-240, 245-	49117-11035-SGT	217, 223	49143-1929GT	239-240, 245-	49818GT	47
	246	49117-11535-SGT	217		246	49819GT	21, 23, 25, 27,
48948GT	217, 219-220,	49117-12791-SGT	253, 255	49143-2779-SGT	227-228, 231,		159, 261
	227-228, 231,	49117-1391-SGT	257		233, 235, 237,	49824GT	159, 161, 259
	233, 235, 237,	49117-2091-SGT	253, 255		239-240, 243,	49857GT	170
	239-240, 243,	49117-3191GT	251		245-246	49861GT	281
	245-246, 307	49117-3791GT	249, 251	49143-2829GT	239-240, 245-	49863GT	111
48958GT	307	49117-5035-SGT	223, 225		246	49915GT	135
48959GT	227-228, 231,	49117-5535-SGT	223	49143-3529-SGT	245-246	49922GT	135
	233, 235, 237,	49117-5591GT	249, 251	49143-3529GT	239-240	49924GT	135
	239-240, 243,	49117-5835GT	217, 219-220,	49143-3829-SGT	233, 235, 237,	50035GT	43
	245-246, 281,		225		239-240, 243,	50060-SGT	23, 27
	307	49117-5935-SGT	223		245-246	50100GT	151-152
48960GT	217, 219-220,	49117-5935GT	219-220	49143-5629GT	307	50117-SGT	155-156
	227-228, 231,	49117-6435GT	225	49143-6329-SGT	233, 235, 237,	50154GT	37, 39
	233, 235, 237,	49118-9708-SGT	257		239-240, 243,	50160GT	147
	239-240, 243,	49119-10678GT	225		245-246	50161GT	51-52, 55, 57-58
	245-246, 257,	49119-1878-SGT	223	49143-6529-SGT	239-240, 245-	50169GT	29, 31
	281, 307	49119-3848GT	251, 255		246	50170GT	215
48961GT	233, 235, 237,	49119-3878GT	253	49143-7029-SGT	217, 219-220,	50172GT	185
	243	49119-5578-SGT	249		239-240, 245-	50207GT	163
48962GT	217, 223, 227-	49119-5648GT	255		246	50208GT	163, 165
	228, 231, 233	49119-5678-SGT	217, 219-220,	49143-8429GT	239-240, 245-	50212GT	163
48963GT	217, 220, 223,		253		246	50243GT	151-152
	225, 227-228,	49120-12981-SGT	257	49159-6118-SGT	227-228, 231,	50245GT	149, 155-156
	231, 233, 235,	49126-1583-SGT	233, 235, 237,		233, 235, 237,	50246GT	149, 155-156
	237, 239-240,		239-240, 243,		239-240, 243,	50247GT	151-152
	243, 245-246,		245-246		245-246	50787-SGT	129-130
	307	49126-1783GT	239-240, 246	49163-2994GT	281	50790GT	67, 69
48964GT	281, 307	49126-1883-SGT	227-228, 231	49183-10692-SGT	257	50810GT	177-178
48966GT	227-228	49128-1350-SGT	233, 235, 237,	49183-3292GT	219-220	50811GT	61
48968GT	233		239-240, 243,	49183-4092GT	219-220	50813GT	163, 165
48969GT	227-228, 231		246	49183-5492-SGT	217, 219-220	5094GT	67
48978GT	240	49128-1650GT	239-240, 246	49183-5792GT	219-220	50974GT	47, 49, 51-52,
48983GT	228, 231, 257	49128-1909-SGT	228	49189-2338GT	27, 39		55, 57-58, 63,
48984GT	227-228, 231,	49128-2009-SGT	228, 231	49207GT	199-200, 227-		77, 79, 83, 85,
	233, 235, 237,	49128-2633-SGT	227-228, 231		228, 231, 233,		101, 103, 105,
	239-240, 243,	49128-3109-SGT	257		235, 237, 239-		107, 109, 127,
	245-246	49128-37809GT	240, 246		240, 243, 245-		129-130
48985GT	228, 231, 233,	49128-4009-SGT	257		246	51063GT	63, 141, 143,
	235, 237, 239-	49130-106782-SGT	228, 231, 233,	49212GT	299		145, 159, 263
	240, 243, 246		235, 240, 243,	49214GT	299	51131GT	91, 93, 117, 119,
48993GT	51-52, 227-228		246	49215GT	299		137, 139
48995GT	51-52, 55, 57-	49130-114582-SGT	228, 231, 233,	49366GT	77, 79	51147GT	47, 49
	58, 227-228,		237, 240, 243,	49378GT	71, 95, 113, 121	51428GT	141, 143
	231, 233, 235,		246	49379GT	113, 267	52087GT	215
	237, 243	49130-37982GT	240, 246	49381GT	95, 99, 101, 103,	5224GT	145, 151-152,
48996GT	51-52, 55, 57-	49130-48782GT	240, 246		105, 111		165, 167
	58, 228, 231,	49130-51982GT	228, 231, 233,	49393GT	271	52352GT	135
			235, 237, 243	49407GT	129-130	52371GT	211
		49130-55382GT	246			52373GT	197, 199-200

Part Number Index (continued)

Part Number	Page	Part Number	Page	Part Number	Page	Part Number	Page
52374GT	191, 195, 199-200	56912GT	21, 25, 27, 37, 39, 41, 51-52,		159, 161, 163, 165, 167	60507GT	137
52385GT	197, 199-200		55, 57-58, 65,	60222GT	149, 155-156	60508GT	51-52, 55, 57-58
52466GT	197, 199-200		67, 69, 87, 109,	60229GT	151-152	60510GT	52
52537GT	75		111, 113, 147,	60231GT	151-152	60512GT	177-178
52661GT	295-296		167, 173-175	60234GT	287	60513GT	177-178
52723GT	185, 187	56927GT	174-175	60235GT	287	60520GT	259
52724GT	185	56934GT	301	60236GT	287	60521GT	47, 49, 52, 55, 57-58, 259, 265,
52726GT	185, 187	57072GT	149	60237GT	287		267, 269, 271,
52768GT	51-52, 55, 57-58	57160GT	47, 49	60239GT	149, 155-156		273, 275, 277
52865GT	14	57201GT	170, 267	60240GT	151-152	60525GT	113
52866GT	71, 85, 95, 107, 121, 129-130	58165GT	75, 95, 99, 127	60242GT	155-156	60526GT	113
52905GT	197, 200	58222GT	49	60244GT	287	6054GT	41
52907GT	191, 195, 197, 199-200, 207, 211	58223GT	49	60245GT	147, 155-156	60550GT	71, 81
52943GT	185	58249GT	135	60247PGT	147	60551GT	51-52, 227-228
53471GT	113	58256GT	135	6024GT	77, 79, 81, 83, 101, 103, 105, 107, 109, 113, 127, 133	60552-SGT	77, 79
5361GT	65	58299GT	135			60553-SGT	101, 103
5365GT	111, 129-130	58317GT	33	60256-SGT	147	60553PGT	105
53807-SGT	295-296	58566GT	123, 135	60296GT	141	60554-SGT	101, 103, 105
53808-SGT	295-296	58593GT	61	60297GT	141, 143, 145	60555GT	23, 27
5387GT	71, 155-156	58626GT	177-178	60300GT	141, 143	60559GT	52, 55, 58
5397GT	37, 39, 43, 47, 49, 51-52, 55, 57-58, 63, 65, 71, 77, 79, 81, 83, 85, 87, 91, 93, 95, 101, 103, 105, 107, 109, 117, 119, 121, 127, 129-130, 133, 137, 139, 141, 143, 145, 147, 159, 161, 167, 259, 265, 269, 271, 275, 277, 279, 289, 296, 299, 301, 305	58629GT	177-178	60302GT	141, 143, 145	60560-SGT	91, 117
		58630GT	135	60304GT	149, 155-156	60561GT	71, 85, 87, 111, 113, 121, 133
		59335GT	257	60322-SGT	71, 85, 95, 107, 123	60564PGT	101, 103, 105, 107
		59680GT	271	60326GT	285	60566-SGT	95
		59746GT	77, 79, 101, 103, 105, 127	60331GT	151-152	60569-SGT	75
		59969GT	269	60332GT	151-152	60571-SGT	52, 55, 57-58
		6002GT	63, 65, 67, 69	60333GT	151-152	60575PGT	43
		60042-SGT	173-175	60334GT	47, 49	60576GT	97, 111
		60156GT	159, 161, 287	60335-SGT	151-152	60577GT	97
		60157GT	149, 287	6033GT	21, 23, 25, 27, 37, 39, 43, 51-52, 55, 57-58, 141, 143, 145, 152, 285	60578GT	67, 69
		60160PGT	174-175	60340-SGT	151-152	60583-SGT	65
		60163-SGT	151-152	60341-SGT	63	60584GT	41, 47, 49, 71, 95, 107, 121, 129-130
		60164GT	151-152	60342GT	147	60585GT	71, 95, 109, 121
		60171GT	151-152	60343-SGT	151-152, 155-156	60586GT	73, 81
		60177-SGT	147, 155-156, 159, 161	60346-SGT	151-152	60587GT	73
		60179GT	151-152	60356-SGT	151-152	60588-SGT	52
		60181-SGT	151-152	60357GT	189, 191	60590-SGT	51-52
		60192GT	149, 151-152, 155-156	60358GT	151-152	60592-SGT	77, 101
53983GT	21, 25, 63, 141, 159, 161	60194GT	155-156	6035GT	77, 79, 81, 91, 93, 101, 103, 105, 117, 119, 127, 137, 139	60593-SGT	77, 101
54085-2918-SGT	217	6019GT	21, 27, 37, 39, 41, 47, 49, 51-52, 55, 57-58, 63, 71, 77, 79, 81, 83, 85, 87, 91, 93, 95, 101, 103, 105, 107, 109, 117, 119, 121, 127, 129-130, 137, 139, 141, 143, 145, 149, 151-152, 155-156, 159, 161, 163, 165, 170, 271, 279, 289, 303	60344-SGT	63	60595-SGT	69
54085-5818-SGT	217		51-52, 55, 57-58,	60342GT	147	60596GT	85, 87, 95
54156GT	151-152		63, 71, 77, 79,	60343-SGT	151-152, 155-156	60597GT	91, 117
54177GT	87		81, 83, 85, 87,	60346-SGT	151-152	60606-SGT	43
54205GT	109		91, 93, 95, 101,	60356-SGT	151-152	60609GT	29
54247-SGT	174-175		103, 105, 107,	60357GT	189, 191	60617GT	23
54274GT	174-175		109, 117, 119,	60358GT	151-152	60618GT	23, 27
54283GT	217, 219-220		127, 129-130,	6035GT	77, 79, 81, 91, 93, 101, 103, 105, 117, 119, 127, 137, 139	60619-SGT	127
54355GT	174-175		137, 139, 141,	6036GT	91, 93, 117, 119, 137, 139	60625GT	91, 93, 117, 119, 137, 139
54363GT	109		143, 145, 149,	60370-SGT	170	60627GT	285
54380GT	47, 49, 279		151-152, 155-	6037GT	121	60628GT	285
54457GT	293		156, 159, 161,	60384GT	177-178	60632-SGT	95
54458GT	293		163, 165, 170,	60387GT	37	60637GT	91, 93, 117, 119, 137, 139
54465GT	293		271, 279, 289,	60389GT	197, 203	60640-SGT	77, 101
54486GT	261		303	60393-SGT	43	60644-SGT	269
54817P-SGT	170	60205GT	151-152	60416-SGT	37	60649GT	77, 79, 85, 101, 103, 105, 107
55043GT	269	60208GT	151-152	60418-SGT	37, 39	60651-SGT	99
55753GT	293, 295-296	60215-SGT	151-152	60422GT	151-152	60653GT	51-52, 227-228
55906GT	261	60216GT	151-152	60467-SGT	261	60655-SGT	63
56233GT	227-228, 231, 233, 235, 237, 239-240, 243, 245-246	60217GT	155-156	60468-SGT	261	60662-SGT	269
56237GT	303	6021GT	23, 27, 29, 31, 37, 39, 47, 49, 51-52, 55, 57-58, 63, 65, 79, 81, 83, 87, 91, 93, 103, 105, 107, 117, 119, 121, 137, 139, 141, 143, 145, 147, 149, 151-152, 155-156,	60474GT	173-175	60670-SGT	63
56424GT	173-175, 293, 301		51-52, 55, 57-	60475GT	173-175	60671GT	63
56525GT	293		58, 63, 65, 79,	60476GT	173-175	60687-SGT	91, 117
56570GT	293		81, 83, 87, 91,	60478GT	173-175	60690-SGT	141
56653GT	51-52, 55		93, 103, 105,	60482-SGT	41	60693GT	141, 143
56660GT	111		107, 117, 119,	60483-SGT	65	60697GT	151-152
56704GT	259		121, 137, 139,	60485GT	279	60701-SGT	47
56843GT	29, 31, 43, 45, 299		141, 143, 145,	60486-SGT	51-52	60704-SGT	51-52
			147, 149, 151-	60487GT	203		
			152, 155-156,	60492GT	41		
				60496-SGT	63		
				60506GT	197		

Part Number Index (continued)

Part Number	Page	Part Number	Page	Part Number	Page	Part Number	Page
60707GT	265, 267, 269, 271, 273, 275, 277	60892GT	67	61014-SGT	275	61150GT	99
60708-SGT	47, 49	60893GT	67	61015-SGT	283	61152GT	75, 95
60711GT	47, 49	60895-SGT	67	61016-SGT	283	61155GT	121
60717-SGT	265, 267	60908-SGT	283	61065GT	99	61156GT	121
60718-SGT	265	6090GT	21, 25, 27, 47, 49, 51-52, 55, 57-58, 65, 75, 81, 85, 87, 99, 103, 109, 113, 127, 141, 143, 147, 151-152, 163, 165, 167, 170, 173-175, 279, 285, 287, 289, 291, 293, 295-296	61070-6626-SGT	233, 235, 237, 243	61157-SGT	121
60721GT	47, 49	6091GT	47, 49, 51-52, 55, 57-58, 63, 67, 69, 71, 75, 79, 81, 85, 87, 91, 95, 99, 103, 105, 107, 111, 113, 117, 121, 129-130, 137, 143, 159, 161, 167, 170, 173-175, 263, 265, 267, 269, 271, 273, 275, 277, 285, 289, 291, 293, 295-296	61070-7952GT	227-228, 231	61158GT	79, 105, 111
60725GT	267			61071-2252-SGT	227-228	61160GT	159
60726GT	227-228, 231, 233			61072-12126-SGT	235, 237, 239-240	61161GT	159
60727-SGT	47, 49, 51-52, 55, 57-58			61072-1930-SGT	227-228, 231	61162-SGT	159
60728GT	67			61072-3101-SGT	227-228, 231, 233, 235, 237, 239-240, 243, 245-246	61164GT	159, 161
60729-SGT	47, 49, 63, 77, 79, 101, 103, 105, 107			61072-3226-SGT	217	61166-SGT	159
60729GT	83			61072-3826GT	243, 245-246	61171GT	159, 161
60729PGT	85			61072-4226-SGT	217	61174GT	159, 161
60738GT	265, 267, 269, 271, 273, 275, 277			61072-5526-SGT	227-228, 231, 233, 235, 237, 243	61176-SGT	159, 161
60739GT	265, 267, 269, 271, 273, 275, 277			61072-6826-SGT	227-228, 231, 233	61179GT	65
60745GT	23, 27			61072-7226-SGT	227-228, 231, 233, 243, 245-246	61185GT	141, 143, 145
60746GT	29			61072-7426GT	243, 245-246	61186GT	51-52, 227-228
60747GT	23, 27			61072-8326GT	239-240, 245-246	61187GT	47
60753GT	23			61073-12530-SGT	227-228, 231, 233, 235, 237, 239-240	61189GT	47, 49
60757GT	113			61073-1930-SGT	233	61194GT	265, 267, 275, 277
60759-SGT	65			61073-1955-SGT	228	61195GT	265, 267, 269, 271, 273, 275, 277
60776-SGT	29			61073-2105-SGT	228, 231	61197-SGT	141
60778-SGT	109, 127, 129-130			61073-3230GT	239-240, 245-246	61198GT	265, 267, 269, 275
60789-SGT	165			61073-5430GT	239-240, 245-246	61203-SGT	141, 143
60790GT	273			61073-6230-SGT	233, 235, 237, 239-240, 243, 245-246	61209GT	147, 155-156
60802GT	155-156			61073-6230GT	281	61210GT	147, 155-156
60805GT	41			61073-7230-SGT	227-228, 231	61211GT	265, 267, 269, 271, 273, 275, 277
60807GT	95			61074-1972GT	243, 245-246	61216-SGT	174-175
60811GT	45, 299			61074-2228GT	281	61222GT	43
60812GT	45, 299			61077GT	71, 81, 95, 107, 123	61223GT	43
60815GT	43			61078GT	71, 81, 95, 107, 123	61225GT	47, 49
60819PGT	259			61079GT	249, 251, 253, 255	61227GT	13-14, 17-18
60820-SGT	91, 117			61080GT	240, 246	61233GT	145
60822PGT	147			61083GT	227-228, 231, 233, 235, 237, 239-240, 243, 245-246	61236GT	41
60825-SGT	141, 143			61086GT	227-228, 231	61239-SGT	37
60826GT	91, 93, 117, 119, 137, 139			61099-SGT	149, 287	61240GT	41
60829GT	147			61110GT	87, 123	61242PGT	85
60838GT	51-52, 55, 57-58, 63, 77, 101, 147, 259			61115GT	155-156	61243-SGT	71, 121
6083GT	273, 277			61118GT	285	61245GT	283
60840GT	149, 155-156			61119GT	285	61246GT	283
60851GT	269			61128GT	43	61250GT	43
60855GT	137			61134-5833-SGT	227-228, 231, 233, 235, 237, 239-240, 243, 245-246	61251GT	51-52, 228
60856GT	121			61134-7033GT	307	61255GT	21
60857GT	47, 49			61135-3611-SGT	227-228, 231	61259GT	228, 231, 233, 235, 237, 239-240, 246, 249, 251, 253, 255
60858GT	47, 49			61135-3711-SGT	227-228	61260GT	227-228, 231, 240, 246, 257
60865GT	29			61141GT	63	61262GT	227-228, 231
60868GT	77, 79, 113			61142-3584GT	217	61263GT	227-228, 231, 233, 235, 237, 239-240, 243, 245-246
6086GT	151-152			61143-11263GT	219-220	61268GT	217, 219-220
60871GT	141, 143			61143-11563-SGT	217, 219-220	61269GT	217, 219-220, 223, 227-228
60872GT	67, 69			61143-5463-SGT	217, 219-220	6126GT	43
60874GT	67, 69					61270GT	71, 85, 107, 111, 121
60875GT	63, 91, 93, 117, 119, 137					61271GT	71, 85
60882GT	95					61272GT	227-228, 231, 233
60883GT	71, 95, 123					61273GT	121
60884GT	67, 69					61278GT	67
60886PGT	299					61279-SGT	67
60887GT	265, 267, 269, 271, 273, 275, 277					61281-SGT	23, 27
60889GT	99					61283GT	177-178
60890GT	41					61294PGT	159, 161

Part Number	Page	Part Number	Page	Part Number	Page	Part Number	Page
61297GT	285	61781GT	113	62374GT	61		149, 151-152,
61302GT	37, 39	6178GT	21, 25, 43, 51-	62375GT	61		159, 161, 163,
61306-SGT	165		52, 55, 57-58,	62376GT	61		165, 173-175,
61307GT	23, 27, 37, 39		67, 69, 141, 143,	62378GT	61		177-178, 261,
61308GT	23, 27		145, 159, 161,	62379GT	61, 177-178		287, 296
61309GT	23, 27, 37, 39		173-175, 259,	62382GT	177-178	63766GT	174-175
61310-SGT	23, 27, 37, 39		261	62383GT	177-178	65182GT	13-14, 17-18,
61318GT	47, 49, 125	61972GT	263	62385GT	177-178		177-178
61321GT	228, 231, 233,	61974GT	263	62386GT	177-178	65185GT	13-14
	235, 237, 240,	61975GT	263	62387GT	177-178	65186GT	13-14
	243, 246	61976GT	263	62388GT	177-178	65187GT	13-14
61324-12947GT	43	61977GT	263	62389GT	177-178	65188GT	14
61326GT	51-52, 55, 57-58	6198GT	37, 39, 43, 51-	62392GT	181, 183	65266GT	14, 17-18
61337GT	71, 81		52, 55, 63, 65,	62399GT	177-178	65269GT	13-14
61339GT	170		77, 101, 147,	62403GT	29, 31	65274GT	14
61340GT	141, 143, 145		151-152	62404GT	29, 31	65275GT	14
61341GT	141, 143, 145	61994GT	269	62405GT	215	65276GT	14
61342GT	43	61997GT	263	62407GT	71, 95, 123, 215	65278GT	14, 17-18
61345GT	217	62252GT	187	62411GT	51-52	65428GT	14
61346GT	217, 219-220	62253GT	187	62412GT	51-52, 55, 57-58	65473GT	81, 83, 107, 109
61347GT	63	62320GT	147, 155-156	62413GT	51-52, 55, 57-58	6550GT	305
61350-SGT	63	62321GT	43	62414GT	51-52, 55, 57-58	65630GT	293
61352GT	227-228, 231,	62323GT	189, 193, 197,	62415GT	215	6578GT	113
	233, 235, 237,		199-200	62416GT	21, 25	65792GT	141, 143, 145
	239-240, 243,	62324GT	189, 193, 197,	62417GT	165	65793GT	23, 27
	245-246		200, 207, 211	62419GT	21, 25	65795GT	163
61354GT	29	62325GT	197, 199-200	62425GT	71, 85, 95, 107,	6584GT	111, 129-130
61357GT	71	62326GT	197, 199-200		121, 129-130	65907GT	197, 199-200
61358GT	61	62327GT	197, 199-200	62426GT	99	6595GT	67, 279
61359GT	47	62329GT	197, 200	62427GT	95	6605GT	259
61368-SGT	21, 23	62330GT	189, 193, 197,	62428GT	97	6606GT	67, 69
61378-SGT	37, 39		199-200	62429GT	95	6607GT	21, 23, 25, 27,
61379GT	156	62332GT	197, 199-200	62430GT	123		47, 151-152,
61380GT	156	62333GT	197, 200	62431GT	125		173-175
61381GT	21	62334GT	189, 193, 197,	62432GT	125	6638GT	21, 25, 27, 29,
61384GT	151-152		199-200	62433GT	71, 95, 107, 121		31, 37, 39, 41,
61385GT	151-152	62335GT	197, 199-200	62434GT	121		47, 49, 51-52,
61391GT	159	62336GT	197, 199-200	62435GT	75		55, 57-58, 63,
61393GT	285	62337GT	189, 193, 197,	62436GT	71		65, 67, 69, 71,
6145GT	163, 165, 296		199-200	62437GT	73		75, 77, 79, 81,
6146GT	43, 67, 69, 141,	62338GT	199-200	62438GT	71		83, 85, 87, 91,
	143, 145, 173-	62339GT	197, 200	62439GT	13-14		95, 99, 101, 103,
	175, 261, 263	62341GT	191, 195, 197,	62440-SGT	23		105, 107, 109,
6147GT	67		199-200, 211	62441GT	205		111, 113, 117,
61587GT	91	62342GT	197, 199-200	62442GT	205, 209		121, 127, 129-
61591-SGT	141, 143	62343GT	189, 191	62443GT	205, 209		130, 137, 141,
61598GT	165	62344GT	197, 200	62449GT	141, 143, 145,		143, 147, 149,
61602GT	141, 143, 145,	62345GT	189, 193		151-152		159, 161, 163,
	165	62346GT	189, 191, 193,	62464GT	33		165, 167, 170,
61604GT	21, 25		195	62465GT	45, 299		173-175, 261,
61610GT	219-220	62347GT	189, 191, 193,	62466GT	45, 299		265, 269, 271,
61625GT	261		195	62467GT	45, 299		273, 275, 279,
61634-SGT	25, 27	62349GT	197, 199-200	62468GT	33, 45		285, 287, 289,
61649-SGT	39	62350GT	209	62470-SGT	37, 39		291, 293, 295-
61654PGT	25	62351GT	209	62471-SGT	37, 39		296, 301, 303,
61662-SGT	31	62353GT	205, 209	62472GT	33		313
61663PGT	39	62354GT	205, 209	62473GT	33	66717GT	49
61682PGT	25	62355GT	205, 209	62474GT	33	66777GT	107, 109, 133
61683GT	25	62356GT	121, 205, 209	62475GT	33	66811GT	61
61684GT	25	62357GT	205, 209	62476GT	33, 113, 129-130	66812GT	61, 177-178
61688GT	25	62358GT	209	62477GT	33	66816GT	61
61726GT	263	62359GT	205, 209	62478GT	33, 35	66818GT	61, 177-178
61735GT	141, 143	62360GT	205, 209	62479GT	33	66821GT	61, 177-178
61742GT	39	62361GT	205, 209	62506GT	213	6708GT	163
61745GT	155-156, 167	62362GT	205, 209	62507GT	213	6732GT	51-52, 55
6175GT	23, 27, 47, 49,	62363GT	205, 209	6272GT	61, 311	67505GT	61
	52, 55, 57-58,	62364GT	205, 209	63213GT	165	6782GT	37, 39, 47, 49,
	63, 67, 77, 91,	62365GT	191, 195	6326GT	23, 27, 165		51-52, 55, 57-
	93, 101, 107,	62366GT	185	63353GT	165		58, 63, 83, 147,
	117, 119, 133,	62367GT	185	63375GT	279		265, 267, 269,
	137, 139, 141,	62368GT	185	6356GT	21, 25, 27, 29,		271, 275, 277,
	143, 145, 149,	62369GT	185		31, 37, 39, 41,		303, 305
	151-152, 155-	62370GT	203		47, 49, 51-52,	6833GT	52, 55, 57-58, 85
	156, 159, 161,	62371GT	203		55, 57-58, 65,	6873GT	67
	170, 265, 269,	62372GT	203		67, 69, 77, 101,	6886GT	51-52, 55, 57-58
	275	62373GT	203		127, 141, 147,		

Part Number Index (continued)

Part Number	Page	Part Number	Page	Part Number	Page	Part Number	Page
6888GT	37, 39, 41, 51–52, 55, 57–58, 63, 65, 67, 69, 79, 87, 103, 105, 107, 111, 129–130, 137, 159, 161, 173–175, 261, 263, 267, 271, 273, 277, 289, 291, 303, 313	73121-SGT	259	75082-SGT	127	75174GT	73
6889GT	65, 127, 261, 295–296, 303	7339GT	33, 35, 61, 65, 77, 101, 127, 173–175, 177–178, 261	75083-SGT	127	75175GT	73, 89
69229GT	47, 49	73461GT	149, 155–156	75084GT	121	75176GT	73, 89
69230GT	47, 49	73463-1175GT	301	75085GT	75, 95, 99, 121, 127	75177GT	73
6935GT	67, 303	73477PGT	174–175	75087GT	27	75178GT	73
69864GT	177–178	73478PGT	174–175	75088GT	27	75179GT	73, 89
69873GT	187	73500GT	293	75090GT	33	75180GT	73, 89
7-121-07GT	41	73501GT	293	75096GT	141, 143	75181GT	73, 89
70241GT	187	73587GT	173–175	75098GT	197, 199–200, 203, 225, 227–228, 231, 233, 235, 237, 239–240, 243, 245–246, 249, 251, 253, 255, 257	75182GT	73, 89
70257GT	87, 111, 113, 289	73610PGT	173–175	75100GT	71, 95, 107, 121	75183GT	73, 89
70381GT	87, 129–130	73711GT	113	75102GT	73, 89	75184GT	73
70387GT	41	73742GT	39	75103-SGT	155–156	75185GT	73
70389GT	277	73807GT	213	75105-SGT	163	75186GT	73
70397GT	273, 277	73900GT	174–175	75106-SGT	163	75187GT	71
70438PGT	133, 277	73928GT	170	75107GT	33	75188GT	73
70439PGT	129–130	73931GT	174–175	75108-SGT	67	75189GT	75
70440GT	133	73975GT	173–175	75110-SGT	67	75190GT	75
70444GT	87, 107, 109, 133	73976GT	173–175	75111-SGT	69	75192GT	75
70445GT	133	74006GT	170, 279, 303	75113GT	51–52, 55, 57–58	75193GT	75
70447GT	133	74052GT	67, 170	75114-SGT	173–175	75194GT	75
70448PGT	130	74902GT	185, 187, 203	75116GT	45, 299	75196GT	75
70449GT	107, 109, 133	75000GT	121	75120GT	77, 79	75197GT	75
70451GT	130	75001PGT	21	75121GT	47, 49	75198GT	75
70478PGT	129–130	75002GT	21	75122-SGT	63	75199GT	75
70479PGT	129–130	75003GT	21	75123-SGT	170	75200GT	75
70483GT	107, 109, 133	75004GT	21	75124-SGT	91, 117, 127, 137	75202GT	75
70507GT	277	75006-SGT	21	75125GT	147	75247PGT	27
70508GT	277	75007GT	43	75126GT	43	75249-PGT	259
70515GT	289, 291	75008GT	43	75127GT	43	75250-PGT	259
70518GT	81, 107	75011GT	141, 143, 145	75128GT	43	75251GT	283
70540GT	271	75014GT	52, 55, 57–58	75129GT	43	75253GT	51–52, 55, 57–58, 228, 231, 233, 235, 237, 239–240, 243, 246
70545GT	271	75015GT	269	75130GT	43	75254GT	51–52, 55, 57–58, 227–228, 231, 233, 235, 237, 239–240, 243, 245–246
70546PGT	289	75016-SGT	163, 165	75132-SGT	141, 143	75255GT	51–52, 55, 57–58, 227–228, 231, 233, 235, 237, 239–240, 243, 245–246
70553GT	107	75020GT	71, 95, 107, 121	75134-SGT	165	75256GT	51–52, 55, 57–58, 227–228, 231, 233, 235, 237, 239–240, 243, 245–246
70554PGT	107	75021-SGT	165	75135GT	77, 79	75257GT	51–52, 55, 57–58, 227–228, 231, 233, 235, 237, 239–240, 243, 245–246
70555PGT	107	75029GT	71	75136GT	77, 79	75258GT	52, 55
7056GT	170, 279, 303	75030GT	63	75137GT	77, 79	75259GT	81, 83, 105
71259GT	63, 137	75031GT	151–152, 159, 161	75138GT	101	75260GT	79, 81, 103, 105, 107
71498GT	296	75032GT	141, 143, 145	75139GT	101	75262-SGT	79, 103, 105
71911GT	83, 109, 111, 130, 133	75033GT	141, 143, 145	75140GT	177–178	75262PGT	81, 111
72043GT	185, 187	75034GT	159	75141GT	177–178	75275GT	269
72051GT	14	75035GT	159	75142GT	178	75278-5529-SGT	217, 219–220
72052GT	14	75036GT	21, 25	75143GT	181	75278-5729GT	219–220
72053GT	14	75037GT	43	75144GT	173–175, 177–178, 261	75278-5829-SGT	217, 219–220
72087GT	14	75038GT	21, 25	75150GT	71, 89	75278-6029GT	219–220
72088GT	13–14, 17–18, 177–178	75039-SGT	21, 25	75151GT	71, 81	75278-6329-SGT	217, 219–220
72130GT	14	75040GT	21, 25	75152GT	71	75286GT	159, 161
72147GT	14, 17–18	75041GT	51–52, 55, 57–58	75153GT	71, 89	75288-5538-SGT	227–228, 231, 233, 235, 237, 239–240, 243, 245–246
72148GT	14, 17–18	75043GT	51–52, 227–228	75154GT	77, 79	75291GT	77, 103
72149GT	14, 17–18	75044-SGT	71	75155GT	71	75297-SGT	79, 103, 105
72150GT	14, 17–18	75045GT	71, 85	75156GT	71	75297PGT	81, 107
72151GT	14	75046-SGT	71, 85	75157GT	71	75300GT	103
72152GT	14, 17–18	75047-SGT	155–156	75158GT	73	75303GT	95
72168GT	14	75048GT	283	75159GT	73, 75		
72169GT	14	75049PGT	152	75160GT	73		
72243GT	123	75050GT	21	75161GT	73		
72255GT	135	75051GT	51–52	75162GT	73		
72282GT	259	75052GT	71, 85	75163GT	73, 89		
72326GT	61, 177–178	75053GT	265, 269, 275	75164GT	73, 89		
72355GT	121	75057-SGT	63	75165GT	73, 89		
7265GT	295–296	75058-SGT	63	75166GT	73		
72875GT	293	75060GT	21, 25	75167GT	73		
72968GT	14	75061GT	163, 165	75168GT	73, 89		
		75063GT	21, 25	75169GT	73, 89		
		75064GT	141, 143, 145	75170GT	73		
		75065GT	147	75171GT	73, 89		
		75066GT	147	75172GT	73, 89		
		75067GT	67, 170	75173GT	73		
		75069GT	67, 170				
		75073GT	65, 67				
		75076GT	51–52, 55, 57–58, 67, 69				

Part Number Index (continued)

Part Number	Page	Part Number	Page	Part Number	Page	Part Number	Page
75304GT	95	75391GT	125	75547GT	79, 81, 101, 105, 107	81368GT	293
75305GT	95	75392GT	125			81458GT	279
75306GT	95	75393GT	125	75551GT	61	81467GT	71, 85, 95, 107, 113, 121, 129-130
75307GT	95	75394GT	125	75554PGT	41		
75308GT	95	75395GT	165	75555GT	97, 111	81468GT	71, 85, 95, 107, 113, 121, 129-130
75309GT	95	75396GT	151-152	75563GT	143		
75310GT	95, 115	75397GT	151-152	75574GT	227-228, 231, 233, 235, 237, 239-240, 243, 245-246	81476GT	91, 93, 137, 139
75311GT	95	75398GT	127			81551GT	61, 311
75312GT	97	75399GT	127	75586GT	121	81578GT	52, 55, 57-58
75314GT	97, 115	75400GT	29, 31	75587GT	71	81640GT	167
75315GT	97	75402GT	147, 155-156	75588GT	95	8170GT	47, 49
75316GT	97	75404GT	25, 39	75589GT	55	81738-1900GT	111
75317GT	97	75405GT	39	75591GT	55, 57-58	81738-2800GT	111
75318GT	97	75407GT	177-178	75606GT	73	81738-3300GT	113
75319GT	97	75409GT	47, 49, 51-52, 55, 57-58	75607PGT	93, 119	8177GT	37, 39, 141, 143, 145, 151-152
75320GT	97			75610GT	47, 49		
75321GT	97	75416GT	125	75612GT	219-220	8178GT	313
75322GT	97	75417GT	125	75613GT	219-220, 225, 239-240, 245-246	81852GT	271, 273, 277
75323GT	97	75418GT	125			82237GT	303, 305
75324GT	97	75419GT	125	75614GT	281	82240GT	17-18
75325GT	97	75420GT	125, 275	75618GT	71	82289GT	13-14
75326GT	97, 115	75421GT	125	75627GT	165	82366GT	13-14
75327GT	97, 115	75422GT	125	75637GT	25	824038GT	301
75328GT	97, 109, 115	75423GT	125	75641GT	259	824083GT	293
75329GT	97, 115	75424GT	151-152	75642-SGT	67	82422GT	14, 17-18, 259
75330GT	97, 115	75425GT	265, 267, 269, 271, 273, 275, 277	75644GT	193, 195	82472GT	17-18
75331GT	97, 115			75645GT	57-58	82473GT	17-18
75332GT	97, 115	75426GT	265, 267, 269, 271, 273, 275, 277	75645GT	57-58	82481GT	17-18
75333GT	97			75651GT	79, 111	82487GT	17-18
75334GT	97	75427GT	265, 267, 269, 271, 273, 275, 277	75654GT	233, 235, 237, 239-240, 243, 245-246	825019GT	23, 27, 91, 93, 117, 119, 137, 139, 151-152, 163, 165
75335GT	97			75657-2515-SGT	233, 235, 237, 239-240, 243, 245-246	825030GT	13-14
75336GT	97	75428GT	265, 267, 269, 271, 273, 275, 277			825032GT	13-14
75337GT	97			75663-SGT	155-156	825109GT	13-14
75338GT	97	75429GT	265, 267, 269, 271, 273, 275, 277	75682GT	45	825111GT	13-14
75339GT	97			75698GT	143	825365GT	13-14
75340GT	97	75433GT	121	75717GT	143	825373GT	13-14
75341GT	95	75434GT	77, 79, 81, 103, 105, 107	75719GT	47, 49, 51-52, 55, 57-58	825383GT	13-14
75342GT	99, 115					82544GT	17-18
75343GT	99, 115	75435GT	77, 79, 103, 105	75753GT	193, 195	82547GT	18
75344GT	99	75436-SGT	141, 143	75762GT	151-152	82548GT	17-18
75345GT	99	75437-SGT	159	75854GT	63, 137	8255GT	23, 27, 29, 31, 47, 49, 65, 83, 87, 147, 155-156, 159, 161, 167, 259
75346GT	99	75438-SGT	77	75855GT	63, 137		
75347GT	99	75443GT	181, 183	75910GT	21, 25, 63, 141, 159, 161	82577GT	17-18
75353GT	101, 103, 105	75444GT	181, 183			82601GT	17-18
75355GT	151-152	75445GT	181, 183	75911GT	141, 159, 161	82602GT	17-18
75356GT	151-152	75446GT	181, 183	75912GT	141, 159, 161	82603GT	17-18
75358GT	121	75447GT	181, 183	75913GT	21, 25, 63, 141, 159, 161	82604GT	17-18
75359GT	121	75448GT	181, 183			82607GT	17-18
75360GT	121	75449GT	181, 183	75969PGT	137	82671GT	17-18
75361GT	123	75450GT	71, 85, 95, 107, 121, 129-130	75971GT	57-58, 239-240, 245-246	82698GT	17-18
75362GT	123					82862GT	305
75363GT	123	75451GT	71, 85, 95, 107, 121, 129-130	75973GT	199-200	82902GT	14
75364GT	123			77046GT	14	82924GT	17-18
75365GT	123	75452-SGT	27	7713GT	63, 83, 87, 147, 155-156, 159, 161, 259	83098GT	181, 183
75366GT	123	75453GT	195			83122GT	177-178
75367GT	123	75454GT	55, 57-58	77181GT	81, 303	83136GT	215
75369GT	123	75456GT	199-200	77183GT	14	83137GT	215
75370GT	123	75457GT	199-200	77489GT	187	84134GT	185, 187
75371GT	123	75458GT	199-200	77664GT	301	84135GT	185, 187
75372GT	123	75460GT	93, 119, 127, 137	77683GT	301	85053GT	130, 271
75374GT	123	75461GT	143	77692GT	170	85064GT	109
75375GT	123	75473GT	121	77806GT	29, 31	8514GT	25
75376GT	137	75483-SGT	155-156	77819GT	215	8516GT	63, 77, 79, 83, 85, 91, 93, 101, 103, 105, 107, 109, 117, 119, 127, 129-130, 137, 139, 145,
75377GT	123	75518-2272GT	233, 235, 237, 239-240, 243, 245-246	77840GT	173-175		
75379GT	123			78622GT	57-58		
75380GT	123	75518-2364-SGT	227-228, 231, 233	79456GT	167		
75381GT	125			80543GT	279, 303		
75382GT	125	75519GT	296	80605GT	263		
75383GT	125	75527GT	295-296	81069GT	277		
75384GT	125	75537PGT	173-175	81175GT	165		
75385GT	125						
75386GT	125						
75387GT	125						
75388GT	125						
75389GT	125						
75390GT	125						

Part Number Index (continued)

Part Number	Page	Part Number	Page
	163, 165, 173– 175, 265, 273, 277, 303	94745PGT	170, 295–296
85300GT	293	94757GT	309
88064GT	121, 133	94759GT	309
88091GT	41, 135	94760GT	309
88150GT	61	94765GT	309
88151GT	71, 95, 121	9599-SGT	295–296
88296GT	265, 267	97388GT	197, 199–200
88315GT	61	97576GT	14
88377-1400GT	301	97579GT	305
88406GT	305	97602GT	14
88492GT	289	97603GT	14
88493GT	289, 291	97757GT	17–18
88512GT	129–130	97815GT	14, 17–18
88516GT	165, 213	97875GT	14
88606PGT	261	97887GT	14
88607PGT	261	97890GT	13–14
88609-SGT	261	T106954GT	43
89105PGT	161	T106955GT	43
89106GT	161	T106956GT	43
89107GT	161	T106960GT	43
89109GT	161	T107605GT	125
89110GT	161	T107606GT	125
8914GT	29, 31, 47, 49, 51–52, 55, 57– 58, 149, 159, 161, 173–175	T107736GT	207, 211
8915GT	67, 69, 71, 95, 121, 167, 265, 269, 273, 275	T108075GT	163, 165
89164GT	161	T108076GT	165
89166-SGT	155–156	T108077GT	165
89171PGT	159, 161	T108078GT	163, 165
89212GT	35	T108732GT	135
89310GT	185, 187	T108733GT	135
89425GT	170	T108734GT	135
89493PGT	267, 271, 273, 277	T108870GT	61
89511-SGT	93, 119, 127, 137, 139	T108989GT	295–296
89534GT	165	T108991GT	295–296
89536GT	25	T109328GT	261
89539PGT	67	T109430GT	61
89755GT	263	T110549GT	14
89792GT	135	T111766GT	303
89833GT	43	T112560GT	279
89837GT	71, 89	T112561GT	279
89845GT	149	T112626GT	181, 183
89846GT	149	T112773GT	14, 17–18
89847GT	149	T113655GT	303
89894GT	275	T113801GT	129–130
89906GT	127, 275	T114022GT	303
89908GT	265, 267, 269, 271, 273, 275, 277	T114023GT	303
89915PGT	261	T114285GT	14
89959GT	289, 291	T114286GT	17–18
89960GT	289	T114678GT	129–130, 135
89970GT	289	T115352GT	311
89972GT	289		
89997GT	47, 49		
89998GT	75, 81, 99, 113, 127		
9145GT	152		
94324-500GT	107, 109		
94326-SGT	170		
94374-3130GT	219–220		
94374-5530GT	239–240, 245– 246		
94390-SGT	170		
94397GT	165		
94400GT	163		
94444GT	263		
94493-SGT	301		
94643GT	263		

The Part Description Index is an alphabetical index of all part descriptions included in this manual. The index shows what page(s) the part is used on.

(R e f e r e n c e)
VALVE, SOLENOID, 3POS4WAY, HYDAC.....205, 209

1

12VDC PROPORTIONAL VALVE.....279

2

207 HYD MOTOR ASSY, GEN.....279

6

6' TRI ENTRY ASSY ANSI.....295-296
6' TRI ENTRY ASSY USA/CAN S125.....295-296
6' TRI-ENT ASSY ANSI.....295-296
6' TRI-ENT ASSY AUST.....295-296
6' TRI-ENT RAIL W/DECALS A/SOA.....296
6' TRI-ENT RAIL W/DECALS ANSI.....295-296
6' TRI-ENT RAIL W/DECALS AUSTR.....296
6' TRI-ENTRY ASSY AUST.....295-296
6' TRI-ENTRY ASSY AUST S125.....295-296
6FT TRI-ENTRY ASSY A/SO.A.....295-296
6FT TRI-ENTRY ASSY AUST.....295-296

8

8' TRI-ENT ASSY A/SO.A S105125.....295-296
8' TRI-ENT ASSY ANSI.....295-296
8' TRI-ENT ASSY AUST.....295-296
8' TRI-ENT RAIL W/DECALS A/SOA.....296
8' TRI-ENT RAIL W/DECALS ANSI.....296
8' TRI-ENT RAIL W/DECALS AUSTR.....296
8' TRI-ENT RAIL W/DECALS CE/UK.....296
8' TRI-ENTRY ASSY ANSI.....295-296
8' TRI-ENTRY ASSY ANSI S125.....295-296
8' TRI-ENTRY ASSY CE S105/125.....295-296
8' TRI-ENTRY ASSY CE/UK.....295-296
8' TRI-ENTRY ASSY AUST S105/125.....295-296
8FT TRI-ENT ASSY A/SO.AM.....295-296
8FT TRI-ENTRY ASSY AUST.....295-296

A

ACC, PLAT CONTROL COVER, SERV.....261
ACCESS PBOX HEATER S100/120.....311
ACCESSORY, OPERATOR PROT STRUCT.....313
ACCESSORY, PANEL CRADLE, ANSI.....301
ACCUMULATOR, 5CU IN 500 CHARGE.....211
ACCUMULATOR, 500 PSI, HYDAC.....205, 209
ACTIVATOR, STEER SENSOR.....23, 27
ADAPTER, 1/4 FNPT X 1/2-20 UNF.....109
ADAPTER, 3/16" TUBE X 1/8" FNPT.....99
ADAPTER, WELDER, 208-220.....305
ADAPTER-FUEL FILTER, PERK 1104.....107, 115
ADJUSTABLE STRAP ASSY.....301
ADPTR, OIL PRESS SEND PERK T2.....115
AIR BOX ASSE, DEUTZ W/ W DECAL.....129-130
AIR BOX ASSEMBLY, DEUTZ, SERV.....129-130, 139

AIR CLEANER CLIPS, SUPERBOOM.....71, 85, 95, 107, 121, 129-130
AIR CLEANER COVER, SUPERBOOM*.....71, 85, 95, 107, 121, 129-130
AIR CLEANER, CLAMP, CUM B3.3T.....87
AIR CLEANER, CUMMINS B3.3T.....87
AIR CLEANER, NELSON.....71, 85, 95, 107, 113, 121, 129-130
AIR FILTER, PRIMARY ELEMENT.....87
AIR FILTER, SECONDARY ELEMENT.....87
AIR INLET, PERKINS 1104C-44.....115
ALARM PKG, S100/120.....259
ALARM, AUDIO, SUPERBOOM***.....61, 177-178
ALTERNATOR.....83, 109
ALTERNATOR PULLEY.....125
ALTERNATOR STAY, DEUTZ F4L913.....125
ALTERNATOR, DEUTZ (55AMP) ***.....125
ALTERNATOR, DEUTZ, BF4L2011***.....135
ALTERNATOR, 55A, PERKINS 1004-42.....97
ALTERNATOR, CUMMINS 4B3.9, 95A.....73, 89
ALTERNATOR, CUMMINS B4.5.....89
ALTERNATOR, PERKINS 1104C-44.....115
ALTERNATOR, STAY, CUMMINS B3.9.....73
ALTERNATOR, STAY, DEUTZ, F4L913.....125
ALTERNATOR, STAY, PERKIN 1004-42.....97
ARM, ANTI-ROTATION, SWIVEL ***.....43
ASSEMBLY, DIPSTICK TUBE.....113
ASSEMBLY, FOOT SWITCH.....174-175
ASSEMBLY, FUEL TANK, 40 GAL ***.....41
ASSEMBLY, LCD HEATER ALC1000.....61
ASSY, LS, LOAD SENSE, ALC1000.....263
ASSY, MED. PRESS. FILTER, SAE8.....49
ASSY, RAD/CAC, CUMMINS B3.3T.....83
ASSY, BRACKET, KS CONTACT BLOCK.....61
ASSY, ENCLOSURE, WELDER, GEN.....303
ASSY, TILT SENSOR, PCON, S100-125.....163, 165
AUX TOP RAIL, 6'(1.25")SERVICE.....295-296
AUX TOP RAIL, 6', SWG GT, SRV.....295-296
AUX TOP RAIL, 6FT, PTD.....295-296
AUX TOP RAIL, 8'(1.25")SERVICE.....295-296
AUX TOP RAIL, 8', SWG GT, SRV.....295-296
AUX TOP RAIL, 8FT, PTD.....295-296

B

BACKING PLATE, HOSE BLOCK, JIB.....167
B A C K U P
RING, 71.60X67.20X1.40PTFE(60334).....47, 49
BAFFLE, 1104-C PERKINS PAINTED.....107
BAFFLE, AIR INTAKE, DEUTZ PAINTD.....129-130, 139
BALL STUD**.....67, 69
BALL STUD, GAS STRUT (38593)***.....63, 65
BAR, RUBBER WIPER BACK-UP.....159, 161
BASE, WITHOUT CONTACTS.....61, 177-178
BATTERY CABLE.....47, 49, 51-52, 55, 57-58
BATTERY CABLE, POSITIVE DEUTZ.....47, 49, 125
BATTERY, 12V GRP 4D, 190 AH, DRY*.....47, 49
BATTERY, 12V, 1000 CCA GRP 31.....47, 49
BEARING (2 REQ)(60707/60737).....265, 267, 269, 271, 273, 275, 277
BEARING KIT, DRIVE HUB SUPRBOOM.....33
BEARING KIT, PLAT ROTATOR, SUPER.....165
BEARING KIT, RWD 1700TB***.....35
BEARING KIT, TURNTBL.ROT.DRVHUB.....45, 299
BEARING TURNTABLE SEAL***.....43
Bearing, 1.5 x 2 x 1.81 inches.....151-152
BEARING, 1.25 ID X 1.5 OD X .75.....163, 165
BEARING, 1.25 X 1.5 X 2.....165
BEARING, 1.25ID X 1.5OD X 0.69L.....155-156, 163, 165
BEARING, 1.25ID X 1.5OD X 1.00L.....155-156, 163, 165
BEARING, 1.5ID X 1.75OD X 1.0L.....23, 27
BEARING, 1.5ID X 1.75OD X 1.5L, PTFE.....23, 27
BEARING, 1.75ID X 2.00OD X 1.50L.....23, 27
BEARING, 2.50ID X 2.75OD X 2.00L.....141, 143
BEARING, 2.50ID X 3.00OD X 2.00L.....141, 143, 145
BEARING, FL, 1.25X1.5X2.13.....165
BEARING, FL, 1.25ID X 1.41OD X 1.50L.....165
BEARING, FL, 1.25ID X 1.5OD X 1.25L.....81, 87, 91, 93, 117, 119, 137, 139
BEARING, FL, 1.5ID X 1.75OD X 1.10LG.....151-152
BEARING, GARLOCK, 12FDU12.....263
BEARING, POLYGON, 20DU12.....165
BEARING, TURNTABLE.....43
BELL CRANK, ASSY. W/ BEARINGS.....165
BELT.....83
BELT TENSIONER CUMMINS B4.5.....89
BELT TENSIONER, CUMMINS PAINT.....267
BELT, AX34***.....273, 277
BELT, AX37.....267
BELT, AX38***.....265, 269, 275
BELT, AX42.....271
BELT, SERPENTINE, CUMMINS B3.9L.....73
BELT, SERPENTINE, CUMMINS B4.5.....89
BELT, TIMING, CUMMINS, B3.9.....73
BELT, V, ALTERNATR. DEUTZ F4L913.....125
BELT, V, BLOWER, DEUTZ F4L913.....125
BELT, V, PERKINS 1004-42 (SB).....97
BELT, V, (2) PERKINS 1104C-44.....115
BLACK SOCKET, (50170).....215
BLANKET, BATTERY.....283
BOLT SET, NYLON, 1/4-20 W/NUT.....21
BOLT, CARRIAGE, 3/8-16 X 1.50, G5.....273
BOLT, CARRIAGE, 1/4-20 X 1.00, G2.....167
BOLT, CARRIAGE, 1/4-20 X 2.75, G2.....167
BOLT, CARRIAGE, M8X1.25X25, DEUTZ.....125
BOOM #0 REST PAD.....141, 143, 145
BOOM TUBE ASSY #1 S100 W/SYM.....143, 145
BOOM TUBE ASSY #1 S100 W/WORD.....143, 145
BOOM TUBE ASSY #1 S105 W/SYM.....145
BOOM TUBE ASSY #1 S105 W/WORD.....145
BOOM TUBE ASSY, #3 W/BUSHINGS.....155-156
BOOM TUBE ASSY, #1 S100/S105.....141, 143
BOOM TUBE ASSY, #1 S100/S105*.....141, 143
BOOT GUARD, JOYSTICK 62390/91.....181
BOOT (BELLOWS), E-STOP, BLACK.....61, 177-178
BOOT, ROCKER JOYSTICK 75565.....181, 183
BOOT, BATTERY TERMINAL, RED.....47, 49

Part Description Index (continued)

BOOT,CABLE TERMINAL,LG,RED,2/0.....47, 49	BRACKET,PRECLEANER,TUBING.....289	CABLE TRACK,FLATBAR,60174/75.....147
BOOT,JOYSTICK.....181, 183	BRACKET,RAD SUPPORT,RH PAINTED....271	CABLE TRACK,STEEL 50 LINKS.....147, 155- 156
BOOT,PLUG 3 WAY.....39	BRACKET,RADIATOR SUPP,LH PAINT.....271	CABLE, 4/0 WELD LEAD,TWIN S105.....303
BOOT,SOLENOID,29073.....75	BRACKET,RADIATOR SUPPORT PNTD....109	CABLE,12/3, WORKLIGHT,12V.....295-296
BOOT,TOGGLE SWITCH,SHORT*.....177-178	BRACKET,RETURN FILTER.....51-52, 55, 57- 58	CABLE,4/0 WELD LEAD,TWIN S100.....303
BOX,ELECT.GENERATOR W/REG	B R A C K E T , R U B B E R	CABLE,BATTERY.....51-52
120V.....265, 267, 269, 275	BUMPER,ENGCOVER.....109	CABLE,BATTERY NEGATIVE.....47, 49
BOX,ELECT.GENERATOR W/REG	BRACKET,STROBE.....259	CABLE,BATTERY POSITIVE.....47, 49, 71, 95
220V.....265, 267, 275, 277	BRACKET,SWITCH ROD MOUNT,PNTED...25	CABLE,BATTERY POSITIVE 73".....49
BOX,EMPTY (122915).....61	BRACKET,THROTTLE MOUNT CUMM.....75	CABLE,GROUND,79" W/PIGTAIL...47, 49, 51- 52, 55, 57-58
BOX,INSTRUCTION STORAGE.....173-175	BRACKET,V275S WELD LEADS.....305	CAP, COOLANT RET SYS(60721).....47, 49
BRACKET, CABLE MOUNT.....71, 95, 107, 121	B R A C K E T , W E L D E R M N T	CAP,520112-6.....257
BRACKET, CAC INTAKE TUBE MOUNT.....83	SUPPORT,PNT.....305	CAP,DIAGNOSTIC NIPPLE.....185, 195, 197, 199-200, 203, 217, 219-220, 223, 225, 227- 228, 231, 233, 235, 237, 239-240, 243, 245- 246, 249, 251, 253, 255, 257
BRACKET, FAN SHROUD, LH.....113	BRACKET,WELDER SUPPORT,PNT.....305	CAP,MANUAL DISENGAGE (89212).....35
BRACKET, KS CONTACT CLAMP.....61	BRACKET,WORK LIGHT MOUNT 5/16".....296	CAP,MANUAL DISENGAGE,75090.....33
BRACKET, SUPPORT, EXH. CUM T3.....83	BRAKE DISC KIT,75090.....33, 45	CAP,OIL FILLER, DEUTZ F4L913.....123
Bracket, Tank side.....259	BRAKE KIT,RWD 1700TB***.....35	CAP,OIL FILLER,CUMMINS, B3.9.....71
BRACKET,1K OHM 10-TURN POT,PNT.....303	BRAKE,SWING DRIVE (111145).....45	CAP,OIL FILLER,DEUTZ,DIESEL***.....135
BRACKET,AIR CLEANER CUMMINS.....85	BRAKE,TURNTABL ROT ASSY,60751*.....45, 299	CAP,OIL FILLER,PERKINS 1004-42.....95
BRACKET,AIR TUBE SUPPORT PAINT.....111	BREAKER, 25 AMP, GEN.....279	CAP,OIL FILLER,PERKINS 1104C.....115
BRACKET,AIRLINE TO PLATFORM.....299	BREAKER,15 AMP,GEN.....279	CAP,OIL FILLER,VALV.CVR.CUMMIN.....73, 89
BRACKET,BEACON,DRIVE LIGHTS,RH....259	BREATHER CAP,PERKINS 1004-42.....97	CAP,RADIATOR,10 PSI, COPAR.....101
BRACKET,CABLE TRACK,FIXED END*...147, 156	BREATHER PIPE, TD 2011L04I.....135	CAP,RADIATOR,7 PSI, AKG.....77, 79, 81, 103, 105, 107
BRACKET,CABLE TRACK,MOVING	BREATHER,RESERVOIR 3 MICRON***.....52, 55, 58	CAP,RADIATOR,PERKINS/FORD.....81, 83, 107, 109
END.....147, 156	BRUSH BOX,ASSY,GEN***.....303	CAPACITOR 16 F, GEN.....279
BRACKET,CAC 2 TUBING MOUNT.....83	BRUSH HOLDER(4REQ)(60707/60737....265, 267, 269, 271, 273, 275, 277	CASTING,SAE 4 PUMP MOUNT,MACHI....113
BRACKET,CNTL BOX MOUNTING***.....52, 55, 57-58	BRUSH(4REQ)(60707/60737)...265, 267, 269, 271, 273, 275, 277	CHANNEL, MOUNTING.....43
BRACKET,ENG.MOUNT LH/RR.....127	BRUSH,BOTTOM,MAST #1.....287	CHARGING WIRE.....47
BRACKET,ENG.MOUNT,FRT.PERKINS.....101, 103, 105, 107	BRUSH,BOTTOM,MAST #2.....287	CHECK VALVE DISC.....207, 211
BRACKET,ENG.MOUNT,LF,PERKINS.....101, 103, 105	BRUSH,SIDE,MAST #1.....287	CIRCUIT BREAKER, 12.5 AMP.....265, 267, 269, 271, 273, 275, 277
BRACKET,ENG.MOUNT,RT,PERKINS.....101, 103, 105	BRUSH,SIDE,MAST #2.....287	CIRCUIT BREAKER, 20 AMP.....47
BRACKET,ENGINE MOUNT RR,DEUTZ....127	BRUSH,TOP,MAST #1.....287	CIRCUIT BREAKER, 25 AMP.....47, 49
BRACKET,ENGINE MOUNT,CUMMINS.....77, 79, 81	BULB,WORKLIGHT,12V 35W.....259, 296	CIRCUIT BREAKER, 30 AMP...265, 267, 269, 271, 273, 275, 277
B R A C K E T , E N G I N E	BULKHEAD,SWING CHASSIS.....91, 117	CIRCUIT BREAKER, 15 AMP....265, 267, 269, 271, 273, 275, 277
SUPPORT,CUMMINS.....77, 79	BULKHEAD,SWING CHASSIS DEUTZ.....137	CIRCUIT BREAKER,20A,SINGLE PH.....303
BRACKET,FAN SHROUD,RH,PAINTED.....109	BUMPER, PLASTIC, 1.25 O.D.....293, 295-296	CIRCUIT BRKR 15A TYPE 2 METAL....49, 83, 109, 129-130
BRACKET,FUNCTION MANIFOLD MNT...51- 52	BUMPER,BATTERY BOX & RAILS...261, 295- 296	CLAMP, 3 INCH.....135
BRACKET,GENERATOR.....269	BUMPER,RUBBER***.....67, 263	CLAMP,WELD,CABLE TRACK.....147, 155- 156
BRACKET,GENERATOR ADJUSTER	BUMPER,RUBBER,COVERS....47, 49, 51-52, 55, 57-58, 63, 77, 79, 83, 85, 101, 103, 105, 107, 109, 127, 129-130	CLAMP,0.31,#5 X 1/4,RUB CUSH.....279
PNT.....271	BUSHING, STRAIN RELIEF, 1".....29	CLAMP,0.50,#8 X 1/4,RUB CUSH.....52, 55, 57-58, 85
BRACKET,GENERATOR-DEUTZ.....275	BUSHING,2 X 1.5,PLATED IRON.....51-52, 227-228	CLAMP,1.00,#16 X 1/4,RUB CUSH.....305
BRACKET,HOSE CLAMP,PAINTED.....167	BUSHING,FLANGE, .375X.5.....159, 161	CLAMP,1.00,#16 X 7/16,RUB CUSH.....51-52, 55, 57-58, 63, 77, 101, 147, 259
BRACKET,HYD.ROTATOR MOUNT MNT.....43	BUSHING,FUEL TANK FITTING (SM).....41	CLAMP,1.13,#18 X 3/8,RUB CUSH*.....111
BRACKET,INTAKE MOUNT,CUM.....87	BUSHING,RUBBER,LARGE.....41	CLAMP,1.25"DIA NON-CUSHIONED.....173- 175
BRACKET,INTAKE TUBE SUPPORT.....87	BUTTON,PUSH,RED MUSHROOM	CLAMP,1.25X.5 RUBBER-CUSHION.....173- 175, 293, 301
BRACKET,LIMIT SWITCH.....141	HEAD.....61, 177-178	CLAMP,1.63,#26 X 3/8,RUB CUSH.....81, 303
BRACKET,LINCOLN WELDER,PNTD.....305		CLAMP,2.25,#36 X 3/8,RUB CUSH...155-156, 167
BRACKET,MUFFLER MOUNT PAINTED....107		CLAMP,3.0,#48 X 1/4,RUB CUSH.....87, 111, 113, 289
BRACKET,MUFFLER,PERKINS.....95		CLAMP,5.38,#86 X 3/8,RUB CUSH.....289, 291
BRACKET,MUFFLER,SUPPORT,CUM.....71		
BRACKET,MUFFLER,SUPT,CUMMINS.....85		
BRACKET,OIL COOLER BYPASS.....91, 117		
BRACKET,PANEL MOUNT.....67		
BRACKET,PLATFORM HEATER OPT.....311		
BRACKET,PLATFORM HEATER		
OPTION.....311		
BRACKET,POWER TO PLAT TBOX,PNT...305		
BRACKET,PRE-CLEANER MOUNT		
PNTD.....289		
BRACKET,PRECLEANER MNT B3.3T.....291		
BRACKET,PRECLEANER MOUNT,PTD.....289		

C

CABLE ASSEMBLY,EXTEND SET.....151-152
CABLE ASSEMBLY,RETRACT SET.....151-152
CABLE ASSY,THROTTLE.....81
CABLE ASSY,THROTTLE,CUM B3.3T.....87
CABLE SQUEEZE CONN.....303
CABLE TIE,11.5" BLACK.....305
CABLE TIE,28".....283
CABLE TIE,4" BLK,HEAT RESISTNT.....173-
175
CABLE TIE,7 3/8".....113
CABLE TIE,BLACK,36".....283
CABLE TIE,STUD MOUNT (PCON).....178

CLAMP,PAIR INTAKE TUBE.....71, 85	CONN,090136-12-8...219-220, 225, 239-240, 245-246	CORROSION INHIBITOR,FOAM.....177-178
CLAMP,CONST TRQ 2.25"-3.13"OD.....87	CONN,520102-12.....227-228	COUNTERWEIGHT,S100/105.....91
CLAMP,CONST TRQ 2.75"-3.63"OD.....87	CONN,520120-10-12.....307	COUPLER, ELECT. ROT, 11 CONT.....43
CLAMP,HOSE,1.25***.....285	CONN,520120-16.....227-228, 231, 233, 235, 237, 239-240, 243, 245-246	COUPLER,15 TOOTH,FBA,CUM B3.3T.....87
CLAMP,HOSE,1.75.....73, 111, 285	CONN,520120-20.....233, 235, 237, 239-240, 243, 245-246	COUPLER,15 TOOTH,FBA,SAE8***.....113, 129-130
CLAMP,HOSE,1IN.,PERKIN 1004-42.....97	CONN,520120-24.....227-228, 231, 233, 235, 237, 239-240, 243, 245-246	COUPLER,HUB,14 TOOTH.....71, 81, 95, 107, 123, 130
CLAMP,HOSE,2.00***.....113	CONN,520120-4***.....219-220, 225, 227-228, 231, 233, 235, 237, 239-240, 243, 245-246, 257	COUPLER,HUB,15 TOOTH 7/16BOLT*.....130
CLAMP,HOSE,2.50***.....73, 81, 111	CONN,520120-6-10.....257	COUPLER,SMALL METAL,15T,***.....81, 107
CLAMP,HOSE,3.00".....71, 73, 95, 97, 121, 135, 285, 289, 291	CONN,520120-8***.....217, 219-220, 223, 225, 249, 251, 253, 255	COUPLING (106113).....303
CLAMP,HOSE,3.50.....71, 85, 107, 111, 113, 121, 130, 133, 285, 289, 291	CONN,520120-8-10.....227-228, 231, 233, 235, 237, 239-240, 243, 245-246, 257, 307	COUPLING, 28MM (106113).....303
CLAMP,HOSE,5.00.....289, 291	CONN,520120-8-12...217, 219-220, 227-228, 231, 233, 235, 237, 239-240, 243, 245-246, 307	C O U P L I N G , E X T . C A B L E ADJUSTMENT*.....151-152
CLAMP,HOSE,6.50.....285	CONN,BULKHEAD,520601-12.....233	COVER ASSY,CONTROL BOX,122021.....177-178
CLAMP,HOSE,8.50 DIA***.....285	CONN,BULKHEAD,520601-8.....217, 219-220	COVER ASSY,DRIVE CHASSIS S120.....37, 39
CLAMP,HOSE,ADJ,2" HOSE,DEUTZ T.....111	CONN,BULKHEAD,520801,-4.....217, 219-220	COVER ASSY,DRIVE CHASSIS S120*.....37, 39
CLAMP,HOSE,SIZE .25 TO .63.....41, 47, 49	CONN,BULKHEAD,520801,-8.....217, 219-220	COVER ASSY,W/DECAL TURNTBL.ROT.....67
CLAMP,INTAKE EXTENSION,DEUTZ.....63	CONN,CONG,520122-4.....281	COVER ASSY,W/DECALS,FUEL TANK.....69
CLAMP,JIB HOSE/CABLE,ARCTIC.....167	CONN,PLUG 23 WAY,16-20 GA BLK.....177-178	COVER MAST #2*.....149, 287
CLAMP,JIB HOSE/CABLE,S105,S125.....167	CONN,PLUG 23 WAY,16-20 GA WHT.....177-178	COVER MAST #3.....159, 161, 287
CLAMP,MUFFLER, 2.50 INCH.....83, 109, 111, 130, 133	CONN,RECEP 4 WAY ENDCAP DT.....279	COVER SUPPORT,WELDMENT.....67, 69
CLAMP,MUFFLER,2 1/4" ID.....109	CONN,RECEP 4 WAY,12-14GA.....113	COVER W/SYM DECALS ENG SIDE SB.....69
CLAMP,MUFFLER,CUM B3.3T.....87	CONN,SQZ,BLK,1/2NPT,.38-.50,SM.....174-175	COVER W/SYM DECALS TNK SIDE SB.....67
CLAMP,MUFFLER,DEUTZ F4L913.....121	CONN,SQZ,PG 11,.34-.47,W/ORING...63, 161	COVER W/WRD DEC TNK SD 100/105.....67
CLAMP,NYL DBL GRIP 1.50 - 1.63.....25	CONNECTOR, DEUTZ FUEL SHUTOFF*..135	COVER W/WRD DECALS ENG SIDE SB.....69
CLAMP,NYLON LOOP.....21	CONNECTOR,BULKHEAD,FEMALE-4.....27, 39, 43, 52, 55, 57-58	COVER W/WRD DECALS TNK SIDE SB.....67
CLAMP,TWO HOSE.....167	CONTACT RECEPTACLE 20-16AWG.....177-178	COVER, CONTROL BOX, SB SERV.....61
CLAMP,WIRE/HOSE,CABLE TRACK.....147, 155-156	CONTACT,N.O.***.....61	COVER, END, GEN, 120V.....279
CLAMP,WORKLIGHT.....296	CONTACT,NC.....61, 177-178	COVER, END, GENERATOR, 240V.....279
CLAMP-HEAVY DUTY.....121	CONTROL BOX (122021) NO COVER.....177-178	COVER, ENGINE,DEUTZ F4L2011.....135
CLEVIS YOKE-1/4-28,PLTD W/PIN.....75, 99, 111, 127, 129-130	CONTROL BOX ASSY, PCON 210.....177-178	COVER, FOOT SWITCH, LARGE.....174-175
CLIP,LCD,GRND.CONTROL.....61	CONTROL BOX ASSY, PCON V3.00.....177-178	COVER, JIB HOSES/CABLES.....165, 167
COIL,12VDC #10DTSCH IP69 ECOIL.....193	CONTROL BOX ASSY, TCON 212.....61	COVER, PUSH ROD CUMMINS B4.5.....89
COIL,12VDC #8 DTSCH IP69 ECOIL.....193	CONTROL BOX ASSY, TCON V3.00.....61	COVER,50 LINK TRACK.....285
COIL,62328/62330,SIZE 10,DIN*.....189, 193, 197, 199-200	CONTROL BOX ASSY,DRIVECHASSIS.....37, 39	COVER,BLANK.....67, 170
COIL,62329,SIZE12,W/FRAME,DIN*.....197, 200	CONTROL BOX ASSY,PLATFORM.....177-178	COVER,BOOM SIDE.....147
COIL,62366,12VDC W/DIN,SIZE 8.....185	CONTROL BOX ASSY,TCON 200.....61	COVER,BOOM SIDE, PAINTED.....147, 155-156, 159, 161
COIL,62370,12VDC W/DIN,SIZE 10.....203	CONTROL BOX ASSY,TCON PGMD.....61	COVER,BULKHEAD.....23, 27
COIL,DIN,REXROTH DO3 VALVE.....197, 199-200	CONTROL BOX ASSY,TURNTABLE***.....61	COVER,CENTER,SUPERBOOM.....65
COIL,PROPORTIONAL,62327,DIN...197, 199-200	CONTROL BOX COVER ASSY***.....261	COVER,CONTROL BOX LEFT SIDE***.....261
COIL,PROPORTNL.62326,SIZE8,DIN.....197, 199-200	CONTROL BOX COVER,LID,PTD.....261	COVER,CONTROL BOX LID.....261
COIL,SOLENOID VALVE.....207, 211	CONTROL BOX,2KW,120/240V,50HZ.....279	COVER,CONTROL BOX RIGHT SIDE**.....261
COIL,SOLENOID VALVE,SIZE 8,DIN.....189, 193	CONTROLLER BOX, 120/240V, 60H.....279	COVER,DRIVE CHASSIS AXLE.....37, 39
COIL,SOLENOID,HYDAC MANIFOLDS....205, 209	C O N T R O L L E R , S P E E D , 5 0 1 6 9 REXROTH.....29, 31	COVER,DRIVE CHASSIS END PAINT.....37
COIL-10V DC***.....309	COOLANT,RECOVERY BOTTLE, 4 QT*.....47, 49	COVER,DRIVE CHASSIS END***.....39
COLD START OPTION,PERKINS.....283		COVER,FLYWHEEL CASTING.....87, 129-130
COLD START PKG, 110V, DEUTZ.....283		COVER,FOOT SWITCH.....174-175
COLD START PKG,110V,CUM.B3.3T.....283		COVER,GENERATOR-PERKINS.....269
COLD START PKG,110V,PERK.804T.....283		COVER,GFCI,HORIZONTAL,WEATHER..170, 279, 303
COLD START PKG,CUMMINS-SERVICE...283		COVER,HOSE TRAY,84".....147
COLD START PKG,DEUTZ, SERVICE.....283		COVER,HOSE,PAINTED.....147
COLD START PKG,PERKINS,SERVICE.....283		COVER,LIMIT SWITCH PIVOT ASSY.....159
COLLAR,JOYSTICK,CENTER.....183		COVER,PROTECTIVE,JIB CYLINDER.....285
COMPR. LINK,MACHINED,ENG SD***.....165		COVER,PROTECTIVE,LIFT CYLINDER.....285
COMPR.LINK,MACHINED,GND CONTR*..165		COVER,PROTECTIVE,PLAT. LEVLING.....285
CONN, SAE#4-1/4" NPT.....303		COVER,PROTECTIVE,PLAT.LEVELING.....285
CONN, SQZ, 1/2NPT .38-.50, SM**..170, 279, 303		COVER,PROTECTIVE,STEER CYL***.....285
		COVER,REAR MAST.....63
		COVER,REWORK,DEUTZ GENERATOR...277
		COVER,ROTATION GEAR.....43
		COVER,STEERING SENSOR.....29
		COVER,SWING BEARING FRONT.....285
		COVER,SWING BEARING REAR.....285

Part Description Index (continued)

COVER,TURNTABLE COVER ACCESS.....67	DECAL,DANGER,ELEC.HAZ.STAY CLR.....13-14, 17-18	DECAL,LANYARD ANCHORAGE POINT...13-14, 17-18
COVER,TURNTABLE,LEFT SIDE.....279	DECAL,DANGER,ELECT HAZARD***.....13-14	DECAL,LOW/ULTRA LOW SULFR FUEL.....14
COVER,WEATHERPROOF 3-PHASE.....305	DECAL,DANGER,GEN SAFETY RULES.....13-14	DECAL,NOTICE,CUMMINS ENG SPEC.....14
COVER,WELDER GENERATOR.....303	DECAL,DANGER,GENERAL SAFETY.....13-14	DECAL,NOTICE,DEUTZ ENG SPEC.....14
COVER- VALVE PERKINS 1104C-44.....115	DECAL,DANGER,HIGH VOLTAGE.....303, 305	DECAL,NOTICE,HAZARDOUS MAT'LS*.....13-14
COVER-END, 75090 DRIVE HUB.....33	DECAL,DANGER,MAX LOAD 340 KG.....18	DECAL,NOTICE,MAX LOAD 500 LBS.....14
CROSSBAR ALUM W/SELF TAP SCREW.....147, 155-156	DECAL,DANGER,MAX SIDE FRC,667N.....17-18	DECAL,NOTICE,MAX LOAD 750 LBS.....14
CROSSBAR W/ TWO SEPARATORS.....155-156	DECAL,DANGER,NO SMOKING.....13-14	DECAL,NOTICE,OPERATING INST.....13-14
CROSSBAR,STEEL,CABLE TRACK.....155-156	DECAL,DANGER,NO SMOKING ***.....13-14, 17-18	DECAL,NOTICE,PERKINS ENG SPEC.....14
CUP HOLDER,PLASTIC.....173-175	DECAL,DANGER,SIDE FRC 400N.....17-18	DECAL,NOTICE,PERKINS ENGINE,T2.....14
CYLINDER HEAD CVR.DEUTZ BF4L20.....135	DECAL,DANGER,TILT ALARM.....13-14	DECAL,NOTICE,SHUTOFF VALVES.....13-14
CYLINDER HEAD CVR.DEUTZ F4L913.....125	DECAL,DANGER,TIP-OVER,TIRES.....14	DECAL,NOTICE,TIRE SPECS.....14
CYLINDER, PLATFORM LEVEL.....165	DECAL,DANGER,TIP-OVER,WELDER**.....305	DECAL,OPER.INST." GLL.....67
CYLINDER, PRIMARY LIFT.....141, 143, 145	DECAL,DANGER,TIPOVER,TILT.....13-14	DECAL,OPTION CONTROL BOX HEATR.....311
CYLINDER,AXLE EXTEND***.....25	DECAL,DANGER,TIPOVER,TILT,SYM.....17-18	DECAL,PATCH,DRIVING LIGHT.....14, 17-18, 259
CYLINDER,AXLE EXTENSION*.....21	DECAL,DRIVE ENABLE PATCH***.....17-18	DECAL,PLAT LVL.RECOVERY.....177-178
CYLINDER,JIB (STICK BOOMS).....165	DECAL,ENGINE SPEC,DEUTZ,TD2011.....14	DECAL,PLATFORM CONTROL PANEL.....13-14, 17-18, 177-178
CYLINDER,PLATFORM LEVELING.....163	DECAL,ENGINE SPEC,PERKINS,804T.....14	DECAL,PLATFORM OVERLOAD PATCH....17-18
CYLINDER,PRIMARY EXTEND.....151-152	DECAL,EXPLOSION HAZARD.....14	DECAL,POWER TO PLATFORM 115V.....14, 17-18
CYLINDER,STEERING W/DECAL.....23, 27	DECAL,FAULT CODES,SB/SY.....14	DECAL,SOLID TIRE,385/65D22.5.....14
	DECAL,FIRE EXTINGUISHER.....305	DECAL,SYMBOL-BATTERY SAFETY.....17-18
	DECAL,GROUND CONTROL PANEL.....13-14, 17-18	DECAL,SYMBOL-COMP ACCESS.....17-18
	DECAL,INST,OPER INST,SB,AUS.....14	DECAL,TRIANGLE,BLUE.....13-14, 17-18
	DECAL,INSTR,ENG.SPECS,CUMMINS.....14	DECAL,TRIANGLE,YELLOW.....13-14, 17-18
	DECAL,INSTR,MAX SIDE FRC,ANSI.....14	DECAL,USE DEXRON***.....13-14
	DECAL,INSTR,SIDE FRC/WIND,AUS.....14	DECAL,WARN,CRUSH HAZARD HAND....13-14
	DECAL,INSTRUCT,FOOTSWITCH OPER.....13-14	DECAL,WARN,CRUSH HAZARD PLAT.....13-14, 17-18
	DECAL,LABEL,ELECTRO HAZARD.....17-18	DECAL,WARN,FALL HAZARD.....13-14
	DECAL,LABEL,WHEEL LOAD, S-100.....14, 17-18	DECAL,WARN,IMPROPER OPERATION...13-14
	DECAL,LABEL,WHEEL LOAD, S-105.....14, 17-18	DECAL,WARN,INSTAL COVER,SYM.....14
	DECAL,LABEL,105 DB.....17-18	DECAL,WARN.WELD LINE INST.WORD.....14
	DECAL,LABEL,20A CB.....14	DECAL,WARNING,BODILY INJURY.....14
	DECAL,LABEL,25A CB.....14	DECAL,WARNING,CRUSHING HAZARD...17-18
	DECAL,LABEL,30A CB.....14	D E C A L , W A R N I N G , P I P E CRADLE,BOOM.....293
	DECAL,LABEL,40A CB.....14	DECAL,WARNING,WELDER SAFETY.....303, 305
	DECAL,LABEL,AIR LINE 110 PSI...17-18, 299	DECAL,WARNING,WELDLINE TO PLAT.....14
	DECAL,LABEL,CB SYMBOL.....279	DECAL,WARNING-COMPART ACCESS...13-14
	DECAL,LABEL,CONTROLS BATTERY.....14	DECAL,WARN,INSTAL COVER,SYM.....17-18
	DECAL,LABEL,DIESEL FUEL.....13-14, 17-18	DIAGNOSTIC FEMALE Q-DSCNT....185, 195, 197, 199-200, 203, 217, 219-220, 223, 225, 227-228, 231, 233, 235, 237, 239-240, 243, 245-246, 249, 251, 253, 255, 257
	DECAL,LABEL,FALL HAZARD***.....17-18	DIFFERENTIAL SENS VLV,8,150PSI.....207, 211
	DECAL,LABEL,LOWER MIDRAIL.....14, 17-18	DIODE,6 AMP,200 PIV,BULK.....71, 95, 121, 135
	DECAL,LABEL,MANUAL NOT HERE.....13-14	DIPSTICK - DEUTZ F4L1011F.....135
	DECAL,LABEL,MAX CAPACITY***.....17-18	DIPSTICK,CUMMINS, B3.9.....75
	DECAL,LABEL,NO SMOKING,SYMB.....17-18	DIPSTICK,CUMMINS, B4.5.....89
	DECAL,LABEL,OIL LEVEL IND.....17-18	DIPSTICK,DEUTZ F4L913.....123
	DECAL,LABEL,PATENTS.....14	DIPSTICK,PERKINS 1004-42.....97
	DECAL,LABEL,ROM CHART,100/105.....14, 17-18	DIPSTICK,PERKINS 1104C-44.....115
	DECAL,LABEL,STARTER BATTERY.....14	DIPSTICK,TUBE,CUMMINS, B3.9.....75
	DECAL,LABEL,TIP OVER LMT SWTCH.....17-18	DIPSTICK-F3L1011F (DEUTZ).....135
	DECAL,LABEL,TIPOVER,TIRES,SYMB.....17-18	DISC KIT DRIVE TURNTABLE Z-60*.....45
	DECAL,LABEL,TRANSPORT DIAGRAM.....14, 17-18	
	DECAL,LABEL,WELD LINE INST,SYM.....17-18	
	DECAL,LABEL,WELDER VOLTAGE,40V.....17-18	

D

DECAL KIT, SAFETY/INST, SUPER.....13-14
DECAL KIT,S100,COMP,WRD,ANSI.....13-14
DECAL KIT,S100,COMP,WRD,AUS.....13-14
DECAL KIT,S100/120,PLAT,ANSI,WRD.....13-14
DECAL KIT,S100/120,PLAT,AUS,WRD.....13-14
DECAL KIT,S105/125,PLAT,ANSI,WRD.....13-14
DECAL KIT,S105/125,PLAT,AUS,WR.....13-14
DECAL KIT,SAFETY/INST,SUPER.....13-14
DECAL KIT,SYMBOLS,SUPERBOOM.....17-18
DECAL PLATE ASSY W/WORD DECALS.....173-175
DECAL PLATE W/SYMB DECALS S120...173-175
DECAL PLATE W/WORD DECALS.....173-175
DECAL, LABEL - CHEVRON RANDO.....13-14
DECAL, PATCH, GEN,ALC-500.....305
DECAL, POWER TO PLATFORM 230V**...14, 17-18
DECAL, SYMBOL - READ THE MANUAL...17-18
DECAL,ANNUAL INSP***.....14
DECAL,ARROW BLUE.....13-14, 17-18
DECAL,ARROW YELLOW LRG 9".....13-14, 17-18
DECAL,CAUTION,NO STEP.....14, 17-18
DECAL,CAUTION,NO STEP***.....17-18
DECAL,CAUTION,SHUTOFF VALVES**.....17-18
DECAL,CONTROL PANEL PROTECTOR...13-14, 17-18, 177-178
DECAL,COSMETIC,4X4.....14, 17-18
DECAL,COSMETIC,GENIE S-100.....14, 17-18
DECAL,COSMETIC,GENIE S-105.....14, 17-18
DECAL,COSMETIC,S-100.....14, 17-18
DECAL,COSMETIC,S-105.....14, 17-18
DECAL,CUMMINS ENG SPECS.....14
DECAL,DANGER DO NOT ALTER SWTC.....13-14
DECAL,DANGER,BATTERY SAFETY***.....13-14

E

EDC ASSY,SAUER M46***.....215
 ELBOW,45 DEG, CAC,2.5".....87
 ELBOW,45 DEG,INLET.....71, 85, 107, 111, 121
 ELBOW,45D,520320-12-16.....240
 ELBOW,45D,520320-16.....228, 231, 233, 235, 237, 239-240, 243, 246
 ELBOW,45D,520320-4.....251, 255, 257
 ELBOW,45D,520320-6.....233, 235, 237, 240, 243, 246
 ELBOW,45D,520320-8.....228, 231, 233, 235, 237, 239-240, 243, 245-246, 257
 ELBOW,45DEG,TO MALE PIPE.....75, 95
 ELBOW,90D,1/8 NPT X #4 JIC.....27, 39
 ELBOW,90D,520220-16.....228, 231, 257
 ELBOW,90D,520220-4-4.....217, 219-220, 228, 231, 233, 235, 237, 240, 243, 246, 249, 251, 253, 255, 257
 ELBOW,90D,520220-4-6***.....223, 225
 ELBOW,90D,520220-6.....57-58, 227-228, 231, 233, 235, 237, 240, 243, 246, 249, 251, 253, 255, 257
 ELBOW,90D,520220-8-10.....217, 219-220
 ELBOW,90D,520220-8-12.....227-228, 231, 239-240, 245-246
 ELBOW,90D,BLKHD,ORFS-6-6 W/NUT.....228, 231, 233, 235, 237, 240, 243, 246
 ELBOW,90D,BULKHEAD,520701-4.....249, 251, 253, 255
 ELBOW,90D,LONG,521520-4.....228, 231, 233, 235, 237, 239-240, 243, 246, 249, 251, 253, 255
 ELBOW,90D,LONG,521520-8.....281
 ELBOW,90DEG.1/4MPT-3/8 BARB.....95, 109
 ELBOW,90DEG.1/8MPT-5/16 BARB.....109
 ELBOW,90ø,3.50 ID, REWORKED.....289
 ELBOW,90ø,3.50 ID,RUBBER.....289
 ELBOW,INLET,CUMMINS.....71, 85, 87, 111, 113, 121, 133
 ELBOW,STRT,SWVL, 520281, -12.....227-228, 231, 233
 ELBOW,SWIVEL 90D, 520221-12.....227-228, 231
 ELBOW,SWIVEL 90D, 520221-6.....281
 E L E C T . B O X , G E N E R A T O R W/REG.120V.....271, 273, 277
 E L E C T . B O X , G E N E R A T O R W/REG.220V.....271, 273, 277
 ELEMENT,OIL FILTER,PERKINS***.....113
 ELEMENT-5 MIC, PAPER, W/BYPASS.....49
 END PLATE,GEN.HOUSHG,BRUSH END.....265, 267, 269, 271, 273, 275, 277
 END PLATE,GEN.HOUSING,FAN END.....265, 267, 269, 271, 273, 275, 277
 ENGINE KIT, CUMMINS B3.3T.....83
 ENGINE MOUNT, LR.....113
 ENGINE MOUNT, LF.....113
 ENGINE MOUNT, refer to 413.2.....273
 ENGINE MOUNT, RR.....109
 ENGINE TRAY ASSEMBLY.....93, 119, 139
 ENGINE TRAY ASSEMBLY.....93, 119, 127, 137, 139
 ENGINE TRAY PIVOT ASSEMBLY.....91, 93, 117, 119, 127, 137
 ENGINE,DEUTZ, TD2011L04i TPDM.....135
 EVACUATOR VALVE-AIR CLEANER.....71, 85, 95, 107, 121, 129-130
 EXHAUST MANIFOLD, DEUTZ F4L201.....135
 EXHAUST MANIFOLD,CUMMINS,B3.9L.....71

EXHAUST PIPE GASKET.....133
 EXT.CABLE ADJ BOLT LOCK.....151-152
 EXTENSION CABLE *.....151-152
 EXTRUSION,RUBBER BUMPER STRIP.....41

F

FAN - VENTED.....63, 137
 FAN GUARD,PERKINS.....271
 FAN SHROUD DEUTZ,T1 W/WRD DECA..137
 FAN, 19.0", BREEZA.....83
 FAN,ALTERNATOR,CUMMINS B4.5.....89
 FAN,OIL COOLER 60507.....137
 FAN,PULLER,CUMMINS,4B3.9,60213.....73, 89
 FAN,PULLER,PERKINS,1004-42.....97, 109, 115
 FEMALE BULKHEAD CONNECTOR-8.....299
 FIELD KIT,LCD HEATER.....61
 FIELD KIT,PL LVL REC,ALC1000.....177-178
 FILLER NECK/CAP ASSY.HYD TANK*.....51-52, 55, 57-58
 FILM,POLY,CLEAR,4.5 X 8.75.....14
 FILTER / FUEL / SPIN-ON.....123
 FILTER ASSY,HIGH PRESS SAE-12*.....47, 49
 FILTER ASSY,SAE8,10 MIC,PAPR**.....57-58
 FILTER ASSY,M PRESS,SAE8,WOIND* (77139).....49
 FILTER ELEMENT,10 MICRON,60508.....51-52, 55, 57-58
 FILTER ELEMENT,10MICRON,PAPER*.....57-58
 FILTER ELEMENT,BETA(10)=1000.....57-58
 FILTER ELEMENT,BETA(10)=200.....51-52, 55
 FILTER HEAD (29560).....123, 135
 FILTER KIT,3 MICRON,MED.....47, 49
 FILTER,AIR CLEANER, SUPERBOOM.....71, 85, 95, 107, 121, 129-130
 FILTER,ELEMENT,30 MIC,75020.....71, 95, 107, 121
 FILTER,ELEMENT,BETA(5)=1000.....47, 49
 FILTER,FUEL, PERKINS 1104C.....115
 FILTER,FUEL,CUMMINS B3.9L,SPIN.....75
 FILTER,FUEL,PERKINS 1004-42(SB).....99
 FILTER,FUEL/WTR SEP, DTZ 1008.....135
 FILTER,OIL, CUMMINS B3.9L.....71
 FILTER,OIL, DEUTZ F4L913.....123
 FILTER,OIL,CUMMINS B4.5***.....89
 FILTER,OIL,DEUTZ F4L1011F.....135
 FILTER,OIL,DEUTZ,REPLACEMENT.....135
 FILTER,OIL,PERKINS 1004-42(SB).....95
 FILTER,OIL,PERKINS 1104C-44.....115
 FILTER,RETURN,ASSY 10 MICRON.....51-52, 55, 57-58
 FILTER,RETURN,ASSY,BETA 10.....51-52, 55
 FIRE EXTINGUISHER.....305
 FIRE SLEEVE, 1.25".....305
 FIRE SLEEVE, 1.25",24"L.....305
 FIRE SLEEVE, 2.0".....305
 FITTING,1/4 NPT 3/8 BARB.....95
 FITTING,6-6BLKHEADUNION 520601.....240, 246
 FITTING,CONN,520120-12***.....217, 219-220, 227-228, 231, 233, 235, 237, 239-240, 243, 245-246, 257, 281, 307
 FITTING,CONN,520120-6.....227-228, 231, 233, 235, 237, 239-240, 243, 245-246, 257
 FITTING,CONN,520120-6-8***.....228, 231

FITTING,ELBOW,45D,520320-12***.....217, 220, 223, 225, 227-228, 231, 233, 235, 237, 239-240, 243, 245-246, 307
 FITTING,ELBOW,90D,520220-12.....227-228, 231, 233, 235, 237, 239-240, 243, 245-246, 281, 307
 FITTING,ELBOW,90D,520220-8***.....227-228, 231, 233, 235, 237, 239-240, 243, 245-246
 FITTING,TEE,RUN,SWIVEL520432-8.....307
 FITTING,TEE,RUN,SWIVEL52043212.....281, 307
 FLASHTUBE,STRAIGHT,360DEG,BULB.....259
 FLASHTUBE,U SHAPED,360DEG,BULB...259
 FLEX PIPE,EXHAUST,2.5" DIA.....133
 FLOORING, 6'FT PLATFORM.....174-175
 FLOORING,4 FT PLATFORM,PAINTED...174-175
 FLOORING,8 FT PLATFORM**.....174-175
 FLYWHEEL DRIVE PLATE,SAE 10.....71, 81, 95, 107, 123
 FLYWHEEL FLANGE,GREEN PLASTIC...129-130
 FLYWHEEL FLANGE,SAE 8/12.375.....81, 107
 FLYWHEEL HOUSING DEUTZ F4L2011...135
 FOAM PAD, 3" OD X 1.25" ID X 14 IN....301
 FORM,CABLE TRACK TUBE GUIDE,PT....147
 FORMING PANEL CRADLE.....301
 FORMING, BELT GUARD.....109
 FORMING, COOLER SUPPORT PAINTE.....63
 FORMING, ENGINE BAFFLE.....113
 FORMING, FAN BAFFLE.....109
 FORMING, FILTER SUPPORT.....113
 FORMING, INTAKE DUCT.....113
 FORMING, INTAKE TUBE MNT.....113, 291
 FORMING, SOLENOID MOUNT***.....129-130
 FORMING,8.5' MUFFLER MOUNT....107, 109, 133
 FORMING,AIR CLEANER.....87
 FORMING,AIR CLEANER MOUNT PNTD.....129-130
 FORMING,AXLE LIMIT SWITCH RETN.....21
 FORMING,BAFFLE BOX.....83
 FORMING,BELT GUARD.....273
 FORMING,BULKHEAD COVER.....23, 27
 FORMING,BULKHEAD MOUNT.....23
 FORMING,BULKHEAD MOUNT,PAINTED....27
 FORMING,CABLE RETAINER,PAINTED....152
 FORMING,CLAMP,SIDE PLATE HOSE.....259
 FORMING,COOLER SUPPORT.....91, 117
 FORMING,COVER STOP....47, 49, 51-52, 55, 57-58, 63, 77, 79, 101, 103, 105, 107, 109, 127, 129-130
 FORMING,COVER STOP**.....85
 FORMING,COVER STOP***.....83
 FORMING,CYLINDER RETAINER.....151-152
 FORMING,DCON MOUNT,PAINTED.....37, 39
 FORMING,DIST.MANIFOLD MTG.....51-52
 FORMING,ENGINE BAFFLE.....83
 FORMING,ENGINE MOUNT PAINTED.....129-130, 133, 277
 FORMING,EXTEND SWITCH ACTIVATR.....21
 FORMING,FUEL FILTER MOUNT.....83
 FORMING,FUEL FILTER MOUNT,PNTD.....89
 FORMING,FUSE COVER, PAINTED.....49
 FORMING,GAS STRUT MOUNT.....65
 FORMING,GENERATOR MOUNT.....273
 FORMING,GENERATOR MOUNT,PTD.....277
 FORMING,GUSSET,PLAT SUPPORT.....269
 FORMING,HEAT SHIELD,MUFFLER.....133

Part Description Index (continued)

- F O R M I N G , H O S E PROTECTOR,PAINTED.....159, 161
 FORMING,HOSE SUPPORT,SWING.....43
 FORMING,INNER AXLE COVER.....21
 FORMING,INNER AXLE COVER,PNTD.....25
 FORMING,INNER COVER.....63
 FORMING,LATCH,CTRL BOX LID PTD.....261
 F O R M I N G , L F , G E N E R A T O R 12KW,PNTD.....303
 FORMING,LIMIT SWITCH GUARD.....159, 161
 FORMING,LIMIT SWITCH LINK.....159, 161
 FORMING,LIMIT SWITCH MOUNT..141, 143, 145, 159
 FORMING,LIMIT SWITCH MOUNT**161
 FORMING,MOUNT,ENGINE,FRONT.....83
 FORMING,MOUNT,ENGINE,REAR.....83
 FORMING,MTE GEN MTG PLATE,PTD.....279
 FORMING,MUFFLER MOUNT.....130
 FORMING,PLAT.CONTROL BOX COVER.....261
 FORMING,REVERSE LOAD SWITCH.....141, 143
 F O R M I N G , R T , G E N E R A T O R 12KW,PNTD.....303
 FORMING,SECONDARY SUPPORT.....301
 FORMING,SOLENOID MOUNT.....87
 FORMING,SOLENOID MOUNT PAINTED.....129-130
 FORMING,SWITCH MOUNT.....21
 FORMING,SWITCH MOUNTING.....141, 143
 FORMING,TEST PORT MOUNT.....71, 95, 123
 FORMING,TEST PORT MTG.DEUTZ.....129-130
 FORMING,THROTTLE ARM DEUTZ.....127
 FORMING,THROTTLE ARM PAINTED.....129-130
 FORMING,THROTTLE SOL MNT CUM.....81
 FORMING,TUBE GUARD.....155-156
 F O R M I N G , T U B E SUPPORT,PRE-CLEAN.....289
 FREEZE PLUG HEATER.....283
 FREEZE PLUG HEATER,400W.....283
 FREEZE PLUG HEATER,CUMMINS.....283
 FREEZE PLUG HEATER,PERKINS.....283
 FREEZE PLUG HEATER,PERKINS 804.....283
 FUEL CVR W/SYM DECAL S100/120.....69
 FUEL FILTER.....83
 FUEL FILTER W/SEP,DEUTZ,1008.....135
 FUEL LIFT PUMP/FILTER ASSY.....109
 FUEL LINE, DEUTZ F4L2011.....135
 FUEL LINE,INJECT.1DEUTZ F4L913.....123
 FUEL LINE,INJECT.2DEUTZ F4L913.....123
 FUEL LINE,INJECT.3DEUTZ F4L913.....123
 FUEL LINE,INJECT.4DEUTZ F4L913.....123
 FUEL LINE-INJECTOR, CYL1 PERK.....115
 FUEL LINE-INJECTOR, CYL2 PERK.....115
 FUEL LINE-INJECTOR, CYL3 PERK.....115
 FUEL LINE-INJECTOR, CYL4 PERK.....115
 FUEL LINE-INJECTOR, DEUTZ BF4L.....135
 FUEL RETURN,DAPCO 1/4".....41, 135
 FUEL RETURN,DAPCO 3/8".....41
 FUEL RETURN,DAPCO 5/16".....41
 FUSE BLOCK, ANN & ANL FUSE.....49
 FUSE HOLDER,ATC 1-20 AMPS.....61, 177-178
 FUSE HOLDER,WATERPROOF.....259
 FUSE,.6AMP,250V,WELDER,V275S.....305
 FUSE,10 A INLINE TIME DELAY.....71
 FUSE,10 AMP.....259, 303
 FUSE,10 AMP,ATC.....61
 FUSE,15 AMP,TIME DELAY.....71, 95
 FUSE,20 AMP,AGC20.....121
 FUSE,5 AMP,ATC.....177-178
 FUSE,70 AMP.....71, 95, 121
- G**
- GAS STRUT,202 LBS FORCE.....67, 69
 GASKET - OIL PAN, PERKIN 1104C.....115
 GASKET,(226127).....113
 GASKET, FUEL INJEC PUMP DUTZ.....135
 GASKET, FUEL PUMP CUMMINS B4.5.....75, 89
 GASKET, PUMP / MOTOR (36179).....51-52, 55, 57-58
 GASKET, UK POWER TO PLAT.....279
 GASKET,(111145).....45
 GASKET,BREATHER PIPE (226104).....135
 GASKET,COVER,GFCI,WEATHERPROOF.67, 170
 GASKET,CYL.COVR. DEUTZ BF4L201.....135
 GASKET,CYL.COVR. DEUTZ F4L913.....125
 GASKET,EXHAUST,DEUTZ F4L913.....121
 GASKET,EXH.MNFLD.CUMMINS,B3.9L.....71, 89
 GASKET,EXHAUST.....135
 GASKET,FUEL PUMP,PERKIN1004-42.....95
 G A S K E T , G R O U N D CNTRLS.SUPERBOOM.....61
 GASKET,H2O PUMP,PERKIN 1004-42.....97
 GASKET,HTR INTAKE CUMMINS B4.5.....89
 GASKET,MUFFLER,CUMMINS, B3.9L.....71, 81
 GASKET,MUFFLER,PERKINS 1004-42.....95
 G A S K E T , P L A T F . CNTRLS.SUPERBOOM.....177-178
 GASKET,PUSH RD CVR CUMMINS B4.5.....89
 GASKET,THERMOSTAT,CUMMINS,B3.9.....73, 89
 GASKET,VALVE CVR.CUMMINS, B3.9.....73, 89
 GASKET-PUMP WATE,PERK 1104C-44.....115
 GASKET-PUMP WATE,PERK 804D-33T.....113
 GASKET-THERMOSTAT,PERK 1104C.....115
 GATE LATCH CASTING--DRILLED.....295-296
 GAUGE,FUEL LEVEL 17" REMOTE.....41
 GAUGE,HYDRAULIC TANK T/L VL.....51-52, 55, 57-58
 GAUGE,MED.PRESSUR FILTER,50530.....51-52, 55, 57-58
 GEARBOX,WHEEL DRIV W/BRAKE,SLD....33
 GENERATOR MOUNT-CUMMINS.....265
 GENERATOR, 3kW, 120V/60Hz.....279
 GENERATOR,12.5 KW,W/O MOTOR***303
 GENERATOR,3000W 220/50-CUMMIN.....265
 GENERATOR,3000W 220/50-DEUTZ.....275
 GENERATOR,3000W,220V,50HZ***265, 267, 269, 271, 273, 275, 277
 GENERATOR,3500W W/REG-CUMMINS.....265
 GENERATOR,3500W W/REG-DEUTZ.....275
 GENERATOR,3500W,120V,60HZ**265, 267, 269, 271, 273, 275, 277
 GENERATOR,3kW,120V/50Hz.....279
 GENERATOR,3kW,240V/50Hz.....279
 GENERATOR,HYDRO-12KEP-21-3.....303
 GFI/CIRCUIT BREAKER ASSEMBLY.....303
 GLOW PLUG,DEUTZ F4L913.....125
 GRAY SOCKET,(50170).....215
 GRND.CNTRLS ACCESS COVER.....67
- H**
- GROMMET,RUBBER .18 X .13 X .31.....121
 GROMMET,RUBBER .44 X .25 X .69.....99
 GROMMET,RUBBER .75 X .19 X 1**.....41, 47, 49, 71, 95, 107, 121, 129-130
 GROMMET,RUBBER .75 X .38 X 1.13.....47, 49
 GROMMET,RUBBER,1.0X0.094X1.375.....173-175
 G U A R D , F O O T S W I T C H , W / D E C A L ALUM.....174-175
 G U A R D , F O O T S W I T C H , W / D E C A L STEEL.....174-175
 GUARD,JIB HOSE.....163, 165
 GUSSET,TOOL HOLDER,PLASTIC.....173-175
- H**
- HALF MESH,8'PLATFORM,LH.....293
 HALF MESH,8'PLATFORM,RH***293
 HANDLE,GRAB.....67, 69
 HARN JOYSTICK ADAPTOR JS100.....181, 183
 HARN,ENGINE T3,DEUTZ BF4L2011.....129-130
 HARNESS,BOOM/SAE UPPER S105.....177-178
 HARNESS, FAN BELT SWITCH.....125
 HARNESS, HYD GENERATOR,SB.....303
 HARNESS, JUMPER, SB PLAT LVL.....163, 165
 HARNESS, SOLENOID.....75, 95, 99, 121, 127
 HARNESS, TCON J2 LS 2009.....61
 HARNESS, TCON J2 UPPER 2009.....161
 HARNESS, TCON J4 MANIFOLD 2009.....199-200
 HARNESS,ALTERNATR,CUMMINS B3.9.....73
 HARNESS,BOOM,SAE UPPER 100/105..177-178
 HARNESS,CUMMINS ENGINE.....81
 HARNESS,CUMMINS ENGINE T3.....83
 HARNESS,CUMMINS ENGINE*.....71
 HARNESS,CUMMINS ENGINE,SUPR.....71
 HARNESS,DCON 2WS.....39
 HARNESS,DCON 4WS.....25, 37, 39
 HARNESS,DCON,4WS.....25, 39
 HARNESS,DEUTZ ENGINE.....121, 129-130
 HARNESS,DRIVE,2WS,SB.....39
 HARNESS,ENGINE,CUMMINS 2004.....81
 HARNESS,ENGINE,CUMMINS 4.5.....81
 HARNESS,ENGINE,DEUTZ BF4L2011.....129-130
 HARNESS,ENGINE,PERKINS 1104.....107
 HARNESS,FLASH BEACON SUB ASSY.....259
 HARNESS,J2 PLAT MANFD W/JIB.....177-178
 HARNESS,P CON INTERNAL CONTROL.....177-178
 HARNESS,P CON J2.....177-178
 HARNESS,P CON J2,(MANIFOLD).....177-178
 HARNESS,PERKINS 804D-33T.....109
 HARNESS,PERKINS ENGINE,1104.....107
 HARNESS,PERKINS ENGINE,SUPBOOM...95
 HARNESS,PLAT LEVEL RECOVERY.....177-178
 HARNESS,PLAT,WORKLIGHT,12V.....295-296
 HARNESS,POWER,TCON J5 HARNESS.....61
 HARNESS,PRESSURE TRANSDUCER...197, 199-200, 203, 225, 227-228, 231, 233, 235, 237, 239-240, 243, 245-246, 249, 251, 253, 255, 257
 HARNESS,RELAY,FUEL SOLENOID.....129-130

HARNESS, SWITCH, LIMIT PLUNGER.....263	HOSE ASSY 3/4" HOSE #82.....228	HOSE ASSY, 3/4" HOSE #74.....227-228, 231, 233, 235, 237, 239-240, 243, 245-246
HARNESS, TCON J2 LIMIT SWITCH.....61	HOSE ASSY 3/4, 90 FEM STR FEM.....307	HOSE ASSY, 3/4" HOSE #82.....228, 231
HARNESS, TCON J2 UPPER.....159, 161	HOSE ASSY 451TC-6.....246	HOSE ASSY, 3/4, 45 FEM, STR FEM.....239-240, 245-246, 307
HARNESS, TCON J4, MANIFOLD.....197, 199-200, 203	HOSE ASSY, 3/8.....240, 246	HOSE ASSY, 3/4, 90 FEM, STR FEM.....219-220
HARNESS, TCON J5 POWER.....61	HOSE ASSY, 3/8, STR FEM, STR FEM.....228, 231, 233, 235, 237, 240, 243, 246	HOSE ASSY, 3/4, 90 FEM, STR FEM**.....239-240, 245-246
HARNESS, WELD GEN ENCLOSURE.....303	HOSE ASSY, 1" HOSE #81.....227-228, 231	HOSE ASSY, 3/4, STR FEM, STR FRM.....281
HARNESS, WORKLIGHT OPT.....295-296	HOSE ASSY, 1" HOSE #92.....227-228, 231, 233, 235, 237, 239-240, 243, 245-246	HOSE ASSY, 3/8" HOSE #85.....227-228, 231, 233, 235, 237, 239-240, 243, 245-246
HEAD / OIL FILTER.....115	HOSE ASSY, 1-1/4" HOSE #81.....233, 235, 237, 239-240, 243, 245-246	HOSE ASSY, 3/8" HOSE 80.....228, 231
HEAT SHIELD, PERKINS MUFFLER.....107	HOSE ASSY, 1/2 STR FEM, 45 DEG**.....219-220	HOSE ASSY, 3/8, 45 FEM, STR FEM.....239-240, 246
HEATER, INTAKE AIR CUMMINS B4.5.....89	HOSE ASSY, 1/2" HOSE #72.....227-228, 231, 233, 235, 237, 239-240, 243, 245-246	HOSE ASSY, 3/8, 90, FEM, STR, FEM.....240, 246
HEATER, START AID, CUMMINS B3.9.....75	HOSE ASSY, 1/2" HOSE #76.....227-228, 231, 233, 235, 237, 239-240, 243, 245-246	HOSE ASSY, H2O PUMP, PERKINS 1004.....97
HEATER, START AID, PERKIN 1004-42.....95	HOSE ASSY, 1/2" HOSE #77.....233, 235, 237, 239-240, 243, 245-246	HOSE ASSY, 3/4", 90° FEM, STR FEM.....239-240, 245-246
HINGE, .375X.120THK., SLOTTED.....65, 67	HOSE ASSY, 1/2" HOSE #83.....233, 235, 237, 239-240, 243, 245-246	HOSE CLAMP, WEAR PAD.....147
HINGE, PLAT CONTROL BOX COVER.....261	HOSE ASSY, 1/2" HOSE #90.....233, 235, 237, 239-240, 243, 245-246	HOSE END, 90 DEG., 19 HS X.13 MPT.....99
HINGE, SWING CONTROL BOX.....67	HOSE ASSY, 1/2" HOSE #90.....227-228, 231	HOSE END, BARB, 1/4 MNPT X 5/16, 90.....109
HOLD DOWN, BATTERY.....47, 49	HOSE ASSY, 1/2", FEM/FEM.....217	HOSE GUIDE, JIB.....167
HOLD DOWN, BATTERY, SMALL.....47, 49	HOSE ASSY, 1/2, 45 FEM STR FEM.....217, 219-220	HOSE INLET.....85, 87, 95
HOOK, BATT HOLD DOWN, 10".....47, 49	HOSE ASSY, 1/2, 45 FEM, STR FEM.....217, 219-220, 223, 225	HOSE, AIR INTAKE, 804T.....113
HORN, 12VDC, SPADE TERMINALS***.....52, 55, 57-58	HOSE ASSY, 1/2, 90 FEM, STR FEM.....217, 219-220, 227-228, 231, 233, 235, 237, 239-240, 243, 245-246, 281	HOSE, CRANKCASE BREATHER.....109
HOSE AND CABLE CLAMP, STD.....147, 156	HOSE ASSY, 1/2, 90 FEM, STR FEM**.....239-240	HOSE, 1/2, LOW PRESSURE, 801-8.....299
HOSE AND CABLE CLAMP, STD, TOP.....147, 156	HOSE ASSY, 1/2, 90 FEM, STR FEMEM.....239-240, 245-246	HOSE, 1/4 FUEL LINE, SAE 30R7.....83
HOSE AND CABLE CLAMP, STD, TOP.....147, 156	HOSE ASSY, 1/2, 90 FEM, STR FEMM.....307	HOSE, 3/8", FUEL, 30R7.....41, 47, 49
Hose Assembly - Components: Genie part numbers 48822, 48822 and 48756 @ 120 inches.....257	HOSE ASSY, 1/2, 90 FEM, STR FEMM*.....239-240, 245-246	HOSE, AIR CLEANER INTAKE.....95
HOSE ASSEMBLY 1" HOSE #81.....227-228	HOSE ASSY, 1/2, STR FEM, STR FEM.....217, 219-220, 257	HOSE, ASSY, HYD, 1/4" HOSE #78/79.....227-228
HOSE ASSEMBLY 3/4 HOSE #75.....227-228, 231	HOSE ASSY, 1/4".....43	HOSE, CAC, 2.5" ID X 4.0".....87
HOSE ASSEMBLY 3/4 HOSE #117.....227-228, 231	HOSE ASSY, 1/4" 90 FEM, STR FEM.....228, 231	HOSE, FUEL, 3/16, SAE 30R7.....41
HOSE ASSEMBLY 3/4 HOSE #75.....233, 235, 237, 239-240, 243, 245-246	HOSE ASSY, 1/4" HOSE #78 & 79.....227-228, 231, 233	HOSE, HUMP 3" TO 4".....289
HOSE ASSEMBLY 3/4" 45D-STR.....235, 237, 239-240	HOSE ASSY, 1/4" STR MALE STR FE.....233, 235, 237, 239-240, 243, 245-246	HOSE, LOWER RADIATOR, CUMMINS.....87
HOSE ASSEMBLY 3/4" STR-STR.....243, 245-246	HOSE ASSY, 1/4" (#111/112, S125).....253, 255	HOSE, RADIATOR, LOWER, PERKINS.....113
HOSE ASSEMBLY 3/8 (#87, 88).....257	HOSE ASSY, 1/4" 90 FEM, STR FEM.....281	HOSE, RADIATOR, UPPER, PERKINS.....113
HOSE ASSEMBLY 3/8 HOSE #84.....227-228, 231, 233, 235, 237, 239-240, 243, 246	HOSE ASSY, 1/4, 45 FEM, STR FEM.....217, 219-220, 223, 225	HOSE, RUBBER 3" ID X .25 BLACK...133, 289, 291
HOSE ASSEMBLY 3/8, #118&119S100.....228, 231, 233, 235, 240, 243, 246	HOSE ASSY, 1/4, 90 FEM, STR FEM.....217, 219-220, 223, 225, 251, 253, 255	HOSE, UPPER RADIATOR, CUMMINS.....87
HOSE ASSEMBLY 3/8, #118&119S105.....228, 231, 233, 237, 240, 243, 246	HOSE ASSY, 1/4, 90 FEM, STR FEM**.....249, 251	HOSE, WEAR PAD.....147
HOSE ASSEMBLY, 3/4".....217	HOSE ASSY, 1/4, STR FEM, STR.....27, 39	HUB, WHEEL COVER, Z135 (106756).....35
HOSE ASSEMBLY, 3/8.....240, 246	HOSE ASSY, 1/4, STR FEM, STR FEM.....217, 219-220, 223, 225, 249, 251, 253, 255	HYDRAULIC TWIN CLAMP.....240, 246
HOSE ASSEMBLY, 1/2".....307	HOSE ASSY, 3/4" 45 FEM STR FEM.....243, 245-246	HYDRAULIC TUBE, BOOM CROSSOVER...240, 246
HOSE ASSEMBLY, 1/4" (#106).....257	HOSE ASSY, 3/4" 45 FEM, STR FEM.....217	
HOSE ASSEMBLY, 3/4 (#67).....227-228, 231, 233, 243, 245-246	HOSE ASSY, 3/4" 90 FEM STR FEM.....281	
HOSE ASSEMBLY, 3/4 (#121).....217, 227-228, 231, 233, 235, 237, 243	HOSE ASSY, 3/4" HOSE #66.....227-228, 231, 233	
HOSE ASSEMBLY, 3/4", -10-12 90F.....307	HOSE ASSY, 3/4" HOSE #68.....227-228, 231, 233, 235, 237, 239-240	
HOSE ASSEMBLY, 3/8.....257	HOSE ASSY, 3/4" HOSE #69&70.....227-228, 231, 233, 235, 237, 239-240, 243, 245-246	
HOSE ASSEMBLY, 3/8" HOSE #80.....228		
HOSE ASSEMBLY-1/4" (#100).....257		
HOSE ASSEMBLY-1/4" (#89).....257		
HOSE ASSEMBLY-3/8".....239-240, 246		
HOSE ASSY 1 1/2", 90 FL FEMSTR*.....227-228, 231, 233, 235, 237, 239-240, 243, 245-246		
HOSE ASSY 1/2" 45 FEM, STR FEM.....217, 219-220		
HOSE ASSY 1/4, 90 FEM STR FEM.....219-220		
HOSE ASSY 3/4" HOSE #117.....233		

Part Description Index (continued)

J

JIB BOOM ASSY W/SYM DECAL.....167
 JIB BOOM ASSY W/WORD DECAL.....167
 JOYSTICK CONNECTOR ASSEM,AMP...177-178
JOYSTICK CONNECTOR ASSEM,DEUT.....177-178
 JOYSTICK W/HARN ADPTR KIT RCKR.....181
 JOYSTICK W/HARN ADPTR, 1 AXIS.....181
 JOYSTICK W/HARN ADPTR, 2 AXIS.....181
 JOYSTICK,1 AXIS ROCKER,DEUTSCH.....183
 JOYSTICK,1 AXIS,DEUTSCH.....183
 JOYSTICK,2 AXIS,DEUTSCH.....183
 JOYSTICK,DUAL AXIS W/KNOB.....183
 JOYSTICK,SINGLE AXIS W/KNOB.....183
 JOYSTICK,SINGLE AXIS W/STEER.....183

K

KEEPER,LATCH (45363).....51-52, 55, 57-58, 67, 69
 KEYSWITCH,3 POS.MOM.DR,W/KEY**61
 KEYSWITCH,3POS.MNTND.DR WKEY**.....61
 KEYSWITCH,CONTACTS LOCK.....61
 KIT CB 15A T2 RPM SOLENOID 3W.....83, 109, 129-130
 KIT BONDED WELD LEAD, S100.....303
 KIT BONDED WELD LEAS S105.....303
 KIT, AUX TOP RAIL SUPPORT.....295-296
 KIT, BATT SEPARATOR, ANSI/CSA.....47, 49
 KIT, BATT SEPARATOR, AS.....47, 49
 KIT, BATT SEPARATOR, CE.....47, 49
 KIT, FOOTSWITCH, SUPERBOOM.....174-175
 KIT, HEAT GUARD, DEUTZ STARTER.....135
 KIT, ISOLATION, 3 JOYSTICK.....181, 183
 KIT,2 LINK REPAIR W/HARDWARE.....147
K I T , C A B L E T R A C K UPDATE,SUPRBMS.....155-156
 KIT,CONTROL BOX COVER.....261
 KIT,EXTOP SVC LARGE BOOM.....61, 177-178
 KIT,EXT/RET CABLE REPLMNT,SB.....151-152
 KIT,FBA STYLE COUPLER,SAE8.....129-130
 KIT,FIELD INSTALL,SWING GATE.....295-296
 KIT,FLANGE CODE 61 -20.....227-228, 231, 233, 235, 237, 239-240, 243, 245-246
 KIT,GEN. PRESSURE SWITCH.....303
 KIT,HOSE/HARDLINE UPGRADE,S100...240, 246
 KIT,HOSE/HARDLINE UPGRADE,S105...240, 246
 KIT,KEYSWITCH SVC S100/120.....61
 KIT,LOADSENSE,UPGRD,S100/S120.....263
 KIT,LOADSENSE,UPGRD,S105/S125.....263
 KIT,OP SWITCH,DEUTZ.....129-130
 KIT,PANEL CRADLE BRACKET,SYMBL.....301
 KIT,PANEL CRADLE BRACKET,WORD.....301
 KIT,PANEL CRADLE,CE.....301
 KIT,PCB,ASSY,ECM,SB TCON V3.12.....61
 KIT,PRECLEANER DEUTZ***.....289, 291
 KIT,RECOVERY SVC LARGE BOOMS.....61
 KIT,REX TO SAUER DRIVE MOTOR.....31
 KIT,SEALS & WEAR PLATE, PUMP.....215
 KIT,SERVICE LIFT CYL REPL....141, 143, 145
 KIT,SERVICE,CLAMP MOUNTS.....147, 156
 KIT,SERVICE,SOLENOID MODULE.....75, 81, 99, 113, 127
 KIT,SERVICE,STEER SENSOR.....29

KIT,SWING GATE W/SPRING.....295-296
 KIT,WEAR PAD, EXT CYL,SB.....151-152
 KIT,WELD LEADS ASSY,V275S.....305
 KNOB,JOYSTICK, 62390/62391.....181, 183
 KNOB,ROCKER JOYSTICK 75565.....181, 183

L

LANYARD,BEAD CHAIN, TCON.....177-178
 LATCH,DRAW.....261
 LATCH,FLEXIBLE.....51-52, 55, 57-58
 LATCH,PANEL.....67
 LATCH,PLATE,CONTROL BOX COVER.....67
 LATCH,SLIDE, FLUSH MOUNT STYLE.....261
 LENS,AMBER,STROBE,FIREBOLT.....259
 LENS,LCD,GRND.CONTROL.....61
 LEVER, GOVERNOR ACTUATOR.....129-130
 LID ASSY,CONTROL BOX COVER PLT.....261
 LIFT CYL.SUPPT.ASSY.....141, 143
 LIFT CYL.SUPPT.ASSY(LOAD MOMEN...141, 143
 LIMIT SWITCH, SAFETY,NO WIRE.....21, 25, 63, 141, 159, 161
 LIMIT SWITCH,OPERATION,NO WIRE....141, 159, 161
 LIMIT SWITCH,OPERATIONAL..43, 141, 143, 145, 161
 LIMIT SWITCH,SAFETY.....21, 25, 63, 141, 143, 145, 151-152, 159, 161
 LOAD SUPPORT W/BEARINGS.....263
 LOCK,RECEP 4 WAY,12-14GA.....113
 LOCKNUT,ELEC,1/2".....67, 303
 LOCKNUT,ELECTRIC,1" NPT.....303

M

MACHINING,INNER AXLE.....25, 27
 MALE PIPE THD,1/4" SER,3/8"X18.....299
 MANIFOLD ASSEMBLY, GEN.....279
 MANIFOLD PLATFORM W/JIB.....211
 MANIFOLD,4 WHEEL STEER.....193, 195
 MANIFOLD,ASSY DUAL CNTRBAL.....213
 MANIFOLD,COOLER BYPASS.....79, 111
 MANIFOLD,DRIVE OIL DIVERTER.....309
 MANIFOLD,DRIVE OIL DIVERTER***.....303
 MANIFOLD,EXHAUST, PERKINS 1104.....115
 MANIFOLD,FUNCTION S100/105.....197
 MANIFOLD,FUNCTION,S100/105.....199-200
 MANIFOLD,PUMP DISTRIBUTION.....203
 MANIFOLD,ROTATOR,CB***.....213
 MANIFOLD,STEERING,4 WHEEL....189, 191, 193, 195
 MANIFOLD,TRACTION 4WD.....185
 MANIFOLD,TRACTION,4WD.....187
 MANIFOLD,TURNTABLE ROTATION.....45, 299
 MANUAL BOX W/DECALS***.....173-175
 MANUAL,CUMMINS B3.9L, WORKSHOP....71
 MANUAL,DEUTZ F4L913, WORKSHOP.....121
 MANUAL,PERKINS1004-42,WORKSHOP....95
 MESH,HALF,LH,6"PLATFORM.....293
 MESH,HALF,RH,6"PLATFORM.....293
 MESH,HALF,SWING GATE***.....293
 MIDRAIL GUIDE (HOOK).....173-175
 MODULE,SX CONTROLLER,LOW AMP.....303
 MODULE,TIME DELAY ON BREAK 4S.....303
 MOTOR MOUNT COUPLER (106274).....303
 MOTOR, 60511, APU, 12VDC.....51-52, 55, 57-58
 MOTOR,HYD 12.5KW GEN,21CC***.....303

MOTOR,PISTON,2 SPEED,45CC.....31
 MOTOR,PISTON,2 SPEED,REXROTH.....29, 31
 MOTOR,SWING DRIVE (111145).....45
 MOTOR,TURNTABL ROT.ASSY.60751.....45, 299
 MOUNT,1"FLEX-BOLT SANDWICH.....83, 87
 MOUNT,CABLE TRACK CLAMP.....159, 161
 MOUNT,DEUTZ TUBE.....121
 MOUNT,PANEL BACKING.....67
 MOUNT,PANEL,PAINTED.....67
 MOUNT,PERKINS 1104 LF PAINTED.....111
 MOUNT,PERKINS 1104 RH PAINTED.....107
 MOUNT,SWITCH.....263
 MOUNTING BAND,AIR CLEANER.....71, 85, 95, 107, 113, 121, 129-130
 MOUNTING O-RING (75367).....123
 MPT,CPLR,1/4"SER,3/8"X18.....299
 MUFFLER,2.5"INLET/OUTLET...87, 107, 109, 133
 MUFFLER,CATALYTIC,2.5 I/O.....95, 107, 133
 MUFFLER,CATALYTIC,CUMMINS.....71, 81
 MUFFLER,CATALYTIC,DEUTZ*F4L913.....121
 MUFFLER,DEUTZ,F4L913.....121
 MUFFLER,NELSON 3.9L.....71, 81
 MUFFLER,PERKINS 1004-42 (60549).....95

N

NIPPLE,1/8 NPT X 3.0 FFS-S.....27
 NIPPLE,DIAGNOSTIC,#4.....185, 195, 197, 203, 217, 219-220, 223, 225, 227-228, 231, 233, 235, 237, 239-240, 243, 246, 249, 251, 253, 255, 257
 NIPPLE,DIAGNOSTIC,ORFS,FM,SWIV....199-200, 227-228, 231, 233, 235, 237, 239-240, 243, 245-246
 NIPPLE,PIPE M/M 140137-3/4.....51-52, 227-228
 NIPPLE,PIPE,LONG 1/8 X 1.5.....39
 NUT - PLASTIC,RING FOR ALARMS.....61, 177-178
 NUT, LP NYLOCK, 3/8-16.....63, 83, 87, 147, 155-156, 159, 161, 259
 NUT,BULKHEAD,520118-4.....227-228, 231, 233, 235, 237, 239-240, 243, 245-246
 NUT,COIL,DOMED,SIZE 12, 62329.....197, 200
 NUT,COIL,PROPORNAL.VALVE.....197, 199-200
 NUT,ENGINE MNT.PERKINS 1004-42.....101, 103, 105
 NUT,FAN BLADE,PERKINS 1004-42...97, 115
 NUT,HEX M10-1.5.....271
 NUT,HEX,1/4-28.....75, 81, 99, 111, 127, 129-130
 NUT,HEX,3/8-24.....41
 NUT,HEX,5/16-18,GR5.....121
 NUT,HEX,6/32 W/STAR WASHER.....177-178
 NUT,HEX,7/16-14.....273, 277
 NUT,HEX,FLANGE,M8X1.25,CUMMINS.....75
 NUT,HEX,HEAVY DUTY JAM,3/4-10.....77, 79
 NUT,HEX,JAM,3/4-10.....43
 NUT,HEX,JAM,5/8-11.....151-152
 NUT,HEX,M10,ALTER.DEUTZ F4L913.....125
 NUT,HEX,M8 X 1.25.....109
 NUT,LP NYLOCK,1/2-13.....151-152
 NUT,LP NYLOCK,1/4-20.....65, 127, 261, 295-296, 303
 NUT,LP NYLOCK,5/16-18.....63, 65, 67, 69
 NUT,LP NYLOCK,5/8-11.....151-152

- NUT,LUG,3/4-16 X 7/8 RADIUS.....29, 31
 NUT,M6,BLOWER,DEUTZ F4L913.....125
 NUT,M6,FUEL PUMP,DEUTZ F4L913.....123
 NUT,M8,ALTERNATOR,DEUTZ F4L913.....125
 NUT,NYLOCK FLG,1/4-20,F,ZAG.....293, 301
 NUT,NYLOCK FLG,3/8-16,F,ZAG.....293, 301
 NUT,NYLOCK,1-8.....141, 143, 170
 NUT,NYLOCK,1/2-13.....37, 39, 43, 51-52, 55, 63, 65, 77, 101, 147, 151-152
 NUT,NYLOCK,1/4-20.....47, 49, 51-52, 55, 57-58, 63, 67, 69, 71, 75, 79, 81, 85, 87, 91, 95, 99, 103, 105, 107, 111, 113, 117, 121, 129-130, 137, 143, 159, 161, 167, 170, 173-175, 263, 265, 267, 269, 271, 273, 275, 277, 279, 285, 289, 291, 293, 295-296, 313
 NUT,NYLOCK,10-24.....111, 129-130
 NUT,NYLOCK,10-32.....21, 25, 43, 51-52, 55, 57-58, 67, 69, 141, 143, 145, 159, 161, 173-175, 259, 261
 NUT,NYLOCK,3/8-16.....21, 23, 27, 41, 43, 47, 49, 51-52, 55, 57-58, 67, 71, 77, 79, 81, 83, 85, 87, 91, 95, 101, 103, 105, 107, 109, 117, 121, 127, 129-130, 133, 141, 145, 147, 151-152, 155-156, 159, 161, 163, 165, 167, 170, 173-175, 263, 265, 269, 273, 277, 279, 299, 303, 305, 313
 NUT,NYLOCK,5/16-18.....37, 39, 47, 49, 51-52, 55, 57-58, 63, 83, 147, 265, 267, 269, 271, 275, 277, 303, 305
 NUT,NYLOCK,5/8-11.....77, 79, 81, 83, 101, 103, 105, 107, 109, 113, 127, 133
 NUT,NYLOCK,6-32.....61
 NUT,NYLOCK,8-32.....261
 NUT,NYLOCK,M12X1.75.....77, 79
 NUT,PERKINS 1004-42.....95
 NUT,PROPORTNL. COIL,52372,GS68.....197, 199-200
 NUT,SOLENOID.....309
 NUT,SOLENOID VALVE 2P3W.....203
 NUT,SOLENOID VALVE COIL.....185
 NUT,SOLENOID VALVE,HYDAC.....205, 209
 NUT,TL JAM,3/8-16,A,ZAG.....301
 NUT,TOP LOCK,1/2-13.....107, 109, 133
 NUT,WING 5/16-18.....47, 49
 NUT,WING,1/4-20.....47, 49
 NUT,WING,3/8-16.....47, 49
 NUT-COIL SHORT.....189, 193, 197, 199-200, 211
 NUT-COIL,REXROTH DO3 VALVE.....197, 199-200
- O**
- O-RING KIT (ORFS FITTINGS).....205, 209, 213, 217, 219-220, 223, 225, 227-228, 231, 233, 235, 237, 239-240, 243, 245-246, 257
 O-RING KIT,FIELD SVC,ALL PROD*.....213
 O-RING, 2-158*.....29
 O-RING, FUEL LIFT PUMP.....135
 O-RING, M16, ISO.....109
 O-RING, ROTATOR MANIFOLD.....213
 O-RING, WHEEL COVER (237233).....35
 O-RING,2-044 BUNA***.....215
 O-RING,2-157,VITON***.....31
 O-RING,67.95X2.62-NBR-70SH(HF2P)(60334).47, 49
 O-RING,COIL NUT, HYDAC.....205, 209
 O-RING,DIPSTICK,DEUTZ F4L2011.....135
 O-RING,FILLER CAP CUMMINS, B4.5.....89
 O-RING,FILLER CAP,CUMMINS,B3.9.....73
 O-RING,FILTER ASSY (60334)***.....49
 O-RING,FUEL INJ.PUMP (75370).....123
 O-RING,INJ.PUMP,PERKIN,1004-42.....99
 O-RING,JOYSTICK, 62390/62391.....181
 O-RING,OIL FILLER (75369).....123
 O-RING,ORFS,-12.....303
 O-RING,ORFS,-4.....227-228, 231, 233, 235, 237, 239-240, 243, 245-246
 O-RING,PISTON PUMP TO GEARPUMP...71, 95, 123, 215
 O-RING,SEAL RING,1" NPT (PKG OF 10).....303
 O-RING,THERMOSTAT HSING.PERKIN.....97
 O-RING,THERMOSTAT,PERKIN,1004-42.....97
 O-RING,WATER PUMP,CUMMINS B3.9.....73, 89
 OIL COOLER W/FAN, 12VDC.....63, 137
 OIL COOLER, W/FAN.....137
 OIL COOLER,W/O FAN.....91, 117
 OIL FILTER.....83
 OIL PAN HEATER,DEUTZ,120V,150W.....283
 OIL PAN,DEUTZ F4L2011.....135
 OIL PAN,PERKINS 1104C-44.....115
 OIL SEAL,(111145).....45
 OIL TEMP SENSOR(60323).....121
 OPT, GEN BD 3500W 110/60.....273
 OPT,AIR PRECLEANER,CUMMINS.....289
 OPT,GEN BD 3000W 220/50.....273
 OPT,GEN BD 3000W 220/50 CUMNS.....267
 OPT,GEN BD 3000W 220/50 DEUTZ.....277
 OPT,GEN BD 3000W 220/50 PERKIN.....271
 OPT,GEN BD 3500W 110/60 CUMNS.....267
 OPT,GEN BD 3500W 110/60 DEUTZ.....277
 OPT,GEN BD 3500W 110/60 PERKIN.....271
 OPT,HOSE AND CABLE CLAMP.....147, 156
 OPT,PRCLEANER,PERKINS 804T.....291
 OPT,PRECLEANER CUMMINS B3.3T.....291
 OPTION, SPARK ARREST.....107, 129-130
 OPTION,6' HALF MESH PLAT/GATE.....293
 OPTION,8' HALF MESH PLAT/GATE.....293
 OPTION,DRIVING LIGHTS,SB.....259
 OPTION,PLAT SUPPORT,STD,LRG BM.....170
 OPTION,PRE-CLEANER PERKINS.....289
 OPTION,PRECLEANER CUMMINS.....289
 OPTION,SCRUB/SPARK ARREST***.....95
 ORIFICE DISC,.030,CONE.....309
 ORIFICE PLUG, 0.040.....197, 199-200
 ORIFICE PLUG,.03,PLATF. HYDAC.....205, 209
 ORIFICE,PLUG 0.030.....187
 OUTLET, 110V.....170
- P**
- PAD,10 X 2 X 1 LIFT CYL.MNT.....141, 143
 PAD,REST,1"THICK,FLANGED.....301
 PAD,REST,2"THICK,W/STUDS*.....174-175
 PAINT,AEROSOL,TITANIUM BLACK.....71
 PANEL, ENCLOSURE, LINCO WELDER.....303
 Part is no longer available.....259
 PCB ASSY,ECM,SB TCON,V200.....61
 PCB, ASSY, ECM, SB TCON V212.....61
 PCB, ASSY, ECM, SB TCON V300.....61
 PCB,ASSY,ECM,PLAT, VER 1.08.....177-178
 PCB,ASSY,ECM,PLATFORM,VER 110.....177-178
 PCB,ASSY,ECM,PLATFORM,VER 210.....177-178
 PCB,ASSY,ECM,PLATFORM,VER 3.00.....177-178
 PCB,MEMBRANE/LED,SB/Z80.....177-178
 PCB,ASSY,LCD,GROUND,SUPERBOOM....61
 PIN,.75DIAX2.89LG,1HOLE.....151-152
 PIN,0.75DIAX5.75LG,CHAMFER.....263
 PIN,1.25DIAX14.45LG,2HOLE.....165
 PIN,1.25DIAX15.63LG,CHAMFER.....91, 93, 117, 119, 137, 139
 PIN,1.25DIAX5.25LG,1HOLE.....163, 165
 PIN,1.25DIAX6.50LG,1HOLE.....163
 PIN,1.25DIAX7.00LG,1HOLE.....165
 PIN,1.25DIAX7.11LG,2RING.....163, 165
 PIN,1.25DIAX7.88LG,1HOLE.....165
 PIN,1.25DIAX7.9LG,2RING.....163, 165
 PIN,1.25DIAX9.50LG,1HOLE.....163, 165
 PIN,1.50DIAX2.92LG,2RING.....151-152
 PIN,1.50DIAX4.13LG,THREADED.....23, 27
 PIN,1.50DIAX5.88LG,1HOLE.....151-152
 PIN,2.50DIAX11.00LG,1HOLE.....141, 143, 145
 PIN,2.50DIAX17.75LG,THREADED.....143
 PIN,2.50DIAX19.875LG,THREADED.....145
 PIN,2.50DIAX19.96LG,2FLAT.....141
 PIN,2.50DIAX22.00LG,THREADED.....143
 PIN,AXLE KING.....27
 PIN,AXLE STOP.....21, 25
 PIN,CLEVIS, 1.50 X 4.465LONG.....21, 25
 PIN,CLEVIS, 844X2.25 RET.CABLE...151-152
 PIN,CLEVIS,1.18X3.18 EXT.CABLE...151-152
 PIN,COTTER, 125 X 1.5.....65
 PIN,COTTER,.188 X 1.75 LONG.....151-152
 PIN,COTTER,.188 X 2.00 LONG.....21, 25
 PIN,COTTER,.188X2.25 RET.CABLE.....151-152
 PIN,COTTER,.25 X3.18 EXT.CABLE.....151-152
 PIN,DISENGAGE CAP, 75090.....33
 PIN,DISENGAGE CAP, 89212.....35
 PIN,DOWEL,.25X.75 STNLS STEEL.....29
 PIN,EXTENSION CYLINDER MOUNT.....149, 151-152, 155-156
 PIN,LIFT CYL.BASE 2.50 X 17.75.....141, 143
 PIN,LOAD MOMENT.....143
 PIN,LOCK,SHORT***.....295-296
 PIN,PRI.BOOM PIVOT. 2.50X25.50.....141, 143, 145
 PIN,RETRACTION CABLE.....151-152
 PIN,ROLL,.25 X 1.5***.....151-152
 PIN,TRANSPORT STORAGE HANDLE.....43
 PIN,TRANSPORT STORAGE LOCK.....43
 PINCH GUARD RAIL,6' PLATFORM.....295-296
 PINCH GUARD RAIL,8' PLATFORM**.....295-296
 PIPE CRADLE ASSY. SERV (ONE)**.....293
 PISTON,SINGLE PILOT (CV08).....189, 191
 PLASTIC FILTER HEAD.....135
 PLAT ASSEMBLY,4FT,ASIA/S AM.....174-175
 PLAT ASSEMBLY,5FT,ASIA/S AM.....174-175
 PLAT ASSEMBLY,5FT,AUSTRALIA***.....174-175
 PLAT ASSEMBLY,6FT,ASIA/S AM.....174-175
 PLAT ASSEMBLY,8FT,ASIA/S AM.....174-175
 PLAT ASSY, 4FT, A/SA, S120.....170
 PLAT ASSY, 4FT, A/SA, S125.....170
 PLAT ASSY, 4FT, AUST, S120.....169-170
 PLAT ASSY, 4FT, AUST, S125.....169-170
 PLAT ASSY, 4FT, CE/UK, S125.....169-170
 PLAT ASSY, 4FT,CE/UK, S120.....169-170
 PLAT ASSY, 5FT, A/SA, S120.....170
 PLAT ASSY, 5FT, A/SA, S125.....170
 PLAT ASSY, 5FT, AUST, S120.....169-170

Part Description Index (continued)

PLAT ASSY, 5FT, AUST, S125.....169-170	PLAT. ASSY, 5FT,SERV,S125.....169-170	P L A T F O R M	S U P P O R T
PLAT ASSY, 5FT, CE/UK, S120.....169-170	PLAT. ASSY, 5FT,SERV,S125 ANSI.....169-170	WELDMNT-SERV*.....170	
PLAT ASSY, 5FT, CE/UK, S125.....169-170	PLAT. ASSY, 6FT,SERV,S120.....169-170	PLATFORM WELDMENT, 4 FT.....173-175	
PLAT ASSY, 6FT, A/SA, S120.....170	PLAT. ASSY, 6FT,SERV,S120 ANSI.....169-170	PLATFORM,LEVELING LEVER,ASSY.....163	
PLAT ASSY, 6FT, AUST, S120.....169-170	PLAT. ASSY, 6FT,SERV,S125.....169-170	PLATFORM,LEVELING LINK ASSY.....163	
PLAT ASSY, 6FT, AUSTRALIA**.....174-175	PLAT. ASSY, 6FT,SERV,S125 ANSI.....169-170	PLUG AND CAP KIT-SERVICE,37 **.....213	
PLAT RAIL ASSY,8FT,AUSTRALIA**.....174-175	PLAT. ASSY, 6FT,SERV,S125 ANSI.....169-170	PLUG AND CAP KIT-SERVICE,ORFS*.....205, 209, 213, 217, 219-220, 223, 225, 227-228, 231, 233, 235, 237, 239-240, 243, 245-246, 257	
PLAT RAIL W/DECALS 6FT 750 ANS.....173-175	PLAT. ASSY, 8FT,SERV,S120.....169-170	PLUG, SANTOPRENE .5 BLACK DOME.....177-178	
PLAT RAILW/DECALS 4FT 750 AUST.....173-175	PLAT. ASSY, 8FT,SERV,S120 ANSI.....169-170	PLUG,4-WIRE,3-PHASE,50A,MALE.....305	
PLAT RAILW/DECALS 4FT 750 EURO.....174-175	PLAT. ASSY, 8FT,SERV,S125.....169-170	PLUG,CAVITY,T-11A,1-2 OPEN.....197, 199-200	
PLAT RAILW/DECALS 5FT 750A/SOA.....174-175	PLAT. ASSY, 8FT,SERV,S125 ANSI.....169-170	PLUG,DRAIN,RR TRANS.DRIVE HUBS.....33, 35	
PLAT RAILW/DECALS 6FT 500LB AN.....173-175	PLAT. FLOOR, 5FT, PAINTED.....174-175	PLUG,ELECTRICAL,DOMESTIC.....67, 279	
PLAT RAILW/DECALS 6FT 750 ANS.....173-175	P L A T . C O N T R O L	PLUG,ENGINE OIL, CUMMINS B3.9.....73, 89	
PLAT RAILW/DECALS 6FT 750 AUST.....174-175	GUARD,FORMING.....261	PLUG,ENGINE OIL, DEUTZ F4L913.....123	
PLAT RAILW/DECALS 6FT 750 EURO.....174-175	PLATE, COVER CUMMINS B4.5.....89	PLUG,ENGINE OIL,DEUTZ F4L2011.....135	
PLAT RAILW/DECALS 6FT 750A/SOA.....174-175	PLATE, FUEL TRAY BULKHEAD, PTD.....41	PLUG,ENGINE OIL,PERKIN 1004-42...99, 115	
PLAT RAILW/DECALS 6FT 750AUST.....174-175	PLATE, LIMIT SWITCH MOUNT.....145	PLUG,HEX,090109A-8***.....199-200	
PLAT RAILW/DECALS 6FT 750 EURO.....174-175	PLATE, PIN RETAINER.....145	PLUG,HEX,130109E,1/2 NPT***.....52, 55, 57-58	
PLAT RAILW/DECALS 6FT 750A/SOA.....174-175	PLATE, SOLENOID MOUNT.....113	PLUG,NYLON .875 BLACK DOMED...67, 159, 161	
PLAT RAILW/DECALS 6FT 750 AUST.....174-175	PLATE,ANGLE LIMIT SWITCH,MACH.....63	PLUG,NYLON 1.38 BLACK DOMED.....67, 303	
PLAT RAILW/DECALS 6FT 750 EURO.....174-175	PLATE,AXLE PIN RETAINER.....21, 25	PLUG,O-RING CUMMINS B4.5.....89	
PLAT RAILW/DECALS 6FT 750A/SOA.....174-175	PLATE,AXLE WEAR STEEL.....23, 27, 37, 39	PLUG,ORIFICE,0.030 (50684).....185	
PLAT RAILW/DECALS 6FT 750AUST.....174-175	PLATE,BACKING.....170	PLUG,PIPE 3/4 NPT CUMMINS B4.5.....89	
PLAT RAILW/DECALS 6FT 750 EURO.....174-175	PLATE,COVER LATCH BACKING.....67, 69	PLUG,PIPE HEXHEAD 130109E-1/8.....43	
PLAT RAILW/DECALS 6FT 750A/SOA.....174-175	PLATE,DOCU MENT	PLUG,PWR,UK,16AMP,3PIN,BLK.....279	
PLAT RAILW/DECALS 6FT 750AUST.....174-175	MOUNT,PAINT.....173-175	PLUG,SEAL,12-18 GA.....113	
PLAT RAILW/DECALS 6FT 750 EURO.....174-175	PLATE,EXT.CABLE ,PAINTED.....151-152, 155-156	PLUG,THREADED CUMMINS B4.5.....89	
PLAT RAILW/DECALS 6FT 750A/SOA.....174-175	PLATE,EXT.CABLE ANCHOR.....151-152	POTENTIOMETER ASSY, WELDER.....303	
PLAT RAILW/DECALS 6FT 750AUST.....174-175	P L A T E , D O C U M E N T	PRECLEANER OPTION,DEUTZ.....289	
PLAT RAILW/DECALS 6FT 750 EURO.....174-175	MOUNT,PAINT.....173-175	PRECLEANER OPTION,PERKINS.....289	
PLAT RAILW/DECALS 6FT 750A/SOA.....174-175	PLATE,EXT.CABLE ,PAINTED.....151-152, 155-156	PRECLEANER,AIR INTAKE.....289, 291	
PLAT RAILW/DECALS 6FT 750AUST.....174-175	PLATE,EXT.CABLE ANCHOR.....151-152	PRECLEANER,INLINE 3".....289, 291	
PLAT RAILW/DECALS 6FT 750 EURO.....174-175	P L A T E , E X T . C A B L E	PRO.DIR.CTRL,VLV,5WY,3POS.....207, 211	
PLAT RAILW/DECALS 6FT 750A/SOA.....174-175	ATTACH.MACHINE.....151-152	PULLEY KIT,PERKINS 804.....273	
PLAT RAILW/DECALS 6FT 750AUST.....174-175	PLATE,EXT.CABLE	PULLEY,ALTERNATOR.....89	
PLAT RAILW/DECALS 6FT 750 EURO.....174-175	EQUALIZER	PULLEY,ALTERNATOR, PERK 1104C.....115	
PLAT RAILW/DECALS 6FT 750A/SOA.....174-175	MACH.....151-152	P U L L E Y , A L T E R N A T O R , D E U T Z	
PLAT RAILW/DECALS 6FT 750AUST.....174-175	PLATE,FRNT,ENCLOSURE ASSY,PNTD...303	BF4L2011.....135	
PLAT RAILW/DECALS 6FT 750 EURO.....174-175	PLATE,FUEL TANK BULKHEAD.....41	PULLEY,CRANKSHAFT,CUMMINS B3.9....73, 89	
PLAT RAILW/DECALS 6FT 750A/SOA.....174-175	P L A T E , G E N E R A T R . C N T R L . B O X	PULLEY,CRANKSHAFT,CUMMINS B4.5.....89	
PLAT RAILW/DECALS 6FT 750AUST.....174-175	MOUNT.....267, 271, 273, 277	PULLEY,CRANKSHAFT,PERKINS 1004.....97, 115	
PLAT RAILW/DECALS 6FT 750 EURO.....174-175	PLATE,KING PIN RETAINER.....27	PULLEY,DEUTZ.....277	
PLAT RAILW/DECALS 6FT 750A/SOA.....174-175	PLATE,PLAT.CONTROL BOX SPACER.....175	PULLEY,FAN,PERKINS 1004-42.....97, 115	
PLAT RAILW/DECALS 6FT 750AUST.....174-175	PLATE,PUMP MOUNT.....71, 85, 95, 107, 123	PULLY, GNRTR,220V,50HZ(89908).....265, 267, 269, 271, 273, 275, 277	
PLAT RAILW/DECALS 6FT 750 EURO.....174-175	PLATE,RETRACT CABLE EQUALIZER.....151-152	PULLY,GNRTR,120V,60HZ(60707)....265, 267, 269, 271, 273, 275, 277	
PLAT RAILW/DECALS 6FT 750A/SOA.....174-175	PLATE,SWING CHASSIS BULKHEAD.....51-52, 55, 57-58	PUMP ASSY. 60511 APU.....51-52	
PLAT RAILW/DECALS 6FT 750AUST.....174-175	PLATE,TAP BLOCK HINGE MNT PTD.....67	PUMP, FUEL INJECTN CUMMINS B4.5.....89	
PLAT RAILW/DECALS 6FT 750 EURO.....174-175	PLATE,THROTTLE ACTUATOR MOUNT....111	PUMP, FUEL TRNSFR CUMMINS B4.5.....89	
PLAT RAILW/DECALS 6FT 750A/SOA.....174-175	P L A T E , T O G G L E	PUMP, WATER,CUMMINS B3.9.....73	
PLAT RAILW/DECALS 6FT 750AUST.....174-175	MOUNT,PCON.....177-178	PUMP, WATER,CUMMINS B4.5.....89	
PLAT RAILW/DECALS 6FT 750 EURO.....174-175	PLATE,TOP,GENERATOR 12KW,PNTD.....303	PUMP, WATER,PERKINS 1004-42.....97	
PLAT RAILW/DECALS 6FT 750A/SOA.....174-175	PLATE,UK,POWER TO PLAT.....279	PUMP, WATER,PERKINS 1104C-44.....115	
PLAT RAILW/DECALS 6FT 750AUST.....174-175	PLATE,URETHANE SPRING.....141, 143	PUMP,(102710 APU).....51-52, 55, 57-58	
PLAT RAILW/DECALS 6FT 750 EURO.....174-175	PLATE,WEAR PAD RETENTION.....37, 39	PUMP,(75592 APU).....55, 57-58	
PLAT RAILW/DECALS 6FT 750A/SOA.....174-175	PLATFORM ASSEMBLY,4FT,CE/UK.....174-175	PUMP,2 SEC (50166).....215	
PLAT RAILW/DECALS 6FT 750AUST.....174-175	PLATFORM ASSEMBLY,5FT,CE/UK.....174-175	PUMP,2 SEC,29CC X 19CC,FE.....215	
PLAT RAILW/DECALS 6FT 750 EURO.....174-175	PLATFORM ASSEMBLY,6FT ANS.....173-175		
PLAT RAILW/DECALS 6FT 750A/SOA.....174-175	PLATFORM RAIL ASSY, 8FT, ANS.....173-175		
PLAT RAILW/DECALS 6FT 750AUST.....174-175	PLATFORM RAIL ASSY,6FT,CE/UK.....174-175		
PLAT RAILW/DECALS 6FT 750 EURO.....174-175	PLATFORM RAIL ASSY,8FT,CE/UK.....174-175		
PLAT ASSY, 4FT,SERV,S120.....169-170	P L A T F O R M		
PLAT ASSY, 4FT,SERV,S120 ANSI.....169-170	S U P P O R T		
PLAT ASSY, 4FT,SERV,S125.....169-170	ASSY.SUPRBOO.....170		
PLAT ASSY, 4FT,SERV,S125 ANSI.....169-170			
PLAT ASSY, 5FT,SERV,S120.....169-170			
PLAT ASSY, 5FT,SERV,S120 ANSI.....169-170			

- PUMP,AUXILIARY,DUAL,12V....51-52, 55, 57-58
PUMP,FUEL 2011 DEUTZ ***.....135
PUMP,FUEL INJ,DEUTZ BF4L20.....135
PUMP,FUEL INJECTION,CUMMINB3.9.....75
PUMP,FUEL INJECTION,PERKIN1004.....99
PUMP,FUEL INJECTN,PERK 1104C.....115
PUMP,FUEL INJECTN.DEUTZ F4L913.....123
PUMP,FUEL LIFT DEUTZ F4L913.....123
PUMP,FUEL LIFT, CUMMINS, B3.9.....75
PUMP,FUEL LIFT,PERKINS1004-42.....95
PUMP,PISTON,46CC,B MOUNT,13T**.....215
PUMP,VARIABLE DISPLACEMENT.....215
PUMP,WATER,PERKINS 804D-33T.....113
- ### R
- RADIATOR.....79, 81, 101, 105, 107
RADIATOR HOSE,LOWER-CUMMINS.....73, 85
RADIATOR HOSE,LOWER-PERKINS.....97, 111
RADIATOR HOSE,UPPER-CUMMINS.....73, 81
RADIATOR HOSE,UPPER-PERKINS..97, 111
RADIATOR STRUT ASSEMBLY, RIGHT.....77, 101
RADIATOR STRUT ASSEMBLY,RIGHT.....79, 85, 103, 105, 107
RADIATOR STRUT,LEFT.....87, 111
RADIATOR STRUT,LEFT (INBOARD).....77, 101
RADIATOR STRUT,LEFT, PAINTED.....79, 103, 105
RADIATOR STRUT,LEFT,PAINTED.....81, 111
RADIATOR STRUT,RIGHT.....79, 83, 85, 103, 105, 107
RADIATOR STRUT,RIGHT(OUTBORD).....77, 101
RADIATOR STRUT,RIGHT***.....85
RADIATOR UPGRADE KIT,SUPERB.....77
RADIATOR,CUMMINS/PERKINS.....77, 103
RADIATOR,FORD/PERKINS***.....109
RAILING CATCH CASTING--DRILLED.....295-296
RECEPTACLE, 120VAC, 20A, GFCI.....279, 303
RECEPTACLE,UK,110V.....279
RECEPTCL,LOCK 3-PH,50A,4 WIRE.....305
REDUCER,3" TO 2.75".....121, 133
REDUCER,45 DEG, 3.75"-3.00".....87
REDUCER,520123-20-12.....227-228, 231, 240, 246, 257
REDUCER,90 DEG,CAC, 3.0"-2.5".....87
REDUCER,90DEG,4.0 X 3.0.....291
REDUCER,RUBBER,4.0 X 3.0.....87, 291
Ref Hydraulic Oil Cooler Manifold (refer to 404.3).....105
REGULATOR,PRESS-COMP 0.30 GPM...207, 211
RELAY MODULE(89996,89998).....47, 49
RELAY,12VDC,70AMP,SEALED.....47, 49
RELAY,OMRON,DPDT,12V.....303
RELAY,SEALED 30/40 AMP.....47, 49, 52, 55, 57-58, 259, 265, 267, 269, 271, 273, 275, 277
RELAY,SOCKET,OMRON.....303
RELAY,SPDT,12V(AUTO) PLUG IN**.....61, 177-178
RELIEF,VALVE 270 PSI.....309
REPAIR LINK END SET (60174&75).....147, 155-156
REPAIR LINK W/ ROLLER.....147, 156
REPAIR LINK W/HARDWARE.....147, 155-156
REPAIR LINK/SINGLE(60174/75).....147, 155-156
RESISTOR,10 OHM,25 WATT.....311
RETAINER, ALTERNATOR PULLEY.....89
RETAINER,MACHINED.....141
RETAINER,MAST COVER.....149, 287
RETAINER,SPRING,1.21 X .375.....263
RETAINER,SPRING,1.46 X .375.....263
RIVET,ALUM,ALUM,3/16BUTTONHEAD.....261
RIVET,STEEL,P, .25 X .375.....295-296
RIVET,STL,STL,P,125 X .25.....61, 311
ROCKER ASSY,MAGNETIC 75565.....181, 183
ROCKER,RETAINER, 75565.....181, 183
ROD END,.250 X 2.75 LG.....151-152, 263
ROD END,.375X3.69,ZAG.....23, 27, 91, 93, 117, 119, 137, 139, 151-152, 163, 165
ROD END,.5 X 3.75,ZAG.....141, 143, 145
ROD END,.75 X 5.00.....141, 143, 145
ROD END,RETRACTION CABLE.....151-152
ROD,SWITCH ACTIVATING.....25
ROLLER,ARM,LIMIT SWITCH,ZCY500.....63, 161
ROTATOR MOUNT KIT.....263
ROTATOR,ELECT,10 CONT***.....43
ROTATOR,MOD,NON-JIB,144 DEG***.....163
ROTATOR,NON-JIB,160 DEG.....163
ROTATOR,PLAT JIB,160 DEG***.....165
RUBBER SLEEVES, TD 2011L041.....135
- ### S
- S100 AIRLINE TO PLATFORM.....299
S100/120 PLAT MNFLD SRV KIT.....205, 207, 209
S100/120 PWR PLAT,220/50 EURO.....299
S105/125 PLAT MNFD SRV KIT.....209
SB BOOM #3 ASSY SYMBOL UNITS.....155-156
SB BOOM #3 ASSY W/WORD DECALS.155-156
SCREW - AIR INLET,PERK 1104C.....115
SCREW, GEN ROTOR.....279
SCREW, HCC, 3/8-16 X 1.50.....63, 77, 79, 83, 85, 91, 93, 101, 103, 105, 107, 109, 117, 119, 127, 129-130, 137, 139, 145, 163, 165, 173-175, 265, 273, 277, 303
SCREW, HHC, 1/4-20 X .5.....33, 35, 61, 65, 77, 101, 127, 173-175, 177-178, 261
SCREW, PHM, #6-32 X .625 ZINC.....181, 183
SCREW, VALVE COVER, PERK 1104C.....115
SCREW,6-32 X 7/8 PPMS ZINC.....67, 170
SCREW,ALT.LEVER,PERKINS1004-42.....97
SCREW,ALT.MNT.PERKINS 1004-42.....97
SCREW,ALTERNATR.PERKINS1004-42.....97
SCREW,BHHS,1/4-20 X .75.....149, 287
SCREW,BHHS,3/8-16 X 1.25.....149
SCREW,BHSC,1/4-20 X 1.....295-296
SCREW,BLEEDER,M5X0.8.....165, 213
SCREW,CRANKSHFT,PERKIN 1004-42.....97, 115
SCREW,FHM,10-32 X 1.....67
SCREW,FHM,6-32 X .75.....279
SCREW,FHS,1/4-20 X .75.....25
SCREW,HEX HD FLANGE 1/4-20X1/2.....21, 25
SCREW,HHC,1-8 X 11,GRD 5***.....170
SCREW,HHC,1-8 X 7 GRD.2.....91, 141, 143
SCREW,HHC,1/2-13 X 1, GR 5.....55, 57-58
SCREW,HHC,1/2-13 X 1.25 GR5.....21, 23, 25, 31, 37, 39, 71, 85, 95, 107, 123
SCREW,HHC,1/2-13 X 1.5.....37, 39, 141, 143, 145, 151-152
SCREW,HHC,1/2-13 X 1.5 GRD 8.....87
SCREW,HHC,1/2-13 X 1.75.....23, 27, 37, 39
SCREW,HHC,1/2-13 X 2 GR5.....37, 39, 43
SCREW,HHC,1/2-13 X 2.5 GR5.....152
SCREW,HHC,1/2-13 X 2.75.....23, 27, 52, 55, 63, 65, 151-152
SCREW,HHC,1/2-13 X 3.25.....51-52, 55
SCREW,HHC,1/2-13 X 5.25.....151-152
SCREW,HHC,1/2-13 X 6.5.....147
SCREW,HHC,1/2-13 X.75.....43, 51-52, 285
SCREW,HHC,1/4-20 X .625.....29, 31, 47, 49, 51-52, 55, 57-58, 149, 159, 161, 173-175
SCREW,HHC,1/4-20 X .75.....21, 25, 27, 47, 49, 51-52, 55, 57-58, 65, 75, 81, 85, 87, 99, 103, 109, 113, 127, 141, 143, 147, 151-152, 163, 165, 167, 170, 173-175, 279, 285, 287, 289, 291, 293, 295-296
SCREW,HHC,1/4-20 X 1.....37, 39, 41, 51-52, 55, 57-58, 63, 65, 67, 69, 79, 87, 103, 105, 107, 111, 129-130, 137, 159, 161, 173-175, 261, 263, 267, 271, 273, 277, 289, 291, 303, 313
SCREW,HHC,1/4-20 X 1.25.....67, 69, 71, 95, 121, 167, 265, 269, 273, 275
SCREW,HHC,1/4-20 X 1.5.....163, 165, 296
SCREW,HHC,1/4-20 X 2.....295-296
SCREW,HHC,1/4-20 X 2.75.....303
SCREW,HHC,1/4-20 X 3.25.....91, 117, 137
SCREW,HHC,1/4-20 X 3.5.....79, 105, 111
SCREW,HHC,1/4-20 X 3.75.....147
SCREW,HHC,1/4-20 X 4.....65
SCREW,HHC,3/4-10 X 2.00,GR5.....143
SCREW,HHC,3/4-10 X 2.75.....141, 143
SCREW,HHC,3/4-10 X 3 GRD.8.....43, 145
SCREW,HHC,3/4-10 X 4 FULL THRD.....43
SCREW,HHC,3/4-10 X 4.5.....141
SCREW,HHC,3/4-10 X 6 (CUMMINS).....77, 79
SCREW,HHC,3/4-10 X 7 FULL THRD.....155-156
SCREW,HHC,3/4-10X6,GR5,FULL TH.....151-152
SCREW,HHC,3/8-16 X .625.....159, 161
SCREW,HHC,3/8-16 X .75.....23, 27, 29, 31, 47, 49, 65, 83, 87, 147, 155-156, 159, 161, 167, 259
SCREW,HHC,3/8-16 X .88,GRD 8.....170
SCREW,HHC,3/8-16 X 1.....23, 27, 47, 49, 52, 55, 57-58, 63, 67, 77, 91, 93, 101, 107, 117, 119, 133, 137, 139, 141, 143, 145, 149, 151-152, 155-156, 159, 161, 170, 265, 269, 275
SCREW,HHC,3/8-16 X 1 GRD 8.....170
SCREW,HHC,3/8-16 X 1.25 GRD 5.....21, 27, 37, 39, 41, 47, 49, 51-52, 55, 57-58, 63, 71, 77, 79, 81, 83, 85, 87, 91, 93, 95, 101, 103, 105, 107, 109, 117, 119, 127, 129-130, 137, 139, 141, 143, 145, 149, 151-152, 155-156, 159, 161, 163, 165, 170, 271, 279, 289, 303
SCREW,HHC,3/8-16 X 1.75,GRD.8.....43, 79, 81, 103, 105, 165, 269
SCREW,HHC,3/8-16 X 2.....145, 151-152, 165, 167
SCREW,HHC,3/8-16 X 2.25.....163
SCREW,HHC,3/8-16 X 2.5.....313

Part Description Index (continued)

SCREW,HHC,3/8-16 X 2.75.....23, 27, 63, 147, 149, 155-156, 259	SCREW,HHC,M8X1.25X 70MM,GR8.8.....73	SEAL KIT (89536).....25
SCREW,HHC,3/8-16 X 3.....23, 27, 165	SCREW,HHC,M8X1.25X 95MM,GR8.8.....73	SEAL KIT CYL ***.....23, 27
SCREW,HHC,3/8-16 X 3.25.....263	SCREW,HHF,1/4-20X.625,8,ZAG.....301	SEAL KIT CYL.S100/120 (50078).....141, 143, 145
SCREW,HHC,3/8-16 X 3.5,GR5.....259	SCREW,HHF,1/4-20X2.5,8,ZAG.....293	SEAL KIT CYL.S100/120 (50100).....151-152
SCREW,HHC,3/8-16 X 4.....71, 155-156	SCREW,LOCKING FLANGE 6/32X.375.....177-178	SEAL KIT, 37185 PUMP.....51-52, 55, 57-58
SCREW,HHC,3/8-16 X 4.5.....85, 155-156	SCREW,M8X1.5X20MM GR8.8(89212).....35	SEAL KIT, HYD MOTOR, GEN.....279
SCREW,HHC,3/8-16 X 6.....159, 161	SCREW,PERKINS 1004-42.....95, 115	SEAL KIT, SOLENOID VALVE.....185, 187
SCREW,HHC,3/8-24 X 1.25".....95	SCREW,PHIL,10-24 X .75.....173-175	SEAL KIT, VALVE.....79, 111, 185, 187, 189, 191, 193, 195, 197, 199-200, 203, 211
SCREW,HHC,5/16-18 X .75.....37, 39, 43, 51-52, 55, 57-58, 63, 296	SCREW,PHIL,PHM,6-32 X 1/4 SS.....61, 311	SEAL KIT, VALVE, #10.....185, 187
SCREW,HHC,5/16-18 X 1 GR5.....47, 49, 83, 303	SCREW,PHILLIPS,FHM,10-32X1.00.....159, 161, 259	SEAL KIT,2-SEC PUMP (50166).....215
SCREW,HHC,5/16-18 X 1.25.....83, 269, 271, 275, 279	SCREW,PHILLIPS,PHM,10-32 X .38.....47	SEAL KIT,52372,SOLENOID VALVE.....197, 199-200
SCREW,HHC,5/16-18 X 1.75.....265, 267, 277	SCREW,PHILLIPS,PHM,10-32 X .5.....21, 23, 25, 27, 159, 261	SEAL KIT,52381,BOSCH DO3,GS68.....197, 199-200
SCREW,HHC,5/8-11 X 1.75 GRD.8.....77, 79, 81, 83, 101, 103, 105, 107	SCREW,PHILLIPS,PHM,10-32 X .75.49, 141, 143, 145, 173-175	SEAL KIT,52907,SIZE 4, 2 WAY.....191, 195, 197, 199-200, 211
SCREW,HHC,5/8-11 X 2.5.....91, 93, 117, 119, 137, 139	SCREW,PHILLIPS,PHM,10-32 X 1.....51-52, 55, 57-58	SEAL KIT,62328,SIZE 12,2 PORT.....199-200
SCREW,HHC,5/8-11 X 3 GRD.8.....81, 83	SCREW,PHILLIPS,PHM,10-32 X1.25.....21, 25, 29, 31, 151-152, 263	SEAL KIT,62329,SIZE 12, 3 WAY.....197, 200
SCREW,HHC,5/8-11 X 3.5 GRD.8.....107, 109, 113, 127, 133	SCREW,PHILLIPS,PHM,10-32X 1.75.....43	SEAL KIT,8K ROTATOR***.....163, 165
SCREW,HHC,5/8-11 X 4.0***.....77, 79, 101, 103, 105, 127	SCREW,PHILLIPS,PHM,8-32 X .5.....261	SEAL KIT,ARCTIC,ROTATOR 8.2K**.....165
SCREW,HHC,7/16-14 X 1.25.....265, 267	SCREW,PHILLIPS,PHM,8-32 X .875.....47, 49, 279	SEAL KIT,AXLE EXTEND CYL,61381.....21, 25
SCREW,HHC,7/16-14 X 1.75.....271, 273, 277	SCREW,PHILLIPS,RHM,10-32 X 1.5.63, 141, 143, 145, 159, 263	SEAL KIT,BRAKE,DRIVE HUB,S125.....33
SCREW,HHC,M10 X 1.5 X 140.....125	SCREW,PHM, 4-20 X .25 SELF TAP.....177-178	SEAL KIT,BRAKE,TURNTABLE ROT**.....45, 299
SCREW,HHC,M10 X 1.5 X 65,GR8.8.....71	SCREW,PHM,M5X.8X10MM SELF TAP....177-178	SEAL KIT,CYL,S100/120 (50207).....163
SCREW,HHC,M10 X 1.5 X 95,GR8.8.....73	SCREW,RHM,10-32 X .5.....67	SEAL KIT,CYL,S65 (63213).....165
SCREW,HHC,M10 X 1.5 X70,GR 8.8.....130, 271	SCREW,RHM,10-32 X .75.....67, 69	SEAL KIT,DRIVE HUB,TURNTBL.ROT.....45, 299
SCREW,HHC,M10 X 25MM,GR 8.8.....83, 87, 113, 121, 265, 291	SCREW,RHM,10-32 X 1.....67	SEAL KIT,DRIVE MOTOR***.....29, 31
SCREW,HHC,M10 X 30MM,....71, 85, 95, 107, 111, 121, 123, 127, 129-130, 267, 269	SCREW,RHM,10-32 X 1.5.....161	SEAL KIT,HYD MOTOR(106184).....303
SCREW,HHC,M10 X 55MM,GRD 8.8.....277	SCREW,RHM,8-32 X .50.....305	SEAL KIT,HYD SWIVEL (75126)***.....43
SCREW,HHC,M10 X 65MM,GR8.8.....87	SCREW,SECURITY,1/4-20 X 1.75LG.....305	SEAL KIT,MOTOR,LC/KC***.....31
SCREW,HHC,M10 X1.5 X 120,GR8.8.....269	SCREW,SECURITY,5/16-18X1.00.....305	SEAL KIT,PLAT ROTATE***.....165
SCREW,HHC,M10X1.5X100MM,GR8.8.....89	SCREW,SER FLNG3/8UNCX3/4ZNYEL.....51-52	SEAL KIT,PLAT.LEVEL CYL(61387).....165
SCREW,HHC,M10X20,GR5,YEL ZINC.....271	SCREW,SER/FLNG 10M-1.5X20MM BK....71, 85	SEAL KIT,REXROTH DO3 VALVE.....197, 199-200
SCREW,HHC,M12 X 1.75X 25MM,8.8.....71	SCREW,SHC,1/2-13 X 1.50,A574...29, 31, 43, 45, 299	SEAL KIT,REXROTH PUMP (50170).....215
SCREW,HHC,M12 X 30.....95, 99, 101, 103, 105, 111	SCREW,SHC,10-24 X 1.250 (D01)....197, 199-200	SEAL KIT,RWD 1700TB***.....35
SCREW,HHC,M12 X 35MM.....77, 79, 81, 83, 109, 113	SCREW,SHC,10-24 X 2.....197, 199-200	SEAL KIT,SAUER-DANFOSS M46***.....215
SCREW,HHC,M12 X 45.....77, 79, 113	SCREW,SHC,5/16-18 X 2,PLATED.....45	SEAL KIT,SOLENOID VALVE.....185, 187
SCREW,HHC,M12X 1.25X36MM,GR8.8.....73, 89	SCREW,SHC,5/8-11 X 3.00,A574.....43	SEAL KIT,SOLENOID VALVES,HYDAC.....205, 209
SCREW,HHC,M12X 1.75X35MM,GR8.8.....75	SCREW,SHC,5/8-11 X 3.75,A574.....43	SEAL KIT,SUN "CWCA" CB VALVES*.....141, 143, 145, 151-152
SCREW,HHC,M14 X 2 X 100.....127	SCREW,SHC,7/16-14 X .75,61342.....43	SEAL KIT,SUN "CWEA" CB VALVES.....151-152
SCREW,HHC,M14 X 40MM,GR 8.8..129-130, 133	SCREW,SHC,M10X1.5X20MM (75090).....33, 113, 129-130	SEAL KIT,TURNTABL.ROT.MOTOR.....45, 299
SCREW,HHC,M16 X 30.....269	SCREW,SHC,M10X1.5X30 GR 12.9.....87, 123	SEAL KIT,VALVE 62356, HYDAC.....205, 209
SCREW,HHC,M6 X 1 X 20.....125	SCREW,SHC,M10X1.5X40MM (75090).....33	SEAL KIT,VALVE 62357, HYDAC.....205, 209
SCREW,HHC,M6 X 20MM,GR8.8.....129-130	SCREW,SHC,M10X1.5X80MM (75090).....33	SEAL KIT,VALVE 62359, HYDAC.....205, 209
SCREW,HHC,M8 X 1.25 X 120.....125, 275	SCREW,SHC,M16 X 50MM,BLACK.....31	SEAL KIT-P.N.44169,44172,44171....189, 193, 197, 199-200
SCREW,HHC,M8 X 1.25 X 25.....113, 267	SCREW,SHC,M16 X 60MM,BLACK.....29	SEAL, CAP.....43
SCREW,HHC,M8 X 1.25 X 30.....125	SCREW,SHC,M8 X 1.25 X 16 MM.....109	SEAL, CONNECTOR (DT JOYSTICKS).....183
SCREW,HHC,M8 X 10MM.....109, 113	SCREW,SHS,1/2-13 X 1.50.....151-152	SEAL, O-RING CUMMINS B4.5.....89
SCREW,HHC,M8 X 16.....71, 95, 113, 121	SCREW,SHS,1/4-20 X .25 ZINC.....61	SEAL, O-RING LIP.....43
SCREW,HHC,M8 X 20MM.....109, 113, 271, 289	SCREW,SHS,10-24 X .625.....111, 129-130	SEAL, POLY, CHAMFER.....43
SCREW,HHC,M8X1.25X 21MM,GR8.8.....73, 89	SCREW,SHS,3/4-10 X 1.5.....43	SEAL, SHAFT, 60511 APU.....51-52, 55, 57-58
SCREW,HHC,M8X1.25X 22MM,GR8.8.....73	SCREW,STEP BOLT,1/4-20 X .75.....174-175	SEAL,CYL.HED.CVR.DEUTZ,F4L913.....125
SCREW,HHC,M8X1.25X 25MM,GR8.8.....73, 75	SCREW,THERMSTAT,PERKIN1004-42.....97	SEAL,FILTER ASSY (60334)***.....49
SCREW,HHC,M8X1.25X 35MM,GR8.8.....73	SCREW,THERMSTAT.PERKINS1004-42.....97	SEAL,FUEL INJEC CUMMINS B4.5.....89
	Seal Kit.....309	SEAL,INJECTOR,DEUTZ F4L2011.....135
	SEAL KIT (39345).....21, 25, 163, 165, 213	SEAL,O-RING,SQUARE.....43
	SEAL KIT (89534).....165	SEAL,WATER INLET CUMMINS B4.5.....89
		SEAL- EXHAUST MANIFOLD PERK-44.....115
		SEAL-VALVE COVER PERKINS 1104C.....115

SELF-TAP SCREW, CABLE TRACK.....147, 155-156	SHROUD,DEUTZ,AIR INTAKE.....125	STRAINER ASSY,#24 O-RING.....51-52, 55, 57-58, 227-228, 231, 233, 235, 237, 239-240, 243, 245-246
SENDER,LOW FUEL INDICATOR.....41	SHROUD,FAN (FIBERGLASS).....77, 79, 85, 101, 103, 105, 107	STRAINER,FUEL CUMMINS B4.5.....89
SENDING UNIT,OIL PRESS PERKINS.....115	SHROUD,FAN,PERKINS PAINTED.....109	STRAP ASSY,FUEL TANK 52".....41
SENDING UNIT,OIL PRESS.,DEUTZ*.....135	SHUTDOWN SOLENOID,12V, DEUTZ.....129-130, 135	STRAP, CONDUIT HOLDER 60****.....293
SENDING UNIT,OIL TEMP SWCH,DTZ.....135	SLEAVING,PARKER TEK,2.00".....177-178	STROBE,FIREBOLT,12-80VDC,AMB**.....259
SENDING UNIT,TMP,FRD,GM,PRK704.....115	SLEEVE,CONNECTOR,DT JOYSTICKS.....183	STRUT SUPPORT.....63
SENSOR, TEMP. SENDER, M16X1.5.....109	SLIDING MIDRAIL KIT,PTD.....173-175	STRUT SUPPORT,TANK SIDE.....63
SENSOR,OIL PRESS,VDO360-004***.....71, 89	SNAP RING,EXTERNAL,1.25 DIA.**.....163, 165	STUD, WHEEL, 3/4-16 X 3****.....33, 35
SENSOR,OIL PRESSUR,PERKIN,1004.....99	SNAP RING,EXTERNAL,1.5 DIA***.....151-152	STUD,FAN SPACR,PERKINS 1004-42.....97, 115
SENSOR,COOLANT TEMP.....89	SOCKET,SEALED RELAY.....259	SUBASSY,STEER SENSOR***.....31
SENSOR,COOLANT TEMP,PERKINS***.....97, 115	SOLENOID CABLE ASSY***.....135	SUPPORT, RAILING.....295-296
SENSOR,COOLANT TEMP,VDO323-419...77, 79	SOLENOID FUELINJEC,PERKIN,1004.....115	SUPPORT,COVER (61112,61117).....67, 69
SENSOR,OIL PRS KIT,VDO0360-040.....121	SOLENOID UPDATE KIT***.....75, 95, 99, 127	SUPPORT,ENGINE COVER GRAY.....69
SENSOR,TILT TURNTABLE(PLSTC)....51-52, 55, 57-58	SOLENOID,GLOW PLUG,DEUTZF4L913...125	SUPPORT,FUEL TANK COVER.....65
SENSOR,TILT,PCON (PLASTIC)****.....163, 165	SOLENOID,MOTOR START,60511,APU.....51-52, 55, 57-58	SUPPORT,HYDRAULIC SWIVEL.....43
SEPARATOR,DUAL BATTERY,100A.....47, 49	SOLENOID,SHUTDOWN DEUTZ F4L913..123	SUPPORT,SENSOR,JOYSTICK.....181, 183
SEPARATOR-FUEL/WTR CUMIN B4.5.....89	SOLENOID,STARTER,DEUTZ F4L913.....125	SWING COVER BRACKET,DEUTZ.....63
SEPARATORS,ALUM,CABLE TRACK.....155-156	SOLENOID,THROTTLE,ASSY.TROMB.....87, 111, 113, 129-130	SWING COVER,DEUTZ.....63
SEPRTR/FLTR,FUEL DSL,15GPH,.30.....71, 95, 107, 121	SOLENOID-STARTR DEUTZF4L1011F*...135	SWING DRIVE ASSEMBLY.....45, 299
SERIAL # LABEL,MYLAR 4X8***.....14	SPACER TUBE,.50 LG.....273	SWITCH SHIELD,ROCK JOYSTK75565...181, 183
SERVICE KIT, 5FT JIB, ARCTIC.....167	SPACER,ALT PULLEY,DEUTZ BF4L2011.....135	SWITCH TOGGLE ASSY SPDT 2P MNT....311
SERVICE KIT, THROTTLE, B3.3T.....87	SPACER,FAN,CUMMINS, B3.9.....73	SWITCH TOGGLE ASSY SPDT 2P MOM.....177-178
SERVICE KIT,5FT JIB.....165, 167	SPACER,FAN,CUMMINS, B4.5.....89	SWITCH, OIL PRESSURE 1.5 BAR....129-130
SERVICE KIT,MEC. PRESS.FILTER.....47, 49	SPACER,FAN,PERKINS, 1004-42.....97, 115	SWITCH,FAN BELT.....125
SHAFT SEAL, APU.....51-52, 55, 57-58	SPACER,PULLEY,DEUTZ GEN.....277	SWITCH,LIMIT,PROX(OPERATIONAL).....21, 25, 141, 143, 145, 159
SHAFT SEAL,50169,REXROTH MTR.....29, 31	SPACER,SWIVEL MOUNT.....43	SWITCH,LIMIT,ROLLER NO/NC GOLD.....63, 161
SHAFT,INPUT,DRIVE HUB 75090.....33	SPACER,WEAR PAD.....149, 155-156	SWITCH,LIMIT,GROUND CONTROL.....61
SHAFT,OUTPUT,DRIVE MTR 50169.....29, 31	SPACER-DUAL COIL,#10, SCISSORS.....189, 193, 197, 199-200	SWITCH,MEMBRANE,PLATFORM.....177-178
SHAFT-OUTPUT (60810).....45	SPACER-DUAL COIL,#8***.....189, 193	SWITCH,OPERATIONAL.....159
SHEAVE MOUNT,EXT. CABLE MACHIN.....151-152	SPIDER (106113).....303	SWITCH,PRESS,#4NPT,200PSIF.....303
SHEAVE,EXTENSION CABLE.....151-152	SPRING CLIP,1/4-20,.025-15X.54,ZAG.....21, 25, 27, 37, 39, 41, 51-52, 55, 57-58, 65, 67, 69, 87, 109, 111, 113, 147, 167, 173-175	SWITCH,THERMOSTAT 60F OPEN.....61
SHEAVE,RETRACT CABLE.....151-152	SPRING CLIP,3/8-16,.05-20X.73,ZAG.....47, 49, 52, 55, 57-58, 63, 159, 161	SWITCH,THERMOSTAT 85F OPEN.....311
SHIM, WEAR PAD,THIN,SB.....159, 161	SPRING,1.00 DIA X .105.....159, 161	S W I T C H , T O G G L E , S P D T , 3 P O S M O M E N *177-178
SHIM,ANGLE LIMIT SWITCH MOUNT.....63	SPRING,BRAKE,DRIVE 75090.....33	SWIVEL,ELECTRIC 10 CONTACT***.....43
SHIM,AXLE PIN.....21, 25	SPRING,COMP,1" OD,232 LB/IN.....263	SWIVEL,HYD/ELEC 5 PORT/10 CONT.....43
SHIM,BOOM PIVOT.....141, 143, 145	SPRING,COMP,1-1/4"OD 352 LB/IN.....263	SWIVEL,HYD/ELEC 5 PORT/11 CONT.....43
SHIM,BOOM PIVOT,THIN.....141, 143	SPRING,JOYSTK CENTR,62390/91...181, 183	SWIVEL,HYDRAULIC,5 PORT.....43
SHIM,CABLE TRAY.....155-156	SPRING,SWITCH CENTERING,75565.....181, 183	
SHIM,CBL TRK SPRT WLDT,22 GA.....155-156	SPRING,URETHANE,1 ID X 2.00 LG.....141, 143	T
SHIM,GALVANIZED STEER YOKE.....23, 27	STANDOFF,1/4X1/4 M-F 6-32 S/S.....311	T-BOX 2.75 X 4.5 X 2.5.....67, 170
SHIM,INNER AXLE WEAR PAD.....23, 27, 37, 39	STARTER, 12V.....135	T-BOX,2.75X4.5X2.63,3PH.....305
SHIM,PAD 2.0 X 6.60.....23, 27	STARTER, 12V,CUMMINS B3.3T.....87	TAIL PIPE,DEUTZ.....133
SHIM,PAD,10 X 6.10.....23, 27, 37, 39	STARTER, DEUTZ F4L913.....125	TAILPIPE,DEUTZ 913.....121
SHIM,PAD,4 X 3.60.....37, 39	STARTER,12V,CUMMINS, B3.9.....71	TANK,HYDRAULIC,55 GALLON.....52, 55, 57-58
SHIM,PROX SWITCH.....145	STARTER,12V,CUMMINS, B3.9/B4.5.....71, 89	TAPE, PROTECTIVE MASK.....14, 17-18
SHIM,SIDE WEAR PAD .059 THK.....156	STARTER,ENG,PERK T3 6/8/10K.....115	TAPE,WARNING,BLK/YEL, 50****.....17-18
SHIM,SIDE WEAR PAD,20X2,14GA**.....149	STARTER,PERKINS 1004-42.....95	TEE,BRANCH,520429-12.....217, 223, 227-228, 231, 233
SHIM,SIDE WEAR PAD,20X2,16GA**.....149	STEP PLATFORM ENTRY PAINTED***.....173-175	TEE,BRANCH,520429-8.....220
SHIM,STEER SENSOR ACTIVATOR.....23, 27	STRAIN RELIEF, PG13,5.....21, 25, 63, 141, 159, 161	TEE,BRASS STREET, 12 NPT.....109
SHIM,WEAR PAD ENGINE TRAY.....91, 93, 117, 119, 137, 139	STRAINER ASSEMBLY,1.5" NPT.....51-52, 228	TEE,BULKHEAD,52N9959-12.....217
SHIM,WEAR PAD,5 X 1.5,14GA.....149, 155-156	STRAINER ASSEMBLY,3" NPT.....51-52, 227-228	TEE,BULKHEAD,52N9959-8.....219-220
SHIM,WEAR PAD,5X 1.5 16GA.....149, 155-156	STRAINER ASSY,#16 O-RING.....51-52, 55, 57-58, 228, 231, 233, 235, 237, 239-240, 243, 246	TEE,BULKHEAD,RUN,520958-12.....227-228, 231
SHIM,WEAR PAD,7 X 3,12GA.....149, 155-156		TEE,RUN,520428-12.....233, 235, 237, 243
SHIM,WEAR PAD,7 X 3,16GA.....149, 155-156		TEE,RUN,520428-20.....227-228, 231
SHOCK MOUNT,LARGE**.....109		TEE,RUN,520428-4.....217, 219-220
SHOCK MOUNT,SMALL.....109		TEE,RUN,520428-6.....51-52, 55, 57-58, 257, 281
SHROUD,AIR COOLER INLET-DEUTZ.....137		

Part Description Index (continued)

TEE,RUN,520428-8.....239-240, 245-246					
TEE,RUN,SWIVEL,520432-6.....228, 231					
TERM,AMP MTE,SOC,22-26 GA BULK.....181, 183					
TERM,DEUTSCH, PIN #12-14.....113					
THERMOSTAT -OIL COOLER (71259).....63, 137					
THERMOSTAT HOUSING,CUMINS,B3.9.....73					
THERMOSTAT HOUSING,CUMINS,B4.5.....89					
THERMOSTAT HOUSING,PERK 1104C.....115					
THERMOSTAT HSING ASSY,PERKINS.....97					
THERMOSTAT, 180 DEG.F.....113					
THERMOSTAT,110 DEG.F N/O.....52, 55, 57-58					
THERMOSTAT,CUMMINS, B3.9.....73					
THERMOSTAT,PERK 1104C.....115					
THERMOSTAT,PERKINS 1004-42.....97					
THERMOSTAT,RETAING.RING,PERKIN.....97					
THERMOSTAT,W/GSKT CUMINS B4.5.....89					
THREADED ROD,1/4-28 X 10 IN***.....75, 99, 127					
THROTTLE LINK, STEEL.....87					
THROTTLE LINK,DSL***.....129-130					
THROTTLE LINKAGE, DSL.....129-130					
THROTTLE LINKAGE,PERKINS 1104C.....111					
THROTTLE, LINKAGE.....113					
TIRE & WHEEL ASSY.LEFT,FOAM.....29, 31					
TIRE & WHEEL ASSY.RIGHT,FOAM.....29, 31					
TOEBOARD, TRI ENTRY 6', EURO.....295-296					
TOEBOARD,8'TRI ENTRY.....295-296					
TOEBOARD,ENTRY EUROPEAN PNTD*.....170, 295-296					
TOEBOARD,PLTFM ENTRY EUR,PNTD*...170					
TOOL HOLDER,PLASTIC.....173-175					
TOOL TRAY.....295-296					
TRAY,HOSE,84".....147					
TRAY,HYDRAULIC TANK MOUNTING.....52, 55					
TRI ENT PLTF ASSY 6'ASIA/SO.AM.....295-296					
TRIM MOLDING.....63, 91, 93, 117, 119, 137					
TRIMLOCK, 1/16.....91, 93, 137, 139					
TRIMLOCK,1/4.....67, 69					
TRIMLOCK,BLACK,5/32".....293					
TUBE ASSY,FUEL TANK,20.75"LG.....41					
TUBE, EXHAUST CUMMINS B3.3T.....87					
TUBE, RD, ALUM, 1.25 X .083 X 11.75.....301					
TUBE,AIR INTAKE 1,CUM,B3.3T.....87					
TUBE,AIR INTAKE,DEUTZ.....121, 133					
TUBE,AIR INTAKE,LOWER.....289					
TUBE,AIR INTAKE,UPPER.....87, 289					
TUBE,CAC 1 CUM.B3.3T.....87					
TUBE,ENGINE INTAKE,DEUTZ.....121					
TUBE,EXHAUST CUMMINS T3.....87					
TUBE,FUEL SUPPLY,CUMMINS, B3.9.....75					
TUBE,INLET,CUMMINS.....71, 85					
TUBE,INTAKE,CUMMINS T3.....87					
TUBE,INTAKE,PRECLEANER B3.3T.....291					
TUBE,INTAKE,PRECLEANER,804T.....291					
TUBE,RD,ALUMINUM,1.00X.50X.820.....259					
TUBE,RD,STL 3 X 18GA ALUMINIZD.....111, 113					
TUBE,RD,STL,ALUMIZD,2.5 X .065.....107, 109					
TUBE,SLIDING MIDRAIL,PAINTED....173-175					
TUBE,STARTING AID,CUMMINS,B3.9.....75					
TUBE,UHMW, 1 X .25 X 5.00.....147					
TUBING, VINYL, 1/2" CLEAR.....113					
TURNTABLE COVER MOUNT ASSY.....63					
TURNTABLE COVER MOUNT ASSY SYM..63					
	U				
	U-BOLT, FLATTENED, 1.5 X 3/8 UNC,ZAG.....293, 301				
	U-BOLT, KIT 5/16-18 X 2.5 ***.....121				
	U-BOLT,1/2-13 X 8.5.....107, 109, 133				
	U-BOLT,3/8 X 1 YZ.....305				
	U-BOLT,3/8-16X4X4.63X3.00.....305				
	U-BOLT,GUILLOTINE,3".....87				
	UBOLT,FLATTENED,1.5DIA X 3/8 UNC.....170, 174-175, 299, 305, 313				
	UNION,BULKHEAD,ORFS,520601,-4.....217, 219-220, 223, 227-228				
	UNION,STR.THREAD -8.....57-58, 239-240, 245-246				
	UNION,STR.THREAD 12*...51-52, 55, 57-58, 227-228, 231, 233, 235, 237, 243				
	UNION,STR.THREAD 20..227-228, 231, 233, 235, 237, 239-240, 243, 245-246				
	UNION,STR.THREAD 24***.....51-52, 55, 57-58, 227-228, 231, 233, 235, 237, 239-240, 243, 245-246				
	UPGRADE KIT,HOSE CLAMP,SB.....259				
	V				
	V-BELT GUARD, DEUTZ 2011.....135				
	V-BELT, DEUTZ F4L2011.....135				
	V-BELT, DEUTZ TD2011LOAI.....135				
	VALVE - COUNTERBALANCE**.....213				
	VALVE ASSY,BLEED***.....163, 165, 213				
	VALVE ASSY,D03,REX,3POS 4WAY.....197, 199-200				
	VALVE BALL,24 FSAE-24 FSAE***.....51-52, 55, 57-58, 227-228, 231, 233, 235, 237, 239-240, 243, 245-246				
	VALVE COIL 10V.....207, 211				
	V A L V E				
	COUNTERBAL.CBBB-LJN@5000..141, 143, 145				
	VALVE COVER,CUMMINS, B3.9.....73, 89				
	VALVE, CHECK.....187				
	VALVE, COMPENSATOR, 80 PSI.....207, 211				
	VALVE, COUNTERBAL.....151-152				
	VALVE, COUNTERBALANCE, CWCWG-LGN.5000.....141, 143, 145				
	VALVE, FLOW DIVIDER COMBINER.....187				
	VALVE, PRESS REGU CUMINS B4.5.....89				
	VALVE, RELIEF, GEN, 3.0KW.....279				
	VALVE,BALL,1.00" SAE.....51-52, 228				
	VALVE,BALL,1.50" SAE.....51-52, 227-228				
	VALVE,BALL,12 MPT-12 FPT.....51-52, 227-228				
	VALVE,BALL,12 MSAE-12 FSAE....51-52, 55, 57-58, 227-228, 231, 233, 235, 237, 243				
	VALVE,BALL,16 MSAE-16 FSAE***.....51-52, 55, 57-58, 228, 231, 233, 235, 237, 239-240, 243, 246				
	VALVE,CB.CBBC-LHN@2200*.....21, 25				
	VALVE,CHECK.....203				
	VALVE,CHECK #12 25 PSI.....227-228, 231, 233				
	VALVE,CHECK CP100-2-B-O-005.....185				
	VALVE,CHECK***.....203				
	VALVE,CHECK, 50 PSI.....185, 203				
	VALVE,CHECK,10 PSI.....207				
	VALVE,CHECK,3 PSI***.....309				
	VALVE,CHECK,30 PSI.....79, 111				
	VALVE,CHECK,5 PSI.....187, 203				
	VALVE,CHECK,5 PSI**.....199-200				
	VALVE,CHECK,DUAL PILOT***.....195				
	VALVE,CHECK,DUAL PILOT,135 PSI.....195				
	VALVE,CHECK,IWP-S/CWP PWR ASSI...189, 191, 199-200, 211				
	VALVE,CHECK,PLAT.MANIFLD,HYDAC...205, 209				
	VALVE,CNTERBAL,CBBB-LHN@3000**....163				
	VALVE,COUNTERBAL.CBBB-LHN@2000.163, 165				
	VALVE,COUNTERBAL.CBBB-LHN@3500.141, 143, 145, 165				
	VALVE,COUNTERBAL.CBCA-LHN@3200.197, 199-200				
	VALVE,COUNTERBAL.CWCA-LIN@600*.151-152				
	VALVE,COUNTERBAL.CWEK-LIN@600.....151-152				
	VALVE,COUNTERBALANCE.....21, 25, 165				
	VALVE,DIFFERENTIAL SENSE,N.0.....205, 209				
	VALVE,DIFFERENTIAL SENSE,N.C.....121, 205, 209				
	VALVE,DIFFERENTIAL SENSE110PSI....189, 193, 197, 199-200				
	VALVE,FLOW CONTROL, 0.1GPM*.....189, 193, 197, 200, 207, 211				
	VALVE,FLOW CONTROL,3GPM, HYDAC.....209				
	VALVE,FLOW DIVIDER/COMBINER.....185, 187				
	VALVE,FLOW REGULATOR, 2.0 GPM*....189, 191, 193, 195				
	VALVE,FLOW REGULATOR, 2.7 GPM.....185				
	VALVE,FLOW REGULATOR, 3.0 GPM.....203				
	VALVE,FUEL SHUTOFF,CUMMIN B4.5.....89				
	VALVE,FUEL SHUTOFF,CUMMINSB3.9.....75				
	VALVE,FUEL SHUTOFF,PERKIN,1004.....99				
	VALVE,PILOT OPER DIRECTIONAL.....303, 309				
	VALVE,PROPORTIONAL SOLENOID*.....197, 199-200				
	VALVE,RADIATOR DRAIN, AKG...77, 79, 103, 105				
	VALVE,RADIATOR DRAIN, COPAR.....101				
	VALVE,RELIEF 250 PSI***.....185				
	VALVE,RELIEF,1800 PSI,AXLE EXT.....191, 195				
	VALVE,RELIEF,250 PSI.....187				
	VALVE,RELIEF,2600 PSI,SIZE 10.....197, 199-200				
	VALVE,RELIEF,3000 PSI.....203				
	VALVE,RELIEF,3000PSI,GS68PUMP1.....191, 195, 199-200				
	VALVE,SHUTTLE.....187				
	VALVE,SHUTTLE, 3 POS. 3 WAY.....185				
	VALVE,SHUTTLE, HYDAC.....205, 209				
	VALVE,SOLENOID 2 POS.3 WAY.....187				
	VALVE,SOLENOID 3 POS.4 WAY***.....189, 193				
	VALVE,SOLENOID, 2POS 3WAY*....197, 200				
	VALVE,SOLENOID,10V,W/OUT COIL*.....309				
	VALVE,SOLENOID,2 POS 2 WAY.....207, 211				
	VALVE,SOLENOID,2POS 3WAY,DIN.....185				
	VALVE,SOLENOID,2POS3WAY,12VDIN.....203				
	VALVE,SOLENOID,2POS3WAY,SUPRB...199-200				
	VALVE,SOLENOID,3POS 4WAY***.....189, 193, 197, 199-200				

VALVE,SOLENOID,3POS4WAY,HYDAC.....205, 209	121, 127, 129-130, 137, 141, 143, 147, 149, 159, 161, 163, 165, 167, 170, 173-175, 261, 265, 269, 271, 273, 275, 279, 285, 287, 289, 291, 293, 295-296, 301, 303, 313	WEAR PAD,5 X 1.5 X .75 W/NUTS...149, 155-156
VALVE,SOLENOID,PROPORT. N.C.*.....197, 199-200		WEAR PAD,5 X 1.5 X .875 W/NUTS.....149, 155-156
VALVE-CHECK SIZE 12(SUPRBOOM)*...199-200	WASHER,FLAT,USS,3/8",Y.....27, 37, 39, 41, 47, 49, 51-52, 55, 57-58, 63, 67, 71, 77, 79, 83, 85, 87, 101, 103, 105, 107, 109, 127, 129-130, 141, 143, 145, 147, 149, 151-152, 155-156, 159, 161, 165, 170, 173-175, 259, 263, 273, 279, 303, 313	WEAR PAD,7 X 3 X.625 W/INSERT.....149, 155-156
VALVE-CHECK, #4 SAE, 5 PSI*.....191, 195, 197, 199-200, 207, 211	WASHER,FLAT,USS,5/16",Y.....37, 39, 43, 47, 49, 51-52, 55, 57-58, 63, 65, 71, 77, 79, 81, 83, 85, 87, 91, 93, 95, 101, 103, 105, 107, 109, 117, 119, 121, 127, 129-130, 133, 137, 139, 141, 143, 145, 147, 159, 161, 167, 259, 265, 269, 271, 275, 277, 279, 289, 296, 299, 301, 305	WEAR PAD,7 X 3 X.75 W/NUTS.....149, 155-156
VALVE-FLOW REGULATOR 2 GPM.....185, 187	WASHER,FLAT,USS,5/8",Y.....77, 79, 81, 91, 93, 101, 103, 105, 117, 119, 127, 137, 139	WEAR PAD,BOOM #2 TOP.....159, 161
VALVE-FLOW REGULATOR 3.0 GPM.....199-200	WASHER,FLAT,USS,7/16",Y.....43, 77, 101, 271, 277	WEAR PAD,ENGINE SUPPORT...91, 93, 117, 119, 137, 139
VALVE-FLOW REGULATOR, 1.4 GPM*....189, 191, 193, 195	WASHER,FUEL SUPPLY,CUMMINSB3.9.....75	WEAR PAD,EXT.CABLE.....151-152
VALVE-RELIEF,1800 PSI.....197, 200	WASHER,LOCK,#10 PLTD.....21, 23, 25, 27, 47, 151-152, 173-175	WEAR PAD,EXT.CABLE SHEAVE.....151-152
VITON SEAL KIT, VALVE.....211	WASHER,LOCK,25.....21, 25, 27, 29, 31, 37, 39, 41, 47, 49, 51-52, 55, 57-58, 65, 67, 69, 77, 101, 127, 141, 147, 149, 151-152, 159, 161, 163, 165, 173-175, 177-178, 261, 287, 296	WEAR PAD,INNER AXLE.....23, 27, 37, 39
VLV,SOL,DO3,REXROTH,3POS 4 WAY....197, 199-200	WASHER,LOCK,313.....51-52, 55, 57-58	WEAR PAD,INNER AXLE SIDE.....23, 27, 37, 39
VOLTAGE REGULATOR,110V.....265, 267, 269, 271, 273, 275, 277	WASHER,LOCK,.375.....23, 27, 29, 31, 37, 39, 47, 49, 51-52, 55, 57-58, 63, 65, 79, 81, 83, 87, 91, 93, 103, 105, 107, 117, 119, 121, 137, 139, 141, 143, 145, 147, 149, 151-152, 155-156, 159, 161, 163, 165, 167	WEAR PAD,LIMIT SWITCH MNT.LONG.....161
VOLTAGE REGULATOR,220V.....265, 267, 269, 271, 273, 275, 277	WASHER,LOCK,.437,PLTD.....265, 267, 271, 273, 277	WEAR PAD,LIMIT SWITCH MNT.SHOR.....161
	WASHER,LOCK,.625 PLTD...91, 93, 117, 119, 137, 139	WEAR PAD,LIMIT SWITCH MOUNT.....159
	WASHER,LOCK,.75 PLTD.....77, 79, 141, 143, 145	WEAR PAD,SHEAVE MOUNT.....151-152
	WASHER,LOCK,0.5".....21, 23, 25, 27, 37, 39, 43, 51-52, 55, 57-58, 141, 143, 145, 152, 285	WEAR PAD,UPPER CABLE TRACK.....155-156
	WASHER,LOCK,M10.....271, 277	WEARPAD,ACTIVATING ROD.....25
	WASHER,LOCK,M6.....129-130	WEARPAD,AXLE EXTEND SWITCH.....21
	WASHER,LOCK,M6,DEUTZ F4L913.....123	WEAR PAD, L M T S W I T C H M O U N T - L O N G * 1 5 9
	WASHER,LOCK,M8.....109, 113, 267, 271	WELD,FUEL/WATER SEPERATOR MNT.....99
	WASHER,OIL DRAIN DEUTZ F4L913.....123	WELD,AIR CLEANER MNT PERKINS.....95
	WASHER,OIL DRAIN, CUMMINS B3.9.....73, 89	WELDER,INVERTEC V275-S.....305
	WASHER,OIL DRAIN,PERKIN1004-42.....99, 115	WELDMENT W/DECALS,5FT,500LB AN.....173-175
	WASHER,RIVETING.....111	WELDMENT, AIR BOX, DEUTZ.....129-130
	WASHER,SHIM .0151 THK.....263	WELDMENT, ENGINE MNT, RF.....109
	WASHER,SHIM,.265 X .5 X .030.....21, 113	WELDMENT, EXHAUST SUPPORT.....109
	WASHER,SHIM,1.01 X 1.63 X.062.....65, 151-152	WELDMENT, EXHAUST, 804T.....109
	WASHER,SHIM,1.27 X 2.13 X .062....163, 165	WELDMENT, PIPE CRADLE.....293
	WASHER,THRUST 5 X 1.81 BRONZE.....23, 27	WELDMENT,4.5FT PLATFORM SUPPOR.....170
	WASHER,VALVE COVR.CUMMINS,B3.9.....73	WELDMENT,AIR BOX,DEUTZ PAINTED....129-130, 139
	WATER INLET CONNEX CUMMINS B4.5.....89	WELDMENT,AIR CLEANER CUMMINS.....71, 121
	WATER PUMP,CUMMINS,B3.3.....83	WELDMENT,AXLE KING PIN.....23
	WEAR PAD, BOOM REST.....151-152	WELDMENT,AXLE SWITCH.....25
	WEAR PAD,20X 1.5X.875 W/INST**.....149	WELDMENT,BATTERY TRAY.....47, 49
	WEAR PAD,3 X 1.5 X.625 W/NUTS.....167	WELDMENT,BRKT,PRESSURE FILTER.....47
	WEAR PAD,3.5 X 2 X .625 W/INST.....156	WELDMENT,CABLE RETAINER.....151-152
	WEAR PAD,4X2X.5 W/INSERT***.....65, 147	WELDMENT,CABLE TRACK SUPPORT...155-156
		WELDMENT,CABLE TRAY.....65
		WELDMENT,ENGINE MOUNT,LF,FRONT....85
		WELDMENT,ENGINE MOUNT,RT,FRONT....81
		WELDMENT,EXHAUST HEAD PIPE.....107
		WELDMENT,EXHAUST HEADER.....107
		WELDMENT,EXHAUST TUBE.....69
		WELDMENT,EXTENSION BOOM #2.....155-156
		W E L D M E N T , G E N E R A T O R M N T - C U M M I N S 2 6 5 , 2 6 7
		WELDMENT,GENERATOR MOUNT.....269, 271
		W E L D M E N T , G E N E R A T O R M O U N T , D E U T Z 1 2 7 , 2 7 5
		WELDMENT,GUIDE BRACKET.....29, 31
		WELDMENT,HOSE GUIDE ASSY,PTD.....155-156
		WELDMENT,INTAKE EXT.DEUTZ.....63
		WELDMENT,JIB HOSE COVER,PAINT.....165
		WELDMENT,PIPE CRADLE MOUNT.....293

W

WASHER, RETAINING, M16.....109
 WASHER,.375X1.25X.100.....79, 83, 103, 105
 WASHER,ALTNATR.PERKINS 1004-42.....97
 WASHER,CYL.HED CVR.DEUTZF4L913...125
 WASHER,FENDER,.25 X 1.25 X.062.....67, 69
 WASHER,FLAT M16.....269
 WASHER,FLAT,.375 X 1.5 X .125.....313
 WASHER,FLAT,5 HARDENED.....31, 71, 85, 87, 95, 107, 109, 123, 133, 151-152
 WASHER,FLAT,.625 HARDENED.....43, 79, 81, 83, 103, 105, 107, 109, 113, 133, 151-152
 WASHER,FLAT,.625 X 2.25 X.15.....77, 79, 81, 83, 101, 103, 105, 107, 109, 113, 127, 133
 WASHER,FLAT,.75 HARDENED.....141, 151-152, 155-156
 WASHER,FLAT,.81 X 2.00 X .38.....43
 WASHER,FLAT,1.000,HARDENED.....170
 WASHER,FLAT,1.56 X 2.5 X .061.....21, 25, 83, 109, 113, 127, 133, 151-152
 WASHER,FLAT,3/8X1.5X.06.....263
 WASHER,FLAT,313, HARDENED.....170, 267
 WASHER,FLAT,M10,ZINC PLTD.....71, 83, 85, 87, 95, 107, 111, 113, 121, 123, 129-130, 267, 269, 271, 291
 WASHER,FLAT,M12.....43, 71, 77, 79, 81, 83, 109, 111, 113, 127
 WASHER,FLAT,M14.....129-130, 133
 WASHER,FLAT,M14,DEUTZ F4L913.....127
 WASHER,FLAT,M6,DEUTZ F4L913.....125
 WASHER,FLAT,M8 DEUTZ, F4L913.....125
 WASHER,FLAT,M8, YELLOW ZINC...109, 113, 267, 271, 289
 WASHER,FLAT,MS,#10,Y.....43, 67, 69, 141, 143, 145, 173-175, 261, 263
 WASHER,FLAT,MS,#8,Y.....305
 WASHER,FLAT,SAE 1/4",ZINC.....173-175, 177-178, 261
 WASHER,FLAT,SAE,3/8",Y.....174-175
 WASHER,FLAT,USS,1",Y.....91
 WASHER,FLAT,USS,1/2",Y.....37, 39, 51-52, 55, 63, 65, 285
 WASHER,FLAT,USS,1/4"Y.....21, 25, 27, 29, 31, 37, 39, 41, 47, 49, 51-52, 55, 57-58, 63, 65, 67, 69, 71, 75, 77, 79, 81, 83, 85, 87, 91, 95, 99, 101, 103, 105, 107, 109, 111, 113, 117,

Part Description Index (continued)

WELDMNT, PLAT. STOWED
 SUPPORT.....174-175
 WELDMNT, PLATF. MANFLD. SUPPORT....170
 WELDMNT, PLATFORM SUPPORT, CE.....263
 WELDMNT, PRECLEANER, DEUTZ.....289,
 291
 WELDMNT, RADIATOR MOUNT.....77, 81,
 101, 107
 WELDMNT, RADIATOR MOUNT, CUM.....83
 W E L D M E N T , R A D I A T O R
 MOUNT, PAINTD.....79, 103, 105
 WELDMNT, RADIATOR SHROUD.....103
 WELDMNT, REAR ENGINE MOUNT.....133
 WELDMNT, URETHANE SPRING CUP...141,
 143
 WELDMNT, WEAR PAD MOUNTING.....155-
 156
 WELDMNT, 6 FT PLATFORM.....174-175
 WHEEL DRIVE W/BRAKE, 76:1.....35
 WHEEL DRIVE W/BRAKE, 85:1.....35
 WIPER, RUBBER BOOM #3 TOP.....159, 161
 WIRE ASSEMBLY, 16/4SJO, 9.5" PLUG.....21,
 25, 63, 141, 159, 161
 WIRE ASSEMBLY, 16/4SJO, 9.5" RECP.....141,
 159, 161
 WIRE CABLE, 10GA/3 SJO JKT.....67
 WIRE CABLE, 12/3 CON.TPE JKT.....67, 170
 WIRE CABLE, 6GA/4 CONDUCTOR.....303
 WIRE HARNESS, JUMPER, MTE GEN, SB..279
 WIRE LOOM, 3/8 NYLON, HI TEMP.....113
 WIRE LOOM, 3/8 POLY SLIT.....173-175
 WLDM'T, CHASSIS, STC III ISO MNT.....115
 WLDMNT, CABLE TRACK GUIDE
 LONG*.....147, 155-156
 WLDMNT, CABLE TRACK GUIDE
 SHORT.....155-156
 W L D M N T , C A B L E TRACK
 GUIDE, SHORT.....155-156
 W L D M N T , R E T . C A B L E
 SHEAV.GARD.LH.....151-152
 W L D M N T , R E T . C A B L E
 SHEAV.GARD.RH.....151-152
 WLDT, AIR CLEANER/SOLENOID MNT.....87
 WLDT, MUFFLER BRKT, CUMMINS T3.....87
 WLDT, MUFFLER BRKT, PERK T3.....109
 WORKLIGHT, 12V, DEUTSCH RECEPT.....296
 WORKLIGHT, 48 VOLT.....259, 296

Y

YOKE ASSEMBLY, SUPERBOOM.....23
 YOKE ASSEMBLY, SUPERBOOM, NRRW.....27

Z

ZERK, GREASE, 1/8 NPT.....27, 39, 43, 52, 55,
 57-58
 ZERK, GREASE, 5/16-24, STRAIT.....263

This Page Intentionally Left Blank

Go to Discount-Equipment.com to order your parts

Fitting Cross References

Genie PN	Parker PN	Description	Genie PN	Parker PN	Description
12342	6-4 F5OX-S	CONNECTOR,STRAIGHT THREAD TO FLARE TUBE	42794	1 CR-S	ELBOW,90°,MALE PIPE
13757	4 R6X-S	RUN TEE,SWIVEL NUT,ORFS	42795	BV-0839	BALL VALVE
19685	12-10 C5OX-S	ELBOW,90°,STRAIGHT THREAD TO FLARE TUBE	42796	BV-0838	BALL VALVE
22664	12-10 C5OX	ELBOW,90°,STRAIGHT THREAD TO FLARE TUBE	42874	6-8 CLO-S	ELBOW,90°,MALE PIPE TO ORFS
27431	8-12 F5OX-S	CONNECTOR,STRAIGHT THREAD TO FLARE TUBE	42912	13943-6-4	HOSE END,90° FEMALE SWIVEL,JIC
28678	AS-B-33	SLEEVE,NYLON,1.81" ID	42920	BV-0840	BALL VALVE,90°
39871	6 WETX-WLN-S	UNION,90° BULKHEAD W/NUT,FLARE TUBE	42932	AS-B-17	SLEEVE,NYLON,1.22" ID
39872	4 R5OX-S	RUN TEE,STRAIGHT THREAD	42936	10243-2-4	HOSE END,FEMALE PIPE
39873	6 C5OX-S	ELBOW,90°,STRAIGHT THREAD TO FLARE TUBE	42953	1/2 DD-S	ELBOW,90°,FEMALE PIPE
39874	8-6 C5OX-S	ELBOW,90°,STRAIGHT THREAD TO FLARE TUBE	42956	6 WELO-WLNL-S	UNION,90° BULKHEAD W/NUT,ORFS
39875	4-6 C5OX-S	ELBOW,90°,STRAIGHT THREAD TO FLARE TUBE	45349	8 V5OX-S	ELBOW,45°,STRAIGHT THREAD TO FLARE TUBE
39876	6-8 C5OX-S	ELBOW,90°,STRAIGHT THREAD TO FLARE TUBE	45351	4 V5OX-S	ELBOW,45°,STRAIGHT THREAD TO FLARE TUBE
39877	4 F5OX-S	CONNECTOR,STRAIGHT THREAD TO FLARE TUBE	47223	10343-6-6	HOSE END,MALE,JIC
39878	6 F5OX-S	CONNECTOR,STRAIGHT THREAD TO FLARE TUBE	47419	PS690503-6-6	SWIVEL,90°,STRAIGHT THREAD TO 37° FLARE
39879	4-8 F5OX-S	CONNECTOR,STRAIGHT THREAD TO FLARE TUBE	48750	421-4	HOSE,1/4 INCH ID
39880	6-10 F5OX-S	CONNECTOR,STRAIGHT THREAD TO FLARE TUBE	48751	481TC-4	HOSE,1/4 INCH ID
39881	4-6 F5OX-S	CONNECTOR,STRAIGHT THREAD TO FLARE TUBE	48752	482TC-4	HOSE,1/4 INCH ID
39882	4-HP5ON-S	PLUG,STRAIGHT THREAD	48753	451TC-6	HOSE,3/8 INCH ID
39883	8-8 FTX-S	CONNECTOR,MALE PIPE TO FLARE TUBE	48754	482TC-6	HOSE,3/8 INCH ID
39885	269HB 12-12	ELBOW,90°,BEADED HOSE BARB TO MALE PIPE	48755	381-6	HOSE,3/8 INCH ID
39886	431-6	HOSE,3/8 INCH ID	48756	451TC-8	HOSE,1/2 INCH ID
39887	540N-2	HOSE,1/8 INCH ID	48757	482TC-8	HOSE,1/2 INCH ID
39888	801-8	HOSE,1/2 INCH ID	48758	381-8	HOSE,1/2 INCH ID
39889	801-12	HOSE,3/4 INCH ID	48759	381-10	HOSE,5/8 INCH ID
39890	10643-6-6	HOSE END,FEMALE SWIVEL,JIC	48760	451TC-10	HOSE,5/8 INCH ID
39891	13943-6-6	HOSE END,90° FEMALE SWIVEL,JIC	48761	482TC-12	HOSE,3/4 INCH ID
39892	13743-6-6	HOSE END,45° FEMALE SWIVEL,JIC	48762	451TC-12	HOSE,3/4 INCH ID
39894	30682-8-8	HOSE END,FEMALE SWIVEL,JIC	48763	772-12	HOSE,3/4 INCH ID
39895	30682-10-12	HOSE END,FEMALE SWIVEL,JIC	48764	881-16	HOSE,1 INCH ID
42286	8-8 CTX-S	ELBOW,90°,MALE PIPE TO FLARE TUBE	48765	772-16	HOSE,1 INCH ID
42756	8-12 CLO-S	ELBOW,90,MALE PIPE TO ORFS	48766	AS-B-15	SLEEVE,NYLON,1.06" ID
42757	8-12 FLO-S	CONNECTOR,MALE PIPE TO ORFS	48767	AS-B-22	SLEEVE,NYLON,1.42" ID
42758	4 JLO-S	UNION TEE,ORFS	48770	881-8	HOSE,1/2 INCH ID
42759	4-4 FLO-S	CONNECTOR,MALE PIPE TO ORFS			
42760	6-8 FLO-S	CONNECTOR,MALE PIPE TO ORFS			
42761	1J143-6-4	HOSE END,90° FEMALE SWIVEL,SEAL LOK			
42762	1J743-6-4	HOSE END,45° FEMALE SWIVEL,SEAL LOK			
42768	1JO43-4-4	HOSE END,MALE,SEAL LOK			
42776	801-8	HOSE,1/2 INCH ID			
42777	1J743-16-16	HOSE END,45° FEMALE SWIVEL,SEAL LOK			
42786	16 CLO-S	ELBOW,90°,MALE PIPE TO ORFS			
42787	16 R8LO-S	RUN TEE,SWIVEL NUT,ORFS			
42788	16-8 TRLO-BL-S	REDUCER,TUBE END TO SWIVEL,ORFS			
42789	6-6 CLO-S	ELBOW,90°,MALE PIPE TO ORFS			
42790	8-10 V5OLO-S	ELBOW,45°,STRAIGHT THREAD TO ORFS			
42791	3/4 CD-S	ELBOW,90°,MALE TO FEMALE PIPE			
42792	3/4 X 1/2 PTR-S	REDUCER,MALE TO FEMALE PIPE			
42793	1/2 CR-S	ELBOW,90°,MALE PIPE			

Fitting Cross References (Continued)

Genie PN	Parker PN	Description
48771	881-10	HOSE,5/8 INCH ID
48772	381-4	HOSE,1/4 INCH ID
48773	AS-B-13	SLEEVE,NYLON,.86" ID
48800	1JC43-4-4	HOSE END,FEMALE SWIVEL,SEAL LOK
48801	1J743-4-4	HOSE END,45° FEMALE SWIVEL,SEAL LOK
48802	1J943-4-4	HOSE END,90° FEMALE SWIVEL,SEAL LOK
48804	1JM43-4-4	HOSE END,MALE,SEAL LOK, NO O-RING
48805	10643-4-4	HOSE END,FEMALE SWIVEL,JIC
48806	13943-4-4	HOSE END,90° FEMALE SWIVEL,JIC
48807	1JS43-4-4	HOSE END,FEMALE SWIVEL,SEAL LOK
48808	3JC82-8-8	HOSE END,FEMALE SWIVEL,SEAL LOK
48809	3JC82-12-12	HOSE END,FEMALE SWIVEL,SEAL LOK
48810	1JC43-6-4	HOSE END,FEMALE SWIVEL,SEAL LOK
48811	1J943-6-4	HOSE END,90° FEMALE SWIVEL,SEAL LOK
48812	1JC43-6-6	HOSE END,FEMALE SWIVEL,SEAL LOK
48813	1J143-6-6	HOSE END,90° FEMALE SWIVEL,SEAL LOK
48814	1J543-6-6	HOSE END,90° FEMALE SWIVEL,SEAL LOK
48815	1J743-6-6	HOSE END,45° FEMALE SWIVEL,SEAL LOK
48816	1J943-6-6	HOSE END,90° FEMALE SWIVEL,SEAL LOK
48817	1JS43-6-8	HOSE END,FEMALE SWIVEL,SEAL LOK
48818	1J943-8-4	HOSE END,90° FEMALE SWIVEL,SEAL LOK
48819	1JC43-8-6	HOSE END,FEMALE SWIVEL,SEAL LOK
48820	1J743-8-6	HOSE END,45° FEMALE SWIVEL,SEAL LOK
48821	1J943-8-6	HOSE END,90° FEMALE SWIVEL,SEAL LOK
48822	1JC43-8-8	HOSE END,FEMALE SWIVEL,SEAL LOK
48823	1JS43-8-8	HOSE END,FEMALE SWIVEL,SEAL LOK
48824	1J143-8-8	HOSE END,90° FEMALE SWIVEL,SEAL LOK
48825	1J543-8-8	HOSE END,90° FEMALE SWIVEL,SEAL LOK
48826	1J743-8-8	HOSE END,45° FEMALE SWIVEL,SEAL LOK
48827	1J943-8-8	HOSE END,90° FEMALE SWIVEL,SEAL LOK
48828	1JC43-10-8	HOSE END,FEMALE SWIVEL,SEAL LOK
48829	1JS43-10-8	HOSE END,FEMALE SWIVEL,SEAL LOK
48830	1J743-10-8	HOSE END,45° FEMALE SWIVEL,SEAL LOK
48831	1J943-10-8	HOSE END,90° FEMALE SWIVEL,SEAL LOK
48833	1JC43-10-10	HOSE END,FEMALE SWIVEL,SEAL LOK
48834	1J943-10-10	HOSE END,90° FEMALE SWIVEL,SEAL LOK
48835	1JS43-10-12	HOSE END,FEMALE SWIVEL,SEAL LOK
48836	1JC43-12-8	HOSE END,FEMALE SWIVEL,SEAL LOK
48837	1JS43-12-8	HOSE END,FEMALE SWIVEL,SEAL LOK
48838	1J743-12-8	HOSE END,45° FEMALE SWIVEL,SEAL LOK
48839	1J943-12-8	HOSE END,90° FEMALE SWIVEL,SEAL LOK
48840	1J943-12-10	HOSE END,90° FEMALE SWIVEL,SEAL LOK
48841	1JC43-12-12	HOSE END,FEMALE SWIVEL,SEAL LOK
48842	1JO43-12-12	HOSE END,MALE,SEAL LOK
48843	1J143-12-12	HOSE END,90° FEMALE SWIVEL,SEAL LOK
48844	1J543-12-12	HOSE END,90° FEMALE SWIVEL,SEAL LOK
48845	1J743-12-12	HOSE END,45° FEMALE SWIVEL,SEAL LOK
48846	1J943-12-12	HOSE END,90° FEMALE SWIVEL,SEAL LOK

Genie PN	Parker PN	Description
48847	13943-12-12	HOSE END,90° FEMALE SWIVEL,JIC
48848	10543-12-12	HOSE END,MALE,STRAIGHT THREAD
48849	1JC71-12-12	HOSE END,FEMALE SWIVEL,SEAL LOK
48850	1JS71-12-12	HOSE END,FEMALE SWIVEL,SEAL LOK
48851	1J171-12-12	HOSE END,90° FEMALE SWIVEL,SEAL LOK
48852	1J771-12-12	HOSE END,45° FEMALE SWIVEL,SEAL LOK
48853	1J971-12-12	HOSE END,90° FEMALE SWIVEL,SEAL LOK
48854	1JC43-16-16	HOSE END,FEMALE SWIVEL,SEAL LOK
48855	1J943-16-16	HOSE END,90° FEMALE SWIVEL,SEAL LOK
48856	1J171-16-16	HOSE END,90° FEMALE SWIVEL,SEAL LOK
48857	1J971-16-16	HOSE END,90° FEMALE SWIVEL,SEAL LOK
48859	1JS43-8-4	HOSE END,FEMALE SWIVEL,SEAL LOK
48867	PD36BTL	DIAGNOSTIC NIPPLE,SEAL-LOK SWIVEL
48873	6 PNLO-S	PLUG,TUBE END,ORFS
48874	6 PNTX-S	PLUG,FLARE TUBE
48875	6 R6LO-S	RUN TEE,SWIVEL NUT,ORFS
48877	4 F5OLO-SW/.025	CONNECTOR,STRAIGHT THREAD TO ORFS, W/.025 ORI
48878	16-12 C5OLO-S	ELBOW,90°,STRAIGHT THREAD TO ORFS
48879	8 C8LO-S	ELBOW,90°,SWIVEL NUT ORFS
48880	PD6-285	CAP,DIAGNOSTIC NIPPLE
48881	6 HLO-S	UNION,ORFS
48883	8 P5ON-S	PLUG,STRAIGHT THREAD
48884	8M18F87OMLO-S	CONNECTOR,METRIC,STRAIGHT THREAD TO ORFS
48885	4 WGTX-WLN-S	CONNECTOR,BULKHEAD,FEMALE PIPE TO FLARE TUBE
48886	4 F5OLO-SW/2MM	CONNECTOR,MACHINED STRAIGHT THREAD TO ORFS
48887	4 CTX-S	ELBOW,90°,MALE PIPE TO FLARE TUBE
48888	10-12 V5OLO-S	ELBOW,45°,STRAIGHT THREAD TO ORFS
48890	4 S5OLO-S	BRANCH TEE,STRAIGHT THREAD TO ORFS
48891	4 S8LO-S	BRANCH TEE,SWIVEL NUT TO ORFS

Fitting Cross References (Continued)

Genie PN	Parker PN	Description	Genie PN	Parker PN	Description
48892	6 C6LO-S	ELBOW,90°,SWIVEL NUT ORFS	48938	8 R6LO-S	RUN TEE,SWIVEL NUT,ORFS
48893	6 F5OHAO-S	UNION,STRAIGHT THREAD	48939	8 S6LO-S	BRANCH TEE,SWIVEL NUT TO ORFS
48894	8 WLO-WLNL-S	UNION,BULKHEAD,ORFS	48940	8 WJLO-WLNL-S	RUN TEE, BULKHEAD,ORFS
48895	DT-370-MSMO-5	VALVE,CHECK	48941	8-4 TRLO-S	REDUCER,TUBE END TO SWIVEL,ORFS
48896	6 JLO-S	UNION,TEE,ORFS	48942	8-6 C5OLO-S	ELBOW,90°,STRAIGHT THREAD TO ORFS
48897	DT-750-MSMS-5	VALVE,CHECK	48943	8-6 F5OLO-S	CONNECTOR,STRAIGHT THREAD TO ORFS
48898	DT-750-MOMS-5	VALVE,CHECK	48944	8-8 FLO-S	CONNECTOR,MALE PIPE TO ORFS
48899	DT-620-MOMS-5	VALVE,CHECK	48945	8 FTX-S	CONNECTOR,MALE PIPE TO FLARE TUBE
48900	4-6 F5OLO-SW/.035	CONNECTOR,STRAIGHT THREAD TO ORFS, W/.035 ORI	48946	8-10 F5OLO-S	CONNECTOR,STRAIGHT THREAD TO ORFS
48902	16-1 AOE4G-S	ELBOW,90° LONG,FEMALE PIPE TO STRAIGHT THREAD	48947	8-12 C5OLO-S	ELBOW,90°,STRAIGHT THREAD TO ORFS
48903	1 FF-S	NIPPLE,PIPE	48948	8-12 F5OLO-S	CONNECTOR,STRAIGHT THREAD TO ORFS
48904	4 C5OLO-S	ELBOW,90°,STRAIGHT THREAD TO ORFS	48949	8-16 F5OLO-S	CONNECTOR,STRAIGHT THREAD TO ORFS
48905	4 F5OLO-S	CONNECTOR,STRAIGHT THREAD TO ORFS	48950	10 C5OLO-S	ELBOW,90°,STRAIGHT THREAD TO ORFS
48906	4 R5OLO-S	RUN TEE,STRAIGHT THREAD	48951	10 CC5OLO-S	ELBOW,90° LONG,STRAIGHT THREAD TO ORFS
48907	4 V5OLO-S	ELBOW,45°,STRAIGHT THREAD TO ORFS	48952	10 F5OLO-S	CONNECTOR,STRAIGHT THREAD TO ORFS
48908	4 R6LO-S	RUN TEE,SWIVEL NUT,ORFS	48953	10 R5OLO-S	RUN TEE,STRAIGHT THREAD
48909	4 WJLO-WLNL-S	RUN TEE, BULKHEAD,ORFS	48954	10 S5OLO-S	BRANCH TEE,STRAIGHT THREAD TO ORFS
48910	4 GTX-S W/.030	CONNECTOR,FEMALE PIPE TO FLARE TUBE	48955	10 R6LO-S	RUN TEE,SWIVEL NUT,ORFS
48911	4-6 C5OLO-S	ELBOW,90°,STRAIGHT THREAD TO ORFS	48956	10-4 TRLO-BL-S	REDUCER,TUBE END TO SWIVEL,ORFS
48912	4-6 F5OLO-S	CONNECTOR,STRAIGHT THREAD TO ORFS	48957	10-6 TRLO-BL-S	REDUCER,TUBE END TO SWIVEL,ORFS
48913	4-6 F5OLO-SW/.030	CONNECTOR,STRAIGHT THREAD TO ORFS, W/.030 ORI	48958	10-12 F5OLO-S	CONNECTOR,STRAIGHT THREAD TO ORFS
48914	4-8 F5OLO-S	CONNECTOR,STRAIGHT THREAD TO ORFS	48959	12 C5OLO-S	ELBOW,90°,STRAIGHT THREAD TO ORFS
48915	6 C5OLO-S	ELBOW,90°,STRAIGHT THREAD TO ORFS	48960	12 F5OLO-S	CONNECTOR,STRAIGHT THREAD TO ORFS
48916	6 F5OLO-S	CONNECTOR,STRAIGHT THREAD TO ORFS	48961	12 R5OLO-S	RUN TEE,STRAIGHT THREAD
48917	6 FF5OLO-S	CONNECTOR,LONG,STRAIGHT THREAD TO ORFS	48962	12 S5OLO-S	BRANCH TEE,STRAIGHT THREAD TO ORFS
48918	6 R5OLO-S	RUN TEE,STRAIGHT THREAD	48963	12 V5OLO-S	ELBOW,45°,STRAIGHT THREAD TO ORFS
48919	6 S5OLO-S	BRANCH TEE,STRAIGHT THREAD TO ORFS	48964	12 R6LO-S	RUN TEE,SWIVEL NUT,ORFS
48920	6 V5OLO-S	ELBOW,45°,STRAIGHT THREAD TO ORFS	48965	12 CLO-S	ELBOW,90°,MALE PIPE TO ORFS
48921	6 FLO-S	CONNECTOR,MALE PIPE TO ORFS	48966	12 FLO-S	CONNECTOR,MALE PIPE TO ORFS
48922	6-6 FLO-S	CONNECTOR,MALE PIPE TO ORFS	48967	12 JLO-S	UNION TEE,ORFS
48923	6 P5ON-S	PLUG,STRAIGHT THREAD	48968	12 WLO-WLNL-S	UNION,BULKHEAD,ORFS
48925	6 WELO-S	UNION,90° BULKHEAD,ORFS	48969	12 WJLO-WLNL-S	RUN TEE, BULKHEAD,ORFS
48926	6-4 C5OLO-S	ELBOW,90°,STRAIGHT THREAD TO ORFS	48970	12 WELO-WLNL-S	UNION,90° BULKHEAD W/NUT,ORFS
48927	6-4 F5OLO-S	CONNECTOR,STRAIGHT THREAD TO ORFS			
48928	6-4 V5OLO-S	ELBOW,45°,STRAIGHT THREAD TO ORFS			
48929	6-8 C5OLO-S	ELBOW,90°,STRAIGHT THREAD TO ORFS			
48930	6-8 F5OLO-S	CONNECTOR,STRAIGHT THREAD TO ORFS			
48931	6-10 F5OLO-S	CONNECTOR,STRAIGHT THREAD TO ORFS			
48932	8 C5OLO-S	ELBOW,90°,STRAIGHT THREAD TO ORFS			
48933	8 F5OLO-S	CONNECTOR,STRAIGHT THREAD TO ORFS			
48934	8 FF5OLO-S	CONNECTOR,LONG,STRAIGHT THREAD TO ORFS			
48935	8 R5OLO-S	RUN TEE,STRAIGHT THREAD			
48936	8 S5OLO-S	BRANCH TEE,STRAIGHT THREAD TO ORFS			
48937	8 V5OLO-S	ELBOW,45°,STRAIGHT THREAD TO ORFS			

Fitting Cross References (Continued)

Genie PN	Parker PN	Description	Genie PN	Parker PN	Description
48971	12 G5G5JG5-S	TEE,FEMALE STRAIGHT THREAD	49612	PKT02586	O-RING KIT (ORFS FITTINGS)
48972	12 XHL6-S	ADAPTER, 37° MALE TO SWIVEL ORFS	49613	PKT06276	PLUG AND CAP KIT-SERVICE,ORFS
48973	12-1/2 F5OG-S	ADAPTER,FEMALE PIPE TO STRAIGHT THREAD	49728	10143-12-12	HOSE END, MALE PIPE
48974	12-10 C5OLO-S	ELBOW,90°,STRAIGHT THREAD TO ORFS	49729	16-1 F5OG-S	ADAPTER,FEMALE PIPE TO STRAIGHT THREAD
48975	12-10 F5OLO-S	CONNECTOR,STRAIGHT THREAD TO ORFS	49814	12-8 FLO-S	CONNECTOR,MALE PIPE TO ORFS
48976	12-16 C5OLO-S	ELBOW,90°,STRAIGHT THREAD TO ORFS	49829	DT-500-MOMF-5	VALVE,CHECK
48977	12-16 F5OLO-S	CONNECTOR,STRAIGHT THREAD TO ORFS	49831	881-12	HOSE,3/4 INCH ID
48978	12-16 V5OLO-S	ELBOW,45°,STRAIGHT THREAD TO ORFS	49834	16 JLO-S	UNION TEE,ORFS
48980	12-16 FLO-S	CONNECTOR,MALE PIPE TO ORFS	49838	12-8 TRLO-BL-S	REDUCER,TUBE END TO SWIVEL,ORFS
48983	16 C5OLO-S	ELBOW,90°,STRAIGHT THREAD TO ORFS	49840	8 JLO-S	UNION TEE,ORFS
48984	16 F5OLO-S	CONNECTOR,STRAIGHT THREAD TO ORFS	49844	10-8 TRLO-BL-S	REDUCER,TUBE END TO SWIVEL,ORFS
48985	16 V5OLO-S	ELBOW,45°,STRAIGHT THREAD TO ORFS	49854	8 P5ON-S	PLUG,STRAIGHT THREAD
48986	16 FLO-S	CONNECTOR,MALE PIPE TO ORFS	49855	1JC43-16-12	HOSE END,FEMALE SWIVEL,SEAL LOK
48988	16 CD45-S	ELBOW,45°,MALE TO FEMALE PIPE	49859	4 P5ON-S	PLUG,STRAIGHT THREAD
48989	12 CD45-S	ELBOW,45°,MALE TO FEMALE PIPE	49861	4 FF5OLO-S	CONNECTOR, LONG, STRAIGHT THREAD TO ORFS
48990	8 CD45-S	ELBOW,45°,MALE TO FEMALE PIPE	49867	12-3/4 F5OG-S	ADAPTER, FEMALE PIPE TO STRAIGHT THREAD
48991	16-12 FLO-S	CONNECTOR,MALE PIPE TO ORFS	51152	6 R6X-S	RUN TEE,SWIVEL NUT,ORFS
48992	16-12 V5OLO-S	ELBOW,45°,STRAIGHT THREAD TO ORFS	51153	6-4 TRTX-S	REDUCER,TUBE END TO SWIVEL,ORFS
48993	XV501-12	BALL VALVE	51154	4-4 GTX	CONNECTOR,FEMALE PIPE TO FLARE TUBE
48994	XV501-16	BALL VALVE	51264	881-12	HOSE,3/4 INCH ID
48995	XV510P-12	BALL VALVE	51265	8 JLO-S	UNION TEE,ORFS
48996	XV510P-16	BALL VALVE	51508	6 BTX-S	NUT,FLARE TUBE
48997	PD341	DIAGNOSTIC NIPPLE, STRAIGHT THREAD	51580	12-8 TRLO-BL-S	TUBE END REDUCER,ORFS
48998	PD 361	DIAGNOSTIC NIPPLE, STRAIGHT THREAD	51628	6 R6X-S	RUN TEE,SWIVEL NUT,ORFS
48999	DT-500-MOMS-5	VALVE,CHECK	51735	3/8 HHP	PLUG,PIPE THREAD
49201	10 V5OLO-S	ELBOW,45°,STRAIGHT THREAD TO ORFS	51803	1J943-6-8	HOSE END,90° FEMALE SWIVEL,SEAL LOK
49202	1JC43-12-10	HOSE END,FEMALE SWIVEL,SEAL LOK	53023	125HBL-5-4	FITTING,HOSE BARB TO MALE PIPE
49203	10-8 V5OLO-S	ELBOW,45°,STRAIGHT THREAD TO ORFS	53497	PKT02585	O-RING KIT
49205	6 F5OHAO-S	UNION,STRAIGHT THREAD	53499	1JC71-16-16	HOSE END,FEMALE SWIVEL,SEAL LOK
49207	PD34BTL	DIAGNOSTIC NIPPLE,SEAL-LOK SWIVEL	53500	3-904	O-RING,STRAIGHT THREAD,-4
49209	8M18F870MX-S	CONNECTOR,METRIC,STRAIGHT THREAD TO FLARE TUBE	53501	3-906	O-RING,STRAIGHT THREAD,-6
49212	8 WGTX-WLN-S	CONNECTOR,BULKHEAD,FEMALE PIPE TO FLARE TUBE	53502	3-908	O-RING,STRAIGHT THREAD,-8
49213	30682-8-8	HOSE END,FEMALE SWIVEL,JIC	53503	3-910	O-RING,STRAIGHT THREAD,-10
49216	831-8	HOSE,1/2 INCH ID			
49217	33982-8-8	HOSE END,90° FEMALE SWIVEL,JIC			
49219	PS-B-35	SLEEVE,NYLON,2.19" ID			
49418	4-6 V5OLO-S	ELBOW,45°,STRAIGHT THREAD TO ORFS			
49511	DT370-MOMS-5	VALVE,CHECK			
49512	1 DD-S	ELBOW,90°,FEMALE PIPE			
49513	1 FF-S	NIPPLE,PIPE			
49514	10 HP5ON-S	PLUG,STRAIGHT THREAD			
49515	12-16 CLO-S	ELBOW,90°,MALE PIPE TO ORFS			
49517	6 HP5ON-S	PLUG,STRAIGHT THREAD			
49519	16-12 F5OLO-S	CONNECTOR,STRAIGHT THREAD TO ORFS			
49520	4 VTX-S	ELBOW,45°,MALE PIPE TO FLARE TUBE			
49530	16 C6LO-S	ELBOW,90°,SWIVEL NUT ORFS			

Fitting Cross References (Continued)

Genie PN	Parker PN	Description	Genie PN	Parker PN	Description
53535	3-912	O-RING,STRAIGHT THREAD,-12	61083	24 F5OLO-S	CONNECTOR,STRAIGHT THREAD TO ORFS
53536	4-PNLO-S	PLUG,TUBE END,ORFS	61086	20 R5OLO-S	RUN TEE,STRAIGHT THREAD
53537	6 PNLO-S	PLUG,TUBE END,ORFS	61090	24-20 F5OLO-S	CONNECTOR,STRAIGHT THREAD TO ORFS
53538	8 PNLO-S	PLUG,TUBE END,ORFS	61091	1J943 24-24	HOSE END,90° FEMALE SWIVEL,SEAL LOK
53539	10 PNLO-S	PLUG,TUBE END,ORFS	61093	1J978-12-12	HOSE END,90° FEMALE SWIVEL,JIC
53540	12 PNLO-S	PLUG,TUBE END,ORFS	61095	1JS43-20-16	HOSE END,FEMALE SWIVEL,SEAL LOK
53946	129HB-5-4	FITTING,90° HOSE BARB TO MALE PIPE	61100	811-24	HOSE,11/2 INCH ID
53951	8-1/4F5OG-S	ADAPTER,FEMALE PIPE TO STRAIGHT THREAD	61130	1JS43-24-24	HOSE END,FEMALE SWIVEL,SEAL LOK
53980	6 S6LO-S	BRANCH TEE,SWIVEL NUT TO ORFS	61131	1JS78 12-12	HOSE END,FEMALE SWIVEL,SEAL LOK
54132	4 C6LO-S	ELBOW,90°,SWIVEL NUT ORFS	61132	1J778-12-12	HOSE END,45° FEMALE SWIVEL,JIC
54135	11343-16-16	HOSE END,MALE SWIVEL,PIPE	61152	139HB-6-4	ELBOW,45°,BARB TO MALE PIPE
54283	8-10 C5OLO-S	ELBOW,90°,STRAIGHT THREAD TO ORFS	61251	BV-0750	BALL VALVE
54428	8M18C870MLO-S	ELBOW, 90° METRIC, STRAIGHT THREAD TO ORFS	61259	4 CC5OLO-S	ELBOW,90° LONG,STRAIGHT THREAD TO ORFS
54803	FS-F-16-10	SLEEVE,FIRE,.96" ID	61260	20-12 TRLO-BL	REDUCER,TUBE END TO SWIVEL,ORFS
54954	10143-2-4	HOSE END, MALE PIPE	61262	12 C6LO-S	ELBOW,90°,SWIVEL NUT ORFS
55190	3/8 HP-S	PLUG,PIPE THREAD	61263	20 F5OHAO-S	UNION,STRAIGHT THREAD
55448	8 HLO-S	UNION,ORFS	61264	6-10 C5OLO-S	ELBOW,90°,STRAIGHT THREAD TO ORFS
55839	6 F65OX-S	CONNECTOR,STRAIGHT THREAD TO 37° SWIVEL	61265	6 WNLO-WLNL-S	UNION,BULKHEAD 45°,ORFS
55968	10 C5OX-S	ELBOW,90°,STRAIGHT THREAD TO FLARE TUBE	61268	4 WNLO-WLNL-S	UNION,BULKHEAD 45°,ORFS
56003	6 CC5OLO-S	ELBOW,90° LONG,STRAIGHT THREAD TO ORFS	61269	4 WLO-WLNL-S	UNION,BULKHEAD,ORFS
56166	BV-0837	BALL VALVE,90°	61272	12 AOEL6	ELBOW,90°,STRAIGHT THREAD TO ORFS SWIVEL
56188	10143-8-6	HOSE END, MALE PIPE	61316	482TC-16	HOSE,1 INCH ID
56233	2-011	O-RING,ORFS,-4	61321	6 JLO-S	UNION TEE,ORFS
56234	2-012	O-RING,ORFS,-6	61327	782-12	HOSE,3/4 INCH ID
56235	2-014	O-RING,ORFS,-8	61328	881-24	HOSE,11/2 INCH ID
56236	2-016	O-RING,ORFS,-10	61336	11943-20-24	HOSE END,90° FLANGE HEAD
56237	2-018	O-RING,ORFS,-12	61345	12 WJLO-WLNL-S	RUN TEE, BULKHEAD,ORFS
56238	2-021	O-RING,ORFS,-16	61346	8 WNLO-WLNL-S 4	UNION,BULKHEAD 45°,ORFS
56352	6 WLNL-S	LOCKNUT,BULKHEAD	61569	33782-8-8	HOSE END,45° FEMALE SWIVEL,JIC
56353	3J782-12-12	HOSE END,45° FEMALE SWIVEL,SEAL LOK	61610	12 FF5OLO-S	CONNECTOR,LONG,STRAIGHT THREAD TO ORFS
56354	3J982-12-12	HOSE END,90° FEMALE SWIVEL,SEAL LOK	61742	1/8 X 1.5 FFF	NIPPLE,PIPE
56604	10-8 F5OLO-S	CONNECTOR,STRAIGHT THREAD TO ORFS	63426	8 PNTX-S	PLUG,FLARE TUBE
56639	3JC82-10-10	HOSE END,FEMALE SWIVEL,SEAL LOK			
56640	3J982-10-10	HOSE END,90° FEMALE SWIVEL,SEAL LOK			
56655	3JC82-8-10	HOSE END,FEMALE SWIVEL,SEAL LOK			
56676	10-8 C5OLO-S	ELBOW,90°,STRAIGHT THREAD TO ORFS			
56776	471TC-6	HOSE,3/8 INCH ID			
56777	471TC-8	HOSE,1/2 INCH ID			
56789	811-16	HOSE,1 INCH ID			
57884	3/8 FF	NIPPLE,PIPE			
59335	6 FNL-S	CAP,TUBE END			
59342	4 FNL-S	CAP,TUBE END			
59371	8 HP5ON-S	PLUG,STRAIGHT THREAD			
60653	BV-0751	BALL VALVE			
60806	125HB-3-4	FITTING,HOSE BARB TO MALE PIPE			
61064	5-1/4 F5OG-S	ADAPTER,FEMALE PIPE TO STRAIGHT THREAD			
61079	4 WELO-WLNL-S	UNION,90° BULKHEAD W/NUT,ORFS			
61080	6 WLO-WLNL-S	UNION,BULKHEAD,ORFS			

Fitting Cross References (Continued)

Genie PN	Parker PN	Description	Genie PN	Parker PN	Description
64271	4 WLO-WLNL-S	UNION,BULKHEAD,ORFS	75631	801-6	HOSE,3/8 INCH ID
64272	6 WLO-WLNL-S	UNION,BULKHEAD,ORFS	75654	20 F5OLO-S	CONNECTOR,STRAIGHT THREAD TO ORFS
65776	8 F65OL-S	CONNECTOR,STRAIGHT THREAD TO ORFS SWIVEL	75655	1J943-20-20	HOSE END,90° FEMALE SWIVEL,SEAL LOK
65880	6001012	O-RING KIT	75656	881-20	HOSE,1-1/4 INCH ID
66154	6 WTX-WLNS	UNION,BULKHEAD,FLARE TUBE	75971	8 F5OHAO-S	UNION,STRAIGHT THREAD
66155	6 WETX-S	UNION,BULKHEAD 90°,FLARE TUBE	77307	1JB43-8-8	HOSE END,BULKHEAD,SEAL LOK
66156	6 WLN-S	BULKHEAD LOCKNUT	77309	8 WLNL-S	BULKHEAD LOCKNUT
66389	6-8 F5OX-S	CONNECTOR,STRAIGHT THREAD TO FLARE TUBE	77379	8M18C87OMX-S	ELBOW,90° METRIC,STRAIGHT THREAD TO FLARE TUBE
66392	6 R5OX-S	RUN TEE,STRAIGHT THREAD	77703	3J982-8-8	HOSE END,90° FEMALE SWIVEL,SEAL LOK
66396	811-12	HOSE,3/4 INCH ID	77711	801-10	HOSE,5/8 INCH ID
66829	H3174PP	CLAMP,TUBE	77758	12 WNLO-WLNL-S	UNION,BULKHEAD 45°,ORFS
67217	4 KLO-S	UNION,CROSS,ORFS	78091	6 C6X-S	ELBOW,90°,SWIVEL NUT TO FLARE TUBE
67339	10-6 F5OX-S	CONNECTOR,STRAIGHT THREAD TO FLARE TUBE	78684	30582-8-8B	HOSE END,PUSH LOK,MALE
67357	13943-8-6	HOSE END,90° FEMALE SWIVEL,JIC	78852	549-2	HOSE,1/8 INCH ID
67358	10 HP5ON-S	PLUG,STRAIGHT THREAD	78855	10657-4-2	HOSE END,FEMALE SWIVEL,JIC
67371	12 S6LO-S	BRANCH TEE,SWIVEL NUT TO ORFS	79138	PS-B-37	SLEEVE,NYLON,2.38" ID
67498	4 FNL-S	CAP, TUBE END	79476	1JS43-6-8	HOSE END,FEMALE SWIVEL,SEAL LOK
67906	DC-370-F0F0-5	VALVE,CHECK	79847	12-3/4 A0EG-S	ELBOW,90°,STRAIGHT THREAD TO FEMALE PIPE
69316	8 FLO-S	CONNECTOR,MALE PIPE TO ORFS	80044	8 CLO-S	ELBOW,90°,MALE PIPE TO ORFS
69333	H3174PP	CLAMP,HYDRAULIC HOSE	80502	8 F5OX-S	CONNECTOR,STRAIGHT THREAD TO FLARE TUBE
69503	4 F65OX-S	CONNECTOR,STRAIGHT THREAD TO 37° SWIVEL	80503	8 C5OX-S	ELBOW,90°,STRAIGHT THREAD TO FLARE TUBE
69775	8 FNL-S	CAP, TUBE END	81010	AS-B-27	SLEEVE,NYLON,1.63" ID
71038	1/4X1/4F3HG-S	ADAPTER,CONVERSION	83052	821-6	HOSE,3/8 INCH ID
71196	12-8 F5OLO-S	CONNECTOR,STRAIGHT THREAD TO ORFS	83053	821-8	HOSE,1/2 INCH ID
71383	1/4 CD45-S	ELBOW,45°,MALE TO FEMALE PIPE	83054	821-12	HOSE,3/4 INCH ID
72270	12FNL-S	CAP, TUBE END	83055	30682-6-6	HOSE END,FEMALE SWIVEL,JIC
73436	60C-4	SLEEVE,COMPRESSION	83056	30682-12-12	HOSE END,FEMALE SWIVEL,JIC
73437	61C-4	NUT,COMPRESSION	83057	33782-6-6	HOSE END,45° FEMALE SWIVEL,JIC
73438	33482-4-4B	HOSE END,PUSH LOK,MALE	83058	33982-6-6	HOSE END,90° FEMALE SWIVEL,JIC
73767	1CD-S	ELBOW,90°,MALE TO FEMALE PIPE	83060	33982-12-12	HOSE END,90° FEMALE SWIVEL,JIC
73768	20-16-F5OG5-S	ADAPTER,FEMALE PIPE TO STRAIGHT THREAD	83063	13743-4-4	HOSE END,45° FEMALE SWIVEL,JIC
73769	16-20 F5OLO-S	CONNECTOR,STRAIGHT THREAD TO ORFS			
74660	6-8 F42EDMLO-S	CONNECTOR,MALE BSPP TO ORFS			
74661	8-8 F42EDMLO-S	CONNECTOR,MALE BSPP TO ORFS			
75007	4 FLO-S	CONNECTOR,MALE PIPE TO ORFS			
75008	1/8 HP-S	PLUG,PIPE THREAD			
75014	1/2 HP-S	PLUG,PIPE THREAD			
75042	8 WELO-WLNL-S	UNION,90° BULKHEAD W/NUT,ORFS			
75043	3/4 FF-S	NIPPLE,PIPE			
75254	24 F5OHAO-S	UNION,STRAIGHT THREAD			
75255	12 F5OHAO-S	UNION,STRAIGHT THREAD			
75256	XV506P-24	BALL VALVE			
75574	4 WLNL-S	BULKHEAD LOCKNUT			
75612	8 WJLO-WLNL-S	RUN TEE, BULKHEAD,ORFS			
75613	12-8 F5OG5-S	ADAPTER,FEMALE PIPE TO STRAIGHT THREAD			
75614	8 CC5OLO-S	ELBOW,90° LONG,STRAIGHT THREAD TO ORFS			
75628	1JB43-4-4	HOSE END,BULKHEAD,SEAL LOK			

Fitting Cross References (Continued)

Genie PN	Parker PN	Description	Genie PN	Parker PN	Description
83064	13743-8-8	HOSE END,45° FEMALE SWIVEL,JIC	89449	6 WJLO-WLNL-S	RUN TEE, BULKHEAD,ORFS
83065	13743-12-12	HOSE END,45° FEMALE SWIVEL,JIC	89489	4 WJMLO-S	BRANCH TEE,BULKHEAD,ORFS
83066	13943-8-8	HOSE END,90° FEMALE SWIVEL,JIC	89551	1JB43-6-6	HOSE END,BULKHEAD,SEAL LOK
83067	14143-6-6	HOSE END,90° FEMALE SWIVEL,JIC	89552	1JB43-8-8	HOSE END,BULKHEAD,SEAL LOK
83068	14143-8-8	HOSE END,90° FEMALE SWIVEL,JIC	89593	20 C5OLO-S	ELBOW,90°,STRAIGHT THREAD TO ORFS
83069	14143-12-12	HOSE END,90° FEMALE SWIVEL,JIC	94161	8-8 CLO-S	ELBOW,90°,MALE PIPE TO ORFS
83070	772-8	HOSE,1/2 INCH ID	94358	351TC-12	HOSE,3/4 INCH ID
83071	10671-8-8	HOSE END,FEMALE SWIVEL,JIC	94418	20 FLO-S	CONNECTOR,MALE PIPE TO ORFS
83072	10671-12-12	HOSE END,FEMALE SWIVEL,JIC	96358	12 TX-S	SLEEVE,FLARE TUBE
83073	13771-8-8	HOSE END,45° FEMALE SWIVEL,JIC	96359	12 BTX-S	NUT,FLARE TUBE
83074	13771-12-12	HOSE END,45° FEMALE SWIVEL,JIC	96397	8 F5OX-S	CONNECTOR,STRAIGHT THREAD TO FLARE TUBE
83075	13971-8-8	HOSE END,90° FEMALE SWIVEL,JIC	96398	12-8 F5OX-S	CONNECTOR,STRAIGHT THREAD TO FLARE TUBE
83076	13971-12-12	HOSE END,90° FEMALE SWIVEL,JIC	96402	10343-6-6	HOSE END,MALE,JIC
83077	14171-8-8	HOSE END,90° FEMALE SWIVEL,JIC	96407	30382-6-6B	HOSE END,MALE,JIC
83078	14171-12-12	HOSE END,90° FEMALE SWIVEL,JIC			
83080	13943-16-16	HOSE END,90° FEMALE SWIVEL,JIC			
83103	10671-16-12	HOSE END,FEMALE SWIVEL,JIC			
83104	10671-10-12	HOSE END,FEMALE SWIVEL,JIC			
83112	1JC71-8-8	HOSE END,FEMALE SWIVEL,SEAL LOK			
83113	1JS71-16-12	HOSE END,FEMALE SWIVEL,SEAL LOK			
83114	1JS71-10-12	HOSE END,FEMALE SWIVEL,SEAL LOK			
83115	1J971-8-8	HOSE END,90° FEMALE SWIVEL,SEAL LOK			
83116	1J171-8-8	HOSE END,90° FEMALE SWIVEL,SEAL LOK			
83117	1J771-8-8	HOSE END,45° FEMALE SWIVEL,SEAL LOK			
83127	1J543-6-8	HOSE END,90° FEMALE SWIVEL,JIC			
83128	1JC43-6-8	HOSE END,FEMALE SWIVEL,SEAL LOK			
87033	12-6 TRLO-S	REDUCER,TUBE END TO SWIVEL,ORFS			
87034	3J782-8-8	HOSE END,45° FEMALE SWIVEL,SEAL LOK			
87172	12 HP5ON-S	PLUG,STRAIGHT THREAD			
87185	8 WNLO-WLNL-S	UNION,BULKHEAD 45°,ORFS			
87246	4 C6X-S	ELBOW,90°,SWIVEL NUT TO FLARE TUBE			
87679	6 LHP-S	FLANGE SEAL FITTING, MALE			
87681	6PLS N0702	BONDED SEAL			
88100	SR88100	ADAPTER,OIL DRAIN,GM 3.0L			
88311	1JS43-20-20	HOSE END,FEMALE SWIVEL,SEAL LOK			
88353	20 V5OLO-S	ELBOW,45°,STRAIGHT THREAD TO ORFS			
88474	10081-20	Crimp Shell, 1.25"			
88475	1988-20-24	HOSE END,90° FLANGE HEAD			
88476	JS88-24-24	HOSE END,FEMALE SWIVEL,SEAL LOK			
88477	1JC88-20-20	HOSE END,FEMALE SWIVEL,SEAL LOK			
88478	811-20	HOSE,11/4 INCH ID			
88936	20-16 F5OLO-S	CONNECTOR,STRAIGHT THREAD TO ORFS			
88937	20-16 FLO-S	CONNECTOR,MALE PIPE TO ORFS			
88938	1JC88-16-16	HOSE END,FEMALE SWIVEL,SEAL LOK			
88939	1J988-16-16	HOSE END,90° FEMALE SWIVEL,ORFS			
88940	811-16	HOSE,1 INCH ID			
88944	1J988-20-20	HOSE END,90° FEMALE SWIVEL,ORFS			
89403	16 VLO-S	ELBOW,45°,MALE PIPE TO ORFS			

California Proposition 65



Operating, servicing and maintaining this equipment can expose you to chemicals including engine exhaust, carbon monoxide, phthalates, and lead, which are known to the State of California to cause cancer and birth defects or other reproductive harm. These chemicals can be emitted from or contained in other various parts and systems, fluids and some component wear by-products. To minimize exposure, avoid breathing exhaust, do not idle the engine except as necessary, service your equipment and vehicle in a well-ventilated area and wear gloves or wash your hands frequently when servicing your equipment or vehicle and after operation. For more information go to www.P65Warnings.ca.gov/passenger-vehicle.

Breathing diesel engine exhaust exposes you to chemicals known to the State of California to cause cancer and birth defects or other reproductive harm.

- Always start and operate the engine in a well-ventilated area.
- If in an enclosed area, vent the exhaust to the outside.
- Do not modify or tamper with the exhaust system.
- Do not idle the engine except as necessary.

For more information go to

www.P65warnings.ca.gov/diesel.

Distributed By:

www.P65Warnings.ca.gov to order your parts

PARTS FINDER

**Search Website
by Part Number**



**Search Manual
Library For Parts
Manual & Lookup Part
Numbers – Purchase
or Request Quote**

Search Manuals

Enter your information to search for a manual or to purchase a manual or parts.

* Brand:

* Model:

* Serial:

* Part Number:

SEARCH

**Can't Find Part or
Manual? Request Help
by Manufacturer,
Model & Description**

Parts Order Form

Please fill in the information below to request help finding a part or manual.

Manufacturer:

Model:

Description:

Quantity:

Part Number:

Part Name:

Part Description:

Part Category:

Part Location:

Part Status:

Part Condition:

Part Material:

Part Color:

Part Weight:

Part Dimensions:

Part Price:

Part Notes:

Submit

Discount-Equipment.com is your online resource for quality parts & equipment.

Florida: **561-964-4949** Outside Florida TOLL FREE: **877-690-3101**

Need parts?

Click on this link: <http://www.discount-equipment.com/category/5443-parts/> and choose one of the options to help get the right parts and equipment you are looking for. Please have the machine model and serial number available in order to help us get you the correct parts. If you don't find the part on the website or on one of the online manuals, please fill out the request form and one of our experienced staff members will get back to you with a quote for the right part that your machine needs.

We sell worldwide for the brands: Genie, Terex, JLG, MultiQuip, Mikasa, Essick, Whiteman, Mayco, Toro Stone, Diamond Products, Generac Magnum, Airman, Haulotte, Barreto, Power Blanket, Nifty Lift, Atlas Copco, Chicago Pneumatic, Allmand, Miller Curber, Skyjack, Lull, Skytrak, Tsurumi, Husquvarna Target, Stow, Wacker, Sakai, Mi-T-M, Sullair, Basic, Dynapac, MBW, Weber, Bartell, Bennar Newman, Haulotte, Ditch Runner, Menegotti, Morrison, Contec, Buddy, Crown, Edco, Wyco, Bomag, Laymor, EZ Trench, Bil-Jax, F.S. Curtis, Gehl Pavers, Heli, Honda, ICS/PowerGrit, IHI, Partner, Imer, Clipper, MMD, Koshin, Rice, CH&E, General Equipment, Amida, Coleman, NAC, Gradall, Square Shooter, Kent, Stanley, Tamco, Toku, Hatz, Kohler, Robin, Wisconsin, Northrock, Oztec, Toker TK, Rol-Air, APT, Wylie, Ingersoll Rand / Doosan, Innovatech, Con X, Ammann, Mecalac, Makinex, Smith Surface Prep, Small Line, Wanco, Yanmar