



A TEREX BRAND



Parts Manual

Serial Number Range

S-65

from SN S6016M-101 to SN
S6016M-399

S-65 TRAX

from SN S60M-400

from SN S65TXM-101

Part No. 1273799GT

Rev B2

November 2018

Go to Discount-Equipment.com to order your parts

PARTS FINDER

**Search Website
by Part Number**



**Search Manual
Library For Parts
Manual & Lookup Part
Numbers – Purchase
or Request Quote**

Search Manuals

Enter your information to help us find the right parts manual for your machine.

* Brand:

* Model:

* Serial:

* Part Number:

SEARCH

**Can't Find Part or
Manual? Request Help
by Manufacturer,
Model & Description**

Parts Order Form

Please fill in the following information to help us find the right part for your machine.

Manufacturer:	<input type="text"/>
Model:	<input type="text"/>
Description:	<input type="text"/>
Part Number:	<input type="text"/>
Quantity:	<input type="text"/>
Notes:	<input type="text"/>

Submit

Discount-Equipment.com is your online resource for quality parts & equipment.

Florida: **561-964-4949** Outside Florida TOLL FREE: **877-690-3101**

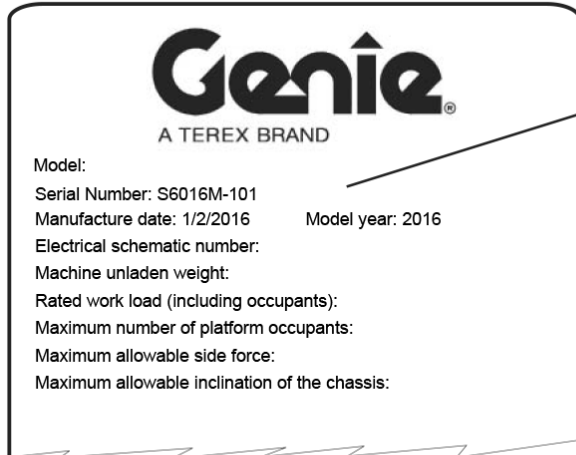
Need parts?

Click on this link: <http://www.discount-equipment.com/category/5443-parts/> and choose one of the options to help get the right parts and equipment you are looking for. Please have the machine model and serial number available in order to help us get you the correct parts. If you don't find the part on the website or on one of the online manuals, please fill out the request form and one of our experienced staff members will get back to you with a quote for the right part that your machine needs.

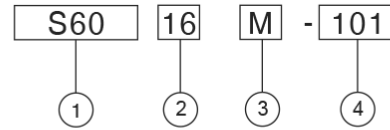
We sell worldwide for the brands: Genie, Terex, JLG, MultiQuip, Mikasa, Essick, Whiteman, Mayco, Toro Stone, Diamond Products, Generac Magnum, Airman, Haulotte, Barreto, Power Blanket, Nifty Lift, Atlas Copco, Chicago Pneumatic, Allmand, Miller Curber, Skyjack, Lull, Skytrak, Tsurumi, Husquvarna Target, Stow, Wacker, Sakai, Mi-T-M, Sullair, Basic, Dynapac, MBW, Weber, Bartell, Bennar Newman, Haulotte, Ditch Runner, Menegotti, Morrison, Contec, Buddy, Crown, Edco, Wyco, Bomag, Laymor, EZ Trench, Bil-Jax, F.S. Curtis, Gehl Pavers, Heli, Honda, ICS/PowerGrit, IHI, Partner, Imer, Clipper, MMD, Koshin, Rice, CH&E, General Equipment, Amida, Coleman, NAC, Gradall, Square Shooter, Kent, Stanley, Tamco, Toku, Hatz, Kohler, Robin, Wisconsin, Northrock, Oztec, Toker TK, Rol-Air, APT, Wylie, Ingersoll Rand / Doosan, Innovatech, Con X, Ammann, Mecalac, Makinex, Smith Surface Prep, Small Line, Wanco, Yanmar

How to Read Your Serial Number

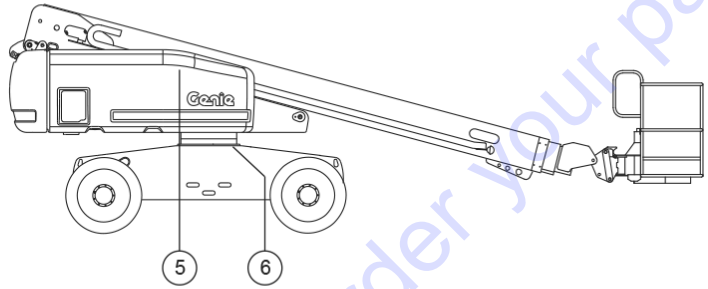
To August 31, 2016



Model:
 Serial Number: S6016M-101
 Manufacture date: 1/2/2016 Model year: 2016
 Electrical schematic number:
 Machine unladen weight:
 Rated work load (including occupants):
 Maximum number of platform occupants:
 Maximum allowable side force:
 Maximum allowable inclination of the chassis:



- 1 Model
- 2 Model year
- 3 Facility code

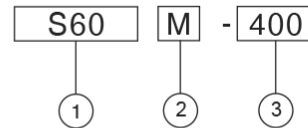


- 4 Sequence number
- 5 Serial label (stamped on chassis)
- 6 Serial number (located under cover)

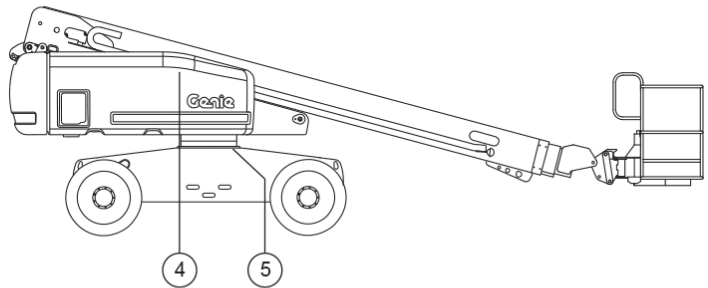
From September 1, 2016



Model:
 Serial Number: S60M-400
 Year of manufacture: 2016
 Electrical schematic number:
 Machine unladen weight:
 Rated work load (including occupants):
 Maximum number of platform occupants:
 Maximum allowable side force:
 Maximum allowable inclination of the chassis:



- 1 Model
- 2 Facility code
- 3 Sequence number



- 4 Serial label (stamped on chassis)
- 5 Serial number (located under cover)

Table of Contents

This manual is updated frequently. For the most up-to-date parts information, visit www.discount-equipment.com

How to Read Your Serial Number.....	3
Parts Stocking List.....	7

Electronic Version

Click on any page number to view the figure.

001 Parts Stocking List

001.1 Parts Stocking List.....	10
--------------------------------	----

100 Decals

105.1 Symbol, Hydraulic Tank Side, Non-Steer End, CE.....	12
106.1 Symbol, Engine Side, Steer End, CE.....	14
107.1 Symbol, Booms, CE.....	16
108.1 Symbol, Platform, CE.....	18

200 Drive Chassis Components

201.1 Steer End.....	20
202.1 Non-Steer End.....	24
203.1 Oscillate Valve.....	26
204.1 TraX Option Steer End.....	28
205.1 TraX Option Non-Steer End.....	30
206.1 TraX Option Components.....	32

300 Turntable Components

301.1 Tank Side - View 1.....	34
302.1 Tank Side - View 2.....	36
303.1 Tank Side - Diesel Fuel Tank Installation.....	38
305.1 Ground Control Box, with Hour Meter - View 1, External.....	40
306.1 Ground Control Box, with Hour Meter - View 2, Internal.....	42
307.1 Ground Control Box, with LCD Readout Screen - View 1, External.....	44
308.1 Ground Control Box, with LCD readout Screen - View 2, Internal.....	48
309.1 Engine Side (To SN S60M-521).....	50
309.2 Engine Side (For SN S60M-520 and From SN S60M-522).....	54

310.1 Turntable Covers.....	58
311.1 Wire Harness Diagram.....	60

400 Manifolds and Pumps

401.1 Function Manifold.....	64
403.1 Traction Manifold, 4WD.....	68
404.1 Platform Rotate and Jib Boom/Platform Rotate Manifold.....	70
405.1 Pumps.....	72
406.1 Brake and 2 Speed Manifold.....	74

500 Engine Components

510.1 Deutz D2011L03i.....	76
518.1 Deutz D2.9L4, View 1 (from SN S65TX-101).....	80
519.1 Deutz D2.9L4, View 2 (from SN S65TX-101).....	82
520.1 Deutz D2.9L4, View 3 (from SN S65TX-101).....	84
521.1 Deutz D2.9L4, View 4 (from SN S65TX-101).....	86
522.1 Deutz D2.9L4, View 5 (from SN S65TX-101).....	88

600 Boom Structure Components

601.1 Linkage Assembly.....	90
602.1 Boom Components, View 1.....	92
603.1 Boom Components, View 2.....	94
605.1 Boom End Components, S-65TraX.....	96
606.1 Boom End Components, S-65.....	98
608.1 Boom End Components, Load Sense, S-65 CE Models.....	100
609.1 Cable Track.....	102

700 Platform Components

701.1 Platform Installation (to SN S6016M-182).....	104
701.2 Platform Installation (from SN S6016M-183, from SN S65TX-101).....	106
702.1 Platform Control Box - View 1, External.....	108
703.1 Platform Control Box - View 2, Internal.....	112
704.1 Joystick.....	114

800 Hydraulic Hose Routing and Fittings

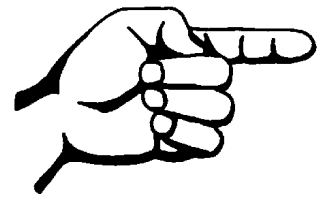
801.1 Function Manifold, View 1.....	116
802.1 Function Manifold, View 2.....	118
803.1 4WD Traction Manifold.....	120
805.1 Oscillate Option.....	122
806.1 Hydraulic Generator Option.....	124
807.1 Hydraulic Oil Cooler Option.....	126

900 Accessories

901.1 Drive Lights, Alarm and Beacon Packages.....	128
902.1 Control Box Cover, Pinch Guard and Tool Tray (to SN S6016M-182).....	130

902.2 Control Box Cover, Pinch Guard and Tool Tray (from SN S6016M-183, from SN S65TX-101).....	132
903.1 Half Mesh and Swing Gate.....	134
904.1 Platform Toeboard and Latch Guard.....	136
905.1 Engine Heater (For S-65).....	138
905.2 Engine Heater (For S-65 Trax).....	140
906.1 Platform Work Lights.....	142
907.1 Earth Cable.....	144
910.1 Air Line and Power to Platform.....	146
919.1 Gauge Option.....	148
920.1 Cold Start Package.....	150
921.1 Hydraulic Oil Cooler Option.....	152
922.1 Hydraulic Generator Option - View 1.....	154
923.1 Power To Platform RCBO.....	156
927.1 Operators Protection Alarm (to January 2017).....	158
927.2 Lift Guard Contact Alarm (from January 2017).....	160
Indices	
Part Number Index.....	162
Part Description Index.....	168
Cross References	
Fittings Cross Reference.....	178

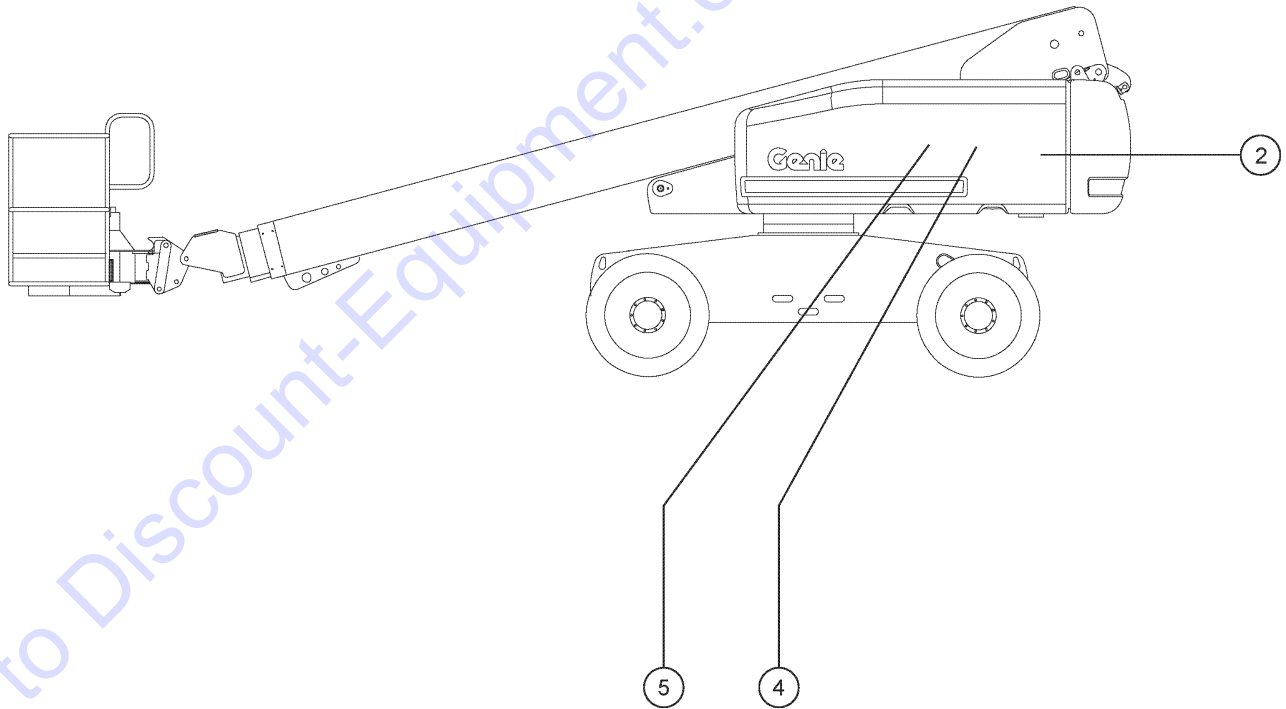
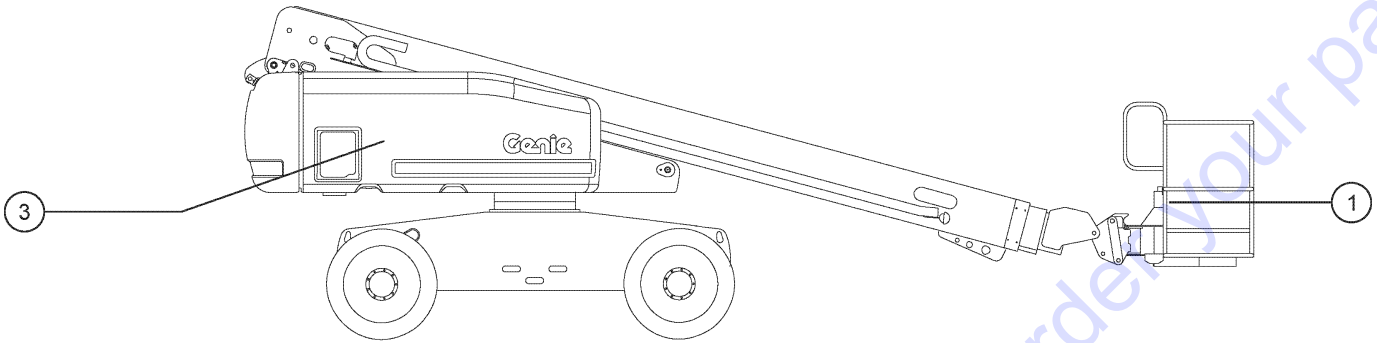
Please refer to section 001 for the Recommended
Spare Parts List.



This page intentionally left blank.

Go to Discount-Equipment.com to order your parts

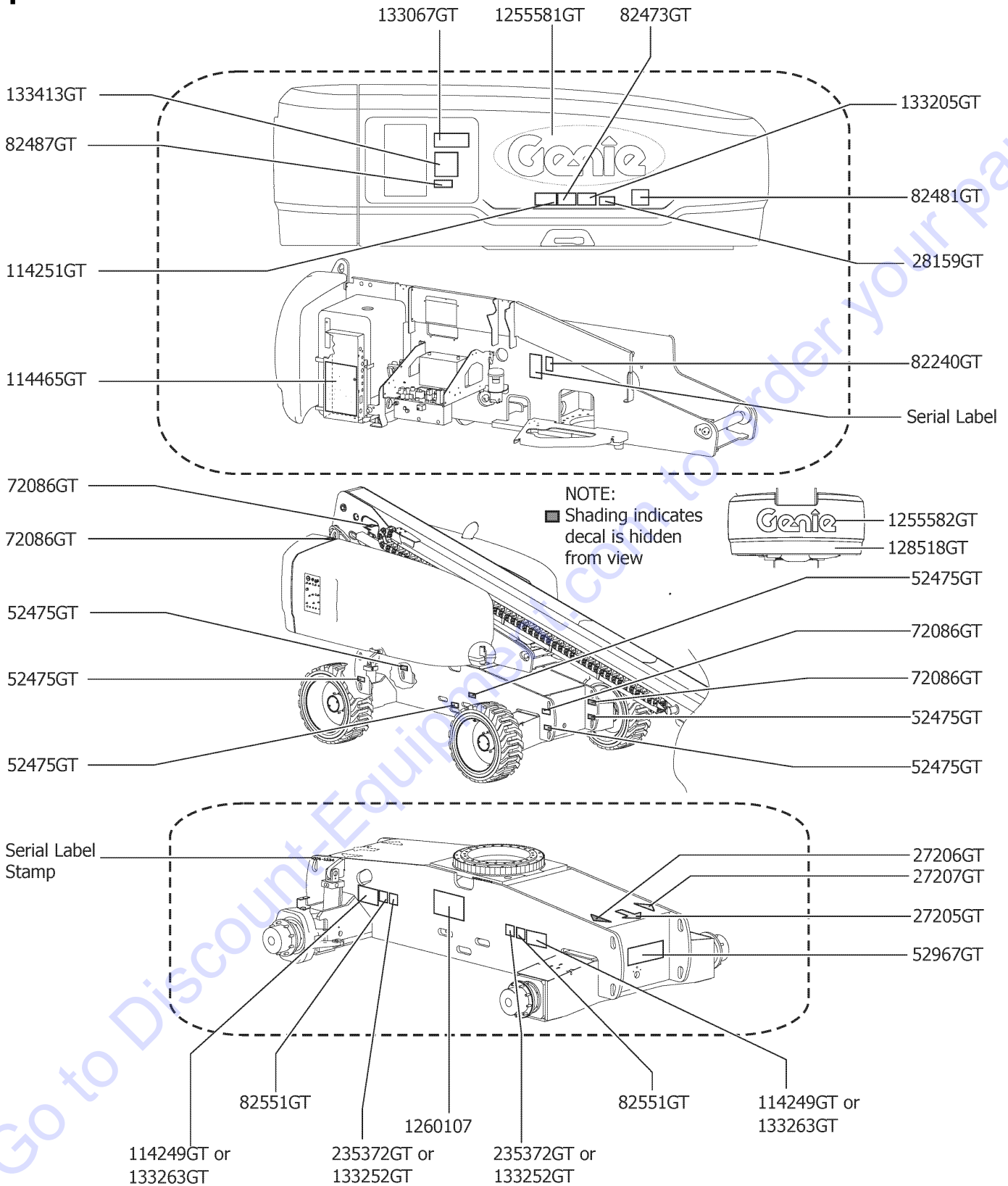
001.1 Parts Stocking List



Go to Discount-Equipment.com to order your parts

Item	Part No.	Description	Qty.	Item	Part No.	Description	Qty.
A		— Inspection Service Kits —		--	49924GT	FILTER,OIL,DEUTZ F4L1011F <i>Deutz D2.9L4 Models (refer to 518.1)</i>	
--	1278708GT	KIT,ENGINE SERVICE,250 HOUR,DEUTZ D2.9,,Z45/S40/S60/Z62/RT90 <i>models with Deutz D2.9L4 engine</i>					
B		— General Service Parts —					
--	1257733GT	PAINT,WET,TRAFFIC BLACK (1 GL)** <i>1-gallon</i>					
--	1258567GT	PAINT, AEROSOL, TRAFFIC BLACK <i>12-ounce spray paint</i>					
--	1268GT	PAINT,AEROSOL,GENIE GRAY*** <i>12-ounce spray paint</i>					
--	1283776GT	SEAL MARKER,CROSS CHECK,BLUE,TUBE					
--	1484GT	PAINT,AEROSOL,BRIGHT BLUE*** <i>12-ounce spray paint</i>					
--	28750GT	O-RING KIT,FIELD SVC,ALL PROD* <i>O-ring kit, SAE</i>					
--	32150GT	PAINT,WET,GENIE BLUE (1 GL)** <i>1-gallon</i>					
--	32151GT	PAINT,WET,GENIE GRAY (1 GL)** <i>1-gallon</i>					
--	33994GT	PLUG AND CAP KIT-SERVICE,37 ** <i>Plug and cap kit, SAE</i>					
--	49612GT	O-RING KIT (ORFS FITTINGS) <i>O-ring kit, Parker</i>					
--	66399GT	GREASE,DIELECTRIC 4 OZ**					
--	93500GT	PARKER DIGITAL PRESSURE GAUGE					
--							
1		— Manuals —					
--	27581GT	MANUAL,AEM SAFETY					
--	31779GT	MANUAL,RESPON,A92.5 BOOM					
2	60857GT	FILTER,ELEMENT,BETA(5)=1000 <i>(refer to figure 309.1)</i>					
3	88917GT	FILTER,ELEMENT,BETA(10)=200 <i>(refer to figure 301.1)</i>					
4		— Deutz TD2011-L03i Models —					
--	29560GT	FILTER,FUEL/WTR SEP, DTZ 1008 <i>Deutz TD2011-L03i Models (refer to 510.1)</i>					
--	32698GT	BELT,V, DEUTZ DIESEL ENGINE <i>Deutz TD2011-L03i Models (refer to 510.1)</i>					
--	49924GT	FILTER,OIL,DEUTZ F4L1011F <i>Deutz TD2011-L03i Models (refer to 510.1)</i>					
--	62420GT	FILTER,AIR*** <i>Deutz TD2011-L03i Models (refer to 510.1)</i>					
5		— Deutz D2.9L4 Models —					
--	1262866GT	FAN BELT, ALTERNATOR <i>Deutz D2.9L4 Models (refer to 518.1)</i>					
--	214228GT	FILTER, DEUTZ 2.9, FUEL <i>Deutz D2.9L4 Models (refer to 522.1)</i>					

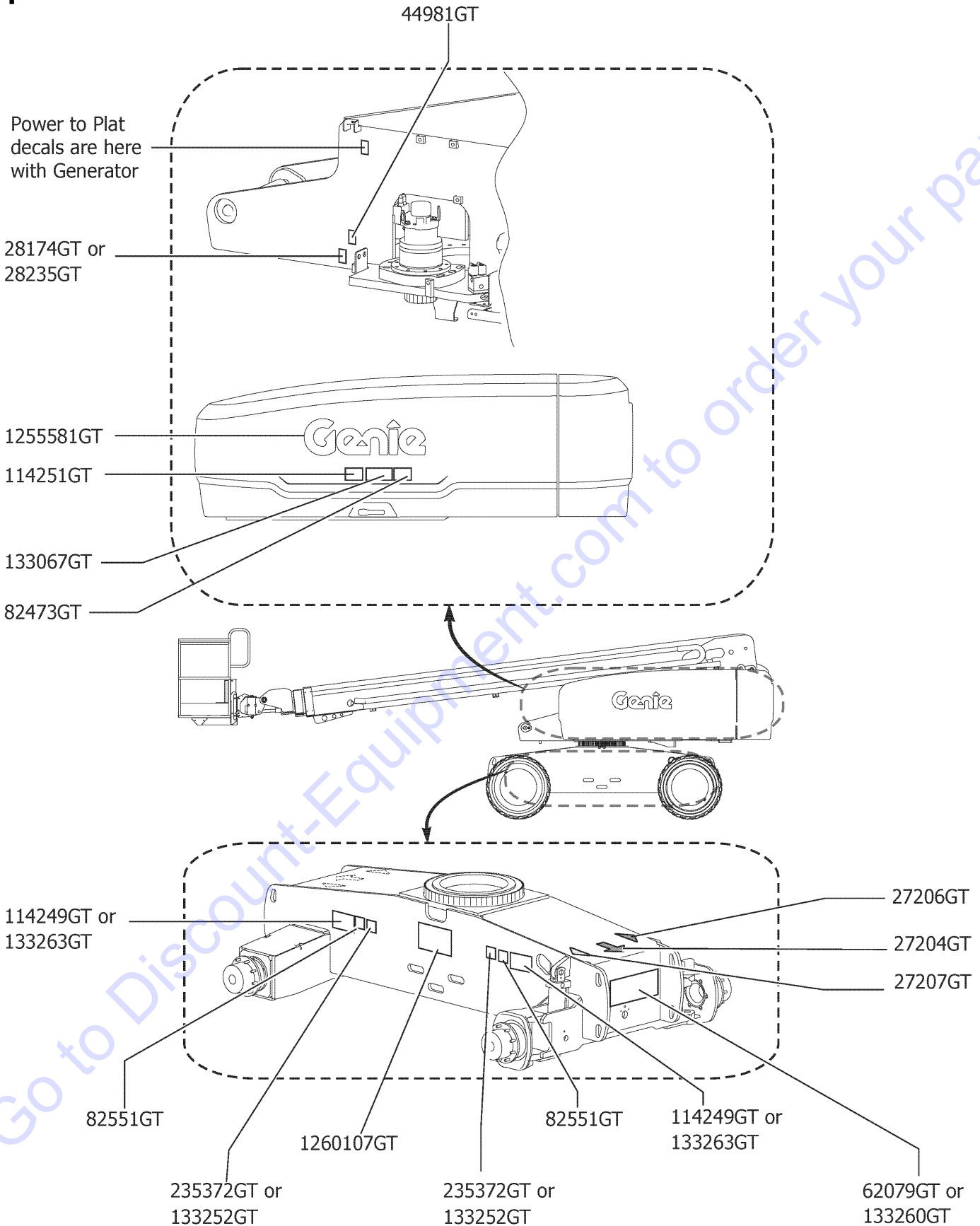
105.1 Symbol, Hydraulic Tank Side, Non-Steer End, CE



105.1 Symbol, Hydraulic Tank Side, Non-Steer End, CE

Item	Part No.	Description	Qty.
1	27205GT	DECAL,ARROW YELLOW LRG 9".....	1
2	27206GT	DECAL,TRIANGLE,BLUE.....	1
3	27207GT	DECAL,TRIANGLE,YELLOW.....	1
4	28159GT	DECAL,DIESEL..... <i>Option, Fuel</i>	1
5	52475GT	DECAL,LABEL,TRANSPORT TIEDOWN*.....	6
6	52967GT	DECAL,COSMETIC,4 X 4..... <i>Option, drive</i>	1
7	72086GT	DECAL,LABEL,LIFTING EYE.....	4
8	82240GT	DECAL,LABEL,105 DB..... <i>(CE Only)</i>	1
9	82473GT	DECAL,SYMBOL-COMP ACCESS.....	1
10	82481GT	DECAL,SYMBOL-BATTERY SAFETY.....	1
11	82487GT	DECAL,SYMBOL - READ THE MANUAL.....	1
12	82551GT	DECAL,LABEL,TIRE PRESSURE..... <i>(S-65) RT air filled tires only</i>	2
13	114249GT	DECAL,LABEL,TIPOVER,TIRES,SYMB.2 " <i>(S-65) RT air filled or foam filled tires only</i> "	2
14	114251GT	DECAL,LABEL,NO SMOKING,SYMB.....	1
15	114465GT	DECAL GROUND CONTROL BOX..... <i>(S-65, S-65 Trax - CE)</i>	1
16	133067GT	DECAL,DANGER,ELEC.HAZ.STAY CLR.....	1
17	133205GT	DECAL,LABEL, ELECTRO HAZARD.....	1
18	133252GT	DECAL, WHEEL LOAD S65 TRAX..... <i>(S-65 Trax)</i>	2
19	133263GT	DECAL,LABEL,TIPOVER,TRAX,SYMB.2 <i>(S-65 Trax)</i>	2
20	133413GT	DECAL,EMERGENCY LOWERING..... <i>(CE Only)</i>	1
21	235372GT	DECAL,LABEL,WHEEL LOAD S65..... <i>(S-65)</i>	2
22	1255581GT	DECAL COSMETIC,10" GENIE BLUE....	1
23	1255582GT	DECAL COSMETIC,15" GENIE BLUE....	1
24	1260107GT	DECAL, TRANSPORT/LIFTING, S60.....	1
25	128518GT	TAPE,WARNING,BLK/YEL,108****	

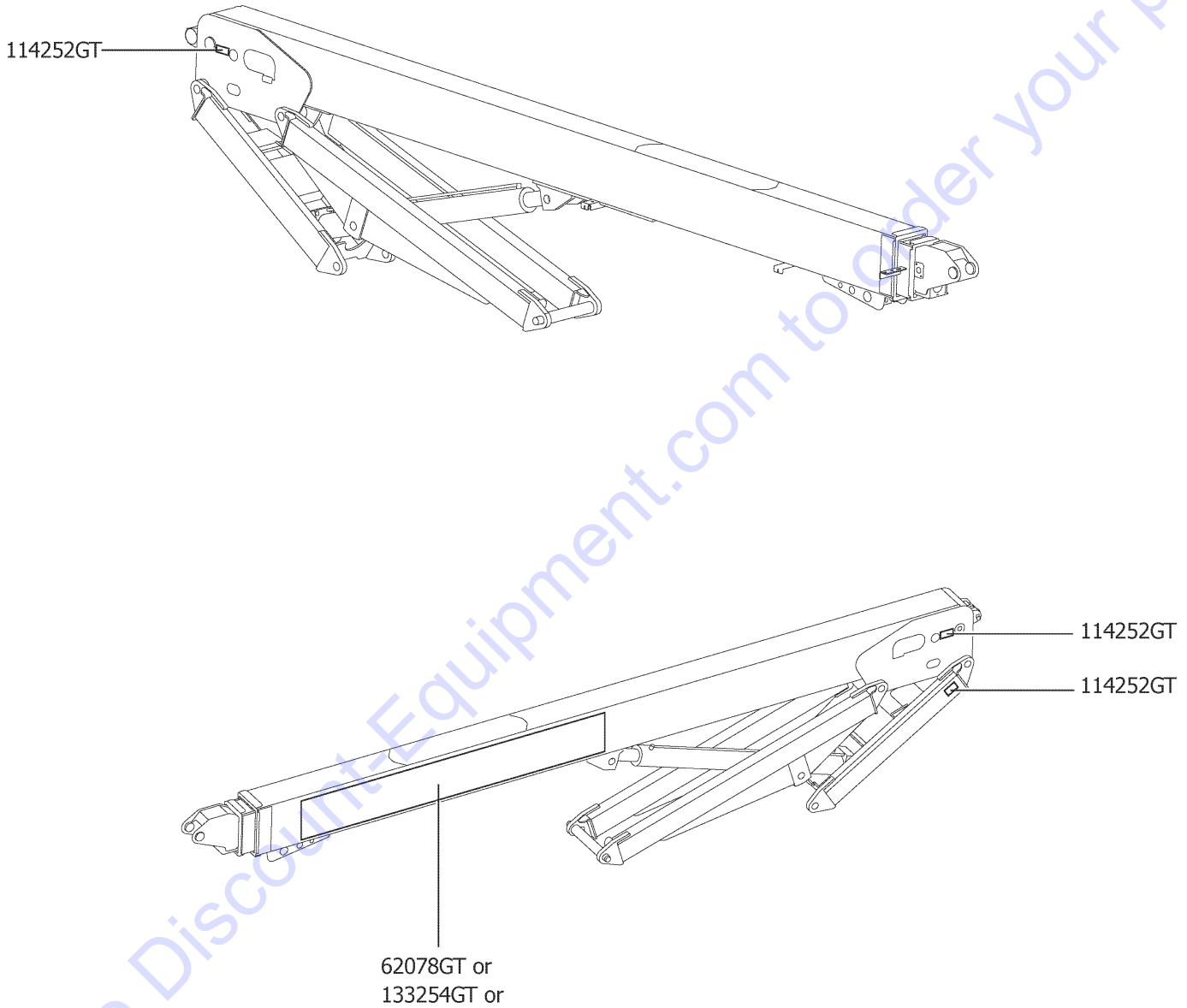
106.1 Symbol, Engine Side, Steer End, CE



106.1 Symbol, Engine Side, Steer End, CE

Item	Part No.	Description	Qty.
1	27204GT	DECAL,ARROW BLUE.....	1
2	27206GT	DECAL,TRIANGLE,BLUE.....	1
3	27207GT	DECAL,TRIANGLE,YELLOW.....	1
4	28174GT	DECAL, POWER TO PLATFORM 230V**.....	1
		<i>(Europe except UK)</i>	
5	28235GT	DECAL,POWER TO PLATFORM 115V... <i>(UK)</i>	1
6	44981GT	DECAL,LABEL, AIR LINE 110 PSI..... <i>Option, airline to plat</i>	1
7	62079GT	DECAL,COSMETIC,S65.....	1
		<i>(S-65)</i>	
8	82473GT	DECAL,SYMBOL-COMP ACCESS.....	1
9	82551GT	DECAL,LABEL,TIRE PRESSURE..... <i>(S-65) RT air filled tires only</i>	2
10	114249GT	DECAL,LABEL,TIPOVER,TIRES,SYMB. <i>(S-65) RT air filled or foam filled tires only</i>	2
11	114251GT	DECAL,LABEL,NO SMOKING,SYMB.....	1
12	133067GT	DECAL,DANGER,ELEC.HAZ.STAY CLR.....	1
13	133252GT	DECAL, WHEEL LOAD S65 TRAX..... <i>(S-65 Trax)</i>	2
14	133260GT	DECAL,COSM, S65 TRAX..... <i>(S-65 Trax)</i>	1
15	133263GT	DECAL,LABEL,TIPOVER,TRAX,SYMB.. <i>(S-65 Trax)</i>	2
16	235372GT	DECAL,LABEL,WHEEL LOAD S65..... <i>(S-65)</i>	2
17	1255581GT	DECAL COSMETIC,10" GENIE BLUE....	1
18	1260107GT	DECAL, TRANSPORT/LIFTING, S60....	1

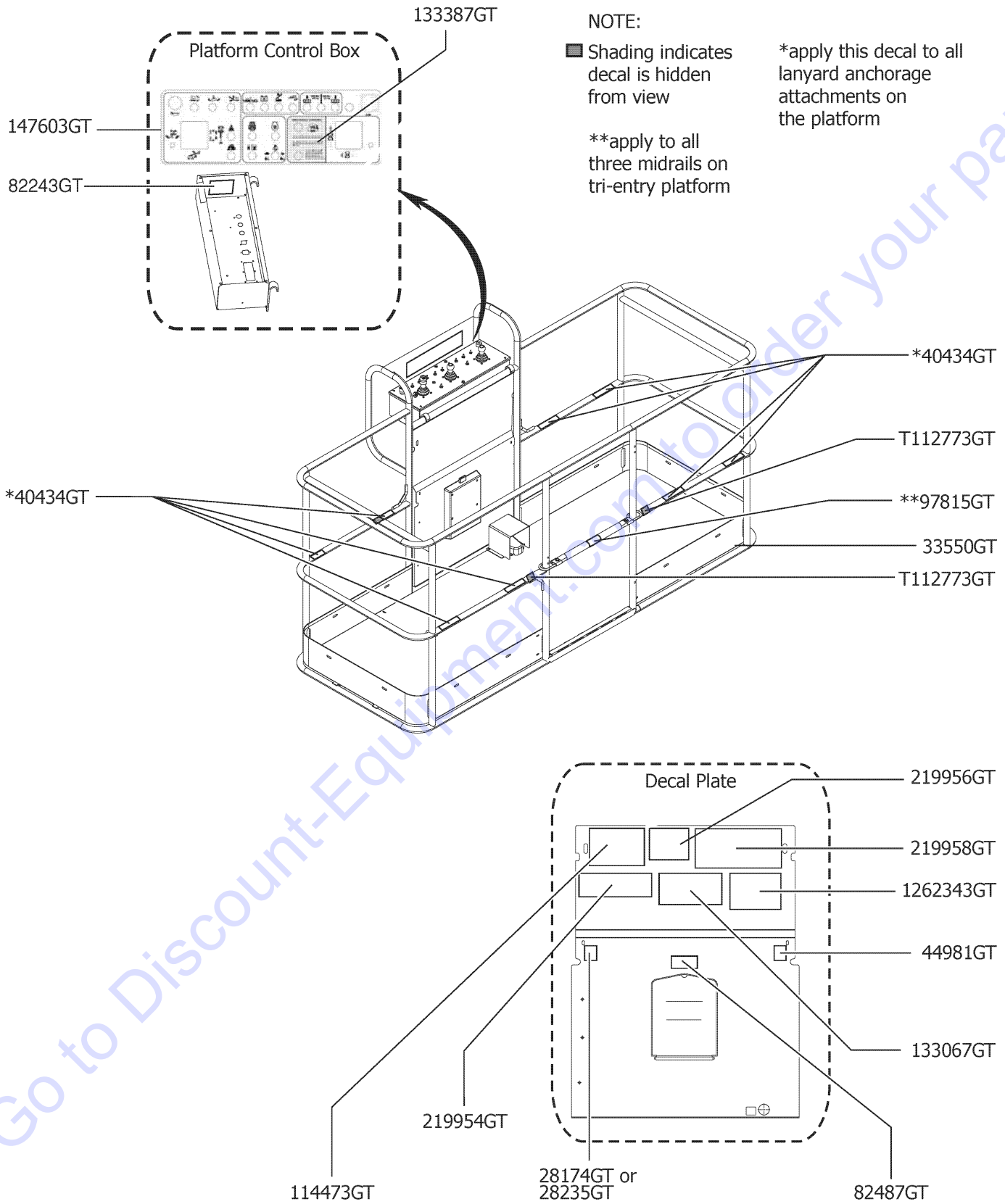
107.1 Symbol, Booms, CE



Item	Part No.	Description	Qty.
1	62078GT	DECAL,COSMETIC,GENIE S65.....	1
2	114252GT	DECAL,LABEL,TIP OVER LMT SWTCH.....	5
3	133254GT	DECAL, COSM,GENIE S65 TRAX.....	1

Go to Discount-Equipment.com to order your parts

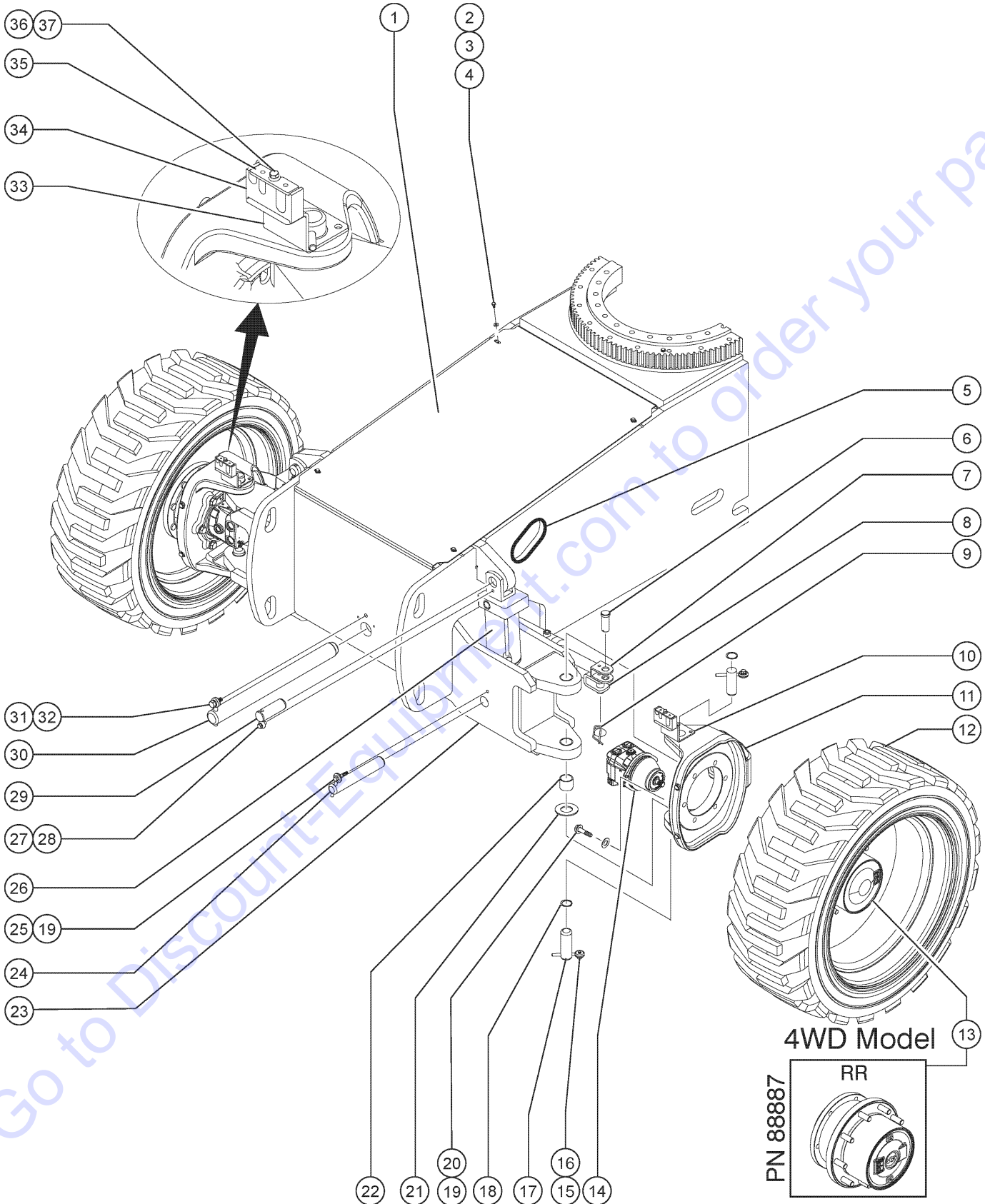
108.1 Symbol, Platform, CE



108.1 Symbol, Platform, CE

Item	Part No.	Description	Qty.
1	28174GT	DECAL, POWER TO PLATFORM 230V**1 <i>(Europe except UK)</i>	1
2	28235GT	DECAL, POWER TO PLATFORM 115V...1 <i>(Us and UK)</i>	1
3	128518GT	TAPE, WARNING, BLK/YEL, 108****	
4	40434GT	DECAL, LANYARD ANCHORAGE POINT.....8	8
5	44981GT	DECAL, LABEL, AIR LINE 110 PSI.....1 <i>Option, airline to platform</i>	1
6	82487GT	DECAL, SYMBOL - READ THE MANUAL.....1	1
7	97815GT	DECAL, LABEL, LOWER MIDRAIL.....1	1
8	114473GT	DECAL, DANGER, TIPOVER, TILT, SYM...1	1
9	133067GT	DECAL, DANGER, ELEC. HAZ. STAY CLR.....1	1
10	133387GT	DECAL, DRIVE ENABLE PATCH.....1	1
11	147603GT	DECAL, PLAT CNTL PNL.....1 <i>(S-65, S-65 Trax, CE)</i>	1
12	219954GT	DECAL, TIP-OVER HAZARD, CE.....1	1
13	219956GT	DECAL, PLATFORM OVERLOAD.....1 <i>CE Only</i>	1
14	219958GT	DECAL, TIP-OVER, CRUSH.....1	1
15	1262343GT	DECAL, SYM, SLOPE RATING, S60.....1	1
16	T112773GT	TAPE, PROTECTIVE MASK.....2	2
17	82243GT	DECAL FAULT CODE.....1	1

201.1 Steer End



201.1 Steer End

Item	Part No.	Description	Qty.	Item	Part No.	Description	Qty.
1	1255703GT	COVER,DRIVE CHASSIS.....1 <i>decals not included, refer to section 100</i>	1	12E	106648GT	TIRE & WHEEL ASSY,LH,FOAM,NM.....2 <i>RT, Foam-filled, Non-marking, left (S-60,S-65,S-60X,S-60XC; overall diameter: 37 inches)</i>	2
2	824059GT	SCREW,HHC,1/4-20X.75,8,ZAG		12F	110727GT	TIRE/WHEEL ASSY,LP RT W/SEALAN.....2 <i>RT, Air-filled, with sealant, left (S-60,S-65,S-60X)</i>	2
3	824113GT	WASHER,FLAT,USS,1/4,ZAG		12F	110728GT	TIRE/WHEEL ASSY,LP RT W/SEALAN.....2 <i>RT, Air-filled, with sealant, right (S-60,S-65,S-60X)</i>	2
4	56912GT	SPRING CLIP,1/4-20,.025-.15X.54,ZAG		12G	110730GT	TIRE/WHEEL ASSY,LP NM W/SEALAN.....2 <i>RT, Air-filled, Non-marking, with sealant, right (S-60,S-65,S-60X)</i>	2
5	53386GT	GUARD, HOSE PROTECTOR.....1		12G	110731GT	TIRE/WHEEL ASSY,LP NM W/SEALAN.....2 <i>RT, Air-filled, Non-marking, with sealant, left (S-60,S-65,S-60X)</i>	2
6	824127GT	PIN,CLEVIS,1.0X2.41,SAE,ZAG.....4		13	229817GT	WHEEL DRIVE 56:1.....1 <i>(Trax)</i>	1
7	59460GT	CYLINDER,STEERING***.....2		--	102131GT	DISCONNECT KIT (88887) <i>for 102162</i>	
--	89294GT	SEAL KIT CYLINDER (59460).....1		--	102162GT	LUG,STUD/WHEEL (88887) <i>for 102162</i>	
8	1255710GT	WELDMENT, TIE ROD.....1		--	102516GT	RING,RETAINING,INTERNAL <i>for 102162</i>	
9	824129GT	RUE RING,1.0,ZAG.....4		--	215340GT	LOCKRING, RR*** <i>for 102162</i>	
10	1255705GT	BRACKET,HOSE ROUTING,AXLE LH....1		--	215642GT	BRAKE KIT (88886)*** <i>for 102162</i>	
11A	1270346GT	YOKE ASSY BLK W/BEARINGS,RH.....1 <i>includes bearing</i>		--	229818GT	SEAL KIT, DRIVE HUB <i>for 102162</i>	
--	25817GT	BEARING,1.00IDX1.25ODX1.00L		--	229931GT	SEAL,LIP <i>for 102162</i>	
11B	1270347GT	YOKE ASSY BLK W/BEARINGS,LH.....1 <i>includes bearing</i>		14	88884GT	MOTOR,PISTON,30CC,4WD***.....2 <i>4WD models</i>	2
--	25817GT	BEARING,1.00IDX1.25ODX1.00L.....2		--	102155GT	BEARING,BALL DRIVE SHAFT <i>for 88884</i>	
12A	88729GT	TIRE & WHEEL ASSY,AIR,RH***.....2 <i>RT, Air-filled, right (S-60,S-65,S-60X)</i>		--	102158GT	O-RING,.103 X 4.737,VITON, 75D <i>for 88884</i>	
12A	88730GT	TIRE & WHEEL ASSY,AIR,LH.....2 <i>RT, Air-filled, left (S-60,S-65,S-60X)</i>		--	102159GT	SHAFT,15 TOOTH <i>for 88884</i>	
--	88727GT	WHEEL, 24.5X11.75, 9 X 9 BCD <i>for 88730 & 88729</i>		--	106098GT	SEAL KIT,MOTOR,LC/KC*** <i>for 88884</i>	
--	88728GT	TIRE,355/55D625 <i>for 88730 & 88729</i>		--	27067GT	SEAL,SHAFT-SUNDSTRAND*** <i>for 88884</i>	
12B	77790GT	TIRE & WHEEL ASSY RH,FF.....2 <i>RT, Foam-filled, right (S-60,S-65,S-60X,S-60XC; overall diameter: 37 inches)</i>		--	72290GT	SNAP RING(M46 UNITS)* <i>for 88884</i>	
12B	77791GT	TIRE & WHEEL ASSY,LH FF***.....2 <i>RT, Foam-filled, left (S-60,S-65,S-60X,S-60XC; overall diameter: 37 inches)</i>		15	825019GT	ROD END,.375X3.69,ZAG.....2	2
12D	94534GT	WHEEL & TIRE ASSY,RH,NM AIR.....2 <i>RT, Air-filled, Non-marking, right (S-60,S-65,S-60X)</i>		16	824091GT	SCREW,HHF,3/8-16X1.25,8,ZAG	
12D	94535GT	WHEEL & TIRE ASSY,LH NM AIR.....2 <i>RT, Air-filled, Non-marking, left (S-60,S-65,S-60X)</i>					
--	88727GT	WHEEL, 24.5X11.75, 9 X 9 BCD <i>for 94534 & 94535</i>					
--	94536GT	TIRE,355/55D625,14 PLY,NM <i>for 94534 & 94535</i>					
12E	106647GT	TIRE & WHEEL ASSY,RH,FOAM,NM.....2 <i>RT, Foam-filled, Non-marking, right (S-60,S-65,S-60X,S-60XC; overall diameter: 37 inches)</i>					

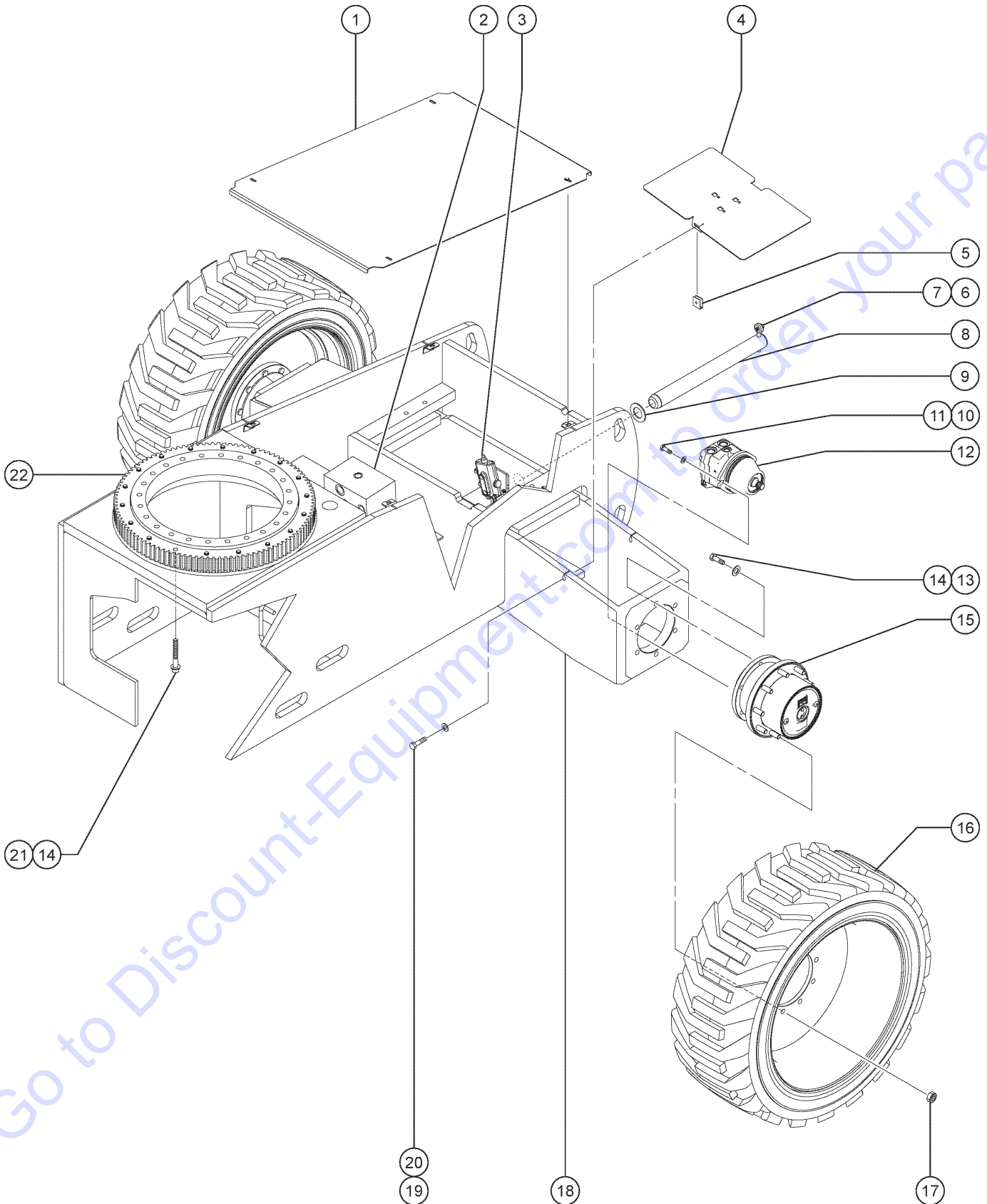
201.1 Steer End
(continued)

Item	Part No.	Description	Qty.
17	110221GT	PIN,GROOVE/HOLE,1.50 DIA X 4.475.....	4
18	825796GT	SNAP RING,EXTERNAL,1.50,ZAG	
19	1255385GT	SCREW,HHC,5/8-11 X 2.25,8,ZAG.....	12
20	1256182GT	WASHER,FLAT,5/8,F436,HRD,ZAG.....	12
21	45074GT	WASHER,THRUST,1.5 X 3.5 X .187.....	2
22	45071GT	BEARING,1.5IDX1.75ODX1.5L	
23	1270348GT	STEER AXLE ASSY BLACK..... <i>includes bearing</i>	1
--	45071GT	BEARING,1.5IDX1.75ODX1.5L	
24	77880GT	PIN,1.50DIA X 9.38LG,1HOLE.....	2
25	825674GT	SCREW, HHC, 5/16-18 X 2,8,ZAG	
26	110578GT	CYLINDER,OSCILLATE,S60.....	2
--	101255GT	SEAL KIT (89675)	
--	33428GT	VALVE,COUNTERBALANCE	
27	824089GT	SCREW,HHF,3/8-16 X .75,8,ZAG	
28	1255452GT	ROD END,.375 X 2.25,ZAG	
29	94221GT	PIN,1.50DIA X 3.75LG,1HOLE.....	2
30	77610GT	PIN,2.00DIA X 23.13LG,CHAMFER.....	1
31	1256267GT	ROD END,.5 X 3.75,ZAG	
32	1253498GT	SCREW,HHF,1/2-13 X 1.5,8,ZAG	
33	1255704GT	BRACKET,HOSE ROUTING,AXLE RH...1	
34	106516GT	CLAMP,HOSE,2X4,1X6,2X8***.....	2
35	1255706GT	CLAMP TOP,HOSE ROUTING***.....	2
36	824095GT	SCREW,HHF,3/8-16 X 3,8,ZAG	
37	824029GT	NUT,TL FLG,3/8-16,G,ZAG	

This Page Intentionally Left Blank

Go to Discount-Equipment.com to order your parts

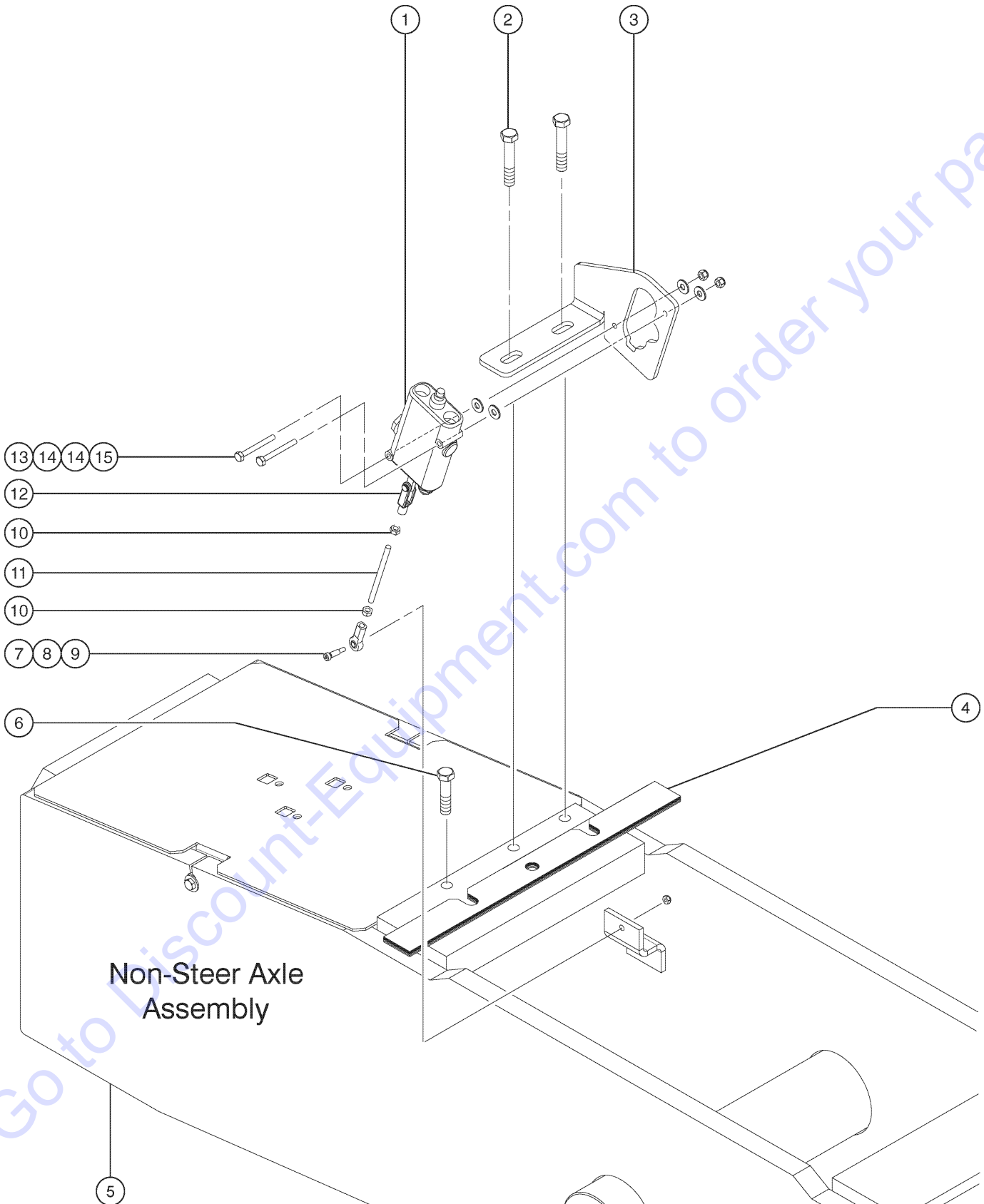
202.1 Non-Steer End



202.1 Non-Steer End

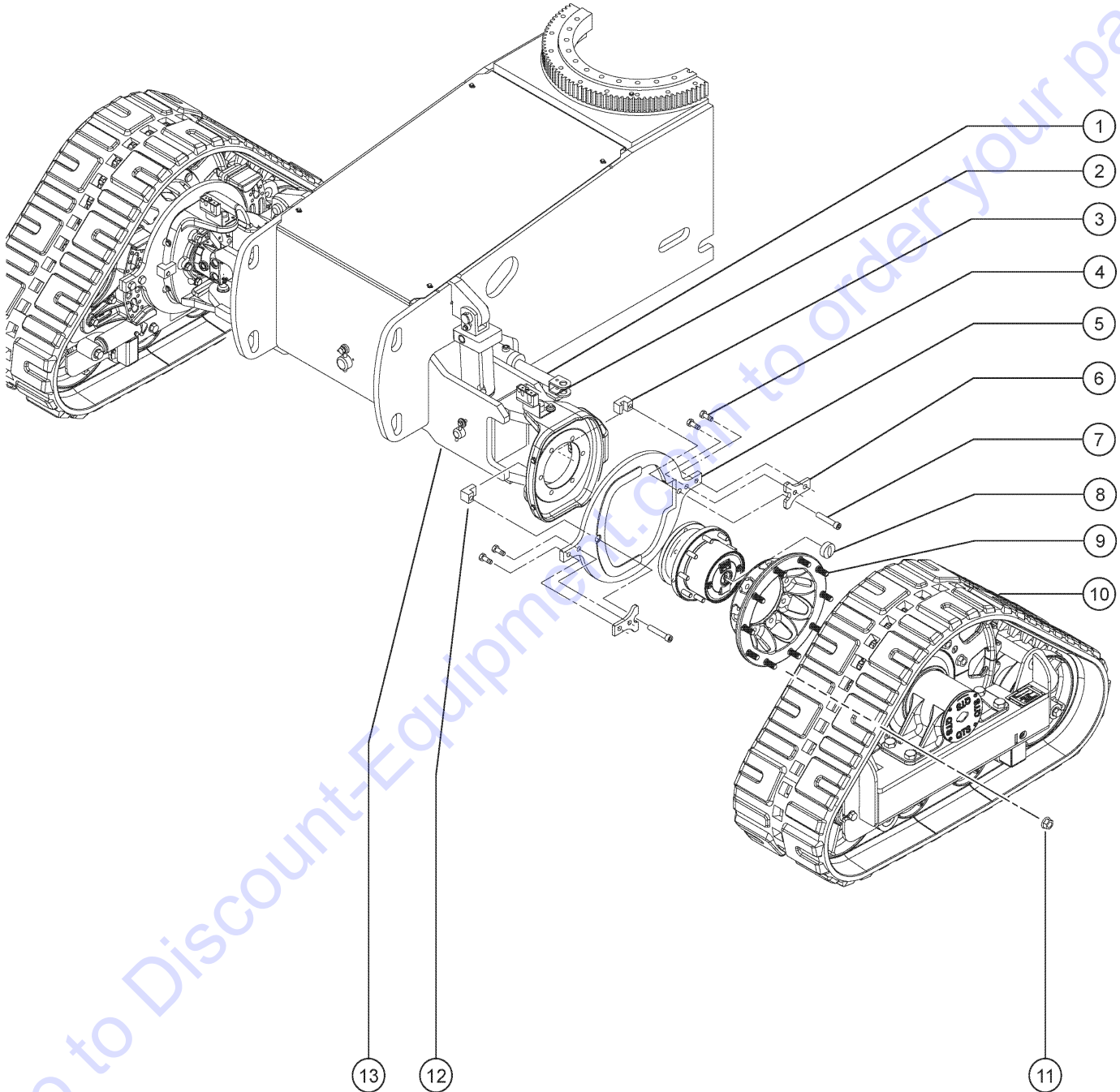
Item	Part No.	Description	Qty.	Item	Part No.	Description	Qty.
1A	77624PGT	COVER,DRIVE CHASSIS.....1 <i>decals not included, refer to section 100, to SN S6015A-30299</i>	1	--	215340GT	LOCKRING, RR*** <i>(trax models)</i>	
1B	1255703GT	COVER,DRIVE CHASSIS.....1 <i>decals not included, refer to section 100, from SN S6015A-30300</i>	1	--	215642GT	BRAKE KIT (88886)*** <i>(trax models)</i>	
2		Ref. Traction Manifold <i>(refer to 403.1)</i>		--	229818GT	SEAL KIT, DRIVE HUB <i>(trax models)</i>	
3		Ref. Oscillate Valve <i>(refer to 203.1)</i>		--	229931GT	SEAL,LIP <i>(trax models)</i>	
4	1255711GT	COVER,REAR AXLE.....2	2	--	27067GT	SEAL,SHAFT-SUNDSTRAND*** <i>(trax models)</i>	
5	56912GT	SPRING CLIP,1/4-20,.025-.15X.54,ZAG		--	77674GT	NUT,HEX,FLANGE 5/8-18,GRD 8 ZI <i>(trax models)</i>	
6	1256267GT	ROD END,.5 X 3.75,ZAG		--	88884GT	MOTOR,PISTON,30CC,4WD*** <i>(trax models)</i>	
7	1253498GT	SCREW,HHF,1/2-13X1.5,8,ZAG		15C	229817GT	WHEEL DRIVE 56:1.....2 <i>(trax models)</i>	2
8	77950GT	PIN,2.00DIA X20.88LG,CHAMFER		16		REF. WHEEL AND TIRE ASSEMBLY <i>refer to 201.1</i>	
9	1256864GT	WASHER,FLAT,2.01X3.5X.06,ZAG		17	77674GT	NUT,HEX,FLANGE 5/8-18,GRD 8 ZI.....18	18
10	824072GT	SCREW,HHC,7/16-14X1.25,ZAG.....4	4	18	1270349GT	NON-STEER AXLE ASSY BLACK.....1 <i>includes bearing</i>	1
11	1257078GT	WASHER,.469 X .768 HRD, ZAG.....4	4	--	42014GT	BEARING,2.00IDX2.25ODX2.00L	
12	88884GT	MOTOR,PISTON,30CC,4WD*** <i>models</i>		19	824063GT	SCREW,HHC,1/4-20X1.75,8,ZAG	
--	102155GT	BEARING,BALL DRIVE SHAFT <i>for 88884</i>		20	824113GT	WASHER,FLAT,USS,1/4,ZAG	
--	102158GT	O-RING,.103 X 4.737,VITON, 75D <i>for 88884</i>		21	1256170GT	SCREW,HHC,5/8-11X4,8,ZAG.....18	18
--	102159GT	SHAFT,15 TOOTH <i>for 88884</i>		22	63468GT	BEARING,TURNTABLE ROTATION	
--	106098GT	SEAL KIT,MOTOR,LC/KC*** <i>for 88884</i>					
--	27067GT	SEAL,SHAFT-SUNDSTRAND*** <i>for 88884</i>					
--	72290GT	SNAP RING(M46 UNITS)* <i>for 88884</i>					
13	1255385GT	SCREW,HHC,5/8-11X2.25,8,ZAG					
14	1256182GT	WASHER,FLAT,5/8,F436,HRD,ZAG					
--	102131GT	DISCONNECT KIT (88887) <i>(trax models)</i>					
--	102157GT	O-RING,.070 X .239,VITON 75D <i>(trax models)</i>					
--	102158GT	O-RING,.103 X 4.737,VITON, 75D <i>(trax models)</i>					
--	102162GT	LUG,STUD/WHEEL (88887) <i>(trax models)</i>					
--	102166GT	VALVE,CHECK,30 PSI <i>(trax models)</i>					
--	102167GT	SHAFT,INPUT DRIVE HUB <i>(trax models)</i>					
--	102516GT	RING,RETAINING,INTERNAL <i>(trax models)</i>					
--	106098GT	SEAL KIT,MOTOR,LC/KC*** <i>(trax models)</i>					

203.1 Oscillate Valve



Item	Part No.	Description	Qty.
1	81552GT	VALVE,MANUAL,W/RELIEF VALVE***.....1	
--	32681GT	SEAL KIT,CONTROL VALVE	
2	1257862GT	SCREW,HHF,1/2-13X2.75,8,ZAG.....2	
3	1255712GT	BRACKET, OSCILLATE VALVE.....1	
4	81609GT	SHIM,AXLE ROTATION STOP,22G.....2	
5		REF: Non-Steer Axle.....1 <i>refer to 202.1 or 205.1 for TraX models</i>	
6	1255802GT	SCREW,HHF,1/2-13X2.5,8,ZAG.....1	
7	1257076GT	BOLT,SHS,1/4-28X4,ZAG.....1	
8	81691GT	ROD END,BALL JOINT 1/4-28.....1	
9	1256467GT	NUT,TL FLG,10-24,F,ZAG.....1	
10	824041GT	NUT,1/4-28,8,ZAG.....2	
11	1257077GT	ROD,THREADED,1/4-28X4,ZAG.....1	
12	21130GT	CLEVIS YOKE-1/4-28,PLTD W/PIN.....1	
13	824064GT	SCREW,HHC,1/4-20X2.25,8,ZAG.....2	
14	824113GT	WASHER,FLAT,USS,1/4,ZAG.....4	
15	824027GT	NUT,TL FLG,1/4-20,G,ZAG.....2	

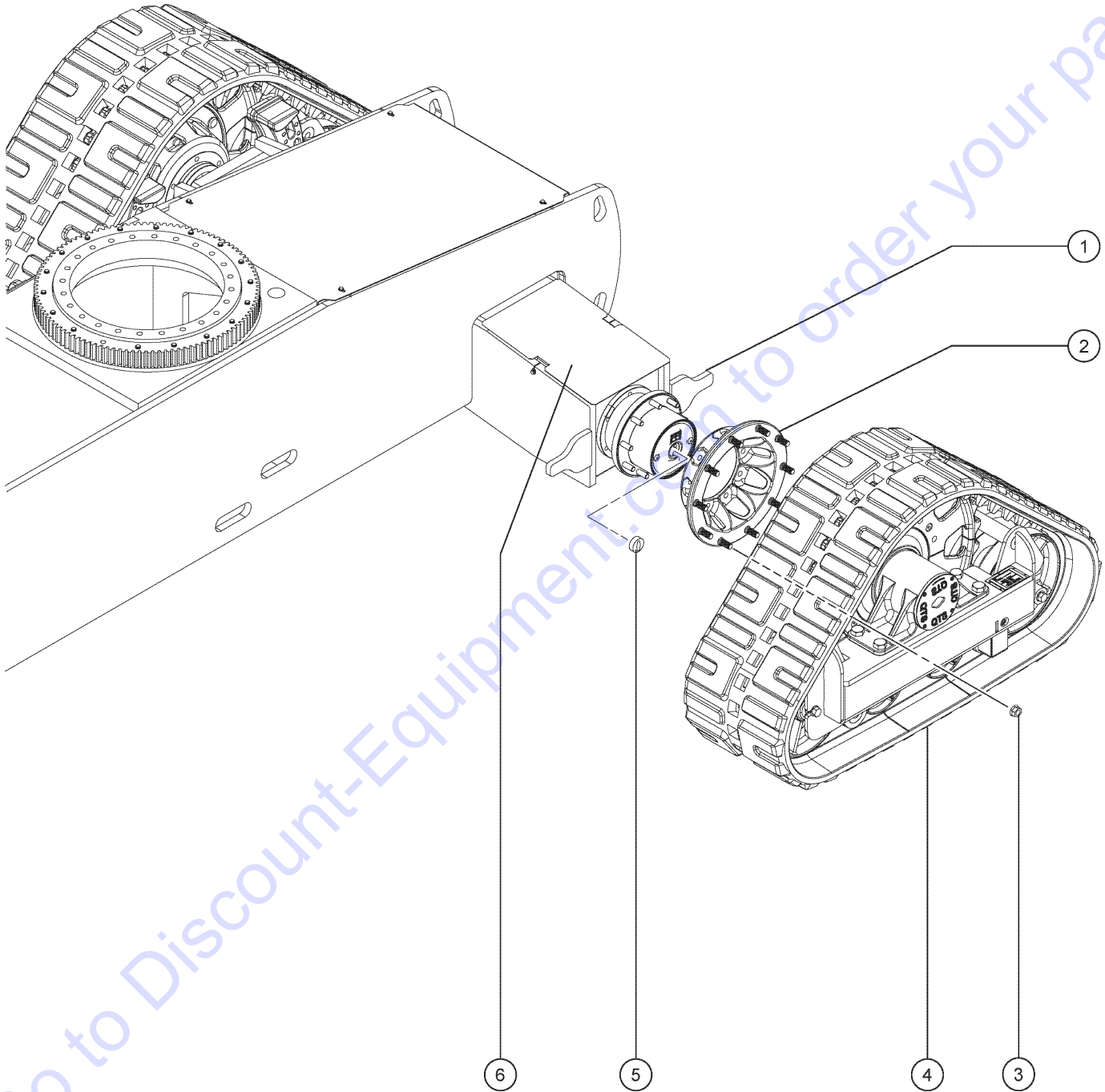
204.1 TraX Option Steer End



204.1 TraX Option Steer End

Item	Part No.	Description	Qty.
1	125865GT	CYLINDER, STEER.....	1
--	89294GT	SEAL KIT CYLINDER (59460)	
2	1255715GT	WELDMENT, TIE ROD.....	1
3	139122GT	MACH. MOUNTING BLOCK.....	1
4	94439GT	SCREW,HHC,3/4-10 X 1.5.....	4
5A	139000GT	ROTATIONAL LIMITER FRONT RIGHT.....	1
5B	139001GT	ROTATIONAL LIMITER FRONT LEFT.....	1
6	139121GT	PLATE, HAMMER SHIM 1/2.....	2
7	1260511GT	SCREW,SHC,5/8-11X1.5,A574,ZAG.....	2
8	139179GT	SEAL,TRAX HUBS.....	1
9	139002GT	SPACER.....	2
--	139140GT	STUD, 3/4-16 UNF X 2-1/2 LG for 139002	
10A	139120GT	ASSEMBLY, TRAX UNIT, RIGHT..... <i>refer to 206.1 for TRAX System service components</i>	1
10B	147149GT	ASSEMBLY, TRAX UNIT, LEFT..... <i>refer to 206.1 for TRAX System service components</i>	1
11	1257865GT	NUT,TL FLG,3/4-16,G,ZAG.....	10
12	139125GT	MACH. MOUNTING BLOCK.....	1
13	1270350GT	STEER AXLE ASSY BLK,TRAX..... <i>includes bearing</i>	1
--	45071GT	BEARING,1.5IDX1.75ODX1.5L	

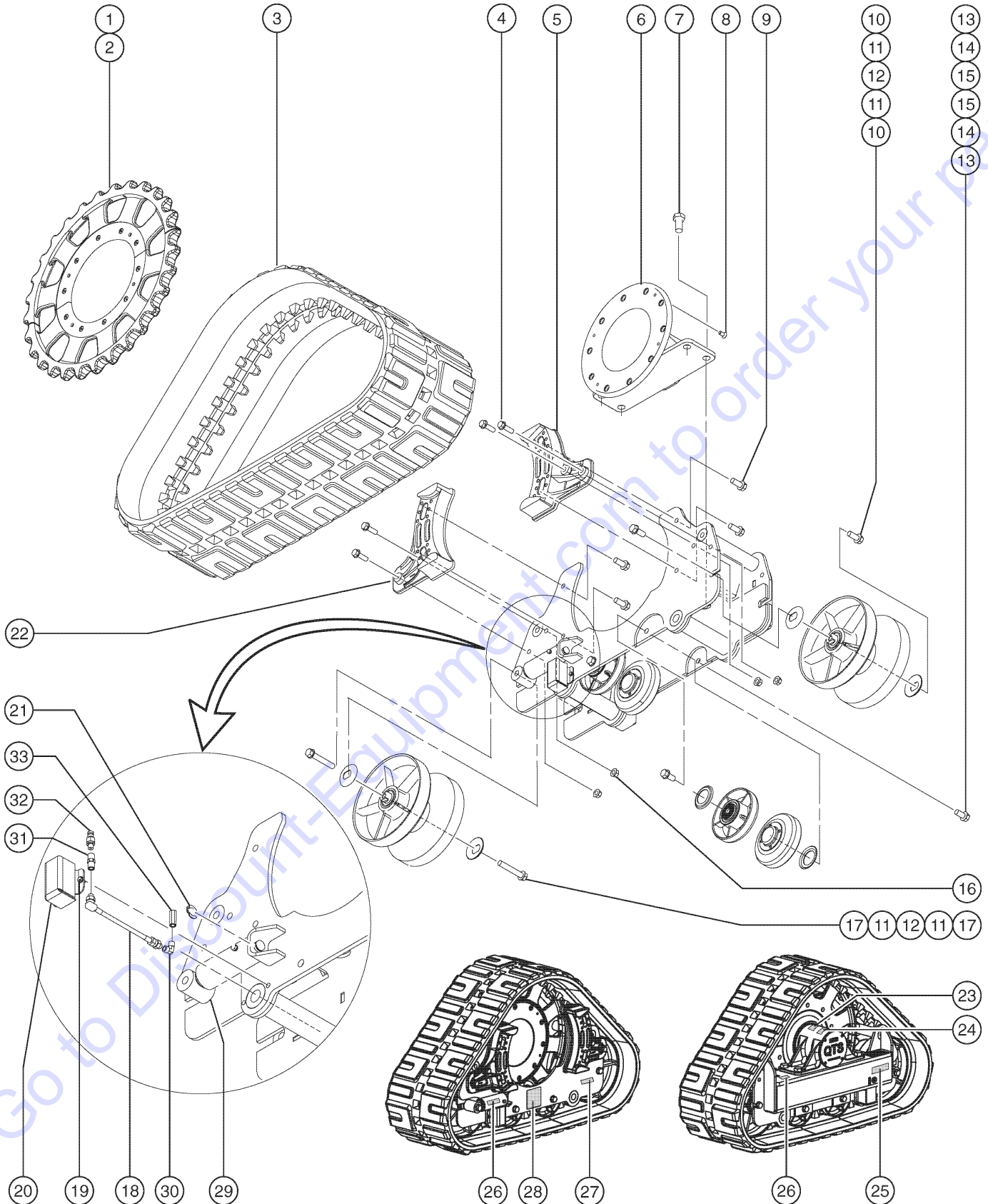
205.1 TraX Option Non-Steer End



Item	Part No.	Description	Qty.
1	1270351GT	NON-STEER AXLE ASSY BLK,TRAX <i>includes bearings</i>	
--	42014GT	BEARING,2.00IDX2.25ODX2.00L	
2	139002GT	SPACER.....	2
--	139140GT	STUD, 3/4-16 UNF X 2-1/2 LG <i>for 139002</i>	
3	1257865GT	NUT,TL FLG,3/4-16,G,ZAG.....	10
4A		Ref., TRAX UNIT, RIGHT..... <i>refer to 206.1</i>	1
4B		Ref., TRAX UNIT, LEFT..... <i>refer to 206.1</i>	1
5	139179GT	SEAL,TRAX HUBS.....	2
6	1255714GT	COVER, REAR AXLE	

Go to Discount-Equipment.com to order your parts

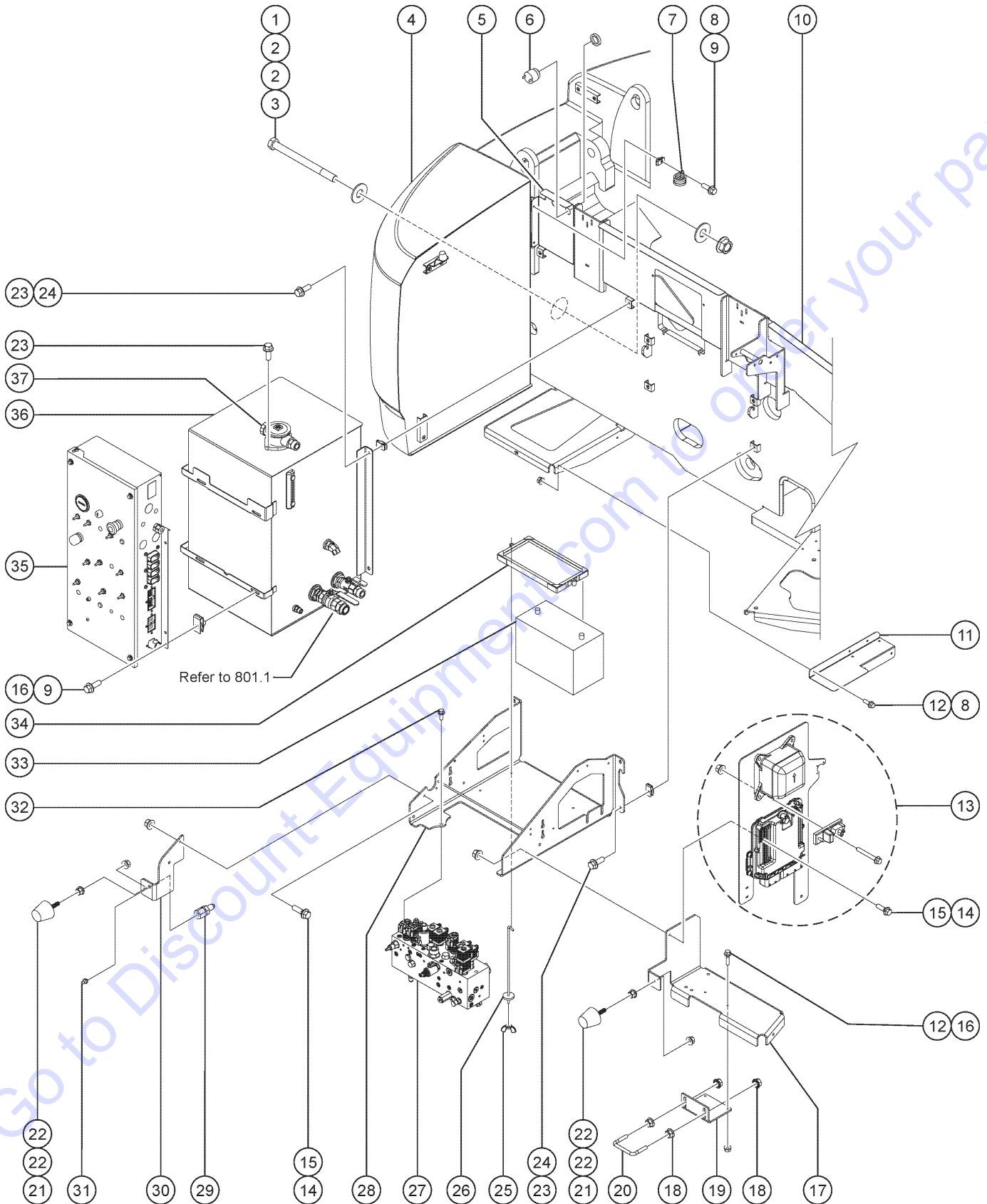
206.1 TraX Option Components



206.1 TraX Option Components

Item	Part No.	Description	Qty.	Item	Part No.	Description	Qty.
A	139262GT	KIT,TRAX,9-BOLT,S60 W/RR HUBS		26	226943GT	DECAL,CAUTION,READ INST.....1	1
--	139179GT	SEAL,TRAX HUBS		27	226945GT	DECAL,WARN,CRUSH HAZ.....1	1
B	217979GT	KIT,TRAX,9-BOLT,S60 W/OMNI HUB		28A	226941GT	DECAL,LABEL,ASSY INSTALL,R.....1	1
--	139179GT	SEAL,TRAX HUBS		28B	226942GT	DECAL,LABEL,ASSY INSTALL,I	1
C	139000GT	ROTATIONAL LIMITER FRONT RIGHT		29	215423GT	TENSIONER, TRAX	
D	139001GT	ROTATIONAL LIMITER FRONT LEFT		30	1261392GT	ELBOW,90,1/4-18NPT,FEMALE	
E	147155GT	ROTATIONAL LIMITER REAR		31	1261390GT	COUPLING - 1/4 NPT	
1	128922GT	SPROCKET, MACH. HALF RIGHT.....1	1	32	1261389GT	NIPPLE,STEEL PIPE,1/4NPTX1 LG	
2	128923GT	SPROCKET, MACH. HALF LEFT.....1	1	33	1261391GT	NIPPLE,STEEL PIPE,1/4NPTX2.5LG	
3	128926GT	TRACK, RUBBER.....1	1				
4	111155GT	SCREW,FLANGE,HHC,5/8-11X2,GR8....4	4				
5	128925GT	CAST, LIMITER STOP BRKT R.....1	1				
6	128928GT	HUB ASSEMBLY.....1	1				
--	1287812GT	SEAL,RUBBER BRAKE RELEASE,RUBBER TRACK (139120)					
--	1287813GT	O-RING,RUBBER TRACK (139120)					
7	128913GT	BOLT,HHC,1-14X2.0"GR8 PLT.....4	4				
8	128914GT	SCREW, FHSC, 1/2-13X1.00.....4	4				
9	128912GT	BOLT,FLANGE,5/8-11X1.5"GR8 PLT.....4	4				
10	128910GT	BOLT,FLANGE,3/4-10X1.75GR8 PLT.....2	2				
11	128920GT	COVER, DUST.....4	4				
12	128917GT	END BOGEY.....2	2				
13	128909GT	BOLT,FLANGE,3/4-10X1.5"GR8 PLT.....4	4				
14	128921GT	GUARD, SEAL.....4	4				
15	128918GT	SPLIT BOGEY.....4	4				
--	215424GT	BEARING, SPL BOGEY (128918) <i>for 128918</i>					
--	215425GT	SEAL, BEARING (128918) <i>for 215424</i>					
--	215426GT	SHAFT, RAISED BOSS (128918) <i>internal shaft with raised boss on end</i>					
--	215427GT	SHAFT, KNURLED (128918) <i>internal shaft with knurled end</i>					
16	128916GT	LOCKNUT,FLANGE,5/8-11,GR8.....4	4				
17	128911GT	BOLT,FLANGE,3/4-10X4.5"GR8 PLT.....2	2				
18	128927GT	HYD. HOSE ASSEMBLY 3000 PSI.....1	1				
19	128955GT	BOLT,FLANGE,5/16-18X.50 GR5.....4	4				
20A	1261393GT	ASSEMBLY, OUTSIDE HOSE GUARD <i>shown for reference only</i>					
20B	1261394GT	ASSEMBLY, INSIDE HOSE GUARD					
21	128919GT	SNAP RING.....2	2				
22	128924GT	CAST, LIMITER STOP BRKT L.....1	1				
23	226940GT	DECAL,LABEL,TORQUE.....1	1				
24	226944GT	DECAL,WARN,AVOID INJURY.....1	1				
25	226946GT	DECAL,WARN,HIGH PRESS.....1	1				

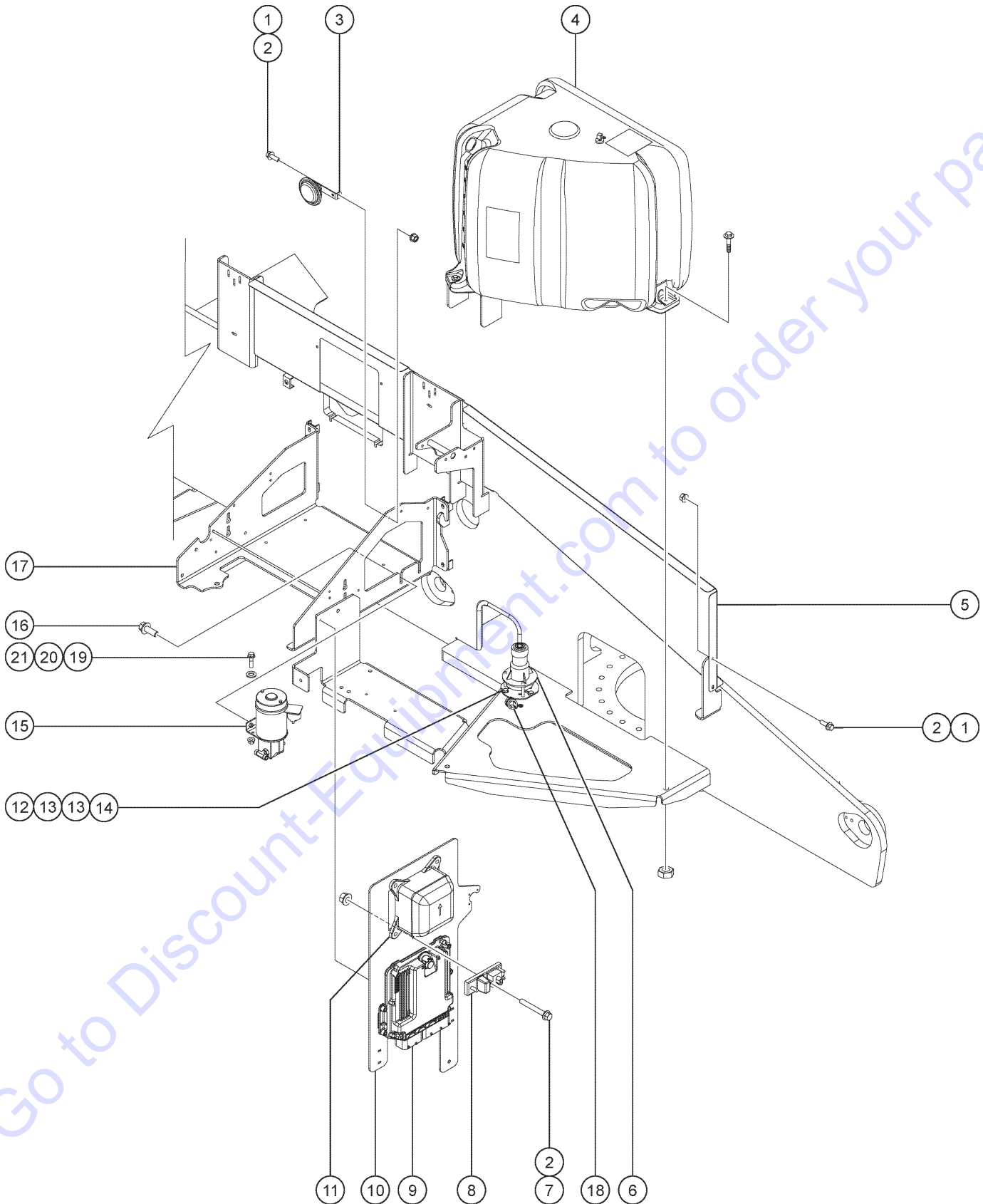
301.1 Tank Side - View 1



301.1 Tank Side - View 1

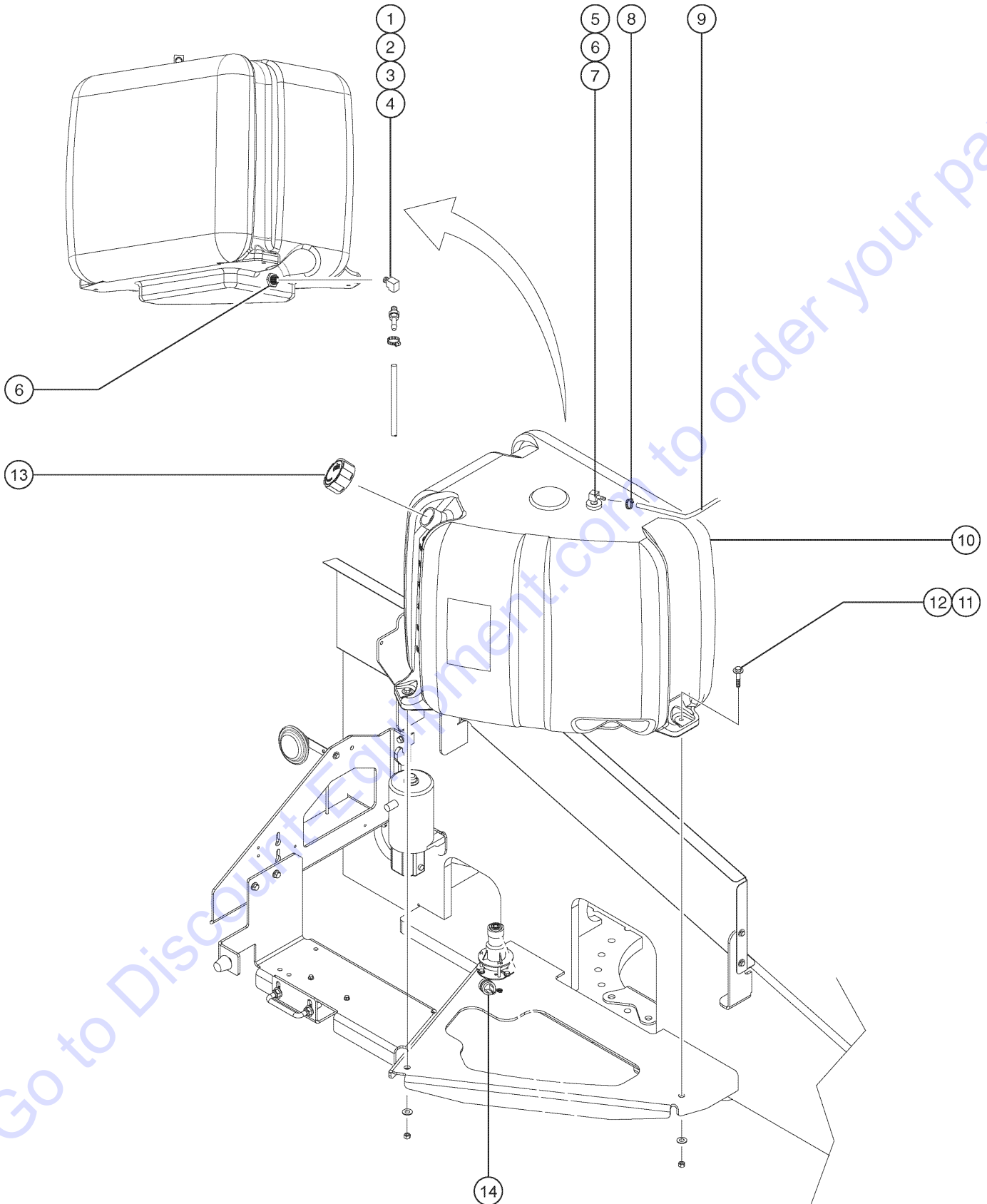
Item	Part No.	Description	Qty.	Item	Part No.	Description	Qty.
1	1255389GT	SCREW,HHC,1-8X12,5,ZAG.....	1	36	1253800GT	ASSY, HYDRAULIC TANK.....	1
2	1256469GT	WASHER,FLAT,1.0,USS,ZAG.....	2			<i>includes item 37 with fasteners and fittings</i>	
3	824031GT	NUT,TL FLG,1-8,G,ZAG.....	1	--	1253799GT	TANK, HYDRAULIC	
4	1257226GT	COUNTERWEIGHT, S65.....	1			<i>includes sight gauge</i>	
		<i>(S-60XC, S-65 and S-65 trax)</i>		--	21141GT	GAUGE-SIGHT,LHA-LGTB***	
5	1253819GT	FORMING, BULKHEAD, TS FRONT.....	1	37A	110345GT	FILTER ASSY,INTANK.....	1
6	230392GT	ALARM,DESCENT.....	1			<i>includes item 37B</i>	
		<i>72326 nut not included, order separately</i>		--	147223GT	SEAL,FILTER LID	
--	72326GT	NUT - PLASTIC,RING FOR ALARMS		37B	77353GT	KIT,ELEMENT**	
7	13268GT	CLAMP,0.75,#12 X 1/4,RUB CUSH.....	1	--	77354GT	FILTER LID,RFM165	
8	824078GT	SCREW,HHF,1/4-20X.75,8,ZAG.....	4	--	77365GT	BREATHER CAP,RFM165	
9	56912GT	SPRING		--	88917GT	FILTER,ELEMENT,BETA(10)=200	
		CLIP,1/4-20,.025-.15X.54,ZAG.....	6	--	94526GT	GASKET,RETURN FILTER-77353	
10		Ref: Bulkhead, Left Rear.....	1	38	49189-8638GT	HOSE ASSY,1/4",STR FEM,STR F**.....	1
		<i>(refer to 302.1)</i>				<i>(grease hose)</i>	
11	T107829GT	FORMING,HARNESS					
		SUPPORT,S60/65.....	1				
12	824027GT	NUT,TL FLG,1/4-20,G,ZAG.....	4				
13		Ref. ECU, fuse and relay mount					
		bracket.....	1				
		<i>(refer to 302.1)</i>					
14	824091GT	SCREW,HHF,3/8-16X1.25,8,ZAG.....	5				
15	824029GT	NUT,TL FLG,3/8-16,G,ZAG.....	5				
16	824079GT	SCREW,HHF,1/4-20X1,8,ZAG.....	6				
17	1260112GT	FORMING, MOUNT, LATCH.....	1				
18	1261724GT	NUT,SERRATED,1/2-13,8,ZAG.....	4				
19	1260113GT	FORMING, BRACKET, LATCH.....	1				
20	1259855GT	UBOLT, 0.4724 IN D X 4 IN L.....	1				
21	1261277GT	BUMPER, RUBBER, 1.25 X 1.25 IN.....	2				
22	824028GT	NUT,TL FLG,5/16-18,G,ZAG.....	4				
23	824090GT	SCREW,HHF,3/8-16X1,8,ZAG.....	10				
24	29868GT	SPRING CLIP,3/8-16,.05-.20X.73,ZAG....	8				
25	8170GT	NUT,WING,1/4-20.....	2				
26	45708GT	HOOK,BATT HOLD DOWN,10".....	2				
27		Ref. Function Manifold.....	1				
		<i>(refer to 401.1)</i>					
28	1253824GT	WLDMT, BATT/MANIF TRAY, S60/65....	1				
29	48885GT	CONNECTOR,BULKHEAD,FEMALE-4...1	1				
30	1253825GT	FORMING, BRACKET, COVER STOP....1	1				
31	94643GT	ZERK,GREASE,5/16-24,STRAIT.....	1				
32	1255469GT	SCREW,HHF,1/2-13X1.25,8,ZAG.....	2				
33	30143GT	BATTERY,12V,1000 CCA GRP 31.....	1				
		<i>models with single battery (shown)</i>					
34	30144GT	BATTERY HOLD DOWN,GROUP 31.....	1				
35		Ref. Ground Controls.....	1				
		<i>(refer to 305.1, 306.1, 307.1 or 308.1)</i>					

302.1 Tank Side - View 2



Item	Part No.	Description	Qty.	Item	Part No.	Description	Qty.
1	824078GT	SCREW,HHF,1/4-20X.75,8,ZAG.....	3	20	824113GT	WASHER,FLAT,USS,1/4,ZAG.....	2
2	824027GT	NUT,TL FLG,1/4-20,G,ZAG.....	4	21	824087GT	SCREW,HHF,5/16-18X1.25,8,ZAG.....	2
3	81578GT	HORN,12VDC,SPADE TERMINALS*** ..	1				
4		Ref: Fuel Tank.....	1				
		(refer to 303.1)					
5	1253818GT	FORMING, BULKHEAD, TS REAR.....	1				
6	1263187GT	SENSOR, LEVEL,2.5 X 4.5 DEG.....	1				
		S-65, S-60, S-60 TraX and S-65 TraX; European models					
7	1253485GT	SCREW,HHF,1/4-20X2,8,ZAG.....	1				
8	824023GT	RELAY, POWER & FUSE MODULE.....	1				
		models with Deutz D2.9 engine					
--	1251508GT	FUSE, FMX, 60AMP					
--	1251509GT	COVER,PRM FUSE SERVICE PART					
9		Ref: ECU.....	1				
		models with Deutz D2.9 engine (This part is serialized, contact Discount-equipment with full model and SN of both the unit and engine)					
10	823074GT	WELDMENT,ECU MOUNT,DEUTZ D2.9.....	1				
		models with Deutz D2.9 engine					
11	822781GT	MODULE,FUSE&RELAY,DEUTZ 2.9.....	1				
		models with Deutz D2.9 engine					
--	1251499GT	FUSE, ATM, 15AMP					
--	1251500GT	FUSE, ATM, 20AMP					
--	1251501GT	FUSE, ATM, 30AMP					
--	1251502GT	FUSE, ATM, 10AMP					
--	1251503GT	RELAY, 12V MICRO, 35AMP.....	6				
--	1251504GT	DIODE, 6A 22903-6V					
--	1251505GT	TOOL, FUSE PULLER, ATM					
--	1251510GT	CIRCUIT BREAKER,20AMP MINI					
12	8915GT	SCREW,HHC,1/4-20 X 1.25.....	3				
13	6638GT	WASHER,FLAT,USS,1/4"Y.....	6				
14	6091GT	NUT,NYLOCK,1/4-20.....	3				
15	89617GT	POWER UNIT,AUX PUMP 12VDC.....	1				
--	147289GT	SEAL KIT, APU					
--	147290GT	SHAFT SEAL, APU					
--	58489GT	PUMP ASSY,AUX.POWER UNIT 89617					
--	77069GT	MOTOR,12VDC,77066					
--	77071GT	SOLENOID,77066					
16	824090GT	SCREW,HHF,3/8-16X1,8,ZAG.....	2				
17		"Ref. WELDMENT,BAT/MANIF TRAY,S60/65".....	1				
		(refer to 301.1)					
18	45454GT	CLAMP,RUB CUSH,0.75,#12 X 3/8*					
19	824028GT	NUT,TL FLG,5/16-18,G,ZAG.....	2				

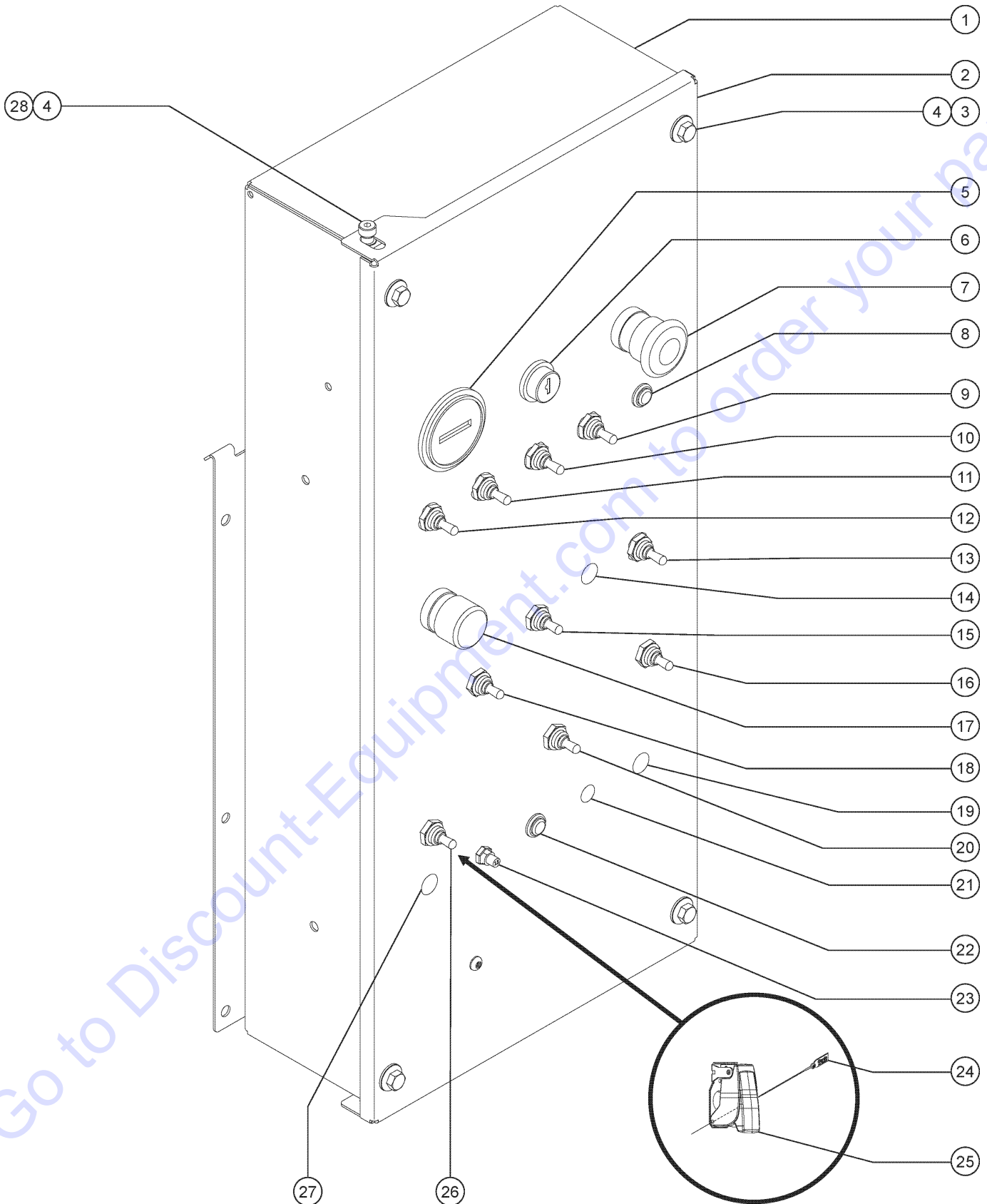
303.1 Tank Side - Diesel Fuel Tank Installation



303.1 Tank Side - Diesel Fuel Tank Installation

Item	Part No.	Description	Qty.	Item	Part No.	Description	Qty.
1	22348GT	ELBOW,130339-6-6.....1 (bottom of tank) Deutz D2011L03i, Deutz D2.9L4	1	14	45454GT	CLAMP,RUB CUSH,0.75,#12 X 3/8*	
2A	54124GT	HOSE END,BARB,3/8 MNPT X 5/16.....1 (bottom of tank) Deutz D2011L03i engine	1				
2B	824471GT	FITTING,3/8 NPT TO 1/2 BARB (bottom of tank) Deutz D2.9L4 engine					
3	65887GT	CLAMP,HOSE,1 EAR,1/2 (bottom of tank)					
4A	21465GT	CLAMP,HOSE,.25" - .63" X .3125.....6 Deutz D2011L03i engine	6				
4A	27089GT	HOSE,5/16 FUEL,SAE 30R7...116-inches Deutz D2011L03i engine					
4A	30490GT	HOSE,1/4 FUEL LINE,SAE 30R7.....127-inches Deutz D2011L03i engine					
4B	1259102GT	CONNECTOR,SAE10,QUICK CON,STR.....1 Deutz D2.9L4 engine	1				
4B	21465GT	CLAMP,HOSE,.25" - .63" X .3125.....6 Deutz D2.9L4 engine	6				
4B	31983GT	CLAMP,HOSE,1 EAR, 9/16.....1 Deutz D2.9L4 engine	1				
4B	46131GT	CLAMP,HOSE,.63" - 1.0" X .5".....1 Deutz D2.9L4 engine	1				
4B	824486GT	HOSE,FUEL,1/2,D2.9,PUMP.....1 Deutz D2.9L4 engine	1				
4B	824487GT	HOSE,FUEL,3/8,D2.9,MED PSI.....1 Deutz D2.9L4 engine	1				
4B	824491GT	HOSE,FUEL,1/2,S60,D2.9,SUPLY.....1 Deutz D2.9L4 engine	1				
4B	824493GT	HOSE,FUEL,S60,D2.9,RTRN.....1 Deutz D2.9L4 engine	1				
5A	34940GT	HOSE END.375 MPT X .25 HOSE.....1 Deutz D2011L03i engine	1				
5B	27901GT	HOSE END,BARBED,RIGID,-6-6.....1 Deutz D2.9L4 engine	1				
6	823356GT	TUBE,FUEL RETURN,3/8X3/8X23.5.....1 (top of tank)	1				
7	54324GT	FITTING,BULKHEAD,3/8NPT,FUELTK....2 (top and bottom of tank)	2				
8	21465GT	CLAMP,HOSE,.25" - .63" X .3125 (top of tank)					
9	30490GT	HOSE,1/4 FUEL LINE,SAE 30R7.....126-inches fuel return (top of tank)					
10	823396GT	FUEL TANK ASSY,35 GAL PLASTIC.....1 (includes items 6 and 7)	1				
11	1253478GT	SCREW,HHF,3/8-16X2,8,ZAG					
12	824029GT	NUT,TL FLG,3/8-16,G,ZAG					
13	101726GT	CAP,FUEL,DIESEL,1/8"VENT(GRN).....1	1				

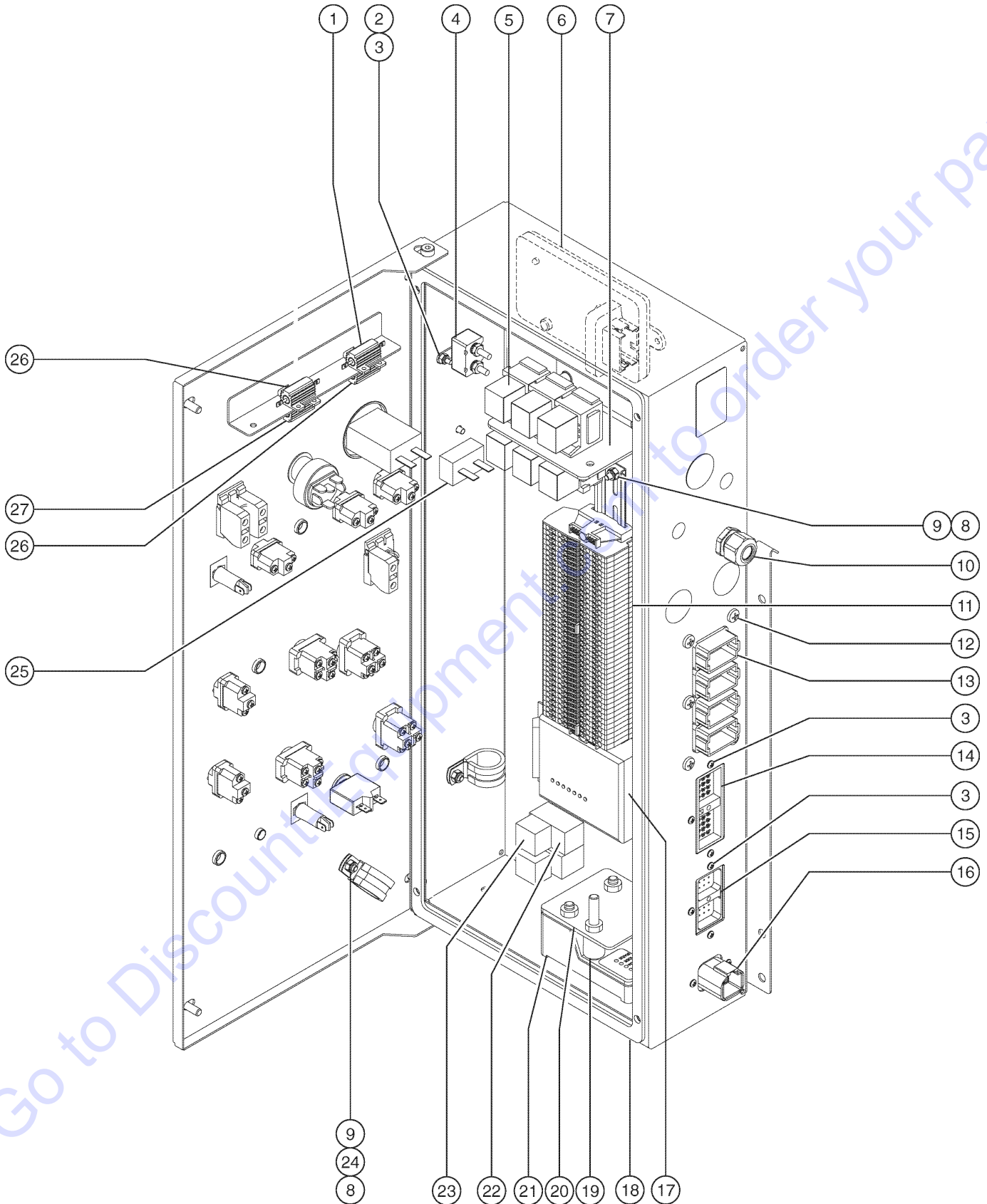
305.1 Ground Control Box, with Hour Meter - View 1, External



305.1 Ground Control Box, with Hour Meter - View 1, External

Item	Part No.	Description	Qty.	Item	Part No.	Description	Qty.
A	T106495GT	ASSY,GROUND CONTROL BOX.....1 <i>included box, lid and gasket (decals not included, refer to section 100)</i>	1	17A	66813GT	BUTTON,PUSH,BLACK W/SEAL***.....1 <i>(Function enable) (models with push button) shown</i>	1
1	147840GT	WELDMENT, GROUND BOX, S60/65 <i>(decals not included, refer to section 100)</i>	1	17B	80716GT	SWITCH,SELECTOR,BLACK <i>(Function enable) (models with selector switch) not shown</i>	1
2	T106482GT	WELDMENT, LID, GBOX, S60/65.....1 <i>(decals not included, refer to section 100)</i>	1	18	128202GT	SWITCH TOGGLE ASSY DPDT 3P MOM.....1 <i>(Boom up/down)</i>	1
3	1256855GT	SCREW,HHF,1/4-20X.625,8,ZAG	1	19	229567GT	PLUG,SANTOPRENE .5 BLACK DOME.....1	1
4	T107520GT	NUTSERT,LP KNURLED,1/4-20X.165.....6	6	20	128202GT	SWITCH TOGGLE ASSY DPDT 3P MOM.....1 <i>(Turntable rotate)</i>	1
5	19506GT	HOUR METER,10-80 VOLTS***.....1	1	21	21858GT	PLUG,NYLON .38 BLACK DOMED.....1	1
6	96008-SGT	KEYSWITCH,3 POS. W/KEYS***.....1 <i>includes key</i>	1	22	824879GT	LIGHT,LED IND. RED 12V NH.....1	1
--	37947GT	KEYS,10 PACK*** <i>sold separately</i>	1	23	147094GT	ASSY, CIRCUIT BREAKER 15A.....1 <i>(Controls)</i>	1
--	83093GT	KEY SINGLE***	1	24	1261566GT	SECURITY TIE,TOGGLE GUARD.....1 <i>CE option</i>	1
--	85239GT	NUT,RETAINER (96008)	1	25	1261346GT	TOGGLE SWITCH GUARD,RED.....1 <i>CE option</i>	1
--	88827GT	GASKET,KEYSWITCH,PLASTIC***	1	26	128201GT	SWITCH TOGGLE ASSY DPDT 2P MOM.....1 <i>(Auxiliary pump)</i>	1
--	96010GT	SCREW,PHILLIPS,PHM,8-32 X.25**	1	27	824879GT	LIGHT,LED IND. RED 12V NH <i>(Load sense) (Australia and CE models)</i>	1
7	66812GT	BUTTON,PUSH,RED MUSHROOM HEAD.....1	1	28	1257410GT	BOLT,SHS,5/16X.375X1/4-20,ZAG	1
--	58627GT	NUT <i>for 66812</i>	1				
--	73805GT	BASE,W/2 NC CONTACTS***.....1	1				
8	824879GT	LIGHT,LED IND. RED 12V NH.....1 <i>(Diesel models)</i>	1				
9	128204GT	SWITCH TOGGLE ASSY SPDT 2P MNT.....1 <i>(Engine speed select)</i>	1				
10	229567GT	PLUG,SANTOPRENE .5 BLACK DOME.....1 <i>(Diesel models)</i>	1				
11A	128200GT	SWITCH TOGGLE ASSY SPDT 3P MOM.....1 <i>(Start assist, glow plug) (diesel models)</i>	1				
11B	229567GT	PLUG,SANTOPRENE .5 BLACK DOME.....1	1				
12A	128200GT	SWITCH TOGGLE ASSY SPDT 3P MOM.....1 <i>(Starter)</i>	1				
12B	229567GT	PLUG,SANTOPRENE .5 BLACK DOME.....1	1				
13	128200GT	SWITCH TOGGLE ASSY SPDT 3P MOM.....1 <i>(Platform level)</i>	1				
14	128200GT	SWITCH TOGGLE ASSY SPDT 3P MOM <i>(Jib up/down) (S-65)</i>	1				
15	128202GT	SWITCH TOGGLE ASSY DPDT 3P MOM.....1 <i>(Boom extend/retract)</i>	1				
16	128202GT	SWITCH TOGGLE ASSY DPDT 3P MOM.....1 <i>(Platform rotate)</i>	1				

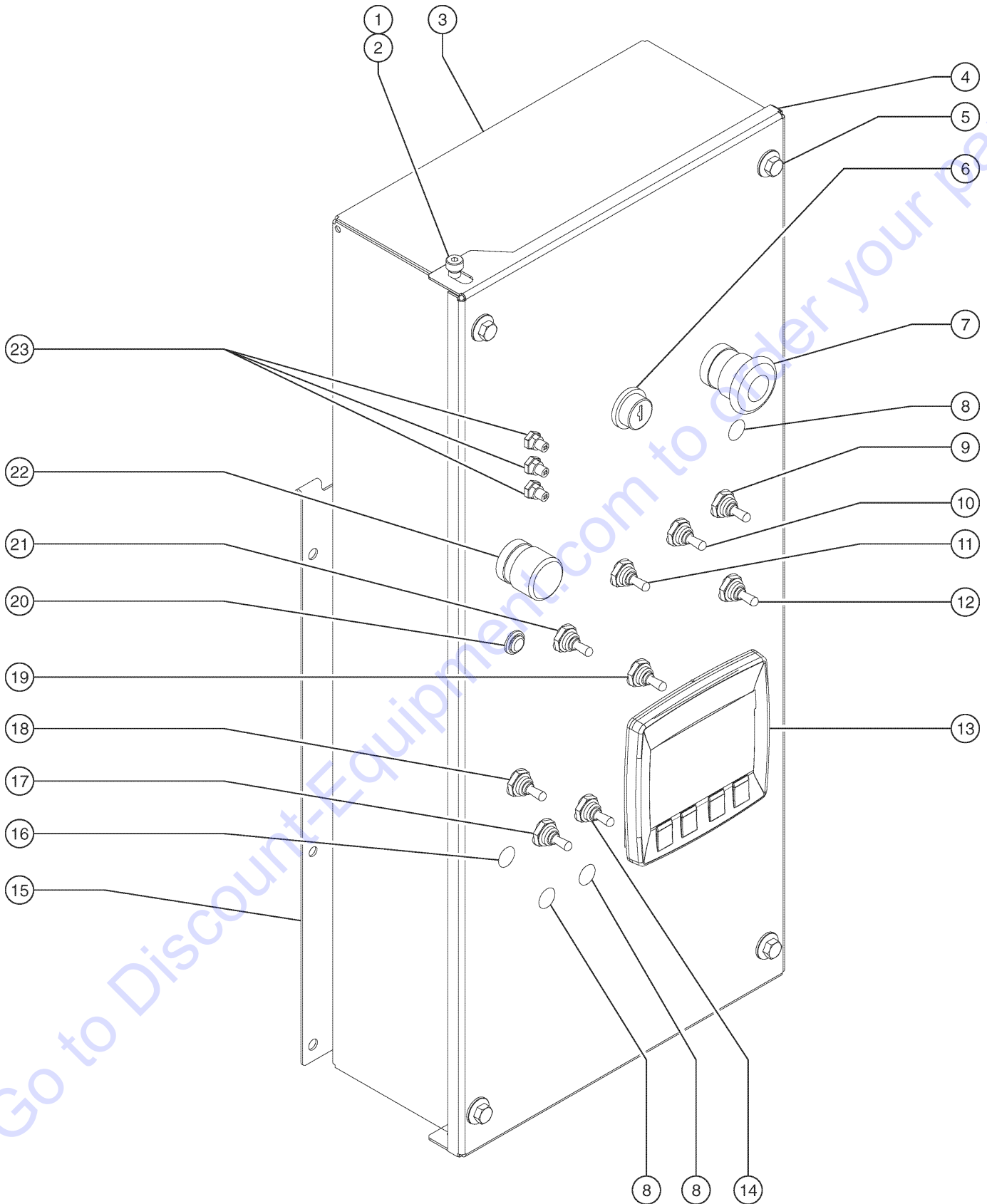
306.1 Ground Control Box, with Hour Meter - View 2, Internal



306.1 Ground Control Box, with Hour Meter - View 2, Internal

Item	Part No.	Description	Qty.	Item	Part No.	Description	Qty.
--	121846GT	RELAY,TIME DELAY,2 SEC,10A <i>models with load sense</i>		--	147455GT	HARNESS, OMRON RELAY, CR66 <i>models with welder option (not included, must order separately)</i>	
--	61225GT	RELAY,12VDC,70AMP,SEALED <i>(glow plug)</i>		23	33607GT	RELAY,OMRON,DPDT,12V.....2 <i>models with welder option</i>	2
1	40614GT	RESISTOR,5 OHM,25W***.....1	1	24	18666GT	CLAMP,1.00,#16 X 1/4,RUB CUSH.....2	2
2	824036GT	NUT,TL,10-32,A,ZAG		25	106637GT	MODULE,TIME DELAY ON BREAK 4S...1 <i>models with welder option</i>	1
3	824214GT	SCREW,PHPM,6-32X.5,ZAG		26	89575GT	RESISTOR,7.5 OHM,25 WATT,1PCNT....2	2
4	128935GT	CIRCUIT BKR 10A TYPE 2 METAL.....1	1	27	27287GT	RESISTOR,10 OHM,25 WATT.....1	1
5	34052GT	RELAY,SPDT,12V(AUTO) PLUG IN**.....6 <i>Diesel models</i>	6				
6	128045GT	MODULE,LOAD SENSE 2007.....1 <i>CE models only</i>	1				
--	54365GT	SCREW,PHIL,PHM,10-32 X .5,SSTL					
--	6178GT	NUT,NYLOCK,10-32					
7	54534GT	ANGLE,RELAY MNT,W/NUTSERTS,PNT.....1	1				
--	23404GT	NUTSERT,1/4-20,STEEL CAD PLTD					
8	824036GT	NUT,TL,10-32,A,ZAG					
9	1251757GT	SCREW,PHPM,10-32X.50,ZAG					
10	7056GT	CONN,SQUEEZE,1/2NPT .38-.50,SM....1	1				
11	217043GT	ASSY, TERMINAL RAIL.....1	1				
--	217044GT	TERMINAL BLOCK, WIELAND.....43	43				
--	217045GT	TERMINAL BLOCK, END PLATE.....1	1				
--	217046GT	KIT, TERMINAL BLOCK					
--	33422GT	DIN RAIL,17".....1	1				
--	74913GT	END STOP, DIN RAIL,SCREW CLAMP.....2	2				
--	74917GT	JUMPER COMB, 2-WAY,WIELAND.....4	4				
--	74918GT	JUMPER COMB, 3-WAY,WIELAND.....1	1				
12	824226GT	SCREW,PHPSH,#12-11X.75,ZAG					
13	73736GT	CONN,RECEP 48 WAY,4 X 12.....1	1				
14	73754GT	CONN,RECEP 40 WAY,W/FLANGE.....1	1				
15	73753GT	CONN,RECEP 24 WAY,W/FLANGE.....1	1				
16	73717GT	CONN,RECEP 4 WAY,12-14GA FL***.....1	1				
17	56057GT	MODULE,IGNITION/START,12/24V.....1	1				
18	121599GT	GASKET,GBOX,S80/85 2008.....1	1				
19	102357GT	POTENTIOMETER ASSY, WELDER.....1 <i>models with welder option</i>	1				
--	101995GT	RESISTOR,POT,1K OHM,2-WATT					
20	106140PGT	BRACKET,1K OHM 10-TURN POT,PNT.....1 <i>models with welder option</i>	1				
21	106657GT	MODULE,CONTROL,HI AMP.....1 <i>models with welder option</i>	1				
22	33608GT	RELAY,SOCKET,OMRON.....2 <i>models with welder option (harness not included)</i>	2				

307.1 Ground Control Box, with LCD Readout Screen - View 1, External



307.1 Ground Control Box, with LCD Readout Screen - View 1, External

Item	Part No.	Description	Qty.	Item	Part No.	Description	Qty.
C	825448GT	GBOX ASSY,DEUTZ T4,SGL CAP <i>(models with Deutz single capacity) decals not included refer to section 100</i>		--	1252685GT	GASKET,DP200 BLACK PANEL SEAL	
E	825445GT	GBOX ASSY,COMMON,T4		--	219718GT	BRACKET,DP200 PANEL MOUNT	
1	1257410GT	BOLT,SHS,5/16X.375X1/4-20,ZAG.....2		14	128200GT	SWITCH TOGGLE ASSY SPDT 3P MOM.....1 <i>(Starter)</i>	
2	T107520GT	NUTSERT,LP KNURLED,1/4-20X.165.....2		--	128578GT	SCREW T-SWITCH PH/PH 6-32X1/4	
3	147840GT	WELDMENT, GROUND BOX, S60/65.....1		--	128584-SGT	SWITCH TOGGLE SPDT 2P MNT SHDR	
4	219722GT	WELDMENT,LID,GBOX.....1 <i>(does not include decal) (refer to section one for decals)</i>		--	27246GT	BOOT,TOGGLE SWITCH,SHORT*	
5	1256855GT	SCREW,HHF,1/4-20X.625,8,ZAG.....4		15A	77667GT	MOUNT,GROUND CONTROL BOX RH.....1	
6	96008-SGT	KEYSWITCH,3 POS. W/KEYS***.....1		--	55912GT	PIN, STEER BELLCRANK CLEVIS	
--	37947GT	KEYS,10 PACK*** <i>sold separately</i>		--	6090GT	SCREW,HHC,1/4-20 X .75	
--	83093GT	KEY SINGLE***		--	6356GT	WASHER,LOCK,.25	
7	66812GT	BUTTON,PUSH,RED MUSHROOM HEAD.....1 <i>(58627 nut included)</i>		15B	77641GT	MOUNT,GROUND CONTROL BOX LH.....1	
--	58627GT	NUT.....1		--	55912GT	PIN, STEER BELLCRANK CLEVIS	
8	229567GT	PLUG,SANTOPRENE .5 BLACK DOME.....1		--	6090GT	SCREW,HHC,1/4-20 X .75	
9	128200GT	SWITCH TOGGLE ASSY SPDT 3P MOM.....1 <i>(Platform level)</i>		--	6356GT	WASHER,LOCK,.25	
--	128578GT	SCREW T-SWITCH PH/PH 6-32X1/4		16	824879GT	LIGHT,LED IND. RED 12V NH <i>(Load sense) (Australia and CE models)</i>	
--	128584-SGT	SWITCH TOGGLE SPDT 2P MNT SHDR		17	128204GT	SWITCH TOGGLE ASSY SPDT 2P MNT.....1 <i>(Engine speed select)</i>	
--	27246GT	BOOT,TOGGLE SWITCH,SHORT*		--	128578GT	SCREW T-SWITCH PH/PH 6-32X1/4	
10	128200GT	SWITCH TOGGLE ASSY SPDT 3P MOM.....2 <i>(Jib up/down) (all S-65 models)</i>		--	128584-SGT	SWITCH TOGGLE SPDT 2P MNT SHDR	
--	128578GT	SCREW T-SWITCH PH/PH 6-32X1/4		--	27246GT	BOOT,TOGGLE SWITCH,SHORT*	
--	128584-SGT	SWITCH TOGGLE SPDT 2P MNT SHDR		18	128201GT	SWITCH TOGGLE ASSY DPDT 2P MOM.....1 <i>(Emergency Power)</i>	
--	27246GT	BOOT,TOGGLE SWITCH,SHORT*		--	128578GT	SCREW T-SWITCH PH/PH 6-32X1/4	
11	128202GT	SWITCH TOGGLE ASSY DPDT 3P MOM.....1 <i>(Boom extend/retract)</i>		--	128584-SGT	SWITCH TOGGLE SPDT 2P MNT SHDR	
--	128578GT	SCREW T-SWITCH PH/PH 6-32X1/4		--	27246GT	BOOT,TOGGLE SWITCH,SHORT*	
--	128584-SGT	SWITCH TOGGLE SPDT 2P MNT SHDR		19	128202GT	SWITCH TOGGLE ASSY DPDT 3P MOM.....1 <i>(Turntable rotate)</i>	
--	27246GT	BOOT,TOGGLE SWITCH,SHORT*		--	128578GT	SCREW T-SWITCH PH/PH 6-32X1/4	
12	128202GT	SWITCH TOGGLE ASSY DPDT 3P MOM.....1 <i>(Platform rotate)</i>		--	128584-SGT	SWITCH TOGGLE SPDT 2P MNT SHDR	
--	128578GT	SCREW T-SWITCH PH/PH 6-32X1/4		--	27246GT	BOOT,TOGGLE SWITCH,SHORT*	
--	128584-SGT	SWITCH TOGGLE SPDT 2P MNT SHDR		20	21858GT	PLUG,NYLON .38 BLACK DOMED.....1 <i>(Diesel models)</i>	
--	27246GT	BOOT,TOGGLE SWITCH,SHORT*		21	128202GT	SWITCH TOGGLE ASSY DPDT 3P MOM.....1 <i>(Boom up/down)</i>	
13	1251984GT	ASSY,DISPLAY,DP200 DEUTZ T4.....1 <i>(Deutz models)</i>		--	128578GT	SCREW T-SWITCH PH/PH 6-32X1/4	
--	1252684GT	SCREW,DP200 M3X10 4PACK		--	128584-SGT	SWITCH TOGGLE SPDT 2P MNT SHDR	
				--	27246GT	BOOT,TOGGLE SWITCH,SHORT*	
				22	66813GT	BUTTON,PUSH,BLACK W/SEAL*** <i>(models with single capacity)</i>	

307.1 Ground Control Box, with LCD Readout Screen - View 1, External
(continued)

Item	Part No.	Description	Qty.
23A	147094GT	ASSY, CIRCUIT BREAKER 15A.....	2
23B	147094GT	ASSY, CIRCUIT BREAKER 15A..... <i>(models with worklight or oil cooler option)</i>	3

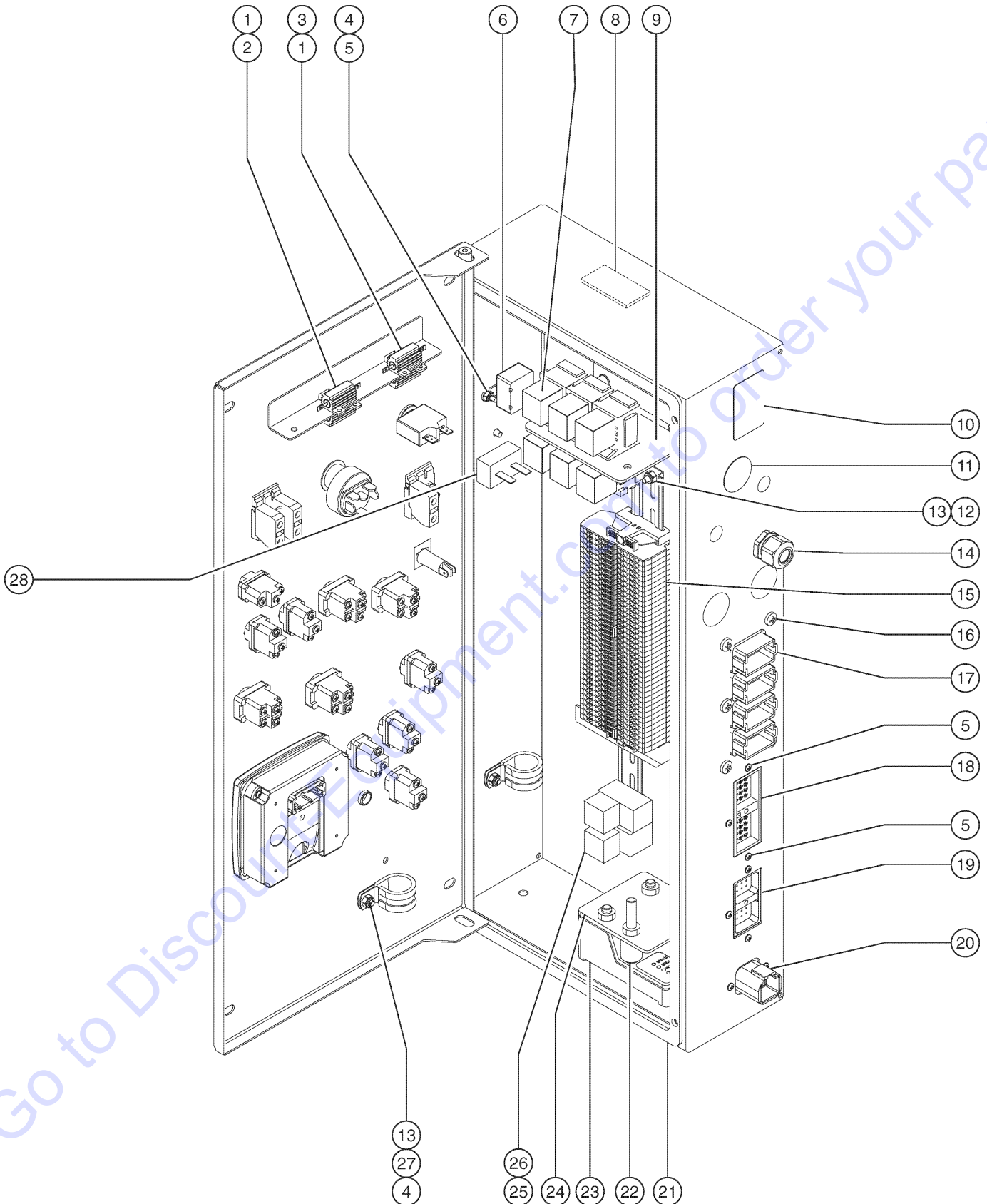
Go to Discount-Equipment.com to order your parts

307.1 Ground Control Box, with LCD Readout Screen - View 1, External
(continued)

This Page Intentionally Left Blank

Go to Discount-Equipment.com to order your parts

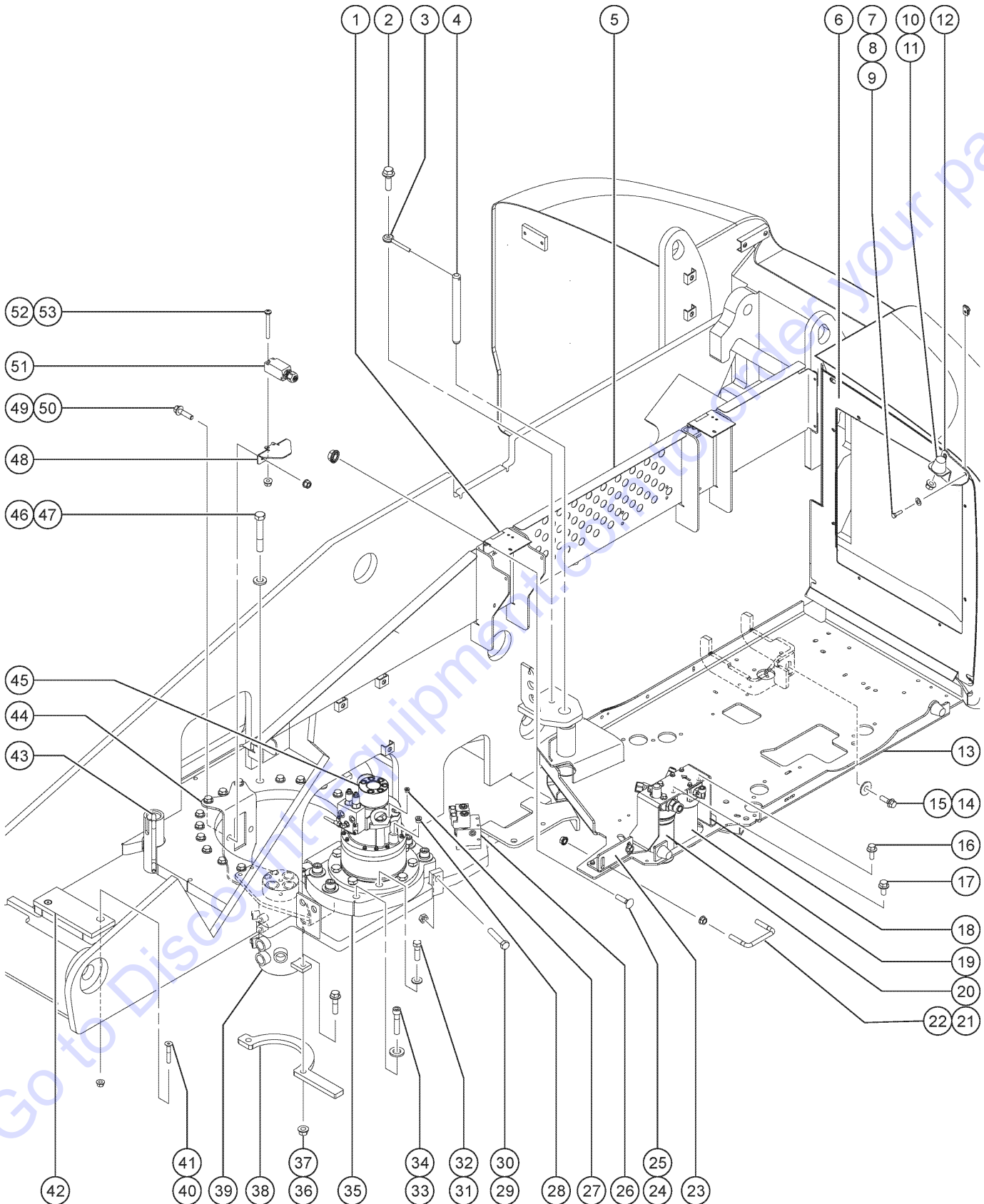
308.1 Ground Control Box, with LCD readout Screen - View 2, Internal



308.1 Ground Control Box, with LCD readout Screen - View 2, Internal

Item	Part No.	Description	Qty.	Item	Part No.	Description	Qty.
1	89575GT	RESISTOR,7.5 OHM,25 WATT,1PCNT....2		27	18666GT	CLAMP,1.00,#16 X 1/4,RUB CUSH.....2	
2	27287GT	RESISTOR,10 OHM,25 WATT.....1		28	106637GT	MODULE,TIME DELAY ON BREAK 4S...1 (models with welder option)	
3	40614GT	RESISTOR,5 OHM,25W***1					
4	824036GT	NUT,TL,10-32,A,ZAG					
5	825352GT	SCREW,PHPM,10-32X1.25,ZAG					
6	121846GT	RELAY,TIME DELAY,2 SEC,10A.....1					
7	34052GT	RELAY,SPDT,12V(AUTO) PLUG IN**5 (Deutz models with single capacity)					
8	30997GT	CORROSION INHIBITOR,FOAM.....1					
9	99632GT	PLATE,PRIMARY BOOM SIDE.....1 (models with single capacity)					
--	1256855GT	SCREW,HHF,1/4-20X.625,8,ZAG					
--	23404GT	NUTSERT,1/4-20,STEEL CAD PLTD					
10	110280GT	PLUG,NYLON, .94X1.65 BLK D0MED....1					
11	45385GT	PLUG,NYLON 1.12 BLACK DOMED					
12	6178GT	NUT,NYLOCK,10-32 (use to replace nutsert)					
13	1251757GT	SCREW,PHPM,10-32X.50,ZAG					
14	7057GT	CONN. SQZ,1/2NPT .39-.56 MED.....1					
15	825017GT	ASSY,TERMINAL RAIL,TIER IV					
--	216791GT	TERMINAL BLOCK,WIELAND					
--	216793GT	TERMINAL BLOCK END PLATE					
--	33422GT	DIN RAIL,17"					
--	74917GT	JUMPER COMB, 2-WAY,WIELAND					
--	74918GT	JUMPER COMB, 3-WAY,WIELAND					
16	824214GT	SCREW,PHPM,6-32X.5,ZAG					
17	73736GT	CONN,RECEP 48 WAY,4 X 12 for harness, refer to 311.1					
18	73754GT	CONN,RECEP 40 WAY,W/FLANGE for harness, refer to 311.1					
19	73753GT	CONN,RECEP 24 WAY,W/FLANGE for harness, refer to 311.1					
20	73717GT	CONN,RECEP 4 WAY,12-14GA FL*** for harness, refer to 311.1					
21	121599GT	GASKET,GBOX,S80/85 2008					
22	102357GT	POTENTIOMETER ASSY, WELDER					
23	106657GT	MODULE,CONTROL,HI AMP (models with welder option)					
24	106140PGT	BRACKET,1K OHM 10-TURN POT,PNT (models with welder option)					
25	33607GT	RELAY,OMRON,DPDT,12V.....2 (models with welder option)					
26	33608GT	RELAY,SOCKET,OMRON.....2 (models with welder option) (harness not included)					
--	147455GT	HARNESS, OMRON RELAY, CR66 (models with welder option) (order separately)					

309.1 Engine Side (To SN S60M-521)



309.1 Engine Side (To SN S60M-521)

Item	Part No.	Description	Qty.	Item	Part No.	Description	Qty.
1	1278912GT	HINGE,,375X.120THK.,SLOTTED.....	2	31	1256168GT	SCREW,HHC,1/2-13X1.75,8,ZAG.....	9
--	1256855GT	SCREW,HHF,1/4-20X.625,8,ZAG		32	825353GT	WASHER,FLAT,1/2,SAE,HRD,ZAG.....	9
--	77778GT	PLATE,HINGE SUPPORT		33	1257223GT	SCREW,SHC,3/4-10X3.75,A574,ZAG.....	6
2	824091GT	SCREW,HHF,3/8-16X1.25,8,ZAG.....	1	34	1256863GT	WASHER,FLAT,.75,SAE,HRD,ZAG.....	6
3	825019GT	ROD END,,375X3.69,ZAG.....	1	35	77671GT	PLATE,BACKLASH ADJUSTMENT MACH.....	1
4	81724GT	PIN,1.25 X 13.25 IN,CHAMFER.....	1	36	1251997GT	NUT,TL FLG,1/2-13,G,ZAG.....	2
5	T106425GT	FORMING, BULKHEAD,RIGHT,S60/65.....	1	37	1256172GT	SCREW,HHF,1/2-13X 2,8,ZAG.....	2
6A	106172PGT	BAFFLE,AIR INTAKE,PAINTED***.....	1	38	77803GT	PLATE,SWIVEL ROTATION STOP.....	1
6B		REF: Engine Baffle, DEUTZ D2.9 (refer to 518.1)		39	89571GT	SWIVEL,HYD 8 PORT***.....	1
7	6175GT	SCREW,HHC,3/8-16 X 1.....	2	--	94937GT	SEAL KIT,8-PORT SWIVEL	
8	6097GT	WASHER,FLAT,USS,3/8",Y.....	2	--	T106954GT	SEAL, O-RING LIP	
9	29868GT	SPRING CLIP,3/8-16,.05-.20X.73,ZAG....	2	--	T106955GT	SEAL, POLY, CHAMFER	
10	30973GT	BUMPER,RUBBER-1 X 1.25.....	1	--	T106957GT	SEAL, CAP, NOTCHED	
11	18503GT	NUT,LOCKING-LG.FLANGE,5/16-18.....	1	--	T106961GT	SEAL, O-RING ENERGIZER	
12	161608GT	FORMING, BRKT, ENGINE COVER.....	1	--	T106962GT	SEAL, CAP, NOTCHED	
13	1253419GT	ASSY,ENGINE TRAY,W/BEARINGS.....	1	40	1256842GT	SCREW,FHS,3/8-16X2.25,F835,ZAG.....	2
--	35675GT	BEARING,FL,1.25IDX1.5ODX1.25L		41	824029GT	NUT,TL FLG,3/8-16,G,ZAG.....	2
14	1256126GT	SCREW,HHF,5/8-11X2,8,ZAG.....	1	42	161607GT	WEAPAD, BOOM REST.....	1
15	824115GT	WASHER, FLAT, USS, 5/8, ZAG.....	1	43	81834GT	WELDMENT,TRANSPORT LOCK.....	1
16	1256855GT	SCREW,HHF,1/4-20X.625,8,ZAG.....	4	44	77665PGT	FORMING,HYD SWIVEL BRACKET.....	2
17	824089GT	SCREW,HHF,3/8-16X.75,8,ZAG.....	4	45A	1255768GT	SWING DRIVE ASSEMBLY.....	1
18	161603GT	FORMING, FILTER BRKT.....	1			<i>For S-65 To SN S60M-758; For S-65TX To SN S605TXM-142</i>	
19	1267807GT	ASSY, MED. PRESS. FILTER, SAE8		--	1255769GT	SEAL KIT, SWING BRAKE <i>for 1255768</i>	
--	1268229GT	ELEMENT-5 MIC, PAPER, W/ BYPASS		--	1255770GT	KIT, FRICTION DISC <i>for 1255768</i>	
--	60857GT	FILTER,ELEMENT,BETA(5)=1000		--	1255771GT	KIT, BRAKE SPRING <i>for 1255768</i>	
20	60334GT	FILTER ASSY,HIGH PRESS SAE-12*.....	1	--	1255772GT	KIT, SWING BRAKE REBUILD <i>for 1255768</i>	
--	1279465GT	BACKUP RING,71.60X67.20X1.40PTFE(60334)		--	1255773GT	BRAKE TUBING <i>for 1255768</i>	
--	1279466GT	O-RING,67.95X2.62-NBR-70SH(HF2P)(60334)		--	139308GT	SWING MOTOR COMPLETE*** <i>for 1255768</i>	
--	58380GT	FILTER INDICATOR-(60334)		--	139309GT	CBV ASSEMBLY*** <i>for 1255768</i>	
--	60857GT	FILTER,ELEMENT,BETA(5)=1000		--	139315GT	O-RING,MOTOR/BRAKE*** <i>for 1255768</i>	
21	1259855GT	UBOLT, 0.4724 IN D X 4 IN L.....	1	--	139323GT	VALVE,COUNTERBAL,CBCA-LIN*** <i>for 1255768</i>	
22	1261724GT	NUT,SERRATED,1/2-13,8,ZAG.....	4	--	58304GT	SHAFT,OUTPUT <i>for 1255768</i>	
23	1260174GT	FORMING, ENGINE TRAY LATCH.....	1	--	75627GT	BEARING,1.25 X 1.5 X 2 <i>for 1255768</i>	
24	1256127GT	BOLT,CARRIAGE,1/4-20X1.5,ZAG.....	6	--	94620GT	SEAL KIT,SWING TORQ HUB*** <i>for 1255768</i>	
25	1256679GT	NUT,SERRATED,1/4-20,8,ZAG.....	6				
26		Ref: Brake and 2 Speed Manifold..... (refer to 406.1)	1				
27	39882GT	PLUG,HEX SOCKET,090109B-4.....	1				
28	109802GT	PLUG,ORB #6.....	1				
29	1256846GT	SCREW,HEX TAP,3/4-10X4,8,ZAG.....	1				
30	1256837GT	NUT,JAM,3/4-10,A, ZAG.....	1				

309.1 Engine Side (To SN S60M-521)
(continued)

Item	Part No.	Description	Qty.
45B	1264680GT	SWING DRIVE ASSEMBLY.....1 <i>For S-65 From SN S60M-759; For S-65TX From SN S605TXM-143</i>	
--	1274106GT	PINION GEAR, SWING DRIVE <i>for 1264680</i>	
--	1274107GT	HYDRAULIC MOTOR, SWING DRIVE <i>for 1264680</i>	
--	1274108GT	CB VALVE ASSY, SWING DRIVE <i>for 1264680</i>	
--	1274109GT	SEAL KIT, TORQUE HUB, SWING DRIVE <i>for 1264680</i>	
--	1274110GT	SEAL KIT, BRAKE, SWING DRIVE <i>for 1264680</i>	
--	1274111GT	KIT, FRICTION DIS, SWING DRIVE <i>for 1264680</i>	
--	1274112GT	SERVICE KIT, BRAKE SPRING, SWING DRIVE <i>for 1264680</i>	
--	1274113GT	O-RING KIT, BRAKE MOTOR, SWING DRIVE <i>for 1264680</i>	
--	1274114GT	REBUILD KIT, BRAKE, SWING DRIVE <i>for 1264680</i>	
46	1256170GT	SCREW,HHC,5/8-11X4,8,ZAG.....24	
47	1256182GT	WASHER,FLAT,5/8,F436,HRD,ZAG.....24	
48	77666PGT	FORMING,DRIVE ENABLE LIMIT SW....1	
49	824079GT	SCREW,HHF,1/4-20X1,8,ZAG.....2	
50	824027GT	NUT,TL FLG,1/4-20,G,ZAG.....2	
51	88356-13103GT	SWITCH,LIMIT,W/RLLR ARM,NO/NC.....1	
52	1256177GT	SCREW,PHPM,10-32X1.75,ZAG.....2	
53	824032GT	NUT,TL FLG,10-32,F,ZAG.....2	

This Page Intentionally Left Blank

Go to Discount-Equipment.com to order your parts

PARTS FINDER

**Search Website
by Part Number**



**Search Manual
Library For Parts
Manual & Lookup Part
Numbers – Purchase
or Request Quote**

Search Manuals

Enter your information to help us find the right parts manual for your machine.

* Brand:

* Model:

* Serial:

* Part Number:

SEARCH

**Can't Find Part or
Manual? Request Help
by Manufacturer,
Model & Description**

Parts Order Form

Please fill in the following information to help us find the right part for your machine.

Manufacturer:	<input type="text"/>
Model:	<input type="text"/>
Description:	<input type="text"/>
Part Number:	<input type="text"/>
Quantity:	<input type="text"/>
Notes:	<input type="text"/>

Submit

Discount-Equipment.com is your online resource for quality parts & equipment.

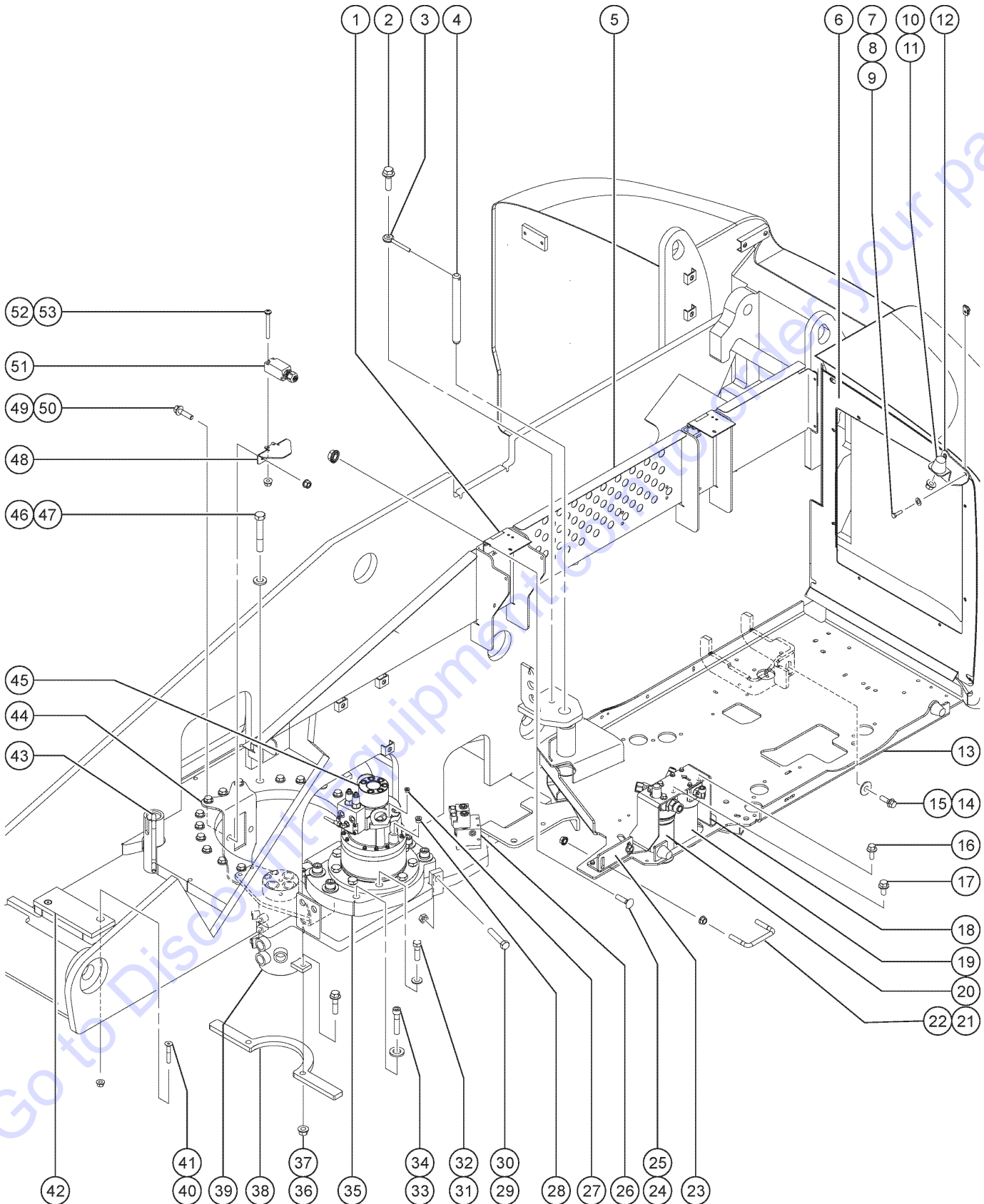
Florida: **561-964-4949** Outside Florida TOLL FREE: **877-690-3101**

Need parts?

Click on this link: <http://www.discount-equipment.com/category/5443-parts/> and choose one of the options to help get the right parts and equipment you are looking for. Please have the machine model and serial number available in order to help us get you the correct parts. If you don't find the part on the website or on one of the online manuals, please fill out the request form and one of our experienced staff members will get back to you with a quote for the right part that your machine needs.

We sell worldwide for the brands: Genie, Terex, JLG, MultiQuip, Mikasa, Essick, Whiteman, Mayco, Toro Stone, Diamond Products, Generac Magnum, Airman, Haulotte, Barreto, Power Blanket, Nifty Lift, Atlas Copco, Chicago Pneumatic, Allmand, Miller Curber, Skyjack, Lull, Skytrak, Tsurumi, Husquvarna Target, Stow, Wacker, Sakai, Mi-T-M, Sullair, Basic, Dynapac, MBW, Weber, Bartell, Bennar Newman, Haulotte, Ditch Runner, Menegotti, Morrison, Contec, Buddy, Crown, Edco, Wyco, Bomag, Laymor, EZ Trench, Bil-Jax, F.S. Curtis, Gehl Pavers, Heli, Honda, ICS/PowerGrit, IHI, Partner, Imer, Clipper, MMD, Koshin, Rice, CH&E, General Equipment, Amida, Coleman, NAC, Gradall, Square Shooter, Kent, Stanley, Tamco, Toku, Hatz, Kohler, Robin, Wisconsin, Northrock, Oztec, Toker TK, Rol-Air, APT, Wylie, Ingersoll Rand / Doosan, Innovatech, Con X, Ammann, Mecalac, Makinex, Smith Surface Prep, Small Line, Wanco, Yanmar

309.2 Engine Side (For SN S60M-520 and From SN S60M-522)



309.2 Engine Side (For SN S60M-520 and From SN S60M-522)

Item	Part No.	Description	Qty.	Item	Part No.	Description	Qty.
1	1278912GT	HINGE,,375X.120THK.,SLOTTED.....	2	31	1256168GT	SCREW,HHC,1/2-13X1.75,8,ZAG.....	9
--	1256855GT	SCREW,HHF,1/4-20X.625,8,ZAG		32	825353GT	WASHER,FLAT,1/2,SAE,HRD,ZAG.....	9
--	77778GT	PLATE,HINGE SUPPORT		33	1257223GT	SCREW,SHC,3/4-10X3.75,A574,ZAG.....	6
2	824091GT	SCREW,HHF,3/8-16X1.25,8,ZAG.....	1	34	1256863GT	WASHER,FLAT,.75,SAE,HRD,ZAG.....	6
3	825019GT	ROD END,,375X3.69,ZAG.....	1	35	77671GT	PLATE,BACKLASH ADJUSTMENT MACH.....	1
4	81724GT	PIN,1.25 X 13.25 IN,CHAMFER.....	1	36	1251997GT	NUT,TL FLG,1/2-13,G,ZAG.....	2
5	T106425GT	FORMING, BULKHEAD,RIGHT,S60/65.....	1	37	1256172GT	SCREW,HHF,1/2-13X 2,8,ZAG.....	2
6A	106172PGT	BAFFLE,AIR INTAKE,PAINTED***.....	1	38	1270151GT	HYDRAULIC SWIVEL SUPPORT.....	1
6B		REF: Engine Baffle, DEUTZ D2.9 (refer to 518.1)		39	89571GT	SWIVEL,HYD 8 PORT***.....	1
7	6175GT	SCREW,HHC,3/8-16 X 1.....	2	--	94937GT	SEAL KIT,8-PORT SWIVEL	
8	6097GT	WASHER,FLAT,USS,3/8",Y.....	2	--	T106954GT	SEAL, O-RING LIP	
9	29868GT	SPRING CLIP,3/8-16,.05-.20X.73,ZAG....	2	--	T106955GT	SEAL, POLY, CHAMFER	
10	30973GT	BUMPER,RUBBER-1 X 1.25.....	1	--	T106957GT	SEAL, CAP, NOTCHED	
11	18503GT	NUT,LOCKING-LG.FLANGE,5/16-18.....	1	--	T106961GT	SEAL, O-RING ENERGIZER	
12	161608GT	FORMING, BRKT, ENGINE COVER.....	1	--	T106962GT	SEAL, CAP, NOTCHED	
13	1253419GT	ASSY,ENGINE TRAY,W/BEARINGS.....	1	40	1256842GT	SCREW,FHS,3/8-16X2.25,F835,ZAG.....	2
--	35675GT	BEARING,FL,1.25IDX1.5ODX1.25L		41	824029GT	NUT,TL FLG,3/8-16,G,ZAG.....	2
14	1256126GT	SCREW,HHF,5/8-11X2,8,ZAG.....	1	42	161607GT	WEAPAD, BOOM REST.....	1
15	824115GT	WASHER, FLAT, USS, 5/8, ZAG.....	1	43	81834GT	WELDMENT,TRANSPORT LOCK.....	1
16	1256855GT	SCREW,HHF,1/4-20X.625,8,ZAG.....	4	44	77665PGT	FORMING,HYD SWIVEL BRACKET.....	2
17	824089GT	SCREW,HHF,3/8-16X.75,8,ZAG.....	4	45A	1255768GT	SWING DRIVE ASSEMBLY.....	1
18	161603GT	FORMING, FILTER BRKT.....	1			<i>For S-65 To SN S60M-758; For S-65TX To SN S605TXM-142</i>	
19	1267807GT	ASSY, MED. PRESS. FILTER, SAE8		--	1255769GT	SEAL KIT, SWING BRAKE <i>for 1255768</i>	
--	1268229GT	ELEMENT-5 MIC, PAPER, W/ BYPASS		--	1255770GT	KIT, FRICTION DISC <i>for 1255768</i>	
--	60857GT	FILTER,ELEMENT,BETA(5)=1000		--	1255771GT	KIT, BRAKE SPRING <i>for 1255768</i>	
20	60334GT	FILTER ASSY,HIGH PRESS SAE-12*.....	1	--	1255772GT	KIT, SWING BRAKE REBUILD <i>for 1255768</i>	
--	1279465GT	BACKUP RING,71.60X67.20X1.40PTFE(60334)		--	1255773GT	BRAKE TUBING <i>for 1255768</i>	
--	1279466GT	O-RING,67.95X2.62-NBR-70SH(HF2P)(60334)		--	139308GT	SWING MOTOR COMPLETE*** <i>for 1255768</i>	
--	58380GT	FILTER INDICATOR-(60334)		--	139309GT	CBV ASSEMBLY*** <i>for 1255768</i>	
--	60857GT	FILTER,ELEMENT,BETA(5)=1000		--	139315GT	O-RING,MOTOR/BRAKE*** <i>for 1255768</i>	
21	1259855GT	UBOLT, 0.4724 IN D X 4 IN L.....	1	--	139323GT	VALVE,COUNTERBAL,CBCA-LIN*** <i>for 1255768</i>	
22	1261724GT	NUT,SERRATED,1/2-13,8,ZAG.....	4	--	58304GT	SHAFT,OUTPUT <i>for 1255768</i>	
23	1260174GT	FORMING, ENGINE TRAY LATCH.....	1	--	75627GT	BEARING,1.25 X 1.5 X 2 <i>for 1255768</i>	
24	1256127GT	BOLT,CARRIAGE,1/4-20X1.5,ZAG.....	6	--	94620GT	SEAL KIT,SWING TORQ HUB*** <i>for 1255768</i>	
25	1256679GT	NUT,SERRATED,1/4-20,8,ZAG.....	6				
26		Ref: Brake and 2 Speed Manifold..... (refer to 406.1)	1				
27	39882GT	PLUG,HEX SOCKET,090109B-4.....	1				
28	109802GT	PLUG,ORB #6.....	1				
29	1256846GT	SCREW,HEX TAP,3/4-10X4,8,ZAG.....	1				
30	1256837GT	NUT,JAM,3/4-10,A, ZAG.....	1				

309.2 Engine Side (For SN S60M-520 and From SN S60M-522)
(continued)

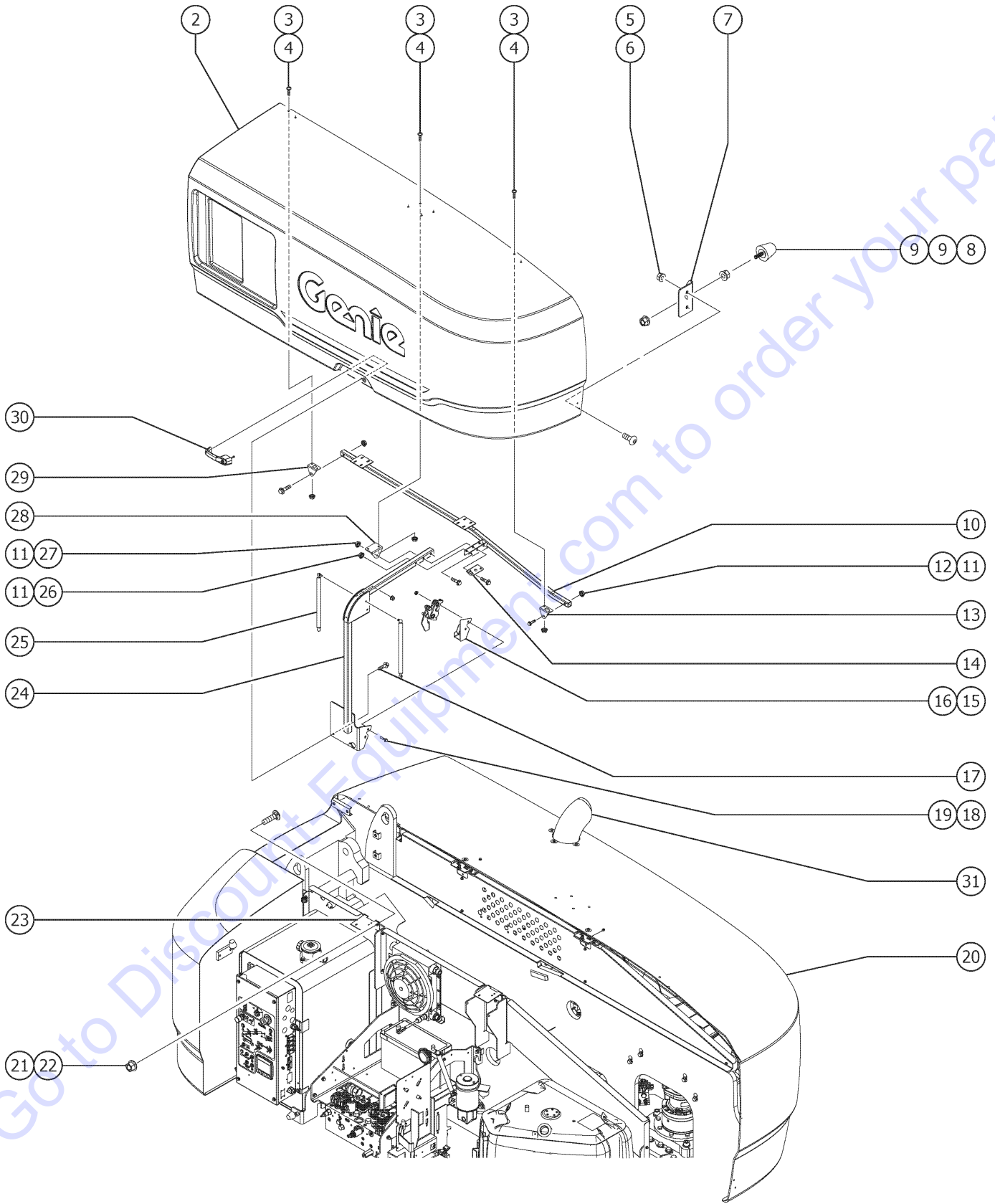
Item	Part No.	Description	Qty.
45B	1264680GT	SWING DRIVE ASSEMBLY.....1 <i>For S-65 From SN S60M-759; For S-65TX From SN S605TXM-143</i>	
--	1274106GT	PINION GEAR, SWING DRIVE <i>for 1264680</i>	
--	1274107GT	HYDRAULIC MOTOR, SWING DRIVE <i>for 1264680</i>	
--	1274108GT	CB VALVE ASSY, SWING DRIVE <i>for 1264680</i>	
--	1274109GT	SEAL KIT, TORQUE HUB, SWING DRIVE <i>for 1264680</i>	
--	1274110GT	SEAL KIT, BRAKE, SWING DRIVE <i>for 1264680</i>	
--	1274111GT	KIT, FRICTION DIS, SWING DRIVE <i>for 1264680</i>	
--	1274112GT	SERVICE KIT, BRAKE SPRING, SWING DRIVE <i>for 1264680</i>	
--	1274113GT	O-RING KIT, BRAKE MOTOR, SWING DRIVE <i>for 1264680</i>	
--	1274114GT	REBUILD KIT, BRAKE, SWING DRIVE <i>for 1264680</i>	
46	1256170GT	SCREW,HHC,5/8-11X4,8,ZAG.....24	
47	1256182GT	WASHER,FLAT,5/8,F436,HRD,ZAG.....24	
48	77666PGT	FORMING,DRIVE ENABLE LIMIT SW....1	
49	824079GT	SCREW,HHF,1/4-20X1,8,ZAG.....2	
50	824027GT	NUT,TL FLG,1/4-20,G,ZAG.....2	
51	88356-13103GT	SWITCH,LIMIT,W/RLLR ARM,NO/NC.....1	
52	1256177GT	SCREW,PHPM,10-32X1.75,ZAG.....2	
53	1264261GT	NUT,SERRATED,10-32,ZAG.....2	

309.2 Engine Side (For SN S60M-520 and From SN S60M-522)
(continued)

This Page Intentionally Left Blank

Go to Discount-Equipment.com to order your parts

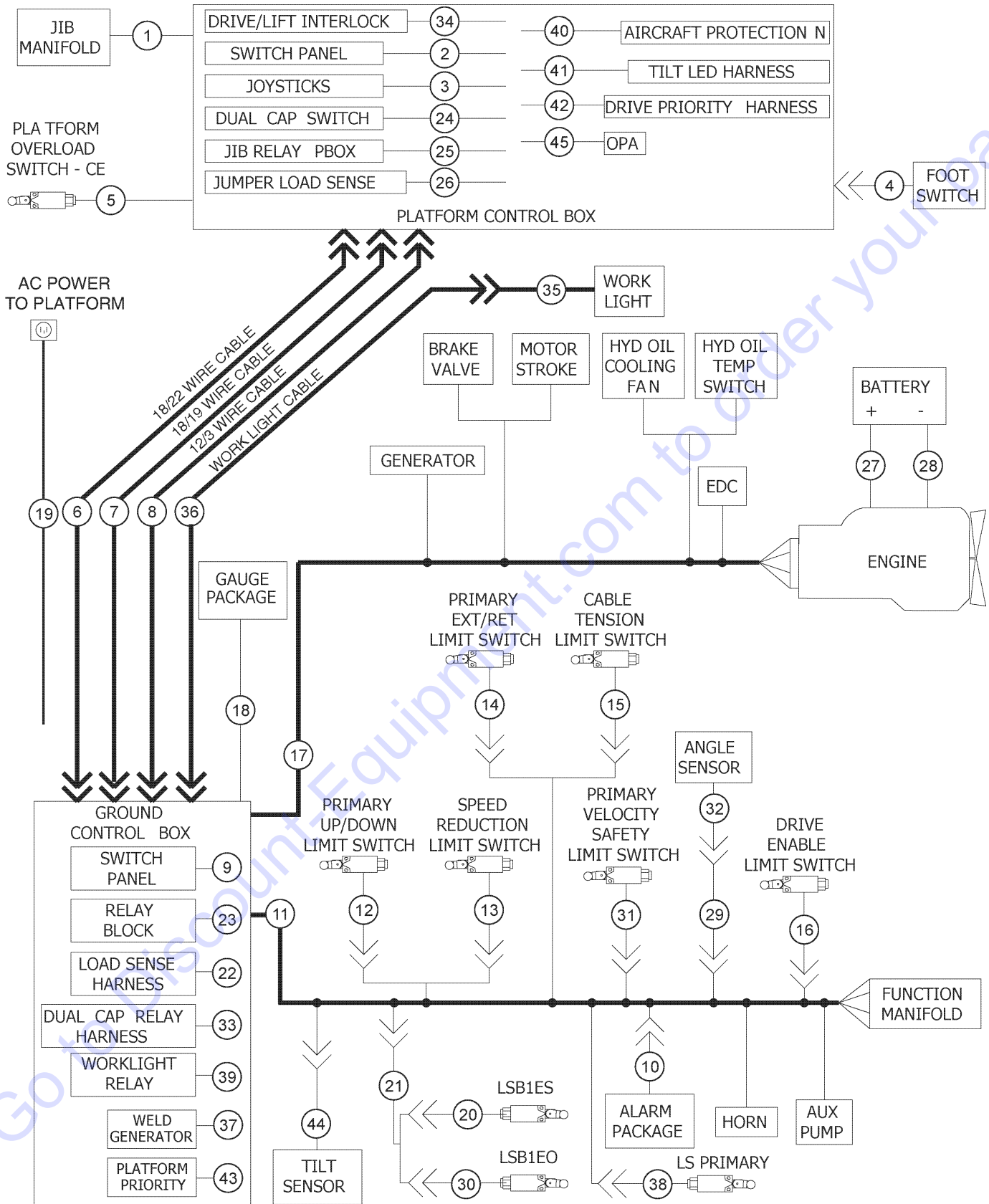
310.1 Turntable Covers



310.1 Turntable Covers

Item	Part No.	Description	Qty.	Item	Part No.	Description	Qty.
2	1253270GT	ASSY, TS SWING CHASSIS COVER <i>complete (decals not included, refer to section 100)</i>		--	72256GT	GAS STRUT,CONNECTOR (28301)	
--	1253265GT	COVER, SWING CHASSIS, TS.....1 <i>(decals not included, refer to section 100)</i>		25B	33555GT	BALL STUD**	
3	1261836GT	SCREW, THM, TORX, 3/8-16X1,SS.....16		25C	27377GT	RETAINER,GAS SPRING***	
4	1257628GT	NUT,SERRATED,3/8-16,8,ZAG.....16		26	1256693GT	SCREW,HHF,3/8-16X2.25,8,ZAG.....4	
5	231513GT	NUT,TL FLG,M6-1.0,DIN6927,10,ZAB...4		27	1256856GT	SCREW,HHF,3/8-16X2.5,8,ZAG.....2	
6	1261837GT	SCREW, THM, TORX, M6X25, ZAB.....4		28	1253831GT	MOUNT, COVER SUPPORT CTR 93DEG.....2	
7	1254625GT	BRACKET, BUMPER.....2		29	1258723GT	MOUNT, COVER SUPPORT FRONT.....2	
8	1261277GT	BUMPER, RUBBER, 1.25 X 1.25 IN.....2		30	1256054GT	HANDLE,YELLOW LOCKING,CODE 455.....2 <i>key not included</i>	
9	1255805GT	NUT,SERRATED,5/16-18,8,ZAG.....4		--	37947GT	KEYS,10 PACK*** <i>sold separately</i>	
10A	1256767GT	WLDMT, TS UPPER COVER SUPPORT.....1 <i>tank side</i>		--	83093GT	KEY SINGLE*** <i>sold separately</i>	
10B	1256771GT	WLDMT, ES UPPER COVER SUPPORT.....1 <i>engine side</i>		31	101964GT	WELDMENT,EXHAUST TUBE.....1	
11	824029GT	NUT,TL FLG,3/8-16,G,ZAG.....10					
12	1253478GT	SCREW,HHF,3/8-16X2,8,ZAG.....4					
13	1258722GT	MOUNT, COVER SUPPORT REAR.....2					
14	1253830GT	MOUNT, COVER SUPPORT CTR 86DEG.....2					
15A	1261244GT	FORMING,LATCH GUARD,TS <i>tank side</i>					
15B	1261245GT	FORMING,LATCH GUARD,ES <i>engine side</i>					
16	215254GT	LATCH,ROTARY,ENGINE COVER					
17	231532GT	SCREW,HHF,M6-1.0X20,DIN6921,10,9,ZAB.4					
18	1255763GT	SCREW,HHF,5/16-18X1.5,8,ZAG					
19	824028GT	NUT,TL FLG,5/16-18,G,ZAG					
20	1253271GT	ASSY, ES SWING CHASSIS COVER.....1 <i>complete (decals not included, refer to section 100)</i>					
--	1253264GT	COVER, SWING CHASSIS, ES.....1 <i>(decals not included, refer to section 100)</i>					
21	1256679GT	NUT,SERRATED,1/4-20,8,ZAG.....12					
22	1256127GT	BOLT,CARRIAGE,1/4-20X1.5,ZAG.....12					
23	1278912GT	HINGE,.375X.120THK.,SLOTTED.....4					
--	1256855GT	SCREW,HHF,1/4-20X.625,8,ZAG					
--	1258724GT	SUPPORT, TAPPED HINGE.....4					
24A	1255986GT	WLDMT, TS LOWER COVER SUPPORT.....1 <i>tank side</i>					
24B	1255987GT	WLDMT, ES LOWER COVER SUPPORT.....1 <i>engine side</i>					
25A	28301GT	GAS STRUT,250 LBS FORCE***.....4					

311.1 Wire Harness Diagram



311.1 Wire Harness Diagram

Item	Part No.	Description	Qty.	Item	Part No.	Description	Qty.
A	58253GT	KIT,REPAIR,DEUTSCH PLUG,W/TUBE <i>small kit</i>		11	147650GT	HARN,FUNCT MANIFOLD,S60/65.....1	
B	83129GT	KIT,REPAIR,DEUTSH CONNECTORS** <i>large kit</i>		--	73751GT	CONN,PLUG 40 WAY,DRC SERIES	
C	61794GT	CRIMPER,DEUTSCH,LIGHT DUTY*** <i>tool</i>		12	139832GT	HARNESS, LS, OP, PRI ANGLE.....1	
D	101191GT	WIRE LOOM,1"DIA.SLIT,HI TEMP		13	139835GT	HARNESS, LS, OP, PRI, VELOCITY.....1	
E	49219GT	SLEEVE,NYLON,2.19 ID,BULK.....48-inches <i>near platform; 48 inches required</i>		14	139836GT	HARNESS, LS, OP, PRIMARY.....1	
F	1264822GT	KIT, TRC RETROFIT, STNDRD <i>Telematics (includes 1264834)</i>		15	139833GT	HARNESS, LS, OP, CABLE TENSION....1	
--	1264834GT	INSTRN, TRC RETROFIT, STNDRD		16	139834GT	HARNESS,LS,DRIVE ENABLE.....1	
1	101080GT	HARNESS,JIB SELECT MANIFOLD.....1 S-65		17A	88810GT	HARNESS,DEUTZ ENGINE.....1 <i>Deutz D2011L03i engine</i>	
--	7056GT	CONN,SQUEEZE,1/2NPT .38-.50,SM		17B	822048GT	HARNESS, S60 DEUTZ D2.9 <i>Deutz D2.9L4 engine</i>	
2	1260105GT	HARNESS ASSY,PBOX,SNGL CAP1		18	107552GT	HARNESS,GAUGE OPT.,S60 DEUTZ....1 <i>Deutz models</i>	
--	119058GT	CONN PLUG 4 WAY ENDCAP DT.....1 <i>for 1260105</i>		19A	139731GT	HARNESS, AC POWER TO PLAT JIB.....1 S-65	
--	119061GT	CONN PLUG 12 WAY ENDCAP DT GY.....1 <i>for 1260105</i>		19B	228323GT	ASSY,CABLE,12.5KW WELDER.....1008-inches <i>(S-65 Welder option)</i>	
--	147621GT	CONN,MOLEX 10 WAY.....1 <i>for 1260105</i>		20	T108321GT	HARN,LS SAFETY,PRI.DUAL CAP.....1	
--	229152GT	CONN,MOLEX 12 WAY.....1 <i>for 1260105</i>		21	147654GT	HARN,LS CABLE,S60 DUAL CAP.....1 S-60X, S-60XC and S-60 TraX	
3	147643GT	HARN,PBOX,JOYSTICK,S60/65.....1		22A	139741GT	HARNESS, LOAD SENSE, GBOX.....1	
--	81546GT	CONN,MOLEX 16 WAY		--	119061GT	CONN PLUG 12 WAY ENDCAP DT GY	
--	99343GT	CONNECTOR,PLUG 6 WAY 18-20 GA		--	60432GT	CONN,PLUG 8 WAY,14-18GA	
--	99344GT	LOCK,PLUG 6 WAY 18-20GA <i>use with 99344</i>		22B	147255GT	HARNESS, JUMPER, LOAD SENSE.....1	
4		Ref: Foot Switch Assembly <i>(refer to 701.1)</i>		23A	1255457GT	HARN,GBOX & RELAY WIRES,DIESEL.....1 <i>models with Deutz D2011L03i</i>	
5	121848GT	ASSY,LS,LOAD SENSE,38.5 IN.....1		23B	1255458GT	HARNESS ASSY,RELAY D2.9.....1 <i>models with Deutz D2.9L4</i>	
6	139737GT	HARNESS, 18/22, CABLE JIB.....1 S-65 <i>(Green, Brown plugs)</i>		24	T108886GT	HARN,PBOX,DUAL CAP.....1	
--	119063GT	CONN PLUG 12 WAY ENDCAP DT GR		--	147621GT	CONN,MOLEX 10 WAY	
--	119064GT	CONN PLUG 12 WAY ENDCAP DT BR		25	1261295GT	HARNESS ASSY,PCON,JIB	
7	823917GT	HARNESS,18/22,CABLE2 JIB.....1 S-65 <i>(Grey, Black plugs)</i>		26	1261296GT	HARNESS ASSY,PCON,LOAD SENSE	
--	119061GT	CONN PLUG 12 WAY ENDCAP DT GY		27A	88801GT	BATTERY CABLE,POSITIVE,RED.....1 <i>models with Deutz D2011L03i</i>	
--	119062GT	CONN PLUG 12 WAY ENDCAP DT BK		27B	824849GT	BATTERY CABLE,POSITIVE,RED,T4 <i>models with Deutz D2.9L4</i>	
8	139733GT	HARNESS, 12/3 12V TO PLAT JIB.....1 S-65		28	88802GT	BATTERY CABLE,NEGATIVE,BLACK....1	
9A	1261294GT	HARNESS ASSY,GBOX.....1 <i>models with Deutz D2011L03i</i>		29	T106600GT	HARN,ANGLE,SNSR.CONN. CABLE....1	
9B	1255456GT	HARNESS,GBOX,T4,S60/65.....1 <i>models with Deutz D2.9L4</i>		30	T108322GT	HARN, LS OP PRI.DUAL CAP.....1	
10	128005GT	HARNESS,BEACON OPTION.....1		31	T106741GT	HARN,LS,SAFETY,PRI,VELOCITY.....1	
				32	94980GT	SENSOR,DUAL OUTPUT,ANGLE***.....1	
				33A	T107130GT	HARNESS,GBOX,DUAL CAP RELAY.....1 <i>models with Deutz D2011L03i, Deutz D2.9L4</i>	
				34	T108416GT	HARNESS,DRIVE/LIFT INTERLOCK.....1	

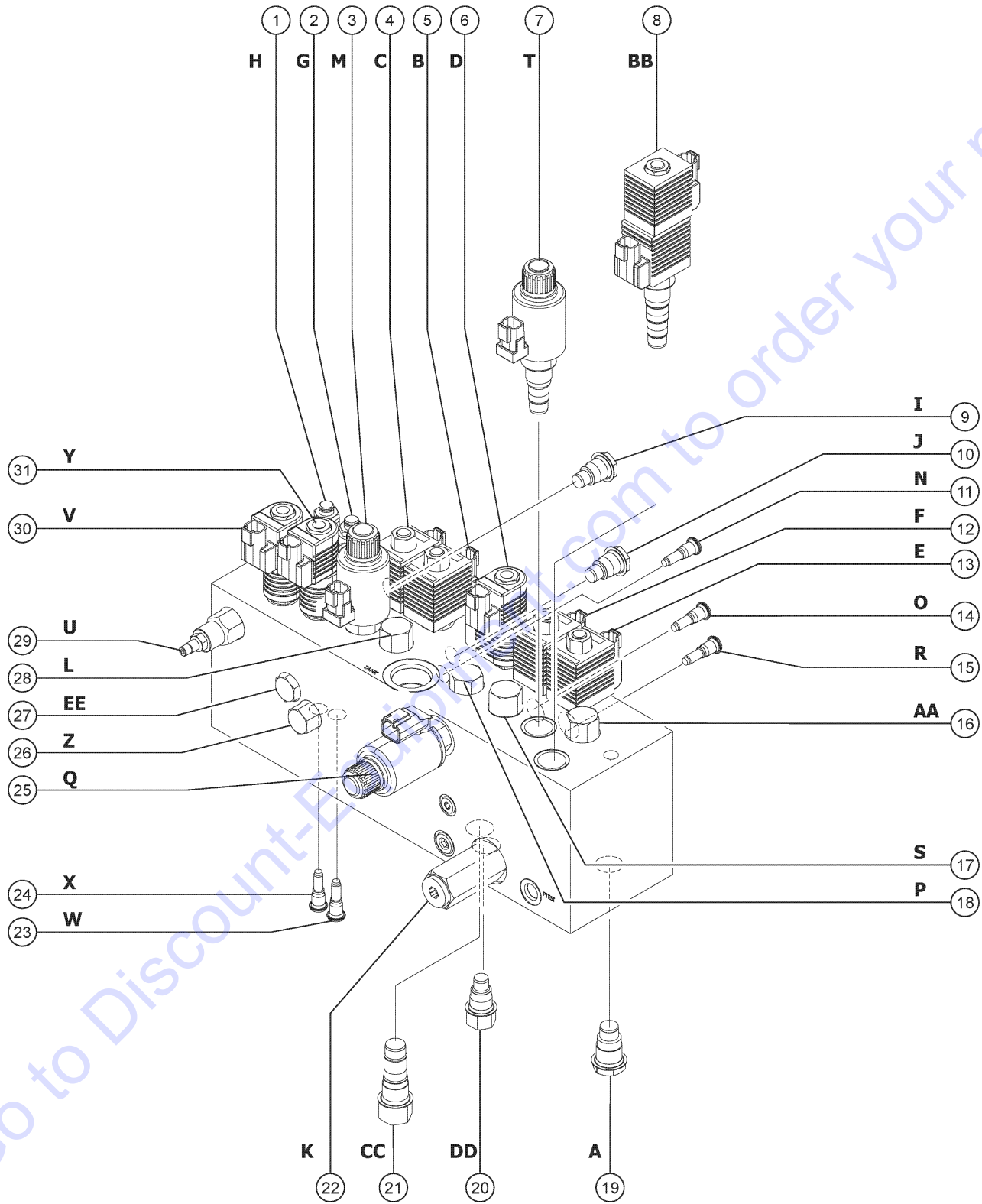
311.1 Wire Harness Diagram (continued)

Item	Part No.	Description	Qty.
35	T114627GT	HARNESS,12V WORK LIGHTS.....1	1
36B	T114626GT	CABLE,S65 12VDC WORK LIGHT.....1 S-65	1
37	147396GT	HARNESS,GENERATOR POWER.....1	1
38	T106741GT	HARN,LS,SAFETY,PRI,VELOCITY.....1	1
39	T114624GT	HARN,12V WORK LIGHT RELAY.....1	1
40	1261292GT	HARNESS ASSY,PCON,PROX KILL.....1	1
41	1261297GT	HARNESS ASSY,PCON,TILT LED.....1	1
42	1261293GT	HARNESS ASSY,PCON,DRIVE PRTY....1	1
43	1261298GT	HARNESS ASSY,GCON,PLAT PRTY	
44	1261844GT	HARNESS, TILT, 12V, CSA PROD.....1 <i>ANSI/CSA only</i>	1
--	1285689GT	INSTRUCTIONS,INSTALL (LEVEL SENSOR ALARM) <i>for kit 1285811</i>	
--	1285811GT	KIT,TILT ALARM,IC MODELS	
45A	1255555GT	HARN,PBOX,OPA,HW,12V.....1	1
45B	1255030GT	PLUG,BLANKING.....1	1

This Page Intentionally Left Blank

Go to Discount-Equipment.com to order your parts

401.1 Function Manifold



401.1 Function Manifold

Item	Part No.	Description	Qty.	Item	Part No.	Description	Qty.
--	161141GT	MANIFOLD,FUNCTION		--	74902GT	SEAL KIT	
--	94499GT	ACCUMULATOR,10CC,1000PSI,#6SAE (not shown)		11	27807GT	VALVE,CHECK***.....1 Differential sensing circuit, boom extend/retract	
1	62256GT	VALVE,CB 3:1 3500 PSI.....1 Platform level down		--	110200GT	SEAL KIT, VALVE, #4	
--	110202GT	SEAL KIT, VALVE, #10		12	89309GT	VALVE - SOLENOID 2POSITION 3WA...1 Boom down	
2	62256GT	VALVE,CB 3:1 3500 PSI.....1 Platform level up		--	45912GT	NUT,SOLENOID VALVE 2P3W	
--	110202GT	SEAL KIT, VALVE, #10		--	62275GT	COIL,10V	
3	107753GT	VALVE,PROPORTIONAL.....1 Boom extend/retract		--	89310GT	SEAL KIT, SOLENOID VALVE	
--	45921GT	RETAINER-N.C.PROPOR.SOLENOID		13	89309GT	VALVE - SOLENOID 2POSITION 3WA...1 Boom up/down circuit	
--	58303GT	COIL,VALVE,PROPORTIONAL***		--	45912GT	NUT,SOLENOID VALVE 2P3W	
--	89310GT	SEAL KIT, SOLENOID VALVE		--	62275GT	COIL,10V	
4	89309GT	VALVE - SOLENOID 2POSITION 3WA...1 Boom retract		--	89310GT	SEAL KIT, SOLENOID VALVE	
--	45912GT	NUT,SOLENOID VALVE 2P3W		14	27807GT	VALVE,CHECK***.....1 Differential sensing circuit, turntable rotate	
--	62275GT	COIL,10V		--	110200GT	SEAL KIT, VALVE, #4	
--	89310GT	SEAL KIT, SOLENOID VALVE		15	27807GT	VALVE,CHECK***.....1 Differential sensing circuit, boom up/down	
5	89309GT	VALVE - SOLENOID 2POSITION 3WA...1 Boom extend		--	110200GT	SEAL KIT, VALVE, #4	
--	45912GT	NUT,SOLENOID VALVE 2P3W		16	111705GT	VALVE,FLOW REGULATOR 3.5 GPM**.....1 Steer left/right circuit	
--	62275GT	COIL,10V		--	110202GT	SEAL KIT, VALVE, #10	
--	89310GT	SEAL KIT, SOLENOID VALVE		17	94599GT	VALVE,DIFFERENTIAL SENSING,110...1 Boom up/down circuit	
6	89307GT	VALVE,SOLENOID 3POS 4WAY*.....1 Turntable rotate		--	110197GT	SEAL KIT, VALVE, #10	
--	52943GT	NUT,SOLENOID VALVE COIL		18	27802GT	VALVE,DIFFERENTIAL SENSING***.....1 Turntable rotate circuit	
--	62273GT	COIL,GREEN W/ 2 PIN CONNECTOR*		--	110197GT	SEAL KIT, VALVE, #10	
--	72047GT	SEAL KIT, SOLENOID VALVE		19	27836GT	VALVE,CHECK,5 PSI.....1 Blocks flow from auxiliary pump to function pump; to SN S60M-485	
--	89311GT	SPACER, DUAL COIL SIZE #8		--	110194GT	SEAL KIT, VALVE, #10	
7	107753GT	VALVE,PROPORTIONAL Boom up/down circuit		--	122646GT	BYPASS VALVE RELIEF Blocks flow from auxiliary pump to function pump; from SN S60M-486	
--	45921GT	RETAINER-N.C.PROPOR.SOLENOID		20	32975GT	VALVE,FLOW REGULATOR 0.1 GPM.....1 Bleeds off differential sensing valves to tank	
--	58303GT	COIL,VALVE,PROPORTIONAL***		--	74902GT	SEAL KIT	
--	89310GT	SEAL KIT, SOLENOID VALVE		21	27804GT	VALVE,DIFFERENTIAL SENSING***.....1 Differential sensing circuit, meters flow to functions	
8	62260GT	VALVE,SOLENOID 3 POS,4WAY***.....1 Steer left/right		--	110201GT	SEAL KIT, VALVE, #10	
--	110196GT	SEAL KIT, VALVE, #10		22	45489GT	VALVE,RELIEF 3000 PSI***.....1 System relief	
--	52943GT	NUT,SOLENOID VALVE COIL		--	110194GT	SEAL KIT, VALVE, #10	
--	89861GT	COIL, 10V DC (D10, 20 WATT)					
9	62257GT	VALVE,CHECK, 30 PSI.....1 Differential sensing circuit, platform rotate left and jib boom up (S-65, S-65 Trax)					
--	74902GT	SEAL KIT					
10	62257GT	VALVE,CHECK, 30 PSI.....1 Differential sensing circuit, platform rotate right and jib boom down (S-65, S-65 Trax)					

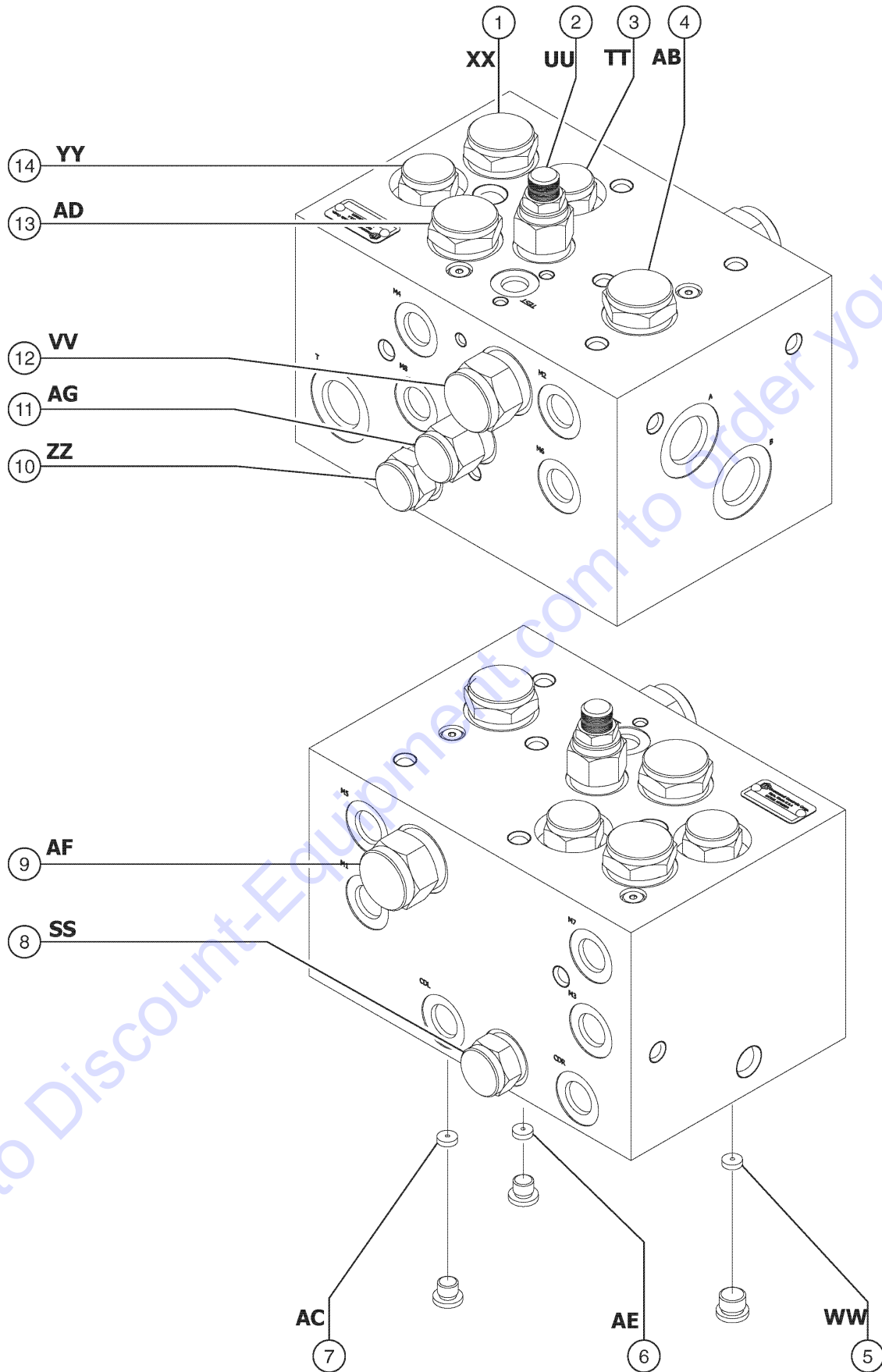
401.1 Function Manifold
(continued)

Item	Part No.	Description	Qty.
23	27807GT	VALVE,CHECK***1 <i>Differential sensing circuit, platform level up</i>	
--	110200GT	SEAL KIT, VALVE, #4	
24	27807GT	VALVE,CHECK***1 <i>Differential sensing circuit, platform level down</i>	
--	110200GT	SEAL KIT, VALVE, #4	
25	102528GT	VALVE,PROPORTIONAL.....1 <i>Turntable rotate left/right</i>	
--	89312GT	SEAL KIT, SOLENOID VALVE	
--	89737GT	COIL,PROPORTIONAL VALVE***	
--	89738GT	NUT, PROPORTIONAL VALVE	
26	31100GT	VALVE,FLOW REGULATOR 0.6GPM.....1 <i>Platform rotate and jib boom (S-65, S-65 TraX)</i>	
--	74902GT	SEAL KIT	
27	62257GT	VALVE,CHECK, 30 PSI.....1 <i>Platform rotate and jib boom circuit (S-65, S-65 TraX) (prevents hydraulic hoses from draining back to tank)</i>	
--	74902GT	SEAL KIT	
28	94599GT	VALVE,DIFFERENTIAL SENSING,110...1 <i>Boom extend/retract circuit</i>	
--	110197GT	SEAL KIT, VALVE, #10	
29	62258GT	VALVE,NEEDLE***1 <i>Platform level circuit</i>	
--	110194GT	SEAL KIT, VALVE, #10	
30	89307GT	VALVE,SOLENOID 3POS 4WAY*1 <i>Platform level up/down</i>	
--	52943GT	NUT,SOLENOID VALVE COIL	
--	62273GT	COIL,GREEN W/ 2 PIN CONNECTOR*	
--	72047GT	SEAL KIT, SOLENOID VALVE	
--	89311GT	SPACER, DUAL COIL SIZE #8	
31	89307GT	VALVE,SOLENOID 3POS 4WAY*1 <i>Platform rotate and jib boom up/down (S-65, S-65 TraX)</i>	
--	52943GT	NUT,SOLENOID VALVE COIL	
--	62273GT	COIL,GREEN W/ 2 PIN CONNECTOR*	
--	72047GT	SEAL KIT, SOLENOID VALVE	
--	89311GT	SPACER, DUAL COIL SIZE #8	

This Page Intentionally Left Blank

Go to Discount-Equipment.com to order your parts

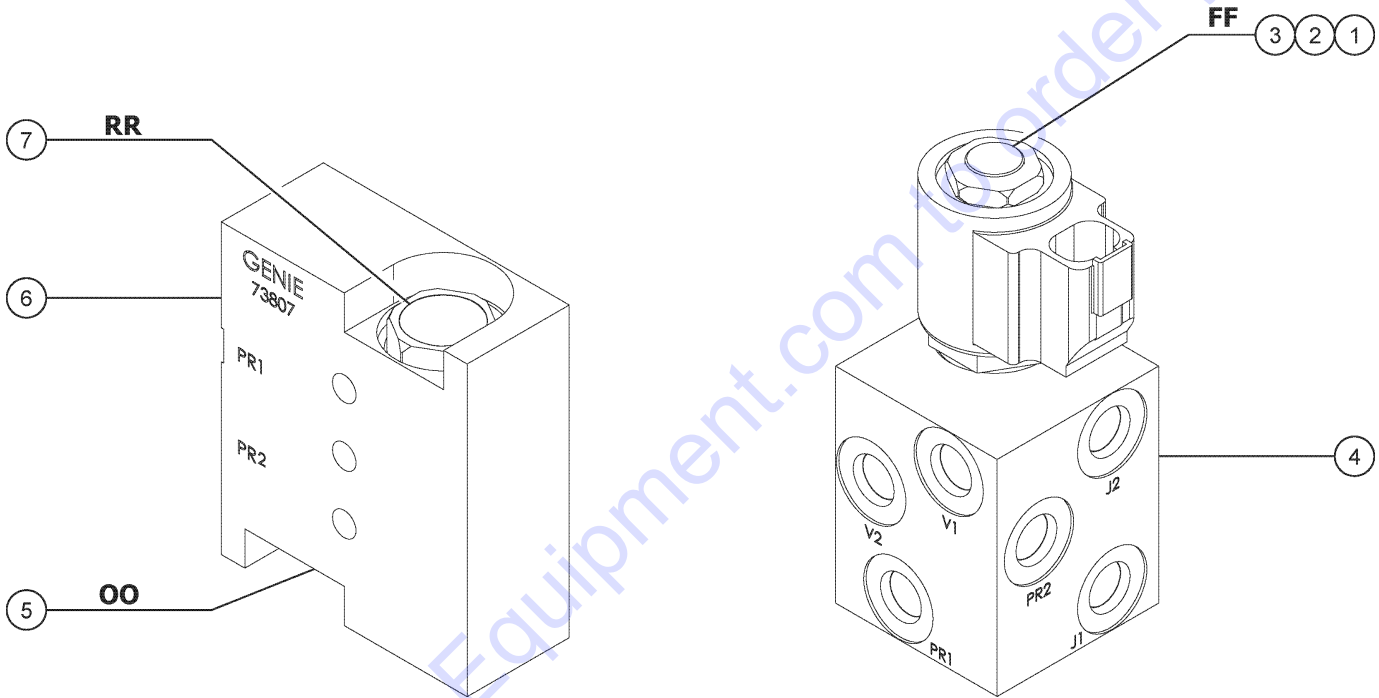
403.1 Traction Manifold, 4WD



403.1 Traction Manifold, 4WD

Item	Part No.	Description	Qty.
--	139712GT	MANIFOLD,TRACTION,4WD***	
1	139717GT	VALVE, FLOW DIVIDE/COMB,24GPM...1 <i>(controls flow to non-steer end drive motors in forward and reverse)</i>	
--	139512GT	SEAL KIT, VALVE	
2	139718GT	VALVE, RELIEF, 280PSI.....1 <i>(charge pressure circuit)</i>	
--	139528GT	SEAL KIT, VALVE	
3	139527GT	VALVE, CHECK, 5PSI.....1 <i>(steer end drive motor circuit)</i>	
4	139508GT	VALVE, FLOW DIVIDE/COMBINE 1:1.....1 <i>(controls flow to flow divider/combiner valves 1 and 13)</i>	
5	139719GT	ORIFICE, 0.040".....1 <i>(equalizes pressure on both sides of flow divider/combiner valve)</i>	
--	1287434GT	PLUG,SAE #03 (139712)	
6	139719GT	ORIFICE, 0.040".....1 <i>(equalizes pressure on both sides of flow divider/combiner valve)</i>	
--	1287434GT	PLUG,SAE #03 (139712)	
7	139527GT	VALVE, CHECK, 5PSI.....1 <i>(non-steer end drive motor circuit)</i>	
8	139716GT	VALVE, CHECK.....1 <i>(non-steer end drive motor circuit)</i>	
--	139727GT	SEAL KIT, VALVE	
9	139527GT	VALVE, CHECK, 5PSI.....1 <i>(steer end drive motor circuit)</i>	
10	139715GT	VALVE, SHUTTLE, FIXED.....1 <i>(steer end drive motor circuit)</i>	
--	139512GT	SEAL KIT, VALVE	
11	139716GT	VALVE, CHECK.....1 <i>(charge pressure circuit that directs hot oil out of low pressure side of drive pump)</i>	
12	139719GT	ORIFICE, 0.040".....1 <i>(equalizes pressure on both sides of flow divider/combiner valve)</i>	
--	1287434GT	PLUG,SAE #03 (139712)	
13	139717GT	VALVE, FLOW DIVIDE/COMB,24GPM...1 <i>(controls flow to steer end drive motors in forward and reverse)</i>	
--	139512GT	SEAL KIT, VALVE	
14	139527GT	VALVE, CHECK, 5PSI.....1 <i>(non-steer end drive motor circuit)</i>	

404.1 Platform Rotate and Jib Boom/Platform Rotate Manifold



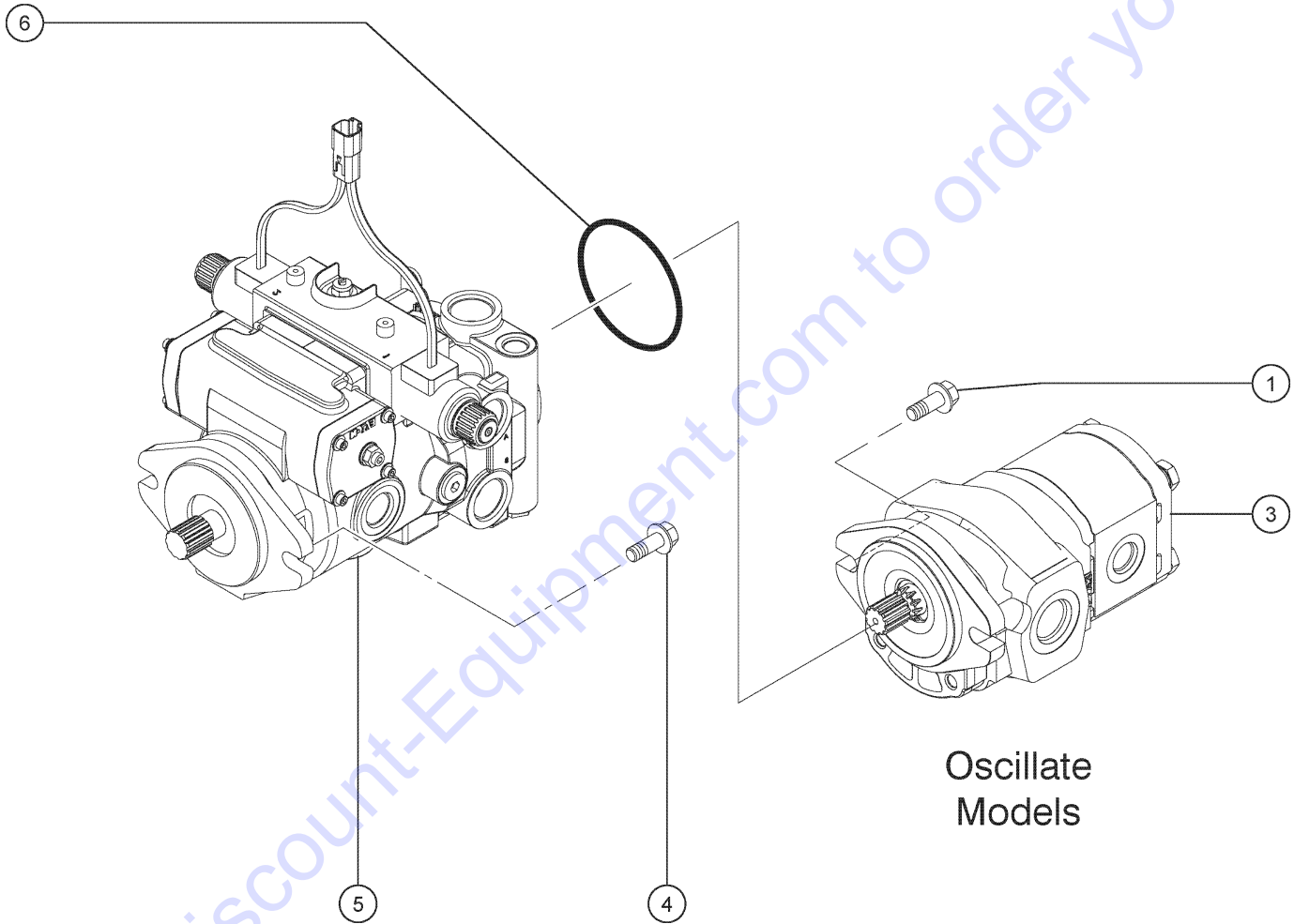
Platform Rotate Manifold

Jib Select Manifold

404.1 Platform Rotate and Jib Boom/Platform Rotate Manifold

Item	Part No.	Description	Qty.
1	44174GT	NUT-COIL SHORT.....	1
2	52897GT	VALVE,SOLENOID, 2POS/3WAY***.....	1
--	52371GT	SEAL KIT, VALVE.....	1
3	104759GT	COIL,12VDC #8 DTSCH IP69 ECOIL.....	1
4A	1256670GT	MANIFOLD,JIB SELECT W/QD PLUG.... <i>includes items 1-3</i>	1
4B	88786GT	MANIFOLD,JIB SELECT W/QD PLUG*... <i>replaced by 1256670</i>	1
--	89862GT	VALVE-SOLENOID,2POS 3WAY,JIB**..... <i>Platform rotate/Jib boom select</i>	1
--	89864GT	SEAL KIT,SOLENOID VALVE, SV07	
5	62506GT	VALVE - COUNTERBALANCE**..... <i>Platform rotate left</i>	1
--	43018GT	SEAL KIT (39345)	
6	73807GT	MANIFOLD,ROTATOR,CB***.....	1
--	62507GT	O-RING, ROTATOR MANIFOLD	
7	62506GT	VALVE - COUNTERBALANCE**..... <i>Platform rotate right</i>	1
--	43018GT	SEAL KIT (39345)	

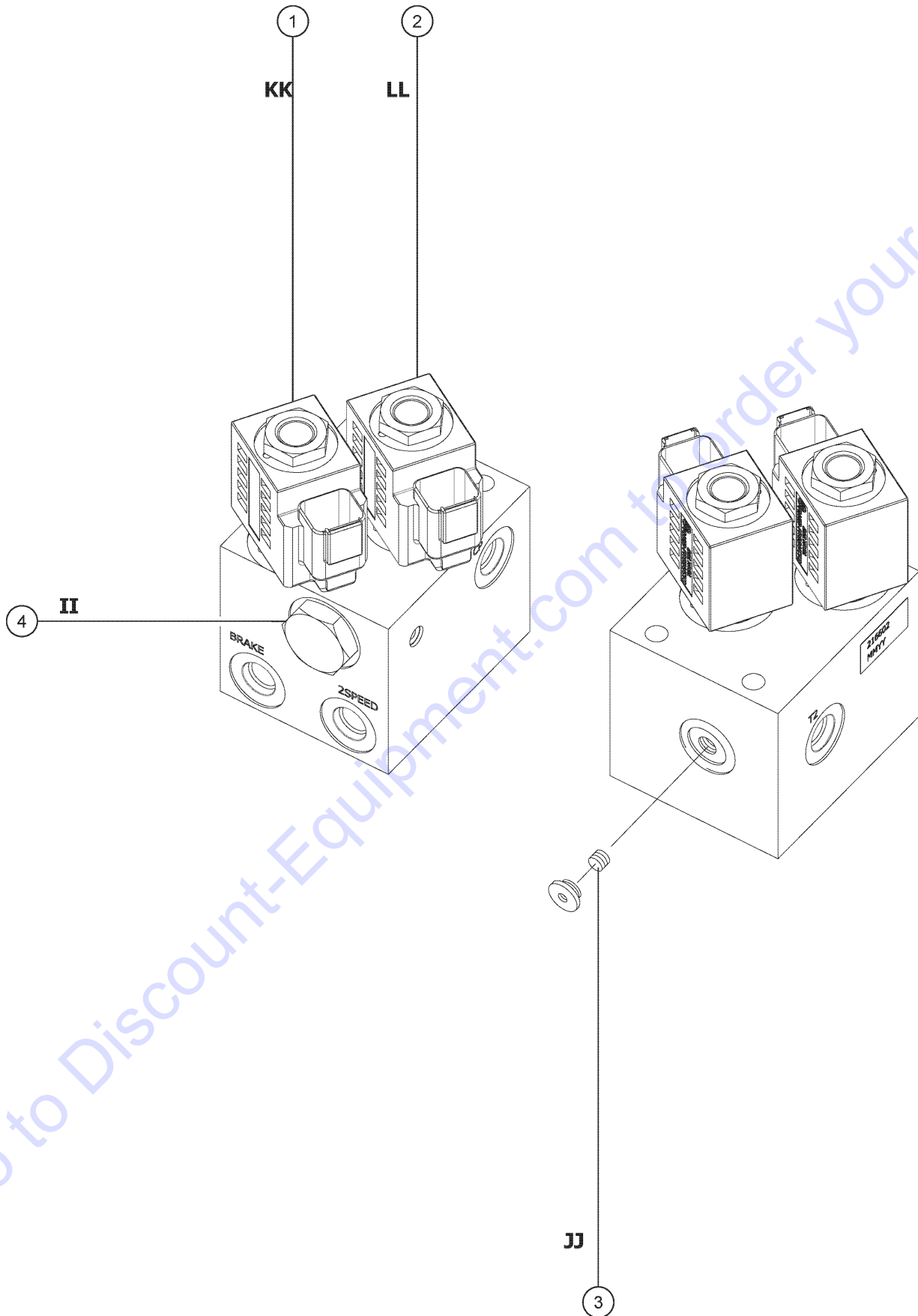
405.1 Pumps



Go to Discount-Equipment.com to order your parts

Item	Part No.	Description	Qty.
1	824090GT	SCREW,HHF,3/8-16X1,8,ZAG	
3	139801GT	PUMP,LIFT,2 SECTION***.....1 <i>oscillate models</i>	
--	147549GT	KIT, SEAL, PUMP, 2 SECTION	
4	1253498GT	SCREW,HHF,1/2-13X1.5,8,ZAG	
5	77788GT	PUMP,PISTON,49CC***1	
--	101294GT	KIT,CHARGE PUMP	
--	106835GT	CONTROLLER W/O COILS (77788) <i>(first time replacement requires 1285505GT)</i>	
--	106836GT	O-RING,STEM,EATON	
--	106837GT	NUT,STEM,EATON***	
--	107813GT	SPACER,EATON PUMP SHAFT SEAL** <i>check pump date code, for pumps after 031505</i>	
--	107814GT	SEAL,SHAFT,EATON PUMP***	
--	107815GT	SNAP RING,PUMP SHAFT SEAL***	
--	107842GT	KIT,PUMP SHAFT SEAL W/INST*** <i>includes PNs 107813, 107814, 107815</i>	
--	128423GT	KIT,CHARGE PUMP HOUSING	
--	1285505GT	KIT,SOLENOID CONTROL SERVICE	
--	1285506GT	SEAL RING,SOLENOID CONTROL <i>(for 1285505GT)</i>	
--	43683GT	O-RING,2-042 N674-70***	
--	58431GT	SEAL KIT,PUMP SHAFT (EATON)*** <i>check pump date code, if after 031505, must also order 107813 qty 1</i>	
--	82431GT	HOSE ASM-JCAF310-06-41	
6	43683GT	O-RING,2-042 N674-70***1	

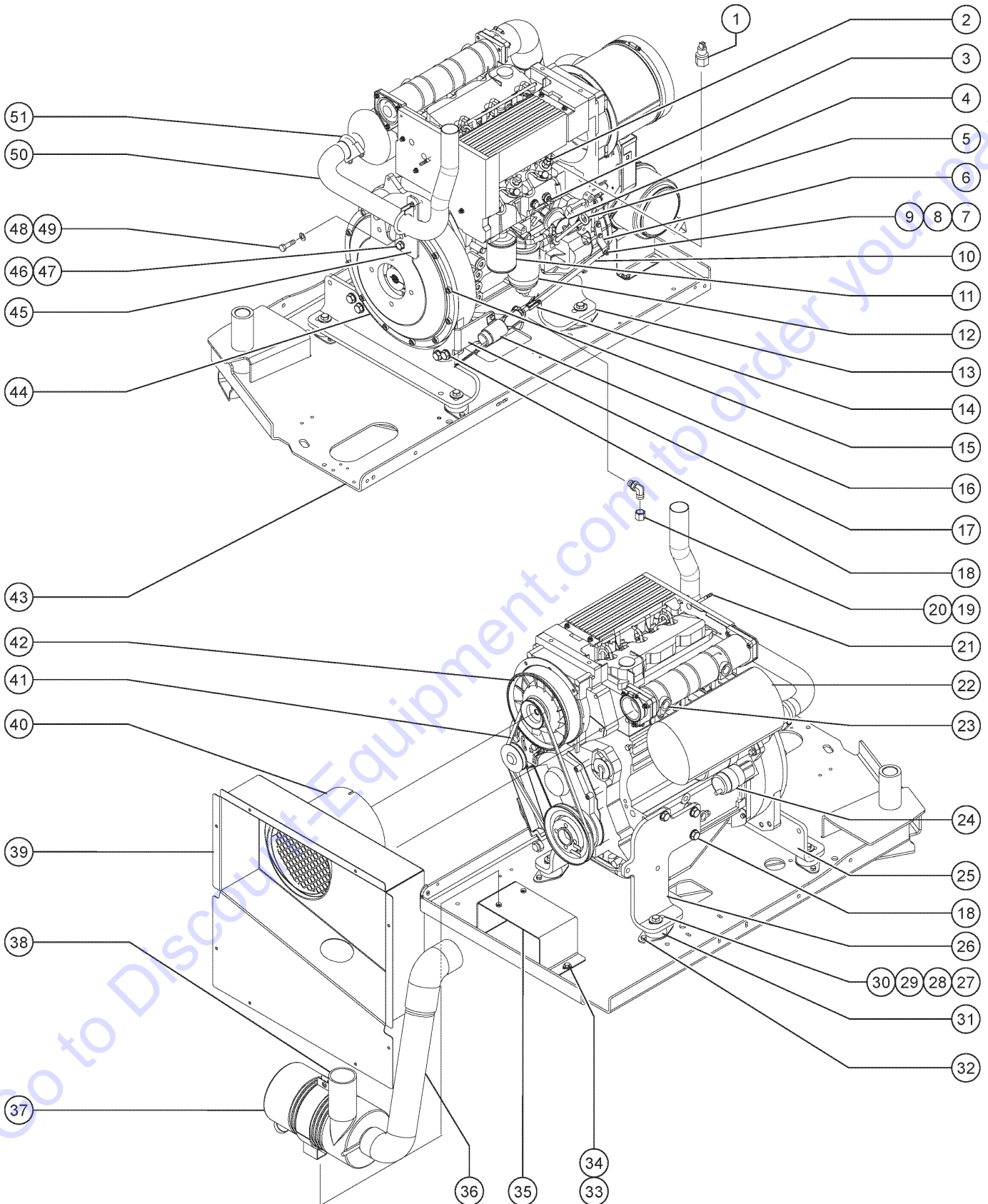
406.1 Brake and 2 Speed Manifold



406.1 Brake and 2 Speed Manifold

Item	Part No.	Description	Qty.
--	216602GT	MANIFOLD,BRAKE,2-SPEED.....	1
1	219243GT	COIL, SOLENOID VALVE, 10V..... <i>Brake Release</i>	1
--	161144GT	SEAL KIT,SOLENOID VALVE 219247	
--	219247GT	VALVE, SOLENOID	
--	94759GT	NUT,SOLENOID	
2	219243GT	COIL, SOLENOID VALVE, 10V..... <i>Two Speed Motor Shift</i>	1
--	161144GT	SEAL KIT,SOLENOID VALVE 219247	
--	219247GT	VALVE, SOLENOID	
--	94759GT	NUT,SOLENOID	
3	219245GT	ORIFICE PLUG .025 DIA..... <i>Turntable Rotation Brake Release</i>	1
4	35726GT	VALVE,HYDRAULIC CHECK..... <i>Brake Release Circuit</i>	1
--	161145GT	SEAL KIT,CHECK VALVE 219246	

510.1 Deutz D2011L03i



510.1 Deutz D2011L03i

Item	Part No.	Description	Qty.	Item	Part No.	Description	Qty.
--		<i>For internal engine parts, contact engine dealer</i>		18	1256776GT	SCREW,HHF,M14-2.0X35,DIN6921,10.9,ZAB	
--	139622GT	HEAT SHIELD,DEUTZ STARTER		19	54428GT	FITTING,HYDRAULIC,90DEG,O-RING...1	
--	T114678GT	SHUTDOWN SOLENOID,12V,DEUTZ...1 <i>(must order cable assembly, 58256, if replacing 32752) (includes o-ring)</i>		20	69775GT	CAP,520112-8.....1	
--	58256GT	SOLENOID CABLE ASSY***		21	147525GT	FITTING,BARBED,STRT,FUEL LINE.....1	
--	72255GT	CONNECTOR, DEUTZ FUEL SHUTOFF* <i>(does not include diode, 45782)</i>		--	147526GT	FITTING,BARBED,TEE,FUEL LINE <i>(not shown)</i>	
--	45782GT	DIODE,6 AMP,200 PIV,BULK		--	30490GT	HOSE,1/4 FUEL LINE,SAE 30R7.....127-inches	
1	111445GT	SENDING UNIT,OIL TEMP SWCH,DTZ.....1	1	22A	32695GT	MUFFLER,DEUTZ.....1	
2	89792GT	INJECTOR, FUEL(DEUTZ F3L2011F)....2		22B	119117GT	MUFFLER,CAT/SPARK,DEUTZ <i>(Option - spark arresst)</i>	
3	139666GT	KIT,OP SWITCH,DEUTZ <i>(oil pressure kit for models with ALC-500 control system. includes item 139624 and instructions)</i>		22C	29559GT	GASKET,EXHAUST.....3 <i>for 119117, 3 required</i>	
--	139624GT	SWITCH, OIL PRESSURE 1.5 BAR.....1		23	31408GT	GLOW PLUG,L1011.....1	
4	111668GT	PUMP,FUEL 2011 DEUTZ ***.....1		24	139709GT	STARTER, 12V.....1 <i>with solenoid</i>	
--	119344GT	KIT,PRIMER BULB		--	139621GT	KIT, HEAT GUARD, DEUTZ STARTER <i>(includes sheild 139622 and bolt 139623)</i>	
--	27089GT	HOSE,5/16 FUEL,SAE 30R7...116-inches		--	139622GT	HEAT SHIELD,DEUTZ STARTER	
5	147243GT	DIPSTICK, OIL, D2011.....1		--	139623GT	BOLT, GUARD, DEUTZ STARTER	
6	50787-SGT	LEVER, GOVERNOR ACTUATOR.....1		25	70459PGT	FORMING,REAR ENGINE MOUNT PNT*.....1	
7	1257076GT	BOLT,SHS,1/4-28X4,ZAG		26	70461PGT	FORMING,ENGINE MOUNT,FL PAINT*.....1	
8	825355GT	WASHER,FLAT,M6,DIN125,ZAB		27	1251994GT	SCREW,HHF,1/2-13X3,8,ZAG	
9	5365GT	NUT,NYLOCK,10-24		28	1255760GT	WASHER,FLAT,1/2,USS,ZAG	
10	94485GT	THROTTLE LINKAGE,DIESEL ***.....1		29	1256283GT	WASHER,FLAT,5X2.25X.188,ZAG	
11	49924GT	FILTER,OIL,DEUTZ F4L1011F.....1 <i>Genie Genuine Part. See PN 1255653 for compatible aftermarket replacement.</i>		30	1251997GT	NUT,TL FLG,1/2-13,G,ZAG	
--	1255653GT	FILTER,OIL,DEUTZ,REPLACEMENT....1 <i>Genie Aftermarket Part. Compatible with Genie Genuine Part 49924.</i>		31	70452GT	ISOLATOR,ENGINE VIBRATION***.....4	
12	29560GT	FILTER,FUEL/WTR SEP, DTZ 1008.....1 <i>Genie Genuine Part. See PN 1254826 for compatible aftermarket replacement.</i>		32	824090GT	SCREW,HHF,3/8-16X1,8,ZAG	
--	1254826GT	FUEL FILTER W/SEP,DEUTZ,1008.....1 <i>Genie Aftermarket Part. Filter for Deutz F3L 1011F Engine.</i>		33	824086GT	SCREW,HHF,5/16-18X1,8,ZAG	
--	58566GT	FILTER HEAD (29560)		34	1255805GT	NUT,SERRATED,5/16-18,8,ZAG	
13	70460PGT	FORMING,ENGINE MOUNT,FR PAINT*.....1		35	70351PGT	FORMING,AIR CLEANER MOUNT PNTD.....1	
14	21130GT	CLEVIS YOKE-1/4-28,PLTD W/PIN.....1		36	70375GT	HOSE,AIR CLEANER.....1	
15	1255666GT	SCREW,SHC,M10-1.5X30,DIN912,12.9,ZAB		37	63463GT	AIR CLEANER,NELSON***.....1	
16	77402GT	SOLENOID,THROTTLE ACTUATOR DSL.....1		--	52866GT	EVACUATOR VALVE-AIR CLEANER	
17A	101129PGT	BRACKET,SOLENOID MOUNT PAINT....1		--	53952GT	BRKT,AIR CLEANER ORIENTATION**	
17B	77245PGT	BRACKET,SOLEN.MOUNT BRACE,PNTD.....1 <i>(not shown)</i>		--	58415GT	CLIP,AIR CLEANER END CAP*** <i>end cap not available separately</i>	
				--	62420GT	FILTER,AIR***	
				--	65810GT	BAFFLE, AIR CLEANER (27915)**	
				38	101006GT	TUBE,AIR CLEANER INLET.....1	
				--	30971GT	CLAMP,HOSE,3.00".....2	
				--	52866GT	EVACUATOR VALVE-AIR CLEANER	
				39	70494PGT	FORMING,DEUTZ AIR INTAKE BAF P...1	

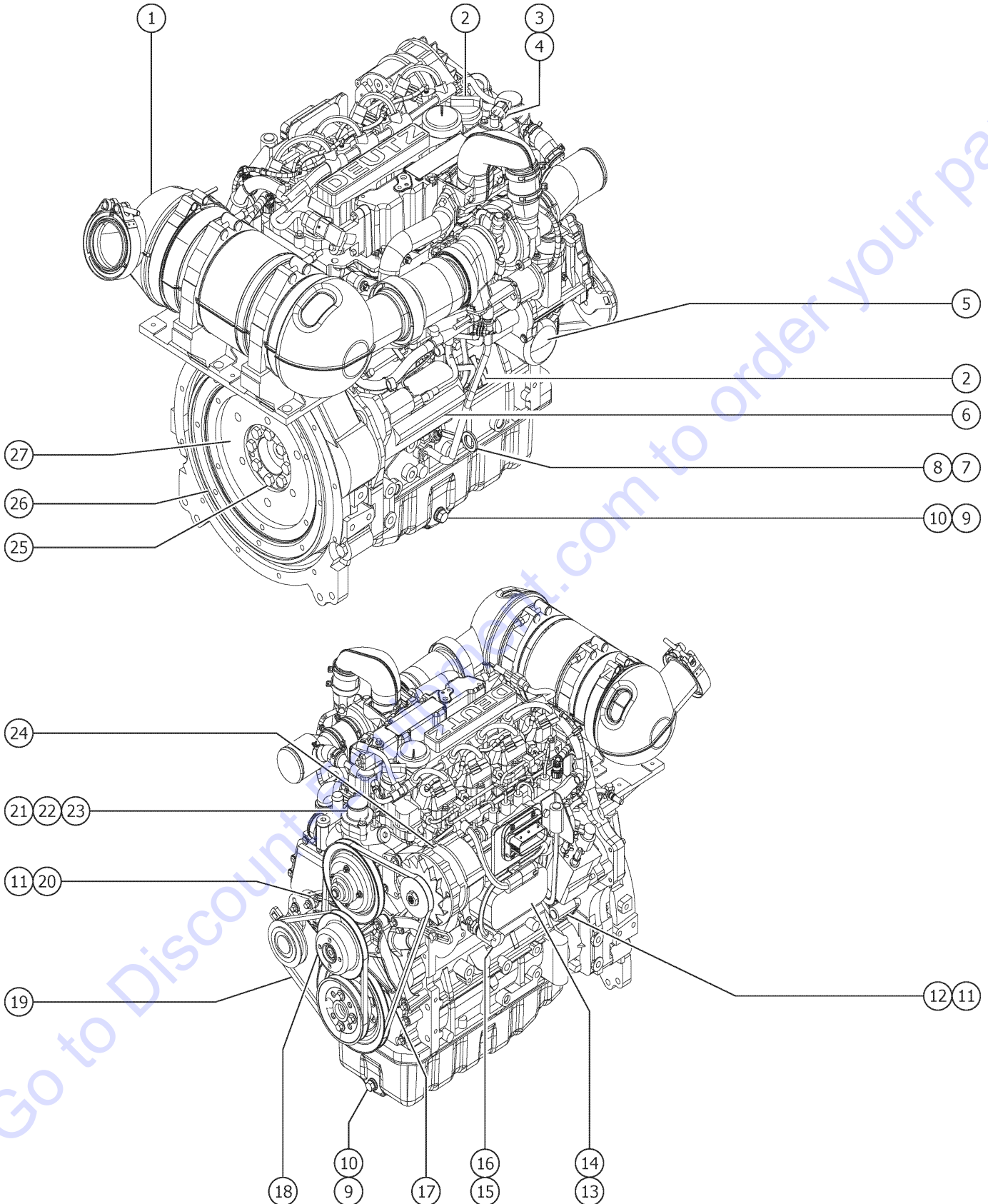
510.1 Deutz D2011L03i
(continued)

Item	Part No.	Description	Qty.
40	101140P-SGT	AIR INTAKE TUBE ASSY.....	1
--	31523GT	CLAMP,HOSE,8.50 DIA***	
--	33239GT	SHEET,RUBBER,AIR INTAKE	
41	32698GT	BELT,V, DEUTZ DIESEL ENGINE.....	1
42	35586GT	ALTERNATOR, DEUTZ F3L10/F4L10*....	1
43		Ref: Engine Tray <i>refer to 309.1</i>	
44	70381GT	COVER,FLYWHEEL CASTING.....	1
45	128023GT	KIT,FBA STYLE COUPLER,SAE8	
46	70472PGT	FORMING,SOLENOID MOUNT PAINT...1	
47	1257837GT	SCREW,HHC,M10-1.5X65,DIN931,10.9,ZAB	
48	824142GT	WASHER,LOCK,M10,ZAB	
49	1257706GT	SCREW,HHC,M10-1.5X70,DIN931,10....2	
50	824145GT	WASHER,FLAT,M10,DIN125,ZAB	
--	822693GT	TAILPIPE, DEUTZ, TPEM & ROW.....	1
51	70385GT	CLAMP,EXHAUST,2.00 PLATED.....	2

This Page Intentionally Left Blank

Go to Discount-Equipment.com to order your parts

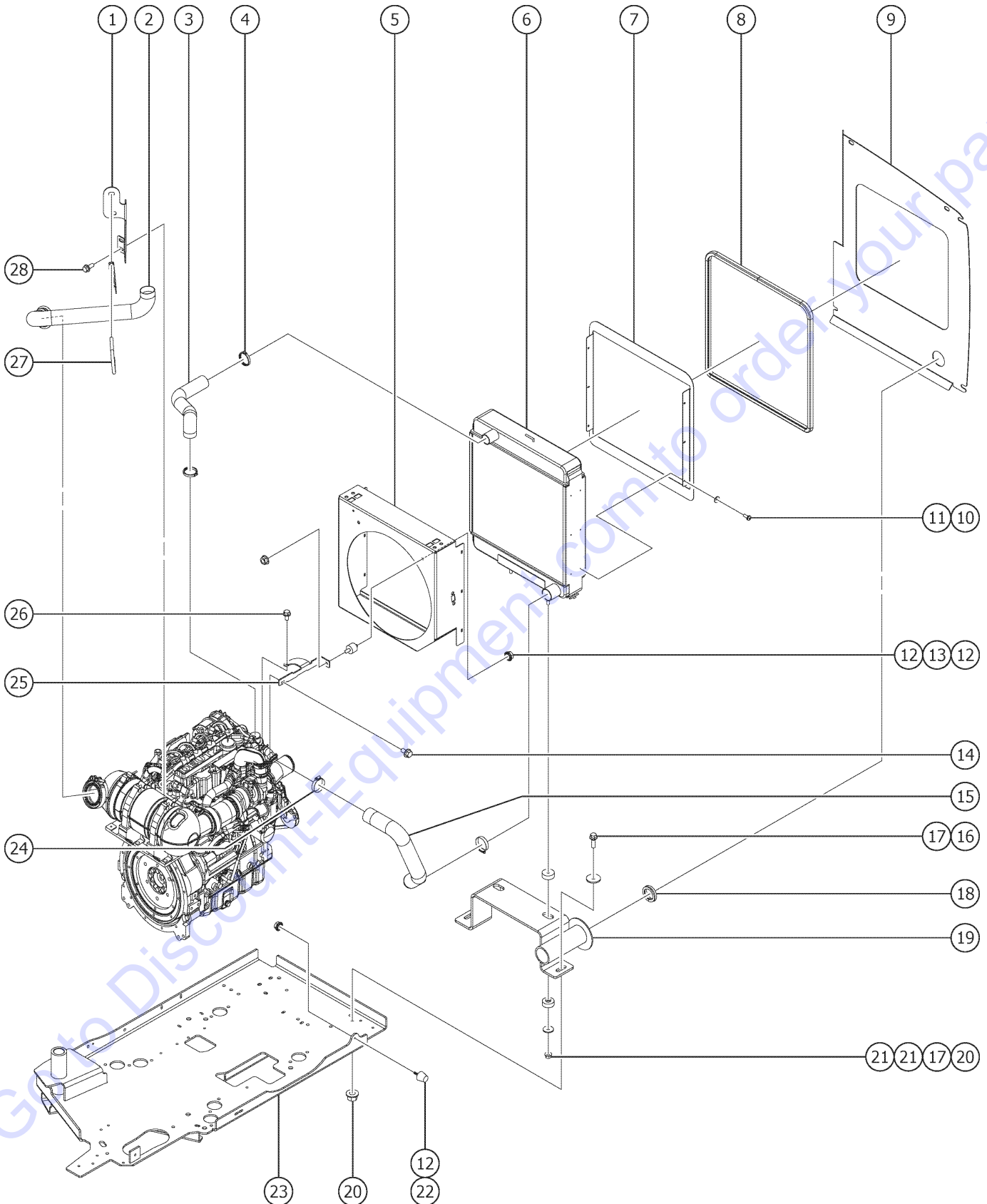
518.1 Deutz D2.9L4, View 1 (from SN S65TX-101)



518.1 Deutz D2.9L4, View 1 (from SN S65TX-101)

Item	Part No.	Description	Qty.	Item	Part No.	Description	Qty.
A	237730GT	ENGINE KIT, DEUTZ TD 2.9.....1 <i>Due to Tier 4 regulations, many engine replacement parts require the engine serial number at time of order placement. When ordering engine parts please have both machine and engine serial numbers available. For internal engine parts, contact engine dealer</i>	1	17	1262866GT	FAN BELT, ALTERNATOR.....1	1
B	1259717GT	MANUAL, DEUTZ D2.9 ENGINE.....1	1	18	1259657GT	FAN PULLEY.....1	1
C	1262870GT	GLOW PLUG, DEUTZ.....4	4	19	1262867GT	V-BELT, DEUTZ.....1	1
D	1262871GT	SEAL, FRONT ENGINE,DEUTZ.....1	1	20	1262899GT	O-RING, CAMSHAFT POSITION SENSOR.....1 <i>hidden from view</i>	1
E	1262872GT	SEAL, REAR ENGINE,DEUTZ.....1	1	21	1262877GT	THERMOSTAT HOUSING.....1	1
F	1262874GT	WATER PUMP.....8	8	22	1262876GT	THERMOSTAT,DEUTZ.....1	1
G	1262875GT	O-RING, WATER PUMP.....1	1	23	1262878GT	GASKET, THERMOSTAT HOUSING.....1	1
H	1259654GT	INTAKE BREATHER.....1	1	24	236251GT	ALTERNATOR,95 AMP,DEUTZ.....1	1
I	1259899GT	HARNESS, ENGINE, DEUTZ TD2.9.....1	1	25	1262873GT	BOLT, DEUTZ FLYWHEEL.....8	8
K	1277974GT	PINS,CONNECTOR,INJ HARNESS,D2.9		26	89785GT	RING GEAR,DEUTZ F3L2011F.....1	1
1		Ref. OXIDATION CATALYST,DEUTZ.....1 <i>Due to Tier 4 regulations, many engine replacement parts require the engine serial number at time of order placement. When ordering engine parts please have both machine and engine serial numbers available. For internal engine parts, contact engine dealer</i>	1	27	1259660GT	FLYWHEEL, SAE 8/10.....1 <i>order with item 25</i>	1
2	29557GT	CAP,OIL FILLER,DEUTZ,DIESEL ***.....2	2				
3	1262896GT	SENSOR,INTAKE AIR PRESSURE.....1	1				
4	1262897GT	O-RING, INTAKE AIR PRESSURE SENSOR.....1	1				
5	49924GT	FILTER,OIL,DEUTZ F4L1011F.....1	1				
6	1254594GT	STARTER,3.2KW,DEUTZ D2.9.....1	1				
--	1262868GT	BOLT, DEUTZ STARTER <i>not included sold seperately</i>					
7	825708GT	DIPSTICK,TD2.9.....1	1				
8	1262881GT	ORING, OIL DIP STICK.....1	1				
9	102587GT	PLUG,ENGINE OIL,DEUTZ F4L2011.....2	2				
10	108538GT	RING / SEALING.....2	2				
11A	1262894GT	SENSOR,CAM/CRANKSHAFT POSITION.....1 <i>(crankshaft)</i>	1				
11B	1262894GT	SENSOR,CAM/CRANKSHAFT POSITION.....1 <i>hidden from view (camshaft)</i>	1				
12	1262895GT	O-RING, CRANKSHAFT POSITION SENSOR.....1	1				
13	1260357GT	OIL COOLER,TD2.9.....1	1				
14	1262883GT	GASKET, OIL COOLER, DEUTZ.....1	1				
15	824673GT	SENSOR,LOW PRESSURE,DEUTZ 2.9L.....1	1				
16	1262893GT	O-RING, OIL PRESSURE SENSOR.....1	1				

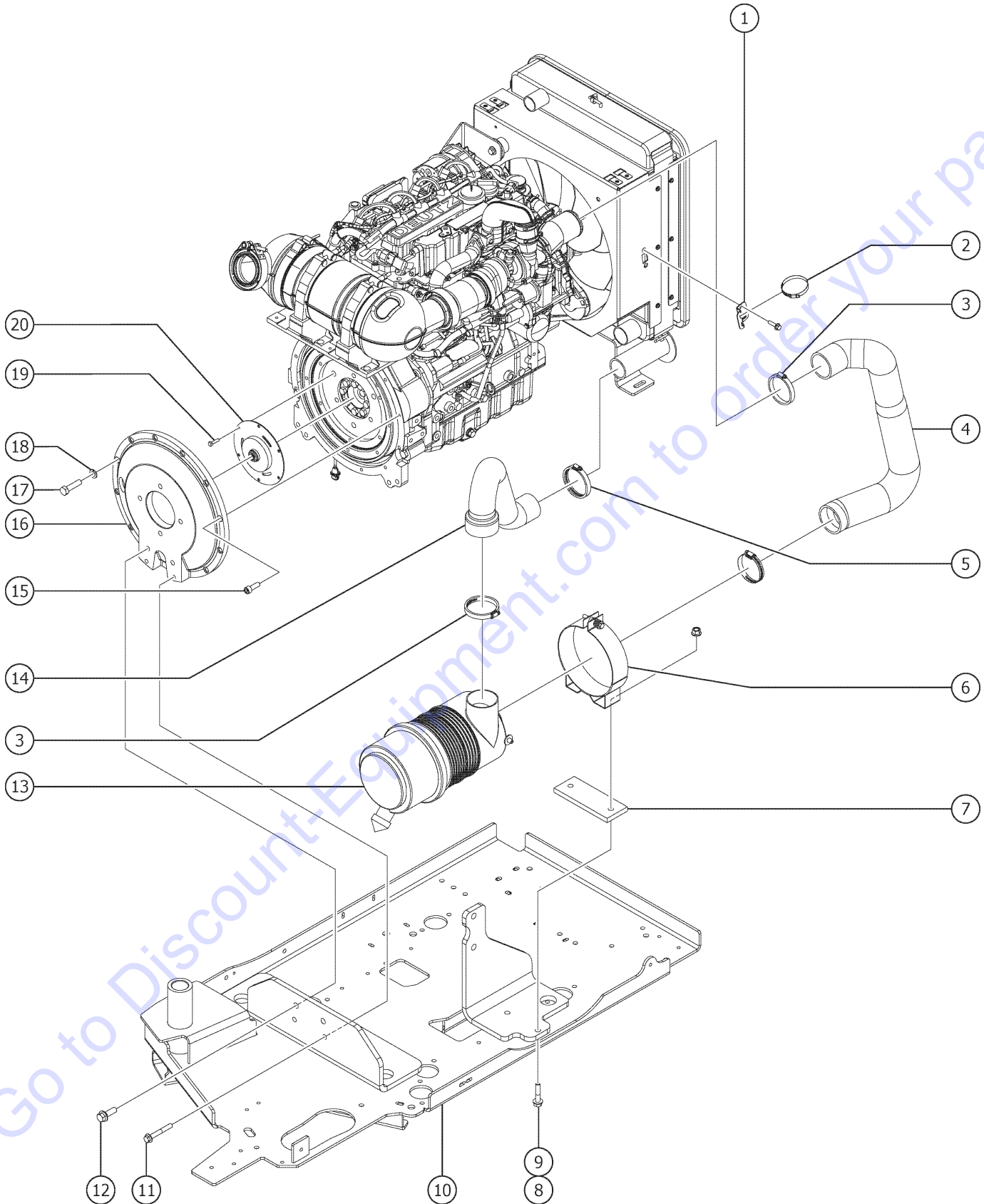
519.1 Deutz D2.9L4, View 2 (from SN S65TX-101)



519.1 Deutz D2.9L4, View 2 (from SN S65TX-101)

Item	Part No.	Description	Qty.
A		<i>Due to Tier 4 regulations, many engine replacement parts require the engine serial number at time of order placement. When ordering engine parts please have both machine and engine serial numbers available. For internal engine parts, contact engine dealer</i>	
B	T09.0803.0801	GASKET.....103,54-inches	
1	1262831GT	FORMING, SUPPORT, TAILPIPE.....1	
2	826822GT	EXHAUST PIPE, TIER IV DEUTZ, Z.....1	
3	162283GT	HOSE, UPPER RADIATOR, DEUTZ D...1	
4	22672GT	CLAMP,HOSE,1.75.....2	
5	1261921GT	SHROUD, 17" FAN.....1	
6	826795GT	RADIATOR,6-CORE,19.375W X 18.1.....1	
7	1268010GT	FORMING, SHROUD, INLET, RADIATOR.....1	
8	1262841GT	TRIM SEAL,RADIATOR,DEUTZ TD2.9...1	
9	1262839GT	FORMING, BAFFLE, AIR INTAKE.....1	
10	824220GT	SCREW, PHPM SEMS ET, 10-24 X .5, ZAG.....12	
11	1253185GT	WASHER,FLAT,#10,USS,ZAG.....12	
12	1255805GT	NUT,SERRATED,5/16-18,8,ZAG.....4	
13	219437GT	ISOLATOR, VIBRATION.....1	
14	237238GT	SCREW,HHF,M6-1.0X12,DIN6921,10....1	
15	162284GT	HOSE,LOWER RADIATOR, 2.9L DEUT.....1	
16	824091GT	SCREW,HHF,3/8-16X1.25,8,ZAG.....2	
17	824120GT	WASHER,FLAT,.375X1.50X.125,ZAG....4	
18	1262842GT	SEAL,AIR INTAKE ADAPTER,LOWER...1	
19	1262838GT	WELDMENT, SUPPORT, RADIATOR.....1	
20	824029GT	NUT,TL FLG,3/8-16,G,ZAG.....4	
21	24038GT	SHOCK MOUNT,SMALL.....4	
22	1261277GT	BUMPER, RUBBER, 1.25 X 1.25 IN.....2	
23		Ref.Engine Tray.....1 <i>refer to 309.1</i>	
24	35434GT	CLAMP,HOSE,2.00***.....2	
25	1273919GT	FORMING, SUPPORT, RADIATOR.....1	
26	1251983GT	SCREW,HHF,M8-1.25X16,DIN6921,10.9,ZAB.1	
27	71911GT	CLAMP,MUFFLER, 2.50 INCH.....1	
28	824132GT	SCREW,HHF,M8-1.25X20,DIN6921,10.9,ZAB.2	

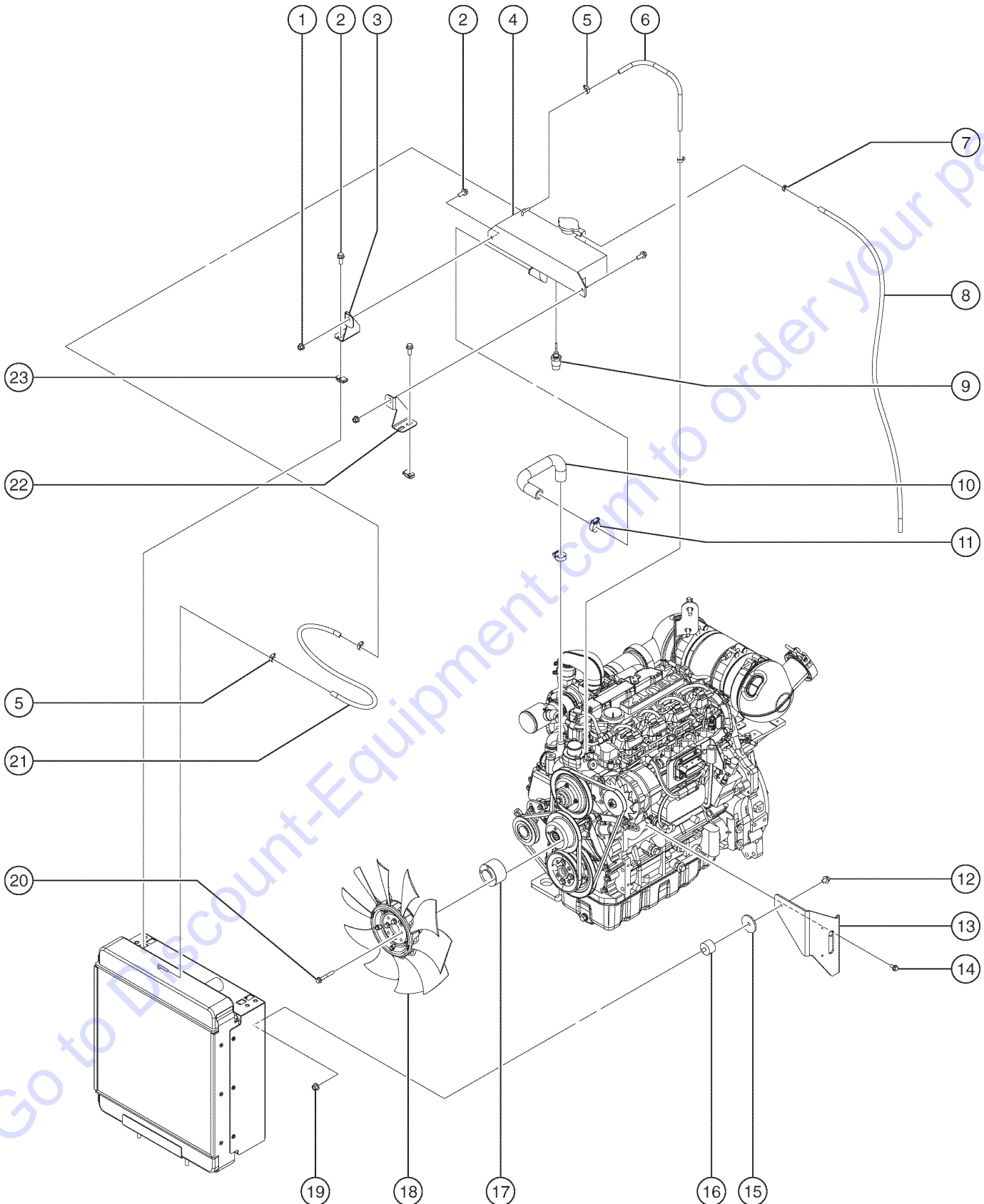
520.1 Deutz D2.9L4, View 3 (from SN S65TX-101)



520.1 Deutz D2.9L4, View 3 (from SN S65TX-101)

Item	Part No.	Description	Qty.
A		<i>Due to Tier 4 regulations, many engine replacement parts require the engine serial number at time of order placement. When ordering engine parts please have both machine and engine serial numbers available. For internal engine parts, contact engine dealer</i>	
1	823751GT	BRACKET,INTAKE PIPE,MOUNT,DEUT.....	1
2	30971GT	CLAMP,HOSE,3.00".....	2
3	30489GT	CLAMP,HOSE,3.50.....	3
4	1262829GT	HOSE, INTAKE, AIR.....	1
5	45435GT	CLAMP,HOSE,2.50"***.....	1
6	81468GT	MOUNTING BAND,AIR CLEANER.....	1
7	1273918GT	SPACER, AIR CLEANER.....	1
8	1255763GT	SCREW,HHF,5/16-18X1.5,8,ZAG.....	2
9	824028GT	NUT,TL FLG,5/16-18,G,ZAG.....	2
10		REF. ENGINE TRAY <i>refer to 309.1</i>	
11	826008GT	SCREW,HHF,M10-1.5X75,DIN6921,10,9,ZAB.2	
12	1253498GT	SCREW,HHF,1/2-13X1.5,8,ZAG.....	2
13	81467GT	AIR CLEANER,NELSON.....	1
14	1262828GT	HOSE, INTAKE, DEUTZ TD2.9.....	1
15	1255666GT	SCREW,SHC,M10-1.5X30,DIN912,12,9,ZAB.9	
16	70381GT	COVER,FLYWHEEL CASTING.....	1
17	25548GT	SCREW,HHC,M10 X 40MM,GRD8.....	1
18	824142GT	WASHER,LOCK,M10,ZAB.....	1
19	1257421GT	SCREW,HHC,M10-1.5X16,DIN933,10,9,ZAB.6	
20	128004GT	COUPLER,15 TOOTH,FBA,SAE8***.....	1

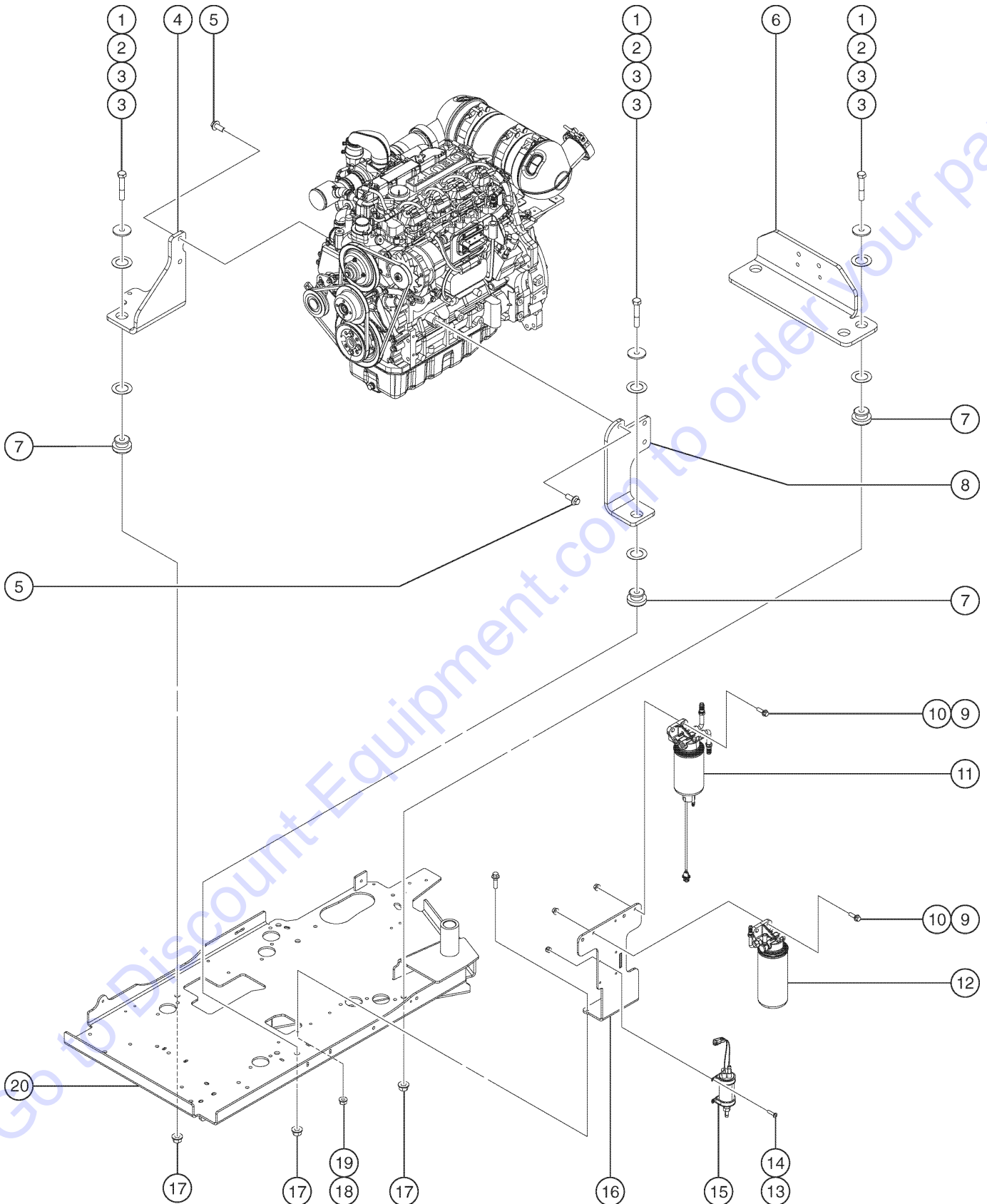
521.1 Deutz D2.9L4, View 4 (from SN S65TX-101)



521.1 Deutz D2.9L4, View 4 (from SN S65TX-101)

Item	Part No.	Description	Qty.
A		<i>Due to Tier 4 regulations, many engine replacement parts require the engine serial number at time of order placement. When ordering engine parts please have both machine and engine serial numbers available. For internal engine parts, contact engine dealer</i>	
1	824029GT	NUT,TL FLG,3/8-16,G,ZAG.....	2
2	824090GT	SCREW,HHF,3/8-16X1,8,ZAG.....	6
3	1261925GT	FORMING, BRACKET, TANK, EXPANS.....	1
4	161938GT	EXPANSION TANK,METAL,D2.9.....	1
4B	1254823GT	CAP,RADIATOR,PERKINS(94232) for 161938	
5	21465GT	CLAMP,HOSE,.25" - .63" X .3125.....	4
6	824600-1800GT	HOSE, HEATER, 1/4", 18" LONG.....	1
7	31983GT	CLAMP,HOSE,1 EAR, 9/16.....	1
8	1259441GT	HOSE,OVERFLOW,DEUTZ D2.9.....	1
9	218715GT	SENSOR,COOLANT LEVEL, DEUTZ.....	1
10	19273GT	CLAMP,HOSE,.75 **.....	1
11	32066GT	CLAMP,HOSE,KUBOTA WG750.....	2
12	237352GT	SCREW,HHF,M10-1.5X16,DIN6921,10.9,ZAB.1	
13	1256165GT	FORMING,RADIATOR SUPPORT,LH.....	1
14	1251983GT	SCREW,HHF,M8-1.25X16,DIN6921,10.9,ZAB.2	
15	1256283GT	WASHER,FLAT,.5X2.25X.188,ZAG.....	1
16	1255451GT	ISOLATOR, VIBRATION DAMPENER.....	1
17	1258641GT	SPACER, FAN, DEUTZ, 38MM LNG.....	1
18	1251496GT	FAN,10 BLADE,17",DEUTZ 2.9L.....	1
19	231529GT	NUT,TL FLG,M10-1.5,DIN6927,10,ZAB.....	1
20	1258771GT	SCREW,HHF,M8-1.25X60,DIN6921,10.9,ZAB.4	
21	826400-2500GT	HOSE, HEATER, 1/4", 25" LONG.....	1
22	1261926GT	FORMING, BRACKET, TANK, EXPANS.....	1
23	29868GT	SPRING CLIP,3/8-16,.05-.20X.73,ZAG....	4

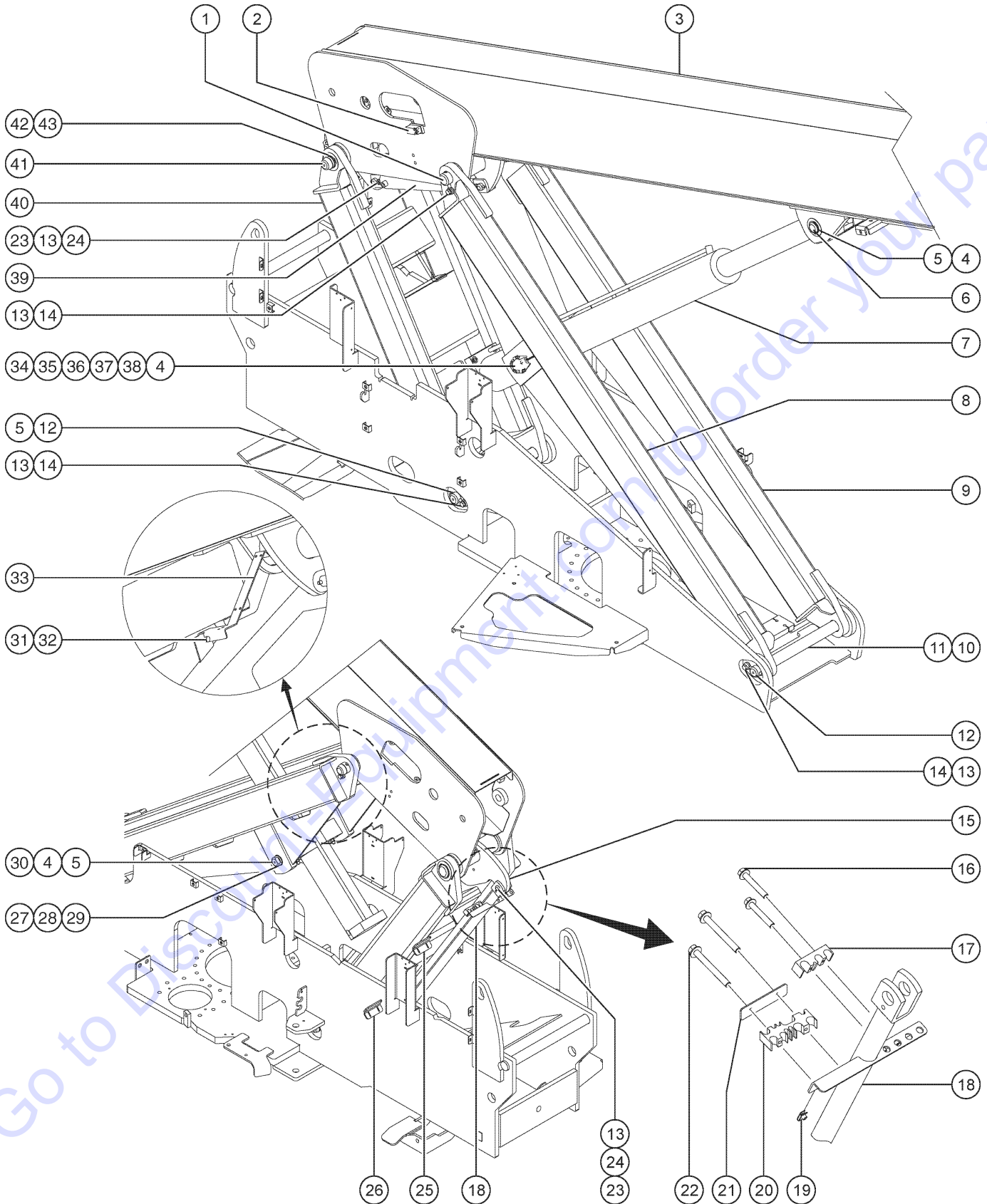
522.1 Deutz D2.9L4, View 5 (from SN S65TX-101)



522.1 Deutz D2.9L4, View 5 (from SN S65TX-101)

Item	Part No.	Description	Qty.
--		<i>Due to Tier 4 regulations, many engine replacement parts require the engine serial number at time of order placement. When ordering engine parts please have both machine and engine serial numbers available. For internal engine parts, contact engine dealer</i>	
--	824487GT	HOSE,FUEL,3/8,D2.9,MED PSI <i>Connected to fuel filter part 214228GT</i>	
--	824486GT	HOSE,FUEL,1/2,D2.9,PUMP <i>Connected to fuel/water filter part 214229GT</i>	
1	1256169GT	SCREW,HHC,5/8-11X3.5,8,ZAG.....4	
2	824123GT	WASHER,FLAT,625X2.25X.188,ZAG....4	
3	1251565GT	WASHER,SHIM,1.56X2.5X.061,ZAG....8	
4	1262832GT	FORMING, ENGINE MOUNT, RH.....1	
5	1256776GT	SCREW,HHF,M14-2.0X35,DIN6921,10.9,ZAB.5	
6	1261920GT	FORMING, MOUNT, ENGINE, REAR....1	
7	102045GT	ISOLATOR,ENGINE VIBRATION.....4	
8	1262833GT	FORMING, ENGINE MOUNT, LH.....1	
9	824091GT	SCREW,HHF,3/8-16X1.25,8,ZAG.....4	
10	824029GT	NUT,TL FLG,3/8-16,G,ZAG.....4	
11	236260GT	PRE-FILTER,FUEL,DEUTZ TCD3.6.....1	
--	162207GT	FITTING,ELBOW,8GS-8FJX90S	
--	162209GT	FITTING,CONN,16MM-8MJ	
12	214228GT	FILTER, DEUTZ 2.9, FUEL.....1	
--	1255396GT	FITTING,FUEL,1/2,D2.9,QC <i>sold seperately</i>	
--	1255399GT	BOLT,BANJO,DEUTZ,QC <i>sold seperately</i>	
--	1255400GT	WASHER,COPPER,DEUTZ,QC <i>sold seperately</i>	
--	162206GT	FITTING,ELBOW,6GS-6FJX90S	
--	162208GT	FITTING,CONN,16MM-6MJ	
12A	1256482GT	KIT,MED PRES FUEL SUPPLY,D2.9	
13	824215GT	SCREW,PHPM,10-32X.75,ZAG.....4	
14	6178GT	NUT,NYLOCK,10-32.....4	
15	236259GT	LIFT PUMP,FUEL,DEUTZ.....1	
16	1257961GT	WELDMENT, FUEL FILTER BRACKET.....1	
17	1253319GT	NUT,TL,FLG,5/8-11,G,ZAG.....4	
18	824027GT	NUT,TL FLG,1/4-20,G,ZAG.....2	
19	824079GT	SCREW,HHF,1/4-20X1,8,ZAG.....2	
20		REF. ENGINE TRAY ASSY <i>refer to 309.1</i>	

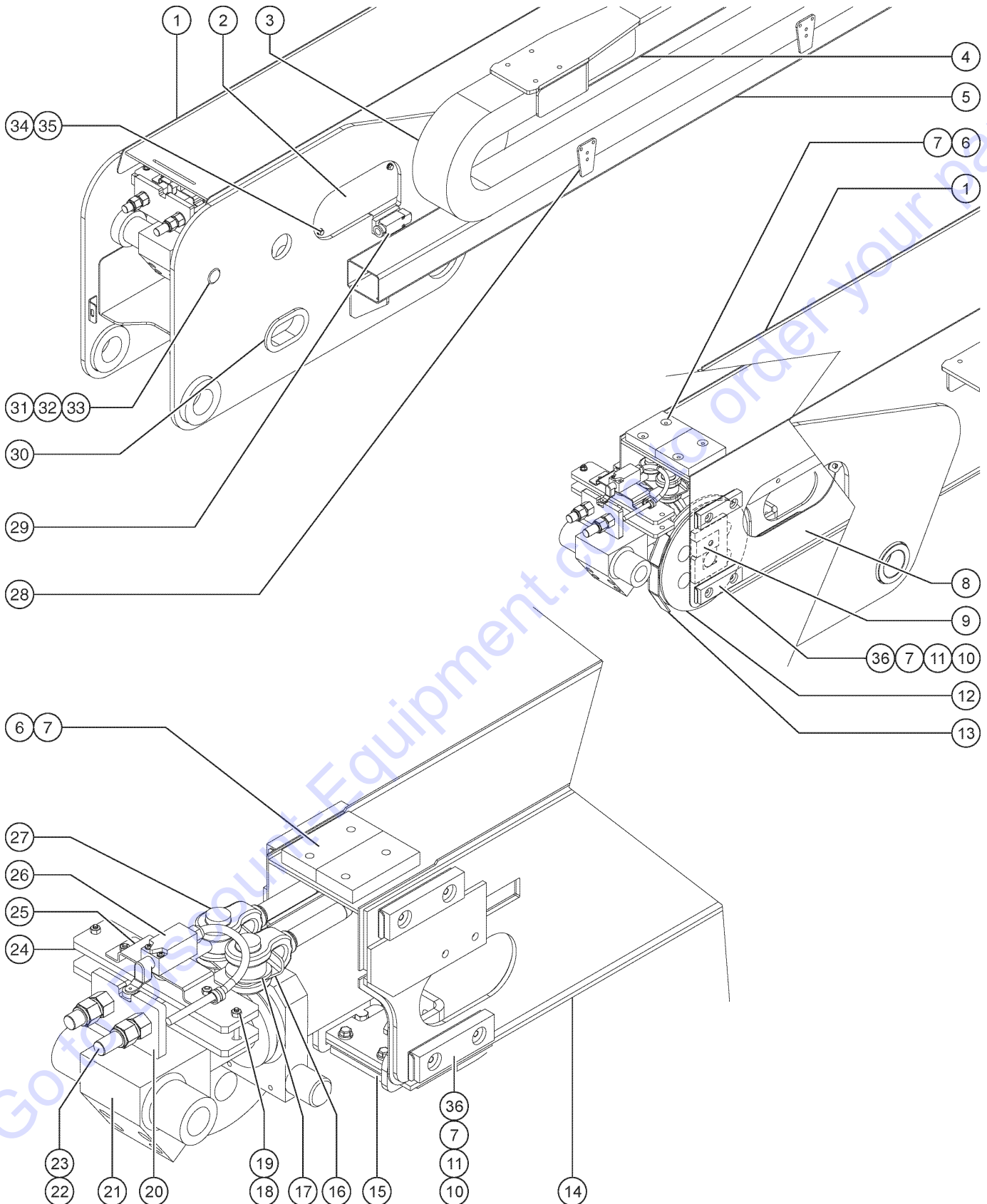
601.1 Linkage Assembly



601.1 Linkage Assembly

Item	Part No.	Description	Qty.	Item	Part No.	Description	Qty.
1	88665GT	PIN,2.25DIA X 19.25LG,CHAMFER.....	1	24	1255452GT	ROD END,.375 X 2.25,ZAG.....	2
2		Ref: Primary Ext/Ret Harness..... <i>refer to 311.1</i>	1	25		Ref: Ref: Harness LS, OP, Primary Angle..... <i>refer to 311.1</i>	1
3		Ref: Boom Tube #1..... <i>refer to 602.1</i>	1	--	88356-11103GT	SWITCH,LIMIT,W/RLR ARM,NO/NC**....	1
4	1253815GT	SNAP RING,EXTERNAL,2.00,ZAG.....	2	26A		Ref: Ref: Harness LS, OP, Primary Velocity..... <i>refer to 311.1</i>	1
5	1256864GT	WASHER,FLAT,2.01 X 3.5 X .06,ZAG.....	9	--	88356-11103GT	SWITCH,LIMIT,W/RLR ARM,NO/NC**....	1
6	88872GT	PIN,2.00DIA X 11.18LG,2RING.....	1	26B		Ref: Ref: Harness LS, Safety, Primary Velocity..... <i>refer to 311.1</i>	1
7	88653GT	CYLINDER,LIFT,S60***..... <i>for all S-65 models</i>	1	--	88356-13103GT	SWITCH,LIMIT,W/RLLR ARM,NO/NC.....	1
--	101252GT	SEAL KIT (88653) <i>for 88653</i>		27	1256107GT	SCREW,HHC,1/2-13 X 4.5,8,ZAG.....	2
--	1262331GT	KIT, GLAND NUT, S60 LIFT CYL. <i>for 88653</i>		28	1255760GT	WASHER,FLAT,1/2,USS,ZAG.....	2
--	1268376GT	NUT, PISTON, LIFT CYLINDER <i>for 88653</i>		29	1251997GT	NUT,TL FLG,1/2-13,G,ZAG	
--	1268377GT	SET SCREW, LIFT CYLINDER <i>for 88653</i>		30	88666GT	PIN,2 X 5.75 LG.....	1
--	18720GT	BEARING,2.0ID X 2.25OD X 1.50L <i>for 88653</i>		31	824091GT	SCREW,HHF,3/8-16 X 1.25,8,ZAG	
--	61602GT	VALVE,COUNTERBAL.CBBB-LHN@3500 <i>for 88653</i>		32	824029GT	NUT,TL FLG,3/8-16,G,ZAG	
8	139601GT	ASSY, LONG LINK LT W/BEARINGS.....	1	33	230497GT	FORMING,ANGLE SENSOR CABLE.....	1
--	18722GT	BEARING,2.25ID X 2.50OD X 1.50L***		34	147834GT	ASSY, ANGLE SENSOR AND COVER... <i>all models</i>	
--	88920GT	BEARING,FL,2.00ID X 2.25OD X 1.50L		--	110452GT	COVER,STEERING SENSOR	
9	139602GT	ASSY, LONG LINK RT W/BEARINGS.....	1	--	60746GT	BUSHING, STRAIN RELIEF, 1"	
--	18722GT	BEARING,2.25ID X 2.50OD X 1.50L***		--	6607GT	WASHER,LOCK,#10 PLTD	
--	88920GT	BEARING,FL,2.00ID X 2.25OD X 1.50L		--	75041GT	SCREW,PHILLIPS,PHM,10-32 X 1	
10	110908GT	WELDMENT, LONG LINK SPACER.....	1	--	94980GT	SENSOR,DUAL OUTPUT,ANGLE***	
11	1253498GT	SCREW,HHF,1/2-13 X 1.5,8,ZAG		35	824078GT	SCREW,HHF,1/4-20 X .75,8,ZAG.....	1
12	88676GT	PIN,2.00DIA X 24.00LG,CHAMFER***.....	2	36	147571GT	KEY, HEX, 5/16" X 2.50"LG,SS.....	1
13	824090GT	SCREW,HHF,3/8-16 X 1,8,ZAG		37	147842GT	PIN, LIFT CYL, HEX END.....	1
14	1256267GT	ROD END,.5 X 3.75,ZAG.....	2	38	1257079GT	WASHER,FLAT,2.01 X 2.25 X .06,ZAG.....	1
15	77672GT	WELDMENT,TIMING LINK CAM..... <i>(bearings not included)</i>	1	39	81694GT	CYLINDER,MASTER..... <i>S65 models</i>	1
--	30370GT	BEARING,1.25ID X 1.5OD X 1.00L <i>(sold separately)</i>		--	75470GT	SEAL KIT,CYL,S45 MASTER(81694) <i>for 81694</i>	
--	88919GT	BEARING,FL,2.25ID X 2.50OD X 1.63L <i>(sold separately)</i>		40	T106508GT	SHORT LINK W/BEARINGS, SERVICE..... <i>(includes items 41-43)</i>	1
16	824082GT	SCREW,HHF,1/4-20 X 1.75,8,ZAG.....	2	--	18720GT	BEARING,2.0ID X 2.25OD X 1.50L.....	2
17	824550GT	CLAMP, TIMING LINK, LH		--	18722GT	BEARING,2.25ID X 2.50OD X 1.50L***.....	2
18	88675GT	WELDMENT,MASTER LINK.....	1	--	T106413GT	WELDMENT, SHORT LINK, S60/65.....	1
19	25969GT	CLIP,SPRING,1/4-20 BLACK.....	4	41	119990GT	PIN,2.25DIA X 18.75LG,CHAMFER.....	1
20	824546GT	CLAMP, TIMING LINK, RH		42	1257080GT	WASHER,FLAT,2.27 X 3.5 X .06,ZAG.....	6
21	227125GT	BAR, CLAMP, TIMING LINK.....	1	43	1254639GT	SNAP RING,EXTERNAL,2.25,ZAG.....	2
22	824083GT	SCREW,HHF,1/4-20 X 2.5,8,ZAG.....	2				
23	50742GT	PIN,1.25DIA X 3.75LG,1HOLE.....	1				

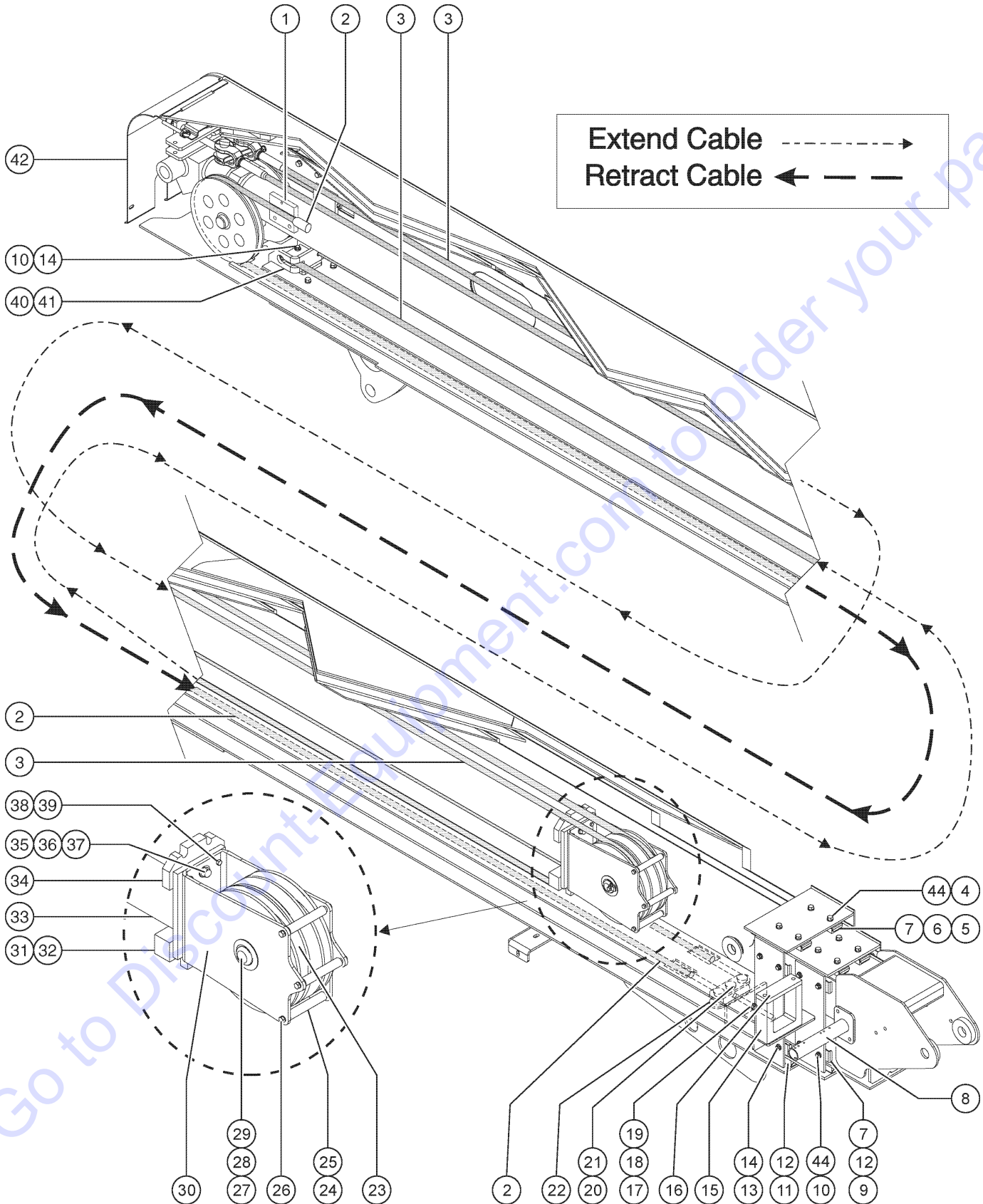
602.1 Boom Components, View 1



602.1 Boom Components, View 1

Item	Part No.	Description	Qty.	Item	Part No.	Description	Qty.
1	147224GT	WELDMENT,BOOM SECTION # 1***.....1 <i>bearings and decal not included, for decal refer to section 100</i>	1	19	824083GT	SCREW,HHF,1/4-20X2.5,8,ZAG.....2	2
--	18720GT	BEARING,2.0IDX2.25ODX1.50L.....2 <i>sold separately</i>	2	20	77795GT	MACHINED PIVOT PLATE WELDMENT.....1	1
--	30370GT	BEARING,1.25IDX1.5ODX1.00L.....1 <i>sold separately</i>	1	21	88571GT	CYLINDER,BOOM EXTENSION.....1	1
--	88919GT	BEARING,FL,2.25IDX2.50ODX1.63L.....4 <i>sold separately</i>	4	--	101251GT	SEAL KIT (88571)	
2A	77882GT	COVER,RH,BOOM SECTION #1.....1	1	--	74872GT	VALVE,COUNTERBALANCE 3000 PSI*.....1	1
2B	147403GT	COVER,LH,BOOM SECTION #1.....1	1	--	88667GT	VALVE,CB.CBCA-LHN@1500PSI***.....1	1
3		Ref: Cable Track.....1 <i>refer to 609.1</i>	1	22	77656GT	ROD END,CABLE	
4		Ref: Cable Track Tube.....1 <i>refer to 609.1</i>	1	23	824030GT	NUT,TL FLG,3/4-10,G,ZAG	
5		Ref: Cable Track Tray.....1 <i>refer to 609.1</i>	1	24	77654PGT	PLATE,ROCKER.....2	2
6	34124GT	WEAR PAD,5 X 3 X .625 W/NUTS.....4	4	25	77653PGT	FORMING,LIMIT SWITCH BRACKET.....1	1
--	34344GT	SHIM,SIDE PAD 16GA. 3 X 5		--	824027GT	NUT,TL FLG,1/4-20,G,ZAG <i>not Included, Sold Separately</i>	
--	38621GT	SHIM,PAD,5 X 3		--	824079GT	SCREW,HHF,1/4-20X1,8,ZAG <i>not Included, Sold Separately</i>	
7	824089GT	SCREW,HHF,3/8-16X.75,8,ZAG		26		Ref: Harness, Cable Tension Limit Switch.....1 <i>refer to 311.1</i>	1
8B	63078GT	WELDMENT,BOOM SECTION #2***.....1 <i>S-65 and S-65TRAX models</i>	1	--	119067GT	CONN,RECEP 4 WAY ENDCAP DT	
9	88795PGT	CAP,EXTENSION,PAINTED.....1	1	--	19491GT	CONTACTOR,LIMIT SWITCH	
--	824089GT	SCREW,HHF,3/8-16X.75,8,ZAG <i>not Included, Sold Separately</i>		--	43960GT	WIRE CABLE,16/4 CON.TPE JKT.....15	15
10	30138GT	WEAR PAD,5 X 1.5 X .625 W/NUTS		--	60443GT	LOCK,RECEP 4 WAY,14-18GA	
11	29080GT	SHIM,WEAR PAD,5X 1.5 16GA <i>qty as needed</i>		--	73713GT	TERM,NI PIN,S&F,16-18GA,REEL	
12	88568GT	SHEAVE,RETRACT CABLE(SMALLER).....2	2	--	73725GT	BOOT,DTSCH,DTP4-BT	
13	107665PGT	COVER,RETRACT SHEAVE,PAINTED.....1	1	--	88356-13103GT	SWITCH,LIMIT,W/RLLR ARM,NO/NC	
14A	94692GT	ASSEMBLY,BOOM TUBE #3 S60/65**.....1 <i>USA, Canada and Australia models</i>	1	--	97128GT	ROLLER ARM,LIMIT SWITCH***	
--	34245GT	BEARING,1.25IDX1.50X1.25L.....2	2	27	19440GT	PIN,CLEVIS,1 X 2.5 LG.....2	2
14B	119567GT	ASSEM,BOOM TUBE #3 S60/65,CE** <i>South America, Asia and Europe models</i>		28		Ref: Cable Track Guide.....10 <i>refer to 609.1</i>	10
--	34245GT	BEARING,1.25IDX1.50X1.25L.....2	2	29		Ref: Harness, Primary Ext/Ret Limit Switch.....1 <i>refer to 311.1</i>	1
15	77718GT	WEAR PAD,5 X 3 X .75.....1	1	--	88356-14963GT	SWITCH,LIMIT,W/RLLR ARM,NO/NC	
--	34344GT	SHIM,SIDE PAD 16GA. 3 X 5 <i>not Included, Sold Separately</i>		30	71768GT	GROMMET,4.00 GRV. X .75 THK.....1	1
--	38621GT	SHIM,PAD,5 X 3 <i>not Included, Sold Separately</i>		31	81856GT	PIN,1.50DIAX13.43LG,2RING.....1	1
--	824090GT	SCREW,HHF,3/8-16X1,8,ZAG <i>not Included, Sold Separately</i>		32	825796GT	SNAP RING,EXTERNAL,1.50,ZAG.....2	2
16	77618PGT	PLATE,ANTIROTATION.....1	1	33	1251565GT	WASHER,SHIM,1.56X2.5X.061,ZAG	
17	1256119GT	WASHER,SHIM,1.01X1.63X.062,ZAG....2	2	34	824078GT	SCREW,HHF,1/4-20X.75,8,ZAG	
18	824027GT	NUT,TL FLG,1/4-20,G,ZAG.....2	2	35	56912GT	SPRING CLIP,1/4-20,.025-.15X.54,ZAG	
				36	38620GT	SHIM,WEAR PAD,5 X 1.5,14GA	

603.1 Boom Components, View 2

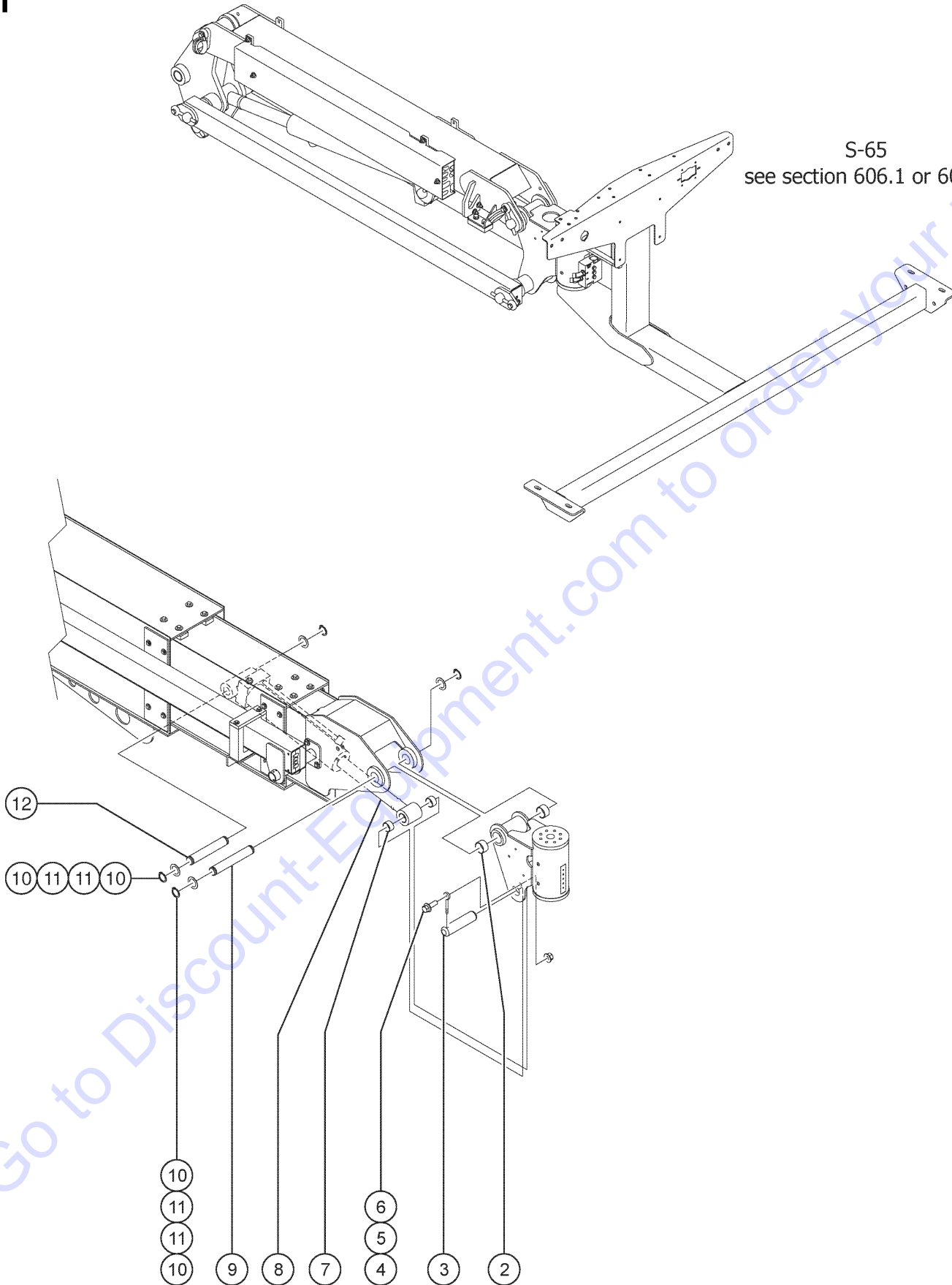


603.1 Boom Components, View 2

Item	Part No.	Description	Qty.	Item	Part No.	Description	Qty.
A	214690GT	KIT,EXTEND/RETRACT CABLE,S60 <i>(includes items 2 & 3) (for easier installation, suggest ordering 94510, below)</i>		34	139385GT	GUIDE, EXT CABLE, TOP.....	1
B	94510GT	TOOL,CABLE GRIP, 7/16" <i>for installation of 214690</i>		35	1255782GT	SCREW,HHC,1/2-13X2.0,8,ZAG.....	2
1	77616PGT	PLATE,BOTTOM BLOCK,PAINTED.....	1	36	825353GT	WASHER,FLAT,1/2,SAE,HRD,ZAG	
2	110340GT	CABLE ASSY, RETRACT SET (PAIR)..... <i>(one end mounts at the base, the other end mounts at the top of the mast)</i>	1	37	1256106GT	NUT,TL,1/2-13,C,ZAG	
3	110339GT	CABLE ASSY, EXTEND SET(PAIR)..... <i>(both ends mount at the base of the mast)</i>	1	38	1252978GT	SCREW,HHC,3/8-16X2.25,8,ZAG	
4	824090GT	SCREW,HHF,3/8-16X1,8,ZAG.....	8	39	824029GT	NUT,TL FLG,3/8-16,G,ZAG	
5	30138GT	WEAR PAD,5 X 1.5 X .625 W/NUTS.....	8	40	77688GT	WELDMENT,EXTENSION BRACKET.....	1
6	38620GT	SHIM,WEAR PAD,5 X 1.5,14GA.....	16	41	77713PGT	PLATE,TAP BLOCK.....	1
7	29080GT	SHIM,WEAR PAD,5X 1.5 16GA.....	16	42	101066PGT	COVER,PRIMARY BOOM,PAINTED.....	1
8		Ref: Weldment Track Pull Tube..... <i>refer to 609.1</i>	1	44	826793GT	WASHER,FLAT,3/8,SAE,HRD,ZAG	
9	34125GT	WEAR PAD,5 X 1.5 X .75 W/NUTS.....	8				
10	824091GT	SCREW,HHF,3/8-16X1.25,8,ZAG					
11	34344GT	SHIM,SIDE PAD 16GA. 3 X 5.....	4				
12	38621GT	SHIM,PAD,5 X 3.....	10				
13	1255629GT	SCREW,BHC,3/8-16X1.25,F835,ZAG					
14	824110GT	WASHER,LOCK,3/8,ZAG					
15		Ref: Hose/Cable Clamps..... <i>refer to 609.1</i>	1				
16		Ref: Bar Clamp, Cable Track..... <i>refer to 609.1</i>	1				
17	77051GT	NUT,NYLOCK,3/4-10,GRD.8					
18	33278GT	WASHER,FLAT,.75 HARDENED					
19	77656GT	ROD END,CABLE					
20	826379GT	PIN,CLEVIS,1X2.250,ZAG.....	4				
21	13635-10GT	PIN,COTTER,.156 X 1.75.....	4				
22	88796GT	PLATE,RETRACTION CABLE EQUALIZ.....	2				
23	88567GT	SHEAVE,EXTENSION CABLE(LARGER).....	1				
24	77648GT	ROLLER,1/2" PVC.....	1				
25	77649GT	ROLLER,1/2" ALUMINUM.....	1				
26	824078GT	SCREW,HHF,1/4-20X.75,8,ZAG.....	3				
27	88793GT	PIN,1.5 X 5.50 LG.....	1				
28	825796GT	SNAP RING,EXTERNAL,1.50,ZAG.....	2				
29	1251565GT	WASHER,SHIM,1.56X2.5X.061,ZAG					
30	139384GT	BRACKET, EXTEND SHEAVE.....	1				
31	139288GT	GUIDE, EXT. CABLE, BOTTOM.....	1				
32	1256122GT	SCREW,HHC,3/8-16X4,8,ZAG.....	2				
33		Ref: Extension Cylinder <i>refer to 602.1</i>					

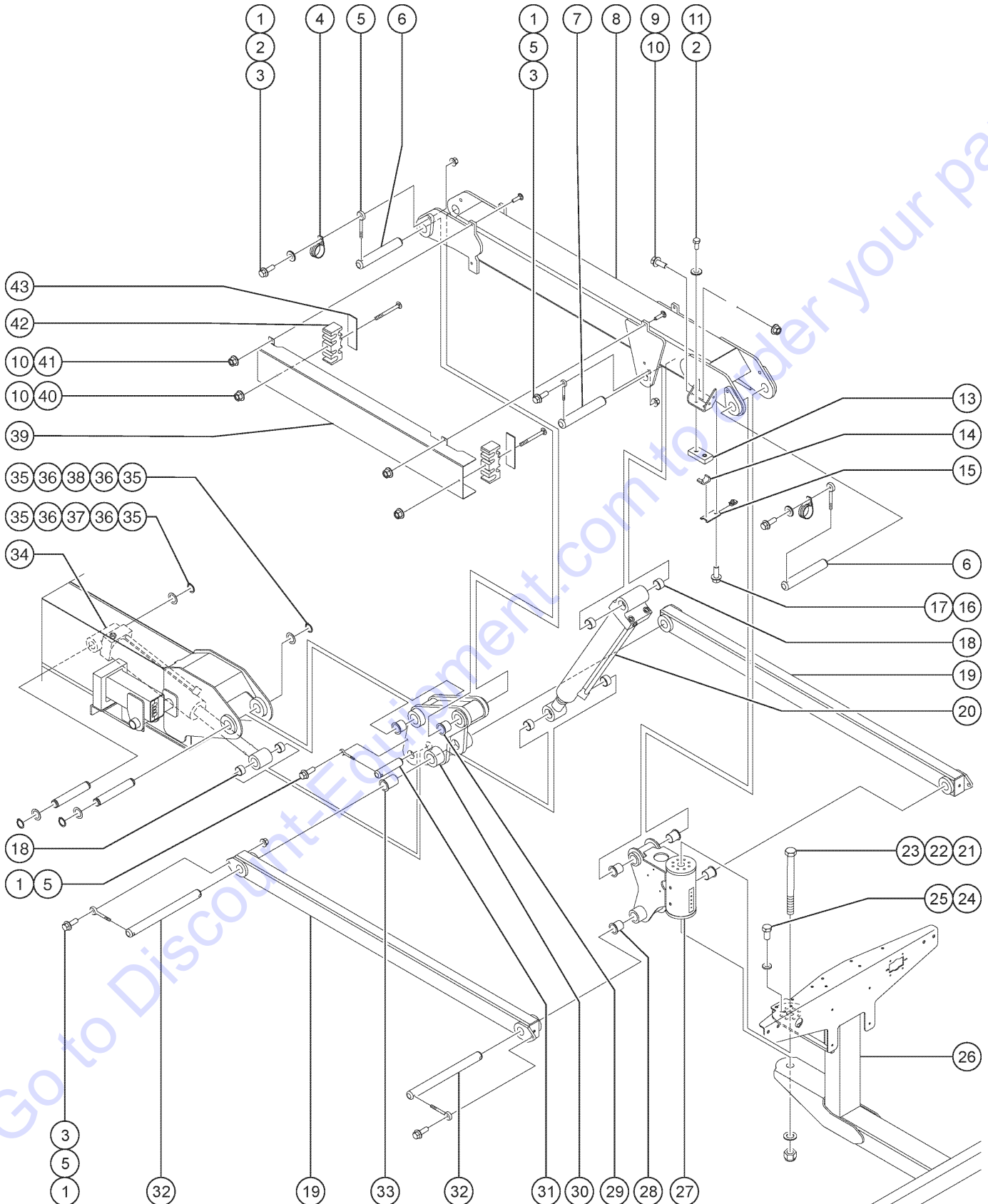
605.1 Boom End Components, S-65TraX

S-65
see section 606.1 or 609.1



Item	Part No.	Description	Qty.
2	30370GT	BEARING,1.25IDX1.5ODX1.00L.....	4
3	T108075GT	PIN,1.25DIAX5.25LG,1HOLE.....	1
4	824091GT	SCREW,HHF,3/8-16X1.25,8,ZAG.....	1
5	825019GT	ROD END,.375X3.69,ZAG.....	1
6	824029GT	NUT,TL FLG,3/8-16,G,ZAG.....	1
7	25683GT	BEARING,POLYGON,20DU12.....	4
8	63566GT	CYLINDER,PLATFORM LEVEL *** <i>Includes item 7</i>	1
--	101254GT	SEAL KIT (63566)	
--	77303GT	VALVE, CNTRBAL 3500 PSI, ATM VEN	
9	T111124GT	PIN,1.25DIAX8.42LG,2RING.....	1
10	824164GT	SNAP RING,EXTERNAL,1.25,ZAG.....	4
11	824151GT	WASHER,SHIM,1.270X2.130X.062,Z as-needed	
12	88870GT	PIN,1.25DIAX7.47LG,2RING.....	1

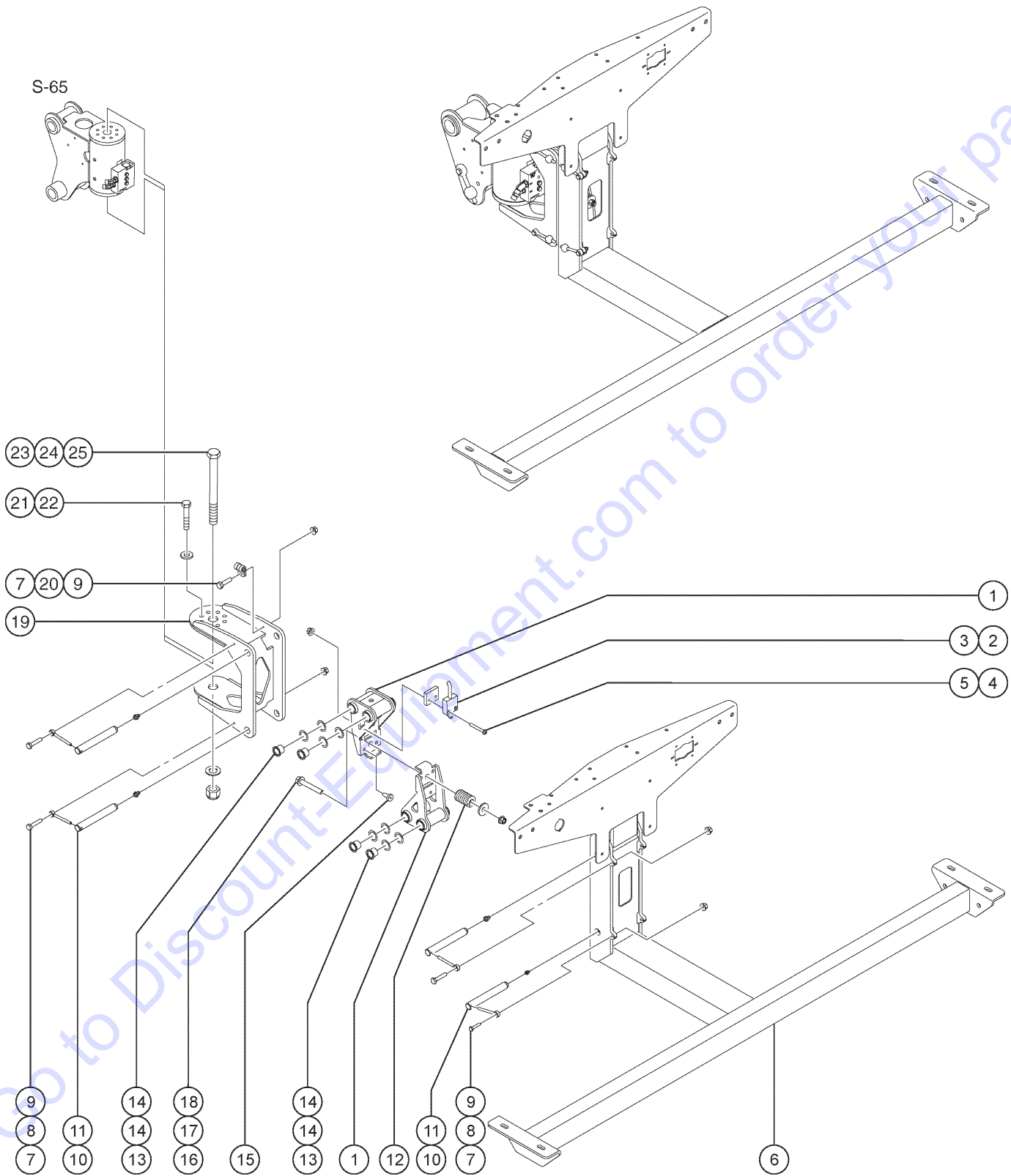
606.1 Boom End Components, S-65



606.1 Boom End Components, S-65

Item	Part No.	Description	Qty.	Item	Part No.	Description	Qty.
1	824092GT	SCREW,HHF,3/8-16X1.5,8,ZAG.....	5	31	T108075GT	PIN,1.25DIAX5.25LG,1HOLE.....	1
2	824110GT	WASHER,LOCK,3/8,ZAG.....	2	32	81175GT	PIN,1.25DIAX14.45LG,2HOLE.....	2
3	824029GT	NUT,TL FLG,3/8-16,G,ZAG		33	128268GT	BEARING,FL, 1.25X1.5X2.13.....	2
4	77181GT	CLAMP,1.63,#26 X 3/8,RUB CUSH.....	2	34	63566GT	CYLINDER,PLATFORM LEVEL ***	1
5	825019GT	ROD END,.375X3.69,ZAG				<i>Includes item 7</i>	
6	T108076GT	PIN,1.25DIAX7.88LG,1HOLE.....	2	--	101254GT	SEAL KIT (63566)	
7	T108077GT	PIN,1.25DIAX7.00LG,1HOLE.....	1	--	77303GT	VALVE, CNTRBAL 3500 PSI, ATM VEN	
8B	128534GT	JIB BOOM ASSY W/WORD DECAL.....	1	35	30217GT	SNAP RING,EXTERNAL,1.25 DIA.**	4
		<i>USA, Canada and Australia models,</i>		36	824151GT	WASHER,SHIM,1.270X2.130X.062,Z	
		<i>includes item 8A</i>		37	88870GT	PIN,1.25DIAX7.47LG,2RING.....	1
8C	T108892GT	JIB BOOM ASSY W/SYMBOL DECAL		38	T111124GT	PIN,1.25DIAX8.42LG,2RING.....	1
		<i>South America, Asia and Europe models,</i>		39	128454PGT	COVER, JIB HOSES/CABLES.....	1
		<i>includes item 8A</i>		40	1256180GT	BOLT,CARRIAGE,1/4-20X2.75,5,ZAG.....	2
9	824079GT	SCREW,HHF,1/4-20X1,8,ZAG		41	1256127GT	BOLT,CARRIAGE,1/4-20X1.5,ZAG.....	4
10	824027GT	NUT,TL FLG,1/4-20,G,ZAG		42	824551GT	CLAMP,HOSE/CABLE,JIB.....	2
11	1256109GT	SCREW,HHC,3/8-16X.75,8,ZAG		43	128483GT	BACKING PLATE, HOSE BLOCK, JIB....	2
13	81640GT	WEAR PAD,3 X 1.5 X.625 W/NUTS					
14	119542GT	CLAMP,TWO HOSE.....	1				
15	119536PGT	BRACKET,HOSE CLAMP,PAINTED.....	1				
16	824078GT	SCREW,HHF,1/4-20X.75,8,ZAG					
17	56912GT	SPRING					
		CLIP,1/4-20,.025-.15X.54,ZAG.....	1				
18	25683GT	BEARING,POLYGON,20DU12.....	4				
19	61306-SGT	COMPR.LINK,MACHINED,GND					
		CONTR*.....	2				
20	63213GT	CYLINDER,JIB (STICK BOOMS).....	1				
		<i>includes item 18</i>					
--	33428GT	VALVE,COUNTERBALANCE					
--	63353GT	SEAL KIT,CYL,S65 (63213)					
21	826792GT	SCREW,HHC,1-8X11,5,ZAG.....	1				
22	824116GT	WASHER, FLAT, F436, 1.0, ZAG.....	2				
23	1257081GT	NUT,1-8,8,ZAG.....	1				
24	826791GT	SCREW,HHC,3/8-16X.875,8,ZAG.....	8				
25	826793GT	WASHER,FLAT,3/8,SAE,HRD,ZAG.....	8				
26	60370-SGT	PLATFORM SUPPORT					
		WELDMNT-SERV*.....	1				
27	94397GT	ROTATOR,PLAT JIB,160 DEG***.....	1				
		<i>includes bearing item 28</i>					
--	122944GT	SEAL KIT,8K ROTATOR***					
		<i>for 94397</i>					
--	75395GT	BEARING KIT,PLAT ROTATOR,SUPER					
		<i>for 94397</i>					
--	88516GT	SCREW,BLEEDER,M5X0.8					
		<i>for 94397</i>					
28	30222GT	BEARING,FL,1.25IDX1.41ODX1.50L.....	4				
29	35675GT	BEARING,FL,1.25IDX1.5ODX1.25L.....	4				
30	101244GT	BELLCRANK W/BEARINGS.....	1				
		<i>includes bearings item 29 and 33</i>					

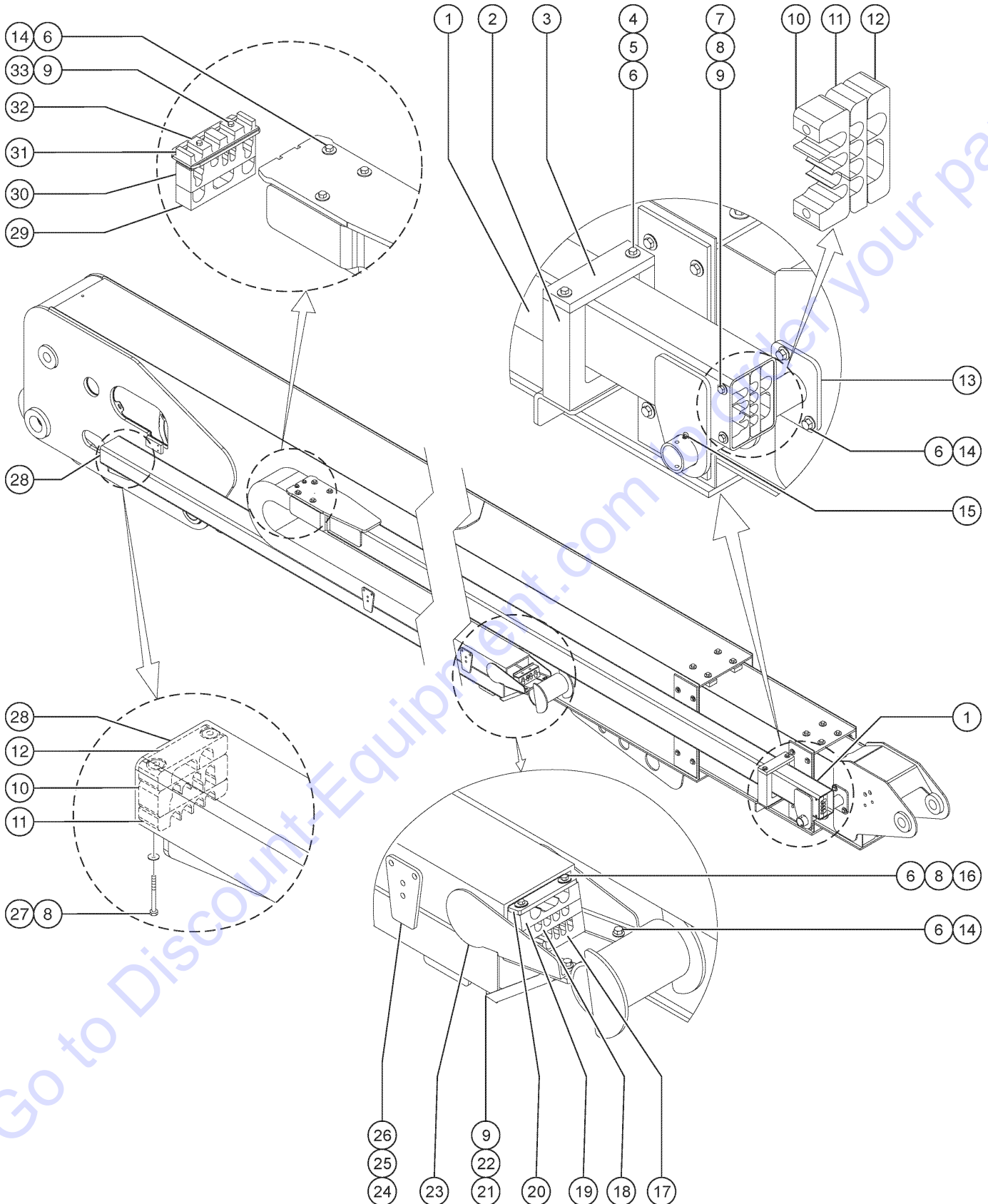
608.1 Boom End Components, Load Sense, S-65 CE Models



608.1 Boom End Components, Load Sense, S-65 CE Models

Item	Part No.	Description	Qty.
1	89755GT	LOAD SUPPORT W/BEARINGS.....	2
2	121848GT	ASSY,LS,LOAD SENSE,38.5 IN.....	1
3	61972GT	MOUNT,SWITCH.....	1
4	1257264GT	SCREW,BHC,10-32X1.5,F835,ZAG.....	2
5	824032GT	NUT,TL FLG,10-32,F,ZAG.....	2
6	61997GT	WELDMENT,PLATFORM SUPPORT,CE.....	1
--	94326GT	WELDMENT,4/5FT PLATFORM SUPPOR..... <i>4 ft. and 5 ft. platforms only</i>	1
7	824061GT	SCREW,HHC,1/4-20X1.25,8,ZAG	
8	825020GT	ROD END, .25 X 2.75, ZAG	
9	824027GT	NUT,TL FLG,1/4-20,G,ZAG	
10	61726GT	PIN,0.75DIA X 5.75LG,CHAMFER.....	4
11	94643GT	ZERK,GREASE,5/16-24,STRAIT.....	4
12	61974GT	SPRING,COMP,1" OD,232 LB/IN.....	1
13	25685GT	BEARING,GARLOCK,12FDU12.....	8
14	110789GT	WASHER,SHIM .0151 THK.....	as-needed
15	34619GT	BUMPER,RUBBER***	2
16	824095GT	SCREW,HHF,3/8-16X3,8,ZAG	
17	61975GT	RETAINER,SPRING,1.21 X .375.....	1
18	824029GT	NUT,TL FLG,3/8-16,G,ZAG	
19	101845GT	ROTATOR MOUNT KIT.....	1
--	61804GT	WELDMENT,ROTATOR SUPPORT	
20	45470GT	CLAMP,0.31,#5 X 1/4,RUB CUSH.....	1
21	826791GT	SCREW,HHC,3/8-16X.875,8,ZAG.....	8
22	826793GT	WASHER,FLAT,3/8,SAE,HRD,ZAG.....	8
23	826792GT	SCREW,HHC,1-8X11,5,ZAG.....	1
24	824116GT	WASHER, FLAT, F436, 1.0, ZAG.....	2
25	1257081GT	NUT,1-8,8,ZAG.....	1

609.1 Cable Track



PARTS FINDER

**Search Website
by Part Number**



**Search Manual
Library For Parts
Manual & Lookup Part
Numbers – Purchase
or Request Quote**

Search Manuals

Enter your information to help us find the right parts manual for your machine.

* Brand:

* Model:

* Serial:

* Part Number:

SEARCH

**Can't Find Part or
Manual? Request Help
by Manufacturer,
Model & Description**

Parts Order Form

Please fill in the following information to help us find the right part for your machine.

Manufacturer:	<input type="text"/>
Model:	<input type="text"/>
Description:	<input type="text"/>
Part Number:	<input type="text"/>
Quantity:	<input type="text"/>
Notes:	<input type="text"/>

Submit

Discount-Equipment.com is your online resource for quality parts & equipment.

Florida: **561-964-4949** Outside Florida TOLL FREE: **877-690-3101**

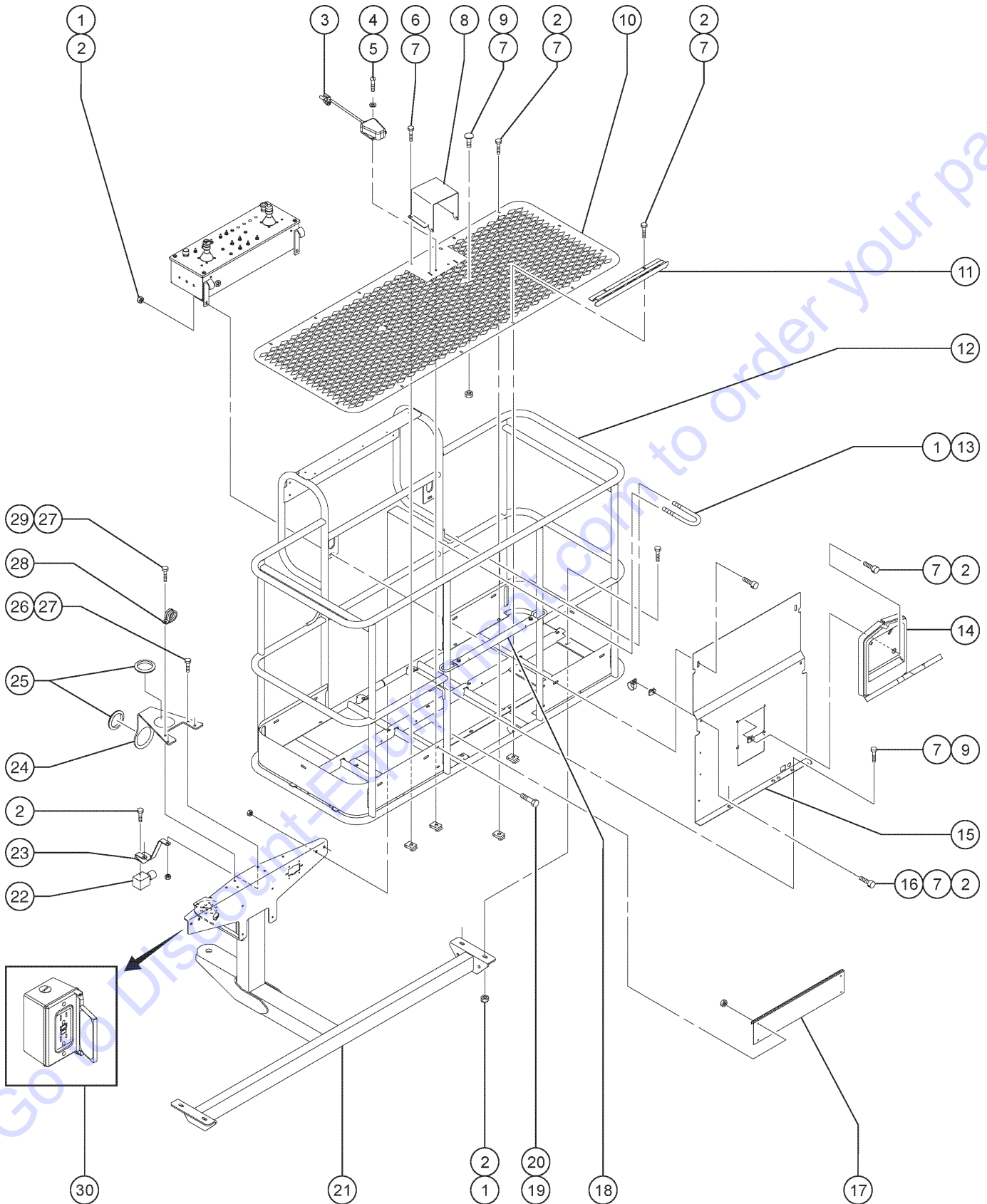
Need parts?

Click on this link: <http://www.discount-equipment.com/category/5443-parts/> and choose one of the options to help get the right parts and equipment you are looking for. Please have the machine model and serial number available in order to help us get you the correct parts. If you don't find the part on the website or on one of the online manuals, please fill out the request form and one of our experienced staff members will get back to you with a quote for the right part that your machine needs.

We sell worldwide for the brands: Genie, Terex, JLG, MultiQuip, Mikasa, Essick, Whiteman, Mayco, Toro Stone, Diamond Products, Generac Magnum, Airman, Haulotte, Barreto, Power Blanket, Nifty Lift, Atlas Copco, Chicago Pneumatic, Allmand, Miller Curber, Skyjack, Lull, Skytrak, Tsurumi, Husquvarna Target, Stow, Wacker, Sakai, Mi-T-M, Sullair, Basic, Dynapac, MBW, Weber, Bartell, Bennar Newman, Haulotte, Ditch Runner, Menegotti, Morrison, Contec, Buddy, Crown, Edco, Wyco, Bomag, Laymor, EZ Trench, Bil-Jax, F.S. Curtis, Gehl Pavers, Heli, Honda, ICS/PowerGrit, IHI, Partner, Imer, Clipper, MMD, Koshin, Rice, CH&E, General Equipment, Amida, Coleman, NAC, Gradall, Square Shooter, Kent, Stanley, Tamco, Toku, Hatz, Kohler, Robin, Wisconsin, Northrock, Oztec, Toker TK, Rol-Air, APT, Wylie, Ingersoll Rand / Doosan, Innovatech, Con X, Ammann, Mecalac, Makinex, Smith Surface Prep, Small Line, Wanco, Yanmar

Item	Part No.	Description	Qty.	Item	Part No.	Description	Qty.
1	88859GT	WELDMENT,CABLE TRACK TUBE***.....1		25	39317GT	STOP PLATFORM ROLLER	
2	81341GT	WEAR PAD,CABLE TRACK PULL TUBE.....1		26	87085GT	RIVET,ALUM,P,.188 X .25	
3	81342GT	WEAR PAD,5.5 X 1.75 X .5.....1		27	1256171GT	SCREW,HHC,1/4-20X3,8,ZAG	
4	826791GT	SCREW,HHC,3/8-16X.875,8,ZAG		28	88858GT	WELDMENT,CABLE TRACK TRAY***.....1	
5	1255758GT	WASHER,FLAT,3/8,USS,ZAG		29	228969GT	CLAMP, OPTIONS, CABLE TRACK.....1 (weld cable option)	
6	824029GT	NUT,TL FLG,3/8-16,G,ZAG		30	824549GT	CLAMP, CABLES.....1	
7	824083GT	SCREW,HHF,1/4-20X2.5,8,ZAG		31	121065GT	FORMING,CLAMP,TOP,CABLE TRACK.....1	
8	824113GT	WASHER,FLAT,USS,1/4,ZAG		32	228967GT	CLAMP, CABLE.....1	
9	824027GT	NUT,TL FLG,1/4-20,G,ZAG		33	824084GT	SCREW,HHF,1/4-20X3,8,ZAG	
10	824547GT	CLAMP, CABLES.....2					
11	227308GT	CLAMP, HOSES.....2					
12	227306GT	CLAMP ASSY,OPTIONS BLOCK W/NUT.....2 (weld cable option)					
13	81347GT	WELDMENT,TRACK PULL TUBE PIVOT.....1					
14	824090GT	SCREW,HHF,3/8-16X1,8,ZAG					
15	13635-10GT	PIN,COTTER,.156 X 1.75.....1					
16	824096GT	SCREW,HHF,3/8-16X3.5,8,ZAG					
17	824548GT	CLAMP, CABLES.....1					
18	226325GT	CLAMP, HOSES.....1					
19	228796GT	CLAMP, OPTIONS, CABLE TRACK.....1 (weld cable option)					
20	228797GT	BAR, CLAMP, CABLE TRACK.....1					
21A	1264258GT	FORMING, TRACK BRACE, LH.....1 outboard bracket; furthest from boom tube (shown)					
21B	1264257GT	FORMING, TRACK BRACE, RH.....1 inboard bracket; closest to boom tube					
22	824078GT	SCREW,HHF,1/4-20X.75,8,ZAG					
23	T114223GT	CABLE TRACK, SX, 49 LINK.....1					
--	121035GT	PIN,1.250 X 9.25, 2 RINGS for T114223					
--	122661GT	REPAIR KIT,4 LINK,W/GUIDE for T114223					
--	122662GT	END BRACKET,MOVING END for T114223					
--	122663GT	END BRACKET,FIXED END for T114223					
--	122668GT	GUIDE FINGER,PLASTIC for T114223					
--	218448GT	FINGER,GUIDE,CABLE TRACK for T114223					
--	229169GT	FLATBAR, CLAMPS, CABLE TRACK for T114223					
24	218448GT	FINGER,GUIDE,CABLE TRACK.....10					
--	58310GT	SCREW,10-24 X.5 TORX PAN HD*** for 218448					

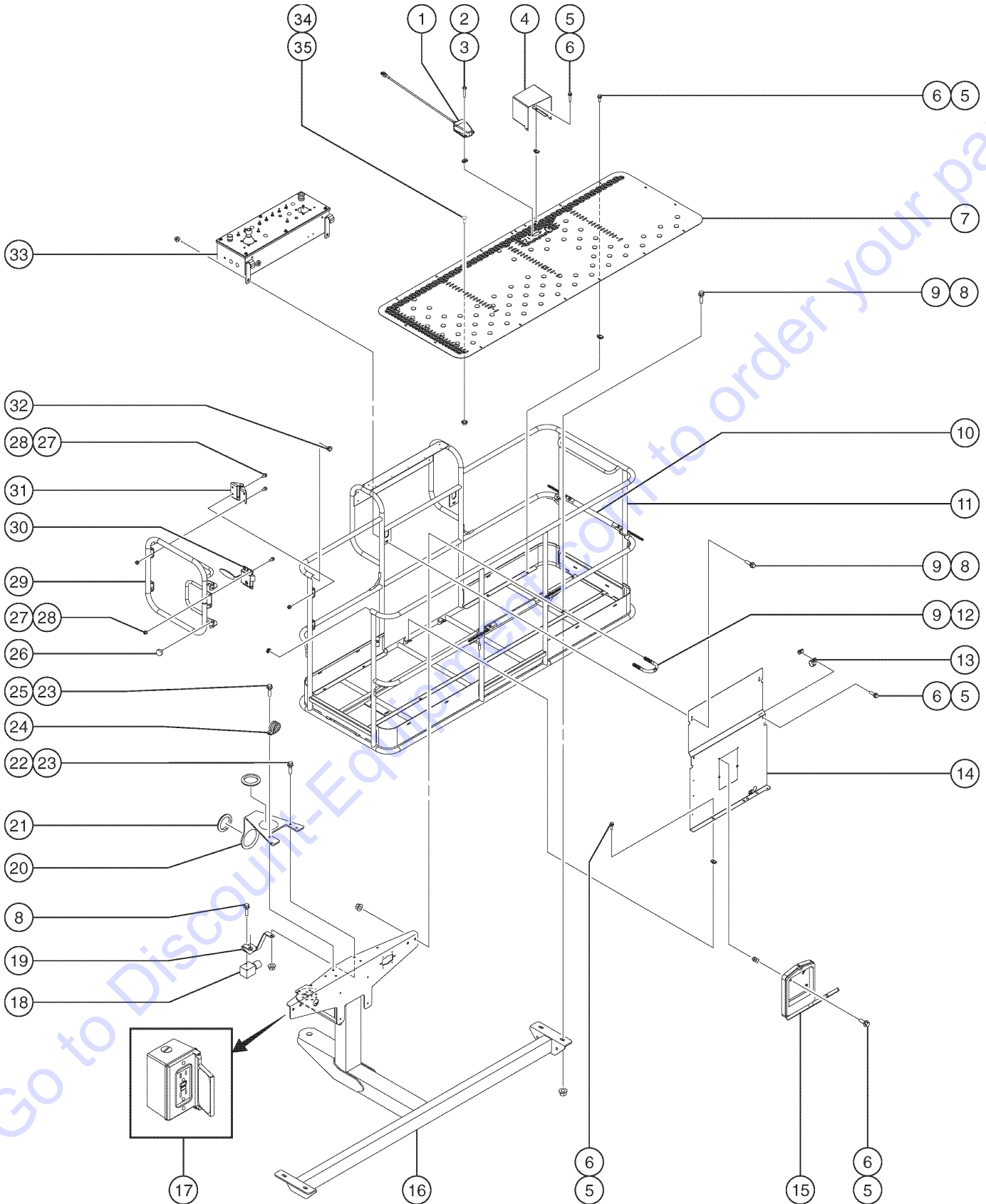
701.1 Platform Installation (to SN S6016M-182)



701.1 Platform Installation (to SN S6016M-182)

Item	Part No.	Description	Qty.
1	824029GT	NUT,TL FLG,3/8-16,G,ZAG	
2	824091GT	SCREW,HHF,3/8-16X1.25,8,ZAG	
3	1254874GT	ASSEMBLY,FOOT SWITCH, S60.....1	
4	1256460GT	SCREW,PHPM,10-24X1,ZAG	
5	73575GT	SPRING CLIP,10-24,.025-.125X.468,ZAG	
6	824079GT	SCREW,HHF,1/4-20X1,8,ZAG	
7	56912GT	SPRING CLIP,1/4-20,.025-.15X.54,ZAG	
7	824027GT	NUT,TL FLG,1/4-20,G,ZAG	
8	147121GT	COVER, FOOT SWITCH, LARGE.....1 <i>decals not included, refer to section 100</i>	
9	824078GT	SCREW,HHF,1/4-20X.75,8,ZAG	
10C	73477PGT	FLOORING, 6'FT PLATFORM.....1	
10D	73478PGT	FLOORING,8 FT PLATFORM**.....1	
11	73610PGT	STEP PLATFORM ENTRY PAINTED***.....1	
12C	160809GT	ASSY,6FT PLATFORM,NO DECALS.....1 <i>decals not included, refer to section 100</i>	
12D	160804GT	ASSY,8FT PLATFORM,NO DECALS.....1 <i>decals not included, refer to section 100</i>	
13	1251600GT	U-BOLT, FLATTENED, 1.5 X 3/8 UNC,ZAG	
14A	44743GT	MANUAL BOX W/DECALS***.....1 <i>USA/Canada/Australia</i>	
14B	24514GT	BOX,INSTRUCTION STORAGE <i>Europe/Asia/South America (decals required; refer to Section100)</i>	
15	73574-SGT	DECAL PLATE ASSEMBLY.....1 <i>decals not included, refer to section 100</i>	
16	56424GT	CLAMP,1.25X.5 RUBBER-CUSHION	
17	94745PGT	TOEBOARD,ENTRY EUROPEAN PNTD**.....1	
18	102992GT	SLIDING MIDRAIL KIT,PTD.....1	
19	824078GT	SCREW,HHF,1/4-20X.75,8,ZAG	
20	824027GT	NUT,TL FLG,1/4-20,G,ZAG	
21		Ref: Platform Support <i>refer to section 600</i>	
22		Ref: Jib Manifold <i>refer to 404.1</i>	
23	110671GT	PLATE,JIB,ROTATE MANIFOLD.....1	
24	106163GT	FORMING,CABLE GUIDE.....1	
25	55067GT	GROMMET,RUBBER 3 X .19 X 3.5.....2	
26	824086GT	SCREW,HHF,5/16-18X1,8,ZAG	
27	824028GT	NUT,TL FLG,5/16-18,G,ZAG	
28	77180GT	CLAMP,1.31,#21 X 3/8,RUB CUSH.....1	
29	824087GT	SCREW,HHF,5/16-18X1.25,8,ZAG	
30		Ref. POWER AND AIR LINE TO PLATFORM <i>refer to 910.1</i>	

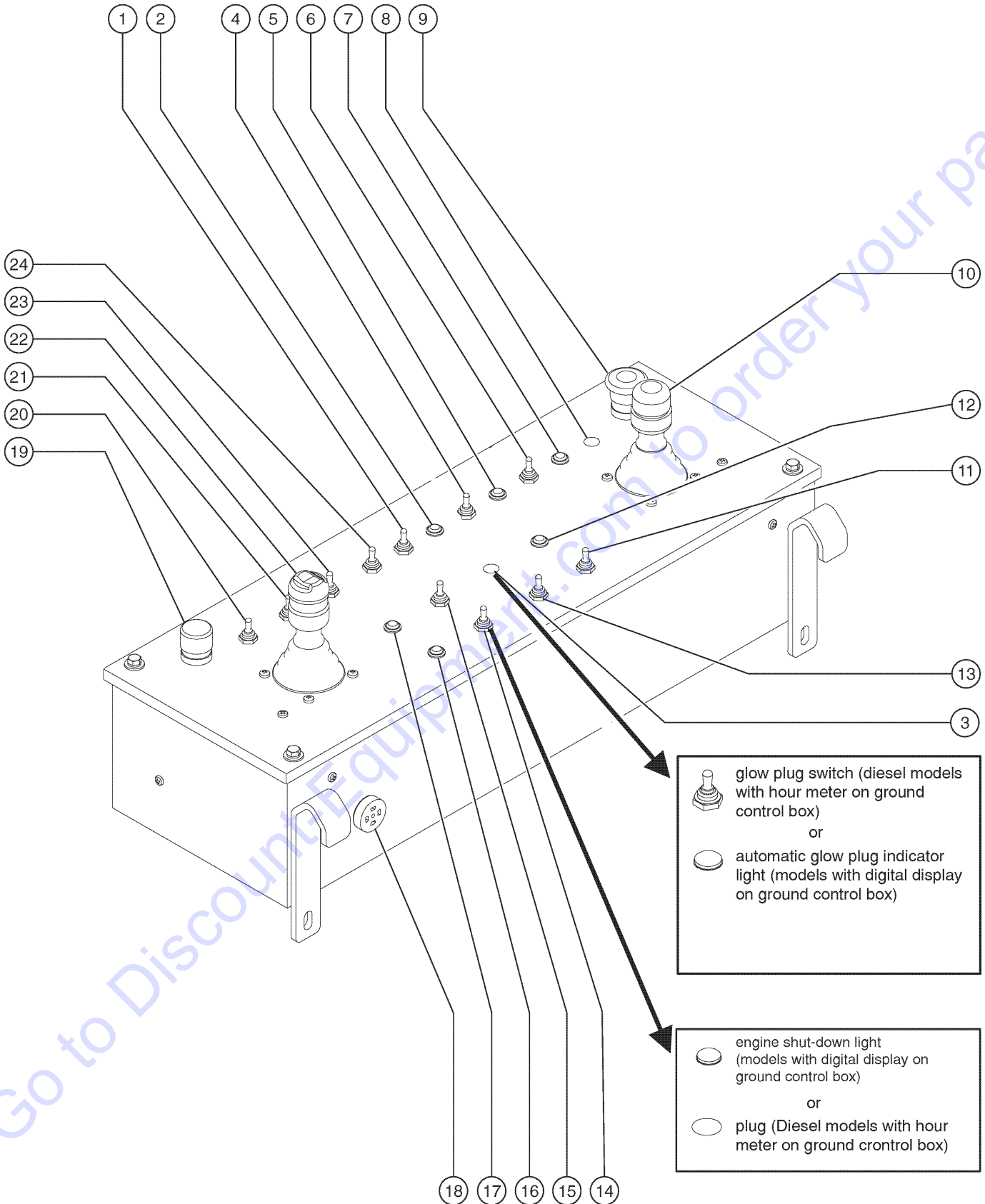
701.2 Platform Installation (from SN S6016M-183, from SN S65TX-101)



701.2 Platform Installation (from SN S6016M-183, from SN S65TX-101)

Item	Part No.	Description	Qty.	Item	Part No.	Description	Qty.
A	1272304GT	ASSY,8FT PLAT TRI LG,BLANK W/SIDE SWING GATE <i>Complete 8' platform assembly; Order decals separately. refer to Seciton 100.</i>		27	824027GT	NUT,TL FLG,1/4-20,G,ZAG.....	12
B	1272303GT	ASSY,6FT PLAT DUAL LG,BLANK W/SIDE SWING GATE <i>Complete 6' platform assembly; Order decals separately. refer to Seciton 100.</i>		28	1256855GT	SCREW,HHF,1/4-20X.625,8,ZAG.....	12
1	1254874GT	ASSEMBLY,FOOT SWITCH, S60.....	1	29	1272307GT	ASSY,SIDE SWING GATE.....	1
2	1256460GT	SCREW,PHPM,10-24X1,ZAG.....	2	--	1265397GT	WELDMENT, SWING GATE	
3	73575GT	SPRING CLIP,10-24,.025-.125X.468,ZAG.....	2	30	1267747GT	LATCH, SWING GATE.....	1
4	147121GT	COVER, FOOT SWITCH, LARGE.....	1	31	104804GT	HINGE, SPRING, LONG LEG.....	1
5	824078GT	SCREW,HHF,1/4-20X.75,8,ZAG		32	55753GT	BUMPER, PLASTIC, 1.25 O.D.....	2
6	56912GT	SPRING CLIP,1/4-20,.025-.15X.54,ZAG		33		REF. PLATFORM CONTROL BOX ASSEMBLY.....	1
7A	73478GT	FLOORING, 8 FT PLATFORM***.....	1			<i>refer to 702.1 and 703.1</i>	
7B	1267746GT	FLOORING, 6FT PLAT,SIDE.....	1	34	824124GT	BOLT,CARRIAGE,1/4-20X.75,5,ZAG	
8	824091GT	SCREW,HHF,3/8-16X1.25,8,ZAG.....	7	35	1256679GT	NUT,SERRATED,1/4-20,8,ZAG	
9	824029GT	NUT,TL FLG,3/8-16,G,ZAG.....	10				
10A	12448GT	SLIDING MIDRAIL ASSY-STD.....	2				
10B	12448GT	SLIDING MIDRAIL ASSY-STD.....	1				
11A	1274859GT	ASSY,8' PLAT WELDMENT W/SIDE GATE <i>for 8' platform (includes item 10)</i>					
11B	1274858GT	ASSY,6' PLAT WELDMENT W/SIDE GATE <i>for 6' platform (includes item 10)</i>					
12	1251600GT	U-BOLT, FLATTENED, 1.5 X 3/8 UNC,ZAG.....	2				
13	56424GT	CLAMP,1.25X.5 RUBBER-CUSHION....	3				
14	73574GT	PLATE,DECAL,PLATFORM***.....	1				
15	24514GT	BOX,INSTRUCTION STORAGE.....	1				
16		REF: PLATFORM SUPPORT.....	1				
17		Ref. POWER AND AIR LINE TO PLATFORM <i>refer to 910.1</i>					
18		REF: JIB MANIFOLD <i>refer to 404.1</i>					
19	110671GT	PLATE,JIB,ROTATE MANIFOLD.....	1				
20	106163GT	FORMING,CABLE GUIDE.....	1				
21	55067GT	GROMMET,RUBBER 3 X .19 X 3.5.....	2				
22	824086GT	SCREW,HHF,5/16-18X1,8,ZAG					
23	824028GT	NUT,TL FLG,5/16-18,G,ZAG					
24	77180GT	CLAMP,1.31,#21 X 3/8,RUB CUSH.....	1				
25	824087GT	SCREW,HHF,5/16-18X1.25,8,ZAG					
26	43392GT	BUMPER,BATTERY BOX & RAILS.....	2				

702.1 Platform Control Box - View 1, External



702.1 Platform Control Box - View 1, External

Item	Part No.	Description	Qty.	Item	Part No.	Description	Qty.
C	825443GT	PBOX ASSY,DEUTZ T4,SGL CAP (models with Deutz D2.9L4, single capacity) decals not included refer to section 100		--	56848GT	WASHER,LOCK,IND,LAMP RETAINER	
D	825444GT	PBOX ASSY,DEUTZ T4,DUAL CAP (models with Deutz D2.9L4, dual capacity) decals not included refer to section 100		7B	229567GT	PLUG,SANTOPRENE .5 BLACK DOME.....1 (S-65)	1
E	228311GT	S60 PBOX ASSY, COMMON		8	229567GT	PLUG,SANTOPRENE .5 BLACK DOME.....1 (used for optional equipment)	1
F	128578GT	SCREW T-SWITCH PH/PH 6-32X1/4 (included in each toggle switch assembly)		9	66812GT	BUTTON,PUSH,RED MUSHROOM HEAD.....1	1
G	27246GT	BOOT,TOGGLE SWITCH,SHORT* (included in each toggle switch assembly)		--	146478GT	BOOT(BELLOWS),E-STOP,BLACK	
1	128201GT	SWITCH TOGGLE ASSY DPDT 2P MOM.....1 (Auxiliary Power; includes boot and hardware)	1	--	66818GT	CONTACT, N.C.	
--	128581-SGT	SWITCH TOGGLE DPDT 2P MOM SHDR		--	94506GT	BASE,W/3 NC CONTACTS	
2A	824879GT	LIGHT,LED IND. RED 12V NH.....1 (Machine not level indicator) (option)	1	10		Ref. Joystick.....1 refer to 704.1	1
--	56848GT	WASHER,LOCK,IND,LAMP RETAINER		10	139338GT	SCREW PH M5-0.8X20 DIN 7500CE.....4	4
2B	229567GT	PLUG,SANTOPRENE .5 BLACK DOME.....1 (without option)	1	11	128200GT	SWITCH TOGGLE ASSY SPDT 3P MOM.....1 (Drive enable; includes boot and hardware)	1
3B	128200GT	SWITCH TOGGLE ASSY SPDT 3P MOM (Diesel models with an hour meter in the ground control box)		--	128580GT	SWITCH TOGGLE SPDT 3P MOM SHDR	
--	128580GT	SWITCH TOGGLE SPDT 3P MOM SHDR (Diesel models with an hour meter in the ground control box)		12	824879GT	LIGHT,LED IND. RED 12V NH.....1 (Drive enable indicator light)	1
3C	1254804GT	LT.LAMP IND.AMBER 12V NH (models with digital display in the ground control box)		13	128204GT	SWITCH TOGGLE ASSY SPDT 2P MNT.....1 (Engine idle select; includes boot and hardware)	1
4A	128204GT	SWITCH TOGGLE ASSY SPDT 2P MNT.....1 (Generator) (option)	1	--	128584-SGT	SWITCH TOGGLE SPDT 2P MNT SHDR	
--	128584-SGT	SWITCH TOGGLE SPDT 2P MNT SHDR		14B	824879GT	LIGHT,LED IND. RED 12V NH (models with digital display on the ground control box)	
4B	229567GT	PLUG,SANTOPRENE .5 BLACK DOME.....1 (without option)	1	14C	229567GT	PLUG,SANTOPRENE .5 BLACK DOME (diesel models with hour meter in ground control box)	
5A	824880GT	LIGHT,LED IND. AMBER 12V NH.....1 (upper capacity range) (S-65TX)	1	15	128200GT	SWITCH TOGGLE ASSY SPDT 3P MOM.....1 (Engine start; includes boot and hardware)	1
--	56848GT	WASHER,LOCK,IND,LAMP RETAINER		--	128580GT	SWITCH TOGGLE SPDT 3P MOM SHDR	
5B	229567GT	PLUG,SANTOPRENE .5 BLACK DOME (S-65)		16	824879GT	LIGHT,LED IND. RED 12V NH.....1 (CE models, platform overload indicator)	1
6A	128200GT	SWITCH TOGGLE ASSY SPDT 3P MOM.....1 (Capacity range select) (S-65TX)	1	--	56848GT	WASHER,LOCK,IND,LAMP RETAINER	
--	128580GT	SWITCH TOGGLE SPDT 3P MOM SHDR		17	824879GT	LIGHT,LED IND. RED 12V NH.....1 (Machine malfunction indicator)	1
6B	229567GT	PLUG,SANTOPRENE .5 BLACK DOME.....1 (S-65)	1	--	56848GT	WASHER,LOCK,IND,LAMP RETAINER	
7A	824880GT	LIGHT,LED IND. AMBER 12V NH.....1 (lower capacity range) (S-65TX)	1	18	45383GT	ALARM,WARBLE TONE 5-30 VDC***.....1 (retaining nut 72326 sold separately)	1
				--	72326GT	NUT - PLASTIC,RING FOR ALARMS	
				19	66813GT	BUTTON,PUSH,BLACK W/SEAL***.....1	1
				--	66815GT	BASE, W/1 N.O. CONTACTS***	
				--	66816GT	CONTACT,N.O.***	

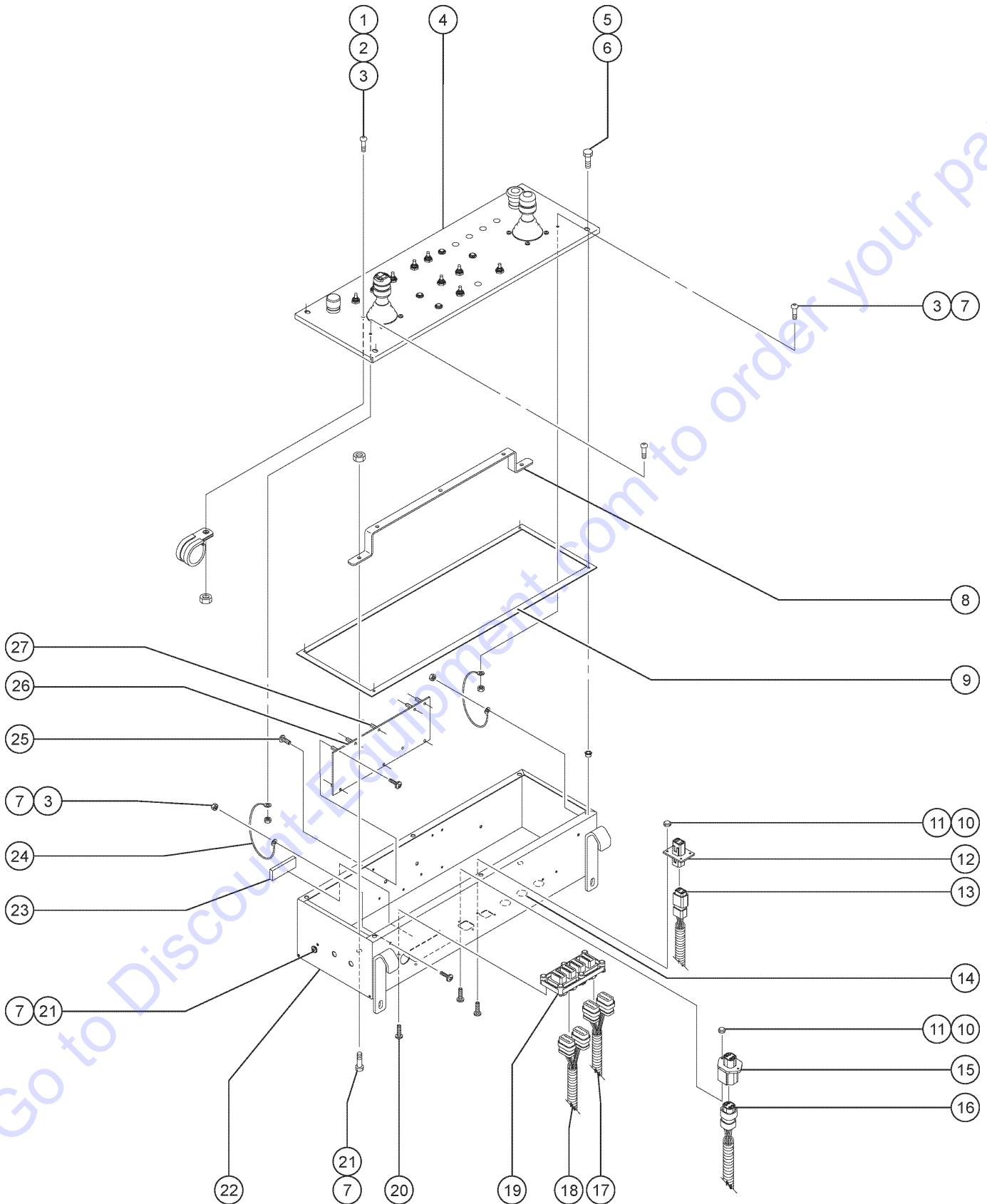
702.1 Platform Control Box - View 1, External
(continued)

Item	Part No.	Description	Qty.
20	128200GT	SWITCH TOGGLE ASSY SPDT 3P MOM.....1 <i>(Platform level; includes boot and hardware)</i>	1
--	128580GT	SWITCH TOGGLE SPDT 3P MOM SHDR	
21	128202GT	SWITCH TOGGLE ASSY DPDT 3P MOM.....1 <i>(Platform rotate; includes boot and hardware)</i>	1
--	128582-SGT	SWITCH TOGGLE DPDT 3P MOM SHDR	
22		Ref. Joystick.....1 <i>refer to 704.1</i>	1
22	139338GT	SCREW PH M5-0.8X20 DIN 7500CE.....4	4
23A	128200GT	SWITCH TOGGLE ASSY SPDT 3P MOM.....1 <i>(Jib boom up/down; includes boot and hardware)</i>	1
--	128580GT	SWITCH TOGGLE SPDT 3P MOM SHDR	
23B	824880GT	LIGHT,LED IND. AMBER 12V NH.....1	1
--	56848GT	WASHER,LOCK,IND,LAMP RETAINER	
24	128204GT	SWITCH TOGGLE ASSY SPDT 2P MNT.....1 <i>(Drive speed; includes boot and hardware)</i>	1
--	128584-SGT	SWITCH TOGGLE SPDT 2P MNT SHDR	

This Page Intentionally Left Blank

Go to Discount-Equipment.com to order your parts

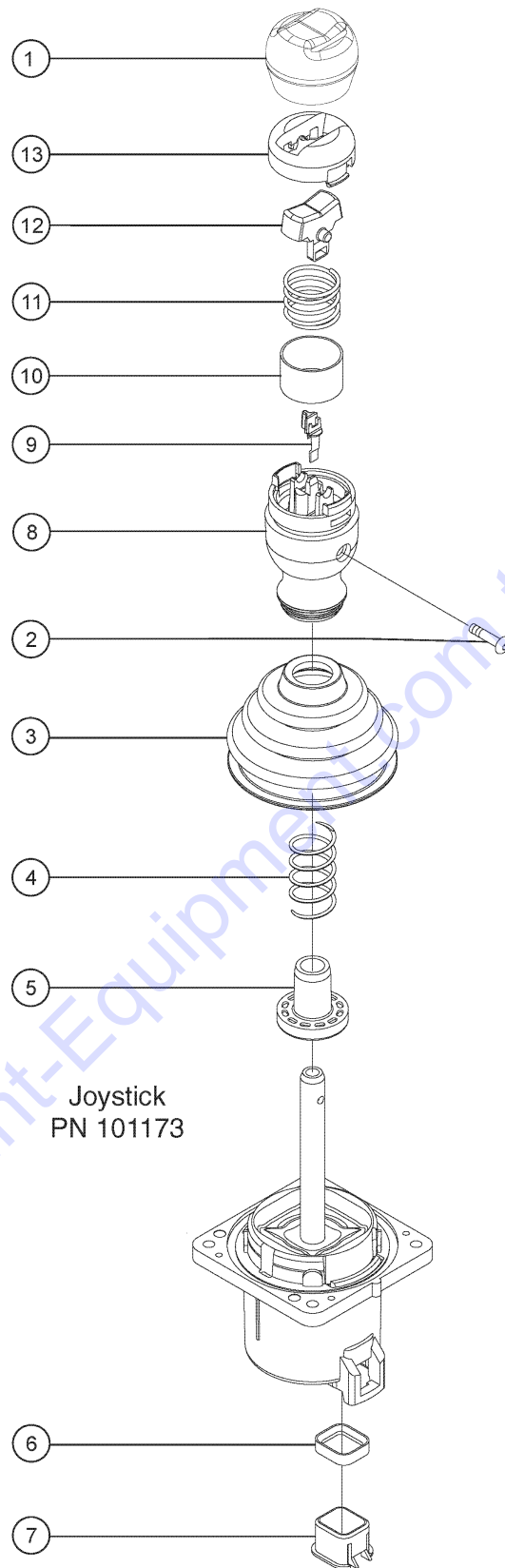
703.1 Platform Control Box - View 2, Internal



703.1 Platform Control Box - View 2, Internal

Item	Part No.	Description	Qty.
--		Ref. PLATFORM BOX HARNESS <i>refer to 311.1</i>	
--	111413GT	JOYSTICK CONNECTOR ASSEM,DEUT	
--	111420GT	OPTION,ROCKER STEER	
--	121847GT	RELAY,TIME DELAY,2 SEC,30A	
1	1257404GT	SCREW,PHPM-ST,M5-0.8X20,DIN750...8	
2	18666GT	CLAMP,1.00,#16 X 1/4,RUB CUSH.....1	
3	826214GT	NUT,TL,M5-0.8,DIN980,10,ZAB	
4	147387GT	FORMING, PLAT. BOX LID.....1	
5	1256855GT	SCREW,HHF,1/4-20X.625,8,ZAG	
6	T107520GT	NUTSERT,LP KNURLED,1/4-20X.165....4	
7	1251757GT	SCREW,PHPM,10-32X.50,ZAG	
8	119644GT	BRACKET,PBOX WIRE SUPPORT.....1	
9	81488GT	GASKET,PLATFORM CONTROL BOX....1	
10	824214GT	SCREW,PHPM,6-32X.5,ZAG	
11	824019GT	NUT,TL,6-32,A,ZAG	
12	73723GT	CONN RECEP,FLANGED.....1	
13		Ref. FOOT SWITCH WIRE HARNESS ASSEMBLY <i>refer to 311.1</i>	
14	15243GT	PLUG,NYLON .875 BLACK DOMED.....3	
15	73717GT	CONN,RECEP 4 WAY,12-14GA FL***1	
16		Ref. HARNESS,12V TO PLAT <i>refer to 311.1</i>	
17		Ref. HARNESS,18/22 BOOM 2 <i>refer to 311.1</i>	
18		Ref. HARNESS BOOM CABLE 1 <i>refer to 311.1</i>	
19	73736GT	CONN,RECEP 48 WAY,4 X 12.....1	
20	824226GT	SCREW,PHPSH,#12-11X.75,ZAG	
21	824032GT	NUT,TL FLG,10-32,F,ZAG	
22	T109350GT	PLATFORM CONTROL BOX W/DECAL	
--	81487PGT	PLATFORM CONTROL BOX,PAINTED.....1	
23	30997GT	CORROSION INHIBITOR,FOAM.....1	
24	77351GT	LANYARD,PLATFORM CONTROL BOX.....2	
25	81551GT	SCREW,PHIL,PHM,6-32 X 1/4 SS	
26	1257417GT	ASSY,PCB,ALC500 S60 S0849300.....1	
27	81550GT	STANDOFF,6-32 X 3/8L X 1/4 HEX.....10	

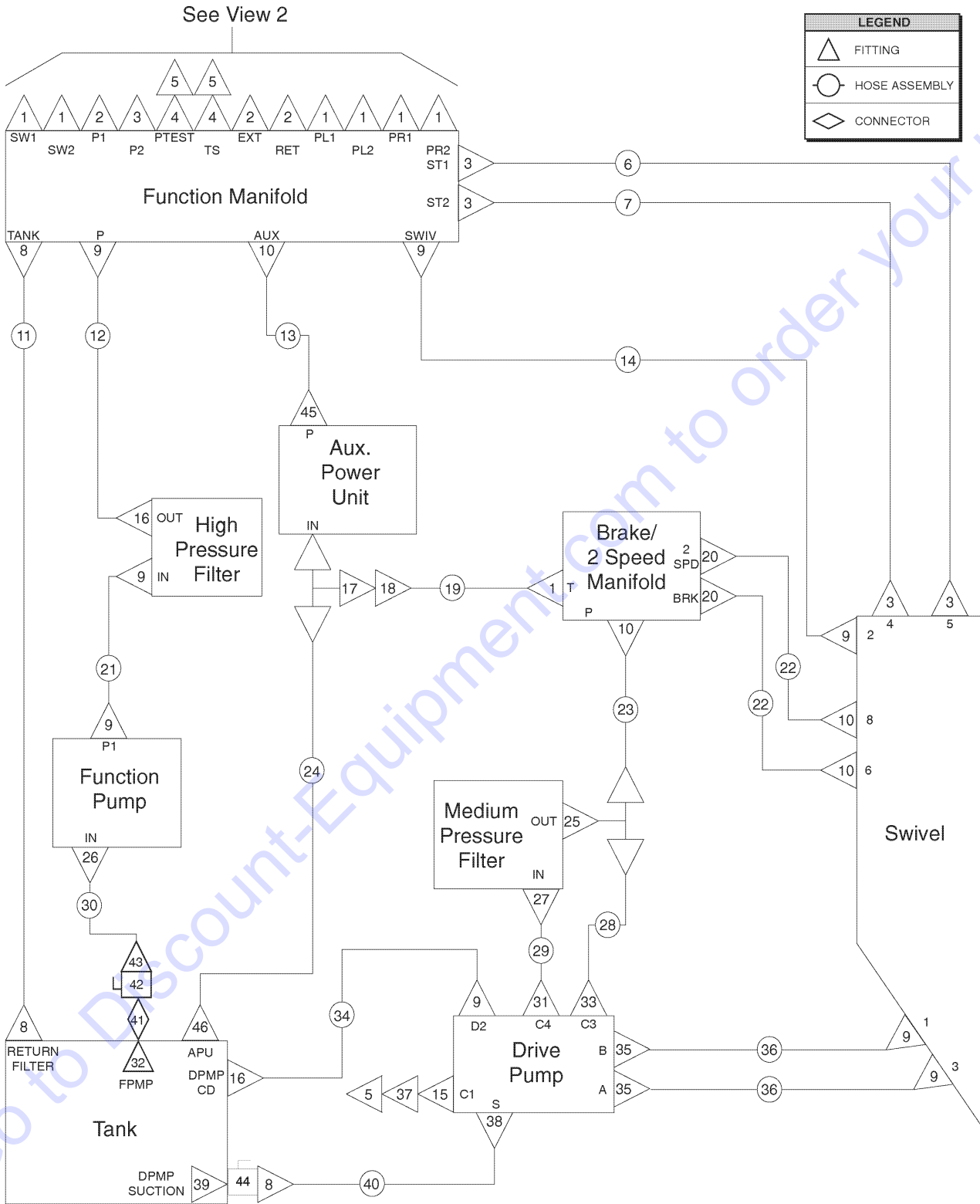
704.1 Joystick



Go to Discount-Equipment.com to order your parts

Item	Part No.	Description	Qty.
--	101173GT	JOYSTICK,2 AXIS,ROCKER,DEUTSCH <i>(calibration required after replacement), OEM joystick</i>	
--	101173HGT	JOYSTICK,DUAL AXIS W/STEER <i>(calibration required after replacement), aftermarket joystick</i>	
--	101005GT	JOYSTICK,1 AXIS ROCKER,DEUTSCH <i>(calibration required after replacement), aftermarket joystick</i>	
--	101005HGT	JOYSTICK,SINGLE AXIS W/STEER <i>aftermarket joystick (calibration required after replacement)</i>	
--	58253GT	KIT,REPAIR,DEUTSCH PLUG,W/TUBE <i>small kit</i>	
--	83129GT	KIT,REPAIR,DEUTSH CONNECTORS** <i>large kit</i>	
--	61794GT	CRIMPER,DEUTSCH,LIGHT DUTY*** <i>tool</i>	
Z	1269500GT	KIT, ISOLATION, 2 JOYSTICK	
1	75443GT	BOOT, ROCKER JOYSTICK 75565.....	1
2	T112626GT	SCREW, PHM, #6-32 X .625 ZINC.....	1
3	139598GT	BOOT,JOYSTICK.....	1
4		SPRING,JOYSTK CENTR,62390/91..... <i>no longer available from supplier</i>	1
5	119915GT	COLLAR,JOYSTICK,CENTER.....	1
6	128000GT	SEAL, CONNECTOR (DT JOYSTICKS).....	1
7	128001GT	SLEEVE,CONNECTOR,DT JOYSTICKS.....	1
8	75449GT	KNOB,ROCKER JOYSTICK 75565.....	1
9	75448GT	SUPPORT,SENSOR,JOYSTICK.....	1
10	75447GT	SWITCH SHIELD,ROCK JOYSTK75565.....	1
11	75446GT	SPRING,SWITCH CENTERING,75565...	1
12	75445GT	ROCKER ASSY.,MAGNETIC 75565.....	1
13	75444GT	ROCKER,RETAINER, 75565.....	1

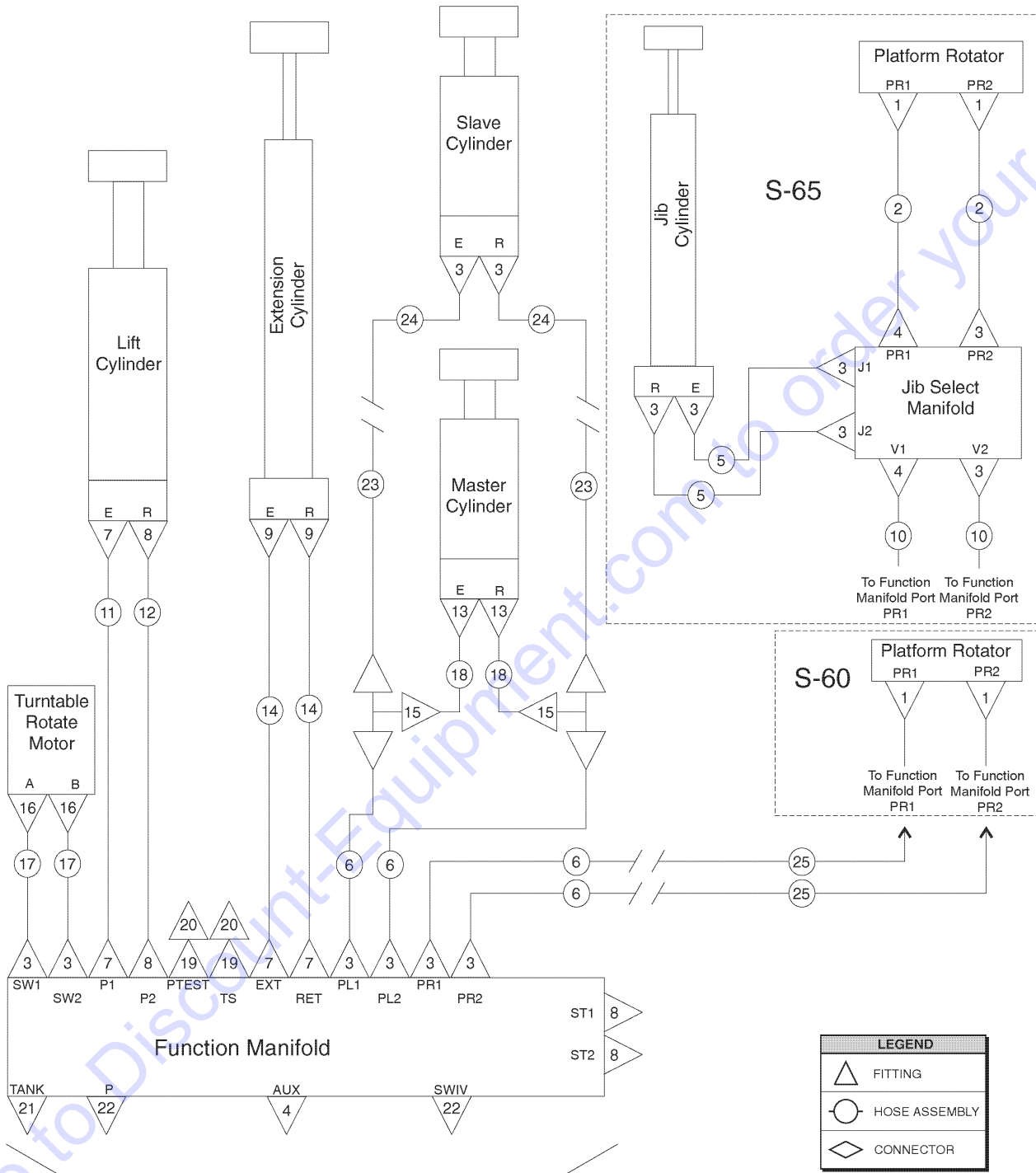
801.1 Function Manifold, View 1



801.1 Function Manifold, View 1

Item	Part No.	Description	Qty.	Item	Part No.	Description	Qty.
--		<i>The hose lengths below reflect the length of the hose only. Refer to the 'Fittings Cross Reference' to match Genie part numbers to Parker part numbers.</i>		26	88936GT	CONN,520120-20-16.....	1
1	48905GT	CONN,520120-4***.....	7	27	48932GT	FITTING,ELBOW,90D,520220-8***.....	1
2	48933GT	CONN,520120-8***.....	3	28	49143-3429GT	HOSE ASSY,1/2,90 FEM,STR FEM..... <i>Components: Genie part numbers 48822, 48827 and 48756 @ 32 inches</i>	1
3	48916GT	CONN, 520120-6.....	5	29	49143-3629GT	HOSE ASSY,1/2,90 FEM,STR FEM..... <i>Components: Genie part numbers 48822, 48827 and 48756 @ 34 inches</i>	1
4	48998GT	NIPPLE,DIAGNOSTIC,#6 PORT***.....	2	30	1259903GT	HOSE ASSY, 1-1/4", 76.75"..... <i>Components: Genie part numbers 88474, 88477, 88944 and 88478 @ 73 inches</i>	1
5	48880GT	CAP,DIAGNOSTIC NIPPLE.....	2	31	48949GT	CONN,520120-8-16.....	1
6	49130-5782GT	HOSE ASSY 3/8, STR FEM,STR FEM.... <i>Components: Genie part numbers 48812, 48812 and 48753 @ 56 inches</i>	1	32	101491GT	STRAINER,20 SAE F/24 SAE M***	
7	49130-5582GT	HOSE ASSY 3/8, STR FEM,STR FEM.... <i>Components: Genie part numbers 48812, 48812 and 48753 @ 54 inches</i>	1	33	48946GT	CONN,520120-8-10.....	1
8	48984GT	CONN,520120-16.....	2	34	49150-9130GT	HOSE ASSY,3/4,90 FEM,STR FEM..... <i>Components: Genie part numbers 48841, 48846 and 48761 @ 88 inches</i>	1
9	48960GT	FITTING,CONN,520120-12***.....	6	35	48977GT	CONN,520120-12-16.....	2
10	48904GT	ELBOW,90D,520220-4-4.....	4	36	94374-6030GT	HOSE ASSY,3/4,90 FEM,STR FEM..... <i>Components: Genie part numbers 48841, 48846 and 84358 @ 57 inches</i>	2
11	88949-3828GT	HOSE ASSY 1",STR FEM,STR FEM.... <i>Components: Genie part numbers 88938, 88941 and 88940 @ 36 inches</i>	1	37	49207GT	NIPPLE,DIAGNOSTIC,ORFS,FM,SWIV..	1
12	1259904GT	HOSE ASSY, 3/4", 72.54" <i>Components: Genie part numbers 48841, 48841 and 48762 @ 69 inches</i>		38	48985GT	ELBOW,45D,520320-16.....	1
13	49117-2491GT	HOSE ASSY,1/4,90 FEM,STR FEM..... <i>Components: Genie part numbers 48802, 48800 and 48751 @ 23 inches</i>	1	39	147419GT	KIT,STRAINER REPLACEMENT.....	1
14	49151-6248GT	HOSE ASSY,3/4,STR FEM,STR FEM.... <i>Components: Genie part numbers 48841, 48841 and 48761 @ 60 inches</i>	1	40	88942-8354GT	HOSE ASSY,1",90 FEM,STR FEM..... <i>Components: Genie part numbers 88938, 88941, 88939 and 88940 @ 80 inches</i>	1
15	48914GT	CONN,520120-4-8.....	1	41	61263GT	UNION,STR.THREAD 20.....	1
16	48963GT	FITTING,ELBOW,45D,520320-12***.....	1	42	101494GT	VALVE,BALL,FSAE-20,FSAE-20.....	1
17	48936GT	TEE,BRANCH,520429-8.....	1	43	75654GT	CONN,520120-20.....	1
18	48941GT	REDUCER,520123-8-4.....	2	44	48996GT	VALVE,BALL,16 MSAE-16 FSAE***.....	1
19	49117-4691GT	HOSE ASSY,1/4,90 FEM,STR FEM..... <i>Components: Genie part numbers 48800, 48802 and 48751 @ 45 inches</i>	1	45	48912GT	CONN,520120-4-6***.....	1
20	48907GT	ELBOW,45D,520320-4.....	2	46	48943GT	CONN, 520120-8-6.....	1
21	61073-3930GT	HOSE ASSY.,3/4",90,FEM,STR FEM.... <i>Components: Genie part numbers 48846, 48841 and 48762 @ 36 inches</i>	1				
22	49119-2878GT	HOSE ASSY,1/4,STR FEM,STR FEM*.... <i>Components: Genie part numbers 48800, 48800 and 48751 @ 27 inches</i>	2				
23	49117-3391GT	HOSE ASSY,1/4,90 FEM,STR FEM..... <i>Components: Genie part numbers 48800, 48802 and 48751 @ 32 inches</i>	1				
24	94465-3650GT	HOSE ASSY,1/2"..... <i>Components: Genie part numbers 48808, 48808 and 39888 @ 35 inches</i>	1				
25	48936GT	TEE,BRANCH,520429-8.....	1				

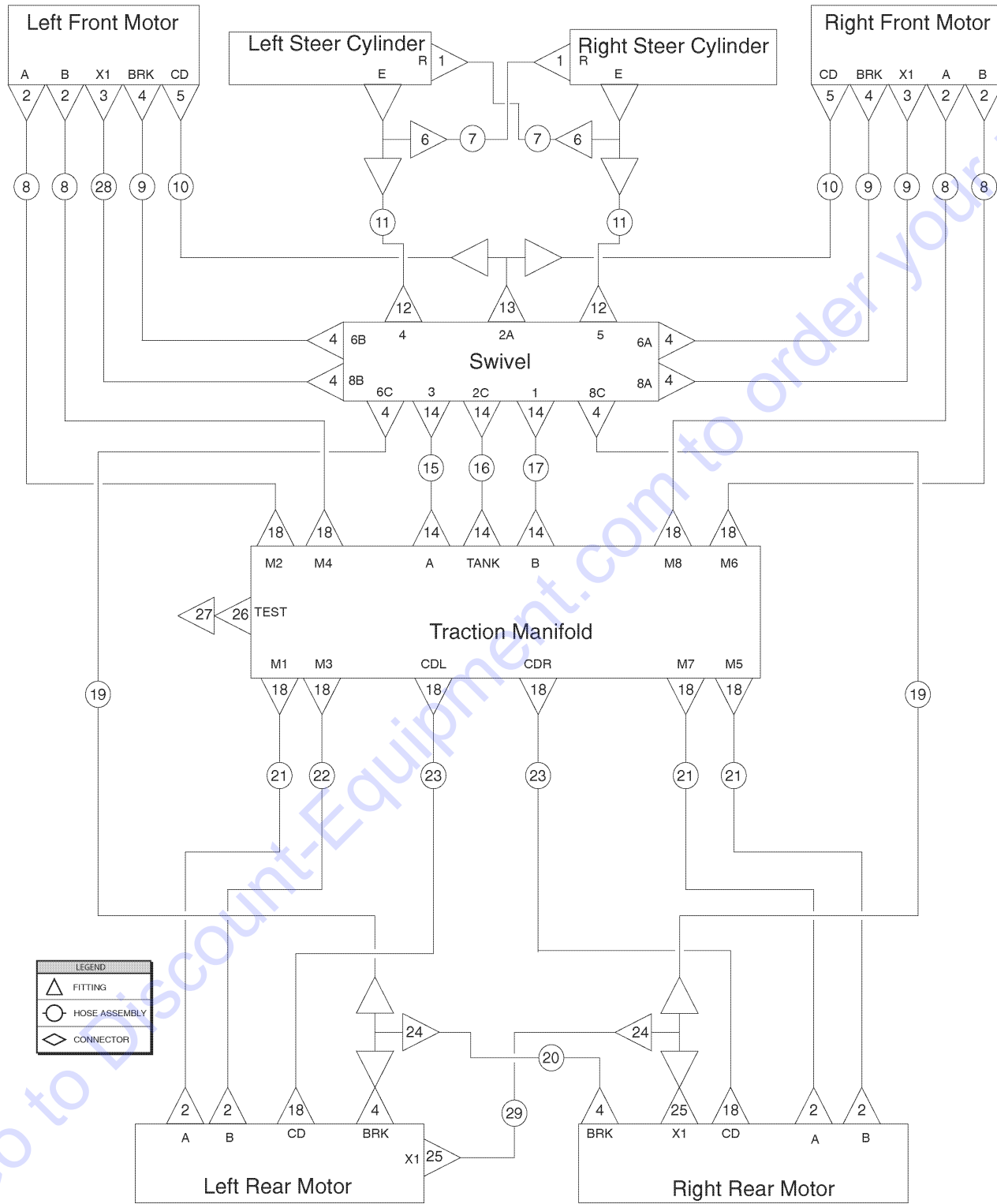
802.1 Function Manifold, View 2



See View 1

Item	Part No.	Description	Qty.	Item	Part No.	Description	Qty.
--		<i>The hose lengths below reflect the length of the hose only. Refer to the 'Fittings Cross Reference' to match Genie part numbers to Parker part numbers.</i>		23	161523GT	HOSE ASSY,1/4,693" Components: Genie part numbers 48800, 48800 and 48751 @ 691 inches;	
--	48767GT	SLEEVE,NYLON,1.42 ID.....23-inches protective hose sleeve, 1.42" diameter (near platform rotator)		24	88636-2573GT	HOSE ASSY 1/4,STR FEM,STR BULK...2 Components: Genie part numbers 48800, 75628 and 48751 @ 23 inches	
--	49219GT	SLEEVE,NYLON,2.19 ID,BULK.....46-inches protective hose sleeve, 2.19" diameter (near platform rotator)		--	75574GT	NUT,BULKHEAD,520118-4 (item sold seperately)	
1	48907GT	ELBOW,45D,520320-4.....2		25	1253798GT	HOSE ASSY, 1/4", 713" Genie part numbers 48800, 48800 and 48751 @ 711 inches	
2	49119-2878GT	HOSE ASSY,1/4,STR FEM,STR FEM*....2 (S-65) Components: Genie part numbers 48800, 48800 and 48751 @ 27 inches					
3	48905GT	CONN,520120-4***.....11					
4	48904GT	ELBOW,90D,520220-4-4.....2					
5	49119-4278GT	HOSE ASSY,1/4,STR FEM,STR FEM*....2 (S-65) Components: Genie part numbers 48800, 48800 and 48751 @ 41 inches					
6	88636-11973GT	HOSE ASSY 1/4,STR FEM,STR BULK...4 Components: Genie part numbers 48800, 75628 and 48751 @ 117 inches					
7	48933GT	CONN,520120-8***.....4					
8	48916GT	CONN, 520120-6.....3					
9	48937GT	ELBOW,45D,520320-8.....2					
10	49119-79678GT	HOSE ASSY,1/4,STR FEM,STR FEM (S-65) Components: Genie part numbers 48800, 48800 and 48751 @ 795 inches					
11	49143-12329GT	HOSE ASSY,1/2,90 FEM,STR FEM.....1 Components: Genie part numbers 48822, 48827, and 48756 @ 121 inches;					
12	49128-12309GT	HOSE ASSY,3/8,STR FEM,STR,90D....1 Components: Genie part numbers 48812, 48816, and 48753 @ 121 inches;					
13	48911GT	ELBOW,90D,520220-4-6***.....2					
14	49183-13492GT	HOSE ASSY,1/2,STR FEM,STR FEM....2 Components: Genie part numbers 48822, 48822 and 48756 @ 133 inches					
15	48908GT	FITTING,TEE,RUN,SWIVEL520432-4.....2					
16	49418GT	FITTING,ELBOW,45D,520320-4-6**.....2					
17	49119-7478GT	HOSE ASSY,1/4,STR FEM,STR FEM....2 Components: Genie part numbers 48800, 48800 and 48751 @ 73 inches					
18	227347GT	HOSE ASSY,1/4", 38.00.....2 Components: Genie part numbers 48800, 48802 and 48751 @ 38 inches;					
19	48998GT	NIPPLE,DIAGNOSTIC,#6 PORT***.....2					
20	48880GT	CAP,DIAGNOSTIC NIPPLE.....2					
21	48984GT	CONN,520120-16.....1					
22	48960GT	FITTING,CONN,520120-12***.....1					

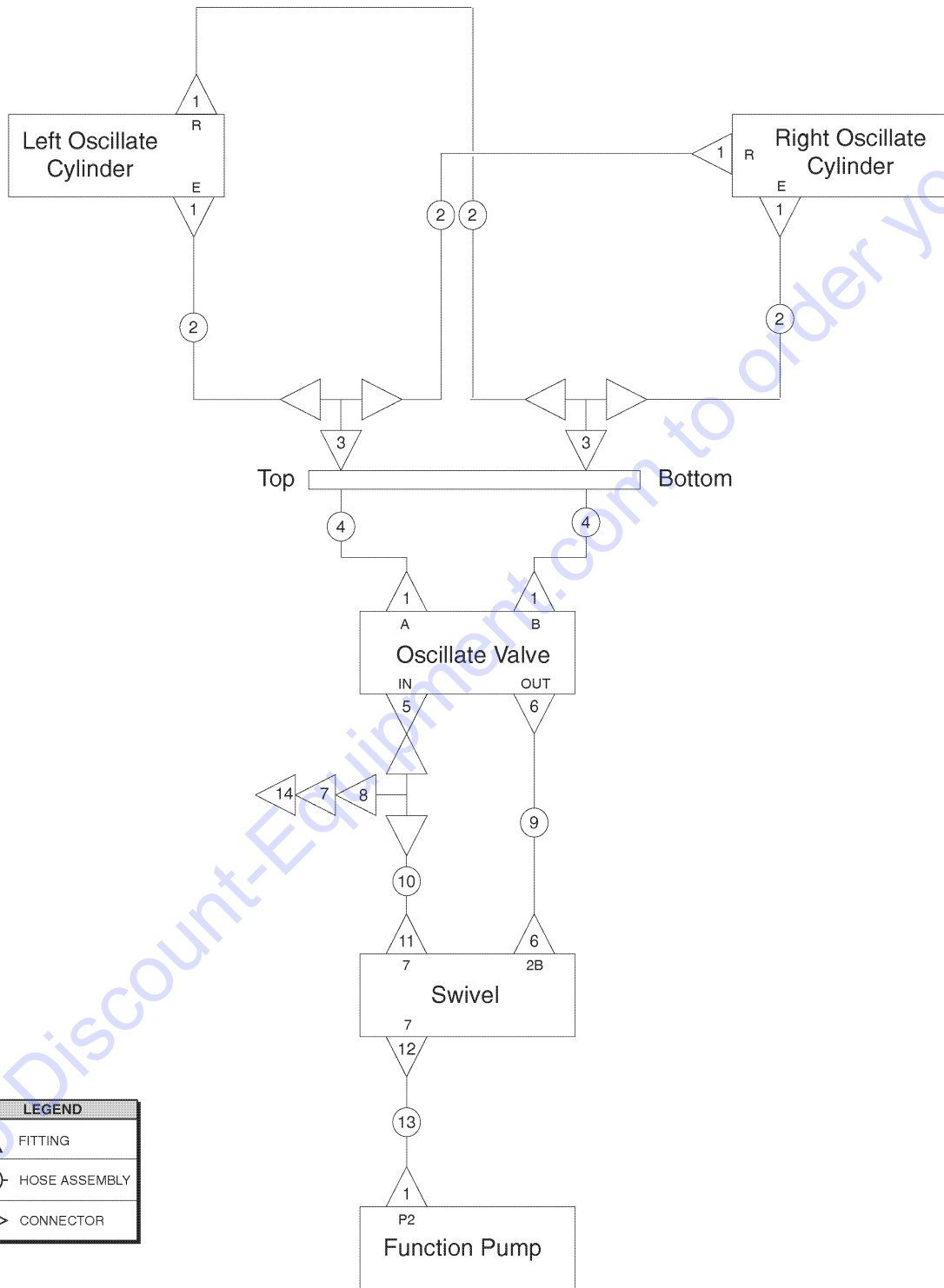
803.1 4WD Traction Manifold



803.1 4WD Traction Manifold

Item	Part No.	Description	Qty.	Item	Part No.	Description	Qty.
--		<i>The hose lengths below reflect the length of the hose only. Refer to the 'Fittings Cross Reference' to match Genie part numbers to Parker part numbers.</i>		20	49117-6291GT	HOSE ASSY,1/4,90 FEM,STR FEM.....1 <i>Components: Genie part numbers 48800, 48802 and 48751 @ 61 inches</i>	1
1	48915GT	ELBOW,90D,520220-6.....2	2	21	75278-5029GT	HOSE ASSY,1/2,90 FEM,STR FEM.....3 <i>Components: Genie part numbers 48822, 48827 and 56777 @ 48 inches</i>	3
2	48948GT	CONN,520120-8-12.....8	8	22	75278-5129GT	HOSE ASSY,1/2,90 FEM,STR FEM**.....1 <i>Components: Genie part numbers 48822, 48827 and 56777 @ 49 inches</i>	1
3	48912GT	CONN,520120-4-6***.....2	2	23	94464-4986GT	HOSE ASSY,1/2****.....2 <i>Components: Genie part numbers 48808, 77703 and 39888 @ 48 inches</i>	2
4	48905GT	CONN,520120-4***.....10	10	24	48908GT	FITTING,TEE,RUN,SWIVEL520432-4.....2	2
5	48930GT	CONN,520120-6-8.....2	2	25	48911GT	ELBOW,90D,520220-4-6***.....2	2
6	48918GT	TEE,RUN,520428-6.....2	2	26	48998GT	NIPPLE,DIAGNOSTIC,#6 PORT***.....1	1
7A	49130-2482GT	HOSE ASSY 3/8, STR FEM,STR FEM.....2 <i>Components: Genie part numbers 48812, 48812 and 48753 @ 23 inches</i>	2	27	48880GT	CAP,DIAGNOSTIC NIPPLE.....1	1
7B	101795-2482GT	HOSE ASSY,3/8,STR FEM,STR FEM <i>Components: Genie part numbers 48812, 48812 and 101697 @ 23 inches (arctic option)</i>		28A	49117-10691GT	HOSE ASSY 1/4,90 FEM STR FEM.....1 <i>Components: Genie part numbers 48800, 48802 and 48751 @ 105 inches</i>	1
8	81812-13292GT	HOSE ASSY,1/2".....4 <i>Components: Genie part numbers 48822, 48822 and 56777 @ 131 inches</i>	4	28B	101790-10691GT	HOSE ASSY,1/4,90 FEM,STR FEM <i>Components: Genie part numbers 48800, 48802 and 48751 @ 105 inches (arctic option)</i>	
9A	49117-10091GT	HOSE ASSY 1/4.90 FEM STR FEM.....3 <i>Components: Genie part numbers 48800, 48802 and 48751 @ 99 inches</i>	3	29	49117-6091GT	HOSE ASSY,1/4,90 FEM,STR FEM**.....1 <i>Components: Genie part numbers 48800, 48802 and 48751 @ 59 inches</i>	1
9B	101790-10091GT	HOSE ASSY,1/4,90 FEM,STR FEM <i>Components: Genie part numbers 48800, 48802 and 101697 @ 99 inches (arctic option)</i>					
10A	49131-9603GT	HOSE ASSEMBLY 3/8".....2 <i>Components: Genie part numbers 48812, 48819 and 48753 @ 94 inches</i>	2				
10B	102230-9589GT	HOSE ASSY,3/8,STR FEM,STR FEM <i>Components: Genie part numbers 48812, 48819 and 101698 @ 94 inches (arctic option)</i>					
11	49130-4782GT	HOSE ASSY,3/8,STR FEM,STR FEM.....2 <i>Components: Genie part numbers 48812, 48812 and 48753 @ 46 inches</i>	2				
12	48916GT	CONN, 520120-6.....2	2				
13	48936GT	TEE,BRANCH,520429-8.....1	1				
14	48960GT	FITTING,CONN,520120-12***.....6	6				
15	94374-2430GT	HOSE ASSY,3/4,90 FEM,STR FEM.....1 <i>Components: Genie part numbers 48841, 48846 and 94358 @ 21 inches</i>	1				
16	94466-2336GT	HOSE ASSY,3/4".....1 <i>Components: Genie part numbers 48809, 48809 and 39889 @ 21 inches</i>	1				
17	94374-2630GT	HOSE ASSY,3/4,90 FEM,STR FEM**.....1 <i>Components: Genie part numbers 48841, 48846 and 94358 @ 23 inches</i>	1				
18	48933GT	CONN,520120-8***.....12	12				
19	49119-7578GT	HOSE ASSY,1/4 STR FEM,STR FEM.....2 <i>Components: Genie part numbers 48800, 48800 and 48751 @ 74 inches</i>	2				

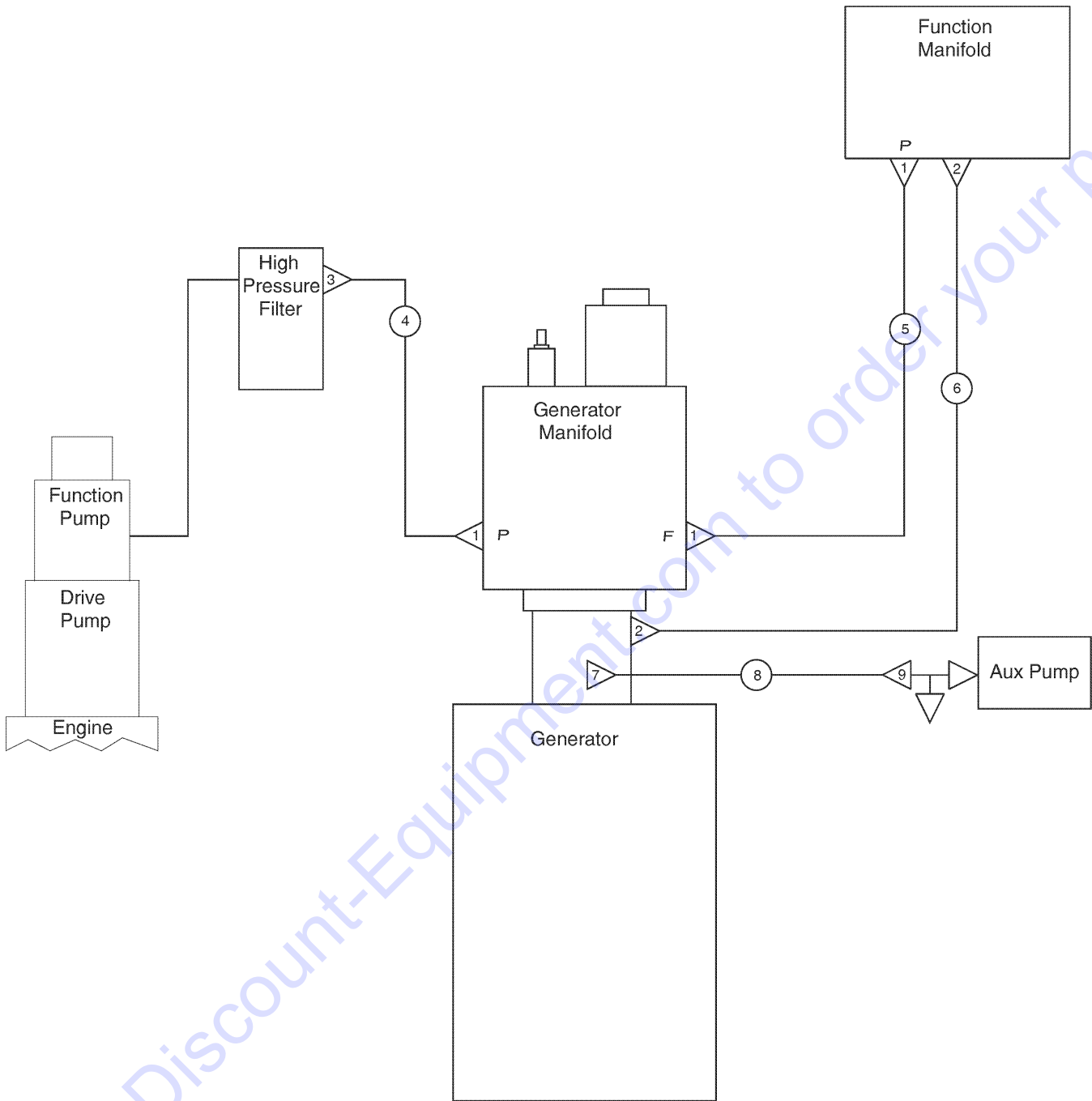
805.1 Oscillate Option



LEGEND	
	FITTING
	HOSE ASSEMBLY
	CONNECTOR

Item	Part No.	Description	Qty.
--		<i>The hose lengths below reflect the length of the hose only. Refer to the 'Fittings Cross Reference' to match Genie part numbers to Parker part numbers.</i>	
1	48912GT	CONN,520120-4-6***.....	7
2	49117-3291GT	HOSE ASSY,1/4,90 FEM,STR FEM**..... <i>Components: Genie part numbers 48800, 48802 and 48751 @ 31 inches</i>	4
3	48891GT	FITTING,TEE,BRANCH,520433-4.....	2
4	88636-8573GT	HOSE ASSY 1/4,STR FEM,STR BULK... <i>Components: Genie part numbers 48800, 75628 and 48751 @ 83 inches</i>	2
5	48914GT	CONN,520120-4-8.....	1
6	48933GT	CONN,520120-8***.....	2
7	49207GT	NIPPLE,DIAGNOSTIC,ORFS,FM,SWIV..	1
8	48908GT	FITTING,TEE,RUN,SWIVEL520432-4.....	1
9	94464-4186GT	HOSE ASSY,1/2"..... <i>Components: Genie part numbers 48808, 77703 and 39888 @ 40 inches</i>	1
10	49117-4691GT	HOSE ASSY,1/4,90 FEM,STR FEM..... <i>Components: Genie part numbers 48800, 48802 and 48751 @ 45 inches</i>	1
11A	48905GT	CONN,520120-4***.....	1
11B	49859GT	PLUG,HEX,090109A-4..... <i>models without oscillate</i>	1
12	48904GT	ELBOW,90D,520220-4-4.....	1
13	49117-5191GT	HOSE ASSY,1/4,90 FEM,STR FEM**..... <i>Components: Genie part numbers 48800, 48802 and 48751 @ 50 inches</i>	1
14	48880GT	CAP,DIAGNOSTIC NIPPLE.....	1




806.1 Hydraulic Generator Option

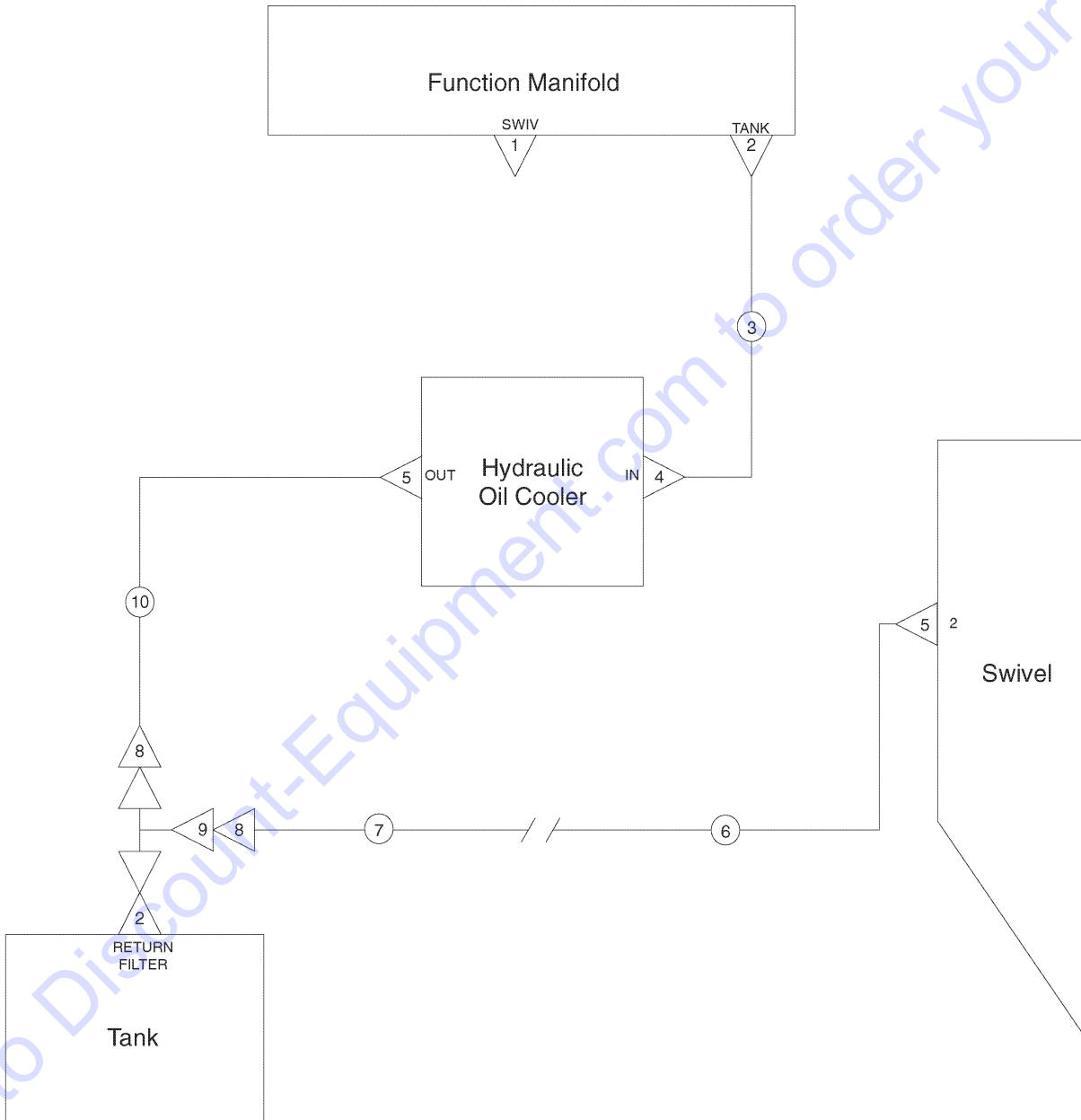


LEGEND	
	ADAPTER
	HOSE ASSEMBLY
	UNION

Item	Part No.	Description	Qty.
1	48960GT	FITTING,CONN,520120-12*** <i>(includes 45° and reducer)</i>	3
2	48933GT	CONN,520120-8***	2
3	48963GT	FITTING,ELBOW,45D,520320-12***	1
4	1259906GT	HOSE ASSY, 3/4", 34.05" <i>(components: 48841, 48846, and 48762 @ 30 inches)</i>	1
5	61073-7330GT	HOSE ASSY,3/4,90 FEM,STR FEM <i>(components: 48841, 48846, and 48762 @ 70 inches)</i>	1
6	49183-7592GT	HOSE ASSEMBLY,1/2,STR FEM <i>(components: 48822, 48822, and 48756 @ 74 inches)</i>	1
7	49861GT	CONN,LONG,520122-4	1
8	49117-6119GT	HOSE ASSY,1/4,90 FEM,STR FEM** <i>(components: 48800, 48802, and 48751 @ 60 inches)</i>	1
9	48908GT	FITTING,TEE,RUN,SWIVEL520432-4	1

807.1 Hydraulic Oil Cooler Option

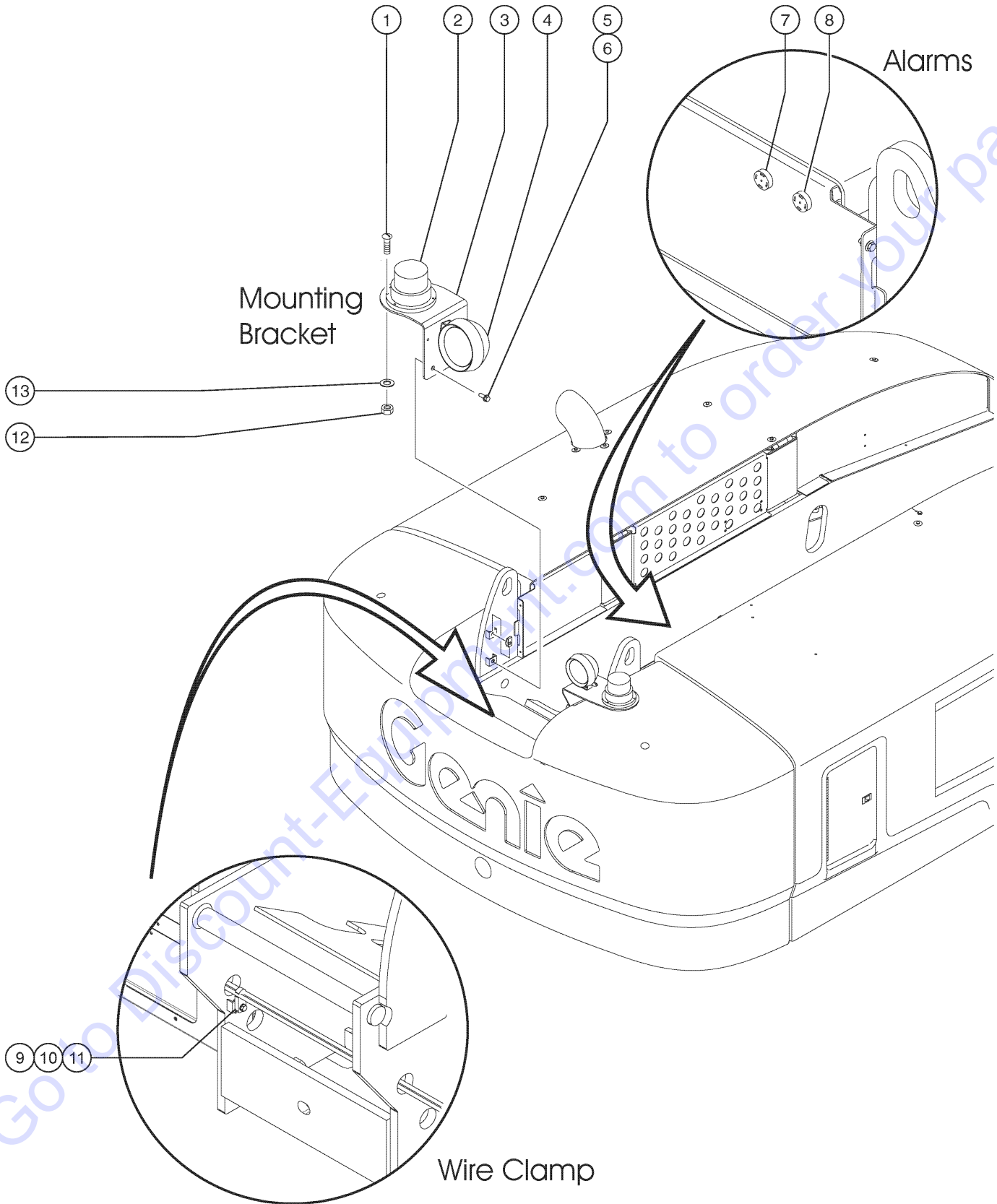
LEGEND	
	FITTING
	HOSE ASSEMBLY
	CONNECTOR



Item	Part No.	Description	Qty.
1	87172GT	PLUG,HEX SOCKET,090109B-12.....1	1
2	48984GT	CONN,520120-16.....2	2
3	88949-3828GT	HOSE ASSY 1",STR FEM,STR FEM.....1 (components: 88941, 88938, 88938, and 88940 @ 36 inches)	1
4	48878GT	ELBOW,90D,520220-16-12.....1	1
5	48960GT	FITTING,CONN,520120-12***.....2	2
6	49151-6248GT	HOSE ASSY,3/4,STR FEM,STR FEM.....1 (components: 48841, 48841, and 48761 @ 60 inches)	1
7	94205-3164GT	HOSE ASSY,3/4,45 FEM,STR MALE.....1 (components: 48842, 48845, and 48761 @ 28 inches)	1
8	101293GT	REDUCER,520123-16-12.....2	2
9	42787GT	TEE,RUN,SWIVEL,520432-16.....1	1
10	1259905GT	HOSE ASSY, 3/4", 28.55".....1 (components: 48841, 48846, and 48761 @ 24 inches)	1

Go to Discount-Equipment.com to order your parts

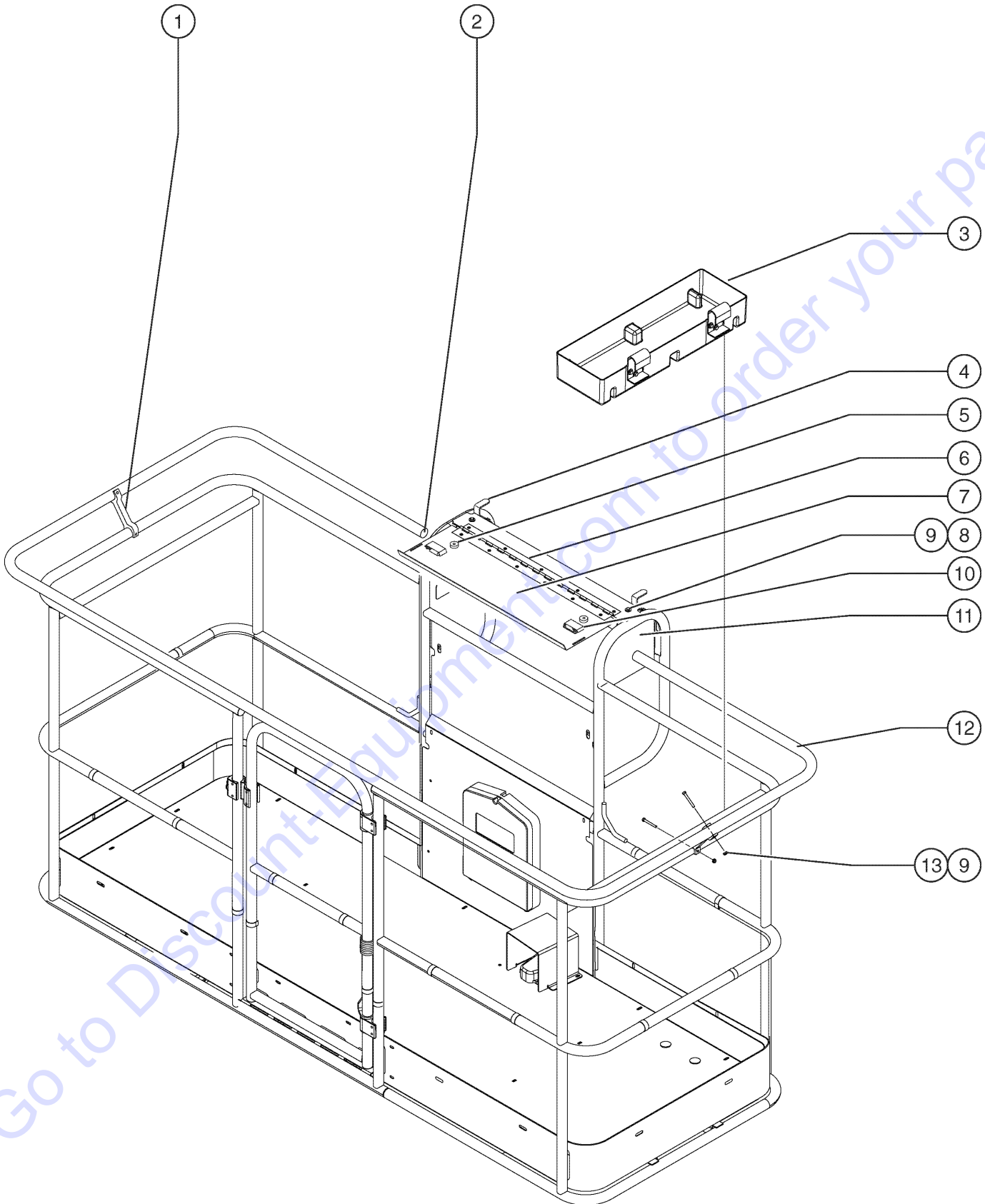
901.1 Drive Lights, Alarm and Beacon Packages



901.1 Drive Lights, Alarm and Beacon Packages

Item	Part No.	Description	Qty.
--	T109268GT	ACC, BEACON, TRVL ALARM,SERV	
1	6147GT	SCREW,RHM,10-32 X 1	
2	56704GT	STROBE,FIREBOLT,12-80VDC,AMB**...2 <i>Replaced 20189</i>	
--	122019GT	FLASHTUBE,U SHAPED,360DEG,BULB	
--	128005GT	HARNESS,BEACON OPTION	
--	226393GT	FLASHTUBE,STRAIGHT,360DEG,BULB	
--	72282GT	LENS,AMBER,STROBE,FIREBOLT	
3A	1253796GT	FORMING,LIGHT/BEACON BRKT,RH....1	
3B	1253795GT	FORMING,LIGHT/BEACON BRKT,LH....1	
4	107857GT	LIGHT, 12 VOLT.....2	
5	121066GT	SCREW,HHC,FLG,3/8-16 X 1 GR8	
6	29868GT	SPRING CLIP,3/8-16,.05-.20X.73,ZAG....4	
7		REF: Descent Alarm <i>(refer to 301.1)</i>	
8	18963GT	ALARM,INTERMITTENT TONE 6-30V*...1 <i>Does not include 72326 nut</i>	
--	72326GT	NUT - PLASTIC,RING FOR ALARMS....1	
9	822692GT	CLAMP, WIRE, 16/2.....2 <i>(one of 2 shown)</i>	
10	6175GT	SCREW,HHC,3/8-16 X 1	
11	6021GT	WASHER,LOCK,.375	
12	6178GT	NUT,NYLOCK,10-32	
13	6146GT	WASHER,FLAT,MS,#10,Y	

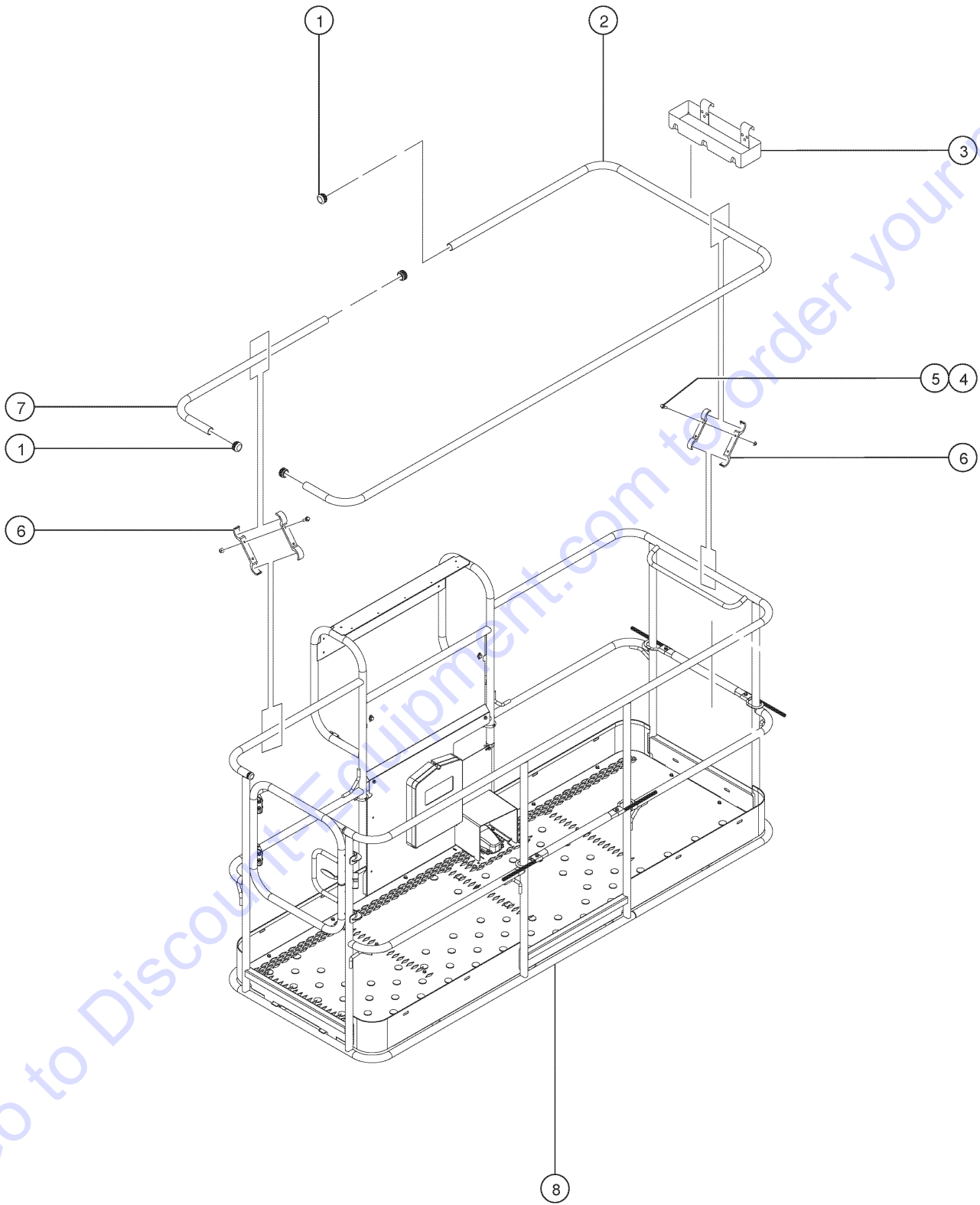
902.1 Control Box Cover, Pinch Guard and Tool Tray (to SN S6016M-182)



902.1 Control Box Cover, Pinch Guard and Tool Tray (to SN S6016M-182)

Item	Part No.	Description	Qty.
B	53808-SGT	AUX TOP RAIL,6'(1.25")SERVICE	
C	53807-SGT	AUX TOP RAIL,8'(1.25")SERVICE	
D	122278GT	AUX TOP RAIL,6',SWG GT, SRV	
E	122279GT	AUX TOP RAIL,8',SWG GT, SRV	
1	139958GT	KIT, AUX TOP RAIL SUPPORT.....10 <i>includes 2 supports and hardware</i>	
--	122073GT	SUPPORT, RAILING.....20	
2	55753GT	BUMPER, PLASTIC, 1.25 O.D.....2	
3	9599-SGT	TOOL TRAY ACCESSORY***.....1	
--	7746GT	BRACKET-TOOL TRAY MOUNTING.....1	
4	102786PGT	FORMING,LATCH,CTRL BOX LID PTD	
5	43392GT	BUMPER,BATTERY BOX & RAILS.....2	
6	111526GT	HINGE,PLAT CONTROL BOX COVER...1	
--	54486GT	RIVET,ALUM,ALUM,3/16BUTTONHEAD <i>not included - sold seperately</i>	
7	102785PGT	CONTROL BOX COVER,LID,PTD.....1	
8	824078GT	SCREW,HHF,1/4-20X.75,8,ZAG	
9	824027GT	NUT,TL FLG,1/4-20,G,ZAG	
10	30468GT	LATCH,SLIDE, FLUSH MOUNT STYLE	
11A	88606PGT	COVER,CONTROL BOX RIGHT SIDE**.....1	
11B	88607PGT	COVER,CONTROL BOX LEFT SIDE***.....1	
12A	1259704GT	PINCH GUARD RAIL,6' PLATFORM.....1 <i>includes 55753 bumpers</i>	
--	55753GT	BUMPER, PLASTIC, 1.25 O.D. <i>not included - sold seperately</i>	
12B	52661GT	PINCH GUARD RAIL,8' PLATFORM**....1	
--	55753GT	BUMPER, PLASTIC, 1.25 O.D.	
12C	111485PGT	AUX TOP RAIL,6FT,PTD.....1 <i>for models with swing gate</i>	
12D	111486PGT	AUX TOP RAIL,8FT,PTD.....1 <i>for models with swing gate</i>	
13	1253485GT	SCREW,HHF,1/4-20X2,8,ZAG	

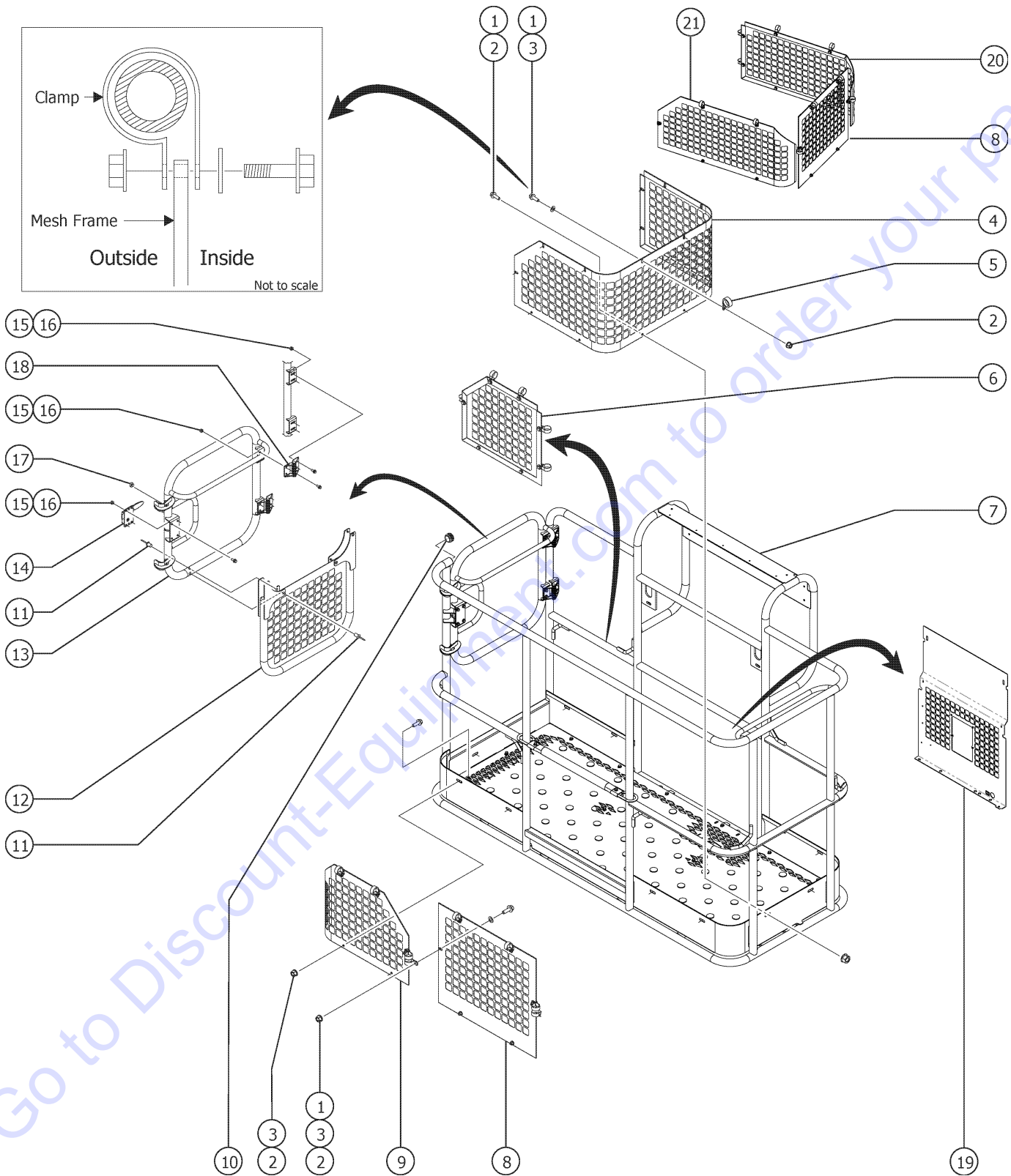
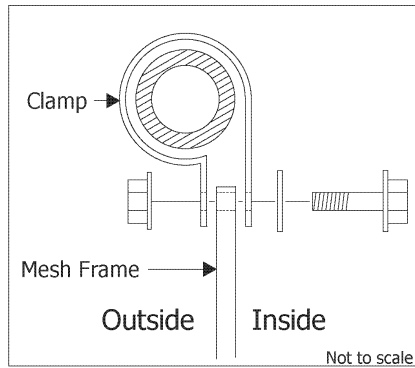
902.2 Control Box Cover, Pinch Guard and Tool Tray (from SN S6016M-183, from SN S65TX-101)



902.2 Control Box Cover, Pinch Guard and Tool Tray (from SN S6016M-183, from SN S65TX-101)

Item	Part No.	Description	Qty.
1	55753GT	BUMPER, PLASTIC, 1.25 O.D.....	4
2A	1271077GT	AUX RAIL, 8' PLAT, TRI-ENTRY..... (8 foot Platform)	1
2B	1276658GT	AUX RAIL, 8' PLAT, SIDE ENTRY..... (8 foot Platform)	1
2C	1270570GT	AUX RAIL, 6' PLAT, SIDE ENTRY..... (6 foot Platform)	1
3	9599-SGT	TOOL TRAY ACCESSORY***	1
4A	824079GT	SCREW,HHF,1/4-20X1,8,ZAG.....	26
4B	824079GT	SCREW,HHF,1/4-20X1,8,ZAG.....	22
5A	824027GT	NUT,TL FLG,1/4-20,G,ZAG.....	26
5B	824027GT	NUT,TL FLG,1/4-20,G,ZAG.....	22
6A	122073GT	SUPPORT, RAILING.....	26
6B	122073GT	SUPPORT, RAILING.....	22
7A	1271078GT	AUX RAIL, 8' PLAT, TRI-ENTRY..... (8 foot Platform)	1
7B	1276659GT	AUX RAIL, 8' PLAT, SIDE ENTRY..... (8 foot Platform)	1
7C	1270571GT	AUX RAIL, 6' PLAT, SIDE ENTRY..... (6 foot Platform)	1
8		Ref.WELDMENT, PLATFORM (refer to 701.2)	

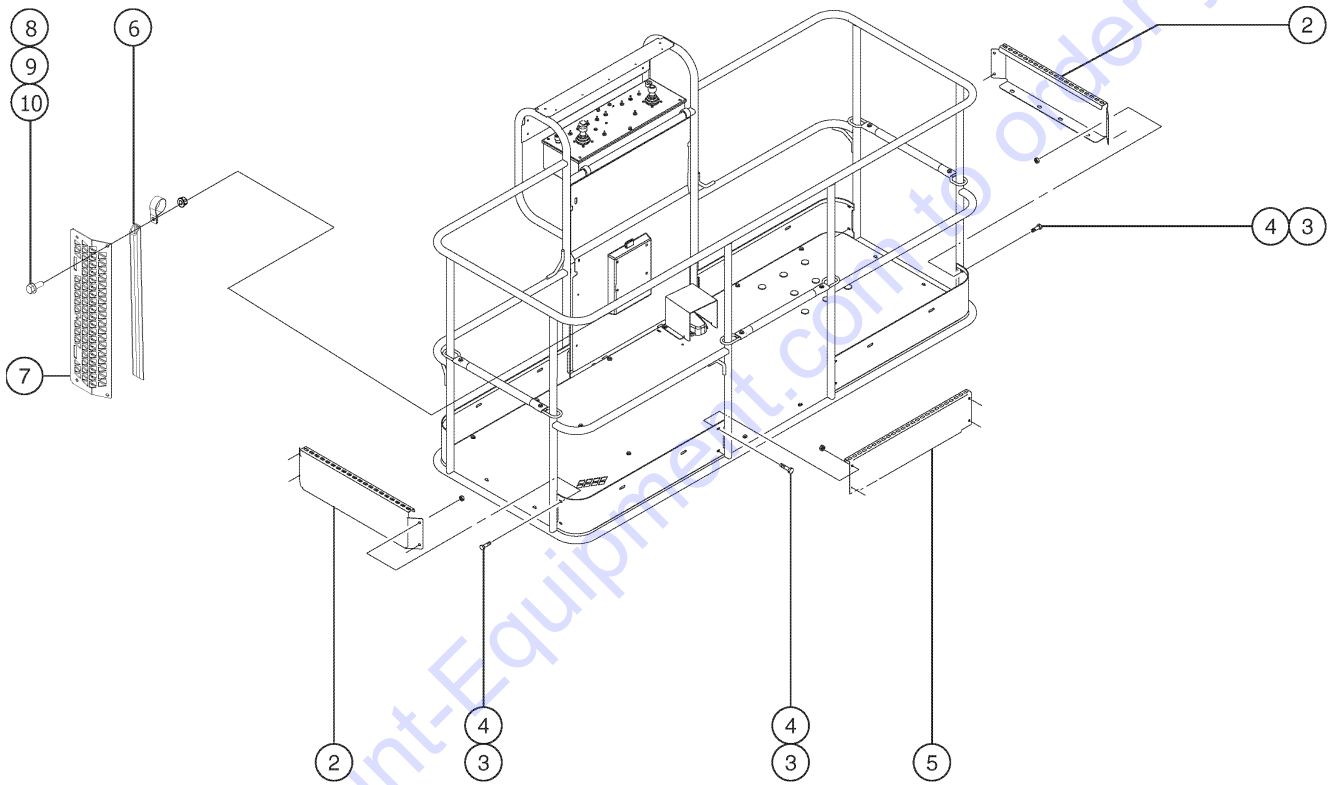
903.1 Half Mesh and Swing Gate



903.1 Half Mesh and Swing Gate

Item	Part No.	Description	Qty.
1	1264101GT	SCREW,HHC,5/16-18X1,8,ZAG.....	20
2	824028GT	NUT,TL FLG,5/16-18,G,ZAG.....	29
3	825358GT	WASHER,FLAT,5/16,USS,ZAG.....	21
4	1270313GT	PANEL, HALF MESH..... <i>(6 foot platform)</i>	1
5	56424GT	CLAMP,1.25X.5 RUBBER-CUSHION....	20
6	1270314GT	PANEL, HALF MESH..... <i>(6 foot platform)</i>	1
6	1270994GT	PANEL, HALF MESH..... <i>(8 foot platform)</i>	1
7		Ref. Platform Assembly <i>(refer to 701.2)</i>	
8	1271061GT	PANEL, HALF MESH..... <i>(quantity 2 for 8 foot platform)</i>	1
9	1270316GT	PANEL, HALF MESH..... <i>(6 foot platform)</i>	1
9	1271040GT	PANEL, HALF MESH..... <i>(8 foot platform)</i>	1
10	55753GT	BUMPER, PLASTIC, 1.25 O.D.....	2
11	824207GT	RIVET, STL, STL, DOME, 1/4 X .375, ZAG.....	8
12	1285700GT	WELDMENT,SWING GATE PANEL.....	1
13	1265397GT	WELDMENT, SWING GATE.....	1
14	1267747GT	LATCH, SWING GATE.....	1
15	824027GT	NUT,TL FLG,1/4-20,G,ZAG.....	12
16	1256855GT	SCREW,HHF,1/4-20X.625,8,ZAG.....	12
17	43392GT	BUMPER,BATTERY BOX & RAILS.....	2
18	104804GT	HINGE, SPRING, LONG LEG.....	2
19	73901GT	DECAL PLATE,MESH.....	1
20	1271019GT	PANEL, HALF MESH..... <i>(8 foot platform)</i>	1
21	1271018GT	PANEL, HALF MESH..... <i>(8 foot platform)</i>	1

904.1 Platform Toeboard and Latch Guard



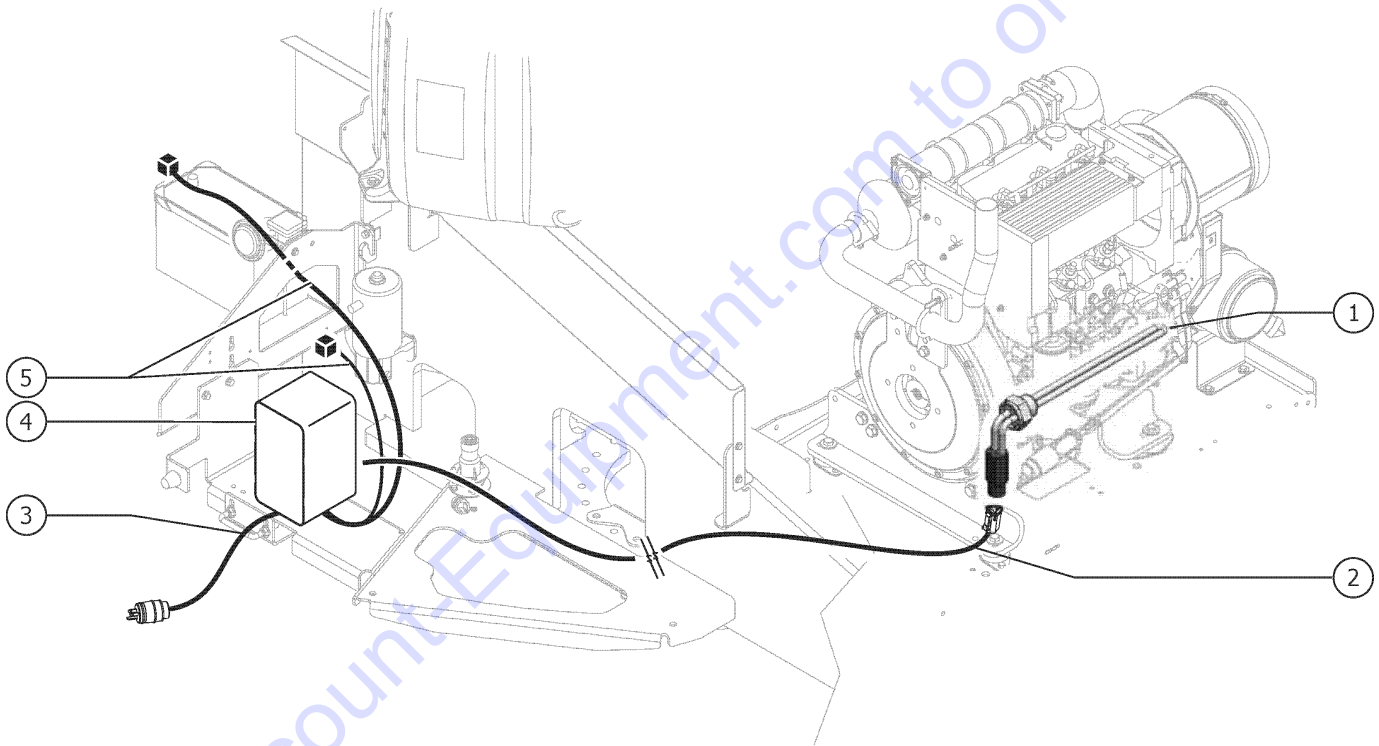
Go to Discount-Equipment.com to order your parts

904.1 Platform Toeboard and Latch Guard

Item	Part No.	Description	Qty.
2A	139438GT	TOEBOARD, TRI ENTRY 6', EURO.....	2
2B	102721PGT	TOEBOARD,8'TRI ENTRY	
3	824078GT	SCREW,HHF,1/4-20X.75,8,ZAG	
4	824027GT	NUT,TL FLG,1/4-20,G,ZAG	
5	94745PGT	TOEBOARD,ENTRY EUROPEAN PNTD**	1
6	1277966GT	TUBE,SQ,STL, 1.00 x 1.00 x .120.....	1
7	1277952GT	GUARD, SWING GATE.....	1
8	824086GT	SCREW,HHF,5/16-18X1,8,ZAG.....	5
9	56424GT	CLAMP,1.25X.5 RUBBER-CUSHION.....	5
10	824028GT	NUT,TL FLG,5/16-18,G,ZAG.....	5

Go to Discount-Equipment.com to order your parts

905.1 Engine Heater (For S-65)

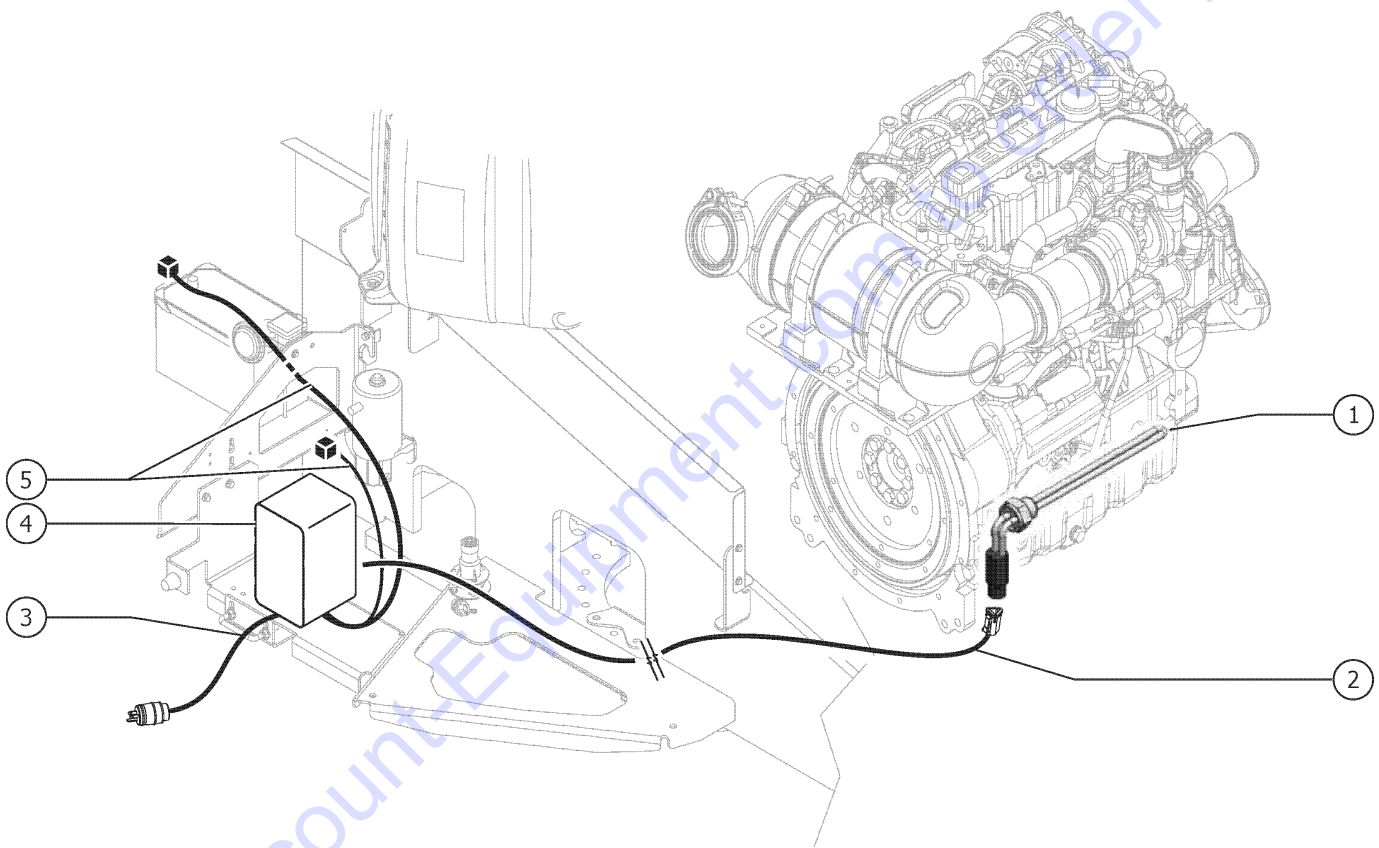


905.1 Engine Heater (For S-65)

Item	Part No.	Description	Qty.
1	1258786GT	ELEMENT, HEATER, OIL, DEUTZ.....1	
2	1258789GT	CABLE, EXTENSION, 1210.....1	
3	1258783GT	CABLE, CONNECTION, MAINS.....1	
4	1258785GT	MULTI-CHARGER, BATTERY, 1210.....1	
5	1261879GT	CABLE, EXTENSION, 1210.....1	

Go to Discount-Equipment.com to order your parts

905.2 Engine Heater (For S-65 Trax)

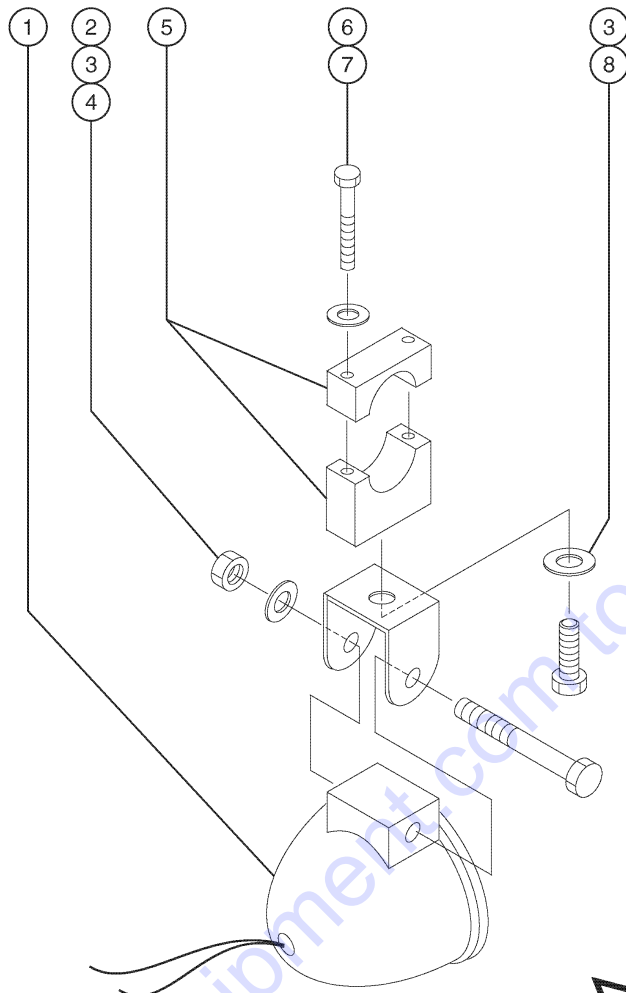


905.2 Engine Heater (For S-65 Trax)

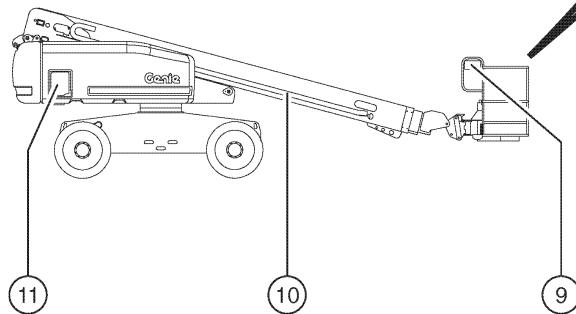
Item	Part No.	Description	Qty.
1	1261955GT	ELEMENT, HEATER, COOLANT, DEUTZ.....	1
2	1258789GT	CABLE, EXTENSION, 1210.....	1
3	1258783GT	CABLE, CONNECTION, MAINS.....	1
4	1258785GT	MULTI-CHARGER, BATTERY, 1210.....	1
5	1261879GT	CABLE, EXTENSION, 1210.....	1

Go to Discount-Equipment.com to order your parts

906.1 Platform Work Lights



PLATFORM
WORK LIGHT

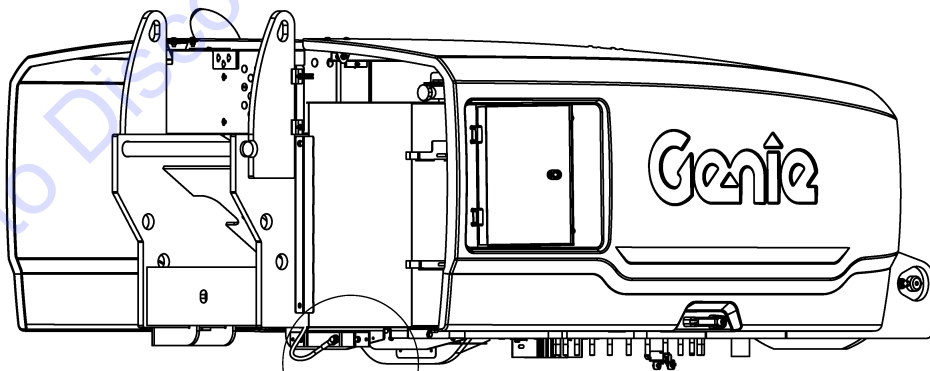
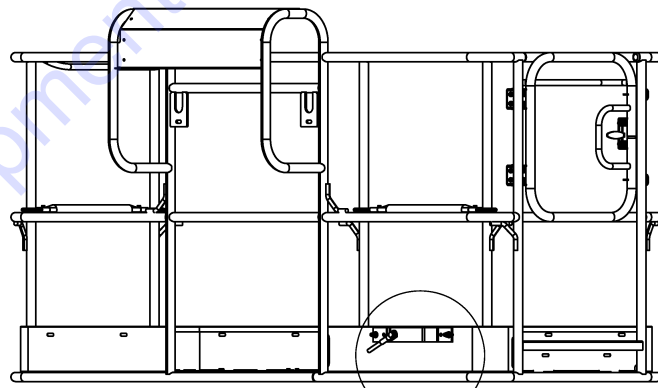
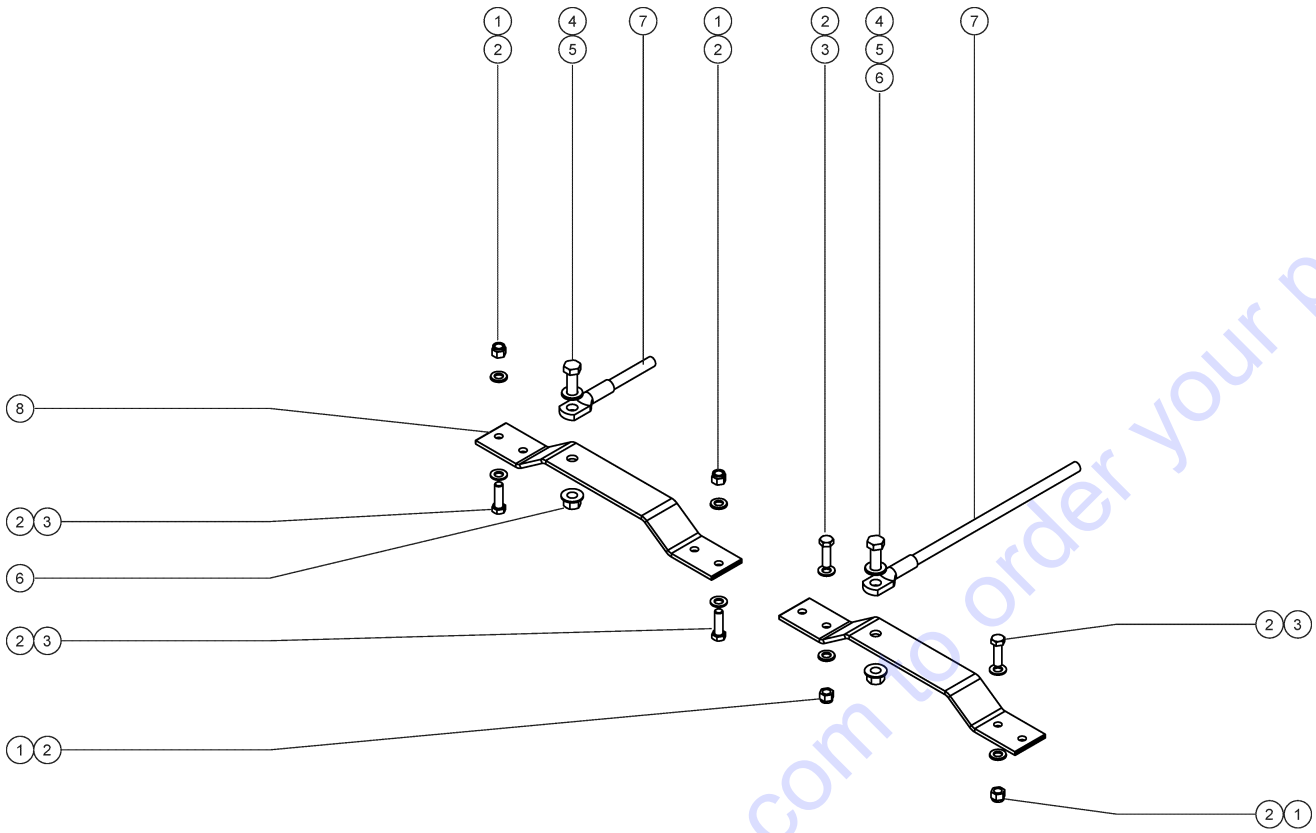


Go to Discount-Equipment.com to order your parts

906.1 Platform Work Lights

Item	Part No.	Description	Qty.
1	71498GT	WORKLIGHT, 12V, DEUTSCH RECEPT..... <i>includes mount (not available separately)</i>	2
2	4828GT	NUT,NYLOCK,3/8-16	
3	5397GT	WASHER,FLAT,USS,5/16",Y	
4	8178GT	SCREW,HHC,3/8-16 X 2.5	
5	35956GT	BRACKET,WORK LIGHT MOUNT 5/16"	
6	6145GT	SCREW,HHC,1/4-20 X 1.5	
7	6356GT	WASHER,LOCK,.25	
8	10107GT	SCREW,HHC,5/16-18 X .75	
9		Ref: HARNESS,12V WORK LIGHTS <i>refer to 311.1</i>	
10		Ref: CABLE,S60 & S65 12VDC WORK LIGHT <i>refer to 311.1</i>	
11		Ref: HARN,12V WORK LIGHT RELAY <i>refer to 311.1</i>	

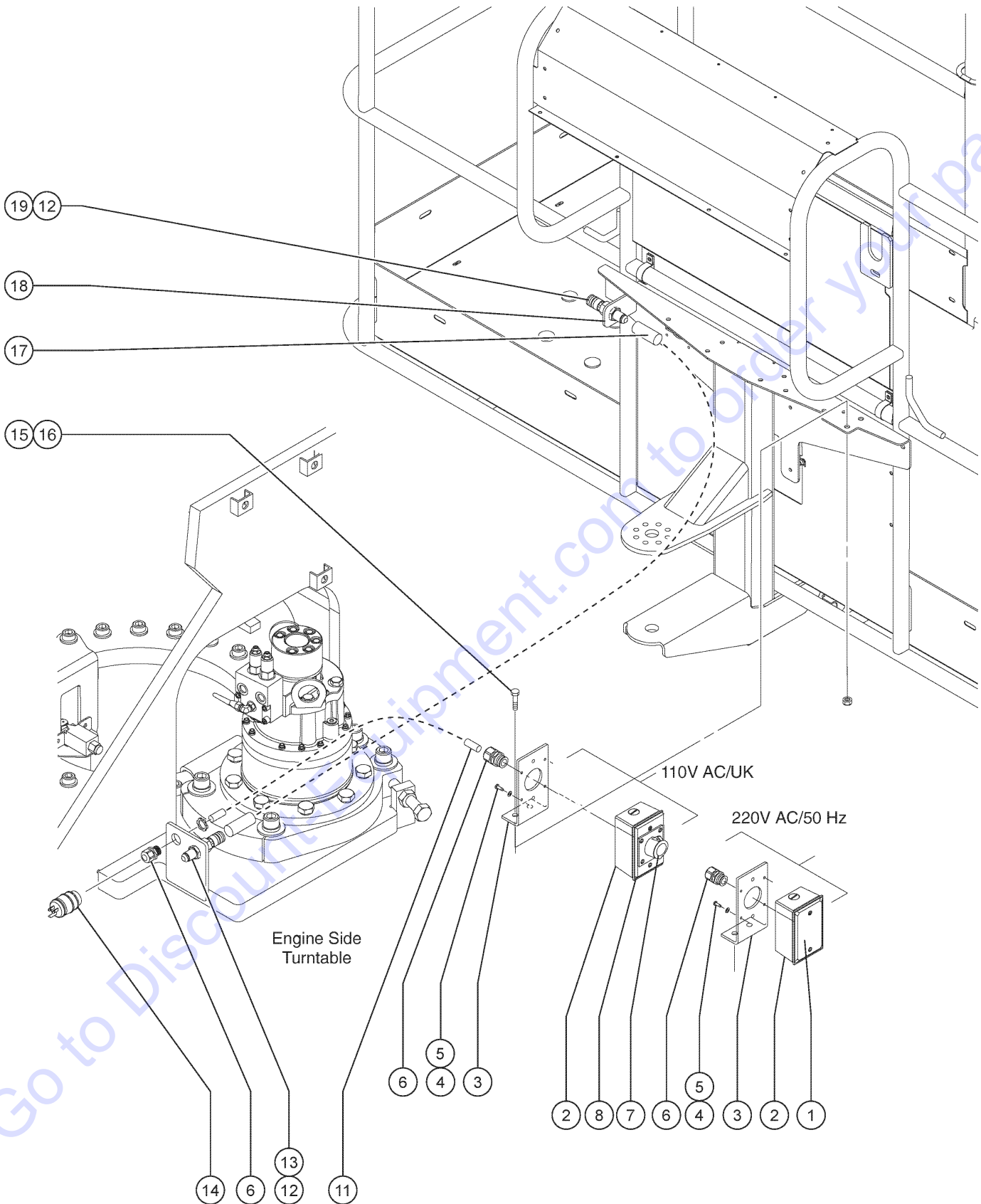
907.1 Earth Cable



Item	Part No.	Description	Qty.
1	4828GT	NUT,NYLOCK,3/8-16.....	4
2	22699GT	WASHER,FLAT,M10,ZINC PLTD.....	8
3	6019GT	SCREW,HHC,3/8-16 X 1.25 GRD 5.....	4
4	27584GT	SCREW,HHC,M12 X 35MM.....	2
5	49410GT	WASHER,FLAT,M12.....	2
6	825632GT	NUT, TL FLG, M12-1.75, ZAB.....	2
7	1280844GT	ASSEMBLY, EARTH-LEAD.....	1
8	1278556GT	FORMING, EARTH LEAD.....	2

Go to Discount-Equipment.com to order your parts

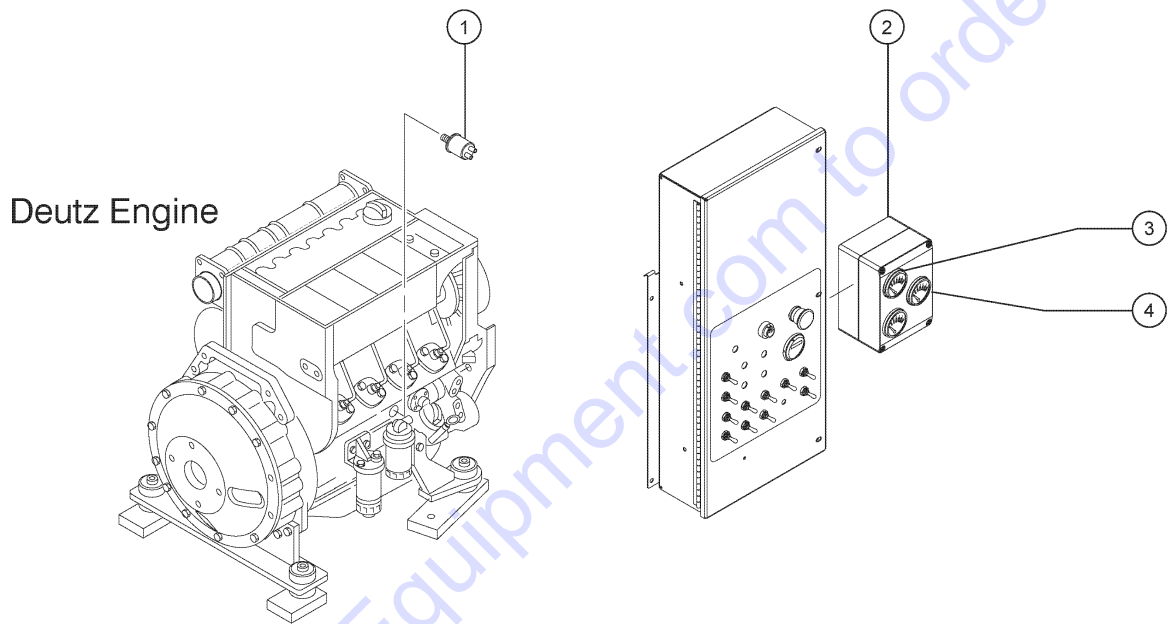
910.1 Air Line and Power to Platform



910.1 Air Line and Power to Platform

Item	Part No.	Description	Qty.
--	T109331GT	ACC,AIRLINE TO PLAT,S60 ,SERV	
--	119845GT	CLAMP, HYD WELD, AIR, OPT.....1	1
1	10777GT	COVER,BLANK.....1	1
--	33724GT	KIT,GASKET,UK POWER TO PLAT.	
--	81458GT	GASKET, UK POWER TO PLAT	
2	10775GT	T-BOX,2.75 X 4.5 X 2.0.....1	1
3A	81096GT	BRACKET,POWER TO PLAT, DOM.....1 <i>ANSI models</i>	1
3B	81570GT	BRACKET,POWER TO PLAT, UK <i>CE models</i>	
4	1257296GT	SCREW,PHPM-ST,8-32X.50,TYPE F,ZAG.....4	4
5	1257390GT	WASHER,FLAT,#8,SAE,ZAG.....4	4
6	7056GT	CONN,SQUEEZE,1/2NPT .38-.50,SM....2	2
--	6935GT	LOCKNUT,ELEC,1/2"	
7	T112560GT	RECEPTACLE,UK,110V.....1	1
8	T112561GT	PLATE,UK,POWER TO PLAT.....1	1
11		Ref: Harness, Power to Platform.....1 <i>refer to 311.1</i>	1
12	49212GT	FEMALE BULKHEAD CONNECTOR-8...2	2
13	49214GT	MALE PIPE THD,1/4" SER,3/8"X18	
14A	119403GT	CONN,PLUG 120 AC/15A DOMESTIC...1	1
14B	119404GT	CONN,RECEP 120AC/15A DOMESTIC.....1	1
14C	144161GT	PLUG,PWR,UK,16AMP,3PIN,BLK.....1	1
14D	25388GT	PLUG,FUSED,250V,13AMP,U.K.**.....1	1
14E	1280665GT	PLUG, TYPE F, 230A, 50HZ, 16A, IP44.....1	1
15	824090GT	SCREW,HHF,3/8-16X1,8,ZAG.....2	2
16	824029GT	NUT,TL FLG,3/8-16,G,ZAG.....2	2
17	49177-10884GT	HOSE ASSEMBLY,1/2"***.....1	1
18	60886PGT	BRACKET,AIRLINE TO PLATFORM.....1	1
19	49215GT	MPT,CPLR,1/4"SER,3/8"X18	

919.1 Gauge Option



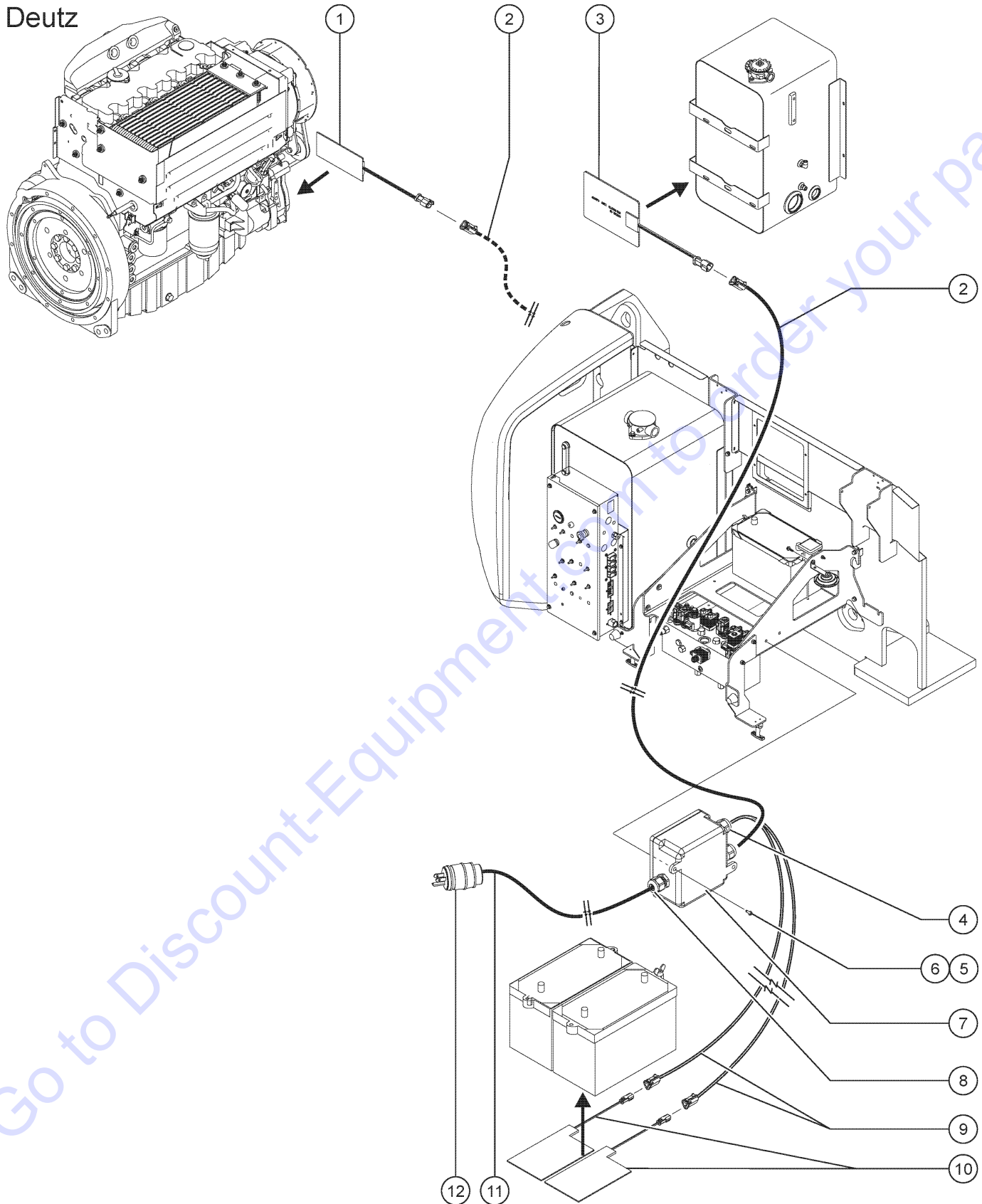
Go to Discount-Equipment.com to order your parts

Item	Part No.	Description	Qty.
A	T109333GT	ACC,FULL GAUGE,DEUTZ,SERV	
1	106033GT	ADAPTER,NPT 6-4	
2	101232GT	ENCLOSURE BOX,GAUGE OPT,DRILLD.....1 <i>bracket not included</i>	
--	139878GT	FORMING, GAUGE OPTION BRACKET.....1 <i>not included with 101232, must order separately</i>	
3	53761-SGT	GAUGE,VOLTAGE.....1	
4	53758-SGT	GAUGE,OIL PRESSURE W/O SENDER.....1	

Go to Discount-Equipment.com to order your parts

920.1 Cold Start Package

Deutz



920.1 Cold Start Package

Item	Part No.	Description	Qty.	Item	Part No.	Description	Qty.
1A	216615GT	ASSY HEATER, MODEL 18, 120V.....1 <i>120V models</i>	1	--	119056GT	CONN,PLUG 2 WAY,14-18GA	
--	119066GT	CONN,RECEP 3 WAY ENDCAP DT		--	60425GT	LOCK, PLUG 2WAY, 14-18GA	
--	60441GT	LOCK,RECEP 3 WAY,14-18GA		10A	216617GT	ASSY, BATTERY HEATER, 120V <i>120V models</i>	
1B	216616GT	ASSY HEATER,MODEL 18,240V.....1 <i>240V models</i>	1	--	119065GT	CONN,RECEP 2 WAY ENDCAP DT	
--	119066GT	CONN,RECEP 3 WAY ENDCAP DT		--	60439GT	LOCK,RECEP 2 WAY, 14-18GA	
--	60441GT	LOCK,RECEP 3 WAY,14-18GA		10B	216618GT	ASSY BATTERY HEATER,240V <i>240V models</i>	
2A	216662GT	HARNESS,ENG/HYD HEATER,120V.....1 <i>120V models</i>	1	--	119065GT	CONN,RECEP 2 WAY ENDCAP DT	
--	101199-200GT	SHRINK TUBE,BLACK,RHW,1/2,3:1		--	60439GT	LOCK,RECEP 2 WAY, 14-18GA	
--	119057GT	CONN PLUG 3 WAY ENDCAP DT		11A	216606GT	HARNESS, 120V POWER CORD, 24".....1 <i>120V models includes plug and hubble</i>	1
--	60427GT	LOCK,PLUG 3 WAY,14-18GA		--	101199-200GT	SHRINK TUBE,BLACK,RHW,1/2,3:1	
2B	216683GT	HARNESS,ENG/HYD HEATER,240V.....1 <i>240V models</i>	1	--	45845GT	TERMINAL, RING, #10 YELLOW	
--	101199-200GT	SHRINK TUBE,BLACK,RHW,1/2,3:1		11B	216607GT	HARNESS, 240V POWER CORD, 24".....1 <i>240V models includes hubble</i>	1
--	119057GT	CONN PLUG 3 WAY ENDCAP DT		--	101199-200GT	SHRINK TUBE,BLACK,RHW,1/2,3:1	
--	60427GT	LOCK,PLUG 3 WAY,14-18GA		--	45845GT	TERMINAL, RING, #10 YELLOW	
3A	216612GT	ASSY,120V HEATER, HYD TANK.....1 <i>120V models</i>	1	12	119403GT	CONN,PLUG 120 AC/15A DOMESTIC...1 <i>120V models</i>	1
--	119066GT	CONN,RECEP 3 WAY ENDCAP DT					
--	60441GT	LOCK,RECEP 3 WAY,14-18GA					
3B	216611GT	ASSY,240V HEATER, HYD TANK.....1 <i>240V models</i>	1				
--	119066GT	CONN,RECEP 3 WAY ENDCAP DT					
--	60441GT	LOCK,RECEP 3 WAY,14-18GA					
4	99778GT	SQUEEZE CONNECTOR, 4 WIRE.....2 <i>included in harness</i>	2				
--	238123GT	HUBBLE NUT, PG11					
5	826516GT	SCREW, PHPM, 10-32 X 1.0, ZAG					
6	824032GT	NUT,TL FLG,10-32,F,ZAG					
7	214249GT	COLD WEATHER 120V J BOX ASSY.....1	1				
--	13597GT	TERMINAL,#10 RING,BLUE.....4	4				
--	215347GT	COLD PKG GROUND, JUMPER ASSY.....1	1				
--	69776GT	TERMINAL,STRIP,4-POLE,600V***.....1	1				
8	214536GT	SQUEEZE CONN W/NUT, 2WIRE, 4MM.....1 <i>included in harness</i>	1				
9A	216655GT	HARNESS,BATT CABLE,120V <i>120V models</i>					
--	101199-200GT	SHRINK TUBE,BLACK,RHW,1/2,3:1					
--	119056GT	CONN,PLUG 2 WAY,14-18GA					
--	60425GT	LOCK, PLUG 2WAY, 14-18GA					
9B	216676GT	HARNESS,BATT CABLE,240V <i>240V models</i>					
--	101199-200GT	SHRINK TUBE,BLACK,RHW,1/2,3:1					

PARTS FINDER

**Search Website
by Part Number**



**Search Manual
Library For Parts
Manual & Lookup Part
Numbers – Purchase
or Request Quote**

Search Manuals

Enter your information to help us find the right parts manual for your machine.

* Brand:

* Model:

* Serial:

* Part Number:

SEARCH

**Can't Find Part or
Manual? Request Help
by Manufacturer,
Model & Description**

Parts Order Form

Please fill in the following information to help us find the right part for your machine.

Manufacturer:	<input type="text"/>
Model:	<input type="text"/>
Description:	<input type="text"/>
Part Number:	<input type="text"/>
Quantity:	<input type="text"/>
Notes:	<input type="text"/>

Submit

Discount-Equipment.com is your online resource for quality parts & equipment.

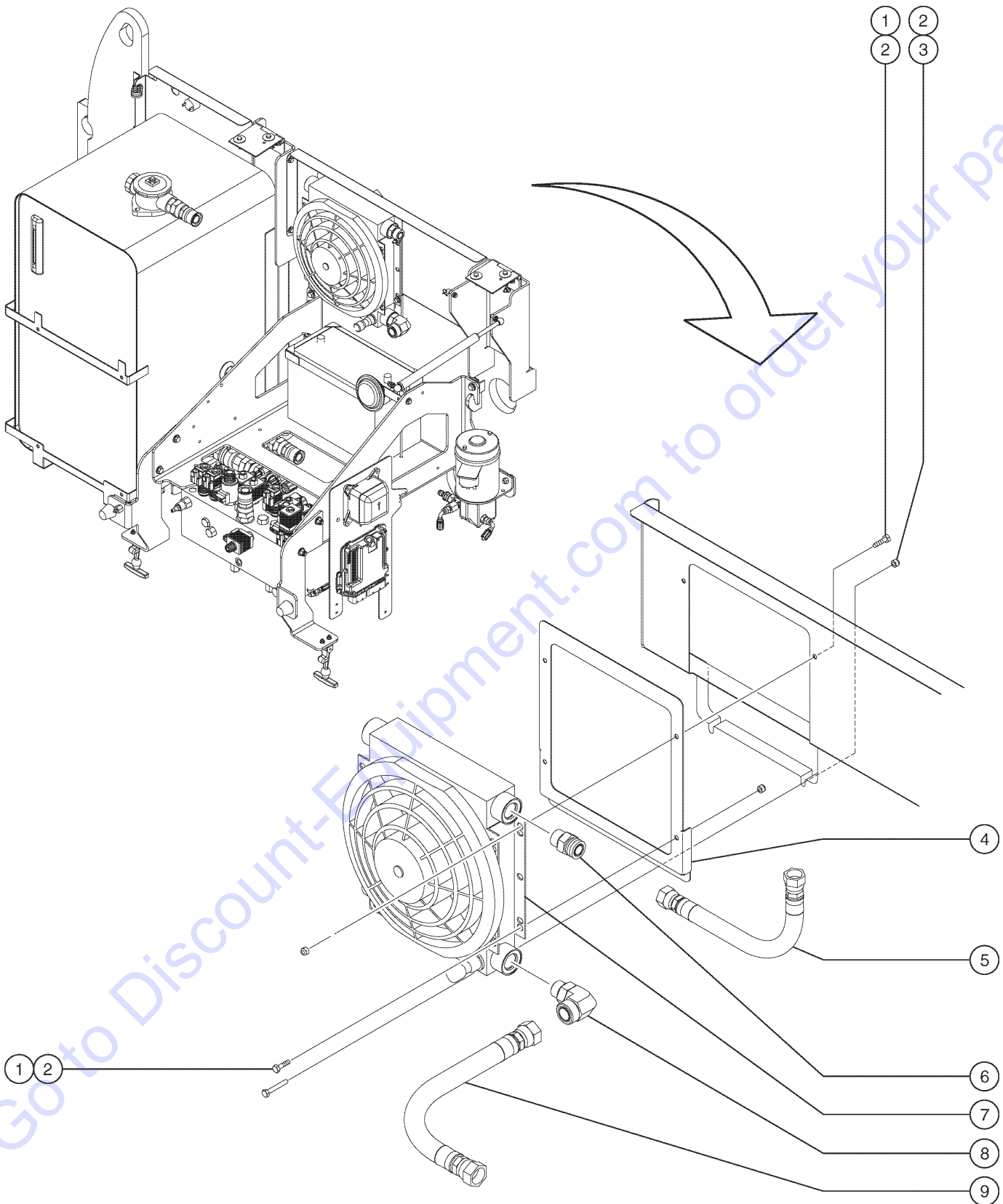
Florida: **561-964-4949** Outside Florida TOLL FREE: **877-690-3101**

Need parts?

Click on this link: <http://www.discount-equipment.com/category/5443-parts/> and choose one of the options to help get the right parts and equipment you are looking for. Please have the machine model and serial number available in order to help us get you the correct parts. If you don't find the part on the website or on one of the online manuals, please fill out the request form and one of our experienced staff members will get back to you with a quote for the right part that your machine needs.

We sell worldwide for the brands: Genie, Terex, JLG, MultiQuip, Mikasa, Essick, Whiteman, Mayco, Toro Stone, Diamond Products, Generac Magnum, Airman, Haulotte, Barreto, Power Blanket, Nifty Lift, Atlas Copco, Chicago Pneumatic, Allmand, Miller Curber, Skyjack, Lull, Skytrak, Tsurumi, Husquvarna Target, Stow, Wacker, Sakai, Mi-T-M, Sullair, Basic, Dynapac, MBW, Weber, Bartell, Bennar Newman, Haulotte, Ditch Runner, Menegotti, Morrison, Contec, Buddy, Crown, Edco, Wyco, Bomag, Laymor, EZ Trench, Bil-Jax, F.S. Curtis, Gehl Pavers, Heli, Honda, ICS/PowerGrit, IHI, Partner, Imer, Clipper, MMD, Koshin, Rice, CH&E, General Equipment, Amida, Coleman, NAC, Gradall, Square Shooter, Kent, Stanley, Tamco, Toku, Hatz, Kohler, Robin, Wisconsin, Northrock, Oztec, Toker TK, Rol-Air, APT, Wylie, Ingersoll Rand / Doosan, Innovatech, Con X, Ammann, Mecalac, Makinex, Smith Surface Prep, Small Line, Wanco, Yanmar

921.1 Hydraulic Oil Cooler Option

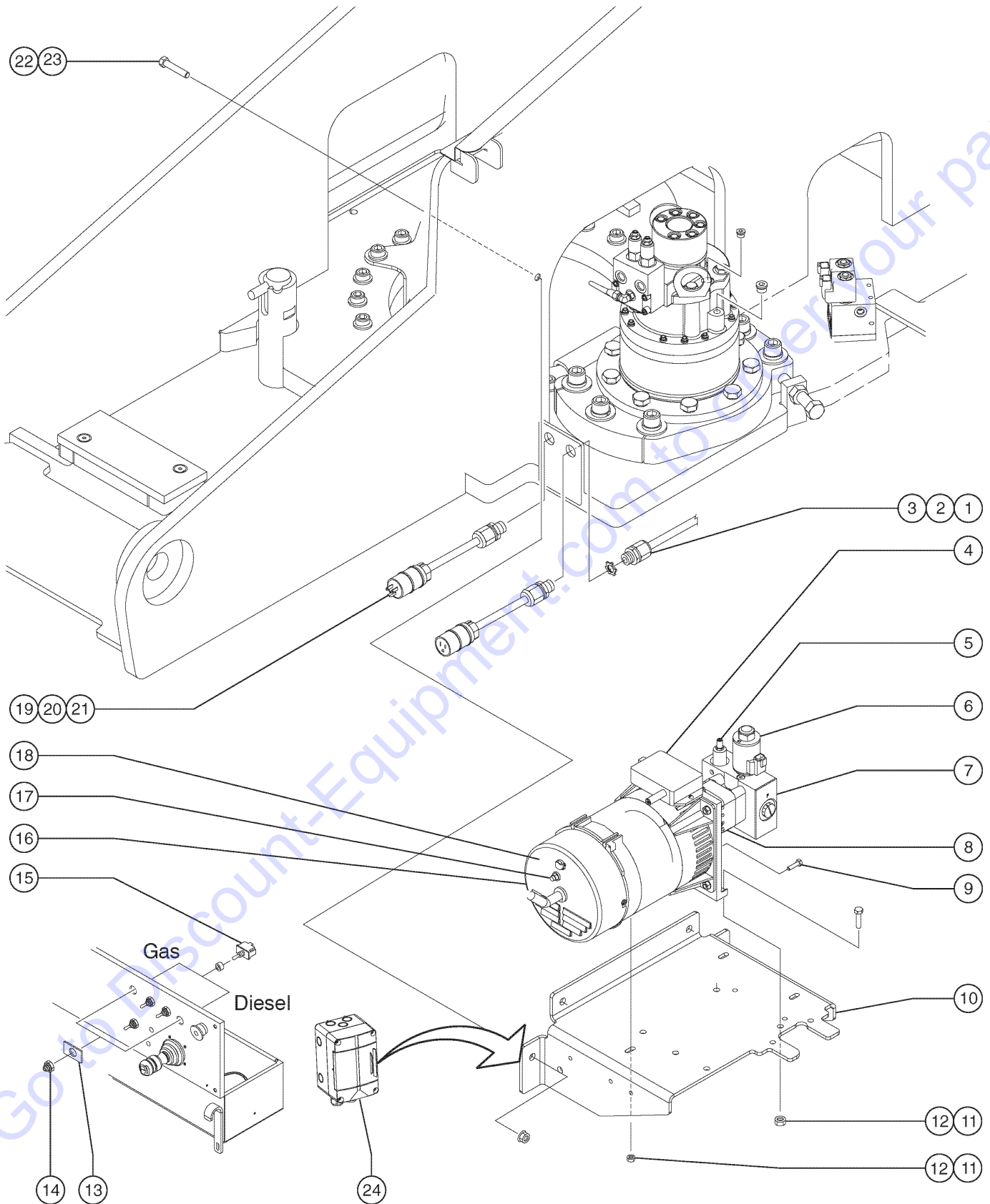


921.1 Hydraulic Oil Cooler Option

Item	Part No.	Description	Qty.
A	T109335GT	ACC, OIL COOLER,S60, SERV	
1	824078GT	SCREW,HHF,1/4-20X.75,8,ZAG.....	4
2	824027GT	NUT,TL FLG,1/4-20,G,ZAG.....	6
3	824081GT	SCREW,HHF,1/4-20X1.5,8,ZAG.....	2
4	77693GT	FORMING,OIL COOLER MOUNT.....	1
5	1259905GT	HOSE ASSY, 3/4", 28.55".....	1
6	48960GT	FITTING,CONN,520120-12***.....	1
7	71259GT	OIL COOLER W/FAN, 12VDC.....	1
8	48878GT	ELBOW,90D,520220-16-12.....	1
9	94205-3164GT	HOSE ASSY,3/4,45 FEM,STR MALE.....	1

Go to Discount-Equipment.com to order your parts

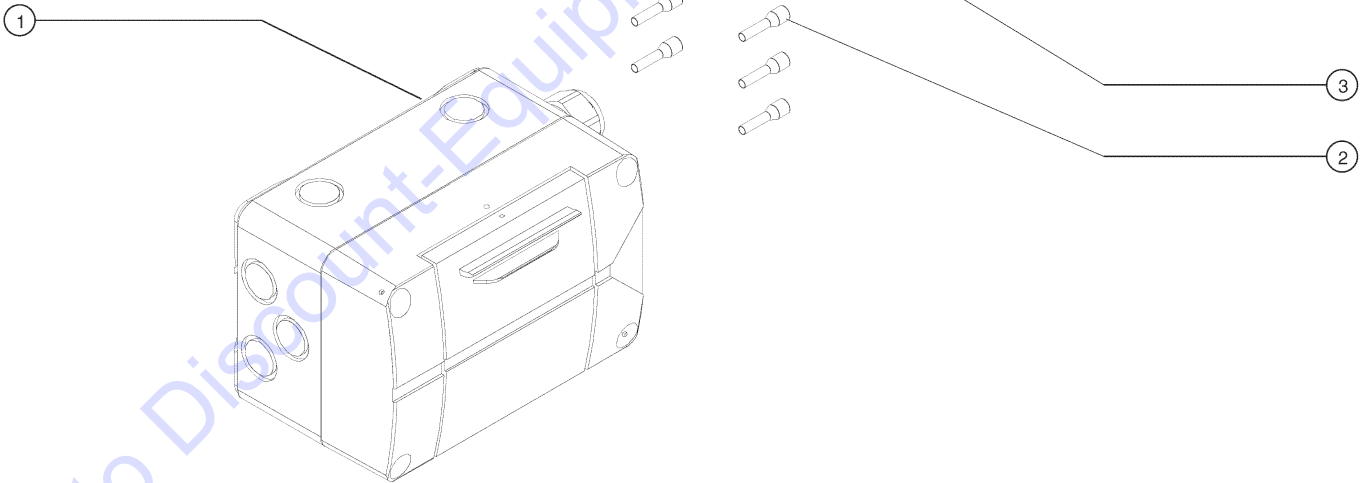
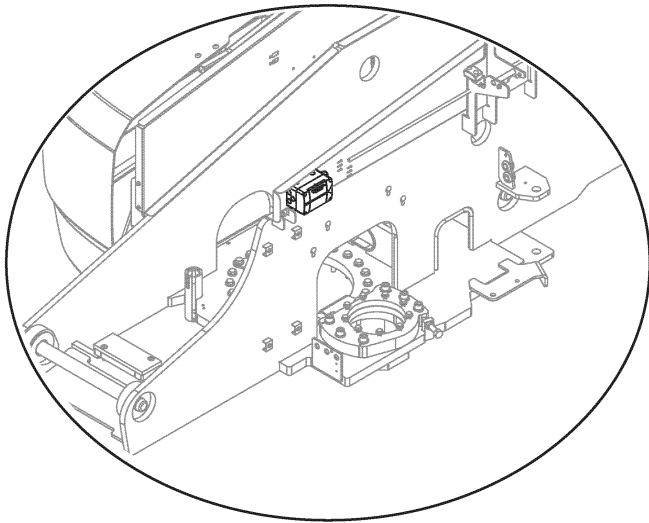
922.1 Hydraulic Generator Option - View 1



922.1 Hydraulic Generator Option - View 1

Item	Part No.	Description	Qty.	Item	Part No.	Description	Qty.
A	236923GT	FIELD KIT,MTE, 120V-50HZ, S60 <i>only for European machines already equipped with an oil cooler</i>		17A	147239GT	BREAKER, 25 AMP, GEN.....1 <i>(part of generators 139952 and 139953)</i>	1
B	216178GT	KIT,MTE&OIL COOL,120V50HZ,S60 <i>only for European machines without an oil cooler</i>		17B	147258GT	BREAKER,15 AMP,GEN <i>(part of generator 139954)</i>	
C	822687GT	FIELD KIT,MTE 120V-60HZ, S60.....1 <i>for units with oil cooler already installed</i>	1	18A	147241GT	COVER, END, GEN, 120V.....1 <i>(part of generators 139952 and 139953)</i>	1
D	822688GT	KIT,MTE&OIL COOL,120V60HZ,S60.....1 <i>for units that do not already have an oil cooler installed</i>	1	18B	147262GT	COVER, END, GENERATOR, 240V <i>(part of generator 139954)</i>	
E	236924GT	FIELD KIT,MTE, 240V-50HZ, S60 <i>only for European machines already equipped with an oil cooler</i>		19	119403GT	CONN,PLUG 120 AC/15A DOMESTIC...1	
F	216181GT	KIT,MTE&OIL COOL,240V50HZ,S60 <i>only for European machines without an oil cooler</i>		20	61278GT	CONN. SQZ,1/2NPT .56-.63.....1	1
G	1271398GT	KIT,GEN. PRESSURE SWITCH		21	6935GT	LOCKNUT,ELEC,1/2".....1	1
1	6935GT	LOCKNUT,ELEC,1/2"		22	1256172GT	SCREW,HHF,1/2-13X 2,8,ZAG.....4	4
2	7057GT	CONN. SQZ,1/2NPT .39-.56 MED.		23	1251997GT	NUT,TL FLG,1/2-13,G,ZAG.....4	4
3	119404GT	CONN,RECEP 120AC/15A DOMESTIC.....1	1	24A	1287634GT	ASSEMBLY, RCBO, 16A, 30MA, 50HZ, IP65.....1 <i>For p/n 139952GT</i>	1
4A	1269693GT	CONTROL BOX,2KW,120/240V,50HZ.....1 <i>(part of generators 139952 and 139954)</i>	1	24B	1287084GT	ASSEMBLY, RCBO, 10A, 30MA, 50HZ, IP65.....1 <i>For p/n 139954GT</i>	1
4B	147228GT	CONTROLLER BOX, 120/240V, 60H <i>(part of generator 139953)</i>					
5	147233GT	VALVE, RELIEF, GEN, 3.0kW.....1	1				
6	147232GT	12VDC PROPORTIONAL VALVE.....1	1				
7	147229GT	MANIFOLD ASSEMBLY, GEN.....1 <i>(complete, includes items 5 and 6)</i>	1				
8	147230GT	207 HYD MOTOR ASSY, GEN.....1	1				
--	147231GT	SEAL KIT, HYD MOTOR, GEN					
9	147242GT	SCREW, GEN ROTOR.....4	4				
10	106114GT	BRACKET,GENERATOR12.5 KW,PNTD*.....1	1				
--	56361GT	CABLE TIE,BUTTON,BLACK,14.75LG...1	1				
11	824028GT	NUT,TL FLG,5/16-18,G,ZAG.....3	3				
12	824066GT	SCREW,HHF,5/16-18X1.5,8,ZAG.....2	2				
13	133518GT	DECAL, PATCH, GEN,ALC-500.....1	1				
14	27246GT	BOOT,TOGGLE SWITCH,SHORT*.....1	1				
15	128204GT	SWITCH TOGGLE ASSY SPDT 2P MNT.....1	1				
16A	139952GT	GENERATOR,3kW,120V/50Hz.....1 <i>(complete, includes items 4-9 and 19-20)</i>	1				
16B	139953GT	GENERATOR, 3kW, 120V/60Hz.....1 <i>(complete, includes items 4-9 and 19-20)</i>	1				
--	147240GT	CAPACITOR 16 F, GEN					
16C	139954GT	GENERATOR,3kW,240V/50Hz.....1 <i>(complete, includes items 4-9 and 19-20)</i>	1				

923.1 Power To Platform RCBO



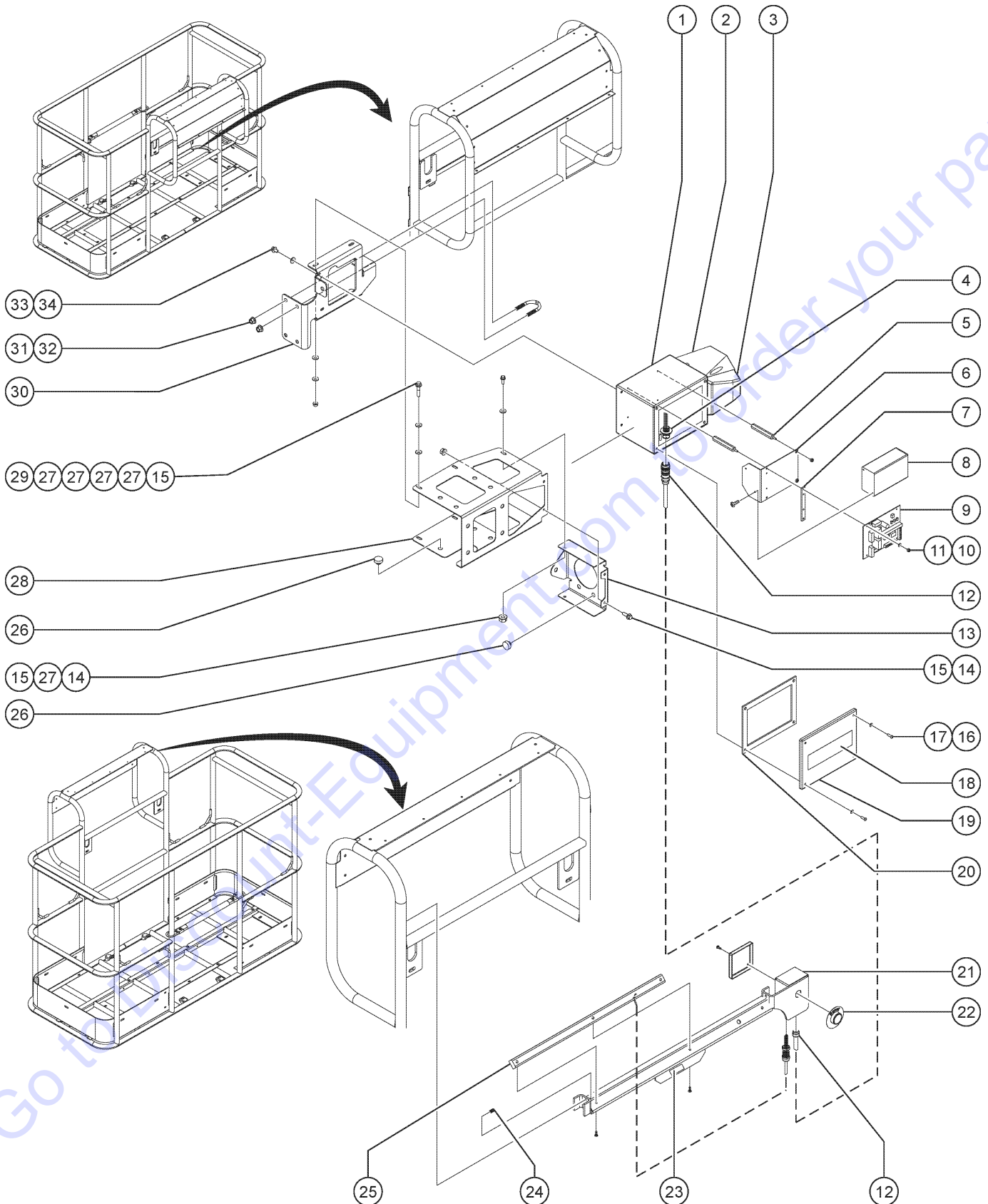
Go to Discount-Equipment.com to order your parts

923.1 Power To Platform RCBO

Item	Part No.	Description	Qty.
1	1287634GT	ASSEMBLY, RCBO, 16A, 30MA, 50HZ, IP65.....	1
2	1261689GT	SLEEVE, CABLE-END, 12AWG, 4MM....	8
3	30794GT	WIRE,12/3 SJEOW,BK-WH-GR/YL.....	90-inches

Go to Discount-Equipment.com to order your parts

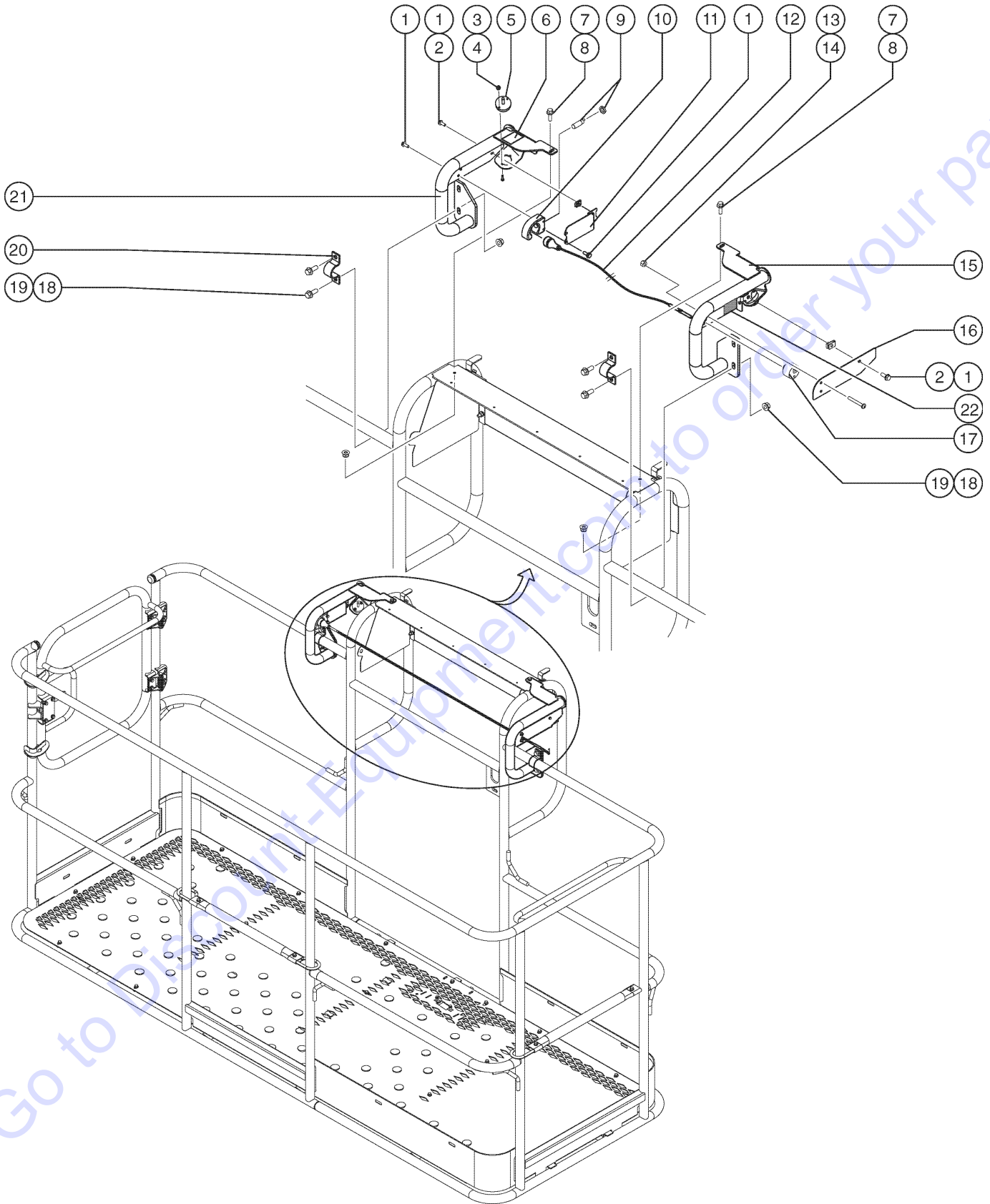
927.1 Operators Protection Alarm (to January 2017)



927.1 Operators Protection Alarm (to January 2017)

Item	Part No.	Description	Qty.	Item	Part No.	Description	Qty.
C	1275537GT	ASSEMBLY, OPA PROTECTION CAGE.....	1	33	237238GT	SCREW,HHF,M6-1.0X12,DIN6921,10.....	2
1	1255018GT	BASE ENCLOSURE,RED,OPA.....	1	34	1257389GT	WASHER, FLAT, M6X18X1.6,DIN9021,ZAB.....	2
2	1255021GT	SOUNDER,MIDI,OPA.....	1				
3A	1255037GT	SOUNDER LENS, OPA, BLUE..... (standard lens fitted to OPA)	1				
3B	1270116GT	SOUNDER LENS, OPA, RED.....	1				
3C	1270117GT	SOUNDER LENS, OPA, AMBER.....	1				
3D	1270118GT	SOUNDER LENS, OPA, CLEAR.....	1				
4	1255033GT	HARN,PIGTAIL,TAPESWITCH,OPA.....	1				
5	1255028GT	STAND OFF,CONTROL UNIT.....	4				
6	1255024GT	BRACKET,CONTROL UNIT.....	1				
7	1255025GT	SPACER,HEAT SINK.....	1				
8	1255023GT	ASSY,MODULE,CONTROL UNIT,OPA....	1				
9	1255022GT	MODULE,CONTROL UNIT,PCB,OPA....	1				
10	1255067GT	NUT,M4 NYLOCK.....	4				
11	1255066GT	WASHER,M4 NYLON.....	4				
12	1255035GT	ASSEMBLY,CABLE,TAPESWITCH.....	1				
13	1275539GT	FORMING, OPA CAP.....	1				
14	824078GT	SCREW,HHF,1/4-20X.75,8,ZAG.....	5				
15	824027GT	NUT,TL FLG,1/4-20,G,ZAG.....	9				
16	1255038GT	SCREW,M5X16 BHD.....	4				
17	1255027GT	WASHER,M5 NYLON.....	4				
18	1255890GT	DECAL,COSMETIC,GENIE.....	1				
19	1255020GT	LID ENCLOSURE,RED,OPA.....	1				
20	1255019GT	GASKET,ENCLOSURE.....	1				
21	1255029GT	ASSEMBLY,TAPESWITCH..... "(6/8' platforms) (includes j-box and fasteners)"	1				
22	1255036GT	ASSEMBLY RESET SWITCH.....	1				
23	1255889GT	DECAL,SYMBOL-READ THE MANUAL.....	1				
24	1255068GT	SCREW,M6X8.....	2				
25	1255047GT	SENSOR,RUBBER EDGE..... (6/8' platforms)	1				
26	43392GT	BUMPER,BATTERY BOX & RAILS.....	17				
27	824113GT	WASHER,FLAT,USS,1/4,ZAG.....	19				
28	1275538GT	FORMING, OPA CAGE.....	1				
29	824080GT	SCREW,HHF,1/4-20X1.25,8,ZAG.....	4				
30	1275540GT	FORMING, OPA, BRACKET.....	1				
--	1271945GT	KIT, OPA WELDER BRACKET Complete assembly bracket with fasteners and U-Bolt 1251600					
31	824029GT	NUT,TL FLG,3/8-16,G,ZAG.....	4				
32	1251600GT	U-BOLT, FLATTENED, 1.5 X 3/8 UNC,ZAG.....	2				

927.2 Lift Guard Contact Alarm (from January 2017)



927.2 Lift Guard Contact Alarm (from January 2017)

Item	Part No.	Description	Qty.	Item	Part No.	Description	Qty.
--		<i>From January 2017, this option became a standard installation on all models unless the customer specifically request not to have it installed.</i>		22	1278982GT	DECAL, INSTRUCTION, ACTUATOR SWITCH SOCKET.....	1
--	1279135GT	KIT, LIFT GUARD CONTACT ALARM,6'-8' PLATFORM,NON-ALC1000					
--	1278108GT	HARNESS, CONTACT ALARM, S40,S60,S80					
--	19274GT	RELAY,SPDT,12V(AUTO)**					
--	1278121GT	MODULE, PLUS+1, CONTACT ALARM					
1	1264934GT	SCREW,HHF,10-24X.5					
2	73575GT	SPRING CLIP,10-24,.025-.125X.468,ZAG					
3	12344GT	NUT,NYLOCK,6-32					
4	1256859GT	SCREW,PHPM,6-32X.875,ZAG					
5	1278111GT	ASSEMBLY, LIGHT, CONTACT ALARM.....	2				
6	1278542GT	DECAL, INSTRUCTION, CONTACT ALARM					
7	824078GT	SCREW,HHF,1/4-20X.75,8,ZAG					
8	1277924GT	NUT,NYLOCK FLG,1/4-20,F,ZAG					
9	1278119GT	ASSEMBLY, SENSOR, PROX, CONTACT ALARM.....	1				
10	1278433GT	ASSY, SENSOR W/HOUSING <i>(Includes holder item 1277877 and sensor part 1278119)</i>					
--	1277877GT	HOLDER, SENSOR.....	1				
11	1277873GT	FORMING, SENSOR HOLDER.....	1				
12	1278416GT	ASSEMBLY,CONTACT ALARM CABLE, LARGE.....	1				
--	1261184GT	NUT,1/4-20,8,ZAG <i>Part of assembly 1278416</i>					
--	1278124GT	MAGNET, 1/4-20, 15 LB. <i>Part of assembly 1278416</i>					
--	1278368GT	GRIP, CABLE <i>Part of assembly 1278416</i>					
--	1278458GT	CONTACT ALARM WIRE ASSY, LARGE <i>Part of assembly 1278416</i>					
13	1274168GT	NUT,NYLOCK,10-32,A,ZAG					
14	824216GT	SCREW,PHPM,10-32X1.5,ZAG					
15	1278138GT	WELDMENT, RIGHT CONTACT ALARM, LARGE.....	1				
16	1277875GT	PLATE, CABLE AND WIRE COVER.....	1				
17	1277876GT	GUIDE, CABLE.....	1				
18	1274322GT	NUT,NYLOCK FLG,3/8-16,F,ZAG					
19	824090GT	SCREW,HHF,3/8-16X1.8,ZAG					
20	1278363GT	CLAMP, 1.25 INCH TUBE.....	2				
21	1278144GT	WELDMENT, LEFT CONTACT ALARM, LARGE.....	1				



Part Number Index

The Part Number Index is a numeric index of all part numbers included in this manual. The index shows what page(s) the part is used on.

Part Number	Page	Part Number	Page	Part Number	Page	Part Number	Page
101005GT	115	110194GT	65-66	1251499GT	37	1255400GT	89
101005HGT	115	110196GT	65-66	1251500GT	37	1255451GT	87
101006GT	77-78	110197GT	65-66	1251501GT	37	1255452GT	22, 91
101066PGT	95	110200GT	65-66	1251502GT	37	1255456GT	61-62
10107GT	143	110201GT	65-66	1251503GT	37	1255457GT	61-62
101080GT	61-62	110202GT	65-66	1251504GT	37	1255458GT	61-62
101129PGT	77-78	110221GT	22	1251505GT	37	1255469GT	35
101140P-SGT	78	110280GT	49	1251508GT	37	1255555GT	62
101173GT	115	110339GT	95	1251509GT	37	1255581GT	13, 15
101173HGT	115	110340GT	95	1251510GT	37	1255582GT	13
101191GT	61-62	110345GT	35	1251565GT	89, 93, 95	1255629GT	95
101199-200GT	151	110452GT	91	1251600GT	105, 107, 159	1255653GT	77-78
101232GT	149	110578GT	22	1251757GT	43, 49, 113	1255666GT	77-78, 85
101244GT	99	110671GT	105, 107	1251983GT	83, 87	1255703GT	21-22, 25
101251GT	93	110727GT	21-22	1251984GT	45-46	1255704GT	22
101252GT	91	110728GT	21-22	1251994GT	77-78	1255705GT	21-22
101254GT	97, 99	110730GT	21-22	1251997GT	51-52, 55-56, 77-78, 91, 155	1255706GT	22
101255GT	22	110731GT	21-22	1252684GT	45-46	1255710GT	21-22
101293GT	127	110789GT	101	1252685GT	45-46	1255711GT	25
101294GT	73	110908GT	91	1252978GT	95	1255712GT	27
101491GT	117	111155GT	33	1253185GT	83	1255714GT	31
101494GT	117	111413GT	113	1253264GT	59	1255715GT	29
101726GT	39	111420GT	113	1253265GT	59	1255758GT	103
101790-10091GT	121	111445GT	77-78	1253270GT	59	1255760GT	77-78, 91
101790-10691GT	121	111485PGT	131	1253271GT	59	1255763GT	59, 85
101795-2482GT	121	111486PGT	131	1253319GT	89	1255768GT	51-52, 55-56
101845GT	101	111526GT	131	1253319GT	59	1255769GT	51-52, 55-56
101964GT	59	111668GT	77-78	1253419GT	51-52, 55-56	1255770GT	51-52, 55-56
101995GT	43	111705GT	65-66	1253478GT	39, 59	1255771GT	51-52, 55-56
102045GT	89	114249GT	13, 15	1253485GT	37, 131	1255772GT	51-52, 55-56
102131GT	21-22, 25	114251GT	13, 15	1253498GT	22, 25, 73, 85, 91	1255773GT	51-52, 55-56
102155GT	21-22, 25	114252GT	17	1253795GT	129	1255782GT	95
102157GT	25	114465GT	13	1253796GT	129	1255802GT	27
102158GT	21-22, 25	114473GT	19	1253798GT	119	1255805GT	59, 77-78, 83
102159GT	21-22, 25	119056GT	151	1253799GT	35	1255889GT	159
102162GT	21-22, 25	119057GT	151	1253800GT	35	1255890GT	159
102166GT	25	119058GT	61-62	1253815GT	91	1255986GT	59
102167GT	25	119061GT	61-62	1253818GT	37	1255987GT	59
102230-9589GT	121	119062GT	61-62	1253819GT	35	1256054GT	59
102357GT	43, 49	119063GT	61-62	1253824GT	35	1256106GT	95
102516GT	21-22, 25	119064GT	61-62	1253825GT	35	1256107GT	91
102528GT	66	119065GT	151	1253830GT	59	1256109GT	99
102587GT	81	119066GT	151	1253831GT	59	1256119GT	93
102721PGT	137	119067GT	93	1254594GT	81	1256122GT	95
102785PGT	131	119117GT	77-78	1254625GT	59	1256126GT	51-52, 55-56
102786PGT	131	119344GT	77-78	1254639GT	91	1256127GT	51-52, 55-56, 59, 99
102992GT	105	119403GT	147, 151, 155	1254804GT	109-110	1256165GT	87
104759GT	71	119404GT	147, 155	1254823GT	87	1256168GT	51-52, 55-56
104804GT	107, 135	119536PGT	99	1254826GT	77-78	1256169GT	89
106033GT	149	119542GT	99	1254874GT	105, 107	1256199GT	89
106098GT	21-22, 25	119567GT	93	1255018GT	159	1256170GT	25, 52, 56
106114GT	155	119644GT	113	1255019GT	159	1256171GT	103
106140PGT	43, 49	119845GT	147	1255020GT	159	1256172GT	51-52, 55-56, 155
106163GT	105, 107	119915GT	115	1255021GT	159	1256177GT	52, 56
106172PGT	51-52, 55-56	119990GT	91	1255022GT	159	1256180GT	99
106516GT	22	121035GT	103	1255023GT	159	1256182GT	22, 25, 52, 56
106637GT	43, 49	121065GT	103	1255024GT	159	1256267GT	22, 25, 91
106647GT	21-22	121066GT	129	1255025GT	159	1256283GT	77-78, 87
106648GT	21-22	121599GT	43, 49	1255027GT	159	1256460GT	105, 107
106657GT	43, 49	121846GT	43, 49	1255028GT	159	1256467GT	27
106835GT	73	121847GT	113	1255029GT	159	1256469GT	35
106836GT	73	121848GT	61-62, 101	1255030GT	62	1256482GT	89
106837GT	73	122019GT	129	1255033GT	159	1256670GT	71
107552GT	61-62	122073GT	131, 133	1255035GT	159	1256679GT	51-52, 55-56, 59, 107
107665PGT	93	122278GT	131	1255036GT	159	1256693GT	59
107753GT	65-66	122279GT	131	1255037GT	159	1256767GT	59
10775GT	147	122646GT	65-66	1255038GT	159	1256771GT	59
10777GT	147	122661GT	103	1255047GT	159	1256776GT	77-78, 89
107813GT	73	122662GT	103	1255066GT	159	1256837GT	51-52, 55-56
107814GT	73	122663GT	103	1255067GT	159	1256842GT	51-52, 55-56
107815GT	73	122668GT	103	1255068GT	159	1256846GT	51-52, 55-56
107842GT	73	122944GT	99	1255385GT	22, 25		
107857GT	129	12344GT	161	1255389GT	35		
108538GT	81	12448GT	107	1255396GT	89		
109802GT	51-52, 55-56	1251496GT	87	1255399GT	89		

Part Number	Page	Part Number	Page	Part Number	Page	Part Number	Page
1256855GT	41, 45-46, 49, 51-52, 55-56, 59, 107, 113, 135	1261392GT	33	1270349GT	25	128201GT	41, 45-46, 109-110
1256856GT	59	1261393GT	33	1270350GT	29	128202GT	41, 45-46, 110
1256859GT	161	1261394GT	33	1270351GT	31	128204GT	41, 45-46, 109-110, 155
1256863GT	51-52, 55-56	1261566GT	41	1270570GT	133	128268GT	99
1256864GT	25, 91	1261689GT	157	1270571GT	133	1283776GT	11
1257076GT	27, 77-78	1261724GT	35, 51-52, 55-56	1270994GT	135	128423GT	73
1257077GT	27	1261836GT	59	1271018GT	135	128454PGT	99
1257078GT	25	1261837GT	59	1271019GT	135	128483GT	99
1257079GT	91	1261844GT	62	1271040GT	135	128518GT	13, 19
1257080GT	91	1261879GT	139, 141	1271061GT	135	128534GT	99
1257081GT	99, 101	1261920GT	89	1271077GT	133	1285505GT	73
1257223GT	51-52, 55-56	1261921GT	83	1271078GT	133	1285506GT	73
1257226GT	35	1261925GT	87	1271398GT	155	1285689GT	62
1257264GT	101	1261926GT	87	1271945GT	159	1285700GT	135
1257296GT	147	1261955GT	141	1272303GT	107	128578GT	45-46, 109-110
1257389GT	159	1262331GT	91	1272304GT	107	128580GT	109-110
1257390GT	147	1262343GT	19	1272307GT	107	128581-SGT	109-110
1257404GT	113	1262828GT	85	1272391GT	83	1285811GT	62
1257410GT	41, 45-46	1262829GT	85	1273919GT	83	128582-SGT	110
1257417GT	113	1262831GT	83	1274106GT	52, 56	128584-SGT	45-46, 109-110
1257421GT	85	1262832GT	89	1274107GT	52, 56	1287084GT	155
1257628GT	59	1262833GT	89	1274108GT	52, 56	1287434GT	69
1257706GT	78	1262838GT	83	1274109GT	52, 56	1287634GT	155, 157
1257733GT	11	1262839GT	83	1274110GT	52, 56	1287812GT	33
1257837GT	78	1262841GT	83	1274111GT	52, 56	1287813GT	33
1257862GT	27	1262842GT	83	1274112GT	52, 56	128909GT	33
1257865GT	29, 31	1262866GT	11, 81	1274113GT	52, 56	128910GT	33
1257961GT	89	1262867GT	81	1274114GT	52, 56	128911GT	33
1258567GT	11	1262868GT	81	1274168GT	161	128912GT	33
1258641GT	87	1262870GT	81	1274322GT	161	128913GT	33
125865GT	29	1262871GT	81	1274858GT	107	128914GT	33
1258722GT	59	1262872GT	81	1274859GT	107	128916GT	33
1258723GT	59	1262873GT	81	1275537GT	159	128917GT	33
1258724GT	59	1262874GT	81	1275538GT	159	128918GT	33
1258771GT	87	1262875GT	81	1275539GT	159	128919GT	33
1258783GT	139, 141	1262876GT	81	1275540GT	159	128920GT	33
1258785GT	139, 141	1262877GT	81	1275658GT	133	128921GT	33
1258786GT	139	1262878GT	81	1276659GT	133	128922GT	33
1258789GT	139, 141	1262881GT	81	1277783GT	161	128923GT	33
1259102GT	39	1262883GT	81	1277875GT	161	128924GT	33
1259441GT	87	1262893GT	81	1277876GT	161	128925GT	33
1259654GT	81	1262894GT	81	1277877GT	161	128926GT	33
1259657GT	81	1262895GT	81	1277924GT	161	128927GT	33
1259660GT	81	1262896GT	81	1277952GT	137	128928GT	33
1259704GT	131	1262897GT	81	1277966GT	137	128935GT	43
1259717GT	81	1262899GT	81	1277974GT	81	128955GT	33
1259855GT	35, 51-52, 55-56	1263187GT	37	1278108GT	161	13268GT	35
1259899GT	81	1264101GT	135	1278111GT	161	133067GT	13, 15, 19
1259903GT	117	1264257GT	103	1278119GT	161	133205GT	13
1259904GT	117	1264258GT	103	1278121GT	161	133252GT	13, 15
1259905GT	127, 153	1264261GT	56	1278124GT	161	133254GT	17
1259906GT	125	1264680GT	52, 56	1278138GT	161	133260GT	15
1260105GT	61-62	1264822GT	61-62	1278144GT	161	133263GT	13, 15
1260107GT	13, 15	1264834GT	61-62	1278363GT	161	133387GT	19
1260112GT	35	1264934GT	161	1278368GT	161	133413GT	13
1260113GT	35	1265397GT	107, 135	1278416GT	161	133518GT	155
1260174GT	51-52, 55-56	1267746GT	107	1278433GT	161	13597GT	151
1260357GT	81	1267747GT	107, 135	1278458GT	161	13635-10GT	95, 103
1260511GT	29	1267807GT	51-52, 55-56	1278542GT	161	139000GT	29, 33
1261184GT	161	1268010GT	83	1278556GT	145	139001GT	29, 33
1261244GT	59	1268229GT	51-52, 55-56	1278708GT	11	139002GT	29, 31
1261245GT	59	1268376GT	91	1278912GT	51-52, 55-56, 59	139120GT	29
1261277GT	35, 59, 83	1268377GT	91	1278982GT	161	139121GT	29
1261292GT	62	1268GT	11	1279135GT	161	139122GT	29
1261293GT	62	1269500GT	115	1279465GT	51-52, 55-56	139125GT	29
1261294GT	61-62	1269693GT	155	1279466GT	51-52, 55-56	139140GT	29, 31
1261295GT	61-62	1270116GT	159	128000GT	115	139179GT	29, 31, 33
1261296GT	61-62	1270117GT	159	128001GT	115	139262GT	33
1261297GT	62	1270118GT	159	128004GT	85	139288GT	95
1261298GT	62	1270151GT	55-56	128005GT	61-62, 129	139308GT	51-52, 55-56
1261346GT	41	1270313GT	135	128023GT	78	139309GT	51-52, 55-56
1261389GT	33	1270314GT	135	128045GT	43	139315GT	51-52, 55-56
1261390GT	33	1270316GT	135	1280665GT	147	139323GT	51-52, 55-56
1261391GT	33	1270346GT	21-22	1280844GT	145	139338GT	109-110
		1270347GT	21-22	128200GT	41, 45-46, 109-110		
		1270348GT	22				

Part Number Index (continued)

Part Number	Page	Part Number	Page	Part Number	Page	Part Number	Page
139384GT	95	147834GT	91	219718GT	45-46	28174GT	15, 19
139385GT	95	147840GT	41, 45-46	219722GT	45-46	28235GT	15, 19
139438GT	137	147842GT	91	219954GT	19	28301GT	59
139508GT	69	1484GT	11	219956GT	19	28750GT	11
139512GT	69	15243GT	113	219958GT	19	29080GT	93, 95
139527GT	69	160804GT	105	22348GT	39	29557GT	81
139528GT	69	160809GT	105	226325GT	103	29559GT	77-78
139598GT	115	161141GT	65-66	226393GT	129	29560GT	11, 77-78
139601GT	91	161144GT	75	22672GT	83	29868GT	35, 51-52, 55-
139602GT	91	161145GT	75	226940GT	33		56, 87, 129
139621GT	77-78	161523GT	119	226941GT	33	30138GT	93, 95
139622GT	77-78	161603GT	51-52, 55-56	226942GT	33	30143GT	35
139623GT	77-78	161607GT	51-52, 55-56	226943GT	33	30144GT	35
139624GT	77-78	161608GT	51-52, 55-56	226944GT	33	30217GT	99
139666GT	77-78	161938GT	87	226945GT	33	30222GT	99
139709GT	77-78	162206GT	89	226946GT	33	30370GT	91, 93, 97
139712GT	69	162207GT	89	22699GT	145	30468GT	131
139715GT	69	162208GT	89	227125GT	91	30489GT	85
139716GT	69	162209GT	89	227306GT	103	30490GT	39, 77-78
139717GT	69	162283GT	83	227308GT	103	30794GT	157
139718GT	69	162284GT	83	227347GT	119	30971GT	77-78, 85
139719GT	69	18503GT	51-52, 55-56	228311GT	109-110	30973GT	51-52, 55-56
139727GT	69	18666GT	43, 49, 113	228323GT	61-62	30997GT	49, 113
139731GT	61-62	18720GT	91, 93	228796GT	103	31100GT	66
139733GT	61-62	18722GT	91	228797GT	103	31408GT	77-78
139737GT	61-62	18963GT	129	228967GT	103	31523GT	78
139741GT	61-62	19273GT	87	228969GT	103	31779GT	11
139801GT	73	19274GT	161	229152GT	61-62	31983GT	39, 87
139832GT	61-62	19440GT	93	229169GT	103	32066GT	87
139833GT	61-62	19491GT	93	229567GT	41, 45-46, 109-		
139834GT	61-62	19506GT	41		110	32150GT	11
139835GT	61-62	21130GT	27, 77-78	229817GT	21-22, 25	32151GT	11
139836GT	61-62	21141GT	35	229818GT	21-22, 25	32681GT	27
139878GT	149	214228GT	11, 89	229931GT	21-22, 25	32695GT	77-78
139952GT	155	214249GT	151	230392GT	35	32698GT	11, 78
139953GT	155	214536GT	151	230497GT	91	32975GT	65-66
139954GT	155	21465GT	39, 87	231513GT	59	33239GT	78
139958GT	131	214690GT	95	231529GT	87	33278GT	95
144161GT	147	215254GT	59	231532GT	59	33422GT	43, 49
146478GT	109-110	215340GT	21-22, 25	23404GT	43, 49	33428GT	22, 99
147094GT	41, 46	215347GT	151	235372GT	13, 15	33555GT	59
147121GT	105, 107	215423GT	33	236251GT	81	33607GT	43, 49
147149GT	29	215424GT	33	236259GT	89	33608GT	43, 49
147155GT	33	215425GT	33	236259GT	89	33724GT	147
147223GT	35	215426GT	33	236260GT	89	33994GT	11
147224GT	93	215427GT	33	236923GT	155	34052GT	43, 49
147228GT	155	215642GT	21-22, 25	236924GT	155	34124GT	93
147229GT	155	216178GT	155	237238GT	83, 159	34125GT	95
147230GT	155	216181GT	155	237352GT	87	34245GT	93
147231GT	155	216602GT	75	237730GT	81	34344GT	93, 95
147232GT	155	216606GT	151	238123GT	151	34619GT	101
147233GT	155	216607GT	151	24038GT	83	34940GT	39
147239GT	155	216611GT	151	24514GT	105, 107	35434GT	83
147240GT	155	216612GT	151	25388GT	147	35586GT	78
147241GT	155	216615GT	151	25548GT	85	35675GT	51-52, 55-56, 99
147242GT	155	216616GT	151	25683GT	97, 99	35726GT	75
147243GT	77-78	216617GT	151	25685GT	101	35956GT	143
147255GT	61-62	216618GT	151	25817GT	21-22	37947GT	41, 45-46, 59
147258GT	155	216655GT	151	25969GT	91	38620GT	93, 95
147262GT	155	216662GT	151	27067GT	21-22, 25	38621GT	93, 95
147289GT	37	216662GT	151	27089GT	39, 77-78	39317GT	103
147290GT	37	216676GT	151	27204GT	15	39882GT	51-52, 55-56
147387GT	113	216683GT	151	27205GT	13	40434GT	19
147396GT	62	216791GT	49	27206GT	13, 15	40614GT	43, 49
147403GT	93	216793GT	49	27207GT	13, 15	42014GT	25, 31
147419GT	117	217043GT	43	27246GT	45-46, 109-110,		
147455GT	43, 49	217044GT	43		155	42787GT	127
147525GT	77-78	217045GT	43	27287GT	43, 49	43018GT	71
147526GT	77-78	217046GT	43	27377GT	59	43392GT	107, 131, 135,
147549GT	73	217979GT	33	27581GT	11		159
147571GT	91	218448GT	103	27584GT	145	43683GT	73
147603GT	19	21858GT	41, 45-46	27802GT	65-66	43960GT	93
147621GT	61-62	218715GT	87	27804GT	65-66	44174GT	71
147643GT	61-62	219243GT	75	27804GT	65-66	44743GT	105
147650GT	61-62	219245GT	75	27807GT	65-66	44981GT	15, 19
147654GT	61-62	219247GT	75	27836GT	65-66	45071GT	22, 29
		219437GT	83	27901GT	39	45074GT	22
				28159GT	13	45383GT	109-110

Part Number	Page	Part Number	Page	Part Number	Page	Part Number	Page
45385GT	49	49183-13492GT	119	6097GT	51-52, 55-56	72326GT	35, 109-110, 129
45435GT	85	49183-7592GT	125	61073-3930GT	117	73477PGT	105
45454GT	37, 39	49189-8638GT	35	61073-7330GT	125	73478GT	107
45470GT	101	49207GT	117, 123	61225GT	43	73478PGT	105
45489GT	65-66	49212GT	147	61263GT	117	73574-SGT	105
45708GT	35	49214GT	147	61278GT	155	73574GT	107
45782GT	77-78	49215GT	147	61306-SGT	99	73575GT	105, 107, 161
45845GT	151	49219GT	61-62, 119	6145GT	143	73610PGT	105
45912GT	65-66	49410GT	145	6146GT	129	73713GT	93
45921GT	65-66	49418GT	119	6147GT	129	73717GT	43, 49, 113
46131GT	39	49612GT	11	61602GT	91	73723GT	113
4828GT	143, 145	49859GT	123	61726GT	101	73725GT	93
48767GT	119	49861GT	125	6175GT	51-52, 55-56, 129	73736GT	43, 49, 113
48878GT	127, 153	49924GT	11, 77-78, 81	6178GT	43, 49, 89, 129	73751GT	61-62
48880GT	117, 119, 121, 123	50742GT	91	61794GT	61-62, 115	73753GT	43, 49
48885GT	35	50787-SGT	77-78	61804GT	101	73754GT	43, 49
48891GT	123	52371GT	71	61972GT	101	73805GT	41
48904GT	117, 119, 123	52475GT	13	61972GT	101	73807GT	71
48905GT	117, 119, 121, 123	52661GT	131	61974GT	101	73901GT	135
48907GT	117, 119	52866GT	77-78	61975GT	101	74872GT	93
48908GT	119, 121, 123, 125	52897GT	71	61997GT	101	74902GT	65-66
48911GT	119, 121	52943GT	65-66	62078GT	17	74913GT	43
48912GT	117, 121, 123	52967GT	13	62079GT	15	74917GT	43, 49
48914GT	117, 123	53386GT	21-22	62256GT	65-66	74918GT	43, 49
48915GT	121	5365GT	77-78	62257GT	65-66	75041GT	91
48916GT	117, 119, 121	53758-SGT	149	62258GT	66	75278-5029GT	121
48918GT	121	53761-SGT	149	62260GT	65-66	75278-5129GT	121
48930GT	121	53807-SGT	131	62273GT	65-66	75395GT	99
48932GT	117	53808-SGT	131	62275GT	65-66	75443GT	115
48933GT	117, 119, 121, 123, 125	53952GT	77-78	62420GT	11, 77-78	75444GT	115
48936GT	117, 121	5397GT	143	62506GT	71	75445GT	115
48937GT	119	54124GT	39	62507GT	71	75446GT	115
48941GT	117	54324GT	39	63078GT	93	75447GT	115
48943GT	117	54365GT	43	63213GT	99	75448GT	115
48946GT	117	54428GT	77-78	63353GT	99	75449GT	115
48948GT	121	54486GT	131	63463GT	77-78	75470GT	91
48949GT	117	54534GT	43	63468GT	25	75574GT	119
48960GT	117, 119, 121, 125, 127, 153	55067GT	105, 107	63566GT	97, 99	75627GT	51-52, 55-56
48963GT	117, 125	55753GT	107, 131, 133, 135	6356GT	45-46, 143	75654GT	117
48977GT	117	55912GT	45-46	65810GT	77-78	77051GT	95
48984GT	117, 119, 127	56057GT	43	65887GT	39	77069GT	37
48985GT	117	56361GT	155	6607GT	91	77071GT	37
48996GT	117	56424GT	105, 107, 135, 137	6638GT	37	77180GT	105, 107
48998GT	117, 119, 121	56704GT	129	66399GT	11	77181GT	99
49117-10091GT	121	56848GT	109-110	66812GT	41, 45-46, 109-110	77245PGT	77-78
49117-10691GT	121	56912GT	21-22, 25, 35, 93, 99, 105, 107	66813GT	41, 45-46, 109-110	77303GT	97, 99
49117-2491GT	117	58253GT	61-62, 115	66815GT	109-110	77351GT	113
49117-3291GT	123	58256GT	77-78	66818GT	109-110	77353GT	35
49117-3391GT	117	58303GT	65-66	6935GT	147, 155	77354GT	35
49117-4691GT	117, 123	58304GT	51-52, 55-56	69775GT	77-78	77365GT	35
49117-5191GT	123	58310GT	103	69776GT	151	77402GT	77-78
49117-6091GT	121	58380GT	51-52, 55-56	70351PGT	77-78	7746GT	131
49117-6119GT	125	58415GT	77-78	70375GT	77-78	77610GT	22
49117-6291GT	121	58431GT	73	70381GT	78, 85	77616PGT	95
49119-2878GT	117, 119	58489GT	37	70385GT	78	77618PGT	93
49119-4278GT	119	58566GT	77-78	70452GT	77-78	77624PGT	25
49119-7478GT	119	58627GT	41, 45-46	70459PGT	77-78	77641GT	45-46
49119-7578GT	121	59460GT	21-22	70460PGT	77-78	77648GT	95
49119-79678GT	119	6019GT	145	70461PGT	77-78	77649GT	95
49128-12309GT	119	6021GT	129	70472PGT	78	77653PGT	93
49130-2482GT	121	60334GT	51-52, 55-56	70494PGT	77-78	77654PGT	93
49130-4782GT	121	60370-SGT	99	7056GT	43, 61-62, 147	77656GT	93, 95
49130-5582GT	117	60425GT	151	7057GT	49, 155	77665PGT	51-52, 55-56
49130-5782GT	117	60427GT	151	71259GT	153	77666PGT	52, 56
49131-9603GT	121	60432GT	61-62	71498GT	143	77667GT	45-46
49143-12329GT	119	60439GT	151	71768GT	93	77671GT	51-52, 55-56
49143-3429GT	117	60441GT	151	71911GT	83	77672GT	91
49143-3629GT	117	60443GT	93	72047GT	65-66	77674GT	25
49150-9130GT	117	60746GT	91	72086GT	13	77688GT	95
49151-6248GT	117, 127	60857GT	11, 51-52, 55-56	72255GT	77-78	77693GT	153
49177-108894GT	147	60886PGT	147	72256GT	59	77713PGT	95
		6090GT	45-46	72282GT	129	77718GT	93
		6091GT	37	72290GT	21-22, 25	77778GT	51-52, 55-56
						77788GT	73
						77790GT	21-22
						77791GT	21-22

Part Number Index (continued)

Part Number	Page	Part Number	Page	Part Number	Page	Part Number	Page
77795GT	93		107, 131, 137,	825445GT	45-46	89785GT	81
77803GT	51-52		153, 159, 161	825448GT	45-46	89792GT	77-78
77880GT	22	824079GT	35, 52, 56, 89,	82551GT	13, 15	89861GT	65-66
77882GT	93		93, 99, 105, 133	825632GT	145	89862GT	71
77950GT	25	824080GT	159	825674GT	22	89864GT	71
80716GT	41	824081GT	153	825708GT	81	93500GT	11
81096GT	147	824082GT	91	825796GT	22, 93, 95	94205-3164GT	127, 153
81175GT	99	824083GT	91, 93, 103	826008GT	85	94221GT	22
81341GT	103	824084GT	103	826214GT	113	94326GT	101
81342GT	103	824086GT	77-78, 105, 107,	826379GT	95	94374-2430GT	121
81347GT	103		137	826400-2500GT	87	94374-2630GT	121
81458GT	147	824087GT	37, 105, 107	826516GT	151	94374-6030GT	117
81467GT	85	824089GT	22, 51-52, 55-	826791GT	99, 101, 103	94397GT	99
81468GT	85		56, 93	826792GT	99, 101	94439GT	29
81487PGT	113	824090GT	35, 37, 73, 77-	826793GT	95, 99, 101	94464-4186GT	123
81488GT	113		78, 87, 91, 93,	826795GT	83	94464-4986GT	121
81546GT	61-62		95, 103, 147, 161	826822GT	83	94465-3650GT	117
81550GT	113	824091GT	21-22, 35, 51-	83093GT	41, 45-46, 59	94466-2336GT	121
81551GT	113		52, 55-56, 83,	83129GT	61-62, 115	94485GT	77-78
81552GT	27		89, 91, 95, 97,	85239GT	41	94499GT	65-66
81570GT	147		105, 107	87085GT	103	94506GT	109-110
81578GT	37	824092GT	99	87172GT	127	94510GT	95
81609GT	27	824095GT	22, 101	88356-11103GT	91	94526GT	35
81640GT	99	824096GT	103	88356-13103GT	52, 56, 91, 93	94534GT	21-22
81691GT	27	824110GT	95, 99	88356-14963GT	93	94535GT	21-22
81694GT	91	824113GT	21-22, 25, 27,	88516GT	99	94536GT	21-22
8170GT	35		37, 103, 159	88567GT	95	94599GT	65-66
81724GT	51-52, 55-56	824115GT	51-52, 55-56	88568GT	93	94620GT	51-52, 55-56
8178GT	143	824116GT	99, 101	88571GT	93	94643GT	35, 101
81812-13292GT	121	824120GT	83	88606PGT	131	94692GT	93
81834GT	51-52, 55-56	824123GT	89	88607PGT	131	94745PGT	105, 137
81856GT	93	824124GT	107	88636-11973GT	119	94759GT	75
822048GT	61-62	824127GT	21-22	88636-2573GT	119	94937GT	51-52, 55-56
82240GT	13	824129GT	21-22	88636-8573GT	123	94980GT	61-62, 91
82243GT	19	824132GT	83	88653GT	91	9599-SGT	131, 133
822687GT	155	824142GT	78, 85	88665GT	91	96008-SGT	41, 45-46
822688GT	155	824145GT	78	88666GT	91	96010GT	41
822692GT	129	824151GT	97, 99	88667GT	93	97128GT	93
822693GT	78	824164GT	97	88675GT	91	97815GT	19
822781GT	37	824207GT	135	88676GT	91	99343GT	61-62
823074GT	37	824214GT	43, 49, 113	88727GT	21-22	99344GT	61-62
823356GT	39	824215GT	89	88728GT	21-22	99632GT	49
823396GT	39	824216GT	161	88729GT	21-22	99778GT	151
823751GT	85	824220GT	83	88730GT	21-22	T09.0803.0801	83
823917GT	61-62	824226GT	43, 113	88786GT	71	T106413GT	91
824019GT	113	82431GT	73	88793GT	95	T106425GT	51-52, 55-56
824023GT	37	824471GT	39	88795PGT	93	T106482GT	41
824027GT	27, 35, 37, 52,	824486GT	39, 89	88796GT	95	T106495GT	41
	56, 89, 93, 99,	824487GT	39, 89	88801GT	61-62	T106508GT	91
	101, 103, 105,	824491GT	39	88802GT	61-62	T106600GT	61-62
	107, 131, 133,	824493GT	39	88810GT	61-62	T106741GT	61-62
	135, 137, 153,	824546GT	91	88827GT	41	T106954GT	51-52, 55-56
	159	824547GT	103	88858GT	103	T106955GT	51-52, 55-56
824028GT	35, 37, 59, 85,	824548GT	103	88859GT	103	T106957GT	51-52, 55-56
	105, 107, 135,	824549GT	103	88870GT	97, 99	T106961GT	51-52, 55-56
	137, 155	824550GT	91	88872GT	91	T106962GT	51-52, 55-56
824029GT	22, 35, 39, 51-	824551GT	99	88884GT	21-22, 25	T107130GT	61-62
	52, 55-56, 59,	824600-1800GT	87	88917GT	11, 35	T107520GT	41, 45-46, 113
	83, 87, 89, 91,	824673GT	81	88919GT	91, 93	T107829GT	35
	95, 97, 99, 101,	82473GT	13, 15	88920GT	91	T108075GT	97, 99
	103, 105, 107,	82481GT	13	88936GT	117	T108076GT	99
	147, 159	824849GT	61-62	88942-8354GT	117	T108077GT	99
824030GT	93	824879GT	41, 45-46, 109-	88949-3828GT	117, 127	T108321GT	61-62
824031GT	35		110	8915GT	37	T108322GT	61-62
824032GT	52, 101, 113, 151	82487GT	13, 19	89294GT	21-22, 29	T108416GT	61-62
824036GT	43, 49	824880GT	109-110	89307GT	65-66	T108886GT	61-62
824041GT	27	825017GT	49	89309GT	65-66	T108892GT	99
824059GT	21-22	825019GT	21-22, 51-52,	89310GT	65-66	T109268GT	129
824061GT	101		55-56, 97, 99	89311GT	65-66	T109331GT	147
824063GT	25	825020GT	101	89312GT	66	T109333GT	149
824064GT	27	825352GT	49	89571GT	51-52, 55-56	T109335GT	153
824066GT	155	825353GT	51-52, 55-56, 95	89575GT	43, 49	T109350GT	113
824072GT	25	825355GT	77-78	89617GT	37	T111124GT	97, 99
824078GT	35, 37, 91, 93,	825358GT	135	89737GT	66	T112560GT	147
	95, 99, 103, 105,	825443GT	109-110	89738GT	66	T112561GT	147
		825444GT	109-110	89755GT	101	T112626GT	115

Part Number	Page
T112773GT	19
T114223GT	103
T114624GT	62
T114626GT	62
T114627GT	62
T114678GT	77-78

Go to Discount-Equipment.com to order your parts

Part Description Index

The Part Description Index is an alphabetical index of all part descriptions included in this manual. The index shows what page(s) the part is used on.

- "Ref. WELDMENT,BAT/MANIF TRAY,S60/65".....37
- 1**
- 12VDC PROPORTIONAL VALVE.....155
- 2**
- 207 HYD MOTOR ASSY, GEN.....155
- A**
- ACC, BEACON, TRVL ALARM,SERV.....129
 ACC, OIL COOLER,S60, SERV.....153
 ACC,AIRLINE TO PLAT,S60 ,SERV.....147
 ACC,FULL GAUGE,DEUTZ,SERV.....149
 ACCUMULATOR,10CC,1000PSI,#6SAE.....65-66
 ADAPTER,NPT 6-4.....149
 AIR CLEANER,NELSON.....85
 AIR CLEANER,NELSON***.....77-78
 AIR INTAKE TUBE ASSY.....78
 ALARM,DESCENT.....35
 ALARM,INTERMITTENT TONE 6-30V*.....129
 ALARM,WARBLE TONE 5-30 VDC***.....109-110
 ALTERNATOR, DEUTZ F3L10/F4L10*.....78
 ALTERNATOR,95 AMP,DEUTZ.....81
 ANGLE,RELAY MNT,W/NUTSERTS,PNT.....43
 ASSEM,BOOM TUBE #3 S60/65,CE**.....93
 ASSEMBLY RESET SWITCH.....159
 ASSEMBLY, EARTH-LEAD.....145
 ASSEMBLY, INSIDE HOSE GUARD.....33
 ASSEMBLY, LIGHT, CONTACT ALARM.....161
 ASSEMBLY, OPA PROTECTION CAGE.....159
 ASSEMBLY, OUTSIDE HOSE GUARD.....33
 ASSEMBLY, RCBO, 10A, 30MA, 50HZ, IP65.....155
 ASSEMBLY, RCBO, 16A, 30MA, 50HZ, IP65.....155, 157
 ASSEMBLY, SENSOR, PROX, CONTACT ALARM.....161
 ASSEMBLY, TRAX UNIT, LEFT.....29
 ASSEMBLY, TRAX UNIT, RIGHT.....29
 ASSEMBLY,BOOM TUBE #3 S60/65**.....93
 ASSEMBLY,CABLE,TAPESWITCH.....159
 ASSEMBLY,CONTACT ALARM CABLE, LARGE.....161
 ASSEMBLY,FOOT SWITCH, S60.....105, 107
 ASSEMBLY,TAPESWITCH.....159
 ASSY BATTERY HEATER,240V.....151
 ASSY HEATER, MODEL 18, 120V.....151
 ASSY HEATER,MODEL 18,240V.....151
 ASSY, ANGLE SENSOR AND COVER.....91
 ASSY, BATTERY HEATER, 120V.....151
 ASSY, CIRCUIT BREAKER 15A.....41, 46
 ASSY, ES SWING CHASSIS COVER.....59
 ASSY, HYDRAULIC TANK.....35
 ASSY, LONG LINK LT W/BEARINGS.....91
 ASSY, LONG LINK RT W/BEARINGS.....91
 ASSY, MED. PRESS. FILTER, SAE8.....51-52, 55-56
 ASSY, SENSOR W/HOUSING.....161
 ASSY, TERMINAL RAIL.....43
 ASSY, TS SWING CHASSIS COVER.....59
- ASSY,120V HEATER, HYD TANK.....151
 ASSY,240V HEATER, HYD TANK.....151
 ASSY,6' PLAT WELDMENT W/SIDE GATE.....107
 ASSY,6FT PLAT DUAL LG,BLANK W/SIDE SWING GATE.....107
 ASSY,6FT PLATFORM,NO DECALS.....105
 ASSY,8' PLAT WELDMENT W/SIDE GATE.....107
 ASSY,8FT PLAT TRI LG,BLANK W/SIDE SWING GATE.....107
 ASSY,8FT PLATFORM,NO DECALS.....105
 ASSY,CABLE,12.5KW WELDER.....61-62
 ASSY,DISPLAY,DP200 DEUTZ T4.....45-46
 ASSY,ENGINE TRAY,W/BEARINGS.....51-52, 55-56
 ASSY,GROUND CONTROL BOX.....41
 ASSY,LS,LOAD SENSE,38.5 IN.....61-62, 101
 ASSY,MODULE,CONTROL UNIT,OPA.....159
 ASSY,PCB,ALC500 S60 S0849300.....113
 ASSY,SIDE SWING GATE.....107
 ASSY,TERMINAL RAIL,TIER IV.....49
 AUX RAIL, 6' PLAT, SIDE ENTRY.....133
 AUX RAIL, 8' PLAT, SIDE ENTRY.....133
 AUX RAIL, 8' PLAT, TRI-ENTRY.....133
 AUX TOP RAIL,6'(1.25")SERVICE.....131
 AUX TOP RAIL,6',SWG GT, SRV.....131
 AUX TOP RAIL,6FT,PTD.....131
 AUX TOP RAIL,8'(1.25")SERVICE.....131
 AUX TOP RAIL,8',SWG GT, SRV.....131
 AUX TOP RAIL,8FT,PTD.....131
- B**
- BACKING PLATE, HOSE BLOCK, JIB.....99
 B A C K E T R I N G,71.60X67.20X1.40PTFE(60334).....51-52, 55-56
 BAFFLE, AIR CLEANER (27915)**.....77-78
 BAFFLE,AIR INTAKE,PAINTED***.....51-52, 55-56
 BALL STUD**.....59
 BAR, CLAMP, CABLE TRACK.....103
 BAR, CLAMP, TIMING LINK.....91
 BASE ENCLOSURE,RED,OPA.....159
 BASE, W/1 N.O. CONTACTS***.....109-110
 BASE, W/2 NC CONTACTS***.....41
 BASE, W/3 NC CONTACTS.....109-110
 BATTERY CABLE,NEGATIVE,BLACK.....61-62
 BATTERY CABLE,POSITIVE,RED.....61-62
 BATTERY CABLE,POSITIVE,RED,T4.....61-62
 BATTERY HOLD DOWN,GROUP 31.....35
 BATTERY,12V,1000 CCA GRP 31.....35
 BEARING KIT,PLAT ROTATOR,SUPER.....99
 BEARING, SPL BOGEY (128918).....33
 BEARING,1.00IDX1.25ODX1.00L.....21-22
 BEARING,1.25 X 1.5 X 2.....51-52, 55-56
 BEARING,1.25IDX1.50X1.25L.....93
 BEARING,1.25IDX1.50DX1.00L.....91, 93, 97
 BEARING,1.5IDX1.75ODX1.5L.....22, 29
 BEARING,2.00IDX2.25ODX2.00L.....25, 31
 BEARING,2.0IDX2.25ODX1.50L.....91, 93
 BEARING,2.25IDX2.50ODX1.50L***.....91
 BEARING,BALL DRIVE SHAFT.....21-22, 25
 BEARING,FL, 1.25X1.5X2.13.....99
 BEARING,FL,1.25IDX1.41ODX1.50L.....99
- BEARING,FL,1.25IDX1.50DX1.25L.....51-52, 55-56, 99
 BEARING,FL,2.00IDX2.25ODX1.50L.....91
 BEARING,FL,2.25IDX2.50ODX1.63L.....91, 93
 BEARING,GARLOCK,12FDU12.....101
 BEARING,POLYGON,20DU12.....97, 99
 BEARING,TURNTABLE ROTATION.....25
 BELLCRANK W/BEARINGS.....99
 BELT,V, DEUTZ DIESEL ENGINE.....11, 78
 BOLT, DEUTZ FLYWHEEL.....81
 BOLT, DEUTZ STARTER.....81
 BOLT, GUARD, DEUTZ STARTER.....77-78
 BOLT,BANJO,DEUTZ,QC.....89
 BOLT,CARRIAGE,1/4-20X.75,5,ZAG.....107
 BOLT,CARRIAGE,1/4-20X1.5,ZAG.....51-52, 55-56, 59, 99
 BOLT,CARRIAGE,1/4-20X2.75,5,ZAG.....99
 BOLT,FLANGE,3/4-10X1.5"GR8 PLT.....33
 BOLT,FLANGE,3/4-10X1.75GR8 PLT.....33
 BOLT,FLANGE,3/4-10X4.5"GR8 PLT.....33
 BOLT,FLANGE,5/16-18X.50 GR5.....33
 BOLT,FLANGE,5/8-11X1.5"GR8 PLT.....33
 BOLT,HHC,1-14X2.0"GR8 PLT.....33
 BOLT,SHS,1/4-28X4,ZAG.....27, 77-78
 BOLT,SHS,5/16X.375X1/4-20,ZAG.....41, 45-46
 BOOT(BELLOWS),E-STOP,BLACK.....109-110
 BOOT,ROCKER JOYSTICK 75565.....115
 BOOT,DTSCH,DTP4-BT.....93
 BOOT,JOYSTICK.....115
 BOOT,TOGGLE SWITCH,SHORT*.....45-46, 109-110, 155
 BOX,INSTRUCTION STORAGE.....105, 107
 BRACKET, BUMPER.....59
 BRACKET, EXTEND SHEAVE.....95
 BRACKET, OSCILLATE VALVE.....27
 BRACKET,1K OHM 10-TURN POT,PNT.....43, 49
 BRACKET,AIRLINE TO PLATFORM.....147
 BRACKET,CONTROL UNIT.....159
 BRACKET,DP200 PANEL MOUNT.....45-46
 BRACKET,GENERATOR12.5 KW,PNTD*.....155
 BRACKET,HOSE CLAMP,PAINTED.....99
 BRACKET,HOSE ROUTING,AXLE LH.....21-22
 BRACKET,HOSE ROUTING,AXLE RH.....22
 BRACKET,INTAKE PIPE,MOUNT,DEUT.....85
 BRACKET,PBOX WIRE SUPPORT.....113
 BRACKET,POWER TO PLAT, DOM.....147
 BRACKET,POWER TO PLAT, UK.....147
 B R A C K E T , S O L E N . M O U N T BRACE,PNTD.....77-78
 BRACKET,SOLENOID MOUNT PAINT.....77-78
 BRACKET,WORK LIGHT MOUNT 5/16".....143
 BRACKET-TOOL TRAY MOUNTING.....131
 BRAKE KIT (88886)***.....21-22, 25
 BRAKE TUBING.....51-52, 55-56
 BREAKER, 25 AMP, GEN.....155
 BREAKER,15 AMP,GEN.....155
 BREATHER CAP,RFM165.....35
 BRKT,AIR CLEANER ORIENTATION**.....77-78
 BUMPER, PLASTIC, 1.25 O.D.....107, 131, 133, 135
 BUMPER, RUBBER, 1.25 X 1.25 IN.....35, 59, 83

- BUMPER,BATTERY BOX & RAILS...107, 131, 135, 159
 BUMPER,RUBBER***.....101
 BUMPER,RUBBER-1 X 1.25.....51-52, 55-56
 BUSHING, STRAIN RELIEF, 1".....91
 BUTTON,PUSH,BLACK W/SEAL***.....41, 45-46, 109-110
 BUTTON,PUSH,RED MUSHROOM HEAD.....41, 45-46, 109-110
 BYPASS VALVE RELIEF.....65-66
- C**
- CABLE ASSY, EXTEND SET(PAIR).....95
 CABLE ASSY, RETRACT SET (PAIR).....95
 CABLE TIE,BUTTON,BLACK,14.75LG.....155
 CABLE TRACK, SX, 49 LINK.....103
 CABLE, CONNECTION, MAINS.....139, 141
 CABLE, EXTENSION, 1210.....139, 141
 CABLE,S65 12VDC WORK LIGHT.....62
 CAP,520112-8.....77-78
 CAP,DIAGNOSTIC NIPPLE.....117, 119, 121, 123
 CAPEXTENSION,PAINTED.....93
 CAP,FUEL,DIESEL,1/8"VENT(GRN).....39
 CAP,OIL FILLER,DEUTZ,DIESEL***.....81
 CAP,RADIATOR,PERKINS(94232).....87
 CAPACITOR 16 F, GEN.....155
 CAST, LIMITER STOP BRKT L.....33
 CAST, LIMITER STOP BRKT R.....33
 CB VALVE ASSY, SWING DRIVE.....52, 56
 CBV ASSEMBLY***.....51-52, 55-56
 CIRCUIT BKR 10A TYPE 2 METAL.....43
 CIRCUIT BREAKER,20AMP MINI.....37
 CLAMP ASSY,OPTIONS BLOCK W/NUT...103
 CLAMP TOP,HOSE ROUTING***.....22
 CLAMP, 1.25 INCH TUBE.....161
 CLAMP, CABLE.....103
 CLAMP, CABLES.....103
 CLAMP, HOSES.....103
 CLAMP, HYD WELD, AIR, OPT.....147
 CLAMP, OPTIONS, CABLE TRACK.....103
 CLAMP, TIMING LINK, LH.....91
 CLAMP, TIMING LINK, RH.....91
 CLAMP, WIRE, 16/2.....129
 CLAMP,0.31,#5 X 1/4,RUB CUSH.....101
 CLAMP,0.75,#12 X 1/4,RUB CUSH.....35
 CLAMP,1.00,#16 X 1/4,RUB CUSH.....43, 49, 113
 CLAMP,1.25X.5 RUBBER-CUSHION.....105, 107, 135, 137
 CLAMP,1.31,#21 X 3/8,RUB CUSH.....105, 107
 CLAMP,1.63,#26 X 3/8,RUB CUSH.....99
 CLAMP,EXHAUST,2.00 PLATED.....78
 CLAMP,HOSE,.25" - .63" X .3125.....39, 87
 CLAMP,HOSE,.63" - 1.0" X .5".....39
 CLAMP,HOSE,.75 **.....87
 CLAMP,HOSE,1 EAR, 9/16.....39, 87
 CLAMP,HOSE,1 EAR,1/2.....39
 CLAMP,HOSE,1.75.....83
 CLAMP,HOSE,2.00***.....83
 CLAMP,HOSE,2.50****.....85
 CLAMP,HOSE,2X4,1X6,2X8***.....22
 CLAMP,HOSE,3.00".....77-78, 85
 CLAMP,HOSE,3.50.....85
 CLAMP,HOSE,8.50 DIA***.....78
 CLAMP,HOSE,KUBOTA WG750.....87
 CLAMP,HOSE/CABLE,JIB.....99
 CLAMP,MUFFLER, 2.50 INCH.....83
 CLAMP,RUB CUSH,0.75,#12 X 3/8*.....37, 39
- CLAMP,TWO HOSE.....99
 CLEVIS YOKE-1/4-28,PLTD W/PIN.....27, 77-78
 CLIP,AIR CLEANER END CAP***.....77-78
 CLIP,SPRING,1/4-20 BLACK.....91
 COIL, 10V DC (D10, 20 WATT).....65-66
 COIL, SOLENOID VALVE, 10V.....75
 COIL,10V.....65-66
 COIL,12VDC #8 DTSCH IP69 ECOIL.....71
 COIL,GREEN W/ 2 PIN CONNECTOR*.....65-66
 COIL,PROPORTIONAL VALVE***.....66
 COIL,VALVE,PROPORTIONAL***.....65-66
 COLD PKG GROUND, JUMPER ASSY.....151
 COLD WEATHER 120V J BOX ASSY.....151
 COLLAR,JOYSTICK,CENTER.....115
 COMPR.LINK,MACHINED,GND CONTR*.....99
 CONN PLUG 12 WAY ENDCAP DT BK.....61-62
 CONN PLUG 12 WAY ENDCAP DT BR.....61-62
 CONN PLUG 12 WAY ENDCAP DT GR.....61-62
 CONN PLUG 12 WAY ENDCAP DT GY.....61-62
 CONN PLUG 3 WAY ENDCAP DT.....151
 CONN PLUG 4 WAY ENDCAP DT.....61-62
 CONN RECEPT,FLANGED.....113
 CONN, 520120-6.....117, 119, 121
 CONN, 520120-8-6.....117
 CONN,520120-12-16.....117
 CONN,520120-16.....117, 119, 127
 CONN,520120-20.....117
 CONN,520120-20-16.....117
 CONN,520120-4***.....117, 119, 121, 123
 CONN,520120-4-6***.....117, 121, 123
 CONN,520120-4-8.....117, 123
 CONN,520120-6-8.....121
 CONN,520120-8***.....117, 119, 121, 123, 125
 CONN,520120-8-10.....117
 CONN,520120-8-12.....121
 CONN,520120-8-16.....117
 CONN,LONG,520122-4.....125
 CONN,MOLEX 10 WAY.....61-62
 CONN,MOLEX 12 WAY.....61-62
 CONN,MOLEX 16 WAY.....61-62
 CONN,PLUG 120 AC/15A DOMESTIC.....147, 151, 155
 CONN,PLUG 2 WAY,14-18GA.....151
 CONN,PLUG 40 WAY,DRC SERIES.....61-62
 CONN,PLUG 8 WAY,14-18GA.....61-62
 CONN,RECEP 120AC/15A DOMESTIC....147, 155
 CONN,RECEP 2 WAY ENDCAP DT.....151
 CONN,RECEP 24 WAY,W/FLANGE.....43, 49
 CONN,RECEP 3 WAY ENDCAP DT.....151
 CONN,RECEP 4 WAY ENDCAP DT.....93
 CONN,RECEP 4 WAY,12-14GA FL***.....43, 49, 113
 CONN,RECEP 40 WAY,W/FLANGE.....43, 49
 CONN,RECEP 48 WAY,4 X 12.....43, 49, 113
 CONN,SQUEEZE,1/2NPT .38-.50,SM.....43, 61-62, 147
 CONN. SQZ,1/2NPT .39-.56 MED.....49, 155
 CONN. SQZ,1/2NPT .56-.63.....155
 CONNECTOR, DEUTZ FUEL SHUTOFF*..77-78
 CONNECTOR,BULKHEAD,FEMALE-4.....35
- CONNECTOR,PLUG 6 WAY 18-20 GA.....61-62
 CONNECTOR,SAE10,QUICK CON,STR.....39
 CONTACT ALARM WIRE ASSY, LARGE....161
 CONTACT, N.C.....109-110
 CONTACT,N.O.***.....109-110
 CONTACTOR,LIMIT SWITCH.....93
 CONTROL BOX COVER,LID,PTD.....131
 CONTROL BOX,2KW,120/240V,50HZ.....155
 CONTROLLER BOX, 120/240V, 60HZ.....155
 CONTROLLER W/O COILS (77788).....73
 CORROSION INHIBITOR,FOAM.....49, 113
 COUNTERWEIGHT, S65.....35
 COUPLER,15 TOOTH,FBA,SAE8***.....85
 COUPLING - 1/4 NPT.....33
 COVER, DUST.....33
 COVER, END, GEN, 120V.....155
 COVER, END, GENERATOR, 240V.....155
 COVER, FOOT SWITCH, LARGE.....105, 107
 COVER, JIB HOSES/CABLES.....99
 COVER, REAR AXLE.....31
 COVER, SWING CHASSIS, ES.....59
 COVER, SWING CHASSIS, TS.....59
 COVER,BLANK.....147
 COVER,CONTROL BOX LEFT SIDE***.....131
 COVER,CONTROL BOX RIGHT SIDE**.....131
 COVER,DRIVE CHASSIS.....21-22, 25
 COVER,FLYWHEEL CASTING.....78, 85
 COVER,LH,BOOM SECTION #1.....93
 COVER,PRIMARY BOOM,PAINTED.....95
 COVER,PRM FUSE SERVICE PART.....37
 COVER,REAR AXLE.....25
 COVER,RETRACT SHEAVE,PAINTED.....93
 COVER,RH,BOOM SECTION #1.....93
 COVER,STEERING SENSOR.....91
 CRIMPER,DEUTSCH,LIGHT DUTY***.....61-62, 115
 CYLINDER, STEER.....29
 CYLINDER,BOOM EXTENSION.....93
 CYLINDER,JIB (STICK BOOMS).....99
 CYLINDER,LIFT,S60***.....91
 CYLINDER,MASTER.....91
 CYLINDER,OSCILLATE,S60.....22
 CYLINDER,PLATFORM LEVEL ***.....97, 99
 CYLINDER,STEERING***.....21-22
- D**
- DECAL COSMETIC,10" GENIE BLUE.....13, 15
 DECAL COSMETIC,15" GENIE BLUE.....13
 DECAL FAULT CODE.....19
 DECAL GROUND CONTROL BOX.....13
 DECAL PLATE ASSEMBLY.....105
 DECAL PLATE,MESH.....135
 DECAL, COSM,GENIE S65 TRAX.....17
 DECAL, INSTRUCTION, ACTUATOR SWITCH SOCKET.....161
 DECAL, INSTRUCTION, CONTACT ALARM.....161
 DECAL, PATCH, GEN,ALC-500.....155
 DECAL, PLAT CNTL PNL.....19
 DECAL, POWER TO PLATFORM 230V**...15, 19
 DECAL, SYMBOL - READ THE MANUAL...13, 19
 DECAL, TRANSPORT/LIFTING, S60.....13, 15
 DECAL, WHEEL LOAD S65 TRAX.....13, 15
 DECAL,ARROW BLUE.....15
 DECAL,ARROW YELLOW LRG 9".....13
 DECAL,CAUTION,READ INST.....33

Part Description Index (continued)

- DECAL,COSM, S65 TRAX.....15
 DECAL,COSMETIC,4 X 4.....13
 DECAL,COSMETIC,GENIE.....159
 DECAL,COSMETIC,GENIE S65.....17
 DECAL,COSMETIC,S65.....15
 DECAL,DANGER,ELEC.HAZ.STAY CLR....13,
 15, 19
 DECAL,DANGER,TIPOVER,TILT,SYM.....19
 DECAL,DIESEL.....13
 DECAL,DRIVE ENABLE PATCH.....19
 DECAL,EMERGENCY LOWERING.....13
 DECAL,LABEL, AIR LINE 110 PSI.....15, 19
 DECAL,LABEL, ELECTRO HAZARD.....13
 DECAL,LABEL,105 DB.....13
 DECAL,LABEL,ASSY INSTALL,I.....33
 DECAL,LABEL,ASSY INSTALL,R.....33
 DECAL,LABEL,LIFTING EYE.....13
 DECAL,LABEL,LOWER MIDRAIL.....19
 DECAL,LABEL,NO SMOKING,SYMB.....13, 15
 DECAL,LABEL,TIP OVER LMT SWTCH.....17
 DECAL,LABEL,TIPOVER,TIRES,SYMB.....13,
 15
 DECAL,LABEL,TIPOVER,TRAX,SYMB.....13,
 15
 DECAL,LABEL,TIRE PRESSURE.....13, 15
 DECAL,LABEL,TORQUE.....33
 DECAL,LABEL,TRANSPORT TIEDOWN*.....13
 DECAL,LABEL,WHEEL LOAD S65.....13, 15
 DECAL,LANYARD ANCHORAGE POINT.....19
 DECAL,PLATFORM OVERLOAD.....19
 DECAL,POWER TO PLATFORM 115V.....15,
 19
 DECAL,SYM,SLOPE RATING,S60.....19
 DECAL,SYMBOL-BATTERY SAFETY.....13
 DECAL,SYMBOL-COMP ACCESS.....13, 15
 DECAL,SYMBOL-READ THE MANUAL.....159
 DECAL,TIP-OVER HAZARD,CE.....19
 DECAL,TIP-OVER,CRUSH.....19
 DECAL,TRIANGLE,BLUE.....13, 15
 DECAL,TRIANGLE,YELLOW.....13, 15
 DECAL,WARN,AVOID INJURY.....33
 DECAL,WARN,CRUSH HAZ.....33
 DECAL,WARN,HIGH PRESS.....33
 DIN RAIL,17".....43, 49
 DIODE, 6A 22903-6V.....37
 DIODE,6 AMP,200 PIV,BULK.....77-78
 DIPSTICK, OIL, D2011.....77-78
 DIPSTICK,TD2.9.....81
 DISCONNECT KIT (88887).....21-22, 25
- E**
- ELBOW,130339-6-6.....39
 ELBOW,45D,520320-16.....117
 ELBOW,45D,520320-4.....117, 119
 ELBOW,45D,520320-8.....119
 ELBOW,90,1/4-18NPT,FEMALE.....33
 ELBOW,90D,520220-16-12.....127, 153
 ELBOW,90D,520220-4-4.....117, 119, 123
 ELBOW,90D,520220-4-6***.....119, 121
 ELBOW,90D,520220-6.....121
 ELEMENT, HEATER, COOLANT, DEUTZ...141
 ELEMENT, HEATER, OIL, DEUTZ.....139
 ELEMENT-5 MIC, PAPER, W/ BYPASS.....51-
 52, 55-56
 ENCLOSURE BOX, GAUGE
 OPT,DRILLD.....149
 END BOGEY.....33
 END BRACKET,FIXED END.....103
 END BRACKET,MOVING END.....103
- END STOP, DIN RAIL,SCREW CLAMP.....43
 ENGINE KIT, DEUTZ TD 2.9.....81
 EVACUATOR VALVE-AIR CLEANER.....77-78
 EXHAUST PIPE, TIER IV DEUTZ, Z.....83
 EXPANSION TANK,METAL,D2.9.....87
- F**
- FAN BELT, ALTERNATOR.....11, 81
 FAN PULLEY.....81
 FAN,10 BLADE,17",DEUTZ 2.9L.....87
 FEMALE BULKHEAD CONNECTOR-8.....147
 FIELD KIT,MTE 120V-60HZ, S60.....155
 FIELD KIT,MTE, 120V-50HZ, S60.....155
 FIELD KIT,MTE, 240V-50HZ, S60.....155
 FILTER ASSY,HIGH PRESS SAE-12*.....51-
 52, 55-56
 FILTER ASSY,INTANK.....35
 FILTER HEAD (29560).....77-78
 FILTER INDICATOR-(60334).....51-52, 55-56
 FILTER LID,RFM165.....35
 FILTER, DEUTZ 2.9, FUEL.....11, 89
 FILTER,AIR***.....11, 77-78
 FILTER,ELEMENT,BETA(10)=200.....11, 35
 FILTER,ELEMENT,BETA(5)=1000.....11, 51-
 52, 55-56
 FILTER,FUEL/WTR SEP, DTZ 1008.....11, 77-
 78
 FILTER,OIL,DEUTZ F4L1011F.....11, 77-78,
 81
 FILTER,OIL,DEUTZ,REPLACEMENT.....77-78
 FINGER,GUIDE,CABLE TRACK.....103
 FITTING,3/8 NPT TO 1/2 BARB.....39
 FITTING,BARBED,STRT,FUEL LINE.....77-78
 FITTING,BARBED,TEE,FUEL LINE.....77-78
 FITTING,BULKHEAD,3/8NPT,FUELTK.....39
 FITTING,CONN,16MM-6MJ.....89
 FITTING,CONN,16MM-8MJ.....89
 FITTING,CONN,520120-12***...117, 119, 121,
 125, 127, 153
 FITTING,ELBOW,45D,520320-12***.....117, 125
 FITTING,ELBOW,45D,520320-4-6**.....119
 FITTING,ELBOW,6GS-6FJX90S.....89
 FITTING,ELBOW,8GS-8FJX90S.....89
 FITTING,ELBOW,90D,520220-8***.....117
 FITTING,FUEL,1/2,D2.9,QC.....89
 FITTING,HYDRAULIC,90DEG,O-RING.....77-
 78
 FITTING,TEE,BRANCH,520433-4.....123
 FITTING,TEE,RUN,SWIVEL520432-4.....119,
 121, 123, 125
 FLASHTUBE,STRAIGHT,360DEG,BULB....129
 FLASHTUBE,U SHAPED,360DEG,BULB...129
 FLATBAR, CLAMPS, CABLE TRACK.....103
 FLOORING, 6'FT PLATFORM.....105
 FLOORING, 6FT PLAT,SIDE.....107
 FLOORING, 8 FT PLATFORM***.....107
 FLOORING,8 FT PLATFORM**.....105
 FLYWHEEL, SAE 8/10.....81
 FORMING, BAFFLE, AIR INTAKE.....83
 FORMING, BRACKET, COVER STOP.....35
 FORMING, BRACKET, LATCH.....35
 FORMING, BRACKET, TANK, EXPANS.....87
 FORMING, BRKT, ENGINE COVER.....51-52,
 55-56
 FORMING, BULKHEAD, TS FRONT.....35
 FORMING, BULKHEAD, TS REAR.....37
 FORMING, BULKHEAD,RIGHT,S60/65.....51-
 52, 55-56
 FORMING, EARTH LEAD.....145
- FORMING, ENGINE MOUNT, LH.....89
 FORMING, ENGINE MOUNT, RH.....89
 FORMING, ENGINE TRAY LATCH.....51-52,
 55-56
 FORMING, FILTER BRKT.....51-52, 55-56
 FORMING, GAUGE OPTION BRACKET....149
 FORMING, MOUNT, ENGINE, REAR.....89
 FORMING, MOUNT, LATCH.....35
 FORMING, OPA CAGE.....159
 FORMING, OPA CAP.....159
 FORMING, OPA, BRACKET.....159
 FORMING, PLAT. BOX LID.....113
 FORMING, SENSOR HOLDER.....161
 FORMING, SHROUD, INLET, RADIATOR.....83
 FORMING, SUPPORT, RADIATOR.....83
 FORMING, SUPPORT, TAILPIPE.....83
 FORMING, TRACK BRACE, LH.....103
 FORMING, TRACK BRACE, RH.....103
 FORMING,AIR CLEANER MOUNT PNTD..77-
 78
 FORMING,ANGLE SENSOR CABLE.....91
 FORMING,CABLE GUIDE.....105, 107
 FORMING,CLAMP,TOP,CABLE TRACK.....103
 FORMING,DEUTZ AIR INTAKE BAF P.....77-
 78
 FORMING,DRIVE ENABLE LIMIT SW...52, 56
 FORMING,ENGINE MOUNT,FL PAINT*.....77-
 78
 FORMING,ENGINE MOUNT,FR PAINT*.....77-
 78
 FORMING,HARNESS SUPPORT,S60/65.....35
 FORMING,HYD SWIVEL BRACKET.....51-52,
 55-56
 FORMING,LATCH GUARD,ES.....59
 FORMING,LATCH GUARD,TS.....59
 FORMING,LATCH,CTRL BOX LID PTD.....131
 FORMING,LIGHT/BEACON BRKT,LH.....129
 FORMING,LIGHT/BEACON BRKT,RH.....129
 FORMING,LIMIT SWITCH BRACKET.....93
 FORMING,OIL COOLER MOUNT.....153
 FORMING,RADIATOR SUPPORT,LH.....87
 FORMING,REAR ENGINE MOUNT PNT*..77-
 78
 FORMING,SOLENOID MOUNT PAINT.....78
 FUEL FILTER W/SEP,DEUTZ,1008.....77-78
 FUEL TANK ASSY,35 GAL PLASTIC.....39
 FUSE, ATM, 10AMP.....37
 FUSE, ATM, 15AMP.....37
 FUSE, ATM, 20AMP.....37
 FUSE, ATM, 30AMP.....37
 FUSE, FMX, 60AMP.....37
- G**
- GAS STRUT,250 LBS FORCE***.....59
 GAS STRUT,CONNECTOR (28301).....59
 GASKET.....83
 GASKET, OIL COOLER, DEUTZ.....81
 GASKET, THERMOSTAT HOUSING.....81
 GASKET, UK POWER TO PLAT.....147
 GASKET,DP200 BLACK PANEL SEAL.....45-
 46
 GASKET,ENCLOSURE.....159
 GASKET,EXHAUST.....77-78
 GASKET,GBOX,S80/85 2008.....43, 49
 GASKET,KEYSWITCH,PLASTIC***.....41
 GASKET,PLATFORM CONTROL BOX.....113
 GASKET,RETURN FILTER-77353.....35
 GAUGE,OIL PRESSURE W/O SENDER....149
 GAUGE,VOLTAGE.....149

- GAUGE-SIGHT,LHA-LGTB***.....35
 GBOX ASSY,COMMON,T4.....45-46
 GBOX ASSY,DEUTZ T4,SGL CAP.....45-46
 GENERATOR, 3kW, 120V/60Hz.....155
 GENERATOR,3kW,120V/50Hz.....155
 GENERATOR,3kW,240V/50Hz.....155
 GLOW PLUG, DEUTZ.....81
 GLOW PLUG,L1011.....77-78
 GREASE,DIELECTRIC 4 OZ**.....11
 GRIP, CABLE.....161
 GROMMET,4.00 GRV. X .75 THK.....93
 GROMMET,RUBBER 3 X .19 X 3.5.....105, 107
 GUARD, HOSE PROTECTOR.....21-22
 GUARD, SEAL.....33
 GUARD, SWING GATE.....137
 GUIDE FINGER,PLASTIC.....103
 GUIDE, CABLE.....161
 GUIDE, EXT CABLE, TOP.....95
 GUIDE, EXT. CABLE, BOTTOM.....95
- H**
- HANDLE, YELLOW LOCKING, CODE 455.....59
 HARN, LS OP PRI.DUAL CAP.....61-62
 HARN,12V WORK LIGHT RELAY.....62
 HARN,ANGLE,SNSR.CONN. CABLE.....61-62
 HARN,FUNCT MANIFOLD,S60/65.....61-62
 HARN,GBOX & RELAY WIRES,DIESEL.....61-62
 HARN,LS CABLE,S60 DUAL CAP.....61-62
 HARN,LS SAFETY,PRI.DUAL CAP.....61-62
 HARN,LS,SAFETY,PRI,VELOCITY.....61-62
 HARN,PBOX,DUAL CAP.....61-62
 HARN,PBOX,JOYSTICK,S60/65.....61-62
 HARN,PBOX,OPA,HW,12V.....62
 HARN,PIGTAIL,TAPESWITCH,OPA.....159
 HARNESS ASSY,GBOX.....61-62
 HARNESS ASSY,GCON,PLAT PRTY.....62
 HARNESS ASSY,PBOX,SNGL CAP.....61-62
 HARNESS ASSY,PCON,DRIVE PRTY.....62
 HARNESS ASSY,PCON,JIB.....61-62
 HARNESS ASSY,PCON,LOAD SENSE.....61-62
 HARNESS ASSY,PCON,PROX KILL.....62
 HARNESS ASSY,PCON,TILT LED.....62
 HARNESS ASSY,RELAY D2.9.....61-62
 HARNESS, 12/3 12V TO PLAT JIB.....61-62
 HARNESS, 120V POWER CORD, 24".....151
 HARNESS, 18/22, CABLE JIB.....61-62
 HARNESS, 240V POWER CORD, 24".....151
 HARNESS, AC POWER TO PLAT JIB.....61-62
 HARNESS, CONTACT ALARM, S40,S60,S80.....161
 HARNESS, ENGINE, DEUTZ TD2.9.....81
 HARNESS, JUMPER, LOAD SENSE.....61-62
 HARNESS, LOAD SENSE, GBOX.....61-62
 HARNESS, LS, OP, CABLE TENSION.....61-62
 HARNESS, LS, OP, PRI ANGLE.....61-62
 HARNESS, LS, OP, PRI, VELOCITY.....61-62
 HARNESS, LS, OP, PRIMARY.....61-62
 HARNESS, OMRON RELAY, CR66.....43, 49
 HARNESS, S60 DEUTZ D2.9.....61-62
 HARNESS, TILT, 12V, CSA PROD.....62
 HARNESS,12V WORK LIGHTS.....62
 HARNESS,18/22,CABLE2 JIB.....61-62
 HARNESS,BATT CABLE,120V.....151
 HARNESS,BATT CABLE,240V.....151
 HARNESS,BEACON OPTION.....61-62, 129
 HARNESS,DEUTZ ENGINE.....61-62
 HARNESS,DRIVE/LIFT INTERLOCK.....61-62
 HARNESS,ENG/HYD HEATER,120V.....151
 HARNESS,ENG/HYD HEATER,240V.....151
 HARNESS,GAUGE OPT.,S60 DEUTZ.....61-62
 HARNESS,GBOX,DUAL CAP RELAY.....61-62
 HARNESS,GBOX,T4,S60/65.....61-62
 HARNESS,GENERATOR POWER.....62
 HARNESS,JIB SELECT MANIFOLD.....61-62
 HARNESS,LS,DRIVE ENABLE.....61-62
 HEAT SHIELD,DEUTZ STARTER.....77-78
 HINGE, SPRING, LONG LEG.....107, 135
 HINGE,.375X.120THK.,SLOTTED.....51-52, 55-56, 59
 HINGE,PLAT CONTROL BOX COVER.....131
 HOLDER, SENSOR.....161
 HOOK,BATT HOLD DOWN,10".....35
 HORN,12VDC,SPADE TERMINALS***.....37
 HOSE ASM-JCAF310-06-41.....73
 HOSE ASSEMBLY 3/8".....121
 HOSE ASSEMBLY,1/2"***.....147
 HOSE ASSEMBLY,1/2,STR FEM.....125
 HOSE ASSY 1",STR FEM,STR FEM.....117, 127
 HOSE ASSY 1/4,90 FEM STR FEM.....121
 HOSE ASSY 1/4,STR FEM,STR BULK.....119, 123
 HOSE ASSY 1/4.90 FEM STR FEM.....121
 HOSE ASSY 3/8, STR FEM,STR FEM.....117, 121
 HOSE ASSY, 1-1/4", 76.75".....117
 HOSE ASSY, 1/4", 713".....119
 HOSE ASSY, 3/4", 28.55".....127, 153
 HOSE ASSY, 3/4", 34.05".....125
 HOSE ASSY, 3/4", 72.54".....117
 HOSE ASSY,1",90 FEM,STR FEM.....117
 HOSE ASSY,1/2".....117, 121, 123
 HOSE ASSY,1/2"***.....121
 HOSE ASSY,1/2,90 FEM,STR FEM.....117, 119, 121
 HOSE ASSY,1/2,90 FEM,STR FEM**.....121
 HOSE ASSY,1/2,STR FEM,STR FEM.....119
 HOSE ASSY,1/4 STR FEM,STR FEM.....121
 HOSE ASSY,1/4", 38.00.....119
 HOSE ASSY,1/4",STR FEM,STR F**.....35
 HOSE ASSY,1/4,693".....119
 HOSE ASSY,1/4,90 FEM,STR FEM.....117, 121, 123
 HOSE ASSY,1/4,90 FEM,STR FEM**.....121, 123, 125
 HOSE ASSY,1/4,STR FEM,STR FEM.....119
 HOSE ASSY,1/4,STR FEM,STR FEM*.....117, 119
 HOSE ASSY,3/4".....121
 HOSE ASSY,3/4,45 FEM,STR MALE.....127, 153
 HOSE ASSY,3/4,90 FEM,STR FEM.....117, 121, 125
 HOSE ASSY,3/4,90 FEM,STR FEM**.....121
 HOSE ASSY,3/4,STR FEM,STR FEM.....117, 127
 HOSE ASSY,3/8,STR FEM,STR FEM.....121
 HOSE ASSY,3/8,STR FEM,STR,90D.....119
 HOSE ASSY,3/4",90,FEM,STR FEM.....117
 HOSE END,BARB,3/8 MNPT X 5/16.....39
 HOSE END,BARBED,RIGID,-6-6.....39
 HOSE END.375 MPT X .25 HOSE.....39
 HOSE, HEATER, 1/4", 18" LONG.....87
 HOSE, HEATER, 1/4", 25" LONG.....87
 HOSE, INTAKE, AIR.....85
 HOSE, INTAKE, DEUTZ TD2.9.....85
 HOSE, UPPER RADIATOR, DEUTZ D.....83
 HOSE,1/4 FUEL LINE,SAE 30R7.....39, 77-78
 HOSE,5/16 FUEL,SAE 30R7.....39, 77-78
 HOSE,AIR CLEANER.....77-78
 HOSE,FUEL,1/2,D2.9,PUMP.....39, 89
 HOSE,FUEL,1/2,S60,D2.9,SUPLY.....39
 HOSE,FUEL,3/8,D2.9,MED PSI.....39, 89
 HOSE,FUEL,S60,D2.9,RTRN.....39
 HOSE,LOWER RADIATOR, 2.9L DEUT.....83
 HOSE,OVERFLOW,DEUTZ D2.9.....87
 HOUR METER,10-80 VOLTS***.....41
 HUB ASSEMBLY.....33
 HUBBLE NUT, PG11.....151
 HYD. HOSE ASSEMBLY 3000 PSI.....33
 HYDRAULIC MOTOR, SWING DRIVE.....52, 56
 HYDRAULIC SWIVEL SUPPORT.....55-56
- I**
- INJECTOR, FUEL(DEUTZ F3L2011F).....77-78
 INSTRN, TRC RETROFIT, STNDRD.....61-62
 INSTRUCTIONS,INSTALL (LEVEL SENSOR ALARM).....62
 INTAKE BREATHER.....81
 ISOLATOR, VIBRATION.....83
 ISOLATOR, VIBRATION DAMPENR.....87
 ISOLATOR,ENGINE VIBRATION.....89
 ISOLATOR,ENGINE VIBRATION***.....77-78
- J**
- JIB BOOM ASSY W/SYMBOL DECAL.....99
 JIB BOOM ASSY W/WORD DECAL.....99
 JOYSTICK CONNECTOR ASSEM,DEUT.....113
 JOYSTICK,1 AXIS ROCKER,DEUTSCH.....115
 JOYSTICK,2 AXIS,ROCKER,DEUTSCH.....115
 JOYSTICK,DUAL AXIS W/STEER.....115
 JOYSTICK,SINGLE AXIS W/STEER.....115
 JUMPER COMB, 2-WAY,WIELAND.....43, 49
 JUMPER COMB, 3-WAY,WIELAND.....43, 49
- K**
- KEY SINGLE***.....41, 45-46, 59
 KEY, HEX, 5/16" X 2.50"LG,SS.....91
 KEYS,10 PACK***.....41, 45-46, 59
 KEYSWITCH,3 POS. W/KEYS***.....41, 45-46
 KIT, AUX TOP RAIL SUPPORT.....131
 KIT, BRAKE SPRING.....51-52, 55-56
 KIT, FRICTION DIS, SWING DRIVE.....52, 56
 KIT, FRICTION DISC.....51-52, 55-56
 KIT, GLAND NUT, S60 LIFT CYL.....91
 KIT, HEAT GUARD, DEUTZ STARTER.....77-78
 KIT, ISOLATION, 2 JOYSTICK.....115
 KIT, LIFT GUARD CONTACT ALARM,6'-8' PLATFORM,NON-ALC1000.....161
 KIT, OPA WELDER BRACKET.....159
 KIT, SEAL, PUMP, 2 SECTION.....73
 KIT, SWING BRAKE REBUILD.....51-52, 55-56
 KIT, TERMINAL BLOCK.....43
 KIT, TRC RETROFIT, STNDRD.....61-62
 KIT,CHARGE PUMP.....73
 KIT,CHARGE PUMP HOUSING.....73
 KIT,ELEMENT**.....35
 KIT,ENGINE SERVICE,250 HOUR,DEUTZ D2.9,,Z45/S40/S60/Z62/RT90.....11
 KIT,EXTEND/RETRACT CABLE,S60.....95

Part Description Index (continued)

KIT,FBA STYLE COUPLER,SAE8.....78
 KIT,GASKET,UK POWER TO PLAT.....147
 KIT,GEN. PRESSURE SWITCH.....155
 KIT,MED PRES FUEL SUPPLY,D2.9.....89
 KIT,MTE&OIL COOL,120V50HZ,S60.....155
 KIT,MTE&OIL COOL,120V60HZ,S60.....155
 KIT,MTE&OIL COOL,240V50HZ,S60.....155
 KIT,OP SWITCH,DEUTZ.....77-78
 KIT,PRIMER BULB.....77-78
 KIT,PUMP SHAFT SEAL W/INST**.....73
 KIT,REPAIR,DEUTSCH PLUG,W/TUBE.....61-62, 115
 KIT,REPAIR,DEUTSH CONNECTORS**.....61-62, 115
 KIT,SOLENOID CONTROL SERVICE.....73
 KIT,STRAINER REPLACEMENT.....117
 KIT,TILT ALARM,IC MODELS.....62
 KIT,TRAX,9-BOLT,S60 W/OMNI HUB.....33
 KIT,TRAX,9-BOLT,S60 W/RR HUBS.....33
 KNOB,ROCKER JOYSTICK 75565.....115

L

LANYARD,PLATFORM CONTROL BOX.....113
 LATCH, SWING GATE.....107, 135
 LATCH,ROTARY,ENGINE COVER.....59
 LATCH,SLIDE, FLUSH MOUNT STYLE.....131
 LENS,AMBER,STROBE,FIREBOLT.....129
 LEVER, GOVERNOR ACTUATOR.....77-78
 LID ENCLOSURE,RED,OPA.....159
 LIFT PUMP,FUEL,DEUTZ.....89
 LIGHT, 12 VOLT.....129
 LIGHT,LED IND. AMBER 12V NH.....109-110
 LIGHT,LED IND. RED 12V NH.....41, 45-46, 109-110
 LOAD SUPPORT W/BEARINGS.....101
 LOCK, PLUG 2WAY, 14-18GA.....151
 LOCK,PLUG 3 WAY,14-18GA.....151
 LOCK,PLUG 6 WAY 18-20GA.....61-62
 LOCK,RECEP 2 WAY, 14-18GA.....151
 LOCK,RECEP 3 WAY,14-18GA.....151
 LOCK,RECEP 4 WAY,14-18GA.....93
 LOCKNUT,ELEC,1/2".....147, 155
 LOCKNUT,FLANGE,5/8-11,GR8.....33
 LOCKRING, RR***.....21-22, 25
 LT.LAMP IND.AMBER 12V NH.....109-110
 LUG,STUD/WHEEL (88887).....21-22, 25

M

MACH. MOUNTING BLOCK.....29
 MACHINED PIVOT PLATE WELDMENT.....93
 MAGNET, 1/4-20, 15 LB.....161
 MALE PIPE THD,1/4" SER,3/8"X18.....147
 MANIFOLD ASSEMBLY, GEN.....155
 MANIFOLD,BRAKE,2-SPEED.....75
 MANIFOLD,FUNCTION.....65-66
 MANIFOLD,JIB SELECT W/QD PLUG.....71
 MANIFOLD,JIB SELECT W/QD PLUG*.....71
 MANIFOLD,ROTATOR,CB***.....71
 MANIFOLD,TRACTION,4WD**.....69
 MANUAL BOX W/DECALS***.....105
 MANUAL, DEUTZ D2.9 ENGINE.....81
 MANUAL,AEM SAFETY.....11
 MANUAL,RESPON,A92.5 BOOM.....11
 MODULE, PLUS+1, CONTACT ALARM.....161
 MODULE,CONTROL UNIT,PCB,OPA.....159
 MODULE,CONTROL,HI AMP.....43, 49
 MODULE,FUSE&RELAY,DEUTZ 2.9.....37
 MODULE,IGNITION/START,12/24V.....43

MODULE,LOAD SENSE 2007.....43
 MODULE,TIME DELAY ON BREAK 4S.....43, 49
 MOTOR,12VDC,77066.....37
 MOTOR,PISTON,30CC,4WD***.....21-22, 25
 MOUNT, COVER SUPPORT CTR 86DEG.....59
 MOUNT, COVER SUPPORT CTR 93DEG.....59
 MOUNT, COVER SUPPORT FRONT.....59
 MOUNT, COVER SUPPORT REAR.....59
 MOUNT,GROUND CONTROL BOX LH.....45-46
 MOUNT,GROUND CONTROL BOX RH.....45-46
 MOUNT,SWITCH.....101
 MOUNTING BAND,AIR CLEANER.....85
 MPT,CPLR,1/4"SER,3/8"X18.....147
 MUFFLER,CAT/SPARK,DEUTZ.....77-78
 MUFFLER,DEUTZ.....77-78
 MULTI-CHARGER, BATTERY, 1210.....139, 141

N

NIPPLE,DIAGNOSTIC,#6 PORT***...117, 119, 121
 NIPPLE,DIAGNOSTIC,ORFS,FM,SWIV.....117, 123
 NIPPLE,STEEL PIPE,1/4NPTX1 LG.....33
 NIPPLE,STEEL PIPE,1/4NPTX2.5LG.....33
 NON-STEER AXLE ASSY BLACK.....25
 NON-STEER AXLE ASSY BLK,TRAX.....31
 NUT.....41, 45-46
 NUT - PLASTIC,RING FOR ALARMS.....35, 109-110, 129
 NUT, PISTON, LIFT CYLINDER.....91
 NUT, PROPORTIONAL VALVE.....66
 NUT, TL FLG, M12-1.75, ZAB.....145
 NUT,1-8,8,ZAG.....99, 101
 NUT,1/4-20,8,ZAG.....161
 NUT,1/4-28,8,ZAG.....27
 NUT,BULKHEAD,520118-4.....119
 NUT,HEX,FLANGE 5/8-18,GRD 8 ZI.....25
 NUT,JAM,3/4-10,A, ZAG.....51-52, 55-56
 NUT,LOCKING-LG.FLANGE,5/16-18.....51-52, 55-56
 NUT,M4 NYLOCK.....159
 NUT,NYLOCK FLG,1/4-20,F,ZAG.....161
 NUT,NYLOCK FLG,3/8-16,F,ZAG.....161
 NUT,NYLOCK,1/4-20.....37
 NUT,NYLOCK,10-24.....77-78
 NUT,NYLOCK,10-32.....43, 49, 89, 129
 NUT,NYLOCK,10-32,A,ZAG.....161
 NUT,NYLOCK,3/4-10,GRD.8.....95
 NUT,NYLOCK,3/8-16.....143, 145
 NUT,NYLOCK,6-32.....161
 NUT,RETAINER (96008).....41
 NUT,SERRATED,1/2-13,8,ZAG.....35, 51-52, 55-56
 NUT,SERRATED,1/4-20,8,ZAG.....51-52, 55-56, 59, 107
 NUT,SERRATED,10-32,ZAG.....56
 NUT,SERRATED,3/8-16,8,ZAG.....59
 NUT,SERRATED,5/16-18,8,ZAG.....59, 77-78, 83
 NUT,SOLENOID.....75
 NUT,SOLENOID VALVE 2P3W.....65-66
 NUT,SOLENOID VALVE COIL.....65-66
 NUT,STEM,EATON***.....73
 NUT,TL FLG,1-8,G,ZAG.....35

NUT,TL FLG,1/2-13,G,ZAG.....51-52, 55-56, 77-78, 91, 155
 NUT,TL FLG,1/4-20,G,ZAG.....27, 35, 37, 52, 56, 89, 93, 99, 101, 103, 105, 107, 131, 133, 135, 137, 153, 159
 NUT,TL FLG,10-24,F,ZAG.....27
 NUT,TL FLG,10-32,F,ZAG.....52, 101, 113, 151
 NUT,TL FLG,3/4-10,G,ZAG.....93
 NUT,TL FLG,3/4-16,G,ZAG.....29, 31
 NUT,TL FLG,3/8-16,G,ZAG.....22, 35, 39, 51-52, 55-56, 59, 83, 87, 89, 91, 95, 97, 99, 101, 103, 105, 107, 147, 159
 NUT,TL FLG,5/16-18,G,ZAG.....35, 37, 59, 85, 105, 107, 135, 137, 155
 NUT,TL FLG,M10-1.5,DIN6927,10,ZAB.....87
 NUT,TL FLG,M6-1.0,DIN6927,10,ZAB.....59
 NUT,TL,1/2-13,C,ZAG.....95
 NUT,TL,10-32,A,ZAG.....43, 49
 NUT,TL,6-32,A,ZAG.....113
 NUT,TL,FLG,5/8-11,G,ZAG.....89
 NUT,TL,M5-0.8,DIN980,10,ZAB.....113
 NUT,WING,1/4-20.....35
 NUT-COIL SHORT.....71
 NUTSERT,1/4-20,STEEL CAD PLTD.....43, 49
 NUTSERT,LP KNURLED,1/4-20X.165.....41, 45-46, 113

O

O-RING KIT (ORFS FITTINGS).....11
 O-RING KIT, BRAKE MOTOR, SWING DRIVE.....52, 56
 O-RING KIT,FIELD SVC,ALL PROD*.....11
 O-RING, CAMSHAFT POSITION SENSOR.....81
 O-RING, CRANKSHAFT POSITION SENSOR.....81
 O-RING, INTAKE AIR PRESSURE SENSOR.....81
 O-RING, OIL PRESSURE SENSOR.....81
 O-RING, ROTATOR MANIFOLD.....71
 O-RING, WATER PUMP.....81
 O-RING,.070 X .239,VITON 75D.....25
 O-RING,.103 X 4.737,VITON, 75D.....21-22, 25
 O-RING,2-042 N674-70***.....73
 O-RING,67.95X2.62-NBR-70SH(HF2P)(60334),51-52, 55-56
 O-RING,MOTOR/BRAKE***.....51-52, 55-56
 O-RING,RUBBER TRACK (139120).....33
 O-RING,STEM,EATON.....73
 OIL COOLER W/FAN, 12VDC.....153
 OIL COOLER,TD2.9.....81
 OPTION,ROCKER STEER.....113
 ORIFICE PLUG .025 DIA.....75
 ORIFICE, 0.040".....69
 ORING, OIL DIP STICK.....81

P

PAINT, AEROSOL, TRAFFIC BLACK.....11
 PAINT,AEROSOL,BRIGHT BLUE***.....11
 PAINT,AEROSOL,GENIE GRAY***.....11
 PAINT,WET,GENIE BLUE (1 GL)**.....11
 PAINT,WET,GENIE GRAY (1 GL)**.....11
 PAINT,WET,TRAFFIC BLACK (1 GL)**.....11
 PANEL, HALF MESH.....135
 PARKER DIGITAL PRESSURE GAUGE.....11
 PBOX ASSY,DEUTZ T4,DUAL CAP.....109-110
 PBOX ASSY,DEUTZ T4,SGL CAP.....109-110
 PIN, LIFT CYL, HEX END.....91

- PIN, STEER BELLCRANK CLEVIS.....45-46
 PIN,0.75DIAX5.75LG,CHAMFER.....101
 PIN,1.25 X 13.25 IN,CHAMFER.....51-52, 55-56
 PIN,1.250 X 9.25, 2 RINGS.....103
 PIN,1.25DIAX14.45LG,2HOLE.....99
 PIN,1.25DIAX3.75LG,1HOLE.....91
 PIN,1.25DIAX5.25LG,1HOLE.....97, 99
 PIN,1.25DIAX7.00LG,1HOLE.....99
 PIN,1.25DIAX7.47LG,2RING.....97, 99
 PIN,1.25DIAX7.88LG,1HOLE.....99
 PIN,1.25DIAX8.42LG,2RING.....97, 99
 PIN,1.5 X 5.50 LG.....95
 PIN,1.50DIAX13.43LG,2RING.....93
 PIN,1.50DIAX3.75LG,1HOLE.....22
 PIN,1.50DIAX9.38LG,1HOLE.....22
 PIN,2 X 5.75 LG.....91
 PIN,2.00DIAX11.18LG,2RING.....91
 PIN,2.00DIAX20.88LG,CHAMFER.....25
 PIN,2.00DIAX23.13LG,CHAMFER.....22
 PIN,2.00DIAX24.00LG,CHAMFER***.....91
 PIN,2.25DIAX18.75LG,CHAMFER.....91
 PIN,2.25DIAX19.25LG,CHAMFER.....91
 PIN,CLEVIS,1 X 2.5 LG.....93
 PIN,CLEVIS,1.0X2.41,SAE,ZAG.....21-22
 PIN,CLEVIS,1X2.250,ZAG.....95
 PIN,COTTER,.156 X 1.75.....95, 103
 PIN,GROOVE/HOLE,1.50 DIAX4.475.....22
 PINCH GUARD RAIL,6' PLATFORM.....131
 PINCH GUARD RAIL,8' PLATFORM**.....131
 PINION GEAR, SWING DRIVE.....52, 56
 PINS,CONNECTOR,INJ HARNESS,D2.9.....81
 PLATE, CABLE AND WIRE COVER.....161
 PLATE, HAMMER SHIM 1/2.....29
 PLATE,ANTIROTATION.....93
 PLATE,BACKLASH ADJUSTMENT MACH.....51-52, 55-56
 PLATE,BOTTOM BLOCK,PAINTED.....95
 PLATE,DECAL,PLATFORM***.....107
 PLATE,HINGE SUPPORT.....51-52, 55-56
 PLATE,JIB,ROTATE MANIFOLD.....105, 107
 PLATE,PRIMARY BOOM SIDE.....49
 PLATE,RETRACTION CABLE EQUALIZ.....95
 PLATE,ROCKER.....93
 PLATE,SWIVEL ROTATION STOP.....51-52
 PLATE,TAP BLOCK.....95
 PLATE,UK,POWER TO PLAT.....147
 PLATFORM CONTROL BOX W/DECAL.....113
 PLATFORM CONTROL BOX,PAINTED.....113
 P L A T F O R M S U P P O R T WELDMNT-SERV*.....99
 PLUG AND CAP KIT-SERVICE,37 **.....11
 PLUG, TYPE F, 230A, 50HZ, 16A, IP44.....147
 PLUG,BLANKING.....62
 PLUG,ENGINE OIL,DEUTZ F4L2011.....81
 PLUG,FUSED,250V,13AMP,U.K.**.....147
 PLUG,HEX SOCKET,090109B-12.....127
 PLUG,HEX SOCKET,090109B-4.....51-52, 55-56
 PLUG,HEX,090109A-4.....123
 PLUG,NYLON .38 BLACK DOMED.....41, 45-46
 PLUG,NYLON .875 BLACK DOMED.....113
 PLUG,NYLON 1.12 BLACK DOMED.....49
 PLUG,NYLON .94X1.65 BLK D0MED.....49
 PLUG,ORB #6.....51-52, 55-56
 PLUG,PWR,UK,16AMP,3PIN,BLK.....147
 PLUG,SAE #03 (139712).....69
 PLUG,SANTOPRENE .5 BLACK DOME.....41, 45-46, 109-110
 POTENTIOMETER ASSY, WELDER.....43, 49
 POWER UNIT,AUX PUMP 12VDC.....37
 PRE-FILTER,FUEL,DEUTZ TCD3.6.....89
 PUMP ASSY,AUX.POWER UNIT 89617.....37
 PUMP,FUEL 2011 DEUTZ ***.....77-78
 PUMP,LIFT,2 SECTION***.....73
 PUMP,PISTON,49CC***.....73
- ## R
- RADIATOR,6-CORE,19.375W X 18.1.....83
 REBUILD KIT, BRAKE, SWING DRIVE.....52, 56
 RECEPACLE,UK,110V.....147
 REDUCER,520123-16-12.....127
 REDUCER,520123-8-4.....117
 REF. ENGINE TRAY.....85
 REF. ENGINE TRAY ASSY.....89
 REF. PLATFORM CONTROL BOX ASSEMBLY.....107
 REF. WHEEL AND TIRE ASSEMBLY.....25
 Ref: Bar Clamp, Cable Track.....95
 Ref: Boom Tube #1.....91
 Ref: Brake and 2 Speed Manifold.....51-52, 55-56
 Ref: Bulkhead, Left Rear.....35
 Ref: Cable Track.....93
 Ref: Cable Track Guide.....93
 Ref: Cable Track Tray.....93
 Ref: Cable Track Tube.....93
 Ref: CABLE,S60 & S65 12VDC WORK LIGHT.....143
 REF: Descent Alarm.....129
 Ref: ECU.....37
 REF: Engine Baffle, DEUTZ D2.9.....51-52, 55-56
 Ref: Engine Tray.....78
 Ref: Extension Cylinder.....95
 Ref: Foot Switch Assembly.....61-62
 Ref: Fuel Tank.....37
 Ref: HARN,12V WORK LIGHT RELAY.....143
 Ref: Harness, Cable Tension Limit Switch.....93
 Ref: Harness, Power to Platform.....147
 Ref: Harness, Primary Ext/Ret Limit Switch..93
 Ref: HARNESS,12V WORK LIGHTS.....143
 Ref: Hose/Cable Clamps.....95
 REF: JIB MANIFOLD.....107
 Ref: Jib Manifold.....105
 REF: Non-Steer Axle.....27
 REF: PLATFORM SUPPORT.....107
 Ref: Platform Support.....105
 Ref: Primary Ext/Ret Harness.....91
 Ref: Ref: Harness LS, OP, Primary Angle.....91
 Ref: Ref: Harness LS, OP, Primary Velocity.....91
 Ref: Ref: Harness LS, Safety, Primary Velocity.....91
 Ref: Weldment Track Pull Tube.....95
 RELAY, 12V MICRO, 35AMP.....37
 RELAY, POWER & FUSE MODULE.....37
 RELAY,12VDC,70AMP,SEALED.....43
 RELAY,OMRON,DPDT,12V.....43, 49
 RELAY,SOCKET,OMRON.....43, 49
 RELAY,SPDT,12V(AUTO) PLUG IN**.....43, 49
 RELAY,SPDT,12V(AUTO)**.....161
 RELAY,TIME DELAY,2 SEC,10A.....43, 49
 RELAY,TIME DELAY,2 SEC,30A.....113
 REPAIR KIT,4 LINK,W/GUIDE.....103
 RESISTOR,10 OHM,25 WATT.....43, 49
 RESISTOR,5 OHM,25W***.....43, 49
 RESISTOR,7.5 OHM,25 WATT,1PCNT.....43, 49
 RESISTOR,POT,1K OHM,2-WATT.....43
 RETAINER,GAS SPRING***.....59
 RETAINER,SPRING,1.21 X .375.....101
 RETAINER-N.C.PROPOR.SOLENOID.....65-66
 RING / SEALING.....81
 RING GEAR,DEUTZ F3L2011F.....81
 RING,RETAINING,INTERNAL.....21-22, 25
 RIVET, STL, STL, DOME, 1/4 X .375, ZAG.....135
 RIVET,ALUM,ALUM,3/16BUTTONHEAD....131
 RIVET,ALUM,P,.188 X .25.....103
 ROCKER ASSY,MAGNETIC 75565.....115
 ROCKER,RETAINER, 75565.....115
 ROD END, .25 X 2.75, ZAG.....101
 ROD END,.375 X 2.25,ZAG.....22, 91
 ROD END,.375X3.69,ZAG.....21-22, 51-52, 55-56, 97, 99
 ROD END,.5 X 3.75,ZAG.....22, 25, 91
 ROD END,BALL JOINT 1/4-28.....27
 ROD END,CABLE.....93, 95
 ROD,THREADED,1/4-28X4,ZAG.....27
 ROLLER ARM,LIMIT SWITCH***.....93
 ROLLER,1/2" ALUMINUM.....95
 ROLLER,1/2" PVC.....95
 ROTATIONAL LIMITER FRONT LEFT.....29, 33
 ROTATIONAL LIMITER FRONT RIGHT.....29, 33
 ROTATIONAL LIMITER REAR.....33
 ROTATOR MOUNT KIT.....101
 ROTATOR,PLAT JIB,160 DEG***.....99
 RUE RING,1.0,ZAG.....21-22
- ## S
- S60 PBOX ASSY, COMMON.....109-110
 SCREW PH M5-0.8X20 DIN 7500CE.....109-110
 SCREW T-SWITCH PH/PH 6-32X1/4....45-46, 109-110
 SCREW, FHSC, 1/2-13X1.00.....33
 SCREW, GEN ROTOR.....155
 SCREW, HHC, 5/16-18X2.8,ZAG.....22
 SCREW, PHM, #6-32 X .625 ZINC.....115
 SCREW, PHPM SEMS ET, 10-24 X .5, ZAG.....83
 SCREW, PHPM, 10-32 X 1.0, ZAG.....151
 SCREW, THM, TORX, 3/8-16X1,SS.....59
 SCREW, THM, TORX, M6X25, ZAB.....59
 SCREW,10-24 X.5 TORX PAN HD***.....103
 SCREW,BHC,10-32X1.5,F835,ZAG.....101
 SCREW,BHC,3/8-16X1.25,F835,ZAG.....95
 SCREW,BLEEDER,M5X0.8.....99
 SCREW,DP200 M3X10 4PACK.....45-46
 SCREW,FHS,3/8-16X2.25,F835,ZAG....51-52, 55-56
 SCREW,FLANGE,HHC,5/8-11X2,GR8.....33
 SCREW,HEX TAP,3/4-10X4,8,ZAG.....51-52, 55-56
 SCREW,HHC,1-8X11,5,ZAG.....99, 101
 SCREW,HHC,1-8X12,5,ZAG.....35
 SCREW,HHC,1/2-13X1.75,8,ZAG..51-52, 55-56
 SCREW,HHC,1/2-13X2.0,8,ZAG.....95
 SCREW,HHC,1/2-13X4.5,8,ZAG.....91

Part Description Index (continued)

SCREW,HHC,1/4-20 X .75.....45-46	SCREW,HHF,M10-1.5X16,DIN6921,10.9,ZAB.87	SEAL, CAP, NOTCHED.....51-52, 55-56
SCREW,HHC,1/4-20 X 1.25.....37	SCREW,HHF,M10-1.5X75,DIN6921,10.9,ZAB.85	SEAL, CONNECTOR (DT JOYSTICKS).....115
SCREW,HHC,1/4-20 X 1.5.....143	SCREW,HHF,M14-2.0X35,DIN6921,10.9,ZAB.77-78, 89	SEAL, FRONT ENGINE,DEUTZ.....81
SCREW,HHC,1/4-20X.75,8,ZAG.....21-22	SCREW,HHF,M6-1.0X12,DIN6921,10.....83, 159	SEAL, O-RING ENERGIZER.....51-52, 55-56
SCREW,HHC,1/4-20X1.25,8,ZAG.....101	SCREW,HHF,M6-1.0X20,DIN6921,10.9,ZAB.59	SEAL, O-RING LIP.....51-52, 55-56
SCREW,HHC,1/4-20X1.75,8,ZAG.....25	SCREW,HHF,M8-1.25X16,DIN6921,10.9,ZAB.83, 87	SEAL, POLY, CHAMFER.....51-52, 55-56
SCREW,HHC,1/4-20X2.25,8,ZAG.....27	SCREW,HHF,M8-1.25X20,DIN6921,10.9,ZAB.83	SEAL, REAR ENGINE,DEUTZ.....81
SCREW,HHC,1/4-20X3,8,ZAG.....103	SCREW,HHF,M8-1.25X60,DIN6921,10.9,ZAB.87	SEAL,AIR INTAKE ADAPTER,LOWER.....83
SCREW,HHC,3/4-10 X 1.5.....29	SCREW,M5X16 BHD.....159	SEAL, FILTER LID.....35
SCREW,HHC,3/8-16 X 1.....51-52, 55-56, 129	SCREW,M6X8.....159	SEAL,LIP.....21-22, 25
SCREW,HHC,3/8-16 X 1.25 GRD 5.....145	SCREW,PHIL,PHM,10-32 X .5,SSTL.....43	SEAL,RUBBER BRAKE RELEASE,RUBBER TRACK (139120).....33
SCREW,HHC,3/8-16 X 2.5.....143	SCREW,PHIL,PHM,6-32 X 1/4 SS.....113	SEAL,SHAFT,EATON PUMP***.....73
SCREW,HHC,3/8-16X.75,8,ZAG.....99	SCREW,PHILLIPS,PHM,10-32 X 1.....91	SEAL,SHAFT-SUNDSTRAND***.....21-22, 25
SCREW,HHC,3/8-16X.875,8,ZAG.....99, 101, 103	SCREW,PHILLIPS,PHM,8-32 X.25**.....41	SEAL,TRAX HUBS.....29, 31, 33
SCREW,HHC,3/8-16X2.25,8,ZAG.....95	SCREW,PHPM,10-24X1,ZAG.....105, 107	SECURITY TIE,TOGGLE GUARD.....41
SCREW,HHC,3/8-16X4,8,ZAG.....95	SCREW,PHPM,10-32X.50,ZAG.....43, 49, 113	SENDING UNIT,OIL TEMP SWCH,DTZ.....77-78
SCREW,HHC,5/16-18 X .75.....143	SCREW,PHPM,10-32X.75,ZAG.....89	SENSOR, LEVEL,2.5 X 4.5 DEG.....37
SCREW,HHC,5/16-18X1,8,ZAG.....135	SCREW,PHPM,10-32X1.25,ZAG.....49	SENSOR,CAM/CRANKSHAFT POSITION..81
SCREW,HHC,5/8-11X2.25,8,ZAG.....22, 25	SCREW,PHPM,10-32X1.5,ZAG.....161	SENSOR,COOLANT LEVEL, DEUTZ.....87
SCREW,HHC,5/8-11X3,5,8,ZAG.....89	SCREW,PHPM,10-32X1.75,ZAG.....52, 56	SENSOR,DUAL OUTPUT,ANGLE***.....61-62, 91
SCREW,HHC,5/8-11X4,8,ZAG.....25, 52, 56	SCREW,PHPM,6-32X.5,ZAG.....43, 49, 113	SENSOR,INTAKE AIR PRESSURE.....81
SCREW,HHC,7/16-14X1.25,ZAG.....25	SCREW,PHPM,6-32X.875,ZAG.....161	SENSOR,LOW PRESSURE,DEUTZ 2.9L.....81
SCREW,HHC,FLG,3/8-16 X 1 GR8.....129	SCREW,PHPM-ST,8-32 X .50,TYPE F,ZAG.....147	SENSOR,RUBBER EDGE.....159
SCREW,HHC,M10 X 40MM,GRD8.....85	SCREW,PHPM-ST,M5-0.8X20,DIN750.....113	SERVICE KIT, BRAKE SPRING, SWING DRIVE.....52, 56
SCREW,HHC,M10-1.5X16,DIN933,10.9,ZAB.85	SCREW,PHPSH,#12-11X.75,ZAG.....43, 113	SET SCREW, LIFT CYLINDER.....91
SCREW,HHC,M10-1.5X65,DIN931,10.9,ZAB.78	SCREW,RHM,10-32 X 1.....129	SHAFT SEAL, APU.....37
SCREW,HHC,M10-1.5X70,DIN931,10.....78	SCREW,SHC,3/4-10X3.75,A574,ZAG.....51-52, 55-56	SHAFT, KNURLED (128918).....33
SCREW,HHC,M12 X 35MM.....145	SCREW,SHC,5/8-11X1.5,A574,ZAG.....29	SHAFT, RAISED BOSS (128918).....33
SCREW,HHF,1/2-13X 2,8,ZAG.....51-52, 55-56, 155	SCREW,SHC,M10-1.5X30,DIN912,12.9,ZAB.77-78, 85	SHAFT,15 TOOTH.....21-22, 25
SCREW,HHF,1/2-13X1.25,8,ZAG.....35	SEAL KIT.....65-66	SHAFT,INPUT DRIVE HUB.....25
SCREW,HHF,1/2-13X1.5,8,ZAG.....22, 25, 73, 85, 91	SEAL KIT (39345).....71	SHAFT,OUTPUT.....51-52, 55-56
SCREW,HHF,1/2-13X2.5,8,ZAG.....27	SEAL KIT (63566).....97, 99	SHEAVE,EXTENSION CABLE(LARGER).....95
SCREW,HHF,1/2-13X2.75,8,ZAG.....27	SEAL KIT (88571).....93	SHEAVE,RETRACT CABLE(SMALLER).....93
SCREW,HHF,1/2-13X3,8,ZAG.....77-78	SEAL KIT (88653).....91	SHEET,RUBBER,AIR INTAKE.....78
SCREW,HHF,1/4-20X.625,8,ZAG.....41, 45-46, 49, 51-52, 55-56, 59, 107, 113, 135	SEAL KIT (89675).....22	SHIM,AXLE ROTATION STOP,22G.....27
SCREW,HHF,1/4-20X1.25,8,ZAG.....35, 37, 91, 93, 95, 99, 103, 105, 107, 131, 137, 153, 159, 161	SEAL KIT CYLINDER (59460).....21-22, 29	SHIM,PAD,5 X 3.....93, 95
SCREW,HHF,1/4-20X1,8,ZAG.....35, 52, 56, 89, 93, 99, 105, 133	SEAL KIT, APU.....37	SHIM,SIDE PAD 16GA. 3 X 5.....93, 95
SCREW,HHF,1/4-20X1.25,8,ZAG.....159	SEAL KIT, BRAKE, SWING DRIVE.....52, 56	SHIM,WEAR PAD,5 X 1.5,14GA.....93, 95
SCREW,HHF,1/4-20X1.5,8,ZAG.....153	SEAL KIT, DRIVE HUB.....21-22, 25	SHIM,WEAR PAD,5X 1.5 16GA.....93, 95
SCREW,HHF,1/4-20X1.75,8,ZAG.....91	SEAL KIT, HYD MOTOR, GEN.....155	SHOCK MOUNT,SMALL.....83
SCREW,HHF,1/4-20X2,8,ZAG.....37, 131	SEAL KIT, SOLENOID VALVE.....65-66	SHORT LINK W/BEARINGS, SERVICE.....91
SCREW,HHF,1/4-20X2.5,8,ZAG.....91, 93, 103	SEAL KIT, SWING BRAKE.....51-52, 55-56	SHRINK TUBE,BLACK,RHW,1/2,3:1.....151
SCREW,HHF,1/4-20X3,8,ZAG.....103	SEAL KIT, TORQUE HUB, SWING DRIVE.....52, 56	SHROUD, 17" FAN.....83
SCREW,HHF,10-24X.5.....161	SEAL KIT, VALVE.....69, 71	SHUTDOWN SOLENOID,12V, DEUTZ.....77-78
SCREW,HHF,3/8-16X.75,8,ZAG.....22, 51-52, 55-56, 93	SEAL KIT, VALVE, #10.....65-66	SLEEVE, CABLE-END, 12AWG, 4MM.....157
SCREW,HHF,3/8-16X1,8,ZAG.....35, 37, 73, 77-78, 87, 91, 93, 95, 103, 147, 161	SEAL KIT, VALVE, #4.....65-66	SLEEVE,CONNECTOR,DT JOYSTICKS....115
SCREW,HHF,3/8-16X1.25,8,ZAG.....21-22, 35, 51-52, 55-56, 83, 89, 91, 95, 97, 105, 107	SEAL KIT,8-PORT SWIVEL.....51-52, 55-56	SLEEVE,NYLON,1.42 ID.....119
SCREW,HHF,3/8-16X1.5,8,ZAG.....99	SEAL KIT,8K ROTATOR***.....99	SLEEVE,NYLON,2.19 ID,BULK.....61-62, 119
SCREW,HHF,3/8-16X2,8,ZAG.....39, 59	SEAL KIT,CHECK VALVE 219246.....75	SLIDING MIDRAIL ASSY-STD.....107
SCREW,HHF,3/8-16X2.25,8,ZAG.....59	SEAL KIT,CONTROL VALVE.....27	SLIDING MIDRAIL KIT,PTD.....105
SCREW,HHF,3/8-16X2.5,8,ZAG.....59	SEAL KIT,CYL,S45 MASTER(81694).....91	SNAP RING.....33
SCREW,HHF,3/8-16X2.8,ZAG.....59	SEAL KIT,CYL,S65 (63213).....99	SNAP RING(M46 UNITS)*.....21-22, 25
SCREW,HHF,3/8-16X3,8,ZAG.....22, 101	SEAL KIT,MOTOR,LC/KC***.....21-22, 25	SNAP RING,EXTERNAL,1.25 DIA.**.....99
SCREW,HHF,3/8-16X3.5,8,ZAG.....103	SEAL KIT,PUMP SHAFT (EATON)***.....73	SNAP RING,EXTERNAL,1.25,ZAG.....97
SCREW,HHF,5/16-18X1,8,ZAG.....77-78, 105, 107, 137	SEAL KIT,SOLENOID VALVE 219247.....75	SNAP RING,EXTERNAL,1.50,ZAG.....22, 93, 95
SCREW,HHF,5/16-18X1.25,8,ZAG.....37, 105, 107	SEAL KIT,SOLENOID VALVE, SV07.....71	SNAP RING,EXTERNAL,2.00,ZAG.....91
SCREW,HHF,5/16-18X1.5,8,ZAG.....59, 85, 155	SEAL KIT,SWING TORQ HUB***.....51-52, 55-56	SNAP RING,EXTERNAL,2.25,ZAG.....91
SCREW,HHF,5/8-11X2,8,ZAG.....51-52, 55-56	SEAL KIT,VALVE.....65-66	SNAP RING,PUMP SHAFT SEAL ***.....73
	SEAL KIT,VALVE, #4.....65-66	SOLENOID CABLE ASSY***.....77-78
	SEAL KIT,8-PORT SWIVEL.....51-52, 55-56	SOLENOID,77066.....37
	SEAL KIT,8K ROTATOR***.....99	SOLENOID,THROTTLE ACTUATOR DSL.....77-78
	SEAL KIT,CHECK VALVE 219246.....75	SOUNDER LENS, OPA, AMBER.....159
	SEAL KIT,CONTROL VALVE.....27	
	SEAL KIT,CYL,S45 MASTER(81694).....91	
	SEAL KIT,CYL,S65 (63213).....99	
	SEAL KIT,MOTOR,LC/KC***.....21-22, 25	
	SEAL KIT,PUMP SHAFT (EATON)***.....73	
	SEAL KIT,SOLENOID VALVE 219247.....75	
	SEAL KIT,SOLENOID VALVE, SV07.....71	
	SEAL KIT,SWING TORQ HUB***.....51-52, 55-56	
	S E A L M A R K E R , C R O S S	
	CHECK,BLUE,TUBE.....11	
	SEAL RING,SOLENOID CONTROL.....73	
	SEAL, BEARING (128918).....33	

Part Description Index (continued)

WASHER, LOCK, #10 PLTD.....91
 WASHER, LOCK, .25.....45-46, 143
 WASHER, LOCK, .375.....129
 WASHER, LOCK, 3/8, ZAG.....95, 99
 WASHER, LOCK, IND, LAMP RETAINER....109-
 110
 WASHER, LOCK, M10, ZAB.....78, 85
 WASHER, M4 NYLON.....159
 WASHER, M5 NYLON.....159
 WASHER, SHIM, .0151 THK.....101
 WASHER, SHIM, 1.01X1.63X.062, ZAG.....93
 WASHER, SHIM, 1.270X2.130X.062, Z.....97, 99
 WASHER, SHIM, 1.56X2.5X.061, ZAG.....89, 93,
 95
 WASHER, THRUST, 1.5 X 3.5 X .187.....22
 WATER PUMP.....81
 WEAPAD, BOOM REST.....51-52, 55-56
 WEAR PAD, 3 X 1.5 X .625 W/NUTS.....99
 WEAR PAD, 5 X 1.5 X .625 W/NUTS.....93, 95
 WEAR PAD, 5 X 1.5 X .75 W/NUTS.....95
 WEAR PAD, 5 X 3 X .625 W/NUTS.....93
 WEAR PAD, 5 X 3 X .75.....93
 WEAR PAD, 5.5 X 1.75 X .5.....103
 WEAR PAD, CABLE TRACK PULL TUBE....103
 WELDMENT, FUEL FILTER BRACKET.....89
 WELDMENT, GROUND BOX, S60/65.....41,
 45-46
 WELDMENT, LEFT CONTACT ALARM,
 LARGE.....161
 WELDMENT, LID, GBOX, S60/65.....41
 WELDMENT, LONG LINK SPACER.....91
 WELDMENT, RIGHT CONTACT ALARM,
 LARGE.....161
 WELDMENT, SHORT LINK, S60/65.....91
 WELDMENT, SUPPORT, RADIATOR.....83
 WELDMENT, SWING GATE.....107, 135
 WELDMENT, TIE ROD.....21-22, 29
 WELDMENT, 4/5FT PLATFORM
 SUPPOR.....101
 WELDMENT, BOOM SECTION # 1***93
 WELDMENT, BOOM SECTION #2***93
 WELDMENT, CABLE TRACK TRAY***103
 WELDMENT, CABLE TRACK TUBE***103
 WELDMENT, ECU MOUNT, DEUTZ D2.9.....37
 WELDMENT, EXHAUST TUBE.....59
 WELDMENT, EXTENSION BRACKET.....95
 WELDMENT, LID, GBOX.....45-46
 WELDMENT, MASTER LINK.....91
 WELDMENT, PLATFORM SUPPORT, CE.....101
 WELDMENT, ROTATOR SUPPORT.....101
 WELDMENT, SWING GATE PANEL.....135
 WELDMENT, TIMING LINK CAM.....91
 WELDMENT, TRACK PULL TUBE PIVOT....103
 WELDMENT, TRANSPORT LOCK.....51-52,
 55-56
 WHEEL & TIRE ASSY, LH NM AIR.....21-22
 WHEEL & TIRE ASSY, RH, NM AIR.....21-22
 WHEEL DRIVE 56:1.....21-22, 25
 WHEEL, 24.5X11.75, 9 X 9 BCD.....21-22
 WIRE CABLE, 16/4 CON.TPE JKT.....93
 WIRE LOOM, 1"DIA.SLIT, HI TEMP.....61-62
 WIRE, 12/3 SJEOW, BK-WH-GR/YL.....157
 WLDMT, BATT/MANIF TRAY, S60/65.....35
 WLDMT, ES LOWER COVER SUPPORT.....59
 WLDMT, ES UPPER COVER SUPPORT.....59
 WLDMT, TS LOWER COVER SUPPORT.....59
 WLDMT, TS UPPER COVER SUPPORT.....59
 WORKLIGHT, 12V, DEUTSCH RECEPT.....143

Y

YOKE ASSY BLK W/BEARINGS, LH.....21-22
 YOKE ASSY BLK W/BEARINGS, RH.....21-22

Z

ZERK, GREASE, 5/16-24, STRAIT.....35, 101

—

—Deutz D2.9L4 Models—.....11
 —Deutz TD2011-L03i Models—.....11
 —General Service Parts—.....11
 —Inspection Service Kits—.....11
 —Manuals—.....11

This Page Intentionally Left Blank

Go to Discount-Equipment.com to order your parts

Fitting Cross References

Genie PN	Parker PN	Description	Genie PN	Parker PN	Description
12342	6-4 F5OX-S	CONNECTOR,STRAIGHT THREAD TO FLARE TUBE	42794	1 CR-S	ELBOW,90°,MALE PIPE
13757	4 R6X-S	RUN TEE,SWIVEL NUT,ORFS	42795	BV-0839	BALL VALVE
19685	12-10 C5OX-S	ELBOW,90°,STRAIGHT THREAD TO FLARE TUBE	42796	BV-0838	BALL VALVE
22664	12-10 C5OX	ELBOW,90°,STRAIGHT THREAD TO FLARE TUBE	42874	6-8 CLO-S	ELBOW,90°,MALE PIPE TO ORFS
27431	8-12 F5OX-S	CONNECTOR,STRAIGHT THREAD TO FLARE TUBE	42912	13943-6-4	HOSE END,90° FEMALE SWIVEL,JIC
28678	AS-B-33	SLEEVE,NYLON,1.81" ID	42920	BV-0840	BALL VALVE,90°
39871	6 WETX-WLN-S	UNION,90° BULKHEAD W/NUT,FLARE TUBE	42932	AS-B-17	SLEEVE,NYLON,1.22" ID
39872	4 R5OX-S	RUN TEE,STRAIGHT THREAD	42936	10243-2-4	HOSE END,FEMALE PIPE
39873	6 C5OX-S	ELBOW,90°,STRAIGHT THREAD TO FLARE TUBE	42953	1/2 DD-S	ELBOW,90°,FEMALE PIPE
39874	8-6 C5OX-S	ELBOW,90°,STRAIGHT THREAD TO FLARE TUBE	42956	6 WELO-WLNL-S	UNION,90° BULKHEAD W/NUT,ORFS
39875	4-6 C5OX-S	ELBOW,90°,STRAIGHT THREAD TO FLARE TUBE	45349	8 V5OX-S	ELBOW,45°,STRAIGHT THREAD TO FLARE TUBE
39876	6-8 C5OX-S	ELBOW,90°,STRAIGHT THREAD TO FLARE TUBE	45351	4 V5OX-S	ELBOW,45°,STRAIGHT THREAD TO FLARE TUBE
39877	4 F5OX-S	CONNECTOR,STRAIGHT THREAD TO FLARE TUBE	47223	10343-6-6	HOSE END,MALE,JIC
39878	6 F5OX-S	CONNECTOR,STRAIGHT THREAD TO FLARE TUBE	47419	PS690503-6-6	SWIVEL,90°,STRAIGHT THREAD TO 37° FLARE
39879	4-8 F5OX-S	CONNECTOR,STRAIGHT THREAD TO FLARE TUBE	48750	421-4	HOSE,1/4 INCH ID
39880	6-10 F5OX-S	CONNECTOR,STRAIGHT THREAD TO FLARE TUBE	48751	481TC-4	HOSE,1/4 INCH ID
39881	4-6 F5OX-S	CONNECTOR,STRAIGHT THREAD TO FLARE TUBE	48752	482TC-4	HOSE,1/4 INCH ID
39882	4-HP5ON-S	PLUG,STRAIGHT THREAD	48753	451TC-6	HOSE,3/8 INCH ID
39883	8-8 FTX-S	CONNECTOR,MALE PIPE TO FLARE TUBE	48754	482TC-6	HOSE,3/8 INCH ID
39885	269HB 12-12	ELBOW,90°,BEADED HOSE BARB TO MALE PIPE	48755	381-6	HOSE,3/8 INCH ID
39886	431-6	HOSE,3/8 INCH ID	48756	451TC-8	HOSE,1/2 INCH ID
39887	540N-2	HOSE,1/8 INCH ID	48757	482TC-8	HOSE,1/2 INCH ID
39888	801-8	HOSE,1/2 INCH ID	48758	381-8	HOSE,1/2 INCH ID
39889	801-12	HOSE,3/4 INCH ID	48759	381-10	HOSE,5/8 INCH ID
39890	10643-6-6	HOSE END,FEMALE SWIVEL,JIC	48760	451TC-10	HOSE,5/8 INCH ID
39891	13943-6-6	HOSE END,90° FEMALE SWIVEL,JIC	48761	482TC-12	HOSE,3/4 INCH ID
39892	13743-6-6	HOSE END,45° FEMALE SWIVEL,JIC	48762	451TC-12	HOSE,3/4 INCH ID
39894	30682-8-8	HOSE END,FEMALE SWIVEL,JIC	48763	772-12	HOSE,3/4 INCH ID
39895	30682-10-12	HOSE END,FEMALE SWIVEL,JIC	48764	881-16	HOSE,1 INCH ID
42286	8-8 CTX-S	ELBOW,90°,MALE PIPE TO FLARE TUBE	48765	772-16	HOSE,1 INCH ID
42756	8-12 CLO-S	ELBOW,90,MALE PIPE TO ORFS	48766	AS-B-15	SLEEVE,NYLON,1.06" ID
42757	8-12 FLO-S	CONNECTOR,MALE PIPE TO ORFS	48767	AS-B-22	SLEEVE,NYLON,1.42" ID
42758	4 JLO-S	UNION TEE,ORFS	48770	881-8	HOSE,1/2 INCH ID
42759	4-4 FLO-S	CONNECTOR,MALE PIPE TO ORFS			
42760	6-8 FLO-S	CONNECTOR,MALE PIPE TO ORFS			
42761	1J143-6-4	HOSE END,90° FEMALE SWIVEL,SEAL LOK			
42762	1J743-6-4	HOSE END,45° FEMALE SWIVEL,SEAL LOK			
42768	1JO43-4-4	HOSE END,MALE,SEAL LOK			
42776	601-8	HOSE,1/2 INCH ID			
42777	1J743-16-16	HOSE END,45° FEMALE SWIVEL,SEAL LOK			
42786	16 CLO-S	ELBOW,90°,MALE PIPE TO ORFS			
42787	16 R6LO-S	RUN TEE,SWIVEL NUT,ORFS			
42788	16-8 TRLO-BL-S	REDUCER,TUBE END TO SWIVEL,ORFS			
42789	6-6 CLO-S	ELBOW,90°,MALE PIPE TO ORFS			
42790	8-10 V5OLO-S	ELBOW,45°,STRAIGHT THREAD TO ORFS			
42791	3/4 CD-S	ELBOW,90°,MALE TO FEMALE PIPE			
42792	3/4 X 1/2 PTR-S	REDUCER,MALE TO FEMALE PIPE			
42793	1/2 CR-S	ELBOW,90°,MALE PIPE			

Fitting Cross References (Continued)

Genie PN	Parker PN	Description	Genie PN	Parker PN	Description
48771	881-10	HOSE,5/8 INCH ID	48847	13943-12-12	HOSE END,90° FEMALE SWIVEL,JIC
48772	381-4	HOSE,1/4 INCH ID	48848	10543-12-12	HOSE END,MALE,STRAIGHT THREAD
48773	AS-B-13	SLEEVE,NYLON,.86" ID	48849	1JC71-12-12	HOSE END,FEMALE SWIVEL,SEAL LOK
48800	1JC43-4-4	HOSE END,FEMALE SWIVEL,SEAL LOK	48850	1JS71-12-12	HOSE END,FEMALE SWIVEL,SEAL LOK
48801	1J743-4-4	HOSE END,45° FEMALE SWIVEL,SEAL LOK	48851	1J171-12-12	HOSE END,90° FEMALE SWIVEL,SEAL LOK
48802	1J943-4-4	HOSE END,90° FEMALE SWIVEL,SEAL LOK	48852	1J771-12-12	HOSE END,45° FEMALE SWIVEL,SEAL LOK
48804	1JM43-4-4	HOSE END,MALE,SEAL LOK, NO O-RING	48853	1J971-12-12	HOSE END,90° FEMALE SWIVEL,SEAL LOK
48805	10643-4-4	HOSE END,FEMALE SWIVEL,JIC	48854	1JC43-16-16	HOSE END,FEMALE SWIVEL,SEAL LOK
48806	13943-4-4	HOSE END,90° FEMALE SWIVEL,JIC	48855	1J943-16-16	HOSE END,90° FEMALE SWIVEL,SEAL LOK
48807	1JS43-4-4	HOSE END,FEMALE SWIVEL,SEAL LOK	48856	1J171-16-16	HOSE END,90° FEMALE SWIVEL,SEAL LOK
48808	3JC82-8-8	HOSE END,FEMALE SWIVEL,SEAL LOK	48857	1J971-16-16	HOSE END,90° FEMALE SWIVEL,SEAL LOK
48809	3JC82-12-12	HOSE END,FEMALE SWIVEL,SEAL LOK	48859	1JS43-8-4	HOSE END,FEMALE SWIVEL,SEAL LOK
48810	1JC43-6-4	HOSE END,FEMALE SWIVEL,SEAL LOK	48867	PD36BTL	DIAGNOSTIC NIPPLE,SEAL-LOK SWIVEL
48811	1J943-6-4	HOSE END,90° FEMALE SWIVEL,SEAL LOK	48873	6 PNLO-S	PLUG,TUBE END,ORFS
48812	1JC43-6-6	HOSE END,FEMALE SWIVEL,SEAL LOK	48874	6 PNTX-S	PLUG,FLARE TUBE
48813	1J143-6-6	HOSE END,90° FEMALE SWIVEL,SEAL LOK	48875	6 R6LO-S	RUN TEE,SWIVEL NUT,ORFS
48814	1J543-6-6	HOSE END,90° FEMALE SWIVEL,SEAL LOK	48877	4 F5OLO-SW/.025	CONNECTOR,STRAIGHT THREAD TO ORFS, W/.025 ORI
48815	1J743-6-6	HOSE END,45° FEMALE SWIVEL,SEAL LOK	48878	16-12 C5OLO-S	ELBOW,90°,STRAIGHT THREAD TO ORFS
48816	1J943-6-6	HOSE END,90° FEMALE SWIVEL,SEAL LOK	48879	8 C6LO-S	ELBOW,90°,SWIVEL NUT ORFS
48817	1JS43-6-8	HOSE END,FEMALE SWIVEL,SEAL LOK	48880	PD6-285	CAP,DIAGNOSTIC NIPPLE
48818	1J943-8-4	HOSE END,90° FEMALE SWIVEL,SEAL LOK	48881	6 HLO-S	UNION,ORFS
48819	1JC43-8-6	HOSE END,FEMALE SWIVEL,SEAL LOK	48883	8 P5ON-S	PLUG,STRAIGHT THREAD
48820	1J743-8-6	HOSE END,45° FEMALE SWIVEL,SEAL LOK	48884	8M18F87OMLO-S	CONNECTOR,METRIC,STRAIGHT THREAD TO ORFS
48821	1J943-8-6	HOSE END,90° FEMALE SWIVEL,SEAL LOK	48885	4 WGTX-WLN-S	CONNECTOR,BULKHEAD,FEMALE PIPE TO FLARE TUBE
48822	1JC43-8-8	HOSE END,FEMALE SWIVEL,SEAL LOK	48886	4 F5OLO-SW/2MM	CONNECTOR,MACHINED STRAIGHT THREAD TO ORFS
48823	1JS43-8-8	HOSE END,FEMALE SWIVEL,SEAL LOK	48887	4 CTX-S	ELBOW,90°,MALE PIPE TO FLARE TUBE
48824	1J143-8-8	HOSE END,90° FEMALE SWIVEL,SEAL LOK	48888	10-12 V5OLO-S	ELBOW,45°,STRAIGHT THREAD TO ORFS
48825	1J543-8-8	HOSE END,90° FEMALE SWIVEL,SEAL LOK	48890	4 S5OLO-S	BRANCH TEE,STRAIGHT THREAD TO ORFS
48826	1J743-8-8	HOSE END,45° FEMALE SWIVEL,SEAL LOK	48891	4 S6LO-S	BRANCH TEE,SWIVEL NUT TO ORFS
48827	1J943-8-8	HOSE END,90° FEMALE SWIVEL,SEAL LOK			
48828	1JC43-10-8	HOSE END,FEMALE SWIVEL,SEAL LOK			
48829	1JS43-10-8	HOSE END,FEMALE SWIVEL,SEAL LOK			
48830	1J743-10-8	HOSE END,45° FEMALE SWIVEL,SEAL LOK			
48831	1J943-10-8	HOSE END,90° FEMALE SWIVEL,SEAL LOK			
48833	1JC43-10-10	HOSE END,FEMALE SWIVEL,SEAL LOK			
48834	1J943-10-10	HOSE END,90° FEMALE SWIVEL,SEAL LOK			
48835	1JS43-10-12	HOSE END,FEMALE SWIVEL,SEAL LOK			
48836	1JC43-12-8	HOSE END,FEMALE SWIVEL,SEAL LOK			
48837	1JS43-12-8	HOSE END,FEMALE SWIVEL,SEAL LOK			
48838	1J743-12-8	HOSE END,45° FEMALE SWIVEL,SEAL LOK			
48839	1J943-12-8	HOSE END,90° FEMALE SWIVEL,SEAL LOK			
48840	1J943-12-10	HOSE END,90° FEMALE SWIVEL,SEAL LOK			
48841	1JC43-12-12	HOSE END,FEMALE SWIVEL,SEAL LOK			
48842	1JO43-12-12	HOSE END,MALE,SEAL LOK			
48843	1J143-12-12	HOSE END,90° FEMALE SWIVEL,SEAL LOK			
48844	1J543-12-12	HOSE END,90° FEMALE SWIVEL,SEAL LOK			
48845	1J743-12-12	HOSE END,45° FEMALE SWIVEL,SEAL LOK			
48846	1J943-12-12	HOSE END,90° FEMALE SWIVEL,SEAL LOK			

Fitting Cross References (Continued)

Genie PN	Parker PN	Description	Genie PN	Parker PN	Description
48892	6 C6LO-S	ELBOW,90°,SWIVEL NUT ORFS	48938	8 R6LO-S	RUN TEE,SWIVEL NUT,ORFS
48893	6 F5OHAO-S	UNION,STRAIGHT THREAD	48939	8 S6LO-S	BRANCH TEE,SWIVEL NUT TO ORFS
48894	8 WLO-WLNL-S	UNION,BULKHEAD,ORFS	48940	8 WJLO-WLNL-S	RUN TEE, BULKHEAD,ORFS
48895	DT-370-MSMO-5	VALVE,CHECK	48941	8-4 TRLO-S	REDUCER,TUBE END TO SWIVEL,ORFS
48896	6 JLO-S	UNION,TEE,ORFS	48942	8-6 C5OLO-S	ELBOW,90°,STRAIGHT THREAD TO ORFS
48897	DT-750-MSMS-5	VALVE,CHECK	48943	8-6 F5OLO-S	CONNECTOR,STRAIGHT THREAD TO ORFS
48898	DT-750-MOMS-5	VALVE,CHECK	48944	8-8 FLO-S	CONNECTOR,MALE PIPE TO ORFS
48899	DT-620-MOMS-5	VALVE,CHECK	48945	8 FTX-S	CONNECTOR,MALE PIPE TO FLARE TUBE
48900	4-6 F5OLO-SW/.035	CONNECTOR,STRAIGHT THREAD TO ORFS, W/.035 ORI	48946	8-10 F5OLO-S	CONNECTOR,STRAIGHT THREAD TO ORFS
48902	16-1 AOE4G-S	ELBOW,90° LONG,FEMALE PIPE TO STRAIGHT THREAD	48947	8-12 C5OLO-S	ELBOW,90°,STRAIGHT THREAD TO ORFS
48903	1 FF-S	NIPPLE,PIPE	48948	8-12 F5OLO-S	CONNECTOR,STRAIGHT THREAD TO ORFS
48904	4 C5OLO-S	ELBOW,90°,STRAIGHT THREAD TO ORFS	48949	8-16 F5OLO-S	CONNECTOR,STRAIGHT THREAD TO ORFS
48905	4 F5OLO-S	CONNECTOR,STRAIGHT THREAD TO ORFS	48950	10 C5OLO-S	ELBOW,90°,STRAIGHT THREAD TO ORFS
48906	4 R5OLO-S	RUN TEE,STRAIGHT THREAD	48951	10 CC5OLO-S	ELBOW,90° LONG,STRAIGHT THREAD TO ORFS
48907	4 V5OLO-S	ELBOW,45°,STRAIGHT THREAD TO ORFS	48952	10 F5OLO-S	CONNECTOR,STRAIGHT THREAD TO ORFS
48908	4 R6LO-S	RUN TEE,SWIVEL NUT,ORFS	48953	10 R5OLO-S	RUN TEE,STRAIGHT THREAD
48909	4 WJLO-WLNL-S	RUN TEE, BULKHEAD,ORFS	48954	10 S5OLO-S	BRANCH TEE,STRAIGHT THREAD TO ORFS
48910	4 GTX-S W/.030	CONNECTOR,FEMALE PIPE TO FLARE TUBE	48955	10 R6LO-S	RUN TEE,SWIVEL NUT,ORFS
48911	4-6 C5OLO-S	ELBOW,90°,STRAIGHT THREAD TO ORFS	48956	10-4 TRLO-BL-S	REDUCER,TUBE END TO SWIVEL,ORFS
48912	4-6 F5OLO-S	CONNECTOR,STRAIGHT THREAD TO ORFS	48957	10-6 TRLO-BL-S	REDUCER,TUBE END TO SWIVEL,ORFS
48913	4-6 F5OLO-SW/.030	CONNECTOR,STRAIGHT THREAD TO ORFS, W/.030 ORI	48958	10-12 F5OLO-S	CONNECTOR,STRAIGHT THREAD TO ORFS
48914	4-8 F5OLO-S	CONNECTOR,STRAIGHT THREAD TO ORFS	48959	12 C5OLO-S	ELBOW,90°,STRAIGHT THREAD TO ORFS
48915	6 C5OLO-S	ELBOW,90°,STRAIGHT THREAD TO ORFS	48960	12 F5OLO-S	CONNECTOR,STRAIGHT THREAD TO ORFS
48916	6 F5OLO-S	CONNECTOR,STRAIGHT THREAD TO ORFS	48961	12 R5OLO-S	RUN TEE,STRAIGHT THREAD
48917	6 FF5OLO-S	CONNECTOR,LONG,STRAIGHT THREAD TO ORFS	48962	12 S5OLO-S	BRANCH TEE,STRAIGHT THREAD TO ORFS
48918	6 R5OLO-S	RUN TEE,STRAIGHT THREAD	48963	12 V5OLO-S	ELBOW,45°,STRAIGHT THREAD TO ORFS
48919	6 S5OLO-S	BRANCH TEE,STRAIGHT THREAD TO ORFS	48964	12 R6LO-S	RUN TEE,SWIVEL NUT,ORFS
48920	6 V5OLO-S	ELBOW,45°,STRAIGHT THREAD TO ORFS	48965	12 CLO-S	ELBOW,90°,MALE PIPE TO ORFS
48921	6 FLO-S	CONNECTOR,MALE PIPE TO ORFS	48966	12 FLO-S	CONNECTOR,MALE PIPE TO ORFS
48922	6-6 FLO-S	CONNECTOR,MALE PIPE TO ORFS	48967	12 JLO-S	UNION TEE,ORFS
48923	6 P5ON-S	PLUG,STRAIGHT THREAD	48968	12 WLO-WLNL-S	UNION,BULKHEAD,ORFS
48925	6 WELO-S	UNION,90° BULKHEAD,ORFS	48969	12 WJLO-WLNL-S	RUN TEE, BULKHEAD,ORFS
48926	6-4 C5OLO-S	ELBOW,90°,STRAIGHT THREAD TO ORFS	48970	12 WELO-WLNL-S	UNION,90° BULKHEAD W/NUT,ORFS
48927	6-4 F5OLO-S	CONNECTOR,STRAIGHT THREAD TO ORFS			
48928	6-4 V5OLO-S	ELBOW,45°,STRAIGHT THREAD TO ORFS			
48929	6-8 C5OLO-S	ELBOW,90°,STRAIGHT THREAD TO ORFS			
48930	6-8 F5OLO-S	CONNECTOR,STRAIGHT THREAD TO ORFS			
48931	6-10 F5OLO-S	CONNECTOR,STRAIGHT THREAD TO ORFS			
48932	8 C5OLO-S	ELBOW,90°,STRAIGHT THREAD TO ORFS			
48933	8 F5OLO-S	CONNECTOR,STRAIGHT THREAD TO ORFS			
48934	8 FF5OLO-S	CONNECTOR,LONG,STRAIGHT THREAD TO ORFS			
48935	8 R5OLO-S	RUN TEE,STRAIGHT THREAD			
48936	8 S5OLO-S	BRANCH TEE,STRAIGHT THREAD TO ORFS			
48937	8 V5OLO-S	ELBOW,45°,STRAIGHT THREAD TO ORFS			

Fitting Cross References (Continued)

Genie PN	Parker PN	Description	Genie PN	Parker PN	Description
48971	12 G5G5JG5-S	TEE,FEMALE STRAIGHT THREAD	49612	PKT02586	O-RING KIT (ORFS FITTINGS)
48972	12 XHL6-S	ADAPTER, 37° MALE TO SWIVEL ORFS	49613	PKT06276	PLUG AND CAP KIT-SERVICE,ORFS
48973	12-1/2 F5OG-S	ADAPTER,FEMALE PIPE TO STRAIGHT THREAD	49728	10143-12-12	HOSE END, MALE PIPE
48974	12-10 C5OLO-S	ELBOW,90°,STRAIGHT THREAD TO ORFS	49729	16-1 F5OG-S	ADAPTER,FEMALE PIPE TO STRAIGHT THREAD
48975	12-10 F5OLO-S	CONNECTOR,STRAIGHT THREAD TO ORFS	49814	12-8 FLO-S	CONNECTOR,MALE PIPE TO ORFS
48976	12-16 C5OLO-S	ELBOW,90°,STRAIGHT THREAD TO ORFS	49829	DT-500-MOMF-5	VALVE,CHECK
48977	12-16 F5OLO-S	CONNECTOR,STRAIGHT THREAD TO ORFS	49831	881-12	HOSE,3/4 INCH ID
48978	12-16 V5OLO-S	ELBOW,45°,STRAIGHT THREAD TO ORFS	49834	16 JLO-S	UNION TEE,ORFS
48980	12-16 FLO-S	CONNECTOR,MALE PIPE TO ORFS	49838	12-8 TRLO-BL-S	REDUCER,TUBE END TO SWIVEL,ORFS
48983	16 C5OLO-S	ELBOW,90°,STRAIGHT THREAD TO ORFS	49840	8 JLO-S	UNION TEE,ORFS
48984	16 F5OLO-S	CONNECTOR,STRAIGHT THREAD TO ORFS	49844	10-8 TRLO-BL-S	REDUCER,TUBE END TO SWIVEL,ORFS
48985	16 V5OLO-S	ELBOW,45°,STRAIGHT THREAD TO ORFS	49854	8 P5ON-S	PLUG,STRAIGHT THREAD
48986	16 FLO-S	CONNECTOR,MALE PIPE TO ORFS	49855	1JC43-16-12	HOSE END,FEMALE SWIVEL,SEAL LOK
48988	16 CD45-S	ELBOW,45°,MALE TO FEMALE PIPE	49859	4 P5ON-S	PLUG,STRAIGHT THREAD
48989	12 CD45-S	ELBOW,45°,MALE TO FEMALE PIPE	49861	4 FF5OLO-S	CONNECTOR, LONG, STRAIGHT THREAD TO ORFS
48990	8 CD45-S	ELBOW,45°,MALE TO FEMALE PIPE	49867	12-3/4 F5OG-S	ADAPTER,FEMALE PIPE TO STRAIGHT THREAD
48991	16-12 FLO-S	CONNECTOR,MALE PIPE TO ORFS	51152	6 R6X-S	RUN TEE,SWIVEL NUT,ORFS
48992	16-12 V5OLO-S	ELBOW,45°,STRAIGHT THREAD TO ORFS	51153	6-4 TRTX-S	REDUCER,TUBE END TO SWIVEL,ORFS
48993	XV501-12	BALL VALVE	51154	4-4 GTX	CONNECTOR,FEMALE PIPE TO FLARE TUBE
48994	XV501-16	BALL VALVE	51264	881-12	HOSE,3/4 INCH ID
48995	XV510P-12	BALL VALVE	51265	8 JLO-S	UNION TEE,ORFS
48996	XV510P-16	BALL VALVE	51508	6 BTX-S	NUT,FLARE TUBE
48997	PD341	DIAGNOSTIC NIPPLE, STRAIGHT THREAD	51580	12-8 TRLO-BL-S	TUBE END REDUCER,ORFS
48998	PD 361	DIAGNOSTIC NIPPLE, STRAIGHT THREAD	51628	6 R6X-S	RUN TEE,SWIVEL NUT,ORFS
48999	DT-500-MOMS-5	VALVE,CHECK	51735	3/8 HHP	PLUG,PIPE THREAD
49201	10 V5OLO-S	ELBOW,45°,STRAIGHT THREAD TO ORFS	51803	1J943-6-8	HOSE END,90° FEMALE SWIVEL,SEAL LOK
49202	1JC43-12-10	HOSE END,FEMALE SWIVEL,SEAL LOK	53023	125HBL-5-4	FITTING,HOSE BARB TO MALE PIPE
49203	10-8 V5OLO-S	ELBOW,45°,STRAIGHT THREAD TO ORFS	53497	PKT02585	O-RING KIT
49205	6 F5OHAO-S	UNION,STRAIGHT THREAD	53499	1JC71-16-16	HOSE END,FEMALE SWIVEL,SEAL LOK
49207	PD34BTL	DIAGNOSTIC NIPPLE,SEAL-LOK SWIVEL	53500	3-904	O-RING,STRAIGHT THREAD,-4
49209	8M18F870MX-S	CONNECTOR,METRIC,STRAIGHT THREAD TO FLARE TUBE	53501	3-906	O-RING,STRAIGHT THREAD,-6
49212	8 WGTX-WLN-S	CONNECTOR,BULKHEAD,FEMALE PIPE TO FLARE TUBE	53502	3-908	O-RING,STRAIGHT THREAD,-8
49213	30682-8-8	HOSE END,FEMALE SWIVEL,JIC	53503	3-910	O-RING,STRAIGHT THREAD,-10
49216	831-8	HOSE,1/2 INCH ID			
49217	33982-8-8	HOSE END,90° FEMALE SWIVEL,JIC			
49219	PS-B-35	SLEEVE,NYLON,2.19" ID			
49418	4-6 V5OLO-S	ELBOW,45°,STRAIGHT THREAD TO ORFS			
49511	DT370-MOMS-5	VALVE,CHECK			
49512	1 DD-S	ELBOW,90°,FEMALE PIPE			
49513	1 FF-S	NIPPLE,PIPE			
49514	10 HP5ON-S	PLUG,STRAIGHT THREAD			
49515	12-16 CLO-S	ELBOW,90°,MALE PIPE TO ORFS			
49517	6 HP5ON-S	PLUG,STRAIGHT THREAD			
49519	16-12 F5OLO-S	CONNECTOR,STRAIGHT THREAD TO ORFS			
49520	4 VTX-S	ELBOW,45°,MALE PIPE TO FLARE TUBE			
49530	16 C6LO-S	ELBOW,90°,SWIVEL NUT ORFS			

Fitting Cross References (Continued)

Genie PN	Parker PN	Description	Genie PN	Parker PN	Description
53535	3-912	O-RING, STRAIGHT THREAD, -12	61083	24 F5OLO-S	CONNECTOR, STRAIGHT THREAD TO ORFS
53536	4-PNLO-S	PLUG, TUBE END, ORFS	61086	20 R5OLO-S	RUN TEE, STRAIGHT THREAD
53537	6 PNLO-S	PLUG, TUBE END, ORFS	61090	24-20 F5OLO-S	CONNECTOR, STRAIGHT THREAD TO ORFS
53538	8 PNLO-S	PLUG, TUBE END, ORFS	61091	1J943 24-24	HOSE END, 90° FEMALE SWIVEL, SEAL LOK
53539	10 PNLO-S	PLUG, TUBE END, ORFS	61093	1J978-12-12	HOSE END, 90° FEMALE SWIVEL, JIC
53540	12 PNLO-S	PLUG, TUBE END, ORFS	61095	1JS43-20-16	HOSE END, FEMALE SWIVEL, SEAL LOK
53946	129HB-5-4	FITTING, 90° HOSE BARB TO MALE PIPE	61100	811-24	HOSE, 1 1/2 INCH ID
53951	8-1/4F50G-S	ADAPTER, FEMALE PIPE TO STRAIGHT THREAD	61130	1JS43-24-24	HOSE END, FEMALE SWIVEL, SEAL LOK
53980	6 S6LO-S	BRANCH TEE, SWIVEL NUT TO ORFS	61131	1JS78 12-12	HOSE END, FEMALE SWIVEL, SEAL LOK
54132	4 C6LO-S	ELBOW, 90°, SWIVEL NUT ORFS	61132	1J778-12-12	HOSE END, 45° FEMALE SWIVEL, JIC
54135	11343-16-16	HOSE END, MALE SWIVEL, PIPE	61152	139HB-6-4	ELBOW, 45°, BARB TO MALE PIPE
54283	8-10 C5OLO-S	ELBOW, 90°, STRAIGHT THREAD TO ORFS	61251	BV-0750	BALL VALVE
54428	8M18C870MLO-S	ELBOW, 90° METRIC, STRAIGHT THREAD TO ORFS	61259	4 CC5OLO-S	ELBOW, 90° LONG, STRAIGHT THREAD TO ORFS
54803	FS-F-16-10	SLEEVE, FIRE, .96" ID	61260	20-12 TRLO-BL	REDUCER, TUBE END TO SWIVEL, ORFS
54954	10143-2-4	HOSE END, MALE PIPE	61262	12 C6LO-S	ELBOW, 90°, SWIVEL NUT ORFS
55190	3/8 HP-S	PLUG, PIPE THREAD	61263	20 F5OHAO-S	UNION, STRAIGHT THREAD
55448	8 HLO-S	UNION, ORFS	61264	6-10 C5OLO-S	ELBOW, 90°, STRAIGHT THREAD TO ORFS
55839	6 F65OX-S	CONNECTOR, STRAIGHT THREAD TO 37° SWIVEL	61265	6 WNLO-WLNL-S	UNION, BULKHEAD 45°, ORFS
55968	10 C5OX-S	ELBOW, 90°, STRAIGHT THREAD TO FLARE TUBE	61268	4 WNLO-WLNL-S	UNION, BULKHEAD 45°, ORFS
56003	6 CC5OLO-S	ELBOW, 90° LONG, STRAIGHT THREAD TO ORFS	61269	4 WLO-WLNL-S	UNION, BULKHEAD, ORFS
56166	BV-0837	BALL VALVE, 90°	61272	12 AOEL6	ELBOW, 90°, STRAIGHT THREAD TO ORFS SWIVEL
56188	10143-8-6	HOSE END, MALE PIPE	61316	482TC-16	HOSE, 1 INCH ID
56233	2-011	O-RING, ORFS, -4	61321	6 JLO-S	UNION TEE, ORFS
56234	2-012	O-RING, ORFS, -6	61327	782-12	HOSE, 3/4 INCH ID
56235	2-014	O-RING, ORFS, -8	61328	881-24	HOSE, 1 1/2 INCH ID
56236	2-016	O-RING, ORFS, -10	61336	11943-20-24	HOSE END, 90° FLANGE HEAD
56237	2-018	O-RING, ORFS, -12	61345	12 WJLO-WLNL-S	RUN TEE, BULKHEAD, ORFS
56238	2-021	O-RING, ORFS, -16	61346	8 WNLO-WLNL-S 4	UNION, BULKHEAD 45°, ORFS
56352	6 WLNL-S	LOCKNUT, BULKHEAD	61569	33782-8-8	HOSE END, 45° FEMALE SWIVEL, JIC
56353	3J782-12-12	HOSE END, 45° FEMALE SWIVEL, SEAL LOK	61610	12 FF5OLO-S	CONNECTOR, LONG, STRAIGHT THREAD TO ORFS
56354	3J982-12-12	HOSE END, 90° FEMALE SWIVEL, SEAL LOK	61742	1/8 X 1.5 FFF	NIPPLE, PIPE
56604	10-8 F5OLO-S	CONNECTOR, STRAIGHT THREAD TO ORFS	63426	8 PNTX-S	PLUG, FLARE TUBE
56639	3JC82-10-10	HOSE END, FEMALE SWIVEL, SEAL LOK			
56640	3J982-10-10	HOSE END, 90° FEMALE SWIVEL, SEAL LOK			
56655	3JC82-8-10	HOSE END, FEMALE SWIVEL, SEAL LOK			
56676	10-8 C5OLO-S	ELBOW, 90°, STRAIGHT THREAD TO ORFS			
56776	471TC-6	HOSE, 3/8 INCH ID			
56777	471TC-8	HOSE, 1/2 INCH ID			
56789	811-16	HOSE, 1 INCH ID			
57884	3/8 FF	NIPPLE, PIPE			
59335	6 FNL-S	CAP, TUBE END			
59342	4 FNL-S	CAP, TUBE END			
59371	8 HP5ON-S	PLUG, STRAIGHT THREAD			
60653	BV-0751	BALL VALVE			
60806	125HB-3-4	FITTING, HOSE BARB TO MALE PIPE			
61064	5-1/4 F5OG-S	ADAPTER, FEMALE PIPE TO STRAIGHT THREAD			
61079	4 WELO-WLNL-S	UNION, 90° BULKHEAD W/NUT, ORFS			
61080	6 WLO-WLNL-S	UNION, BULKHEAD, ORFS			

Fitting Cross References (Continued)

Genie PN	Parker PN	Description	Genie PN	Parker PN	Description
64271	4 WLO-WLNL-S	UNION,BULKHEAD,ORFS	75631	801-6	HOSE,3/8 INCH ID
64272	6 WLO-WLNL-S	UNION,BULKHEAD,ORFS	75654	20 F5OLO-S	CONNECTOR,STRAIGHT THREAD TO ORFS
65776	8 F65OL-S	CONNECTOR,STRAIGHT THREAD TO ORFS SWIVEL	75655	1J943-20-20	HOSE END,90° FEMALE SWIVEL,SEAL LOK
65880	6001012	O-RING KIT	75656	881-20	HOSE,1-1/4 INCH ID
66154	6 WTX-WLNS	UNION,BULKHEAD,FLARE TUBE	75971	8 F5OHAO-S	UNION,STRAIGHT THREAD
66155	6 WETX-S	UNION,BULKHEAD 90°,FLARE TUBE	77307	1JB43-8-8	HOSE END,BULKHEAD,SEAL LOK
66156	6 WLN-S	BULKHEAD LOCKNUT	77309	8 WLNL-S	BULKHEAD LOCKNUT
66389	6-8 F5OX-S	CONNECTOR,STRAIGHT THREAD TO FLARE TUBE	77379	8M18C87OMX-S	ELBOW,90° METRIC,STRAIGHT THREAD TO FLARE TUBE
66392	6 R5OX-S	RUN TEE,STRAIGHT THREAD	77703	3J982-8-8	HOSE END,90° FEMALE SWIVEL,SEAL LOK
66396	811-12	HOSE,3/4 INCH ID	77711	801-10	HOSE,5/8 INCH ID
66829	H3174PP	CLAMP,TUBE	77758	12 WNLO-WLNL-S	UNION,BULKHEAD 45°,ORFS
67217	4 KLO-S	UNION,CROSS,ORFS	78091	6 C6X-S	ELBOW,90°,SWIVEL NUT TO FLARE TUBE
67339	10-6 F5OX-S	CONNECTOR,STRAIGHT THREAD TO FLARE TUBE	78684	30582-8-8B	HOSE END,PUSH LOK,MALE
67357	13943-8-6	HOSE END,90° FEMALE SWIVEL,JIC	78852	549-2	HOSE,1/8 INCH ID
67358	10 HP5ON-S	PLUG,STRAIGHT THREAD	78855	10657-4-2	HOSE END,FEMALE SWIVEL,JIC
67371	12 S6LO-S	BRANCH TEE,SWIVEL NUT TO ORFS	79138	PS-B-37	SLEEVE,NYLON,2.38" ID
67498	4 FNL-S	CAP, TUBE END	79476	1JS43-6-8	HOSE END,FEMALE SWIVEL,SEAL LOK
67906	DC-370-F0F0-5	VALVE,CHECK	79847	12-3/4 A0EG-S	ELBOW,90°,STRAIGHT THREAD TO FEMALE PIPE
69316	8 FLO-S	CONNECTOR,MALE PIPE TO ORFS	80044	8 CLO-S	ELBOW,90°,MALE PIPE TO ORFS
69333	H3174PP	CLAMP,HYDRAULIC HOSE	80502	8 F5OX-S	CONNECTOR,STRAIGHT THREAD TO FLARE TUBE
69503	4 F65OX-S	CONNECTOR,STRAIGHT THREAD TO 37° SWIVEL	80503	8 C5OX-S	ELBOW,90°,STRAIGHT THREAD TO FLARE TUBE
69775	8 FNL-S	CAP, TUBE END	81010	AS-B-27	SLEEVE,NYLON,1.63" ID
71038	1/4X1/4F3HG-S	ADAPTER,CONVERSION	83052	821-6	HOSE,3/8 INCH ID
71196	12-8 F5OLO-S	CONNECTOR,STRAIGHT THREAD TO ORFS	83053	821-8	HOSE,1/2 INCH ID
71383	1/4 CD45-S	ELBOW,45°,MALE TO FEMALE PIPE	83054	821-12	HOSE,3/4 INCH ID
72270	12FNL-S	CAP, TUBE END	83055	30682-6-6	HOSE END,FEMALE SWIVEL,JIC
73436	60C-4	SLEEVE,COMPRESSION	83056	30682-12-12	HOSE END,FEMALE SWIVEL,JIC
73437	61C-4	NUT,COMPRESSION	83057	33782-6-6	HOSE END,45° FEMALE SWIVEL,JIC
73438	33482-4-4B	HOSE END,PUSH LOK,MALE	83058	33982-6-6	HOSE END,90° FEMALE SWIVEL,JIC
73767	1CD-S	ELBOW,90°,MALE TO FEMALE PIPE	83060	33982-12-12	HOSE END,90° FEMALE SWIVEL,JIC
73768	20-16-F5OG5-S	ADAPTER,FEMALE PIPE TO STRAIGHT THREAD	83063	13743-4-4	HOSE END,45° FEMALE SWIVEL,JIC
73769	16-20 F5OLO-S	CONNECTOR,STRAIGHT THREAD TO ORFS			
74660	6-8 F42EDMLO-S	CONNECTOR,MALE BSPP TO ORFS			
74661	8-8 F42EDMLO-S	CONNECTOR,MALE BSPP TO ORFS			
75007	4 FLO-S	CONNECTOR,MALE PIPE TO ORFS			
75008	1/8 HP-S	PLUG,PIPE THREAD			
75014	1/2 HP-S	PLUG,PIPE THREAD			
75042	8 WELO-WLNL-S	UNION,90° BULKHEAD W/NUT,ORFS			
75043	3/4 FF-S	NIPPLE,PIPE			
75254	24 F5OHAO-S	UNION,STRAIGHT THREAD			
75255	12 F5OHAO-S	UNION,STRAIGHT THREAD			
75256	XV506P-24	BALL VALVE			
75574	4 WLNL-S	BULKHEAD LOCKNUT			
75612	8 WJLO-WLNL-S	RUN TEE, BULKHEAD,ORFS			
75613	12-8 F5OG5-S	ADAPTER,FEMALE PIPE TO STRAIGHT THREAD			
75614	8 CC5OLO-S	ELBOW,90° LONG,STRAIGHT THREAD TO ORFS			
75628	1JB43-4-4	HOSE END,BULKHEAD,SEAL LOK			

Fitting Cross References (Continued)

Genie PN	Parker PN	Description	Genie PN	Parker PN	Description
83064	13743-8-8	HOSE END,45° FEMALE SWIVEL,JIC	89449	6 WJLO-WLNL-S	RUN TEE, BULKHEAD,ORFS
83065	13743-12-12	HOSE END,45° FEMALE SWIVEL,JIC	89489	4 WJMLO-S	BRANCH TEE,BULKHEAD,ORFS
83066	13943-8-8	HOSE END,90° FEMALE SWIVEL,JIC	89551	1JB43-6-6	HOSE END,BULKHEAD,SEAL LOK
83067	14143-6-6	HOSE END,90° FEMALE SWIVEL,JIC	89552	1JB43-8-8	HOSE END,BULKHEAD,SEAL LOK
83068	14143-8-8	HOSE END,90° FEMALE SWIVEL,JIC	89593	20 C5OLO-S	ELBOW,90°,STRAIGHT THREAD TO ORFS
83069	14143-12-12	HOSE END,90° FEMALE SWIVEL,JIC	94161	8-8 CLO-S	ELBOW,90°,MALE PIPE TO ORFS
83070	772-8	HOSE,1/2 INCH ID	94358	351TC-12	HOSE,3/4 INCH ID
83071	10671-8-8	HOSE END,FEMALE SWIVEL,JIC	94418	20 FLO-S	CONNECTOR,MALE PIPE TO ORFS
83072	10671-12-12	HOSE END,FEMALE SWIVEL,JIC	96358	12 TX-S	SLEEVE,FLARE TUBE
83073	13771-8-8	HOSE END,45° FEMALE SWIVEL,JIC	96359	12 BTX-S	NUT,FLARE TUBE
83074	13771-12-12	HOSE END,45° FEMALE SWIVEL,JIC	96397	8 F5OX-S	CONNECTOR,STRAIGHT THREAD TO FLARE TUBE
83075	13971-8-8	HOSE END,90° FEMALE SWIVEL,JIC	96398	12-8 F5OX-S	CONNECTOR,STRAIGHT THREAD TO FLARE TUBE
83076	13971-12-12	HOSE END,90° FEMALE SWIVEL,JIC	96402	10343-6-6	HOSE END,MALE,JIC
83077	14171-8-8	HOSE END,90° FEMALE SWIVEL,JIC	96407	30382-6-6B	HOSE END,MALE,JIC
83078	14171-12-12	HOSE END,90° FEMALE SWIVEL,JIC			
83080	13943-16-16	HOSE END,90° FEMALE SWIVEL,JIC			
83103	10671-16-12	HOSE END,FEMALE SWIVEL,JIC			
83104	10671-10-12	HOSE END,FEMALE SWIVEL,JIC			
83112	1JC71-8-8	HOSE END,FEMALE SWIVEL,SEAL LOK			
83113	1JS71-16-12	HOSE END,FEMALE SWIVEL,SEAL LOK			
83114	1JS71-10-12	HOSE END,FEMALE SWIVEL,SEAL LOK			
83115	1J971-8-8	HOSE END,90° FEMALE SWIVEL,SEAL LOK			
83116	1J171-8-8	HOSE END,90° FEMALE SWIVEL,SEAL LOK			
83117	1J771-8-8	HOSE END,45° FEMALE SWIVEL,SEAL LOK			
83127	1J543-6-8	HOSE END,90° FEMALE SWIVEL,JIC			
83128	1JC43-6-8	HOSE END,FEMALE SWIVEL,SEAL LOK			
87033	12-6 TRLO-S	REDUCER,TUBE END TO SWIVEL,ORFS			
87034	3J782-8-8	HOSE END,45° FEMALE SWIVEL,SEAL LOK			
87172	12 HP5ON-S	PLUG,STRAIGHT THREAD			
87185	8 WNLO-WLNL-S	UNION,BULKHEAD 45°,ORFS			
87246	4 C6X-S	ELBOW,90°,SWIVEL NUT TO FLARE TUBE			
87679	6 LHP-S	FLANGE SEAL FITTING, MALE			
87681	6PLS N0702	BONDED SEAL			
88100	SR88100	ADAPTER,OIL DRAIN,GM 3.0L			
88311	1JS43-20-20	HOSE END,FEMALE SWIVEL,SEAL LOK			
88353	20 V5OLO-S	ELBOW,45°,STRAIGHT THREAD TO ORFS			
88474	10081-20	Crimp Shell, 1.25"			
88475	1988-20-24	HOSE END,90° FLANGE HEAD			
88476	JS88-24-24	HOSE END,FEMALE SWIVEL,SEAL LOK			
88477	1JC88-20-20	HOSE END,FEMALE SWIVEL,SEAL LOK			
88478	811-20	HOSE,11/4 INCH ID			
88936	20-16 F5OLO-S	CONNECTOR,STRAIGHT THREAD TO ORFS			
88937	20-16 FLO-S	CONNECTOR,MALE PIPE TO ORFS			
88938	1JC88-16-16	HOSE END,FEMALE SWIVEL,SEAL LOK			
88939	1J988-16-16	HOSE END,90° FEMALE SWIVEL,ORFS			
88940	811-16	HOSE,1 INCH ID			
88944	1J988-20-20	HOSE END,90° FEMALE SWIVEL,ORFS			
89403	16 VLO-S	ELBOW,45°,MALE PIPE TO ORFS			

California Proposition 65



Operating, servicing and maintaining this equipment can expose you to chemicals including engine exhaust, carbon monoxide, phthalates, and lead, which are known to the State of California to cause cancer and birth defects or other reproductive harm. These chemicals can be emitted from or contained in other various parts and systems, fluids and some component wear by-products. To minimize exposure, avoid breathing exhaust, do not idle the engine except as necessary, service your equipment and vehicle in a well-ventilated area and wear gloves or wash your hands frequently when servicing your equipment or vehicle and after operation. For more information go to www.P65Warnings.ca.gov/passenger-vehicle.

Breathing diesel engine exhaust exposes you to chemicals known to the State of California to cause cancer and birth defects or other reproductive harm.

- Always start and operate the engine in a well-ventilated area.
- If in an enclosed area, vent the exhaust to the outside.
- Do not modify or tamper with the exhaust system.
- Do not idle the engine except as necessary.

For more information go to

www.P65warnings.ca.gov/diesel.

Distributed By:

www.P65Warnings.ca.gov to order your parts

PARTS FINDER

**Search Website
by Part Number**



**Search Manual
Library For Parts
Manual & Lookup Part
Numbers – Purchase
or Request Quote**

Search Manuals

Enter your information to help us find the right parts manual for your machine.

* Brand:

* Model:

* Serial:

* Part Number:

SEARCH

**Can't Find Part or
Manual? Request Help
by Manufacturer,
Model & Description**

Parts Order Form

Please fill in the following information to help us find the right part for your machine.

Manufacturer:	<input type="text"/>
Model:	<input type="text"/>
Description:	<input type="text"/>
Part Number:	<input type="text"/>
Quantity:	<input type="text"/>
Notes:	<input type="text"/>

Submit

Discount-Equipment.com is your online resource for quality parts & equipment.

Florida: **561-964-4949** Outside Florida TOLL FREE: **877-690-3101**

Need parts?

Click on this link: <http://www.discount-equipment.com/category/5443-parts/> and choose one of the options to help get the right parts and equipment you are looking for. Please have the machine model and serial number available in order to help us get you the correct parts. If you don't find the part on the website or on one of the online manuals, please fill out the request form and one of our experienced staff members will get back to you with a quote for the right part that your machine needs.

We sell worldwide for the brands: Genie, Terex, JLG, MultiQuip, Mikasa, Essick, Whiteman, Mayco, Toro Stone, Diamond Products, Generac Magnum, Airman, Haulotte, Barreto, Power Blanket, Nifty Lift, Atlas Copco, Chicago Pneumatic, Allmand, Miller Curber, Skyjack, Lull, Skytrak, Tsurumi, Husquvarna Target, Stow, Wacker, Sakai, Mi-T-M, Sullair, Basic, Dynapac, MBW, Weber, Bartell, Bennar Newman, Haulotte, Ditch Runner, Menegotti, Morrison, Contec, Buddy, Crown, Edco, Wyco, Bomag, Laymor, EZ Trench, Bil-Jax, F.S. Curtis, Gehl Pavers, Heli, Honda, ICS/PowerGrit, IHI, Partner, Imer, Clipper, MMD, Koshin, Rice, CH&E, General Equipment, Amida, Coleman, NAC, Gradall, Square Shooter, Kent, Stanley, Tamco, Toku, Hatz, Kohler, Robin, Wisconsin, Northrock, Oztec, Toker TK, Rol-Air, APT, Wylie, Ingersoll Rand / Doosan, Innovatech, Con X, Ammann, Mecalac, Makinex, Smith Surface Prep, Small Line, Wanco, Yanmar