



A TEREX BRAND



# Parts Manual

## Serial Number Range

**S-60**

from SN S6014A-27508 to  
S6014A-29212

**S-65**

and from SN S6014D-101 to  
S6016D-396

**S-60X**

**S-60XC**

**S-60HC**

**S-60TRAX**

**S-65TRAX**

Part No. 1255224

Rev C8

October 2017

# PARTS FINDER

**Search Website  
by Part Number**



**Search Manual  
Library For Parts  
Manual & Lookup Part  
Numbers – Purchase  
or Request Quote**

**Search Manuals**

Enter your information to help us find the right parts manual for your machine.

\* Brand:

\* Model:

\* Serial:

\* Part Number:

SEARCH

**Can't Find Part or  
Manual? Request Help  
by Manufacturer,  
Model & Description**

**Parts Order Form**

Please fill in the following information to help us find the right part for your machine.

Manufacturer:	<input type="text"/>
Model:	<input type="text"/>
Description:	<input type="text"/>
Part Number:	<input type="text"/>
Quantity:	<input type="text"/>
Notes:	<input type="text"/>

Discount-Equipment.com is your online resource for quality parts & equipment.

Florida: **561-964-4949** Outside Florida TOLL FREE: **877-690-3101**

**Need parts?**

Click on this link: <http://www.discount-equipment.com/category/5443-parts/> and choose one of the options to help get the right parts and equipment you are looking for. Please have the machine model and serial number available in order to help us get you the correct parts. If you don't find the part on the website or on one of the online manuals, please fill out the request form and one of our experienced staff members will get back to you with a quote for the right part that your machine needs.

We sell worldwide for the brands: Genie, Terex, JLG, MultiQuip, Mikasa, Essick, Whiteman, Mayco, Toro Stone, Diamond Products, Generac Magnum, Airman, Haulotte, Barreto, Power Blanket, Nifty Lift, Atlas Copco, Chicago Pneumatic, Allmand, Miller Curber, Skyjack, Lull, Skytrak, Tsurumi, Husquvarna Target, Stow, Wacker, Sakai, Mi-T-M, Sullair, Basic, Dynapac, MBW, Weber, Bartell, Bennar Newman, Haulotte, Ditch Runner, Menegotti, Morrison, Contec, Buddy, Crown, Edco, Wyco, Bomag, Laymor, EZ Trench, Bil-Jax, F.S. Curtis, Gehl Pavers, Heli, Honda, ICS/PowerGrit, IHI, Partner, Imer, Clipper, MMD, Koshin, Rice, CH&E, General Equipment, Amida, Coleman, NAC, Gradall, Square Shooter, Kent, Stanley, Tamco, Toku, Hatz, Kohler, Robin, Wisconsin, Northrock, Oztec, Toker TK, Rol-Air, APT, Wylie, Ingersoll Rand / Doosan, Innovatech, Con X, Ammann, Mecalac, Makinex, Smith Surface Prep, Small Line, Wanco, Yanmar



A TEREX BRAND

Model: S-60

Serial number: S6014A-28536

Model year: 2014    Manufacture date: 03/01/14

Electrical schematic number: E0186

Machine unladen weight: 20,736lbs / 9,406kg  
Foam Tires add 764 lbs/347 kg to weight

Rated work load (including occupants): 500 lb / 227 kg

Maximum number of platform occupants: 2

Maximum allowable side force : 150 lb / 670 N

Maximum allowable inclination of the chassis:  
Air Tires 2 deg / Foam Tires 4.5 deg

Maximum wind speed : 28 mph/ 12.5 m/s

Maximum platform height : 60 ft 2 in/ 18.3 m

Maximum platform reach : 50 ft 4 in/ 15.3 m

Gradeability: 45%

Country of manufacture: USA

This machine complies with:

ANSI A92.5

CAN B.354.4



11100011

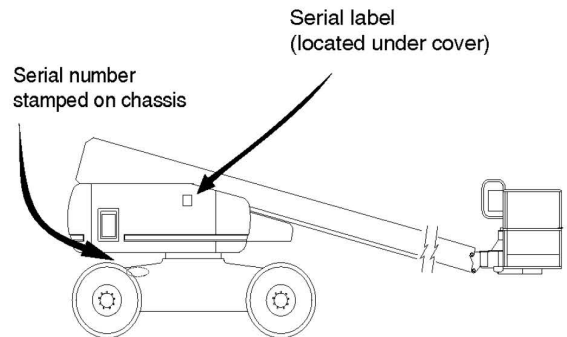
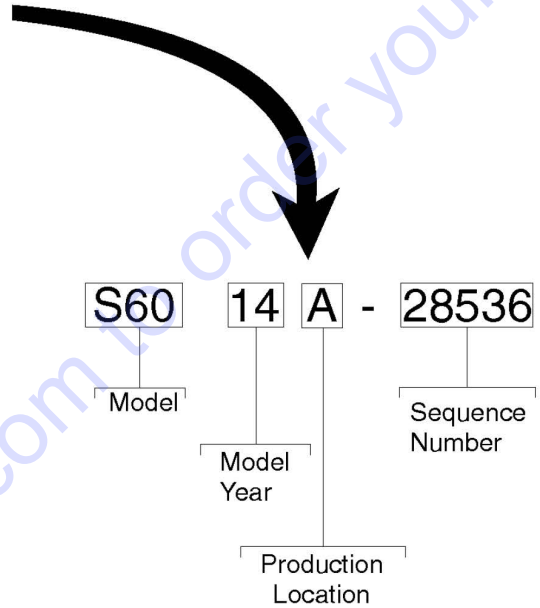


Table of Contents

This manual is updated frequently. For the most up-to-date parts information, visit [www.discount-equipment.com](http://www.discount-equipment.com)

How to Read Your Serial Number.....3  
 Parts Stocking List.....9

**Electronic Version**

Click on any page number to view the figure.

**100 Decals**

101.1 S-60 Decals with Word, Hydraulic Tank Side (ANSI & Australia).....12  
 102.1 S-60 Decals with Word, Engine Side (ANSI & Australia).....14  
 103.1 S-60 Decals with Word, Boom (ANSI & Australia)....16  
 104.1 S-60 Decals with Word, Platform (ANSI & Australia)..18  
 105.1 S-60 Decals with Symbol, Hydraulic Tank Side (CE)..20  
 106.1 S-60 Decals with Symbol, Engine Side (CE).....22  
 107.1 S-60 Decals with Symbol, Boom (CE).....24  
 108.1 S-60 Decals with Symbol, Platform (CE).....26  
 109.1 S-65 Decals with Word, Hydraulic Tank Side (ANSI & Australia).....28  
 110.1 S-65 Decals with Word, Engine Side (ANSI & Australia).....30  
 111.1 S-65 Decals with Word, Boom (ANSI & Australia)....32  
 112.1 S-65 Decals with Word, Platform (ANSI & Australia)..34  
 113.1 S-65 Decals with Symbol, Hydraulic Tank Side (ANSI & CE).....36  
 114.1 S-65 Decals with Symbol, Engine Side (ANSI & CE).38  
 115.1 S-65 Decals with Symbol, Boom (ANSI & CE).....40  
 116.1 S-65 Decals with Symbol, Platform (ANSI & CE).....42  
 117.1 S-60X Decals with Word, Hydraulic Tank Side (ANSI).....44  
 118.1 S-60X Decals with Word, Engine Side (ANSI).....46  
 119.1 S-60X Decals with Word, Boom (ANSI).....48  
 120.1 S-60X Decals with Word, Platform (ANSI).....50  
 121.1 S-60X Decals with Symbol, Hydraulic Tank Side (ANSI).....52  
 122.1 S-60X Decals with Symbol, Engine Side (ANSI).....54  
 123.1 S-60X Decals with Symbol, Boom (ANSI).....56

124.1 S-60X Decals with Symbol, Platform (ANSI).....58  
 125.1 S-60XC Decals with Word, Hydraulic Tank Side (ANSI).....60  
 126.1 S-60XC Decals with Word, Engine Side (ANSI).....62  
 127.1 S-60XC Decals with Word, Boom (ANSI).....64  
 128.1 S-60XC Decals with Word, Platform (ANSI).....66  
 129.1 S-60XC Decals with Symbol, Hydraulic Tank Side (ANSI).....68  
 130.1 S-60XC Decals with Symbol, Engine Side (ANSI)....70  
 131.1 S-60XC Decals with Symbol, Boom (ANSI).....72  
 132.1 S-60XC Decals with Symbol, Platform (ANSI).....74  
 133.1 S-60TraX Decals with Word, Hydraulic Tank Side (ANSI & Australia).....76  
 134.1 S-60TraX Decals with Word, Engine Side (ANSI & Australia).....78  
 135.1 S-60TraX Decals with Word, Boom (ANSI & Australia).....80  
 136.1 S-60TraX Decals with Word, Platform (ANSI & Australia).....82  
 137.1 S-60TraX Decals with Symbol, Hydraulic Tank Side (ANSI & CE).....84  
 138.1 S-60TraX Decals with Symbol, Engine Side (ANSI & CE).....86  
 139.1 S-60TraX Decals with Symbol, Boom (ANSI & CE)....88  
 140.1 S-60TraX Decals with Symbol, Platform (ANSI & CE).....90  
 141.1 S-65TraX Decals with Word, Hydraulic Tank Side (ANSI & Australia).....92  
 142.1 S-65TraX Decals with Word, Engine Side (ANSI & Australia).....94  
 143.1 S-65TraX Decals with Word, Boom (ANSI & Australia).....96  
 144.1 S-65TraX Decals with Word, Platform (ANSI & Australia).....98  
 145.1 S-65TraX Decals with Symbol, Hydraulic Tank Side (ANSI & CE).....100  
 146.1 S-65TraX Decals with Symbol, Engine Side (ANSI & CE).....102  
 147.1 S-65TraX Decals with Symbol, Boom (ANSI & CE)..104  
 148.1 S-65TraX Decals with Symbol, Platform (ANSI & CE).....106  
 149.1 S-60HC Decals with Symbol, Hydraulic Tank Side (CE).....108  
 150.1 S-60HC Decals with Symbol, Engine Side (CE).....110  
 151.1 S-60HC Decals with Symbol, Boom (CE).....112  
 152.1 S-60HC Decals with Symbol, Platform (CE).....114

**200 Drive Chassis Components**

201.1 Steer End.....116  
 202.1 Non-steer End.....120



203.1 Oscillate Valve.....	124	514.1 Perkins 404F-22, View 1.....	216
204.1 TraX Option Steer End.....	126	515.1 Perkins 404F-22, View 2.....	218
205.1 TraX Option Non-steer End.....	128	516.1 Perkins 404F-22, View 3.....	220
206.1 TraX Option Components.....	130	517.1 Perkins 404F-22, View 4.....	222
<b>300 Turntable Components</b>		<b>600 Boom Structure Components</b>	
301.1 Tank Side - View 1.....	132	601.1 Linkage Assembly.....	224
302.1 Tank Side - View 2.....	136	602.1 Boom Components, View 1.....	228
303.1 Tank Side - S-60 HC Turntable.....	138	603.1 Boom Components, View 2.....	230
304.1 Diesel Fuel Tank Installation.....	140	604.1 Boom Limit Switch, S-60X, S-60XC, S-60TraX ANSI Models.....	232
305.1 Gasoline Fuel Tank Installation.....	142	605.1 Boom End Components, S-60 (All Models), S-60TraX (Australia and CE Models).....	234
306.1 Ground Control Box, with Hour Meter - View 1, External.....	144	606.1 Boom End Components, S-65 and S-65TraX (All Models).....	236
307.1 Ground Control Box, with Hour Meter - View 2, Internal.....	146	607.1 Boom End Components, S-60HC (All Models).....	238
308.1 Ground Control Box, with LCD Readout Screen - View 1, External.....	148	608.1 Boom End Components, S-60X, S-60XC (All Models) and S-60TraX (ANSI Models).....	240
309.1 Ground Control Box, with LCD Readout Screen - View 2, Internal.....	152	609.1 Boom End Components, Load Sense, S-60, S-65 CE Models.....	242
310.1 Engine Side.....	154	610.1 Primary Boom Components, S-60HC.....	244
311.1 Engine Side, S-60 HC Turntable.....	158	611.1 Cable Track.....	246
312.1 Turntable Covers.....	160	<b>700 Platform Components</b>	
313.1 Wire Harness Diagram.....	162	701.1 Platform Installation.....	248
<b>400 Manifolds and Pumps</b>		702.1 Platform Control Box - View 1, External.....	250
401.1 Function Manifold.....	166	703.1 Platform Control Box - View 2, Internal.....	254
402.1 Traction Manifold, 2WD.....	170	704.1 Joysticks.....	256
403.1 Traction Manifold, 4WD.....	172	<b>800 Hydraulic Hose Routing and Fittings</b>	
404.1 Platform Rotate and Jib Rotate Manifold.....	174	801.1 Function Manifold, View 1.....	258
405.1 Pumps.....	176	802.1 Function Manifold, View 2.....	260
406.1 Brake and 2 Speed Manifold.....	178	803.1 4WD Traction Manifold.....	262
<b>500 Engine Components</b>		804.1 2WD Traction Manifold.....	264
501.1 Deutz D2011L03i.....	180	805.1 Oscillate Option.....	266
502.1 Deutz TD2011L04i, View 1.....	184	806.1 Hydraulic Generator Option.....	268
503.1 Deutz TD2011L04i, View 2.....	188	807.1 Hydraulic Oil Cooler Option.....	270
504.1 Deutz D2.9L4, View 1 (to SN S6014A-28754).....	190	808.1 Welder Option.....	272
504.2 Deutz D2.9L4, View 1 (from SN S6014A-28755).....	192	<b>900 Accessories</b>	
505.1 Deutz D2.9L4, View 2 (to SN S6014A-28754).....	194	901.1 Drive Lights, Alarm and Beacon Packages.....	274
505.2 Deutz D2.9L4, View 2 (from SN S6014A-28755).....	196	902.1 Control Box Cover, Pinch Guard and Tool Tray.....	276
506.1 Deutz D2.9L4, View 3.....	198	903.1 Half Mesh and Swing Gate.....	278
507.1 Deutz D2.9L4, View 4.....	200	904.1 Tri-Entry Platform and Platform Toeboard.....	280
508.1 Deutz D2.9L4, View 5.....	202	905.1 Panel Cradle and Pipe Cradle.....	282
509.1 Ford MSG-425 EFI, View 1.....	204	906.1 Platform Work Lights.....	284
510.1 Ford MSG-425 EFI, View 2.....	206	907.1 Operator Protective Structure.....	286
511.1 Ford MSG-425 EFI, View 3.....	208	908.1 Aircraft Protection, Standard Entry, S-65.....	288
512.1 Ford MSG-425 EFI, View 4.....	210	909.1 Aircraft Protection, Swing Gate, S-65.....	290
513.1 Perkins 404D-22.....	212		

## Table of Contents (continued)

910.1 Air line and Power to Platform.....	292
911.1 Hostile Environment, Boom Wipers.....	294
912.1 Hostile Environment, Turntable Components.....	296
913.1 Hostile Environment, Cylinder Bellows and Cable Track.....	298
914.1 Hostile Environment, Engine Air Pre-Cleaners.....	300
915.1 Welder Option, Chassis Components.....	302
916.1 Welder Option, Platform Components.....	304
917.1 Welder Option, Generator Components.....	306
918.1 Gauge Option.....	308
919.1 Cold Start Package.....	310
920.1 Hydraulic Oil Cooler Option.....	312
921.1 Hydraulic Generator.....	314
922.1 2nd LP Tank Carrier.....	316
923.1 Tow Package.....	318
924.1 Circuit Board Heater Option.....	320
925.1 Traveling Fall Arrest Anchor System.....	322
926.1 Operators Protection Alarm.....	324
<b>Indices</b>	
Part Number Index.....	326
Part Description Index.....	335
<b>Cross References</b>	
Fittings Cross Reference.....	350

## Required Parts

The following parts are required to perform maintenance procedures for your machine.

### All Models:

Description	Part No.
Hydraulic Tank Filter.....	88917
Medium Pressure Filter.....	60857
High Pressure Filter.....	60857
Dielectric Grease.....	66399
Lithium Based Grease.....(source locally)	
Drive Hub Oil (refer to Service Manual)...(source locally)	

### Perkins 404D-22 Models:

Description	Part No.
Air Filter Element.....	62420
Fuel/water Separator Element.....	62433
Engine Oil Filter.....	94762
V-belt.....	89765
Fuel Filter.....	62421

### Perkins 404F-22 Models:

Description	Part No.
Air Filter Element.....	62420
Fuel/water Separator Element.....	62433
Engine Oil Filter.....	94762
V-belt (alternator & water pump).....	89765
V-belt (air pump).....	1253750
Fuel Filter Cartridge.....	62421
Fuel Filter Assembly.....	94889

### Deutz TD2011-L03i Models:

Description	Part No.
Air Filter.....	62420
Fuel/water Separator Element.....	29560
Engine Oil Filter.....	49924
V-belt.....	32698

### Deutz TD2011-L04i Models:

Description	Part No.
Air Filter.....	62425
Fuel/water Separator Element.....	29560
Engine Oil Filter.....	49924
V-belt.....	58630

### Deutz D2.9L4 Models:

Description	Part No.
Air Filter.....	62420
Main Fuel Filter.....	214228
Fuel Filter/water Separator Element.....	236260
Engine Oil Filter.....	49924
V-belt (alternator & water pump).....	1253748
V-belt (air pump).....	1253750

### Ford DSG-423 EFI Models:

Description	Part No.
Fuel Pre-Filter.....	119984
Engine Oil Filter.....	119139
Air Filter Element.....	77295
Serpentine Belt.....	119138
PCV Valve.....	119474
Spark Plug.....	119495

## Recommended Parts

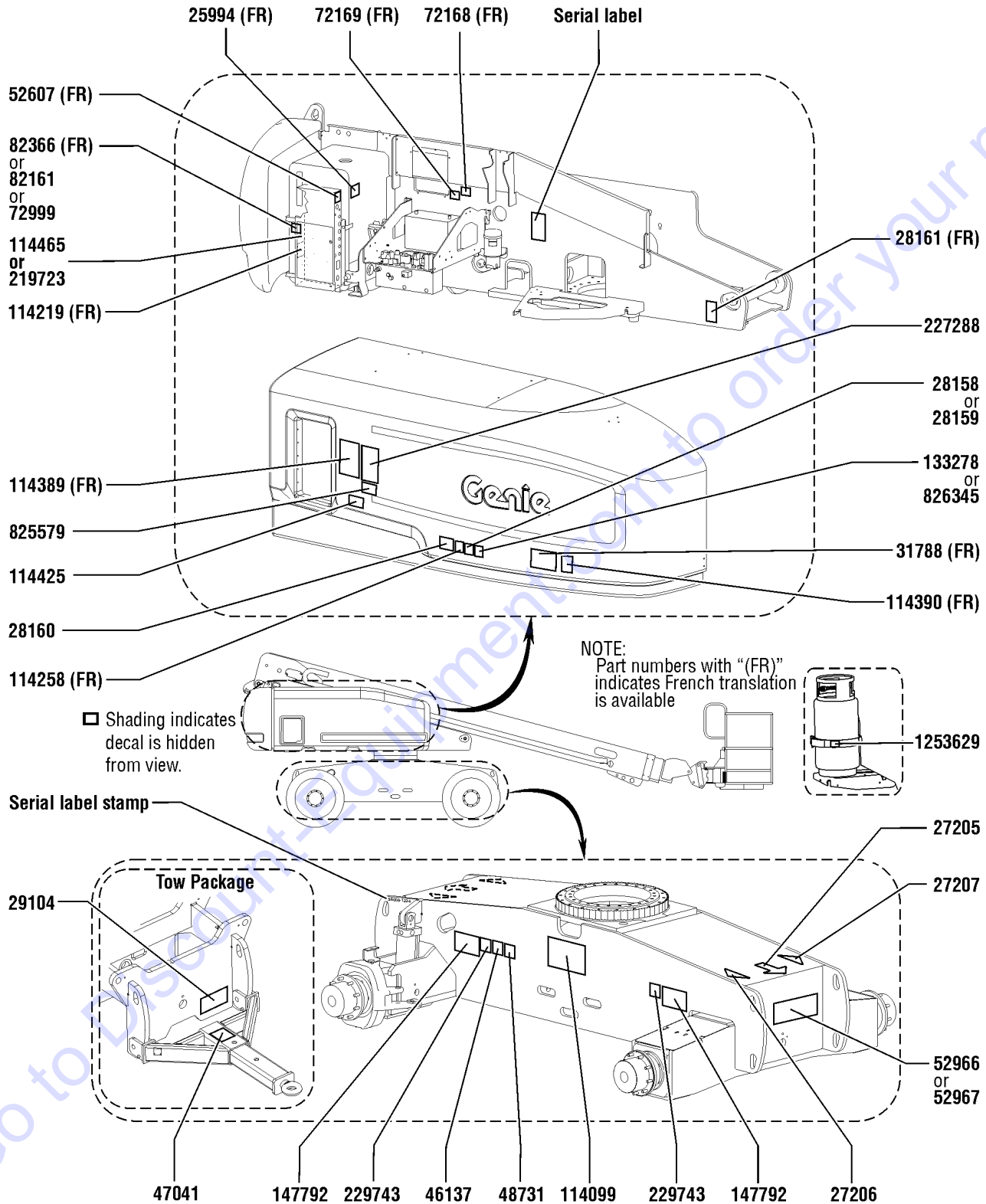
Description	Part No.
Genie Blue Paint, 1 Gallon.....	32150
Genie Blue Paint, 12 Ounce Aerosol.....	1484
Genie Gray Paint, 1 Gallon.....	32151
Genie Gray Paint, 12 Ounce Aerosol.....	1268
Plug and Cap Kit (for ORFS fittings).....	49613
Protractor Kit.....	58351

## Find a Manual for this Model

Genie also offers the following support documents:

EMI Safety Manual.....	27581
Manual of Responsibilities ANSI A92.5.....	31779

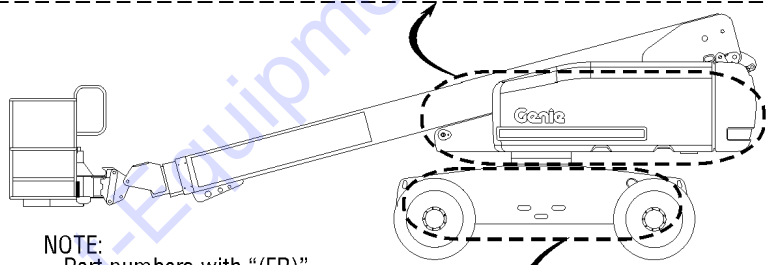
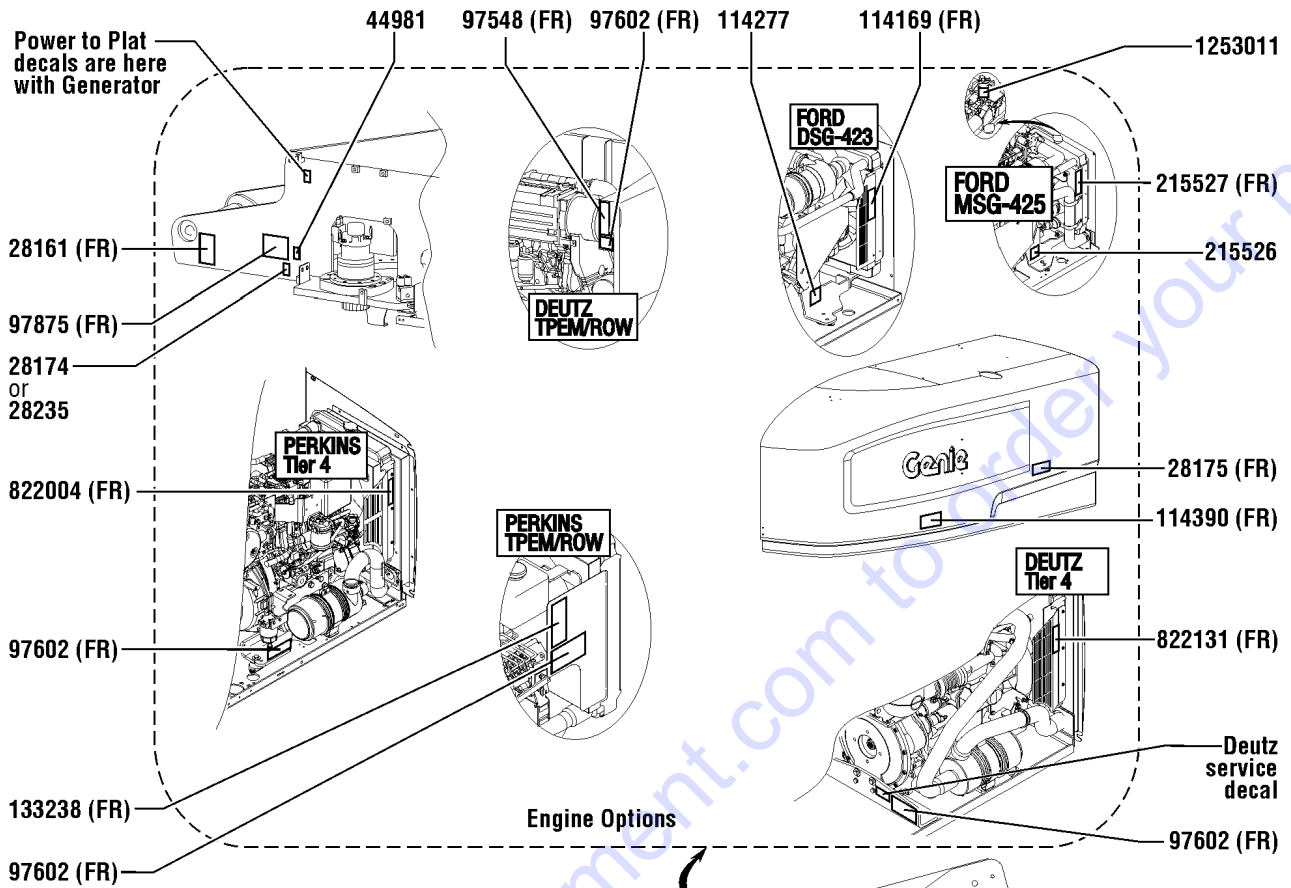
101.1 S-60 Decals with Word, Hydraulic Tank Side (ANSI & Australia)



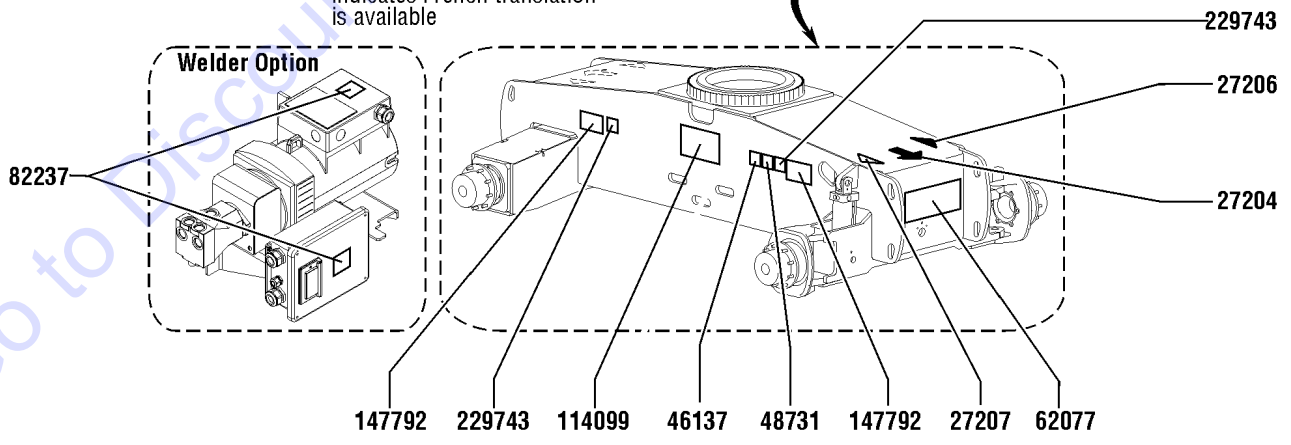
101.1 S-60 Decals with Word, Hydraulic Tank Side (ANSI & Australia)

Item	Part No.	Description	Qty.	Item	Part No.	Description	Qty.
1	25994GT	DECAL,NOTICE,SHUTOFF VALVES.....	1	30	147792GT	DANGER,TIPOVR,TIRES FF ONLY.....	2
2	27205GT	DECAL,ARROW YELLOW LRG 9".....	1	31	227288GT	DECAL, OPERATING INSTRUCTIONS.....	1
3	27206GT	DECAL,TRIANGLE,BLUE.....	1	32	229743GT	DECAL,LABEL,WHEEL LOAD S60/60X.....	2
4	27207GT	DECAL,TRIANGLE,YELLOW.....	1	33	825579GT	DECAL, LCD, TIER 4..... <i>(Deutz D2.9L4 and Perkins 404F-22)</i>	1
5	28158GT	DECAL,LABEL,UNLEADED GAS ONLY..... <i>Ford only</i>	1	34	826345GT	DECAL,ULS DIESEL ONLY,TIER 4..... <i>(Deutz D2.9L4 and Perkins 404F-22)</i>	1
6	28159GT	DECAL,LABEL,DIESEL FUEL..... <i>Deutz and Perkins only</i>	1	35	1253629GT	DECAL,LP BOTTLE,S60..... <i>Option</i>	1
7	28160GT	DECAL,LABEL,LIQUID PROPANE..... <i>Option, LPG tank</i>	1	36	219723GT	DECAL,GROUND BOX,TIER IV <i>(Deutz D2.9L4 and Perkins 404F-22)</i>	
8	28161GT	DECAL,WARN,CRUSH HAZARD HAND.....	1				
9	29104GT	DECAL,TOWING INSTRUCTIONS..... <i>Option, tow package</i>	1				
10	31788GT	DECAL,DANGER,BATTERY SAFETY***.....	1				
11	46137GT	DECAL,LPS (4"X4")..... <i>Option</i>	1				
12	47041GT	DECAL,CAUTION,TOWING SPEED..... <i>Option, tow package</i>	1				
14	52607GT	DECAL,LABEL,TEST***..... <i>Ford only</i>	1				
15	52966GT	DECAL,COSMETIC,4 X 2..... <i>Option, drive</i>	1				
16	52967GT	DECAL,COSMETIC,4 X 4..... <i>Option, drive</i>	1				
17	72168GT	DECAL,LABEL,CONTROLS BATTERY... <i>Option, dual battery</i>	1				
18	72169GT	DECAL,LABEL,PETRO CANADA***..... <i>Option, dual battery</i>	1				
19	72999GT	DECAL,LABEL,PETRO CANADA***..... <i>Option, hydraulic oil</i>	1				
20	82161GT	DECAL,LABEL,UCON HYDROLUBE..... <i>Option, hydraulic oil</i>	1				
21	82366GT	DECAL, LABEL - CHEVRON RANDO..... <i>Option, hydraulic oil</i>	1				
22	114099GT	DECAL,LABEL,TRANSPORT DIAGRAM.....	1				
23	114219GT	DECAL,LABEL,RELAYS,S60&65.....	1				
24	114258GT	DECAL,DANGER,NO SMOKING.....	1				
25	114389GT	DECAL,DANGER,GENERAL SAFETY....	1				
26	114390GT	DECAL,DANGER,ELECT HAZARD***....	1				
27	114425GT	DECAL,BATTERY DISCONNECT..... <i>Option</i>	1				
28	114465GT	DECAL GROUND CONTROL BOX.....	1				
29	133278GT	DECAL,LOW/ULTRA LOW SULFR FUEL..... <i>(Deutz D2011L3i, Deutz TD2011L04i and Perkins 404D-22)</i>	1				

102.1 S-60 Decals with Word, Engine Side (ANSI & Australia)



NOTE:  
Part numbers with "(FR)" indicates French translation is available

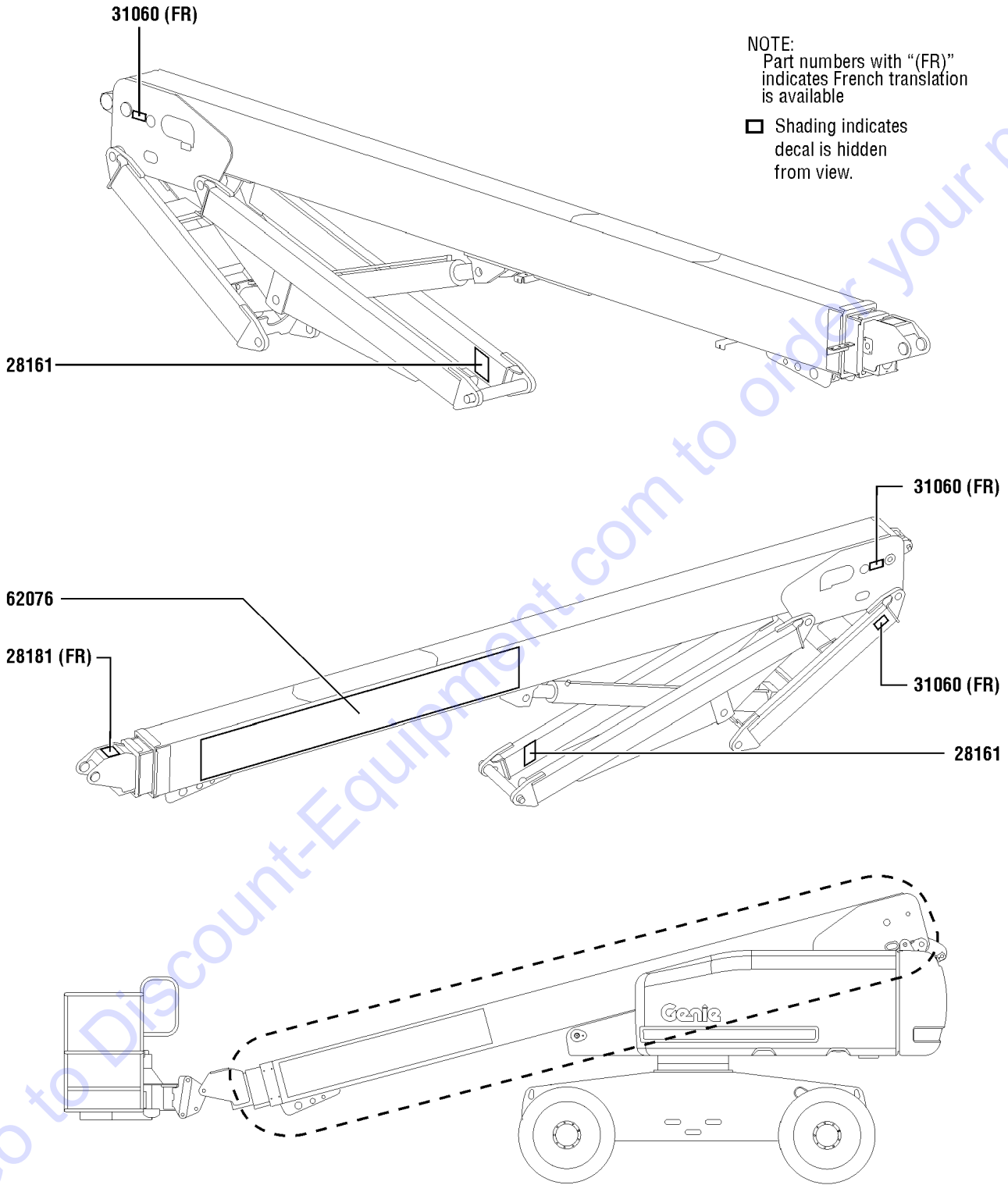




102.1 S-60 Decals with Word, Engine Side (ANSI & Australia)

Item	Part No.	Description	Qty.
1	27204GT	DECAL,ARROW BLUE.....	1
2	27206GT	DECAL,TRIANGLE,BLUE.....	1
3	27207GT	DECAL,TRIANGLE,YELLOW.....	1
4	28161GT	DECAL,WARN,CRUSH HAZARD HAND.....	1
5	28174GT	DECAL, POWER TO PLATFORM 230V**.....	1
6	28175GT	DECAL,WARNING-COMPART ACCESS.....	1
7	28235GT	DECAL, POWER TO PLATFORM 115V**.....	1
8	44981GT	DECAL,LABEL,AIR LINE 110 PSI..... <i>Option, airline to plat</i>	1
9	46137GT	DECAL,LPS (4"X4")..... <i>Option</i>	1
11	62077GT	DECAL,COSMETIC,S60.....	1
12	82237GT	DECAL,DANGER,HIGH VOLTAGE..... <i>Option, welder</i>	2
13	97548GT	DECAL,ENGINE SPEC,DEUTZ 2011..... <i>Deutz D2011L3i and Deutz TD2011L04i</i>	1
14	97602GT	DECAL,EXPLOSION HAZARD..... <i>Diesel engines</i>	1
15	97875GT	DECAL,WARN.WELD LINE INST.WORD..... <i>Option, weld cable line</i>	1
16	114099GT	DECAL,LABEL,TRANSPORT DIAGRAM.....	1
17	114169GT	DECAL,FORD ENGINE SPEC DSG423..... <i>Ford DSG-423</i>	1
18	114277GT	DECAL,LABEL,BELT ROUTING DSG..... <i>Ford DSG-423</i>	1
19	114390GT	DECAL,DANGER,ELECT HAZARD***.....	1
20	133238GT	DECAL,ENGINE SPEC,PERKINS***..... <i>Perkins 404D-22</i>	1
21	147792GT	DANGER,TIPOVR,TIRES FF ONLY.....	2
22	215526GT	DECAL,LABEL,BELT,MSG425..... <i>Ford MSG-425</i>	1
23	215527GT	DECAL,FORD ENGINE SPEC MSG425..... <i>Ford MSG-425</i>	1
24	229743GT	DECAL,LABEL,WHEEL LOAD S60/60X.....	2
25	822004GT	DECAL, ENGINE SPEC, 404F-22..... <i>Perkins 404F-22</i>	1
26	822131GT	DECAL, ENGINE SPEC, D2.9..... <i>Deutz D2.9L4</i>	1
27	1253011GT	DECAL, VAPORIZER PRESSURE..... <i>Ford MSG-425 only</i>	1

103.1 S-60 Decals with Word, Boom (ANSI & Australia)



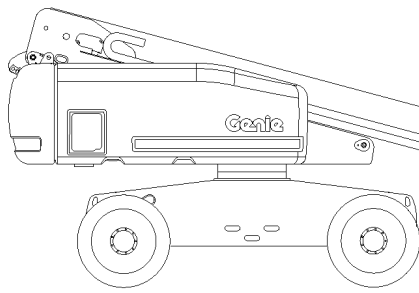
103.1 S-60 Decals with Word, Boom (ANSI & Australia)

Item	Part No.	Description	Qty.
1	28161GT	DECAL,WARN,CRUSH HAZARD HAND.....	2
2	28181GT	DECAL,WARN,FALL HAZARD.....	1
3	31060GT	DECAL,DANGER DO NOT ALTER SWTC.....	3
4	62076GT	DECAL,COSMETIC,GENIE S-60.....	1

Go to Discount-Equipment.com to order your parts

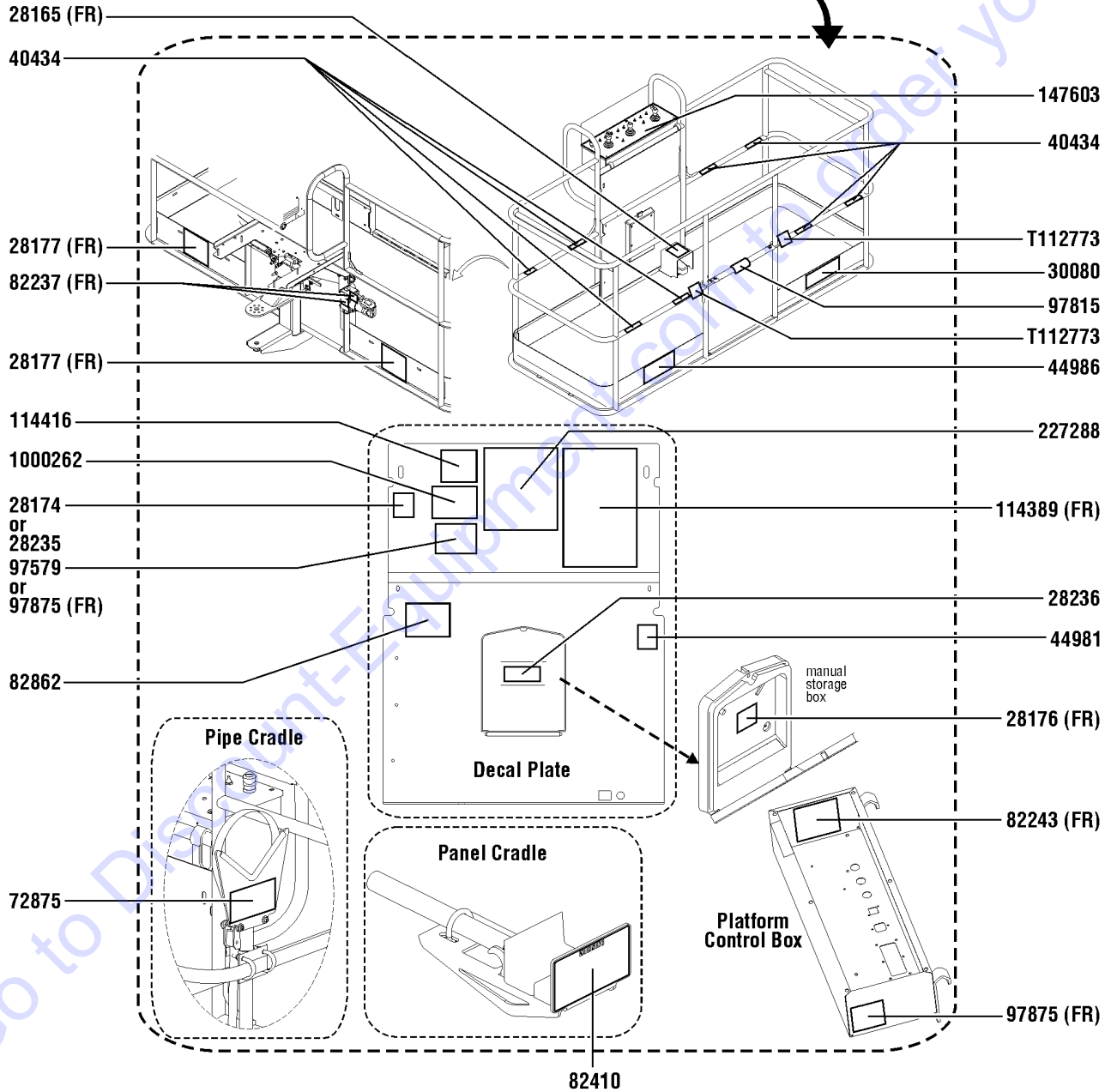


104.1 S-60 Decals with Word, Platform (ANSI & Australia)



NOTE:  
Part numbers with "(FR)" indicates French translation is available

☐ Shading indicates decal is hidden from view.



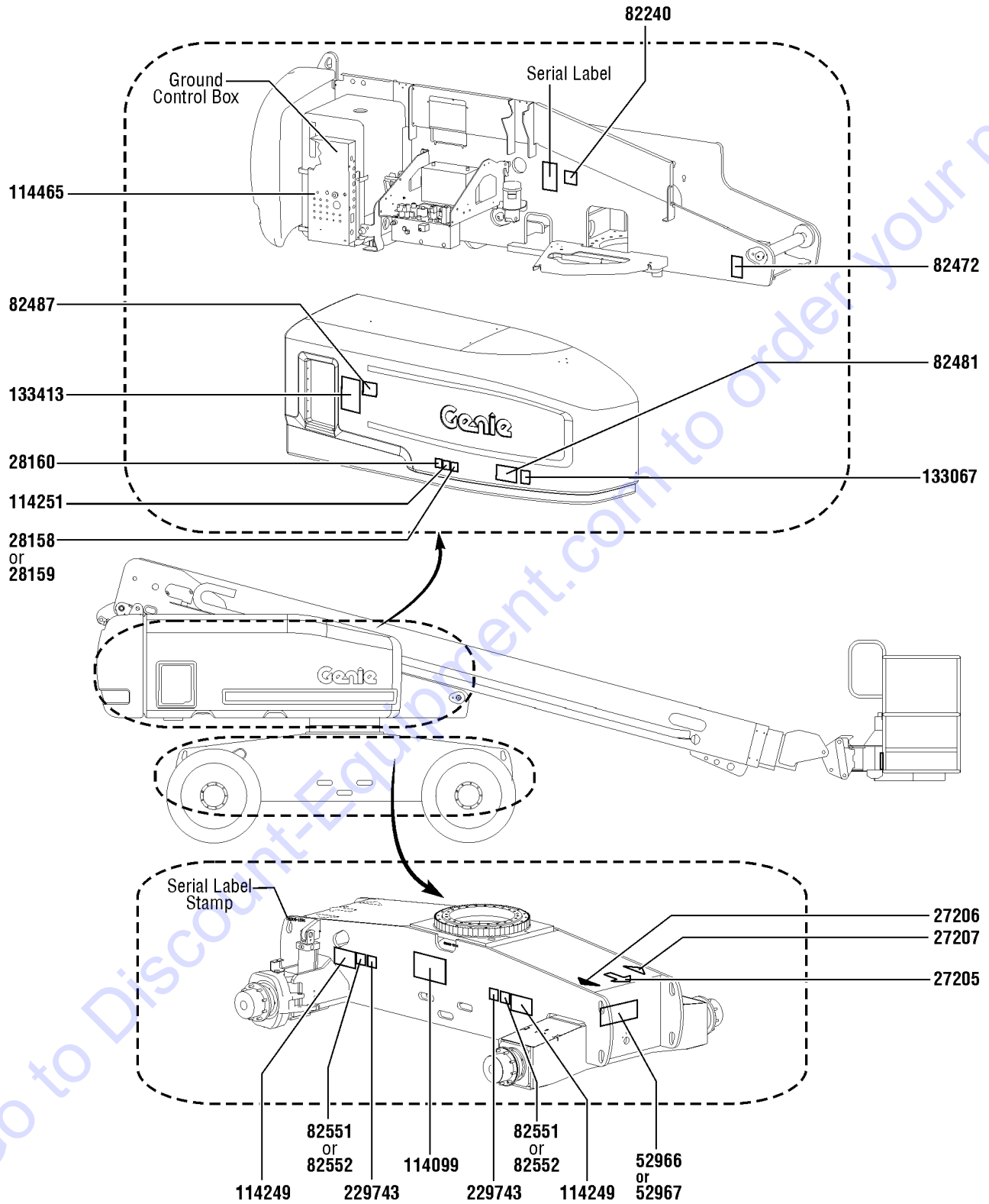
104.1 S-60 Decals with Word, Platform (ANSI & Australia)

Item	Part No.	Description	Qty.
1	28165GT	DECAL,INSTRUCT,FOOTSWITCH OPER.....	1
2	28174GT	DECAL, POWER TO PLATFORM 230V**.....	1
3	28176GT	DECAL,LABEL,MANUAL NOT HERE.....	1
4	28177GT	DECAL,WARN,CRUSH HAZARD PLAT.....	2
5	28235GT	DECAL, POWER TO PLATFORM 115V**.....	1
6	28236GT	DECAL,WARN,IMPROPER OPERATION.....	1
7	30080GT	DECAL,NOTICE,MAX LOAD 500 LBS....	1
8	40434GT	DECAL,LANYARD ANCHORAGE POINT.....	8
9	44981GT	DECAL,LABEL,AIR LINE 110 PSI..... <i>Option, airline to plat</i>	1
10	44986GT	DECAL,INSTR,SIDE FRC/WIND,AUS....	1
11	72875GT	DECAL,WARNING,PIPE CRADLE,BOOM..... <i>Option, pipe cradle</i>	2
12	82237GT	DECAL,DANGER,HIGH VOLTAGE..... <i>Option, welder</i>	2
13	82243GT	DECAL FAULT CODE.....	1
14	82410GT	DECAL,WARNING,PANEL CRADLE..... <i>Option, panel cradle</i>	2
15	82862GT	DECAL,FIRE EXTINGUISHER..... <i>Option, welder</i>	1
16	97579GT	DECAL,DANGER,TIP-OVER,WELDER**. <i>Option, welder</i>	1
17	97815GT	DECAL,LABEL,LOWER MIDRAIL.....	1
18	97875GT	DECAL,WARN.WELD LINE INST.WORD..... <i>Option, weld cable line</i>	2
19	114389GT	DECAL,DANGER,GENERAL SAFETY....	1
20	114416GT	DECAL,DANGER,TIPOVER,TILT.....	1
21	147603GT	DECAL, PLAT CNTL PNL.....	1
22	227288GT	DECAL, OPERATING INSTRUCTIONS.....	1
23	1000262GT	DECAL,DANGER,TIP OVER,PLAT.....	1
24	T112773GT	TAPE, PROTECTIVE MASK.....	2

Go to [www.genieequipment.com](http://www.genieequipment.com) to order your parts



105.1 S-60 Decals with Symbol, Hydraulic Tank Side (CE)



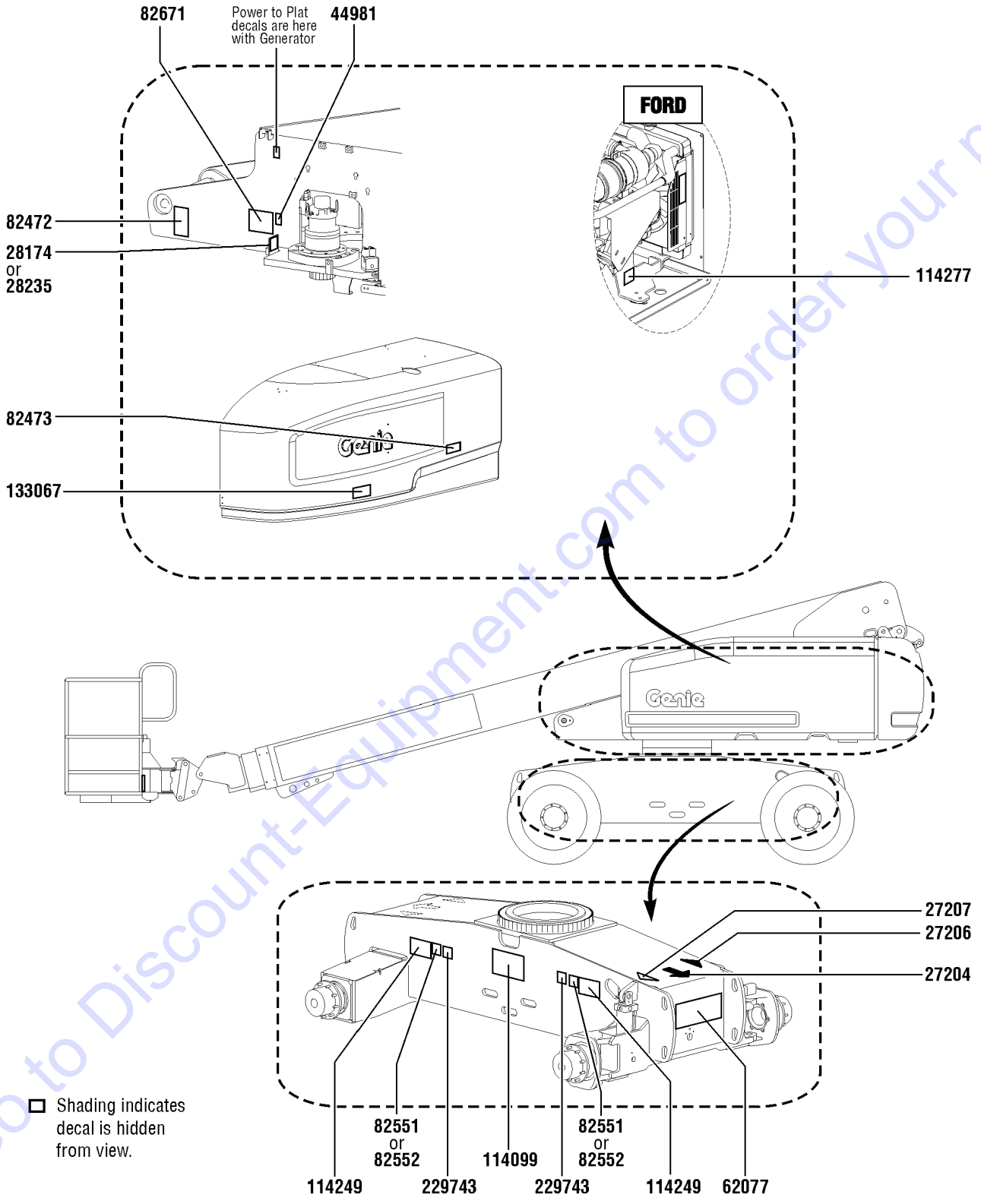


105.1 S-60 Decals with Symbol, Hydraulic Tank Side (CE)

Item	Part No.	Description	Qty.
1	27205GT	DECAL,ARROW YELLOW LRG 9".....1	1
2	27206GT	DECAL,TRIANGLE,BLUE.....1	1
3	27207GT	DECAL,TRIANGLE,YELLOW.....1	1
4	28158GT	DECAL,LABEL,UNLEADED GAS ONLY.....1 <i>Ford only</i>	1
5	28159GT	DECAL,LABEL,DIESEL FUEL.....1 <i>Deutz and Perkins only</i>	1
6	28160GT	DECAL,LABEL,LIQUID PROPANE.....1 <i>Option, LPG tank</i>	1
7	52966GT	DECAL,COSMETIC,4 X 2.....1 <i>Option, drive</i>	1
8	52967GT	DECAL,COSMETIC,4 X 4.....1 <i>Option, drive</i>	1
9	82240GT	DECAL,LABEL,105 DB.....1	1
10	82472GT	DECAL,WARNING,CRUSHING HAZARD.....1	1
11	82481GT	DECAL,SYMBOL-BATTERY SAFETY.....1	1
12	82487GT	DECAL,SYMBOL-READ THE MANUAL.....1	1
13	82551GT	DECAL,LABEL,TIRE PRESSURE.....2 <i>RT air filled tires only</i>	2
14	82552GT	DECAL,LABEL,TIRE PRESS HF.....2 <i>Hi-floatation tires only</i>	2
15	114099GT	DECAL,LABEL,TRANSPORT DIAGRAM.....1	1
16	114249GT	DECAL,LABEL,TIPOVER,TIRES,SYMB.2	2
17	114251GT	DECAL,LABEL,NO SMOKING,SYMB.....1	1
18	114465GT	DECAL GROUND CONTROL BOX.....1	1
19	133067GT	DECAL,DANGER,ELEC.HAZ.STAY CLR.....1	1
20	133413GT	DECAL,EMERGENCY LOWERING.....1	1
21	229743GT	DECAL,LABEL,WHEEL LOAD S60/60X.....2	2

Go to DiscountEquipment.com to order your parts

106.1 S-60 Decals with Symbol, Engine Side (CE)



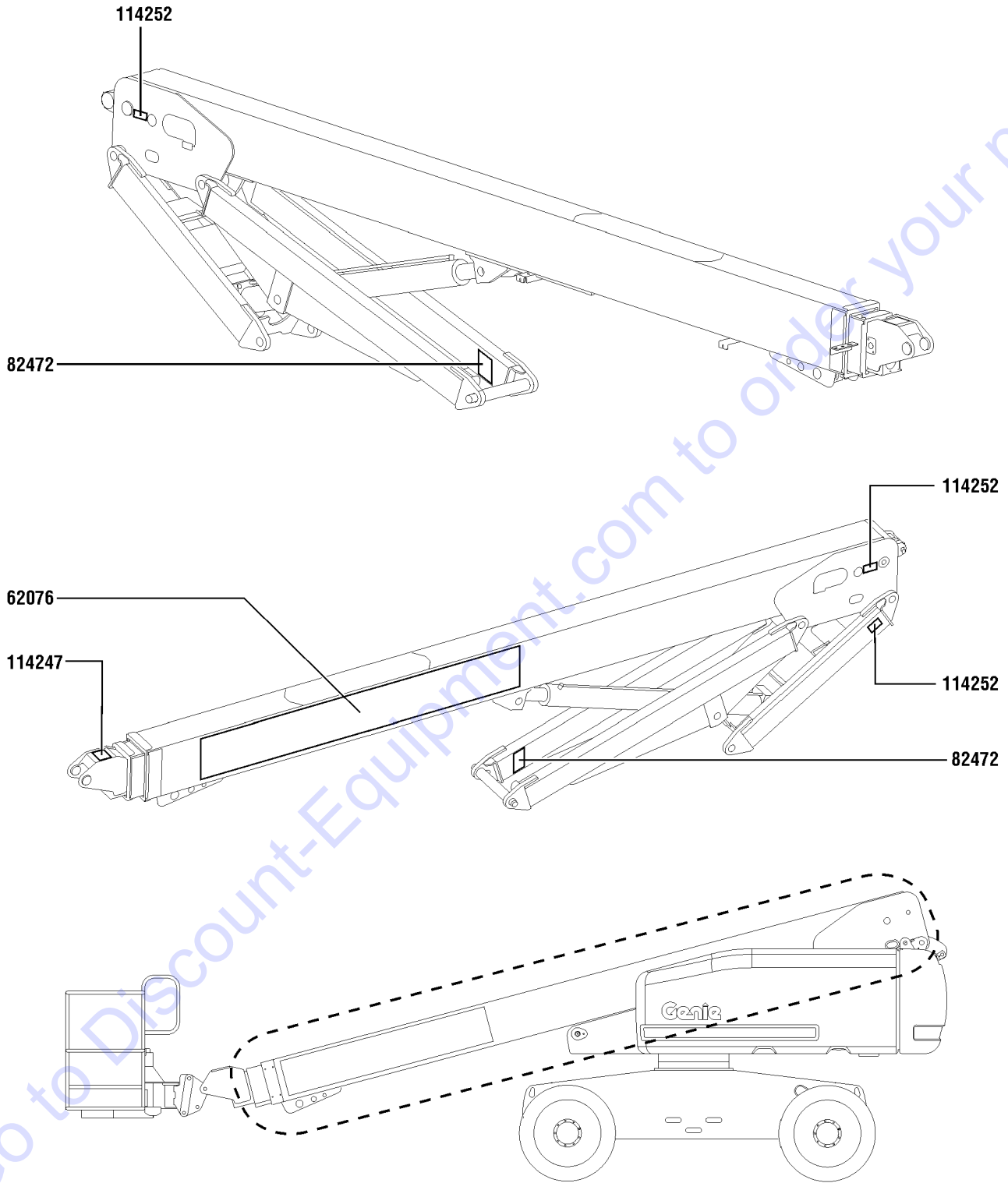
106.1 S-60 Decals with Symbol, Engine Side (CE)

Item	Part No.	Description	Qty.
1	27204GT	DECAL,ARROW BLUE.....	1
2	27206GT	DECAL,TRIANGLE,BLUE.....	1
3	27207GT	DECAL,TRIANGLE,YELLOW.....	1
4	28174GT	DECAL, POWER TO PLATFORM 230V**.....	1
5	28235GT	DECAL, POWER TO PLATFORM 115V**.....	1
6	44981GT	DECAL,LABEL,AIR LINE 110 PSI..... <i>Option, airline to plat</i>	1
7	62077GT	DECAL,COSMETIC,S60.....	1
8	82472GT	DECAL,WARNING,CRUSHING HAZARD.....	1
9	82473GT	DECAL,SYMBOL-COMP ACCESS.....	1
10	82551GT	DECAL,LABEL,TIRE PRESSURE..... <i>RT air filled tires only</i>	2
11	82552GT	DECAL,LABEL,TIRE PRESS HF..... <i>Hi-floatation tires only</i>	2
12	82671GT	DECAL,LABEL,WELD LINE INST,SYM... <i>Option, weld cable line</i>	1
13	114099GT	DECAL,LABEL,TRANSPORT DIAGRAM.....	1
14	114249GT	DECAL,LABEL,TIPOVER,TIRES,SYMB.2	2
15	114277GT	DECAL,LABEL,BELT ROUTING DSG..... <i>Ford DSG-423</i>	1
16	133067GT	DECAL,DANGER,ELEC.HAZ.STAY CLR.....	1
17	229743GT	DECAL,LABEL,WHEEL LOAD S60/60X.....	2

Go to Discount-Equipment.com to order your parts



107.1 S-60 Decals with Symbol, Boom (CE)



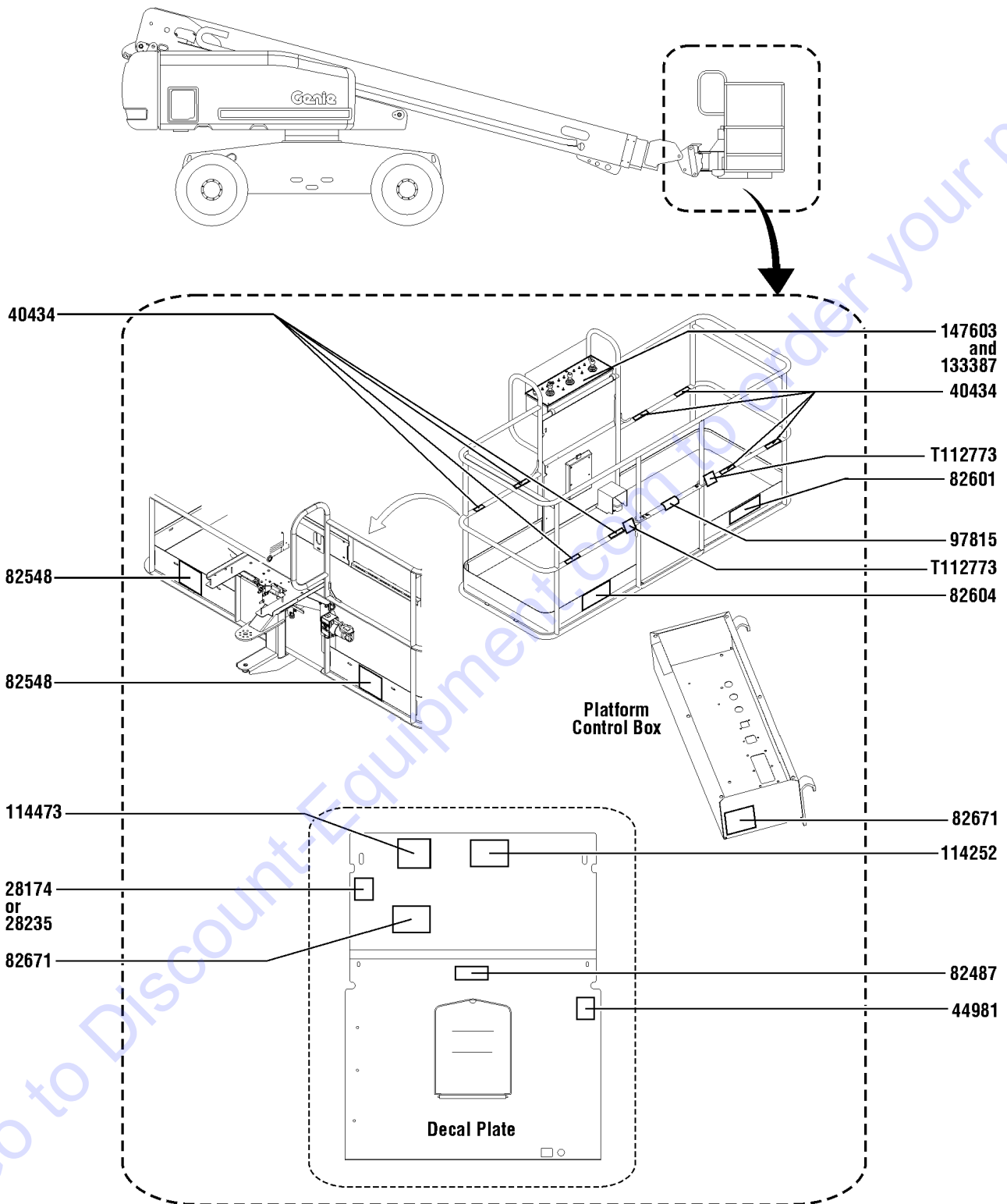
107.1 S-60 Decals with Symbol, Boom (CE)

Item	Part No.	Description	Qty.
1	62076GT	DECAL,COSMETIC,GENIE S-60.....	1
2	82472GT	DECAL,WARNING,CRUSHING HAZARD.....	2
3	114247GT	DECAL,LABEL,FALL HAZARD***.....	1
4	114252GT	DECAL,LABEL,TIP OVER LMT SWTCH.....	3

Go to Discount-Equipment.com to order your parts



108.1 S-60 Decals with Symbol, Platform (CE)





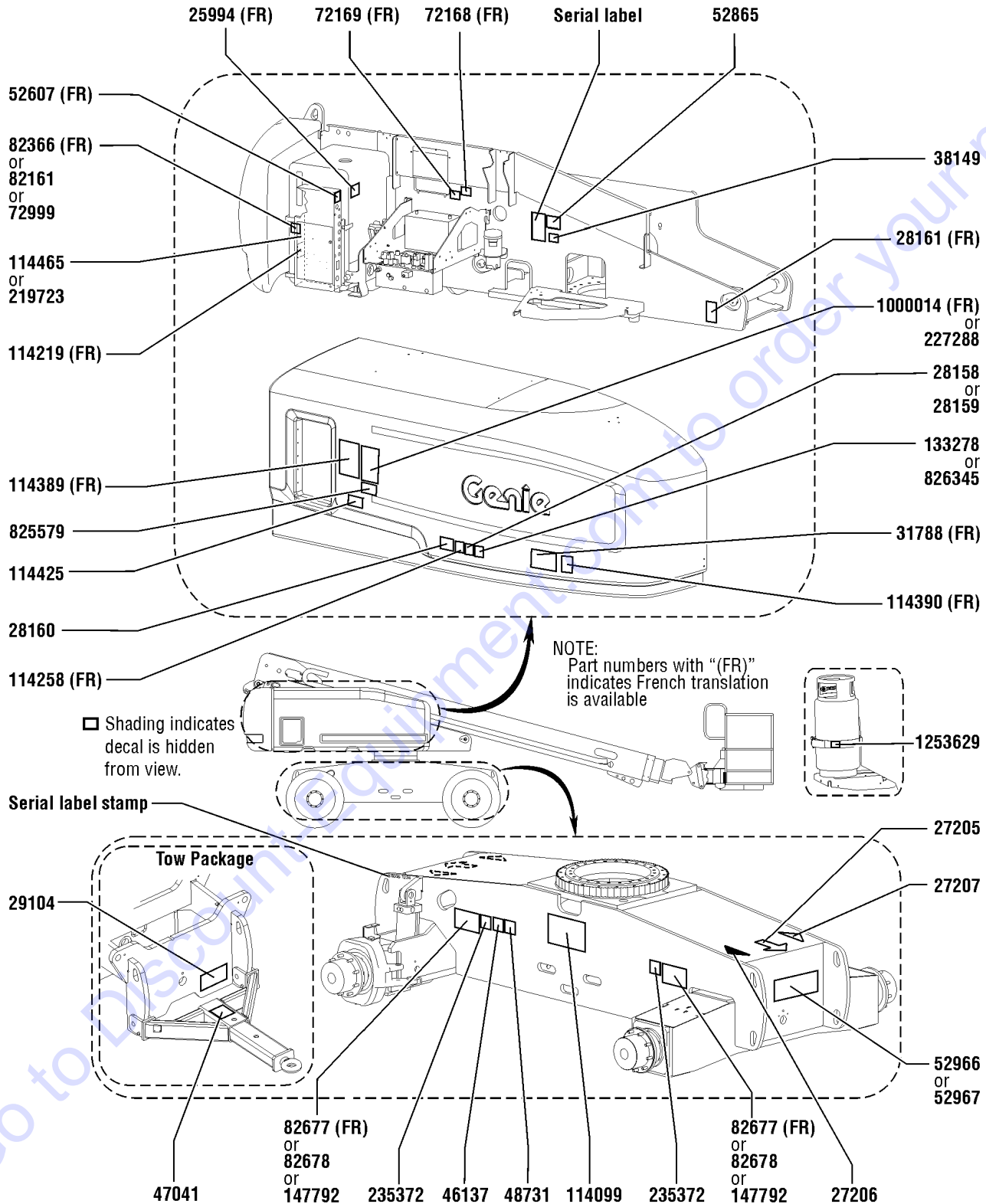
108.1 S-60 Decals with Symbol, Platform (CE)

Item	Part No.	Description	Qty.
1	28174GT	DECAL, POWER TO PLATFORM 230V**.....	1
2	28235GT	DECAL, POWER TO PLATFORM 115V**.....	1
3	40434GT	DECAL,LANYARD ANCHORAGE POINT.....	8
4	44981GT	DECAL,LABEL,AIR LINE 110 PSI..... <i>Option, airline to plat</i>	1
5	82487GT	DECAL, SYMBOL - READ THE MANUAL.....	1
6	82548GT	DECAL,WARN,CRUSH HAZARD PLAT.....	2
7	82601GT	DECAL,LABEL,MAX CAPACITY***.....	1
8	82604GT	DECAL,DANGER,SIDE FRC 400N.....	1
9	82671GT	DECAL,LABEL,WELD LINE INST,SYM... <i>Option, weld cable line</i>	2
10	97815GT	DECAL,LABEL,LOWER MIDRAIL.....	1
11	114252GT	DECAL,LABEL,TIP OVER LMT SWTCH.....	1
12	114473GT	DECAL,DANGER,TIPOVER,TILT,SYM....	1
13	133387GT	DECAL,DRIVE ENABLE PATCH.....	1
14	147603GT	DECAL, PLAT CNTL PNL.....	1
15	T112773GT	TAPE, PROTECTIVE MASK.....	2

Go to Discount-Equipment.com to order your parts



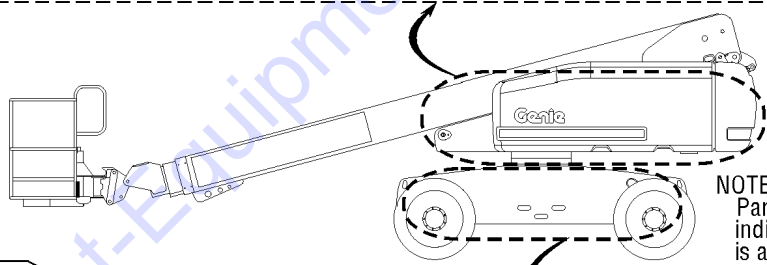
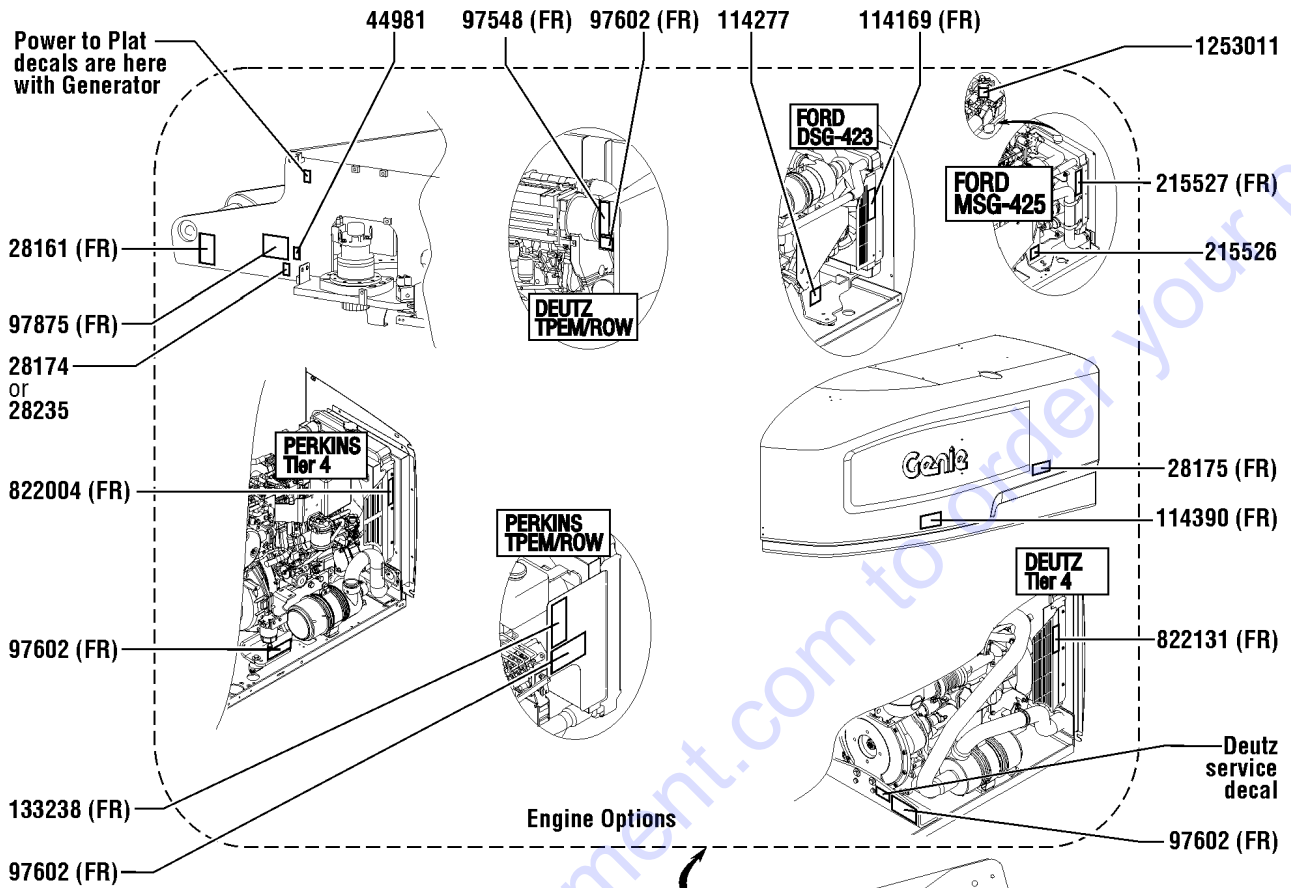
109.1 S-65 Decals with Word, Hydraulic Tank Side (ANSI & Australia)



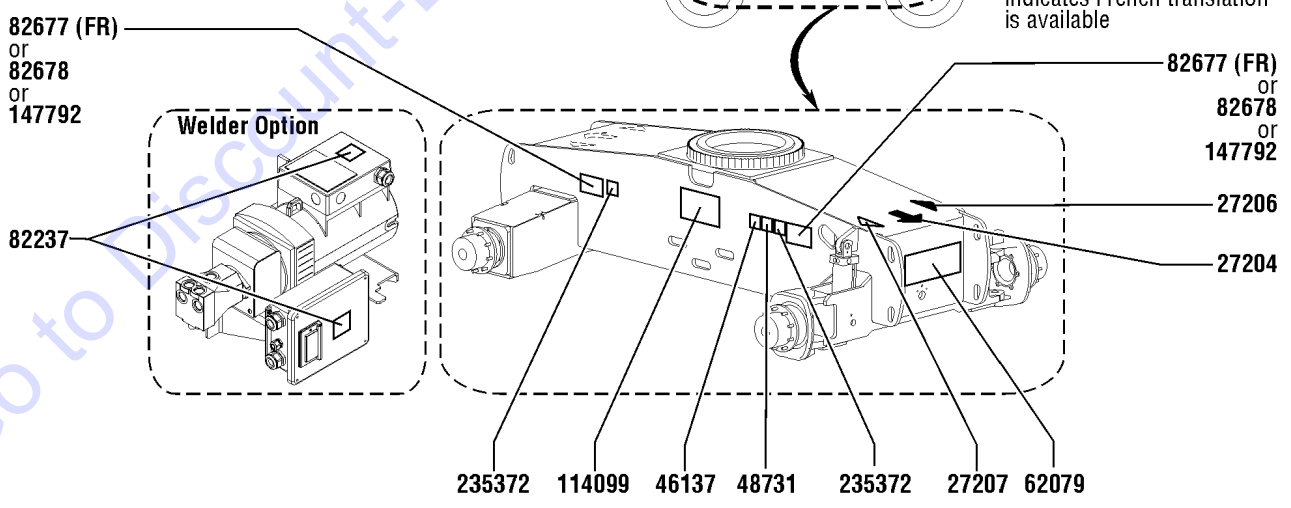
109.1 S-65 Decals with Word, Hydraulic Tank Side (ANSI & Australia)

Item	Part No.	Description	Qty.	Item	Part No.	Description	Qty.
1	25994GT	DECAL,NOTICE,SHUTOFF VALVES.....1		29	114389GT	DECAL,DANGER,GENERAL SAFETY....1	
2	27205GT	DECAL,ARROW YELLOW LRG 9".....1		30	114390GT	DECAL,DANGER,ELECT HAZARD***...1	
3	27206GT	DECAL,TRIANGLE,BLUE.....1		31	114425GT	DECAL,BATTERY DISCONNECT.....1 <i>Option</i>	
4	27207GT	DECAL,TRIANGLE,YELLOW.....1		32	114465GT	DECAL GROUND CONTROL BOX.....1 <i>(Deutz D2011L3i, Deutz TD2011L04i and Perkins 404D-22)</i>	
5	28158GT	DECAL,LABEL,UNLEADED GAS ONLY.....1 <i>Ford only</i>		33	133278GT	DECAL,LOW/ULTRA LOW SULFR FUEL.....1 <i>(Deutz D2011L3i, Deutz TD2011L04i and Perkins 404D-22)</i>	
6	28159GT	DECAL,LABEL,DIESEL FUEL.....1 <i>Deutz and Perkins only</i>		34	147792GT	DANGER,TIPOVR,TIRES FF ONLY.....2 <i>AUS only</i>	
7	28160GT	DECAL,LABEL,LIQUID PROPANE.....1 <i>Option, LPG tank</i>		35	219723GT	DECAL,GROUND BOX,TIER IV.....1 <i>(Deutz D2.9L4 and Perkins 404F-22)</i>	
8	28161GT	DECAL,WARN,CRUSH HAZARD HAND.....1		36	227288GT	DECAL, OPERATING INSTRUCTIONS.....1 <i>AUS only</i>	
9	29104GT	DECAL,TOWING INSTRUCTIONS.....1 <i>Option, tow package</i>		37	235372GT	DECAL,LABEL,WHEEL LOAD S65.....2	
10	31788GT	DECAL,DANGER,BATTERY SAFETY***.....1		38	825579GT	DECAL, LCD, TIER 4.....1 <i>(Deutz D2.9L4 and Perkins 404F-22)</i>	
11	38149GT	DECAL,LABEL,PATENTS.....1 <i>US only</i>		39	826345GT	DECAL,ULS DIESEL ONLY,TIER 4.....1 <i>(Deutz D2.9L4 and Perkins 404F-22)</i>	
12	46137GT	DECAL,LPS (4"X4").....1 <i>Option</i>		40	1000014GT	DECAL,NOTICE,OPER INST.S60.....1 <i>ANSI only</i>	
13	47041GT	DECAL,CAUTION,TOWING SPEED.....1 <i>Option, tow package</i>		41	1253629GT	DECAL,LP BOTTLE,S60.....1 <i>Option</i>	
15	52607GT	DECAL,LABEL,TEST***.....1 <i>Ford only</i>					
16	52865GT	DECAL,ANNUAL INSP***.....1 <i>ANSI only</i>					
17	52966GT	DECAL,COSMETIC,4 X 2.....1 <i>Option, drive</i>					
18	52967GT	DECAL,COSMETIC,4 X 4.....1 <i>Option, drive</i>					
19	72168GT	DECAL,LABEL,CONTROLS BATTERY...1 <i>Option, dual battery</i>					
20	72169GT	DECAL,LABEL,PETRO CANADA***.....1 <i>Option, dual battery</i>					
21	72999GT	DECAL,LABEL,PETRO CANADA***.....1 <i>Option, hydraulic oil</i>					
22	82161GT	DECAL,LABEL,UCON HYDROLUBE....1 <i>Option, hydraulic oil</i>					
23	82366GT	DECAL, LABEL - CHEVRON RANDO....1 <i>Option, hydraulic oil</i>					
24	82677GT	DECAL,DANGER/LABEL,TIRE SPECS.....2 <i>ANSI only</i>					
25	82678GT	DECAL,DANGER,HI-FLOAT TIRE.....2 <i>Option, hi-floatation tires</i>					
26	114099GT	DECAL,LABEL,TRANSPORT DIAGRAM.....1					
27	114219GT	DECAL,LABEL,RELAYS,S60&65.....1					
28	114258GT	DECAL,DANGER,NO SMOKING.....1					

110.1 S-65 Decals with Word, Engine Side (ANSI & Australia)



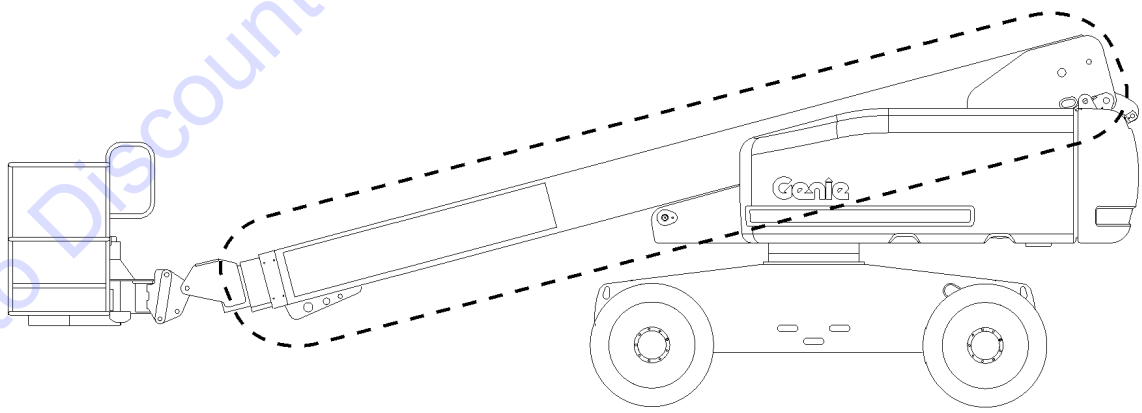
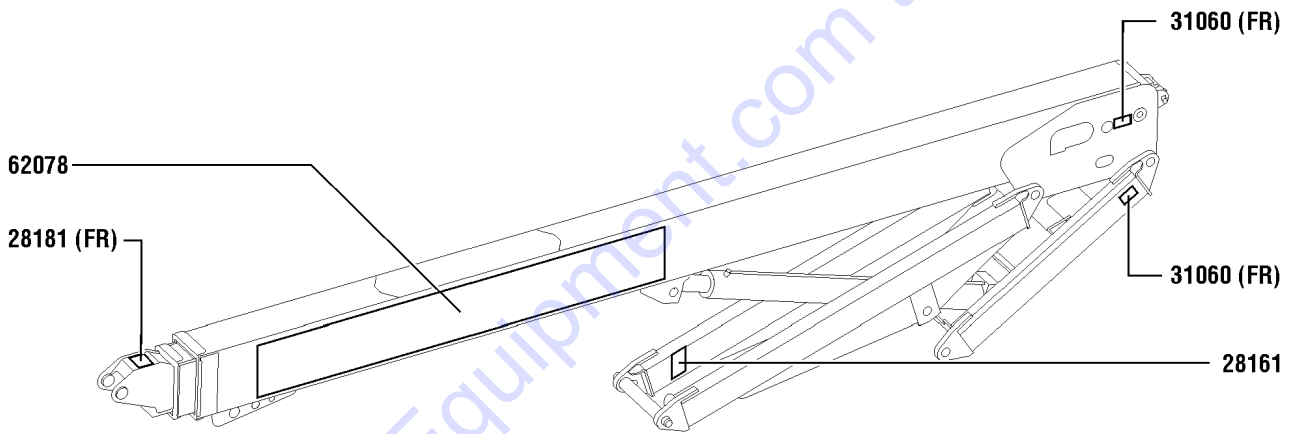
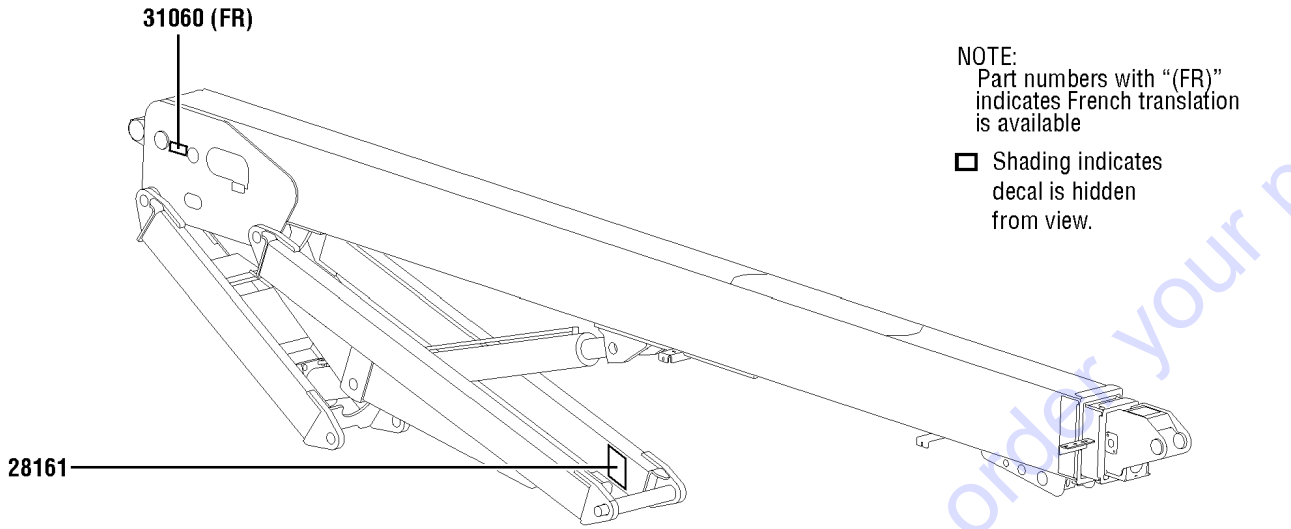
NOTE:  
Part numbers with "(FR)" indicates French translation is available



110.1 S-65 Decals with Word, Engine Side (ANSI & Australia)

Item	Part No.	Description	Qty.	Item	Part No.	Description	Qty.
1	27204GT	DECAL,ARROW BLUE.....	1	28	822131GT	DECAL, ENGINE SPEC, D2.9..... <i>Deutz D2.9L4</i>	1
2	27206GT	DECAL,TRIANGLE,BLUE.....	1	29	1253011GT	DECAL, VAPORIZER PRESSURE..... <i>Ford MSG-425 only</i>	1
3	27207GT	DECAL,TRIANGLE,YELLOW.....	1				
4	28161GT	DECAL,WARN,CRUSH HAZARD HAND.....	1				
5	28174GT	DECAL, POWER TO PLATFORM 230V**.....	1				
6	28175GT	DECAL,WARNING-COMPART ACCESS.....	1				
7	28235GT	DECAL, POWER TO PLATFORM 115V**.....	1				
8	44981GT	DECAL,LABEL,AIR LINE 110 PSI..... <i>Option, airline to plat</i>	1				
9	46137GT	DECAL,LPS (4"X4")..... <i>Option</i>	1				
11	62079GT	DECAL,COSMETIC,S65.....	1				
12	82237GT	DECAL,DANGER,HIGH VOLTAGE..... <i>Option, welder</i>	2				
13	82677GT	DECAL,DANGER/LABEL,TIRE SPECS..... <i>ANSI only</i>	2				
14	82678GT	DECAL,DANGER,HI-FLOAT TIRE..... <i>Option, hi-floatation tires</i>	2				
15	97548GT	DECAL,ENGINE SPEC,DEUTZ 2011..... <i>Deutz D2011L3i and Deutz TD2011L04i</i>	1				
16	97602GT	DECAL,EXPLOSION HAZARD..... <i>Diesel engines</i>	1				
17	97875GT	DECAL,WARN.WELD LINE INST.WORD..... <i>Option, weld cable line</i>	1				
18	114099GT	DECAL,LABEL,TRANSPORT DIAGRAM.....	1				
19	114169GT	DECAL,FORD ENGINE SPEC DSG423..... <i>Ford DSG-423</i>	1				
20	114277GT	DECAL,LABEL,BELT ROUTING DSG..... <i>Ford DSG-423</i>	1				
21	114390GT	DECAL,DANGER,ELECT HAZARD***.....	1				
22	133238GT	DECAL,ENGINE SPEC,PERKINS***..... <i>Perkins 404D-22</i>	1				
23	147792GT	DANGER,TIPOVR,TIRES FF ONLY..... <i>AUS only</i>	2				
24	215526GT	DECAL,LABEL,BELT,MSG425..... <i>Ford MSG-425</i>	1				
25	215527GT	DECAL,FORD ENGINE SPEC MSG425..... <i>Ford MSG-425</i>	1				
26	235372GT	DECAL,LABEL,WHEEL LOAD S65.....	2				
27	822004GT	DECAL, ENGINE SPEC, 404F-22..... <i>Perkins 404F-22</i>	1				

111.1 S-65 Decals with Word, Boom (ANSI & Australia)





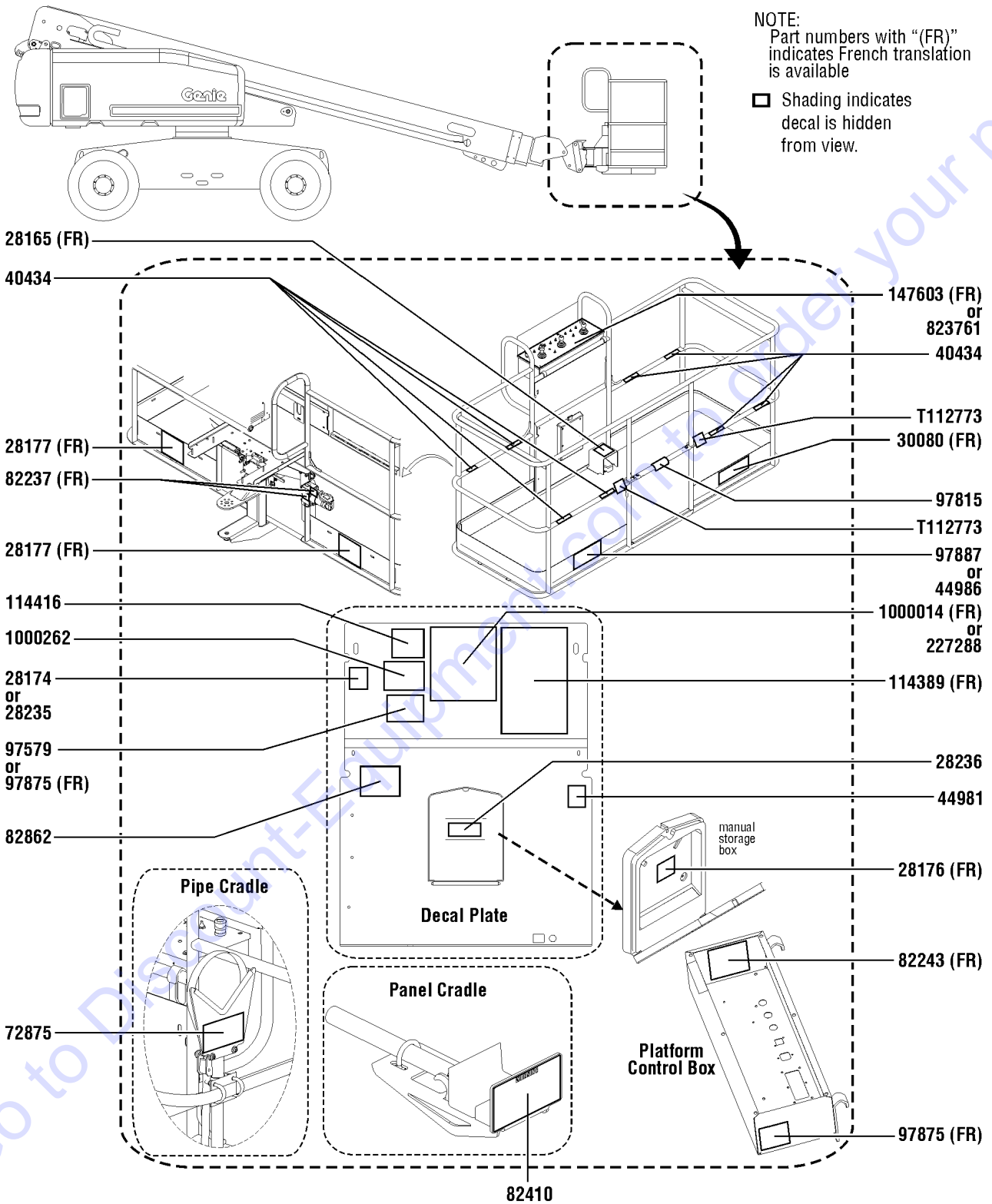
111.1 S-65 Decals with Word, Boom (ANSI & Australia)

Item	Part No.	Description	Qty.
1	28161GT	DECAL,WARN,CRUSH HAZARD HAND.....	2
2	28181GT	DECAL,WARN,FALL HAZARD.....	1
3	31060GT	DECAL,DANGER DO NOT ALTER SWTC.....	3
4	62078GT	DECAL,COSMETIC,GENIE S65.....	1

Go to Discount-Equipment.com to order your parts



112.1 S-65 Decals with Word, Platform (ANSI & Australia)



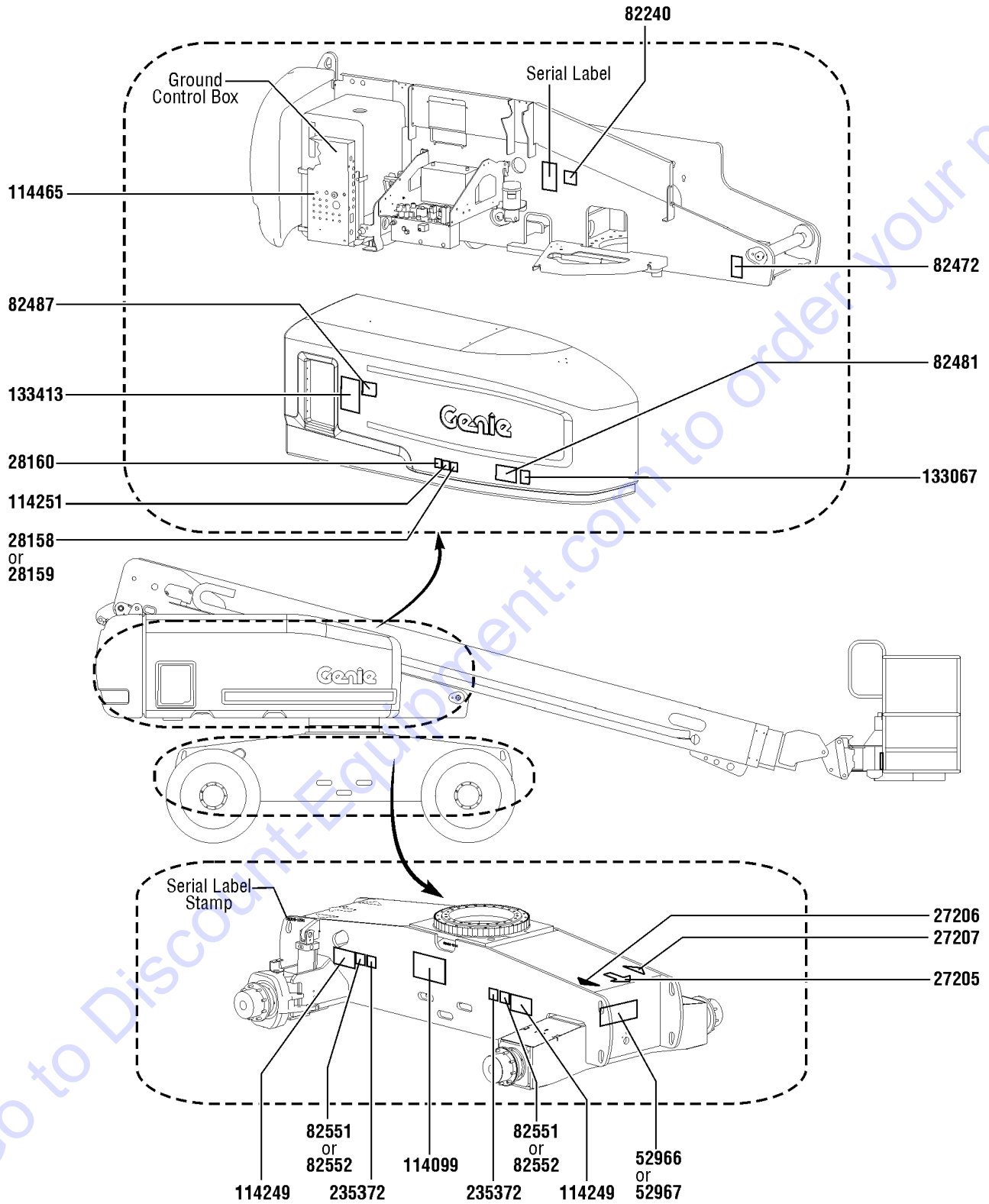
112.1 S-65 Decals with Word, Platform (ANSI & Australia)

Item	Part No.	Description	Qty.
1	28165GT	DECAL,INSTRUCT,FOOTSWITCH OPER.....	1
2	28174GT	DECAL, POWER TO PLATFORM 230V**.....	1
3	28176GT	DECAL,LABEL,MANUAL NOT HERE.....	1
4	28177GT	DECAL,WARN,CRUSH HAZARD PLAT.....	2
5	28235GT	DECAL, POWER TO PLATFORM 115V**.....	1
6	28236GT	DECAL,WARN,IMPROPER OPERATION.....	1
7	30080GT	DECAL,NOTICE,MAX LOAD 500 LBS....	1
8	40434GT	DECAL,LANYARD ANCHORAGE POINT.....	8
9	44981GT	DECAL,LABEL,AIR LINE 110 PSI..... <i>Option, airline to plat</i>	1
10	44986GT	DECAL,INSTR,SIDE FRC/WIND,AUS.... <i>AUS only</i>	1
11	72875GT	DECAL,WARNING,PIPE CRADLE,BOOM..... <i>Option, pipe cradle</i>	2
12	82237GT	DECAL,DANGER,HIGH VOLTAGE..... <i>Option, welder</i>	2
13	82243GT	DECAL FAULT CODE.....	1
14	82410GT	DECAL,WARNING,PANEL CRADLE..... <i>Option, panel cradle</i>	2
15	82862GT	DECAL,FIRE EXTINGUISHER..... <i>Option, welder</i>	1
16	97579GT	DECAL,DANGER,TIP-OVER,WELDER**. <i>Option, welder</i>	1
17	97815GT	DECAL,LABEL,LOWER MIDRAIL.....	1
18	97875GT	DECAL,WARN.WELD LINE INST.WORD..... <i>Option, weld cable line</i>	2
19	97887GT	DECAL,INSTR,MAX SIDE FRC,ANSI.... <i>ANSI/CSA only</i>	1
20	114389GT	DECAL,DANGER,GENERAL SAFETY....	1
21	114416GT	DECAL,DANGER,TIPOVER,TILT.....	1
22	147603GT	DECAL, PLAT CNTL PNL.....	1
23	227288GT	DECAL, OPERATING INSTRUCTIONS..... <i>AUS only</i>	1
24	823761GT	LABEL, PBOX, S65 TIER 4..... <i>Tier 4 models only</i>	1
25	1000014GT	DECAL,NOTICE,OPER INST.S60..... <i>ANSI only</i>	1
26	1000262GT	DECAL,DANGER,TIP OVER,PLAT.....	1
27	T112773GT	TAPE, PROTECTIVE MASK.....	2

Go to [www.genieequipment.com](http://www.genieequipment.com) to order your parts



113.1 S-65 Decals with Symbol, Hydraulic Tank Side (ANSI & CE)

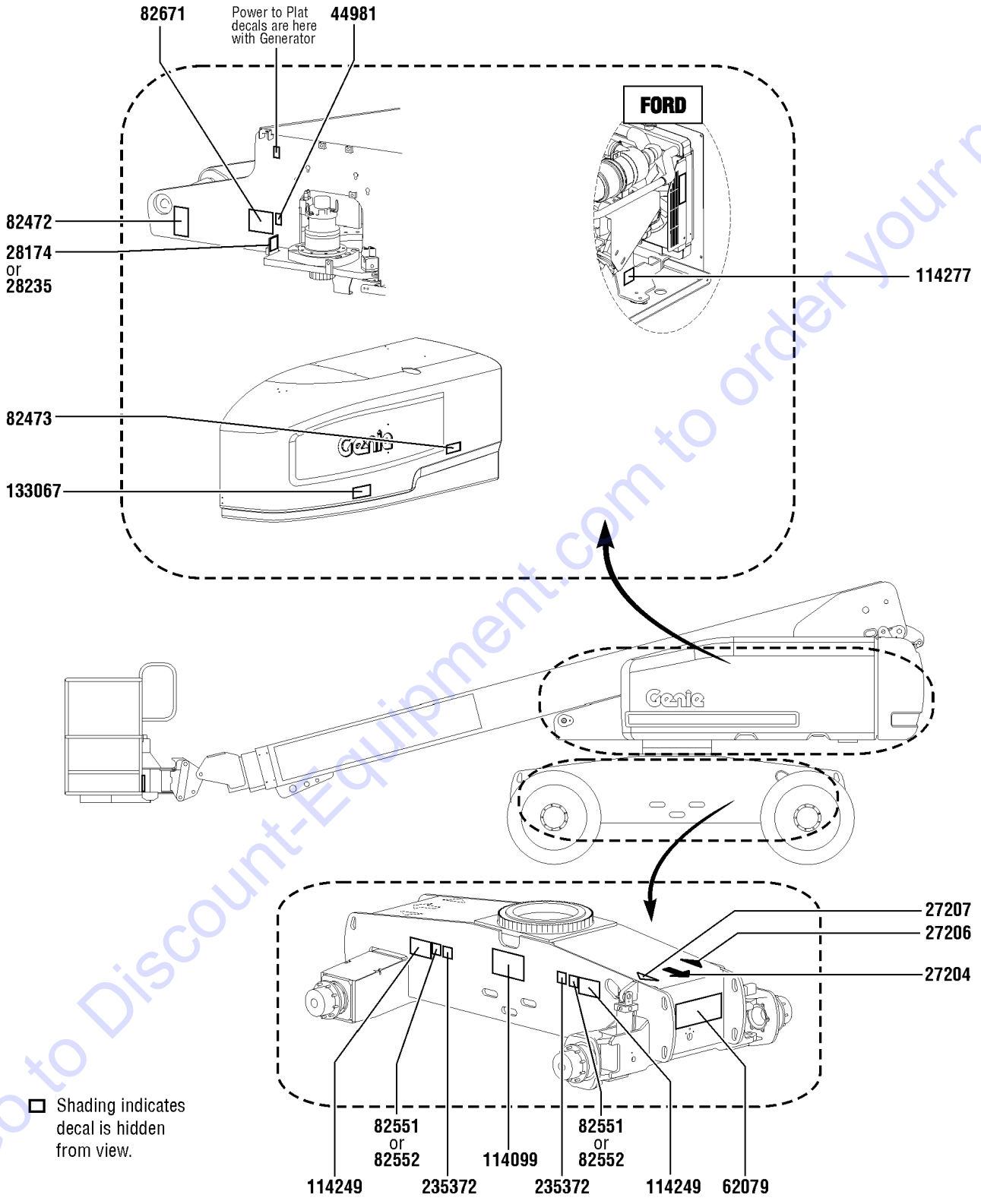


113.1 S-65 Decals with Symbol, Hydraulic Tank Side (ANSI & CE)

Item	Part No.	Description	Qty.
1	27205GT	DECAL,ARROW YELLOW LRG 9".....1	1
2	27206GT	DECAL,TRIANGLE,BLUE.....1	1
3	27207GT	DECAL,TRIANGLE,YELLOW.....1	1
4	28158GT	DECAL,LABEL,UNLEADED GAS ONLY.....1 <i>Ford only</i>	1
5	28159GT	DECAL,LABEL,DIESEL FUEL.....1 <i>Deutz and Perkins only</i>	1
6	28160GT	DECAL,LABEL,LIQUID PROPANE.....1 <i>Option, LPG tank</i>	1
7	52966GT	DECAL,COSMETIC,4 X 2.....1 <i>Option, drive</i>	1
8	52967GT	DECAL,COSMETIC,4 X 4.....1 <i>Option, drive</i>	1
9	82240GT	DECAL,LABEL,105 DB.....1	1
10	82472GT	DECAL,WARNING,CRUSHING HAZARD.....1	1
11	82481GT	DECAL,SYMBOL-BATTERY SAFETY.....1	1
12	82487GT	DECAL, SYMBOL - READ THE MANUAL.....1	1
13	82551GT	DECAL,LABEL,TIRE PRESSURE.....2 <i>RT air filled tires only</i>	2
14	82552GT	DECAL,LABEL,TIRE PRESS HF.....2 <i>Hi-floatation tires only</i>	2
15	114099GT	DECAL,LABEL,TRANSPORT DIAGRAM.....1	1
16	114249GT	DECAL,LABEL,TIPOVER,TIRES,SYMB.2	2
17	114251GT	DECAL,LABEL,NO SMOKING,SYMB.....1	1
18	114465GT	DECAL GROUND CONTROL BOX.....1	1
19	133067GT	DECAL,DANGER,ELEC.HAZ.STAY CLR.....1	1
20	133413GT	DECAL,EMERGENCY LOWERING.....1 <i>CE only</i>	1
21	235372GT	DECAL,LABEL,WHEEL LOAD S65.....2	2

Go to DiscountPart.com to order your parts

114.1 S-65 Decals with Symbol, Engine Side (ANSI & CE)



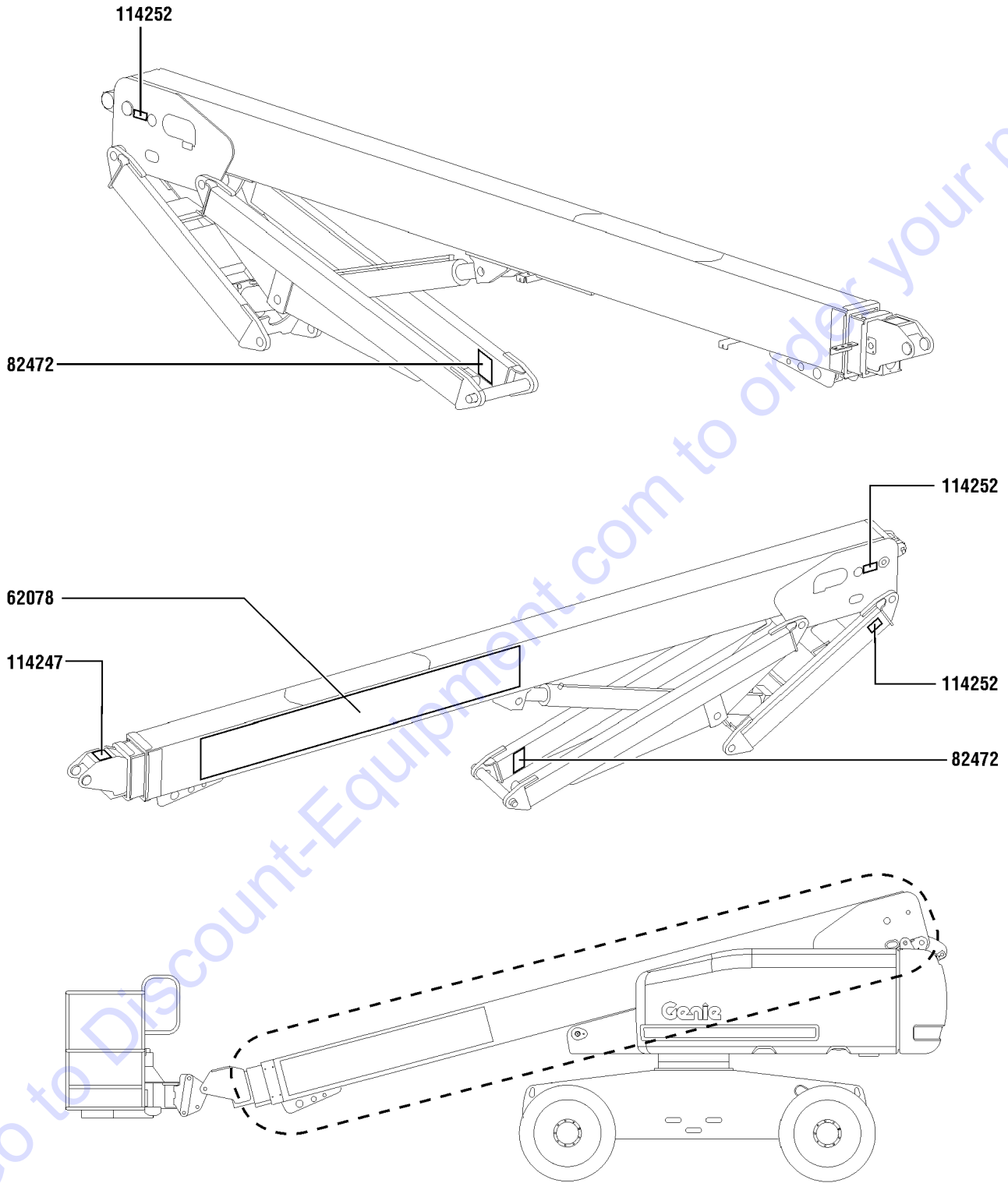
114.1 S-65 Decals with Symbol, Engine Side (ANSI & CE)

Item	Part No.	Description	Qty.
1	27204GT	DECAL,ARROW BLUE.....	1
2	27206GT	DECAL,TRIANGLE,BLUE.....	1
3	27207GT	DECAL,TRIANGLE,YELLOW.....	1
4	28174GT	DECAL, POWER TO PLATFORM 230V**.....	1
5	28235GT	DECAL, POWER TO PLATFORM 115V**.....	1
6	44981GT	DECAL,LABEL,AIR LINE 110 PSI..... <i>Option, airline to plat</i>	1
7	62079GT	DECAL,COSMETIC,S65.....	1
8	82472GT	DECAL,WARNING,CRUSHING HAZARD.....	1
9	82473GT	DECAL,SYMBOL-COMP ACCESS.....	1
10	82551GT	DECAL,LABEL,TIRE PRESSURE..... <i>RT air filled tires only</i>	2
11	82552GT	DECAL,LABEL,TIRE PRESS HF..... <i>Hi-floatation tires only</i>	2
12	82671GT	DECAL,LABEL,WELD LINE INST,SYM... <i>Option, weld cable line</i>	1
13	114099GT	DECAL,LABEL,TRANSPORT DIAGRAM.....	1
14	114249GT	DECAL,LABEL,TIPOVER,TIRES,SYMB.2	2
15	114277GT	DECAL,LABEL,BELT ROUTING DSG..... <i>Ford DSG-423</i>	1
16	133067GT	DECAL,DANGER,ELEC.HAZ.STAY CLR.....	1
17	235372GT	DECAL,LABEL,WHEEL LOAD S65.....	2

Go to Discount-Equipment.com to order your parts



115.1 S-65 Decals with Symbol, Boom (ANSI & CE)





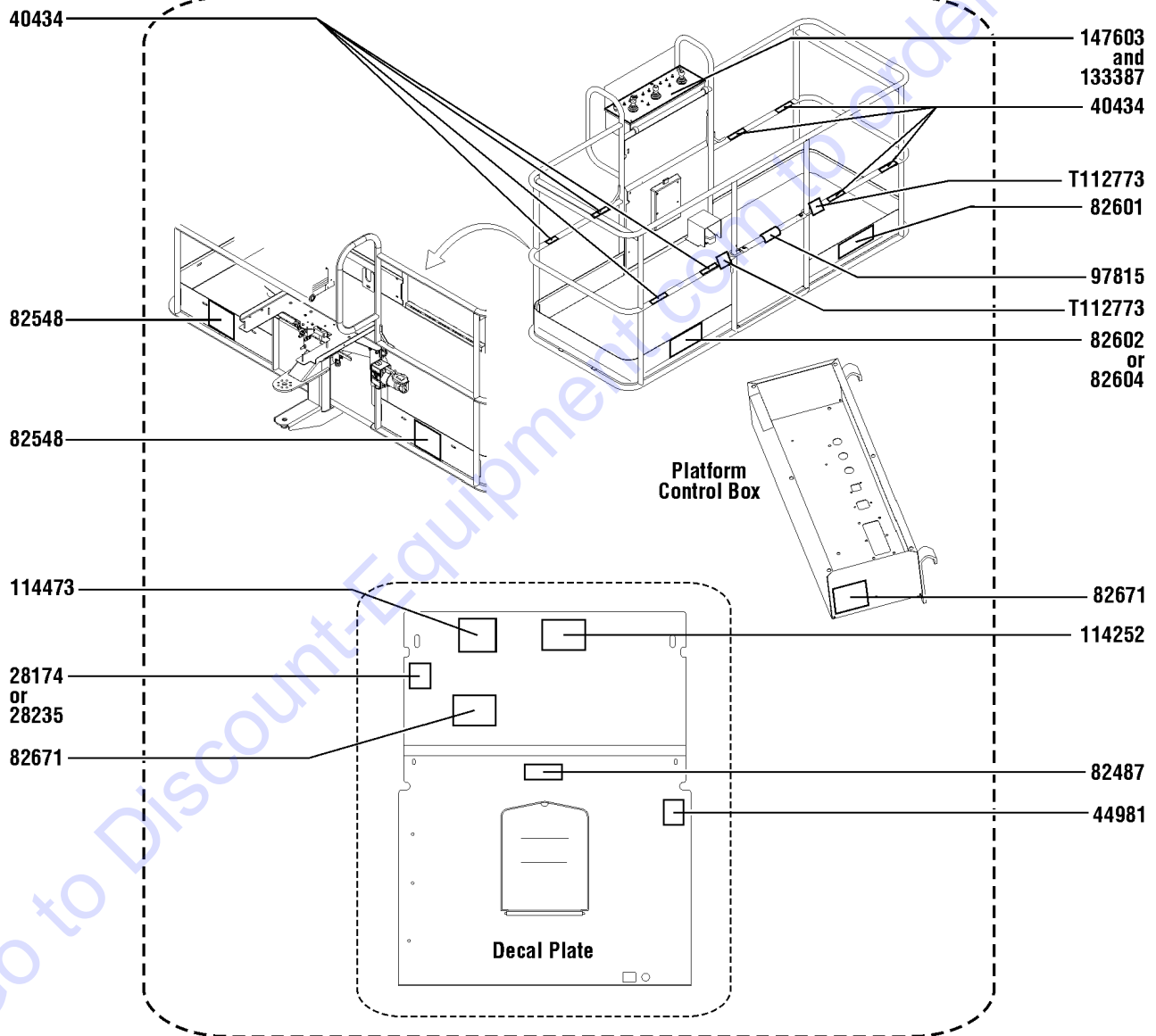
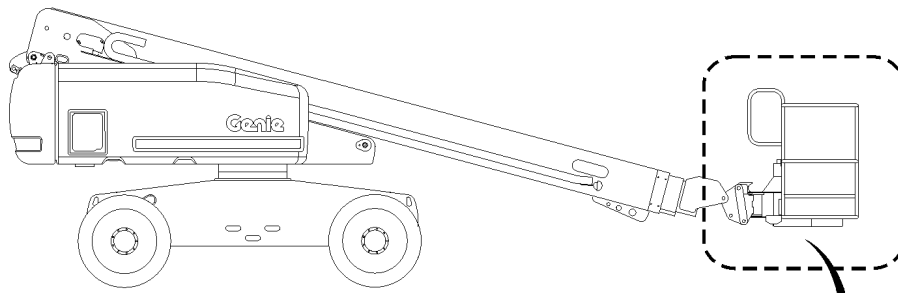
115.1 S-65 Decals with Symbol, Boom (ANSI & CE)

Item	Part No.	Description	Qty.
1	62078GT	DECAL,COSMETIC,GENIE S65.....	1
2	82472GT	DECAL,WARNING,CRUSHING HAZARD.....	2
3	114247GT	DECAL,LABEL,FALL HAZARD***.....	1
4	114252GT	DECAL,LABEL,TIP OVER LMT SWTCH.....	3

Go to Discount-Equipment.com to order your parts



116.1 S-65 Decals with Symbol, Platform (ANSI & CE)



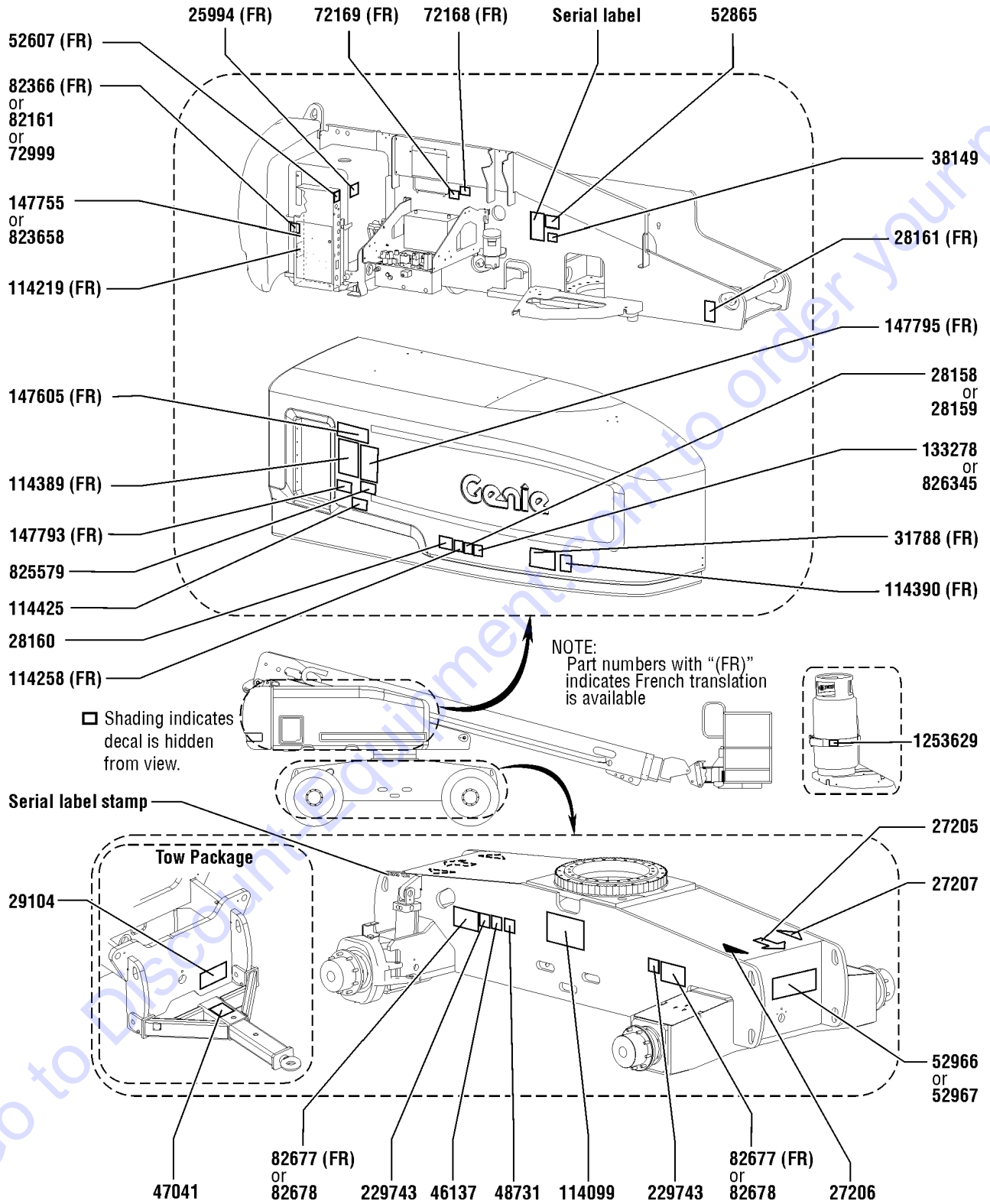
116.1 S-65 Decals with Symbol, Platform (ANSI & CE)

Item	Part No.	Description	Qty.
1	28174GT	DECAL, POWER TO PLATFORM 230V**.....	1
2	28235GT	DECAL, POWER TO PLATFORM 115V**.....	1
3	40434GT	DECAL,LANYARD ANCHORAGE POINT.....	8
4	44981GT	DECAL,LABEL,AIR LINE 110 PSI..... <i>Option, airline to plat</i>	1
5	82487GT	DECAL, SYMBOL - READ THE MANUAL.....	1
6	82548GT	DECAL,WARN,CRUSH HAZARD PLAT.....	2
7	82601GT	DECAL,LABEL,MAX CAPACITY***.....	1
8	82602GT	DECAL,DANGER,MAX SIDE FRC,667N..... <i>ANSI only</i>	1
9	82604GT	DECAL,DANGER,SIDE FRC 400N..... <i>CE only</i>	1
10	82671GT	DECAL,LABEL,WELD LINE INST,SYM... <i>Option, weld cable line</i>	2
11	97815GT	DECAL,LABEL,LOWER MIDRAIL.....	1
12	114252GT	DECAL,LABEL,TIP OVER LMT SWTCH.....	1
13	114473GT	DECAL,DANGER,TIPOVER,TILT,SYM...1	1
14	133387GT	DECAL,DRIVE ENABLE PATCH.....	1
15	147603GT	DECAL, PLAT CNTL PNL.....	1
16	T112773GT	TAPE, PROTECTIVE MASK.....	2

Go to Discount-Equipment.com to order your parts



117.1 S-60X Decals with Word, Hydraulic Tank Side (ANSI)

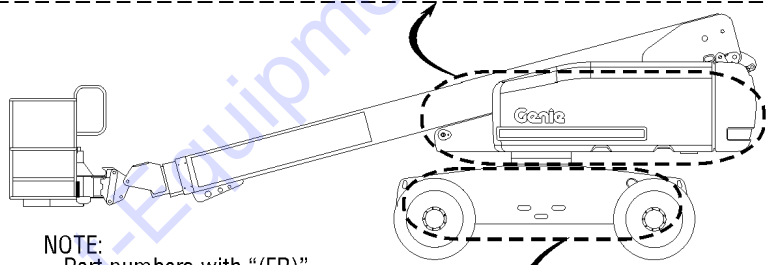
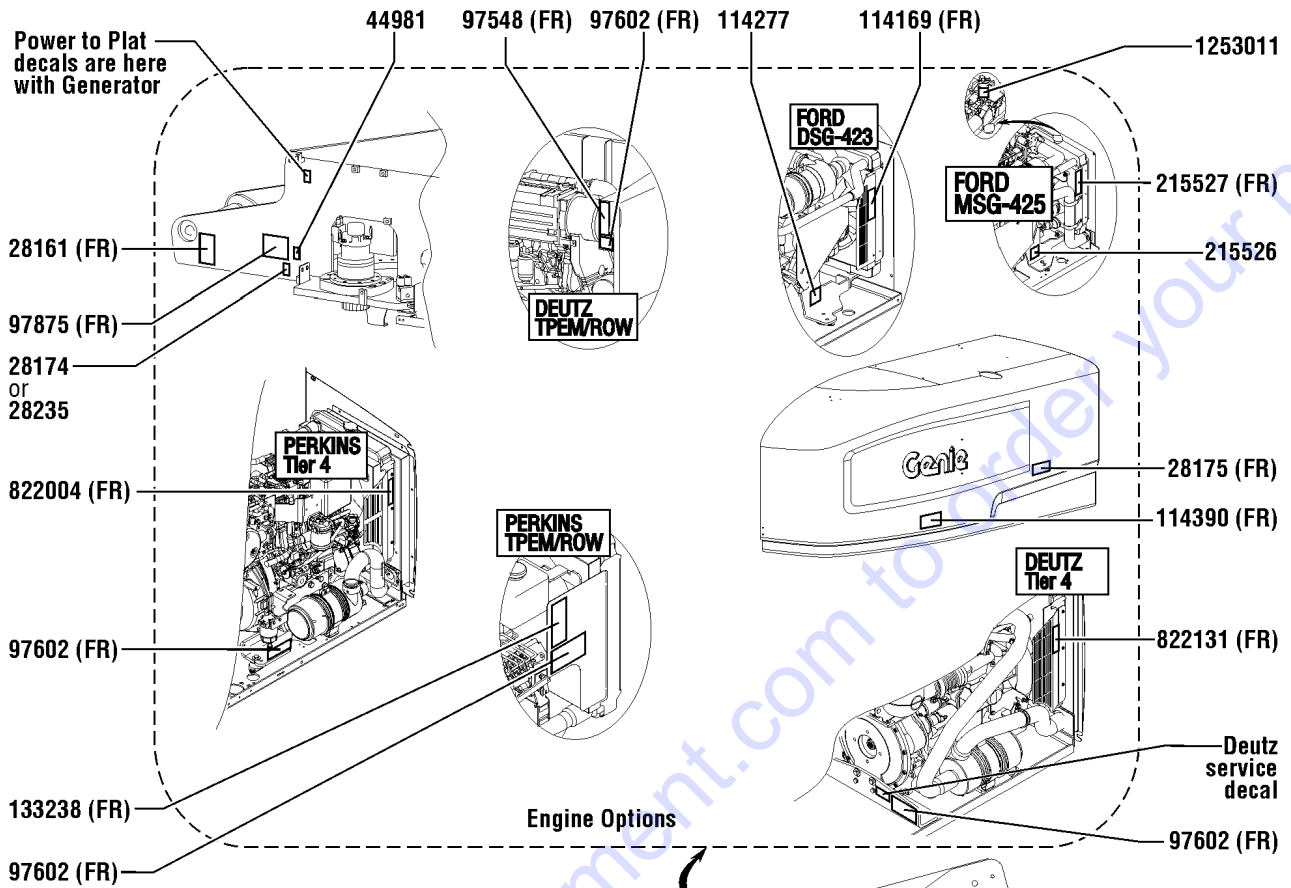


117.1 S-60X Decals with Word, Hydraulic Tank Side (ANSI)

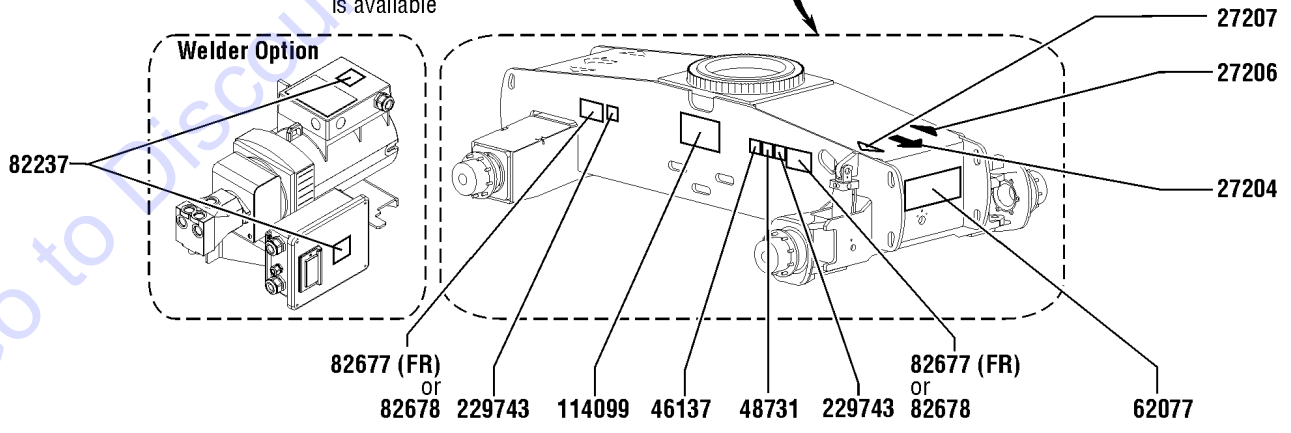
Item	Part No.	Description	Qty.	Item	Part No.	Description	Qty.
--	162023GT	DECAL KIT,S60X,COMP,WRD,ANSI S-60X from SN 21001		29	114389GT	DECAL,DANGER,GENERAL SAFETY....1	1
1	25994GT	DECAL,NOTICE,SHUTOFF VALVES.....1	1	30	114390GT	DECAL,DANGER,ELECT HAZARD***....1	1
2	27205GT	DECAL,ARROW YELLOW LRG 9".....1	1	31	114425GT	DECAL,BATTERY DISCONNECT.....1 Option	1
3	27206GT	DECAL,TRIANGLE,BLUE.....1	1	32	133278GT	DECAL,LOW/ULTRA LOW SULFR FUEL.....1 (Deutz D2011L3i, Deutz TD2011L04i and Perkins 404D-22)	1
4	27207GT	DECAL,TRIANGLE,YELLOW.....1	1	33	147605GT	DECAL,INST PLAT CAP 60X.....1	1
5	28158GT	DECAL,LABEL,UNLEADED GAS ONLY.....1 Ford only	1	34	147755GT	DECAL,GR CNTL PNL 60X 80X.....1 (Deutz D2011L3i, Deutz TD2011L04i and Perkins 404D-22)	1
6	28159GT	DECAL,LABEL,DIESEL FUEL.....1 Deutz and Perkins only	1	35	147793GT	DECAL,DANGER,TIPOVR,MAX CAP....1	1
7	28160GT	DECAL,LABEL,LIQUID PROPANE.....1 Option, LPG tank	1	36	147795GT	DECAL, OPER INST 6080X GRD.....1	1
8	28161GT	DECAL,WARN,CRUSH HAZARD HAND.....1	1	37	229743GT	DECAL,LABEL,WHEEL LOAD S60/60X.....2	2
9	29104GT	DECAL,TOWING INSTRUCTIONS.....1 Option, tow package	1	38	823658GT	LABEL, GBOX, S60X TIER 4.....1 (Deutz D2.9L4 and Perkins 404F-22)	1
10	31788GT	DECAL,DANGER,BATTERY SAFETY***.....1	1	39	825579GT	DECAL, LCD, TIER 4.....1 (Deutz D2.9L4 and Perkins 404F-22)	1
11	38149GT	DECAL,LABEL,PATENTS.....1	1	40	826345GT	DECAL,ULS DIESEL ONLY,TIER 4.....1 (Deutz D2.9L4 and Perkins 404F-22)	1
12	46137GT	DECAL,LPS (4"X4").....1 Option	1	41	1253629GT	DECAL,LP BOTTLE,S60.....1 Option	1
13	47041GT	DECAL,CAUTION,TOWING SPEED.....1 Option, tow package	1				
15	52607GT	DECAL,LABEL,TEST***.....1 Ford only	1				
16	52865GT	DECAL,ANNUAL INSP***.....1	1				
17	52966GT	DECAL,COSMETIC,4 X 2.....1 Option, drive	1				
18	52967GT	DECAL,COSMETIC,4 X 4.....1 Option, drive	1				
19	72168GT	DECAL,LABEL,CONTROLS BATTERY...1 Option, dual battery	1				
20	72169GT	DECAL,LABEL,PETRO CANADA***.....1 Option, dual battery	1				
21	72999GT	DECAL,LABEL,PETRO CANADA***.....1 Option, hydraulic oil	1				
22	82161GT	DECAL,LABEL,UCON HYDROLUBE....1 Option, hydraulic oil	1				
23	82366GT	DECAL, LABEL - CHEVRON RANDO....1 Option, hydraulic oil	1				
24	82677GT	DECAL,DANGER/LABEL,TIRE SPECS.....2	2				
25	82678GT	DECAL,DANGER,HI-FLOAT TIRE.....2 Option, hi-floatation tires	2				
26	114099GT	DECAL,LABEL,TRANSPORT DIAGRAM.....1	1				
27	114219GT	DECAL,LABEL,RELAYS,S60&65.....1	1				
28	114258GT	DECAL,DANGER,NO SMOKING.....1	1				



118.1 S-60X Decals with Word, Engine Side (ANSI)



NOTE:  
Part numbers with "(FR)" indicates French translation is available

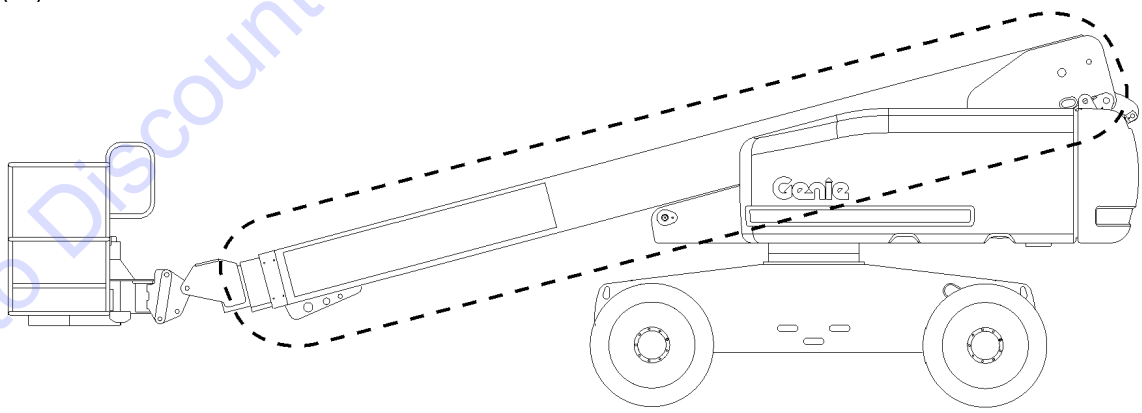
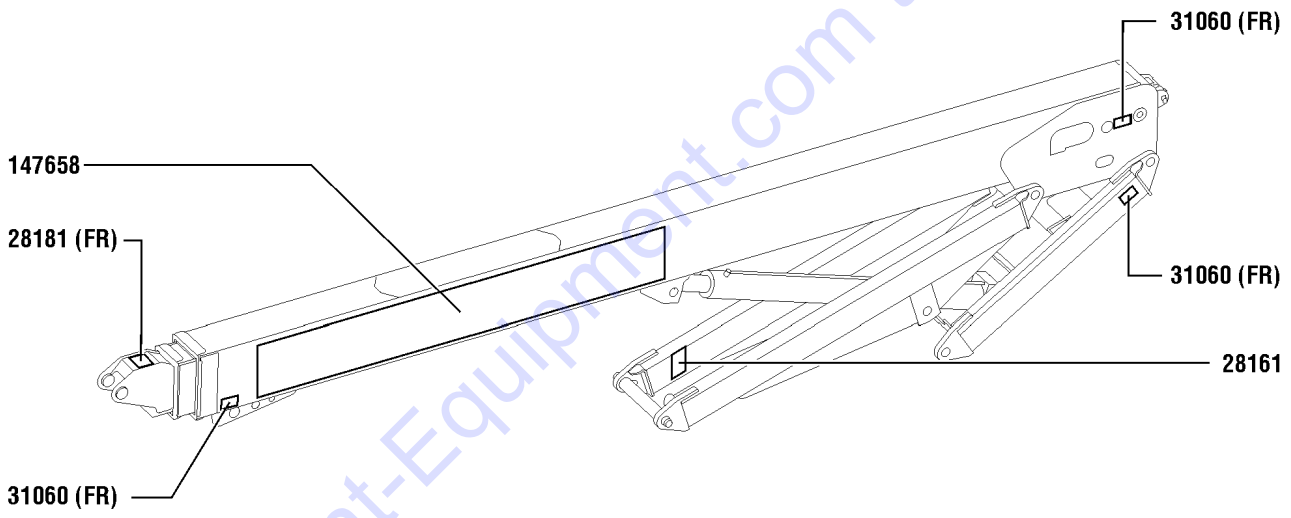
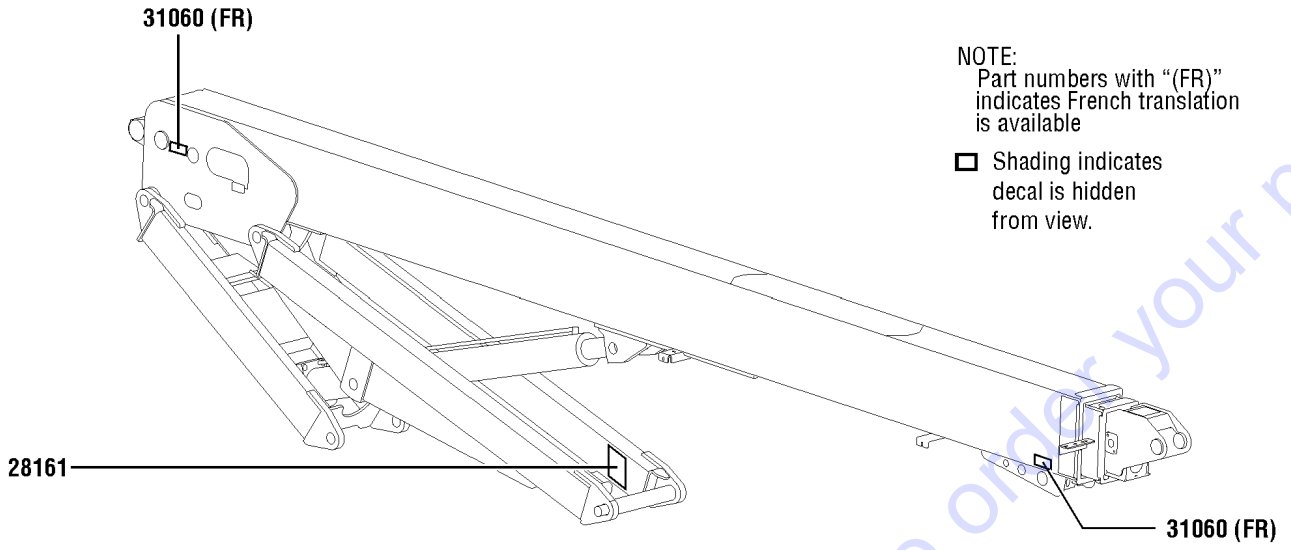


118.1 S-60X Decals with Word, Engine Side (ANSI)

Item	Part No.	Description	Qty.	Item	Part No.	Description	Qty.
1	27204GT	DECAL,ARROW BLUE.....	1	28	1253011GT	DECAL, VAPORIZER PRESSURE..... <i>Ford MSG-425 only</i>	1
2	27206GT	DECAL,TRIANGLE,BLUE.....	1				
3	27207GT	DECAL,TRIANGLE,YELLOW.....	1				
4	28161GT	DECAL,WARN,CRUSH HAZARD HAND.....	1				
5	28174GT	DECAL, POWER TO PLATFORM 230V**.....	1				
6	28175GT	DECAL,WARNING-COMPART ACCESS.....	1				
7	28235GT	DECAL, POWER TO PLATFORM 115V**.....	1				
8	44981GT	DECAL,LABEL,AIR LINE 110 PSI..... <i>Option, airline to plat</i>	1				
9	46137GT	DECAL,LPS (4"X4")..... <i>Option</i>	1				
11	62077GT	DECAL,COSMETIC,S60.....	1				
12	82237GT	DECAL,DANGER,HIGH VOLTAGE..... <i>Option, welder</i>	2				
13	82677GT	DECAL,DANGER/LABEL,TIRE SPECS..... <i>ANSI only</i>	2				
14	82678GT	DECAL,DANGER,HI-FLOAT TIRE..... <i>Option, hi-floatation tires</i>	2				
15	97548GT	DECAL,ENGINE SPEC,DEUTZ 2011..... <i>Deutz D2011L3i and Deutz TD2011L04i</i>	1				
16	97602GT	DECAL,EXPLOSION HAZARD..... <i>Diesel engines</i>	1				
17	97875GT	DECAL,WARN.WELD LINE INST.WORD..... <i>Option, weld cable line</i>	1				
18	114099GT	DECAL,LABEL,TRANSPORT DIAGRAM.....	1				
19	114169GT	DECAL,FORD ENGINE SPEC DSG423..... <i>Ford DSG-423</i>	1				
20	114277GT	DECAL,LABEL,BELT ROUTING DSG..... <i>Ford DSG-423</i>	1				
21	114390GT	DECAL,DANGER,ELECT HAZARD***.....	1				
22	133238GT	DECAL,ENGINE SPEC,PERKINS***..... <i>Perkins 404D-22</i>	1				
23	215526GT	DECAL,LABEL,BELT,MSG425..... <i>Ford MSG-425</i>	1				
24	215527GT	DECAL,FORD ENGINE SPEC MSG425..... <i>Ford MSG-425</i>	1				
25	229743GT	DECAL,LABEL,WHEEL LOAD S60/60X.....	2				
26	822004GT	DECAL, ENGINE SPEC, 404F-22..... <i>Perkins 404F-22</i>	1				
27	822131GT	DECAL, ENGINE SPEC, D2.9..... <i>Deutz D2.9L4</i>	1				



119.1 S-60X Decals with Word, Boom (ANSI)





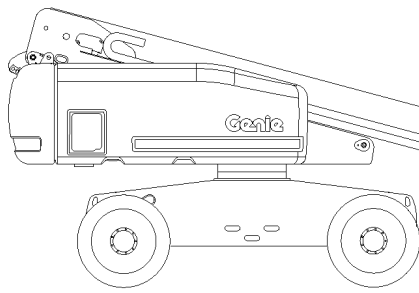
119.1 S-60X Decals with Word, Boom (ANSI)

Item	Part No.	Description	Qty.
1	28161GT	DECAL,WARN,CRUSH HAZARD HAND.....	2
2	28181GT	DECAL,WARN,FALL HAZARD.....	1
3	31060GT	DECAL,DANGER DO NOT ALTER SWTC.....	5
4	147658GT	DECAL,COSM GENIE S60X.....	1

Go to Discount-Equipment.com to order your parts

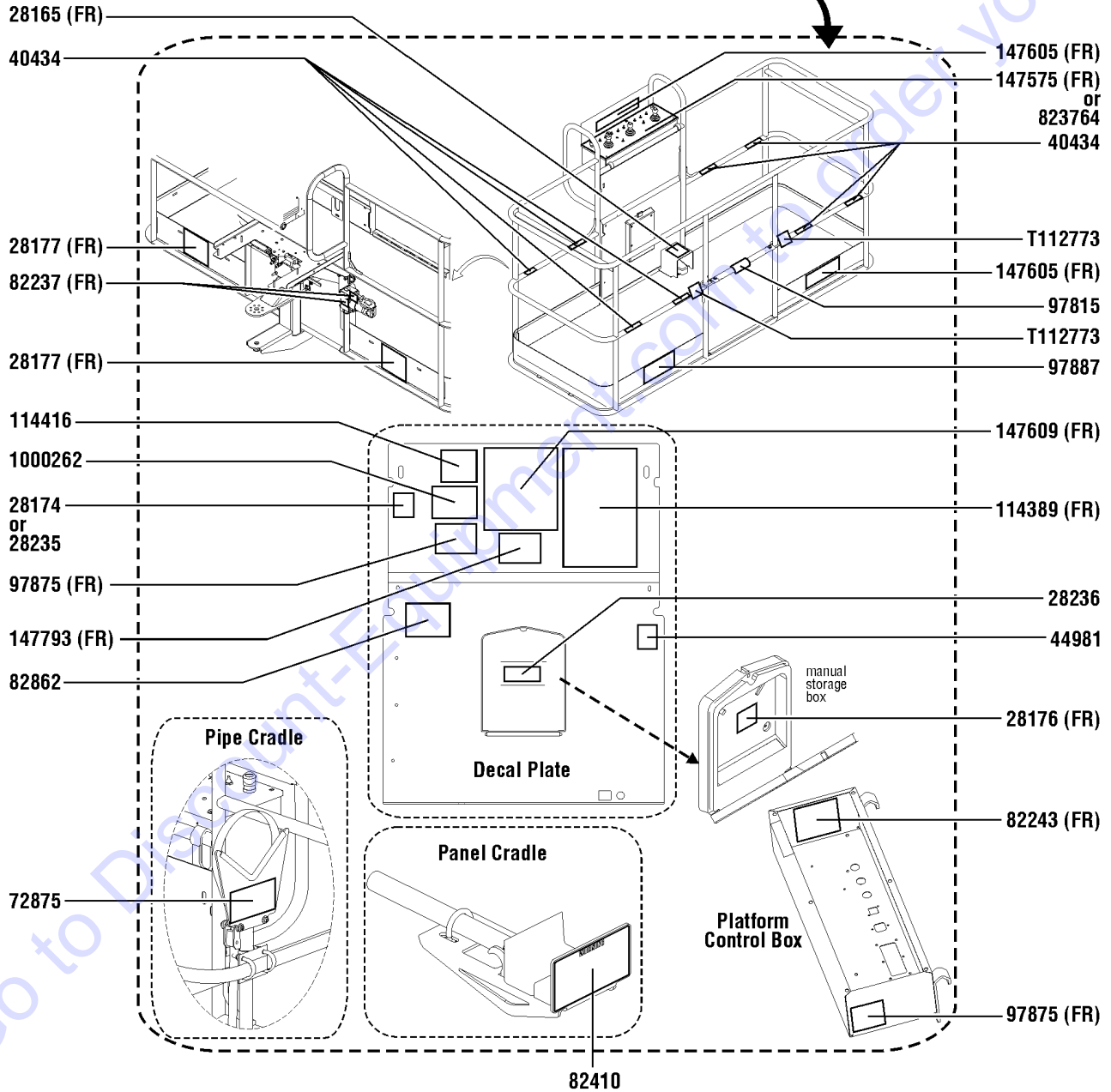


120.1 S-60X Decals with Word, Platform (ANSI)



NOTE:  
Part numbers with "(FR)" indicates French translation is available

☐ Shading indicates decal is hidden from view.



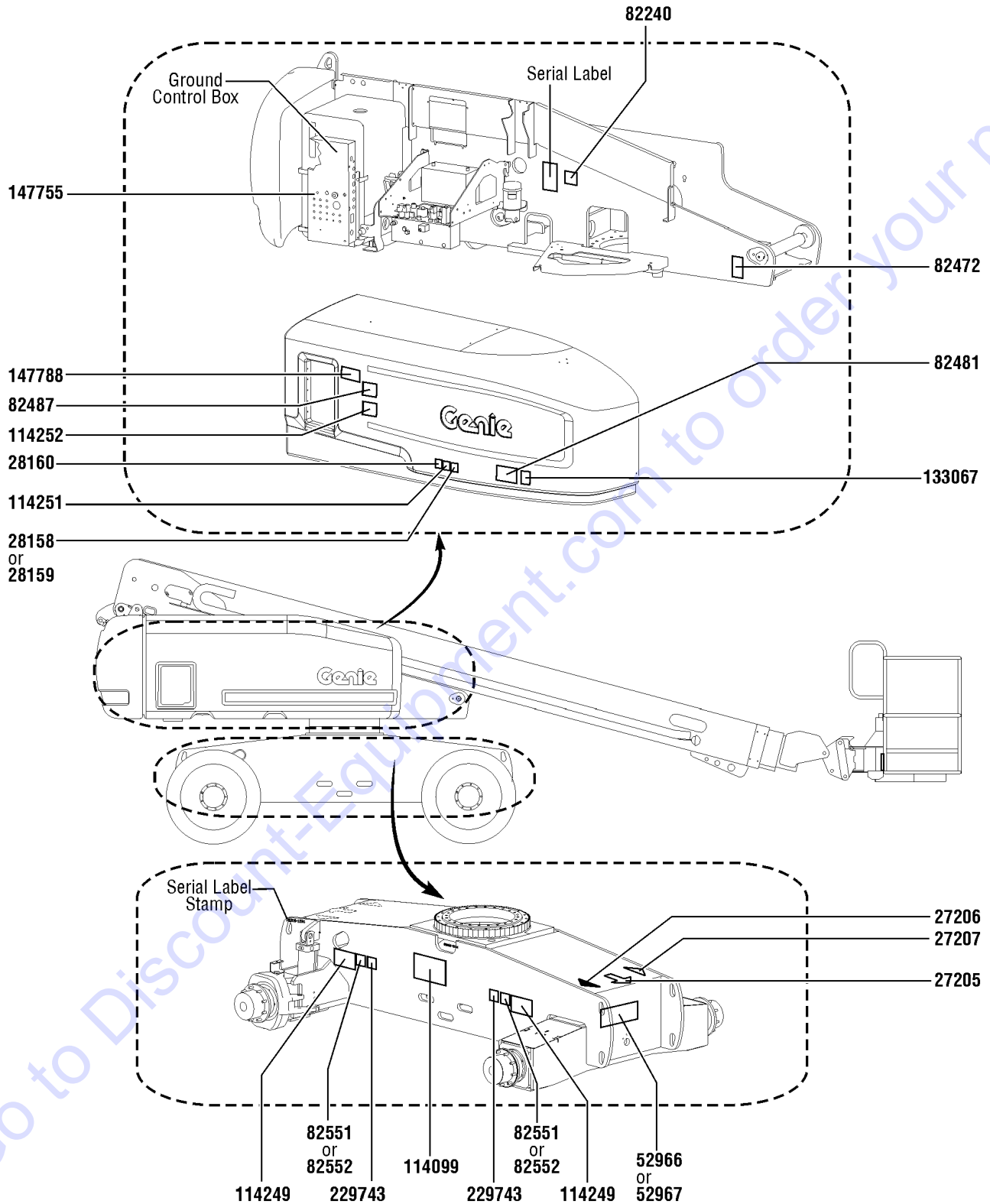
120.1 S-60X Decals with Word, Platform (ANSI)

Item	Part No.	Description	Qty.
1	28165GT	DECAL,INSTRUCT,FOOTSWITCH OPER.....	1
2	28174GT	DECAL, POWER TO PLATFORM 230V**.....	1
3	28176GT	DECAL,LABEL,MANUAL NOT HERE.....	1
4	28177GT	DECAL,WARN,CRUSH HAZARD PLAT.....	2
5	28235GT	DECAL, POWER TO PLATFORM 115V**.....	1
6	28236GT	DECAL,WARN,IMPROPER OPERATION.....	1
7	40434GT	DECAL,LANYARD ANCHORAGE POINT.....	8
8	44981GT	DECAL,LABEL,AIR LINE 110 PSI..... <i>Option, airline to plat</i>	1
9	72875GT	DECAL,WARNING,PIPE CRADLE,BOOM..... <i>Option, pipe cradle</i>	2
10	82237GT	DECAL,DANGER,HIGH VOLTAGE..... <i>Option, welder</i>	2
11	82243GT	DECAL FAULT CODE.....	1
12	82410GT	DECAL,WARNING,PANEL CRADLE..... <i>Option, panel cradle</i>	2
13	82862GT	DECAL,FIRE EXTINGUISHER..... <i>Option, welder</i>	1
14	97815GT	DECAL,LABEL,LOWER MIDRAIL.....	1
15	97875GT	DECAL,WARN.WELD LINE INST.WORD..... <i>Option, weld cable line</i>	2
16	97887GT	DECAL,INSTR,MAX SIDE FRC,ANSI.....	1
17	114389GT	DECAL,DANGER,GENERAL SAFETY.....	1
18	114416GT	DECAL,DANGER,TIPOVER,TILT.....	1
19	147575GT	DECAL, PLAT CNTL PNL 60X 80X.....	1
20	147605GT	DECAL,INST PLAT CAP 60X.....	2
21	147609GT	DECAL, INST, OPER INST 60X PLT.....	1
22	147793GT	DECAL,DANGER,TIPOVR,MAX CAP.....	1
23	823764GT	LABEL, PBOX, S60X TIER 4..... <i>Tier 4 models only</i>	1
24	1000262GT	DECAL,DANGER,TIP OVER,PLAT.....	1
25	T112773GT	TAPE, PROTECTIVE MASK.....	2

Go to [www.genie.com](http://www.genie.com) to order your parts



121.1 S-60X Decals with Symbol, Hydraulic Tank Side (ANSI)

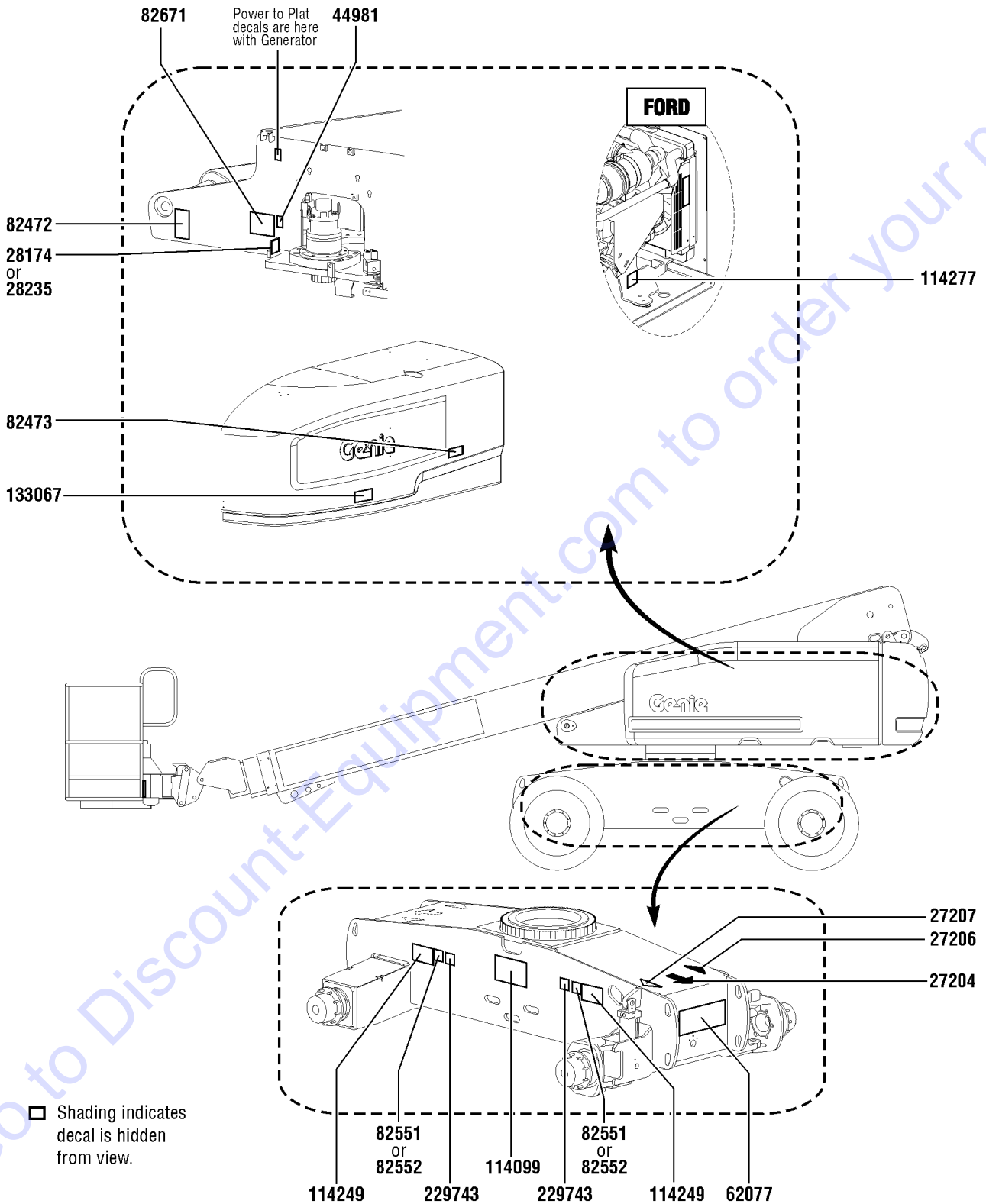


121.1 S-60X Decals with Symbol, Hydraulic Tank Side (ANSI)

Item	Part No.	Description	Qty.
1	27205GT	DECAL,ARROW YELLOW LRG 9".....1	1
2	27206GT	DECAL,TRIANGLE,BLUE.....1	1
3	27207GT	DECAL,TRIANGLE,YELLOW.....1	1
4	28158GT	DECAL,LABEL,UNLEADED GAS ONLY.....1 <i>Ford only</i>	1
5	28159GT	DECAL,LABEL,DIESEL FUEL.....1 <i>Deutz and Perkins only</i>	1
6	28160GT	DECAL,LABEL,LIQUID PROPANE.....1 <i>Option, LPG tank</i>	1
7	52966GT	DECAL,COSMETIC,4 X 2.....1 <i>Option, drive</i>	1
8	52967GT	DECAL,COSMETIC,4 X 4.....1 <i>Option, drive</i>	1
9	82240GT	DECAL,LABEL,105 DB.....1	1
10	82472GT	DECAL,WARNING,CRUSHING HAZARD.....1	1
11	82481GT	DECAL,SYMBOL-BATTERY SAFETY.....1	1
12	82487GT	DECAL,SYMBOL-READ THE MANUAL.....1	1
13	82551GT	DECAL,LABEL,TIRE PRESSURE.....2 <i>RT air filled tires only</i>	2
14	82552GT	DECAL,LABEL,TIRE PRESS HF.....2 <i>Hi-floatation tires only</i>	2
15	114099GT	DECAL,LABEL,TRANSPORT DIAGRAM.....1	1
16	114249GT	DECAL,LABEL,TIPOVER,TIRES,SYMB.2	2
17	114251GT	DECAL,LABEL,NO SMOKING,SYMB.....1	1
18	114252GT	DECAL,LABEL,TIP OVER LMT SWTCH.....1	1
19	133067GT	DECAL,DANGER,ELEC.HAZ.STAY CLR.....1	1
20	147755GT	DECAL,GR CNTL PNL 60X 80X.....1	1
21	147788GT	DECAL,INST PLAT CAPACITY,SYM.....1	1
22	229743GT	DECAL,LABEL,WHEEL LOAD S60/60X.....2	2

Go to [www.genieequipment.com](http://www.genieequipment.com) to order your parts

122.1 S-60X Decals with Symbol, Engine Side (ANSI)



# PARTS FINDER

**Search Website  
by Part Number**



**Search Manual  
Library For Parts  
Manual & Lookup Part  
Numbers – Purchase  
or Request Quote**

**Search Manuals**

Enter your information to help us find the right parts manual for your machine.

\* Brand:

\* Model:

\* Serial:

\* Part Number:

SEARCH

**Can't Find Part or  
Manual? Request Help  
by Manufacturer,  
Model & Description**

**Parts Order Form**

Please fill in the following information to help us find the right part for your machine.

Manufacturer:	<input type="text"/>
Model:	<input type="text"/>
Description:	<input type="text"/>
Part Number:	<input type="text"/>
Quantity:	<input type="text"/>
Notes:	<input type="text"/>

Submit

Discount-Equipment.com is your online resource for quality parts & equipment.

Florida: **561-964-4949** Outside Florida TOLL FREE: **877-690-3101**

**Need parts?**

Click on this link: <http://www.discount-equipment.com/category/5443-parts/> and choose one of the options to help get the right parts and equipment you are looking for. Please have the machine model and serial number available in order to help us get you the correct parts. If you don't find the part on the website or on one of the online manuals, please fill out the request form and one of our experienced staff members will get back to you with a quote for the right part that your machine needs.

We sell worldwide for the brands: Genie, Terex, JLG, MultiQuip, Mikasa, Essick, Whiteman, Mayco, Toro Stone, Diamond Products, Generac Magnum, Airman, Haulotte, Barreto, Power Blanket, Nifty Lift, Atlas Copco, Chicago Pneumatic, Allmand, Miller Curber, Skyjack, Lull, Skytrak, Tsurumi, Husquvarna Target, Stow, Wacker, Sakai, Mi-T-M, Sullair, Basic, Dynapac, MBW, Weber, Bartell, Bennar Newman, Haulotte, Ditch Runner, Menegotti, Morrison, Contec, Buddy, Crown, Edco, Wyco, Bomag, Laymor, EZ Trench, Bil-Jax, F.S. Curtis, Gehl Pavers, Heli, Honda, ICS/PowerGrit, IHI, Partner, Imer, Clipper, MMD, Koshin, Rice, CH&E, General Equipment, Amida, Coleman, NAC, Gradall, Square Shooter, Kent, Stanley, Tamco, Toku, Hatz, Kohler, Robin, Wisconsin, Northrock, Oztec, Toker TK, Rol-Air, APT, Wylie, Ingersoll Rand / Doosan, Innovatech, Con X, Ammann, Mecalac, Makinex, Smith Surface Prep, Small Line, Wanco, Yanmar

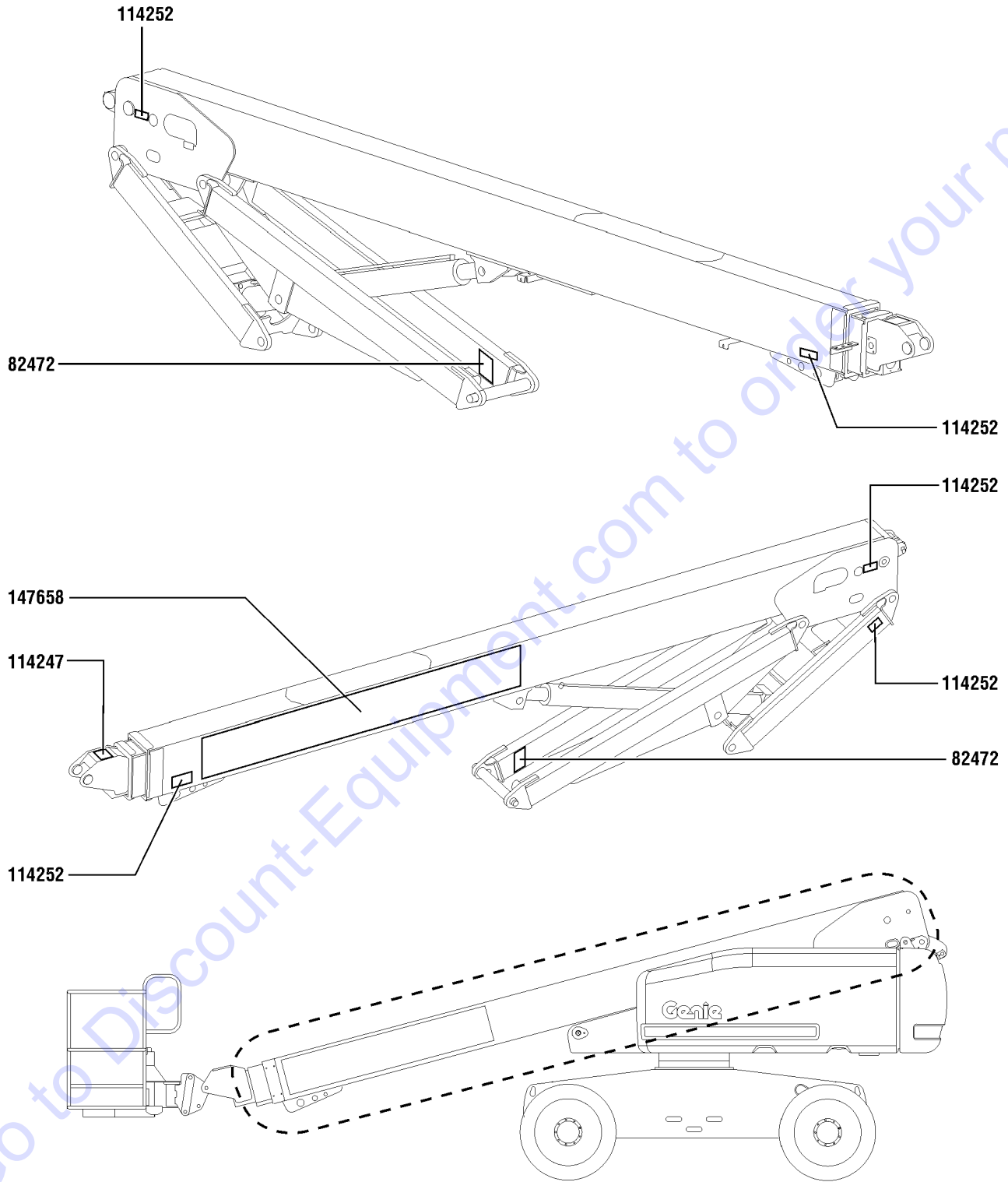
122.1 S-60X Decals with Symbol, Engine Side (ANSI)

Item	Part No.	Description	Qty.
1	27204GT	DECAL,ARROW BLUE.....	1
2	27206GT	DECAL,TRIANGLE,BLUE.....	1
3	27207GT	DECAL,TRIANGLE,YELLOW.....	1
4	28174GT	DECAL, POWER TO PLATFORM 230V**.....	1
5	28235GT	DECAL, POWER TO PLATFORM 115V**.....	1
6	44981GT	DECAL,LABEL,AIR LINE 110 PSI..... <i>Option, airline to plat</i>	1
7	62077GT	DECAL,COSMETIC,S60.....	1
8	82472GT	DECAL,WARNING,CRUSHING HAZARD.....	1
9	82473GT	DECAL,SYMBOL-COMP ACCESS.....	1
10	82551GT	DECAL,LABEL,TIRE PRESSURE..... <i>RT air filled tires only</i>	2
11	82552GT	DECAL,LABEL,TIRE PRESS HF..... <i>Hi-floatation tires only</i>	2
12	82671GT	DECAL,LABEL,WELD LINE INST,SYM... <i>Option, weld cable line</i>	1
13	114099GT	DECAL,LABEL,TRANSPORT DIAGRAM.....	1
14	114249GT	DECAL,LABEL,TIPOVER,TIRES,SYMB.2	2
15	114277GT	DECAL,LABEL,BELT ROUTING DSG..... <i>Ford DSG-423</i>	1
16	133067GT	DECAL,DANGER,ELEC.HAZ.STAY CLR.....	1
17	229743GT	DECAL,LABEL,WHEEL LOAD S60/60X.....	2

Go to Discount-Equipment.com to order your parts



123.1 S-60X Decals with Symbol, Boom (ANSI)



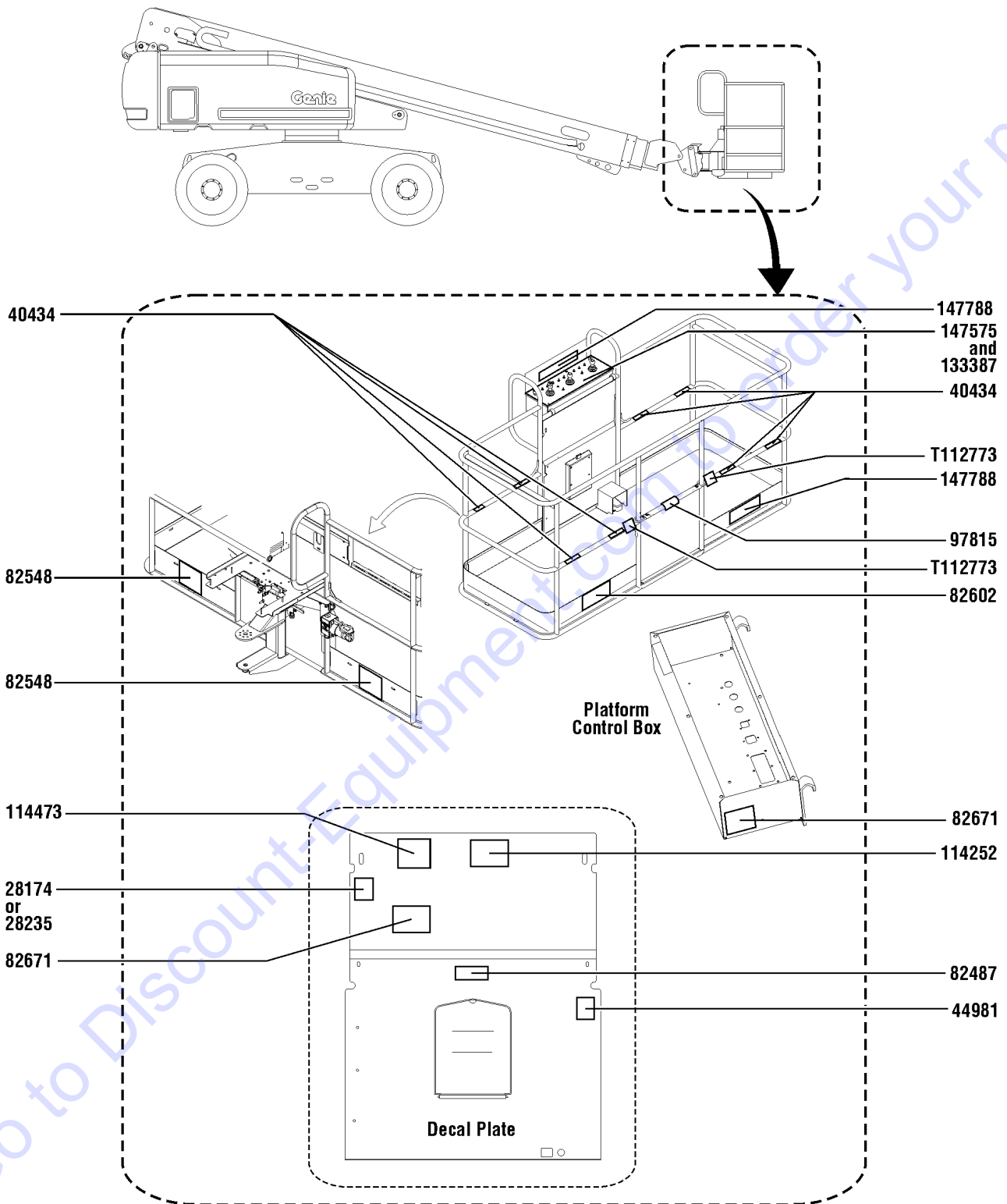
123.1 S-60X Decals with Symbol, Boom (ANSI)

Item	Part No.	Description	Qty.
1	82472GT	DECAL,WARNING,CRUSHING HAZARD.....	2
2	114247GT	DECAL,LABEL,FALL HAZARD***.....	1
3	114252GT	DECAL,LABEL,TIP OVER LMT SWTCH.....	5
4	147658GT	DECAL,COSM GENIE S60X.....	1

Go to Discount-Equipment.com to order your parts



124.1 S-60X Decals with Symbol, Platform (ANSI)



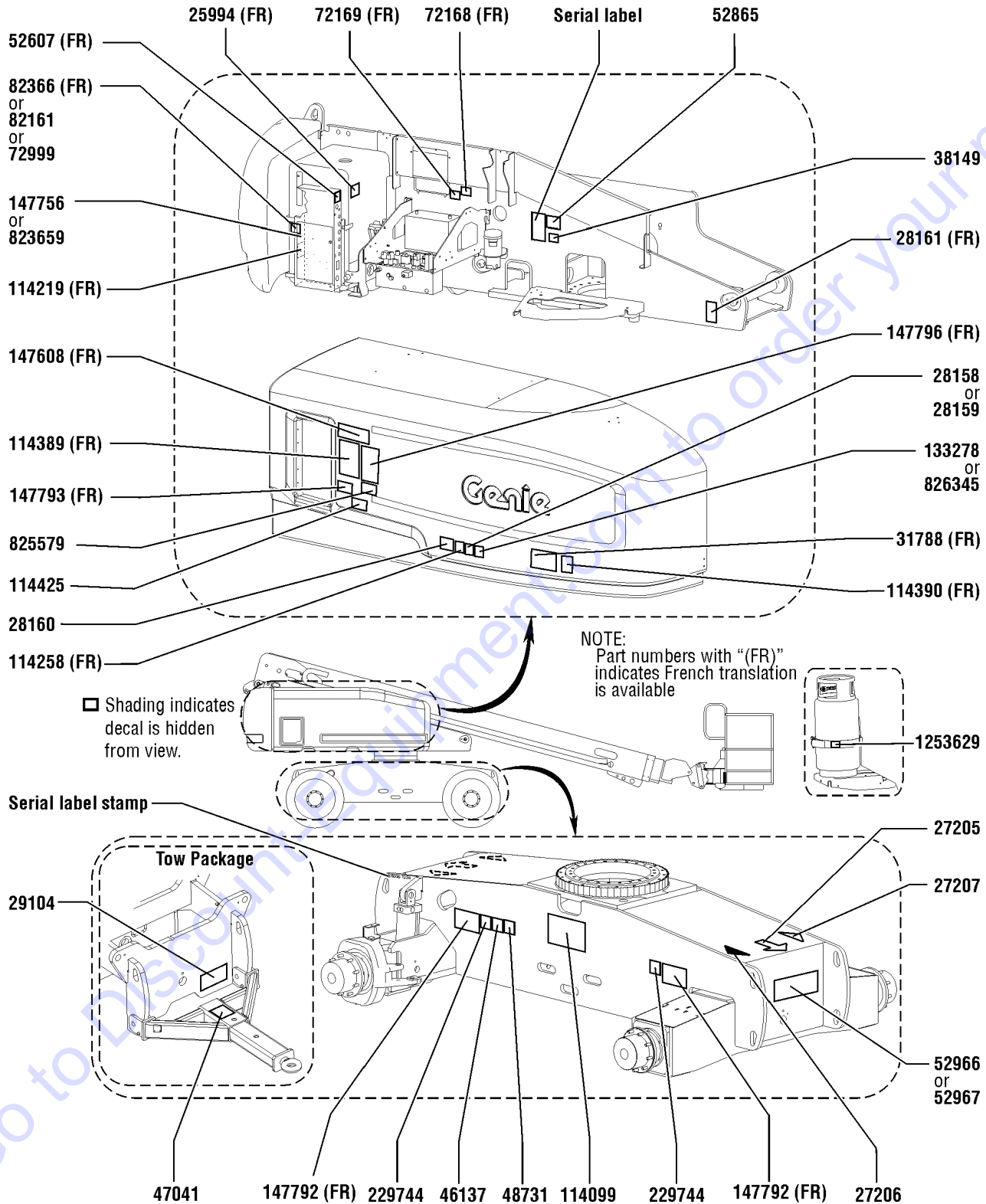
124.1 S-60X Decals with Symbol, Platform (ANSI)

Item	Part No.	Description	Qty.
1	28174GT	DECAL, POWER TO PLATFORM 230V**.....	1
2	28235GT	DECAL, POWER TO PLATFORM 115V**.....	1
3	40434GT	DECAL,LANYARD ANCHORAGE POINT.....	8
4	44981GT	DECAL,LABEL,AIR LINE 110 PSI..... <i>Option, airline to plat</i>	1
5	82487GT	DECAL, SYMBOL - READ THE MANUAL.....	1
6	82548GT	DECAL,WARN,CRUSH HAZARD PLAT.....	2
7	82602GT	DECAL,DANGER,MAX SIDE FRC,667N.....	1
8	82671GT	DECAL,LABEL,WELD LINE INST,SYM... <i>Option, weld cable line</i>	2
9	97815GT	DECAL,LABEL,LOWER MIDRAIL.....	1
10	114252GT	DECAL,LABEL,TIP OVER LMT SWTCH.....	1
11	114473GT	DECAL,DANGER,TIPOVER,TILT,SYM...1	1
12	133387GT	DECAL,DRIVE ENABLE PATCH.....	1
13	147575GT	DECAL, PLAT CNTL PNL 60X 80X.....	1
14	147788GT	DECAL,INST PLAT CAPACITY,SYM.....	2
15	T112773GT	TAPE, PROTECTIVE MASK.....	2

Go to Discount-Equipment.com to order your parts



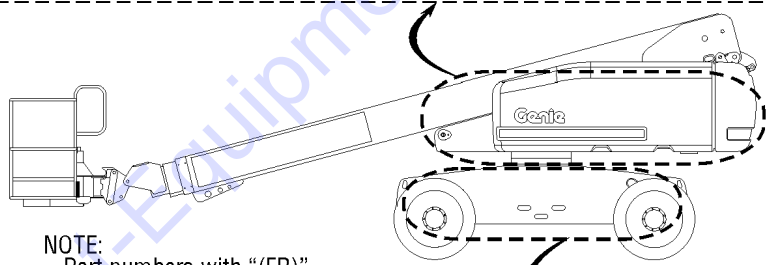
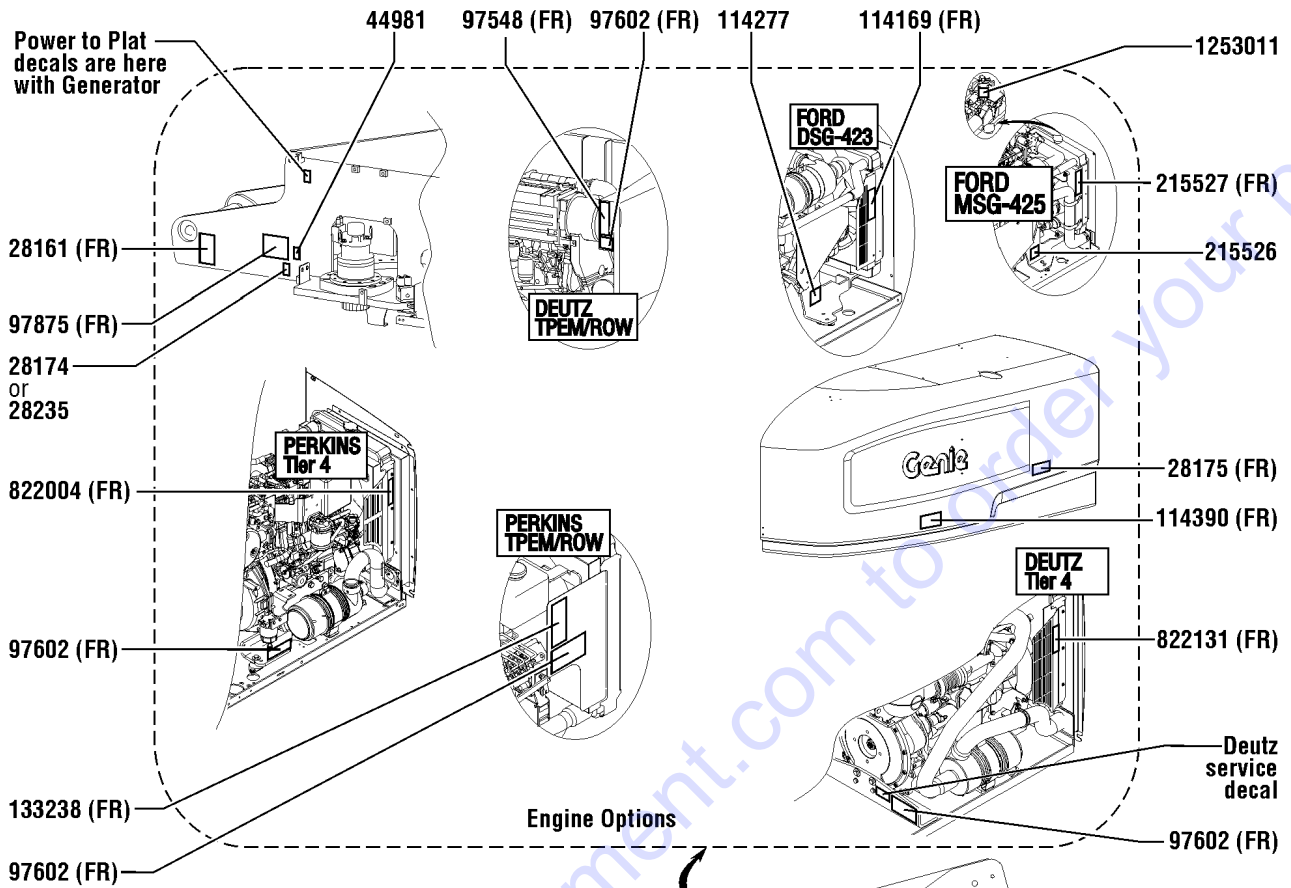
125.1 S-60XC Decals with Word, Hydraulic Tank Side (ANSI)



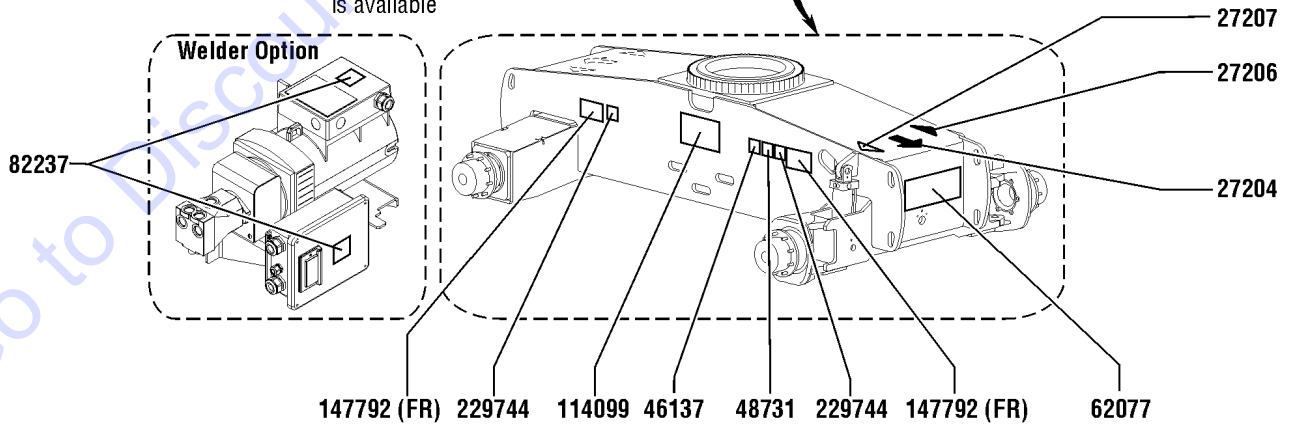
125.1 S-60XC Decals with Word, Hydraulic Tank Side (ANSI)

Item	Part No.	Description	Qty.	Item	Part No.	Description	Qty.
1	25994GT	DECAL,NOTICE,SHUTOFF VALVES.....1		30	133278GT	DECAL,LOW/ULTRA LOW SULFR FUEL.....1 <i>(Deutz D2011L3i, Deutz TD2011L04i and Perkins 404D-22)</i>	
2	27205GT	DECAL,ARROW YELLOW LRG 9".....1		31	147608GT	DECAL,INST PLAT CAP 60XC.....1	
3	27206GT	DECAL,TRIANGLE,BLUE.....1		32	147756GT	DECAL,GR CNTL PNL 60XC.....1 <i>(Deutz D2011L3i, Deutz TD2011L04i and Perkins 404D-22)</i>	
4	27207GT	DECAL,TRIANGLE,YELLOW.....1		33	147792GT	DANGER,TIPOVR,TIRES FF ONLY.....2	
5	28158GT	DECAL,LABEL,UNLEADED GAS ONLY.....1 <i>Ford only</i>		34	147793GT	DECAL,DANGER,TIPOVR,MAX CAP.....1	
6	28159GT	DECAL,LABEL,DIESEL FUEL.....1 <i>Deutz and Perkins only</i>		35	147796GT	DECAL,OPER INST 60XC GRD.....1	
7	28160GT	DECAL,LABEL,LIQUID PROPANE.....1 <i>Option, LPG tank</i>		36	229744GT	DECAL,LABEL,WHEEL LOAD S60H/XC.....2	
8	28161GT	DECAL,WARN,CRUSH HAZARD HAND.....1		37	823659GT	LABEL, GBOX, S60X TIER 4.....1 <i>(Deutz D2.9L4 and Perkins 404F-22)</i>	
9	29104GT	DECAL,TOWING INSTRUCTIONS.....1 <i>Option, tow package</i>		38	825579GT	DECAL, LCD, TIER 4.....1 <i>(Deutz D2.9L4 and Perkins 404F-22)</i>	
10	31788GT	DECAL,DANGER,BATTERY SAFETY***.....1		39	826345GT	DECAL,ULS DIESEL ONLY,TIER 4.....1 <i>(Deutz D2.9L4 and Perkins 404F-22)</i>	
11	38149GT	DECAL,LABEL,PATENTS.....1		40	1253629GT	DECAL,LP BOTTLE,S60.....1 <i>Option</i>	
12	46137GT	DECAL,LPS (4"X4").....1 <i>Option</i>					
13	47041GT	DECAL,CAUTION,TOWING SPEED.....1 <i>Option, tow package</i>					
15	52607GT	DECAL,LABEL,TEST***.....1 <i>Ford only</i>					
16	52865GT	DECAL,ANNUAL INSP***.....1					
17	52966GT	DECAL,COSMETIC,4 X 2.....1 <i>Option, drive</i>					
18	52967GT	DECAL,COSMETIC,4 X 4.....1 <i>Option, drive</i>					
19	72168GT	DECAL,LABEL,CONTROLS BATTERY...1 <i>Option, dual battery</i>					
20	72169GT	DECAL,LABEL,PETRO CANADA***.....1 <i>Option, dual battery</i>					
21	72999GT	DECAL,LABEL,PETRO CANADA***.....1 <i>Option, hydraulic oil</i>					
22	82161GT	DECAL,LABEL,UCON HYDROLUBE.....1 <i>Option, hydraulic oil</i>					
23	82366GT	DECAL, LABEL - CHEVRON RANDO.....1 <i>Option, hydraulic oil</i>					
24	114099GT	DECAL,LABEL,TRANSPORT DIAGRAM.....1					
25	114219GT	DECAL,LABEL,RELAYS,S60&65.....1					
26	114258GT	DECAL,DANGER,NO SMOKING.....1					
27	114389GT	DECAL,DANGER,GENERAL SAFETY....1					
28	114390GT	DECAL,DANGER,ELECT HAZARD***....1					
29	114425GT	DECAL,BATTERY DISCONNECT.....1 <i>Option</i>					

126.1 S-60XC Decals with Word, Engine Side (ANSI)



NOTE:  
Part numbers with "(FR)" indicates French translation is available

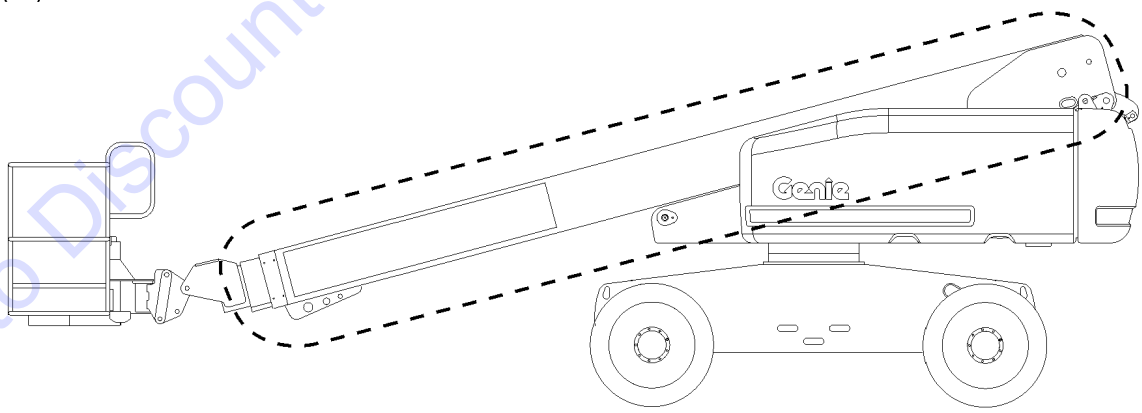
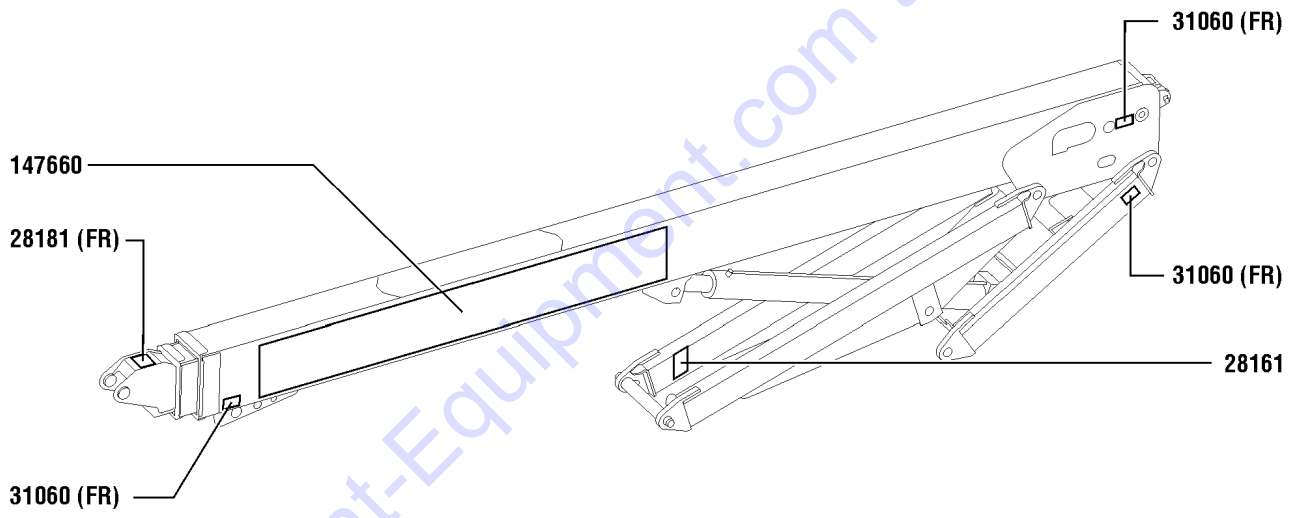
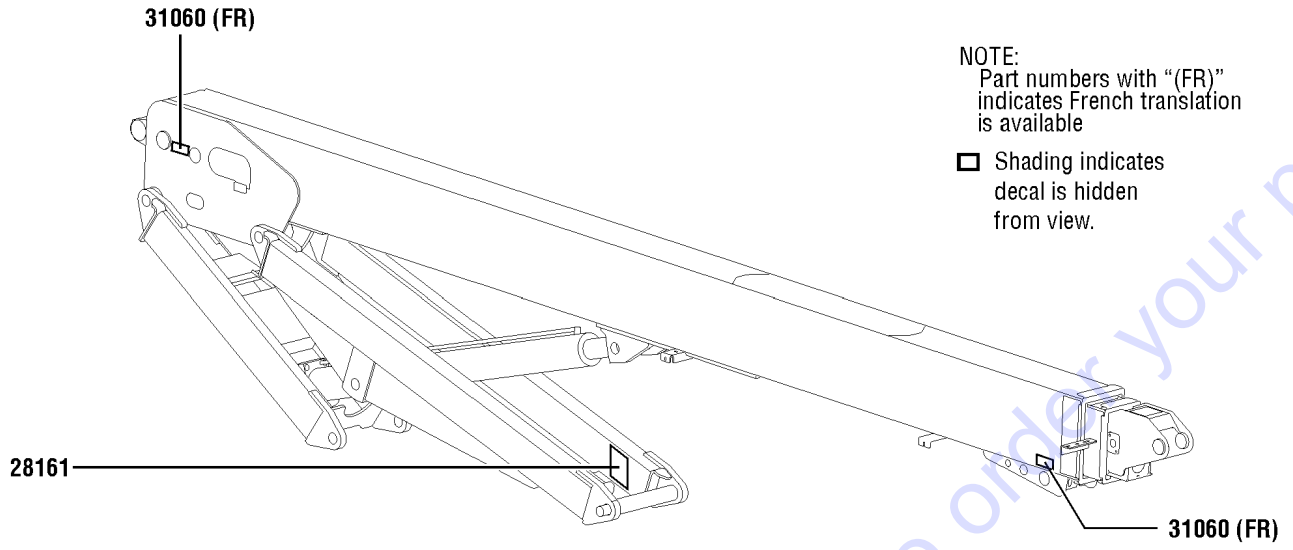


126.1 S-60XC Decals with Word, Engine Side (ANSI)

Item	Part No.	Description	Qty.
1	27204GT	DECAL,ARROW BLUE.....	1
2	27206GT	DECAL,TRIANGLE,BLUE.....	1
3	27207GT	DECAL,TRIANGLE,YELLOW.....	1
4	28161GT	DECAL,WARN,CRUSH HAZARD HAND.....	1
5	28174GT	DECAL, POWER TO PLATFORM 230V**.....	1
6	28175GT	DECAL,WARNING-COMPART ACCESS.....	1
7	28235GT	DECAL, POWER TO PLATFORM 115V**.....	1
8	44981GT	DECAL,LABEL,AIR LINE 110 PSI..... <i>Option, airline to plat</i>	1
9	46137GT	DECAL,LPS (4"X4")..... <i>Option</i>	1
11	62077GT	DECAL,COSMETIC,S60.....	1
12	82237GT	DECAL,DANGER,HIGH VOLTAGE..... <i>Option, welder</i>	2
13	97548GT	DECAL,ENGINE SPEC,DEUTZ 2011..... <i>Deutz D2011L3i and Deutz TD2011L04i</i>	1
14	97602GT	DECAL,EXPLOSION HAZARD..... <i>Diesel engines</i>	1
15	97875GT	DECAL,WARN.WELD LINE INST.WORD..... <i>Option, weld cable line</i>	1
16	114099GT	DECAL,LABEL,TRANSPORT DIAGRAM.....	1
17	114169GT	DECAL,FORD ENGINE SPEC DSG423..... <i>Ford DSG-423</i>	1
18	114277GT	DECAL,LABEL,BELT ROUTING DSG..... <i>Ford DSG-423</i>	1
19	114390GT	DECAL,DANGER,ELECT HAZARD***.....	1
20	133238GT	DECAL,ENGINE SPEC,PERKINS***..... <i>Perkins 404D-22</i>	1
21	147792GT	DANGER,TIPOVR,TIRES FF ONLY.....	2
22	215526GT	DECAL,LABEL,BELT,MSG425..... <i>Ford MSG-425</i>	1
23	215527GT	DECAL,FORD ENGINE SPEC MSG425..... <i>Ford MSG-425</i>	1
24	229744GT	DECAL,LABEL,WHEEL LOAD S60H/XC.....	2
25	822004GT	DECAL, ENGINE SPEC, 404F-22..... <i>Perkins 404F-22</i>	1
26	822131GT	DECAL, ENGINE SPEC, D2.9..... <i>Deutz D2.9L4</i>	1
27	1253011GT	DECAL, VAPORIZER PRESSURE..... <i>Ford MSG-425 only</i>	1



127.1 S-60XC Decals with Word, Boom (ANSI)



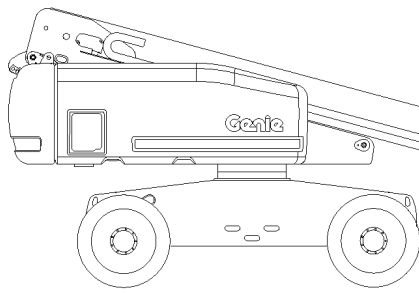
127.1 S-60XC Decals with Word, Boom (ANSI)

Item	Part No.	Description	Qty.
1	28161GT	DECAL,WARN,CRUSH HAZARD HAND.....	2
2	28181GT	DECAL,WARN,FALL HAZARD.....	1
3	31060GT	DECAL,DANGER DO NOT ALTER SWTC.....	5
4	147660GT	DECAL,COSM GENIE S60XC.....	1

Go to Discount-Equipment.com to order your parts

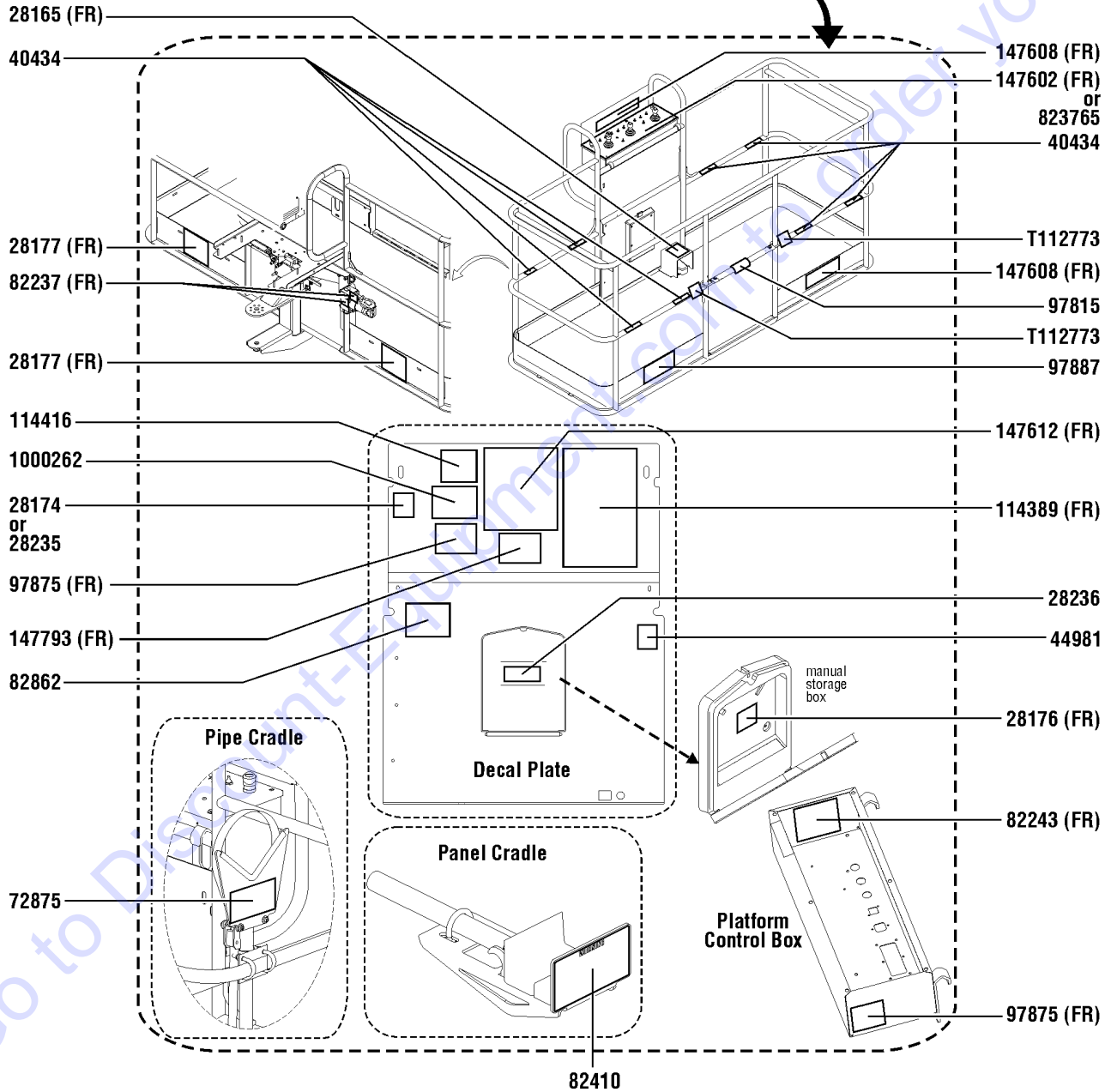


128.1 S-60XC Decals with Word, Platform (ANSI)



NOTE:  
Part numbers with "(FR)" indicates French translation is available

☐ Shading indicates decal is hidden from view.



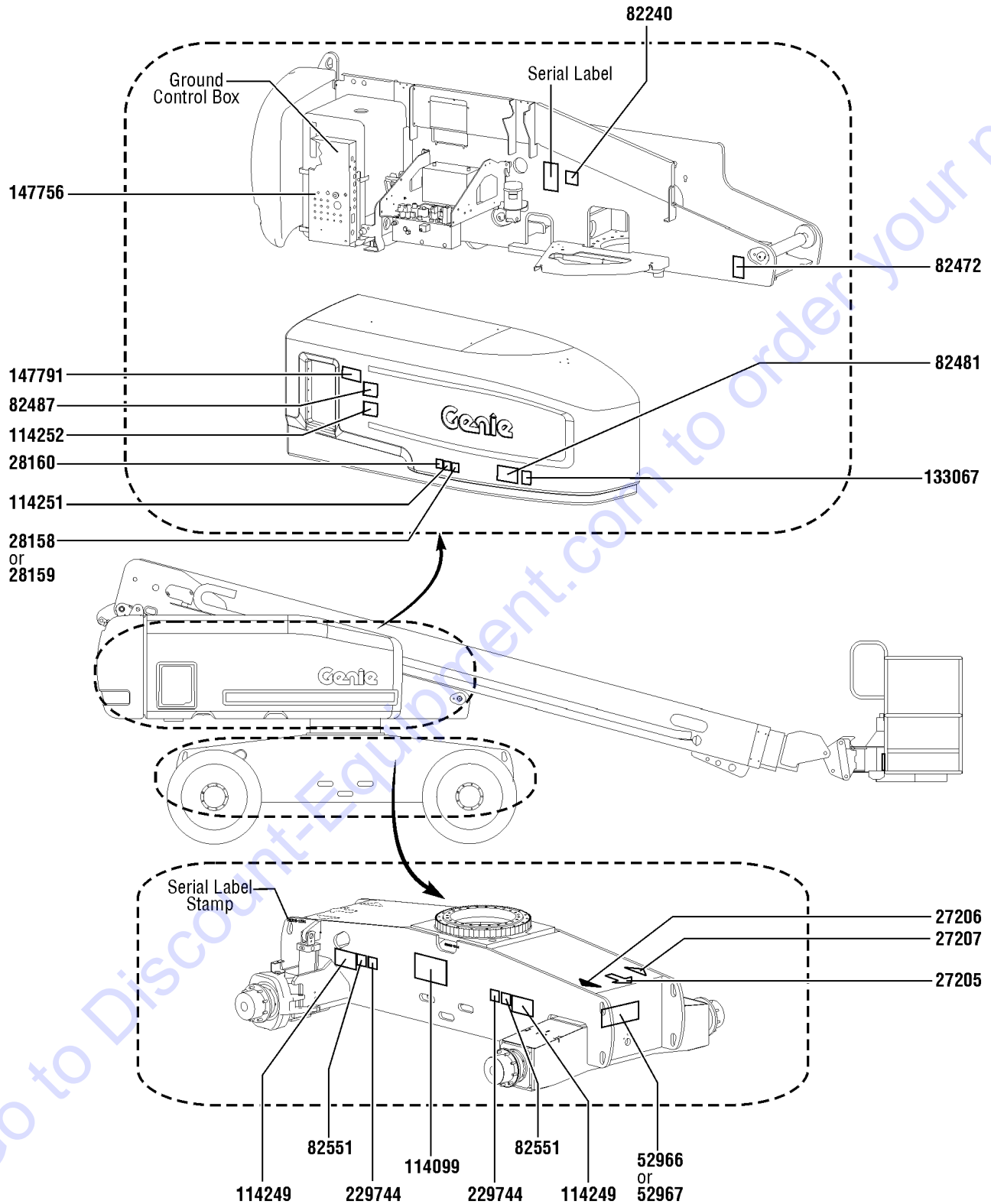
128.1 S-60XC Decals with Word, Platform (ANSI)

Item	Part No.	Description	Qty.
1	28165GT	DECAL,INSTRUCT,FOOTSWITCH OPER.....	1
2	28174GT	DECAL, POWER TO PLATFORM 230V**.....	1
3	28176GT	DECAL,LABEL,MANUAL NOT HERE.....	1
4	28177GT	DECAL,WARN,CRUSH HAZARD PLAT.....	2
5	28235GT	DECAL, POWER TO PLATFORM 115V**.....	1
6	28236GT	DECAL,WARN,IMPROPER OPERATION.....	1
7	40434GT	DECAL,LANYARD ANCHORAGE POINT.....	8
8	44981GT	DECAL,LABEL,AIR LINE 110 PSI..... <i>Option, airline to plat</i>	1
9	72875GT	DECAL,WARNING,PIPE CRADLE,BOOM..... <i>Option, pipe cradle</i>	2
10	82237GT	DECAL,DANGER,HIGH VOLTAGE..... <i>Option, welder</i>	2
11	82243GT	DECAL FAULT CODE.....	1
12	82410GT	DECAL,WARNING,PANEL CRADLE..... <i>Option, panel cradle</i>	2
13	82862GT	DECAL,FIRE EXTINGUISHER..... <i>Option, welder</i>	1
14	97815GT	DECAL,LABEL,LOWER MIDRAIL.....	1
15	97875GT	DECAL,WARN.WELD LINE INST.WORD..... <i>Option, weld cable line</i>	2
16	97887GT	DECAL,INSTR,MAX SIDE FRC,ANSI.....	1
17	114389GT	DECAL,DANGER,GENERAL SAFETY.....	1
18	114416GT	DECAL,DANGER,TIPOVER,TILT.....	1
19	147602GT	DECAL, PLAT CNTL PNL 60XC.....	1
20	147608GT	DECAL,INST PLAT CAP 60XC.....	2
21	147612GT	DECAL,INST OPER INST 60XC.....	1
22	147793GT	DECAL,DANGER,TIPOVR,MAX CAP.....	1
23	823765GT	LABEL, PBOX, S60XC TIER 4..... <i>Tier 4 models only</i>	1
24	1000262GT	DECAL,DANGER,TIP OVER,PLAT.....	1
25	T112773GT	TAPE, PROTECTIVE MASK.....	2

Go to [www.genie.com](http://www.genie.com) to order your parts



129.1 S-60XC Decals with Symbol, Hydraulic Tank Side (ANSI)

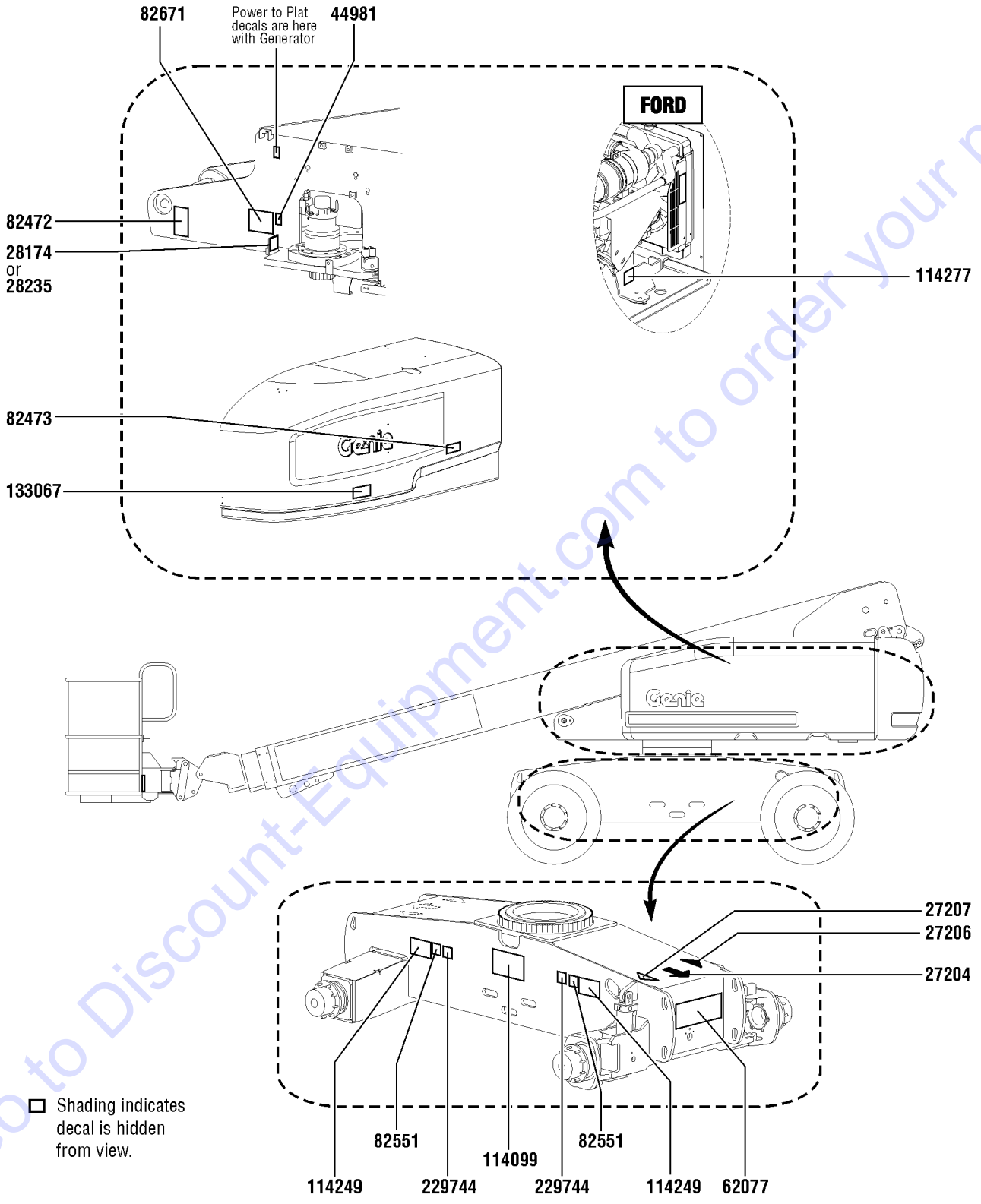


129.1 S-60XC Decals with Symbol, Hydraulic Tank Side (ANSI)

Item	Part No.	Description	Qty.
1	27205GT	DECAL,ARROW YELLOW LRG 9".....	1
2	27206GT	DECAL,TRIANGLE,BLUE.....	1
3	27207GT	DECAL,TRIANGLE,YELLOW.....	1
4	28158GT	DECAL,LABEL,UNLEADED GAS ONLY..... <i>Ford only</i>	1
5	28159GT	DECAL,LABEL,DIESEL FUEL..... <i>Deutz and Perkins only</i>	1
6	28160GT	DECAL,LABEL,LIQUID PROPANE..... <i>Option, LPG tank</i>	1
7	52966GT	DECAL,COSMETIC,4 X 2..... <i>Option, drive</i>	1
8	52967GT	DECAL,COSMETIC,4 X 4..... <i>Option, drive</i>	1
9	82240GT	DECAL,LABEL,105 DB.....	1
10	82472GT	DECAL,WARNING,CRUSHING HAZARD.....	1
11	82481GT	DECAL,SYMBOL-BATTERY SAFETY.....	1
12	82487GT	DECAL,SYMBOL-READ THE MANUAL.....	1
13	82551GT	DECAL,LABEL,TIRE PRESSURE..... <i>RT air filled tires only</i>	2
14	114099GT	DECAL,LABEL,TRANSPORT DIAGRAM.....	1
15	114249GT	DECAL,LABEL,TIPOVER,TIRES,SYMB.	2
16	114251GT	DECAL,LABEL,NO SMOKING,SYMB.....	1
17	114252GT	DECAL,LABEL,TIP OVER LMT SWTCH.....	1
18	133067GT	DECAL,DANGER,ELEC.HAZ.STAY CLR.....	1
19	147756GT	DECAL,GR CNTL PNL 60XC.....	1
20	147791GT	DECAL,INST PLAT CAP 60XC SYM.....	1
21	229744GT	DECAL,LABEL,WHEEL LOAD S60H/XC.....	2

Go to DiscountEquipment.com to order your parts

130.1 S-60XC Decals with Symbol, Engine Side (ANSI)



130.1 S-60XC Decals with Symbol, Engine Side (ANSI)

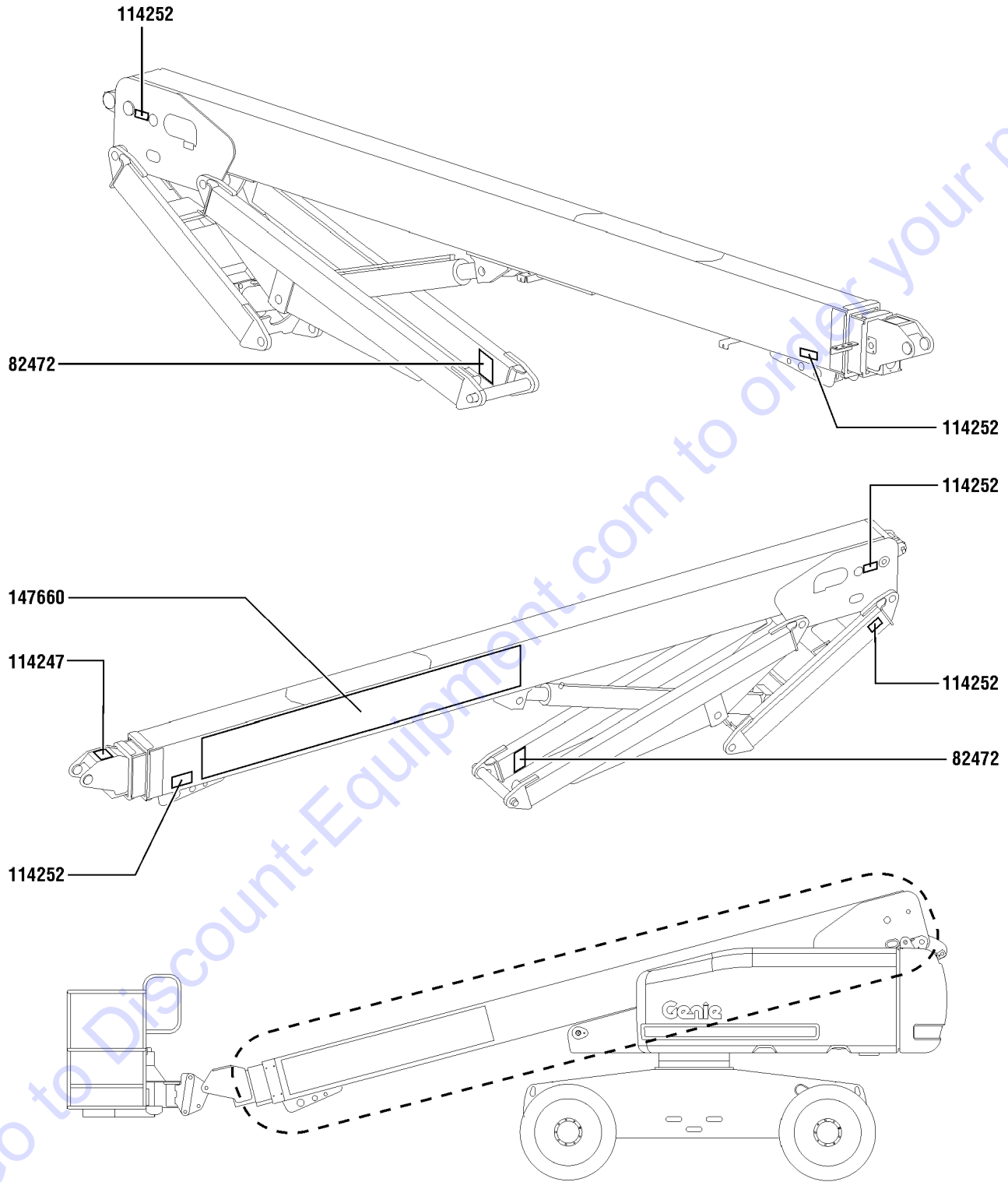
Item	Part No.	Description	Qty.
1	27204GT	DECAL,ARROW BLUE.....	1
2	27206GT	DECAL,TRIANGLE,BLUE.....	1
3	27207GT	DECAL,TRIANGLE,YELLOW.....	1
4	28174GT	DECAL, POWER TO PLATFORM 230V**.....	1
5	28235GT	DECAL, POWER TO PLATFORM 115V**.....	1
6	44981GT	DECAL,LABEL,AIR LINE 110 PSI..... <i>Option, airline to plat</i>	1
7	62077GT	DECAL,COSMETIC,S60.....	1
8	82472GT	DECAL,WARNING,CRUSHING HAZARD.....	1
9	82473GT	DECAL,SYMBOL-COMP ACCESS.....	1
10	82551GT	DECAL,LABEL,TIRE PRESSURE..... <i>RT air filled tires only</i>	2
11	82671GT	DECAL,LABEL,WELD LINE INST,SYM... <i>Option, weld cable line</i>	1
12	114099GT	DECAL,LABEL,TRANSPORT DIAGRAM.....	1
13	114249GT	DECAL,LABEL,TIPOVER,TIRES,SYMB.2	
14	114277GT	DECAL,LABEL,BELT ROUTING DSG..... <i>Ford DSG-423</i>	1
15	133067GT	DECAL,DANGER,ELEC.HAZ.STAY CLR.....	1
16	229744GT	DECAL,LABEL,WHEEL LOAD S60H/XC.....	2

Go to Discount-Equipment.com to order your parts





131.1 S-60XC Decals with Symbol, Boom (ANSI)



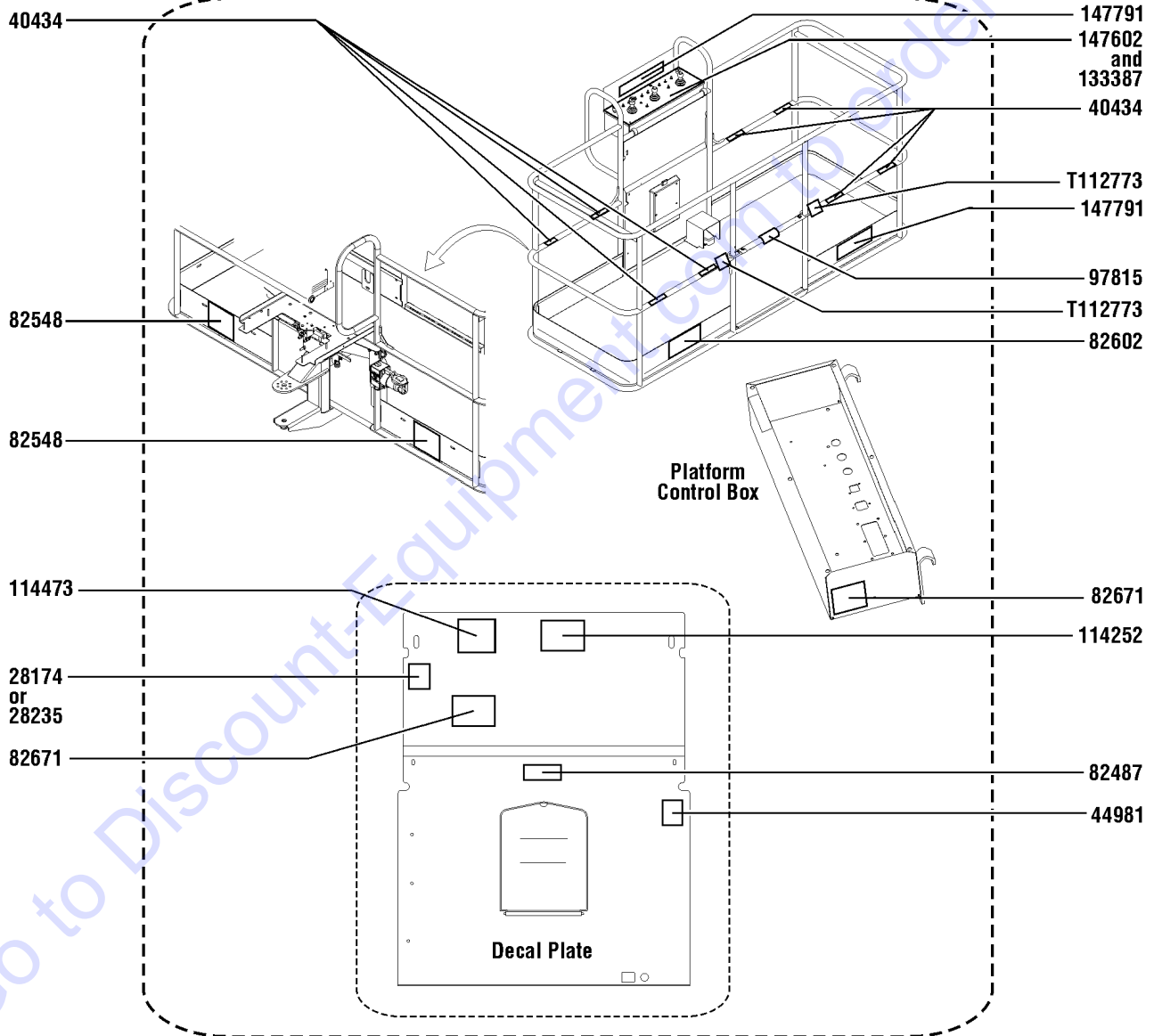
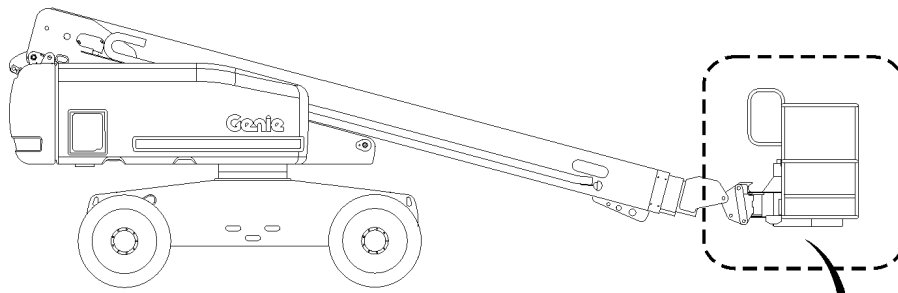
131.1 S-60XC Decals with Symbol, Boom (ANSI)

Item	Part No.	Description	Qty.
1	82472GT	DECAL,WARNING,CRUSHING HAZARD.....	2
2	114247GT	DECAL,LABEL,FALL HAZARD***.....	1
3	114252GT	DECAL,LABEL,TIP OVER LMT SWTCH.....	5
4	147660GT	DECAL,COSM GENIE S60XC.....	1

Go to Discount-Equipment.com to order your parts



132.1 S-60XC Decals with Symbol, Platform (ANSI)



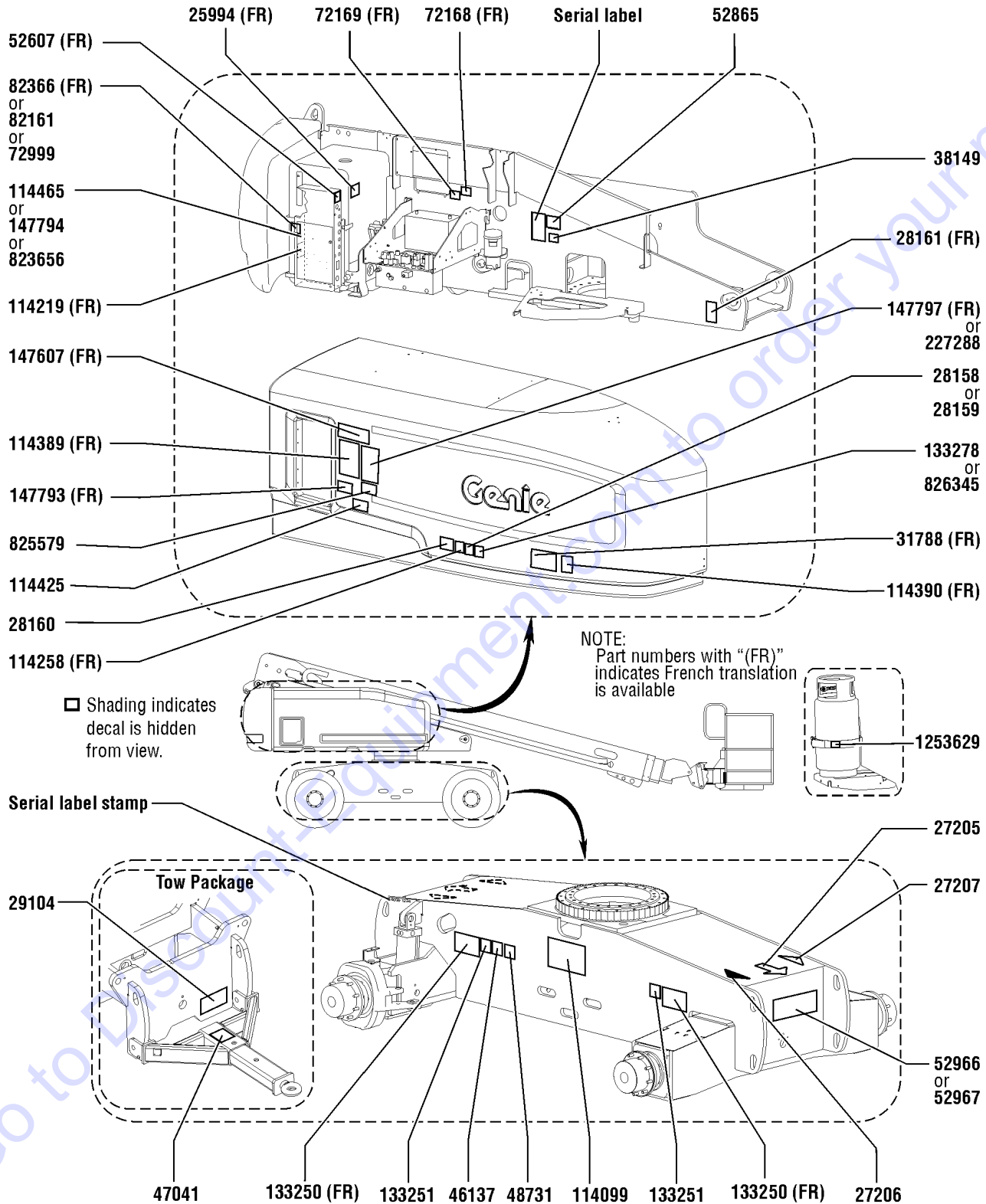
132.1 S-60XC Decals with Symbol, Platform (ANSI)

Item	Part No.	Description	Qty.
1	28174GT	DECAL, POWER TO PLATFORM 230V**.....	1
2	28235GT	DECAL, POWER TO PLATFORM 115V**.....	1
3	40434GT	DECAL,LANYARD ANCHORAGE POINT.....	8
4	44981GT	DECAL,LABEL,AIR LINE 110 PSI..... <i>Option, airline to plat</i>	1
5	82487GT	DECAL, SYMBOL - READ THE MANUAL.....	1
6	82548GT	DECAL,WARN,CRUSH HAZARD PLAT.....	2
7	82602GT	DECAL,DANGER,MAX SIDE FRC,667N.....	1
8	82671GT	DECAL,LABEL,WELD LINE INST,SYM... <i>Option, weld cable line</i>	2
9	97815GT	DECAL,LABEL,LOWER MIDRAIL.....	1
10	114252GT	DECAL,LABEL,TIP OVER LMT SWTCH.....	1
11	114473GT	DECAL,DANGER,TIPOVER,TILT,SYM...1	1
12	133387GT	DECAL,DRIVE ENABLE PATCH.....	1
13	147602GT	DECAL, PLAT CNTL PNL 60XC.....	1
14	147791GT	DECAL,INST PLAT CAP 60XC SYM.....	2
15	T112773GT	TAPE, PROTECTIVE MASK.....	2

Go to Discount-Equipment.com to order your parts



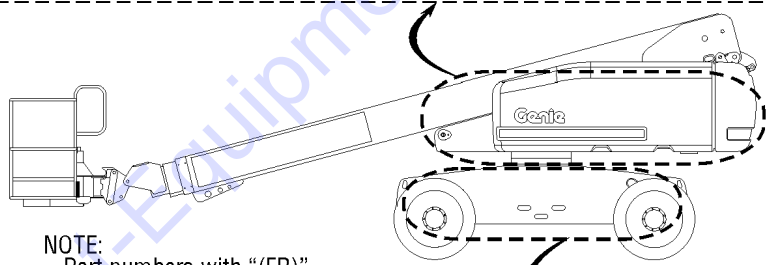
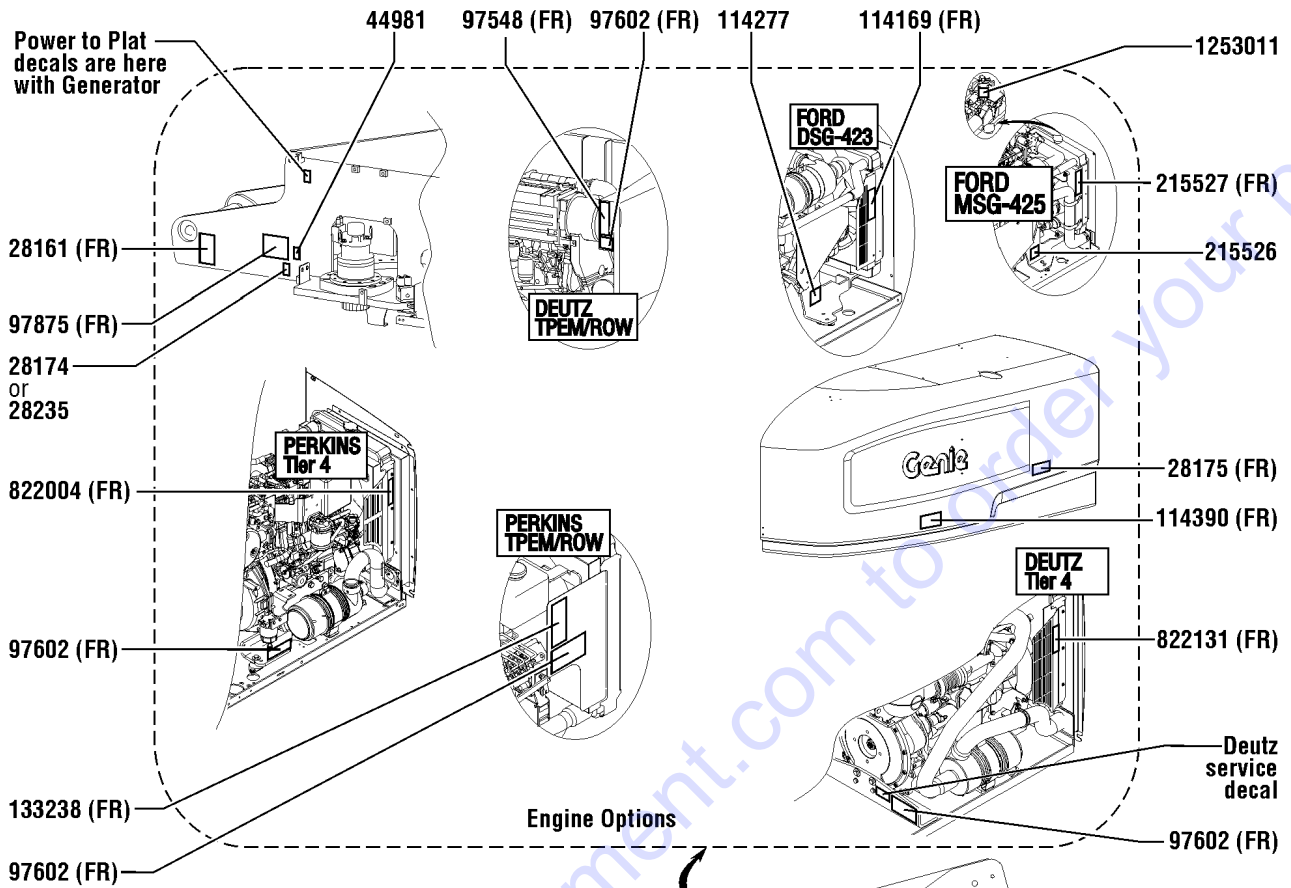
133.1 S-60TraX Decals with Word, Hydraulic Tank Side (ANSI & Australia)



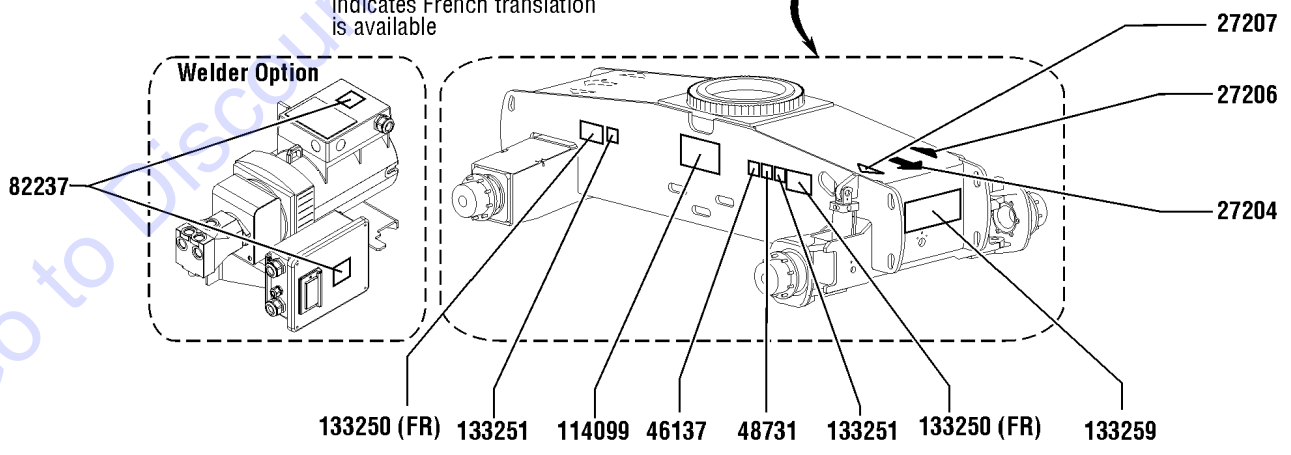
133.1 S-60TraX Decals with Word, Hydraulic Tank Side (ANSI & Australia)

Item	Part No.	Description	Qty.	Item	Part No.	Description	Qty.
1	25994GT	DECAL,NOTICE,SHUTOFF VALVES.....	1	30	114465GT	DECAL GROUND CONTROL BOX..... <i>(Deutz D2011L3i, Deutz TD2011L04i and Perkins 404D-22)</i>	1
2	27205GT	DECAL,ARROW YELLOW LRG 9".....	1	31	133250GT	DECAL,DANGER TIP OVER TRAX.....	2
3	27206GT	DECAL,TRIANGLE,BLUE.....	1	32	133251GT	DECAL, WHEEL LOAD S60TRAX.....	2
4	27207GT	DECAL,TRIANGLE,YELLOW.....	1	33	133278GT	DECAL,LOW/ULTRA LOW SULFR FUEL..... <i>(Deutz D2011L3i, Deutz TD2011L04i and Perkins 404D-22)</i>	1
5	28158GT	DECAL,LABEL,UNLEADED GAS ONLY..... <i>Ford only</i>	1	34	147607GT	DECAL,INST PLAT CAP 60TRAX.....	1
6	28159GT	DECAL,LABEL,DIESEL FUEL..... <i>Deutz and Perkins only</i>	1	35	147793GT	DECAL,DANGER,TIPOVR,MAX CAP..... <i>ANSI only</i>	1
7	28160GT	DECAL,LABEL,LIQUID PROPANE..... <i>Option, LPG tank</i>	1	36	147794GT	DECAL,GR CNTL PNL 60TX..... <i>(Deutz D2011L3i, Deutz TD2011L04i and Perkins 404D-22)</i>	1
8	28161GT	DECAL,WARN,CRUSH HAZARD HAND.....	1	37	147797GT	DECAL, OPER INST 60TRX GRD..... <i>ANSI only</i>	1
9	29104GT	DECAL,TOWING INSTRUCTIONS..... <i>Option, tow package</i>	1	38	227288GT	DECAL, OPERATING INSTRUCTIONS.....	1
10	31788GT	DECAL,DANGER,BATTERY SAFETY***.....	1	39	823656GT	LABEL, GBOX, S60TX ANSI TIER 4..... <i>(Deutz D2.9L4 and Perkins 404F-22)</i>	1
11	38149GT	DECAL,LABEL,PATENTS..... <i>US only</i>	1	40	825579GT	DECAL, LCD, TIER 4..... <i>(Deutz D2.9L4 and Perkins 404F-22)</i>	1
12	46137GT	DECAL,LPS (4"X4")..... <i>Option</i>	1	41	826345GT	DECAL,ULS DIESEL ONLY,TIER 4..... <i>(Deutz D2.9L4 and Perkins 404F-22)</i>	1
13	47041GT	DECAL,CAUTION,TOWING SPEED..... <i>Option, tow package</i>	1	42	1253629GT	DECAL,LP BOTTLE,S60..... <i>Option</i>	1
15	52607GT	DECAL,LABEL,TEST***..... <i>Ford only</i>	1				
16	52865GT	DECAL,ANNUAL INSP***..... <i>ANSI only</i>	1				
17	52966GT	DECAL,COSMETIC,4 X 2..... <i>Option, drive</i>	1				
18	52967GT	DECAL,COSMETIC,4 X 4..... <i>Option, drive</i>	1				
19	72168GT	DECAL,LABEL,CONTROLS BATTERY... <i>Option, dual battery</i>	1				
20	72169GT	DECAL,LABEL,PETRO CANADA***..... <i>Option, dual battery</i>	1				
21	72999GT	DECAL,LABEL,PETRO CANADA***..... <i>Option, hydraulic oil</i>	1				
22	82161GT	DECAL,LABEL,UCON HYDROLUBE.... <i>Option, hydraulic oil</i>	1				
23	82366GT	DECAL, LABEL - CHEVRON RANDO.... <i>Option, hydraulic oil</i>	1				
24	114099GT	DECAL,LABEL,TRANSPORT DIAGRAM.....	1				
25	114219GT	DECAL,LABEL,RELAYS,S60&65.....	1				
26	114258GT	DECAL,DANGER,NO SMOKING.....	1				
27	114389GT	DECAL,DANGER,GENERAL SAFETY....	1				
28	114390GT	DECAL,DANGER,ELECT HAZARD***....	1				
29	114425GT	DECAL,BATTERY DISCONNECT..... <i>Option</i>	1				

134.1 S-60TraX Decals with Word, Engine Side (ANSI & Australia)



NOTE:  
Part numbers with "(FR)" indicates French translation is available



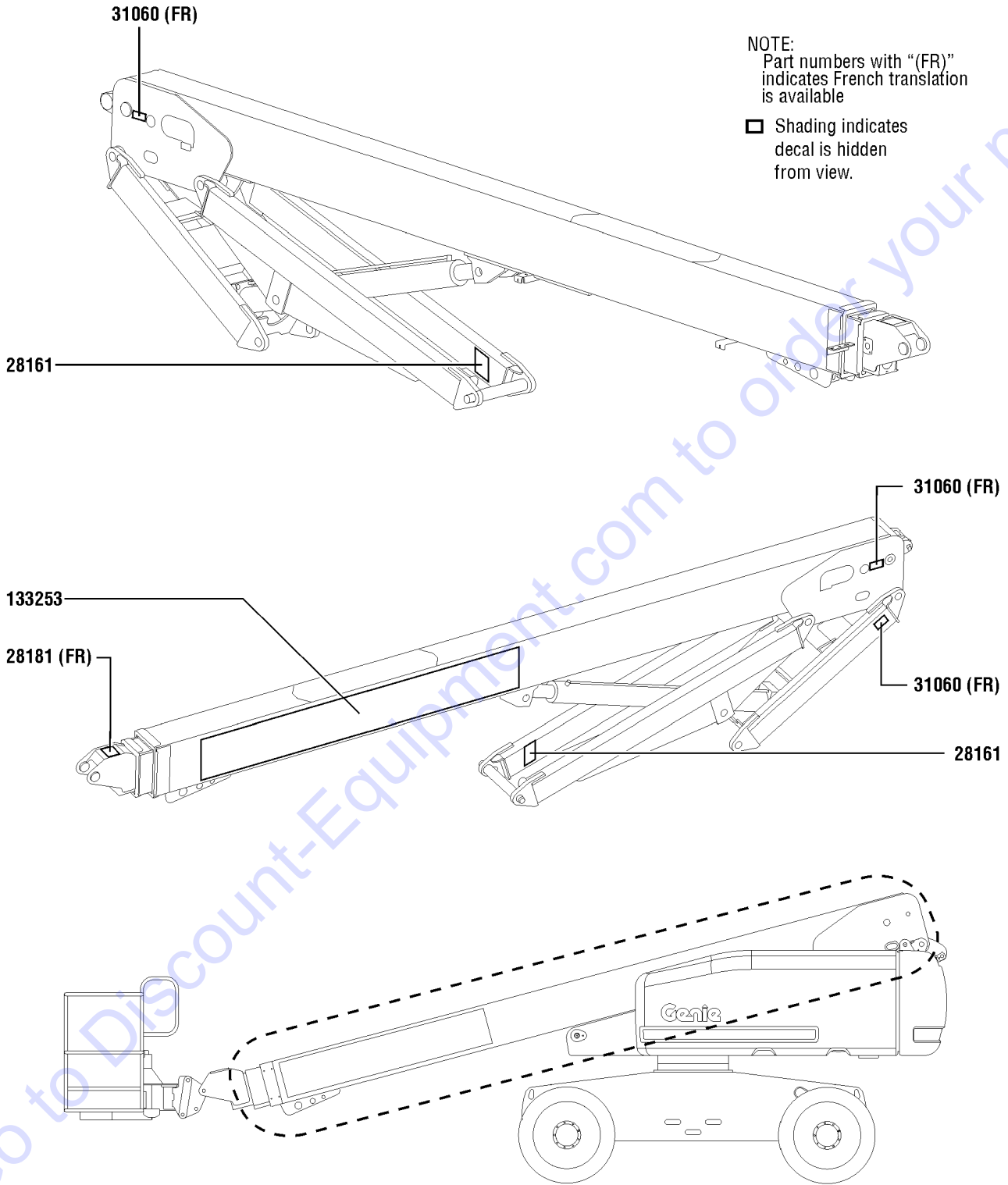
134.1 S-60TraX Decals with Word, Engine Side (ANSI & Australia)

Item	Part No.	Description	Qty.
1	27204GT	DECAL,ARROW BLUE.....	1
2	27206GT	DECAL,TRIANGLE,BLUE.....	1
3	27207GT	DECAL,TRIANGLE,YELLOW.....	1
4	28161GT	DECAL,WARN,CRUSH HAZARD HAND.....	1
5	28174GT	DECAL, POWER TO PLATFORM 230V**.....	1
6	28175GT	DECAL,WARNING-COMPART ACCESS.....	1
7	28235GT	DECAL, POWER TO PLATFORM 115V**.....	1
8	44981GT	DECAL,LABEL,AIR LINE 110 PSI..... <i>Option, airline to plat</i>	1
9	46137GT	DECAL,LPS (4"X4")..... <i>Option</i>	1
11	82237GT	DECAL,DANGER,HIGH VOLTAGE..... <i>Option, welder</i>	2
12	97548GT	DECAL,ENGINE SPEC,DEUTZ 2011..... <i>Deutz D2011L3i and Deutz TD2011L04i</i>	1
13	97602GT	DECAL,EXPLOSION HAZARD..... <i>Diesel engines</i>	1
14	97875GT	DECAL,WARN.WELD LINE INST.WORD..... <i>Option, weld cable line</i>	1
15	114099GT	DECAL,LABEL,TRANSPORT DIAGRAM.....	1
16	114169GT	DECAL,FORD ENGINE SPEC DSG423..... <i>Ford DSG-423</i>	1
17	114277GT	DECAL,LABEL,BELT ROUTING DSG..... <i>Ford DSG-423</i>	1
18	114390GT	DECAL,DANGER,ELECT HAZARD***.....	1
19	133238GT	DECAL,ENGINE SPEC,PERKINS***..... <i>Perkins 404D-22</i>	1
20	133250GT	DECAL,DANGER TIP OVER TRAX.....	2
21	133251GT	DECAL, WHEEL LOAD S60TRAX.....	2
22	133259GT	DECAL,COSM, S60 TRAX.....	1
23	215526GT	DECAL,LABEL,BELT,MSG425..... <i>Ford MSG-425</i>	1
24	215527GT	DECAL,FORD ENGINE SPEC MSG425..... <i>Ford MSG-425</i>	1
25	822004GT	DECAL, ENGINE SPEC, 404F-22..... <i>Perkins 404F-22</i>	1
26	822131GT	DECAL, ENGINE SPEC, D2.9..... <i>Deutz D2.9L4</i>	1
27	1253011GT	DECAL, VAPORIZER PRESSURE..... <i>Ford MSG-425 only</i>	1





135.1 S-60TraX Decals with Word, Boom (ANSI & Australia)



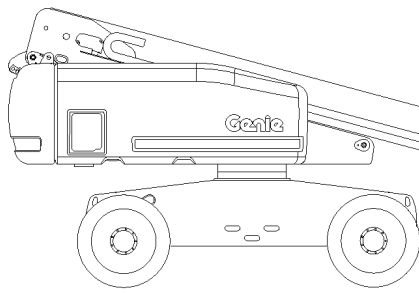
135.1 S-60TraX Decals with Word, Boom (ANSI & Australia)

Item	Part No.	Description	Qty.
1	28161GT	DECAL,WARN,CRUSH HAZARD HAND.....	2
2	28181GT	DECAL,WARN,FALL HAZARD.....	1
3	31060GT	DECAL,DANGER DO NOT ALTER SWTC.....	3
4	133253GT	DECAL,COSM,GENIE S60 TRAX.....	1

Go to Discount-Equipment.com to order your parts

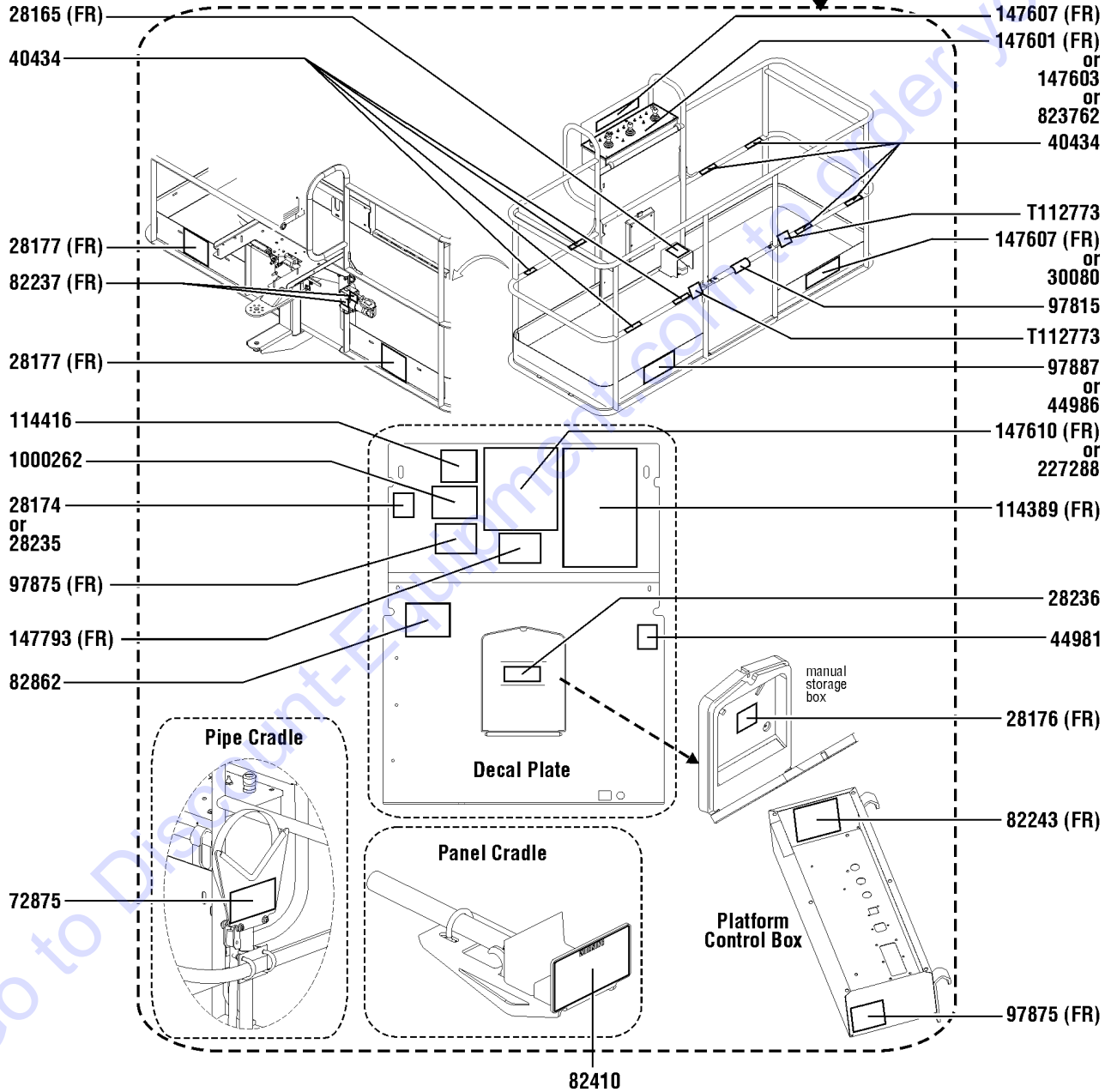


136.1 S-60TraX Decals with Word, Platform (ANSI & Australia)



NOTE:  
Part numbers with "(FR)" indicates French translation is available

☐ Shading indicates decal is hidden from view.

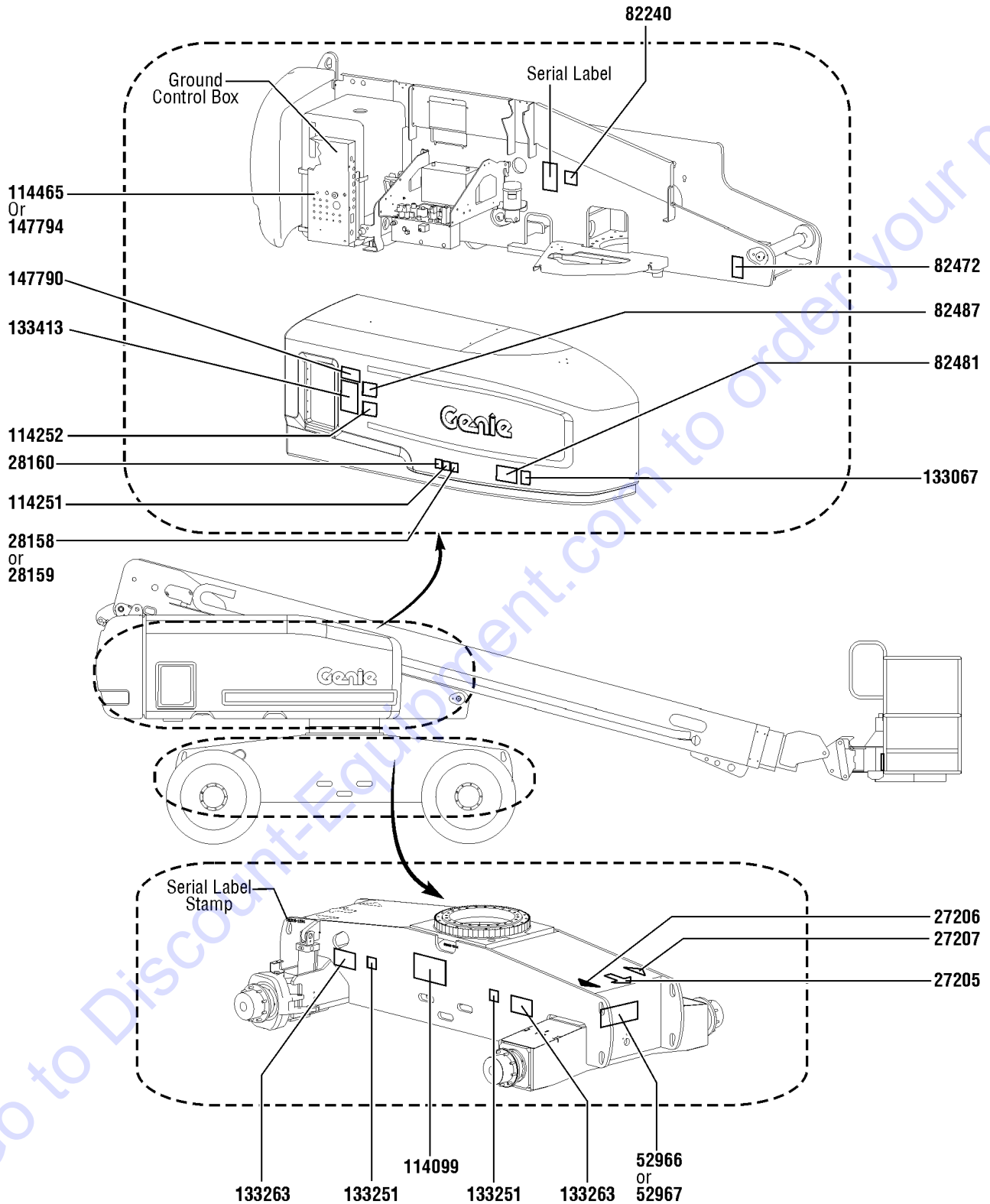


136.1 S-60TraX Decals with Word, Platform (ANSI & Australia)

Item	Part No.	Description	Qty.	Item	Part No.	Description	Qty.
1	28165GT	DECAL,INSTRUCT,FOOTSWITCH OPER.....	1	27	823762GT	LABEL, PBOX, S60TX ANSI TIER 4..... <i>Tier 4 models only</i>	1
2	28174GT	DECAL, POWER TO PLATFORM 230V**.....	1	28	1000262GT	DECAL,DANGER,TIP OVER,PLAT.....	1
3	28176GT	DECAL,LABEL,MANUAL NOT HERE.....	1	29	T112773GT	TAPE, PROTECTIVE MASK.....	2
4	28177GT	DECAL,WARN,CRUSH HAZARD PLAT.....	2				
5	28235GT	DECAL, POWER TO PLATFORM 115V**.....	1				
6	28236GT	DECAL,WARN,IMPROPER OPERATION.....	1				
7	30080GT	DECAL,NOTICE,MAX LOAD 500 LBS.... <i>AUS only</i>	1				
8	40434GT	DECAL,LANYARD ANCHORAGE POINT.....	8				
9	44981GT	DECAL,LABEL,AIR LINE 110 PSI..... <i>Option, airline to plat</i>	1				
10	44986GT	DECAL,INSTR,SIDE FRC/WIND,AUS.... <i>AUS only</i>	1				
11	72875GT	DECAL,WARNING,PIPE CRADLE,BOOM..... <i>Option, pipe cradle</i>	2				
12	82237GT	DECAL,DANGER,HIGH VOLTAGE..... <i>Option, welder</i>	2				
13	82243GT	DECAL FAULT CODE.....	1				
14	82410GT	DECAL,WARNING,PANEL CRADLE..... <i>Option, panel cradle</i>	2				
15	82862GT	DECAL,FIRE EXTINGUISHER..... <i>Option, welder</i>	1				
16	97815GT	DECAL,LABEL,LOWER MIDRAIL.....	1				
17	97875GT	DECAL,WARN.WELD LINE INST.WORD..... <i>Option, weld cable line</i>	2				
18	97887GT	DECAL,INSTR,MAX SIDE FRC,ANSI.... <i>ANSI only</i>	1				
19	114389GT	DECAL,DANGER,GENERAL SAFETY....	1				
20	114416GT	DECAL,DANGER,TIPOVER,TILT.....	1				
21	147601GT	DECAL, PLAT CNTL PNL 60TX..... <i>ANSI only</i>	1				
22	147603GT	DECAL, PLAT CNTL PNL..... <i>AUS only</i>	1				
23	147607GT	DECAL,INST PLAT CAP 60TRAX..... <i>ANSI only</i>	2				
24	147610GT	DECAL,INST,OPER INST 60TRAX..... <i>ANSI only</i>	1				
25	147793GT	DECAL,DANGER,TIPOVR,MAX CAP.... <i>ANSI only</i>	1				
26	227288GT	DECAL, OPERATING INSTRUCTIONS..... <i>AUS only</i>	1				



137.1 S-60TraX Decals with Symbol, Hydraulic Tank Side (ANSI & CE)

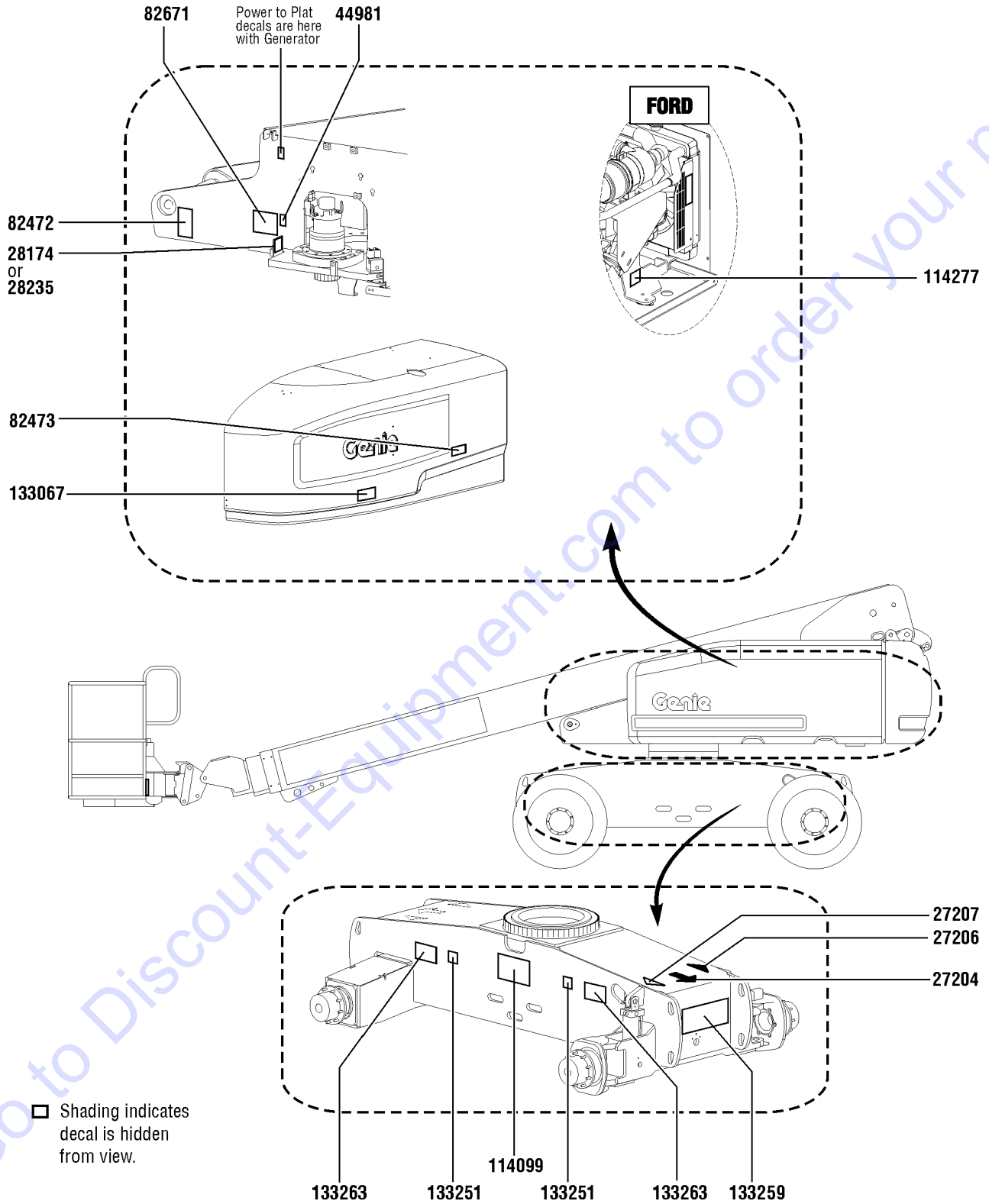


137.1 S-60TraX Decals with Symbol, Hydraulic Tank Side (ANSI & CE)

Item	Part No.	Description	Qty.
1	27205GT	DECAL,ARROW YELLOW LRG 9".....1	1
2	27206GT	DECAL,TRIANGLE,BLUE.....1	1
3	27207GT	DECAL,TRIANGLE,YELLOW.....1	1
4	28158GT	DECAL,LABEL,UNLEADED GAS ONLY.....1 <i>Ford only</i>	1
5	28159GT	DECAL,LABEL,DIESEL FUEL.....1 <i>Deutz and Perkins only</i>	1
6	28160GT	DECAL,LABEL,LIQUID PROPANE.....1 <i>Option, LPG tank</i>	1
7	52966GT	DECAL,COSMETIC,4 X 2.....1 <i>Option, drive</i>	1
8	52967GT	DECAL,COSMETIC,4 X 4.....1 <i>Option, drive</i>	1
9	82240GT	DECAL,LABEL,105 DB.....1	1
10	82472GT	DECAL,WARNING,CRUSHING HAZARD.....1	1
11	82481GT	DECAL,SYMBOL-BATTERY SAFETY.....1	1
12	82487GT	DECAL, SYMBOL - READ THE MANUAL.....1	1
13	114099GT	DECAL,LABEL,TRANSPORT DIAGRAM.....1	1
14	114251GT	DECAL,LABEL,NO SMOKING,SYMB.....1	1
15	114252GT	DECAL,LABEL,TIP OVER LMT SWTCH.....1	1
16	133067GT	DECAL,DANGER,ELEC.HAZ.STAY CLR.....1	1
17	133251GT	DECAL, WHEEL LOAD S60TRAX.....2	2
18	133263GT	DECAL,LABEL,TIPOVER,TRAX,SYMB.2	2
19	133413GT	DECAL,EMERGENCY LOWERING.....1 <i>CE only</i>	1
20	147790GT	DECAL,INST PLAT CAP 60TRAX SYM.....1 <i>ANSI only</i>	1
21	147794GT	DECAL,GR CNTL PNL 60TX.....1 <i>ANSI only</i>	1
22	114465GT	DECAL GROUND CONTROL BOX.....1 <i>CE only</i>	1

Go to [www.genie.com](http://www.genie.com) to order your parts

138.1 S-60TraX Decals with Symbol, Engine Side (ANSI & CE)



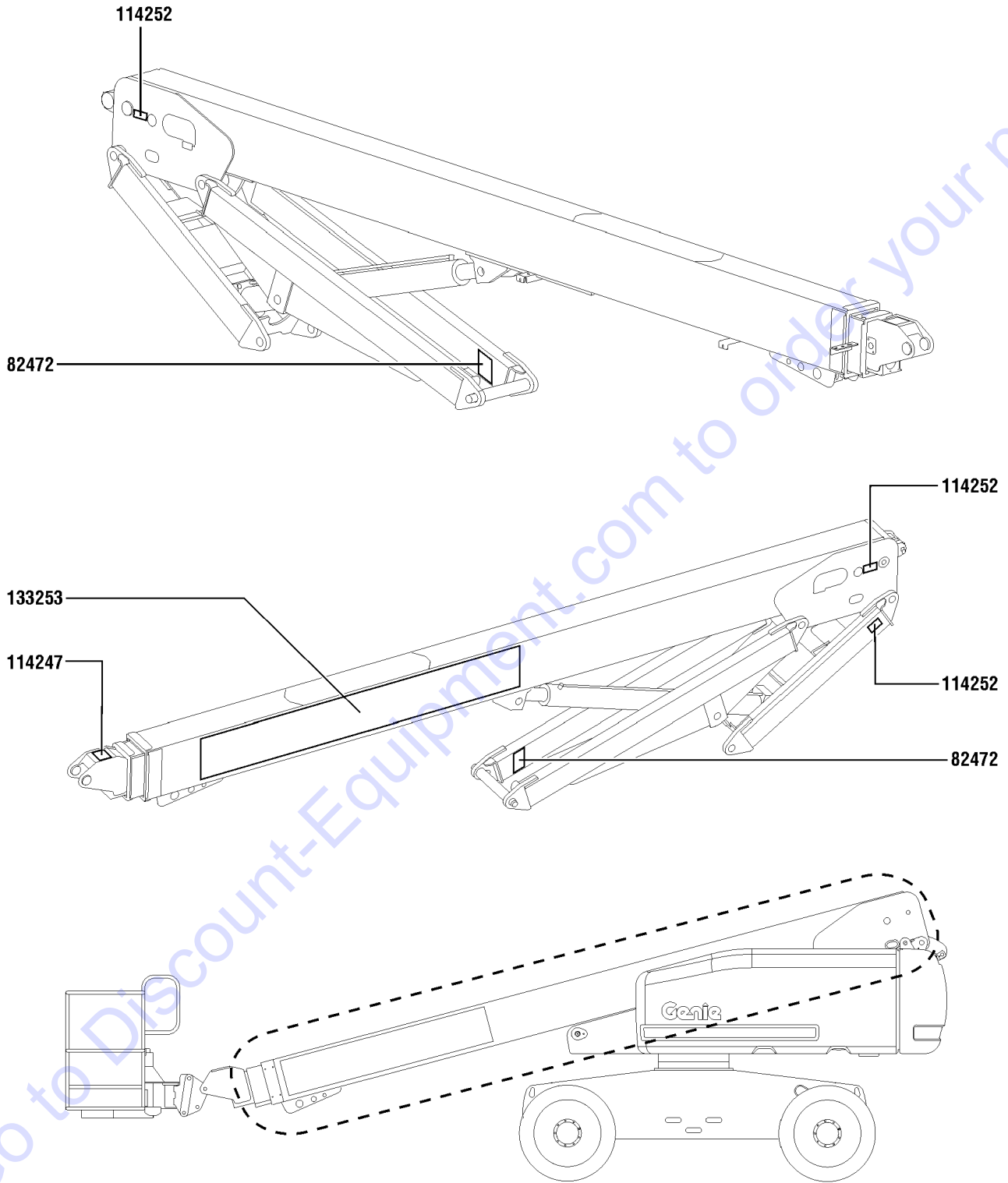
138.1 S-60TraX Decals with Symbol, Engine Side (ANSI & CE)

Item	Part No.	Description	Qty.
1	27204GT	DECAL,ARROW BLUE.....	1
2	27206GT	DECAL,TRIANGLE,BLUE.....	1
3	27207GT	DECAL,TRIANGLE,YELLOW.....	1
4	28174GT	DECAL, POWER TO PLATFORM 230V**.....	1
5	28235GT	DECAL, POWER TO PLATFORM 115V**.....	1
6	44981GT	DECAL,LABEL,AIR LINE 110 PSI..... <i>Option, airline to plat</i>	1
7	82472GT	DECAL,WARNING,CRUSHING HAZARD.....	1
8	82473GT	DECAL,SYMBOL-COMP ACCESS.....	1
9	82671GT	DECAL,LABEL,WELD LINE INST,SYM... <i>Option, weld cable line</i>	1
10	114099GT	DECAL,LABEL,TRANSPORT DIAGRAM.....	1
11	114277GT	DECAL,LABEL,BELT ROUTING DSG.... <i>Ford DSG-423</i>	1
12	133067GT	DECAL,DANGER,ELEC.HAZ.STAY CLR.....	1
13	133251GT	DECAL, WHEEL LOAD S60TRAX.....	2
14	133259GT	DECAL,COSM, S60 TRAX.....	1
15	133263GT	DECAL,LABEL,TIPOVER,TRAX,SYMB..	2

Go to Discount-Equipment.com to order your parts



139.1 S-60TraX Decals with Symbol, Boom (ANSI & CE)



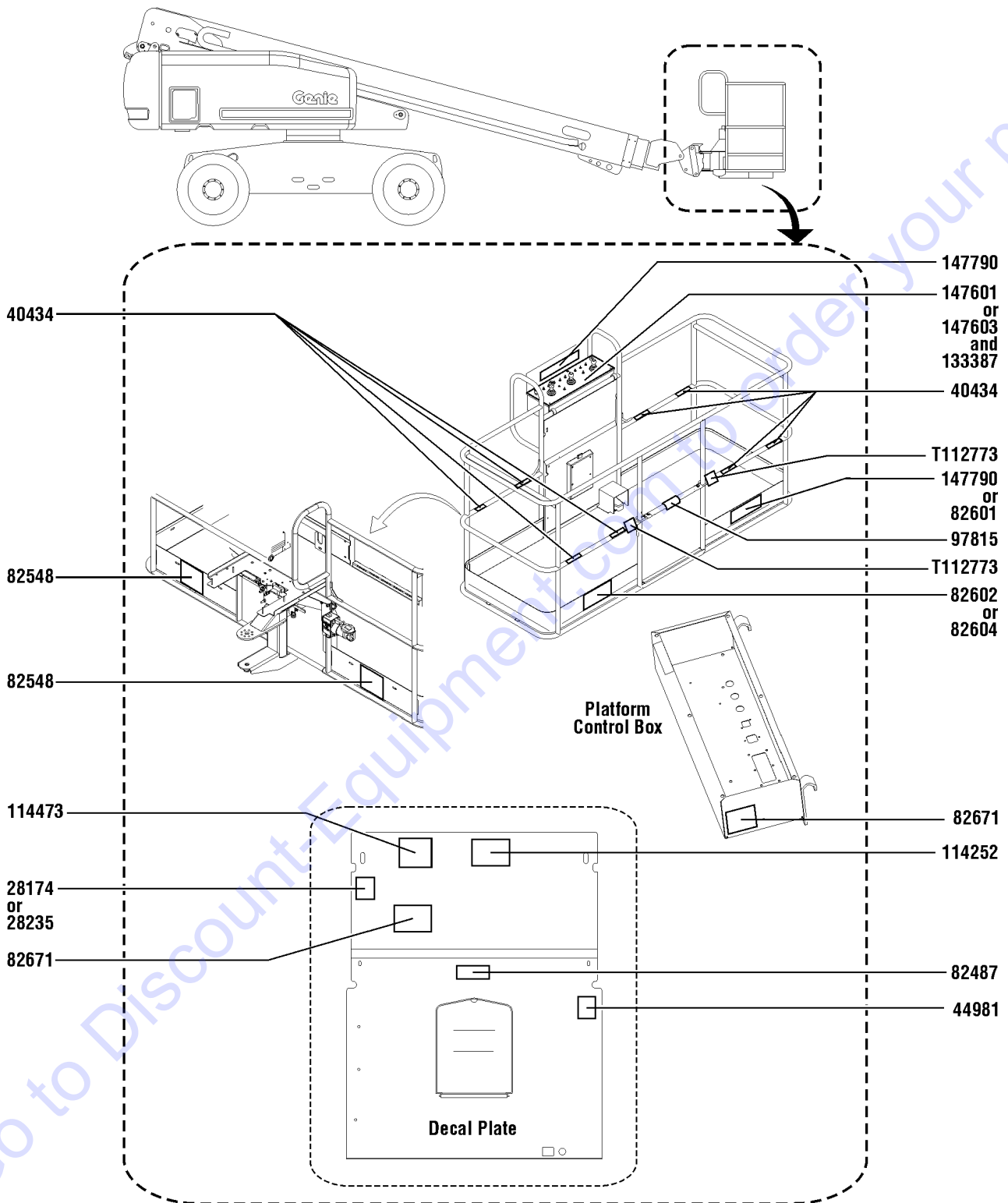
139.1 S-60TraX Decals with Symbol, Boom (ANSI & CE)

Item	Part No.	Description	Qty.
1	82472GT	DECAL,WARNING,CRUSHING HAZARD.....	2
2	114247GT	DECAL,LABEL,FALL HAZARD***.....	1
3	114252GT	DECAL,LABEL,TIP OVER LMT SWTCH.....	3
4	133253GT	DECAL,COSM,GENIE S60 TRAX.....	1

Go to Discount-Equipment.com to order your parts



140.1 S-60TraX Decals with Symbol, Platform (ANSI & CE)



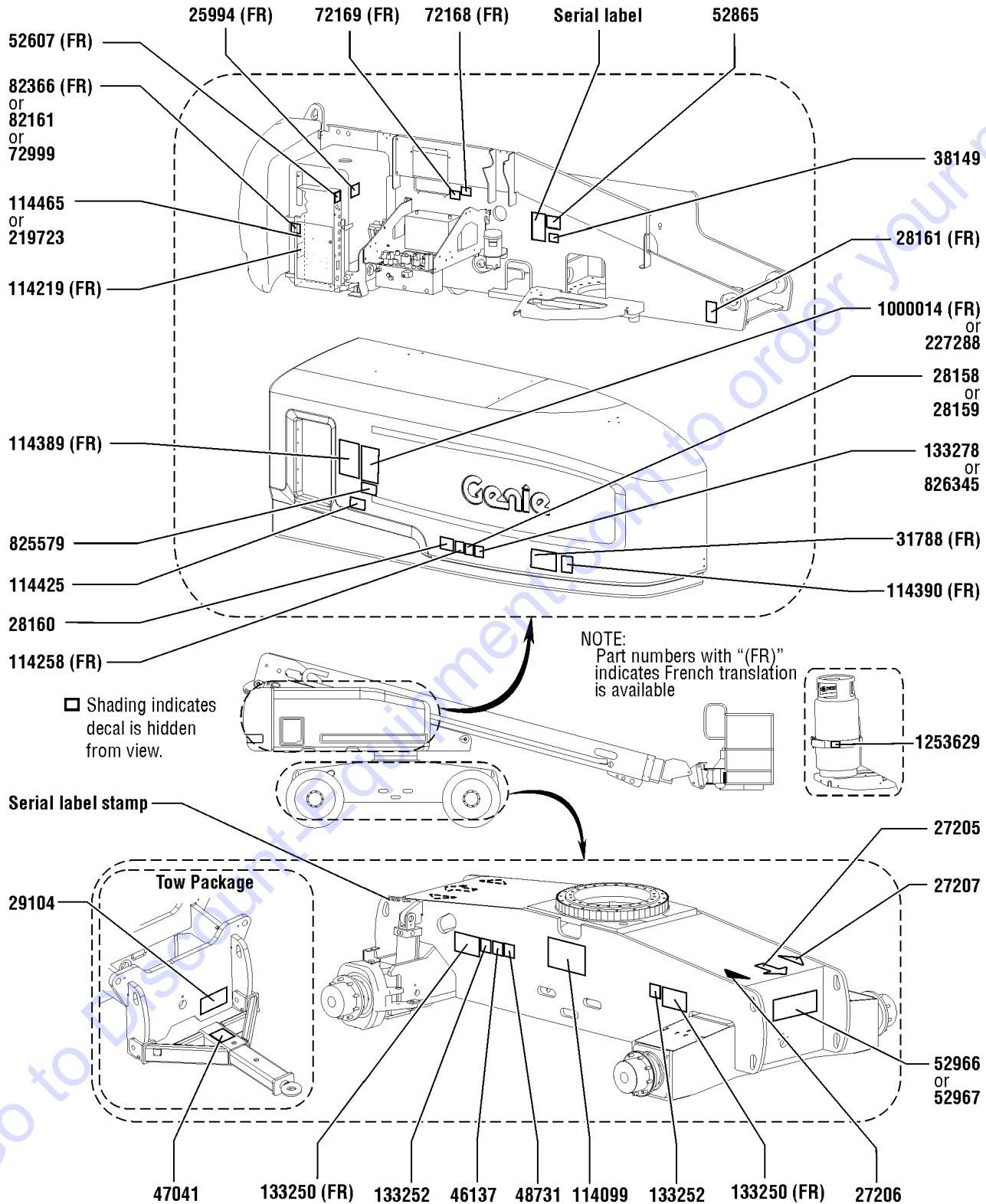
140.1 S-60TraX Decals with Symbol, Platform (ANSI & CE)

Item	Part No.	Description	Qty.
1	28174GT	DECAL, POWER TO PLATFORM 230V**.....	1
2	28235GT	DECAL, POWER TO PLATFORM 115V**.....	1
3	40434GT	DECAL,LANYARD ANCHORAGE POINT.....	8
4	44981GT	DECAL,LABEL,AIR LINE 110 PSI..... <i>Option, airline to plat</i>	1
5	82487GT	DECAL, SYMBOL - READ THE MANUAL.....	1
6	82548GT	DECAL,WARN,CRUSH HAZARD PLAT.....	2
7	82601GT	DECAL,LABEL,MAX CAPACITY***..... <i>CE only</i>	1
8	82602GT	DECAL,DANGER,MAX SIDE FRC,667N.....	1
9	82604GT	DECAL,DANGER,SIDE FRC 400N.....	1
10	82671GT	DECAL,LABEL,WELD LINE INST,SYM... <i>Option, weld cable line</i>	2
11	97815GT	DECAL,LABEL,LOWER MIDRAIL.....	1
12	114252GT	DECAL,LABEL,TIP OVER LMT SWTCH.....	1
13	114473GT	DECAL,DANGER,TIPOVER,TILT,SYM...1	1
14	133387GT	DECAL,DRIVE ENABLE PATCH.....	1
15	147601GT	DECAL, PLAT CNTL PNL 60TX..... <i>ANSI only</i>	1
16	147603GT	DECAL, PLAT CNTL PNL..... <i>CE only</i>	1
17	147790GT	DECAL,INST PLAT CAP 60TRAX SYM..... <i>ANSI only</i>	2
18	T112773GT	TAPE, PROTECTIVE MASK.....	2

Go to DiscountEquipment.com to order your parts



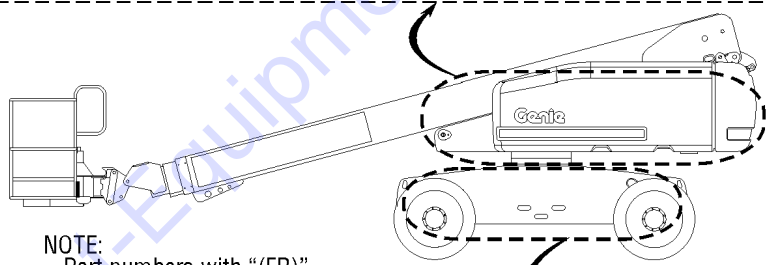
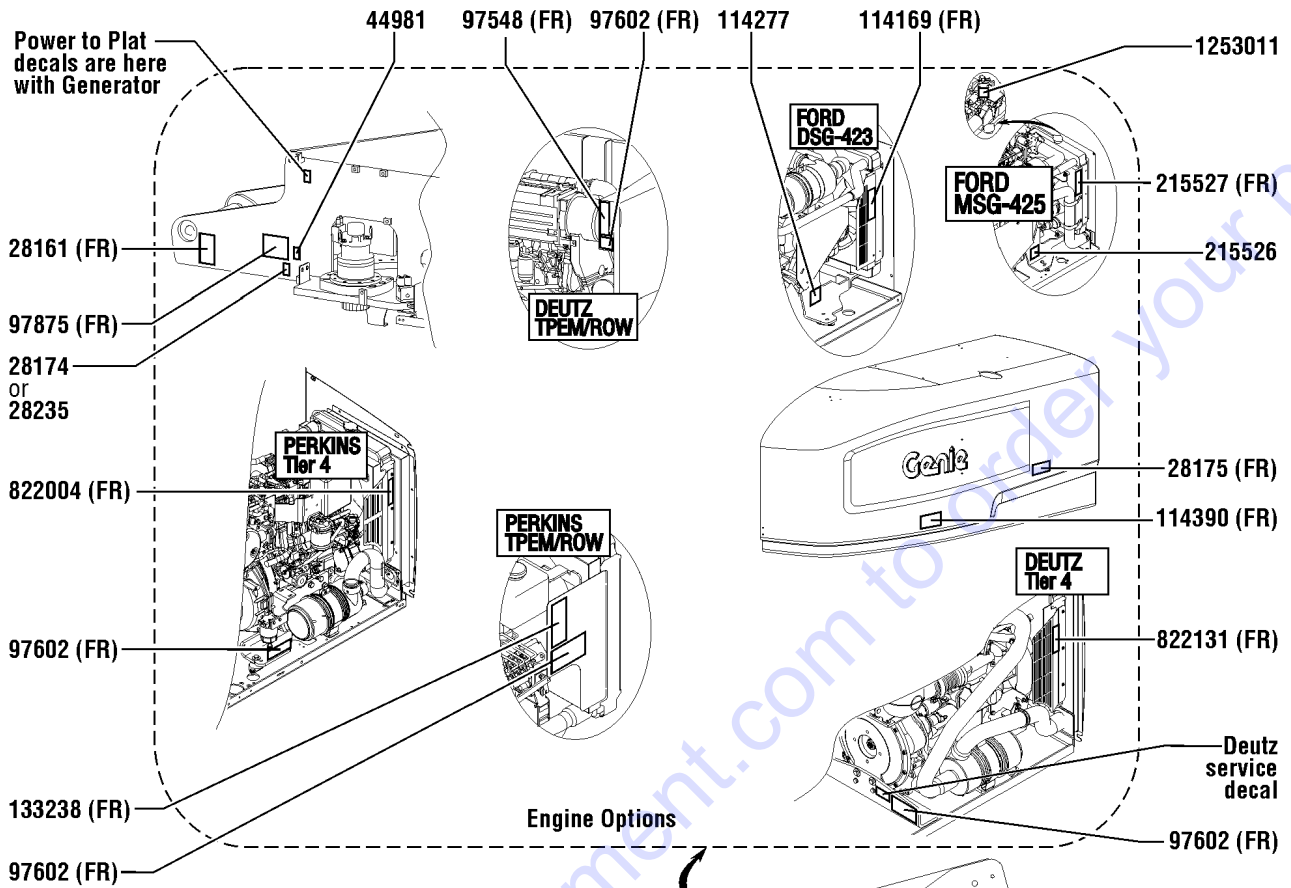
141.1 S-65TraX Decals with Word, Hydraulic Tank Side (ANSI & Australia)



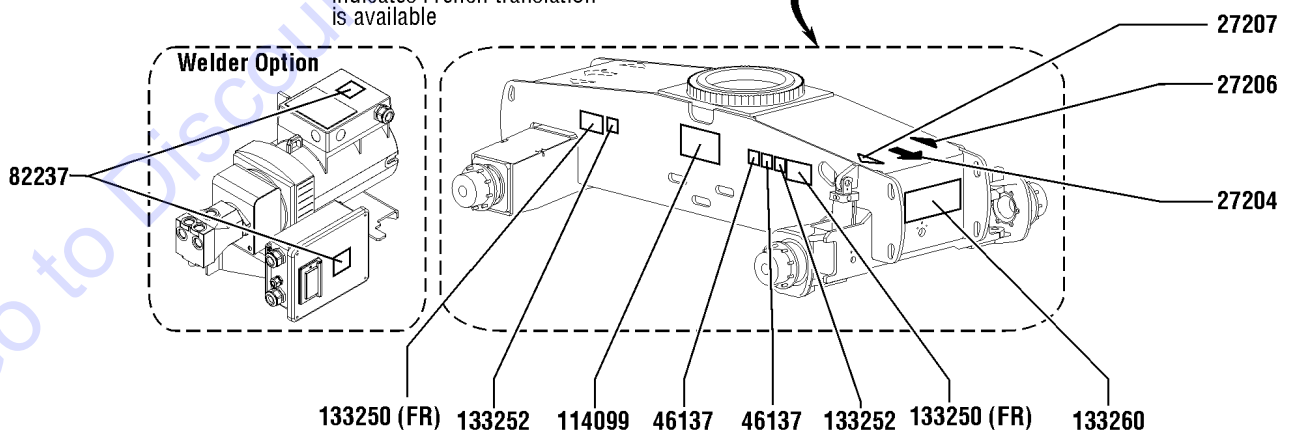
141.1 S-65TraX Decals with Word, Hydraulic Tank Side (ANSI & Australia)

Item	Part No.	Description	Qty.	Item	Part No.	Description	Qty.
1	25994GT	DECAL,NOTICE,SHUTOFF VALVES.....1		30	114465GT	DECAL GROUND CONTROL BOX.....1 <i>(Deutz D2011L3i, Deutz TD2011L04i and Perkins 404D-22)</i>	
2	27205GT	DECAL,ARROW YELLOW LRG 9".....1		31	133250GT	DECAL,DANGER TIP OVER TRAX.....2	
3	27206GT	DECAL,TRIANGLE,BLUE.....1		32	133252GT	DECAL, WHEEL LOAD S65 TRAX.....2	
4	27207GT	DECAL,TRIANGLE,YELLOW.....1		33	133278GT	DECAL,LOW/ULTRA LOW SULFR FUEL.....1 <i>(Deutz D2011L3i, Deutz TD2011L04i and Perkins 404D-22)</i>	
5	28158GT	DECAL,LABEL,UNLEADED GAS ONLY.....1 <i>Ford only</i>		34	219723GT	DECAL,GROUND BOX,TIER IV.....1 <i>(Deutz D2.9L4 and Perkins 404F-22)</i>	
6	28159GT	DECAL,LABEL,DIESEL FUEL.....1 <i>Deutz and Perkins only</i>		35	227288GT	DECAL, OPERATING INSTRUCTIONS.....1 <i>AUS only</i>	
7	28160GT	DECAL,LABEL,LIQUID PROPANE.....1 <i>Option, LPG tank</i>		36	825579GT	DECAL, LCD, TIER 4.....1 <i>(Deutz D2.9L4 and Perkins 404F-22)</i>	
8	28161GT	DECAL,WARN,CRUSH HAZARD HAND.....1		37	826345GT	DECAL,ULS DIESEL ONLY,TIER 4.....1 <i>(Deutz D2.9L4 and Perkins 404F-22)</i>	
9	29104GT	DECAL,TOWING INSTRUCTIONS.....1 <i>Option, tow package</i>		38	1000014GT	DECAL,NOTICE,OPER INST.S60.....1 <i>ANSI only</i>	
10	31788GT	DECAL,DANGER,BATTERY SAFETY***.....1		39	1253629GT	DECAL,LP BOTTLE,S60.....1 <i>Option</i>	
11	38149GT	DECAL,LABEL,PATENTS.....1 <i>US Only</i>					
12	46137GT	DECAL,LPS (4"X4").....1 <i>Option</i>					
13	47041GT	DECAL,CAUTION,TOWING SPEED.....1 <i>Option, tow package</i>					
15	52607GT	DECAL,LABEL,TEST***.....1 <i>Ford only</i>					
16	52865GT	DECAL,ANNUAL INSP***.....1 <i>ANSI Only</i>					
17	52966GT	DECAL,COSMETIC,4 X 2.....1 <i>Option, drive</i>					
18	52967GT	DECAL,COSMETIC,4 X 4.....1 <i>Option, drive</i>					
19	72168GT	DECAL,LABEL,CONTROLS BATTERY...1 <i>Option, dual battery</i>					
20	72169GT	DECAL,LABEL,PETRO CANADA***.....1 <i>Option, dual battery</i>					
21	72999GT	DECAL,LABEL,PETRO CANADA***.....1 <i>Option, hydraulic oil</i>					
22	82161GT	DECAL,LABEL,UCON HYDROLUBE....1 <i>Option, hydraulic oil</i>					
23	82366GT	DECAL, LABEL - CHEVRON RANDO....1 <i>Option, hydraulic oil</i>					
24	114099GT	DECAL,LABEL,TRANSPORT DIAGRAM.....1					
25	114219GT	DECAL,LABEL,RELAYS,S60&65.....1					
26	114258GT	DECAL,DANGER,NO SMOKING.....1					
27	114389GT	DECAL,DANGER,GENERAL SAFETY...1					
28	114390GT	DECAL,DANGER,ELECT HAZARD***...1					
29	114425GT	DECAL,BATTERY DISCONNECT.....1 <i>Option</i>					

142.1 S-65TraX Decals with Word, Engine Side (ANSI & Australia)



NOTE:  
Part numbers with "(FR)" indicates French translation is available



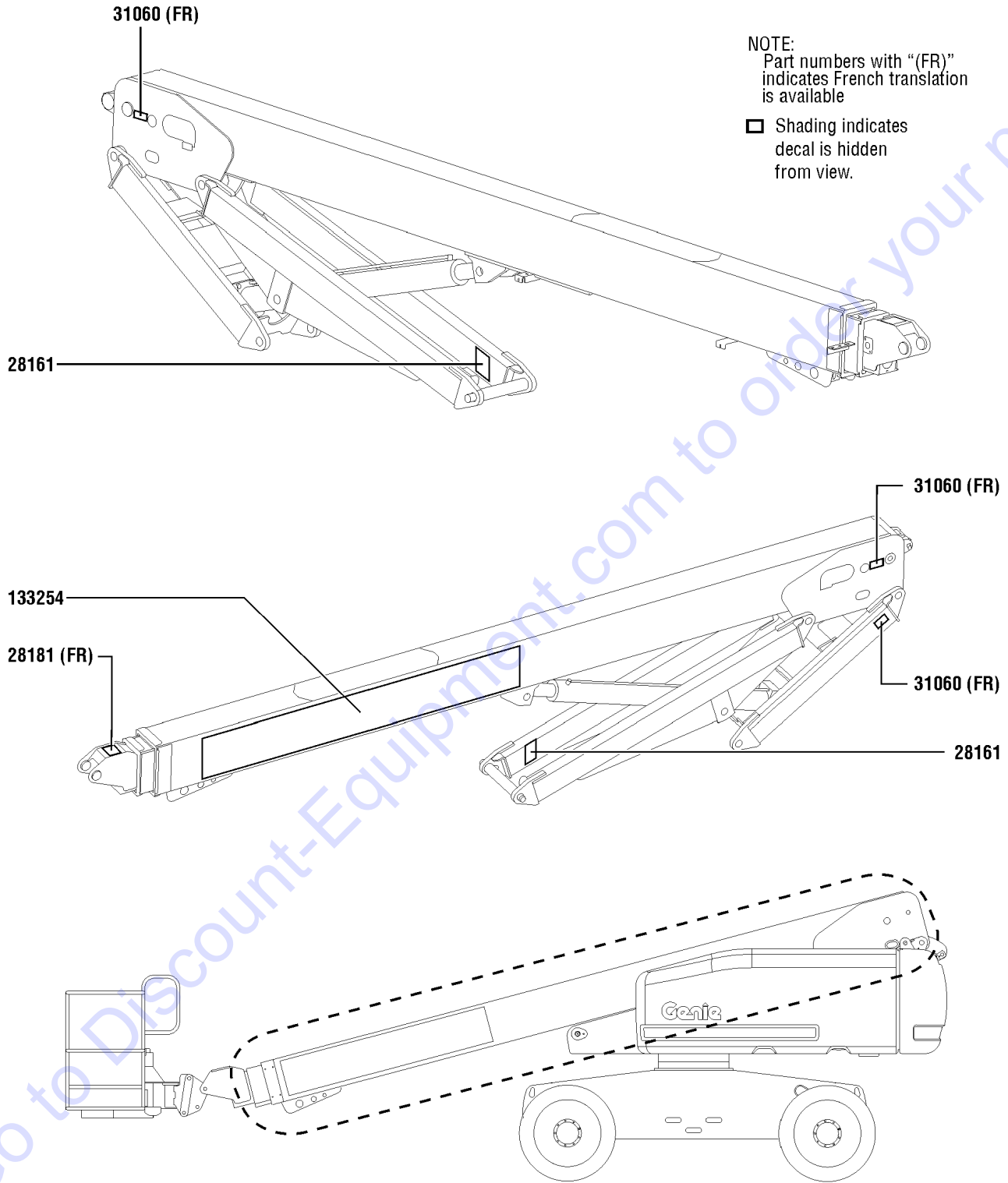
142.1 S-65TraX Decals with Word, Engine Side (ANSI & Australia)

Item	Part No.	Description	Qty.
1	27204GT	DECAL,ARROW BLUE.....	1
2	27206GT	DECAL,TRIANGLE,BLUE.....	1
3	27207GT	DECAL,TRIANGLE,YELLOW.....	1
4	28161GT	DECAL,WARN,CRUSH HAZARD HAND.....	1
5	28174GT	DECAL, POWER TO PLATFORM 230V**.....	1
6	28175GT	DECAL,WARNING-COMPART ACCESS.....	1
7	28235GT	DECAL, POWER TO PLATFORM 115V**.....	1
8	44981GT	DECAL,LABEL,AIR LINE 110 PSI..... <i>Option, air line to plat</i>	1
9	46137GT	DECAL,LPS (4"X4")..... <i>Option</i>	1
11	82237GT	DECAL,DANGER,HIGH VOLTAGE..... <i>Option, welder</i>	2
12	97548GT	DECAL,ENGINE SPEC,DEUTZ 2011..... <i>Deutz D2011L3i and Deutz TD2011L04i</i>	1
13	97602GT	DECAL,EXPLOSION HAZARD..... <i>Diesel engines</i>	1
14	97875GT	DECAL,WARN.WELD LINE INST.WORD..... <i>Option, weld cable line</i>	1
15	114099GT	DECAL,LABEL,TRANSPORT DIAGRAM.....	1
16	114169GT	DECAL,FORD ENGINE SPEC DSG423..... <i>Ford DSG-423</i>	1
17	114277GT	DECAL,LABEL,BELT ROUTING DSG..... <i>Ford DSG-423</i>	1
18	114390GT	DECAL,DANGER,ELECT HAZARD***.....	1
19	133238GT	DECAL,ENGINE SPEC,PERKINS***..... <i>Perkins 404D-22</i>	1
20	133250GT	DECAL,DANGER TIP OVER TRAX.....	2
21	133252GT	DECAL, WHEEL LOAD S65 TRAX.....	2
22	133260GT	DECAL,COSM, S65 TRAX.....	1
23	215526GT	DECAL,LABEL,BELT,MSG425..... <i>Ford MSG-425</i>	1
24	215527GT	DECAL,FORD ENGINE SPEC MSG425..... <i>Ford MSG-425</i>	1
25	822004GT	DECAL, ENGINE SPEC, 404F-22..... <i>Perkins 404F-22</i>	1
26	822131GT	DECAL, ENGINE SPEC, D2.9..... <i>Deutz D2.9L4</i>	1
27	1253011GT	DECAL, VAPORIZER PRESSURE..... <i>Ford MSG-425 only</i>	1





143.1 S-65TraX Decals with Word, Boom (ANSI & Australia)



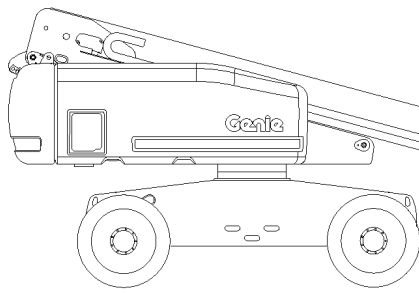
143.1 S-65TraX Decals with Word, Boom (ANSI & Australia)

Item	Part No.	Description	Qty.
1	28161GT	DECAL,WARN,CRUSH HAZARD HAND.....	2
2	28181GT	DECAL,WARN,FALL HAZARD.....	1
3	31060GT	DECAL,DANGER DO NOT ALTER SWTC.....	3
4	133254GT	DECAL, COSM,GENIE S65 TRAX.....	1

Go to Discount-Equipment.com to order your parts

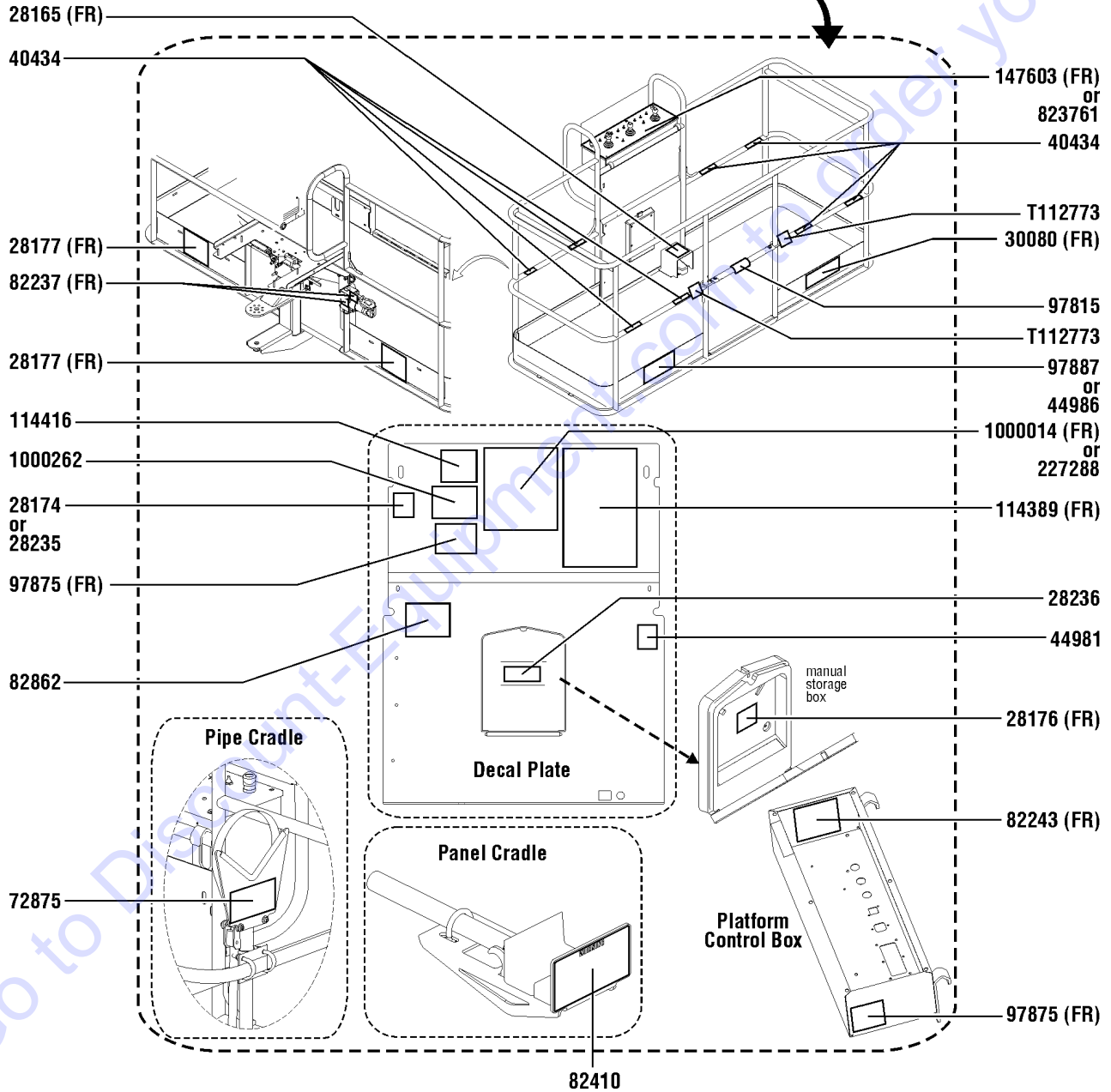


144.1 S-65TraX Decals with Word, Platform (ANSI & Australia)



NOTE:  
Part numbers with "(FR)" indicates French translation is available

☐ Shading indicates decal is hidden from view.



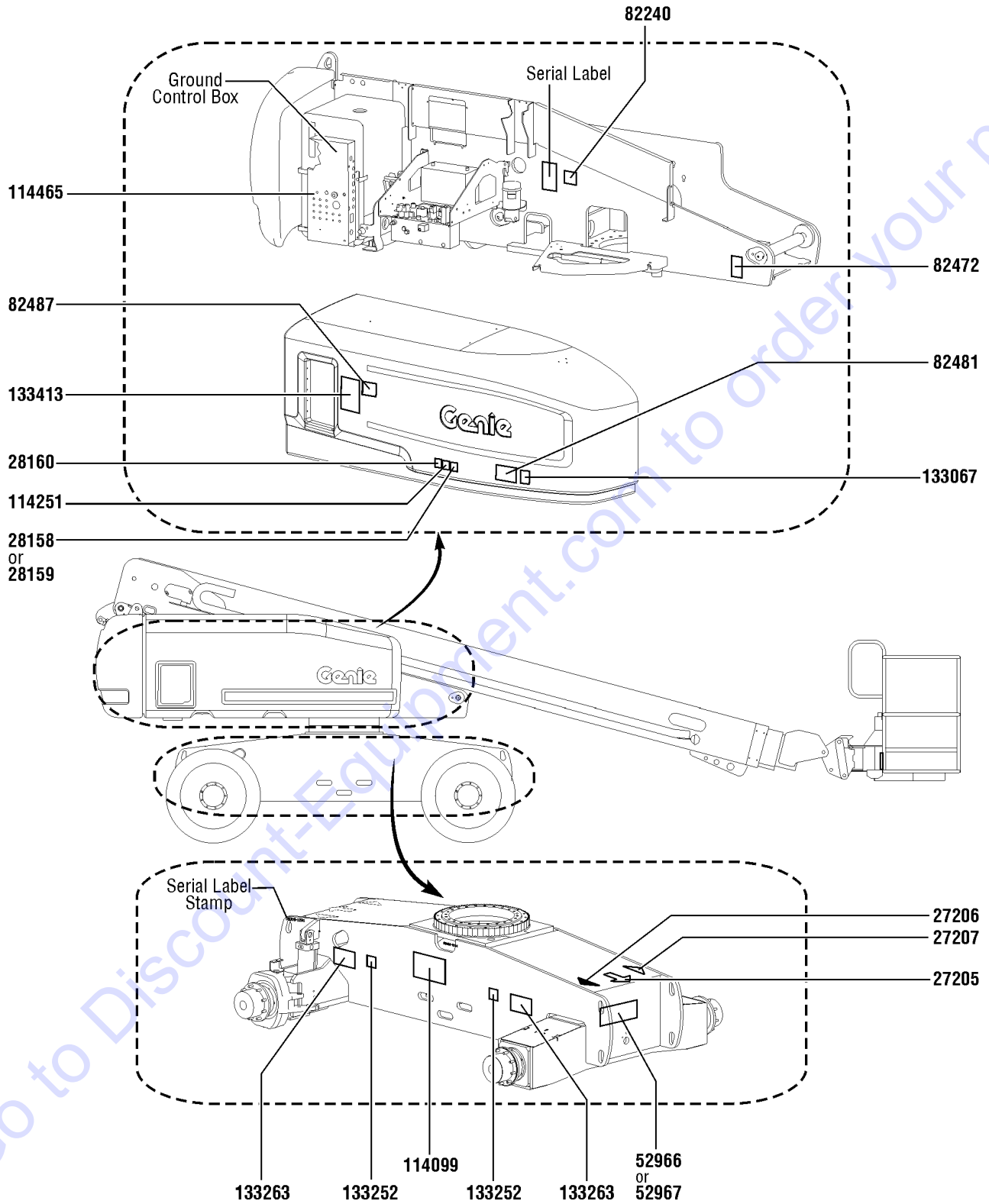
144.1 S-65TraX Decals with Word, Platform (ANSI & Australia)

Item	Part No.	Description	Qty.
1	28165GT	DECAL,INSTRUCT,FOOTSWITCH OPER.....	1
2	28174GT	DECAL, POWER TO PLATFORM 230V**.....	1
3	28176GT	DECAL,LABEL,MANUAL NOT HERE.....	1
4	28177GT	DECAL,WARN,CRUSH HAZARD PLAT.....	2
5	28235GT	DECAL, POWER TO PLATFORM 115V**.....	1
6	28236GT	DECAL,WARN,IMPROPER OPERATION.....	1
7	30080GT	DECAL,NOTICE,MAX LOAD 500 LBS....	1
8	40434GT	DECAL,LANYARD ANCHORAGE POINT.....	8
9	44981GT	DECAL,LABEL,AIR LINE 110 PSI..... <i>Option, airline to plat</i>	1
10	44986GT	DECAL,INSTR,SIDE FRC/WIND,AUS.... <i>AUS only</i>	1
11	72875GT	DECAL,WARNING,PIPE CRADLE,BOOM..... <i>Option, pipe cradle</i>	2
12	82237GT	DECAL,DANGER,HIGH VOLTAGE..... <i>Option, welder</i>	2
13	82243GT	DECAL FAULT CODE.....	1
14	82410GT	DECAL,WARNING,PANEL CRADLE..... <i>Option, panel cradle</i>	2
15	82862GT	DECAL,FIRE EXTINGUISHER..... <i>Option, welder</i>	1
16	97815GT	DECAL,LABEL,LOWER MIDRAIL.....	1
17	97875GT	DECAL,WARN.WELD LINE INST.WORD..... <i>Option, weld cable line</i>	2
18	97887GT	DECAL,INSTR,MAX SIDE FRC,ANSI.... <i>ANSI only</i>	1
19	114389GT	DECAL,DANGER,GENERAL SAFETY....	1
20	114416GT	DECAL,DANGER,TIPOVER,TILT.....	1
21	147603GT	DECAL, PLAT CNTL PNL.....	1
22	227288GT	DECAL, OPERATING INSTRUCTIONS..... <i>AUS only</i>	1
23	823761GT	LABEL, PBOX, S65 TIER 4..... <i>Tier 4 models only</i>	1
24	1000014GT	DECAL,NOTICE,OPER INST.S60..... <i>ANSI only</i>	1
25	1000262GT	DECAL,DANGER,TIP OVER,PLAT.....	1
26	T112773GT	TAPE, PROTECTIVE MASK.....	2

Go to [DiscontinuedEquipment.com](http://DiscontinuedEquipment.com) to order your parts



145.1 S-65TraX Decals with Symbol, Hydraulic Tank Side (ANSI & CE)



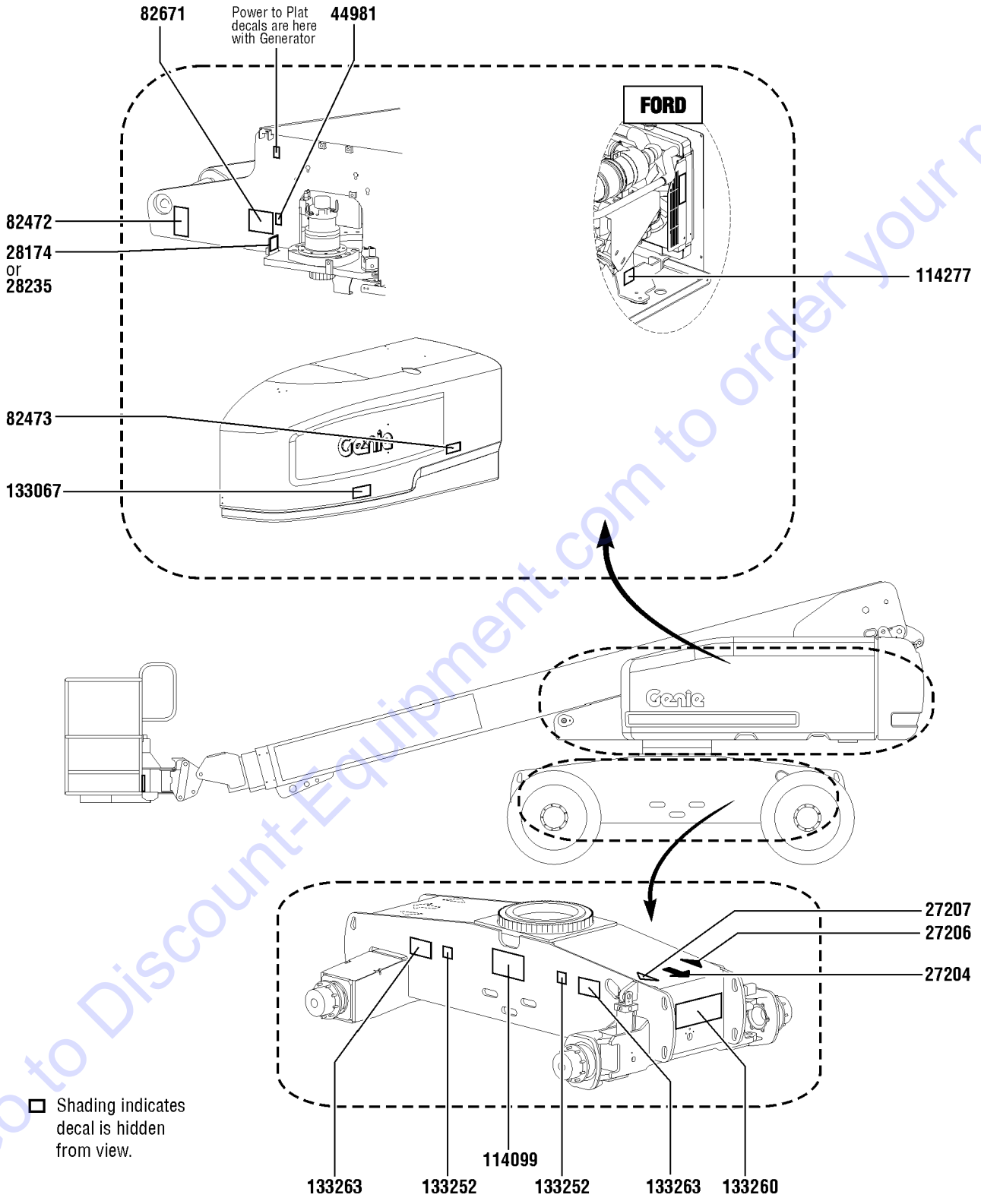
145.1 S-65TraX Decals with Symbol, Hydraulic Tank Side (ANSI & CE)

Item	Part No.	Description	Qty.
1	27205GT	DECAL,ARROW YELLOW LRG 9".....1	1
2	27206GT	DECAL,TRIANGLE,BLUE.....1	1
3	27207GT	DECAL,TRIANGLE,YELLOW.....1	1
4	28158GT	DECAL,LABEL,UNLEADED GAS ONLY.....1 <i>Ford only</i>	1
5	28159GT	DECAL,LABEL,DIESEL FUEL.....1 <i>Deutz and Perkins only</i>	1
6	28160GT	DECAL,LABEL,LIQUID PROPANE.....1 <i>Option, LPG tank</i>	1
7	52966GT	DECAL,COSMETIC,4 X 2.....1 <i>Option, drive</i>	1
8	52967GT	DECAL,COSMETIC,4 X 4.....1 <i>Option, drive</i>	1
9	82240GT	DECAL,LABEL,105 DB.....1	1
10	82472GT	DECAL,WARNING,CRUSHING HAZARD.....1	1
11	82481GT	DECAL,SYMBOL-BATTERY SAFETY.....1	1
12	82487GT	DECAL,SYMBOL-READ THE MANUAL.....1	1
15	114099GT	DECAL,LABEL,TRANSPORT DIAGRAM.....1	1
16	114251GT	DECAL,LABEL,NO SMOKING,SYMB.....1	1
17	114465GT	DECAL GROUND CONTROL BOX.....1	1
18	133067GT	DECAL,DANGER,ELEC.HAZ.STAY CLR.....1	1
19	133252GT	DECAL, WHEEL LOAD S65 TRAX.....2	2
20	133263GT	DECAL,LABEL,TIPOVER,TRAX,SYMB.2	2
21	133413GT	DECAL,EMERGENCY LOWERING.....1 <i>CE only</i>	1

Go to Discount-Equipment.com to order your parts



146.1 S-65TraX Decals with Symbol, Engine Side (ANSI & CE)



146.1 S-65TraX Decals with Symbol, Engine Side (ANSI & CE)

Item	Part No.	Description	Qty.
1	27204GT	DECAL,ARROW BLUE.....	1
2	27206GT	DECAL,TRIANGLE,BLUE.....	1
3	27207GT	DECAL,TRIANGLE,YELLOW.....	1
4	28174GT	DECAL, POWER TO PLATFORM 230V**.....	1
5	28235GT	DECAL, POWER TO PLATFORM 115V**.....	1
6	44981GT	DECAL,LABEL,AIR LINE 110 PSI..... <i>Option, airline to plat</i>	1
7	82472GT	DECAL,WARNING,CRUSHING HAZARD.....	1
8	82473GT	DECAL,SYMBOL-COMP ACCESS.....	1
9	82671GT	DECAL,LABEL,WELD LINE INST,SYM... <i>Option, weld cable line</i>	1
10	114099GT	DECAL,LABEL,TRANSPORT DIAGRAM.....	1
11	114277GT	DECAL,LABEL,BELT ROUTING DSG.... <i>Ford DSG-423</i>	1
12	133067GT	DECAL,DANGER,ELEC.HAZ.STAY CLR.....	1
13	133252GT	DECAL, WHEEL LOAD S65 TRAX.....	2
14	133260GT	DECAL,COSM, S65 TRAX.....	1
15	133263GT	DECAL,LABEL,TIPOVER,TRAX,SYMB..	2

Go to Discount-Equipment.com to order your parts





# PARTS FINDER

**Search Website  
by Part Number**



**Search Manual  
Library For Parts  
Manual & Lookup Part  
Numbers – Purchase  
or Request Quote**

**Search Manuals**

Enter your information to help us find the right parts manual for your machine.

\* Brand:

\* Model:

\* Serial:

\* Part Number:

SEARCH

**Can't Find Part or  
Manual? Request Help  
by Manufacturer,  
Model & Description**

**Parts Order Form**

Please fill in the following information to help us find the right part for your machine.

Manufacturer:	<input type="text"/>
Model:	<input type="text"/>
Description:	<input type="text"/>
Part Number:	<input type="text"/>
Quantity:	<input type="text"/>
Notes:	<input type="text"/>

Submit

Discount-Equipment.com is your online resource for quality parts & equipment.

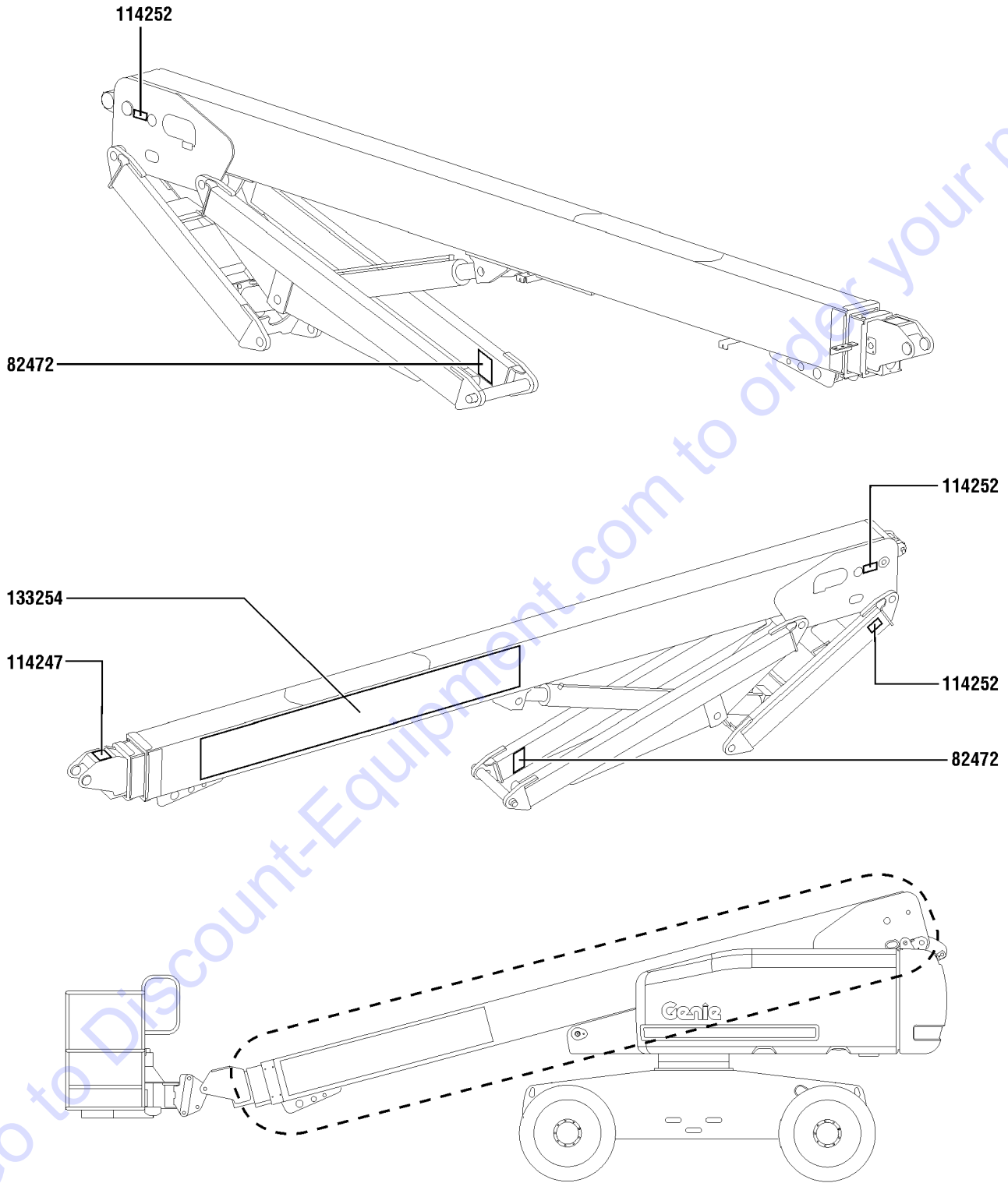
Florida: **561-964-4949** Outside Florida TOLL FREE: **877-690-3101**

**Need parts?**

Click on this link: <http://www.discount-equipment.com/category/5443-parts/> and choose one of the options to help get the right parts and equipment you are looking for. Please have the machine model and serial number available in order to help us get you the correct parts. If you don't find the part on the website or on one of the online manuals, please fill out the request form and one of our experienced staff members will get back to you with a quote for the right part that your machine needs.

We sell worldwide for the brands: Genie, Terex, JLG, MultiQuip, Mikasa, Essick, Whiteman, Mayco, Toro Stone, Diamond Products, Generac Magnum, Airman, Haulotte, Barreto, Power Blanket, Nifty Lift, Atlas Copco, Chicago Pneumatic, Allmand, Miller Curber, Skyjack, Lull, Skytrak, Tsurumi, Husquvarna Target, Stow, Wacker, Sakai, Mi-T-M, Sullair, Basic, Dynapac, MBW, Weber, Bartell, Bennar Newman, Haulotte, Ditch Runner, Menegotti, Morrison, Contec, Buddy, Crown, Edco, Wyco, Bomag, Laymor, EZ Trench, Bil-Jax, F.S. Curtis, Gehl Pavers, Heli, Honda, ICS/PowerGrit, IHI, Partner, Imer, Clipper, MMD, Koshin, Rice, CH&E, General Equipment, Amida, Coleman, NAC, Gradall, Square Shooter, Kent, Stanley, Tamco, Toku, Hatz, Kohler, Robin, Wisconsin, Northrock, Oztec, Toker TK, Rol-Air, APT, Wylie, Ingersoll Rand / Doosan, Innovatech, Con X, Ammann, Mecalac, Makinex, Smith Surface Prep, Small Line, Wanco, Yanmar

147.1 S-65TraX Decals with Symbol, Boom (ANSI & CE)



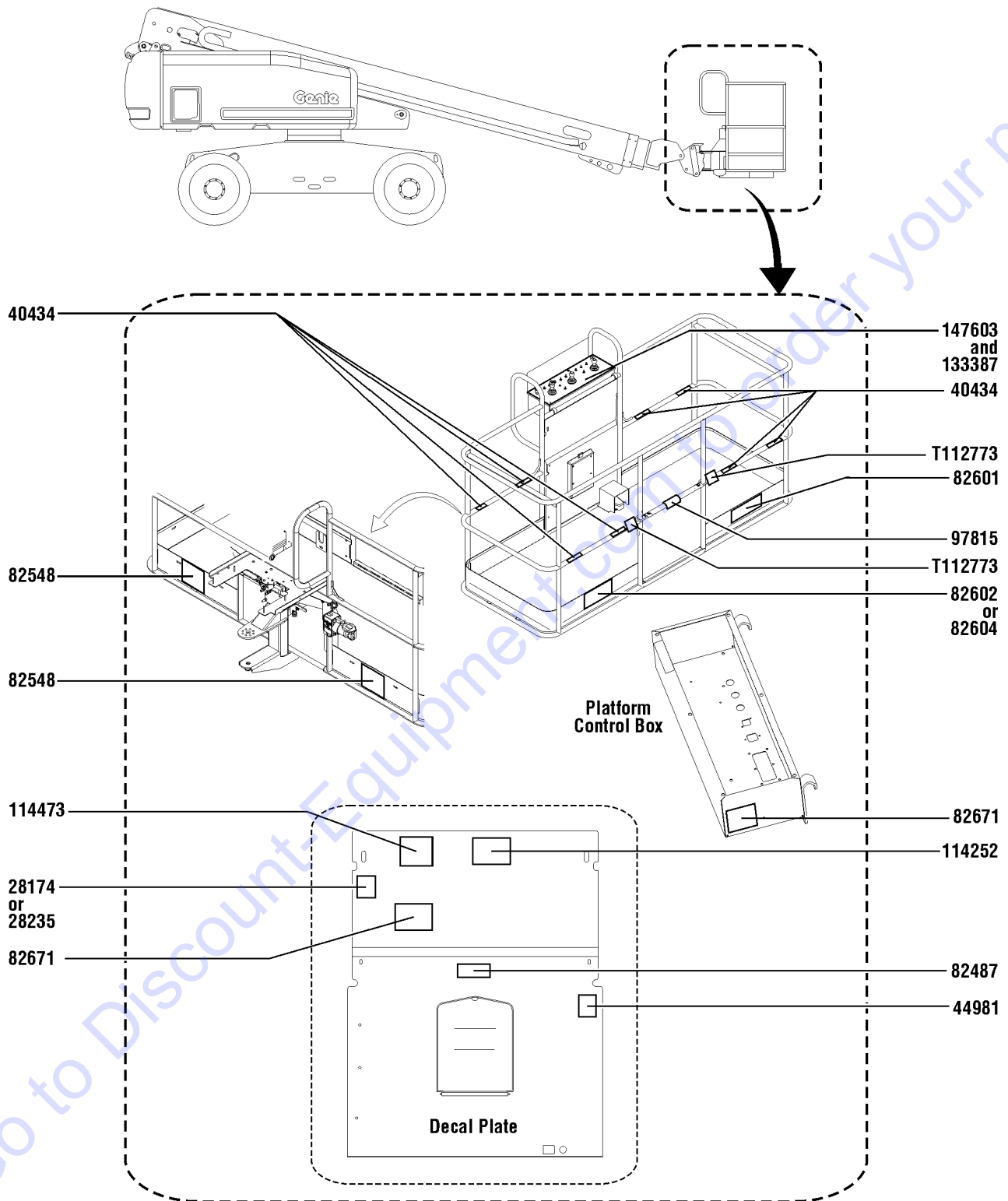
147.1 S-65TraX Decals with Symbol, Boom (ANSI & CE)

Item	Part No.	Description	Qty.
1	82472GT	DECAL,WARNING,CRUSHING HAZARD.....	2
2	114247GT	DECAL,LABEL,FALL HAZARD***.....	1
3	114252GT	DECAL,LABEL,TIP OVER LMT SWTCH.....	3
4	133254GT	DECAL, COSM,GENIE S65 TRAX.....	1

Go to Discount-Equipment.com to order your parts



148.1 S-65TraX Decals with Symbol, Platform (ANSI & CE)



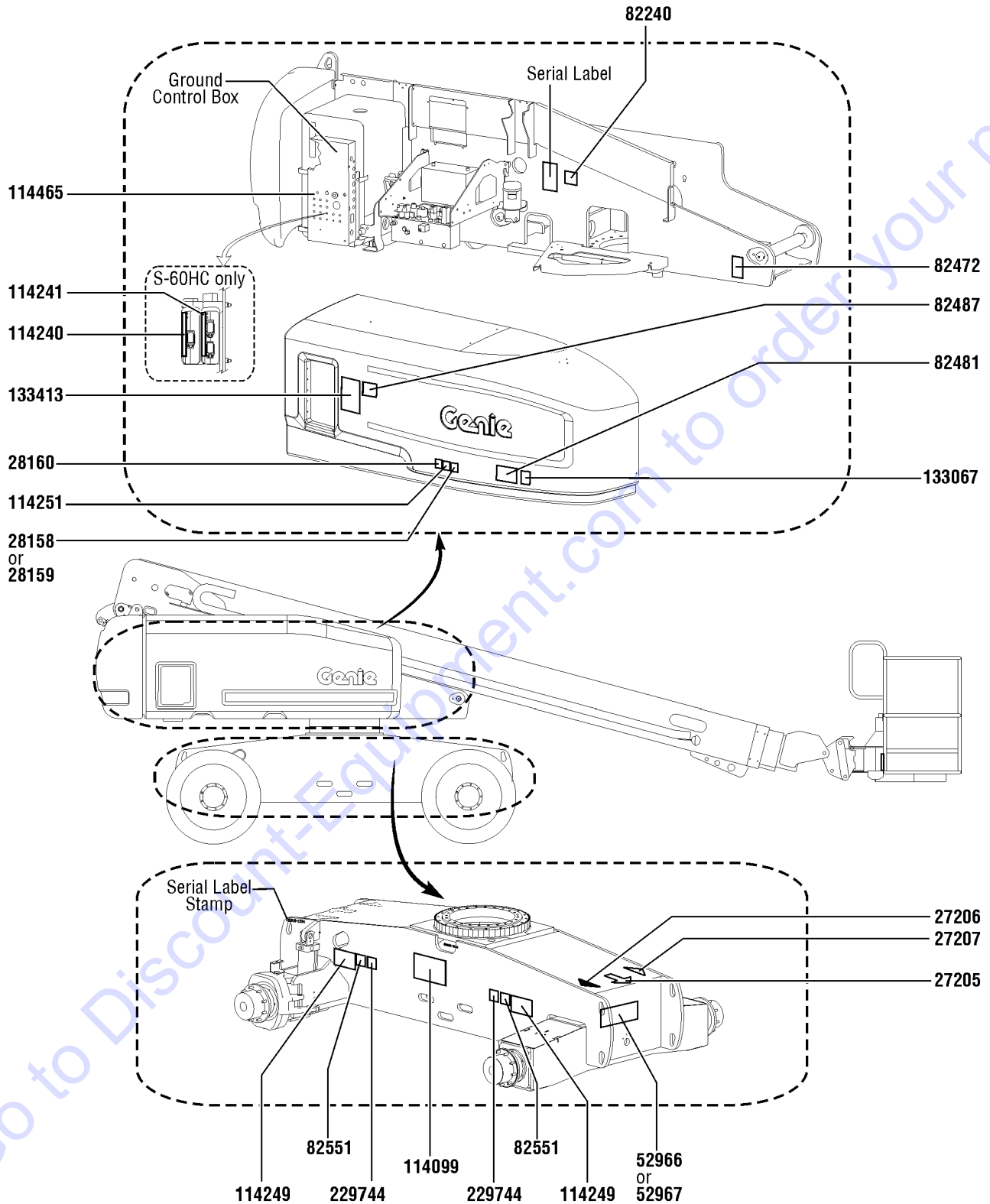
148.1 S-65TraX Decals with Symbol, Platform (ANSI & CE)

Item	Part No.	Description	Qty.
1	28174GT	DECAL, POWER TO PLATFORM 230V**.....	1
2	28235GT	DECAL, POWER TO PLATFORM 115V**.....	1
3	40434GT	DECAL,LANYARD ANCHORAGE POINT.....	8
4	44981GT	DECAL,LABEL,AIR LINE 110 PSI..... <i>Option, airline to plat</i>	1
5	82487GT	DECAL, SYMBOL - READ THE MANUAL.....	1
6	82548GT	DECAL,WARN,CRUSH HAZARD PLAT.....	2
7	82601GT	DECAL,LABEL,MAX CAPACITY***.....	1
8	82602GT	DECAL,DANGER,MAX SIDE FRC,667N..... <i>ANSI only</i>	1
9	82604GT	DECAL,DANGER,SIDE FRC 400N..... <i>CE only</i>	1
10	82671GT	DECAL,LABEL,WELD LINE INST,SYM... <i>Option, weld cable line</i>	2
11	97815GT	DECAL,LABEL,LOWER MIDRAIL.....	1
12	114252GT	DECAL,LABEL,TIP OVER LMT SWTCH.....	1
13	114473GT	DECAL,DANGER,TIPOVER,TILT,SYM...1	1
14	133387GT	DECAL,DRIVE ENABLE PATCH.....	1
15	147603GT	DECAL, PLAT CNTL PNL.....	1
16	T112773GT	TAPE, PROTECTIVE MASK.....	2

Go to Discount-Equipment.com to order your parts



149.1 S-60HC Decals with Symbol, Hydraulic Tank Side (CE)

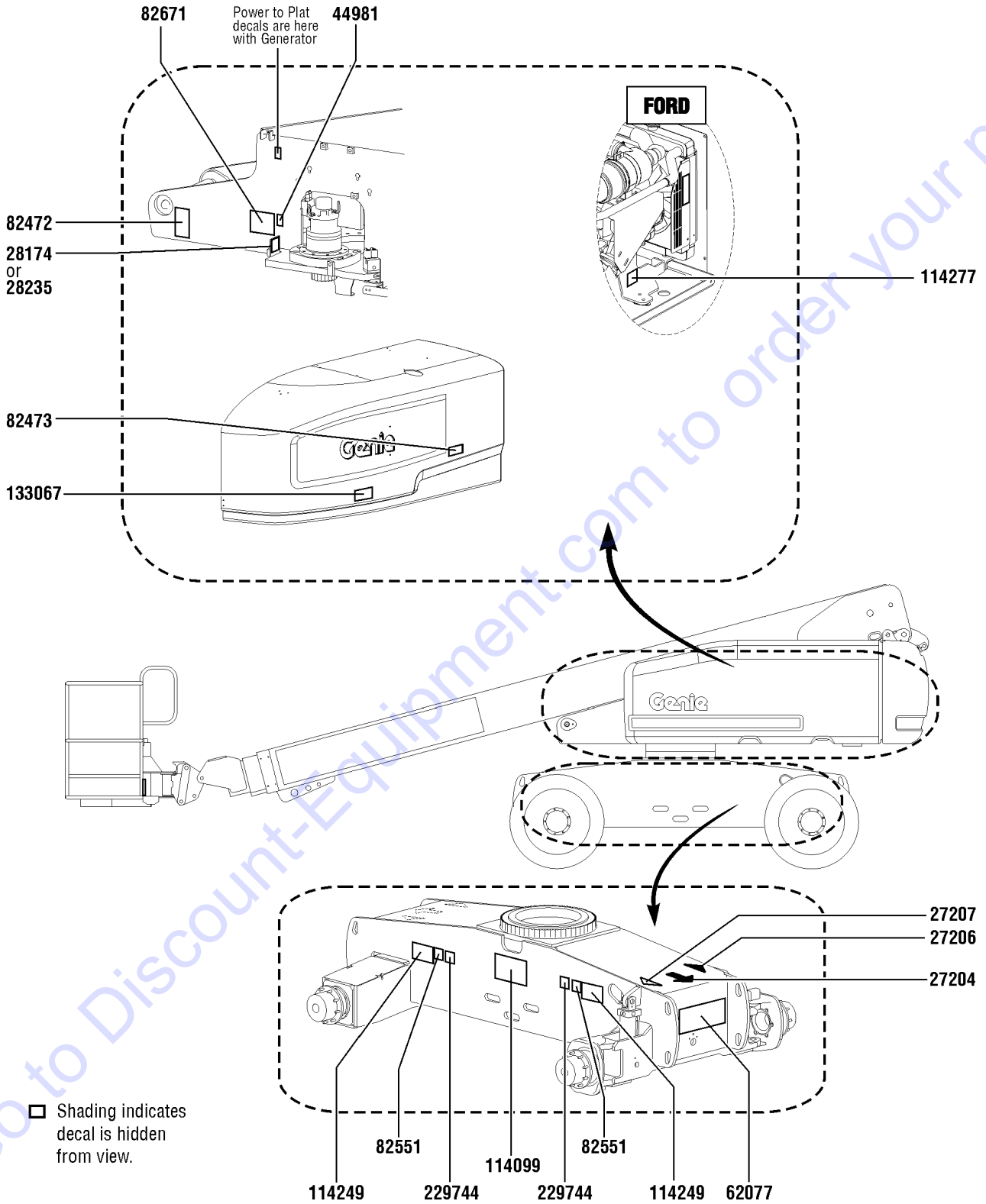


149.1 S-60HC Decals with Symbol, Hydraulic Tank Side (CE)

Item	Part No.	Description	Qty.
1	27205GT	DECAL,ARROW YELLOW LRG 9".....1	1
2	27206GT	DECAL,TRIANGLE,BLUE.....1	1
3	27207GT	DECAL,TRIANGLE,YELLOW.....1	1
4	28158GT	DECAL,LABEL,UNLEADED GAS ONLY.....1 <i>Ford only</i>	1
5	28159GT	DECAL,LABEL,DIESEL FUEL.....1 <i>Deutz and Perkins only</i>	1
6	28160GT	DECAL,LABEL,LIQUID PROPANE.....1 <i>Option, LPG tank</i>	1
7	52966GT	DECAL,COSMETIC,4 X 2.....1 <i>Option, drive</i>	1
8	52967GT	DECAL,COSMETIC,4 X 4.....1 <i>Option, drive</i>	1
9	82240GT	DECAL,LABEL,105 DB.....1	1
10	82472GT	DECAL,WARNING,CRUSHING HAZARD.....1	1
11	82481GT	DECAL,SYMBOL-BATTERY SAFETY.....1	1
12	82487GT	DECAL,SYMBOL-READ THE MANUAL.....1	1
13	82551GT	DECAL,LABEL,TIRE PRESSURE.....2 <i>RT air filled tires only</i>	2
14	114099GT	DECAL,LABEL,TRANSPORT DIAGRAM.....1	1
15	114240GT	LABEL,TCON SOFTWARE,S60HC.....1	1
16	114241GT	LABEL,SCON SOFTWARE,S60HC.....1	1
17	114249GT	DECAL,LABEL,TIPOVER,TIRES,SYMB.2	2
18	114251GT	DECAL,LABEL,NO SMOKING,SYMB.....1	1
19	114465GT	DECAL GROUND CONTROL BOX.....1	1
20	133067GT	DECAL,DANGER,ELEC.HAZ.STAY CLR.....1	1
21	133413GT	DECAL,EMERGENCY LOWERING.....1	1
22	229744GT	DECAL,LABEL,WHEEL LOAD S60H/XC.....2	2

Go to DiscountEquipment.com to order your parts

150.1 S-60HC Decals with Symbol, Engine Side (CE)





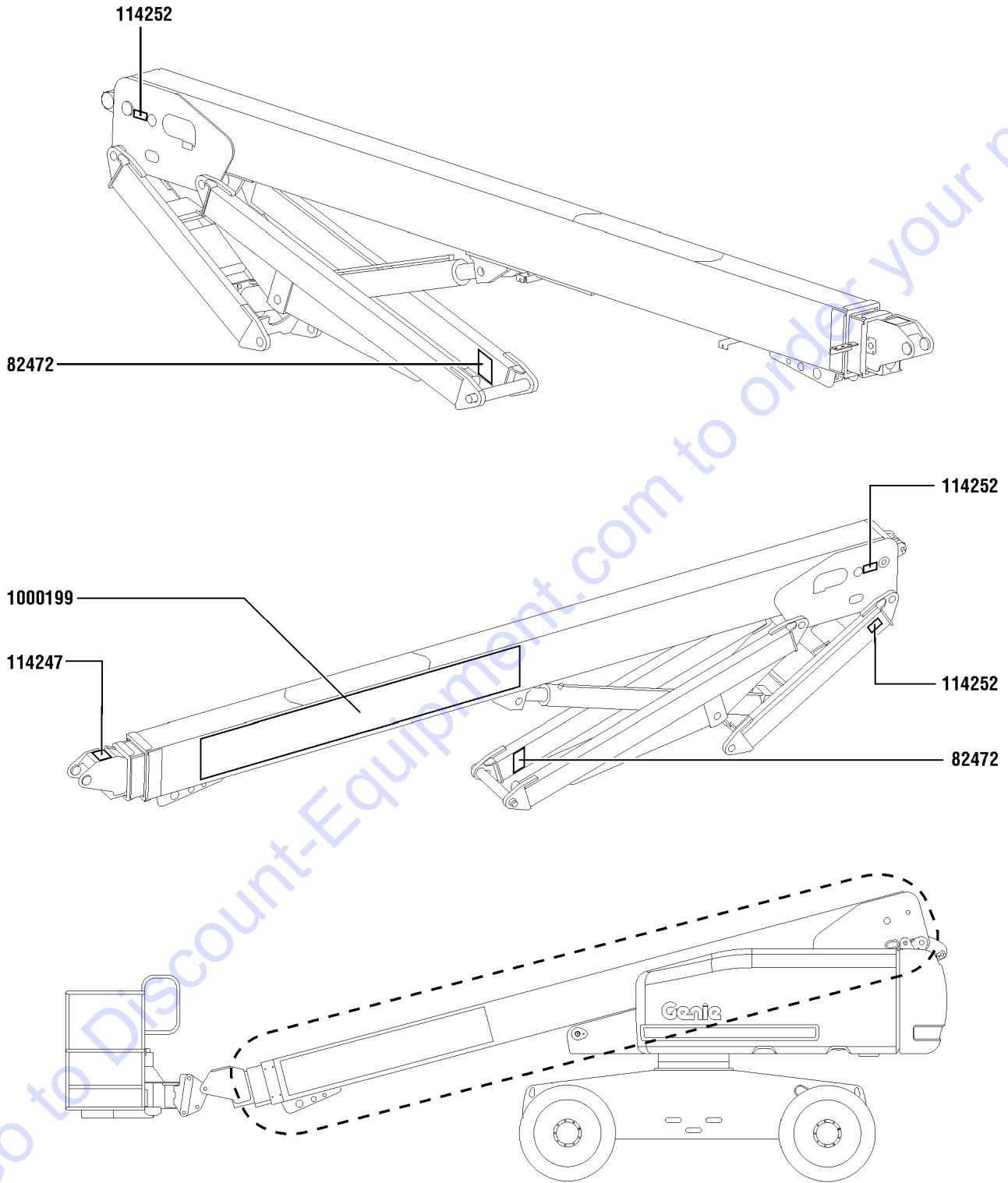
150.1 S-60HC Decals with Symbol, Engine Side (CE)

Item	Part No.	Description	Qty.
1	27204GT	DECAL,ARROW BLUE.....	1
2	27206GT	DECAL,TRIANGLE,BLUE.....	1
3	27207GT	DECAL,TRIANGLE,YELLOW.....	1
4	28174GT	DECAL, POWER TO PLATFORM 230V**.....	1
5	28235GT	DECAL, POWER TO PLATFORM 115V**.....	1
6	44981GT	DECAL,LABEL,AIR LINE 110 PSI..... <i>Option, airline to plat</i>	1
7	62077GT	DECAL,COSMETIC,S60.....	1
8	82472GT	DECAL,WARNING,CRUSHING HAZARD.....	1
9	82473GT	DECAL,SYMBOL-COMP ACCESS.....	1
10	82551GT	DECAL,LABEL,TIRE PRESSURE..... <i>RT air filled tires only</i>	2
11	82671GT	DECAL,LABEL,WELD LINE INST,SYM... <i>Option, weld cable line</i>	1
12	114099GT	DECAL,LABEL,TRANSPORT DIAGRAM.....	1
13	114249GT	DECAL,LABEL,TIPOVER,TIRES,SYMB.2	
14	114277GT	DECAL,LABEL,BELT ROUTING DSG..... <i>Ford DSG-423</i>	1
15	133067GT	DECAL,DANGER,ELEC.HAZ.STAY CLR.....	1
16	229744GT	DECAL,LABEL,WHEEL LOAD S60H/XC.....	2

Go to Discount-Equipment.com to order your parts



151.1 S-60HC Decals with Symbol, Boom (CE)



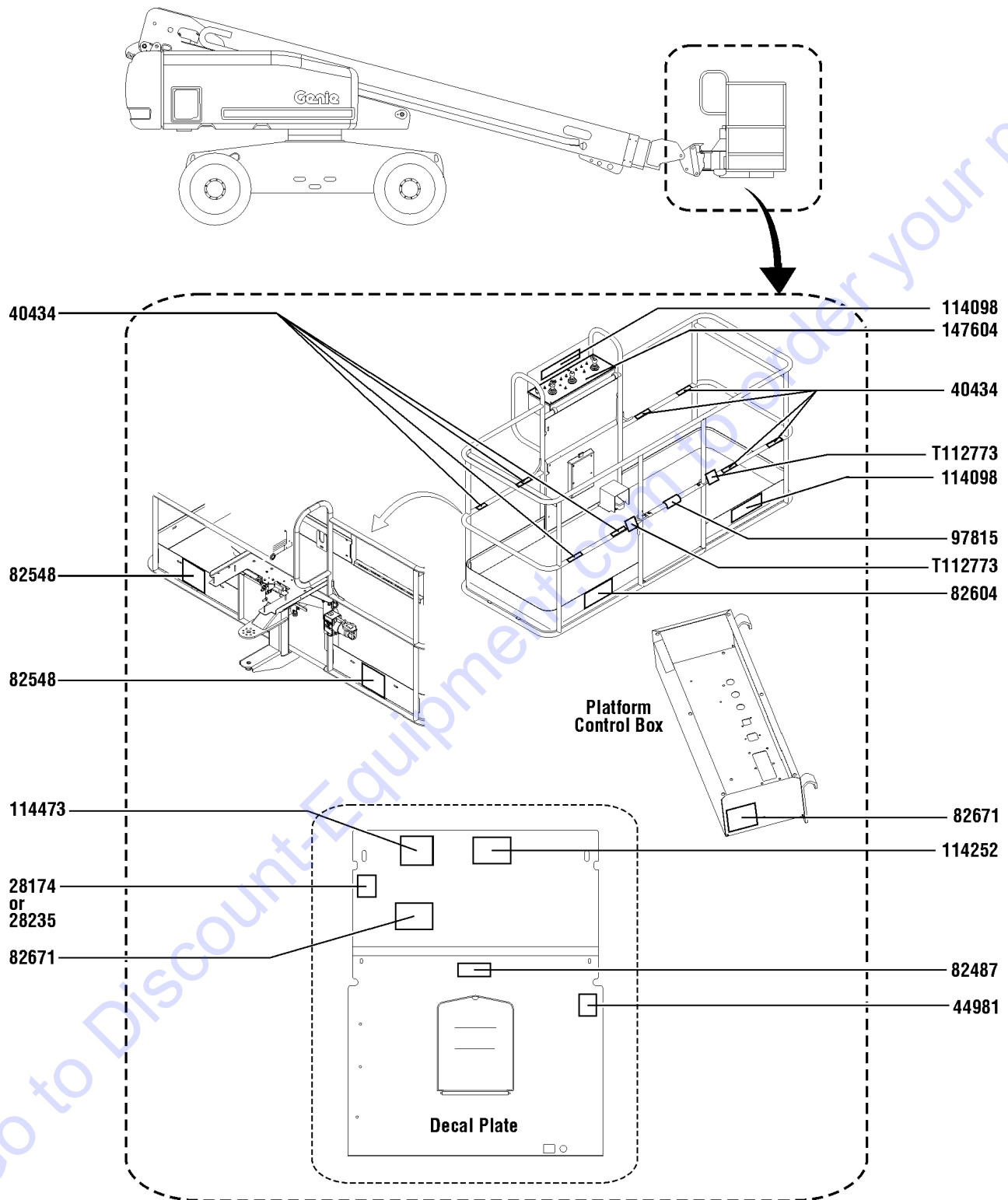
151.1 S-60HC Decals with Symbol, Boom (CE)

Item	Part No.	Description	Qty.
1	82472GT	DECAL,WARNING,CRUSHING HAZARD.....	2
2	114247GT	DECAL,LABEL,FALL HAZARD***.....	1
3	114252GT	DECAL,LABEL,TIP OVER LMT SWTCH.....	3
4	1000199GT	DECAL,COSMETIC,GENIE S-60HC.....	1

Go to Discount-Equipment.com to order your parts



152.1 S-60HC Decals with Symbol, Platform (CE)



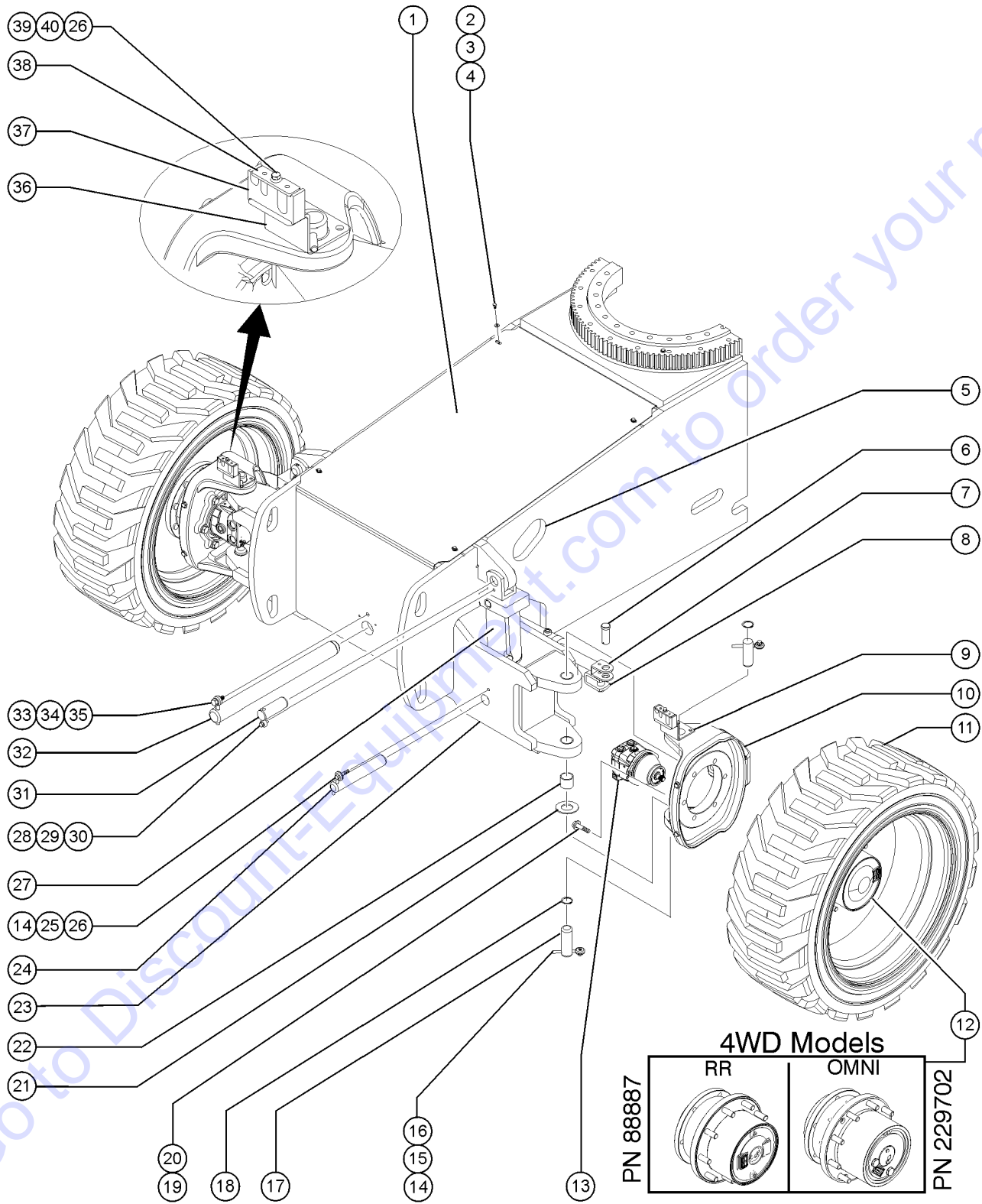
152.1 S-60HC Decals with Symbol, Platform (CE)

Item	Part No.	Description	Qty.
1	28174GT	DECAL, POWER TO PLATFORM 230V**.....	1
2	28235GT	DECAL, POWER TO PLATFORM 115V**.....	1
3	40434GT	DECAL,LANYARD ANCHORAGE POINT.....	8
4	44981GT	DECAL,LABEL,AIR LINE 110 PSI..... <i>Option, airline to plat</i>	1
5	82487GT	DECAL, SYMBOL - READ THE MANUAL.....	1
6	82548GT	DECAL,WARN,CRUSH HAZARD PLAT.....	2
7	82604GT	DECAL,DANGER,SIDE FRC 400N.....	1
8	82671GT	DECAL,LABEL,WELD LINE INST,SYM... <i>Option, weld cable line</i>	2
9	97815GT	DECAL,LABEL,LOWER MIDRAIL.....	1
10	114098GT	DECAL,DANGER,MAX LOAD S60HCSYM.....	2
11	114252GT	DECAL,LABEL,TIP OVER LMT SWTCH.....	1
12	114473GT	DECAL,DANGER,TIPOVER,TILT,SYM...1	1
13	147604GT	DECAL, PLAT CNTL PNL 60HC.....	1
14	T112773GT	TAPE, PROTECTIVE MASK.....	2

Go to Discount-Equipment.com to order your parts



201.1 Steer End



201.1 Steer End

Item	Part No.	Description	Qty.	Item	Part No.	Description	Qty.
1	77624PGT	COVER,DRIVE CHASSIS.....1 <i>decals not included, refer to section 100</i>	1	11E	106647GT	TIRE & WHEEL ASSY,RH,FOAM,NM.....2 <i>RT, Foam-filled, Non-marking, right (S-60, S-65, S-60X, S-60XC, S-60HC; overall diameter: 37 inches)</i>	2
2	7339GT	SCREW, HHC, 1/4-20 X .5		11E	106648GT	TIRE & WHEEL ASSY,LH,FOAM,NM.....2 <i>RT, Foam-filled, Non-marking, left (S-60, S-65, S-60X, S-60XC, S-60HC; overall diameter: 37 inches)</i>	2
3	6638GT	WASHER,FLAT,USS,1/4"Y		11F	110727GT	TIRE/WHEEL ASSY,LP RT W/SEALAN.....2 <i>RT, Air-filled, with sealant, left (S-60, S-65, S-60X)</i>	2
4	56912GT	SPRING CLIP,1/4-20,.025-.15X.54,ZAG		11F	110728GT	TIRE/WHEEL ASSY,LP RT W/SEALAN.....2 <i>RT, Air-filled, with sealant, right (S-60, S-65, S-60X)</i>	2
5	53386GT	GUARD, HOSE PROTECTOR.....1	1	11G	110730GT	TIRE/WHEEL ASSY,LP NM W/SEALAN.....2 <i>RT, Air-filled, Non-marking, with sealant, right (S-60, S-65, S-60X)</i>	2
6	19440GT	PIN,CLEVIS,1 X 2.5 LG.....6	6	11G	110731GT	TIRE/WHEEL ASSY,LP NM W/SEALAN.....2 <i>RT, Air-filled, Non-marking, with sealant, left (S-60, S-65, S-60X)</i>	2
--	74389GT	RUE RING 1.00		11H	110733GT	TIRE/WHEEL ASSY,HF W/SEALANT.....4 <i>Turf, Air-filled, with sealant (S-60, S-65, S-60X)</i>	4
7	59460GT	CYLINDER,STEERING***.....2	2	11J	228768GT	TIRE/WH ASSY,RH,FF,REPNEU***.....2 <i>RT, Foam-filled, oil based (S-60, S-65, S-60X, S-60XC, S-60HC)</i>	2
--	89294GT	SEAL KIT CYLINDER (59460)		11J	228769GT	TIRE/WH ASSY,LH,FF,REPNEU***.....2 <i>RT, Foam-filled, oil based (S-60, S-65, S-60X, S-60XC, S-60HC)</i>	2
8	77643GT	TIE ROD WELDMENT,S60.....1	1	11K	1262682GT	TIRE & WHL.ASSY,NM R35 FF,RH.....2 <i>RT, Foam-filled, oil based (S-60, S-65, S-60X), from S6015A-29653</i>	2
9	107615PGT	BRACKET,HOSE ROUTING,LH,PTD.....1	1	11K	1262683GT	TIRE & WHL.ASSY,NM R35 FF,LH.....2 <i>RT, Foam-filled, oil based (S-60, S-65, S-60X), from S6015A-29653</i>	2
10A	77726GT	YOKE ASSEMBLY W/BEARINGS,LH.....1	1	12A	229702GT	WHEEL DRIVE 57.5:1 4WD.....2 <i>TYPE: OMNI. 4WD models Visually identify which hub before ordering parts. ID tag is on end cover cap. Hubs are not interchangeable, internal components are different for each type.</i>	2
--	25817GT	BEARING,1.00IDX1.25ODX1.00L.....2 <i>Bearing not included, sold separately</i>	2	--	1260084GT	END CAP, WHEEL DRIVE for 229702	
10B	77725GT	YOKE ASSEMBLY W/BEARINGS,RH.....1	1	--	139965GT	WHEEL STUD,5/8-18,OMNI*** for 229702	
--	25817GT	BEARING,1.00IDX1.25ODX1.00L.....2 <i>Bearing not included, sold separately</i>	2	--	139966GT	ROD,DISCONNECT,OMNI*** for 229702	
11A	88729GT	TIRE & WHEEL ASSY,AIR,RH***.....2 <i>RT, Air-filled, right (S-60, S-65, S-60X)</i>	2	--	139967GT	CAP,DISENGAGE,OMNI*** for 229702	
--	88727GT	WHEEL, 24.5X11.75, 9 X 9 BCD for 88730 & 88729		--	139968GT	O-RING,END COVER,OMNI*** for 229702	
--	88728GT	TIRE,355/55D625 for 88730 & 88729					
--	88730GT	TIRE & WHEEL ASSY,AIR,LH.....2 <i>RT, Air-filled, left (S-60, S-65, S-60X)</i>	2				
11B	77790GT	TIRE & WHEEL ASSY RH,FF.....2 <i>RT, Foam-filled, right (S-60, S-65, S-60X, S-60XC, S-60HC; overall diameter: 37 inches)</i>	2				
11B	77791GT	TIRE & WHEEL ASSY,LH FF***.....2 <i>RT, Foam-filled, left (S-60, S-65, S-60X, S-60XC, S-60HC; overall diameter: 37 inches)</i>	2				
11C	94332GT	TIRE & WHEEL ASSY,TURF SPEC***.....4 <i>Turf, Air-filled (S-60, S-65, S-60X)</i>	4				
--	81164GT	TIRE,41/18LL X 22.5,14PR,TURF* for 94332					
--	94333GT	WHEEL,22.5X14.00*** for 94332					
11D	94534GT	WHEEL & TIRE ASSY,RH,NM AIR.....2 <i>RT, Air-filled, Non-marking, right (S-60, S-65, S-60X)</i>	2				
11D	94535GT	WHEEL & TIRE ASSY,LH NM AIR.....2 <i>RT, Air-filled, Non-marking, left (S-60, S-65, S-60X)</i>	2				
--	88727GT	WHEEL, 24.5X11.75, 9 X 9 BCD for 94534 & 94535					
--	94536GT	TIRE,355/55D625,14 PLY,NM for 94534 & 94535					

201.1 Steer End  
(continued)

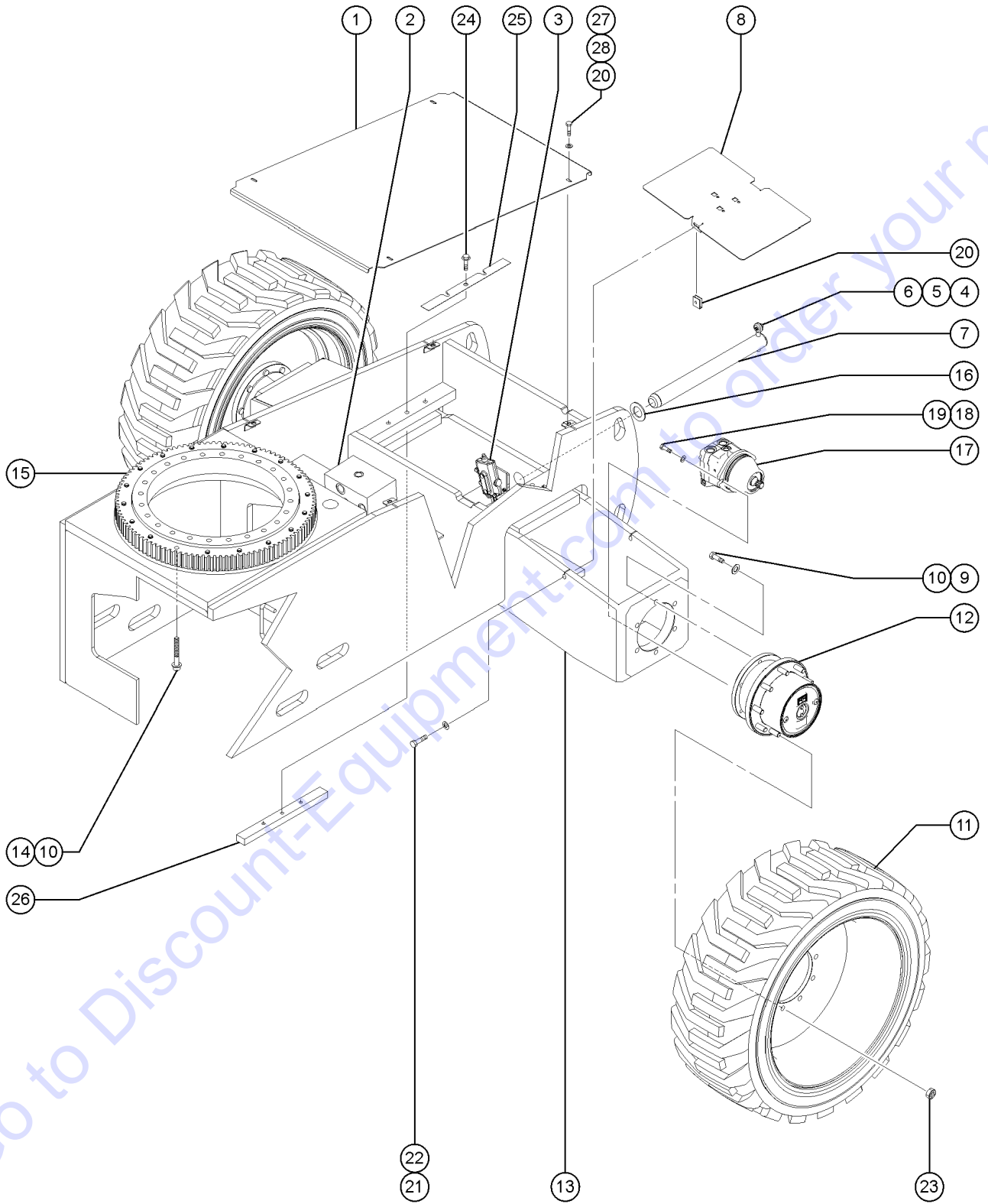
Item	Part No.	Description	Qty.	Item	Part No.	Description	Qty.
--	139969GT	LINING KIT,BRAKE,OMNI*** for 229702		22	45071GT	BEARING,1.5IDX1.75ODX1.5L.....	4
--	139970GT	SEAL KIT,BRAKE,OMNI*** for 229702		23	119146GT	AXLE ASSEMBLY,S60 FRONT..... Includes item 34	1
--	139971GT	BEARING KIT,OMNI*** for 229702		--	42014GT	BEARING,2.00IDX2.25ODX2.00L.....	2
--	139972GT	SEAL KIT,GEARBOX,OMNI*** for 229702		24	77880GT	PIN,1.50DIA X 9.38LG,1HOLE.....	2
--	147033GT	O-RING,PIPE PLUG KIT,OMNI*** for 229702		25	5224GT	SCREW,HHC,3/8-16 X 2	
--	147034GT	PIPE PLUG KIT,OMNI*** for 229702		26	4828GT	NUT,NYLOCK,3/8-16	
12B	229817GT	WHEEL DRIVE 56:1..... (Trax)	2	27	110578GT	CYLINDER,OSCILLATE,S60.....	2
--	102131GT	DISCONNECT KIT (88887) for 102162		--	101255GT	SEAL KIT (89675)	
--	102162GT	LUG,STUD/WHEEL (88887) for 102162		--	33428GT	VALVE,COUNTERBALANCE	
--	102516GT	RING,RETAINING,INTERNAL for 102162		28	25284GT	ROD END,.375 X 2.25***.....	2
--	215340GT	LOCKRING, RR*** for 102162		29	6021GT	WASHER,LOCK,.375	
--	215642GT	BRAKE KIT (88886)*** for 102162		30	6175GT	SCREW,HHC,3/8-16 X 1	
--	229818GT	SEAL KIT, DRIVE HUB for 102162		31	94221GT	PIN,1.50DIA X 3.75LG,1HOLE.....	2
--	229931GT	SEAL,LIP for 102162		32	77610GT	PIN,2.00DIA X 23.13LG,CHAMFER.....	1
13	88884GT	MOTOR,PISTON,30CC,4WD***..... 4WD models	2	33	1256267GT	ROD END,.5 X 3.75,ZAG	
--	102155GT	BEARING,BALL DRIVE SHAFT for 88884		34	8177GT	SCREW,HHC,1/2-13 X 1.5	
--	102158GT	O-RING,.103 X 4.737,VITON, 75D for 88884		35	6033GT	WASHER,LOCK,0.5"	
--	102159GT	SHAFT,15 TOOTH for 88884		36	107616PGT	BRACKET,HOSE ROUTING,RH,PNTD...1	
--	106098GT	SEAL KIT,MOTOR,LC/KC*** for 88884		37	106516GT	CLAMP,HOSE,2X4,1X6,2X8***.....	2
--	27067GT	SEAL,SHAFT-SUNDSTRAND*** for 88884		38	106517PGT	CLAMP TOP,HOSE ROUTING PAINTED.....	2
--	72290GT	SNAP RING(M46 UNITS)* for 88884		39	6326GT	SCREW,HHC,3/8-16 X 3	
14	45226GT	ROD END,.375 X 3.69.....	2	40	6097GT	WASHER,FLAT,USS,3/8",Y	
15	8255GT	SCREW,HHC,3/8-16 X .75					
16	6021GT	WASHER,LOCK,.375					
17	110221GT	PIN,GROOVE/HOLE,1.50 DIA X 4.475.....	4				
18	825796GT	SNAP RING,EXTERNAL,1.50,ZAG.....	4				
19	73455GT	SCREW,HHC,5/8-11 X 2.25 GR8.....	12				
20	13064GT	WASHER,FLAT,.625 HARDENED.....	12				
21	45074GT	WASHER,THRUST,1.5 X 3.5 X .187.....	2				



*This Page Intentionally Left Blank*

Go to [Discount-Equipment.com](http://Discount-Equipment.com) to order your parts

202.1 Non-steer End



202.1 Non-steer End

Item	Part No.	Description	Qty.	Item	Part No.	Description	Qty.
1	77624PGT	COVER,DRIVE CHASSIS.....1 <i>decals not included, refer to section 100</i>		--	102163GT	RING,RETAINING*** <i>for 88887</i>	
2		Ref. Traction Manifold <i>(refer to 402.1 &amp; 403.1)</i>		--	102167GT	SHAFT,INPUT DRIVE HUB <i>for 88887</i>	
3		Ref. Oscillate Valve <i>(refer to 203.1)</i>		--	102516GT	RING,RETAINING,INTERNAL <i>for 88887</i>	
4	1256267GT	ROD END,.5 X 3.75,ZAG		--	1274613GT	HUB SCREW <i>for 88887</i>	
5	6175GT	SCREW,HHC,3/8-16 X 1		--	215340GT	LOCKRING, RR*** <i>for 88887</i>	
6	6021GT	WASHER,LOCK, .375		--	215642GT	BRAKE KIT (88886)*** <i>for 88887</i>	
7	77950GT	PIN,2.00DIA X 20.88LG,CHAMFER		--	215642GT	BRAKE KIT (88886)*** <i>for 88887</i>	
8	77623PGT	COVER,REAR AXLE.....2		12C	229817GT	WHEEL DRIVE 56:1.....2 <i>(trax models)</i>	
9	73455GT	SCREW,HHC,5/8-11 X 2.25 GR8		--	102131GT	DISCONNECT KIT (88887) <i>(trax models)</i>	
10	13064GT	WASHER,FLAT,.625 HARDENED		--	102157GT	O-RING,.070 X .239,VITON 75D <i>(trax models)</i>	
11		REF. WHEEL AND TIRE ASSEMBLY <i>refer to 201.1</i>		--	102158GT	O-RING,.103 X 4.737,VITON, 75D <i>(trax models)</i>	
12A	229702GT	WHEEL DRIVE 57.5:1 4WD.....2 <i>TYPE: OMNI. 4WD Models Visually identify which hub before ordering parts. ID tag is on end cover cap. Internal components are different for each type.</i>		--	102162GT	LUG,STUD/WHEEL (88887) <i>(trax models)</i>	
--	1260084GT	END CAP, WHEEL DRIVE <i>for 229702</i>		--	102166GT	VALVE,CHECK,30 PSI <i>(trax models)</i>	
--	139965GT	WHEEL STUD,5/8-18,OMNI*** <i>for 229702</i>		--	102167GT	SHAFT,INPUT DRIVE HUB <i>(trax models)</i>	
--	139966GT	ROD,DISCONNECT,OMNI*** <i>for 229702</i>		--	102516GT	RING,RETAINING,INTERNAL <i>(trax models)</i>	
--	139967GT	CAP,DISENGAGE,OMNI*** <i>for 229702</i>		--	106098GT	SEAL KIT,MOTOR,LC/KC*** <i>(trax models)</i>	
--	139968GT	O-RING,END COVER,OMNI*** <i>for 229702</i>		--	215340GT	LOCKRING, RR*** <i>(trax models)</i>	
--	139969GT	LINING KIT,BRAKE,OMNI*** <i>for 229702</i>		--	215642GT	BRAKE KIT (88886)*** <i>(trax models)</i>	
--	139970GT	SEAL KIT,BRAKE,OMNI*** <i>for 229702</i>		--	229818GT	SEAL KIT, DRIVE HUB <i>(trax models)</i>	
--	139971GT	BEARING KIT,OMNI*** <i>for 229702</i>		--	229931GT	SEAL,LIP <i>(trax models)</i>	
--	139972GT	SEAL KIT,GEARBOX,OMNI*** <i>for 229702</i>		--	27067GT	SEAL,SHAFT-SUNDSTRAND*** <i>(trax models)</i>	
--	147033GT	O-RING,PIPE PLUG KIT,OMNI*** <i>for 229702</i>		--	77674GT	NUT,HEX,FLANGE 5/8-18,GRD 8 ZI <i>(trax models)</i>	
--	147034GT	PIPE PLUG KIT,OMNI*** <i>for 229702</i>		--	88884GT	MOTOR,PISTON,30CC,4WD*** <i>(trax models)</i>	
12B	88887GT	WHEEL DRIVE 56:1.....2 <i>2WD models; not shown</i>		13	94746GT	NON-STEER AXLE ASSEMBLY**.....1	
--	102126GT	SEAL KIT,DRIVE HUB (88887) <i>for 88887</i>		--	42014GT	BEARING,2.00IDX2.25ODX2.00L	
--	102131GT	DISCONNECT KIT (88887) <i>for 88887</i>		14	139865GT	SCREW,HHC,5/8-11 X 4.00 GR8 BO....18	
--	102162GT	LUG,STUD/WHEEL (88887) <i>for 88887</i>		15	63468GT	BEARING,TURNTABLE ROTATION	
				16	18730GT	WASHER,FLAT,2.01 X 3.5 X .06	
				17A	88884GT	MOTOR,PISTON,30CC,4WD***	



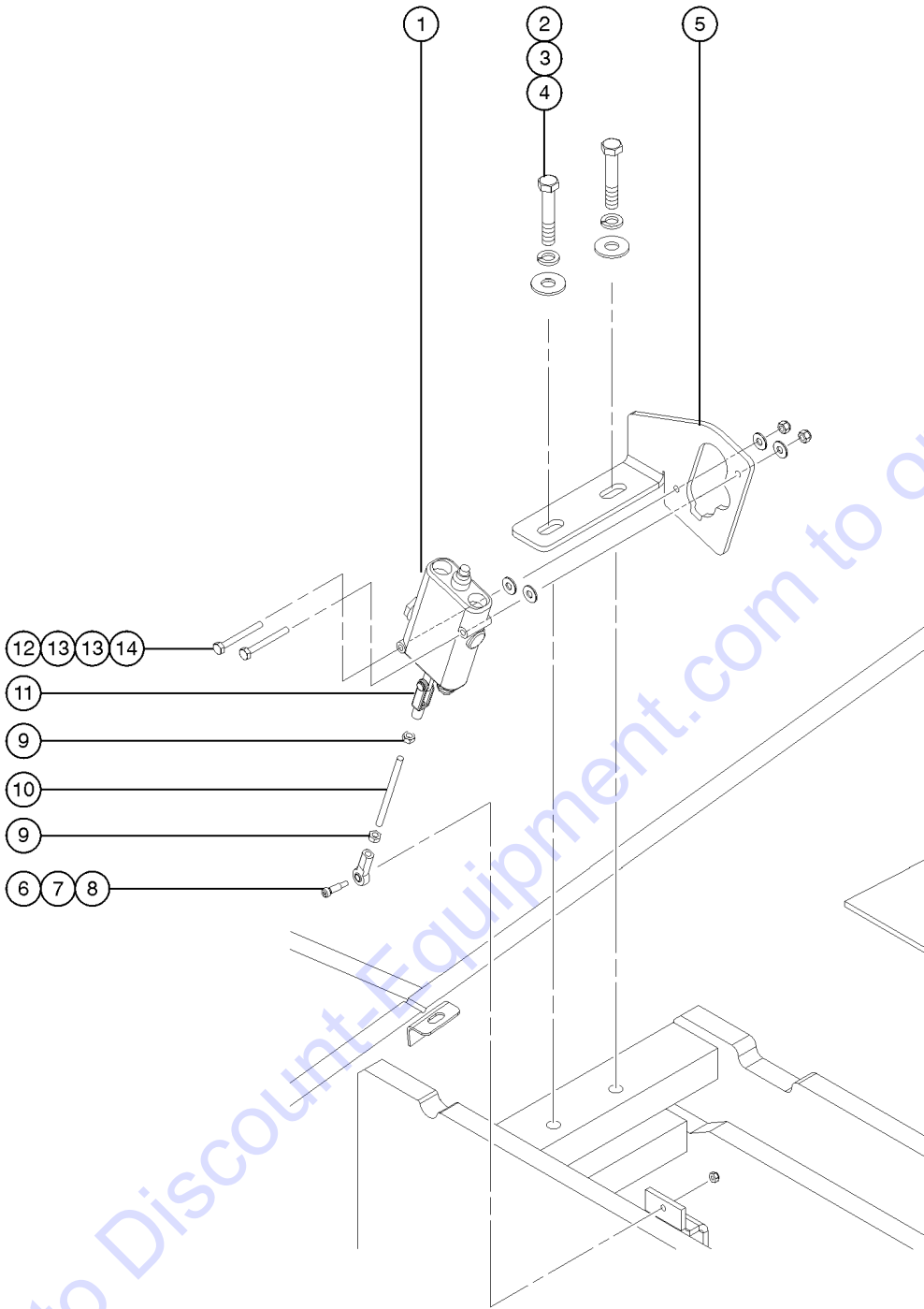
202.1 Non-steer End  
(continued)

Item	Part No.	Description	Qty.
--	102155GT	BEARING,BALL DRIVE SHAFT	
--	102158GT	O-RING,.103 X 4.737,VITON, 75D <i>for 88884</i>	
--	102159GT	SHAFT,15 TOOTH	
--	106098GT	SEAL KIT,MOTOR,LC/KC*** <i>for 88884</i>	
--	27067GT	SEAL,SHAFT-SUNDSTRAND***	
--	72290GT	SNAP RING(M46 UNITS)*	
17B	88885GT	MOTOR,PISTON,35CC,2WD*** .....2 <i>2WD models, not shown</i>	
--	102155GT	BEARING,BALL DRIVE SHAFT <i>for 88885</i>	
--	102158GT	O-RING,.103 X 4.737,VITON, 75D <i>for 88885</i>	
--	102159GT	SHAFT,15 TOOTH <i>for 88885</i>	
--	106098GT	SEAL KIT,MOTOR,LC/KC*** <i>for 88885</i>	
--	106117GT	O-RING,2-010,VITON <i>for 88885 (Mating O-ring for Brake Port)(Extremely small)</i>	
--	27067GT	SEAL,SHAFT-SUNDSTRAND*** <i>for 88885</i>	
--	72290GT	SNAP RING(M46 UNITS)* <i>for 88885</i>	
18	88296GT	SCREW,HHC,7/16-14 X 1.25.....4	
19	119988GT	WASHER,.469 X .781,HRD.....4	
20	56912GT	SPRING CLIP,1/4-20,.025-.15X.54,ZAG	
21	6090GT	SCREW,HHC,1/4-20 X .75	
22	6638GT	WASHER,FLAT,USS,1/4"Y	
23	77674GT	NUT,HEX,FLANGE 5/8-18,GRD 8 ZI.....18	
24	1255802GT	SCREW,HHF,1/2-13X2.5,8,ZAG.....6	
25A	81610GT	SHIM,AXLE ROTATION STOP,16G.....as n e e d e d	
25B	81609GT	SHIM,AXLE ROTATION STOP,22G.....as n e e d e d	
26	1255702GT	BAR,AXLE ROTATION STOP,OSC.....2	
27	824059GT	SCREW,HHC,1/4-20X.75,8,ZAG.....4	
28	824113GT	WASHER,FLAT,1/4,USS,ZAG.....4	

***This Page Intentionally Left Blank***

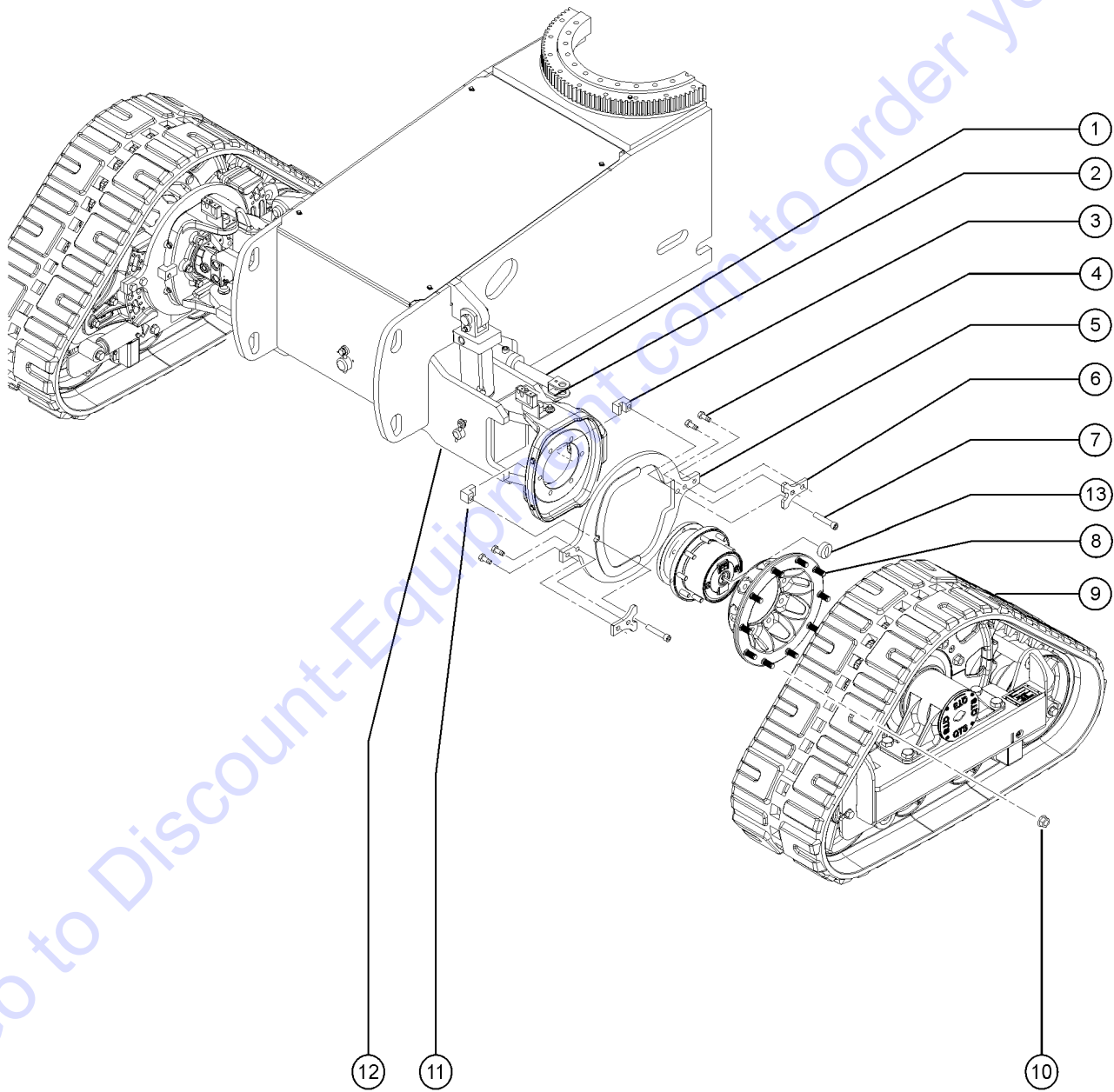
Go to [Discount-Equipment.com](http://Discount-Equipment.com) to order your parts

203.1 Oscillate Valve



Item	Part No.	Description	Qty.
1	81552GT	VALVE,MANUAL,W/RELIEF VALVE***.....1	1
--	32681GT	SEAL KIT,CONTROL VALVE	
2	39479GT	SCREW,HHC,1/2-13 X 2.75.....2	2
3	6033GT	WASHER,LOCK,0.5".....2	2
4	6095GT	WASHER,FLAT,USS,1/2",Y.....2	2
5	139578GT	BRACKET, OSCILLATE VALVE.....1	1
6	6584GT	SCREW,SHS,10-24 X .625.....1	1
7	81691GT	ROD END,BALL JOINT 1/4-28.....1	1
8	5365GT	NUT,NYLOCK,10-24.....1	1
9	21496GT	NUT,HEX,1/4-28.....2	2
10	30785-400GT	THREADED ROD,1/4-28 X 4 IN***.....1	1
11	21130GT	CLEVIS, YOKE, 1/4-28, PLATED.....1	1
12	8179GT	SCREW,HHC,1/4-20 X 2.25.....2	2
13	6638GT	WASHER,FLAT,USS,1/4"Y.....4	4
14	6091GT	NUT,NYLOCK,1/4-20.....2	2

204.1 TraX Option Steer End





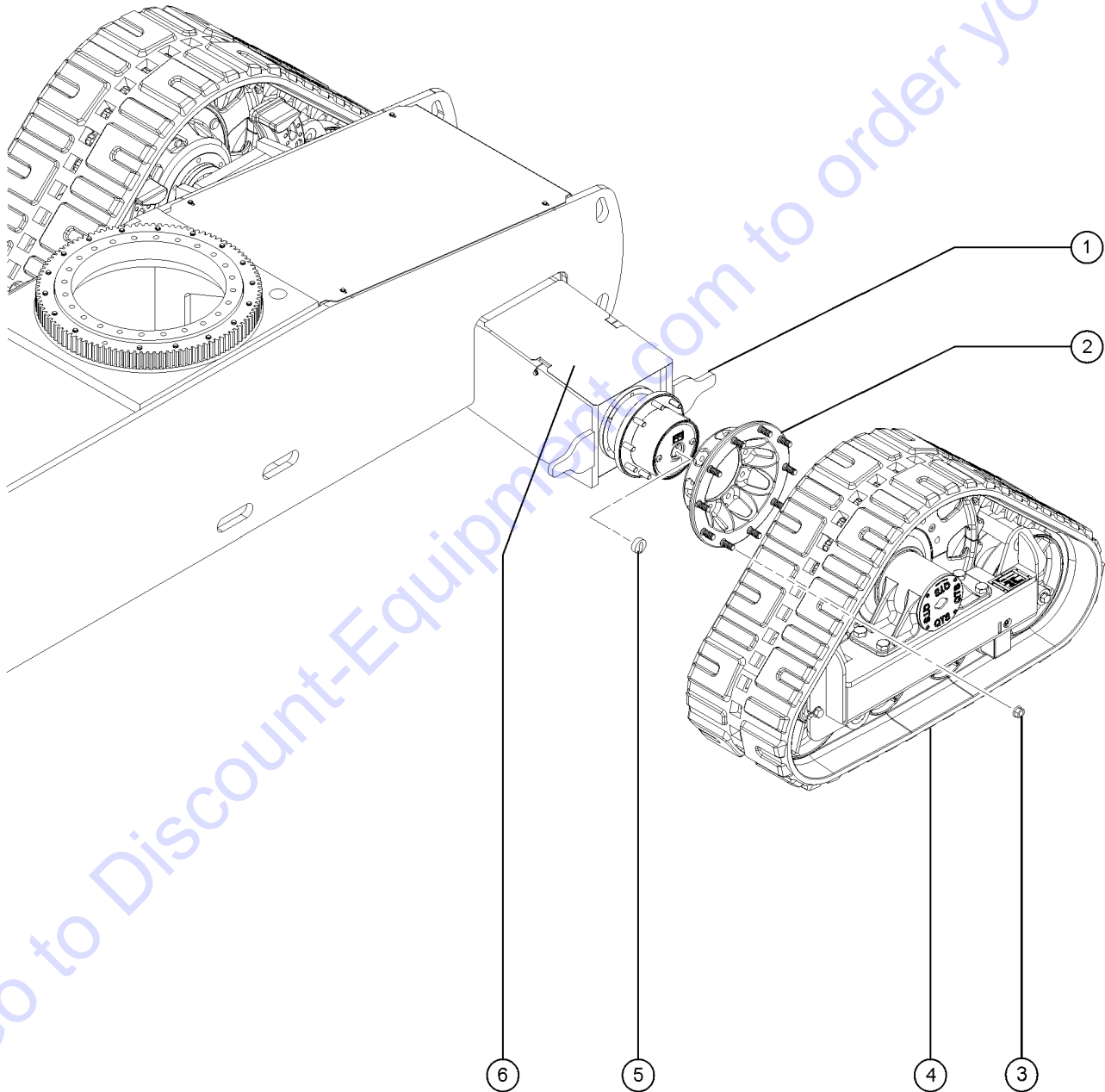
204.1 TraX Option Steer End

Item	Part No.	Description	Qty.
1	125865GT	CYLINDER, STEER.....	1
--	89294GT	SEAL KIT CYLINDER (59460)	
2	125864GT	WELDMENT, TIE ROD.....	1
3	139122GT	MACH. MOUNTING BLOCK.....	1
4	94439GT	SCREW,HHC,3/4-10 X 1.5.....	4
5A	139000GT	ROTATIONAL LIMITER FRONT RIGHT.....	1
5B	139001GT	ROTATIONAL LIMITER FRONT LEFT.....	1
6	139121GT	PLATE, HAMMER SHIM 1/2.....	2
7	1260511GT	SCREW,SHC,5/8-11X1.5,A574,ZAG.....	2
8	139002GT	SPACER.....	2
--	139140GT	STUD, 3/4-16 UNF X 2-1/2 LG for 139002	
9A	139120GT	ASSEMBLY, TRAX UNIT, RIGHT..... <i>refer to 206.1 for TRAX System service components</i>	1
9B	147149GT	ASSEMBLY, TRAX UNIT, LEFT..... <i>refer to 206.1 for TRAX System service components</i>	1
10	139135GT	NUT, FLANGE, 3/4-16 UNF GR8.....	10
11	139125GT	MACH. MOUNTING BLOCK.....	1
12	139224GT	STEER AXLE ASSEMBLY.....	1
--	45071GT	BEARING,1.5IDX1.75ODX1.5L	
13	139179GT	SEAL,TRAX HUBS.....	1

Go to Discount-Equipment.com to order your parts



205.1 TraX Option Non-steer End

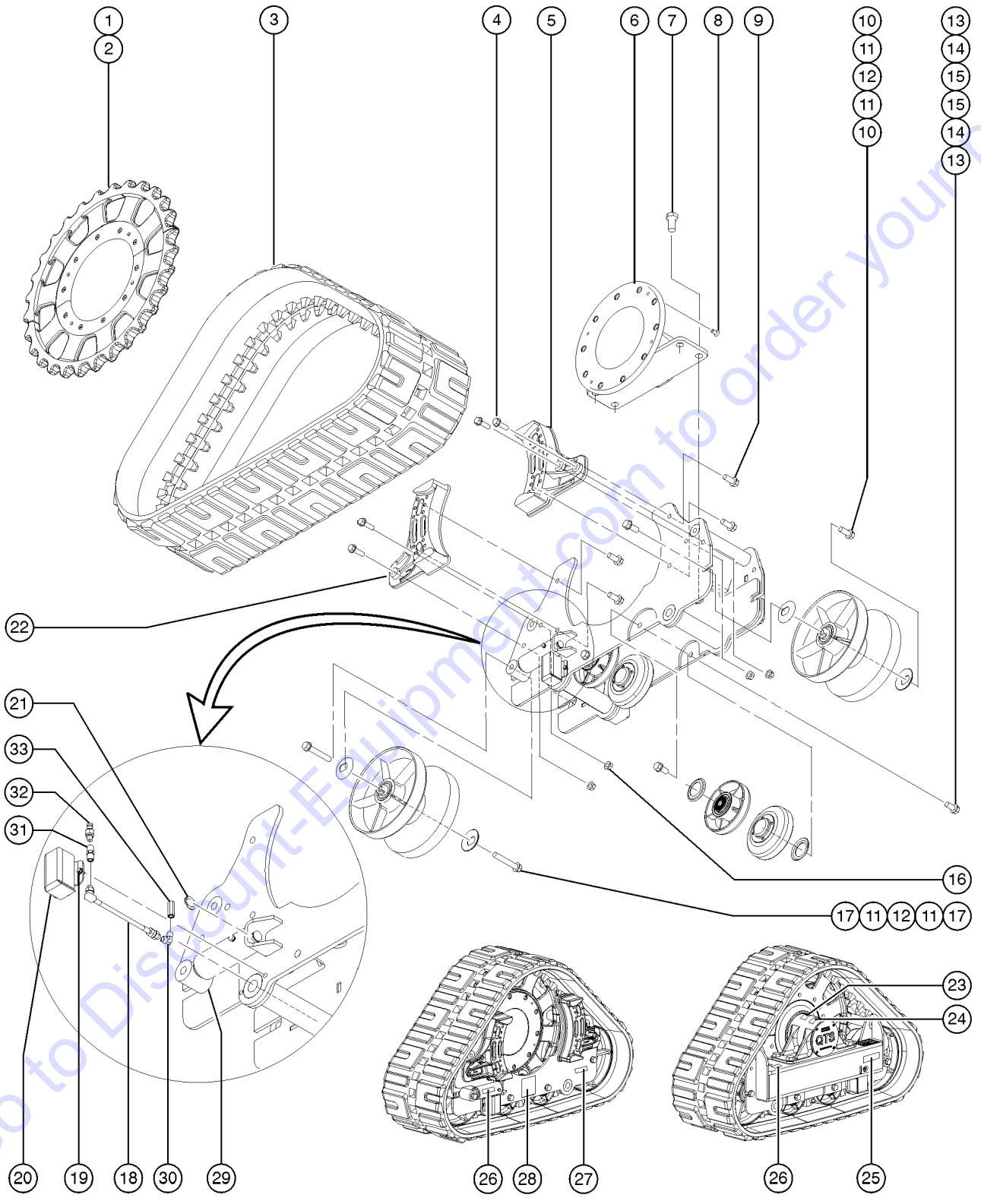


Item	Part No.	Description	Qty.
1	139175GT	NON-STEER AXLE ASSEMBLY.....	2
--	42014GT	BEARING,2.00IDX2.25ODX2.00L	
2	139002GT	SPACER.....	2
--	139140GT	STUD, 3/4-16 UNF X 2-1/2 LG for 139002	
3	139135GT	NUT, FLANGE, 3/4-16 UNF GR8.....	10
4A		Ref., TRAX UNIT, RIGHT..... refer to 206.1	1
4B		Ref., TRAX UNIT, LEFT..... refer to 206.1	1
5	139179GT	SEAL,TRAX HUBS.....	2
6	125866GT	COVER, REAR AXLE.....	2

Go to Discount-Equipment.com to order your parts



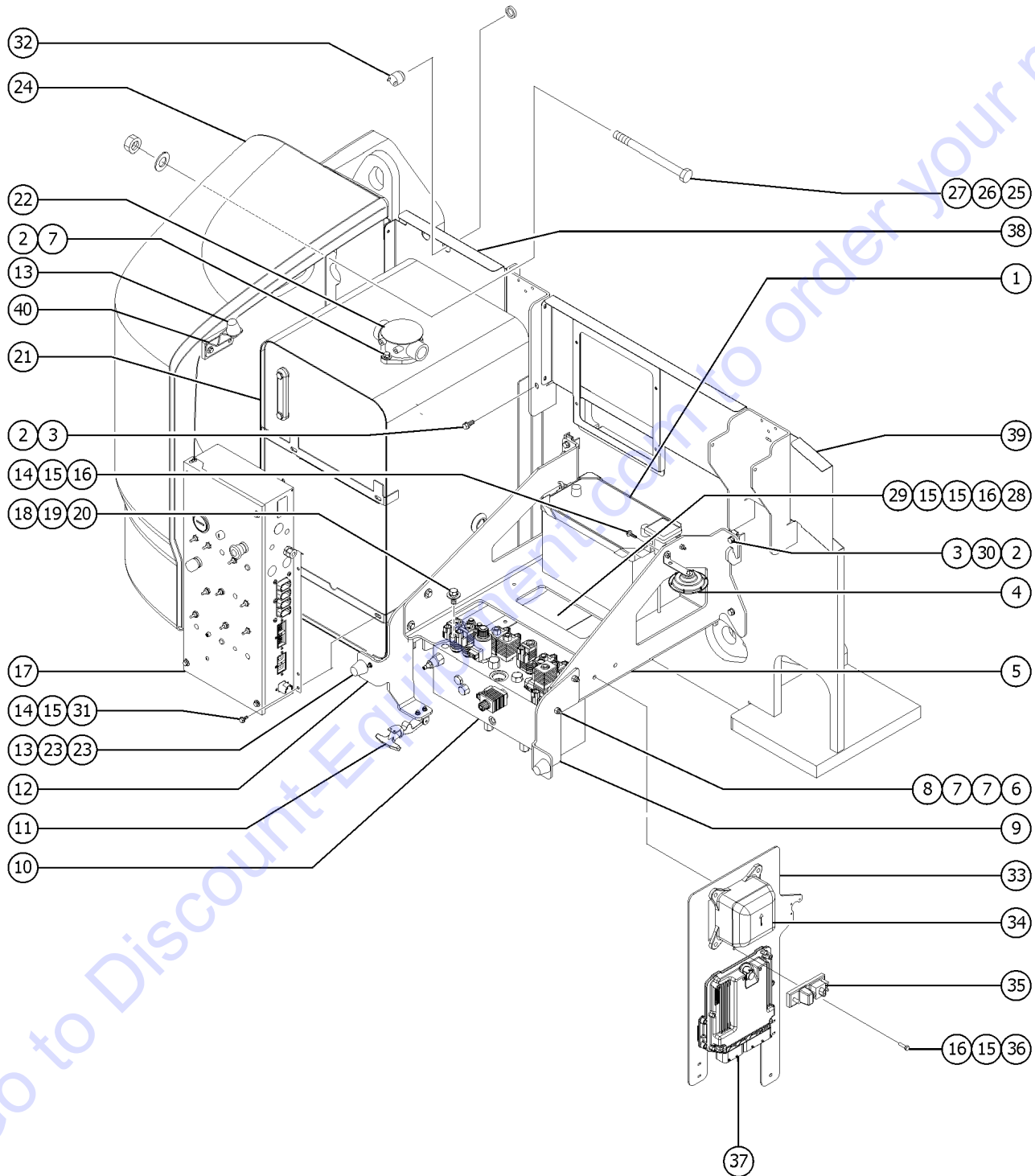
206.1 TraX Option Components



206.1 TraX Option Components

Item	Part No.	Description	Qty.	Item	Part No.	Description	Qty.
A	139262GT	KIT,TRAX,9-BOLT,S60 W/RR HUBS		28B	226942GT	DECAL,LABEL,ASSY INSTALL,I	
--	139179GT	SEAL,TRAX HUBS		29	215423GT	TENSIONER, TRAX	
B	217979GT	KIT,TRAX,9-BOLT,S60 W/OMNI HUB		30	1261392GT	ELBOW,90,1/4-18NPT,FEMALE	
--	139179GT	SEAL,TRAX HUBS		31	1261390GT	COUPLING - 1/4 NPT	
C	139000GT	ROTATIONAL LIMITER FRONT RIGHT		32	1261389GT	NIPPLE,STEEL PIPE,1/4NPTX1 LG	
D	139001GT	ROTATIONAL LIMITER FRONT LEFT		33	1261391GT	NIPPLE,STEEL PIPE,1/4NPTX2.5LG	
E	147155GT	ROTATIONAL LIMITER REAR					
1	128922GT	SPROCKET, MACH. HALF RIGHT.....1					
2	128923GT	SPROCKET, MACH. HALF LEFT.....1					
3	128926GT	TRACK, RUBBER.....1					
4	111155GT	SCREW,FLANGE,HHC,5/8-11X2,GR8....4					
5	128925GT	CAST, LIMITER STOP BRKT R.....1					
6	128928GT	HUB.....1					
7	128913GT	BOLT,HHC,1-14X2.0"GR8 PLT.....4					
8	128914GT	SCREW, FHSC, 1/2-13X1.00.....4					
9	128912GT	BOLT,FLANGE,5/8-11X1.5"GR8 PLT....4					
10	128910GT	BOLT,FLANGE,3/4-10X1.75GR8 PLT....2					
11	128920GT	COVER, DUST.....4					
12	128917GT	END BOGEY.....2					
13	128909GT	BOLT,FLANGE,3/4-10X1.5"GR8 PLT....4					
14	128921GT	GUARD, SEAL.....4					
15A	128918GT	SPLIT BOGEY.....4					
--	215424GT	BEARING, SPL BOGEY (128918) <i>for 128918</i>					
--	215425GT	SEAL, BEARING (128918) <i>for 215424</i>					
--	215426GT	SHAFT, RAISED BOSS (128918) <i>internal shaft with raised boss on end</i>					
--	215427GT	SHAFT, KNURLED (128918) <i>internal shaft with knurled end</i>					
16	128916GT	LOCKNUT,FLANGE,5/8-11,GR8.....4					
17	128911GT	BOLT,FLANGE,3/4-10X4.5"GR8 PLT....2					
18	128927GT	HYD. HOSE ASSEMBLY 3000 PSI.....1					
19	128955GT	BOLT,FLANGE,5/16-18X.50 GR5.....4					
20A	1261393GT	ASSEMBLY, OUTSIDE HOSE GUARD <i>shown for reference only</i>					
20B	1261394GT	ASSEMBLY, INSIDE HOSE GUARD					
21	128919GT	SNAP RING.....2					
22	128924GT	CAST, LIMITER STOP BRKT L.....1					
23	226940GT	DECAL,LABEL,TORQUE.....1					
24	226944GT	DECAL,WARN,AVOID INJURY.....1					
25	226946GT	DECAL,WARN,HIGH PRESS.....1					
26	226943GT	DECAL,CAUTION,READ INST.....1					
27	226945GT	DECAL,WARN,CRUSH HAZ.....1					
28A	226941GT	DECAL,LABEL,ASSY INSTALL,R.....1					

301.1 Tank Side - View 1



301.1 Tank Side - View 1

Item	Part No.	Description	Qty.	Item	Part No.	Description	Qty.
1A	30143GT	BATTERY,12V,1000 CCA GRP 31.....1 <i>models with single battery (shown)</i>	1	--	94526GT	GASKET,RETURN FILTER-77353	
--	30144GT	BATTERY HOLD DOWN,GROUP 31 <i>sold separately</i>		23	18503GT	NUT,LOCKING-LG.FLANGE,5/16-18.....4	
--	45708GT	HOOK,BATT HOLD DOWN,10" <i>sold separately</i>		24A	235985GT	COUNTERWEIGHT,S60.....1 <i>S-60X, S-60, and S-60TraX</i>	
--	8170GT	NUT,WING,1/4-20 <i>sold separately</i>		24B	235986GT	COUNTERWEIGHT,S65.....1 <i>S-60XC, S-60HC, S-65 &amp; S-65TraX</i>	
1B	67325GT	BATTERY,12V 1000CCA,5/16STUD W...1 <i>for dual-battery option (not shown)</i>	1	25	121283GT	SCREW,HHC,1-8 X 12 GRD 5.....1	
1C	237068GT	SEPARATOR,DUAL BATTERY,100A.....1 <i>for dual-battery option (not shown)</i>	1	26	38859GT	WASHER,FLAT,USS,1",Y	
2	6175GT	SCREW,HHC,3/8-16 X 1		27	29764GT	NUT,NYLOCK,1-8	
3	29868GT	SPRING CLIP,3/8-16,.05-.20X.73,ZAG		28	T107829GT	FORMING,HARNESS SUPPORT,S60/65.....1	
4	81578GT	HORN,12VDC,SPADE TERMINALS***.....1	1	29	6888GT	SCREW,HHC,1/4-20 X 1	
5	T108403GT	WELDMENT,BAT/MANIF TRAY,S60/65.....1	1	30	5397GT	WASHER,FLAT,USS,5/16",Y	
6	4828GT	NUT,NYLOCK,3/8-16		31	56912GT	SPRING CLIP,1/4-20,.025-.15X.54,ZAG	
7	6097GT	WASHER,FLAT,USS,3/8",Y		32	230392GT	ALARM,DESCENT.....1 <i>72326 nut not included, order separately</i>	
8	6019GT	SCREW,HHC,3/8-16 X 1.25 GRD 5		--	72326GT	NUT - PLASTIC,RING FOR ALARMS.....1	
9	161605GT	FORMING,COVER STOP,TANK SIDE.....1	1	33A	823074GT	WELDMENT,ECU MOUNT,DEUTZ D2.9.....1 <i>models with Deutz D2.9 engine</i>	
10		Ref. Function Manifold <i>(refer to 401.1)</i>		33B	823243GT	WDMT,ECU MOUNT,404F-22.....1 <i>models with Perkins 404F-22 engine</i>	
11	45363GT	LATCH,FLEXIBLE.....4	4	34A	822781GT	MODULE,FUSE&RELAY,DEUTZ 2.9.....1 <i>models with Deutz D2.9 engine</i>	
--	54322GT	SCREW,10-32 X.625,SF.TAP,PHIL		--	1251499GT	FUSE, ATM, 15AMP.....1	
--	6146GT	WASHER,FLAT,MS,#10,Y		--	1251500GT	FUSE, ATM, 20AMP.....1	
--	6178GT	NUT,NYLOCK,10-32		--	1251501GT	FUSE, ATM, 30AMP.....1	
12	161604GT	FORMING,COVER STOP,TANK SIDE.....1	1	--	1251502GT	FUSE, ATM, 10AMP.....1	
13	30973GT	BUMPER,RUBBER-1 X 1.25.....3	3	--	1251503GT	RELAY, 12V MICRO, 35AMP.....6	
14	6090GT	SCREW,HHC,1/4-20 X .75		--	1251504GT	DIODE, 6A 22903-6V.....1	
15	6638GT	WASHER,FLAT,USS,1/4"Y		--	1251505GT	TOOL, FUSE PULLER, ATM.....1	
16	6091GT	NUT,NYLOCK,1/4-20		--	1251510GT	CIRCUIT BREAKER,20AMP MINI.....1	
17		Ref. Ground Controls <i>(refer to 306.1, 307.1, 308.1 or 309.1)</i>		34B	822793GT	MODULE,FUSE&RELAY,PERKINS 404F.....1 <i>models with Perkins 404F-22 engine</i>	
18	10597GT	SCREW,HHC,1/2-13 X 1.25 GR5		--	1251499GT	FUSE, ATM, 15AMP.....4	
19	6033GT	WASHER,LOCK,0.5"		--	1251500GT	FUSE, ATM, 20AMP.....2	
20	6095GT	WASHER,FLAT,USS,1/2",Y		--	1251502GT	FUSE, ATM, 10AMP.....1	
21	T108331GT	HYDRAULIC TANK ASSEMBLY.....1 <i>includes item 22 with fasteners</i>	1	--	1251503GT	RELAY, 12V MICRO, 35AMP.....6	
--	21141GT	GAUGE-SIGHT,LHA-LGTB***		--	1251504GT	DIODE, 6A 22903-6V.....1	
22A	110345GT	FILTER ASSY,INTANK.....1 <i>includes item 22B</i>	1	--	1251505GT	TOOL, FUSE PULLER, ATM.....1	
--	147223GT	SEAL,FILTER LID		--	1251506GT	FUSE, ATM, 5AMP.....1	
22B	77353GT	KIT,ELEMENT**		--	1251507GT	FUSE, ATM, 7.5AMP.....2	
--	77354GT	FILTER LID,RFM165		35	824023GT	RELAY, POWER & FUSE MODULE.....1 <i>models with Deutz D2.9 or Perkins 404F-22 engines</i>	
--	77365GT	BREATHER CAP,RFM165		--	1251508GT	FUSE, FMX, 60AMP.....2	
--	88917GT	FILTER,ELEMENT,BETA(10)=200					

301.1 Tank Side - View 1  
(continued)

Item	Part No.	Description	Qty.
--	1251509GT	COVER,PRM FUSE SERVICE PART.....1	
36	4266GT	SCREW,HHC,1/4-20 X 2.....1 <i>models with Deutz D2.9 or Perkins 404F-22 engines</i>	
37		ECU.....1 <i>"models with Deutz D2.9 or Perkins 404F-22 engines (This part is serialized, contact Discount-equipment with full model and SN of both the unit and engine)"</i>	
38	1254873GT	FORMING,BULKHEAD,LEFT FRONT.....1	
39		Ref: Bulkhead, Left Rear <i>(refer to 302.1)</i>	
40	822519GT	FORMING, BRKT, ENGINE COVER.....1	

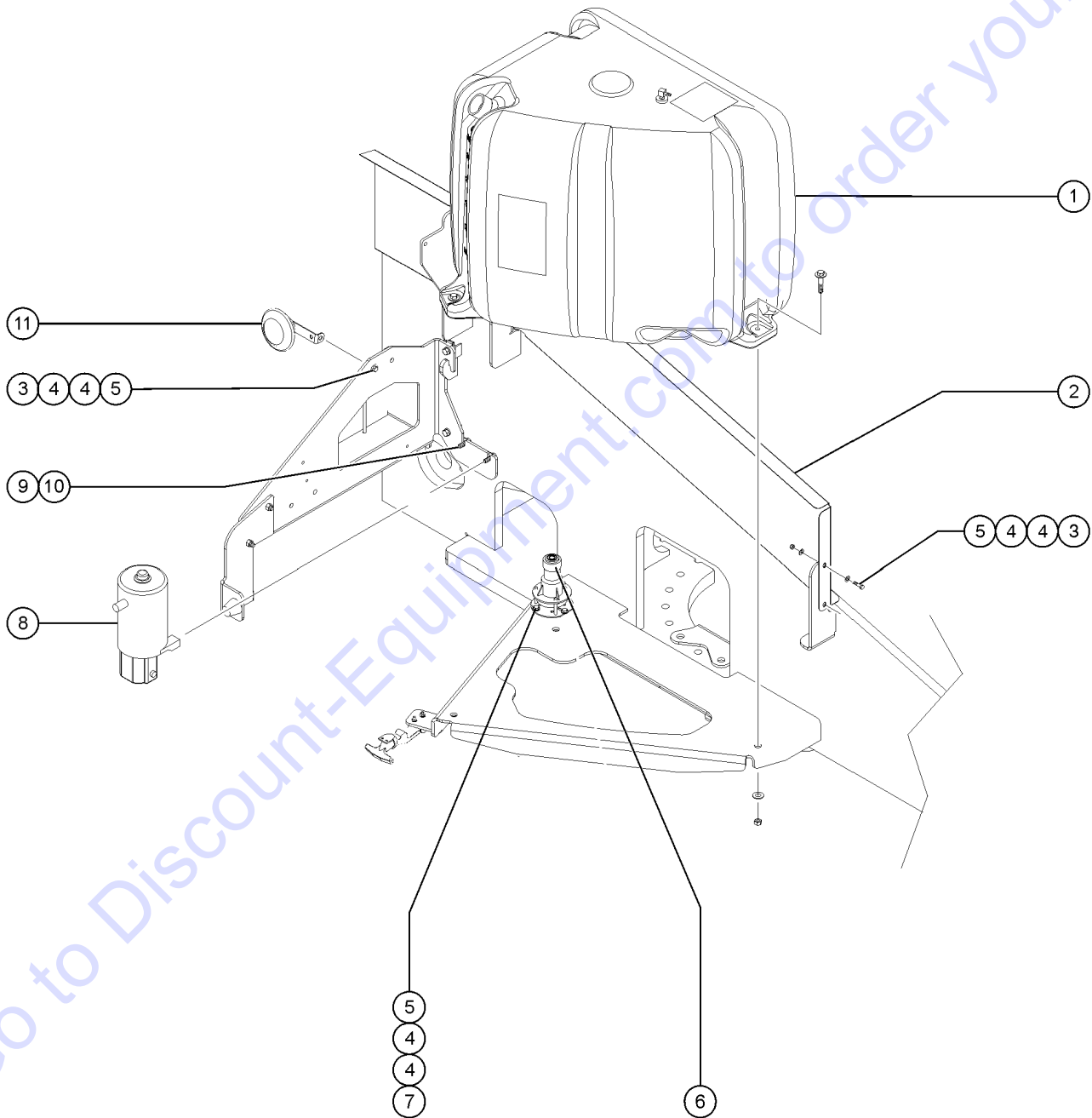
Go to Discount-Equipment.com to order your parts



***This Page Intentionally Left Blank***

Go to [Discount-Equipment.com](http://Discount-Equipment.com) to order your parts

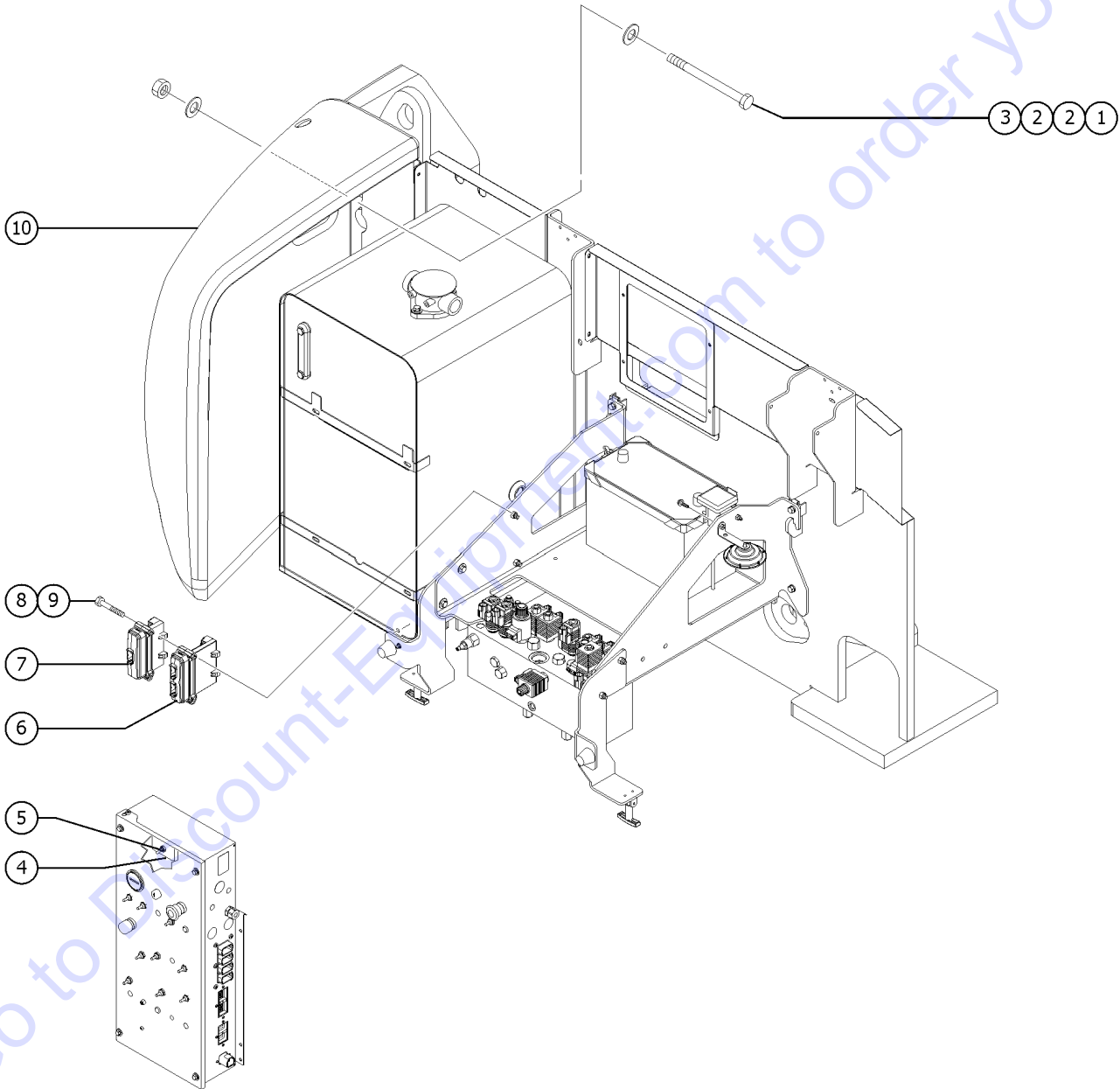
302.1 Tank Side - View 2



Item	Part No.	Description	Qty.
1		Ref: Fuel Tank <i>(refer to 304.1 or 305.1)</i>	
2	77681GT	FORMING,BULKHEAD,LEFT REAR.....1	
3	6888GT	SCREW,HHC,1/4-20 X 1	
4	6638GT	WASHER,FLAT,USS,1/4"Y	
5	6091GT	NUT,NYLOCK,1/4-20	
6A	94077GT	SENSOR,LEVEL,4.5 DEG.....1 <i>S-65, S-60XC, S-60X, S-60, S-60 TraX and S-65 TraX; ANSI models. PN 1261449 may be required, see item 6C below</i>	
--	1261449GT	ASSY,RECEP,12V,CSA TILT <i>sold separately</i>	
6B	110382GT	LEVEL SENSOR,LS60,YL,2.5X4.5 <i>S-65,S-60 HC, S-60, S-60 TraX and S-65 TraX; European models</i>	
6C	1264947GT	KIT, LEVEL SENSOR, 6 PIN CONN. <i>For ANSI/CSA models with 6-pin wire harness connector, includes instructions</i>	
7	8915GT	SCREW,HHC,1/4-20 X 1.25	
8	89617GT	POWER UNIT,AUX PUMP 12VDC.....1	
--	147289GT	SEAL KIT, APU	
--	147290GT	SHAFT SEAL, APU	
--	58489GT	PUMP ASSY,AUX.POWER UNIT 89617	
--	77069GT	MOTOR,12VDC,77066	
--	77071GT	SOLENOID,77066	
9	6175GT	SCREW,HHC,3/8-16 X 1	
10	6097GT	WASHER,FLAT,USS,3/8",Y	
11	81578GT	HORN,12VDC,SPADE TERMINALS*** ....1	

Go to Discount-Equipment.com to order your parts

303.1 Tank Side - S-60 HC Turntable



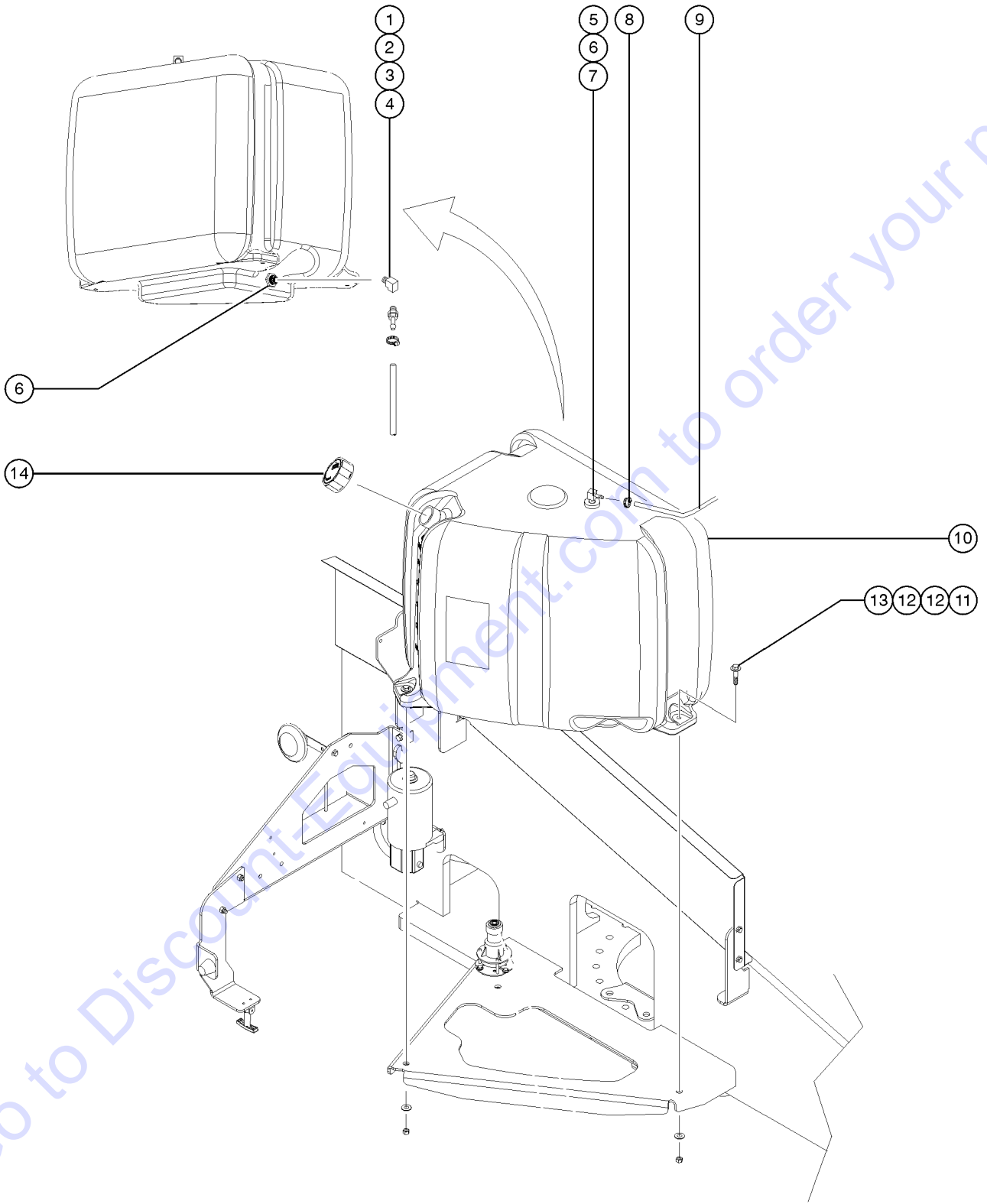
303.1 Tank Side - S-60 HC Turntable

Item	Part No.	Description	Qty.
1	121283GT	SCREW,HHC,1-8 X 12 GRD 5.....1	1
2	38859GT	WASHER,FLAT,USS,1",Y	
3	29764GT	NUT,NYLOCK,1-8	
4	119246GT	FORMING,CAL TOGGLE SWITCH.....1	1
5	13480-SGT	SWITCH,TOGGLE,DPDT,2POS MOMEN.....1	1
6	110991GT	CONTROLLER ASSY TCON S60HC.....1	1
7	110992GT	CONTROLLER ASSY SCON S60HC.....1	1
8	74254GT	SCREW,HHC,1/4-20 X 4.5	
9	6091GT	NUT,NYLOCK,1/4-20	
10	235986GT	COUNTERWEIGHT,S65.....1 S-60HC	1

Go to Discount-Equipment.com to order your parts



304.1 Diesel Fuel Tank Installation

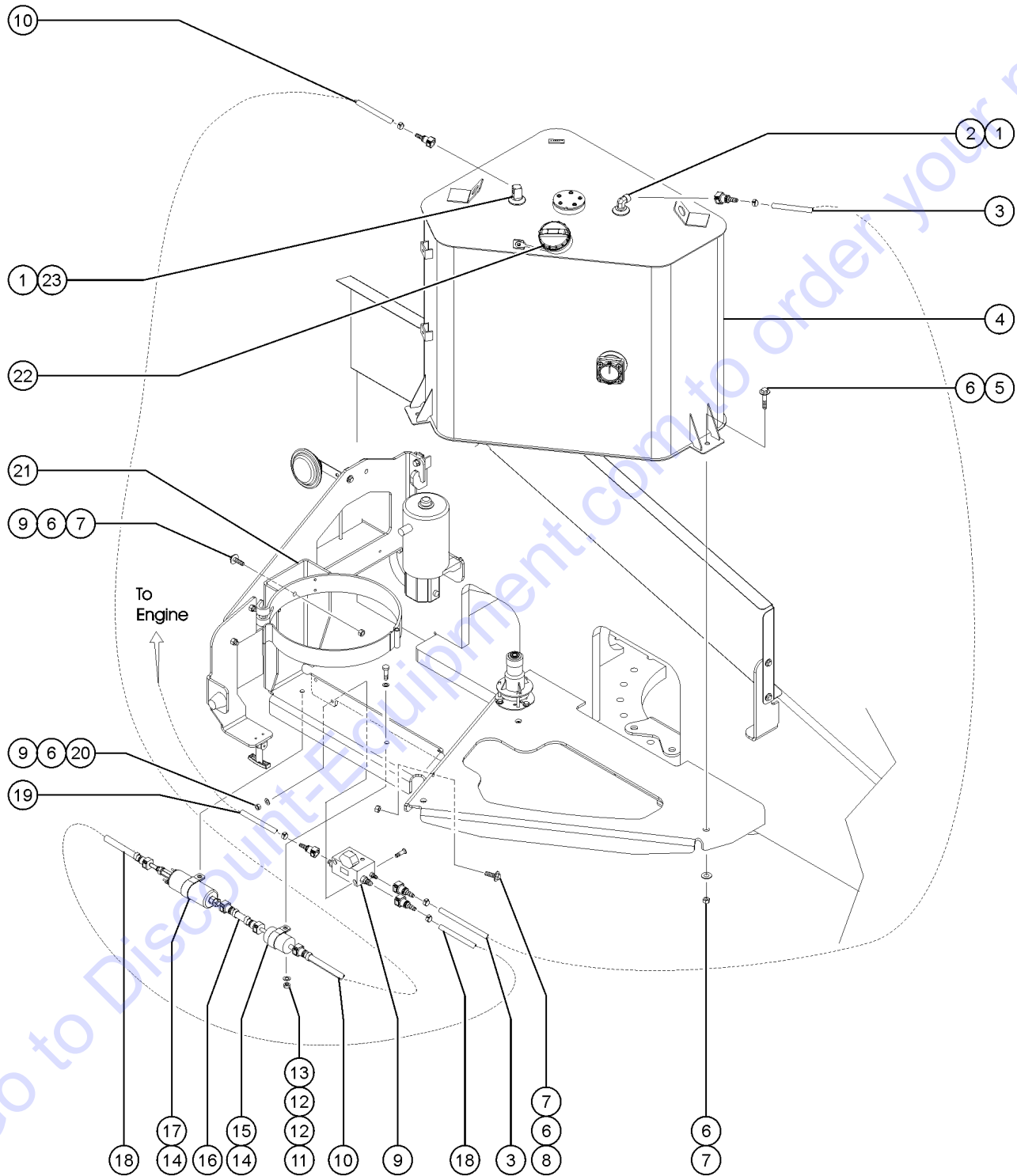


Go to DiscountEquipment.com to order your parts

## 304.1 Diesel Fuel Tank Installation

Item	Part No.	Description	Qty.
1	22348GT	ELBOW,130339-6-6.....1 (bottom of tank)	1
2A	54124GT	HOSE END,BARB,3/8 MNPT X 5/16.....1 (bottom of tank) Deutz D2011L03i, Deutz TD2011L04I Perkins 404-22D and Perkins 404-22F engines	1
2B	824471GT	FITTING,3/8 NPT TO 1/2 BARB (bottom of tank) Deutz D2.9L4 engine	1
3	65887GT	CLAMP,HOSE,1 EAR,1/2 (bottom of tank)	1
4A	27089GT	HOSE,5/16 FUEL,SAE 30R7...114-inches Deutz D2011L03i engine	1
4B	824491GT	HOSE,FUEL,1/2,S60,D2.9,SUPLY.88-inches Deutz D2.9L4 engine	1
4C	27089GT	HOSE,5/16 FUEL,SAE 30R7.....64-inches Perkins models (tank to handpump)	1
4D	27089GT	HOSE,5/16 FUEL,SAE 30R7.....18-inches Perkins models (handpump to filter/separator)	1
4E	27089GT	HOSE,5/16 FUEL,SAE 30R7.....12-inches Perkins models (filter/separator to lift pump)	1
5A	34940GT	HOSE END .375 MPT X .25 HOSE.....1 Deutz D2011L03i, Deutz TD2011L04I and Deutz D2.9L4 engines	1
5B	826590GT	FITTING,3/8 NPT TO 1/4 NPT.....1 Perkins 404-22D engine	1
5C	826601GT	FITTING, 3/8 NPT TO 3/16 HOSE.....1 Perkins 404-22F engine	1
6	823356GT	TUBE,FUEL RETURN,3/8X3/8X23.5.....1 (top of tank)	1
7	54324GT	FITTING,BULKHEAD,3/8NPT,FUELTK....2 (top and bottom of tank)	2
8	21465GT	CLAMP,HOSE,SIZE .25 TO .63 (top of tank)	1
9	30490GT	HOSE,1/4 FUEL LINE,SAE 30R7.....126-inches fuel return (top of tank)	1
10	823396GT	FUEL TANK ASSY,35 GAL PLASTIC.....1 includes items 5 and 6	1
11	5224GT	SCREW,HHC,3/8-16 X 2	2
12	6097GT	WASHER,FLAT,USS,3/8",Y	2
13	4828GT	NUT,NYLOCK,3/8-16	2
14	101726GT	CAP,FUEL,DIESEL,1/8"VENT(GRN).....1	1

305.1 Gasoline Fuel Tank Installation



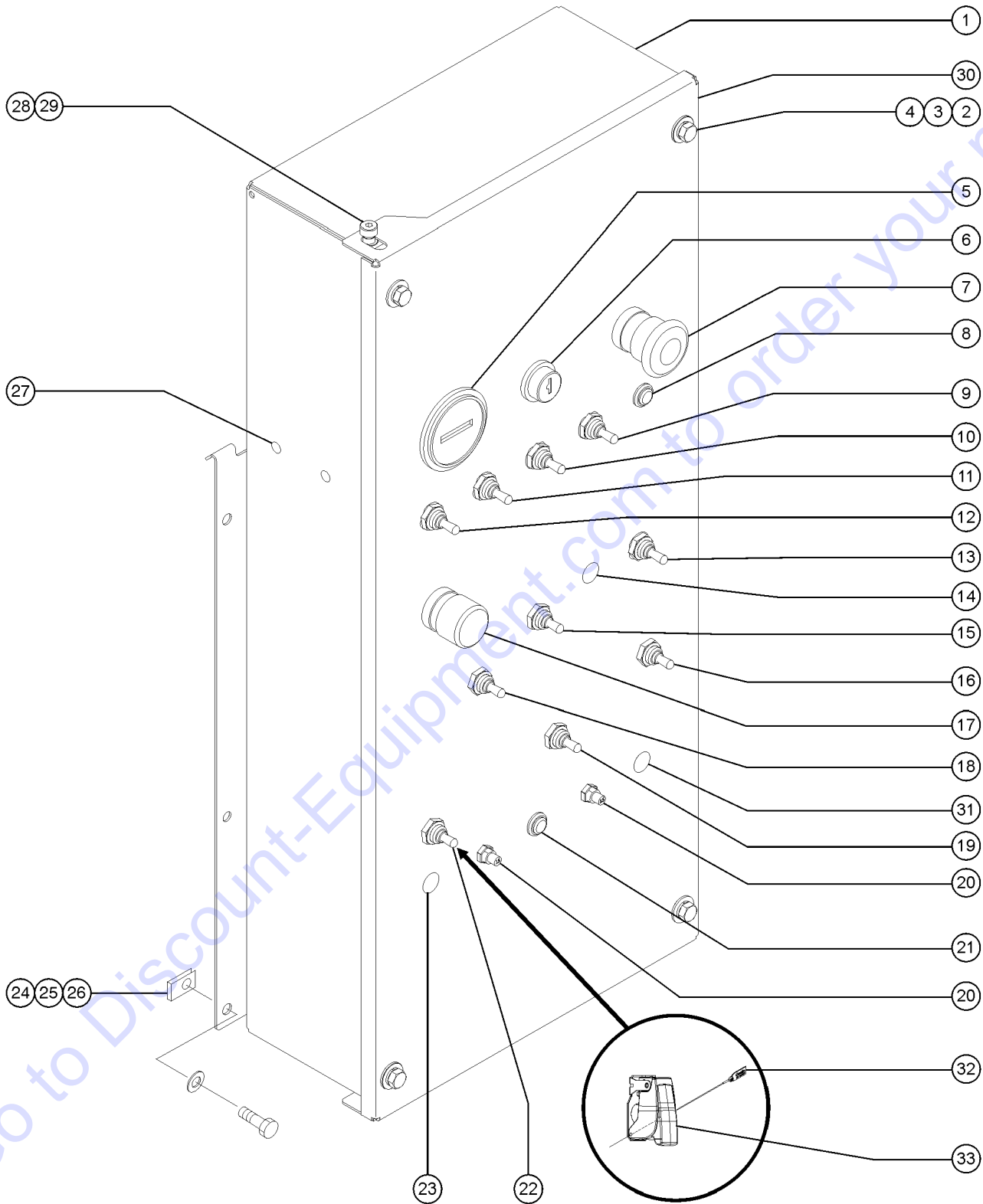


305.1 Gasoline Fuel Tank Installation

Item	Part No.	Description	Qty.	Item	Part No.	Description	Qty.
1	111818GT	FITTING,1/4 NPT X SAE J2044.....	2	22	119918GT	CAP,FUEL,GASOLINE 3.5PSI.....	1
2	128081GT	ELBOW,90D,1/4FPTX3/8MPT.....	1	23	146417GT	ASSY, FUEL PICKUP TUBE.....	1
3	236912GT	HOSE,FUEL,5/16HIGH PRS 60 IN.....	1				
--	111819GT	FITTING,SAE J2044F X5/16 BARB.....	2				
--	65887GT	CLAMP,HOSE,1 EAR,1/2.....	2				
--	71909GT	HOSE,FUEL,5/16 HIGH PRESSURE**.....	60-inches				
4	146415GT	TANK ASSY, GAS, 30 GAL.....	1				
--	146413GT	GAUGE, FUEL LEVEL, 20/30 GAL					
--	146551GT	GASKET, FUEL LEVEL SENDER, Z80					
--	146552GT	PLATE, COVER, FUEL LEVEL SNDR					
--	49826GT	SCREW,PHILLIPS,PHM,10-32 X.625					
5	5224GT	SCREW,HHC,3/8-16 X 2					
6	6097GT	WASHER,FLAT,USS,3/8",Y					
7	4828GT	NUT,NYLOCK,3/8-16					
8	6019GT	SCREW,HHC,3/8-16 X 1.25 GRD 5					
9	119170GT	FUEL SENSOR ASSY.....	1				
10	236911GT	HOSE,FUEL,5/16HIGH PRS 40 IN.....	1				
--	111819GT	FITTING,SAE J2044F X5/16 BARB.....	2				
--	65887GT	CLAMP,HOSE,1 EAR,1/2.....	2				
--	71909GT	HOSE,FUEL,5/16 HIGH PRESSURE**.....	40-inches				
11	6091GT	NUT,NYLOCK,1/4-20					
12	6638GT	WASHER,FLAT,USS,1/4"Y					
13	8915GT	SCREW,HHC,1/4-20 X 1.25					
14	27497GT	CLAMP,RUBBER CUSHIONED-2 5/32....	2				
15	119984GT	FILTER,FUEL.....	1				
16	229203GT	HOSE,FUEL,5/16 HIGH PRES 3 IN.....	1				
--	111819GT	FITTING,SAE J2044F X5/16 BARB.....	2				
--	65887GT	CLAMP,HOSE,1 EAR,1/2.....	2				
--	71909GT	HOSE,FUEL,5/16 HIGH PRESSURE**.....	3-inches				
17	119168GT	FUEL PUMP,DSG-423 AND MSG-425....	1				
18	229202GT	HOSE,FUEL,5/16 HIGH PRES 35 IN.....	1				
--	111819GT	FITTING,SAE J2044F X5/16 BARB.....	2				
--	65887GT	CLAMP,HOSE,1 EAR,1/2.....	2				
--	71909GT	HOSE,FUEL,5/16 HIGH PRESSURE**.....	35-inches				
19	229201GT	HOSE,FUEL,5/16HIGH PRES 127 IN.....	1				
--	111819GT	FITTING,SAE J2044F X5/16 BARB.....	2				
--	65887GT	CLAMP,HOSE,1 EAR,1/2.....	2				
--	71909GT	HOSE,FUEL,5/16 HIGH PRESSURE**.....	127-inches				
20	4266GT	SCREW,HHC,1/4-20 X 2					
21	77679GT	WELDMENT,LP MOUNT.....	1				



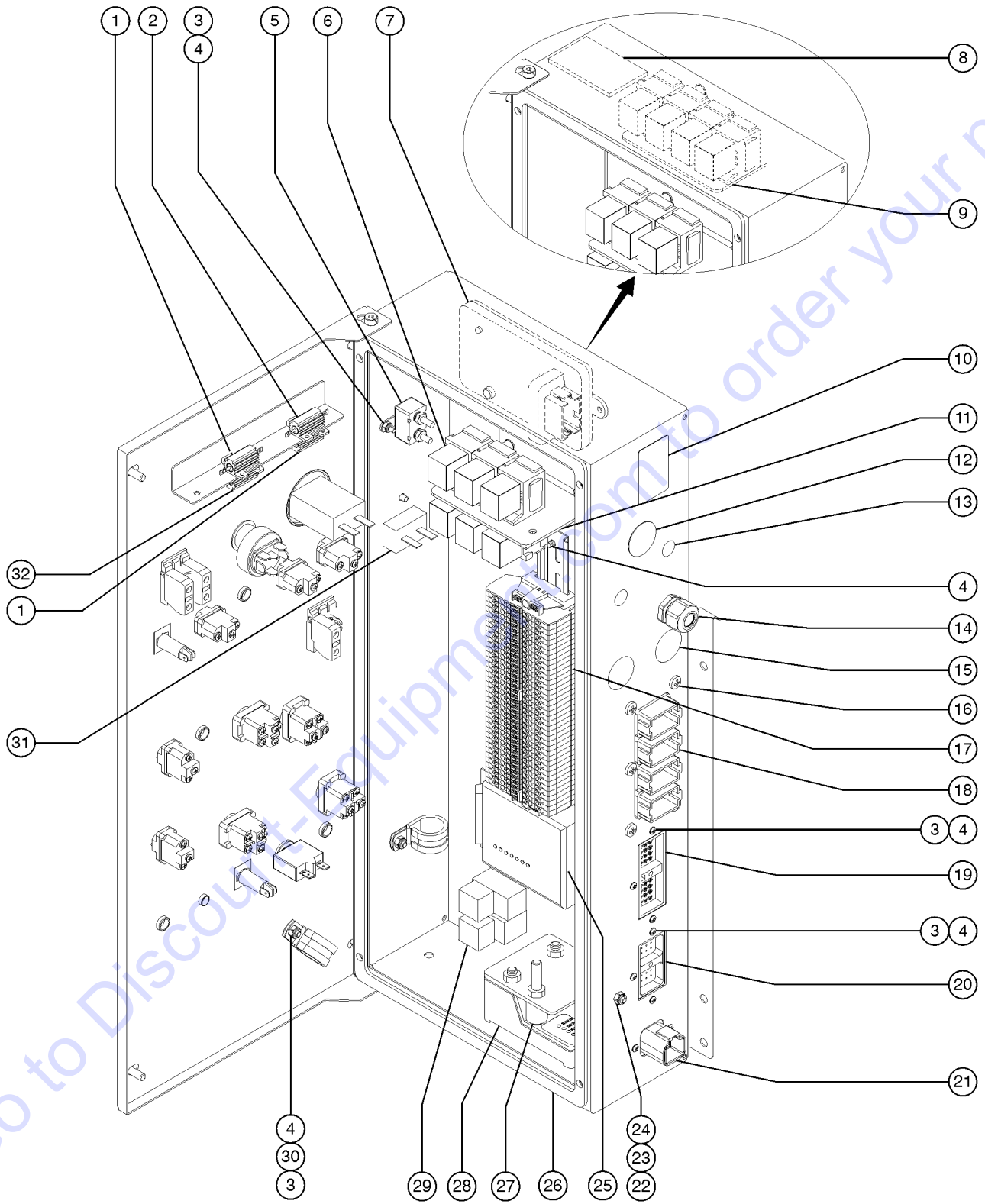
306.1 Ground Control Box, with Hour Meter - View 1, External



306.1 Ground Control Box, with Hour Meter - View 1, External

Item	Part No.	Description	Qty.	Item	Part No.	Description	Qty.
A	T106495GT	ASSY,GROUND CONTROL BOX.....1 <i>included box, lid and gasket (decals not included, refer to section 100)</i>	1	15	128202GT	SWITCH TOGGLE ASSY DPDT 3P MOM.....1 <i>(Boom extend/retract)</i>	1
1	147840GT	WELDMENT, GROUND BOX, S60/65		16	128202GT	SWITCH TOGGLE ASSY DPDT 3P MOM.....1 <i>(Platform rotate)</i>	1
2	6090GT	SCREW,HHC,1/4-20 X .75		17A	66813GT	BUTTON,PUSH,BLACK W/SEAL***.....1 <i>(Function enable) (models with push button) shown</i>	1
3	6356GT	WASHER,LOCK,.25		--	T107725GT	BASE, W/2 NO CONTACTS	
4	6638GT	WASHER,FLAT,USS,1/4"Y		17B	80716GT	SWITCH,SELECTOR,BLACK <i>(Function enable) (models with selector switch) not shown</i>	
5	19506GT	HOUR METER,10-80 VOLTS***.....1	1	--	T107725GT	BASE, W/2 NO CONTACTS	
6	96008-SGT	KEYSWITCH,3 POS. W/KEYS***.....1	1	18	128202GT	SWITCH TOGGLE ASSY DPDT 3P MOM.....1 <i>(Boom up/down)</i>	1
--	37947GT	KEYS,10 PACK*** <i>sold separately</i>		19	128202GT	SWITCH TOGGLE ASSY DPDT 3P MOM.....1 <i>(Turntable rotate)</i>	1
--	83093GT	KEY SINGLE*** <i>included</i>		20	147094GT	ASSY, CIRCUIT BREAKER 15A.....1 <i>(Controls)</i>	1
--	88827GT	GASKET,KEYSWITCH,PLASTIC***		21	824879GT	LIGHT,LED IND. RED 12V NH.....1	1
7	66812GT	BUTTON,PUSH,RED MUSHROOM HEAD.....1	1	22	128201GT	SWITCH TOGGLE ASSY DPDT 2P MOM.....1 <i>(Auxiliary pump)</i>	1
--	58627GT	NUT <i>for 66812</i>		23A	45384GT	PLUG,NYLON .50 BLACK DOMED.....1 <i>ANSI models</i>	1
--	73805GT	BASE,W/2 NC CONTACTS***.....1	1	23B	824879GT	LIGHT,LED IND. RED 12V NH <i>(Load sense) (Australia and CE models)</i>	
8A	824879GT	LIGHT,LED IND. RED 12V NH.....1 <i>(Diesel models)</i>	1	24	56912GT	SPRING CLIP,1/4-20,.025-.15X.54,ZAG	
8B	824882GT	LT.LAMP IND. AMBER 12V ENG.NH.....1 <i>(Gas/LPG models)</i>	1	25	6638GT	WASHER,FLAT,USS,1/4"Y	
9	128204GT	SWITCH TOGGLE ASSY SPDT 2P MNT.....1 <i>(Engine speed select)</i>	1	26	6090GT	SCREW,HHC,1/4-20 X .75	
10	128204GT	SWITCH TOGGLE ASSY SPDT 2P MNT.....1 <i>(Gas/LPG select)</i>	1	27	228463GT	SCREW,SHS,1/4-20 X .375 ZINC	
--	229567GT	PLUG,SANTOPRENE .5 BLACK DOME.....1 <i>(Diesel models)</i>	1	28	T107520GT	NUTSERT,LP KNURLED,1/4-20X.165.....2	2
11	128200GT	SWITCH TOGGLE ASSY SPDT 3P MOM.....1 <i>(Start assist, glow plug) (diesel models)</i>	1	29	229567GT	PLUG,SANTOPRENE .5 BLACK DOME.....1	1
--	229567GT	PLUG,SANTOPRENE .5 BLACK DOME.....1	1	30	T106482GT	WELDMENT, LID, GBOX, S60/65.....1 <i>(decals not included, refer to section 100)</i>	1
12	128200GT	SWITCH TOGGLE ASSY SPDT 3P MOM.....1 <i>(Starter)</i>	1	31A	21858GT	PLUG,NYLON .38 BLACK DOMED <i>(ANSI models)</i>	
--	229567GT	PLUG,SANTOPRENE .5 BLACK DOME.....1	1	31B	147094GT	ASSY, CIRCUIT BREAKER 15A	
13	128200GT	SWITCH TOGGLE ASSY SPDT 3P MOM.....1 <i>(Platform level)</i>	1	32	1261566GT	SECURITY TIE,TOGGLE GUARD.....1 <i>CE option</i>	1
14A	229567GT	PLUG,SANTOPRENE .5 BLACK DOME.....2 <i>(S-60)</i>	2	33	1261346GT	TOGGLE SWITCH GUARD,RED.....1 <i>CE option</i>	1
14B	128200GT	SWITCH TOGGLE ASSY SPDT 3P MOM <i>(Jib up/down) (S-65)</i>					

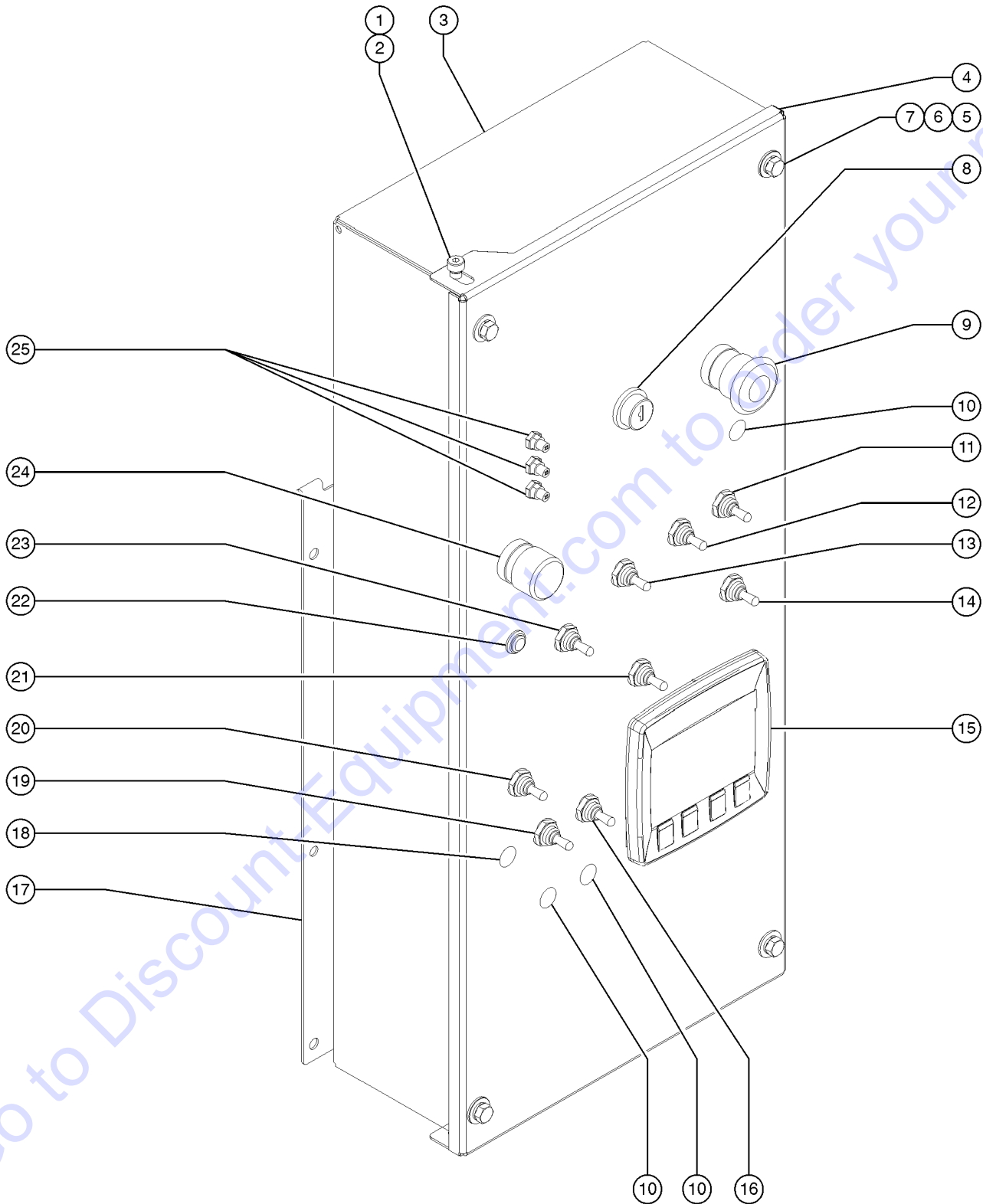
307.1 Ground Control Box, with Hour Meter - View 2, Internal



307.1 Ground Control Box, with Hour Meter - View 2, Internal

Item	Part No.	Description	Qty.	Item	Part No.	Description	Qty.
--	121846GT	RELAY,TIME DELAY,2 SEC,10A <i>models with load sense</i>		18	73736GT	CONN,RECEP 48 WAY,4 X 12.....	1
--	61225GT	RELAY,12VDC,70AMP,SEALED <i>(glow plug)</i>		19	73754GT	CONN,RECEP 40 WAY,W/FLANGE.....	1
--	77430GT	CAPACITOR,3 MF,50VDC <i>Terminal 41</i>		20	73753GT	CONN,RECEP 24 WAY,W/FLANGE.....	1
1	89575GT	RESISTOR,7.5 OHM,25 WATT,1PCNT....	2	21	73717GT	CONN,RECEP 4 WAY,12-14GA FL***.....	1
2	40614GT	RESISTOR,5 OHM,25W***.....	1	22	6091GT	NUT,NYLOCK,1/4-20	
3	6178GT	NUT,NYLOCK,10-32		23	25926GT	WASHER,FLAT,M6 PLTD.	
4	54365GT	SCREW,PHIL,PHM,10-32 X .5,SSTL		24	6888GT	SCREW,HHC,1/4-20 X 1	
5	128935GT	CIRCUIT BKR 10A TYPE 2 METAL.....	1	25	56057GT	MODULE,IGNITION/START,12/24V..... <i>diesel models only</i>	1
6A	34052GT	RELAY,SPDT,12V(AUTO) PLUG IN**..... <i>Diesel models</i>	6	26	121599GT	GASKET,GBOX,S80/85 2008.....	1
6B	34052GT	RELAY,SPDT,12V(AUTO) PLUG IN**..... <i>Gas/LPG models</i>	4	27A	102357GT	POTENTIOMETER ASSY, WELDER..... <i>models with welder option</i>	1
--	34053GT	ASSY,RELAY SOCKET, AUTO <i>individual parts no longer available</i>		27B	106140PGT	BRACKET,1K OHM 10-TURN POT,PNT..... <i>models with welder option</i>	1
--	54365GT	SCREW,PHIL,PHM,10-32 X .5,SSTL....	2	28	106657GT	MODULE,CONTROL,HI AMP..... <i>models with welder option</i>	1
--	6178GT	NUT,NYLOCK,10-32.....	2	29A	147455GT	HARNESS, OMRON RELAY, CR66 <i>models with welder option</i>	
7	128045GT	MODULE,LOAD SENSE 2007..... <i>CE models only</i>	1	29B	33607GT	RELAY,OMRON,DPDT,12V..... <i>models with welder option</i>	2
--	54365GT	SCREW,PHIL,PHM,10-32 X .5,SSTL....	2	29C	33608GT	RELAY,SOCKET,OMRON..... <i>models with welder option</i>	2
--	6178GT	NUT,NYLOCK,10-32.....	2	30	13268GT	CLAMP,0.75,#12 X 1/4,RUB CUSH	
8	30997GT	CORROSION INHIBITOR,FOAM.....	1	31	106637GT	MODULE,TIME DELAY ON BREAK 4S... <i>models with welder option</i>	1
9		REF: Harness, Dual Cap Relay..... <i>refer to 313.1</i>	1	32A	27287GT	RESISTOR,10 OHM,25 WATT..... <i>dual capacity models</i>	1
10	110280GT	PLUG,NYLON .94X1.65 BLK DOMED....	1	32B	40614GT	RESISTOR,5 OHM,25W*** <i>S-60, S-65, S-60HC, S-60TX, S-65TX</i>	
11	54534GT	ANGLE,RELAY MNT,W/NUTSERTS,PNT.....	1				
--	23404GT	NUTSERT,1/4-20,STEEL CAD PLTD					
--	6638GT	WASHER,FLAT,USS,1/4"Y					
--	7339GT	SCREW, HHC, 1/4-20 X .5					
12	45385GT	PLUG,NYLON 1.12 BLACK DOMED.....	1				
13	45384GT	PLUG,NYLON .50 BLACK DOMED.....	1				
14	7057GT	CONN. SQZ,1/2NPT .39-.56 MED.					
15	15243GT	PLUG,NYLON .875 BLACK DOMED.....	2				
16	73803GT	SCREW,SHM,PHP, #12 X .75.....	6				
17	217043GT	ASSY, TERMINAL RAIL.....	1				
--	217044GT	TERMINAL BLOCK, WIELAND.....	43				
--	217045GT	TERMINAL BLOCK, END PLATE.....	1				
--	217046GT	KIT, TERMINAL BLOCK					
--	33422GT	DIN RAIL,17".....	1				
--	74913GT	END STOP, DIN RAIL,SCREW CLAMP.....	2				
--	74917GT	JUMPER COMB, 2-WAY,WIELAND.....	4				
--	74918GT	JUMPER COMB, 3-WAY,WIELAND.....	1				

308.1 Ground Control Box, with LCD Readout Screen - View 1, External



308.1 Ground Control Box, with LCD Readout Screen - View 1, External

Item	Part No.	Description	Qty.	Item	Part No.	Description	Qty.
A	825446GT	GBOX ASSY,PERKINS T4,SGL CAP <i>(models with Perkins, single capacity) decals not included refer to section 100</i>		--	128584-SGT	SWITCH TOGGLE SPDT 2P MNT SHDR	
B	825447GT	GBOX ASSY,PERKINS T4,DUAL CAP <i>(models with Perkins, dual capacity) decals not included refer to section 100</i>		--	27246GT	BOOT,TOGGLE SWITCH,SHORT*	
C	825448GT	GBOX ASSY,DEUTZ T4,SGL CAP <i>(models with Deutz single capacity) decals not included refer to section 100</i>		13	128202GT	SWITCH TOGGLE ASSY DPDT 3P MOM.....1 <i>(Boom extend/retract)</i>	
D	825449GT	GBOX ASSY,DEUTZ T4,DUAL CAP <i>(models with Deutz dual capacity) decals not included refer to section 100</i>		--	128578GT	SCREW T-SWITCH PH/PH 6-32X1/4	
E	825445GT	GBOX ASSY,COMMON,T4		--	128584-SGT	SWITCH TOGGLE SPDT 2P MNT SHDR	
1	228463GT	SCREW,SHS,1/4-20 X .375 ZINC.....2		--	27246GT	BOOT,TOGGLE SWITCH,SHORT*	
2	T107520GT	NUTSERT,LP KNURLED,1/4-20X.165.....2		14	128202GT	SWITCH TOGGLE ASSY DPDT 3P MOM.....1 <i>(Platform rotate)</i>	
3	147840GT	WELDMENT, GROUND BOX, S60/65.....1		--	128578GT	SCREW T-SWITCH PH/PH 6-32X1/4	
4	219722GT	WELDMENT,LID,GBOX.....1 <i>(does not include decal) (refer to section one for decals)</i>		--	128584-SGT	SWITCH TOGGLE SPDT 2P MNT SHDR	
5	6090GT	SCREW,HHC,1/4-20 X .75.....4		--	27246GT	BOOT,TOGGLE SWITCH,SHORT*	
6	6356GT	WASHER,LOCK,.25.....4		15A	1251984GT	ASSY,DISPLAY,DP200 DEUTZ T4.....1 <i>(Deutz models)</i>	
7	6638GT	WASHER,FLAT,USS,1/4"Y.....4		--	1252684GT	SCREW,DP200 M3X10 4PACK	
8	96008-SGT	KEYSWITCH,3 POS. W/KEYS***.....1		--	1252685GT	GASKET,DP200 BLACK PANEL SEAL	
--	37947GT	KEYS,10 PACK*** <i>sold separately</i>		--	219718GT	BRACKET,DP200 PANEL MOUNT	
--	83093GT	KEY SINGLE*** <i>included</i>		15B	1251985GT	ASSY,DISPLAY,DP200 PERKINS T4 <i>(Perkins models)</i>	
9	66812GT	BUTTON,PUSH,RED MUSHROOM HEAD.....1 <i>(58627 nut included)</i>		--	1252684GT	SCREW,DP200 M3X10 4PACK	
--	58627GT	NUT.....1		--	1252685GT	GASKET,DP200 BLACK PANEL SEAL	
10A	229567GT	PLUG,SANTOPRENE .5 BLACK DOME.....1 <i>(S-60, S-65, S-60X, S-60XC, S-60TX, S-65TX models)</i>		--	219718GT	BRACKET,DP200 PANEL MOUNT	
10B	824879GT	LIGHT,LED IND. RED 12V NH <i>(S-60HC model)</i>		16	128200GT	SWITCH TOGGLE ASSY SPDT 3P MOM.....1 <i>(Starter)</i>	
11	128200GT	SWITCH TOGGLE ASSY SPDT 3P MOM.....1 <i>(Platform level)</i>		--	128578GT	SCREW T-SWITCH PH/PH 6-32X1/4	
--	128578GT	SCREW T-SWITCH PH/PH 6-32X1/4		--	128584-SGT	SWITCH TOGGLE SPDT 2P MNT SHDR	
--	128584-SGT	SWITCH TOGGLE SPDT 2P MNT SHDR		--	27246GT	BOOT,TOGGLE SWITCH,SHORT*	
--	27246GT	BOOT,TOGGLE SWITCH,SHORT*		17A	77667GT	MOUNT,GROUND CONTROL BOX RH.....1	
12A	229567GT	PLUG,SANTOPRENE .5 BLACK DOME.....2 <i>(all S-60 models)</i>		--	55912GT	PIN, STEER BELLCRANK CLEVIS	
12B	128200GT	SWITCH TOGGLE ASSY SPDT 3P MOM.....2 <i>(Jib up/down) (all S-65 models)</i>		--	6090GT	SCREW,HHC,1/4-20 X .75	
--	128578GT	SCREW T-SWITCH PH/PH 6-32X1/4		--	6356GT	WASHER,LOCK,.25	
				17B	77641GT	MOUNT,GROUND CONTROL BOX LH.....1	
				--	55912GT	PIN, STEER BELLCRANK CLEVIS	
				--	6090GT	SCREW,HHC,1/4-20 X .75	
				--	6356GT	WASHER,LOCK,.25	
				18	21858GT	PLUG,NYLON .38 BLACK DOMED.....1 <i>(ANSI models)</i>	
				18	229567GT	PLUG,SANTOPRENE .5 BLACK DOME.....1 <i>(ANSI models)</i>	
				19	128204GT	SWITCH TOGGLE ASSY SPDT 2P MNT.....1 <i>(Engine speed select)</i>	



308.1 Ground Control Box, with LCD Readout Screen - View 1, External  
(continued)

Item	Part No.	Description	Qty.
--	128578GT	SCREW T-SWITCH PH/PH 6-32X1/4	
--	128584-SGT	SWITCH TOGGLE SPDT 2P MNT SHDR	
--	27246GT	BOOT,TOGGLE SWITCH,SHORT*	
20	128201GT	SWITCH TOGGLE ASSY DPDT 2P MOM.....1 <i>(Emergency Power)</i>	
--	128578GT	SCREW T-SWITCH PH/PH 6-32X1/4	
--	128584-SGT	SWITCH TOGGLE SPDT 2P MNT SHDR	
--	27246GT	BOOT,TOGGLE SWITCH,SHORT*	
21	128202GT	SWITCH TOGGLE ASSY DPDT 3P MOM.....1 <i>(Turntable rotate)</i>	
--	128578GT	SCREW T-SWITCH PH/PH 6-32X1/4	
--	128584-SGT	SWITCH TOGGLE SPDT 2P MNT SHDR	
--	27246GT	BOOT,TOGGLE SWITCH,SHORT*	
22	21858GT	PLUG,NYLON .38 BLACK DOMED.....1 <i>(Diesel models)</i>	
23	128202GT	SWITCH TOGGLE ASSY DPDT 3P MOM.....1 <i>(Boom up/down)</i>	
--	128578GT	SCREW T-SWITCH PH/PH 6-32X1/4	
--	128584-SGT	SWITCH TOGGLE SPDT 2P MNT SHDR	
--	27246GT	BOOT,TOGGLE SWITCH,SHORT*	
24A	80716GT	SWITCH,SELECTOR,BLACK.....1 <i>(models with dual capacity)</i>	
24B	66813GT	BUTTON,PUSH,BLACK W/SEAL*** <i>(models with single capacity)</i>	
25A	147094GT	ASSY, CIRCUIT BREAKER 15A.....2	
25B	147094GT	ASSY, CIRCUIT BREAKER 15A.....3 <i>(models with worklight or oil cooler option)</i>	

Go to Discount-Equipment.com to order your parts

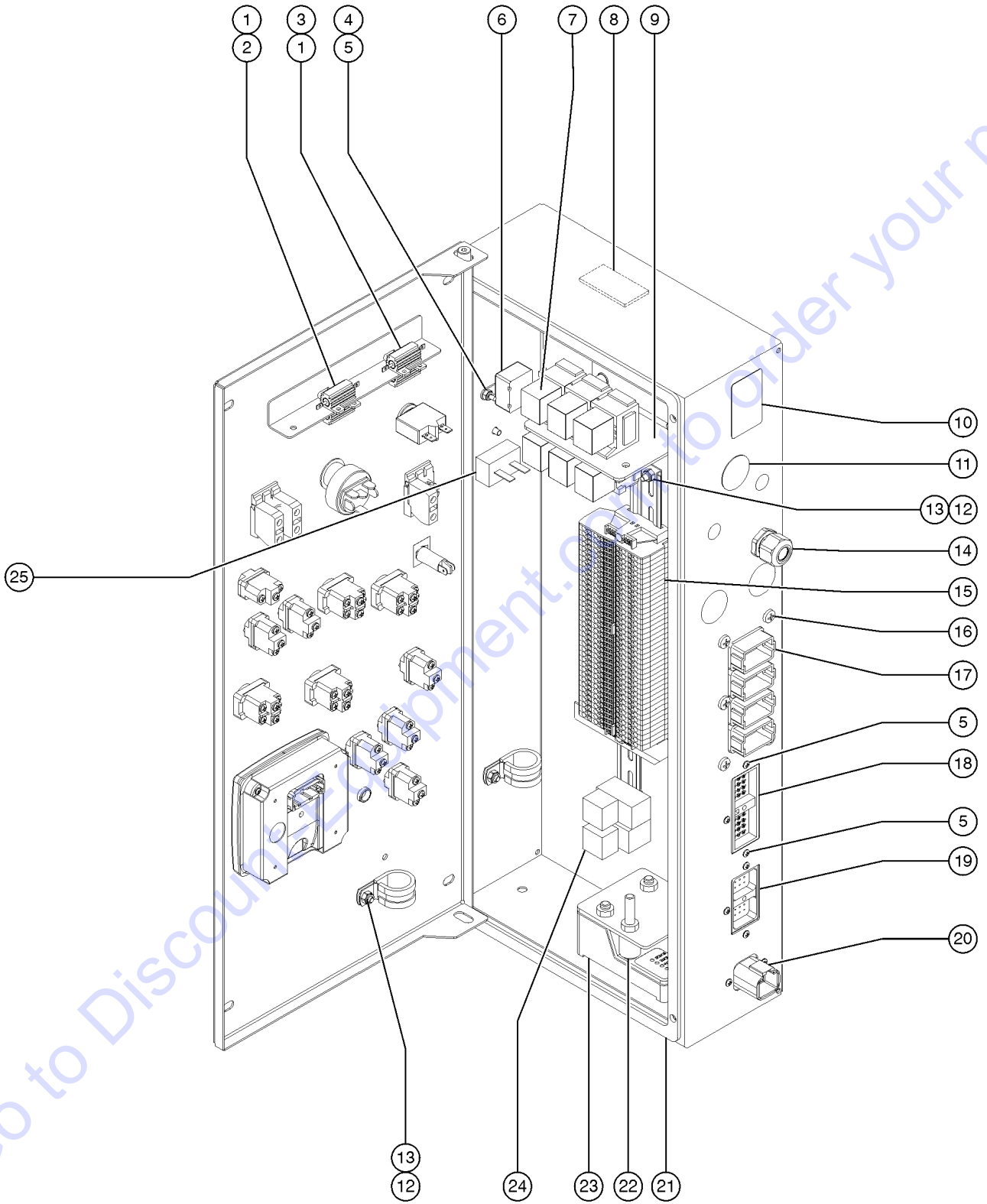


308.1 Ground Control Box, with LCD Readout Screen - View 1, External  
(continued)

***This Page Intentionally Left Blank***

Go to [Discount-Equipment.com](http://Discount-Equipment.com) to order your parts

309.1 Ground Control Box, with LCD Readout Screen - View 2, Internal



# PARTS FINDER

**Search Website  
by Part Number**



**Search Manual  
Library For Parts  
Manual & Lookup Part  
Numbers – Purchase  
or Request Quote**

**Search Manuals**

Enter your information to help us find the right parts manual for your machine.

\* Brand:

\* Model:

\* Serial:

\* Part Number:

SEARCH

**Can't Find Part or  
Manual? Request Help  
by Manufacturer,  
Model & Description**

**Parts Order Form**

Please fill in the following information to help us find the right part for your machine.

Manufacturer:	<input type="text"/>
Model:	<input type="text"/>
Description:	<input type="text"/>
Part Number:	<input type="text"/>
Quantity:	<input type="text"/>
Notes:	<input type="text"/>

Discount-Equipment.com is your online resource for quality parts & equipment.

Florida: **561-964-4949** Outside Florida TOLL FREE: **877-690-3101**

**Need parts?**

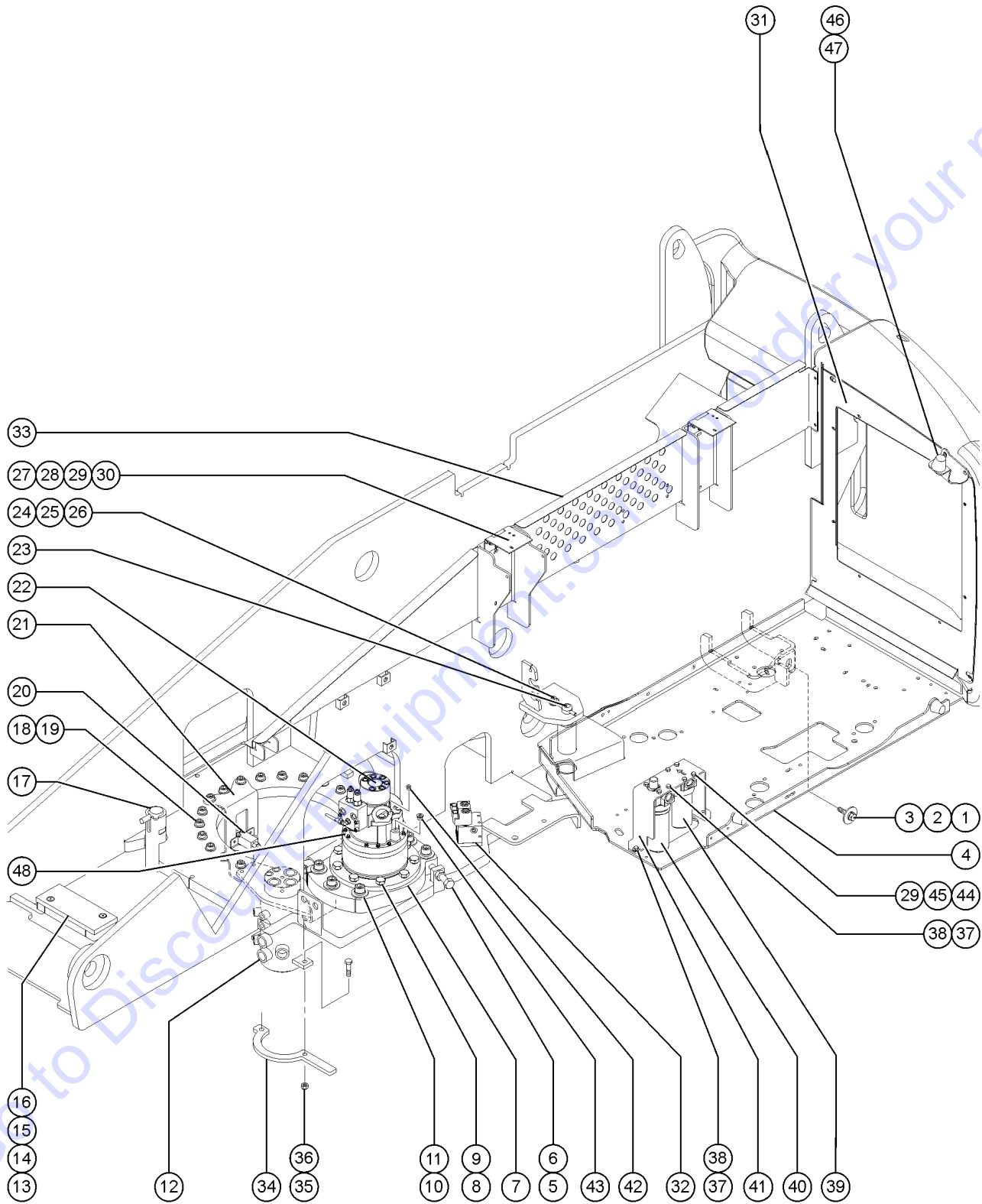
Click on this link: <http://www.discount-equipment.com/category/5443-parts/> and choose one of the options to help get the right parts and equipment you are looking for. Please have the machine model and serial number available in order to help us get you the correct parts. If you don't find the part on the website or on one of the online manuals, please fill out the request form and one of our experienced staff members will get back to you with a quote for the right part that your machine needs.

We sell worldwide for the brands: Genie, Terex, JLG, MultiQuip, Mikasa, Essick, Whiteman, Mayco, Toro Stone, Diamond Products, Generac Magnum, Airman, Haulotte, Barreto, Power Blanket, Nifty Lift, Atlas Copco, Chicago Pneumatic, Allmand, Miller Curber, Skyjack, Lull, Skytrak, Tsurumi, Husquvarna Target, Stow, Wacker, Sakai, Mi-T-M, Sullair, Basic, Dynapac, MBW, Weber, Bartell, Bennar Newman, Haulotte, Ditch Runner, Menegotti, Morrison, Contec, Buddy, Crown, Edco, Wyco, Bomag, Laymor, EZ Trench, Bil-Jax, F.S. Curtis, Gehl Pavers, Heli, Honda, ICS/PowerGrit, IHI, Partner, Imer, Clipper, MMD, Koshin, Rice, CH&E, General Equipment, Amida, Coleman, NAC, Gradall, Square Shooter, Kent, Stanley, Tamco, Toku, Hatz, Kohler, Robin, Wisconsin, Northrock, Oztec, Toker TK, Rol-Air, APT, Wylie, Ingersoll Rand / Doosan, Innovatech, Con X, Ammann, Mecalac, Makinex, Smith Surface Prep, Small Line, Wanco, Yanmar

309.1 Ground Control Box, with LCD Readout Screen - View 2, Internal

Item	Part No.	Description	Qty.	Item	Part No.	Description	Qty.
--	77430GT	CAPACITOR,3 MF,50VDC <i>Terminal 41</i>		21	121599GT	GASKET,GBOX,S80/85 2008	
1	89575GT	RESISTOR,7.5 OHM,25 WATT,1PCNT....2		22	106140PGT	BRACKET,1K OHM 10-TURN POT,PNT <i>(models with welder option)</i>	
2	27287GT	RESISTOR,10 OHM,25 WATT.....1		23	106657GT	MODULE,CONTROL,HI AMP <i>(models with welder option)</i>	
3	40614GT	RESISTOR,5 OHM,25W*** .....1		24	147455GT	HARNESS, OMRON RELAY, CR66 <i>(models with welder option)</i>	
4	6178GT	NUT,NYLOCK,10-32		--	33607GT	RELAY,OMRON,DPDT,12V .....2 <i>(models with welder option)</i>	
5	49817GT	SCREW,PHILLIPS,PHM,10-32 X1.25		--	33608GT	RELAY,SOCKET,OMRON.....2 <i>(models with welder option)</i>	
6	121846GT	RELAY,TIME DELAY,2 SEC,10A.....1		25	106637GT	MODULE,TIME DELAY ON BREAK 4S <i>(models with welder option)</i>	
7A	34052GT	RELAY,SPDT,12V(AUTO) PLUG IN**....11 <i>(Perkins models with dual capacity)</i>					
7B	34052GT	RELAY,SPDT,12V(AUTO) PLUG IN** .....9 <i>(Deutz models with dual capacity)</i>					
7C	34052GT	RELAY,SPDT,12V(AUTO) PLUG IN** .....5 <i>(Perkins or Deutz models with single capacity)</i>					
8	30997GT	CORROSION INHIBITOR,FOAM.....1					
9A	99632GT	PLATE,PRIMARY BOOM SIDE.....1 <i>(models with single capacity)</i>					
--	23404GT	NUTSERT,1/4-20,STEEL CAD PLTD					
--	6638GT	WASHER,FLAT,USS,1/4"Y					
--	7339GT	SCREW, HHC, 1/4-20 X .5					
9B	99632GT	PLATE,PRIMARY BOOM SIDE.....2 <i>(models with dual capacity)</i>					
--	23404GT	NUTSERT,1/4-20,STEEL CAD PLTD					
--	6638GT	WASHER,FLAT,USS,1/4"Y					
--	7339GT	SCREW, HHC, 1/4-20 X .5					
10A	110280GT	PLUG,NYLON, .94X1.65 BLK DOMED....1					
11	45385GT	PLUG,NYLON 1.12 BLACK DOMED					
12	6178GT	NUT,NYLOCK,10-32 <i>(use to replace nutsert)</i>					
13	54365GT	SCREW,PHIL,PHM,10-32 X .5,SSTL					
14	7057GT	CONN. SQZ,1/2NPT .39-.56 MED.....1					
15	825017GT	ASSY,TERMINAL RAIL,TIER IV					
--	216791GT	TERMINAL BLOCK,WIELAND					
--	216793GT	TERMINAL BLOCK END PLATE					
--	33422GT	DIN RAIL,17"					
--	74917GT	JUMPER COMB, 2-WAY,WIELAND					
--	74918GT	JUMPER COMB, 3-WAY,WIELAND					
16	73803GT	SCREW,SHM,PHP, #12 X .75					
17	73736GT	CONN,RECEP 48 WAY,4 X 12 <i>for harness, refer to 313.1</i>					
18	73754GT	CONN,RECEP 40 WAY,W/FLANGE <i>for harness, refer to 313.1</i>					
19	73753GT	CONN,RECEP 24 WAY,W/FLANGE <i>for harness, refer to 313.1</i>					
20	73717GT	CONN,RECEP 4 WAY,12-14GA FL*** <i>for harness, refer to 313.1</i>					

310.1 Engine Side



310.1 Engine Side

Item	Part No.	Description	Qty.	Item	Part No.	Description	Qty.
1	73455GT	SCREW,HHC,5/8-11 X 2.25 GR8.....	1	--	139309GT	CBV ASSEMBLY*** <i>(Used on swing drive 1255768)</i>	
2	6036GT	WASHER,LOCK,.625 PLTD		--	139315GT	O-RING,MOTOR/BRAKE*** <i>(Used on swing drive 1255768)</i>	
3	33418GT	WASHER,FLAT,.625 X 2.25 X.15		--	139323GT	VALVE,COUNTERBAL,CBCA-LIN*** <i>(Used on swing drive 1255768)</i>	
4	1264903GT	ASSY,ENGINE TRAY,W/BEARINGS.....	1	--	58304GT	SHAFT,OUTPUT <i>(Used on swing drive 1255768)</i>	
--	35675GT	BEARING,FL,1.25IDX1.5ODX1.25L.....	2	22B		Ref. SWING DRIVE ASSEMBLY <i>Previous SWING DRIVE ASSEMBLY 139189 is no longer available, order complete assembly 1255768 for first time replacement</i>	
5	61128GT	SCREW,HHC,3/4-10 X 4 FULL THRD		--	139308GT	SWING MOTOR COMPLETE*** <i>(Used on swing drive 139189)</i>	
6	6126GT	NUT,HEX,JAM,3/4-10		--	139309GT	CBV ASSEMBLY*** <i>(Used on swing drive 139189)</i>	
7	77671GT	PLATE,BACKLASH ADJUSTMENT MACH.....	1	--	139310GT	BRAKE TUBING*** <i>(Used on swing drive 139189)</i>	
8	94747GT	SCREW,HHC,1/2-13 X 1.75 GRD 8.....	9	--	139311GT	KIT,FRICITION DISC*** <i>(Used on swing drive 139189)</i>	
9	13066GT	WASHER,FLAT,.5 HARDENED.....	9	--	139312GT	KIT,BRAKE SPRING*** <i>(Used on swing drive 139189)</i>	
10	88212GT	SCREW,SHC,3/4-10 X 3.00,A574.....	6	--	139313GT	SEAL KIT,SWING BRAKE*** <i>(Used on swing drive 139189)</i>	
11	33278GT	WASHER,FLAT,.75 HARDENED.....	6	--	139314GT	KIT,SWING BRAKE REBUILD*** <i>(Used on swing drive 139189)</i>	
12	89571GT	SWIVEL,HYD 8 PORT***.....	1	--	139315GT	O-RING,MOTOR/BRAKE*** <i>(Used on swing drive 139189)</i>	
--	94937GT	SEAL KIT,8-PORT SWIVEL		--	139323GT	VALVE,COUNTERBAL,CBCA-LIN*** <i>(Used on swing drive 139189)</i>	
--	T106954GT	SEAL, O-RING LIP		--	58304GT	SHAFT,OUTPUT <i>(Used on swing drive 139189)</i>	
--	T106955GT	SEAL, POLY, CHAMFER		--	58596GT	BEARING KIT,OUTER (88921) <i>(Used on swing drive 139189)</i>	
--	T106957GT	SEAL, CAP, NOTCHED		--	58597GT	BEARING KIT,INNER (88921) <i>(Used on swing drive 139189)</i>	
--	T106961GT	SEAL, O-RING ENERGIZER		--	94620GT	SEAL KIT,SWING TORQ HUB*** <i>(Used on swing drive 139189)</i>	
--	T106962GT	SEAL, CAP, NOTCHED		23	81724GT	PIN,1.25 X 13.25 IN,CHAMFER.....	1
13	161607GT	WEAPAD, BOOM REST.....	1	24	45226GT	ROD END,.375 X 3.69.....	1
14	6610GT	SCREW,FHS,3/8-16 X 2 GRD.8.....	2	25	8516GT	SCREW, HCC, 3/8-16 X 1.50	
15	6097GT	WASHER,FLAT,USS,3/8",Y.....	2	26	6021GT	WASHER,LOCK,.375	
16	4828GT	NUT,NYLOCK,3/8-16.....	2	27	75073GT	HINGE,.375X.120THK.,SLOTTED.....	2
17	81834GT	WELDMENT,TRANSPORT LOCK.....	1	28	6888GT	SCREW,HHC,1/4-20 X 1	
18	139865GT	SCREW,HHC,5/8-11 X 4.00 GR8 BO....	24	29	6638GT	WASHER,FLAT,USS,1/4"Y	
19	13064GT	WASHER,FLAT,.625 HARDENED.....	24	30	6091GT	NUT,NYLOCK,1/4-20	
20	88356-13103GT	SWITCH,LIMIT,W/RLLR ARM,NO/NC....	1	31A	106172PGT	BAFFLE,AIR INTAKE,PAINTED***..... <i>models with Deutz D2011L03i and Perkins 404D-22 engines</i>	1
--	77666PGT	FORMING,DRIVE ENABLE LIMIT SW					
21	77665PGT	FORMING,HYD SWIVEL BRACKET.....	2				
22A	1255768GT	SWING DRIVE ASSEMBLY <i>Previous SWING DRIVE ASSEMBLY 139189 is no longer available, order complete assembly 1255768 for first time replacement</i>					
--	1255769GT	SEAL KIT, SWING BRAKE <i>(Used on swing drive 1255768)</i>					
--	1255770GT	KIT, FRICTION DISC <i>(Used on swing drive 1255768)</i>					
--	1255771GT	KIT, BRAKE SPRING <i>(Used on swing drive 1255768)</i>					
--	1255772GT	KIT, SWING BRAKE REBUILD <i>(Used on swing drive 1255768)</i>					
--	1255773GT	BRAKE TUBING <i>(Used on swing drive 1255768)</i>					
--	139308GT	SWING MOTOR COMPLETE*** <i>(Used on swing drive 1255768)</i>					

### 310.1 Engine Side (continued)

Item	Part No.	Description	Qty.
31B	110183PGT	BAFFLE,AIR INTAKE S60 PAINTED <i>models with Deutz TD2011L04i engines</i>	
31C		REF: Engine Baffle, DEUTZ D2.9 <i>(refer to 504.1 or 504.2)</i>	
31D		REF: Engine Baffle, FORD MSG-425 <i>(refer to 511.1)</i>	
31E		REF: Engine Baffle, PERKINS 404F-22 <i>(refer to 513.1)</i>	
32		Ref: Brake and 2 Speed Manifold.....1 <i>(refer to 406.1)</i>	
33	T106425GT	FORMING, BULKHEAD,RIGHT,S60/65.....1	
34	77803GT	PLATE,SWIVEL ROTATION STOP.....1	
35	6198GT	NUT,NYLOCK,1/2-13	
36	6096GT	SCREW,HHC,1/2-13 X 2 GR5	
37	8255GT	SCREW,HHC,3/8-16 X .75	
38	5397GT	WASHER,FLAT,USS,5/16",Y	
39		FILTER ASY,M PRESS,SAE8,WIND* (77139).....1 <i>component no longer available</i>	
--	60857GT	FILTER,ELEMENT,BETA(5)=1000 <i>for 77139</i>	
39A	1267807GT	ASSEMBLY, MED. PRESS. FILTER,	
--	1268229GT	ELEMENT-5 MIC, PAPER, W/BYPASS <i>for 1267807</i>	
40	60334GT	FILTER ASSY,HIGH PRESS SAE-12*.....1	
--	1279465GT	BACKUP RING,71.60X67.20X1.40PTFE(60334)	
--	1279466GT	O-RING,67.95X2.62-NBR-70SH(HF2P)(60334)	
--	58380GT	FILTER INDICATOR-(60334)	
--	60857GT	FILTER,ELEMENT,BETA(5)=1000	
41	161603GT	FORMING, FILTER BRKT.....1	
42	39882GT	PLUG,HEX SOCKET,090109B-4.....1	
43	109802GT	PLUG,ORB #6.....1	
44	6090GT	SCREW,HHC,1/4-20 X .75	
45	6356GT	WASHER,LOCK,.25	
46	30973GT	BUMPER,RUBBER-1 X 1.25.....3	
47	161608GT	FORMING, BRKT, ENGINE COVER.....1	
48	1262678GT	FORMING,HOSE GUIDE.....1 <i>hidden from view</i>	

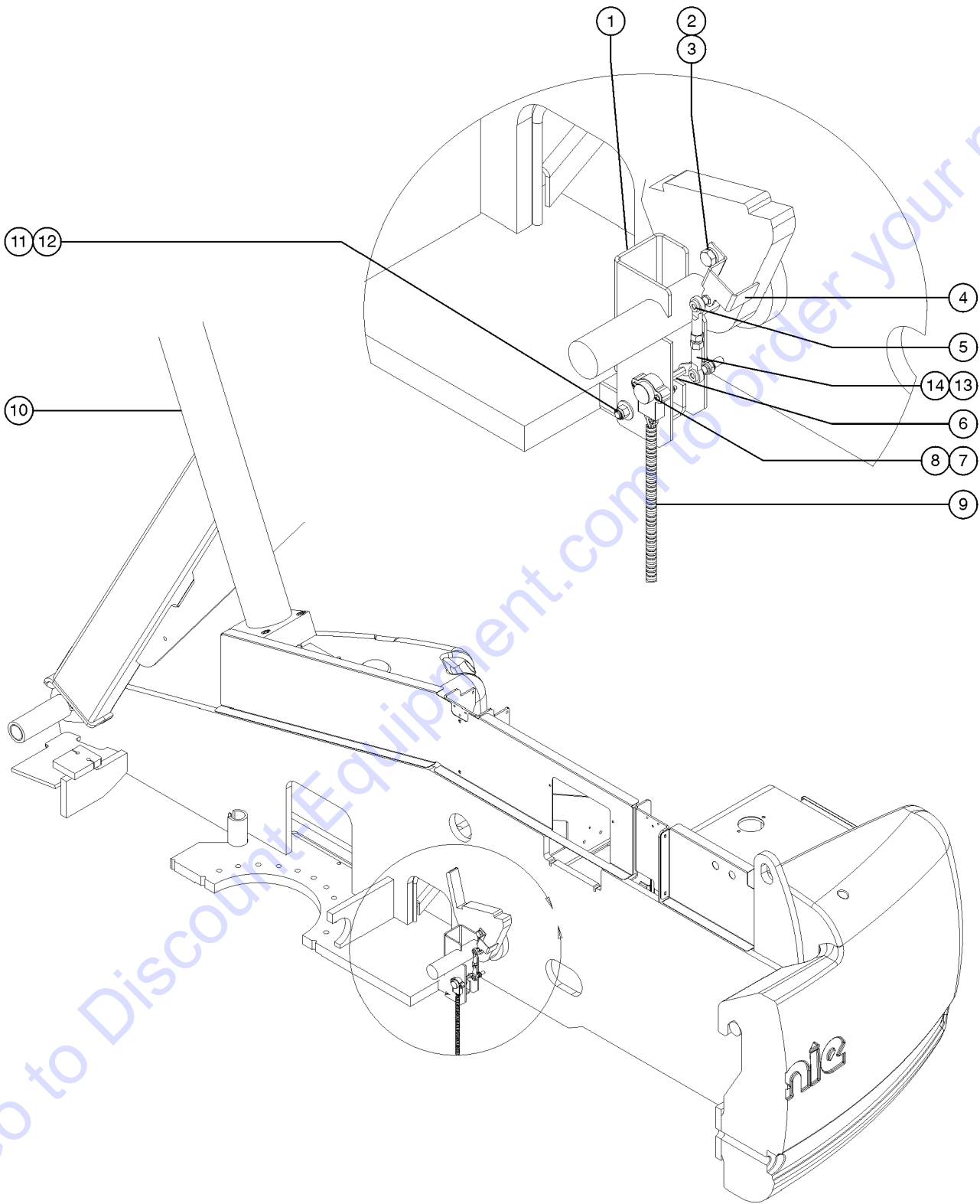


***This Page Intentionally Left Blank***

Go to [Discount-Equipment.com](http://Discount-Equipment.com) to order your parts



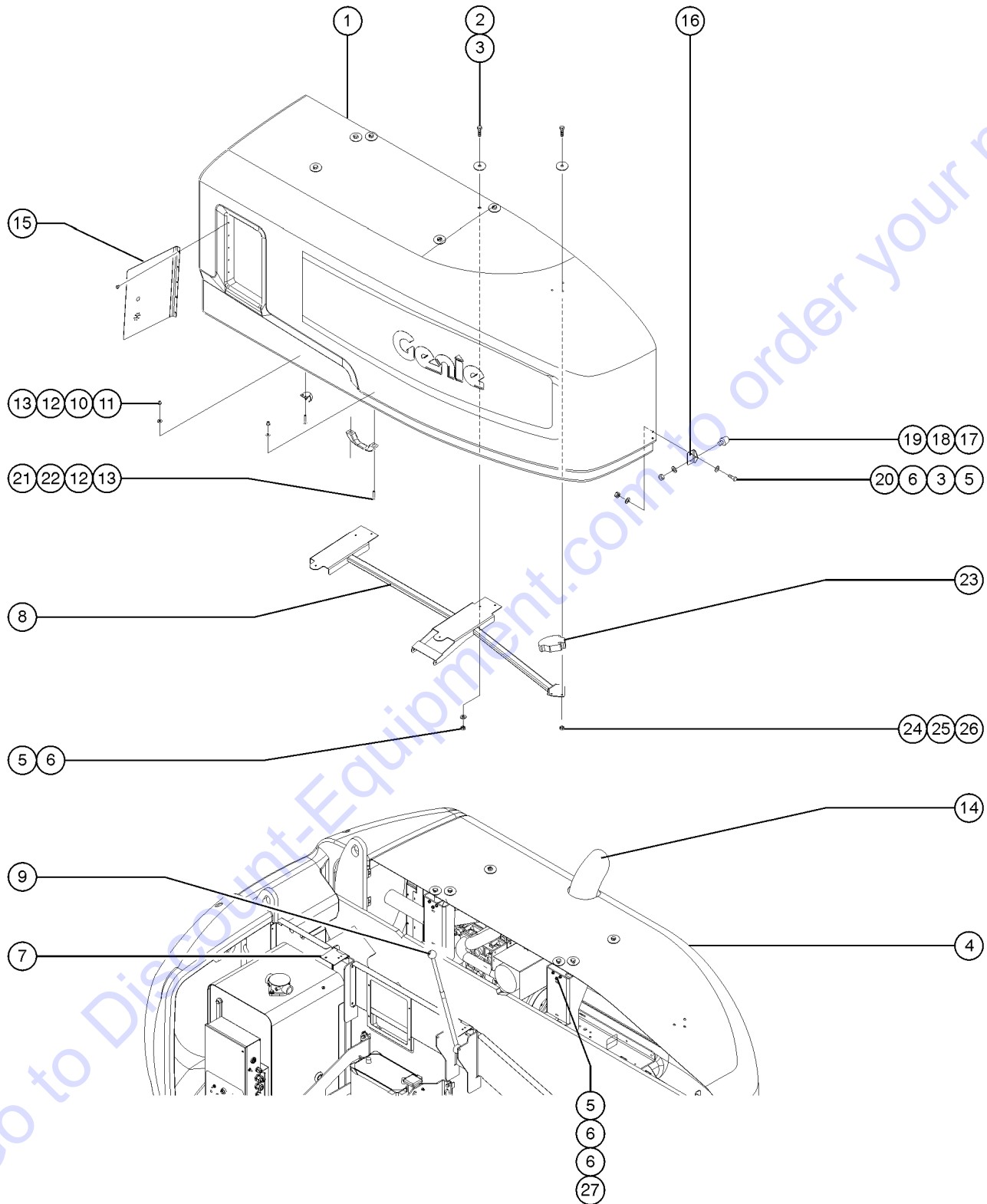
311.1 Engine Side, S-60 HC Turntable



## 311.1 Engine Side, S-60 HC Turntable

Item	Part No.	Description	Qty.
1	106883PGT	FORMING,SENSOR BRACKET(PTD)....1	
2	10597GT	SCREW,HHC,1/2-13 X 1.25 GR5.....1	
3	6033GT	WASHER,LOCK,0.5".....1	
4	119044GT	FORMING,ANGLE LINKAGE BRACKET.....1	
5	110329GT	BALL JOINT, 3/8-24 FEMALE.....1 <i>qty (1)</i>	
--	110755GT	NUT,HEX,JAM,3/8-24	
--	5408GT	NUT,LP NYLOCK,3/8-24	
6	106884GT	WELDMENT, ROTATOR ARM.....1	
7	6179GT	SCREW,RHM,10-32 X 1.25.....2	
8	6178GT	NUT,NYLOCK,10-32.....2	
9	94980GT	SENSOR,DUAL OUTPUT,ANGLE***.....1 <i>(calibration required after replacement)</i>	
--	119068GT	CONN,RECEP 6 WAY ENDCAP DT	
--	20973-1700GT	WIRE LOOM,3/8 POLY SLIT	
--	60445GT	LOCK,RECEP 6 WAY,14-18GA	
--	60455GT	TERM,GOLD PIN,18-16GA REEL	
10	107825GT	CYLINDER, LIFT, S60HC.....1	
--	101252GT	SEAL KIT (88653)	
--	1262331GT	KIT, GLAND NUT, S60 LIFT CYL. <i>for 107825</i>	
--	128464GT	VALVE,COUNTERBAL,CWCK-LHN@3500	
--	60984GT	VALVE,COUNTERBAL.CBBB-LJN@5000	
11	6175GT	SCREW,HHC,3/8-16 X 1.....2	
12	4828GT	NUT,NYLOCK,3/8-16.....2	
13	139440GT	BALL JOINT, 3/8-24 LEFT HAND.....1	
--	139441GT	NUT,HEX,JAM,3/8-24, LEFT HAND	
--	5408GT	NUT,LP NYLOCK,3/8-24	
14	139366GT	ADJ ROD, LH/RH, 3/8-24.....1	

312.1 Turntable Covers

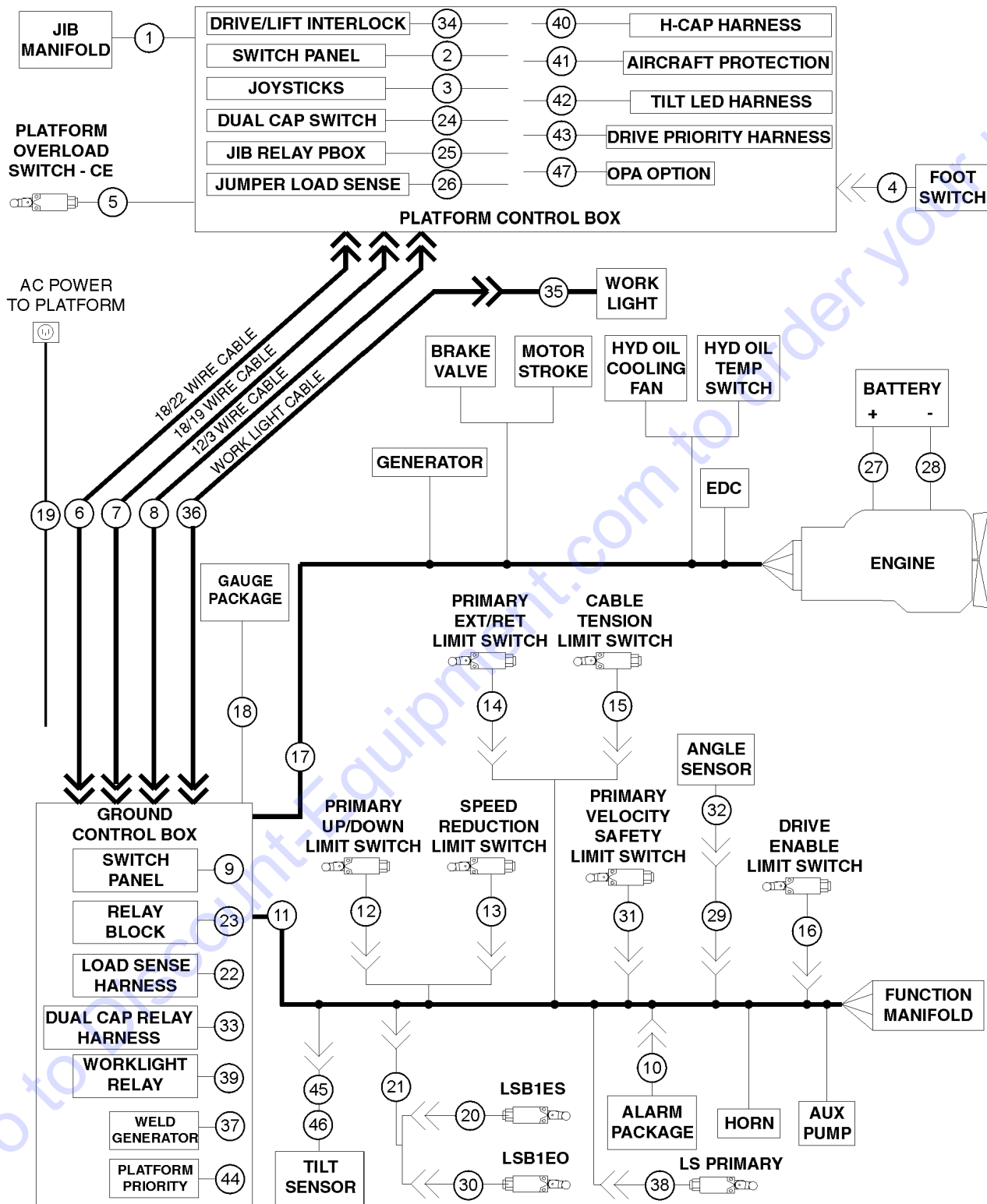


312.1 Turntable Covers

Item	Part No.	Description	Qty.
1	121358GT	COVER,LH,TANK SIDE.....1 <i>(decals not included, refer to section 100)</i>	1
2	6888GT	SCREW,HHC,1/4-20 X 1	
3	12906GT	WASHER,FENDER,.25 X 1.25 X.062	
4	121359GT	COVER,RH,ENGINE SIDE.....1 <i>(decals not included, refer to section 100)</i>	1
5	6091GT	NUT,NYLOCK,1/4-20	
6	6638GT	WASHER,FLAT,USS,1/4"Y	
7	75073GT	HINGE,.375X.120THK.,SLOTTED	
--	77778GT	PLATE,HINGE SUPPORT.....1	1
8	81874GT	WELDMENT,LEFT COVER SUPPORT	
--	81876GT	WELDMENT,RIGHT COVER SUPPORT.....1	1
9	28301GT	GAS STRUT,250 LBS FORCE***	
--	27377GT	RETAINER,GAS SPRING***	
--	33555GT	BALL STUD**	
10	75076GT	KEEPER,LATCH (45363).....4	4
11	49816GT	SCREW,PHILLIPS,PHM,10-32 X .75	
12	6146GT	WASHER,FLAT,MS,#10,Y	
13	6178GT	NUT,NYLOCK,10-32	
14	101964GT	WELDMENT,EXHAUST TUBE	
15		Ref: Control Box Cover.....1 <i>hostile environment option (refer to 912.1)</i>	1
16	88106PGT	FORMING,COVER STOP,PAINT.....2	2
17	30973GT	BUMPER,RUBBER-1 X 1.25.....6	6
18	5397GT	WASHER,FLAT,USS,5/16",Y	
19	6782GT	NUT,NYLOCK,5/16-18	
20	6090GT	SCREW,HHC,1/4-20 X .75	
21	6606GT	SCREW,RHM,10-32 X .75	
22	60884GT	HANDLE,GRAB.....2	2
23	1253415GT	SPACER, COVER SUPPORT, S60.....2	2
24	824082GT	SCREW,HHF,1/4-20X1.75,8,ZAG	
25	824119GT	WASHER,FLAT,.25X1.25X.062,ZAG	
26	824027GT	NUT,TL FLG,1/4-20,G,ZAG	
27	8915GT	SCREW,HHC,1/4-20 X 1.25	

Go to [Distributor.com](http://Distributor.com) to order your parts

313.1 Wire Harness Diagram



313.1 Wire Harness Diagram

Item	Part No.	Description	Qty.	Item	Part No.	Description	Qty.
A	58253GT	KIT,REPAIR,DEUTSCH PLUG,W/TUBE <i>small kit</i>		4		Ref: Foot Switch Assembly <i>(refer to 701.1)</i>	
B	83129GT	KIT,REPAIR,DEUTSCH CONNECTORS* <i>large kit</i>		5	121848GT	ASSY,LS,LOAD SENSE,38.5 IN.....1	
C	61794GT	CRIMPER,DEUTSCH,LIGHT DUTY*** <i>tool</i>		6A	139737GT	HARNESS, 18/22, CABLE JIB.....1 <i>S-65 (Green, Brown plugs)</i>	
D	101191GT	WIRE LOOM,1"DIA.SLIT,HI TEMP		--	119063GT	CONN PLUG 12 WAY ENDCAP DT GR	
E	49219GT	SLEEVE,NYLON,2.19 ID,BULK.....48-inches <i>near platform; 48 inches required</i>		--	119064GT	CONN PLUG 12 WAY ENDCAP DT BR	
F	110390GT	HARNESS,BOOM CABLE HIGH CAP. <i>S-60HC, to SN S6015A-29585</i>		6B	139738GT	HARNESS, 18/22, CABLE NJ.....1 <i>S-60 (green/brown)</i>	
G	110803GT	HARNESS PROGRAM CAN PLUS1 <i>S-60HC, to SN S6015A-29585</i>		--	119063GT	CONN PLUG 12 WAY ENDCAP DT GR	
H	110987GT	SOFTWARE,S60HC,TCON,+1 <i>S-60HC, to SN S6015A-29585</i>		--	119064GT	CONN PLUG 12 WAY ENDCAP DT BR	
J	110988GT	SOFTWARE,S60HC,SCON,+1 <i>S-60HC, to SN S6015A-29585</i>		7A	823917GT	HARNESS,18/22,CABLE2 JIB.....1 <i>S-65 (Grey, Black plugs)</i>	
K	119607GT	SOFTWARE,S60HC,DIAGNOSTIC,+1 <i>S-60HC, to SN S6015A-29585</i>		--	119061GT	CONN PLUG 12 WAY ENDCAP DT GY	
L	1264822GT	KIT, TRC RETROFIT, STNDRD <i>Telematics (includes 1264834)</i>		--	119062GT	CONN PLUG 12 WAY ENDCAP DT BK	
--	1264834GT	INSTRN, TRC RETROFIT, STNDRD		7B	823918GT	HARNESS,18/22,CABLE2 NJ.....1 <i>S-60</i>	
--	1264947GT	KIT, LEVEL SENSOR, 6 PIN CONN. <i>For ANSI/CSA models with 6-pin wire harness connector, includes instructions</i>		--	119061GT	CONN PLUG 12 WAY ENDCAP DT GY	
1	101080GT	HARNESS,JIB SELECT MANIFOLD.....1 <i>S-65</i>		--	119062GT	CONN PLUG 12 WAY ENDCAP DT BK	
--	7056GT	CONN, SQZ, 1/2NPT .38-.50, SM**		8A	139733GT	HARNESS, 12/3 12V TO PLAT JIB.....1 <i>S-65</i>	
2A	147642GT	HARNESS,PBOX,S60/65.....1 <i>to SN S6015A-29585</i>		8B	139734GT	HARNESS, 12/3 12V TO PLAT NJ.....1 <i>S-60</i>	
--	73736GT	CONN,RECEP 48 WAY,4 X 12.....1 <i>for 147642, to SN S6015A-29585</i>		9A	147652GT	HARNESS,GBOX WIRING.....1 <i>models with Deutz D2011L03i, Deutz TD2011I04i, Perkins 404D-22 and Ford MSG-425 EFI, to SN S6015A-29306</i>	
--	81545GT	CONN,MOLEX 20 WAY.....1 <i>for 147642, to SN S6015A-29585</i>		9B	1261294GT	HARNESS ASSY,GBOX.....1 <i>models with Deutz D2011L03i, Deutz TD2011I04i, Perkins 404D-22 and Ford MSG-425 EFI, from SN S6015A-29307</i>	
2B	1260105GT	HARNESS ASSY,PBOX,SNGL CAP.....1 <i>from SN S6015A-29586</i>		9C	824993GT	HARNESS,GBOX,T4,S60/65.....1 <i>models with Deutz D2.9L4 and Perkins 404F-22, to SN S6015A-29306</i>	
--	119058GT	CONN PLUG 4 WAY ENDCAP DT.....1 <i>for 1260105, from SN S6015A-29586</i>		9D	1255456GT	HARNESS,GBOX,T4,S60/65.....1 <i>models with Deutz D2.9L4 and Perkins 404F-22, from SN S6015A-29307</i>	
--	119061GT	CONN PLUG 12 WAY ENDCAP DT GY.....1 <i>for 1260105, from SN S6015A-29586</i>		10	128005GT	HARNESS,BEACON OPTION.....1	
--	147621GT	CONN,MOLEX 10 WAY.....1 <i>for 1260105, from SN S6015A-29586</i>		11	147650GT	HARN,FUNCT MANIFOLD,S60/65.....1	
--	229152GT	CONN,MOLEX 12 WAY.....1 <i>for 1260105, from SN S6015A-29586</i>		--	73751GT	CONN,PLUG 40 WAY,DRC SERIES	
3	147643GT	HARN,PBOX,JOYSTICK,S60/65.....1		12	139832GT	HARNESS, LS, OP, PRI ANGLE.....1	
--	81546GT	CONN,MOLEX 16 WAY		13	139835GT	HARNESS, LS, OP, PRI, VELOCITY.....1	
--	99343GT	CONNECTOR,PLUG 6 WAY 18-20 GA		14	139836GT	HARNESS, LS, OP, PRIMARY.....1	
--	99344GT	LOCK,PLUG 6 WAY 18-20GA <i>use with 99344</i>		15	139833GT	HARNESS, LS, OP, CABLE TENSION....1	
				--	119067GT	CONN,RECEP 4 WAY ENDCAP DT	
				--	19491GT	CONTACTOR,LIMIT SWITCH	
				--	43960GT	WIRE CABLE,16/4 CON.TPE JKT	
				--	60443GT	LOCK,RECEP 4 WAY,14-18GA	



313.1 Wire Harness Diagram  
(continued)

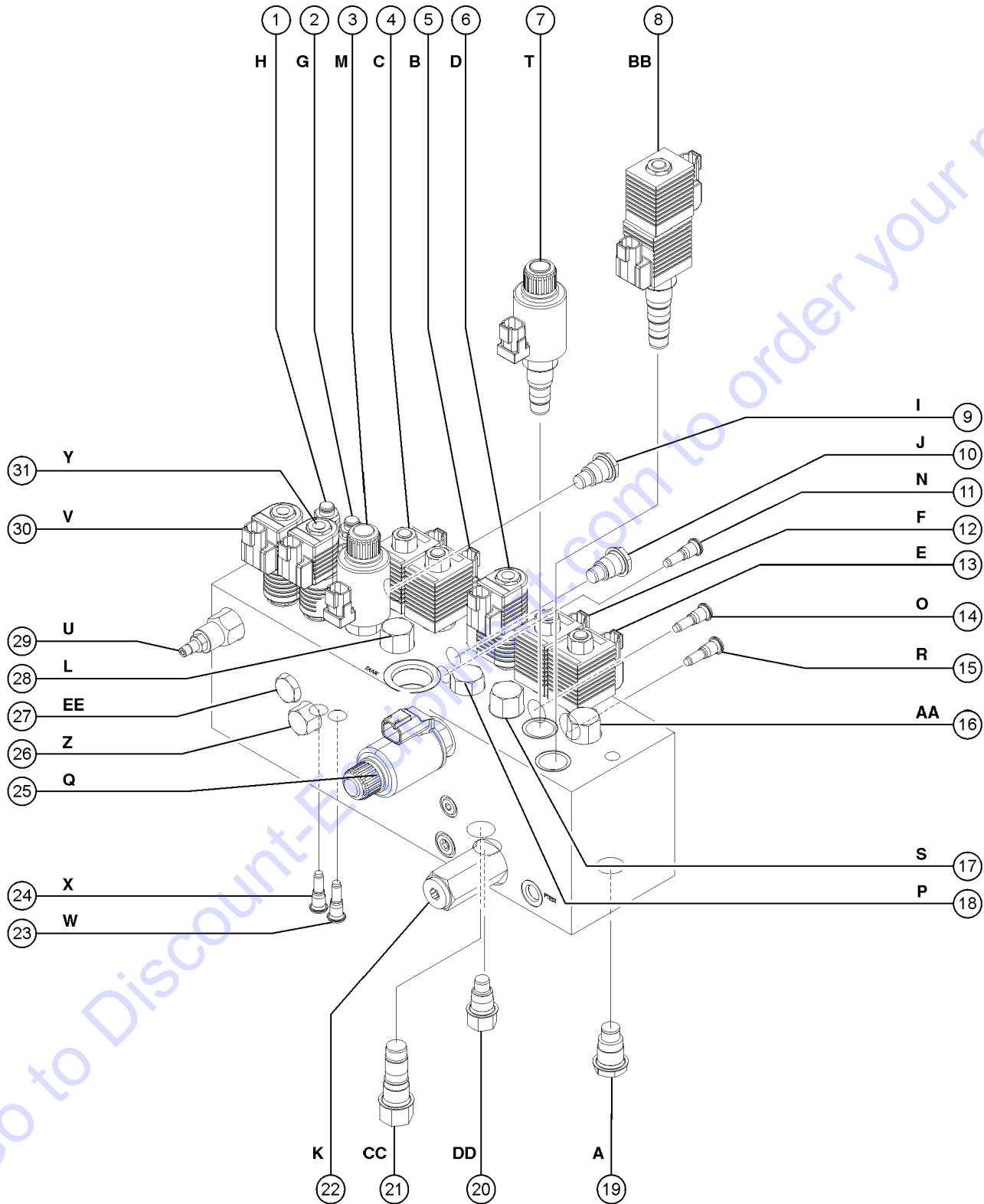
Item	Part No.	Description	Qty.	Item	Part No.	Description	Qty.
--	73713GT	TERM,NI PIN,S&F,16-18GA,REEL		23C	824994GT	HARNASS ASSY,RELAY 404F,S60/65....1 <i>models with Perkins 404F-22, to SN S6015A-29306</i>	
--	73725GT	BOOT,DTSCH,DTP4-BT		23D	824995GT	HARNASS ASSY,RELAY D2.9,S60/65....1 <i>models with Deutz D2.9L4, to SN S6015A-29306</i>	
--	88356-13103GT	SWITCH,LIMIT,W/RLLR ARM,NO/NC		23AA	1255457GT	HARN,GBOX & RELAY WIRES,DIESEL.....1 <i>models with Deutz D2011L03i, Deutz TD2011104i and Perkins 404D-22, from SN S6015A-29307</i>	
--	97128GT	ROLLER ARM,LIMIT SWITCH***		23BB	1255460GT	HARN, GBOX AND RELAY WIRES, FO.....1 <i>models with Ford MSG-425 EFI, from SN S6015A-29307</i>	
16	139834GT	HARNASS,LS,DRIVE ENABLE.....1		23CC	1255459GT	HARNASS ASSY,RELAY 404F.....1 <i>models with Perkins 404F-22, from SN S6015A-29307</i>	
17A	88810GT	HARNASS,DEUTZ ENGINE.....1 <i>Deutz D2011L03i engine</i>		23DD	1255458GT	HARNASS ASSY,RELAY D2.9.....1 <i>models with Deutz D2.9L4, from SN S6015A-29307</i>	
17B	122053GT	HARNASS,S60 TURBO DEUTZ SPEC...1 <i>Deutz TD2011L04i engine</i>		24	T108886GT	HARN,PBOX,DUAL CAP.....1	
17C	822048GT	HARNASS, S60 DEUTZ D2.9 <i>Deutz D2.9L4 engine</i>		--	147621GT	CONN,MOLEX 10 WAY	
17D	110268GT	HARNASS PERKINS ENGINE S60 ALT.....1 <i>Perkins 404D-22 engine</i>		25A	147657GT	HARNASS,JIB,PBOX,S65.....1 <i>to SN S6015A-29585</i>	
17E	823146GT	HARNASS, S60 PERKINS 404F <i>Perkins 404F-22 engine</i>		--	43181GT	CAPACITOR,TIME DELAY	
17F	822513GT	HARN,PERKINS 404F,6WAY EXT <i>Jumper for Perkins 404F-22 engine</i>		25B	1261295GT	HARNASS ASSY,PCON,JIB <i>from SN S6015A-29586</i>	
17G	119777GT	HARNASS,FORD DSG423,S60.....1 <i>Ford engine</i>		26A	147031GT	HARNASS, LOAD SENSE.....1 <i>to SN S6015A-29585</i>	
17H	119483GT	FUEL JUMPER HARNASS <i>Ford engine</i>		26B	1261296GT	HARNASS ASSY,PCON,LOAD SENSE <i>from SN S6015A-29586</i>	
17J	147428GT	HARNASS, FORD STARTER.....1 <i>Ford engine</i>		--	121847GT	RELAY,TIME DELAY,2 SEC,30A	
18A	107552GT	HARNASS,GAUGE OPT.,S60 DEUTZ....1 <i>Deutz models</i>		27A	88801GT	BATTERY CABLE,POSITIVE,RED.....1 <i>models with Deutz D2011L03i, Deutz TD2011104i, Perkins 404D-22 and Ford MSG-425 EFI</i>	
18B	T108415GT	HARNASS,ENGINE GAUGE.....1 <i>Perkins models</i>		27B	824849GT	BATTERY CABLE,POSITIVE,RED,T4 <i>models with Deutz D2.9L4 and Perkins 404F-22</i>	
18C	1259105GT	HARNASS, FULL GAUGE OPT, FORD <i>Ford engine</i>		28	88802GT	BATTERY CABLE,NEGATIVE,BLACK....1	
19A	139731GT	HARNASS, AC POWER TO PLAT JIB....1 S-65		29	T106600GT	HARN,ANGLE,SNSR.CONN. CABLE....1	
19B	139732GT	HARNASS, AC POWER TO PLAT NJ....1 S-60		30	T108322GT	HARN, LS OP PRI.DUAL CAP.....1	
20	T108321GT	HARN,LS SAFETY,PRI.DUAL CAP.....1		31	T106741GT	HARN,LS,SAFETY,PRI,VELOCITY.....1	
21	147654GT	HARN,LS CABLE,S60 DUAL CAP.....1 S-60X, S-60XC and S-60 TraX		32	94980GT	SENSOR,DUAL OUTPUT,ANGLE***.....1	
22A	139741GT	HARNASS, LOAD SENSE, GBOX.....1		33A	T107130GT	HARNASS,GBOX,DUAL CAP RELAY.....1 <i>models with Deutz D2011L03i, Deutz TD2011104i, Deutz D2.9L4, Perkins 404D-22 and Ford MSG-425 EFI</i>	
--	119061GT	CONN PLUG 12 WAY ENDCAP DT GY		33B	824996GT	HARNASS ASSY,RELAY DC T4 PERK.....1 <i>models with Perkins 404F-22</i>	
--	60432GT	CONN,PLUG 8 WAY,14-18GA					
22B	147255GT	HARNASS, JUMPER, LOAD SENSE....1					
23A	147646GT	HARN,GBOX & RELAY WIRES,DIESEL.....1 <i>models with Deutz D2011L03i, Deutz TD2011104i and Perkins 404D-22, to SN S6015A-29306</i>					
23B	147647GT	HARN, GBOX & RELAY WIRES, FORD.....1 <i>models with Ford MSG-425 EFI, to SN S6015A-29306</i>					

313.1 Wire Harness Diagram  
(continued)

Item	Part No.	Description	Qty.
34	T108416GT	HARNESS,DRIVE/LIFT INTERLOCK.....1	
35	T114627GT	HARNESS,12V WORK LIGHTS.....1	
36A	T114625GT	CABLE,S60 12VDC WORK LIGHT.....1 S-60	
36B	T114626GT	CABLE,S65 12VDC WORK LIGHT.....1 S-65	
37	147396GT	HARNESS,GENERATOR POWER.....1	
--	1262793GT	ASSY, GROUNDING CABLE, 58.25IN	
38	T106741GT	HARN,LS,SAFETY,PRI,VELOCITY.....1	
39	T114624GT	HARN,12V WORK LIGHT RELAY.....1	
40	T112792GT	HARNESS,PBOX HI-CAP OPTION.....1 <i>models with high capacity</i>	
41A	228448GT	HARNESS,PROX.KILL.....1 <i>to SN S6015A-29585</i>	
41B	1261292GT	HARNESS ASSY,PCON,PROX KILL.....1 <i>from SN S6015A-29586</i>	
42	1261297GT	HARNESS ASSY,PCON,TILT LED.....1 <i>from SN S6015A-29586</i>	
43	1261293GT	HARNESS ASSY,PCON,DRIVE PRTY....1 <i>from SN S6015A-29586</i>	
44	1261298GT	HARNESS ASSY,GCON,PLAT PRTY <i>from SN S6015A-29586</i>	
45	1260218GT	HARNESS,TILT ALARM,12V.....1 <i>to SN S6015A-29356; CSA only</i>	
--	1264947GT	KIT, LEVEL SENSOR, 6 PIN CONN.....1 <i>to SN S6015A-29536; for ANSI/CSA models with 6-pin wire harness connector, includes instructions</i>	
46	1261844GT	HARNESS, TILT, 12V, CSA PROD.....1 <i>from SN S6015A-29357; ANSI/CSA only</i>	
47A	1255555GT	HARN,PBOX,OPA,HW,12V.....1	
47B	1255030GT	PLUG,BLANKING.....1	



401.1 Function Manifold



401.1 Function Manifold

Item	Part No.	Description	Qty.	Item	Part No.	Description	Qty.
--	161141GT	MANIFOLD,FUNCTION		--	74902GT	SEAL KIT, VALVE	
--	94499GT	ACCUMULATOR,10CC,1000PSI,#6SAE <i>(not shown)</i>		11	27807GT	VALVE,CHECK***.....1 <i>Differential sensing circuit, boom extend/retract</i>	
1	62256GT	VALVE,CB 3:1 3500 PSI.....1 <i>Platform level down</i>		--	110200GT	SEAL KIT, VALVE, #4	
--	110202GT	SEAL KIT, VALVE, #10		12	89309GT	VALVE - SOLENOID 2POSITION 3WA...1 <i>Boom down</i>	
2	62256GT	VALVE,CB 3:1 3500 PSI.....1 <i>Platform level up</i>		--	45912GT	NUT,SOLENOID VALVE 2P3W	
--	110202GT	SEAL KIT, VALVE, #10		--	62275GT	COIL,10V	
3	107753GT	VALVE,PROPORTIONAL.....1 <i>Boom extend/retract</i>		--	89310GT	SEAL KIT, SOLENOID VALVE	
--	45921GT	RETAINER-N.C.PROPOR.SOLENOID		13	89309GT	VALVE - SOLENOID 2POSITION 3WA...1 <i>Boom up/down circuit</i>	
--	58303GT	COIL,VALVE,PROPORTIONAL***		--	45912GT	NUT,SOLENOID VALVE 2P3W	
--	89310GT	SEAL KIT, SOLENOID VALVE		--	62275GT	COIL,10V	
4	89309GT	VALVE - SOLENOID 2POSITION 3WA...1 <i>Boom retract</i>		--	89310GT	SEAL KIT, SOLENOID VALVE	
--	45912GT	NUT,SOLENOID VALVE 2P3W		14	27807GT	VALVE,CHECK***.....1 <i>Differential sensing circuit, turntable rotate</i>	
--	62275GT	COIL,10V		--	110200GT	SEAL KIT, VALVE, #4	
--	89310GT	SEAL KIT, SOLENOID VALVE		15	27807GT	VALVE,CHECK***.....1 <i>Differential sensing circuit, boom up/down</i>	
5	89309GT	VALVE - SOLENOID 2POSITION 3WA...1 <i>Boom extend</i>		--	110200GT	SEAL KIT, VALVE, #4	
--	45912GT	NUT,SOLENOID VALVE 2P3W		16	111705GT	VALVE,FLOW REGULATOR 3.5 GPM**.....1 <i>Steer left/right circuit</i>	
--	62275GT	COIL,10V		--	110202GT	SEAL KIT, VALVE, #10	
--	89310GT	SEAL KIT, SOLENOID VALVE		17	94599GT	VALVE,DIFFERENTIAL SENSING,110...1 <i>Boom up/down circuit</i>	
6	89307GT	VALVE,SOLENOID 3POS 4WAY* .....1 <i>Turntable rotate</i>		--	110197GT	SEAL KIT, VALVE, #10	
--	52943GT	NUT,SOLENOID VALVE COIL		18	27802GT	VALVE,DIFFERENTIAL SENSING*** .....1 <i>Turntable rotate circuit</i>	
--	62273GT	COIL,GREEN W/ 2 PIN CONNECTOR*		--	110197GT	SEAL KIT, VALVE, #10	
--	72047GT	SEAL KIT, SOLENOID VALVE		19	27836GT	VALVE,CHECK,5 PSI.....1 <i>Blocks flow from auxiliary pump to function pump</i>	
--	89311GT	SPACER, DUAL COIL SIZE #8		--	110194GT	SEAL KIT, VALVE, #10	
7	107753GT	VALVE,PROPORTIONAL <i>Boom up/down circuit</i>		20	32975GT	VALVE,FLOW REGULATOR 0.1 GPM.....1 <i>Bleeds off differential sensing valves to tank</i>	
--	45921GT	RETAINER-N.C.PROPOR.SOLENOID		--	74902GT	SEAL KIT, VALVE	
--	58303GT	COIL,VALVE,PROPORTIONAL***		21	27804GT	VALVE,DIFFERENTIAL SENSING*** .....1 <i>Differential sensing circuit, meters flow to functions</i>	
--	89310GT	SEAL KIT, SOLENOID VALVE		--	110201GT	SEAL KIT, VALVE, #10	
8	62260GT	VALVE,SOLENOID 3 POS,4WAY*** .....1 <i>Steer left/right</i>		22	45489GT	VALVE,RELIEF 3000 PSI*** .....1 <i>System relief</i>	
--	110196GT	SEAL KIT, VALVE, #10		--	110194GT	SEAL KIT, VALVE, #10	
--	52943GT	NUT,SOLENOID VALVE COIL		23	27807GT	VALVE,CHECK***.....1 <i>Differential sensing circuit, platform level up</i>	
--	89861GT	COIL, 10V DC (D10, 20 WATT)		--	110200GT	SEAL KIT, VALVE, #4	
9	62257GT	VALVE,CHECK, 30 PSI.....1 <i>Differential sensing circuit, platform rotate left and jib boom up (S-65, S-65 Trax)</i>					
--	74902GT	SEAL KIT, VALVE					
10	62257GT	VALVE,CHECK, 30 PSI.....1 <i>Differential sensing circuit, platform rotate right and jib boom down (S-65, S-65 Trax)</i>					

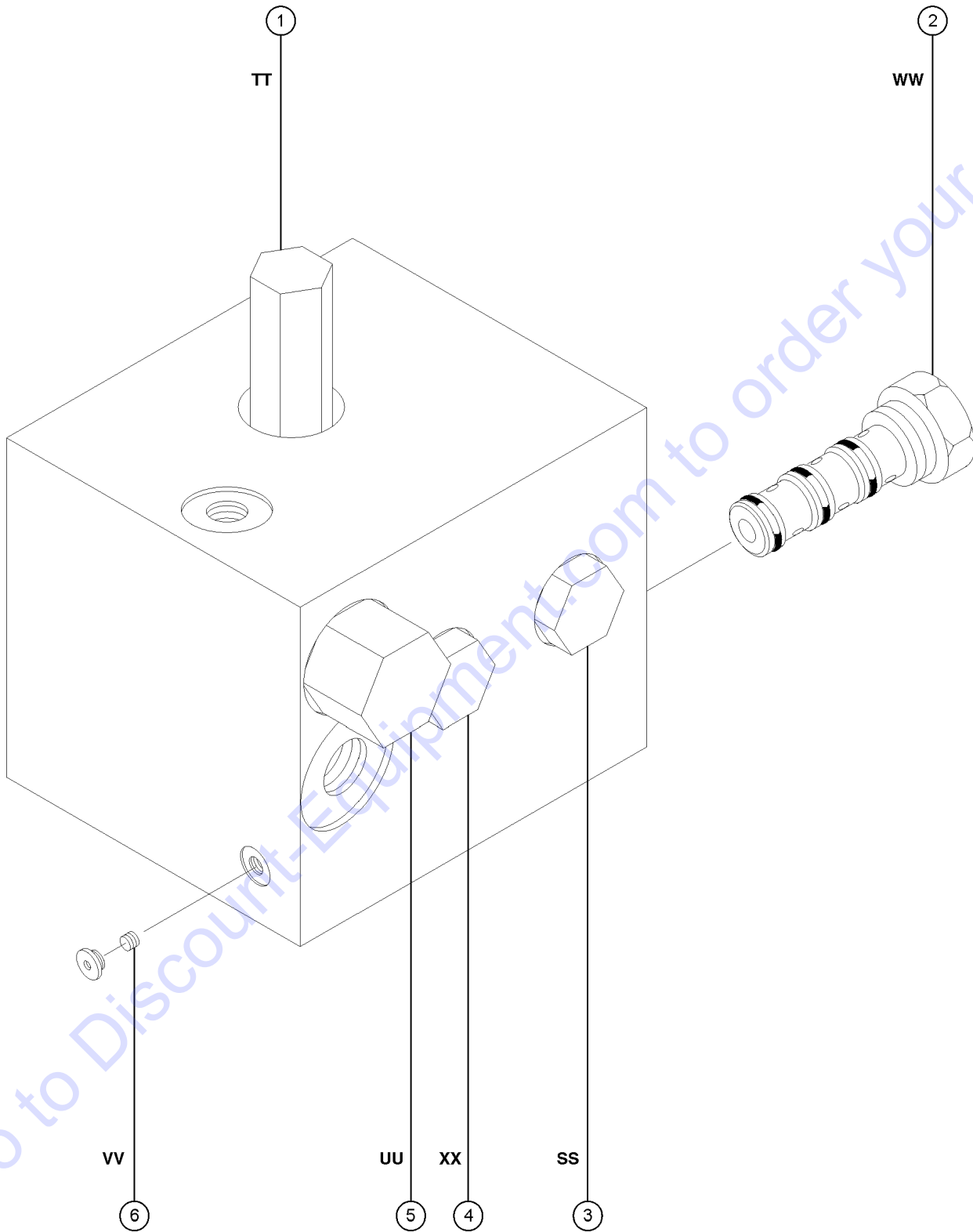
### 401.1 Function Manifold (continued)

Item	Part No.	Description	Qty.
24	27807GT	VALVE,CHECK*** .....1 <i>Differential sensing circuit, platform level down</i>	
--	110200GT	SEAL KIT, VALVE, #4	
25	102528GT	VALVE,PROPORTIONAL.....1 <i>Turntable rotate left/right</i>	
--	89312GT	SEAL KIT, SOLENOID VALVE	
--	89737GT	COIL,PROPORTIONAL VALVE***	
--	89738GT	NUT, PROPORTIONAL VALVE	
26	31100GT	VALVE,FLOW REGULATOR 0.6GPM....1 <i>Platform rotate and jib boom (S-65, S-65 TraX)</i>	
--	74902GT	SEAL KIT, VALVE	
27	62257GT	VALVE,CHECK, 30 PSI.....1 <i>Platform rotate and jib boom circuit (S-65, S-65 TraX) (prevents hydraulic hoses from draining back to tank)</i>	
--	74902GT	SEAL KIT, VALVE	
28	94599GT	VALVE,DIFFERENTIAL SENSING,110...1 <i>Boom extend/retract circuit</i>	
--	110197GT	SEAL KIT, VALVE, #10	
29	62258GT	VALVE,NEEDLE*** .....1 <i>Platform level circuit</i>	
--	110194GT	SEAL KIT, VALVE, #10	
30	89307GT	VALVE,SOLENOID 3POS 4WAY* .....1 <i>Platform level up/down</i>	
--	52943GT	NUT,SOLENOID VALVE COIL	
--	62273GT	COIL,GREEN W/ 2 PIN CONNECTOR*	
--	72047GT	SEAL KIT, SOLENOID VALVE	
--	89311GT	SPACER, DUAL COIL SIZE #8	
31	89307GT	VALVE,SOLENOID 3POS 4WAY* .....1 <i>Platform rotate and jib boom up/down (S-65, S-65 TraX)</i>	
--	52943GT	NUT,SOLENOID VALVE COIL	
--	62273GT	COIL,GREEN W/ 2 PIN CONNECTOR*	
--	72047GT	SEAL KIT, SOLENOID VALVE	
--	89311GT	SPACER, DUAL COIL SIZE #8	

***This Page Intentionally Left Blank***

Go to Discount-Equipment.com to order your parts

402.1 Traction Manifold, 2WD



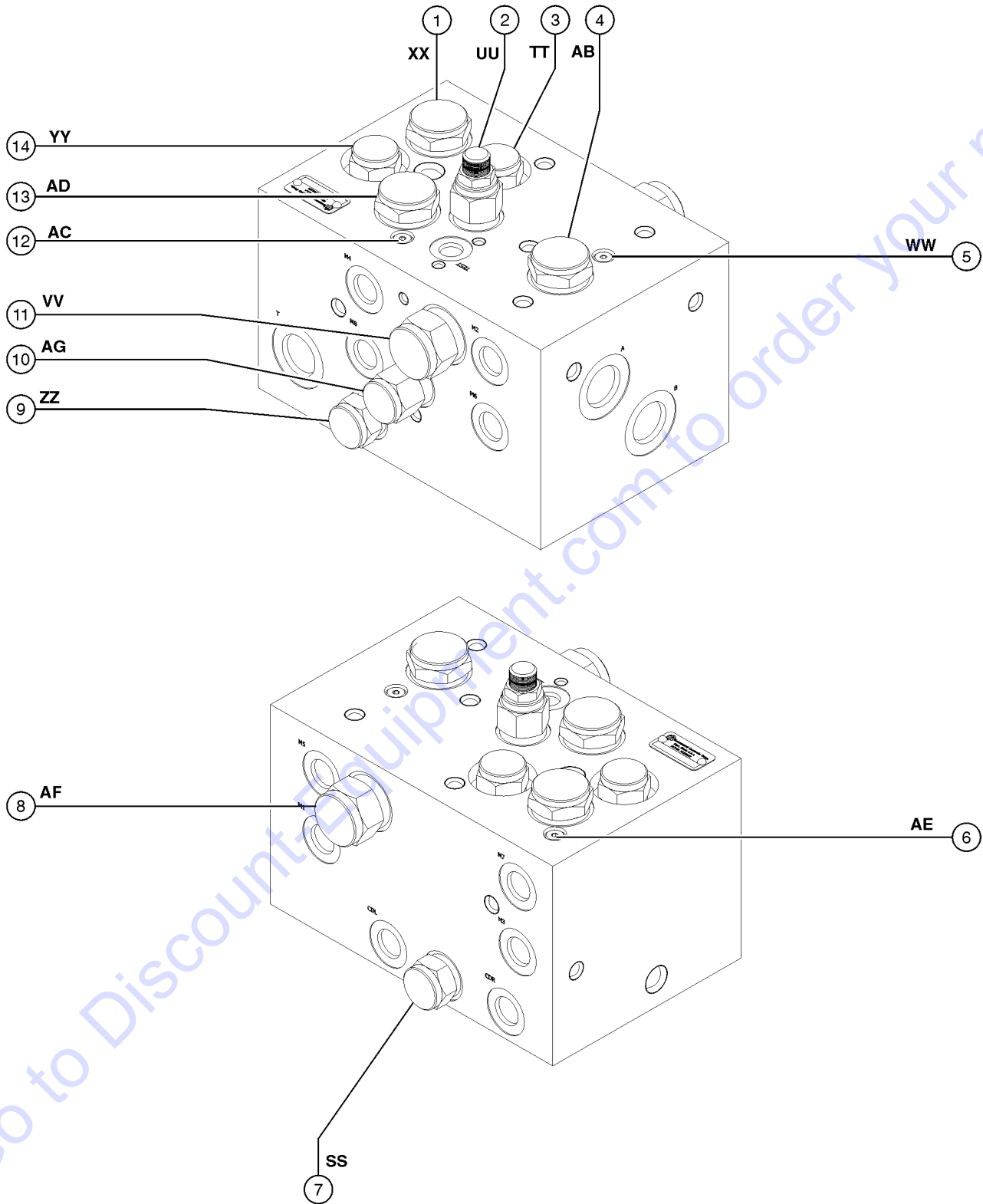
402.1 Traction Manifold, 2WD

Item	Part No.	Description	Qty.
--	88783GT	MANIFOLD,TRACTION,2WD	
1	94758GT	VALVE,RELIEF,280PSI.....1 <i>Charge Pressure circuit</i>	1
--	110194GT	SEAL KIT, VALVE, #10	
2	52726GT	VALVE,FLOW DIVIDER/COMBINER.....1 <i>Controls flow to drive motors in forward and reverse</i>	1
--	84135GT	SEAL KIT, VALVE	
3	27836GT	VALVE,CHECK,5 PSI.....1 <i>Drive circuit</i>	1
--	110194GT	SEAL KIT, VALVE, #10	
4	27836GT	VALVE,CHECK,5 PSI.....1 <i>Drive circuit</i>	1
--	110194GT	SEAL KIT, VALVE, #10	
5	27761GT	VALVE,SHUTTLE.....1 <i>Charge Pressure circuit that directs hot oil out of low pressure side of drive pump</i>	1
--	84134GT	SEAL KIT, VALVE	
6	101440GT	ORIFICE PLUG, 0.070".....1 <i>Drive motor circuit</i>	1

Go to Discount-Equipment.com to order your parts



403.1 Traction Manifold, 4WD

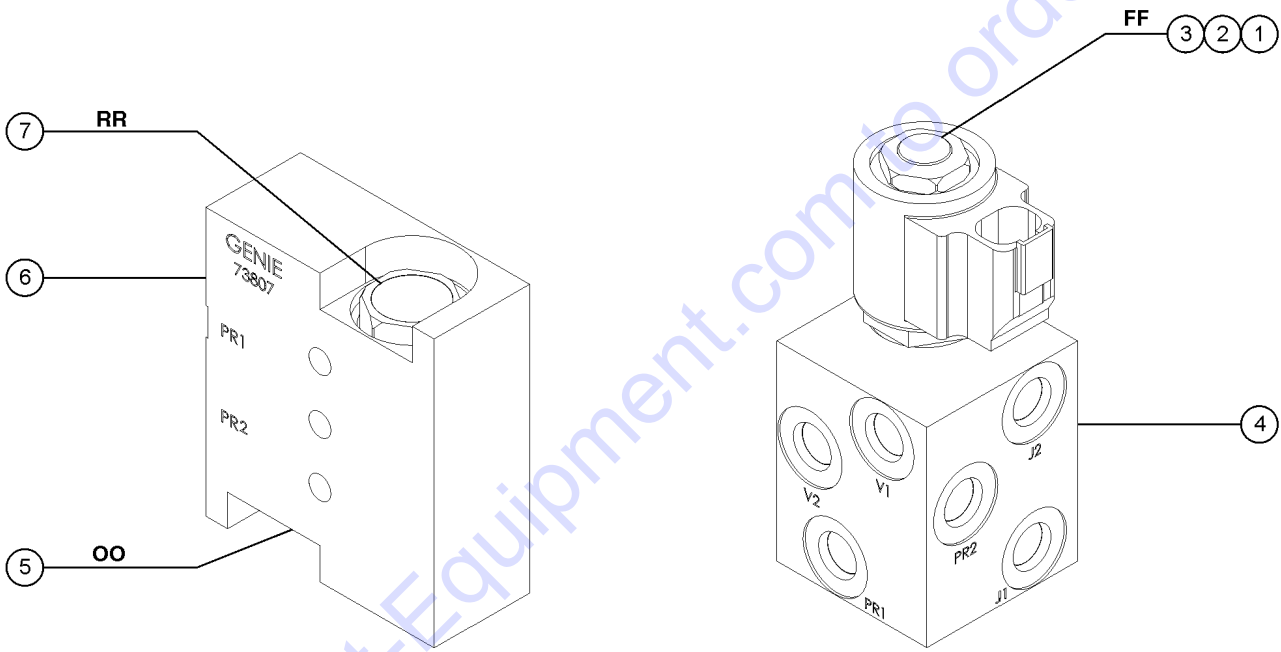


Item	Part No.	Description	Qty.
--	139712GT	MANIFOLD,TRACTION,4WD***	
1	139717GT	VALVE, FLOW DIVIDE/COMB,24GPM...1 <i>(controls flow to non-steer end drive motors in forward and reverse)</i>	
--	139512GT	SEAL KIT, VALVE	
2	139718GT	VALVE, RELIEF, 280PSI.....1 <i>(charge pressure circuit)</i>	
--	139528GT	SEAL KIT, VALVE	
3	139527GT	VALVE, CHECK, 5PSI.....1 <i>(steer end drive motor circuit)</i>	
4	139508GT	VALVE, FLOW DIVIDE/COMBINE 1:1.....1 <i>(controls flow to flow divider/combiner valves 1 and 13)</i>	
5	139719GT	ORIFICE, 0.040".....1 <i>(equalizes pressure on both sides of flow divider/combiner valve )</i>	
6	139719GT	ORIFICE, 0.040".....1 <i>(equalizes pressure on both sides of flow divider/combiner valve )</i>	
7	139527GT	VALVE, CHECK, 5PSI.....1 <i>(non-steer end drive motor circuit)</i>	
8	139716GT	VALVE, CHECK.....1 <i>(non-steer end drive motor circuit)</i>	
--	139727GT	SEAL KIT, VALVE	
9	139527GT	VALVE, CHECK, 5PSI.....1 <i>(steer end drive motor circuit)</i>	
10	139715GT	VALVE, SHUTTLE, FIXED.....1 <i>(steer end drive motor circuit)</i>	
--	139726GT	SEAL KIT, VALVE	
11	139716GT	VALVE, CHECK.....1 <i>(charge pressure circuit that directs hot oil out of low pressure side of drive pump)</i>	
12	139719GT	ORIFICE, 0.040".....1 <i>(equalizes pressure on both sides of flow divider/combiner valve )</i>	
13	139717GT	VALVE, FLOW DIVIDE/COMB,24GPM...1 <i>(controls flow to steer end drive motors in forward and reverse)</i>	
--	139512GT	SEAL KIT, VALVE	
14	139527GT	VALVE, CHECK, 5PSI.....1 <i>(non-steer end drive motor circuit)</i>	

Go to [www.genieequipment.com](http://www.genieequipment.com) to order your parts



404.1 Platform Rotate and Jib Rotate Manifold



Platform Rotate Manifold

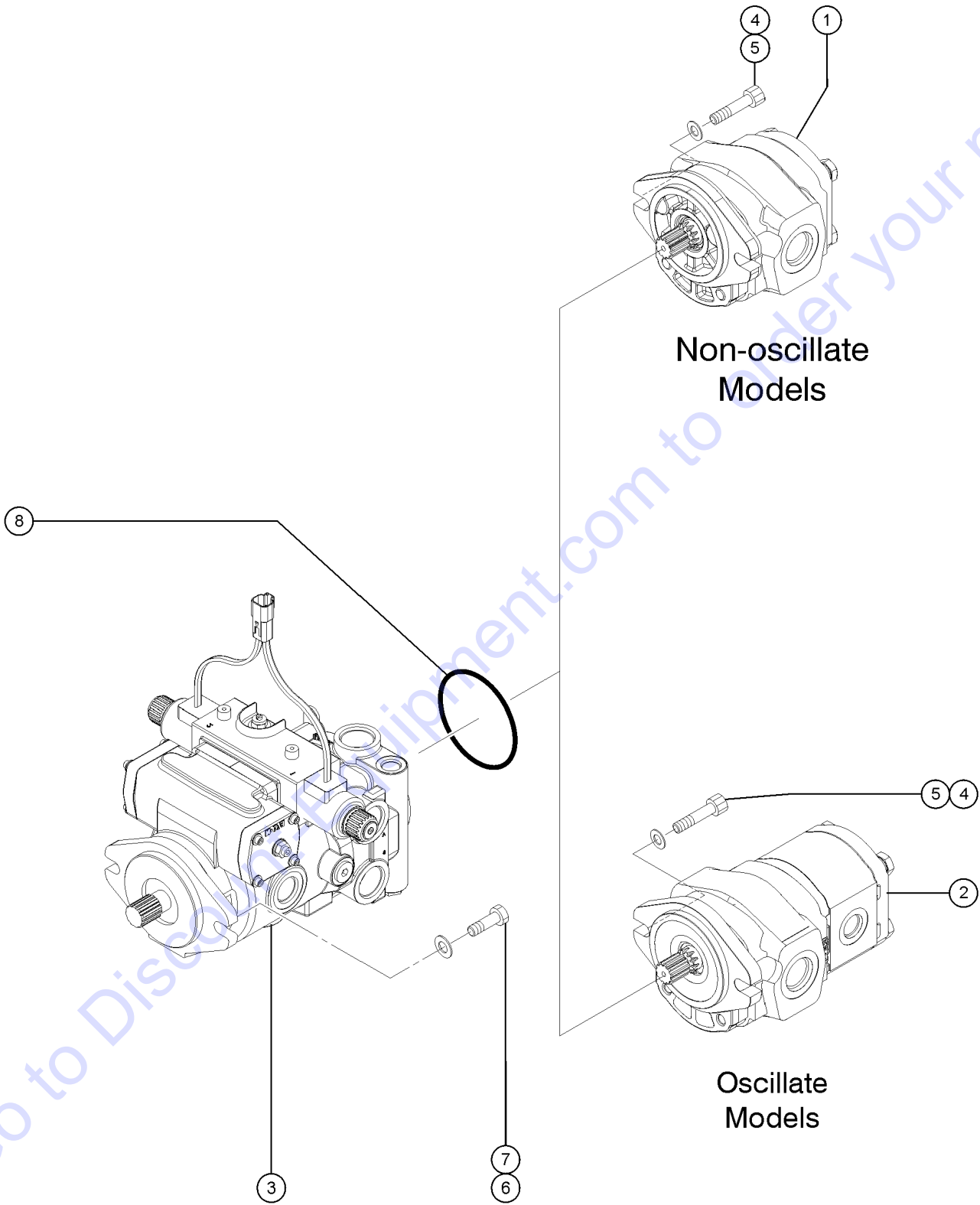
Jib Select Manifold

404.1 Platform Rotate and Jib Rotate Manifold

Item	Part No.	Description	Qty.
1	44174GT	NUT-COIL SHORT.....	1
2	52897GT	VALVE,SOLENOID, 2POS/3WAY***.....	1
--	52371GT	SEAL KIT, VALVE.....	1
3	104759GT	COIL,12VDC #8 DTSCH IP69 ECOIL.....	1
4A	1256670GT	MANIFOLD,JIB SELECT W/QD PLUG.... <i>includes items 1-3</i>	1
4B		MANIFOLD,JIB SELECT W/QD PLUG* (88786)..... <i>replaced by 1256670</i>	1
--	89862GT	VALVE-SOLENOID,2POS 3WAY,JIB** ..... <i>Platform rotate/Jib boom select</i>	1
--	89864GT	SEAL KIT,SOLENOID VALVE, SV07	
5	62506GT	VALVE - COUNTERBALANCE**..... <i>Platform rotate left</i>	1
--	43018GT	SEAL KIT (39345)	
6	73807GT	MANIFOLD,ROTATOR,CB***.....	1
--	62507GT	O-RING, ROTATOR MANIFOLD	
7	62506GT	VALVE - COUNTERBALANCE**..... <i>Platform rotate right</i>	1
--	43018GT	SEAL KIT (39345)	

Go to Discount-Equipment.com to order your parts

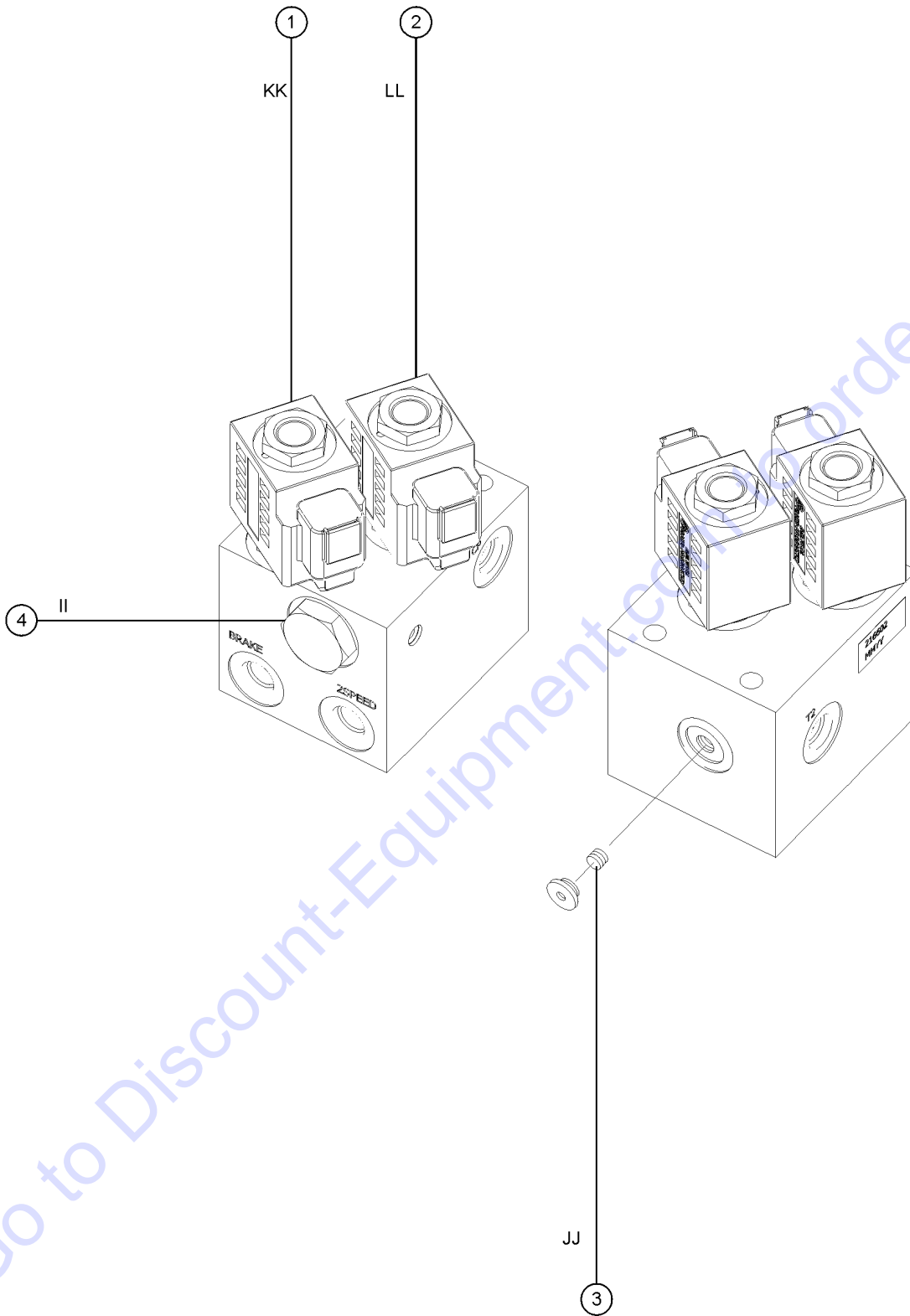
405.1 Pumps



Item	Part No.	Description	Qty.
1	139799GT	PUMP,LIFT,1 SECTION.....1 <i>non-oscillate models</i>	1
--	147550GT	KIT, SEAL, PUMP, 1 SECTION <i>oscillate models</i>	
2	139801GT	PUMP,LIFT,2 SECTION***.....1	1
--	147549GT	KIT, SEAL, PUMP, 2 SECTION	
3	77788GT	PUMP,PISTON,49CC***.....1	1
--	101294GT	KIT,CHARGE PUMP	
--	106835GT	CONTROLLER W/O COILS (77788)	
--	106836GT	O-RING,STEM,EATON	
--	106837GT	NUT,STEM,EATON***	
--	107813GT	SPACER,EATON PUMP SHAFT SEAL** <i>check pump date code, for pumps after 031505</i>	
--	107814GT	SEAL,SHAFT,EATON PUMP***	
--	107815GT	SNAP RING,PUMP SHAFT SEAL***	
--	107842GT	KIT,PUMP SHAFT SEAL W/INST*** <i>includes PNs 107813, 107814, 107815</i>	
--	128423GT	KIT,CHARGE PUMP HOUSING	
--	43683GT	O-RING,2-042 N674-70***	
--	58431GT	SEAL KIT,PUMP SHAFT (EATON)*** <i>check pump date code, if after 031505, must also order 107813 qty 1</i>	
--	82431GT	HOSE ASM-JCAF310-06-41	
--	88957GT	COIL,DUAL,12V DEUT,49CC PUMP**	
4	33988GT	SCREW,SHC,3/8-16 X 1	
5	5397GT	WASHER,FLAT,USS,5/16",Y	
6	8177GT	SCREW,HHC,1/2-13 X 1.5	
7	13066GT	WASHER,FLAT,.5 HARDENED	
8	43683GT	O-RING,2-042 N674-70***.....1	1

Go to DiscountEquipment.com to order your parts

406.1 Brake and 2 Speed Manifold



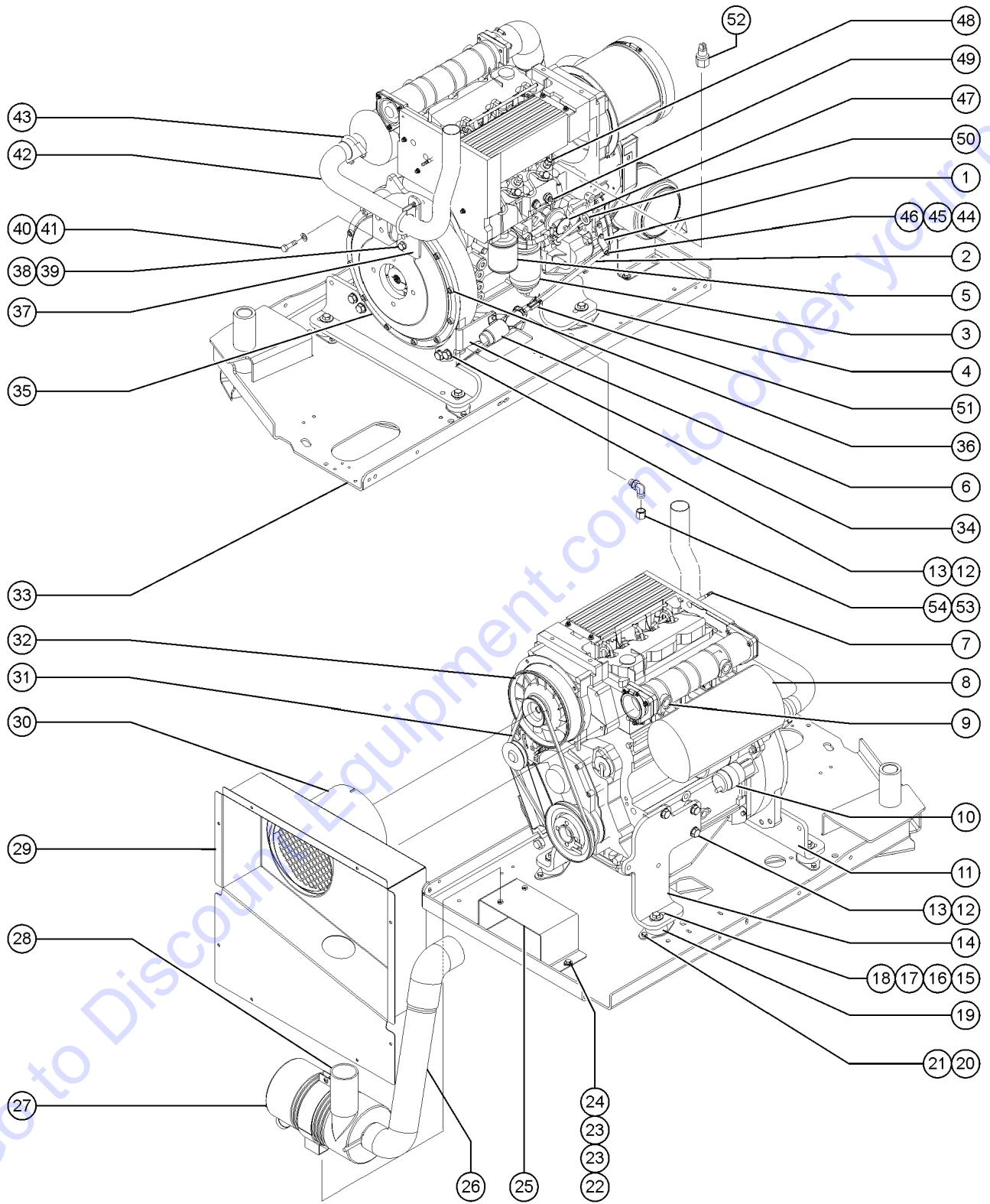
406.1 Brake and 2 Speed Manifold

Item	Part No.	Description	Qty.
--	216602GT	MANIFOLD, BRAKE 2-SPEED.....1	
1	219243GT	COIL, SOLENOID VALVE, 10V.....1 <i>Brake Release</i>	
--	161144GT	SEAL KIT,SOLENOID VALVE 219247	
--	219247GT	VALVE, SOLENOID	
--	94759GT	NUT,SOLENOID	
2	219243GT	COIL, SOLENOID VALVE, 10V.....1 <i>Two Speed Motor Shift</i>	
--	161144GT	SEAL KIT,SOLENOID VALVE 219247	
--	219247GT	VALVE, SOLENOID	
--	94759GT	NUT,SOLENOID	
3	219245GT	ORIFICE PLUG .025 DIA.....1 <i>Turntable Rotation Brake Release</i>	
4	219246GT	VALVE, CHECK.....1 <i>Brake Release Circuit</i>	
--	161145GT	SEAL KIT,CHECK VALVE 219246	

Go to Discount-Equipment.com to order your parts



501.1 Deutz D2011L03i



501.1 Deutz D2011L03i

Item	Part No.	Description	Qty.	Item	Part No.	Description	Qty.
--		<i>For internal engine parts, contact engine dealer</i>		13	49411GT	WASHER,FLAT,M14	
--	139622GT	HEAT SHIELD,DEUTZ STARTER		14	70461PGT	FORMING,ENGINE MOUNT,FL PAINT* .....1	
--	T114678GT	SHUTDOWN SOLENOID,12V,DEUTZ....1 <i>(must order cable assembly, 58256, if replacing 32752) (include o-ring)</i>		15	10598GT	SCREW,HHC,1/2-13 X 3	
--	58256GT	SOLENOID CABLE ASSY***		16	6095GT	WASHER,FLAT,USS,1/2",Y	
--	72255GT	CONNECTOR, DEUTZ FUEL SHUTOFF* <i>(does not include diode, 45782)</i>		17	24040GT	WASHER,1/2 PLATE(1/2X2.25X3/16	
--	45782GT	DIODE,6 AMP,200 PIV,BULK		18	6198GT	NUT,NYLOCK,1/2-13	
1	50787-SGT	LEVER, GOVERNOR ACTUATOR.....1		19	70452GT	ISOLATOR,ENGINE VIBRATION*** .....4	
2	94485GT	THROTTLE LINKAGE,DIESEL *** .....1		20	6175GT	SCREW,HHC,3/8-16 X 1	
3	29560GT	FILTER,FUEL/WTR SEP, DTZ 1008.....1 <i>Genie Genuine Part. See PN 1254826 for compatible aftermarket replacement.</i>		21	6097GT	WASHER,FLAT,USS,3/8",Y	
--	1254826GT	FUEL FILTER W/SEP,DEUTZ,1008.....1 <i>Genie Aftermarket Part. Filter for Deutz F3L 1011F Engine.</i>		22	13002GT	SCREW,HHC,5/16-18 X 1 GR5	
--	58566GT	FILTER HEAD (29560)		23	5397GT	WASHER,FLAT,USS,5/16",Y	
4	70460PGT	FORMING,ENGINE MOUNT,FR PAINT* .....1		24	6782GT	NUT,NYLOCK,5/16-18	
5	49924GT	FILTER,OIL,DEUTZ F4L1011F.....1 <i>Genie Genuine Part. See PN 1255653 for compatible aftermarket replacement.</i>		25	70351PGT	FORMING,AIR CLEANER MOUNT PNTD.....1	
--	1255653GT	FILTER,OIL,DEUTZ,REPLACEMENT.....1 <i>Genie Aftermarket Part. Compatible with Genie Genuine Part 49924.</i>		26	70375GT	HOSE,AIR CLEANER.....1	
6	77402GT	SOLENOID,THROTTLE ACTUATOR DSL.....1		27	63463GT	AIR CLEANER,NELSON*** .....1	
7	147525GT	FITTING,BARBED,STRT,FUEL LINE.....1		--	52866GT	EVACUATOR VALVE-AIR CLEANER	
--	147526GT	FITTING,BARBED,TEE,FUEL LINE <i>(not shown)</i>		--	53952GT	BRKT,AIR CLEANER ORIENTATION**	
--	30490GT	HOSE,1/4 FUEL LINE,SAE 30R7.....127-inches		--	62420GT	FILTER,AIR***	
8A	32695GT	MUFFLER,DEUTZ.....1		28	101006GT	TUBE,AIR CLEANER INLET.....1	
8B	119117GT	MUFFLER,CAT/SPARK,DEUTZ <i>(Option - spark arresst)</i>		--	30971GT	CLAMP,HOSE,3.00".....2	
8C	29559GT	GASKET,EXHAUST.....3 <i>for 119117, 3 required</i>		29	70494PGT	FORMING,DEUTZ AIR INTAKE BAF P...1	
9	31408GT	GLOW PLUG,L1011.....1		30	101140P-SGT	AIR INTAKE TUBE ASSY.....1	
10	139709GT	STARTER, 12V.....1 <i>with solenoid</i>		--	31523GT	CLAMP,HOSE,8.50 DIA***	
--	139621GT	KIT, HEAT GUARD, DEUTZ STARTER <i>(includes sheild 139622 and bolt 139623)</i>		--	33239GT	SHEET,RUBBER,AIR INTAKE	
--	139622GT	HEAT SHIELD,DEUTZ STARTER		31	32698GT	BELT,V, DEUTZ DIESEL ENGINE.....1	
--	139623GT	BOLT, GUARD, DEUTZ STARTER		32	35586GT	ALTERNATOR, DEUTZ F3L10/F4L10*....1	
11	70459PGT	FORMING,REAR ENGINE MOUNT PNT* .....1		33		Ref: Engine Tray <i>refer to 310.1</i>	
12	22558GT	SCREW,HHC,M14 X 40MM,GR 8.8		--	35675GT	BEARING,FL,1.25IDX1.5ODX1.25L.....1	
				34A	101129PGT	BRACKET,SOLENOID MOUNT PAINT....1	
				34B	77245PGT	BRACKET,SOLEN.MOUNT BRACE,PNTD.....1 <i>(not shown)</i>	
				35	70381GT	COVER,FLYWHEEL CASTING.....1	
				--	128023GT	KIT,FBA STYLE COUPLER,SAE8	
				36	44064GT	SCREW,HHC,M10 X 30MM,	
				37	70472PGT	FORMING,SOLENOID MOUNT PAINT...1	
				38	10597GT	SCREW,HHC,1/2-13 X 1.25 GR5	
				39	6033GT	WASHER,LOCK,0.5"	
				40	85053GT	SCREW,HHC,M10 X 1.5 X70,GR 8.8.....2	
				41	22699GT	WASHER,FLAT,M10,ZINC PLTD.	
				42	822693GT	TAILPIPE, DEUTZ, TPEM & ROW.....1	
				43	70385GT	CLAMP,EXHAUST,2.00 PLATED.....2	



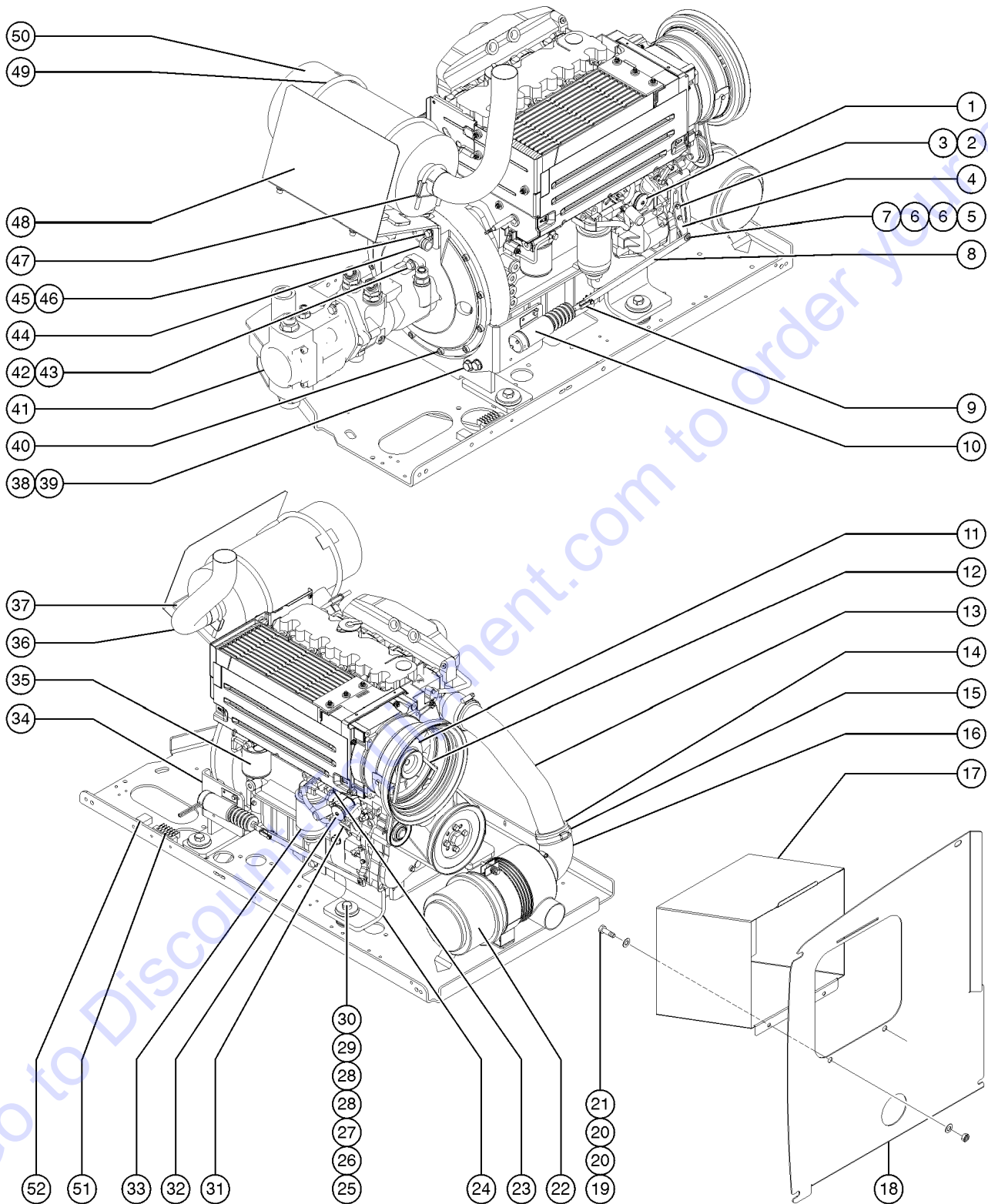
501.1 Deutz D2011L03i  
(continued)

Item	Part No.	Description	Qty.
44	6584GT	SCREW,SHS,10-24 X .625	
45	85054GT	WASHER,FLAT,M10	
46	25625GT	NUT,HEX,10-24	
47	111668GT	PUMP,FUEL 2011 DEUTZ ***.....1	
--	119344GT	KIT,PRIMER BULB	
--	27089GT	HOSE,5/16 FUEL,SAE 30R7...116-inches	
48	89792GT	INJECTOR, FUEL(DEUTZ F3L2011F)....2	
49	139666GT	KIT,OP SWITCH,DEUTZ <i>(oil pressure kit for models with ALC-500 control system. includes item 139624 and instructions)</i>	
--	139624GT	SWITCH, OIL PRESSURE 1.5 BAR.....1	
50	147243GT	DIPSTICK, OIL, D2011.....1	
51	21130GT	CLEVIS, YOKE, 1/4-28, PLATED.....1	
52	111445GT	SENDING UNIT,OIL TEMP SWCH,DTZ.....1	
53	54428GT	FITTING,HYDRAULIC,90DEG,O-RING...1	
54	69775GT	CAP,520112-8.....1	

***This Page Intentionally Left Blank***

Go to [Discount-Equipment.com](http://Discount-Equipment.com) to order your parts

502.1 Deutz TD2011L04i, View 1



502.1 Deutz TD2011L04i, View 1

Item	Part No.	Description	Qty.	Item	Part No.	Description	Qty.
--		<i>For internal engine parts, contact engine dealer</i>		--	75451GT	AIR CLEANER COVER, SUPERBOOM* <i>for 81467</i>	
--	161189GT	ENGINE,DEUTZ, TD2011L04i TP EM		--	81468GT	MOUNTING BAND,AIR CLEANER	
--	T114678GT	SHUTDOWN SOLENOID,12V, DEUTZ....1 <i>(includes o-ring)</i>		23	111445GT	SENDING UNIT,OIL TEMP SWCH,DTZ.....1	1
--	58256GT	SOLENOID CABLE ASSY***		24	70455GT	FORMING,ENGINE MOUNT	
--	72255GT	CONNECTOR, DEUTZ FUEL SHUTOFF* <i>(does not include diode, 45782)</i>		25	13003GT	SCREW,HHC,5/8-11 X 3.5 GRD.8	
--	45782GT	DIODE,6 AMP,200 PIV,BULK		26	33418GT	WASHER,FLAT, .625 X 2.25 X.15	
1	111668GT	PUMP,FUEL 2011 DEUTZ ***.....1	1	27	102045GT	ISOLATOR,ENGINE VIBRATION	
--	111402GT	O-RING, FUEL LIFT PUMP		28	18596GT	WASHER,FLAT,1.56 X 2.5 X .061	
--	27089GT	HOSE,5/16 FUEL,SAE 30R7		29	13064GT	WASHER,FLAT, .625 HARDENED	
--	30490GT	HOSE,1/4 FUEL LINE,SAE 30R7		30	6024GT	NUT,NYLOCK,5/8-11	
2	22578GT	SCREW,HHC,M6 X 20MM,GR8.8		31	52352GT	DIPSTICK-F3L1011F (DEUTZ).....1	1
3	49407GT	WASHER,LOCK,M6		32	58299GT	SENDING UNIT,OIL PRESS.,DEUTZ*....1	1
4	50787GT	LEVER,GOVERNOR ACTUATOR**.....1	1	33	29560GT	FILTER,FUEL/WTR SEP, DTZ 1008.....1 <i>Genie Genuine Part. See PN 1254826 for compatible aftermarket replacement.</i>	1
5	6584GT	SCREW,SHS,10-24 X .625.....1	1	--	1254826GT	FUEL FILTER W/SEP,DEUTZ,1008.....1 <i>Genie Aftermarket Part. Filter for Deutz F3L 1011F Engine.</i>	1
6	6638GT	WASHER,FLAT,USS,1/4"Y.....2	2	34	139321GT	FORMING, SOLENOID MOUNT*** .....1	1
7	5365GT	NUT,NYLOCK,10-24.....1	1	35	49924GT	FILTER,OIL,DEUTZ F4L1011F.....1 <i>Genie Genuine Part. See PN 1255653 for compatible aftermarket replacement.</i>	1
8	139322GT	THROTTLE LINKAGE, DSL.....1	1	--	1255653GT	FILTER,OIL,DEUTZ,REPLACEMENT.....1 <i>Genie Aftermarket Part. Compatible with Genie Genuine Part 49924.</i>	1
9	21130GT	CLEVIS, YOKE, 1/4-28, PLATED.....1 <i>includes clevis pin and cotter pin</i>	1	36	822514GT	TAILPIPE, DEUTZ, TP EM & ROW.....1	1
10	121615GT	THROTTLE SOLENOID ASSY, TROMB.....1	1	37	70448GT	FORMING,MUFFLER MOUNT*** .....1	1
11	58249GT	ALTERNATOR, DEUTZ,BF4L2011***.....1	1	38	22558GT	SCREW,HHC,M14 X 40MM,GR 8.8	
--	1280590GT	PULLEY,ALTERNATOR,DEUTZ BF4L2011 <i>for 58249</i>		39	49411GT	WASHER,FLAT,M14	
--	1280591GT	SPACER,ALT PULLEY,DEUTZ BF4L2011 <i>for 58249</i>		40	61110GT	SCREW,SHC,M10X1.5X30 GR 12.9	
12	58630GT	V-BELT, DEUTZ TD2011LOAI.....1	1	41		Ref: Pumps <i>refer to section 405.1</i>	
13	102227GT	TUBE,AIR INTAKE.....1	1	42	8177GT	SCREW,HHC,1/2-13 X 1.5	
14	88064GT	REDUCER,3" TO 2.75".....1	1	43	13066GT	WASHER,FLAT, .5 HARDENED	
15	30489GT	CLAMP,HOSE,3.50.....4	4	44	60838GT	CLAMP,1.00,#16 X 7/16,RUB CUSH.....1	1
16	139455GT	ELBOW,AIR INTAKE,RUBBER		45	85053GT	SCREW,HHC,M10 X 1.5 X70,GR 8.8	
17	128896GT	WELDMENT, AIR INTAKE BOX.....1	1	46	22699GT	WASHER,FLAT,M10,ZINC PLTD.	
18	110183GT	BAFFLE,AIR INTAKE S60.....1	1	47	71911GT	CLAMP,MUFFLER, 2.50 INCH.....2	2
19	6175GT	SCREW,HHC,3/8-16 X 1		48	102237GT	FORMING,HEAT SHIELD,MUFFLER***.....1	1
20	5397GT	WASHER,FLAT,USS,5/16",Y		49	70449GT	U-BOLT,1/2-13 X 8.5.....2	2
21	4828GT	NUT,NYLOCK,3/8-16		50A	70444GT	MUFFLER,2.5"INLET/OUTLET.....1	1
22	81467GT	AIR CLEANER,NELSON.....1	1	50B	119117GT	MUFFLER,CAT/SPARK,DEUTZ <i>spark arrest option</i>	
--	52866GT	EVACUATOR VALVE-AIR CLEANER <i>for 81467</i>		50C	29559GT	GASKET,EXHAUST.....3 <i>for 119117, 3 required</i>	3
--	62425GT	FILTER,AIR CLEANER, SUPERBOOM <i>for 81467</i>					
--	75450GT	AIR CLEANER CLIPS, SUPERBOOM <i>for 81467</i>					

502.1 Deutz TD2011L04i, View 1  
(continued)

Item	Part No.	Description	Qty.
51	89997GT	RELAY MODULE(89996,89998).....	1
52	128829GT	CIRCUIT BRKR 15A TYPE 2 METAL.....	1

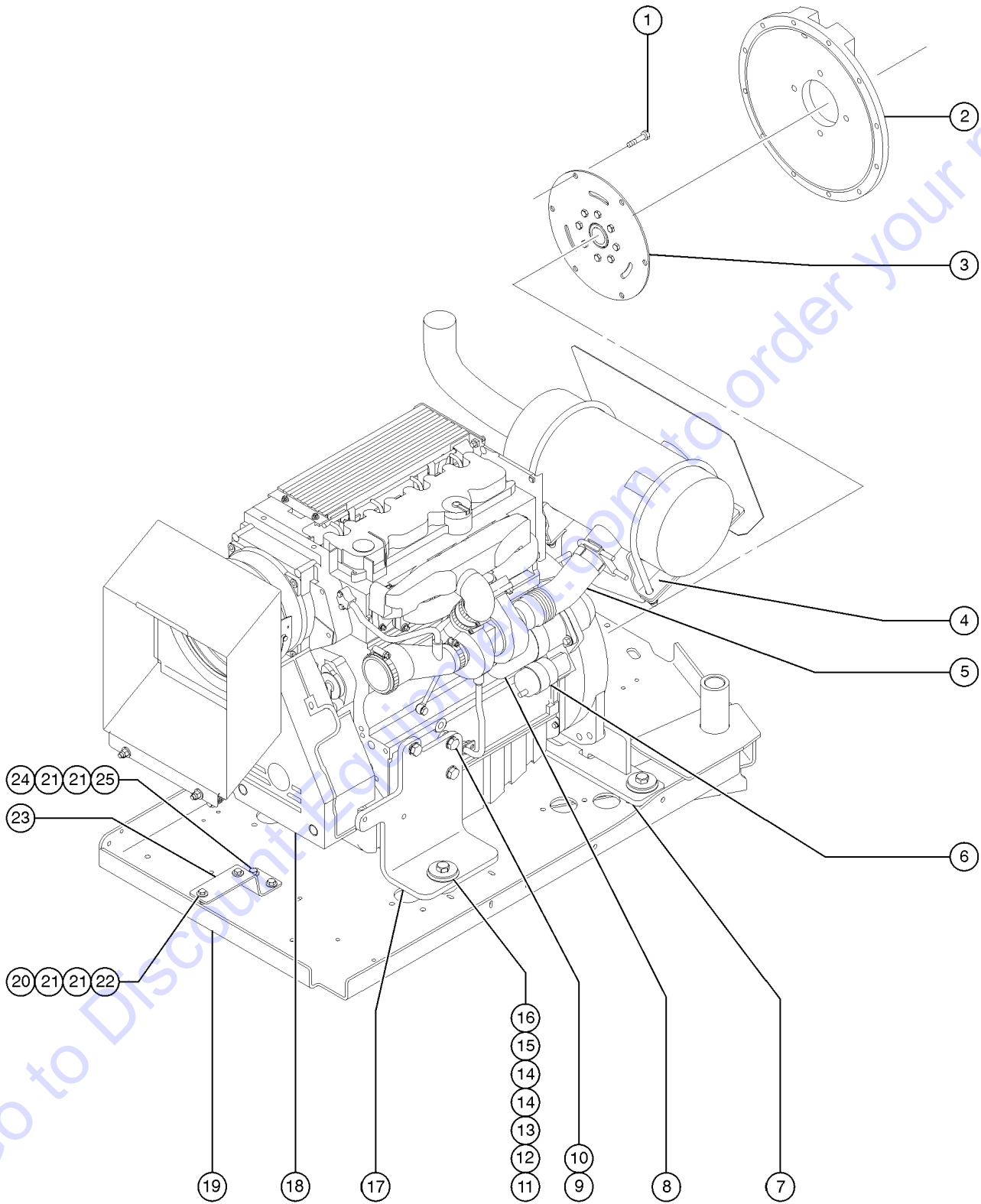
Go to Discount-Equipment.com to order your parts



***This Page Intentionally Left Blank***

Go to [Discount-Equipment.com](http://Discount-Equipment.com) to order your parts

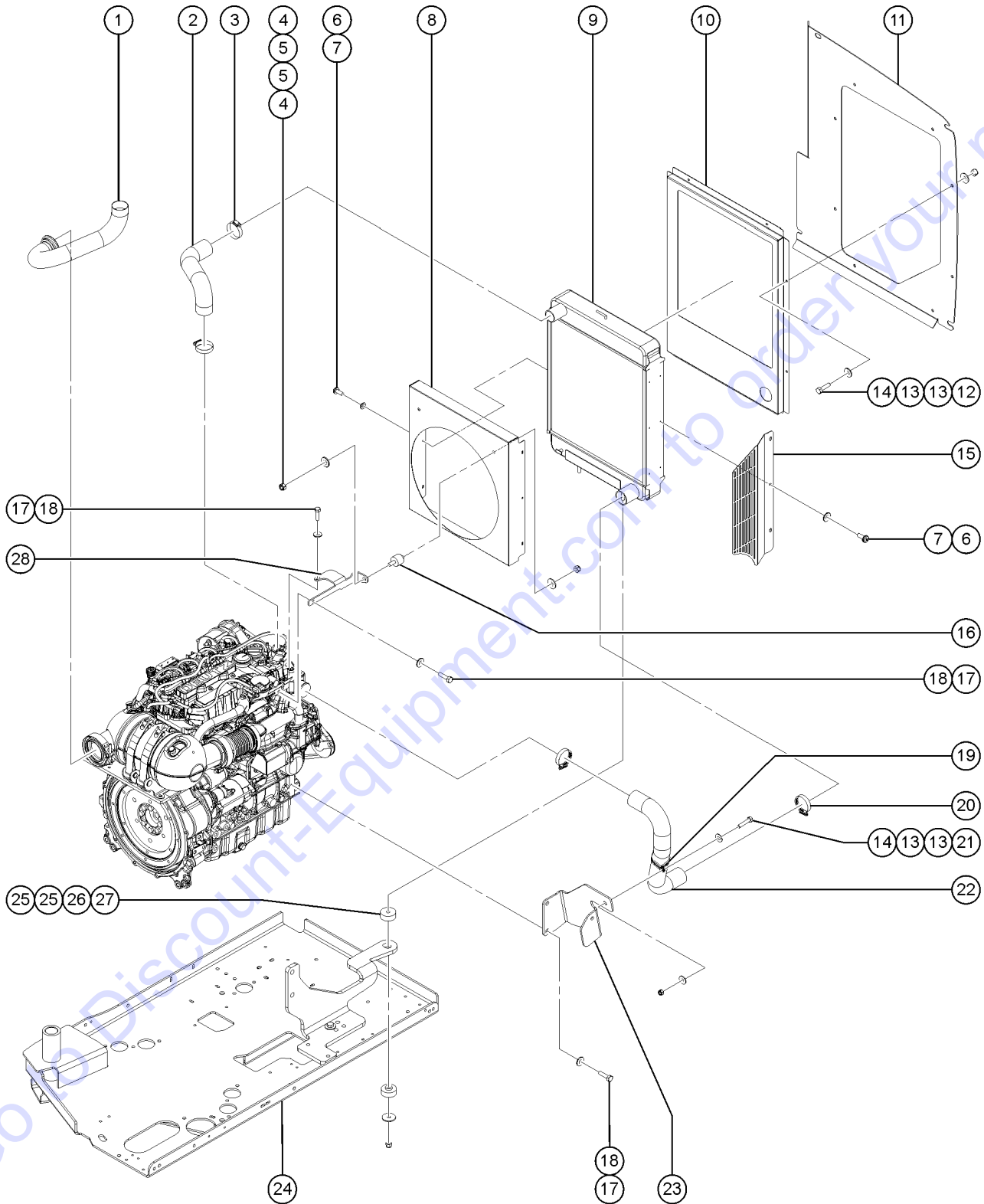
503.1 Deutz TD2011L04i, View 2



Item	Part No.	Description	Qty.
--		<i>For internal engine parts, contact engine dealer</i>	
--	102581GT	PUMP,FUEL INJ,DEUTZ BF4L20 <i>class A injection pump; provide SN of engine to service to get correct injection pump (A, B, C, D)</i>	
--	T108732GT	PUMP,FUEL INJ,DEUTZ BF4L20 <i>class B injection pump; provide SN of engine to service to get correct injection pump (A, B, C, D)</i>	
--	T108733GT	PUMP,FUEL INJ,DEUTZ BF4L20 <i>class C injection pump; provide SN of engine to service to get correct injection pump (A, B, C, D)</i>	
--	T108734GT	PUMP,FUEL INJ,DEUTZ BF4L20 <i>class D injection pump; provide SN of engine to service to get correct injection pump (A, B, C, D)</i>	
1	62476GT	SCREW,SHC,M10X1.5X20MM (75090)	
2	70381GT	COVER,FLYWHEEL CASTING.....1	
3	128004GT	COUPLER,15 TOOTH,FBA,SAE8***	
4	70483GT	FORMING,8.5' MUFFLER MOUNT.....1	
5	70445GT	FLEX PIPE,EXHAUST,2.5" DIA.....1	
5B	139983GT	EXHAUST PIPE GASKET	
5B	71911GT	CLAMP,MUFFLER, 2.50 INCH	
6	49915GT	SOLENOID-STARTR DEUTZF4L1011F*.....1	
7	160517GT	FORMING,ENGINE MOUNT,DEUTZ.....1	
8	139709GT	STARTER, 12V.....1	
9	22558GT	SCREW,HHC,M14 X 40MM,GR 8.8	
10	49411GT	WASHER,FLAT,M14	
11	13003GT	SCREW,HHC,5/8-11 X 3.5 GRD.8.....4	
12	33418GT	WASHER,FLAT,.625 X 2.25 X.15	
13	102045GT	ISOLATOR,ENGINE VIBRATION.....4	
14	18596GT	WASHER,FLAT,1.56 X 2.5 X .061	
15	13064GT	WASHER,FLAT,.625 HARDENED.....4	
16	6024GT	NUT,NYLOCK,5/8-11	
17	70454PGT	FORMING,ENGINE MOUNT PAINTED...1	
18	146061GT	V-BELT GUARD, DEUTZ 2011.....1	
19		Ref: Engine Tray with Bearing <i>refer to section 310.1</i>	
20	13002GT	SCREW,HHC,5/16-18 X 1 GR5	
21	5397GT	WASHER,FLAT,USS,5/16",Y	
22	6782GT	NUT,NYLOCK,5/16-18	
23	102209PGT	FORMING,AIR CLEANER MOUNT PNTD.....1	
24	6019GT	SCREW,HHC,3/8-16 X 1.25 GRD 5	
25	4828GT	NUT,NYLOCK,3/8-16	



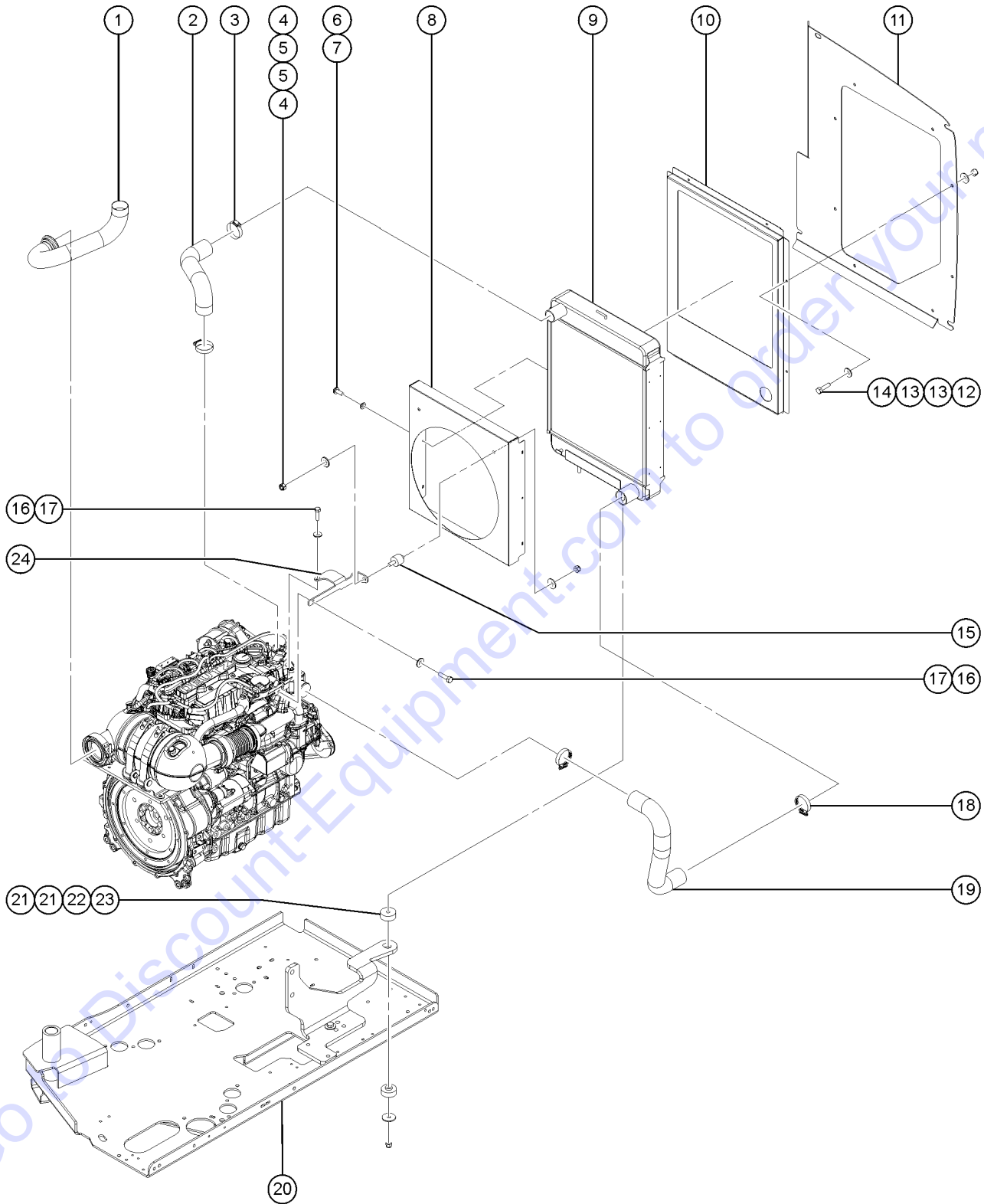
504.1 Deutz D2.9L4, View 1 (to SN S6014A-28754)



504.1 Deutz D2.9L4, View 1 (to SN S6014A-28754)

Item	Part No.	Description	Qty.
--		<i>For internal engine parts, contact engine dealer</i>	
A	237188GT	ENGINE KIT, DEUTZ D2.9L4	
--	1254594GT	STARTER,3.2KW,DEUTZ D2.9 <i>no sub-components available</i>	
--	1257838GT	HARNESS,INJECTOR,DEUTZ D2.9.....1	
--	1259899GT	HARNESS, ENGINE, DEUTZ TD2.9.....1	
--	1277974GT	PINS,CONNECTOR,INJ HARNESS,D2.9	
B	1262876GT	THERMOSTAT,DEUTZ.....1	
1	822694GT	WDMT,TAILPIPE,DEUTZ D2.9 T4.....1	
2	237193GT	HOSE,UPPER RADIATOR,DEUTZ D2.9.....1	
3	22672GT	CLAMP,HOSE,1.75.....2	
4	6782GT	NUT,NYLOCK,5/16-18	
5	5397GT	WASHER,FLAT,USS,5/16",Y	
6	21019GT	SCREW,PHIL,PHM,10-24 X.5,SEMS	
7	6146GT	WASHER,FLAT,MS,#10,Y	
8	237192GT	FAN SHROUD,DEUTZ D2.9.....1	
9	214685GT	RADIATOR, CAPLESS, DEUTZ D 2.9.....1	
10	822696GT	SHROUD, RADIATOR, DEUTZ 2.9.....1	
11	822695GT	BAFFLE, AIR INTAKE, S60.....1	
12	6090GT	SCREW,HHC,1/4-20 X .75	
13	6638GT	WASHER,FLAT,USS,1/4"Y	
14	6091GT	NUT,NYLOCK,1/4-20	
15	215476GT	FORMING,FAN GUARD, DEUTZ D2.9....1	
16	219437GT	ISOLATOR, VIBRATION.....1	
17	49378GT	SCREW,HHC,M8 X 16	
18	33277GT	WASHER,FLAT,M8,YELLOW ZINC	
19	87188GT	CLAMP,2.38,#38 X 3/8 RUB CUSH.....1	
20	35434GT	CLAMP,HOSE,2.00*** .....2	
21	6888GT	SCREW,HHC,1/4-20 X 1	
22	237194GT	HOSE,LOWER RADIATOR,DEUTZ D2.9.....1	
23	215442GT	FORMING,HOSE BRACKET.....1	
24		Ref. Engine Tray <i>refer to 310.1</i>	
25	24038GT	SHOCK MOUNT,SMALL.....2	
26	15086GT	WASHER,FLAT,.375 X 1.5 X .125.....2	
27	48425GT	NUT,LOCKING-LRG.FLANGE,3/8-16.....2	
28	214237GT	FORMING,RAD BRACE,DEUTZ TD2.9..1	

504.2 Deutz D2.9L4, View 1 (from SN S6014A-28755)

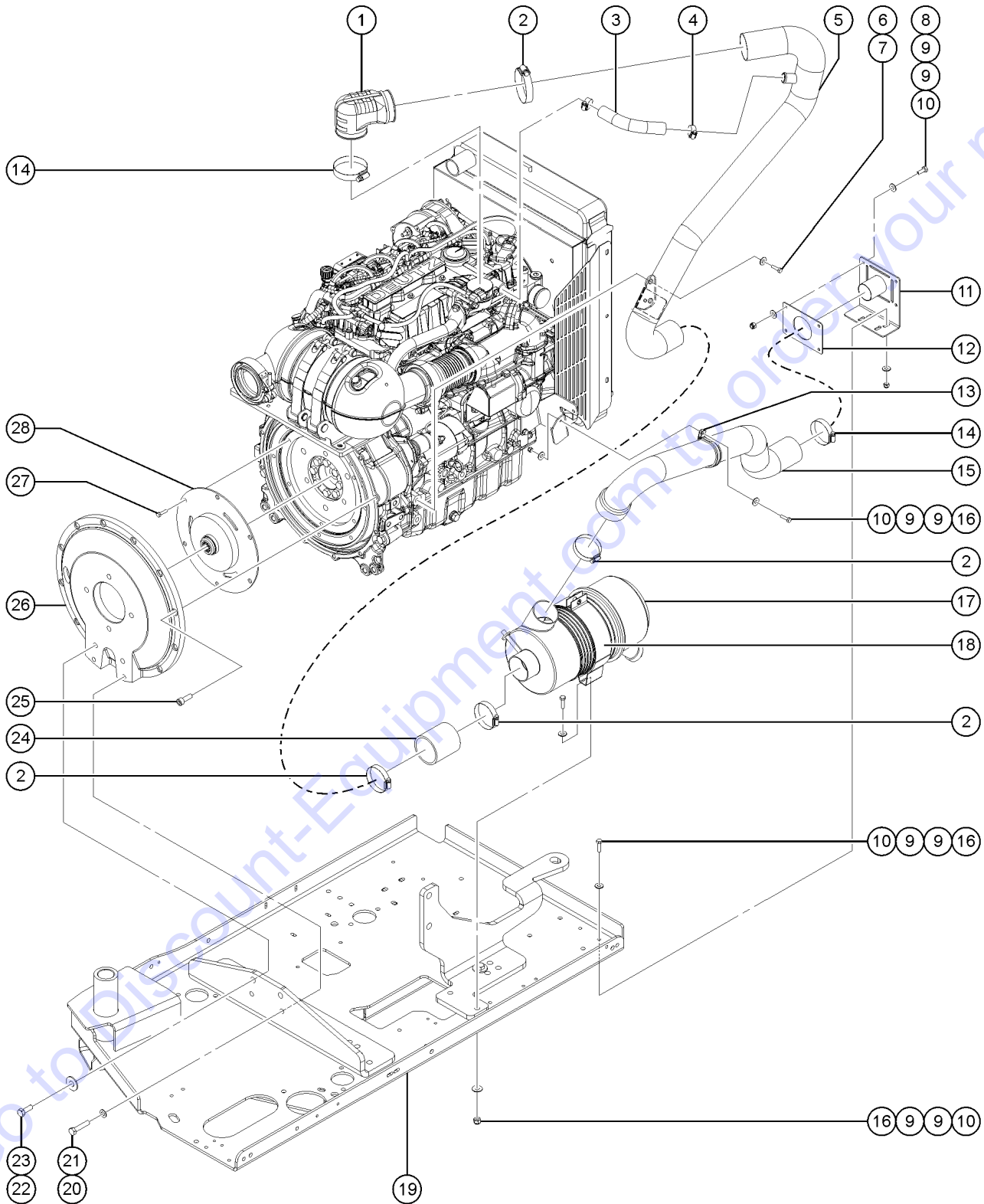


504.2 Deutz D2.9L4, View 1 (from SN S6014A-28755)

Item	Part No.	Description	Qty.
--		<i>For internal engine parts, contact engine dealer</i>	
A	237188GT	ENGINE KIT, DEUTZ D2.9L4	
--	1254594GT	STARTER,3.2KW,DEUTZ D2.9 <i>no sub-components available</i>	
--	1257838GT	HARNESS,INJECTOR,DEUTZ D2.9.....1	
--	1259899GT	HARNESS, ENGINE, DEUTZ TD2.9.....1	
--	1277974GT	PINS,CONNECTOR,INJ HARNESS,D2.9	
B	1262876GT	THERMOSTAT,DEUTZ.....1	
1	822694GT	WDMT,TAILPIPE,DEUTZ D2.9 T4.....1	
2	237193GT	HOSE,UPPER RADIATOR,DEUTZ D2.9.....1	
3	22672GT	CLAMP,HOSE,1.75.....2	
4	6782GT	NUT,NYLOCK,5/16-18	
5	5397GT	WASHER,FLAT,USS,5/16",Y	
6	21019GT	SCREW,PHIL,PHM,10-24 X.5,SEMS	
7	6146GT	WASHER,FLAT,MS,#10,Y	
8	237192GT	FAN SHROUD,DEUTZ D2.9.....1	
9	214685GT	RADIATOR, CAPLESS, DEUTZ D 2.9.....1	
10	822696GT	SHROUD, RADIATOR, DEUTZ 2.9.....1	
11	822695GT	BAFFLE, AIR INTAKE, S60.....1	
12	6090GT	SCREW,HHC,1/4-20 X .75	
13	6638GT	WASHER,FLAT,USS,1/4"Y	
14	6091GT	NUT,NYLOCK,1/4-20	
15	219437GT	ISOLATOR, VIBRATION.....1	
16	49378GT	SCREW,HHC,M8 X 16	
17	33277GT	WASHER,FLAT,M8, YELLOW ZINC	
18	35434GT	CLAMP,HOSE,2.00***.....2	
19	237194GT	HOSE,LOWER RADIATOR,DEUTZ D2.9.....1	
20		Ref. Engine Tray <i>refer to 310.1</i>	
21	24038GT	SHOCK MOUNT,SMALL.....2	
22	15086GT	WASHER,FLAT,.375 X 1.5 X .125.....2	
23	48425GT	NUT,LOCKING-LRG.FLANGE,3/8-16.....2	
24	214237GT	FORMING,RAD BRACE,DEUTZ TD2.9..1	

Go to [www.genieequipment.com](http://www.genieequipment.com) to order your parts

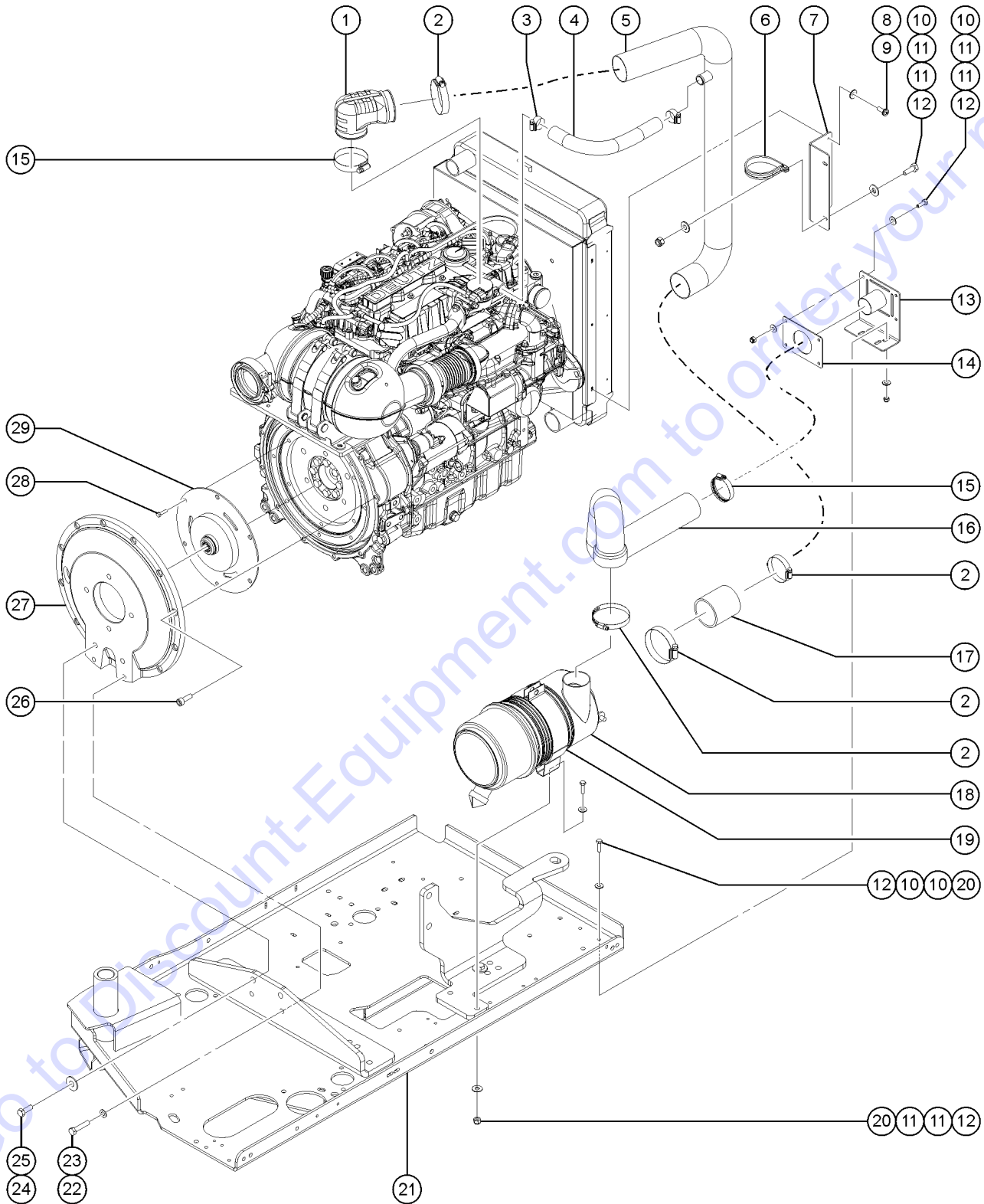
505.1 Deutz D2.9L4, View 2 (to SN S6014A-28754)



## 505.1 Deutz D2.9L4, View 2 (to SN S6014A-28754)

Item	Part No.	Description	Qty.
--		<i>For internal engine parts, contact engine dealer</i>	
1	214686GT	AIR INTAKE ELBOW,90 DEGREE.....1	1
2	45435GT	CLAMP,HOSE,2.50****.....4	4
3	1255894GT	HOSE,PCV,DEUTZ D2.9.....1	1
4	30348GT	CLAMP,HOSE,1.00.....2	2
5	214640GT	WELDMENT,AIR PIPE.....1	1
6	30496GT	SCREW,HHC,M14 X 25MM,GRD 8.8....2	2
7	49411GT	WASHER,FLAT,M14	
8	6090GT	SCREW,HHC,1/4-20 X .75	
9	6638GT	WASHER,FLAT,USS,1/4"Y	
10	6091GT	NUT,NYLOCK,1/4-20	
11	1253991GT	WDMT,INTAKE ADAPTER.....1	1
12	1253990GT	SHEET,AIR SEAL BACKING.....1	1
13	101626GT	CLAMP,2.5,#40 X 1/4,RUB CUSH.....1	1
14	35434GT	CLAMP,HOSE,2.00***.....2	2
15	237195GT	HOSE, RAW AIR, DEUTZ D2.9.....1	1
16	6888GT	SCREW,HHC,1/4-20 X 1	
17	63463GT	AIR CLEANER,NELSON***.....1 <i>plastic housing, for metal housing see PN 27915</i>	1
--	52866GT	EVACUATOR VALVE-AIR CLEANER	
--	58415GT	CLIP,AIR CLEANER END CAP***	
--	62420GT	FILTER,AIR***	
--	65810GT	BAFFLE, AIR CLEANER (27915)**	
18	53952GT	BRKT,AIR CLEANER ORIENTATION**.....1	1
19		Ref. Engine Tray <i>refer to 310.1</i>	
20	67631GT	SCREW,HHC,M10 X 80 GR 8.8.....2	2
21	22699GT	WASHER,FLAT,M10,ZINC PLTD.....2	2
22	54177GT	SCREW,HHC,1/2-13 X 1.5 GRD 8.....2	2
23	6095GT	WASHER,FLAT,USS,1/2",Y	
24	34162-300GT	HOSE,AIR INTAKE 2.50" ID.....1	1
25	61110GT	SCREW,SHC,M10X1.5X30 GR 12.9.....10	10
26	70381GT	COVER,FLYWHEEL CASTING.....1	1
27	49388GT	SCREW,HHC,M10 X 1.5 X 16 TMZ.....1	1
28	128004GT	COUPLER,15 TOOTH,FBA,SAE8***.....1	1

505.2 Deutz D2.9L4, View 2 (from SN S6014A-28755)



505.2 Deutz D2.9L4, View 2 (from SN S6014A-28755)

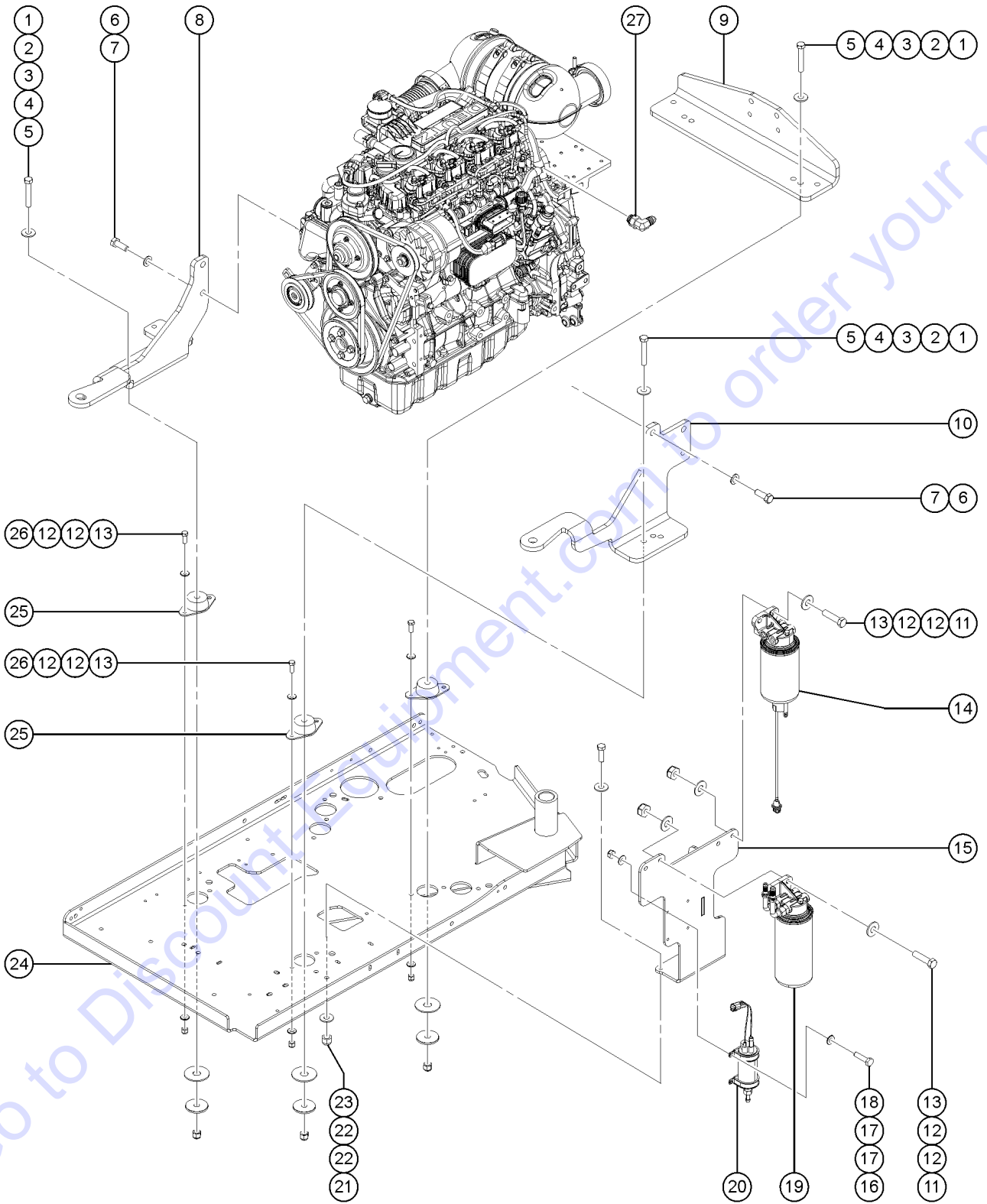
Item	Part No.	Description	Qty.
--		<i>For internal engine parts, contact engine dealer</i>	
--	237188GT	ENGINE KIT, DEUTZ D2.9L4	
1	214686GT	AIR INTAKE ELBOW,90 DEGREE.....1	1
2	45435GT	CLAMP,HOSE,2.50"***.....5	5
3	30348GT	CLAMP,HOSE,1.00.....2	2
4	1255894GT	HOSE,PCV,DEUTZ D2.9.....1	1
5	219976GT	WELDMENT,STEEL INTAKE TUBE.....1	1
6	45455GT	CLAMP,2.75,#44 X 1/4,RUB CUSH*.....2	2
7	217877GT	FORMING,CLEAN AIR BRACKET.....1	1
8	21019GT	SCREW,PHIL,PHM,10-24 X.5,SEMS	
9	6146GT	WASHER,FLAT,MS,#10,Y	
10	6090GT	SCREW,HHC,1/4-20 X .75	
11	6638GT	WASHER,FLAT,USS,1/4"Y	
12	6091GT	NUT,NYLOCK,1/4-20	
13	215811GT	WDMT,INTAKE ADAPTER.....1	1
14	215809GT	SHEET,AIR SEAL BACKING.....1	1
15	35434GT	CLAMP,HOSE,2.00"***.....1	1
16	217930GT	HOSE,RAW AIR,DEUTZ D2.9.....1	1
17	34162-300GT	HOSE,AIR INTAKE 2.50" ID.....1	1
18	63463GT	AIR CLEANER,NELSON*** <i>plastic housing, for metal housing see PN 27915</i>	
--	52866GT	EVACUATOR VALVE-AIR CLEANER	
--	58415GT	CLIP,AIR CLEANER END CAP***	
--	62420GT	FILTER,AIR***	
--	65810GT	BAFFLE, AIR CLEANER (27915)** <i>dust cap</i>	
19	53952GT	BRKT,AIR CLEANER ORIENTATION** .....1	1
20	6888GT	SCREW,HHC,1/4-20 X 1	
21		Ref. ENGINE TRAY <i>refer to 310.1</i>	
22	67631GT	SCREW,HHC,M10 X 80 GR 8.8	
23	22699GT	WASHER,FLAT,M10,ZINC PLTD.	
24	54177GT	SCREW,HHC,1/2-13 X 1.5 GRD 8	
25	6095GT	WASHER,FLAT,USS,1/2",Y	
26	61110GT	SCREW,SHC,M10X1.5X30 GR 12.9	
27	70381GT	COVER,FLYWHEEL CASTING.....1	1
28	49388GT	SCREW,HHC,M10 X 1.5 X 16 TMZ.....6	6
29	128004GT	COUPLER,15 TOOTH,FBA,SAE8***.....1 <i>includes 8 bolts</i>	1





Item	Part No.	Description	Qty.	Item	Part No.	Description	Qty.
--		<i>For internal engine parts, contact engine dealer</i>		26D	1254704GT	KIT, EXPANSION TANK SUPPORT%%*.....1 <i>to SN S6014-28856 (includes items 26A, 26B, 26C, 27A, mounting fasteners, and instructions)</i>	1
--	237188GT	ENGINE KIT, DEUTZ D2.9L4		27A	1254267GT	WDMT,EXPANSION TANK SUPT.....1 <i>from SN S6014-28857</i>	1
1	823523GT	HOSE,RADIATOR VENT,DEUTZ D2.9....1		27B	1254704GT	KIT, EXPANSION TANK SUPPORT%%*.....1 <i>to SN S6014-28856 (includes items 26A, 26B, 26C, 27A, mounting fasteners, and instructions)</i>	1
2	119394GT	CLAMP,1.38,#212X3/8,RUB CUSH.....1		28	33277GT	WASHER,FLAT,M8,YELLOW ZINC <i>to SN S6015A-29767</i>	
3	30348GT	CLAMP,HOSE,1.00.....2		29	1279653GT	PUMP,FUEL,HI PRESS,DEUTZ TD2.9....1	
4	823524GT	HOSE,ENGINE VENT,DEUTZ D2.9.....1		30	1279631GT	PULLEY,BELT TENSIONER,D2.9L4.....1	
5	161938GT	EXPANSION TANK,METAL,D2.9.....1					
5B	1274900GT	SIGHT GLASS <i>for 161938</i>					
5C	1254823GT	CAP,RADIATOR,PERKINS (94232) <i>for 161938</i>					
6	1255692GT	FORMING,EXPANSION TANK SUPT.....1					
7	49378GT	SCREW,HHC,M8 X 16					
8	33277GT	WASHER,FLAT,M8,YELLOW ZINC					
9	6019GT	SCREW,HHC,3/8-16 X 1.25 GRD 5					
10	6097GT	WASHER,FLAT,USS,3/8",Y					
11	4828GT	NUT,NYLOCK,3/8-16					
12	218715GT	SENSOR,COOLANT LEVEL, DEUTZ.....1					
13	214934GT	FORMING,RAD EXPSN TANK SUPT.....1					
14	6782GT	NUT,NYLOCK,5/16-18					
15	5397GT	WASHER,FLAT,USS,5/16",Y					
16	6090GT	SCREW,HHC,1/4-20 X .75					
17	6638GT	WASHER,FLAT,USS,1/4"Y					
18	6091GT	NUT,NYLOCK,1/4-20					
19	219437GT	ISOLATOR, VIBRATION.....1					
20A	214683GT	FAN SPACER,DEUTZ D 2.9.....1 <i>to SN S6015A-29767</i>					
20B	1256599GT	SPACER, FAN, DEUTZ, 29.5MM LNG....1 <i>from SN S6015A-29768</i>					
21	214682GT	FAN, 10 BLADE, 15".....1					
22A	162282GT	SCREW,HHC,M8 X 85 X 1.25,GR8.8....4 <i>to SN S6015A-29767</i>					
22B	1257231GT	SCREW,HHF,M8-1.25X50,DIN6921,10.9,ZAB.4 <i>from SN S6015A-29768</i>					
23	1251731GT	HOSE,EXPANSION TANK,D2.9.....1					
24	236251GT	ALTERNATOR,95 AMP,DEUTZ.....1					
25	6889GT	NUT,LP NYLOCK,1/4-20					
26A	1253922GT	FORMING,EXP TANK BAND,D2.9.....2 <i>from SN S6014-28857</i>					
26B	1254452GT	EXTRUSION,RUBBER STRIP,LG,D2.9.....2 <i>from SN S6014-28857 (for 1253922)</i>					
26C	1254453GT	EXTRUSION,RUBBER STRIP,SM,D2.9.....2 <i>from SN S6014-28857 (for 1253922)</i>					

507.1 Deutz D2.9L4, View 4



507.1 Deutz D2.9L4, View 4

Item	Part No.	Description	Qty.	Item	Part No.	Description	Qty.
--		<i>For internal engine parts, contact engine dealer</i>		19K	1255400GT	WASHER,COPPER,DEUTZ,QC <i>from SN S6014A-27746, sold seperately</i>	
--	1255653GT	FILTER,OIL,DEUTZ,REPLACEMENT.....1 <i>Genie Aftermarket Part. Compatible with Genie Genuine Part 49924.</i>		20	236259GT	LIFT PUMP,FUEL,DEUTZ.....2	
--	49924GT	FILTER,OIL,DEUTZ F4L1011F.....1 <i>Genie Genuine Part. See PN 1255653 for compatible aftermarket replacement.</i>		21	6091GT	NUT,NYLOCK,1/4-20	
1	10598GT	SCREW,HHC,1/2-13 X 3		22	6638GT	WASHER,FLAT,USS,1/4"Y	
2	6095GT	WASHER,FLAT,USS,1/2",Y		23	6888GT	SCREW,HHC,1/4-20 X 1	
3	101729GT	WASHER,VIBRATION ISOLATING.....4		24		Ref: Engine Tray <i>refer to 310.1</i>	
4	24040GT	WASHER,1/2 PLATE(1/2X2.25X3/16.....4		25	70452GT	ISOLATOR,ENGINE VIBRATION*** .....4	
5	6198GT	NUT,NYLOCK,1/2-13		26	6175GT	SCREW,HHC,3/8-16 X 1	
6	22558GT	SCREW,HHC,M14 X 40MM,GR 8.8.....5		27	826000GT	CONNECTOR, SAE10, QUICK CONN....1 <i>(fuel)</i>	
7	49411GT	WASHER,FLAT,M14					
8	237190GT	FORMING, RIGHT ENGINE MOUNT.....1					
9	237191GT	FORMING, REAR ENGINE MOUNT.....1					
10	237189GT	FORMING, LEFT ENGINE MOUNT.....1					
11	8516GT	SCREW, HCC, 3/8-16 X 1.50					
12	6097GT	WASHER,FLAT,USS,3/8",Y					
13	4828GT	NUT,NYLOCK,3/8-16					
14	1261239GT	ASSY,FUEL PREFILTER,DEUTZ 2.9.....1					
--	074501.0291GT	SENSOR					
--	162207GT	FITTING,ELBOW,8GS-8FJX90S.....2					
--	162209GT	FITTING,CONN,16MM-8MJ.....2					
--	236260GT	PRE-FILTER,FUEL,DEUTZ					
15	1257961GT	WELDMENT, FUEL FILTER BRACKET.....1					
16	29752GT	SCREW,HHC,10-24 X .75					
17	6146GT	WASHER,FLAT,MS,#10,Y					
18	5365GT	NUT,NYLOCK,10-24					
19A	214228GT	FILTER, DEUTZ 2.9, FUEL.....1					
19B	162208GT	FITTING,CONN,16MM-6MJ.....1					
19C	162206GT	FITTING,ELBOW,6GS-6FJX90S.....1					
19D	162209GT	FITTING,CONN,16MM-8MJ.....1 <i>to SN S6014A-27506</i>					
19E	162207GT	FITTING,ELBOW,8GS-8FJX90S.....1 <i>to SN S6014A-27506</i>					
19F	1256482GT	KIT,MED PRES FUEL SUPPLY,D2.9 <i>from SN S6014A-27507 to S6014A-27745</i>					
19G	1255395GT	HOSE,FUEL,1/2,D2.9,SUPPLY,QC <i>from SN S6014A-27746 (from engine to filter) sold separately</i>					
19H	1255396GT	FITTING,FUEL,1/2,D2.9,QC <i>from SN S6014A-27746, sold separately</i>					
19J	1255399GT	BOLT,BANJO,DEUTZ,QC <i>from SN S6014A-27746, sold separately</i>					



# PARTS FINDER

**Search Website  
by Part Number**



**Search Manual  
Library For Parts  
Manual & Lookup Part  
Numbers – Purchase  
or Request Quote**

**Search Manuals**

Enter your information to help us find the right parts manual for your machine.

\* Brand:

\* Model:

\* Serial:

\* Part Number:

SEARCH

**Can't Find Part or  
Manual? Request Help  
by Manufacturer,  
Model & Description**

**Parts Order Form**

Please fill in the following information to help us find the right part for your machine.

Manufacturer:	<input type="text"/>
Model:	<input type="text"/>
Description:	<input type="text"/>
Part Number:	<input type="text"/>
Quantity:	<input type="text"/>
Notes:	<input type="text"/>

Discount-Equipment.com is your online resource for quality parts & equipment.

Florida: **561-964-4949** Outside Florida TOLL FREE: **877-690-3101**

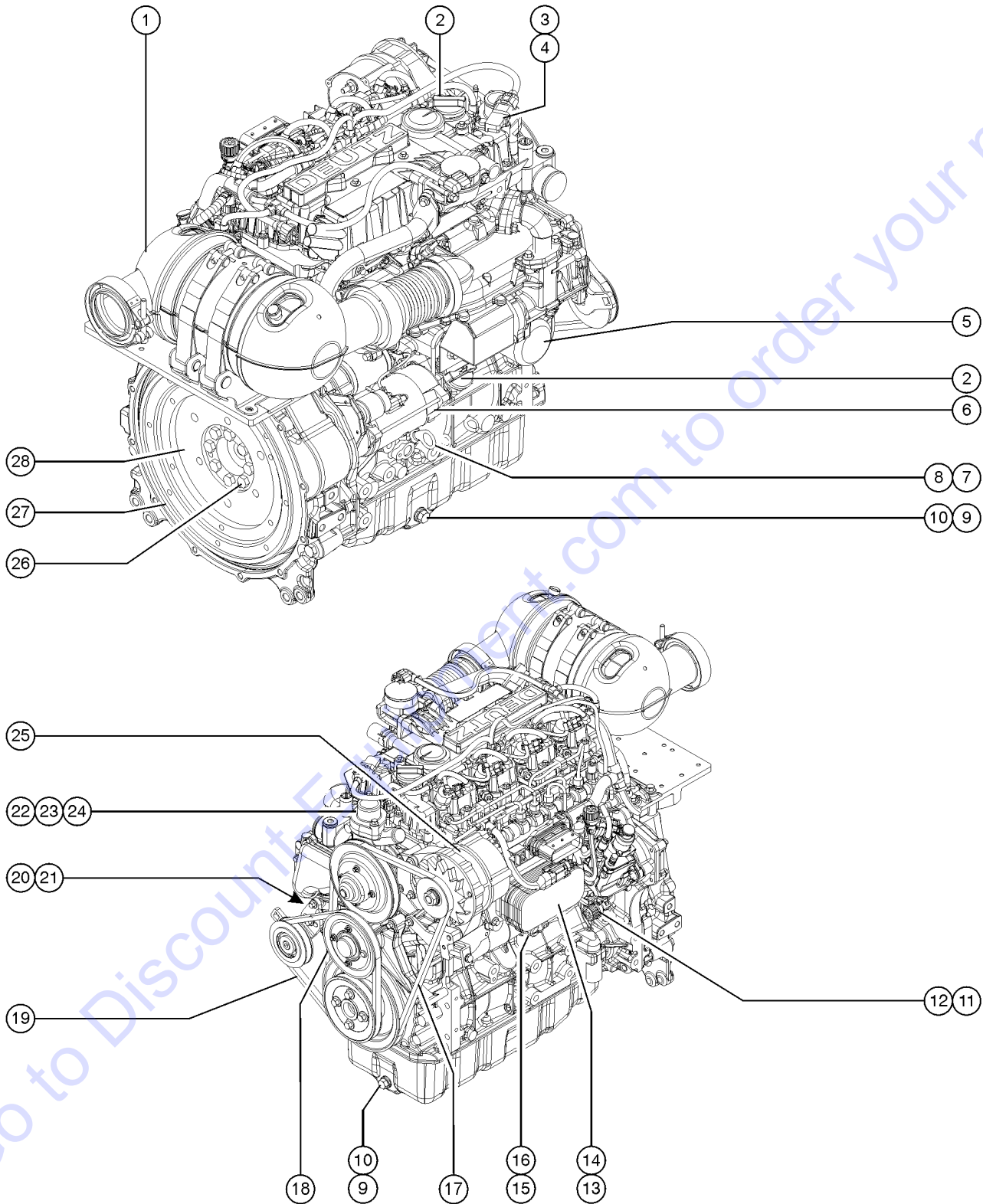
**Need parts?**

Click on this link: <http://www.discount-equipment.com/category/5443-parts/> and choose one of the options to help get the right parts and equipment you are looking for. Please have the machine model and serial number available in order to help us get you the correct parts. If you don't find the part on the website or on one of the online manuals, please fill out the request form and one of our experienced staff members will get back to you with a quote for the right part that your machine needs.

We sell worldwide for the brands: Genie, Terex, JLG, MultiQuip, Mikasa, Essick, Whiteman, Mayco, Toro Stone, Diamond Products, Generac Magnum, Airman, Haulotte, Barreto, Power Blanket, Nifty Lift, Atlas Copco, Chicago Pneumatic, Allmand, Miller Curber, Skyjack, Lull, Skytrak, Tsurumi, Husquvarna Target, Stow, Wacker, Sakai, Mi-T-M, Sullair, Basic, Dynapac, MBW, Weber, Bartell, Bennar Newman, Haulotte, Ditch Runner, Menegotti, Morrison, Contec, Buddy, Crown, Edco, Wyco, Bomag, Laymor, EZ Trench, Bil-Jax, F.S. Curtis, Gehl Pavers, Heli, Honda, ICS/PowerGrit, IHI, Partner, Imer, Clipper, MMD, Koshin, Rice, CH&E, General Equipment, Amida, Coleman, NAC, Gradall, Square Shooter, Kent, Stanley, Tamco, Toku, Hatz, Kohler, Robin, Wisconsin, Northrock, Oztec, Toker TK, Rol-Air, APT, Wylie, Ingersoll Rand / Doosan, Innovatech, Con X, Ammann, Mecalac, Makinex, Smith Surface Prep, Small Line, Wanco, Yanmar

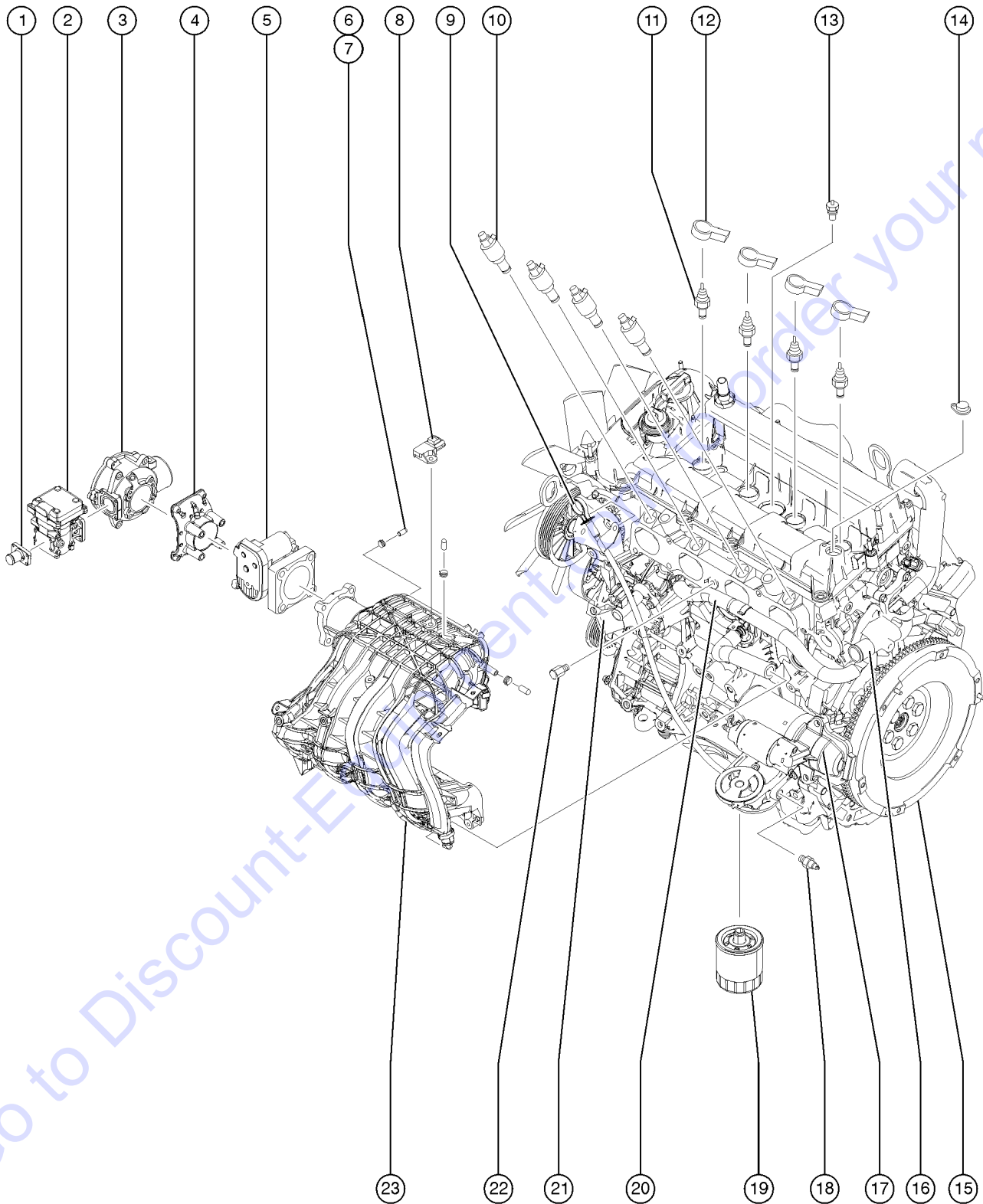


508.1 Deutz D2.9L4, View 5



Item	Part No.	Description	Qty.	Item	Part No.	Description	Qty.
A	237188GT	ENGINE KIT, DEUTZ D2.9L4		27	89785GT	RING GEAR,DEUTZ F3L2011F.....	1
B	1259717GT	MANUAL, DEUTZ D2.9 ENGINE.....	1	28	1259660GT	FLYWHEEL, SAE 8/10.....	1
C	1262870GT	GLOW PLUG, DEUTZ.....	4			<i>order with item #26, PN 1262873, qty 8</i>	
D	1262871GT	SEAL, FRONT ENGINE,DEUTZ.....	1				
E	1262872GT	SEAL, REAR ENGINE,DEUTZ.....	1				
F	1272624GT	KIT,WATER PUMP 2.9 L4.....	1				
		<i>includes fasteners and 1262874 pump</i>					
G	1262875GT	O-RING, WATER PUMP.....	1				
--	1259654GT	INTAKE BREATHER.....	1				
H	1259899GT	HARNESSE, ENGINE, DEUTZ TD2.9.....	1				
1	1262890GT	OXIDATION CATALYST,DEUTZ.....	1				
2	29557GT	CAP,OIL FILLER,DEUTZ,DIESEL***.....	2				
3	1262896GT	SENSOR,INTAKE AIR PRESSURE.....	1				
4	1262897GT	O-RING, INTAKE AIR PRESSURE SENSOR.....	1				
5	49924GT	FILTER,OIL,DEUTZ F4L1011F.....	1				
6	1254594GT	STARTER,3.2KW,DEUTZ D2.9.....	1				
--	1262868GT	BOLT, DEUTZ STARTER <i>not included sold seperately</i>					
7	825708GT	DIPSTICK,TD2.9.....	1				
8	1262881GT	ORING, OIL DIP STICK.....	1				
9	102587GT	PLUG,ENGINE OIL,DEUTZ F4L2011.....	2				
10	108538GT	RING / SEALING.....	2				
11	1262894GT	SENSOR,CAM/CRANKSHAFT POSITION.....	1				
		<i>(crankshaft)</i>					
12	1262895GT	O-RING, CRANKSHAFT POSITION SENSOR.....	1				
13	1260357GT	OIL COOLER,TD2.9.....	1				
14	1262883GT	GASKET, OIL COOLER, DEUTZ.....	1				
15	824673GT	SENSOR, PRESSURE,DEUTZ 2.9.....	1				
16	1262893GT	O-RING, OIL PRESSURE SENSOR.....	1				
17	1262866GT	FAN BELT, ALTERNATOR.....	1				
18	236248GT	PULLEY ASSEMBLY,ALTERNATOR,TCD.....	1				
19	1262867GT	V-BELT, DEUTZ.....	1				
20	1262894GT	SENSOR,CAM/CRANKSHAFT POSITION.....	1				
		<i>hidden from view (camshaft)</i>					
21	1262899GT	O-RING, CAMSHAFT POSITION SENSOR.....	1				
		<i>hidden from view</i>					
22	1262877GT	THERMOSTAT HOUSING.....	1				
23	1262876GT	THERMOSTAT,DEUTZ.....	1				
24	1262878GT	GASKET, THERMOSTAT HOUSING.....	1				
25	236251GT	ALTERNATOR,95 AMP,DEUTZ.....	1				
26	1262873GT	BOLT, DEUTZ FLYWHEEL.....	8				

509.1 Ford MSG-425 EFI, View 1

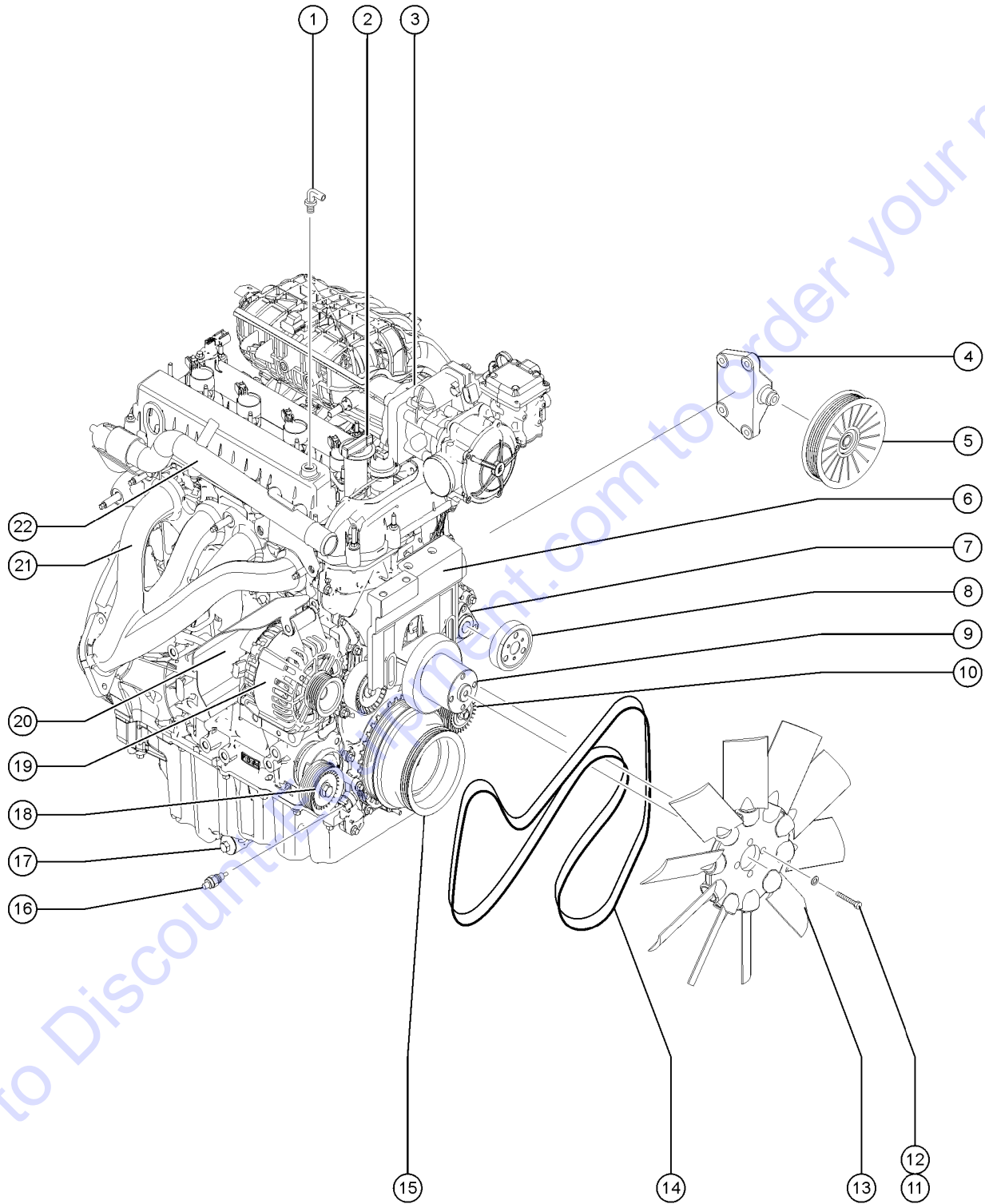




509.1 Ford MSG-425 EFI, View 1

Item	Part No.	Description	Qty.	Item	Part No.	Description	Qty.
--		<i>For internal engine parts, contact engine dealer</i>		17C	217823GT	STARTER PLUG SEAL, MSG425 <i>for 215293</i>	
--	128165GT	RELAY,PWR/FUEL,FORD DSG423		18	215301GT	SWITCH, OIL PRES, MSG425.....1	1
--	128166GT	RELAY,STARTER,FORD DSG423		19	119139GT	OIL FILTER,DSG-423.....1	1
--	215294GT	ENGINE HARNESS, MSG425.....1	1	19A	1277968GT	SEPERATOR ASSY,OIL,FORD MSG.....1	1
--	215295GT	SOLENOID, VAR. TIM, MSG425		20	215302GT	HOSE, COOLANT BYPASS, MSG425....1	1
--	236799GT	ENGINE KIT,FORD MSG425		21	215310GT	THERMOSTAT W/HOUSING, MSG425.....1	1
1A	215285GT	FITTING, DEPR LP, MSG425.....1 <i>(sold seperately) (for 215284)</i>	1	22	215309GT	SENSOR, KNOCK, MSG425.....1	1
1B	119055GT	HOSE ASSY,LP GAS		23	215305GT	INTAKE MANIFOLD, MSG425.....1	1
2	215284GT	REGULATOR,LP PRESSURE,MSG425.....1	1	23A	1277969GT	GASKET,INTAKE MANIFOLD,MSG 425.....1 <i>for 215305</i>	1
--	215286GT	FITTING, DEPR COOLANT, MSG425 <i>(sold seperately) (for 215284)</i>					
3	215280GT	MIXER, MSG425.....1	1				
--	215281GT	O-RING, SMOOTH, MSG425					
--	215282GT	O-RING, RIBBED, MSG425					
4	215283GT	ADAPTER, MIXER/THRO, MSG425.....1	1				
5	88451GT	THROTTLE ACTUATOR*(BOSCH).....1	1				
--	88452GT	GASKET,THROTTLE ACTUATOR***					
6	217820GT	CAP, INT. MFLD. VAC, MSG425.....2	2				
7	119568GT	CLAMP,SPRING,1/2".....3	3				
8	119475GT	MAP SENSOR, DSG-423.....1	1				
--	119965GT	COVER,DUST,IDLER,FORD DSG423					
9	220230GT	DIPSTICK, MSG425					
--	18506GT	5/16-18 X .75 LG.FLG.LCK.SCREW <i>(not shown, use to mount dipstck part 220230)</i>					
--	220231GT	O-RING,DIPSTICK,MSG425 <i>(not shown, use with dipstck part 220230)</i>					
--	6002GT	NUT,LP NYLOCK,5/16-18 <i>(not shown, use to mount dipstck part 220230)</i>					
--	6638GT	WASHER,FLAT,USS,1/4"Y <i>(not shown, use to mount dipstck part 220230)</i>					
10	215299GT	INJECTOR, FUEL, MSG425.....4	4				
11	215287GT	SPARK PLUG, MSG425.....4	4				
12	215314GT	COIL ASSY, MSG425.....4	4				
13	215300GT	SENSOR, CYL. HEAD TEMP, MSG425.....1	1				
14	215308GT	SENSOR, CAM POS, MSG425.....1	1				
15	215278GT	FLYWHEEL ASSY, MSG425.....1	1				
16	215275GT	ADAPTER, WATER CONN, MSG425.....1	1				
17A	1264894GT	KIT, HD STARTER INSTALL, MSG-4.....1	1				
17B	128166GT	RELAY,STARTER,FORD DSG423 <i>for 215293</i>					

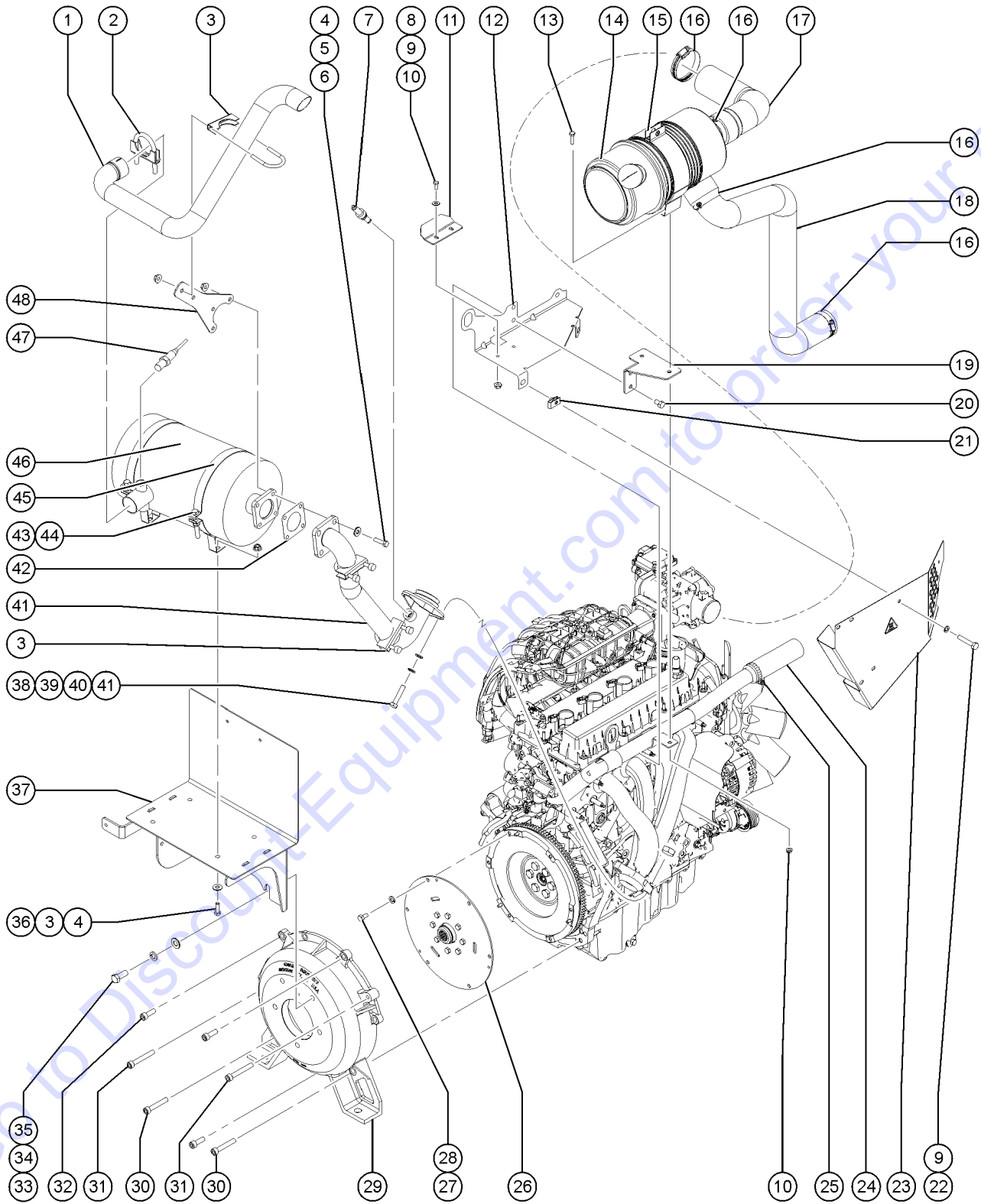
510.1 Ford MSG-425 EFI, View 2



Item	Part No.	Description	Qty.
--		<i>For internal engine parts, contact engine dealer</i>	
1	119474GT	VALVE,PCV FORD DSG-423.....	1
--	75631GT	HOSE,AIR 3/8	
2	58632GT	CAP,OIL FILLER,FORD DSG 423.....	1
3	215279GT	PLATE, INT. MFLD ADAP, MSG425	
4	119477GT	IDLER BRACKET.....	1
5	215298GT	UPPER IDLER PULLEY, MSG425.....	1
6	1283575GT	KIT,FAN SUPPORT RETRO,FORD MSG.....	1
		<i>For first time replacement</i>	
--	1283571GT	BRACKET,FAN,FORD MSG.....	1
		<i>included in kit 1283575GT</i>	
--	1283572GT	BRACKET,IDLER,FORD MSG.....	1
		<i>included in kit 1283575GT</i>	
--	1283573GT	BRACKET,SUPPORT,FORD MSG.....	2
		<i>included in kit 1283575GT</i>	
--	1283574GT	SCREW,HHC,M8X1.25.80.....	1
		<i>included in kit 1283575GT</i>	
7	215288GT	WATER PUMP, MSG425.....	1
8	215289GT	WATER PUMP PULLEY, MSG425.....	1
9	215271GT	FAN PULLEY, MSG425.....	1
--	215270GT	FAN SPACER, MSG425.....	1
10	215313GT	LOWER IDLER PULLEY, MSG425.....	1
11	32309GT	SCREW,HHC,M8 X 60MM X 1.25	
12	49408GT	WASHER,LOCK,M8	
13	215269GT	FAN, MSG425.....	1
14A	215291GT	BELT, FEAD, MSG425.....	1
		<i>(shown)</i>	
14B	215274GT	FAN DRIVE BELT, MSG425	
		<i>Fan belt (not shown)</i>	
15	215273GT	CRANK PULLEY, EXT, MSG425.....	1
16	215307GT	SENSOR, CRANK POS, MSG425.....	1
17	215311GT	PLUG, OIL DRAIN, MSG425.....	1
18	215290GT	PULLEY/TENSIONER, MSG425.....	1
19	119140GT	ALTERNATOR,FORD DSG423,MSG425.....	1
--	217824GT	CHARGE WIRE, MSG425	
20	227309GT	HEAT SHIELD,ALTERNATOR,FORD.....	1
21	215276GT	EXHAUST MANIFOLD, MSG425.....	1
--	215277GT	GASKET, MSG425	
--	217822GT	NUT, EXH. MANIFOLD, MSG425	
--	823816GT	GASKET,EXHAUST,FORD MSG	
22	236373GT	PIPE,COOLANT RETURN, MSG425.....	1

Go to [www.genieequipment.com](http://www.genieequipment.com) to order your parts

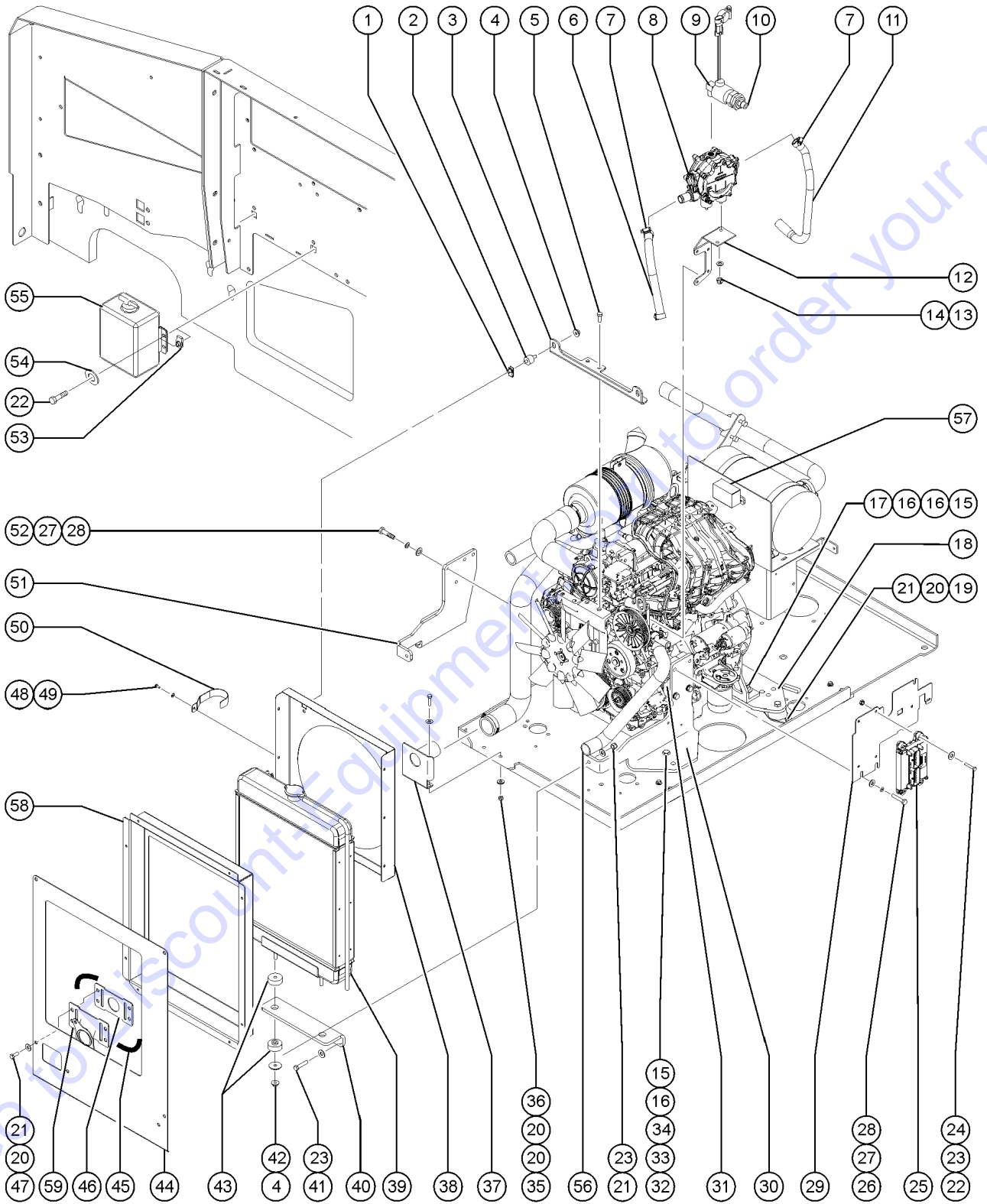
511.1 Ford MSG-425 EFI, View 3



511.1 Ford MSG-425 EFI, View 3

Item	Part No.	Description	Qty.	Item	Part No.	Description	Qty.
--		<i>For internal engine parts, contact engine dealer</i>		35	13066GT	WASHER,FLAT,.5 HARDENED	
1	237251GT	TAILPIPE, S60 MSG425.....	1	36	13002GT	SCREW,HHC,5/16-18 X 1 GR5	
2	102121GT	CLAMP,MUFFLER,1-7/8 IN.....	1	37	215709GT	WELDMENT,CAT MOUNT,MSG425.....	1
3	32064GT	CLAMP,MUFFLER,1.75 INCH.....	3	38	128061GT	SCREW, HHC, M10 X 1.5 X 50	
4	18503GT	NUT,LOCKING-LG.FLANGE,5/16-18		39	22700GT	WASHER,LOCK,M10	
5	5397GT	WASHER,FLAT,USS,5/16",Y		40	22699GT	WASHER,FLAT,M10,ZINC PLTD.	
6	13000GT	SCREW,HHC,5/16-18 X 1.25		41	218576GT	WDMT,HEADER PIPE,MSG425	
7	215320GT	SENSOR, O2, MSG425.....	1	42	72343GT	GASKET,EXH FLANGE-FORD/PERKINS.....	1
8	6090GT	SCREW,HHC,1/4-20 X .75		43	14033GT	SCREW,HHC,3/8-16 X 2.75.....	2
9	6638GT	WASHER,FLAT,USS,1/4"Y		44	4828GT	NUT,NYLOCK,3/8-16	
10	18504GT	NUT,LOCKING-LG.FLANGE,1/4-20		45	119051GT	MOUNTING BAND,MUFFLER,8.0".....	2
11	218742GT	FORMING,MFLD GUARD,MSG425.....	1	46	215528GT	WDMT, CAT. MUFFLER, MSG425.....	1
12	218668GT	FORMING, HEAT SHIELD MOUNT.....	1	47	139610GT	SENSOR,AIR,CAT MONITOR.....	1
13	6888GT	SCREW,HHC,1/4-20 X 1		48	236832GT	TAILPIPE MOUNT , S40 MSG425.....	1
14	111634GT	AIR CLEANER,FORD,T3.....	1				
--	111634GT	AIR CLEANER,FORD,T3					
--	1277991GT	CLIP,AIR CLEANER COVER (58247) <i>for 58247</i>					
--	227988GT	VACUATOR VALVE					
--	38922GT	ELBOW,90DEG.1/8MPT-5/16 BARB					
--	58247GT	AIR CLEANER CAP/ FORD/NOLFF***					
--	77295GT	FILTER ELEMENT,AIR,NOLFF LPG					
15	53952GT	BRKT,AIR CLEANER ORIENTATION** .....	1				
16	45435GT	CLAMP,HOSE,2.50"*** .....	4				
17	237146GT	HOSE, CLEAN AIR, MSG425.....	1				
18	235659GT	HOSE, RAW AIR, MSG425.....	1				
19	216367GT	FORMING,AIR CLEANER MOUNT.....	1				
20	33681GT	SCREW,HHC,3/8-16 X .625					
21	56912GT	SPRING CLIP,1/4-20,.025-.15X.54,ZAG					
22	7339GT	SCREW, HHC, 1/4-20 X .5					
23	160541GT	WDMT, HEAT SHIELD, MSG425					
24	236338GT	HOSE, UPPER RADIATOR, MSG425					
25	36208GT	CLAMP,HOSE,1.25*** .....	2				
26	214446GT	COUPLER,15T,FBA,SAE 8,MSG425.....	1				
27	49378GT	SCREW,HHC,M8 X 16					
28	6021GT	WASHER,LOCK,.375					
29	119052GT	PUMP MOUNT,FORD DSG423.....	1				
30	111748GT	SCREW,SHC,M10X1.5 X 60 GR8.8.....	2				
31	215544GT	SHCS, M10-1.5X70MM, CL12.9.....	2				
32	61110GT	SCREW,SHC,M10X1.5X30 GR 12.9.....	3				
33	10597GT	SCREW,HHC,1/2-13 X 1.25 GR5					
34	6033GT	WASHER,LOCK,0.5"					

512.1 Ford MSG-425 EFI, View 4

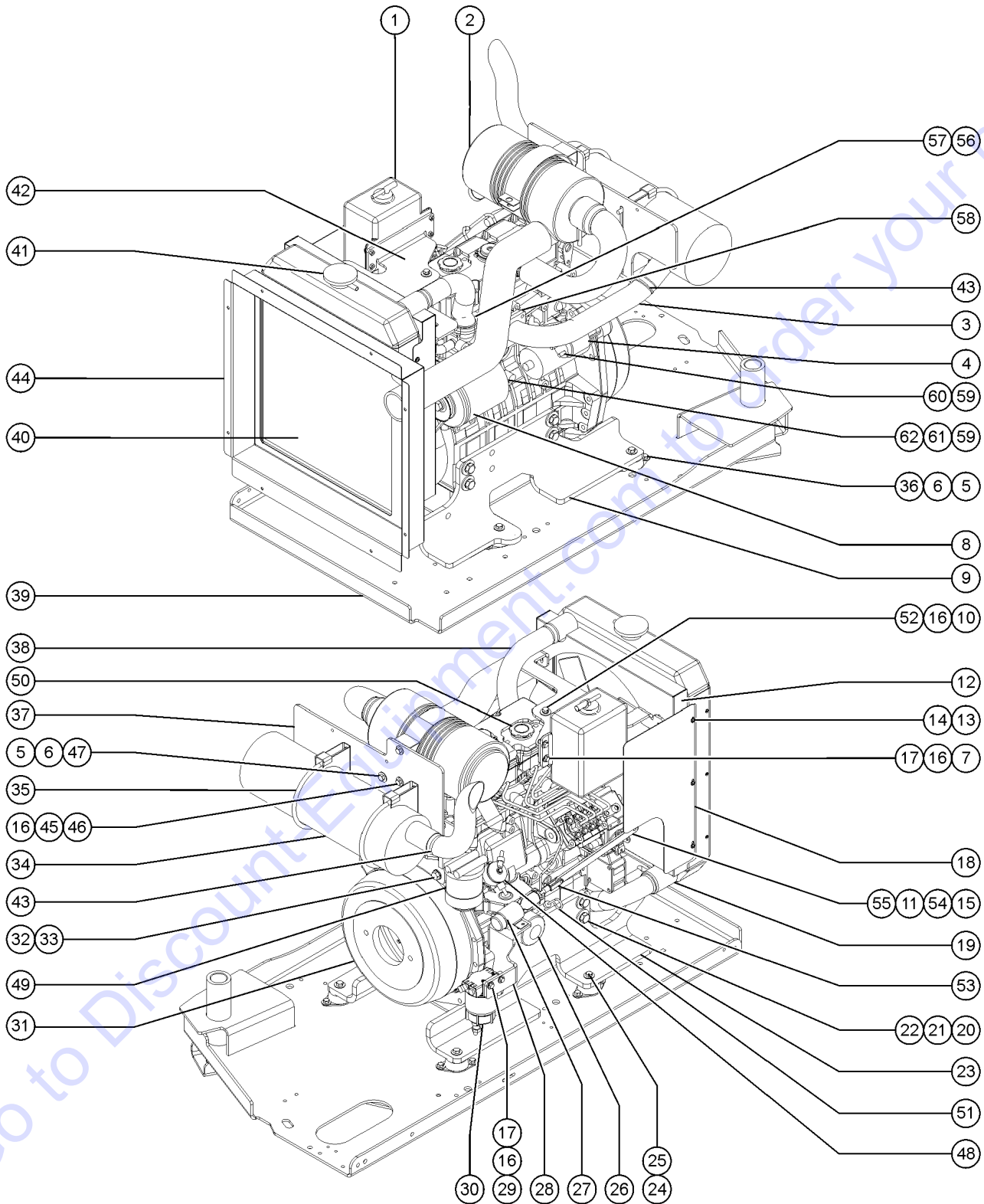




512.1 Ford MSG-425 EFI, View 4

Item	Part No.	Description	Qty.	Item	Part No.	Description	Qty.
--		<i>For internal engine parts, contact engine dealer</i>		40	110417GT	FORMING,RADIATOR SUPPORT**.....1	1
1	36456GT	SPRING CLIP,5/16-18,.025-.15X.....2	2	41	13918GT	SCREW,HHC,3/8-16 X 1.75,GRD.8	
2	219437GT	ISOLATOR, VIBRATION.....2	2	42	15086GT	WASHER,FLAT,375 X 1.5 X .125	
3	237780GT	FORMING, RAD SUPPORT, MSG425....1	1	43	24038GT	SHOCK MOUNT,SMALL.....4	4
4	48425GT	NUT,LOCKING-LRG.FLANGE,3/8-16		44	822695GT	BAFFLE, AIR INTAKE, S60.....1	1
5	49381GT	SCREW,HHC,M12 X 30		45	119218GT	TRIM,EDGE,1/8X3/4 SIDE BULB.....8-inches	
6	1702GT	HOSE-HEATER,5/8 ID-BLACK.....1	1	46	238234GT	PLATE, INT. SHRD SEAL, MSG425.....1	1
7	46131GT	CLAMP,HOSE,.63.....4	4	47	8255GT	SCREW,HHC,3/8-16 X .75	
8	215316GT	REGULATOR, LP, MSG425.....1	1	48	21019GT	SCREW,PHIL,PHM,10-24 X.5,SEMS	
--	219477GT	ISOLATOR, DEPR		49	6146GT	WASHER,FLAT,MS,#10,Y	
9	119232GT	LOCKOFF,LP,FORD DSG-423.....1	1	50	237385GT	HOSE HANGER, MSG425.....2	2
10	19358GT	CONNECTOR,010102-6-4.....10	10	51	236421GT	ENGINE MOUNT, RIGHT, MSG425.....1	1
11	236340GT	HOSE, COOLANT, VAP, MSG425.....1	1	52	44064GT	SCREW,HHC,M10 X 30MM,.....4	4
12	236423GT	FORMING, LP REG MOUNT, MSG425...1	1	53	56912GT	SPRING CLIP,1/4-20,.025-.15X.54,ZAG	
13	219478GT	FLANGE NUT, MSG425		54	6638GT	WASHER,FLAT,USS,1/4"Y	
14	33277GT	WASHER,FLAT,M8,YELLOW ZINC		55	70367GT	BOTTLE,COOLANT RECOVERY,3.7***.....1	1
15	6198GT	NUT,NYLOCK,1/2-13				<i>includes cap</i>	
16	6095GT	WASHER,FLAT,USS,1/2",Y		--	106226GT	TUBING,VINYL,1/2" CLEAR	
17	22788GT	SCREW,HHC,1/2-13 X 1.75		--	21465GT	CLAMP,HOSE,SIZE .25 TO .63 <i>(not shown) not included with 70367, must order seperately</i>	
18	236422GT	ENGINE MOUNT, REAR, MSG425.....1	1	--	6833GT	CLAMP,0.50,#8 X 1/4,RUB CUSH <i>(not shown) not included with 70367, must order seperately</i>	
19	6019GT	SCREW,HHC,3/8-16 X 1.25 GRD 5		--	72327GT	CAP, COOLANT RET SYS(54071)	
20	5397GT	WASHER,FLAT,USS,5/16",Y		56	236339GT	HOSE, LOWER RADIATOR, MSG425....1	1
21	4828GT	NUT,NYLOCK,3/8-16		57A	237856GT	FUSE BOX COVER.....1 <i>(decal not included, refer to item 57B)</i>	1
22	6145GT	SCREW,HHC,1/4-20 X 1.5		57B	237857GT	FUSE BOX RELAY STICKER.....1 <i>(not shown) not included with 237856, order seperately</i>	1
23	6097GT	WASHER,FLAT,USS,3/8",Y		57C	237858GT	FUSE BOX MOUNTING,LEFT.....1 <i>(not shown)</i>	1
24	6091GT	NUT,NYLOCK,1/4-20		57D	237859GT	FUSE BOX MOUNTING,RIGHT.....1 <i>(not shown)</i>	1
25	215317GT	CONTROL MODULE, MSG425.....1	1	58	822698GT	SHROUD, RADIATOR, FORD MSG425.....1	1
26	25927GT	SCREW,HHC,M10 X 55MM,GRD 8.8....4	4	59	1252050GT	WDMT, AIR INTAKE, MSG425.....1	1
27	22700GT	WASHER,LOCK,M10.....8	8				
28	22699GT	WASHER,FLAT,M10,ZINC PLTD.....8	8				
29	236425GT	FORMING, ECU MOUNT, MSG425.....1	1				
30	236420GT	ENGINE MOUNT, LEFT, MSG425.....1	1				
31	110477GT	PLATE,ENGINE SUPPORT SPACER....1	1				
32	39479GT	SCREW,HHC,1/2-13 X 2.75					
33	70452GT	ISOLATOR,ENGINE VIBRATION*** .....4	4				
34	102066GT	CASTING,WASHER,REBOUND					
35	6782GT	NUT,NYLOCK,5/16-18					
36	13000GT	SCREW,HHC,5/16-18 X 1.25					
37	216016GT	WDMT, RAW AIR INT, S60 MSG425.....1	1				
38	236364GT	FAN SHROUD, MSG425.....1	1				
39A	110406GT	RADIATOR,FORD DSG423 & MSG425.....1	1				
39B	119484GT	CAP,COOLANT 3/4					

513.1 Perkins 404D-22





513.1 Perkins 404D-22

Item	Part No.	Description	Qty.	Item	Part No.	Description	Qty.
--		<i>For internal engine parts, contact engine dealer</i>		--	62845GT	NUT-FLANGE, 8MM (62849) <i>sold separately</i>	
A	128831GT	ENGINE,PERKINS,DIESEL 404D-22 <i>Tier III Engine</i>		--	72343GT	GASKET,EXH FLANGE-FORD/PERKINS.....1 <i>sold separately</i>	1
--	106663GT	SOLENOID,SHUT DOWN PERKIN40422 <i>(for 128831 engine)</i>		--	72344GT	BOLT,EXHAUST,PERKINS(54555)** <i>sold separately</i>	
--	119809GT	SWITCH, OIL PRESSURE <i>(for 128831 engine)</i>		--	94711GT	FLANGE,EXHAUST <i>sold separately</i>	
--	128987GT	WATER PUMP <i>(for 128831 engine)</i>		--	94888GT	EXHAUST MANIFOLD <i>sold separately</i>	
--	58354GT	GASKET,WATER PUMP <i>(for 128831 engine)</i>		4	228457GT	STARTER, PERKINS, 404D.....1	1
--	65538GT	FLYWHEEL (PERKINS KR70481U)** <i>(for 128831 engine)</i>		5	6175GT	SCREW,HHC,3/8-16 X 1	
--	72348GT	PUMP,LIFT(FUEL) PERKINS(54555) <i>(for 128831 engine)</i>		6	5397GT	WASHER,FLAT,USS,5/16",Y	
--	77736GT	GLOW PLUG (PERKINS 404-22) <i>(for 128831 engine)</i>		7	6888GT	SCREW,HHC,1/4-20 X 1	
--	85155GT	PUMP,PRIMER,PERKINS*** <i>(for 128831 engine)</i>		8	111029GT	ALTERNATOR,65 AMP,PERKINS 404.....1	1
--	94887GT	INTAKE MANIFOLD <i>(for 128831 engine)</i>		9	161611GT	FORMING, ENGINE MOUNT, PERKINS.....1	1
--	94890GT	MANUAL,OPERATORS PERKINS 404 <i>(for 128831 engine)</i>		10	23057GT	SCREW,HHC,M8 X 20MM	
--	97473GT	SENSOR,WATER TEMPERATURE <i>(for 128831 engine)</i>		11	33277GT	WASHER,FLAT,M8,YELLOW ZINC	
B	147350GT	GASKET-CYLINDER HEAD <i>(for Perkins 404 engine)</i>		12	88990PGT	SHROUD,FAN PAINTED.....1	1
C	147348GT	SEAL-VALVE SYSTEM (A) <i>(for Perkins 404 engine)</i>		13	21019GT	SCREW,PHIL,PHM,10-24 X.5,SEMS	
D	147349GT	SEAL-VALVE SYSTEM (B) <i>(for Perkins 404 engine)</i>		14	6146GT	WASHER,FLAT,MS,#10,Y	
E	147351GT	SEAL-ROCKER BOX <i>(for Perkins 404 engine)</i>		15	89953GT	FLATBAR,ALUM,THROTTLE LINKAGE.....1	1
F	147352GT	SEAL-INJECTOR <i>(for Perkins 404 engine)</i>		16	6638GT	WASHER,FLAT,USS,1/4"Y	
G	147353GT	SEAL-INJECTOR <i>(for Perkins 404 engine)</i>		17	6091GT	NUT,NYLOCK,1/4-20	
1	70367GT	BOTTLE,COOLANT RECOVERY,3.7***.....1	1	18	54487PGT	GUARD,FAN,FORD/PERKINS,PAINTED.1	1
--	1062264000GT	TUBING, VINYL, 1/2" CLEAR		19	54579GT	HOSE,LOWER,RADIATOR,PERKINS.....1	1
--	115431GT	CAP ASSY,COOLANT BOTTLE***		--	22672GT	CLAMP,HOSE,1.75	
2	63463GT	AIR CLEANER,NELSON***.....1	1	20	54687GT	SCREW,HHC,M14 X 1.5X40MM,GR8.8	
--	52866GT	EVACUATOR VALVE-AIR CLEANER		21	37505GT	WASHER,LOCK,M14	
--	53952GT	BRKT,AIR CLEANER ORIENTATION**		22	49411GT	WASHER,FLAT,M14	
--	62420GT	FILTER,AIR***		23	88988PGT	FORMING,ENGINE MOUNT RH PAINTE.....1	1
--	88846GT	HOSE,AIR INLET		24	10598GT	SCREW,HHC,1/2-13 X 3	
--	88847GT	HOSE,AIR CLEANER TO INTAKE		25	6095GT	WASHER,FLAT,USS,1/2",Y	
3	110899GT	WELDMENT,EXHAUST PIPE.....1	1	26	94762GT	OIL FILTER - PERKINS.....1	1
				27	77402GT	SOLENOID,THROTTLE ACTUATOR DSL.....1	1
				--	21130GT	CLEVIS, YOKE, 1/4-28, PLATED	
				--	89953GT	FLATBAR,ALUM,THROTTLE LINKAGE	
				28	128588GT	FORMING,SOLENOID MOUNT.....1	1
				29	8915GT	SCREW,HHC,1/4-20 X 1.25	
				30	147826GT	SEPRTR/FLTR,FUEL DSL,15GPH,.30....1 <i>(replaced 75020, the filter is the same for both assemblies)</i>	1

## 513.1 Perkins 404D-22

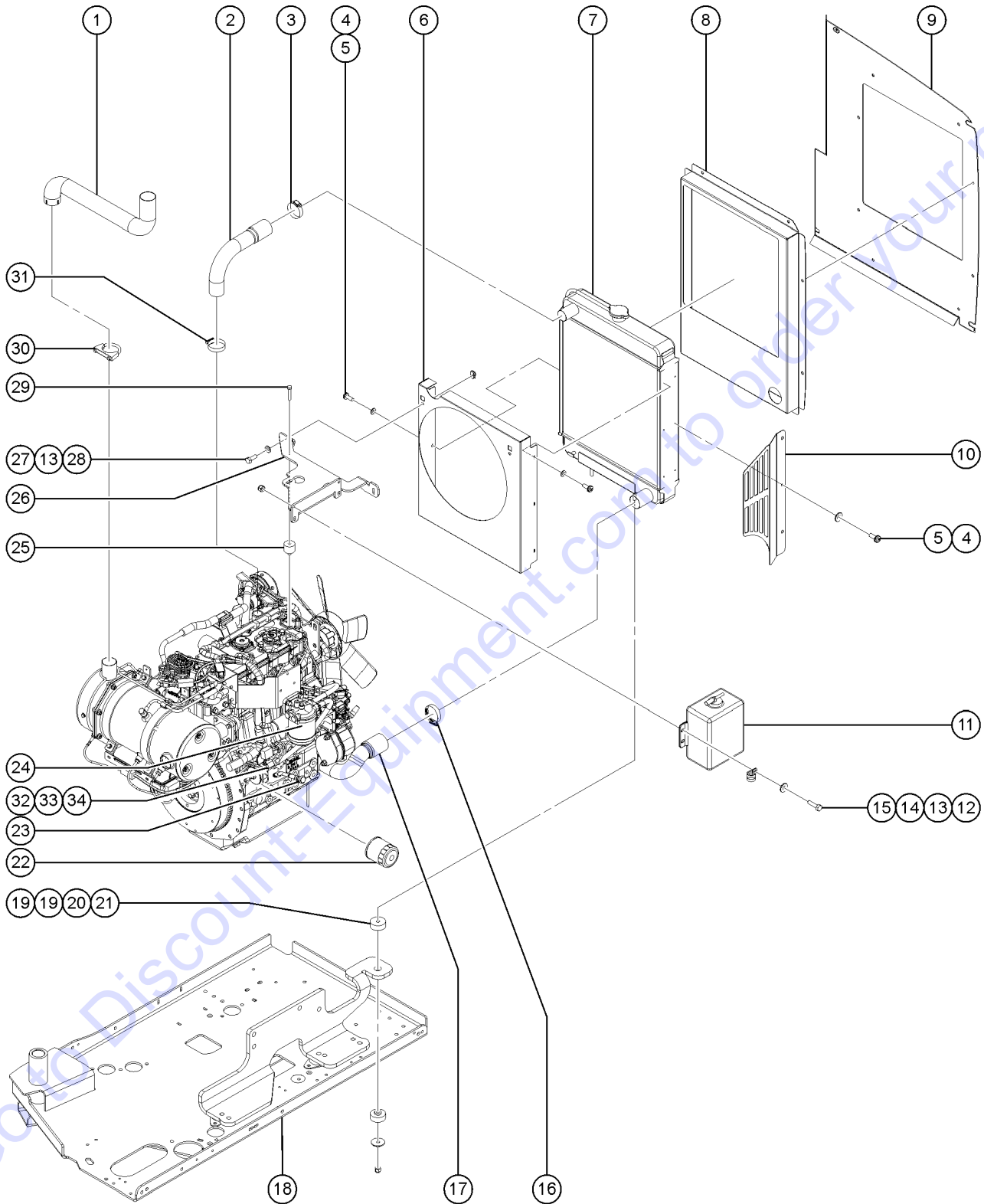
(continued)

Item	Part No.	Description	Qty.	Item	Part No.	Description	Qty.
--	54205GT	HOSE END,BARB,1/4 MNPTX5/16,90 <i>(included with filter assembly)</i>		--	77990GT	KIT,SEAL,3CC PUMP***	
--	54437GT	HOSE END,BARB,1/4 MNPTX5/16,ST <i>(included with filter assembly)</i>		49	94889GT	FUEL FILTER ASSEMBLY.....1	1
--	62433GT	FILTER,ELEMENT,30 MIC,75020		--	62421GT	FILTER,FUEL,PERKINS.....1	1
31	89771GT	HOUSING,PUMP MOUNT (54573).....1	1	50	65636GT	CAP, OIL FILLER.....1	1
--	128003GT	COUPLER,15 TOOTH,FBA,PERKINS** .....1 <i>includes grease</i>	1	--	65638GT	SEAL, OIL FILLER CAP.....1	1
--	128022GT	KIT,FBA STYLE COUPLER,PERKINS <i>includes 15-tooth coupler (128003), fastener kit (1263209) and grease</i>		51	128984GT	DIPSTICK, STRAIGHT SHORT.....1	1
--	128024GT	SCREW, HHC, M8 X 1.25 X 12.....6	6	--	128985GT	DIPSTICK TUBE, STRAIGHT SHORT....1	1
--	128025GT	GREASE,SERVICE PACKET.....1	1	52	60585GT	ISOLATOR,VIBRATION,M8 MALE/FEM.....1	1
32	60868GT	SCREW,HHC,M12 X 45		53	21130GT	CLEVIS, YOKE, 1/4-28, PLATED.....1	1
33	49410GT	WASHER,FLAT,M12		54	119866GT	SCREW,SHS,M6X12MM,8MM	
34A	88841GT	MUFFLER,6".....1	1	55	49364GT	NUT,NYLOCK,M6X1.00	
34B	70298GT	MUFFLER,SPARK ARRESTOR.....1 <i>spark arrestor option</i>	1	56	128986GT	WATER OUTLET, VERTICAL.....1	1
34C	70357GT	MUFFLER,CATALYTIC.....1 <i>scrubber muffler option</i>	1	57	128991GT	THERMOSTAT.....1	1
34D	822515GT	TAILPIPE, PERKINS, 404D.....1	1	--	77477GT	GASKET, THERMOSTAT HOUSING.....1 <i>for 128991</i>	1
35	88993GT	CLAMP,MUFFLER.....2	2	58	72343GT	GASKET,EXH FLANGE-FORD/PERKINS.....1	1
36	4828GT	NUT,NYLOCK,3/8-16		59	231513GT	NUT,TL FLG,M6-1.0,DIN6927,10,ZAB	
37	88991PGT	FORMING,MUFFLER MOUNT PAINTED.....1	1	60	237832GT	NUT,TL FLG,M8-1.25,DIN6927,10,ZAB	
38	54578GT	HOSE,UPPER RADIATOR,PERKINS.....1	1	61	826215GT	WASHER,FLAT,M5,DIN125,ZAB	
--	22672GT	CLAMP,HOSE,1.75		62	826214GT	NUT,TL,M5-0.8,DIN980,10,ZAB	
39		Ref. Engine Tray Assembly <i>refer to 310.1</i>					
40	110304GT	RADIATOR,FORD/PERKINS***.....1	1				
--	1252943GT	SPACER,FAN,PERKINS 404F.....1 <i>sold separately</i>	1				
--	24038GT	SHOCK MOUNT,SMALL.....4 <i>sold separately</i>	4				
--	77482GT	PULLEY, WATER PUMP.....1 <i>sold separately</i>	1				
--	77483GT	FAN, ENGINE (104-22)(404-22)*.....1 <i>sold separately</i>	1				
41	65473GT	CAP,RADIATOR,PERKINS/FORD.....1	1				
42	88989PGT	FORMING,UPPER RAD SUPPORT PNTD.....1	1				
43	70385GT	CLAMP,EXHAUST,2.00 PLATED.....2	2				
44	106003PGT	BAFFLE,PERKINS ENGINE PAINTED....1	1				
45	6782GT	NUT,NYLOCK,5/16-18					
46	13002GT	SCREW,HHC,5/16-18 X 1 GR5					
47	7713GT	NUT, LP NYLOCK, 3/8-16					
48	72348GT	PUMP,LIFT(FUEL) PERKINS(54555).....1 <i>replaced 128989</i>	1				

*This Page Intentionally Left Blank*

Go to [Discount-Equipment.com](http://Discount-Equipment.com) to order your parts

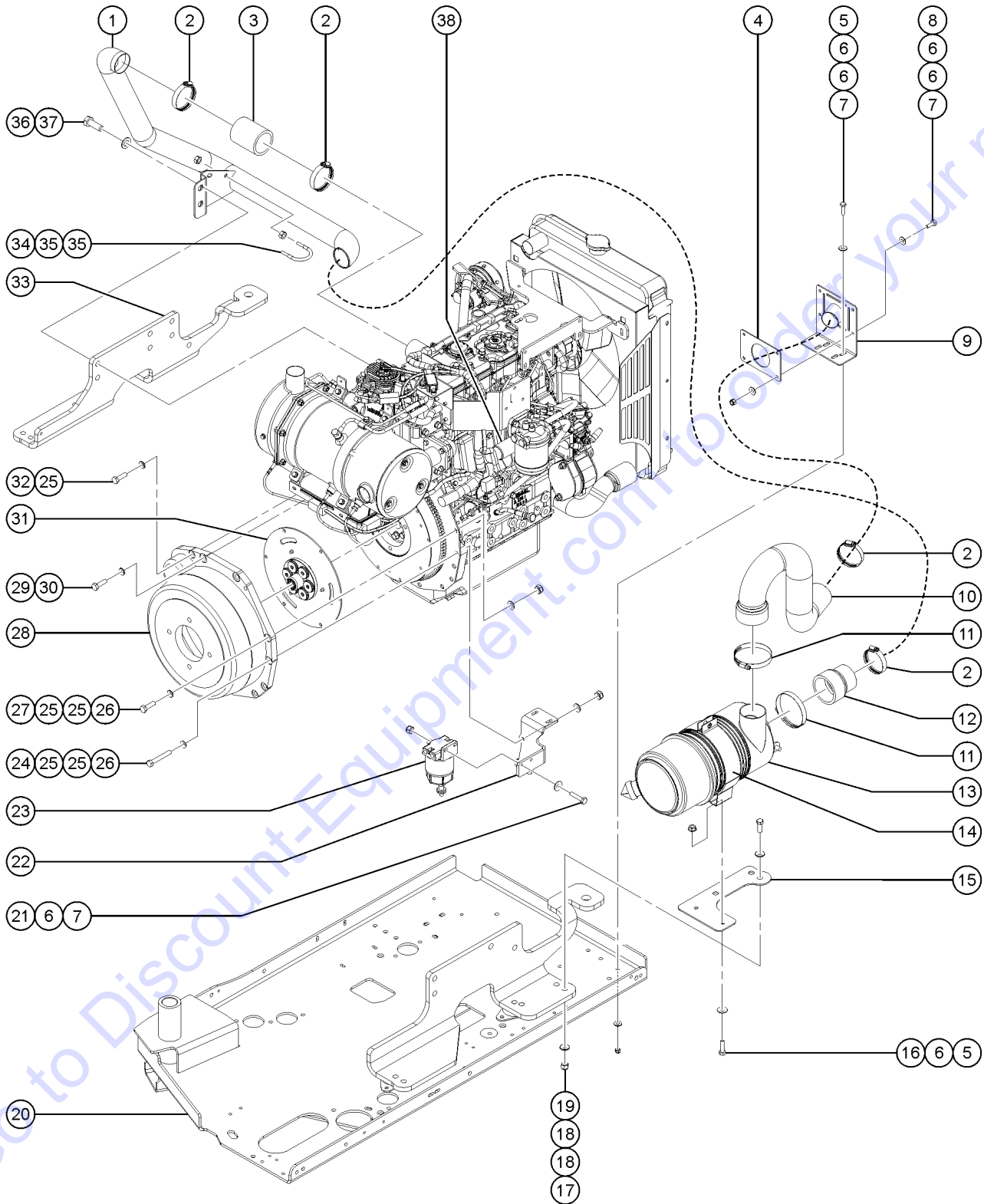
514.1 Perkins 404F-22, View 1



514.1 Perkins 404F-22, View 1

Item	Part No.	Description	Qty.	Item	Part No.	Description	Qty.
--		<i>For internal engine parts, contact engine dealer</i>		27	6090GT	SCREW,HHC,1/4-20 X .75	
A	214335GT	ENGINE,PERKINS,DIESEL,404F-22		28	56912GT	SPRING CLIP,1/4-20,.025-.15X.54,ZAG.....2 <i>replaced 73871</i>	
B	1257825GT	HARDWARE KIT,PERKINS 404F BELL		29	28214GT	SCREW,HHC,M8 X 45.....1	
C	1262866GT	FAN BELT, ALTERNATOR		30	70385GT	CLAMP,EXHAUST,2.00 PLATED.....1	
D	1262867GT	V-BELT, DEUTZ <i>also used on certain Perkins engine installations</i>		31	119053GT	CLAMP,HOSE,1.50.....2 <i>(1 of 2 is hidden from view)</i>	
E	1262487GT	BELT, AIR PUMP, PERKINS		32	1252941GT	SWITCH,OIL PRESS,PERKINS 404F.....1	
F	1262027GT	PRESSURE PUMP,PERKINS 404F-22T		33	139936GT	ADAPTER,EYEBOLT	
1	161612GT	TAILPIPE,MUFFLER,PERKINS 404F.....1		34	101085GT	GASKET <i>for 1257741</i>	
2	54578GT	HOSE,UPPER RADIATOR,PERKINS.....1					
3	22672GT	CLAMP,HOSE,1.75.....2					
4	21019GT	SCREW,PHIL,PHM,10-24 X.5,SEMS					
5	6146GT	WASHER,FLAT,MS,#10,Y					
6	88990PGT	SHROUD,FAN PAINTED.....1					
7	110304GT	RADIATOR,FORD/PERKINS***.....1					
--	65473GT	CAP,RADIATOR,PERKINS/FORD					
8	822697GT	SHROUD, RADIATOR, 404F-22.....1					
9	215537GT	BAFFLE, S60 PERKINS, 404F-22.....1					
10	215917GT	FORMING, FAN GUARD,PERKINS 404.....1					
11	70367GT	BOTTLE,COOLANT RECOVERY,3.7***.....1					
--	115431GT	CAP ASSY,COOLANT BOTTLE***					
12	6888GT	SCREW,HHC,1/4-20 X 1					
13	6638GT	WASHER,FLAT,USS,1/4"Y					
14	6833GT	CLAMP,0.50,#8 X 1/4,RUB CUSH.....1					
15	6091GT	NUT,NYLOCK,1/4-20					
16	13014GT	CLAMP,HOSE,2.25" DIA.....2					
17	54579GT	HOSE,LOWER,RADIATOR,PERKINS.....1					
18		Ref. Engine Tray <i>refer to 310.1</i>					
19	24038GT	SHOCK MOUNT,SMALL.....2					
20	15086GT	WASHER,FLAT,.375 X 1.5 X .125					
21	4828GT	NUT,NYLOCK,3/8-16					
22	94762GT	OIL FILTER - PERKINS.....1					
23	128984GT	DIPSTICK, STRAIGHT SHORT.....1					
--	128985GT	DIPSTICK TUBE, STRAIGHT SHORT....1					
24	94889GT	FUEL FILTER ASSEMBLY.....1					
--	62421GT	FILTER,FUEL,PERKINS.....1					
--	62433GT	FILTER,ELEMENT,30 MIC,75020					
25	60585GT	ISOLATOR,VIBRATION,M8 MALE/FEM.....1					
26	88989PGT	FORMING,UPPER RAD SUPPORT PNTD.....1					

515.1 Perkins 404F-22, View 2

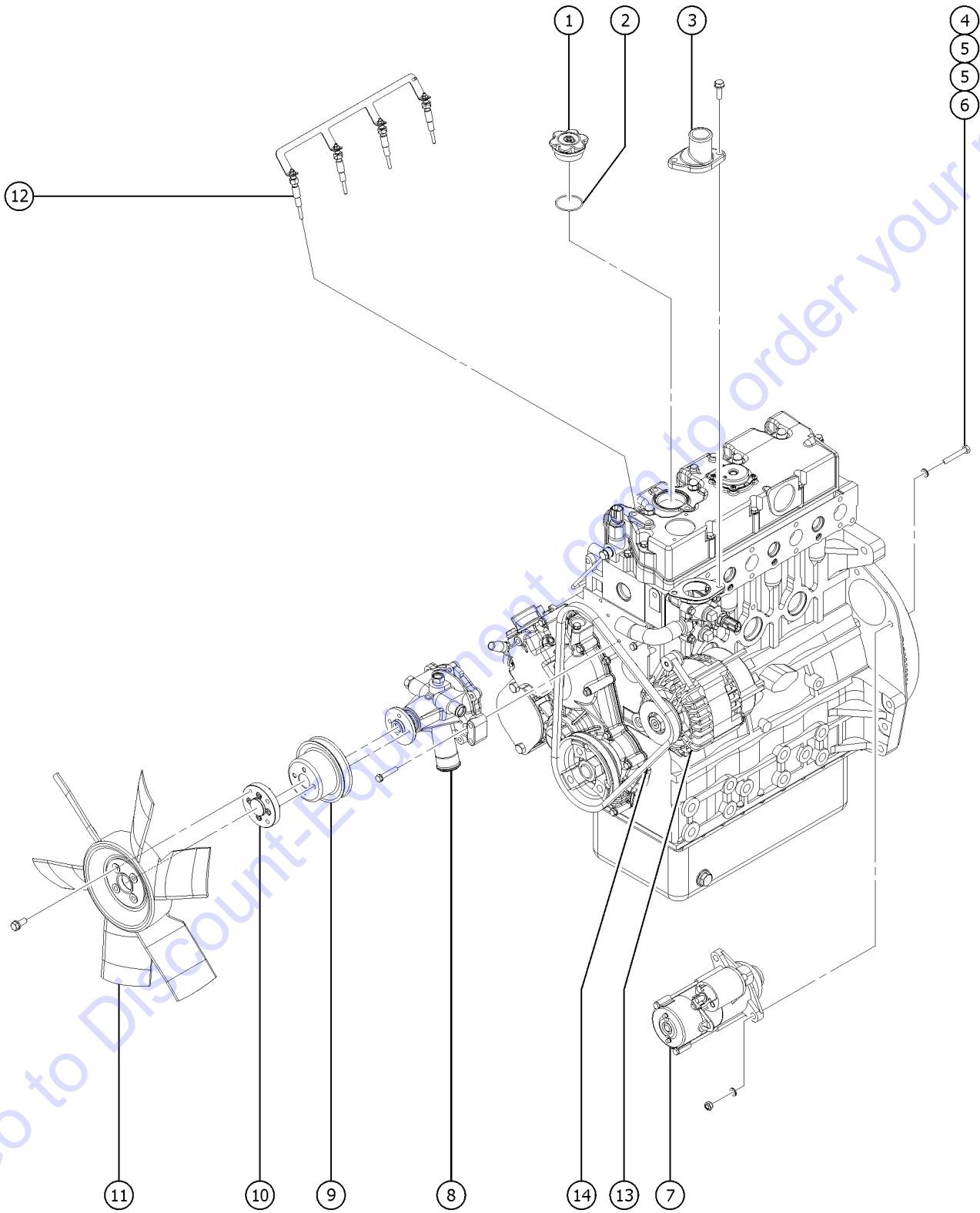


515.1 Perkins 404F-22, View 2

Item	Part No.	Description	Qty.	Item	Part No.	Description	Qty.
--		<i>For internal engine parts, contact engine dealer</i>		31	128022GT	KIT,FBA STYLE COUPLER,PERKINS....1 <i>includes 15-tooth coupler (128003), fastener kit (1263209) and grease</i>	1
--	106663GT	SOLENOID,SHUT DOWN PERKIN40422.....1	1	--	128003GT	COUPLER,15 TOOTH,FBA,PERKINS**.....1 <i>includes grease</i>	1
--	85124GT	GASKET,SOLENOID,PERKINS 72350 (for 106663)		--	128024GT	SCREW, HHC, M8 X 1.25 X 12.....6	6
1	217703GT	WDMT, PERKINS INTAKE AIR HOSE....4	4	--	128025GT	GREASE,SERVICE PACKET.....1	1
2	45435GT	CLAMP,HOSE,2.50"***.....1	1	32	128061GT	SCREW, HHC, M10 X 1.5 X 50.....2	2
3	217187GT	HOSE, INTAKE, 2"ID X 3".....1	1	33		Ref. Forming Engine Mount <i>refer to 516.1</i>	
4	1253990GT	SHEET,AIR SEAL BACKING.....1	1	34	80391GT	U-BOLT,5/16 -18 X 2IN**.....1	1
5	6888GT	SCREW,HHC,1/4-20 X 1		35	18503GT	NUT,LOCKING-LG.FLANGE,5/16-18....4	4
6	6638GT	WASHER,FLAT,USS,1/4"Y		36	54687GT	SCREW,HHC,M14 X 1.5X40MM,GR8.8	
7	6091GT	NUT,NYLOCK,1/4-20		37	49411GT	WASHER,FLAT,M14	
8	6090GT	SCREW,HHC,1/4-20 X .75.....1	1	38	1279271GT	SOLENOID,SHUTDOWN,PERKINS,404F-22.1	1
9	1254017GT	WDMT,INTAKE ADAPTER,404F.....1	1				
10	215912GT	COLD AIR HOSE, PERK 404F-22.....2	2				
11	30971GT	CLAMP,HOSE,3.00".....1	1				
12	216150GT	ADAPTER,AIR HOSE,PERK 404F.....1	1				
13	63463GT	AIR CLEANER,NELSON***.....1	1				
--	52866GT	EVACUATOR VALVE-AIR CLEANER					
--	58415GT	CLIP,AIR CLEANER END CAP***					
--	62420GT	FILTER,AIR*** <i>end cap not available separately</i>					
--	65810GT	BAFFLE, AIR CLEANER (27915)**					
14	53952GT	BRKT,AIR CLEANER ORIENTATION**.....1	1				
15	215472GT	PLATE, AIR CLEANER, 404F-22.....1	1				
16	18504GT	NUT,LOCKING-LG.FLANGE,1/4-20					
17	6198GT	NUT,NYLOCK,1/2-13					
18	6095GT	WASHER,FLAT,USS,1/2",Y					
19	8177GT	SCREW,HHC,1/2-13 X 1.5					
20		Ref. Engine Tray <i>refer to 310.1</i>					
21	8915GT	SCREW,HHC,1/4-20 X 1.25.....1	1				
22	128588GT	FORMING,SOLENOID MOUNT.....1	1				
23	75020GT	SEPRTR/FLTR,FUEL DSL,15GPH,.30....3	3				
--	62433GT	FILTER,ELEMENT,30 MIC,75020					
24	85053GT	SCREW,HHC,M10 X 1.5 X70,GR 8.8					
25	22699GT	WASHER,FLAT,M10,ZINC PLTD.					
26	22736GT	NUT,NYLOCK,M10X1.50					
27	85059GT	SCREW,HHC,M10 X 1.5 X 35					
28	824507GT	PUMP MOUNT,PERKINS 404F-22.....1	1				
29	27584GT	SCREW,HHC,M12 X 35MM					
30	49410GT	WASHER,FLAT,M12					



516.1 Perkins 404F-22, View 3

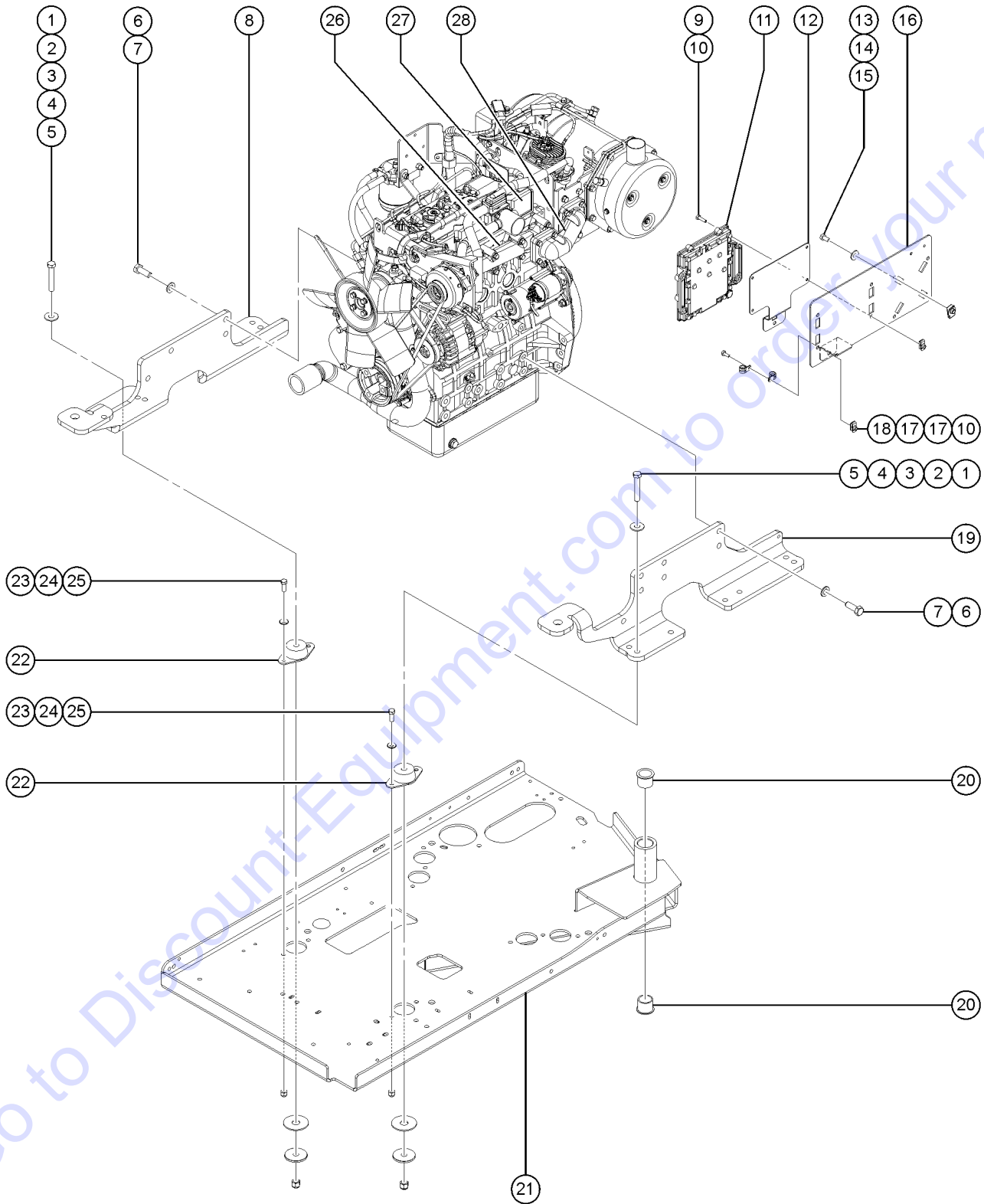




Item	Part No.	Description	Qty.
--		<i>For internal engine parts, contact engine dealer</i>	
--	119809GT	SWITCH, OIL PRESSURE	
--	97473GT	SENSOR,WATER TEMPERATURE	
--	85155GT	PUMP,PRIMER,PERKINS***	
--	128991GT	THERMOSTAT	
--	77477GT	GASKET, THERMOSTAT HOUSING <i>for 128991</i>	
--	72348GT	PUMP,LIFT(FUEL) PERKINS(54555)	
1	65636GT	CAP, OIL FILLER.....	1
2	65638GT	SEAL, OIL FILLER CAP.....	1
3	128986GT	WATER OUTLET, VERTICAL.....	1
4	128061GT	SCREW, HHC, M10 X 1.5 X 50	
5	22699GT	WASHER,FLAT,M10,ZINC PLTD.	
6	22736GT	NUT,NYLOCK,M10X1.50	
7	1252940GT	STARTER,PERKINS 404F..... <i>no componets available from supplier</i>	1
8	1252942GT	PUMP,WATER,PERKINS 404F.....	1
9	77482GT	PULLEY, WATER PUMP.....	1
10	1252943GT	SPACER,FAN,PERKINS 404F.....	1
11	77483GT	FAN, ENGINE (104-22)(404-22)*.....	1
12	77736GT	GLOW PLUG (PERKINS 404-22).....	4
13	1251814GT	ALTERNATOR - 85 AMP, INT REGULATED.....	1
14	89765GT	BELT, V (PERKINS 404).....	1

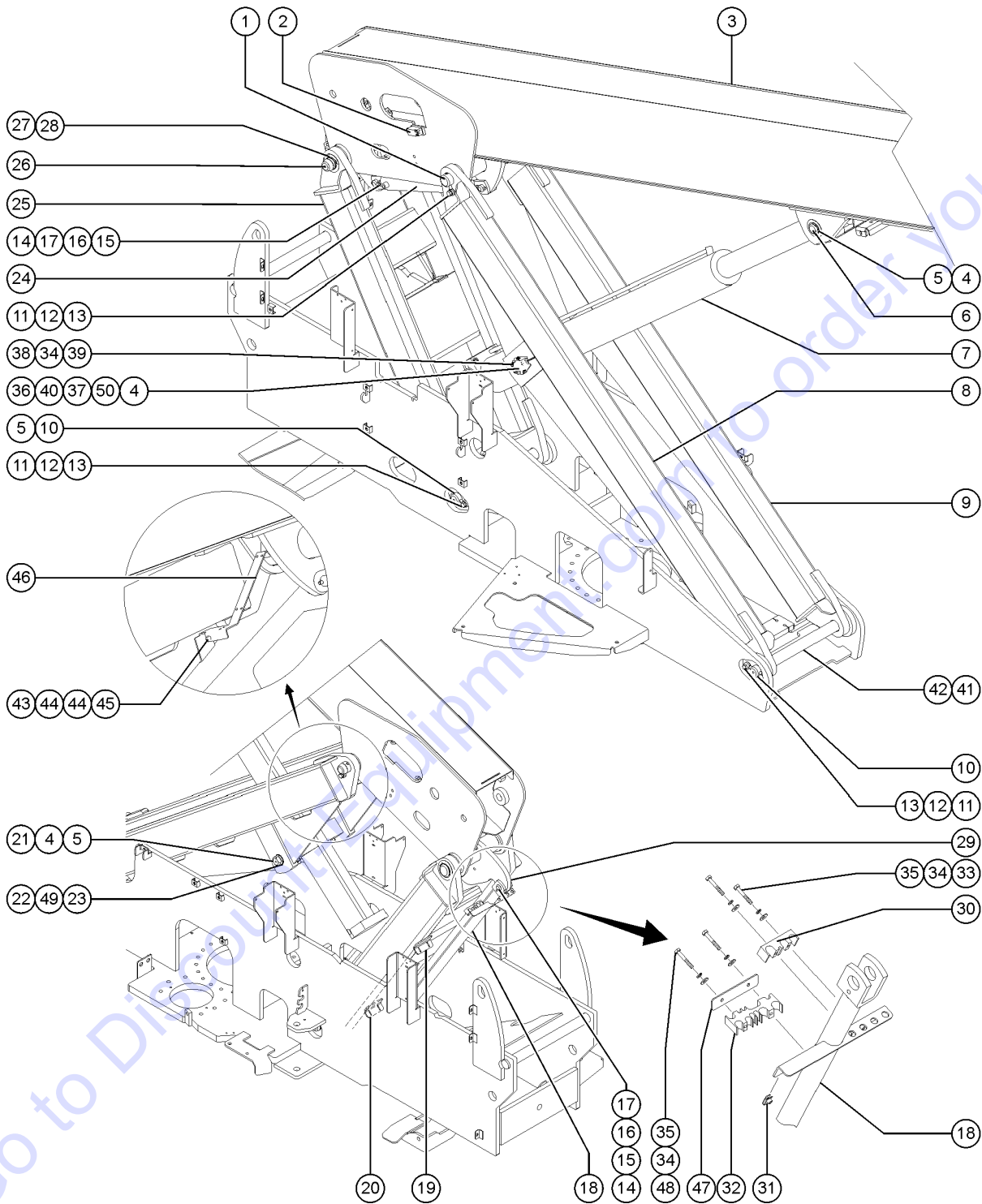
Go to Discount-Equipment.com to order your parts

517.1 Perkins 404F-22, View 4



Item	Part No.	Description	Qty.
--		<i>For internal engine parts, contact engine dealer</i>	
1	10598GT	SCREW,HHC,1/2-13 X 3.....	4
2	6095GT	WASHER,FLAT,USS,1/2",Y.....	4
3	101729GT	WASHER,VIBRATION ISOLATING.....	4
4	24040GT	WASHER,1/2 PLATE(1/2X2.25X3/16....	4
5	6198GT	NUT,NYLOCK,1/2-13.....	4
6	54687GT	SCREW,HHC,M14 X 1.5X40MM,GR8.8.....	6
7	49411GT	WASHER,FLAT,M14.....	6
8	88988PGT	FORMING,ENGINE MOUNT RH PAINTE.....	1
9	6888GT	SCREW,HHC,1/4-20 X 1	
10	71875GT	SPRING CLIP,1/4 TURN,.188PANEL.....	4
11	216065GT	ECM, PERKINS 404F-22.....	1
12	216836GT	ECM MOUNT, PERK 404F-22.....	1
13	8255GT	SCREW,HHC,3/8-16 X .75	
14	6097GT	WASHER,FLAT,USS,3/8",Y	
15	29868GT	SPRING CLIP,3/8-16,.05-.20X.73,ZAG....	2
16	216166GT	FORMING,ECU MOUNT,404F-22.....	1
17	6833GT	CLAMP,0.50,#8 X 1/4,RUB CUSH.....	2
18	6090GT	SCREW,HHC,1/4-20 X .75	
19	88987PGT	FORMING,ENGINE MOUNT,LH PAINTE.....	1
20	35675GT	BEARING,FL,1.25IDX1.5ODX1.25L.....	2
21	70462GT	WELDMENT,ENGINE TRAY***.....	1
22	70452GT	ISOLATOR,ENGINE VIBRATION***.....	4
23	6175GT	SCREW,HHC,3/8-16 X 1	
24	5397GT	WASHER,FLAT,USS,5/16",Y	
25	4828GT	NUT,NYLOCK,3/8-16	
26A	1251815GT	MANIFOLD,EXHAUST,PERKINS 404F...1	
26B	1251818GT	GASKET,EXHAUST ELBOW,PERKINS.....	1
26C	1251819GT	GASKET,EXHAUST MANIFOLD,PERK.....	1
26D	1251995GT	STUD,EXHAUST,PERKINS 404F.....	1
26E	1251996GT	NUT,EXHAUST,PERKINS 404F.....	1
27	94887GT	INTAKE MANIFOLD.....	1
28A	1251816GT	FLANGE,EXHAUST,PERKINS 404F.....	1
28B	1251818GT	GASKET,EXHAUST ELBOW,PERKINS.....	1

601.1 Linkage Assembly



601.1 Linkage Assembly

Item	Part No.	Description	Qty.	Item	Part No.	Description	Qty.
1	88665GT	PIN,2.25DIAX19.25LG,CHAMFER.....1	1	17	6175GT	SCREW,HHC,3/8-16 X 1	1
2		Ref: Primary Ext/Ret Harness.....1 <i>refer to 313.1</i>	1	18	88675GT	WELDMENT,MASTER LINK.....1	1
3		Ref: Boom Tube #1.....1 <i>refer to 602.1</i>	1	19		Ref: Ref: Harness LS, OP, Primary Angle.....1 <i>refer to 313.1</i>	1
4	18716GT	SNAP RING,EXTERNAL,2.00 DIA.....2	2	--	88356-11103GT	SWITCH,LIMIT,W/RLR ARM,NO/NC**....1	1
5	18730GT	WASHER,FLAT,2.01 X 3.5 X .06.....9	9	20A		Ref: Ref: Harness LS, OP, Primary Velocity.....1 <i>refer to 313.1</i>	1
6	88872GT	PIN,2.00DIAX11.18LG,2RING.....1	1	--	88356-11103GT	SWITCH,LIMIT,W/RLR ARM,NO/NC**....1	1
7A	88653GT	CYLINDER,LIFT,S60***.....1 <i>for all S-60 and S-65 models except S-60 HC</i>	1	20B		Ref: Ref: Harness LS, Safety, Primary Velocity.....1 <i>refer to 313.1</i>	1
--	101252GT	SEAL KIT (88653) <i>for 88653</i>		--	88356-13103GT	SWITCH,LIMIT,W/RLLR ARM,NO/NC.....1	1
--	1262331GT	KIT, GLAND NUT, S60 LIFT CYL. <i>for 88653</i>		21	88666GT	PIN,2 X 5.75 LG.....1	1
--	1268376GT	NUT, PISTON, LIFT CYLINDER <i>for 88653</i>		22	13854GT	SCREW,HHC,1/2-13 X 4.5,GRD.8.....2	2
--	1268377GT	SET SCREW, LIFT CYLINDER <i>for 88653</i>		23	6198GT	NUT,NYLOCK,1/2-13	
--	18720GT	BEARING,2.0IDX2.25ODX1.50L <i>for 88653</i>		24	81694GT	CYLINDER,MASTER.....1 <i>S-60 and S65 models</i>	1
--	61602GT	VALVE,COUNTERBAL.CBBB-LHN@3500 <i>for 88653</i>		--	75470GT	SEAL KIT,CYL,S45 MASTER(81694) <i>for 81694</i>	
7B	107825GT	CYLINDER, LIFT, S60HC.....1 <i>FOR S-60 HC</i>	1	25	T106508GT	SHORT LINK W/BEARINGS, SERVICE.....1 <i>(includes items 26-28)</i>	1
--	101252GT	SEAL KIT (88653).....1 <i>for 107825</i>	1	--	18720GT	BEARING,2.0IDX2.25ODX1.50L.....2	2
--	1262331GT	KIT, GLAND NUT, S60 LIFT CYL. <i>for 107825</i>		--	18722GT	BEARING,2.25IDX2.50ODX1.50L*.....2	2
--	128464GT	VALVE,COUNTERBAL,CWCK-LHN@3500.1 <i>for 107825</i>		--	T106413GT	WELDMENT, SHORT LINK, S60/65.....1	1
--	18720GT	BEARING,2.0IDX2.25ODX1.50L <i>for 107825</i>		26	119990GT	PIN,2.25DIAX18.75LG,CHAMFER.....1	1
--	60984GT	VALVE,COUNTERBAL.CBBD-LJN@5000.2 <i>for 107825</i>		27	18731GT	WASHER,FLAT,2.27 X 3.5 X .06.....6	6
8	139601GT	ASSY, LONG LINK LT W/BEARINGS.....1	1	28	18717GT	SNAP RING,EXTERNAL,2.25 DIA.....2	2
--	18722GT	BEARING,2.25IDX2.50ODX1.50L*		29	77672GT	WELDMENT,TIMING LINK CAM.....1 <i>(bearings not included)</i>	1
--	88920GT	BEARING,FL,2.00IDX2.25ODX1.50L		--	30370GT	BEARING,1.25IDX1.50DX1.00L <i>(sold separately)</i>	
9	139602GT	ASSY, LONG LINK RT W/BEARINGS.....1	1	--	88919GT	BEARING,FL,2.25IDX2.50ODX1.63L <i>(sold separately)</i>	
--	18722GT	BEARING,2.25IDX2.50ODX1.50L*		30	824550GT	CLAMP, TIMING LINK, LH	
--	88920GT	BEARING,FL,2.00IDX2.25ODX1.50L		31	25969GT	CLIP,SPRING,1/4-20 BLACK.....4	4
10	88676GT	PIN,2.00DIAX24.00LG,CHAMFER***.....2	2	32	824546GT	CLAMP, TIMING LINK, RH	
11	8177GT	SCREW,HHC,1/2-13 X 1.5		33	6637GT	SCREW,HHC,1/4-20 X 1.75.....2	2
12	6033GT	WASHER,LOCK,0.5"		34	6356GT	WASHER,LOCK,.25.....4	4
13	1256267GT	ROD END,.5 X 3.75,ZAG.....2	2	35	6638GT	WASHER,FLAT,USS,1/4"Y.....4	4
14	34276GT	PIN,1.25DIAX3.37LG,1HOLE.....1	1	36	147834GT	ASSY, ANGLE SENSOR AND COVER...1 <i>all models except S-60HC</i>	1
15	25284GT	ROD END,.375 X 2.25***.....2	2	--	110452GT	COVER,STEERING SENSOR	
16	6021GT	WASHER,LOCK,.375		--	60746GT	BUSHING, STRAIN RELIEF, 1"	
				--	6607GT	WASHER,LOCK,#10 PLTD	



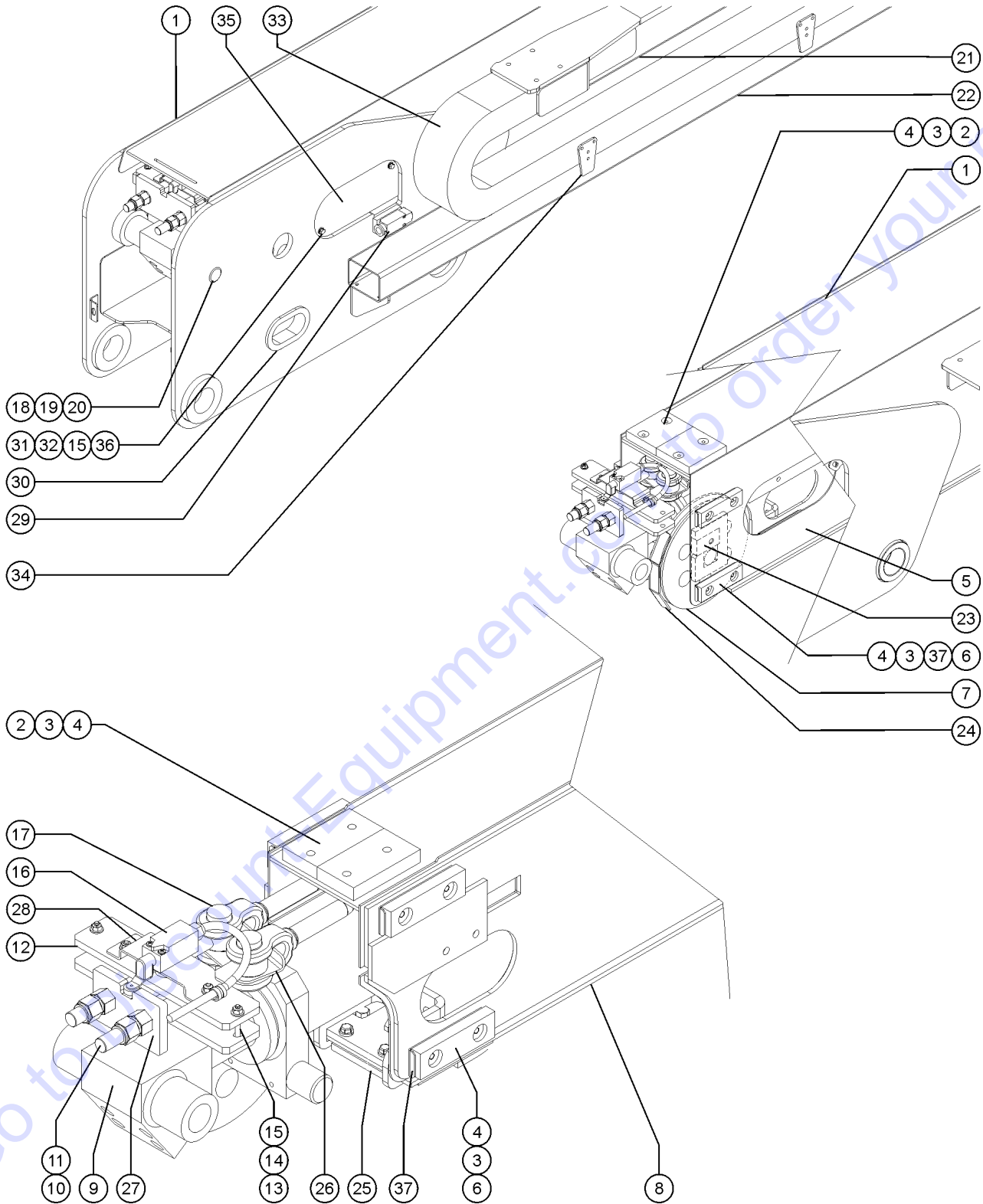
601.1 Linkage Assembly  
(continued)

Item	Part No.	Description	Qty.
--	75041GT	SCREW,PHILLIPS,PHM,10-32 X 1	
--	94980GT	SENSOR,DUAL OUTPUT,ANGLE***	
37	147842GT	PIN, LIFT CYL, HEX END.....1	1
38	6090GT	SCREW,HHC,1/4-20 X .75.....1	1
39	6638GT	WASHER,FLAT,USS,1/4"Y.....1	1
40	147571GT	KEY, HEX, 5/16" X 2.50"LG,SS.....1	1
41	110908GT	WELDMENT, LONG LINK SPACER.....1	1
42	10597GT	SCREW,HHC,1/2-13 X 1.25 GR5.....1	1
43	81852GT	SCREW,HHC,7/16-14 X 1.75	
44	106134GT	WASHER,FLAT,HARDENED 7/16	
45	11210GT	NUT,NYLOCK,7/16-14	
46	230497GT	FORMING,ANGLE SENSOR CABLE.....1	1
47	227125GT	BAR, CLAMP, TIMING LINK.....1	1
48	36294GT	SCREW,HHC,1/4-20 X 2.75.....2	2
49	13066GT	WASHER,FLAT,.5 HARDENED.....2	2
50	T107751GT	WASHER,FLAT,2.01X2.25X.06,PLTD.....1	1

***This Page Intentionally Left Blank***

Go to Discount-Equipment.com to order your parts

602.1 Boom Components, View 1

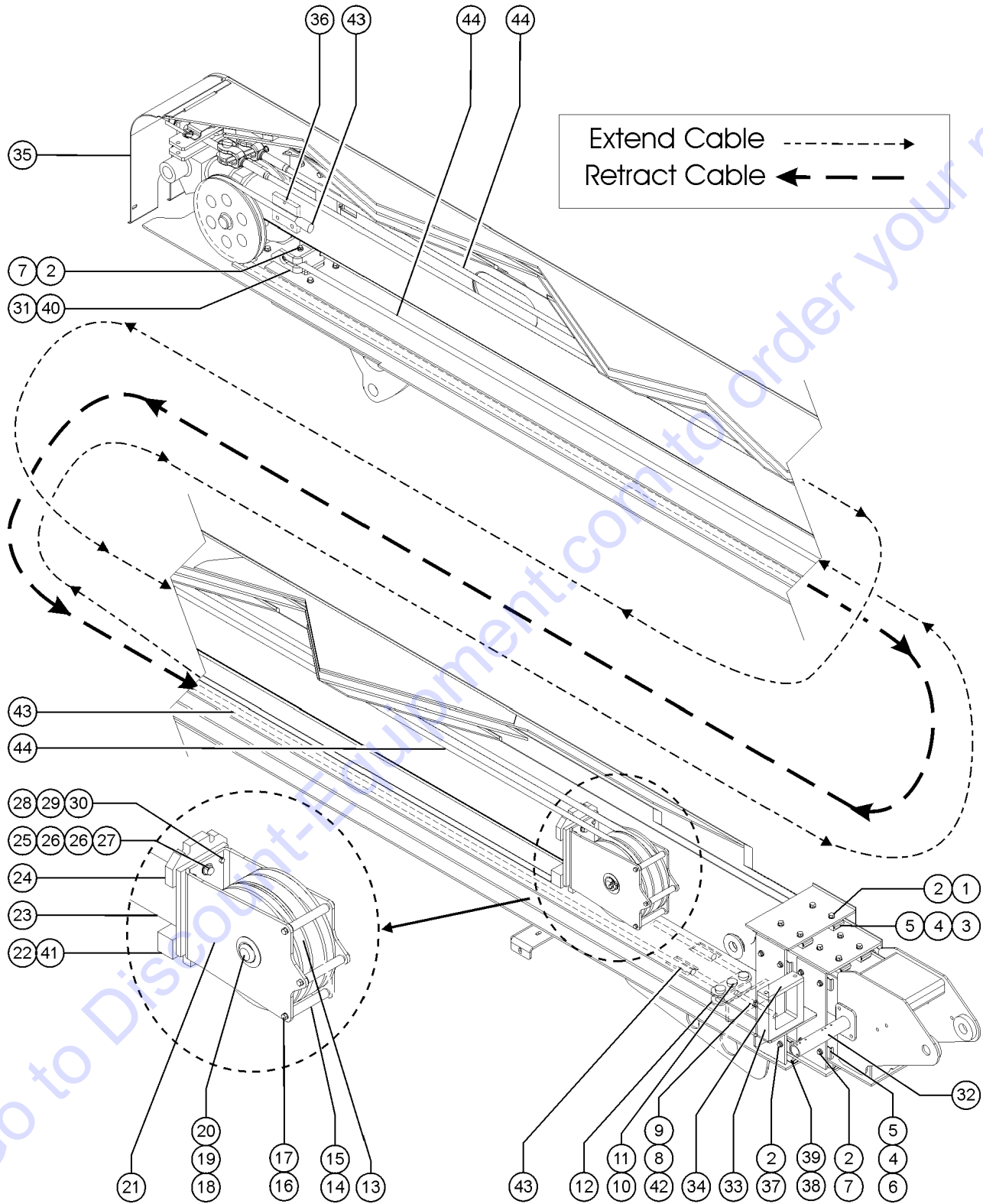




602.1 Boom Components, View 1

Item	Part No.	Description	Qty.	Item	Part No.	Description	Qty.
--	18720GT	BEARING,2.0IDX2.25ODX1.50L.....2 <i>sold seperately</i>	2	20	18596GT	WASHER,FLAT,1.56 X 2.5 X .061	
--	30370GT	BEARING,1.25IDX1.5ODX1.00L.....1 <i>sold seperately</i>	1	21		Ref: Cable Track Tube.....1 <i>refer to 611.1</i>	1
--	88919GT	BEARING,FL,2.25IDX2.50ODX1.63L.....4 <i>sold seperately</i>	4	22		Ref: Cable Track Tray.....1 <i>refer to 611.1</i>	1
1A	T108890GT	#1 BOOM TUBE ASSY,W/WORD DECAL.....1 <i>for decal refer to section 100</i>	1	23	88795GT	CAP,EXTENSION***.....1	1
1B	T108891GT	#1 BOOM TUBE ASSY,W/SYM DECAL <i>for decal refer to section 100</i>		--	6021GT	WASHER,LOCK,.375	
2	34124GT	WEAR PAD,5 X 3 X .625 W/NUTS.....4	4	--	6097GT	WASHER,FLAT,USS,3/8",Y	
--	34344GT	SHIM,SIDE PAD 16GA. 3 X 5		--	6175GT	SCREW,HHC,3/8-16 X 1	
3	6021GT	WASHER,LOCK,.375		24	107665PGT	COVER,RETRACT SHEAVE,PAINTED.....1	1
4	28487GT	SCREW,BHHS,3/8-16 X 1		25	77718GT	WEAR PAD,5 X 3 X .75.....1	1
5A	147617GT	WELDMNT, BOOM SECTION #2.....1 <i>S-60X and S-60XC models</i>	1	--	34344GT	SHIM,SIDE PAD 16GA. 3 X 5	
5B	63078GT	WELDMNT,BOOM SECTION #2*** <i>S-60, S-60HX, S-60TRAX models</i>		--	38621GT	SHIM,PAD,5 X 3	
5C	63078GT	WELDMNT,BOOM SECTION #2*** <i>S-65 and S-65TRAX models</i>		--	6019GT	SCREW,HHC,3/8-16 X 1.25 GRD 5	
6	30138GT	WEAR PAD,5 X 1.5 X .625 W/NUTS		--	6021GT	WASHER,LOCK,.375	
7	88568GT	SHEAVE,RETRACT CABLE(SMALLER).....2	2	26	77618PGT	PLATE,ANTIROTATION.....1	1
8	94692GT	ASSEMBLY,BOOM TUBE #3 S60/65**.....1 <i>USA, Canada and Australia models</i>	1	27	77795GT	MACHINED PIVOT PLATE WELDMNT.....1	1
--	119567GT	ASSEM,BOOM TUBE #3 S60/65,CE** <i>South America, Asia and Europe models</i>		28	77653PGT	FORMING,LIMIT SWITCH BRACKET.....1	1
--	34245GT	BEARING,1.25IDX1.50X1.25L.....2	2	--	6091GT	NUT,NYLOCK,1/4-20	
9	88571GT	CYLINDER,BOOM EXTENSION.....1	1	--	6638GT	WASHER,FLAT,USS,1/4"Y	
--	101251GT	SEAL KIT (88571)		--	6888GT	SCREW,HHC,1/4-20 X 1	
--	74872GT	VALVE,COUNTERBALANCE 3000 PSI*.....1	1	29		Ref: Harness, Primary Ext/Ret Limit Switch.....1 <i>refer to 313.1</i>	1
--	88667GT	VALVE,CB.CBCA-LHN@1500PSI***.....1	1	--	88356-14963GT	SWITCH,LIMIT,W/RLLR ARM,NO/NC	
10	77656GT	ROD END,CABLE		30	71768GT	GROMMET,4.00 GRV. X .75 THK.....1	1
11	77051GT	NUT,NYLOCK,3/4-10,GRD.8		31	6090GT	SCREW,HHC,1/4-20 X .75	
12	77654PGT	PLATE,ROCKER.....2	2	32	6356GT	WASHER,LOCK,.25	
13	8179GT	SCREW,HHC,1/4-20 X 2.25		33		Ref: Cable Track.....1 <i>refer to 611.1</i>	1
14	6091GT	NUT,NYLOCK,1/4-20		34		Ref: Cable Track Guide.....10 <i>refer to 611.1</i>	10
15	6638GT	WASHER,FLAT,USS,1/4"Y		35	77882PGT	COVER,RH,BOOM SECTION #1.....1	1
16		Ref. Harness, Cable Tension Limit Switch.....1 <i>refer to 313.1 (139833)</i>	1	--	147403GT	COVER,LH,BOOM SECTION #1	
--		Ref. LOCK,RECEP 4 WAY,14-18GA <i>refer to 313.1</i>		36	56912GT	SPRING CLIP,1/4-20,.025-.15X.54,ZAG	
17	19440GT	PIN,CLEVIS,1 X 2.5 LG.....2	2	37	29080GT	SHIM,WEAR PAD,5X 1.5 16GA <i>qty as needed</i>	
18	81856GT	PIN,1.50DIAX13.43LG,2RING.....1	1				
19	825796GT	SNAP RING,EXTERNAL,1.50,ZAG.....2	2				

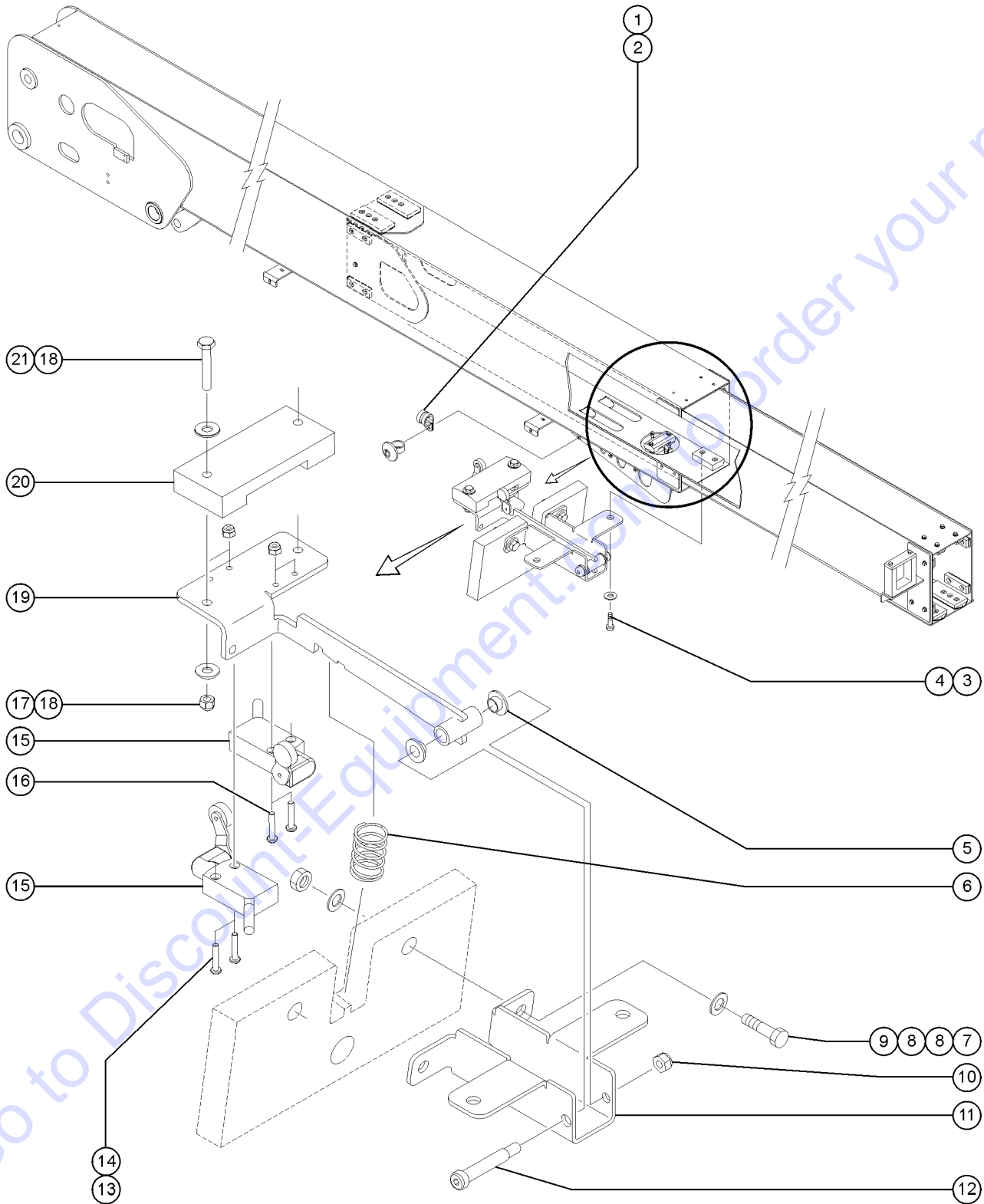
603.1 Boom Components, View 2



603.1 Boom Components, View 2

Item	Part No.	Description	Qty.	Item	Part No.	Description	Qty.
A	214690GT	KIT,EXTEND/RETRACT CABLE,S60 <i>(includes items 43 &amp; 44) (for easier installation, suggest ordering 94510, below)</i>		36	77616PGT	PLATE,BOTTOM BLOCK,PAINTED.....1	
B	94510GT	TOOL,CABLE GRIP, 7/16" <i>for installation of 214690</i>		37	57072GT	SCREW,BHHS,3/8-16 X 1.25	
1	6175GT	SCREW,HHC,3/8-16 X 1		38	34344GT	SHIM,SIDE PAD 16GA. 3 X 5.....4	
2	6021GT	WASHER,LOCK,.375		39	77718GT	WEAR PAD,5 X 3 X .75.....4	
3	30138GT	WEAR PAD,5 X 1.5 X .625 W/NUTS.....8		40	77713GT	PLATE,TAP BLOCK.....1	
4	38620GT	SHIM,WEAR PAD,5 X 1.5,14GA.....16		41	6605GT	SCREW,HHC,3/8-16 X 3.5,GR5.....2	
5	29080GT	SHIM,WEAR PAD,5X 1.5 16GA.....16		42	33278GT	WASHER,FLAT,.75 HARDENED	
6	34125GT	WEAR PAD,5 X 1.5 X .75 W/NUTS.....8		43	110340GT	CABLE ASSY, RETRACT SET (PAIR).....1 <i>(one end mounts at the base, the other end mounts at the top of the mast)</i>	
7	6019GT	SCREW,HHC,3/8-16 X 1.25 GRD 5		44	110339GT	CABLE ASSY, EXTEND SET(PAIR).....1 <i>(both ends mount at the base of the mast)</i>	
8	77656GT	ROD END,CABLE					
9	77051GT	NUT,NYLOCK,3/4-10,GRD.8					
10	826379GT	PIN,CLEVIS,1X2.250,ZAG.....4					
11	13635-10GT	PIN,COTTER,.156 X 1.75.....4					
12	88796GT	PLATE,RETRACTION CABLE EQUALIZ.....2					
13	88567GT	SHEAVE,EXTENSION CABLE(LARGER).....1					
14	77648GT	ROLLER,1/2" PVC.....1					
15	77649GT	ROLLER,1/2" ALUMINUM.....1					
16	6090GT	SCREW,HHC,1/4-20 X .75					
17	6356GT	WASHER,LOCK,.25					
18	88793GT	PIN,1.5 X 5.50 LG.....1					
19	825796GT	SNAP RING,EXTERNAL,1.50,ZAG.....2					
20	18596GT	WASHER,FLAT,1.56 X 2.5 X .061					
21	139384GT	BRACKET, EXTEND SHEAVE.....1					
22	139288GT	GUIDE, EXT. CABLE, BOTTOM.....1					
23		Ref: Extension Cylinder <i>refer to 602.1</i>					
24	139385GT	GUIDE, EXT CABLE, TOP.....1					
25	54177GT	SCREW,HHC,1/2-13 X 1.5 GRD 8.....2					
26	49411GT	WASHER,FLAT,M14					
27	6198GT	NUT,NYLOCK,1/2-13					
28	4266GT	SCREW,HHC,1/4-20 X 2					
29	6638GT	WASHER,FLAT,USS,1/4"Y					
30	6091GT	NUT,NYLOCK,1/4-20					
31	77688GT	WELDMENT,EXTENSION BRACKET.....1					
32		Ref: Weldment Track Pull Tube.....1 <i>refer to 611.1</i>					
33		Ref: Hose/Cable Clamps.....1 <i>refer to 611.1</i>					
34		Ref: Bar Clamp, Cable Track.....1 <i>refer to 611.1</i>					
35	101066PGT	COVER,PRIMARY BOOM,PAINTED.....1					

604.1 Boom Limit Switch, S-60X, S-60XC, S-60TraX ANSI Models

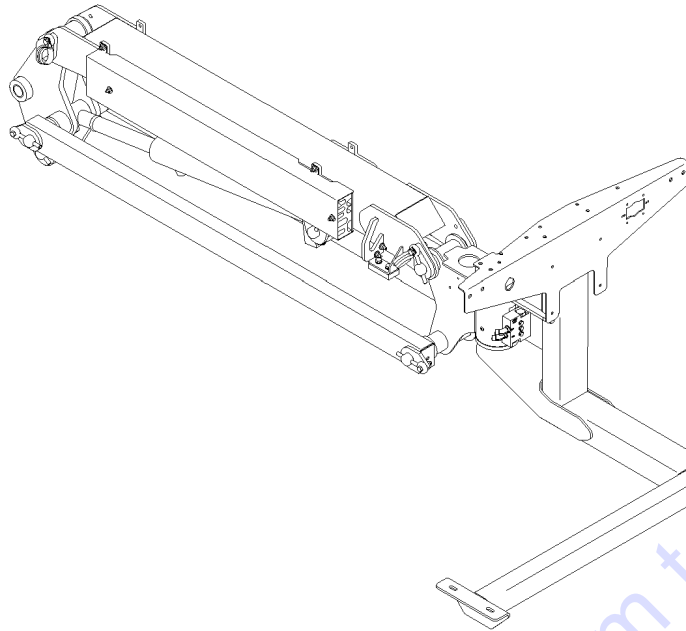


604.1 Boom Limit Switch, S-60X, S-60XC, S-60TraX ANSI Models

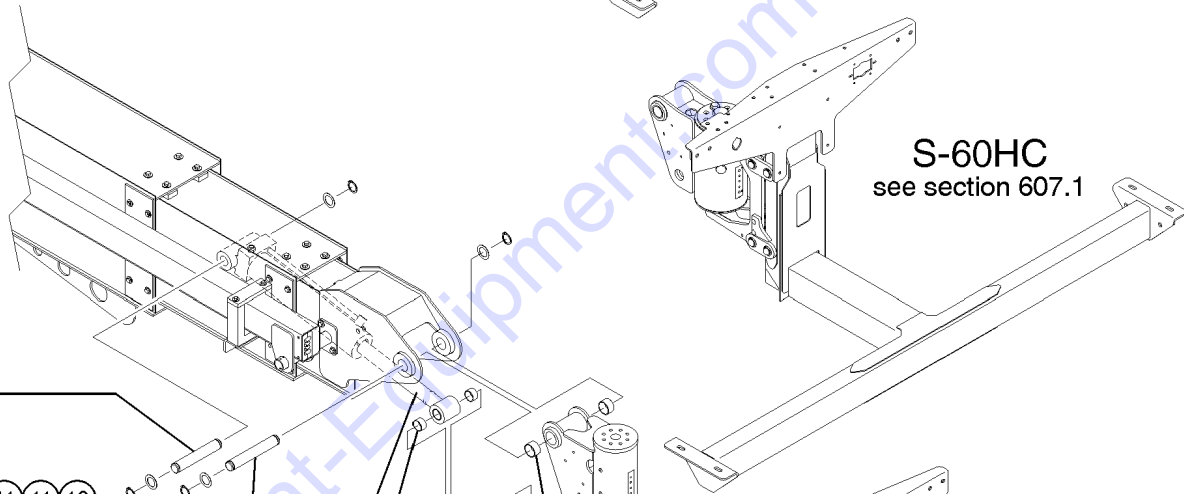
Item	Part No.	Description	Qty.
1	45470GT	CLAMP,0.31,#5 X 1/4,RUB CUSH.....1	1
2	56361GT	CABLE TIE,BUTTON,BLACK,14.75LG...3	3
3	6019GT	SCREW,HHC,3/8-16 X 1.25 GRD 5.....2	2
4	6021GT	WASHER,LOCK, .375.....2	2
5	47222GT	WASHER,SHOULDER,NYLON.....2	2
6	T112459GT	SPRING,0.984"OD X 1.50"LG.....1	1
7	13918GT	SCREW,HHC,3/8-16 X 1.75,GRD.8.....2	2
8	5397GT	WASHER,FLAT,USS,5/16",Y.....4	4
9	4828GT	NUT,NYLOCK,3/8-16.....2	2
10	6782GT	NUT,NYLOCK,5/16-18.....1	1
11	147504GT	COVER, LIMIT SWITCH ARM MOUNT...1	1
12	147578GT	SCREW,SHC,3/8 X 1.75 SHOULDER....1	1
13	T106385GT	SCREW,PHILLIPS,PHM,8-32 X 1.00....4	4
14	18605GT	NUT,NYLOCK,8-32.....4	4
15	<del>1364414B61GT</del> 1364414B61GT	LIMIT SWITCH,BLUE,MICRO.....2	2
16	T106385GT	SCREW,PHILLIPS,PHM,8-32 X 1.00....2	2
17	6091GT	NUT,NYLOCK,1/4-20.....2	2
18	6638GT	WASHER,FLAT,USS,1/4"Y.....4	4
19	230329GT	WELDMENT, LIMIT SWITCH ARM.....1	1
20	230331GT	WEARPAD, LIMIT SWITCH GUIDE.....1	1
21	6145GT	SCREW,HHC,1/4-20 X 1.5.....2	2

Go to Discount-Equipment.com to order your parts

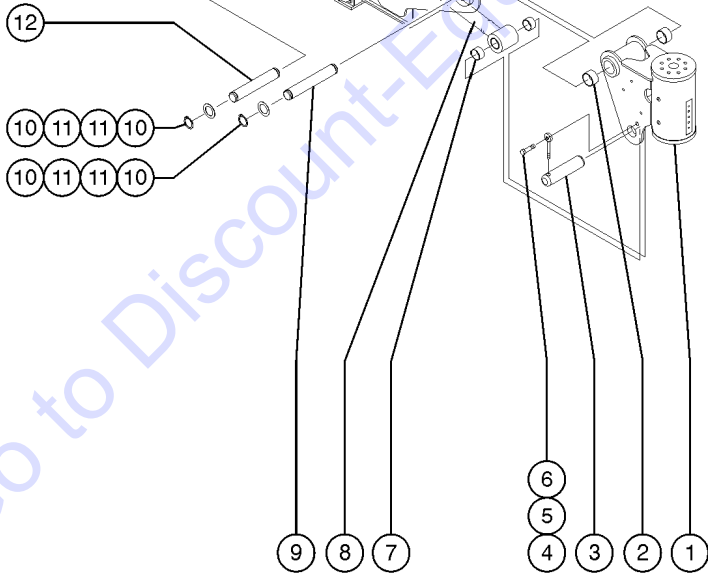
605.1 Boom End Components, S-60 (All Models), S-60TraX (Australia and CE Models)



**S-65**  
see section 606.1 or 609.1



**S-60HC**  
see section 607.1



**S-60X, S-60XC  
& S60Trax ANSI**  
see section 608.1

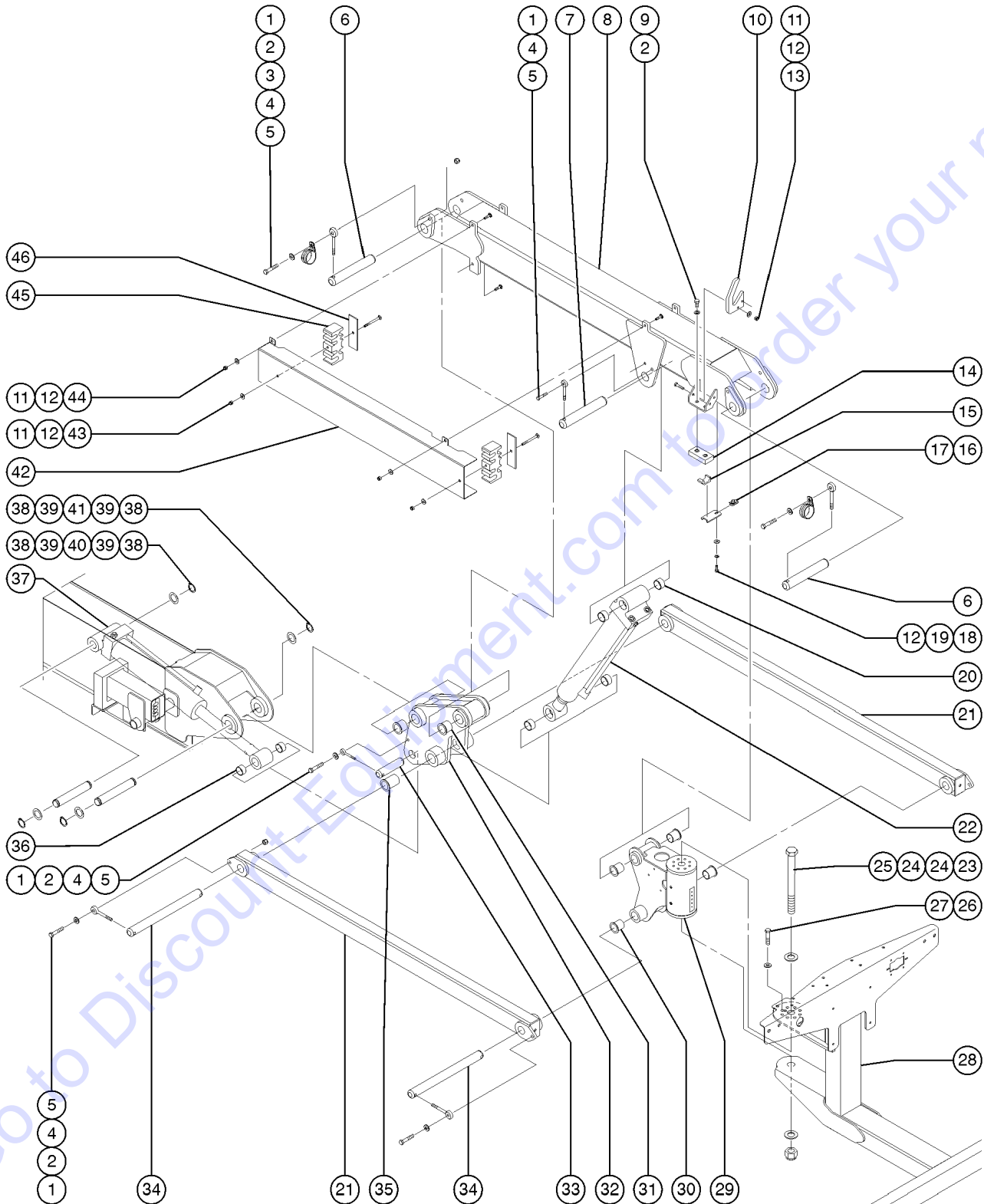
605.1 Boom End Components, S-60 (All Models), S-60TraX (Australia and CE Models)

Item	Part No.	Description	Qty.
1	88576GT	ROTATOR, NON-JIB.....1 <i>Includes item 2; S-60 CE only</i>	1
--	122944GT	SEAL KIT, 8K ROTATOR***	
--	88516GT	SCREW, BLEEDER, M5X0.8	
2	30370GT	BEARING, 1.25ID X 1.5OD X 1.00L.....4	4
3	T108075GT	PIN, 1.25DIA X 5.25LG, 1HOLE.....1	1
4	45226GT	ROD END, .375 X 3.69	
5	6175GT	SCREW, HHC, 3/8-16 X 1	
6	4828GT	NUT, NYLOCK, 3/8-16	
7	25683GT	BEARING, POLYGON, 20DU12.....4	4
8	63566GT	CYLINDER, PLATFORM LEVEL*** .....1 <i>Includes item 7</i>	1
--	101254GT	SEAL KIT (63566)	
--	77303GT	VALVE, CNTRBAL 3500PSI, ATM VEN	
9	T111124GT	PIN, 1.25DIA X 8.42LG, 2RING.....1	1
10	30217GT	SNAP RING, EXTERNAL, 1.25 DIA. ** .....4	4
11	30255GT	WASHER, SHIM, 1.27 X 2.13 X .062.....as-needed	
12	88870GT	PIN, 1.25DIA X 7.47LG, 2RING.....1	1

Go to Discount-Equipment.com to order your parts



606.1 Boom End Components, S-65 and S-65TraX (All Models)

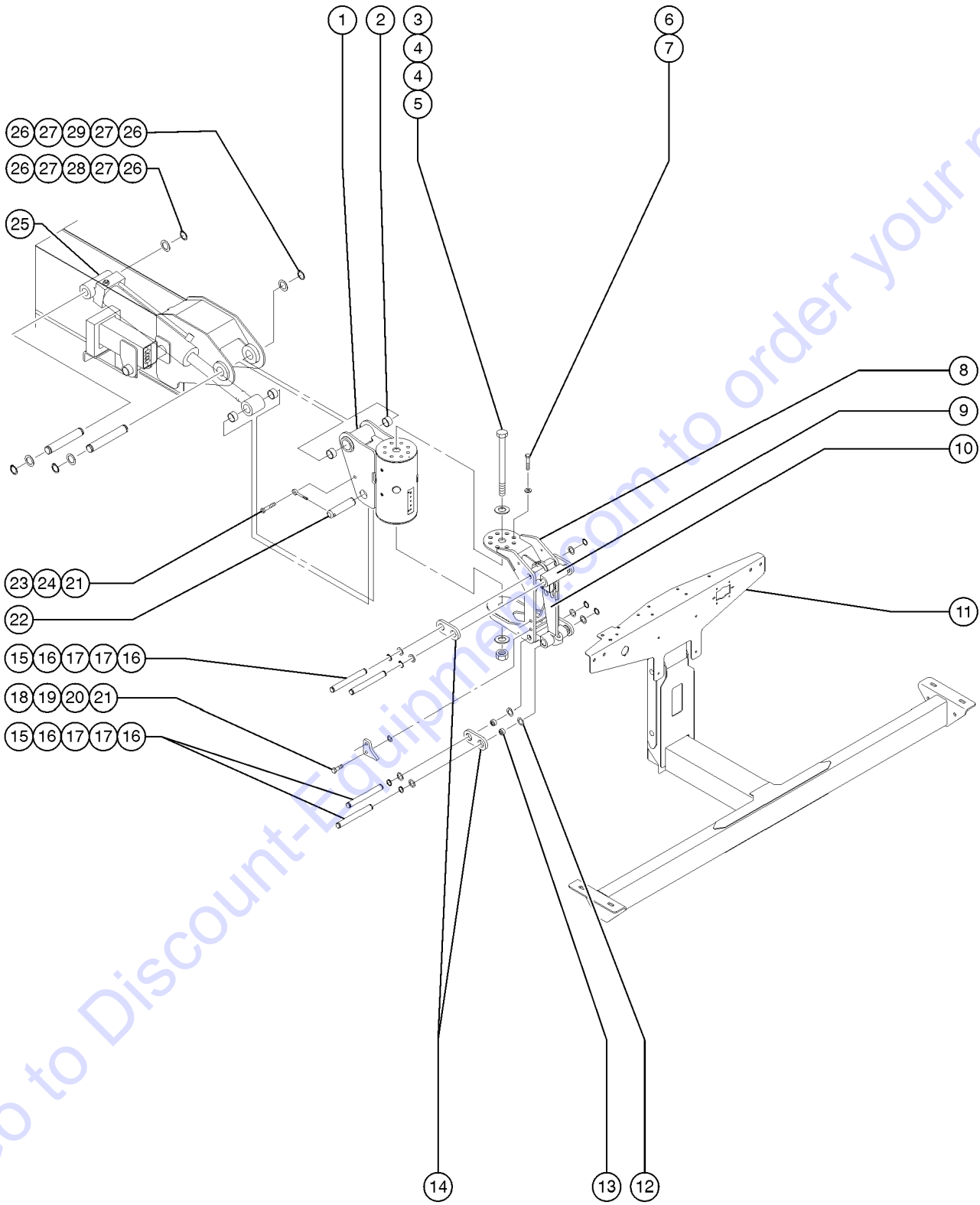




606.1 Boom End Components, S-65 and S-65TraX (All Models)

Item	Part No.	Description	Qty.	Item	Part No.	Description	Qty.
1	6175GT	SCREW,HHC,3/8-16 X 1		30	30222GT	BEARING,FL,1.25IDX1.41ODX1.50L.....4	4
2	6021GT	WASHER,LOCK,.375		31	35675GT	BEARING,FL,1.25IDX1.5ODX1.25L.....4	4
3	77181GT	CLAMP,1.63,#26 X 3/8,RUB CUSH.....2	2	32	101244GT	BELLCRANK W/BEARINGS.....1 <i>includes bearings item 31 and 35</i>	1
4	45226GT	ROD END,.375 X 3.69		33	T108075GT	PIN,1.25DIAX5.25LG,1HOLE.....1	1
5	4828GT	NUT,NYLOCK,3/8-16		34	81175GT	PIN,1.25DIAX14.45LG,2HOLE.....2	2
6	T108076GT	PIN,1.25DIAX7.88LG,1HOLE.....2	2	35	128268GT	BEARING,FL, 1.25X1.5X2.13.....2	2
7	T108077GT	PIN,1.25DIAX7.00LG,1HOLE.....1	1	36	25683GT	BEARING,POLYGON,20DU12.....4	4
8B	128534GT	JIB BOOM ASSY W/WORD DECAL.....1 <i>USA, Canada and Australia models, includes item 8A</i>	1	37	63566GT	CYLINDER,PLATFORM LEVEL***.....1 <i>Includes item 7</i>	1
8C	T108892GT	JIB BOOM ASSY W/SYMBOL DECAL <i>South America, Asia and Europe models, includes item 8A</i>		--	101254GT	SEAL KIT (63566)	
9	8255GT	SCREW,HHC,3/8-16 X .75		--	77303GT	VALVE,CNTRBAL 3500PSI,ATM VEN	
10	128482GT	HOSE GUIDE, JIB.....1 <i>to SN S6015A-29311</i>	1	38	30217GT	SNAP RING,EXTERNAL,1.25 DIA.**.....4	4
11	6091GT	NUT,NYLOCK,1/4-20		39	30255GT	WASHER,SHIM,1.27 X 2.13 X .062.....as-needed	
12	6638GT	WASHER,FLAT,USS,1/4"Y		40	88870GT	PIN,1.25DIAX7.47LG,2RING.....1	1
13	8915GT	SCREW,HHC,1/4-20 X 1.25		41	T111124GT	PIN,1.25DIAX8.42LG,2RING.....1	1
14	81640GT	WEAR PAD,3 X 1.5 X.625 W/NUTS		42	128454PGT	COVER, JIB HOSES/CABLES.....1	1
15	119542GT	CLAMP,TWO HOSE.....1	1	43	128724GT	BOLT,CARRIAGE,1/4-20 X 2.75,G2.....2	2
16	56912GT	SPRING CLIP,1/4-20,.025-.15X.54,ZAG.....1	1	44	79456GT	BOLT,CARRIAGE,1/4-20 X 1.00,G2.....4	4
17	119536GT	BRACKET,HOSE CLAMP***.....1	1	45	824551GT	CLAMP,HOSE/CABLE,JIB.....2	2
18	6090GT	SCREW,HHC,1/4-20 X .75		46	128483GT	BACKING PLATE, HOSE BLOCK, JIB....2	2
19	6356GT	WASHER,LOCK,.25					
20	25683GT	BEARING,POLYGON,20DU12.....4	4				
21	61306-SGT	COMPR.LINK,MACHINED,GND CONTR*.....2	2				
22	63213GT	CYLINDER,JIB (STICK BOOMS).....1 <i>includes item 20</i>	1				
--	33428GT	VALVE,COUNTERBALANCE					
--	63353GT	SEAL KIT,CYL,S65 (63213)					
23	73928GT	SCREW,HHC,1-8 X 11,GRD 5***.....1	1				
24	122079GT	WASHER,FLAT,1.000,HARDENED.....2	2				
25	29764GT	NUT,NYLOCK,1-8.....1	1				
26	77692GT	SCREW,HHC,3/8-16 X 1 GRD 8.....8	8				
27	6097GT	WASHER,FLAT,USS,3/8",Y.....8	8				
28	60370-SGT	PLATFORM SUPPORT WELDMNT-SERV*.....1	1				
29	94397GT	ROTATOR,PLAT JIB,160 DEG***.....1 <i>includes bearing item 30</i>	1				
--	122944GT	SEAL KIT,8K ROTATOR*** <i>for 94397</i>					
--	75395GT	BEARING KIT,PLAT ROTATOR,SUPER <i>for 94397</i>					
--	88516GT	SCREW,BLEEDER,M5X0.8 <i>for 94397</i>					

607.1 Boom End Components, S-60HC (All Models)

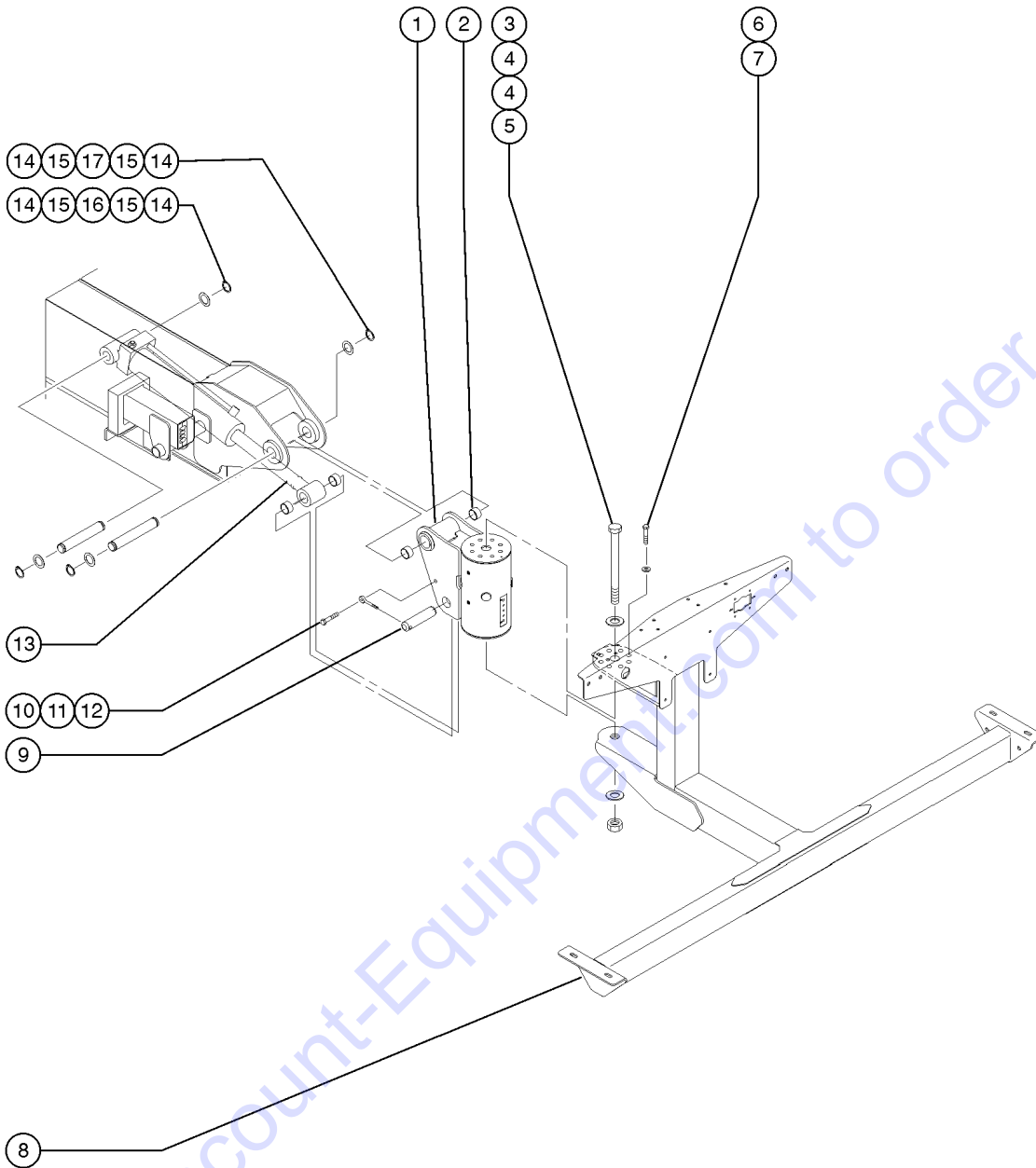


Go to Discount-Equipment.com to order your parts

607.1 Boom End Components, S-60HC (All Models)

Item	Part No.	Description	Qty.
1	226541GT	ROTATOR,PLATFORM,15K.....1 <i>includes item 2</i>	1
--	147370GT	SEAL KIT,15K ROTATOR <i>for 107836; to SN 21918</i>	
--	226542GT	SEAL KIT, 15K ROTATOR <i>for 226541; from SN 21919</i>	
2	30370GT	BEARING,1.25IDX1.5ODX1.00L.....2	2
3	824075GT	SCREW,HHC,1-8X12.75,5,ZAG	
4	122079GT	WASHER,FLAT,1.000,HARDENED.....2	2
5	123143GT	NUT,NYLOCK,1-8,GR8.....1	1
6	123663GT	SCREW,HHC,1/2-13X1.25,GR8,Y.....8	8
7	13066GT	WASHER,FLAT,.5 HARDENED.....8	8
8	107564GT	WELDMENT,ROTATOR MOUNT.....1	1
9	119230GT	MACH,PLATE,LOAD SUPPORT.....1	1
10	106766GT	LOAD CELL FLEXURE.....2	2
11	106399GT	WELDMENT,PLATFORM SUPPORT.....1	1
12	110789GT	WASHER,SHIM .0151 THK.....as-needed	
13	25685GT	BEARING,GARLOCK,12FDU12.....8	8
14	110784GT	MACHINED,LOAD CELL LINK.....1	1
--	45748GT	ROD END,.250 X 2.75 LG	
15	110785GT	PIN,.75DIA X 6.38 LG,2RING.....4	4
16	10262GT	SNAP RING,EXTERNAL,.75 DIA.....8	8
17	6563GT	WASHER,SHIM,.75 X 1.125 X.030.....as-needed	
18	8516GT	SCREW, HCC, 3/8-16 X 1.50.....2	2
19	139248GT	MACH.,PLATE,STOP.....2	2
20	7268GT	WASHER,SHIM,.375 X.625X.033 ST....4	4
21	4828GT	NUT,NYLOCK,3/8-16.....2	2
22	T108075GT	PIN,1.25DIAX5.25LG,1HOLE.....1	1
23	6175GT	SCREW,HHC,3/8-16 X 1.....1	1
24	45226GT	ROD END,.375 X 3.69.....1	1
25	63566GT	CYLINDER,PLATFORM LEVEL ***.....1	1
--	101254GT	SEAL KIT (63566)	
--	25683GT	BEARING,POLYGON,20DU12.....4	4
--	77303GT	VALVE,CNTRBAL 3500PSI,ATM VEN	
26	30217GT	SNAP RING,EXTERNAL,1.25 DIA.**.....4	4
27	30255GT	WASHER,SHIM,1.27 X 2.13 X .062.....as-needed	
28	88870GT	PIN,1.25DIAX7.47LG,2RING.....1	1
29	T111124GT	PIN,1.25DIAX8.42LG,2RING.....1	1

608.1 Boom End Components, S-60X, S-60XC (All Models) and S-60Trax (ANSI Models)



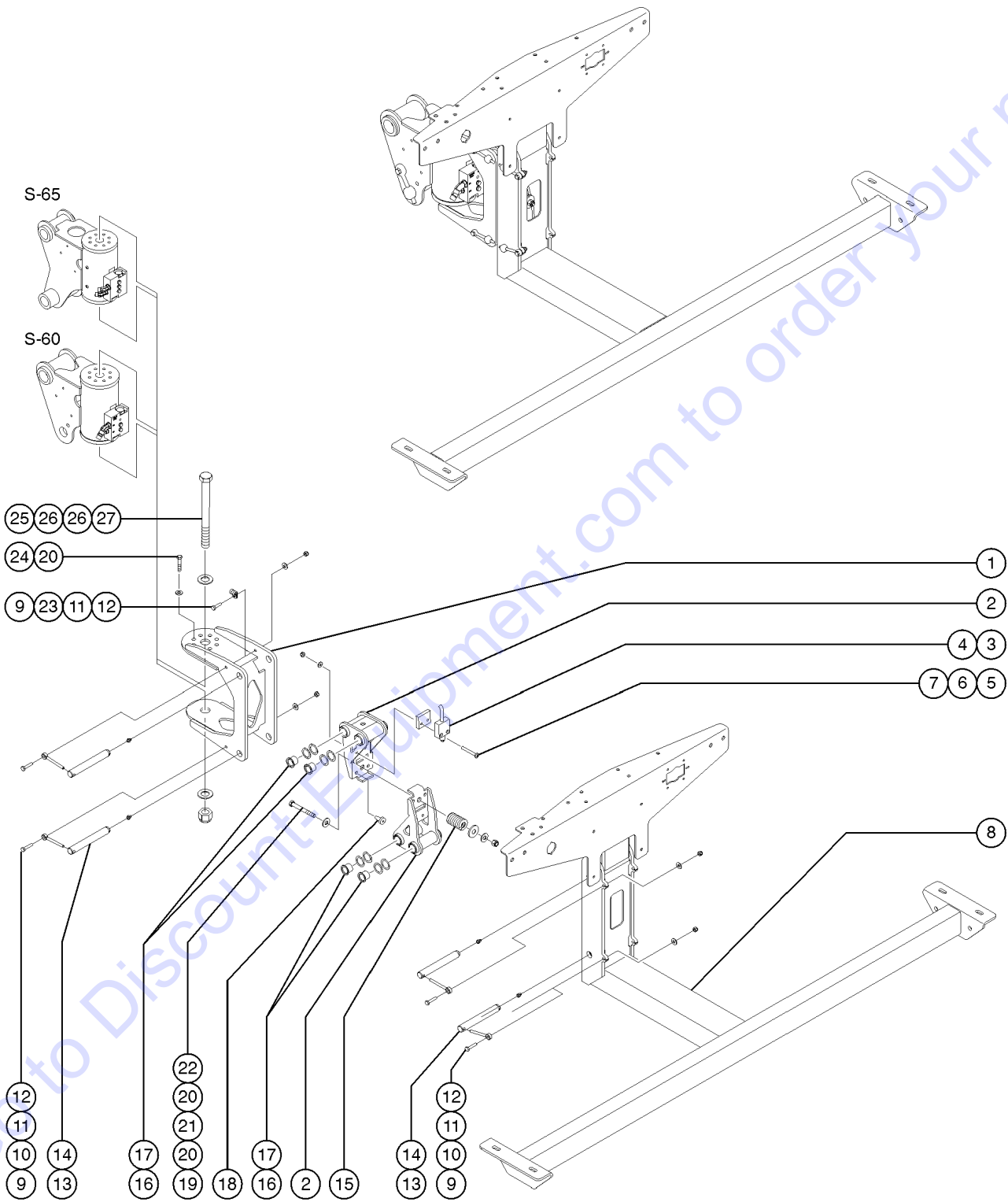
Go to Discount-Equipment.com to order your parts

608.1 Boom End Components, S-60X, S-60XC (All Models) and S-60Trax (ANSI Models)

Item	Part No.	Description	Qty.
1	226541GT	ROTATOR,PLATFORM,15K.....1 <i>includes item 2</i>	1
--	226542GT	SEAL KIT, 15K ROTATOR <i>for 226541</i>	
2	30370GT	BEARING,1.25IDX1.5ODX1.00L.....2	2
3	824075GT	SCREW,HHC,1-8X12.75,5,ZAG	
4	122079GT	WASHER,FLAT,1.000,HARDENED.....2	2
5	123143GT	NUT,NYLOCK,1-8,GR8.....1	1
6	123663GT	SCREW,HHC,1/2-13X1.25,GR8,Y.....8	8
7	13066GT	WASHER,FLAT,.5 HARDENED.....8	8
8A	147347GT	WELDMENT, PLAT SUPPORT.....1 <i>6ft and 8ft platforms</i>	1
8B	234242GT	WDMT,4FT/5FT PLAT. SUPPORT,15K....1 <i>4ft and 5ft Platforms</i>	1
9	T108075GT	PIN,1.25DIA X 5.25LG,1HOLE.....1	1
10	8516GT	SCREW, HCC, 3/8-16 X 1.50.....1	1
11	45226GT	ROD END,.375 X 3.69.....1	1
12	4828GT	NUT,NYLOCK,3/8-16.....1	1
13	63566GT	CYLINDER,PLATFORM LEVEL***.....1	1
--	101254GT	SEAL KIT (63566)	
--	25683GT	BEARING,POLYGON,20DU12.....4	4
--	77303GT	VALVE,CNTRBAL 3500PSI,ATM VEN	
14	30217GT	SNAP RING,EXTERNAL,1.25 DIA.**.....4	4
15	30255GT	WASHER,SHIM,1.27 X 2.13 X .062.....as-needed	
16	88870GT	PIN,1.25DIA X 7.47LG,2RING.....1	1
17	T111124GT	PIN,1.25DIA X 8.42LG,2RING.....1	1

Go to Discount-Equipment.com to order your parts

609.1 Boom End Components, Load Sense, S-60, S-65 CE Models



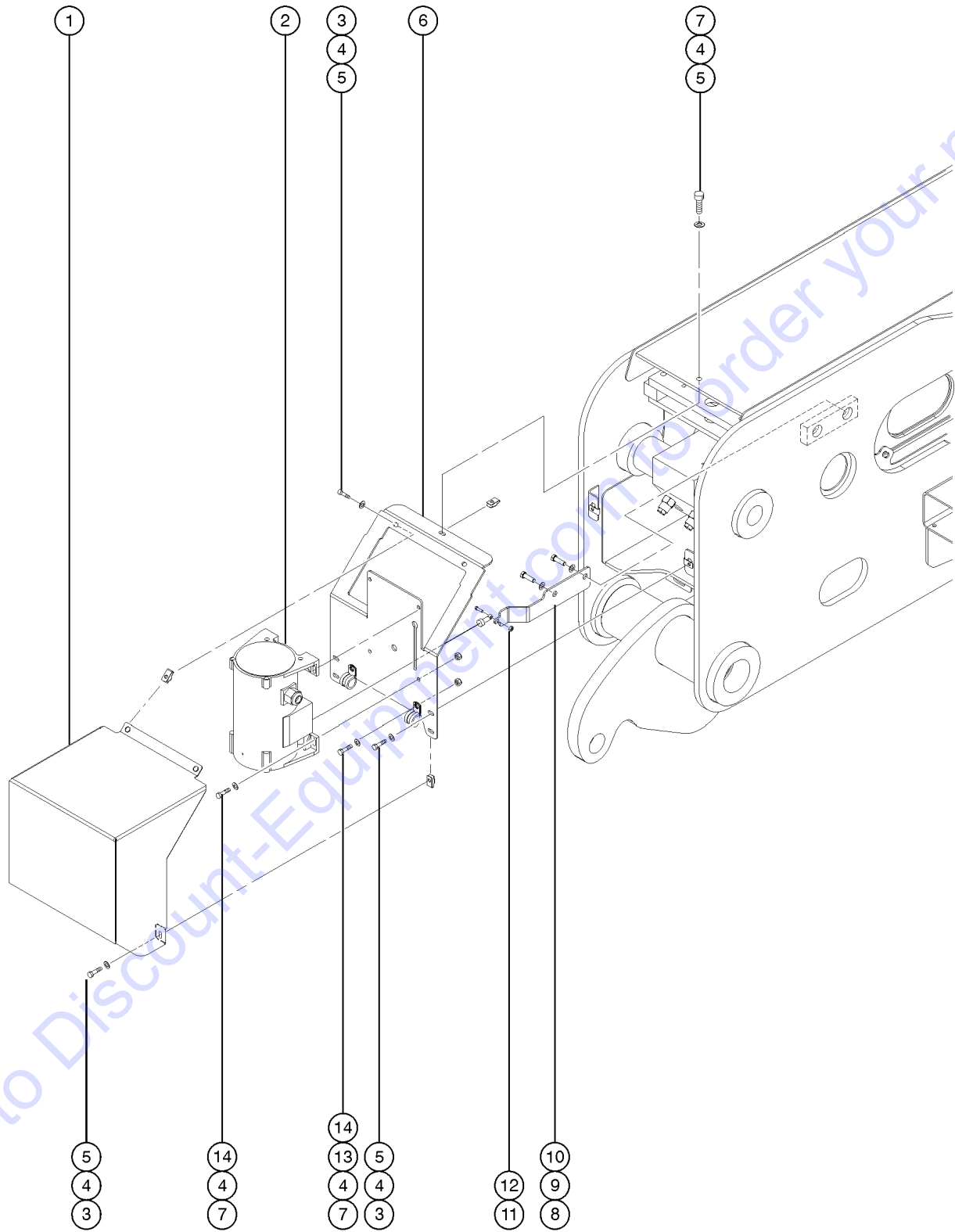
609.1 Boom End Components, Load Sense, S-60, S-65 CE Models

Item	Part No.	Description	Qty.
1	101845GT	ROTATOR MOUNT KIT.....	1
--	61804GT	WELDMENT,ROTATOR SUPPORT	
2	89755GT	LOAD SUPPORT W/BEARINGS.....	2
3	121848GT	ASSY,LS,LOAD SENSE,38.5 IN.....	1
4	61972GT	MOUNT,SWITCH.....	1
5	73634GT	SCREW,PHIL,PHM,10-24X1.5 ZINC.....	2
6	6146GT	WASHER,FLAT,MS,#10,Y.....	2
7	5365GT	NUT,NYLOCK,10-24.....	2
8	60370-SGT	PLATFORM SUPPORT WELDMNT-SERV*.....	1
		<i>ANSI models</i>	
8	61997GT	WELDMENT,PLATFORM SUPPORT,CE.....	1
		<i>CE models</i>	
--	94326GT	WELDMENT,4/5FT PLATFORM SUPPOR.....	1
		<i>4 ft. and 5 ft. platforms only</i>	
9	6888GT	SCREW,HHC,1/4-20 X 1	
10	45748GT	ROD END,.250 X 2.75 LG	
11	6638GT	WASHER,FLAT,USS,1/4*Y	
12	6091GT	NUT,NYLOCK,1/4-20	
13	61726GT	PIN,0.75DIA X 5.75LG,CHAMFER.....	4
14	94643GT	ZERK,GREASE,5/16-24,STRAIT.....	4
15	61974GT	SPRING,COMP,1" OD,232 LB/IN.....	1
16	25685GT	BEARING,GARLOCK,12FDU12.....	8
17	110789GT	WASHER,SHIM .0151 THK.....	as-needed
18	34619GT	BUMPER,RUBBER***.....	2
19	21604GT	SCREW,HHC,3/8-16 X 3.25	
20	6097GT	WASHER,FLAT,USS,3/8",Y	
21	61975GT	RETAINER,SPRING,1.21 X .375.....	1
22	4828GT	NUT,NYLOCK,3/8-16	
23	45470GT	CLAMP,0.31,#5 X 1/4,RUB CUSH.....	1
24	77692GT	SCREW,HHC,3/8-16 X 1 GRD 8.....	8
25	73928GT	SCREW,HHC,1-8 X 11,GRD 5***.....	1
26	122079GT	WASHER,FLAT,1.000,HARDENED.....	2
27	29764GT	NUT,NYLOCK,1-8.....	1

Go to [www.genieequipment.com](http://www.genieequipment.com) to order your parts



610.1 Primary Boom Components, S-60HC





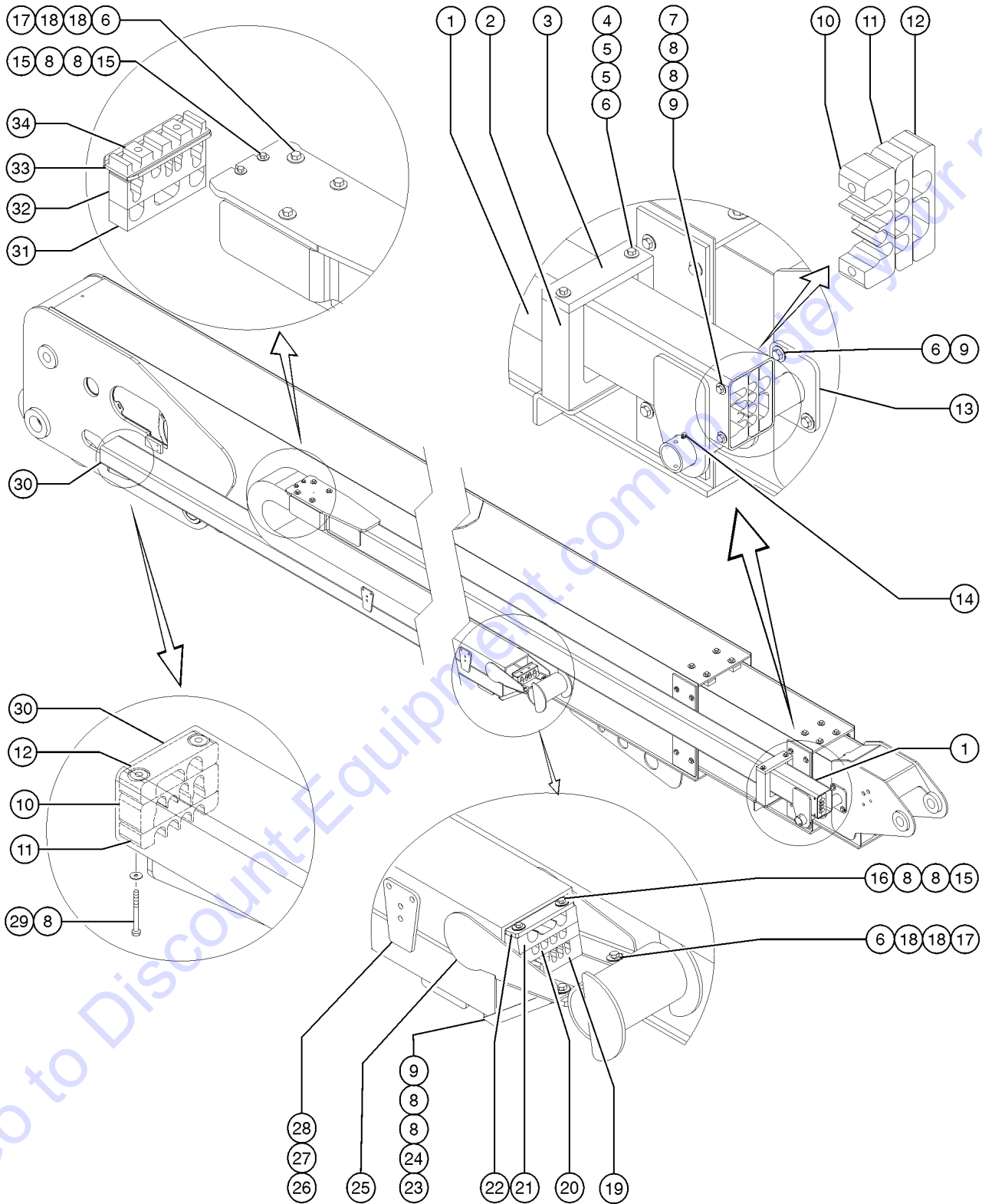
610.1 Primary Boom Components, S-60HC

Item	Part No.	Description	Qty.
1	119537GT	COVER, STRING POT, S60HC***.....	1
2	139293GT	POSITION TRANSDUCER,LINEAR,2CH.....	1
3	6090GT	SCREW,HHC,1/4-20 X .75	
4	6638GT	WASHER,FLAT,USS,1/4"Y	
5	56912GT	SPRING CLIP,1/4-20,.025-.15X.54,ZAG.....	4
6	119535GT	MOUNT, STRING POT, S60HC.....	1
7	6888GT	SCREW,HHC,1/4-20 X 1	
8	139307GT	FORMING, CABLE ANCHOR.....	1
9	6021GT	WASHER,LOCK,.375	
10	6019GT	SCREW,HHC,3/8-16 X 1.25 GRD 5	
11	49826GT	SCREW,PHILLIPS,PHM,10-32 X.625	
12	6178GT	NUT,NYLOCK,10-32	
13	45454GT	CLAMP,RUB CUSH,0.75,#12 X 3/8*.....	2
14	6091GT	NUT,NYLOCK,1/4-20	

Go to Discount-Equipment.com to order your parts

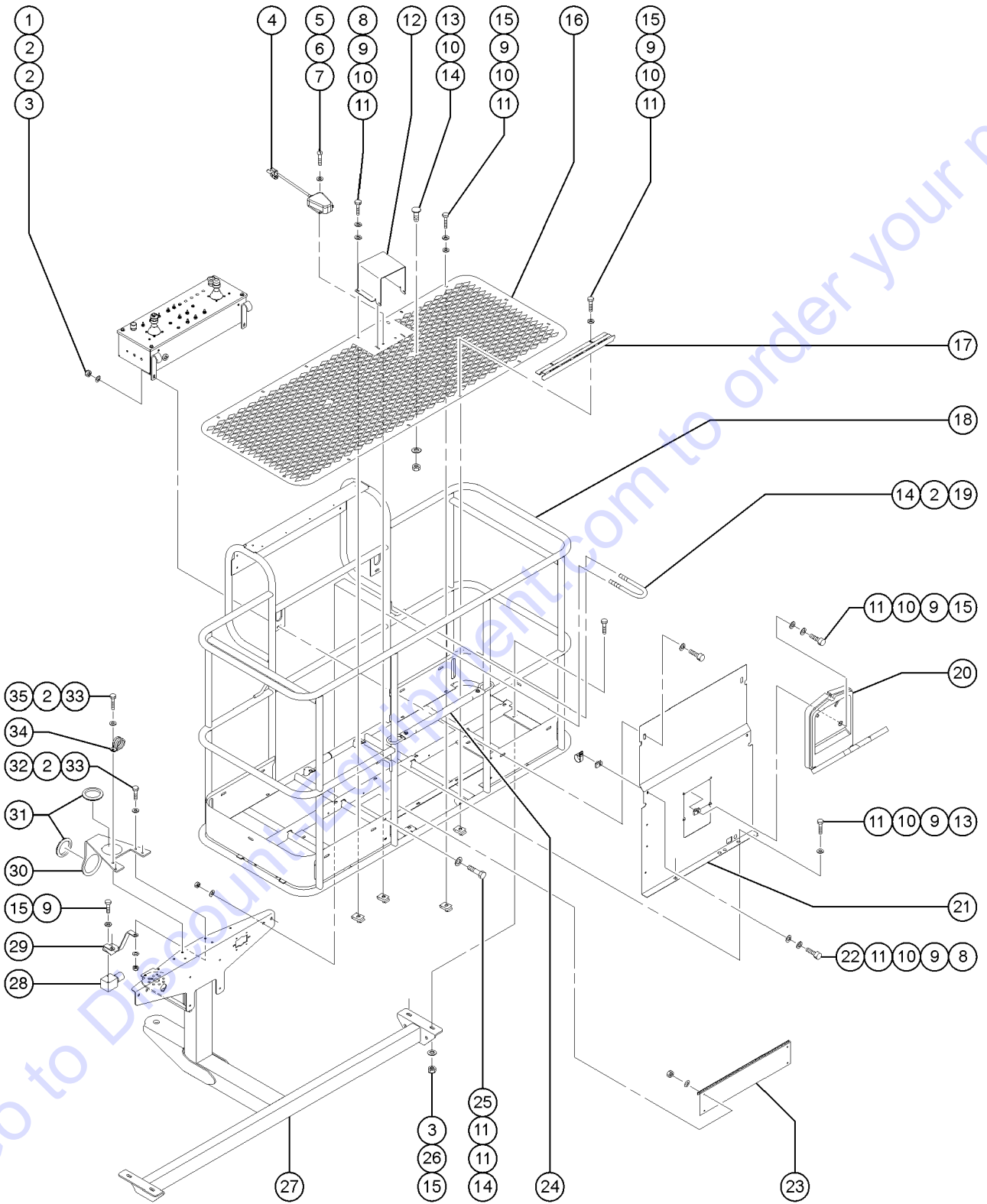


611.1 Cable Track



Item	Part No.	Description	Qty.	Item	Part No.	Description	Qty.
1	88859GT	WELDMENT,CABLE TRACK TUBE***.....1		26	218448GT	FINGER,GUIDE,CABLE TRACK.....10	
2	81341GT	WEAR PAD,CABLE TRACK PULL TUBE.....1		--	58310GT	SCREW,10-24 X.5 TORX PAN HD*** for 218448	
3	81342GT	WEAR PAD,5.5 X 1.75 X .5.....1		27	39317GT	STOP PLATFORM ROLLER	
4	81777GT	SCREW,HHC,3/8-16 X 7		28	87085GT	RIVET,ALUM,P,.188 X .25	
5	6097GT	WASHER,FLAT,USS,3/8",Y		29	12343GT	SCREW,HHC,1/4-20 X 3	
6	4828GT	NUT,NYLOCK,3/8-16		30	88858GT	WELDMENT,CABLE TRACK TRAY***.....1	
7	8179GT	SCREW,HHC,1/4-20 X 2.25		31	228969GT	CLAMP, OPTIONS, CABLE TRACK.....1 (weld cable option)	
8	6638GT	WASHER,FLAT,USS,1/4"Y		32	824549GT	CLAMP, CABLES.....1	
9	6091GT	NUT,NYLOCK,1/4-20		33	121065GT	FORMING,CLAMP,TOP,CABLE TRACK.....1	
10	824547GT	CLAMP, CABLES.....2		34	228967GT	CLAMP, CABLE.....1	
11	227308GT	CLAMP, HOSES.....2					
12	227306GT	CLAMP ASSY,OPTIONS BLOCK W/NUT.....2 (weld cable option)					
13	81347GT	WELDMENT,TRACK PULL TUBE PIVOT.....1					
14	13635-10GT	PIN,COTTER,.156 X 1.75.....1					
15	6884GT	SCREW,HHC,1/4-20 X 2.5					
16	6889GT	NUT,LP NYLOCK,1/4-20					
17	6019GT	SCREW,HHC,3/8-16 X 1.25 GRD 5					
18	6097GT	WASHER,FLAT,USS,3/8",Y					
19	824548GT	CLAMP, CABLES.....1					
20	226325GT	CLAMP, HOSES.....1					
21	228796GT	CLAMP, OPTIONS, CABLE TRACK.....1 (weld cable option)					
22	228797GT	BAR, CLAMP, CABLE TRACK.....1					
23A	1264258GT	FORMING, TRACK BRACE, LH.....1 outboard bracket; furthest from boom tube (shown)					
23B	1264257GT	FORMING, TRACK BRACE, RH.....1 inboard bracket; closest to boom tube					
24	6090GT	SCREW,HHC,1/4-20 X .75					
25	T114223GT	CABLE TRACK, SX, 49 LINK.....1					
--	121035GT	PIN,1.250 X 9.25, 2 RINGS for T114223					
--	122661GT	REPAIR KIT,4 LINK,W/GUIDE for T114223					
--	122662GT	END BRACKET,MOVING END for T114223					
--	122663GT	END BRACKET,FIXED END for T114223					
--	122668GT	GUIDE FINGER,PLASTIC for T114223					
--	218448GT	FINGER,GUIDE,CABLE TRACK for T114223					
--	229169GT	FLATBAR, CLAMPS, CABLE TRACK for T114223					

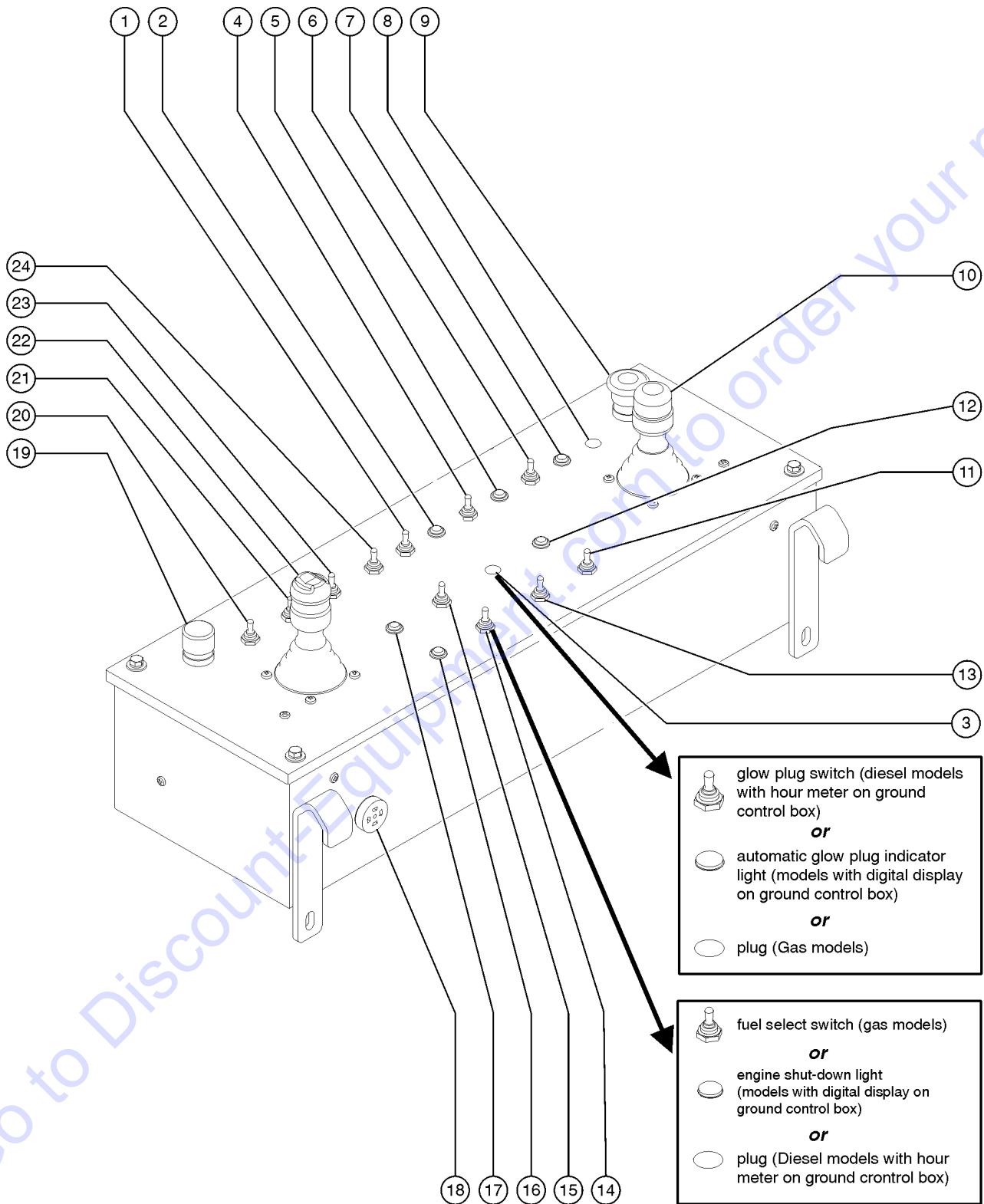
701.1 Platform Installation



701.1 Platform Installation

Item	Part No.	Description	Qty.	Item	Part No.	Description	Qty.
1	7713GT	NUT, LP NYLOCK, 3/8-16		29	110671GT	PLATE,JIB,ROTATE MANIFOLD.....	1
2	5397GT	WASHER,FLAT,USS,5/16",Y		30	106163GT	FORMING,CABLE GUIDE.....	1
3	6019GT	SCREW,HHC,3/8-16 X 1.25 GRD 5		31	55067GT	GROMMET,RUBBER 3 X .19 X 3.5.....	2
4	1254874GT	ASSEMBLY,FOOT SWITCH, S60.....	1	32	13002GT	SCREW,HHC,5/16-18 X 1 GR5	
5	73587GT	SCREW,PHIL,10-24 X .75		33	6782GT	NUT,NYLOCK,5/16-18	
6	6607GT	WASHER,LOCK,#10 PLTD		34	77180GT	CLAMP,1.31,#21 X 3/8,RUB CUSH.....	1
7	73575GT	SPRING CLIP,10-24,.025-.125X.468,ZAG		35	13000GT	SCREW,HHC,5/16-18 X 1.25	
8	6888GT	SCREW,HHC,1/4-20 X 1					
9	6356GT	WASHER,LOCK,.25					
10	6638GT	WASHER,FLAT,USS,1/4"Y					
11	56912GT	SPRING CLIP,1/4-20,.025-.15X.54,ZAG					
12	147121GT	COVER, FOOT SWITCH, LARGE.....	1				
		<i>decals not included, refer to section 100</i>					
13	54274GT	SCREW,STEP BOLT,1/4-20 X .75					
14	4828GT	NUT,NYLOCK,3/8-16					
15	6090GT	SCREW,HHC,1/4-20 X .75					
16A	60160PGT	FLOORING,4 FT PLATFORM,PAINTED.....	1				
16B	54247-SGT	PLAT. FLOOR, 5FT, PAINTED.....	1				
16C	73477PGT	FLOORING, 6'FT PLATFORM.....	1				
16D	73478PGT	FLOORING,8 FT PLATFORM**.....	1				
17	73610P-SGT	STEP PLATFORM ENTRY PAINTED.....	1				
18A	161541GT	ASSY,4FT PLATFORM, NO DECALS.....	1				
		<i>decals not included, refer to section 100</i>					
18B	161542GT	ASSY,5FT PLATFORM, NO DECALS.....	1				
		<i>decals not included, refer to section 100</i>					
18C	160809GT	ASSY,6FT PLATFORM,NO DECALS.....	1				
		<i>decals not included, refer to section 100</i>					
18D	160804GT	ASSY,8FT PLATFORM,NO DECALS.....	1				
		<i>decals not included, refer to section 100</i>					
19	122755GT	UBOLT,FLATTENED,1.5DIAX3/8 UNC					
20A	44743GT	MANUAL BOX W/DECALS***.....	1				
		<i>USA/Canada/Australia</i>					
20B	24514GT	BOX,INSTRUCTION STORAGE <i>Europe/Asia/South America (decal required; refer to Section100)</i>					
21	73574PGT	PLATE,PLATFORM DECALS***.....	1				
		<i>decals not included, refer to section 100</i>					
22	56424GT	CLAMP,1.25X.5 RUBBER-CUSHION					
23	94745PGT	TOEBOARD,ENTRY EUROPEAN PNTD**.....	1				
24	102992GT	SLIDING MIDRAIL KIT,PTD.....	1				
25	6091GT	NUT,NYLOCK,1/4-20					
26	6097GT	WASHER,FLAT,USS,3/8",Y					
27		Ref: Platform Support <i>refer to section 600</i>					
28		Ref: Jib Manifold <i>refer to 404.1</i>					

702.1 Platform Control Box - View 1, External



# PARTS FINDER

**Search Website  
by Part Number**



**Search Manual  
Library For Parts  
Manual & Lookup Part  
Numbers – Purchase  
or Request Quote**

**Search Manuals**

Enter your information to help us find the right parts manual for your machine.

\* Brand:

\* Model:

\* Serial:

\* Part Number:

SEARCH

**Can't Find Part or  
Manual? Request Help  
by Manufacturer,  
Model & Description**

**Parts Order Form**

Please fill in the following information to help us find the right part for your machine.

Manufacturer:	<input type="text"/>
Model:	<input type="text"/>
Description:	<input type="text"/>
Part Number:	<input type="text"/>
Quantity:	<input type="text"/>
Notes:	<input type="text"/>

Submit

Discount-Equipment.com is your online resource for quality parts & equipment.

Florida: **561-964-4949** Outside Florida TOLL FREE: **877-690-3101**

**Need parts?**

Click on this link: <http://www.discount-equipment.com/category/5443-parts/> and choose one of the options to help get the right parts and equipment you are looking for. Please have the machine model and serial number available in order to help us get you the correct parts. If you don't find the part on the website or on one of the online manuals, please fill out the request form and one of our experienced staff members will get back to you with a quote for the right part that your machine needs.

We sell worldwide for the brands: Genie, Terex, JLG, MultiQuip, Mikasa, Essick, Whiteman, Mayco, Toro Stone, Diamond Products, Generac Magnum, Airman, Haulotte, Barreto, Power Blanket, Nifty Lift, Atlas Copco, Chicago Pneumatic, Allmand, Miller Curber, Skyjack, Lull, Skytrak, Tsurumi, Husquvarna Target, Stow, Wacker, Sakai, Mi-T-M, Sullair, Basic, Dynapac, MBW, Weber, Bartell, Bennar Newman, Haulotte, Ditch Runner, Menegotti, Morrison, Contec, Buddy, Crown, Edco, Wyco, Bomag, Laymor, EZ Trench, Bil-Jax, F.S. Curtis, Gehl Pavers, Heli, Honda, ICS/PowerGrit, IHI, Partner, Imer, Clipper, MMD, Koshin, Rice, CH&E, General Equipment, Amida, Coleman, NAC, Gradall, Square Shooter, Kent, Stanley, Tamco, Toku, Hatz, Kohler, Robin, Wisconsin, Northrock, Oztec, Toker TK, Rol-Air, APT, Wylie, Ingersoll Rand / Doosan, Innovatech, Con X, Ammann, Mecalac, Makinex, Smith Surface Prep, Small Line, Wanco, Yanmar



702.1 Platform Control Box - View 1, External

Item	Part No.	Description	Qty.	Item	Part No.	Description	Qty.
A	825441GT	PBOX ASSY,PERKINS T4,SGL CAP <i>(models with Perkins 404F-22, single capacity) decals not included refer to section 100</i>		--	56848GT	WASHER,LOCK,IND,LAMP RETAINER	
B	825442GT	PBOX ASSY,PERKINS T4,DUAL CAP <i>(models with Perkins 404F-22, dual capacity) decals not included refer to section 100</i>		5B	229567GT	PLUG,SANTOPRENE .5 BLACK DOME <i>(S-60, S-65)</i>	
C	825443GT	PBOX ASSY,DEUTZ T4,SGL CAP <i>(models with Deutz D2.9L4, single capacity) decals not included refer to section 100</i>		6A	128200GT	SWITCH TOGGLE ASSY SPDT 3P MOM.....1 <i>(Capacity range select) (S-60X, S-60XC, S-60TX, S-65TX, S-60HC)</i>	
D	825444GT	PBOX ASSY,DEUTZ T4,DUAL CAP <i>(models with Deutz D2.9L4, dual capacity) decals not included refer to section 100</i>		--	128580GT	SWITCH TOGGLE SPDT 3P MOM SHDR	
E	228311GT	S60 PBOX ASSY, COMMON		6B	229567GT	PLUG,SANTOPRENE .5 BLACK DOME.....1 <i>(S-60, S-65)</i>	
F	128578GT	SCREW T-SWITCH PH/PH 6-32X1/4 <i>(included in each toggle switch assembly)</i>		7A	824880GT	LIGHT,LED IND. AMBER 12V NH.....1 <i>(lower capacity range) (S-60X, S-60XC, S-60TX, S-65TX, S-60HC)</i>	
G	27246GT	BOOT,TOGGLE SWITCH,SHORT* <i>(included in each toggle switch assembly)</i>		--	56848GT	WASHER,LOCK,IND,LAMP RETAINER	
1	128201GT	SWITCH TOGGLE ASSY DPDT 2P MOM.....1 <i>(Auxiliary Power; includes boot and hardware)</i>		7B	229567GT	PLUG,SANTOPRENE .5 BLACK DOME.....1 <i>(S-60, S-65)</i>	
--	128581-SGT	SWITCH TOGGLE DPDT 2P MOM SHDR		8	229567GT	PLUG,SANTOPRENE .5 BLACK DOME.....1 <i>(used for optional equipment)</i>	
2A	824879GT	LIGHT,LED IND. RED 12V NH.....1 <i>(Machine not level indicator) (option)</i>		9	66812GT	BUTTON,PUSH,RED MUSHROOM HEAD.....1	
--	56848GT	WASHER,LOCK,IND,LAMP RETAINER		--	146478GT	BOOT(BELLOWS),E-STOP,BLACK	
2B	229567GT	PLUG,SANTOPRENE .5 BLACK DOME.....1 <i>(without option)</i>		--	66818GT	CONTACT,NC	
3A	229567GT	PLUG,SANTOPRENE .5 BLACK DOME.....1 <i>(Gas/LPG models)</i>		--	94506GT	BASE,W/3 NC CONTACTS	
3B	128200GT	SWITCH TOGGLE ASSY SPDT 3P MOM <i>(Diesel models with an hour meter in the ground control box)</i>		10		Ref. Joystick.....1 <i>refer to 704.1</i>	
--	128580GT	SWITCH TOGGLE SPDT 3P MOM SHDR <i>(Diesel models with an hour meter in the ground control box)</i>		10	139338GT	SCREW PH M5-0.8X20 DIN 7500CE....4	
3C	1254804GT	LT.LAMP IND.AMBER 12V NH <i>(models with digital display in the ground control box)</i>		11	128200GT	SWITCH TOGGLE ASSY SPDT 3P MOM.....1 <i>(Drive enable; includes boot and hardware)</i>	
4A	128204GT	SWITCH TOGGLE ASSY SPDT 2P MNT.....1 <i>(Generator) (option)</i>		--	128580GT	SWITCH TOGGLE SPDT 3P MOM SHDR	
--	128584-SGT	SWITCH TOGGLE SPDT 2P MNT SHDR		12	824879GT	LIGHT,LED IND. RED 12V NH.....1 <i>(Drive enable indicator light)</i>	
4B	229567GT	PLUG,SANTOPRENE .5 BLACK DOME.....1 <i>(without option)</i>		13	128204GT	SWITCH TOGGLE ASSY SPDT 2P MNT.....1 <i>(Engine idle select; includes boot and hardware)</i>	
5A	824880GT	LIGHT,LED IND. AMBER 12V NH.....1 <i>(upper capacity range) (S-60X, S-60XC, S-60TX, S-65TX, S-60HC)</i>		--	128584-SGT	SWITCH TOGGLE SPDT 2P MNT SHDR	
				14A	128204GT	SWITCH TOGGLE ASSY SPDT 2P MNT.....1 <i>(Gas/LPG models)(Fuel select; includes boot and hardware)</i>	
				--	128584-SGT	SWITCH TOGGLE SPDT 2P MNT SHDR	
				14B	824879GT	LIGHT,LED IND. RED 12V NH <i>(models with digital display on the ground control box)</i>	
				14C	229567GT	PLUG,SANTOPRENE .5 BLACK DOME <i>(diesel models with hour meter in ground control box)</i>	



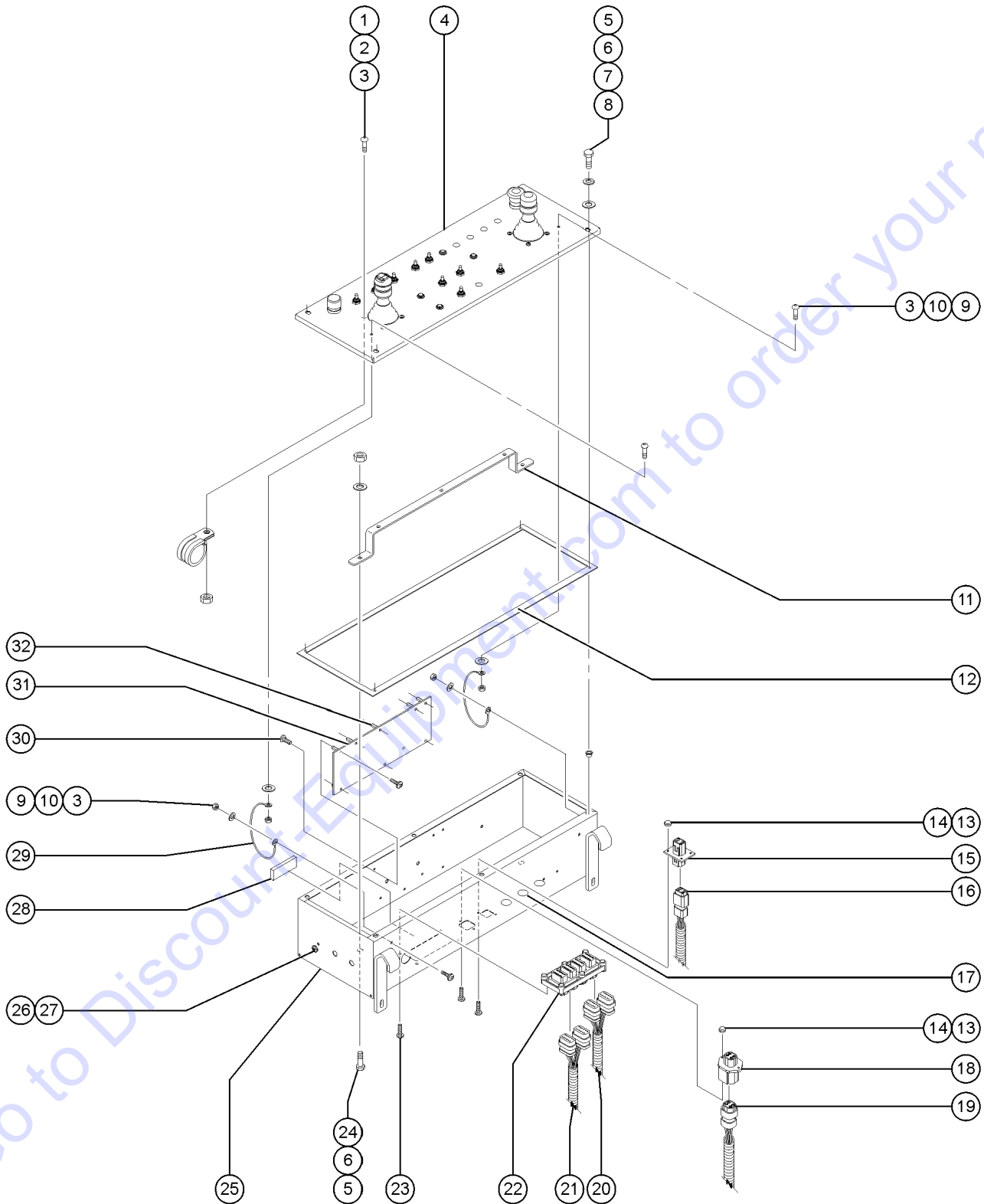
## 702.1 Platform Control Box - View 1, External (continued)

Item	Part No.	Description	Qty.
15	128200GT	SWITCH TOGGLE ASSY SPDT 3P MOM.....1 <i>(Engine start; includes boot and hardware)</i>	1
--	128580GT	SWITCH TOGGLE SPDT 3P MOM SHDR	
16	824879GT	LIGHT,LED IND. RED 12V NH.....1 <i>(CE models, platform overload indicator)</i>	1
--	56848GT	WASHER,LOCK,IND,LAMP RETAINER	
17	824879GT	LIGHT,LED IND. RED 12V NH.....1 <i>(Machine malfunction indicator)</i>	1
--	56848GT	WASHER,LOCK,IND,LAMP RETAINER	
18	45383GT	ALARM,WARBLE TONE 5-30 VDC*** .....1 <i>(retaining nut 72326 sold separately)</i>	1
--	72326GT	NUT - PLASTIC,RING FOR ALARMS	
19	66813GT	BUTTON,PUSH,BLACK W/SEAL*** .....1	1
--	66815GT	BASE, W/1 N.O. CONTACTS***	
--	66816GT	CONTACT,N.O.***	
20	128200GT	SWITCH TOGGLE ASSY SPDT 3P MOM.....1 <i>(Platform level; includes boot and hardware)</i>	1
--	128580GT	SWITCH TOGGLE SPDT 3P MOM SHDR	
21	128202GT	SWITCH TOGGLE ASSY DPDT 3P MOM.....1 <i>(Platform rotate; includes boot and hardware)</i>	1
--	128582-SGT	SWITCH TOGGLE DPDT 3P MOM SHDR	
22		Ref. Joystick.....1 <i>refer to 704.1</i>	1
22	139338GT	SCREW PH M5-0.8X20 DIN 7500CE.....4	4
23A	128200GT	SWITCH TOGGLE ASSY SPDT 3P MOM.....1 <i>(Jib boom up/down; includes boot and hardware)</i>	1
--	128580GT	SWITCH TOGGLE SPDT 3P MOM SHDR	
23B	824880GT	LIGHT,LED IND. AMBER 12V NH.....1	1
--	56848GT	WASHER,LOCK,IND,LAMP RETAINER	
24	128204GT	SWITCH TOGGLE ASSY SPDT 2P MNT.....1 <i>(Drive speed; includes boot and hardware)</i>	1
--	128584-SGT	SWITCH TOGGLE SPDT 2P MNT SHDR	

***This Page Intentionally Left Blank***

Go to [Discount-Equipment.com](http://Discount-Equipment.com) to order your parts

703.1 Platform Control Box - View 2, Internal

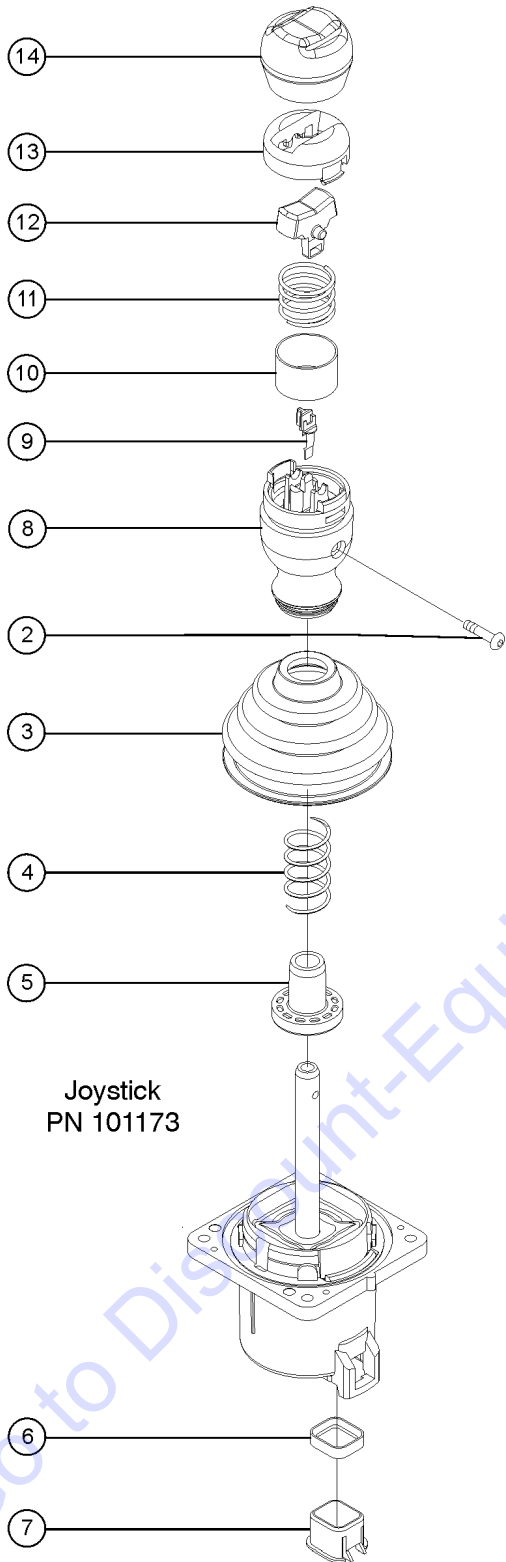


703.1 Platform Control Box - View 2, Internal

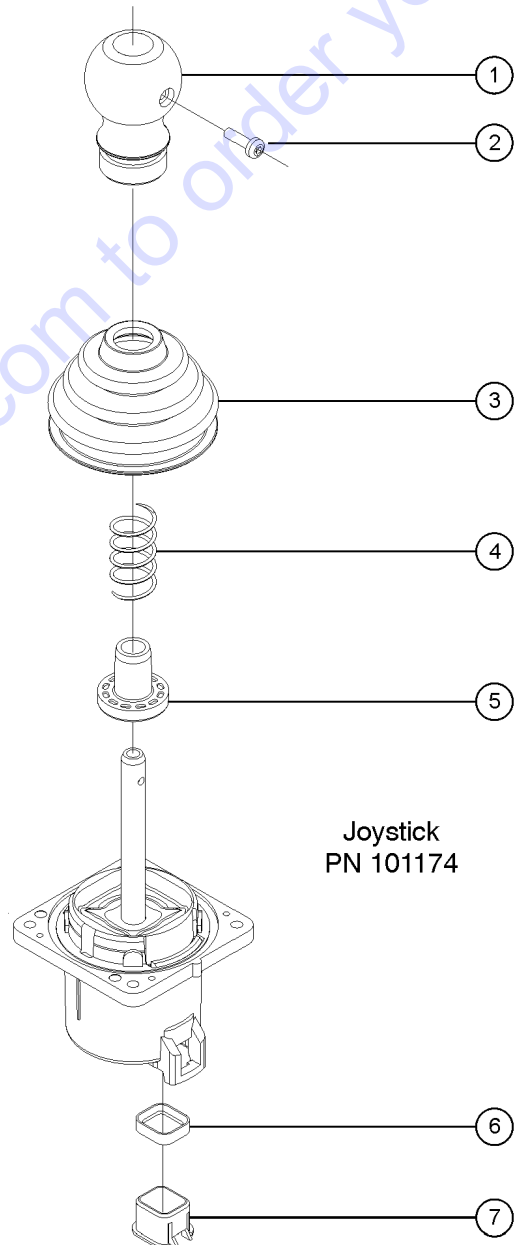
Item	Part No.	Description	Qty.	Item	Part No.	Description	Qty.
--		Ref. PLATFORM BOX HARNESS <i>refer to 313.1</i>		31B	235411GT	ASSY,PCB ALC500 S60 LEG V202.....1 <i>S-60HC models only</i>	1
--	111413GT	JOYSTICK CONNECTOR ASSEM,DEUT		32	81550GT	STANDOFF,6-32 X 3/8L X 1/4 HEX.....10	10
--	111420GT	OPTION,ROCKER STEER					
--	121847GT	RELAY,TIME DELAY,2 SEC,30A					
1	139338GT	SCREW PH M5-0.8X20 DIN 7500CE.....8					
2	18666GT	CLAMP,1.00,#16 X 1/4,RUB CUSH.....1					
3	104030GT	NUT HEX M5-0.8 CLASS 8 ZINC					
4	147387GT	FORMING, PLAT. BOX LID.....1					
5	6090GT	SCREW,HHC,1/4-20 X .75					
6	6356GT	WASHER,LOCK,.25					
7	6638GT	WASHER,FLAT,USS,1/4"Y					
8	T107520GT	NUTSERT,LP KNURLED,1/4-20X.165.....4					
9	49819GT	SCREW,PHILLIPS,PHM,10-32 X .5					
10	6146GT	WASHER,FLAT,MS,#10,Y					
11	119644GT	BRACKET,PBOX WIRE SUPPORT.....1					
12	81488GT	GASKET,PLATFORM CONTROL BOX....1					
13	49820GT	SCREW,PHILLIPS,PHM,6-32 X .5					
14	12344GT	NUT,NYLOCK,6-32					
15	73723GT	CONN RECEP,FLANGED.....1					
16		Ref. FOOT SWITCH WIRE HARNESS ASSEMBLY <i>refer to 313.1</i>					
17	15243GT	PLUG,NYLON .875 BLACK DOMED.....3					
18	73717GT	CONN,RECEP 4 WAY,12-14GA FL*** .....1					
19		Ref. HARNESS,12V TO PLAT <i>refer to 313.1</i>					
20		Ref. HARNESS,18/22 BOOM 2 <i>refer to 313.1</i>					
21		Ref. HARNESS BOOM CABLE 1 <i>refer to 313.1</i>					
22	73736GT	CONN,RECEP 48 WAY,4 X 12.....1					
23	73803GT	SCREW,SHM,PHP, #12 X .75					
24	6889GT	NUT,LP NYLOCK,1/4-20					
25	T109350GT	PLATFORM CONTROL BOX W/DECAL					
--	81487PGT	PLATFORM CONTROL BOX,PAINTED.....1					
26	54365GT	SCREW,PHIL,PHM,10-32 X .5,SSTL					
27	6178GT	NUT,NYLOCK,10-32					
28	30997GT	CORROSION INHIBITOR,FOAM.....1					
29	77351GT	LANYARD,PLATFORM CONTROL BOX.....2					
30	81551GT	SCREW,PHIL,PHM,6-32 X 1/4 SS					
31A	235323GT	ASSY,PCB,ALC500-2 S60 V204.....1 <i>S-60, S-65, S-60X, S-60XC, S-60Trax and S-65 Trax models</i>					



704.1 Joysticks



Joystick  
PN 101173



Joystick  
PN 101174

Item	Part No.	Description	Qty.
--	101173GT	JOYSTICK,2 AXIS,ROCKER,DEUTSCH <i>(calibration required after replacement), OEM joystick</i>	
--	101173HGT	JOYSTICK,DUAL AXIS W/STEER <i>(calibration required after replacement), aftermarket joystick</i>	
--	101174GT	JOYSTICK,2 AXIS,DEUTSCH <i>(calibration required after replacement), OEM joystick</i>	
--	101174HGT	JOYSTICK,DUAL AXIS W/KNOB <i>(calibration required after replacement), aftermarket joystick</i>	
--	101005GT	JOYSTICK,1 AXIS ROCKER,DEUTSCH <i>(calibration required after replacement), OEM joystick</i>	
--	101005HGT	JOYSTICK,SINGLE AXIS W/STEER <i>(calibration required after replacement), aftermarket joystick</i>	
--	58253GT	KIT,REPAIR,DEUTSCH PLUG,W/TUBE <i>small kit</i>	
--	83129GT	KIT,REPAIR,DEUTSCH CONNECTORS* <i>large kit</i>	
--	61794GT	CRIMPER,DEUTSCH,LIGHT DUTY*** <i>tool</i>	
--	119613GT	HARN JOYSTICK ADAPTOR JS100 <i>6-pin to 7-pin adapter (for 101174, 101175, 101005)</i>	
Z	1269500GT	KIT, ISOLATION, 2 JOYSTICK	
1	62392GT	KNOB,JOYSTICK, 62390/62391.....	1
2	T112626GT	SCREW, PHM, #6-32 X .625 ZINC.....	1
3	139598GT	BOOT,JOYSTICK.....	1
4		SPRING,JOYSTK CENTR,62390/91..... <i>no longer available from supplier</i>	1
5	119915GT	COLLAR,JOYSTICK,CENTER.....	1
6	128000GT	SEAL, CONNECTOR (DT JOYSTICKS).....	1
7	128001GT	SLEEVE,CONNECTOR,DT JOYSTICKS.....	1
8	75449GT	KNOB,ROCKER JOYSTICK 75565.....	1
9	75448GT	SUPPORT,SENSOR,JOYSTICK.....	1
10	75447GT	SWITCH SHIELD,ROCK JOYSTK75565.....	1
11	75446GT	SPRING,SWITCH CENTERING,75565...1	
12	75445GT	ROCKER ASSY.,MAGNETIC 75565.....	1
13	75444GT	ROCKER,RETAINER, 75565.....	1
14	75443GT	BOOT, ROCKER JOYSTICK 75565.....	1



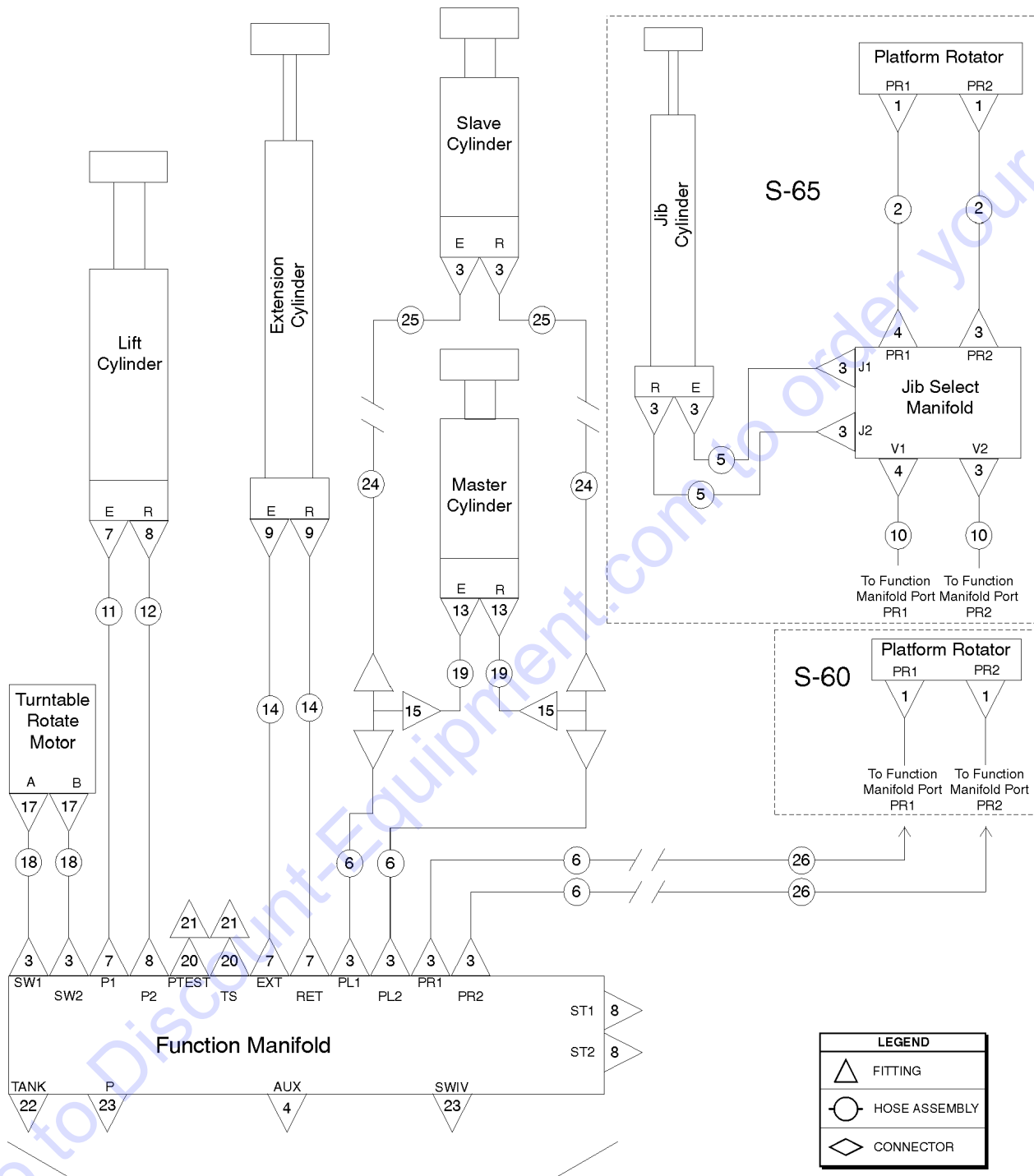
801.1 Function Manifold, View 1

Item	Part No.	Description	Qty.	Item	Part No.	Description	Qty.
--		<i>The hose lengths below reflect the length of the hose only. Refer to the 'Fittings Cross Reference' to match Genie part numbers to Parker part numbers.</i>		26	88936GT	CONN,520120-20-16.....	1
1	48905GT	CONN,520120-4***.....	7	27	48932GT	FITTING,ELBOW,90D,520220-8***.....	1
2	48933GT	CONN,520120-8***.....	3	28	49143-3429GT	HOSE ASSY,1/2,90 FEM,STR FEM..... <i>Components: Genie part numbers 48822, 48827 and 48756 @ 32 inches</i>	1
3	48916GT	FITTING,CONN,520120-6.....	5	29	49143-3629GT	HOSE ASSY,1/2,90 FEM,STR FEM..... <i>Components: Genie part numbers 48822, 48827 and 48756 @ 34 inches</i>	1
4	48998GT	NIPPLE,DIAGNOSTIC,#6 PORT***.....	2	30	1259903GT	HOSE ASSY, 1-1/4", 76.75"..... <i>Components: Genie part numbers 88474, 88477, 88944 and 88478 @ 73 inches</i>	1
5	48880GT	CAP,DIAGNOSTIC NIPPLE.....	2	31	48949GT	CONN,520120-8-16.....	1
6	49130-5782GT	HOSE ASSY 3/8, STR FEM,STR FEM.... <i>Components: Genie part numbers 48812, 48812 and 48753 @ 56 inches</i>	1	32	101491GT	STRAINER,20 SAE F/24 SAE M***	
7	49130-5582GT	HOSE ASSY 3/8, STR FEM,STR FEM.... <i>Components: Genie part numbers 48812, 48812 and 48753 @ 54 inches</i>	1	33	48946GT	CONN,520120-8-10.....	1
8	48984GT	CONN,520120-16.....	2	34	49150-9130GT	HOSE ASSY,3/4,90 FEM,STR FEM..... <i>Components: Genie part numbers 48841, 48846 and 48761 @ 88 inches</i>	1
9	48960GT	FITTING,CONN,520120-12***.....	6	35	48977GT	CONN,520120-12-16.....	2
10	48904GT	ELBOW,90D,520220-4-4.....	4	36	94374-6030GT	HOSE ASSY,3/4,90 FEM,STR FEM..... <i>Components: Genie part numbers 48841, 48846 and 84358 @ 57 inches</i>	2
11	88949-3828GT	HOSE ASSY 1",STR FEM,STR FEM.... <i>Components: Genie part numbers 88938, 88941 and 88940 @ 36 inches</i>	1	37	49207GT	NIPPLE,DIAGNOSTIC,ORFS,FM,SWIV..	1
12	1259904GT	HOSE ASSY, 3/4", 72.54" <i>Components: Genie part numbers 48841, 48841 and 48762 @ 69 inches</i>		38	48985GT	ELBOW,45D,520320-16.....	1
13	49117-2491GT	HOSE ASSY,1/4,90 FEM,STR FEM..... <i>Components: Genie part numbers 48802, 48800 and 48751 @ 23 inches</i>	1	39	147419GT	KIT,STRAINER REPLACEMENT.....	1
14	49151-6248GT	HOSE ASSY,3/4,STR FEM,STR FEM.... <i>Components: Genie part numbers 48841, 48841 and 48761 @ 60 inches</i>	1	40	88942-8354GT	HOSE ASSY,1",90 FEM,STR FEM..... <i>Components: Genie part numbers 88938, 88941, 88939 and 88940 @ 80 inches</i>	1
15	48914GT	CONN,520120-4-8.....	1	41	61263GT	UNION,STR.THREAD 20.....	1
16	48963GT	FITTING,ELBOW,45D,520320-12***.....	1	42	101494GT	VALVE,BALL,FSAE-20,FSAE-20.....	1
17	48936GT	TEE,BRANCH,520429-8.....	1	43	75654GT	CONN,520120-20.....	1
18	48941GT	REDUCER,520123-8-4.....	2	44	48996GT	VALVE,BALL,16 MSAE-16 FSAE***.....	1
19	49117-4691GT	HOSE ASSY,1/4,90 FEM,STR FEM..... <i>Components: Genie part numbers 48800, 48802 and 48751 @ 45 inches</i>	1	45	48912GT	CONN,520120-4-6***.....	1
20	48907GT	ELBOW,45D,520320-4.....	2	46	48943GT	FITTING,CONN,520120-8-6.....	1
21	61073-3930GT	HOSE ASSY.,3/4",90,FEM,STR FEM.... <i>Components: Genie part numbers 48846, 48841 and 48762 @ 36 inches</i>	1				
22	49119-2878GT	HOSE ASSY,1/4,STR FEM,STR FEM*.... <i>Components: Genie part numbers 48800, 48800 and 48751 @ 27 inches</i>	2				
23	49117-3391GT	HOSE ASSY,1/4,90 FEM,STR FEM..... <i>Components: Genie part numbers 48800, 48802 and 48751 @ 32 inches</i>	1				
24	94465-3650GT	HOSE ASSY,1/2"..... <i>Components: Genie part numbers 48808, 48808 and 39888 @ 35 inches</i>	1				
25	48936GT	TEE,BRANCH,520429-8.....	1				





802.1 Function Manifold, View 2



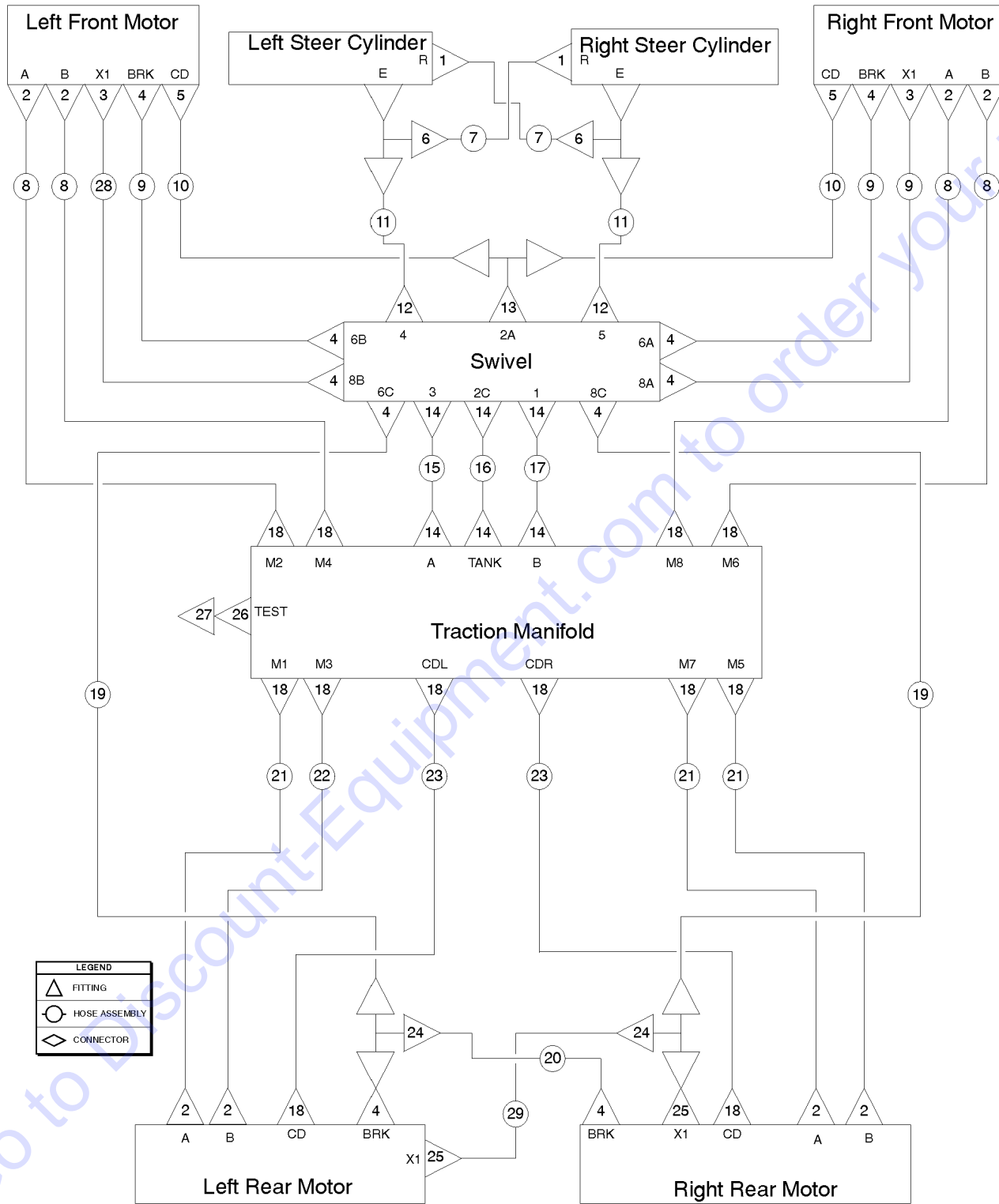
See View 1

802.1 Function Manifold, View 2

Item	Part No.	Description	Qty.	Item	Part No.	Description	Qty.
--		<i>The hose lengths below reflect the length of the hose only. Refer to the 'Fittings Cross Reference' to match Genie part numbers to Parker part numbers.</i>		22	48984GT	CONN,520120-16.....	1
--	48767GT	SLEEVE,NYLON,1.42 ID.....23-inches protective hose sleeve, 1.42" diameter (near platform rotator)		23	48960GT	FITTING,CONN,520120-12***.....	1
--	49219GT	SLEEVE,NYLON,2.19 ID,BULK.....46-inches protective hose sleeve, 2.19" diameter (near platform rotator)		24	161523GT	HOSE ASSY,1/4,693" <i>Components: Genie part numbers 48800, 48800 and 48751 @ 691 inches;</i>	
1	48907GT	ELBOW,45D,520320-4.....	2	25	88636-2573GT	HOSE ASSY 1/4,STR FEM,STR BULK...2 <i>Components: Genie part numbers 48800, 75628 and 48751 @ 23 inches</i>	
2	49119-2878GT	HOSE ASSY,1/4,STR FEM,STR FEM*....2 (S-65) <i>Components: Genie part numbers 48800, 48800 and 48751 @ 27 inches</i>		--	75574GT	NUT,BULKHEAD,520118-4 (item sold separately)	
3	48905GT	CONN,520120-4***.....	11	26	1253798GT	HOSE ASSY, 1/4", 713" <i>Genie part numbers 48800, 48800 and 48751 @ 711 inches</i>	
4	48904GT	ELBOW,90D,520220-4-4.....	2				
5	49119-4278GT	HOSE ASSY,1/4,STR FEM,STR FEM*....2 (S-65) <i>Components: Genie part numbers 48800, 48800 and 48751 @ 41 inches</i>					
6	88636-11973GT	HOSE ASSY 1/4,STR FEM,STR BULK...4 <i>Components: Genie part numbers 48800, 75628 and 48751 @ 117 inches</i>					
7	48933GT	CONN,520120-8***.....	4				
8	48916GT	FITTING,CONN,520120-6.....	3				
9	48937GT	ELBOW,45D,520320-8.....	2				
10	49119-79678GT	HOSE ASSY,1/4,STR FEM,STR FEM (S-65) <i>Components: Genie part numbers 48800, 48800 and 48751 @ 795 inches</i>					
11	49143-12329GT	HOSE ASSY,1/2,90 FEM,STR FEM.....1 <i>Components: Genie part numbers 48822, 48827, and 48756 @ 121 inches;</i>					
12	49128-12309GT	HOSE ASSY,3/8,STR FEM,STR,90D....1 <i>Components: Genie part numbers 48812, 48816, and 48753 @ 121 inches;</i>					
13	48911GT	ELBOW,90D,520220-4-6***.....	2				
14	49183-13492GT	HOSE ASSY,1/2,STR FEM,STR FEM....2 <i>Components: Genie part numbers 48822, 48822 and 48756 @ 133 inches</i>					
15	48908GT	FITTING,TEE,RUN,SWIVEL520432-4.....	2				
17	49418GT	FITTING,ELBOW,45D,520320-4-6**.....	2				
18	49119-7478GT	HOSE ASSY,1/4,STR FEM,STR FEM....2 <i>Components: Genie part numbers 48800, 48800 and 48751 @ 73 inches</i>					
19A	49117-3791GT	HOSE ASSY,1/4,90 FEM,STR FEM**.....1 <i>Components: Genie part numbers 48800, 48802 and 48751 @ 36 inches;</i>					
19B	227347GT	HOSE ASSY,1/4", 38.00.....1 <i>Components: Genie part numbers 48800, 48802 and 48751 @ 38 inches;</i>					
20	48998GT	NIPPLE,DIAGNOSTIC,#6 PORT***.....	2				
21	48880GT	CAP,DIAGNOSTIC NIPPLE.....	2				



803.1 4WD Traction Manifold

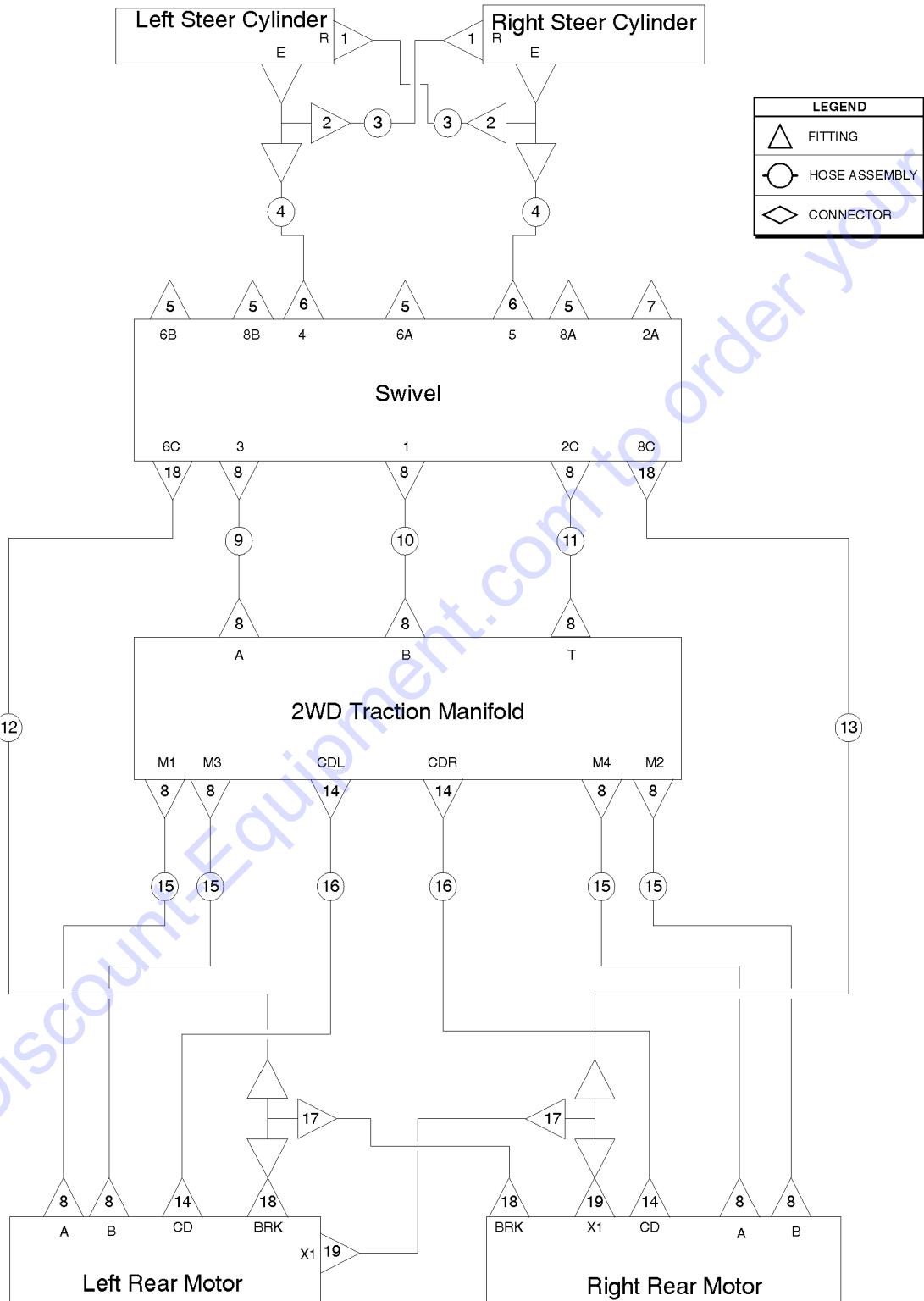


803.1 4WD Traction Manifold

Item	Part No.	Description	Qty.	Item	Part No.	Description	Qty.
--		<i>The hose lengths below reflect the length of the hose only. Refer to the 'Fittings Cross Reference' to match Genie part numbers to Parker part numbers.</i>		20	49117-6291GT	HOSE ASSY,1/4,90 FEM,STR FEM.....1 <i>Components: Genie part numbers 48800, 48802 and 48751 @ 61 inches</i>	1
1	48915GT	ELBOW,90D,520220-6.....	2	21	75278-5029GT	HOSE ASSY,1/2,90 FEM,STR FEM.....3 <i>Components: Genie part numbers 48822, 48827 and 56777 @ 48 inches</i>	3
2	48948GT	CONN,520120-8-12.....	8	22	75278-5129GT	HOSE ASSY,1/2,90 FEM,STR FEM**.....1 <i>Components: Genie part numbers 48822, 48827 and 56777 @ 49 inches</i>	1
3	48912GT	CONN,520120-4-6***.....	2	23	94464-4986GT	HOSE ASSY,1/2"****.....2 <i>Components: Genie part numbers 48808, 77703 and 39888 @ 48 inches</i>	2
4	48905GT	CONN,520120-4***.....	10	24	48908GT	FITTING,TEE,RUN,SWIVEL520432-4.....	2
5	48930GT	CONN,520120-6-8.....	2	25	48911GT	ELBOW,90D,520220-4-6***.....	2
6	48918GT	TEE,RUN,520428-6.....	2	26	48998GT	NIPPLE,DIAGNOSTIC,#6 PORT***.....	1
7	49130-2482GT	HOSE ASSY 3/8, STR FEM,STR FEM.....2 <i>Components: Genie part numbers 48812, 48812 and 48753 @ 23 inches</i>	2	27	48880GT	CAP,DIAGNOSTIC NIPPLE.....	1
--	101795-2482GT	HOSE ASSY,3/8,STR FEM,STR FEM <i>Components: Genie part numbers 48812, 48812 and 101697 @ 23 inches (arctic option)</i>		28	49117-10691GT	HOSE ASSY 1/4,90 FEM STR FEM.....1 <i>Components: Genie part numbers 48800, 48802 and 48751 @ 105 inches</i>	1
8	81812-13292GT	HOSE ASSY,1/2".....4 <i>Components: Genie part numbers 48822, 48822 and 56777 @ 131 inches</i>	4	--	101790-10691GT	HOSE ASSY,1/4,90 FEM,STR FEM <i>Components: Genie part numbers 48800, 48802 and 48751 @ 105 inches (arctic option)</i>	
9	49117-10091GT	HOSE ASSY,1/4.90 FEM,STR FEM.....3 <i>Components: Genie part numbers 48800, 48802 and 48751 @ 99 inches</i>	3	29	49117-6091GT	HOSE ASSY,1/4,90 FEM,STR FEM**.....1 <i>Components: Genie part numbers 48800, 48802 and 48751 @ 59 inches</i>	1
--	101790-10091GT	HOSE ASSY,1/4,90 FEM,STR FEM <i>Components: Genie part numbers 48800, 48802 and 101697 @ 99 inches (arctic option)</i>					
10	49131-9603GT	HOSE ASSEMBLY 3/8".....2 <i>Components: Genie part numbers 48812, 48819 and 48753 @ 94 inches</i>	2				
--	102230-9589GT	HOSE ASSY,3/8,STR FEM,STR FEM <i>Components: Genie part numbers 48812, 48819 and 101698 @ 94 inches (arctic option)</i>					
11	49130-4782GT	HOSE ASSY,3/8,STR FEM,STR FEM.....2 <i>Components: Genie part numbers 48812, 48812 and 48753 @ 46 inches</i>	2				
12	48916GT	FITTING,CONN,520120-6.....	2				
13	48936GT	TEE,BRANCH,520429-8.....	1				
14	48960GT	FITTING,CONN,520120-12***.....	6				
15	94374-2430GT	HOSE ASSY,3/4,90 FEM,STR FEM.....1 <i>Components: Genie part numbers 48841, 48846 and 94358 @ 21 inches</i>	1				
16	94466-2336GT	HOSE ASSY,3/4".....1 <i>Components: Genie part numbers 48809, 48809 and 39889 @ 21 inches</i>	1				
17	94374-2630GT	HOSE ASSY,3/4,90 FEM,STR FEM**.....1 <i>Components: Genie part numbers 48841, 48846 and 94358 @ 23 inches</i>	1				
18	48933GT	CONN,520120-8***.....	12				
19	49119-7578GT	HOSE ASSY,1/4 STR FEM,STR FEM.....2 <i>Components: Genie part numbers 48800, 48800 and 48751 @ 74 inches</i>	2				



804.1 2WD Traction Manifold

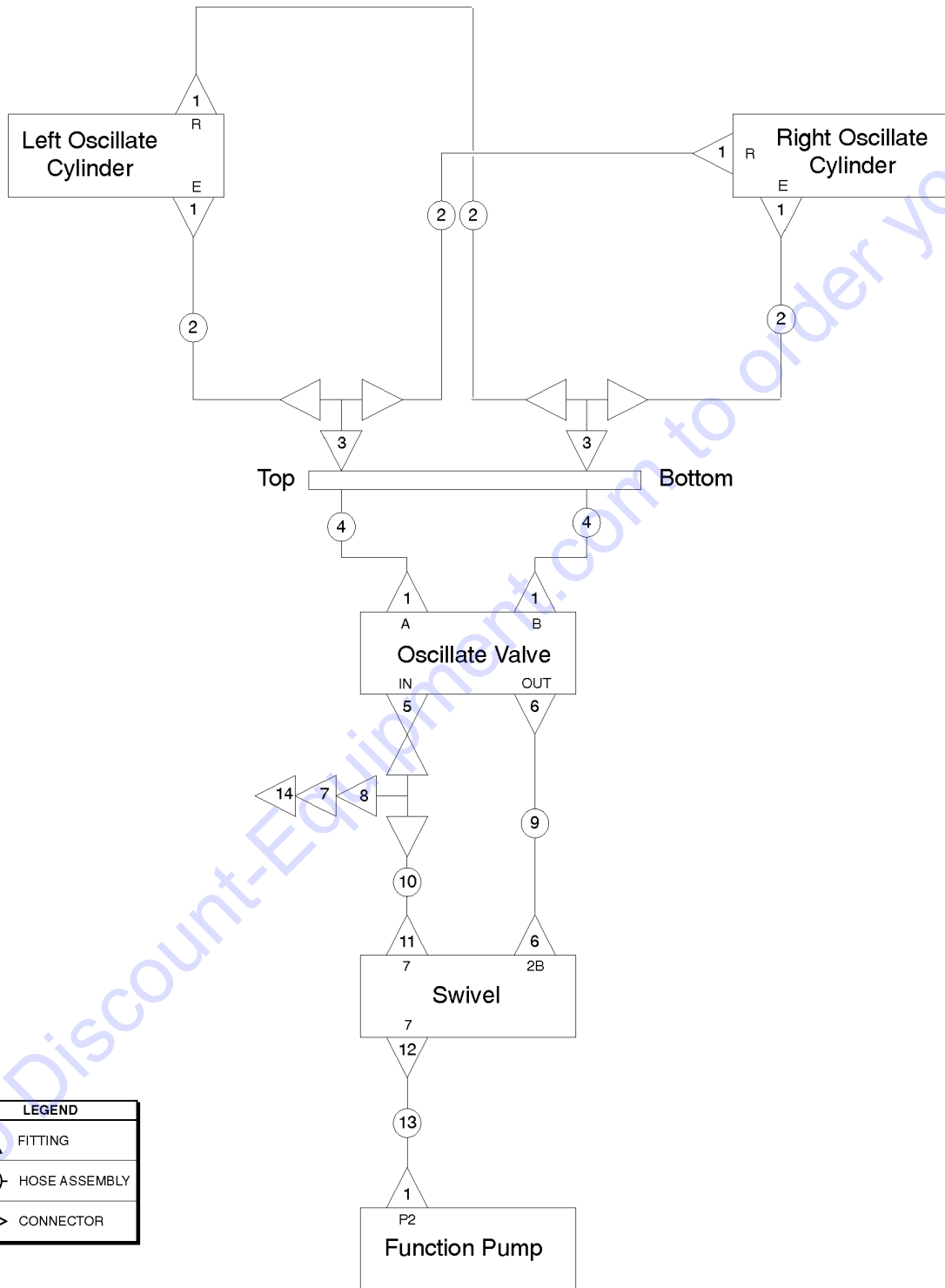


Item	Part No.	Description	Qty.
--		<i>The hose lengths below reflect the length of the hose only. Refer to the 'Fittings Cross Reference' to match Genie part numbers to Parker part numbers.</i>	
1	48915GT	ELBOW,90D,520220-6.....	2
2	48918GT	TEE,RUN,520428-6.....	2
3	49130-2482GT	HOSE ASSY 3/8, STR FEM,STR FEM.... <i>Components: Genie part numbers 48812, 48812 and 48753 @ 23 inches</i>	2
4	49130-4782GT	HOSE ASSY,3/8,STR FEM,STR FEM.... <i>Components: Genie part numbers 48812, 48812 and 48753 @ 46 inches</i>	2
--	101795-4782GT	HOSE ASSY,3/8,STR FEM,STR FEM <i>Components: Genie part numbers 48812, 48812 and 101698 @ 46 inches (arctic option)</i>	
5	49859GT	PLUG,HEX,090109A-4.....	4
6	48916GT	FITTING,CONN,520120-6.....	2
7	48883GT	PLUG,HEX,090109A-8***.....	1
8	48960GT	FITTING,CONN,520120-12***.....	14
9	94374-2330GT	HOSE ASSY,3/4,90 FEM,STR FEM..... <i>Components: Genie part numbers 48841, 48846 and 94358 @ 20 inches</i>	1
10	94374-2530GT	HOSE ASSY,3/4,90 FEM,STR FEM..... <i>Components: Genie part numbers 48841, 48846 and 94358 @ 22 inches</i>	1
11	94466-2336GT	HOSE ASSY,3/4".....	1
12	49119-7578GT	HOSE ASSY,1/4 STR FEM,STR FEM..... <i>Components: Genie part numbers 48800, 48800 and 48751 @ 74 inches</i>	1
13	49119-7578GT	HOSE ASSY,1/4 STR FEM,STR FEM..... <i>Components: Genie part numbers 48800, 48800 and 48751 @ 74 inches</i>	1
14	48933GT	CONN,520120-8***.....	4
15	94374-4730GT	HOSE ASSY,3/4,90 FEM,STR FEM..... <i>Components: Genie part numbers 48841, 48846 and 94358 @ 44 inches</i>	4
16	94464-4986GT	HOSE ASSY,1/2****..... <i>Components: Genie part numbers 48808, 77703 and 39888 @ 48 inches</i>	4
17	48908GT	FITTING,TEE,RUN,SWIVEL520432-4.....	2
18	48905GT	CONN,520120-4***.....	2
19	48911GT	ELBOW,90D,520220-4-6***.....	1

Go to [www.genie.com](http://www.genie.com) to order your parts



805.1 Oscillate Option



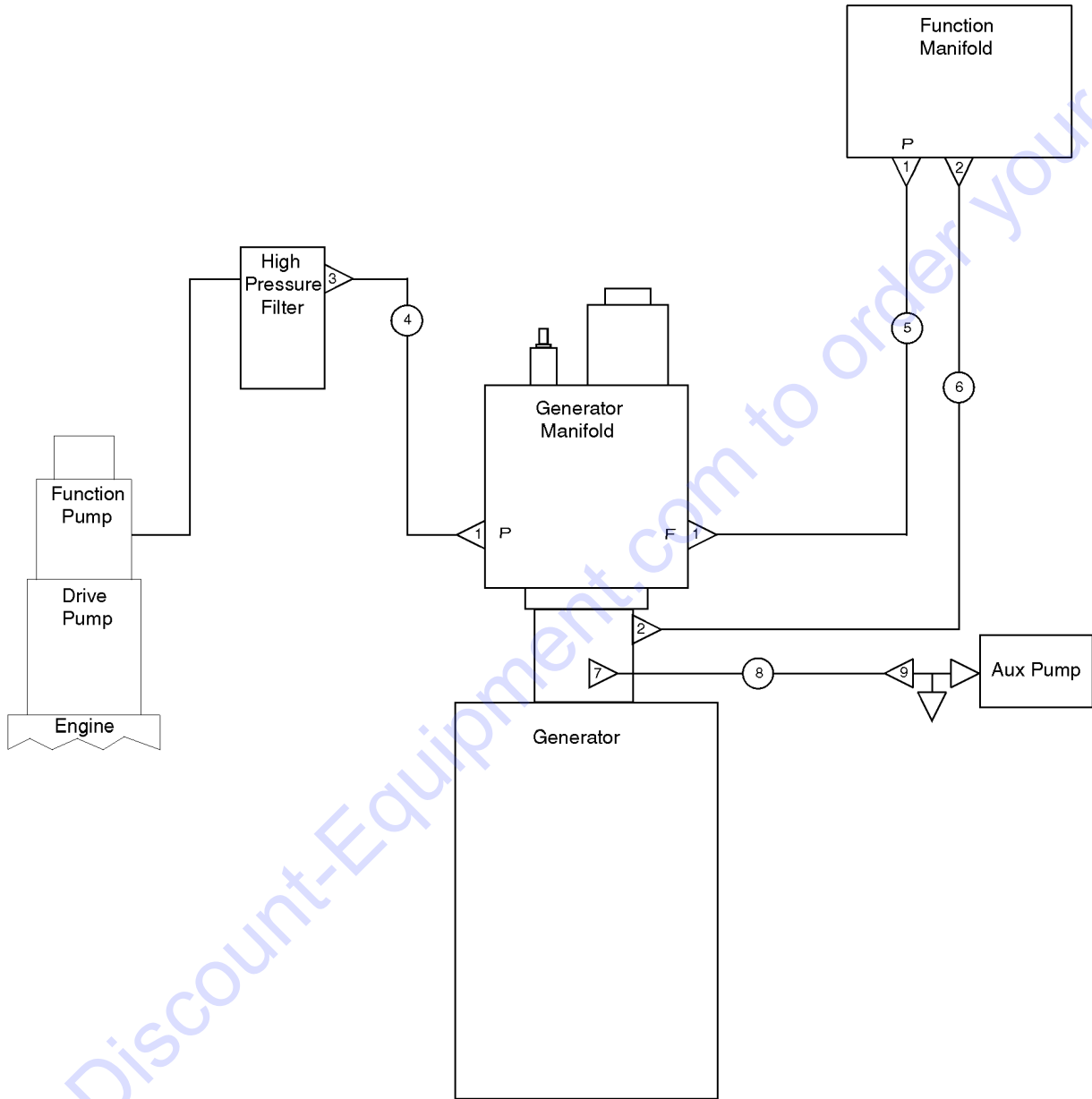
LEGEND	
	FITTING
	HOSE ASSEMBLY
	CONNECTOR

Item	Part No.	Description	Qty.
--		<i>The hose lengths below reflect the length of the hose only. Refer to the 'Fittings Cross Reference' to match Genie part numbers to Parker part numbers.</i>	
1	48912GT	CONN,520120-4-6***.....	7
2	49117-3291GT	HOSE ASSY,1/4,90 FEM,STR FEM**..... <i>Components: Genie part numbers 48800, 48802 and 48751 @ 31 inches</i>	4
3	48891GT	FITTING,TEE,BRANCH,520433-4.....	2
4	88636-8573GT	HOSE ASSY 1/4,STR FEM,STR BULK... <i>Components: Genie part numbers 48800, 75628 and 48751 @ 83 inches</i>	2
5	48914GT	CONN,520120-4-8.....	1
6	48933GT	CONN,520120-8***.....	2
7	49207GT	NIPPLE,DIAGNOSTIC,ORFS,FM,SWIV..	1
8	48908GT	FITTING,TEE,RUN,SWIVEL520432-4.....	1
9	94464-4186GT	HOSE ASSY,1/2"..... <i>Components: Genie part numbers 48808, 77703 and 39888 @ 40 inches</i>	1
10	49117-4691GT	HOSE ASSY,1/4,90 FEM,STR FEM..... <i>Components: Genie part numbers 48800, 48802 and 48751 @ 45 inches</i>	1
11	48905GT	CONN,520120-4***.....	1
--	49859GT	PLUG,HEX,090109A-4..... <i>models without oscillate</i>	1
12	48904GT	ELBOW,90D,520220-4-4.....	1
13	49117-5191GT	HOSE ASSY,1/4,90 FEM,STR FEM**..... <i>Components: Genie part numbers 48800, 48802 and 48751 @ 50 inches</i>	1
14	48880GT	CAP,DIAGNOSTIC NIPPLE.....	1

Go to Discount-Equipment.com to order your parts



806.1 Hydraulic Generator Option



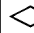


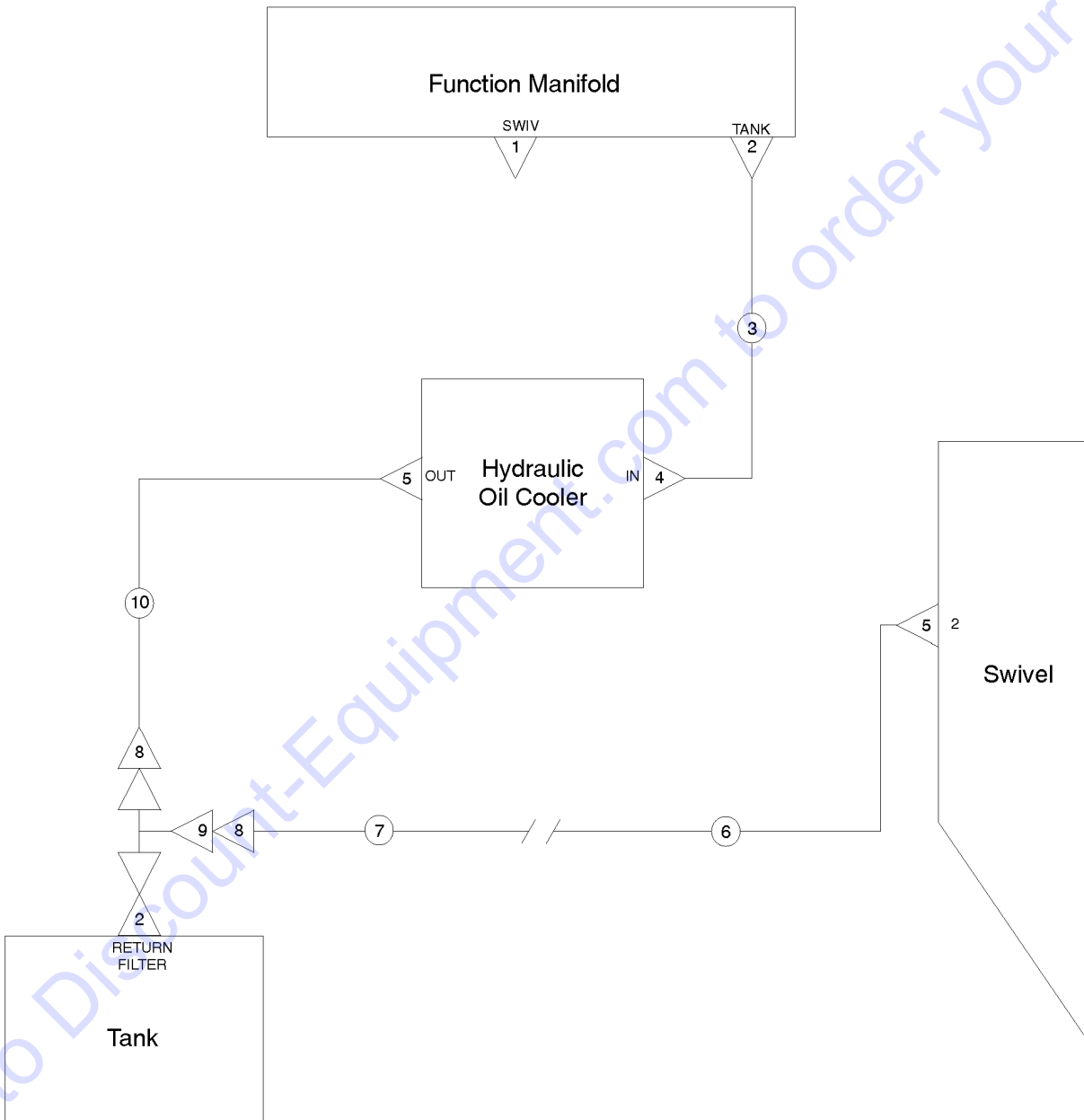
LEGEND	
	ADAPTER
	HOSE ASSEMBLY
	UNION

Item	Part No.	Description	Qty.
1	48960GT	FITTING,CONN,520120-12*** <i>(includes 45° and reducer)</i>	3
2	48933GT	CONN,520120-8***	2
3	48963GT	FITTING,ELBOW,45D,520320-12***	1
4	1259906GT	HOSE ASSY, 3/4", 34.05" <i>(components: 48841, 48846, and 48762 @ 30 inches)</i>	1
5	61073-7330GT	HOSE ASSY,3/4,90 FEM,STR FEM <i>(components: 48841, 48846, and 48762 @ 70 inches)</i>	1
6	49183-7592GT	HOSE ASSEMBLY,1/2,STR FEM <i>(components: 48822, 48822, and 48756 @ 74 inches)</i>	1
7	49861GT	CONN,LONG,520122-4	1
8	49117-6119GT	HOSE ASSY,1/4,90 FEM,STR FEM** <i>(components: 48800, 48802, and 48751 @ 60 inches)</i>	1
9	48908GT	FITTING,TEE,RUN,SWIVEL520432-4	1

Go to Discount-Equipment.com to order your parts

807.1 Hydraulic Oil Cooler Option

LEGEND	
	FITTING
	HOSE ASSEMBLY
	CONNECTOR

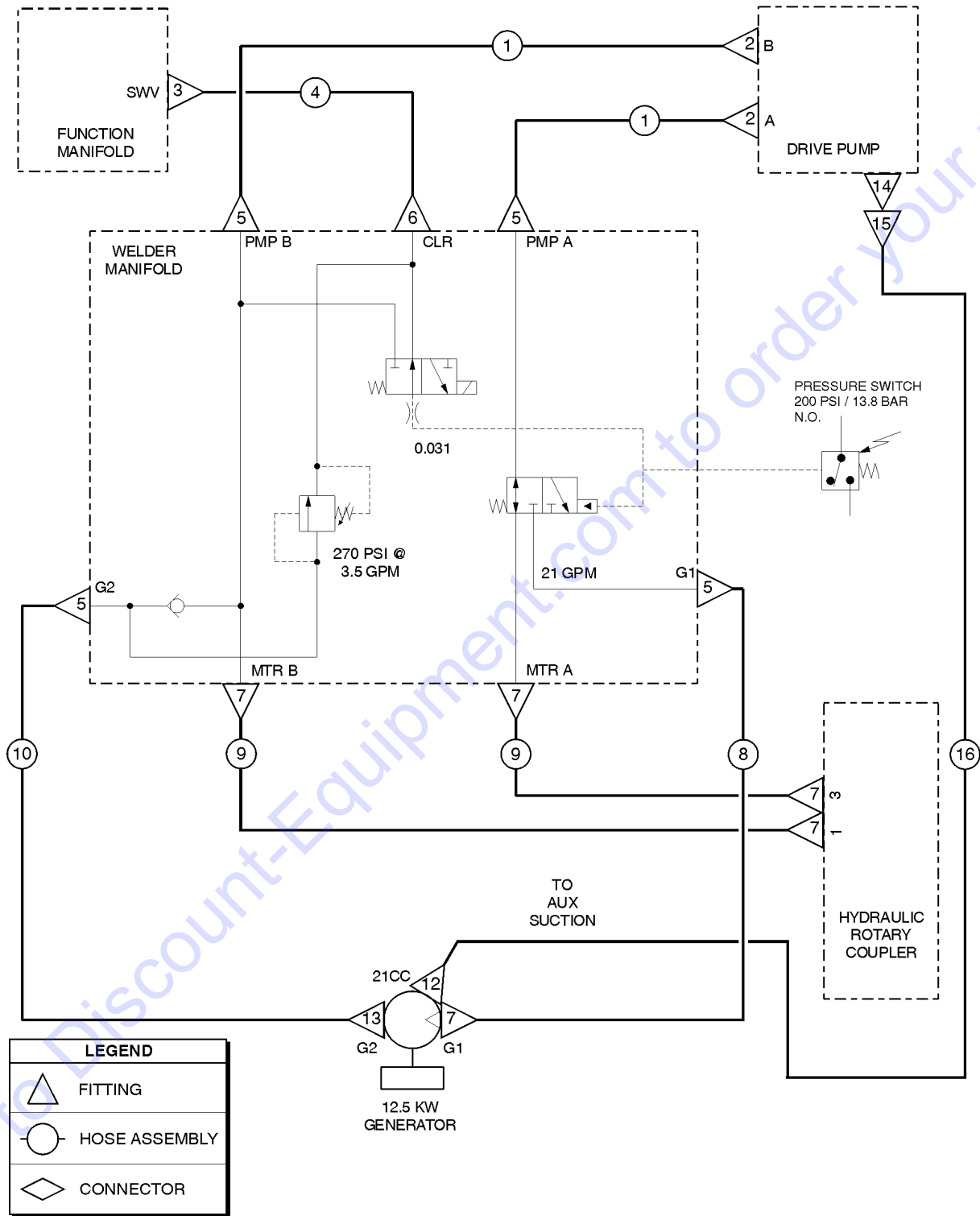


Item	Part No.	Description	Qty.
1	87172GT	PLUG,HEX SOCKET,090109B-12.....1	1
2	48984GT	CONN,520120-16.....2	2
3	88949-3828GT	HOSE ASSY 1",STR FEM,STR FEM.....1 <i>(components: 88941, 88938, 88938, and 88940 @ 36 inches)</i>	1
4	48878GT	ELBOW,90D,520220-16-12.....1	1
5	48960GT	FITTING,CONN,520120-12***.....2	2
6	49151-6248GT	HOSE ASSY,3/4,STR FEM,STR FEM.....1 <i>(components: 48841, 48841, and 48761 @ 60 inches)</i>	1
7	94205-3164GT	HOSE ASSY,3/4,45 FEM,STR MALE.....1 <i>(components: 48842, 48845, and 48761 @ 28 inches)</i>	1
8	101293GT	REDUCER,520123-16-12.....2	2
9	42787GT	TEE,RUN,SWIVEL,520432-16.....1	1
10	1259905GT	HOSE ASSY, 3/4", 28.55".....1 <i>(components: 48841, 48846, and 48761 @ 24 inches)</i>	1

Go to Discount-Equipment.com to order your parts



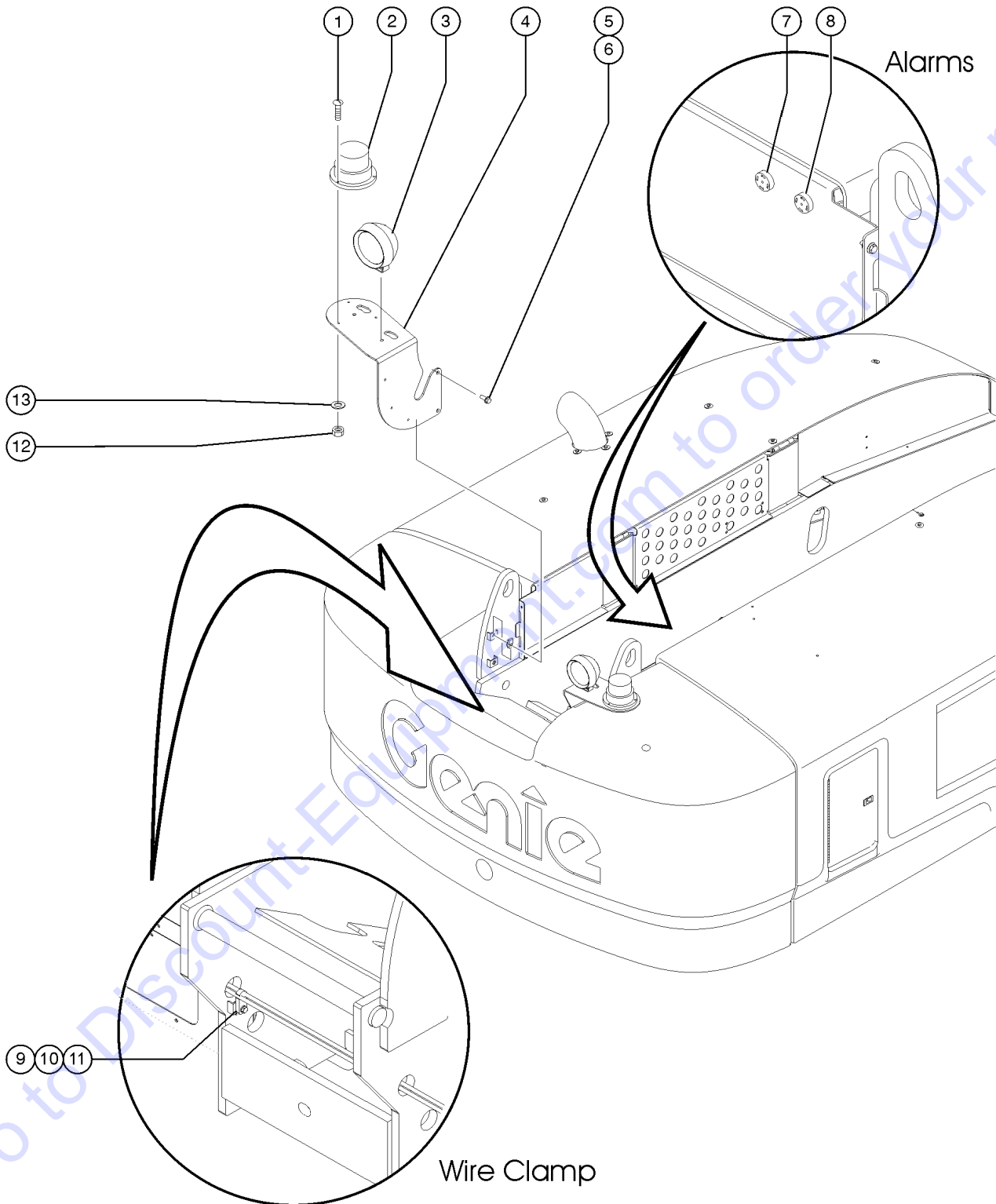
808.1 Welder Option



Item	Part No.	Description	Qty.
1	162164GT	HOSE ASSY,3/4,STR FEM,STR FEM.....2 <i>(components: 48841, 48841, and 94358 @ 38 inches)</i>	
2	48978GT	ELBOW,45D,520320-12-16.....1	
3	48948GT	CONN,520120-8-12.....1	
4	1251842GT	HOSE ASSY,1/2,STR FEM,STR FEM.....1 <i>(components: 48822, 48822, and 48756 @ 83 inches)</i>	
5	48963GT	FITTING,ELBOW,45D,520320-12***.....4	
6	48933GT	CONN,520120-8***.....1	
7	48960GT	FITTING,CONN,520120-12***.....5	
8	162162GT	HOSE ASSY,3/4,45 FEM,STR FEM.....1 <i>(components: 48841, 48845, and 48762 @ 21 inches)</i>	
9	94374-6030GT	HOSE ASSY,3/4,90 FEM,STR FEM.....2 <i>(components: 48841, 48846, and 94358 @ 57 inches)</i>	
10	162163GT	HOSE ASSY,3/4,45 FEM,STR FEM.....1 <i>(components: 48841, 48845, and 48762 @ 22 inches)</i>	
11	48941GT	REDUCER,520123-8-4	
12	48932GT	FITTING,ELBOW,90D,520220-8***.....1	
13	61610GT	CONN,LONG,520122-12***.....1	
14	48961GT	TEE,RUN,520428-12.....1	
15	51580GT	FITTING,REDUCER,520123-12-8***.....1	
16	218751GT	HOSE ASSY,1/2,90 FEM,STR FEM.....1 <i>(components: 48822, 48827, and 48756 @ 60 inches)</i>	

Go to Discount-Equipment.com to order your parts

901.1 Drive Lights, Alarm and Beacon Packages



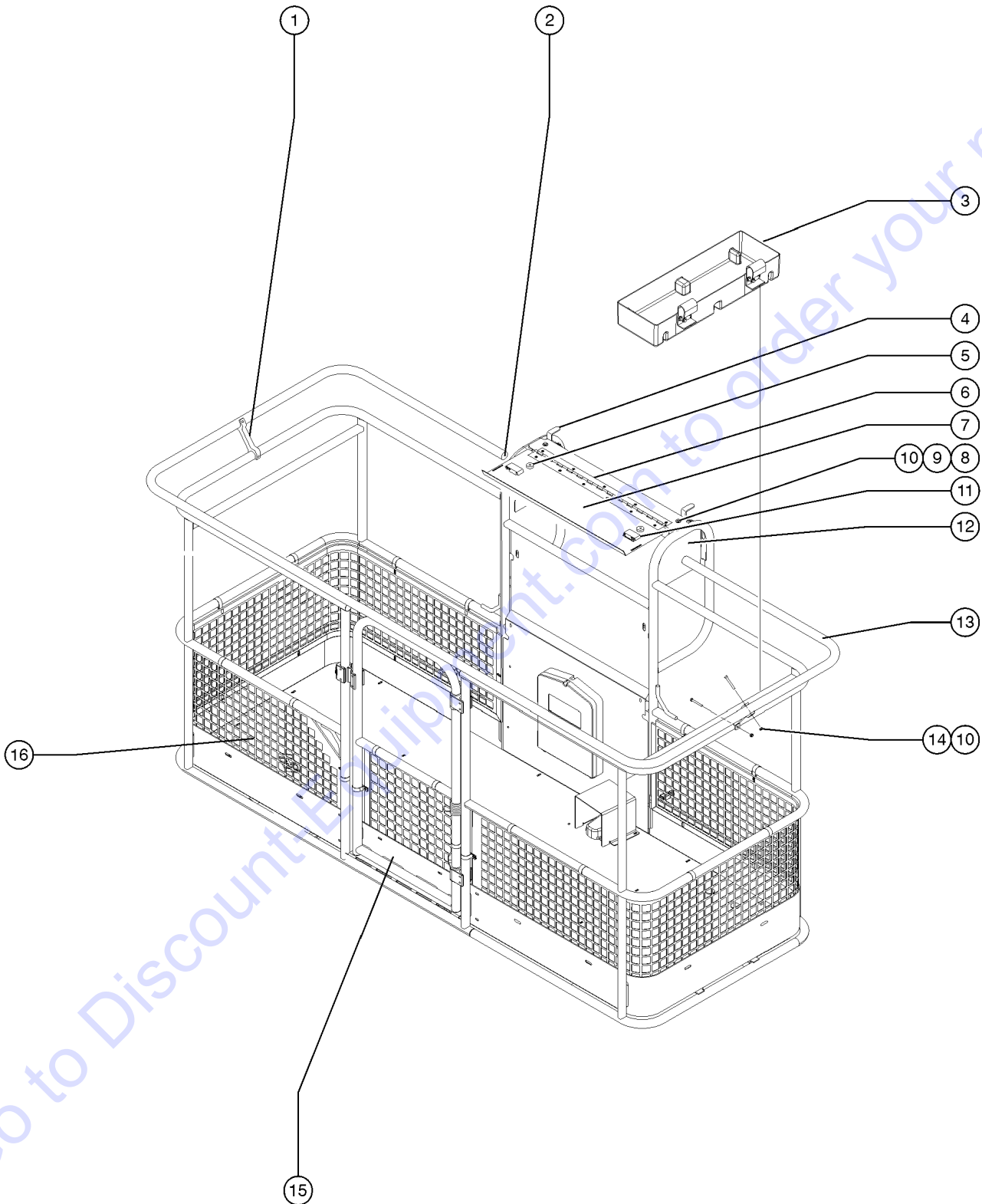
901.1 Drive Lights, Alarm and Beacon Packages

Item	Part No.	Description	Qty.
--	T109268GT	ACC, BEACON, TRVL ALARM,SERV	
1	6147GT	SCREW,RHM,10-32 X 1	
2	56704GT	STROBE,FIREBOLT,12-80VDC,AMB**...2 <i>Replaced 20189</i>	
--	122019GT	FLASHTUBE,U SHAPED,360DEG,BULB	
--	128005GT	HARNESS,BEACON OPTION	
--	226393GT	FLASHTUBE,STRAIGHT,360DEG,BULB	
--	72282GT	LENS,AMBER,STROBE,FIREBOLT	
3	107857GT	LIGHT, 12 VOLT.....2	
--	119065GT	CONN,RECEP 2 WAY ENDCAP DT	
--	35960GT	BULB,WORKLIGHT,12V 35W	
--	56051GT	WIRE CABLE,16/2,WHT/BLK,SJEW	
--	60439GT	LOCK,RECEP 2 WAY, 14-18GA	
--	83130GT	TERM,NI PIN,S&F,16-18GA,BULK	
4	1253793GT	FORMING,RH MOUNT,DRIVE LIGHT....1	
--	1283794GT	FORMING,LH MOUNT,DRIVE LIGHT.....1	
5	121066GT	SCREW,HHC,FLG,3/8-16 X 1 GR8	
6	29868GT	SPRING CLIP,3/8-16,.05-.20X.73,ZAG....4	
7		REF: Descent Alarm <i>(refer to 301.1)</i>	
8	18963GT	ALARM,INTERMITTENT TONE 6-30V*...1 <i>Does not include 72326 nut</i>	
--	73236GT	NUT - PLASTIC,RING FOR ALARMS.....1	
9	822692GT	CLAMP, WIRE, 16/2.....2 <i>(one of 2 shown)</i>	
10	6175GT	SCREW,HHC,3/8-16 X 1	
11	6021GT	WASHER,LOCK,.375	
12	6178GT	NUT,NYLOCK,10-32	
13	6146GT	WASHER,FLAT,MS,#10,Y	

Go to Discount-Equipment.com to order your parts



902.1 Control Box Cover, Pinch Guard and Tool Tray



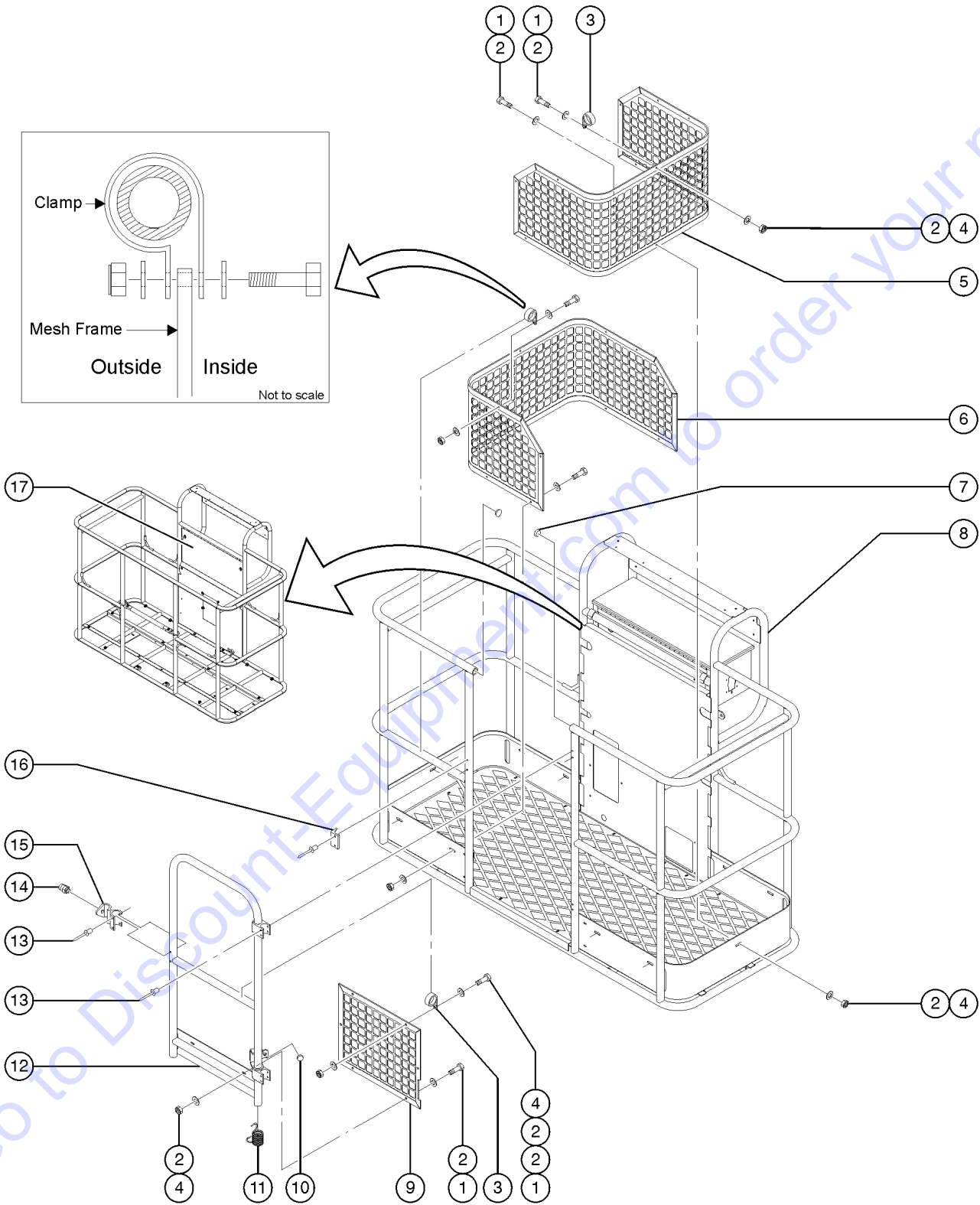
902.1 Control Box Cover, Pinch Guard and Tool Tray

Item	Part No.	Description	Qty.
A	T109328GT	ACC,PLAT CONTROL COVER, SERV <i>includes items 7-12 and 23-25</i>	
B	53808-SGT	AUX TOP RAIL,6'(1.25")SERVICE	
C	53807-SGT	AUX TOP RAIL,8'(1.25")SERVICE	
D	122278GT	AUX TOP RAIL,6',SWG GT, SRV	
E	122279GT	AUX TOP RAIL,8',SWG GT, SRV	
1	139958GT	KIT, AUX TOP RAIL SUPPORT.....10 <i>includes 2 supports and hardware</i>	
--	122073GT	SUPPORT, RAILING.....20	
2	55753GT	BUMPER, PLASTIC, 1.25 O.D.....2	
3	9599-SGT	TOOL TRAY ACCESSORY***.....1	
--	7746GT	BRACKET-TOOL TRAY MOUNTING.....1	
4	102786PGT	FORMING,LATCH,CTRL BOX LID PTD	
5	43392GT	BUMPER,BATTERY BOX & RAILS***.....2	
6	111526GT	HINGE,PLAT CONTROL BOX COVER...1	
--	54486GT	RIVET,ALUM,ALUM,3/16BUTTONHEAD <i>not included - sold seperately</i>	
7	102785PGT	CONTROL BOX COVER,LID,PTD.....1	
8	6090GT	SCREW,HHC,1/4-20 X .75	
9	6638GT	WASHER,FLAT,USS,1/4"Y	
10	6889GT	NUT,LP NYLOCK,1/4-20	
11	30468GT	LATCH,SLIDE, FLUSH MOUNT STYLE	
12A	88606PGT	COVER,CONTROL BOX RIGHT SIDE**.....1	
12B	88607PGT	COVER,CONTROL BOX LEFT SIDE***.....1	
13A	1259704GT	PINCH GUARD RAIL,6' PLATFORM.....1 <i>includes 55753 bumpers</i>	
--	55753GT	BUMPER, PLASTIC, 1.25 O.D. <i>not included - sold seperately</i>	
13B	52661GT	PINCH GUARD RAIL,8' PLATFORM**....1	
--	55753GT	BUMPER, PLASTIC, 1.25 O.D.	
13C	111485PGT	AUX TOP RAIL,6FT,PTD.....1 <i>for models with swing gate</i>	
13D	111486PGT	AUX TOP RAIL,8FT,PTD.....1 <i>for models with swing gate</i>	
14	4266GT	SCREW,HHC,1/4-20 X 2	
15		Ref: Swing Gate <i>refer to 903.1</i>	
16		Ref: Half Mesh <i>refer to 903.1</i>	

Go to [www.genie.com](http://www.genie.com) to order your parts



903.1 Half Mesh and Swing Gate

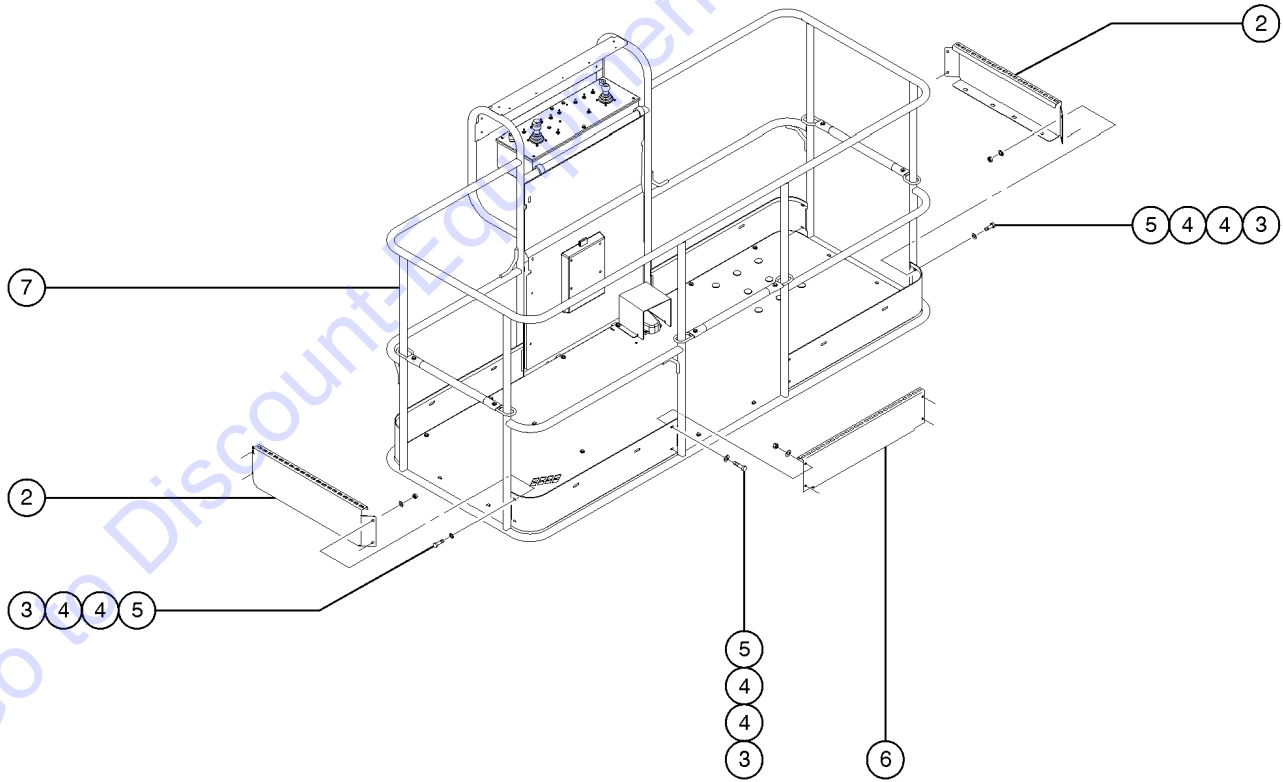
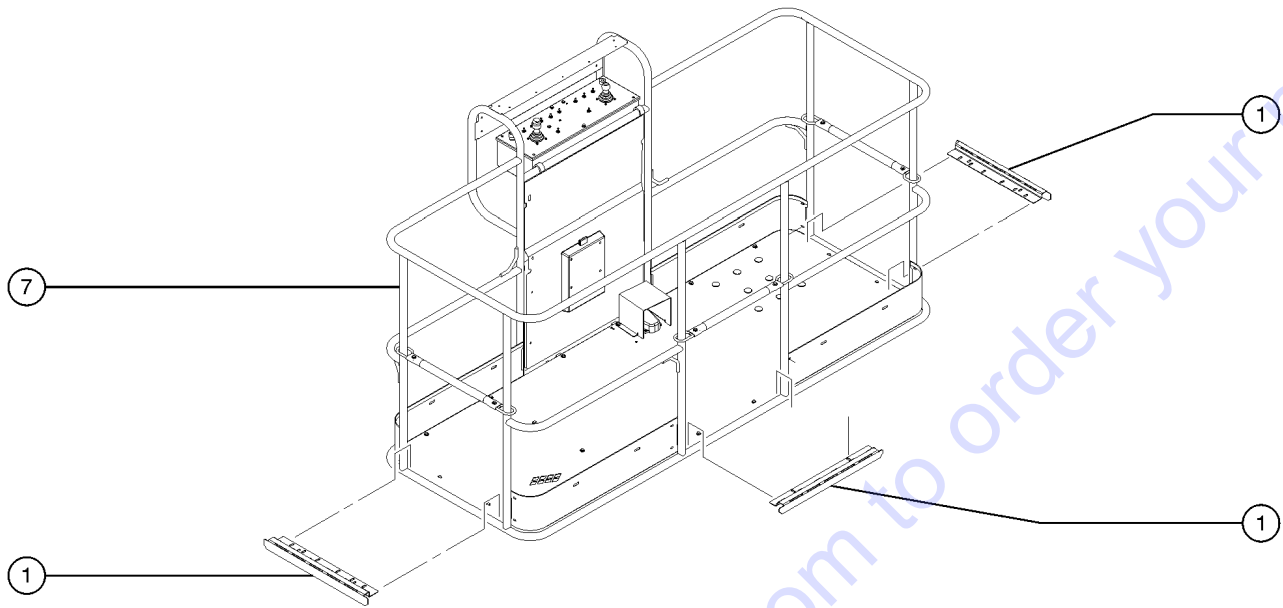


903.1 Half Mesh and Swing Gate

Item	Part No.	Description	Qty.
A	119950GT	KIT,FIELD INSTALL,SWING GATE <i>includes items 10-16</i>	
B	77108GT	FIELD KIT,6'1/2MESH PLAT W/GAT <i>Includes swing gate</i>	
1	6090GT	SCREW,HHC,1/4-20 X .75	
2	6638GT	WASHER,FLAT,USS,1/4"Y	
3	56424GT	CLAMP,1.25X.5 RUBBER-CUSHION....16	
4	6091GT	NUT,NYLOCK,1/4-20	
5A	101852GT	MESH,HALF,LH 5' PLATFORM.....1 <i>5ft</i>	
5B	54458GT	MESH,HALF,LH,6'PLATFORM.....1 <i>6ft</i>	
5C	73501GT	HALF MESH,8'PLATFORM,LH.....1 <i>8ft</i>	
6A	101853GT	MESH,HALF,RH 5' PLATFORM.....1 <i>5ft</i>	
6B	54465GT	MESH,HALF,RH,6'PLATFORM.....1 <i>6ft</i>	
6C	73500GT	HALF MESH,8'PLATFORM,RH***.....1 <i>8ft</i>	
7	55753GT	BUMPER, PLASTIC, 1.25 O.D.....2	
8		REF: Platform Weldment.....1 <i>(refer to 701.1)</i>	
9	54457GT	MESH,HALF,SWING GATE***.....1	
10	43392GT	BUMPER,BATTERY BOX & RAILS*** .....1	
11	42104GT	SPRING,SHORT PLATFORM GATE.....1	
12	128374GT	WELDMENT,SWING GATE,ALUMINUM.....1	
13	7265GT	RIVET,STEEL,P, .25 X .375	
14	33674GT	PIN,LOCK,SHORT*** .....1	
15	1487GT	GATE LATCH CASTING--DRILLED.....1	
16	1488GT	RAILING CATCH CASTING--DRILLED...1	
17	73901GT	DECAL PLATE,MESH.....1 <i>decals not included</i>	

Go to [www.genie.com](http://www.genie.com) to order your parts

904.1 Tri-Entry Platform and Platform Toeboard



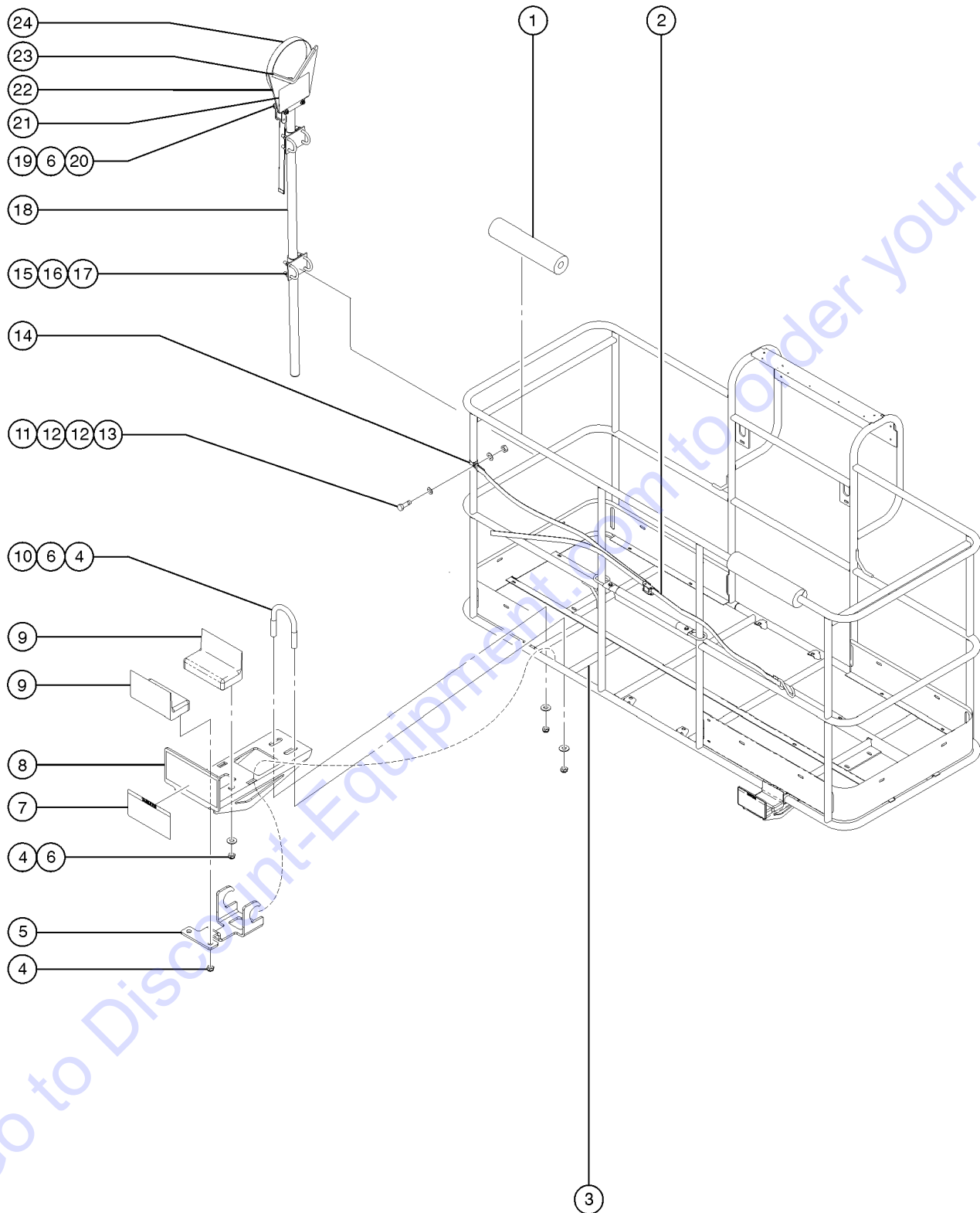
904.1 Tri-Entry Platform and Platform Toeboard

Item	Part No.	Description	Qty.
1	73610P-SGT	STEP PLATFORM ENTRY PAINTED.....	3
2A	139438GT	TOEBOARD, TRI ENTRY 6', EURO.....	2
2B	102721GT	TOEBOARD,8'TRI ENTRY	
3	6090GT	SCREW,HHC,1/4-20 X .75	
4	6638GT	WASHER,FLAT,USS,1/4"Y	
5	6889GT	NUT,LP NYLOCK,1/4-20	
6	94745PGT	TOEBOARD,ENTRY EUROPEAN PNTD**.....	1
7A	215747GT	PLAT ASSY,TRI ENT,S60/65,6'..... <i>decals not included, refer to section 100</i>	1
--	101973GT	WELDMENT,6 FT TRI ENTRY PLAT <i>decals not included, refer to section 100</i>	
7B	215748GT	PLAT ASSY,TRI ENT,8' <i>decals not included, refer to section 100</i>	
--	94869GT	WELDMENT,8FT TRI ENTRY PLAT <i>decals not included, refer to section 100</i>	

Go to Discount-Equipment.com to order your parts



905.1 Panel Cradle and Pipe Cradle

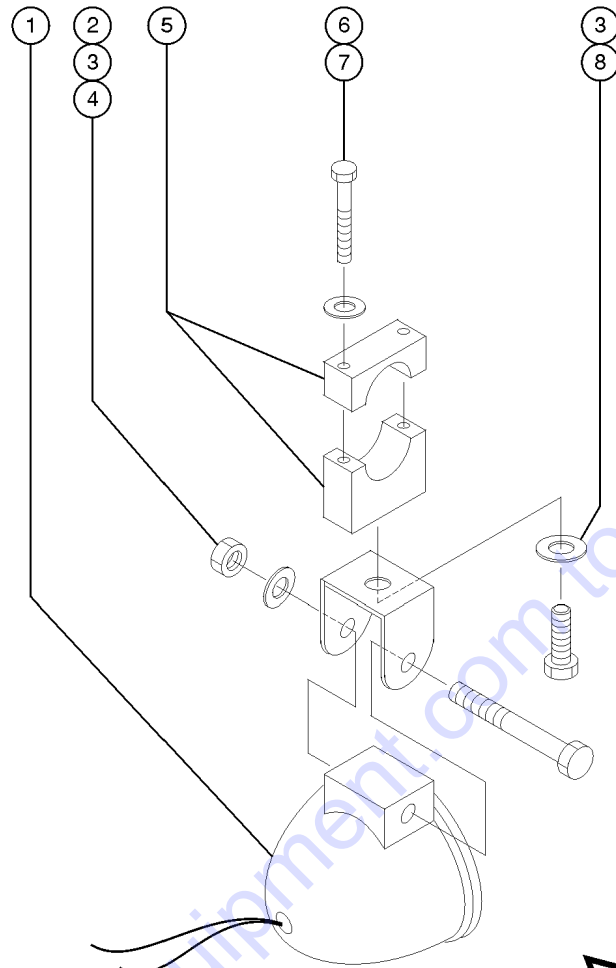


905.1 Panel Cradle and Pipe Cradle

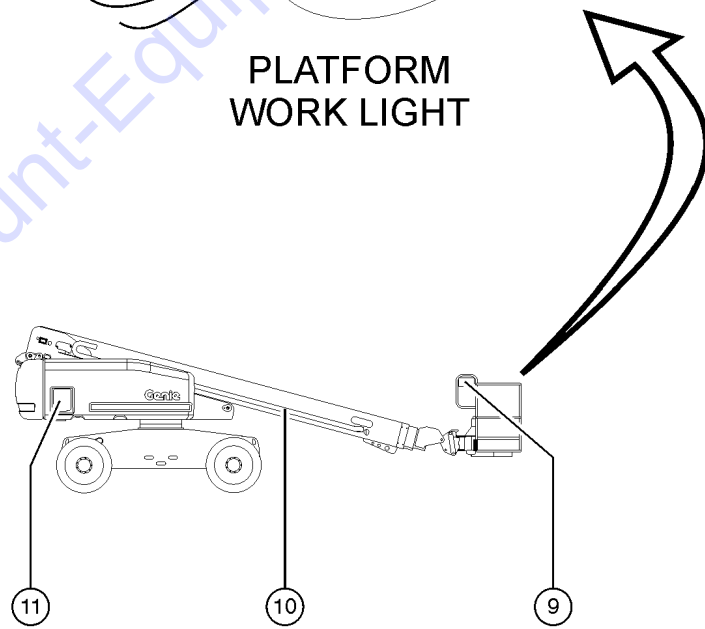
Item	Part No.	Description	Qty.
A	77683GT	ACCESSORY,PANEL CRADLE,ANSI	
--	82443GT	INSTRUCTIONS,PANEL CRADLE	
B	85300GT	PIPE CRADLE ASSY. SERV (ONE)** .....2 <i>only one of two shown</i>	
--	65630GT	INSTRUCTIONS-PIPE CRADLE,BOOMS	
1	88377-1400GT	FOAM PAD***.....2	
2	77664GT	ADJUSTABLE STRAP ASSY.....1	
3	73463-1175GT	TUBE, RD, ALUM, 1.25 X .083 X 11.75...2	
4	7713GT	NUT, LP NYLOCK, 3/8-16	
5A	233992GT	KIT,PANEL CRADEL BRACKET,WORD.....2 <i>(includes decal, for models with word decals)</i>	
5B	233993GT	KIT,PANEL CRADLE BRACKET,SYMBL.....2 <i>(includes decal, for models with symbol decals)</i>	
5C	228849GT	FORMING,SECONDARY SUPPORT.....2	
6	5397GT	WASHER,FLAT,USS,5/16",Y	
7	82410GT	DECAL,WARNING,PANEL CRADLE.....2 <i>(order seperately)</i>	
8A	233993GT	KIT,PANEL CRADLE BRACKET,SYMBL.....2 <i>(includes decal, for models with word decals)</i>	
8B	233993GT	KIT,PANEL CRADLE BRACKET,SYMBL.....2 <i>(includes decal, for models with symbol decals)</i>	
8C	228848GT	FORMING PANEL CRADLE.....2 <i>(decal not included)</i>	
9	56934GT	PAD,REST,1"THICK,FLANGED.....4	
10	122755GT	UBOLT,FLATTENED,1.5DIA X 3/8 UNC...2	
11	8914GT	SCREW, HHC, 1/4-20 X .625.....1	
12	6638GT	WASHER,FLAT,USS,1/4"Y	
13	6889GT	NUT,LP NYLOCK,1/4-20	
14	56424GT	CLAMP,1.25X.5 RUBBER-CUSHION....1	
15	1274322GT	NUT,NYLOCK FLG,3/8-16,F,ZAG	
16	5397GT	WASHER,FLAT,USS,5/16",Y	
17	1251600GT	U-BOLT, FLATTENED, 1.5 X 3/8 UNC,ZAG	
18	56525GT	WELDMENT, PIPE CRADLE.....2	
19	824083GT	SCREW,HHF,1/4-20X2.5,8,ZAG	
20			
21	1277924GT	NUT,NYLOCK FLG,1/4-20,F,ZAG	
22	72875GT	DECAL,WARNING,PIPE CRADLE,BOOM.....2	
23	81368GT	WELDMENT,PIPE CRADLE MOUNT....4	
24	56570GT	STRAP, CONDUIT HOLDER 60**** .....2	



906.1 Platform Work Lights



PLATFORM  
WORK LIGHT



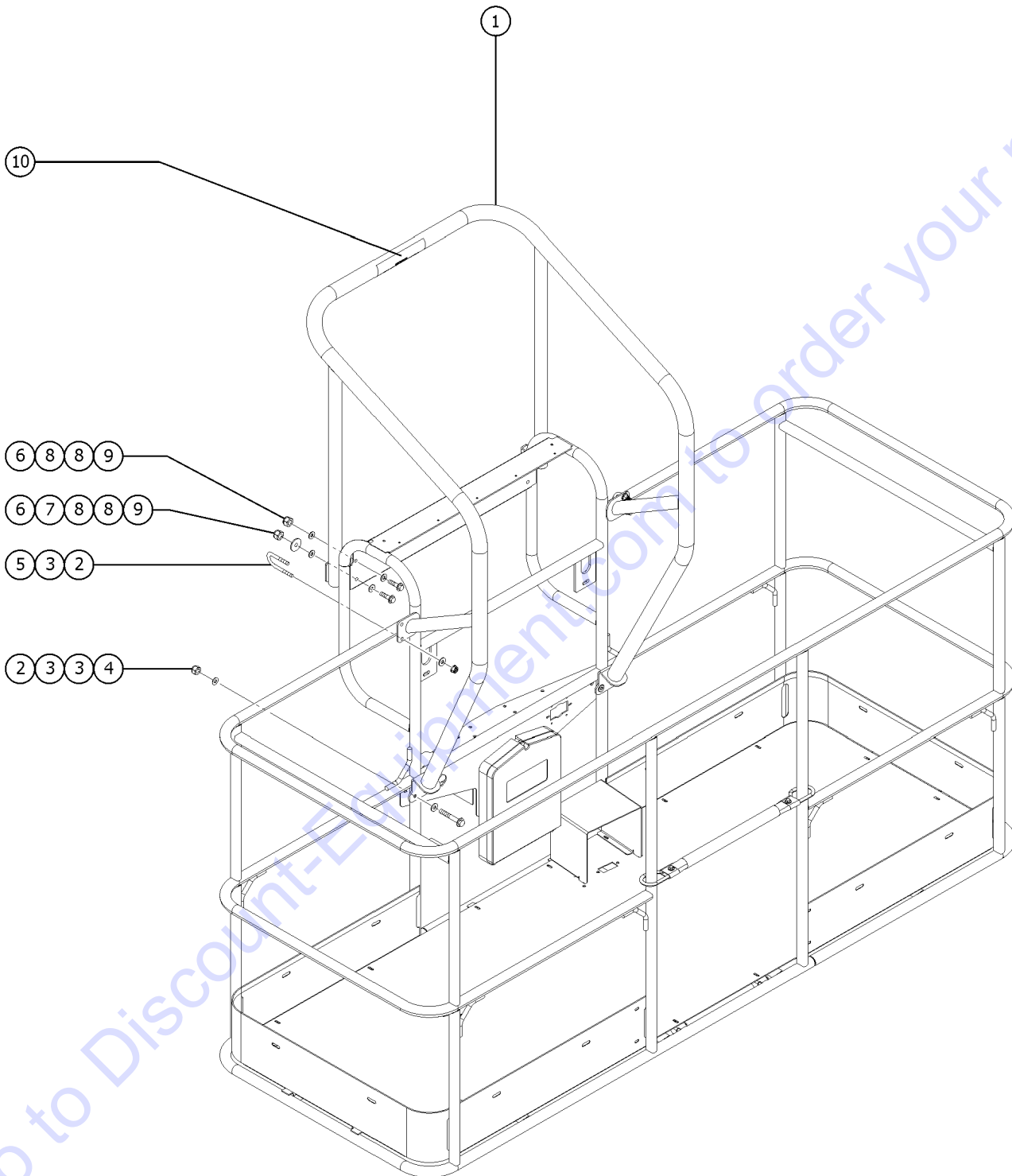
906.1 Platform Work Lights

Item	Part No.	Description	Qty.
1	71498GT	WORKLIGHT, 12V, DEUTSCH RECEPT.....2 <i>includes mount (not available separately)</i>	
2	4828GT	NUT,NYLOCK,3/8-16	
3	5397GT	WASHER,FLAT,USS,5/16",Y	
4	8178GT	SCREW,HHC,3/8-16 X 2.5	
5	35956GT	BRACKET,WORK LIGHT MOUNT 5/16"	
6	6145GT	SCREW,HHC,1/4-20 X 1.5	
7	6356GT	WASHER,LOCK,.25	
8	10107GT	SCREW,HHC,5/16-18 X .75	
9		Ref: HARNESS,12V WORK LIGHTS <i>refer to 313.1</i>	
10		Ref: CABLE,S60 & S65 12VDC WORK LIGHT <i>refer to 313.1</i>	
11		Ref: HARN,12V WORK LIGHT RELAY <i>refer to 313.1</i>	

Go to Discount-Equipment.com to order your parts



907.1 Operator Protective Structure



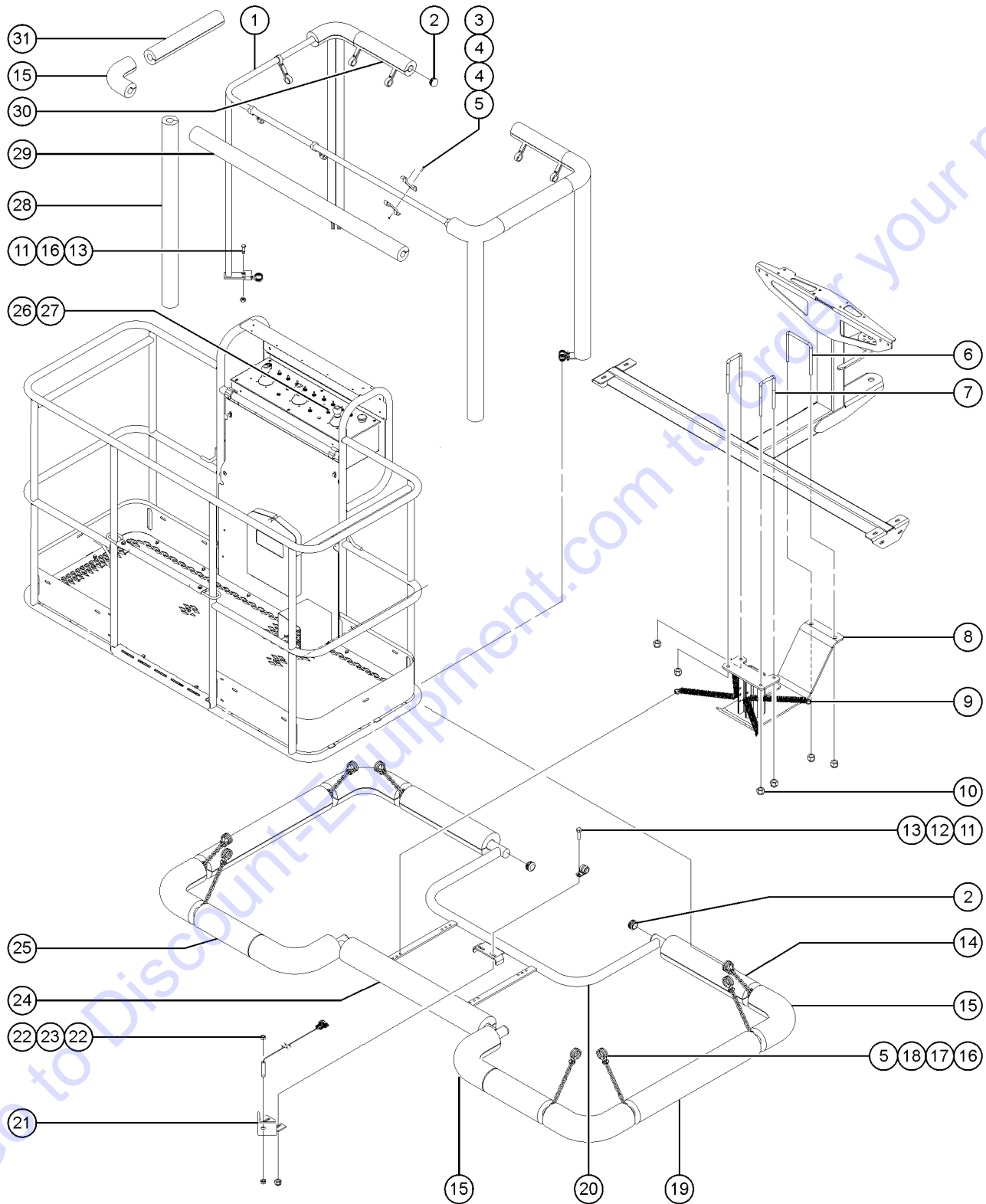
907.1 Operator Protective Structure

Item	Part No.	Description	Qty.
--		<i>Fits all 6' and 8' Booms</i>	
1	219158GT	ACCESSORY, OPERATOR PROT STRUCT.....1 <i>(Complete) includes all fasteners</i>	1
2	1256468GT	NUT, 3/8-16, 8, ZAG.....8	8
3	1255758GT	WASHER, FLAT, 3/8, USS, ZAG.....12	12
4	824069GT	SCREW, HHC, 3/8-16X2.5, 8, ZAG.....4	4
5	1251600GT	U-BOLT, FLATTENED, 1.5 X 3/8 UNC, ZAG.....4	4
6	1261184GT	NUT, 1/4-20, 8, ZAG.....4	4
7	824120GT	WASHER, FLAT, .375X1.50X.125, ZAG.....2 <i>Use only with the platform control box cover option</i>	2
8	824113GT	WASHER, FLAT, 1/4, USS, ZAG.....6	6
9	824060GT	SCREW, HHC, 1/4-20X1, 8, ZAG.....4	4
10	219160GT	DECAL, INSTRUCTION, OPS.....1	1

Go to Discount-Equipment.com to order your parts



908.1 Aircraft Protection, Standard Entry, S-65

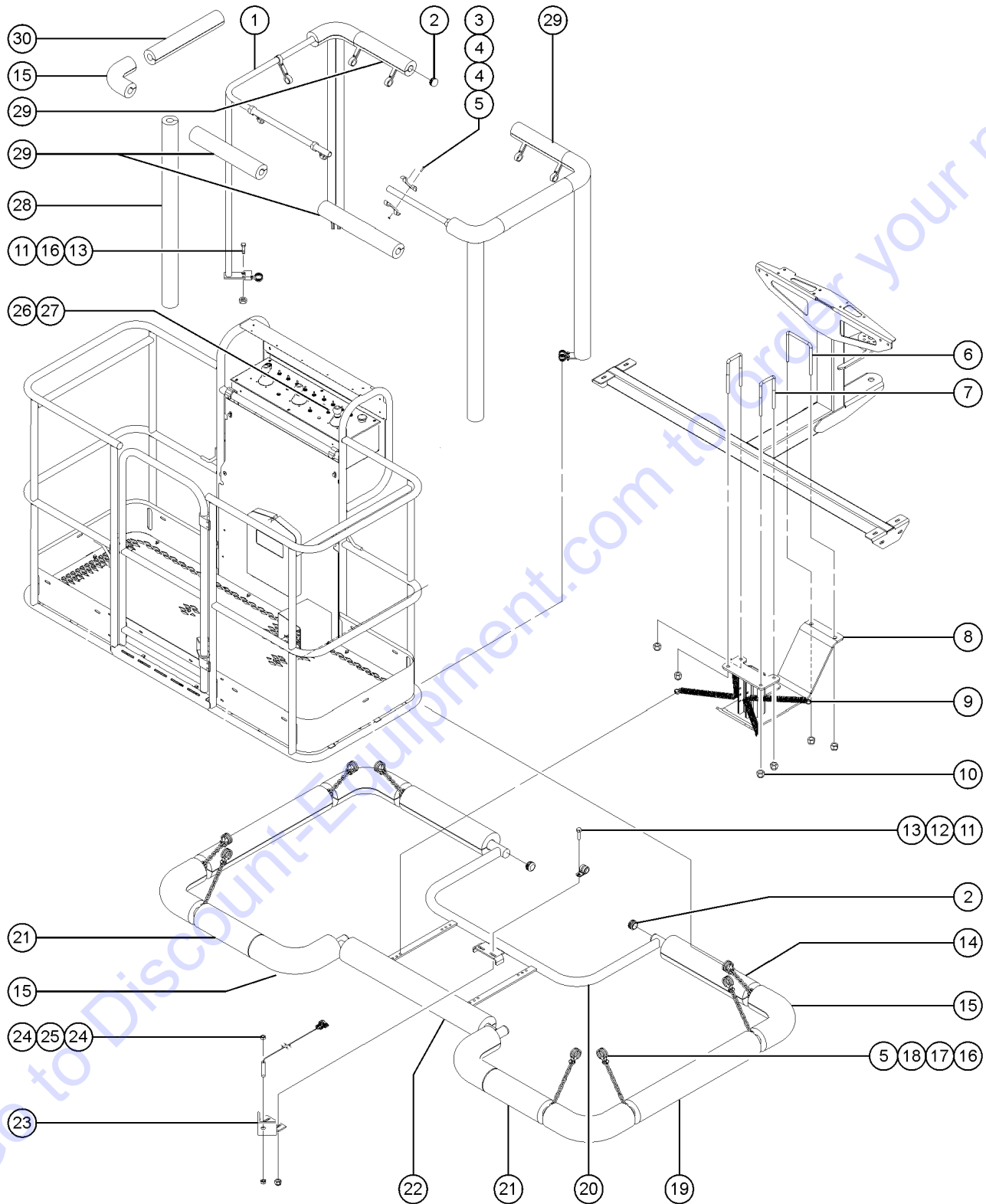


908.1 Aircraft Protection, Standard Entry, S-65

Item	Part No.	Description	Qty.
A	29261GT	MAGNET,NEODYMIUM,.375 X .100.....2 <i>not shown</i>	
1	46188GT	WELDMENT, AIRCRAFT TOP BUMPER.....1	
2	55753GT	BUMPER, PLASTIC, 1.25 O.D.	
3	824227GT	SCREW, BHC, 1/4-20 X 1, ZAG	
4	122073GT	SUPPORT, RAILING.....20	
5	824027GT	NUT,TL FLG,1/4-20,G,ZAG	
6	106044GT	U-BOLT,3/8-16X4X4.63X3.00	
7	66472GT	U-BOLT, SQR, 3/8-16X2X5, PLTD.....2	
8	822764GT	WDMT,SKID PLATE	
9	822769GT	SPRING,EXTENSION,1.92LB/IN.....4	
10	824029GT	NUT,TL FLG,3/8-16,G,ZAG	
11	6888GT	SCREW,HHC,1/4-20 X 1	
12	6833GT	CLAMP,0.50,#8 X 1/4,RUB CUSH.....1	
13	6091GT	NUT,NYLOCK,1/4-20	
14	75617-1550GT	PADDING,FOAM 3.5"OD X 1.50"ID.....2	
15	75636GT	PADDING,FOAM,3.0"X1.50ID 90DEG.....10	
16	21618GT	CLAMP,1.13,#18 X 1/4,RUB CUSH.....24	
17	824078GT	SCREW,HHF,1/4-20X.75,8,ZAG	
18	56426-700GT	CHAIN,NO.2 (11 LINKS).....8	
19	75617-2275GT	PADDING,FOAM 3.5"OD X 1.50"ID.....2	
20	822759GT	WDMT,AIRCRAFT SENSOR BUMPER...1	
21	77797GT	WELDMENT, SENSOR MOUNT.....1	
22	88390GT	NUT,HEX,M8,PLASTIC	
23	1261292GT	HARNES ASSY,PCON,PROX KILL.....1 <i>includes 27391 proximity sensor</i>	
--	27391GT	PROXIMITY SENSOR***.....1	
24	822768GT	FOAM,AIRCRAFT PROTECTION.....1	
25	75617-1025GT	PADDING,FOAM 3.5"OD X 1.50"ID.....2	
26	128203GT	SWITCH TOGGLE ASSY SPDT 2P MOM.....1	
--	139882GT	HARN, AC PROTECTION BYPASS.....1	
27	27246GT	BOOT,TOGGLE SWITCH,SHORT*.....1	
28	1259329GT	PADDING, FOAM, 46.5".....4	
29	75617-6275GT	PADDING,FOAM 3.5"OD X 1.50"ID.....1	
30	1259328GT	PADDING, FOAM, 15.5".....2	
31	75617-2075GT	PADDING,FOAM 3.5"OD X 1.50"ID.....2	

Go to [www.genie.com](http://www.genie.com) to order your parts

909.1 Aircraft Protection, Swing Gate, S-65



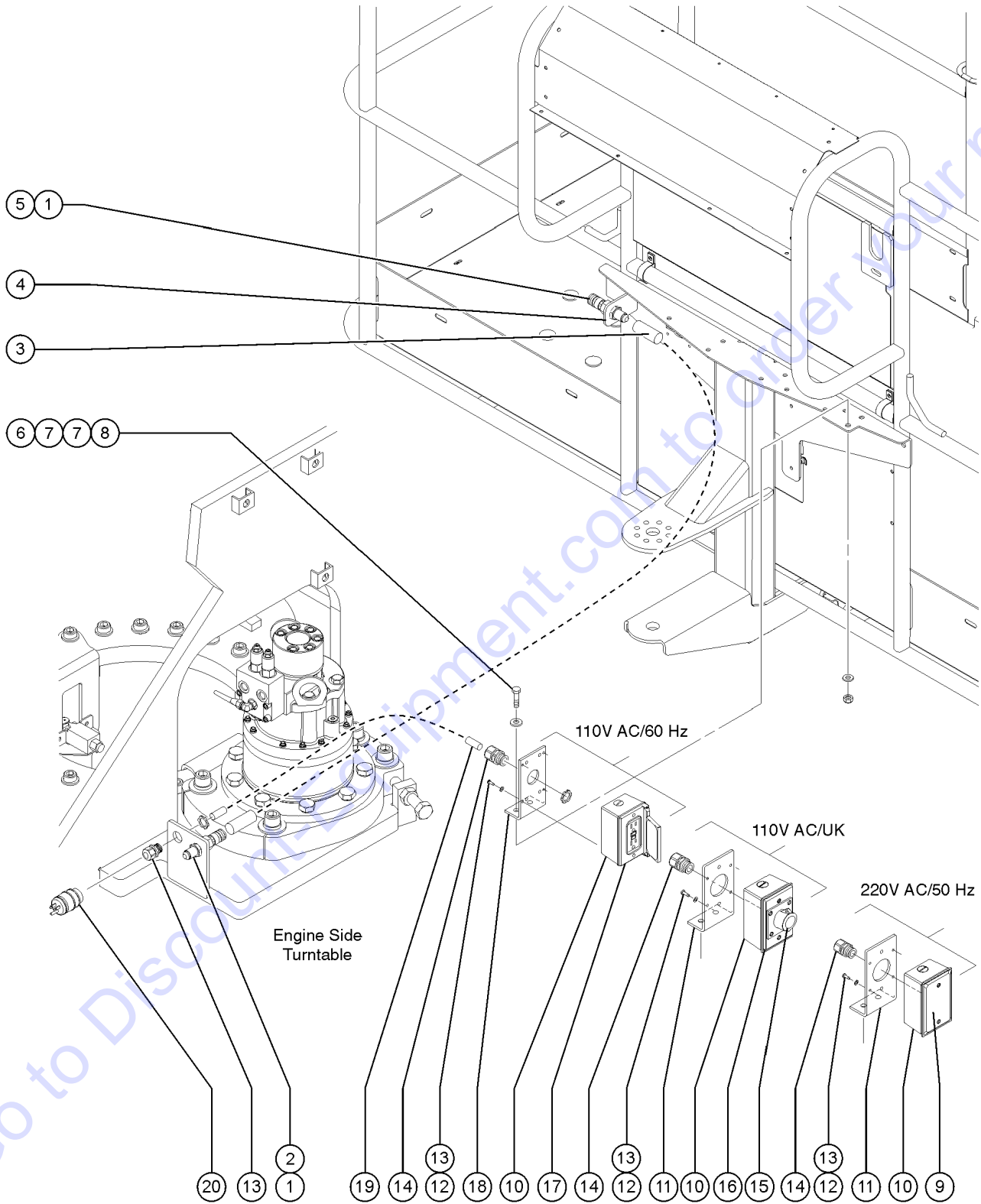
909.1 Aircraft Protection, Swing Gate, S-65

Item	Part No.	Description	Qty.
A	29216GT	COVER W/DECALS,RR.DR.CHAS,S60.....2 <i>not shown</i>	
1	822771GT	WDMT,FRAME,AIRCRAFT PROTECTION.....1	
2	55753GT	BUMPER, PLASTIC, 1.25 O.D.....4	
3	122231GT	SCREW,BHSC,1/4-20 X 1	
4	122073GT	SUPPORT, RAILING.....20	
5	824027GT	NUT,TL FLG,1/4-20,G,ZAG	
6	106044GT	U-BOLT,3/8-16X4X4.63X3.00.....1	
7	66472GT	U-BOLT, SQR, 3/8-16X2X5, PLTD.....2	
8	822764GT	WDMT,SKID PLATE.....1	
9	822769GT	SPRING,EXTENSION,1.92LB/IN.....4	
10	824029GT	NUT,TL FLG,3/8-16,G,ZAG	
11	824078GT	SCREW,HHF,1/4-20X.75,8,ZAG	
12	6833GT	CLAMP,0.50,#8 X 1/4,RUB CUSH.....1	
13	824027GT	NUT,TL FLG,1/4-20,G,ZAG	
14	75617-1550GT	PADDING,FOAM 3.5"OD X 1.50"ID.....2	
15	75636GT	PADDING,FOAM,3.0"X1.50ID 90DEG.....10	
16	21618GT	CLAMP,1.13,#18 X 1/4,RUB CUSH.....18	
17	824078GT	SCREW,HHF,1/4-20X.75,8,ZAG	
18	56426-700GT	CHAIN,NO.2 (11 LINKS).....8	
19	75617-2275GT	PADDING,FOAM 3.5"OD X 1.50"ID.....4	
20	822759GT	WDMT,AIRCRAFT SENSOR BUMPER...1	
21	75617-1025GT	PADDING,FOAM 3.5"OD X 1.50"ID.....2	
22	822768GT	FOAM,AIRCRAFT PROTECTION.....1	
23	77797GT	WELDMENT, SENSOR MOUNT.....1	
24	88390GT	NUT,HEX,M8,PLASTIC	
25	1261292GT	HARNES ASSY,PCON,PROX KILL.....1 <i>includes 27391 proximity sensor</i>	
--	27391GT	PROXIMITY SENSOR***.....1	
26	128203GT	SWITCH TOGGLE ASSY SPDT 2P MOM.....1	
--	139882GT	HARN, AC PROTECTION BYPASS.....1 <i>not shown sold seperately</i>	
27	27246GT	BOOT,TOGGLE SWITCH,SHORT*.....1	
28	1259329GT	PADDING, FOAM, 46.5".....4	
29	1259328GT	PADDING, FOAM, 15.5".....4	
30	75617-2075GT	PADDING,FOAM 3.5"OD X 1.50"ID.....2	

Go to [www.genieequipment.com](http://www.genieequipment.com) to order your parts



910.1 Air line and Power to Platform



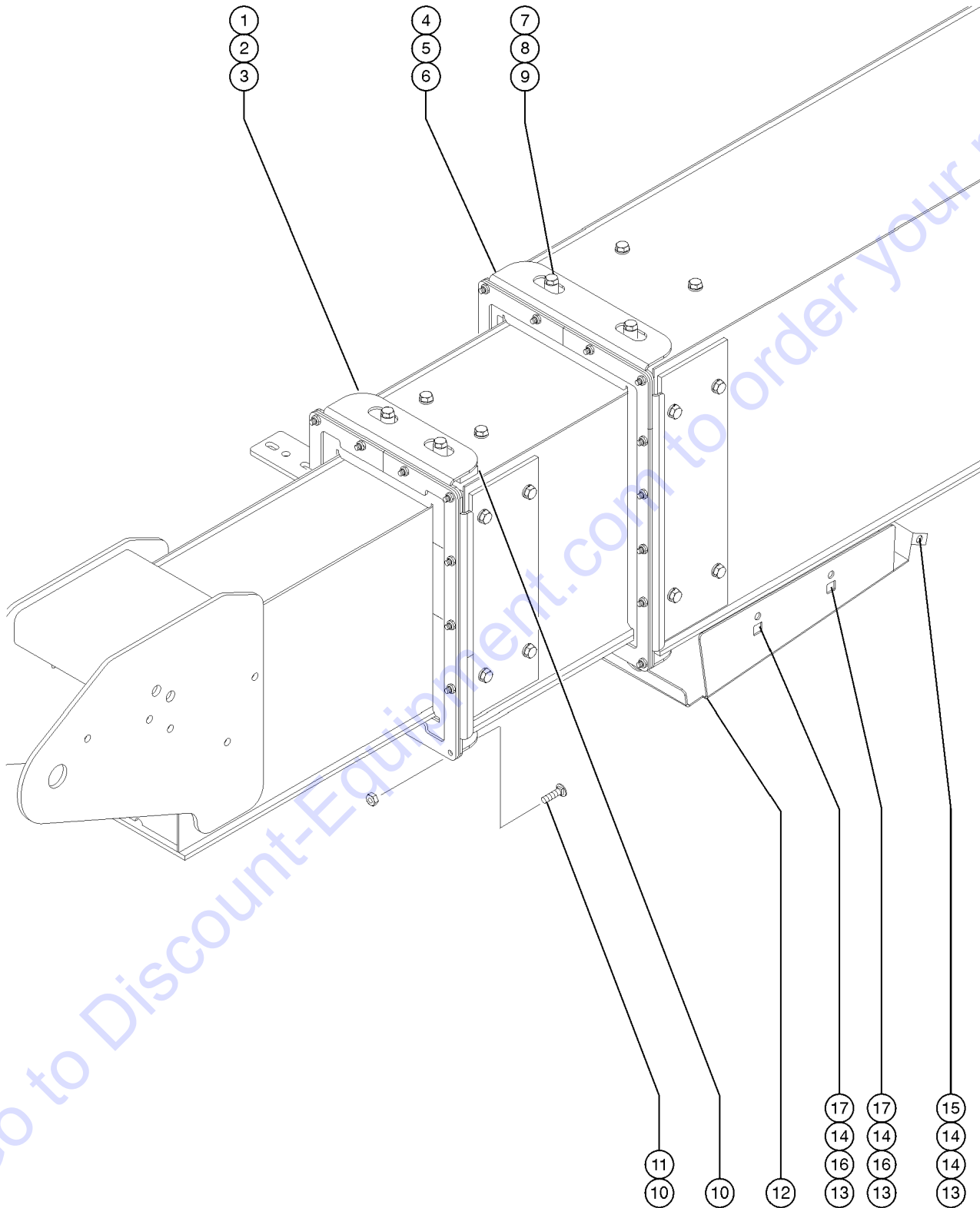
910.1 Air line and Power to Platform

Item	Part No.	Description	Qty.
--	T109331GT	ACC,AIRLINE TO PLAT,S60 ,SERV	
--	119845GT	CLAMP, HYD WELD, AIR, OPT.....1	
1	49212GT	FEMALE BULKHEAD CONNECTOR-8...2	
2	49214GT	MALE PIPE THD,1/4" SER,3/8"X18	
3A	49177-102894GT	HOSE ASSEMBLY,1/2"***.....1 S-60	
3B	49177-108894GT	HOSE ASSEMBLY,1/2"***.....1 S-65	
4	60886GT	FORMING,AIR FIT/WELD STUD PLAT...1	
5	49215GT	MPT,CPLR,1/4"SER,3/8"X18	
6	6019GT	SCREW,HHC,3/8-16 X 1.25 GRD 5.....2	
7	5397GT	WASHER,FLAT,USS,5/16",Y.....4	
8	4828GT	NUT,NYLOCK,3/8-16.....2	
9	10777GT	COVER,BLANK.....1	
--	33724GT	KIT,GASKET,UK POWER TO PLAT.	
--	81458GT	GASKET, UK POWER TO PLAT	
10	10775GT	T-BOX, 2.75 X 4.5 X 2.0**.....1	
11A	81096GT	BRACKET,POWER TO PLAT, DOM.....1 <i>ANSI models</i>	
11B	81570GT	BRACKET,POWER TO PLAT, UK <i>CE models</i>	
12	57075GT	SCREW,PHIL,8-32X.50,SELF TAP.....4	
13	35461GT	WASHER,FLAT,MS,#8,Y.....4	
14	7056GT	CONN, SQZ, 1/2NPT .38-.50, SM**.....2	
--	6935GT	LOCKNUT,ELEC,1/2"	
15	T112560GT	RECEPTACLE,UK,110V.....1	
16	T112561GT	PLATE,UK,POWER TO PLAT.....1	
17	13585GT	OUTLET,110V GFCI***.....1	
--	74006GT	COVER,GFCI,HORIZONTAL,WEATHER	
18	81096GT	BRACKET,POWER TO PLAT, DOM.....1	
19		Ref: Harness, Power to Platform.....1 <i>refer to 313.1</i>	
20A	119403GT	CONN,PLUG 120 AC/15A DOMESTIC...1	
20B	119404GT	CONN,RECEP 120AC/15A DOMESTIC.....1	
20C	144161GT	PLUG,PWR,UK,16AMP,3PIN,BLK.....1	
20D	25388GT	PLUG,FUSED,250V,13AMP,U.K.**.....1	
20E	1280665GT	PLUG, TYPE F, 230A, 50HZ, 16A, IP44.....1	

Go to [www.genieequipment.com](http://www.genieequipment.com) to order your parts



911.1 Hostile Environment, Boom Wipers



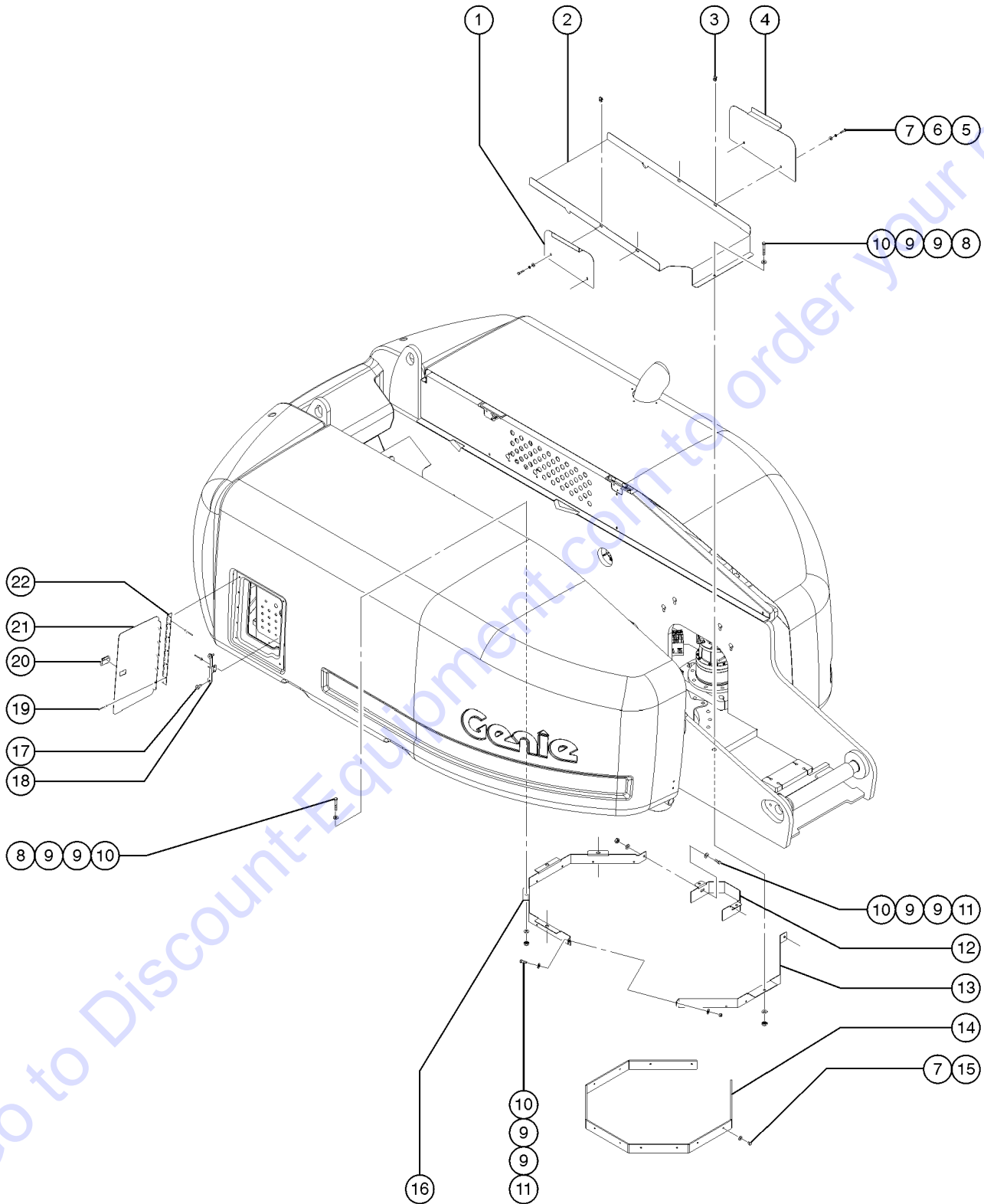
911.1 Hostile Environment, Boom Wipers

Item	Part No.	Description	Qty.
1	119087GT	FORMING BRKT, WIPER 2 TO 3.....	2
2	119089GT	WIPER RUBBER, 2 TO 3.....	1
3	119088GT	PLATE BACKING, WIPER 2 TO 3.....	2
4	119084GT	FORMING BRKT, WIPER 1 TO 2.....	2
5	119086GT	WIPER RUBBER, 1 TO 2.....	1
6	119085GT	PLATE BACKING, WIPER 1 TO 2.....	2
7	5224GT	SCREW,HHC,3/8-16 X 2.....	8
8	101932GT	TUBE,RD,STL,DOM,.75X.38X.78.....	8
9	119090GT	SPACER, BOOM TOP.....	2
10	6878GT	BOLT,CARRIAGE,1/4-20 X .75,G2	
11	6889GT	NUT,LP NYLOCK,1/4-20	
12	147783GT	COVER,LIMIT SWITCH ASSY,S60.....	1
12A	6833GT	CLAMP,0.50,#8 X 1/4,RUB CUSH.....	3
13	6888GT	SCREW,HHC,1/4-20 X 1.....	6
14	6638GT	WASHER,FLAT,USS,1/4"Y.....	8
15	6091GT	NUT,NYLOCK,1/4-20.....	2
16	6356GT	WASHER,LOCK,.25.....	4
17	56912GT	SPRING CLIP,1/4-20,.025-.15X.54,ZAG.....	4

Go to Discount-Equipment.com to order your parts



912.1 Hostile Environment, Turntable Components

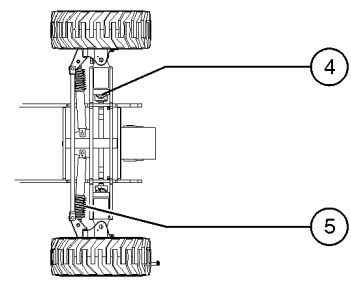
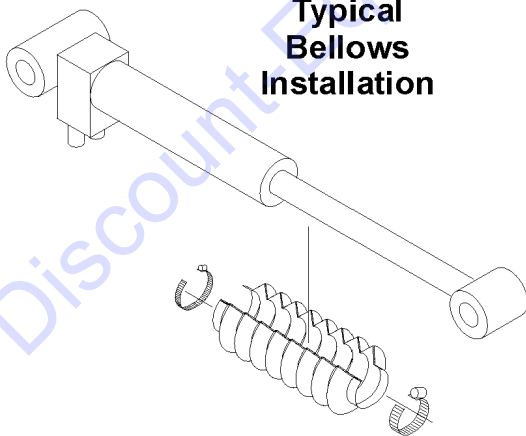
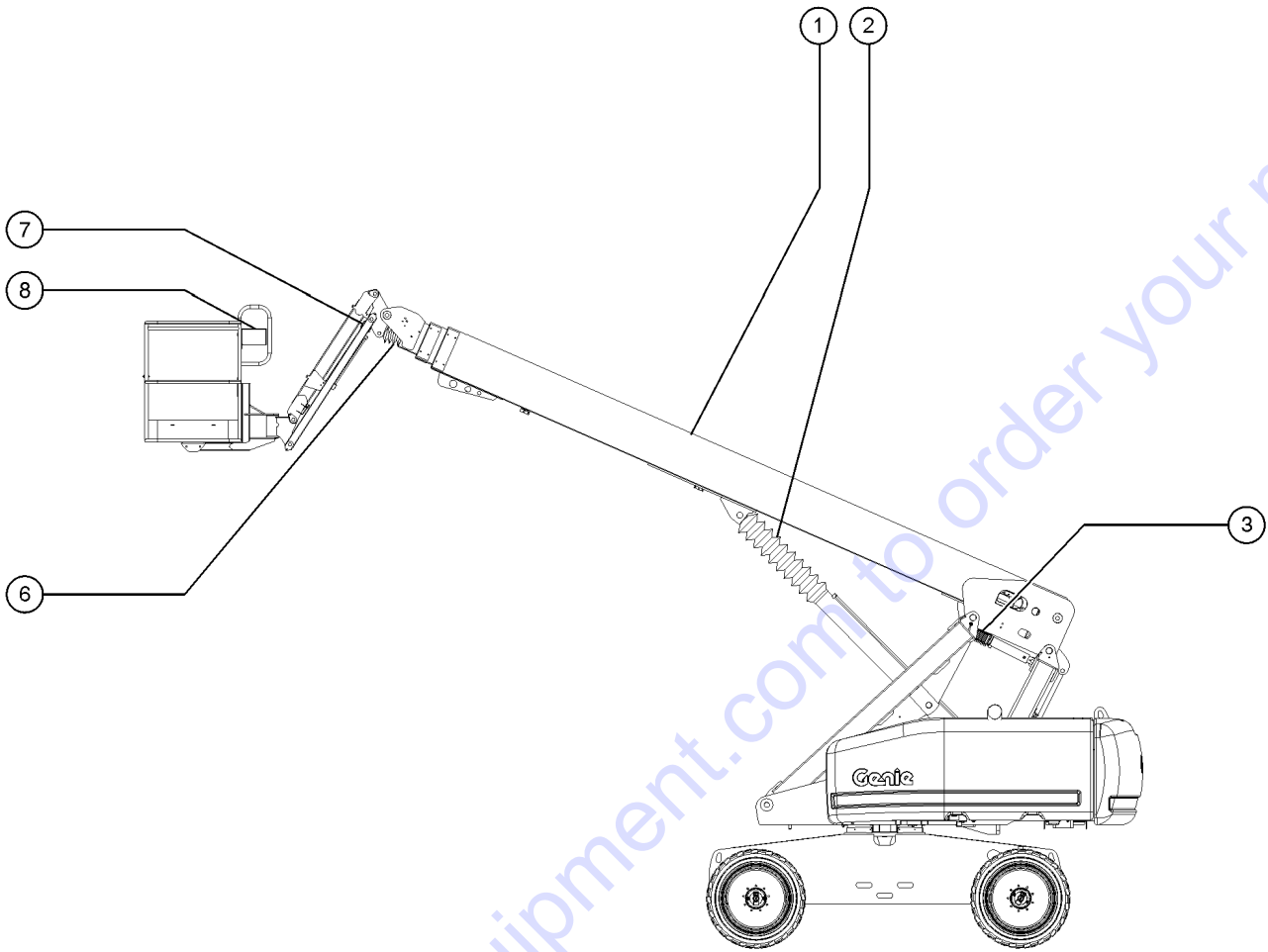


912.1 Hostile Environment, Turntable Components

Item	Part No.	Description	Qty.
1	77997PGT	FORMING,TT LH SIDE COVER PAINT...1	
2	77996PGT	TURNTABLE CENTER COVER PAINTED.....1	
3	56912GT	SPRING CLIP,1/4-20,.025-.15X.54,ZAG.....4	
4	77998PGT	FORMING,TT RH SIDE COVER PAINT.....1	
5	8915GT	SCREW,HHC,1/4-20 X 1.25	
6	6356GT	WASHER,LOCK,.25	
7	6638GT	WASHER,FLAT,USS,1/4"Y	
8	8178GT	SCREW,HHC,3/8-16 X 2.5	
9	6097GT	WASHER,FLAT,USS,3/8",Y	
10	4828GT	NUT,NYLOCK,3/8-16	
11	6175GT	SCREW,HHC,3/8-16 X 1	
12	77879PGT	FORMING,PINION GUARD PAINTED.....1	
13	70318PGT	FORMING,WIPER GUARD RT.....1 <i>models with Deluxe Hostile Option</i>	
14	70319GT	WIPER,RING GEAR GUARD.....1 <i>models with Deluxe Hostile Option</i>	
15	81167GT	RIVET,ALUM,P,.25X.625.....14	
16	70317PGT	FORMING,WIPER GUARD LT.....1 <i>models with Deluxe Hostile Option</i>	
17	34619GT	BUMPER,RUBBER***.....2	
18	121832GT	FORMING,LATCH,GROUND BOX COVER.....1	
19	53189GT	RIVET,ALUM,ALUM,P,.25X.375.....12	
20	30468GT	LATCH,SLIDE, FLUSH MOUNT STYLE.....1	
21	121833GT	FORMING,GROUND BOX COVER.....1	
22	121831GT	HINGE,GROUND BOX COVER.....1	

Go to Discount-Equipment.com to order your parts

913.1 Hostile Environment, Cylinder Bellows and Cable Track



913.1 Hostile Environment, Cylinder Bellows and Cable Track

Item	Part No.	Description	Qty.
1	106099GT	COVER,CABLE TRACK.....1 <i>(not shown) models with Deluxe Hostile Option</i>	1
1	6091GT	NUT,NYLOCK,1/4-20.....4	4
1	6638GT	WASHER,FLAT,USS,1/4"Y.....8	8
1	6888GT	SCREW,HHC,1/4-20 X 1.....4	4
2	94479GT	BELLOWS,CYLINDER LIFT.....1	1
--	34955GT	CLAMP,HOSE,5.00	
--	35432GT	CLAMP,HOSE,6.50	
3	94463GT	BELLOWS,MASTER CYLINDER.....1	1
--	22672GT	CLAMP,HOSE,1.75	
--	34955GT	CLAMP,HOSE,5.00	
4	63727GT	COVER, PROTECTIVE, OSCILLATE.....2 <i>Oscillate Only</i>	2
--	22672GT	CLAMP,HOSE,1.75 <i>Oscillate Only</i>	
--	34955GT	CLAMP,HOSE,5.00 <i>Oscillate Only</i>	
5	34922GT	COVER,PROTECTIVE,STEERING.....2	2
--	22672GT	CLAMP,HOSE,1.75	
--	34955GT	CLAMP,HOSE,5.00	
6	94537GT	BELLOWS,CYLINDER,PLAT LEVEL.....1	1
--	22672GT	CLAMP,HOSE,1.75	
--	23405GT	NUTSERT,10-32 STEEL CAD PLTD	
--	49824GT	SCREW,PHILLIPS,FHM,10-32X1.00	
--	6146GT	WASHER,FLAT,MS,#10,Y	
--	94533GT	PLATE,BACKING BELLOWS	
7	34505GT	COVER,PROTECTIVE,JIB CYLINDER...1 <i>S-65 Only</i>	1
--	30971GT	CLAMP,HOSE,3.00" <i>S-65 Only</i>	
--	36208GT	CLAMP,HOSE,1.25*** <i>S-65 Only</i>	
8	T107895GT	DECAL,PROTECTOR,CLEAR.....1	1

Go to [www.genieequipment.com](http://www.genieequipment.com) to order your parts



# PARTS FINDER

**Search Website  
by Part Number**



**Search Manual  
Library For Parts  
Manual & Lookup Part  
Numbers – Purchase  
or Request Quote**

**Search Manuals**

Enter your information to help us find the right parts manual for your machine.

\* Brand:

\* Model:

\* Serial:

\* Part Number:

SEARCH

**Can't Find Part or  
Manual? Request Help  
by Manufacturer,  
Model & Description**

**Parts Order Form**

Please fill in the following information to help us find the right part for your machine.

Manufacturer:	<input type="text"/>
Model:	<input type="text"/>
Description:	<input type="text"/>
Part Number:	<input type="text"/>
Quantity:	<input type="text"/>
Notes:	<input type="text"/>

Submit

Discount-Equipment.com is your online resource for quality parts & equipment.

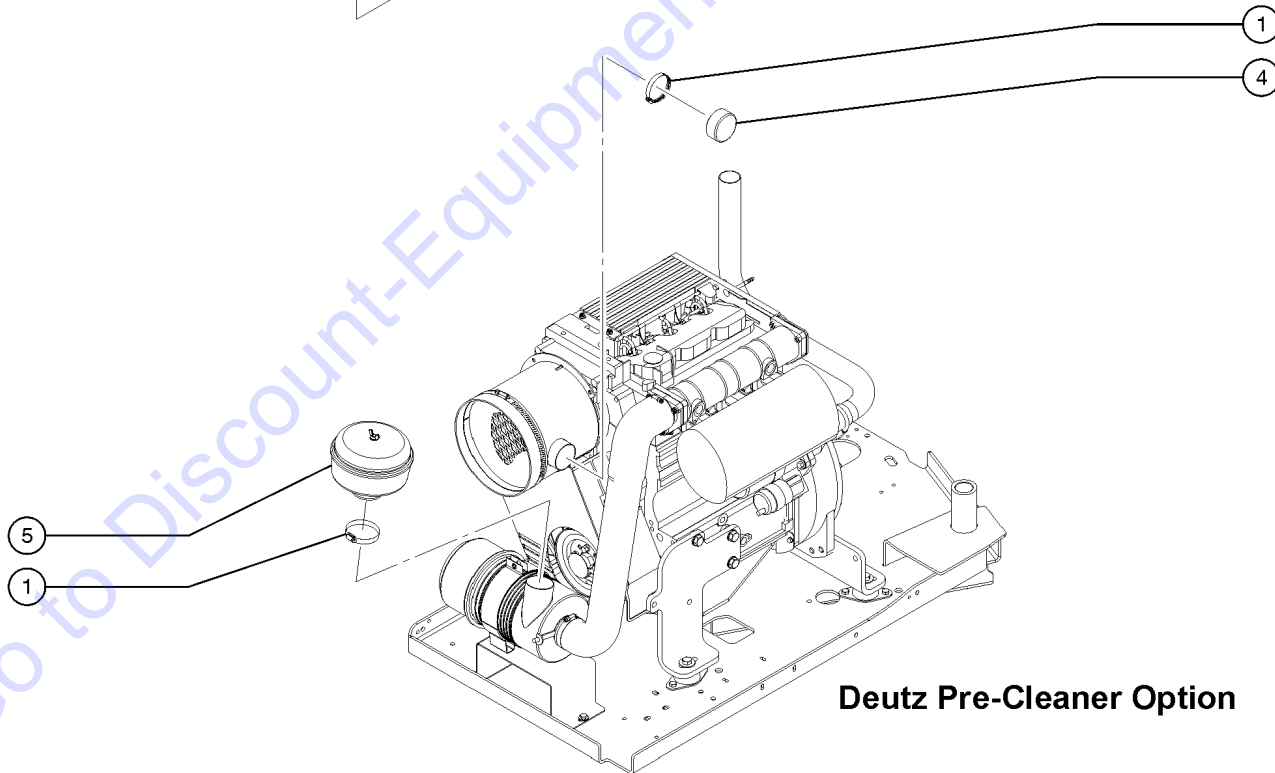
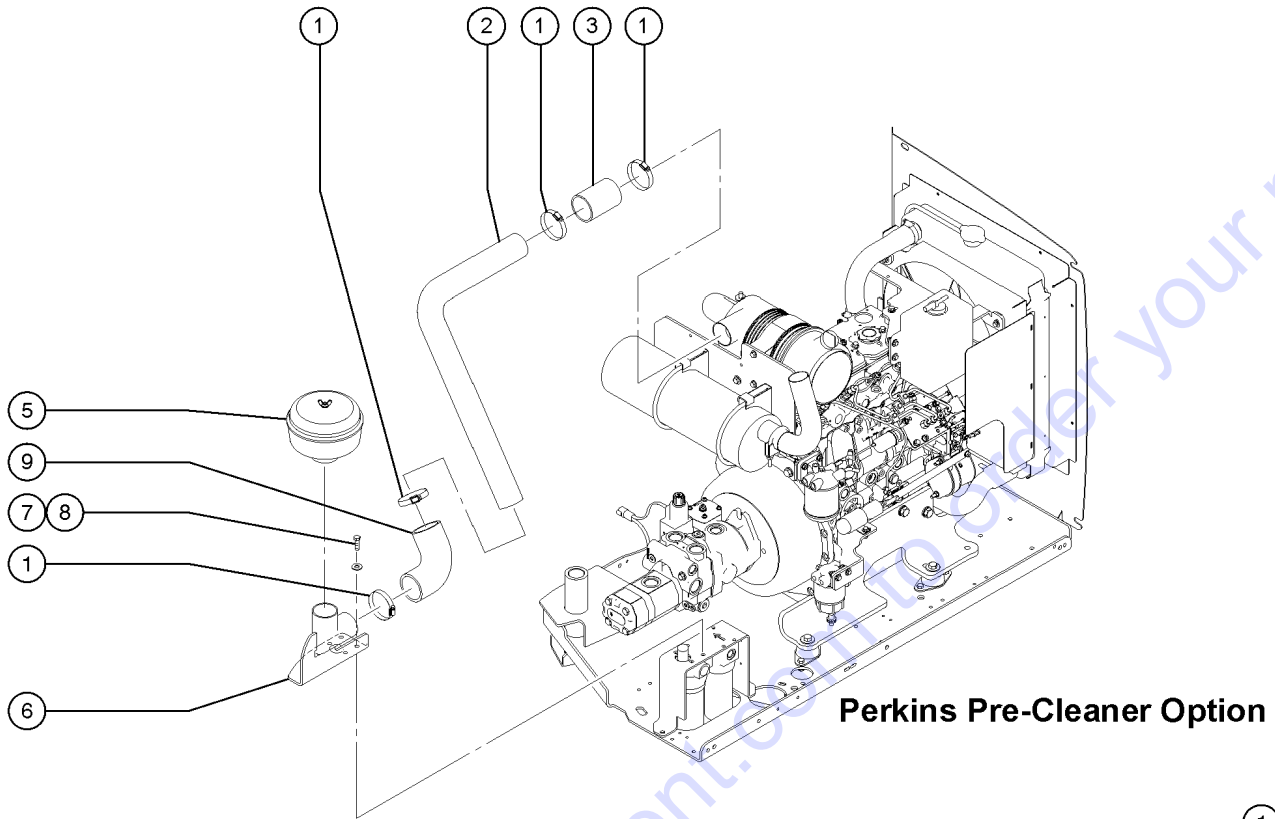
Florida: **561-964-4949** Outside Florida TOLL FREE: **877-690-3101**

**Need parts?**

Click on this link: <http://www.discount-equipment.com/category/5443-parts/> and choose one of the options to help get the right parts and equipment you are looking for. Please have the machine model and serial number available in order to help us get you the correct parts. If you don't find the part on the website or on one of the online manuals, please fill out the request form and one of our experienced staff members will get back to you with a quote for the right part that your machine needs.

We sell worldwide for the brands: Genie, Terex, JLG, MultiQuip, Mikasa, Essick, Whiteman, Mayco, Toro Stone, Diamond Products, Generac Magnum, Airman, Haulotte, Barreto, Power Blanket, Nifty Lift, Atlas Copco, Chicago Pneumatic, Allmand, Miller Curber, Skyjack, Lull, Skytrak, Tsurumi, Husquvarna Target, Stow, Wacker, Sakai, Mi-T-M, Sullair, Basic, Dynapac, MBW, Weber, Bartell, Bennar Newman, Haulotte, Ditch Runner, Menegotti, Morrison, Contec, Buddy, Crown, Edco, Wyco, Bomag, Laymor, EZ Trench, Bil-Jax, F.S. Curtis, Gehl Pavers, Heli, Honda, ICS/PowerGrit, IHI, Partner, Imer, Clipper, MMD, Koshin, Rice, CH&E, General Equipment, Amida, Coleman, NAC, Gradall, Square Shooter, Kent, Stanley, Tamco, Toku, Hatz, Kohler, Robin, Wisconsin, Northrock, Oztec, Toker TK, Rol-Air, APT, Wylie, Ingersoll Rand / Doosan, Innovatech, Con X, Ammann, Mecalac, Makinex, Smith Surface Prep, Small Line, Wanco, Yanmar

914.1 Hostile Environment, Engine Air Pre-Cleaners



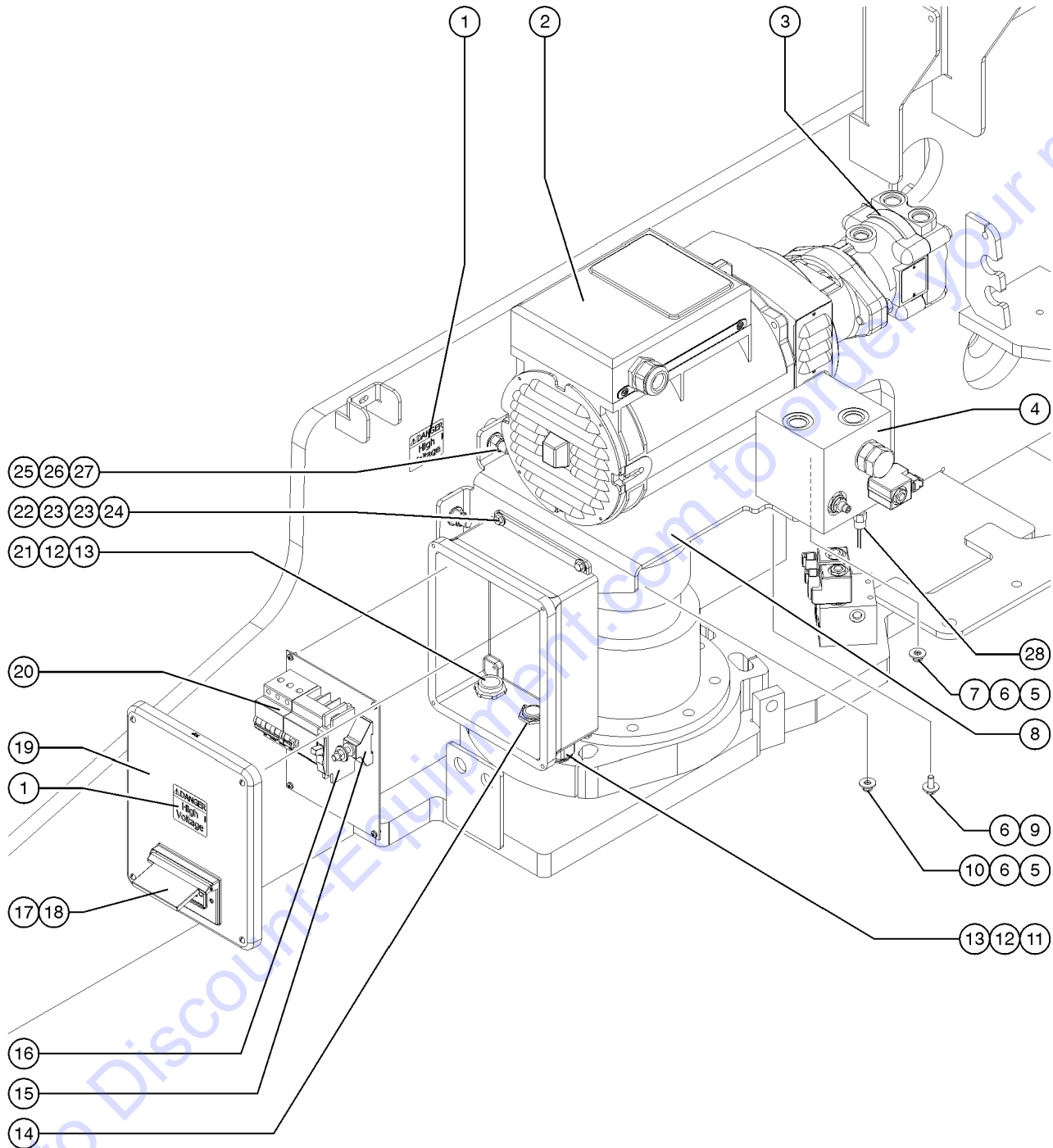
914.1 Hostile Environment, Engine Air Pre-Cleaners

Item	Part No.	Description	Qty.
A	T109339GT	ACC,AIR PRE-CLEANER,DEUTZ	
B	T109340GT	ACC,AIR PRE-CLEANER,PERKINS T2	
1	45435GT	CLAMP,HOSE,2.50"*** .....4 <i>Deutz and Perkins Models</i>	
2	77891GT	TUBE,AIR INTAKE.....1	
3	34162-0400GT	HOSE,AIR INTAKE 2.5" I.D.....1	
4	70529GT	CAP,PLASTIC,2.5 ID.....1	
5	34959GT	PRECLEANER,AIR INTAKE***.....1	
6	77887GT	WELDMENT,PRECLEANER BRACKET.....1	
7	6019GT	SCREW,HHC,3/8-16 X 1.25 GRD 5	
8	6097GT	WASHER,FLAT,USS,3/8",Y	
9	34164GT	ELBOW,90 DEGR,RUBBER,2.5" I.D.*.....1	

Go to Discount-Equipment.com to order your parts



915.1 Welder Option, Chassis Components

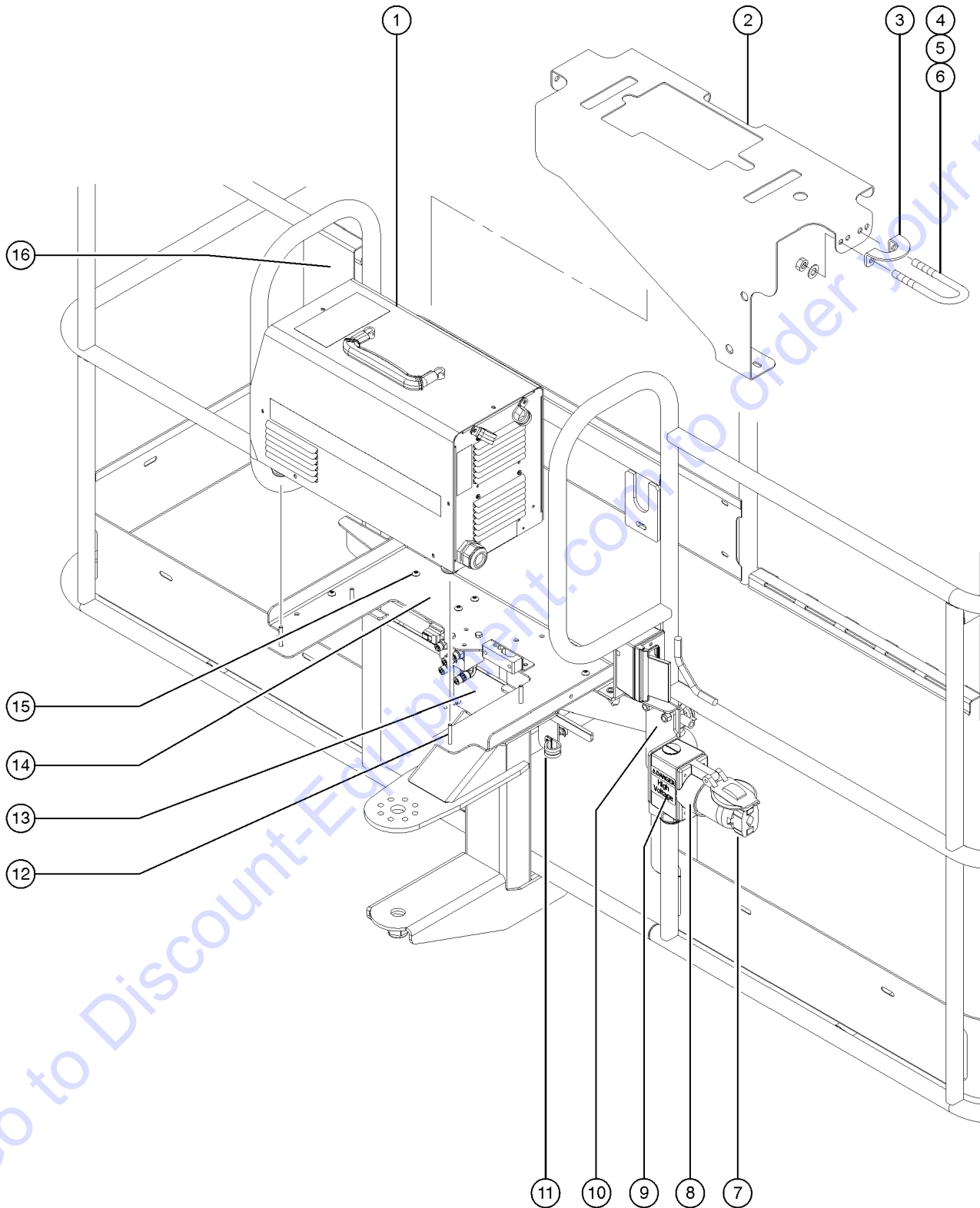


915.1 Welder Option, Chassis Components

Item	Part No.	Description	Qty.	Item	Part No.	Description	Qty.
A	101947GT	J-BOX ASSEMBLY,8X10.....1 <i>to SN 22404</i>	1	20A	106477GT	GFI/CIRCUIT BREAKER ASSEMBLY.....1 <i>to SN 22404</i>	1
--	227532GT	J-BOX ASSEMBLY,8X10.....1 <i>from SN 22405</i>	1	--	106374GT	CIRCUIT BREAKER,50A,3P.....1 <i>for 106477</i>	1
B	228796GT	CLAMP, OPTIONS, CABLE TRACK.....1	1	--	106375GT	GFCI,50A, 3PH.....1 <i>for 106477</i>	1
C	228969GT	CLAMP, OPTIONS, CABLE TRACK.....1	1	20B	227426GT	ASSEMBLY,GFCI/CIRCUIT BREAKER <i>from SN 22405</i>	1
D	106520GT	GROUNDING CABLE ASSEMBLY,18".....1	1	--	227424GT	CIRCUIT BREAKER,GFCI 30mA 3PH <i>for 227426</i>	1
E	1276694GT	KIT, RETROFIT, WELDGEN, MAG BREAKER	1	--	227425GT	CIRCUIT BREAKER, 35A 3PH <i>for 227426</i>	1
1	82237GT	DECAL,DANGER,HIGH VOLTAGE.....2	2	21	106077GT	CABLE SQUEEZE CONN .63-.75.....1	1
2		Ref: Hydraulic Generator.....1 <i>refer to 917.1</i>	1	22	6888GT	SCREW,HHC, 1/4-20 X 1	1
3		Ref: Hydraulic Motor for Generator.....1 <i>refer to 917.1</i>	1	23	6638GT	WASHER,FLAT,USS,1/4"Y	1
4	101516GT	MANIFOLD,DRIVE OIL DIVERTER.....1	1	24	6091GT	NUT,NYLOCK,1/4-20	1
--	102746GT	VALVE,PILOT OPER DIRECTIONAL	1	25	9145GT	SCREW,HHC,1/2-13 X 2.5,GR5	1
--	106394GT	ORIFICE DISC,.030,CONE	1	26	6198GT	NUT,NYLOCK,1/2-13	1
--	122302GT	RELIEF,VALVE 270 PSI	1	27	13066GT	WASHER,FLAT,.5 HARDENED	1
--	128416GT	SEAL KIT	1	28	146284GT	SWITCH,PRESS,#4NPT,200PSIF.....1	1
--	128419GT	SEAL KIT	1				
--	146284GT	SWITCH,PRESS,#4NPT,200PSIF	1				
--	146285GT	CONN, SAE#4-1/4" NPT <i>for 146284</i>	1				
--	94757GT	VALVE,CHECK,3 PSI***	1				
--	94759GT	NUT,SOLENOID	1				
--	94760GT	VALVE,SOLENOID,10V,W/OUT COIL*	1				
--	94765GT	COIL-10V DC***	1				
5	6037GT	NUT,HEX,5/16-18,GR5	1				
6	5397GT	WASHER,FLAT,USS,5/16",Y	1				
7	13000GT	SCREW,HHC,5/16-18 X 1.25	1				
8	106114GT	BRACKET,GENERATOR12.5 KW,PNTD*.....1	1				
9	10107GT	SCREW,HHC,5/16-18 X .75	1				
10	13002GT	SCREW,HHC,5/16-18 X 1 GR5	1				
11	20776GT	CABLE SQUEEZE CONN.....1	1				
12	18665GT	LOCKNUT,ELECTRIC,1" NPT.....2	2				
13	106104GT	O-RING,SEAL RING,1" NPT.....1	1				
14	106495GT	PLUG,1/2" HUBBLE.....1	1				
15	106108GT	TERMINAL,STUD BOLT,250 V.....1	1				
--	5397GT	WASHER,FLAT,USS,5/16",Y	1				
--	6037GT	NUT,HEX,5/16-18,GR5	1				
16	106073GT	CIRCUIT BREAKER,20A,SINGLE PH.....1	1				
17	74006GT	COVER,GFCI,HORIZONTAL,WEATHER.1	1				
18	80543GT	RECEPTACLE, 120VAC, 20A, GFCI.....1	1				
19	106206GT	J-BOX,CIRCUIT BREAKERS,8X10***.....1	1				



916.1 Welder Option, Platform Components



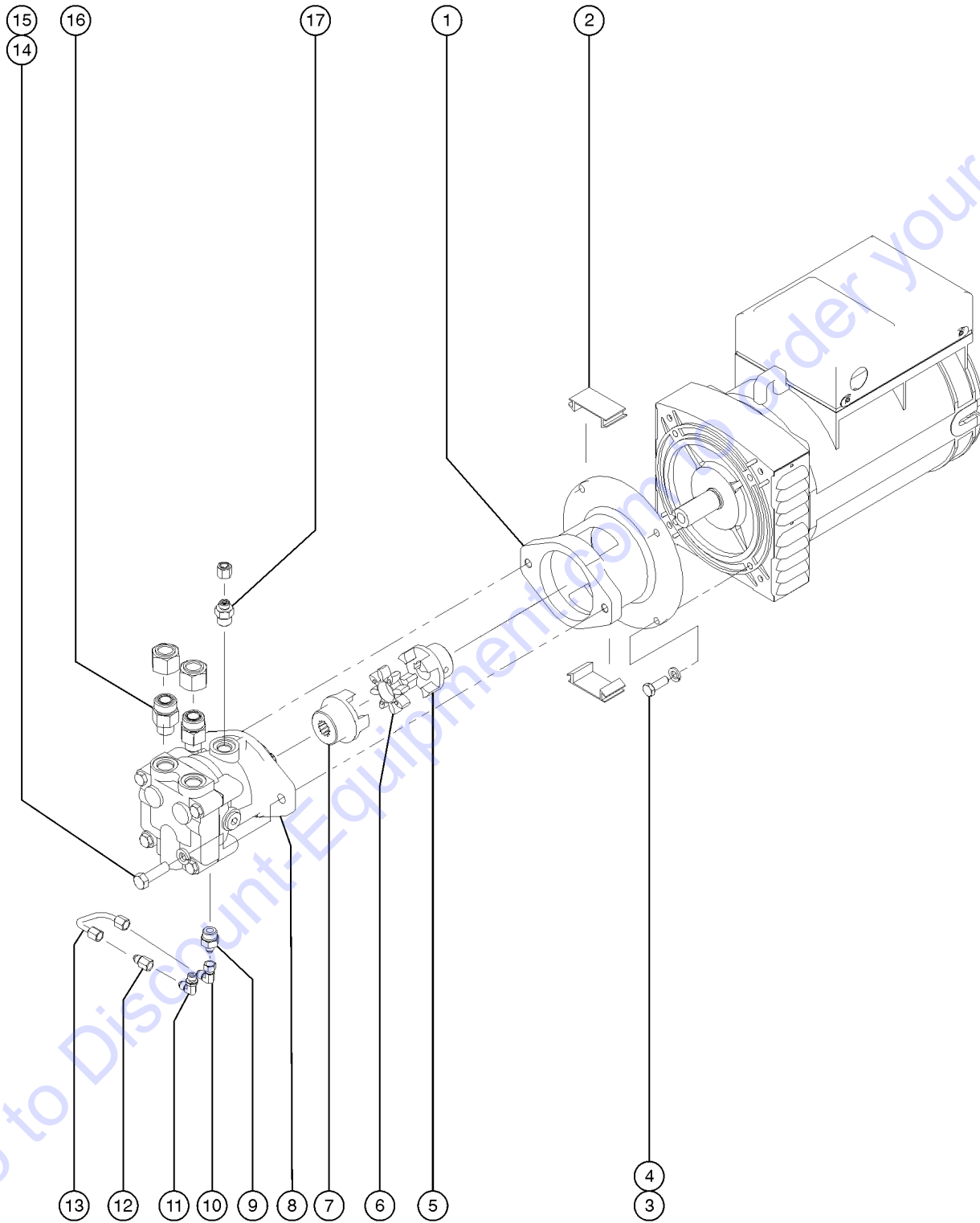
916.1 Welder Option, Platform Components

Item	Part No.	Description	Qty.
--	228320GT	KIT,WIRE,12.5KW WELDER <i>63" heavy cable assy</i>	
--	228321GT	KIT,WIRE,12.5KW WELDER <i>light wire assy</i>	
--	51147GT	BOOT,CABLE TERMINAL,LG,RED,2/0	
--	88406GT	FIRE EXTINGUISHER <i>includes mounting strap</i>	
--	89977GT	BOOT,CABLE TERMINAL,BLACK,2/0	
--	T113129GT	ASSEMBLY, WELD CABLE, S60 <i>S60 models</i>	
--	T114145GT	ASSEMBLY, WELD CABLE, S65 <i>S65 models</i>	
1A	101525GT	WELDER,INVERTEC V275-S.....	1
--	106183GT	FUSE,.6AMP,250V,WELDER,V275S	
--	106275GT	KIT,WELD LEADS ASSY,V275S	
--	214623GT	PLUG, 3P,30A, 4 WIRE, MALE,..... <i>not included with welder</i>	1
1B	214619GT	WELDER, MILLER, CST 280	
2	101547PGT	BRACKET,WELDER SUPPORT,PNT.....	1
3	217366GT	BRACKET,WELDER TOP.....	2
4	122755GT	UBOLT,FLATTENED,1.5DIAX3/8 UNC....	2
5	5397GT	WASHER,FLAT,USS,5/16",Y	
6	4828GT	NUT,NYLOCK,3/8-16	
7	106112GT	PLUG,4-WIRE,3-PHASE,50A,MALE.....	1
8	106111GT	RECEPTCL,LOCK 3-PH,50A,4 WIRE....	1
--	101732GT	COVER,WEATHERPROOF 3-PHASE	
--	106110GT	T-BOX,2.75X4.5X2.63,3PH	
9	82237GT	DECAL,DANGER,HIGH VOLTAGE.....	2
10	101731PGT	BRACKET,POWER TO PLAT TBOX,PNT.....	1
--	106044GT	U-BOLT,3/8-16X4X4.63X3.00	
--	4828GT	NUT,NYLOCK,3/8-16	
--	5397GT	WASHER,FLAT,USS,5/16",Y	
11	18666GT	CLAMP,1.00,#16 X 1/4,RUB CUSH	
12	106141GT	SCREW,SECURITY,1/4-20 X 1.75LG	
13	101701GT	BRACKET,WELDER MOUNT SUPPORT.....	1
14	106109PGT	BRACKET,WELDER COVER,PNTD.....	1
--	4828GT	NUT,NYLOCK,3/8-16	
--	5397GT	WASHER,FLAT,USS,5/16",Y	
--	6782GT	NUT,NYLOCK,5/16-18	
15	128322GT	SCREW,5/16-18X1.00,SECURITY TO	
--	128323GT	BIT,TORX SOCKET,SECURITY <i>tool for 128322</i>	
16	106204GT	BRACKET,V275S WELD LEADS***.....	1

Go to [DinoDirect.com](http://DinoDirect.com) to order your parts



917.1 Welder Option, Generator Components





917.1 Welder Option, Generator Components

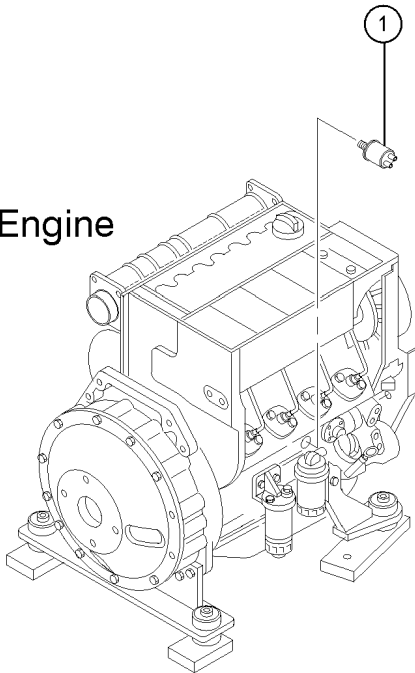
Item	Part No.	Description	Qty.
A	139367GT	GENERATOR,HYDRA,25CC,208V***.....1	
--	1273323	ALTERNATOR for 139367	
--	139919GT	FITTING,ORIFICE,.047	
--	32675GT	SEAL KIT,SUNSTRAND	
1		Ref: Hydraulic Motor Mount.....1 <i>consult Discount-equipment</i>	
2		MOUNT COVER.....2 <i>consult Discount-equipment</i>	
3	44064GT	SCREW,HHC,M10 X 30MM,.....4	
4	22700GT	WASHER,LOCK,M10.....4	
5	147404GT	DRIVE COUPLING,KEYED.....1	
6	58631GT	COUPLER,INSERT.....1	
7	147405GT	DRIVE COUPLING, 13 TOOTH.....1	
8	33432GT	MOTOR,HYD,25CC FIXED***.....1	
--	147418GT	ASSY,BLEED LINE (139367)	
9	39879GT	CONNECTOR,070120-4-8.....1	
10	87246GT	ELBOW,SWIVEL NUT 90DEG,-4.....1	
11	13921GT	ELBOW,070220-4-4.....1	
12	139919GT	FITTING,ORIFICE,.047.....1	
13	147418GT	ASSY,BLEED LINE (139367).....1	
14	6036GT	WASHER,LOCK,.625 PLTD.....2	
15	22788GT	SCREW,HHC,1/2-13 X 1.75.....2	
16	48975GT	CONN,520120-12-10.....2	
17	48914GT	CONN,520120-4-8.....1	

Go to Discount-Equipment.com to order your parts

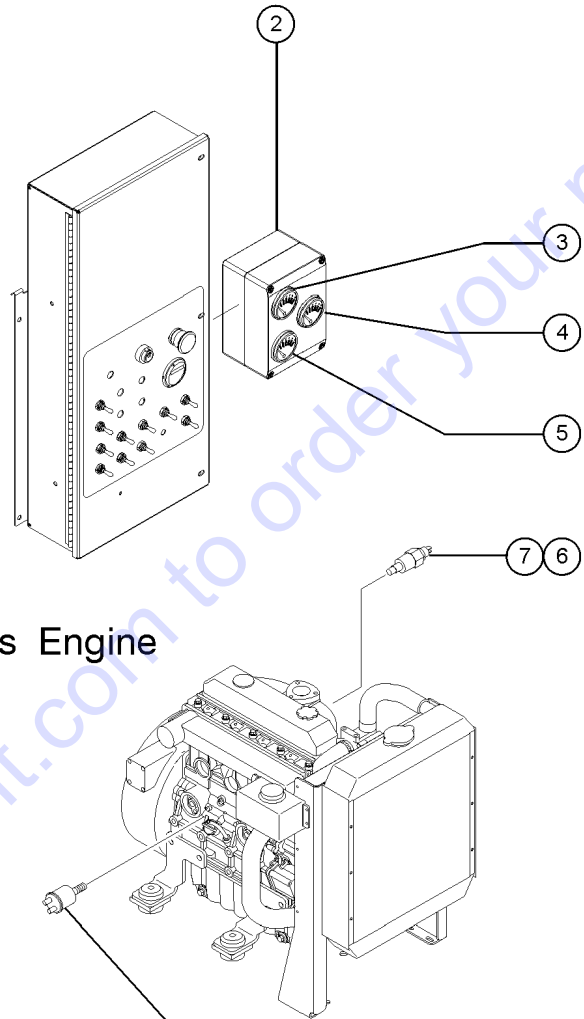


918.1 Gauge Option

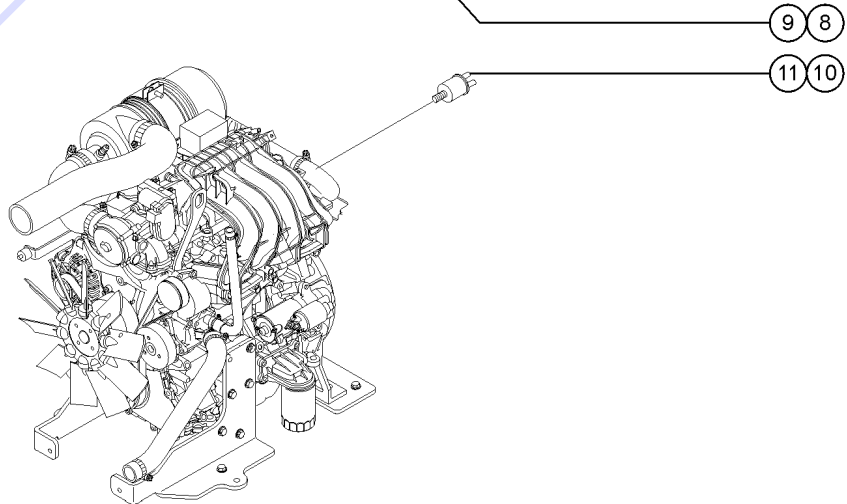
Deutz Engine



Perkins Engine



Ford Engine

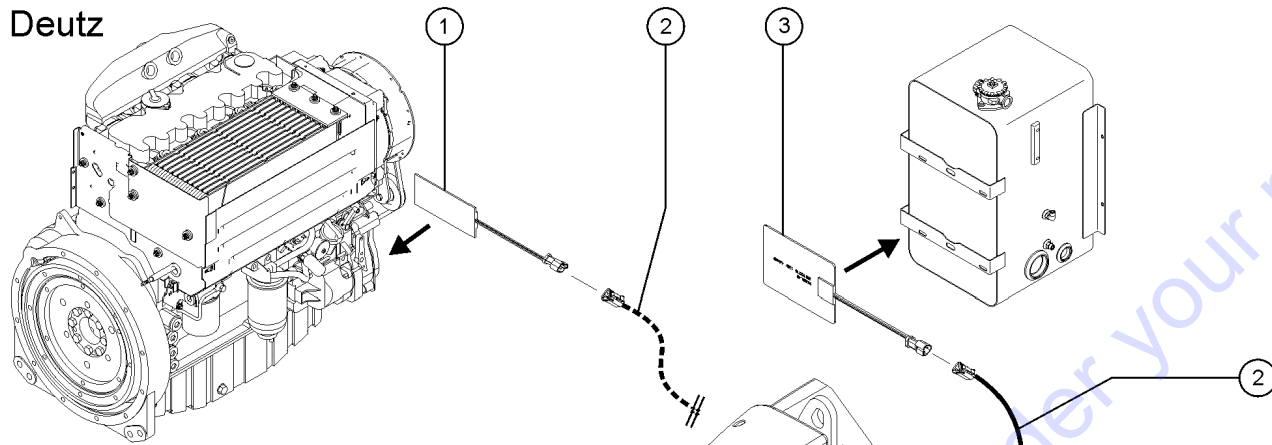


Item	Part No.	Description	Qty.
A	T109334GT	ACC,FULL GAUGE,FORD DSG423,SV	
B	T109333GT	ACC,FULL GAUGE,DEUTZ,SERV	
C	T109332GT	ACC,FULL GAUGE,PERKINS,SERV	
1	106033GT	ADAPTER,NPT 6-4	
2	101232GT	ENCLOSURE BOX,GAUGE OPT,DRILLD.....1 <i>bracket not included</i>	
--	139878GT	FORMING, GAUGE OPTION BRACKET.....1 <i>not included with 101232, must order separately</i>	
3	53761-SGT	GAUGE,VOLTAGE.....1	
4	53758-SGT	GAUGE,OIL PRESSURE W/O SENDER.....1	
5	53759-SGT	GAUGE,WATER TEMP.....1 <i>Perkins and Ford models only</i>	
6	34058GT	SENDING UNIT,TMP,FRD,GM,PRK704.....1	
7	28607GT	ADAPTER,140139-8-6.....1	
8	30810GT	SENDING UNIT,OIL PRESSURE*** .....1 <i>dual-terminal sender</i>	
9	71038GT	ADAPTER, 1/8 X 1/4 F3H6-S.....1	
10	119418GT	ADAPTER,140130-4-4.....1	
11	119417GT	TEE,RUN,1/4" PIPE.....1	

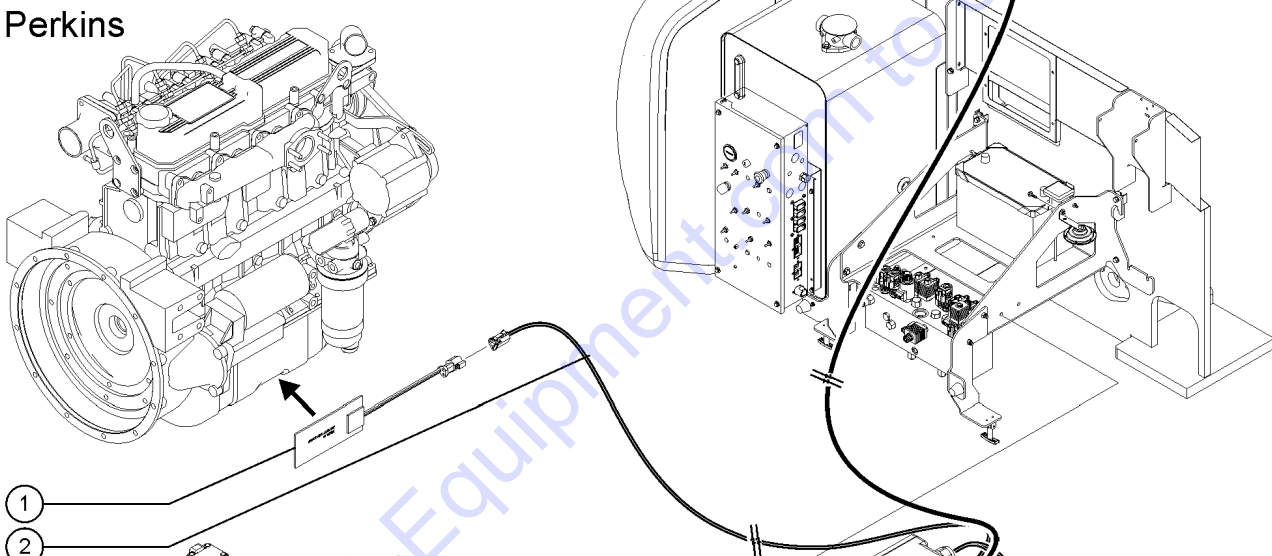
Go to Discount-Equipment.com to order your parts

919.1 Cold Start Package

Deutz

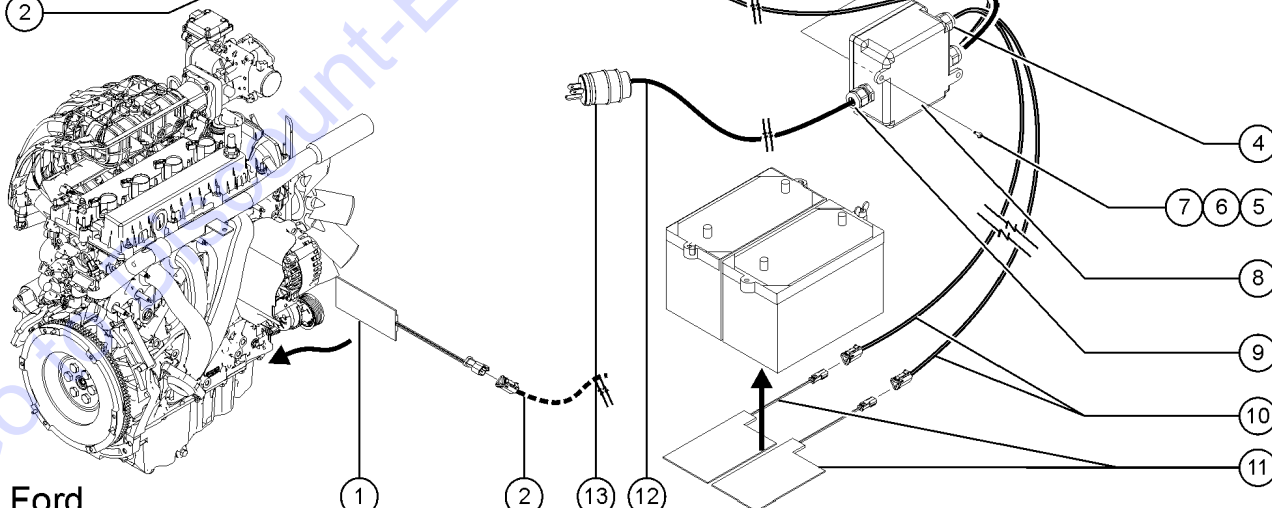


Perkins



1

2



Ford

1

2

13

12

4

7

6

5

8

9

10

11

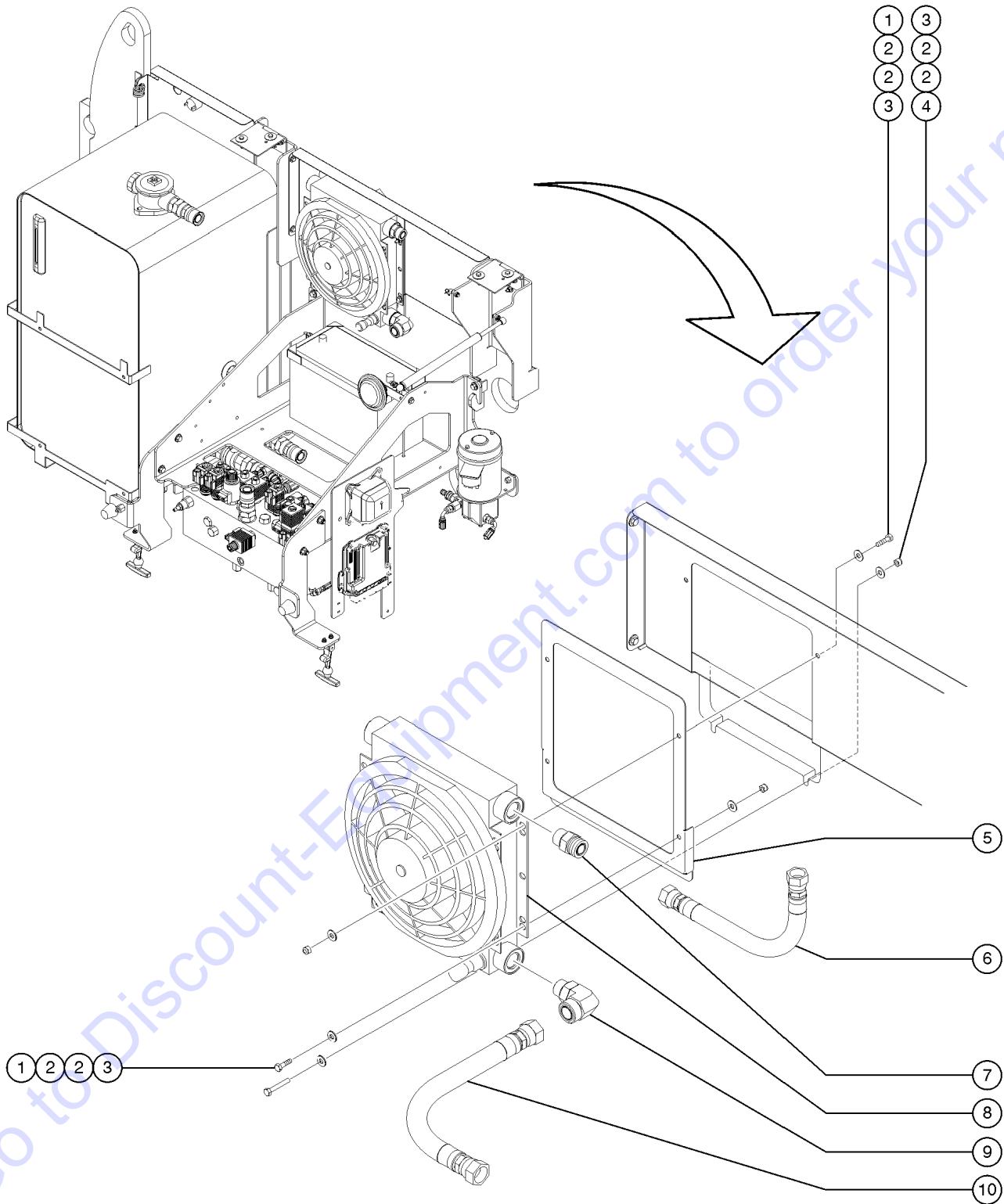


919.1 Cold Start Package

Item	Part No.	Description	Qty.	Item	Part No.	Description	Qty.
1A	216615GT	ASSY HEATER, MODEL 18, 120V.....1 <i>120V models</i>	1	--	101199-200GT	SHRINK TUBE,BLACK,RHW,1/2,3:1	
--	119066GT	CONN,RECEP 3 WAY ENDCAP DT		--	119056GT	CONN PLUG 2 WAY ENDCAP DT	
--	60441GT	LOCK,RECEP 3 WAY,14-18GA		--	60425GT	LOCK,PLUG 2 WAY, 14-18GA	
1B	216616GT	ASSY HEATER, MODEL 18, 240V.....1 <i>240V models</i>	1	11A	216617GT	ASSY, BATTERY HEATER, 120V <i>120V models</i>	
--	119066GT	CONN,RECEP 3 WAY ENDCAP DT		--	119065GT	CONN,RECEP 2 WAY ENDCAP DT	
--	60441GT	LOCK,RECEP 3 WAY,14-18GA		--	60439GT	LOCK,RECEP 2 WAY, 14-18GA	
2A	216662GT	HARNESS,ENG/HYD HEATER,120V.....1 <i>120V models</i>	1	11B	216618GT	ASSY, BATTERY HEATER, 240V <i>240V models</i>	
--	101199-200GT	SHRINK TUBE,BLACK,RHW,1/2,3:1		--	119065GT	CONN,RECEP 2 WAY ENDCAP DT	
--	119057GT	CONN PLUG 3 WAY ENDCAP DT		--	60439GT	LOCK,RECEP 2 WAY, 14-18GA	
--	60427GT	LOCK,PLUG 3 WAY,14-18GA		12A	216606GT	HARNESS, 120V POWER CORD, 24"....1 <i>120V models includes plug and hubble</i>	
2B	216683GT	HARNESS,ENG/HYD HEATER,240V.....1 <i>240V models</i>	1	--	101199-200GT	SHRINK TUBE,BLACK,RHW,1/2,3:1	
--	101199-200GT	SHRINK TUBE,BLACK,RHW,1/2,3:1		--	45845GT	TERMINAL,RING,#10 YELLOW	
--	119057GT	CONN PLUG 3 WAY ENDCAP DT		12B	216607GT	HARNESS, 240V POWER CORD, 24"....1 <i>240V models includes hubble</i>	
--	60427GT	LOCK,PLUG 3 WAY,14-18GA		--	101199-200GT	SHRINK TUBE,BLACK,RHW,1/2,3:1	
3A	216612GT	ASSY,120V HEATER, HYD TANK.....1 <i>120V models</i>	1	--	45845GT	TERMINAL,RING,#10 YELLOW	
--	119066GT	CONN,RECEP 3 WAY ENDCAP DT		13	119403GT	CONN,PLUG 120 AC/15A DOMESTIC...1 <i>120V models</i>	
--	60441GT	LOCK,RECEP 3 WAY,14-18GA					
3B	216611GT	ASSY,240V HEATER, HYD TANK.....1 <i>240V models</i>	1				
--	119066GT	CONN,RECEP 3 WAY ENDCAP DT					
--	60441GT	LOCK,RECEP 3 WAY,14-18GA					
4	99778GT	SQUEEZE CONNECTOR, 4 WIRE.....2 <i>included in harness</i>	2				
--	238123GT	HUBBLE NUT, PG11					
5	75041GT	SCREW,PHILLIPS,PHM,10-32 X 1					
6	6146GT	WASHER,FLAT,MS,#10,Y					
7	14392GT	NUT,LP NYLOCK,10-32					
8	214249GT	COLD WEATHER 120V J BOX ASSY.....1	1				
--	13597GT	TERMINAL,#10 RING,BLUE.....4	4				
--	215347GT	COLD PKG GROUND, JUMPER ASSY.....1	1				
--	69776GT	TERMINAL,STRIP,4-POLE,600V***.....1	1				
9	214536GT	SQUEEZE CONN W/NUT, 2WIRE, 4MM.....1 <i>included in harness</i>	1				
10A	216655GT	HARNESS,BATT CABLE,120V <i>120V models</i>					
--	101199-200GT	SHRINK TUBE,BLACK,RHW,1/2,3:1					
--	119056GT	CONN PLUG 2 WAY ENDCAP DT					
--	60425GT	LOCK,PLUG 2 WAY, 14-18GA					
10B	216676GT	HARNESS,BATT CABLE,240V <i>240V models</i>					



920.1 Hydraulic Oil Cooler Option



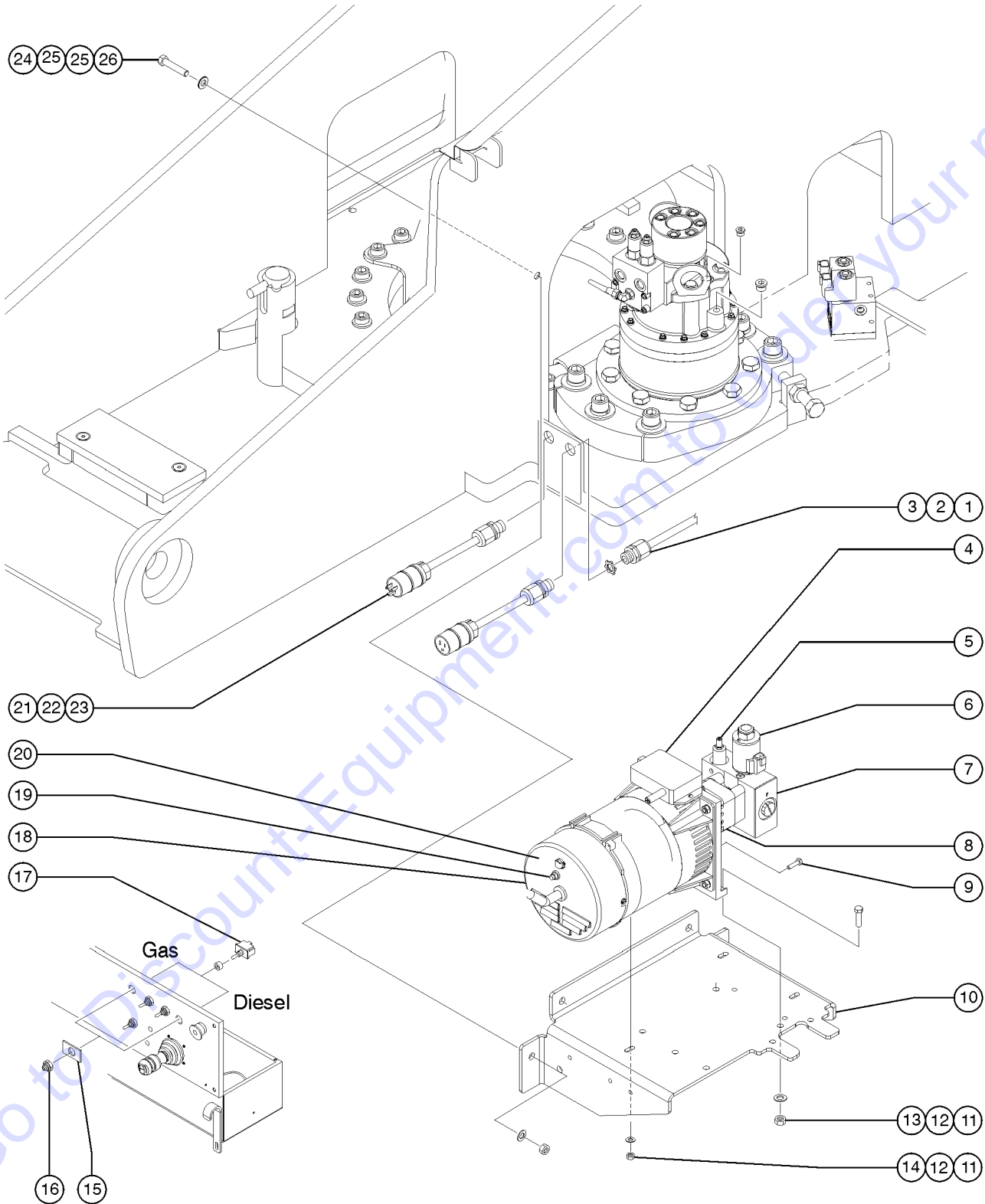
920.1 Hydraulic Oil Cooler Option

Item	Part No.	Description	Qty.
A	T109335GT	ACC, OIL COOLER,S60, SERV	
1	6888GT	SCREW,HHC,1/4-20 X 1.....	4
2	6638GT	WASHER,FLAT,USS,1/4"Y.....	12
3	6091GT	NUT,NYLOCK,1/4-20.....	6
4	6637GT	SCREW,HHC,1/4-20 X 1.75.....	2
5	77693GT	FORMING,OIL COOLER MOUNT.....	1
6	1259905GT	HOSE ASSY, 3/4", 28.55".....	1
7	48960GT	FITTING,CONN,520120-12***.....	1
8	71259GT	OIL COOLER W/FAN, 12VDC.....	1
9	48878GT	ELBOW,90D,520220-16-12.....	1
10	94205-3164GT	HOSE ASSY,3/4,45 FEM,STR MALE.....	1

Go to Discount-Equipment.com to order your parts



921.1 Hydraulic Generator



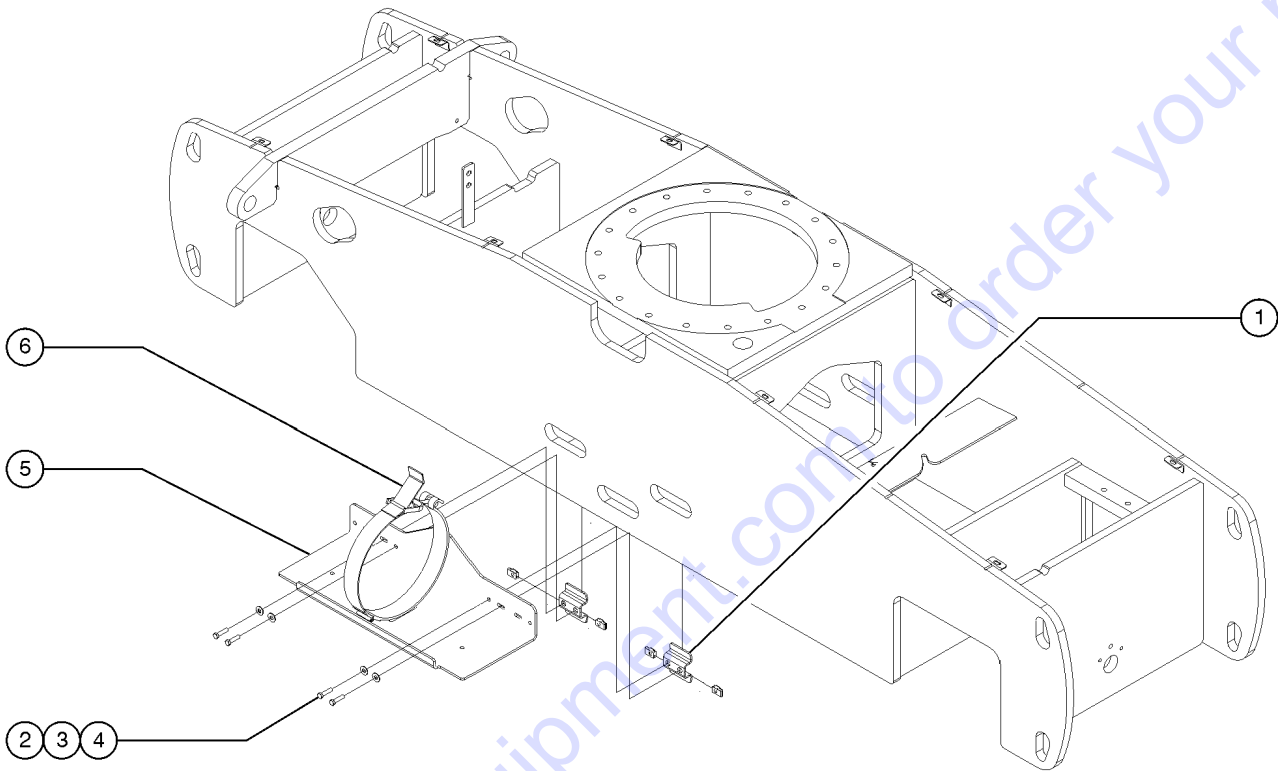


921.1 Hydraulic Generator

Item	Part No.	Description	Qty.	Item	Part No.	Description	Qty.
A	236923GT	FIELD KIT,MTE, 120V-50HZ, S60 <i>only for European machines already equipped with an oil cooler</i>		18C	139954GT	GENERATOR, 3kW, 240V/50Hz.....1 <i>(complete, includes items 4-9 and 19-20)</i>	1
B	216178GT	KIT,MTE&OIL COOL,120V50HZ,S60 <i>only for European machines without an oil cooler</i>		19A	147239GT	BREAKER, 25 AMP, GEN.....1 <i>(part of generators 139952 and 139953)</i>	1
C	822687GT	FIELD KIT,MTE 120V-60HZ, S60.....1 <i>for units with oil cooler already installed</i>	1	19B	147258GT	BREAKER,15 AMP,GEN <i>(part of generator 139954)</i>	1
D	822688GT	KIT,MTE&OIL COOL,120V60HZ,S60.....1 <i>for units that do not already have an oil cooler installed</i>	1	20A	147241GT	COVER, END, GEN, 120V.....1 <i>(part of generators 139952 and 139953)</i>	1
E	236924GT	FIELD KIT,MTE, 240V-50HZ, S60 <i>only for European machines already equipped with an oil cooler</i>		20B	147262GT	COVER, END, GEN, 240V <i>(part of generator 139954)</i>	1
F	216181GT	KIT,MTE&OIL COOL,240V50HZ,S60 <i>only for European machines without an oil cooler</i>		21	119403GT	CONN,PLUG 120 AC/15A DOMESTIC...1	1
G	1271398GT	KIT,GEN. PRESSURE SWITCH		22	61278GT	CONN. SQZ,1/2NPT .56-.63.....1	1
1	6935GT	LOCKNUT,ELEC,1/2"		23	6935GT	LOCKNUT,ELEC,1/2".....1	1
2	7057GT	CONN. SQZ,1/2NPT .39-.56 MED.		24	9145GT	SCREW,HHC,1/2-13 X 2.5,GR5.....4	4
3	119404GT	CONN,RECEP 120AC/15A DOMESTIC.....1	1	25	13066GT	WASHER,FLAT,5 HARDENED.....8	8
4A	1269693GT	CONTROL BOX,2KW,120/240V,50HZ.....1 <i>(part of generators 139952 and 139954)</i>	1	26	6198GT	NUT,NYLOCK,1/2-13.....4	4
4B	147228GT	CONTROLLER BOX, 120/240V, 60H <i>(part of generator 139953)</i>					
5	147233GT	VALVE, RELIEF, GEN, 3.0kW.....1	1				
6	147232GT	12VDC PROPORTIONAL VALVE.....1	1				
7	147229GT	MANIFOLD ASSEMBLY, GEN.....1 <i>(complete, includes items 5 and 6)</i>	1				
8	147230GT	207 HYD MOTOR ASSY, GEN.....1	1				
--	147231GT	SEAL KIT, HYD MOTOR, GEN					
9	147242GT	SCREW,GEN ROTOR.....4	4				
10	106114GT	BRACKET,GENERATOR12.5 KW,PNTD*.....1	1				
--	56361GT	CABLE TIE,BUTTON,BLACK,14.75LG...1	1				
11	6782GT	NUT,NYLOCK,5/16-18.....3	3				
12	5397GT	WASHER,FLAT,USS,5/16",Y.....3	3				
13	13000GT	SCREW,HHC,5/16-18 X 1.25.....2	2				
14	13002GT	SCREW,HHC,5/16-18 X 1 GR5.....1	1				
15	133518GT	DECAL, PATCH, GEN,ALC-500.....1	1				
16	27246GT	BOOT,TOGGLE SWITCH,SHORT*.....1	1				
17	128204GT	SWITCH TOGGLE ASSY SPDT 2P MNT.....1	1				
18A	139952GT	GENERATOR, 3kW, 120V/50Hz.....1 <i>(complete, includes items 4-9 and 19-20)</i>	1				
18B	139953GT	GENERATOR, 3kW, 120V/60Hz.....1 <i>(complete, includes items 4-9 and 19-20)</i>	1				
--	147240GT	CAPACITOR 16 F, GEN					



922.1 2nd LP Tank Carrier



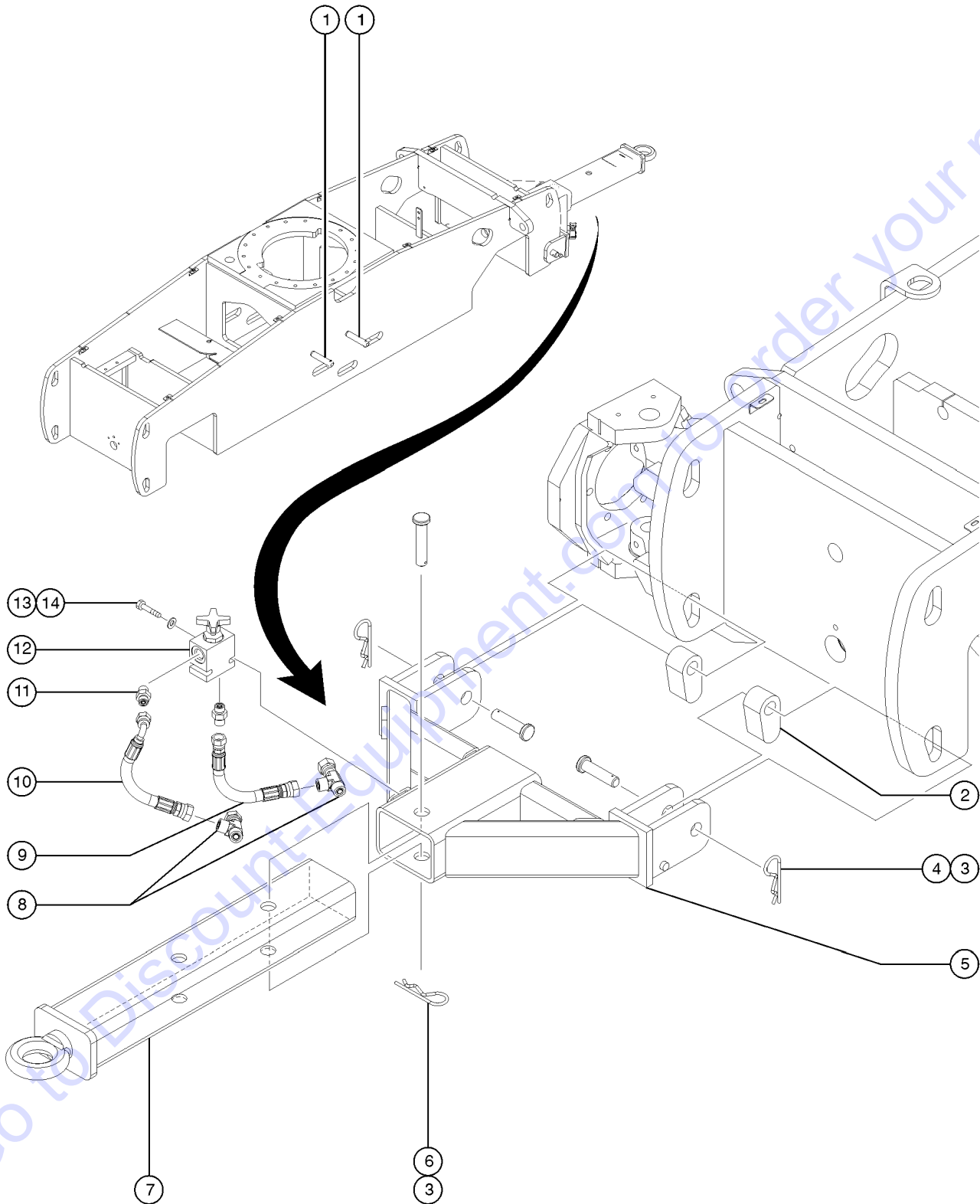
922.1 2nd LP Tank Carrier

Item	Part No.	Description	Qty.
--		NOTE: The 2nd LP Carrier may be located on either side of the machine	
1	77714GT	FORMING,LP BRACKET MOUNT.....	2
2	8516GT	SCREW, HCC, 3/8-16 X 1.50.....	4
3	6097GT	WASHER,FLAT,USS,3/8",Y.....	4
4	29868GT	SPRING CLIP,3/8-16,.05-.20X.73,ZAG....	4
5	60143GT	WELDMENT,L.P. TANK MOUNT ***.....	1
6	49000GT	L.P.TANK LATCH.....	1

Go to Discount-Equipment.com to order your parts



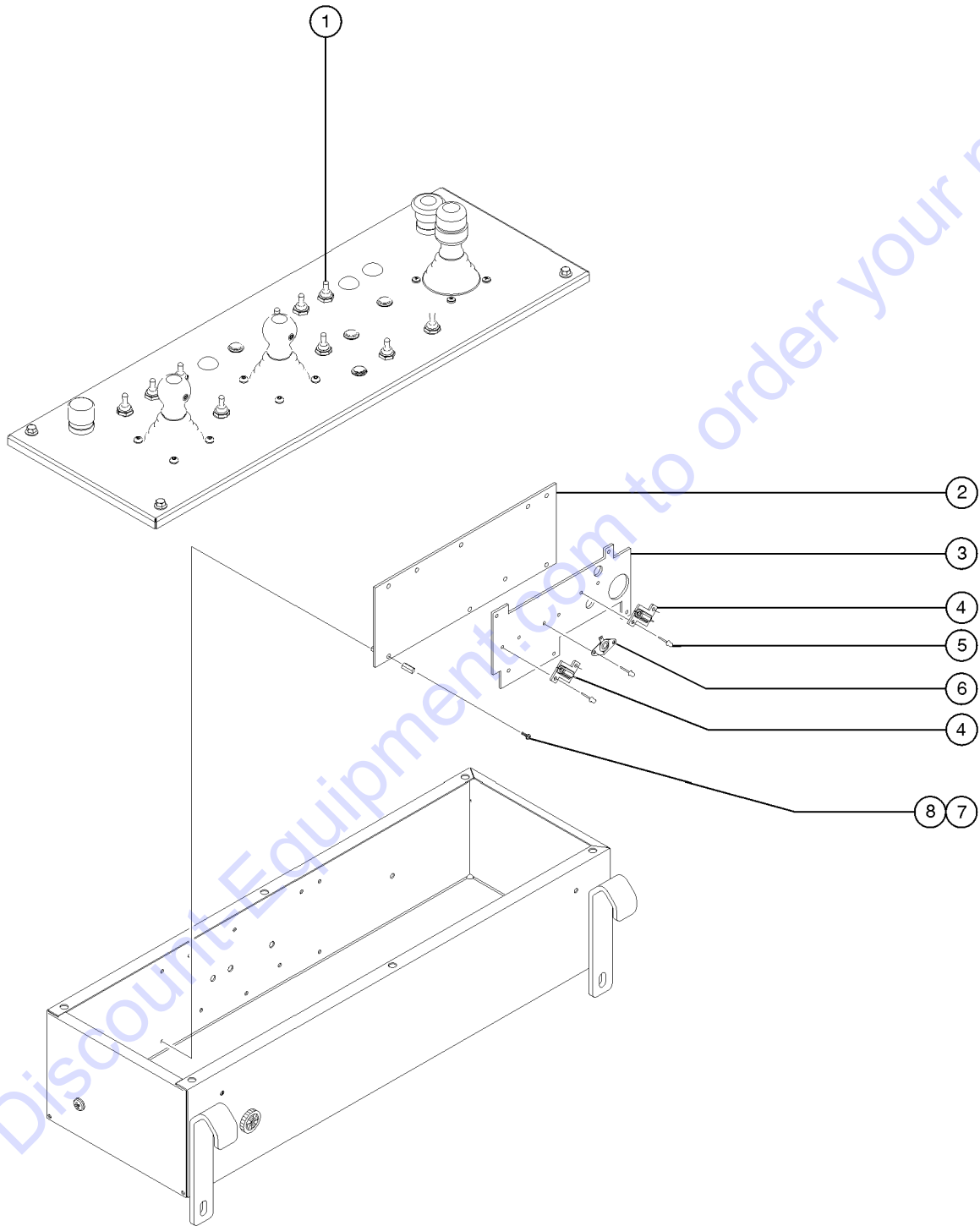
923.1 Tow Package



Item	Part No.	Description	Qty.
--	77756GT	S60 TOW PACKAGE	
1	47025GT	PIN,STORAGE,TOW PACKAGE.....2 <i>used to store 94420 WELDMENT,PULL BAR</i>	
2	81975PGT	PLATE,CHASSIS ATTACHMENT	
3	42111GT	CLIP,HAIR PIN .243 X 5.25.....3	
4	42113GT	PIN,CLEVIS,1.25 X 5.0,ZINC.....2	
5	77870GT	WELDMENT,TOW BAR.....1	
6	42112GT	PIN,CLEVIS,1.25 X 6.0,ZINC.....1	
7	94420GT	WELDMENT,PULL BAR.....1	
8	48875GT	TEE,RUN,SWIVEL,520432-6.....2	
9	49120-7131GT	HOSE ASSEMBLY,1/4".....1 <i>attach to right front steer cylinder</i>	
10	49163-7144GT	HOSE ASSEMBLY,1/4".....1 <i>includes 90-degree elbow fitting; attach to left steer cylinder</i>	
11	48912GT	CONN,520120-4-6***.....2	
12	25282GT	VALVE,NEEDLE,BRAKE RELEASE.....1	
13	824063GT	SCREW,HHC,1/4-20X1.75,8,ZAG.....2	
14	824113GT	WASHER,FLAT,1/4,USS,ZAG.....2	

Go to Discount-Equipment.com to order your parts

924.1 Circuit Board Heater Option



Go to DiscountEquipment.com to order your parts

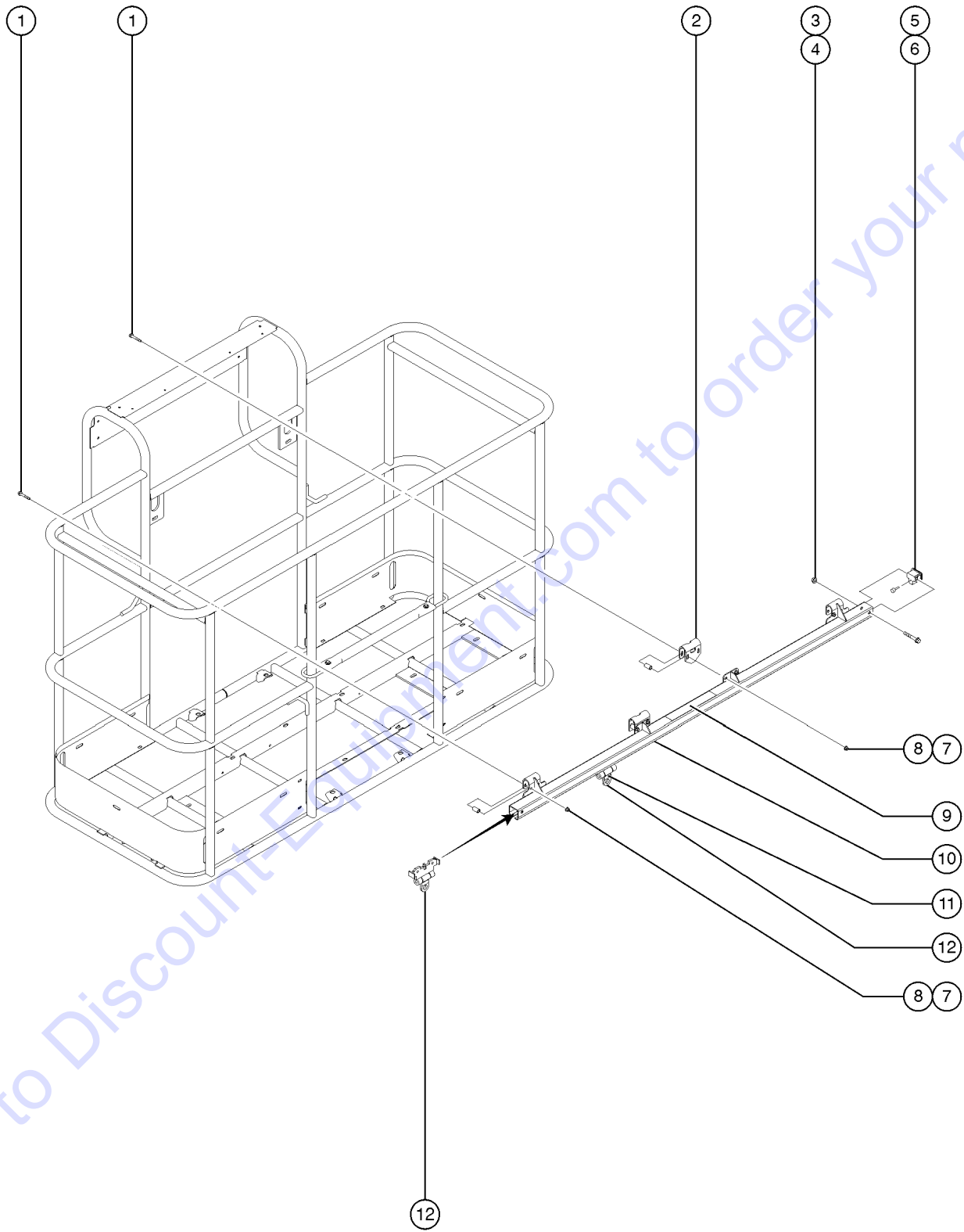
924.1 Circuit Board Heater Option

Item	Part No.	Description	Qty.
A	147754GT	ACC.PBOX HEATER ALC500 GEN II	
--	119560GT	WIRING KIT,CONTROL BOX HEATER...1	
--	T115352GT	DECAL,OPTION CONTROL BOX HEATR.....1	
1	128204GT	SWITCH TOGGLE ASSY SPDT 2P MNT.....1	
2		ALC500 printed circuit board, refer to 603.1	
3	147661GT	PLATE,PLAT HEAT,ALC500 GEN II.....1	
4	27287GT	RESISTOR,10 OHM,25 WATT.....2	
5	824206GT	RIVET,STL,STL,DOME,1/8X.25,ZAG.....6	
6	119641GT	SWITCH,THERMOSTAT 85F OPEN.....1	
7	1257402GT	SCREW,PHPM,6-32X.25,ZAG.....5	
8	119534GT	STANDOFF,1/4X1/4 M-F 6-32 S/S.....5	

Go to Discount-Equipment.com to order your parts



925.1 Traveling Fall Arrest Anchor System



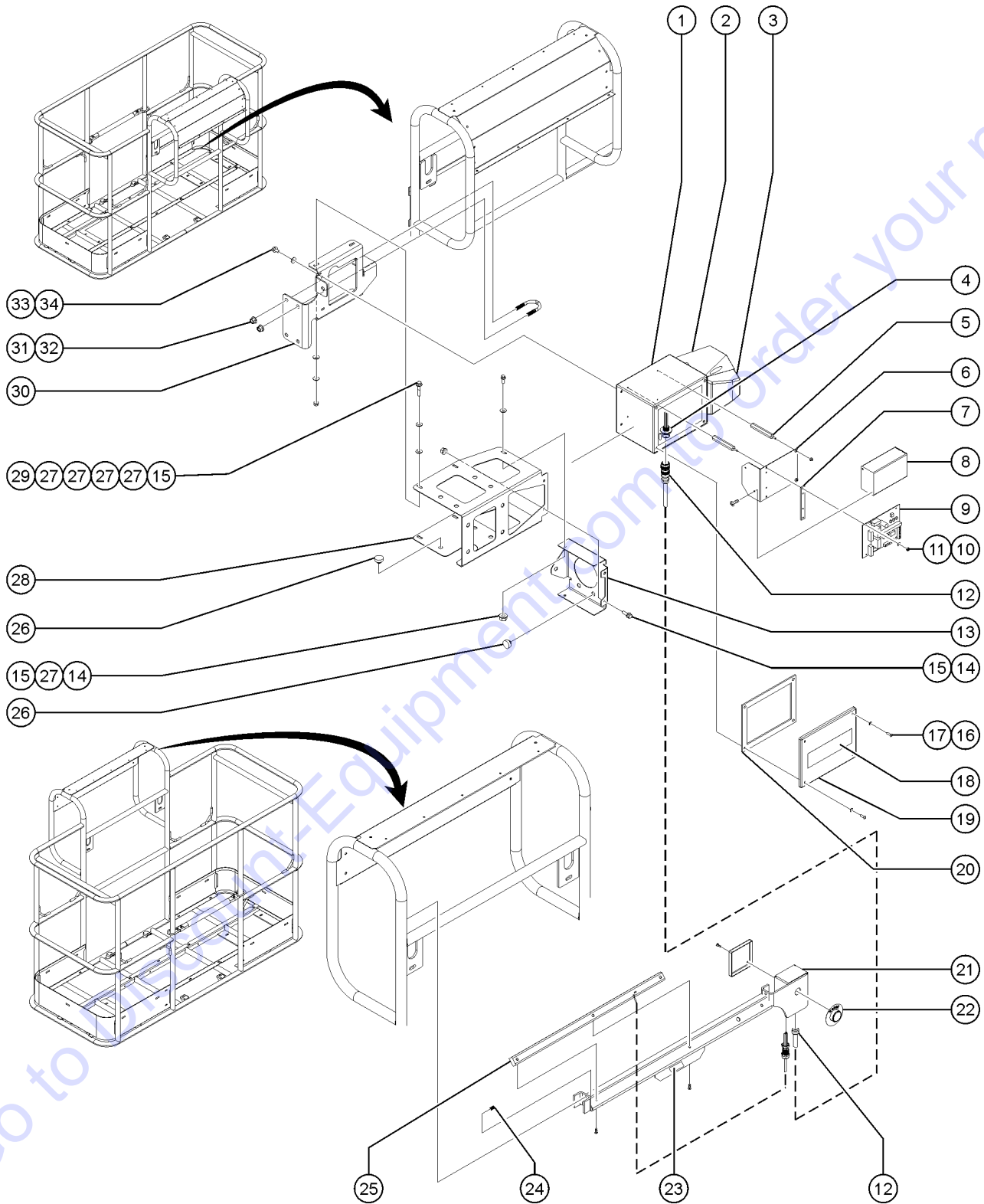


925.1 Traveling Fall Arrest Anchor System

Item	Part No.	Description	Qty.
1	1256856GT	SCREW,HHF,3/8-16X2.5,8,ZAG.....	4
2	1256389GT	FORMING,INNER HANGER.....	2
3	1251997GT	NUT,TL FLG,1/2-13,G,ZAG.....	2
4	1256851GT	SCREW,HHF,1/2-13X3.5,8,ZAG.....	2
5	1260892GT	END STOP,TFAAS TRACK.....	2
6	36388GT	BUMPER,RUBBER,.75 X .50H,STUD....	2
7	824029GT	NUT,TL FLG,3/8-16,G,ZAG.....	8
8	1256481GT	SPACER, HANGER BRACKET.....	8
9A	1256400GT	DECAL,TFAAS TRACK,WORD.....	1
9B	1260910GT	DECAL,TFAAS TRACK,SYMBOL.....	1
9C	1256400FRGT	DECAL,TFAAS TRACK,WORD FR.....	1
10A	1256377GT	ACC,TFAAS FALL ARREST,8FT WORD.....	1
		<i>includes instructions and decals</i>	
--	1256379GT	ASSY,TFAAS TRACK,8FT WORD <i>includes decals</i>	
10B	1261022GT	ACC,TFAAS FALL ARREST,8FT SYM....	1
		<i>includes instructions and decals</i>	
--	1261024GT	ASSY,TFAAS TRACK,8FT SYM <i>includes decals</i>	
10C	1261018GT	ACC,TFAAS FALL ARREST,8FT FR.....	1
		<i>includes instructions and decals</i>	
--	1261020GT	ASSY,TFAAS TRACK,8FT FR <i>includes decals</i>	
10D	1256378GT	ACC,TFAAS FALL ARREST,6FT WORD.....	1
		<i>includes instructions and decals</i>	
--	1256380GT	ASSY,TFAAS TRACK,6FT WORD <i>includes decals</i>	
10E	1261023GT	ACC,TFAAS FALL ARREST,6FT SYM....	1
		<i>includes instructions and decals</i>	
--	1261025GT	ASSY,TFAAS TRACK,6FT SYM <i>includes decals</i>	
10F	1261019GT	ACC,TFAAS FALL ARREST,6FT FR.....	1
		<i>includes instructions and decals</i>	
--	1261021GT	ASSY,TFAAS TRACK,6FT FR <i>includes decals</i>	
11	40434GT	DECAL,LANYARD ANCHORAGE POINT.....	1
12	1256439GT	TROLLEY, TFAAS TRACK.....	1

Go to [Drummond.com](http://Drummond.com) to order your parts

926.1 Operators Protection Alarm



926.1 Operators Protection Alarm

Item	Part No.	Description	Qty.	Item	Part No.	Description	Qty.
A	1275537GT	ASSEMBLY, OPA PROTECTION CAGE.....	1	33	237238GT	SCREW,HHF,M6-1.0X12,DIN6921,10.....	2
1	1255018GT	BASE ENCLOSURE,RED,OPA.....	1	34	1257389GT	WASHER, FLAT, M6X18X1.6,DIN9021,ZAB.....	2
2	1255021GT	SOUNDER,MIDI,OPA.....	1				
3A	1255037GT	SOUNDER LENS, OPA, BLUE..... <i>(standard lens fitted to OPA)</i>	1				
3B	1270116GT	SOUNDER LENS, OPA, RED.....	1				
3C	1270117GT	SOUNDER LENS, OPA, AMBER.....	1				
3D	1270118GT	SOUNDER LENS, OPA, CLEAR.....	1				
4	1255033GT	HARN,PIGTAIL,TAPESWITCH,OPA.....	1				
5	1255028GT	STAND OFF,CONTROL UNIT.....	4				
6	1255024GT	BRACKET,CONTROL UNIT.....	1				
7	1255025GT	SPACER,HEAT SINK.....	1				
8	1255023GT	ASSY,MODULE,CONTROL UNIT,OPA....	1				
9	1255022GT	MODULE,CONTROL UNIT,PCB,OPA....	1				
10	1255067GT	NUT,M4 NYLOCK.....	4				
11	1255066GT	WASHER,M4 NYLON.....	4				
12	1255035GT	ASSEMBLY,CABLE,TAPESWITCH.....	1				
13	1275539GT	FORMING, OPA CAP.....	1				
14	824078GT	SCREW,HHF,1/4-20X.75,8,ZAG.....	5				
15	824027GT	NUT,TL FLG,1/4-20,G,ZAG.....	9				
16	1255038GT	SCREW,M5X16 BHD.....	4				
17	1255027GT	WASHER,M5 NYLON.....	4				
18	1255890GT	DECAL,COSMETIC,GENIE.....	1				
19	1255020GT	LID ENCLOSURE,RED,OPA.....	1				
20	1255019GT	GASKET,ENCLOSURE.....	1				
21	1255029GT	ASSEMBLY,TAPESWITCH..... <i>"(6'8' platforms) (includes j-box and fasteners)"</i>	1				
22	1255036GT	ASSEMBLY RESET SWITCH.....	1				
23	1255889GT	DECAL,SYMBOL-READ THE MANUAL.....	1				
24	1255068GT	SCREW,M6X8.....	2				
25	1255047GT	SENSOR,RUBBER EDGE..... <i>(6'8' platforms)</i>	1				
26	43392GT	BUMPER,BATTERY BOX & RAILS*** ...	17				
27	824113GT	WASHER,FLAT,1/4,USS,ZAG.....	19				
28	1275538GT	FORMING, OPA CAGE.....	1				
29	824080GT	SCREW,HHF,1/4-20X1.25,8,ZAG.....	4				
30	1275540GT	FORMING, OPA, BRACKET.....	1				
--	1271945GT	KIT, OPA WELDER BRACKET <i>Complete assembly bracket with fasteners and U-Bolt 1251600; from SN 35544</i>					
31	824029GT	NUT,TL FLG,3/8-16,G,ZAG.....	4				
32	1251600GT	U-BOLT, FLATTENED, 1.5 X 3/8 UNC,ZAG.....	2				



## Part Number Index

The Part Number Index is a numeric index of all part numbers included in this manual. The index shows what page(s) the part is used on.

Part Number	Page	Part Number	Page	Part Number	Page	Part Number	Page
07.4501.0291GT	.....201	102721GT	.....281	110183PGT	.....156	114251GT	.....21, 37, 53, 69, 85, 101, 109
1000014GT	.....29, 35, 93, 99	102746GT	.....303	110194GT	.....167-168, 171	114252GT	.....25, 27, 41, 43, 53, 57, 59, 69, 73, 75, 85, 89, 91, 105, 107, 113, 115
1000199GT	.....113	102785PGT	.....277	110196GT	.....167-168		
1000262GT	.....19, 35, 51, 67, 83, 99	102786PGT	.....277	110197GT	.....167-168		
101005GT	.....257	102992GT	.....249	110200GT	.....167-168		
101005HGT	.....257	104030GT	.....255	110201GT	.....167-168		
101006GT	.....181-182	104759GT	.....175	110202GT	.....167-168		
101066PGT	.....231	10597GT	.....133-134, 159, 181-182, 209, 226	110221GT	.....118	114258GT	.....13, 29, 45, 61, 77, 93
10107GT	.....285, 303			110268GT	.....164-165		
101080GT	.....163-165	10598GT	.....181-182, 201, 213-214, 223	110280GT	.....147, 153	114277GT	.....15, 23, 31, 39, 47, 55, 63, 71, 79, 87, 95, 103, 111
101085GT	.....217			110304GT	.....214, 217		
101129PGT	.....181-182	106003PGT	.....214	110329GT	.....159		
101140P-SGT	.....181-182	106033GT	.....309	110339GT	.....231	114389GT	.....13, 19, 29, 35, 45, 51, 61, 67, 77, 83, 93, 99
101173GT	.....257	106044GT	.....289, 291, 305	110340GT	.....231		
101173HGT	.....257	106073GT	.....303	110345GT	.....133-134	114390GT	.....13, 15, 29, 31, 45, 47, 61, 63, 77, 79, 93, 95
101174GT	.....257	106077GT	.....303	110382GT	.....137		
101174HGT	.....257	106098GT	.....118, 121-122	110390GT	.....163-165		
101191GT	.....163-165	106099GT	.....299	110406GT	.....211	114416GT	.....19, 35, 51, 67, 83, 99
101199-200GT	.....311	106104GT	.....303	110417GT	.....211		
101232GT	.....309	106108GT	.....303	110452GT	.....225-226	114425GT	.....13, 29, 45, 61, 77, 93
101244GT	.....237	106109PGT	.....305	110477GT	.....211		
101251GT	.....229	106110GT	.....305	110578GT	.....118	114465GT	.....13, 21, 29, 37, 77, 85, 93, 101, 109
101252GT	.....159, 225-226	106111GT	.....305	110671GT	.....249		
101254GT	.....235, 237, 239, 241	106112GT	.....305	110727GT	.....117-118	114473GT	.....27, 43, 59, 75, 91, 107, 115
		106114GT	.....303, 315	110728GT	.....117-118		
101255GT	.....118	106117GT	.....122	110730GT	.....117-118		
101293GT	.....271	106134GT	.....226	110731GT	.....117-118	115431GT	.....213-214, 217
101294GT	.....177	106140PGT	.....147, 153	110733GT	.....117-118	119044GT	.....159
101440GT	.....171	106141GT	.....305	110755GT	.....159	119051GT	.....209
101491GT	.....259	106163GT	.....249	110784GT	.....239	119052GT	.....209
101494GT	.....259	106172PGT	.....155-156	110785GT	.....239	119053GT	.....217
101516GT	.....303	106183GT	.....305	110789GT	.....239, 243	119055GT	.....205
101525GT	.....305	106204GT	.....305	110803GT	.....163-165	119056GT	.....311
101547PGT	.....305	106206GT	.....303	110899GT	.....213-214	119057GT	.....311
101626GT	.....195	106226-4000GT	.....213-214	110908GT	.....226	119058GT	.....163-165
101701GT	.....305	106226GT	.....211	110987GT	.....163-165	119061GT	.....163-165
101726GT	.....141	106275GT	.....305	110988GT	.....163-165	119062GT	.....163-165
101729GT	.....201, 223	106374GT	.....303	110991GT	.....139	119063GT	.....163-165
101731PGT	.....305	106375GT	.....303	110992GT	.....139	119064GT	.....163-165
101732GT	.....305	106394GT	.....303	111029GT	.....213-214	119065GT	.....275, 311
101790-10091GT	.....263	106399GT	.....239	111155GT	.....131	119066GT	.....311
101790-10691GT	.....263	106477GT	.....303	111402GT	.....185-186	119067GT	.....163-165
101795-2482GT	.....263	106495GT	.....303	111413GT	.....255	119068GT	.....159
101795-4782GT	.....265	106495GT	.....303	111420GT	.....255	119084GT	.....295
101845GT	.....243	106516GT	.....118	111445GT	.....182, 185-186	119085GT	.....295
101852GT	.....279	106517PGT	.....118	111485PGT	.....277	119086GT	.....295
101853GT	.....279	106520GT	.....303	111486PGT	.....277	119087GT	.....295
101932GT	.....295	106637GT	.....147, 153	111526GT	.....277	119088GT	.....295
101947GT	.....303	106647GT	.....117-118	111634GT	.....209	119089GT	.....295
101964GT	.....161	106648GT	.....117-118	111668GT	.....182, 185-186	119090GT	.....295
101973GT	.....281	106657GT	.....147, 153	111705GT	.....167-168	119117GT	.....181-182, 185-186
102045GT	.....185-186, 189	106663GT	.....213-214, 219	111748GT	.....209		
102066GT	.....211	106766GT	.....239	111818GT	.....143		
102121GT	.....209	106835GT	.....177	111819GT	.....143	119139GT	.....205
102126GT	.....121-122	106836GT	.....177	11210GT	.....226	119140GT	.....207
102131GT	.....118, 121-122	106837GT	.....177	114098GT	.....115	119146GT	.....118
102155GT	.....118, 122	106883PGT	.....159	114099GT	.....13, 15, 21, 23, 29, 31, 37, 39, 45, 47, 53, 55, 61, 63, 69, 71, 77, 79, 85, 87, 93, 95, 101, 103, 109, 111	119168GT	.....143
102157GT	.....121-122	106884GT	.....159			119170GT	.....143
102158GT	.....118, 121-122	107552GT	.....164-165			119218GT	.....211
102159GT	.....118, 122	107564GT	.....239			119230GT	.....239
102162GT	.....118, 121-122	107615PGT	.....117-118			119232GT	.....211
102163GT	.....121-122	107616PGT	.....118			119246GT	.....139
102166GT	.....121-122	107665PGT	.....229	114169GT	.....15, 31, 47, 63, 79, 95	119344GT	.....182
102167GT	.....121-122	107753GT	.....167-168			119394GT	.....199
102209PGT	.....189	107755GT	.....293	114219GT	.....13, 29, 45, 61, 77, 93	119403GT	.....293, 311, 315
102227GT	.....185-186	10777GT	.....293			119404GT	.....293, 315
102230-9589GT	.....263	107813GT	.....177	114240GT	.....109	119417GT	.....309
102237GT	.....185-186	107814GT	.....177	114241GT	.....109	119418GT	.....309
102357GT	.....147	107815GT	.....177	114247GT	.....25, 41, 57, 73, 89, 105, 113	119474GT	.....207
102516GT	.....118, 121-122	107825GT	.....159, 225-226			119475GT	.....205
102528GT	.....168	107842GT	.....177	114249GT	.....21, 23, 37, 39, 53, 55, 69, 71, 109, 111	119477GT	.....207
102581GT	.....189	107857GT	.....275			119483GT	.....164-165
102587GT	.....203	108538GT	.....203			119484GT	.....211
10262GT	.....239	109802GT	.....156			119534GT	.....321
		110183GT	.....185-186				

Part Number	Page	Part Number	Page	Part Number	Page	Part Number	Page
119535GT	245	1251985GT	149-150	1255889GT	325	1262027GT	217
119536GT	237	1251995GT	223	1255890GT	325	1262331GT	159, 225-226
119537GT	245	1251996GT	223	1255894GT	195, 197	1262487GT	217
119542GT	237	1251997GT	323	1256267GT	118, 121-122, 225-226	1262678GT	156
119560GT	321	1252050GT	211	1256377GT	323	1262682GT	117-118
119567GT	229	1252684GT	149-150	1256378GT	323	1262683GT	117-118
119568GT	205	1252685GT	149-150	1256379GT	323	1262793GT	165
119607GT	163-165	1252940GT	221	1256380GT	323	1262866GT	203, 217
119613GT	257	1252941GT	217	1256389GT	323	1262867GT	203, 217
119641GT	321	1252942GT	221	1256400FRGT	323	1262868GT	203
119644GT	255	1252943GT	214, 221	1256400GT	323	1262870GT	203
119777GT	164-165	1253011GT	15, 31, 47, 63, 79, 95	1256439GT	323	1262871GT	203
119809GT	213-214, 221	1253415GT	161	1256468GT	287	1262872GT	203
119845GT	293	1253629GT	13, 29, 45, 61, 77, 93	1256481GT	323	1262873GT	203
119866GT	214	1253793GT	275	1256482GT	201	1262875GT	203
119915GT	257	1253798GT	261	1256599GT	199	1262876GT	191, 193, 203
119918GT	143	1253922GT	199	1256670GT	175	1262877GT	203
119950GT	279	1253990GT	195, 219	1256851GT	323	1262878GT	203
119965GT	205	1253991GT	195	1256856GT	323	1262881GT	203
119984GT	143	1254017GT	219	1257231GT	199	1262883GT	203
119988GT	122	1254267GT	199	1257389GT	325	1262890GT	203
119990GT	225-226	1254452GT	199	1257402GT	321	1262893GT	203
121035GT	247	1254453GT	199	1257825GT	217	1262894GT	203
121065GT	247	1254543GT	199	1257838GT	191, 193	1262895GT	203
121066GT	275	1254594GT	191, 193, 203	1257961GT	201	1262896GT	203
121283GT	133-134, 139	1254704GT	199	125864GT	127	1262897GT	203
121358GT	161	1254804GT	251-252	125865GT	127	1262899GT	203
121359GT	161	1254823GT	199	125866GT	129	1264257GT	247
121599GT	147, 153	1254826GT	181-182, 185-186	1259105GT	164-165	1264258GT	247
121615GT	185-186	1254873GT	134	1259328GT	289, 291	1264822GT	163-165
121831GT	297	1254874GT	249	1259329GT	289, 291	1264834GT	163-165
121832GT	297	1255018GT	325	1259654GT	203	1264894GT	205
121833GT	297	1255019GT	325	1259660GT	203	1264903GT	155-156
121846GT	147, 153	1255020GT	325	1259704GT	277	1264947GT	137, 163-165
121847GT	164-165, 255	1255021GT	325	1259717GT	203	1267807GT	156
121848GT	163-165, 243	1255022GT	325	1259899GT	191, 193, 203	1268229GT	156
122019GT	275	1255023GT	325	1259903GT	259	1268376GT	225-226
122053GT	164-165	1255024GT	325	1259904GT	259	1268377GT	225-226
122073GT	277, 289, 291	1255025GT	325	1259905GT	271, 313	1269500GT	257
122079GT	237, 239, 241, 243	1255027GT	325	1259906GT	269	1269693GT	315
122231GT	291	1255028GT	325	1260084GT	117-118, 121-122	1270116GT	325
122278GT	277	1255029GT	325	1260105GT	163-165	1270117GT	325
122279GT	277	1255030GT	165	126018GT	165	1270118GT	325
122302GT	303	1255033GT	325	1260218GT	323	1271398GT	315
122661GT	247	1255035GT	325	1260357GT	203	1271945GT	325
122662GT	247	1255036GT	325	1260511GT	127	1272624GT	203
122663GT	247	1255037GT	325	1260892GT	323	1273323	307
122668GT	247	1255038GT	325	1260910GT	323	1274322GT	283
122755GT	249, 283, 305	1255047GT	325	1261018GT	323	1274613GT	121-122
122944GT	235, 237	1255066GT	325	1261019GT	323	1274900GT	199
123143GT	239, 241	1255067GT	325	1261020GT	323	1275537GT	325
12343GT	247	1255068GT	325	1261021GT	323	1275538GT	325
12344GT	255	1255395GT	201	1261022GT	323	1275539GT	325
123663GT	239, 241	1255396GT	201	1261023GT	323	1275540GT	325
1251499GT	133-134	1255399GT	201	1261024GT	323	1276694GT	303
1251500GT	133-134	1255400GT	201	1261025GT	323	1277924GT	283
1251501GT	133-134	1255456GT	163-165	1261184GT	287	1277968GT	205
1251502GT	133-134	1255457GT	164-165	1261239GT	201	1277969GT	205
1251503GT	133-134	1255458GT	164-165	1261292GT	165, 289, 291	1277974GT	191, 193
1251504GT	133-134	1255459GT	164-165	1261293GT	165	1277991GT	209
1251505GT	133-134	1255460GT	164-165	1261294GT	163-165	1279271GT	219
1251506GT	133-134	1255555GT	165	1261295GT	164-165	1279465GT	156
1251507GT	133-134	1255653GT	181-182, 185-186, 201	1261296GT	164-165	1279466GT	156
1251508GT	133-134	1255692GT	199	1261297GT	165	1279631GT	199
1251509GT	134	1255702GT	122	1261298GT	165	1279653GT	199
1251510GT	133-134	1255758GT	287	1261346GT	145	128000GT	257
1251600GT	283, 287, 325	1255768GT	155-156	1261389GT	131	128001GT	257
1251731GT	199	1255769GT	155-156	1261390GT	131	128003GT	214, 219
1251814GT	221	1255770GT	155-156	1261391GT	131	128004GT	189, 195, 197
1251815GT	223	1255771GT	155-156	1261392GT	131	128005GT	163-165, 275
1251816GT	223	1255772GT	155-156	1261393GT	131	128022GT	214, 219
1251818GT	223	1255773GT	155-156	1261394GT	131	128023GT	181-182
1251819GT	223	1255802GT	122	1261449GT	137	128024GT	214, 219
1251842GT	273			1261566GT	145	128025GT	214, 219
1251984GT	149-150			1261844GT	165	128045GT	147
						1280590GT	185-186

## Part Number Index (continued)

Part Number	Page	Part Number	Page	Part Number	Page	Part Number	Page
1280591GT	185-186	13002GT	181-182, 189,	139441GT	159	147033GT	118, 121-122
128061GT	209, 219, 221		209, 214, 249,	139455GT	185-186	147034GT	118, 121-122
1280665GT	293		303, 315	139508GT	173	147094GT	145, 150
128081GT	143	13003GT	185-186, 189	139512GT	173	147121GT	249
128165GT	205	13014GT	217	139527GT	173	147149GT	127
128166GT	205	13064GT	118, 121-122,	139528GT	173	147155GT	131
128200GT	145, 149-150,		155-156, 185-	139578GT	125	147223GT	133-134
	251-252		186, 189	139598GT	257	147228GT	315
128201GT	145, 150, 251-	13066GT	155-156, 177,	139601GT	225-226	147229GT	315
	252		185-186, 209,	139602GT	225-226	147230GT	315
128202GT	145, 149-150,		226, 239, 241,	139610GT	209	147231GT	315
	252		303, 315	139621GT	181-182	147232GT	315
128203GT	289, 291	13268GT	147	139622GT	181-182	147233GT	315
128204GT	145, 149-150,	133067GT	21, 23, 37, 39,	139623GT	181-182	147239GT	315
	251-252, 315,		53, 55, 69, 71,	139624GT	182	147240GT	315
	321		85, 87, 101, 103,	139644-14B61GT	233	147241GT	315
128268GT	237		109, 111	139666GT	182	147242GT	315
128322GT	305	133238GT	15, 31, 47, 63,	139709GT	181-182, 189	147243GT	182
128323GT	305		79, 95	139712GT	173	147255GT	164-165
1283571GT	207	133250GT	77, 79, 93, 95	139715GT	173	147258GT	315
1283572GT	207	133251GT	77, 79, 85, 87	139716GT	173	147262GT	315
1283573GT	207	133252GT	93, 95, 101, 103	139717GT	173	147289GT	137
1283574GT	207	133253GT	81, 89	139718GT	173	147290GT	137
1283575GT	207	133254GT	97, 105	139719GT	173	147347GT	241
128374GT	279	133259GT	79, 87	139726GT	173	147348GT	213-214
1283794GT	275	133260GT	95, 103	139727GT	173	147349GT	213-214
128416GT	303	133263GT	85, 87, 101, 103	139731GT	164-165	147350GT	213-214
128419GT	303	133278GT	13, 29, 45, 61,	139732GT	164-165	147351GT	213-214
128423GT	177		77, 93	139733GT	163-165	147352GT	213-214
128454PGT	237	133387GT	27, 43, 59, 75,	139734GT	163-165	147353GT	213-214
128464GT	159, 225-226		91, 107	139737GT	163-165	147370GT	239
128482GT	237	133413GT	21, 37, 85, 101,	139738GT	163-165	147387GT	255
128483GT	237		109	139741GT	164-165	147396GT	165
128534GT	237	133518GT	315	139799GT	177	147403GT	229
128578GT	149-150, 251-	13480-SGT	139	139801GT	177	147404GT	307
	252	13585GT	293	139832GT	163-165	147405GT	307
128580GT	251-252	13597GT	311	139833GT	163-165	147418GT	307
128581-SGT	251-252	13635-10GT	231, 247	139834GT	164-165	147419GT	259
128582-SGT	252	13854GT	225-226	139835GT	163-165	147428GT	164-165
128584-SGT	149-150, 251-	139000GT	127, 131	139836GT	163-165	147455GT	147, 153
	252	139001GT	127, 131	139865GT	121-122, 155-	147504GT	233
128588GT	213-214, 219	139002GT	127, 129		156	147525GT	181-182
128724GT	237	139120GT	127	139878GT	309	147526GT	181-182
128829GT	186	139121GT	127	139882GT	289, 291	147549GT	177
128831GT	213-214	139122GT	127	139919GT	307	147550GT	177
128896GT	185-186	139125GT	127	139936GT	217	147571GT	226
128909GT	131	139135GT	127, 129	139952GT	315	147575GT	51, 59
128910GT	131	139140GT	127, 129	139953GT	315	147578GT	233
128911GT	131	139175GT	129	139954GT	315	147601GT	83, 91
128912GT	131	139179GT	127, 129, 131	139958GT	277	147602GT	67, 75
128913GT	131	13918GT	211, 233	139965GT	117-118, 121-	147603GT	19, 27, 35, 43,
128914GT	131	13921GT	307		122		83, 91, 99, 107
128916GT	131	139224GT	127	139966GT	117-118, 121-	147604GT	115
128917GT	131	139248GT	239		122	147605GT	45, 51
128918GT	131	139262GT	131	139967GT	117-118, 121-	147607GT	77, 83
128919GT	131	139288GT	231		122	147608GT	61, 67
128920GT	131	139293GT	245	139968GT	117-118, 121-	147609GT	51
128921GT	131	139307GT	245		122	147610GT	83
128922GT	131	139308GT	155-156	139969GT	118, 121-122	147612GT	67
128923GT	131	139309GT	155-156	139970GT	118, 121-122	147617GT	229
128924GT	131	139310GT	155-156	139971GT	118, 121-122	147621GT	163-165
128925GT	131	139311GT	155-156	139972GT	118, 121-122	147642GT	163-165
128926GT	131	139312GT	155-156	139983GT	189	147643GT	163-165
128927GT	131	139313GT	155-156	14033GT	209	147646GT	164-165
128928GT	131	139314GT	155-156	14392GT	311	147647GT	164-165
128935GT	147	139315GT	155-156	144161GT	293	147650GT	163-165
128955GT	131	139321GT	185-186	146061GT	189	147652GT	163-165
128984GT	214, 217	139322GT	185-186	146284GT	303	147654GT	164-165
128985GT	214, 217	139323GT	155-156	146285GT	303	147657GT	164-165
128986GT	214, 221	139338GT	251-252, 255	146413GT	143	147658GT	49, 57
128987GT	213-214	139366GT	159	146415GT	143	147660GT	65, 73
128991GT	214, 221	139367GT	307	146417GT	143	147661GT	321
12906GT	161	139384GT	231	146478GT	251-252	147754GT	321
13000GT	209, 211, 249,	139385GT	231	146551GT	143	147755GT	45, 53
	303, 315	139438GT	281	146552GT	143	147756GT	61, 69
		139440GT	159	147031GT	164-165	147783GT	295



Part Number Index (continued)

Part Number	Page	Part Number	Page	Part Number	Page	Part Number	Page
147788GT	53, 59	21130GT	125, 182, 185–186, 213–214	215544GT	209	226393GT	275
147790GT	85, 91	21141GT	133–134	215642GT	118, 121–122	226541GT	239, 241
147791GT	69, 75	214228GT	201	215709GT	209	226542GT	239, 241
147792GT	13, 15, 29, 31, 61, 63	214237GT	191, 193	215747GT	281	22672GT	191, 193, 213–214, 217, 299
147793GT	45, 51, 61, 67, 77, 83	214249GT	311	215748GT	281	226940GT	131
147794GT	77, 85	214335GT	217	215809GT	197	226941GT	131
147795GT	45	214446GT	209	215811GT	197	226942GT	131
147796GT	61	214536GT	311	215912GT	219	226942GT	131
147797GT	77	214619GT	305	215917GT	217	226943GT	131
147826GT	213–214	214623GT	305	216016GT	211	226944GT	131
147834GT	225–226	214640GT	195	21604GT	243	226945GT	131
147840GT	145, 149–150	21465GT	141, 211	216065GT	223	226946GT	131
147842GT	226	214682GT	199	216150GT	219	22699GT	181–182, 185–186, 195, 197, 209, 211, 219, 221
1487GT	279	214683GT	199	216166GT	223	22700GT	209, 211, 307
1488GT	279	214685GT	191, 193	216178GT	315	227125GT	226
15086GT	191, 193, 211, 217	214686GT	195, 197	216181GT	315	227288GT	13, 19, 29, 35, 77, 83, 93, 99
15243GT	147, 255	214690GT	231	21618GT	289, 291	227306GT	247
160517GT	189	214934GT	199	216367GT	209	227308GT	247
160541GT	209	21496GT	125	216602GT	179	227309GT	207
160804GT	249	215269GT	207	216606GT	311	227347GT	261
160809GT	249	215270GT	207	216607GT	311	22736GT	219, 221
161141GT	167–168	215271GT	207	216611GT	311	227424GT	303
161144GT	179	215271GT	207	216612GT	311	227425GT	303
161145GT	179	215273GT	207	216615GT	311	227426GT	303
161189GT	185–186	215274GT	207	216616GT	311	227532GT	303
161523GT	261	215275GT	205	216617GT	311	22788GT	211, 307
161541GT	249	215276GT	207	216618GT	311	227988GT	209
161542GT	249	215277GT	207	216655GT	311	228311GT	251–252
161603GT	156	215278GT	205	216662GT	311	228320GT	305
161604GT	133–134	215279GT	207	216676GT	311	228321GT	305
161605GT	133–134	215280GT	205	216683GT	311	228448GT	165
161607GT	155–156	215281GT	205	216791GT	153	228457GT	213–214
161608GT	156	215282GT	205	216793GT	153	228463GT	145, 149–150
161611GT	213–214	215283GT	205	217043GT	147	228768GT	117–118
161612GT	217	215284GT	205	217044GT	147	228769GT	117–118
161938GT	199	215285GT	205	217045GT	147	228796GT	247, 303
162023GT	45	215286GT	205	217046GT	147	228797GT	247
162162GT	273	215287GT	205	217187GT	219	228848GT	283
162163GT	273	215288GT	207	217366GT	305	228849GT	283
162164GT	273	215289GT	207	217703GT	219	228967GT	247
162206GT	201	215290GT	207	217820GT	205	228969GT	247, 303
162207GT	201	215291GT	207	217822GT	207	229152GT	163–165
162208GT	201	215294GT	205	217823GT	205	229169GT	247
162209GT	201	215295GT	205	217824GT	207	229201GT	143
162282GT	199	215298GT	207	217877GT	197	229202GT	143
1702GT	211	215299GT	205	217930GT	197	229203GT	143
18503GT	133–134, 209, 219	215300GT	205	217979GT	131	229567GT	145, 149–150, 251–252
18504GT	209, 219	215301GT	205	218448GT	247	229702GT	117–118, 121–122
18506GT	205	215302GT	205	218576GT	209	229743GT	13, 15, 21, 23, 45, 47, 53, 55
18596GT	185–186, 189, 229, 231	215305GT	205	21858GT	145, 149–150	229744GT	61, 63, 69, 71, 109, 111
18605GT	233	215307GT	207	218668GT	209	229817GT	118, 121–122
18665GT	303	215308GT	205	218715GT	199	229818GT	118, 121–122
18666GT	255, 305	215309GT	205	218742GT	209	229931GT	118, 121–122
18716GT	225–226	215310GT	205	218751GT	273	230329GT	233
18717GT	225–226	215311GT	207	219158GT	287	230331GT	233
18720GT	225–226, 229	215313GT	207	219160GT	287	230392GT	133–134
18722GT	225–226	215314GT	205	219243GT	179	230497GT	226
18730GT	121–122, 225–226	215316GT	211	219245GT	179	23057GT	213–214
18731GT	225–226	215317GT	211	219246GT	179	23057GT	213–214
18963GT	275	215320GT	209	219247GT	179	231513GT	214
19358GT	211	215340GT	118, 121–122	219437GT	191, 193, 199, 211	233992GT	283
19440GT	117–118, 229	215423GT	131	219477GT	211	233993GT	283
19491GT	163–165	215424GT	131	219478GT	211	23404GT	147, 153
19506GT	145	215425GT	131	219718GT	149–150	23405GT	299
20776GT	303	215426GT	131	219722GT	149–150	234242GT	241
20973-1700GT	159	215427GT	131	219723GT	13, 29, 93	23523GT	255
21019GT	191, 193, 197, 211, 213–214, 217	215442GT	191	219723GT	13, 29, 93	235372GT	29, 31, 37, 99
		215472GT	219	219976GT	197	235411GT	255
		215476GT	191	220230GT	205	235659GT	209
		215526GT	15, 31, 47, 63, 79, 95	220231GT	205		
		215527GT	15, 31, 47, 63, 79, 95	22348GT	141		
		215528GT	209	22558GT	181–182, 185–186, 189, 201		
		215537GT	217	22578GT	185–186		
				226325GT	247		

## Part Number Index (continued)

Part Number	Page	Part Number	Page	Part Number	Page	Part Number	Page
235985GT	133-134		61, 63, 69, 71,	29557GT	203	34619GT	243, 297
235986GT	133-134, 139		77, 79, 85, 87,	29559GT	181-182, 185-	34922GT	299
236248GT	203		93, 95, 101, 103,		186	34940GT	141
236251GT	199, 203		109, 111	29560GT	181-182, 185-	34955GT	299
236259GT	201	27207GT	13, 15, 21, 23,		186	34959GT	301
236260GT	201		29, 31, 37, 39,	29752GT	201	35432GT	299
236338GT	209		45, 47, 53, 55,	29764GT	133-134, 139,	35434GT	191, 193, 195,
236339GT	211		61, 63, 69, 71,		237, 243		197
236340GT	211		77, 79, 85, 87,	29868GT	133-134, 223,	35461GT	293
236364GT	211		93, 95, 101, 103,		275, 317	35586GT	181-182
236373GT	207		109, 111	30080GT	19, 35, 83, 99	35675GT	155-156, 181-
236420GT	211	27246GT	149-150, 251-	30138GT	229, 231		182, 223, 237
236421GT	211		252, 289, 291,	30143GT	133-134	35956GT	285
236422GT	211		315	30144GT	133-134	35960GT	275
236423GT	211	27287GT	147, 153, 321	30217GT	235, 237, 239,	36208GT	209, 299
236425GT	211	27377GT	161		241	36294GT	226
236799GT	205	27391GT	289, 291	30222GT	237	36388GT	323
236832GT	209	27497GT	143	30255GT	235, 237, 239,	36456GT	211
236911GT	143	27584GT	219		241	37505GT	213-214
236912GT	143	27761GT	171	30348GT	195, 197, 199	37947GT	145, 149-150
236923GT	315	27802GT	167-168	30370GT	225-226, 229,	38149GT	29, 45, 61, 77, 93
236924GT	315	27804GT	167-168		235, 239, 241	38620GT	231
237068GT	133-134	27807GT	167-168	30468GT	277, 297	38621GT	229
237146GT	209	27836GT	167-168, 171	30489GT	185-186	38859GT	133-134, 139
237188GT	191, 193, 197,	28158GT	13, 21, 29, 37,	30490GT	141, 181-182,	38922GT	209
	199, 203		45, 53, 61, 69,		185-186	39317GT	247
237189GT	201		77, 85, 93, 101,	30496GT	195	39479GT	125, 211
237190GT	201		109	30785-400GT	125	39879GT	307
237191GT	201	28159GT	13, 21, 29, 37,	30810GT	309	39882GT	156
237192GT	191, 193		45, 53, 61, 69,	30971GT	181-182, 219,	40434GT	19, 27, 35, 43,
237193GT	191, 193		77, 85, 93, 101,		299		51, 59, 67, 75,
237194GT	191, 193		109	30973GT	133-134, 156,		83, 91, 99, 107,
237195GT	195	28160GT	13, 21, 29, 37,		161		115, 323
237238GT	325		45, 53, 61, 69,	30997GT	147, 153, 255	40614GT	147, 153
237251GT	209		77, 85, 93, 101,	31060GT	17, 33, 49, 65,	42014GT	118, 121-122,
237385GT	211		109		81, 97		129
237780GT	211	28161GT	13, 15, 17, 29,	31100GT	168	42104GT	279
237832GT	214		31, 33, 45, 47,	31408GT	181-182	42111GT	319
237856GT	211		49, 61, 63, 65,	31523GT	181-182	42112GT	319
237857GT	211		77, 79, 81, 93,	31788GT	13, 29, 45, 61,	42113GT	319
237858GT	211		95, 97		77, 93	4266GT	134, 143, 231,
237859GT	211	28165GT	19, 35, 51, 67,	32064GT	209		277
238123GT	311		83, 99	32309GT	207	42787GT	271
238234GT	211	28174GT	15, 19, 23, 27,	32675GT	307	43018GT	175
24038GT	191, 193, 211,		31, 35, 39, 43,	32681GT	125	43181GT	164-165
	214, 217		47, 51, 55, 59,	32695GT	181-182	43392GT	277, 279, 325
24040GT	181-182, 201,		63, 67, 71, 75,	32698GT	181-182	43683GT	177
	223		79, 83, 87, 91,	32975GT	167-168	43960GT	163-165
24514GT	249		95, 99, 103, 107,	33239GT	181-182	44064GT	181-182, 211,
25282GT	319		111, 115	33277GT	191, 193, 199,		307
25284GT	118, 225-226	28175GT	15, 31, 47, 63,		211, 213-214	44174GT	175
25388GT	293		79, 95	33278GT	155-156, 231	44743GT	249
25625GT	182	28176GT	19, 35, 51, 67,	33418GT	155-156, 185-	44981GT	15, 19, 23, 27,
25683GT	235, 237, 239,		83, 99		186, 189		31, 35, 39, 43,
	241	28177GT	19, 35, 51, 67,	33422GT	147, 153		47, 51, 55, 59,
25685GT	239, 243		83, 99	33428GT	118, 237		63, 67, 71, 75,
25817GT	117-118	28181GT	17, 33, 49, 65,	33432GT	307		79, 83, 87, 91,
25926GT	147		81, 97	33555GT	161		95, 99, 103, 107,
25927GT	211	28214GT	217	33607GT	147, 153		111, 115
25969GT	225-226	28235GT	15, 19, 23, 27,	33608GT	147, 153	44986GT	19, 35, 83, 99
25994GT	13, 29, 45, 61,		31, 35, 39, 43,	33674GT	279	45071GT	118, 127
	77, 93		47, 51, 55, 59,	33681GT	209	45074GT	118
27067GT	118, 121-122		63, 67, 71, 75,	33724GT	293	45226GT	118, 155-156,
27089GT	141, 182, 185-		79, 83, 87, 91,	33988GT	177		235, 237, 239,
	186		95, 99, 103, 107,	34052GT	147, 153		241
27204GT	15, 23, 31, 39,		111, 115	34053GT	147	45363GT	133-134
	47, 55, 63, 71,	28236GT	19, 35, 51, 67,	34058GT	309	45383GT	252
	79, 87, 95, 103,		83, 99	34124GT	229	45384GT	145, 147
	111	28301GT	161	34125GT	231	45385GT	147, 153
27205GT	13, 21, 29, 37,	28487GT	229	34162-0400GT	301	45435GT	195, 197, 209,
	45, 53, 61, 69,	28607GT	309	34162-300GT	195, 197		219, 301
	77, 85, 93, 101,	29080GT	229, 231	34164GT	301	45454GT	245
	109	29104GT	13, 29, 45, 61,	34245GT	229	45455GT	197
27206GT	13, 15, 21, 23,		77, 93	34276GT	225-226	45470GT	233, 243
	29, 31, 37, 39,	29216GT	291	34344GT	229, 231	45489GT	167-168
	45, 47, 53, 55,	29261GT	289	34505GT	299	45708GT	133-134



Part Number Index (continued)

Part Number	Page	Part Number	Page	Part Number	Page	Part Number	Page
45748GT	239, 243	49117-3391GT	259	52966GT	13, 21, 29, 37,	58299GT	185-186
45782GT	181-182, 185-186	49117-3791GT	261		45, 53, 61, 69,	58303GT	167-168
45845GT	311	49117-4691GT	259, 267		77, 85, 93, 101,	58304GT	155-156
45912GT	167-168	49117-5191GT	267		109	58310GT	247
45921GT	167-168	49117-6091GT	263	52967GT	13, 21, 29, 37,	58354GT	213-214
46131GT	211	49117-6119GT	269		45, 53, 61, 69,	58380GT	156
46137GT	13, 15, 29, 31,	49117-6291GT	263		77, 85, 93, 101,	58415GT	195, 197, 219
	45, 47, 61, 63,	49119-2878GT	259, 261		109	58431GT	177
	77, 79, 93, 95	49119-4278GT	261	53189GT	297	58489GT	137
46188GT	289	49119-7478GT	261	53386GT	117-118	58566GT	181-182
47025GT	319	49119-7578GT	263, 265	5365GT	125, 185-186,	58596GT	155-156
47041GT	13, 29, 45, 61,	49119-79678GT	261		201, 243	58597GT	155-156
	77, 93	49120-7131GT	319	53758-SGT	309	58627GT	145, 149-150
47222GT	233	49128-12309GT	261	53759-SGT	309	58630GT	185-186
4828GT	118, 133-134,	49130-2482GT	263, 265	53761-SGT	309	58631GT	307
	141, 143, 155-	49130-4782GT	263, 265	53807-SGT	277	58632GT	207
	156, 159, 185-	49130-5582GT	259	53808-SGT	277	59460GT	117-118
	186, 189, 199,	49130-5782GT	259	53952GT	181-182, 195,	6002GT	205
	201, 209, 211,	49131-9603GT	263		197, 209, 213-	60143GT	317
	214, 217, 223,	49143-12329GT	261		214, 219	60160PGT	249
	233, 235, 237,	49143-3429GT	259	5397GT	133-134, 156,	6019GT	133-134, 143,
	239, 241, 243,	49143-3629GT	259		161, 177, 181-		189, 199, 211,
	247, 249, 285,	49150-9130GT	259		182, 185-186,		229, 231, 233,
	293, 297, 305	49151-6248GT	259, 271		189, 191, 193,		245, 247, 249,
48425GT	191, 193, 211	49163-7144GT	319		199, 209, 211,		293, 301
48767GT	261	49177-102894GT	293		213-214, 223,	6021GT	118, 121-122,
48875GT	319	49177-108894GT	293		233, 249, 283,		155-156, 209,
48878GT	271, 313	49183-13492GT	261		285, 293, 303,		225-226, 229,
48880GT	259, 261, 263,	49183-7592GT	269		305, 315		231, 233, 237,
	267	49207GT	259, 267	5408GT	159		245, 275
	267	49212GT	293	54124GT	141	6024GT	185-186, 189
48883GT	265	49214GT	293	54177GT	195, 197, 231	60334GT	156
48891GT	267	49215GT	293	54205GT	214	6033GT	118, 125, 133-
48904GT	259, 261, 267	49219GT	163-165, 261	54247-SGT	249		134, 159, 181-
48905GT	259, 261, 263,	49364GT	214	54274GT	249		182, 209, 225-
	265, 267	49378GT	191, 193, 199,	54322GT	133-134		226
48907GT	259, 261		209	54324GT	141	6036GT	155-156, 307
48908GT	261, 263, 265,	49381GT	211	54365GT	147, 153, 255	60370-SGT	237, 243
	267, 269	49388GT	195, 197	54428GT	182	6037GT	303
48911GT	261, 263, 265	49407GT	185-186	54437GT	214	60425GT	311
48912GT	259, 263, 267,	49408GT	207	54457GT	279	60427GT	311
	319	49410GT	214, 219	54458GT	279	60432GT	164-165
48914GT	259, 267, 307	49411GT	181-182, 185-	54465GT	279	60439GT	275, 311
48915GT	263, 265		186, 189, 195,	54486GT	277	60441GT	311
48916GT	259, 261, 263,		201, 213-214,	54487PGT	213-214	60443GT	163-165
	265		219, 223, 231	54534GT	147	60445GT	159
48918GT	263, 265	49418GT	261	54578GT	214, 217	60455GT	159
48930GT	263	49816GT	161	54579GT	213-214, 217	60585GT	214, 217
48932GT	259, 273	49817GT	153	54687GT	213-214, 219,	60746GT	225-226
48933GT	259, 261, 263,	49819GT	255		223	60838GT	185-186
	265, 267, 269,	49820GT	255	55067GT	249	60857GT	156
	273	49824GT	299	55753GT	277, 279, 289,	60868GT	214
48936GT	259, 263	49826GT	143, 245		291	60884GT	161
48937GT	261	49859GT	265, 267	55912GT	149-150	60886GT	293
48941GT	259, 273	49861GT	269	56051GT	275	6090GT	122, 133-134,
48943GT	259	49915GT	189	56057GT	147		145, 149-150,
48946GT	259	49924GT	181-182, 185-	56361GT	233, 315		156, 161, 191,
48948GT	263, 273		186, 201, 203	56424GT	249, 279, 283		193, 195, 197,
48949GT	259	50787-SGT	181-182	56426-700GT	289, 291		199, 209, 217,
48960GT	259, 261, 263,	50787GT	185-186	56525GT	283		219, 223, 226,
	265, 269, 271,	51147GT	305	56570GT	283		229, 231, 237,
	273, 313	51580GT	273	56704GT	275		245, 247, 249,
48961GT	273	5224GT	118, 141, 143,	56848GT	251-252		255, 277, 279,
48963GT	259, 269, 273		295	56912GT	117-118, 122,		281
48975GT	307	52352GT	185-186		133-134, 145,	6091GT	125, 133-134,
48977GT	259	52371GT	175		209, 211, 217,		137, 139, 143,
48978GT	273	52607GT	13, 29, 45, 61,		229, 237, 245,		147, 155-156,
48984GT	259, 261, 271		77, 93		249, 295, 297		161, 191, 193,
48985GT	259	52661GT	277	56934GT	283		195, 197, 199,
48996GT	259	52726GT	171	57072GT	231		201, 211, 213-
48998GT	259, 261, 263	52865GT	29, 45, 61, 77, 93	57075GT	293		214, 217, 219,
49000GT	317	52866GT	181-182, 185-	58247GT	209		229, 231, 233,
49117-10091GT	263		186, 195, 197,	58249GT	185-186		237, 243, 245,
49117-10691GT	263		213-214, 219	58253GT	163-165, 257		247, 249, 279,
49117-2491GT	259	52897GT	175	58256GT	181-182, 185-		289, 295, 299,
49117-3291GT	267	52943GT	167-168		186		303, 313

## Part Number Index (continued)

Part Number	Page	Part Number	Page	Part Number	Page	Part Number	Page
6095GT	125, 133-134, 181-182, 195, 197, 201, 211, 213-214, 219, 223	62476GT	189		243, 245, 249, 289, 295, 299, 303, 313	73501GT	279
6096GT	156	62506GT	175			73574PGT	249
6097GT	118, 133-134, 137, 141, 143, 155-156, 181-182, 199, 201, 211, 223, 229, 237, 243, 247, 249, 297, 301, 317	62507GT	175	6889GT	199, 247, 255, 277, 281, 283, 295	73575GT	249
60984GT	159, 225-226	62845GT	213-214			73587GT	249
61073-3930GT	259	63078GT	229			73610P-SGT	249, 281
61073-7330GT	269	63213GT	237			73634GT	243
61110GT	185-186, 195, 197, 209	6326GT	118	6935GT	293, 315	73713GT	164-165
61128GT	155-156	63353GT	237	69775GT	182	73717GT	147, 153, 255
61225GT	147	63463GT	181-182, 195, 197, 213-214, 219	69776GT	311	73723GT	255
61263GT	259	63468GT	121-122	70298GT	214	73725GT	164-165
6126GT	155-156	63566GT	235, 237, 239, 241	70317PGT	297	73736GT	147, 153, 163-165, 255
61278GT	315	6356GT	145, 149-150, 156, 225-226, 229, 231, 237, 249, 255, 285, 295, 297	70318PGT	297	73751GT	163-165
61306-SGT	237	63727GT	299	70319GT	297	73753GT	147, 153
6145GT	211, 233, 285	65473GT	214, 217	70351PGT	181-182	73754GT	147, 153
6146GT	133-134, 161, 191, 193, 197, 201, 211, 213-214, 217, 243, 255, 275, 299, 311	65538GT	213-214	70357GT	214	73803GT	147, 153, 255
6147GT	275	65630GT	283	70367GT	211, 213-214, 217	73805GT	145
61602GT	225-226	65636GT	214, 221	70375GT	181-182	73807GT	175
61610GT	273	65638GT	214, 221	70381GT	181-182, 189, 195, 197	73901GT	279
61726GT	243	6563GT	239	70385GT	181-182, 214, 217	73928GT	237, 243
6175GT	118, 121-122, 133-134, 137, 159, 181-182, 185-186, 201, 213-214, 223, 225-226, 229, 231, 235, 237, 239, 275, 297	65810GT	195, 197, 219	70444GT	185-186	74006GT	293, 303
6178GT	133-134, 147, 153, 159, 161, 245, 255, 275	6584GT	125, 182, 185-186	70445GT	189	74254GT	139
61794GT	163-165, 257	65887GT	141, 143	70448GT	185-186	74389GT	117-118
6179GT	159	6605GT	231	70449GT	185-186	74872GT	229
61804GT	243	6606GT	161	70452GT	181-182, 201, 211, 223	74902GT	167-168
61972GT	243	6607GT	225-226, 249	70454PGT	189	74913GT	147
61974GT	243	6610GT	155-156	70455GT	185-186	74917GT	147, 153
61975GT	243	6637GT	225-226, 313	70459PGT	181-182	74918GT	147, 153
6198GT	156, 181-182, 201, 211, 219, 223, 225-226, 231, 303, 315	6638GT	117-118, 122, 125, 133-134, 137, 143, 145, 147, 149-150, 153, 155-156, 161, 185-186, 191, 193, 195, 197, 199, 201, 205, 209, 211, 213-214, 217, 219, 225-226, 229, 231, 233, 237, 243, 245, 247, 249, 255, 277, 279, 281, 299, 303, 313	70461PGT	181-182	75020GT	219
61997GT	243	66472GT	289, 291	70462GT	223	75041GT	226, 311
62076GT	17, 25	66812GT	145, 149-150, 251-252	70472PGT	181-182	75073GT	155-156, 161
62077GT	15, 23, 47, 55, 63, 71, 111	66813GT	145, 150, 252	70483GT	189	75076GT	161
62078GT	33, 41	66815GT	252	70494PGT	181-182	75278-5029GT	263
62079GT	31, 39	66816GT	252	70529GT	301	75278-5129GT	263
62256GT	167-168	66818GT	251-252	7056GT	163-165, 293	75395GT	237
62257GT	167-168	67325GT	133-134	7057GT	147, 153, 315	75443GT	257
62258GT	168	67631GT	195, 197	71038GT	309	75444GT	257
62260GT	167-168	6782GT	161, 181-182, 189, 191, 193, 199, 211, 214, 233, 249, 305, 315	71259GT	313	75445GT	257
62273GT	167-168	6833GT	211, 217, 223, 289, 291, 295	71498GT	285	75446GT	257
62275GT	167-168	6878GT	295	71768GT	229	75447GT	257
62392GT	257	6884GT	247	71875GT	223	75448GT	257
62420GT	181-182, 195, 197, 213-214, 219	6888GT	133-134, 137, 147, 155-156, 161, 191, 195, 197, 201, 209, 213-214, 217, 219, 223, 229	71909GT	143	75449GT	257
62421GT	214, 217			71911GT	185-186, 189	75450GT	185-186
62425GT	185-186			71917GT	185-186, 189	75451GT	185-186
62433GT	214, 217, 219			72047GT	167-168	75470GT	225-226
				72168GT	13, 29, 45, 61, 77, 93	75574GT	261
				72169GT	13, 29, 45, 61, 77, 93	75617-1025GT	289, 291
				72255GT	181-182, 185-186	75617-1550GT	289, 291
				72282GT	186	75617-2075GT	289, 291
				72290GT	275	75617-2275GT	289, 291
				72326GT	118, 122	75617-6275GT	289
				72327GT	133-134, 252	75631GT	207
				72343GT	211	75636GT	289, 291
				72344GT	209, 213-214	75654GT	259
				72348GT	213-214	77051GT	229, 231
				7265GT	213-214, 221	77069GT	137
				7268GT	279	77071GT	137
				72875GT	239	77108GT	279
				72999GT	19, 35, 51, 67, 83, 99, 283	7713GT	214, 249, 283
					13, 29, 45, 61, 77, 93	77180GT	249
						77181GT	237
						77245PGT	181-182
						77295GT	209
						77303GT	235, 237, 239, 241
						77351GT	255
						77353GT	133-134
						77354GT	133-134
						77365GT	133-134
						77402GT	181-182, 213-214
						77430GT	147, 153
						7746GT	277
						77477GT	214, 221
						77482GT	214, 221
						77483GT	214, 221

Part Number Index (continued)

Part Number	Page	Part Number	Page	Part Number	Page	Part Number	Page
77610GT	118	81610GT	122	824029GT	289, 291, 323, 325	825796GT	118, 229, 231
77616PGT	231	81640GT	237			826000GT	201
77618PGT	229	81691GT	125	824059GT	122	82601GT	27, 43, 91, 107
77623PGT	121-122	81694GT	225-226	824060GT	287	82602GT	43, 59, 75, 91, 107
77624PGT	117-118, 121-122	8170GT	133-134	824063GT	319	82604GT	27, 43, 91, 107, 115
77641GT	149-150	81724GT	155-156	824069GT	287		
77643GT	117-118	81777GT	247	824075GT	239, 241	826214GT	214
77648GT	231	8177GT	118, 177, 185-186, 219, 225-226	824078GT	289, 291, 325	826215GT	214
77649GT	231			824080GT	325	826345GT	13, 29, 45, 61, 77, 93
77653PGT	229	8178GT	285, 297	824082GT	161		
77654PGT	229	8179GT	125, 229, 247	824083GT	283	826379GT	231
77656GT	229, 231	81812-13292GT	263	82410GT	19, 35, 51, 67, 83, 99, 283	826590GT	141
77664GT	283	81834GT	155-156	824113GT	122, 287, 319, 325	826601GT	141
77665PGT	155-156	81852GT	226			82671GT	23, 27, 39, 43, 55, 59, 71, 75, 87, 91, 103, 107, 111, 115
77666PGT	155-156	81856GT	229	824119GT	161	82677GT	29, 31, 45, 47
77667GT	149-150	81874GT	161	824120GT	287	82678GT	29, 31, 45, 47
77671GT	155-156	81876GT	161	824206GT	321	82862GT	19, 35, 51, 67, 83, 99
77672GT	225-226	81975PGT	319	824227GT	289		
77674GT	121-122	82161GT	13, 29, 45, 61, 77, 93	82431GT	177	83093GT	145, 149-150
77679GT	143			82443GT	283	83129GT	163-165, 257
77681GT	137	822004GT	15, 31, 47, 63, 79, 95	824471GT	141	83130GT	275
77683GT	283			824491GT	141	84134GT	171
77688GT	231	822048GT	164-165	824507GT	219	84135GT	171
77692GT	237, 243	822131GT	15, 31, 47, 63, 79, 95	824546GT	225-226	85053GT	181-182, 185-186, 219
77693GT	313			824547GT	247		
77713GT	231	82237GT	15, 19, 31, 35, 47, 51, 63, 67, 79, 83, 95, 99, 303, 305	824548GT	247	85054GT	182
77714GT	317			824549GT	247	85059GT	219
77718GT	229, 231	82240GT	21, 37, 53, 69, 85, 101, 109	824550GT	225-226	85124GT	219
77725GT	117-118	82243GT	19, 35, 51, 67, 83, 99	824551GT	237	85155GT	213-214, 221
77726GT	117-118			824673GT	203	8516GT	155-156, 201, 239, 241, 317
77736GT	213-214, 221	822513GT	164-165	82472GT	21, 23, 25, 37, 39, 41, 53, 55, 57, 69, 71, 73, 85, 87, 89, 101, 103, 105, 109, 111, 113	85300GT	283
77756GT	319	822514GT	185-186			87085GT	247
77778GT	161	822515GT	214	82473GT	23, 39, 55, 71, 87, 103, 111	87172GT	271
77788GT	177	822519GT	134			87188GT	191
77790GT	117-118	822687GT	315	82481GT	21, 37, 53, 69, 85, 101, 109	87246GT	307
77791GT	117-118	822688GT	315			88064GT	185-186
77795GT	229	822692GT	275	824849GT	164-165	88106PGT	161
77797GT	289, 291	822693GT	181-182	824879GT	145, 149-150, 251-252	88212GT	155-156
77803GT	156	822694GT	191, 193			88296GT	122
77870GT	319	822695GT	191, 193, 211	82487GT	21, 27, 37, 43, 53, 59, 69, 75, 85, 91, 101, 107, 109, 115	88356-11103GT	225-226
77879PGT	297	822696GT	191, 193			88356-13103GT	155-156, 164-165, 225-226
77880GT	118	822697GT	217	824880GT	251-252	88356-14963GT	229
77882PGT	229	822698GT	211	824882GT	145	88377-1400GT	283
77887GT	301	822759GT	289, 291	824993GT	163-165	88390GT	289, 291
77891GT	301	822764GT	289, 291	824994GT	164-165	88406GT	305
77950GT	121-122	822768GT	289, 291	824995GT	164-165	88451GT	205
77990GT	214	822769GT	289, 291	824996GT	164-165	88452GT	205
77996PGT	297	822771GT	291	825017GT	153	88516GT	235, 237
77997PGT	297	822781GT	133-134	825441GT	251-252	88567GT	231
77998PGT	297	822793GT	133-134	825442GT	251-252	88568GT	229
79456GT	237	823074GT	133-134	825443GT	251-252	88571GT	229
80391GT	219	823146GT	164-165	825444GT	251-252	88576GT	235
80543GT	303	823243GT	133-134	825445GT	149-150	88606PGT	277
80716GT	145, 150	823356GT	141	825446GT	149-150	88607PGT	277
81096GT	293	823396GT	141	825447GT	149-150	88636-11973GT	261
81164GT	117-118	823523GT	199	825448GT	149-150	88636-2573GT	261
81167GT	297	823524GT	199	825449GT	149-150	88636-8573GT	267
81175GT	237	823656GT	77	82548GT	27, 43, 59, 75, 91, 107, 115	88653GT	225-226
81341GT	247	823658GT	45			88665GT	225-226
81342GT	247	823659GT	61	82551GT	21, 23, 37, 39, 53, 55, 69, 71, 109, 111	88666GT	225-226
81347GT	247	82366GT	13, 29, 45, 61, 77, 93			88667GT	229
81368GT	283			82552GT	21, 23, 37, 39, 53, 55	88675GT	225-226
81458GT	293	823761GT	35, 99			88676GT	225-226
81467GT	185-186	823762GT	83	825579GT	13, 29, 45, 61, 77, 93	88727GT	117-118
81468GT	185-186	823764GT	51			88728GT	117-118
81487PGT	255	823765GT	67	8255GT	118, 156, 211, 223, 237	88729GT	117-118
81488GT	255	823816GT	207			88730GT	117-118
81545GT	163-165	823917GT	163-165	825708GT	203	88783GT	171
81546GT	163-165	823918GT	163-165			88793GT	231
81550GT	255	824023GT	133-134			88795GT	229
81551GT	255	824027GT	161, 289, 291, 325				
81552GT	125						
81570GT	293						
81578GT	133-134, 137						
81609GT	122						

## Part Number Index (continued)

Part Number	Page	Part Number	Page	Part Number	Page
88796GT	231	94479GT	299	T108076GT	237
88801GT	164-165	94485GT	181-182	T108077GT	237
88802GT	164-165	94499GT	167-168	T108321GT	164-165
88810GT	164-165	94506GT	251-252	T108322GT	164-165
88827GT	145	94510GT	231	T108331GT	133-134
88841GT	214	94526GT	133-134	T108403GT	133-134
88846GT	213-214	94533GT	299	T108415GT	164-165
88847GT	213-214	94534GT	117-118	T108416GT	165
88858GT	247	94535GT	117-118	T108732GT	189
88859GT	247	94536GT	117-118	T108733GT	189
88870GT	235, 237, 239, 241	94537GT	299	T108734GT	189
88872GT	225-226	94599GT	167-168	T108886GT	164-165
88884GT	118, 121-122	94620GT	155-156	T108890GT	229
88885GT	122	94643GT	243	T108891GT	229
88887GT	121-122	94692GT	229	T108892GT	237
88917GT	133-134	94711GT	213-214	T109268GT	275
88919GT	225-226, 229	94745PGT	249, 281	T109328GT	277
88920GT	225-226	94746GT	121-122	T109331GT	293
88936GT	259	94747GT	155-156	T109332GT	309
88942-8354GT	259	94757GT	303	T109333GT	309
88949-3828GT	259, 271	94758GT	171	T109334GT	309
88957GT	177	94759GT	179, 303	T109335GT	313
88987PGT	223	94760GT	303	T109339GT	301
88988PGT	213-214, 223	94762GT	213-214, 217	T109340GT	301
88989PGT	214, 217	94765GT	303	T109350GT	255
88990PGT	213-214, 217	94869GT	281	T111124GT	235, 237, 239, 241
88991PGT	214	94887GT	213-214, 223	T112459GT	233
88993GT	214	94888GT	213-214	T112560GT	293
8914GT	283	94889GT	214, 217	T112561GT	293
8915GT	137, 143, 161, 213-214, 219, 237, 297	94890GT	213-214	T112626GT	257
89294GT	117-118, 127	94937GT	155-156	T112773GT	19, 27, 35, 43, 51, 59, 67, 75, 83, 91, 99, 107, 115
89307GT	167-168	94980GT	159, 164-165, 226	T112792GT	165
89309GT	167-168	9599-SGT	277	T113129GT	305
89310GT	167-168	96008-SGT	145, 149-150	T114145GT	305
89311GT	167-168	97128GT	164-165	T114223GT	247
89312GT	168	97473GT	213-214, 221	T114624GT	165
89571GT	155-156	97548GT	15, 31, 47, 63, 79, 95	T114625GT	165
89575GT	147, 153	97579GT	19, 35	T114626GT	165
89617GT	137	97602GT	15, 31, 47, 63, 79, 95	T114627GT	165
89737GT	168	97815GT	19, 27, 35, 43, 51, 59, 67, 75, 83, 91, 99, 107, 115	T114678GT	181-182, 185- 186
89738GT	168	97875GT	15, 19, 31, 35, 47, 51, 63, 67, 79, 83, 95, 99	T115352GT	321
89755GT	243	97887GT	35, 51, 67, 83, 99		
89765GT	221	99343GT	163-165		
89771GT	214	99344GT	163-165		
89785GT	203	99632GT	153		
89792GT	182	99778GT	311		
89861GT	167-168	T106385GT	233		
89862GT	175	T106413GT	225-226		
89864GT	175	T106425GT	156		
89953GT	213-214	T106482GT	145		
89977GT	305	T106495GT	145		
89997GT	186	T106508GT	225-226		
9145GT	303, 315	T106600GT	164-165		
94077GT	137	T106741GT	164-165		
94205-3164GT	271, 313	T106954GT	155-156		
94221GT	118	T106955GT	155-156		
94326GT	243	T106957GT	155-156		
94332GT	117-118	T106961GT	155-156		
94333GT	117-118	T106962GT	155-156		
94374-2330GT	265	T107130GT	164-165		
94374-2430GT	263	T107520GT	145, 149-150, 255		
94374-2530GT	265	T107725GT	145		
94374-2630GT	263	T107751GT	226		
94374-4730GT	265	T107829GT	133-134		
94374-6030GT	259, 273	T107895GT	299		
94397GT	237	T108075GT	235, 237, 239, 241		
94420GT	319				
94439GT	127				
94463GT	299				
94464-4186GT	267				
94464-4986GT	263, 265				
94465-3650GT	259				
94466-2336GT	263, 265				

The Part Description Index is an alphabetical index of all part descriptions included in this manual. The index shows what page(s) the part is used on.

<b>#</b>			
		ALTERNATOR - 85 AMP, INT REGULATED.....221	ASSY,TFAAS TRACK,8FT WORD.....323
#1 BOOM TUBE ASSY,W/SYM DECAL.....229		ALTERNATOR, DEUTZ F3L10/F4L10*.....181-182	AUX TOP RAIL,6"(1.25")SERVICE.....277
#1 BOOM TUBE ASSY,W/WORD DECAL.....229		ALTERNATOR, DEUTZ,BF4L2011***.....185-186	AUX TOP RAIL,6",SWG GT, SRV.....277
	<b>1</b>	ALTERNATOR,65 AMP,PERKINS 404.....213-214	AUX TOP RAIL,6FT,PTD.....277
12VDC PROPORTIONAL VALVE.....315		ALTERNATOR,95 AMP,DEUTZ.....199, 203	AUX TOP RAIL,8"(1.25")SERVICE.....277
	<b>2</b>	ALTERNATOR,FORD DSG423,MSG425.....207	AUX TOP RAIL,8",SWG GT, SRV.....277
207 HYD MOTOR ASSY, GEN.....315		ANGLE,RELAY MNT,W/NUTSERTS,PNT...147	AUX TOP RAIL,8FT,PTD.....277
	<b>5</b>	ASSEM,BOOM TUBE #3 S60/65,CE**.....229	AXLE ASSEMBLY,S60 FRONT.....118
5/16-18 X .75 LG.FLG.LCK.SCREW.....205		ASSEMBLY RESET SWITCH.....325	
	<b>A</b>	ASSEMBLY, INSIDE HOSE GUARD.....131	
ACC, BEACON, TRVL ALARM,SERV.....275		ASSEMBLY, MED. PRESS. FILTER.....156	
ACC, OIL COOLER,S60, SERV.....313		ASSEMBLY, OPA PROTECTION CAGE.....325	
ACC,AIR PRE-CLEANER,DEUTZ.....301		ASSEMBLY, OUTSIDE HOSE GUARD.....131	
ACC,AIR PRE-CLEANER,PERKINS T2.....301		ASSEMBLY, TRAX UNIT, LEFT.....127	
ACC,AIRLINE TO PLAT,S60 ,SERV.....293		ASSEMBLY, TRAX UNIT, RIGHT.....127	
ACC,FULL GAUGE,DEUTZ,SERV.....309		ASSEMBLY, WELD CABLE, S60.....305	
ACC,FULL GAUGE,FORD DSG423,SV.....309		ASSEMBLY, WELD CABLE, S65.....305	
ACC,FULL GAUGE,PERKINS,SERV.....309		ASSEMBLY,BOOM TUBE #3 S60/65**.....229	
ACC,PLAT CONTROL COVER, SERV.....277		ASSEMBLY,CABLE,TAPESWITCH.....325	
ACC,TFAAS FALL ARREST,6FT FR.....323		ASSEMBLY,FOOT SWITCH, S60.....249	
ACC,TFAAS FALL ARREST,6FT SYM.....323		ASSEMBLY,GFCI/CIRCUIT BREAKER.....303	
ACC,TFAAS FALL ARREST,6FT WORD.....323		ASSEMBLY,TAPESWITCH.....325	
ACC,TFAAS FALL ARREST,8FT FR.....323		ASSY HEATER, MODEL 18, 120V.....311	
ACC,TFAAS FALL ARREST,8FT SYM.....323		ASSY HEATER, MODEL 18, 240V.....311	
ACC,TFAAS FALL ARREST,8FT WORD.....323		ASSY, ANGLE SENSOR AND COVER.....225-226	
ACC.PBOX HEATER ALC500 GEN II.....321		ASSY, BATTERY HEATER, 120V.....311	
ACCESSORY,OPERATOR PROT STRUCT.....287		ASSY, BATTERY HEATER, 240V.....311	
ACCESSORY,PANEL CRADLE,ANSI.....283		ASSY, CIRCUIT BREAKER 15A.....145, 150	
ACCUMULATOR,10CC,1000PSI,#6SAE...167-168		ASSY, FUEL PICKUP TUBE.....143	
ADAPTER, 1/8 X 1/4 F3H6-S.....309		ASSY, GROUNDING CABLE, 58,25IN.....165	
ADAPTER, MIXER/THRO, MSG425.....205		ASSY, LONG LINK LT W/BEARINGS.....225-226	
ADAPTER, WATER CONN, MSG425.....205		ASSY, LONG LINK RT W/BEARINGS.....225-226	
ADAPTER,140130-4-4.....309		ASSY, TERMINAL RAIL.....147	
ADAPTER,140139-8-6.....309		ASSY,120V HEATER, HYD TANK.....311	
ADAPTER,AIR HOSE,PERK 404F.....219		ASSY,240V HEATER, HYD TANK.....311	
ADAPTER,EYEBOLT.....217		ASSY,4FT PLATFORM, NO DECALS.....249	
ADAPTER,NPT 6-4.....309		ASSY,5FT PLATFORM, NO DECALS.....249	
ADJ ROD, LH/RH, 3/8-24.....159		ASSY,6FT PLATFORM, NO DECALS.....249	
ADJUSTABLE STRAP ASSY.....283		ASSY,8FT PLATFORM,NO DECALS.....249	
AIR CLEANER CAP/ FORD/NOLFF**.....209		ASSY,BLEED LINE (139367).....307	
AIR CLEANER CLIPS, SUPERBOOM.....185-186		ASSY,DISPLAY,DP200 DEUTZ T4.....149-150	
AIR CLEANER COVER, SUPERBOOM*..185-186		ASSY,DISPLAY,DP200 PERKINS T4.....149-150	
AIR CLEANER,FORD,T3.....209		ASSY,ENGINE TRAY,W/BEARINGS.....155-156	
AIR CLEANER,NELSON.....185-186		ASSY,FUEL PREFILTER,DEUTZ 2.9.....201	
AIR CLEANER,NELSON***.....181-182, 195, 197, 213-214, 219		ASSY,GROUND CONTROL BOX.....145	
AIR INTAKE ELBOW,90 DEGREE.....195, 197		ASSY,LS,LOAD SENSE,38.5 IN.....163-165, 243	
AIR INTAKE TUBE ASSY.....181-182		ASSY,MODULE,CONTROL UNIT,OPA.....325	
ALARM,DESCENT.....133-134		ASSY,PCB ALC500 S60 LEG V202.....255	
ALARM,INTERMITTENT TONE 6-30V*.....275		ASSY,PCB,ALC500-2 S60 V204.....255	
ALARM,WARBLE TONE 5-30 VDC**.....252		ASSY,RECEP,12V,CSA TILT.....137	
ALC500 printed circuit board, refer to 603.1.....321		ASSY,RELAY SOCKET, AUTO.....147	
ALTERNATOR.....307		ASSY,TERMINAL RAIL,TIER IV.....153	
		ASSY,TFAAS TRACK,6FT FR.....323	
		ASSY,TFAAS TRACK,6FT SYM.....323	
		ASSY,TFAAS TRACK,6FT WORD.....323	
		ASSY,TFAAS TRACK,8FT FR.....323	
		ASSY,TFAAS TRACK,8FT SYM.....323	
	<b>B</b>		
		BACKING PLATE, HOSE BLOCK, JIB.....237	
		B A C K U P	
		RING,71.60X67.20X1.40PTFE(60334).....156	
		BAFFLE, AIR CLEANER (27915)**...195, 197, 219	
		BAFFLE, AIR INTAKE, S60.....191, 193, 211	
		BAFFLE, S60 PERKINS, 404F-22.....217	
		BAFFLE,AIR INTAKE S60.....185-186	
		BAFFLE,AIR INTAKE S60 PAINTED.....156	
		BAFFLE,AIR INTAKE,PAINTED**.....155-156	
		BAFFLE,PERKINS ENGINE PAINTED.....214	
		BALL JOINT, 3/8-24 FEMALE.....159	
		BALL JOINT, 3/8-24 LEFT HAND.....159	
		BALL STUD**.....161	
		BAR, CLAMP, CABLE TRACK.....247	
		BAR, CLAMP, TIMING LINK.....226	
		BAR,AXLE ROTATION STOP,OSC.....122	
		BASE ENCLOSURE,RED,OPA.....325	
		BASE, W/1 N.O. CONTACTS***.....252	
		BASE, W/2 NO CONTACTS.....145	
		BASE,W/2 NC CONTACTS**.....145	
		BASE,W/3 NC CONTACTS.....251-252	
		BATTERY CABLE,NEGATIVE,BLACK.....164-165	
		BATTERY CABLE,POSITIVE,RED.....164-165	
		BATTERY CABLE,POSITIVE,RED,T4.....164-165	
		BATTERY HOLD DOWN,GROUP 31.....133-134	
		BATTERY,12V 1000CCA,5/16STUD W.....133-134	
		BATTERY,12V,1000 CCA GRP 31.....133-134	
		BEARING KIT,INNER (88921).....155-156	
		BEARING KIT,OMNI***.....118, 121-122	
		BEARING KIT,OUTER (88921).....155-156	
		BEARING KIT,PLAT ROTATOR,SUPER.....237	
		BEARING, SPL BOGEY (128918).....131	
		BEARING,1.00IDX1.25ODX1.00L.....117-118	
		BEARING,1.25IDX1.50X1.25L.....229	
		BEARING,1.25IDX1.50DX1.00L.....225-226, 229, 235, 239, 241	
		BEARING,1.5IDX1.75ODX1.5L.....118, 127	
		BEARING,2.00IDX2.25ODX2.00L.....118, 121-122, 129	
		BEARING,2.0IDX2.25ODX1.50L.....225-226, 229	
		BEARING,2.25IDX2.50ODX1.50L*.....225-226	
		BEARING,BALL DRIVE SHAFT.....118, 122	
		BEARING,FL, 1.25X1.5X2.13.....237	
		BEARING,FL,1.25IDX1.41ODX1.50L.....237	
		BEARING,FL,1.25IDX1.50DX1.25L.....155-156, 181-182, 223, 237	
		BEARING,FL,2.00IDX2.25ODX1.50L.....225-226	
		BEARING,FL,2.25IDX2.50ODX1.63L.....225-226, 229	



## Part Description Index (continued)

- BEARING,GARLOCK,12FDU12.....239, 243  
 BEARING,POLYGON,20DU12.....235, 237,  
 239, 241  
 BEARING,TURNTABLE ROTATION.....121-122  
 BELLCRANK W/BEARINGS.....237  
 BELLOW,CYLINDER LIFT.....299  
 BELLOW,CYLINDER,PLAT LEVEL.....299  
 BELLOW,MASTER CYLINDER.....299  
 BELT, AIR PUMP, PERKINS.....217  
 BELT, FEAD, MSG425.....207  
 BELT, V (PERKINS 404).....221  
 BELT,V, DEUTZ DIESEL ENGINE.....181-182  
 BIT,TORX SOCKET,SECURITY.....305  
 BOLT, DEUTZ FLYWHEEL.....203  
 BOLT, DEUTZ STARTER.....203  
 BOLT, GUARD, DEUTZ STARTER.....181-182  
 BOLT,BANJO,DEUTZ,QC.....201  
 BOLT,CARRIAGE,1/4-20 X .75,G2.....295  
 BOLT,CARRIAGE,1/4-20 X 1.00,G2.....237  
 BOLT,CARRIAGE,1/4-20 X 2.75,G2.....237  
 BOLT,EXHAUST,PERKINS(54555)\*\*.....213-  
 214  
 BOLT,FLANGE,3/4-10X1.5"GR8 PLT.....131  
 BOLT,FLANGE,3/4-10X1.75GR8 PLT.....131  
 BOLT,FLANGE,3/4-10X4.5"GR8 PLT.....131  
 BOLT,FLANGE,5/16-18X.50 GR5.....131  
 BOLT,FLANGE,5/8-11X1.5"GR8 PLT.....131  
 BOLT,HHC,1-14X2.0"GR8 PLT.....131  
 BOOT(BELLOWS),E-STOP,BLACK.....251-252  
 BOOT, ROCKER JOYSTICK 75565.....257  
 BOOT,CABLE TERMINAL,BLACK,2/0.....305  
 BOOT,CABLE TERMINAL,LG,RED,2/0.....305  
 BOOT,DTSCH,DTP4-BT.....164-165  
 BOOT,JOYSTICK.....257  
 BOOT,TOGGLE SWITCH,SHORT\*...149-150,  
 251-252, 289, 291, 315  
 BOTTLE,COOLANT RECOVERY,3.7\*\*\*.....211,  
 213-214, 217  
 BOX,INSTRUCTION STORAGE.....249  
 BRACKET, EXTEND SHEAVE.....231  
 BRACKET, OSCILLATE VALVE.....125  
 BRACKET,1K OHM 10-TURN POT,PNT...147,  
 153  
 BRACKET,CONTROL UNIT.....325  
 BRACKET,DP200 PANEL MOUNT.....149-150  
 BRACKET,FAN,FORD MSG.....207  
 B R A C K E T , G E N E R A T O R 1 2 . 5  
 KW,PNTD\*.....303, 315  
 BRACKET,HOSE CLAMP\*\*\*.....237  
 BRACKET,HOSE ROUTING,LH,PTD.....117-  
 118  
 BRACKET,HOSE ROUTING,RH,PNTD.....118  
 BRACKET,IDLER,FORD MSG.....207  
 BRACKET,PBOX WIRE SUPPORT.....255  
 BRACKET,POWER TO PLAT TBOX,PNT...305  
 BRACKET,POWER TO PLAT, DOM.....293  
 BRACKET,POWER TO PLAT, UK.....293  
 B R A C K E T , S O L E N . M O U N T  
 BRACE,PNTD.....181-182  
 BRACKET,SOLENOID MOUNT PAINT.....181-  
 182  
 BRACKET,SUPPORT,FORD MSG.....207  
 BRACKET,V275S WELD LEADS\*\*\*.....305  
 BRACKET,WELDER COVER,PNTD.....305  
 BRACKET,WELDER MOUNT SUPPORT.....305  
 BRACKET,WELDER SUPPORT,PNT.....305  
 BRACKET,WELDER TOP.....305  
 BRACKET,WORK LIGHT MOUNT 5/16".....285  
 BRACKET-TOOL TRAY MOUNTING.....277  
 BRAKE KIT (88886)\*\*\*.....118, 121-122  
 BRAKE TUBING.....155-156  
 BRAKE TUBING\*\*\*.....155-156  
 BREAKER, 25 AMP, GEN.....315  
 BREAKER,15 AMP,GEN.....315  
 BREATHER CAP,RFM165.....133-134  
 BRKT,AIR CLEANER ORIENTATION\*.....181-  
 182, 195, 197, 209, 213-214, 219  
 BULB,WORKLIGHT,12V 35W.....275  
 BUMPER, PLASTIC, 1.25 O.D.....277, 279,  
 289, 291  
 BUMPER,BATTERY BOX & RAILS\*\*\*.....277,  
 279, 325  
 BUMPER,RUBBER\*\*\*.....243, 297  
 BUMPER,RUBBER,.75 X .50H,STUD.....323  
 BUMPER,RUBBER-1 X 1.25.....133-134, 156,  
 161  
 BUSHING, STRAIN RELIEF, 1".....225-226  
 BUTTON,PUSH,BLACK W/SEAL\*\*\*.....145,  
 150, 252  
 BUTTON,PUSH,RED MUSHROOM  
 HEAD.....145, 149-150, 251-252
- C**
- CABLE ASSY, EXTEND SET(PAIR).....231  
 CABLE ASSY, RETRACT SET (PAIR).....231  
 CABLE SQUEEZE CONN .63-.75.....303  
 CABLE SQUEEZE CONN.....303  
 CABLE TIE,BUTTON,BLACK,14.75LG.....233,  
 315  
 CABLE TRACK, SX, 49 LINK.....247  
 CABLE,S60 12VDC WORK LIGHT.....165  
 CABLE,S65 12VDC WORK LIGHT.....165  
 CAP ASSY,COOLANT BOTTLE\*\*\*.....213-214,  
 217  
 CAP, COOLANT RET SYS(54071).....211  
 CAP, INT. MFLD. VAC, MSG425.....205  
 CAP, OIL FILLER.....214, 221  
 CAP,520112-8.....182  
 CAP,COOLANT 3/4.....211  
 CAP,DIAGNOSTIC NIPPLE.....259, 261, 263,  
 267  
 CAP,DISENGAGE,OMNI\*\*\*.....117-118, 121-  
 122  
 CAP,EXTENSION\*\*\*.....229  
 CAP,FUEL,DIESEL,1/8"VENT(GRN).....141  
 CAP,FUEL,GASOLINE 3.5PSI.....143  
 CAP,OIL FILLER,DEUTZ,DIESEL\*\*\*.....203  
 CAP,OIL FILLER,FORD DSG 423.....207  
 CAP,PLASTIC,2.5 ID.....301  
 CAP,RADIATOR,PERKINS (94232).....199  
 CAP,RADIATOR,PERKINS/FORD.....214, 217  
 CAPACITOR 16 F, GEN.....315  
 CAPACITOR,3 MF,50VDC.....147, 153  
 CAPACITOR,TIME DELAY.....164-165  
 CAST, LIMITER STOP BRKT L.....131  
 CAST, LIMITER STOP BRKT R.....131  
 CASTING,WASHER,REBOUND.....211  
 CBV ASSEMBLY\*\*\*.....155-156  
 CHAIN,NO.2 (11 LINKS).....289, 291  
 CHARGE WIRE, MSG425.....207  
 CIRCUIT BKR 10A TYPE 2 METAL.....147  
 CIRCUIT BREAKER, 35A 3PH.....303  
 CIRCUIT BREAKER,20A,SINGLE PH.....303  
 CIRCUIT BREAKER,20AMP MINI.....133-134  
 CIRCUIT BREAKER,50A,3P.....303  
 CIRCUIT BREAKER,GFCI 30mA 3PH.....303  
 CIRCUIT BRKR 15A TYPE 2 METAL.....186  
 CLAMP ASSY,OPTIONS BLOCK W/NUT...247  
 CLAMP TOP,HOSE ROUTING PAINTED....118  
 CLAMP, CABLE.....247  
 CLAMP, CABLES.....247  
 CLAMP, HOSES.....247  
 CLAMP, HYD WELD, AIR, OPT.....293  
 CLAMP, OPTIONS, CABLE TRACK....247, 303  
 CLAMP, TIMING LINK, LH.....225-226  
 CLAMP, TIMING LINK, RH.....225-226  
 CLAMP, WIRE, 16/2.....275  
 CLAMP,0.31,#5 X 1/4,RUB CUSH.....233, 243  
 CLAMP,0.50,#8 X 1/4,RUB CUSH.....211, 217,  
 223, 289, 291, 295  
 CLAMP,0.75,#12 X 1/4,RUB CUSH.....147  
 CLAMP,1.00,#16 X 1/4,RUB CUSH.....255, 305  
 CLAMP,1.00,#16 X 7/16,RUB CUSH.....185-  
 186  
 CLAMP,1.13,#18 X 1/4,RUB CUSH.....289, 291  
 CLAMP,1.25X.5 RUBBER-CUSHION.....249,  
 279, 283  
 CLAMP,1.31,#21 X 3/8,RUB CUSH.....249  
 CLAMP,1.38,#21X3/8,RUB CUSH.....199  
 CLAMP,1.63,#26 X 3/8,RUB CUSH.....237  
 CLAMP,2.38,#38 X 3/8 RUB CUSH.....191  
 CLAMP,2.5,#40 X 1/4,RUB CUSH.....195  
 CLAMP,2.75,#44 X 1/4,RUB CUSH\*.....197  
 CLAMP,EXHAUST,2.00 PLATED.....181-182,  
 214, 217  
 CLAMP,HOSE,.63.....211  
 CLAMP,HOSE,1 EAR,1/2.....141, 143  
 CLAMP,HOSE,1.00.....195, 197, 199  
 CLAMP,HOSE,1.25\*\*\*.....209, 299  
 CLAMP,HOSE,1.50.....217  
 CLAMP,HOSE,1.75.....191, 193, 213-214, 217,  
 299  
 CLAMP,HOSE,2.00\*\*\*.....191, 193, 195, 197  
 CLAMP,HOSE,2.25" DIA.....217  
 CLAMP,HOSE,2.50\*\*\*.....195, 197, 209, 219,  
 301  
 CLAMP,HOSE,2X4,1X6,2X8\*\*\*.....118  
 CLAMP,HOSE,3.00".....181-182, 219, 299  
 CLAMP,HOSE,3.50.....185-186  
 CLAMP,HOSE,5.00.....299  
 CLAMP,HOSE,6.50.....299  
 CLAMP,HOSE,8.50 DIA\*\*\*.....181-182  
 CLAMP,HOSE,SIZE .25 TO .63.....141, 211  
 CLAMP,HOSE/CABLE,JIB.....237  
 CLAMP,MUFFLER.....214  
 CLAMP,MUFFLER, 2.50 INCH....185-186, 189  
 CLAMP,MUFFLER,1-7/8 IN.....209  
 CLAMP,MUFFLER,1.75 INCH.....209  
 CLAMP,RUB CUSH,0.75,#12 X 3/8\*.....245  
 CLAMP,RUBBER CUSHIONED-2 5/32.....143  
 CLAMP,SPRING,1/2".....205  
 CLAMP,TWO HOSE.....237  
 CLEVIS, YOKE, 1/4-28, PLATED.....125, 182,  
 185-186, 213-214  
 CLIP,AIR CLEANER COVER (58247).....209  
 CLIP,AIR CLEANER END CAP\*\*\*.....195, 197,  
 219  
 CLIP,HAIR PIN .243 X 5.25.....319  
 CLIP,SPRING,1/4-20 BLACK.....225-226  
 COIL ASSY, MSG425.....205  
 COIL, 10V DC (D10, 20 WATT).....167-168  
 COIL, SOLENOID VALVE, 10V.....179  
 COIL,10V.....167-168  
 COIL,12VDC #8 DTSCH IP69 ECOIL.....175  
 COIL,DUAL,12V DEUT,49CC PUMP\*\*.....177  
 COIL,GREEN W/ 2 PIN CONNECTOR\*.....167-  
 168

COIL,PROPORTIONAL VALVE\*\*\*.....168  
 COIL,VALVE,PROPORTIONAL\*\*\*.....167-168  
 COIL-10V DC\*\*\*.....303  
 COLD AIR HOSE, PERK 404F-22.....219  
 COLD PKG GROUND, JUMPER ASSY.....311  
 COLD WEATHER 120V J BOX ASSY.....311  
 COLLAR,JOYSTICK,CENTER.....257  
 COMPR.LINK,MACHINED,GND CONTR\*..237  
 CONN PLUG 12 WAY ENDCAP DT BK....163-165  
 CONN PLUG 12 WAY ENDCAP DT BR....163-165  
 CONN PLUG 12 WAY ENDCAP DT GR....163-165  
 CONN PLUG 12 WAY ENDCAP DT GY....163-165  
 CONN PLUG 2 WAY ENDCAP DT.....311  
 CONN PLUG 3 WAY ENDCAP DT.....311  
 CONN PLUG 4 WAY ENDCAP DT.....163-165  
 CONN RECEPT,FLANGED.....255  
 CONN, SAE#4-1/4" NPT.....303  
 CONN, SQZ, 1/2NPT .38-.50, SM\*\*..163-165, 293  
 CONN,520120-12-10.....307  
 CONN,520120-12-16.....259  
 CONN,520120-16.....259, 261, 271  
 CONN,520120-20.....259  
 CONN,520120-20-16.....259  
 CONN,520120-4\*\*\*.....259, 261, 263, 265, 267  
 CONN,520120-4-6\*\*\*.....259, 263, 267, 319  
 CONN,520120-4-8.....259, 267, 307  
 CONN,520120-6-8.....263  
 CONN,520120-8\*\*\*.....259, 261, 263, 265, 267, 269, 273  
 CONN,520120-8-10.....259  
 CONN,520120-8-12.....263, 273  
 CONN,520120-8-16.....259  
 CONN, LONG,520122-12\*\*\*.....273  
 CONN, LONG,520122-4.....269  
 CONN, MOLEX 10 WAY.....163-165  
 CONN, MOLEX 12 WAY.....163-165  
 CONN, MOLEX 16 WAY.....163-165  
 CONN, MOLEX 20 WAY.....163-165  
 CONN, PLUG 120 AC/15A DOMESTIC.....293, 311, 315  
 CONN, PLUG 40 WAY, DRC SERIES.....163-165  
 CONN, PLUG 8 WAY, 14-18GA.....164-165  
 CONN, RECEPT 120AC/15A DOMESTIC.....293, 315  
 CONN, RECEPT 2 WAY ENDCAP DT....275, 311  
 CONN, RECEPT 24 WAY, W/FLANGE....147, 153  
 CONN, RECEPT 3 WAY ENDCAP DT.....311  
 CONN, RECEPT 4 WAY ENDCAP DT....163-165  
 CONN, RECEPT 4 WAY, 12-14GA FL\*\*\*.....147, 153, 255  
 CONN, RECEPT 40 WAY, W/FLANGE....147, 153  
 CONN, RECEPT 48 WAY, 4 X 12.....147, 153, 163-165, 255  
 CONN, RECEPT 6 WAY ENDCAP DT....159  
 CONN, SQZ, 1/2NPT .39-.56 MED.....147, 153, 315  
 CONN, SQZ, 1/2NPT .56-.63.....315  
 CONNECTOR, DEUTZ FUEL SHUTOFF\*.....181-182, 185-186  
 CONNECTOR, SAE10, QUICK CONN.....201  
 CONNECTOR, 010102-6-4.....211  
 CONNECTOR, 070120-4-8.....307

CONNECTOR, PLUG 6 WAY 18-20 GA.....163-165  
 CONTACT, N.O.\*\*\*.....252  
 CONTACT, NC.....251-252  
 CONTACTOR, LIMIT SWITCH.....163-165  
 CONTROL BOX COVER, LID, PTD.....277  
 CONTROL BOX, 2KW, 120/240V, 50HZ.....315  
 CONTROL MODULE, MSG425.....211  
 CONTROLLER ASSY SCON S60HC.....139  
 CONTROLLER ASSY TCON S60HC.....139  
 CONTROLLER BOX, 120/240V, 60H.....315  
 CONTROLLER W/O COILS (77788).....177  
 CORROSION INHIBITOR, FOAM.....147, 153, 255  
 COUNTERWEIGHT, S60.....133-134  
 COUNTERWEIGHT, S65.....133-134, 139  
 COUPLER, 15 TOOTH, FBA, PERKINS\*\*.....214, 219  
 COUPLER, 15 TOOTH, FBA, SAE8\*\*\*.....189, 195, 197  
 COUPLER, 15T, FBA, SAE 8, MSG425.....209  
 COUPLER, INSERT.....307  
 COUPLING - 1/4 NPT.....131  
 COVER W/DECALS, RR.DR.CHAS,S60.....291  
 COVER, DUST.....131  
 COVER, END, GEN, 120V.....315  
 COVER, END, GEN, 240V.....315  
 COVER, FOOT SWITCH, LARGE.....249  
 COVER, JIB HOSES/CABLES.....237  
 COVER, LIMIT SWITCH ARM MOUNT.....233  
 COVER, PROTECTIVE, OSCILLATE.....299  
 COVER, REAR AXLE.....129  
 COVER, STRING POT, S60HC\*\*\*.....245  
 COVER, BLANK.....293  
 COVER, CABLE TRACK.....299  
 COVER, CONTROL BOX LEFT SIDE\*\*\*.....277  
 COVER, CONTROL BOX RIGHT SIDE\*\*.....277  
 COVER, DRIVE CHASSIS...117-118, 121-122  
 COVER, DUST, IDLER, FORD DSG423.....205  
 COVER, FLYWHEEL CASTING.....181-182, 189, 195, 197  
 COVER, GFCI, HORIZONTAL, WEATHER..293, 303  
 COVER, LH, BOOM SECTION #1.....229  
 COVER, LH, TANK SIDE.....161  
 COVER, LIMIT SWITCH ASSY, S60.....295  
 COVER, PRIMARY BOOM, PAINTED.....231  
 COVER, PRM FUSE SERVICE PART.....134  
 COVER, PROTECTIVE, JIB CYLINDER.....299  
 COVER, PROTECTIVE, STEERING.....299  
 COVER, REAR AXLE.....121-122  
 COVER, RETRACT SHEAVE, PAINTED.....229  
 COVER, RH, BOOM SECTION #1.....229  
 COVER, RH, ENGINE SIDE.....161  
 COVER, STEERING SENSOR.....225-226  
 COVER, WEATHERPROOF 3-PHASE.....305  
 CRANK PULLEY, EXT, MSG425.....207  
 CRIMPER, DEUTSCH, LIGHT DUTY\*\*\*.....163-165, 257  
 CYLINDER, LIFT, S60HC.....159, 225-226  
 CYLINDER, STEER.....127  
 CYLINDER, BOOM EXTENSION.....229  
 CYLINDER, JIB (STICK BOOMS).....237  
 CYLINDER, LIFT, S60\*\*\*.....225-226  
 CYLINDER, MASTER.....225-226  
 CYLINDER, OSCILLATE, S60.....118  
 CYLINDER, PLATFORM LEVEL \*\*\*.....235, 237, 239, 241  
 CYLINDER, STEERING\*\*\*.....117-118

**D**

DANGER, TIPOVR, TIRES FF ONLY.....13, 15, 29, 31, 61, 63  
 DECAL FAULT CODE.....19, 35, 51, 67, 83, 99  
 DECAL GROUND CONTROL BOX.....13, 21, 29, 37, 77, 85, 93, 101, 109  
 DECAL KIT, S60X, COMP, WRD, ANSI.....45  
 DECAL PLATE, MESH.....279  
 DECAL, COSM, GENIE S65 TRAX.....97, 105  
 DECAL, ENGINE SPEC, 404F-22...15, 31, 47, 63, 79, 95  
 DECAL, ENGINE SPEC, D2.9...15, 31, 47, 63, 79, 95  
 DECAL, INST, OPER INST 60X PLT.....51  
 DECAL, INSTRUCTION, OPS.....287  
 DECAL, LABEL - CHEVRON RANDO.....13, 29, 45, 61, 77, 93  
 DECAL, LCD, TIER 4.....13, 29, 45, 61, 77, 93  
 DECAL, OPER INST 6080X GRD.....45  
 DECAL, OPER INST 60TRX GRD.....77  
 DECAL, OPER INST 60XC GRD.....61  
 DECAL, OPERATING INSTRUCTIONS.....13, 19, 29, 35, 77, 83, 93, 99  
 DECAL, PATCH, GEN, ALC-500.....315  
 DECAL, PLAT CNTL PNL.....19, 27, 35, 43, 83, 91, 99, 107  
 DECAL, PLAT CNTL PNL 60HC.....115  
 DECAL, PLAT CNTL PNL 60TX.....83, 91  
 DECAL, PLAT CNTL PNL 60X 80X.....51, 59  
 DECAL, PLAT CNTL PNL 60XC.....67, 75  
 DECAL, POWER TO PLATFORM 115V\*\*...15, 19, 23, 27, 31, 35, 39, 43, 47, 51, 55, 59, 63, 67, 71, 75, 79, 83, 87, 91, 95, 99, 103, 107, 111, 115  
 DECAL, POWER TO PLATFORM 230V\*\*...15, 19, 23, 27, 31, 35, 39, 43, 47, 51, 55, 59, 63, 67, 71, 75, 79, 83, 87, 91, 95, 99, 103, 107, 111, 115  
 DECAL, SYMBOL - READ THE MANUAL...21, 27, 37, 43, 53, 59, 69, 75, 85, 91, 101, 107, 109, 115  
 DECAL, VAPORIZER PRESSURE.....15, 31, 47, 63, 79, 95  
 DECAL, WHEEL LOAD S60TRAX.....77, 79, 85, 87  
 DECAL, WHEEL LOAD S65 TRAX.....93, 95, 101, 103  
 DECAL, ANNUAL INSP\*\*\*.....29, 45, 61, 77, 93  
 DECAL, ARROW BLUE.....15, 23, 31, 39, 47, 55, 63, 71, 79, 87, 95, 103, 111  
 DECAL, ARROW YELLOW LRG 9".....13, 21, 29, 37, 45, 53, 61, 69, 77, 85, 93, 101, 109  
 DECAL, BATTERY DISCONNECT.....13, 29, 45, 61, 77, 93  
 DECAL, CAUTION, READ INST.....131  
 DECAL, CAUTION, TOWING SPEED.....13, 29, 45, 61, 77, 93  
 DECAL, COSM GENIE S60X.....49, 57  
 DECAL, COSM GENIE S60XC.....65, 73  
 DECAL, COSM, S60 TRAX.....79, 87  
 DECAL, COSM, S65 TRAX.....95, 103  
 DECAL, COSM, GENIE S60 TRAX.....81, 89  
 DECAL, COSMETIC, 4 X 2.....13, 21, 29, 37, 45, 53, 61, 69, 77, 85, 93, 101, 109  
 DECAL, COSMETIC, 4 X 4.....13, 21, 29, 37, 45, 53, 61, 69, 77, 85, 93, 101, 109  
 DECAL, COSMETIC, GENIE.....325  
 DECAL, COSMETIC, GENIE S-60.....17, 25  
 DECAL, COSMETIC, GENIE S-60HC.....113



## Part Description Index (continued)

DECAL,COSMETIC,GENIE S65.....33, 41	DECAL,INST,OPER INST 60TRAX.....83	DECAL,LABEL,WHEEL LOAD S65.....29, 31, 37, 39
DECAL,COSMETIC,S60.....15, 23, 47, 55, 63, 71, 111	DECAL,INSTR,MAX SIDE FRC,ANSI...35, 51, 67, 83, 99	DECAL,LANYARD ANCHORAGE POINT...19, 27, 35, 43, 51, 59, 67, 75, 83, 91, 99, 107, 115, 323
DECAL,COSMETIC,S65.....31, 39	DECAL,INSTR,SIDE FRC/WIND,AUS.....19, 35, 83, 99	DECAL,LOW/ULTRA LOW SULFR FUEL...13, 29, 45, 61, 77, 93
DECAL,DANGER DO NOT ALTER SWTC.....17, 33, 49, 65, 81, 97	DECAL,INSTR,FOOTSWITCH OPER.....19, 35, 51, 67, 83, 99	DECAL,LP BOTTLE,S60.....13, 29, 45, 61, 77, 93
DECAL,DANGER TIP OVER TRAX.....77, 79, 93, 95	DECAL,LABEL,105 DB.....21, 37, 53, 69, 85, 101, 109	DECAL,LPS (4"X4").....13, 15, 29, 31, 45, 47, 61, 63, 77, 79, 93, 95
DECAL,DANGER,BATTERY SAFETY***....13, 29, 45, 61, 77, 93	DECAL,LABEL,AIR LINE 110 PSI...15, 19, 23, 27, 31, 35, 39, 43, 47, 51, 55, 59, 63, 67, 71, 75, 79, 83, 87, 91, 95, 99, 103, 107, 111, 115	DECAL,NOTICE,MAX LOAD 500 LBS.....19, 35, 83, 99
DECAL,DANGER,ELEC.HAZ.STAY CLR...21, 23, 37, 39, 53, 55, 69, 71, 85, 87, 101, 103, 109, 111	DECAL,LABEL,ASSY INSTALL,L.....131	DECAL,NOTICE,OPER INST.S60.....29, 35, 93, 99
DECAL,DANGER,ELECT HAZARD***.....13, 15, 29, 31, 45, 47, 61, 63, 77, 79, 93, 95	DECAL,LABEL,ASSY INSTALL,R.....131	DECAL,NOTICE,SHUTOFF VALVES....13, 29, 45, 61, 77, 93
DECAL,DANGER,GENERAL SAFETY.....13, 19, 29, 35, 45, 51, 61, 67, 77, 83, 93, 99	DECAL,LABEL,BELT ROUTING DSG.....15, 23, 31, 39, 47, 55, 63, 71, 79, 87, 95, 103, 111	DECAL,OPTION CONTROL BOX HEATR.....321
DECAL,DANGER,HI-FLOAT TIRE.....29, 31, 45, 47	DECAL,LABEL,BELT,MSG425.....15, 31, 47, 63, 79, 95	DECAL,PROTECTOR,CLEAR.....299
DECAL,DANGER,HIGH VOLTAGE.....15, 19, 31, 35, 47, 51, 63, 67, 79, 83, 95, 99, 303, 305	DECAL,LABEL,CONTROLS BATTERY.....13, 29, 45, 61, 77, 93	DECAL,SYMBOL-BATTERY SAFETY.....21, 37, 53, 69, 85, 101, 109
DECAL,DANGER,MAX LOAD S60HCSYM.....115	DECAL,LABEL,DIESEL FUEL...13, 21, 29, 37, 45, 53, 61, 69, 77, 85, 93, 101, 109	DECAL,SYMBOL-COMP ACCESS.....23, 39, 55, 71, 87, 103, 111
DECAL,DANGER,MAX SIDE FRC,667N....43, 59, 75, 91, 107	DECAL,LABEL,FALL HAZARD***...25, 41, 57, 73, 89, 105, 113	DECAL,SYMBOL-READ THE MANUAL.....325
DECAL,DANGER,NO SMOKING....13, 29, 45, 61, 77, 93	DECAL,LABEL,LIQUID PROPANE.....13, 21, 29, 37, 45, 53, 61, 69, 77, 85, 93, 101, 109	DECAL,TFAAS TRACK,SYMBOL.....323
DECAL,DANGER,SIDE FRC 400N.....27, 43, 91, 107, 115	DECAL,LABEL,LOWER MIDRAIL...19, 27, 35, 43, 51, 59, 67, 75, 83, 91, 99, 107, 115	DECAL,TFAAS TRACK,WORD.....323
DECAL,DANGER,TIP OVER,PLAT.....19, 35, 51, 67, 83, 99	DECAL,LABEL,MANUAL NOT HERE...19, 35, 51, 67, 83, 99	DECAL,TFAAS TRACK,WORD FR.....323
DECAL,DANGER,TIP-OVER,WELDER**....19, 35	DECAL,LABEL,MAX CAPACITY***.....27, 43, 91, 107	DECAL,TOWING INSTRUCTIONS.....13, 29, 45, 61, 77, 93
DECAL,DANGER,TIPOVER,TILT....19, 35, 51, 67, 83, 99	DECAL,LABEL,NO SMOKING,SYMB...21, 37, 53, 69, 85, 101, 109	DECAL,TRIANGLE,BLUE...13, 15, 21, 23, 29, 31, 37, 39, 45, 47, 53, 55, 61, 63, 69, 71, 77, 79, 85, 87, 93, 95, 101, 103, 109, 111
DECAL,DANGER,TIPOVER,TILT,SYM.....27, 43, 59, 75, 91, 107, 115	DECAL,LABEL,PATENTS.....29, 45, 61, 77, 93	DECAL,TRIANGLE,YELLOW....13, 15, 21, 23, 29, 31, 37, 39, 45, 47, 53, 55, 61, 63, 69, 71, 77, 79, 85, 87, 93, 95, 101, 103, 109, 111
DECAL,DANGER,TIPOVR,MAX CAP...45, 51, 61, 67, 77, 83	DECAL,LABEL,PETRO CANADA***.....13, 29, 45, 61, 77, 93	DECAL,ULS DIESEL ONLY,TIER 4.....13, 29, 45, 61, 77, 93
DECAL,DANGER/LABEL,TIRE SPECS.....29, 31, 45, 47	DECAL,LABEL,RELAYS,S60&65....13, 29, 45, 61, 77, 93	DECAL,WARN,AVOID INJURY....131
DECAL,DRIVE ENABLE PATCH.....27, 43, 59, 75, 91, 107	DECAL,LABEL,TEST***.....13, 29, 45, 61, 77, 93	DECAL,WARN,CRUSH HAZ.....131
DECAL,EMERGENCY LOWERING.....21, 37, 85, 101, 109	DECAL,LABEL,TIP OVER LMT SWTCH.....25, 27, 41, 43, 53, 57, 59, 69, 73, 75, 85, 89, 91, 105, 107, 113, 115	DECAL,WARN,CRUSH HAZARD HAND....13, 15, 17, 29, 31, 33, 45, 47, 49, 61, 63, 65, 77, 79, 81, 93, 95, 97
DECAL,ENGINE SPEC,DEUTZ 2011...15, 31, 47, 63, 79, 95	DECAL,LABEL,TIPOVER,TIRES,SYMB.....21, 23, 37, 39, 53, 55, 69, 71, 109, 111	DECAL,WARN,CRUSH HAZARD PLAT....19, 27, 35, 43, 51, 59, 67, 75, 83, 91, 99, 107, 115
DECAL,ENGINE SPEC,PERKINS***.....15, 31, 47, 63, 79, 95	DECAL,LABEL,TIPOVER,TRAX,SYMB.....85, 87, 101, 103	DECAL,WARN,FALL HAZARD.....17, 33, 49, 65, 81, 97
DECAL,EXPLOSION HAZARD.....15, 31, 47, 63, 79, 95	DECAL,LABEL,TIRE PRESS HF....21, 23, 37, 39, 53, 55	DECAL,WARN,HIGH PRESS.....131
DECAL,FIRE EXTINGUISHER.....19, 35, 51, 67, 83, 99	DECAL,LABEL,TIRE PRESSURE...21, 23, 37, 39, 53, 55, 69, 71, 109, 111	DECAL,WARN,IMPROPER OPERATION...19, 35, 51, 67, 83, 99
DECAL,FORD ENGINE SPEC DSG423.....15, 31, 47, 63, 79, 95	DECAL,LABEL,TORQUE.....131	DECAL,WARN.WELD LINE INST.WORD....15, 19, 31, 35, 47, 51, 63, 67, 79, 83, 95, 99
DECAL,FORD ENGINE SPEC MSG425.....15, 31, 47, 63, 79, 95	DECAL,LABEL,TRANSPORT DIAGRAM....13, 15, 21, 23, 29, 31, 37, 39, 45, 47, 53, 55, 61, 63, 69, 71, 77, 79, 85, 87, 93, 95, 101, 103, 109, 111	DECAL,WARNING,CRUSHING HAZARD...21, 23, 25, 37, 39, 41, 53, 55, 57, 69, 71, 73, 85, 87, 89, 101, 103, 105, 109, 111, 113
DECAL,GR CNTL PNL 60TX.....77, 85	DECAL,LABEL,UCON HYDROLUBE....13, 29, 45, 61, 77, 93	DECAL,WARNING,PANEL CRADLE.....19, 35, 51, 67, 83, 99, 283
DECAL,GR CNTL PNL 60X 80X.....45, 53	DECAL,LABEL,UNLEADED GAS ONLY....13, 21, 29, 37, 45, 53, 61, 69, 77, 85, 93, 101, 109	DECAL,WARNING,PIPE CRADLE,BOOM....19, 35, 51, 67, 83, 99, 283
DECAL,GR CNTL PNL 60XC.....61, 69	DECAL,LABEL,WELD LINE INST,SYM.....23, 27, 39, 43, 55, 59, 71, 75, 87, 91, 103, 107, 111, 115	DECAL,WARNING-COMPART ACCESS....15, 31, 47, 63, 79, 95
DECAL,GROUND BOX,TIER IV.....13, 29, 93	DECAL,LABEL,WHEEL LOAD S60/60X.....13, 15, 21, 23, 45, 47, 53, 55	DIN RAIL,17".....147, 153
DECAL,INST OPER INST 60XC.....67	DECAL,LABEL,WHEEL LOAD S60H/XC....61, 63, 69, 71, 109, 111	DIODE, 6A 22903-6V.....133-134
DECAL,INST PLAT CAP 60TRAX.....77, 83		DIODE,6 AMP,200 PIV,BULK.....181-182, 185-186
DECAL,INST PLAT CAP 60TRAX SYM.....85, 91		DIPSTICK TUBE, STRAIGHT SHORT.....214, 217
DECAL,INST PLAT CAP 60X.....45, 51		DIPSTICK, MSG425.....205
DECAL,INST PLAT CAP 60XC.....61, 67		DIPSTICK, OIL, D2011.....182
DECAL,INST PLAT CAP 60XC SYM.....69, 75		
DECAL,INST PLAT CAPACITY,SYM.....53, 59		



DIPSTICK, STRAIGHT SHORT.....214, 217  
 DIPSTICK,TD2.9.....203  
 DIPSTICK-F3L1011F (DEUTZ).....185-186  
 DISCONNECT KIT (88887).....118, 121-122  
 DRIVE COUPLING, 13 TOOTH.....307  
 DRIVE COUPLING,KEYED.....307

**E**

ECM MOUNT, PERK 404F-22.....223  
 ECM, PERKINS 404F-22.....223  
 ECU.....134  
 ELBOW,070220-4-4.....307  
 ELBOW,130339-6-6.....141  
 ELBOW,45D,520320-12-16.....273  
 ELBOW,45D,520320-16.....259  
 ELBOW,45D,520320-4.....259, 261  
 ELBOW,45D,520320-8.....261  
 ELBOW,90 DEGR,RUBBER,2.5" I.D.\*.....301  
 ELBOW,90,1/4-18NPT,FEMALE.....131  
 ELBOW,90D,1/4FPTX3/8MPT.....143  
 ELBOW,90D,520220-16-12.....271, 313  
 ELBOW,90D,520220-4-4.....259, 261, 267  
 ELBOW,90D,520220-4-6\*\*\*.....261, 263, 265  
 ELBOW,90D,520220-6.....263, 265  
 ELBOW,90DEG.1/8MPT-5/16 BARB.....209  
 ELBOW,AIR INTAKE,RUBBER.....185-186  
 ELBOW,SWIVEL NUT 90DEG,-4.....307  
 ELEMENT-5 MIC, PAPER, W/BYPASS.....156  
 ENCLOSURE BOX, GAUGE  
 OPT,DRILLD.....309  
 END BOGEY.....131  
 END BRACKET,FIXED END.....247  
 END BRACKET,MOVING END.....247  
 END CAP, WHEEL DRIVE.....117-118, 121-  
 122  
 END STOP, DIN RAIL, SCREW CLAMP.....147  
 END STOP,TFAAS TRACK.....323  
 ENGINE HARNESS, MSG425.....205  
 ENGINE KIT, DEUTZ D2.9L4.....191, 193, 197,  
 199, 203  
 ENGINE KIT,FORD MSG425.....205  
 ENGINE MOUNT, LEFT, MSG425.....211  
 ENGINE MOUNT, REAR, MSG425.....211  
 ENGINE MOUNT, RIGHT, MSG425.....211  
 ENGINE,DEUTZ, TD2011L04i TPEM.....185-  
 186  
 ENGINE,PERKINS,DIESEL 404D-22.....213-  
 214  
 ENGINE,PERKINS,DIESEL,404F-22.....217  
 EVACUATOR VALVE-AIR CLEANER.....181-  
 182, 185-186, 195, 197, 213-214, 219  
 EXHAUST MANIFOLD.....213-214  
 EXHAUST MANIFOLD, MSG425.....207  
 EXHAUST PIPE GASKET.....189  
 EXPANSION TANK,METAL,D2.9.....199  
 EXTRUSION,RUBBER STRIP,LG,D2.9.....199  
 EXTRUSION,RUBBER STRIP,SM,D2.9.....199

**F**

FAN BELT, ALTERNATOR.....203, 217  
 FAN DRIVE BELT, MSG425.....207  
 FAN PULLEY, MSG425.....207  
 FAN SHROUD, MSG425.....211  
 FAN SHROUD,DEUTZ D2.9.....191, 193  
 FAN SPACER, MSG425.....207  
 FAN SPACER,DEUTZ D 2.9.....199  
 FAN, 10 BLADE, 15".....199  
 FAN, ENGINE (104-22)(404-22)\*.....214, 221

FAN, MSG425.....207  
 FEMALE BULKHEAD CONNECTOR-8.....293  
 FIELD KIT,6 1/2MESH PLAT W/GAT.....279  
 FIELD KIT,MTE 120V-60HZ, S60.....315  
 FIELD KIT,MTE, 120V-50HZ, S60.....315  
 FIELD KIT,MTE, 240V-50HZ, S60.....315  
 FILTER ASSY,HIGH PRESS SAE-12\*.....156  
 FILTER ASSY,INTANK.....133-134  
 FILTER ASY,M PRESS,SAE8,WOIND\*  
 (77139).....156  
 FILTER ELEMENT,AIR,NOLFF LPG.....209  
 FILTER HEAD (29560).....181-182  
 FILTER INDICATOR-(60334).....156  
 FILTER LID,RFM165.....133-134  
 FILTER, DEUTZ 2.9, FUEL.....201  
 FILTER,AIR CLEANER, SUPERBOOM.....185-  
 186  
 FILTER,AIR\*\*\*.....181-182, 195, 197, 213-214,  
 219  
 FILTER,ELEMENT,30 MIC,75020.....214, 217,  
 219  
 FILTER,ELEMENT,BETA(10)=200.....133-134  
 FILTER,ELEMENT,BETA(5)=1000.....156  
 FILTER,FUEL.....143  
 FILTER,FUEL,PERKINS.....214, 217  
 FILTER,FUEL/WTR SEP, DTZ 1008.....181-  
 182, 185-186  
 FILTER,OIL,DEUTZ F4L1011F.....181-182,  
 185-186, 201, 203  
 FILTER,OIL,DEUTZ,REPLACEMENT.....181-  
 182, 185-186, 201  
 FINGER,GUIDE,CABLE TRACK.....247  
 FIRE EXTINGUISHER.....305  
 FITTING, 3/8 NPT TO 3/16 HOSE.....141  
 FITTING, DEPR COOLANT, MSG425.....205  
 FITTING, DEPR LP, MSG425.....205  
 FITTING,1/4 NPT X SAE J2044.....143  
 FITTING,3/8 NPT TO 1/2 BARB.....141  
 FITTING,3/8 NPT TO 1/4 NPT.....141  
 FITTING,BARBED,STRT,FUEL LINE.....181-  
 182  
 FITTING,BARBED,TEE,FUEL LINE.....181-182  
 FITTING,BULKHEAD,3/8NPT,FUELTK.....141  
 FITTING,CONN,16MM-6MJ.....201  
 FITTING,CONN,16MM-8MJ.....201  
 FITTING,CONN,520120-12\*\*\*.....259, 261, 263,  
 265, 269, 271, 273, 313  
 FITTING,CONN,520120-6.....259, 261, 263, 265  
 FITTING,CONN,520120-8-6.....259  
 FITTING,ELBOW,45D,520320-12\*\*\*.....259,  
 269, 273  
 FITTING,ELBOW,45D,520320-4-6\*\*.....261  
 FITTING,ELBOW,6GS-6FJX90S.....201  
 FITTING,ELBOW,8GS-8FJX90S.....201  
 FITTING,ELBOW,90D,520220-8\*\*\*.....259, 273  
 FITTING,FUEL,1/2,D2.9,QC.....201  
 FITTING,HYDRAULIC,90DEG,O-RING.....182  
 FITTING,ORIFICE,.047.....307  
 FITTING,REDUCER,520123-12-8\*\*\*.....273  
 FITTING,SAE J2044F X5/16 BARB.....143  
 FITTING,TEE,BRANCH,520433-4.....267  
 FITTING,TEE,RUN,SWIVEL520432-4.....261,  
 263, 265, 267, 269  
 FLANGE NUT, MSG425.....211  
 FLANGE,EXHAUST.....213-214  
 FLANGE,EXHAUST,PERKINS 404F.....223  
 FLASHTUBE, STRAIGHT,360DEG,BULB.....275  
 FLASHTUBE,U SHAPED,360DEG,BULB...275  
 FLATBAR, CLAMPS, CABLE TRACK.....247

FLATBAR,ALUM,THROTTLE LINKAGE.....213-  
 214  
 FLEX PIPE,EXHAUST,2.5" DIA.....189  
 FLOORING, 6 FT PLATFORM.....249  
 FLOORING, 4 FT PLATFORM,PAINTED.....249  
 FLOORING,8 FT PLATFORM\*\*.....249  
 FLYWHEEL (PERKINS KR70481U)\*\*.....213-  
 214  
 FLYWHEEL ASSY, MSG425.....205  
 FLYWHEEL, SAE 8/10.....203  
 FOAM PAD\*\*\*.....283  
 FOAM,AIRCRAFT PROTECTION.....289, 291  
 FORMING BRKT, WIPER 1 TO 2.....295  
 FORMING BRKT, WIPER 2 TO 3.....295  
 FORMING PANEL CRADLE.....283  
 FORMING, BRKT, ENGINE COVER...134, 156  
 FORMING, BULKHEAD,RIGHT,S60/65.....156  
 FORMING, CABLE ANCHOR.....245  
 FORMING, ECU MOUNT, MSG425.....211  
 FORMING, ENGINE MOUNT, PERKINS...213-  
 214  
 FORMING, FAN GUARD,PERKINS 404.....217  
 FORMING, FILTER BRKT.....156  
 FORMING, GAUGE OPTION BRACKET...309  
 FORMING, HEAT SHIELD MOUNT.....209  
 FORMING, LEFT ENGINE MOUNT.....201  
 FORMING, LP REG MOUNT, MSG425.....211  
 FORMING, OPA CAGE.....325  
 FORMING, OPA CAP.....325  
 FORMING, OPA, BRACKET.....325  
 FORMING, PLAT. BOX LID.....255  
 FORMING, RAD SUPPORT, MSG425.....211  
 FORMING, REAR ENGINE MOUNT.....201  
 FORMING, RIGHT ENGINE MOUNT.....201  
 FORMING, SOLENOID MOUNT\*\*\*.....185-186  
 FORMING, TRACK BRACE, LH.....247  
 FORMING, TRACK BRACE, RH.....247  
 FORMING,8.5' MUFFLER MOUNT.....189  
 FORMING,AIR CLEANER MOUNT.....209  
 FORMING,AIR CLEANER MOUNT  
 PNTD.....181-182, 189  
 FORMING,AIR FIT/WELD STUD PLAT.....293  
 FORMING,ANGLE LINKAGE BRACKET...159  
 FORMING,ANGLE SENSOR CABLE.....226  
 FORMING,BULKHEAD,LEFT FRONT.....134  
 FORMING,BULKHEAD,LEFT REAR.....137  
 FORMING,CABLE GUIDE.....249  
 FORMING,CAL TOGGLE SWITCH.....139  
 FORMING,CLAMP,TOP,CABLE TRACK.....247  
 FORMING,CLEAN AIR BRACKET.....197  
 FORMING,COVER STOP,PAINT.....161  
 FORMING,COVER STOP,TANK SIDE.....133-  
 134  
 FORMING,DEUTZ AIR INTAKE BAF P.....181-  
 182  
 FORMING,DRIVE ENABLE LIMIT SW.....155-  
 156  
 FORMING,ECU MOUNT,404F-22.....223  
 FORMING,ENGINE MOUNT.....185-186  
 FORMING,ENGINE MOUNT PAINTED.....189  
 FORMING,ENGINE MOUNT RH  
 PAINTE.....213-214, 223  
 FORMING,ENGINE MOUNT,DEUTZ.....189  
 FORMING,ENGINE MOUNT,FL PAINT\*.....181-  
 182  
 FORMING,ENGINE MOUNT,FR PAINT\*...181-  
 182  
 FORMING,ENGINE MOUNT,LH PAINTE...223  
 FORMING,EXP TANK BAND,D2.9.....199

## Part Description Index (continued)

- FORMING, EXPANSION TANK SUPT.....199  
 FORMING, FAN GUARD, DEUTZ D2.9.....191  
 FORMING, GROUND BOX COVER.....297  
**F O R M I N G , H A R N E S S**  
 SUPPORT, S60/65.....133-134  
 FORMING, HEAT SHIELD, MUFFLER\*\*\*.....185-186  
 FORMING, HOSE BRACKET.....191  
 FORMING, HOSE GUIDE.....156  
 FORMING, HYD SWIVEL BRACKET.....155-156  
 FORMING, INNER HANGER.....323  
 FORMING, LATCH, CTRL BOX LID PTD.....277  
 FORMING, LATCH, GROUND BOX COVER.....297  
 FORMING, LH MOUNT, DRIVE LIGHT.....275  
 FORMING, LIMIT SWITCH BRACKET.....229  
 FORMING, LP BRACKET MOUNT.....317  
 FORMING, MFLD GUARD, MSG425.....209  
 FORMING, MUFFLER MOUNT PAINTED.....214  
 FORMING, MUFFLER MOUNT\*\*\*.....185-186  
 FORMING, OIL COOLER MOUNT.....313  
 FORMING, PINION GUARD PAINTED.....297  
 FORMING, RAD BRACE, DEUTZ TD2.9.....191, 193  
 FORMING, RAD EXPSN TANK SUPT.....199  
 FORMING, RADIATOR SUPPORT\*\*.....211  
 FORMING, REAR ENGINE MOUNT PNT\*.....181-182  
 FORMING, RH MOUNT, DRIVE LIGHT.....275  
 FORMING, SECONDARY SUPPORT.....283  
 FORMING, SENSOR BRACKET (PTD).....159  
 FORMING, SOLENOID MOUNT.....213-214, 219  
 FORMING, SOLENOID MOUNT PAINT.....181-182  
 FORMING, TT LH SIDE COVER PAINT.....297  
 FORMING, TT RH SIDE COVER PAINT.....297  
 FORMING, UPPER RAD SUPPORT PNTD.....214, 217  
 FORMING, WIPER GUARD LT.....297  
 FORMING, WIPER GUARD RT.....297  
 FUEL FILTER ASSEMBLY.....214, 217  
 FUEL FILTER W/SEP, DEUTZ, 1008.....181-182, 185-186  
 FUEL JUMPER HARNESS.....164-165  
 FUEL PUMP, DSG-423 AND MSG-425.....143  
 FUEL SENSOR ASSY.....143  
 FUEL TANK ASSY, 35 GAL PLASTIC.....141  
 FUSE BOX COVER.....211  
 FUSE BOX MOUNTING, LEFT.....211  
 FUSE BOX MOUNTING, RIGHT.....211  
 FUSE BOX RELAY STICKER.....211  
 FUSE, ATM, 10AMP.....133-134  
 FUSE, ATM, 15AMP.....133-134  
 FUSE, ATM, 20AMP.....133-134  
 FUSE, ATM, 30AMP.....133-134  
 FUSE, ATM, 5AMP.....133-134  
 FUSE, ATM, 7.5AMP.....133-134  
 FUSE, FMX, 60AMP.....133-134  
 FUSE, 6AMP, 250V, WELDER, V275S.....305
- G**  
 GAS STRUT, 250 LBS FORCE\*\*\*.....161  
 GASKET.....217  
 GASKET, FUEL LEVEL SENDER, Z80.....143  
 GASKET, MSG425.....207  
 GASKET, OIL COOLER, DEUTZ.....203  
 GASKET, THERMOSTAT HOUSING.....203, 214, 221  
 GASKET, UK POWER TO PLAT.....293  
 GASKET, DP200 BLACK PANEL SEAL.....149-150  
 GASKET, ENCLOSURE.....325  
**G A S K E T , E X H**  
 FLANGE-FORD/PERKINS.....209, 213-214  
 GASKET, EXHAUST.....181-182, 185-186  
 GASKET, EXHAUST ELBOW, PERKINS.....223  
 GASKET, EXHAUST MANIFOLD, PERK.....223  
 GASKET, EXHAUST, FORD MSG.....207  
 GASKET, GBOX, S80/85 2008.....147, 153  
 GASKET, INTAKE MANIFOLD, MSG 425.....205  
 GASKET, KEYSWITCH, PLASTIC\*\*\*.....145  
 GASKET, PLATFORM CONTROL BOX.....255  
 GASKET, RETURN FILTER-77353.....133-134  
 GASKET, SOLENOID, PERKINS 72350.....219  
 GASKET, THROTTLE ACTUATOR\*\*\*.....205  
 GASKET, WATER PUMP.....213-214  
 GASKET-CYLINDER HEAD.....213-214  
 GATE LATCH CASTING--DRILLED.....279  
 GAUGE, FUEL LEVEL, 20/30 GAL.....143  
 GAUGE, OIL PRESSURE W/O SENDER.....309  
 GAUGE, VOLTAGE.....309  
 GAUGE, WATER TEMP.....309  
 GAUGE-SIGHT, LHA-LGTB\*\*\*.....133-134  
 GBOX ASSY, COMMON, T4.....149-150  
 GBOX ASSY, DEUTZ T4, DUAL CAP.....149-150  
 GBOX ASSY, DEUTZ T4, SGL CAP.....149-150  
 GBOX ASSY, PERKINS T4, DUAL CAP.....149-150  
 GBOX ASSY, PERKINS T4, SGL CAP.....149-150  
 GENERATOR, 3kW, 120V/50Hz.....315  
 GENERATOR, 3kW, 120V/60Hz.....315  
 GENERATOR, 3kW, 240V/50Hz.....315  
 GENERATOR, HYDRA, 25CC, 208V\*\*\*.....307  
 GFCI, 50A, 3PH.....303  
 GF/CIRCUIT BREAKER ASSEMBLY.....303  
 GLOW PLUG (PERKINS 404-22).....213-214, 221  
 GLOW PLUG, DEUTZ.....203  
 GLOW PLUG, L1011.....181-182  
 GREASE, SERVICE PACKET.....214, 219  
 GROMMET, 4.00 GRV. X .75 THK.....229  
 GROMMET, RUBBER 3 X .19 X 3.5.....249  
 GROUNDING CABLE ASSEMBLY, 18".....303  
 GUARD, HOSE PROTECTOR.....117-118  
 GUARD, SEAL.....131  
 GUARD, FAN, FORD/PERKINS, PAINTED..213-214  
 GUIDE FINGER, PLASTIC.....247  
 GUIDE, EXT CABLE, TOP.....231  
 GUIDE, EXT. CABLE, BOTTOM.....231
- H**  
 HALF MESH, 8" PLATFORM, LH.....279  
 HALF MESH, 8" PLATFORM, RH\*\*\*.....279  
 HANDLE, GRAB.....161  
 HARDWARE KIT, PERKINS 404F BELL.....217  
 HARN JOYSTICK ADAPTOR JS100.....257  
 HARN, AC PROTECTION BYPASS.....289, 291  
 HARN, GBOX & RELAY WIRES, FORD.....164-165  
 HARN, GBOX AND RELAY WIRES, FO.....164-165  
 HARN, LS OP PRI.DUAL CAP.....164-165  
 HARN, 12V WORK LIGHT RELAY.....165  
 HARN, ANGLE, SNSR.CONN. CABLE.....164-165  
 HARN, FUNCT MANIFOLD, S60/65.....163-165  
 HARN, GBOX & RELAY WIRES, DIESEL...164-165  
 HARN, LS CABLE, S60 DUAL CAP.....164-165  
 HARN, LS SAFETY, PRI.DUAL CAP.....164-165  
 HARN, LS, SAFETY, PRI, VELOCITY.....164-165  
 HARN, PBOX, DUAL CAP.....164-165  
 HARN, PBOX, JOYSTICK, S60/65.....163-165  
 HARN, PBOX, OPA, HW, 12V.....165  
 HARN, PERKINS 404F, 6WAY EXT.....164-165  
 HARN, PIGTAIL, TAPESWITCH, OPA.....325  
 HARNESS ASSY, GBOX.....163-165  
 HARNESS ASSY, GCON, PLAT PRTY.....165  
 HARNESS ASSY, PBOX, SNGL CAP...163-165  
 HARNESS ASSY, PCON, DRIVE PRTY.....165  
 HARNESS ASSY, PCON, JIB.....164-165  
 HARNESS ASSY, PCON, LOAD SENSE....164-165  
 HARNESS ASSY, PCON, PROX KILL.....165, 289, 291  
 HARNESS ASSY, PCON, TILT LED.....165  
 HARNESS ASSY, RELAY 404F.....164-165  
 HARNESS ASSY, RELAY 404F, S60/65.....164-165  
 HARNESS ASSY, RELAY D2.9.....164-165  
 HARNESS ASSY, RELAY D2.9, S60/65.....164-165  
 HARNESS ASSY, RELAY DC T4 PERK.....164-165  
 HARNESS PERKINS ENGINE S60 ALT...164-165  
 HARNESS PROGRAM CAN PLUS1...163-165  
 HARNESS, 12/3 12V TO PLAT JIB.....163-165  
 HARNESS, 12/3 12V TO PLAT NJ.....163-165  
 HARNESS, 120V POWER CORD, 24".....311  
 HARNESS, 18/22, CABLE JIB.....163-165  
 HARNESS, 18/22, CABLE NJ.....163-165  
 HARNESS, 240V POWER CORD, 24".....311  
 HARNESS, AC POWER TO PLAT JIB.....164-165  
 HARNESS, AC POWER TO PLAT NJ.....164-165  
 HARNESS, ENGINE, DEUTZ TD2.9.....191, 193, 203  
 HARNESS, FORD STARTER.....164-165  
 HARNESS, FULL GAUGE OPT, FORD.....164-165  
 HARNESS, JUMPER, LOAD SENSE.....164-165  
 HARNESS, LOAD SENSE.....164-165  
 HARNESS, LOAD SENSE, GBOX.....164-165  
 HARNESS, LS, OP, CABLE TENSION.....163-165  
 HARNESS, LS, OP, PRI ANGLE.....163-165  
 HARNESS, LS, OP, PRI, VELOCITY.....163-165  
 HARNESS, LS, OP, PRIMARY.....163-165  
 HARNESS, OMRON RELAY, CR66.....147, 153  
 HARNESS, S60 DEUTZ D2.9.....164-165  
 HARNESS, S60 PERKINS 404F.....164-165  
 HARNESS, TILT, 12V, CSA PROD.....165  
 HARNESS, 12V WORK LIGHTS.....165  
 HARNESS, 18/22, CABLE2 JIB.....163-165  
 HARNESS, 18/22, CABLE2 NJ.....163-165  
 HARNESS, BATT CABLE, 120V.....311  
 HARNESS, BATT CABLE, 240V.....311  
 HARNESS, BEACON OPTION.....163-165, 275  
 HARNESS, BOOM CABLE HIGH CAP.....163-165

- HARNESS,DEUTZ ENGINE.....164-165  
 HARNESS,DRIVE/LIFT INTERLOCK.....165  
 HARNESS,ENG/HYD HEATER,120V.....311  
 HARNESS,ENG/HYD HEATER,240V.....311  
 HARNESS,ENGINE GAUGE.....164-165  
 HARNESS,FORD DSG423,S60.....164-165  
 HARNESS,GAUGE OPT.,S60 DEUTZ.....164-165  
 HARNESS,GBOX WIRING.....163-165  
 HARNESS,GBOX,DUAL CAP RELAY.....164-165  
 HARNESS,GBOX,T4,S60/65.....163-165  
 HARNESS,GENERATOR POWER.....165  
 HARNESS,INJECTOR,DEUTZ D2.9...191, 193  
 HARNESS,JIB SELECT MANIFOLD...163-165  
 HARNESS,JIB,PBOX,S65.....164-165  
 HARNESS,LS,DRIVE ENABLE.....164-165  
 HARNESS,PBOX HI-CAP OPTION.....165  
 HARNESS,PBOX,S60/65.....163-165  
 HARNESS,PROX.KILL.....165  
 HARNESS,S60 TURBO DEUTZ SPEC.....164-165  
 HARNESS,TILT ALARM,12V.....165  
 HEAT SHIELD,ALTERNATOR,FORD.....207  
 HEAT SHIELD,DEUTZ STARTER.....181-182  
 HINGE,..375X.120THK.,SLOTTED.....155-156, 161  
 HINGE,GROUND BOX COVER.....297  
 HINGE,PLAT CONTROL BOX COVER.....277  
 HOOK,BATT HOLD DOWN,10".....133-134  
 HORN,12VDC,SPADE TERMINALS\*\*\*.....133-134, 137  
 HOSE ASM-JCAF310-06-41.....177  
 HOSE ASSEMBLY 3/8".....263  
 HOSE ASSEMBLY,1/2"\*\*\*.....293  
 HOSE ASSEMBLY,1/2,STR FEM.....269  
 HOSE ASSEMBLY,1/4".....319  
 HOSE ASSY 1",STR FEM,STR FEM.....259, 271  
 HOSE ASSY 1/4,90 FEM STR FEM.....263  
 HOSE ASSY 1/4,STR FEM,STR BULK.....261, 267  
 HOSE ASSY 3/8, STR FEM,STR FEM.....259, 263, 265  
 HOSE ASSY, 1-1/4", 76.75".....259  
 HOSE ASSY, 1/4", 713".....261  
 HOSE ASSY, 3/4", 28.55".....271, 313  
 HOSE ASSY, 3/4", 34.05".....269  
 HOSE ASSY, 3/4", 72.54".....259  
 HOSE ASSY,1",90 FEM,STR FEM.....259  
 HOSE ASSY,1/2".....259, 263, 267  
 HOSE ASSY,1/2"\*\*\*.....263, 265  
 HOSE ASSY,1/2,90 FEM,STR FEM.....259, 261, 263, 273  
 HOSE ASSY,1/2,90 FEM,STR FEM\*\*.....263  
 HOSE ASSY,1/2,STR FEM,STR FEM.....261, 273  
 HOSE ASSY,1/4 STR FEM,STR FEM.....263, 265  
 HOSE ASSY,1/4", 38.00.....261  
 HOSE ASSY,1/4,693".....261  
 HOSE ASSY,1/4,90 FEM,STR FEM.....259, 263, 267  
 HOSE ASSY,1/4,90 FEM,STR FEM\*\*.....261, 263, 267, 269  
 HOSE ASSY,1/4,STR FEM,STR FEM.....261  
 HOSE ASSY,1/4,STR FEM,STR FEM\*.....259, 261  
 HOSE ASSY,1/4,90 FEM,STR FEM.....263  
 HOSE ASSY,3/4".....263, 265  
 HOSE ASSY,3/4,45 FEM,STR FEM.....273  
 HOSE ASSY,3/4,45 FEM,STR MALE.....271, 313  
 HOSE ASSY,3/4,90 FEM,STR FEM.....259, 263, 265, 269, 273  
 HOSE ASSY,3/4,90 FEM,STR FEM\*\*.....263  
 HOSE ASSY,3/4,STR FEM,STR FEM.....259, 271, 273  
 HOSE ASSY,3/8,STR FEM,STR FEM.....263, 265  
 HOSE ASSY,3/8,STR FEM,STR,90D.....261  
 HOSE ASSY,LP GAS.....205  
 HOSE ASSY,3/4",90,FEM,STR FEM.....259  
 HOSE END .375 MPT X .25 HOSE.....141  
 HOSE END,BARB,1/4 MNPTX5/16,90.....214  
 HOSE END,BARB,1/4 MNPTX5/16,ST.....214  
 HOSE END,BARB,3/8 MNPT X 5/16.....141  
 HOSE GUIDE, JIB.....237  
 HOSE HANGER, MSG425.....211  
 HOSE, CLEAN AIR, MSG425.....209  
 HOSE, COOLANT BYPASS, MSG425.....205  
 HOSE, COOLANT, VAP, MSG425.....211  
 HOSE, INTAKE, 2"ID X 3".....219  
 HOSE, LOWER RADIATOR, MSG425.....211  
 HOSE, RAW AIR, DEUTZ D2.9.....195  
 HOSE, RAW AIR, MSG425.....209  
 HOSE, UPPER RADIATOR, MSG425.....209  
 HOSE,1/4 FUEL LINE,SAE 30R7.....141, 181-182, 185-186  
 HOSE,5/16 FUEL,SAE 30R7.....141, 182, 185-186  
 HOSE,AIR 3/8.....207  
 HOSE,AIR CLEANER.....181-182  
 HOSE,AIR CLEANER TO INTAKE.....213-214  
 HOSE,AIR INLET.....213-214  
 HOSE,AIR INTAKE 2.5" I.D.....301  
 HOSE,AIR INTAKE 2.50" ID.....195, 197  
 HOSE,ENGINE VENT,DEUTZ D2.9.....199  
 HOSE,EXPANSION TANK,D2.9.....199  
 HOSE,FUEL,1/2,D2.9,SUPPLY,QC.....201  
 HOSE,FUEL,1/2,S60,D2.9,SUPPLY.....141  
 HOSE,FUEL,5/16 HIGH PRES 3 IN.....143  
 HOSE,FUEL,5/16 HIGH PRES 35 IN.....143  
 HOSE,FUEL,5/16 HIGH PRESSURE\*\*.....143  
 HOSE,FUEL,5/16HIGH PRES 127 IN.....143  
 HOSE,FUEL,5/16HIGH PRS 40 IN.....143  
 HOSE,FUEL,5/16HIGH PRS 60 IN.....143  
 HOSE,LOWER RADIATOR,DEUTZ D2.9.....191, 193  
 HOSE,LOWER,RADIATOR,PERKINS.....213-214, 217  
 HOSE,PCV,DEUTZ D2.9.....195, 197  
 HOSE,RADIATOR VENT,DEUTZ D2.9.....199  
 HOSE,RAW AIR,DEUTZ D2.9.....197  
 HOSE,UPPER RADIATOR,DEUTZ D2.9...191, 193  
 HOSE,UPPER RADIATOR,PERKINS.....214, 217  
 HOSE-HEATER,5/8 ID-BLACK.....211  
 HOUR METER,10-80 VOLTS\*\*\*.....145  
 HOUSING,PUMP MOUNT (54573).....214  
 HUB.....131  
 HUB SCREW.....121-122  
 HUBBLE NUT, PG11.....311  
 HYD. HOSE ASSEMBLY 3000 PSI.....131  
 HYDRAULIC TANK ASSEMBLY.....133-134
- I**
- IDLER BRACKET.....207  
 INJECTOR, FUEL(DEUTZ F3L2011F).....182  
 INJECTOR, FUEL, MSG425.....205  
 INSTRN, TRC RETROFIT, STNDRD.....163-165  
 INSTRUCTIONS,PANEL CRADLE.....283  
 INSTRUCTIONS-PIPE CRADLE,BOOMS...283  
 INTAKE BREATHER.....203  
 INTAKE MANIFOLD.....213-214, 223  
 INTAKE MANIFOLD, MSG425.....205  
 ISOLATOR, DEPR.....211  
 ISOLATOR, VIBRATION.....191, 193, 199, 211  
 ISOLATOR,ENGINE VIBRATION.....185-186, 189  
 ISOLATOR,ENGINE VIBRATION\*\*\*.....181-182, 201, 211, 223  
 ISOLATOR,VIBRATION,M8 MALE/FEM.....214, 217
- J**
- J-BOX ASSEMBLY,8X10.....303  
 J-BOX,CIRCUIT BREAKERS,8X10\*\*\*.....303  
 JIB BOOM ASSY W/SYMBOL DECAL.....237  
 JIB BOOM ASSY W/WORD DECAL.....237  
 JOYSTICK CONNECTOR ASSEM,DEUT...255  
 JOYSTICK,1 AXIS ROCKER,DEUTSCH.....257  
 JOYSTICK,2 AXIS,ROCKER,DEUTSCH.....257  
 JOYSTICK,2 AXIS,ROCKER,DEUTSCH.....257  
 JOYSTICK,DUAL AXIS W/KNOB.....257  
 JOYSTICK,DUAL AXIS W/STEER.....257  
 JOYSTICK,SINGLE AXIS W/STEER.....257  
 JUMPER COMB, 2-WAY,WIELAND.....147, 153  
 JUMPER COMB, 3-WAY,WIELAND.....147, 153
- K**
- KEEPER,LATCH (45363).....161  
 KEY SINGLE\*\*\*.....145, 149-150  
 KEY, HEX, 5/16" X 2.50"LG,SS.....226  
 KEYS,10 PACK\*\*\*.....145, 149-150  
 KEYSWITCH,3 POS. W/KEYS\*\*\*.....145, 149-150  
 KIT, AUX TOP RAIL SUPPORT.....277  
 KIT, BRAKE SPRING.....155-156  
 KIT, EXPANSION TANK SUPPORT%\*.....199  
 KIT, FRICTION DISC.....155-156  
 KIT, GLAND NUT, S60 LIFT CYL.....159, 225-226  
 KIT, HD STARTER INSTALL, MSG-4.....205  
 KIT, HEAT GUARD, DEUTZ STARTER.....181-182  
 KIT, ISOLATION, 2 JOYSTICK.....257  
 KIT, LEVEL SENSOR, 6 PIN CONN.....137, 163-165  
 KIT, OPA WELDER BRACKET.....325  
 KIT, RETROFIT, WELDGEN, MAG BREAKER.....303  
 KIT, SEAL, PUMP, 1 SECTION.....177  
 KIT, SEAL, PUMP, 2 SECTION.....177  
 KIT, SWING BRAKE REBUILD.....155-156  
 KIT, TERMINAL BLOCK.....147  
 KIT, TRC RETROFIT, STNDRD.....163-165  
 KIT,BRAKE SPRING\*\*\*.....155-156  
 KIT,CHARGE PUMP.....177  
 KIT,CHARGE PUMP HOUSING.....177  
 KIT,ELEMENT\*\*.....133-134  
 KIT,EXTEND/RETRACT CABLE,S60.....231  
 KIT,FAN SUPPORT RETRO,FORD MSG.....207



## Part Description Index (continued)

KIT,FBA STYLE COUPLER,PERKINS.....214, 219  
 KIT,FBA STYLE COUPLER,SAE8.....181-182  
 KIT,FIELD INSTALL,SWING GATE.....279  
 KIT,FRICITION DISC\*\*\*.....155-156  
 KIT,GASKET,UK POWER TO PLAT.....293  
 KIT,GEN. PRESSURE SWITCH.....315  
 KIT,MED PRES FUEL SUPPLY,D2.9.....201  
 KIT,MTE&OIL COOL,120V50HZ,S60.....315  
 KIT,MTE&OIL COOL,120V60HZ,S60.....315  
 KIT,MTE&OIL COOL,240V50HZ,S60.....315  
 KIT,OP SWITCH,DEUTZ.....182  
 KIT,PANEL CRADLE BRACKET,WORD.....283  
 KIT,PANEL CRADLE BRACKET,SYMBL.....283  
 KIT,PRIMER BULB.....182  
 KIT,PUMP SHAFT SEAL W/INST\*\*\*.....177  
 K I T , R E P A I R , D E U T S C H  
 CONNECTORS\*.....163-165, 257  
 KIT,REPAIR,DEUTSCH PLUG,W/TUBE.....163-  
 165, 257  
 KIT,SEAL,3CC PUMP\*\*\*.....214  
 KIT,STRAINER REPLACEMENT.....259  
 KIT,SWING BRAKE REBUILD\*\*\*.....155-156  
 KIT,TRAX,9-BOLT,S60 W/OMNI HUB.....131  
 KIT,TRAX,9-BOLT,S60 W/RR HUBS.....131  
 KIT,WATER PUMP 2.9 L4.....203  
 KIT,WELD LEADS ASSY,V275S.....305  
 KIT,WIRE,12.5KW WELDER.....305  
 KNOB,JOYSTICK, 62390/62391.....257  
 KNOB,ROCKER JOYSTICK 75565.....257

## L

L.P.TANK LATCH.....317  
 LABEL, GBOX, S60TX ANSI TIER 4.....77  
 LABEL, GBOX, S60X TIER 4.....45, 61  
 LABEL, PBOX, S60TX ANSI TIER 4.....83  
 LABEL, PBOX, S60X TIER 4.....51  
 LABEL, PBOX, S60XC TIER 4.....67  
 LABEL, PBOX, S65 TIER 4.....35, 99  
 LABEL, SCON SOFTWARE,S60HC.....109  
 LABEL, TCON SOFTWARE,S60HC.....109  
 LANYARD,PLATFORM CONTROL BOX.....255  
 LATCH,FLEXIBLE.....133-134  
 LATCH,SLIDE, FLUSH MOUNT STYLE.....277,  
 297  
 LENS,AMBER,STROBE,FIREBOLT.....275  
 LEVEL SENSOR,LS60,YL,2.5X4.5.....137  
 LEVER, GOVERNOR ACTUATOR.....181-182  
 LEVER,GOVERNOR ACTUATOR\*\*.....185-186  
 LID ENCLOSURE,RED,OPA.....325  
 LIFT PUMP,FUEL,DEUTZ.....201  
 LIGHT, 12 VOLT.....275  
 LIGHT,LED IND. AMBER 12V NH.....251-252  
 LIGHT,LED IND. RED 12V NH.....145, 149-150,  
 251-252  
 LIMIT SWITCH,BLUE,MICRO.....233  
 LINING KIT,BRAKE,OMNI\*\*\*.....118, 121-122  
 LOAD CELL FLEXURE.....239  
 LOAD SUPPORT W/BEARINGS.....243  
 LOCK,PLUG 2 WAY, 14-18GA.....311  
 LOCK,PLUG 3 WAY,14-18GA.....311  
 LOCK,PLUG 6 WAY 18-20GA.....163-165  
 LOCK,RECEP 2 WAY, 14-18GA.....275, 311  
 LOCK,RECEP 3 WAY,14-18GA.....311  
 LOCK,RECEP 4 WAY,14-18GA.....163-165  
 LOCK,RECEP 6 WAY,14-18GA.....159  
 LOCKNUT,ELEC,1/2".....293, 315  
 LOCKNUT,ELECTRIC,1" NPT.....303  
 LOCKNUT,FLANGE,5/8-11,GR8.....131

LOCKOFF,LP,FORD DSG-423.....211  
 LOCKRING, RR\*\*\*.....118, 121-122  
 LOWER IDLER PULLEY, MSG425.....207  
 LT.LAMP IND. AMBER 12V ENG.NH.....145  
 LT.LAMP IND.AMBER 12V NH.....251-252  
 LUG,STUD/WHEEL (88887).....118, 121-122

## M

MACH,PLATE,LOAD SUPPORT.....239  
 MACH. MOUNTING BLOCK.....127  
 MACH.,PLATE,STOP.....239  
 MACHINED PIVOT PLATE WELDMENT.....229  
 MACHINED,LOAD CELL LINK.....239  
 MAGNET,NEODYMIUM,.375 X .100.....289  
 MALE PIPE THD,1/4" SER,3/8"X18.....293  
 MANIFOLD ASSEMBLY, GEN.....315  
 MANIFOLD, BRAKE 2-SPEED.....179  
 MANIFOLD,DRIVE OIL DIVERTER.....303  
 MANIFOLD,EXHAUST,PERKINS 404F.....223  
 MANIFOLD,FUNCTION.....167-168  
 MANIFOLD,JIB SELECT W/QD PLUG.....175  
 MANIFOLD,JIB SELECT W/QD PLUG\*  
 (88786).....175  
 MANIFOLD,ROTATOR,CB\*\*\*.....175  
 MANIFOLD,TRACTION,2WD.....171  
 MANIFOLD,TRACTION,4WD\*\*\*.....173  
 MANUAL BOX W/DECALS\*\*\*.....249  
 MANUAL, DEUTZ D2.9 ENGINE.....203  
 MANUAL,OPERATORS PERKINS 404.....213-  
 214  
 MAP SENSOR, DSG-423.....205  
 MESH,HALF,LH 5' PLATFORM.....279  
 MESH,HALF,LH,6'PLATFORM.....279  
 MESH,HALF,RH 5' PLATFORM.....279  
 MESH,HALF,RH,6'PLATFORM.....279  
 MESH,HALF,SWING GATE\*\*\*.....279  
 MIXER, MSG425.....205  
 MODULE,CONTROL UNIT,PCB,OPA.....325  
 MODULE,CONTROL,HI AMP.....147, 153  
 MODULE,FUSE&RELAY,DEUTZ 2.9.....133-  
 134  
 M O D U L E , F U S E & R E L A Y , P E R K I N S  
 404F.....133-134  
 MODULE,IGNITION/START,12/24V.....147  
 MODULE,LOAD SENSE 2007.....147  
 MODULE,TIME DELAY ON BREAK 4S.....147,  
 153  
 MOTOR,12VDC,77066.....137  
 MOTOR,HYD,25CC FIXED\*\*\*.....307  
 MOTOR,PISTON,30CC,4WD\*\*\*.....118, 121-  
 122  
 MOTOR,PISTON,35CC,2WD\*\*\*.....122  
 MOUNT COVER.....307  
 MOUNT, STRING POT, S60HC.....245  
 MOUNT,GROUND CONTROL BOX LH.....149-  
 150  
 MOUNT,GROUND CONTROL BOX RH.....149-  
 150  
 MOUNT,SWITCH.....243  
 MOUNTING BAND,AIR CLEANER.....185-186  
 MOUNTING BAND,MUFFLER,8.0".....209  
 MPT,CPLR,1/4"SER,3/8"X18.....293  
 MUFFLER,2.5"INLET/OUTLET.....185-186  
 MUFFLER,6".....214  
 MUFFLER,CAT/SPARK,DEUTZ.....181-182,  
 185-186  
 MUFFLER,CATALYTIC.....214  
 MUFFLER,DEUTZ.....181-182  
 MUFFLER,SPARK ARRESTOR.....214

## N

NIPPLE,DIAGNOSTIC,#6 PORT\*\*\*.....259, 261,  
 263  
 NIPPLE,DIAGNOSTIC,ORFS,FM,SWIV.....259,  
 267  
 NIPPLE,STEEL PIPE,1/4NPTX1 LG.....131  
 NIPPLE,STEEL PIPE,1/4NPTX2.5LG.....131  
 NON-STEER AXLE ASSEMBLY.....129  
 NON-STEER AXLE ASSEMBLY\*\*.....121-122  
 NOTE: The 2nd LP Carrier may be located on  
 either side of the machine.....317  
 NUT.....145, 149-150  
 NUT - PLASTIC,RING FOR ALARMS.....133-  
 134, 252, 275  
 NUT HEX M5-0.8 CLASS 8 ZINC.....255  
 NUT, EXH. MANIFOLD, MSG425.....207  
 NUT, FLANGE, 3/4-16 UNF GR8.....127, 129  
 NUT, LP NYLOCK, 3/8-16.....214, 249, 283  
 NUT, PISTON, LIFT CYLINDER.....225-226  
 NUT, PROPORTIONAL VALVE.....168  
 NUT,1/4-20,8,ZAG.....287  
 NUT,3/8-16,8,ZAG.....287  
 NUT,BULKHEAD,520118-4.....261  
 NUT,EXHAUST,PERKINS 404F.....223  
 NUT,HEX,1/4-28.....125  
 NUT,HEX,10-24.....182  
 NUT,HEX,5/16-18,GR5.....303  
 NUT,HEX,FLANGE 5/8-18,GRD 8 ZI.....121-  
 122  
 NUT,HEX,JAM,3/4-10.....155-156  
 NUT,HEX,JAM,3/8-24.....159  
 NUT,HEX,JAM,3/8-24, LEFT HAND.....159  
 NUT,HEX,M8,PLASTIC.....289, 291  
 NUT,LOCKING-LG.FLANGE,1/4-20.....209, 219  
 NUT,LOCKING-LG.FLANGE,5/16-18.....133-  
 134, 209, 219  
 NUT,LOCKING-LRG.FLANGE,3/8-16.....191,  
 193, 211  
 NUT,LP NYLOCK,1/4-20...199, 247, 255, 277,  
 281, 283, 295  
 NUT,LP NYLOCK,10-32.....311  
 NUT,LP NYLOCK,3/8-24.....159  
 NUT,LP NYLOCK,5/16-18.....205  
 NUT,M4 NYLOCK.....325  
 NUT,NYLOCK FLG,1/4-20,F,ZAG.....283  
 NUT,NYLOCK FLG,3/8-16,F,ZAG.....283  
 NUT,NYLOCK,1-8.....133-134, 139, 237, 243  
 NUT,NYLOCK,1-8,GR8.....239, 241  
 NUT,NYLOCK,1/2-13.....156, 181-182, 201,  
 211, 219, 223, 225-226, 231, 303, 315  
 NUT,NYLOCK,1/4-20.....125, 133-134, 137,  
 139, 143, 147, 155-156, 161, 191, 193, 195,  
 197, 199, 201, 211, 213-214, 217, 219, 229,  
 231, 233, 237, 243, 245, 247, 249, 279, 289,  
 295, 299, 303, 313  
 NUT,NYLOCK,10-24.....125, 185-186, 201, 243  
 NUT,NYLOCK,10-32.....133-134, 147, 153,  
 159, 161, 245, 255, 275  
 NUT,NYLOCK,3/4-10,GRD.8.....229, 231  
 NUT,NYLOCK,3/8-16.....118, 133-134, 141,  
 143, 155-156, 159, 185-186, 189, 199, 201,  
 209, 211, 214, 217, 223, 233, 235, 237, 239,  
 241, 243, 247, 249, 285, 293, 297, 305  
 NUT,NYLOCK,5/16-18.....161, 181-182, 189,  
 191, 193, 199, 211, 214, 233, 249, 305, 315  
 NUT,NYLOCK,5/8-11.....185-186, 189  
 NUT,NYLOCK,6-32.....255  
 NUT,NYLOCK,7/16-14.....226  
 NUT,NYLOCK,8-32.....233

NUT,NYLOCK,M10X1.50.....219, 221  
 NUT,NYLOCK,M6X1.00.....214  
 NUT,SOLENOID.....179, 303  
 NUT,SOLENOID VALVE 2P3W.....167-168  
 NUT,SOLENOID VALVE COIL.....167-168  
 NUT,STEM,EATON\*\*\*.....177  
 NUT,TL FLG,1/2-13,G,ZAG.....323  
 NUT,TL FLG,1/4-20,G,ZAG.....161, 289, 291, 325  
 NUT,TL FLG,3/8-16,G,ZAG.....289, 291, 323, 325  
 NUT,TL FLG,M6-1.0,DIN6927,10,ZAB.....214  
 NUT,TL FLG,M8-1.25,DIN6927,10,ZAB.....214  
 NUT,TL,M5-0.8,DIN980,10,ZAB.....214  
 NUT,WING,1/4-20.....133-134  
 NUT-COIL SHORT.....175  
 NUT-FLANGE, 8MM (62849).....213-214  
 NUTSERT,1/4-20,STEEL CAD PLTD.....147, 153  
 NUTSERT,10-32 STEEL CAD PLTD.....299  
 NUTSERT,LP KNURLED,1/4-20X.165.....145, 149-150, 255

**O**

O-RING, CAMSHAFT POSITION SENSOR.....203  
 O-RING, CRANKSHAFT POSITION SENSOR.....203  
 O-RING, FUEL LIFT PUMP.....185-186  
 O-RING, INTAKE AIR PRESSURE SENSOR.....203  
 O-RING, OIL PRESSURE SENSOR.....203  
 O-RING, RIBBED, MSG425.....205  
 O-RING, ROTATOR MANIFOLD.....175  
 O-RING, SMOOTH, MSG425.....205  
 O-RING, WATER PUMP.....203  
 O-RING,.070 X .239,VITON 75D.....121-122  
 O-RING,.103 X 4.737,VITON, 75D.....118, 121-122  
 O-RING,2-010,VITON.....122  
 O-RING,2-042 N674-70\*\*\*.....177  
 O-RING,67.95X2.62-NBR-70SH(HF2P)(60334).156  
 O-RING,DIPSTICK,MSG425.....205  
 O-RING,END COVER,OMNI\*\*\*.....117-118, 121-122  
 O-RING,MOTOR/BRAKE\*\*\*.....155-156  
 O-RING,PIPE PLUG KIT,OMNI\*\*\*.....118, 121-122  
 O-RING,SEAL RING,1" NPT.....303  
 O-RING,STEM,EATON.....177  
 OIL COOLER W/FAN, 12VDC.....313  
 OIL COOLER,TD2.9.....203  
 OIL FILTER - PERKINS.....213-214, 217  
 OIL FILTER,DSG-423.....205  
 OPTION,ROCKER STEER.....255  
 ORIFICE DISC,.030,CONE.....303  
 ORIFICE PLUG .025 DIA.....179  
 ORIFICE PLUG, 0.070".....171  
 ORIFICE, 0.040".....173  
 ORING, OIL DIP STICK.....203  
 OUTLET,110V GFCI\*\*\*.....293  
 OXIDATION CATALYST,DEUTZ.....203

**P**

PAD,REST,1"THICK,FLANGED.....283  
 PADDING, FOAM, 15.5".....289, 291  
 PADDING, FOAM, 46.5".....289, 291  
 PADDING,FOAM 3.5"OD X 1.50"ID.....289, 291

PADDING,FOAM,3.0"X1.50ID 90DEG.....289, 291  
 PBOX ASSY,DEUTZ T4,DUAL CAP.....251-252  
 PBOX ASSY,DEUTZ T4,SGL CAP.....251-252  
 PBOX ASSY,PERKINS T4,DUAL CAP.....251-252  
 PBOX ASSY,PERKINS T4,SGL CAP.....251-252  
 PIN, LIFT CYL, HEX END.....226  
 PIN, STEER BELLCRANK CLEVIS.....149-150  
 PIN,.75DIA X 6.38 LG,2RING.....239  
 PIN,0.75DIA X 5.75LG,CHAMFER.....243  
 PIN,1.25 X 13.25 IN,CHAMFER.....155-156  
 PIN,1.250 X 9.25, 2 RINGS.....247  
 PIN,1.25DIA X 14.45LG,2HOLE.....237  
 PIN,1.25DIA X 3.37LG,1HOLE.....225-226  
 PIN,1.25DIA X 5.25LG,1HOLE.....235, 237, 239, 241  
 PIN,1.25DIA X 7.00LG,1HOLE.....237  
 PIN,1.25DIA X 7.47LG,2RING.....235, 237, 239, 241  
 PIN,1.25DIA X 7.88LG,1HOLE.....237  
 PIN,1.25DIA X 8.42LG,2RING.....235, 237, 239, 241  
 PIN,1.5 X 5.50 LG.....231  
 PIN,1.50DIA X 13.43LG,2RING.....229  
 PIN,1.50DIA X 3.75LG,1HOLE.....118  
 PIN,1.50DIA X 9.38LG,1HOLE.....118  
 PIN,2 X 5.75 LG.....225-226  
 PIN,2.00DIA X 11.18LG,2RING.....225-226  
 PIN,2.00DIA X 20.88LG,CHAMFER.....121-122  
 PIN,2.00DIA X 23.13LG,CHAMFER.....118  
 PIN,2.00DIA X 24.00LG,CHAMFER\*\*\*.....225-226  
 PIN,2.25DIA X 18.75LG,CHAMFER.....225-226  
 PIN,2.25DIA X 19.25LG,CHAMFER.....225-226  
 PIN,CLEVIS,1 X 2.5 LG.....117-118, 229  
 PIN,CLEVIS,1.25 X 5.0,ZINC.....319  
 PIN,CLEVIS,1.25 X 6.0,ZINC.....319  
 PIN,CLEVIS,1X2.250,ZAG.....231  
 PIN,COTTER,.156 X 1.75.....231, 247  
 PIN,GROOVE/HOLE,1.50 DIA X 4.475.....118  
 PIN,LOCK,SHORT\*\*\*.....279  
 PIN,STORAGE,TOW PACKAGE.....319  
 PINCH GUARD RAIL,6' PLATFORM.....277  
 PINCH GUARD RAIL,8' PLATFORM\*\*.....277  
 P I N S , C O N N E C T O R , I N J HARNESS,D2.9.....191, 193  
 PIPE CRADLE ASSY. SERV (ONE)\*\*.....283  
 PIPE PLUG KIT,OMNI\*\*\*.....118, 121-122  
 PIPE,COOLANT RETURN, MSG425.....207  
 PLAT ASSY,TRI ENT,8'.....281  
 PLAT ASSY,TRI ENT,S60/65,6'.....281  
 PLAT. FLOOR, 5FT, PAINTED.....249  
 PLATE BACKING, WIPER 1 TO 2.....295  
 PLATE BACKING, WIPER 2 TO 3.....295  
 PLATE, AIR CLEANER, 404F-22.....219  
 PLATE, COVER, FUEL LEVEL SNDR.....143  
 PLATE, HAMMER SHIM 1/2".....127  
 PLATE, INT. MFLD ADAP, MSG425.....207  
 PLATE, INT. SHRD SEAL, MSG425.....211  
 PLATE,ANTIROTATION.....229  
 PLATE,BACKING BELLOWES.....299  
 PLATE,BACKLASH ADJUSTMENT MACH.....155-156  
 PLATE,BOTTOM BLOCK,PAINTED.....231  
 PLATE,CHASSIS ATTACHMENT.....319  
 PLATE,ENGINE SUPPORT SPACER.....211  
 PLATE,HINGE SUPPORT.....161

PLATE,JIB,ROTATE MANIFOLD.....249  
 PLATE,PLAT HEAT,ALC500 GEN II.....321  
 PLATE,PLATFORM DECALS\*\*\*.....249  
 PLATE,PRIMARY BOOM SIDE.....153  
 PLATE,RETRACTION CABLE EQUALIZ.....231  
 PLATE,ROCKER.....229  
 PLATE,SWIVEL ROTATION STOP.....156  
 PLATE,TAP BLOCK.....231  
 PLATE,UK,POWER TO PLAT.....293  
 PLATFORM CONTROL BOX W/DECAL.....255  
 PLATFORM CONTROL BOX,PAINTED.....255  
 P L A T F O R M S U P P O R T WELDMNT-SERV\*.....237, 243  
 PLUG, 3P,30A, 4 WIRE, MALE.....305  
 PLUG, OIL DRAIN, MSG425.....207  
 PLUG, TYPE F, 230A, 50HZ, 16A, IP44.....293  
 PLUG,1/2" HUBBLE.....303  
 PLUG,4-WIRE,3-PHASE,50A,MALE.....305  
 PLUG,BLANKING.....165  
 PLUG,ENGINE OIL,DEUTZ F4L2011.....203  
 PLUG,FUSED,250V,13AMP,U.K.\*\*.....293  
 PLUG,HEX SOCKET,090109B-12.....271  
 PLUG,HEX SOCKET,090109B-4.....156  
 PLUG,HEX,090109A-4.....265, 267  
 PLUG,HEX,090109A-8\*\*\*.....265  
 PLUG,NYLON .38 BLACK DOMED...145, 149-150  
 PLUG,NYLON .50 BLACK DOMED.....145, 147  
 PLUG,NYLON .875 BLACK DOMED.....147, 255  
 PLUG,NYLON 1.12 BLACK DOMED.....147, 153  
 PLUG,NYLON, .94X1.65 BLK DOMED.....147, 153  
 PLUG,ORB #6.....156  
 PLUG,PWR,UK,16AMP,3PIN,BLK.....293  
 PLUG,SANTOPRENE .5 BLACK DOME...145, 149-150, 251-252  
 POSITION TRANSDUCER,LINEAR,2CH....245  
 POTENTIOMETER ASSY, WELDER.....147  
 POWER UNIT,AUX PUMP 12VDC.....137  
 PRE-FILTER,FUEL,DEUTZ.....201  
 PRECLEANER,AIR INTAKE\*\*\*.....301  
 PRESSURE PUMP,PERKINS 404F-22T.....217  
 PROXIMITY SENSOR\*\*\*.....289, 291  
 P U L L E Y ASSEMBLY,ALTERNATOR,TCD.....203  
 PULLEY, WATER PUMP.....214, 221  
 P U L L E Y , A L T E R N A T O R , D E U T Z BF4L2011.....185-186  
 PULLEY,BELT TENSIONER,D2.9L4.....199  
 PULLEY/TENSIONER, MSG425.....207  
 PUMP ASSY,AUX.POWER UNIT 89617.....137  
 PUMP MOUNT,FORD DSG423.....209  
 PUMP MOUNT,PERKINS 404F-22.....219  
 PUMP,FUEL 2011 DEUTZ \*\*\*.....182, 185-186  
 PUMP,FUEL INJ,DEUTZ BF4L20.....189  
 PUMP,FUEL,HI PRESS,DEUTZ TD2.9.....199  
 PUMP,LIFT(FUEL) PERKINS(54555).....213-214, 221  
 PUMP,LIFT,1 SECTION.....177  
 PUMP,LIFT,2 SECTION\*\*\*.....177  
 PUMP,PISTON,49CC\*\*\*.....177  
 PUMP,PRIMER,PERKINS\*\*\*.....213-214, 221  
 PUMP,WATER,PERKINS 404F.....221

**R**

RADIATOR, CAPLESS, DEUTZ D 2.9.....191, 193

## Part Description Index (continued)

RADIATOR,FORD DSG423 & MSG425.....211	RELAY,TIME DELAY,2 SEC,30A.....164-165, 255	SCREW,BHHS,3/8-16 X 1.25.....231
RADIATOR,FORD/PERKINS***.....214, 217	RELIEF,VALVE 270 PSI.....303	SCREW,BHSC,1/4-20 X 1.....291
RAILING CATCH CASTING--DRILLED.....279	REPAIR KIT,4 LINK,W/GUIDE.....247	SCREW,BLEEDER,M5X0.8.....235, 237
RECEPTACLE, 120VAC, 20A, GFCI.....303	RESISTOR,10 OHM,25 WATT.....147, 153, 321	SCREW,DP200 M3X10 4PACK.....149-150
RECEPTACLE,UK,110V.....293	RESISTOR,5 OHM,25W***.....147, 153	SCREW,FHS,3/8-16 X 2 GRD.8.....155-156
RECEPTCL,LOCK 3-PH,50A,4 WIRE.....305	RESISTOR,7.5 OHM,25 WATT,1PCNT.....147, 153	SCREW,FLANGE,HHC,5/8-11X2,GR8.....131
REDUCER,3" TO 2.75".....185-186	RETAINER,GAS SPRING***.....161	SCREW,GEN ROTOR.....315
REDUCER,520123-16-12.....271	RETAINER,SPRING,1.21 X .375.....243	SCREW,HHC,1-8 X 11,GRD 5***.....237, 243
REDUCER,520123-8-4.....259, 273	RETAINER-N.C.PROPOR.SOLENOID.....167-168	SCREW,HHC,1-8 X 12 GRD 5.....133-134, 139
REF. WHEEL AND TIRE ASSEMBLY.....121-122	RING / SEALING.....203	SCREW,HHC,1-8X12.75,5,ZAG.....239, 241
Ref: Bar Clamp, Cable Track.....231	RING GEAR,DEUTZ F3L2011F.....203	SCREW,HHC,1/2-13 X 1.25 GR5.....133-134, 159, 181-182, 209, 226
Ref: Boom Tube #1.....225-226	RING,RETAINING***.....121-122	SCREW,HHC,1/2-13 X 1.5.....118, 177, 185-186, 219, 225-226
Ref: Brake and 2 Speed Manifold.....156	RING,RETAINING,INTERNAL.....118, 121-122	SCREW,HHC,1/2-13 X 1.5 GRD 8.....195, 197, 231
Ref: Bulkhead, Left Rear.....134	RIVET,ALUM,ALUM,3/16BUTTONHEAD.....277	SCREW,HHC,1/2-13 X 1.75.....211, 307
Ref: Cable Track.....229	RIVET,ALUM,ALUM,P,25X.375.....297	SCREW,HHC,1/2-13 X 1.75 GRD 8.....155-156
Ref: Cable Track Guide.....229	RIVET,ALUM,P,188 X .25.....247	SCREW,HHC,1/2-13 X 2 GR5.....156
Ref: Cable Track Tray.....229	RIVET,ALUM,P,25X.625.....297	SCREW,HHC,1/2-13 X 2.5,GR5.....303, 315
Ref: Cable Track Tube.....229	RIVET,STEEL,P, .25 X .375.....279	SCREW,HHC,1/2-13 X 2.75.....125, 211
Ref: CABLE,S60 & S65 12VDC WORK LIGHT.....285	RIVET,STL,STL,DOME,1/8X.25,ZAG.....321	SCREW,HHC,1/2-13 X 3...181-182, 201, 213-214, 223
Ref: Control Box Cover.....161	ROCKER ASSY,MAGNETIC 75565.....257	SCREW,HHC,1/2-13 X 4.5,GRD.8.....225-226
REF: Descent Alarm.....275	ROCKER,RETAINER, 75565.....257	SCREW,HHC,1/2-13X1.25,GR8,Y.....239, 241
REF: Engine Baffle, DEUTZ D2.9.....156	ROD END,250 X 2.75 LG.....239, 243	SCREW,HHC,1/4-20 X .75.....122, 133-134, 145, 149-150, 156, 161, 191, 193, 195, 197, 199, 209, 217, 219, 223, 226, 229, 231, 237, 245, 247, 249, 255, 277, 279, 281
REF: Engine Baffle, FORD MSG-425.....156	ROD END,.375 X 2.25***.....118, 225-226	SCREW,HHC,1/4-20 X 1...133-134, 137, 147, 155-156, 161, 191, 195, 197, 201, 209, 213-214, 217, 219, 223, 229, 243, 245, 249, 289, 295, 299, 303, 313
REF: Engine Baffle, PERKINS 404F-22.....156	ROD END,.375 X 3.69.....118, 155-156, 235, 237, 239, 241	SCREW,HHC,1/4-20 X 1.25.....137, 143, 161, 213-214, 219, 237, 297
Ref: Engine Tray.....181-182, 201	ROD END,5 X 3.75,ZAG...118, 121-122, 225-226	SCREW,HHC,1/4-20 X 1.5.....211, 233, 285
Ref: Engine Tray with Bearing.....189	ROD END,BALL JOINT 1/4-28.....125	SCREW,HHC,1/4-20 X 1.75.....225-226, 313
Ref: Extension Cylinder.....231	ROD END,CABLE.....229, 231	SCREW,HHC,1/4-20 X 2.....134, 143, 231, 277
Ref: Foot Switch Assembly.....163-165	ROD,DISCONNECT,OMNI***.....117-118, 121-122	SCREW,HHC,1/4-20 X 2.25.....125, 229, 247
Ref: Fuel Tank.....137	ROLLER ARM,LIMIT SWITCH***.....164-165	SCREW,HHC,1/4-20 X 2.5.....247
Ref: Half Mesh.....277	ROLLER,1/2" ALUMINUM.....231	SCREW,HHC,1/4-20 X 2.75.....226
Ref: HARN,12V WORK LIGHT RELAY.....285	ROLLER,1/2" PVC.....231	SCREW,HHC,1/4-20 X 3.....247
REF: Harness, Dual Cap Relay.....147	ROTATIONAL LIMITER FRONT LEFT.....127, 131	SCREW,HHC,1/4-20 X 4.5.....139
Ref: Harness, Power to Platform.....293	ROTATIONAL LIMITER FRONT RIGHT.....127, 131	SCREW,HHC,1/4-20X.75,8,ZAG.....122
Ref: Harness, Primary Ext/Ret Limit Switch.....229	ROTATOR MOUNT KIT.....243	SCREW,HHC,1/4-20X1.8,ZAG.....287
Ref: HARNESS,12V WORK LIGHTS.....285	ROTATOR,NON-JIB.....235	SCREW,HHC,1/4-20X1.75,8,ZAG.....319
Ref: Hose/Cable Clamps.....231	ROTATOR,PLAT JIB,160 DEG***.....237	SCREW,HHC,10-24 X .75.....201
Ref: Hydraulic Generator.....303	ROTATOR,PLATFORM,15K.....239, 241	SCREW,HHC,3/4-10 X 1.5.....127
Ref: Hydraulic Motor for Generator.....303	RUE RING 1.00.....117-118	SCREW,HHC,3/4-10 X 4 FULL THRD.....155-156
Ref: Hydraulic Motor Mount.....307		SCREW,HHC,3/8-16 X .625.....209
Ref: Jib Manifold.....249		SCREW,HHC,3/8-16 X .75.....118, 156, 211, 223, 237
Ref: Platform Support.....249		SCREW,HHC,3/8-16 X 1...118, 121-122, 133-134, 137, 159, 181-182, 185-186, 201, 213-214, 223, 225-226, 229, 231, 235, 237, 239, 275, 297
REF: Platform Weldment.....279		SCREW,HHC,3/8-16 X 1 GRD 8.....237, 243
Ref: Primary Ext/Ret Harness.....225-226		SCREW,HHC,3/8-16 X 1.25 GRD 5...133-134, 143, 189, 199, 211, 229, 231, 233, 245, 247, 249, 293, 301
Ref: Pumps.....185-186		SCREW,HHC,3/8-16 X 1.75,GRD.8.....211, 233
Ref: Ref: Harness LS, OP, Primary Angle.....225-226		SCREW,HHC,3/8-16 X 2.....118, 141, 143, 295
Ref: Ref: Harness LS, OP, Primary Velocity.....225-226		SCREW,HHC,3/8-16 X 2.5.....285, 297
Ref: Ref: Harness LS, Safety, Primary Velocity.....225-226		SCREW,HHC,3/8-16 X 2.75.....209
Ref: Swing Gate.....277		SCREW,HHC,3/8-16 X 3.....118
Ref: Weldment Track Pull Tube.....231		SCREW,HHC,3/8-16 X 3.25.....243
REGULATOR, LP, MSG425.....211		SCREW,HHC,3/8-16 X 3.5,GR5.....231
REGULATOR,LP PRESSURE,MSG425.....205		SCREW,HHC,3/8-16 X 7.....247
RELAY MODULE(89996,89998).....186		
RELAY, 12V MICRO, 35AMP.....133-134		
RELAY, POWER & FUSE MODULE.....133-134		
RELAY,12VDC,70AMP,SEALED.....147		
RELAY,OMRON,DPDT,12V.....147, 153		
RELAY,PWR/FUEL,FORD DSG423.....205		
RELAY,SOCKET,OMRON.....147, 153		
RELAY,SPDT,12V(AUTO) PLUG IN**.....147, 153		
RELAY,STARTER,FORD DSG423.....205		
RELAY,TIME DELAY,2 SEC,10A.....147, 153		

## S

S60 PBOX ASSY, COMMON.....251-252

S60 TOW PACKAGE.....319

SCREW PH M5-0.8X20 DIN 7500CE.....251-252, 255

SCREW T-SWITCH PH/PH 6-32X1/4.....149-150, 251-252

SCREW, BHC, 1/4-20 X 1, ZAG.....289

SCREW, FHSC, 1/2-13X1.00.....131

SCREW, HCC, 3/8-16 X 1.50.....155-156, 201, 239, 241, 317

SCREW, HHC, 1/4-20 X .5.....117-118, 147, 153, 209

SCREW, HHC, 1/4-20 X .625.....283

SCREW, HHC, M10 X 1.5 X 50...209, 219, 221

SCREW, HHC, M8 X 1.25 X 12.....214, 219

SCREW, PHM, #6-32 X .625 ZINC.....257

SCREW,10-24 X.5 TORX PAN HD\*\*\*.....247

SCREW,10-32 X.625,SF.TAP.PHIL.....133-134

SCREW,5/16-18X1.00,SECURITY TO.....305

SCREW,BHHS,3/8-16 X 1.....229



SCREW,HHC,3/8-16X2.5,8,ZAG.....287	SCREW,RHM,10-32 X 1.....275	SEAL-VALVE SYSTEM (A).....213-214
SCREW,HHC,5/16-18 X .75.....285, 303	SCREW,RHM,10-32 X 1.25.....159	SEAL-VALVE SYSTEM (B).....213-214
SCREW,HHC,5/16-18 X 1 GR5.....181-182, 189, 209, 214, 249, 303, 315	SCREW,SECURITY,1/4-20 X 1.75LG.....305	SECURITY TIE,TOGGLE GUARD.....145
SCREW,HHC,5/16-18 X 1.25.....209, 211, 249, 303, 315	SCREW,SHC,3/4-10 X 3.00,A574.....155-156	SENDING UNIT,OIL PRESS.,DEUTZ*.....185- 186
SCREW,HHC,5/8-11 X 2.25 GR8.....118, 121- 122, 155-156	SCREW,SHC,3/8-16 X 1.....177	SENDING UNIT,OIL PRESSURE***.....309
SCREW,HHC,5/8-11 X 3.5 GRD.8.....185-186, 189	SCREW,SHC,5/8-11X1.5,A574,ZAG.....127	SENDING UNIT,OIL TEMP SWCH,DTZ.....182, 185-186
SCREW,HHC,5/8-11 X 4.00 GR8 BO.....121- 122, 155-156	SCREW,SHC,M10X1.5 X 60 GR8.8.....209	SENDING UNIT,TMP,FRD,GM,PRK704.....309
SCREW,HHC,7/16-14 X 1.25.....122	SCREW,SHC,M10X1.5X20MM (75090).....189	SENSOR.....201
SCREW,HHC,7/16-14 X 1.75.....226	SCREW,SHC,M10X1.5X30 GR 12.9.....185- 186, 195, 197, 209	SENSOR, CAM POS, MSG425.....205
SCREW,HHC,FLG,3/8-16 X 1 GR8.....275	SCREW,SHM,PHP, #12 X .75.....147, 153, 255	SENSOR, CRANK POS, MSG425.....207
SCREW,HHC,M10 X 1.5 X 16 TMZ.....195, 197	SCREW,SHS,1/4-20 X .375 ZINC.....145, 149- 150	SENSOR, CYL. HEAD TEMP, MSG425.....205
SCREW,HHC,M10 X 1.5 X 35.....219	SCREW,SHS,10-24 X .625.....125, 182, 185- 186	SENSOR, KNOCK, MSG425.....205
SCREW,HHC,M10 X 1.5 X70,GR 8.8.....181- 182, 185-186, 219	SCREW,SHS,M6X12MM,8MM.....214	SENSOR, O2, MSG425.....209
SCREW,HHC,M10 X 30MM,.....181-182, 211, 307	SCREW,STEP BOLT,1/4-20 X .75.....249	SENSOR, PRESSURE,DEUTZ 2.9.....203
SCREW,HHC,M10 X 55MM,GRD 8.8.....211	SEAL KIT.....303	SENSOR,AIR,CAT MONITOR.....209
SCREW,HHC,M10 X 80 GR 8.8.....195, 197	SEAL KIT (39345).....175	SENSOR, C A M / C R A N K S H A F T POSITION.....203
SCREW,HHC,M12 X 30.....211	SEAL KIT (63566).....235, 237, 239, 241	SENSOR, COOLANT LEVEL, DEUTZ.....199
SCREW,HHC,M12 X 35MM.....219	SEAL KIT (88571).....229	SENSOR,DUAL OUTPUT,ANGLE***.....159, 164-165, 226
SCREW,HHC,M12 X 45.....214	SEAL KIT (88653).....159, 225-226	SENSOR,INTAKE AIR PRESSURE.....203
SCREW,HHC,M14 X 1.5X40MM,GR8.8.....213- 214, 219, 223	SEAL KIT (89675).....118	SENSOR,LEVEL,4.5 DEG.....137
SCREW,HHC,M14 X 25MM,GRD 8.8.....195	SEAL KIT CYLINDER (59460).....117-118, 127	SENSOR,RUBBER EDGE.....325
SCREW,HHC,M14 X 40MM,GR 8.8.....181-182, 185-186, 189, 201	SEAL KIT, 15K ROTATOR.....239, 241	SENSOR,WATER TEMPERATURE.....213- 214, 221
SCREW,HHC,M6 X 20MM,GR8.8.....185-186	SEAL KIT, APU.....137	SEPARATOR,DUAL BATTERY,100A.....133- 134
SCREW,HHC,M8 X 16.....191, 193, 199, 209	SEAL KIT, DRIVE HUB.....118, 121-122	SEPERATOR ASSY,OIL,FORD MSG.....205
SCREW,HHC,M8 X 20MM.....213-214	SEAL KIT, HYD MOTOR, GEN.....315	SEPRTR/FLTR,FUEL DSL,15GPH,.30.....213- 214, 219
SCREW,HHC,M8 X 45.....217	SEAL KIT, SOLENOID VALVE.....167-168	SET SCREW, LIFT CYLINDER.....225-226
SCREW,HHC,M8 X 60MM X 1.25.....207	SEAL KIT, SWING BRAKE.....155-156	SHAFT SEAL, APU.....137
SCREW,HHC,M8 X 85 X 1.25,GR8.8.....199	SEAL KIT, VALVE.....167-168, 171, 173, 175	SHAFT, KNURLED (128918).....131
SCREW,HHC,M8X1.25.80.....207	SEAL KIT, VALVE, #10.....167-168, 171	SHAFT, RAISED BOSS (128918).....131
SCREW,HHF,1/2-13X2.5,8,ZAG.....122	SEAL KIT, VALVE, #4.....167-168	SHAFT,15 TOOTH.....118, 122
SCREW,HHF,1/2-13X3.5,8,ZAG.....323	SEAL KIT,15K ROTATOR.....239	SHAFT,INPUT DRIVE HUB.....121-122
SCREW,HHF,1/4-20X.75,8,ZAG.....289, 291, 325	SEAL KIT,8-PORT SWIVEL.....155-156	SHAFT,OUTPUT.....155-156
SCREW,HHF,1/4-20X1.25,8,ZAG.....325	SEAL KIT,8K ROTATOR***.....235, 237	SHCS, M10-1.5X70MM, CL12.9.....209
SCREW,HHF,1/4-20X1.75,8,ZAG.....161	SEAL KIT,BRAKE,OMNI***.....118, 121-122	SHEAVE,EXTENSION CABLE(LARGER).....231
SCREW,HHF,3/8-16X2.5,8,ZAG.....323	SEAL KIT,CHECK VALVE 219246.....179	SHEAVE,RETRACT CABLE(SMALLER).....229
SCREW,HHF,M6-1.0X12,DIN6921,10.....325	SEAL KIT,CONTROL VALVE.....125	SHEET,AIR SEAL BACKING.....195, 197, 219
SCREW,HHF,M8-1.25X50,DIN6921,10,9,ZAB.199	SEAL KIT,CYL,S45 MASTER(81694).....225- 226	SHEET,RUBBER,AIR INTAKE.....181-182
SCREW,M5X16 BHD.....325	SEAL KIT,CYL,S65 (63213).....237	SHIM,AXLE ROTATION STOP,16G.....122
SCREW,M6X8.....325	SEAL KIT,DRIVE HUB (88887).....121-122	SHIM,AXLE ROTATION STOP,22G.....122
SCREW,PHIL,10-24 X .75.....249	SEAL KIT,GEARBOX,OMNI***.....118, 121-122	SHIM,PAD,5 X 3.....229
SCREW,PHIL,8-32X.50,SELF TAP.....293	SEAL KIT,MOTOR,LC/KC***.....118, 121-122	SHIM,SIDE PAD 16GA. 3 X 5.....229, 231
SCREW,PHIL,PHM,10-24 X.5,SEMS.....191, 193, 197, 211, 213-214, 217	SEAL KIT,PUMP SHAFT (EATON)***.....177	SHIM,WEAR PAD,5 X 1.5,14GA.....231
SCREW,PHIL,PHM,10-24X1.5 ZINC.....243	SEAL KIT,SOLENOID VALVE 219247.....179	SHIM,WEAR PAD,5X 1.5 16GA.....229, 231
SCREW,PHIL,PHM,10-32 X .5,SSTL.....147, 153, 255	SEAL KIT,SOLENOID VALVE, SV07.....175	SHOCK MOUNT,SMALL...191, 193, 211, 214, 217
SCREW,PHIL,PHM,6-32 X 1/4 SS.....255	SEAL KIT,SUNSTRAND.....307	SHORT LINK W/BEARINGS, SERVICE.....225- 226
SCREW,PHILLIPS,FHM,10-32X1.00.....299	SEAL KIT,SWING BRAKE***.....155-156	SHRINK TUBE,BLACK,RHW,1/2,3:1.....311
SCREW,PHILLIPS,PHM,10-32 X .5.....255	SEAL KIT,SWING TORQ HUB***.....155-156	SHROUD, RADIATOR, 404F-22.....217
SCREW,PHILLIPS,PHM,10-32 X .75.....161	SEAL, BEARING (128918).....131	SHROUD, RADIATOR, DEUTZ 2.9.....191, 193
SCREW,PHILLIPS,PHM,10-32 X 1.....226, 311	SEAL, CAP, NOTCHED.....155-156	SHROUD, RADIATOR, FORD MSG425.....211
SCREW,PHILLIPS,PHM,10-32 X.625.....143, 245	SEAL, CONNECTOR (DT JOYSTICKS).....257	SHROUD,FAN PAINTED.....213-214, 217
SCREW,PHILLIPS,PHM,10-32 X1.25.....153	SEAL, FRONT ENGINE,DEUTZ.....203	SHUTDOWN SOLENOID,12V, DEUTZ.....181- 182, 185-186
SCREW,PHILLIPS,PHM,6-32 X .5.....255	SEAL, O-RING ENERGIZER.....155-156	SIGHT GLASS.....199
SCREW,PHILLIPS,PHM,8-32 X 1.00.....233	SEAL, O-RING LIP.....155-156	SLEEVE,CONNECTOR,DT JOYSTICKS.....257
SCREW,PHPM,6-32X.25,ZAG.....321	SEAL, OIL FILLER CAP.....214, 221	SLEEVE,NYLON,1.42 ID.....261
SCREW,RHM,10-32 X .75.....161	SEAL, POLY, CHAMFER.....155-156	SLEEVE,NYLON,2.19 ID,BULK.....163-165, 261
	SEAL, REAR ENGINE,DEUTZ.....203	SLIDING MIDRAIL KIT,PTD.....249
	SEAL,FILTER LID.....133-134	SNAP RING.....131
	SEAL,LIP.....118, 121-122	SNAP RING(M46 UNITS)*.....118, 122
	SEAL,SHAFT,EATON PUMP***.....177	
	SEAL,SHAFT-SUNSTRAND***.....118, 121- 122	
	SEAL,TRAX HUBS.....127, 129, 131	
	SEAL-INJECTOR.....213-214	
	SEAL-ROCKER BOX.....213-214	

## Part Description Index (continued)

SNAP RING,EXTERNAL,.75 DIA.....239	STOP PLATFORM ROLLER.....247	TERMINAL,#10 RING,BLUE.....311
SNAP RING,EXTERNAL,1.25 DIA.**.....235, 237, 239, 241	STRAINER,20 SAE F/24 SAE M***.....259	TERMINAL,RING,#10 YELLOW.....311
SNAP RING,EXTERNAL,1.50,ZAG...118, 229, 231	STRAP, CONDUIT HOLDER 60***.....283	TERMINAL,STRIP,4-POLE,600V***.....311
SNAP RING,EXTERNAL,2.00 DIA.....225-226	STROBE,FIREBOLT,12-80VDC,AMB**.....275	TERMINAL,STUD BOLT,250 V.....303
SNAP RING,EXTERNAL,2.25 DIA.....225-226	STUD, 3/4-16 UNF X 2-1/2 LG.....127, 129	THERMOSTAT.....214, 221
SNAP RING,PUMP SHAFT SEAL***.....177	STUD,EXHAUST,PERKINS 404F.....223	THERMOSTAT HOUSING.....203
SOFTWARE,S60HC,DIAGNOSTIC,+1.....163- 165	SUPPORT, RAILING.....277, 289, 291	THERMOSTAT W/HOUSING, MSG425.....205
SOFTWARE,S60HC,SCON,+1.....163-165	SUPPORT,SENSOR,JOYSTICK.....257	THERMOSTAT,DEUTZ.....191, 193, 203
SOFTWARE,S60HC,TCON,+1.....163-165	SWING DRIVE ASSEMBLY.....155-156	THREADED ROD,1/4-28 X 4 IN***.....125
SOLENOID CABLE ASSY***.....181-182, 185- 186	SWING MOTOR COMPLETE***.....155-156	THROTTLE ACTUATOR*(BOSCH).....205
SOLENOID, VAR. TIM, MSG425.....205	SWITCH SHIELD,ROCK JOYSTK75565.....257	THROTTLE LINKAGE, DSL.....185-186
SOLENOID,77066.....137	SWITCH TOGGLE ASSY DPDT 2P	THROTTLE LINKAGE,DIESEL ***.....181-182
SOLENOID,SHUT DOWN	MOM.....145, 150, 251-252	THROTTLE SOLENOID ASSY,
PERKIN40422.....213-214, 219	SWITCH TOGGLE ASSY DPDT 3P	TROMB.....185-186
SOLENOID,SHUTDOWN,PERKINS,404F-22.219	MOM.....145, 149-150, 252	TIE ROD WELDMENT,S60.....117-118
SOLENOID,THROTTLE ACTUATOR	SWITCH TOGGLE ASSY SPDT 2P	TIRE & WHEEL ASSY RH,FF.....117-118
DSL.....181-182, 213-214	MNT.....145, 149-150, 251-252, 315, 321	TIRE & WHEEL ASSY,AIR,LH.....117-118
SOLENOID-STARTR DEUTZF4L1011F*.....189	SWITCH TOGGLE ASSY SPDT 2P	TIRE & WHEEL ASSY,AIR,RH***.....117-118
SOUNDER LENS, OPA, AMBER.....325	MOM.....289, 291	TIRE & WHEEL ASSY,LH FF***.....117-118
SOUNDER LENS, OPA, BLUE.....325	SWITCH TOGGLE ASSY SPDT 3P	TIRE & WHEEL ASSY,LH,FOAM,NM.....117- 118
SOUNDER LENS, OPA, CLEAR.....325	MOM.....145, 149-150, 251-252	TIRE & WHEEL ASSY,RH,FOAM,NM.....117- 118
SOUNDER LENS, OPA, RED.....325	SWITCH TOGGLE DPDT 2P MOM	TIRE & WHEEL ASSY,TURF SPEC***.....117- 118
SOUNDER,MIDI,OPA.....325	SHDR.....251-252	TIRE & WHL.ASSY,NM R35 FF,LH.....117-118
SPACER.....127, 129	SWITCH TOGGLE DPDT 3P MOM	TIRE & WHL.ASSY,NM R35 FF,RH.....117-118
SPACER, BOOM TOP.....295	SHDR.....252	TIRE,355/55D625.....117-118
SPACER, COVER SUPPORT, S60.....161	SWITCH TOGGLE SPDT 2P MNT	TIRE,355/55D625,14 PLY,NM.....117-118
SPACER, DUAL COIL SIZE #8.....167-168	SHDR.....149-150, 251-252	TIRE,41/18LL X 22.5,14PR,TURF*.....117-118
SPACER, FAN, DEUTZ, 29.5MM LNG.....199	SWITCH TOGGLE SPDT 3P MOM	TIRE/WH ASSY,LH,FF,REPNEU***.....117-118
SPACER, HANGER BRACKET.....323	SHDR.....251-252	TIRE/WH ASSY,RH,FF,REPNEU***.....117-118
SPACER,ALT PULLEY,DEUTZ	SWITCH, OIL PRES, MSG425.....205	TIRE/WHEEL ASSY,HF W/SEALANT.....117- 118
BF4L2011.....185-186	SWITCH, OIL PRESSURE.....213-214, 221	TIRE/WHEEL ASSY,LP NM W/SEALAN...117- 118
SPACER,EATON PUMP SHAFT SEAL**.....177	SWITCH, OIL PRESSURE 1.5 BAR.....182	TIRE/WHEEL ASSY,LP RT W/SEALAN....117- 118
SPACER,FAN,PERKINS 404F.....214, 221	SWITCH,LIMIT,W/RLLR ARM,NO/NC.....155- 156, 164-165, 225-226, 229	TOEBOARD, TRI ENTRY 6', EURO.....281
SPACER,HEAT SINK.....325	SWITCH,LIMIT,W/RLR ARM,NO/NC**.....225- 226	TOEBOARD,8'TRI ENTRY.....281
SPARK PLUG, MSG425.....205	SWITCH,OIL PRESS,PERKINS 404F.....217	TOEBOARD,ENTRY EUROPEAN
SPLIT BOGEY.....131	SWITCH,PRESS,#4NPT,200PSIF.....303	PNTD**.....249, 281
SPRING CLIP,1/4 TURN,.188PANEL.....223	SWITCH,SELECTOR,BLACK.....145, 150	TOGGLE SWITCH GUARD,RED.....145
SPRING CLIP,1/4-20,.025-.15X.54,ZAG...117- 118, 122, 133-134, 145, 209, 211, 217, 229, 237, 245, 249, 295, 297	SWITCH,THERMOSTAT 85F OPEN.....321	TOOL TRAY ACCESSORY***.....277
SPRING CLIP,10-24,.025-.125X.468,ZAG...249	SWITCH,TOGGLE,DPDT,2POS MOMEN...139	TOOL, FUSE PULLER, ATM.....133-134
SPRING CLIP,3/8-16,.05-.20X.73,ZAG.....133- 134, 223, 275, 317	SWIVEL,HYD 8 PORT***.....155-156	TOOL,CABLE GRIP, 7/16".....231
SPRING CLIP,5/16-18,.025-.15X.....211		TRACK, RUBBER.....131
SPRING,0.984"OD X 1.50"LG.....233		TRIM,EDGE,1/8X3/4 SIDE BULB.....211
SPRING,COMP,1" OD,232 LB/IN.....243		TROLLEY,TFASS TRACK.....323
SPRING,EXTENSION,1.92LB/IN.....289, 291		TUBE, RD, ALUM, 1.25 X .083 X 11.75.....283
SPRING,JOYSTK CENTR.62390/91.....257		TUBE,AIR CLEANER INLET.....181-182
SPRING,SHORT PLATFORM GATE.....279		TUBE,AIR INTAKE.....185-186, 301
SPRING,SWITCH CENTERING,75565.....257		TUBE,FUEL RETURN,3/8X3/8X23.5.....141
S PROCKET, MACH. HALF LEFT.....131		TUBE,RD,STL,DOM.,75X.38X.78.....295
S PROCKET, MACH. HALF RIGHT.....131		TUBING, VINYL, 1/2" CLEAR.....213-214
SQUEEZE CONN W/NUT, 2WIRE, 4MM.....311		TUBING,VINYL,1/2" CLEAR.....211
SQUEEZE CONNECTOR, 4 WIRE.....311		TURNTABLE CENTER COVER
STAND OFF,CONTROL UNIT.....325		PAINTED.....297
STANDOFF,1/4X1/4 M-F 6-32 S/S.....321		
STANDOFF,6-32 X 3/8L X 1/4 HEX.....255		
STARTER PLUG SEAL, MSG425.....205		
STARTER, 12V.....181-182, 189		
STARTER, PERKINS, 404D.....213-214		
STARTER,3.2KW,DEUTZ D2.9...191, 193, 203		
STARTER,PERKINS 404F.....221		
STEER AXLE ASSEMBLY.....127		
STEP PLATFORM ENTRY PAINTED.....249, 281		

## T

T-BOX, 2.75 X 4.5 X 2.0\*\*.....293  
T-BOX,2.75X4.5X2.63,3PH.....305  
TAILPIPE MOUNT , S40 MSG425.....209  
TAILPIPE, DEUTZ, TPEN & ROW.....181-182  
TAILPIPE, DEUTZ,TPEN & ROW.....185-186  
TAILPIPE, PERKINS, 404D.....214  
TAILPIPE, S60 MSG425.....209  
TAILPIPE,MUFFLER,PERKINS 404F.....217  
TANK ASSY, GAS, 30 GAL.....143  
TAPE, PROTECTIVE MASK.....19, 27, 35, 43,  
51, 59, 67, 75, 83, 91, 99, 107, 115  
TEE,BRANCH,520429-8.....259, 263  
TEE,RUN,1/4" PIPE.....309  
TEE,RUN,520428-12.....273  
TEE,RUN,520428-6.....263, 265  
TEE,RUN,SWIVEL,520432-16.....271  
TEE,RUN,SWIVEL,520432-6.....319  
TENSIONER, TRAX.....131  
TERM,GOLD PIN,18-16GA REEL.....159  
TERM,NI PIN,S&F,16-18GA,BULK.....275  
TERM,NI PIN,S&F,16-18GA,REEL.....164-165  
TERMINAL BLOCK END PLATE.....153  
TERMINAL BLOCK, END PLATE.....147  
TERMINAL BLOCK, WIELAND.....147  
TERMINAL BLOCK,WIELAND.....153

## U

U-BOLT, FLATTENED, 1.5 X 3/8  
UNC,ZAG.....283, 287, 325  
U-BOLT, SQR, 3/8-16X2X5, PLTD.....289, 291  
U-BOLT,1/2-13 X 8.5.....185-186  
U-BOLT,3/8-16X4X4.63X3.00.....289, 291, 305  
U-BOLT,5/16 -18 X 2IN\*\*.....219  
UBOLT,FLATTENED,1.5DIAX3/8 UNC.....249,  
283, 305  
UNION,STR.THREAD 20.....259



UPPER IDLER PULLEY, MSG425.....207

**V**

V-BELT GUARD, DEUTZ 2011.....189  
 V-BELT, DEUTZ.....203, 217  
 V-BELT, DEUTZ TD2011LOAI.....185-186  
 VACUATOR VALVE.....209  
 VALVE - COUNTERBALANCE\*\*.....175  
 VALVE - SOLENOID 2POSITION 3WA.....167-168  
 VALVE, CHECK.....173, 179  
 VALVE, CHECK, 5PSI.....173  
 VALVE, FLOW DIVIDE/COMB,24GPM.....173  
 VALVE, FLOW DIVIDE/COMBINE 1:1.....173  
 VALVE, RELIEF, 280PSI.....173  
 VALVE, RELIEF, GEN, 3.0KW.....315  
 VALVE, SHUTTLE, FIXED.....173  
 VALVE, SOLENOID.....179  
 VALVE,BALL, 16 MSAE-16 FSAE\*\*\* .....259  
 VALVE,BALL,FSAE-20,FSAE-20.....259  
 VALVE,CB 3:1 3500 PSI.....167-168  
 VALVE,CB,CBCA-LHN@1500PSI\*\*\*.....229  
 VALVE,CHECK\*\*\*.....167-168  
 VALVE,CHECK, 30 PSI.....167-168  
 VALVE,CHECK,3 PSI\*\*\* .....303  
 VALVE,CHECK,30 PSI.....121-122  
 VALVE,CHECK,5 PSI.....167-168, 171  
 VALVE,CNTRBAL 3500PSI,ATM VEN.....235, 237, 239, 241  
 VALVE,COUNTERBAL,CBCA-LIN\*\*\* .....155-156  
 VALVE,COUNTERBAL,CWCK-LHN@3500.159, 225-226  
 VALVE,COUNTERBAL,CBBB-LHN@3500.225-226  
 VALVE,COUNTERBAL,CBBB-LJN@5000.159, 225-226  
 VALVE,COUNTERBALANCE.....118, 237  
 VALVE,COUNTERBALANCE 3000 PSI\*.....229  
 VALVE,DIFFERENTIAL SENSING\*\*\*.....167-168  
 VALVE,DIFFERENTIAL SENSING, 110.....167-168  
 VALVE,FLOW DIVIDER/COMBINER.....171  
 VALVE,FLOW REGULATOR 0.1 GPM.....167-168  
 VALVE,FLOW REGULATOR 0.6GPM.....168  
 VALVE,FLOW REGULATOR 3.5 GPM\*.....167-168  
 VALVE,MANUAL,W/RELIEF VALVE\*\*\* .....125  
 VALVE,NEEDLE\*\*\* .....168  
 VALVE,NEEDLE,BRAKE RELEASE.....319  
 VALVE,PCV FORD DSG-423.....207  
 VALVE,PILOT OPER DIRECTIONAL.....303  
 VALVE,PROPORTIONAL.....167-168  
 VALVE,RELIEF 3000 PSI\*\*\* .....167-168  
 VALVE,RELIEF,280PSI.....171  
 VALVE,SHUTTLE.....171  
 VALVE,SOLENOID 3 POS,4WAY\*\*\* .....167-168  
 VALVE,SOLENOID 3POS 4WAY\*.....167-168  
 VALVE,SOLENOID, 2POS/3WAY\*\*\* .....175  
 VALVE,SOLENOID,10V,W/OUT COIL\*.....303  
 VALVE-SOLENOID,2POS 3WAY,JIB\*\*.....175

**W**

W A S H E R , F L A T ,  
 M6X18X1.6,DIN9021,ZAB.....325  
 WASHER,.469 X .781,HRD.....122

WASHER,1/2 PLATE(1/2X2.25X3/16.....181-182, 201, 223  
 WASHER,COPPER,DEUTZ,QC.....201  
 WASHER,FENDER,.25 X 1.25 X.062.....161  
 WASHER,FLAT,.25X1.25X.062,ZAG.....161  
 WASHER,FLAT,.375 X 1.5 X .125.....191, 193, 211, 217  
 WASHER,FLAT,.375X1.50X.125,ZAG.....287  
 WASHER,FLAT,.5 HARDENED.....155-156, 177, 185-186, 209, 226, 239, 241, 303, 315  
 WASHER,FLAT,.625 HARDENED.....118, 121-122, 155-156, 185-186, 189  
 WASHER,FLAT,.625 X 2.25 X.15.....155-156, 185-186, 189  
 WASHER,FLAT,.75 HARDENED.....155-156, 231  
 WASHER,FLAT,1.000,HARDENED..237, 239, 241, 243  
 WASHER,FLAT,1.56 X 2.5 X .061.....185-186, 189, 229, 231  
 WASHER,FLAT,1/4,USS,ZAG....122, 287, 319, 325  
 WASHER,FLAT,2.01 X 3.5 X .06.....121-122, 225-226  
 WASHER,FLAT,2.01X2.25X.06,PLTD....226  
 WASHER,FLAT,2.27 X 3.5 X .06.....225-226  
 WASHER,FLAT,3/8,USS,ZAG.....287  
 WASHER,FLAT,HARDENED 7/16.....226  
 WASHER,FLAT,M10.....182  
 WASHER,FLAT,M10,ZINC PLTD.....181-182, 185-186, 195, 197, 209, 211, 219, 221  
 WASHER,FLAT,M12.....214, 219  
 WASHER,FLAT,M14.....181-182, 185-186, 189, 195, 201, 213-214, 219, 223, 231  
 WASHER,FLAT,M5,DIN125,ZAB.....214  
 WASHER,FLAT,M6 PLTD.....147  
 WASHER,FLAT,M8, YELLOW ZINC... 191, 193, 199, 211, 213-214  
 WASHER,FLAT,MS,#10,Y.....133-134, 161, 191, 193, 197, 201, 211, 213-214, 217, 243, 255, 275, 299, 311  
 WASHER,FLAT,MS,#8,Y.....293  
 WASHER,FLAT,USS,1",Y.....133-134, 139  
 WASHER,FLAT,USS,1/2",Y.....125, 133-134, 181-182, 195, 197, 201, 211, 213-214, 219, 223  
 WASHER,FLAT,USS,1/4"Y.....117-118, 122, 125, 133-134, 137, 143, 145, 147, 149-150, 153, 155-156, 161, 185-186, 191, 193, 195, 197, 199, 201, 205, 209, 211, 213-214, 217, 219, 225-226, 229, 231, 233, 237, 243, 245, 247, 249, 255, 277, 279, 281, 283, 295, 297, 299, 303, 313  
 WASHER,FLAT,USS,3/8",Y.....118, 133-134, 137, 141, 143, 155-156, 181-182, 199, 201, 211, 223, 229, 237, 243, 247, 249, 297, 301, 317  
 WASHER,FLAT,USS,5/16",Y.....133-134, 156, 161, 177, 181-182, 185-186, 189, 191, 193, 199, 209, 211, 213-214, 223, 233, 249, 283, 285, 293, 303, 305, 315  
 WASHER,LOCK,#10 PLTD.....225-226, 249  
 WASHER,LOCK,.25.145, 149-150, 156, 225-226, 229, 231, 237, 249, 255, 285, 295, 297  
 WASHER,LOCK,.375.....118, 121-122, 155-156, 209, 225-226, 229, 231, 233, 237, 245, 275  
 WASHER,LOCK,.625 PLTD.....155-156, 307

WASHER,LOCK,0.5".....118, 125, 133-134, 159, 181-182, 209, 225-226  
 WASHER,LOCK,IND,LAMP RETAINER.....251-252  
 WASHER,LOCK,M10.....209, 211, 307  
 WASHER,LOCK,M14.....213-214  
 WASHER,LOCK,M6.....185-186  
 WASHER,LOCK,M8.....207  
 WASHER,M4 NYLON.....325  
 WASHER,M5 NYLON.....325  
 WASHER,SHIM .0151 THK.....239, 243  
 WASHER,SHIM,.375 X.625X.033 ST.....239  
 WASHER,SHIM,.75 X 1.125 X.030.....239  
 WASHER,SHIM,1.27 X 2.13 X .062..235, 237, 239, 241  
 WASHER,SHOULDER,NYLON.....233  
 WASHER,THRUST,1.5 X 3.5 X .187.....118  
 WASHER,VIBRATION ISOLATING.....201, 223  
 WATER OUTLET, VERTICAL.....214, 221  
 WATER PUMP.....213-214  
 WATER PUMP PULLEY, MSG425.....207  
 WATER PUMP, MSG425.....207  
 WDMT, AIR INTAKE, MSG425.....211  
 WDMT, CAT. MUFFLER, MSG425.....209  
 WDMT, HEAT SHIELD, MSG425.....209  
 WDMT, PERKINS INTAKE AIR HOSE.....219  
 WDMT, RAW AIR INT, S60 MSG425.....211  
 WDMT,4FT/5FT PLAT. SUPPORT,15K.....241  
 WDMT,AIRCRAFT SENSOR BUMPER.....289, 291  
 WDMT,ECU MOUNT,404F-22.....133-134  
 WDMT,EXPANSION TANK SUPT.....199  
 W D M T , F R A M E , A I R C R A F T  
 PROTECTION.....291  
 WDMT,HEADER PIPE,MSG425.....209  
 WDMT,INTAKE ADAPTER.....195, 197  
 WDMT,INTAKE ADAPTER,404F.....219  
 WDMT,SKID PLATE.....289, 291  
 WDMT,TAILPIPE,DEUTZ D2.9 T4.....191, 193  
 WEAPAD, BOOM REST.....155-156  
 WEAR PAD,3 X 1.5 X.625 W/NUTS.....237  
 WEAR PAD,5 X 1.5 X .625 W/NUTS...229, 231  
 WEAR PAD,5 X 1.5 X .75 W/NUTS.....231  
 WEAR PAD,5 X 3 X .625 W/NUTS.....229  
 WEAR PAD,5 X 3 X .75.....229, 231  
 WEAR PAD,5.5 X 1.75 X .5.....247  
 WEAR PAD,CABLE TRACK PULL TUBE....247  
 WEARPAD, LIMIT SWITCH GUIDE.....233  
 WELDER, MILLER, CST 280.....305  
 WELDER,INVERTEC V275-S.....305  
 WELDMENT, AIR INTAKE BOX.....185-186  
 WELDMENT, AIRCRAFT TOP BUMPER.....289  
 WELDMENT, BOOM SECTION #2.....229  
 WELDMENT, FUEL FILTER BRACKET.....201  
 WELDMENT, GROUND BOX, S60/65.....145, 149-150  
 WELDMENT, LID, GBOX, S60/65.....145  
 WELDMENT, LIMIT SWITCH ARM.....233  
 WELDMENT, LONG LINK SPACER.....226  
 WELDMENT, PIPE CRADLE.....283  
 WELDMENT, PLAT SUPPORT.....241  
 WELDMENT, ROTATOR ARM.....159  
 WELDMENT, SENSOR MOUNT.....289, 291  
 WELDMENT, SHORT LINK, S60/65.....225-226  
 WELDMENT, TIE ROD.....127  
 WELDMENT,4/5FT PLATFORM  
 SUPPOR.....243  
 WELDMENT,6 FT TRI ENTRY PLAT.....281  
 WELDMENT,8FT TRI ENTRY PLAT.....281

## Part Description Index (continued)

WELDMENT,AIR PIPE.....195  
 WELDMENT,BAT/MANIF TRAY,S60/65.....133-  
 134  
 WELDMENT,BOOM SECTION #2\*\*\*.....229  
 WELDMENT,CABLE TRACK TRAY\*\*\*.....247  
 WELDMENT,CABLE TRACK TUBE\*\*\*.....247  
 WELDMENT,CAT MOUNT,MSG425.....209  
 WELDMENT,ECU MOUNT,DEUTZ D2.9...133-  
 134  
 WELDMENT,ENGINE TRAY\*\*\*.....223  
 WELDMENT,EXHAUST PIPE.....213-214  
 WELDMENT,EXHAUST TUBE.....161  
 WELDMENT,EXTENSION BRACKET.....231  
 WELDMENT,L.P. TANK MOUNT \*\*\*.....317  
 WELDMENT,LEFT COVER SUPPORT.....161  
 WELDMENT,LID,GBOX.....149-150  
 WELDMENT,LP MOUNT.....143  
 WELDMENT,MASTER LINK.....225-226  
 WELDMENT,PIPE CRADLE MOUNT.....283  
 WELDMENT,PLATFORM SUPPORT.....239  
 WELDMENT,PLATFORM SUPPORT,CE.....243  
 WELDMENT,PRECLEANER BRACKET.....301  
 WELDMENT,PULL BAR.....319  
 WELDMENT,RIGHT COVER SUPPORT.....161  
 WELDMENT,ROTATOR MOUNT.....239  
 WELDMENT,ROTATOR SUPPORT.....243  
 WELDMENT,STEEL INTAKE TUBE.....197  
 WELDMENT,SWING GATE,ALUMINUM.....279  
 WELDMENT,TIMING LINK CAM.....225-226  
 WELDMENT,TOW BAR.....319  
 WELDMENT,TRACK PULL TUBE PIVOT....247  
 WELDMENT,TRANSPORT LOCK.....155-156  
 WHEEL & TIRE ASSY,LH,NM AIR.....117-118  
 WHEEL & TIRE ASSY,RH,NM AIR.....117-118  
 WHEEL DRIVE 56:1.....118, 121-122  
 WHEEL DRIVE 57.5:1 4WD.....117-118, 121-  
 122  
 WHEEL STUD,5/8-18,OMNI\*\*\*.....117-118,  
 121-122  
 WHEEL, 24.5X11.75, 9 X 9 BCD.....117-118  
 WHEEL,22.5X14.00\*\*\*.....117-118  
 WIPER RUBBER, 1 TO 2.....295  
 WIPER RUBBER, 2 TO 3.....295  
 WIPER,RING GEAR GUARD.....297  
 WIRE CABLE,16/2,WHT/BLK,SJEOW.....275  
 WIRE CABLE,16/4 CON.TPE JKT.....163-165  
 WIRE LOOM,1"DIA.SLIT,HI TEMP.....163-165  
 WIRE LOOM,3/8 POLY SLIT.....159  
 WIRING KIT,CONTROL BOX HEATER.....321  
 WORKLIGHT, 12V, DEUTSCH RECEPT.....285

**Y**

YOKE ASSEMBLY W/BEARINGS,LH.....117-  
 118  
 YOKE ASSEMBLY W/BEARINGS,RH.....117-  
 118

**Z**

ZERK,GREASE,5/16-24,STRAIT.....243

***This Page Intentionally Left Blank***

Go to [Discount-Equipment.com](http://Discount-Equipment.com) to order your parts

## Fitting Cross References

Genie PN	Parker PN	Description	Genie PN	Parker PN	Description
12342	6-4 F5OX-S	CONNECTOR,STRAIGHT THREAD TO FLARE TUBE	42794	1 CR-S	ELBOW,90°,MALE PIPE
13757	4 R6X-S	RUN TEE,SWIVEL NUT,ORFS	42795	BV-0839	BALL VALVE
19685	12-10 C5OX-S	ELBOW,90°,STRAIGHT THREAD TO FLARE TUBE	42796	BV-0838	BALL VALVE
22664	12-10 C5OX	ELBOW,90°,STRAIGHT THREAD TO FLARE TUBE	42874	6-8 CLO-S	ELBOW,90°,MALE PIPE TO ORFS
27431	8-12 F5OX-S	CONNECTOR,STRAIGHT THREAD TO FLARE TUBE	42912	13943-6-4	HOSE END,90° FEMALE SWIVEL,JIC
28678	AS-B-33	SLEEVE,NYLON,1.81" ID	42920	BV-0840	BALL VALVE,90°
39871	6 WETX-WLN-S	UNION,90° BULKHEAD W/NUT,FLARE TUBE	42932	AS-B-17	SLEEVE,NYLON,1.22" ID
39872	4 R5OX-S	RUN TEE,STRAIGHT THREAD	42936	10243-2-4	HOSE END,FEMALE PIPE
39873	6 C5OX-S	ELBOW,90°,STRAIGHT THREAD TO FLARE TUBE	42953	1/2 DD-S	ELBOW,90°,FEMALE PIPE
39874	8-6 C5OX-S	ELBOW,90°,STRAIGHT THREAD TO FLARE TUBE	42956	6 WELO-WLNL-S	UNION,90° BULKHEAD W/NUT,ORFS
39875	4-6 C5OX-S	ELBOW,90°,STRAIGHT THREAD TO FLARE TUBE	45349	8 V5OX-S	ELBOW,45°,STRAIGHT THREAD TO FLARE TUBE
39876	6-8 C5OX-S	ELBOW,90°,STRAIGHT THREAD TO FLARE TUBE	45351	4 V5OX-S	ELBOW,45°,STRAIGHT THREAD TO FLARE TUBE
39877	4 F5OX-S	CONNECTOR,STRAIGHT THREAD TO FLARE TUBE	47223	10343-6-6	HOSE END,MALE,JIC
39878	6 F5OX-S	CONNECTOR,STRAIGHT THREAD TO FLARE TUBE	47419	PS690503-6-6	SWIVEL,90°,STRAIGHT THREAD TO 37° FLARE
39879	4-8 F5OX-S	CONNECTOR,STRAIGHT THREAD TO FLARE TUBE	48750	421-4	HOSE,1/4 INCH ID
39880	6-10 F5OX-S	CONNECTOR,STRAIGHT THREAD TO FLARE TUBE	48751	481TC-4	HOSE,1/4 INCH ID
39881	4-6 F5OX-S	CONNECTOR,STRAIGHT THREAD TO FLARE TUBE	48752	482TC-4	HOSE,1/4 INCH ID
39882	4-HP5ON-S	PLUG,STRAIGHT THREAD	48753	451TC-6	HOSE,3/8 INCH ID
39883	8-8 FTX-S	CONNECTOR,MALE PIPE TO FLARE TUBE	48754	482TC-6	HOSE,3/8 INCH ID
39885	269HB 12-12	ELBOW,90°,BEADED HOSE BARB TO MALE PIPE	48755	381-6	HOSE,3/8 INCH ID
39886	431-6	HOSE,3/8 INCH ID	48756	451TC-8	HOSE,1/2 INCH ID
39887	540N-2	HOSE,1/8 INCH ID	48757	482TC-8	HOSE,1/2 INCH ID
39888	801-8	HOSE,1/2 INCH ID	48758	381-8	HOSE,1/2 INCH ID
39889	801-12	HOSE,3/4 INCH ID	48759	381-10	HOSE,5/8 INCH ID
39890	10643-6-6	HOSE END,FEMALE SWIVEL,JIC	48760	451TC-10	HOSE,5/8 INCH ID
39891	13943-6-6	HOSE END,90° FEMALE SWIVEL,JIC	48761	482TC-12	HOSE,3/4 INCH ID
39892	13743-6-6	HOSE END,45° FEMALE SWIVEL,JIC	48762	451TC-12	HOSE,3/4 INCH ID
39894	30682-8-8	HOSE END,FEMALE SWIVEL,JIC	48763	772-12	HOSE,3/4 INCH ID
39895	30682-10-12	HOSE END,FEMALE SWIVEL,JIC	48764	881-16	HOSE,1 INCH ID
42286	8-8 CTX-S	ELBOW,90°,MALE PIPE TO FLARE TUBE	48765	772-16	HOSE,1 INCH ID
42756	8-12 CLO-S	ELBOW,90,MALE PIPE TO ORFS	48766	AS-B-15	SLEEVE,NYLON,1.06" ID
42757	8-12 FLO-S	CONNECTOR,MALE PIPE TO ORFS	48767	AS-B-22	SLEEVE,NYLON,1.42" ID
42758	4 JLO-S	UNION TEE,ORFS	48770	881-8	HOSE,1/2 INCH ID
42759	4-4 FLO-S	CONNECTOR,MALE PIPE TO ORFS			
42760	6-8 FLO-S	CONNECTOR,MALE PIPE TO ORFS			
42761	1J143-6-4	HOSE END,90° FEMALE SWIVEL,SEAL LOK			
42762	1J743-6-4	HOSE END,45° FEMALE SWIVEL,SEAL LOK			
42768	1JO43-4-4	HOSE END,MALE,SEAL LOK			
42776	801-8	HOSE,1/2 INCH ID			
42777	1J743-16-16	HOSE END,45° FEMALE SWIVEL,SEAL LOK			
42786	16 CLO-S	ELBOW,90°,MALE PIPE TO ORFS			
42787	16 R8LO-S	RUN TEE,SWIVEL NUT,ORFS			
42788	16-8 TRLO-BL-S	REDUCER,TUBE END TO SWIVEL,ORFS			
42789	6-6 CLO-S	ELBOW,90°,MALE PIPE TO ORFS			
42790	8-10 V5OLO-S	ELBOW,45°,STRAIGHT THREAD TO ORFS			
42791	3/4 CD-S	ELBOW,90°,MALE TO FEMALE PIPE			
42792	3/4 X 1/2 PTR-S	REDUCER,MALE TO FEMALE PIPE			
42793	1/2 CR-S	ELBOW,90°,MALE PIPE			

Fitting Cross References (Continued)

Genie PN	Parker PN	Description
48771	881-10	HOSE,5/8 INCH ID
48772	381-4	HOSE,1/4 INCH ID
48773	AS-B-13	SLEEVE,NYLON,.86" ID
48800	1JC43-4-4	HOSE END,FEMALE SWIVEL,SEAL LOK
48801	1J743-4-4	HOSE END,45° FEMALE SWIVEL,SEAL LOK
48802	1J943-4-4	HOSE END,90° FEMALE SWIVEL,SEAL LOK
48804	1JM43-4-4	HOSE END,MALE,SEAL LOK, NO O-RING
48805	10643-4-4	HOSE END,FEMALE SWIVEL,JIC
48806	13943-4-4	HOSE END,90° FEMALE SWIVEL,JIC
48807	1JS43-4-4	HOSE END,FEMALE SWIVEL,SEAL LOK
48808	3JC82-8-8	HOSE END,FEMALE SWIVEL,SEAL LOK
48809	3JC82-12-12	HOSE END,FEMALE SWIVEL,SEAL LOK
48810	1JC43-6-4	HOSE END,FEMALE SWIVEL,SEAL LOK
48811	1J943-6-4	HOSE END,90° FEMALE SWIVEL,SEAL LOK
48812	1JC43-6-6	HOSE END,FEMALE SWIVEL,SEAL LOK
48813	1J143-6-6	HOSE END,90° FEMALE SWIVEL,SEAL LOK
48814	1J543-6-6	HOSE END,90° FEMALE SWIVEL,SEAL LOK
48815	1J743-6-6	HOSE END,45° FEMALE SWIVEL,SEAL LOK
48816	1J943-6-6	HOSE END,90° FEMALE SWIVEL,SEAL LOK
48817	1JS43-6-8	HOSE END,FEMALE SWIVEL,SEAL LOK
48818	1J943-8-4	HOSE END,90° FEMALE SWIVEL,SEAL LOK
48819	1JC43-8-6	HOSE END,FEMALE SWIVEL,SEAL LOK
48820	1J743-8-6	HOSE END,45° FEMALE SWIVEL,SEAL LOK
48821	1J943-8-6	HOSE END,90° FEMALE SWIVEL,SEAL LOK
48822	1JC43-8-8	HOSE END,FEMALE SWIVEL,SEAL LOK
48823	1JS43-8-8	HOSE END,FEMALE SWIVEL,SEAL LOK
48824	1J143-8-8	HOSE END,90° FEMALE SWIVEL,SEAL LOK
48825	1J543-8-8	HOSE END,90° FEMALE SWIVEL,SEAL LOK
48826	1J743-8-8	HOSE END,45° FEMALE SWIVEL,SEAL LOK
48827	1J943-8-8	HOSE END,90° FEMALE SWIVEL,SEAL LOK
48828	1JC43-10-8	HOSE END,FEMALE SWIVEL,SEAL LOK
48829	1JS43-10-8	HOSE END,FEMALE SWIVEL,SEAL LOK
48830	1J743-10-8	HOSE END,45° FEMALE SWIVEL,SEAL LOK
48831	1J943-10-8	HOSE END,90° FEMALE SWIVEL,SEAL LOK
48833	1JC43-10-10	HOSE END,FEMALE SWIVEL,SEAL LOK
48834	1J943-10-10	HOSE END,90° FEMALE SWIVEL,SEAL LOK
48835	1JS43-10-12	HOSE END,FEMALE SWIVEL,SEAL LOK
48836	1JC43-12-8	HOSE END,FEMALE SWIVEL,SEAL LOK
48837	1JS43-12-8	HOSE END,FEMALE SWIVEL,SEAL LOK
48838	1J743-12-8	HOSE END,45° FEMALE SWIVEL,SEAL LOK
48839	1J943-12-8	HOSE END,90° FEMALE SWIVEL,SEAL LOK
48840	1J943-12-10	HOSE END,90° FEMALE SWIVEL,SEAL LOK
48841	1JC43-12-12	HOSE END,FEMALE SWIVEL,SEAL LOK
48842	1JO43-12-12	HOSE END,MALE,SEAL LOK
48843	1J143-12-12	HOSE END,90° FEMALE SWIVEL,SEAL LOK
48844	1J543-12-12	HOSE END,90° FEMALE SWIVEL,SEAL LOK
48845	1J743-12-12	HOSE END,45° FEMALE SWIVEL,SEAL LOK
48846	1J943-12-12	HOSE END,90° FEMALE SWIVEL,SEAL LOK

Genie PN	Parker PN	Description
48847	13943-12-12	HOSE END,90° FEMALE SWIVEL,JIC
48848	10543-12-12	HOSE END,MALE,STRAIGHT THREAD
48849	1JC71-12-12	HOSE END,FEMALE SWIVEL,SEAL LOK
48850	1JS71-12-12	HOSE END,FEMALE SWIVEL,SEAL LOK
48851	1J171-12-12	HOSE END,90° FEMALE SWIVEL,SEAL LOK
48852	1J771-12-12	HOSE END,45° FEMALE SWIVEL,SEAL LOK
48853	1J971-12-12	HOSE END,90° FEMALE SWIVEL,SEAL LOK
48854	1JC43-16-16	HOSE END,FEMALE SWIVEL,SEAL LOK
48855	1J943-16-16	HOSE END,90° FEMALE SWIVEL,SEAL LOK
48856	1J171-16-16	HOSE END,90° FEMALE SWIVEL,SEAL LOK
48857	1J971-16-16	HOSE END,90° FEMALE SWIVEL,SEAL LOK
48859	1JS43-8-4	HOSE END,FEMALE SWIVEL,SEAL LOK
48867	PD36BTL	DIAGNOSTIC NIPPLE,SEAL-LOK SWIVEL
48873	6 PNLO-S	PLUG,TUBE END,ORFS
48874	6 PNTX-S	PLUG,FLARE TUBE
48875	6 R6LO-S	RUN TEE,SWIVEL NUT,ORFS
48877	4 F5OLO-SW/.025	CONNECTOR,STRAIGHT THREAD TO ORFS, W/.025 ORI
48878	16-12 C5OLO-S	ELBOW,90°,STRAIGHT THREAD TO ORFS
48879	8 C8LO-S	ELBOW,90°,SWIVEL NUT ORFS
48880	PD6-285	CAP,DIAGNOSTIC NIPPLE
48881	6 HLO-S	UNION,ORFS
48883	8 P5ON-S	PLUG,STRAIGHT THREAD
48884	8M18F87OMLO-S	CONNECTOR,METRIC,STRAIGHT THREAD TO ORFS
48885	4 WGTX-WLN-S	CONNECTOR,BULKHEAD,FEMALE PIPE TO FLARE TUBE
48886	4 F5OLO-SW/2MM	CONNECTOR,MACHINED STRAIGHT THREAD TO ORFS
48887	4 CTX-S	ELBOW,90°,MALE PIPE TO FLARE TUBE
48888	10-12 V5OLO-S	ELBOW,45°,STRAIGHT THREAD TO ORFS
48890	4 S5OLO-S	BRANCH TEE,STRAIGHT THREAD TO ORFS
48891	4 S8LO-S	BRANCH TEE,SWIVEL NUT TO ORFS

## Fitting Cross References (Continued)

Genie PN	Parker PN	Description	Genie PN	Parker PN	Description
48892	6 C6LO-S	ELBOW,90°,SWIVEL NUT ORFS	48938	8 R6LO-S	RUN TEE,SWIVEL NUT,ORFS
48893	6 F5OHAO-S	UNION,STRAIGHT THREAD	48939	8 S6LO-S	BRANCH TEE,SWIVEL NUT TO ORFS
48894	8 WLO-WLNL-S	UNION,BULKHEAD,ORFS	48940	8 WJLO-WLNL-S	RUN TEE, BULKHEAD,ORFS
48895	DT-370-MSMO-5	VALVE,CHECK	48941	8-4 TRLO-S	REDUCER,TUBE END TO SWIVEL,ORFS
48896	6 JLO-S	UNION,TEE,ORFS	48942	8-6 C5OLO-S	ELBOW,90°,STRAIGHT THREAD TO ORFS
48897	DT-750-MSMS-5	VALVE,CHECK	48943	8-6 F5OLO-S	CONNECTOR,STRAIGHT THREAD TO ORFS
48898	DT-750-MOMS-5	VALVE,CHECK	48944	8-8 FLO-S	CONNECTOR,MALE PIPE TO ORFS
48899	DT-620-MOMS-5	VALVE,CHECK	48945	8 FTX-S	CONNECTOR,MALE PIPE TO FLARE TUBE
48900	4-6 F5OLO-SW/.035	CONNECTOR,STRAIGHT THREAD TO ORFS, W/.035 ORI	48946	8-10 F5OLO-S	CONNECTOR,STRAIGHT THREAD TO ORFS
48902	16-1 AOE4G-S	ELBOW,90° LONG,FEMALE PIPE TO STRAIGHT THREAD	48947	8-12 C5OLO-S	ELBOW,90°,STRAIGHT THREAD TO ORFS
48903	1 FF-S	NIPPLE,PIPE	48948	8-12 F5OLO-S	CONNECTOR,STRAIGHT THREAD TO ORFS
48904	4 C5OLO-S	ELBOW,90°,STRAIGHT THREAD TO ORFS	48949	8-16 F5OLO-S	CONNECTOR,STRAIGHT THREAD TO ORFS
48905	4 F5OLO-S	CONNECTOR,STRAIGHT THREAD TO ORFS	48950	10 C5OLO-S	ELBOW,90°,STRAIGHT THREAD TO ORFS
48906	4 R5OLO-S	RUN TEE,STRAIGHT THREAD	48951	10 CC5OLO-S	ELBOW,90° LONG,STRAIGHT THREAD TO ORFS
48907	4 V5OLO-S	ELBOW,45°,STRAIGHT THREAD TO ORFS	48952	10 F5OLO-S	CONNECTOR,STRAIGHT THREAD TO ORFS
48908	4 R6LO-S	RUN TEE,SWIVEL NUT,ORFS	48953	10 R5OLO-S	RUN TEE,STRAIGHT THREAD
48909	4 WJLO-WLNL-S	RUN TEE, BULKHEAD,ORFS	48954	10 S5OLO-S	BRANCH TEE,STRAIGHT THREAD TO ORFS
48910	4 GTX-S W/.030	CONNECTOR,FEMALE PIPE TO FLARE TUBE	48955	10 R6LO-S	RUN TEE,SWIVEL NUT,ORFS
48911	4-6 C5OLO-S	ELBOW,90°,STRAIGHT THREAD TO ORFS	48956	10-4 TRLO-BL-S	REDUCER,TUBE END TO SWIVEL,ORFS
48912	4-6 F5OLO-S	CONNECTOR,STRAIGHT THREAD TO ORFS	48957	10-6 TRLO-BL-S	REDUCER,TUBE END TO SWIVEL,ORFS
48913	4-6 F5OLO-SW/.030	CONNECTOR,STRAIGHT THREAD TO ORFS, W/.030 ORI	48958	10-12 F5OLO-S	CONNECTOR,STRAIGHT THREAD TO ORFS
48914	4-8 F5OLO-S	CONNECTOR,STRAIGHT THREAD TO ORFS	48959	12 C5OLO-S	ELBOW,90°,STRAIGHT THREAD TO ORFS
48915	6 C5OLO-S	ELBOW,90°,STRAIGHT THREAD TO ORFS	48960	12 F5OLO-S	CONNECTOR,STRAIGHT THREAD TO ORFS
48916	6 F5OLO-S	CONNECTOR,STRAIGHT THREAD TO ORFS	48961	12 R5OLO-S	RUN TEE,STRAIGHT THREAD
48917	6 FF5OLO-S	CONNECTOR,LONG,STRAIGHT THREAD TO ORFS	48962	12 S5OLO-S	BRANCH TEE,STRAIGHT THREAD TO ORFS
48918	6 R5OLO-S	RUN TEE,STRAIGHT THREAD	48963	12 V5OLO-S	ELBOW,45°,STRAIGHT THREAD TO ORFS
48919	6 S5OLO-S	BRANCH TEE,STRAIGHT THREAD TO ORFS	48964	12 R6LO-S	RUN TEE,SWIVEL NUT,ORFS
48920	6 V5OLO-S	ELBOW,45°,STRAIGHT THREAD TO ORFS	48965	12 CLO-S	ELBOW,90°,MALE PIPE TO ORFS
48921	6 FLO-S	CONNECTOR,MALE PIPE TO ORFS	48966	12 FLO-S	CONNECTOR,MALE PIPE TO ORFS
48922	6-6 FLO-S	CONNECTOR,MALE PIPE TO ORFS	48967	12 JLO-S	UNION TEE,ORFS
48923	6 P5ON-S	PLUG,STRAIGHT THREAD	48968	12 WLO-WLNL-S	UNION,BULKHEAD,ORFS
48925	6 WELO-S	UNION,90° BULKHEAD,ORFS	48969	12 WJLO-WLNL-S	RUN TEE, BULKHEAD,ORFS
48926	6-4 C5OLO-S	ELBOW,90°,STRAIGHT THREAD TO ORFS	48970	12 WELO-WLNL-S	UNION,90° BULKHEAD W/NUT,ORFS
48927	6-4 F5OLO-S	CONNECTOR,STRAIGHT THREAD TO ORFS			
48928	6-4 V5OLO-S	ELBOW,45°,STRAIGHT THREAD TO ORFS			
48929	6-8 C5OLO-S	ELBOW,90°,STRAIGHT THREAD TO ORFS			
48930	6-8 F5OLO-S	CONNECTOR,STRAIGHT THREAD TO ORFS			
48931	6-10 F5OLO-S	CONNECTOR,STRAIGHT THREAD TO ORFS			
48932	8 C5OLO-S	ELBOW,90°,STRAIGHT THREAD TO ORFS			
48933	8 F5OLO-S	CONNECTOR,STRAIGHT THREAD TO ORFS			
48934	8 FF5OLO-S	CONNECTOR,LONG,STRAIGHT THREAD TO ORFS			
48935	8 R5OLO-S	RUN TEE,STRAIGHT THREAD			
48936	8 S5OLO-S	BRANCH TEE,STRAIGHT THREAD TO ORFS			
48937	8 V5OLO-S	ELBOW,45°,STRAIGHT THREAD TO ORFS			

Fitting Cross References (Continued)

Genie PN	Parker PN	Description	Genie PN	Parker PN	Description
48971	12 G5G5JG5-S	TEE,FEMALE STRAIGHT THREAD	49612	PKT02586	O-RING KIT (ORFS FITTINGS)
48972	12 XHL6-S	ADAPTER, 37° MALE TO SWIVEL ORFS	49613	PKT06276	PLUG AND CAP KIT-SERVICE,ORFS
48973	12-1/2 F5OG-S	ADAPTER,FEMALE PIPE TO STRAIGHT THREAD	49728	10143-12-12	HOSE END, MALE PIPE
48974	12-10 C5OLO-S	ELBOW,90°,STRAIGHT THREAD TO ORFS	49729	16-1 F5OG-S	ADAPTER,FEMALE PIPE TO STRAIGHT THREAD
48975	12-10 F5OLO-S	CONNECTOR,STRAIGHT THREAD TO ORFS	49814	12-8 FLO-S	CONNECTOR,MALE PIPE TO ORFS
48976	12-16 C5OLO-S	ELBOW,90°,STRAIGHT THREAD TO ORFS	49829	DT-500-MOMF-5	VALVE,CHECK
48977	12-16 F5OLO-S	CONNECTOR,STRAIGHT THREAD TO ORFS	49831	881-12	HOSE,3/4 INCH ID
48978	12-16 V5OLO-S	ELBOW,45°,STRAIGHT THREAD TO ORFS	49834	16 JLO-S	UNION TEE,ORFS
48980	12-16 FLO-S	CONNECTOR,MALE PIPE TO ORFS	49838	12-8 TRLO-BL-S	REDUCER,TUBE END TO SWIVEL,ORFS
48983	16 C5OLO-S	ELBOW,90°,STRAIGHT THREAD TO ORFS	49840	8 JLO-S	UNION TEE,ORFS
48984	16 F5OLO-S	CONNECTOR,STRAIGHT THREAD TO ORFS	49844	10-8 TRLO-BL-S	REDUCER,TUBE END TO SWIVEL,ORFS
48985	16 V5OLO-S	ELBOW,45°,STRAIGHT THREAD TO ORFS	49854	8 P5ON-S	PLUG,STRAIGHT THREAD
48986	16 FLO-S	CONNECTOR,MALE PIPE TO ORFS	49855	1JC43-16-12	HOSE END,FEMALE SWIVEL,SEAL LOK
48988	16 CD45-S	ELBOW,45°,MALE TO FEMALE PIPE	49859	4 P5ON-S	PLUG,STRAIGHT THREAD
48989	12 CD45-S	ELBOW,45°,MALE TO FEMALE PIPE	49861	4 FF5OLO-S	CONNECTOR, LONG, STRAIGHT THREAD TO ORFS
48990	8 CD45-S	ELBOW,45°,MALE TO FEMALE PIPE	49867	12-3/4 F5OG-S	ADAPTER, FEMALE PIPE TO STRAIGHT THREAD
48991	16-12 FLO-S	CONNECTOR,MALE PIPE TO ORFS	51152	6 R6X-S	RUN TEE,SWIVEL NUT,ORFS
48992	16-12 V5OLO-S	ELBOW,45°,STRAIGHT THREAD TO ORFS	51153	6-4 TRTX-S	REDUCER,TUBE END TO SWIVEL,ORFS
48993	XV501-12	BALL VALVE	51154	4-4 GTX	CONNECTOR,FEMALE PIPE TO FLARE TUBE
48994	XV501-16	BALL VALVE	51264	881-12	HOSE,3/4 INCH ID
48995	XV510P-12	BALL VALVE	51265	8 JLO-S	UNION TEE,ORFS
48996	XV510P-16	BALL VALVE	51508	6 BTX-S	NUT,FLARE TUBE
48997	PD341	DIAGNOSTIC NIPPLE, STRAIGHT THREAD	51580	12-8 TRLO-BL-S	TUBE END REDUCER,ORFS
48998	PD 361	DIAGNOSTIC NIPPLE, STRAIGHT THREAD	51628	6 R6X-S	RUN TEE,SWIVEL NUT,ORFS
48999	DT-500-MOMS-5	VALVE,CHECK	51735	3/8 HHP	PLUG,PIPE THREAD
49201	10 V5OLO-S	ELBOW,45°,STRAIGHT THREAD TO ORFS	51803	1J943-6-8	HOSE END,90° FEMALE SWIVEL,SEAL LOK
49202	1JC43-12-10	HOSE END,FEMALE SWIVEL,SEAL LOK	53023	125HBL-5-4	FITTING,HOSE BARB TO MALE PIPE
49203	10-8 V5OLO-S	ELBOW,45°,STRAIGHT THREAD TO ORFS	53497	PKT02585	O-RING KIT
49205	6 F5OHAO-S	UNION,STRAIGHT THREAD	53499	1JC71-16-16	HOSE END,FEMALE SWIVEL,SEAL LOK
49207	PD34BTL	DIAGNOSTIC NIPPLE,SEAL-LOK SWIVEL	53500	3-904	O-RING,STRAIGHT THREAD,-4
49209	8M18F870MX-S	CONNECTOR,METRIC,STRAIGHT THREAD TO FLARE TUBE	53501	3-906	O-RING,STRAIGHT THREAD,-6
49212	8 WGTX-WLN-S	CONNECTOR,BULKHEAD,FEMALE PIPE TO FLARE TUBE	53502	3-908	O-RING,STRAIGHT THREAD,-8
49213	30682-8-8	HOSE END,FEMALE SWIVEL,JIC	53503	3-910	O-RING,STRAIGHT THREAD,-10
49216	831-8	HOSE,1/2 INCH ID			
49217	33982-8-8	HOSE END,90° FEMALE SWIVEL,JIC			
49219	PS-B-35	SLEEVE,NYLON,2.19" ID			
49418	4-6 V5OLO-S	ELBOW,45°,STRAIGHT THREAD TO ORFS			
49511	DT370-MOMS-5	VALVE,CHECK			
49512	1 DD-S	ELBOW,90°,FEMALE PIPE			
49513	1 FF-S	NIPPLE,PIPE			
49514	10 HP5ON-S	PLUG,STRAIGHT THREAD			
49515	12-16 CLO-S	ELBOW,90°,MALE PIPE TO ORFS			
49517	6 HP5ON-S	PLUG,STRAIGHT THREAD			
49519	16-12 F5OLO-S	CONNECTOR,STRAIGHT THREAD TO ORFS			
49520	4 VTX-S	ELBOW,45°,MALE PIPE TO FLARE TUBE			
49530	16 C6LO-S	ELBOW,90°,SWIVEL NUT ORFS			



## Fitting Cross References (Continued)

Genie PN	Parker PN	Description	Genie PN	Parker PN	Description
53535	3-912	O-RING,STRAIGHT THREAD,-12	61083	24 F5OLO-S	CONNECTOR,STRAIGHT THREAD TO ORFS
53536	4-PNLO-S	PLUG,TUBE END,ORFS	61086	20 R5OLO-S	RUN TEE,STRAIGHT THREAD
53537	6 PNLO-S	PLUG,TUBE END,ORFS	61090	24-20 F5OLO-S	CONNECTOR,STRAIGHT THREAD TO ORFS
53538	8 PNLO-S	PLUG,TUBE END,ORFS	61091	1J943 24-24	HOSE END,90° FEMALE SWIVEL,SEAL LOK
53539	10 PNLO-S	PLUG,TUBE END,ORFS	61093	1J978-12-12	HOSE END,90° FEMALE SWIVEL,JIC
53540	12 PNLO-S	PLUG,TUBE END,ORFS	61095	1JS43-20-16	HOSE END,FEMALE SWIVEL,SEAL LOK
53946	129HB-5-4	FITTING,90° HOSE BARB TO MALE PIPE	61100	811-24	HOSE,11/2 INCH ID
53951	8-1/4F50G-S	ADAPTER,FEMALE PIPE TO STRAIGHT THREAD	61130	1JS43-24-24	HOSE END,FEMALE SWIVEL,SEAL LOK
53980	6 S6LO-S	BRANCH TEE,SWIVEL NUT TO ORFS	61131	1JS78 12-12	HOSE END,FEMALE SWIVEL,SEAL LOK
54132	4 C6LO-S	ELBOW,90°,SWIVEL NUT ORFS	61132	1J778-12-12	HOSE END,45° FEMALE SWIVEL,JIC
54135	11343-16-16	HOSE END,MALE SWIVEL,PIPE	61152	139HB-6-4	ELBOW,45°,BARB TO MALE PIPE
54283	8-10 C5OLO-S	ELBOW,90°,STRAIGHT THREAD TO ORFS	61251	BV-0750	BALL VALVE
54428	8M18C870MLO-S	ELBOW, 90° METRIC, STRAIGHT THREAD TO ORFS	61259	4 CC5OLO-S	ELBOW,90° LONG,STRAIGHT THREAD TO ORFS
54803	FS-F-16-10	SLEEVE,FIRE,.96" ID	61260	20-12 TRLO-BL	REDUCER,TUBE END TO SWIVEL,ORFS
54954	10143-2-4	HOSE END, MALE PIPE	61262	12 C6LO-S	ELBOW,90°,SWIVEL NUT ORFS
55190	3/8 HP-S	PLUG,PIPE THREAD	61263	20 F5OHAO-S	UNION,STRAIGHT THREAD
55448	8 HLO-S	UNION,ORFS	61264	6-10 C5OLO-S	ELBOW,90°,STRAIGHT THREAD TO ORFS
55839	6 F65OX-S	CONNECTOR,STRAIGHT THREAD TO 37° SWIVEL	61265	6 WNLO-WLNL-S	UNION,BULKHEAD 45°,ORFS
55968	10 C5OX-S	ELBOW,90°,STRAIGHT THREAD TO FLARE TUBE	61268	4 WNLO-WLNL-S	UNION,BULKHEAD 45°,ORFS
56003	6 CC5OLO-S	ELBOW,90° LONG,STRAIGHT THREAD TO ORFS	61269	4 WLO-WLNL-S	UNION,BULKHEAD,ORFS
56166	BV-0837	BALL VALVE,90°	61272	12 AOEL6	ELBOW,90°,STRAIGHT THREAD TO ORFS SWIVEL
56188	10143-8-6	HOSE END, MALE PIPE	61316	482TC-16	HOSE,1 INCH ID
56233	2-011	O-RING,ORFS,-4	61321	6 JLO-S	UNION TEE,ORFS
56234	2-012	O-RING,ORFS,-6	61327	782-12	HOSE,3/4 INCH ID
56235	2-014	O-RING,ORFS,-8	61328	881-24	HOSE,11/2 INCH ID
56236	2-016	O-RING,ORFS,-10	61336	11943-20-24	HOSE END,90° FLANGE HEAD
56237	2-018	O-RING,ORFS,-12	61345	12 WJLO-WLNL-S	RUN TEE, BULKHEAD,ORFS
56238	2-021	O-RING,ORFS,-16	61346	8 WNLO-WLNL-S 4	UNION,BULKHEAD 45°,ORFS
56352	6 WLNL-S	LOCKNUT,BULKHEAD	61569	33782-8-8	HOSE END,45° FEMALE SWIVEL,JIC
56353	3J782-12-12	HOSE END,45° FEMALE SWIVEL,SEAL LOK	61610	12 FF5OLO-S	CONNECTOR,LONG,STRAIGHT THREAD TO ORFS
56354	3J982-12-12	HOSE END,90° FEMALE SWIVEL,SEAL LOK	61742	1/8 X 1.5 FFF	NIPPLE,PIPE
56604	10-8 F5OLO-S	CONNECTOR,STRAIGHT THREAD TO ORFS	63426	8 PNTX-S	PLUG,FLARE TUBE
56639	3JC82-10-10	HOSE END,FEMALE SWIVEL,SEAL LOK			
56640	3J982-10-10	HOSE END,90° FEMALE SWIVEL,SEAL LOK			
56655	3JC82-8-10	HOSE END,FEMALE SWIVEL,SEAL LOK			
56676	10-8 C5OLO-S	ELBOW,90°,STRAIGHT THREAD TO ORFS			
56776	471TC-6	HOSE,3/8 INCH ID			
56777	471TC-8	HOSE,1/2 INCH ID			
56789	811-16	HOSE,1 INCH ID			
57884	3/8 FF	NIPPLE,PIPE			
59335	6 FNL-S	CAP,TUBE END			
59342	4 FNL-S	CAP,TUBE END			
59371	8 HP50N-S	PLUG,STRAIGHT THREAD			
60653	BV-0751	BALL VALVE			
60806	125HB-3-4	FITTING,HOSE BARB TO MALE PIPE			
61064	5-1/4 F50G-S	ADAPTER,FEMALE PIPE TO STRAIGHT THREAD			
61079	4 WELO-WLNL-S	UNION,90° BULKHEAD W/NUT,ORFS			
61080	6 WLO-WLNL-S	UNION,BULKHEAD,ORFS			



Fitting Cross References (Continued)

Genie PN	Parker PN	Description
64271	4 WLO-WLNL-S	UNION,BULKHEAD,ORFS
64272	6 WLO-WLNL-S	UNION,BULKHEAD,ORFS
65776	8 F65OL-S	CONNECTOR,STRAIGHT THREAD TO ORFS SWIVEL
65880	6001012	O-RING KIT
66154	6 WTX-WLNS	UNION,BULKHEAD,FLARE TUBE
66155	6 WETX-S	UNION,BULKHEAD 90°,FLARE TUBE
66156	6 WLN-S	BULKHEAD LOCKNUT
66389	6-8 F5OX-S	CONNECTOR,STRAIGHT THREAD TO FLARE TUBE
66392	6 R5OX-S	RUN TEE,STRAIGHT THREAD
66396	811-12	HOSE,3/4 INCH ID
66829	H3174PP	CLAMP,TUBE
67217	4 KLO-S	UNION,CROSS,ORFS
67339	10-6 F5OX-S	CONNECTOR,STRAIGHT THREAD TO FLARE TUBE
67357	13943-8-6	HOSE END,90° FEMALE SWIVEL,JIC
67358	10 HP5ON-S	PLUG,STRAIGHT THREAD
67371	12 S6LO-S	BRANCH TEE,SWIVEL NUT TO ORFS
67498	4 FNL-S	CAP, TUBE END
67906	DC-370-F0F0-5	VALVE,CHECK
69316	8 FLO-S	CONNECTOR,MALE PIPE TO ORFS
69333	H3174PP	CLAMP,HYDRAULIC HOSE
69503	4 F65OX-S	CONNECTOR,STRAIGHT THREAD TO 37° SWIVEL
69775	8 FNL-S	CAP, TUBE END
71038	1/4X1/4F3HG-S	ADAPTER,CONVERSION
71196	12-8 F5OLO-S	CONNECTOR,STRAIGHT THREAD TO ORFS
71383	1/4 CD45-S	ELBOW,45°,MALE TO FEMALE PIPE
72270	12FNL-S	CAP, TUBE END
73436	60C-4	SLEEVE,COMPRESSION
73437	61C-4	NUT,COMPRESSION
73438	33482-4-4B	HOSE END,PUSH LOK,MALE
73767	1CD-S	ELBOW,90°,MALE TO FEMALE PIPE
73768	20-16-F5OG5-S	ADAPTER,FEMALE PIPE TO STRAIGHT THREAD
73769	16-20 F5OLO-S	CONNECTOR,STRAIGHT THREAD TO ORFS
74660	6-8 F42EDMLO-S	CONNECTOR,MALE BSPP TO ORFS
74661	8-8 F42EDMLO-S	CONNECTOR,MALE BSPP TO ORFS
75007	4 FLO-S	CONNECTOR,MALE PIPE TO ORFS
75008	1/8 HP-S	PLUG,PIPE THREAD
75014	1/2 HP-S	PLUG,PIPE THREAD
75042	8 WELO-WLNL-S	UNION,90° BULKHEAD W/NUT,ORFS
75043	3/4 FF-S	NIPPLE,PIPE
75254	24 F5OHAO-S	UNION,STRAIGHT THREAD
75255	12 F5OHAO-S	UNION,STRAIGHT THREAD
75256	XV506P-24	BALL VALVE
75574	4 WLNL-S	BULKHEAD LOCKNUT
75612	8 WJLO-WLNL-S	RUN TEE, BULKHEAD,ORFS
75613	12-8 F5OG5-S	ADAPTER,FEMALE PIPE TO STRAIGHT THREAD
75614	8 CC5OLO-S	ELBOW,90° LONG,STRAIGHT THREAD TO ORFS
75628	1JB43-4-4	HOSE END,BULKHEAD,SEAL LOK

Genie PN	Parker PN	Description
75631	801-6	HOSE,3/8 INCH ID
75654	20 F5OLO-S	CONNECTOR,STRAIGHT THREAD TO ORFS
75655	1J943-20-20	HOSE END,90° FEMALE SWIVEL,SEAL LOK
75656	881-20	HOSE,1-1/4 INCH ID
75971	8 F5OHAO-S	UNION,STRAIGHT THREAD
77307	1JB43-8-8	HOSE END,BULKHEAD,SEAL LOK
77309	8 WLNL-S	BULKHEAD LOCKNUT
77379	8M18C87OMX-S	ELBOW,90° METRIC,STRAIGHT THREAD TO FLARE TUBE
77703	3J982-8-8	HOSE END,90° FEMALE SWIVEL,SEAL LOK
77711	801-10	HOSE,5/8 INCH ID
77758	12 WNLO-WLNL-S	UNION,BULKHEAD 45°,ORFS
78091	6 C6X-S	ELBOW,90°,SWIVEL NUT TO FLARE TUBE
78684	30582-8-8B	HOSE END,PUSH LOK,MALE
78852	549-2	HOSE,1/8 INCH ID
78855	10657-4-2	HOSE END,FEMALE SWIVEL,JIC
79138	PS-B-37	SLEEVE,NYLON,2.38" ID
79476	1JS43-6-8	HOSE END,FEMALE SWIVEL,SEAL LOK
79847	12-3/4 A0EG-S	ELBOW,90°,STRAIGHT THREAD TO FEMALE PIPE
80044	8 CLO-S	ELBOW,90°,MALE PIPE TO ORFS
80502	8 F5OX-S	CONNECTOR,STRAIGHT THREAD TO FLARE TUBE
80503	8 C5OX-S	ELBOW,90°,STRAIGHT THREAD TO FLARE TUBE
81010	AS-B-27	SLEEVE,NYLON,1.63" ID
83052	821-6	HOSE,3/8 INCH ID
83053	821-8	HOSE,1/2 INCH ID
83054	821-12	HOSE,3/4 INCH ID
83055	30682-6-6	HOSE END,FEMALE SWIVEL,JIC
83056	30682-12-12	HOSE END,FEMALE SWIVEL,JIC
83057	33782-6-6	HOSE END,45° FEMALE SWIVEL,JIC
83058	33982-6-6	HOSE END,90° FEMALE SWIVEL,JIC
83060	33982-12-12	HOSE END,90° FEMALE SWIVEL,JIC
83063	13743-4-4	HOSE END,45° FEMALE SWIVEL,JIC

## Fitting Cross References (Continued)

Genie PN	Parker PN	Description	Genie PN	Parker PN	Description
83064	13743-8-8	HOSE END,45° FEMALE SWIVEL,JIC	89449	6 WJLO-WLNL-S	RUN TEE, BULKHEAD,ORFS
83065	13743-12-12	HOSE END,45° FEMALE SWIVEL,JIC	89489	4 WJMLO-S	BRANCH TEE,BULKHEAD,ORFS
83066	13943-8-8	HOSE END,90° FEMALE SWIVEL,JIC	89551	1JB43-6-6	HOSE END,BULKHEAD,SEAL LOK
83067	14143-6-6	HOSE END,90° FEMALE SWIVEL,JIC	89552	1JB43-8-8	HOSE END,BULKHEAD,SEAL LOK
83068	14143-8-8	HOSE END,90° FEMALE SWIVEL,JIC	89593	20 C5OLO-S	ELBOW,90°,STRAIGHT THREAD TO ORFS
83069	14143-12-12	HOSE END,90° FEMALE SWIVEL,JIC	94161	8-8 CLO-S	ELBOW,90°,MALE PIPE TO ORFS
83070	772-8	HOSE,1/2 INCH ID	94358	351TC-12	HOSE,3/4 INCH ID
83071	10671-8-8	HOSE END,FEMALE SWIVEL,JIC	94418	20 FLO-S	CONNECTOR,MALE PIPE TO ORFS
83072	10671-12-12	HOSE END,FEMALE SWIVEL,JIC	96358	12 TX-S	SLEEVE,FLARE TUBE
83073	13771-8-8	HOSE END,45° FEMALE SWIVEL,JIC	96359	12 BTX-S	NUT,FLARE TUBE
83074	13771-12-12	HOSE END,45° FEMALE SWIVEL,JIC	96397	8 F5OX-S	CONNECTOR,STRAIGHT THREAD TO FLARE TUBE
83075	13971-8-8	HOSE END,90° FEMALE SWIVEL,JIC	96398	12-8 F5OX-S	CONNECTOR,STRAIGHT THREAD TO FLARE TUBE
83076	13971-12-12	HOSE END,90° FEMALE SWIVEL,JIC	96402	10343-6-6	HOSE END,MALE,JIC
83077	14171-8-8	HOSE END,90° FEMALE SWIVEL,JIC	96407	30382-6-6B	HOSE END,MALE,JIC
83078	14171-12-12	HOSE END,90° FEMALE SWIVEL,JIC			
83080	13943-16-16	HOSE END,90° FEMALE SWIVEL,JIC			
83103	10671-16-12	HOSE END,FEMALE SWIVEL,JIC			
83104	10671-10-12	HOSE END,FEMALE SWIVEL,JIC			
83112	1JC71-8-8	HOSE END,FEMALE SWIVEL,SEAL LOK			
83113	1JS71-16-12	HOSE END,FEMALE SWIVEL,SEAL LOK			
83114	1JS71-10-12	HOSE END,FEMALE SWIVEL,SEAL LOK			
83115	1J971-8-8	HOSE END,90° FEMALE SWIVEL,SEAL LOK			
83116	1J171-8-8	HOSE END,90° FEMALE SWIVEL,SEAL LOK			
83117	1J771-8-8	HOSE END,45° FEMALE SWIVEL,SEAL LOK			
83127	1J543-6-8	HOSE END,90° FEMALE SWIVEL,JIC			
83128	1JC43-6-8	HOSE END,FEMALE SWIVEL,SEAL LOK			
87033	12-6 TRLO-S	REDUCER,TUBE END TO SWIVEL,ORFS			
87034	3J782-8-8	HOSE END,45° FEMALE SWIVEL,SEAL LOK			
87172	12 HP5ON-S	PLUG,STRAIGHT THREAD			
87185	8 WNLO-WLNL-S	UNION,BULKHEAD 45°,ORFS			
87246	4 C6X-S	ELBOW,90°,SWIVEL NUT TO FLARE TUBE			
87679	6 LHP-S	FLANGE SEAL FITTING, MALE			
87681	6PLS N0702	BONDED SEAL			
88100	SR88100	ADAPTER,OIL DRAIN,GM 3.0L			
88311	1JS43-20-20	HOSE END,FEMALE SWIVEL,SEAL LOK			
88353	20 V5OLO-S	ELBOW,45°,STRAIGHT THREAD TO ORFS			
88474	10081-20	Crimp Shell, 1.25"			
88475	1988-20-24	HOSE END,90° FLANGE HEAD			
88476	JS88-24-24	HOSE END,FEMALE SWIVEL,SEAL LOK			
88477	1JC88-20-20	HOSE END,FEMALE SWIVEL,SEAL LOK			
88478	811-20	HOSE,11/4 INCH ID			
88936	20-16 F5OLO-S	CONNECTOR,STRAIGHT THREAD TO ORFS			
88937	20-16 FLO-S	CONNECTOR,MALE PIPE TO ORFS			
88938	1JC88-16-16	HOSE END,FEMALE SWIVEL,SEAL LOK			
88939	1J988-16-16	HOSE END,90° FEMALE SWIVEL,ORFS			
88940	811-16	HOSE,1 INCH ID			
88944	1J988-20-20	HOSE END,90° FEMALE SWIVEL,ORFS			
89403	16 VLO-S	ELBOW,45°,MALE PIPE TO ORFS			

California Proposition 65



**WARNING**

Operating, servicing and maintaining this equipment can expose you to chemicals including engine exhaust, carbon monoxide, phthalates, and lead, which are known to the State of California to cause cancer and birth defects or other reproductive harm. These chemicals can be emitted from or contained in other various parts and systems, fluids and some component wear by-products. To minimize exposure, avoid breathing exhaust, do not idle the engine except as necessary, service your equipment and vehicle in a well-ventilated area and wear gloves or wash your hands frequently when servicing your equipment or vehicle and after operation. For more information go to [www.P65Warnings.ca.gov/passenger-vehicle](http://www.P65Warnings.ca.gov/passenger-vehicle).

Breathing diesel engine exhaust exposes you to chemicals known to the State of California to cause cancer and birth defects or other reproductive harm.

- Always start and operate the engine in a well-ventilated area.
- If in an enclosed area, vent the exhaust to the outside.
- Do not modify or tamper with the exhaust system.
- Do not idle the engine except as necessary.

For more information go to [www.P65warnings.ca.gov/diesel](http://www.P65warnings.ca.gov/diesel).

Distributed By:

[www.P65Warnings.ca.gov](http://www.P65Warnings.ca.gov) to order your parts

# PARTS FINDER

**Search Website  
by Part Number**



**Search Manual  
Library For Parts  
Manual & Lookup Part  
Numbers – Purchase  
or Request Quote**

**Search Manuals**

Enter your information to help us find the right parts manual for your machine.

\* Brand:

\* Model:

\* Serial:

\* Part Number:

SEARCH

**Can't Find Part or  
Manual? Request Help  
by Manufacturer,  
Model & Description**

**Parts Order Form**

Please fill in the following information to help us find the right part for your machine.

Manufacturer:	<input type="text"/>
Model:	<input type="text"/>
Description:	<input type="text"/>
Part Number:	<input type="text"/>
Quantity:	<input type="text"/>
Notes:	<input type="text"/>

Submit

Discount-Equipment.com is your online resource for quality parts & equipment.

Florida: **561-964-4949** Outside Florida TOLL FREE: **877-690-3101**

**Need parts?**

Click on this link: <http://www.discount-equipment.com/category/5443-parts/> and choose one of the options to help get the right parts and equipment you are looking for. Please have the machine model and serial number available in order to help us get you the correct parts. If you don't find the part on the website or on one of the online manuals, please fill out the request form and one of our experienced staff members will get back to you with a quote for the right part that your machine needs.

We sell worldwide for the brands: Genie, Terex, JLG, MultiQuip, Mikasa, Essick, Whiteman, Mayco, Toro Stone, Diamond Products, Generac Magnum, Airman, Haulotte, Barreto, Power Blanket, Nifty Lift, Atlas Copco, Chicago Pneumatic, Allmand, Miller Curber, Skyjack, Lull, Skytrak, Tsurumi, Husquvarna Target, Stow, Wacker, Sakai, Mi-T-M, Sullair, Basic, Dynapac, MBW, Weber, Bartell, Bennar Newman, Haulotte, Ditch Runner, Menegotti, Morrison, Contec, Buddy, Crown, Edco, Wyco, Bomag, Laymor, EZ Trench, Bil-Jax, F.S. Curtis, Gehl Pavers, Heli, Honda, ICS/PowerGrit, IHI, Partner, Imer, Clipper, MMD, Koshin, Rice, CH&E, General Equipment, Amida, Coleman, NAC, Gradall, Square Shooter, Kent, Stanley, Tamco, Toku, Hatz, Kohler, Robin, Wisconsin, Northrock, Oztec, Toker TK, Rol-Air, APT, Wylie, Ingersoll Rand / Doosan, Innovatech, Con X, Ammann, Mecalac, Makinex, Smith Surface Prep, Small Line, Wanco, Yanmar