



A TEREX BRAND



# Parts Manual

## Serial Number Range

**S-60**

from SN S6014A-29213 to  
S6016A-31260

**S-65**

and from SN S6016N-31261 to  
S6016N-35000

**S-60X**

**S-60XC**

**S-60HC**

**S-60TRAX**

**S-65TRAX**

Part No. 1260108

Rev C9

November 2018

# PARTS FINDER

**Search Website  
by Part Number**



**Search Manual  
Library For Parts  
Manual & Lookup Part  
Numbers – Purchase  
or Request Quote**

**Search Manuals**

Enter your information to help us find the right parts manual for your machine.

\* Brand:

\* Model:

\* Serial:

\* Part Number:

SEARCH

**Can't Find Part or  
Manual? Request Help  
by Manufacturer,  
Model & Description**

**Parts Order Form**

Please fill in the following information to help us find the right part for your machine.

Manufacturer:	<input type="text"/>
Model:	<input type="text"/>
Description:	<input type="text"/>
Part Number:	<input type="text"/>
Quantity:	<input type="text"/>
Notes:	<input type="text"/>
Submit:	<input type="button" value="Submit"/>

Discount-Equipment.com is your online resource for quality parts & equipment.

Florida: **561-964-4949** Outside Florida TOLL FREE: **877-690-3101**

**Need parts?**

Click on this link: <http://www.discount-equipment.com/category/5443-parts/> and choose one of the options to help get the right parts and equipment you are looking for. Please have the machine model and serial number available in order to help us get you the correct parts. If you don't find the part on the website or on one of the online manuals, please fill out the request form and one of our experienced staff members will get back to you with a quote for the right part that your machine needs.

We sell worldwide for the brands: Genie, Terex, JLG, MultiQuip, Mikasa, Essick, Whiteman, Mayco, Toro Stone, Diamond Products, Generac Magnum, Airman, Haulotte, Barreto, Power Blanket, Nifty Lift, Atlas Copco, Chicago Pneumatic, Allmand, Miller Curber, Skyjack, Lull, Skytrak, Tsurumi, Husquvarna Target, Stow, Wacker, Sakai, Mi-T-M, Sullair, Basic, Dynapac, MBW, Weber, Bartell, Bennar Newman, Haulotte, Ditch Runner, Menegotti, Morrison, Contec, Buddy, Crown, Edco, Wyco, Bomag, Laymor, EZ Trench, Bil-Jax, F.S. Curtis, Gehl Pavers, Heli, Honda, ICS/PowerGrit, IHI, Partner, Imer, Clipper, MMD, Koshin, Rice, CH&E, General Equipment, Amida, Coleman, NAC, Gradall, Square Shooter, Kent, Stanley, Tamco, Toku, Hatz, Kohler, Robin, Wisconsin, Northrock, Oztec, Toker TK, Rol-Air, APT, Wylie, Ingersoll Rand / Doosan, Innovatech, Con X, Ammann, Mecalac, Makinex, Smith Surface Prep, Small Line, Wanco, Yanmar



A TEREX BRAND

**Model:** S-60

**Serial number:** S6014A-28536

**Model year:** 2014 **Manufacture date:** 03/01/14

**Electrical schematic number:** E0186

**Machine unladen weight:** 20,736lbs / 9,406kg  
Foam Tires add 764 lbs/347 kg to weight

**Rated work load (including occupants):** 500 lb / 227 kg

**Maximum number of platform occupants:** 2

**Maximum allowable side force :** 150 lb / 670 N

**Maximum allowable inclination of the chassis:**  
Air Tires 2 deg / Foam Tires 4.5 deg

**Maximum wind speed :** 28 mph/ 12.5 m/s

**Maximum platform height :** 60 ft 2 in/ 18.3 m

**Maximum platform reach :** 50 ft 4 in/ 15.3 m

**Gradeability:** 45%

**Country of manufacture:** USA

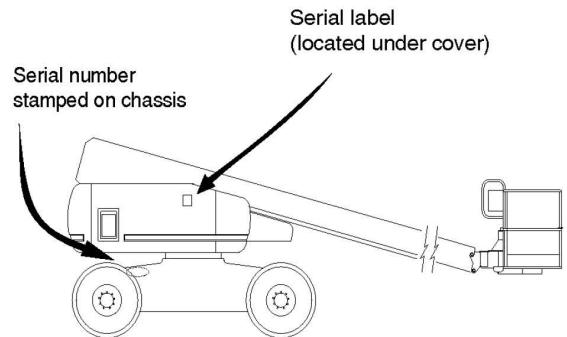
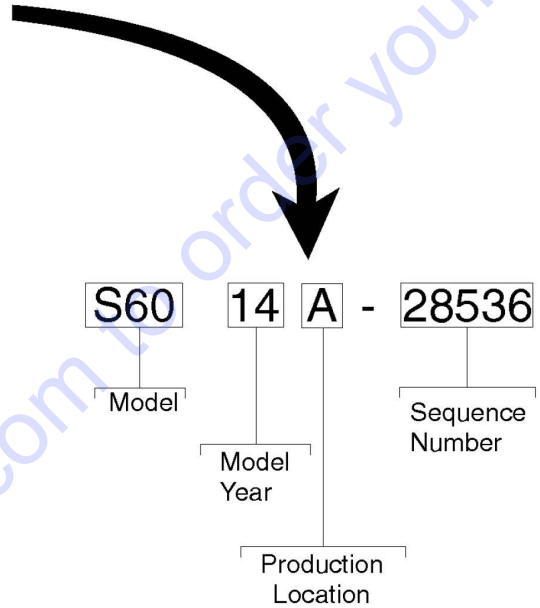
**This machine complies with:**

ANSI A92.5

CAN B.354.4



11100011



## Table of Contents

This manual is updated frequently. For the most up-to-date parts information, visit [www.discount-equipment.com](http://www.discount-equipment.com)

How to Read Your Serial Number.....	3
Parts Stocking List.....	7

**Electronic Version**

Click on any page number to view the figure.

**001 Parts Stocking List**

001.1 Parts Stocking List.....	10
--------------------------------	----

**100 Decals**

101.1 Word, Hydraulic Tank Side, Non-Steer End, ANSI and Australia (to SN S6015A-30299).....	12
101.2 Word, Hydraulic Tank Side, Non-Steer End, ANSI and Australia (from SN S6015A-30300).....	16
102.1 Word, Engine Side, Steer End, ANSI and Australia (to SN S6015A-30299).....	20
102.2 Word, Engine Side, Steer End, ANSI and Australia (from SN S6015A-30300).....	22
103.1 Word, Booms, ANSI and Australia (to SN S6015A-30299).....	24
103.2 Word, Booms, ANSI and Australia (from SN S6015A-30300).....	26
104.1 Word, Platform, ANSI and Australia (to SN S6015A-30299).....	28
104.2 Word, Platform, ANSI and Australia (from SN S6015A-30300).....	30
105.1 Symbol, Hydraulic Tank Side, Non-Steer End, ANSI and CE (to SN S6015A-30299).....	32
105.2 Symbol, Hydraulic Tank Side, Non-Steer End, ANSI and CE (from SN S6015A-30300).....	34
106.1 Symbol, Engine Side, Steer End, ANSI and CE (to SN S6015A-30299).....	36
106.2 Symbol, Engine Side, Steer End, ANSI and CE (from SN S6015A-30300).....	38
107.1 Symbol, Booms, ANSI and CE (to SN S6015A-30299).....	40
107.2 Symbol, Booms, ANSI and CE (from SN S6015A-30300).....	42

108.1 Symbol, Platform, ANSI and CE (to SN S6015A-30299).....	44
108.2 Symbol, Platform, ANSI and CE (from SN S6015A-30300).....	46

**200 Drive Chassis Components**

201.1 Steer End.....	48
202.1 Non-steer End.....	52
203.1 Oscillate Valve.....	56
204.1 TraX Option Steer End.....	58
205.1 TraX Option Non-steer End.....	60
206.1 TraX Option Components.....	62

**300 Turntable Components**

301.1 Tank Side - View 1 (to SN S6015A-30299).....	64
301.2 Tank Side - View 1 (from SN S6015A-30300).....	68
302.1 Tank Side - View 2 (to SN S6015A-30299).....	70
302.2 Tank Side - View 2 (from SN S6015A-30300).....	72
303.1 Tank Side - S-60 HC Turntable (to SN S6015A-29585).....	74
304.1 Tank Side - Diesel Fuel Tank Installation.....	76
305.1 Tank Side - Gasoline Fuel Tank Installation.....	78
306.1 Ground Control Box, with Hour Meter - View 1, External.....	80
307.1 Ground Control Box, with Hour Meter - View 2, Internal.....	82
308.1 Ground Control Box, with LCD Readout Screen - View 1 External.....	84
309.1 Ground Control Box, with LCD Readout Screen - View 2 Internal.....	88
310.1 Engine Side (to SN S6015A-30299).....	90
310.2 Engine Side (from SN S6015A-30300).....	94
311.1 Engine Side - S-60 HC Turntable (to SN S6015A-29585).....	98
312.1 Turntable Covers (to SN S60-30299).....	100
312.2 Turntable Covers (from SN S60-30300).....	102
313.1 Wire Harness Diagram.....	104

**400 Manifolds and Pumps**

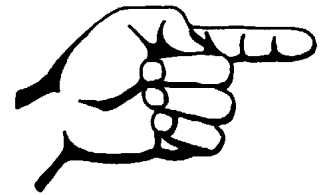
401.1 Function Manifold.....	108
402.1 Traction Manifold, 2WD.....	112
403.1 Traction Manifold, 4WD.....	114
404.1 Platform Rotate and Jib Boom/Platform Rotate Manifold.....	116
405.1 Pumps.....	118
406.1 Brake and 2 Speed Manifold.....	120

**500 Engine Components**

501.1 Ford MSG-425 EFI, View 1.....	122
502.1 Ford MSG-425 EFI, View 2.....	124

503.1 Ford MSG-425 EFI, View 3.....	126	804.1 2WD Traction Manifold.....	210
504.1 Ford MSG-425 EFI, View 4.....	128	805.1 Oscillate Option.....	212
505.1 Perkins 404D-22.....	130	806.1 Hydraulic Generator Option.....	214
506.1 Perkins 404F-22, View 1.....	134	807.1 Hydraulic Oil Cooler Option.....	216
507.1 Perkins 404F-22, View 2.....	136	808.1 Welder Option.....	218
508.1 Perkins 404F-22, View 3.....	138		
509.1 Perkins 404F-22, View 4.....	140	<b>900 Accessories</b>	
510.1 Deutz D2011L03i, View 1.....	142	901.1 Drive Lights, Alarm and Beacon Packages.....	220
511.1 Deutz TD2011L04i, View 1.....	146	902.1 Control Box Cover, Pinch Guard and Tool Tray.....	222
512.1 Deutz TD2011L04i, View 2.....	148	903.1 Half Mesh and Swing Gate.....	224
513.1 Deutz D2.9L4, View 1.....	150	904.1 Tri-Entry Platform and Platform Toeboard.....	226
514.1 Deutz D2.9L4, View 2.....	152	905.1 Panel Cradle and Pipe Cradle.....	228
515.1 Deutz D2.9L4, View 3.....	154	906.1 Platform Work Lights.....	230
516.1 Deutz D2.9L4, View 4.....	156	907.1 Operator Protective Structure.....	232
517.1 Deutz D2.9L4, View 5.....	158	908.1 Aircraft Protection, Standard Entry, S-65.....	234
518.1 Deutz TD2.9L4, View 1 (from S60TX16H-30877).....	160	909.1 Aircraft Protection, Swing Gate, S-65.....	236
519.1 Deutz TD2.9L4, View 2 (from S60TX16H-30877).....	162	910.1 Air line and Power to Platform.....	238
520.1 Deutz TD2.9L4, View 3 (from S60TX16H-30877).....	164	911.1 Hostile Environment, Boom Wipers.....	240
521.1 Deutz TD2.9L4, View 4 (from S60TX16H-30877).....	166	912.1 Hostile Environment, Turntable Components.....	242
522.1 Deutz TD2.9L4, View 5 (from S60TX16H-30877).....	168	913.1 Hostile Environment, Cylinder Bellows and Cable Track.....	244
		914.1 Hostile Environment, Engine Air Pre-Cleaners.....	246
<b>600 Boom Structure Components</b>		915.1 Welder Option, Chassis Components.....	248
601.1 Linkage Assembly.....	170	916.1 Welder Option, Platform Components.....	250
602.1 Boom Components, View 1.....	174	917.1 Welder Option, Generator Components.....	252
603.1 Boom Components, View 2.....	176	918.1 Welder Option, Manifold Components.....	254
604.1 Boom Limit Switch -S-60X, S-60XC and S-60TraX ANSI Models.....	178	919.1 Gauge Option.....	256
605.1 Boom End Components, S-60, S-60TraX and S-65TraX.....	180	920.1 Cold Start Package.....	258
606.1 Boom End Components, S-65.....	182	921.1 Hydraulic Oil Cooler Option.....	260
607.1 Boom End Components, S-60HC (to SN S6015A-29585).....	184	922.1 Hydraulic Generator.....	262
608.1 Boom End Components, S-60X and S60XC.....	186	923.1 2nd LP Tank Carrier.....	264
609.1 Boom End Components, Load Sense, S-60 and S-65 CE Models.....	188	924.1 Tow Package.....	266
610.1 S60 HC Primary Boom Components (to SN S6015A-29585).....	190	925.1 Circuit Board Heater Option.....	268
611.1 Cable Track.....	192	926.1 Fall Arrest Bar.....	270
		927.1 Operators Protection Alarm.....	272
<b>700 Platform Components</b>		<b>Indices</b>	
701.1 Platform Installation.....	194	Part Number Index.....	274
702.1 Platform Control Box - View 1, External.....	196	Part Description Index.....	283
703.1 Platform Control Box - View 2, Internal.....	200	<b>Cross References</b>	
704.1 Joysticks.....	202	Fittings Cross Reference.....	298
<b>800 Hydraulic Hose Routing and Fittings</b>			
801.1 Function Manifold, View 1.....	204		
802.1 Function Manifold, View 2.....	206		
803.1 4WD Traction Manifold.....	208		

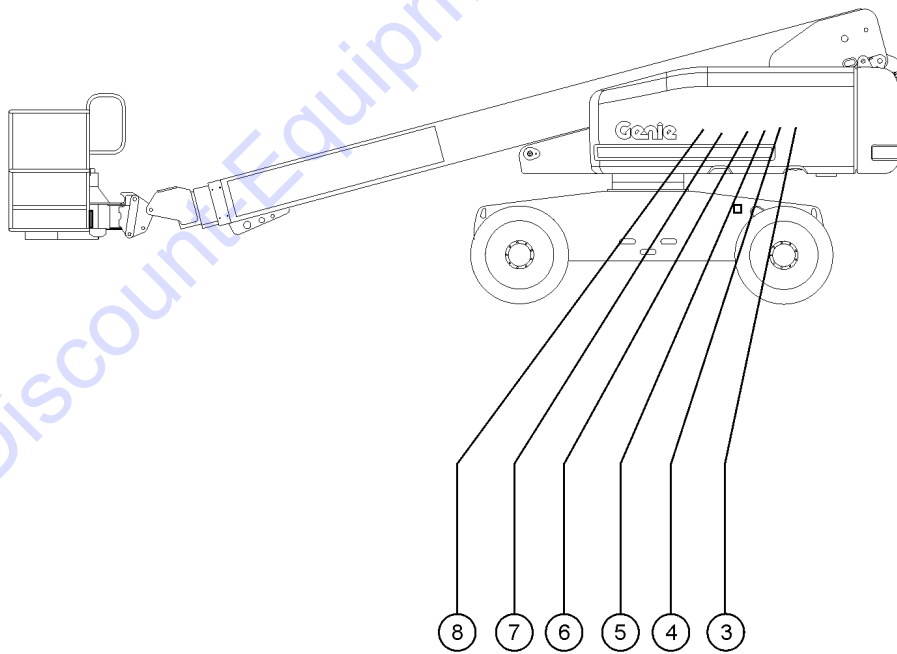
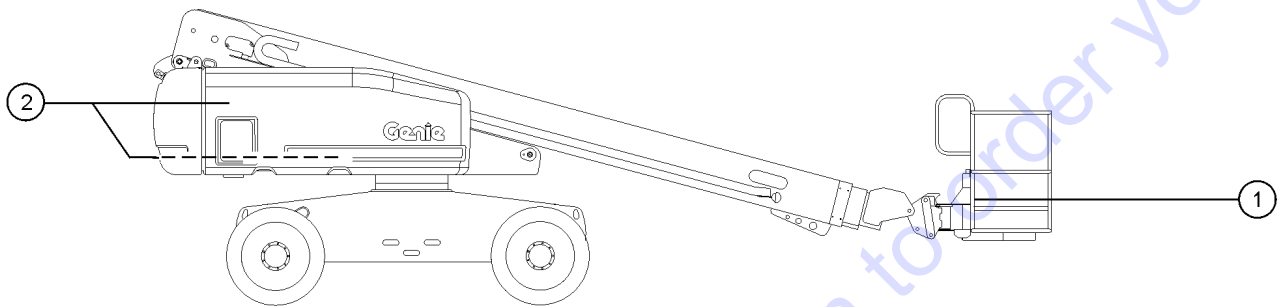
Please refer to section 001 for the Recommended Spare Parts List.



This page intentionally left blank.

Go to Discount-Equipment.com to order your parts

001.1 Parts Stocking List

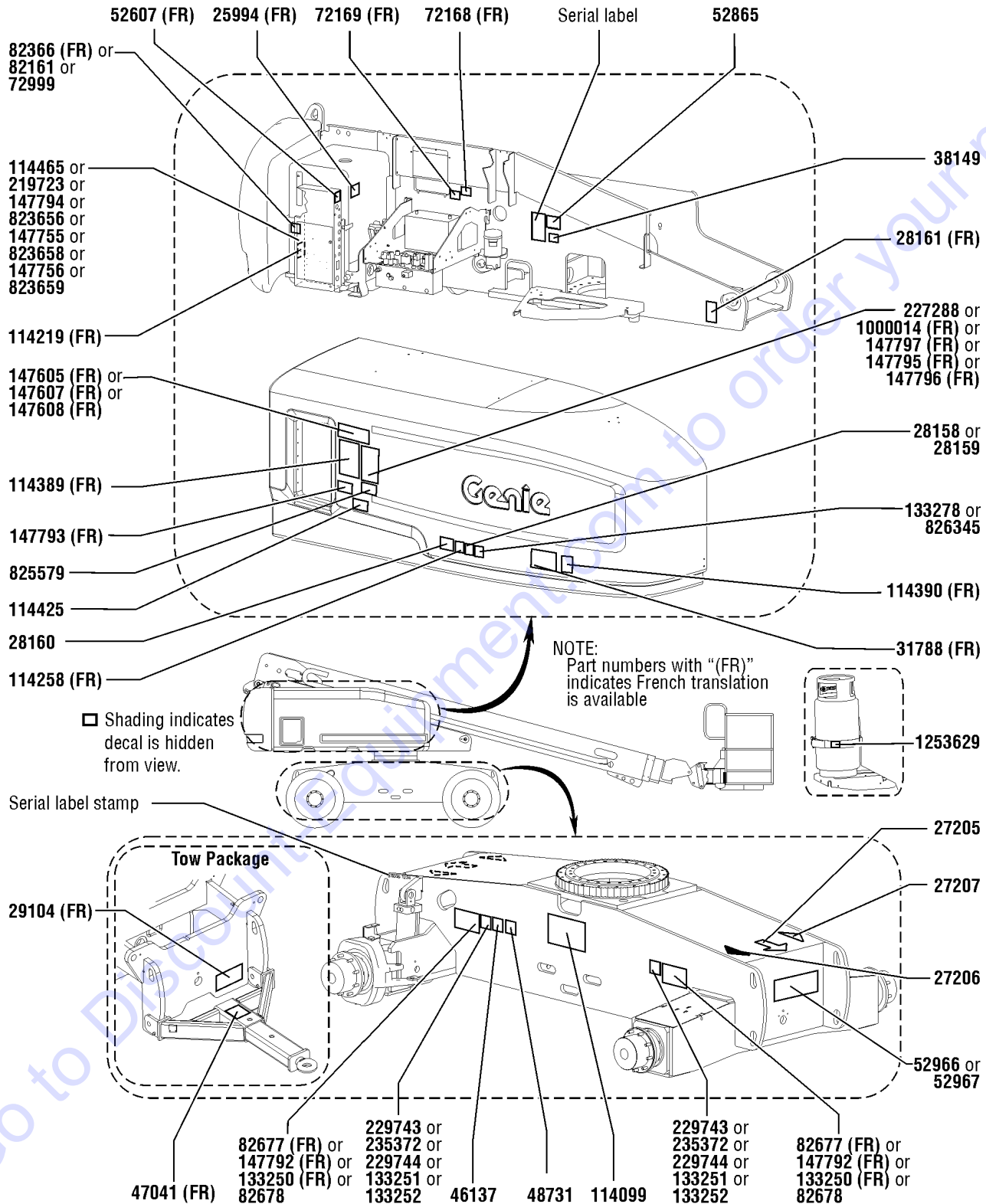




Item	Part No.	Description	Qty.	Item	Part No.	Description	Qty.
A		—INSPECTION SERVICE KITS—		--	62420GT	FILTER,AIR***	
--				--	62421GT	FILTER,FUEL,PERKINS	
--	1278708GT	KIT,ENGINE SERVICE,250 HOUR,DEUTZ D2.9,,Z45/S40/S60/Z62/RT90		--	62433GT	FILTER,ELEMENT,30 MIC,75020	
--	1278709GT	KIT,ENGINE SERVICE,250 HOUR,FDMSG425,Z45/S40/S60/Z62/RT90		--	89765GT	BELT, V (PERKINS 404)	
--	58351GT	KIT,HARNESS,PROTRACTOR,Z135***		--	94762GT	OIL FILTER - PERKINS	
B		—GENERAL SERVICE PARTS—		--	94889GT	FUEL FILTER ASSEMBLY	
--	1257733GT	PAINT,WET,TRAFFIC BLACK (1 GL)** 1-gallon		5		—Deutz TD2011-L03i Models—	
--	1258567GT	PAINT, AEROSOL, TRAFFIC BLACK 12-ounce spray paint		--	29560GT	FILTER,FUEL/WTR SEP, DTZ 1008	
--	1268GT	PAINT,AEROSOL,GENIE GRAY*** 12-ounce spray paint		--	32698GT	BELT,V, DEUTZ DIESEL ENGINE	
--	1283776GT	SEAL MARKER,CROSS CHECK,BLUE,TUBE		--	49924GT	FILTER,OIL,DEUTZ F4L1011F	
--	1484GT	PAINT,AEROSOL,BRIGHT BLUE*** 12-ounce spray paint		--	62420GT	FILTER,AIR***	
--	32150GT	PAINT,WET,GENIE BLUE (1 GL)** 1-gallon		6		—Deutz TD2011-L04i Models—	
--	32151GT	PAINT,WET,GENIE GRAY (1 GL)** 1-gallon		--	29560GT	FILTER,FUEL/WTR SEP, DTZ 1008	
--	49613GT	PLUG AND CAP KIT-SERVICE,ORFS* O-ring kit, Parker		--	49924GT	FILTER,OIL,DEUTZ F4L1011F	
--	60536GT	FUSE,20 AMP,MAXI (refer to figure 307.1)		--	58630GT	V-BELT, DEUTZ TD2011LOAI	
--	66399GT	GREASE,DIELECTRIC 4 OZ**		--	62425GT	FILTER,AIR CLEANER,SUPERBOOM	
--	93500GT	PARKER DIGITAL PRESSURE GAUGE		7		—Deutz TD 2.9L4 Models—	
--	94327GT	FUSE,30 AMP (refer to figure 307.1)		--	1262866GT	FAN BELT, ALTERNATOR	
1		—MANUALS—		--	1262867GT	V-BELT, DEUTZ	
--	27581GT	MANUAL,AEM SAFETY		--	214228GT	FILTER, DEUTZ 2.9, FUEL	
--	31779GT	MANUAL,RESPON,A92.5 BOOM		--	236260GT	PRE-FILTER,FUEL,DEUTZ TCD3.6	
2		—HYD FILTERS—		--	49924GT	FILTER,OIL,DEUTZ F4L1011F	
--	60857GT	FILTER,ELEMENT,BETA(5)=1000 All Models		--	62420GT	FILTER,AIR***	
--	88917GT	FILTER,ELEMENT,BETA(10)=200 All Models		8		—Ford MSG 425 EFI Models—	
3		—Perkins 404D-22 Models—		--	119138GT	BELT,SERPENTINE,DSG-423	
--	62420GT	FILTER,AIR***		--	1272019GT	FILTER, FUEL	
--	62421GT	FILTER,FUEL,PERKINS		--	215274GT	FAN DRIVE BELT, MSG425	
--	62433GT	FILTER,ELEMENT,30 MIC,75020		--	215287GT	SPARK PLUG, MSG425	
--	89765GT	BELT, V (PERKINS 404)		--	215291GT	BELT, FEAD, MSG425	
--	94762GT	OIL FILTER - PERKINS		--	77295GT	FILTER ELEMENT,AIR,NOLFF LPG	
4		—Perkins 404F-22 Models—					
--	1253750GT	BELT,AIR PUMP,PERKINS 404F					



101.1 Word, Hydraulic Tank Side, Non-Steer End, ANSI and Australia (to SN S6015A-30299)



## 101.1 Word, Hydraulic Tank Side, Non-Steer End, ANSI and Australia (to SN S6015A-30299)

Item	Part No.	Description	Qty.	Item	Part No.	Description	Qty.
--	162023GT	DECAL KIT,S60X,COMPWRD,ANSI S-60X from SN 21001		27	114219GT	DECAL,LABEL,RELAYS,S60&65.....1	1
1	25994GT	DECAL,NOTICE,SHUTOFF VALVES.....1	1	28	114258GT	DECAL,DANGER,NO SMOKING.....1	1
2	27205GT	DECAL,ARROW YELLOW LRG 9".....1	1	29	114389GT	DECAL,DANGER,GENERAL SAFETY.....1	1
3	27206GT	DECAL,TRIANGLE,BLUE.....1	1	30	114390GT	DECAL,DANGER,ELECT HAZARD***.....1	1
4	27207GT	DECAL,TRIANGLE,YELLOW.....1	1	31	114425GT	DECAL,BATTERY DISCONNECT.....1 Option, FMRC	1
5	28158GT	DECAL,LABEL,UNLEADED GAS ONLY.....1 Option, fuel	1	32	114465GT	DECAL GROUND CONTROL BOX.....1 (S-60, S-65, S-60 Trax and S-65 Trax - AUS) (S-65 and S-65 Trax, ANSI, Deutz D2011L3i, Deutz TD2011L04i and Perkins 404D-22)	1
6	28159GT	DECAL,DIESEL.....1 Option, fuel	1	33	133250GT	DECAL,DANGER TIP OVER TRAX.....2 (S-60 Trax and S-65 Trax)	2
7	28160GT	DECAL,LABEL,LIQUID PROPANE.....1 Option, LPG Tank	1	34	133251GT	DECAL, WHEEL LOAD S60TRAX.....2 (S-60 Trax)	2
8	28161GT	DECAL,WARN,CRUSH HAZARD HAND.....1	1	35	133252GT	DECAL, WHEEL LOAD S65 TRAX.....2 (S-65 Trax)	2
9	29104GT	DECAL,TOWING INSTRUCTIONS.....1 Option, tow package	1	36	133278GT	DECAL,LOW/ULTRA LOW SULFR FUEL.....1 (Deutz D2011L3i, Deutz TD2011L04i and Perkins 404D-22)	1
10	31788GT	DECAL,DANGER,BATTERY SAFETY***.....1	1	37	147605GT	DECAL,INST PLAT CAP 60X.....1 (S-60X)	1
11	38149GT	DECAL,LABEL,PATENTS.....1 (US Only)	1	38	147607GT	DECAL,INST PLAT CAP 60TRAX.....1 (S-60 Trax)	1
12	46137GT	DECAL,LPS (4"X4").....1 Option, FMRC	1	39	147608GT	DECAL,INST PLAT CAP 60XC.....1 (S-60XC)	1
13	47041GT	DECAL,CAUTION,TOWING SPEED.....1 Option, tow package	1	40	147755GT	DECAL,GR CNTL PNL 60X 80X.....1 (S-60X, ANSI, Deutz D2011L3i, Deutz TD2011L04i and Perkins 404D-22)	1
15	52607GT	DECAL,LABEL,TEST***.....1 (Ford Only)	1	41	147756GT	DECAL,GR CNTL PNL 60XC.....1 (S-60XC, ANSI, Deutz D2011L3i, Deutz TD2011L04i and Perkins 404D-22)	1
16	52865GT	DECAL,ANNUAL INSP***.....1 (ANSI Only)	1	42	147792GT	DANGER,TIPOVR,TIRES FF ONLY.....2 (S-60 and S-65, AUS) and (S-60 XC, ANSI)	2
17	52966GT	DECAL,COSMETIC,4 X 2.....1 Option, 2WD drive	1	43	147793GT	DECAL,DANGER,TIPOVR,MAX CAP.....1 (S-60X, S-60 Trax and S-60XC, ANSI)	1
18	52967GT	DECAL,COSMETIC,4 X 4.....1 Option, 4WD drive	1	44	147794GT	DECAL,GR CNTL PNL 60TX.....1 (S-60 Trax, ANSI, Deutz D2011L3i, Deutz TD2011L04i and Perkins 404D-22)	1
19	72168GT	DECAL,LABEL,STARTER BATTERY.....1 Option, dual battery	1	45	147795GT	DECAL, OPER INST 6080X GRD.....1 (S-60X, ANSI)	1
20	72169GT	DECAL,LABEL,CONTROLS BATTERY...1 Option, dual battery	1	46	147796GT	DECAL, OPER INST 60XC GRD.....1 (S-60XC, ANSI)	1
21	72999GT	DECAL,LABEL,PETRO CANADA***.....1 Option, hydraulic oil	1	47	147797GT	DECAL, OPER INST 60TRX GRD.....1 (S-60 Trax, ANSI)	1
22	82161GT	DECAL,LABEL,UCON HYDROLUBE.....1 Option, hydraulic oil	1	48	219723GT	DECAL,GROUND BOX,TIER IV.....1 (S-65 and S-65 Trax, ANSI, Deutz D2.9L4 and Perkins 404F-22)	1
23	82366GT	DECAL,CHEVRON RANDO HD.....1 Option, hydraulic oil	1	49	227288GT	DECAL, OPERATING INSTRUCTIONS.....1 (S-60, S-65, S-60 Trax and S-65 Trax - AUS)	1
24	82677GT	DECAL,DANGER/LABEL,TIRE SPECS.....2 (S-65 and S-60X, ANSI)	2				
25	82678GT	DECAL,DANGER,HI-FLOAT TIRE.....2 (S-65, S-60X and S-60XC, ANSI) Option, high floatation tires	2				
26	114099GT	DECAL,LABEL,TRANSPORT DIAGRAM.....1	1				

101.1 Word, Hydraulic Tank Side, Non-Steer End, ANSI and Australia (to SN S6015A-30299)  
 (continued)

Item	Part No.	Description	Qty.
50	229743GT	DECAL,LABEL,WHEEL LOAD S60/60X.....2 (S-60 and S-60X)	2
51	229744GT	DECAL,LABEL,WHEEL LOAD S60H/XC.....2 (S-60H and S-60 XC)	2
52	235372GT	DECAL,LABEL,WHEEL LOAD S65.....2 (S-65)	2
53	823656GT	LABEL, GBOX, S60TX ANSI TIER 4.....1 (S-60 Trax, ANSI, Deutz D2.9L4 and Perkins 404F-22)	1
54	823658GT	LABEL, GBOX, S60X TIER 4.....1 (S-60X, ANSI, Deutz D2.9L4 and Perkins 404F-22)	1
55	823659GT	LABEL, GBOX, S60X TIER 4.....1 (S-60XC, ANSI, Deutz D2.9L4 and Perkins 404F-22)	1
56	825579GT	DECAL, LCD, TIER 4.....1 (Deutz D2.9L4 and Perkins 404F-22)	1
57	826345GT	DECAL,ULS DIESEL ONLY,TIER 4.....1 (Deutz D2.9L4 and Perkins 404F-22)	1
58	1000014GT	DECAL,NOTICE,OPER INST.S60.....1 (S-65 and S-65 Trax, ANSI)	1
59	1253629GT	DECAL,LP BOTTLE,S60.....1 Option, FMRC	1

Go to Discount-Equipment.com to order your parts

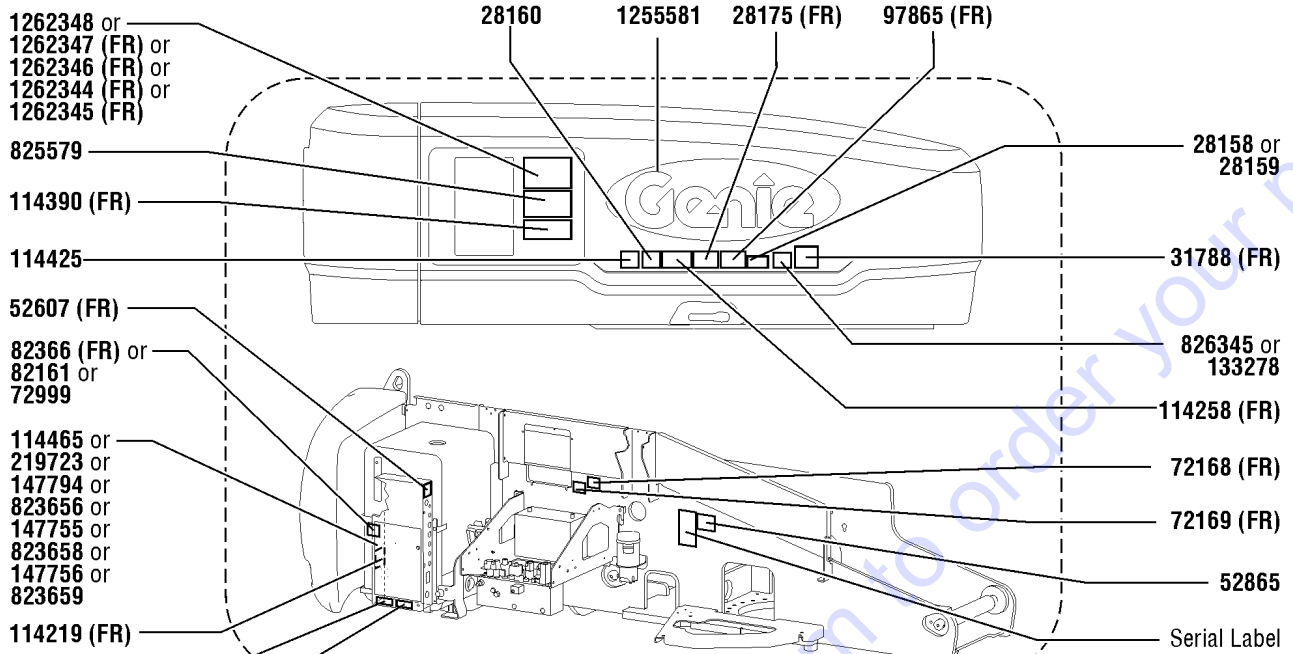
101.1 Word, Hydraulic Tank Side, Non-Steer End, ANSI and Australia (to SN S6015A-30299)  
(continued)

***This Page Intentionally Left Blank***

*Go to Discount-Equipment.com to order your parts*

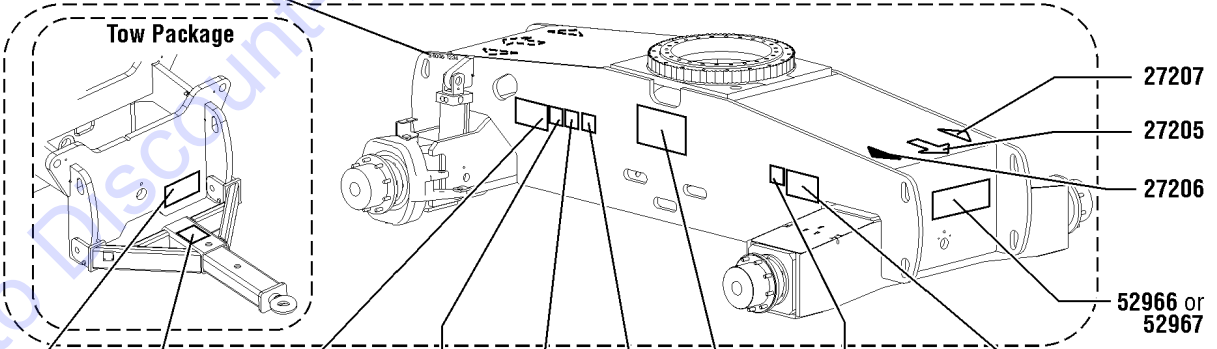
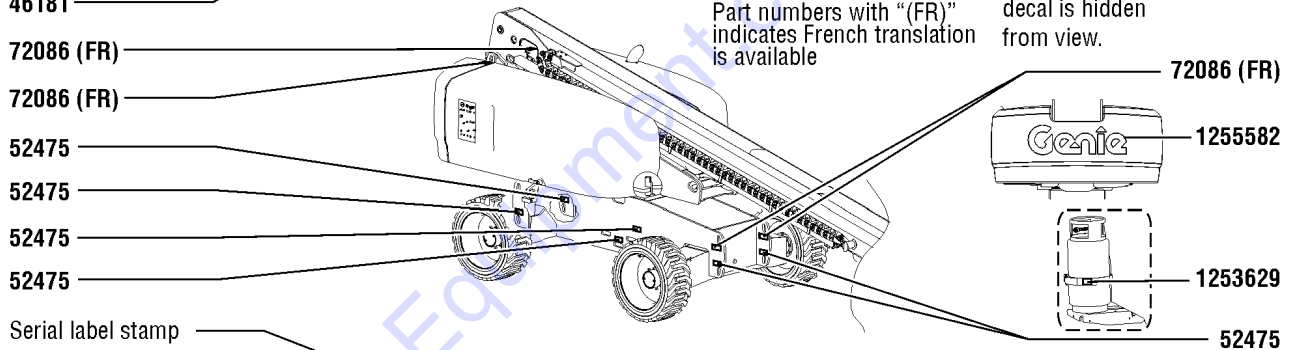


101.2 Word, Hydraulic Tank Side, Non-Steer End, ANSI and Australia (from SN S6015A-30300)



NOTE: Part numbers with "(FR)" indicates French translation is available

☐ Shading indicates decal is hidden from view.



- 29104 (FR)
- 47041 (FR)
- 82677 (FR) or 147792 (FR) or 133250 (FR) or 82678
- 229743 or 235372 or 229744 or 133251 or 133252
- 46137
- 48731
- 1260107
- 229743 or 235372 or 229744 or 133251 or 133252
- 82677 (FR) or 147792 (FR) or 133250 (FR) or 82678



## 101.2 Word, Hydraulic Tank Side, Non-Steer End, ANSI and Australia (from SN S6015A-30300)

Item	Part No.	Description	Qty.	Item	Part No.	Description	Qty.
1	27205GT	DECAL,ARROW YELLOW LRG 9".....	1	28	97865GT	DECAL,WARN,ELECTRO HAZARD.....	1
2	27206GT	DECAL,TRIANGLE,BLUE.....	1	29	114219GT	DECAL,LABEL,RELAYS,S60&65.....	1
3	27207GT	DECAL,TRIANGLE,YELLOW.....	1	30	114258GT	DECAL,DANGER,NO SMOKING.....	1
4	28158GT	DECAL,LABEL,UNLEADED GAS ONLY.....	1	31	114390GT	DECAL,DANGER,ELECT HAZARD***.....	1
		<i>Option, fuel</i>		32	114425GT	DECAL,BATTERY DISCONNECT.....	1
5	28159GT	DECAL,DIESEL.....	1			<i>Option, FMRC</i>	
		<i>Option, fuel</i>		33	114465GT	DECAL GROUND CONTROL BOX.....	1
6	28160GT	DECAL,LABEL,LIQUID PROPANE.....	1			"(S-60, S-65, S-60 Trax and S-65 Trax - AUS) (S-65 and S-65 Trax, ANSI, Deutz D2011L3i, Deutz TD2011L04i and Perkins 404D-22)"	
		<i>Option, LPG Tank</i>		34	133250GT	DECAL,DANGER TIP OVER TRAX.....	2
7	28175GT	DECAL,WARNING-COMPART ACCESS.....	1			(S-60 Trax and S-65 Trax)	
8	29104GT	DECAL,TOWING INSTRUCTIONS.....	1	35	133251GT	DECAL, WHEEL LOAD S60TRAX.....	2
		<i>Option, tow package</i>				(S-60 Trax)	
9	31788GT	DECAL,DANGER,BATTERY SAFETY***.....	1	36	133252GT	DECAL, WHEEL LOAD S65 TRAX.....	2
10	46137GT	DECAL,LPS (4"X4").....	1			(S-65 Trax)	
		<i>Option, FMRC</i>		37	133278GT	DECAL,LOW/ULTRA LOW SULFR FUEL.....	1
11	46139GT	L,NAMEPLT,USE UNDERWRITE LAB....	1			"(Deutz D2011L3i, Deutz TD2011L04i and Perkins 404D-22)"	
		<i>Option, FMRC</i>		38	147755GT	DECAL,GR CNTL PNL 60X 80X.....	1
12	46181GT	DECAL,FMRC APPROVAL,PLATE,LPS.....	1			"(S-60X, ANSI, Deutz D2011L3i, Deutz TD2011L04i and Perkins 404D-22)"	
		<i>Option, FMRC</i>		39	147756GT	DECAL,GR CNTL PNL 60XC.....	1
13	47041GT	DECAL,CAUTION,TOWING SPEED.....	1			"(S-60XC, ANSI, Deutz D2011L3i, Deutz TD2011L04i and Perkins 404D-22)"	
		<i>Option, tow package</i>		40	147792GT	DANGER,TIPOVR,TIRES FF ONLY.....	2
15	52475GT	DECAL,LABEL,TRANSPORT TIEDOWN*.....	6			"(S-60 and S-65, AUS) (S-60 XC, ANSI)"	
16	52607GT	DECAL,LABEL,TEST***.....	1	41	147794GT	DECAL,GR CNTL PNL 60TX.....	1
		(Ford Only)				"(S-60 Trax, ANSI, Deutz D2011L3i, Deutz TD2011L04i and Perkins 404D-22)"	
17	52865GT	DECAL,ANNUAL INSP***.....	1	42	219723GT	DECAL,GROUND BOX,TIER IV.....	1
		(ANSI Only)				(S-65 and S-65 Trax, ANSI, Deutz D2.9L4 and Perkins 404F-22)	
18	52966GT	DECAL,COSMETIC,4 X 2.....	1	43	229743GT	DECAL,LABEL,WHEEL LOAD S60/60X.....	2
		<i>Option, drive</i>				(S-60 and S-60X)	
19	52967GT	DECAL,COSMETIC,4 X 4.....	1	44	229744GT	DECAL,LABEL,WHEEL LOAD S60H/XC.....	2
		<i>Option, drive</i>				(S-60 XC)	
20	72086GT	DECAL,LABEL,LIFTING EYE.....	4	45	235372GT	DECAL,LABEL,WHEEL LOAD S65.....	2
21	72168GT	DECAL,LABEL,STARTER BATTERY.....	1			(S-65)	
		<i>Option, dual battery</i>		46	823656GT	LABEL, GBOX, S60TX ANSI TIER 4.....	1
22	72169GT	DECAL,LABEL,CONTROLS BATTERY...1	1			(S-60 Trax, ANSI, Deutz D2.9L4 and Perkins 404F-22)	
		<i>Option, dual battery</i>		47	823658GT	LABEL, GBOX, S60X TIER 4.....	1
23	72999GT	DECAL,LABEL,PETRO CANADA***.....	1			(S-60X, ANSI, Deutz D2.9L4 and Perkins 404F-22)	
		<i>Option, hydraulic oil</i>		48	823659GT	LABEL, GBOX, S60X TIER 4.....	1
24	82161GT	DECAL,LABEL,UCON HYDROLUBE.....	1			(S-60XC, ANSI, Deutz D2.9L4 and Perkins 404F-22)	
		<i>Option, hydraulic oil</i>					
25	82366GT	DECAL,CHEVRON RANDO HD.....	1				
		<i>Option, hydraulic oil</i>					
26	82677GT	DECAL,DANGER/LABEL,TIRE SPECS.....	2				
		(S-65 and S-60X, ANSI)					
27	82678GT	DECAL,DANGER,HI-FLOAT TIRE.....	2				
		"(S-65, S-60X and S-60XC, ANSI) Option, high floatation tires"					

101.2 Word, Hydraulic Tank Side, Non-Steer End, ANSI and Australia (from SN S6015A-30300)  
 (continued)

Item	Part No.	Description	Qty.
49	825579GT	DECAL, LCD, TIER 4.....1 <i>(Deutz D2.9L4 and Perkins 404F-22)</i>	1
50	826345GT	DECAL, ULS DIESEL ONLY, TIER 4.....1 <i>(Deutz D2.9L4 and Perkins 404F-22)</i>	1
51	1253629GT	DECAL, LP BOTTLE, S60.....1 <i>Option, FMRC</i>	1
52	1255581GT	DECAL COSMETIC, 10" GENIE BLUE....1	1
53	1255582GT	DECAL COSMETIC, 15" GENIE BLUE....1	1
54	1260107GT	DECAL, TRANSPORT/LIFTING, S60.....1	1
55	1262344GT	DECAL, OPERATING INSTRUCTIONS.....1 <i>(S-60X, ANSI)</i>	1
56	1262345GT	DECAL, OPERATING INSTRUCTIONS.....1 <i>(S-60XC, ANSI)</i>	1
57	1262346GT	DECAL, OPERATING INSTRUCTIONS.....1 <i>(S-60 Trax, ANSI)</i>	1
58	1262347GT	DECAL, OPERATING INSTRUCTIONS.....1 <i>(S-65 and S-65 Trax, ANSI)</i>	1
59	1262348GT	DECAL, OPERATING INSTRUCTIONS.....1 <i>(S-60, S-65, S-60 Trax and S-65 Trax - AUS)</i>	1

Go to Discount-Equipment.com to order your parts



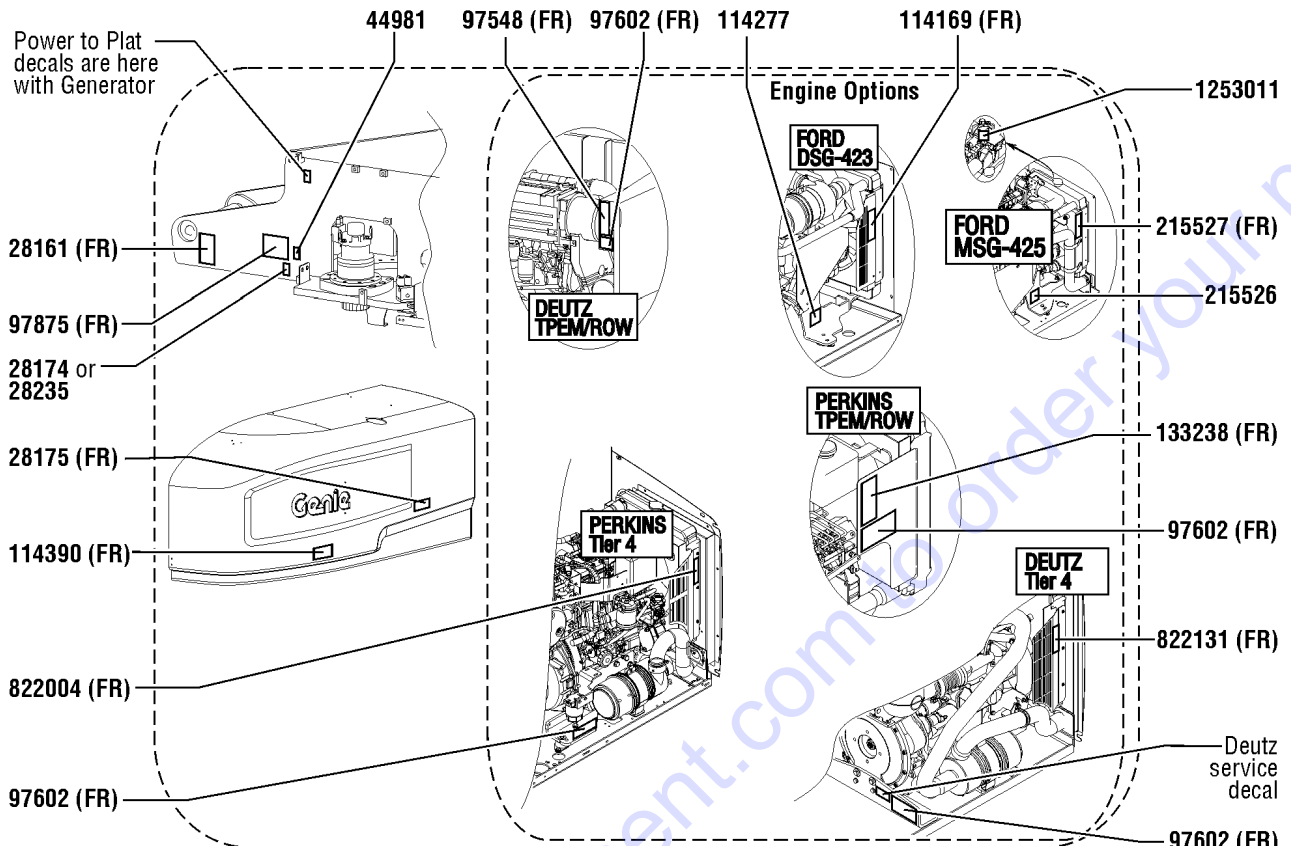
101.2 Word, Hydraulic Tank Side, Non-Steer End, ANSI and Australia (from SN S6015A-30300)  
(continued)

***This Page Intentionally Left Blank***

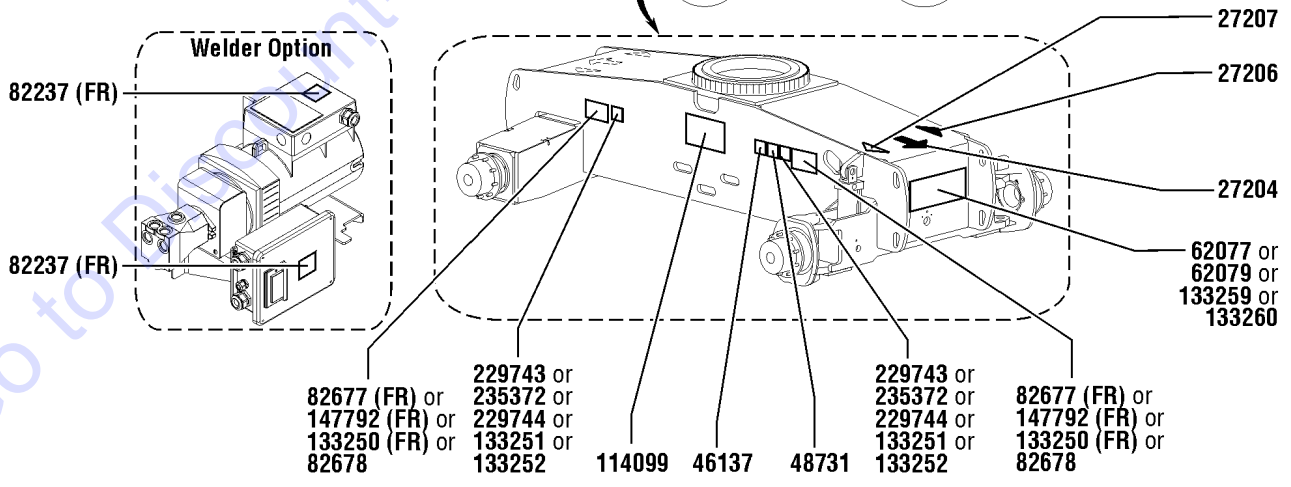
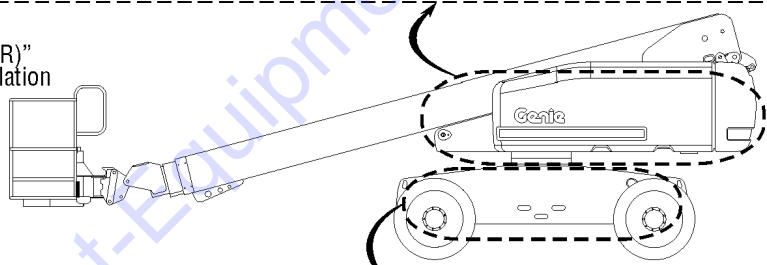
Go to [Discount-Equipment.com](http://Discount-Equipment.com) to order your parts



102.1 Word, Engine Side, Steer End, ANSI and Australia (to SN S6015A-30299)



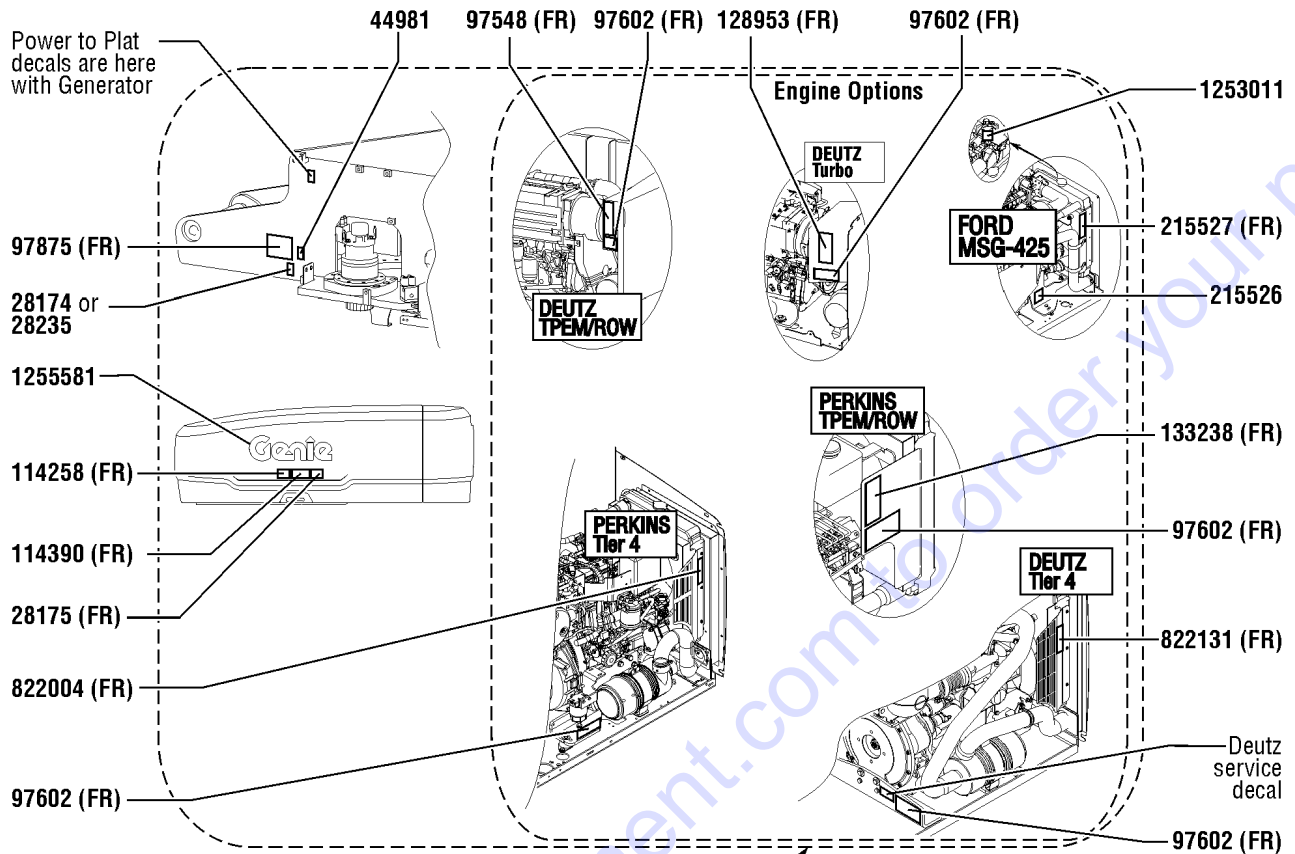
NOTE:  
Part numbers with "(FR)" indicates French translation is available



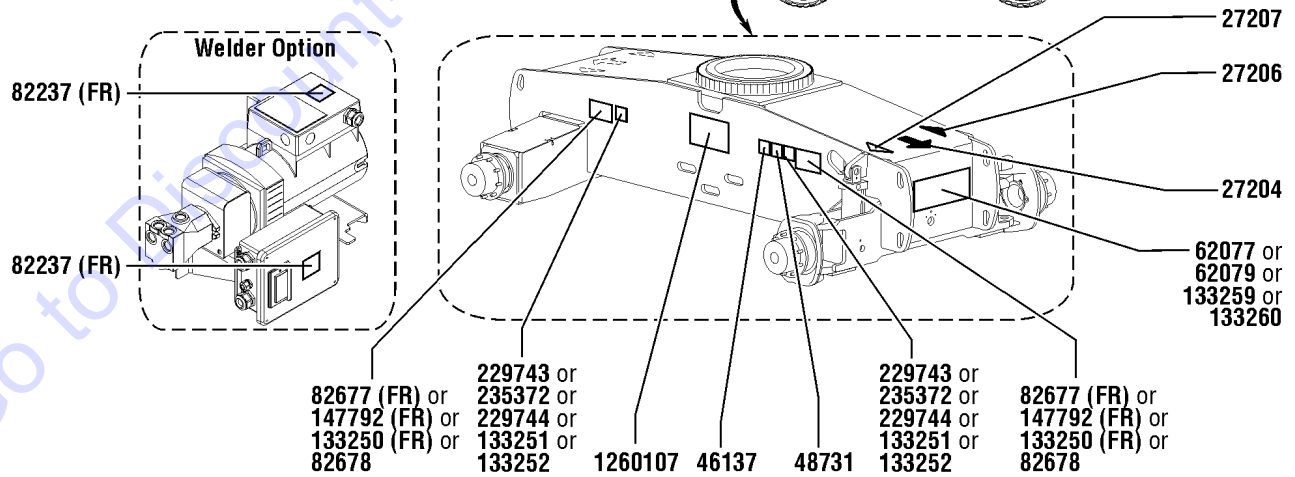
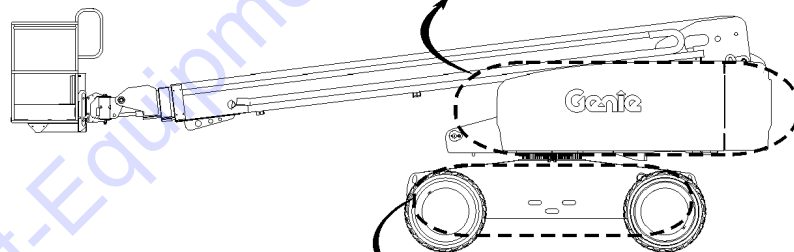
## 102.1 Word, Engine Side, Steer End, ANSI and Australia (to SN S6015A-30299)

Item	Part No.	Description	Qty.	Item	Part No.	Description	Qty.
1	27204GT	DECAL,ARROW BLUE.....	1	28	133260GT	DECAL,COSM, S65 TRAX.....	1
2	27206GT	DECAL,TRIANGLE,BLUE.....	1	29	147792GT	DANGER,TIPOVR,TIRES FF ONLY..... (S-60 and S-65, AUS) and (S-60XC, ANSI)	2
3	27207GT	DECAL,TRIANGLE,YELLOW.....	1	30	215526GT	DECAL,LABEL,BELT,MSG425..... Ford MSG-425	1
4	28161GT	DECAL,WARN,CRUSH HAZARD HAND.....	1	31	215527GT	DECAL,FORD ENGINE SPEC MSG425..... Ford MSG-425	1
5	28174GT	DECAL, POWER TO PLATFORM 230V**.....	1	32	229743GT	DECAL,LABEL,WHEEL LOAD S60/60X..... (S-60 and S-60X)	2
6	28175GT	DECAL,WARNING-COMPART ACCESS.....	1	33	229744GT	DECAL,LABEL,WHEEL LOAD S60H/XC..... (S-60H and S-60 XC)	2
7	28235GT	DECAL,POWER TO PLATFORM 115V...1		34	235372GT	DECAL,LABEL,WHEEL LOAD S65..... (S-65)	2
8	44981GT	DECAL,LABEL, AIR LINE 110 PSI..... Option, airline to plat	1	35	822004GT	DECAL, ENGINE SPEC, 404F-22..... Perkins 404F-22	1
9	46137GT	DECAL,LPS (4"X4")..... Option, FMRC	1	36	822131GT	DECAL, ENGINE SPEC, D2.9..... Deutz D2.9L4	1
11	62077GT	DECAL,COSMETIC,S60..... (S-60, S-60X and S-60XC)	1	37	1253011GT	DECAL, VAPORIZER PRESSURE..... (Ford MSG-425 only) Option, FMRC	1
12	62079GT	DECAL,COSMETIC,S65..... (S-65)	1				
13	82237GT	DECAL,DANGER,HIGH VOLTAGE..... Option, welder	2				
14	82677GT	DECAL,DANGER/LABEL,TIRE SPECS..... (S-65 and S-60X, ANSI)	2				
15	82678GT	DECAL,DANGER,HI-FLOAT TIRE..... (S-65, S-60X and S-60XC, ANSI) Option, high floatation tires	2				
16	97548GT	DECAL,ENGINE SPEC,DEUTZ 2011..... Deutz D2011L3i and Deutz TD2011L04i	1				
17	97602GT	DECAL,EXPLOSION HAZARD..... Diesel engines	1				
18	97875GT	DECAL,WARN.WELD LINE INST.WORD..... Option, welder	1				
19	114099GT	DECAL,LABEL,TRANSPORT DIAGRAM.....	1				
20	114169GT	DECAL,FORD ENGINE SPEC DSG423..... Ford DSG-423	1				
21	114277GT	DECAL,LABEL,BELT ROUTING DSG..... Ford DSG-423	1				
22	114390GT	DECAL,DANGER,ELECT HAZARD***.....	1				
23	133238GT	DECAL,ENGINE SPEC,PERKINS***..... Perkins 404D-22	1				
24	133250GT	DECAL,DANGER TIP OVER TRAX..... (S-60 Trax and S-65 Trax)	2				
25	133251GT	DECAL, WHEEL LOAD S60TRAX..... (S-60 Trax)	2				
26	133252GT	DECAL, WHEEL LOAD S65 TRAX..... (S-65 Trax)	2				
27	133259GT	DECAL,COSM, S60 TRAX.....	1				

102.2 Word, Engine Side, Steer End, ANSI and Australia (from SN S6015A-30300)



NOTE:  
Part numbers with "(FR)" indicates French translation is available



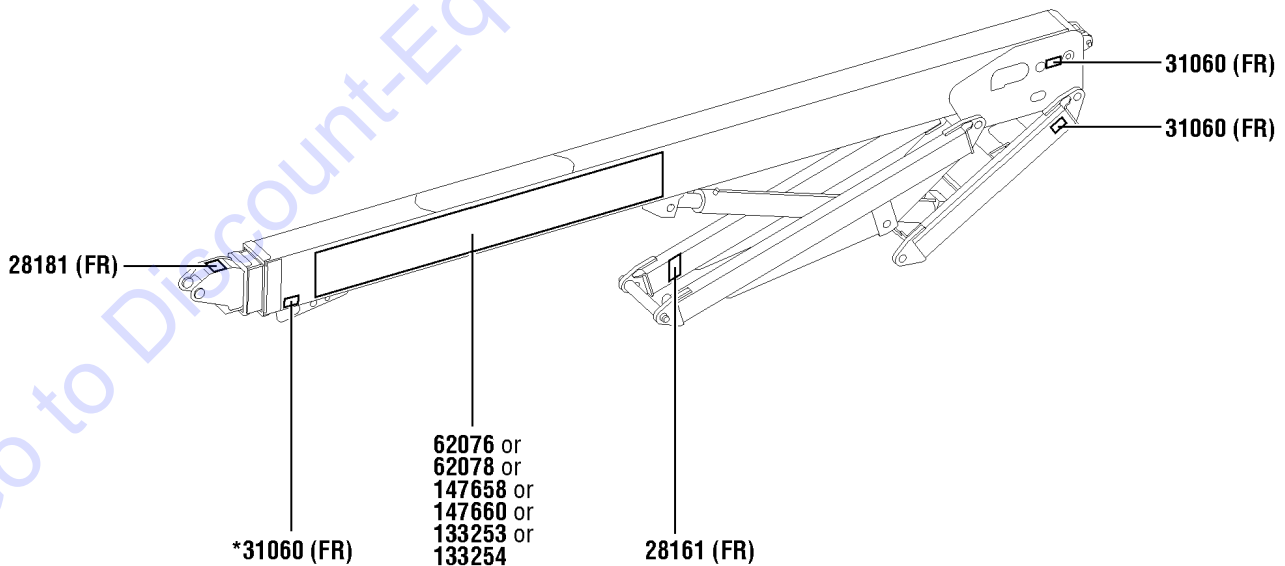
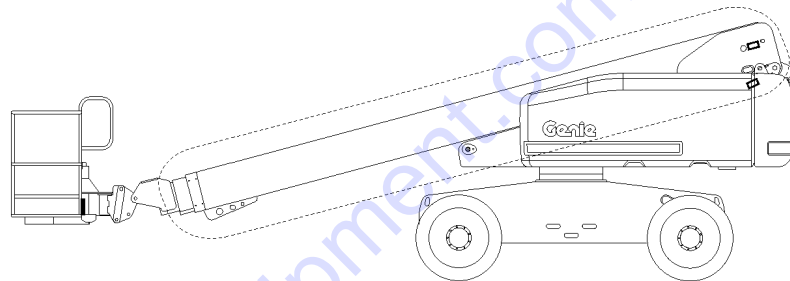
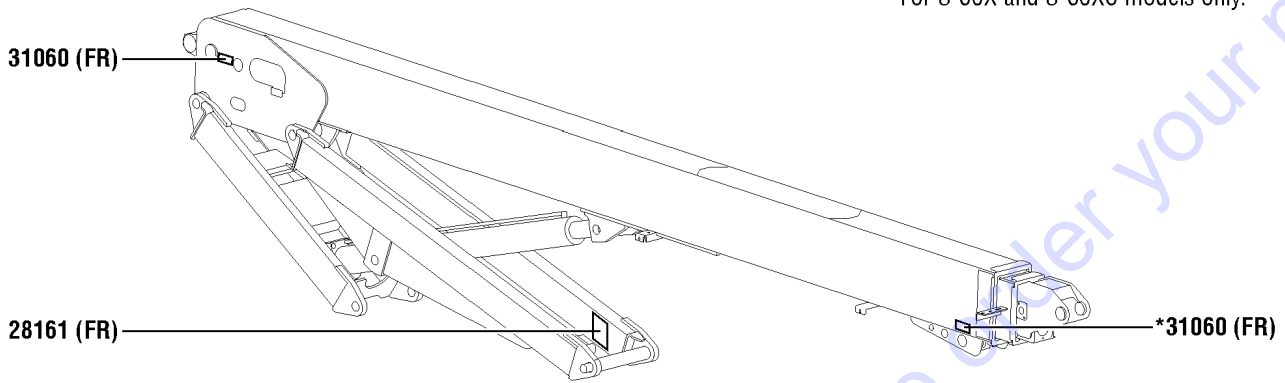
## 102.2 Word, Engine Side, Steer End, ANSI and Australia (from SN S6015A-30300)

Item	Part No.	Description	Qty.	Item	Part No.	Description	Qty.
1	27204GT	DECAL,ARROW BLUE.....	1	28	215526GT	DECAL,LABEL,BELT,MSG425..... <i>Ford MSG-425</i>	1
2	27206GT	DECAL,TRIANGLE,BLUE.....	1	29	215527GT	DECAL,FORD ENGINE SPEC MSG425..... <i>Ford MSG-425</i>	1
3	27207GT	DECAL,TRIANGLE,YELLOW.....	1	30	229743GT	DECAL,LABEL,WHEEL LOAD S60/60X..... <i>(S-60 and S-60X)</i>	2
4	28174GT	DECAL, POWER TO PLATFORM 230V**..... <i>(Europe except UK)</i>	1	31	229744GT	DECAL,LABEL,WHEEL LOAD S60H/XC..... <i>(S-60XC)</i>	2
5	28175GT	DECAL,WARNING-COMPART ACCESS.....	1	32	235372GT	DECAL,LABEL,WHEEL LOAD S65..... <i>(S-65)</i>	2
6	28235GT	DECAL,POWER TO PLATFORM 115V... <i>(US and UK)</i>	1	33	822004GT	DECAL, ENGINE SPEC, 404F-22..... <i>Perkins 404F-22</i>	1
7	44981GT	DECAL,LABEL, AIR LINE 110 PSI..... <i>Option, airline to plat</i>	1	34	822131GT	DECAL, ENGINE SPEC, D2.9..... <i>Deutz D2.9L4</i>	1
8	46137GT	DECAL,LPS (4"X4").....	1	35	1253011GT	DECAL, VAPORIZER PRESSURE..... <i>"(Ford MSG-425 only) Option, FMRC"</i>	1
10	62077GT	DECAL,COSMETIC,S60..... <i>(S-60, S-60X and S-60XC)</i>	1	36	1255581GT	DECAL COSMETIC,10" GENIE BLUE....	1
11	62079GT	DECAL,COSMETIC,S65..... <i>(S-65)</i>	1	37	1260107GT	DECAL, TRANSPORT/LIFTING, S60.....	1
12	82237GT	DECAL,DANGER,HIGH VOLTAGE..... <i>Option, welder</i>	2				
13	82677GT	DECAL,DANGER/LABEL,TIRE SPECS..... <i>"(S-65 and S-60X, ANSI) "</i>	2				
14	82678GT	DECAL,DANGER,HI-FLOAT TIRE..... <i>"(S-65, S-60X and S-60XC, ANSI) Option, high floatation tires"</i>	2				
15	97548GT	DECAL,ENGINE SPEC,DEUTZ 2011.... <i>Deutz D2011L3i and Deutz TD2011L04i</i>	1				
16	97602GT	DECAL,EXPLOSION HAZARD..... <i>Diesel engines</i>	1				
17	97875GT	DECAL,WARN.WELD LINE INST.WORD..... <i>Option, weld cable line</i>	1				
18	114258GT	DECAL,DANGER,NO SMOKING.....	1				
19	114390GT	DECAL,DANGER,ELECT HAZARD***....	1				
20	128953GT	DECAL,ENGINE SPEC,DEUTZ,TD2011..... <i>Deutz turbo</i>	1				
21	133238GT	DECAL,ENGINE SPEC,PERKINS***.... <i>Perkins 404D-22</i>	1				
22	133250GT	DECAL,DANGER TIP OVER TRAX..... <i>(S-60 Trax and S-65 Trax)</i>	2				
23	133251GT	DECAL, WHEEL LOAD S60TRAX..... <i>(S-60 Trax)</i>	2				
24	133252GT	DECAL, WHEEL LOAD S65 TRAX..... <i>(S-65 Trax)</i>	2				
25	133259GT	DECAL,COSM, S60 TRAX..... <i>(S-60 Trax)</i>	1				
26	133260GT	DECAL,COSM, S65 TRAX..... <i>(S-65 Trax)</i>	1				
27	147792GT	DANGER,TIPOVR,TIRES FF ONLY..... <i>"(S-60 and S-65, AUS) (S-60XC, ANSI)"</i>	2				

103.1 Word, Booms, ANSI and Australia (to SN S6015A-30299)

NOTE:  
Part numbers with "(FR)"  
indicate French translation  
is available

\*For S-60X and S-60XC models only.



## 103.1 Word, Booms, ANSI and Australia (to SN S6015A-30299)

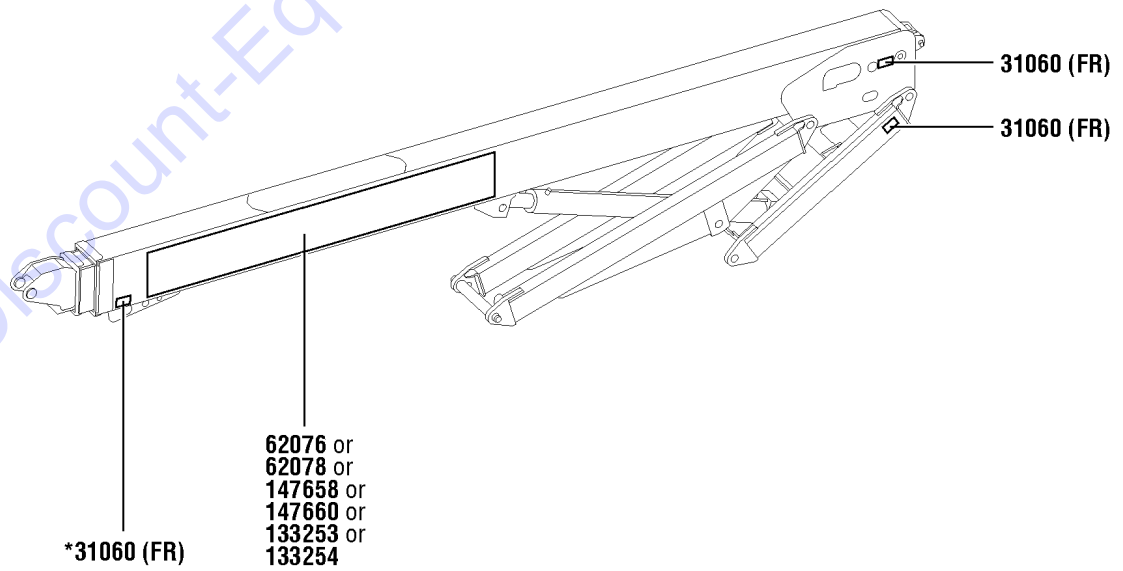
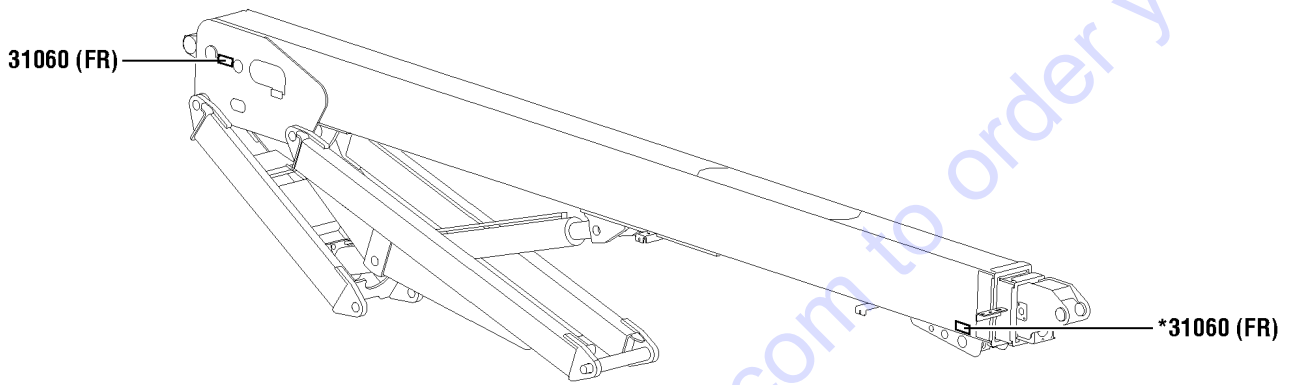
Item	Part No.	Description	Qty.
1	28161GT	DECAL,WARN,CRUSH HAZARD HAND.....	2
2	28181GT	DECAL,WARN,FALL HAZARD.....	1
3A	31060GT	DECAL,DANGER DO NOT ALTER SWTC..... <i>S-60, S-65, S60HC, S-60TraX and S-65TraX</i>	3
3B	31060GT	DECAL,DANGER DO NOT ALTER SWTC..... <i>S-60X and S-60XC</i>	5
4	62076GT	DECAL,COSMETIC,GENIE S-60.....	1
5	62078GT	DECAL,COSMETIC,GENIE S65.....	1
6	133253GT	DECAL,COSM,GENIE S60 TRAX.....	1
7	133254GT	DECAL, COSM,GENIE S65 TRAX.....	1
8	147658GT	DECAL,COSM GENIE S60X.....	1
9	147660GT	DECAL,COSM GENIE S60XC.....	1



103.2 Word, Booms, ANSI and Australia (from SN S6015A-30300)

NOTE:  
Part numbers with "(FR)"  
indicate French translation  
is available

\*For S-60X and S-60XC models only.

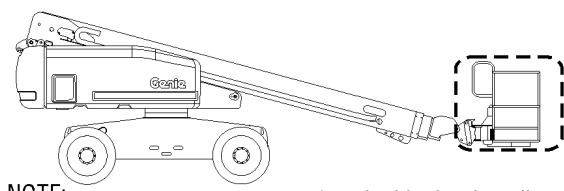
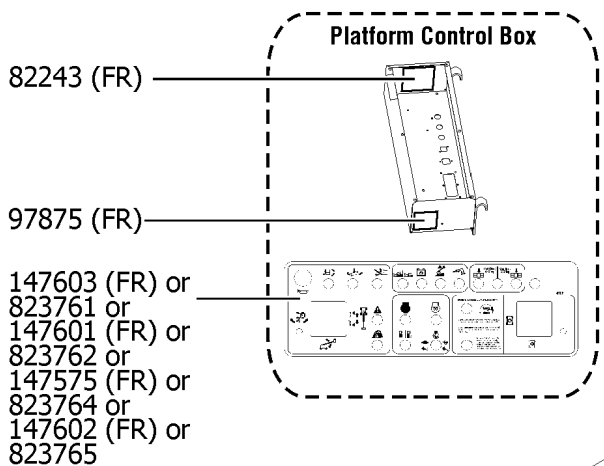


## 103.2 Word, Booms, ANSI and Australia (from SN S6015A-30300)

Item	Part No.	Description	Qty.
1	31060GT	DECAL,DANGER DO NOT ALTER SWTC.....	5
2	62076GT	DECAL,COSMETIC,GENIE S-60.....	1
3	62078GT	DECAL,COSMETIC,GENIE S65.....	1
4	133253GT	DECAL,COSM,GENIE S60 TRAX.....	1
5	133254GT	DECAL, COSM,GENIE S65 TRAX.....	1
6	147658GT	DECAL,COSM GENIE S60X.....	1
7	147660GT	DECAL,COSM GENIE S60XC.....	1

Go to Discount-Equipment.com to order your parts

104.1 Word, Platform, ANSI and Australia (to SN S6015A-30299)



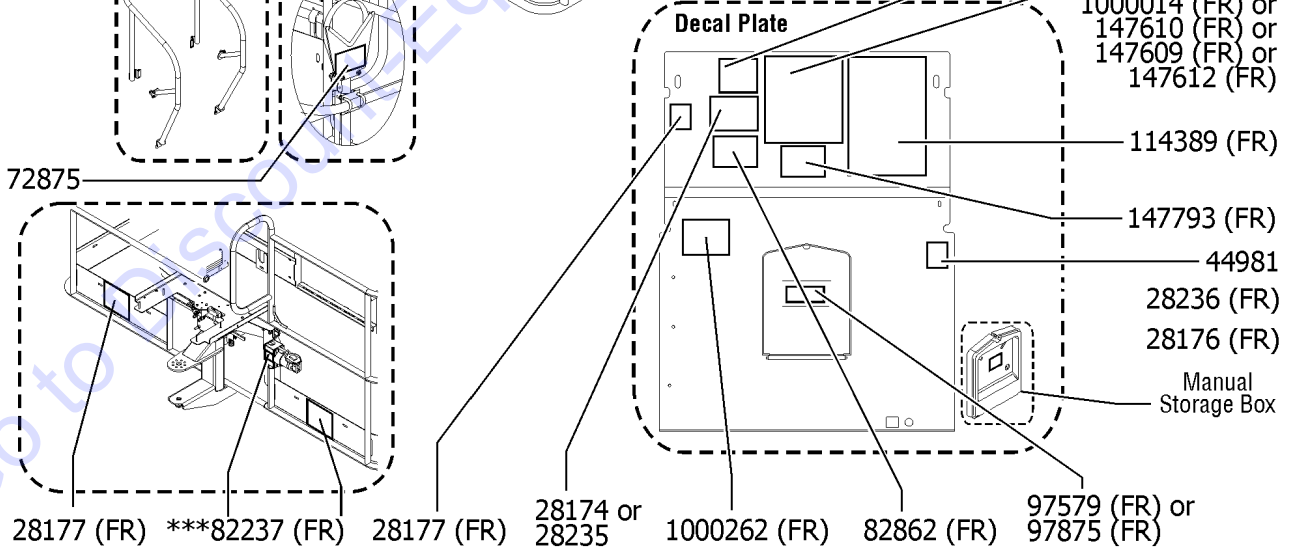
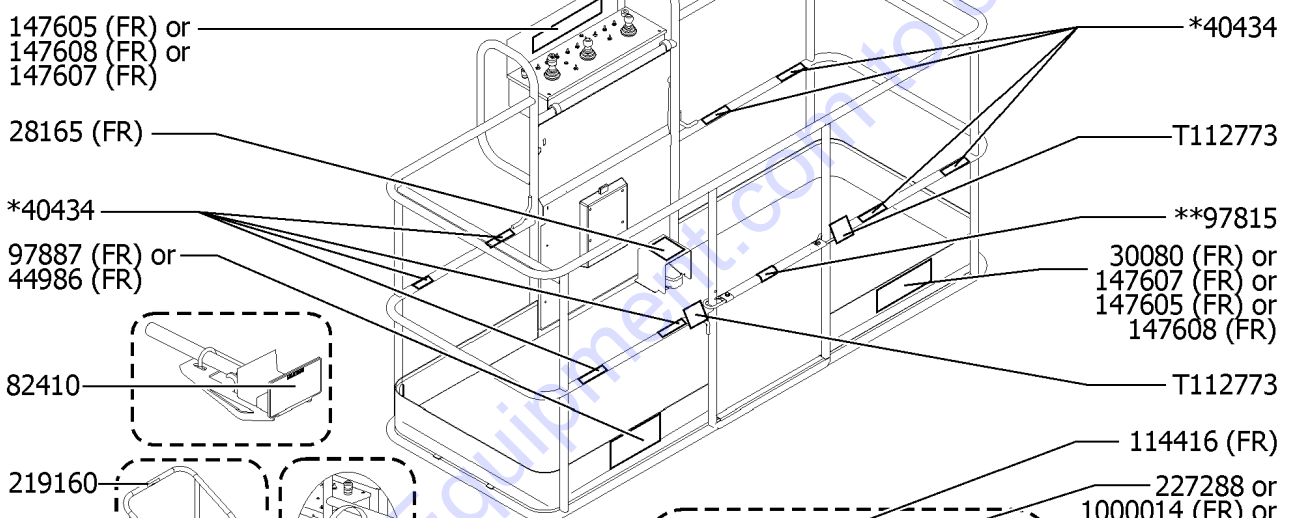
**NOTE:**  
Part numbers with "(FR)" indicates French translation is available

\* apply this decal to all lanyard anchorage attachments on the platform

\*\* apply to all three midrails on tri-entry platform

■ Shading indicates decal is hidden from view.

\*\*\*one on each side of T-box



## 104.1 Word, Platform, ANSI and Australia (to SN S6015A-30299)

Item	Part No.	Description	Qty.	Item	Part No.	Description	Qty.
1	28165GT	DECAL,INSTRUCT,FOOTSWITCH OPER.....	1	25	147603GT	DECAL, PLAT CNTL PNL..... "(S-60, S-65, S-60 Trax and S-65 Trax - AUS) (S-65 and S-65 Trax, ANSI, Deutz D2011L3i, Deutz TD2011L04i and Perkins 404D-22)"	1
2	28174GT	DECAL, POWER TO PLATFORM 230V**.....	1	26	147605GT	DECAL,INST PLAT CAP 60X..... (S-60X, ANSI)	2
3	28176GT	DECAL,LABEL,MANUAL NOT HERE.....	1	27	147607GT	DECAL,INST PLAT CAP 60TRAX..... (S-60 Trax, ANSI)	2
4	28177GT	DECAL,WARN,CRUSH HAZARD PLAT.....	2	28	147608GT	DECAL,INST PLAT CAP 60XC..... (S-60XC, ANSI)	2
5	28235GT	DECAL,POWER TO PLATFORM 115V.....	1	29	147609GT	DECAL, INST, OPER INST 60X PLT..... (S-60X, ANSI)	1
6	28236GT	DECAL,WARN,IMPROPER OPERATION.....	1	30	147610GT	DECAL,INST,OPER INST 60TRAX..... (S-60 Trax, ANSI)	1
7	30080GT	DECAL,NOTICE,MAX LOAD 500 LBS..... "(S-60, S-65, S-60 Trax and S-65 Trax - AUS) (S-65 and S-65 Trax, ANSI)"	1	31	147612GT	DECAL,INST OPER INST 60XC..... (S-60XC, ANSI)	1
8	40434GT	DECAL,LANYARD ANCHORAGE POINT.....	8	32	147793GT	DECAL,DANGER,TIPOVR,MAX CAP..... (S-60X, S-60 Trax and S-60XC, ANSI)	1
9	44981GT	DECAL,LABEL, AIR LINE 110 PSI..... <i>Option, airline to plat</i>	1	33	219160GT	DECAL, INSTRUCTION, OPS..... <i>Option</i>	1
10	44986GT	DECAL,INSTR,SIDE FRC/WIND,AUS..... (AUS)	1	34	227288GT	DECAL, OPERATING INSTRUCTIONS..... (S-60, S-65, S-60 Trax and S-65 Trax - AUS)	1
11	72875GT	DECAL,WARNING,PIPE CRADLE,BOOM..... <i>Option, Pipe Cradle</i>	2	35	823761GT	LABEL, PBOX, S65 TIER 4..... (S-65 and S-65 Trax, ANSI, Deutz D2.9L4 and Perkins 404F-22)	1
12	82237GT	DECAL,DANGER,HIGH VOLTAGE..... <i>Option, Welder</i>	2	36	823762GT	LABEL, PBOX, S60TX ANSI TIER 4..... (S-60 Trax, ANSI, Deutz D2.9L4 and Perkins 404F-22)	1
13	82243GT	DECAL FAULT CODE.....	1	37	823764GT	LABEL, PBOX, S60X TIER 4..... (S-60X, ANSI, Deutz D2.9L4 and Perkins 404F-22)	1
14	82410GT	DECAL,WARNING,PANEL CRADLE..... <i>Option, Panel Cradle</i>	2	38	823765GT	LABEL, PBOX, S60XC TIER 4..... (S-60XC, ANSI, Deutz D2.9L4 and Perkins 404F-22)	1
15	82862GT	DECAL,FIRE EXTINGUISHER..... <i>Option, Welder</i>	1	39	1000014GT	DECAL,NOTICE,OPER INST.S60..... (S-65 and S-65 Trax, ANSI)	1
16	97579GT	DECAL,DANGER,TIP-OVER,WELDER**. <i>Option, Welder (welder in platform)</i>	1	40	1000262GT	DECAL,DANGER,TIP OVER,PLAT.....	1
17	97815GT	DECAL,LABEL,LOWER MIDRAIL.....	1	41	T112773GT	TAPE, PROTECTIVE MASK.....	2
18	97875GT	DECAL,WARN.WELD LINE INST.WORD..... <i>Option, weld cable line (welder leads only)</i>	2				
19	97887GT	DECAL,INSTR,MAX SIDE FRC,ANSI..... (ANSI/CSA)	1				
20	114389GT	DECAL,DANGER,GENERAL SAFETY.....	1				
21	114416GT	DECAL,DANGER,TIPOVER,TILT.....	1				
22	147575GT	DECAL, PLAT CNTL PNL 60X 80X..... "(S-60X, ANSI, Deutz D2011L3i, Deutz TD2011L04i and Perkins 404D-22)"	1				
23	147601GT	DECAL, PLAT CNTL PNL 60TX..... "(S-60 Trax, ANSI, Deutz D2011L3i, Deutz TD2011L04i and Perkins 404D-22)"	1				
24	147602GT	DECAL, PLAT CNTL PNL 60XC..... "(S-60XC, ANSI, Deutz D2011L3i, Deutz TD2011L04i and Perkins 404D-22)"	1				

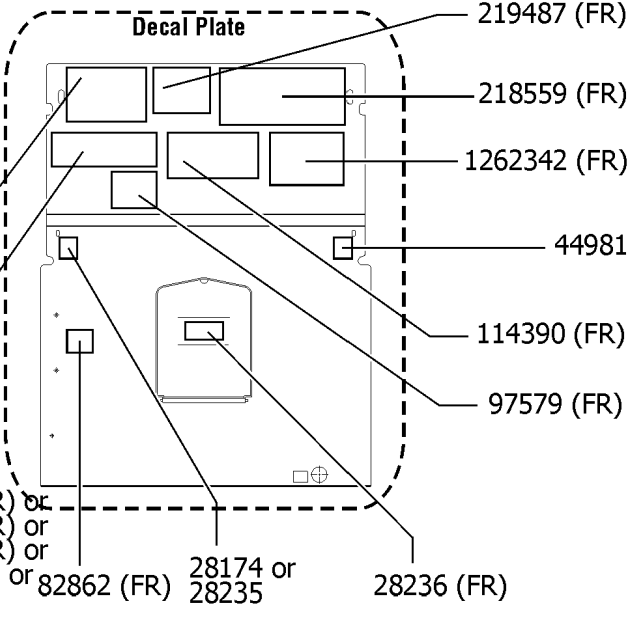
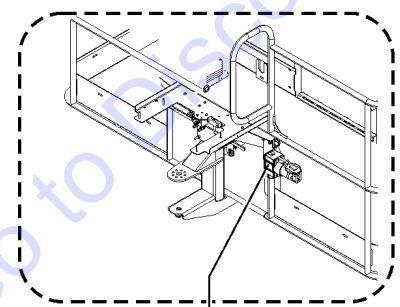
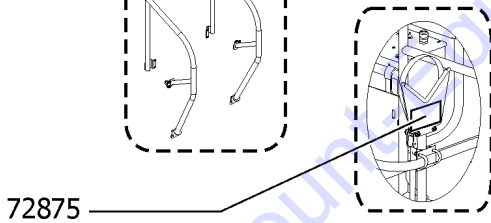
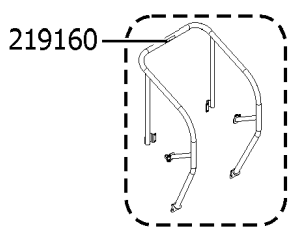
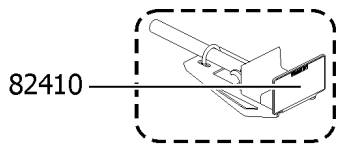
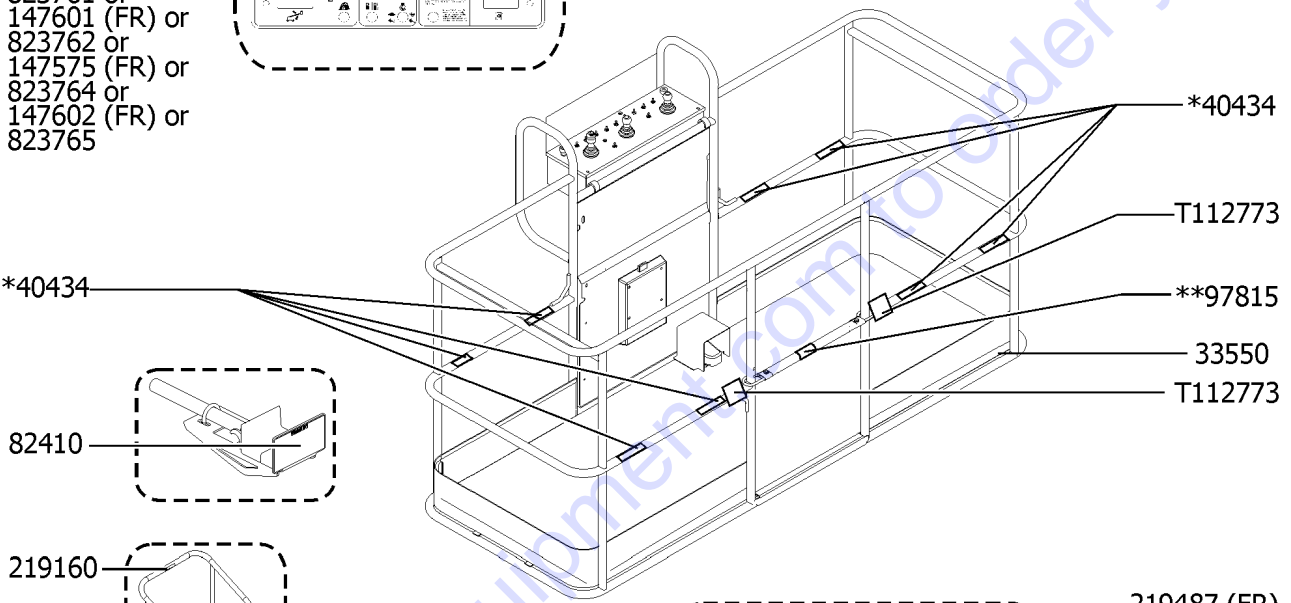
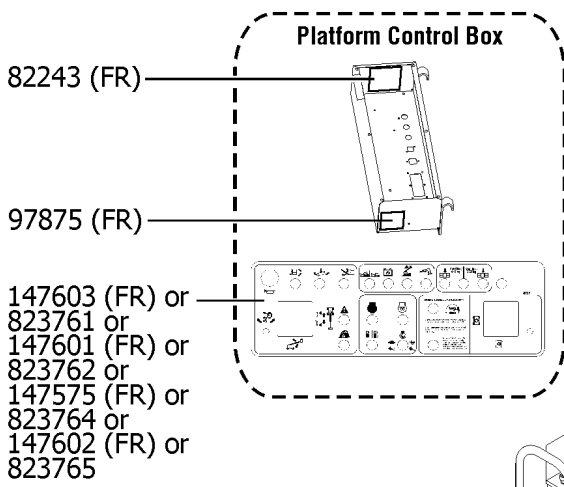
104.2 Word, Platform, ANSI and Australia (from SN S6015A-30300)

NOTE:  
Part numbers with "(FR)" indicates French translation is available

\*\* apply to all three midrails on tri-entry platform

\* apply this decal to all lanyard anchorage attachments on the platform

■ Shading indicates decal is hidden from view.



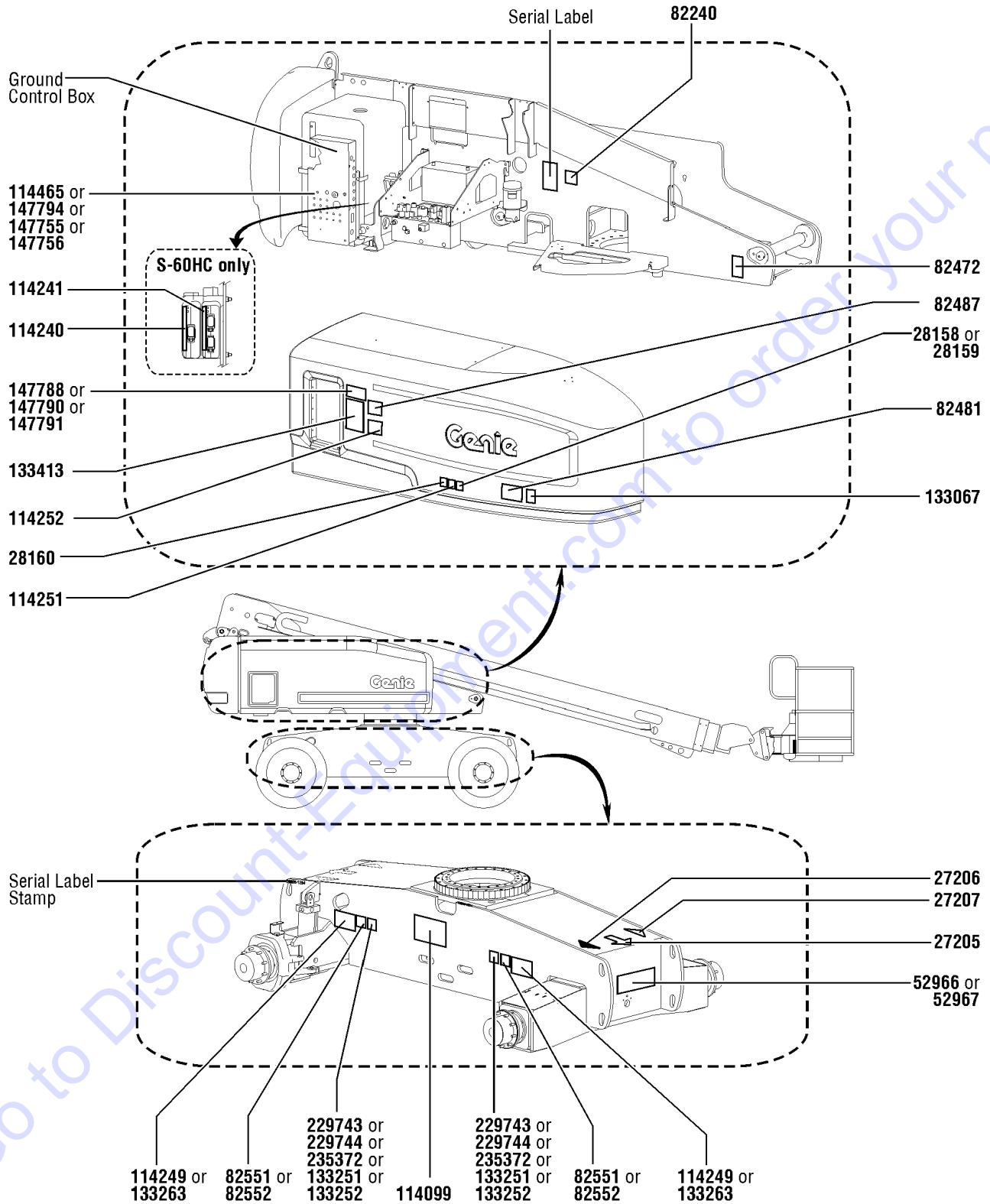
1261737 (FR) or 1261738 (FR) or 1261739 (FR) or 218549 (FR) or 218550

82862 (FR)

## 104.2 Word, Platform, ANSI and Australia (from SN S6015A-30300)

Item	Part No.	Description	Qty.	Item	Part No.	Description	Qty.
1	28174GT	DECAL, POWER TO PLATFORM 230V** .....1 <i>(Europe except UK)</i>		24	219160GT	DECAL, INSTRUCTION, OPS.....1 <i>Option</i>	
2	28235GT	DECAL,POWER TO PLATFORM 115V...1 <i>(US and UK)</i>		25	219487GT	DECAL,PLATFORM OVERLOAD.....1 <i>(AUS Only)</i>	
3	28236GT	DECAL,WARN,IMPROPER OPERATION.....1		26	823761GT	LABEL, PBOX, S65 TIER 4.....1 <i>(S-65 and S-65 Trax, ANSI, Deutz D2.9L4 and Perkins 404F-22)</i>	
4	33550GT	TAPE,WARNING,BLK/YEL, 50*** <i>(Australia models ) sold in a 50' roll, apply at base of platform toeboard</i>		27	823762GT	LABEL, PBOX, S60TX ANSI TIER 4.....1 <i>(S-60 Trax, ANSI, Deutz D2.9L4 and Perkins 404F-22)</i>	
5	40434GT	DECAL,LANYARD ANCHORAGE POINT.....8		28	823764GT	LABEL, PBOX, S60X TIER 4.....1 <i>(S-60X, ANSI, Deutz D2.9L4 and Perkins 404F-22)</i>	
6	44981GT	DECAL,LABEL, AIR LINE 110 PSI.....1 <i>Option, airline to plat</i>		29	823765GT	LABEL, PBOX, S60XC TIER 4.....1 <i>(S-60XC, ANSI, Deutz D2.9L4 and Perkins 404F-22)</i>	
7	72875GT	DECAL,WARNING,PIPE CRADLE,BOOM.....2 <i>Option, Pipe Cradle</i>		30	1261737GT	DECAL,INST PLAT CAP 60X,WORD....1 <i>(S-60X, ANSI)</i>	
8	82237GT	DECAL,DANGER,HIGH VOLTAGE.....1 <i>Option, Welder</i>		31	1261738GT	DECAL,INST PLAT CAP 60XC,WORD....1 <i>(S-60XC, ANSI)</i>	
9	82243GT	DECAL FAULT CODE.....1		32	1261739GT	DECAL,INST PLAT CAP 60TX,WORD....1 <i>(S-60 Trax, ANSI)</i>	
10	82410GT	DECAL,WARNING,PANEL CRADLE.....2 <i>Option, Panel Cradle</i>		33	1262342GT	DECAL,WORD,SLOPE RATING,S60.....1	
11	82862GT	DECAL,FIRE EXTINGUISHER.....1 <i>Option, Welder</i>		34	T112773GT	TAPE, PROTECTIVE MASK.....2	
12	97579GT	DECAL,DANGER,TIP-OVER,WELDER**.....1 <i>Option, Welder</i>					
13	97815GT	DECAL,LABEL,LOWER MIDRAIL.....1					
14	97875GT	DECAL,WARN.WELD LINE INST.WORD.....1 <i>Option, weld cable line</i>					
15	114390GT	DECAL,DANGER,ELECT HAZARD***....1					
16	114416GT	DECAL,DANGER,TIPOVER,TILT.....1					
17	147575GT	DECAL, PLAT CNTL PNL 60X 80X.....1 <i>"(S-60X, ANSI, Deutz D2011L3i, Deutz TD2011L04i and Perkins 404D-22)"</i>					
18	147601GT	DECAL, PLAT CNTL PNL 60TX.....1 <i>"(S-60 Trax, ANSI, Deutz D2011L3i, Deutz TD2011L04i and Perkins 404D-22)"</i>					
19	147602GT	DECAL, PLAT CNTL PNL 60XC.....1 <i>"(S-60XC, ANSI, Deutz D2011L3i, Deutz TD2011L04i and Perkins 404D-22)"</i>					
20	147603GT	DECAL, PLAT CNTL PNL.....1 <i>"(S-60, S-65, S-60 Trax and S-65 Trax - AUS) (S-65 and S-65 Trax, ANSI, Deutz D2011L3i, Deutz TD2011L04i and Perkins 404D-22)"</i>					
21	218549GT	DECAL,DANGER,CAP,ANSI WORD.....1 <i>(S-65, S-65 Trax, ANSI)</i>					
22	218550GT	DECAL,DANGER,CAP,AUS WORD.....1 <i>(S-60, S-65, S-60 Trax and S-65 Trax - AUS)</i>					
23	218559GT	DECAL,DANGER/WARNING COMBO....1					

105.1 Symbol, Hydraulic Tank Side, Non-Steer End, ANSI and CE (to SN S6015A-30299)

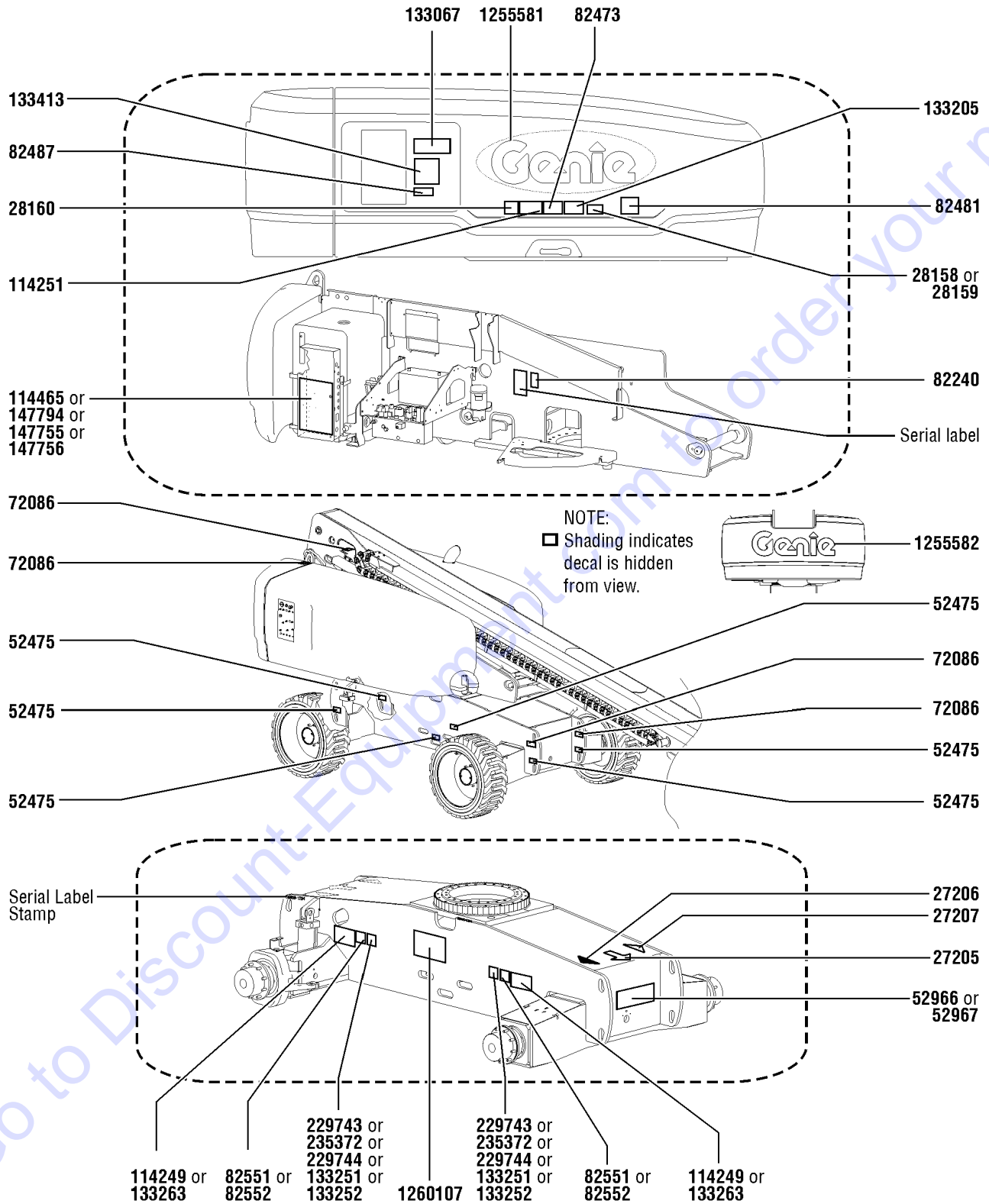




## 105.1 Symbol, Hydraulic Tank Side, Non-Steer End, ANSI and CE (to SN S6015A-30299)

Item	Part No.	Description	Qty.	Item	Part No.	Description	Qty.
1	27205GT	DECAL, ARROW YELLOW LRG 9".....	1	27	147755GT	DECAL, GR CNTL PNL 60X 80X.....	1
2	27206GT	DECAL, TRIANGLE, BLUE.....	1			(S-60X, ANSI)	
3	27207GT	DECAL, TRIANGLE, YELLOW.....	1	28	147756GT	DECAL, GR CNTL PNL 60XC.....	1
4	28158GT	DECAL, LABEL, UNLEADED GAS ONLY.....	1			(S-60XC, ANSI)	
		<i>models with gasoline engine</i>		29	147788GT	DECAL, INST PLAT CAPACITY, SYM.....	1
5	28159GT	DECAL, DIESEL.....	1			(S-60X, ANSI Only)	
		<i>models with diesel engine</i>		30	147790GT	DECAL, INST PLAT CAP 60TRAX SYM.....	1
6	28160GT	DECAL, LABEL, LIQUID PROPANE.....	1			(S-60 Trax, ANSI Only)	
		<i>Option, LPG Tank</i>		31	147791GT	DECAL, INST PLAT CAP 60XC SYM.....	1
7	52966GT	DECAL, COSMETIC, 4 X 2.....	1			(S-60XC, ANSI Only)	
		<i>Option, 2wd drive</i>		32	147794GT	DECAL, GR CNTL PNL 60TX.....	1
8	52967GT	DECAL, COSMETIC, 4 X 4.....	1			(S-60 Trax, ANSI)	
		<i>Option, 4wd drive</i>		33	229743GT	DECAL, LABEL, WHEEL LOAD S60/60X.....	2
9	82240GT	DECAL, LABEL, 105 DB.....	1			(S-60 and S-60X)	
10	82472GT	DECAL, WARNING, CRUSHING HAZARD.....	1	34	229744GT	DECAL, LABEL, WHEEL LOAD S60H/XC.....	2
						(S-60XC and S-60HC)	
11	82481GT	DECAL, SYMBOL-BATTERY SAFETY.....	1	35	235372GT	DECAL, LABEL, WHEEL LOAD S65.....	2
12	82487GT	DECAL, SYMBOL - READ THE MANUAL.....	1				
13	82551GT	DECAL, LABEL, TIRE PRESSURE.....	2				
		(S-60, S-60X, S-65, S-60XC and S-60HC)					
		<i>RT air filled tires only</i>					
14	82552GT	DECAL, LABEL, TIRE PRESS HF.....	2				
		(S-60, S-60X, S-65, S-60XC and S-60HC)					
		<i>High flotation air filled tires only</i>					
15	114099GT	DECAL, LABEL, TRANSPORT DIAGRAM.....	1				
16	114240GT	LABEL, TCON SOFTWARE, S60HC.....	1				
		(S-60HC Only)					
17	114241GT	LABEL, SCON SOFTWARE, S60HC.....	1				
		(S-60HC Only)					
18	114249GT	DECAL, LABEL, TIPOVER, TIRES, SYMB.2	2				
		(S-60, S-60X, S-65, S-60XC and S-60HC)					
19	114251GT	DECAL, LABEL, NO SMOKING, SYMB.....	1				
20	114252GT	DECAL, LABEL, TIP OVER LMT SWTCH.....	1				
		(S-60X, S-60XC and S-60 Trax)					
21	114465GT	DECAL GROUND CONTROL BOX.....	1				
		(S-60, S-65 and S-65 Trax - ANSI)(S-60, S-65, S-60 Trax, S-65 Trax and S-60HC-CE)					
22	133067GT	DECAL, DANGER, ELEC. HAZ. STAY CLR.....	1				
23	133251GT	DECAL, WHEEL LOAD S60TRAX.....	2				
24	133252GT	DECAL, WHEEL LOAD S65 TRAX.....	2				
25	133263GT	DECAL, LABEL, TIPOVER, TRAX, SYMB.2	2				
		(S-60 Trax and S-65 Trax)					
26	133413GT	DECAL, EMERGENCY LOWERING.....	1				
		(CE Only)					

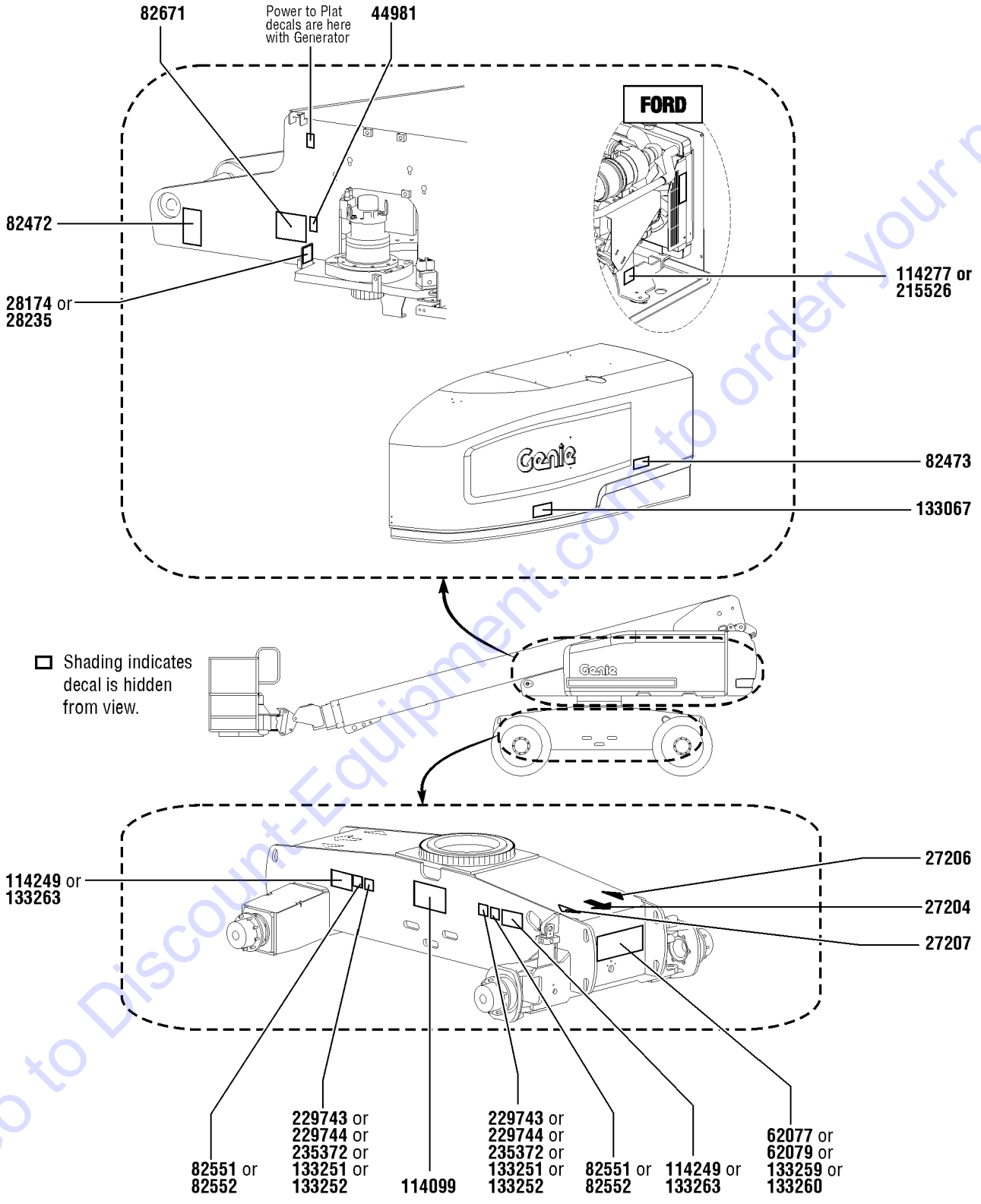
105.2 Symbol, Hydraulic Tank Side, Non-Steer End, ANSI and CE (from SN S6015A-30300)



## 105.2 Symbol, Hydraulic Tank Side, Non-Steer End, ANSI and CE (from SN S6015A-30300)

Item	Part No.	Description	Qty.	Item	Part No.	Description	Qty.
1	27205GT	DECAL, ARROW YELLOW LRG 9".....	1	28	147794GT	DECAL, GR CNTL PNL 60TX..... (S-60 Trax, ANSI)	1
2	27206GT	DECAL, TRIANGLE, BLUE.....	1	29	229743GT	DECAL, LABEL, WHEEL LOAD S60/60X.....	2
3	27207GT	DECAL, TRIANGLE, YELLOW.....	1			(S-60 and S-60X)	
4	28158GT	DECAL, LABEL, UNLEADED GAS ONLY.....	1	30	229744GT	DECAL, LABEL, WHEEL LOAD S60H/XC.....	2
		<i>Option, Fuel</i>				(S-60XC)	
5	28159GT	DECAL, DIESEL.....	1	31	235372GT	DECAL, LABEL, WHEEL LOAD S65.....	2
		<i>Option, Fuel</i>				(S-65)	
6	28160GT	DECAL, LABEL, LIQUID PROPANE.....	1	32	1255581GT	DECAL COSMETIC, 10" GENIE BLUE....	1
		<i>Option, LPG Tank</i>		33	1255582GT	DECAL COSMETIC, 15" GENIE BLUE....	1
7	52475GT	DECAL, LABEL, TRANSPORT TIEDOWN*.....	6	34	1260107GT	DECAL, TRANSPORT/LIFTING, S60....	1
8	52966GT	DECAL, COSMETIC, 4 X 2.....	1				
		<i>Option, drive</i>					
9	52967GT	DECAL, COSMETIC, 4 X 4.....	1				
		<i>Option, drive</i>					
10	72086GT	DECAL, LABEL, LIFTING EYE.....	4				
11	82240GT	DECAL, LABEL, 105 DB.....	1				
		(CE Only)					
12	82473GT	DECAL, SYMBOL-COMP ACCESS.....	1				
13	82481GT	DECAL, SYMBOL-BATTERY SAFETY....	1				
14	82487GT	DECAL, SYMBOL - READ THE MANUAL.....	1				
15	82551GT	DECAL, LABEL, TIRE PRESSURE.....	2				
		"(S-60, S-60X, S-65, S-60XC) RT air filled tires only"					
16	82552GT	DECAL, LABEL, TIRE PRESS HF.....	2				
		"(S-60, S-60X, S-65, S-60XC) High flotation air filled tires only"					
17	114249GT	DECAL, LABEL, TIPOVER, TIRES, SYMB.2	2				
		"(S-60, S-60X, S-65, S-60XC) RT air filled or foam filled tires only "					
18	114251GT	DECAL, LABEL, NO SMOKING, SYMB....	1				
19	114465GT	DECAL GROUND CONTROL BOX.....	1				
		"(S-60, S-65, S-60 Trax and S-65 Trax - CE) (S-65 and S-65 Trax - ANSI)"					
20	133067GT	DECAL, DANGER, ELEC. HAZ. STAY CLR.....	1				
21	133205GT	DECAL, LABEL, ELECTRO HAZARD....	1				
22	133251GT	DECAL, WHEEL LOAD S60TRAX.....	2				
		(S-60 Trax)					
23	133252GT	DECAL, WHEEL LOAD S65 TRAX.....	2				
		(S-65 Trax)					
24	133263GT	DECAL, LABEL, TIPOVER, TRAX, SYMB..2	2				
		(S-60 Trax and S-65 Trax)					
25	133413GT	DECAL, EMERGENCY LOWERING.....	1				
		(CE Only)					
26	147755GT	DECAL, GR CNTL PNL 60X 80X.....	1				
		(S-60X, ANSI)					
27	147756GT	DECAL, GR CNTL PNL 60XC.....	1				
		(S-60XC, ANSI)					

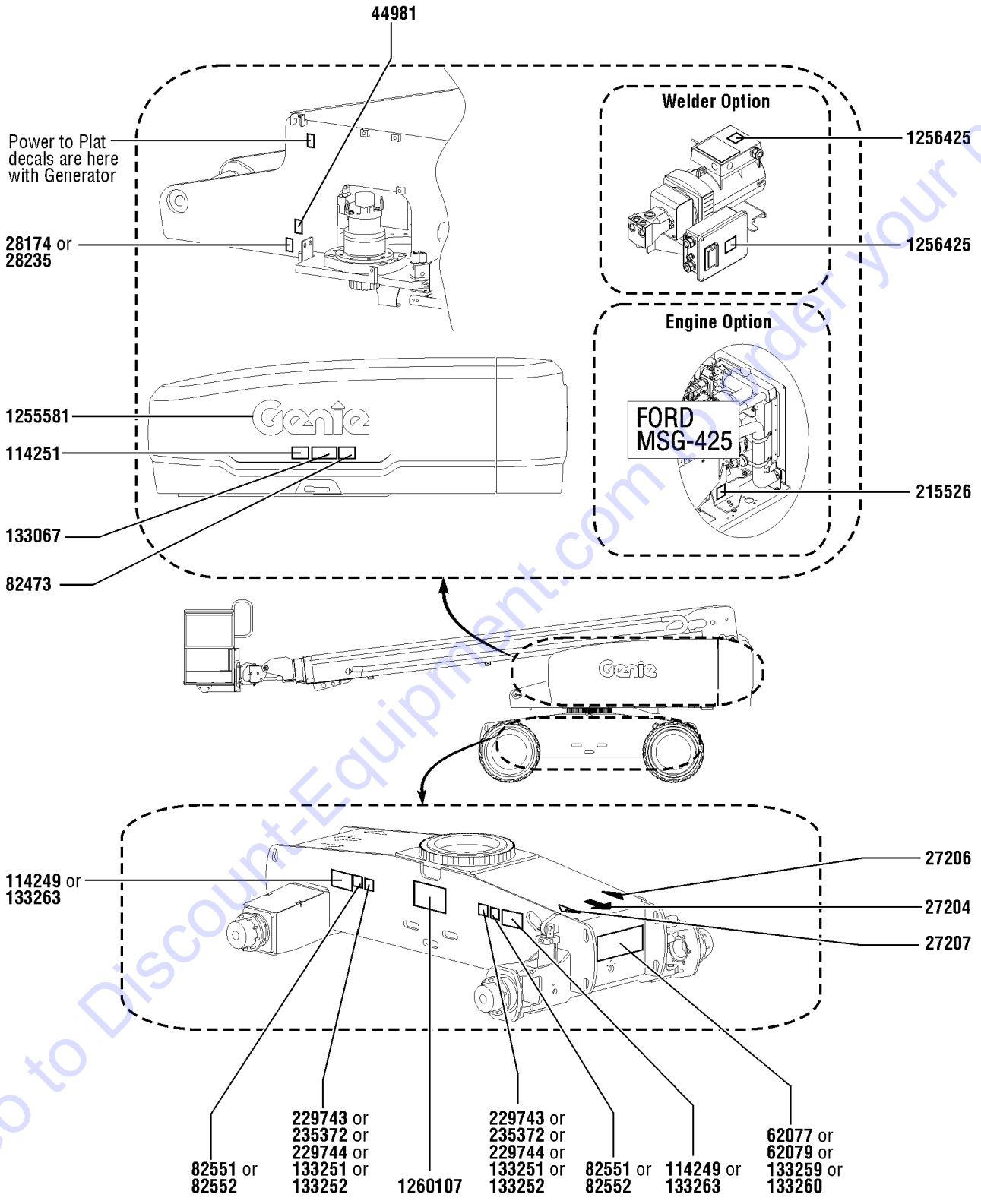
106.1 Symbol, Engine Side, Steer End, ANSI and CE (to SN S6015A-30299)



## 106.1 Symbol, Engine Side, Steer End, ANSI and CE (to SN S6015A-30299)

Item	Part No.	Description	Qty.
1	27204GT	DECAL,ARROW BLUE.....	1
2	27206GT	DECAL,TRIANGLE,BLUE.....	1
3	27207GT	DECAL,TRIANGLE,YELLOW.....	1
4	28174GT	DECAL, POWER TO PLATFORM 230V**.....	1
5	28235GT	DECAL,POWER TO PLATFORM 115V...1	1
6	44981GT	DECAL,LABEL, AIR LINE 110 PSI.....1 <i>Option, airline to plat</i>	1
7	62077GT	DECAL,COSMETIC,S60.....1 <i>(S-60, S-60X S-60XC and S-60HC)</i>	1
8	62079GT	DECAL,COSMETIC,S65.....1 <i>(S-65)</i>	1
9	82472GT	DECAL,WARNING,CRUSHING HAZARD.....	1
10	82473GT	DECAL,SYMBOL-COMP ACCESS.....1	1
11	82551GT	DECAL,LABEL,TIRE PRESSURE.....2 <i>RT air filled tires only</i>	2
12	82552GT	DECAL,LABEL,TIRE PRESS HF.....2 <i>High flotation air filled tires only</i>	2
13	82671GT	DECAL,LABEL,WELD LINE INST,SYM...1 <i>Option, weld cable line (weld leads only)</i>	1
14	114099GT	DECAL,LABEL,TRANSPORT DIAGRAM.....	1
15	114249GT	DECAL,LABEL,TIPOVER,TIRES,SYMB.2 <i>air filled or foam filled RT tires only</i>	2
16	114277GT	DECAL,LABEL,BELT ROUTING DSG <i>Ford DSG-423</i>	
17	133067GT	DECAL,DANGER,ELEC.HAZ.STAY CLR.....	1
18	133251GT	DECAL, WHEEL LOAD S60TRAX.....2 <i>(S-60 Trax)</i>	2
19	133252GT	DECAL, WHEEL LOAD S65 TRAX.....2 <i>(S-65 Trax)</i>	2
20	133259GT	DECAL,COSM, S60 TRAX.....1 <i>(S-60 Trax)</i>	1
21	133260GT	DECAL,COSM, S65 TRAX.....1 <i>(S-65 Trax)</i>	1
22	133263GT	DECAL,LABEL,TIPOVER,TRAX,SYMB..2 <i>models with TraX</i>	2
23	215526GT	DECAL,LABEL,BELT,MSG425 <i>Ford MSG-425</i>	
24	229743GT	DECAL,LABEL,WHEEL LOAD S60/60X.....	2
		<i>(S-60 and S-60X)</i>	
25	229744GT	DECAL,LABEL,WHEEL LOAD S60H/XC.....	2
		<i>(S-60XC and S-60HC)</i>	
26	235372GT	DECAL,LABEL,WHEEL LOAD S65.....2 <i>(S-65)</i>	2

106.2 Symbol, Engine Side, Steer End, ANSI and CE (from SN S6015A-30300)



## 106.2 Symbol, Engine Side, Steer End, ANSI and CE (from SN S6015A-30300)

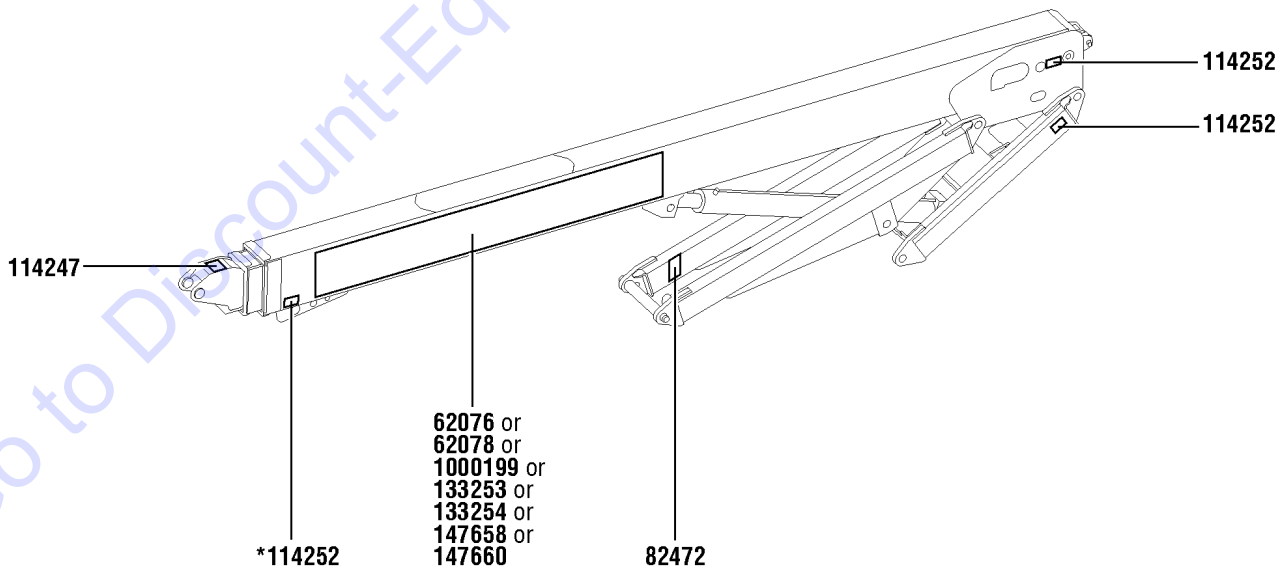
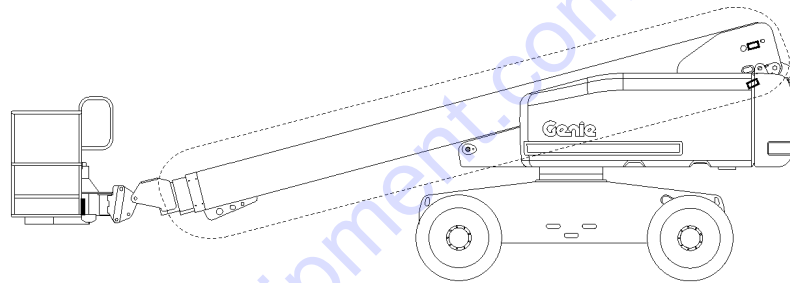
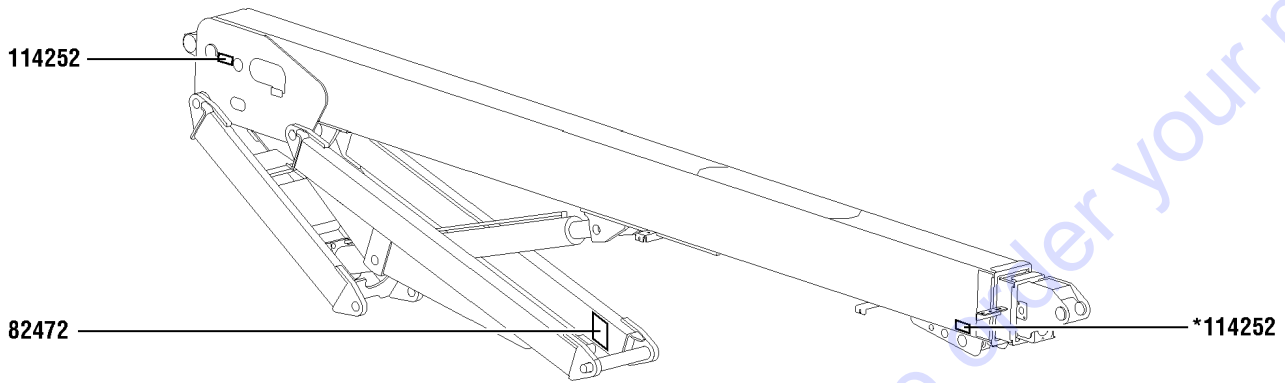
Item	Part No.	Description	Qty.	Item	Part No.	Description	Qty.
1	27204GT	DECAL,ARROW BLUE.....	1	26	1260107GT	DECAL, TRANSPORT/LIFTING, S60.....	1
2	27206GT	DECAL,TRIANGLE,BLUE.....	1				
3	27207GT	DECAL,TRIANGLE,YELLOW.....	1				
4	28174GT	DECAL, POWER TO PLATFORM 230V**.....	1				
		<i>(Europe except UK)</i>					
5	28235GT	DECAL,POWER TO PLATFORM 115V...1					
		<i>(US and UK)</i>					
6	44981GT	DECAL,LABEL, AIR LINE 110 PSI.....1					
		<i>Option, airline to plat</i>					
7	62077GT	DECAL,COSMETIC,S60.....1					
		<i>"(S-60, S-60X and S-60XC) "</i>					
8	62079GT	DECAL,COSMETIC,S65.....1					
		<i>(S-65)</i>					
9	82473GT	DECAL,SYMBOL-COMP ACCESS.....1					
10	82551GT	DECAL,LABEL,TIRE PRESSURE.....2					
		<i>"(S-60, S-60X, S-65, S-60XC) RT air filled tires only"</i>					
11	82552GT	DECAL,LABEL,TIRE PRESS HF.....2					
		<i>"(S-60, S-60X, S-65, S-60XC) High flotation air filled tires only"</i>					
12	114249GT	DECAL,LABEL,TIPOVER,TIRES,SYMB.2					
		<i>"(S-60, S-60X, S-65, S-60XC) RT air filled or foam filled tires only"</i>					
13	114251GT	DECAL,LABEL,NO SMOKING,SYMB.....1					
14	133067GT	DECAL,DANGER,ELEC.HAZ.STAY CLR.....	1				
15	133251GT	DECAL, WHEEL LOAD S60TRAX.....2					
		<i>(S-60 Trax)</i>					
16	133252GT	DECAL, WHEEL LOAD S65 TRAX.....2					
		<i>(S-65 Trax)</i>					
17	133259GT	DECAL,COSM, S60 TRAX.....1					
		<i>(S-60 Trax)</i>					
18	133260GT	DECAL,COSM, S65 TRAX.....1					
		<i>(S-65 Trax)</i>					
19	133263GT	DECAL,LABEL,TIPOVER,TRAX,SYMB..2					
		<i>(S-60 Trax and S-65 Trax)</i>					
20	215526GT	DECAL,LABEL,BELT,MSG425.....1					
		<i>ford msg-425</i>					
21	229743GT	DECAL,LABEL,WHEEL LOAD S60/60X.....	2				
		<i>(S-60 and S-60X)</i>					
22	229744GT	DECAL,LABEL,WHEEL LOAD S60H/XC.....	2				
		<i>"(S-60XC) "</i>					
23	235372GT	DECAL,LABEL,WHEEL LOAD S65.....2					
		<i>(S-65)</i>					
24	1255581GT	DECAL COSMETIC,10" GENIE BLUE...1					
25	1256425GT	DECAL, DANGER, ELECTROCUTION HAZARD, SYMBOL.....	2				
		<i>Option, Welder</i>					



107.1 Symbol, Booms, ANSI and CE (to SN S6015A-30299)

NOTE:

\*For S-60X and S-60XC models only.



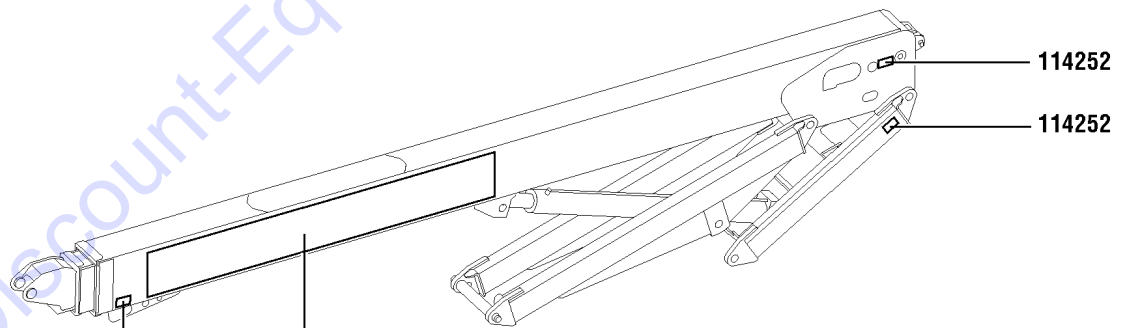
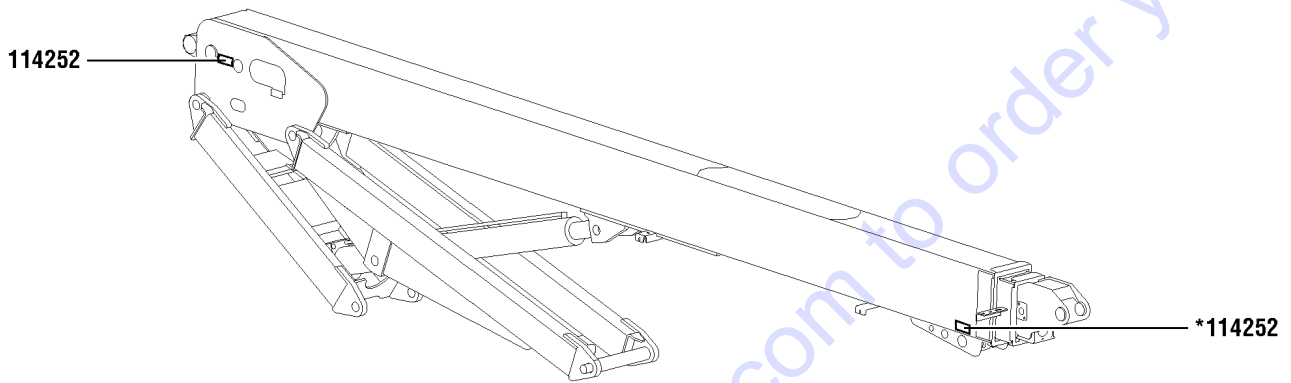
## 107.1 Symbol, Booms, ANSI and CE (to SN S6015A-30299)

Item	Part No.	Description	Qty.
1	62076GT	DECAL,COSMETIC,GENIE S-60.....1	1
2	62078GT	DECAL,COSMETIC,GENIE S65.....1	1
3	82472GT	DECAL,WARNING,CRUSHING HAZARD.....2	2
4	114247GT	DECAL,LABEL,FALL HAZARD***.....1	1
5A	114252GT	DECAL,LABEL,TIP OVER LMT SWTCH.....3 S-60, S-65, S-60TraX and S-65TraX	3
5B	114252GT	DECAL,LABEL,TIP OVER LMT SWTCH.....5 (S-60X and S-60XC only)	5
6	133253GT	DECAL,COSM,GENIE S60 TRAX.....1	1
7	133254GT	DECAL, COSM,GENIE S65 TRAX.....1	1
8	147658GT	DECAL,COSM GENIE S60X.....1	1
9	147660GT	DECAL,COSM GENIE S60XC.....1	1
10	1000199GT	DECAL,COSMETIC,GENIE S-60HC.....1	1

107.2 Symbol, Booms, ANSI and CE (from SN S6015A-30300)

NOTE:

\*For S-60X and S-60XC models only.



62076 or  
62078 or  
147658 or  
147660 or  
133253 or  
133254 or

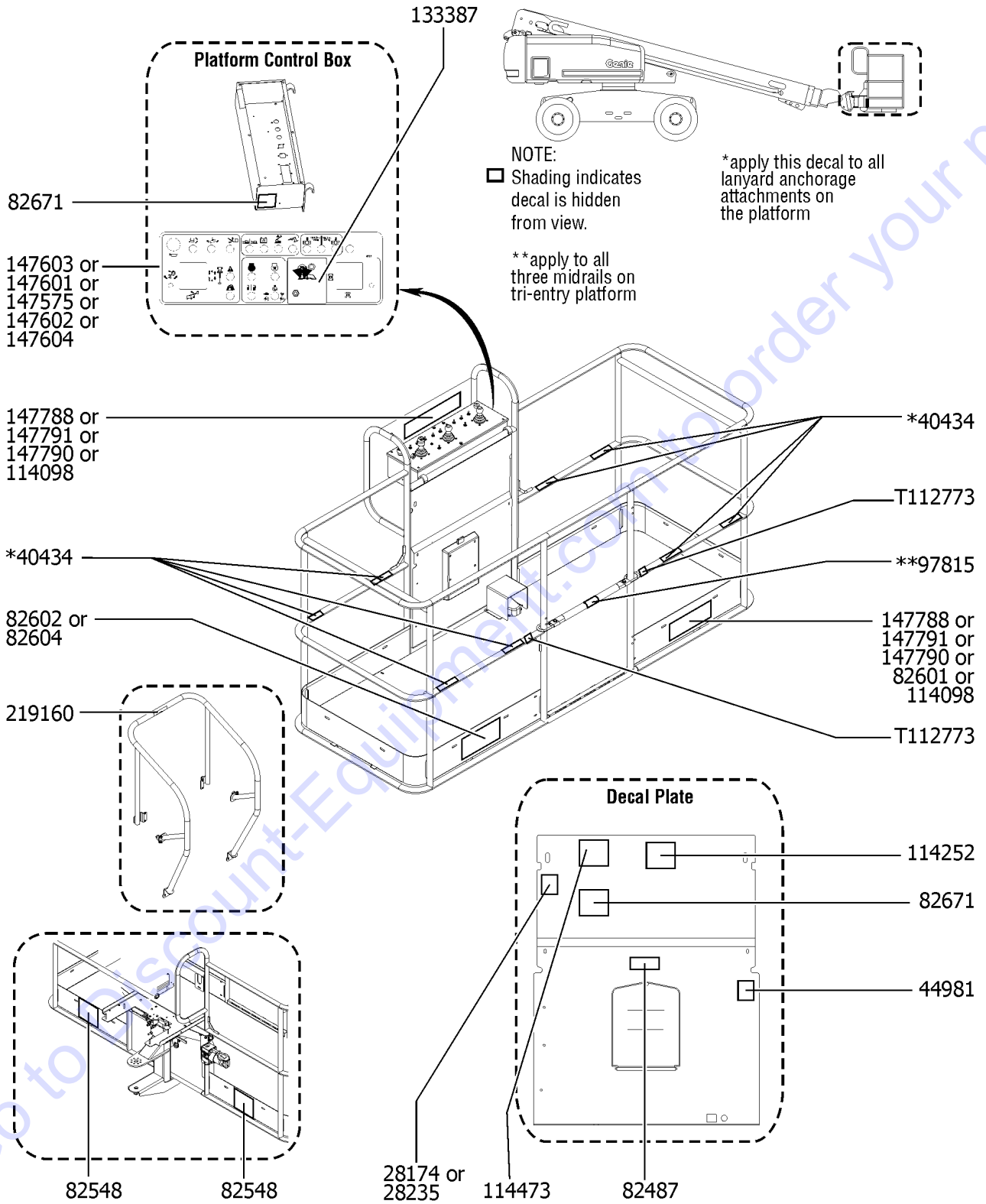
\*114252

## 107.2 Symbol, Booms, ANSI and CE (from SN S6015A-30300)

Item	Part No.	Description	Qty.
1	62076GT	DECAL,COSMETIC,GENIE S-60.....1	1
2	62078GT	DECAL,COSMETIC,GENIE S65.....1	1
3	114252GT	DECAL,LABEL,TIP OVER LMT SWTCH.....5	5
4	133253GT	DECAL,COSM,GENIE S60 TRAX.....1	1
5	133254GT	DECAL, COSM,GENIE S65 TRAX.....1	1
6	147658GT	DECAL,COSM GENIE S60X.....1	1
7	147660GT	DECAL,COSM GENIE S60XC.....1	1

Go to Discount-Equipment.com to order your parts

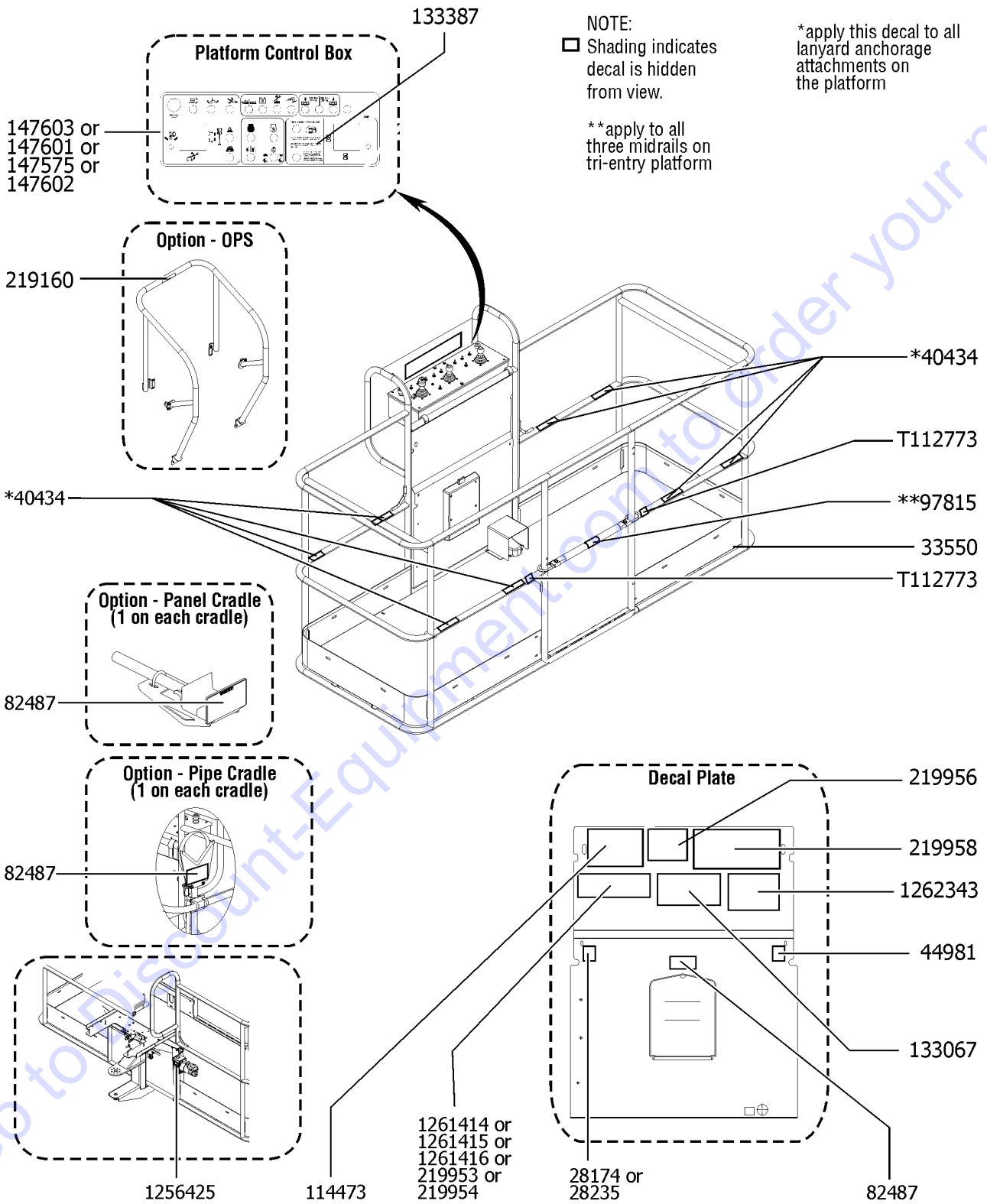
108.1 Symbol, Platform, ANSI and CE (to SN S6015A-30299)



## 108.1 Symbol, Platform, ANSI and CE (to SN S6015A-30299)

Item	Part No.	Description	Qty.
1	28174GT	DECAL, POWER TO PLATFORM 230V**.....	1
2	28235GT	DECAL,POWER TO PLATFORM 115V...1	1
3	40434GT	DECAL,LANYARD ANCHORAGE POINT.....	8
4	44981GT	DECAL,LABEL, AIR LINE 110 PSI.....1 <i>Option, airline to platform</i>	1
5	82487GT	DECAL, SYMBOL - READ THE MANUAL.....	1
6	82548GT	DECAL,WARN,CRUSH HAZARD PLAT.....	2
7	82601GT	DECAL,LABEL,MAX CAPACITY***.....1 <i>"(S-65 and S-65 Trax, ANSI) (S-60, S-65, S-60 Trax and S-65 Trax, CE)"</i>	1
8	82602GT	DECAL,DANGER,MAX SIDE FRC,667N.....	1
9	82604GT	DECAL,DANGER,SIDE FRC 400N.....1 <i>(CE)</i>	1
10	82671GT	DECAL,LABEL,WELD LINE INST,SYM...2 <i>Option, weld cable line</i>	2
11	97815GT	DECAL,LABEL,LOWER MIDRAIL.....1 <i>tri-entry platforms qty is 3</i>	1
12	114098GT	DECAL,DANGER,MAX LOAD S60HCSYM.....	2
13	114252GT	DECAL,LABEL,TIP OVER LMT SWTCH.....	1
14	114473GT	DECAL,DANGER,TIPOVER,TILT,SYM....1	1
15	133387GT	DECAL,DRIVE ENABLE PATCH.....1	1
16	147575GT	DECAL, PLAT CNTL PNL 60X 80X.....1 <i>(S-60X, ANSI)</i>	1
17	147601GT	DECAL, PLAT CNTL PNL 60TX.....1 <i>(S-60 Trax, ANSI)</i>	1
18	147602GT	DECAL, PLAT CNTL PNL 60XC.....1 <i>(S-60XC, ANSI)</i>	1
19	147603GT	DECAL, PLAT CNTL PNL.....1 <i>(S-60, S-65 and S-65 Trax, ANSI) (S-60, S-65, S-60 Trax and S-65 Trax, CE)</i>	1
20	147604GT	DECAL, PLAT CNTL PNL 60HC.....1 <i>(S-60HC)</i>	1
21	147788GT	DECAL,INST PLAT CAPACITY,SYM.....2 <i>(S-60X, ANSI)</i>	2
22	147790GT	DECAL,INST PLAT CAP 60TRAX SYM.....	2
23	147791GT	DECAL,INST PLAT CAP 60XC SYM.....2 <i>(S-60XC, ANSI)</i>	2
24	219160GT	DECAL, INSTRUCTION, OPS.....1 <i>Option</i>	1
25	T112773GT	TAPE, PROTECTIVE MASK.....	2

108.2 Symbol, Platform, ANSI and CE (from SN S6015A-30300)

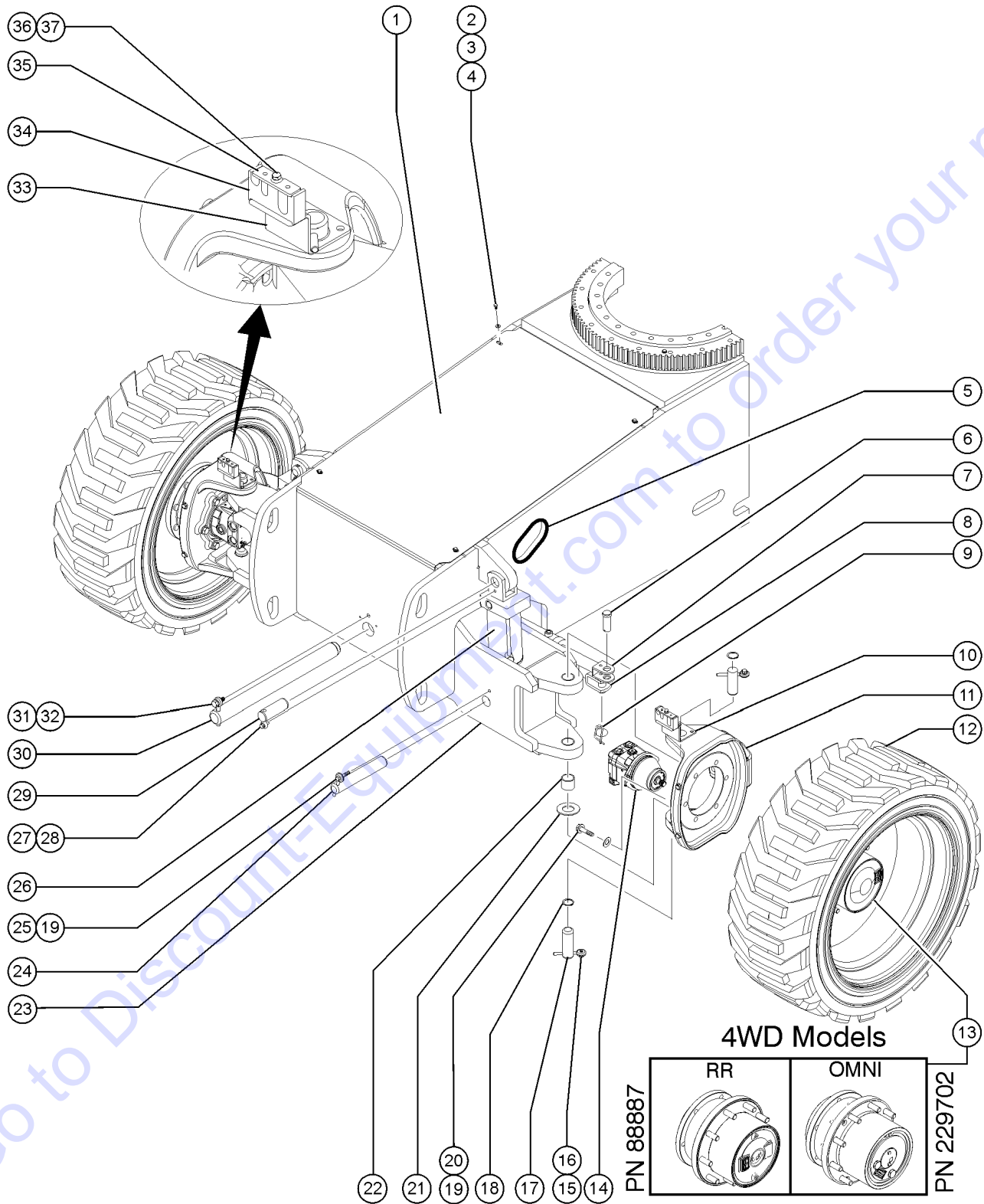




## 108.2 Symbol, Platform, ANSI and CE (from SN S6015A-30300)

Item	Part No.	Description	Qty.
1	28174GT	DECAL, POWER TO PLATFORM 230V** .....1 (europe except UK)	1
2	28235GT	DECAL,POWER TO PLATFORM 115V...1 (Us and UK)	1
3	33550GT	TAPE,WARNING,BLK/YEL, 50*** (CE models) sold in a 50' roll, apply at base of platform toeboard	1
4	40434GT	DECAL,LANYARD ANCHORAGE POINT.....8	8
5	44981GT	DECAL,LABEL, AIR LINE 110 PSI.....1 Option, airline to platform	1
6	82487GT	DECAL, SYMBOL - READ THE MANUAL.....1	1
7	97815GT	DECAL,LABEL,LOWER MIDRAIL.....1	1
8	114473GT	DECAL,DANGER,TIPOVER,TILT,SYM....1	1
9	133067GT	DECAL,DANGER,ELEC.HAZ.STAY CLR.....1	1
10	133387GT	DECAL,DRIVE ENABLE PATCH.....1	1
11	147575GT	DECAL, PLAT CNTL PNL 60X 80X.....1 (S-60X, ANSI)	1
12	147601GT	DECAL, PLAT CNTL PNL 60TX.....1 (S-60 Trax, ANSI)	1
13	147602GT	DECAL, PLAT CNTL PNL 60XC.....1 (S-60XC, ANSI)	1
14	147603GT	DECAL, PLAT CNTL PNL.....1 "(S-60, S-65, S-60 Trax and S-65 Trax, CE) (S-65 and S-65 Trax, ANSI)"	1
15	219953GT	DECAL,TIP-OVER HAZARD,ANSI.....1 (S-65 and S-65 Trax, ANSI)	1
16	219954GT	DECAL,TIP-OVER HAZARD,CE.....1 (S-65 and S-65 Trax, CE)	1
17	219956GT	DECAL,PLATFORM OVERLOAD.....1 CE Only	1
18	219958GT	DECAL,TIP-OVER,CRUSH.....1	1
19	1256425GT	DECAL, DANGER, ELECTROCUTION HAZARD, SYMBOL.....1 Option, Welder	1
20	1261414GT	DECAL,INST PLAT CAP 60X,SYM.....1 (S-60X, ANSI)	1
21	1261415GT	DECAL,INST PLAT CAP 60XC,SYM.....1 (S-60XC, ANSI)	1
22	1261416GT	DECAL,INST PLAT CAP 60TX,SYM.....1 (S-60 Trax, ANSI)	1
23	1262343GT	DECAL,SYM,SLOPE RATING,S60.....1	1
24	219160GT	DECAL, INSTRUCTION, OPS.....1 Option	1
25	T112773GT	TAPE, PROTECTIVE MASK.....2	2

201.1 Steer End



## 201.1 Steer End

Item	Part No.	Description	Qty.	Item	Part No.	Description	Qty.
1A	77624PGT	COVER,DRIVE CHASSIS.....1 <i>decals not included, refer to section 100, to SN S6015A-30299</i>	1	12B	77791GT	TIRE & WHEEL ASSY,LH FF***.....2 <i>RT, Foam-filled, left (S-60,S-65,S-60X,S-60XC,S-60HC; overall diameter: 37 inches)</i>	2
1B	1255703GT	COVER,DRIVE CHASSIS.....1 <i>decals not included, refer to section 100, from SN S6015A-30300</i>	1	12C	94332GT	TIRE & WHEEL ASSY,TURF SPEC***....4 <i>Turf, Air-filled (S-60,S-65,S-60X)</i>	4
2	824059GT	SCREW,HHC,1/4-20X.75,8,ZAG		--	81164GT	TIRE,41/18LL X 22.5,14PR,TURF* <i>for 94332</i>	
3	824113GT	WASHER,FLAT,USS,1/4,ZAG		--	94333GT	WHEEL,22.5X14.00*** <i>for 94332</i>	
4	56912GT	SPRING CLIP,1/4-20,.025-.15X.54,ZAG		12D	94534GT	WHEEL & TIRE ASSY,RH,NM AIR.....2 <i>RT, Air-filled, Non-marking, right (S-60,S-65,S-60X)</i>	2
5	53386GT	GUARD, HOSE PROTECTOR.....1	1	12D	94535GT	WHEEL & TIRE ASSY,LH NM AIR.....2 <i>RT, Air-filled, Non-marking, left (S-60,S-65,S-60X)</i>	2
6	824127GT	PIN,CLEVIS,1.0X2.41,SAE,ZAG.....4	4	--	88727GT	WHEEL, 24.5X11.75, 9 X 9 BCD <i>for 94534 &amp; 94535</i>	
7	59460GT	CYLINDER,STEERING***.....2	2	--	94536GT	TIRE,355/55D625,14 PLY,NM <i>for 94534 &amp; 94535</i>	
--	89294GT	SEAL KIT CYLINDER (59460).....1	1	12E	106647GT	TIRE & WHEEL ASSY,RH,FOAM,NM.....2 <i>RT, Foam-filled, Non-marking, right (S-60,S-65,S-60X,S-60XC,S-60HC; overall diameter: 37 inches)</i>	2
8A	77643GT	TIE ROD WELDMENT,S60.....1 <i>to SN S6015A-30299</i>	1	12E	106648GT	TIRE & WHEEL ASSY,LH,FOAM,NM.....2 <i>RT, Foam-filled, Non-marking, left (S-60,S-65,S-60X,S-60XC,S-60HC; overall diameter: 37 inches)</i>	2
8B	1255710GT	WELDMENT, TIE ROD.....1 <i>from SN S6015A-30300</i>	1	12F	110727GT	TIRE/WHEEL ASSY,LP RT W/SEALAN.....2 <i>RT, Air-filled, with sealant, left (S-60,S-65,S-60X)</i>	2
9	824129GT	RUE RING,1.0,ZAG.....4	4	12F	110728GT	TIRE/WHEEL ASSY,LP RT W/SEALAN.....2 <i>RT, Air-filled, with sealant, right (S-60,S-65,S-60X)</i>	2
10A	107615PGT	BRACKET,HOSE ROUTING,LH,PTD.....1 <i>to SN S6015A-30299</i>	1	12G	110730GT	TIRE/WHEEL ASSY,LP NM W/SEALAN.....2 <i>RT, Air-filled, Non-marking, with sealant, right (S-60,S-65,S-60X)</i>	2
10B	1255705GT	BRACKET,HOSE ROUTING,AXLE LH....1 <i>from SN S6015A-30300</i>	1	12G	110731GT	TIRE/WHEEL ASSY,LP NM W/SEALAN.....2 <i>RT, Air-filled, Non-marking, with sealant, left (S-60,S-65,S-60X)</i>	2
11A	77726GT	YOKE ASSEMBLY W/BEARINGS,LH.....1-1 <i>to SN S6015A-30299</i>	1-1	12H	110733GT	TIRE/WHEEL ASSY,HF W/SEALANT....4 <i>Turf, Air-filled, with sealant (S-60,S-65,S-60X)</i>	4
--	25817GT	BEARING,1.00IDX1.25ODX1.00L.....2-2 <i>for 77726</i>	2-2	12J	228768GT	TIRE/WH ASSY,RH,FF,REPNEU***.....2 <i>RT, Foam-filled, oil based (S-60, S-65,S-60X,S-60XC,S-60HC)</i>	2
11B	77725GT	YOKE ASSEMBLY W/BEARINGS,RH.....1-1 <i>to SN S6015A-30299</i>	1-1	12J	228769GT	TIRE/WH ASSY,LH,FF,REPNEU***.....2 <i>RT, Foam-filled, oil based (S-60, S-65,S-60X,S-60XC,S-60HC)</i>	2
--	25817GT	BEARING,1.00IDX1.25ODX1.00L.....2-2 <i>for 77725</i>	2-2				
11C	1270346GT	YOKE ASSY BLK W/BEARINGS,RH <i>includes bearing, from SN S6015A-30300</i>					
--	25817GT	BEARING,1.00IDX1.25ODX1.00L.....2-2	2-2				
11D	1270347GT	YOKE ASSY BLK W/BEARINGS,LH <i>includes bearing, from SN S6015A-30300</i>					
--	25817GT	BEARING,1.00IDX1.25ODX1.00L.....2-2	2-2				
12A	88729GT	TIRE & WHEEL ASSY,AIR,RH***.....2 <i>RT, Air-filled, right (S-60,S-65,S-60X)</i>	2				
12A	88730GT	TIRE & WHEEL ASSY,AIR,LH.....2 <i>RT, Air-filled, left (S-60,S-65,S-60X)</i>	2				
--	88727GT	WHEEL, 24.5X11.75, 9 X 9 BCD <i>for 88730 &amp; 88729</i>					
--	88728GT	TIRE,355/55D625 <i>for 88730 &amp; 88729</i>					
12B	77790GT	TIRE & WHEEL ASSY RH,FF.....2 <i>RT, Foam-filled, right (S-60,S-65,S-60X,S-60XC,S-60HC; overall diameter: 37 inches)</i>	2				

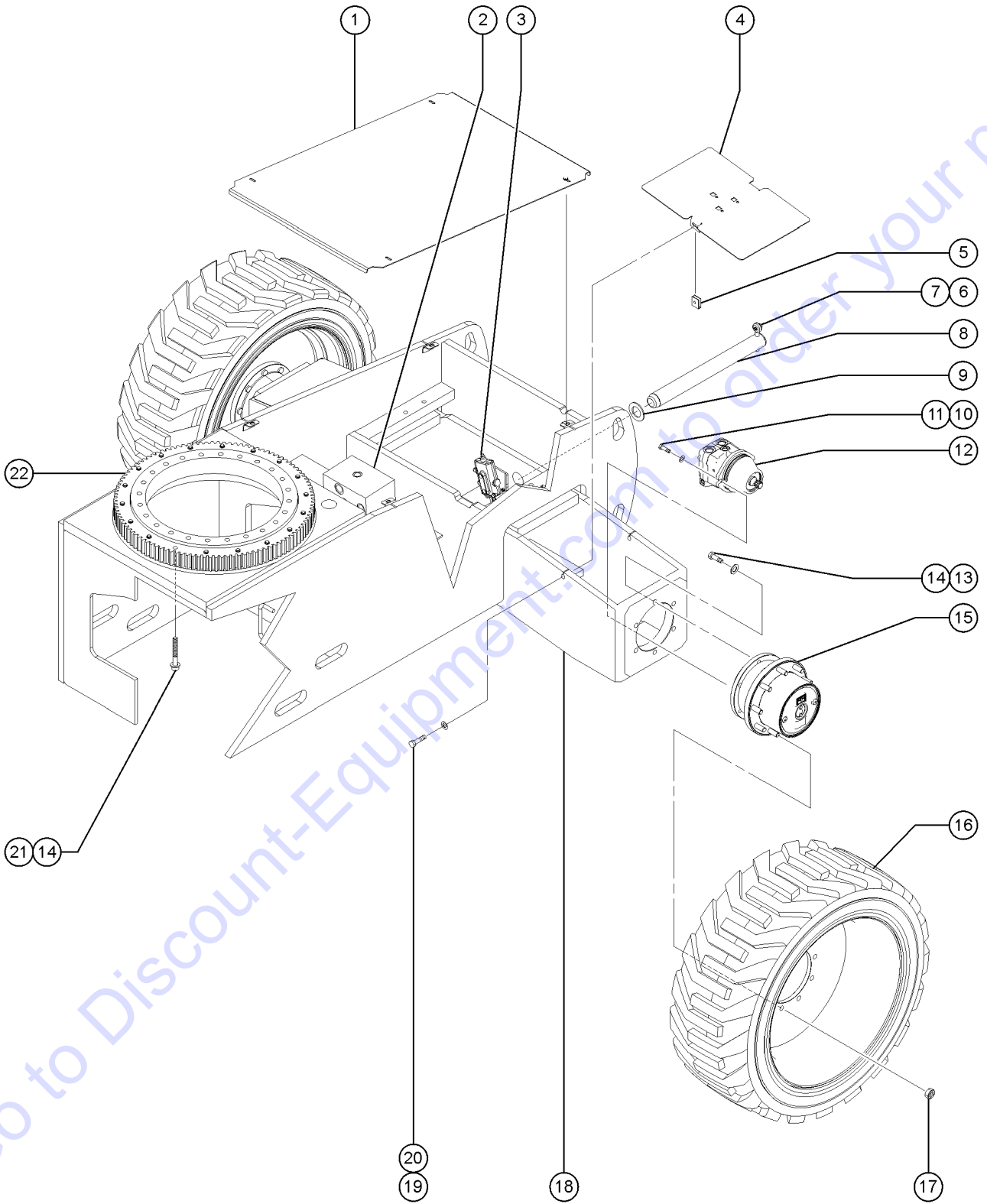
201.1 Steer End  
(continued)

Item	Part No.	Description	Qty.	Item	Part No.	Description	Qty.
12K	227816GT	TIRE & WHEEL ASSY,RH,FOAM,NM.....2 <i>RT, Foam-filled, oil based (S-60, S-65,S-60X), from S6015A-29653</i>		--	102155GT	BEARING,BALL DRIVE SHAFT <i>for 88884</i>	
12K	227817GT	TIRE & WHEEL ASSY,LH,FOAM,NM.....2 <i>RT, Foam-filled, oil based (S-60, S-65,S-60X), from S6015A-29653</i>		--	102158GT	O-RING,,103 X 4.737,VITON, 75D <i>for 88884</i>	
13A	229702GT	WHEEL DRIVE 57.5:1 4WD.....2 <i>TYPE: OMNI. 4WD models Visually identify which hub before ordering parts. ID tag is on end cover cap. Hubs are not interchangeable, internal components are different for each type.</i>		--	102159GT	SHAFT,15 TOOTH <i>for 88884</i>	
--	1260084GT	END CAP, WHEEL DRIVE <i>for 229702</i>		--	106098GT	SEAL KIT,MOTOR,LC/KC*** <i>for 88884</i>	
--	139965GT	WHEEL STUD,5/8-18,OMNI*** <i>for 229702</i>		--	27067GT	SEAL,SHAFT-SUNDSTRAND*** <i>for 88884</i>	
--	139966GT	ROD,DISCONNECT,OMNI*** <i>for 229702</i>		--	72290GT	SNAP RING(M46 UNITS)* <i>for 88884</i>	
--	139967GT	CAP,DISENGAGE,OMNI*** <i>for 229702</i>		15	825019GT	ROD END,,375X3.69,ZAG.....2	
--	139968GT	O-RING,END COVER,OMNI*** <i>for 229702</i>		16	824091GT	SCREW,HHF,3/8-16X1.25,8,ZAG	
--	139969GT	LINING KIT,BRAKE,OMNI*** <i>for 229702</i>		17	110221GT	PIN,GROOVE/HOLE,1.50 DIAX4.475.....4	
--	139970GT	SEAL KIT,BRAKE,OMNI*** <i>for 229702</i>		18	825796GT	SNAP RING,EXTERNAL,1.50,ZAG	
--	139971GT	BEARING KIT,OMNI*** <i>for 229702</i>		19	1255385GT	SCREW,HHC,5/8-11X2.25,8,ZAG.....12	
--	139972GT	SEAL KIT,GEARBOX,OMNI*** <i>for 229702</i>		20	1256182GT	WASHER,FLAT,5/8,F436,HRD,ZAG.....12	
--	147033GT	O-RING,PIPE PLUG KIT,OMNI*** <i>for 229702</i>		21	45074GT	WASHER,THRUST,1.5 X 3.5 X .187.....2	
--	147034GT	PIPE PLUG KIT,OMNI*** <i>for 229702</i>		22	45071GT	BEARING,1.5IDX1.75ODX1.5L	
13B	229817GT	WHEEL DRIVE 56:1.....1 <i>(Trax)</i>		23A	119146GT	AXLE ASSEMBLY,S60 FRONT.....1 <i>Includes item 22, to SN S6015A-30299</i>	
--	102131GT	DISCONNECT KIT (88887) <i>for 102162</i>		--	42014GT	BEARING,2.00IDX2.25ODX2.00L.....2 <i>not included with 119146, order seperately</i>	
--	102162GT	LUG,STUD/WHEEL (88887) <i>for 102162</i>		23B	1270348GT	STEER AXLE ASSY BLACK.....1 <i>includes bearings, from SN S6015A-30300</i>	
--	102516GT	RING,RETAINING,INTERNAL <i>for 102162</i>		--	45071GT	BEARING,1.5IDX1.75ODX1.5L	
--	215340GT	LOCKRING, RR*** <i>for 102162</i>		24	77880GT	PIN,1.50DIA X9.38LG,1HOLE.....2	
--	215642GT	BRAKE KIT (88886)*** <i>for 102162</i>		25	825674GT	SCREW, HHC, 5/16-18X2,8,ZAG	
--	229818GT	SEAL KIT, DRIVE HUB <i>for 102162</i>		26	110578GT	CYLINDER,OSCILLATE,S60.....2	
--	229931GT	SEAL,LIP <i>for 102162</i>		--	101255GT	SEAL KIT (89675)	
14	88884GT	MOTOR,PISTON,30CC,4WD*** .....2 <i>4WD models</i>		--	33428GT	VALVE,COUNTERBALANCE	
				27	824089GT	SCREW,HHF,3/8-16X.75,8,ZAG	
				28	1255452GT	ROD END,,375 X 2.25,ZAG	
				29	94221GT	PIN,1.50DIA X3.75LG,1HOLE.....2	
				30	77610GT	PIN,2.00DIA X23.13LG,CHAMFER.....1	
				31	1256267GT	ROD END,,5 X 3.75,ZAG	
				32	1253498GT	SCREW,HHF,1/2-13X1.5,8,ZAG	
				33A	107616PGT	BRACKET,HOSE ROUTING,RH,PNTD...1 <i>to SN S6015A-30299</i>	
				33B	1255704GT	BRACKET,HOSE ROUTING,AXLE RH...1 <i>from SN S6015A-30300</i>	
				34	106516GT	CLAMP,HOSE,2X4,1X6,2X8*** .....2	
				35A	106517PGT	CLAMP TOP,HOSE ROUTING PAINTED.....2 <i>to SN S6015A-30299</i>	
				35B	1255706GT	CLAMP TOP,HOSE ROUTING*** .....2 <i>from SN S6015A-30300</i>	

Item	Part No.	Description	Qty.
36	824095GT	SCREW,HHF,3/8-16X3,8,ZAG	
37	824029GT	NUT,TL FLG,3/8-16,G,ZAG	

Go to Discount-Equipment.com to order your parts

202.1 Non-steer End



## 202.1 Non-steer End

Item	Part No.	Description	Qty.	Item	Part No.	Description	Qty.
1A	77624PGT	COVER,DRIVE CHASSIS.....1 <i>decals not included, refer to section 100, to SN S6015A-30299</i>	1	--	72290GT	SNAP RING(M46 UNITS)* <i>for 88885</i>	
1B	1255703GT	COVER,DRIVE CHASSIS.....1 <i>decals not included, refer to section 100, from SN S6015A-30300</i>	1	13	1255385GT	SCREW,HHC,5/8-11X2.25,8,ZAG	
2		Ref. Traction Manifold <i>(refer to 402.1 &amp; 403.1)</i>		14	1256182GT	WASHER,FLAT,5/8,F436,HRD,ZAG	
3		Ref. Oscillate Valve <i>(refer to 203.1)</i>		15A	229702GT	WHEEL DRIVE 57.5:1 4WD.....2 <i>TYPE: OMNI. 4WD Models Visually identify which hub before ordering parts. ID tag is on end cover cap. Internal components are different for each type.</i>	2
4A	77623PGT	COVER,REAR AXLE.....2 <i>to SN S6015A-30299</i>	2	--	1260084GT	END CAP, WHEEL DRIVE <i>for 229702</i>	
4B	1255711GT	COVER,REAR AXLE.....2 <i>from SN S6015A-30300</i>	2	--	139965GT	WHEEL STUD,5/8-18,OMNI*** <i>for 229702</i>	
5	56912GT	SPRING CLIP,1/4-20,.025-.15X.54,ZAG		--	139966GT	ROD,DISCONNECT,OMNI*** <i>for 229702</i>	
6	1256267GT	ROD END,.5 X 3.75,ZAG		--	139967GT	CAP,DISENGAGE,OMNI*** <i>for 229702</i>	
7	1253498GT	SCREW,HHF,1/2-13X1.5,8,ZAG		--	139968GT	O-RING,END COVER,OMNI*** <i>for 229702</i>	
8	77950GT	PIN,2.00DIA X20.88LG,CHAMFER		--	139969GT	LINING KIT,BRAKE,OMNI*** <i>for 229702</i>	
9	1256864GT	WASHER,FLAT,2.01X3.5X.06,ZAG		--	139970GT	SEAL KIT,BRAKE,OMNI*** <i>for 229702</i>	
10	824072GT	SCREW,HHC,7/16-14X1.25,ZAG.....4	4	--	139971GT	BEARING KIT,OMNI*** <i>for 229702</i>	
11	1257078GT	WASHER,.469 X .768 HRD, ZAG.....4	4	--	139972GT	SEAL KIT,GEARBOX,OMNI*** <i>for 229702</i>	
12A	88884GT	MOTOR,PISTON,30CC,4WD*** <i>models</i>		--	147033GT	O-RING,PIPE PLUG KIT,OMNI*** <i>for 229702</i>	
--	102155GT	BEARING,BALL DRIVE SHAFT <i>for 88884</i>		--	147034GT	PIPE PLUG KIT,OMNI*** <i>for 229702</i>	
--	102158GT	O-RING,.103 X 4.737,VITON, 75D <i>for 88884</i>		15B	88887GT	WHEEL DRIVE 56:1 2WD.....2 <i>2WD models; not shown</i>	2
--	102159GT	SHAFT,15 TOOTH <i>for 88884</i>		--	102126GT	SEAL KIT,DRIVE HUB (88887) <i>for 88887</i>	
--	106098GT	SEAL KIT,MOTOR,LC/KC*** <i>for 88884</i>		--	102131GT	DISCONNECT KIT (88887) <i>for 88887</i>	
--	27067GT	SEAL,SHAFT-SUNDSTRAND*** <i>for 88884</i>		--	102162GT	LUG,STUD/WHEEL (88887) <i>for 88887</i>	
--	72290GT	SNAP RING(M46 UNITS)* <i>for 88884</i>		--	102163GT	RING,RETAINING*** <i>for 88887</i>	
12B	88885GT	MOTOR,PISTON,35CC,2WD*** .....2 <i>2WD models, not shown</i>	2	--	102167GT	SHAFT,INPUT DRIVE HUB <i>for 88887</i>	
--	102155GT	BEARING,BALL DRIVE SHAFT <i>for 88885</i>		--	102516GT	RING,RETAINING,INTERNAL <i>for 88887</i>	
--	102158GT	O-RING,.103 X 4.737,VITON, 75D <i>for 88885</i>		--	1274613GT	HUB SCREW <i>for 88887</i>	
--	102159GT	SHAFT,15 TOOTH <i>for 88885</i>		--	215340GT	LOCKRING, RR*** <i>for 88887</i>	
--	106098GT	SEAL KIT,MOTOR,LC/KC*** <i>for 88885</i>		--	215642GT	BRAKE KIT (88886)*** <i>for 88887</i>	
--	106117GT	O-RING,2-010,VITON <i>for 88885 (Mating O-ring for Brake Port)(Extremely small)</i>					
--	27067GT	SEAL,SHAFT-SUNDSTRAND*** <i>for 88885</i>					



# PARTS FINDER

**Search Website  
by Part Number**



**Search Manual  
Library For Parts  
Manual & Lookup Part  
Numbers – Purchase  
or Request Quote**

**Search Manuals**

Enter your information to help us find the right parts manual for your machine.

\* Brand:

\* Model:

\* Serial:

\* Part Number:

SEARCH

**Can't Find Part or  
Manual? Request Help  
by Manufacturer,  
Model & Description**

**Parts Order Form**

Please fill in the following information to help us find the right part for your machine.

Manufacturer:	<input type="text"/>
Model:	<input type="text"/>
Description:	<input type="text"/>
Part Number:	<input type="text"/>
Quantity:	<input type="text"/>
Notes:	<input type="text"/>

Submit

Discount-Equipment.com is your online resource for quality parts & equipment.

Florida: **561-964-4949** Outside Florida TOLL FREE: **877-690-3101**

**Need parts?**

Click on this link: <http://www.discount-equipment.com/category/5443-parts/> and choose one of the options to help get the right parts and equipment you are looking for. Please have the machine model and serial number available in order to help us get you the correct parts. If you don't find the part on the website or on one of the online manuals, please fill out the request form and one of our experienced staff members will get back to you with a quote for the right part that your machine needs.

We sell worldwide for the brands: Genie, Terex, JLG, MultiQuip, Mikasa, Essick, Whiteman, Mayco, Toro Stone, Diamond Products, Generac Magnum, Airman, Haulotte, Barreto, Power Blanket, Nifty Lift, Atlas Copco, Chicago Pneumatic, Allmand, Miller Curber, Skyjack, Lull, Skytrak, Tsurumi, Husquvarna Target, Stow, Wacker, Sakai, Mi-T-M, Sullair, Basic, Dynapac, MBW, Weber, Bartell, Bennar Newman, Haulotte, Ditch Runner, Menegotti, Morrison, Contec, Buddy, Crown, Edco, Wyco, Bomag, Laymor, EZ Trench, Bil-Jax, F.S. Curtis, Gehl Pavers, Heli, Honda, ICS/PowerGrit, IHI, Partner, Imer, Clipper, MMD, Koshin, Rice, CH&E, General Equipment, Amida, Coleman, NAC, Gradall, Square Shooter, Kent, Stanley, Tamco, Toku, Hatz, Kohler, Robin, Wisconsin, Northrock, Oztec, Toker TK, Rol-Air, APT, Wylie, Ingersoll Rand / Doosan, Innovatech, Con X, Ammann, Mecalac, Makinex, Smith Surface Prep, Small Line, Wanco, Yanmar



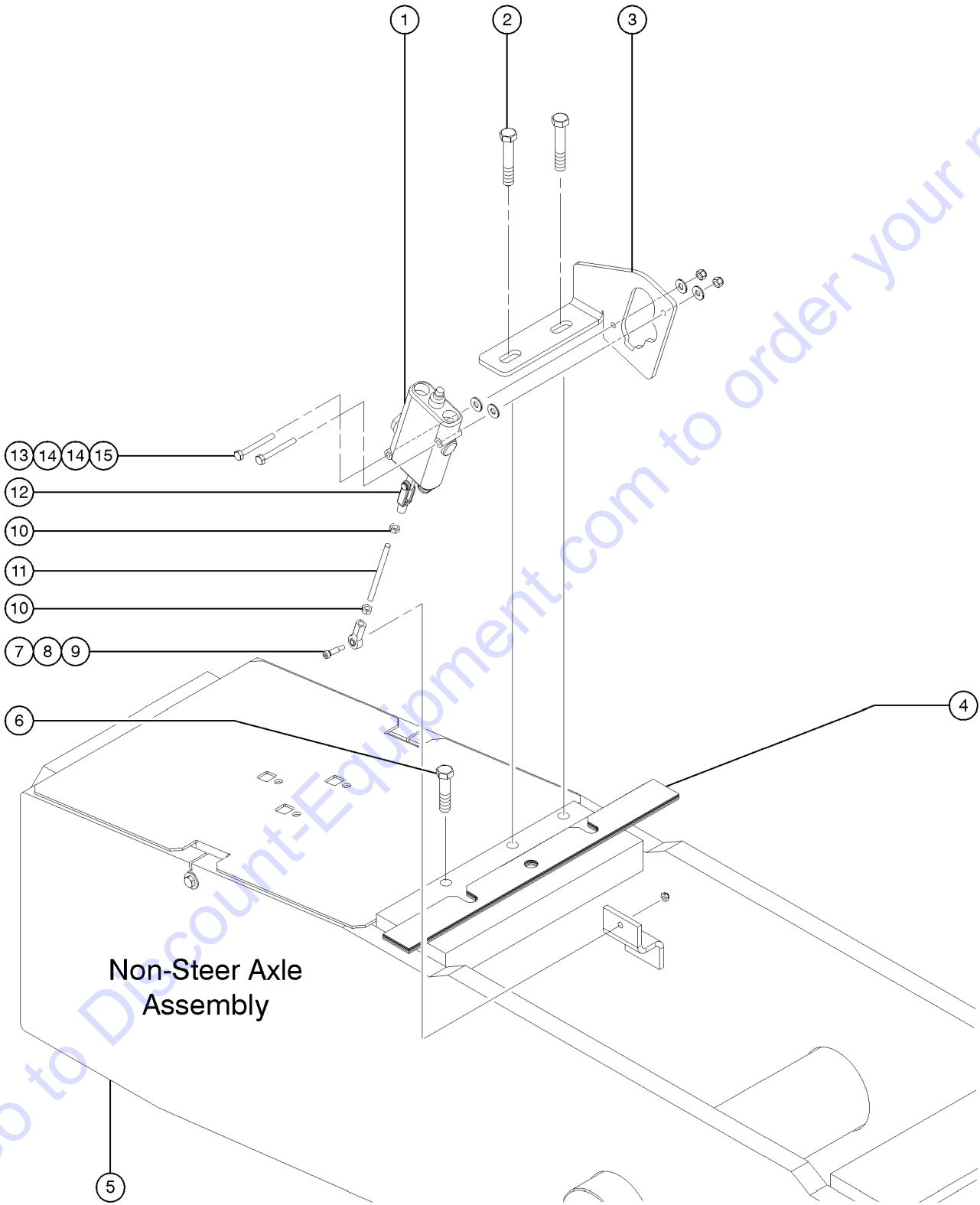
## 202.1 Non-steer End (continued)

Item	Part No.	Description	Qty.
15C	229817GT	WHEEL DRIVE 56:1.....2 <i>(trax models)</i>	
--	102131GT	DISCONNECT KIT (88887) <i>(trax models)</i>	
--	102157GT	O-RING,.070 X .239,VITON 75D <i>(trax models)</i>	
--	102158GT	O-RING,.103 X 4.737,VITON, 75D <i>(trax models)</i>	
--	102162GT	LUG,STUD/WHEEL (88887) <i>(trax models)</i>	
--	102166GT	VALVE,CHECK,30 PSI <i>(trax models)</i>	
--	102167GT	SHAFT,INPUT DRIVE HUB <i>(trax models)</i>	
--	102516GT	RING,RETAINING,INTERNAL <i>(trax models)</i>	
--	106098GT	SEAL KIT,MOTOR,LC/KC*** <i>(trax models)</i>	
--	215340GT	LOCKRING, RR*** <i>(trax models)</i>	
--	215642GT	BRAKE KIT (88886)*** <i>(trax models)</i>	
--	229818GT	SEAL KIT, DRIVE HUB <i>(trax models)</i>	
--	229931GT	SEAL,LIP <i>(trax models)</i>	
--	27067GT	SEAL,SHAFT-SUNDSTRAND*** <i>(trax models)</i>	
--	77674GT	NUT,HEX,FLANGE 5/8-18,GRD 8 ZI <i>(trax models)</i>	
--	88884GT	MOTOR,PISTON,30CC,4WD*** <i>(trax models)</i>	
16		REF. WHEEL AND TIRE ASSEMBLY <i>refer to 201.1</i>	
17	77674GT	NUT,HEX,FLANGE 5/8-18,GRD 8 ZI.....18	
18A	94746GT	NON-STEER AXLE ASSEMBLY**.....1 <i>to SN S6015A-30299, includes bearing</i>	
--	42014GT	BEARING,2.00IDX2.25ODX2.00L	
18B	1270349GT	NON-STEER AXLE ASSY BLACK.....1 <i>from SN S6015A-30300, includes bearing</i>	
--	42014GT	BEARING,2.00IDX2.25ODX2.00L	
19	824063GT	SCREW,HHC,1/4-20X1.75,8,ZAG	
20	824113GT	WASHER,FLAT,USS,1/4,ZAG	
21	1256170GT	SCREW,HHC,5/8-11X4,8,ZAG.....18	
22	63468GT	BEARING,TURNTABLE ROTATION	

***This Page Intentionally Left Blank***

Go to [Discount-Equipment.com](http://Discount-Equipment.com) to order your parts

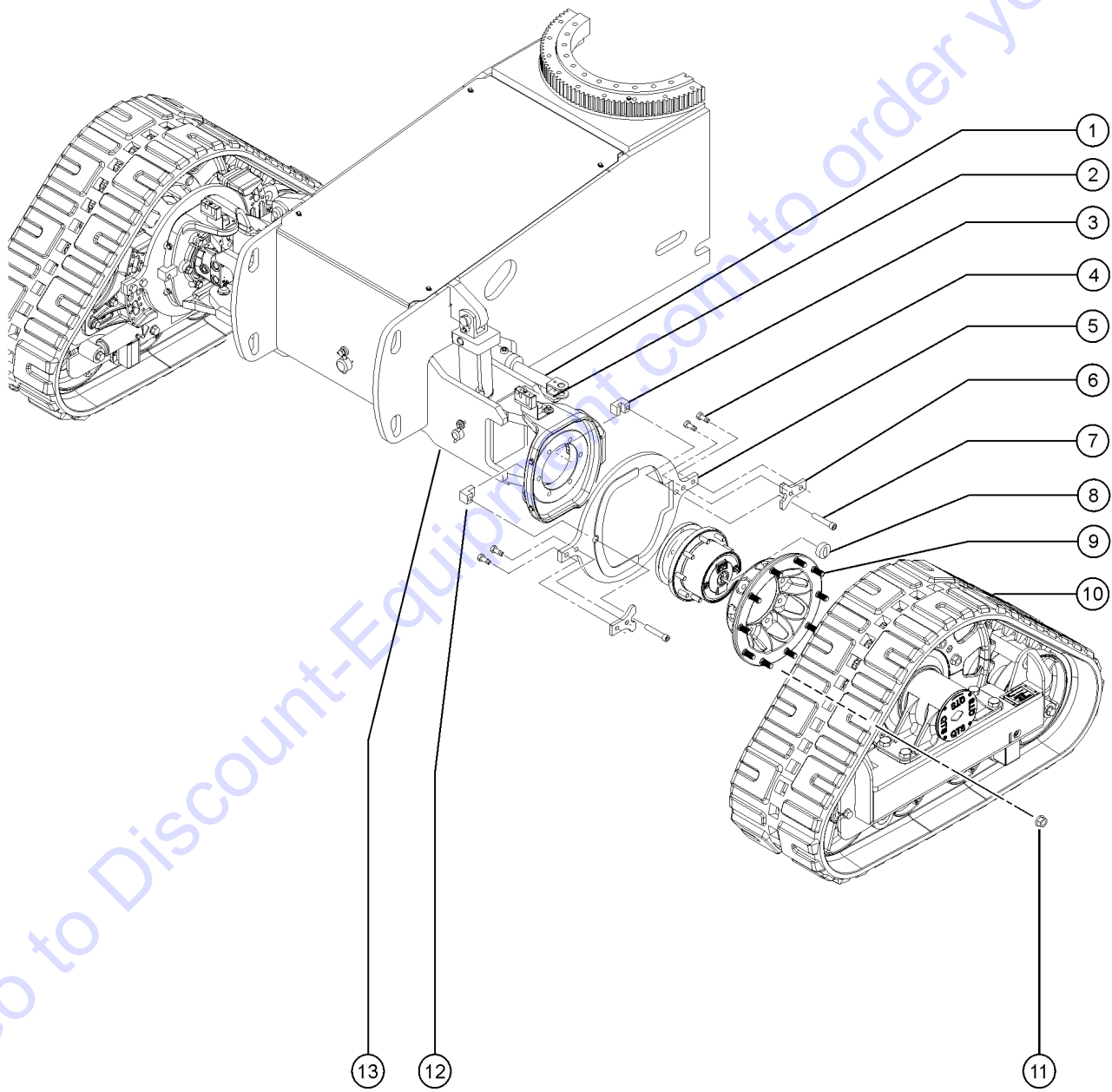
203.1 Oscillate Valve



## 203.1 Oscillate Valve

Item	Part No.	Description	Qty.
1	81552GT	VALVE,MANUAL,W/RELIEF VALVE***.....1	
--	32681GT	SEAL KIT,CONTROL VALVE for 81552	
2	1257862GT	SCREW,HHF,1/2-13X2.75,8,ZAG.....2	
3A	139578GT	BRACKET, OSCILLATE VALVE.....1 to SN S6015A-30299	
3B	1255712GT	BRACKET, OSCILLATE VALVE.....1 from SN S6015A-30300	
4	81609GT	SHIM,AXLE ROTATION STOP,22G.....2	
5		REF: Non-Steer Axle.....1 refer to 202.1 or 205.1 for TraX models	
6	1255802GT	SCREW,HHF,1/2-13X2.5,8,ZAG.....1	
7	1257076GT	BOLT,SHS,1/4-28X4,ZAG.....1	
8	81691GT	ROD END,BALL JOINT 1/4-28.....1	
9	1256467GT	NUT,TL FLG,10-24,F,ZAG.....1	
10	824041GT	NUT,1/4-28,8,ZAG.....2	
11	1257077GT	ROD,THREADED,1/4-28X4,ZAG.....1	
12	21130GT	CLEVIS YOKE-1/4-28,PLTD W/PIN.....1	
13	824064GT	SCREW,HHC,1/4-20X2.25,8,ZAG.....2	
14	824113GT	WASHER,FLAT,USS,1/4,ZAG.....4	
15	824027GT	NUT,TL FLG,1/4-20,G,ZAG.....2	

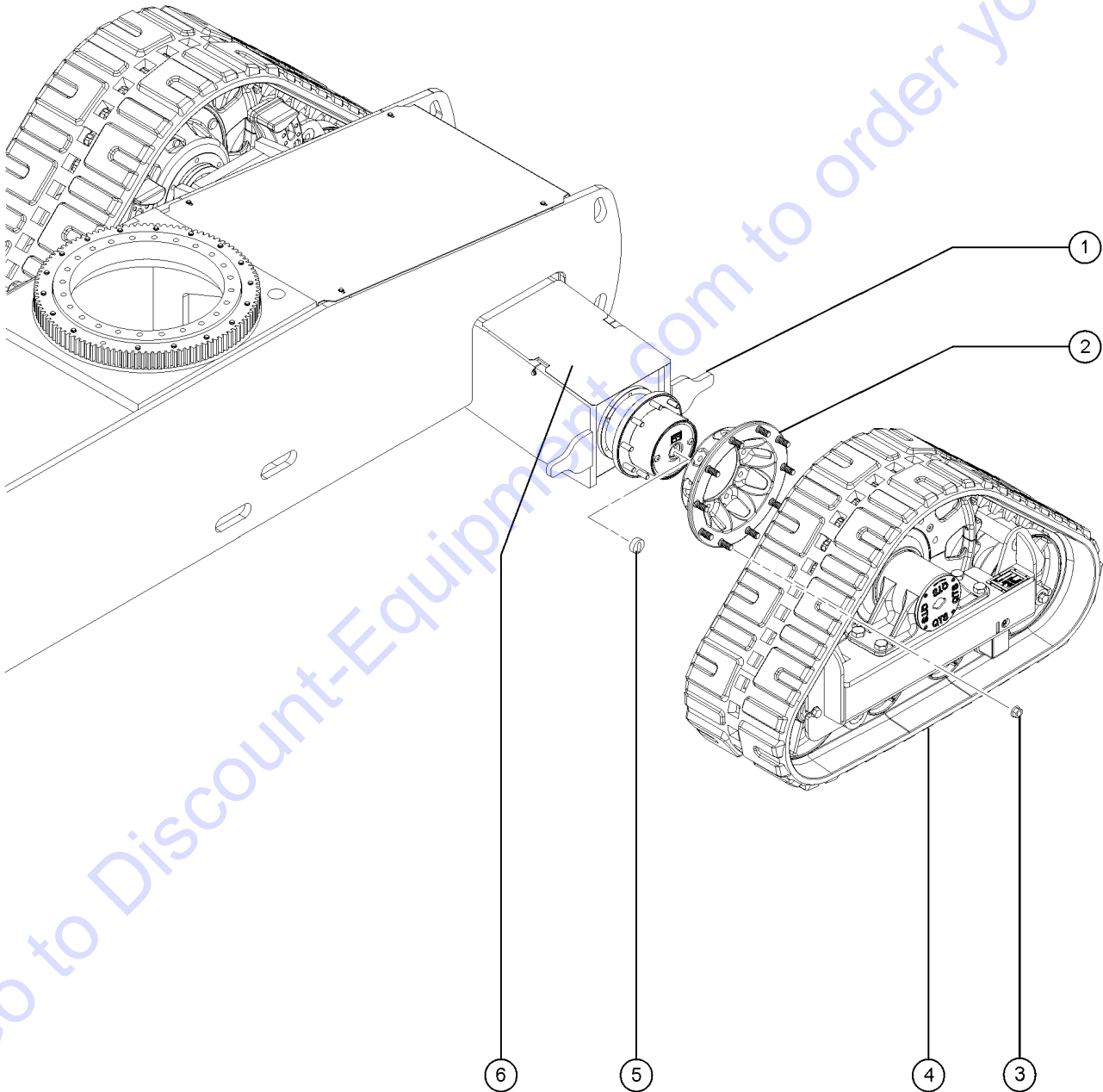
204.1 TraX Option Steer End



## 204.1 TraX Option Steer End

Item	Part No.	Description	Qty.
1	125865GT	CYLINDER, STEER.....	1
--	89294GT	SEAL KIT CYLINDER (59460)	
2A	125864GT	WELDMENT, TIE ROD..... <i>to SN S6015A-30299</i>	1
2B	1255715GT	WELDMENT, TIE ROD..... <i>from SN S6015A-30300</i>	1
3	139122GT	MACH. MOUNTING BLOCK.....	1
4	94439GT	SCREW,HHC,3/4-10 X 1.5.....	4
5A	139000GT	ROTATIONAL LIMITER FRONT RIGHT.....	1
5B	139001GT	ROTATIONAL LIMITER FRONT LEFT.....	1
6	139121GT	PLATE, HAMMER SHIM 1/2.....	2
7	1284569GT	SCREW,SHC,5/8-11X1.50,GR5,PLN.....	2
8	139179GT	SEAL,TRAX HUBS.....	1
9	139002GT	SPACER.....	2
--	139140GT	STUD, 3/4-16 UNF X 2-1/2 LG <i>for 139002</i>	
10A	139120GT	ASSEMBLY, TRAX UNIT, RIGHT..... <i>refer to 206.1 for TRAX System service components</i>	1
10B	147149GT	ASSEMBLY, TRAX UNIT, LEFT..... <i>refer to 206.1 for TRAX System service components</i>	1
11	1257865GT	NUT,TL FLG,3/4-16,G,ZAG.....	10
12	139125GT	MACH. MOUNTING BLOCK.....	1
13A	139224GT	STEER AXLE ASSEMBLY..... <i>to SN S6015A-30299, includes bearing</i>	1
--	45071GT	BEARING,1.5IDX1.75ODX1.5L <i>for 139224 and 1270350</i>	
13B	1270350GT	STEER AXLE ASSY BLK,TRAX..... <i>includes bearing, from SN S6015A-30300</i>	1
--	45071GT	BEARING,1.5IDX1.75ODX1.5L <i>for 139224 and 1270350</i>	

205.1 TraX Option Non-steer End

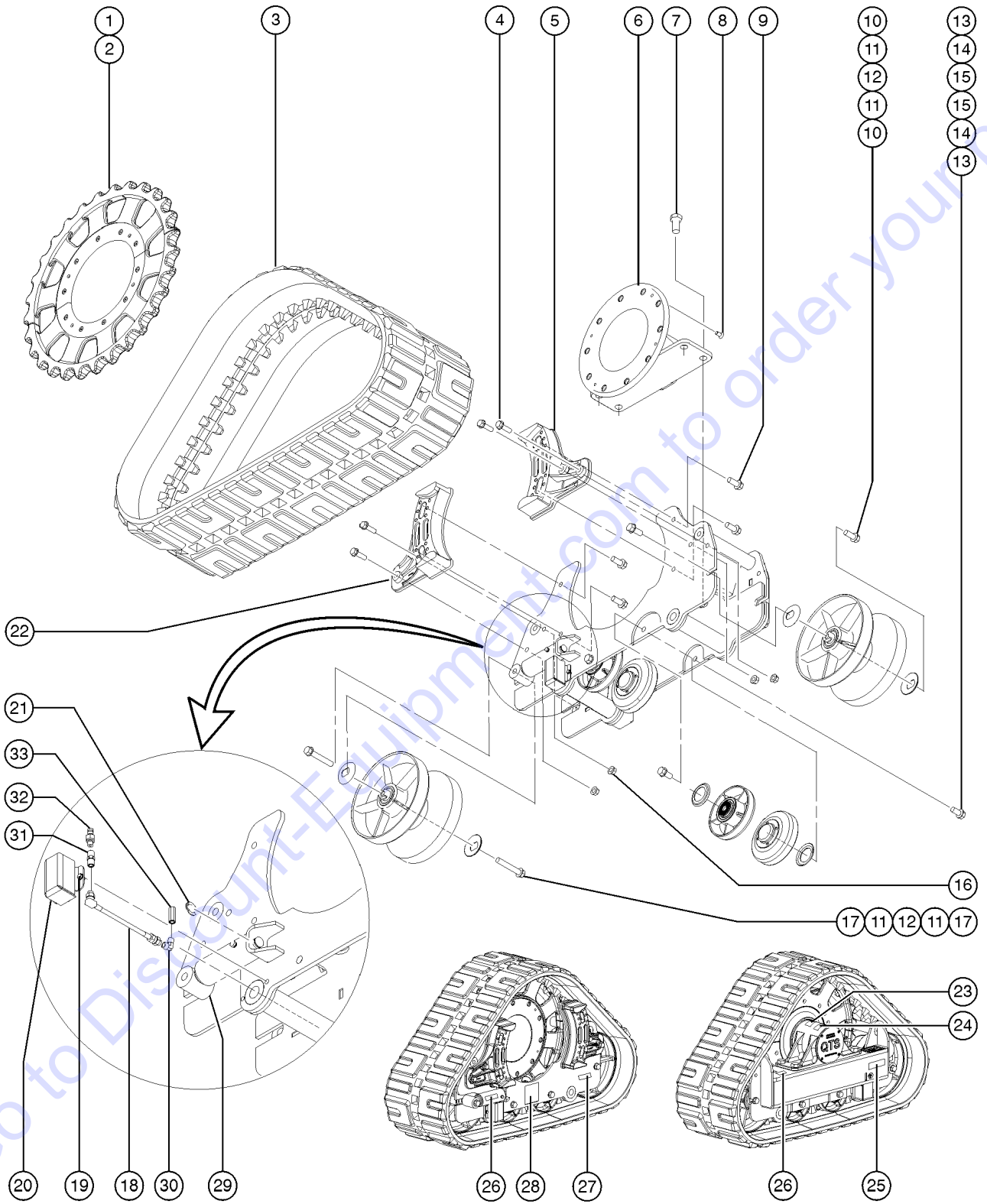


## 205.1 TraX Option Non-steer End

Item	Part No.	Description	Qty.
1A	139175GT	NON-STEER AXLE ASSEMBLY.....2 <i>to SN S6015A-30299, includes bearings</i>	
--	42014GT	BEARING,2.00IDX2.25ODX2.00L <i>for 139175 and 1270351</i>	
1B	1270351GT	NON-STEER AXLE ASSY BLK,TRAX <i>from SN S6015A-30300, includes bearings</i>	
--	42014GT	BEARING,2.00IDX2.25ODX2.00L <i>for 139175 and 1270351</i>	
2	139002GT	SPACER.....2	
--	139140GT	STUD, 3/4-16 UNF X 2-1/2 LG <i>for 139002</i>	
3	1257865GT	NUT,TL FLG,3/4-16,G,ZAG.....10	
4A		Ref., TRAX UNIT, RIGHT.....1 <i>refer to 206.1</i>	
4B		Ref., TRAX UNIT, LEFT.....1 <i>refer to 206.1</i>	
5	139179GT	SEAL,TRAX HUBS.....2	
6A	125866GT	COVER, REAR AXLE.....2 <i>to SN S6015A-30299</i>	
6B	1255714GT	COVER, REAR AXLE <i>from SN S6015A-30300</i>	



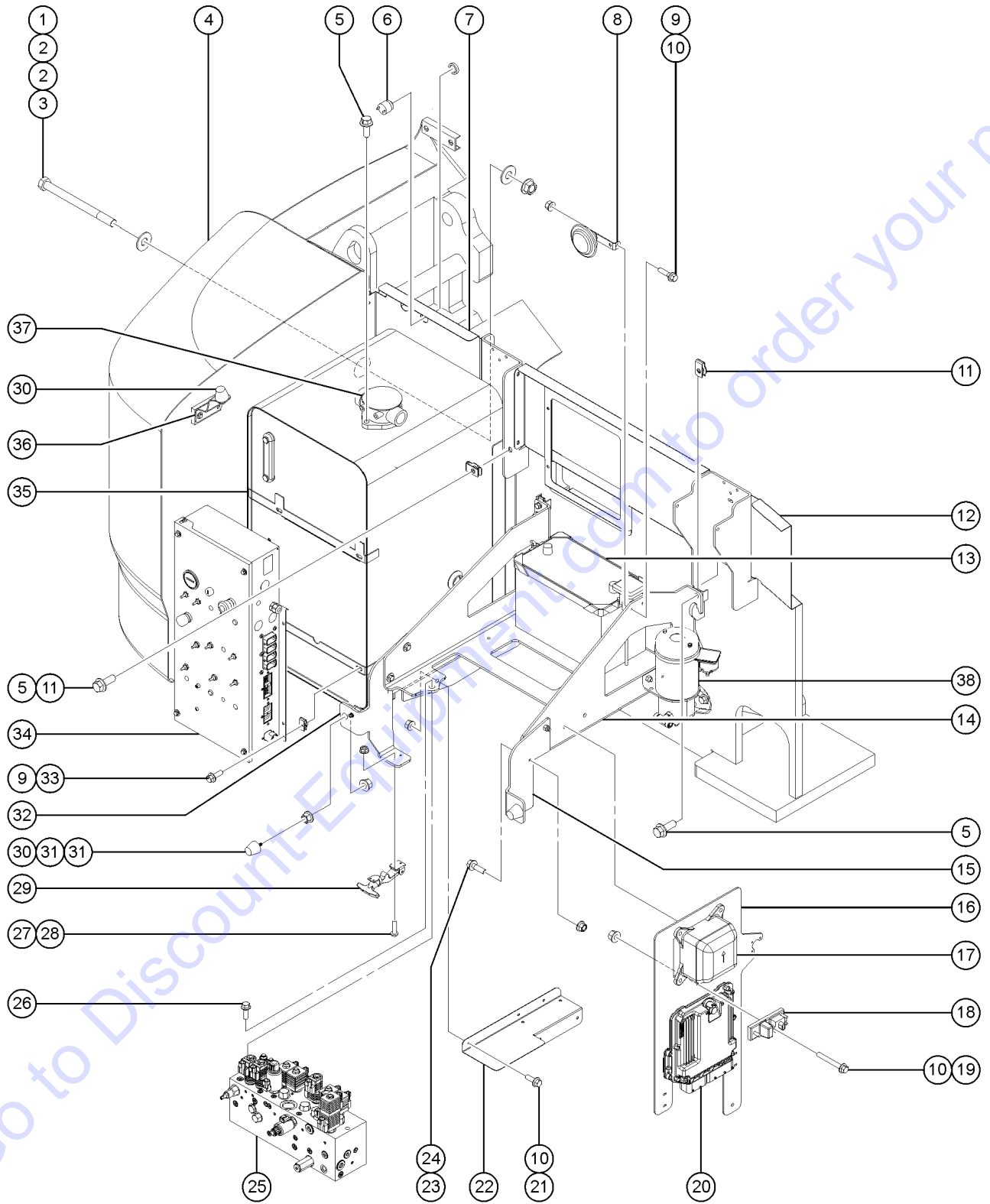
206.1 TraX Option Components



## 206.1 TraX Option Components

Item	Part No.	Description	Qty.	Item	Part No.	Description	Qty.
A	139262GT	KIT,TRAX,9-BOLT,S60 W/RR HUBS		26	226943GT	DECAL,CAUTION,READ INST.....1	1
--	139179GT	SEAL,TRAX HUBS		27	226945GT	DECAL,WARN,CRUSH HAZ.....1	1
B	217979GT	KIT,TRAX,9-BOLT,S60 W/OMNI HUB		28A	226941GT	DECAL,LABEL,ASSY INSTALL,R.....1	1
--	139179GT	SEAL,TRAX HUBS		28B	226942GT	DECAL,LABEL,ASSY INSTALL,I	
C	139000GT	ROTATIONAL LIMITER FRONT RIGHT		29	215423GT	TENSIONER, TRAX	
D	139001GT	ROTATIONAL LIMITER FRONT LEFT		30	1261392GT	ELBOW,90,1/4-18NPT,FEMALE	
E	147155GT	ROTATIONAL LIMITER REAR		31	1261390GT	COUPLING - 1/4 NPT	
1	128922GT	SPROCKET, MACH. HALF RIGHT.....1	1	32	1261389GT	NIPPLE,STEEL PIPE,1/4NPTX1 LG	
2	128923GT	SPROCKET, MACH. HALF LEFT.....1	1	33	1261391GT	NIPPLE,STEEL PIPE,1/4NPTX2.5LG	
3	128926GT	TRACK, RUBBER.....1	1				
4	111155GT	SCREW,FLANGE,HHC,5/8-11X2,GR8....4	4				
5	128925GT	CAST, LIMITER STOP BRKT R.....1	1				
6	128928GT	HUB ASSEMBLY.....1	1				
--	1287812GT	SEAL,RUBBER BRAKE RELEASE,RUBBER TRACK (139120)					
--	1287813GT	O-RING,RUBBER TRACK (139120)					
7	128913GT	BOLT,HHC,1-14X2.0"GR8 PLT.....4	4				
8	128914GT	SCREW, FHSC, 1/2-13X1.00.....4	4				
9	128912GT	BOLT,FLANGE,5/8-11X1.5"GR8 PLT.....4	4				
10	128910GT	BOLT,FLANGE,3/4-10X1.75GR8 PLT.....2	2				
11	128920GT	COVER, DUST.....4	4				
12	128917GT	END BOGEY.....2	2				
13	128909GT	BOLT,FLANGE,3/4-10X1.5"GR8 PLT.....4	4				
14	128921GT	GUARD, SEAL.....4	4				
15	128918GT	SPLIT BOGEY.....4	4				
--	215424GT	BEARING, SPL BOGEY (128918) <i>for 128918</i>					
--	215425GT	SEAL, BEARING (128918) <i>for 215424</i>					
--	215426GT	SHAFT, RAISED BOSS (128918) <i>internal shaft with raised boss on end</i>					
--	215427GT	SHAFT, KNURLED (128918) <i>internal shaft with knurled end</i>					
16	128916GT	LOCKNUT,FLANGE,5/8-11,GR8.....4	4				
17	128911GT	BOLT,FLANGE,3/4-10X4.5"GR8 PLT.....2	2				
18	128927GT	HYD. HOSE ASSEMBLY 3000 PSI.....1	1				
19	128955GT	BOLT,FLANGE,5/16-18X.50 GR5.....4	4				
20A	1261393GT	ASSEMBLY, OUTSIDE HOSE GUARD <i>shown for reference only</i>					
20B	1261394GT	ASSEMBLY, INSIDE HOSE GUARD					
21	128919GT	SNAP RING.....2	2				
22	128924GT	CAST, LIMITER STOP BRKT L.....1	1				
23	226940GT	DECAL,LABEL,TORQUE.....1	1				
24	226944GT	DECAL,WARN,AVOID INJURY.....1	1				
25	226946GT	DECAL,WARN,HIGH PRESS.....1	1				

301.1 Tank Side - View 1 (to SN S6015A-30299)



## 301.1 Tank Side - View 1 (to SN S6015A-30299)

Item	Part No.	Description	Qty.	Item	Part No.	Description	Qty.
1	1255389GT	SCREW,HHC,1-8X12,5,ZAG.....	1	17B	822793GT	MODULE,FUSE&RELAY,PERKINS 404F.....	1
2	1256469GT	WASHER,FLAT,1.0,USS,ZAG.....	2			<i>models with Perkins 404F-22 engine</i>	
3	824031GT	NUT,TL FLG,1-8,G,ZAG.....	1	--	1251499GT	FUSE, ATM, 15AMP.....	4
4A	235985GT	COUNTERWEIGHT,S60.....	1	--	1251500GT	FUSE, ATM, 20AMP.....	2
		<i>S-60X, S-60, and S-60TraX</i>		--	1251502GT	FUSE, ATM, 10AMP.....	1
4B	235986GT	COUNTERWEIGHT,S65.....	1	--	1251503GT	RELAY, 12V MICRO, 35AMP.....	6
		<i>S-60XC, S-60HC, S-65 &amp; S-65TraX</i>		--	1251504GT	DIODE, 6A 22903-6V.....	1
5	824090GT	SCREW,HHF,3/8-16X1,8,ZAG.....	10	--	1251505GT	TOOL, FUSE PULLER, ATM.....	1
6	230392GT	ALARM,DESCENT.....	1	--	1251506GT	FUSE, ATM, 5AMP.....	1
		<i>"72326 nut not included, order separately"</i>		--	1251507GT	FUSE, ATM, 7.5AMP.....	2
--	72326GT	NUT - PLASTIC,RING FOR ALARMS		18	824023GT	RELAY, POWER & FUSE MODULE.....	1
7	1254873GT	FORMING,BULKHEAD,LEFT FRONT.....	1			<i>"models with Deutz D2.9 or Perkins 404F-22 engines"</i>	
8	81578GT	HORN,12VDC,SPADE TERMINALS***.....	1	--	1251508GT	FUSE, FMX, 60AMP.....	2
9	824079GT	SCREW,HHF,1/4-20X1,8,ZAG.....	5	--	1251509GT	COVER,PRM FUSE SERVICE PART.....	1
10	824027GT	NUT,TL FLG,1/4-20,G,ZAG.....	4	19	1253485GT	SCREW,HHF,1/4-20X2,8,ZAG.....	1
11	29868GT	SPRING CLIP,3/8-16,.05-.20X.73,ZAG.....	8			<i>"models with Deutz D2.9 or Perkins 404F-22 engines"</i>	
12		Ref: Bulkhead, Left Rear.....	1	20		ECU.....	1
		<i>(refer to 302.1)</i>				<i>"models with Deutz D2.9 or Perkins 404F-22 engines (This part is serialized, contact Discount-equipment with full model and SN of both the unit and engine)"</i>	
13A	30143GT	BATTERY,12V,1000 CCA GRP 31.....	1				
		<i>models with single battery (shown)</i>		21	824078GT	SCREW,HHF,1/4-20X.75,8,ZAG.....	2
--	30144GT	BATTERY HOLD DOWN,GROUP 31		--	1285235GT	PLUG,HYD.TANK,SAE-8 (147831)	
		<i>sold separately</i>		22	T107829GT	FORMING,HARNES	
--	45708GT	HOOK,BATT HOLD DOWN,10"				SUPPORT,S60/65.....	1
		<i>sold separately</i>		23	824091GT	SCREW,HHF,3/8-16X1.25,8,ZAG.....	4
--	8170GT	NUT,WING,1/4-20		24	824029GT	NUT,TL FLG,3/8-16,G,ZAG.....	4
		<i>sold separately</i>		25		Ref. Function Manifold.....	1
13B	67325GT	BATTERY,12V 1000CCA,5/16STUD W...1				<i>(refer to 401.1)</i>	
		<i>for dual-battery option (not shown)</i>		26	1253498GT	SCREW,HHF,1/2-13X1.5,8,ZAG.....	2
13C	237068GT	SEPARATOR,DUAL BATTERY,100A.....1		27	824215GT	SCREW,PHPM,10-32X.75,ZAG.....	8
		<i>for dual-battery option (not shown)</i>		28	824032GT	NUT,TL FLG,10-32,FZAG.....	8
14	T108403GT	WELDMENT,BAT/MANIF		29	45363GT	LATCH,FLEXIBLE DRAW W/O	
		TRAY,S60/65.....	1			KEEPER.....	4
15	161605GT	FORMING,COVER STOP,TANK SIDE.....1		30	30973GT	BUMPER,RUBBER-1 X 1.25.....	3
16A	823074GT	WELDMENT,ECU MOUNT,DEUTZ		31	824028GT	NUT,TL FLG,5/16-18,G,ZAG.....	6
		D2.9.....	1	32	161604GT	FORMING,COVER STOP,TANK SIDE.....1	
		<i>models with Deutz D2.9 engine</i>		33	56912GT	SPRING	
16B	823243GT	WDMT,ECU MOUNT,404F-22.....	1			CLIP,1/4-20,.025-.15X.54,ZAG.....	4
		<i>models with Perkins 404F-22 engine</i>		34		Ref. Ground Controls.....	1
17A	822781GT	MODULE,FUSE&RELAY,DEUTZ 2.9.....1				<i>(refer to 306.1, 307.1, 308.1 or 309.1)</i>	
		<i>models with Deutz D2.9 engine</i>		35	T108331GT	HYDRAULIC TANK ASSEMBLY.....	1
--	1251499GT	FUSE, ATM, 15AMP.....	1			<i>includes item 37 with fasteners</i>	
--	1251500GT	FUSE, ATM, 20AMP.....	1	--	21141GT	GAUGE-SIGHT,LHA-LGTB***	
--	1251501GT	FUSE, ATM, 30AMP.....	1	36	822519GT	FORMING, BRKT, ENGINE COVER.....1	
--	1251502GT	FUSE, ATM, 10AMP.....	1				
--	1251503GT	RELAY, 12V MICRO, 35AMP.....	6				
--	1251504GT	DIODE, 6A 22903-6V.....	1				
--	1251505GT	TOOL, FUSE PULLER, ATM.....	1				
--	1251510GT	CIRCUIT BREAKER,20AMP MINI.....	1				

301.1 Tank Side - View 1 (to SN S6015A-30299)  
 (continued)

Item	Part No.	Description	Qty.
37A	110345GT	FILTER ASSY,INTANK.....1 <i>includes item 37B</i>	
--	147223GT	SEAL,FILTER LID	
37B	77353GT	KIT,ELEMENT**	
--	77354GT	FILTER LID,RFM165	
--	77365GT	BREATHER CAP,RFM165	
--	88917GT	FILTER,ELEMENT,BETA(10)=200	
--	94526GT	GASKET,RETURN FILTER-77353	
38		Ref: Power Unit, Aux. Pump <i>(refer to 302.1)</i>	

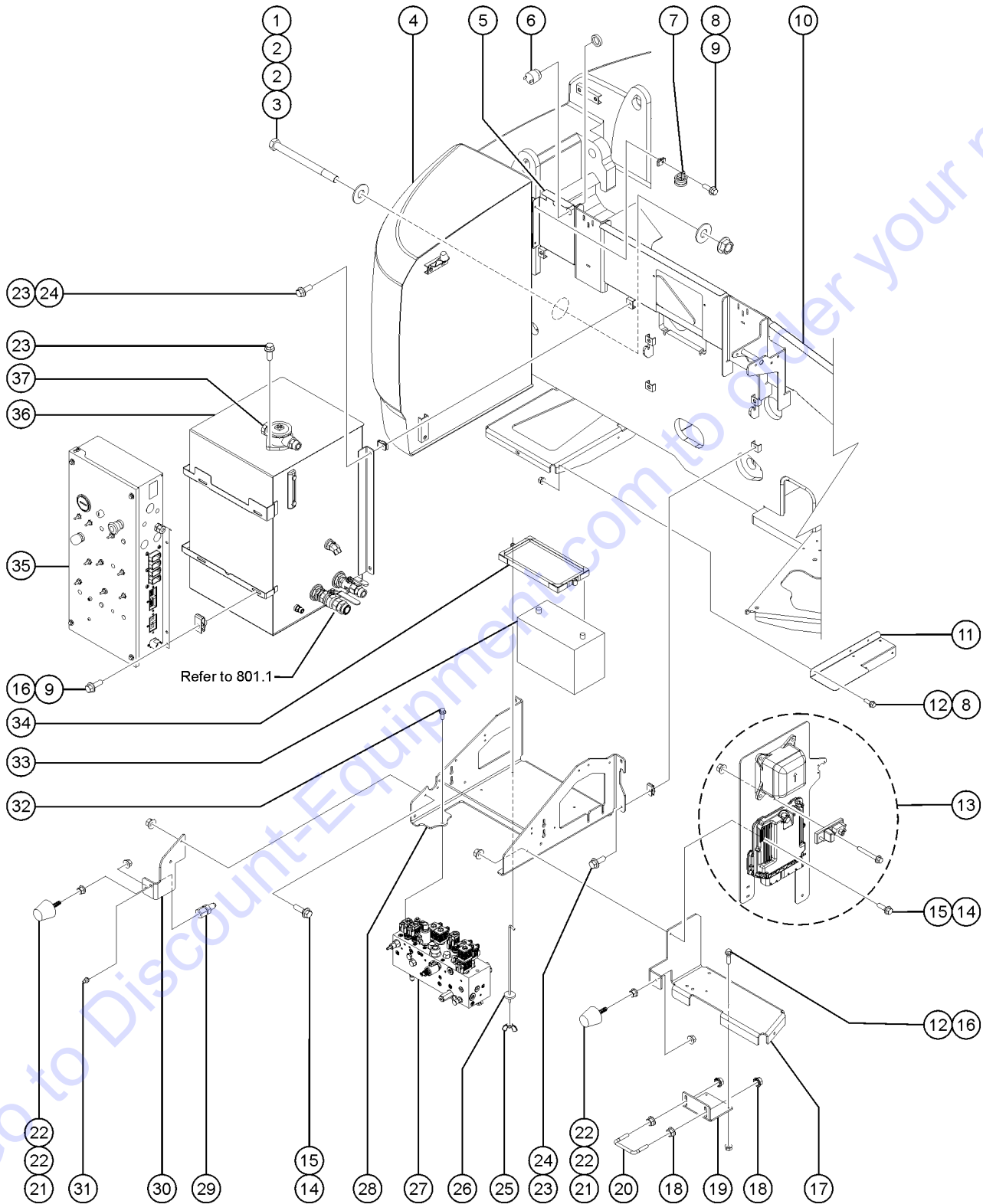
Go to Discount-Equipment.com to order your parts



***This Page Intentionally Left Blank***

Go to Discount-Equipment.com to order your parts

301.2 Tank Side - View 1 (from SN S6015A-30300)

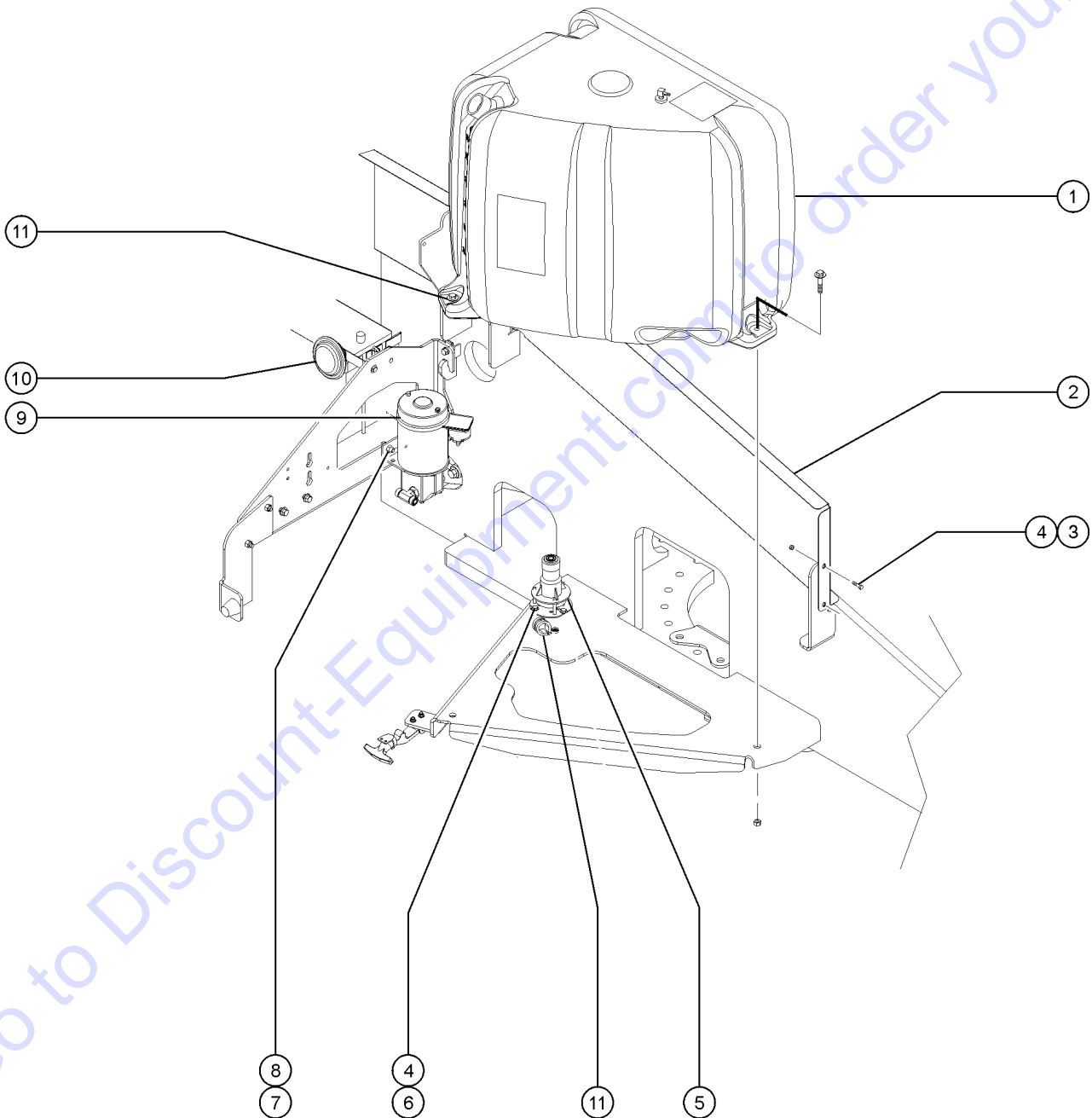


## 301.2 Tank Side - View 1 (from SN S6015A-30300)

Item	Part No.	Description	Qty.	Item	Part No.	Description	Qty.
1	1255389GT	SCREW,HHC,1-8X12,5,ZAG.....	1	33C	237068GT	SEPARATOR,DUAL BATTERY,100A..... <i>for dual-battery option (not shown)</i>	1
2	1256469GT	WASHER,FLAT,1.0,USS,ZAG.....	2	34	30144GT	BATTERY HOLD DOWN,GROUP 31.....	1
3	824031GT	NUT,TL FLG,1-8,G,ZAG.....	1	35		Ref. Ground Controls..... <i>(refer to 306.1, 307.1, 308.1 or 309.1)</i>	1
4A	1253263GT	COUNTERWEIGHT, S60..... <i>(S-60X, S-60 and S-60 trax)</i>	1	36	1253800GT	ASSY, HYDRAULIC TANK..... <i>includes item 37 with fasteners and fittings</i>	1
4B	1257226GT	COUNTERWEIGHT, S65..... <i>(S-60XC, S-65 and S-65 trax)</i>	1	--	1253799GT	TANK, HYDRAULIC <i>includes sight gauge</i>	
5	1253819GT	FORMING, BULKHEAD, TS FRONT.....	1	--	21141GT	GAUGE-SIGHT,LHA-LGTB***	
6	230392GT	ALARM,DESCENT..... <i>"72326 nut not included, order separately"</i>	1	37A	110345GT	FILTER ASSY,INTANK..... <i>includes item 37B</i>	1
--	72326GT	NUT - PLASTIC,RING FOR ALARMS		--	147223GT	SEAL,FILTER LID	
7	13268GT	CLAMP,0.75,#12 X 1/4,RUB CUSH.....	1	37B	77353GT	KIT,ELEMENT**	
8	824078GT	SCREW,HHF,1/4-20X.75,8,ZAG.....	4	--	77354GT	FILTER LID,RFM165	
9	56912GT	SPRING CLIP,1/4-20,.025-.15X.54,ZAG.....	6	--	77365GT	BREATHER CAP,RFM165	
10		Ref: Bulkhead, Left Rear..... <i>(refer to 302.2)</i>	1	--	88917GT	FILTER,ELEMENT,BETA(10)=200	
11	T107829GT	FORMING,HARNES SUPPORT,S60/65.....	1	--	94526GT	GASKET,RETURN FILTER-77353	
12	824027GT	NUT,TL FLG,1/4-20,G,ZAG.....	4				
13		Ref. ECU, fuse and relay mount bracket..... <i>(refer to 302.2)</i>	1				
14	824091GT	SCREW,HHF,3/8-16X1.25,8,ZAG.....	5				
15	824029GT	NUT,TL FLG,3/8-16,G,ZAG.....	5				
16	824079GT	SCREW,HHF,1/4-20X1,8,ZAG.....	6				
17	1260112GT	FORMING, MOUNT, LATCH.....	1				
18	1261724GT	NUT,SERRATED,1/2-13,8,ZAG.....	4				
19	1260113GT	FORMING, BRACKET, LATCH.....	1				
20	1259855GT	UBOLT, 0.4724 IN D X 4 IN L.....	1				
21	1261277GT	BUMPER, RUBBER, 1.25 X 1.25 IN.....	2				
22	824028GT	NUT,TL FLG,5/16-18,G,ZAG.....	4				
23	824090GT	SCREW,HHF,3/8-16X1,8,ZAG.....	10				
24	29868GT	SPRING CLIP,3/8-16,.05-.20X.73,ZAG....	8				
25	8170GT	NUT,WING,1/4-20.....	2				
26	45708GT	HOOK,BATT HOLD DOWN,10".....	2				
27		Ref. Function Manifold..... <i>(refer to 401.1)</i>	1				
28	1253824GT	WLDMT, BATT/MANIF TRAY, S60/65.....	1				
29	48885GT	CONNECTOR,BULKHEAD,FEMALE-4...1	1				
30	1253825GT	FORMING, BRACKET, COVER STOP....1	1				
31	28646GT	ZERK,GREASE,1/8 NPT.....	1				
32	1255469GT	SCREW,HHF,1/2-13X1.25,8,ZAG.....	2				
33A	30143GT	BATTERY,12V,1000 CCA GRP 31..... <i>models with single battery (shown)</i>	1				
33B	67325GT	BATTERY,12V 1000CCA,5/16STUD W...1 <i>for dual-battery option (not shown)</i>	1				



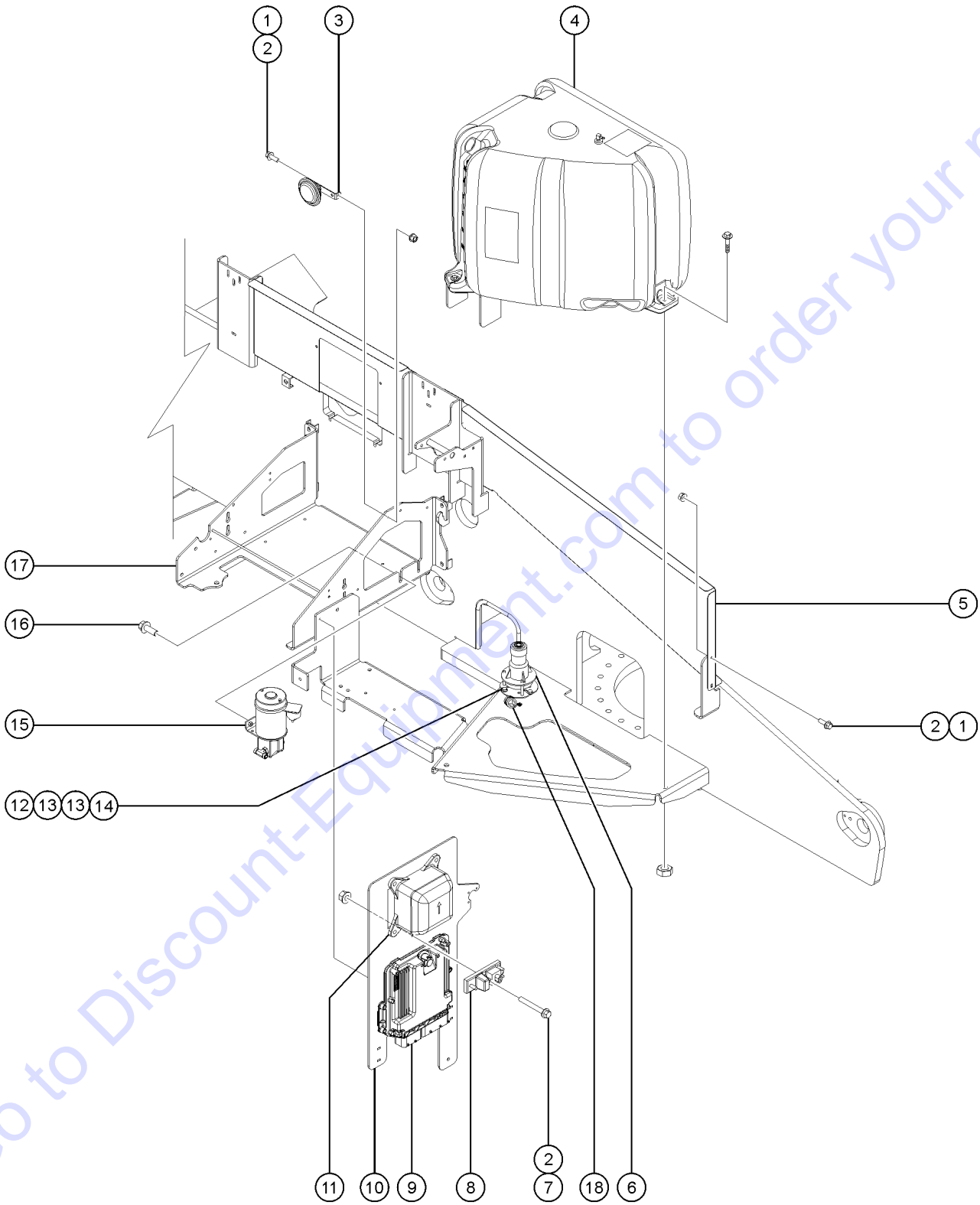
302.1 Tank Side - View 2 (to SN S6015A-30299)



## 302.1 Tank Side - View 2 (to SN S6015A-30299)

Item	Part No.	Description	Qty.
1		Ref: Fuel Tank (refer to 304.1 or 305.1)	
2	77681GT	FORMING,BULKHEAD,LEFT REAR.....1	
3	824078GT	SCREW,HHF,1/4-20X.75,8,ZAG	
4	824027GT	NUT,TL FLG,1/4-20,G,ZAG	
5A	94077GT	SENSOR,LEVEL,4.5 DEG.....1 S-65, S-60XC, S-60X, S-60, S-60 TraX and S-65 TraX; ANSI models; to SN 29358	
--	1261984GT	SENSOR, LEVEL, 4.5 X 4.5 DEG S-65, S-60XC, S-60X, S-60, S-60 TraX and S-65 TraX; ANSI models; from SN 29359	
5B	110382GT	LEVEL SENSOR,LS60,YL,2.5X4.5 S-65,S-60 HC, S-60, S-60 TraX and S-65 TraX; European models; to SN 29358	
--	1263187GT	SENSOR, LEVEL,2.5 X 4.5 DEG S-65,S-60 HC, S-60, S-60 TraX and S-65 TraX; European models; from SN 29359	
6	824079GT	SCREW,HHF,1/4-20X1,8,ZAG	
7	824090GT	SCREW,HHF,3/8-16X1,8,ZAG	
8	824029GT	NUT,TL FLG,3/8-16,G,ZAG	
9	89617GT	POWER UNIT,AUX PUMP 12VDC.....1	
--	1264969GT	MOTOR, 12VDC, I-TERMINAL from SN 29917	
--	147289GT	SEAL KIT, APU	
--	147290GT	SHAFT SEAL, APU	
--	58489GT	PUMP ASSY,AUX.POWER UNIT 89617	
--	77069GT	MOTOR,12VDC,77066 to SN 29916	
--	77071GT	SOLENOID,77066	
10	81578GT	HORN,12VDC,SPADE TERMINALS*** ....1	
11	45454GT	CLAMP,RUB CUSH,0.75,#12 X 3/8*	

302.2 Tank Side - View 2 (from SN S6015A-30300)

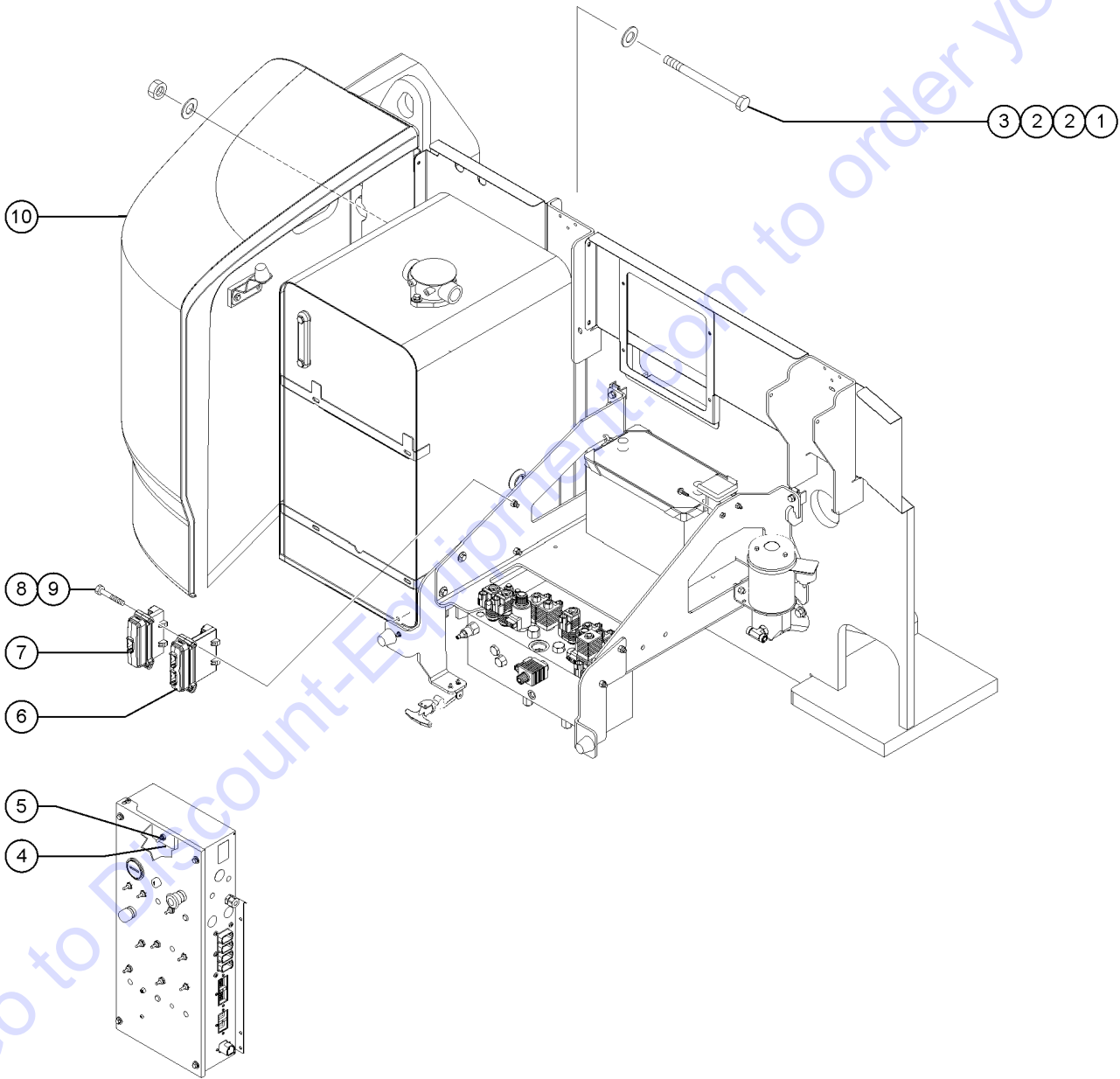


Go to Discount-Equipment.com to order your parts

## 302.2 Tank Side - View 2 (from SN S6015A-30300)

Item	Part No.	Description	Qty.	Item	Part No.	Description	Qty.
1	824078GT	SCREW,HHF,1/4-20X.75,8,ZAG.....	3	--	1251507GT	FUSE, ATM, 7.5AMP.....	2
2	824027GT	NUT,TL FLG,1/4-20,G,ZAG.....	4	12	8915GT	SCREW,HHC,1/4-20 X 1.25.....	3
3	81578GT	HORN,12VDC,SPADE TERMINALS*** ..	1	13	6638GT	WASHER,FLAT,USS,1/4"Y.....	6
4		Ref: Fuel Tank.....	1	14	6091GT	NUT,NYLOCK,1/4-20.....	3
		(refer to 304.1 or 305.1)		15	89617GT	POWER UNIT,AUX PUMP 12VDC.....	1
5	1253818GT	FORMING, BULKHEAD, TS REAR.....	1	--	147289GT	SEAL KIT, APU	
6A	1261984GT	SENSOR, LEVEL, 4.5 X 4.5 DEG.....	1	--	147290GT	SHAFT SEAL, APU	
		S-65, S-60XC, S-60X, S-60, S-60 TraX and S-65 TraX; ANSI models		--	58489GT	PUMP ASSY,AUX.POWER UNIT 89617	
6B	1263187GT	SENSOR, LEVEL,2.5 X 4.5 DEG.....	1	--	77069GT	MOTOR,12VDC,77066	
		S-65, S-60, S-60 TraX and S-65 TraX; European models		--	77071GT	SOLENOID,77066	
7	1253485GT	SCREW,HHF,1/4-20X2,8,ZAG.....	1	16	824090GT	SCREW,HHF,3/8-16X1,8,ZAG.....	2
8	824023GT	RELAY, POWER & FUSE MODULE.....	1	17		"Ref. WELDMNT,BAT/MANIF TRAY,S60/65".....	1
		models with Deutz D2.9 or Perkins 404F-22 engines				(refer to 301.2)	
--	1251508GT	FUSE, FMX, 60AMP		18	45454GT	CLAMP,RUB CUSH,0.75,#12 X 3/8*	
--	1251509GT	COVER,PRM FUSE SERVICE PART					
9		Ref: ECU.....	1				
		models with Deutz D2.9 or Perkins 404F-22 engines (This part is serialized, contact Discount-equipment with full model and SN of both the unit and engine)					
10A	823074GT	WELDMNT,ECU MOUNT,DEUTZ D2.9.....	1				
		models with Deutz D2.9 engine					
10B	823243GT	WDMT,ECU MOUNT,404F-22.....	1				
		models with Perkins 404F-22 engine					
11A	822781GT	MODULE,FUSE&RELAY,DEUTZ 2.9.....	1				
		models with Deutz D2.9 engine					
--	1251499GT	FUSE, ATM, 15AMP					
--	1251500GT	FUSE, ATM, 20AMP					
--	1251501GT	FUSE, ATM, 30AMP					
--	1251502GT	FUSE, ATM, 10AMP					
--	1251503GT	RELAY, 12V MICRO, 35AMP.....	6				
--	1251504GT	DIODE, 6A 22903-6V					
--	1251505GT	TOOL, FUSE PULLER, ATM					
--	1251510GT	CIRCUIT BREAKER,20AMP MINI					
11B	822793GT	MODULE,FUSE&RELAY,PERKINS 404F.....	1				
		models with Perkins 404F-22 engine					
--	1251499GT	FUSE, ATM, 15AMP.....	4				
--	1251500GT	FUSE, ATM, 20AMP.....	2				
--	1251502GT	FUSE, ATM, 10AMP					
--	1251503GT	RELAY, 12V MICRO, 35AMP.....	6				
--	1251504GT	DIODE, 6A 22903-6V					
--	1251505GT	TOOL, FUSE PULLER, ATM					
--	1251506GT	FUSE, ATM, 5AMP					

303.1 Tank Side - S-60 HC Turntable (to SN S6015A-29585)

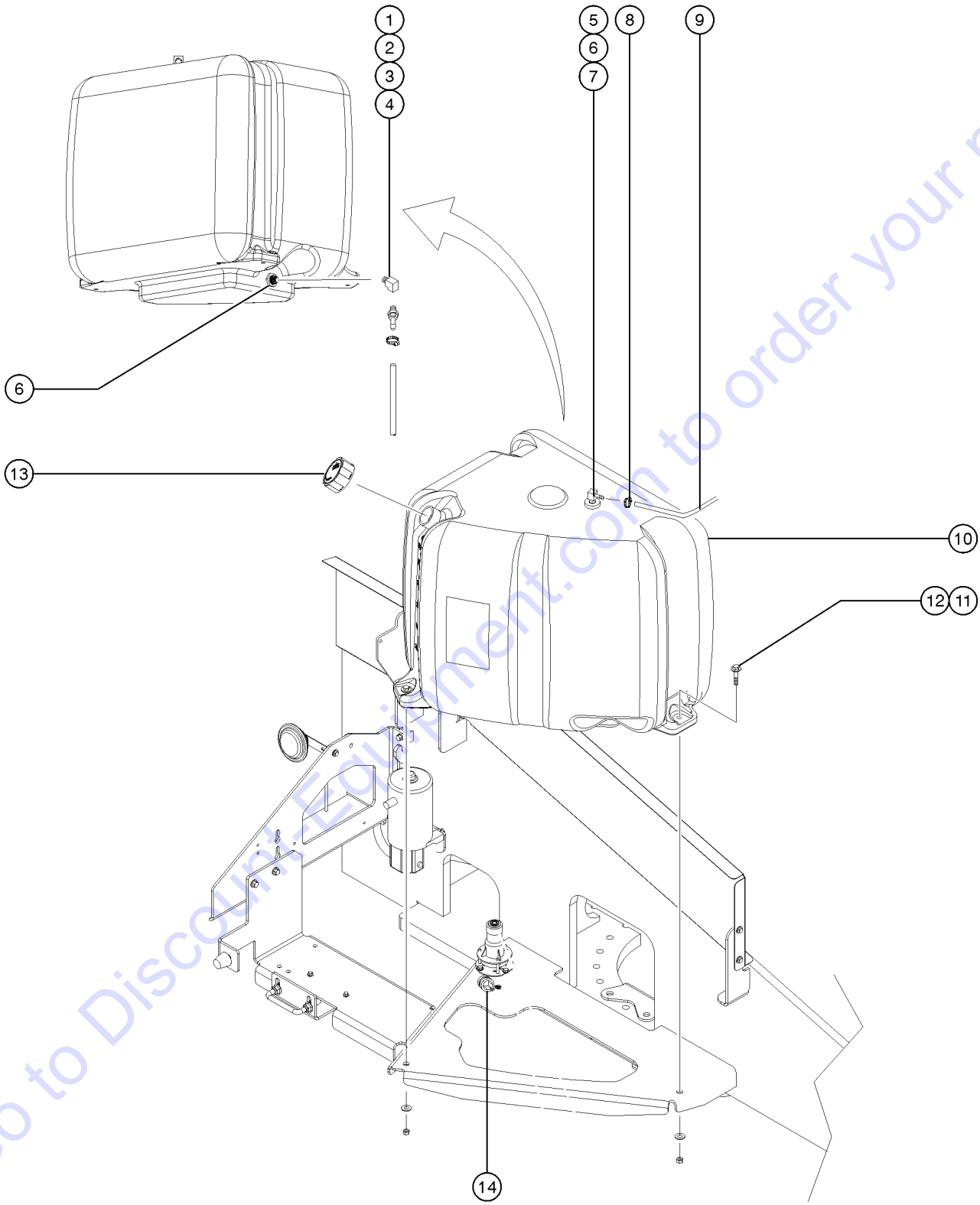


## 303.1 Tank Side - S-60 HC Turntable (to SN S6015A-29585)

Item	Part No.	Description	Qty.
1	1255389GT	SCREW,HHC,1-8X12,5,ZAG.....1	1
2	1256469GT	WASHER,FLAT,1.0,USS,ZAG	
3	824031GT	NUT,TL FLG,1-8,G,ZAG	
4	119246GT	FORMING,CAL TOGGLE SWITCH.....1	1
5	13480-SGT	SWITCH,TOGGLE,DPDT,2POS MOMEN.....1	1
6	110991GT	CONTROLLER ASSY TCON S60HC.....1	1
7	110992GT	CONTROLLER ASSY SCON S60HC.....1	1
8	1256853GT	SCREW,HHF,1/4-20X4.5,8,ZAG	
9	824027GT	NUT,TL FLG,1/4-20,G,ZAG	
10	235986GT	COUNTERWEIGHT,S65.....1 S-60HC	1

Go to Discount-Equipment.com to order your parts

304.1 Tank Side - Diesel Fuel Tank Installation



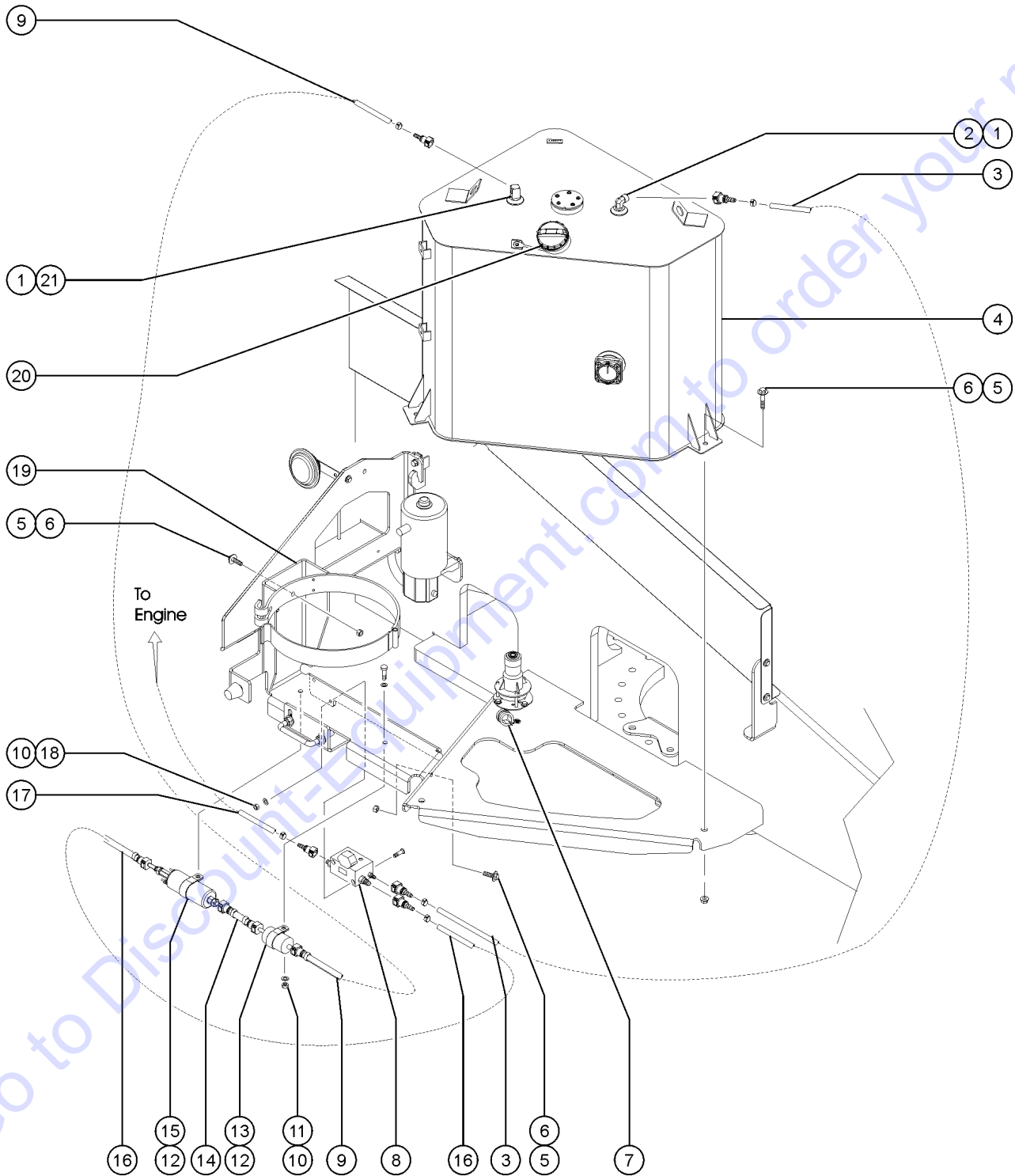
Go to DiscountEngineering.com to order your parts

## 304.1 Tank Side - Diesel Fuel Tank Installation

Item	Part No.	Description	Qty.
1	22348GT	ELBOW,130339-6-6.....1 (bottom of tank)	1
2A	54124GT	HOSE END,BARB,3/8 MNPT X 5/16.....1 (bottom of tank) Deutz D2011L03i, Deutz TD2011L04I Perkins 404-22D and Perkins 404-22F engines	1
2B	824471GT	FITTING,3/8 NPT TO 1/2 BARB (bottom of tank) Deutz D2.9L4 engine	1
3	65887GT	CLAMP,HOSE,1 EAR,1/2 (bottom of tank)	1
4A	27089GT	HOSE,5/16 FUEL,SAE 30R7...114-inches Deutz D2011L03i engine	1
4B	824491GT	HOSE,FUEL,1/2,S60,D2.9,SUPLY.88-inches Deutz D2.9L4 engine	1
4C	27089GT	HOSE,5/16 FUEL,SAE 30R7.....64-inches Perkins models (tank to handpump)	1
4D	27089GT	HOSE,5/16 FUEL,SAE 30R7.....18-inches Perkins models (handpump to filter/separator)	1
4E	27089GT	HOSE,5/16 FUEL,SAE 30R7.....12-inches Perkins models (filter/separator to lift pump)	1
5A	34940GT	HOSE END.375 MPT X .25 HOSE.....1 Deutz D2011L03i, Deutz TD2011L04I and Deutz D2.9L4 engines	1
5B	826590GT	FITTING,3/8 NPT TO 1/4 NPT.....1 Perkins 404-22D engine	1
5C	826601GT	FITTING, 3/8 NPT TO 3/16 HOSE.....1 Perkins 404-22F engine	1
6	823356GT	TUBE,FUEL RETURN,3/8X3/8X23.5.....1 (top of tank)	1
7	54324GT	FITTING,BULKHEAD,3/8NPT,FUELTK....2 (top and bottom of tank)	2
8	21465GT	CLAMP,HOSE,.25" - .63" X .3125 (top of tank)	1
9	30490GT	HOSE,1/4 FUEL LINE,SAE 30R7.....126-inches fuel return (top of tank)	1
10	823396GT	FUEL TANK ASSY,35 GAL PLASTIC.....1 includes items 5 and 6	1
11	1253478GT	SCREW,HHF,3/8-16X2,8,ZAG	1
12	824029GT	NUT,TL FLG,3/8-16,G,ZAG	1
13	101726GT	CAP,FUEL,DIESEL,1/8"VENT(GRN).....1	1
14	45454GT	CLAMP,RUB CUSH,0.75,#12 X 3/8*	1



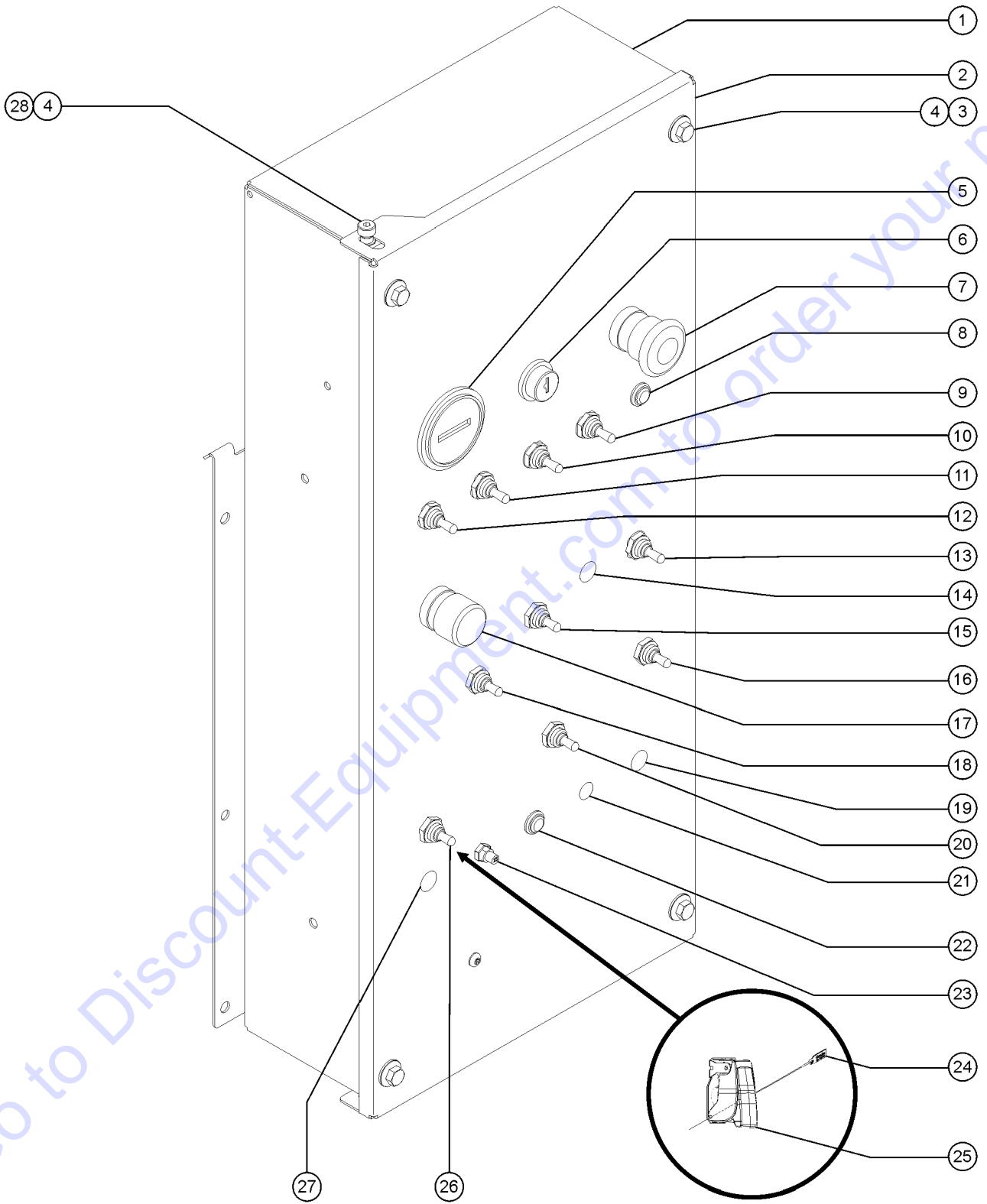
305.1 Tank Side - Gasoline Fuel Tank Installation



## 305.1 Tank Side - Gasoline Fuel Tank Installation

Item	Part No.	Description	Qty.
1	111818GT	FITTING,1/4 NPT X SAE J2044.....	2
2	128081GT	ELBOW,90D,1/4FPTX3/8MPT.....	1
3	236912GT	HOSE,FUEL,5/16HIGH PRS 60 IN.....	1
--	111819GT	FITTING,SAE J2044F X5/16 BARB.....	2
--	65887GT	CLAMP,HOSE,1 EAR,1/2.....	2
--	71909GT	HOSE,FUEL,5/16 HIGH PRESSURE**.....	60-inches
4	146415GT	TANK ASSY, GAS, 30 GAL.....	1
--	1257224GT	SCREW,FHS,3/8-16X2,F835,ZAG	
--	146413GT	GAUGE, FUEL LEVEL, 20/30 GAL.....	1
--	146551GT	GASKET, FUEL LEVEL SENDER, Z80...	1
--	146552GT	PLATE, COVER, FUEL LEVEL SNDR.....	1
5	824090GT	SCREW,HHF,3/8-16X1,8,ZAG	
6	824029GT	NUT,TL FLG,3/8-16,G,ZAG	
7	45454GT	CLAMP,RUB CUSH,0.75,#12 X 3/8*	
8	119170GT	FUEL SENSOR ASSY.....	1
9	236911GT	HOSE,FUEL,5/16HIGH PRS 40 IN.....	1
--	111819GT	FITTING,SAE J2044F X5/16 BARB.....	2
--	65887GT	CLAMP,HOSE,1 EAR,1/2.....	2
--	71909GT	HOSE,FUEL,5/16 HIGH PRESSURE**.....	40-inches
10	824027GT	NUT,TL FLG,1/4-20,G,ZAG	
11	824080GT	SCREW,HHF,1/4-20X1.25,8,ZAG	
12	27497GT	CLAMP,RUBBER CUSHIONED-2 5/32....	2
13	1272019GT	FILTER, FUEL.....	1
14	229203GT	HOSE,FUEL,5/16 HIGH PRES 3 IN.....	1
--	111819GT	FITTING,SAE J2044F X5/16 BARB.....	2
--	65887GT	CLAMP,HOSE,1 EAR,1/2.....	2
--	71909GT	HOSE,FUEL,5/16 HIGH PRESSURE**.....	3-inches
15	119168GT	FUEL PUMP,DSG-423 AND MSG-425....	1
16	229202GT	HOSE,FUEL,5/16 HIGH PRES 35 IN....	1
--	111819GT	FITTING,SAE J2044F X5/16 BARB.....	2
--	65887GT	CLAMP,HOSE,1 EAR,1/2.....	2
--	71909GT	HOSE,FUEL,5/16 HIGH PRESSURE**.....	35-inches
17	229201GT	HOSE,FUEL,5/16HIGH PRES 127 IN....	1
--	111819GT	FITTING,SAE J2044F X5/16 BARB.....	2
--	65887GT	CLAMP,HOSE,1 EAR,1/2.....	2
--	71909GT	HOSE,FUEL,5/16 HIGH PRESSURE**.....	127-inches
18	1253485GT	SCREW,HHF,1/4-20X2,8,ZAG	
19	77679GT	WELDMENT,LP MOUNT.....	1
20	119918GT	CAP,FUEL,GASOLINE 3.5PSI.....	1
21	146417GT	ASSY, FUEL PICKUP TUBE.....	1

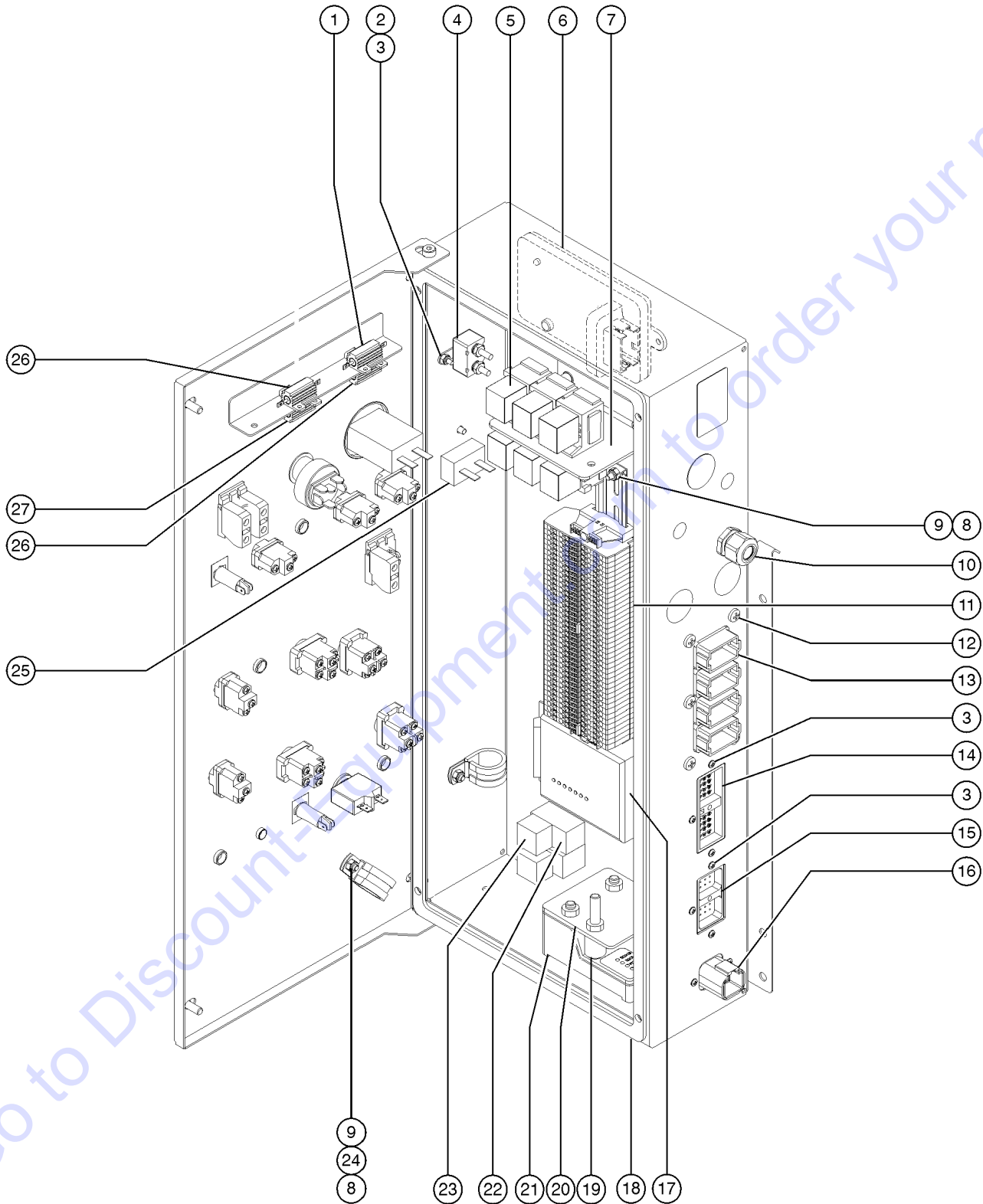
306.1 Ground Control Box, with Hour Meter - View 1, External



## 306.1 Ground Control Box, with Hour Meter - View 1, External

Item	Part No.	Description	Qty.	Item	Part No.	Description	Qty.
A	T106495GT	ASSY,GROUND CONTROL BOX.....1 <i>included box, lid and gasket (decals not included, refer to section 100)</i>	1	14B	128200GT	SWITCH TOGGLE ASSY SPDT 3P MOM <i>(Jib up/down) (S-65)</i>	1
1	147840GT	WELDMENT, GROUND BOX, S60/65 <i>(decals not included, refer to section 100)</i>	1	15	128202GT	SWITCH TOGGLE ASSY DPDT 3P MOM.....1 <i>(Boom extend/retract)</i>	1
2	T106482GT	WELDMENT, LID, GBOX, S60/65.....1 <i>(decals not included, refer to section 100)</i>	1	16	128202GT	SWITCH TOGGLE ASSY DPDT 3P MOM.....1 <i>(Platform rotate)</i>	1
3	1256855GT	SCREW,HHF,1/4-20X.625,8,ZAG		17A	66813GT	BUTTON,PUSH,BLACK W/SEAL***.....1 <i>(Function enable) (models with push button) shown</i>	1
4	T107520GT	NUTSERT,LP KNURLED,1/4-20X.165.....6	6	17B	80716GT	SWITCH,SELECTOR,BLACK <i>(Function enable) (models with selector switch) not shown</i>	1
5	19506GT	HOUR METER,10-80 VOLTS***.....1	1	18	128202GT	SWITCH TOGGLE ASSY DPDT 3P MOM.....1 <i>(Boom up/down)</i>	1
6	96008-SGT	KEYSWITCH,3 POS. W/KEYS***.....1 <i>includes key</i>	1	19	229567GT	PLUG,SANTOPRENE .5 BLACK DOME.....1	1
--	37947GT	KEYS,10 PACK*** <i>sold separately</i>		20	128202GT	SWITCH TOGGLE ASSY DPDT 3P MOM.....1 <i>(Turntable rotate)</i>	1
--	83093GT	KEY SINGLE***		21	21858GT	PLUG,NYLON .38 BLACK DOMED.....1	1
--	85239GT	NUT,RETAINER (96008)		22	824879GT	LIGHT,LED IND. RED 12V NH.....1	1
--	88827GT	GASKET,KEYSWITCH,PLASTIC***		23	147094GT	ASSY, CIRCUIT BREAKER 15A.....1 <i>(Controls)</i>	1
--	96010GT	SCREW,PHILLIPS,PHM,8-32 X.25**		24	1261566GT	SECURITY TIE,TOGGLE GUARD.....1 <i>CE option</i>	1
7	66812GT	BUTTON,PUSH,RED MUSHROOM HEAD.....1	1	25	1261346GT	TOGGLE SWITCH GUARD,RED.....1 <i>CE option</i>	1
--	58627GT	NUT <i>for 66812</i>		26	128201GT	SWITCH TOGGLE ASSY DPDT 2P MOM.....1 <i>(Auxiliary pump)</i>	1
--	73805GT	BASE,W/2 NC CONTACTS***.....1	1	27A	21858GT	PLUG,NYLON .38 BLACK DOMED.....1 <i>ANSI models</i>	1
8A	824879GT	LIGHT,LED IND. RED 12V NH.....1 <i>(Diesel models)</i>	1	27B	824879GT	LIGHT,LED IND. RED 12V NH <i>(Load sense) (Australia and CE models)</i>	1
8B	824882GT	LT.LAMP IND. AMBER 12V ENG.NH.....1 <i>(Gas/LPG models)</i>	1	28	1257410GT	BOLT,SHS,5/16X.375X1/4-20,ZAG	1
9	128204GT	SWITCH TOGGLE ASSY SPDT 2P MNT.....1 <i>(Engine speed select)</i>	1				
10A	128204GT	SWITCH TOGGLE ASSY SPDT 2P MNT.....1 <i>(Gas/LPG select)</i>	1				
10B	229567GT	PLUG,SANTOPRENE .5 BLACK DOME.....1 <i>(Diesel models)</i>	1				
11A	128200GT	SWITCH TOGGLE ASSY SPDT 3P MOM.....1 <i>(Start assist, glow plug) (diesel models)</i>	1				
11B	229567GT	PLUG,SANTOPRENE .5 BLACK DOME.....1	1				
12A	128200GT	SWITCH TOGGLE ASSY SPDT 3P MOM.....1 <i>(Starter)</i>	1				
12B	229567GT	PLUG,SANTOPRENE .5 BLACK DOME.....1	1				
13	128200GT	SWITCH TOGGLE ASSY SPDT 3P MOM.....1 <i>(Platform level)</i>	1				
14A	229567GT	PLUG,SANTOPRENE .5 BLACK DOME.....2 <i>(S-60)</i>	2				

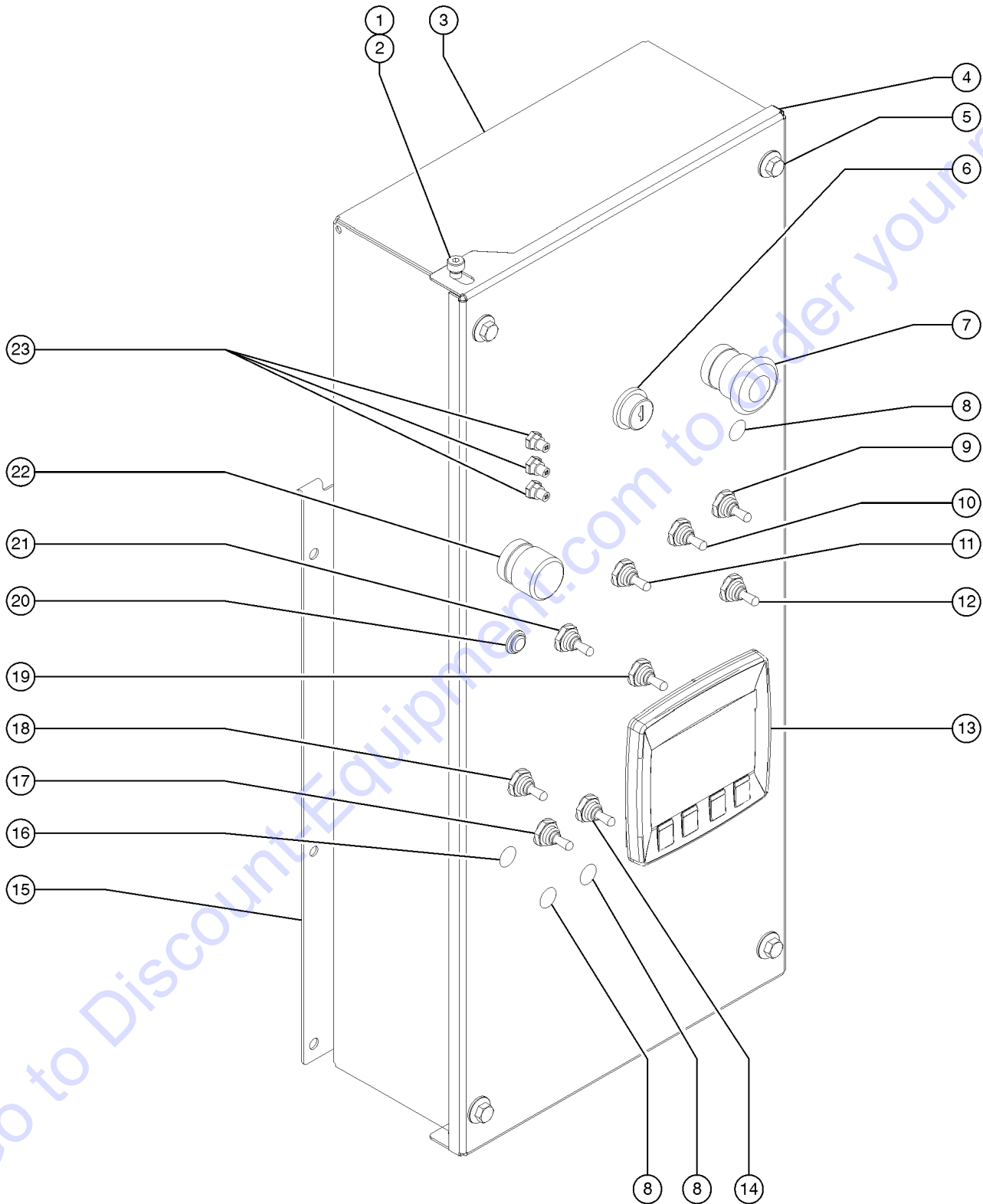
307.1 Ground Control Box, with Hour Meter - View 2, Internal



## 307.1 Ground Control Box, with Hour Meter - View 2, Internal

Item	Part No.	Description	Qty.	Item	Part No.	Description	Qty.
--	121846GT	RELAY,TIME DELAY,2 SEC,10A <i>models with load sense</i>		--	101995GT	RESISTOR,POT,1K OHM,2-WATT	
--	61225GT	RELAY,12VDC,70AMP,SEALED <i>(glow plug)</i>		20	106140PGT	BRACKET,1K OHM 10-TURN POT,PNT.....1 <i>models with welder option</i>	1
--	77430GT	CAPACITOR,3 MF,50VDC <i>Terminal 41</i>		21	106657GT	MODULE,CONTROL,HI AMP.....1 <i>models with welder option</i>	1
1	40614GT	RESISTOR,5 OHM,25W***.....1	1	22	33608GT	RELAY,SOCKET,OMRON.....2 <i>models with welder option (harness not included)</i>	2
2	824036GT	NUT,TL,10-32,A,ZAG		--	147455GT	HARNESS, OMRON RELAY, CR66 <i>models with welder option (not included, must order separately)</i>	
3	824214GT	SCREW,PHPM,6-32X.5,ZAG		23	33607GT	RELAY,OMRON,DPDT,12V.....2 <i>models with welder option</i>	2
4	128935GT	CIRCUIT BKR 10A TYPE 2 METAL.....1	1	24	18666GT	CLAMP,1.00,#16 X 1/4,RUB CUSH.....2	2
5A	34052GT	RELAY,SPDT,12V(AUTO) PLUG IN**.....6 <i>Diesel models</i>	6	25	106637GT	MODULE,TIME DELAY ON BREAK 4S...1 <i>models with welder option</i>	1
5B	34052GT	RELAY,SPDT,12V(AUTO) PLUG IN**.....4 <i>Gas/LPG models</i>	4	26	89575GT	RESISTOR,7.5 OHM,25 WATT,1PCNT....2	2
--	1251757GT	SCREW,PHPM,10-32X.50,ZAG		27	27287GT	RESISTOR,10 OHM,25 WATT.....1	1
--	34053GT	ASSY,RELAY SOCKET, AUTO <i>individual parts no longer available</i>					
--	824036GT	NUT,TL,10-32,A,ZAG					
6	128045GT	MODULE,LOAD SENSE 2007.....1 <i>CE models only</i>	1				
--	54365GT	SCREW,PHIL,PHM,10-32 X .5,SSTL					
--	6178GT	NUT,NYLOCK,10-32					
7	54534GT	ANGLE,RELAY MNT,W/NUTSERTS,PNT.....1	1				
--	23404GT	NUTSERT,1/4-20,STEEL CAD PLTD					
8	824036GT	NUT,TL,10-32,A,ZAG					
9	1251757GT	SCREW,PHPM,10-32X.50,ZAG					
10	7056GT	CONN,SQUEEZE,1/2NPT .38-.50,SM....1	1				
11	217043GT	ASSY, TERMINAL RAIL.....1	1				
--	217044GT	TERMINAL BLOCK, WIELAND.....43	43				
--	217045GT	TERMINAL BLOCK, END PLATE.....1	1				
--	217046GT	KIT, TERMINAL BLOCK					
--	33422GT	DIN RAIL,17".....1	1				
--	74913GT	END STOP, DIN RAIL,SCREW CLAMP.....2	2				
--	74917GT	JUMPER COMB, 2-WAY,WIELAND.....4	4				
--	74918GT	JUMPER COMB, 3-WAY,WIELAND.....1	1				
12	824226GT	SCREW,PHPSH,#12-11X.75,ZAG					
13	73736GT	CONN,RECEP 48 WAY,4 X 12.....1	1				
14	73754GT	CONN,RECEP 40 WAY,W/FLANGE.....1	1				
15	73753GT	CONN,RECEP 24 WAY,W/FLANGE.....1	1				
16	73717GT	CONN,RECEP 4 WAY,12-14GA FL***.....1	1				
17	56057GT	MODULE,IGNITION/START,12/24V.....1	1				
18	121599GT	GASKET,GBOX,S80/85 2008.....1	1				
19	102357GT	POTENTIOMETER ASSY, WELDER.....1 <i>models with welder option</i>	1				

308.1 Ground Control Box, with LCD Readout Screen - View 1 External





## 308.1 Ground Control Box, with LCD Readout Screen - View 1 External

Item	Part No.	Description	Qty.	Item	Part No.	Description	Qty.
A	825446GT	GBOX ASSY,PERKINS T4,SGL CAP (models with Perkins, single capacity) decals not included refer to section 100		11	128202GT	SWITCH TOGGLE ASSY DPDT 3P MOM.....1 (Boom extend/retract)	1
B	825447GT	GBOX ASSY,PERKINS T4,DUAL CAP (models with Perkins, dual capacity) decals not included refer to section 100		--	128578GT	SCREW T-SWITCH PH/PH 6-32X1/4	
C	825448GT	GBOX ASSY,DEUTZ T4,SGL CAP (models with Deutz single capacity) decals not included refer to section 100		--	128584-SGT	SWITCH TOGGLE SPDT 2P MNT SHDR	
D	825449GT	GBOX ASSY,DEUTZ T4,DUAL CAP (models with Deutz dual capacity) decals not included refer to section 100		--	27246GT	BOOT,TOGGLE SWITCH,SHORT*	
E	825445GT	GBOX ASSY,COMMON,T4		12	128202GT	SWITCH TOGGLE ASSY DPDT 3P MOM.....1 (Platform rotate)	1
1	1257410GT	BOLT,SHS,5/16X.375X1/4-20,ZAG.....2		--	128578GT	SCREW T-SWITCH PH/PH 6-32X1/4	
2	T107520GT	NUTSERT,LP KNURLED,1/4-20X.165.....2		--	128584-SGT	SWITCH TOGGLE SPDT 2P MNT SHDR	
3	147840GT	WELDMENT, GROUND BOX, S60/65.....1		--	27246GT	BOOT,TOGGLE SWITCH,SHORT*	
4	219722GT	WELDMENT,LID,GBOX.....1 (does not include decal) (refer to section one for decals)		13A	1251984GT	ASSY,DISPLAY,DP200 DEUTZ T4.....1 (Deutz models)	1
5	1256855GT	SCREW,HHF,1/4-20X.625,8,ZAG.....4		--	1252684GT	SCREW,DP200 M3X10 4PACK	
6	96008-SGT	KEYSWITCH,3 POS. W/KEYS***.....1		--	1252685GT	GASKET,DP200 BLACK PANEL SEAL	
--	37947GT	KEYS,10 PACK*** sold separately		--	219718GT	BRACKET,DP200 PANEL MOUNT	
--	83093GT	KEY SINGLE***		13B	1251985GT	ASSY,DISPLAY,DP200 PERKINS T4 (Perkins models)	
7	66812GT	BUTTON,PUSH,RED MUSHROOM HEAD.....1 (58627 nut included)	1	--	1252684GT	SCREW,DP200 M3X10 4PACK	
--	58627GT	NUT.....1	1	--	1252685GT	GASKET,DP200 BLACK PANEL SEAL	
8A	229567GT	PLUG,SANTOPRENE .5 BLACK DOME.....1 (S-60, S-65, S-60X, S-60XC, S-60TX, S-65TX models)	1	--	219718GT	BRACKET,DP200 PANEL MOUNT	
8B	824879GT	LIGHT,LED IND. RED 12V NH (S-60HC model)		14	128200GT	SWITCH TOGGLE ASSY SPDT 3P MOM.....1 (Starter)	1
9	128200GT	SWITCH TOGGLE ASSY SPDT 3P MOM.....1 (Platform level)	1	--	128578GT	SCREW T-SWITCH PH/PH 6-32X1/4	
--	128578GT	SCREW T-SWITCH PH/PH 6-32X1/4		--	128584-SGT	SWITCH TOGGLE SPDT 2P MNT SHDR	
--	128584-SGT	SWITCH TOGGLE SPDT 2P MNT SHDR		--	27246GT	BOOT,TOGGLE SWITCH,SHORT*	
--	27246GT	BOOT,TOGGLE SWITCH,SHORT*		15A	77667GT	MOUNT,GROUND CONTROL BOX RH.....1	1
10A	229567GT	PLUG,SANTOPRENE .5 BLACK DOME.....2 (all S-60 models)	2	--	55912GT	PIN, STEER BELLCRANK CLEVIS	
10B	128200GT	SWITCH TOGGLE ASSY SPDT 3P MOM.....2 (Jib up/down) (all S-65 models)	2	--	6090GT	SCREW,HHC,1/4-20 X .75	
--	128578GT	SCREW T-SWITCH PH/PH 6-32X1/4		--	6356GT	WASHER,LOCK,.25	
--	128584-SGT	SWITCH TOGGLE SPDT 2P MNT SHDR		15B	77641GT	MOUNT,GROUND CONTROL BOX LH.....1	1
--	27246GT	BOOT,TOGGLE SWITCH,SHORT*		--	55912GT	PIN, STEER BELLCRANK CLEVIS	
				--	6090GT	SCREW,HHC,1/4-20 X .75	
				--	6356GT	WASHER,LOCK,.25	
				16A	21858GT	PLUG,NYLON .38 BLACK DOMED.....1 (ANSI models)	1
				16B	824879GT	LIGHT,LED IND. RED 12V NH (Load sense) (Australia and CE models)	
				17	128204GT	SWITCH TOGGLE ASSY SPDT 2P MNT.....1 (Engine speed select)	1
				--	128578GT	SCREW T-SWITCH PH/PH 6-32X1/4	
				--	128584-SGT	SWITCH TOGGLE SPDT 2P MNT SHDR	



308.1 Ground Control Box, with LCD Readout Screen - View 1 External  
(continued)

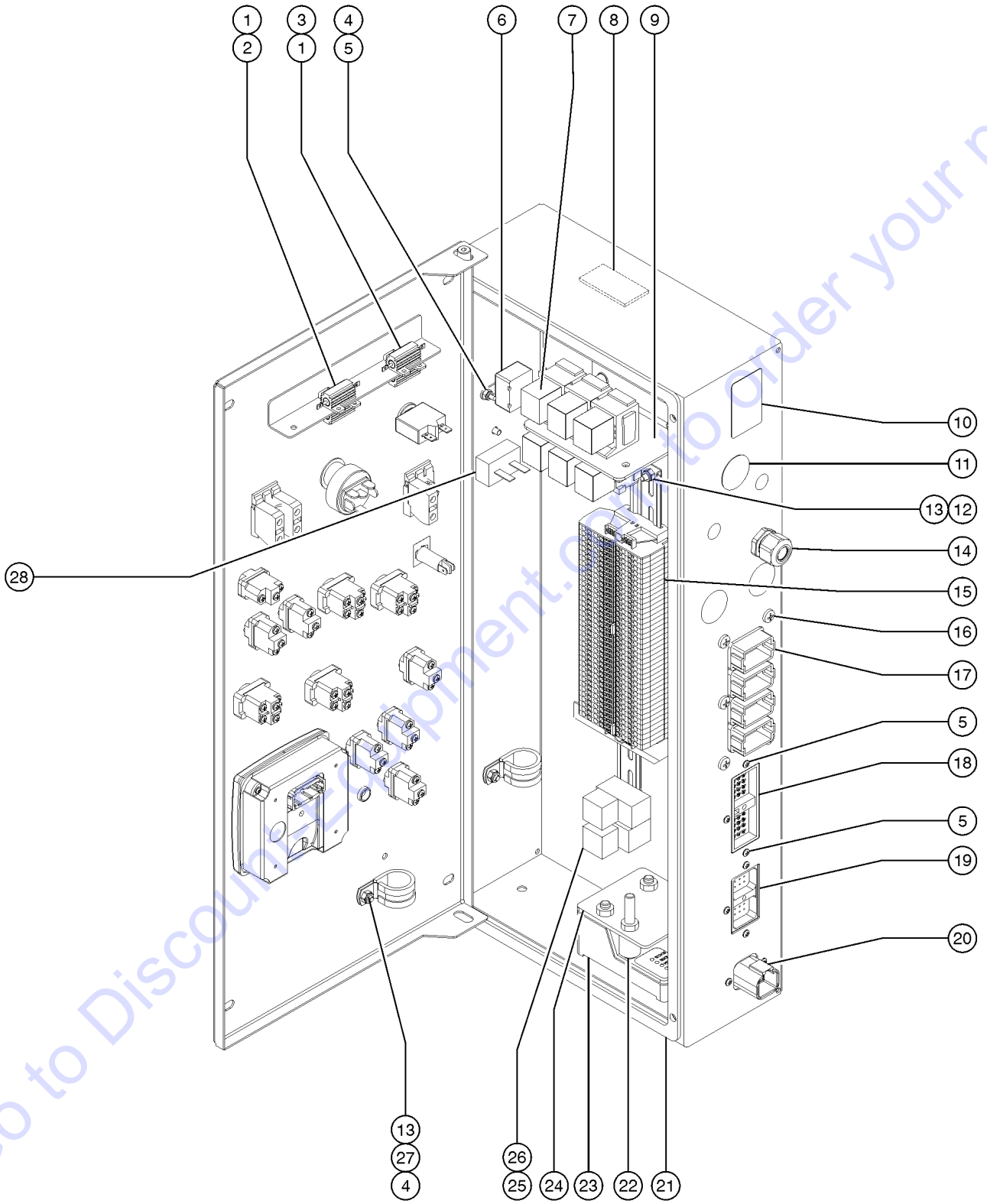
Item	Part No.	Description	Qty.
--	27246GT	BOOT,TOGGLE SWITCH,SHORT*	
18	128201GT	SWITCH TOGGLE ASSY DPDT 2P MOM.....1 (Emergency Power)	1
--	128578GT	SCREW T-SWITCH PH/PH 6-32X1/4	
--	128584-SGT	SWITCH TOGGLE SPDT 2P MNT SHDR	
--	27246GT	BOOT,TOGGLE SWITCH,SHORT*	
19	128202GT	SWITCH TOGGLE ASSY DPDT 3P MOM.....1 (Turntable rotate)	1
--	128578GT	SCREW T-SWITCH PH/PH 6-32X1/4	
--	128584-SGT	SWITCH TOGGLE SPDT 2P MNT SHDR	
--	27246GT	BOOT,TOGGLE SWITCH,SHORT*	
20	21858GT	PLUG,NYLON .38 BLACK DOMED.....1 (Diesel models)	1
21	128202GT	SWITCH TOGGLE ASSY DPDT 3P MOM.....1 (Boom up/down)	1
--	128578GT	SCREW T-SWITCH PH/PH 6-32X1/4	
--	128584-SGT	SWITCH TOGGLE SPDT 2P MNT SHDR	
--	27246GT	BOOT,TOGGLE SWITCH,SHORT*	
22A	80716GT	SWITCH,SELECTOR,BLACK.....1 (models with dual capacity)	1
22B	66813GT	BUTTON,PUSH,BLACK W/SEAL*** (models with single capacity)	
23A	147094GT	ASSY, CIRCUIT BREAKER 15A.....2	2
23B	147094GT	ASSY, CIRCUIT BREAKER 15A.....3 (models with worklight or oil cooler option)	3

308.1 Ground Control Box, with LCD Readout Screen - View 1 External  
(continued)

***This Page Intentionally Left Blank***

Go to [Discount-Equipment.com](http://Discount-Equipment.com) to order your parts

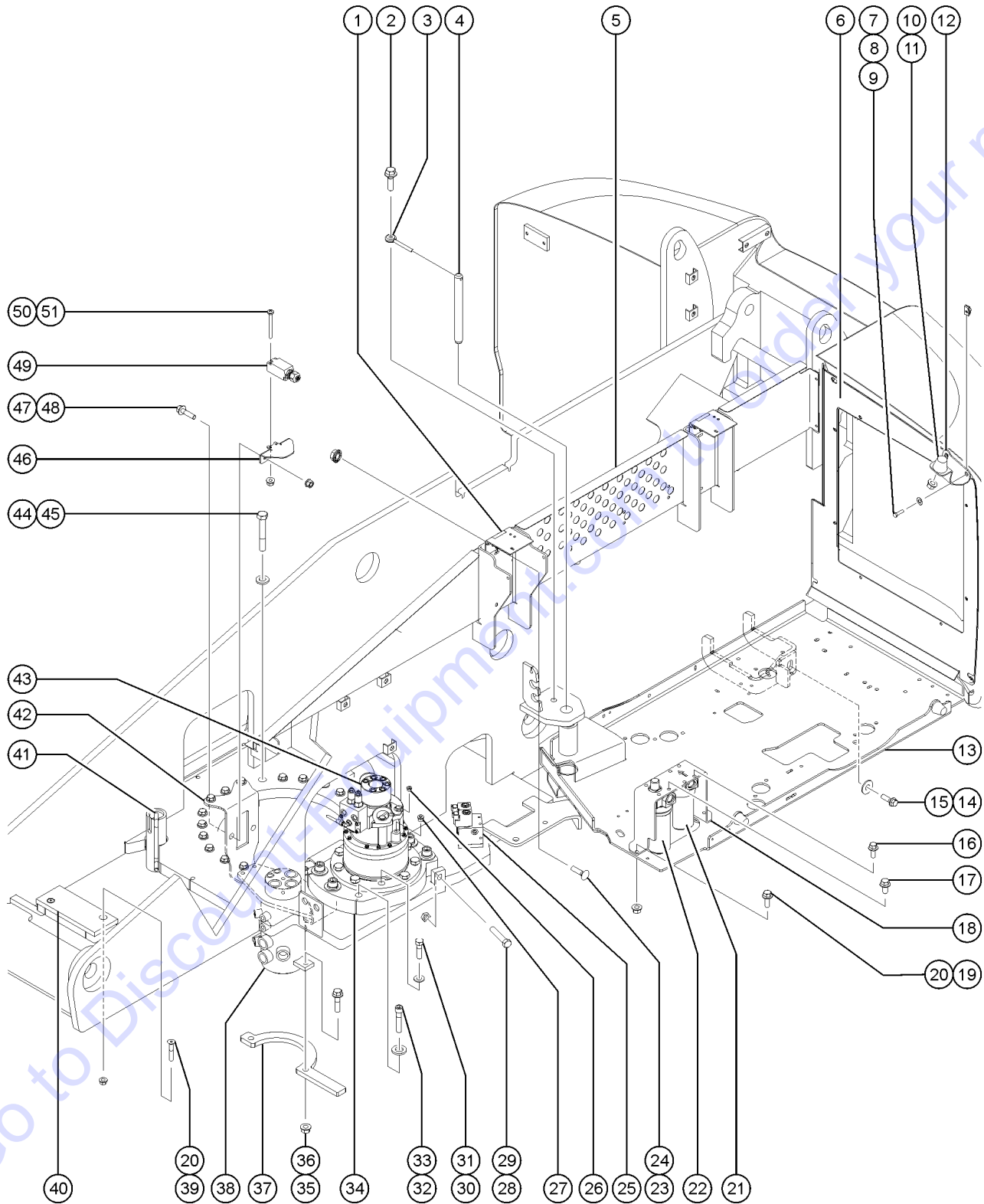
309.1 Ground Control Box, with LCD Readout Screen - View 2 Internal



## 309.1 Ground Control Box, with LCD Readout Screen - View 2 Internal

Item	Part No.	Description	Qty.	Item	Part No.	Description	Qty.
--	77430GT	CAPACITOR,3 MF,50VDC <i>Terminal 41</i>		23	106657GT	MODULE,CONTROL,HI AMP <i>(models with welder option)</i>	
1	89575GT	RESISTOR,7.5 OHM,25 WATT,1PCNT....2		24	106140PGT	BRACKET,1K OHM 10-TURN POT,PNT <i>(models with welder option)</i>	
2	27287GT	RESISTOR,10 OHM,25 WATT.....1		25	33607GT	RELAY,OMRON,DPDT,12V.....2 <i>(models with welder option)</i>	
3	40614GT	RESISTOR,5 OHM,25W*** .....1		26	33608GT	RELAY,SOCKET,OMRON.....2 <i>(models with welder option) (harness not included)</i>	
4	824036GT	NUT,TL,10-32,A,ZAG		--	147455GT	HARNESS, OMRON RELAY, CR66 <i>(models with welder option) (order separately)</i>	
5	825352GT	SCREW,PHPM,10-32X1.25,ZAG		27	18666GT	CLAMP,1.00,#16 X 1/4,RUB CUSH.....2	
6	121846GT	RELAY,TIME DELAY,2 SEC,10A.....1		28	106637GT	MODULE,TIME DELAY ON BREAK 4S...1 <i>(models with welder option)</i>	
7A	34052GT	RELAY,SPDT,12V(AUTO) PLUG IN**....11 <i>(Perkins models with dual capacity)</i>					
7B	34052GT	RELAY,SPDT,12V(AUTO) PLUG IN** .....9 <i>(Deutz models with dual capacity)</i>					
7C	34052GT	RELAY,SPDT,12V(AUTO) PLUG IN** .....5 <i>(Perkins or Deutz models with single capacity)</i>					
8	30997GT	CORROSION INHIBITOR,FOAM.....1					
9A	99632GT	PLATE,PRIMARY BOOM SIDE.....1 <i>(models with single capacity)</i>					
--	1256855GT	SCREW,HHF,1/4-20X.625,8,ZAG					
--	23404GT	NUTSERT,1/4-20,STEEL CAD PLTD					
9B	99632GT	PLATE,PRIMARY BOOM SIDE.....2 <i>(models with dual capacity)</i>					
--	1256855GT	SCREW,HHF,1/4-20X.625,8,ZAG					
--	23404GT	NUTSERT,1/4-20,STEEL CAD PLTD					
10	110280GT	PLUG,NYLON, .94X1.65 BLK D0MED....1					
11	45385GT	PLUG,NYLON 1.12 BLACK DOMED					
12	6178GT	NUT,NYLOCK,10-32 <i>(use to replace nutsert)</i>					
13	1251757GT	SCREW,PHPM,10-32X.50,ZAG					
14	7057GT	CONN. SQZ,1/2NPT .39-.56 MED.....1					
15	825017GT	ASSY,TERMINAL RAIL,TIER IV					
--	216791GT	TERMINAL BLOCK,WIELAND					
--	216793GT	TERMINAL BLOCK END PLATE					
--	33422GT	DIN RAIL,17"					
--	74917GT	JUMPER COMB, 2-WAY,WIELAND					
--	74918GT	JUMPER COMB, 3-WAY,WIELAND					
16	824214GT	SCREW,PHPM,6-32X.5,ZAG					
17	73736GT	CONN,RECEP 48 WAY,4 X 12 <i>for harness, refer to 313.1</i>					
18	73754GT	CONN,RECEP 40 WAY,W/FLANGE <i>for harness, refer to 313.1</i>					
19	73753GT	CONN,RECEP 24 WAY,W/FLANGE <i>for harness, refer to 313.1</i>					
20	73717GT	CONN,RECEP 4 WAY,12-14GA FL*** <i>for harness, refer to 313.1</i>					
21	121599GT	GASKET,GBOX,S80/85 2008					
22	102357GT	POTENTIOMETER ASSY, WELDER					

310.1 Engine Side (to SN S6015A-30299)



## 310.1 Engine Side (to SN S6015A-30299)

Item	Part No.	Description	Qty.	Item	Part No.	Description	Qty.
1	75073GT	HINGE,,375X.120THK.,SLOTTED.....	2	--	58380GT	FILTER INDICATOR-(60334)	
--	77778GT	PLATE,HINGE SUPPORT		--	60857GT	FILTER,ELEMENT,BETA(5)=1000	
2	824091GT	SCREW,HHF,3/8-16X1.25,8,ZAG.....	1	23	1256127GT	BOLT,CARRIAGE,1/4-20X1.5,ZAG.....	6
3	825019GT	ROD END,,375X3.69,ZAG.....	1	24	1256679GT	NUT,SERRATED,1/4-20,8,ZAG.....	6
4	81724GT	PIN,1.25 X 13.25 IN,CHAMFER.....	1	25		Ref: Brake and 2 Speed Manifold.....	1
5	T106425GT	FORMING, BULKHEAD,RIGHT,S60/65.....	1			(refer to 406.1)	
6A	106172PGT	BAFFLE,AIR INTAKE,PAINTED***.....	1	26	39882GT	PLUG,HEX SOCKET,090109B-4.....	1
		<i>models with Deutz D2011L03i and Perkins 404D-22 engines</i>		27	109802GT	PLUG,ORB #6.....	1
6B	110183PGT	BAFFLE,AIR INTAKE S60 PAINTED		28	1256846GT	SCREW,HEX TAP,3/4-10X4,8,ZAG.....	1
		<i>models with Deutz TD2011L04i engines</i>		29	1256837GT	NUT,JAM,3/4-10,A, ZAG.....	1
6C		REF: Engine Baffle, FORD MSG-425		30	1256168GT	SCREW,HHC,1/2-13X1.75,8,ZAG.....	9
		(refer to 504.1)		31	825353GT	WASHER,FLAT,1/2,SAE,HRD,ZAG.....	9
6D		REF: Engine Baffle, PERKINS 404D-22		32	1257223GT	SCREW,SHC,3/4-10X3.75,A574,ZAG.....	6
		(refer to 505.1)		33	1256863GT	WASHER,FLAT,,.75,SAE,HRD,ZAG.....	6
6E		REF: Engine Baffle, PERKINS 404F-22		34	77671GT	PLATE,BACKLASH ADJUSTMENT	
		(refer to 506.1)				MACH.....	1
6F		REF: Engine Baffle, DEUTZ D2.9		35	1251997GT	NUT,TL FLG,1/2-13,G,ZAG.....	2
		(refer to 513.1)		36	1256172GT	SCREW,HHF,1/2-13X 2,8,ZAG.....	2
7	6175GT	SCREW,HHC,3/8-16 X 1.....	2	37	77803GT	PLATE,SWIVEL ROTATION STOP.....	1
8	6097GT	WASHER,FLAT,USS,3/8",Y.....	2	38	89571GT	SWIVEL,HYD 8 PORT***.....	1
9	29868GT	SPRING CLIP,3/8-16,,.05-.20X.73,ZAG.....	2	--	94937GT	SEAL KIT,8-PORT SWIVEL	
10	30973GT	BUMPER,RUBBER-1 X 1.25.....	1	--	T106954GT	SEAL, O-RING LIP	
11	18503GT	NUT,LOCKING-LG.FLANGE,5/16-18.....	1	--	T106955GT	SEAL, POLY, CHAMFER	
12	161608GT	FORMING, BRKT, ENGINE COVER.....	1	--	T106957GT	SEAL, CAP, NOTCHED	
13	1264903GT	ASSY,ENGINE TRAY,W/BEARINGS.....	1	--	T106961GT	SEAL, O-RING ENERGIZER	
--	35675GT	BEARING,FL,1.25IDX1.5ODX1.25L.....	2	--	T106962GT	SEAL, CAP, NOTCHED	
14	1256126GT	SCREW,HHF,5/8-11X2,8,ZAG.....	1	39	1256842GT	SCREW,FHS,3/8-16X2.25,F835,ZAG.....	2
15	824115GT	WASHER, FLAT, USS, 5/8, ZAG.....	1	40	161607GT	WEAPAD, BOOM REST.....	1
16	1256855GT	SCREW,HHF,1/4-20X.625,8,ZAG.....	4	41	81834GT	WELDMENT,TRANSPORT LOCK.....	1
17	824089GT	SCREW,HHF,3/8-16X.75,8,ZAG.....	4	42	77665PGT	FORMING,HYD SWIVEL BRACKET.....	2
18	161603GT	FORMING, FILTER BRKT.....	1	43A		Ref. SWING DRIVE ASSEMBLY.....	1
19	824090GT	SCREW,HHF,3/8-16X1,8,ZAG.....	2			<i>Previous SWING DRIVE ASSEMBLY 139189 is no longer available, order complete assembly 1255768 for first time replacement; to SN S6015A-30527</i>	
20	824029GT	NUT,TL FLG,3/8-16,G,ZAG.....	4	--	111363GT	O-RING,DISCONNECT ROD (111060)	
21		FILTER ASY,M PRESS,SAE8,WOIND* (77139).....	1	--	139308GT	SWING MOTOR COMPLETE***	
		<i>component no longer available</i>		--	139309GT	CBV ASSEMBLY***	
--	60857GT	FILTER,ELEMENT,BETA(5)=1000		--	139310GT	BRAKE TUBING***	
		<i>for 77139</i>		--	139311GT	KIT,FRICITION DISC***	
21A	1267807GT	ASSY, MED. PRESS. FILTER, SAE8		--	139312GT	KIT,BRAKE SPRING***	
--	1268229GT	ELEMENT-5 MIC, PAPER, W/ BYPASS		--	139313GT	SEAL KIT,SWING BRAKE***	
		<i>for 1267807</i>		--	139314GT	KIT,SWING BRAKE REBUILD***	
22	60334GT	FILTER ASSY,HIGH PRESS SAE-12*.....	1	--	139315GT	O-RING,MOTOR/BRAKE***	
--	1279465GT	BACKUP		--	139323GT	VALVE,COUNTERBAL,CBCA-LIN***	
		RING,71.60X67.20X1.40PTFE(60334)					
--	1279466GT	O-RING,67.95X2.62-NBR-70SH(HF2P)(60334)					

310.1 Engine Side (to SN S6015A-30299)  
(continued)

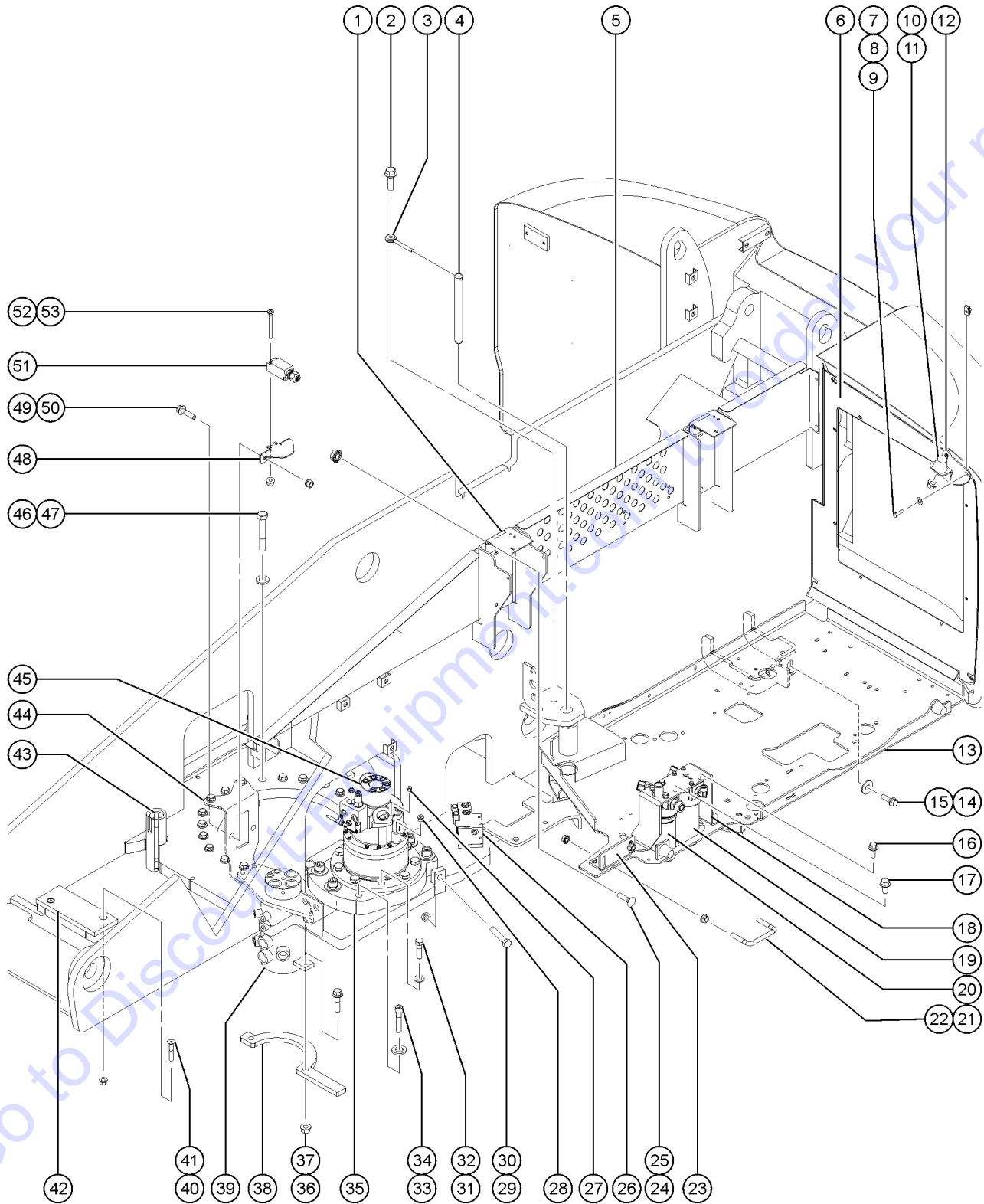
Item	Part No.	Description	Qty.
--	58304GT	SHAFT,OUTPUT	
--	75627GT	BEARING,1.25 X 1.5 X 2	
--	94620GT	SEAL KIT,SWING TORQ HUB***	
43B	1255768GT	SWING DRIVE ASSEMBLY.....1 <i>Previous SWING DRIVE ASSEMBLY 139189 is no longer available, order complete assembly 1255768 for first time replacement; from SN S6015A-30528</i>	
--		"KIT, FRICTION DISC "	
--	139308GT	SWING MOTOR COMPLETE***	
--	139309GT	CBV ASSEMBLY***	
--	139315GT	O-RING,MOTOR/BRAKE***	
--	139323GT	VALVE,COUNTERBAL,CBCA-LIN***	
--	58304GT	SHAFT,OUTPUT	
--	75627GT	BEARING,1.25 X 1.5 X 2	
--	94620GT	SEAL KIT,SWING TORQ HUB***	
44	1256170GT	SCREW,HHC,5/8-11X4,8,ZAG.....24	
45	1256182GT	WASHER,FLAT,5/8,F436,HRD,ZAG.....24	
46	77666PGT	FORMING,DRIVE ENABLE LIMIT SW....1	
47	824079GT	SCREW,HHF,1/4-20X1,8,ZAG.....2	
48	824027GT	NUT,TL FLG,1/4-20,G,ZAG.....2	
49	88356-13103GT	SWITCH,LIMIT,W/RLLR ARM,NO/NC.....1	
50	1256177GT	SCREW,PHPM,10-32X1.75,ZAG.....2	
51	824032GT	NUT,TL FLG,10-32,F,ZAG.....2	

***This Page Intentionally Left Blank***

Go to Discount-Equipment.com to order your parts



310.2 Engine Side (from SN S6015A-30300)



## 310.2 Engine Side (from SN S6015A-30300)

Item	Part No.	Description	Qty.	Item	Part No.	Description	Qty.
1	75073GT	HINGE,,375X.120THK.,SLOTTED.....	2	--	58380GT	FILTER INDICATOR-(60334)	
--	77778GT	PLATE,HINGE SUPPORT		--	60857GT	FILTER,ELEMENT,BETA(5)=1000	
2	824091GT	SCREW,HHF,3/8-16X1.25,8,ZAG.....	1	21	1259855GT	UBOLT, 0.4724 IN D X 4 IN L.....	1
3	825019GT	ROD END,,375X3.69,ZAG.....	1	22	1261724GT	NUT,SERRATED,1/2-13,8,ZAG.....	4
4	81724GT	PIN,1.25 X 13.25 IN,CHAMFER.....	1	23	1260174GT	FORMING, ENGINE TRAY LATCH.....	1
5	T106425GT	FORMING, BULKHEAD,RIGHT,S60/65.....	1	24	1256127GT	BOLT,CARRIAGE,1/4-20X1.5,ZAG.....	6
6A	106172PGT	BAFFLE,AIR INTAKE,PAINTED*** ..... <i>models with Deutz D2011L03i and Perkins 404D-22 engines</i>	1	25	1256679GT	NUT,SERRATED,1/4-20,8,ZAG.....	6
6B	110183PGT	BAFFLE,AIR INTAKE S60 PAINTED <i>models with Deutz TD2011L04i engines</i>		26		Ref: Brake and 2 Speed Manifold..... <i>(refer to 406.1)</i>	1
6C		REF: Engine Baffle, FORD MSG-425 <i>(refer to 504.1)</i>		27	39882GT	PLUG,HEX SOCKET,090109B-4.....	1
6D		REF: Engine Baffle, PERKINS 404D-22 <i>(refer to 505.1)</i>		28	109802GT	PLUG,ORB #6.....	1
6E		REF: Engine Baffle, PERKINS 404F-22 <i>(refer to 506.1)</i>		29	1256846GT	SCREW,HEX TAP,3/4-10X4,8,ZAG.....	1
6F		REF: Engine Baffle, DEUTZ D2.9 <i>(refer to 513.1)</i>		30	1256837GT	NUT,JAM,3/4-10,A, ZAG.....	1
7	6175GT	SCREW,HHC,3/8-16 X 1.....	2	31	1256168GT	SCREW,HHC,1/2-13X1.75,8,ZAG.....	9
8	6097GT	WASHER,FLAT,USS,3/8",Y.....	2	32	825353GT	WASHER,FLAT,1/2,SAE,HRD,ZAG.....	9
9	29868GT	SPRING CLIP,3/8-16,.05-.20X.73,ZAG.....	2	33	1257223GT	SCREW,SHC,3/4-10X3.75,A574,ZAG.....	6
10	30973GT	BUMPER,RUBBER-1 X 1.25.....	1	34	1256863GT	WASHER,FLAT,.75,SAE,HRD,ZAG.....	6
11	18503GT	NUT,LOCKING-LG.FLANGE,5/16-18.....	1	35	77671GT	PLATE,BACKLASH ADJUSTMENT MACH.....	1
12	161608GT	FORMING, BRKT, ENGINE COVER.....	1	36	1251997GT	NUT,TL FLG,1/2-13,G,ZAG.....	2
13	1253419GT	ASSY,ENGINE TRAY,W/BEARINGS.....	1	37	1256172GT	SCREW,HHF,1/2-13X 2,8,ZAG.....	2
--	35675GT	BEARING,FL,1.25IDX1.5ODX1.25L.....	2	38	77803GT	PLATE,SWIVEL ROTATION STOP.....	1
14	1256126GT	SCREW,HHF,5/8-11X2,8,ZAG.....	1	39	89571GT	SWIVEL,HYD 8 PORT***.....	1
15	824115GT	WASHER, FLAT, USS, 5/8, ZAG.....	1	--	94937GT	SEAL KIT,8-PORT SWIVEL	
16	1256855GT	SCREW,HHF,1/4-20X.625,8,ZAG.....	4	--	T106954GT	SEAL, O-RING LIP	
17	824089GT	SCREW,HHF,3/8-16X.75,8,ZAG.....	4	--	T106955GT	SEAL, POLY, CHAMFER	
18	161603GT	FORMING, FILTER BRKT.....	1	--	T106957GT	SEAL, CAP, NOTCHED	
19		FILTER ASY,M PRESS,SAE8,WOIND* (77139)..... <i>component no longer available</i>	1	--	T106961GT	SEAL, O-RING ENERGIZER	
19	824090GT	SCREW,HHF,3/8-16X1,8,ZAG.....	2	--	T106962GT	SEAL, CAP, NOTCHED	
--	60857GT	FILTER,ELEMENT,BETA(5)=1000 <i>for 77139</i>		40	1256842GT	SCREW,FHS,3/8-16X2.25,F835,ZAG.....	2
19A	1267807GT	ASSY, MED. PRESS. FILTER, SAE8		41	824029GT	NUT,TL FLG,3/8-16,G,ZAG.....	2
--	1268229GT	ELEMENT-5 MIC, PAPER, W/ BYPASS <i>for 1267807</i>		42	161607GT	WEAPAD, BOOM REST.....	1
20	60334GT	FILTER ASSY,HIGH PRESS SAE-12*.....	1	43	81834GT	WELDMENT,TRANSPORT LOCK.....	1
20	824029GT	NUT,TL FLG,3/8-16,G,ZAG.....	4	44	77665PGT	FORMING,HYD SWIVEL BRACKET.....	2
--	1279465GT	BACKUP RING,71.60X67.20X1.40PTFE(60334)		45A		Ref. SWING DRIVE ASSEMBLY..... <i>Previous SWING DRIVE ASSEMBLY 139189 is no longer available, order complete assembly 1255768 for first time replacement; to SN S6015A-30527</i>	1
--	1279466GT	O-RING,67.95X2.62-NBR-70SH(HF2P)(60334)		--	111363GT	O-RING,DISCONNECT ROD (111060)	
				--	139308GT	SWING MOTOR COMPLETE***	
				--	139309GT	CBV ASSEMBLY***	
				--	139310GT	BRAKE TUBING***	
				--	139311GT	KIT,FRICITION DISC***	
				--	139312GT	KIT,BRAKE SPRING***	

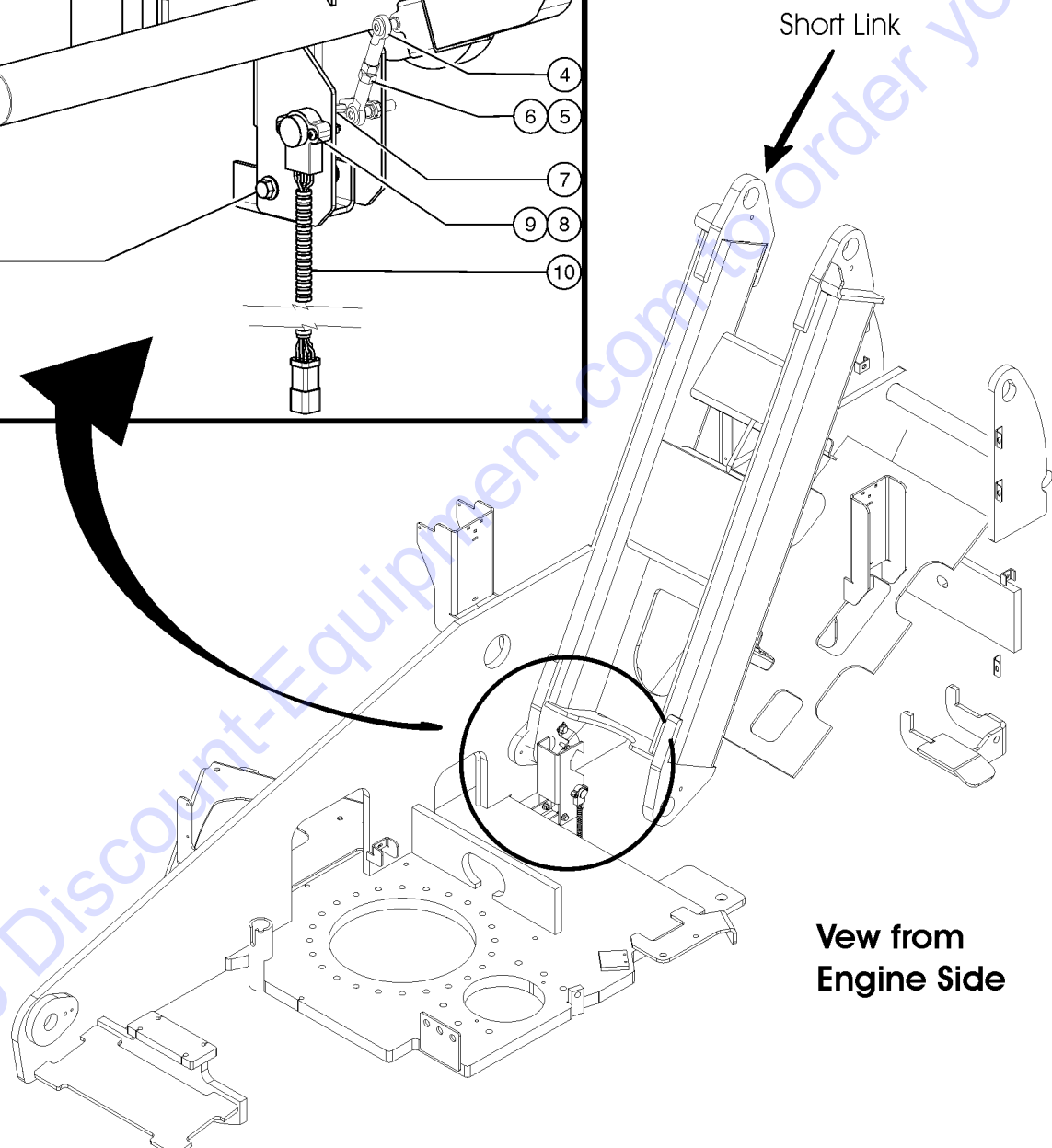
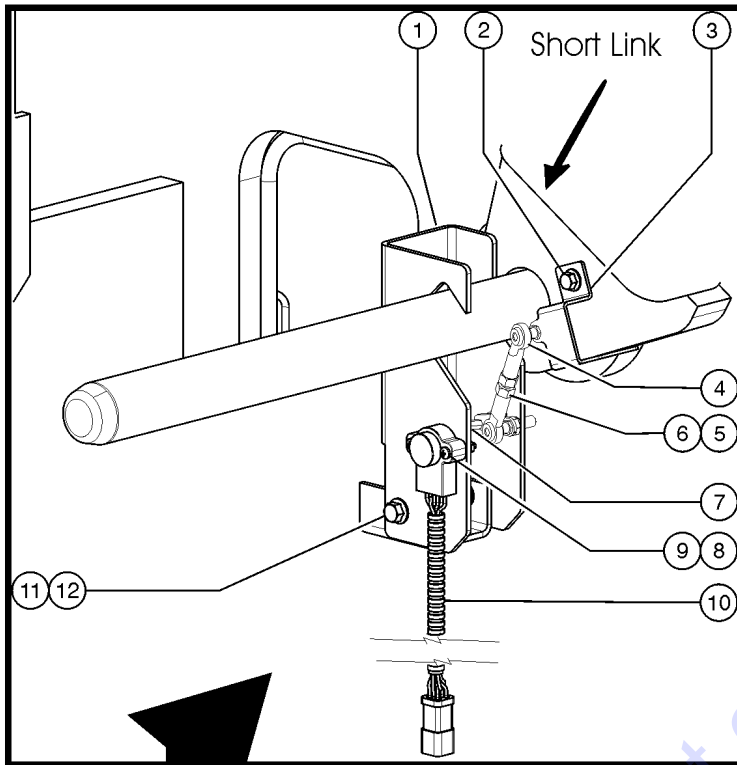
310.2 Engine Side (from SN S6015A-30300)  
(continued)

Item	Part No.	Description	Qty.
--	139313GT	SEAL KIT,SWING BRAKE***	
--	139314GT	KIT,SWING BRAKE REBUILD***	
--	139315GT	O-RING,MOTOR/BRAKE***	
--	139323GT	VALVE,COUNTERBAL,CBCA-LIN***	
--	58304GT	SHAFT,OUTPUT	
--	75627GT	BEARING,1.25 X 1.5 X 2	
--	94620GT	SEAL KIT,SWING TORQ HUB***	
45B	1255768GT	SWING DRIVE ASSEMBLY.....1 <i>Previous SWING DRIVE ASSEMBLY 139189 is no longer available, order complete assembly 1255768 for first time replacement; from SN S6015A-30528</i>	
--	1255769GT	SEAL KIT, SWING BRAKE	
--	1255770GT	KIT, FRICTION DISC	
--	1255771GT	KIT, BRAKE SPRING	
--	1255772GT	KIT, SWING BRAKE REBUILD	
--	1255773GT	BRAKE TUBING	
--	139308GT	SWING MOTOR COMPLETE***	
--	139309GT	CBV ASSEMBLY***	
--	139315GT	O-RING,MOTOR/BRAKE***	
--	139323GT	VALVE,COUNTERBAL,CBCA-LIN***	
--	58304GT	SHAFT,OUTPUT	
--	75627GT	BEARING,1.25 X 1.5 X 2	
--	94620GT	SEAL KIT,SWING TORQ HUB***	
46	1256170GT	SCREW,HHC,5/8-11X4,8,ZAG.....	24
47	1256182GT	WASHER,FLAT,5/8,F436,HRD,ZAG.....	24
48	77666PGT	FORMING,DRIVE ENABLE LIMIT SW....	1
49	824079GT	SCREW,HHF,1/4-20X1,8,ZAG.....	2
50	824027GT	NUT,TL FLG,1/4-20,G,ZAG.....	2
51	<del>88356</del> 13103GT	SWITCH,LIMIT,W/RLLR ARM,NO/NC.....	1
52	1256177GT	SCREW,PHPM,10-32X1.75,ZAG.....	2
53	824032GT	NUT,TL FLG,10-32,F,ZAG.....	2

***This Page Intentionally Left Blank***

Go to Discount-Equipment.com to order your parts

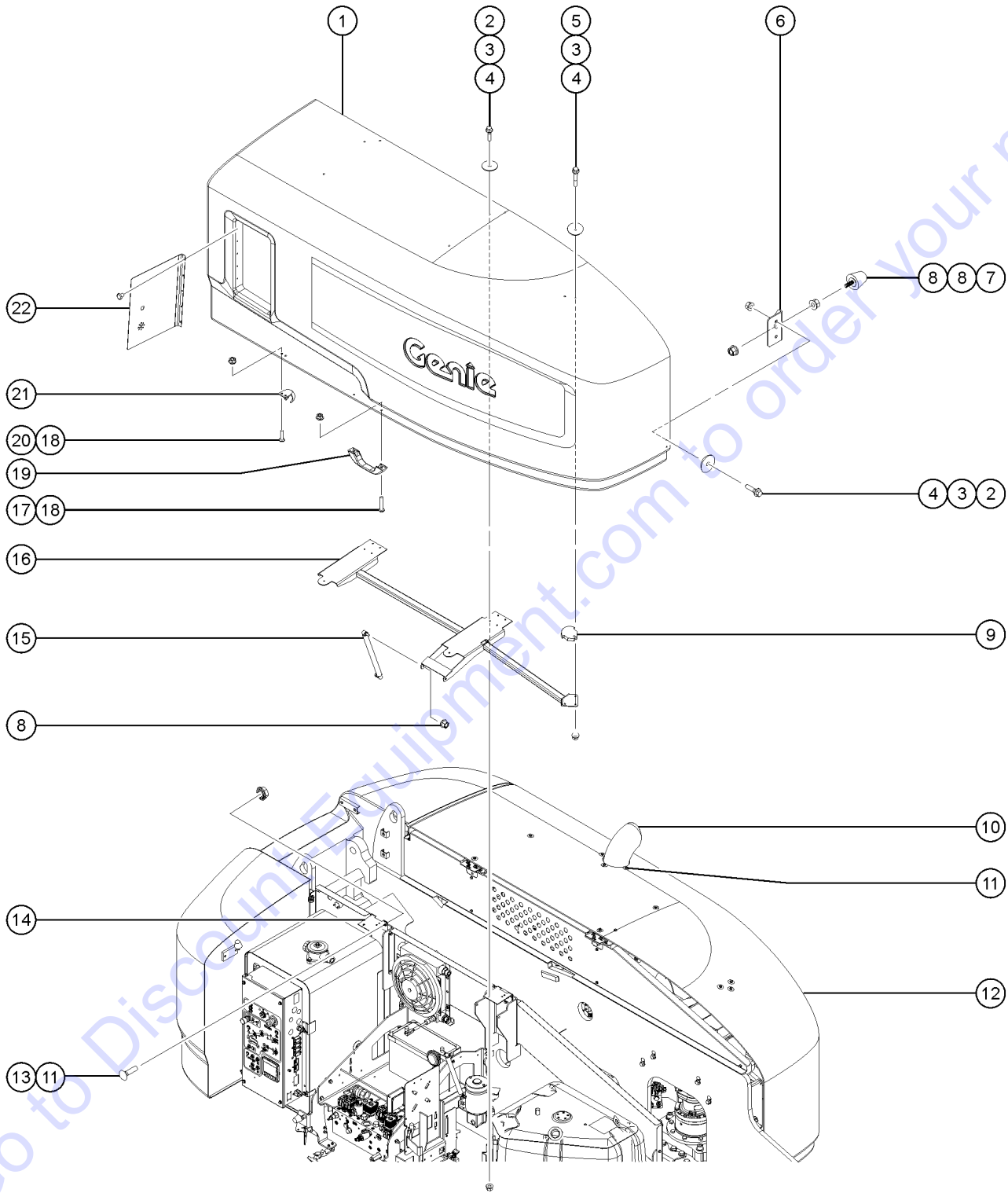
311.1 Engine Side - S-60 HC Turntable (to SN S6015A-29585)



## 311.1 Engine Side - S-60 HC Turntable (to SN S6015A-29585)

Item	Part No.	Description	Qty.
1	106883PGT	FORMING,SENSOR BRACKET(PTD)....1	
2	1253498GT	SCREW,HHF,1/2-13X1.5,8,ZAG.....1	
3	119044GT	FORMING,ANGLE LINKAGE BRACKET.....1	
4	110329GT	BALL JOINT, 3/8-24 FEMALE.....1 <i>qty (1)</i>	
--	110755GT	NUT,HEX,JAM,3/8-24	
--	5408GT	NUT,LP NYLOCK,3/8-24	
5	139440GT	BALL JOINT, 3/8-24 LEFT HAND.....1	
--	139441GT	NUT,HEX,JAM,3/8-24, LEFT HAND	
--	5408GT	NUT,LP NYLOCK,3/8-24	
6	139366GT	ADJ ROD, LH/RH, 3/8-24.....1	
7	106884GT	WELDMENT, ROTATOR ARM.....1	
8	825352GT	SCREW,PHPM,10-32X1.25,ZAG.....2	
9	824032GT	NUT,TL FLG,10-32,F,ZAG.....2	
10	94980GT	SENSOR,DUAL OUTPUT,ANGLE***.....1 <i>(calibration required after replacement)</i>	
--	119068GT	CONN,RECEP 6 WAY ENDCAP DT	
--	20973-1700GT	WIRE LOOM,3/8 POLY SLIT	
--	60445GT	LOCK,RECEP 6 WAY,14-18GA	
--	60455GT	TERM,GOLD PIN,18-16GA REEL	
11	824090GT	SCREW,HHF,3/8-16X1,8,ZAG.....2	
12	824029GT	NUT,TL FLG,3/8-16,G,ZAG.....2	

312.1 Turntable Covers (to SN S60-30299)

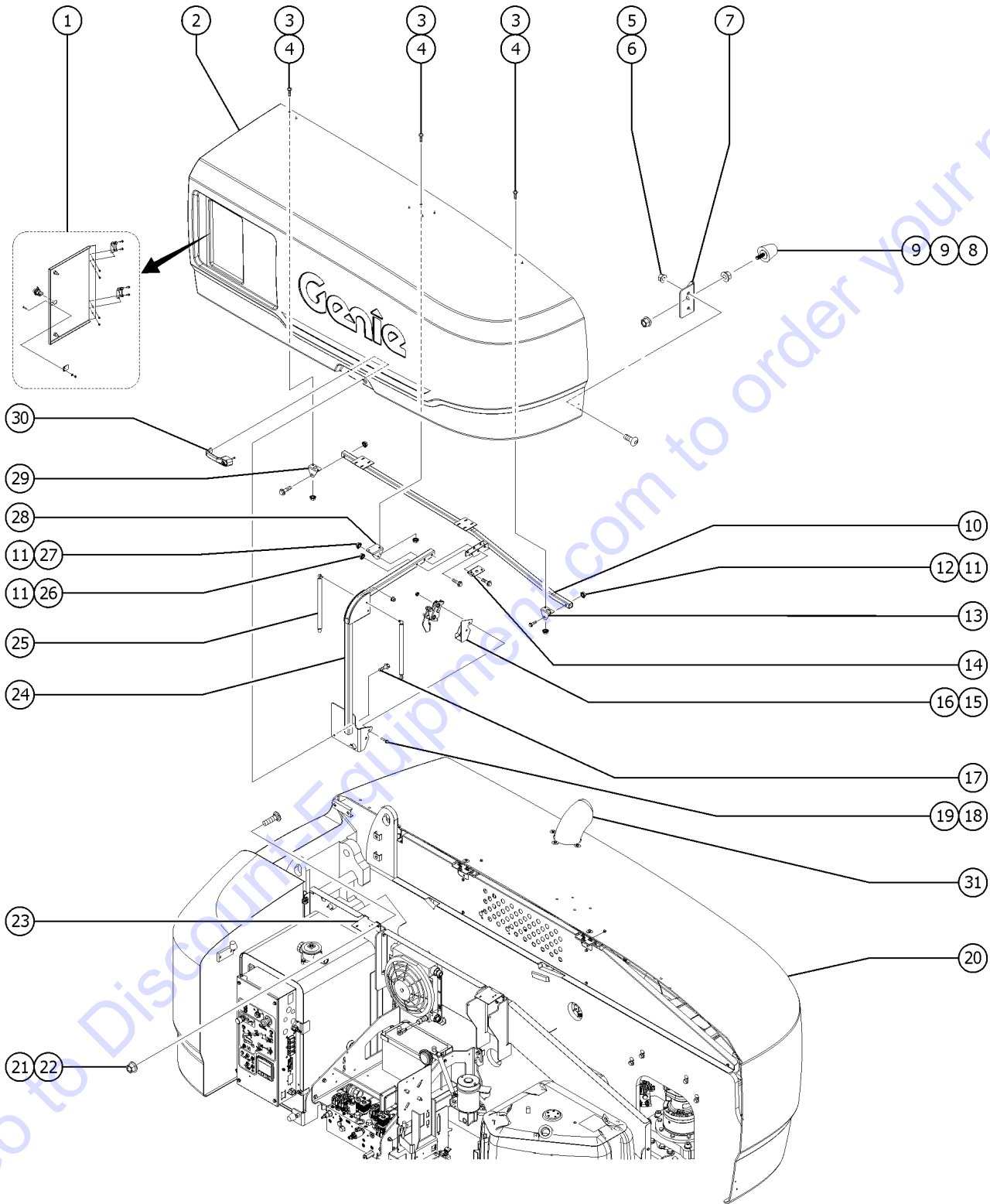


## 312.1 Turntable Covers (to SN S60-30299)

Item	Part No.	Description	Qty.
1	121358GT	COVER,LH,TANK SIDE.....1 "(decals not included, refer to section 100)"	1
2	824079GT	SCREW,HHF,1/4-20X1,8,ZAG.....16	16
3	824119GT	WASHER,FLAT,.25X1.25X.062,ZAG.....22	22
4	824027GT	NUT,TL FLG,1/4-20,G,ZAG.....22	22
5	824082GT	SCREW,HHF,1/4-20X1.75,8,ZAG.....6	6
6	88106GT	FORMING,COVER STOP***.....2	2
7	30973GT	BUMPER,RUBBER-1 X 1.25.....2	2
8	824028GT	NUT,TL FLG,5/16-18,G,ZAG.....8	8
9	1253415GT	SPACER, COVER SUPPORT, S60.....2	2
10	101964GT	WELDMENT,EXHAUST TUBE.....1	1
11	1256679GT	NUT,SERRATED,1/4-20,8,ZAG.....9	9
12	121359GT	COVER,RH,ENGINE SIDE.....1 "(decals not included, refer to section 100)"	1
13	1256127GT	BOLT,CARRIAGE,1/4-20X1.5,ZAG.....6	6
14	75073GT	HINGE,.375X.120THK.,SLOTTED.....2	2
--	77778GT	PLATE,HINGE SUPPORT	
15	28301GT	GAS STRUT,250 LBS FORCE***.....4	4
--	27377GT	RETAINER,GAS SPRING***	
--	33555GT	BALL STUD**	
16A	81874GT	WELDMENT,LEFT COVER SUPPORT...1	1
16B	81876GT	WELDMENT,RIGHT COVER SUPPORT.....1	1
17	826516GT	SCREW, PHPM, 10-32 X 1.0, ZAG.....4	4
18	824032GT	NUT,TL FLG,10-32,F,ZAG.....12	12
19	60884GT	HANDLE,GRAB.....2	2
20	824215GT	SCREW,PHPM,10-32X.75,ZAG.....8	8
21	75076GT	KEEPER,LATCH (45363).....4	4
22		Ref: Control Box Cover.....1 "hostile environment option (refer to 912.1)"	1



312.2 Turntable Covers (from SN S60-30300)



# PARTS FINDER

**Search Website  
by Part Number**



**Search Manual  
Library For Parts  
Manual & Lookup Part  
Numbers – Purchase  
or Request Quote**

**Search Manuals**

Enter your information to help us find the right parts manual for your machine.

\* Brand:

\* Model:

\* Serial:

\* Part Number:

SEARCH

**Can't Find Part or  
Manual? Request Help  
by Manufacturer,  
Model & Description**

**Parts Order Form**

Please fill in the following information to help us find the right part for your machine.

Manufacturer:	<input type="text"/>
Model:	<input type="text"/>
Description:	<input type="text"/>
Part Number:	<input type="text"/>
Quantity:	<input type="text"/>
Notes:	<input type="text"/>

Submit

Discount-Equipment.com is your online resource for quality parts & equipment.

Florida: **561-964-4949** Outside Florida TOLL FREE: **877-690-3101**

**Need parts?**

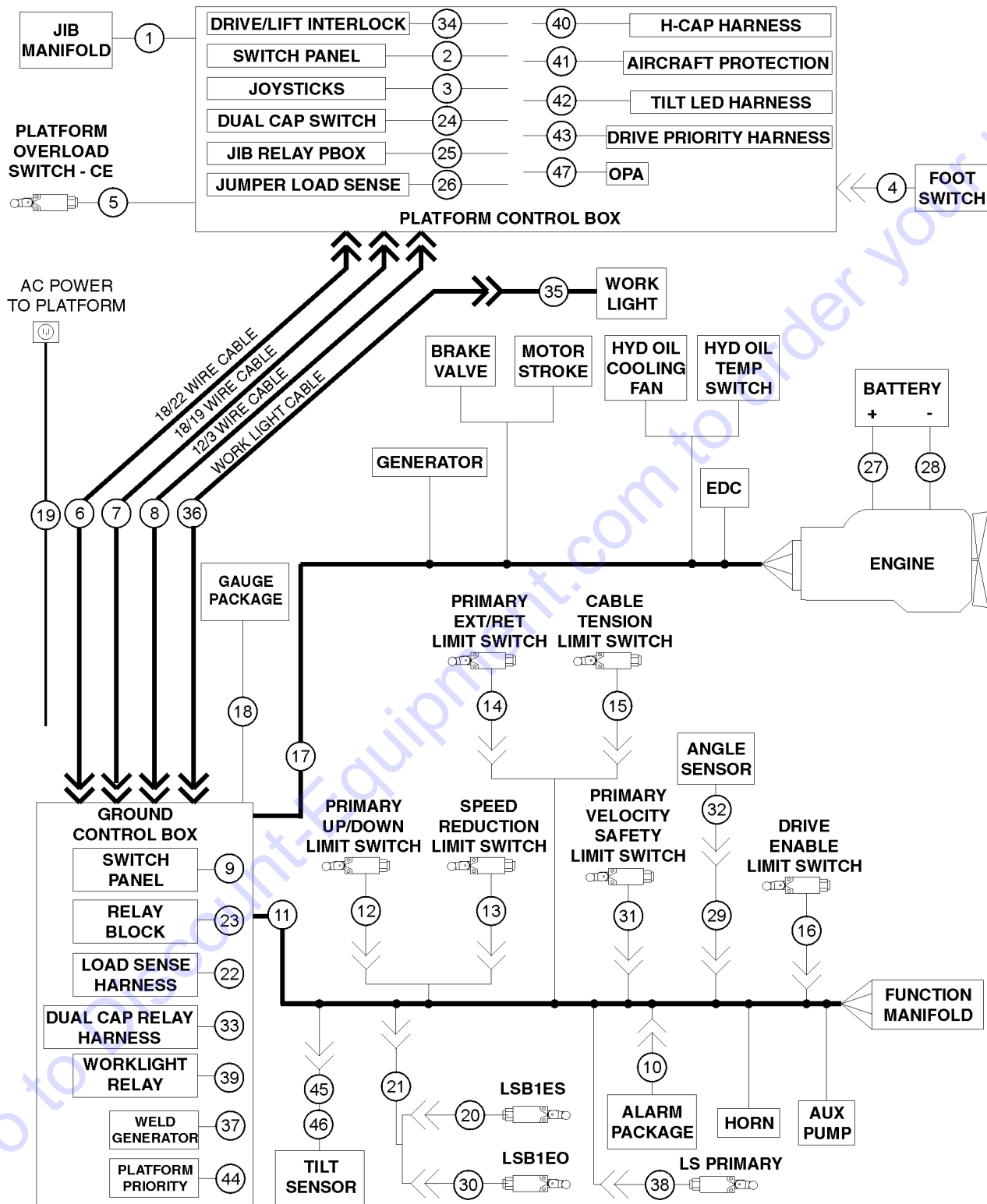
Click on this link: <http://www.discount-equipment.com/category/5443-parts/> and choose one of the options to help get the right parts and equipment you are looking for. Please have the machine model and serial number available in order to help us get you the correct parts. If you don't find the part on the website or on one of the online manuals, please fill out the request form and one of our experienced staff members will get back to you with a quote for the right part that your machine needs.

We sell worldwide for the brands: Genie, Terex, JLG, MultiQuip, Mikasa, Essick, Whiteman, Mayco, Toro Stone, Diamond Products, Generac Magnum, Airman, Haulotte, Barreto, Power Blanket, Nifty Lift, Atlas Copco, Chicago Pneumatic, Allmand, Miller Curber, Skyjack, Lull, Skytrak, Tsurumi, Husquvarna Target, Stow, Wacker, Sakai, Mi-T-M, Sullair, Basic, Dynapac, MBW, Weber, Bartell, Bennar Newman, Haulotte, Ditch Runner, Menegotti, Morrison, Contec, Buddy, Crown, Edco, Wyco, Bomag, Laymor, EZ Trench, Bil-Jax, F.S. Curtis, Gehl Pavers, Heli, Honda, ICS/PowerGrit, IHI, Partner, Imer, Clipper, MMD, Koshin, Rice, CH&E, General Equipment, Amida, Coleman, NAC, Gradall, Square Shooter, Kent, Stanley, Tamco, Toku, Hatz, Kohler, Robin, Wisconsin, Northrock, Oztec, Toker TK, Rol-Air, APT, Wylie, Ingersoll Rand / Doosan, Innovatech, Con X, Ammann, Mecalac, Makinex, Smith Surface Prep, Small Line, Wanco, Yanmar

## 312.2 Turntable Covers (from SN S60-30300)

Item	Part No.	Description	Qty.	Item	Part No.	Description	Qty.
1		Ref. COVER, GROUND CONTROLS, HOSTILE ENVIRONMENT <i>(refer to 912.1)</i>		25A	28301GT	GAS STRUT,250 LBS FORCE***.....4	4
				--	72256GT	GAS STRUT,CONNECTOR (28301)	
2	1253270GT	ASSY, TS SWING CHASSIS COVER <i>complete (decals not included, refer to section 100)</i>		25B	33555GT	BALL STUD**	
--	1253265GT	COVER, SWING CHASSIS, TS.....1 <i>(decals not included, refer to section 100)</i>	1	25C	27377GT	RETAINER,GAS SPRING***	
3	1261836GT	SCREW, THM, TORX, 3/8-16X1,SS.....16	16	26	1256693GT	SCREW,HHF,3/8-16X2.25,8,ZAG.....4	4
4	1257628GT	NUT,SERRATED,3/8-16,8,ZAG.....16	16	27	1256856GT	SCREW,HHF,3/8-16X2.5,8,ZAG.....2	2
5	231513GT	NUT,TL FLG,M6-1.0,DIN6927,10,ZAB....4	4	28	1253831GT	MOUNT, COVER SUPPORT CTR 93DEG.....2	2
6	1261837GT	SCREW, THM, TORX, M6X25, ZAB.....4	4	29	1258723GT	MOUNT, COVER SUPPORT FRONT.....2	2
7	1254625GT	BRACKET, BUMPER.....2	2	30	1256054GT	HANDLE,YELLOW LOCKING,CODE 455.....2 <i>key not included</i>	2
8	1261277GT	BUMPER, RUBBER, 1.25 X 1.25 IN.....2	2	--	37947GT	KEYS,10 PACK*** <i>sold separately</i>	
9	1255805GT	NUT,SERRATED,5/16-18,8,ZAG.....4	4	--	83093GT	KEY SINGLE*** <i>sold separately</i>	
10A	1256767GT	WLDMT, TS UPPER COVER SUPPORT.....1 <i>tank side</i>	1	31	101964GT	WELDMENT,EXHAUST TUBE.....1	1
10B	1256771GT	WLDMT, ES UPPER COVER SUPPORT.....1 <i>engine side</i>	1				
11	824029GT	NUT,TL FLG,3/8-16,G,ZAG.....10	10				
12	1253478GT	SCREW,HHF,3/8-16X2,8,ZAG.....4	4				
13	1258722GT	MOUNT, COVER SUPPORT REAR.....2	2				
14	1253830GT	MOUNT, COVER SUPPORT CTR 86DEG.....2	2				
15A	1261244GT	FORMING,LATCH GUARD,TS <i>tank side</i>					
15B	1261245GT	FORMING,LATCH GUARD,ES <i>engine side</i>					
16	215254GT	LATCH,ROTARY,ENGINE COVER					
17	231532GT	SCREW,HHF,M6-1.0X20,DIN6921,10.9,ZAB.4	4				
18	1255763GT	SCREW,HHF,5/16-18X1.5,8,ZAG					
19	824028GT	NUT,TL FLG,5/16-18,G,ZAG					
20	1253271GT	ASSY, ES SWING CHASSIS COVER.....1 <i>complete (decals not included, refer to section 100)</i>	1				
--	1253264GT	COVER, SWING CHASSIS, ES.....1 <i>(decals not included, refer to section 100)</i>	1				
21	1256679GT	NUT,SERRATED,1/4-20,8,ZAG.....12	12				
22	1256127GT	BOLT,CARRIAGE,1/4-20X1.5,ZAG.....12	12				
23A	75073GT	HINGE, .375X.120THK.,SLOTTED.....4	4				
23B	1258724GT	SUPPORT, TAPPED HINGE.....4	4				
24A	1255986GT	WLDMT, TS LOWER COVER SUPPORT.....1 <i>tank side</i>	1				
24B	1255987GT	WLDMT, ES LOWER COVER SUPPORT.....1 <i>engine side</i>	1				

313.1 Wire Harness Diagram



## 313.1 Wire Harness Diagram

Item	Part No.	Description	Qty.	Item	Part No.	Description	Qty.
A	58253GT	KIT,REPAIR,DEUTSCH PLUG,W/TUBE <i>small kit</i>		5	121848GT	ASSY,LS,LOAD SENSE,38.5 IN.....	1
B	83129GT	KIT,REPAIR,DEUTSH CONNECTORS** <i>large kit</i>		6A	139738GT	HARNESS, 18/22, CABLE NJ.....	1
C	61794GT	CRIMPER,DEUTSCH,LIGHT DUTY*** <i>tool</i>		--	119063GT	CONN PLUG 12 WAY ENDCAP DT GR	
D	101191GT	WIRE LOOM,1"DIA.SLIT,HI TEMP		--	119064GT	CONN PLUG 12 WAY ENDCAP DT BR	
E	49219GT	SLEEVE,NYLON,2.19 ID,BULK.....48-inches <i>near platform; 48 inches required</i>		6B	139737GT	HARNESS, 18/22, CABLE JIB.....	1
F	110390GT	HARNESS,BOOM CABLE HIGH CAP. S-60HC, to SN S6015A-29585		--	119063GT	CONN PLUG 12 WAY ENDCAP DT GR	
G	110803GT	HARNESS PROGRAM CAN PLUS1 S-60HC, to SN S6015A-29585		--	119064GT	CONN PLUG 12 WAY ENDCAP DT BR	
H	110987GT	SOFTWARE,S60HC,TCON,+1 S-60HC, to SN S6015A-29585		7A	823918GT	HARNESS,18/22,CABLE2 NJ.....	1
J	110988GT	SOFTWARE,S60HC,SCON,+1 S-60HC, to SN S6015A-29585		--	119061GT	CONN PLUG 12 WAY ENDCAP DT GY	
K	119607GT	SOFTWARE,S60HC,DIAGNOSTIC,+1 S-60HC, to SN S6015A-29585		--	119062GT	CONN PLUG 12 WAY ENDCAP DT BK	
L	1264822GT	KIT, TRC RETROFIT, STNDRD <i>Telematics (includes 1264834)</i>		7B	823917GT	HARNESS,18/22,CABLE2 JIB.....	1
--	1264834GT	INSTRN, TRC RETROFIT, STNDRD		--	119061GT	CONN PLUG 12 WAY ENDCAP DT GY	
1	101080GT	HARNESS,JIB SELECT MANIFOLD.....	1	--	119062GT	CONN PLUG 12 WAY ENDCAP DT BK	
1	7056GT	CONN,SQUEEZE,1/2NPT .38-.50,SM		8A	139734GT	HARNESS, 12/3 12V TO PLAT NJ.....	1
--	7056GT	CONN,SQUEEZE,1/2NPT .38-.50,SM		8B	139733GT	HARNESS, 12/3 12V TO PLAT JIB.....	1
2A	147642GT	HARNESS,PBOX,S60/65.....	1	9A	147652GT	HARNESS,GBOX WIRING.....	1
--	73736GT	CONN,RECEP 48 WAY,4 X 12.....	1			<i>models with Deutz D2011L03i, Deutz TD2011104i, Perkins 404D-22 and Ford MSG-425 EFI, to SN S6015A-29306</i>	
--	81545GT	CONN,MOLEX 20 WAY.....	1	9B	1261294GT	HARNESS ASSY,GBOX.....	1
2B	1260105GT	HARNESS ASSY,PBOX,SNGL CAP.....	1			<i>models with Deutz D2011L03i, Deutz TD2011104i, Perkins 404D-22 and Ford MSG-425 EFI, from SN S6015A-29307</i>	
--	119058GT	CONN PLUG 4 WAY ENDCAP DT.....	1	9C	824993GT	HARNESS,GBOX,T4,S60/65.....	1
--	119061GT	CONN PLUG 12 WAY ENDCAP DT GY.....	1			<i>models with Deutz D2.9L4 and Perkins 404F-22, to SN S6015A-29306</i>	
--	147621GT	CONN,MOLEX 10 WAY.....	1	9D	1255456GT	HARNESS,GBOX,T4,S60/65.....	1
--	229152GT	CONN,MOLEX 12 WAY.....	1			<i>models with Deutz D2.9L4 and Perkins 404F-22, from SN S6015A-29307</i>	
3	147643GT	HARN,PBOX,JOYSTICK,S60/65.....	1	10	128005GT	HARNESS,BEACON OPTION.....	1
--	81546GT	CONN,MOLEX 16 WAY		11	147650GT	HARN,FUNCT MANIFOLD,S60/65.....	1
--	99343GT	CONNECTOR,PLUG 6 WAY 18-20 GA		--	73751GT	CONN,PLUG 40 WAY,DRC SERIES	
--	99344GT	LOCK,PLUG 6 WAY 18-20GA <i>use with 99344</i>		12	139832GT	HARNESS, LS, OP, PRI ANGLE.....	1
4		Ref: Foot Switch Assembly <i>(refer to 701.1)</i>		13	139835GT	HARNESS, LS, OP, PRI, VELOCITY.....	1
				14	139836GT	HARNESS, LS, OP, PRIMARY.....	1
				15	139833GT	HARNESS, LS, OP, CABLE TENSION....	1
				16	139834GT	HARNESS,LS,DRIVE ENABLE.....	1
				17A	88810GT	HARNESS,DEUTZ ENGINE.....	1
						<i>Deutz D2011L03i engine</i>	
				17B	122053GT	HARNESS,S60 TURBO DEUTZ SPEC...1	
						<i>Deutz TD2011L04i engine</i>	
				17C	822048GT	HARNESS, S60 DEUTZ D2.9 <i>Deutz D2.9L4 engine</i>	



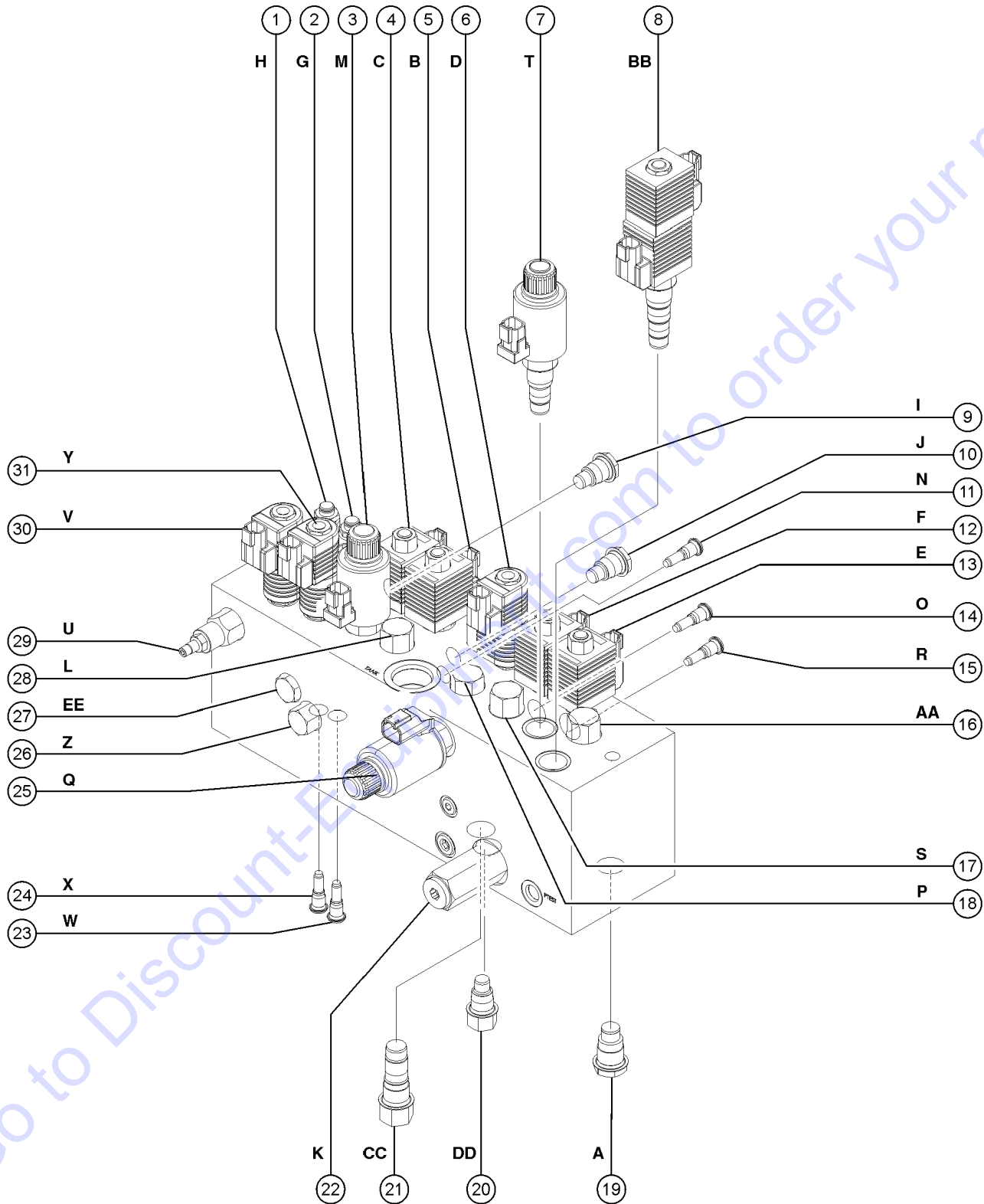
313.1 Wire Harness Diagram  
(continued)

Item	Part No.	Description	Qty.	Item	Part No.	Description	Qty.
17D	110268GT	HARNES PERKINS ENGINE S60 ALT.....1 <i>Perkins 404D-22 engine</i>	1	23AA	1255457GT	HARN,GBOX & RELAY WIRES,DIESEL.....1 <i>models with Deutz D2011L03i, Deutz TD2011104i and Perkins 404D-22, from SN S6015A-29307</i>	1
17E	823146GT	HARNES, S60 PERKINS 404F <i>Perkins 404F-22 engine</i>		23BB	1255460GT	HARN, GBOX AND RELAY WIRES, FO.....1 <i>models with Ford MSG-425 EFI, from SN S6015A-29307</i>	1
17F	822513GT	HARN,PERKINS 404F,6WAY EXT <i>Jumper for Perkins 404F-22 engine</i>		23CC	1255459GT	HARNES ASSY,RELAY 404F.....1 <i>models with Perkins 404F-22, from SN S6015A-29307</i>	1
17G	119777GT	HARNES,FORD DSG423,S60.....1 <i>Ford engine</i>	1	23DD	1255458GT	HARNES ASSY,RELAY D2.9.....1 <i>models with Deutz D2.9L4, from SN S6015A-29307</i>	1
17H	119483GT	FUEL JUMPER HARNES <i>Ford engine</i>		24	T108886GT	HARN,PBOX,DUAL CAP.....1	1
17J	147428GT	HARNES, FORD STARTER.....1 <i>Ford engine</i>	1	--	147621GT	CONN,MOLEX 10 WAY	
18A	107552GT	HARNES,GAUGE OPT.,S60 DEUTZ....1 <i>Deutz models</i>	1	25A	147657GT	HARNES,JIB,PBOX,S65.....1 <i>to SN S6015A-29585</i>	1
18B	T108415GT	HARNES,ENGINE GAUGE.....1 <i>Perkins models</i>	1	25A	43181GT	CAPACITOR,TIME DELAY	
18C	1259105GT	HARNES, FULL GAUGE OPT, FORD <i>Ford engine</i>		25B	1261295GT	HARNES ASSY,PCON,JIB <i>from SN S6015A-29586</i>	
19A	139732GT	HARNES, AC POWER TO PLAT NJ.....1 S-60	1	26A	147031GT	HARNES, LOAD SENSE.....1 <i>to SN S6015A-29585</i>	1
--	228322GT	ASSY,CABLE,12.5KW WELDER.....936-inches <i>(S-60 Welder option)</i>	936	26B	1261296GT	HARNES ASSY,PCON,LOAD SENSE <i>from SN S6015A-29586</i>	1
19B	139731GT	HARNES, AC POWER TO PLAT JIB.....1 S-65	1	27A	88801GT	BATTERY CABLE,POSITIVE,RED.....1 <i>models with Deutz D2011L03i, Deutz TD2011104i, Perkins 404D-22 and Ford MSG-425 EFI</i>	1
--	228323GT	ASSY,CABLE,12.5KW WELDER.....1008-inches <i>(S-65 Welder option)</i>	1008	27B	824849GT	BATTERY CABLE,POSITIVE,RED,T4 <i>models with Deutz D2.9L4 and Perkins 404F-22</i>	1
20	T108321GT	HARN,LS SAFETY,PRI.DUAL CAP.....1	1	28	88802GT	BATTERY CABLE,NEGATIVE,BLACK.....1	1
21	147654GT	HARN,LS CABLE,S60 DUAL CAP.....1 S-60X, S-60XC and S-60 TraX	1	29	T106600GT	HARN,ANGLE,SNSR.CONN. CABLE.....1	1
22A	139741GT	HARNES, LOAD SENSE, GBOX.....1	1	30	T108322GT	HARN, LS OP PRI.DUAL CAP.....1	1
--	119061GT	CONN PLUG 12 WAY ENDCAP DT GY		31	T106741GT	HARN,LS,SAFETY,PRI,VELOCITY.....1	1
--	60432GT	CONN,PLUG 8 WAY,14-18GA		32	94980GT	SENSOR,DUAL OUTPUT,ANGLE***.....1	1
22B	147255GT	HARNES, JUMPER, LOAD SENSE.....1 <i>not shown</i>	1	33A	T107130GT	HARNES,GBOX,DUAL CAP RELAY.....1 <i>models with Deutz D2011L03i, Deutz TD2011104i, Deutz D2.9L4, Perkins 404D-22 and Ford MSG-425 EFI</i>	1
23A	147646GT	HARN,GBOX & RELAY WIRES,DIESEL.....1 <i>models with Deutz D2011L03i, Deutz TD2011104i and Perkins 404D-22, to SN S6015A-29306</i>	1	33B	824996GT	HARNES ASSY,RELAY DC T4 PERK.....1 <i>models with Perkins 404F-22</i>	1
23B	147647GT	HARN, GBOX & RELAY WIRES, FORD.....1 <i>models with Ford MSG-425 EFI, to SN S6015A-29306</i>	1	34	T108416GT	HARNES,DRIVE/LIFT INTERLOCK.....1	1
23C	824994GT	HARNES ASSY,RELAY 404F,S60/65....1 <i>models with Perkins 404F-22, to SN S6015A-29306</i>	1	35	T114627GT	HARNES,12V WORK LIGHTS.....1	1
23D	824995GT	HARNES ASSY,RELAY D2.9,S60/65....1 <i>models with Deutz D2.9L4, to SN S6015A-29306</i>	1	36A	T114625GT	CABLE,S60 12VDC WORK LIGHT.....1 S-60	1
				36B	T114626GT	CABLE,S65 12VDC WORK LIGHT.....1 S-65	1
				37	147396GT	HARNES,GENERATOR POWER.....1	1

313.1 Wire Harness Diagram  
(continued)

Item	Part No.	Description	Qty.
38	T106741GT	HARN,LS,SAFETY,PRI,VELOCITY.....1	
39	T114624GT	HARN,12V WORK LIGHT RELAY.....1	
40	T112792GT	HARNESS,PBOX HI-CAP OPTION.....1 <i>models with high capacity</i>	
41A	228448GT	HARNESS,PROX.KILL.....1 <i>to SN S6015A-29585</i>	
41B	1261292GT	HARNESS ASSY,PCON,PROX KILL.....1 <i>from SN S6015A-29586</i>	
42	1261297GT	HARNESS ASSY,PCON,TILT LED.....1 <i>from SN S6015A-29586</i>	
43	1261293GT	HARNESS ASSY,PCON,DRIVE PRTY....1 <i>from SN S6015A-29586</i>	
44	1261298GT	HARNESS ASSY,GCON,PLAT PRTY <i>from SN S6015A-29586</i>	
45A	1260218GT	HARNESS,TILT ALARM,12V.....1 <i>to SN S6015A-29356; CSA only</i>	
45B	1264947GT	KIT, LEVEL SENSOR, 6 PIN CONN.....1 <i>to SN S6015A-29356; for ANSI/CSA models with 6-pin wire harness connector, includes instructions</i>	
--	1285689GT	INSTRUCTIONS,INSTALL (LEVEL SENSOR ALARM) <i>for kit 1285811</i>	
46	1261844GT	HARNESS, TILT, 12V, CSA PROD.....1 <i>from SN S6015A-29357; ANSI/CSA only</i>	
--	1285689GT	INSTRUCTIONS,INSTALL (LEVEL SENSOR ALARM) <i>for kit 1285811</i>	
--	1285811GT	KIT,TILT ALARM,IC MODELS <i>from SN 29357</i>	
--	1285811GT	KIT,TILT ALARM,IC MODELS <i>from SN 29357</i>	
47A	1255555GT	HARN,PBOX,OPA,HW,12V.....1	
47B	1255030GT	PLUG,BLANKING.....1	

401.1 Function Manifold





## 401.1 Function Manifold

Item	Part No.	Description	Qty.	Item	Part No.	Description	Qty.
--	161141GT	MANIFOLD,FUNCTION		--	74902GT	SEAL KIT	
--	94499GT	ACCUMULATOR,10CC,1000PSI,#6SAE (not shown)		11	27807GT	VALVE,CHECK***.....1 Differential sensing circuit, boom extend/retract	
1	62256GT	VALVE,CB 3:1 3500 PSI.....1 Platform level down		--	110200GT	SEAL KIT, VALVE, #4	
--	110202GT	SEAL KIT, VALVE, #10		12	89309GT	VALVE - SOLENOID 2POSITION 3WA...1 Boom down	
2	62256GT	VALVE,CB 3:1 3500 PSI.....1 Platform level up		--	45912GT	NUT,SOLENOID VALVE 2P3W	
--	110202GT	SEAL KIT, VALVE, #10		--	62275GT	COIL,10V	
3	107753GT	VALVE,PROPORTIONAL.....1 Boom extend/retract		--	89310GT	SEAL KIT, SOLENOID VALVE	
--	45921GT	RETAINER-N.C.PROPOR.SOLENOID		13	89309GT	VALVE - SOLENOID 2POSITION 3WA...1 Boom up/down circuit	
--	58303GT	COIL,VALVE,PROPORTIONAL***		--	45912GT	NUT,SOLENOID VALVE 2P3W	
--	89310GT	SEAL KIT, SOLENOID VALVE		--	62275GT	COIL,10V	
4	89309GT	VALVE - SOLENOID 2POSITION 3WA...1 Boom retract		--	89310GT	SEAL KIT, SOLENOID VALVE	
--	45912GT	NUT,SOLENOID VALVE 2P3W		14	27807GT	VALVE,CHECK***.....1 Differential sensing circuit, turntable rotate	
--	62275GT	COIL,10V		--	110200GT	SEAL KIT, VALVE, #4	
--	89310GT	SEAL KIT, SOLENOID VALVE		15	27807GT	VALVE,CHECK***.....1 Differential sensing circuit, boom up/down	
5	89309GT	VALVE - SOLENOID 2POSITION 3WA...1 Boom extend		--	110200GT	SEAL KIT, VALVE, #4	
--	45912GT	NUT,SOLENOID VALVE 2P3W		16	111705GT	VALVE,FLOW REGULATOR 3.5 GPM**.....1 Steer left/right circuit	
--	62275GT	COIL,10V		--	110202GT	SEAL KIT, VALVE, #10	
--	89310GT	SEAL KIT, SOLENOID VALVE		17	94599GT	VALVE,DIFFERENTIAL SENSING,110...1 Boom up/down circuit	
6	89307GT	VALVE,SOLENOID 3POS 4WAY*.....1 Turntable rotate		--	110197GT	SEAL KIT, VALVE, #10	
--	52943GT	NUT,SOLENOID VALVE COIL		18	27802GT	VALVE,DIFFERENTIAL SENSING***.....1 Turntable rotate circuit	
--	62273GT	COIL,GREEN W/ 2 PIN CONNECTOR*		--	110197GT	SEAL KIT, VALVE, #10	
--	72047GT	SEAL KIT, SOLENOID VALVE		19	27836GT	VALVE,CHECK,5 PSI.....1 Blocks flow from auxiliary pump to function pump	
--	89311GT	SPACER, DUAL COIL SIZE #8		--	110194GT	SEAL KIT, VALVE, #10	
7	107753GT	VALVE,PROPORTIONAL Boom up/down circuit		20	32975GT	VALVE,FLOW REGULATOR 0.1 GPM.....1 Bleeds off differential sensing valves to tank	
--	45921GT	RETAINER-N.C.PROPOR.SOLENOID		--	74902GT	SEAL KIT	
--	58303GT	COIL,VALVE,PROPORTIONAL***		21	27804GT	VALVE,DIFFERENTIAL SENSING***.....1 Differential sensing circuit, meters flow to functions	
--	89310GT	SEAL KIT, SOLENOID VALVE		--	110201GT	SEAL KIT, VALVE, #10	
8	62260GT	VALVE,SOLENOID 3 POS,4WAY***.....1 Steer left/right		22	45489GT	VALVE,RELIEF 3000 PSI***.....1 System relief	
--	110196GT	SEAL KIT, VALVE, #10		--	110194GT	SEAL KIT, VALVE, #10	
--	52943GT	NUT,SOLENOID VALVE COIL		23	27807GT	VALVE,CHECK***.....1 Differential sensing circuit, platform level up	
--	89861GT	COIL, 10V DC (D10, 20 WATT)		--	110200GT	SEAL KIT, VALVE, #4	
9	62257GT	VALVE,CHECK, 30 PSI.....1 Differential sensing circuit, platform rotate left and jib boom up (S-65, S-65 Trax)					
--	74902GT	SEAL KIT					
10	62257GT	VALVE,CHECK, 30 PSI.....1 Differential sensing circuit, platform rotate right and jib boom down (S-65, S-65 Trax)					

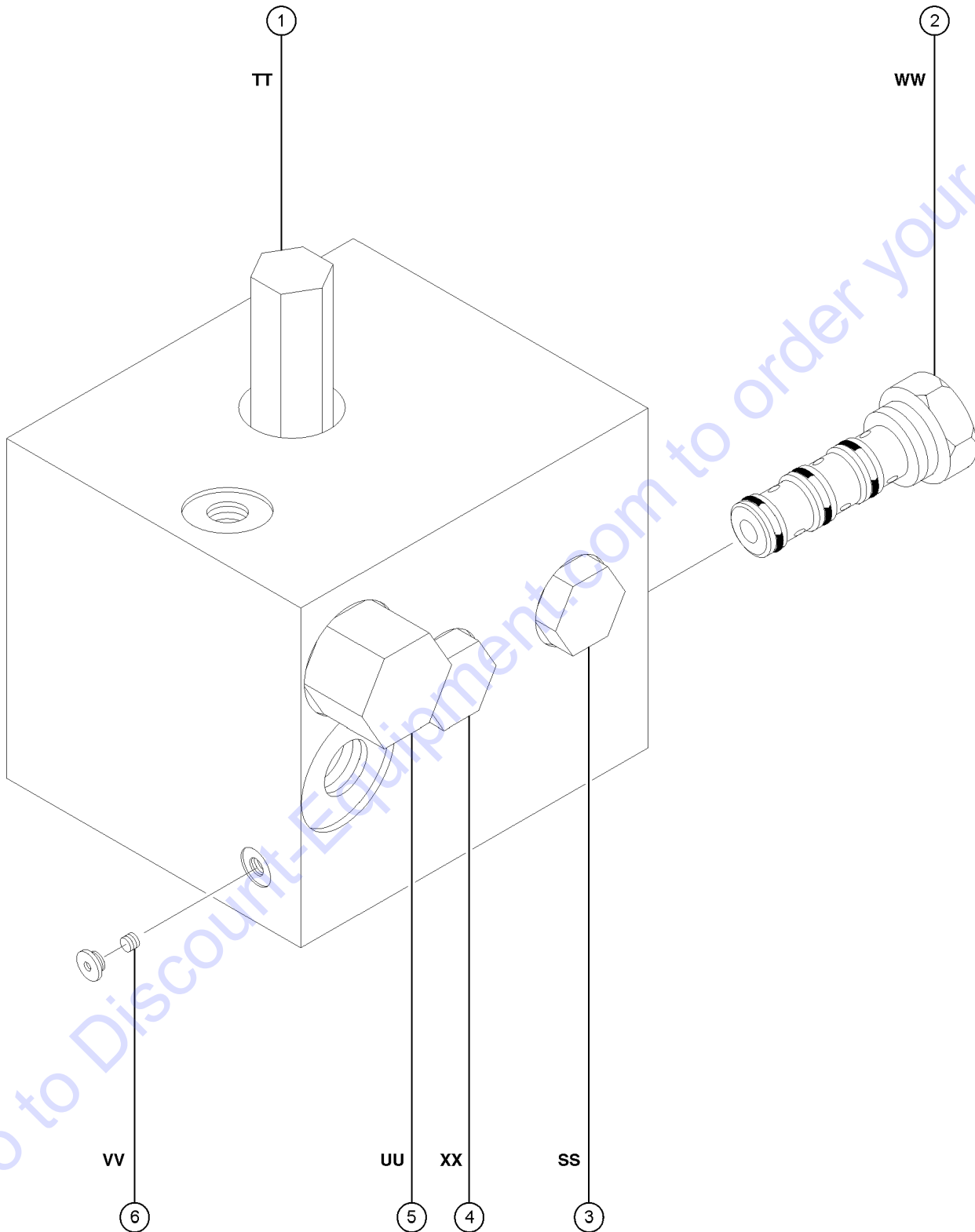
### 401.1 Function Manifold (continued)

Item	Part No.	Description	Qty.
24	27807GT	VALVE,CHECK*** .....1 <i>Differential sensing circuit, platform level down</i>	
--	110200GT	SEAL KIT, VALVE, #4	
25	102528GT	VALVE,PROPORTIONAL.....1 <i>Turntable rotate left/right</i>	
--	89312GT	SEAL KIT, SOLENOID VALVE	
--	89737GT	COIL,PROPORTIONAL VALVE***	
--	89738GT	NUT, PROPORTIONAL VALVE	
26	31100GT	VALVE,FLOW REGULATOR 0.6GPM....1 <i>Platform rotate and jib boom (S-65, S-65 TraX)</i>	
--	74902GT	SEAL KIT	
27	62257GT	VALVE,CHECK, 30 PSI.....1 <i>Platform rotate and jib boom circuit (S-65, S-65 TraX) (prevents hydraulic hoses from draining back to tank)</i>	
--	74902GT	SEAL KIT	
28	94599GT	VALVE,DIFFERENTIAL SENSING,110...1 <i>Boom extend/retract circuit</i>	
--	110197GT	SEAL KIT, VALVE, #10	
29	62258GT	VALVE,NEEDLE*** .....1 <i>Platform level circuit</i>	
--	110194GT	SEAL KIT, VALVE, #10	
30	89307GT	VALVE,SOLENOID 3POS 4WAY* .....1 <i>Platform level up/down</i>	
--	52943GT	NUT,SOLENOID VALVE COIL	
--	62273GT	COIL,GREEN W/ 2 PIN CONNECTOR*	
--	72047GT	SEAL KIT, SOLENOID VALVE	
--	89311GT	SPACER, DUAL COIL SIZE #8	
31	89307GT	VALVE,SOLENOID 3POS 4WAY* .....1 <i>Platform rotate and jib boom up/down (S-65, S-65 TraX)</i>	
--	52943GT	NUT,SOLENOID VALVE COIL	
--	62273GT	COIL,GREEN W/ 2 PIN CONNECTOR*	
--	72047GT	SEAL KIT, SOLENOID VALVE	
--	89311GT	SPACER, DUAL COIL SIZE #8	

*This Page Intentionally Left Blank*

Go to [Discount-Equipment.com](http://Discount-Equipment.com) to order your parts

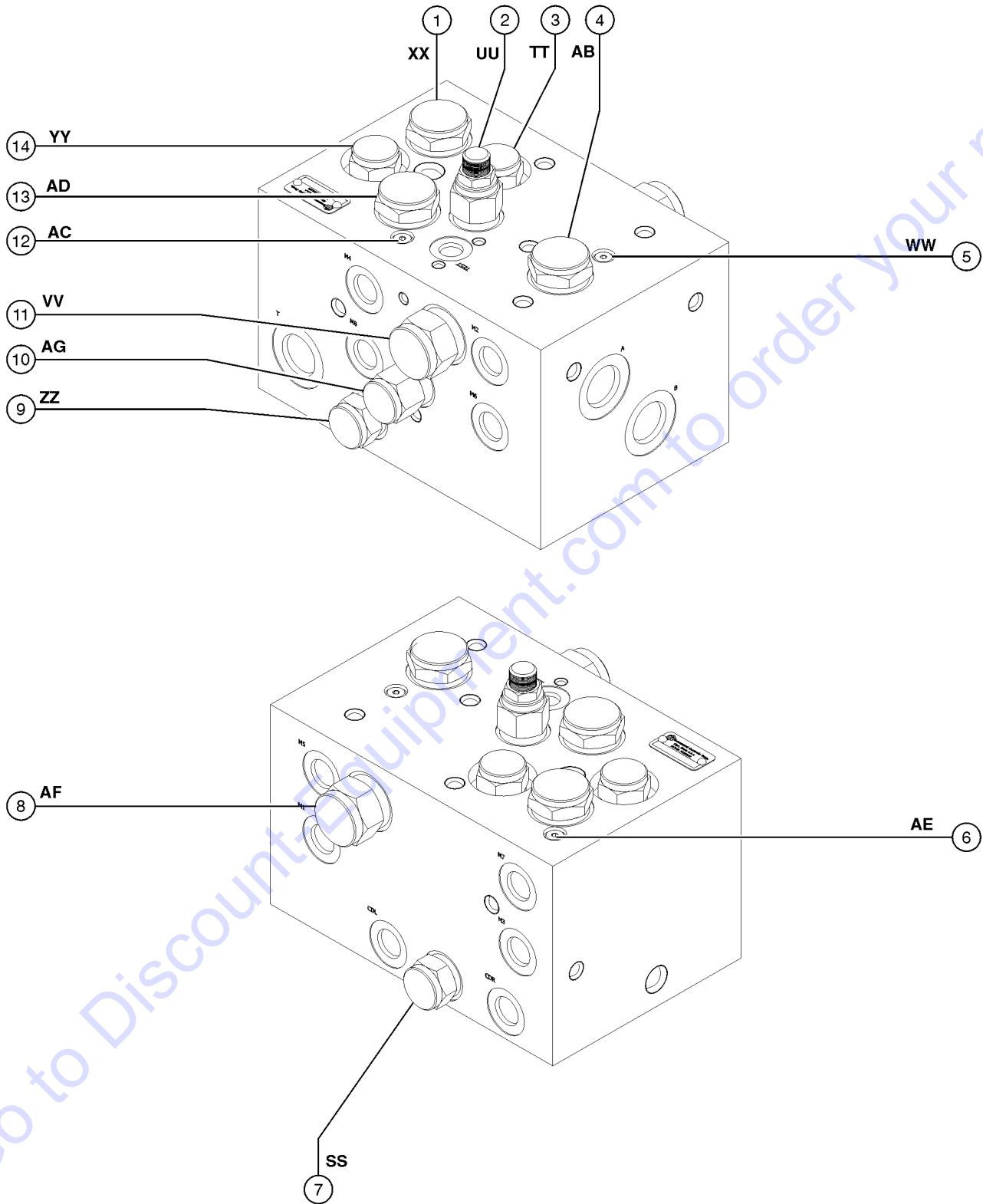
402.1 Traction Manifold, 2WD



## 402.1 Traction Manifold, 2WD

Item	Part No.	Description	Qty.
--	88783GT	MANIFOLD, TRACTION, 2WD	
1	94758GT	VALVE, RELIEF, 280 PSI.....1 <i>Charge Pressure circuit</i>	
--	110194GT	SEAL KIT, VALVE, #10	
2	52726GT	VALVE, FLOW DIVIDER/COMBINER.....1 <i>Controls flow to drive motors in forward and reverse</i>	
--	84135GT	SEAL KIT, VALVE	
3	27836GT	VALVE, CHECK, 5 PSI.....1 <i>Drive circuit</i>	
--	110194GT	SEAL KIT, VALVE, #10	
4	27836GT	VALVE, CHECK, 5 PSI.....1 <i>Drive circuit</i>	
--	110194GT	SEAL KIT, VALVE, #10	
5	27761GT	VALVE, SHUTTLE.....1 <i>Charge Pressure circuit that directs hot oil out of low pressure side of drive pump</i>	
--	84134GT	SEAL KIT, VALVE	
6	101440GT	ORIFICE PLUG, 0.070".....1 <i>Drive motor circuit</i>	

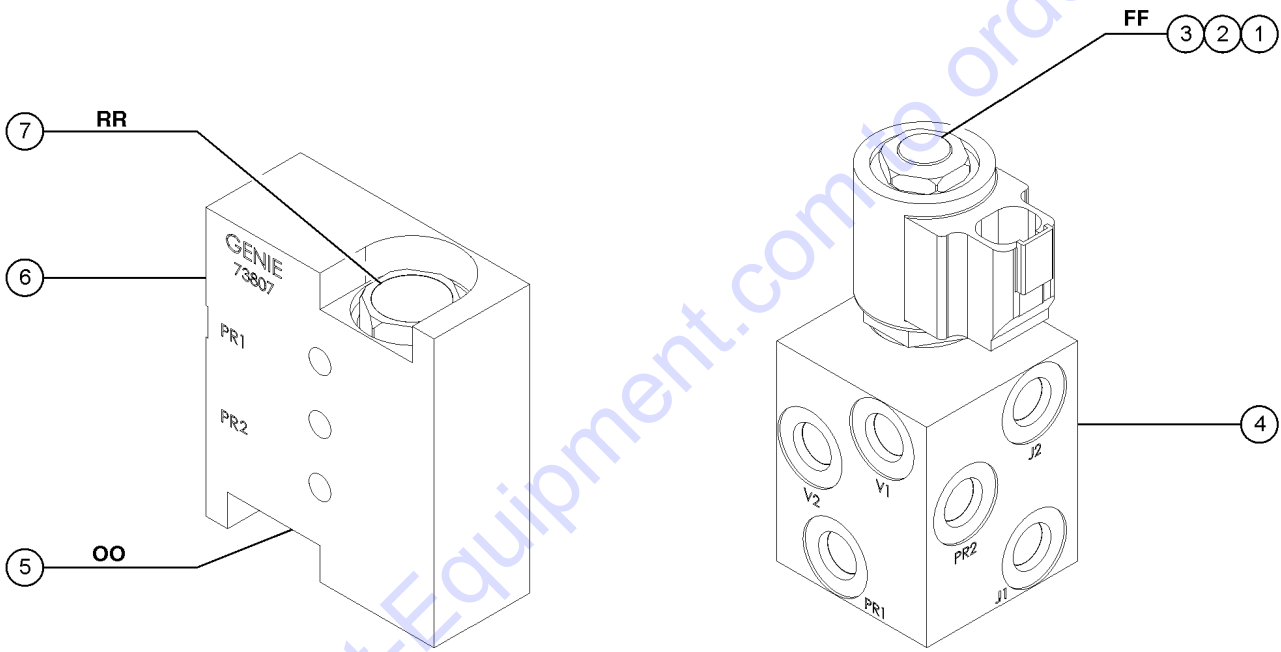
403.1 Traction Manifold, 4WD



## 403.1 Traction Manifold, 4WD

Item	Part No.	Description	Qty.
--	139712GT	MANIFOLD,TRACTION,4WD***	
1	139717GT	VALVE, FLOW DIVIDE/COMB,24GPM...1 <i>(controls flow to non-steer end drive motors in forward and reverse)</i>	
--	139512GT	SEAL KIT, VALVE	
2	139718GT	VALVE, RELIEF, 280PSI.....1 <i>(charge pressure circuit)</i>	
--	139528GT	SEAL KIT, VALVE	
3	139527GT	VALVE, CHECK, 5PSI.....1 <i>(steer end drive motor circuit)</i>	
4	139508GT	VALVE, FLOW DIVIDE/COMBINE 1:1.....1 <i>(controls flow to flow divider/combiner valves 1 and 13)</i>	
5	139719GT	ORIFICE, 0.040".....1 <i>(equalizes pressure on both sides of flow divider/combiner valve )</i>	
--	1287434GT	PLUG,SAE #03 (139712)	
6	139719GT	ORIFICE, 0.040".....1 <i>(equalizes pressure on both sides of flow divider/combiner valve )</i>	
--	1287434GT	PLUG,SAE #03 (139712)	
7	139527GT	VALVE, CHECK, 5PSI.....1 <i>(non-steer end drive motor circuit)</i>	
8	139716GT	VALVE, CHECK.....1 <i>(non-steer end drive motor circuit)</i>	
--	139727GT	SEAL KIT, VALVE	
9	139527GT	VALVE, CHECK, 5PSI.....1 <i>(steer end drive motor circuit)</i>	
10	139715GT	VALVE, SHUTTLE, FIXED.....1 <i>(steer end drive motor circuit)</i>	
--	139512GT	SEAL KIT, VALVE	
11	139716GT	VALVE, CHECK.....1 <i>(charge pressure circuit that directs hot oil out of low pressure side of drive pump)</i>	
12	139719GT	ORIFICE, 0.040".....1 <i>(equalizes pressure on both sides of flow divider/combiner valve )</i>	
--	1287434GT	PLUG,SAE #03 (139712)	
13	139717GT	VALVE, FLOW DIVIDE/COMB,24GPM...1 <i>(controls flow to steer end drive motors in forward and reverse)</i>	
--	139512GT	SEAL KIT, VALVE	
14	139527GT	VALVE, CHECK, 5PSI.....1 <i>(non-steer end drive motor circuit)</i>	

404.1 Platform Rotate and Jib Boom/Platform Rotate Manifold



Platform Rotate Manifold

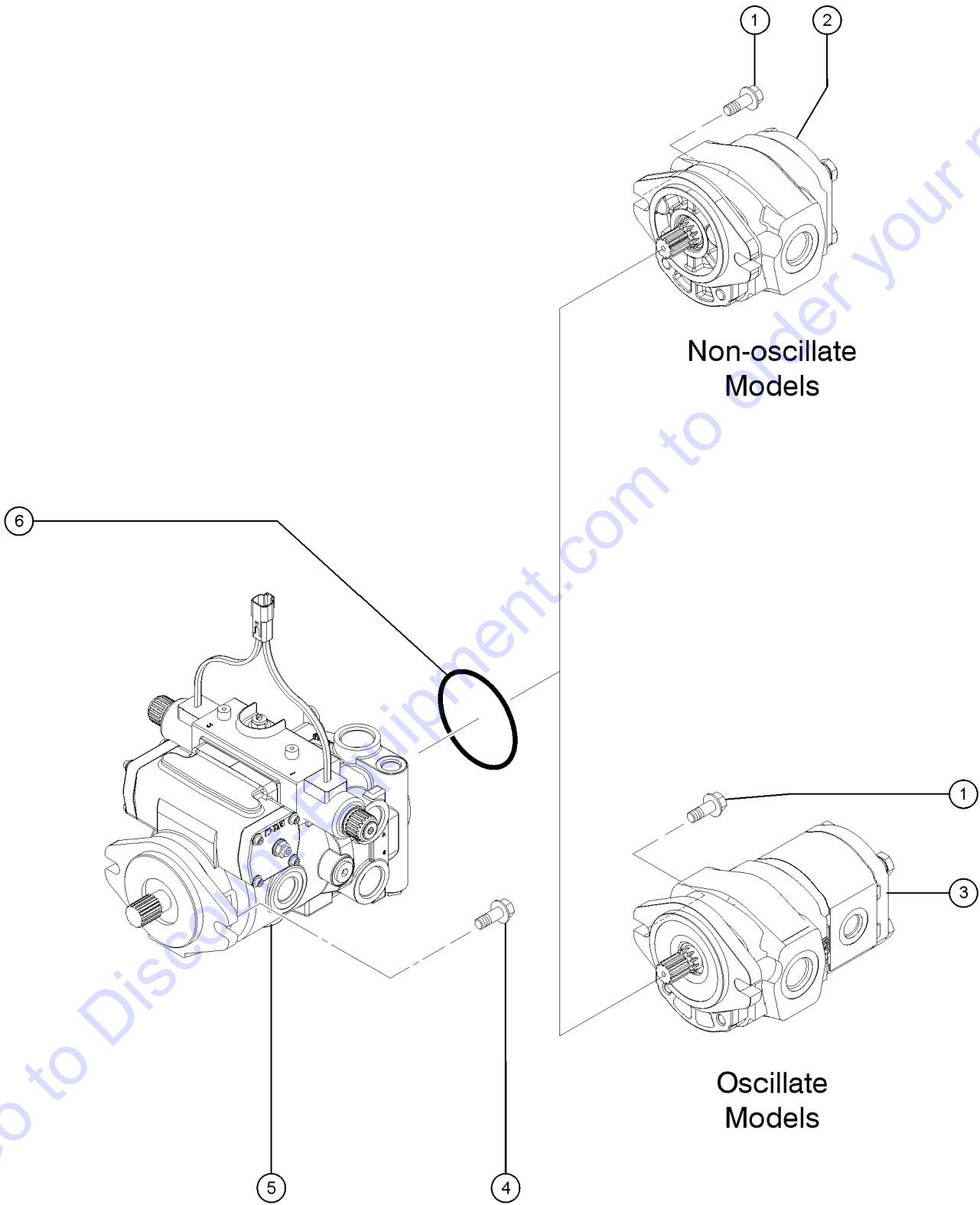
Jib Select Manifold



## 404.1 Platform Rotate and Jib Boom/Platform Rotate Manifold

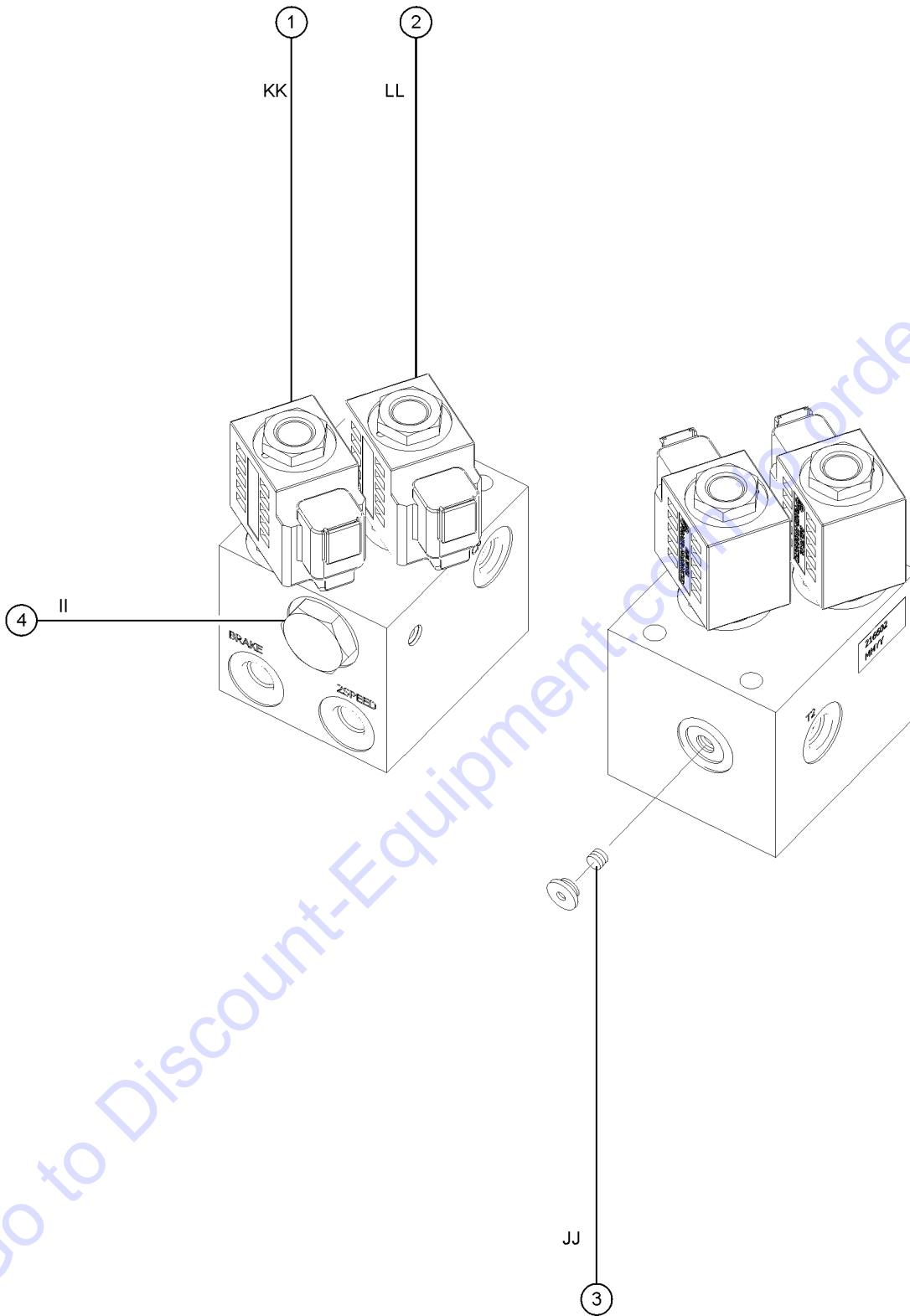
Item	Part No.	Description	Qty.
1	44174GT	NUT-COIL SHORT.....	1
2	52897GT	VALVE,SOLENOID, 2POS/3WAY***.....	1
--	52371GT	SEAL KIT, VALVE.....	1
3	104759GT	COIL,12VDC #8 DTSCH IP69 ECOIL.....	1
4A	1256670GT	MANIFOLD,JIB SELECT W/QD PLUG.... <i>includes items 1-3</i>	1
4B		MANIFOLD,JIB SELECT W/QD PLUG* (88786)..... <i>replaced by 1256670</i>	1
--	89862GT	VALVE-SOLENOID,2POS 3WAY,JIB** ..... <i>Platform rotate/Jib boom select</i>	1
--	89864GT	SEAL KIT,SOLENOID VALVE, SV07	
5	62506GT	VALVE - COUNTERBALANCE**..... <i>Platform rotate left</i>	1
--	43018GT	SEAL KIT (39345)	
6	73807GT	MANIFOLD,ROTATOR,CB***.....	1
--	62507GT	O-RING, ROTATOR MANIFOLD	
7	62506GT	VALVE - COUNTERBALANCE**..... <i>Platform rotate right</i>	1
--	43018GT	SEAL KIT (39345)	

405.1 Pumps



Item	Part No.	Description	Qty.
1	824090GT	SCREW,HHF,3/8-16X1,8,ZAG	
2	139799GT	PUMP,LIFT,1 SECTION.....1 <i>non-oscillate models</i>	
--	147550GT	KIT, SEAL, PUMP, 1 SECTION	
3	139801GT	PUMP,LIFT,2 SECTION***.....1 <i>oscillate models</i>	
--	147549GT	KIT, SEAL, PUMP, 2 SECTION	
4	1253498GT	SCREW,HHF,1/2-13X1.5,8,ZAG	
5	77788GT	PUMP,PISTON,49CC***.....1	
--	101294GT	KIT,CHARGE PUMP	
--	106835GT	CONTROLLER W/O COILS (77788) <i>(first time replacement requires 1285505GT)</i>	
--	106836GT	O-RING,STEM,EATON	
--	106837GT	NUT,STEM,EATON***	
--	107813GT	SPACER,EATON PUMP SHAFT SEAL** <i>check pump date code, for pumps after 031505</i>	
--	107814GT	SEAL,SHAFT,EATON PUMP***	
--	107815GT	SNAP RING,PUMP SHAFT SEAL***	
--	107842GT	KIT,PUMP SHAFT SEAL W/INST*** <i>includes PNs 107813, 107814, 107815</i>	
--	128423GT	KIT,CHARGE PUMP HOUSING	
--	1285505GT	KIT,SOLENOID CONTROL SERVICE	
--	1285506GT	SEAL RING,SOLENOID CONTROL <i>(for 1285505GT)</i>	
--	43683GT	O-RING,2-042 N674-70***	
--	58431GT	SEAL KIT,PUMP SHAFT (EATON)*** <i>check pump date code, if after 031505, must also order 107813 qty 1</i>	
--	82431GT	HOSE ASM-JCAF310-06-41	
6	43683GT	O-RING,2-042 N674-70***.....1	

406.1 Brake and 2 Speed Manifold

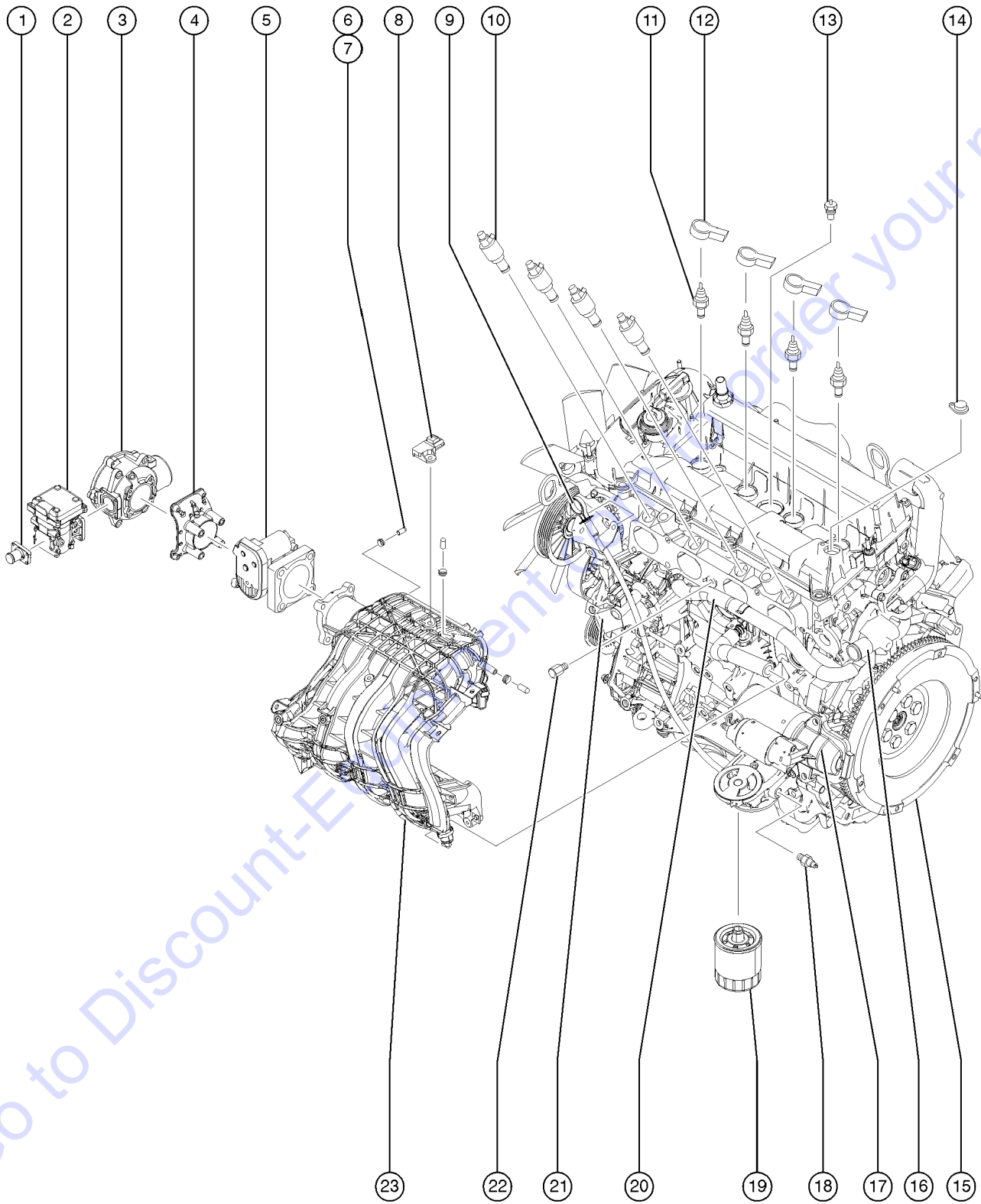


Go to Discount-Equipment.com to order your parts

## 406.1 Brake and 2 Speed Manifold

Item	Part No.	Description	Qty.
--	216602GT	MANIFOLD,BRAKE,2-SPEED.....	1
1	219243GT	COIL, SOLENOID VALVE, 10V..... <i>Brake Release</i>	1
--	161144GT	SEAL KIT,SOLENOID VALVE 219247	
--	219247GT	VALVE, SOLENOID	
--	94759GT	NUT,SOLENOID	
2	219243GT	COIL, SOLENOID VALVE, 10V..... <i>Two Speed Motor Shift</i>	1
--	161144GT	SEAL KIT,SOLENOID VALVE 219247	
--	219247GT	VALVE, SOLENOID	
--	94759GT	NUT,SOLENOID	
3	219245GT	ORIFICE PLUG .025 DIA..... <i>Turntable Rotation Brake Release</i>	1
4	35726GT	VALVE,HYDRAULIC CHECK..... <i>Brake Release Circuit</i>	1
--	161145GT	SEAL KIT,CHECK VALVE 219246	

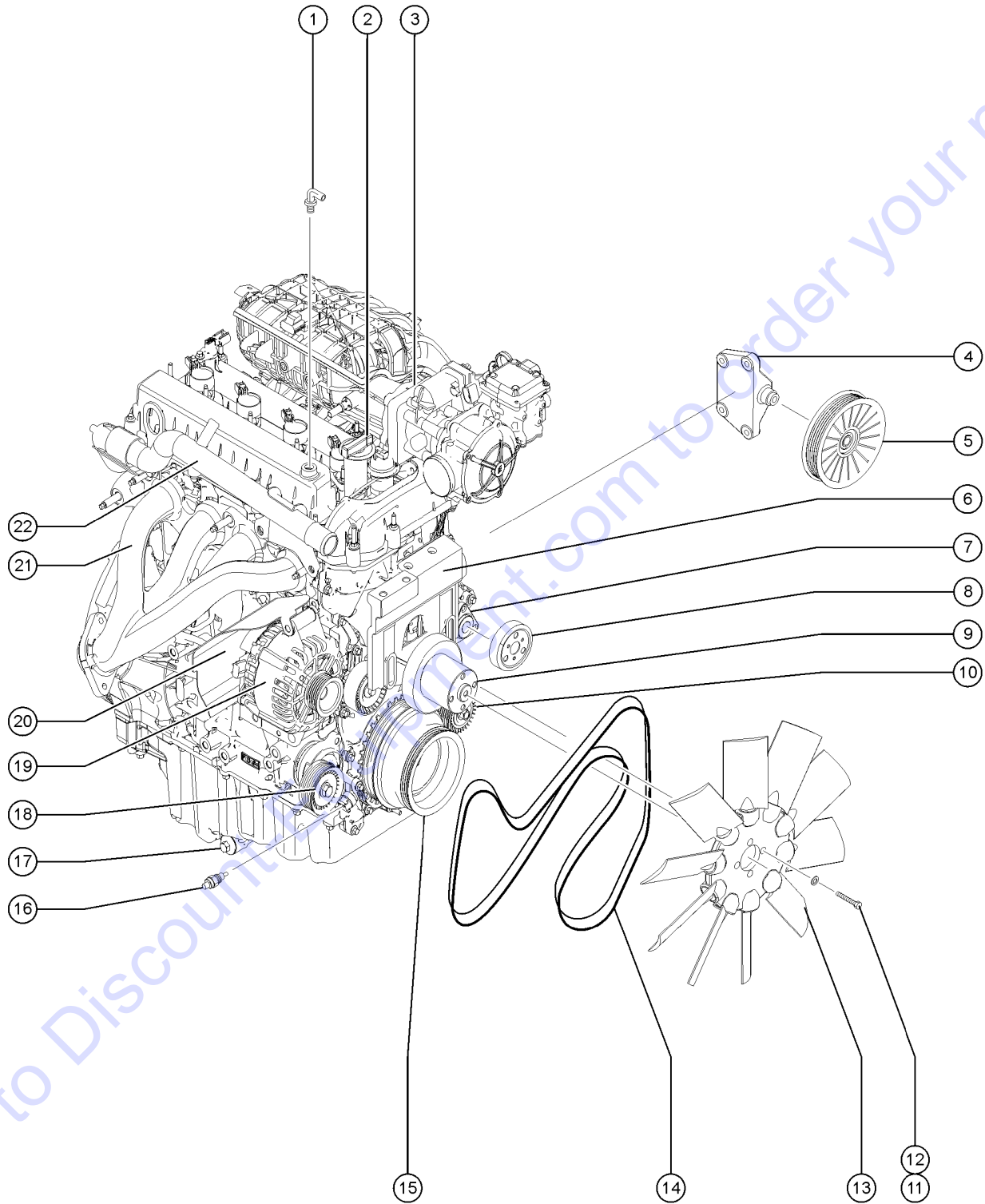
501.1 Ford MSG-425 EFI, View 1



## 501.1 Ford MSG-425 EFI, View 1

Item	Part No.	Description	Qty.	Item	Part No.	Description	Qty.
--		<i>For internal engine parts, contact engine dealer</i>		19A	1277968GT	SEPERATOR ASSY,OIL,FORD MSG.....1	1
--	1253609GT	ENGINE KIT, FORD MSG425 LPS <i>LPS only</i>		20	215302GT	HOSE, COOLANT BYPASS, MSG425....1	1
--	128165GT	RELAY,PWR/FUEL,FORD DSG423		21	215310GT	THERMOSTAT W/HOUSING, MSG425.....1	1
--	128166GT	RELAY,STARTER,FORD DSG/MSG		22	215309GT	SENSOR, KNOCK, MSG425.....1	1
--	215294GT	ENGINE HARNESS, MSG425.....1	1	23	215305GT	INTAKE MANIFOLD, MSG425.....1	1
--	215295GT	SOLENOID, VAR. TIM, MSG425		23A	1277969GT	GASKET,INTAKE MANIFOLD,MSG 425.....1	1
1	215285GT	FITTING, DEPR LP, MSG425.....1	1			<i>for 215305</i>	
2	215284GT	REGULATOR,LP PRESSURE,MSG425.....1	1				
3	215280GT	MIXER, MSG425.....1	1				
--	119546GT	KIT,FITTING,REGULATOR DSG-423 <i>for 215280</i>					
--	215281GT	O-RING, SMOOTH, MSG425					
--	215282GT	O-RING, RIBBED, MSG425					
4	215283GT	ADAPTER, MIXER/THRO, MSG425.....1	1				
5	88451GT	THROTTLE ACTUATOR*(BOSCH).....1	1				
--	88452GT	GASKET,THROTTLE ACTUATOR***					
6	217820GT	CAP, INT. MFLD. VAC, MSG425.....2	2				
7	119568GT	CLAMP,SPRING, 1/2".....3	3				
8	119475GT	MAP SENSOR, DSG-423.....1	1				
--	119965GT	COVER,DUST,IDLER,FORD DSG423					
9	220230GT	DIPSTICK, MSG425.....1	1				
--	220231GT	O-RING,DIPSTICK,MSG425 <i>(not shown, use with dipstck part 220230)</i>					
--	824028GT	NUT,TL FLG,5/16-18,G,ZAG <i>(not shown, use to mount dipstck part 220230)</i>					
--	824085GT	SCREW,HHF,5/16-18X.75,8,ZAG <i>(not shown, use to mount dipstck part 220230)</i>					
10	215299GT	INJECTOR, FUEL, MSG425.....4	4				
11	215287GT	SPARK PLUG, MSG425.....4	4				
12	215314GT	COIL ASSY, MSG425.....4	4				
13	215300GT	SENSOR, CYL. HEAD TEMP, MSG425.....1	1				
14	215308GT	SENSOR, CAM POS, MSG425.....1	1				
15	215278GT	FLYWHEEL ASSY, MSG425.....1	1				
16	215275GT	ADAPTER, WATER CONN, MSG425.....1	1				
17A	1264894GT	KIT, HD STARTER INSTALL, MSG-4.....1	1				
17B	128166GT	RELAY,STARTER,FORD DSG/MSG <i>for 215293</i>					
17C	217823GT	STARTER PLUG SEAL, MSG425 <i>for 215293</i>					
18	215301GT	SWITCH, OIL PRES, MSG425.....1	1				
19	119139GT	OIL FILTER,DSG-423.....1	1				

502.1 Ford MSG-425 EFI, View 2

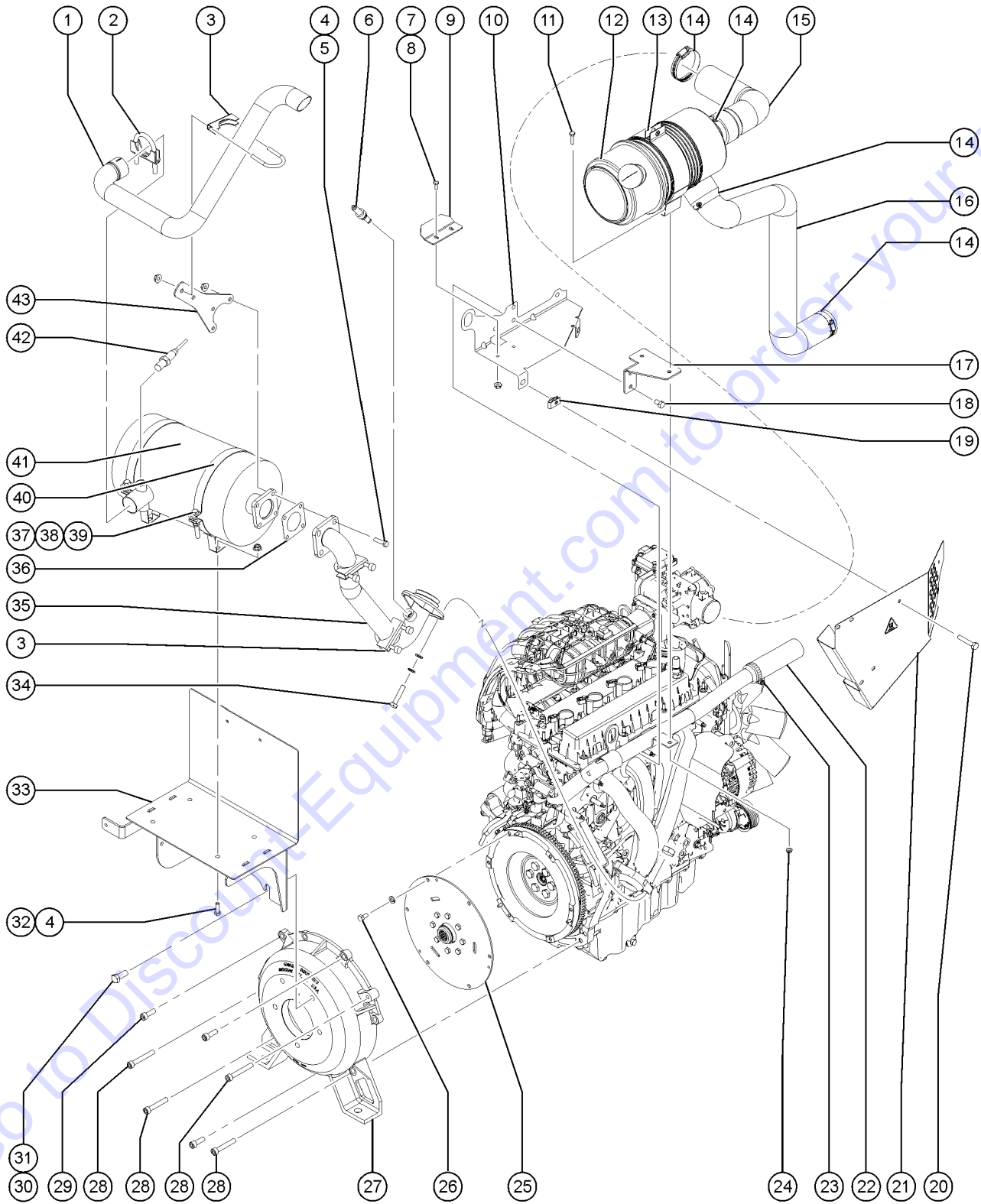




## 502.1 Ford MSG-425 EFI, View 2

Item	Part No.	Description	Qty.	Item	Part No.	Description	Qty.
--		<i>For internal engine parts, contact engine dealer</i>		22	236373GT	PIPE,COOLANT RETURN, MSG425.....1	1
1	119474GT	VALVE,PCV FORD DSG-423.....1	1				
--	75631GT	HOSE,AIR 3/8					
2	58632GT	CAP,OIL FILLER,FORD DSG 423.....1	1				
3	215279GT	PLATE, INT. MFLD ADAP, MSG425					
4	119477GT	IDLER BRACKET.....1	1				
5	215298GT	UPPER IDLER PULLEY, MSG425.....1	1				
6	1283575GT	KIT,FAN SUPPORT RETRO,FORD MSG.....1 <i>For first time replacement</i>	1				
--	1283571GT	BRACKET,FAN,FORD MSG.....1 <i>included in kit 1283575GT</i>	1				
--	1283572GT	BRACKET,IDLER,FORD MSG.....1 <i>included in kit 1283575GT</i>	1				
--	1283573GT	BOLT, BRACKET, SUPPORT,FORD MSG.....2 <i>included in kit 1283575GT</i>	2				
--	1283574GT	SCREW,HHC,M8X1.25.80.....1 <i>included in kit 1283575GT</i>	1				
7	215288GT	WATER PUMP, MSG425.....1	1				
8	215289GT	WATER PUMP PULLEY, MSG425.....1	1				
9	215271GT	FAN PULLEY, MSG425.....1	1				
--	215270GT	FAN SPACER, MSG425.....1	1				
10	215313GT	LOWER IDLER PULLEY, MSG425.....1	1				
11	32309GT	SCREW,HHC,M8 X 60MM X 1.25					
12	49408GT	WASHER,LOCK,M8					
13	215269GT	FAN, MSG425.....1	1				
14A	215291GT	BELT, FEAD, MSG425.....1 <i>(shown)</i>	1				
14B	215274GT	FAN DRIVE BELT, MSG425 <i>Fan belt (not shown)</i>					
15	215273GT	CRANK PULLEY, EXT, MSG425.....1	1				
16	215307GT	SENSOR, CRANK POS, MSG425.....1	1				
17	215311GT	PLUG, OIL DRAIN, MSG425.....1	1				
18	215290GT	PULLEY/TENSIONER, MSG425.....1	1				
19A	119140GT	ALTERNATOR,FORD DSG423,MSG425.....1 <i>gas/LPS engine only</i>	1				
--	217824GT	CHARGE WIRE, MSG425					
19B	1253749GT	ALTERNATOR, MSG425 LPS.....1 <i>LPS engine only</i>	1				
20	227309GT	HEAT SHIELD,ALTERNATOR,FORD.....1	1				
21	215276GT	EXHAUST MANIFOLD, MSG425.....1	1				
--	215277GT	GASKET, MSG425					
--	217822GT	NUT, EXH. MANIFOLD, MSG425					
--	823816GT	GASKET,EXHAUST,FORD MSG					

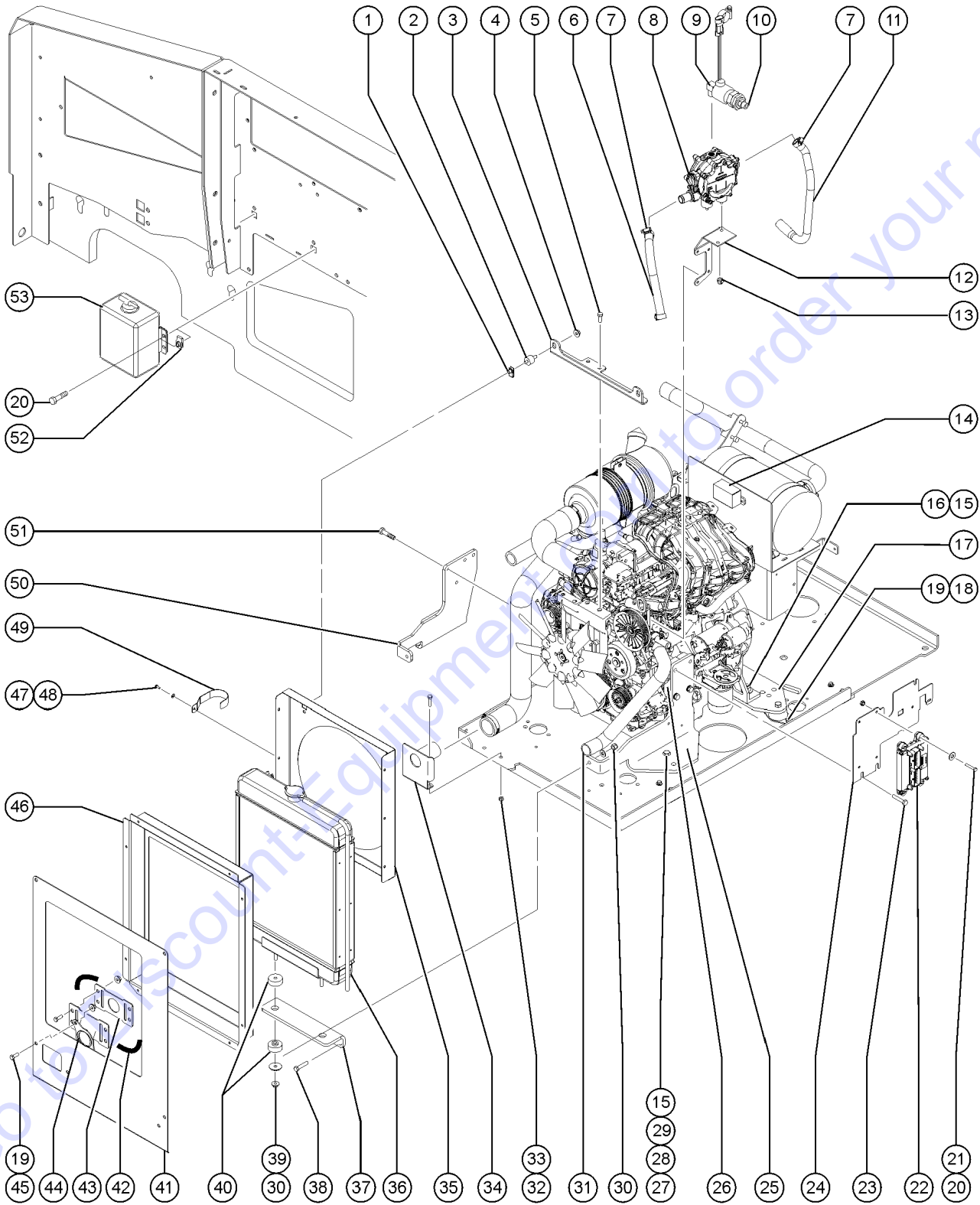
503.1 Ford MSG-425 EFI, View 3



## 503.1 Ford MSG-425 EFI, View 3

Item	Part No.	Description	Qty.	Item	Part No.	Description	Qty.
--		<i>For internal engine parts, contact engine dealer</i>		33	215709GT	WELDMENT,CAT MOUNT,MSG425.....1	1
1A	237251GT	TAILPIPE, S60 MSG425.....1 <i>to SN S6015A-30299</i>	1	34	232874GT	SCREW,HHF,M10-1.5X30,DIN6921,10,9,ZAB	
1B	237251GT	TAILPIPE, S60 MSG425.....1 <i>from SN S6015A-30300</i>	1	35	218576GT	WDMT,HEADER PIPE,MSG425	
2	102121GT	CLAMP,MUFFLER,1-7/8 IN.....1	1	36	72343GT	GASKET,EXH FLANGE-FORD/PERKINS.....1	1
3	32064GT	CLAMP,MUFFLER,1.75 INCH.....3	3	37	1256848GT	SCREW,HHC,3/8-16X2.75,8,ZAG.....2	2
4	824087GT	SCREW,HHF,5/16-18X1.25,8,ZAG		38	824145GT	WASHER,FLAT,M10,DIN125,ZAB	
5	824028GT	NUT,TL FLG,5/16-18,G,ZAG		39	824025GT	NUT,TL,3/8-16,C,ZAG	
6	215320GT	SENSOR, O2, MSG425.....1	1	40	119051GT	MOUNTING BAND,MUFFLER,8.0".....2	2
7	1256855GT	SCREW,HHF,1/4-20X.625,8,ZAG		41	215528GT	WDMT, CAT. MUFFLER, MSG425.....1	1
8	1256679GT	NUT,SERRATED,1/4-20,8,ZAG		42	139610GT	SENSOR,AIR,CAT MONITOR.....1	1
9	218742GT	FORMING,MFLD GUARD,MSG425.....1 <i>to SN S6015A-30299</i>	1	43	236832GT	TAILPIPE MOUNT , S40 MSG425.....1	1
10	218668GT	FORMING, HEAT SHIELD MOUNT.....1	1				
11	1256464GT	SCREW,HHC,5/16-18X.75,8,ZAG					
12	111634GT	AIR CLEANER,FORD,T3.....1	1				
--	1277991GT	CLIP,AIR CLEANER COVER (58247) <i>for 58247</i>					
--	227988GT	VACUATOR VALVE					
--	38922GT	ELBOW,90DEG.1/8MPT-5/16 BARB					
--	58247GT	AIR CLEANER CAP/ FORD/NOLFF***					
--	77295GT	FILTER ELEMENT,AIR,NOLFF LPG					
13	53952GT	BRKT,AIR CLEANER ORIENTATION**.....1	1				
14	45435GT	CLAMP,HOSE,2.50"***.....4	4				
15	237146GT	HOSE, CLEAN AIR, MSG425.....1	1				
16	235659GT	HOSE, RAW AIR, MSG425.....1	1				
17	216367GT	FORMING ,AIR CLEANER MOUNT.....1	1				
18	1257489GT	SCREW,HHC,3/8-16X.625,8,ZAG					
19	56912GT	SPRING CLIP,1/4-20,.025-.15X.54,ZAG					
20	1256855GT	SCREW,HHF,1/4-20X.625,8,ZAG					
21	160541GT	WDMT, HEAT SHIELD, MSG425					
22	236338GT	HOSE,UPPER RADIATOR,MSG425					
23	36208GT	CLAMP,HOSE,1.25***.....2	2				
24	824028GT	NUT,TL FLG,5/16-18,G,ZAG					
25	214446GT	COUPLER,15T,FBA,SAE 8,MSG425.....1	1				
26	1251983GT	SCREW,HHF,M8-1.25X16,DIN6921,10,9,ZAB					
27	119052GT	PUMP MOUNT,FORD DSG423.....1	1				
28	1257481GT	SCREW,SHC,M10-1.5X60,DIN912,12,9,ZAB.2	2				
29	1255666GT	SCREW,SHC,M10-1.5X30,DIN912,12,9,ZAB.3	3				
30	1255469GT	SCREW,HHF,1/2-13X1.25,8,ZAG					
31	825353GT	WASHER,FLAT,1/2,SAE,HRD,ZAG					
32	824085GT	SCREW,HHF,5/16-18X.75,8,ZAG					

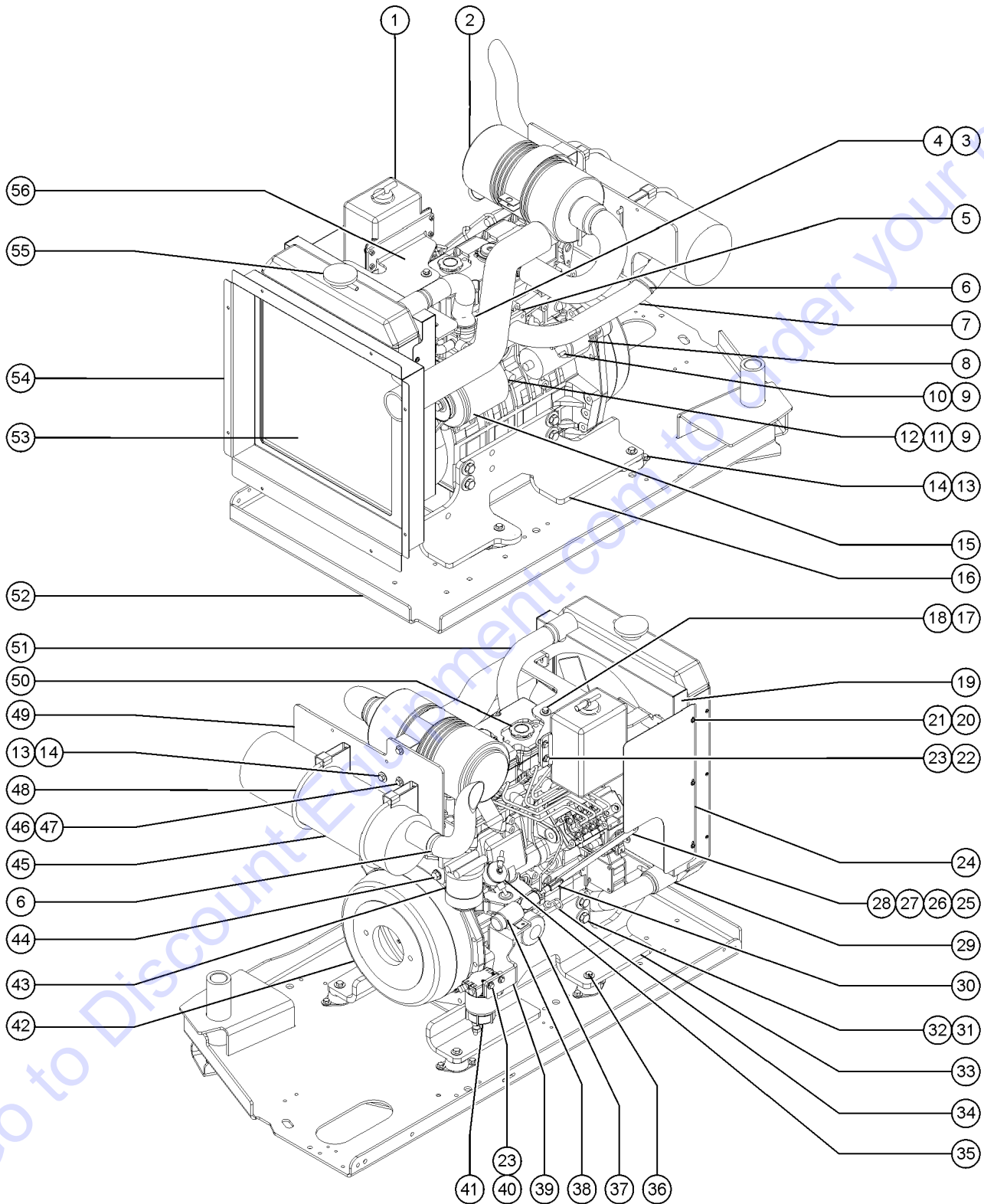
504.1 Ford MSG-425 EFI, View 4



## 504.1 Ford MSG-425 EFI, View 4

Item	Part No.	Description	Qty.	Item	Part No.	Description	Qty.
--		<i>For internal engine parts, contact engine dealer</i>		31	236339GT	HOSE, LOWER RADIATOR, MSG425.....1	1
1	36456GT	SPRING CLIP,5/16-18,.025-.15X.....2	2	32	824027GT	NUT,TL FLG,1/4-20,G,ZAG	
2	219437GT	ISOLATOR, VIBRATION.....2	2	33	824078GT	SCREW,HHF,1/4-20X.75,8,ZAG	
3	237780GT	FORMING, RAD SUPPORT, MSG425....1	1	34	216016GT	WDMT, RAW AIR INT, S60 MSG425.....1	1
4	1257628GT	NUT,SERRATED,3/8-16,8,ZAG		35	236364GT	FAN SHROUD, MSG425.....1	1
5	1251983GT	SCREW,HHF,M8-1.25X16,DIN6921,10,9,ZAB		36A	110406GT	RADIATOR,FORD DSG423 & MSG425.....1	1
6	1702GT	HOSE-HEATER,5/8 ID-BLACK.....1	1	36B	119484GT	CAP,COOLANT 3/4	
7	46131GT	CLAMP,HOSE,.63" - 1.0" X .5".....4	4	37	110417PGT	FORMING,RADIATOR SUPPORT,PNTD.....1	1
8	215316GT	REGULATOR, LP, MSG425.....1	1	38	824092GT	SCREW,HHF,3/8-16X1.5,8,ZAG	
--	119055GT	HOSE ASSY,LP GAS <i>Attach LPG hose (119055GT) to LPG Locoff Valve, other end to LP tank</i>		39	824120GT	WASHER,FLAT,.375X1.50X.125,ZAG	
--	219477GT	ISOLATOR, DEPR		40	24038GT	SHOCK MOUNT,SMALL.....4	4
--	73599GT	CAP,PROT.,RED,1.38ID X .75 DP <i>for 1276926</i>		41	822695GT	BAFFLE, AIR INTAKE, S60.....1	1
9	119232GT	LOCKOFF,LP,FORD DSG/MSG.....1	1	42	119218GT	TRIM,EDGE,1/8X3/4 SIDE BULB.....8-inches	
10	19358GT	CONNECTOR,010102-6-4.....10	10	43	238234GT	PLATE, INT. SHRD SEAL, MSG425.....1	1
11	236340GT	HOSE, COOLANT, VAP, MSG425.....1	1	44	1252050GT	WDMT, AIR INTAKE, MSG425.....1	1
12	236423GT	FORMING, LP REG MOUNT, MSG425....1	1	45	1256855GT	SCREW,HHF,1/4-20X.625,8,ZAG	
13	237832GT	NUT,TL FLG,M8-1.25,DIN6927,10,ZAB		46	822698GT	SHROUD, RADIATOR, FORD MSG425.....1	1
14A	237856GT	FUSE BOX COVER.....1 <i>(decal not included, refer to item 14B)</i>	1	47	824220GT	SCREW, PHPM SEMS ET, 10-24 X .5, ZAG	
14B	237857GT	FUSE BOX RELAY STICKER.....1 <i>(not shown) not included with 237856, order seperately</i>	1	48	1253185GT	WASHER,FLAT,#10,USS,ZAG	
14C	237858GT	FUSE BOX MOUNTING,LEFT.....1 <i>(not shown)</i>	1	49	237385GT	HOSE HANGER, MSG425.....2	2
14D	237859GT	FUSE BOX MOUNTING,RIGHT.....1 <i>(not shown)</i>	1	50	236421GT	ENGINE MOUNT, RIGHT, MSG425.....1	1
15	1251997GT	NUT,TL FLG,1/2-13,G,ZAG		51	232874GT	SCREW,HHF,M10-1.5X30,DIN6921,10,9,ZAB.4	4
16	1253498GT	SCREW,HHF,1/2-13X1.5,8,ZAG		52	56912GT	SPRING CLIP,1/4-20,.025-.15X.54,ZAG	
17	236422GT	ENGINE MOUNT, REAR, MSG425.....1	1	53	70367GT	BOTTLE,COOLANT RECOVERY,3.7***.....1 <i>includes cap</i>	1
18	824090GT	SCREW,HHF,3/8-16X1,8,ZAG		--	106226GT	TUBING,VINYL,1/2" CLEAR	
19	824027GT	NUT,TL FLG,1/4-20,G,ZAG		--	21465GT	CLAMP,HOSE,.25" - .63" X .3125 <i>(not shown) not included with 70367, must order seperately</i>	
20	824081GT	SCREW,HHF,1/4-20X1.5,8,ZAG		--	6833GT	CLAMP,0.50,#8 X 1/4,RUB CUSH <i>(not shown) not included with 70367, must order seperately</i>	
21	824062GT	SCREW,HHC,1/4-20X1.5,8,ZAG		--	72327GT	CAP, COOLANT RET SYS(54071)	
22	215317GT	CONTROL MODULE, MSG425.....1	1				
23	1257486GT	SCREW,HHF,M10-1.5X55,DIN6921,10,9,ZAB.4					
24	236425GT	FORMING, ECU MOUNT, MSG425.....1	1				
25	236420GT	ENGINE MOUNT, LEFT, MSG425.....1	1				
26	110477GT	PLATE,ENGINE SUPPORT SPACER.....1	1				
27	1251994GT	SCREW,HHF,1/2-13X3,8,ZAG					
28	70452GT	ISOLATOR,ENGINE VIBRATION***.....4	4				
29	102066GT	CASTING,WASHER,REBOUND					
30	824029GT	NUT,TL FLG,3/8-16,G,ZAG					

505.1 Perkins 404D-22





## 505.1 Perkins 404D-22

Item	Part No.	Description	Qty.	Item	Part No.	Description	Qty.
--		<i>For internal engine parts, contact engine dealer</i>		--	62420GT	FILTER,AIR***	
A	128831GT	ENGINE,PERKINS,DIESEL 404D-22 <i>Tier III Engine</i>		--	65810GT	BAFFLE, AIR CLEANER (27915)**	
--	106663GT	SOLENOID,SHUT DOWN PERKIN40422 <i>(for 128831 engine)</i>		--	88846GT	HOSE,AIR INLET	
--	119809GT	SWITCH, OIL PRESSURE <i>Old switch design was used with an adaptor; New switch screws directly into engine block. With older engine, remove adaptor and install new switch directly into engine block</i>		--	88847GT	HOSE,AIR CLEANER TO INTAKE	
--	128987GT	WATER PUMP <i>(for 128831 engine)</i>		3	128986GT	WATER OUTLET, VERTICAL.....1	
--	147348GT	SEAL-VALVE SYSTEM (A) <i>(for Perkins 404 engine)</i>		4	128991GT	THERMOSTAT.....1	
--	147349GT	SEAL-VALVE SYSTEM (B) <i>(for Perkins 404 engine)</i>		--	147355GT	GASKET-THERMOSTAT HSG.....1 <i>for 128991</i>	
--	147350GT	GASKET-CYLINDER HEAD <i>(for Perkins 404 engine)</i>		5	72343GT	GASKET,EXH FLANGE-FORD/PERKINS.....1	
--	147351GT	SEAL-ROCKER BOX <i>(for Perkins 404 engine)</i>		6	70385GT	CLAMP,EXHAUST,2.00 PLATED.....2	
--	147352GT	SEAL-INJECTOR <i>(for Perkins 404 engine)</i>		7	110899GT	WELDMENT,EXHAUST PIPE.....1	
--	147353GT	SEAL-INJECTOR <i>(for Perkins 404 engine)</i>		--	62845GT	NUT-FLANGE, 8MM (62849) <i>sold separately</i>	
--	58354GT	GASKET,WATER PUMP <i>(for 128831 engine)</i>		--	72343GT	GASKET,EXH FLANGE-FORD/PERKINS.....1 <i>sold separately</i>	
--	65538GT	FLYWHEEL (PERKINS KR70481U)** <i>(for 128831 engine)</i>		--	72344GT	BOLT,EXHAUST,PERKINS(54555)** <i>sold separately</i>	
--	72348GT	PUMP,LIFT(FUEL) PERKINS(54555) <i>(for 128831 engine)</i>		--	94711GT	FLANGE,EXHAUST <i>sold separately</i>	
--	77736GT	GLOW PLUG (PERKINS 404-22) <i>(for 128831 engine)</i>		--	94888GT	EXHAUST MANIFOLD <i>sold separately</i>	
--	85155GT	PUMP,PRIMER,PERKINS*** <i>(for 128831 engine)</i>		8	228457GT	STARTER, PERKINS, 404D.....1	
--	94887GT	INTAKE MANIFOLD <i>(for 128831 engine)</i>		9	231513GT	NUT,TL FLG,M6-1.0,DIN6927,10,ZAB	
--	94890GT	MANUAL,OPERATORS PERKINS 404 <i>(for 128831 engine)</i>		10	237832GT	NUT,TL FLG,M8-1.25,DIN6927,10,ZAB	
--	97473GT	SENSOR,WATER TEMPERATURE <i>(for 128831 engine)</i>		11	826215GT	WASHER,FLAT,M5,DIN125,ZAB	
1	70367GT	BOTTLE,COOLANT RECOVERY,3.7***.....1		12	826214GT	NUT,TL,M5-0.8,DIN980,10,ZAB	
--	1062264000GT	TUBING, VINYL, 1/2" CLEAR		13	824090GT	SCREW,HHF,3/8-16X1,8,ZAG	
--	115431GT	CAP ASSY, COOLANT BOTTLE		14	824029GT	NUT,TL FLG,3/8-16,G,ZAG	
2	63463GT	AIR CLEANER,NELSON***.....1		15	111029GT	ALTERNATOR,65 AMP,PERKINS 404	
--	52866GT	EVACUATOR VALVE-AIR CLEANER		16	161611GT	FORMING, ENGINE MOUNT, PERKINS.....1	
--	53952GT	BRKT,AIR CLEANER ORIENTATION**		17	824132GT	SCREW,HHF,M8-1.25X20,DIN6921,10,9,ZAB.1	
--	58415GT	CLIP,AIR CLEANER END CAP*** <i>end cap not available separately</i>		18	60585GT	ISOLATOR,VIBRATION,M8 MALE/FEM.....1	
				19	88990PGT	SHROUD,FAN PAINTED	
				20	824220GT	SCREW, PHPM SEMS ET, 10-24 X .5, ZAG.....1	
				21	1253185GT	WASHER,FLAT,#10,USS,ZAG	
				22	824079GT	SCREW,HHF,1/4-20X1,8,ZAG	
				23	824027GT	NUT,TL FLG,1/4-20,G,ZAG	
				24	54487PGT	GUARD,FAN,FORD/PERKINS,PAINTED.1	
				25	89953GT	FLATBAR,ALUM,THROTTLE LINKAGE.....1	
				26	1258824GT	BOLT,SHS,8X12XM6-1.0,ISO7379,12,9,ZAB	
				27	824144GT	WASHER,FLAT,M8,DIN125,ZAB	

505.1 Perkins 404D-22  
(continued)

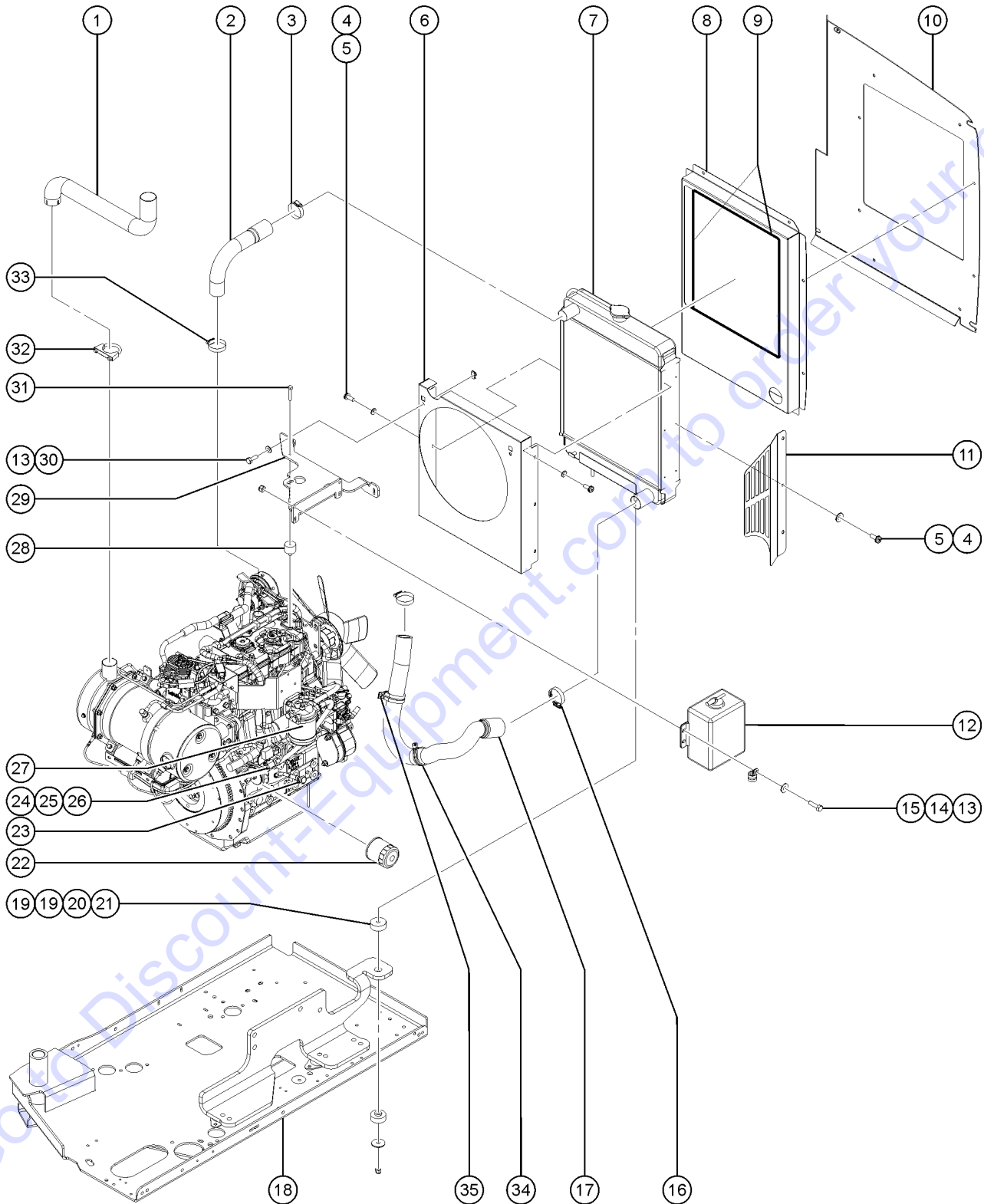
Item	Part No.	Description	Qty.	Item	Part No.	Description	Qty.
28	1256455GT	NUT,TL,M6-1.0,DIN980,10,ZAB		47	824086GT	SCREW,HHF,5/16-18X1,8,ZAG	
29	54579GT	HOSE,LOWER,RADIATOR,PERKINS.....1		48	88993GT	CLAMP,MUFFLER.....2	
--	22672GT	CLAMP,HOSE,1.75		49	88991PGT	FORMING,MUFFLER MOUNT PAINTED.....1	
30	21130GT	CLEVIS YOKE-1/4-28,PLTD W/PIN.....1		50	65636GT	CAP, OIL FILLER.....1	
31	1257705GT	SCREW,HHC,M14-1.5X35,DIN960,10,9,ZAB		--	65638GT	SEAL, OIL FILLER CAP.....1	
32	1257810GT	WASHER,FLAT,M14,DIN6916,HRD,ZAB		51	54578GT	HOSE,UPPER RADIATOR,PERKINS.....1	
33	88988PGT	FORMING,ENGINE MOUNT RH PAINTE.....1		--	22672GT	CLAMP,HOSE,1.75	
34	128984GT	DIPSTICK, STRAIGHT SHORT.....1		52		Ref. Engine Tray Assembly <i>refer to 310.1</i>	
--	128985GT	DIPSTICK TUBE, STRAIGHT SHORT....1		53	110304GT	RADIATOR,FORD/PERKINS***.....1	
35	72348GT	PUMP,LIFT(FUEL) PERKINS(54555).....1 <i>replaced 128989</i>		--	1252943GT	SPACER,FAN,PERKINS 404F.....1 <i>sold separately</i>	
--	77990GT	KIT,SEAL,3CC PUMP***		--	24038GT	SHOCK MOUNT,SMALL.....4 <i>sold separately</i>	
36	1251994GT	SCREW,HHF,1/2-13X3,8,ZAG		--	77482GT	PULLEY, WATER PUMP.....1 <i>sold separately</i>	
37	94762GT	OIL FILTER - PERKINS.....1		--	77483GT	FAN, ENGINE (104-22)(404-22)*.....1 <i>sold separately</i>	
38	77402GT	SOLENOID,THROTTLE ACTUATOR DSL.....1		54	106003PGT	BAFFLE,PERKINS ENGINE PAINTED....1	
--	21130GT	CLEVIS YOKE-1/4-28,PLTD W/PIN		55	65473GT	CAP,RADIATOR,PERKINS/FORD.....1	
--	89953GT	FLATBAR,ALUM,THROTTLE LINKAGE		56	88989PGT	FORMING,UPPER RAD SUPPORT PNTD.....1	
39	128588GT	FORMING,SOLENOID MOUNT.....1					
40	824080GT	SCREW,HHF,1/4-20X1.25,8,ZAG					
41	147826GT	SEPRTR/FLTR,FUEL DSL,15GPH,.30....1 <i>(replaced 75020, the filter is the same for both assemblies)</i>					
--	54205GT	HOSE END,BARB,1/4 MNPTX5/16,90					
--	54437GT	HOSE END,BARB,1/4 MNPTX5/16,ST <i>(included with filter assembly)</i>					
--	62433GT	FILTER,ELEMENT,30 MIC,75020 <i>(included with filter assembly)</i>					
42	89771GT	HOUSING,PUMP MOUNT (54573).....1					
--	1251983GT	SCREW,HHF,M8-1.25X16,DIN6921,10,9,ZAB.6					
--	128003GT	COUPLER,15 TOOTH,FBA,PERKINS**.....1					
--	128022GT	KIT,FBA STYLE COUPLER,PERKINS <i>(includes 128003, 128024 (6 qty) and 128025)</i>					
--	128025GT	GREASE,SERVICE PACKET.....1					
43	94889GT	FUEL FILTER ASSEMBLY.....1					
--	62421GT	FILTER,FUEL,PERKINS.....1					
44	1257834GT	SCREW,HHF,M12-1.75X45,DIN6921,					
45A	88841GT	MUFFLER,6".....1					
45B	70298GT	MUFFLER,SPARK ARRESTOR.....1 <i>spark arrestor option</i>					
45C	70357GT	MUFFLER,CATALYTIC.....1 <i>scrubber muffler option</i>					
45D	822515GT	TAILPIPE, PERKINS, 404D.....1					
46	824028GT	NUT,TL FLG,5/16-18,G,ZAG					



***This Page Intentionally Left Blank***

*Go to Discount-Equipment.com to order your parts*

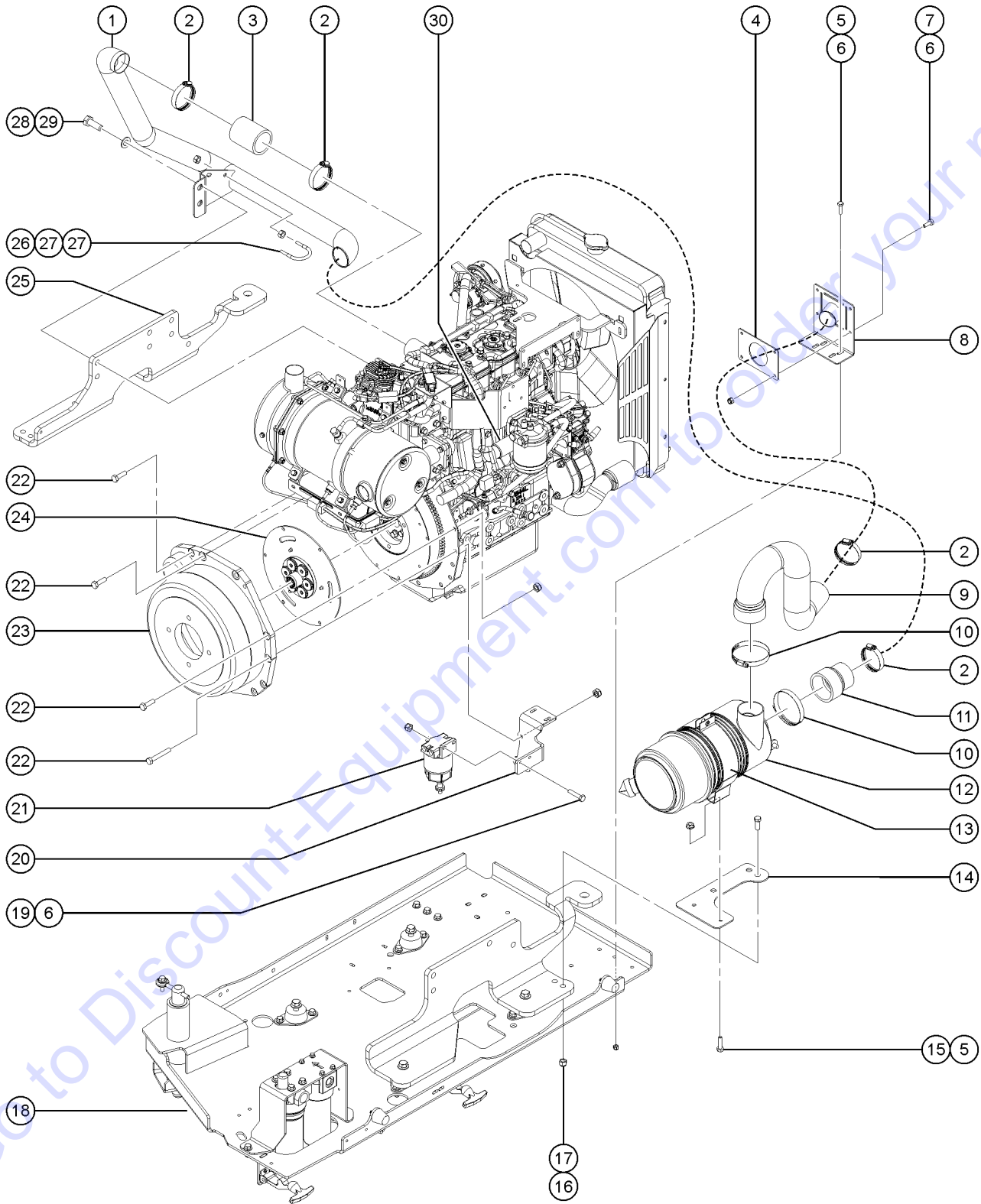
506.1 Perkins 404F-22, View 1



## 506.1 Perkins 404F-22, View 1

Item	Part No.	Description	Qty.	Item	Part No.	Description	Qty.
--		<i>For internal engine parts, contact engine dealer</i>		--	62433GT	FILTER,ELEMENT,30 MIC,75020	
A	214335GT	ENGINE,PERKINS,DIESEL,404F-22		28	60585GT	ISOLATOR,VIBRATION,M8 MALE/FEM.....1	1
B	1262866GT	FAN BELT, ALTERNATOR		29	88989PGT	FORMING,UPPER RAD SUPPORT PNTD.....1	1
C	1262867GT	V-BELT, DEUTZ <i>also used on certain Perkins engine installations</i>		30	56912GT	SPRING CLIP,1/4-20,.025-.15X.54,ZAG.....2	2
D	1262487GT	BELT,AIR PUMP,PERKINS 404F-22T		31	28214GT	SCREW,HHC,M8 X 45.....1	1
E	1262027GT	PRESSURE PUMP,PERKINS 404F-22T		32	70385GT	CLAMP,EXHAUST,2.00 PLATED.....1	1
F	82710GT	DECAL,INSTR-MAX CAP 1200LBS		33	119053GT	CLAMP,HOSE,1.50.....2 <i>(1 of 2 is hidden from view)</i>	2
1	161612GT	TAILPIPE,MUFFLER,PERKINS 404F.....1	1	34	6653GT	CLAMP,1.88,#30 X 1/4,RUB CUSH.....1 <i>use to secure hose</i>	1
2	54578GT	HOSE,UPPER RADIATOR,PERKINS.....1	1	35	39518GT	CLAMP,2.00,#32 X 3/8,RUB CUSH.....1 <i>use to secure hose</i>	1
3	22672GT	CLAMP,HOSE,1.75.....2	2				
4	824220GT	SCREW, PHPM SEMS ET, 10-24 X .5, ZAG					
5	1253185GT	WASHER,FLAT,#10,USS,ZAG					
6	88990PGT	SHROUD,FAN PAINTED.....1	1				
7	110304GT	RADIATOR,FORD/PERKINS***.....1	1				
--	65473GT	CAP,RADIATOR,PERKINS/FORD					
8	822697GT	SHROUD, RADIATOR, 404F-22.....1	1				
9	1257685GT	TRIM SEAL,RADIATOR,PERKINS.....1	1				
10	215537GT	BAFFLE, S60 PERKINS, 404F-22.....1	1				
11	215917GT	FORMING, FAN GUARD,PERKINS 404.....1	1				
12	70367GT	BOTTLE,COOLANT RECOVERY,3.7***.....1	1				
--	115431GT	CAP ASSY, COOLANT BOTTLE					
13	824079GT	SCREW,HHF,1/4-20X1,8,ZAG					
14	6833GT	CLAMP,0.50,#8 X 1/4,RUB CUSH.....1	1				
15	824027GT	NUT,TL FLG,1/4-20,G,ZAG					
16	13014GT	CLAMP,HOSE,2.25" DIA.....2	2				
17	54579GT	HOSE,LOWER,RADIATOR,PERKINS.....1	1				
18		Ref. Engine Tray <i>refer to 310.1</i>					
19	24038GT	SHOCK MOUNT,SMALL.....2	2				
20	824120GT	WASHER,FLAT,.375X1.50X.125,ZAG					
21	824029GT	NUT,TL FLG,3/8-16,G,ZAG					
22	94762GT	OIL FILTER - PERKINS.....1	1				
23	128984GT	DIPSTICK, STRAIGHT SHORT.....1	1				
--	128985GT	DIPSTICK TUBE, STRAIGHT SHORT....1	1				
24	1252941GT	SWITCH,OIL PRESS,PERKINS 404F.....1	1				
25	139936GT	ADAPTER,EYEBOLT					
26	101085GT	GASKET <i>for 1252941</i>					
27	94889GT	FUEL FILTER ASSEMBLY.....1	1				
--	62421GT	FILTER,FUEL,PERKINS.....1	1				

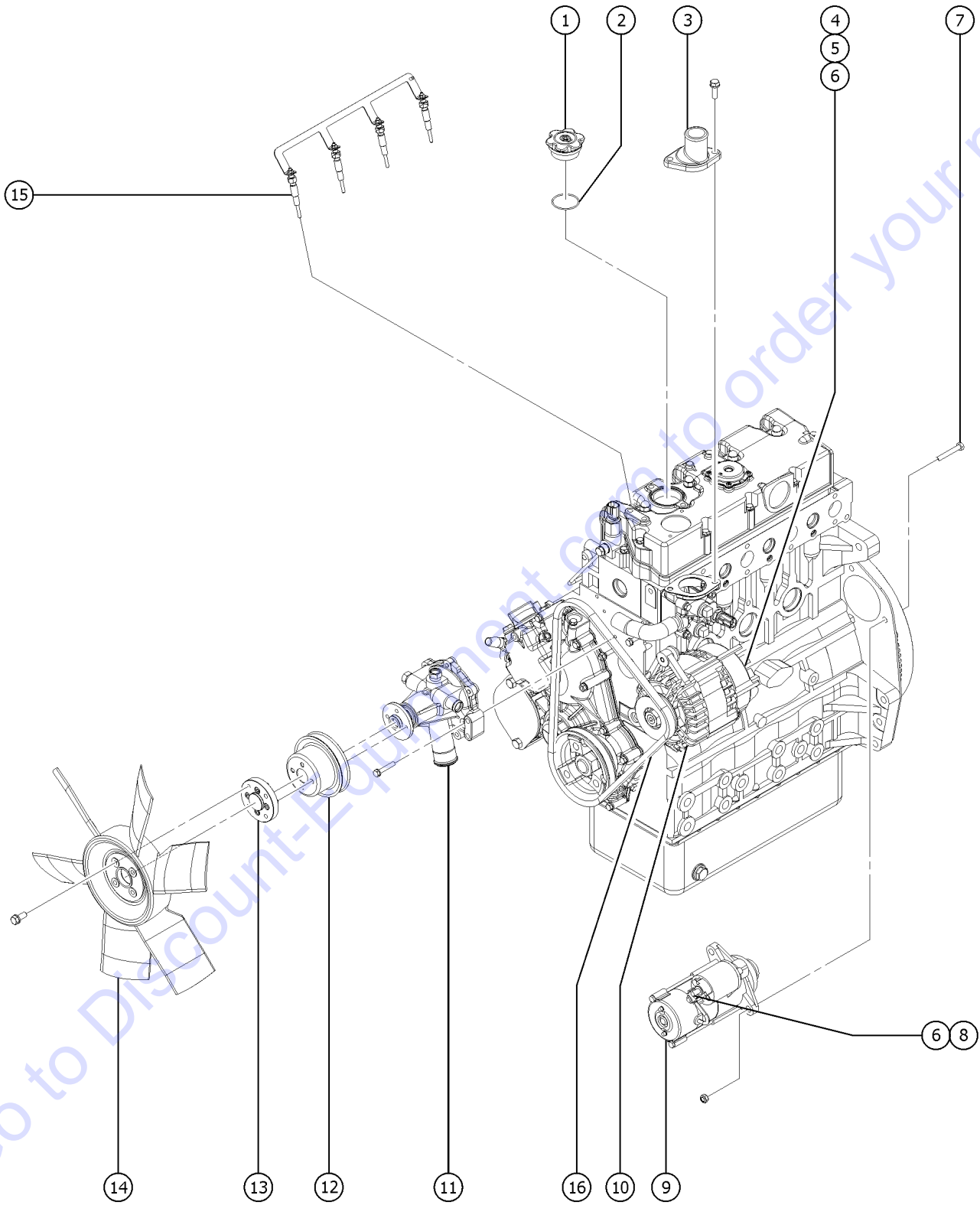
507.1 Perkins 404F-22, View 2



## 507.1 Perkins 404F-22, View 2

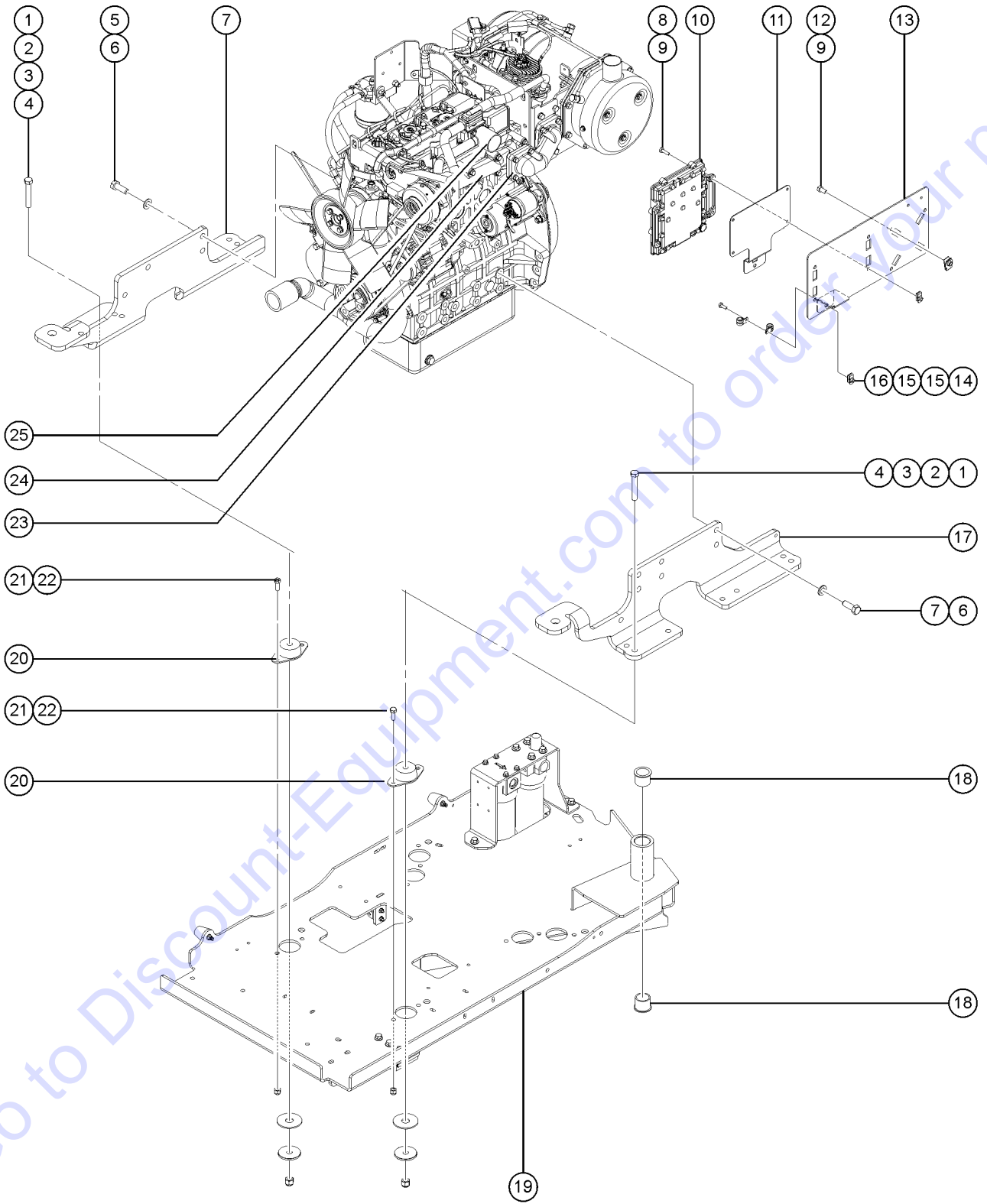
Item	Part No.	Description	Qty.	Item	Part No.	Description	Qty.
--		<i>For internal engine parts, contact engine dealer</i>		22	1257825GT	HARDWARE KIT,PERKINS 404F BELL.....	1
A	106663GT	SOLENOID,SHUT DOWN PERKIN40422.....	1	23	824507GT	PUMP MOUNT,PERKINS 404F-22.....	1
B	85124GT	GASKET,SOLENOID,PERKINS 72350 (for 106663)		24	128022GT	KIT,FBA STYLE COUPLER,PERKINS....1 includes 15-tooth coupler (128003), fastener kit (1263209) and grease	
C	1257825GT	HARDWARE KIT,PERKINS 404F BELL for bell housing		--	1251983GT	SCREW,HHF,M8-1.25X16,DIN6921,10.9,ZAB.6	
1	217703GT	WDMT, PERKINS INTAKE AIR HOSE....	4	--	128003GT	COUPLER,15 TOOTH,FBA,PERKINS** .....1 includes grease	
2	45435GT	CLAMP,HOSE,2.50"*** .....	1	--	128025GT	GREASE,SERVICE PACKET.....	1
3	217187GT	HOSE, INTAKE, 2"ID X 3".....	1	25		Ref. Forming Engine Mount refer to 509.1	
4	1253990GT	SHEET,AIR SEAL BACKING.....	1	26	80391GT	U-BOLT,5/16 -18 X 2IN**.....	1
5	824018GT	SCREW,HHF,1/4-20X.75,8,ZAG		27	824028GT	NUT,TL FLG,5/16-18,G,ZAG.....	4
6	824027GT	NUT,TL FLG,1/4-20,G,ZAG		28	1257705GT	SCREW,HHC,M14-1.5X35,DIN960,10.9,ZAB	
7	824078GT	SCREW,HHF,1/4-20X.75,8,ZAG.....	1	29	1257810GT	WASHER,FLAT,M14,DIN6916,HRD,ZAB	
8	1254017GT	WDMT,INTAKE ADAPTER,404F.....	1	30	1279271GT	SOLENOID,SHUTDOWN,PERKINS,404F-22.1	
9	215912GT	COLD AIR HOSE, PERK 404F-22.....	2				
10	30971GT	CLAMP,HOSE,3.00".....	1				
11	216150GT	ADAPTER,AIR HOSE,PERK 404F.....	1				
12	63463GT	AIR CLEANER,NELSON***.....	1				
--	52866GT	EVACUATOR VALVE-AIR CLEANER					
--	58415GT	CLIP,AIR CLEANER END CAP*** end cap not available separately					
--	62420GT	FILTER,AIR***					
--	65810GT	BAFFLE, AIR CLEANER (27915)**					
13	53952GT	BRKT,AIR CLEANER ORIENTATION**.....	1				
14	215472GT	PLATE, AIR CLEANER, 404F-22.....	1				
15	18504GT	NUT,LOCKING-LG.FLANGE,1/4-20					
16	1251997GT	NUT,TL FLG,1/2-13,G,ZAG					
17	1253498GT	SCREW,HHF,1/2-13X1.5,8,ZAG					
18		Ref. Engine Tray refer to 310.1					
19	824080GT	SCREW,HHF,1/4-20X1.25,8,ZAG.....	1				
20	128588GT	FORMING,SOLENOID MOUNT.....	1				
21A	56949GT	FILTER/SEPARATOR,FUEL DIESEL**....3 to SN S6015A-30173					
--	42767GT	SEPARATOR/FILTER ELEMENT,FUEL*.....	1				
--	54205GT	HOSE END,BARB,1/4 MNPTX5/16,90....	1				
--	54437GT	HOSE END,BARB,1/4 MNPTX5/16,ST....	1				
21B	147826GT	SEPRTR/FLTR,FUEL DSL,15GPH,.30....1 from SN S6015A-30174					
--	54205GT	HOSE END,BARB,1/4 MNPTX5/16,90....	1				
--	54437GT	HOSE END,BARB,1/4 MNPTX5/16,ST....	1				
--	75020GT	SEPRTR/FLTR,FUEL DSL,15GPH,.30....	1				

508.1 Perkins 404F-22, View 3



Item	Part No.	Description	Qty.
--		<i>For internal engine parts, contact engine dealer</i>	
A	119809GT	SWITCH, OIL PRESSURE <i>Old switch design was used with an adaptor; New switch screws directly into engine block. With older engine, remove adaptor and install new switch directly into engine block</i>	
B	97473GT	SENSOR,WATER TEMPERATURE	
C	85155GT	PUMP,PRIMER,PERKINS***	
D	128991GT	THERMOSTAT	
D	147355GT	GASKET-THERMOSTAT HSG <i>for 128991</i>	
E	72348GT	PUMP,LIFT(FUEL) PERKINS(54555)	
1	65636GT	CAP, OIL FILLER.....	1
2	65638GT	SEAL, OIL FILLER CAP.....	1
3	128986GT	WATER OUTLET, VERTICAL.....	1
4	826214GT	NUT,TL,M5-0.8,DIN980,10,ZAB	
5	826215GT	WASHER,FLAT,M5,DIN125,ZAB	
6	231513GT	NUT,TL FLG,M6-1.0,DIN6927,10,ZAB	
7	1257825GT	HARDWARE KIT,PERKINS 404F BELL	
8	237832GT	NUT,TL FLG,M8-1.25,DIN6927,10,ZAB	
9	1252940GT	STARTER,PERKINS 404F..... <i>no componets available from supplier</i>	1
10	1251814GT	ALTERNATOR - 85 AMP, INT REGULATED.....	1
11	1252942GT	PUMP,WATER,PERKINS 404F.....	1
12	77482GT	PULLEY, WATER PUMP.....	1
13	1252943GT	SPACER,FAN,PERKINS 404F.....	1
14	77483GT	FAN, ENGINE (104-22)(404-22)*.....	1
15	77736GT	GLOW PLUG (PERKINS 404-22).....	4
16	89765GT	BELT, V (PERKINS 404).....	1

509.1 Perkins 404F-22, View 4

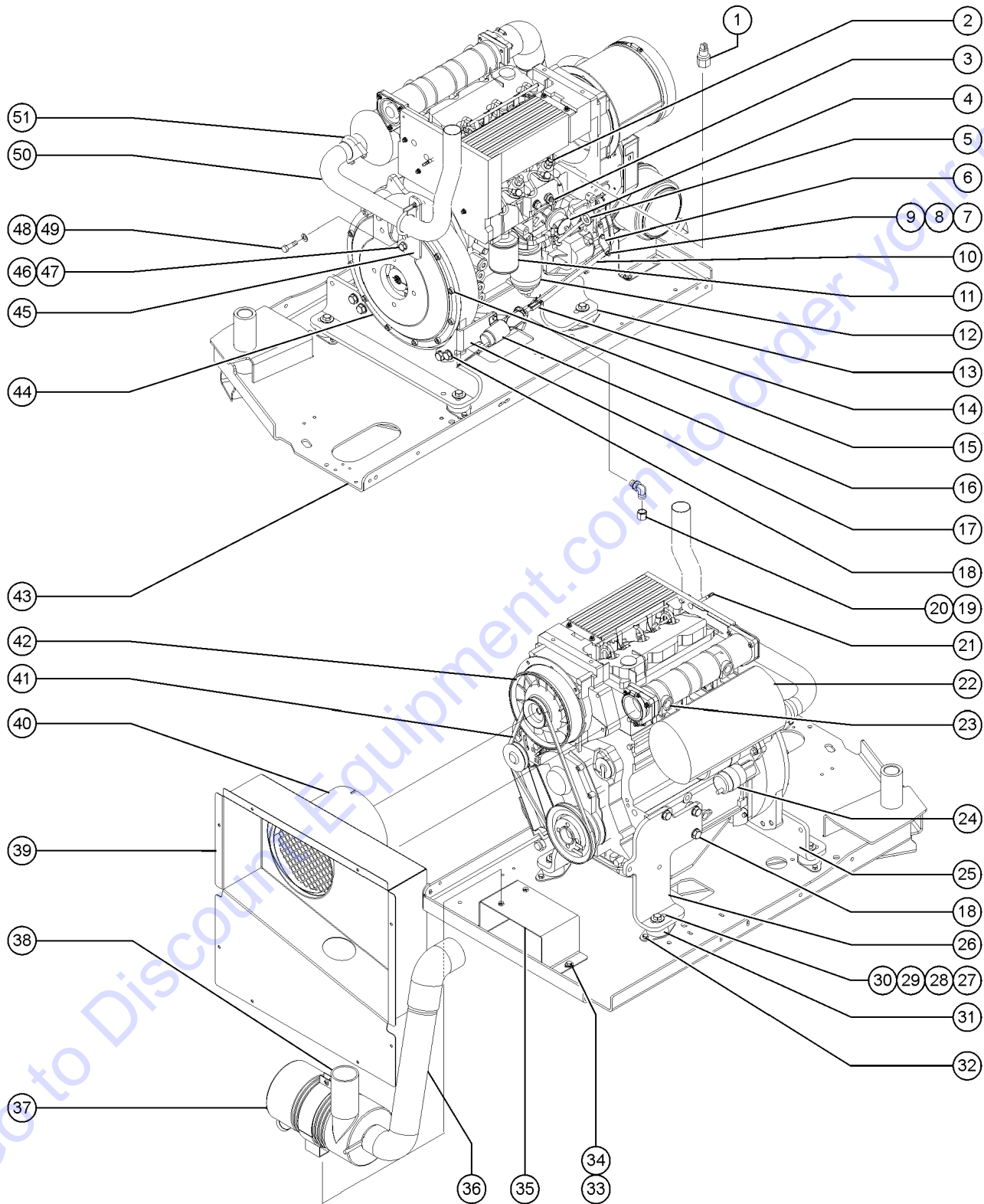


Go to Discount-Equipment.com to order your parts



Item	Part No.	Description	Qty.
--		<i>For internal engine parts, contact engine dealer</i>	
1	1251994GT	SCREW,HHF,1/2-13X3,8,ZAG.....	4
2	1255760GT	WASHER,FLAT,1/2,USS,ZAG.....	4
3	1256283GT	WASHER,FLAT,.5X2.25X.188,ZAG.....	4
4	1251997GT	NUT,TL FLG,1/2-13,G,ZAG.....	4
5	1257705GT	SCREW,HHC,M14-1.5X35,DIN960,10.9,ZAB.6	
6	1257810GT	WASHER,FLAT,M14,DIN6916,HRD,ZAB.6	
7	88988PGT	FORMING,ENGINE MOUNT RH PAINTE.....	1
8	824079GT	SCREW,HHF,1/4-20X1,8,ZAG	
9	56912GT	SPRING CLIP,1/4-20,.025-.15X.54,ZAG	
10	216065GT	ECM, PERKINS 404F-22.....	1
11	216836GT	ECM MOUNT, PERK 404F-22.....	1
12	29868GT	SPRING CLIP,3/8-16,.05-.20X.73,ZAG...2	
13	216166GT	FORMING,ECU MOUNT,404F-22.....	1
14	71875GT	SPRING CLIP,1/4 TURN,.188PANEL	
15	6833GT	CLAMP,0.50,#8 X 1/4,RUB CUSH.....	2
16	1253485GT	SCREW,HHF,1/4-20X2,8,ZAG	
17	88987PGT	FORMING,ENGINE MOUNT,LH PAINTE.....	1
18	35675GT	BEARING,FL,1.25IDX1.5ODX1.25L.....	2
19	70462GT	WELDMENT,ENGINE TRAY***.....	1
20	70452GT	ISOLATOR,ENGINE VIBRATION***.....	4
21	824090GT	SCREW,HHF,3/8-16X1,8,ZAG	
22	824029GT	NUT,TL FLG,3/8-16,G,ZAG	
23A	1251816GT	FLANGE,EXHAUST,PERKINS 404F.....	1
23B	1251818GT	GASKET,EXHAUST ELBOW,PERKINS.....	1
24A	1251815GT	MANIFOLD,EXHAUST,PERKINS 404F...1	
24B	1251818GT	GASKET,EXHAUST ELBOW,PERKINS.....	1
24C	1251819GT	GASKET,EXHAUST MANIFOLD,PERK.....	1
24D	1251995GT	STUD,EXHAUST,PERKINS 404F.....	1
24E	1251996GT	NUT,EXHAUST,PERKINS 404F.....	1
25	94887GT	INTAKE MANIFOLD.....	1

510.1 Deutz D2011L03i, View 1



## 510.1 Deutz D2011L03i, View 1

Item	Part No.	Description	Qty.	Item	Part No.	Description	Qty.
--		<i>For internal engine parts, contact engine dealer</i>		17B	77245PGT	BRACKET,SOLEN.MOUNT BRACE,PNTD.....1 <i>(not shown)</i>	1
--	139622GT	HEAT SHIELD,DEUTZ STARTER		18	1256776GT	SCREW,HHF,M14-2.0X35,DIN6921,10.9,ZAB	
--	T114678GT	SHUTDOWN SOLENOID,12V,DEUTZ....1 <i>(must order cable assembly, 58256, if replacing 32752) (includes o-ring)</i>	1	19	54428GT	FITTING,HYDRAULIC,90DEG,O-RING...1	1
--	58256GT	SOLENOID CABLE ASSY***		20	69775GT	CAP,520112-8.....1	1
--	72255GT	CONNECTOR, DEUTZ FUEL SHUTOFF* <i>(does not include diode, 45782)</i>		21	147525GT	FITTING,BARBED,STRT,FUEL LINE....1	1
--	45782GT	DIODE,6 AMP,200 PIV,BULK		--	147526GT	FITTING,BARBED,TEE,FUEL LINE <i>(not shown)</i>	
1	111445GT	SENDING UNIT,OIL TEMP SWCH,DTZ.....1	1	--	30490GT	HOSE,1/4 FUEL LINE,SAE 30R7.....127-inches	
2	89792GT	INJECTOR, FUEL(DEUTZ F3L2011F)....2	2	22A	32695GT	MUFFLER,DEUTZ.....1	1
--	1288561GT	O-RING,FUEL INJECTOR,DEUTZ (89792) <i>for 89792</i>		22B	119117GT	MUFFLER,CAT/SPARK,DEUTZ <i>(Option - spark arresst)</i>	
3	139666GT	KIT,OP SWITCH,DEUTZ <i>(oil pressure kit for models with ALC-500 control system. includes item 139624 and instructions)</i>		22C	29559GT	GASKET,EXHAUST.....3 <i>for 119117, 3 required</i>	3
--	139624GT	SWITCH, OIL PRESSURE 1.5 BAR.....1	1	23	31408GT	GLOW PLUG,L1011.....1	1
4	111668GT	PUMP,FUEL 2011 DEUTZ ***.....1	1	24	139709GT	STARTER, 12V.....1 <i>with solenoid</i>	1
--	119344GT	KIT,PRIMER BULB		--	139621GT	KIT, HEAT GUARD, DEUTZ STARTER <i>(includes sheild 139622 and bolt 139623)</i>	
--	27089GT	HOSE,5/16 FUEL,SAE 30R7...116-inches		--	139622GT	HEAT SHIELD,DEUTZ STARTER	
5	147243GT	DIPSTICK, OIL, D2011.....1	1	--	139623GT	BOLT, GUARD, DEUTZ STARTER	
6	50787-SGT	LEVER, GOVERNOR ACTUATOR.....1	1	25	70459PGT	FORMING,REAR ENGINE MOUNT PNT*.....1	1
7	1257076GT	BOLT,SHS,1/4-28X4,ZAG		26	70461PGT	FORMING,ENGINE MOUNT,FL PAINT*.....1	1
8	825355GT	WASHER,FLAT,M6,DIN125,ZAB		27	1251994GT	SCREW,HHF,1/2-13X3,8,ZAG	
9	1256467GT	NUT,TL FLG,10-24,F,ZAG		28	1255760GT	WASHER,FLAT,1/2,USS,ZAG	
10	94485GT	THROTTLE LINKAGE,DIESEL *** .....1	1	29	1256283GT	WASHER,FLAT,.5X2.25X.188,ZAG	
11	49924GT	FILTER,OIL,DEUTZ F4L1011F.....1 <i>Genie Genuine Part. See PN 1255653 for compatible aftermarket replacement.</i>	1	30	1251997GT	NUT,TL FLG,1/2-13,G,ZAG	
--	1255653GT	FILTER,OIL,DEUTZ,REPLACEMENT....1 <i>Genie Aftermarket Part. Compatible with Genie Genuine Part 49924.</i>	1	31	70452GT	ISOLATOR,ENGINE VIBRATION*** .....4	4
12	29560GT	FILTER,FUEL/WTR SEP, DTZ 1008.....1 <i>Genie Genuine Part. See PN 1254826 for compatible aftermarket replacement.</i>	1	32	824090GT	SCREW,HHF,3/8-16X1,8,ZAG	
--	1254826GT	FUEL FILTER W/SEP,DEUTZ,1008.....1 <i>Genie Aftermarket Part. Filter for Deutz F3L 1011F Engine.</i>	1	33	824086GT	SCREW,HHF,5/16-18X1,8,ZAG	
--	58566GT	FILTER HEAD (29560)		34	1255805GT	NUT,SERRATED,5/16-18,8,ZAG	
13	70460PGT	FORMING,ENGINE MOUNT,FR PAINT*.....1	1	35	70351PGT	FORMING,AIR CLEANER MOUNT PNTD.....1	1
14	21130GT	CLEVIS YOKE-1/4-28,PLTD W/PIN.....1	1	36	70375GT	HOSE,AIR CLEANER.....1	1
15	1255666GT	SCREW,SHC,M10-1.5X30,DIN912,12.9,ZAB		37	63463GT	AIR CLEANER,NELSON***.....1	1
16	77402GT	SOLENOID,THROTTLE ACTUATOR DSL.....1	1	--	52866GT	EVACUATOR VALVE-AIR CLEANER	
17A	101129PGT	BRACKET,SOLENOID MOUNT PAINT....1	1	--	53952GT	BRKT,AIR CLEANER ORIENTATION**	
				--	58415GT	CLIP,AIR CLEANER END CAP*** <i>end cap not available separately</i>	
				--	62420GT	FILTER,AIR***	
				--	65810GT	BAFFLE, AIR CLEANER (27915)**	
				38	101006GT	TUBE,AIR CLEANER INLET.....1	1
				--	30971GT	CLAMP,HOSE,3.00".....2	2

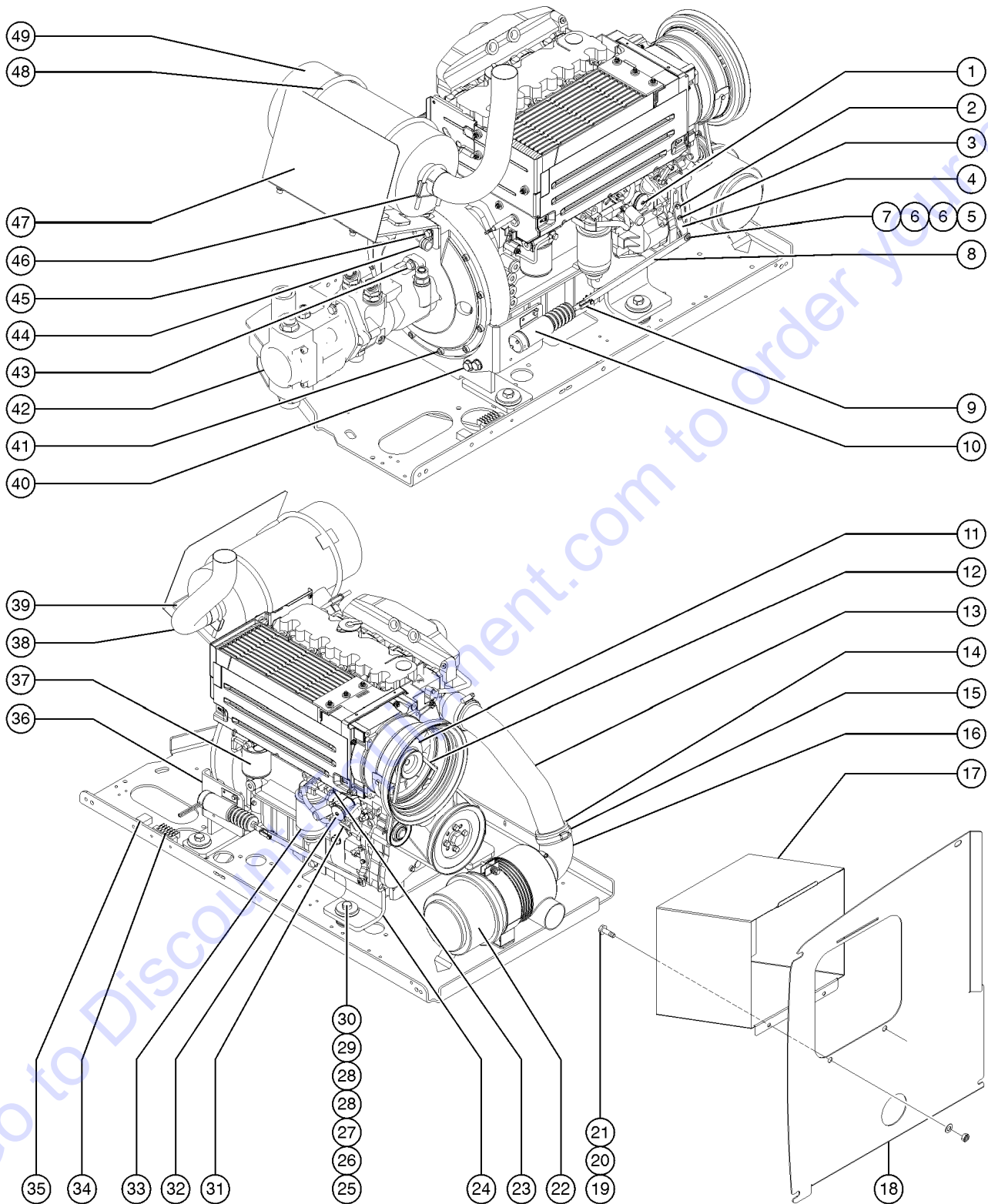
510.1 Deutz D2011L03i, View 1  
(continued)

Item	Part No.	Description	Qty.
39	70494PGT	FORMING,DEUTZ AIR INTAKE BAF P...1	
40	101140P-SGT	AIR INTAKE TUBE ASSY.....1	
--	31523GT	CLAMP,HOSE,8.50 DIA***	
--	33239GT	SHEET,RUBBER,AIR INTAKE	
41	32698GT	BELT,V, DEUTZ DIESEL ENGINE.....1	
42	35586GT	ALTERNATOR, DEUTZ F3L10/F4L10*....1	
43		Ref: Engine Tray <i>refer to 310.1</i>	
44	70381GT	COVER,FLYWHEEL CASTING.....1	
--	128023GT	KIT,FBA STYLE COUPLER,SAE8	
45	70472PGT	FORMING,SOLENOID MOUNT PAINT...1	
46	1257837GT	SCREW,HHC,M10-1.5X65,DIN931,10,9,ZAB	
47	824142GT	WASHER,LOCK,M10,ZAB	
48	1257706GT	SCREW,HHC,M10-1.5X70,DIN931,10....2	
49	824145GT	WASHER,FLAT,M10,DIN125,ZAB	
50	822693GT	TAILPIPE, DEUTZ, TPEM & ROW.....1	
51	70385GT	CLAMP,EXHAUST,2.00 PLATED.....2	

***This Page Intentionally Left Blank***

Go to [Discount-Equipment.com](http://Discount-Equipment.com) to order your parts

511.1 Deutz TD2011L04i, View 1

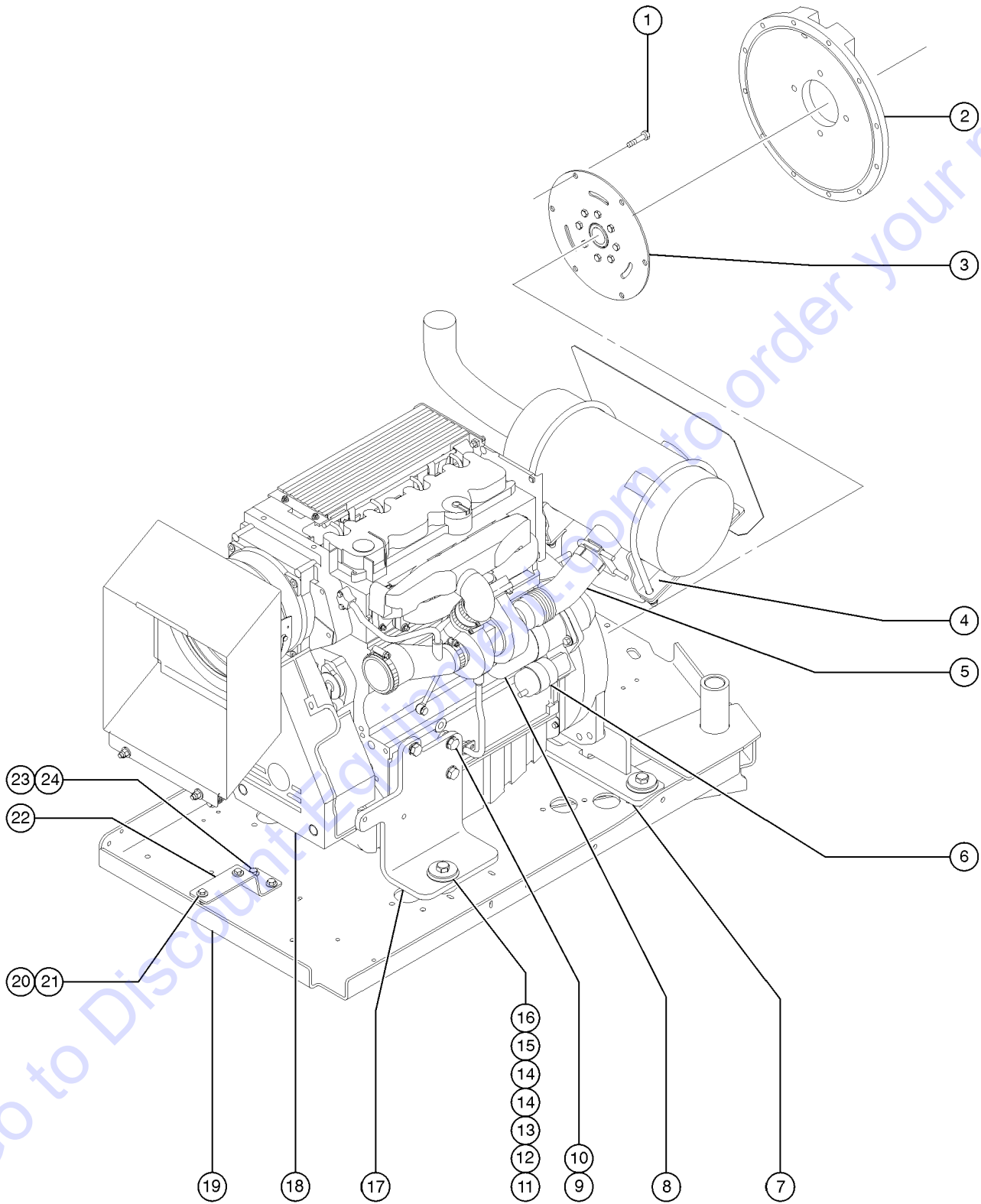


## 511.1 Deutz TD2011L04i, View 1

Item	Part No.	Description	Qty.	Item	Part No.	Description	Qty.
--		<i>For internal engine parts, contact engine dealer</i>		--	81468GT	MOUNTING BAND,AIR CLEANER	
--	T114678GT	SHUTDOWN SOLENOID,12V, DEUTZ....1 <i>(includes o-ring)</i>		23	111445GT	SENDING UNIT,OIL TEMP SWCH,DTZ.....1	1
--	58256GT	SOLENOID CABLE ASSY***		24	70455GT	FORMING,ENGINE MOUNT	
--	72255GT	CONNECTOR, DEUTZ FUEL SHUTOFF* <i>(does not include diode, 45782)</i>		25	1256167GT	FP,CAB TOP,RL4 BUTTE HNGE	
--	45782GT	DIODE,6 AMP,200 PIV,BULK		26	824123GT	WASHER,FLAT,.625X2.25X.188,ZAG	
1	111668GT	PUMP,FUEL 2011 DEUTZ ***.....1	1	27	102045GT	ISOLATOR,ENGINE VIBRATION	
--	111402GT	O-RING, FUEL LIFT PUMP		28	1251565GT	WASHER,SHIM,1.56X2.5X.061,ZAG	
--	27089GT	HOSE,5/16 FUEL,SAE 30R7		29	1256182GT	WASHER,FLAT,5/8,F436,HRD,ZAG	
--	30490GT	HOSE,1/4 FUEL LINE,SAE 30R7		30	1258049GT	NUT,TL,5/8-11,C,ZAG	
2	231532GT	SCREW,HHF,M6-1.0X20,DIN6921,10.9,ZAB		31	52352GT	DIPSTICK-F3L1011F (DEUTZ).....1	1
3	237238GT	SCREW,HHF,M6-1.0X12,DIN6921,10		32	58299GT	SENDING UNIT,OIL PRESS.,DEUTZ*....1	1
4	50787-SGT	LEVER, GOVERNOR ACTUATOR.....1	1	33	29560GT	FILTER,FUEL/WTR SEP, DTZ 1008.....1 <i>Genie Genuine Part. See PN 1254826 for compatible aftermarket replacement.</i>	1
5	1257076GT	BOLT,SHS,1/4-28X4,ZAG.....1	1	--	1254826GT	FUEL FILTER W/SEP,DEUTZ,1008.....1 <i>Genie Aftermarket Part. Filter for Deutz F3L 1011F Engine.</i>	1
6	824113GT	WASHER,FLAT,USS,1/4,ZAG.....2	2	34	89997GT	RELAY MODULE(89996,89998).....1	1
7	1256467GT	NUT,TL FLG,10-24,F,ZAG.....1	1	35	128829GT	CIRCUIT BRKR 15A TYPE 2 METAL.....1	1
8	139322GT	THROTTLE LINKAGE, DSL.....1	1	36	139321GT	FORMING, SOLENOID MOUNT***.....1	1
9	21130GT	CLEVIS YOKE-1/4-28,PLTD W/PIN.....1 <i>includes clevis pin and cotter pin</i>	1	37	49924GT	FILTER,OIL,DEUTZ F4L1011F.....1 <i>Genie Genuine Part. See PN 1255653 for compatible aftermarket replacement.</i>	1
10	77402GT	SOLENOID,THROTTLE ACTUATOR DSL.....1	1	--	1255653GT	FILTER,OIL,DEUTZ,REPLACEMENT.....1 <i>Genie Aftermarket Part. Compatible with Genie Genuine Part 49924.</i>	1
11	58249GT	ALTERNATOR, DEUTZ,BF4L2011***.....1	1	38	822514GT	TAILPIPE, DEUTZ,TPEM & ROW.....1	1
--	1280590GT	PULLEY,ALTERNATOR,DEUTZ BF4L2011 <i>for 58249</i>		39	70448PGT	FORMING,MUFFLER MOUNT.....1	1
--	1280591GT	SPACER,ALT PULLEY,DEUTZ BF4L2011 <i>for 58249</i>		40	1251899GT	SCREW,HHF,M14-2.0X40,DIN6921,10.9,ZAB	
12	58630GT	V-BELT, DEUTZ TD2011LOAI.....1	1	41	1255666GT	SCREW,SHC,M10-1.5X30,DIN912,12.9,ZAB	
13	102227GT	TUBE,AIR INTAKE.....1	1	42		Ref: Pumps <i>refer to section 405.1</i>	
14	88064GT	REDUCER,3" TO 2.75".....1	1	43	1253498GT	SCREW,HHF,1/2-13X1.5,8,ZAG	
15	30489GT	CLAMP,HOSE,3.50.....4	4	44	60838GT	CLAMP,1.00,#16 X 7/16,RUB CUSH.....1	1
16	139455GT	ELBOW,AIR INTAKE,RUBBER		45	238347GT	SCREW,HHF,M10-1.5X70,DIN6921,10.9,ZAB	
17	128896GT	WELDMENT, AIR INTAKE BOX.....1	1	46	71911GT	CLAMP,MUFFLER, 2.50 INCH.....2	2
18	110183PGT	BAFFLE,AIR INTAKE S60 PAINTED.....1	1	47	102237GT	FORMING,HEAT SHIELD,MUFFLER***.....1	1
19	824089GT	SCREW,HHF,3/8-16X.75,8,ZAG		48	70449GT	U-BOLT,1/2-13 X 8.5.....2	2
20	1255758GT	WASHER,FLAT,3/8,USS,ZAG		49A	70444GT	MUFFLER,2.5"INLET/OUTLET.....1	1
21	824025GT	NUT,TL,3/8-16,C,ZAG		49B	119117GT	MUFFLER,CAT/SPARK,DEUTZ <i>spark arrest option</i>	
22	81467GT	AIR CLEANER,NELSON.....1	1	49C	29559GT	GASKET,EXHAUST.....3 <i>for 119117, 3 required</i>	3
--	52866GT	EVACUATOR VALVE-AIR CLEANER <i>for 81467</i>					
--	62425GT	FILTER,AIR CLEANER,SUPERBOOM <i>for 81467</i>					
--	75450GT	AIR CLEANER CLIPS, SUPERBOOM <i>for 81467</i>					
--	75451GT	AIR CLEANER COVER, SUPERBOOM* <i>for 81467</i>					



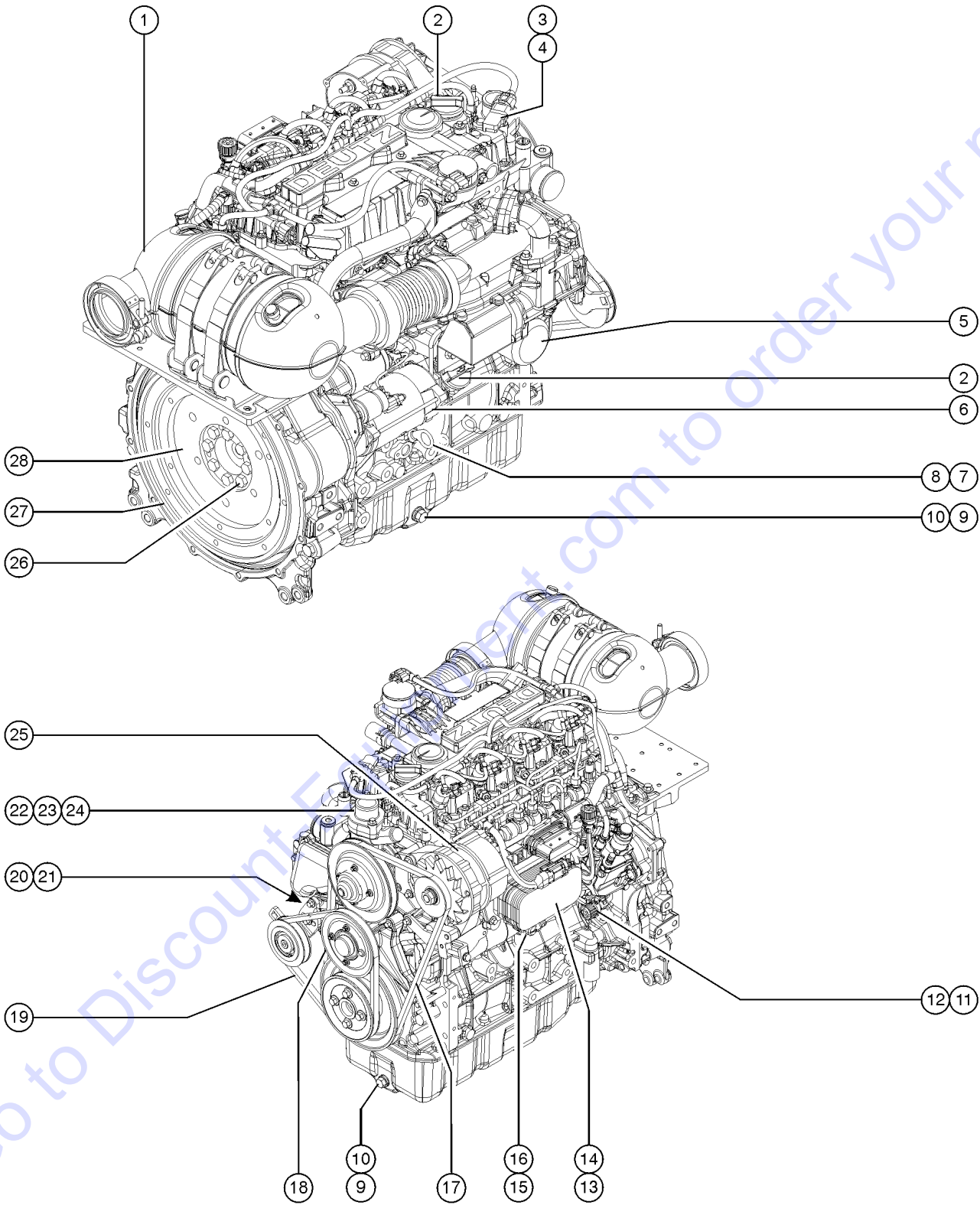
512.1 Deutz TD2011L04i, View 2





Item	Part No.	Description	Qty.
--		<i>For internal engine parts, contact engine dealer</i>	
--	102581GT	PUMP,FUEL INJ,DEUTZ BF4L20 <i>class A injection pump; provide SN of engine to service to get correct injection pump (A, B, C, D)</i>	
--	T108732GT	PUMP,FUEL INJ,DEUTZ BF4L20 <i>class B injection pump; provide SN of engine to service to get correct injection pump (A, B, C, D)</i>	
--	T108733GT	PUMP,FUEL INJ,DEUTZ BF4L20 <i>class C injection pump; provide SN of engine to service to get correct injection pump (A, B, C, D)</i>	
--	T108734GT	PUMP,FUEL INJ,DEUTZ BF4L20 <i>class D injection pump; provide SN of engine to service to get correct injection pump (A, B, C, D)</i>	
1	825351GT	SCREW,HHC,M10-1.5X20,DIN933,10.9,ZAB	
2	70381GT	COVER,FLYWHEEL CASTING.....1	
3	128004GT	COUPLER,15 TOOTH,FBA,SAE8***	
4	70483GT	FORMING,8.5' MUFFLER MOUNT.....1	
5	70445GT	FLEX PIPE,EXHAUST,2.5" DIA.....1	
5B	139983GT	EXHAUST PIPE GASKET	
5B	71911GT	CLAMP,MUFFLER, 2.50 INCH	
6	49915GT	SOLENOID-STARTER DEUTZF4L1011F*.....1	
7	160517GT	FORMING,ENGINE MOUNT,DEUTZ.....1	
8	139709GT	STARTER, 12V.....1	
9	22558GT	SCREW,HHC,M14 X 40MM,GR 8.8	
10	49411GT	WASHER,FLAT,M14	
11	13003GT	SCREW,HHC,5/8-11 X 3.5 GRD.8.....4	
12	33418GT	WASHER,FLAT,.625 X 2.25 X.15	
13	102045GT	ISOLATOR,ENGINE VIBRATION.....4	
14	18596GT	WASHER,FLAT,1.56 X 2.5 X .061	
15	13064GT	WASHER,FLAT,.625 HARDENED.....4	
16	6024GT	NUT,NYLOCK,5/8-11	
17	70454PGT	FORMING,ENGINE MOUNT PAINTED...1	
18	146061GT	V-BELT GUARD, DEUTZ 2011.....1	
19		Ref: Engine Tray with Bearing <i>refer to section 310.1</i>	
20	824086GT	SCREW,HHF,5/16-18X1,8,ZAG	
21	1255805GT	NUT,SERRATED,5/16-18,8,ZAG	
22	102209PGT	FORMING,AIR CLEANER MOUNT PNTD.....1	
23	824091GT	SCREW,HHF,3/8-16X1.25,8,ZAG	
24	824029GT	NUT,TL FLG,3/8-16,G,ZAG	

513.1 Deutz D2.9L4, View 1



## 513.1 Deutz D2.9L4, View 1

Item	Part No.	Description	Qty.	Item	Part No.	Description	Qty.
--	237188GT	ENGINE KIT, DEUTZ D2.9L4 <i>Due to Tier 4 regulations, many engine replacement parts require the engine serial number at time of order placement. When ordering engine parts please have both machine and engine serial numbers available. For internal engine parts, contact engine dealer</i>		15	824673GT	SENSOR,LOW PRESSURE,DEUTZ 2.9L.....	1
--	1259717GT	MANUAL, DEUTZ D2.9 ENGINE.....	1	16	1262893GT	O-RING, OIL PRESSURE SENSOR.....	1
--	1262870GT	GLOW PLUG, DEUTZ.....	4	17	1262866GT	FAN BELT, ALTERNATOR.....	1
--	1262871GT	SEAL, FRONT ENGINE,DEUTZ.....	1	18	236248GT	PULLEY ASSEMBLY,ALTERNATOR,TCD.....	1
--	1262872GT	SEAL, REAR ENGINE,DEUTZ.....	1	19	1262867GT	V-BELT, DEUTZ.....	1
--	1272624GT	KIT,WATER PUMP 2.9 L4..... <i>includes fasteners and 1262874 pump</i>	1	20	1262894GT	SENSOR,CAM/CRANKSHAFT POSITION..... <i>hidden from view (camshaft)</i>	1
--	1262875GT	O-RING, WATER PUMP.....	1	21	1262899GT	O-RING, CAMSHAFT POSITION SENSOR..... <i>hidden from view</i>	1
--	1259654GT	INTAKE BREATHER.....	1	22	1262877GT	THERMOSTAT HOUSING.....	1
--	1259899GT	HARNESS, ENGINE, DEUTZ TD2.9.....	1	23	1262876GT	THERMOSTAT,DEUTZ.....	1
--	1277974GT	PINS,CONNECTOR,INJ HARNESS,D2.9		24	1262878GT	GASKET, THERMOSTAT HOUSING.....	1
--	1285110GT	KIT,HOSE ASSY RAD VENT		25	236251GT	ALTERNATOR,95 AMP,DEUTZ.....	1
--	1285349GT	KIT,THERMOSTAT CONVERSION		26	1262873GT	BOLT, DEUTZ FLYWHEEL.....	8
--	1285111GT	INSTRUCTIONS ORIFICE VENT ASSEMBLY <i>For kits 1285110 and 1285349</i>		27	89785GT	RING GEAR,DEUTZ F3L2011F.....	1
1		Ref. OXIDATION CATALYST,DEUTZ..... <i>Due to Tier 4 regulations, many engine replacement parts require the engine serial number at time of order placement. When ordering engine parts please have both machine and engine serial numbers available. For internal engine parts, contact engine dealer</i>	1	28	1259660GT	FLYWHEEL, SAE 8/10..... <i>order with item #26, PN 1262873, qty 8</i>	1
2	29557GT	CAP,OIL FILLER,DEUTZ,DIESEL***.....	2				
3	1262896GT	SENSOR,INTAKE AIR PRESSURE.....	1				
4	1262897GT	O-RING, INTAKE AIR PRESSURE SENSOR.....	1				
5	49924GT	FILTER,OIL,DEUTZ F4L1011F.....	1				
6	1254594GT	STARTER,3.2KW,DEUTZ D2.9.....	1				
--	1262868GT	BOLT, DEUTZ STARTER <i>not included sold seperately</i>					
7	825708GT	DIPSTICK,TD2.9.....	1				
8	1262881GT	ORING, OIL DIP STICK.....	1				
9	102587GT	PLUG,ENGINE OIL,DEUTZ F4L2011.....	2				
10	108538GT	RING / SEALING.....	2				
11	1262894GT	SENSOR,CAM/CRANKSHAFT POSITION..... <i>(crankshaft)</i>	1				
12	1262895GT	O-RING, CRANKSHAFT POSITION SENSOR.....	1				
13	1260357GT	OIL COOLER,TD2.9.....	1				
14	1262883GT	GASKET, OIL COOLER, DEUTZ.....	1				

# PARTS FINDER

**Search Website  
by Part Number**



**Search Manual  
Library For Parts  
Manual & Lookup Part  
Numbers – Purchase  
or Request Quote**

**Search Manuals**

Enter your information to help us find the right parts manual for your machine.

\* Brand:

\* Model:

\* Serial:

\* Part Number:

SEARCH

**Can't Find Part or  
Manual? Request Help  
by Manufacturer,  
Model & Description**

**Parts Order Form**

Please fill in the following information to help us find the right part for your machine.

Manufacturer:	<input type="text"/>
Model:	<input type="text"/>
Description:	<input type="text"/>
Part Number:	<input type="text"/>
Quantity:	<input type="text"/>
Notes:	<input type="text"/>

Discount-Equipment.com is your online resource for quality parts & equipment.

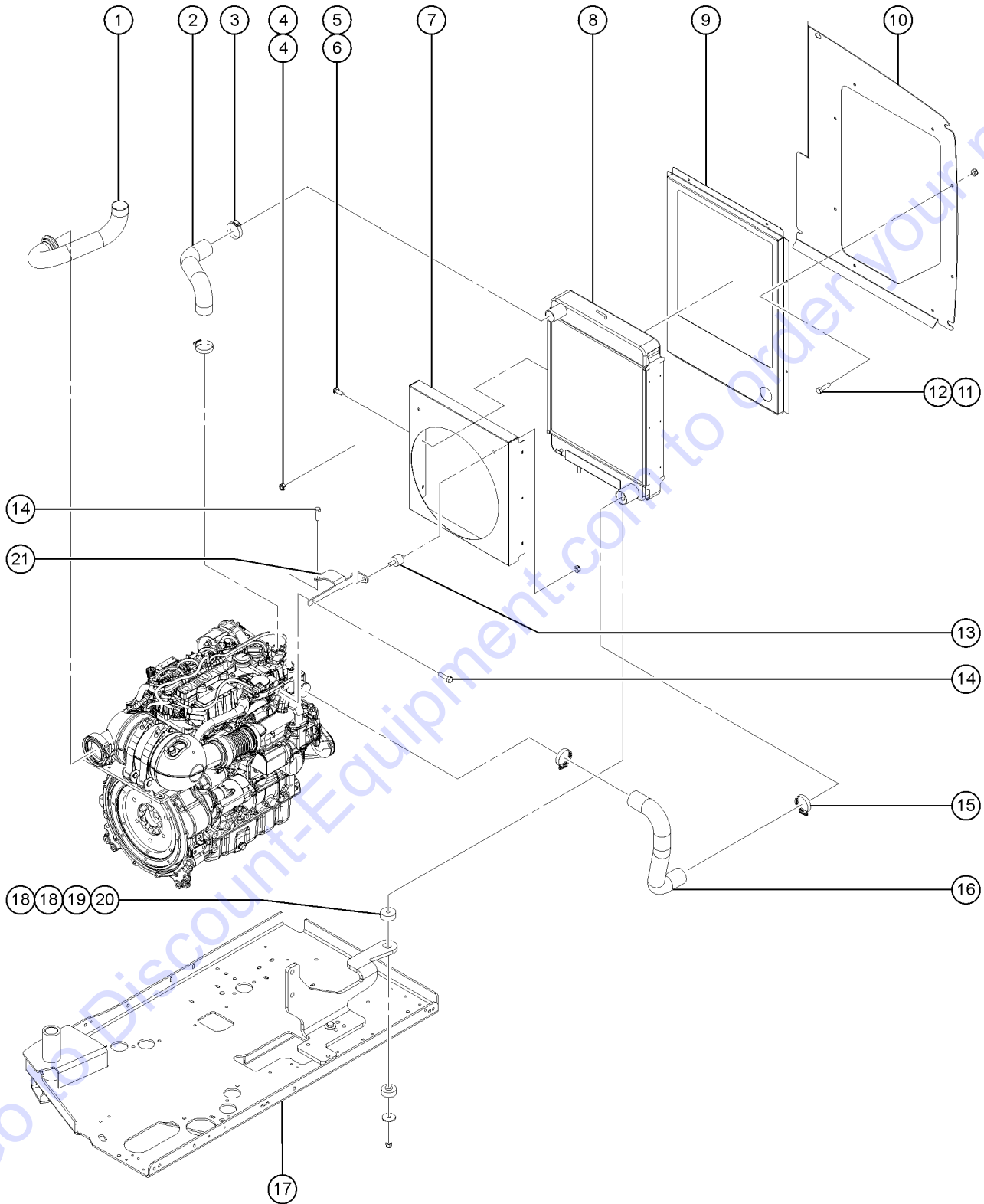
Florida: **561-964-4949** Outside Florida TOLL FREE: **877-690-3101**

**Need parts?**

Click on this link: <http://www.discount-equipment.com/category/5443-parts/> and choose one of the options to help get the right parts and equipment you are looking for. Please have the machine model and serial number available in order to help us get you the correct parts. If you don't find the part on the website or on one of the online manuals, please fill out the request form and one of our experienced staff members will get back to you with a quote for the right part that your machine needs.

We sell worldwide for the brands: Genie, Terex, JLG, MultiQuip, Mikasa, Essick, Whiteman, Mayco, Toro Stone, Diamond Products, Generac Magnum, Airman, Haulotte, Barreto, Power Blanket, Nifty Lift, Atlas Copco, Chicago Pneumatic, Allmand, Miller Curber, Skyjack, Lull, Skytrak, Tsurumi, Husquvarna Target, Stow, Wacker, Sakai, Mi-T-M, Sullair, Basic, Dynapac, MBW, Weber, Bartell, Bennar Newman, Haulotte, Ditch Runner, Menegotti, Morrison, Contec, Buddy, Crown, Edco, Wyco, Bomag, Laymor, EZ Trench, Bil-Jax, F.S. Curtis, Gehl Pavers, Heli, Honda, ICS/PowerGrit, IHI, Partner, Imer, Clipper, MMD, Koshin, Rice, CH&E, General Equipment, Amida, Coleman, NAC, Gradall, Square Shooter, Kent, Stanley, Tamco, Toku, Hatz, Kohler, Robin, Wisconsin, Northrock, Oztec, Toker TK, Rol-Air, APT, Wylie, Ingersoll Rand / Doosan, Innovatech, Con X, Ammann, Mecalac, Makinex, Smith Surface Prep, Small Line, Wanco, Yanmar

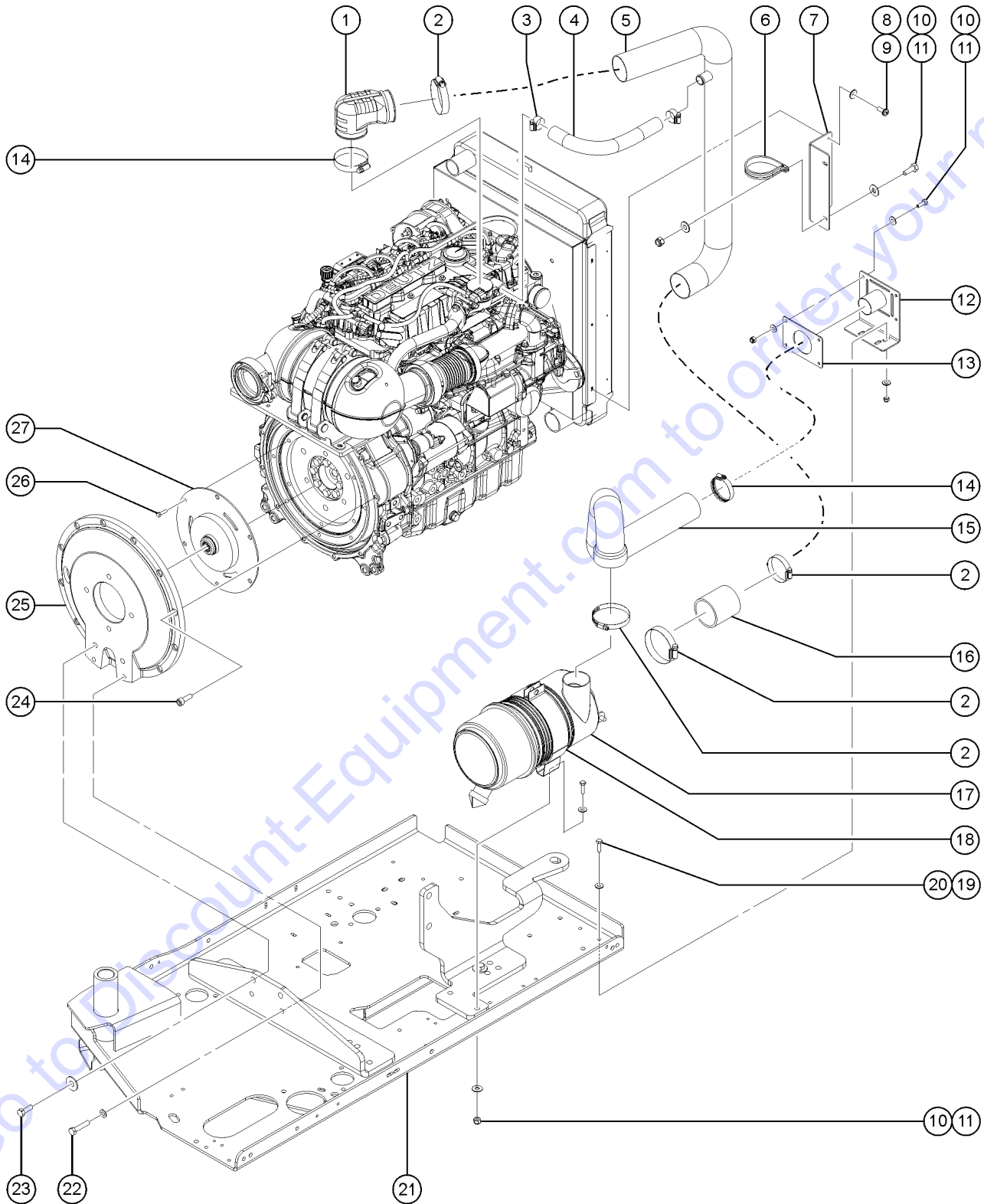
514.1 Deutz D2.9L4, View 2



Item	Part No.	Description	Qty.
--		<i>Due to Tier 4 regulations, many engine replacement parts require the engine serial number at time of order placement. When ordering engine parts please have both machine and engine serial numbers available. For internal engine parts, contact engine dealer</i>	
A	237188GT	ENGINE KIT, DEUTZ D2.9L4	
--	1254594GT	STARTER,3.2KW,DEUTZ D2.9 <i>no sub-components available</i>	
--	1257838GT	HARNESS,INJECTOR,DEUTZ D2.9.....1	
1	822694GT	WDMT,TAILPIPE,DEUTZ D2.9 T4.....1	
2	237193GT	HOSE,UPPER RADIATOR,DEUTZ D2.9.....1	
3	22672GT	CLAMP,HOSE,1.75.....2	
4	1256679GT	NUT,SERRATED,1/4-20,8,ZAG	
5	824220GT	SCREW, PHPM SEMS ET, 10-24 X .5, ZAG	
6	1253185GT	WASHER,FLAT,#10,USS,ZAG	
7	237192GT	FAN SHROUD,DEUTZ D2.9.....1	
8	214685GT	RADIATOR, CAPLESS, DEUTZ D 2.9.....1	
9	822696GT	SHROUD, RADIATOR, DEUTZ 2.9.....1	
10	822695GT	BAFFLE, AIR INTAKE, S60.....1	
11	824078GT	SCREW,HHF,1/4-20X.75,8,ZAG	
12	824027GT	NUT,TL FLG,1/4-20,G,ZAG	
13	219437GT	ISOLATOR, VIBRATION.....1	
14	237238GT	SCREW,HHF,M6-1.0X12,DIN6921,10	
15	35434GT	CLAMP,HOSE,2.00***.....2	
16	237194GT	HOSE,LOWER RADIATOR,DEUTZ D2.9.....1	
17		Ref. Engine Tray <i>refer to 310.1</i>	
18	24038GT	SHOCK MOUNT,SMALL.....2	
19	824120GT	WASHER,FLAT,375X1.50X.125,ZAG.....2	
20	824029GT	NUT,TL FLG,3/8-16,G,ZAG.....2	
21A	214237GT	FORMING,RAD BRACE,DEUTZ D2.9.....1 <i>to SN 30876</i>	
21B	1273919GT	FORMING, SUPPORT, RADIATOR.....1 <i>from SN 30877 to 35000</i>	



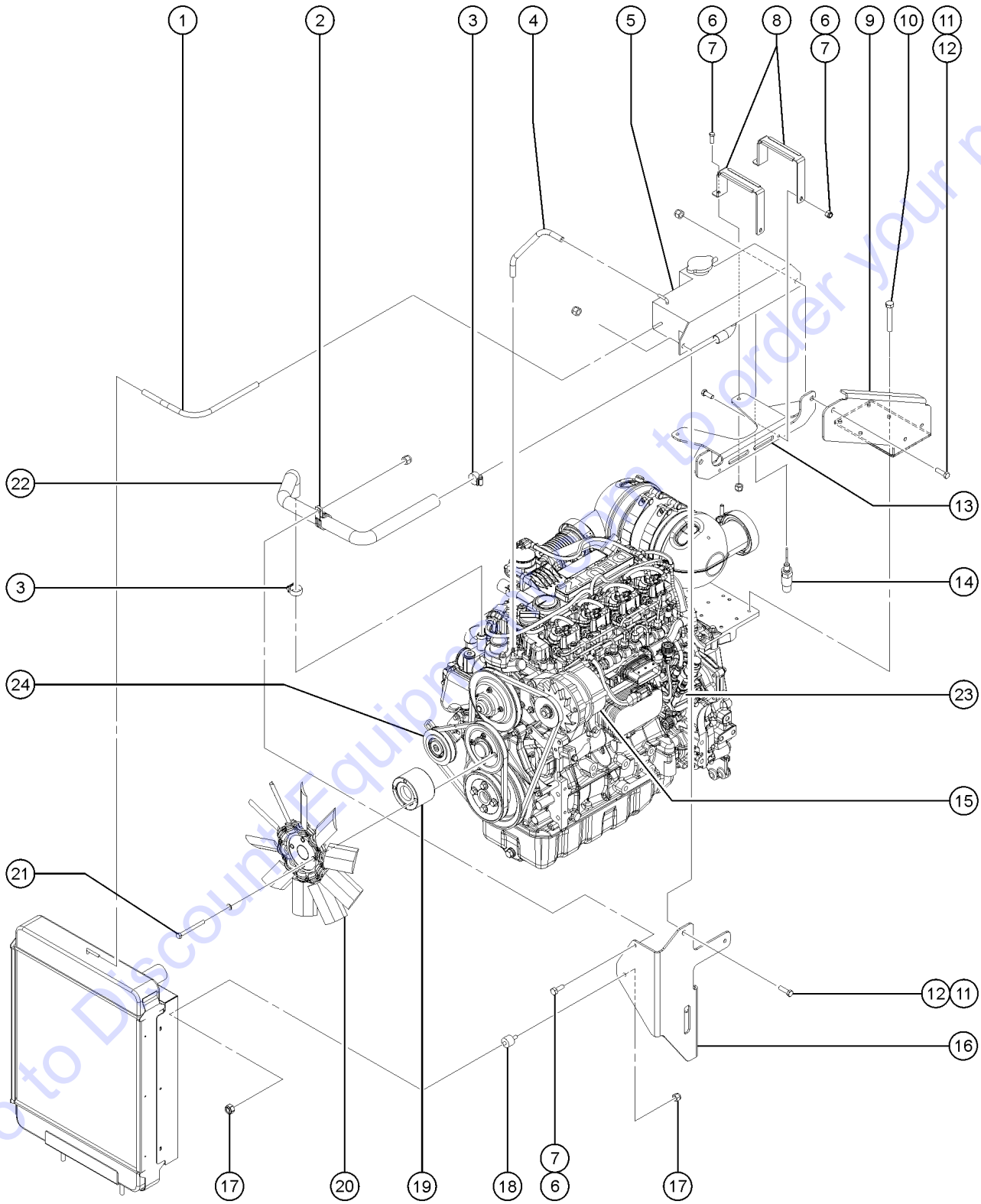
515.1 Deutz D2.9L4, View 3



Item	Part No.	Description	Qty.
A	237188GT	ENGINE KIT, DEUTZ D2.9L4	
--		<i>Due to Tier 4 regulations, many engine replacement parts require the engine serial number at time of order placement. When ordering engine parts please have both machine and engine serial numbers available. For internal engine parts, contact engine dealer</i>	
1	214686GT	AIR INTAKE ELBOW,90 DEGREE.....1	
2	45435GT	CLAMP,HOSE,2.50"***.....5	
3	30348GT	CLAMP,HOSE,1.00.....2	
4	1255894GT	HOSE,PCV,DEUTZ D2.9.....1	
5	219976GT	WELDMENT,STEEL INTAKE TUBE.....1	
6	45455GT	CLAMP,2.75,#44 X 1/4,RUB CUSH*.....2	
7	217877GT	FORMING,CLEAN AIR BRACKET.....1	
8	824220GT	SCREW, PHPM SEMS ET, 10-24 X .5, ZAG	
9	1253185GT	WASHER,FLAT,#10,USS,ZAG	
10	824078GT	SCREW,HHF,1/4-20X.75,8,ZAG	
11	824027GT	NUT,TL FLG,1/4-20,G,ZAG	
12	215811GT	WDMT,INTAKE ADAPTER.....1	
13	215809GT	SHEET,AIR SEAL BACKING.....1	
14	35434GT	CLAMP,HOSE,2.00***.....1	
15	217930GT	HOSE,RAW AIR,DEUTZ D2.9.....1	
16	34162-300GT	HOSE,AIR INTAKE 2.50" ID.....1	
17	63463GT	AIR CLEANER,NELSON***.....1	
--	52866GT	EVACUATOR VALVE-AIR CLEANER	
--	58415GT	CLIP,AIR CLEANER END CAP*** <i>end cap not available separately</i>	
--	62420GT	FILTER,AIR***	
--	65810GT	BAFFLE, AIR CLEANER (27915)**	
18	53952GT	BRKT,AIR CLEANER ORIENTATION**.....1	
19	824086GT	SCREW,HHF,5/16-18X1,8,ZAG	
20	824028GT	NUT,TL FLG,5/16-18,G,ZAG	
21		Ref. ENGINE TRAY <i>refer to 310.1</i>	
22	826008GT	SCREW,HHF,M10-1.5X75,DIN6921,10,9,ZAB	
23	1253498GT	SCREW,HHF,1/2-13X1.5,8,ZAG	
24	1255666GT	SCREW,SHC,M10-1.5X30,DIN912,12,9,ZAB	
25	70381GT	COVER,FLYWHEEL CASTING.....1	
26	1257421GT	SCREW,HHC,M10-1.5X16,DIN933,10,9,ZAB.6	
27	128004GT	COUPLER,15 TOOTH,FBA,SAE8***.....1 <i>includes 8 bolts</i>	

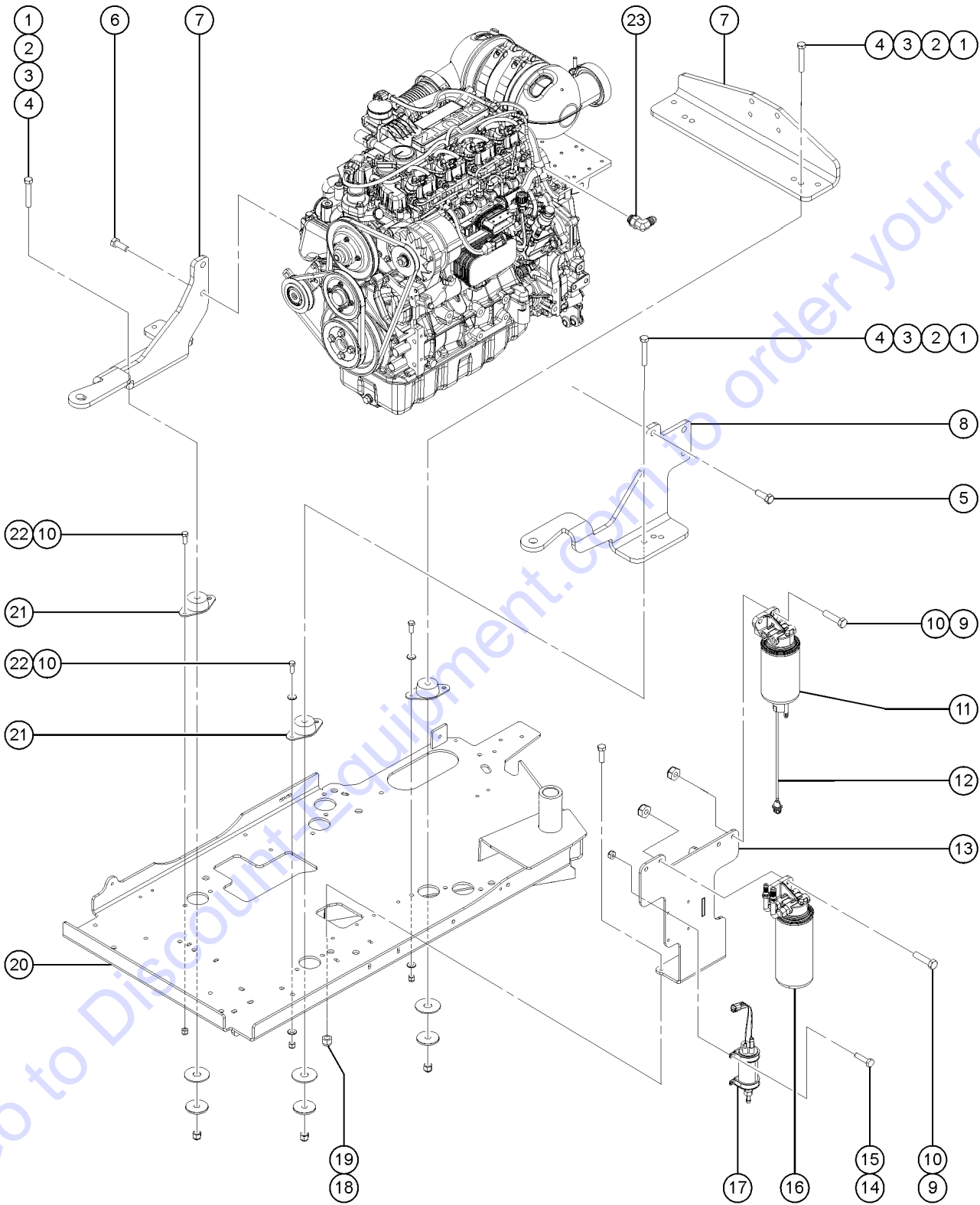


516.1 Deutz D2.9L4, View 4



Item	Part No.	Description	Qty.
--		<i>Due to Tier 4 regulations, many engine replacement parts require the engine serial number at time of order placement. When ordering engine parts please have both machine and engine serial numbers available. For internal engine parts, contact engine dealer</i>	
--	237188GT	ENGINE KIT, DEUTZ D2.9L4	
1	823523GT	HOSE,RADIATOR VENT,DEUTZ D2.9....1	
2	119394GT	CLAMP,1.38,#212X3/8,RUB CUSH.....1	
3	30348GT	CLAMP,HOSE,1.00.....2	
4	823524GT	HOSE,ENGINE VENT,DEUTZ D2.9.....1	
5	161938GT	EXPANSION TANK,METAL,D2.9.....1	
5B	1274900GT	SIGHT GLASS for 161938	
5C	1254823GT	CAP,RADIATOR,PERKINS(94232) for 161938	
6	824078GT	SCREW,HHF,1/4-20X.75,8,ZAG	
7	824027GT	NUT,TL FLG,1/4-20,G,ZAG	
8A	1253922GT	FORMING,EXP TANK BAND,D2.9.....2	
8B	1254452GT	EXTRUSION,RUBBER STRIP,LG,D2.9.....2 for 1253922	
8C	1254453GT	EXTRUSION,RUBBER STRIP,SM,D2.9.....2 for 1253922	
9	1255692GT	FORMING,EXPANSION TANK SUPT.....1	
10	824133GT	SCREW,HHF,M8-1.25X25,DIN6921,10.9,ZAB	
11	824092GT	SCREW,HHF,3/8-16X1.5,8,ZAG	
12	824029GT	NUT,TL FLG,3/8-16,G,ZAG	
13	1254267GT	WDMT,EXPANSION TANK SUPT.....1	
14	218715GT	SENSOR,COOLANT LEVEL, DEUTZ....1	
15	236251GT	ALTERNATOR,95 AMP,DEUTZ.....1	
16	214934GT	FORMING,RAD EXPSN TANK SUPT.....1	
17	1256679GT	NUT,SERRATED,1/4-20,8,ZAG	
18	219437GT	ISOLATOR, VIBRATION.....1	
19	1256599GT	SPACER, FAN, DEUTZ, 29.5MM LNG....1	
20	214682GT	FAN, 10 BLADE, 15".....1	
21	1257231GT	SCREW,HHF,M8-1.25X50,DIN6921,10.9,ZAB.4	
22	1251731GT	HOSE,EXPANSION TANK,D2.9.....1	
23	1279653GT	PUMP,FUEL,HI PRESS,DEUTZ TD2.9....1	
24	1279631GT	PULLEY,BELT TENSIONER,D2.9L4.....1	

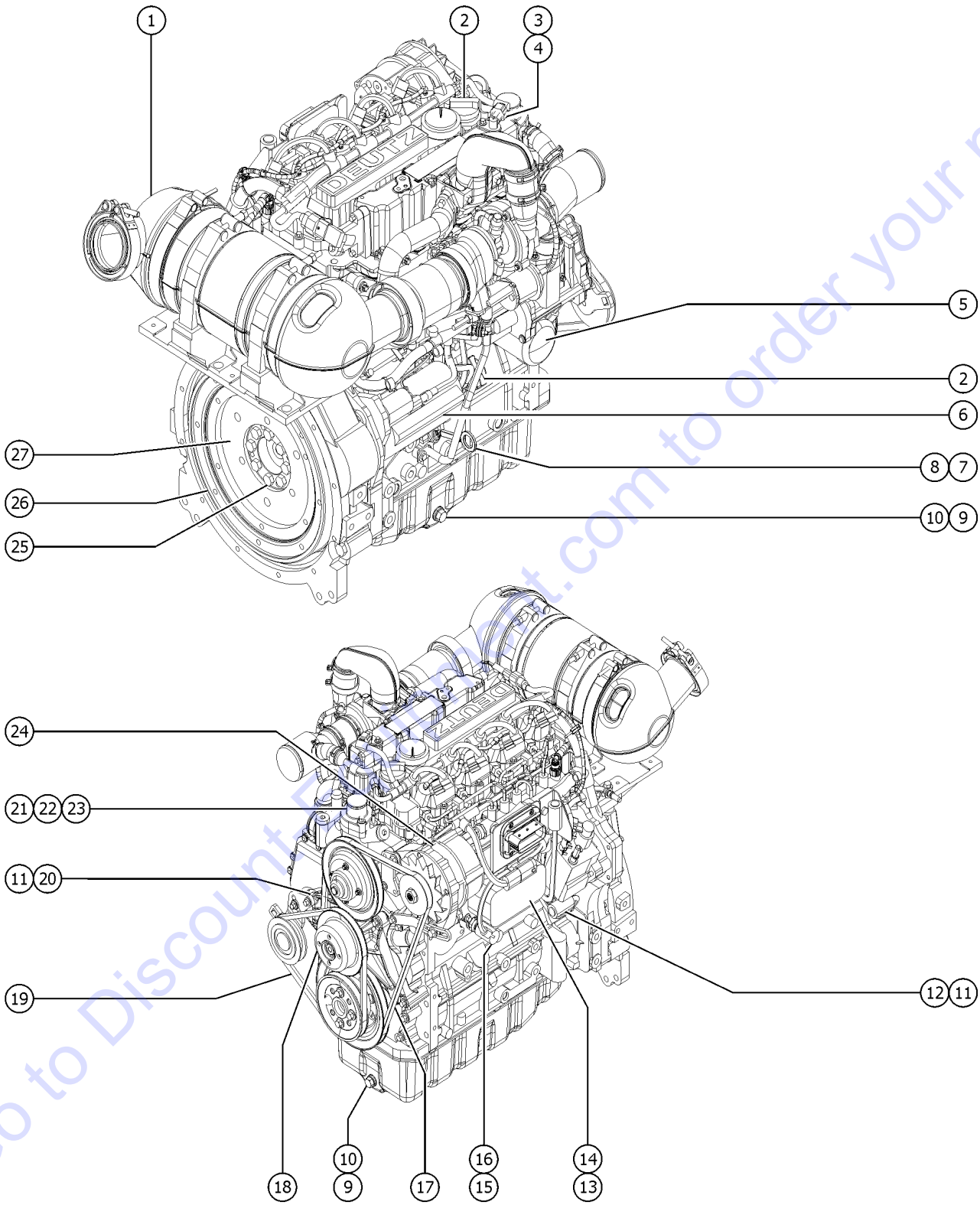
517.1 Deutz D2.9L4, View 5



## 517.1 Deutz D2.9L4, View 5

Item	Part No.	Description	Qty.	Item	Part No.	Description	Qty.
--		<i>Due to Tier 4 regulations, many engine replacement parts require the engine serial number at time of order placement. When ordering engine parts please have both machine and engine serial numbers available. For internal engine parts, contact engine dealer</i>		19	6888GT	SCREW,HHC,1/4-20 X 1	
				20		Ref: Engine Tray Assy.....1 <i>refer to 310.1</i>	
				21	70452GT	ISOLATOR,ENGINE VIBRATION***.....4	
				22	6175GT	SCREW,HHC,3/8-16 X 1	
				23	826000GT	CONNECTOR, SAE10, QUICK CONN....1 <i>(fuel)</i>	
--	1255653GT	FILTER,OIL,DEUTZ,REPLACEMENT.....1 <i>Genie Aftermarket Part. Compatible with Genie Genuine Part 49924.</i>					
--	49924GT	FILTER,OIL,DEUTZ F4L1011F.....1 <i>Genie Genuine Part. See PN 1255653 for compatible aftermarket replacement.</i>					
1	10598GT	SCREW,HHC,1/2-13 X 3					
2	101729GT	WASHER,VIBRATION ISOLATING.....4					
3	24040GT	WASHER, 1/2 PLATE (1/2 X 2.25 X 3/16).....4					
4	6198GT	NUT,NYLOCK,1/2-13					
5	22558GT	SCREW,HHC,M14 X 40MM,GR 8.8.....5					
6	237190GT	FORMING, RIGHT ENGINE MOUNT.....1					
7	237191GT	FORMING, REAR ENGINE MOUNT.....1					
8	237189GT	FORMING, LEFT ENGINE MOUNT.....1					
9	8516GT	SCREW, HCC, 3/8-16 X 1.50					
10	4828GT	NUT,NYLOCK,3/8-16					
11	1261239GT	ASSY,FUEL PREFILTER,DEUTZ 2.9.....1					
--	074501.0291GT	SENSOR					
--	162207GT	FITTING,ELBOW,8GS-8FJX90S.....2					
--	162209GT	FITTING,CONN,16MM-8MJ.....2					
--	236260GT	PRE-FILTER,FUEL,DEUTZ TCD3.6					
12	074501.0291GT	SENSOR.....1					
13	1257961GT	WELDMENT, FUEL FILTER BRACKET.....1					
14	29752GT	SCREW,HHC,10-24 X .75					
15	5365GT	NUT,NYLOCK,10-24					
16	214228GT	FILTER, DEUTZ 2.9, FUEL.....1					
--	1255395GT	HOSE,FUEL,1/2,D2.9,SUPPLY,QC <i>(from engine to filter) sold separately</i>					
--	1255396GT	FITTING,FUEL,1/2,D2.9,QC <i>sold separately</i>					
--	1255399GT	BOLT,BANJO,DEUTZ,QC <i>sold separately</i>					
--	1255400GT	WASHER,COPPER,DEUTZ,QC <i>sold seperately</i>					
--	162206GT	FITTING,ELBOW,6GS-6FJX90S.....1					
--	162208GT	FITTING,CONN,16MM-6MJ.....1					
16A	1256482GT	KIT,MED PRES FUEL SUPPLY,D2.9					
17	236259GT	LIFT PUMP,FUEL,DEUTZ.....2					
18	6091GT	NUT,NYLOCK,1/4-20					

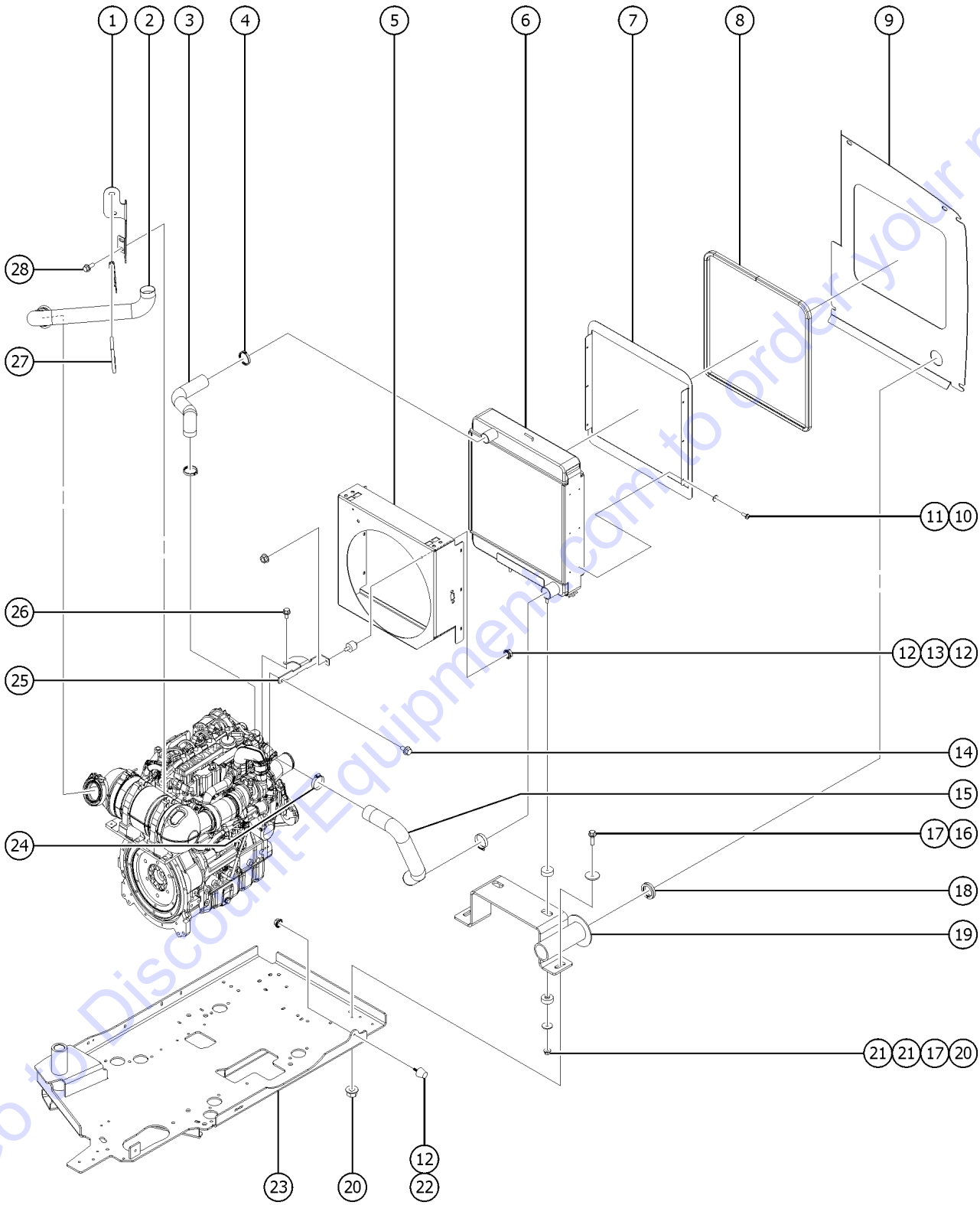
518.1 Deutz TD2.9L4, View 1 (from S60TX16H-30877)



## 518.1 Deutz TD2.9L4, View 1 (from S60TX16H-30877)

Item	Part No.	Description	Qty.	Item	Part No.	Description	Qty.
A	237730GT	ENGINE KIT, DEUTZ TD 2.9.....1 <i>Due to Tier 4 regulations, many engine replacement parts require the engine serial number at time of order placement. When ordering engine parts please have both machine and engine serial numbers available. For internal engine parts, contact engine dealer</i>	1	21	1262877GT	THERMOSTAT HOUSING.....1	1
B	1259717GT	MANUAL, DEUTZ D2.9 ENGINE.....1	1	22	1262876GT	THERMOSTAT,DEUTZ.....1	1
C	1262870GT	GLOW PLUG, DEUTZ.....4	4	23	1262878GT	GASKET, THERMOSTAT HOUSING.....1	1
D	1262871GT	SEAL, FRONT ENGINE,DEUTZ.....1	1	24	236251GT	ALTERNATOR,95 AMP,DEUTZ.....1	1
E	1262872GT	SEAL, REAR ENGINE,DEUTZ.....1	1	25	1262873GT	BOLT, DEUTZ FLYWHEEL.....8	8
F	1262874GT	WATER PUMP.....8	8	26	89785GT	RING GEAR,DEUTZ F3L2011F.....1	1
G	1262875GT	O-RING, WATER PUMP.....1	1	27	1259660GT	FLYWHEEL, SAE 8/10.....1 <i>order with item 25</i>	1
H	1259654GT	INTAKE BREATHER.....1	1				
I	1259899GT	HARNESS, ENGINE, DEUTZ TD2.9.....1	1				
K	1277974GT	PINS,CONNECTOR,INJ HARNESS,D2.9					
1	1262890GT	OXIDATION CATALYST,DEUTZ.....1	1				
2	29557GT	CAP,OIL FILLER,DEUTZ,DIESEL***.....2	2				
3	1262896GT	SENSOR,INTAKE AIR PRESSURE.....1	1				
4	1262897GT	O-RING, INTAKE AIR PRESSURE SENSOR.....1	1				
5	49924GT	FILTER,OIL,DEUTZ F4L1011F.....1	1				
6	1254594GT	STARTER,3.2KW,DEUTZ D2.9.....1	1				
--	1262868GT	BOLT, DEUTZ STARTER <i>not included sold seperately</i>					
7	825708GT	DIPSTICK,TD2.9.....1	1				
8	1262881GT	ORING, OIL DIP STICK.....1	1				
9	102587GT	PLUG,ENGINE OIL,DEUTZ F4L2011.....2	2				
10	108538GT	RING / SEALING.....2	2				
11A	1262894GT	SENSOR,CAM/CRANKSHAFT POSITION.....1 <i>(crankshaft)</i>	1				
11B	1262894GT	SENSOR,CAM/CRANKSHAFT POSITION.....1 <i>hidden from view (camshaft)</i>	1				
12	1262895GT	O-RING, CRANKSHAFT POSITION SENSOR.....1	1				
13	1260357GT	OIL COOLER,TD2.9.....1	1				
14	1262883GT	GASKET, OIL COOLER, DEUTZ.....1	1				
15	824673GT	SENSOR,LOW PRESSURE,DEUTZ 2.9L.....1	1				
16	1262893GT	O-RING, OIL PRESSURE SENSOR.....1	1				
17	1262866GT	FAN BELT, ALTERNATOR.....1	1				
18	1259657GT	FAN PULLEY.....1	1				
19	1262867GT	V-BELT, DEUTZ.....1	1				
20	1262899GT	O-RING, CAMSHAFT POSITION SENSOR.....1 <i>hidden from view</i>	1				

519.1 Deutz TD2.9L4, View 2 (from S60TX16H-30877)



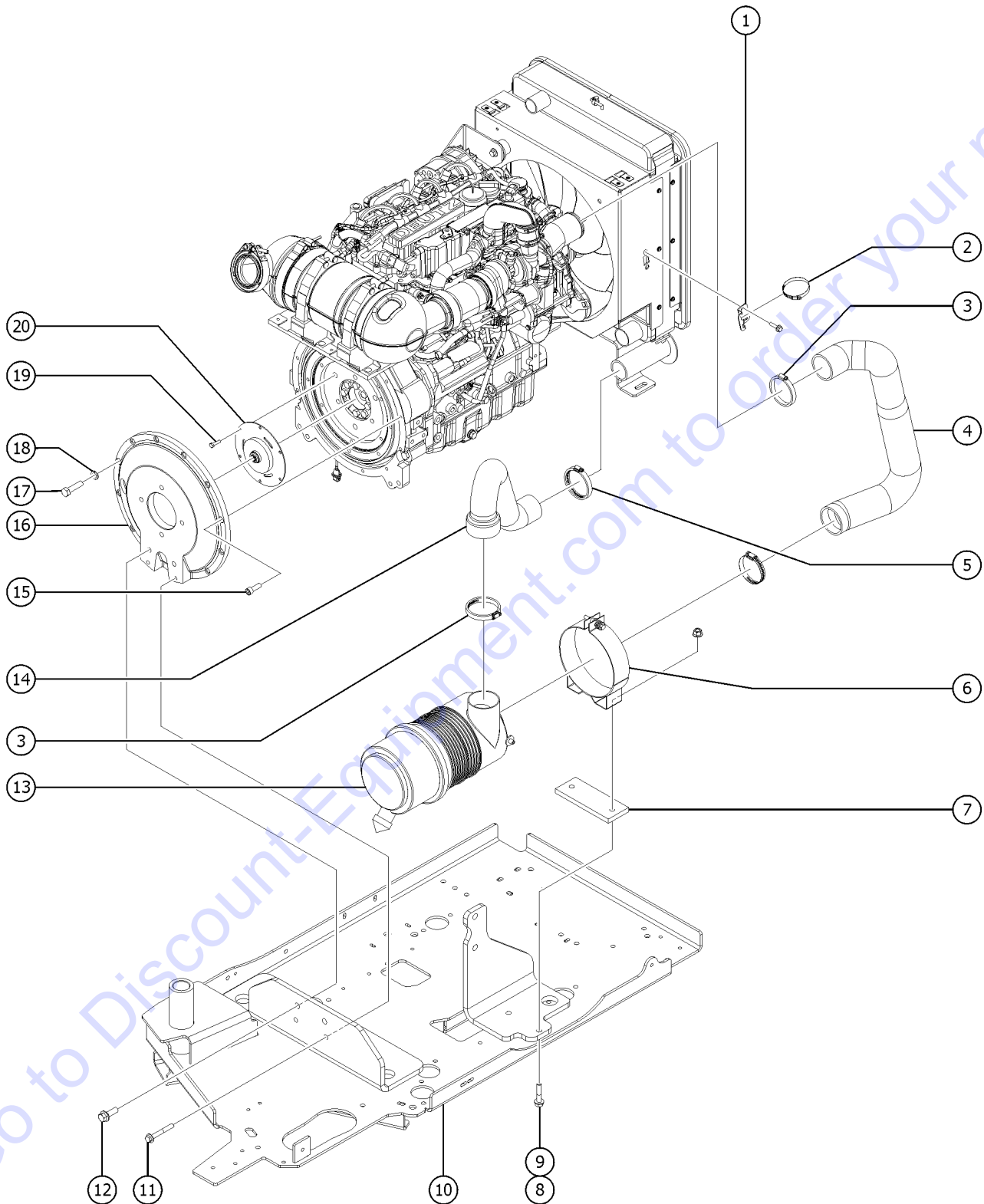


## 519.1 Deutz TD2.9L4, View 2 (from S60TX16H-30877)

Item	Part No.	Description	Qty.
A		<i>Due to Tier 4 regulations, many engine replacement parts require the engine serial number at time of order placement. When ordering engine parts please have both machine and engine serial numbers available. For internal engine parts, contact engine dealer</i>	
1	1262831GT	FORMING, SUPPORT, TAILPIPE.....1	
2	826822GT	EXHAUST PIPE, TIER IV DEUTZ, Z.....1	
3	162283GT	HOSE, UPPER RADIATOR, DEUTZ D....1	
4	22672GT	CLAMP,HOSE,1.75.....2	
5	1261921GT	SHROUD, 17" FAN.....1	
6	826795GT	RADIATOR,6-CORE,19.375W X 18.1.....1	
7	1268010GT	FORMING, SHROUD, INLET, RADIATOR.....1	
8	1262841GT	TRIM SEAL,RADIATOR,DEUTZ TD2.9...1	
9	1262839GT	FORMING, BAFFLE, AIR INTAKE.....1	
10	824220GT	SCREW, PHPM SEMS ET, 10-24 X .5, ZAG.....12	
11	1253185GT	WASHER,FLAT,#10,USS,ZAG.....12	
12	1255805GT	NUT,SERRATED,5/16-18,8,ZAG.....4	
13	48498GT	ISOLATOR,AIR FILTER MOUNT.....1	
14	237238GT	SCREW,HHF,M6-1.0X12,DIN6921,10....1	
15	162284GT	HOSE,LOWER RADIATOR, 2.9L DEUT.....1	
16	824091GT	SCREW,HHF,3/8-16X1.25,8,ZAG.....2	
17	824120GT	WASHER,FLAT,.375X1.50X.125,ZAG....4	
18	1262842GT	SEAL,AIR INTAKE ADAPTER,LOWER...1	
19	1262838GT	WELDMENT, SUPPORT, RADIATOR....1	
20	824029GT	NUT,TL FLG,3/8-16,G,ZAG.....4	
21	24038GT	SHOCK MOUNT,SMALL.....4	
22	1261277GT	BUMPER, RUBBER, 1.25 X 1.25 IN.....2	
23		Ref.Engine Tray.....1 <i>refer to 309.1</i>	
24	35434GT	CLAMP,HOSE,2.00*** .....2	
25	1273919GT	FORMING, SUPPORT, RADIATOR.....1	
26	1251983GT	SCREW,HHF,M8-1.25X16,DIN6921,10.9,ZAB.1	
27	71911GT	CLAMP,MUFFLER, 2.50 INCH.....1	
28	824132GT	SCREW,HHF,M8-1.25X20,DIN6921,10.9,ZAB.2	



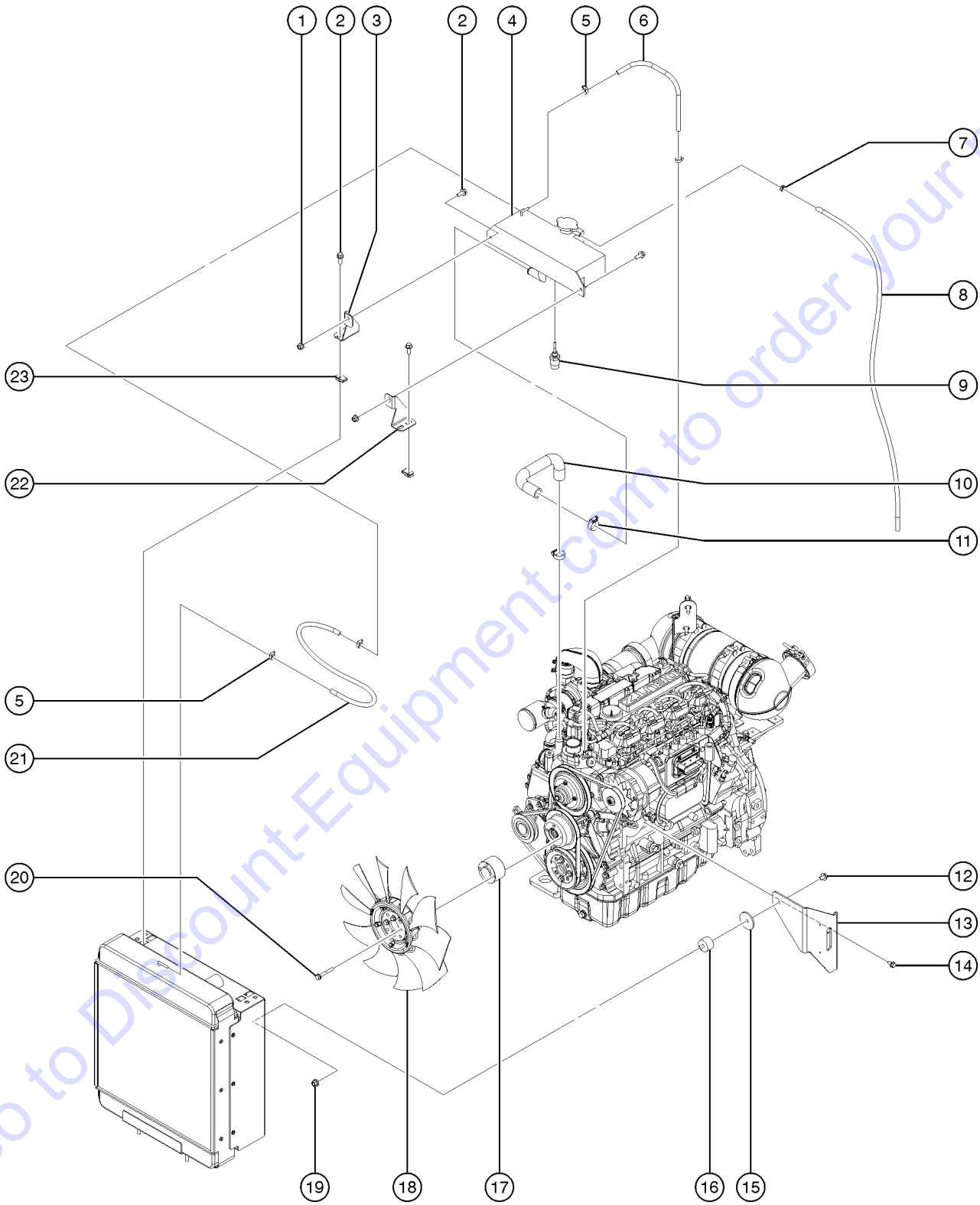
520.1 Deutz TD2.9L4, View 3 (from S60TX16H-30877)



## 520.1 Deutz TD2.9L4, View 3 (from S60TX16H-30877)

Item	Part No.	Description	Qty.
A		<i>Due to Tier 4 regulations, many engine replacement parts require the engine serial number at time of order placement. When ordering engine parts please have both machine and engine serial numbers available. For internal engine parts, contact engine dealer</i>	
1	823751GT	BRACKET,INTAKE PIPE,MOUNT,DEUT.....1	1
2	30971GT	CLAMP,HOSE,3.00".....2	2
3	30489GT	CLAMP,HOSE,3.50.....3	3
4	1262829GT	HOSE, INTAKE, AIR.....1	1
5	45435GT	CLAMP,HOSE,2.50***.....1	1
6	81468GT	MOUNTING BAND,AIR CLEANER.....1	1
7	1273918GT	SPACER, AIR CLEANER.....1	1
8	1255763GT	SCREW,HHF,5/16-18X1.5,8,ZAG.....2	2
9	824028GT	NUT,TL FLG,5/16-18,G,ZAG.....2	2
10		REF. ENGINE TRAY <i>refer to 309.1</i>	
11	826008GT	SCREW,HHF,M10-1.5X75,DIN6921,10.9,ZAB.2	2
12	1253498GT	SCREW,HHF,1/2-13X1.5,8,ZAG.....2	2
13	81467GT	AIR CLEANER,NELSON.....1	1
--	52866GT	EVACUATOR VALVE-AIR CLEANER <i>for 81467</i>	
--	62425GT	FILTER,AIR CLEANER,SUPERBOOM <i>for 81467</i>	
--	75450GT	AIR CLEANER CLIPS, SUPERBOOM <i>for 81467</i>	
--	75451GT	AIR CLEANER COVER, SUPERBOOM* <i>for 81467</i>	
14	1262828GT	HOSE, INTAKE, DEUTZ TD2.9.....1	1
15	1255666GT	SCREW,SHC,M10-1.5X30,DIN912,12.9,ZAB.9	9
16	70381GT	COVER,FLYWHEEL CASTING.....1	1
17	25548GT	SCREW,HHC,M10 X 40MM,GRD8.....1	1
18	824142GT	WASHER,LOCK,M10,ZAB.....1	1
19	1257421GT	SCREW,HHC,M10-1.5X16,DIN933,10.9,ZAB.6	6
20	128004GT	COUPLER,15 TOOTH,FBA,SAE8***.....1	1

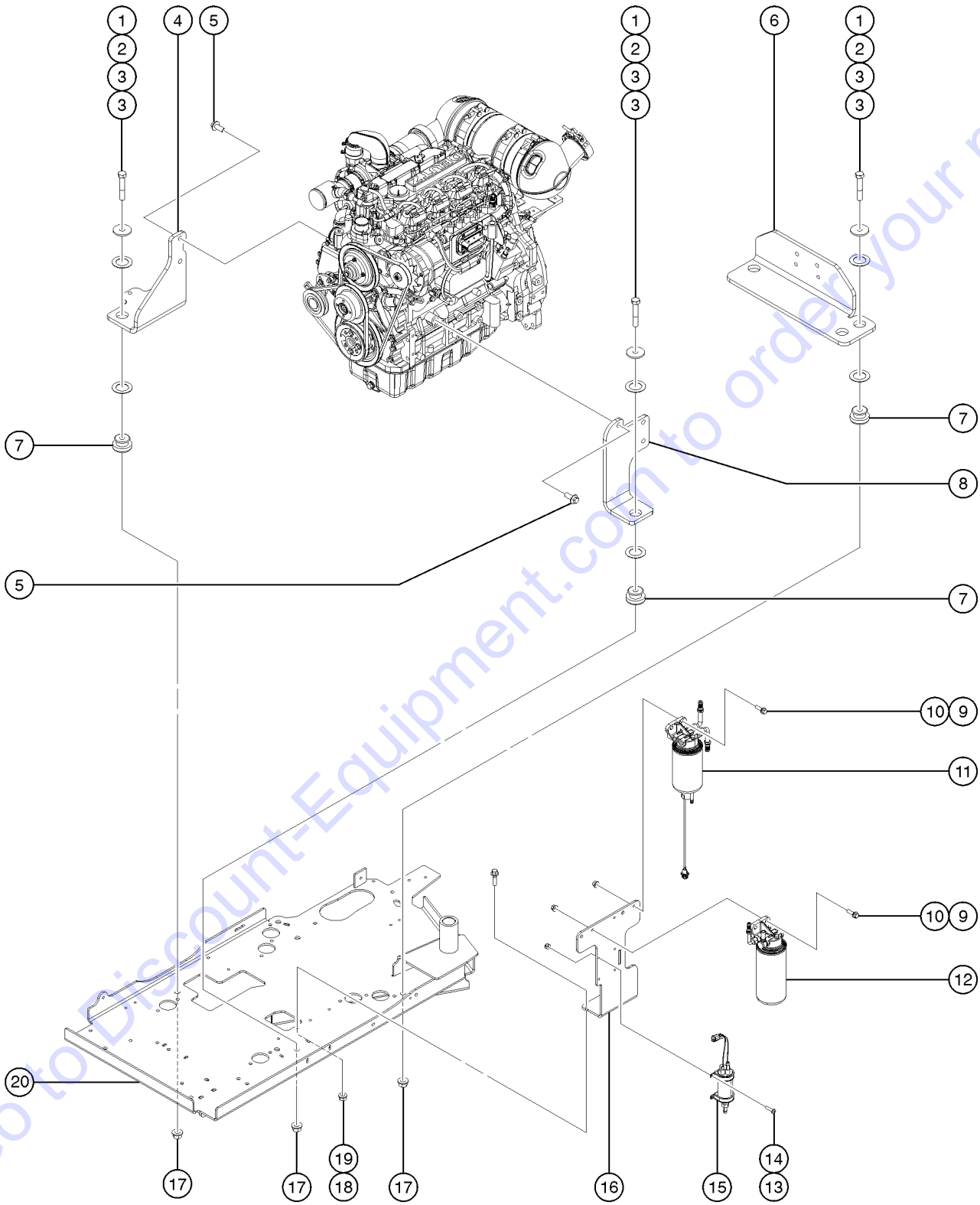
521.1 Deutz TD2.9L4, View 4 (from S60TX16H-30877)



## 521.1 Deutz TD2.9L4, View 4 (from S60TX16H-30877)

Item	Part No.	Description	Qty.
A		<i>Due to Tier 4 regulations, many engine replacement parts require the engine serial number at time of order placement. When ordering engine parts please have both machine and engine serial numbers available. For internal engine parts, contact engine dealer</i>	
1	824029GT	NUT,TL FLG,3/8-16,G,ZAG.....	2
2	824090GT	SCREW,HHF,3/8-16X1,8,ZAG.....	6
3	1261925GT	FORMING, BRACKET, TANK, EXPANS.....	1
4	161938GT	EXPANSION TANK,METAL,D2.9.....	1
4B	1254823GT	CAP,RADIATOR,PERKINS(94232) for 161938	
4B	1274900GT	SIGHT GLASS for 161938	
5	21465GT	CLAMP,HOSE,.25" - .63" X .3125.....	4
6	826400-1300GT	HOSE, HEATER, 1/4", 13" LONG.....	1
7	31983GT	CLAMP,HOSE,1 EAR, 9/16.....	1
8	1259441GT	HOSE,OVERFLOW,DEUTZ D2.9.....	1
9	218715GT	SENSOR,COOLANT LEVEL, DEUTZ.....	1
10	1261928GT	HOSE, TANK, EXPANSION.....	1
11	19273GT	CLAMP,HOSE,.75 **.....	2
12	237352GT	SCREW,HHF,M10-1.5X16,DIN6921,10.9,ZAB.1	
13	1256165GT	FORMING,RADIATOR SUPPORT,LH.....	1
14	1251983GT	SCREW,HHF,M8-1.25X16,DIN6921,10.9,ZAB.2	
15	1256283GT	WASHER,FLAT,.5X2.25X.188,ZAG.....	1
16	1255451GT	ISOLATOR, VIBRATION DAMPENER.....	1
17	1258641GT	SPACER, FAN, DEUTZ, 38MM LNG.....	1
18	1251496GT	FAN,10 BLADE,17",DEUTZ 2.9L.....	1
19	231529GT	NUT,TL FLG,M10-1.5,DIN6927,10,ZAB.....	1
20	1258771GT	SCREW,HHF,M8-1.25X60,DIN6921,10.9,ZAB.4	
21	826400-2500GT	HOSE, HEATER, 1/4", 25" LONG.....	1
22	1261926GT	FORMING, BRACKET, TANK, EXPANS.....	1
23	29868GT	SPRING CLIP,3/8-16,.05-.20X.73,ZAG....	4

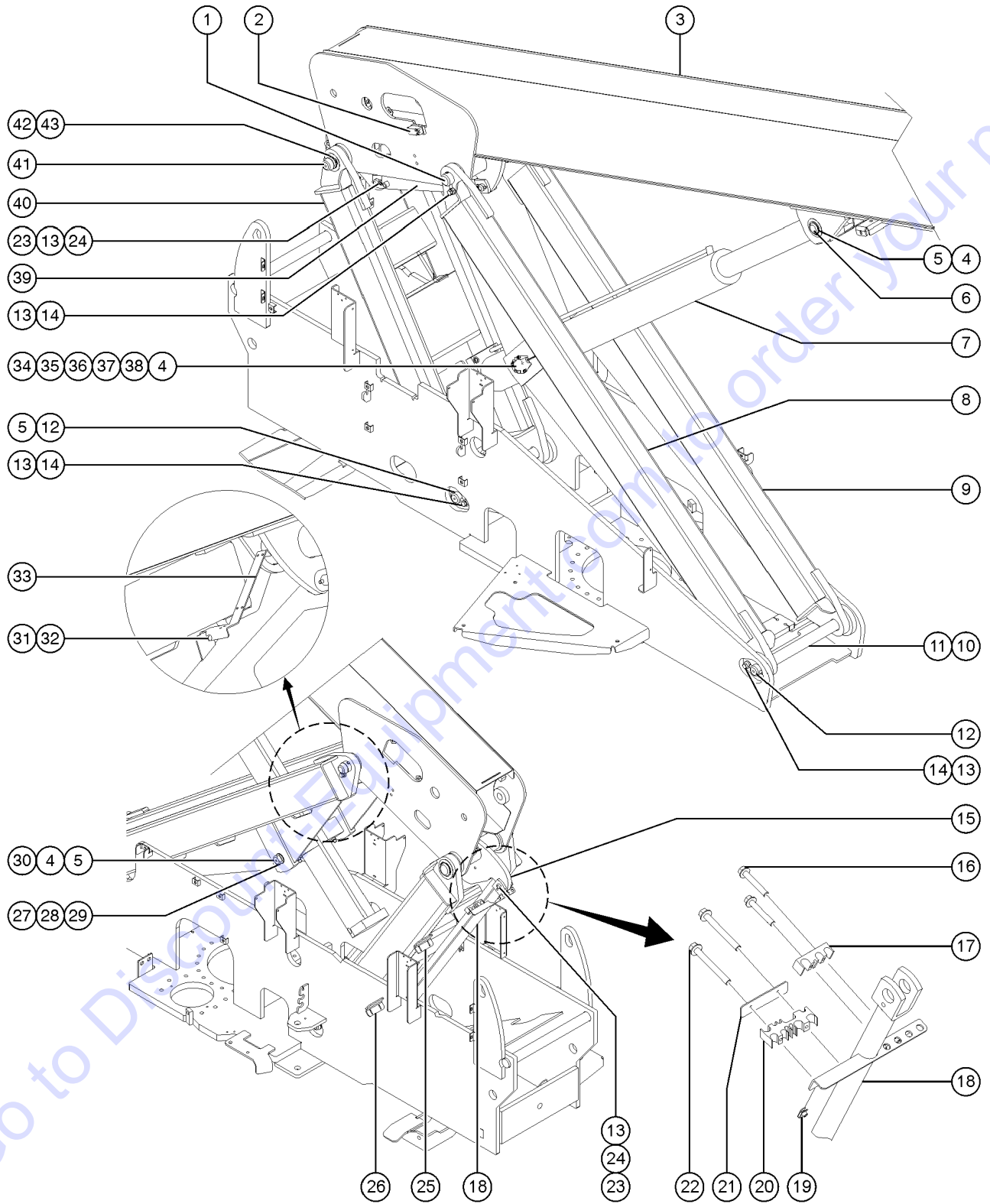
522.1 Deutz TD2.9L4, View 5 (from S60TX16H-30877)



## 522.1 Deutz TD2.9L4, View 5 (from S60TX16H-30877)

Item	Part No.	Description	Qty.
A		<i>Due to Tier 4 regulations, many engine replacement parts require the engine serial number at time of order placement. When ordering engine parts please have both machine and engine serial numbers available. For internal engine parts, contact engine dealer</i>	
1	1256169GT	SCREW,HHC,5/8-11X3.5,8,ZAG.....4	
2	824123GT	WASHER,FLAT,.625X2.25X.188,ZAG....4	
3	1251565GT	WASHER,SHIM,1.56X2.5X.061,ZAG....8	
4	1262832GT	FORMING, ENGINE MOUNT, RH.....1	
5	1256776GT	SCREW,HHF,M14-2.0X35,DIN6921,10.9,ZAB.5	
6	1261920GT	FORMING, MOUNT, ENGINE, REAR....1	
7	102045GT	ISOLATOR,ENGINE VIBRATION.....4	
8	1262833GT	FORMING, ENGINE MOUNT, LH.....1	
9	824091GT	SCREW,HHF,3/8-16X1.25,8,ZAG.....4	
10	824029GT	NUT,TL FLG,3/8-16,G,ZAG.....4	
11	236260GT	PRE-FILTER,FUEL,DEUTZ TCD3.6.....1	
--	162207GT	FITTING,ELBOW,8GS-8FJX90S	
--	162209GT	FITTING,CONN,16MM-8MJ	
12	214228GT	FILTER, DEUTZ 2.9, FUEL.....1	
--	1255396GT	FITTING,FUEL,1/2,D2.9,QC <i>sold seperately</i>	
--	1255399GT	BOLT,BANJO,DEUTZ,QC <i>sold seperately</i>	
--	1255400GT	WASHER,COPPER,DEUTZ,QC <i>sold seperately</i>	
--	162206GT	FITTING,ELBOW,6GS-6FJX90S	
--	162208GT	FITTING,CONN,16MM-6MJ	
12A	1256482GT	KIT,MED PRES FUEL SUPPLY,D2.9	
13	824215GT	SCREW,PHPM,10-32X.75,ZAG.....4	
14	6178GT	NUT,NYLOCK,10-32.....4	
15	236259GT	LIFT PUMP,FUEL,DEUTZ.....1	
16	1257961GT	WELDMENT, FUEL FILTER BRACKET.....1	
17	1253319GT	NUT,TL,FLG,5/8-11,G,ZAG.....4	
18	824027GT	NUT,TL FLG,1/4-20,G,ZAG.....2	
19	824079GT	SCREW,HHF,1/4-20X1,8,ZAG.....2	
20		REF. ENGINE TRAY ASSY <i>refer to 309.1</i>	

601.1 Linkage Assembly





## 601.1 Linkage Assembly

Item	Part No.	Description	Qty.	Item	Part No.	Description	Qty.
1	88665GT	PIN,2.25DIAX19.25LG,CHAMFER.....1		--	30370GT	BEARING,1.25IDX1.5ODX1.00L (sold separately)	
2		Ref: Primary Ext/Ret Harness.....1 refer to 313.1		--	88919GT	BEARING,FL,2.25IDX2.50ODX1.63L (sold separately)	
3		Ref: Boom Tube #1.....1 refer to 602.1		16	824082GT	SCREW,HHF,1/4-20X1.75,8,ZAG.....2	
4	1253815GT	SNAP RING,EXTERNAL,2.00,ZAG.....2		17	824550GT	CLAMP, TIMING LINK, LH	
5	1256864GT	WASHER,FLAT,2.01X3.5X.06,ZAG.....9		18	88675GT	WELDMENT,MASTER LINK.....1	
6	88872GT	PIN,2.00DIAX11.18LG,2RING.....1		19	25969GT	CLIP,SPRING,1/4-20 BLACK.....4	
7A	88653GT	CYLINDER,LIFT,S60***.....1 for all S-60 and S-65 models except S-60 HC		20	824546GT	CLAMP, TIMING LINK, RH	
--	101252GT	SEAL KIT (88653) for 88653		21	227125GT	BAR, CLAMP, TIMING LINK.....1	
--	1262331GT	KIT, GLAND NUT, S60 LIFT CYL. for 88653		22	824083GT	SCREW,HHF,1/4-20X2.5,8,ZAG.....2	
--	1268376GT	NUT, PISTON, LIFT CYLINDER for 88653		23	50742GT	PIN,1.25DIAX3.75LG,1HOLE.....1	
--	1268377GT	SET SCREW, LIFT CYLINDER for 88653		24	1255452GT	ROD END,375 X 2.25,ZAG.....2	
--	18720GT	BEARING,2.0IDX2.25ODX1.50L for 88653		25		Ref: Ref: Harness LS, OP, Primary Angle.....1 refer to 313.1	
--	61602GT	VALVE,COUNTERBAL.CBBB-LHN@3500 for 88653		--	88356-11103GT	SWITCH,LIMIT,W/RLR ARM,NO/NC**....1	
7B	107825GT	CYLINDER, LIFT, S60HC.....1 for S-60 HC		26A		Ref: Ref: Harness LS, OP, Primary Velocity.....1 refer to 313.1	
--	101252GT	SEAL KIT (88653).....1 for 107825		--	88356-11103GT	SWITCH,LIMIT,W/RLR ARM,NO/NC**....1	
--	1262331GT	KIT, GLAND NUT, S60 LIFT CYL. for 107825		26B		Ref: Ref: Harness LS, Safety, Primary Velocity.....1 refer to 313.1	
--	128464GT	VALVE,COUNTERBAL,CWCK-LHN@3500.1 for 107825		--	88356-13103GT	SWITCH,LIMIT,W/RLLR ARM,NO/NC.....1	
--	18720GT	BEARING,2.0IDX2.25ODX1.50L for 107825		27	1256107GT	SCREW,HHC,1/2-13X4.5,8,ZAG.....2	
--	60984GT	VALVE COUNTERBAL.CBBD-LJN@5000.....2 for 107825		28	1255760GT	WASHER,FLAT,1/2,USS,ZAG.....2	
8	139601GT	ASSY, LONG LINK LT W/BEARINGS.....1		29	1251997GT	NUT,TL FLG,1/2-13,G,ZAG	
--	18722GT	BEARING,2.25IDX2.50ODX1.50L***		30	88666GT	PIN,2 X 5.75 LG.....1	
--	88920GT	BEARING,FL,2.00IDX2.25ODX1.50L		31	824091GT	SCREW,HHF,3/8-16X1.25,8,ZAG	
9	139602GT	ASSY, LONG LINK RT W/BEARINGS.....1		32	824029GT	NUT,TL FLG,3/8-16,G,ZAG	
--	18722GT	BEARING,2.25IDX2.50ODX1.50L***		33	230497GT	FORMING,ANGLE SENSOR CABLE.....1	
--	88920GT	BEARING,FL,2.00IDX2.25ODX1.50L		34	147834GT	ASSY, ANGLE SENSOR AND COVER...1 all models except S-60HC	
10	110908GT	WELDMENT, LONG LINK SPACER.....1		--	110452GT	COVER,STEERING SENSOR	
11	1253498GT	SCREW,HHF,1/2-13X1.5,8,ZAG		--	60746GT	BUSHING, STRAIN RELIEF, 1"	
12	88676GT	PIN,2.00DIAX24.00LG,CHAMFER***.....2		--	6607GT	WASHER,LOCK,#10 PLTD	
13	824090GT	SCREW,HHF,3/8-16X1,8,ZAG		--	75041GT	SCREW,PHILLIPS,PHM,10-32 X 1	
14	1256267GT	ROD END,.5 X 3.75,ZAG.....2		--	94980GT	SENSOR,DUAL OUTPUT,ANGLE***	
15	77672GT	WELDMENT,TIMING LINK CAM.....1 (bearings not included)		35	824078GT	SCREW,HHF,1/4-20X.75,8,ZAG.....1	
				36	147571GT	KEY, HEX, 5/16" X 2.50"LG,SS.....1	
				37	147842GT	PIN, LIFT CYL, HEX END.....1	
				38	1257079GT	WASHER,FLAT,2.01X2.25X.06,ZAG.....1	
				39	81694GT	CYLINDER,MASTER.....1 S-60 and S65 models	
				--	75470GT	SEAL KIT,CYL,S45 MASTER(81694) for 81694	



601.1 Linkage Assembly  
(continued)

Item	Part No.	Description	Qty.
40	T106508GT	SHORT LINK W/BEARINGS, SERVICE.....1 <i>(includes items 41-43)</i>	
--	18720GT	BEARING,2.0IDX2.25ODX1.50L.....2	
--	18722GT	BEARING,2.25IDX2.50ODX1.50L***.....2	
--	T106413GT	WELDMENT, SHORT LINK, S60/65.....1	
41	119990GT	PIN,2.25DIAx18.75LG,CHAMFER.....1	
42	1257080GT	WASHER,FLAT,2.27X3.5X.06,ZAG.....6	
43	1254639GT	SNAP RING,EXTERNAL,2.25,ZAG.....2	

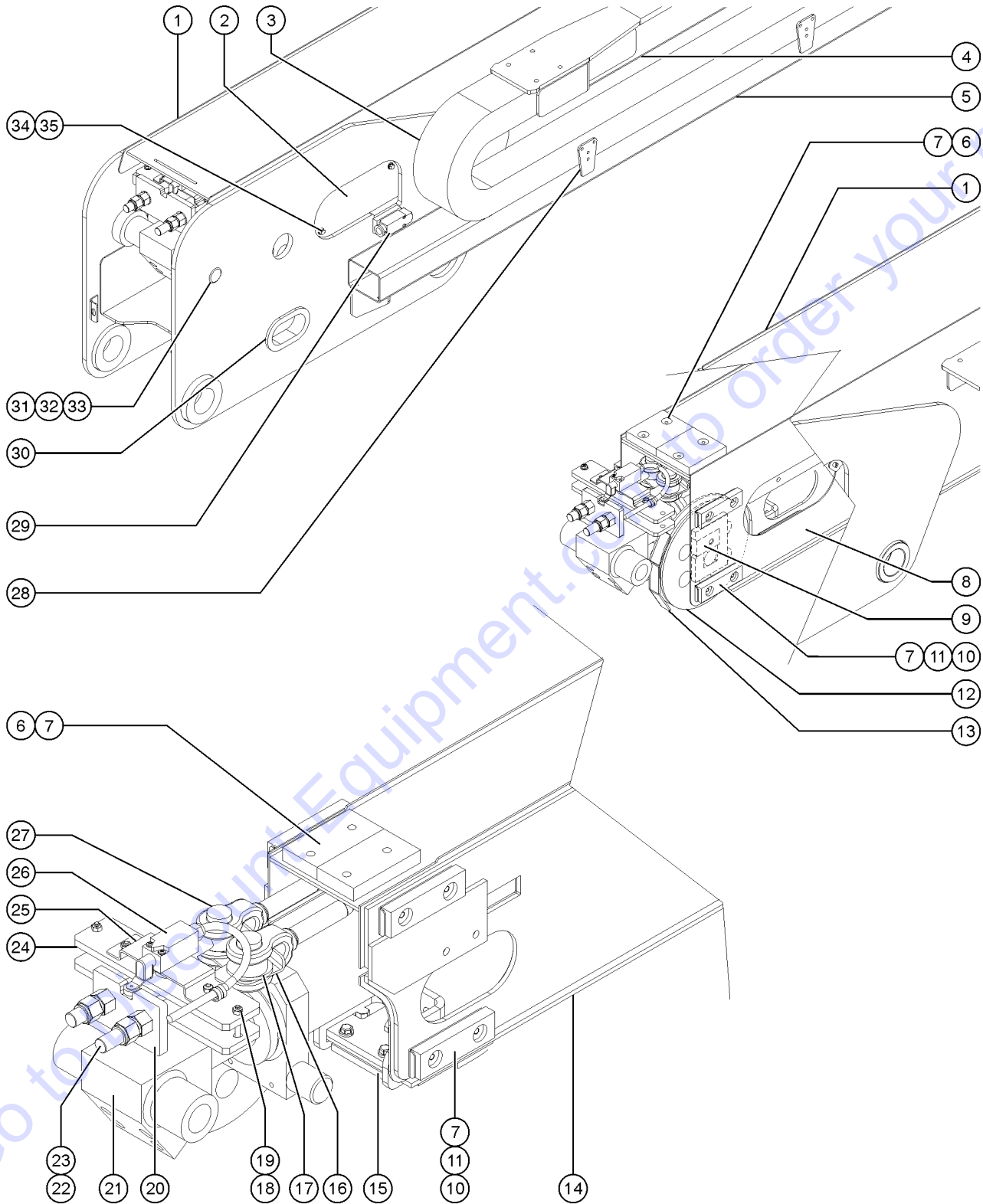
Go to Discount-Equipment.com to order your parts



***This Page Intentionally Left Blank***

Go to [Discount-Equipment.com](http://Discount-Equipment.com) to order your parts

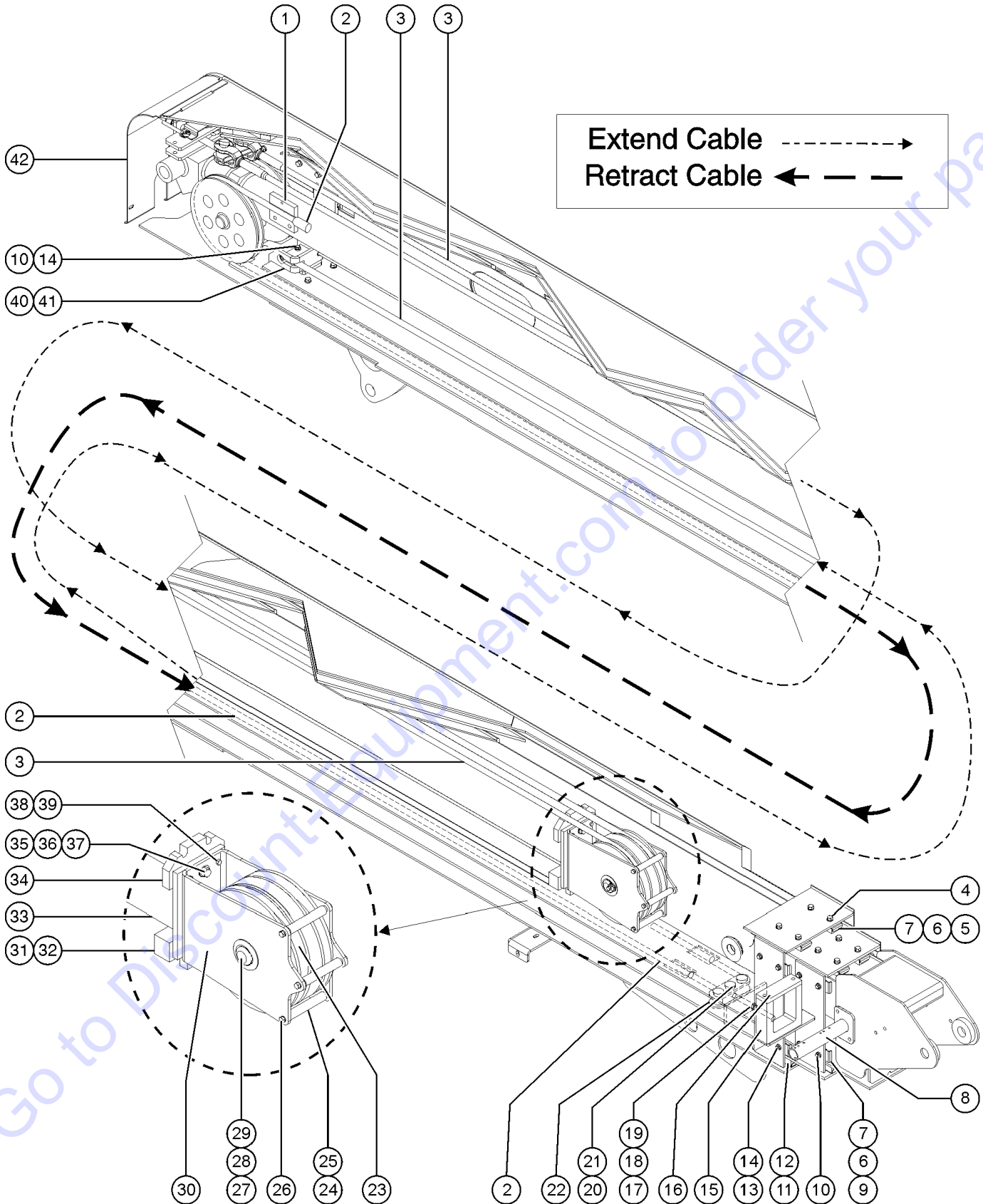
602.1 Boom Components, View 1



## 602.1 Boom Components, View 1

Item	Part No.	Description	Qty.	Item	Part No.	Description	Qty.
--	18720GT	BEARING,2.0IDX2.25ODX1.50L.....2 <i>sold separately</i>	2	16	77618PGT	PLATE,ANTIROTATION.....1	1
--	30370GT	BEARING,1.25IDX1.5ODX1.00L.....1 <i>sold separately</i>	1	17	1256119GT	WASHER,SHIM,1.01X1.63X.062,ZAG...2	2
--	88919GT	BEARING,FL,2.25IDX2.50ODX1.63L.....4 <i>sold separately</i>	4	18	824027GT	NUT,TL FLG,1/4-20,G,ZAG.....2	2
1A	T108890GT	#1 BOOM TUBE ASSY,W/WORD DECAL.....1 <i>for decal refer to section 100</i>	1	19	824083GT	SCREW,HHF,1/4-20X2.5,8,ZAG.....2	2
1B	T108891GT	#1 BOOM TUBE ASSY,W/SYM DECAL <i>for decal refer to section 100</i>	1	20	77795GT	MACHINED PIVOT PLATE WELDMENT.....1	1
2A	77882PGT	COVER,RH,BOOM SECTION #1.....1	1	21	88571GT	CYLINDER,BOOM EXTENSION.....1	1
2B	147403GT	COVER,LH,BOOM SECTION #1.....1	1	--	101251GT	SEAL KIT (88571)	1
3		Ref: Cable Track.....1 <i>refer to 611.1</i>	1	--	74872GT	VALVE,COUNTERBALANCE 3000 PSI*.....1	1
4		Ref: Cable Track Tube.....1 <i>refer to 611.1</i>	1	--	88667GT	VALVE,CB.CBCA-LHN@1500PSI***.....1	1
5		Ref: Cable Track Tray.....1 <i>refer to 611.1</i>	1	22	77656GT	RÓD END,CABLE	1
6	34124GT	WEAR PAD,5 X 3 X .625 W/NUTS.....4	4	23	824030GT	NUT,TL FLG,3/4-10,G,ZAG	1
--	34344GT	SHIM,SIDE PAD 16GA. 3 X 5	1	24	77654PGT	PLATE,ROCKER.....2	2
7	824089GT	SCREW,HHF,3/8-16X.75,8,ZAG	1	25	77653PGT	FORMING,LIMIT SWITCH BRACKET.....1	1
8A	147617GT	WELDMENT, BOOM SECTION #2.....1 <i>S-60X and S-60XC models</i>	1	--	824027GT	NUT,TL FLG,1/4-20,G,ZAG <i>not Included, Sold Separately</i>	1
8B	63078GT	WELDMENT,BOOM SECTION #2***.....1 <i>S-60, S-65, S-60HC, S-60TRAX and S-65TRAX models</i>	1	--	824079GT	SCREW,HHF,1/4-20X1,8,ZAG <i>not Included, Sold Separately</i>	1
9	88795PGT	CAP,EXTENSION,PAINTED.....1	1	26		Ref: Harness, Cable Tension Limit Switch.....1 <i>refer to 313.1</i>	1
--	824090GT	SCREW,HHF,3/8-16X1,8,ZAG <i>not Included, Sold Separately</i>	1	--	119067GT	CONN,RECEP 4 WAY ENDCAP DT	1
10	30138GT	WEAR PAD,5 X 1.5 X .625 W/NUTS	1	--	19491GT	CONTACTOR,LIMIT SWITCH	1
11	29080GT	SHIM,WEAR PAD,5X 1.5 16GA <i>qty as needed</i>	1	--	43960GT	WIRE CABLE,16/4 CON.TPE JKT.....15	15
12	88568GT	SHEAVE,RETRACT CABLE(SMALLER).....2	2	--	60443GT	LOCK,RECEP 4 WAY,14-18GA	1
13	107665PGT	COVER,RETRACT SHEAVE,PAINTED.....1	1	--	73713GT	TERM,NI PIN,S&F,16-18GA,REEL	1
14A	94692GT	ASSEMBLY,BOOM TUBE #3 S60/65**.....1 <i>USA, Canada and Australia models</i>	1	--	73725GT	BOOT,DTSCH,DTP4-BT	1
--	34245GT	BEARING,1.25IDX1.50X1.25L.....2	2	--	88356-13103GT	SWITCH,LIMIT,W/RLLR ARM,NO/NC	1
14B	119567GT	ASSEM,BOOM TUBE #3 S60/65,CE** <i>South America, Asia and Europe models</i>	1	--	97128GT	ROLLER ARM,LIMIT SWITCH***	1
--	34245GT	BEARING,1.25IDX1.50X1.25L.....2	2	27	19440GT	PIN,CLEVIS,1 X 2.5 LG.....2	2
15	77718GT	WEAR PAD,5 X 3 X .75.....1	1	28		Ref: Cable Track Guide.....10 <i>refer to 611.1</i>	10
--	34344GT	SHIM,SIDE PAD 16GA. 3 X 5 <i>not Included, Sold Separately</i>	1	29		Ref: Harness, Primary Ext/Ret Limit Switch.....1 <i>refer to 313.1</i>	1
--	38621GT	SHIM,PAD,5 X 3 <i>not Included, Sold Separately</i>	1	--	88356-14963GT	SWITCH,LIMIT,W/RLLR ARM,NO/NC	1
--	824090GT	SCREW,HHF,3/8-16X1,8,ZAG <i>not Included, Sold Separately</i>	1	30	71768GT	GROMMET,4.00 GRV. X .75 THK.....1	1
				31	81856GT	PIN,1.50DIAX13.43LG,2RING.....1	1
				32	825796GT	SNAP RING,EXTERNAL,1.50,ZAG.....2	2
				33	1251565GT	WASHER,SHIM,1.56X2.5X.061,ZAG	1
				34	824078GT	SCREW,HHF,1/4-20X.75,8,ZAG	1
				35	56912GT	SPRING CLIP,1/4-20,.025-.15X.54,ZAG	1

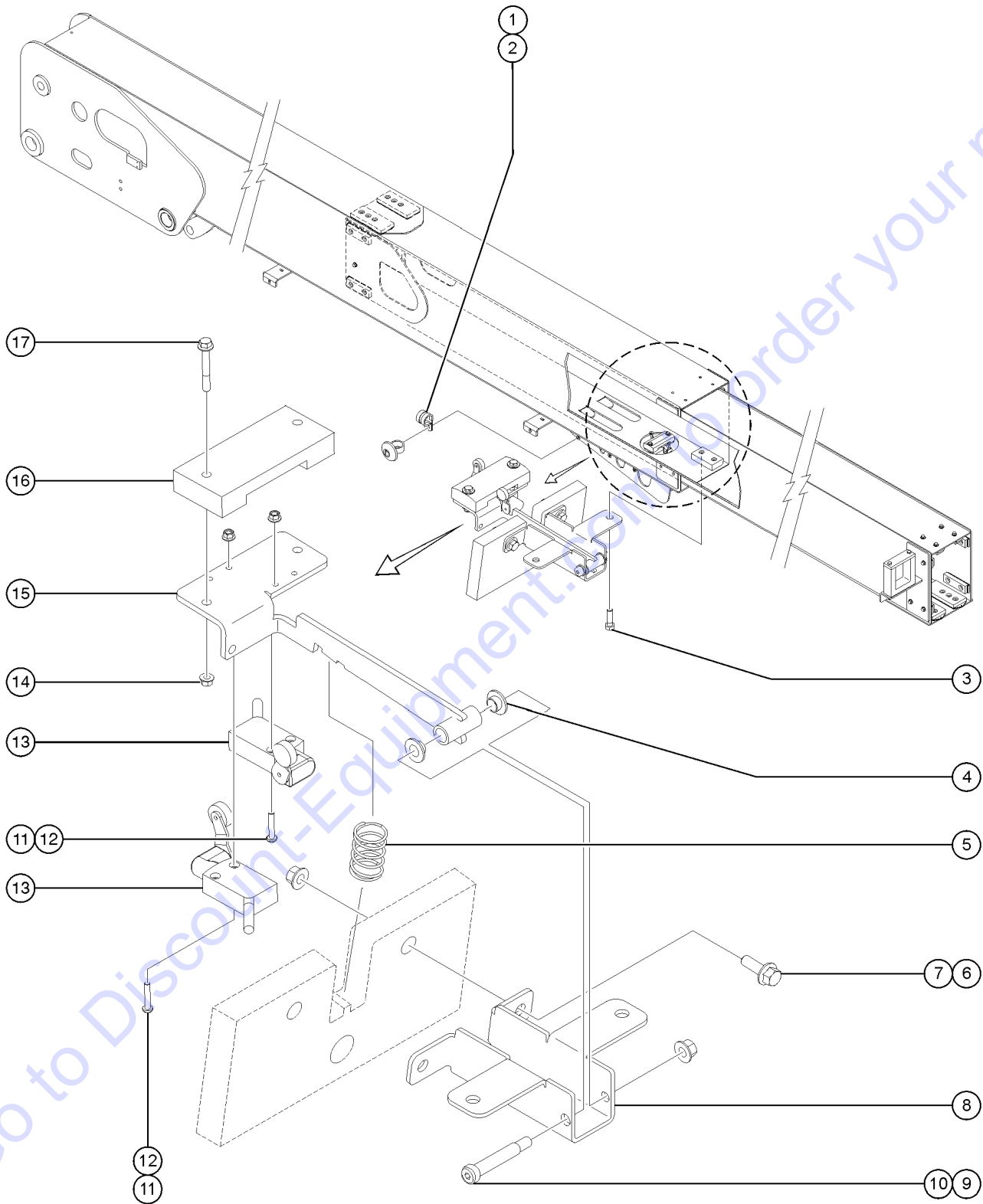
603.1 Boom Components, View 2



## 603.1 Boom Components, View 2

Item	Part No.	Description	Qty.	Item	Part No.	Description	Qty.
A	214690GT	KIT,EXTEND/RETRACT CABLE,S60 <i>(includes items 2 &amp; 3) (for easier installation, suggest ordering 94510, below)</i>		34	139385GT	GUIDE, EXT CABLE, TOP.....	1
B	94510GT	TOOL,CABLE GRIP, 7/16" <i>for installation of 214690</i>		35	1255782GT	SCREW,HHC,1/2-13X2.0,8,ZAG.....	2
1	77616PGT	PLATE,BOTTOM BLOCK,PAINTED.....	1	36	825353GT	WASHER,FLAT,1/2,SAE,HRD,ZAG	
2	110340GT	CABLE ASSY, RETRACT SET (PAIR)..... <i>(one end mounts at the base, the other end mounts at the top of the mast)</i>	1	37	1256106GT	NUT,TL,1/2-13,C,ZAG	
3	110339GT	CABLE ASSY, EXTEND SET(PAIR)..... <i>(both ends mount at the base of the mast)</i>	1	38	1252978GT	SCREW,HHC,3/8-16X2.25,8,ZAG	
4	824090GT	SCREW,HHF,3/8-16X1,8,ZAG.....	8	39	824029GT	NUT,TL FLG,3/8-16,G,ZAG	
5	30138GT	WEAR PAD,5 X 1.5 X .625 W/NUTS.....	8	40	77688GT	WELDMENT,EXTENSION BRACKET.....	1
6	38620GT	SHIM,WEAR PAD,5 X 1.5,14GA.....	16	41	77713PGT	PLATE,TAP BLOCK.....	1
7	29080GT	SHIM,WEAR PAD,5X 1.5 16GA.....	16	42	101066PGT	COVER,PRIMARY BOOM,PAINTED.....	1
8		Ref: Weldment Track Pull Tube..... <i>refer to 611.1</i>	1				
9	34125GT	WEAR PAD,5 X 1.5 X .75 W/NUTS.....	8				
10	824091GT	SCREW,HHF,3/8-16X1.25,8,ZAG					
11	34344GT	SHIM,SIDE PAD 16GA. 3 X 5.....	4				
12	77718GT	WEAR PAD,5 X 3 X .75.....	4				
13	1255629GT	SCREW,BHC,3/8-16X1.25,F835,ZAG					
14	824110GT	WASHER,LOCK,3/8,ZAG					
15		Ref: Hose/Cable Clamps..... <i>refer to 611.1</i>	1				
16		Ref: Bar Clamp, Cable Track..... <i>refer to 611.1</i>	1				
17	77051GT	NUT,NYLOCK,3/4-10,GRD.8					
18	33278GT	WASHER,FLAT,.75 HARDENED					
19	77656GT	ROD END,CABLE					
20	826379GT	PIN,CLEVIS,1X2.250,ZAG.....	4				
21	13635-10GT	PIN,COTTER,.156 X 1.75.....	4				
22	88796GT	PLATE,RETRACTION CABLE EQUALIZ.....	2				
23	88567GT	SHEAVE,EXTENSION CABLE(LARGER).....	1				
24	77648GT	ROLLER,1/2" PVC.....	1				
25	77649GT	ROLLER,1/2" ALUMINUM.....	1				
26	824078GT	SCREW,HHF,1/4-20X.75,8,ZAG.....	3				
27	88793GT	PIN,1.5 X 5.50 LG.....	1				
28	825796GT	SNAP RING,EXTERNAL,1.50,ZAG.....	2				
29	1251565GT	WASHER,SHIM,1.56X2.5X.061,ZAG					
30	139384GT	BRACKET, EXTEND SHEAVE.....	1				
31	139288GT	GUIDE, EXT. CABLE, BOTTOM.....	1				
32	1256122GT	SCREW,HHC,3/8-16X4,8,ZAG.....	2				
33		Ref: Extension Cylinder <i>refer to 602.1</i>					

604.1 Boom Limit Switch -S-60X, S-60XC and S-60TraX ANSI Models

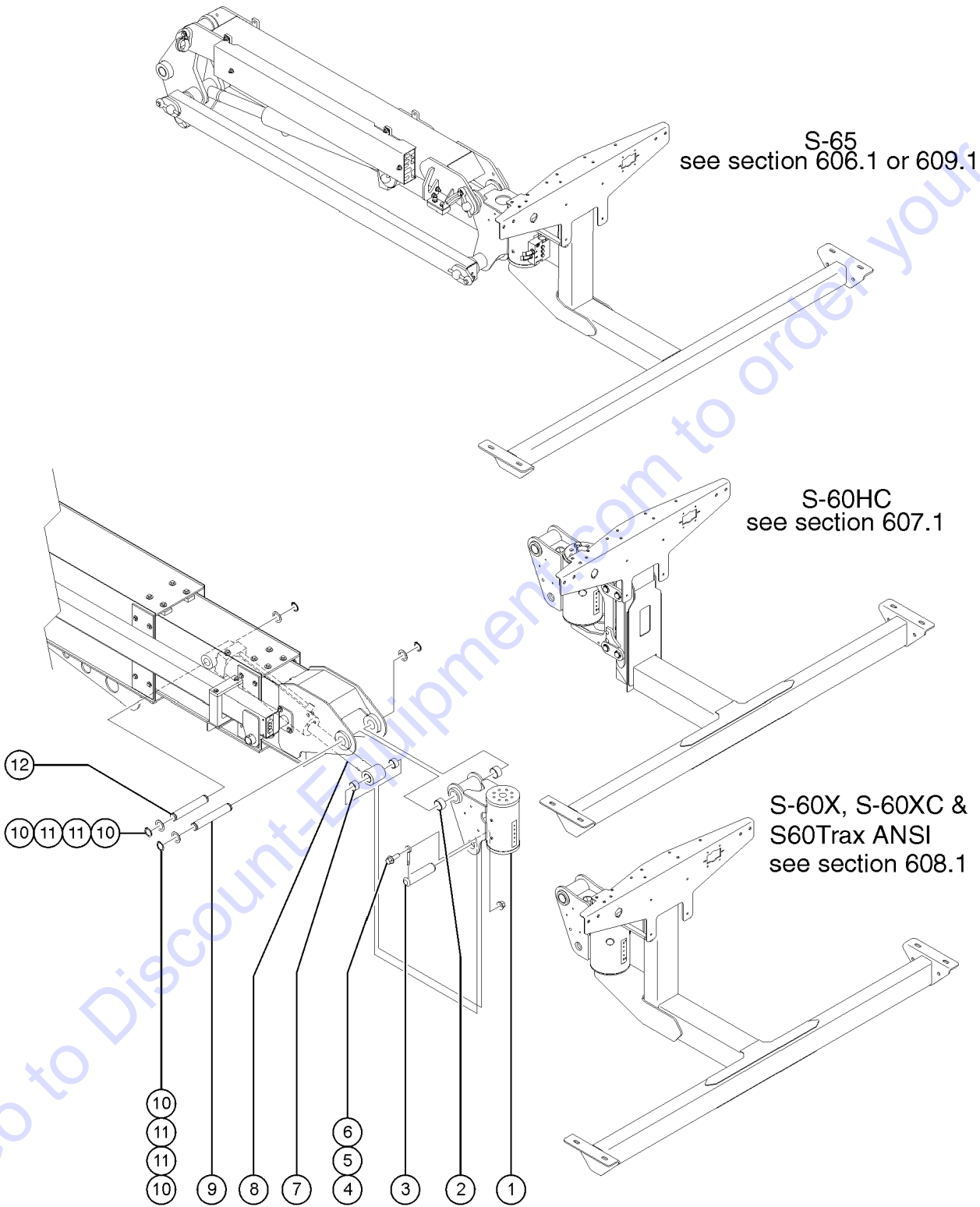


## 604.1 Boom Limit Switch -S-60X, S-60XC and S-60TraX ANSI Models

Item	Part No.	Description	Qty.
1	45470GT	CLAMP,0.31,#5 X 1/4,RUB CUSH.....1	1
2	56361GT	CABLE TIE,BUTTON,BLACK,14.75LG...3	3
3	824068GT	SCREW,HHC,3/8-16X1.25,8,ZAG.....2	2
4	47222GT	WASHER,SHOULDER,NYLON.....2	2
5	T112459GT	SPRING,0.984"OD X 1.50"LG.....1	1
6	824092GT	SCREW,HHF,3/8-16X1.5,8,ZAG.....2	2
7	824029GT	NUT,TL FLG,3/8-16,G,ZAG.....2	2
8	147504GT	COVER, LIMIT SWITCH ARM MOUNT...1	1
9	1257863GT	BOLT,SHS,3/8X1.75X5/16-18,ZAG.....1	1
10	824028GT	NUT,TL FLG,5/16-18,G,ZAG.....1	1
11	1258189GT	SCREW,PHPM,8-32X1,ZAG.....4	4
12	1255803GT	NUT,TL FLG,8-32,F,ZAG.....4	4
13	<del>133644</del> 14B61GT	LIMIT SWITCH,BLUE,MICRO.....2 <i>LSB1ES and LSB1EO, refer to 313.1 for wire harnesses</i>	2
14	824027GT	NUT,TL FLG,1/4-20,G,ZAG.....2	2
15	230329GT	WELDMENT, LIMIT SWITCH ARM.....1	1
16	230331GT	WEARPAD, LIMIT SWITCH GUIDE.....1	1
17	824081GT	SCREW,HHF,1/4-20X1.5,8,ZAG.....2	2



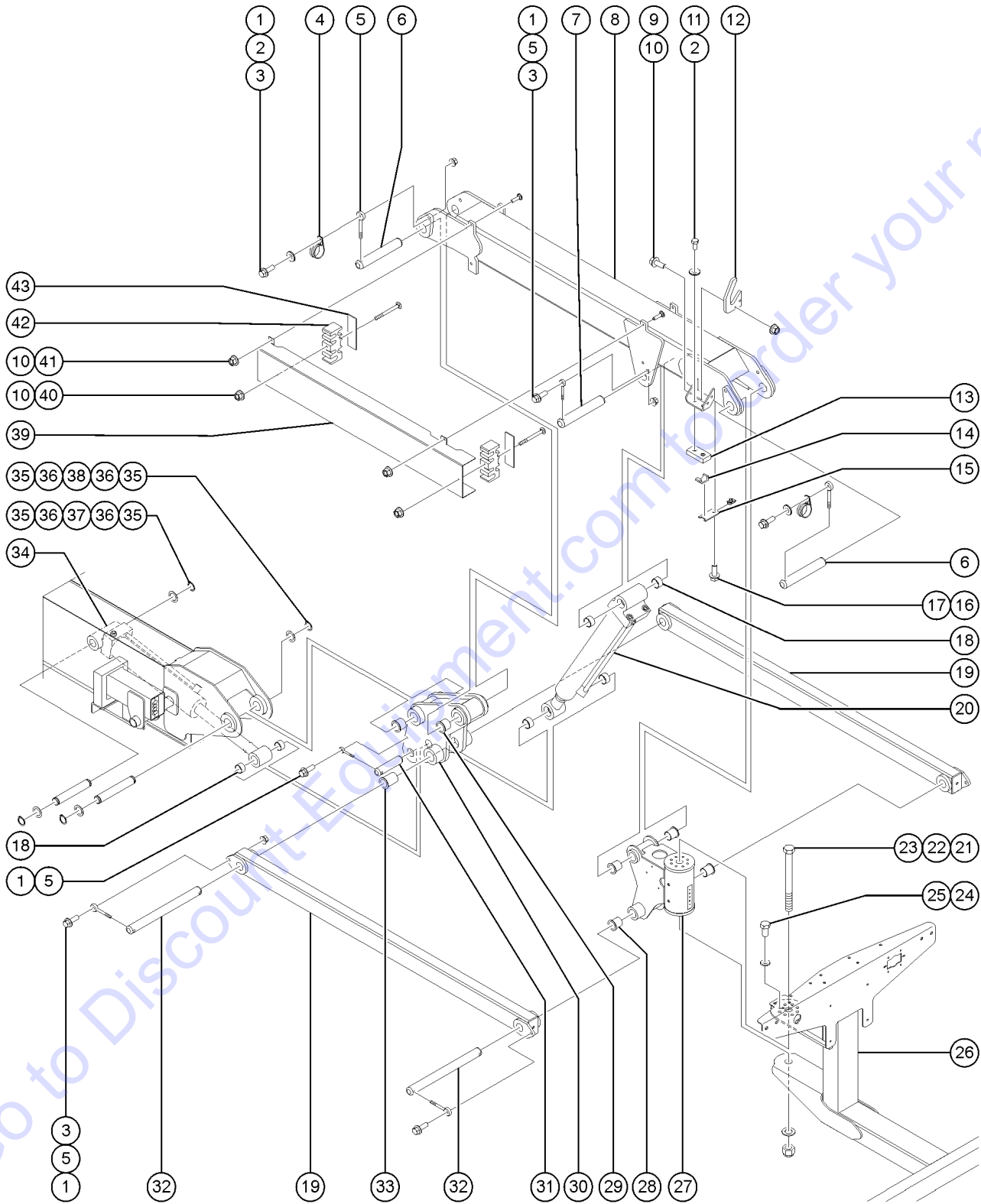
605.1 Boom End Components, S-60, S-60TraX and S-65TraX



## 605.1 Boom End Components, S-60, S-60TraX and S-65TraX

Item	Part No.	Description	Qty.
1	88576GT	ROTATOR, NON-JIB.....1 <i>Includes item 2; S-60 CE only</i>	1
--	122944GT	SEAL KIT, 8K ROTATOR***	
--	88516GT	SCREW, BLEEDER, M5X0.8	
2	30370GT	BEARING, 1.25IDX1.5ODX1.00L.....4	4
3	T108075GT	PIN, 1.25DIAX5.25LG, 1HOLE.....1	1
4	824091GT	SCREW, HHF, 3/8-16X1.25, 8, ZAG.....1	1
5	825019GT	ROD END, .375X3.69, ZAG.....1	1
6	824029GT	NUT, TL FLG, 3/8-16, G, ZAG.....1	1
7	25683GT	BEARING, POLYGON, 20DU12.....4	4
8	63566GT	CYLINDER, PLATFORM LEVEL*** .....1 <i>Includes item 7</i>	1
--	101254GT	SEAL KIT (63566)	
--	77303GT	VALVE, CNTRBAL 3500 PSI, ATM VEN	
9	T111124GT	PIN, 1.25DIAX8.42LG, 2RING.....1	1
10	824164GT	SNAP RING, EXTERNAL, 1.25, ZAG.....4	4
11	824151GT	WASHER, SHIM, 1.270X2.130X.062, Z, as-needed	
12	88870GT	PIN, 1.25DIAX7.47LG, 2RING.....1	1

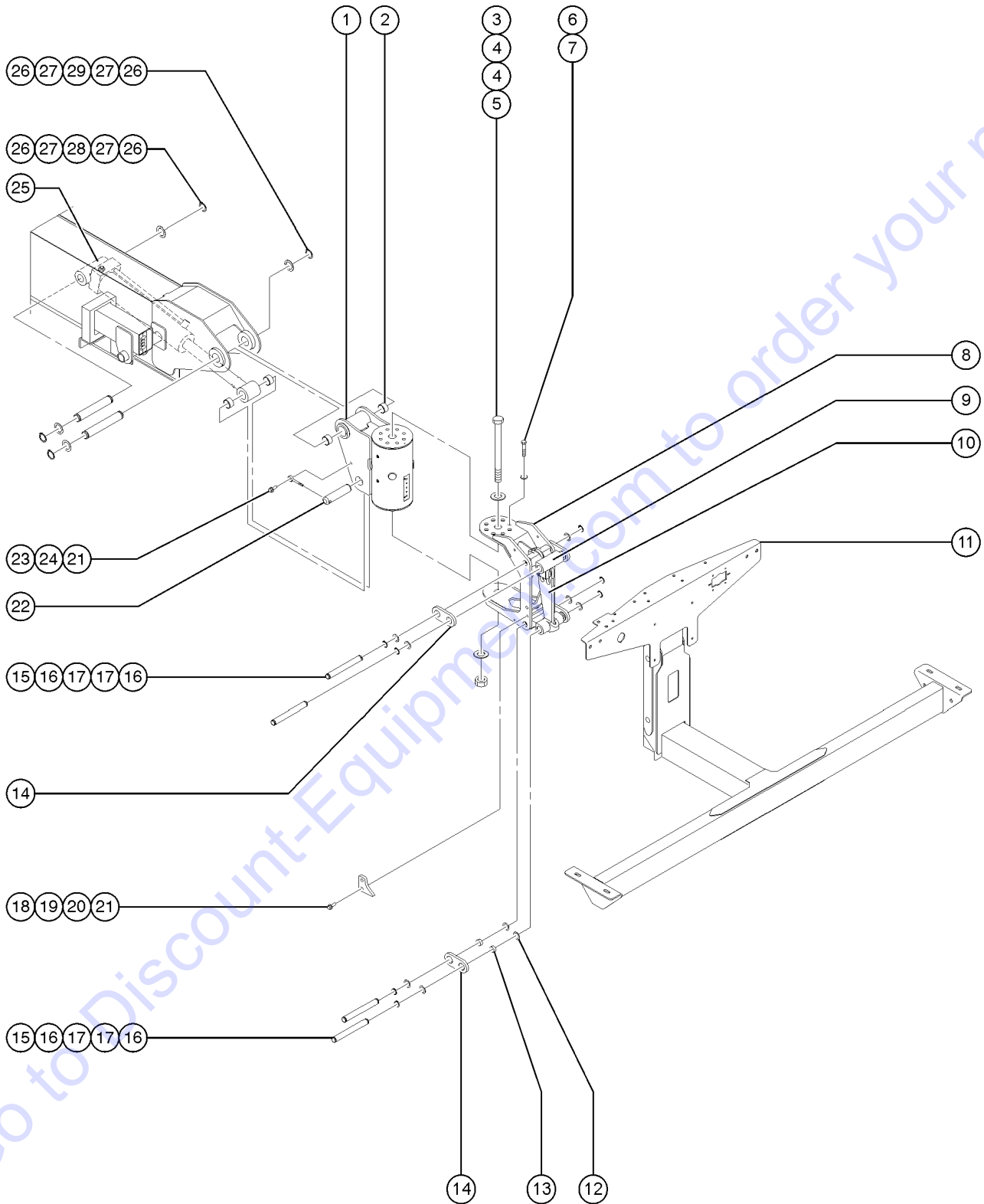
606.1 Boom End Components, S-65



## 606.1 Boom End Components, S-65

Item	Part No.	Description	Qty.	Item	Part No.	Description	Qty.
1	824092GT	SCREW,HHF,3/8-16X1.5,8,ZAG.....	5	29	35675GT	BEARING,FL,1.25IDX1.5ODX1.25L.....	4
2	824110GT	WASHER,LOCK,3/8,ZAG.....	2	30	101244GT	BELLCRANK W/BEARINGS..... <i>includes bearings item 29 and 33</i>	1
3	824029GT	NUT,TL FLG,3/8-16,G,ZAG		31	T108075GT	PIN,1.25DIAX5.25LG,1HOLE.....	1
4	77181GT	CLAMP,1.63,#26 X 3/8,RUB CUSH.....	2	32	81175GT	PIN,1.25DIAX14.45LG,2HOLE.....	2
5	825019GT	ROD END,.375X3.69,ZAG		33	128268GT	BEARING,FL, 1.25X1.5X2.13.....	2
6	T108076GT	PIN,1.25DIAX7.88LG,1HOLE.....	2	34	63566GT	CYLINDER,PLATFORM LEVEL***..... <i>Includes item 7</i>	1
7	T108077GT	PIN,1.25DIAX7.00LG,1HOLE.....	1	--	101254GT	SEAL KIT (63566)	
8B	128534GT	JIB BOOM ASSY W/WORD DECAL..... <i>USA, Canada and Australia models, includes item 8A</i>	1	--	77303GT	VALVE, CNTRBAL 3500 PSI, ATM VEN	
8C	T108892GT	JIB BOOM ASSY W/SYMBOL DECAL <i>South America, Asia and Europe models, includes item 8A</i>		35	30217GT	SNAP RING,EXTERNAL,1.25 DIA.**.....	4
9	824079GT	SCREW,HHF,1/4-20X1,8,ZAG		36	824151GT	WASHER,SHIM,1.270X2.130X.062,Z	
10	824027GT	NUT,TL FLG,1/4-20,G,ZAG		37	88870GT	PIN,1.25DIAX7.47LG,2RING.....	1
11	1256109GT	SCREW,HHC,3/8-16X.75,8,ZAG		38	T111124GT	PIN,1.25DIAX8.42LG,2RING.....	1
12	128482GT	HOSE GUIDE, JIB..... <i>to SN S6015A-29311</i>	1	39	128454PGT	COVER, JIB HOSES/CABLES.....	1
13	81640GT	WEAR PAD,3 X 1.5 X.625 W/NUTS		40	1256180GT	BOLT,CARRIAGE,1/4-20X2.75,5,ZAG.....	2
14	119542GT	CLAMP,TWO HOSE.....	1	41	1256127GT	BOLT,CARRIAGE,1/4-20X1.5,ZAG.....	4
15	119536PGT	BRACKET,HOSE CLAMP,PAINTED.....	1	42	824551GT	CLAMP,HOSE/CABLE,JIB.....	2
16	824078GT	SCREW,HHF,1/4-20X.75,8,ZAG		43	128483GT	BACKING PLATE, HOSE BLOCK, JIB....	2
17	56912GT	SPRING CLIP,1/4-20,.025-.15X.54,ZAG.....	1				
18	25683GT	BEARING,POLYGON,20DU12.....	4				
19	61306-SGT	COMPR.LINK,MACHINED,GND CONTR*.....	2				
20	63213GT	CYLINDER,JIB (STICK BOOMS)..... <i>includes item 18</i>	1				
--	33428GT	VALVE,COUNTERBALANCE					
--	63353GT	SEAL KIT,CYL,S65 (63213)					
21	826792GT	SCREW,HHC,1-8X11,5,ZAG.....	1				
22	824116GT	WASHER, FLAT, F436, 1.0, ZAG.....	2				
23	1257081GT	NUT,1-8,8,ZAG.....	1				
24	826791GT	SCREW,HHC,3/8-16X.875,8,ZAG.....	8				
25	826793GT	WASHER,FLAT,3/8,SAE,HRD,ZAG.....	8				
26	60370-SGT	PLATFORM SUPPORT WELDMNT-SERV*.....	1				
27	94397GT	ROTATOR,PLAT JIB,160 DEG***..... <i>includes bearing item 28</i>	1				
--	122944GT	SEAL KIT,8K ROTATOR*** <i>for 94397</i>					
--	75395GT	BEARING KIT,PLAT ROTATOR,SUPER <i>for 94397</i>					
--	88516GT	SCREW,BLEEDER,M5X0.8 <i>for 94397</i>					
28	30222GT	BEARING,FL,1.25IDX1.41ODX1.50L.....	4				

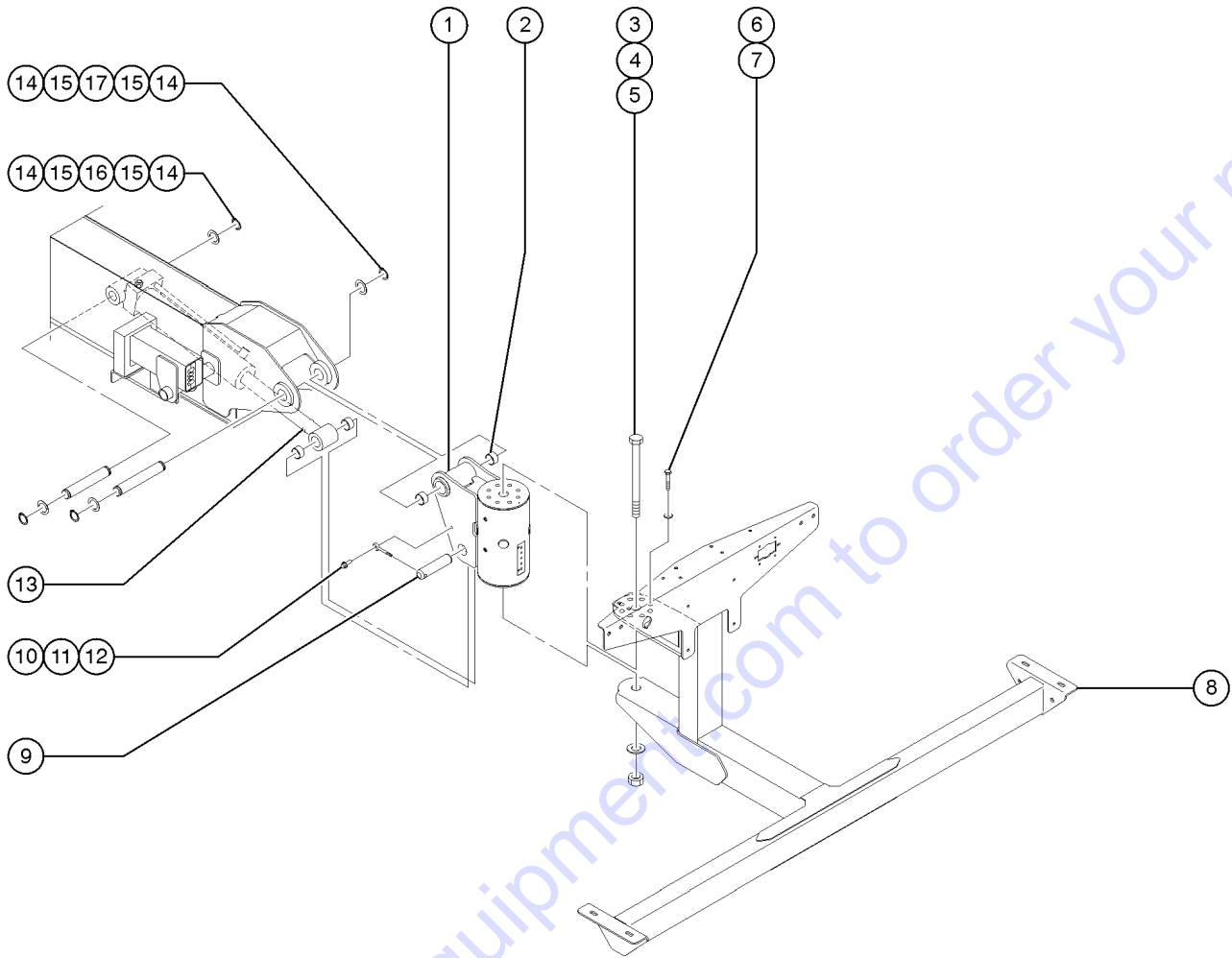
607.1 Boom End Components, S-60HC (to SN S6015A-29585)



## 607.1 Boom End Components, S-60HC (to SN S6015A-29585)

Item	Part No.	Description	Qty.
1	226541GT	ROTATOR,PLATFORM,15K.....1 <i>includes item 2</i>	1
--	226542GT	SEAL KIT, 15K ROTATOR <i>for 226541</i>	
2	30370GT	BEARING,1.25IDX1.5ODX1.00L.....2	2
3	824075GT	SCREW,HHC,1-8X12.75,5,ZAG.....1	1
4	824116GT	WASHER, FLAT, F436, 1.0, ZAG.....2	2
5	1257081GT	NUT,1-8,8,ZAG.....1	1
6	1256843GT	SCREW,HHC,1/2-13X1.25,8,ZAG.....8	8
7	825353GT	WASHER,FLAT,1/2,SAE,HRD,ZAG.....8	8
8	107564GT	WELDMENT,ROTATOR MOUNT.....1	1
9	119230GT	MACH,PLATE,LOAD SUPPORT.....1	1
10	106766GT	LOAD CELL FLEXURE.....2	2
11	106399GT	WELDMENT,PLATFORM SUPPORT.....1	1
12	110789GT	WASHER,SHIM .0151 THK.....as-needed	
13	25685GT	BEARING,GARLOCK,12FDU12.....8	8
14	110784GT	MACHINED,LOAD CELL LINK.....1	1
15	110785GT	PIN,.75DIA X 6.38 LG,2RING.....4	4
16	824163GT	SNAP RING,EXTERNAL,3/4,ZAG.....8	8
17	1257082GT	WASHER,SHIM,.75X1.125X.030,ZAG.as-needed	
18	824092GT	SCREW,HHF,3/8-16X1.5,8,ZAG.....2	2
19	139248GT	MACH.,PLATE,STOP.....2	2
20	1257083GT	WASHER,SHIM,.375X.625X.033,ZAG....4	4
21	824029GT	NUT,TL FLG,3/8-16,G,ZAG.....2	2
22	T108075GT	PIN,1.25DIA X 5.25LG,1HOLE.....1	1
23	824090GT	SCREW,HHF,3/8-16X1.8,ZAG.....1	1
24	825019GT	ROD END,.375X3.69,ZAG.....1	1
25	63566GT	CYLINDER,PLATFORM LEVEL***.....1	1
--	101254GT	SEAL KIT (63566)	
--	25683GT	BEARING,POLYGON,20DU12.....4	4
--	77303GT	VALVE, CNTRBAL 3500 PSI, ATM VEN	
26	30217GT	SNAP RING,EXTERNAL,1.25 DIA.**.....4	4
27	824151GT	WASHER,SHIM,1.270X2.130X.062,Z.as-needed	
28	88870GT	PIN,1.25DIA X 7.47LG,2RING.....1	1
29	T111124GT	PIN,1.25DIA X 8.42LG,2RING.....1	1

608.1 Boom End Components, S-60X and S60XC



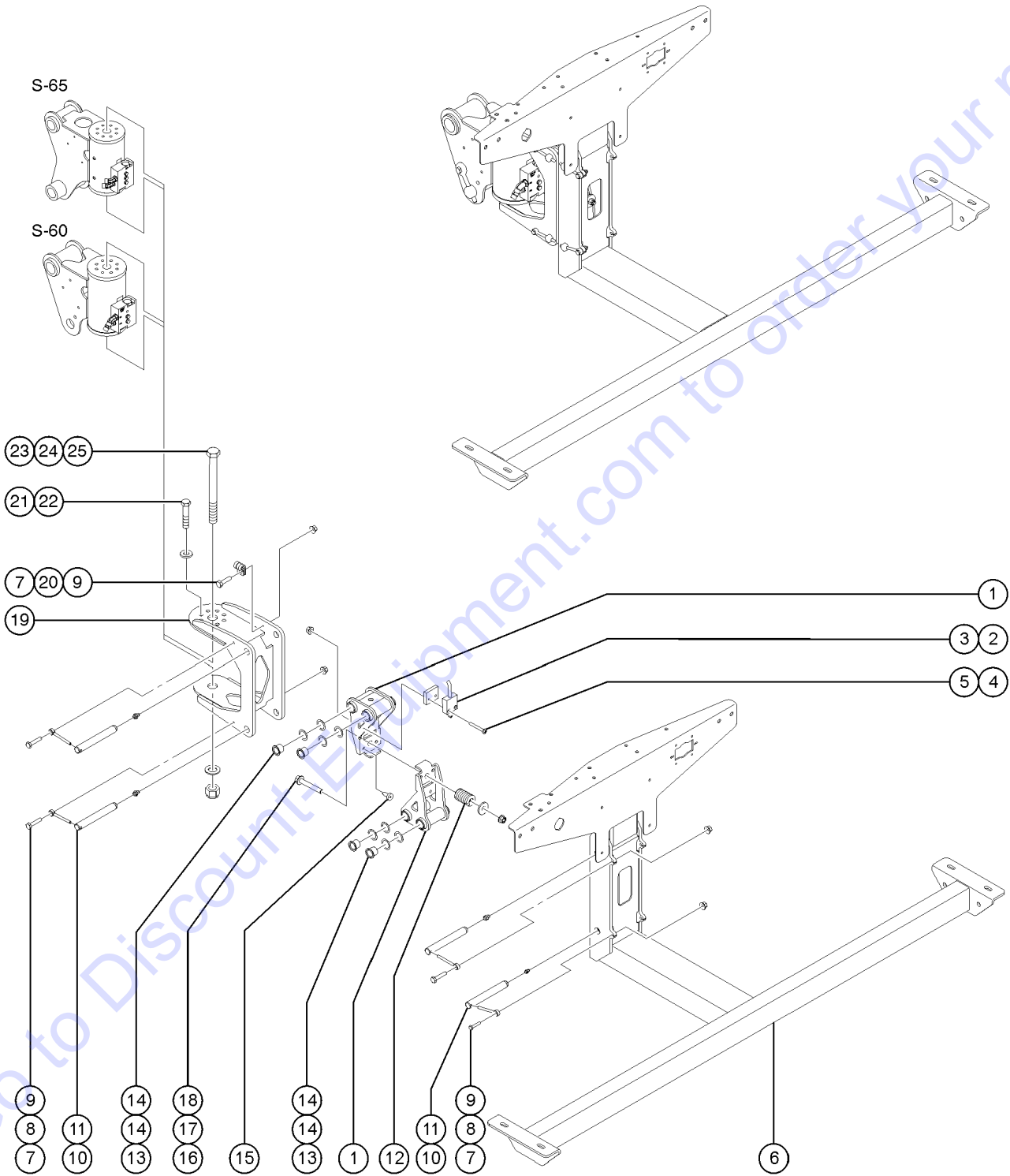
Go to Discount-Equipment.com to order your parts

## 608.1 Boom End Components, S-60X and S60XC

Item	Part No.	Description	Qty.
1	226541GT	ROTATOR,PLATFORM,15K.....1 <i>includes item 2</i>	1
--	226542GT	SEAL KIT, 15K ROTATOR <i>for 226541</i>	
2	30370GT	BEARING,1.25IDX1.5ODX1.00L.....2	2
3	824075GT	SCREW,HHC,1-8X12.75,5,ZAG.....1	1
4	824116GT	WASHER, FLAT, F436, 1.0, ZAG.....1	1
5	1257081GT	NUT,1-8,8,ZAG.....1	1
6	1256843GT	SCREW,HHC,1/2-13X1.25,8,ZAG.....8	8
7	825353GT	WASHER,FLAT,1/2,SAE,HRD,ZAG.....8	8
8A	147347GT	WELDMENT, PLAT SUPPORT.....1 <i>6ft and 8ft platforms</i>	1
8B	234242GT	WDMT,4FT/5FT PLAT. SUPPORT,15K....1 <i>4ft and 5ft Platforms</i>	1
9	T108075GT	PIN,1.25DIA X5.25LG,1HOLE.....1	1
10	824091GT	SCREW,HHF,3/8-16X1.25,8,ZAG.....1	1
11	825019GT	ROD END,.375X3.69,ZAG.....1	1
12	824029GT	NUT,TL FLG,3/8-16,G,ZAG.....1	1
13	63566GT	CYLINDER,PLATFORM LEVEL***.....1	1
--	101254GT	SEAL KIT (63566)	
--	25683GT	BEARING,POLYGON,20DU12.....4	4
--	77303GT	VALVE, CNTRBAL 3500 PSI, ATM VEN	
14	30217GT	SNAP RING,EXTERNAL,1.25 DIA.**.....4	4
15	824151GT	WASHER,SHIM,1.270X2.130X.062,Z as-needed	
16	88870GT	PIN,1.25DIA X7.47LG,2RING.....1	1
17	T111124GT	PIN,1.25DIA X8.42LG,2RING.....1	1



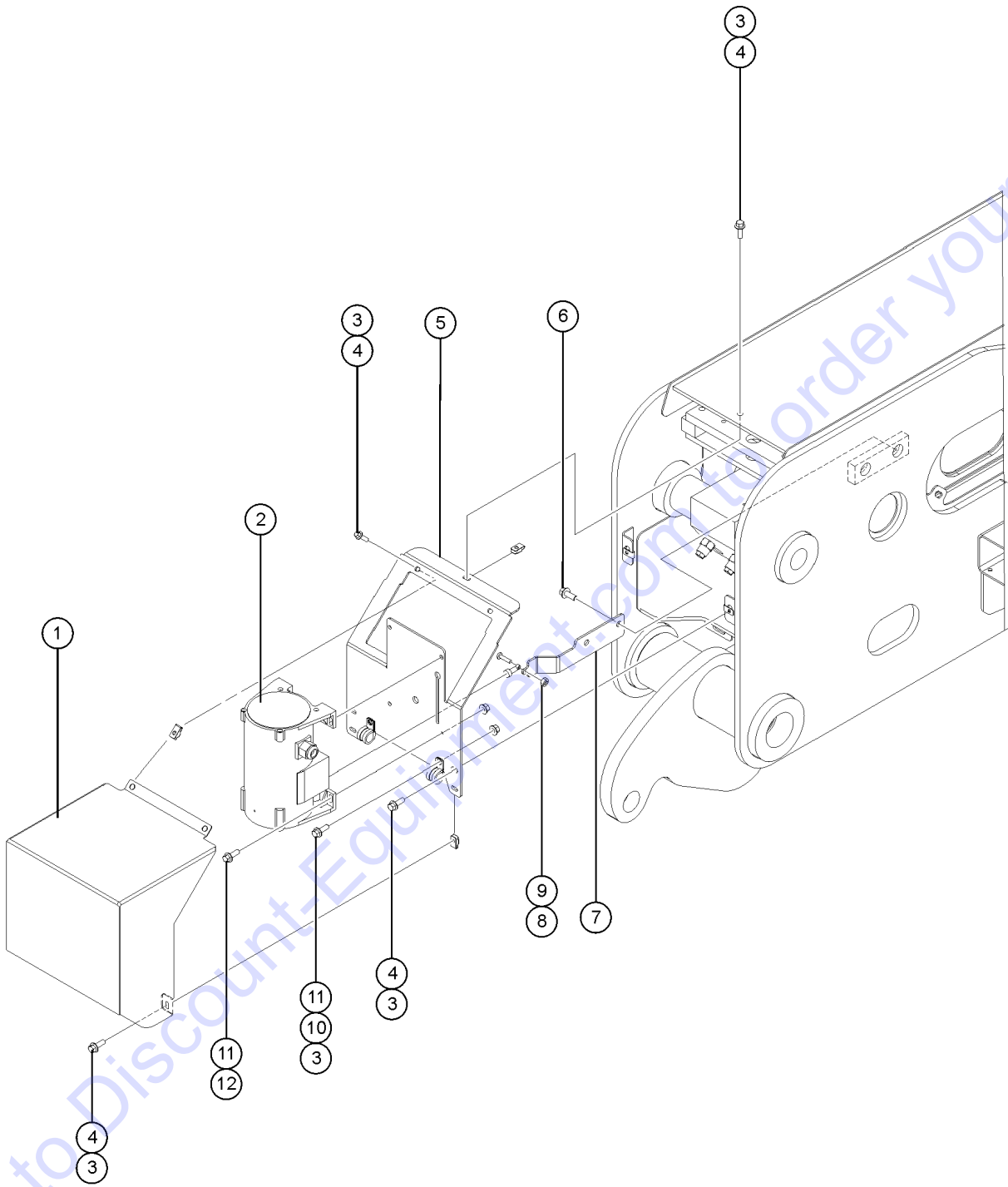
609.1 Boom End Components, Load Sense, S-60 and S-65 CE Models



## 609.1 Boom End Components, Load Sense, S-60 and S-65 CE Models

Item	Part No.	Description	Qty.
1	89755GT	LOAD SUPPORT W/BEARINGS.....	2
2	121848GT	ASSY,LS,LOAD SENSE,38.5 IN.....	1
3	61972GT	MOUNT,SWITCH.....	1
4	1257264GT	SCREW,BHC,10-32X1.5,F835,ZAG.....	2
5	824032GT	NUT,TL FLG,10-32,F,ZAG.....	2
6A	60370-SGT	PLATFORM SUPPORT WELDMNT-SERV*.....	1
		<i>ANSI models</i>	
--	94326GT	WELDMNT,4/5FT PLATFORM SUPPOR.....	1
		<i>4 ft. and 5 ft. platforms only</i>	
6B	61997GT	WELDMNT,PLATFORM SUPPORT,CE.....	1
		<i>CE models</i>	
--	94326GT	WELDMNT,4/5FT PLATFORM SUPPOR.....	1
		<i>4 ft. and 5 ft. platforms only</i>	
7	824061GT	SCREW,HHC,1/4-20X1.25,8,ZAG	
8	825020GT	ROD END, .25 X 2.75, ZAG	
9	824027GT	NUT,TL FLG,1/4-20,G,ZAG	
10	61726GT	PIN,0.75DIAX5.75LG,CHAMFER.....	4
11	28646GT	ZERK,GREASE,1/8 NPT.....	4
12	61974GT	SPRING,COMP,1" OD,232 LB/IN.....	1
13	25685GT	BEARING,GARLOCK,12FDU12.....	8
14	110789GT	WASHER,SHIM .0151 THK.....	as-needed
15	34619GT	BUMPER,RUBBER***.....	2
16	824095GT	SCREW,HHF,3/8-16X3,8,ZAG	
17	61975GT	RETAINER,SPRING,1.21 X .375.....	1
18	824029GT	NUT,TL FLG,3/8-16,G,ZAG	
19	101845GT	ROTATOR MOUNT KIT.....	1
--	61804GT	WELDMNT,ROTATOR SUPPORT	
20	45470GT	CLAMP,0.31,#5 X 1/4,RUB CUSH.....	1
21	826791GT	SCREW,HHC,3/8-16X.875,8,ZAG.....	8
22	826793GT	WASHER,FLAT,3/8,SAE,HRD,ZAG.....	8
23	826792GT	SCREW,HHC,1-8X11,5,ZAG.....	1
24	824116GT	WASHER, FLAT, F436, 1.0, ZAG.....	2
25	1257081GT	NUT,1-8,8,ZAG.....	1

610.1 S60 HC Primary Boom Components (to SN S6015A-29585)

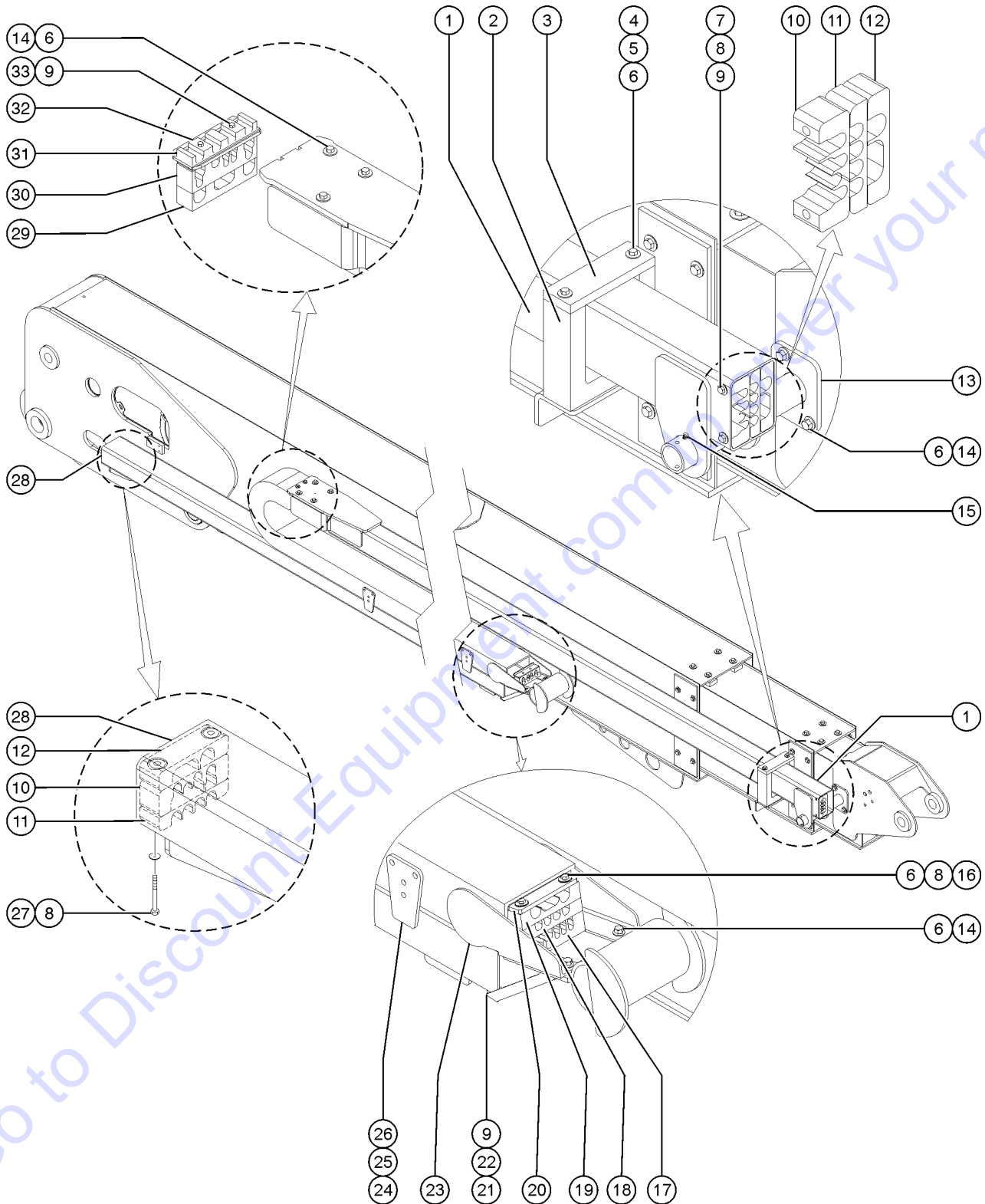


## 610.1 S60 HC Primary Boom Components (to SN S6015A-29585)

Item	Part No.	Description	Qty.
1	119537GT	COVER, STRING POT, S60HC***.....	1
2	139293GT	POSITION TRANSDUCER,LINEAR,2CH.....	1
3	824078GT	SCREW,HHF,1/4-20X.75,8,ZAG.....	9
4	56912GT	SPRING CLIP,1/4-20,.025-.15X.54,ZAG.....	7
5	119535GT	MOUNT, STRING POT, S60HC.....	1
6	824091GT	SCREW,HHF,3/8-16X1.25,8,ZAG.....	2
7	139307GT	FORMING, CABLE ANCHOR.....	1
8	824036GT	NUT,TL,10-32,A,ZAG.....	1
9	1257227GT	SCREW,PHPM,10-32X.625,ZAG.....	1
10	45454GT	CLAMP,RUB CUSH,0.75,#12 X 3/8*.....	2
11	824027GT	NUT,TL FLG,1/4-20,G,ZAG.....	4
12	824079GT	SCREW,HHF,1/4-20X1,8,ZAG.....	2

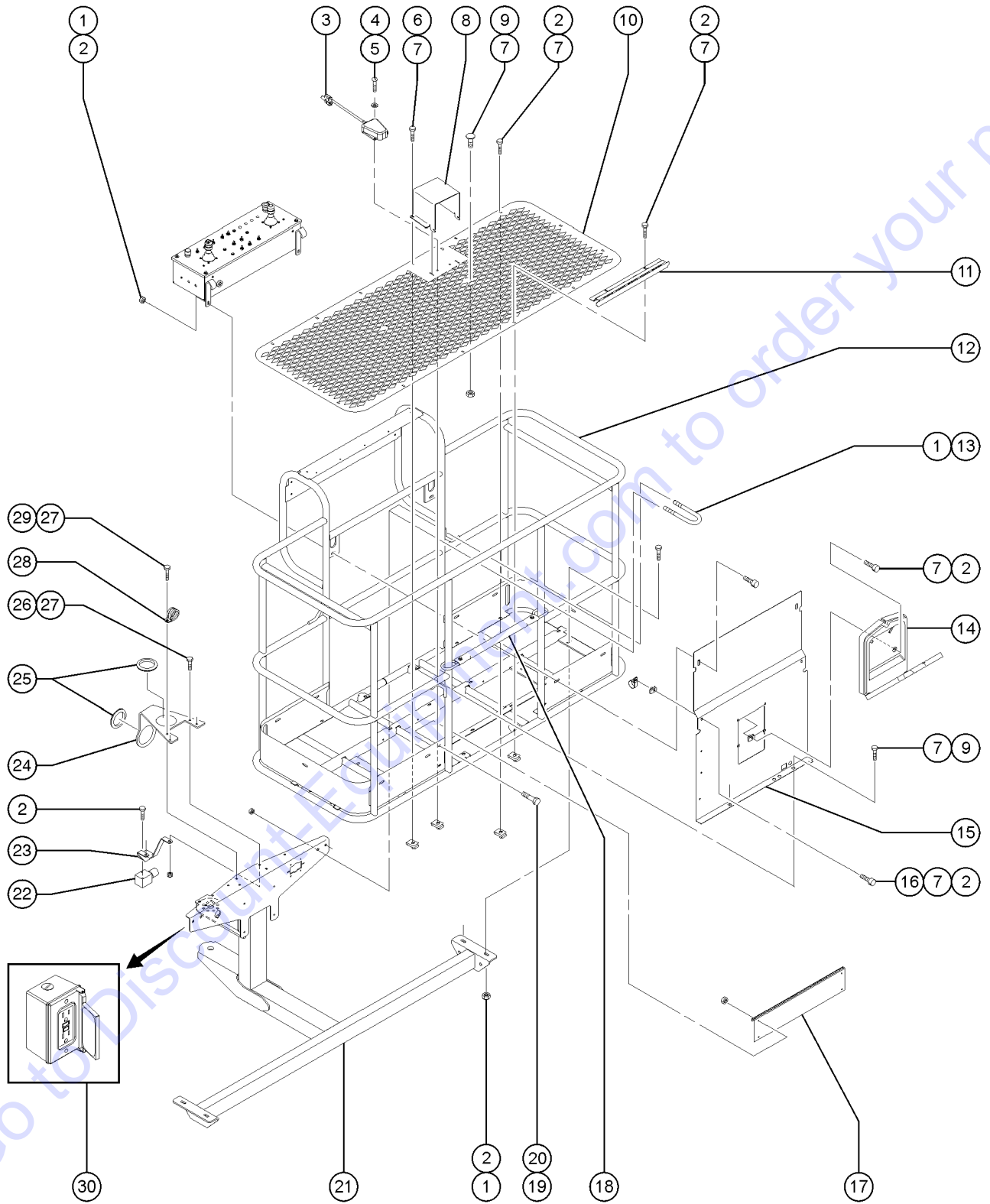
Go to Discount-Equipment.com to order your parts

611.1 Cable Track



Item	Part No.	Description	Qty.	Item	Part No.	Description	Qty.
1	88859GT	WELDMENT,CABLE TRACK TUBE***.....1		25	39317GT	STOP PLATFORM ROLLER	
2	81341GT	WEAR PAD,CABLE TRACK PULL TUBE.....1		26	87085GT	RIVET,ALUM,P,.188 X .25	
3	81342GT	WEAR PAD,5.5 X 1.75 X .5.....1		27	1256171GT	SCREW,HHC,1/4-20X3,8,ZAG	
4	826791GT	SCREW,HHC,3/8-16X.875,8,ZAG		28	88858GT	WELDMENT,CABLE TRACK TRAY***.....1	
5	1255758GT	WASHER,FLAT,3/8,USS,ZAG		29	228969GT	CLAMP, OPTIONS, CABLE TRACK.....1 (weld cable option)	
6	824029GT	NUT,TL FLG,3/8-16,G,ZAG		30	824549GT	CLAMP, CABLES.....1	
7	824083GT	SCREW,HHF,1/4-20X2.5,8,ZAG		31	121065GT	FORMING,CLAMP,TOP,CABLE TRACK.....1	
8	824113GT	WASHER,FLAT,USS,1/4,ZAG		32	228967GT	CLAMP, CABLE.....1	
9	824027GT	NUT,TL FLG,1/4-20,G,ZAG		33	824084GT	SCREW,HHF,1/4-20X3,8,ZAG	
10	824547GT	CLAMP, CABLES.....2					
11	227308GT	CLAMP, HOSES.....2					
12	227306GT	CLAMP ASSY,OPTIONS BLOCK W/NUT.....2 (weld cable option)					
13	81347GT	WELDMENT,TRACK PULL TUBE PIVOT.....1					
14	824090GT	SCREW,HHF,3/8-16X1,8,ZAG					
15	13635-10GT	PIN,COTTER,.156 X 1.75.....1					
16	824096GT	SCREW,HHF,3/8-16X3.5,8,ZAG					
17	824548GT	CLAMP, CABLES.....1					
18	226325GT	CLAMP, HOSES.....1					
19	228796GT	CLAMP, OPTIONS, CABLE TRACK.....1 (weld cable option)					
20	228797GT	BAR, CLAMP, CABLE TRACK.....1					
21A	1264258GT	FORMING, TRACK BRACE, LH.....1 <i>outboard bracket; furthest from boom tube (shown)</i>					
21B	1264257GT	FORMING, TRACK BRACE, RH.....1 <i>inboard bracket; closest to boom tube</i>					
22	824078GT	SCREW,HHF,1/4-20X.75,8,ZAG					
23	T114223GT	CABLE TRACK, SX, 49 LINK.....1					
--	121035GT	PIN,1.250 X 9.25, 2 RINGS <i>for T114223</i>					
--	122661GT	REPAIR KIT,4 LINK,W/GUIDE <i>for T114223</i>					
--	122662GT	END BRACKET,MOVING END <i>for T114223</i>					
--	122663GT	END BRACKET,FIXED END <i>for T114223</i>					
--	122668GT	GUIDE FINGER,PLASTIC <i>for T114223</i>					
--	218448GT	FINGER,GUIDE,CABLE TRACK <i>for T114223</i>					
--	229169GT	FLATBAR, CLAMPS, CABLE TRACK <i>for T114223</i>					
24	218448GT	FINGER,GUIDE,CABLE TRACK.....10					
--	58310GT	SCREW,10-24 X.5 TORX PAN HD*** <i>for 218448</i>					

701.1 Platform Installation

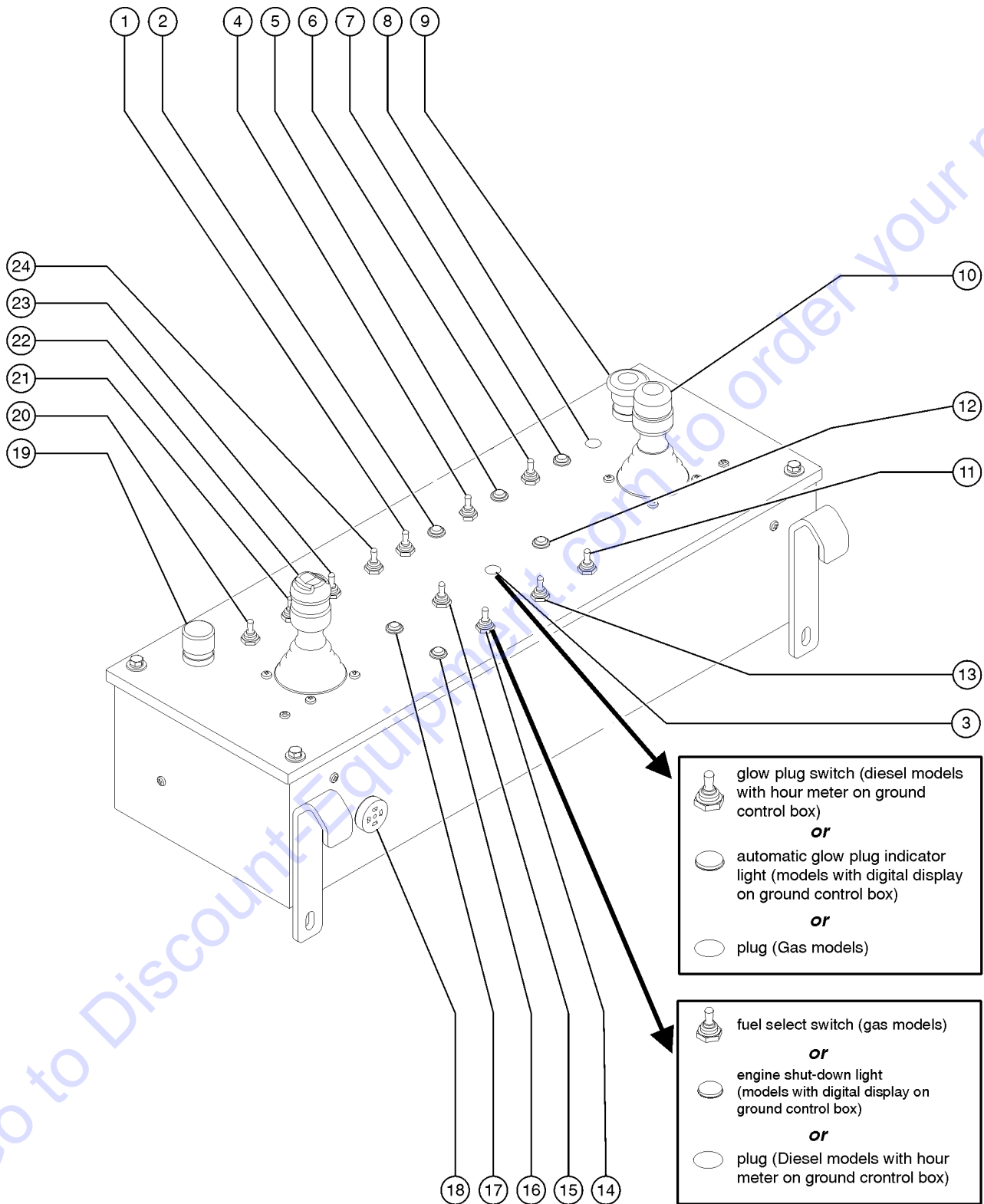


## 701.1 Platform Installation

Item	Part No.	Description	Qty.	Item	Part No.	Description	Qty.
1	824029GT	NUT,TL FLG,3/8-16,G,ZAG		26	824086GT	SCREW,HHF,5/16-18X1,8,ZAG	
2	824091GT	SCREW,HHF,3/8-16X1.25,8,ZAG		27	824028GT	NUT,TL FLG,5/16-18,G,ZAG	
3	1254874GT	ASSEMBLY,FOOT SWITCH, S60.....1		28	77180GT	CLAMP,1.31,#21 X 3/8,RUB CUSH.....1	
4	1256460GT	SCREW,PHPM,10-24X1,ZAG		29	824087GT	SCREW,HHF,5/16-18X1.25,8,ZAG	
5	73575GT	SPRING CLIP,10-24,.025-.125X.468,ZAG		30		Ref. POWER AND AIR LINE TO PLATFORM <i>refer to 910.1</i>	
6	824079GT	SCREW,HHF,1/4-20X1,8,ZAG					
7	56912GT	SPRING CLIP,1/4-20,.025-.15X.54,ZAG					
7	824027GT	NUT,TL FLG,1/4-20,G,ZAG					
8	147121GT	COVER, FOOT SWITCH, LARGE.....1 <i>decals not included, refer to section 100</i>					
9	824078GT	SCREW,HHF,1/4-20X.75,8,ZAG					
10A	60160PGT	FLOORING,4 FT PLATFORM,PAINTED.....1					
10B	54247-SGT	PLAT. FLOOR, 5FT, PAINTED.....1					
10C	73477PGT	FLOORING, 6'FT PLATFORM.....1					
10D	73478PGT	FLOORING,8 FT PLATFORM**.....1					
11	73610PGT	STEP PLATFORM ENTRY PAINTED***.....1					
12A	161541GT	ASSY,4FT PLATFORM, NO DECALS.....1 <i>decals not included, refer to section 100</i>					
12B	161542GT	ASSY,5FT PLATFORM, NO DECALS.....1 <i>decals not included, refer to section 100</i>					
12C	160809GT	ASSY,6FT PLATFORM,NO DECALS.....1 <i>decals not included, refer to section 100</i>					
12D	160804GT	ASSY,8FT PLATFORM,NO DECALS.....1 <i>decals not included, refer to section 100</i>					
13	1251600GT	U-BOLT, FLATTENED, 1.5 X 3/8 UNC,ZAG					
14A	44743GT	MANUAL BOX W/DECALS***.....1 <i>USA/Canada/Australia</i>					
14B	24514GT	BOX,INSTRUCTION STORAGE <i>Europe/Asia/South America (decal required; refer to Section 100)</i>					
15	73574-SGT	DECAL PLATE ASSEMBLY.....1 <i>decals not included, refer to section 100</i>					
16	56424GT	CLAMP,1.25X.5 RUBBER-CUSHION					
17	94745PGT	TOEBOARD,ENTRY EUROPEAN PNTD**.....1					
18	102992GT	SLIDING MIDRAIL KIT,PTD.....1					
19	1256855GT	SCREW,HHF,1/4-20X.625,8,ZAG					
20	824027GT	NUT,TL FLG,1/4-20,G,ZAG					
21		Ref: Platform Support <i>refer to section 600</i>					
22		Ref: Jib Manifold <i>refer to 404.1</i>					
23	110671GT	PLATE,JIB,ROTATE MANIFOLD.....1					
24	106163GT	FORMING,CABLE GUIDE.....1 <i>order 55067 grommet separately</i>					
25	55067GT	GROMMET,RUBBER 3 X .19 X 3.5.....2					



702.1 Platform Control Box - View 1, External



## 702.1 Platform Control Box - View 1, External

Item	Part No.	Description	Qty.	Item	Part No.	Description	Qty.
A	825441GT	PBOX ASSY,PERKINS T4,SGL CAP (models with Perkins 404F-22, single capacity) decals not included refer to section 100		--	56848GT	WASHER,LOCK,IND,LAMP RETAINER	
B	825442GT	PBOX ASSY,PERKINS T4,DUAL CAP (models with Perkins 404F-22, dual capacity) decals not included refer to section 100		5B	229567GT	PLUG,SANTOPRENE .5 BLACK DOME (S-60, S-65)	
C	825443GT	PBOX ASSY,DEUTZ T4,SGL CAP (models with Deutz D2.9L4, single capacity) decals not included refer to section 100		6A	128200GT	SWITCH TOGGLE ASSY SPDT 3P MOM.....1 (Capacity range select) (S-60X, S-60XC, S-60TX, S-65TX, S-60HC)	
D	825444GT	PBOX ASSY,DEUTZ T4,DUAL CAP (models with Deutz D2.9L4, dual capacity) decals not included refer to section 100		--	128580GT	SWITCH TOGGLE SPDT 3P MOM SHDR	
E	228311GT	S60 PBOX ASSY, COMMON		6B	229567GT	PLUG,SANTOPRENE .5 BLACK DOME.....1 (S-60, S-65)	
F	128578GT	SCREW T-SWITCH PH/PH 6-32X1/4 (included in each toggle switch assembly)		7A	824880GT	LIGHT,LED IND. AMBER 12V NH.....1 (lower capacity range) (S-60X, S-60XC, S-60TX, S-65TX, S-60HC)	
G	27246GT	BOOT,TOGGLE SWITCH,SHORT* (included in each toggle switch assembly)		--	56848GT	WASHER,LOCK,IND,LAMP RETAINER	
1	128201GT	SWITCH TOGGLE ASSY DPDT 2P MOM.....1 (Auxiliary Power; includes boot and hardware)		7B	229567GT	PLUG,SANTOPRENE .5 BLACK DOME.....1 (S-60, S-65)	
--	128581-SGT	SWITCH TOGGLE DPDT 2P MOM SHDR		8	229567GT	PLUG,SANTOPRENE .5 BLACK DOME.....1 (used for optional equipment)	
2A	824879GT	LIGHT,LED IND. RED 12V NH.....1 (Machine not level indicator) (option)		9	66812GT	BUTTON,PUSH,RED MUSHROOM HEAD.....1	
--	56848GT	WASHER,LOCK,IND,LAMP RETAINER		--	146478GT	BOOT(BELLOWS),E-STOP,BLACK	
2B	229567GT	PLUG,SANTOPRENE .5 BLACK DOME.....1 (without option)		--	66818GT	CONTACT, N.C.	
3A	229567GT	PLUG,SANTOPRENE .5 BLACK DOME.....1 (Gas/LPG models)		--	94506GT	BASE,W/3 NC CONTACTS	
3B	128200GT	SWITCH TOGGLE ASSY SPDT 3P MOM (Diesel models with an hour meter in the ground control box)		10		Ref. Joystick.....1 refer to 704.1	
--	128580GT	SWITCH TOGGLE SPDT 3P MOM SHDR (Diesel models with an hour meter in the ground control box)		10	139338GT	SCREW PH M5-0.8X20 DIN 7500CE....4	
3C	1254804GT	LT.LAMP IND.AMBER 12V NH (models with digital display in the ground control box)		11	128200GT	SWITCH TOGGLE ASSY SPDT 3P MOM.....1 (Drive enable; includes boot and hardware)	
4A	128204GT	SWITCH TOGGLE ASSY SPDT 2P MNT.....1 (Generator) (option)		--	128580GT	SWITCH TOGGLE SPDT 3P MOM SHDR	
--	128584-SGT	SWITCH TOGGLE SPDT 2P MNT SHDR		12	824879GT	LIGHT,LED IND. RED 12V NH.....1 (Drive enable indicator light)	
4B	229567GT	PLUG,SANTOPRENE .5 BLACK DOME.....1 (without option)		13	128204GT	SWITCH TOGGLE ASSY SPDT 2P MNT.....1 (Engine idle select; includes boot and hardware)	
5A	824880GT	LIGHT,LED IND. AMBER 12V NH.....1 (upper capacity range) (S-60X, S-60XC, S-60TX, S-65TX, S-60HC)		--	128584-SGT	SWITCH TOGGLE SPDT 2P MNT SHDR	
				14A	128204GT	SWITCH TOGGLE ASSY SPDT 2P MNT.....1 (Gas/LPG models)(Fuel select; includes boot and hardware)	
				--	128584-SGT	SWITCH TOGGLE SPDT 2P MNT SHDR	
				14B	824879GT	LIGHT,LED IND. RED 12V NH (models with digital display on the ground control box)	
				14C	229567GT	PLUG,SANTOPRENE .5 BLACK DOME (diesel models with hour meter in ground control box)	

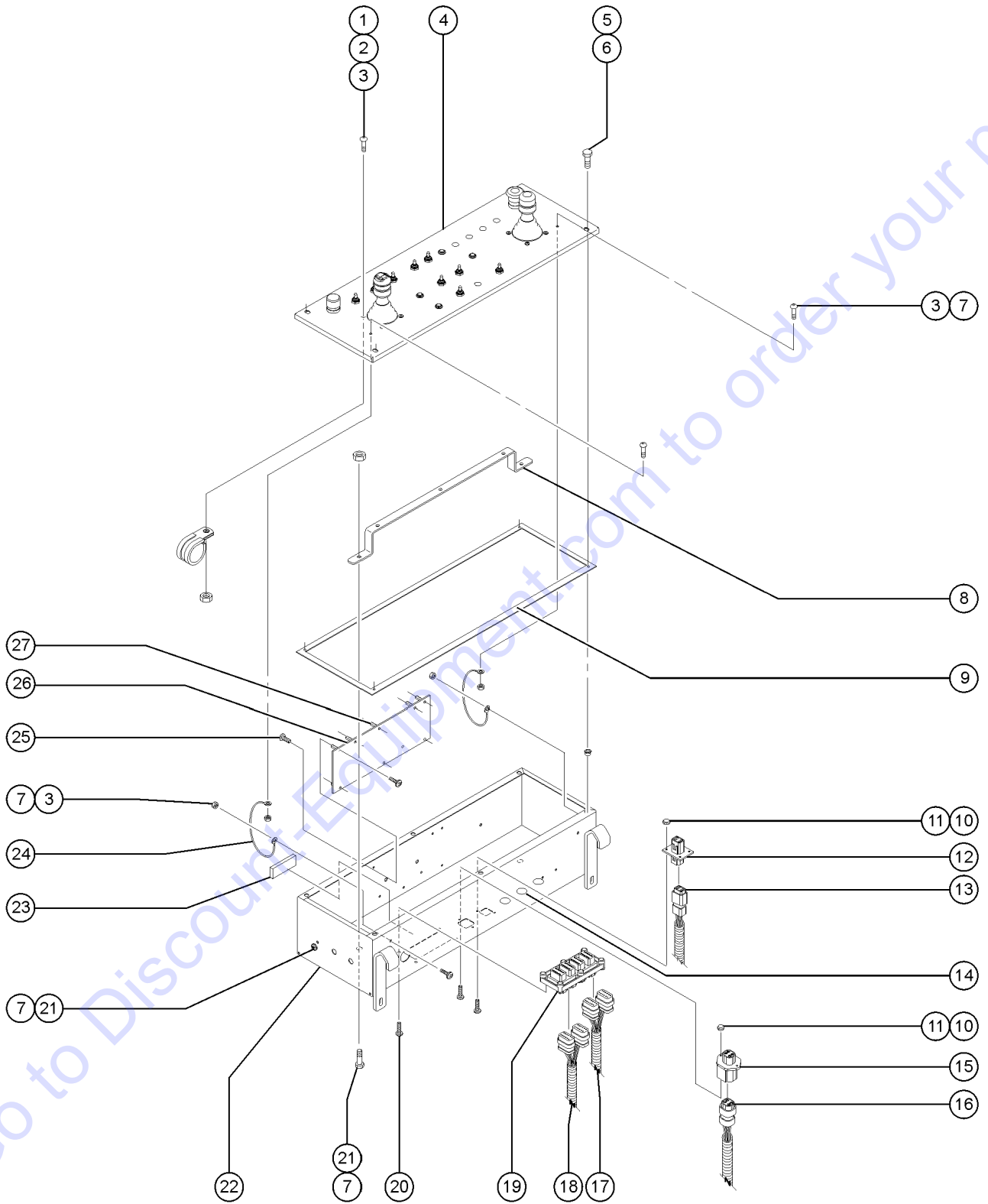
702.1 Platform Control Box - View 1, External  
(continued)

Item	Part No.	Description	Qty.
15	128200GT	SWITCH TOGGLE ASSY SPDT 3P MOM.....1 <i>(Engine start; includes boot and hardware)</i>	1
--	128580GT	SWITCH TOGGLE SPDT 3P MOM SHDR	
16	824879GT	LIGHT,LED IND. RED 12V NH.....1 <i>(CE models, platform overload indicator)</i>	1
--	56848GT	WASHER,LOCK,IND,LAMP RETAINER	
17	824879GT	LIGHT,LED IND. RED 12V NH.....1 <i>(Machine malfunction indicator)</i>	1
--	56848GT	WASHER,LOCK,IND,LAMP RETAINER	
18	45383GT	ALARM,WARBLE TONE 5-30 VDC***.....1 <i>(retaining nut 72326 sold separately)</i>	1
--	72326GT	NUT - PLASTIC,RING FOR ALARMS	
19	66813GT	BUTTON,PUSH,BLACK W/SEAL***.....1	1
--	66815GT	BASE, W/1 N.O. CONTACTS***	
--	66816GT	CONTACT,N.O.***	
20	128200GT	SWITCH TOGGLE ASSY SPDT 3P MOM.....1 <i>(Platform level; includes boot and hardware)</i>	1
--	128580GT	SWITCH TOGGLE SPDT 3P MOM SHDR	
21	128202GT	SWITCH TOGGLE ASSY DPDT 3P MOM.....1 <i>(Platform rotate; includes boot and hardware)</i>	1
--	128582-SGT	SWITCH TOGGLE DPDT 3P MOM SHDR	
22		Ref. Joystick.....1 <i>refer to 704.1</i>	1
22	139338GT	SCREW PH M5-0.8X20 DIN 7500CE.....4	4
23A	128200GT	SWITCH TOGGLE ASSY SPDT 3P MOM.....1 <i>(Jib boom up/down; includes boot and hardware)</i>	1
--	128580GT	SWITCH TOGGLE SPDT 3P MOM SHDR	
23B	824880GT	LIGHT,LED IND. AMBER 12V NH.....1	1
--	56848GT	WASHER,LOCK,IND,LAMP RETAINER	
24	128204GT	SWITCH TOGGLE ASSY SPDT 2P MNT.....1 <i>(Drive speed; includes boot and hardware)</i>	1
--	128584-SGT	SWITCH TOGGLE SPDT 2P MNT SHDR	

***This Page Intentionally Left Blank***

Go to [Discount-Equipment.com](http://Discount-Equipment.com) to order your parts

703.1 Platform Control Box - View 2, Internal



# PARTS FINDER

**Search Website  
by Part Number**



**Search Manual  
Library For Parts  
Manual & Lookup Part  
Numbers – Purchase  
or Request Quote**

**Search Manuals**

Enter your information to help us find the right parts manual for your machine.

\* Brand:

\* Model:

\* Serial:

\* Part Number:

SEARCH

**Can't Find Part or  
Manual? Request Help  
by Manufacturer,  
Model & Description**

**Parts Order Form**

Please fill in the following information to help us find the right part for your machine.

Manufacturer:	<input type="text"/>
Model:	<input type="text"/>
Description:	<input type="text"/>
Part Number:	<input type="text"/>
Quantity:	<input type="text"/>
Notes:	<input type="text"/>

Discount-Equipment.com is your online resource for quality parts & equipment.

Florida: **561-964-4949** Outside Florida TOLL FREE: **877-690-3101**

**Need parts?**

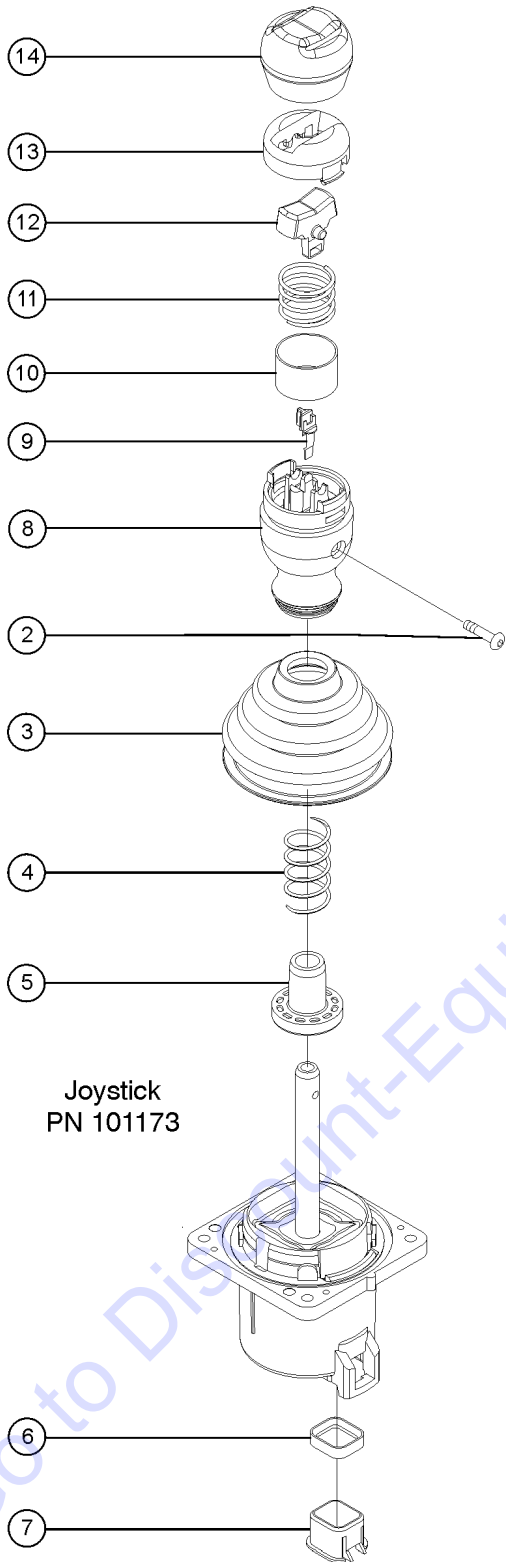
Click on this link: <http://www.discount-equipment.com/category/5443-parts/> and choose one of the options to help get the right parts and equipment you are looking for. Please have the machine model and serial number available in order to help us get you the correct parts. If you don't find the part on the website or on one of the online manuals, please fill out the request form and one of our experienced staff members will get back to you with a quote for the right part that your machine needs.

We sell worldwide for the brands: Genie, Terex, JLG, MultiQuip, Mikasa, Essick, Whiteman, Mayco, Toro Stone, Diamond Products, Generac Magnum, Airman, Haulotte, Barreto, Power Blanket, Nifty Lift, Atlas Copco, Chicago Pneumatic, Allmand, Miller Curber, Skyjack, Lull, Skytrak, Tsurumi, Husquvarna Target, Stow, Wacker, Sakai, Mi-T-M, Sullair, Basic, Dynapac, MBW, Weber, Bartell, Bennar Newman, Haulotte, Ditch Runner, Menegotti, Morrison, Contec, Buddy, Crown, Edco, Wyco, Bomag, Laymor, EZ Trench, Bil-Jax, F.S. Curtis, Gehl Pavers, Heli, Honda, ICS/PowerGrit, IHI, Partner, Imer, Clipper, MMD, Koshin, Rice, CH&E, General Equipment, Amida, Coleman, NAC, Gradall, Square Shooter, Kent, Stanley, Tamco, Toku, Hatz, Kohler, Robin, Wisconsin, Northrock, Oztec, Toker TK, Rol-Air, APT, Wylie, Ingersoll Rand / Doosan, Innovatech, Con X, Ammann, Mecalac, Makinex, Smith Surface Prep, Small Line, Wanco, Yanmar

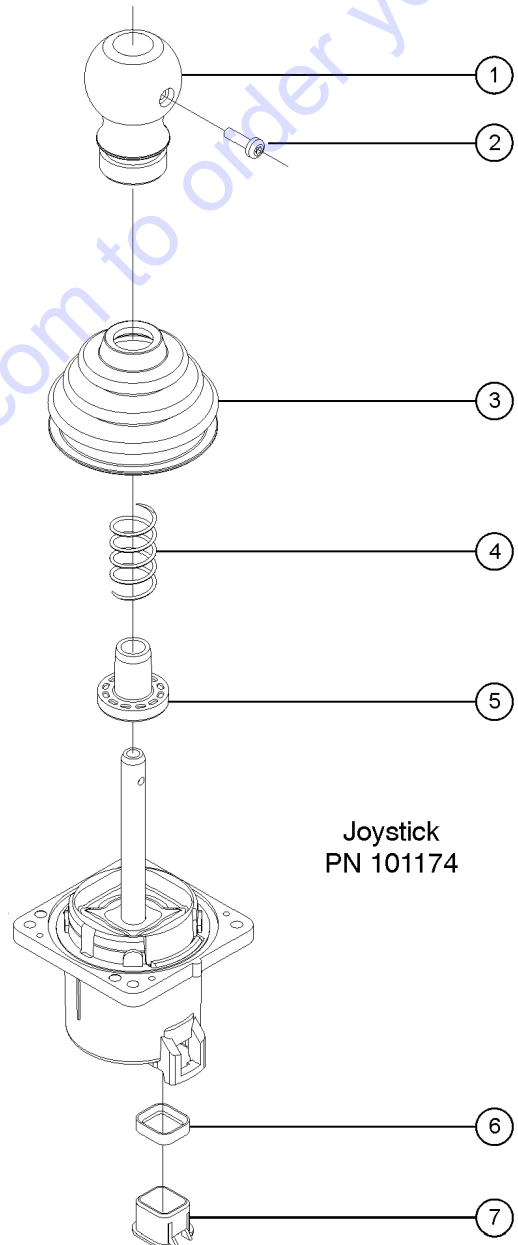
## 703.1 Platform Control Box - View 2, Internal

Item	Part No.	Description	Qty.
--		Ref. PLATFORM BOX HARNESS <i>refer to 313.1</i>	
--	111413GT	JOYSTICK CONNECTOR ASSEM,DEUT	
--	111420GT	OPTION,ROCKER STEER	
--	121847GT	RELAY,TIME DELAY,2 SEC,30A	
1	1257404GT	SCREW,PHPM-ST,M5-0.8X20,DIN750...8	
2	18666GT	CLAMP,1.00,#16 X 1/4,RUB CUSH.....1	
3	826214GT	NUT,TL,M5-0.8,DIN980,10,ZAB	
4	147387GT	FORMING, PLAT. BOX LID.....1	
5	1256855GT	SCREW,HHF,1/4-20X.625,8,ZAG	
6	T107520GT	NUTSERT,LP KNURLED,1/4-20X.165.....4	
7	1251757GT	SCREW,PHPM,10-32X.50,ZAG	
8	119644GT	BRACKET,PBOX WIRE SUPPORT.....1	
9	81488GT	GASKET,PLATFORM CONTROL BOX....1	
10	824214GT	SCREW,PHPM,6-32X.5,ZAG	
11	824019GT	NUT,TL,6-32,A,ZAG	
12	73723GT	CONN RECEP,FLANGED.....1	
13		Ref. FOOT SWITCH WIRE HARNESS ASSEMBLY <i>refer to 313.1</i>	
14	15243GT	PLUG,NYLON .875 BLACK DOMED.....3	
15	73717GT	CONN,RECEP 4 WAY,12-14GA FL*** .....1	
16		Ref. HARNESS,12V TO PLAT <i>refer to 313.1</i>	
17		Ref. HARNESS,18/22 BOOM 2 <i>refer to 313.1</i>	
18		Ref. HARNESS BOOM CABLE 1 <i>refer to 313.1</i>	
19	73736GT	CONN,RECEP 48 WAY,4 X 12.....1	
20	824226GT	SCREW,PHPSH,#12-11X.75,ZAG	
21	824032GT	NUT,TL FLG,10-32,F,ZAG	
22	T109350GT	PLATFORM CONTROL BOX W/DECAL	
--	81487PGT	PLATFORM CONTROL BOX,PAINTED.....1	
23	30997GT	CORROSION INHIBITOR,FOAM.....1	
24	77351GT	LANYARD,PLATFORM CONTROL BOX.....2	
25	81551GT	SCREW,PHIL,PHM,6-32 X 1/4 SS	
26A	235323GT	ASSY,PCB,ALC500-2 S60 V204.....1 <i>S-60, S-65, S-60X, S-60XC, S-60Trax and S-65 Trax models to SN S6015A-29585</i>	
26B	235411GT	ASSY,PCB ALC500 S60 LEG V202.....1 <i>S-60HC to SN S6015A-29585</i>	
26C	1257417GT	ASSY,PCB,ALC500 S60 S0849300.....1 <i>all models from SN S6015A-29586</i>	
27	81550GT	STANDOFF,6-32 X 3/8L X 1/4 HEX.....10	

704.1 Joysticks



Joystick  
PN 101173

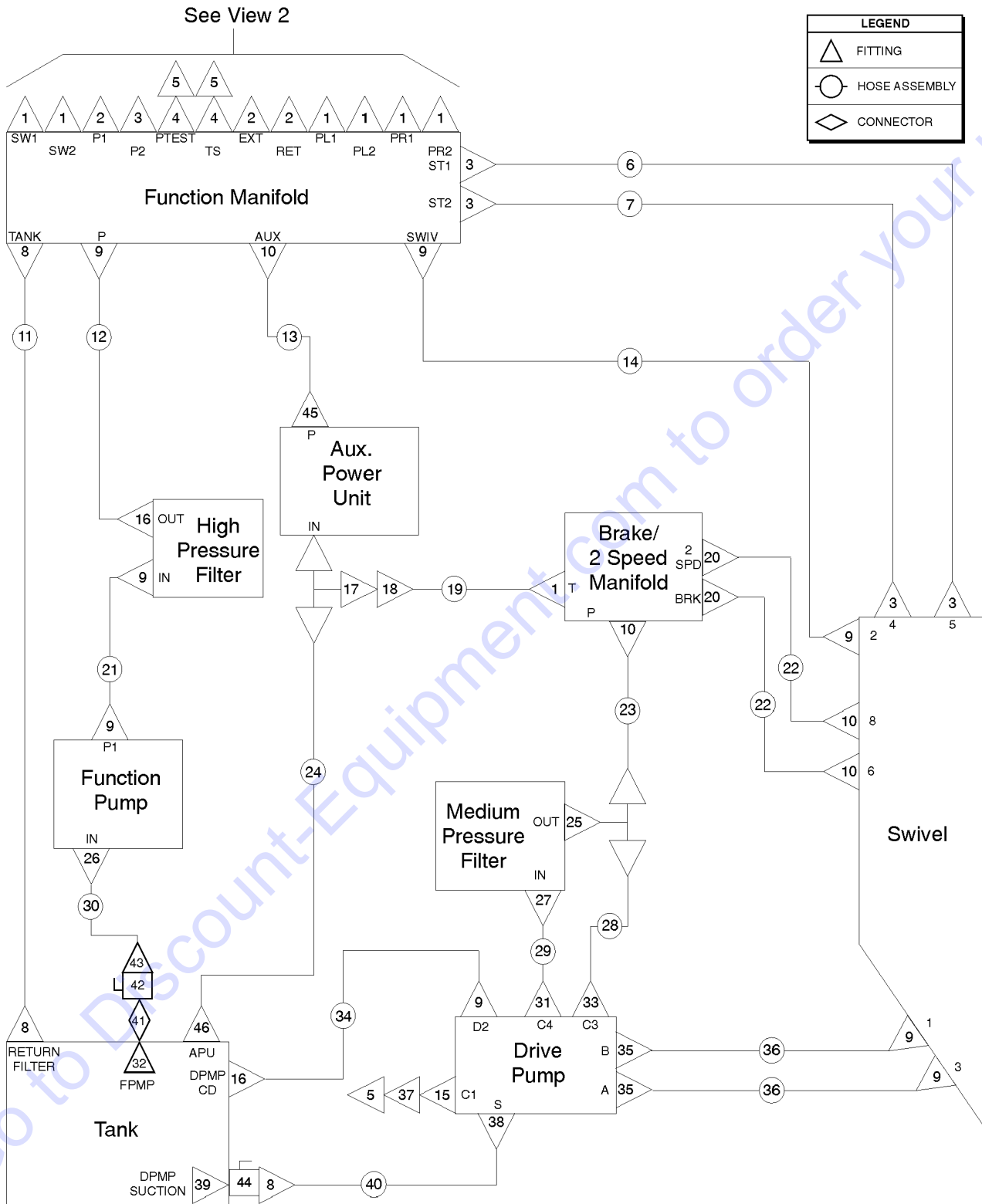


Joystick  
PN 101174



Item	Part No.	Description	Qty.
--	101173GT	JOYSTICK,2 AXIS,ROCKER,DEUTSCH <i>(calibration required after replacement), OEM joystick</i>	
--	101173HGT	JOYSTICK,DUAL AXIS W/STEER <i>(calibration required after replacement), aftermarket joystick</i>	
--	101174GT	JOYSTICK,2 AXIS,DEUTSCH <i>(calibration required after replacement), OEM joystick</i>	
--	101174HGT	JOYSTICK,DUAL AXIS W/KNOB <i>(calibration required after replacement), OEM joystick</i>	
--	101005GT	JOYSTICK,1 AXIS ROCKER,DEUTSCH <i>(calibration required after replacement), aftermarket joystick</i>	
--	101005HGT	JOYSTICK,SINGLE AXIS W/STEER <i>aftermarket joystick (calibration required after replacement)</i>	
--	58253GT	KIT,REPAIR,DEUTSCH PLUG,W/TUBE <i>small kit</i>	
--	83129GT	KIT,REPAIR,DEUTSH CONNECTORS** <i>large kit</i>	
--	61794GT	CRIMPER,DEUTSCH,LIGHT DUTY*** <i>tool</i>	
--	119613GT	HARN JOYSTICK ADAPTOR JS100 <i>6-pin to 7-pin adapter (for 101174, 101175, 101005)</i>	
Z	1269500GT	KIT, ISOLATION, 2 JOYSTICK	
1	62392GT	KNOB,JOYSTICK, 62390/62391.....	1
2	T112626GT	SCREW, PHM, #6-32 X .625 ZINC.....	1
3	139598GT	BOOT,JOYSTICK.....	1
4		SPRING,JOYSTK CENTR,62390/91..... <i>no longer available from supplier</i>	1
5	119915GT	COLLAR,JOYSTICK,CENTER.....	1
6	128000GT	SEAL, CONNECTOR (DT JOYSTICKS).....	1
7	128001GT	SLEEVE,CONNECTOR,DT JOYSTICKS.....	1
8	75449GT	KNOB,ROCKER JOYSTICK 75565.....	1
9	75448GT	SUPPORT,SENSOR,JOYSTICK.....	1
10	75447GT	SWITCH SHIELD,ROCK JOYSTK75565.....	1
11	75446GT	SPRING,SWITCH CENTERING,75565...1	
12	75445GT	ROCKER ASSY.,MAGNETIC 75565.....	1
13	75444GT	ROCKER,RETAINER, 75565.....	1
14	75443GT	BOOT, ROCKER JOYSTICK 75565.....	1

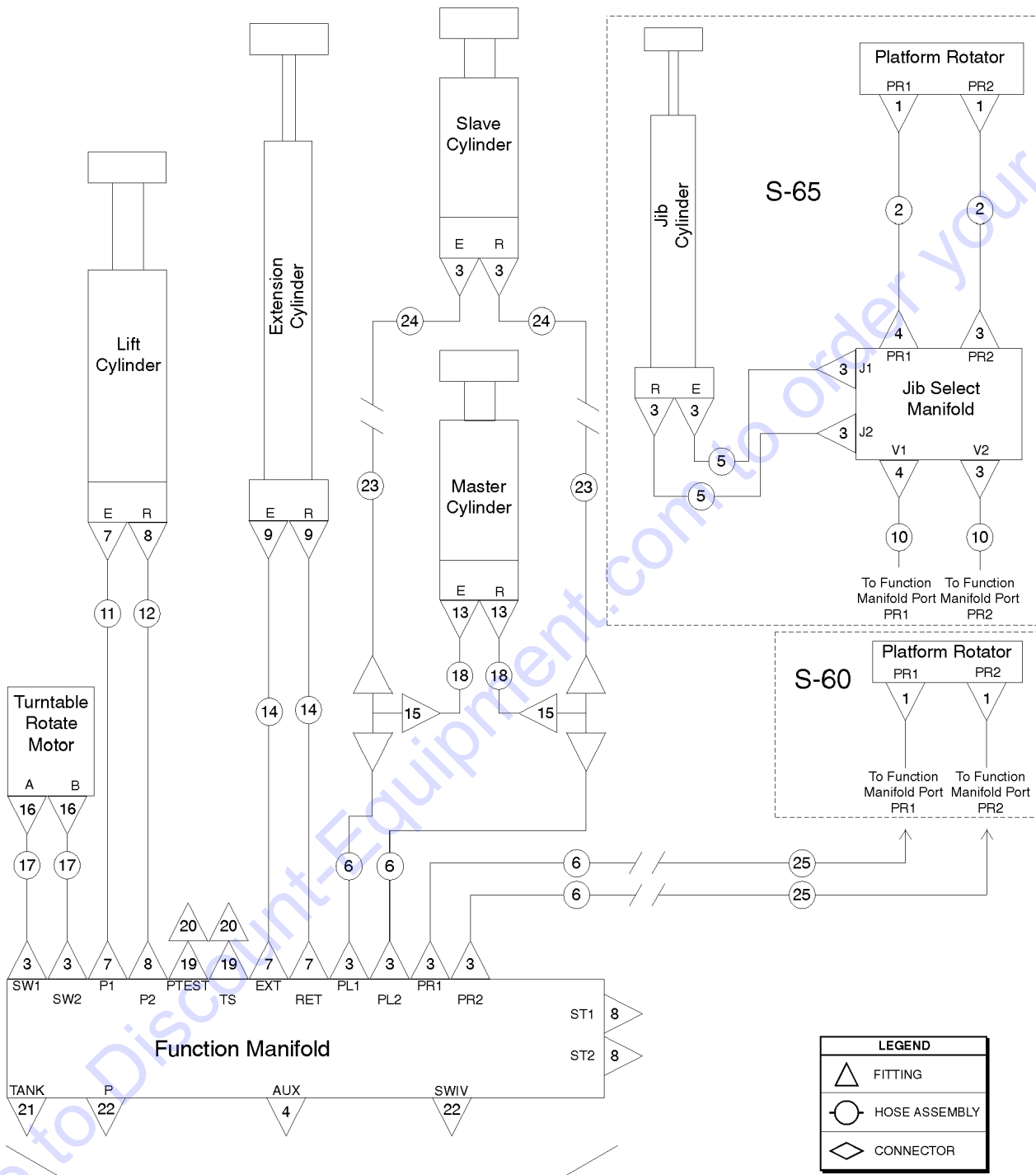
801.1 Function Manifold, View 1



## 801.1 Function Manifold, View 1

Item	Part No.	Description	Qty.	Item	Part No.	Description	Qty.
--		<i>The hose lengths below reflect the length of the hose only. Refer to the 'Fittings Cross Reference' to match Genie part numbers to Parker part numbers.</i>		26	88936GT	CONN,520120-20-16.....	1
1	48905GT	CONN,520120-4***.....	7	27	48932GT	FITTING,ELBOW,90D,520220-8***.....	1
2	48933GT	CONN,520120-8***.....	3	28	49143-3429GT	HOSE ASSY,1/2,90 FEM,STR FEM..... <i>Components: Genie part numbers 48822, 48827 and 48756 @ 32 inches</i>	1
3	48916GT	CONN, 520120-6.....	5	29	49143-3629GT	HOSE ASSY,1/2,90 FEM,STR FEM..... <i>Components: Genie part numbers 48822, 48827 and 48756 @ 34 inches</i>	1
4	48998GT	NIPPLE,DIAGNOSTIC,#6 PORT***.....	2	30	1259903GT	HOSE ASSY, 1-1/4", 76.75"..... <i>Components: Genie part numbers 88474, 88477, 88944 and 88478 @ 73 inches</i>	1
5	48880GT	CAP,DIAGNOSTIC NIPPLE.....	2	31	48949GT	CONN,520120-8-16.....	1
6	49130-5782GT	HOSE ASSY 3/8, STR FEM,STR FEM.... <i>Components: Genie part numbers 48812, 48812 and 48753 @ 56 inches</i>	1	32	101491GT	STRAINER,20 SAE F/24 SAE M***	
7	49130-5582GT	HOSE ASSY 3/8, STR FEM,STR FEM.... <i>Components: Genie part numbers 48812, 48812 and 48753 @ 54 inches</i>	1	33	48946GT	CONN,520120-8-10.....	1
8	48984GT	CONN,520120-16.....	2	34	49150-9130GT	HOSE ASSY,3/4,90 FEM,STR FEM..... <i>Components: Genie part numbers 48841, 48846 and 48761 @ 88 inches</i>	1
9	48960GT	FITTING,CONN,520120-12***.....	6	35	48977GT	CONN,520120-12-16.....	2
10	48904GT	ELBOW,90D,520220-4-4.....	4	36	94374-6030GT	HOSE ASSY,3/4,90 FEM,STR FEM..... <i>Components: Genie part numbers 48841, 48846 and 84358 @ 57 inches</i>	2
11	88949-3828GT	HOSE ASSY 1",STR FEM,STR FEM.... <i>Components: Genie part numbers 88938, 88941 and 88940 @ 36 inches</i>	1	37	49207GT	NIPPLE,DIAGNOSTIC,ORFS,FM,SWIV..	1
12	1259904GT	HOSE ASSY, 3/4", 72.54" <i>Components: Genie part numbers 48841, 48841 and 48762 @ 69 inches</i>		38	48985GT	ELBOW,45D,520320-16.....	1
13	49117-2491GT	HOSE ASSY,1/4,90 FEM,STR FEM..... <i>Components: Genie part numbers 48802, 48800 and 48751 @ 23 inches</i>	1	39	147419GT	KIT,STRAINER REPLACEMENT.....	1
14	49151-6248GT	HOSE ASSY,3/4,STR FEM,STR FEM.... <i>Components: Genie part numbers 48841, 48841 and 48761 @ 60 inches</i>	1	40	88942-8354GT	HOSE ASSY,1",90 FEM,STR FEM..... <i>Components: Genie part numbers 88938, 88941, 88939 and 88940 @ 80 inches</i>	1
15	48914GT	CONN,520120-4-8.....	1	41	61263GT	UNION,STR.THREAD 20.....	1
16	48963GT	FITTING,ELBOW,45D,520320-12***.....	1	42	101494GT	VALVE,BALL,FSAE-20,FSAE-20.....	1
17	48936GT	TEE,BRANCH,520429-8.....	1	43	75654GT	CONN,520120-20.....	1
18	48941GT	REDUCER,520123-8-4.....	2	44	48996GT	VALVE,BALL,16 MSAE-16 FSAE***.....	1
19	49117-4691GT	HOSE ASSY,1/4,90 FEM,STR FEM..... <i>Components: Genie part numbers 48800, 48802 and 48751 @ 45 inches</i>	1	45	48912GT	CONN,520120-4-6***.....	1
20	48907GT	ELBOW,45D,520320-4.....	2	46	48943GT	CONN, 520120-8-6.....	1
21	61073-3930GT	HOSE ASSY.,3/4",90,FEM,STR FEM.... <i>Components: Genie part numbers 48846, 48841 and 48762 @ 36 inches</i>	1				
22	49119-2878GT	HOSE ASSY,1/4,STR FEM,STR FEM*.... <i>Components: Genie part numbers 48800, 48800 and 48751 @ 27 inches</i>	2				
23	49117-3391GT	HOSE ASSY,1/4,90 FEM,STR FEM..... <i>Components: Genie part numbers 48800, 48802 and 48751 @ 32 inches</i>	1				
24	94465-3650GT	HOSE ASSY,1/2"..... <i>Components: Genie part numbers 48808, 48808 and 39888 @ 35 inches</i>	1				
25	48936GT	TEE,BRANCH,520429-8.....	1				

802.1 Function Manifold, View 2

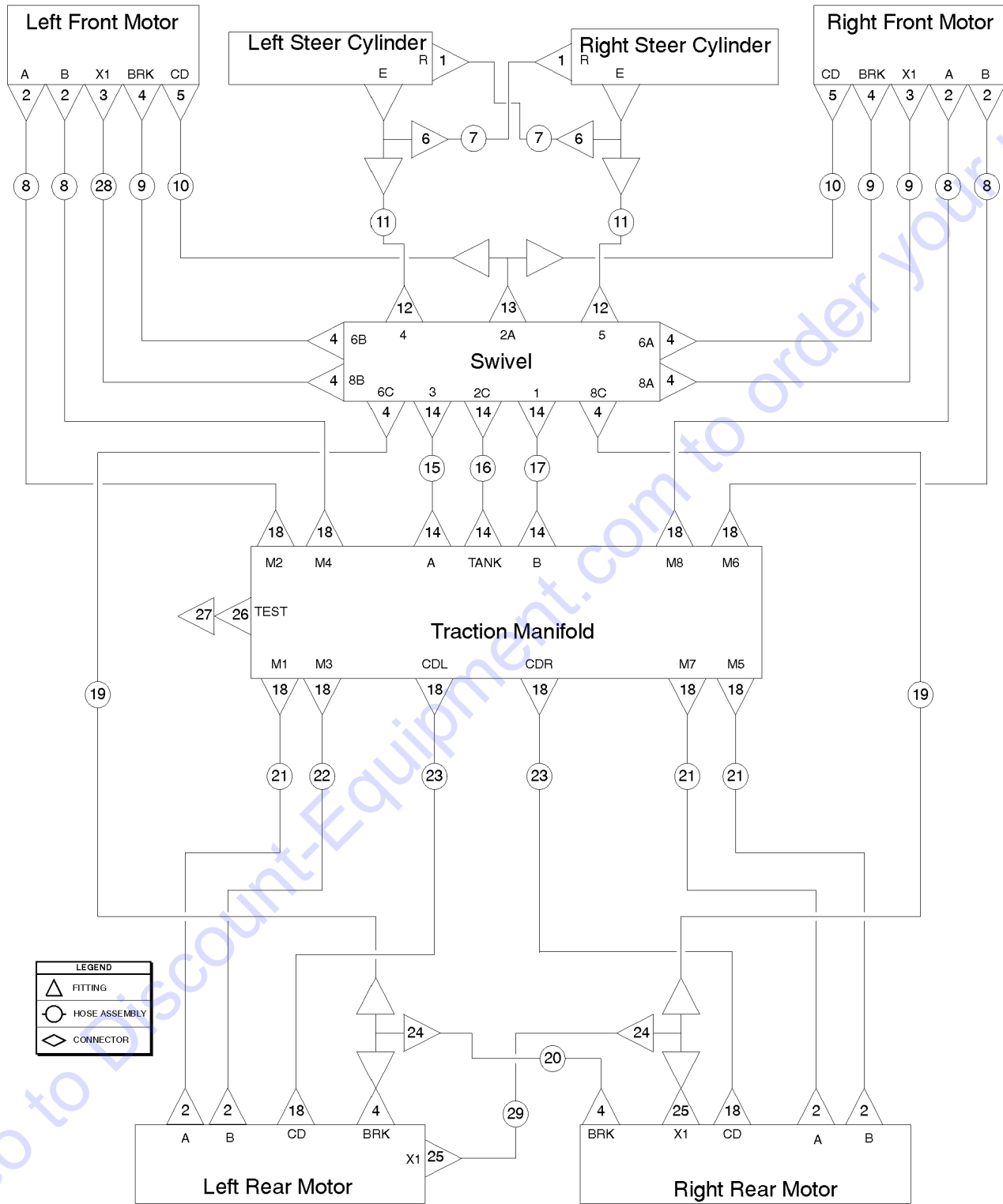


See View 1

## 802.1 Function Manifold, View 2

Item	Part No.	Description	Qty.	Item	Part No.	Description	Qty.
--		<i>The hose lengths below reflect the length of the hose only. Refer to the 'Fittings Cross Reference' to match Genie part numbers to Parker part numbers.</i>		21	48984GT	CONN,520120-16.....	1
--	48767GT	SLEEVE,NYLON,1.42 ID.....23-inches protective hose sleeve, 1.42" diameter (near platform rotator)		22	48960GT	FITTING,CONN,520120-12***.....	1
--	49219GT	SLEEVE,NYLON,2.19 ID,BULK.....46-inches protective hose sleeve, 2.19" diameter (near platform rotator)		23	161523GT	HOSE ASSY,1/4,693" Components: Genie part numbers 48800, 48800 and 48751 @ 691 inches;	
1	48907GT	ELBOW,45D,520320-4.....	2	24	88636-2573GT	HOSE ASSY 1/4,STR FEM,STR BULK...2 Components: Genie part numbers 48800, 75628 and 48751 @ 23 inches	
2	49119-2878GT	HOSE ASSY,1/4,STR FEM,STR FEM*....2 (S-65) Components: Genie part numbers 48800, 48800 and 48751 @ 27 inches		--	75574GT	NUT,BULKHEAD,520118-4 (item sold separately)	
3	48905GT	CONN,520120-4***.....	11	25	1253798GT	HOSE ASSY, 1/4", 713" Genie part numbers 48800, 48800 and 48751 @ 711 inches	
4	48904GT	ELBOW,90D,520220-4-4.....	2				
5	49119-4278GT	HOSE ASSY,1/4,STR FEM,STR FEM*....2 (S-65) Components: Genie part numbers 48800, 48800 and 48751 @ 41 inches					
6	88636-11973GT	HOSE ASSY 1/4,STR FEM,STR BULK...4 Components: Genie part numbers 48800, 75628 and 48751 @ 117 inches					
7	48933GT	CONN,520120-8***.....	4				
8	48916GT	CONN, 520120-6.....	3				
9	48937GT	ELBOW,45D,520320-8.....	2				
10	49119-79678GT	HOSE ASSY,1/4,STR FEM,STR FEM (S-65) Components: Genie part numbers 48800, 48800 and 48751 @ 795 inches					
11	49143-12329GT	HOSE ASSY,1/2,90 FEM,STR FEM.....1 Components: Genie part numbers 48822, 48827, and 48756 @ 121 inches;					
12	49128-12309GT	HOSE ASSY,3/8,STR FEM,STR,90D....1 Components: Genie part numbers 48812, 48816, and 48753 @ 121 inches;					
13	48911GT	ELBOW,90D,520220-4-6***.....	2				
14	49183-13492GT	HOSE ASSY,1/2,STR FEM,STR FEM....2 Components: Genie part numbers 48822, 48822 and 48756 @ 133 inches					
15	48908GT	FITTING,TEE,RUN,SWIVEL520432-4.....	2				
16	49418GT	FITTING,ELBOW,45D,520320-4-6**.....	2				
17	49119-7478GT	HOSE ASSY,1/4,STR FEM,STR FEM....2 Components: Genie part numbers 48800, 48800 and 48751 @ 73 inches					
18A	49117-3791GT	HOSE ASSY,1/4,90 FEM,STR FEM**.....1 Components: Genie part numbers 48800, 48802 and 48751 @ 36 inches;					
18B	227347GT	HOSE ASSY,1/4", 38.00.....1 Components: Genie part numbers 48800, 48802 and 48751 @ 38 inches;					
19	48998GT	NIPPLE,DIAGNOSTIC,#6 PORT***.....	2				
20	48880GT	CAP,DIAGNOSTIC NIPPLE.....	2				

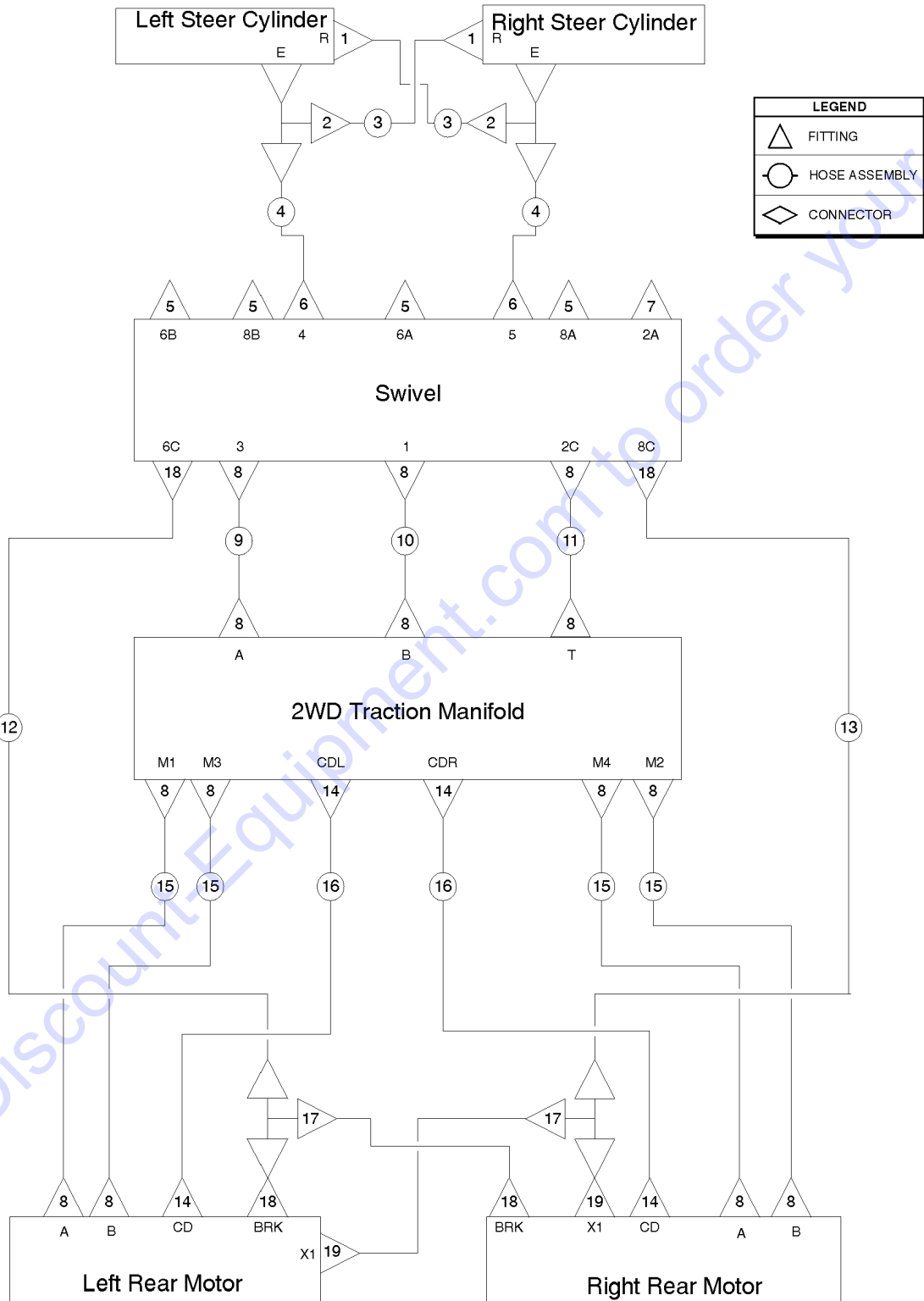
803.1 4WD Traction Manifold



## 803.1 4WD Traction Manifold

Item	Part No.	Description	Qty.	Item	Part No.	Description	Qty.
--		<i>The hose lengths below reflect the length of the hose only. Refer to the 'Fittings Cross Reference' to match Genie part numbers to Parker part numbers.</i>		20	49117-6291GT	HOSE ASSY,1/4,90 FEM,STR FEM.....1 <i>Components: Genie part numbers 48800, 48802 and 48751 @ 61 inches</i>	1
1	48915GT	ELBOW,90D,520220-6.....2	2	21	75278-5029GT	HOSE ASSY,1/2,90 FEM,STR FEM.....3 <i>Components: Genie part numbers 48822, 48827 and 56777 @ 48 inches</i>	3
2	48948GT	CONN,520120-8-12.....8	8	22	75278-5129GT	HOSE ASSY,1/2,90 FEM,STR FEM**.....1 <i>Components: Genie part numbers 48822, 48827 and 56777 @ 49 inches</i>	1
3	48912GT	CONN,520120-4-6***.....2	2	23	94464-4986GT	HOSE ASSY,1/2****.....2 <i>Components: Genie part numbers 48808, 77703 and 39888 @ 48 inches</i>	2
4	48905GT	CONN,520120-4***.....10	10	24	48908GT	FITTING,TEE,RUN,SWIVEL520432-4.....2	2
5	48930GT	CONN,520120-6-8.....2	2	25	48911GT	ELBOW,90D,520220-4-6***.....2	2
6	48918GT	TEE,RUN,520428-6.....2	2	26	48998GT	NIPPLE,DIAGNOSTIC,#6 PORT***.....1	1
7A	49130-2482GT	HOSE ASSY 3/8, STR FEM,STR FEM.....2 <i>Components: Genie part numbers 48812, 48812 and 48753 @ 23 inches</i>	2	27	48880GT	CAP,DIAGNOSTIC NIPPLE.....1	1
7B	101795-2482GT	HOSE ASSY,3/8,STR FEM,STR FEM <i>Components: Genie part numbers 48812, 48812 and 101697 @ 23 inches (arctic option)</i>		28A	49117-10691GT	HOSE ASSY 1/4,90 FEM STR FEM.....1 <i>Components: Genie part numbers 48800, 48802 and 48751 @ 105 inches</i>	1
8	81812-13292GT	HOSE ASSY,1/2".....4 <i>Components: Genie part numbers 48822, 48822 and 56777 @ 131 inches</i>	4	28B	101790-10691GT	HOSE ASSY,1/4,90 FEM,STR FEM <i>Components: Genie part numbers 48800, 48802 and 48751 @ 105 inches (arctic option)</i>	
9A	49117-10091GT	HOSE ASSY 1/4.90 FEM STR FEM.....3 <i>Components: Genie part numbers 48800, 48802 and 48751 @ 99 inches</i>	3	29	49117-6091GT	HOSE ASSY,1/4,90 FEM,STR FEM**.....1 <i>Components: Genie part numbers 48800, 48802 and 48751 @ 59 inches</i>	1
9B	101790-10091GT	HOSE ASSY,1/4,90 FEM,STR FEM <i>Components: Genie part numbers 48800, 48802 and 101697 @ 99 inches (arctic option)</i>					
10A	49131-9603GT	HOSE ASSEMBLY 3/8".....2 <i>Components: Genie part numbers 48812, 48819 and 48753 @ 94 inches</i>	2				
10B	102230-9589GT	HOSE ASSY,3/8,STR FEM,STR FEM <i>Components: Genie part numbers 48812, 48819 and 101698 @ 94 inches (arctic option)</i>					
11	49130-4782GT	HOSE ASSY,3/8,STR FEM,STR FEM.....2 <i>Components: Genie part numbers 48812, 48812 and 48753 @ 46 inches</i>	2				
12	48916GT	CONN, 520120-6.....2	2				
13	48936GT	TEE,BRANCH,520429-8.....1	1				
14	48960GT	FITTING,CONN,520120-12***.....6	6				
15	94374-2430GT	HOSE ASSY,3/4,90 FEM,STR FEM.....1 <i>Components: Genie part numbers 48841, 48846 and 94358 @ 21 inches</i>	1				
16	94466-2336GT	HOSE ASSY,3/4".....1 <i>Components: Genie part numbers 48809, 48809 and 39889 @ 21 inches</i>	1				
17	94374-2630GT	HOSE ASSY,3/4,90 FEM,STR FEM**.....1 <i>Components: Genie part numbers 48841, 48846 and 94358 @ 23 inches</i>	1				
18	48933GT	CONN,520120-8***.....12	12				
19	49119-7578GT	HOSE ASSY,1/4 STR FEM,STR FEM.....2 <i>Components: Genie part numbers 48800, 48800 and 48751 @ 74 inches</i>	2				

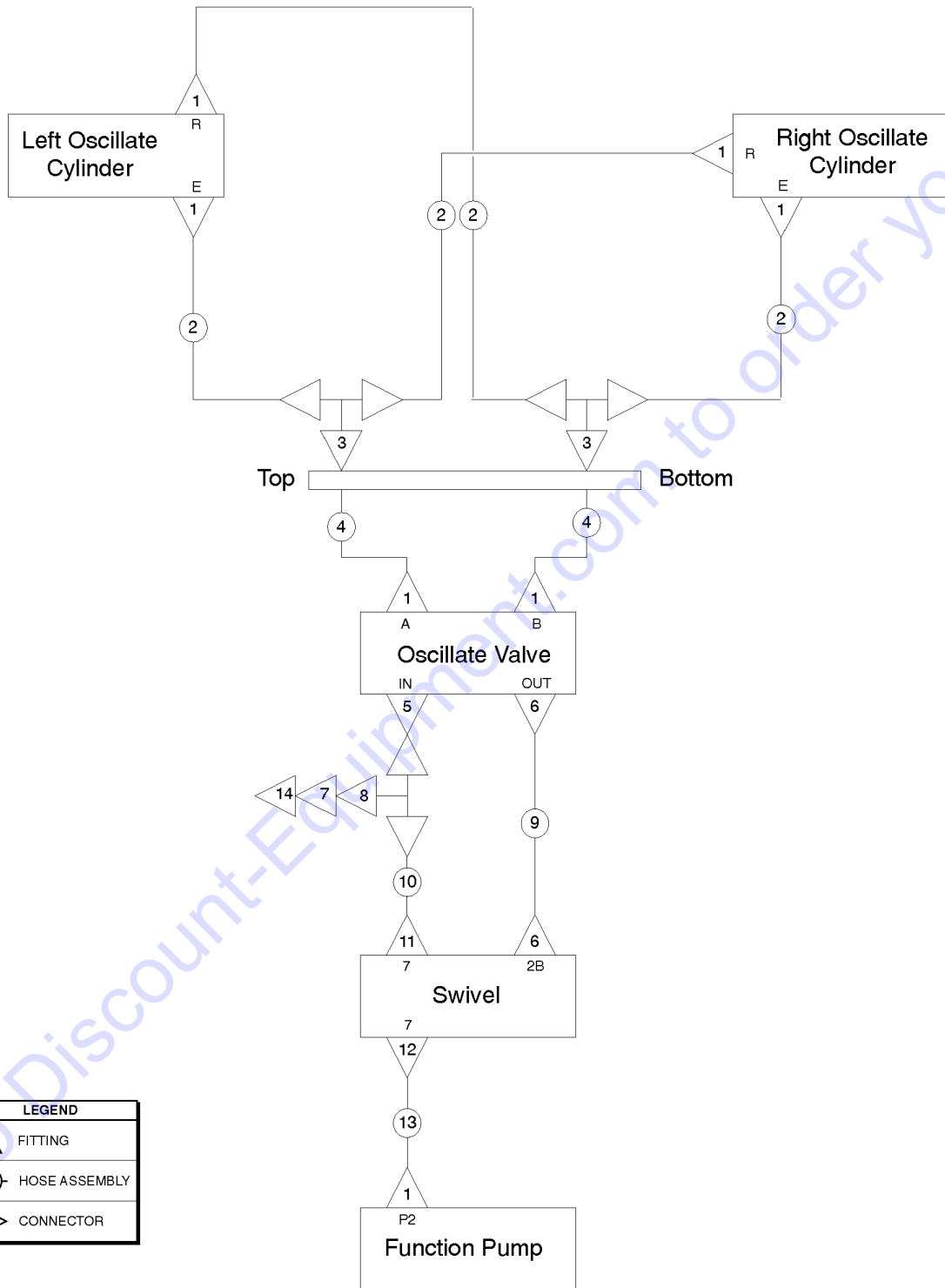
804.1 2WD Traction Manifold





Item	Part No.	Description	Qty.
--		<i>The hose lengths below reflect the length of the hose only. Refer to the 'Fittings Cross Reference' to match Genie part numbers to Parker part numbers.</i>	
1	48915GT	ELBOW,90D,520220-6.....	2
2	48918GT	TEE,RUN,520428-6.....	2
3	49130-2482GT	HOSE ASSY 3/8, STR FEM,STR FEM.... <i>Components: Genie part numbers 48812, 48812 and 48753 @ 23 inches</i>	2
4A	49130-4782GT	HOSE ASSY,3/8,STR FEM,STR FEM.... <i>Components: Genie part numbers 48812, 48812 and 48753 @ 46 inches</i>	2
4B	101795-4782GT	HOSE ASSY,3/8,STR FEM,STR FEM <i>Components: Genie part numbers 48812, 48812 and 101698 @ 46 inches (arctic option)</i>	
5	49859GT	PLUG,HEX,090109A-4.....	4
6	48916GT	CONN, 520120-6.....	2
7	48883GT	PLUG,HEX,090109A-8***.....	1
8	48960GT	FITTING,CONN,520120-12***.....	14
9	94374-2330GT	HOSE ASSY,3/4,90 FEM,STR FEM..... <i>Components: Genie part numbers 48841, 48846 and 94358 @ 20 inches</i>	1
10	94374-2530GT	HOSE ASSY,3/4,90 FEM,STR FEM..... <i>Components: Genie part numbers 48841, 48846 and 94358 @ 22 inches</i>	1
11	94466-2336GT	HOSE ASSY,3/4".....	1
12	49119-7578GT	HOSE ASSY,1/4 STR FEM,STR FEM..... <i>Components: Genie part numbers 48800, 48800 and 48751 @ 74 inches</i>	1
13	49119-7578GT	HOSE ASSY,1/4 STR FEM,STR FEM..... <i>Components: Genie part numbers 48800, 48800 and 48751 @ 74 inches</i>	1
14	48933GT	CONN,520120-8***.....	4
15	94374-4730GT	HOSE ASSY,3/4,90 FEM,STR FEM..... <i>Components: Genie part numbers 48841, 48846 and 94358 @ 44 inches</i>	4
16	94464-4986GT	HOSE ASSY,1/2****..... <i>Components: Genie part numbers 48808, 77703 and 39888 @ 48 inches</i>	4
17	48908GT	FITTING,TEE,RUN,SWIVEL520432-4.....	2
18	48905GT	CONN,520120-4***.....	2
19	48911GT	ELBOW,90D,520220-4-6***.....	1

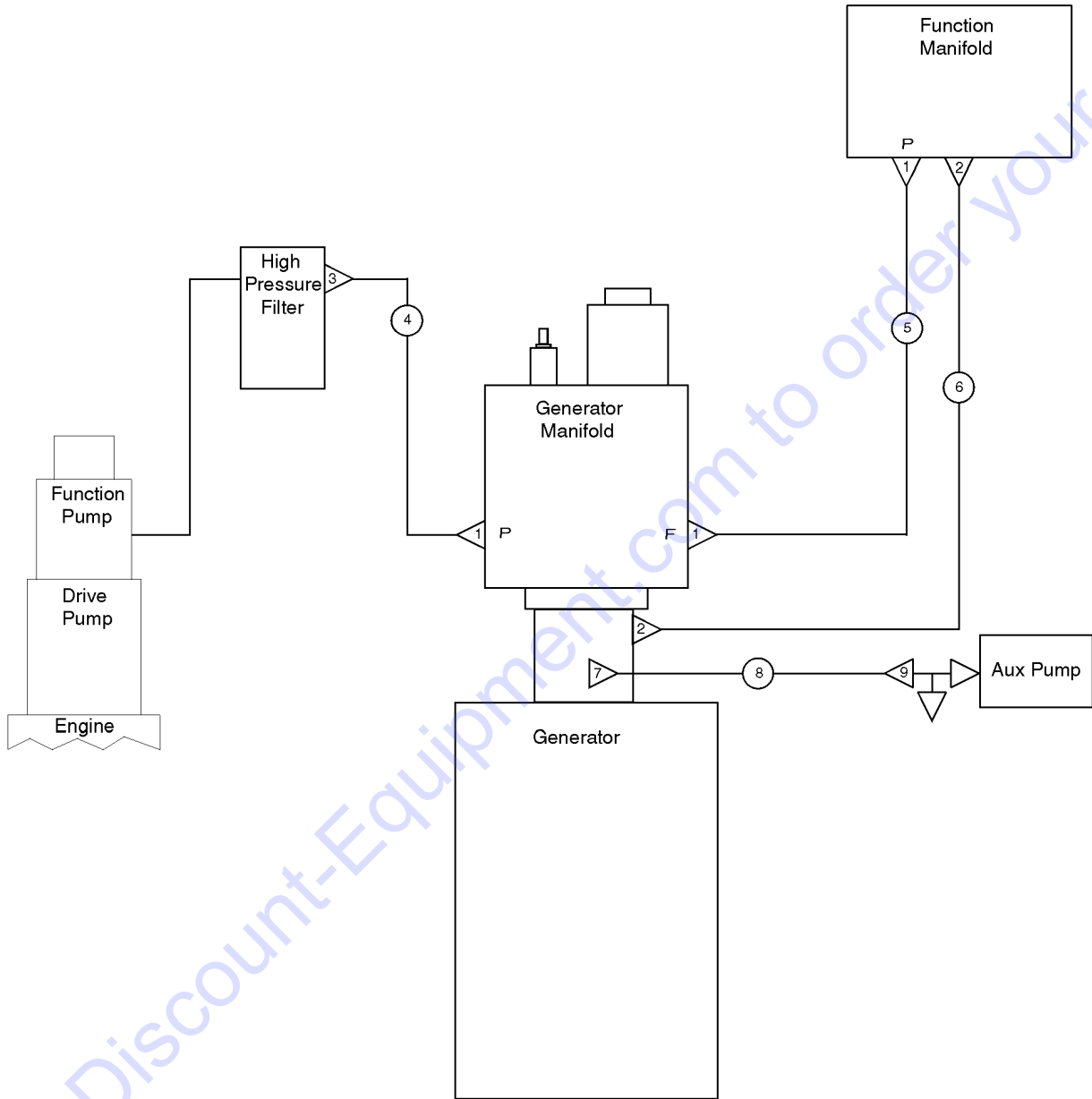
805.1 Oscillate Option



LEGEND	
	FITTING
	HOSE ASSEMBLY
	CONNECTOR

Item	Part No.	Description	Qty.
--		<i>The hose lengths below reflect the length of the hose only. Refer to the 'Fittings Cross Reference' to match Genie part numbers to Parker part numbers.</i>	
1	48912GT	CONN,520120-4-6***.....	7
2	49117-3291GT	HOSE ASSY,1/4,90 FEM,STR FEM**..... <i>Components: Genie part numbers 48800, 48802 and 48751 @ 31 inches</i>	4
3	48891GT	FITTING,TEE,BRANCH,520433-4.....	2
4	88636-8573GT	HOSE ASSY 1/4,STR FEM,STR BULK... <i>Components: Genie part numbers 48800, 75628 and 48751 @ 83 inches</i>	2
5	48914GT	CONN,520120-4-8.....	1
6	48933GT	CONN,520120-8***.....	2
7	49207GT	NIPPLE,DIAGNOSTIC,ORFS,FM,SWIV..	1
8	48908GT	FITTING,TEE,RUN,SWIVEL520432-4.....	1
9	94464-4186GT	HOSE ASSY,1/2"..... <i>Components: Genie part numbers 48808, 77703 and 39888 @ 40 inches</i>	1
10	49117-4691GT	HOSE ASSY,1/4,90 FEM,STR FEM..... <i>Components: Genie part numbers 48800, 48802 and 48751 @ 45 inches</i>	1
11A	48905GT	CONN,520120-4***.....	1
11B	49859GT	PLUG,HEX,090109A-4..... <i>models without oscillate</i>	1
12	48904GT	ELBOW,90D,520220-4-4.....	1
13	49117-5191GT	HOSE ASSY,1/4,90 FEM,STR FEM**..... <i>Components: Genie part numbers 48800, 48802 and 48751 @ 50 inches</i>	1
14	48880GT	CAP,DIAGNOSTIC NIPPLE.....	1




806.1 Hydraulic Generator Option

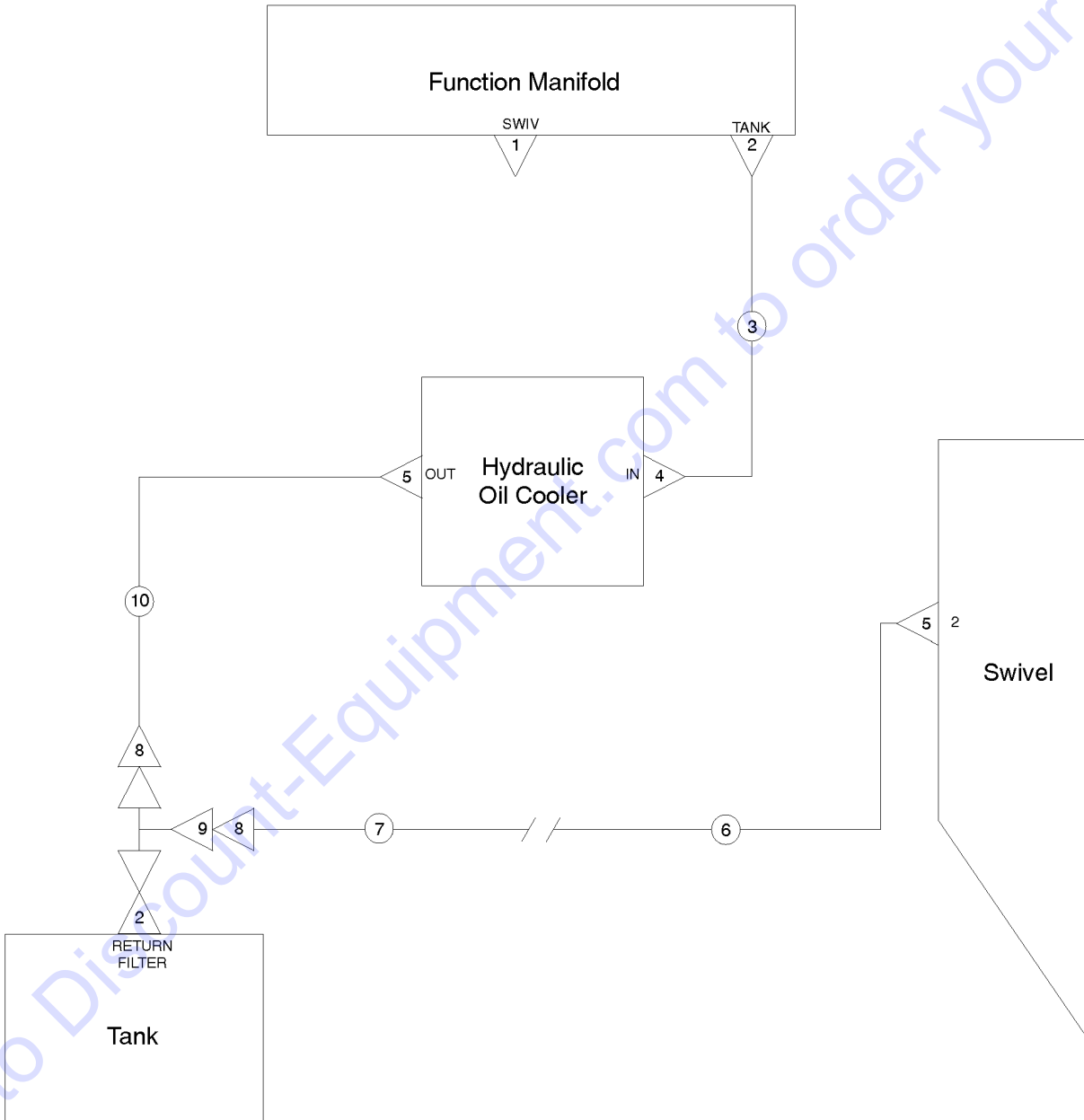


LEGEND	
	ADAPTER
	HOSE ASSEMBLY
	UNION

Item	Part No.	Description	Qty.
1	48960GT	FITTING,CONN,520120-12*** <i>(includes 45° and reducer)</i>	3
2	48933GT	CONN,520120-8***	2
3	48963GT	FITTING,ELBOW,45D,520320-12***	1
4	1259906GT	HOSE ASSY, 3/4", 34.05" <i>(components: 48841, 48846, and 48762 @ 30 inches)</i>	1
5	61073-7330GT	HOSE ASSY,3/4,90 FEM,STR FEM <i>(components: 48841, 48846, and 48762 @ 70 inches)</i>	1
6	49183-7592GT	HOSE ASSEMBLY,1/2,STR FEM <i>(components: 48822, 48822, and 48756 @ 74 inches)</i>	1
7	49861GT	CONN,LONG,520122-4	1
8	49117-6119GT	HOSE ASSY,1/4,90 FEM,STR FEM** <i>(components: 48800, 48802, and 48751 @ 60 inches)</i>	1
9	48908GT	FITTING,TEE,RUN,SWIVEL520432-4	1

807.1 Hydraulic Oil Cooler Option

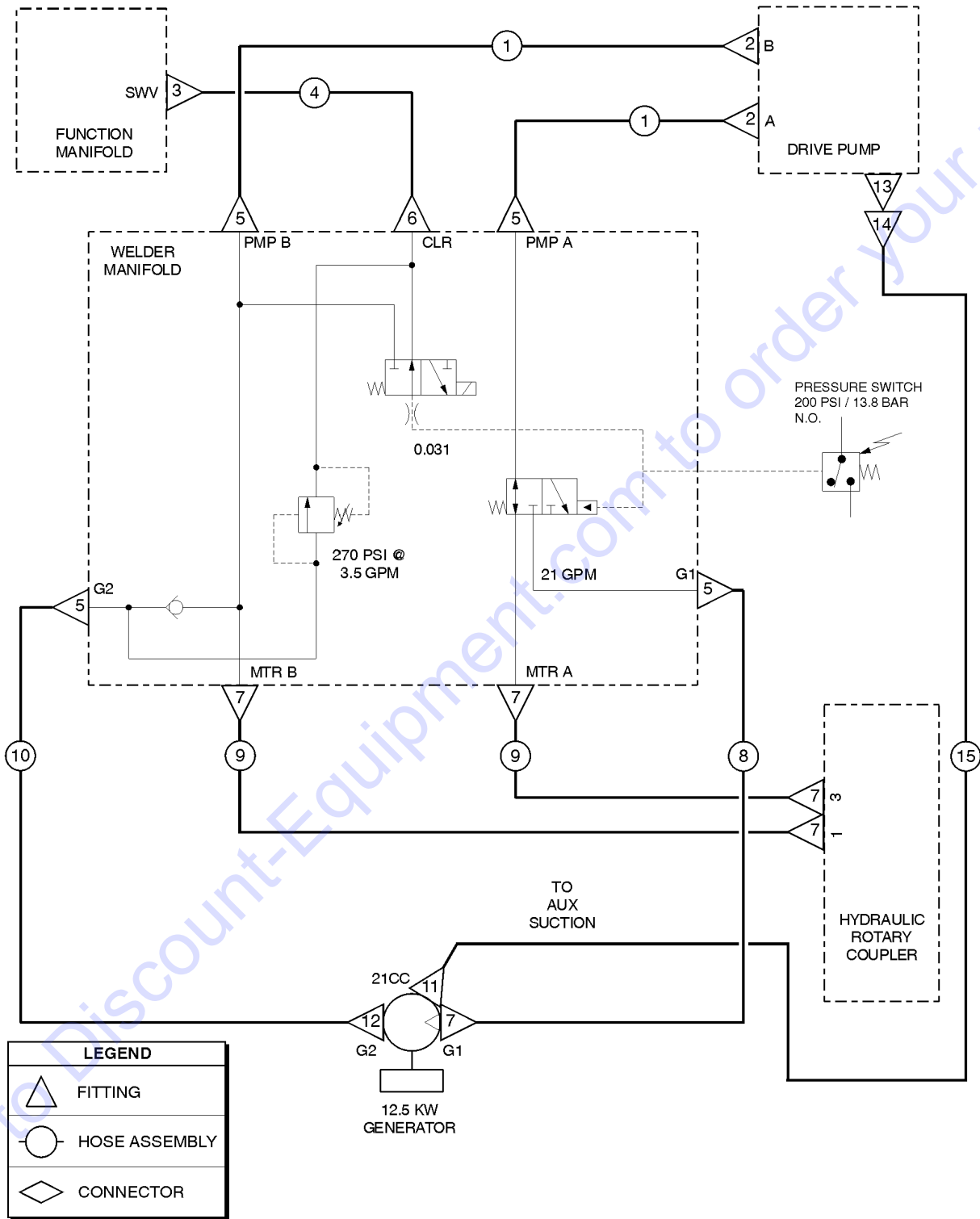
LEGEND	
	FITTING
	HOSE ASSEMBLY
	CONNECTOR



Item	Part No.	Description	Qty.
1	87172GT	PLUG,HEX SOCKET,090109B-12.....1	1
2	48984GT	CONN,520120-16.....2	2
3	88949-3828GT	HOSE ASSY 1",STR FEM,STR FEM.....1 (components: 88941, 88938, 88938, and 88940 @ 36 inches)	1
4	48878GT	ELBOW,90D,520220-16-12.....1	1
5	48960GT	FITTING,CONN,520120-12***.....2	2
6	49151-6248GT	HOSE ASSY,3/4,STR FEM,STR FEM.....1 (components: 48841, 48841, and 48761 @ 60 inches)	1
7	94205-3164GT	HOSE ASSY,3/4,45 FEM,STR MALE.....1 (components: 48842, 48845, and 48761 @ 28 inches)	1
8	101293GT	REDUCER,520123-16-12.....2	2
9	42787GT	TEE,RUN,SWIVEL,520432-16.....1	1
10	1259905GT	HOSE ASSY, 3/4", 28.55".....1 (components: 48841, 48846, and 48761 @ 24 inches)	1

Go to Discount-Equipment.com to order your parts

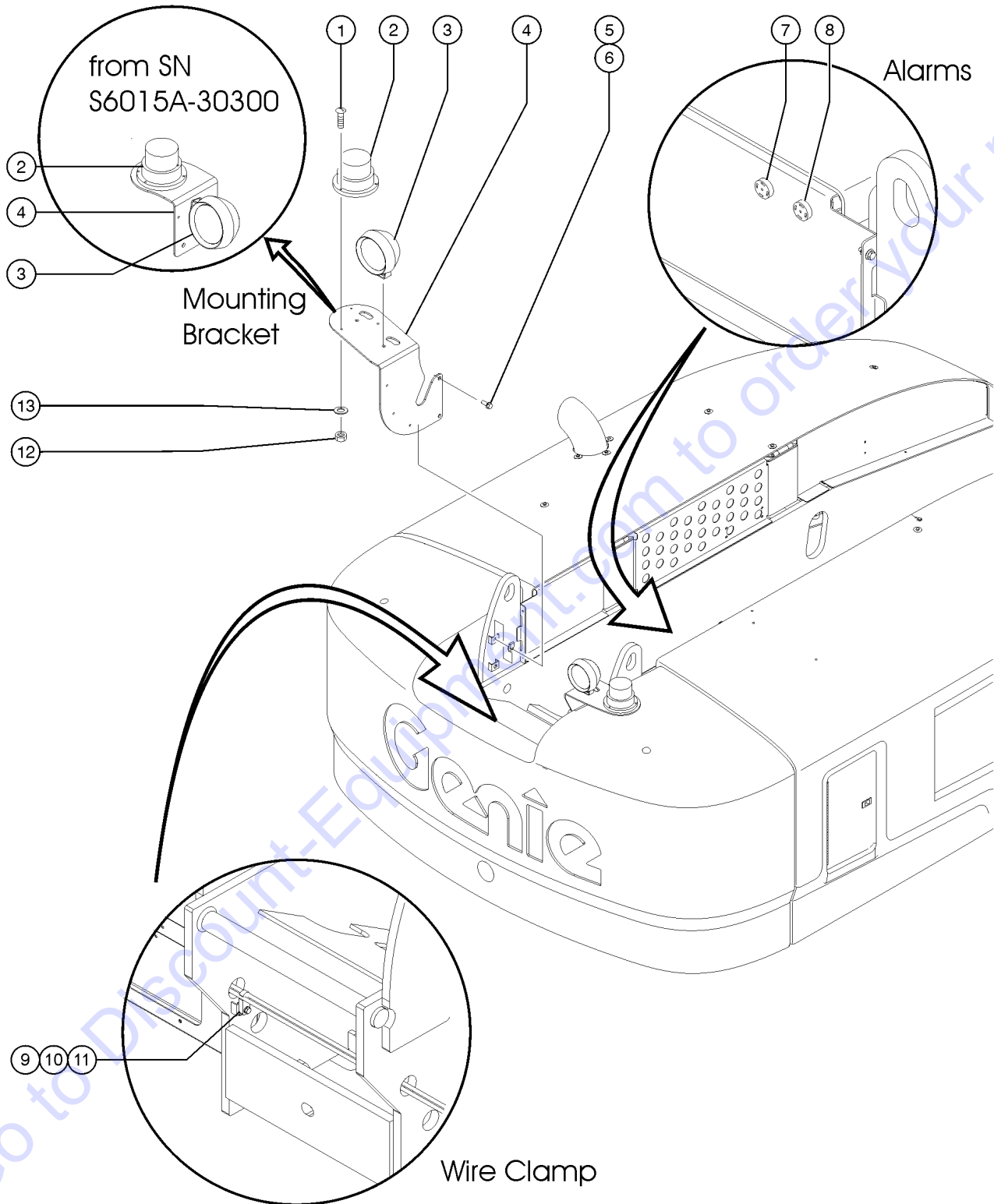
808.1 Welder Option





Item	Part No.	Description	Qty.
1	162164GT	HOSE ASSY,3/4,STR FEM,STR FEM.....2 (components: 48841, 48841, and 94358 @ 38 inches)	
2	48978GT	ELBOW,45D,520320-12-16.....1	
3	48948GT	CONN,520120-8-12.....1	
4	1251842GT	HOSE ASSY,1/2,STR FEM,STR FEM.....1 (components: 48822, 48822, and 48756 @ 83 inches)	
5	48963GT	FITTING,ELBOW,45D,520320-12***.....4	
6	48933GT	CONN,520120-8***.....1	
7	48960GT	FITTING,CONN,520120-12***.....5	
8	162162GT	HOSE ASSY,3/4,45 FEM,STR FEM.....1 (components: 48841, 48845, and 48762 @ 21 inches)	
9	94374-6030GT	HOSE ASSY,3/4,90 FEM,STR FEM.....2 (components: 48841, 48846, and 94358 @ 57 inches)	
10	162163GT	HOSE ASSY,3/4,45 FEM,STR FEM.....1 (components: 48841, 48845, and 48762 @ 22 inches)	
11	48932GT	FITTING,ELBOW,90D,520220-8***.....1	
12	61610GT	CONN,LONG,520122-12***.....1	
13A	48961GT	TEE,RUN,520428-12.....1 to SN S6015A-30299	
13B	67371GT	TEE,BRANCH,520433-12.....1 from SN S6015A-30300	
14	51580GT	FITTING,REDUCER,520123-12-8***.....1	
15	218751GT	HOSE ASSY,1/2,90 FEM,STR FEM.....1 (components: 48822, 48827, and 48756 @ 60 inches)	

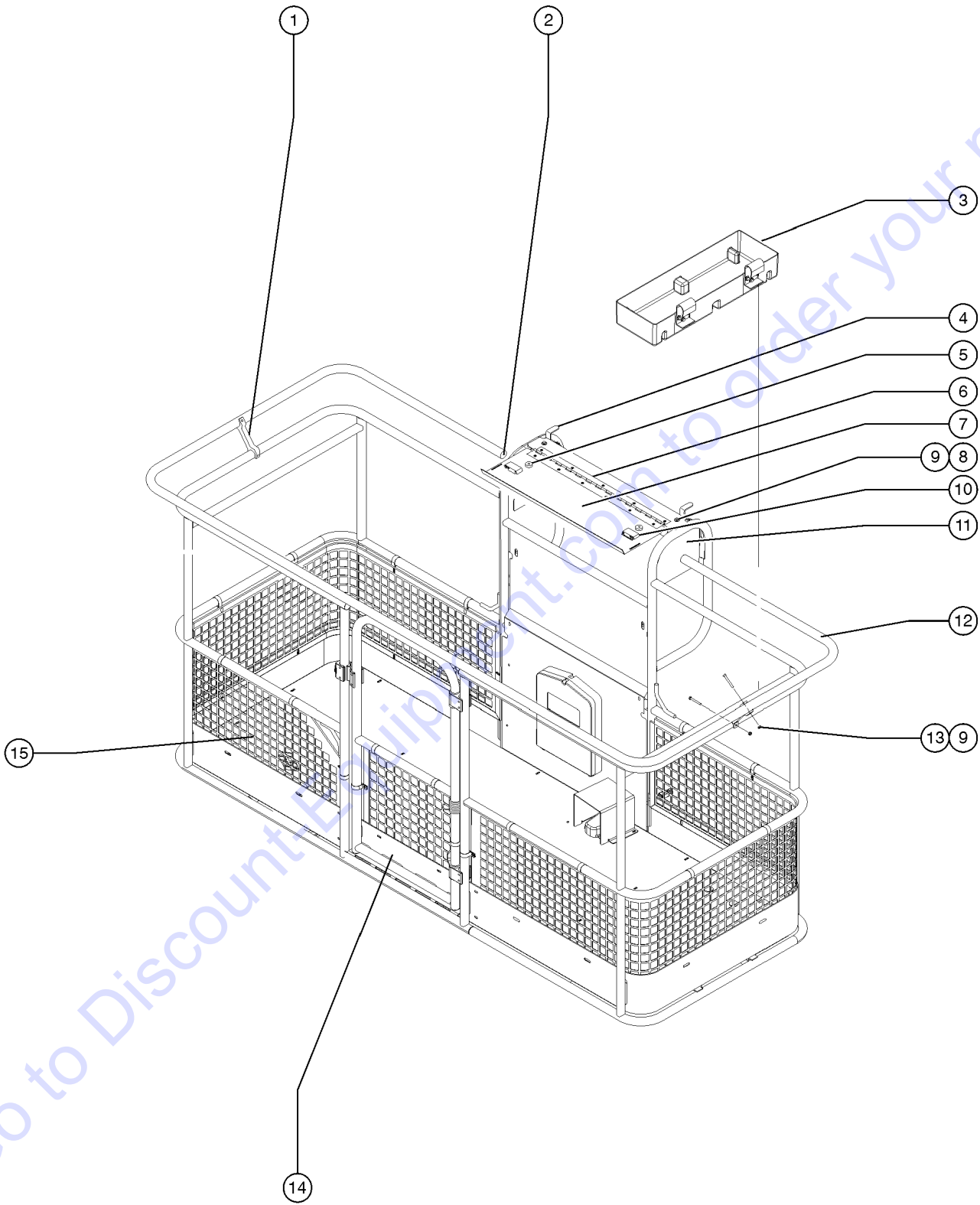
901.1 Drive Lights, Alarm and Beacon Packages



## 901.1 Drive Lights, Alarm and Beacon Packages

Item	Part No.	Description	Qty.
--	T109268GT	ACC, BEACON, TRVL ALARM,SERV	
1	6147GT	SCREW,RHM,10-32 X 1	
2	56704GT	STROBE,FIREBOLT,12-80VDC,AMB**...2 <i>Replaced 20189</i>	
--	122019GT	FLASHTUBE,U SHAPED,360DEG,BULB	
--	128005GT	HARNESS,BEACON OPTION	
--	226393GT	FLASHTUBE,STRAIGHT,360DEG,BULB	
--	72282GT	LENS,AMBER,STROBE,FIREBOLT	
3	107857GT	LIGHT, 12 VOLT.....2	
--	119065GT	CONN,RECEP 2 WAY ENDCAP DT	
--	35960GT	BULB,WORKLIGHT,12V 35W	
--	56051GT	WIRE CABLE,16/2,WHT/BLK,SJEOW	
--	60439GT	LOCK,RECEP 2 WAY, 14-18GA	
--	73713GT	TERM,NI PIN,S&F,16-18GA,REEL	
4A	1253793GT	FORMING,RH MOUNT,DRIVE LIGHT....1 <i>to SN S6015A-30299</i>	
4B	1283794GT	FORMING,LH MOUNT,DRIVE LIGHT.....1 <i>to SN S6015A-30299</i>	
4C	1253796GT	FORMING,LIGHT/BEACON BRKT,RH....1 <i>from SN S6015A-30300</i>	
4D	1253795GT	FORMING,LIGHT/BEACON BRKT,LH.....1 <i>from SN S6015A-30300</i>	
5	121066GT	SCREW,HHC,FLG,3/8-16 X 1 GR8	
6	29868GT	SPRING CLIP,3/8-16,.05-.20X.73,ZAG....4	
7		REF: Descent Alarm <i>(refer to 301.1)</i>	
8	18963GT	ALARM,INTERMITTENT TONE 6-30V*...1 <i>Does not include 72326 nut</i>	
--	72326GT	NUT - PLASTIC,RING FOR ALARMS.....1	
9	822692GT	CLAMP, WIRE, 16/2.....2 <i>(one of 2 shown)</i>	
10	6175GT	SCREW,HHC,3/8-16 X 1	
11	6021GT	WASHER,LOCK,.375	
12	6178GT	NUT,NYLOCK,10-32	
13	6146GT	WASHER,FLAT,MS,#10,Y	

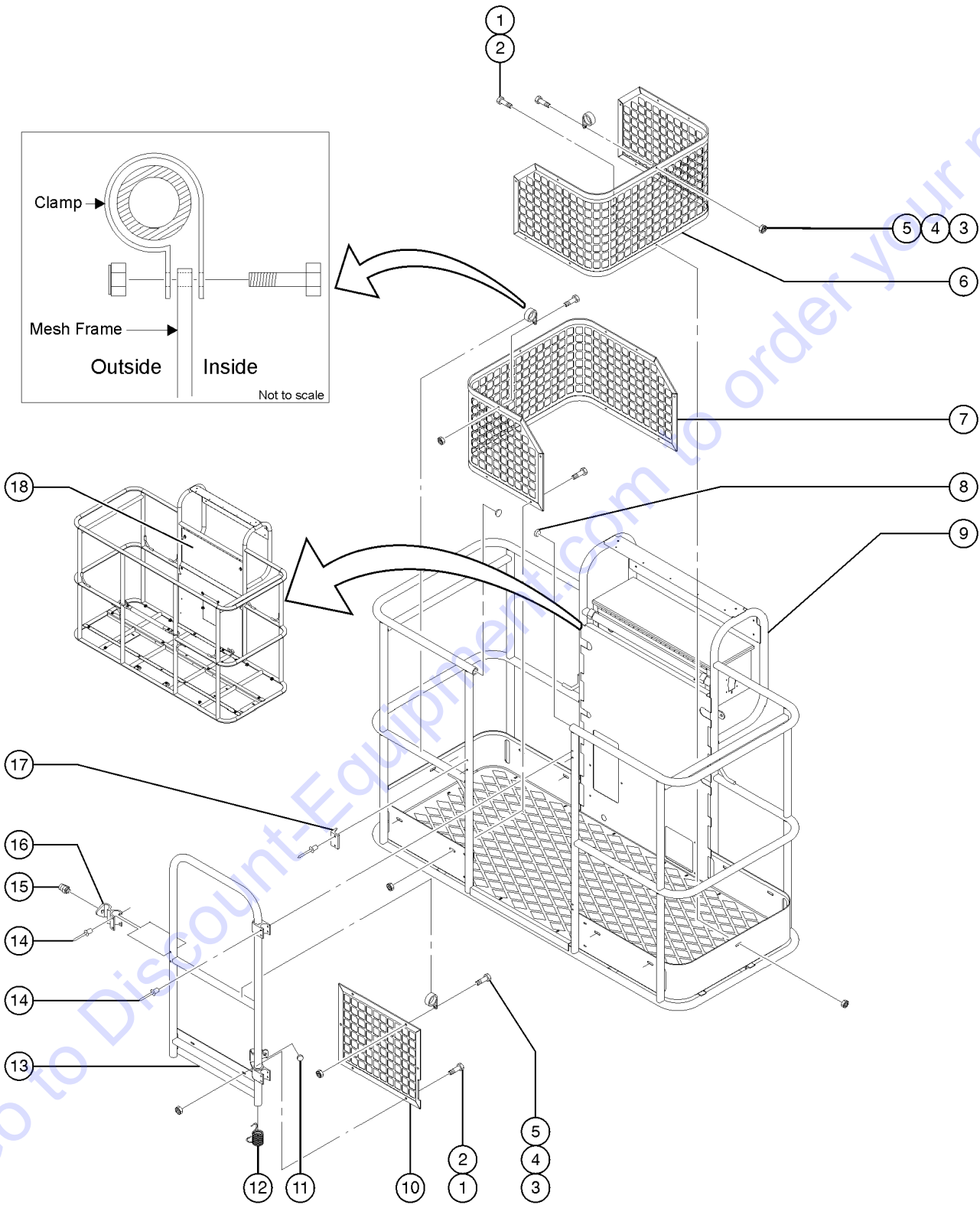
902.1 Control Box Cover, Pinch Guard and Tool Tray



## 902.1 Control Box Cover, Pinch Guard and Tool Tray

Item	Part No.	Description	Qty.
A	T109328GT	ACC,PLAT CONTROL COVER, SERV <i>includes items 7-12 and 23-25</i>	
B	53808-SGT	AUX TOP RAIL,6'(1.25")SERVICE	
C	53807-SGT	AUX TOP RAIL,8'(1.25")SERVICE	
D	122278GT	AUX TOP RAIL,6',SWG GT, SRV	
E	122279GT	AUX TOP RAIL,8',SWG GT, SRV	
1	139958GT	KIT, AUX TOP RAIL SUPPORT.....10 <i>includes 2 supports and hardware</i>	
--	122073GT	SUPPORT, RAILING.....20	
2	55753GT	BUMPER, PLASTIC, 1.25 O.D.....2	
3	9599-SGT	TOOL TRAY ACCESSORY***.....1	
--	7746GT	BRACKET-TOOL TRAY MOUNTING.....1	
4	102786PGT	FORMING,LATCH,CTRL BOX LID PTD	
5	43392GT	BUMPER,BATTERY BOX & RAILS.....2	
6	111526GT	HINGE,PLAT CONTROL BOX COVER...1	
--	54486GT	RIVET,ALUM,ALUM,3/16BUTTONHEAD <i>not included - sold seperately</i>	
7	102785PGT	CONTROL BOX COVER,LID,PTD.....1	
8	824078GT	SCREW,HHF,1/4-20X.75,8,ZAG	
9	824027GT	NUT,TL FLG,1/4-20,G,ZAG	
10	30468GT	LATCH,SLIDE, FLUSH MOUNT STYLE	
11A	88606PGT	COVER,CONTROL BOX RIGHT SIDE**.....1	
11B	88607PGT	COVER,CONTROL BOX LEFT SIDE***.....1	
12A	1259704GT	PINCH GUARD RAIL,6' PLATFORM.....1 <i>includes 55753 bumpers</i>	
--	55753GT	BUMPER, PLASTIC, 1.25 O.D. <i>not included - sold seperately</i>	
12B	52661GT	PINCH GUARD RAIL,8' PLATFORM**....1	
--	55753GT	BUMPER, PLASTIC, 1.25 O.D.	
12C	111485PGT	AUX TOP RAIL,6FT,PTD.....1 <i>for models with swing gate</i>	
12D	111486PGT	AUX TOP RAIL,8FT,PTD.....1 <i>for models with swing gate</i>	
13	1259715GT	SCREW,BHTC,1/4-20X1,ZAG	
14		Ref: Swing Gate <i>refer to 903.1</i>	
15		Ref: Half Mesh <i>refer to 903.1</i>	

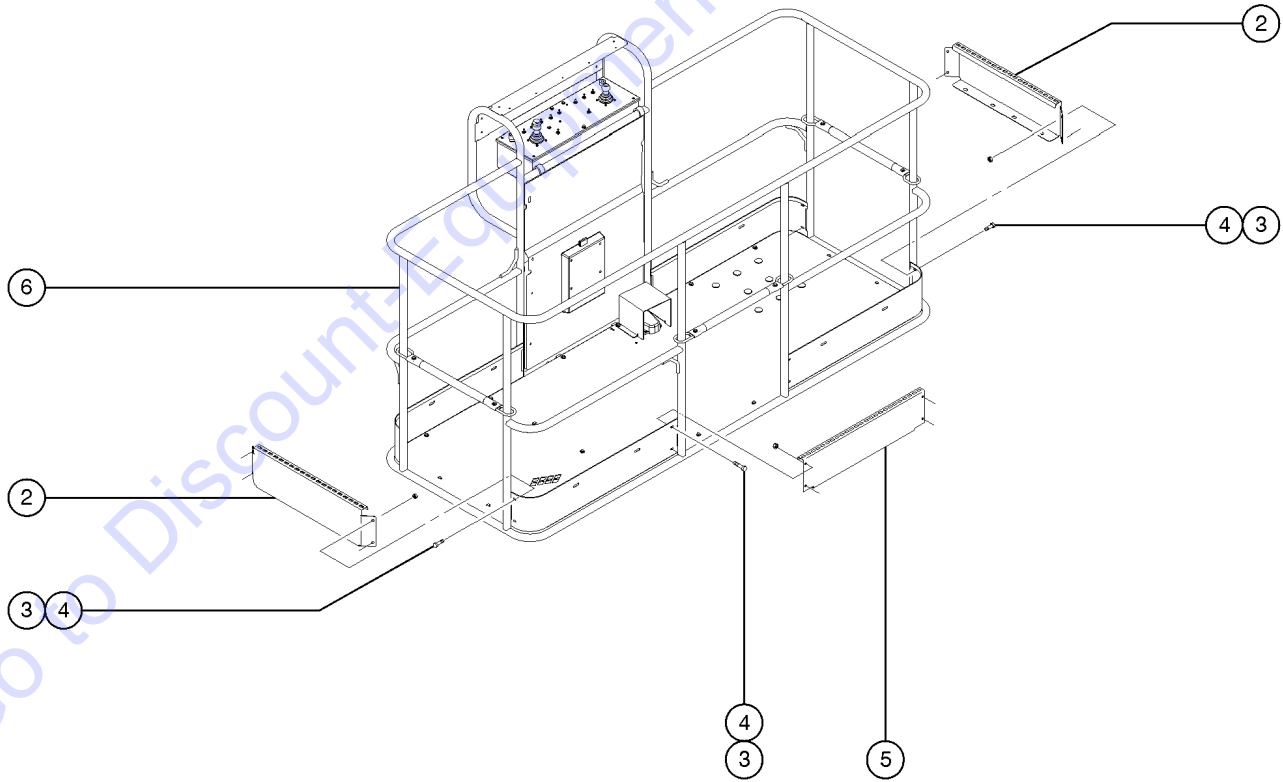
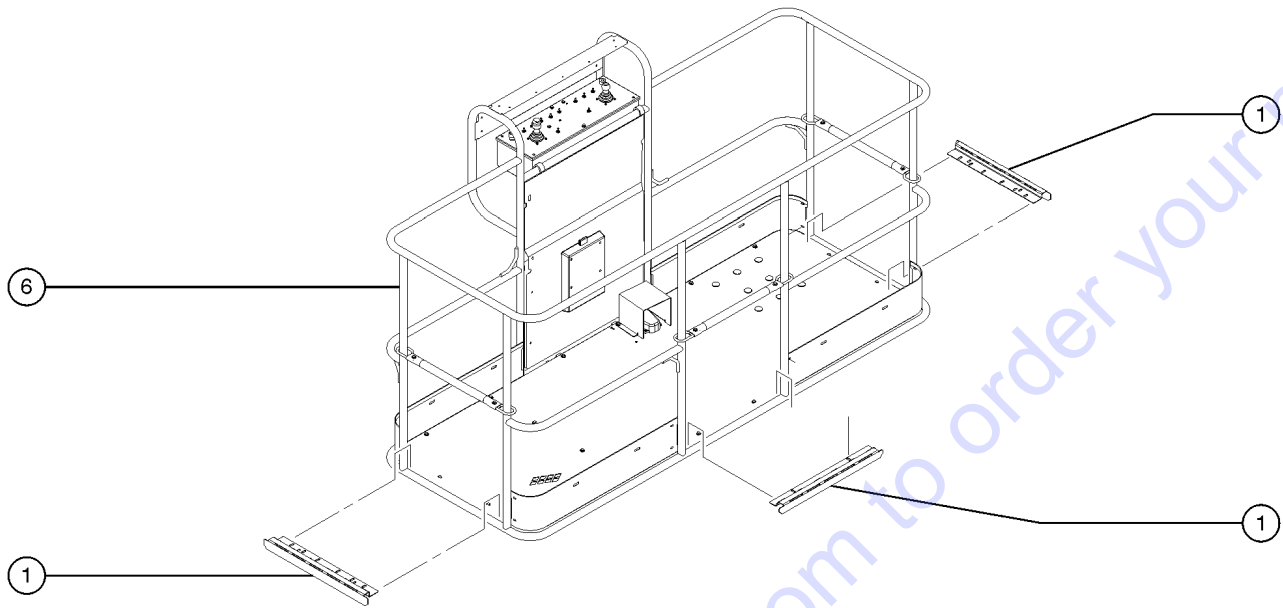
903.1 Half Mesh and Swing Gate



## 903.1 Half Mesh and Swing Gate

Item	Part No.	Description	Qty.
A	119950GT	KIT,FIELD INSTALL,SWING GATE <i>includes items 10-16</i>	
B	77108GT	FIELD KIT,6'1/2MESH PLAT W/GAT <i>Includes swing gate</i>	
1	824085GT	SCREW,HHF,5/16-18X.75,8,ZAG	
2	824028GT	NUT,TL FLG,5/16-18,G,ZAG	
3	824027GT	NUT,TL FLG,1/4-20,G,ZAG.....16	
4	56424GT	CLAMP,1.25X.5 RUBBER-CUSHION....16	
5	824078GT	SCREW,HHF,1/4-20X.75,8,ZAG	
6A	101852GT	MESH,HALF,LH 5' PLATFORM.....1 <i>5ft</i>	
6B	54458GT	MESH,HALF,LH,6'PLATFORM.....1 <i>6ft</i>	
6C	73501GT	HALF MESH,8'PLATFORM,LH.....1 <i>8ft</i>	
7A	101853GT	MESH,HALF,RH 5' PLATFORM.....1 <i>5ft</i>	
7B	54465GT	MESH,HALF,RH,6'PLATFORM.....1 <i>6ft</i>	
7C	73500GT	HALF MESH,8'PLATFORM,RH***.....1 <i>8ft</i>	
8	55753GT	BUMPER, PLASTIC, 1.25 O.D.....2	
9		REF: Platform Weldment.....1 <i>(refer to 701.1)</i>	
10	54457GT	MESH,HALF,SWING GATE***.....1	
11	43392GT	BUMPER,BATTERY BOX & RAILS.....1	
12	42104GT	SPRING,SHORT PLATFORM GATE.....1	
13	128374GT	WELDMENT,SWING GATE,ALUMINUM.....1	
14	824207GT	RIVET, STL, STL, DOME, 1/4 X .375, ZAG	
15	33674GT	PIN,LOCK,SHORT***.....1	
16	1487GT	GATE LATCH CASTING--DRILLED.....1	
17	1488GT	RAILING CATCH CASTING--DRILLED...1	
18	73901GT	DECAL PLATE,MESH.....1 <i>decals not included</i>	

904.1 Tri-Entry Platform and Platform Toeboard

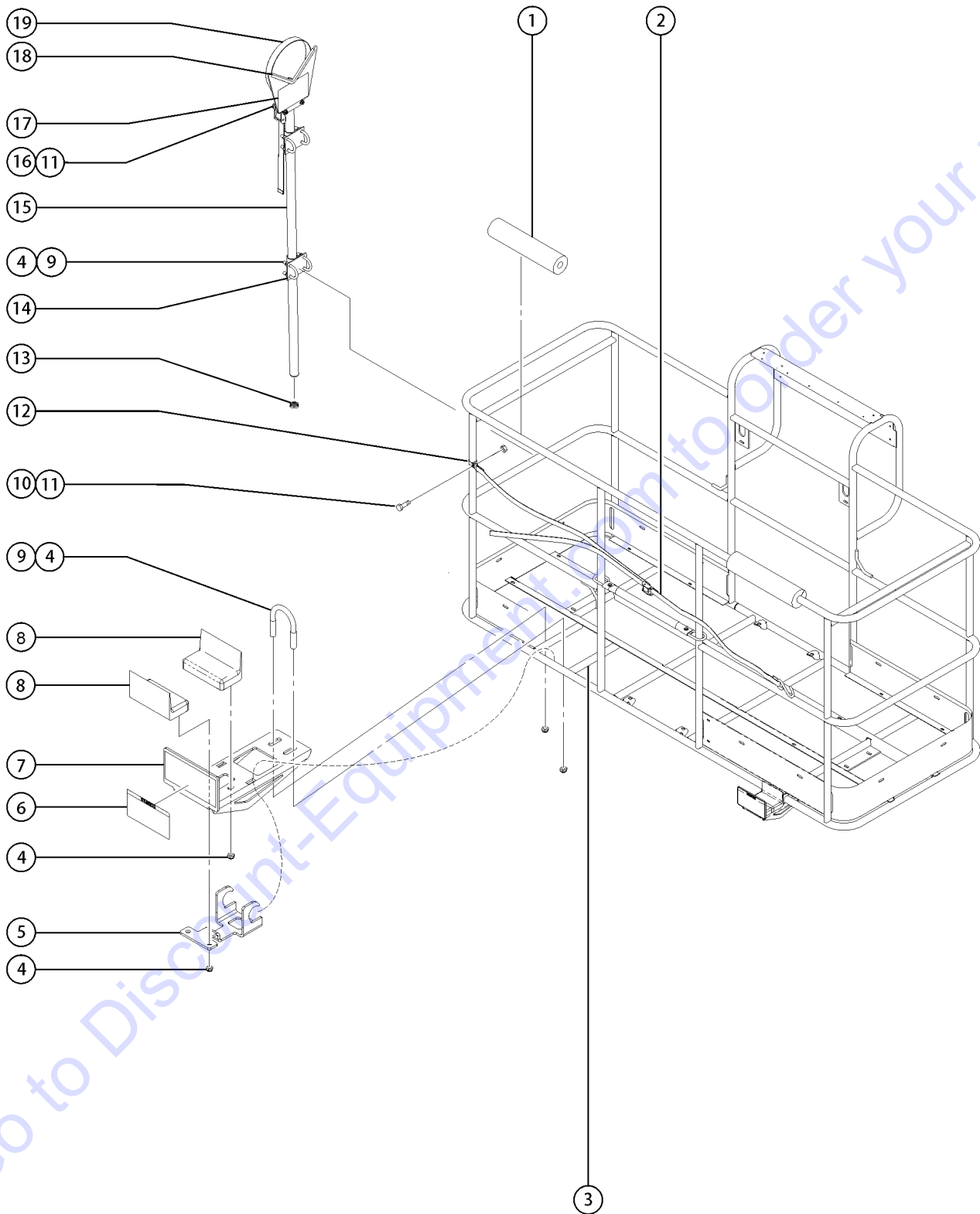




## 904.1 Tri-Entry Platform and Platform Toeboard

Item	Part No.	Description	Qty.
1	73610PGT	STEP PLATFORM ENTRY PAINTED*** .....	3
2A	139438GT	TOEBOARD, TRI ENTRY 6', EURO.....	2
2B	102721PGT	TOEBOARD,8'TRI ENTRY	
3	824079GT	SCREW,HHF,1/4-20X1,8,ZAG	
4	824027GT	NUT,TL FLG,1/4-20,G,ZAG	
5	94745PGT	TOEBOARD,ENTRY EUROPEAN PNTD** .....	1
6A	215747GT	PLAT ASSY,TRI ENT,S60/65,6'..... <i>decals not included, refer to section 100</i>	1
--	101973GT	WELDMENT,6 FT TRI ENTRY PLAT <i>decals not included, refer to section 100</i>	
6B	215748GT	PLAT ASSY,TRI ENT,8' <i>decals not included, refer to section 100</i>	
--	94869GT	WELDMENT,8FT TRI ENTRY PLAT <i>decals not included, refer to section 100</i>	

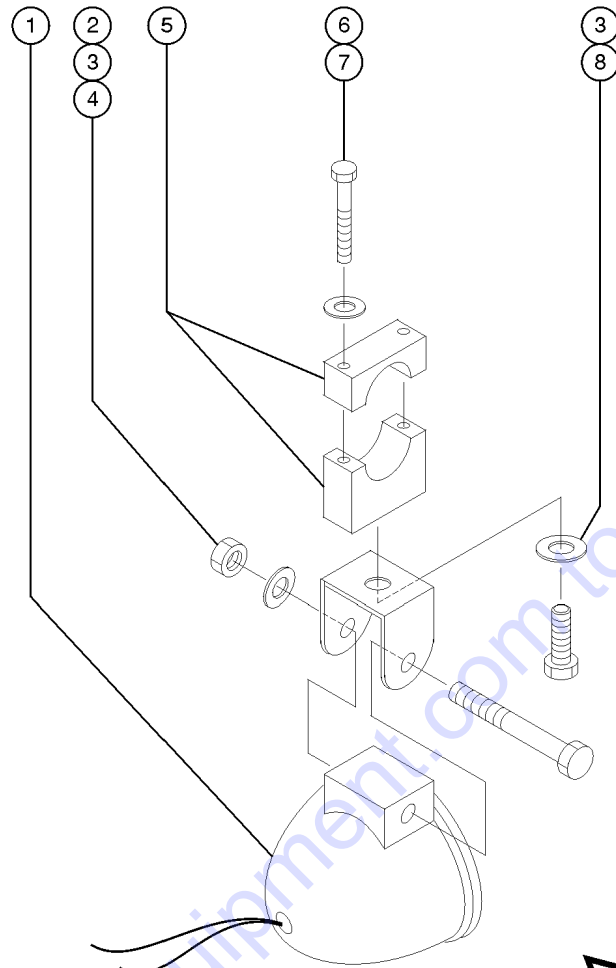
905.1 Panel Cradle and Pipe Cradle



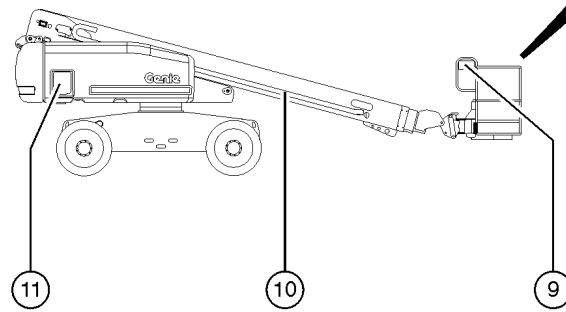
## 905.1 Panel Cradle and Pipe Cradle

Item	Part No.	Description	Qty.
A	77683GT	ACCESSORY,PANEL CRADLE,ANSI	
--	82443GT	INSTRUCTIONS,PANEL CRADLE	
B	85300GT	PIPE CRADLE ASSY. SERV (ONE)** .....2 <i>(ANSI &amp; CE only) (This is a single assembly. Qty 2 of 85300GT required to complete a set)</i>	
--	65630GT	INSTRUCTIONS-PIPE CRADLE,BOOMS	
--			
1	88377-1400GT	FOAM PAD, 3" OD X 1.25" ID X 14 IN.....2	
2	77664GT	ADJUSTABLE STRAP ASSY.....1	
3	73463-1175GT	TUBE, RD, ALUM, 1.25 X .083 X 11.75...2	
4	1274322GT	NUT,NYLOCK FLG,3/8-16,F,ZAG	
5A	233992GT	KIT,PANEL CRADLE BRACKET,WORD.....2 <i>(includes decal, for models with word decals)</i>	
5B	233993GT	KIT,PANEL CRADLE BRACKET,SYMBL.....2 <i>(includes decal, for models with symbol decals)</i>	
5C	228849GT	FORMING,SECONDARY SUPPORT.....2 <i>(order seperately)</i>	
6	82410GT	DECAL,WARNING,PANEL CRADLE.....2	
7A	233992GT	KIT,PANEL CRADLE BRACKET,WORD.....2 <i>(includes decal, for models with word decals)</i>	
7B	233993GT	KIT,PANEL CRADLE BRACKET,SYMBL.....2 <i>(includes decal, for models with symbol decals)</i>	
7C	228848GT	FORMING PANEL CRADLE.....2 <i>(decal not included)</i>	
8	56934GT	PAD,REST,1"THICK,FLANGED.....4	
9	1251600GT	U-BOLT, FLATTENED, 1.5 X 3/8 UNC,ZAG.....10	
10	1256855GT	SCREW,HHF,1/4-20X.625,8,ZAG.....1	
11	1277924GT	NUT,NYLOCK FLG,1/4-20,F,ZAG	
12	56424GT	CLAMP,1.25X.5 RUBBER-CUSHION....1	
13	55753GT	BUMPER, PLASTIC, 1.25 O.D.....4	
14	81368GT	WELDMENT,PIPE CRADLE MOUNT....4	
15	56525GT	WELDMENT, PIPE CRADLE.....2	
16	824083GT	SCREW,HHF,1/4-20X2.5,8,ZAG.....4	
17	72875GT	DECAL,WARNING,PIPE CRADLE,BOOM.....2	
18	19018-1100GT	TRIMLOCK,BLACK,5/32".....2	
19	56570GT	STRAP, CONDUIT HOLDER 60**** .....2	

906.1 Platform Work Lights



PLATFORM  
WORK LIGHT

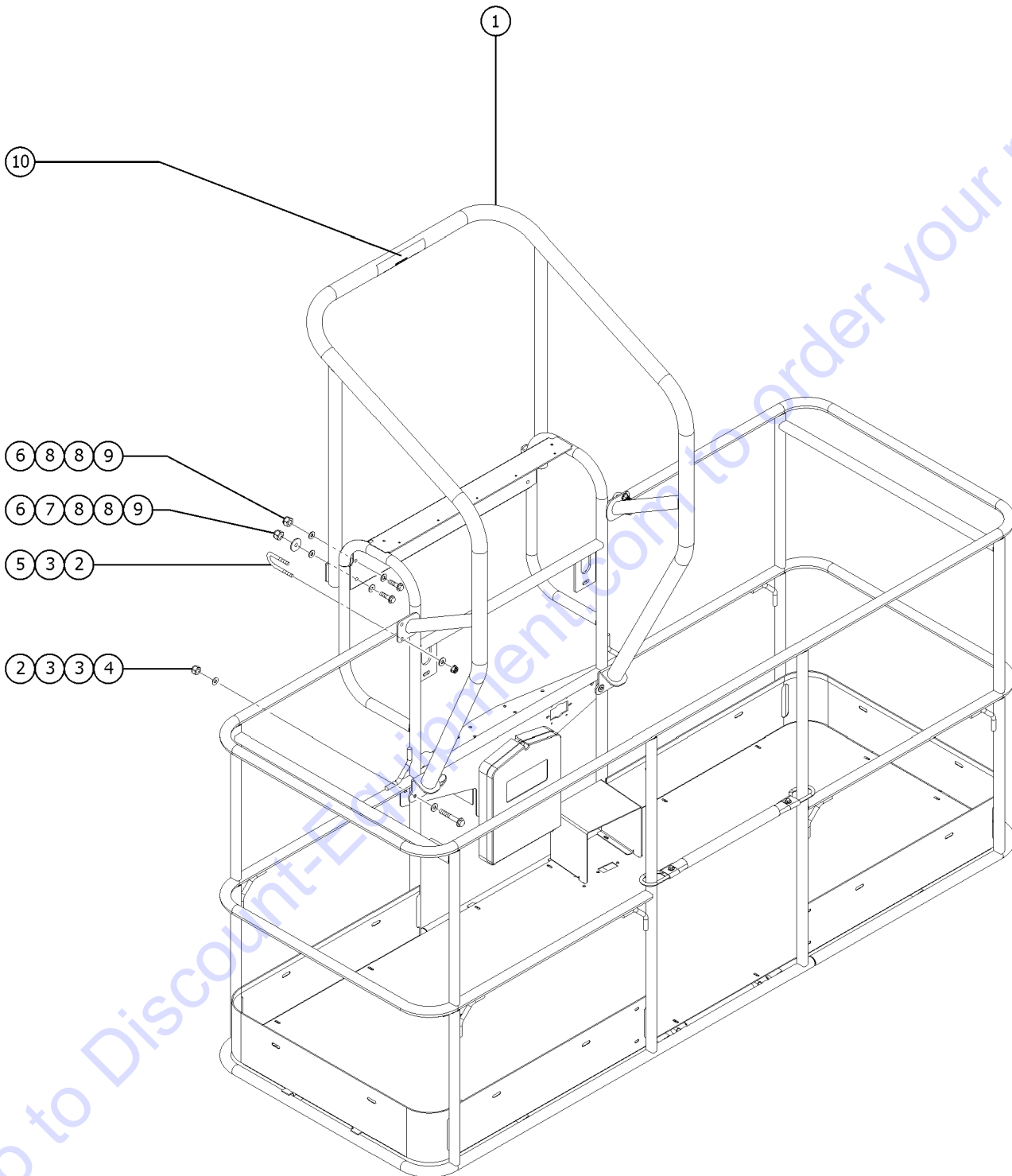


Go to Discount-Equipment.com to order your parts

## 906.1 Platform Work Lights

Item	Part No.	Description	Qty.
1	71498GT	WORKLIGHT, 12V, DEUTSCH RECEPT.....2 <i>includes mount (not available separately)</i>	
2	4828GT	NUT,NYLOCK,3/8-16	
3	5397GT	WASHER,FLAT,USS,5/16",Y	
4	8178GT	SCREW,HHC,3/8-16 X 2.5	
5	35956GT	BRACKET,WORK LIGHT MOUNT 5/16"	
6	6145GT	SCREW,HHC,1/4-20 X 1.5	
7	6356GT	WASHER,LOCK,.25	
8	10107GT	SCREW,HHC,5/16-18 X .75	
9		Ref: HARNESS,12V WORK LIGHTS <i>refer to 313.1</i>	
10		Ref: CABLE,S60 & S65 12VDC WORK LIGHT <i>refer to 313.1</i>	
11		Ref: HARN,12V WORK LIGHT RELAY <i>refer to 313.1</i>	

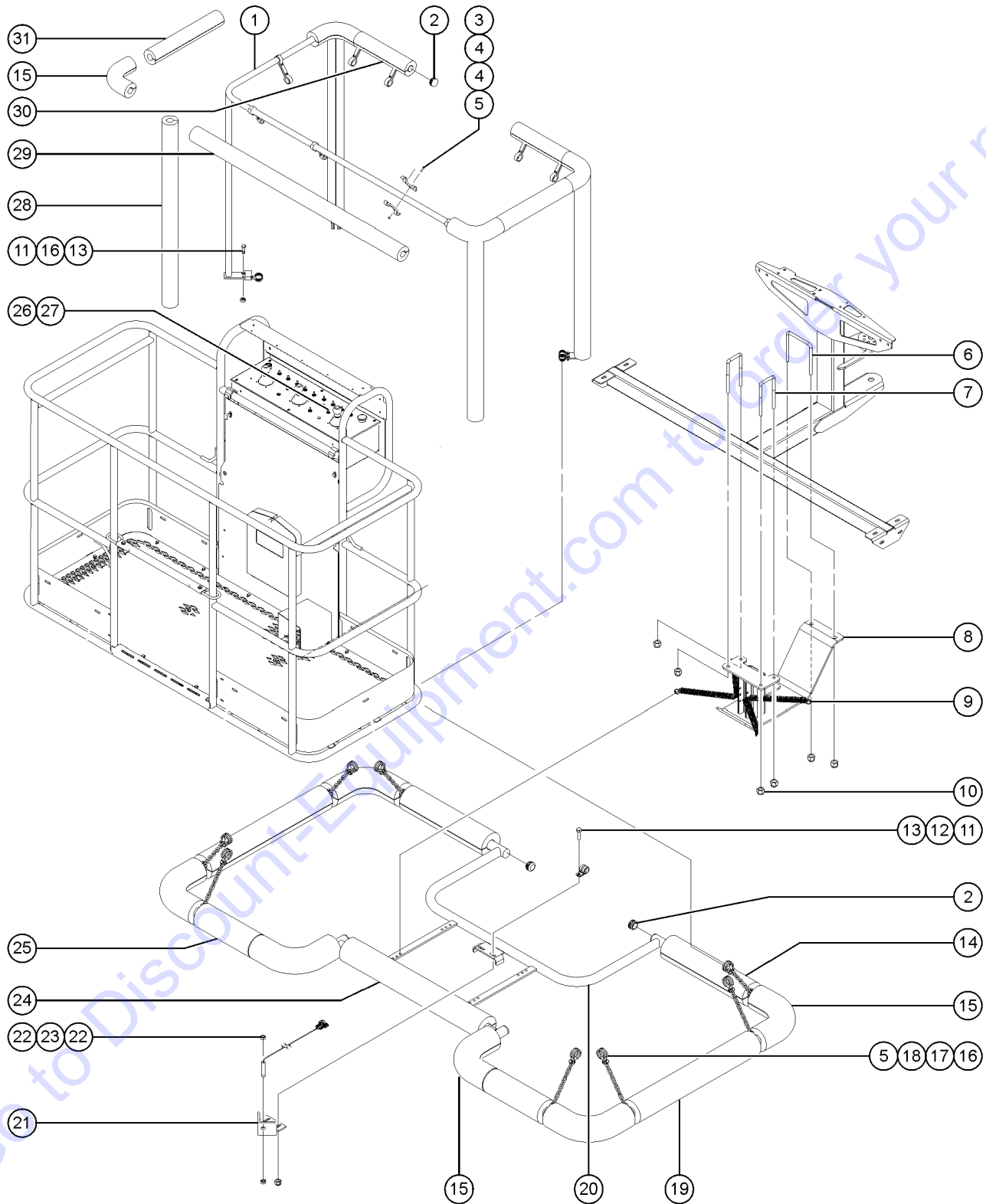
907.1 Operator Protective Structure



## 907.1 Operator Protective Structure

Item	Part No.	Description	Qty.
--		<i>Fits all 6' and 8' Booms</i>	
1	219158GT	ACCESSORY, OPERATOR PROT STRUCT.....1 <i>(Complete) includes all fasteners</i>	1
2	1256468GT	NUT, 3/8-16, 8, ZAG.....8	8
3	1255758GT	WASHER, FLAT, 3/8, USS, ZAG.....12	12
4	824069GT	SCREW, HHC, 3/8-16X2.5, 8, ZAG.....4	4
5	1251600GT	U-BOLT, FLATTENED, 1.5 X 3/8 UNC, ZAG.....4	4
6	1261184GT	NUT, 1/4-20, 8, ZAG.....4	4
7	824120GT	WASHER, FLAT, .375X1.50X.125, ZAG.....2 <i>Use only with the platform control box cover option</i>	2
8	824113GT	WASHER, FLAT, USS, 1/4, ZAG.....6	6
9	824060GT	SCREW, HHC, 1/4-20X1, 8, ZAG.....4	4
10	219160GT	DECAL, INSTRUCTION, OPS.....1	1

908.1 Aircraft Protection, Standard Entry, S-65

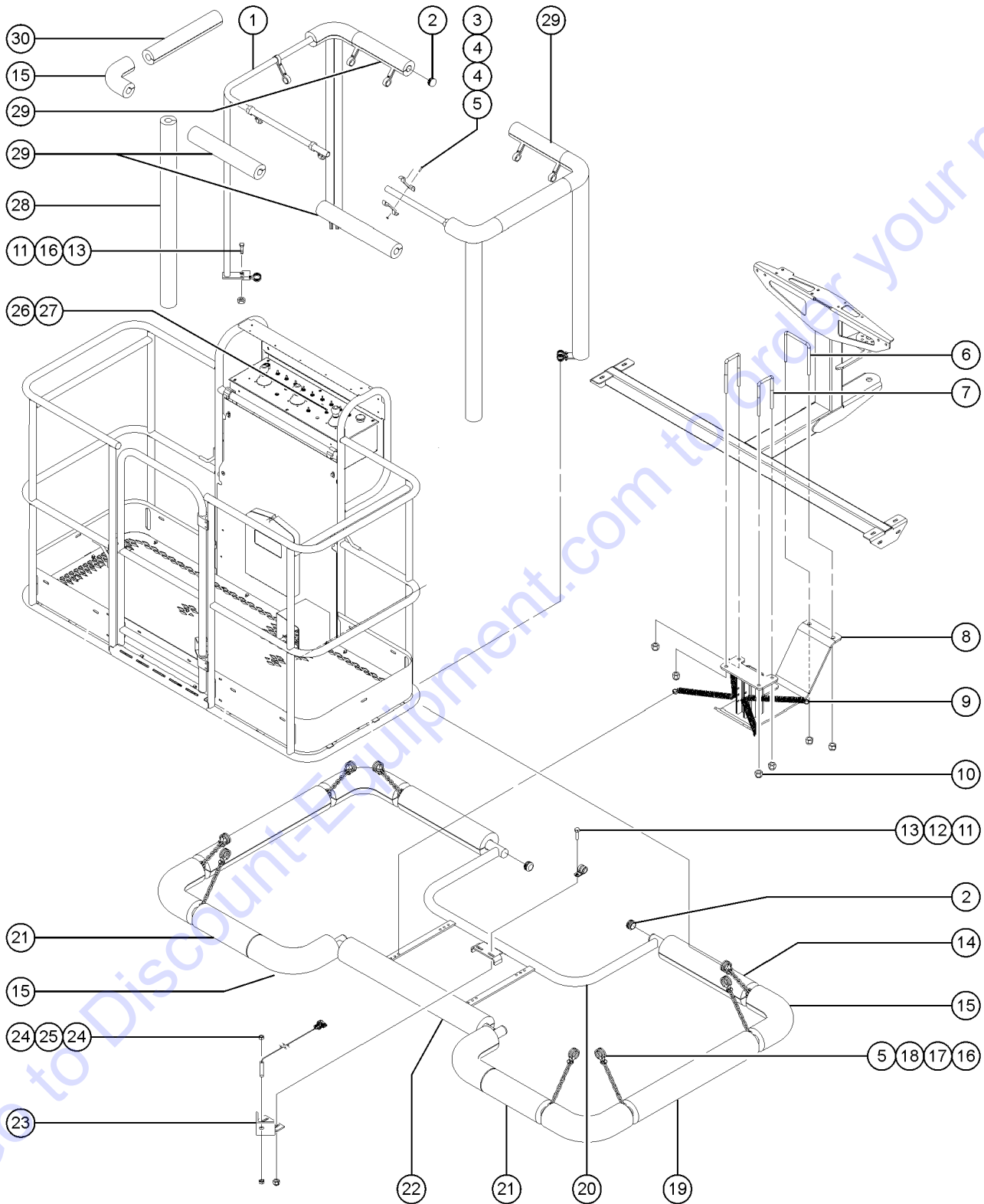




## 908.1 Aircraft Protection, Standard Entry, S-65

Item	Part No.	Description	Qty.
A	29261GT	MAGNET,NEODYMIUM,.375 X .100.....2 <i>not shown</i>	
1	46188GT	WELDMENT, AIRCRAFT TOP BUMPER.....1	
2	55753GT	BUMPER, PLASTIC, 1.25 O.D.	
3	824227GT	SCREW, BHC, 1/4-20 X 1, ZAG	
4	122073GT	SUPPORT, RAILING.....20	
5	824027GT	NUT,TL FLG,1/4-20,G,ZAG	
6	106044GT	U-BOLT,3/8-16X4X4.63X3.00	
7	66472GT	U-BOLT, SQR, 3/8-16X2X5, PLTD.....2	
8	822764GT	WDMT,SKID PLATE	
9	822769GT	SPRING,EXTENSION,1.92LB/IN.....4	
10	824029GT	NUT,TL FLG,3/8-16,G,ZAG	
11	6888GT	SCREW,HHC,1/4-20 X 1	
12	6833GT	CLAMP,0.50,#8 X 1/4,RUB CUSH.....1	
13	6091GT	NUT,NYLOCK,1/4-20	
14	75617-1550GT	PADDING,FOAM 3.5"OD X 1.50"ID.....2	
15	75636GT	PADDING,FOAM,3.0"X1.50ID 90DEG.....10	
16	21618GT	CLAMP,1.13,#18 X 1/4,RUB CUSH.....24	
17	824078GT	SCREW,HHF,1/4-20X.75,8,ZAG	
18	56426-700GT	CHAIN,NO.2 (11 LINKS).....8	
19	75617-2275GT	PADDING,FOAM 3.5"OD X 1.50"ID.....2	
20	822759GT	WDMT,AIRCRAFT SENSOR BUMPER...1	
21	77797GT	WELDMENT, SENSOR MOUNT.....1	
22	88390GT	NUT,HEX,M8,PLASTIC	
23	1261292GT	HARNES ASSY,PCON,PROX KILL.....1 <i>includes 27391 proximity sensor</i>	
--	27391GT	PROXIMITY SENSOR***.....1	
24	822768GT	FOAM,AIRCRAFT PROTECTION.....1	
25	75617-1025GT	PADDING,FOAM 3.5"OD X 1.50"ID.....2	
26	128203GT	SWITCH TOGGLE ASSY SPDT 2P MOM.....1	
--	139882GT	HARN, AC PROTECTION BYPASS.....1	
27	27246GT	BOOT,TOGGLE SWITCH,SHORT*.....1	
28	1259329GT	PADDING, FOAM, 46.5".....4	
29	75617-6275GT	PADDING,FOAM 3.5"OD X 1.50"ID.....1	
30	1259328GT	PADDING, FOAM, 15.5".....2	
31	75617-2075GT	PADDING,FOAM 3.5"OD X 1.50"ID.....2	

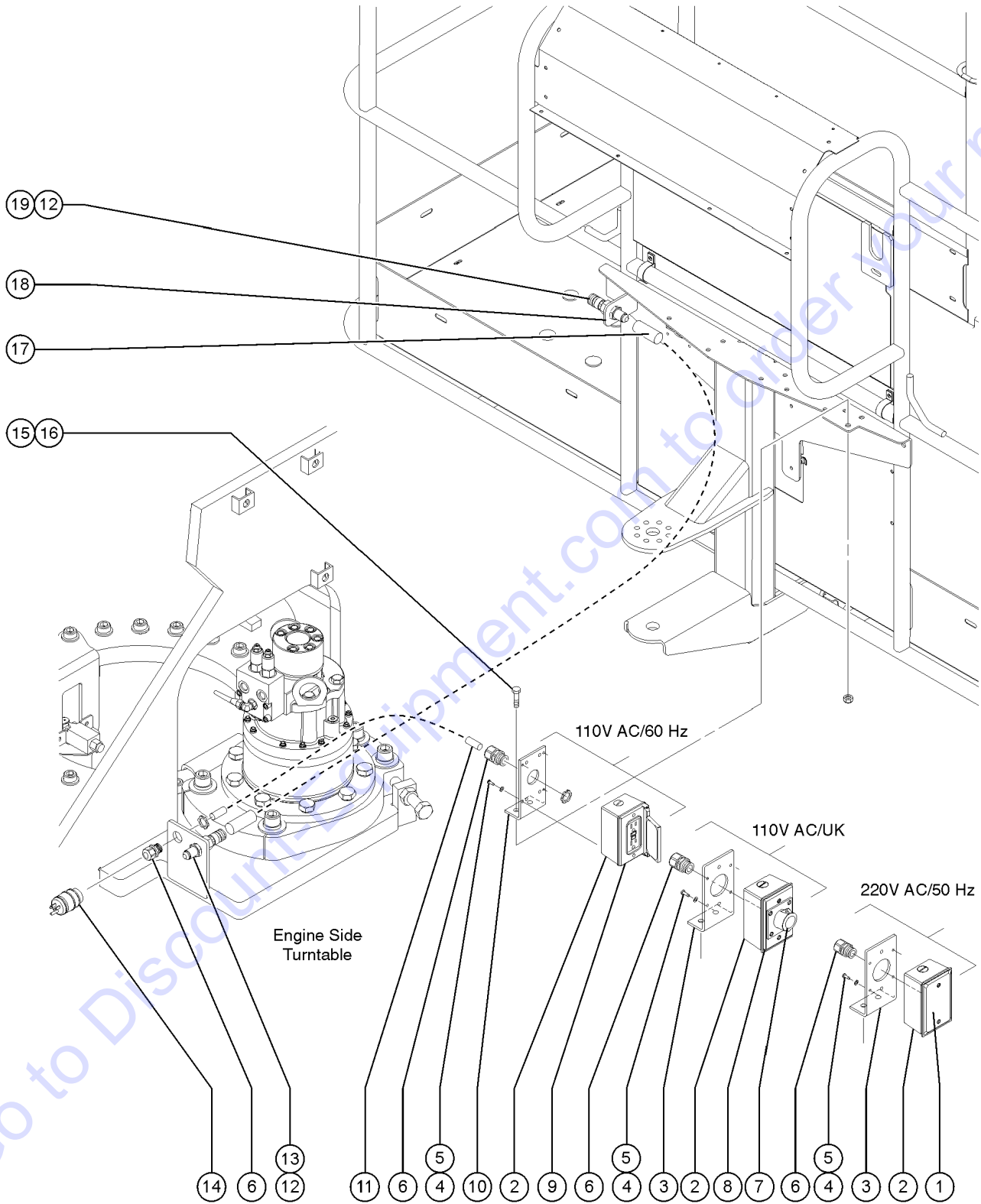
909.1 Aircraft Protection, Swing Gate, S-65



## 909.1 Aircraft Protection, Swing Gate, S-65

Item	Part No.	Description	Qty.
A	29216GT	COVER W/DECALS,RR.DR.CHAS,S60.....2 <i>not shown</i>	
1	822771GT	WDMT,FRAME,AIRCRAFT PROTECTION.....1	
2	55753GT	BUMPER, PLASTIC, 1.25 O.D.....4	
3	122231GT	SCREW,BHSC,1/4-20 X 1	
4	122073GT	SUPPORT, RAILING.....20	
5	824027GT	NUT,TL FLG,1/4-20,G,ZAG	
6	106044GT	U-BOLT,3/8-16X4X4.63X3.00.....1	
7	66472GT	U-BOLT, SQR, 3/8-16X2X5, PLTD.....2	
8	822764GT	WDMT,SKID PLATE.....1	
9	822769GT	SPRING,EXTENSION,1.92LB/IN.....4	
10	824029GT	NUT,TL FLG,3/8-16,G,ZAG	
11	824078GT	SCREW,HHF,1/4-20X.75,8,ZAG	
12	6833GT	CLAMP,0.50,#8 X 1/4,RUB CUSH.....1	
13	824027GT	NUT,TL FLG,1/4-20,G,ZAG	
14	75617-1550GT	PADDING,FOAM 3.5"OD X 1.50"ID.....2	
15	75636GT	PADDING,FOAM,3.0"X1.50ID 90DEG.....10	
16	21618GT	CLAMP,1.13,#18 X 1/4,RUB CUSH.....18	
17	824078GT	SCREW,HHF,1/4-20X.75,8,ZAG	
18	56426-700GT	CHAIN,NO.2 (11 LINKS).....8	
19	75617-2275GT	PADDING,FOAM 3.5"OD X 1.50"ID.....4	
20	822759GT	WDMT,AIRCRAFT SENSOR BUMPER...1	
21	75617-1025GT	PADDING,FOAM 3.5"OD X 1.50"ID.....2	
22	822768GT	FOAM,AIRCRAFT PROTECTION.....1	
23	77797GT	WELDMENT, SENSOR MOUNT.....1	
24	88390GT	NUT,HEX,M8,PLASTIC	
25	1261292GT	HARNES ASSY,PCON,PROX KILL.....1 <i>includes 27391 proximity sensor</i>	
--	27391GT	PROXIMITY SENSOR***.....1	
26	128203GT	SWITCH TOGGLE ASSY SPDT 2P MOM.....1	
--	139882GT	HARN, AC PROTECTION BYPASS.....1 <i>not shown sold seperately</i>	
27	27246GT	BOOT,TOGGLE SWITCH,SHORT*.....1	
28	1259329GT	PADDING, FOAM, 46.5".....4	
29	1259328GT	PADDING, FOAM, 15.5".....4	
30	75617-2075GT	PADDING,FOAM 3.5"OD X 1.50"ID.....2	

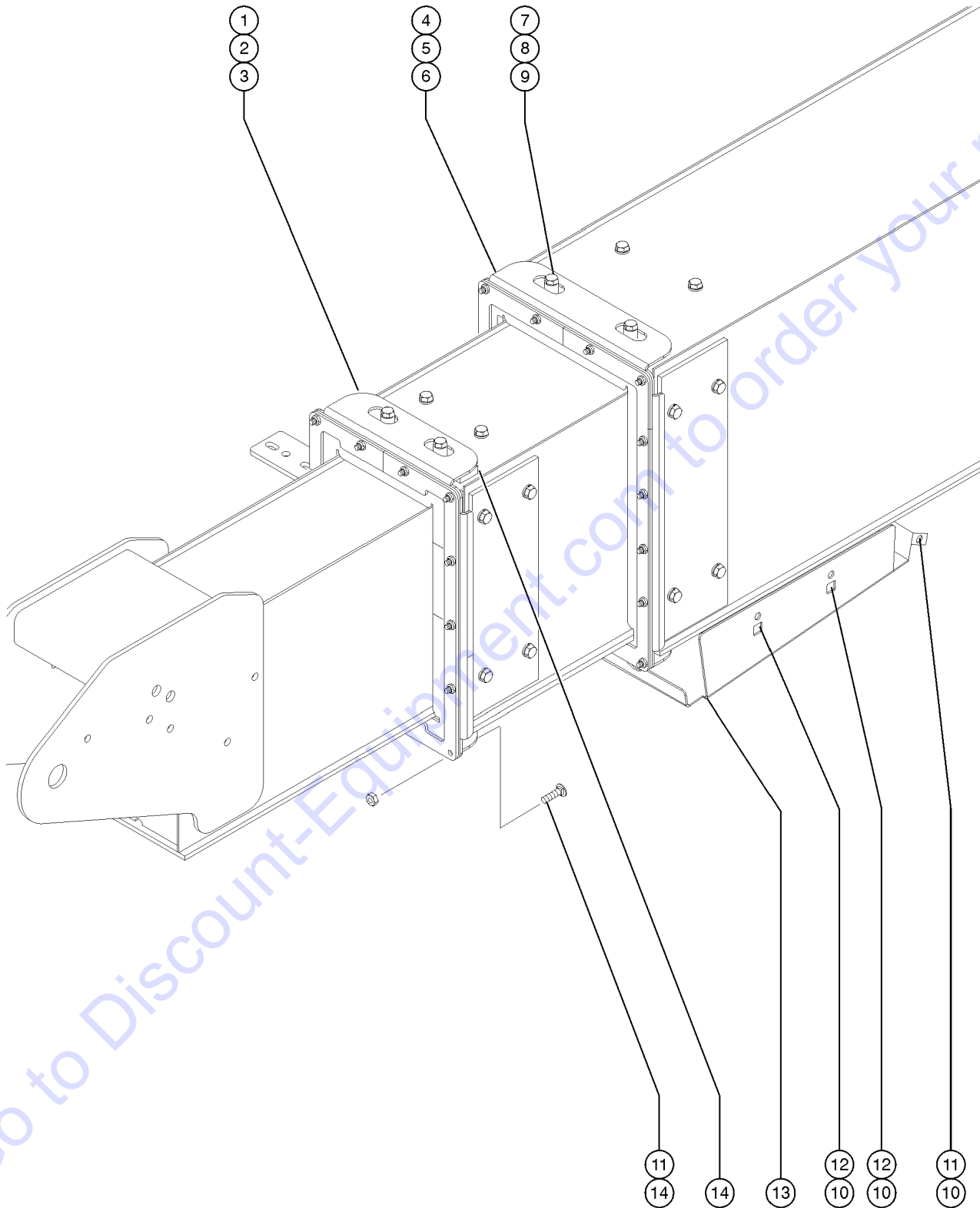
910.1 Air line and Power to Platform



## 910.1 Air line and Power to Platform

Item	Part No.	Description	Qty.
--	T109331GT	ACC,AIRLINE TO PLAT,S60 ,SERV	
--	119845GT	CLAMP, HYD WELD, AIR, OPT.....1	
1	10777GT	COVER,BLANK.....1	
--	33724GT	KIT,GASKET,UK POWER TO PLAT.	
--	81458GT	GASKET, UK POWER TO PLAT	
2	10775GT	T-BOX,2.75 X 4.5 X 2.0.....1	
3A	81096GT	BRACKET,POWER TO PLAT, DOM.....1 <i>ANSI models</i>	
3B	81570GT	BRACKET,POWER TO PLAT, UK <i>CE models</i>	
4	57075GT	SCREW,PHIL,8-32X.50,SELF TAP.....4	
5	35461GT	WASHER,FLAT,MS,#8,Y.....4	
6	7056GT	CONN,SQUEEZE,1/2NPT .38-.50,SM...2	
--	6935GT	LOCKNUT,ELEC,1/2"	
7	T112560GT	RECEPTACLE,UK,110V.....1	
8	T112561GT	PLATE,UK,POWER TO PLAT.....1	
9	13585GT	OUTLET, 110V.....1	
--	74006GT	COVER,GFCI,HORIZONTAL,WEATHER	
10	81096GT	BRACKET,POWER TO PLAT, DOM.....1	
11		Ref: Harness, Power to Platform.....1 <i>refer to 313.1</i>	
12	49212GT	FEMALE BULKHEAD CONNECTOR-8...2	
13	49214GT	MALE PIPE THD,1/4" SER,3/8"X18	
14A	119403GT	CONN,PLUG 120 AC/15A DOMESTIC...1	
14B	119404GT	CONN,RECEP 120AC/15A DOMESTIC.....1	
14C	144161GT	PLUG,PWR,UK,16AMP,3PIN,BLK.....1	
14D	25388GT	PLUG,FUSED,250V,13AMP,U.K.**.....1	
14E	1280665GT	PLUG, TYPE F, 230A, 50HZ, 16A, IP44.....1	
15	6019GT	SCREW,HHC,3/8-16 X 1.25 GRD 5.....2	
16	4828GT	NUT,NYLOCK,3/8-16.....2	
17A	49177-102894GT	HOSE ASSEMBLY,1/2"***.....1 S-60	
17B	49177-108894GT	HOSE ASSEMBLY,1/2"***.....1 S-65	
18	60886PGT	BRACKET,AIRLINE TO PLATFORM.....1	
19	49215GT	MPT,CPLR,1/4"SER,3/8"X18	

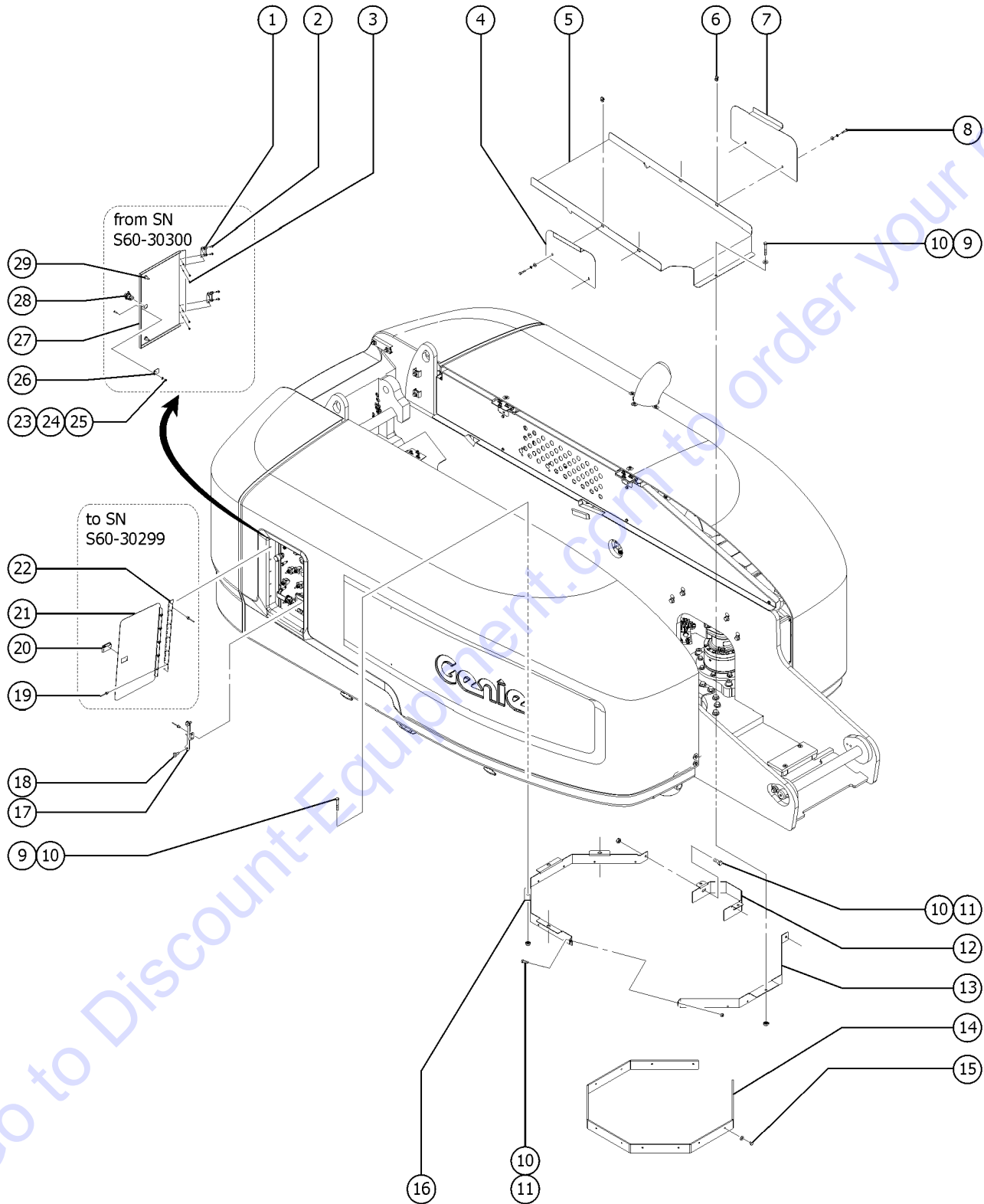
911.1 Hostile Environment, Boom Wipers



## 911.1 Hostile Environment, Boom Wipers

Item	Part No.	Description	Qty.
1	119087GT	FORMING BRKT, WIPER 2 TO 3.....	2
2	119089GT	WIPER RUBBER, 2 TO 3.....	1
3	119088GT	PLATE BACKING, WIPER 2 TO 3.....	2
4	119084GT	FORMING BRKT, WIPER 1 TO 2.....	2
5	119086GT	WIPER RUBBER, 1 TO 2.....	1
6	119085GT	PLATE BACKING, WIPER 1 TO 2.....	2
7	1256108GT	SCREW,HHC,3/8-16X2,8,ZAG.....	8
8	101932GT	TUBE,RD,STL,DOM,75X.38X.78.....	8
9	119090GT	SPACER, BOOM TOP.....	2
10	824079GT	SCREW,HHF,1/4-20X1,8,ZAG.....	6
11	824027GT	NUT,TL FLG,1/4-20,G,ZAG.....	2
12	56912GT	SPRING CLIP,1/4-20,.025-.15X.54,ZAG.....	4
13	147783GT	COVER,LIMIT SWITCH ASSY,S60.....	1
14	824124GT	BOLT,CARRIAGE,1/4-20X.75,5,ZAG	

912.1 Hostile Environment, Turntable Components

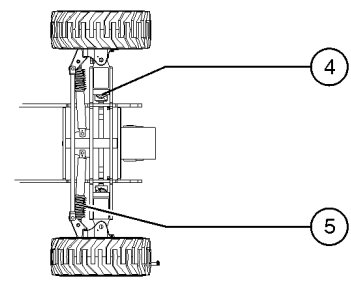
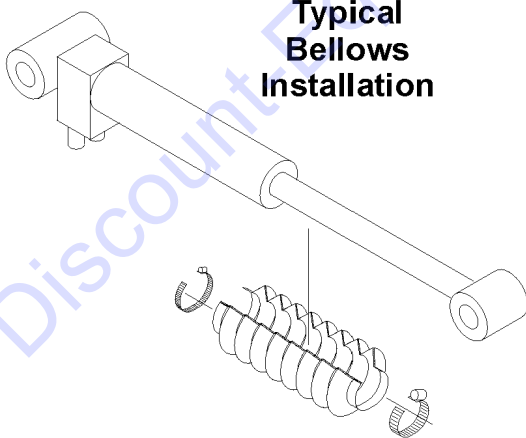
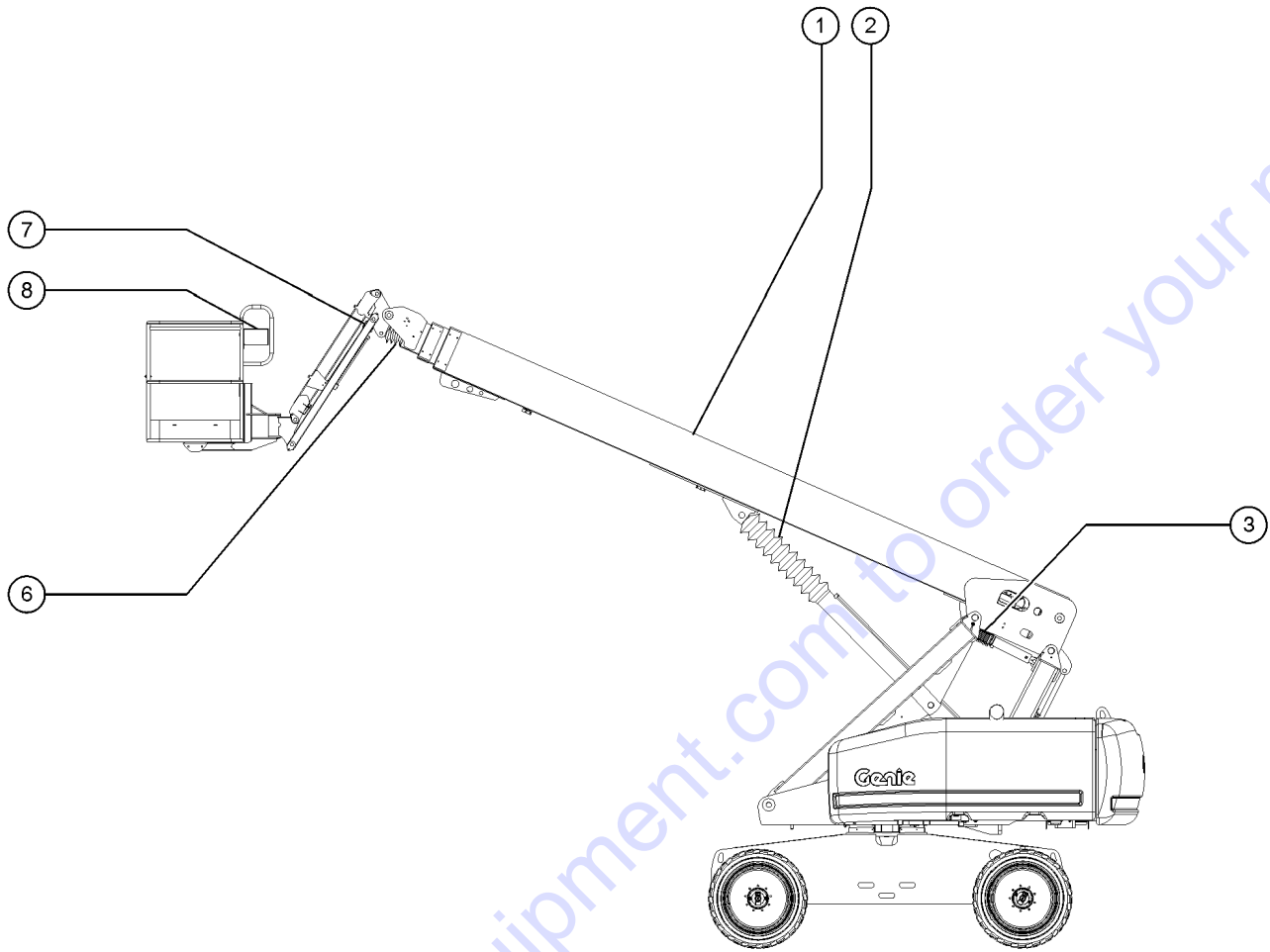




## 912.1 Hostile Environment, Turntable Components

Item	Part No.	Description	Qty.	Item	Part No.	Description	Qty.
1	1259584GT	HINGE,CONSTANT TORQUE.....2 <i>(from SN S60-30300)</i>	2	28	1259583GT	LATCH,PUSH BUTTON.....1 <i>(from SN S60-30300)</i>	1
2	218457GT	SCREW,HHF,M5X12,DIN6921,10.9,Z....4 <i>(from SN S60-30300)</i>	4	29	34619GT	BUMPER,RUBBER***.....2 <i>(from SN S60-30300)</i>	2
3	229845GT	SCREW,BHSCS,M5X10,SS.....4 <i>(from SN S60-30300)</i>	4				
4	77997PGT	FORMING,TT LH SIDE COVER PAINT...1	1				
5	77996PGT	TURNTABLE CENTER COVER PAINTED.....1	1				
6	56912GT	SPRING CLIP,1/4-20,.025-.15X.54,ZAG.....4	4				
7	77998PGT	FORMING,TT RH SIDE COVER PAINT.....1	1				
8	824078GT	SCREW,HHF,1/4-20X.75,8,ZAG					
9	1256856GT	SCREW,HHF,3/8-16X2.5,8,ZAG					
10	824029GT	NUT,TL FLG,3/8-16,G,ZAG					
11	820991GT	SCREW,HHF,3/8-16X1.25,8,ZAG					
12	77879PGT	FORMING,PINION GUARD PAINTED....1	1				
13	70318PGT	FORMING,WIPER GUARD RT.....1 <i>(models with Deluxe Hostile Option)</i>	1				
14	70319GT	WIPER,RING GEAR GUARD.....1 <i>(models with Deluxe Hostile Option)</i>	1				
15	81167GT	RIVET,ALUM,P,.25X.625.....14	14				
16	70317PGT	FORMING,WIPER GUARD LT.....1 <i>(models with Deluxe Hostile Option)</i>	1				
17	34619GT	BUMPER,RUBBER***.....2 <i>(to SN S60-30299)</i>	2				
18	121832GT	FORMING,LATCH,GROUND BOX COVER.....1 <i>(to SN S60-30299)</i>	1				
19	53189GT	RIVET,ALUM,ALUM,P,.25X.375.....12 <i>(to SN S60-30299)</i>	12				
20	30468GT	LATCH,SLIDE, FLUSH MOUNT STYLE.....1 <i>(to SN S60-30299)</i>	1				
21	121833GT	FORMING,GROUND BOX COVER.....1 <i>(to SN S60-30299)</i>	1				
22	121831GT	HINGE,GROUND BOX COVER.....1 <i>(to SN S60-30299)</i>	1				
23	1256804GT	NUT,10-32,ZAG.....1 <i>(from SN S60-30300)</i>	1				
24	1253185GT	WASHER,FLAT,#10,USS,ZAG.....1 <i>(from SN S60-30300)</i>	1				
25	824215GT	SCREW,PHPM,10-32X.75,ZAG.....1 <i>(from SN S60-30300)</i>	1				
26	1261001GT	STRIKER, LATCH.....1 <i>(from SN S60-30300)</i>	1				
27	1260979GT	ASSEMBLY, GROUND CONTROL BOX C.....1 <i>(from SN S60-30300) (complete, includes hinges, latch and fasteners)</i>	1				

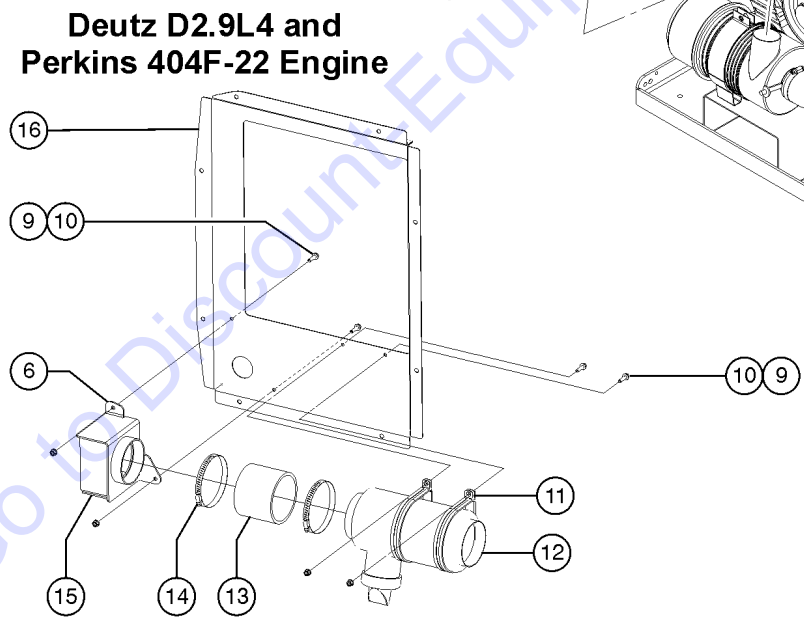
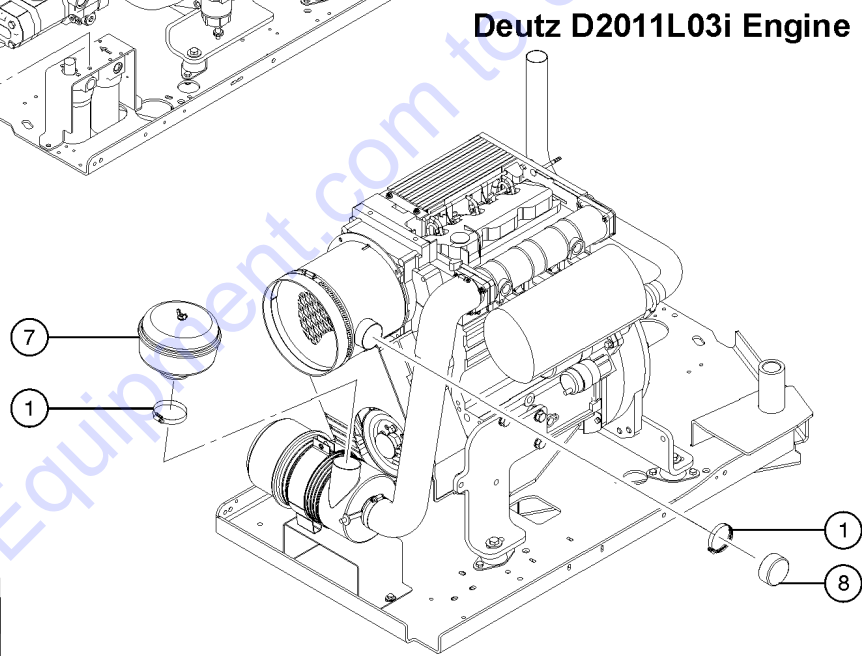
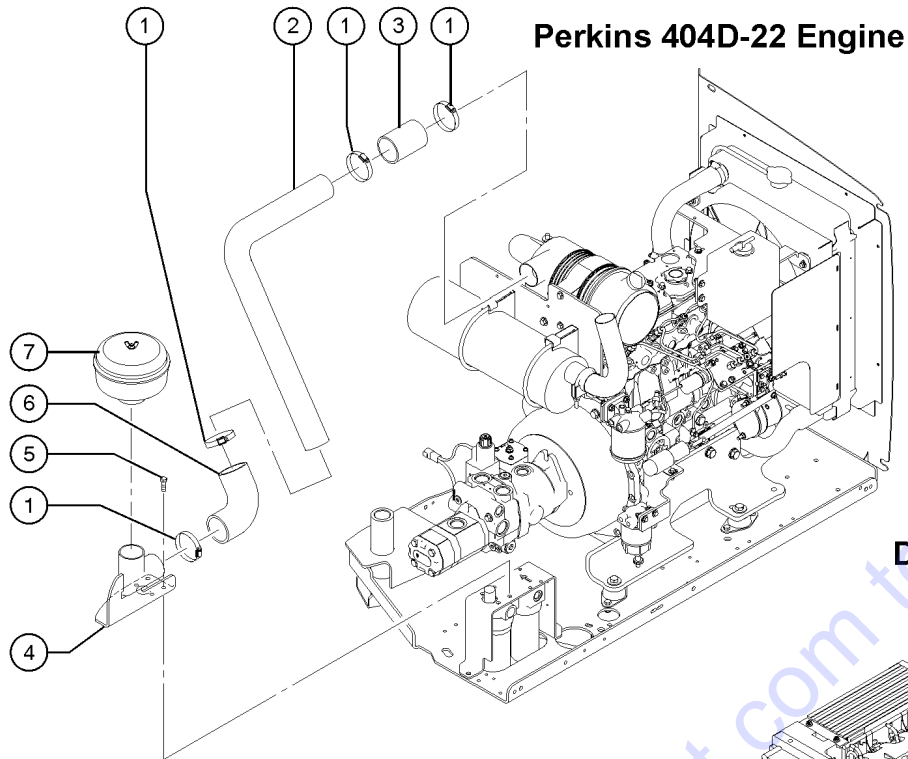
913.1 Hostile Environment, Cylinder Bellows and Cable Track



## 913.1 Hostile Environment, Cylinder Bellows and Cable Track

Item	Part No.	Description	Qty.
1	106099GT	COVER,CABLE TRACK.....1 <i>(not shown) models with Deluxe Hostile Option</i>	1
1	824027GT	NUT,TL FLG,1/4-20,G,ZAG.....4	4
1	824079GT	SCREW,HHF,1/4-20X1,8,ZAG.....4	4
2	94479GT	BELLOWS,CYLINDER LIFT.....1	1
--	34955GT	CLAMP,HOSE,5.00	
--	35432GT	CLAMP,HOSE,6.50	
3	94463GT	BELLOWS,MASTER CYLINDER.....1	1
--	22672GT	CLAMP,HOSE,1.75	
--	34955GT	CLAMP,HOSE,5.00	
4	63727GT	COVER, PROTECTIVE, OSCILLATE....2 <i>Oscillate Only</i>	2
--	22672GT	CLAMP,HOSE,1.75 <i>Oscillate Only</i>	
--	34955GT	CLAMP,HOSE,5.00 <i>Oscillate Only</i>	
5	34922GT	COVER,PROTECTIVE,STEERING.....2	2
--	22672GT	CLAMP,HOSE,1.75	
--	34955GT	CLAMP,HOSE,5.00	
6	94537GT	BELLOWS,CYLINDER,PLAT LEVEL.....1	1
--	1253185GT	WASHER,FLAT,#10,USS,ZAG	
--	22672GT	CLAMP,HOSE,1.75	
--	23405GT	NUTSERT,10-32 STEEL CAD PLTD	
--	826516GT	SCREW, PHPM, 10-32 X 1.0, ZAG	
--	94533GT	PLATE,BACKING BELLOWS	
7	34505GT	COVER,PROTECTIVE,JIB CYLINDER...1 <i>S-65 Only</i>	1
--	30971GT	CLAMP,HOSE,3.00" <i>S-65 Only</i>	
--	36208GT	CLAMP,HOSE,1.25*** <i>S-65 Only</i>	
8	T107895GT	DECAL,PROTECTOR,CLEAR.....1	1

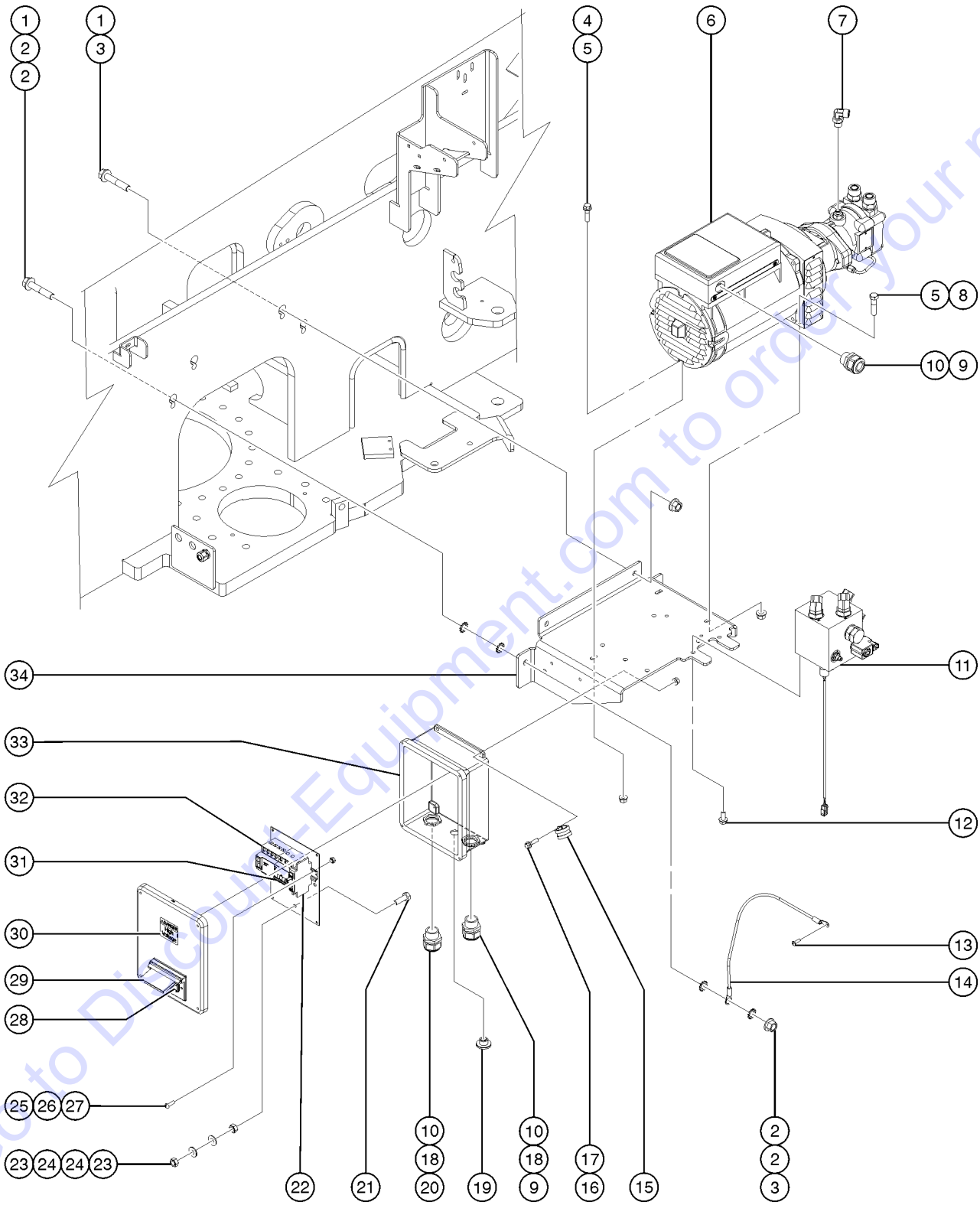
914.1 Hostile Environment, Engine Air Pre-Cleaners



## 914.1 Hostile Environment, Engine Air Pre-Cleaners

Item	Part No.	Description	Qty.
1	45435GT	CLAMP,HOSE,2.50"*** .....	4
2	77891GT	TUBE,AIR INTAKE.....	1
3	34162-0400GT	HOSE,AIR INTAKE 2.5" I.D.....	1
4A	77887GT	WELDMENT,PRECLEANER BRACKET..... <i>to SN S6015A-30299</i>	1
4B	1262359GT	WELDMENT, PRE-CLEANER, BRACKET <i>from SN S6015A-30300</i>	
5	824090GT	SCREW,HHF,3/8-16X1,8,ZAG	
6	34164GT	ELBOW,90 DEGR,RUBBER,2.5" I.D.* .....	1
7	34959GT	PRECLEANER,AIR INTAKE*** .....	1
8	70529GT	CAP,PLASTIC,2.5 ID.....	1
9	824079GT	SCREW,HHF,1/4-20X1,8,ZAG	
10	824027GT	NUT,TL FLG,1/4-20,G,ZAG	
11	101639GT	CLAMP,5.38,#86 X 3/8,RUB CUSH.....	2
12	88493GT	PRECLEANER,AIR INTAKE.....	1
13	34955GT	CLAMP,HOSE,5.00.....	2
14	822871GT	HOSE,STRAIGHT,4" ID X 3.6" LG.....	1
15	822817GT	WELDMENT,PRECLEANER BOX.....	1
16		Ref: Shroud <i>refer to section 500</i>	

915.1 Welder Option, Chassis Components



## 915.1 Welder Option, Chassis Components

Item	Part No.	Description	Qty.	Item	Part No.	Description	Qty.
A	217439GT	ASSEMBLY,WELDER,TURNTABLE,S60/.1		28	80543GT	RECEPTACLE, 120VAC, 20A, GFCI.....1	1
B	227532GT	J-BOX ASSEMBLY,8X10.....1	1	29	74006GT	COVER,GFCI,HORIZONTAL,WEATHER.1	1
C	228320GT	KIT,WIRE,12.5KW WELDER.....1	1	30	82237GT	DECAL,DANGER,HIGH VOLTAGE.....1	1
D	106203GT	CLAMP,LINK,WELD CABLE/HOSE		31	227425GT	CIRCUIT BREAKER, 35A 3PH.....1	1
E	106272GT	BIT,3/16,HEX SOCKET,SECURITY		32	227424GT	CIRCUIT BREAKER,GFCI 30mA 3PH....1	1
F	106521GT	GROUNDING CABLE ASSEMBLY,165"		33	106206GT	J-BOX,CIRCUIT BREAKERS,8X10*** .....1	1
G	106522GT	GROUNDING CABLE ASSEMBLY,16"		34	106114pGT	BRACKET,GENERATOR 12.5 KW,PNTD.....1	1
H	106523GT	GROUNDING CABLE ASSEMBLY,36***					
I	106607GT	HARNESS,LINCOLN WELDER***					
J	119056GT	CONN,PLUG 2 WAY,14-18GA					
K	128050GT	CLAMP, HYD, WELD, AIR, OPT					
L	1276694GT	KIT, RETROFIT, WELDGEN, MAG BREAKER					
1	1255802GT	SCREW,HHF,1/2-13X2.5,8,ZAG.....4	4				
2	8887GT	WASHER,STAR,EXTERNAL,.5.....4	4				
3	1251997GT	NUT,TL FLG,1/2-13,G,ZAG.....4	4				
4	824066GT	SCREW,HHF,5/16-18X1.5,8,ZAG.....1	1				
5	824028GT	NUT,TL FLG,5/16-18,G,ZAG.....3	3				
6		Ref. GENERATOR,HYDRA,25CC,208V*** .....1 (refer to 917.1)	1				
7	48932GT	FITTING,ELBOW,90D,520220-8*** .....1	1				
8	824087GT	SCREW,HHF,5/16-18X1.25,8,ZAG.....2	2				
9	20776GT	CABLE SQUEEZE CONN.....2	2				
10	18665GT	LOCKNUT,ELECTRIC,1" NPT.....3	3				
11		Ref. MANIFOLD,DRIVE OIL DIVERTER.....1 (refer to 918.1)	1				
12	824085GT	SCREW,HHF,5/16-18X.75,8,ZAG.....2	2				
13	1257227GT	SCREW,PHPM,10-32X.625,ZAG.....1	1				
14	106520GT	GROUNDING CABLE ASSEMBLY,18"....1	1				
15	18666GT	CLAMP,1.00,#16 X 1/4,RUB CUSH.....1	1				
16	824079GT	SCREW,HHF,1/4-20X1,8,ZAG.....2	2				
17	824027GT	NUT,TL FLG,1/4-20,G,ZAG.....2	2				
18	106104GT	O-RING,SEAL RING,1" NPT (PKG OF 10).....2	2				
19	106495GT	PLUG,1/2" HUBBLE.....1	1				
20	106077GT	CABLE SQUEEZE CONN .63-.75.....1	1				
21	49379GT	SCREW,HHC,M8 X 1.25 X 25.....1	1				
22	106073GT	CIRCUIT BREAKER,20A,SINGLE PH....1	1				
23	22571GT	NUT,HEX,M8 X 1.25.....2	2				
24	6638GT	WASHER,FLAT,USS,1/4"Y.....2	2				
25	54365GT	SCREW,PHIL,PHM,10-32 X .5,SSTL....2	2				
26	228332GT	DIN RAIL, 6.50".....1	1				
27	6178GT	NUT,NYLOCK,10-32.....2	2				

# PARTS FINDER

**Search Website  
by Part Number**



**Search Manual  
Library For Parts  
Manual & Lookup Part  
Numbers – Purchase  
or Request Quote**

**Search Manuals**

Enter your information to help us find the right parts manual for your machine.

\* Brand:

\* Model:

\* Serial:

\* Part Number:

SEARCH

**Can't Find Part or  
Manual? Request Help  
by Manufacturer,  
Model & Description**

**Parts Order Form**

Please fill in the following information to help us find the right part for your machine.

Manufacturer:	<input type="text"/>
Model:	<input type="text"/>
Description:	<input type="text"/>
Part Number:	<input type="text"/>
Quantity:	<input type="text"/>
Notes:	<input type="text"/>

Submit

Discount-Equipment.com is your online resource for quality parts & equipment.

Florida: **561-964-4949** Outside Florida TOLL FREE: **877-690-3101**

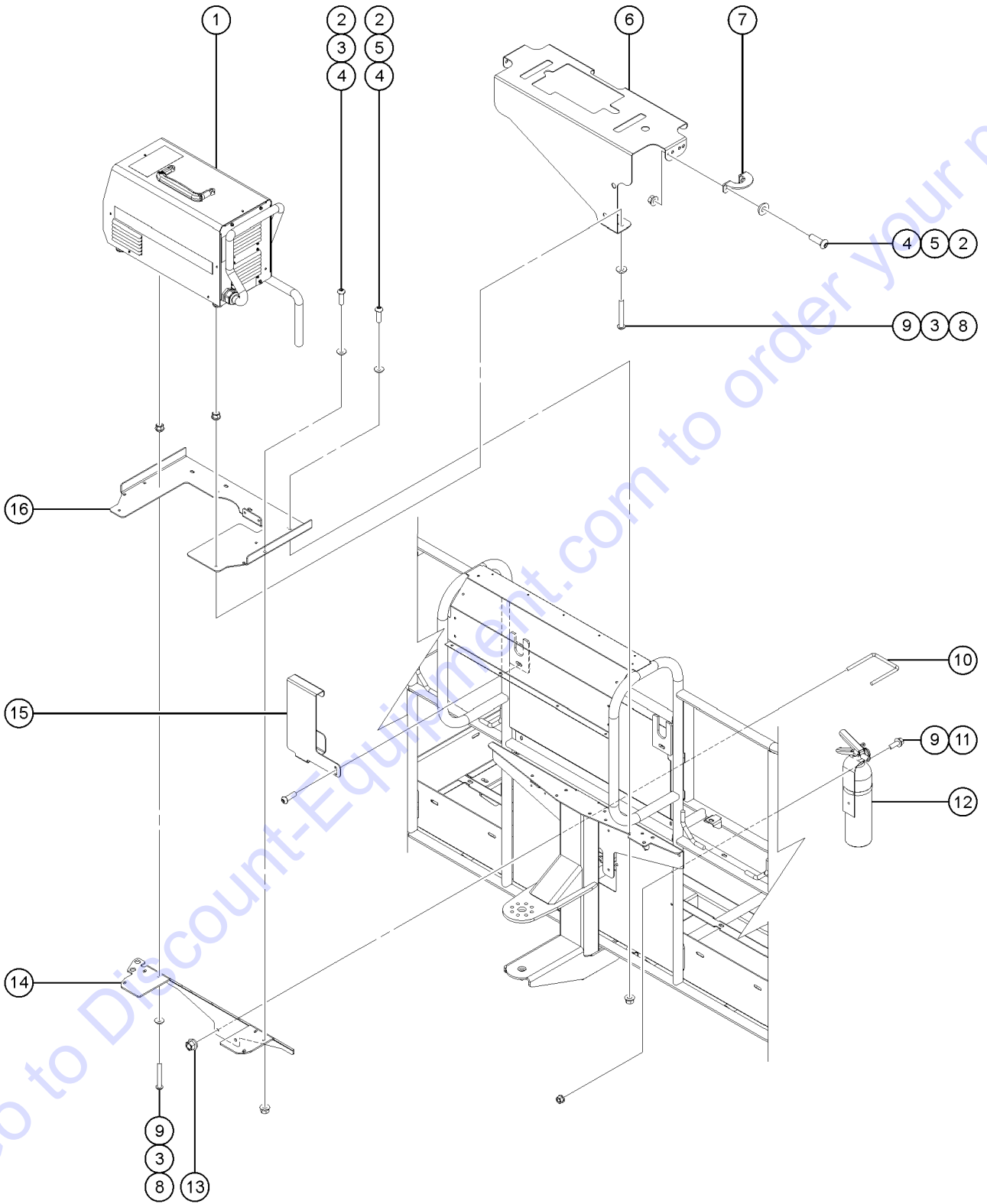
**Need parts?**

Click on this link: <http://www.discount-equipment.com/category/5443-parts/> and choose one of the options to help get the right parts and equipment you are looking for. Please have the machine model and serial number available in order to help us get you the correct parts. If you don't find the part on the website or on one of the online manuals, please fill out the request form and one of our experienced staff members will get back to you with a quote for the right part that your machine needs.

We sell worldwide for the brands: Genie, Terex, JLG, MultiQuip, Mikasa, Essick, Whiteman, Mayco, Toro Stone, Diamond Products, Generac Magnum, Airman, Haulotte, Barreto, Power Blanket, Nifty Lift, Atlas Copco, Chicago Pneumatic, Allmand, Miller Curber, Skyjack, Lull, Skytrak, Tsurumi, Husquvarna Target, Stow, Wacker, Sakai, Mi-T-M, Sullair, Basic, Dynapac, MBW, Weber, Bartell, Bennar Newman, Haulotte, Ditch Runner, Menegotti, Morrison, Contec, Buddy, Crown, Edco, Wyco, Bomag, Laymor, EZ Trench, Bil-Jax, F.S. Curtis, Gehl Pavers, Heli, Honda, ICS/PowerGrit, IHI, Partner, Imer, Clipper, MMD, Koshin, Rice, CH&E, General Equipment, Amida, Coleman, NAC, Gradall, Square Shooter, Kent, Stanley, Tamco, Toku, Hatz, Kohler, Robin, Wisconsin, Northrock, Oztec, Toker TK, Rol-Air, APT, Wylie, Ingersoll Rand / Doosan, Innovatech, Con X, Ammann, Mecalac, Makinex, Smith Surface Prep, Small Line, Wanco, Yanmar



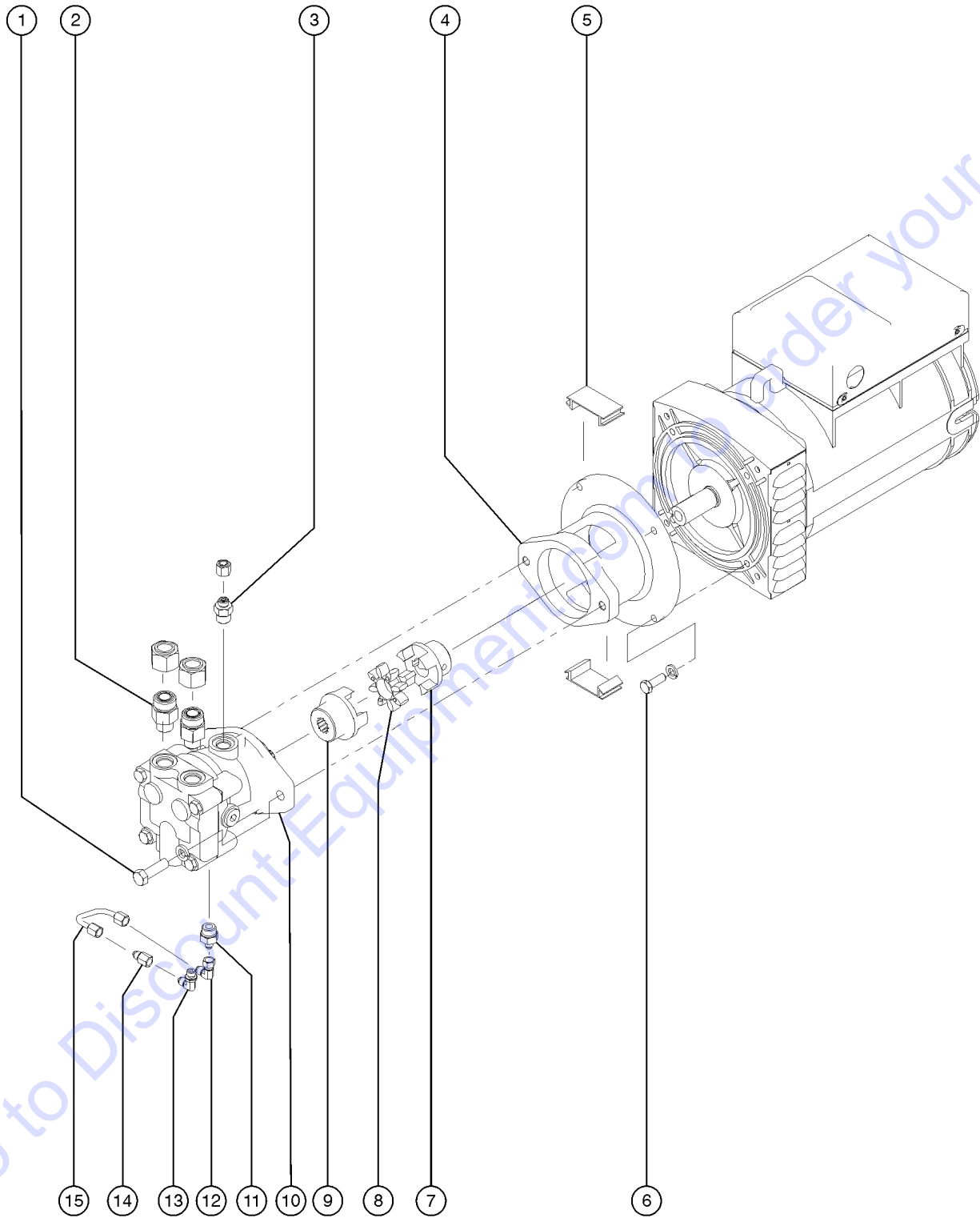
916.1 Welder Option, Platform Components



## 916.1 Welder Option, Platform Components

Item	Part No.	Description	Qty.
A	217440GT	ASSEMBLY,WELDER,PLATFORM,S60/6.1	
B	228320GT	KIT,WIRE,12.5KW WELDER.....1	1
C	228321GT	KIT,WIRE,12.5KW WELDER.....1	1
D	106273GT	BIT,T-27,TORX SOCKET,SECURITY.....1	1
E	214620GT	SOCKET,3P,30A,4 WIRE, FEM.....1	1
F	214621GT	SOCKET, BOOT, 3P, 30A, 4 WIRE.....1	1
G	214622GT	PLUG, BOOT, 3P, 30A, 4 WIRE.....1	1
H	106607GT	HARNES, LINCOLN WELDER***.....1	1
I	110276-1600GT	FIRE SLEEVE, 1.25"	
J	110276-2300GT	FIRE SLEEVE, 1.25"	
K	110276-2800GT	FIRE SLEEVE, 1.25"	
1A	101525GT	WELDER,INVERTEC V275-S.....1 <i>shown</i>	1
--	106183GT	FUSE,.6AMP,250V,WELDER,V275S	
--	106275GT	KIT,WELD LEADS ASSY,V275S	
--	214623GT	PLUG, 3P,30A, 4 WIRE, MALE,	
1B	214619GT	WELDER, MILLER, CST 280.....1	1
2	128322GT	SCREW,5/16-18X1.00,SECURITY TO.....10	10
--	128323GT	BIT,TORX SOCKET,SECURITY	
3	824113GT	WASHER,FLAT,USS,1/4,ZAG.....5	5
4	824028GT	NUT,TL FLG,5/16-18,G,ZAG.....10	10
5	825358GT	WASHER,FLAT,5/16,USS,ZAG.....9	9
6	101547PGT	BRACKET,WELDER SUPPORT,PNT.....1	1
7	217366GT	BRACKET,WELDER TOP.....2	2
8	1253408GT	SCREW,BHTC-PIN,1/4-20X1.75,ZAG.....4	4
9	824027GT	NUT,TL FLG,1/4-20,G,ZAG.....6	6
10	106044GT	U-BOLT,3/8-16X4X4.63X3.00.....1	1
11	824078GT	SCREW,HHF,1/4-20X.75,8,ZAG.....2	2
12	88406GT	FIRE EXTINGUISHER.....1 <i>includes mounting strap</i>	1
13	824029GT	NUT,TL FLG,3/8-16,G,ZAG.....2	2
14	101701PGT	BRACKET,WELDER MNT SUPPORT,PNT.....1	1
15	106204PGT	BRACKET,V275S WELD LEADS.....1	1
16	106109PGT	BRACKET,WELDER COVER,PNTD.....1	1

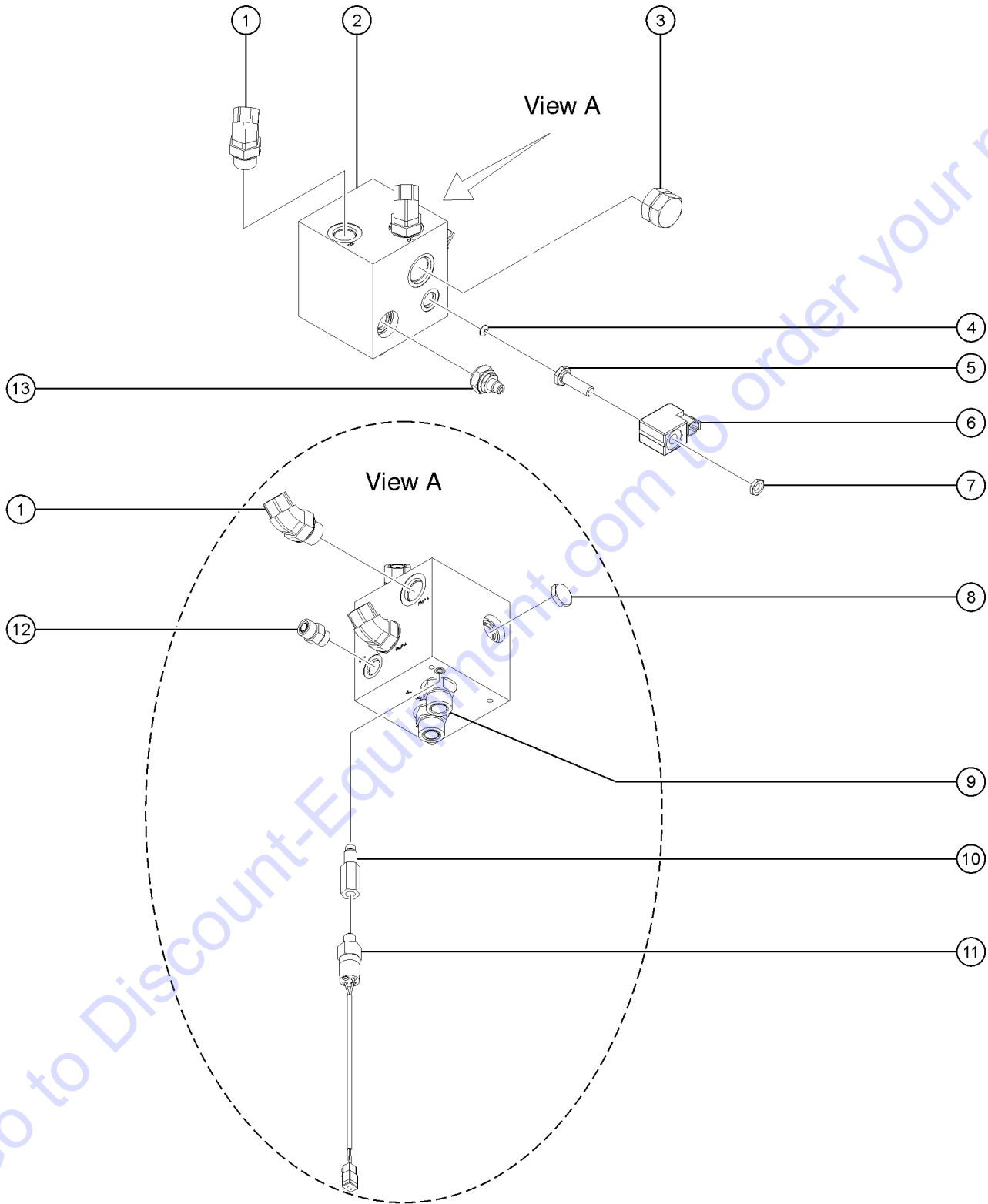
917.1 Welder Option, Generator Components



## 917.1 Welder Option, Generator Components

Item	Part No.	Description	Qty.
A	139367GT	GENERATOR,HYDRA,25CC,208V***.....1	
--	1273323GT	ALTERNATOR for 139367	
--	139919GT	FITTING,ORIFICE,.047	
--	32675GT	SEAL KIT,SUNSTRAND	
1	826171GT	SCREW,HHF,1/2-13X1.75,ZAG.....2	
2	48975GT	CONN,520120-12-10.....2	
3	48914GT	CONN,520120-4-8.....1	
4		Ref: Hydraulic Motor Mount.....1 <i>consult Discount-equipment</i>	
5		MOUNT COVER.....2 <i>consult Discount-equipment</i>	
6	232874GT	SCREW,HHF,M10-1.5X30,DIN6921,10.9,ZAB.4	
7	147404GT	DRIVE COUPLING,KEYED.....1	
8	58631GT	COUPLER,INSERT.....1	
9	147405GT	DRIVE COUPLING, 13 TOOTH.....1	
10	33432GT	MOTOR,HYD,25CC FIXED***.....1 <i>Sauer Motor for Harrison Generator; Consult Discount-equipment</i>	
--	147418GT	ASSY,BLEED LINE (139367)	
11	39879GT	CONNECTOR,070120-4-8.....1	
12	87246GT	ELBOW,SWIVEL NUT 90DEG,-4.....1	
13	13921GT	ELBOW,070220-4-4.....1	
14	139919GT	FITTING,ORIFICE,.047.....1	
15	147418GT	ASSY,BLEED LINE (139367).....1	

918.1 Welder Option, Manifold Components

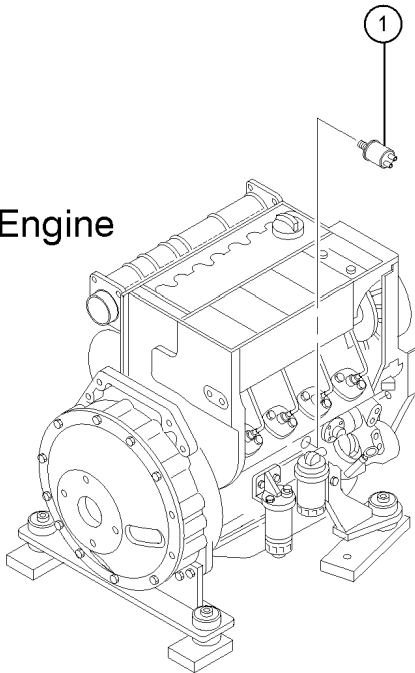


## 918.1 Welder Option, Manifold Components

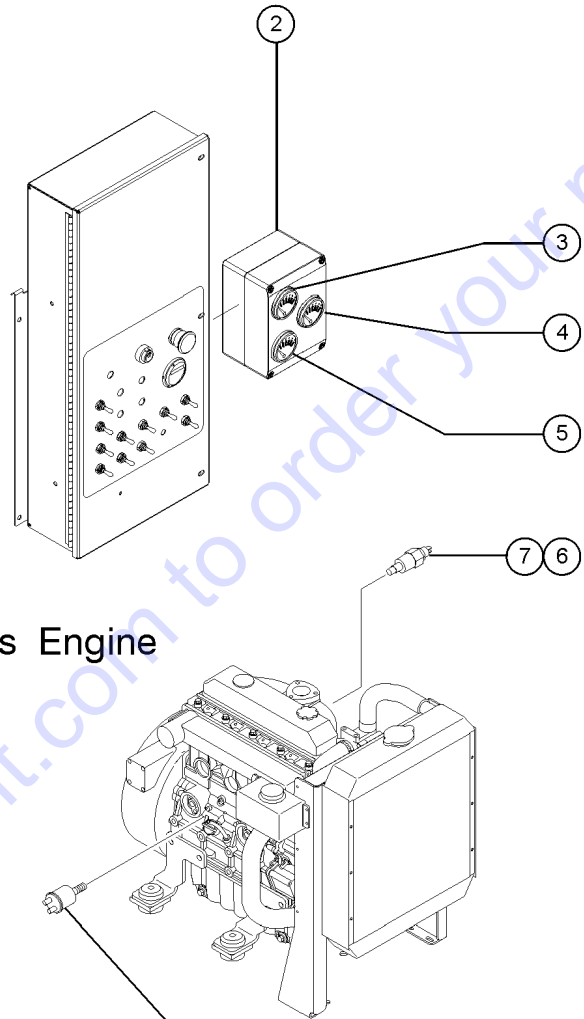
Item	Part No.	Description	Qty.
1	48963GT	FITTING,ELBOW,45D,520320-12***.....	4
2	101516GT	MANIFOLD,DRIVE OIL DIVERTER.....1 <i>(includes items 3-8 and 13)</i>	1
3	102746GT	VALVE,PILOT OPER DIRECTIONAL.....	1
4	106394GT	ORIFICE DISC,.030,CONE.....	1
5	94760GT	VALVE,SOLENOID,10V,W/OUT COIL*....	1
6	94765GT	COIL-10V DC***.....	1
7	94759GT	NUT,SOLENOID.....	1
8	94757GT	VALVE,CHECK,3 PSI***.....	1
9	48960GT	FITTING,CONN,520120-12*** .....	2
10	146285GT	CONN, SAE#4-1/4" NPT.....	1
11A	146284GT	SWITCH,PRESS,#4NPT,200PSIF.....1 <i>for first time replacement, order service kit 1271398GT.</i>	1
11B	1271398GT	KIT,GEN. PRESSURE SWITCH <i>includes pressure switch, hose, fittings and installation instructions</i>	
12	48933GT	CONN,520120-8*** .....	1
13	122302GT	RELIEF,VALVE 270 PSI.....	1

919.1 Gauge Option

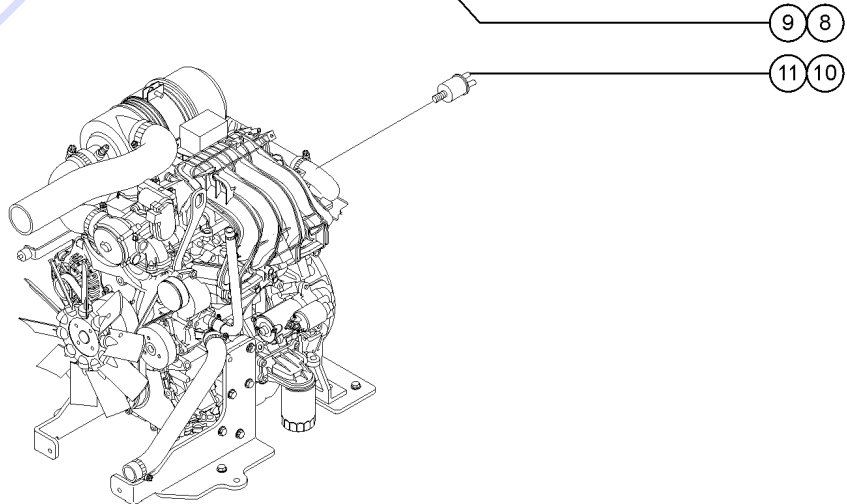
Deutz Engine



Perkins Engine



Ford Engine

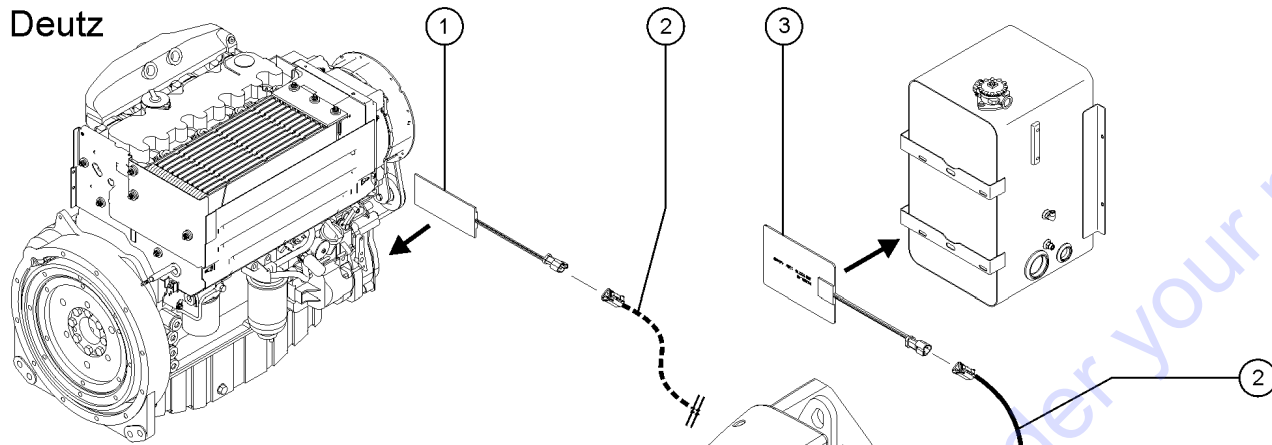


Item	Part No.	Description	Qty.
A	T109334GT	ACC,FULL GAUGE,FORD DSG423,SV	
B	T109333GT	ACC,FULL GAUGE,DEUTZ,SERV	
C	T109332GT	ACC,FULL GAUGE,PERKINS,SERV	
1	106033GT	ADAPTER,NPT 6-4	
2	101232GT	ENCLOSURE BOX,GAUGE OPT,DRILLD.....1 <i>bracket not included</i>	
--	139878GT	FORMING, GAUGE OPTION BRACKET.....1 <i>not included with 101232, must order separately</i>	
3	53761-SGT	GAUGE,VOLTAGE.....1	
4	53758-SGT	GAUGE,OIL PRESSURE W/O SENDER.....1	
5	53759-SGT	GAUGE,WATER TEMP.....1 <i>Perkins and Ford models only</i>	
6	34058GT	SENDING UNIT,TMP,FRD,GM,PRK704.....1	
7	28607GT	ADAPTER,140139-8-6.....1	
8	30810GT	SENDING UNIT,OIL PRESSURE*** .....1 <i>dual-terminal sender</i>	
9	71038GT	ADAPTER, 1/8 X 1/4 F3H6-S.....1	
10	119418GT	ADAPTER,140130-4-4.....1	
11	119417GT	TEE,RUN,1/4" PIPE.....1	

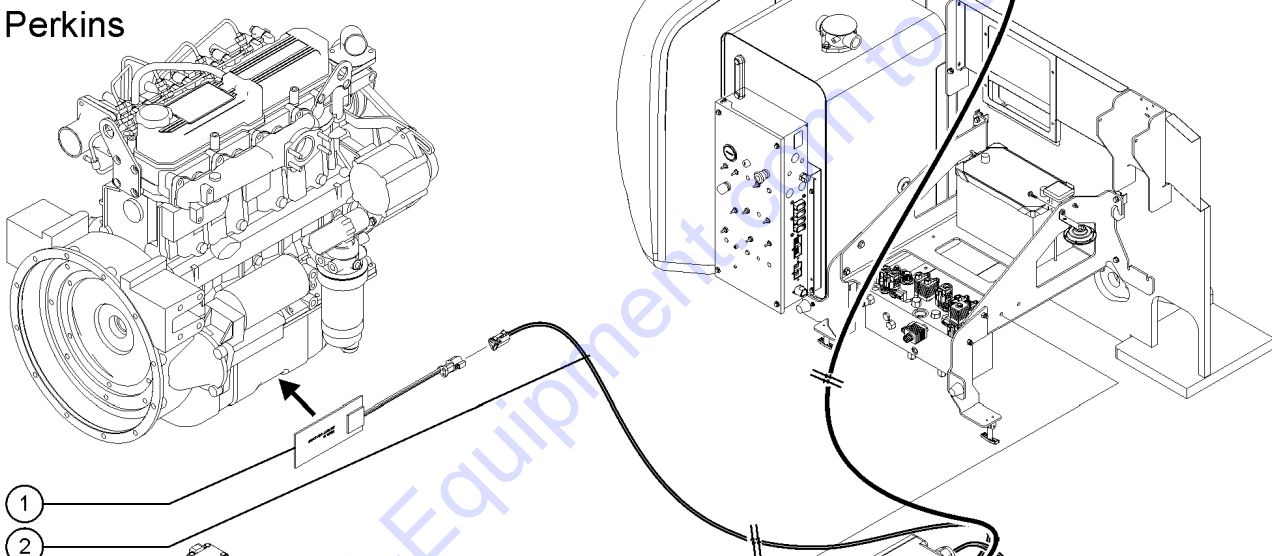


920.1 Cold Start Package

Deutz



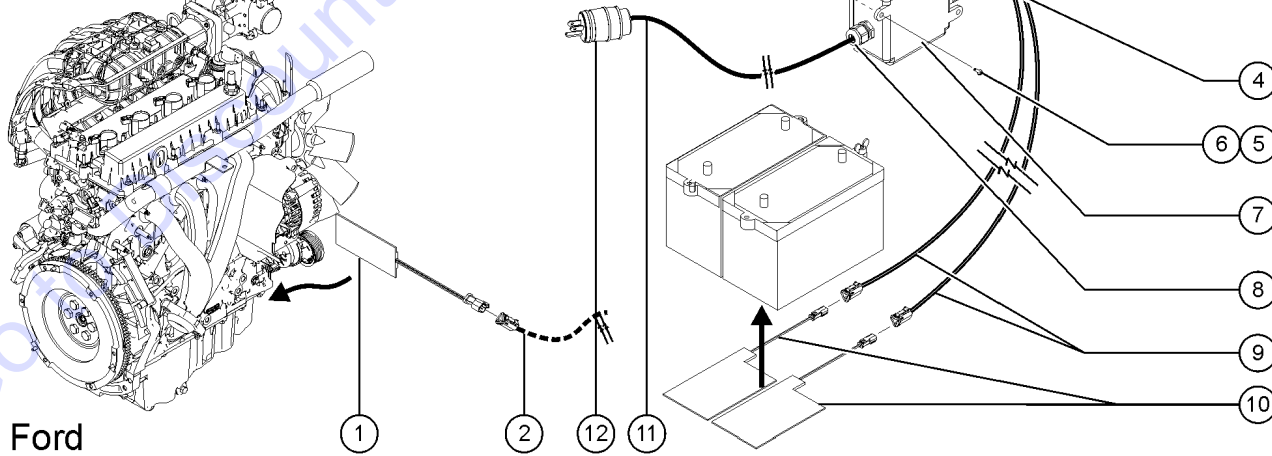
Perkins



1  
2

1  
2

Ford



1

2

12

11

4

6

5

7

8

9

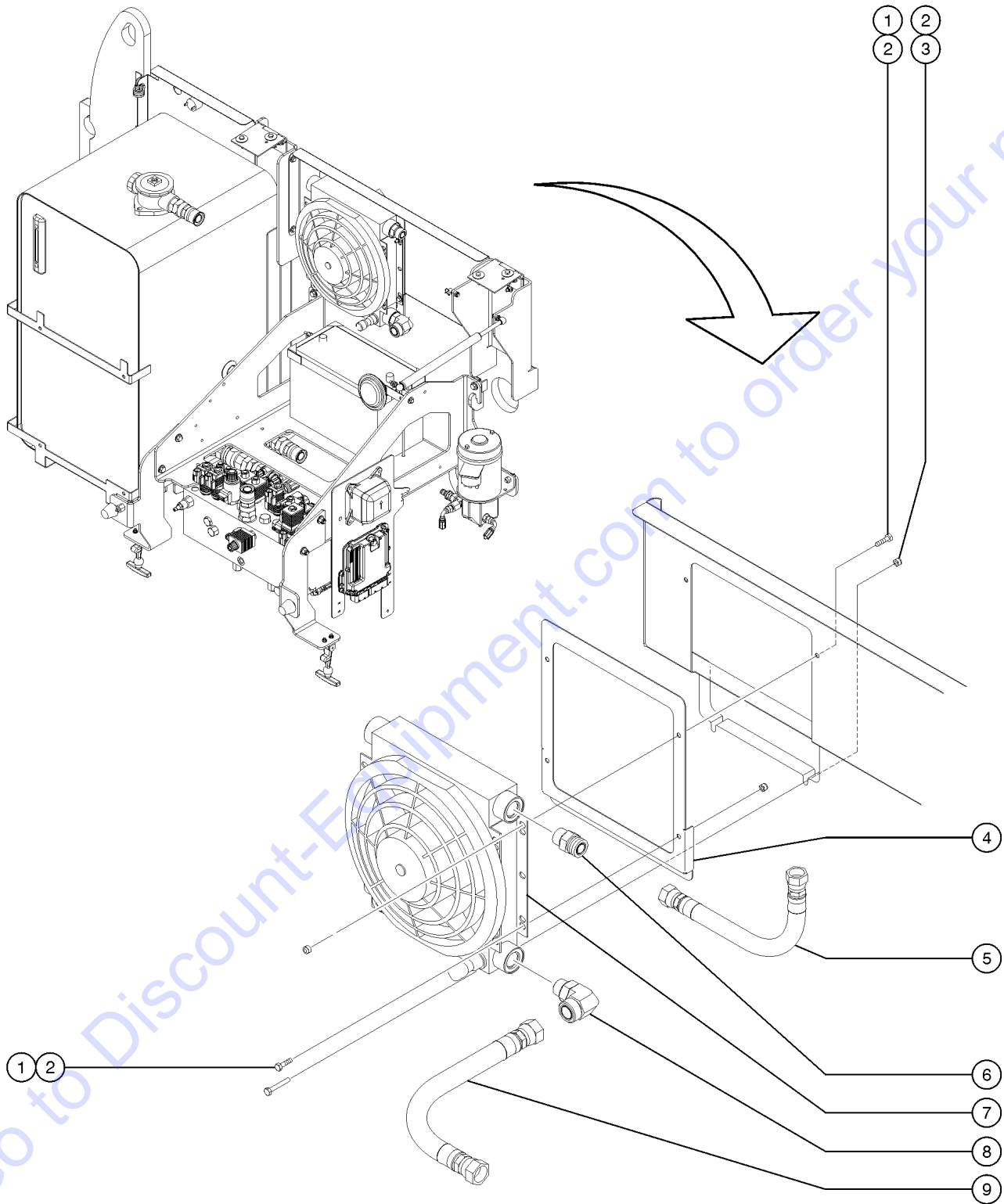
10



## 920.1 Cold Start Package

Item	Part No.	Description	Qty.	Item	Part No.	Description	Qty.
1A	216615GT	ASSY HEATER, MODEL 18, 120V.....1 <i>120V models</i>	1	--	119056GT	CONN,PLUG 2 WAY,14-18GA	
--	119066GT	CONN,RECEP 3 WAY ENDCAP DT		--	60425GT	LOCK, PLUG 2WAY, 14-18GA	
--	60441GT	LOCK,RECEP 3 WAY,14-18GA		10A	216617GT	ASSY, BATTERY HEATER, 120V <i>120V models</i>	
1B	216616GT	ASSY HEATER,MODEL 18,240V.....1 <i>240V models</i>	1	--	119065GT	CONN,RECEP 2 WAY ENDCAP DT	
--	119066GT	CONN,RECEP 3 WAY ENDCAP DT		--	60439GT	LOCK,RECEP 2 WAY, 14-18GA	
--	60441GT	LOCK,RECEP 3 WAY,14-18GA		10B	216618GT	ASSY BATTERY HEATER,240V <i>240V models</i>	
2A	216662GT	HARNESS,ENG/HYD HEATER,120V.....1 <i>120V models</i>	1	--	119065GT	CONN,RECEP 2 WAY ENDCAP DT	
--	101199-200GT	SHRINK TUBE,BLACK,RHW,1/2,3:1		--	60439GT	LOCK,RECEP 2 WAY, 14-18GA	
--	119057GT	CONN PLUG 3 WAY ENDCAP DT		11A	216606GT	HARNESS, 120V POWER CORD, 24".....1 <i>120V models includes plug and hubble</i>	1
--	60427GT	LOCK,PLUG 3 WAY,14-18GA		--	101199-200GT	SHRINK TUBE,BLACK,RHW,1/2,3:1	
2B	216683GT	HARNESS,ENG/HYD HEATER,240V.....1 <i>240V models</i>	1	--	45845GT	TERMINAL, RING, #10 YELLOW	
--	101199-200GT	SHRINK TUBE,BLACK,RHW,1/2,3:1		11B	216607GT	HARNESS, 240V POWER CORD, 24".....1 <i>240V models includes hubble</i>	1
--	119057GT	CONN PLUG 3 WAY ENDCAP DT		--	101199-200GT	SHRINK TUBE,BLACK,RHW,1/2,3:1	
--	60427GT	LOCK,PLUG 3 WAY,14-18GA		--	45845GT	TERMINAL, RING, #10 YELLOW	
3A	216612GT	ASSY,120V HEATER, HYD TANK.....1 <i>120V models</i>	1	12	119403GT	CONN,PLUG 120 AC/15A DOMESTIC...1 <i>120V models</i>	1
--	119066GT	CONN,RECEP 3 WAY ENDCAP DT					
--	60441GT	LOCK,RECEP 3 WAY,14-18GA					
3B	216611GT	ASSY,240V HEATER, HYD TANK.....1 <i>240V models</i>	1				
--	119066GT	CONN,RECEP 3 WAY ENDCAP DT					
--	60441GT	LOCK,RECEP 3 WAY,14-18GA					
4	99778GT	SQUEEZE CONNECTOR, 4 WIRE.....2 <i>included in harness</i>	2				
--	238123GT	HUBBLE NUT, PG11					
5	826516GT	SCREW, PHPM, 10-32 X 1.0, ZAG					
6	824032GT	NUT,TL FLG,10-32,F,ZAG					
7	214249GT	COLD WEATHER 120V J BOX ASSY.....1	1				
--	13597GT	TERMINAL,#10 RING,BLUE.....4	4				
--	215347GT	COLD PKG GROUND, JUMPER ASSY.....1	1				
--	69776GT	TERMINAL,STRIP,4-POLE,600V***.....1	1				
8	214536GT	SQUEEZE CONN W/NUT, 2WIRE, 4MM.....1 <i>included in harness</i>	1				
9A	216655GT	HARNESS,BATT CABLE,120V <i>120V models</i>					
--	101199-200GT	SHRINK TUBE,BLACK,RHW,1/2,3:1					
--	119056GT	CONN,PLUG 2 WAY,14-18GA					
--	60425GT	LOCK, PLUG 2WAY, 14-18GA					
9B	216676GT	HARNESS,BATT CABLE,240V <i>240V models</i>					
--	101199-200GT	SHRINK TUBE,BLACK,RHW,1/2,3:1					

921.1 Hydraulic Oil Cooler Option

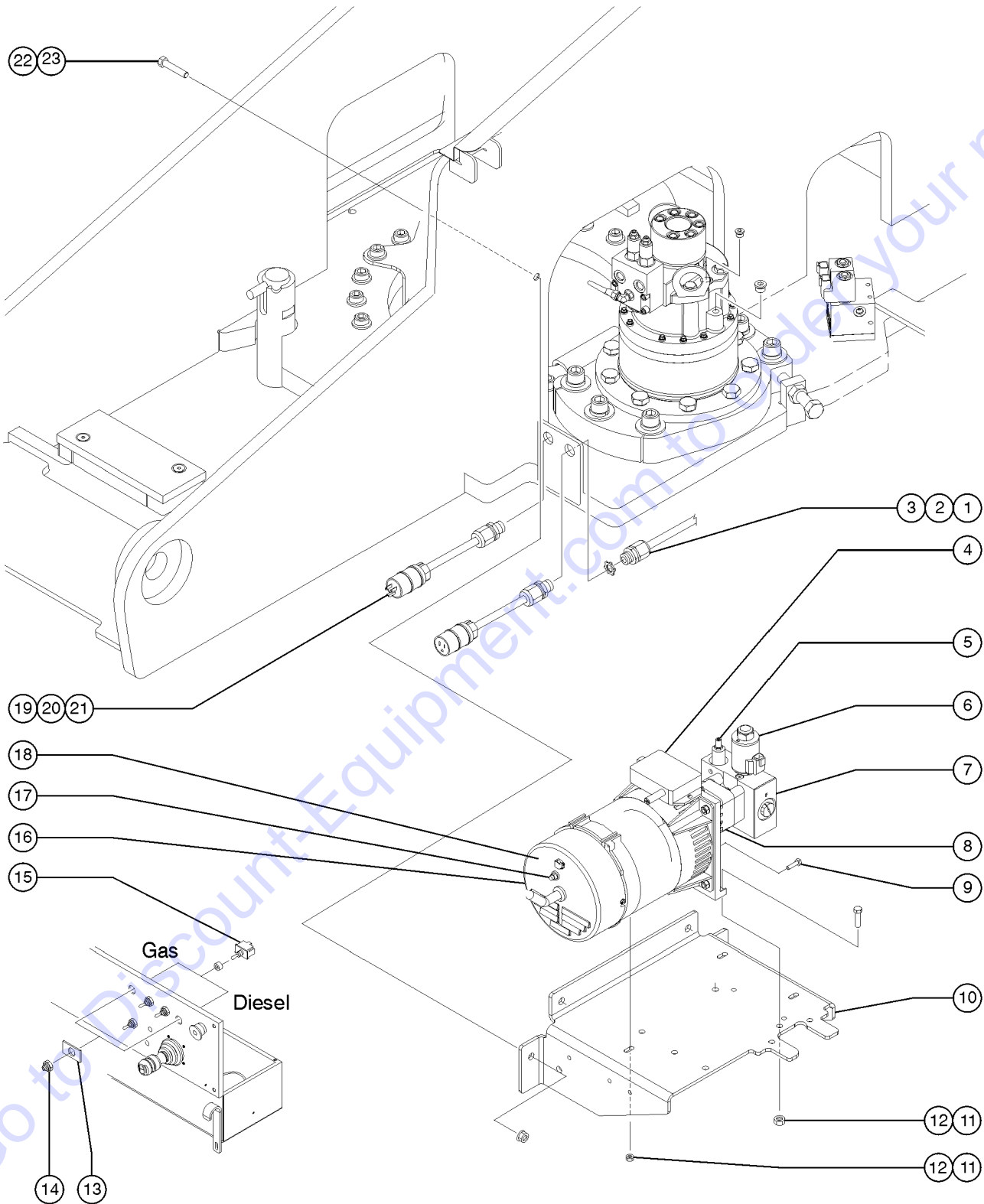


## 921.1 Hydraulic Oil Cooler Option

Item	Part No.	Description	Qty.
A	T109335GT	ACC, OIL COOLER,S60, SERV	
1	824078GT	SCREW,HHF,1/4-20X.75,8,ZAG.....	4
2	824027GT	NUT,TL FLG,1/4-20,G,ZAG.....	6
3	824081GT	SCREW,HHF,1/4-20X1.5,8,ZAG.....	2
4	77693GT	FORMING,OIL COOLER MOUNT.....	1
5	1259905GT	HOSE ASSY, 3/4", 28.55".....	1
6	48960GT	FITTING,CONN,520120-12*** .....	1
7	71259GT	OIL COOLER W/FAN, 12VDC.....	1
8	48878GT	ELBOW,90D,520220-16-12.....	1
9	94205-3164GT	HOSE ASSY,3/4,45 FEM,STR MALE.....	1

Go to Discount-Equipment.com to order your parts

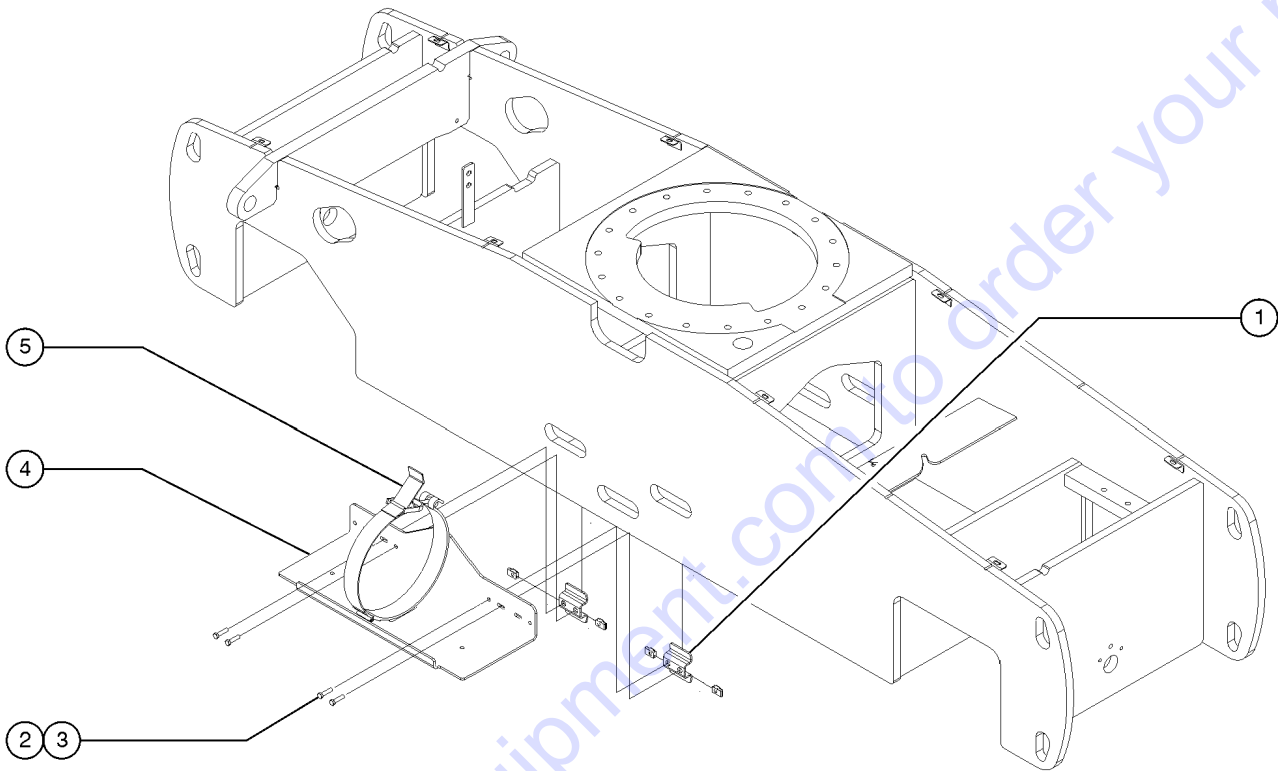
922.1 Hydraulic Generator



## 922.1 Hydraulic Generator

Item	Part No.	Description	Qty.	Item	Part No.	Description	Qty.
A	236923GT	FIELD KIT,MTE, 120V-50HZ, S60 <i>only for European machines already equipped with an oil cooler</i>		17A	147239GT	BREAKER, 25 AMP, GEN.....1 <i>(part of generators 139952 and 139953)</i>	1
B	216178GT	KIT,MTE&OIL COOL,120V50HZ,S60 <i>only for European machines without an oil cooler</i>		17B	147258GT	BREAKER,15 AMP,GEN <i>(part of generator 139954)</i>	
C	822687GT	FIELD KIT,MTE 120V-60HZ, S60.....1 <i>for units with oil cooler already installed</i>	1	18A	147241GT	COVER, END, GEN, 120V.....1 <i>(part of generators 139952 and 139953)</i>	1
D	822688GT	KIT,MTE&OIL COOL,120V60HZ,S60.....1 <i>for units that do not already have an oil cooler installed</i>	1	18B	147262GT	COVER, END, GENERATOR, 240V <i>(part of generator 139954)</i>	
E	236924GT	FIELD KIT,MTE, 240V-50HZ, S60 <i>only for European machines already equipped with an oil cooler</i>		19	119403GT	CONN,PLUG 120 AC/15A DOMESTIC...1	
F	216181GT	KIT,MTE&OIL COOL,240V50HZ,S60 <i>only for European machines without an oil cooler</i>		20	61278GT	CONN. SQZ,1/2NPT .56-.63.....1	1
G	1271398GT	KIT,GEN. PRESSURE SWITCH		21	6935GT	LOCKNUT,ELEC,1/2".....1	1
1	6935GT	LOCKNUT,ELEC,1/2"		22	1256172GT	SCREW,HHF,1/2-13X 2,8,ZAG.....4	4
2	7057GT	CONN. SQZ,1/2NPT .39-.56 MED.		23	1251997GT	NUT,TL FLG,1/2-13,G,ZAG.....4	4
3	119404GT	CONN,RECEP 120AC/15A DOMESTIC.....1	1				
4A	1269693GT	CONTROL BOX,2KW,120/240V,50HZ.....1 <i>(part of generators 139952 and 139954)</i>	1				
4B	147228GT	CONTROLLER BOX, 120/240V, 60H <i>(part of generator 139953)</i>					
5	147233GT	VALVE, RELIEF, GEN, 3.0kW.....1	1				
6	147232GT	12VDC PROPORTIONAL VALVE.....1	1				
7	147229GT	MANIFOLD ASSEMBLY, GEN.....1 <i>(complete, includes items 5 and 6)</i>	1				
8	147230GT	207 HYD MOTOR ASSY, GEN.....1	1				
--	147231GT	SEAL KIT, HYD MOTOR, GEN					
9	147242GT	SCREW, GEN ROTOR.....4	4				
10	106114GT	BRACKET,GENERATOR12.5 KW,PNTD*.....1	1				
--	56361GT	CABLE TIE,BUTTON,BLACK,14.75LG...1	1				
11	824028GT	NUT,TL FLG,5/16-18,G,ZAG.....3	3				
12	824066GT	SCREW,HHF,5/16-18X1.5,8,ZAG.....2	2				
13	133518GT	DECAL, PATCH, GEN,ALC-500.....1	1				
14	27246GT	BOOT,TOGGLE SWITCH,SHORT*.....1	1				
15	128204GT	SWITCH TOGGLE ASSY SPDT 2P MNT.....1	1				
16A	139952GT	GENERATOR,3kW,120V/50Hz.....1 <i>(complete, includes items 4-9 and 19-20)</i>	1				
16B	139953GT	GENERATOR, 3kW, 120V/60Hz.....1 <i>(complete, includes items 4-9 and 19-20)</i>	1				
--	147239GT	BREAKER, 25 AMP, GEN					
--	147240GT	CAPACITOR 16 F, GEN					
16C	139954GT	GENERATOR,3kW,240V/50Hz.....1 <i>(complete, includes items 4-9 and 19-20)</i>	1				

923.1 2nd LP Tank Carrier

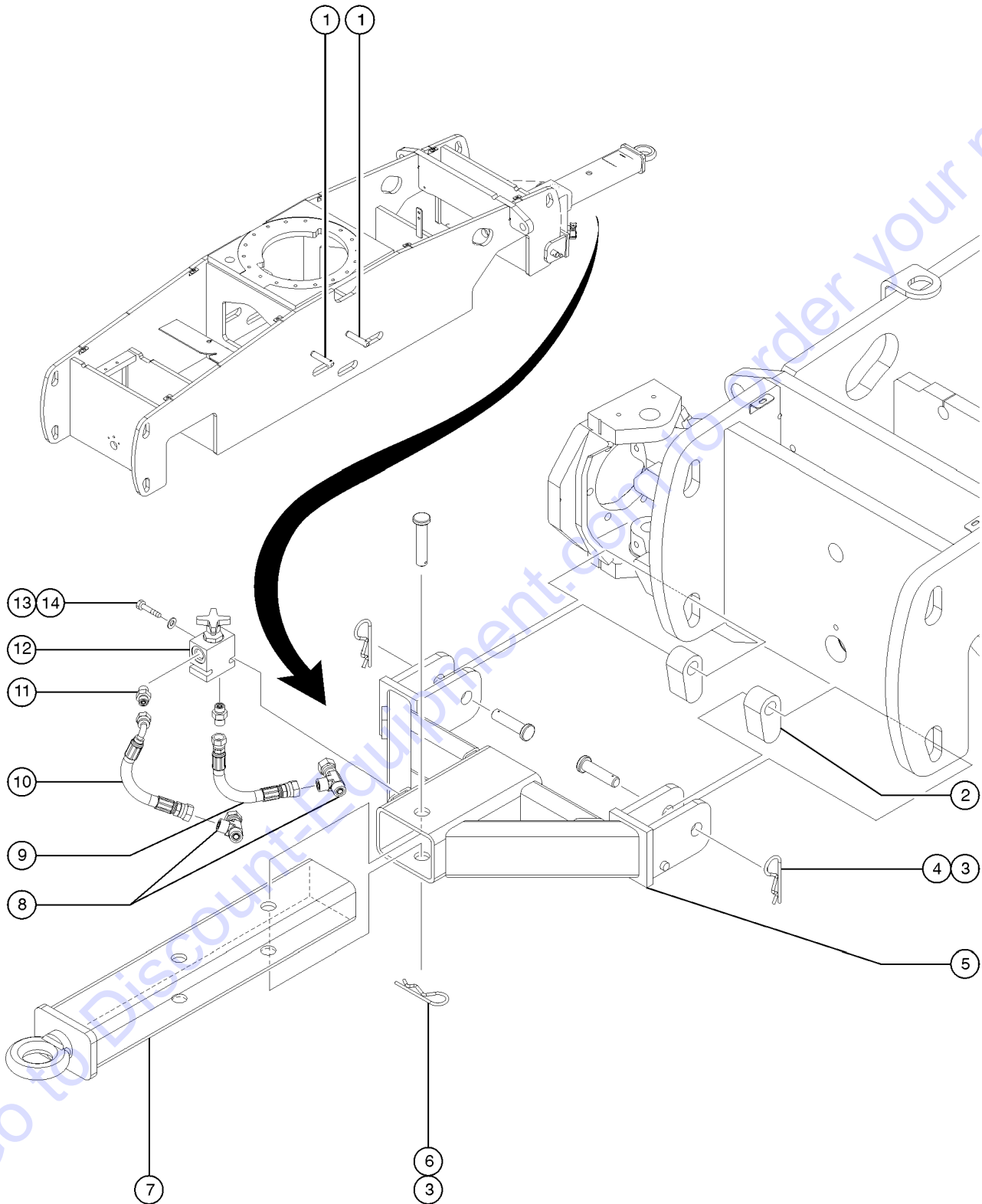


## 923.1 2nd LP Tank Carrier

Item	Part No.	Description	Qty.
--		NOTE: The 2nd LP Carrier may be located on either side of the machine	
1A	77714GT	FORMING,LP BRACKET MOUNT <i>to SN S6015A-30299</i>	
1B	1255731GT	FORMING,LP BRACKET MOUNT <i>from SN S6015A-30300</i>	
2	824091GT	SCREW,HHF,3/8-16X1.25,8,ZAG	
3	29868GT	SPRING CLIP,3/8-16,.05-.20X.73,ZAG	
4A	60143-SGT	WELD, LPG TANK MOUNT <i>to SN S6015A-30299</i>	
4B	1255730GT	WELDMENT,L.P. TANK MOUNT *** <i>from SN S6015A-30300</i>	
5	49000GT	L.P.TANK LATCH	



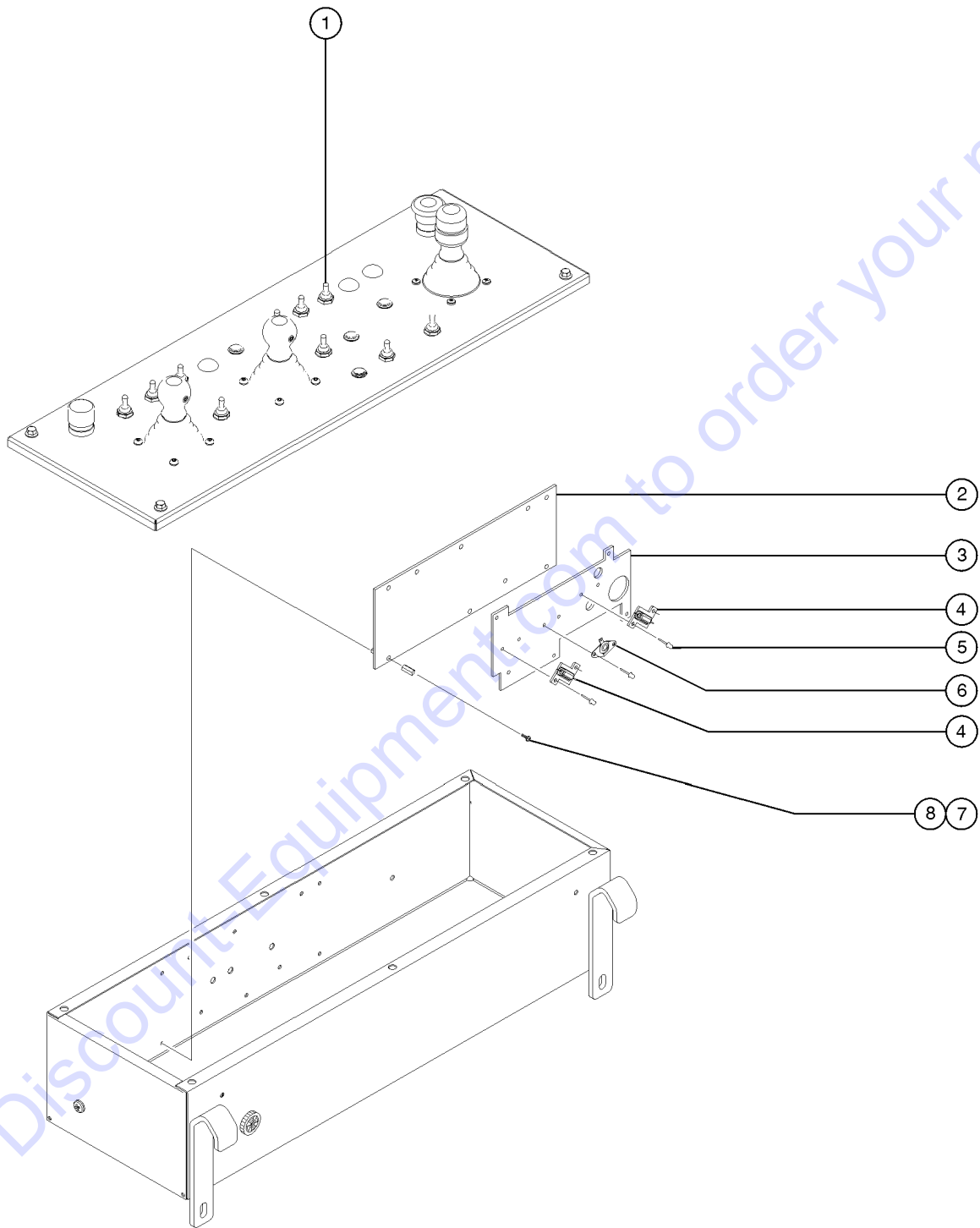
924.1 Tow Package



## 924.1 Tow Package

Item	Part No.	Description	Qty.
1	47025GT	PIN,STORAGE,TOW PACKAGE.....2 <i>used to store 94420 WELDMENT,PULL BAR</i>	
2A	81975PGT	PLATE,CHASSIS ATTACHMENT.....2 <i>to SN S6015A-30299</i>	
2B	1255727GT	PLATE,CHASSIS ATTACHMENT.....2 <i>from SN S6015A-30300</i>	
3A	42111GT	CLIP,HAIR PIN .243 X 5.25.....3 <i>to SN S6015A-30299</i>	
3B	233108GT	RUE RING 1.25,ZAG.....3 <i>from SN S6015A-30300</i>	
4A	42113GT	PIN,CLEVIS,1.25 X 5.0,ZINC.....2 <i>to SN S6015A-30299</i>	
4B	1257868GT	PIN,CLEVIS,1.25X5.0,ZAG.....2 <i>from SN S6015A-30300</i>	
5A	77870GT	WELDMENT,TOW BAR.....1 <i>decal not included, refer to section 100, to SN S6015A-30299</i>	
5B	1255728GT	WELDMENT,TOW BAR.....1 <i>decal not included, refer to section 100, from SN S6015A-30300</i>	
6A	42112GT	PIN,CLEVIS,1.25 X 6.0,ZINC.....1 <i>to SN S6015A-30299</i>	
6B	1257869GT	PIN,CLEVIS,1.25X6.0,ZAG.....1 <i>from SN S6015A-30300</i>	
7A	94420GT	WELDMENT,PULL BAR.....1 <i>to SN S6015A-30299</i>	
7B	1255726GT	WELDMENT,PULL BAR.....1 <i>from SN S6015A-30300</i>	
8	48875GT	TEE,RUN,SWIVEL,520432-6.....2	
9	49120-7131GT	HOSE ASSEMBLY,1/4".....1 <i>attach to right front steer cylinder</i>	
10	49163-7144GT	HOSE ASSEMBLY,1/4".....1 <i>includes 90-degree elbow fitting; attach to left steer cylinder</i>	
11	48912GT	CONN,520120-4-6***.....2	
12	25282GT	VALVE,NEEDLE,BRAKE RELEASE.....1	
13	824063GT	SCREW,HHC,1/4-20X1.75,8,ZAG.....2	
14	824113GT	WASHER,FLAT,USS,1/4,ZAG.....2	

925.1 Circuit Board Heater Option

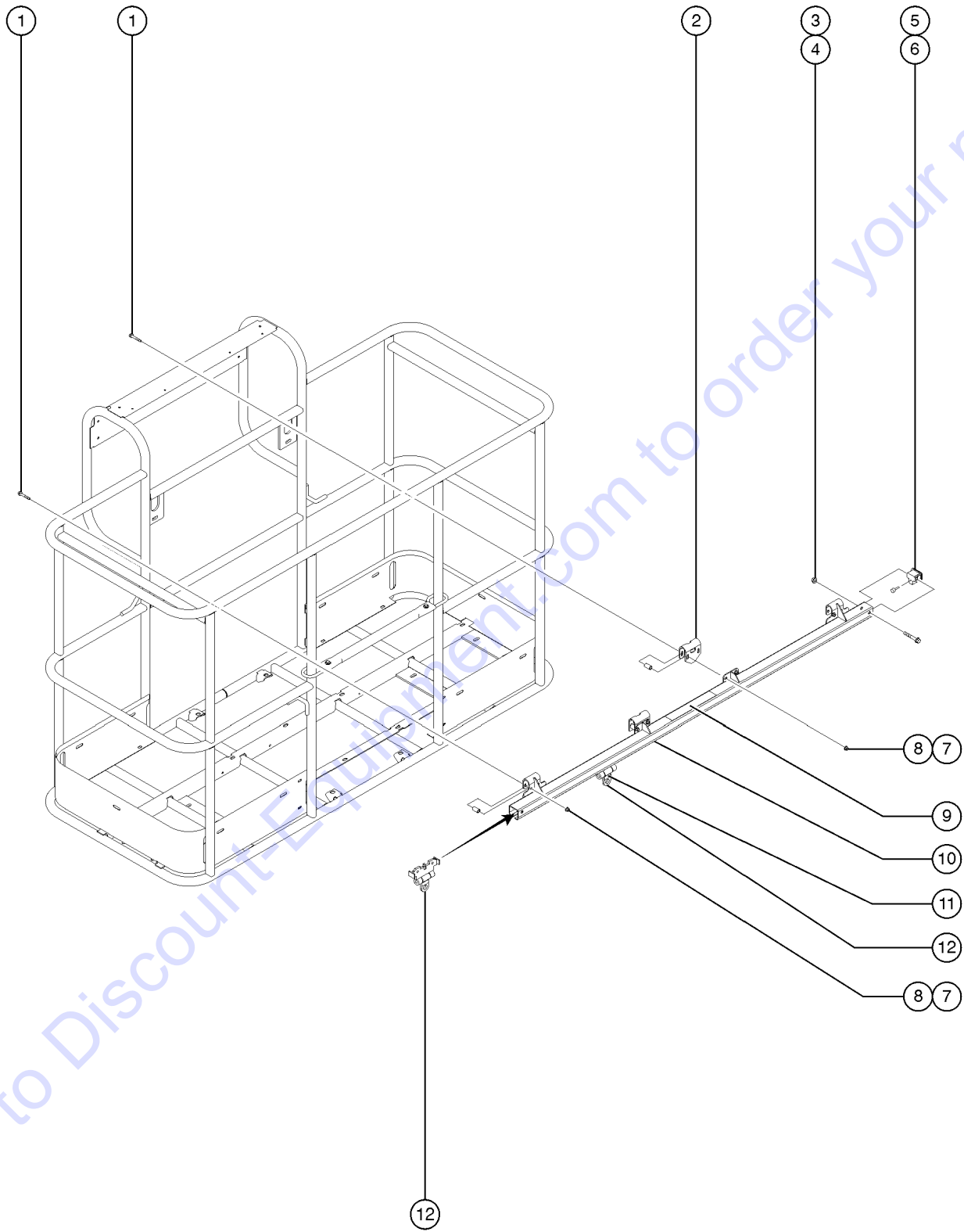


## 925.1 Circuit Board Heater Option

Item	Part No.	Description	Qty.
A	147754GT	ACC.PBOX HEATER ALC500 GEN II	
--	119560GT	WIRING KIT,CONTROL BOX HEATER...1	
--	T115352GT	DECAL,OPTION CONTROL BOX HEATR.....1	
1	128204GT	SWITCH TOGGLE ASSY SPDT 2P MNT.....1	
2		ALC500 printed circuit board <i>refer to 703.1</i>	
3	147661GT	PLATE,PLAT HEAT,ALC500 GEN II.....1	
4	27287GT	RESISTOR,10 OHM,25 WATT.....2	
5	824206GT	RIVET,STL,STL,DOME,1/8X.25,ZAG.....6	
6	119641GT	SWITCH,THERMOSTAT 85F OPEN.....1	
7	1257402GT	SCREW,PHPM,6-32X.25,ZAG.....5	
8	119534GT	STANDOFF,1/4X1/4 M-F 6-32 S/S.....5	

Go to Discount-Equipment.com to order your parts

926.1 Fall Arrest Bar

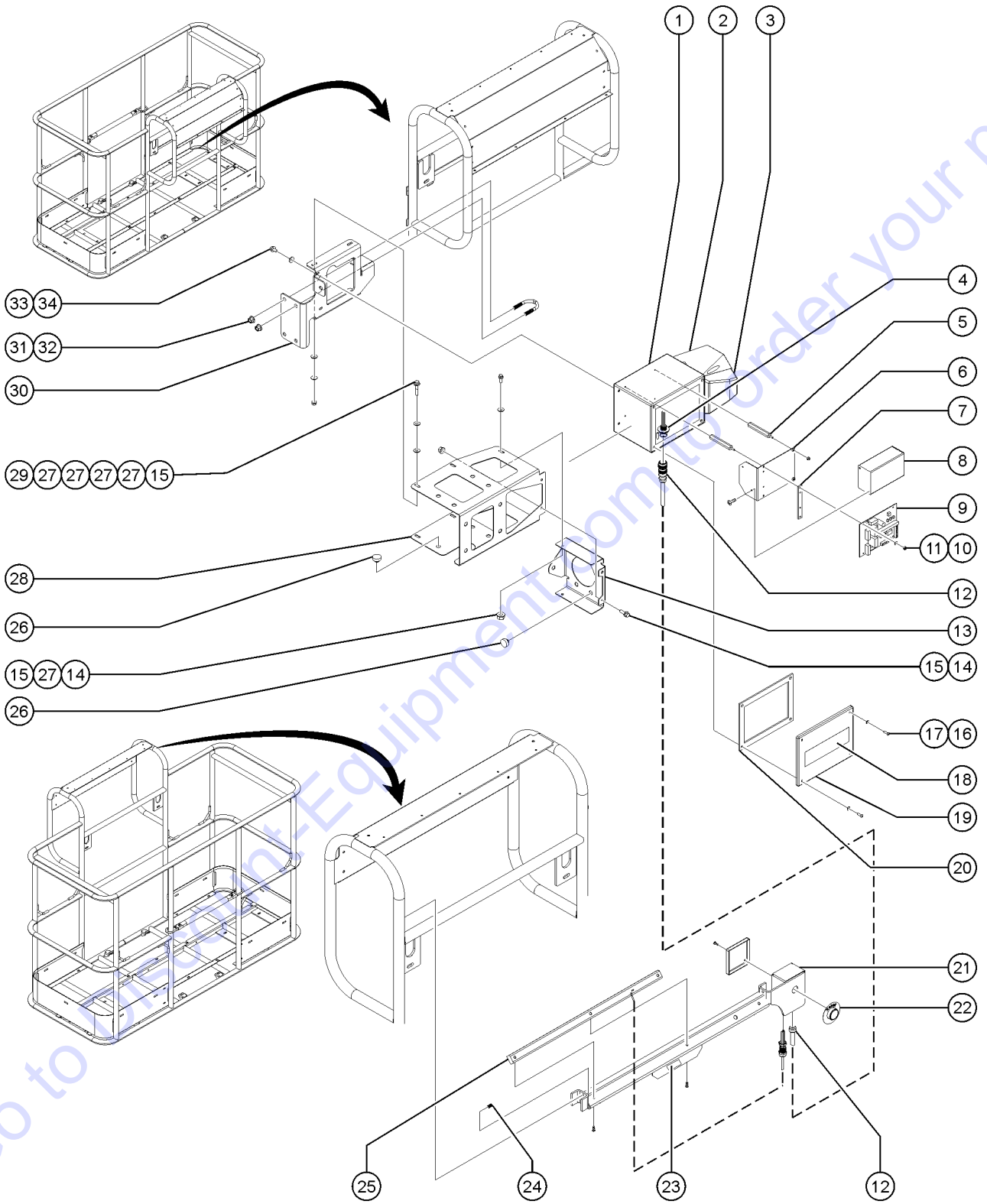


Go to DiscountEquipment.com to order your parts

## 926.1 Fall Arrest Bar

Item	Part No.	Description	Qty.
1	1256856GT	SCREW,HHF,3/8-16X2.5,8,ZAG.....	4
2	1256389GT	FORMING,INNER HANGER.....	2
3	1251997GT	NUT,TL FLG,1/2-13,G,ZAG.....	2
4	1256851GT	SCREW,HHF,1/2-13X3.5,8,ZAG.....	2
5	1260892GT	END STOP,TRACK,FALL ARREST BAR.....	2
6	36388GT	BUMPER,RUBBER,.75 X .50H,STUD....	2
7	1274322GT	NUT,NYLOCK FLG,3/8-16,F,ZAG.....	8
8	1256481GT	SPACER, HANGER BRACKET.....	8
9A	1256400GT	DECAL,TRACK,FALL ARREST BAR,WORD.....	1
9B	1260910GT	DECAL,TRACK,FALL ARREST BAR,SYMBOL.....	1
9C	1256400FRGT	DECAL,TRACK,FALL ARREST BAR,WORD FR.....	1
10A	1256377GT	ACC,FALL ARREST BAR,8FT WORD....	1
--	1256379GT	ASSY,TRACK,FALL ARREST BAR,8FT WORD <i>includes decals</i>	
10B	1261022GT	ACC,FALL ARREST BAR,8FT SYM.....	1
--	1261024GT	ASSY,TRACK,FALL ARREST BAR,8FT SYM <i>includes decals</i>	
10C	1261018GT	ACC,FALL ARREST BAR,8FT FR.....	1
--	1261020GT	ASSY,TRACK,FALL ARREST BAR,8FT FR <i>includes decals</i>	
10D	1256378GT	ACC,FALL ARREST BAR,6FT WORD....	1
--	1256380GT	ASSY,TRACK,FALL ARREST BAR,6FT WORD <i>includes decals</i>	
10E	1261023GT	ACC,FALL ARREST BAR,6FT SYM.....	1
--	1261025GT	ASSY,TRACK,FALL ARREST BAR,6FT SYM <i>includes decals</i>	
10F	1261019GT	ACC,FALL ARREST BAR,6FT FR.....	1
--	1261021GT	ASSY,TRACK,FALL ARREST BAR,6FT FR <i>includes decals</i>	
11	40434GT	DECAL,LANYARD ANCHORAGE POINT.....	1
12	1256439GT	TROLLEY, TRACK, FALL ARREST BAR.....	1

927.1 Operators Protection Alarm



## 927.1 Operators Protection Alarm

Item	Part No.	Description	Qty.	Item	Part No.	Description	Qty.
A	1275537GT	ASSEMBLY, OPA PROTECTION CAGE.....	1	33	237238GT	SCREW,HHF,M6-1.0X12,DIN6921,10.....	2
1	1255018GT	BASE ENCLOSURE,RED,OPA.....	1	34	1257389GT	WASHER, FLAT, M6X18X1.6,DIN9021,ZAB.....	2
2	1255021GT	SOUNDER,MIDI,OPA.....	1				
3A	1255037GT	SOUNDER LENS, OPA, BLUE..... (standard lens fitted to OPA)	1				
3B	1270116GT	SOUNDER LENS, OPA, RED.....	1				
3C	1270117GT	SOUNDER LENS, OPA, AMBER.....	1				
3D	1270118GT	SOUNDER LENS, OPA, CLEAR.....	1				
4	1255033GT	HARN,PIGTAIL,TAPESWITCH,OPA.....	1				
5	1255028GT	STAND OFF,CONTROL UNIT.....	4				
6	1255024GT	BRACKET,CONTROL UNIT.....	1				
7	1255025GT	SPACER,HEAT SINK.....	1				
8	1255023GT	ASSY,MODULE,CONTROL UNIT,OPA....	1				
9	1255022GT	MODULE,CONTROL UNIT,PCB,OPA....	1				
10	1255067GT	NUT,M4 NYLOCK.....	4				
11	1255066GT	WASHER,M4 NYLON.....	4				
12	1255035GT	ASSEMBLY,CABLE,TAPESWITCH.....	1				
13	1275539GT	FORMING, OPA CAP.....	1				
14	824078GT	SCREW,HHF,1/4-20X.75,8,ZAG.....	5				
15	824027GT	NUT,TL FLG,1/4-20,G,ZAG.....	9				
16	1255038GT	SCREW,M5X16 BHD.....	4				
17	1255027GT	WASHER,M5 NYLON.....	4				
18	1255890GT	DECAL,COSMETIC,GENIE.....	1				
19	1255020GT	LID ENCLOSURE,RED,OPA.....	1				
20	1255019GT	GASKET,ENCLOSURE.....	1				
21	1255029GT	ASSEMBLY,TAPESWITCH..... "(6/8' platforms) (includes j-box and fasteners)"	1				
22	1255036GT	ASSEMBLY RESET SWITCH.....	1				
23	1255889GT	DECAL,SYMBOL-READ THE MANUAL.....	1				
24	1255068GT	SCREW,M6X8.....	2				
25	1255047GT	SENSOR,RUBBER EDGE..... (6/8' platforms)	1				
26	43392GT	BUMPER,BATTERY BOX & RAILS.....	17				
27	824113GT	WASHER,FLAT,USS,1/4,ZAG.....	19				
28	1275538GT	FORMING, OPA CAGE.....	1				
29	824080GT	SCREW,HHF,1/4-20X1.25,8,ZAG.....	4				
30	1275540GT	FORMING, OPA, BRACKET.....	1				
--	1271945GT	KIT, OPA WELDER BRACKET Complete assembly bracket with fasteners and U-Bolt 1251600; from SN 35544					
31	824029GT	NUT,TL FLG,3/8-16,G,ZAG.....	4				
32	1251600GT	U-BOLT, FLATTENED, 1.5 X 3/8 UNC,ZAG.....	2				



## Part Number Index

The Part Number Index is a numeric index of all part numbers included in this manual. The index shows what page(s) the part is used on.

Part Number	Page	Part Number	Page	Part Number	Page	Part Number	Page
07.4501.0291GT	.....159	102992GT	.....195	110276-2300GT	.....251	119058GT	.....105-107
1000014GT	.....14, 29	104759GT	.....117	110276-2800GT	.....251	119061GT	.....105-107
1000199GT	.....41	10598GT	.....159	110280GT	.....89	119062GT	.....105-107
1000262GT	.....29	106003PGT	.....132	110304GT	.....132, 135	119063GT	.....105-107
101005GT	.....203	106033GT	.....257	110329GT	.....99	119064GT	.....105-107
101005HGT	.....203	106044GT	.....235, 237, 251	110339GT	.....177	119065GT	.....221, 259
101006GT	.....143-144	106073GT	.....249	110340GT	.....177	119066GT	.....259
101066PGT	.....177	106077GT	.....249	110345GT	.....66, 69	119067GT	.....175
10107GT	.....231	106098GT	.....50-51, 53-54	110382GT	.....71	119068GT	.....99
101080GT	.....105-107	106099GT	.....245	110390GT	.....105-107	119084GT	.....241
101085GT	.....135	106104GT	.....249	110406GT	.....129	119085GT	.....241
101129PGT	.....143-144	106109PGT	.....251	110417PGT	.....129	119086GT	.....241
101140P-SGT	.....144	106114GT	.....263	110452GT	.....171-172	119087GT	.....241
101173GT	.....203	106114pGT	.....249	110477GT	.....129	119088GT	.....241
101173HGT	.....203	106117GT	.....53-54	110578GT	.....50-51	119089GT	.....241
101174GT	.....203	106140PGT	.....83, 89	110671GT	.....195	119090GT	.....241
101174HGT	.....203	106163GT	.....195	110727GT	.....49-51	119117GT	.....143-144, 147
101191GT	.....105-107	106172PGT	.....91-92, 95-96	110728GT	.....49-51	119138GT	.....11
101199-200GT	.....259	106183GT	.....251	110730GT	.....49-51	119139GT	.....123
101232GT	.....257	106203GT	.....249	110731GT	.....49-51	119140GT	.....125
101244GT	.....183	106204PGT	.....251	110733GT	.....49-51	119146GT	.....50-51
101251GT	.....175	106206GT	.....249	110755GT	.....99	119168GT	.....79
101252GT	.....171-172	106226-4000GT	.....131-132	110784GT	.....185	119170GT	.....79
101254GT	.....181, 183, 185, 187	106226GT	.....129	110785GT	.....185	119218GT	.....129
101255GT	.....50-51	106272GT	.....249	110789GT	.....185, 189	119230GT	.....185
101293GT	.....217	106273GT	.....251	110803GT	.....105-107	119232GT	.....129
101294GT	.....119	106275GT	.....251	110899GT	.....131-132	119246GT	.....75
101440GT	.....113	106394GT	.....255	110908GT	.....171-172	119344GT	.....143-144
101491GT	.....205	106399GT	.....185	110987GT	.....105-107	119394GT	.....157
101494GT	.....205	106495GT	.....249	110988GT	.....105-107	119403GT	.....239, 259, 263
101516GT	.....255	106516GT	.....50-51	110991GT	.....75	119404GT	.....239, 263
101525GT	.....251	106517PGT	.....50-51	110992GT	.....75	119417GT	.....257
101547PGT	.....251	106520GT	.....249	111029GT	.....131-132	119418GT	.....257
101639GT	.....247	106521GT	.....249	111155GT	.....63	119474GT	.....125
101701PGT	.....251	106522GT	.....249	111363GT	.....91-92, 95-96	119475GT	.....123
101726GT	.....77	106523GT	.....249	111402GT	.....147	119477GT	.....125
101729GT	.....159	106607GT	.....249, 251	111413GT	.....201	119483GT	.....106-107
101790-10091GT	.....209	106637GT	.....83, 89	111420GT	.....201	119484GT	.....129
101790-10691GT	.....209	106647GT	.....49-51	111445GT	.....143-144, 147	119534GT	.....269
101795-2482GT	.....209	106648GT	.....49-51	111485PGT	.....223	119535GT	.....191
101795-4782GT	.....211	106657GT	.....83, 89	111486PGT	.....223	119536PGT	.....183
101845GT	.....189	106663GT	.....131-132, 137	111526GT	.....223	119537GT	.....191
101852GT	.....225	106766GT	.....185	111634GT	.....127	119542GT	.....183
101853GT	.....225	106835GT	.....119	111668GT	.....143-144, 147	119546GT	.....123
101932GT	.....241	106836GT	.....119	111705GT	.....109-110	119560GT	.....269
101964GT	.....101, 103	106837GT	.....119	111818GT	.....79	119567GT	.....175
101973GT	.....227	106883PGT	.....99	111819GT	.....79	119568GT	.....123
101995GT	.....83	106884GT	.....99	114098GT	.....45	119607GT	.....105-107
102045GT	.....147, 149, 169	107552GT	.....106-107	114099GT	.....13-14, 21, 33, 37	119613GT	.....203
102066GT	.....129	107564GT	.....185	114169GT	.....21	119641GT	.....269
102121GT	.....127	107615PGT	.....49-51	114219GT	.....13-14, 17-18	119644GT	.....201
102126GT	.....53-54	107616PGT	.....50-51	114240GT	.....33	119777GT	.....106-107
102131GT	.....50-51, 53-54	107665PGT	.....175	114241GT	.....33	119809GT	.....131-132, 139
102155GT	.....50-51, 53-54	107753GT	.....109-110	114247GT	.....41	119845GT	.....239
102157GT	.....54	10775GT	.....239	114249GT	.....33, 35, 37, 39	119915GT	.....203
102158GT	.....50-51, 53-54	10777GT	.....239	114251GT	.....33, 35, 39	119918GT	.....79
102159GT	.....50-51, 53-54	107813GT	.....119	114252GT	.....33, 41, 43, 45	119950GT	.....225
102162GT	.....50-51, 53-54	107814GT	.....119	114258GT	.....13-14, 17-18, 23	119965GT	.....123
102163GT	.....53-54	107815GT	.....119	114277GT	.....21, 37	119990GT	.....172
102166GT	.....54	107825GT	.....171-172	114389GT	.....13-14, 29	121035GT	.....193
102167GT	.....53-54	107842GT	.....119	114390GT	.....13-14, 17-18, 21, 23, 31	121065GT	.....193
102209PGT	.....149	107857GT	.....221	114416GT	.....29, 31	121066GT	.....221
102227GT	.....147	108538GT	.....151, 161	114425GT	.....13-14, 17-18	121358GT	.....101
102230-9589GT	.....209	109802GT	.....91-92, 95-96	114465GT	.....13-14, 17-18, 33, 35	121359GT	.....101
102237GT	.....147	110183PGT	.....91-92, 95-96, 147	114473GT	.....45, 47	121599GT	.....83, 89
102357GT	.....83, 89	110194GT	.....109-110, 113	115431GT	.....131-132, 135	121831GT	.....243
102516GT	.....50-51, 53-54	110196GT	.....109-110	119044GT	.....99	121832GT	.....243
102528GT	.....110	110197GT	.....109-110	119051GT	.....127	121846GT	.....83, 89
102581GT	.....149	110200GT	.....109-110	119052GT	.....127	121847GT	.....201
102587GT	.....151, 161	110201GT	.....109-110	119053GT	.....135	121848GT	.....105-107, 189
102721PGT	.....227	110202GT	.....109-110	119055GT	.....129	122019GT	.....221
102746GT	.....255	110221GT	.....50-51	119056GT	.....249, 259	122053GT	.....105-107
102785PGT	.....223	110268GT	.....106-107	119057GT	.....259	122073GT	.....223, 235, 237
102786PGT	.....223	110276-1600GT	.....251			122231GT	.....237

Part Number	Page	Part Number	Page	Part Number	Page	Part Number	Page
122278GT	223	1253609GT	123	1255704GT	50-51	1256599GT	157
122279GT	223	1253629GT	14, 18	1255705GT	49-51	1256670GT	117
122302GT	255	1253749GT	125	1255706GT	50-51	1256679GT	91-92, 95-96,
122661GT	193	1253750GT	11	1255710GT	49-51		101, 103, 127,
122662GT	193	1253793GT	221	1255711GT	53-54		153, 157
122663GT	193	1253795GT	221	1255712GT	57	1256693GT	103
122668GT	193	1253796GT	221	1255714GT	61	1256767GT	103
122944GT	181, 183	1253798GT	207	1255715GT	59	1256771GT	103
1251496GT	167	1253799GT	69	1255726GT	267	1256776GT	143-144, 169
1251499GT	65-66, 73	1253800GT	69	1255727GT	267	1256804GT	243
1251500GT	65-66, 73	1253815GT	171-172	1255728GT	267	1256837GT	91-92, 95-96
1251501GT	65-66, 73	1253818GT	73	1255730GT	265	1256842GT	91-92, 95-96
1251502GT	65-66, 73	1253819GT	69	1255731GT	265	1256843GT	185, 187
1251503GT	65-66, 73	1253824GT	69	1255758GT	147, 193, 233	1256846GT	91-92, 95-96
1251504GT	65-66, 73	1253825GT	69	1255760GT	141, 143-144,	1256848GT	127
1251505GT	65-66, 73	1253830GT	103		171-172	1256851GT	271
1251506GT	65-66, 73	1253831GT	103	1255763GT	103, 165	1256853GT	75
1251507GT	65-66, 73	1253922GT	157	1255768GT	92, 96	1256855GT	81, 85-86, 89,
1251508GT	65-66, 73	1253990GT	137	1255769GT	96		91-92, 95-96,
1251509GT	65-66, 73	1254017GT	137	1255770GT	96		127, 129, 195,
1251510GT	65-66, 73	1254267GT	157	1255771GT	96		201, 229
1251565GT	147, 169, 175,	1254452GT	157	1255772GT	96	1256856GT	103, 243, 271
	177	1254453GT	157	1255773GT	96	1256863GT	91-92, 95-96
1251600GT	195, 229, 233,	1254594GT	151, 153, 161	1255782GT	177	1256864GT	53-54, 171-172
	273	1254625GT	103	1255802GT	57, 249	1257076GT	57, 143-144, 147
1251731GT	157	1254639GT	172	1255803GT	179	1257077GT	57
1251757GT	83, 89, 201	1254804GT	197-198	1255805GT	103, 143-144,	1257078GT	53-54
1251814GT	139		149, 163			1257079GT	171-172
1251815GT	141	1254823GT	157, 167	1255889GT	273	1257080GT	172
1251816GT	141	1254826GT	143-144, 147	1255890GT	273	1257081GT	183, 185, 187,
1251818GT	141	1254873GT	65-66	1255894GT	155		189
1251819GT	141	1254874GT	195	1255986GT	103	1257082GT	185
1251842GT	219	1255018GT	273	1255987GT	103	1257083GT	185
1251899GT	147	1255019GT	273	1256054GT	103	1257223GT	91-92, 95-96
1251983GT	127, 129, 132,	1255020GT	273	1256106GT	177	1257224GT	79
	137, 163, 167	1255021GT	273	1256107GT	171-172	1257226GT	69
1251984GT	85-86	1255022GT	273	1256108GT	241	1257227GT	191, 249
1251985GT	85-86	1255023GT	273	1256109GT	183	1257231GT	157
1251994GT	129, 132, 141,	1255024GT	273	1256109GT	183	1257264GT	189
	143-144	1255025GT	273	1256119GT	175	1257389GT	273
1251995GT	141	1255027GT	273	1256122GT	177	1257402GT	269
1251996GT	141	1255028GT	273	1256126GT	91-92, 95-96	1257404GT	201
1251997GT	91-92, 95-96,	1255029GT	273	1256127GT	91-92, 95-96,	1257410GT	81, 85-86
	129, 137, 141,	1255030GT	107		101, 103, 183	1257417GT	201
	143-144, 171-	1255033GT	273	1256165GT	167	1257421GT	155, 165
	172, 249, 263,	1255035GT	273	1256167GT	147	1257481GT	127
	271	1255036GT	273	1256168GT	91-92, 95-96	1257486GT	129
1252050GT	129	1255037GT	273	1256169GT	169	1257489GT	127
1252684GT	85-86	1255038GT	273	1256170GT	54, 92, 96	1257628GT	103, 129
1252685GT	85-86	1255047GT	273	1256171GT	193	1257685GT	135
1252940GT	139	1255066GT	273	1256172GT	91-92, 95-96,	1257705GT	132, 137, 141
1252941GT	135	1255067GT	273		263	1257706GT	144
1252942GT	139	1255068GT	273	1256177GT	92, 96	1257733GT	11
1252943GT	132, 139	1255385GT	50-51, 53-54	1256180GT	183	1257810GT	132, 137, 141
1252978GT	177	1255389GT	65-66, 69, 75	1256182GT	50-51, 53-54,	1257825GT	137, 139
1253011GT	21, 23	1255395GT	159		92, 96, 147	1257834GT	132
1253185GT	129, 131-132,	1255396GT	159, 169	1256267GT	50-51, 53-54,	1257837GT	144
	135, 153, 155,	1255399GT	159, 169		171-172	1257838GT	153
	163, 243, 245	1255400GT	159, 169	1256283GT	141, 143-144,	1257862GT	57
1253263GT	69	1255451GT	167		167	1257863GT	179
1253264GT	103	1255452GT	50-51, 171-172	1256377GT	271	1257865GT	59, 61
1253265GT	103	1255456GT	105-107	1256378GT	271	1257868GT	267
1253270GT	103	1255457GT	106-107	1256379GT	271	1257869GT	267
1253271GT	103	1255458GT	106-107	1256380GT	271	1257961GT	159, 169
1253319GT	169	1255459GT	106-107	1256389GT	271	1258049GT	147
1253408GT	251	1255460GT	106-107	1256400FRGT	271	1258189GT	179
1253415GT	101	1255469GT	69, 127	1256400GT	271	1258567GT	111
1253419GT	95-96	1255555GT	107	1256425GT	39, 47	1258641GT	167
1253478GT	77, 103	1255581GT	18, 23, 35, 39	1256439GT	271	125864GT	59
1253485GT	65-66, 73, 79,	1255582GT	18, 35	1256455GT	132	125865GT	59
	141	1255629GT	177	1256460GT	195	125866GT	61
1253498GT	50-51, 53-54,	1255653GT	143-144, 147,	1256464GT	127	1258722GT	103
	65-66, 99, 119,		159	1256467GT	57, 143-144, 147	1258723GT	103
	129, 137, 147,	1255666GT	127, 143-144,	1256468GT	233	1258724GT	103
	155, 165, 171-		147, 155, 165	1256469GT	65-66, 69, 75	1258771GT	167
	172	1255692GT	157	1256481GT	271	1258824GT	131-132
		1255703GT	49-51, 53-54	1256482GT	159, 169		

## Part Number Index (continued)

Part Number	Page	Part Number	Page	Part Number	Page	Part Number	Page
1259105GT	106-107	1262342GT	31	1275538GT	273	1288561GT	143-144
1259328GT	235, 237	1262343GT	47	1275539GT	273	128896GT	147
1259329GT	235, 237	1262344GT	18	1275540GT	273	128909GT	63
1259441GT	167	1262345GT	18	1276694GT	249	128910GT	63
1259583GT	243	1262346GT	18	1277924GT	229	128911GT	63
1259584GT	243	1262347GT	18	1277968GT	123	128912GT	63
1259654GT	151, 161	1262348GT	18	1277969GT	123	128913GT	63
1259657GT	161	1262359GT	247	1277974GT	151, 161	128914GT	63
1259660GT	151, 161	1262487GT	135	1277991GT	127	128916GT	63
1259704GT	223	1262828GT	165	1278708GT	11	128917GT	63
1259715GT	223	1262829GT	165	1278709GT	11	128918GT	63
1259717GT	151, 161	1262831GT	163	1279271GT	137	128919GT	63
1259855GT	69, 95-96	1262832GT	169	1279465GT	91-92, 95-96	128920GT	63
1259899GT	151, 161	1262833GT	169	1279466GT	91-92, 95-96	128921GT	63
1259903GT	205	1262838GT	163	1279631GT	157	128922GT	63
1259904GT	205	1262839GT	163	1279653GT	157	128923GT	63
1259905GT	217, 261	1262841GT	163	128000GT	203	128924GT	63
1259906GT	215	1262842GT	163	128001GT	203	128925GT	63
1260084GT	50-51, 53-54	1262866GT	11, 135, 151, 161	128003GT	132, 137	128926GT	63
1260105GT	105-107	1262867GT	11, 135, 151, 161	128004GT	149, 155, 165	128927GT	63
1260107GT	18, 23, 35, 39	1262868GT	151, 161	128005GT	105-107, 221	128928GT	63
1260112GT	69	1262870GT	151, 161	128022GT	132, 137	128935GT	83
1260113GT	69	1262871GT	151, 161	128023GT	144	128953GT	23
1260174GT	95-96	1262872GT	151, 161	128025GT	132, 137	128955GT	63
1260218GT	107	1262873GT	151, 161	128045GT	83	128984GT	132, 135
1260357GT	151, 161	1262874GT	161	128050GT	249	128985GT	132, 135
1260892GT	271	1262875GT	151, 161	1280590GT	147	128986GT	131-132, 139
1260910GT	271	1262876GT	151, 161	1280591GT	147	128987GT	131-132
1260979GT	243	1262877GT	151, 161	1280665GT	239	128991GT	131-132, 139
1261001GT	243	1262878GT	151, 161	128081GT	79	13003GT	149
1261018GT	271	1262881GT	151, 161	128165GT	123	13014GT	135
1261019GT	271	1262883GT	151, 161	128166GT	123	13064GT	149
1261020GT	271	1262890GT	161	128200GT	81, 85-86, 197-198	13268GT	69
1261021GT	271	1262893GT	151, 161	128201GT	81, 86, 197-198	133067GT	33, 35, 37, 39, 47
1261022GT	271	1262894GT	151, 161	128202GT	81, 85-86, 198	133205GT	35
1261023GT	271	1262895GT	151, 161	128203GT	235, 237	133238GT	21, 23
1261024GT	271	1262896GT	151, 161	128204GT	81, 85-86, 197-198, 263, 269	133250GT	13-14, 17-18, 21, 23
1261025GT	271	1262897GT	151, 161	128268GT	183	133251GT	13-14, 17-18, 21, 23, 33, 35, 37, 39
1261184GT	233	1262899GT	151, 161	128322GT	251	133252GT	13-14, 17-18, 21, 23, 33, 35, 37, 39
1261239GT	159	1263187GT	71, 73	128323GT	251	133253GT	25, 27, 41, 43
1261244GT	103	1264257GT	193	1283571GT	125	133254GT	25, 27, 41, 43
1261245GT	103	1264258GT	193	1283572GT	125	133259GT	21, 23, 37, 39
1261277GT	69, 103, 163	1264822GT	105-107	1283573GT	125	133260GT	21, 23, 37, 39
1261292GT	107, 235, 237	1264834GT	105-107	1283574GT	125	133263GT	33, 35, 37, 39
1261293GT	107	1264894GT	123	1283575GT	125	133278GT	13-14, 17-18
1261294GT	105-107	1264903GT	91-92	128374GT	225	133387GT	45, 47
1261295GT	106-107	1264947GT	107	128376GT	11	133413GT	33, 35
1261296GT	106-107	1264969GT	71	1283794GT	221	133518GT	263
1261297GT	107	1267807GT	91-92, 95-96	128423GT	119	13480-SGT	75
1261298GT	107	1268010GT	163	128454PGT	183	13585GT	239
1261346GT	81	1268229GT	91-92, 95-96	1284569GT	59	13597GT	259
1261389GT	63	1268377GT	171-172	128464GT	171-172	13635-10GT	177, 193
1261390GT	63	126887GT	11	128482GT	183	139000GT	59, 63
1261391GT	63	1269500GT	203	128483GT	183	139001GT	59, 63
1261392GT	63	1269693GT	263	1285110GT	151	139002GT	59, 61
1261393GT	63	1270116GT	273	1285111GT	151	139120GT	59
1261394GT	63	1270117GT	273	1285235GT	65-66	139121GT	59
1261414GT	47	1270118GT	273	1285349GT	151	139122GT	59
1261415GT	47	1270346GT	49-51	128534GT	183	139125GT	59
1261416GT	47	1270347GT	49-51	1285505GT	119	139140GT	59, 61
1261566GT	81	1270348GT	50-51	1285506GT	119	139175GT	61
1261724GT	69, 95-96	1270349GT	54	1285689GT	107	139179GT	59, 61, 63
1261737GT	31	1270350GT	59	128578GT	85-86, 197-198	13921GT	253
1261738GT	31	1270351GT	61	128580GT	197-198	139224GT	59
1261739GT	31	1271398GT	255, 263	128581-SGT	197-198	139248GT	185
1261836GT	103	1271945GT	273	1285811GT	107	139262GT	63
1261837GT	103	1272019GT	11, 79	128582-SGT	198	139288GT	177
1261844GT	107	1272624GT	151	128584-SGT	85-86, 197-198	139293GT	191
1261920GT	169	1273323GT	253	128588GT	132, 137	139307GT	191
1261921GT	163	1273918GT	165	1287434GT	115	139308GT	91-92, 95-96
1261925GT	167	1273919GT	153, 163	1287812GT	63	139309GT	91-92, 95-96
1261926GT	167	1273919GT	229, 271	1287813GT	63		
1261928GT	167	1274613GT	53-54	128829GT	147		
1261984GT	71, 73	1274900GT	157, 167	128831GT	131-132		
1262027GT	135	1275537GT	273				
1262331GT	171-172						

Part Number	Page	Part Number	Page	Part Number	Page	Part Number	Page
139310GT	91-92, 95-96	146413GT	79	147661GT	269	214249GT	259
139311GT	91-92, 95-96	146415GT	79	147754GT	269	214335GT	135
139312GT	91-92, 95-96	146417GT	79	147755GT	13-14, 17-18,	214446GT	127
139313GT	91-92, 96	146478GT	197-198		33, 35	214536GT	259
139314GT	91-92, 96	146551GT	79	147756GT	13-14, 17-18,	214619GT	251
139315GT	91-92, 96	146552GT	79		33, 35	214620GT	251
139321GT	147	147031GT	106-107	147783GT	241	214621GT	251
139322GT	147	147033GT	50-51, 53-54	147788GT	33, 45	214622GT	251
139323GT	91-92, 96	147034GT	50-51, 53-54	147790GT	33, 45	214623GT	251
139338GT	197-198	147094GT	81, 86	147791GT	33, 45	21465GT	77, 129, 167
139366GT	99	147121GT	195	147792GT	13-14, 17-18,	214682GT	157
139367GT	253	147149GT	59		21, 23	214685GT	153
139384GT	177	147155GT	63	147793GT	13-14, 29	214686GT	155
139385GT	177	147223GT	66, 69	147794GT	13-14, 17-18,	214690GT	177
139438GT	227	147228GT	263		33, 35	214934GT	157
139440GT	99	147229GT	263	147795GT	13-14	215254GT	103
139441GT	99	147230GT	263	147796GT	13-14	215269GT	125
139455GT	147	147231GT	263	147797GT	13-14	215270GT	125
139508GT	115	147232GT	263	147826GT	132, 137	215271GT	125
139512GT	115	147233GT	263	147834GT	171-172	215273GT	125
139527GT	115	147239GT	263	147840GT	81, 85-86	215274GT	11, 125
139528GT	115	147240GT	263	147842GT	171-172	215275GT	123
139578GT	57	147241GT	263	1484GT	11	215276GT	125
139598GT	203	147242GT	263	1487GT	225	215277GT	125
139601GT	171-172	147243GT	143-144	1488GT	225	215278GT	123
139602GT	171-172	147255GT	106-107	15243GT	201	215279GT	125
139610GT	127	147258GT	263	160517GT	149	215280GT	123
139621GT	143-144	147262GT	263	160541GT	127	215281GT	123
139622GT	143-144	147289GT	71, 73	160804GT	195	215282GT	123
139623GT	143-144	147290GT	71, 73	160809GT	195	215283GT	123
139624GT	143-144	147347GT	187	161141GT	109-110	215284GT	123
139644-14B61GT	179	147348GT	131-132	161144GT	121	215285GT	123
139666GT	143-144	147349GT	131-132	161145GT	121	215287GT	11, 123
139709GT	143-144, 149	147350GT	131-132	161523GT	207	215288GT	125
139712GT	115	147351GT	131-132	161541GT	195	215289GT	125
139715GT	115	147352GT	131-132	161542GT	195	215290GT	125
139716GT	115	147353GT	131-132	161603GT	91-92, 95-96	215291GT	11, 125
139717GT	115	147355GT	131-132, 139	161604GT	65-66	215294GT	123
139718GT	115	147387GT	201	161605GT	65-66	215295GT	123
139719GT	115	147396GT	106-107	161607GT	91-92, 95-96	215298GT	125
139727GT	115	147403GT	175	161608GT	91-92, 95-96	215299GT	123
139731GT	106-107	147404GT	253	161611GT	131-132	215300GT	123
139732GT	106-107	147405GT	253	161612GT	135	215301GT	123
139733GT	105-107	147418GT	253	161938GT	157, 167	215302GT	123
139734GT	105-107	147419GT	205	162023GT	13-14	215305GT	123
139737GT	105-107	147428GT	106-107	162162GT	219	215307GT	125
139738GT	105-107	147455GT	83, 89	162163GT	219	215308GT	123
139741GT	106-107	147504GT	179	162164GT	219	215309GT	123
139799GT	119	147525GT	143-144	162206GT	159, 169	215310GT	123
139801GT	119	147526GT	143-144	162207GT	159, 169	215311GT	125
139832GT	105-107	147549GT	119	162208GT	159, 169	215313GT	125
139833GT	105-107	147550GT	119	162209GT	159, 169	215314GT	123
139834GT	105-107	147571GT	171-172	162283GT	163	215316GT	129
139835GT	105-107	147575GT	29, 31, 45, 47	162284GT	163	215317GT	129
139836GT	105-107	147601GT	29, 31, 45, 47	1702GT	129	215320GT	127
139878GT	257	147602GT	29, 31, 45, 47	18503GT	91-92, 95-96	215340GT	50-51, 53-54
139882GT	235, 237	147603GT	29, 31, 45, 47	18504GT	137	215347GT	259
139919GT	253	147604GT	45	18596GT	149	215423GT	63
139936GT	135	147605GT	13-14, 29	18665GT	249	215424GT	63
139952GT	263	147607GT	13-14, 29	18666GT	83, 89, 201, 249	215425GT	63
139953GT	263	147608GT	13-14, 29	18720GT	171-172, 175	215426GT	63
139954GT	263	147609GT	29	18722GT	171-172	215427GT	63
139958GT	223	147610GT	29	18963GT	221	215472GT	137
139965GT	50-51, 53-54	147612GT	29	19018-1100GT	229	215526GT	21, 23, 37, 39
139966GT	50-51, 53-54	147617GT	175	19273GT	167	215527GT	21, 23
139967GT	50-51, 53-54	147621GT	105-107	19358GT	129	215528GT	127
139968GT	50-51, 53-54	147642GT	105-107	19440GT	175	215537GT	135
139969GT	50-51, 53-54	147643GT	105-107	19491GT	175	215642GT	50-51, 53-54
139970GT	50-51, 53-54	147646GT	106-107	19506GT	81	215709GT	127
139971GT	50-51, 53-54	147647GT	106-107	20776GT	249	215747GT	227
139972GT	50-51, 53-54	147650GT	105-107	20973-1700GT	99	215748GT	227
139983GT	149	147652GT	105-107	21130GT	57, 132, 143-	215809GT	155
144161GT	239	147654GT	106-107		144, 147	215811GT	155
146061GT	149	147657GT	106-107	21141GT	65-66, 69	215912GT	137
146284GT	255	147658GT	25, 27, 41, 43	214228GT	11, 159, 169	215917GT	135
146285GT	255	147660GT	25, 27, 41, 43	214237GT	153	216016GT	129

## Part Number Index (continued)

Part Number	Page	Part Number	Page	Part Number	Page	Part Number	Page
216065GT	141	22672GT	132, 135, 153,	236251GT	151, 157, 161	27802GT	109-110
216150GT	137		163, 245	236259GT	159, 169	27804GT	109-110
216166GT	141	226940GT	63	236260GT	11, 159, 169	27807GT	109-110
216178GT	263	226941GT	63	236338GT	127	27836GT	109-110, 113
216181GT	263	226942GT	63	236339GT	129	28158GT	13-14, 17-18,
21618GT	235, 237	226943GT	63	236340GT	129		33, 35
216367GT	127	226944GT	63	236364GT	129	28159GT	13-14, 17-18,
216602GT	121	226945GT	63	236373GT	125		33, 35
216606GT	259	226946GT	63	236420GT	129	28160GT	13-14, 17-18,
216607GT	259	227125GT	171-172	236421GT	129		33, 35
216611GT	259	227288GT	13-14, 29	236422GT	129	28161GT	13-14, 21, 25
216612GT	259	227306GT	193	236423GT	129	28165GT	29
216615GT	259	227308GT	193	236425GT	129	28174GT	21, 23, 29, 31,
216616GT	259	227309GT	125	236832GT	127		37, 39, 45, 47
216617GT	259	227347GT	207	236911GT	79	28175GT	17-18, 21, 23
216618GT	259	227424GT	249	236912GT	79	28176GT	29
216655GT	259	227425GT	249	236923GT	263	28177GT	29
216662GT	259	227532GT	249	236924GT	263	28181GT	25
216676GT	259	227816GT	50-51	237068GT	65-66, 69	28214GT	135
216683GT	259	227817GT	50-51	237146GT	127	28235GT	21, 23, 29, 31,
216791GT	89	227988GT	127	237188GT	151, 153, 155,		37, 39, 45, 47
216793GT	89	228311GT	197-198		157	28236GT	29, 31
216836GT	141	228320GT	249, 251	237189GT	159	28301GT	101, 103
217043GT	83	228321GT	251	237190GT	159	28607GT	257
217044GT	83	228322GT	106-107	237191GT	159	28646GT	69, 189
217045GT	83	228323GT	106-107	237192GT	153	29080GT	175, 177
217046GT	83	228332GT	249	237193GT	153	29104GT	13-14, 17-18
217187GT	137	228448GT	107	237194GT	153	29216GT	237
217366GT	251	228457GT	131-132	237238GT	147, 153, 163,	29261GT	235
217439GT	249	228768GT	49-51		273	29557GT	151, 161
217440GT	251	228769GT	49-51	237251GT	127	29559GT	143-144, 147
217703GT	137	228796GT	193	237352GT	167	29560GT	11, 143-144, 147
217820GT	123	228797GT	193	237385GT	129	29752GT	159
217822GT	125	228848GT	229	237730GT	161	29868GT	65-66, 69, 91-
217823GT	123	228849GT	229	237780GT	129		92, 95-96, 141,
217824GT	125	228967GT	193	237832GT	129, 131-132,		167, 221, 265
217877GT	155	228969GT	193		139	30080GT	29
217930GT	155	229152GT	105-107	237856GT	129	30138GT	175, 177
217979GT	63	229169GT	193	237857GT	129	30143GT	65-66, 69
218448GT	193	229201GT	79	237858GT	129	30144GT	65-66, 69
218457GT	243	229202GT	79	237859GT	129	30217GT	183, 185, 187
218549GT	31	229203GT	79	238123GT	259	30222GT	183
218550GT	31	229567GT	81, 85-86, 197-	238234GT	129	30348GT	155, 157
218559GT	31		198	238347GT	147	30370GT	171-172, 175,
218576GT	127	229702GT	50-51, 53-54	24038GT	129, 132, 135,		181, 185, 187
21858GT	81, 85-86	229743GT	14, 17-18, 21,		153, 163	30468GT	223, 243
218668GT	127		23, 33, 35, 37, 39	24040GT	159	30489GT	147, 165
218715GT	157, 167	229744GT	14, 17-18, 21,	24514GT	195	30490GT	77, 143-144, 147
218742GT	127		23, 33, 35, 37, 39	25282GT	267	30810GT	257
218751GT	219	229817GT	50-51, 54	25388GT	239	30971GT	137, 143-144,
219158GT	233	229818GT	50-51, 54	25548GT	165		165, 245
219160GT	29, 31, 45, 47,	229845GT	243	25683GT	181, 183, 185,	30973GT	65-66, 91-92,
	233	229931GT	50-51, 54		187		95-96, 101
219243GT	121	230329GT	179	25685GT	185, 189	30997GT	89, 201
219245GT	121	230331GT	179	25817GT	49-51	31060GT	25, 27
219247GT	121	230392GT	65-66, 69	25969GT	171-172	31100GT	110
219437GT	129, 153, 157	230497GT	171-172	25994GT	13-14	31408GT	143-144
219477GT	129	231513GT	103, 131-132,	27067GT	50-51, 53-54	31523GT	144
219487GT	31		139	27089GT	77, 143-144, 147	31779GT	11
219718GT	85-86	231529GT	167	27204GT	21, 23, 37, 39	31788GT	13-14, 17-18
219722GT	85-86	231532GT	103, 147	27205GT	13-14, 17-18,	31983GT	167
219723GT	13-14, 17-18	232874GT	127, 129, 253		33, 35	32064GT	127
219953GT	47	233108GT	267	27206GT	13-14, 17-18,	32150GT	11
219954GT	47	233992GT	229		21, 23, 33, 35,	32151GT	11
219956GT	47	233993GT	229		37, 39	32309GT	125
219958GT	47	23404GT	83, 89	27207GT	13-14, 17-18,	32675GT	253
219976GT	155	23405GT	245		21, 23, 33, 35,	32681GT	57
220230GT	123	234242GT	187		37, 39	32695GT	143-144
220231GT	123	235323GT	201	27246GT	85-86, 197-198,	32698GT	11, 144
22348GT	77	235372GT	14, 17-18, 21,		235, 237, 263	32975GT	109-110
22558GT	149, 159		23, 33, 35, 37, 39	27287GT	83, 89, 269	33239GT	144
22571GT	249	235411GT	201	27377GT	101, 103	33278GT	177
226325GT	193	235659GT	127	27391GT	235, 237	33418GT	149
226393GT	221	235985GT	65-66	27497GT	79	33422GT	83, 89
226541GT	185, 187	235986GT	65-66, 75	27581GT	11	33428GT	50-51, 183
226542GT	185, 187	236248GT	151	27761GT	113	33432GT	253



Part Number	Page	Part Number	Page	Part Number	Page	Part Number	Page
33550GT	31, 47	45782GT	143-144, 147	49119-7478GT	207	54458GT	225
33555GT	101, 103	45845GT	259	49119-7578GT	209, 211	54465GT	225
33607GT	83, 89	45912GT	109-110	49119-79678GT	207	54486GT	223
33608GT	83, 89	45921GT	109-110	49120-7131GT	267	54487PGT	131-132
33674GT	225	46131GT	129	49128-12309GT	207	54534GT	83
33724GT	239	46137GT	13-14, 17-18,	49130-2482GT	209, 211	54578GT	132, 135
34052GT	83, 89		21, 23	49130-4782GT	209, 211	54579GT	132, 135
34053GT	83	46139GT	17-18	49130-5582GT	205	55067GT	195
34058GT	257	46181GT	17-18	49130-5782GT	205	55753GT	223, 225, 229,
34124GT	175	46188GT	235	49131-9603GT	209		235, 237
34125GT	177	47025GT	267	49143-12329GT	207	55912GT	85-86
34162-0400GT	247	47041GT	13-14, 17-18	49143-3429GT	205	56051GT	221
34162-300GT	155	47222GT	179	49143-3629GT	205	56057GT	83
34164GT	247	4828GT	159, 231, 239	49150-9130GT	205	56361GT	179, 263
34245GT	175	48498GT	163	49151-6248GT	205, 217	56424GT	195, 225, 229
34344GT	175, 177	48767GT	207	49163-7144GT	267	56426-700GT	235, 237
34505GT	245	48875GT	267	49177-102894GT	239	56525GT	229
34619GT	189, 243	48878GT	217, 261	49177-108894GT	239	56570GT	229
34922GT	245	48880GT	205, 207, 209,	49183-13492GT	207	56704GT	221
34940GT	77		213	49183-7592GT	215	56848GT	197-198
34955GT	245, 247	48883GT	211	49207GT	205, 213	56912GT	49-51, 53-54,
34959GT	247	48885GT	69	49212GT	239		65-66, 69, 127,
35432GT	245	48891GT	213	49214GT	239		129, 135, 141,
35434GT	153, 155, 163	48904GT	205, 207, 213	49215GT	239		175, 183, 191,
35461GT	239	48905GT	205, 207, 209,	49219GT	105-107, 207		195, 241, 243
35586GT	144		211, 213	49379GT	249	56934GT	229
35675GT	91-92, 95-96,	48907GT	205, 207	49408GT	125	56949GT	137
	141, 183	48908GT	207, 209, 211,	49411GT	149	57075GT	239
			213, 215	49418GT	207	58247GT	127
35726GT	121	48911GT	207, 209, 211	49613GT	11	58249GT	147
35956GT	231	48912GT	205, 209, 213,	49859GT	211, 213	58253GT	105-107, 203
35960GT	221		267	49861GT	215	58256GT	143-144, 147
36208GT	127, 245	48914GT	205, 213, 253	49915GT	149	58299GT	147
36388GT	271	48915GT	209, 211	49924GT	11, 143-144,	58303GT	109-110
36456GT	129	48916GT	205, 207, 209,		147, 151, 159,	58304GT	92, 96
37947GT	81, 85-86, 103		211	50742GT	171-172	58310GT	193
38149GT	13-14	48918GT	209, 211	50787-SGT	143-144, 147	58351GT	11
38620GT	177	48930GT	209	51580GT	219	58354GT	131-132
38621GT	175	48932GT	205, 219, 249	52352GT	147	58380GT	91-92, 95-96
38922GT	127	48933GT	205, 207, 209,	52371GT	117	58415GT	131-132, 137,
39317GT	193		211, 213, 215,	52475GT	17-18, 35		143-144, 155
39518GT	135	48936GT	205, 209	52607GT	13-14, 17-18	58431GT	119
39879GT	253	48937GT	207	52661GT	223	58489GT	71, 73
39882GT	91-92, 95-96	48941GT	205	52726GT	113	58566GT	143-144
40434GT	29, 31, 45, 47,	48943GT	205	52865GT	13-14, 17-18	58627GT	81, 85-86
	271	48946GT	205	52866GT	131-132, 137,	58630GT	11, 147
40614GT	83, 89	48948GT	209, 219		143-144, 147,	58631GT	253
42014GT	50-51, 54, 61	48949GT	205		155, 165	58632GT	125
42104GT	225	48960GT	205, 207, 209,	52897GT	117	59460GT	49-51
42111GT	267		211, 215, 217,	52943GT	109-110	60143-SGT	265
42112GT	267		219, 255, 261	52966GT	13-14, 17-18,	60160PGT	195
42113GT	267	48961GT	219		33, 35	6019GT	239
42767GT	137	48963GT	205, 215, 219,	52967GT	13-14, 17-18,	6021GT	221
42787GT	217		255		33, 35	6024GT	149
43018GT	117	48975GT	253	53189GT	243	60334GT	91-92, 95-96
43181GT	106-107	48977GT	205	53386GT	49-51	60370-SGT	183, 189
43392GT	223, 225, 273	48978GT	219	5365GT	159	60425GT	259
43683GT	119	48984GT	205, 207, 217	53758-SGT	257	60427GT	259
43960GT	175	48985GT	205	53759-SGT	257	60432GT	106-107
44174GT	117	48996GT	205	53761-SGT	257	60439GT	221, 259
44743GT	195	48998GT	205, 207, 209	53807-SGT	223	60441GT	259
44981GT	21, 23, 29, 31,	49000GT	265	53808-SGT	223	60443GT	175
	37, 39, 45, 47	49117-10091GT	209	53952GT	127, 131-132,	60445GT	99
44986GT	29	49117-10691GT	209		137, 143-144,	60455GT	99
45071GT	50-51, 59	49117-2491GT	205		155	60536GT	11
45074GT	50-51	49117-3291GT	213	5397GT	231	60585GT	131-132, 135
45363GT	65-66	49117-3391GT	205	5408GT	99	60746GT	171-172
45383GT	198	49117-3791GT	207	54124GT	77	60838GT	147
45385GT	89	49117-4691GT	205, 213	54205GT	132, 137	60857GT	11, 91-92, 95-96
45435GT	127, 137, 155,	49117-5191GT	213	54247-SGT	195	60884GT	101
	165, 247	49117-6091GT	209	54324GT	77	60886PGT	239
45454GT	71, 73, 77, 79,	49117-6119GT	215	54365GT	83, 249	6090GT	85-86
	191	49117-6291GT	209	54428GT	143-144	6091GT	73, 159, 235
45455GT	155	49119-2878GT	205, 207	54437GT	132, 137	6097GT	91-92, 95-96
45470GT	179, 189	49119-4278GT	207	54457GT	225	60984GT	171-172
45489GT	109-110					61073-3930GT	205
45708GT	65-66, 69						

## Part Number Index (continued)

Part Number	Page	Part Number	Page	Part Number	Page	Part Number	Page
61073-7330GT	215	6935GT	239, 263	73807GT	117	77681GT	71
61225GT	83	69775GT	143-144	73901GT	225	77683GT	229
61263GT	205	69776GT	259	74006GT	239, 249	77688GT	177
61278GT	263	70298GT	132	74872GT	175	77693GT	261
61306-SGT	183	70317PGT	243	74902GT	109-110	77713PGT	177
6145GT	231	70318PGT	243	74913GT	83	77714GT	265
6146GT	221	70319GT	243	74917GT	83, 89	77718GT	175, 177
6147GT	221	70351PGT	143-144	74918GT	83, 89	77725GT	49-51
61602GT	171-172	70357GT	132	75020GT	137	77726GT	49-51
61610GT	219	70367GT	129, 131-132, 135	75041GT	171-172	77736GT	131-132, 139
61726GT	189	70375GT	143-144	75073GT	91-92, 95-96, 101, 103	77778GT	91-92, 95-96, 101
6175GT	91-92, 95-96, 159, 221	70381GT	144, 149, 155, 165	75076GT	101	77788GT	119
6178GT	83, 89, 169, 221, 249	70385GT	131-132, 135, 144	75278-5029GT	209	77790GT	49-51
61794GT	105-107, 203	70444GT	147	75278-5129GT	209	77791GT	49-51
61804GT	189	70445GT	149	75395GT	183	77795GT	175
61972GT	189	70448PGT	147	75443GT	203	77797GT	235, 237
61974GT	189	70449GT	147	75444GT	203	77803GT	91-92, 95-96
61975GT	189	70452GT	129, 141, 143-144, 159	75445GT	203	77870GT	267
6198GT	159	70454PGT	149	75446GT	203	77879PGT	243
61997GT	189	70455GT	147	75447GT	203	77880GT	50-51
62076GT	25, 27, 41, 43	70459PGT	143-144	75448GT	203	77882PGT	175
62077GT	21, 23, 37, 39	70461PGT	143-144	75449GT	203	77887GT	247
62078GT	25, 27, 41, 43	70462GT	141	75450GT	147, 165	77891GT	247
62079GT	21, 23, 37, 39	70472PGT	144	75451GT	147, 165	77950GT	53-54
62256GT	109-110	70483GT	149	75470GT	171-172	77990GT	132
62257GT	109-110	70494PGT	144	75574GT	207	77996PGT	243
62258GT	110	70529GT	247	75617-1025GT	235, 237	77997PGT	243
62260GT	109-110	7056GT	83, 105-107, 239	75617-1550GT	235, 237	77998PGT	243
62273GT	109-110	7057GT	89, 263	75617-2075GT	235, 237	80391GT	137
62275GT	109-110	71038GT	257	75617-2275GT	235, 237	80543GT	249
62392GT	203	71259GT	261	75617-6275GT	235	80716GT	81, 86
62420GT	11, 131-132, 137, 143-144, 155	71498GT	231	75627GT	92, 96	81096GT	239
62421GT	11, 132, 135	71768GT	175	75631GT	125	81164GT	49-51
62425GT	11, 147, 165	71875GT	141	75636GT	235, 237	81167GT	243
62433GT	11, 132, 135	71909GT	79	75654GT	205	81175GT	183
62506GT	117	71911GT	147, 149, 163	77051GT	177	81341GT	193
62507GT	117	72047GT	109-110	77069GT	71, 73	81342GT	193
62845GT	131-132	72086GT	17-18, 35	77071GT	71, 73	81347GT	193
63078GT	175	72168GT	13-14, 17-18	77108GT	225	81368GT	229
63213GT	183	72169GT	13-14, 17-18	77180GT	195	81458GT	239
63353GT	183	72255GT	143-144, 147	77181GT	183	81467GT	147, 165
63463GT	131-132, 137, 143-144, 155	72256GT	103	77245PGT	143-144	81468GT	147, 165
63468GT	54	72282GT	221	77295GT	11, 127	81487PGT	201
63566GT	181, 183, 185, 187	72290GT	50-51, 53-54	77303GT	181, 183, 185, 187	81488GT	201
6356GT	85-86, 231	72326GT	65-66, 69, 198, 221	77351GT	201	81545GT	105-107
63727GT	245	72327GT	129	77353GT	66, 69	81546GT	105-107
65473GT	132, 135	72343GT	127, 131-132	77354GT	66, 69	81550GT	201
65538GT	131-132	72344GT	131-132	77365GT	66, 69	81551GT	201
65630GT	229	72348GT	131-132, 139	77402GT	132, 143-144, 147	81552GT	57
65636GT	132, 139	72875GT	29, 31, 229	77430GT	83, 89	81570GT	239
65638GT	132, 139	72999GT	13-14, 17-18	7746GT	223	81578GT	65-66, 71, 73
65810GT	131-132, 137, 143-144, 155	73463-1175GT	229	77482GT	132, 139	81609GT	57
65887GT	77, 79	73477PGT	195	77483GT	132, 139	81640GT	183
6607GT	171-172	73478PGT	195	77610GT	50-51	81691GT	57
6638GT	73, 249	73500GT	225	77616PGT	177	81694GT	171-172
66399GT	11	73501GT	225	77618PGT	175	8170GT	65-66, 69
66472GT	235, 237	73574-SGT	195	77623PGT	53-54	81724GT	91-92, 95-96
6653GT	135	73575GT	195	77624PGT	49-51, 53-54	8178GT	231
66812GT	81, 85-86, 197-198	73599GT	129	77641GT	85-86	81812-13292GT	209
66813GT	81, 86, 198	73610PGT	195, 227	77643GT	49-51	81834GT	91-92, 95-96
66815GT	198	73713GT	175, 221	77648GT	177	81856GT	175
66816GT	198	73717GT	83, 89, 201	77649GT	177	81874GT	101
66818GT	197-198	73723GT	201	77653PGT	175	81876GT	101
67325GT	65-66, 69	73725GT	175	77654PGT	175	81975PGT	267
67371GT	219	73736GT	83, 89, 105-107, 201	77665PGT	91-92, 95-96	820991GT	243
6833GT	129, 135, 141, 235, 237	73751GT	105-107	77666PGT	92, 96	82161GT	13-14, 17-18
6888GT	159, 235	73753GT	83, 89	77667GT	85-86	822004GT	21, 23
		73754GT	83, 89	77671GT	91-92, 95-96	822048GT	105-107
		73805GT	81	77672GT	171-172	822131GT	21, 23
				77674GT	54	82237GT	21, 23, 29, 31, 249
				77679GT	79	82240GT	33, 35
						82243GT	29, 31
						822513GT	106-107
						822514GT	147

## Part Number Index (continued)

Part Number	Page	Part Number	Page	Part Number	Page	Part Number	Page
822515GT	132	824032GT	65-66, 92, 96,	824127GT	49-51	82601GT	45
822519GT	65-66		99, 101, 189,	824129GT	49-51	82602GT	45
822687GT	263		201, 259	824132GT	131-132, 163	82604GT	45
822688GT	263	824036GT	83, 89, 191	824133GT	157	826171GT	253
822692GT	221	824041GT	57	824142GT	144, 165	826214GT	131-132, 139,
822693GT	144	824059GT	49-51	824144GT	131-132		201
822694GT	153	824060GT	233	824145GT	127, 144	826215GT	131-132, 139
822695GT	129, 153	824061GT	189	824151GT	181, 183, 185,	826345GT	14, 18
822696GT	153	824062GT	129		187	826379GT	177
822697GT	135	824063GT	54, 267	824163GT	185	826400-1300GT	167
822698GT	129	824064GT	57	824164GT	181	826400-2500GT	167
822759GT	235, 237	824066GT	249, 263	824206GT	269	826516GT	101, 245, 259
822764GT	235, 237	824068GT	179	824207GT	225	826590GT	77
822768GT	235, 237	824069GT	233	824214GT	83, 89, 201	826601GT	77
822769GT	235, 237	824072GT	53-54	824215GT	65-66, 101, 169,	82671GT	37, 45
822771GT	237	824075GT	185, 187		243	82677GT	13-14, 17-18,
822781GT	65-66, 73	824078GT	65-66, 69, 71,	824220GT	129, 131-132,		21, 23
822793GT	65-66, 73		73, 129, 137,		135, 153, 155,	82678GT	13-14, 17-18,
822817GT	247		153, 155, 157,		163		21, 23
822871GT	247		171-172, 175,	824226GT	83, 201	826791GT	183, 189, 193
823074GT	65-66, 73		177, 183, 191,	824227GT	235	826792GT	183, 189
823146GT	106-107		193, 195, 223,	82431GT	119	826793GT	183, 189
823243GT	65-66, 73		225, 235, 237,	82443GT	229	826795GT	163
823356GT	77		243, 251, 261,	824471GT	77	826822GT	163
823396GT	77		273	824491GT	77	82710GT	135
823523GT	157	824079GT	65-66, 69, 71,	824507GT	137	82862GT	29, 31
823524GT	157		92, 96, 101, 131-	824546GT	171-172	83093GT	81, 85-86, 103
823656GT	14, 17-18		132, 135, 141,	824547GT	193	83129GT	105-107, 203
823658GT	14, 17-18		169, 175, 183,	824548GT	193	84134GT	113
823659GT	14, 17-18		191, 195, 227,	824549GT	193	84135GT	113
82366GT	13-14, 17-18		241, 245, 247,	824550GT	171-172	85124GT	137
823751GT	165		249	824551GT	183	85155GT	131-132, 139
823761GT	29, 31	824080GT	79, 132, 137, 273	824673GT	151, 161	8516GT	159
823762GT	29, 31	824081GT	129, 179, 261	82472GT	33, 37, 41	85239GT	81
823764GT	29, 31	824082GT	101, 171-172	82473GT	35, 37, 39	85300GT	229
823765GT	29, 31	824083GT	171-172, 175,	82481GT	33, 35	87085GT	193
823816GT	125		193, 229	824849GT	106-107	87172GT	217
823917GT	105-107	824084GT	193	824879GT	81, 85-86, 197-	87246GT	253
823918GT	105-107	824085GT	123, 127, 225,		198	88064GT	147
824018GT	137		249	82487GT	33, 35, 45, 47	88106GT	101
824019GT	201	824086GT	132, 143-144,	824880GT	197-198	88356-11103GT	171-172
824023GT	65-66, 73		149, 155, 195	824882GT	81	88356-13103GT	92, 96, 171-172,
824025GT	127, 147	824087GT	127, 195, 249	824993GT	105-107		175
824027GT	57, 65-66, 69,	824089GT	50-51, 91-92,	824994GT	106-107	88356-14963GT	175
	71, 73, 75, 79,		95-96, 147, 175	824995GT	106-107	88377-1400GT	229
	92, 96, 101, 129,	824090GT	65-66, 69, 71,	824996GT	106-107	88390GT	235, 237
	131-132, 135,		73, 79, 91-92,	825017GT	89	88406GT	251
	137, 153, 155,		95-96, 99, 119,	825019GT	50-51, 91-92,	88451GT	123
	157, 169, 175,		129, 131-132,		95-96, 181, 183,	88452GT	123
	179, 183, 189,		141, 143-144,		185, 187	88493GT	247
	191, 193, 195,		167, 171-172,	825020GT	189	88516GT	181, 183
	223, 225, 227,		175, 177, 185,	825351GT	149	88567GT	177
	235, 237, 241,		193, 247	825352GT	89, 99	88568GT	175
	245, 247, 249,	824091GT	50-51, 65-66,	825353GT	91-92, 95-96,	88571GT	175
	251, 261, 273		69, 91-92, 95-		127, 177, 185,	88576GT	181
824028GT	65-66, 69, 101,		96, 149, 163,		187	88606PGT	223
	103, 123, 127,		169, 171-172,	825355GT	143-144	88607PGT	223
	132, 137, 155,		177, 181, 187,	825358GT	251	88636-11973GT	207
	165, 179, 195,		191, 195, 265	825441GT	197-198	88636-2573GT	207
	225, 249, 251,	824092GT	129, 157, 179,	825442GT	197-198	88636-8573GT	213
	263		183, 185	825443GT	197-198	88653GT	171-172
824029GT	51, 65-66, 69,	824095GT	51, 189	825444GT	197-198	88665GT	171-172
	71, 77, 79, 91-	824096GT	193	825445GT	85-86	88666GT	171-172
	92, 95-96, 99,	82410GT	29, 31, 229	825446GT	85-86	88667GT	175
	103, 129, 131-	824110GT	177, 183	825447GT	85-86	88675GT	171-172
	132, 135, 141,	824113GT	49-51, 54, 57,	825448GT	85-86	88676GT	171-172
	149, 153, 157,		147, 193, 233,	825449GT	85-86	88727GT	49-51
	163, 167, 169,		251, 267, 273	82548GT	45	88728GT	49-51
	171-172, 177,	824115GT	91-92, 95-96	82551GT	33, 35, 37, 39	88729GT	49-51
	179, 181, 183,	824116GT	183, 185, 187,	82552GT	33, 35, 37, 39	88730GT	49-51
	185, 187, 189,		189	825579GT	14, 18	88783GT	113
	193, 195, 235,	824119GT	101	825674GT	50-51	88793GT	177
	237, 243, 251,	824120GT	129, 135, 153,	825708GT	151, 161	88795PGT	175
	273		163, 233	825796GT	50-51, 175, 177	88796GT	177
824030GT	175	824123GT	147, 169	826000GT	159	88801GT	106-107
824031GT	65-66, 69, 75	824124GT	241	826008GT	155, 165	88802GT	106-107



## Part Number Index (continued)

Part Number	Page	Part Number	Page	Part Number	Page
88810GT	105-107	94533GT	245	T109331GT	239
88827GT	81	94534GT	49-51	T109332GT	257
88841GT	132	94535GT	49-51	T109333GT	257
88846GT	131-132	94536GT	49-51	T109334GT	257
88847GT	131-132	94537GT	245	T109335GT	261
88858GT	193	94599GT	109-110	T109350GT	201
88859GT	193	94620GT	92, 96	T111124GT	181, 183, 185, 187
88870GT	181, 183, 185, 187	94692GT	175	T112459GT	179
88872GT	171-172	94711GT	131-132	T112560GT	239
8887GT	249	94745PGT	195, 227	T112561GT	239
88884GT	50-51, 53-54	94746GT	54	T112626GT	203
88885GT	53-54	94757GT	255	T112773GT	29, 31, 45, 47
88887GT	53-54	94758GT	113	T112792GT	107
88917GT	11, 66, 69	94759GT	121, 255	T114223GT	193
88919GT	171-172, 175	94760GT	255	T114624GT	107
88920GT	171-172	94762GT	11, 132, 135	T114625GT	106-107
88936GT	205	94765GT	255	T114626GT	106-107
88942-8354GT	205	94869GT	227	T114627GT	106-107
88949-3828GT	205, 217	94887GT	131-132, 141	T114678GT	143-144, 147
88987PGT	141	94888GT	131-132	T115352GT	269
88988PGT	132, 141	94889GT	11, 132, 135		
88989PGT	132, 135	94890GT	131-132		
88990PGT	131-132, 135	94937GT	91-92, 95-96		
88991PGT	132	94980GT	99, 106-107, 171-172		
88993GT	132	9599-SGT	223		
8915GT	73	96008-SGT	81, 85-86		
89294GT	49-51, 59	96010GT	81		
89307GT	109-110	97128GT	175		
89309GT	109-110	97473GT	131-132, 139		
89310GT	109-110	97548GT	21, 23		
89311GT	109-110	97579GT	29, 31		
89312GT	110	97602GT	21, 23		
89571GT	91-92, 95-96	97815GT	29, 31, 45, 47		
89575GT	83, 89	97865GT	17-18		
89617GT	71, 73	97875GT	21, 23, 29, 31		
89737GT	110	97887GT	29		
89738GT	110	99343GT	105-107		
89755GT	189	99344GT	105-107		
89765GT	11, 139	99632GT	89		
89771GT	132	99778GT	259		
89785GT	151, 161	T106413GT	172		
89792GT	143-144	T106425GT	91-92, 95-96		
89861GT	109-110	T106482GT	81		
89862GT	117	T106495GT	81		
89864GT	117	T106508GT	172		
89953GT	131-132	T106600GT	106-107		
89997GT	147	T106741GT	106-107		
93500GT	11	T106954GT	91-92, 95-96		
94077GT	71	T106955GT	91-92, 95-96		
94205-3164GT	217, 261	T106957GT	91-92, 95-96		
94221GT	50-51	T106961GT	91-92, 95-96		
94326GT	189	T106962GT	91-92, 95-96		
94327GT	11	T107130GT	106-107		
94332GT	49-51	T107520GT	81, 85-86, 201		
94333GT	49-51	T107829GT	65-66, 69		
94374-2330GT	211	T107895GT	245		
94374-2430GT	209	T108075GT	181, 183, 185, 187		
94374-2530GT	211	T108076GT	183		
94374-2630GT	209	T108077GT	183		
94374-4730GT	211	T108321GT	106-107		
94374-6030GT	205, 219	T108322GT	106-107		
94397GT	183	T108331GT	65-66		
94420GT	267	T108403GT	65-66		
94439GT	59	T108415GT	106-107		
94463GT	245	T108416GT	106-107		
94464-4186GT	213	T108732GT	149		
94464-4986GT	209, 211	T108733GT	149		
94465-3650GT	205	T108734GT	149		
94466-2336GT	209, 211	T108886GT	106-107		
94479GT	245	T108890GT	175		
94485GT	143-144	T108891GT	175		
94499GT	109-110	T108892GT	183		
94506GT	197-198	T109268GT	221		
94510GT	177	T109328GT	223		
94526GT	66, 69				





CLAMP,HOSE,1.75.....132, 135, 153, 163, 245	CONN,520120-8-10.....205	COVER, REAR AXLE.....61
CLAMP,HOSE,2.00*** .....153, 155, 163	CONN,520120-8-12.....209, 219	COVER, STRING POT, S60HC*** .....191
CLAMP,HOSE,2.25" DIA.....135	CONN,520120-8-16.....205	COVER, SWING CHASSIS, ES.....103
CLAMP,HOSE,2.50"***.....127, 137, 155, 165, 247	CONN,LONG,520122-12***.....219	COVER, SWING CHASSIS, TS.....103
CLAMP,HOSE,2X4,1X6,2X8*** .....50-51	CONN,LONG,520122-4.....215	COVER,BLANK.....239
CLAMP,HOSE,3.00".....137, 143-144, 165, 245	CONN,MOLEX 10 WAY.....105-107	COVER,CABLE TRACK.....245
CLAMP,HOSE,3.50.....147, 165	CONN,MOLEX 12 WAY.....105-107	COVER,CONTROL BOX LEFT SIDE*** .....223
CLAMP,HOSE,5.00.....245, 247	CONN,MOLEX 16 WAY.....105-107	COVER,CONTROL BOX RIGHT SIDE**.....223
CLAMP,HOSE,6.50.....245	CONN,MOLEX 20 WAY.....105-107	COVER,DRIVE CHASSIS.....49-51, 53-54
CLAMP,HOSE,8.50 DIA*** .....144	CONN,PLUG 120 AC/15A DOMESTIC.....239, 259, 263	COVER,DUST,IDLER,FORD DSG423.....123
CLAMP,HOSE/CABLE,JIB.....183	CONN,PLUG 2 WAY,14-18GA.....249, 259	COVER,FLYWHEEL CASTING.....144, 149, 155, 165
CLAMP,LINK,WELD CABLE/HOSE.....249	CONN,PLUG 40 WAY,DRC SERIES.....105-107	COVER,GFCI,HORIZONTAL,WEATHER..239, 249
CLAMP,MUFFLER.....132	CONN,PLUG 8 WAY,14-18GA.....106-107	COVER,LH,BOOM SECTION #1.....175
CLAMP,MUFFLER, 2.50 INCH.....147, 149, 163	CONN,RECEP 120AC/15A DOMESTIC....239, 263	COVER,LH,TANK SIDE.....101
CLAMP,MUFFLER,1-7/8 IN.....127	CONN,RECEP 2 WAY ENDCAP DT....221, 259	COVER,LIMIT SWITCH ASSY,S60.....241
CLAMP,MUFFLER, 1.75 INCH.....127	CONN,RECEP 24 WAY,W/FLANGE.....83, 89	COVER,PRIMARY BOOM,PAINTED.....177
CLAMP,RUB CUSH,0.75,#12 X 3/8*.....71, 73, 77, 79, 191	CONN,RECEP 3 WAY ENDCAP DT.....259	COVER,PRM FUSE SERVICE PART....65-66, 73
CLAMP,RUBBER CUSHIONED-2 5/32.....79	CONN,RECEP 4 WAY ENDCAP DT.....175	COVER,PROTECTIVE,JIB CYLINDER.....245
CLAMP,SPRING,1/2".....123	CONN,RECEP 4 WAY,12-14GA FL *** .....83, 89, 201	COVER,PROTECTIVE,STEERING.....245
CLAMP,TWO HOSE.....183	CONN,RECEP 40 WAY,W/FLANGE.....83, 89	COVER,REAR AXLE.....53-54
CLEVIS YOKE-1/4-28,PLTD W/PIN.....57, 132, 143-144, 147	CONN,RECEP 48 WAY,4 X 12.....83, 89, 105-107, 201	COVER,RETRACT SHEAVE,PAINTED.....175
CLIP,AIR CLEANER COVER (58247).....127	CONN,RECEP 6 WAY ENDCAP DT.....99	COVER,RH,BOOM SECTION #1.....175
CLIP,AIR CLEANER END CAP***.....131-132, 137, 143-144, 155	CONN,SQUEEZE,1/2NPT .38-.50,SM.....83, 105-107, 239	COVER,RH,ENGINE SIDE.....101
CLIP,HAIR PIN .243 X 5.25.....267	CONN,SQZ,1/2NPT .39-.56 MED.....89, 263	COVER,STEERING SENSOR.....171-172
CLIP,SPRING,1/4-20 BLACK.....171-172	CONN.SQZ,1/2NPT .56-.63.....263	CRANK PULLEY, EXT, MSG425.....125
COIL ASSY, MSG425.....123	CONNECTOR, DEUTZ FUEL SHUTOFF*.....143-144, 147	CRIMPER,DEUTSCH,LIGHT DUTY***.....105-107, 203
COIL, 10V DC (D10, 20 WATT).....109-110	CONNECTOR, SAE10, QUICK CONN.....159	CYLINDER, LIFT, S60HC.....171-172
COIL, SOLENOID VALVE, 10V.....121	CONNECTOR,010102-6-4.....129	CYLINDER, STEER.....59
COIL,10V.....109-110	CONNECTOR,070120-4-8.....253	CYLINDER,BOOM EXTENSION.....175
COIL,12VDC #8 DTSCH IP69 ECOIL.....117	CONNECTOR,BULKHEAD,FEMALE-4.....69	CYLINDER,JIB (STICK BOOMS).....183
COIL, GREEN W/ 2 PIN CONNECTOR*.....109-110	CONNECTOR,PLUG 6 WAY 18-20 GA.....105-107	CYLINDER,LIFT,S60***.....171-172
COIL,PROPORTIONAL VALVE*** .....110	CONTACT, N.C.....197-198	CYLINDER,MASTER.....171-172
COIL,VALVE,PROPORTIONAL***.....109-110	CONTACT,N.O.***.....198	CYLINDER,OSCILLATE,S60.....50-51
COIL-10V DC***.....255	CONTACTOR,LIMIT SWITCH.....175	CYLINDER,PLATFORM LEVEL***.....181, 183, 185, 187
COLD AIR HOSE, PERK 404F-22.....137	CONTACTOR,LIMIT SWITCH.....175	CYLINDER,STEERING***.....49-51
COLD PKG GROUND, JUMPER ASSY.....259	CONTROL BOX COVER,LID,PTD.....223	
COLD WEATHER 120V J BOX ASSY.....259	CONTROL BOX,2KW,120/240V,50HZ.....263	<b>D</b>
COLLAR,JOYSTICK,CENTER.....203	CONTROL MODULE, MSG425.....129	DANGER,TIPOVR,TIRES FF ONLY.....13-14, 17-18, 21, 23
COMPR.LINK,MACHINED,GND CONTR*..183	CONTROLLER ASSY SCON S60HC.....75	DECAL COSMETIC,10" GENIE BLUE.....18, 23, 35, 39
CONN PLUG 12 WAY ENDCAP DT BK.....105-107	CONTROLLER ASSY TCON S60HC.....75	DECAL COSMETIC,15" GENIE BLUE.....18, 35
CONN PLUG 12 WAY ENDCAP DT BR....105-107	CONTROLLER BOX, 120/240V, 60H.....263	DECAL FAULT CODE.....29, 31
CONN PLUG 12 WAY ENDCAP DT GR....105-107	CONTROLLER W/O COILS (77788).....119	DECAL GROUND CONTROL BOX.....13-14, 17-18, 33, 35
CONN PLUG 12 WAY ENDCAP DT GY....105-107	CORROSION INHIBITOR,FOAM.....89, 201	DECAL KIT,S60X,COMP,WRD,ANSI.....13-14
CONN PLUG 3 WAY ENDCAP DT.....259	COUNTERWEIGHT, S60.....69	DECAL PLATE ASSEMBLY.....195
CONN PLUG 4 WAY ENDCAP DT.....105-107	COUNTERWEIGHT, S65.....69	DECAL PLATE,MESH.....225
CONN RECEPT,FLANGED.....201	COUNTERWEIGHT,S60.....65-66	DECAL, COSM,GENIE S65 TRAX.....25, 27, 41, 43
CONN, 520120-6.....205, 207, 209, 211	COUNTERWEIGHT,S65.....65-66, 75	DECAL, DANGER, ELECTROCUTION HAZARD, SYMBOL.....39, 47
CONN, 520120-8-6.....205	COUPLER, 15 TOOTH,FBA,PERKINS**.....132, 137	DECAL, ENGINE SPEC, 404F-22.....21, 23
CONN, SAE#4-1/4" NPT.....255	COUPLER, 15 TOOTH,FBA,SAE8*** .....149, 155, 165	DECAL, ENGINE SPEC, D2.9.....21, 23
CONN,520120-12-10.....253	COUPLER,INSERT.....253	DECAL, INST, OPER INST 60X PLT.....29
CONN,520120-12-16.....205	COUPLING - 1/4 NPT.....63	DECAL, INSTRUCTION, OPS...29, 31, 45, 47, 233
CONN,520120-16.....205, 207, 217	COVER W/DECALS,RR.DR.CHAS,S60.....237	DECAL, LCD, TIER 4.....14, 18
CONN,520120-20.....205	COVER, DUST.....63	DECAL, OPER INST 6080X GRD.....13-14
CONN,520120-20-16.....205	COVER, END, GEN, 120V.....263	DECAL, OPER INST 60TRX GRD.....13-14
CONN,520120-4***.....205, 207, 209, 211, 213	COVER, END, GENERATOR, 240V.....263	DECAL, OPER INST 60XC GRD.....13-14
CONN,520120-4-6***.....205, 209, 213, 267	COVER, FOOT SWITCH, LARGE.....195	DECAL, OPERATING INSTRUCTIONS.....13-14, 18, 29
CONN,520120-4-8.....205, 213, 253	COVER, JIB HOSES/CABLES.....183	DECAL, PATCH, GEN,ALC-500.....263
CONN,520120-6-8.....209	COVER, LIMIT SWITCH ARM MOUNT.....179	
CONN,520120-8***.....205, 207, 209, 211, 213, 215, 219, 255	COVER, PROTECTIVE, OSCILLATE.....245	



## Part Description Index (continued)

DECAL, PLAT CNTL PNL.....29, 31, 45, 47  
 DECAL, PLAT CNTL PNL 60HC.....45  
 DECAL, PLAT CNTL PNL 60TX.....29, 31, 45, 47  
 DECAL, PLAT CNTL PNL 60X 80X.....29, 31, 45, 47  
 DECAL, PLAT CNTL PNL 60XC.....29, 31, 45, 47  
 DECAL, POWER TO PLATFORM 230V\*\*.....21, 23, 29, 31, 37, 39, 45, 47  
 DECAL, SYMBOL - READ THE MANUAL...33, 35, 45, 47  
 DECAL, TRANSPORT/LIFTING, S60....18, 23, 35, 39  
 DECAL, VAPORIZER PRESSURE.....21, 23  
 DECAL, WHEEL LOAD S60TRAX.....13-14, 17-18, 21, 23, 33, 35, 37, 39  
 DECAL, WHEEL LOAD S65 TRAX.....13-14, 17-18, 21, 23, 33, 35, 37, 39  
 DECAL, ANNUAL INSP\*\*\*.....13-14, 17-18  
 DECAL, ARROW BLUE.....21, 23, 37, 39  
 DECAL, ARROW YELLOW LRG 9".....13-14, 17-18, 33, 35  
 DECAL, BATTERY DISCONNECT.....13-14, 17-18  
 DECAL, CAUTION, READ INST.....63  
 DECAL, CAUTION, TOWING SPEED.....13-14, 17-18  
 DECAL, CHEVRON RANDO HD.....13-14, 17-18  
 DECAL, COSM GENIE S60X.....25, 27, 41, 43  
 DECAL, COSM GENIE S60XC.....25, 27, 41, 43  
 DECAL, COSM, S60 TRAX.....21, 23, 37, 39  
 DECAL, COSM, S65 TRAX.....21, 23, 37, 39  
 DECAL, COSM, GENIE S60 TRAX...25, 27, 41, 43  
 DECAL, COSMETIC, 4 X 2.....13-14, 17-18, 33, 35  
 DECAL, COSMETIC, 4 X 4.....13-14, 17-18, 33, 35  
 DECAL, COSMETIC, GENIE.....273  
 DECAL, COSMETIC, GENIE S-60.....25, 27, 41, 43  
 DECAL, COSMETIC, GENIE S-60HC.....41  
 DECAL, COSMETIC, GENIE S65.....25, 27, 41, 43  
 DECAL, COSMETIC, S60.....21, 23, 37, 39  
 DECAL, COSMETIC, S65.....21, 23, 37, 39  
 DECAL, DANGER DO NOT ALTER SWTC.....25, 27  
 DECAL, DANGER TIP OVER TRAX.....13-14, 17-18, 21, 23  
 DECAL, DANGER, BATTERY SAFETY\*\*\*.....13-14, 17-18  
 DECAL, DANGER, CAP, ANSI WORD.....31  
 DECAL, DANGER, CAP, AUS WORD.....31  
 DECAL, DANGER, ELEC. HAZ. STAY CLR...33, 35, 37, 39, 47  
 DECAL, DANGER, ELECT HAZARD\*\*\*.....13-14, 17-18, 21, 23, 31  
 DECAL, DANGER, GENERAL SAFETY.....13-14, 29  
 DECAL, DANGER, HI-FLOAT TIRE.....13-14, 17-18, 21, 23  
 DECAL, DANGER, HIGH VOLTAGE.....21, 23, 29, 31, 249  
 DECAL, DANGER, MAX LOAD S60HCSYM...45  
 DECAL, DANGER, MAX SIDE FRC, 667N.....45  
 DECAL, DANGER, NO SMOKING....13-14, 17-18, 23  
 DECAL, DANGER, SIDE FRC 400N.....45  
 DECAL, DANGER, TIP OVER, PLAT.....29  
 DECAL, DANGER, TIP-OVER, WELDER\*\*.....29, 31  
 DECAL, DANGER, TIPOVER, TILT.....29, 31  
 DECAL, DANGER, TIPOVER, TILT, SYM.....45, 47  
 DECAL, DANGER, TIPOVR, MAX CAP...13-14, 29  
 DECAL, DANGER/LABEL, TIRE SPECS.....13-14, 17-18, 21, 23  
 DECAL, DANGER/WARNING COMBO.....31  
 DECAL, DIESEL.....13-14, 17-18, 33, 35  
 DECAL, DRIVE ENABLE PATCH.....45, 47  
 DECAL, EMERGENCY LOWERING.....33, 35  
 DECAL, ENGINE SPEC, DEUTZ 2011.....21, 23  
 DECAL, ENGINE SPEC, DEUTZ, TD2011.....23  
 DECAL, ENGINE SPEC, PERKINS\*\*\*.....21, 23  
 DECAL, EXPLOSION HAZARD.....21, 23  
 DECAL, FIRE EXTINGUISHER.....29, 31  
 DECAL, FMRC APPROVAL, PLATE, LPS.....17-18  
 DECAL, FORD ENGINE SPEC DSG423.....21  
 DECAL, FORD ENGINE SPEC MSG425.....21, 23  
 DECAL, GR CNTL PNL 60TX....13-14, 17-18, 33, 35  
 DECAL, GR CNTL PNL 60X 80X.....13-14, 17-18, 33, 35  
 DECAL, GR CNTL PNL 60XC....13-14, 17-18, 33, 35  
 DECAL, GROUND BOX, TIER IV.....13-14, 17-18  
 DECAL, INST OPER INST 60XC.....29  
 DECAL, INST PLAT CAP 60TRAX.....13-14, 29  
 DECAL, INST PLAT CAP 60TRAX SYM.....33, 45  
 DECAL, INST PLAT CAP 60TX, SYM.....47  
 DECAL, INST PLAT CAP 60TX, WORD.....31  
 DECAL, INST PLAT CAP 60X.....13-14, 29  
 DECAL, INST PLAT CAP 60X, SYM.....47  
 DECAL, INST PLAT CAP 60X, WORD.....31  
 DECAL, INST PLAT CAP 60XC.....13-14, 29  
 DECAL, INST PLAT CAP 60XC SYM.....33, 45  
 DECAL, INST PLAT CAP 60XC, SYM.....47  
 DECAL, INST PLAT CAP 60XC, WORD.....31  
 DECAL, INST PLAT CAPACITY, SYM.....33, 45  
 DECAL, INST, OPER INST 60TRAX.....29  
 DECAL, INSTR, MAX SIDE FRC, ANSI.....29  
 DECAL, INSTR, SIDE FRC/WIND, AUS.....29  
 DECAL, INSTR-MAX CAP 1200LBS.....135  
 DECAL, INSTRUCT, FOOTSWITCH OPER.....29  
 DECAL, LABEL, AIR LINE 110 PSI.....21, 23, 29, 31, 37, 39, 45, 47  
 DECAL, LABEL, ELECTRO HAZARD.....35  
 DECAL, LABEL, 105 DB.....33, 35  
 DECAL, LABEL, ASSY INSTALL, I.....63  
 DECAL, LABEL, ASSY INSTALL, R.....63  
 DECAL, LABEL, BELT ROUTING DSG.....21, 37  
 DECAL, LABEL, BELT, MSG425.....21, 23, 37, 39  
 DECAL, LABEL, CONTROLS BATTERY.....13-14, 17-18  
 DECAL, LABEL, FALL HAZARD\*\*\*.....41  
 DECAL, LABEL, LIFTING EYE.....17-18, 35  
 DECAL, LABEL, LIQUID PROPANE.....13-14, 17-18, 33, 35  
 DECAL, LABEL, LOWER MIDRAIL...29, 31, 45, 47  
 DECAL, LABEL, MANUAL NOT HERE.....29  
 DECAL, LABEL, MAX CAPACITY\*\*\*.....45  
 DECAL, LABEL, NO SMOKING, SYMB...33, 35, 39  
 DECAL, LABEL, PATENTS.....13-14  
 DECAL, LABEL, PETRO CANADA\*\*\*.....13-14, 17-18  
 DECAL, LABEL, RELAYS, S60&65.....13-14, 17-18  
 DECAL, LABEL, STARTER BATTERY....13-14, 17-18  
 DECAL, LABEL, TEST\*\*\*.....13-14, 17-18  
 DECAL, LABEL, TIP OVER LMT SWTCH.....33, 41, 43, 45  
 DECAL, LABEL, TIPOVER, TIRES, SYMB.....33, 35, 37, 39  
 DECAL, LABEL, TIPOVER, TRAX, SYMB.....33, 35, 37, 39  
 DECAL, LABEL, TIRE PRESS HF....33, 35, 37, 39  
 DECAL, LABEL, TIRE PRESSURE...33, 35, 37, 39  
 DECAL, LABEL, TORQUE.....63  
 DECAL, LABEL, TRANSPORT DIAGRAM...13-14, 21, 33, 37  
 DECAL, LABEL, TRANSPORT TIEDOWN\*..17-18, 35  
 DECAL, LABEL, UCON HYDROLUBE....13-14, 17-18  
 DECAL, LABEL, UNLEADED GAS ONLY.....13-14, 17-18, 33, 35  
 DECAL, LABEL, WELD LINE INST, SYM.....37, 45  
 DECAL, LABEL, WHEEL LOAD S60/60X....14, 17-18, 21, 23, 33, 35, 37, 39  
 DECAL, LABEL, WHEEL LOAD S60H/XC....14, 17-18, 21, 23, 33, 35, 37, 39  
 DECAL, LABEL, WHEEL LOAD S65.....14, 17-18, 21, 23, 33, 35, 37, 39  
 DECAL, LANYARD ANCHORAGE POINT...29, 31, 45, 47, 271  
 DECAL, LOW/ULTRA LOW SULFR FUEL...13-14, 17-18  
 DECAL, LP BOTTLE, S60.....14, 18  
 DECAL, LPS (4"X4").....13-14, 17-18, 21, 23  
 DECAL, NOTICE, MAX LOAD 500 LBS.....29  
 DECAL, NOTICE, OPER INST. S60.....14, 29  
 DECAL, NOTICE, SHUTOFF VALVES.....13-14  
 DECAL, OPTION CONTROL BOX HEATR.....269  
 DECAL, PLATFORM OVERLOAD.....31, 47  
 DECAL, POWER TO PLATFORM 115V.....21, 23, 29, 31, 37, 39, 45, 47  
 DECAL, PROTECTOR, CLEAR.....245  
 DECAL, SYM, SLOPE RATING, S60.....47  
 DECAL, SYMBOL-BATTERY SAFETY.....33, 35  
 DECAL, SYMBOL-COMP ACCESS.....35, 37, 39  
 DECAL, SYMBOL-READ THE MANUAL.....273  
 DECAL, TIP-OVER HAZARD, ANSI.....47  
 DECAL, TIP-OVER HAZARD, CE.....47  
 DECAL, TIP-OVER, CRUSH.....47  
 DECAL, TOWING INSTRUCTIONS.....13-14, 17-18  
 DECAL, TRACK, FALL ARREST BAR, SYMBOL.....271

DECAL, TRACK, FALL BAR, WORD.....271	ARREST BAR, WORD FR.....271	ENCLOSURE OPT, DRILLD.....257	BOX, GAUGE FILTER, OIL, DEUTZ F4L1011F.....11, 143-144, 147, 151, 159, 161	DECAL, TRACK, FALL FR.....271	ARREST BAR, WORD FR.....271	END BOGEY.....63	FILTER, OIL, DEUTZ, REPLACEMENT.....143- 144, 147, 159
DECAL, TRIANGLE, BLUE...13-14, 17-18, 21, 23, 33, 35, 37, 39	DECAL, TRIANGLE, BLUE...13-14, 17-18, 21, 23, 33, 35, 37, 39	END BRACKET, FIXED END.....193	FILTER/SEPARATOR, FUEL DIESEL**.....137	DECAL, TRIANGLE, YELLOW...13-14, 17-18, 21, 23, 33, 35, 37, 39	DECAL, TRIANGLE, YELLOW...13-14, 17-18, 21, 23, 33, 35, 37, 39	END BRACKET, MOVING END.....193	FINGER, GUIDE, CABLE TRACK.....193
DECAL, ULS DIESEL ONLY, TIER 4.....14, 18	DECAL, ULS DIESEL ONLY, TIER 4.....14, 18	END CAP, WHEEL DRIVE.....50-51, 53-54	FIRE EXTINGUISHER.....251	DECAL, WARN, AVOID INJURY.....63	DECAL, WARN, AVOID INJURY.....63	END STOP, DIN RAIL, SCREW CLAMP.....83	FIRE SLEEVE, 1.25".....251
DECAL, WARN, CRUSH HAZ.....63	DECAL, WARN, CRUSH HAZ.....63	END STOP, TRACK, FALL ARREST BAR.....271	FITTING, 3/8 NPT TO 3/16 HOSE.....77	DECAL, WARN, CRUSH HAZARD HAND...13- 14, 21, 25	DECAL, WARN, CRUSH HAZARD HAND...13- 14, 21, 25	ENGINE HARNESS, MSG425.....123	FITTING, DEPR LP, MSG425.....123
DECAL, WARN, CRUSH HAZARD PLAT.....29, 45	DECAL, WARN, CRUSH HAZARD PLAT.....29, 45	ENGINE KIT, DEUTZ TD 2.9.....161	FITTING, 1/4 NPT X SAE J2044.....79	DECAL, WARN, ELECTRO HAZARD.....17-18	DECAL, WARN, ELECTRO HAZARD.....17-18	ENGINE KIT, FORD MSG425 LPS.....123	FITTING, 3/8 NPT TO 1/2 BARB.....77
DECAL, WARN, FALL HAZARD.....25	DECAL, WARN, FALL HAZARD.....25	ENGINE KIT, MSG425.....129	FITTING, 3/8 NPT TO 1/4 NPT.....77	DECAL, WARN, HIGH PRESS.....63	DECAL, WARN, HIGH PRESS.....63	ENGINE MOUNT, LEFT, MSG425.....129	FITTING, BARBED, STRT, FUEL LINE.....143- 144
DECAL, WARN, IMPROPER OPERATION...29, 31	DECAL, WARN, IMPROPER OPERATION...29, 31	ENGINE MOUNT, REAR, MSG425.....129	FITTING, BARBED, TEE, FUEL LINE....143-144	DECAL, WARN, WELD LINE INST.WORD...21, 23, 29, 31	DECAL, WARN, WELD LINE INST.WORD...21, 23, 29, 31	ENGINE MOUNT, RIGHT, MSG425.....129	FITTING, BULKHEAD, 3/8NPT, FUELTK.....77
DECAL, WARNING, CRUSHING HAZARD...33, 37, 41	DECAL, WARNING, CRUSHING HAZARD...33, 37, 41	ENGINE, PERKINS, DIESEL 404D-22.....131- 132	FITTING, CONN, 16MM-6MJ.....159, 169	DECAL, WARNING, PANEL CRADLE.....29, 31, 229	DECAL, WARNING, PANEL CRADLE.....29, 31, 229	ENGINE, PERKINS, DIESEL 404F-22.....135	FITTING, CONN, 16MM-8MJ.....159, 169
D E C A L , W A R N I N G , P I P E CRADLE, BOOM.....29, 31, 229	D E C A L , W A R N I N G , P I P E CRADLE, BOOM.....29, 31, 229	EVACUATOR VALVE-AIR CLEANER.....131- 132, 137, 143-144, 147, 155, 165	FITTING, CONN, 520120-12***.....205, 207, 209, 211, 215, 217, 219, 255, 261	DECAL, WARNING-COMPART ACCESS...17- 18, 21, 23	DECAL, WARNING-COMPART ACCESS...17- 18, 21, 23	EXHAUST MANIFOLD.....131-132	FITTING, CONN, 520120-12***.....205, 207, 209, 211, 215, 217, 219, 255, 261
DECAL, WORD, SLOPE RATING, S60.....31	DECAL, WORD, SLOPE RATING, S60.....31	EXHAUST MANIFOLD, MSG425.....125	FITTING, ELBOW, 45D, 520320-12***.....205, 215, 219, 255	DIN RAIL, 6.50".....249	DIN RAIL, 6.50".....249	EXHAUST PIPE GASKET.....149	FITTING, ELBOW, 45D, 520320-4-6**.....207
DIN RAIL, 17".....83, 89	DIN RAIL, 17".....83, 89	EXHAUST PIPE, TIER IV DEUTZ, Z.....163	FITTING, ELBOW, 6GS-6FJX90S.....159, 169	DIODE, 6A 22903-6V.....65-66, 73	DIODE, 6A 22903-6V.....65-66, 73	EXPANSION TANK, METAL, D2.9.....157, 167	FITTING, ELBOW, 8GS-8FJX90S.....159, 169
DIODE, 6 AMP, 200 PIV, BULK.....143-144, 147	DIODE, 6 AMP, 200 PIV, BULK.....143-144, 147	EXTRUSION, RUBBER STRIP, LG, D2.9.....157	FITTING, ELBOW, 90D, 520220-8***.....205, 219, 249	DIPSTICK TUBE, STRAIGHT SHORT.....132, 135	DIPSTICK TUBE, STRAIGHT SHORT.....132, 135	EXTRUSION, RUBBER STRIP, SM, D2.9.....157	FITTING, FUEL, 1/2, D2.9, QC.....159, 169
DIPSTICK, MSG425.....123	DIPSTICK, MSG425.....123	FAN BELT, ALTERNATOR.....11, 135, 151, 161	FITTING, HYDRAULIC, 90DEG, O-RING.....143- 144	DIPSTICK, OIL, D2011.....143-144	DIPSTICK, OIL, D2011.....143-144	FAN DRIVE BELT, MSG425.....11, 125	FITTING, ORIFICE, .047.....253
DIPSTICK, STRAIGHT SHORT.....132, 135	DIPSTICK, STRAIGHT SHORT.....132, 135	FAN PULLEY.....161	FITTING, REDUCER, 520123-12-8***.....219	DIPSTICK, TD2.9.....151, 161	DIPSTICK, TD2.9.....151, 161	FAN PULLEY, MSG425.....125	FITTING, SAE J2044F X5/16 BARB.....79
DIPSTICK, F3L1011F (DEUTZ).....147	DIPSTICK, F3L1011F (DEUTZ).....147	FAN SHROUD, MSG425.....129	FITTING, TEE, BRANCH, 520433-4.....213	DISCONNECT KIT (88887).....50-51, 53-54	DISCONNECT KIT (88887).....50-51, 53-54	FAN SHROUD, DEUTZ D2.9.....153	FITTING, TEE, RUN, SWIVEL 520432-4.....207, 209, 211, 213, 215
DRIVE COUPLING, 13 TOOTH.....253	DRIVE COUPLING, 13 TOOTH.....253	FAN SPACER, MSG425.....125	FLANGE, EXHAUST.....131-132	DRIVE COUPLING, KEYED.....253	DRIVE COUPLING, KEYED.....253	FAN, 10 BLADE, 15".....157	FLANGE, EXHAUST, PERKINS 404F.....141
		FAN, ENGINE (104-22)(404-22)*.....132, 139	FLASHTUBE, STRAIGHT, 360DEG, BULB...221			FAN, MSG425.....125	FLASHTUBE, U SHAPED, 360DEG, BULB...221
		FAN, 10 BLADE, 17", DEUTZ 2.9L.....167	FLATBAR, CLAMPS, CABLE TRACK.....193			FEMALE BULKHEAD CONNECTOR-8.....239	FLATBAR, ALUM, THROTTLE LINKAGE....131- 132
		FIELD KIT, 6'1/2MESH PLAT W/GAT.....225	FLEX PIPE, EXHAUST, 2.5" DIA.....149			FIELD KIT, MTE 120V-60HZ, S60.....263	FLOORING, 6'FT PLATFORM.....195
		FIELD KIT, MTE, 120V-50HZ, S60.....263	FLOORING, 4 FT PLATFORM, PAINTED.....195			FIELD KIT, MTE, 240V-50HZ, S60.....263	FLOORING, 8 FT PLATFORM**.....195
		FILTER ASSY, HIGH PRESS SAE-12*.....91- 92, 95-96	FLYWHEEL (PERKINS KR70481U)**.....131- 132			FILTER ASSY, INTANK.....66, 69	FLYWHEEL ASSY, MSG425.....123
		FILTER ASSY, INTANK.....66, 69	FLYWHEEL, SAE 8/10.....151, 161			FILTER ASSY, M PRESS, SAE8, WOIND* (77139).....91-92, 95-96	FLYWHEEL, SAE 8/10.....151, 161
		FILTER ASSY, M PRESS, SAE8, WOIND* (77139).....91-92, 95-96	FOAM PAD, 3" OD X 1.25" ID X 14 IN.....229			FILTER ELEMENT, AIR, NOLFF LPG.....11, 127	FOAM, AIRCRAFT PROTECTION.....235, 237
		FILTER ELEMENT, AIR, NOLFF LPG.....11, 127	FORMING, AIR CLEANER MOUNT.....127			FILTER HEAD (29560).....143-144	FORMING BRKT, WIPER 1 TO 2.....241
		FILTER HEAD (29560).....143-144	FORMING, BRACKET, COVER STOP.....69			FILTER INDICATOR-(60334).....91-92, 95-96	FORMING, BRACKET, LATCH.....69
		FILTER INDICATOR-(60334).....91-92, 95-96	FORMING, BRACKET, TANK, EXPANS.....167			FILTER LID, RFM165.....66, 69	FORMING, BRKT, ENGINE COVER.....65-66, 91-92, 95-96
		FILTER LID, RFM165.....66, 69	FORMING, BRKT, ENGINE COVER.....65-66, 91-92, 95-96			FILTER, DEUTZ 2.9, FUEL.....11, 159, 169	FORMING, BULKHEAD, TS FRONT.....69
		FILTER, DEUTZ 2.9, FUEL.....11, 159, 169	FORMING, BULKHEAD, TS REAR.....73			FILTER, FUEL.....11, 79	FORMING, BULKHEAD, RIGHT, S60/65.....91- 92, 95-96
		FILTER, FUEL.....11, 79	FORMING, BRKT, ENGINE COVER.....65-66, 91-92, 95-96			FILTER, AIR CLEANER, SUPERBOOM.....11, 147, 165	FORMING, CABLE ANCHOR.....191
		FILTER, AIR CLEANER, SUPERBOOM.....11, 147, 165				FILTER, AIR***.....11, 131-132, 137, 143-144, 155	
		FILTER, AIR***.....11, 131-132, 137, 143-144, 155				FILTER, ELEMENT, 30 MIC, 75020.....11, 132, 135	
		FILTER, ELEMENT, 30 MIC, 75020.....11, 132, 135				FILTER, ELEMENT, BETA(10)=200.....11, 66, 69	
		FILTER, ELEMENT, BETA(10)=200.....11, 66, 69				FILTER, ELEMENT, BETA(5)=1000.....11, 91- 92, 95-96	
		FILTER, ELEMENT, BETA(5)=1000.....11, 91- 92, 95-96				FILTER, FUEL, PERKINS.....11, 132, 135	
		FILTER, FUEL, PERKINS.....11, 132, 135				FILTER, FUEL/WTR SEP, DTZ 1008.....11, 143- 144, 147	
		FILTER, FUEL/WTR SEP, DTZ 1008.....11, 143- 144, 147					





HARN,LS SAFETY,PRI,DUAL CAP.....106-107	HARN,LS,SAFETY,PRI,VELOCITY.....106-107	HARN,PBOX,DUAL CAP.....106-107	HARN,PBOX,JOYSTICK,S60/65.....105-107	HARN,PBOX,OPA,HW,12V.....107	HARN,PERKINS 404F,6WAY EXT.....106-107	HARN,PIGTAIL,TAPESWITCH,OPA.....273	HARNASS ASSY,GBOX.....105-107	HARNASS ASSY,GCON,PLAT PRTY.....107	HARNASS ASSY,PBOX,SNGL CAP...105-107	HARNASS ASSY,PCON,DRIVE PRTY.....107	HARNASS ASSY,PCON,JIB.....106-107	HARNASS ASSY,PCON,LOAD SENSE.....106-107	HARNASS ASSY,PCON,PROX KILL.....107, 235, 237	HARNASS ASSY,PCON,TILT LED.....107	HARNASS ASSY,RELAY 404F.....106-107	HARNASS ASSY,RELAY 404F,S60/65.....106-107	HARNASS ASSY,RELAY D2.9.....106-107	HARNASS ASSY,RELAY D2.9,S60/65.....106-107	HARNASS ASSY,RELAY DC T4 PERK.....106-107	HARNASS PERKINS ENGINE S60 ALT...106-107	HARNASS PROGRAM CAN PLUS1...105-107	HARNASS, 12/3 12V TO PLAT JIB.....105-107	HARNASS, 12/3 12V TO PLAT NJ.....105-107	HARNASS, 120V POWER CORD, 24".....259	HARNASS, 18/22, CABLE JIB.....105-107	HARNASS, 18/22, CABLE NJ.....105-107	HARNASS, 240V POWER CORD, 24".....259	HARNASS, AC POWER TO PLAT JIB.....106-107	HARNASS, AC POWER TO PLAT NJ.....106-107	HARNASS, ENGINE, DEUTZ TD2.9...151, 161	HARNASS, FORD STARTER.....106-107	HARNASS, FULL GAUGE OPT, FORD.....106-107	HARNASS, JUMPER, LOAD SENSE.....106-107	HARNASS, LOAD SENSE.....106-107	HARNASS, LOAD SENSE, GBOX.....106-107	HARNASS, LS, OP, CABLE TENSION.....105-107	HARNASS, LS, OP, PRI ANGLE.....105-107	HARNASS, LS, OP, PRI, VELOCITY.....105-107	HARNASS, LS, OP, PRIMARY.....105-107	HARNASS, OMRON RELAY, CR66.....83, 89	HARNASS, S60 DEUTZ D2.9.....105-107	HARNASS, S60 PERKINS 404F.....106-107	HARNASS, TILT, 12V, CSA PROD.....107	HARNASS, 12V WORK LIGHTS.....106-107	HARNASS, 18/22,CABLE2 JIB.....105-107	HARNASS, 18/22,CABLE2 NJ.....105-107	HARNASS,BATT CABLE, 120V.....259	HARNASS,BATT CABLE, 240V.....259	HARNASS,BEACON OPTION.....105-107, 221	HARNASS,BOOM CABLE HIGH CAP.....105-107	HARNASS,DEUTZ ENGINE.....105-107	HARNASS,DRIVE/LIFT INTERLOCK.....106-107	HARNASS,ENG/HYD HEATER,120V.....259	HARNASS,ENG/HYD HEATER,240V.....259	HARNASS,ENGINE GAUGE.....106-107	HARNASS,FORD DSG423,S60.....106-107	HARNASS,GAUGE OPT.,S60 DEUTZ.....106-107	HARNASS,GBOX WIRING.....105-107	HARNASS,GBOX,DUAL CAP RELAY.....106-107	HARNASS,GBOX,T4,S60/65.....105-107	HARNASS,GENERATOR POWER.....106-107	HARNASS,INJECTOR,DEUTZ D2.9.....153	HARNASS,JIB SELECT MANIFOLD...105-107	HARNASS,JIB,PBOX,S65.....106-107	HARNASS,LINCOLN WELDER***.....249, 251	HARNASS,LS,DRIVE ENABLE.....105-107	HARNASS,PBOX HI-CAP OPTION.....107	HARNASS,PBOX,S60/65.....105-107	HARNASS,PROX.KILL.....107	HARNASS,S60 TURBO DEUTZ SPEC.....105-107	HARNASS,TILT ALARM,12V.....107	HEAT SHIELD,ALTERNATOR,FORD.....125	HEAT SHIELD,DEUTZ STARTER.....143-144	HINGE,.375X.120THK.,SLOTTED.....91-92, 95-96, 101, 103	HINGE,CONSTANT TORQUE.....243	HINGE,GROUND BOX COVER.....243	HINGE,PLAT CONTROL BOX COVER.....223	HOOK,BATT HOLD DOWN,10".....65-66, 69	HORN,12VDC,SPADE TERMINALS***.....65-66, 71, 73	HOSE ASM-JCAF310-06-41.....119	HOSE ASSEMBLY 3/8".....209	HOSE ASSEMBLY,1/2"***.....239	HOSE ASSEMBLY,1/2,STR FEM.....215	HOSE ASSEMBLY,1/4".....267	HOSE ASSY 1",STR FEM,STR FEM.....205, 217	HOSE ASSY 1/4,90 FEM STR FEM.....209	HOSE ASSY 1/4,STR FEM,STR BULK.....207, 213	HOSE ASSY 1/4.90 FEM STR FEM.....209	HOSE ASSY 3/8, STR FEM,STR FEM.....205, 209, 211	HOSE ASSY, 1-1/4", 76.75".....205	HOSE ASSY, 1/4", 713".....207	HOSE ASSY, 3/4", 28.55".....217, 261	HOSE ASSY, 3/4", 34.05".....215	HOSE ASSY, 3/4", 72.54".....205	HOSE ASSY,1",90 FEM,STR FEM.....205	HOSE ASSY,1/2".....205, 209, 213	HOSE ASSY,1/2"***.....209, 211	HOSE ASSY,1/2,90 FEM,STR FEM.....205, 207, 209, 219	HOSE ASSY,1/2,90 FEM,STR FEM**.....209	HOSE ASSY,1/2,STR FEM,STR FEM.....207, 219	HOSE ASSY,1/4 STR FEM,STR FEM.....209, 211	HOSE ASSY,1/4", 38.00".....207	HOSE ASSY,1/4,693".....207	HOSE ASSY,1/4,90 FEM,STR FEM.....205, 209, 213	HOSE ASSY,1/4,90 FEM,STR FEM**.....207, 209, 213, 215	HOSE ASSY,1/4,STR FEM,STR FEM.....207	HOSE ASSY,1/4,STR FEM,STR FEM*.....205, 207	HOSE ASSY,3/4".....209, 211	HOSE ASSY,3/4,45 FEM,STR FEM.....219	HOSE ASSY,3/4,45 FEM,STR MALE.....217, 261	HOSE ASSY,3/4,90 FEM,STR FEM.....205, 209, 211, 215, 219	HOSE ASSY,3/4,90 FEM,STR FEM**.....209	HOSE ASSY,3/4,STR FEM,STR FEM.....205, 217, 219	HOSE ASSY,3/8,STR FEM,STR FEM.....209, 211	HOSE ASSY,3/8,STR FEM,STR,90D.....207	HOSE ASSY,LP GAS.....129	HOSE ASSY,.3/4",90,FEM,STR FEM.....205	HOSE END,BARB,1/4 MNPTX5/16,90.....132, 137	HOSE END,BARB,1/4 MNPTX5/16,ST.....132, 137	HOSE END,BARB,3/8 MNPT X 5/16.....77	HOSE END.375 MPT X .25 HOSE.....77	HOSE GUIDE, JIB.....183	HOSE HANGER, MSG425.....129	HOSE, CLEAN AIR, MSG425.....127	HOSE, COOLANT BYPASS, MSG425.....123	HOSE, COOLANT, VAP, MSG425.....129	HOSE, HEATER, 1/4", 13" LONG.....167	HOSE, HEATER, 1/4", 25" LONG.....167	HOSE, INTAKE, 2"ID X 3".....137	HOSE, INTAKE, AIR.....165	HOSE, INTAKE, DEUTZ TD2.9.....165	HOSE, LOWER RADIATOR, MSG425.....129	HOSE, RAW AIR, MSG425.....127	HOSE, TANK, EXPANSION.....167	HOSE, UPPER RADIATOR, DEUTZ D.....163	HOSE, 1/4 FUEL LINE, SAE 30R7.....77, 143-144, 147	HOSE, 5/16 FUEL, SAE 30R7.....77, 143-144, 147	HOSE,AIR 3/8.....125	HOSE,AIR CLEANER.....143-144	HOSE,AIR CLEANER TO INTAKE.....131-132	HOSE,AIR INLET.....131-132	HOSE,AIR INTAKE 2.5" I.D.....247	HOSE,AIR INTAKE 2.50" ID.....155	HOSE,ENGINE VENT,DEUTZ D2.9.....157	HOSE,EXPANSION TANK,D2.9.....157	HOSE,FUEL,1/2,D2.9,SUPLY,QC.....159	HOSE,FUEL,1/2,S60,D2.9,SUPLY.....77	HOSE,FUEL,5/16 HIGH PRES 3 IN.....79	HOSE,FUEL,5/16 HIGH PRES 35 IN.....79	HOSE,FUEL,5/16 HIGH PRESSURE**.....79	HOSE,FUEL,5/16HIGH PRES 127 IN.....79	HOSE,FUEL,5/16HIGH PRS 40 IN.....79	HOSE,FUEL,5/16HIGH PRS 60 IN.....79	HOSE,LOWER RADIATOR, 2.9L DEUT.....163	HOSE,LOWER RADIATOR,DEUTZ D2.9.....153	HOSE,LOWER,RADIATOR,PERKINS.....132, 135	HOSE,OVERFLOW,DEUTZ D2.9.....167	HOSE,PCV,DEUTZ D2.9.....155	HOSE,RADIATOR VENT,DEUTZ D2.9.....157	HOSE,RAW AIR,DEUTZ D2.9.....155	HOSE,STRAIGHT,4" ID X 3.6" LG.....247	HOSE,UPPER RADIATOR,DEUTZ D2.9.....153	HOSE,UPPER RADIATOR,MSG425.....127	HOSE,UPPER RADIATOR,PERKINS.....132, 135	HOSE-HEATER,5/8 ID-BLACK.....129	HOUR METER,10-80 VOLTS*** .....81	HOUSING,PUMP MOUNT (54573).....132	HUB ASSEMBLY.....63
---	---	--------------------------------	---------------------------------------	------------------------------	--	-------------------------------------	-------------------------------	-------------------------------------	--------------------------------------	--------------------------------------	-----------------------------------	--	---	------------------------------------	-------------------------------------	--	-------------------------------------	--	---	--	-------------------------------------	---	--	---------------------------------------	---------------------------------------	--------------------------------------	---------------------------------------	---	--	---	-----------------------------------	---	---	---------------------------------	---------------------------------------	--	--	--	--------------------------------------	---------------------------------------	-------------------------------------	---------------------------------------	--------------------------------------	--------------------------------------	---------------------------------------	--------------------------------------	----------------------------------	----------------------------------	--	---	----------------------------------	--	-------------------------------------	-------------------------------------	----------------------------------	-------------------------------------	--	---------------------------------	---	------------------------------------	-------------------------------------	-------------------------------------	---------------------------------------	----------------------------------	--	-------------------------------------	------------------------------------	---------------------------------	---------------------------	--	--------------------------------	-------------------------------------	---------------------------------------	--	-------------------------------	--------------------------------	--------------------------------------	---------------------------------------	---	--------------------------------	----------------------------	-------------------------------	-----------------------------------	----------------------------	---	--------------------------------------	---	--------------------------------------	--	-----------------------------------	-------------------------------	--------------------------------------	---------------------------------	---------------------------------	-------------------------------------	----------------------------------	--------------------------------	---	--	--	--	--------------------------------	----------------------------	--	---	---------------------------------------	---	-----------------------------	--------------------------------------	--	--	--	---	--	---------------------------------------	--------------------------	--	---	---	--------------------------------------	------------------------------------	-------------------------	-----------------------------	---------------------------------	--------------------------------------	------------------------------------	--------------------------------------	--------------------------------------	---------------------------------	---------------------------	-----------------------------------	--------------------------------------	-------------------------------	-------------------------------	---------------------------------------	--	--	----------------------	------------------------------	--	----------------------------	----------------------------------	----------------------------------	-------------------------------------	----------------------------------	-------------------------------------	-------------------------------------	--------------------------------------	---------------------------------------	---------------------------------------	---------------------------------------	-------------------------------------	-------------------------------------	--	--	--	----------------------------------	-----------------------------	---------------------------------------	---------------------------------	---------------------------------------	--	------------------------------------	--	----------------------------------	-----------------------------------	------------------------------------	---------------------



## Part Description Index (continued)

- HUB SCREW.....53-54  
HUBBLE NUT, PG11.....259  
HYD. HOSE ASSEMBLY 3000 PSI.....63  
HYDRAULIC TANK ASSEMBLY.....65-66
- I**
- IDLER BRACKET.....125  
INJECTOR, FUEL(DEUTZ F3L2011F).....143-144  
INJECTOR, FUEL, MSG425.....123  
INSTRN, TRC RETROFIT, STNDRD.....105-107  
INSTRUCTIONS ORIFICE VENT ASSEMBLY.....151  
INSTRUCTIONS,INSTALL (LEVEL SENSOR ALARM).....107  
INSTRUCTIONS,PANEL CRADLE.....229  
INSTRUCTIONS-PIPE CRADLE,BOOMS...229  
INTAKE BREATHER.....151, 161  
INTAKE MANIFOLD.....131-132, 141  
INTAKE MANIFOLD, MSG425.....123  
ISOLATOR, DEPR.....129  
ISOLATOR, VIBRATION.....129, 153, 157  
ISOLATOR, VIBRATION DAMPENER.....167  
ISOLATOR,AIR FILTER MOUNT.....163  
ISOLATOR,ENGINE VIBRATION.....147, 149, 169  
ISOLATOR,ENGINE VIBRATION\*\*\*.....129, 141, 143-144, 159  
ISOLATOR,VIBRATION,M8 MALE/FEM....131-132, 135
- J**
- J-BOX ASSEMBLY,8X10.....249  
J-BOX,CIRCUIT BREAKERS,8X10\*\*\*.....249  
JIB BOOM ASSY W/SYMBOL DECAL.....183  
JIB BOOM ASSY W/WORD DECAL.....183  
JOYSTICK CONNECTOR ASSEM,DEUT...201  
JOYSTICK,1 AXIS ROCKER,DEUTSCH.....203  
JOYSTICK,2 AXIS,DEUTSCH.....203  
JOYSTICK,2 AXIS,ROCKER,DEUTSCH.....203  
JOYSTICK,DUAL AXIS W/KNOB.....203  
JOYSTICK,DUAL AXIS W/STEER.....203  
JOYSTICK,SINGLE AXIS W/STEER.....203  
JUMPER COMB, 2-WAY,WIELAND.....83, 89  
JUMPER COMB, 3-WAY,WIELAND.....83, 89
- K**
- KEEPER,LATCH (45363).....101  
KEY SINGLE\*\*\*.....81, 85-86, 103  
KEY, HEX, 5/16" X 2.50"LG,SS.....171-172  
KEYS,10 PACK\*\*\*.....81, 85-86, 103  
KEYSWITCH,3 POS. W/KEYS\*\*\*.....81, 85-86  
KIT, AUX TOP RAIL SUPPORT.....223  
KIT, BRAKE SPRING.....96  
KIT, FRICTION DISC.....96  
KIT, GLAND NUT, S60 LIFT CYL.....171-172  
KIT, HD STARTER INSTALL, MSG-4.....123  
KIT, HEAT GUARD, DEUTZ STARTER.....143-144  
KIT, ISOLATION, 2 JOYSTICK.....203  
KIT, LEVEL SENSOR, 6 PIN CONN.....107  
KIT, OPA WELDER BRACKET.....273  
KIT, RETROFIT, WELDGEN, MAG BREAKER.....249  
KIT, SEAL, PUMP, 1 SECTION.....119  
KIT, SEAL, PUMP, 2 SECTION.....119  
KIT, SWING BRAKE REBUILD.....96
- KIT, TERMINAL BLOCK.....83  
KIT, TRC RETROFIT, STNDRD.....105-107  
KIT,BRAKE SPRING\*\*\*.....91-92, 95-96  
KIT,CHARGE PUMP.....119  
KIT,CHARGE PUMP HOUSING.....119  
KIT,ELEMENT\*\*.....66, 69  
KIT,ENGINE SERVICE,250 HOUR,DEUTZ D2.9,,Z45/S40/S60/Z62/RT90.....11  
KIT, ENGINE SERVICE, 250 HOUR, FDMMSG425,Z45/S40/S60/Z62/RT90.11  
KIT,EXTEND/RETRACT CABLE,S60.....177  
KIT,FAN SUPPORT RETRO,FORD MSG.....125  
KIT,FBA STYLE COUPLER,PERKINS.....132, 137  
KIT,FBA STYLE COUPLER,SAE8.....144  
KIT,FIELD INSTALL,SWING GATE.....225  
KIT,FITTING,REGULATOR DSG-423.....123  
KIT,FRICTION DISC\*\*\*.....91-92, 95-96  
KIT,GASKET,UK POWER TO PLAT.....239  
KIT,GEN. PRESSURE SWITCH.....255, 263  
KIT,HARNESS,PROTRACTOR,Z135\*\*\*.....11  
KIT,HOSE ASSY RAD VENT.....151  
KIT,MED PRES FUEL SUPPLY,D2.9.....159, 169  
KIT,MTE&OIL COOL,120V50HZ,S60.....263  
KIT,MTE&OIL COOL,120V60HZ,S60.....263  
KIT,MTE&OIL COOL,240V50HZ,S60.....263  
KIT,OP SWITCH,DEUTZ.....143-144  
KIT,PANEL CRADLE BRACKET,SYMBL.....229  
KIT,PANEL CRADLE BRACKET,WORD.....229  
KIT,PRIMER BULB.....143-144  
KIT,PUMP SHAFT SEAL W/INST\*\*\*.....119  
KIT,REPAIR,DEUTSCH PLUG,W/TUBE.....105-107, 203
- K I T , R E P A I R , D E U T S H**  
CONNECTORS\*\*.....105-107, 203  
KIT,SEAL,3CC PUMP\*\*\*.....132  
KIT,SOLENOID CONTROL SERVICE.....119  
KIT,STRAINER REPLACEMENT.....205  
KIT,SWING BRAKE REBUILD\*\*\*.....91-92, 96  
KIT,THERMOSTAT CONVERSION.....151  
KIT,TILT ALARM,IC MODELS.....107  
KIT,TRAX,9-BOLT,S60 W/OMNI HUB.....63  
KIT,TRAX,9-BOLT,S60 W/RR HUBS.....63  
KIT,WATER PUMP 2.9 L4.....151  
KIT,WELD LEADS ASSY,V275S.....251  
KIT,WIRE,12.5KW WELDER.....249, 251  
KNOB,JOYSTICK, 62390/62391.....203  
KNOB,ROCKER JOYSTICK 75565.....203
- L**
- L,NAMEPLT,USE UNDERWRITE LAB.....17-18  
L.P.TANK LATCH.....265  
LABEL, GBOX, S60TX ANSI TIER 4.....14, 17-18  
LABEL, GBOX, S60X TIER 4.....14, 17-18  
LABEL, PBOX, S60TX ANSI TIER 4.....29, 31  
LABEL, PBOX, S60X TIER 4.....29, 31  
LABEL, PBOX, S60XC TIER 4.....29, 31  
LABEL, PBOX, S65 TIER 4.....29, 31  
LABEL,SCON SOFTWARE,S60HC.....33  
LABEL,TCON SOFTWARE,S60HC.....33  
LANYARD,PLATFORM CONTROL BOX.....201  
LATCH,FLEXIBLE DRAW W/O KEEPER.....65-66  
LATCH,PUSH BUTTON.....243  
LATCH,ROTARY,ENGINE COVER.....103
- LATCH,SLIDE, FLUSH MOUNT STYLE.....223, 243  
LENS,AMBER,STROBE,FIREBOLT.....221  
LEVEL SENSOR,LS60,YL,2.5X4.5.....71  
LEVER, GOVERNOR ACTUATOR.....143-144, 147  
LID ENCLOSURE,RED,OPA.....273  
LIFT PUMP,FUEL,DEUTZ.....159, 169  
LIGHT, 12 VOLT.....221  
LIGHT,LED IND. AMBER 12V NH.....197-198  
LIGHT,LED IND. RED 12V NH.....81, 85-86, 197-198  
LIMIT SWITCH,BLUE,MICRO.....179  
LINING KIT,BRAKE,OMNI\*\*\*.....50-51, 53-54  
LOAD CELL FLEXURE.....185  
LOAD SUPPORT W/BEARINGS.....189  
LOCK, PLUG 2WAY, 14-18GA.....259  
LOCK,PLUG 3 WAY,14-18GA.....259  
LOCK,PLUG 6 WAY 18-20GA.....105-107  
LOCK,RECEP 2 WAY, 14-18GA.....221, 259  
LOCK,RECEP 3 WAY,14-18GA.....259  
LOCK,RECEP 4 WAY,14-18GA.....175  
LOCK,RECEP 6 WAY,14-18GA.....99  
LOCKNUT,ELEC,1/2".....239, 263  
LOCKNUT,ELECTRIC,1" NPT.....249  
LOCKNUT,FLANGE,5/8-11,GR8.....63  
LOCKOFF,LP,FORD DSG/MSG.....129  
LOCKRING, RR\*\*\*.....50-51, 53-54  
LOWER IDLER PULLEY, MSG425.....125  
LT.LAMP IND. AMBER 12V ENG.NH.....81  
LT.LAMP IND.AMBER 12V NH.....197-198  
LUG,STUD/WHEEL (88887).....50-51, 53-54
- M**
- MACH,PLATE,LOAD SUPPORT.....185  
MACH. MOUNTING BLOCK.....59  
MACH.,PLATE,STOP.....185  
MACHINED PIVOT PLATE WELDMENT.....175  
MACHINED,LOAD CELL LINK.....185  
MAGNET,NEODYMIUM, 375 X .100.....235  
MALE PIPE THD,1/4" SER,3/8"X18.....239  
MANIFOLD ASSEMBLY, GEN.....263  
MANIFOLD,BRAKE,2-SPEED.....121  
MANIFOLD,DRIVE OIL DIVERTER.....255  
MANIFOLD,EXHAUST,PERKINS 404F.....141  
MANIFOLD,FUNCTION.....109-110  
MANIFOLD,JIB SELECT W/QD PLUG.....117  
MANIFOLD,JIB SELECT W/QD PLUG\* (88786).....117  
MANIFOLD,ROTATOR,CB\*\*\*.....117  
MANIFOLD,TRACTION,2WD.....113  
MANIFOLD,TRACTION,4WD\*\*\*.....115  
MANUAL BOX W/DECALS\*\*\*.....195  
MANUAL, DEUTZ D2.9 ENGINE.....151, 161  
MANUAL,AEM SAFETY.....11  
MANUAL,OPERATORS PERKINS 404.....131-132  
MANUAL,RESPON,A92.5 BOOM.....11  
MAP SENSOR, DSG-423.....123  
MESH,HALF,LH 5' PLATFORM.....225  
MESH,HALF,LH,6'PLATFORM.....225  
MESH,HALF,RH 5' PLATFORM.....225  
MESH,HALF,RH,6'PLATFORM.....225  
MESH,HALF,SWING GATE\*\*\*.....225  
MIXER, MSG425.....123  
MODULE,CONTROL UNIT,PCB,OPA.....273  
MODULE,CONTROL,HI AMP.....83, 89  
MODULE,FUSE&RELAY,DEUTZ 2.9.....65-66, 73

MODULE,FUSE&RELAY,PERKINS 404F....65-66, 73	NUT,LOCKING-LG.FLANGE,5/16-18....91-92, 95-96	<b>O</b>
MODULE,IGNITION/START,12/24V.....83	NUT,LP NYLOCK,3/8-24.....99	O-RING, CAMSHAFT POSITION SENSOR.....151, 161
MODULE,LOAD SENSE 2007.....83	NUT,M4 NYLOCK.....273	O-RING, CRANKSHAFT POSITION SENSOR.....151, 161
MODULE,TIME DELAY ON BREAK 4S.....83, 89	NUT,NYLOCK FLG,1/4-20,F,ZAG.....229	O-RING, FUEL LIFT PUMP.....147
MOTOR, 12VDC, I-TERMINAL.....71	NUT,NYLOCK FLG,3/8-16,F,ZAG.....229, 271	O-RING, INTAKE AIR PRESSURE SENSOR.....151, 161
MOTOR,12VDC,77066.....71, 73	NUT,NYLOCK,1/2-13.....159	O-RING, OIL PRESSURE SENSOR...151, 161
MOTOR,HYD,25CC FIXED***.....253	NUT,NYLOCK,1/4-20.....73, 159, 235	O-RING, RIBBED, MSG425.....123
MOTOR,PISTON,30CC,4WD***.....50-51, 53-54	NUT,NYLOCK,10-24.....159	O-RING, ROTATOR MANIFOLD.....117
MOTOR,PISTON,35CC,2WD***.....53-54	NUT,NYLOCK,10-32.....83, 89, 169, 221, 249	O-RING, SMOOTH, MSG425.....123
MOUNT COVER.....253	NUT,NYLOCK,3/4-10,GRD.8.....177	O-RING, WATER PUMP.....151, 161
MOUNT, COVER SUPPORT CTR 86DEG.....103	NUT,NYLOCK,3/8-16.....159, 231, 239	O-RING,.070 X .239,VITON 75D.....54
MOUNT, COVER SUPPORT CTR 93DEG.....103	NUT,NYLOCK,5/8-11.....149	O-RING,.103 X 4.737,VITON, 75D.....50-51, 53-54
MOUNT, COVER SUPPORT FRONT.....103	NUT,RETAINER (96008).....81	O-RING,2-010,VITON.....53-54
MOUNT, COVER SUPPORT REAR.....103	NUT,SERRATED,1/2-13,8,ZAG.....69, 95-96	O-RING,2-042 N674-70***.....119
MOUNT, STRING POT, S60HC.....191	NUT,SERRATED,1/4-20,8,ZAG.....91-92, 95-96, 101, 103, 127, 153, 157	O-RING,67.95X2.62-NBR-70SH(HF2P)(60334).91-92, 95-96
MOUNT,GROUND CONTROL BOX LH.....85-86	NUT,SERRATED,3/8-16,8,ZAG.....103, 129	O-RING,DIPSTICK,MSG425.....123
MOUNT,GROUND CONTROL BOX RH.....85-86	NUT,SERRATED,5/16-18,8,ZAG.....103, 143-144, 149, 163	O-RING,DISCONNECT ROD (111060).....91-92, 95-96
MOUNT,SWITCH.....189	NUT,SOLENOID.....121, 255	O-RING,END COVER,OMNI***.....50-51, 53-54
MOUNTING BAND,AIR CLEANER.....147, 165	NUT,SOLENOID VALVE 2P3W.....109-110	O-RING,FUEL INJECTOR,DEUTZ (89792).....143-144
MOUNTING BAND,MUFFLER,8.0".....127	NUT,SOLENOID VALVE COIL.....109-110	O-RING,MOTOR/BRAKE***.....91-92, 96
MPT,CPLR,1/4"SER,3/8"X18.....239	NUT,STEM,EATON***.....119	O-RING,PIPE PLUG KIT,OMNI***.....50-51, 53-54
MUFFLER,2.5"INLET/OUTLET.....147	NUT,TL FLG,1-8,G,ZAG.....65-66, 69, 75	O-RING,RUBBER TRACK (139120).....63
MUFFLER,6".....132	NUT,TL FLG,1/2-13,G,ZAG.....91-92, 95-96, 129, 137, 141, 143-144, 171-172, 249, 263, 271	O-RING,SEAL RING,1" NPT (PKG OF 10).....249
MUFFLER,CAT/SPARK,DEUTZ.....143-144, 147	NUT,TL FLG,1/4-20,G,ZAG.....57, 65-66, 69, 71, 73, 75, 79, 92, 96, 101, 129, 131-132, 135, 137, 153, 155, 157, 169, 175, 179, 183, 189, 191, 193, 195, 223, 225, 227, 235, 237, 241, 245, 247, 249, 251, 261, 273	O-RING,STEM,EATON.....119
MUFFLER,CATALYTIC.....132	NUT,TL FLG,10-24,F,ZAG.....57, 143-144, 147	OIL COOLER W/FAN, 12VDC.....261
MUFFLER,DEUTZ.....143-144	NUT,TL FLG,10-32,F,ZAG.....65-66, 92, 96, 99, 101, 189, 201, 259	OIL COOLER,TD2.9.....151, 161
MUFFLER,SPARK ARRESTOR.....132	NUT,TL FLG,3/4-10,G,ZAG.....175	OIL FILTER - PERKINS.....11, 132, 135
	NUT,TL FLG,3/4-16,G,ZAG.....59, 61	OIL FILTER,DSG-423.....123
	NUT,TL FLG,3/8-16,G,ZAG.....51, 65-66, 69, 71, 77, 79, 91-92, 95-96, 99, 103, 129, 131-132, 135, 141, 149, 153, 157, 163, 167, 169, 171-172, 177, 179, 181, 183, 185, 187, 189, 193, 195, 235, 237, 243, 251, 273	OPTION,ROCKER STEER.....201
	NUT,TL FLG,5/16-18,G,ZAG...65-66, 69, 101, 103, 123, 127, 132, 137, 155, 165, 179, 195, 225, 249, 251, 263	ORIFICE DISC,.030,CONE.....255
	NUT,TL FLG,8-32,F,ZAG.....179	ORIFICE PLUG .025 DIA.....121
	NUT,TL FLG,M10-1.5,DIN6927,10,ZAB.....167	ORIFICE PLUG, 0.070".....113
	NUT,TL FLG,M6-1.0,DIN6927,10,ZAB.....103, 131-132, 139	ORIFICE, 0.040".....115
	NUT,TL FLG,M8-1.25,DIN6927,10,ZAB....129, 131-132, 139	ORING, OIL DIP STICK.....151, 161
	NUT,TL,1/2-13,C,ZAG.....177	OUTLET, 110V.....239
	NUT,TL,10-32,A,ZAG.....83, 89, 191	OXIDATION CATALYST,DEUTZ.....161
	NUT,TL,3/8-16,C,ZAG.....127, 147	
	NUT,TL,5/8-11,C,ZAG.....147	<b>P</b>
	NUT,TL,6-32,A,ZAG.....201	PAD,REST,1"THICK,FLANGED.....229
	NUT,TL,FLG,5/8-11,G,ZAG.....169	PADDING, FOAM, 15.5".....235, 237
	NUT,TL,M5-0.8,DIN980,10,ZAB.....131-132, 139, 201	PADDING, FOAM, 46.5".....235, 237
	NUT,TL,M6-1.0,DIN980,10,ZAB.....132	PADDING,FOAM 3.5"OD X 1.50"ID.....235, 237
	NUT,WING,1/4-20.....65-66, 69	PADDING,FOAM,3.0"X1.50ID 90DEG.....235, 237
	NUT-COIL SHORT.....117	PAINT, AEROSOL, TRAFFIC BLACK.....11
	NUT-FLANGE, 8MM (62849).....131-132	PAINT,AEROSOL,BRIGHT BLUE***.....11
	NUTSERT,1/4-20,STEEL CAD PLTD.....83, 89	PAINT,AEROSOL,GENIE GRAY***.....11
	NUTSERT,10-32 STEEL CAD PLTD.....245	PAINT,WET,GENIE BLUE (1 GL)**.....11
	NUTSERT,LP KNURLED,1/4-20X.165.....81, 85-86, 201	PAINT,WET,GENIE GRAY (1 GL)**.....11
		PAINT,WET,TRAFFIC BLACK (1 GL)**.....11
		PARKER DIGITAL PRESSURE GAUGE.....11
		PBOX ASSY,DEUTZ T4,DUAL CAP....197-198
		PBOX ASSY,DEUTZ T4,SGL CAP.....197-198
		PBOX ASSY,PERKINS T4,DUAL CAP.....197-198
		PBOX ASSY,PERKINS T4,SGL CAP.....197-198
		PIN, LIFT CYL, HEX END.....171-172





RELAY,12VDC,70AMP,SEALED.....83	SCREW, PHPM SEMS ET, 10-24 X .5, ZAG.....129, 131-132, 135, 153, 155, 163	SCREW,HHC,M10-1.5X16,DIN933,10.9,ZAB.155, 165
RELAY,OMRON,DPDT,12V.....83, 89	SCREW, PHPM, 10-32 X 1.0, ZAG...101, 245, 259	SCREW,HHC,M10-1.5X20,DIN933,10.9,ZAB.149
RELAY,PWR/FUEL,FORD DSG423.....123	SCREW, THM, TORX, 3/8-16X1,SS.....103	SCREW,HHC,M10-1.5X70,DIN931,10.....144
RELAY,SOCKET,OMRON.....83, 89	SCREW, THM, TORX, M6X25, ZAB.....103	SCREW,HHC,M14 X 40MM,GR 8.8....149, 159
RELAY,SPDT,12V(AUTO) PLUG IN**.....83, 89	SCREW,10-24 X.5 TORX PAN HD***.....193	SCREW,HHC,M14-1.5X35,DIN960,10.9,ZAB.132, 137, 141
RELAY,STARTER,FORD DSG/MSG.....123	SCREW,5/16-18X1.00,SECURITY TO.....251	SCREW,HHC,M8 X 1.25 X 25.....249
RELAY,TIME DELAY,2 SEC,10A.....83, 89	SCREW,BHC,10-32X1.5,F835,ZAG.....189	SCREW,HHC,M8 X 45.....135
RELAY,TIME DELAY,2 SEC,30A.....201	SCREW,BHC,3/8-16X1.25,F835,ZAG.....177	SCREW,HHC,M8 X 60MM X 1.25.....125
RELIEF,VALVE 270 PSI.....255	SCREW,BHSC,1/4-20 X 1.....237	SCREW,HHC,M8X1.25.80.....125
REPAIR KIT,4 LINK,W/GUIDE.....193	SCREW,BHSCS,M5X10,SS.....243	SCREW,HHF,1/2-13X 2,8,ZAG.....91-92, 95-96, 263
RESISTOR,10 OHM,25 WATT.....83, 89, 269	SCREW,BHTC,1/4-20X1,ZAG.....223	SCREW,HHF,1/2-13X1.25,8,ZAG.....69, 127
RESISTOR,5 OHM,25W***.....83, 89	SCREW,BHTC-PIN,1/4-20X1.75,ZAG.....251	SCREW,HHF,1/2-13X1.5,8,ZAG.....50-51, 53-54, 65-66, 99, 119, 129, 137, 147, 155, 165, 171-172
RESISTOR,7.5 OHM,25 WATT,1PCNT.....83, 89	SCREW,BLEEDER,M5X0.8.....181, 183	SCREW,HHF,1/2-13X1.75,ZAG.....253
RESISTOR,POT,1K OHM,2-WATT.....83	SCREW,DP200 M3X10 4PACK.....85-86	SCREW,HHF,1/2-13X2.5,8,ZAG.....57, 249
RETAINER,GAS SPRING***.....101, 103	SCREW,FHS,3/8-16X2,F835,ZAG.....79	SCREW,HHF,1/2-13X2.75,8,ZAG.....57
RETAINER,SPRING,1.21 X .375.....189	SCREW,FHS,3/8-16X2.25,F835,ZAG.....91-92, 95-96	SCREW,HHF,1/2-13X3,8,ZAG...129, 132, 141, 143-144
RETAINER-N.C.PROPOR.SOLENOID.....109-110	SCREW,FLANGE,HHC,5/8-11X2,GR8.....63	SCREW,HHF,1/2-13X3.5,8,ZAG.....271
RING / SEALING.....151, 161	SCREW,HEX TAP,3/4-10X4,8,ZAG.....91-92, 95-96	SCREW,HHF,1/4-20X.625,8,ZAG....81, 85-86, 89, 91-92, 95-96, 127, 129, 195, 201, 229
RING GEAR,DEUTZ F3L2011F.....151, 161	SCREW,HHC,1-8X11,5,ZAG.....183, 189	SCREW,HHF,1/4-20X.75,8,ZAG.....65-66, 69, 71, 73, 129, 137, 153, 155, 157, 171-172, 175, 177, 183, 191, 193, 195, 223, 225, 235, 237, 243, 251, 261, 273
RING,RETAINING***.....53-54	SCREW,HHC,1-8X12,5,ZAG.....65-66, 69, 75	SCREW,HHF,1/4-20X1,8,ZAG.....65-66, 69, 71, 92, 96, 101, 131-132, 135, 141, 169, 175, 183, 191, 195, 227, 241, 245, 247, 249
RING,RETAINING,INTERNAL.....50-51, 53-54	SCREW,HHC,1-8X12.75,5,ZAG.....185, 187	SCREW,HHF,1/4-20X1.25,8,ZAG.....79, 132, 137, 273
RIVET, STL, STL, DOME, 1/4 X .375, ZAG.....225	SCREW,HHC,1/2-13 X 3.....159	SCREW,HHF,1/4-20X1.5,8,ZAG.....129, 179, 261
RIVET,ALUM,ALUM,3/16BUTTONHEAD....223	SCREW,HHC,1/2-13X1.25,8,ZAG.....185, 187	SCREW,HHF,1/4-20X1.75,8,ZAG.....101, 171-172
RIVET,ALUM,ALUM,P,.25X.375.....243	SCREW,HHC,1/2-13X1.75,8,ZAG....91-92, 95-96	SCREW,HHF,1/4-20X2,8,ZAG.....65-66, 73, 79, 141
RIVET,ALUM,P,.188 X .25.....193	SCREW,HHC,1/2-13X2.0,8,ZAG.....177	SCREW,HHF,1/4-20X2.5,8,ZAG.....171-172, 175, 193, 229
RIVET,ALUM,P,.25X.625.....243	SCREW,HHC,1/2-13X4.5,8,ZAG.....171-172	SCREW,HHF,1/4-20X3,8,ZAG.....193
RIVET,STL,STL,DOME,1/8X.25,ZAG.....269	SCREW,HHC,1/4-20 X .75.....85-86	SCREW,HHF,1/4-20X4.5,8,ZAG.....75
ROCKER ASSY.,MAGNETIC 75565.....203	SCREW,HHC,1/4-20 X 1.....159, 235	SCREW,HHF,3/8-16X.75,8,ZAG.....50-51, 91-92, 95-96, 147, 175
ROCKER,RETAINER, 75565.....203	SCREW,HHC,1/4-20 X 1.25.....73	SCREW,HHF,3/8-16X1,8,ZAG.....65-66, 69, 71, 73, 79, 91-92, 95-96, 99, 119, 129, 131-132, 141, 143-144, 167, 171-172, 175, 177, 185, 193, 247
ROD END, .25 X 2.75, ZAG.....189	SCREW,HHC,1/4-20 X 1.5.....231	SCREW,HHF,3/8-16X1.25,8,ZAG....50-51, 65-66, 69, 91-92, 95-96, 149, 163, 169, 171-172, 177, 181, 187, 191, 195, 243, 265
ROD END,.375 X 2.25,ZAG.....50-51, 171-172	SCREW,HHC,1/4-20 X 1.5.....231	SCREW,HHF,3/8-16X1.5,8,ZAG.....129, 157, 179, 183, 185
ROD END,.375X3.69,ZAG.....50-51, 91-92, 95-96, 181, 183, 185, 187	SCREW,HHC,1/4-20X.75,8,ZAG.....49-51	SCREW,HHF,3/8-16X2,8,ZAG.....77, 103
ROD END,.5 X 3.75,ZAG....50-51, 53-54, 171-172	SCREW,HHC,1/4-20X1,8,ZAG.....233	SCREW,HHF,3/8-16X2.25,8,ZAG.....103
ROD END,BALL JOINT 1/4-28.....57	SCREW,HHC,1/4-20X1.25,8,ZAG.....189	SCREW,HHF,3/8-16X2.5,8,ZAG.....103, 243, 271
ROD END,CABLE.....175, 177	SCREW,HHC,1/4-20X1.5,8,ZAG.....129	SCREW,HHF,3/8-16X3,8,ZAG.....51, 189
ROD,DISCONNECT,OMNI***.....50-51, 53-54	SCREW,HHC,1/4-20X1.75,8,ZAG.....54, 267	SCREW,HHF,3/8-16X3.5,8,ZAG.....193
ROD,THREADED,1/4-28X4,ZAG.....57	SCREW,HHC,1/4-20X2.25,8,ZAG.....57	SCREW,HHF,5/16-18X.75,8,ZAG.....123, 127, 225, 249
ROLLER ARM,LIMIT SWITCH***.....175	SCREW,HHC,1/4-20X3,8,ZAG.....193	SCREW,HHF,5/16-18X1,8,ZAG.....132, 143-144, 149, 155, 195
ROLLER,1/2" ALUMINUM.....177	SCREW,HHC,10-24 X .75.....159	SCREW,HHF,5/16-18X1.25,8,ZAG....127, 195, 249
ROLLER,1/2" PVC.....177	SCREW,HHC,3/4-10 X 1.5.....59	
ROTATIONAL LIMITER FRONT LEFT.....59, 63	SCREW,HHC,3/8-16 X 1...91-92, 95-96, 159, 221	
ROTATIONAL LIMITER FRONT RIGHT.....59, 63	SCREW,HHC,3/8-16 X 1.25 GRD 5.....239	
ROTATIONAL LIMITER REAR.....63	SCREW,HHC,3/8-16 X 2.5.....231	
ROTATOR MOUNT KIT.....189	SCREW,HHC,3/8-16X.625,8,ZAG.....127	
ROTATOR,NON-JIB.....181	SCREW,HHC,3/8-16X.75,8,ZAG.....183	
ROTATOR,PLAT JIB,160 DEG***.....183	SCREW,HHC,3/8-16X.875,8,ZAG.....183, 189, 193	
ROTATOR,PLATFORM,15K.....185, 187	SCREW,HHC,3/8-16X1.25,8,ZAG.....179	
RUE RING 1.25,ZAG.....267	SCREW,HHC,3/8-16X2,8,ZAG.....241	
RUE RING,1.0,ZAG.....49-51	SCREW,HHC,3/8-16X2.25,8,ZAG.....177	
	SCREW,HHC,3/8-16X2.5,8,ZAG.....233	
	SCREW,HHC,3/8-16X2.75,8,ZAG.....127	
	SCREW,HHC,3/8-16X4,8,ZAG.....177	
	SCREW,HHC,5/16-18 X .75.....231	
	SCREW,HHC,5/16-18X.75,8,ZAG.....127	
	SCREW,HHC,5/8-11 X 3.5 GRD.8.....149	
	SCREW,HHC,5/8-11X2.25,8,ZAG....50-51, 53-54	
	SCREW,HHC,5/8-11X3.5,8,ZAG.....169	
	SCREW,HHC,5/8-11X4,8,ZAG.....54, 92, 96	
	SCREW,HHC,7/16-14X1.25,ZAG.....53-54	
	SCREW,HHC,FLG,3/8-16 X 1 GR8.....221	
	SCREW,HHC,M10 X 40MM,GRD8.....165	

## S

S60 PBOX ASSY, COMMON.....197-198  
 SCREW PH M5-0.8X20 DIN 7500CE.....197-198  
 SCREW T-SWITCH PH/PH 6-32X1/4....85-86, 197-198  
 SCREW, BHC, 1/4-20 X 1, ZAG.....235  
 SCREW, FHSC, 1/2-13X1.00.....63  
 SCREW, GEN ROTOR.....263  
 SCREW, HCC, 3/8-16 X 1.50.....159  
 SCREW, HHC, 5/16-18X2,8,ZAG.....50-51  
 SCREW, PHM, #6-32 X .625 ZINC.....203

## Part Description Index (continued)

SCREW,HHF,5/16-18X1.5,8,ZAG.....103, 165, 249, 263	SEAL KIT,8K ROTATOR***.....181, 183	SEPARATOR,DUAL BATTERY,100A.....65-66, 69
SCREW,HHF,5/8-11X2,8,ZAG.....91-92, 95-96	SEAL KIT,BRAKE,OMNI***.....50-51, 53-54	SEPARATOR/FILTER ELEMENT,FUEL*.....137
SCREW,HHF,M10-1.5X16,DIN6921,10,9,ZAB.167	SEAL KIT,CHECK VALVE 219246.....121	SEPARATOR ASSY,OIL,FORD MSG.....123
SCREW,HHF,M10-1.5X30,DIN6921,10,9,ZAB.127, 129, 253	SEAL KIT,CONTROL VALVE.....57	SEPRTR/FLTR,FUEL DSL,15GPH,.30.....132, 137
SCREW,HHF,M10-1.5X55,DIN6921,10,9,ZAB.129	SEAL KIT,CYL,S65 (63213).....183	SET SCREW, LIFT CYLINDER.....171-172
SCREW,HHF,M10-1.5X70,DIN6921,10,9,ZAB.147	SEAL KIT,DRIVE HUB (88887).....53-54	SHAFT SEAL, APU.....71, 73
SCREW,HHF,M10-1.5X75,DIN6921,10,9,ZAB.155, 165	SEAL KIT,GEARBOX,OMNI***.....50-51, 53-54	SHAFT, KNURLED (128918).....63
SCREW,HHF,M12-1.75X45,DIN6921,.....132	SEAL KIT,MOTOR,LC/KC***.....50-51, 53-54	SHAFT, RAISED BOSS (128918).....63
SCREW,HHF,M14-2.0X35,DIN6921,10,9,ZAB.143-144, 169	SEAL KIT,PUMP SHAFT (EATON)***.....119	SHAFT,15 TOOTH.....50-51, 53-54
SCREW,HHF,M14-2.0X40,DIN6921,10,9,ZAB.147	SEAL KIT,SOLENOID VALVE 219247.....121	SHAFT,INPUT DRIVE HUB.....53-54
SCREW,HHF,M5X12,DIN6921,10,9,Z.....243	SEAL KIT,SOLENOID VALVE, SV07.....117	SHAFT,OUTPUT.....92, 96
SCREW,HHF,M6-1.0X12,DIN6921,10.....147, 153, 163, 273	SEAL KIT,SUNSTRAND.....253	SHEAVE,EXTENSION CABLE(LARGER)...177
SCREW,HHF,M6-1.0X20,DIN6921,10,9,ZAB.103, 147	SEAL KIT,SWING BRAKE***.....91-92, 96	SHEAVE,RETRACT CABLE(SMALLER).....175
SCREW,HHF,M8-1.25X16,DIN6921,10,9,ZAB.127, 129, 132, 137, 163, 167	SEAL KIT,SWING TORQ HUB***.....92, 96	SHEET,AIR SEAL BACKING.....137, 155
SCREW,HHF,M8-1.25X20,DIN6921,10,9,ZAB.131-132, 163	S E A L M A R K E R , C R O S S	SHEET,RUBBER,AIR INTAKE.....144
SCREW,HHF,M8-1.25X25,DIN6921,10,9,ZAB.157	C H E C K , B L U E , T U B E .....11	SHIM,AXLE ROTATION STOP,22G.....57
SCREW,HHF,M8-1.25X50,DIN6921,10,9,ZAB.157	SEAL RING,SOLENOID CONTROL.....119	SHIM,PAD,5 X 3.....175
SCREW,HHF,M8-1.25X60,DIN6921,10,9,ZAB.167	SEAL, BEARING (128918).....63	SHIM,SIDE PAD 16GA. 3 X 5.....175, 177
SCREW,M5X16 BHD.....273	SEAL, CAP, NOTCHED.....91-92, 95-96	SHIM,WEAR PAD,5 X 1.5,14GA.....177
SCREW,M6X8.....273	SEAL, CONNECTOR (DT JOYSTICKS).....203	SHIM,WEAR PAD,5X 1.5 16GA.....175, 177
SCREW,PHIL,8-32X.50,SELF TAP.....239	SEAL, FRONT ENGINE,DEUTZ.....151, 161	SHOCK MOUNT,SMALL...129, 132, 135, 153, 163
SCREW,PHIL,PHM,10-32 X .5,SSTL.....83, 249	SEAL, O-RING ENERGIZER.....91-92, 95-96	SHORT LINK W/BEARINGS, SERVICE.....172
SCREW,PHIL,PHM,6-32 X 1/4 SS.....201	SEAL, O-RING LIP.....91-92, 95-96	SHRINK TUBE,BLACK,RHW,1/2,3:1.....259
SCREW,PHILLIPS,PHM,10-32 X 1.....171-172	SEAL, OIL FILLER CAP.....132, 139	SHROUD, 17" FAN.....163
SCREW,PHILLIPS,PHM,8-32 X .25**.....81	SEAL, POLY, CHAMFER.....91-92, 95-96	SHROUD, RADIATOR, 404F-22.....135
SCREW,PHPM,10-24X1,ZAG.....195	SEAL, REAR ENGINE,DEUTZ.....151, 161	SHROUD, RADIATOR, DEUTZ 2.9.....153
SCREW,PHPM,10-32X.50,ZAG.....83, 89, 201	SEAL, AIR INTAKE ADAPTER,LOWER.....163	SHROUD, RADIATOR, FORD MSG425.....129
SCREW,PHPM,10-32X.625,ZAG.....191, 249	SEAL, FILTER LID.....66, 69	SHROUD,FAN PAINTED.....131-132, 135
SCREW,PHPM,10-32X.75,ZAG.....65-66, 101, 169, 243	SEAL,LIP.....50-51, 54	SHUTDOWN SOLENOID,12V, DEUTZ.....143-144, 147
SCREW,PHPM,10-32X1.25,ZAG.....89, 99	SEAL,RUBBER BRAKE RELEASE,RUBBER TRACK (139120).....63	SIGHT GLASS.....157, 167
SCREW,PHPM,10-32X1.75,ZAG.....92, 96	SEAL,SHAFT,EATON PUMP***.....119	SLEEVE,CONNECTOR,DT JOYSTICKS....203
SCREW,PHPM,6-32X.25,ZAG.....269	SEAL,SHAFT-SUNDSTRAND***.....50-51, 53-54	SLEEVE,NYLON,1.42 ID.....207
SCREW,PHPM,6-32X.5,ZAG.....83, 89, 201	SEAL,TRAX HUBS.....59, 61, 63	SLEEVE,NYLON,2.19 ID,BULK.....105-107, 207
SCREW,PHPM,8-32X1,ZAG.....179	SEAL-INJECTOR.....131-132	SLIDING MIDRAIL KIT,PTD.....195
SCREW,PHPM-ST,M5-0.8X20,DIN750.....201	SEAL-ROCKER BOX.....131-132	SNAP RING.....63
SCREW,PHPSH,#12-11X.75,ZAG.....83, 201	SEAL-VALVE SYSTEM (A).....131-132	SNAP RING(M46 UNITS)*.....50-51, 53-54
SCREW,RHM,10-32 X 1.....221	SEAL-VALVE SYSTEM (B).....131-132	SNAP RING,EXTERNAL,1.25 DIA.**.....183, 185, 187
SCREW,SHC,3/4-10X3.75,A574,ZAG.....91-92, 95-96	SECURITY TIE,TOGGLE GUARD.....81	SNAP RING,EXTERNAL,1.25,ZAG.....181
SCREW,SHC,5/8-11X1.50,GR5,PLN.....59	SENDING UNIT,OIL PRESS.,DEUTZ*.....147	SNAP RING,EXTERNAL,1.50,ZAG.....50-51, 175, 177
SCREW,SHC,M10-1.5X30,DIN912,12,9,ZAB.127, 143-144, 147, 155, 165	SENDING UNIT,OIL PRESSURE***.....257	SNAP RING,EXTERNAL,2.00,ZAG.....171-172
SCREW,SHC,M10-1.5X60,DIN912,12,9,ZAB.127	SENDING UNIT,OIL TEMP SWCH,DTZ.....143-144, 147	SNAP RING,EXTERNAL,2.25,ZAG.....172
SEAL KIT.....109-110	SENSOR.....159	SNAP RING,EXTERNAL,3/4,ZAG.....185
SEAL KIT (39345).....117	SENSOR, CAM POS, MSG425.....123	SNAP RING,PUMP SHAFT SEAL***.....119
SEAL KIT (63566).....181, 183, 185, 187	SENSOR, CRANK POS, MSG425.....125	SOCKET, BOOT, 3P, 30A, 4 WIRE.....251
SEAL KIT (88571).....175	SENSOR, CYL. HEAD TEMP, MSG425.....123	SOCKET,3P,30A,4 WIRE, FEM.....251
SEAL KIT (88653).....171-172	SENSOR, KNOCK, MSG425.....123	SOFTWARE,S60HC,DIAGNOSTIC,+1.....105-107
SEAL KIT (89675).....50-51	SENSOR, LEVEL, 4.5 X 4.5 DEG.....71, 73	SOFTWARE,S60HC,SCON,+1.....105-107
SEAL KIT CYLINDER (59460).....49-51, 59	SENSOR, LEVEL, 2.5 X 4.5 DEG.....71, 73	SOFTWARE,S60HC,TCON,+1.....105-107
SEAL KIT, 15K ROTATOR.....185, 187	SENSOR, O2, MSG425.....127	SOLENOID CABLE ASSY***.....143-144, 147
SEAL KIT, APU.....71, 73	SENSOR,AIR,CAT MONITOR.....127	SOLENOID, VAR. TIM, MSG425.....123
SEAL KIT, DRIVE HUB.....50-51, 54	S E N S O R , C A M / C R A N K S H A F T	SOLENOID,77066.....71, 73
SEAL KIT, HYD MOTOR, GEN.....263	P O S I T I O N .....151, 161	S O L E N O I D , S H U T D O W N
SEAL KIT, SOLENOID VALVE.....109-110	SENSOR,COOLANT LEVEL, DEUTZ.....157, 167	P E R K I N 4 0 4 2 2 .....131-132, 137
SEAL KIT, SWING BRAKE.....96	SENSOR,DUAL OUTPUT,ANGLE***.99, 106-107, 171-172	SOLENOID,SHUTDOWN,PERKINS,404F-22.137
SEAL KIT, VALVE.....113, 115, 117	SENSOR,INTAKE AIR PRESSURE.....151, 161	SOLENOID,THROTTLE ACTUATOR
SEAL KIT, VALVE, #10.....109-110, 113	SENSOR,LEVEL,4.5 DEG.....71	DSL.....132, 143-144, 147
SEAL KIT, VALVE, #4.....109-110	SENSOR,LOW PRESSURE,DEUTZ	SOLENOID-STARTR DEUTZF4L1011F*....149
SEAL KIT,8-PORT SWIVEL.....91-92, 95-96	2.9L.....151, 161	SOUNDER LENS, OPA, AMBER.....273
	SENSOR,RUBBER EDGE.....273	SOUNDER LENS, OPA, BLUE.....273
	SENSOR,WATER TEMPERATURE.....131-132, 139	SOUNDER LENS, OPA, CLEAR.....273
		SOUNDER LENS, OPA, RED.....273





## Part Description Index (continued)

VALVE,CB.CBCA-LHN@1500PSI***.....175	WASHER,FLAT,1/2,USS,ZAG....141, 143-144, 171-172	WDMT,TAILPIPE,DEUTZ D2.9 T4.....153
VALVE,CHECK***.....109-110	WASHER,FLAT,2.01X2.25X.06,ZAG.....171-172	WEAPAD, BOOM REST.....91-92, 95-96
VALVE,CHECK, 30 PSI.....109-110	WASHER,FLAT,2.01X3.5X.06,ZAG.....53-54, 171-172	WEAR PAD,3 X 1.5 X .625 W/NUTS.....183
VALVE,CHECK,3 PSI***.....255	WASHER,FLAT,2.27X3.5X.06,ZAG.....172	WEAR PAD,5 X 1.5 X .625 W/NUTS...175, 177
VALVE,CHECK,30 PSI.....54	WASHER,FLAT,3/8,SAE,HRD,ZAG.....183, 189	WEAR PAD,5 X 1.5 X .75 W/NUTS.....177
VALVE,CHECK,5 PSI.....109-110, 113	WASHER,FLAT,3/8,USS,ZAG.....147, 193, 233	WEAR PAD,5 X 3 X .625 W/NUTS.....175
VALVE,COUNTERBAL,CBCA-LIN***.....91-92, 96	WASHER,FLAT,5/16,USS,ZAG.....251	WEAR PAD,5 X 3 X .75.....175, 177
VALVE,COUNTERBAL,CWCK-LHN@3500.171-172	WASHER,FLAT,5/8,F436,HRD,ZAG.....50-51, 53-54, 92, 96, 147	WEAR PAD,5.5 X 1.75 X .5.....193
VALVE,COUNTERBAL,CBBB-LHN@3500.171-172	WASHER,FLAT,M10,DIN125,ZAB.....127, 144	WEAR PAD,CABLE TRACK PULL TUBE....193
VALVE,COUNTERBALANCE.....50-51, 183	WASHER,FLAT,M14.....149	WEARPAD, LIMIT SWITCH GUIDE.....179
VALVE,COUNTERBALANCE 3000 PSI*.....175	WASHER,FLAT,M14,DIN6916,HRD,ZAB...132, 137, 141	WELD, LPG TANK MOUNT.....265
VALVE,DIFFERENTIAL SENSING***.....109-110	WASHER,FLAT,M5,DIN125,ZAB.....131-132, 139	WELDER, MILLER, CST 280.....251
VALVE,DIFFERENTIAL SENSING,110.....109-110	WASHER,FLAT,M6,DIN125,ZAB.....143-144	WELDER,INVERTEC V275-S.....251
VALVE,FLOW DIVIDER/COMBINER.....113	WASHER,FLAT,M8,DIN125,ZAB.....131-132	WELDMENT, AIR INTAKE BOX.....147
VALVE,FLOW REGULATOR 0.1 GPM.....109-110	WASHER,FLAT,MS,#10,Y.....221	WELDMENT, AIRCRAFT TOP BUMPER....235
VALVE,FLOW REGULATOR 0.6GPM.....110	WASHER,FLAT,MS,#8,Y.....239	WELDMENT, BOOM SECTION #2.....175
VALVE,FLOW REGULATOR 3.5 GPM**....109-110	WASHER,FLAT,USS,1/4"Y.....73, 249	WELDMENT, FUEL FILTER BRACKET.....159, 169
VALVE,HYDRAULIC CHECK.....121	WASHER,FLAT,USS,1/4,ZAG.....49-51, 54, 57, 147, 193, 233, 251, 267, 273	WELDMENT, GROUND BOX, S60/65.....81, 85-86
VALVE,MANUAL,W/RELIEF VALVE***.....57	WASHER,FLAT,USS,3/8",Y.....91-92, 95-96	WELDMENT, LID, GBOX, S60/65.....81
VALVE,NEEDLE***.....110	WASHER,FLAT,USS,5/16",Y.....231	WELDMENT, LIMIT SWITCH ARM.....179
VALVE,NEEDLE,BRAKE RELEASE.....267	WASHER,LOCK,#10 PLTD.....171-172	WELDMENT, LONG LINK SPACER....171-172
VALVE,PCV FORD DSG-423.....125	WASHER,LOCK,.25.....85-86, 231	WELDMENT, PIPE CRADLE.....229
VALVE,PILOT OPER DIRECTIONAL.....255	WASHER,LOCK,375.....221	WELDMENT, PLAT SUPPORT.....187
VALVE,PROPORTIONAL.....109-110	WASHER,LOCK,3/8,ZAG.....177, 183	WELDMENT, PRE-CLEANER, BRACKET.....247
VALVE,RELIEF 3000 PSI***.....109-110	WASHER,LOCK,IND,LAMP RETAINER....197-198	WELDMENT, ROTATOR ARM.....99
VALVE,RELIEF,280PSI.....113	WASHER,LOCK,M10,ZAB.....144, 165	WELDMENT, SENSOR MOUNT.....235, 237
VALVE,SHUTTLE.....113	WASHER,LOCK,M8.....125	WELDMENT, SHORT LINK, S60/65.....172
VALVE,SOLENOID 3 POS,4WAY***.....109-110	WASHER,M4 NYLON.....273	WELDMENT, SUPPORT, RADIATOR.....163
VALVE,SOLENOID 3POS 4WAY*.....109-110	WASHER,M5 NYLON.....273	WELDMENT, TIE ROD.....49-51, 59
VALVE,SOLENOID, 2POS/3WAY***.....117	WASHER,SHIM .0151 THK.....185, 189	WELDMENT,4/5FT PLATFORM SUPPOR.....189
VALVE,SOLENOID,10V,W/OUT COIL*.....255	WASHER,SHIM,.375X.625X.033,ZAG.....185	WELDMENT,6 FT TRI ENTRY PLAT.....227
VALVE-SOLENOID,2POS 3WAY,JIB**.....117	WASHER,SHIM,.75X1.125X.030,ZAG.....185	WELDMENT,8FT TRI ENTRY PLAT.....227
	WASHER,SHIM,1.01X1.63X.062,ZAG.....175	WELDMENT,BAT/MANIF TRAY,S60/65.....65-66
	WASHER,SHIM,1.270X2.130X.062,Z.....181, 183, 185, 187	WELDMENT,BOOM SECTION #2***.....175
	WASHER,SHIM,1.56X2.5X.061,ZAG.....147, 169, 175, 177	WELDMENT,CABLE TRACK TRAY***.....193
	WASHER,SHOULDER,NYLON.....179	WELDMENT,CABLE TRACK TUBE***.....193
	WASHER,STAR,EXTERNAL,.5.....249	WELDMENT,CAT MOUNT,MSG425.....127
	WASHER,THRUST,1.5 X 3.5 X .187.....50-51	WELDMENT,ECU MOUNT,DEUTZ D2.9.....65-66, 73
	WASHER,VIBRATION ISOLATING.....159	WELDMENT,ENGINE TRAY***.....141
	WATER OUTLET, VERTICAL.....131-132, 139	WELDMENT,EXHAUST PIPE.....131-132
	WATER PUMP.....131-132, 161	WELDMENT,EXHAUST TUBE.....101, 103
	WATER PUMP PULLEY, MSG425.....125	WELDMENT,EXTENSION BRACKET.....177
	WATER PUMP, MSG425.....125	WELDMENT,L.P. TANK MOUNT ***.....265
	WDMT, AIR INTAKE, MSG425.....129	WELDMENT,LEFT COVER SUPPORT.....101
	WDMT, CAT. MUFFLER, MSG425.....127	WELDMENT,LID,GBOX.....85-86
	WDMT, HEAT SHIELD, MSG425.....127	WELDMENT,LP MOUNT.....79
	WDMT, PERKINS INTAKE AIR HOSE.....137	WELDMENT,MASTER LINK.....171-172
	WDMT, RAW AIR INT, S60 MSG425.....129	WELDMENT,PIPE CRADLE MOUNT.....229
	WDMT,4FT/5FT PLAT. SUPPORT,15K.....187	WELDMENT,PLATFORM SUPPORT.....185
	WDMT,AIRCRAFT SENSOR BUMPER.....235, 237	WELDMENT,PLATFORM SUPPORT,CE.....189
	WDMT,ECU MOUNT,404F-22.....65-66, 73	WELDMENT,PRECLEANER BOX.....247
	WDMT,EXPANSION TANK SUPT.....157	WELDMENT,PRECLEANER BRACKET.....247
	W D M T , F R A M E , A I R C R A F T PROTECTION.....237	WELDMENT,PULL BAR.....267
	WDMT,HEADER PIPE,MSG425.....127	WELDMENT,RIGHT COVER SUPPORT.....101
	WDMT,INTAKE ADAPTER.....155	WELDMENT,ROTATOR MOUNT.....185
	WDMT,INTAKE ADAPTER,404F.....137	WELDMENT,ROTATOR SUPPORT.....189
	WDMT,SKID PLATE.....235, 237	WELDMENT,STEEL INTAKE TUBE.....155
		WELDMENT,SWING GATE,ALUMINUM.....225
		WELDMENT,TIMING LINK CAM.....171-172
		WELDMENT,TOW BAR.....267
		WELDMENT,TRACK PULL TUBE PIVOT....193
		WELDMENT,TRANSPORT LOCK.....91-92, 95-96

## W

WHEEL & TIRE ASSY,LH NM AIR.....49-51  
 WHEEL & TIRE ASSY,RH,NM AIR.....49-51  
 WHEEL DRIVE 56:1.....50-51, 54  
 WHEEL DRIVE 56:1 2WD.....53-54  
 WHEEL DRIVE 57.5:1 4WD.....50-51, 53-54  
 WHEEL STUD,5/8-18,OMNI\*\*\*.....50-51, 53-54  
 WHEEL, 24.5X11.75, 9 X 9 BCD.....49-51  
 WHEEL,22.5X14.00\*\*\*.....49-51  
 WIPER RUBBER, 1 TO 2.....241  
 WIPER RUBBER, 2 TO 3.....241  
 WIPER,RING GEAR GUARD.....243  
 WIRE CABLE,16/2,WHT/BLK,SJEOW.....221  
 WIRE CABLE,16/4 CON.TPE JKT.....175  
 WIRE LOOM,1"DIA.SLIT,HI TEMP.....105-107  
 WIRE LOOM,3/8 POLY SLIT.....99  
 WIRING KIT,CONTROL BOX HEATER.....269  
 WLDMT, BATT/MANIF TRAY, S60/65.....69  
 WLDMT, ES LOWER COVER SUPPORT...103  
 WLDMT, ES UPPER COVER SUPPORT....103  
 WLDMT, TS LOWER COVER SUPPORT....103  
 WLDMT, TS UPPER COVER SUPPORT....103  
 WORKLIGHT, 12V, DEUTSCH RECEPT.....231

**Y**

YOKE ASSEMBLY W/BEARINGS,LH.....49-51  
 YOKE ASSEMBLY W/BEARINGS,RH.....49-51  
 YOKE ASSY BLK W/BEARINGS,LH.....49-51  
 YOKE ASSY BLK W/BEARINGS,RH.....49-51

**Z**

ZERK,GREASE,1/8 NPT.....69, 189

**—**

—Deutz TD 2.9L4 Models—.....11  
 —Deutz TD2011-L03i Models—.....11  
 —Deutz TD2011-L04i Models—.....11  
 —Ford MSG 425 EFI Models—.....11  
 —GENERAL SERVICE PARTS—.....11  
 —HYD FILTERS—.....11  
 —INSPECTION SERVICE KITS—.....11  
 —MANUALS—.....11  
 —Perkins 404D-22 Models—.....11  
 —Perkins 404F-22 Models—.....11



## Fitting Cross References

Genie PN	Parker PN	Description	Genie PN	Parker PN	Description
12342	6-4 F5OX-S	CONNECTOR,STRAIGHT THREAD TO FLARE TUBE	42794	1 CR-S	ELBOW,90°,MALE PIPE
13757	4 R6X-S	RUN TEE,SWIVEL NUT,ORFS	42795	BV-0839	BALL VALVE
19685	12-10 C5OX-S	ELBOW,90°,STRAIGHT THREAD TO FLARE TUBE	42796	BV-0838	BALL VALVE
22664	12-10 C5OX	ELBOW,90°,STRAIGHT THREAD TO FLARE TUBE	42874	6-8 CLO-S	ELBOW,90°,MALE PIPE TO ORFS
27431	8-12 F5OX-S	CONNECTOR,STRAIGHT THREAD TO FLARE TUBE	42912	13943-6-4	HOSE END,90° FEMALE SWIVEL,JIC
28678	AS-B-33	SLEEVE,NYLON,1.81" ID	42920	BV-0840	BALL VALVE,90°
39871	6 WETX-WLN-S	UNION,90° BULKHEAD W/NUT,FLARE TUBE	42932	AS-B-17	SLEEVE,NYLON,1.22" ID
39872	4 R5OX-S	RUN TEE,STRAIGHT THREAD	42936	10243-2-4	HOSE END,FEMALE PIPE
39873	6 C5OX-S	ELBOW,90°,STRAIGHT THREAD TO FLARE TUBE	42953	1/2 DD-S	ELBOW,90°,FEMALE PIPE
39874	8-6 C5OX-S	ELBOW,90°,STRAIGHT THREAD TO FLARE TUBE	42956	6 WELO-WLNL-S	UNION,90° BULKHEAD W/NUT,ORFS
39875	4-6 C5OX-S	ELBOW,90°,STRAIGHT THREAD TO FLARE TUBE	45349	8 V5OX-S	ELBOW,45°,STRAIGHT THREAD TO FLARE TUBE
39876	6-8 C5OX-S	ELBOW,90°,STRAIGHT THREAD TO FLARE TUBE	45351	4 V5OX-S	ELBOW,45°,STRAIGHT THREAD TO FLARE TUBE
39877	4 F5OX-S	CONNECTOR,STRAIGHT THREAD TO FLARE TUBE	47223	10343-6-6	HOSE END,MALE,JIC
39878	6 F5OX-S	CONNECTOR,STRAIGHT THREAD TO FLARE TUBE	47419	PS690503-6-6	SWIVEL,90°,STRAIGHT THREAD TO 37° FLARE
39879	4-8 F5OX-S	CONNECTOR,STRAIGHT THREAD TO FLARE TUBE	48750	421-4	HOSE,1/4 INCH ID
39880	6-10 F5OX-S	CONNECTOR,STRAIGHT THREAD TO FLARE TUBE	48751	481TC-4	HOSE,1/4 INCH ID
39881	4-6 F5OX-S	CONNECTOR,STRAIGHT THREAD TO FLARE TUBE	48752	482TC-4	HOSE,1/4 INCH ID
39882	4-HP5ON-S	PLUG,STRAIGHT THREAD	48753	451TC-6	HOSE,3/8 INCH ID
39883	8-8 FTX-S	CONNECTOR,MALE PIPE TO FLARE TUBE	48754	482TC-6	HOSE,3/8 INCH ID
39885	269HB 12-12	ELBOW,90°,BEADED HOSE BARB TO MALE PIPE	48755	381-6	HOSE,3/8 INCH ID
39886	431-6	HOSE,3/8 INCH ID	48756	451TC-8	HOSE,1/2 INCH ID
39887	540N-2	HOSE,1/8 INCH ID	48757	482TC-8	HOSE,1/2 INCH ID
39888	801-8	HOSE,1/2 INCH ID	48758	381-8	HOSE,1/2 INCH ID
39889	801-12	HOSE,3/4 INCH ID	48759	381-10	HOSE,5/8 INCH ID
39890	10643-6-6	HOSE END,FEMALE SWIVEL,JIC	48760	451TC-10	HOSE,5/8 INCH ID
39891	13943-6-6	HOSE END,90° FEMALE SWIVEL,JIC	48761	482TC-12	HOSE,3/4 INCH ID
39892	13743-6-6	HOSE END,45° FEMALE SWIVEL,JIC	48762	451TC-12	HOSE,3/4 INCH ID
39894	30682-8-8	HOSE END,FEMALE SWIVEL,JIC	48763	772-12	HOSE,3/4 INCH ID
39895	30682-10-12	HOSE END,FEMALE SWIVEL,JIC	48764	881-16	HOSE,1 INCH ID
42286	8-8 CTX-S	ELBOW,90°,MALE PIPE TO FLARE TUBE	48765	772-16	HOSE,1 INCH ID
42756	8-12 CLO-S	ELBOW,90,MALE PIPE TO ORFS	48766	AS-B-15	SLEEVE,NYLON,1.06" ID
42757	8-12 FLO-S	CONNECTOR,MALE PIPE TO ORFS	48767	AS-B-22	SLEEVE,NYLON,1.42" ID
42758	4 JLO-S	UNION TEE,ORFS	48770	881-8	HOSE,1/2 INCH ID
42759	4-4 FLO-S	CONNECTOR,MALE PIPE TO ORFS			
42760	6-8 FLO-S	CONNECTOR,MALE PIPE TO ORFS			
42761	1J143-6-4	HOSE END,90° FEMALE SWIVEL,SEAL LOK			
42762	1J743-6-4	HOSE END,45° FEMALE SWIVEL,SEAL LOK			
42768	1JO43-4-4	HOSE END,MALE,SEAL LOK			
42776	801-8	HOSE,1/2 INCH ID			
42777	1J743-16-16	HOSE END,45° FEMALE SWIVEL,SEAL LOK			
42786	16 CLO-S	ELBOW,90°,MALE PIPE TO ORFS			
42787	16 R6LO-S	RUN TEE,SWIVEL NUT,ORFS			
42788	16-8 TRLO-BL-S	REDUCER,TUBE END TO SWIVEL,ORFS			
42789	6-6 CLO-S	ELBOW,90°,MALE PIPE TO ORFS			
42790	8-10 V5OLO-S	ELBOW,45°,STRAIGHT THREAD TO ORFS			
42791	3/4 CD-S	ELBOW,90°,MALE TO FEMALE PIPE			
42792	3/4 X 1/2 PTR-S	REDUCER,MALE TO FEMALE PIPE			
42793	1/2 CR-S	ELBOW,90°,MALE PIPE			

## Fitting Cross References (Continued)

Genie PN	Parker PN	Description	Genie PN	Parker PN	Description
48771	881-10	HOSE,5/8 INCH ID	48847	13943-12-12	HOSE END,90° FEMALE SWIVEL,JIC
48772	381-4	HOSE,1/4 INCH ID	48848	10543-12-12	HOSE END,MALE,STRAIGHT THREAD
48773	AS-B-13	SLEEVE,NYLON,.86" ID	48849	1JC71-12-12	HOSE END,FEMALE SWIVEL,SEAL LOK
48800	1JC43-4-4	HOSE END,FEMALE SWIVEL,SEAL LOK	48850	1JS71-12-12	HOSE END,FEMALE SWIVEL,SEAL LOK
48801	1J743-4-4	HOSE END,45° FEMALE SWIVEL,SEAL LOK	48851	1J171-12-12	HOSE END,90° FEMALE SWIVEL,SEAL LOK
48802	1J943-4-4	HOSE END,90° FEMALE SWIVEL,SEAL LOK	48852	1J771-12-12	HOSE END,45° FEMALE SWIVEL,SEAL LOK
48804	1JM43-4-4	HOSE END,MALE,SEAL LOK, NO O-RING	48853	1J971-12-12	HOSE END,90° FEMALE SWIVEL,SEAL LOK
48805	10643-4-4	HOSE END,FEMALE SWIVEL,JIC	48854	1JC43-16-16	HOSE END,FEMALE SWIVEL,SEAL LOK
48806	13943-4-4	HOSE END,90° FEMALE SWIVEL,JIC	48855	1J943-16-16	HOSE END,90° FEMALE SWIVEL,SEAL LOK
48807	1JS43-4-4	HOSE END,FEMALE SWIVEL,SEAL LOK	48856	1J171-16-16	HOSE END,90° FEMALE SWIVEL,SEAL LOK
48808	3JC82-8-8	HOSE END,FEMALE SWIVEL,SEAL LOK	48857	1J971-16-16	HOSE END,90° FEMALE SWIVEL,SEAL LOK
48809	3JC82-12-12	HOSE END,FEMALE SWIVEL,SEAL LOK	48859	1JS43-8-4	HOSE END,FEMALE SWIVEL,SEAL LOK
48810	1JC43-6-4	HOSE END,FEMALE SWIVEL,SEAL LOK	48867	PD36BTL	DIAGNOSTIC NIPPLE,SEAL-LOK SWIVEL
48811	1J943-6-4	HOSE END,90° FEMALE SWIVEL,SEAL LOK	48873	6 PNLO-S	PLUG,TUBE END,ORFS
48812	1JC43-6-6	HOSE END,FEMALE SWIVEL,SEAL LOK	48874	6 PNTX-S	PLUG,FLARE TUBE
48813	1J143-6-6	HOSE END,90° FEMALE SWIVEL,SEAL LOK	48875	6 R6LO-S	RUN TEE,SWIVEL NUT,ORFS
48814	1J543-6-6	HOSE END,90° FEMALE SWIVEL,SEAL LOK	48877	4 F5OLO-SW/.025	CONNECTOR,STRAIGHT THREAD TO ORFS, W/.025 ORI
48815	1J743-6-6	HOSE END,45° FEMALE SWIVEL,SEAL LOK	48878	16-12 C5OLO-S	ELBOW,90°,STRAIGHT THREAD TO ORFS
48816	1J943-6-6	HOSE END,90° FEMALE SWIVEL,SEAL LOK	48879	8 C8LO-S	ELBOW,90°,SWIVEL NUT ORFS
48817	1JS43-6-8	HOSE END,FEMALE SWIVEL,SEAL LOK	48880	PD6-285	CAP,DIAGNOSTIC NIPPLE
48818	1J943-8-4	HOSE END,90° FEMALE SWIVEL,SEAL LOK	48881	6 HLO-S	UNION,ORFS
48819	1JC43-8-6	HOSE END,FEMALE SWIVEL,SEAL LOK	48883	8 P5ON-S	PLUG,STRAIGHT THREAD
48820	1J743-8-6	HOSE END,45° FEMALE SWIVEL,SEAL LOK	48884	8M18F87OMLO-S	CONNECTOR,METRIC,STRAIGHT THREAD TO ORFS
48821	1J943-8-6	HOSE END,90° FEMALE SWIVEL,SEAL LOK	48885	4 WGTX-WLN-S	CONNECTOR,BULKHEAD,FEMALE PIPE TO FLARE TUBE
48822	1JC43-8-8	HOSE END,FEMALE SWIVEL,SEAL LOK	48886	4 F5OLO-SW/2MM	CONNECTOR,MACHINED STRAIGHT THREAD TO ORFS
48823	1JS43-8-8	HOSE END,FEMALE SWIVEL,SEAL LOK	48887	4 CTX-S	ELBOW,90°,MALE PIPE TO FLARE TUBE
48824	1J143-8-8	HOSE END,90° FEMALE SWIVEL,SEAL LOK	48888	10-12 V5OLO-S	ELBOW,45°,STRAIGHT THREAD TO ORFS
48825	1J543-8-8	HOSE END,90° FEMALE SWIVEL,SEAL LOK	48890	4 S5OLO-S	BRANCH TEE,STRAIGHT THREAD TO ORFS
48826	1J743-8-8	HOSE END,45° FEMALE SWIVEL,SEAL LOK	48891	4 S8LO-S	BRANCH TEE,SWIVEL NUT TO ORFS
48827	1J943-8-8	HOSE END,90° FEMALE SWIVEL,SEAL LOK			
48828	1JC43-10-8	HOSE END,FEMALE SWIVEL,SEAL LOK			
48829	1JS43-10-8	HOSE END,FEMALE SWIVEL,SEAL LOK			
48830	1J743-10-8	HOSE END,45° FEMALE SWIVEL,SEAL LOK			
48831	1J943-10-8	HOSE END,90° FEMALE SWIVEL,SEAL LOK			
48833	1JC43-10-10	HOSE END,FEMALE SWIVEL,SEAL LOK			
48834	1J943-10-10	HOSE END,90° FEMALE SWIVEL,SEAL LOK			
48835	1JS43-10-12	HOSE END,FEMALE SWIVEL,SEAL LOK			
48836	1JC43-12-8	HOSE END,FEMALE SWIVEL,SEAL LOK			
48837	1JS43-12-8	HOSE END,FEMALE SWIVEL,SEAL LOK			
48838	1J743-12-8	HOSE END,45° FEMALE SWIVEL,SEAL LOK			
48839	1J943-12-8	HOSE END,90° FEMALE SWIVEL,SEAL LOK			
48840	1J943-12-10	HOSE END,90° FEMALE SWIVEL,SEAL LOK			
48841	1JC43-12-12	HOSE END,FEMALE SWIVEL,SEAL LOK			
48842	1JO43-12-12	HOSE END,MALE,SEAL LOK			
48843	1J143-12-12	HOSE END,90° FEMALE SWIVEL,SEAL LOK			
48844	1J543-12-12	HOSE END,90° FEMALE SWIVEL,SEAL LOK			
48845	1J743-12-12	HOSE END,45° FEMALE SWIVEL,SEAL LOK			
48846	1J943-12-12	HOSE END,90° FEMALE SWIVEL,SEAL LOK			

## Fitting Cross References (Continued)

Genie PN	Parker PN	Description	Genie PN	Parker PN	Description
48892	6 C6LO-S	ELBOW,90°,SWIVEL NUT ORFS	48938	8 R6LO-S	RUN TEE,SWIVEL NUT,ORFS
48893	6 F5OHAO-S	UNION,STRAIGHT THREAD	48939	8 S6LO-S	BRANCH TEE,SWIVEL NUT TO ORFS
48894	8 WLO-WLNL-S	UNION,BULKHEAD,ORFS	48940	8 WJLO-WLNL-S	RUN TEE, BULKHEAD,ORFS
48895	DT-370-MSMO-5	VALVE,CHECK	48941	8-4 TRLO-S	REDUCER,TUBE END TO SWIVEL,ORFS
48896	6 JLO-S	UNION,TEE,ORFS	48942	8-6 C5OLO-S	ELBOW,90°,STRAIGHT THREAD TO ORFS
48897	DT-750-MSMS-5	VALVE,CHECK	48943	8-6 F5OLO-S	CONNECTOR,STRAIGHT THREAD TO ORFS
48898	DT-750-MOMS-5	VALVE,CHECK	48944	8-8 FLO-S	CONNECTOR,MALE PIPE TO ORFS
48899	DT-620-MOMS-5	VALVE,CHECK	48945	8 FTX-S	CONNECTOR,MALE PIPE TO FLARE TUBE
48900	4-6 F5OLO-SW/.035	CONNECTOR,STRAIGHT THREAD TO ORFS, W/.035 ORI	48946	8-10 F5OLO-S	CONNECTOR,STRAIGHT THREAD TO ORFS
48902	16-1 AOE4G-S	ELBOW,90° LONG,FEMALE PIPE TO STRAIGHT THREAD	48947	8-12 C5OLO-S	ELBOW,90°,STRAIGHT THREAD TO ORFS
48903	1 FF-S	NIPPLE,PIPE	48948	8-12 F5OLO-S	CONNECTOR,STRAIGHT THREAD TO ORFS
48904	4 C5OLO-S	ELBOW,90°,STRAIGHT THREAD TO ORFS	48949	8-16 F5OLO-S	CONNECTOR,STRAIGHT THREAD TO ORFS
48905	4 F5OLO-S	CONNECTOR,STRAIGHT THREAD TO ORFS	48950	10 C5OLO-S	ELBOW,90°,STRAIGHT THREAD TO ORFS
48906	4 R5OLO-S	RUN TEE,STRAIGHT THREAD	48951	10 CC5OLO-S	ELBOW,90° LONG,STRAIGHT THREAD TO ORFS
48907	4 V5OLO-S	ELBOW,45°,STRAIGHT THREAD TO ORFS	48952	10 F5OLO-S	CONNECTOR,STRAIGHT THREAD TO ORFS
48908	4 R6LO-S	RUN TEE,SWIVEL NUT,ORFS	48953	10 R5OLO-S	RUN TEE,STRAIGHT THREAD
48909	4 WJLO-WLNL-S	RUN TEE, BULKHEAD,ORFS	48954	10 S5OLO-S	BRANCH TEE,STRAIGHT THREAD TO ORFS
48910	4 GTX-S W/.030	CONNECTOR,FEMALE PIPE TO FLARE TUBE	48955	10 R6LO-S	RUN TEE,SWIVEL NUT,ORFS
48911	4-6 C5OLO-S	ELBOW,90°,STRAIGHT THREAD TO ORFS	48956	10-4 TRLO-BL-S	REDUCER,TUBE END TO SWIVEL,ORFS
48912	4-6 F5OLO-S	CONNECTOR,STRAIGHT THREAD TO ORFS	48957	10-6 TRLO-BL-S	REDUCER,TUBE END TO SWIVEL,ORFS
48913	4-6 F5OLO-SW/.030	CONNECTOR,STRAIGHT THREAD TO ORFS, W/.030 ORI	48958	10-12 F5OLO-S	CONNECTOR,STRAIGHT THREAD TO ORFS
48914	4-8 F5OLO-S	CONNECTOR,STRAIGHT THREAD TO ORFS	48959	12 C5OLO-S	ELBOW,90°,STRAIGHT THREAD TO ORFS
48915	6 C5OLO-S	ELBOW,90°,STRAIGHT THREAD TO ORFS	48960	12 F5OLO-S	CONNECTOR,STRAIGHT THREAD TO ORFS
48916	6 F5OLO-S	CONNECTOR,STRAIGHT THREAD TO ORFS	48961	12 R5OLO-S	RUN TEE,STRAIGHT THREAD
48917	6 FF5OLO-S	CONNECTOR,LONG,STRAIGHT THREAD TO ORFS	48962	12 S5OLO-S	BRANCH TEE,STRAIGHT THREAD TO ORFS
48918	6 R5OLO-S	RUN TEE,STRAIGHT THREAD	48963	12 V5OLO-S	ELBOW,45°,STRAIGHT THREAD TO ORFS
48919	6 S5OLO-S	BRANCH TEE,STRAIGHT THREAD TO ORFS	48964	12 R6LO-S	RUN TEE,SWIVEL NUT,ORFS
48920	6 V5OLO-S	ELBOW,45°,STRAIGHT THREAD TO ORFS	48965	12 CLO-S	ELBOW,90°,MALE PIPE TO ORFS
48921	6 FLO-S	CONNECTOR,MALE PIPE TO ORFS	48966	12 FLO-S	CONNECTOR,MALE PIPE TO ORFS
48922	6-6 FLO-S	CONNECTOR,MALE PIPE TO ORFS	48967	12 JLO-S	UNION TEE,ORFS
48923	6 P5ON-S	PLUG,STRAIGHT THREAD	48968	12 WLO-WLNL-S	UNION,BULKHEAD,ORFS
48925	6 WELO-S	UNION,90° BULKHEAD,ORFS	48969	12 WJLO-WLNL-S	RUN TEE, BULKHEAD,ORFS
48926	6-4 C5OLO-S	ELBOW,90°,STRAIGHT THREAD TO ORFS	48970	12 WELO-WLNL-S	UNION,90° BULKHEAD W/NUT,ORFS
48927	6-4 F5OLO-S	CONNECTOR,STRAIGHT THREAD TO ORFS			
48928	6-4 V5OLO-S	ELBOW,45°,STRAIGHT THREAD TO ORFS			
48929	6-8 C5OLO-S	ELBOW,90°,STRAIGHT THREAD TO ORFS			
48930	6-8 F5OLO-S	CONNECTOR,STRAIGHT THREAD TO ORFS			
48931	6-10 F5OLO-S	CONNECTOR,STRAIGHT THREAD TO ORFS			
48932	8 C5OLO-S	ELBOW,90°,STRAIGHT THREAD TO ORFS			
48933	8 F5OLO-S	CONNECTOR,STRAIGHT THREAD TO ORFS			
48934	8 FF5OLO-S	CONNECTOR,LONG,STRAIGHT THREAD TO ORFS			
48935	8 R5OLO-S	RUN TEE,STRAIGHT THREAD			
48936	8 S5OLO-S	BRANCH TEE,STRAIGHT THREAD TO ORFS			
48937	8 V5OLO-S	ELBOW,45°,STRAIGHT THREAD TO ORFS			

## Fitting Cross References (Continued)

Genie PN	Parker PN	Description	Genie PN	Parker PN	Description
48971	12 G5G5JG5-S	TEE,FEMALE STRAIGHT THREAD	49612	PKT02586	O-RING KIT (ORFS FITTINGS)
48972	12 XHL6-S	ADAPTER, 37° MALE TO SWIVEL ORFS	49613	PKT06276	PLUG AND CAP KIT-SERVICE,ORFS
48973	12-1/2 F5OG-S	ADAPTER,FEMALE PIPE TO STRAIGHT THREAD	49728	10143-12-12	HOSE END, MALE PIPE
48974	12-10 C5OLO-S	ELBOW,90°,STRAIGHT THREAD TO ORFS	49729	16-1 F5OG-S	ADAPTER,FEMALE PIPE TO STRAIGHT THREAD
48975	12-10 F5OLO-S	CONNECTOR,STRAIGHT THREAD TO ORFS	49814	12-8 FLO-S	CONNECTOR,MALE PIPE TO ORFS
48976	12-16 C5OLO-S	ELBOW,90°,STRAIGHT THREAD TO ORFS	49829	DT-500-MOMF-5	VALVE,CHECK
48977	12-16 F5OLO-S	CONNECTOR,STRAIGHT THREAD TO ORFS	49831	881-12	HOSE,3/4 INCH ID
48978	12-16 V5OLO-S	ELBOW,45°,STRAIGHT THREAD TO ORFS	49834	16 JLO-S	UNION TEE,ORFS
48980	12-16 FLO-S	CONNECTOR,MALE PIPE TO ORFS	49838	12-8 TRLO-BL-S	REDUCER,TUBE END TO SWIVEL,ORFS
48983	16 C5OLO-S	ELBOW,90°,STRAIGHT THREAD TO ORFS	49840	8 JLO-S	UNION TEE,ORFS
48984	16 F5OLO-S	CONNECTOR,STRAIGHT THREAD TO ORFS	49844	10-8 TRLO-BL-S	REDUCER,TUBE END TO SWIVEL,ORFS
48985	16 V5OLO-S	ELBOW,45°,STRAIGHT THREAD TO ORFS	49854	8 P5ON-S	PLUG,STRAIGHT THREAD
48986	16 FLO-S	CONNECTOR,MALE PIPE TO ORFS	49855	1JC43-16-12	HOSE END,FEMALE SWIVEL,SEAL LOK
48988	16 CD45-S	ELBOW,45°,MALE TO FEMALE PIPE	49859	4 P5ON-S	PLUG,STRAIGHT THREAD
48989	12 CD45-S	ELBOW,45°,MALE TO FEMALE PIPE	49861	4 FF5OLO-S	CONNECTOR, LONG, STRAIGHT THREAD TO ORFS
48990	8 CD45-S	ELBOW,45°,MALE TO FEMALE PIPE	49867	12-3/4 F5OG-S	ADAPTER, FEMALE PIPE TO STRAIGHT THREAD
48991	16-12 FLO-S	CONNECTOR,MALE PIPE TO ORFS	51152	6 R6X-S	RUN TEE,SWIVEL NUT,ORFS
48992	16-12 V5OLO-S	ELBOW,45°,STRAIGHT THREAD TO ORFS	51153	6-4 TRTX-S	REDUCER,TUBE END TO SWIVEL,ORFS
48993	XV501-12	BALL VALVE	51154	4-4 GTX	CONNECTOR,FEMALE PIPE TO FLARE TUBE
48994	XV501-16	BALL VALVE	51264	881-12	HOSE,3/4 INCH ID
48995	XV510P-12	BALL VALVE	51265	8 JLO-S	UNION TEE,ORFS
48996	XV510P-16	BALL VALVE	51508	6 BTX-S	NUT,FLARE TUBE
48997	PD341	DIAGNOSTIC NIPPLE, STRAIGHT THREAD	51580	12-8 TRLO-BL-S	TUBE END REDUCER,ORFS
48998	PD 361	DIAGNOSTIC NIPPLE, STRAIGHT THREAD	51628	6 R6X-S	RUN TEE,SWIVEL NUT,ORFS
48999	DT-500-MOMS-5	VALVE,CHECK	51735	3/8 HHP	PLUG,PIPE THREAD
49201	10 V5OLO-S	ELBOW,45°,STRAIGHT THREAD TO ORFS	51803	1J943-6-8	HOSE END,90° FEMALE SWIVEL,SEAL LOK
49202	1JC43-12-10	HOSE END,FEMALE SWIVEL,SEAL LOK	53023	125HBL-5-4	FITTING,HOSE BARB TO MALE PIPE
49203	10-8 V5OLO-S	ELBOW,45°,STRAIGHT THREAD TO ORFS	53497	PKT02585	O-RING KIT
49205	6 F5OHAO-S	UNION,STRAIGHT THREAD	53499	1JC71-16-16	HOSE END,FEMALE SWIVEL,SEAL LOK
49207	PD34BTL	DIAGNOSTIC NIPPLE,SEAL-LOK SWIVEL	53500	3-904	O-RING,STRAIGHT THREAD,-4
49209	8M18F870MX-S	CONNECTOR,METRIC,STRAIGHT THREAD TO FLARE TUBE	53501	3-906	O-RING,STRAIGHT THREAD,-6
49212	8 WGTX-WLN-S	CONNECTOR,BULKHEAD,FEMALE PIPE TO FLARE TUBE	53502	3-908	O-RING,STRAIGHT THREAD,-8
49213	30682-8-8	HOSE END,FEMALE SWIVEL,JIC	53503	3-910	O-RING,STRAIGHT THREAD,-10
49216	831-8	HOSE,1/2 INCH ID			
49217	33982-8-8	HOSE END,90° FEMALE SWIVEL,JIC			
49219	PS-B-35	SLEEVE,NYLON,2.19" ID			
49418	4-6 V5OLO-S	ELBOW,45°,STRAIGHT THREAD TO ORFS			
49511	DT370-MOMS-5	VALVE,CHECK			
49512	1 DD-S	ELBOW,90°,FEMALE PIPE			
49513	1 FF-S	NIPPLE,PIPE			
49514	10 HP5ON-S	PLUG,STRAIGHT THREAD			
49515	12-16 CLO-S	ELBOW,90°,MALE PIPE TO ORFS			
49517	6 HP5ON-S	PLUG,STRAIGHT THREAD			
49519	16-12 F5OLO-S	CONNECTOR,STRAIGHT THREAD TO ORFS			
49520	4 VTX-S	ELBOW,45°,MALE PIPE TO FLARE TUBE			
49530	16 C6LO-S	ELBOW,90°,SWIVEL NUT ORFS			

## Fitting Cross References (Continued)

Genie PN	Parker PN	Description	Genie PN	Parker PN	Description
53535	3-912	O-RING,STRAIGHT THREAD,-12	61083	24 F5OLO-S	CONNECTOR,STRAIGHT THREAD TO ORFS
53536	4-PNLO-S	PLUG,TUBE END,ORFS	61086	20 R5OLO-S	RUN TEE,STRAIGHT THREAD
53537	6 PNLO-S	PLUG,TUBE END,ORFS	61090	24-20 F5OLO-S	CONNECTOR,STRAIGHT THREAD TO ORFS
53538	8 PNLO-S	PLUG,TUBE END,ORFS	61091	1J943 24-24	HOSE END,90° FEMALE SWIVEL,SEAL LOK
53539	10 PNLO-S	PLUG,TUBE END,ORFS	61093	1J978-12-12	HOSE END,90° FEMALE SWIVEL,JIC
53540	12 PNLO-S	PLUG,TUBE END,ORFS	61095	1JS43-20-16	HOSE END,FEMALE SWIVEL,SEAL LOK
53946	129HB-5-4	FITTING,90° HOSE BARB TO MALE PIPE	61100	811-24	HOSE,11/2 INCH ID
53951	8-1/4F50G-S	ADAPTER,FEMALE PIPE TO STRAIGHT THREAD	61130	1JS43-24-24	HOSE END,FEMALE SWIVEL,SEAL LOK
53980	6 S6LO-S	BRANCH TEE,SWIVEL NUT TO ORFS	61131	1JS78 12-12	HOSE END,FEMALE SWIVEL,SEAL LOK
54132	4 C6LO-S	ELBOW,90°,SWIVEL NUT ORFS	61132	1J778-12-12	HOSE END,45° FEMALE SWIVEL,JIC
54135	11343-16-16	HOSE END,MALE SWIVEL,PIPE	61152	139HB-6-4	ELBOW,45°,BARB TO MALE PIPE
54283	8-10 C5OLO-S	ELBOW,90°,STRAIGHT THREAD TO ORFS	61251	BV-0750	BALL VALVE
54428	8M18C870MLO-S	ELBOW, 90° METRIC, STRAIGHT THREAD TO ORFS	61259	4 CC5OLO-S	ELBOW,90° LONG,STRAIGHT THREAD TO ORFS
54803	FS-F-16-10	SLEEVE,FIRE,.96" ID	61260	20-12 TRLO-BL	REDUCER,TUBE END TO SWIVEL,ORFS
54954	10143-2-4	HOSE END, MALE PIPE	61262	12 C6LO-S	ELBOW,90°,SWIVEL NUT ORFS
55190	3/8 HP-S	PLUG,PIPE THREAD	61263	20 F5OHAO-S	UNION,STRAIGHT THREAD
55448	8 HLO-S	UNION,ORFS	61264	6-10 C5OLO-S	ELBOW,90°,STRAIGHT THREAD TO ORFS
55839	6 F65OX-S	CONNECTOR,STRAIGHT THREAD TO 37° SWIVEL	61265	6 WNLO-WLNL-S	UNION,BULKHEAD 45°,ORFS
55968	10 C5OX-S	ELBOW,90°,STRAIGHT THREAD TO FLARE TUBE	61268	4 WNLO-WLNL-S	UNION,BULKHEAD 45°,ORFS
56003	6 CC5OLO-S	ELBOW,90° LONG,STRAIGHT THREAD TO ORFS	61269	4 WLO-WLNL-S	UNION,BULKHEAD,ORFS
56166	BV-0837	BALL VALVE,90°	61272	12 AOEL6	ELBOW,90°,STRAIGHT THREAD TO ORFS SWIVEL
56188	10143-8-6	HOSE END, MALE PIPE	61316	482TC-16	HOSE,1 INCH ID
56233	2-011	O-RING,ORFS,-4	61321	6 JLO-S	UNION TEE,ORFS
56234	2-012	O-RING,ORFS,-6	61327	782-12	HOSE,3/4 INCH ID
56235	2-014	O-RING,ORFS,-8	61328	881-24	HOSE,11/2 INCH ID
56236	2-016	O-RING,ORFS,-10	61336	11943-20-24	HOSE END,90° FLANGE HEAD
56237	2-018	O-RING,ORFS,-12	61345	12 WJLO-WLNL-S	RUN TEE, BULKHEAD,ORFS
56238	2-021	O-RING,ORFS,-16	61346	8 WNLO-WLNL-S 4	UNION,BULKHEAD 45°,ORFS
56352	6 WLNL-S	LOCKNUT,BULKHEAD	61569	33782-8-8	HOSE END,45° FEMALE SWIVEL,JIC
56353	3J782-12-12	HOSE END,45° FEMALE SWIVEL,SEAL LOK	61610	12 FF5OLO-S	CONNECTOR,LONG,STRAIGHT THREAD TO ORFS
56354	3J982-12-12	HOSE END,90° FEMALE SWIVEL,SEAL LOK	61742	1/8 X 1.5 FFF	NIPPLE,PIPE
56604	10-8 F5OLO-S	CONNECTOR,STRAIGHT THREAD TO ORFS	63426	8 PNTX-S	PLUG,FLARE TUBE
56639	3JC82-10-10	HOSE END,FEMALE SWIVEL,SEAL LOK			
56640	3J982-10-10	HOSE END,90° FEMALE SWIVEL,SEAL LOK			
56655	3JC82-8-10	HOSE END,FEMALE SWIVEL,SEAL LOK			
56676	10-8 C5OLO-S	ELBOW,90°,STRAIGHT THREAD TO ORFS			
56776	471TC-6	HOSE,3/8 INCH ID			
56777	471TC-8	HOSE,1/2 INCH ID			
56789	811-16	HOSE,1 INCH ID			
57884	3/8 FF	NIPPLE,PIPE			
59335	6 FNL-S	CAP,TUBE END			
59342	4 FNL-S	CAP,TUBE END			
59371	8 HP50N-S	PLUG,STRAIGHT THREAD			
60653	BV-0751	BALL VALVE			
60806	125HB-3-4	FITTING,HOSE BARB TO MALE PIPE			
61064	5-1/4 F50G-S	ADAPTER,FEMALE PIPE TO STRAIGHT THREAD			
61079	4 WELO-WLNL-S	UNION,90° BULKHEAD W/NUT,ORFS			
61080	6 WLO-WLNL-S	UNION,BULKHEAD,ORFS			

## Fitting Cross References (Continued)

Genie PN	Parker PN	Description	Genie PN	Parker PN	Description
64271	4 WLO-WLNL-S	UNION,BULKHEAD,ORFS	75631	801-6	HOSE,3/8 INCH ID
64272	6 WLO-WLNL-S	UNION,BULKHEAD,ORFS	75654	20 F5OLO-S	CONNECTOR,STRAIGHT THREAD TO ORFS
65776	8 F65OL-S	CONNECTOR,STRAIGHT THREAD TO ORFS SWIVEL	75655	1J943-20-20	HOSE END,90° FEMALE SWIVEL,SEAL LOK
65880	6001012	O-RING KIT	75656	881-20	HOSE,1-1/4 INCH ID
66154	6 WTX-WLNS	UNION,BULKHEAD,FLARE TUBE	75971	8 F5OHAO-S	UNION,STRAIGHT THREAD
66155	6 WETX-S	UNION,BULKHEAD 90°,FLARE TUBE	77307	1JB43-8-8	HOSE END,BULKHEAD,SEAL LOK
66156	6 WLNL-S	BULKHEAD LOCKNUT	77309	8 WLNL-S	BULKHEAD LOCKNUT
66389	6-8 F5OX-S	CONNECTOR,STRAIGHT THREAD TO FLARE TUBE	77379	8M18C87OMX-S	ELBOW,90° METRIC,STRAIGHT THREAD TO FLARE TUBE
66392	6 R5OX-S	RUN TEE,STRAIGHT THREAD	77703	3J982-8-8	HOSE END,90° FEMALE SWIVEL,SEAL LOK
66396	811-12	HOSE,3/4 INCH ID	77711	801-10	HOSE,5/8 INCH ID
66829	H3174PP	CLAMP,TUBE	77758	12 WNLO-WLNL-S	UNION,BULKHEAD 45°,ORFS
67217	4 KLO-S	UNION,CROSS,ORFS	78091	6 C6X-S	ELBOW,90°,SWIVEL NUT TO FLARE TUBE
67339	10-6 F5OX-S	CONNECTOR,STRAIGHT THREAD TO FLARE TUBE	78684	30582-8-8B	HOSE END,PUSH LOK,MALE
67357	13943-8-6	HOSE END,90° FEMALE SWIVEL,JIC	78852	549-2	HOSE,1/8 INCH ID
67358	10 HP5ON-S	PLUG,STRAIGHT THREAD	78855	10657-4-2	HOSE END,FEMALE SWIVEL,JIC
67371	12 S6LO-S	BRANCH TEE,SWIVEL NUT TO ORFS	79138	PS-B-37	SLEEVE,NYLON,2.38" ID
67498	4 FNL-S	CAP, TUBE END	79476	1JS43-6-8	HOSE END,FEMALE SWIVEL,SEAL LOK
67906	DC-370-F0F0-5	VALVE,CHECK	79847	12-3/4 A0EG-S	ELBOW,90°,STRAIGHT THREAD TO FEMALE PIPE
69316	8 FLO-S	CONNECTOR,MALE PIPE TO ORFS	80044	8 CLO-S	ELBOW,90°,MALE PIPE TO ORFS
69333	H3174PP	CLAMP,HYDRAULIC HOSE	80502	8 F5OX-S	CONNECTOR,STRAIGHT THREAD TO FLARE TUBE
69503	4 F65OX-S	CONNECTOR,STRAIGHT THREAD TO 37° SWIVEL	80503	8 C5OX-S	ELBOW,90°,STRAIGHT THREAD TO FLARE TUBE
69775	8 FNL-S	CAP, TUBE END	81010	AS-B-27	SLEEVE,NYLON,1.63" ID
71038	1/4X1/4F3HG-S	ADAPTER,CONVERSION	83052	821-6	HOSE,3/8 INCH ID
71196	12-8 F5OLO-S	CONNECTOR,STRAIGHT THREAD TO ORFS	83053	821-8	HOSE,1/2 INCH ID
71383	1/4 CD45-S	ELBOW,45°,MALE TO FEMALE PIPE	83054	821-12	HOSE,3/4 INCH ID
72270	12FNL-S	CAP, TUBE END	83055	30682-6-6	HOSE END,FEMALE SWIVEL,JIC
73436	60C-4	SLEEVE,COMPRESSION	83056	30682-12-12	HOSE END,FEMALE SWIVEL,JIC
73437	61C-4	NUT,COMPRESSION	83057	33782-6-6	HOSE END,45° FEMALE SWIVEL,JIC
73438	33482-4-4B	HOSE END,PUSH LOK,MALE	83058	33982-6-6	HOSE END,90° FEMALE SWIVEL,JIC
73767	1CD-S	ELBOW,90°,MALE TO FEMALE PIPE	83060	33982-12-12	HOSE END,90° FEMALE SWIVEL,JIC
73768	20-16-F5OG5-S	ADAPTER,FEMALE PIPE TO STRAIGHT THREAD	83063	13743-4-4	HOSE END,45° FEMALE SWIVEL,JIC
73769	16-20 F5OLO-S	CONNECTOR,STRAIGHT THREAD TO ORFS			
74660	6-8 F42EDMLO-S	CONNECTOR,MALE BSPP TO ORFS			
74661	8-8 F42EDMLO-S	CONNECTOR,MALE BSPP TO ORFS			
75007	4 FLO-S	CONNECTOR,MALE PIPE TO ORFS			
75008	1/8 HP-S	PLUG,PIPE THREAD			
75014	1/2 HP-S	PLUG,PIPE THREAD			
75042	8 WELO-WLNL-S	UNION,90° BULKHEAD W/NUT,ORFS			
75043	3/4 FF-S	NIPPLE,PIPE			
75254	24 F5OHAO-S	UNION,STRAIGHT THREAD			
75255	12 F5OHAO-S	UNION,STRAIGHT THREAD			
75256	XV506P-24	BALL VALVE			
75574	4 WLNL-S	BULKHEAD LOCKNUT			
75612	8 WJLO-WLNL-S	RUN TEE, BULKHEAD,ORFS			
75613	12-8 F5OG5-S	ADAPTER,FEMALE PIPE TO STRAIGHT THREAD			
75614	8 CC5OLO-S	ELBOW,90° LONG,STRAIGHT THREAD TO ORFS			
75628	1JB43-4-4	HOSE END,BULKHEAD,SEAL LOK			

## Fitting Cross References (Continued)

Genie PN	Parker PN	Description	Genie PN	Parker PN	Description
83064	13743-8-8	HOSE END,45° FEMALE SWIVEL,JIC	89449	6 WJLO-WLNL-S	RUN TEE, BULKHEAD,ORFS
83065	13743-12-12	HOSE END,45° FEMALE SWIVEL,JIC	89489	4 WJMLO-S	BRANCH TEE,BULKHEAD,ORFS
83066	13943-8-8	HOSE END,90° FEMALE SWIVEL,JIC	89551	1JB43-6-6	HOSE END,BULKHEAD,SEAL LOK
83067	14143-6-6	HOSE END,90° FEMALE SWIVEL,JIC	89552	1JB43-8-8	HOSE END,BULKHEAD,SEAL LOK
83068	14143-8-8	HOSE END,90° FEMALE SWIVEL,JIC	89593	20 C5OLO-S	ELBOW,90°,STRAIGHT THREAD TO ORFS
83069	14143-12-12	HOSE END,90° FEMALE SWIVEL,JIC	94161	8-8 CLO-S	ELBOW,90°,MALE PIPE TO ORFS
83070	772-8	HOSE,1/2 INCH ID	94358	351TC-12	HOSE,3/4 INCH ID
83071	10671-8-8	HOSE END,FEMALE SWIVEL,JIC	94418	20 FLO-S	CONNECTOR,MALE PIPE TO ORFS
83072	10671-12-12	HOSE END,FEMALE SWIVEL,JIC	96358	12 TX-S	SLEEVE,FLARE TUBE
83073	13771-8-8	HOSE END,45° FEMALE SWIVEL,JIC	96359	12 BTX-S	NUT,FLARE TUBE
83074	13771-12-12	HOSE END,45° FEMALE SWIVEL,JIC	96397	8 F5OX-S	CONNECTOR,STRAIGHT THREAD TO FLARE TUBE
83075	13971-8-8	HOSE END,90° FEMALE SWIVEL,JIC	96398	12-8 F5OX-S	CONNECTOR,STRAIGHT THREAD TO FLARE TUBE
83076	13971-12-12	HOSE END,90° FEMALE SWIVEL,JIC	96402	10343-6-6	HOSE END,MALE,JIC
83077	14171-8-8	HOSE END,90° FEMALE SWIVEL,JIC	96407	30382-6-6B	HOSE END,MALE,JIC
83078	14171-12-12	HOSE END,90° FEMALE SWIVEL,JIC			
83080	13943-16-16	HOSE END,90° FEMALE SWIVEL,JIC			
83103	10671-16-12	HOSE END,FEMALE SWIVEL,JIC			
83104	10671-10-12	HOSE END,FEMALE SWIVEL,JIC			
83112	1JC71-8-8	HOSE END,FEMALE SWIVEL,SEAL LOK			
83113	1JS71-16-12	HOSE END,FEMALE SWIVEL,SEAL LOK			
83114	1JS71-10-12	HOSE END,FEMALE SWIVEL,SEAL LOK			
83115	1J971-8-8	HOSE END,90° FEMALE SWIVEL,SEAL LOK			
83116	1J171-8-8	HOSE END,90° FEMALE SWIVEL,SEAL LOK			
83117	1J771-8-8	HOSE END,45° FEMALE SWIVEL,SEAL LOK			
83127	1J543-6-8	HOSE END,90° FEMALE SWIVEL,JIC			
83128	1JC43-6-8	HOSE END,FEMALE SWIVEL,SEAL LOK			
87033	12-6 TRLO-S	REDUCER,TUBE END TO SWIVEL,ORFS			
87034	3J782-8-8	HOSE END,45° FEMALE SWIVEL,SEAL LOK			
87172	12 HP5ON-S	PLUG,STRAIGHT THREAD			
87185	8 WNLO-WLNL-S	UNION,BULKHEAD 45°,ORFS			
87246	4 C6X-S	ELBOW,90°,SWIVEL NUT TO FLARE TUBE			
87679	6 LHP-S	FLANGE SEAL FITTING, MALE			
87681	6PLS N0702	BONDED SEAL			
88100	SR88100	ADAPTER,OIL DRAIN,GM 3.0L			
88311	1JS43-20-20	HOSE END,FEMALE SWIVEL,SEAL LOK			
88353	20 V5OLO-S	ELBOW,45°,STRAIGHT THREAD TO ORFS			
88474	10081-20	Crimp Shell, 1.25"			
88475	1988-20-24	HOSE END,90° FLANGE HEAD			
88476	JS88-24-24	HOSE END,FEMALE SWIVEL,SEAL LOK			
88477	1JC88-20-20	HOSE END,FEMALE SWIVEL,SEAL LOK			
88478	811-20	HOSE,11/4 INCH ID			
88936	20-16 F5OLO-S	CONNECTOR,STRAIGHT THREAD TO ORFS			
88937	20-16 FLO-S	CONNECTOR,MALE PIPE TO ORFS			
88938	1JC88-16-16	HOSE END,FEMALE SWIVEL,SEAL LOK			
88939	1J988-16-16	HOSE END,90° FEMALE SWIVEL,ORFS			
88940	811-16	HOSE,1 INCH ID			
88944	1J988-20-20	HOSE END,90° FEMALE SWIVEL,ORFS			
89403	16 VLO-S	ELBOW,45°,MALE PIPE TO ORFS			



California Proposition 65



**WARNING**

Operating, servicing and maintaining this equipment can expose you to chemicals including engine exhaust, carbon monoxide, phthalates, and lead, which are known to the State of California to cause cancer and birth defects or other reproductive harm. These chemicals can be emitted from or contained in other various parts and systems, fluids and some component wear by-products. To minimize exposure, avoid breathing exhaust, do not idle the engine except as necessary, service your equipment and vehicle in a well-ventilated area and wear gloves or wash your hands frequently when servicing your equipment or vehicle and after operation. For more information go to [www.P65Warnings.ca.gov/passenger-vehicle](http://www.P65Warnings.ca.gov/passenger-vehicle).

Breathing diesel engine exhaust exposes you to chemicals known to the State of California to cause cancer and birth defects or other reproductive harm.

- Always start and operate the engine in a well-ventilated area.
- If in an enclosed area, vent the exhaust to the outside.
- Do not modify or tamper with the exhaust system.
- Do not idle the engine except as necessary.

For more information go to [www.P65warnings.ca.gov/diesel](http://www.P65warnings.ca.gov/diesel).

Distributed By:

to order your parts



# PARTS FINDER

**Search Website  
by Part Number**



**Search Manual  
Library For Parts  
Manual & Lookup Part  
Numbers – Purchase  
or Request Quote**

**Search Manuals**

Enter your information to help us find the right parts manual for your machine.

\* Brand:

\* Model:

\* Serial:

\* Part Number:

SEARCH

**Can't Find Part or  
Manual? Request Help  
by Manufacturer,  
Model & Description**

**Parts Order Form**

Please fill in the following information to help us find the right part for your machine.

Manufacturer:	<input type="text"/>
Model:	<input type="text"/>
Description:	<input type="text"/>
Part Number:	<input type="text"/>
Quantity:	<input type="text"/>
Notes:	<input type="text"/>

Submit

Discount-Equipment.com is your online resource for quality parts & equipment.

Florida: **561-964-4949** Outside Florida TOLL FREE: **877-690-3101**

**Need parts?**

Click on this link: <http://www.discount-equipment.com/category/5443-parts/> and choose one of the options to help get the right parts and equipment you are looking for. Please have the machine model and serial number available in order to help us get you the correct parts. If you don't find the part on the website or on one of the online manuals, please fill out the request form and one of our experienced staff members will get back to you with a quote for the right part that your machine needs.

We sell worldwide for the brands: Genie, Terex, JLG, MultiQuip, Mikasa, Essick, Whiteman, Mayco, Toro Stone, Diamond Products, Generac Magnum, Airman, Haulotte, Barreto, Power Blanket, Nifty Lift, Atlas Copco, Chicago Pneumatic, Allmand, Miller Curber, Skyjack, Lull, Skytrak, Tsurumi, Husquvarna Target, Stow, Wacker, Sakai, Mi-T-M, Sullair, Basic, Dynapac, MBW, Weber, Bartell, Bennar Newman, Haulotte, Ditch Runner, Menegotti, Morrison, Contec, Buddy, Crown, Edco, Wyco, Bomag, Laymor, EZ Trench, Bil-Jax, F.S. Curtis, Gehl Pavers, Heli, Honda, ICS/PowerGrit, IHI, Partner, Imer, Clipper, MMD, Koshin, Rice, CH&E, General Equipment, Amida, Coleman, NAC, Gradall, Square Shooter, Kent, Stanley, Tamco, Toku, Hatz, Kohler, Robin, Wisconsin, Northrock, Oztec, Toker TK, Rol-Air, APT, Wylie, Ingersoll Rand / Doosan, Innovatech, Con X, Ammann, Mecalac, Makinex, Smith Surface Prep, Small Line, Wanco, Yanmar