



A TEREX BRAND



# Parts Manual

Serial Number Range

**S-60**

from S6016D-397 to S6016D-639

**S-65**

from S60D-640 to S60D-650

from S60TXD-651

**S-60X**

**S-65TRAX**

Part No. 1271406

Rev A8

June 2018

Go to Discount-Equipment.com to order your parts

# PARTS FINDER

**Search Website  
by Part Number**



**Search Manual  
Library For Parts  
Manual & Lookup Part  
Numbers – Purchase  
or Request Quote**

**Search Manuals**

Enter your information to help us find the right parts manual for your machine.

\* Brand:

\* Model:

\* Serial:

\* Part Number:

SEARCH

**Can't Find Part or  
Manual? Request Help  
by Manufacturer,  
Model & Description**

**Parts Order Form**

Please fill in the following information to help us find the right part for your machine.

Manufacturer:	<input type="text"/>
Model:	<input type="text"/>
Description:	<input type="text"/>
Part Number:	<input type="text"/>
Quantity:	<input type="text"/>
Notes:	<input type="text"/>

Discount-Equipment.com is your online resource for quality parts & equipment.

Florida: **561-964-4949** Outside Florida TOLL FREE: **877-690-3101**

**Need parts?**

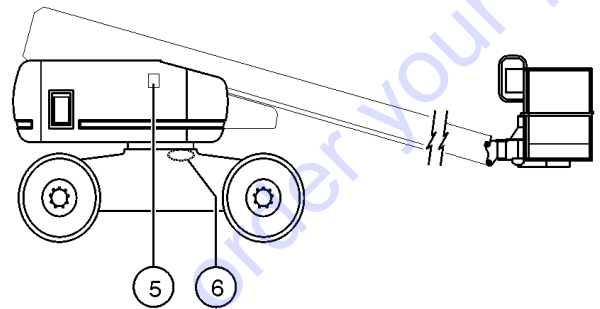
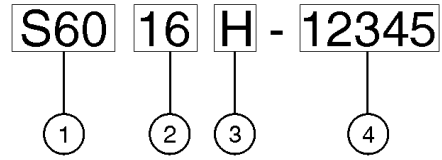
Click on this link: <http://www.discount-equipment.com/category/5443-parts/> and choose one of the options to help get the right parts and equipment you are looking for. Please have the machine model and serial number available in order to help us get you the correct parts. If you don't find the part on the website or on one of the online manuals, please fill out the request form and one of our experienced staff members will get back to you with a quote for the right part that your machine needs.

We sell worldwide for the brands: Genie, Terex, JLG, MultiQuip, Mikasa, Essick, Whiteman, Mayco, Toro Stone, Diamond Products, Generac Magnum, Airman, Haulotte, Barreto, Power Blanket, Nifty Lift, Atlas Copco, Chicago Pneumatic, Allmand, Miller Curber, Skyjack, Lull, Skytrak, Tsurumi, Husquvarna Target, Stow, Wacker, Sakai, Mi-T-M, Sullair, Basic, Dynapac, MBW, Weber, Bartell, Bennar Newman, Haulotte, Ditch Runner, Menegotti, Morrison, Contec, Buddy, Crown, Edco, Wyco, Bomag, Laymor, EZ Trench, Bil-Jax, F.S. Curtis, Gehl Pavers, Heli, Honda, ICS/PowerGrit, IHI, Partner, Imer, Clipper, MMD, Koshin, Rice, CH&E, General Equipment, Amida, Coleman, NAC, Gradall, Square Shooter, Kent, Stanley, Tamco, Toku, Hatz, Kohler, Robin, Wisconsin, Northrock, Oztec, Toker TK, Rol-Air, APT, Wylie, Ingersoll Rand / Doosan, Innovatech, Con X, Ammann, Mecalac, Makinex, Smith Surface Prep, Small Line, Wanco, Yanmar

To August 31, 2016

**Genie**  
A TEREX BRAND

**Model:**  
**Serial number:** S6016H-12345  
**Manufacture date:** 1/2/16      **Model year:** 2016  
**Electrical schematic number:**  
**Machine unladen weight:**  
**Rated work load (including occupants):**  
**Maximum number of platform occupants:**  
**Maximum allowable side force:**  
**Maximum allowable inclination of the chassis:**



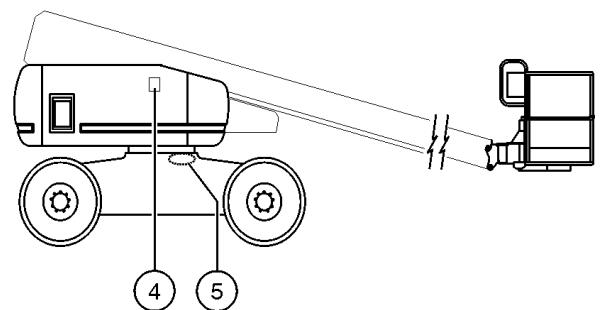
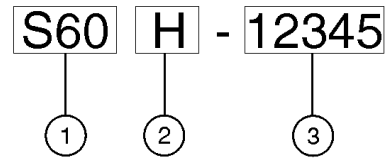
- 1 Model
- 2 Model year
- 3 Facility code

- 4 Sequence number
- 5 Serial label (located under cover)
- 6 Serial number (stamped on chassis)

From September 1, 2016

**Genie**  
A TEREX BRAND

**Model:**  
**Serial number:** S60H-12345  
**Year of manufacture:** 2016  
**Electrical schematic number:**  
**Machine unladen weight:**  
**Rated work load (including occupants):**  
**Maximum number of platform occupants:**  
**Maximum allowable side force:**  
**Maximum allowable inclination of the chassis:**



- 1 Model
- 2 Facility code
- 3 Sequence number

- 4 Serial label (located under cover)
- 5 Serial number (stamped on chassis)

## Table of Contents

This manual is updated frequently. For the most up-to-date parts information, visit [www.discount-equipment.com](http://www.discount-equipment.com)

How to Read Your Serial Number.....	3
Parts Stocking List.....	7

**Electronic Version**

Click on any page number to view the figure.

**100 Decals**

101.1 Word, Hydraulic Tank Side, Non-Steer End, ANSI and Australia.....	10
102.1 Word, Engine Side, Steer End, ANSI and Australia....	14
103.1 Word, Booms, ANSI and Australia.....	16
104.1 Word, Platform, ANSI and Australia.....	18
105.1 Symbol, Hydraulic Tank Side, Non-Steer End, ANSI and CE.....	20
106.1 Symbol, Engine Side, Steer End, ANSI and CE.....	22
107.1 Symbol, Booms, ANSI and CE.....	24
108.1 Symbol, Platform, ANSI and CE.....	26

**200 Drive Chassis Components**

201.1 Steer End.....	28
202.1 Non-steer End.....	32
203.1 Oscillate Valve.....	36
204.1 TraX Option Steer End.....	38
205.1 TraX Option Non-steer End.....	40
206.1 TraX Option Components.....	42

**300 Turntable Components**

301.1 Tank Side - View 1.....	44
302.1 Tank Side - View 2.....	46
303.1 Tank Side - Diesel Fuel Tank Installation.....	48
304.1 Ground Control Box, with Hour Meter - View 1, External.....	50
305.1 Ground Control Box, with Hour Meter - View 2, Internal.....	52
306.1 Engine Side.....	54
307.1 Turntable Covers.....	58
308.1 Wire Harness Diagram.....	60

309.1 Ground Control Box, with LCD Readout Screen - View 1 External.....	64
310.1 Ground Control Box, with LCD Readout Screen - View 2 Internal.....	68

**400 Manifolds and Pumps**

401.1 Function Manifold.....	70
402.1 Traction Manifold, 2WD.....	74
403.1 Traction Manifold, 4WD.....	76
404.1 Platform Rotate and Jib Boom/Platform Rotate Manifold.....	78
405.1 Pumps.....	80
406.1 Brake and 2 Speed Manifold.....	82

**500 Engine Components**

501.1 Perkins 404D-22.....	84
502.1 Deutz D2011L03i, View 1.....	88
503.1 Deutz TD2011L04i, View 1.....	92
504.1 Deutz TD2011L04i, View 2.....	94
505.1 Deutz D2.9L4, View 1.....	96
506.1 Deutz D2.9L4, View 2.....	98
507.1 Deutz D2.9L4, View 3.....	100
508.1 Deutz D2.9L4, View 4.....	102
509.1 Deutz D2.9L4, View 5.....	104
510.1 Deutz, D2011 CHINA III, View 1.....	106
511.1 Deutz, D2011 CHINA III, View 2.....	108
512.1 Deutz, D2011 CHINA III, View 3.....	110

**600 Boom Structure Components**

601.1 Linkage Assembly.....	112
602.1 Boom Components, View 1.....	116
603.1 Boom Components, View 2.....	120
604.1 Boom Limit Switch -S-60X, ANSI Models.....	122
605.1 Boom End Components, S-60, and S-65TraX.....	124
606.1 Boom End Components, S-65.....	126
607.1 Boom End Components, S-60X.....	128
608.1 Boom End Components, Load Sense, S-60 and S-65 CE Models.....	130
609.1 Cable Track.....	132

**700 Platform Components**

701.1 Platform Installation.....	134
702.1 Platform Control Box - View 1, External.....	136
703.1 Platform Control Box - View 2, Internal.....	140
704.1 Joysticks.....	142

**800 Hydraulic Hose Routing and Fittings**

801.1 Function Manifold, View 1.....	144
802.1 Function Manifold, View 2.....	146

803.1 4WD Traction Manifold.....	148
804.1 2WD Traction Manifold.....	150
805.1 Oscillate Option.....	152
806.1 Hydraulic Generator Option.....	154
807.1 Hydraulic Oil Cooler Option.....	156
<b>900 Accessories</b>	
901.1 Drive Lights, Alarm and Beacon Packages.....	158
902.1 Platform Control Cover Option.....	160
903.1 Half Mesh and Platform Toeboard.....	162
904.1 Platform Work Lights.....	164
905.1 Air line and Power to Platform.....	166
906.1 Hostile Environment, Boom Wipers.....	168
907.1 Hostile Environment, Turntable Components.....	170
908.1 Hostile Environment, Cylinder Bellows and Cable Track.....	172
909.1 Hostile Environment, Engine Air Pre-Cleaners.....	174
910.1 Gauge Option.....	176
911.1 Hydraulic Oil Cooler Option.....	178
912.1 Hydraulic Generator.....	180
913.1 Operators Protection Alarm.....	182
914.1 Lift Guard Contact Alarm Option (from January 2017).....	184
915.1 Platform Options.....	186
<b>Indices</b>	
Part Number Index.....	188
Part Description Index.....	194
<b>Cross References</b>	
Fittings Cross Reference.....	204

## Required Parts

The following parts are required to perform maintenance procedures for your machine.

### All Models:

Description	Part No.
Hydraulic Tank Filter.....	88917
Medium Pressure Filter.....	60857
High Pressure Filter.....	60857
Dielectric Grease.....	66399
Lithium Based Grease.....	(source locally)
Drive Hub Oil (refer to Service Manual).....	(source locally)

### Perkins 404D-22 Models:

Description	Part No.
Air Filter Element.....	62420
Fuel/water Separator Element.....	62433
Engine Oil Filter.....	94762
V-belt.....	89765
Fuel Filter.....	62421

### Perkins 404F-22 Models:

Description	Part No.
Air Filter Element.....	62420
Fuel/water Separator Element.....	62433
Engine Oil Filter.....	94762
V-belt (alternator & water pump).....	89765
V-belt (air pump).....	1253750
Fuel Filter Cartridge.....	62421
Fuel Filter Assembly.....	94889

### Deutz TD2011-L03i Models:

Description	Part No.
Air Filter.....	62420
Fuel/water Separator Element.....	29560
Engine Oil Filter.....	49924
V-belt.....	32698

### Deutz TD2011-L04i Models:

Description	Part No.
Air Filter.....	62425
Fuel/water Separator Element.....	29560
Engine Oil Filter.....	49924
V-belt.....	58630

### Deutz D2.9L4 Models:

Description	Part No.
Air Filter.....	62420
Main Fuel Filter.....	214228
Fuel Filter/water Separator Element.....	236260
Engine Oil Filter.....	49924
V-belt (alternator & water pump).....	1253748
V-belt (air pump).....	1253750

### Ford DSG-423 EFI Models:

Description	Part No.
Fuel Pre-Filter.....	119984
Engine Oil Filter.....	119139
Air Filter Element.....	77295
Serpentine Belt.....	119138
PCV Valve.....	119474
Spark Plug.....	119495

## Recommended Parts

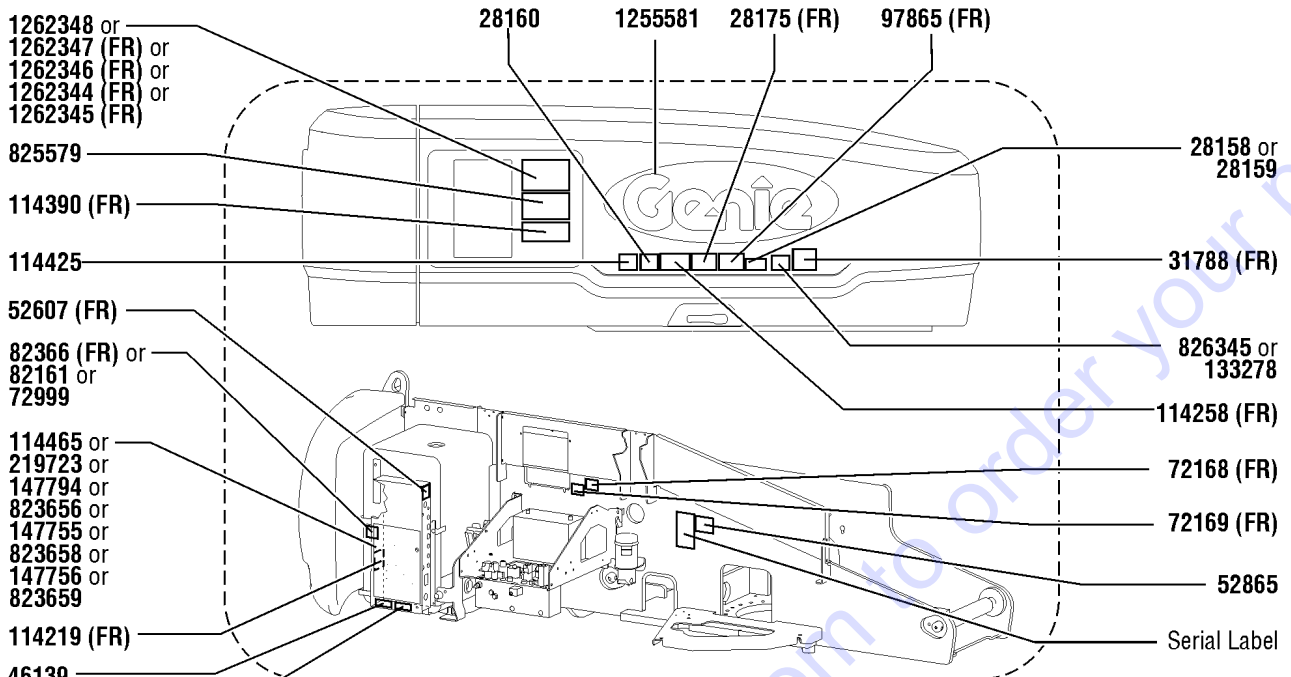
Description	Part No.
Genie Blue Paint, 1 Gallon.....	32150
Genie Blue Paint, 12 Ounce Aerosol.....	1484
Genie Gray Paint, 1 Gallon.....	32151
Genie Gray Paint, 12 Ounce Aerosol.....	1268
Plug and Cap Kit (for ORFS fittings).....	49613
Protractor Kit.....	58351

## Manuals

Genie also offers the following support documents:

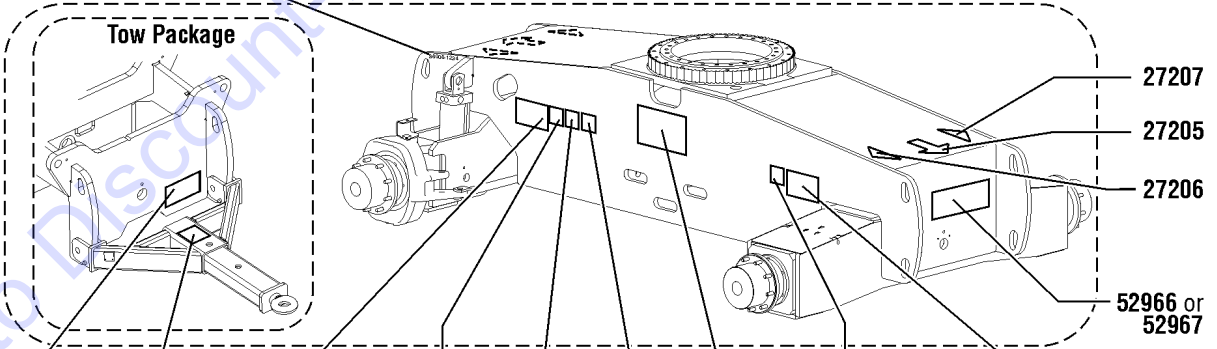
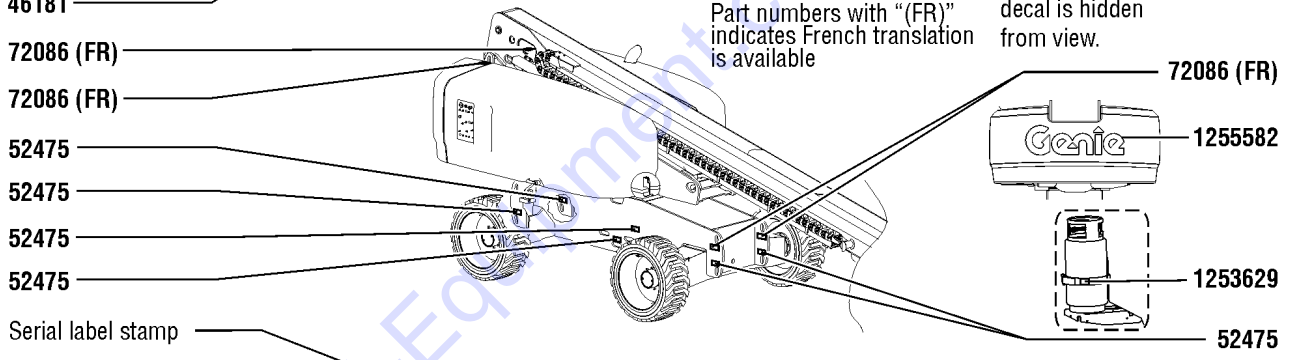
EMI Safety Manual.....	27581
Manual of Responsibilities ANSI A92.5.....	31779

101.1 Word, Hydraulic Tank Side, Non-Steer End, ANSI and Australia



NOTE: Part numbers with "(FR)" indicates French translation is available

☐ Shading indicates decal is hidden from view.



101.1 Word, Hydraulic Tank Side, Non-Steer End, ANSI and Australia

Item	Part No.	Description	Qty.	Item	Part No.	Description	Qty.
1	27205GT	DECAL, ARROW YELLOW LRG 9".....	1	28	97865GT	DECAL, WARN, ELECTRO HAZARD.....	1
2	27206GT	DECAL, TRIANGLE, BLUE.....	1	29	114219GT	DECAL, LABEL, RELAYS, S60&65.....	1
3	27207GT	DECAL, TRIANGLE, YELLOW.....	1	30	114258GT	DECAL, DANGER, NO SMOKING.....	1
4	28158GT	DECAL, LABEL, UNLEADED GAS ONLY.....	1	31	114390GT	DECAL, DANGER, ELECT HAZARD***.....	1
		<i>Option, fuel</i>		32	114425GT	DECAL, BATTERY DISCONNECT.....	1
5	28159GT	DECAL, LABEL, DIESEL FUEL.....	1			<i>Option, FMRC</i>	
		<i>Option, fuel</i>		33	114465GT	DECAL GROUND CONTROL BOX.....	1
6	28160GT	DECAL, LABEL, LIQUID PROPANE.....	1			"(S-60, S-65, S-60 Trax and S-65 Trax - AUS) (S-65 and S-65 Trax, ANSI, Deutz D2011L3i, Deutz TD2011L04i and Perkins 404D-22)"	
		<i>Option, LPG Tank</i>		34	133250GT	DECAL, DANGER TIP OVER TRAX.....	2
7	28175GT	DECAL, WARNING-COMPART ACCESS.....	1			(S-60 Trax and S-65 Trax)	
8	29104GT	DECAL, TOWING INSTRUCTIONS.....	1	35	133251GT	DECAL, WHEEL LOAD S60TRAX.....	2
		<i>Option, tow package</i>				(S-60 Trax)	
9	31788GT	DECAL, DANGER, BATTERY SAFETY***.....	1	36	133252GT	DECAL, WHEEL LOAD S65 TRAX.....	2
10	46137GT	DECAL, LPS (4"X4").....	1			(S-65 Trax)	
		<i>Option, FMRC</i>		37	133278GT	DECAL, LOW/ULTRA LOW SULFR FUEL.....	1
11	46139GT	L, NAMEPLT, USE UNDERWRITE LAB....	1			"(Deutz D2011L3i, Deutz TD2011L04i and Perkins 404D-22)"	
		<i>Option, FMRC</i>		38	147755GT	DECAL, GR CNTL PNL 60X 80X.....	1
12	46181GT	DECAL, FMRC APPROVAL, PLATE, LPS.....	1			"(S-60X, ANSI, Deutz D2011L3i, Deutz TD2011L04i and Perkins 404D-22)"	
		<i>Option, FMRC</i>		39	147756GT	DECAL, GR CNTL PNL 60XC.....	1
13	47041GT	DECAL, CAUTION, TOWING SPEED.....	1			"(S-60XC, ANSI, Deutz D2011L3i, Deutz TD2011L04i and Perkins 404D-22)"	
		<i>Option, tow package</i>		40	147792GT	DANGER, TIPOVR, TIRES FF ONLY.....	2
15	52475GT	DECAL, LABEL, TRANSPORT TIEDOWN*.....	6			"(S-60 and S-65, AUS) (S-60 XC, ANSI)"	
16	52607GT	DECAL, LABEL, TEST***.....	1	41	147794GT	DECAL, GR CNTL PNL 60TX.....	1
		(Ford Only)				"(S-60 Trax, ANSI, Deutz D2011L3i, Deutz TD2011L04i and Perkins 404D-22)"	
17	52865GT	DECAL, ANNUAL INSP***.....	1	42	219723GT	DECAL, GROUND BOX, TIER IV.....	1
		(ANSI Only)				(S-65 and S-65 Trax, ANSI, Deutz D2.9L4 and Perkins 404F-22)	
18	52966GT	DECAL, COSMETIC, 4 X 2.....	1	43	229743GT	DECAL, LABEL, WHEEL LOAD S60/60X.....	2
		<i>Option, drive</i>				(S-60 and S-60X)	
19	52967GT	DECAL, COSMETIC, 4 X 4.....	1	44	229744GT	DECAL, LABEL, WHEEL LOAD S60H/XC.....	2
		<i>Option, drive</i>				(S-60 XC)	
20	72086GT	DECAL, LABEL, LIFTING EYE.....	4	45	235372GT	DECAL, LABEL, WHEEL LOAD S65.....	2
21	72168GT	DECAL, LABEL, STARTER BATTERY.....	1			(S-65)	
		<i>Option, dual battery</i>		46	823656GT	LABEL, GBOX, S60TX ANSI TIER 4.....	1
22	72169GT	DECAL, LABEL, CONTROLS BATTERY...1				(S-60 Trax, ANSI, Deutz D2.9L4 and Perkins 404F-22)	
		<i>Option, dual battery</i>		47	823658GT	LABEL, GBOX, S60X TIER 4.....	1
23	72999GT	DECAL, LABEL, PETRO CANADA***.....	1			(S-60X, ANSI, Deutz D2.9L4 and Perkins 404F-22)	
		<i>Option, hydraulic oil</i>		48	823659GT	LABEL, GBOX, S60X TIER 4.....	1
24	82161GT	DECAL, LABEL, UCON HYDROLUBE.....	1			(S-60XC, ANSI, Deutz D2.9L4 and Perkins 404F-22)	
		<i>Option, hydraulic oil</i>					
25	82366GT	DECAL, LABEL - CHEVRON RANDO.....	1				
		<i>Option, hydraulic oil</i>					
26	82677GT	DECAL, DANGER/LABEL, TIRE SPECS.....	2				
		(S-65 and S-60X, ANSI)					
27	82678GT	DECAL, DANGER, HI-FLOAT TIRE.....	2				
		"(S-65, S-60X and S-60XC, ANSI) Option, high floatation tires"					



101.1 Word, Hydraulic Tank Side, Non-Steer End, ANSI and Australia  
(continued)

Item	Part No.	Description	Qty.
49	825579GT	DECAL, LCD, TIER 4.....1 <i>(Deutz D2.9L4 and Perkins 404F-22)</i>	1
50	826345GT	DECAL, ULS DIESEL ONLY, TIER 4.....1 <i>(Deutz D2.9L4 and Perkins 404F-22)</i>	1
51	1253629GT	DECAL, LP BOTTLE, S60.....1 <i>Option, FMRC</i>	1
52	1255581GT	DECAL COSMETIC, 10" GENIE BLUE....1	1
53	1255582GT	DECAL COSMETIC, 15" GENIE BLUE....1	1
54	1260107GT	DECAL, TRANSPORT/LIFTING, S60.....1	1
55	1262344GT	DECAL, OPERATING INSTRUCTIONS.....1 <i>(S-60X, ANSI)</i>	1
56	1262345GT	DECAL, OPERATING INSTRUCTIONS.....1 <i>(S-60XC, ANSI)</i>	1
57	1262346GT	DECAL, OPERATING INSTRUCTIONS.....1 <i>(S-60 Trax, ANSI)</i>	1
58	1262347GT	DECAL, OPERATING INSTRUCTIONS.....1 <i>(S-65 and S-65 Trax, ANSI)</i>	1
59	1262348GT	DECAL, OPERATING INSTRUCTIONS.....1 <i>(S-60, S-65, S-60 Trax and S-65 Trax - AUS)</i>	1

---

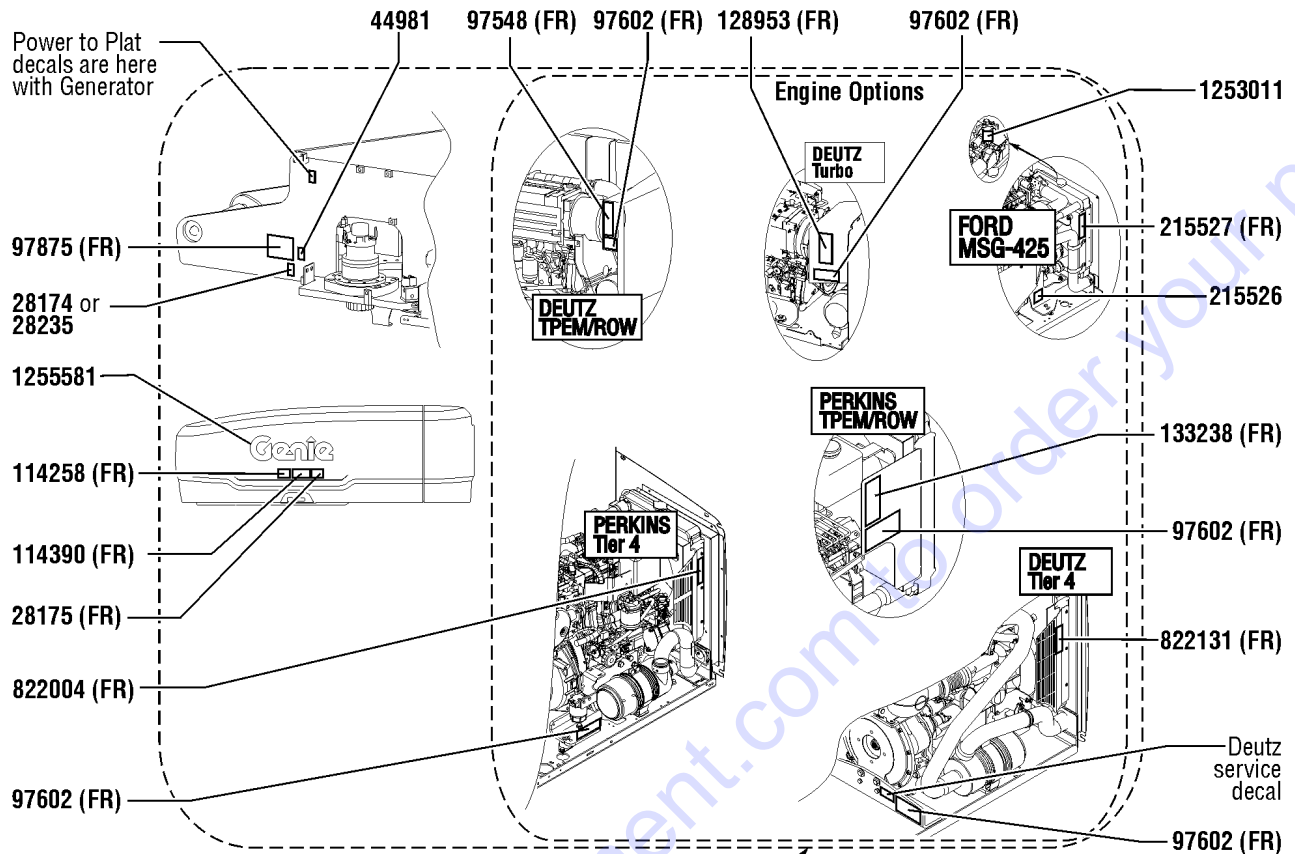
101.1 Word, Hydraulic Tank Side, Non-Steer End, ANSI and Australia  
(continued)

***This Page Intentionally Left Blank***

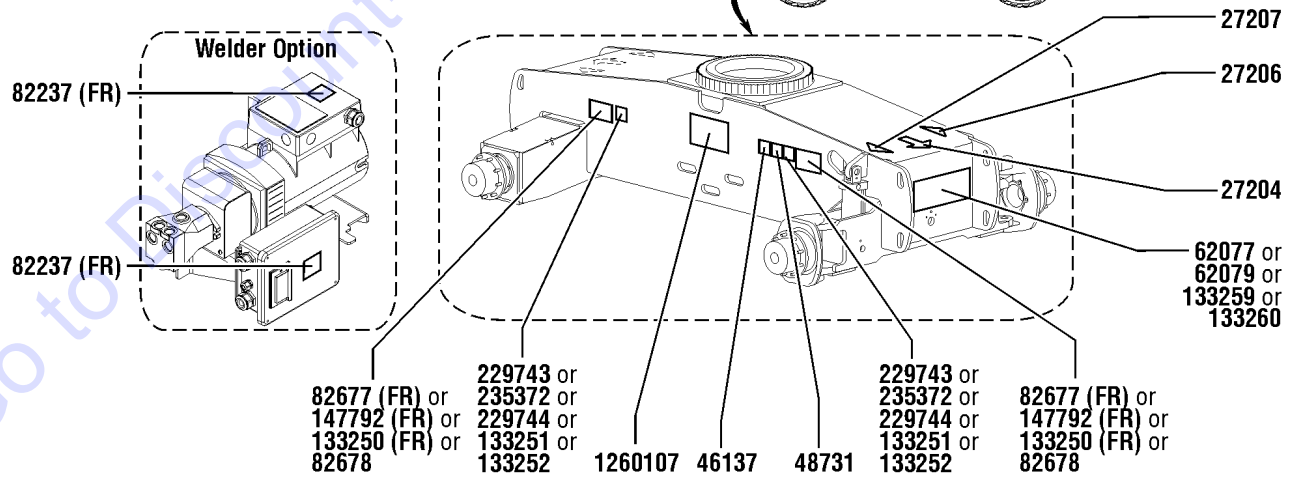
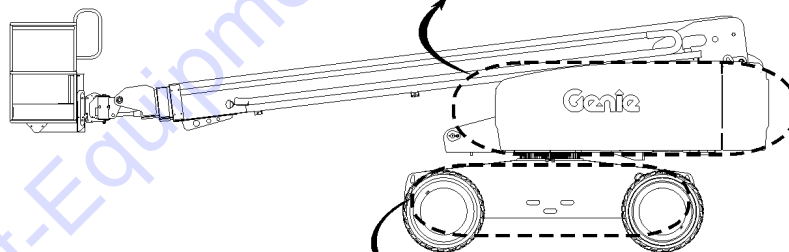
*Go to Discount-Equipment.com to order your parts*



102.1 Word, Engine Side, Steer End, ANSI and Australia



NOTE:  
Part numbers with "(FR)"  
indicates French translation  
is available



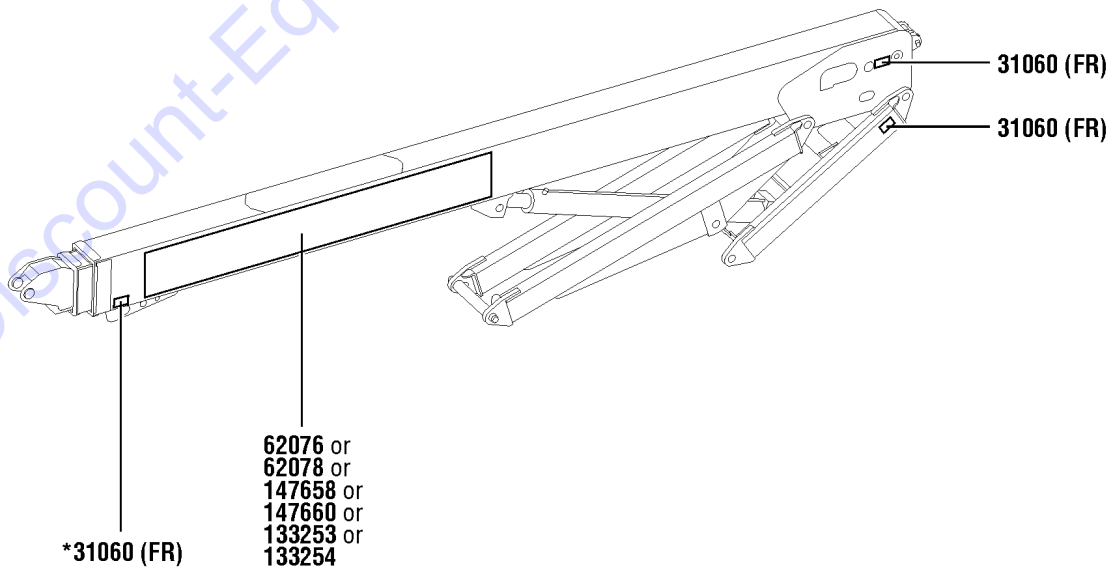
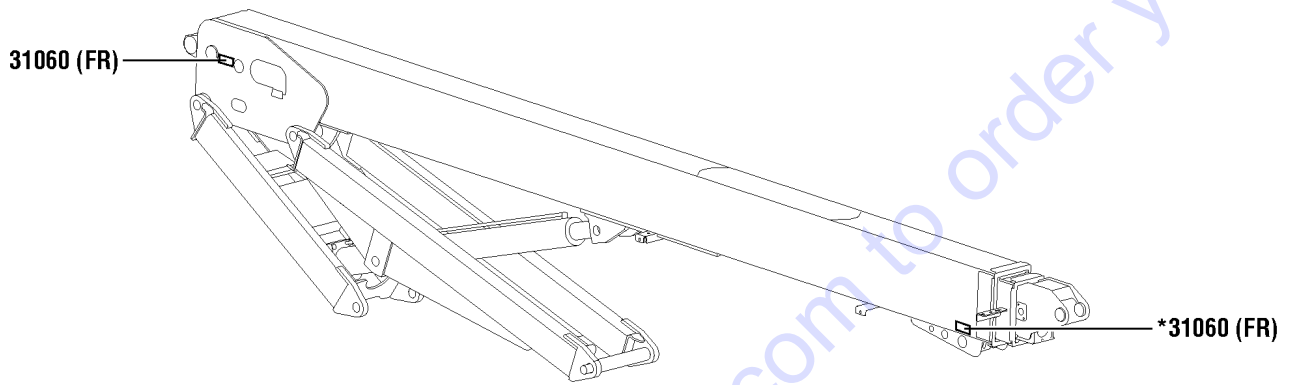
## 102.1 Word, Engine Side, Steer End, ANSI and Australia

Item	Part No.	Description	Qty.	Item	Part No.	Description	Qty.
1	27204GT	DECAL,ARROW BLUE.....	1	26	133260GT	DECAL,COSM, S65 TRAX..... (S-65 Trax)	1
2	27206GT	DECAL,TRIANGLE,BLUE.....	1	27	147792GT	DANGER,TIPOVR,TIRES FF ONLY..... "(S-60 and S-65, AUS) (S-60XC, ANSI)"	2
3	27207GT	DECAL,TRIANGLE,YELLOW.....	1	28	215526GT	DECAL,LABEL,BELT,MSG425..... Ford MSG-425	1
4	28174GT	DECAL, POWER TO PLATFORM 230V**..... (Europe except UK)	1	29	215527GT	DECAL,FORD ENGINE SPEC MSG425..... Ford MSG-425	1
5	28175GT	DECAL,WARNING-COMPART ACCESS.....	1	30	229743GT	DECAL,LABEL,WHEEL LOAD S60/60X..... (S-60 and S-60X)	2
6	28235GT	DECAL,POWER TO PLATFORM 115V... (US and UK)	1	31	229744GT	DECAL,LABEL,WHEEL LOAD S60H/XC..... (S-60XC)	2
7	44981GT	DECAL,LABEL,AIR LINE 110 PSI..... Option, airline to plat	1	32	235372GT	DECAL,LABEL,WHEEL LOAD S65..... (S-65)	2
8	46137GT	DECAL,LPS (4"X4")..... Option, FMRC	1	33	822004GT	DECAL, ENGINE SPEC, 404F-22..... Perkins 404F-22	1
10	62077GT	DECAL,COSMETIC,S60..... (S-60, S-60X and S-60XC)	1	34	822131GT	DECAL, ENGINE SPEC, D2.9..... Deutz D2.9L4	1
11	62079GT	DECAL,COSMETIC,S65..... (S-65)	1	35	1253011GT	DECAL, VAPORIZER PRESSURE..... "(Ford MSG-425 only) Option, FMRC"	1
12	82237GT	DECAL,DANGER,HIGH VOLTAGE..... Option, welder	2	36	1255581GT	DECAL COSMETIC,10" GENIE BLUE....	1
13	82677GT	DECAL,DANGER/LABEL,TIRE SPECS..... "(S-65 and S-60X, ANSI) "	2	37	1260107GT	DECAL, TRANSPORT/LIFTING, S60.....	1
14	82678GT	DECAL,DANGER,HI-FLOAT TIRE..... "(S-65, S-60X and S-60XC, ANSI) Option, high floatation tires"	2				
15A	97548GT	DECAL,ENGINE SPEC,DEUTZ 2011.... Deutz D2011L3i and Deutz TD2011L04i	1				
15B	1278643GT	DECAL,ENGINE SPEC,DEUTZ CHINA III..... Deutz D436-L3i-CN3, from SN S65D-865	1				
16	97602GT	DECAL,EXPLOSION HAZARD..... Diesel engines	1				
17	97875GT	DECAL,WARN.WELD LINE INST.WORD..... Option, weld cable line	1				
18	114258GT	DECAL,DANGER,NO SMOKING.....	1				
19	114390GT	DECAL,DANGER,ELECT HAZARD***....	1				
20	128953GT	DECAL,ENGINE SPEC,DEUTZ,TD2011..... Deutz turbo	1				
21	133238GT	DECAL,ENGINE SPEC,PERKINS***.... Perkins 404D-22	1				
22	133250GT	DECAL,DANGER TIP OVER TRAX..... (S-60 Trax and S-65 Trax)	2				
23	133251GT	DECAL, WHEEL LOAD S60TRAX..... (S-60 Trax)	2				
24	133252GT	DECAL, WHEEL LOAD S65 TRAX..... (S-65 Trax)	2				
25	133259GT	DECAL,COSM, S60 TRAX..... (S-60 Trax)	1				

103.1 Word, Booms, ANSI and Australia

NOTE:  
Part numbers with "(FR)"  
indicate French translation  
is available

\*For S-60X and S-60XC models only.



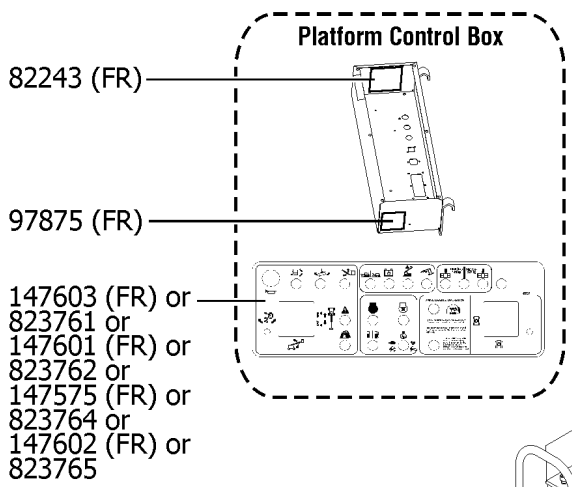
103.1 Word, Booms, ANSI and Australia

Item	Part No.	Description	Qty.
1	31060GT	DECAL,DANGER DO NOT ALTER SWTC.....	5
2	62076GT	DECAL,COSMETIC,GENIE S-60.....	1
3	62078GT	DECAL,COSMETIC,GENIE S65.....	1
4	133253GT	DECAL,COSM,GENIE S60 TRAX.....	1
5	133254GT	DECAL, COSM,GENIE S65 TRAX.....	1
6	147658GT	DECAL,COSM GENIE S60X.....	1
7	147660GT	DECAL,COSM GENIE S60XC.....	1

Go to Discount-Equipment.com to order your parts



104.1 Word, Platform, ANSI and Australia

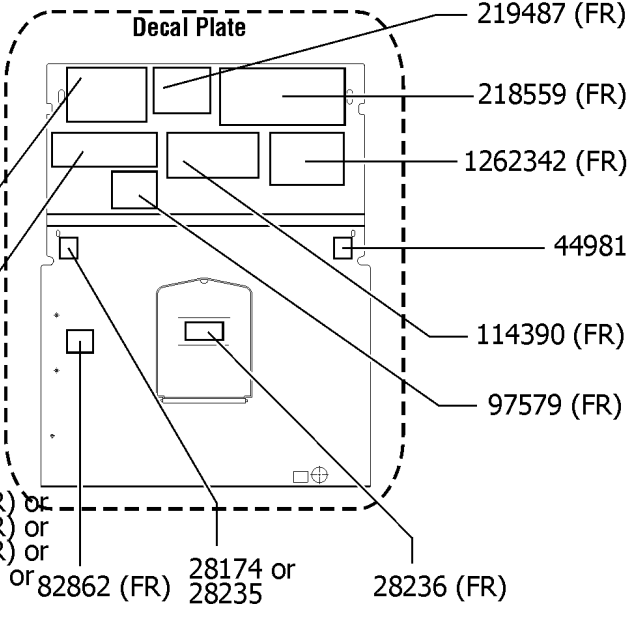
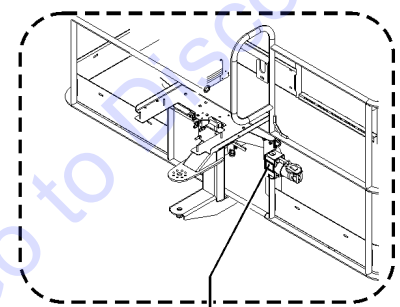
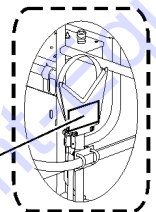
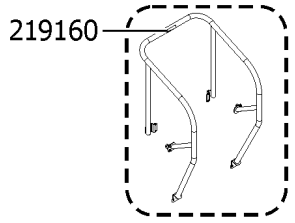
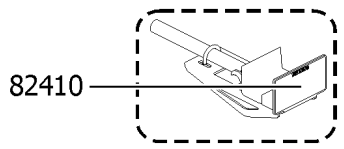
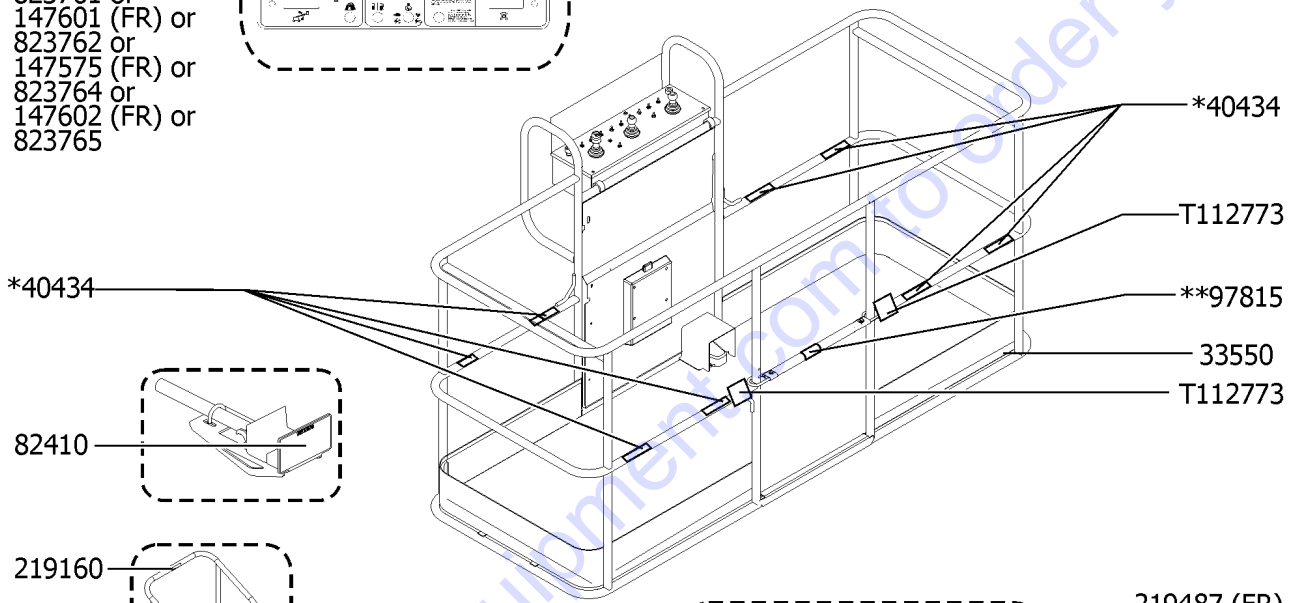


NOTE:  
Part numbers with "(FR)" indicates French translation is available

\*\* apply to all three midrails on tri-entry platform

\* apply this decal to all lanyard anchorage attachments on the platform

☐ Shading indicates decal is hidden from view.

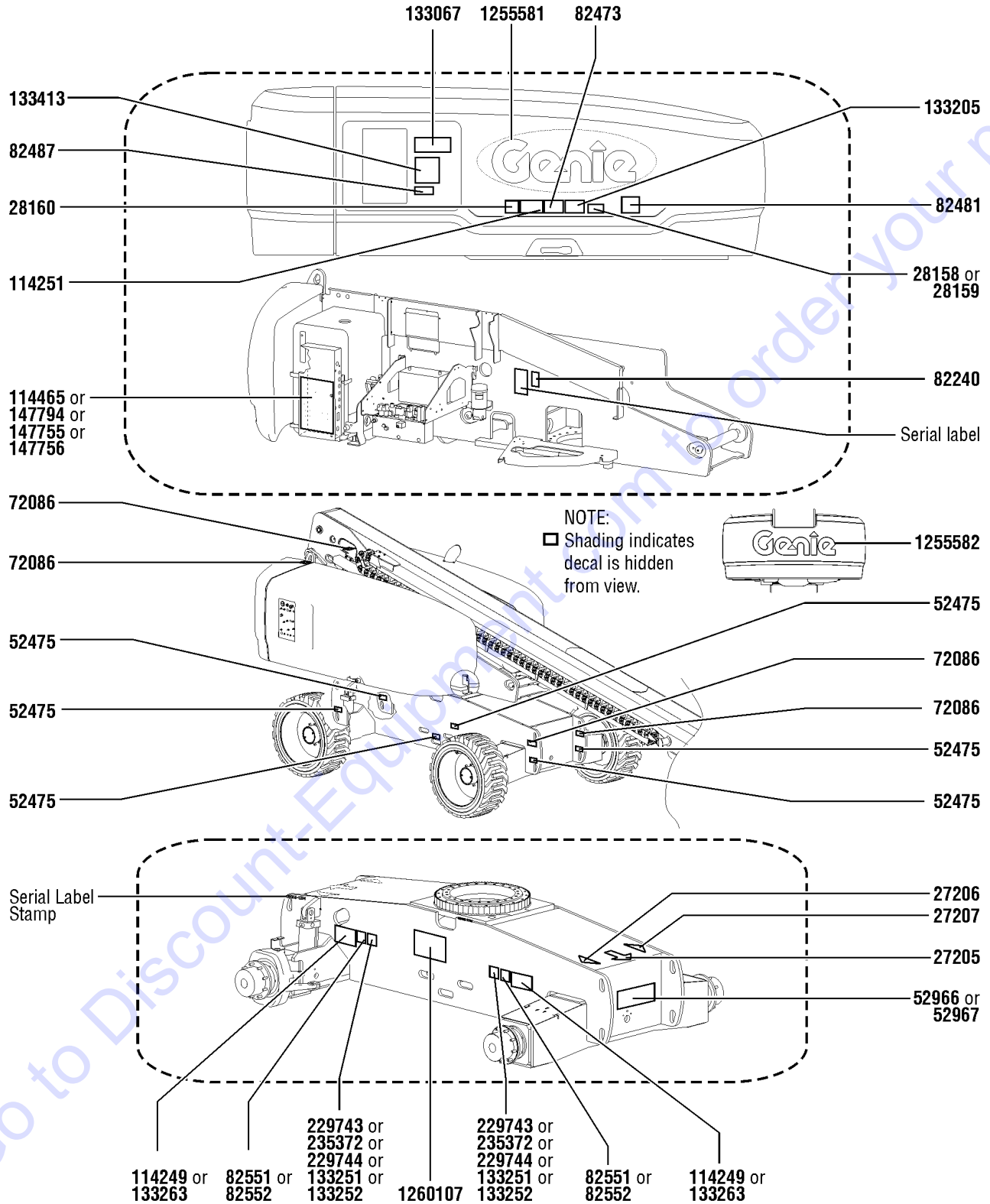


## 104.1 Word, Platform, ANSI and Australia

Item	Part No.	Description	Qty.	Item	Part No.	Description	Qty.
1	28174GT	DECAL, POWER TO PLATFORM 230V** .....1 <i>(Europe except UK)</i>	1	24	219160GT	DECAL, INSTRUCTION, OPS.....1 <i>Option</i>	1
2	28235GT	DECAL,POWER TO PLATFORM 115V...1 <i>(US and UK)</i>	1	25	219487GT	DECAL,PLATFORM OVERLOAD.....1 <i>(AUS Only)</i>	1
3	28236GT	DECAL,WARN,IMPROPER OPERATION.....1	1	26	823761GT	LABEL, PBOX, S65 TIER 4.....1 <i>(S-65 and S-65 Trax, ANSI, Deutz D2.9L4 and Perkins 404F-22)</i>	1
4	33550GT	TAPE,WARNING,BLK/YEL, 50*** <i>(Australia models ) sold in a 50' roll, apply at base of platform toeboard</i>	1	27	823762GT	LABEL, PBOX, S60TX ANSI TIER 4.....1 <i>(S-60 Trax, ANSI, Deutz D2.9L4 and Perkins 404F-22)</i>	1
5	40434GT	DECAL,LANYARD ANCHORAGE POINT .....8	8	28	823764GT	LABEL, PBOX, S60X TIER 4.....1 <i>(S-60X, ANSI, Deutz D2.9L4 and Perkins 404F-22)</i>	1
6	44981GT	DECAL,LABEL,AIR LINE 110 PSI.....1 <i>Option, airline to plat</i>	1	29	823765GT	LABEL, PBOX, S60XC TIER 4.....1 <i>(S-60XC, ANSI, Deutz D2.9L4 and Perkins 404F-22)</i>	1
7	72875GT	DECAL,WARNING,PIPE CRADLE,BOOM.....2 <i>Option, Pipe Cradle</i>	2	30	1261737GT	DECAL,INST PLAT CAP 60X,WORD....1 <i>(S-60X, ANSI)</i>	1
8	82237GT	DECAL,DANGER,HIGH VOLTAGE.....1 <i>Option, Welder</i>	1	31	1261738GT	DECAL,INST PLAT CAP 60XC,WORD....1 <i>(S-60XC, ANSI)</i>	1
9	82243GT	DECAL FAULT CODE.....1	1	32	1261739GT	DECAL,INST PLAT CAP 60TX,WORD....1 <i>(S-60 Trax, ANSI)</i>	1
10	82410GT	DECAL,WARNING,PANEL CRADLE.....2 <i>Option, Panel Cradle</i>	2	33	1262342GT	DECAL,WORD,SLOPE RATING,S60.....1	1
11	82862GT	DECAL,FIRE EXTINGUISHER.....1 <i>Option, Welder</i>	1	34	T112773GT	TAPE, PROTECTIVE MASK.....2	2
12	97579GT	DECAL,DANGER,TIP-OVER,WELDER**1 <i>Option, Welder</i>	1				
13	97815GT	DECAL,LABEL,LOWER MIDRAIL.....1	1				
14	97875GT	DECAL,WARN.WELD LINE INST.WORD.....1 <i>Option, weld cable line</i>	1				
15	114390GT	DECAL,DANGER,ELECT HAZARD***....1	1				
16	114416GT	DECAL,DANGER,TIPOVER,TILT.....1	1				
17	147575GT	DECAL, PLAT CNTL PNL 60X 80X.....1 <i>"(S-60X, ANSI, Deutz D2011L3i, Deutz TD2011L04i and Perkins 404D-22)"</i>	1				
18	147601GT	DECAL, PLAT CNTL PNL 60TX.....1 <i>"(S-60 Trax, ANSI, Deutz D2011L3i, Deutz TD2011L04i and Perkins 404D-22)"</i>	1				
19	147602GT	DECAL, PLAT CNTL PNL 60XC.....1 <i>"(S-60XC, ANSI, Deutz D2011L3i, Deutz TD2011L04i and Perkins 404D-22)"</i>	1				
20	147603GT	DECAL, PLAT CNTL PNL.....1 <i>"(S-60, S-65, S-60 Trax and S-65 Trax - AUS) (S-65 and S-65 Trax, ANSI, Deutz D2011L3i, Deutz TD2011L04i and Perkins 404D-22)"</i>	1				
21	218549GT	DECAL,DANGER,CAP,ANSI WORD.....1 <i>(S-65, S-65 Trax, ANSI)</i>	1				
22	218550GT	DECAL,DANGER,CAP,AUS WORD.....1 <i>(S-60, S-65, S-60 Trax and S-65 Trax - AUS)</i>	1				
23	218559GT	DECAL,DANGER/WARNING COMBO....1	1				



105.1 Symbol, Hydraulic Tank Side, Non-Steer End, ANSI and CE

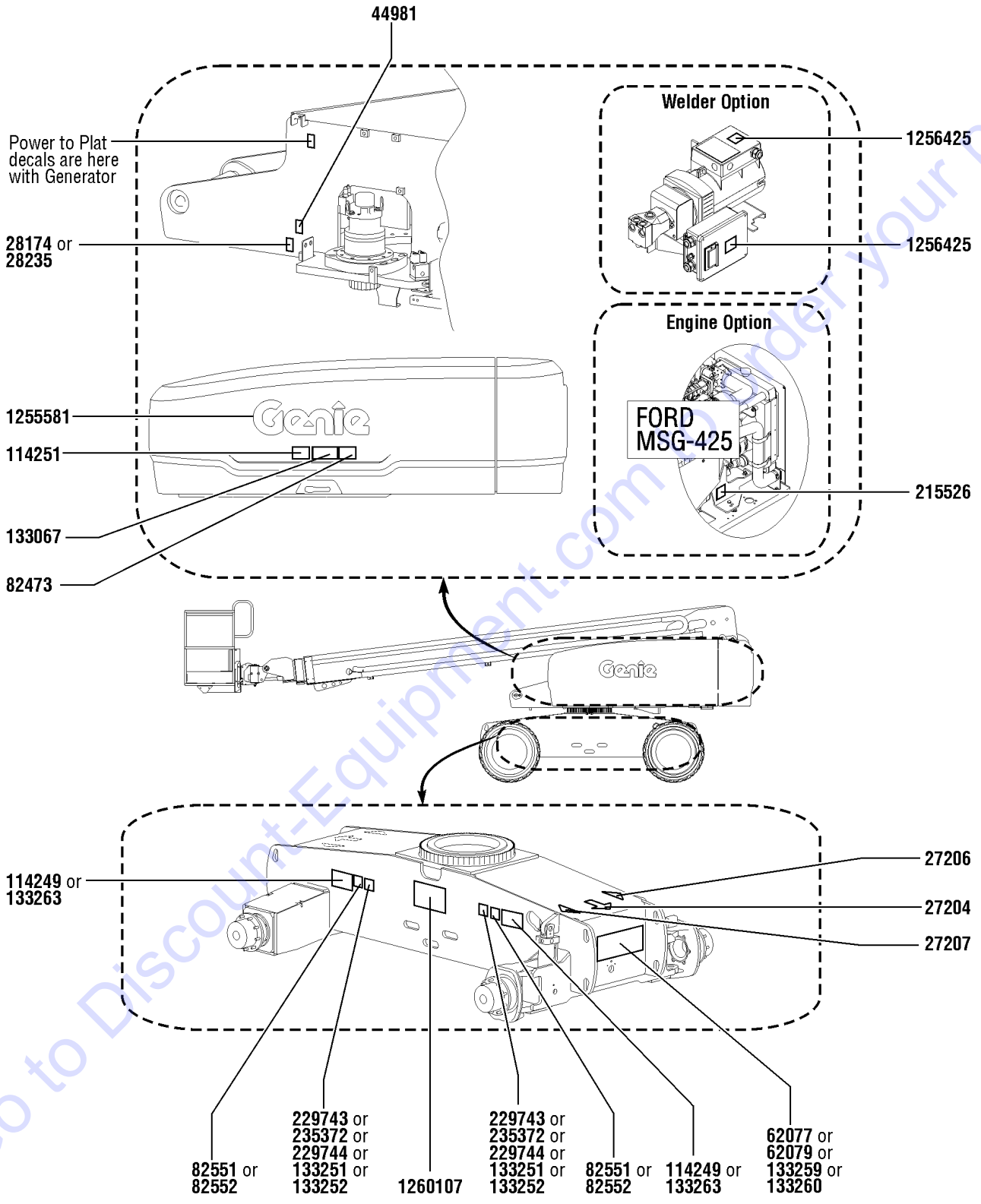


105.1 Symbol, Hydraulic Tank Side, Non-Steer End, ANSI and CE

Item	Part No.	Description	Qty.	Item	Part No.	Description	Qty.
1	27205GT	DECAL,ARROW YELLOW LRG 9".....	1	28	147794GT	DECAL,GR CNTL PNL 60TX.....	1
2	27206GT	DECAL,TRIANGLE,BLUE.....	1			(S-60 Trax, ANSI)	
3	27207GT	DECAL,TRIANGLE,YELLOW.....	1	29	229743GT	DECAL,LABEL,WHEEL LOAD	
4	28158GT	DECAL,LABEL,UNLEADED GAS				S60/60X.....	2
		ONLY.....	1			(S-60 and S-60X)	
		Option, Fuel		30	229744GT	DECAL,LABEL,WHEEL LOAD	
5	28159GT	DECAL,LABEL,DIESEL FUEL.....	1			S60H/XC.....	2
		Option, Fuel				(S-60XC)	
6	28160GT	DECAL,LABEL,LIQUID PROPANE.....	1	31	235372GT	DECAL,LABEL,WHEEL LOAD S65.....	2
		Option, LPG Tank				(S-65)	
7	52475GT	DECAL,LABEL,TRANSPORT		32	1255581GT	DECAL COSMETIC,10" GENIE BLUE....	1
		TIEDOWN*.....	6	33	1255582GT	DECAL COSMETIC,15" GENIE BLUE....	1
8	52966GT	DECAL,COSMETIC,4 X 2.....	1	34	1260107GT	DECAL, TRANSPORT/LIFTING, S60.....	1
		Option, drive					
9	52967GT	DECAL,COSMETIC,4 X 4.....	1				
		Option, drive					
10	72086GT	DECAL,LABEL,LIFTING EYE.....	4				
11	82240GT	DECAL,LABEL,105 DB.....	1				
		(CE Only)					
12	82473GT	DECAL,SYMBOL-COMP ACCESS.....	1				
13	82481GT	DECAL,SYMBOL-BATTERY SAFETY....	1				
14	82487GT	DECAL, SYMBOL - READ THE					
		MANUAL.....	1				
15	82551GT	DECAL,LABEL,TIRE PRESSURE.....	2				
		"(S-60, S-60X, S-65, S-60XC) RT air filled					
		tires only"					
16	82552GT	DECAL,LABEL,TIRE PRESS HF.....	2				
		"(S-60, S-60X, S-65, S-60XC) High flotation					
		air filled tires only"					
17	114249GT	DECAL,LABEL,TIPOVER,TIRES,SYMB.2					
		"(S-60, S-60X, S-65, S-60XC) RT air filled					
		or foam filled tires only "					
18	114251GT	DECAL,LABEL,NO SMOKING,SYMB....	1				
19	114465GT	DECAL GROUND CONTROL BOX.....	1				
		"(S-60, S-65, S-60 Trax and S-65 Trax -					
		CE) (S-65 and S-65 Trax - ANSI)"					
20	133067GT	DECAL,DANGER,ELEC.HAZ.STAY					
		CLR.....	1				
21	133205GT	DECAL,LABEL, ELECTRO HAZARD....	1				
22	133251GT	DECAL, WHEEL LOAD S60TRAX.....	2				
		(S-60 Trax)					
23	133252GT	DECAL, WHEEL LOAD S65 TRAX.....	2				
		(S-65 Trax)					
24	133263GT	DECAL,LABEL,TIPOVER,TRAX,SYMB..2					
		(S-60 Trax and S-65 Trax)					
25	133413GT	DECAL,EMERGENCY LOWERING.....	1				
		(CE Only)					
26	147755GT	DECAL,GR CNTL PNL 60X 80X.....	1				
		(S-60X, ANSI)					
27	147756GT	DECAL,GR CNTL PNL 60XC.....	1				
		(S-60XC, ANSI)					



106.1 Symbol, Engine Side, Steer End, ANSI and CE



A TEREX BRAND

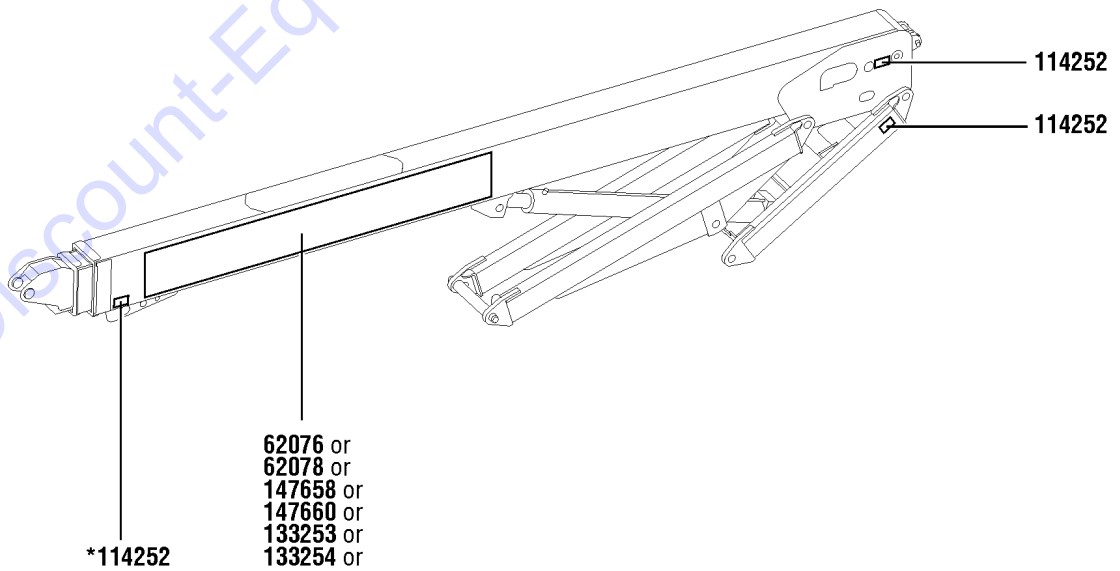
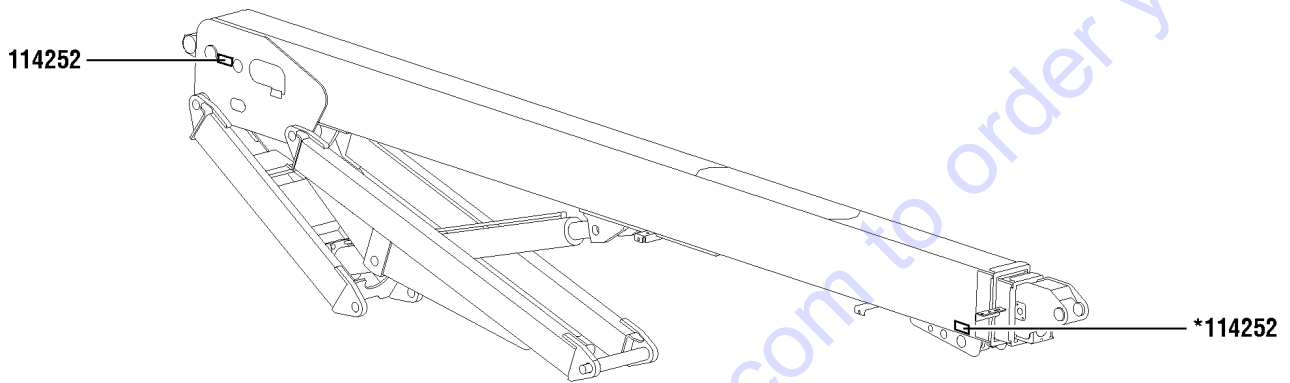
106.1 Symbol, Engine Side, Steer End, ANSI and CE

Item	Part No.	Description	Qty.	Item	Part No.	Description	Qty.
1	27204GT	DECAL,ARROW BLUE.....	1	26	1260107GT	DECAL, TRANSPORT/LIFTING, S60.....	1
2	27206GT	DECAL,TRIANGLE,BLUE.....	1				
3	27207GT	DECAL,TRIANGLE,YELLOW.....	1				
4	28174GT	DECAL, POWER TO PLATFORM 230V**.....	1				
		<i>(Europe except UK)</i>					
5	28235GT	DECAL,POWER TO PLATFORM 115V...1					
		<i>(US and UK)</i>					
6	44981GT	DECAL,LABEL,AIR LINE 110 PSI.....1					
		<i>Option, airline to plat</i>					
7	62077GT	DECAL,COSMETIC,S60.....1					
		<i>"(S-60, S-60X and S-60XC) "</i>					
8	62079GT	DECAL,COSMETIC,S65.....1					
		<i>(S-65)</i>					
9	82473GT	DECAL,SYMBOL-COMP ACCESS.....1					
10	82551GT	DECAL,LABEL,TIRE PRESSURE.....2					
		<i>"(S-60, S-60X, S-65, S-60XC) RT air filled tires only"</i>					
11	82552GT	DECAL,LABEL,TIRE PRESS HF.....2					
		<i>"(S-60, S-60X, S-65, S-60XC) High flotation air filled tires only"</i>					
12	114249GT	DECAL,LABEL,TIPOVER,TIRES,SYMB.2					
		<i>"(S-60, S-60X, S-65, S-60XC) RT air filled or foam filled tires only"</i>					
13	114251GT	DECAL,LABEL,NO SMOKING,SYMB.....1					
14	133067GT	DECAL,DANGER,ELEC.HAZ.STAY CLR.....	1				
15	133251GT	DECAL, WHEEL LOAD S60TRAX.....2					
		<i>(S-60 Trax)</i>					
16	133252GT	DECAL, WHEEL LOAD S65 TRAX.....2					
		<i>(S-65 Trax)</i>					
17	133259GT	DECAL,COSM, S60 TRAX.....1					
		<i>(S-60 Trax)</i>					
18	133260GT	DECAL,COSM, S65 TRAX.....1					
		<i>(S-65 Trax)</i>					
19	133263GT	DECAL,LABEL,TIPOVER,TRAX,SYMB..2					
		<i>(S-60 Trax and S-65 Trax)</i>					
20	215526GT	DECAL,LABEL,BELT,MSG425.....1					
		<i>ford msg-425</i>					
21	229743GT	DECAL,LABEL,WHEEL LOAD S60/60X.....	2				
		<i>(S-60 and S-60X)</i>					
22	229744GT	DECAL,LABEL,WHEEL LOAD S60H/XC.....	2				
		<i>"(S-60XC) "</i>					
23	235372GT	DECAL,LABEL,WHEEL LOAD S65.....2					
		<i>(S-65)</i>					
24	1255581GT	DECAL COSMETIC,10" GENIE BLUE...1					
25	1256425GT	DECAL, DANGER, ELECTROCUTION HAZARD, SYMBOL.....	2				
		<i>Option, Welder</i>					



107.1 Symbol, Booms, ANSI and CE

NOTE:  
\*For S-60X and S-60XC models only.



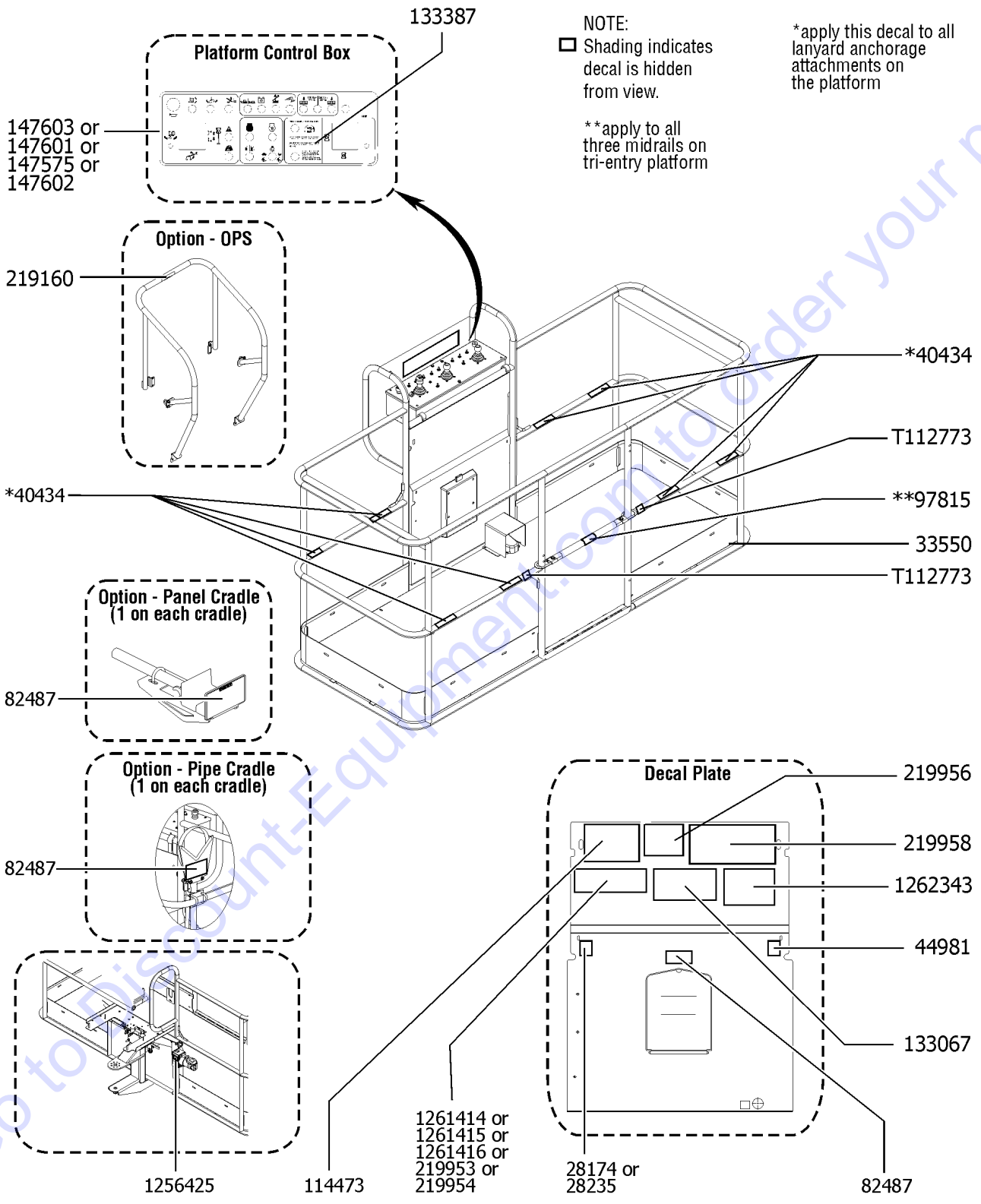
107.1 Symbol, Booms, ANSI and CE

Item	Part No.	Description	Qty.
1	62076GT	DECAL,COSMETIC,GENIE S-60.....	1
2	62078GT	DECAL,COSMETIC,GENIE S65.....	1
3	114252GT	DECAL,LABEL,TIP OVER LMT SWTCH.....	5
4	133253GT	DECAL,COSM,GENIE S60 TRAX.....	1
5	133254GT	DECAL, COSM,GENIE S65 TRAX.....	1
6	147658GT	DECAL,COSM GENIE S60X.....	1
7	147660GT	DECAL,COSM GENIE S60XC.....	1

Go to Discount-Equipment.com to order your parts



108.1 Symbol, Platform, ANSI and CE

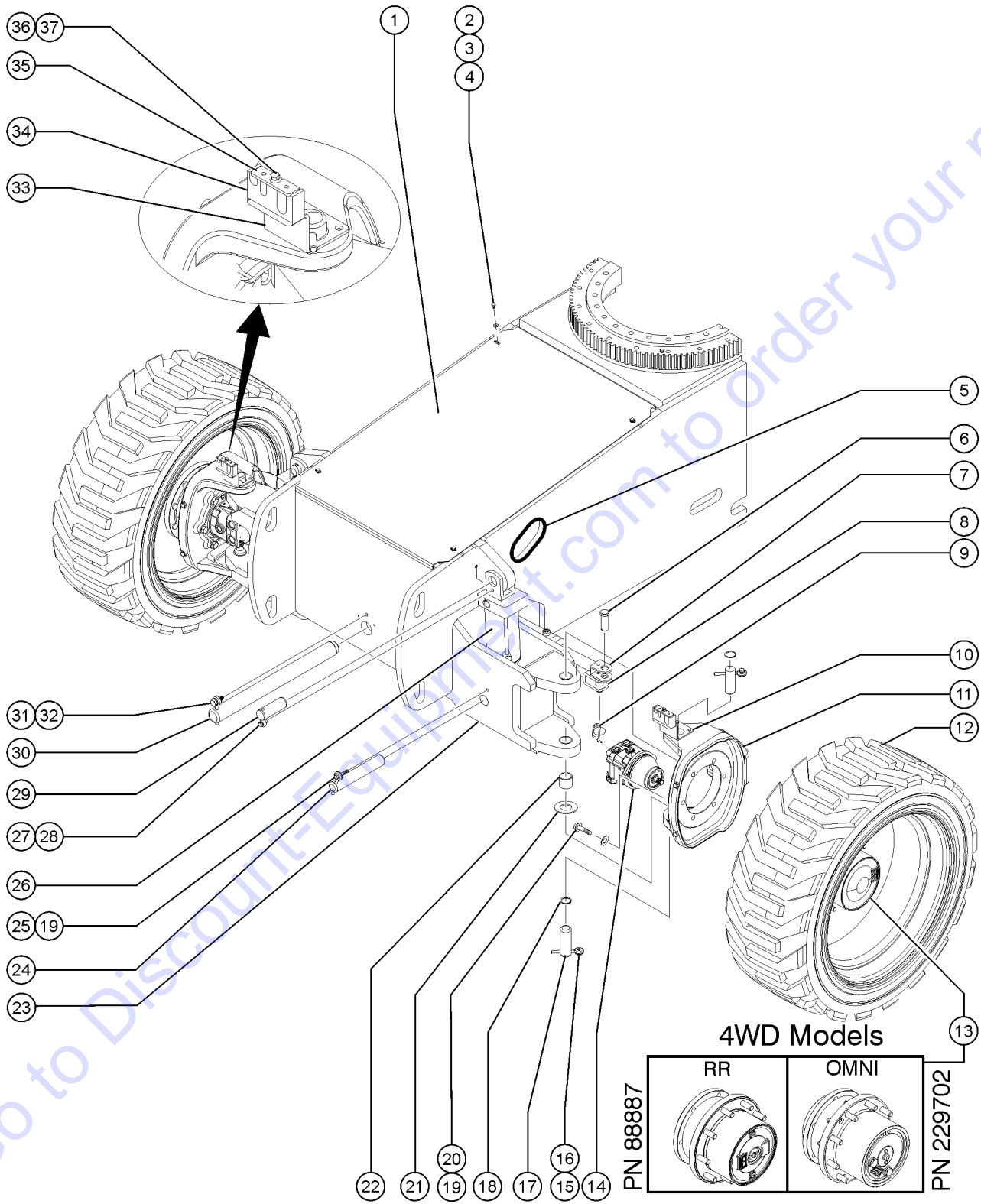


## 108.1 Symbol, Platform, ANSI and CE

Item	Part No.	Description	Qty.
1	28174GT	DECAL, POWER TO PLATFORM 230V** .....1 (europe except UK)	1
2	28235GT	DECAL,POWER TO PLATFORM 115V...1 (Us and UK)	1
3	33550GT	TAPE,WARNING,BLK/YEL, 50*** (CE models) sold in a 50' roll, apply at base of platform toeboard	
4	40434GT	DECAL,LANYARD ANCHORAGE POINT .....8	8
5	44981GT	DECAL,LABEL,AIR LINE 110 PSI.....1 Option, airline to platform	1
6	82487GT	DECAL, SYMBOL - READ THE MANUAL.....1	1
7	97815GT	DECAL,LABEL,LOWER MIDRAIL.....1	1
8	114473GT	DECAL,DANGER,TIPOVER,TILT,SYM....1	1
9	133067GT	DECAL,DANGER,ELEC.HAZ.STAY CLR.....1	1
10	133387GT	DECAL,DRIVE ENABLE PATCH.....1	1
11	147575GT	DECAL, PLAT CNTL PNL 60X 80X.....1 (S-60X, ANSI)	1
12	147601GT	DECAL, PLAT CNTL PNL 60TX.....1 (S-60 Trax, ANSI)	1
13	147602GT	DECAL, PLAT CNTL PNL 60XC.....1 (S-60XC, ANSI)	1
14	147603GT	DECAL, PLAT CNTL PNL.....1 "(S-60, S-65, S-60 Trax and S-65 Trax, CE) (S-65 and S-65 Trax, ANSI)"	1
15	219953GT	DECAL,TIP-OVER HAZARD,ANSI.....1 (S-65 and S-65 Trax, ANSI)	1
16	219954GT	DECAL,TIP-OVER HAZARD,CE.....1 (S-65 and S-65 Trax, CE)	1
17	219956GT	DECAL,PLATFORM OVERLOAD.....1 CE Only	1
18	219958GT	DECAL,TIP-OVER,CRUSH.....1	1
19	1256425GT	DECAL, DANGER, ELECTROCUTION HAZARD, SYMBOL.....1 Option, Welder	1
20	1261414GT	DECAL,INST PLAT CAP 60X,SYM.....1 (S-60X, ANSI)	1
21	1261415GT	DECAL,INST PLAT CAP 60XC,SYM.....1 (S-60XC, ANSI)	1
22	1261416GT	DECAL,INST PLAT CAP 60TX,SYM.....1 (S-60 Trax, ANSI)	1
23	1262343GT	DECAL,SYM,SLOPE RATING,S60.....1	1
24	219160GT	DECAL, INSTRUCTION, OPS.....1 Option	1
25	T112773GT	TAPE, PROTECTIVE MASK.....2	2



201.1 Steer End



Item	Part No.	Description	Qty.	Item	Part No.	Description	Qty.
1	1255703GT	COVER,DRIVE CHASSIS.....1 <i>decals not included, refer to section 100</i>	1	--	139972GT	SEAL KIT,GEARBOX,OMNI*** <i>for 229702</i>	
2	824059GT	SCREW,HHC,1/4-20X.75,8,ZAG		--	147033GT	O-RING,PIPE PLUG KIT,OMNI*** <i>for 229702</i>	
3	824113GT	WASHER,FLAT,USS,1/4,ZAG		--	147034GT	PIPE PLUG KIT,OMNI*** <i>for 229702</i>	
4	56912GT	SPRING CLIP,1/4-20,.025-.15X.54,ZAG		13B	229817GT	WHEEL DRIVE 56:1.....1 <i>(Trax)</i>	1
5	53386GT	GUARD, HOSE PROTECTOR.....1	1	--	102131GT	DISCONNECT KIT (88887) <i>for 102162</i>	
6	824127GT	PIN,CLEVIS,1.0X2.41,SAE,ZAG.....4	4	--	102162GT	LUG,STUD/WHEEL (88887) <i>for 102162</i>	
7	59460GT	CYLINDER,STEERING***.....2	2	--	102516GT	RING,RETAINING,INTERNAL <i>for 102162</i>	
--	89294GT	SEAL KIT CYLINDER (59460).....1	1	--	215340GT	LOCKRING, RR*** <i>for 102162</i>	
8	1255710GT	WELDMENT, TIE ROD.....1	1	--	215642GT	BRAKE KIT (88886)*** <i>for 102162</i>	
9	824129GT	RUE RING,1.0,ZAG.....4	4	--	229818GT	SEAL KIT, DRIVE HUB <i>for 102162</i>	
10	1255705GT	BRACKET,HOSE ROUTING,AXLE LH....1	1	--	229931GT	SEAL,LIP <i>for 102162</i>	
11	1270347GT	YOKE ASSY BLK W/BEARINGS,LH		14	88884GT	MOTOR,PISTON,30CC,4WD*** .....2 <i>4WD models</i>	2
--	25817GT	BEARING,1.00IDX1.25ODX1.00L.....2-2 <i>sold separately</i>	2-2	--	102155GT	BEARING,BALL DRIVE SHAFT <i>for 88884</i>	
12A	88729GT	TIRE & WHEEL ASSY,AIR,RH*** .....2 <i>RT, Air-filled, right (S-60,S-65,S-60X)</i>	2	--	102158GT	O-RING,.103 X 4.737,VITON, 75D <i>for 88884</i>	
12A	88730GT	TIRE & WHEEL ASSY,AIR,LH.....2 <i>RT, Air-filled, left (S-60,S-65,S-60X)</i>	2	--	102159GT	SHAFT,15 TOOTH <i>for 88884</i>	
--	88727GT	WHEEL, 24.5X11.75, 9 X 9 BCD <i>for 88730 &amp; 88729</i>		--	106098GT	SEAL KIT,MOTOR,LC/KC*** <i>for 88884</i>	
--	88728GT	TIRE,355/55D625 <i>for 88730 &amp; 88729</i>		--	27067GT	SEAL,SHAFT-SUNDSTRAND*** <i>for 88884</i>	
12B	77790GT	TIRE & WHEEL ASSY RH,FF.....2 <i>RT, Foam-filled, right (S-60,S-65,S-60X,S-60XC; overall diameter: 37 inches)</i>	2	--	72290GT	SNAP RING(M46 UNITS)* <i>for 88884</i>	
12B	77791GT	TIRE & WHEEL ASSY,LH FF*** .....2 <i>RT, Foam-filled, left (S-60,S-65,S-60X,S-60XC; overall diameter: 37 inches)</i>	2	15	825019GT	ROD END,.375X3.69,ZAG.....2	2
12C	1279698GT	TIRE & WHEEL ASSY,LH,FOAM,NM....2	2	16	824091GT	SCREW,HHC,3/8-16X1.25,8,ZAG	
12C	1279699GT	TIRE & WHEEL ASSY,RH,FOAM,NM....2	2	17	110221GT	PIN,GROOVE/HOLE,1.50 DIA X4.475....4	4
13A	229702GT	WHEEL DRIVE 57.5:1 4WD.....2	2	18	825796GT	SNAP RING,EXTERNAL,1.50,ZAG	
--	1260084GT	END CAP, WHEEL DRIVE <i>for 229702</i>		19	1255385GT	SCREW,HHC,5/8-11X2.25,8,ZAG.....12	12
--	139965GT	WHEEL STUD,5/8-18,OMNI*** <i>for 229702</i>		20	1256182GT	WASHER,FLAT,5/8,F436,HRD,ZAG.....12	12
--	139966GT	ROD,DISCONNECT,OMNI*** <i>for 229702</i>		21	45074GT	WASHER,THRUST,1.5 X 3.5 X .187.....2	2
--	139967GT	CAP,DISENGAGE,OMNI*** <i>for 229702</i>		22	45071GT	BEARING,1.5IDX1.75ODX1.5L	
--	139968GT	O-RING,END COVER,OMNI*** <i>for 229702</i>		23	1270348GT	STEER AXLE ASSY BLACK.....1	1
--	139969GT	LINING KIT,BRAKE,OMNI*** <i>for 229702</i>		--	42014GT	BEARING,2.00IDX2.25ODX2.00L <i>not included, order seperately</i>	
--	139970GT	SEAL KIT,BRAKE,OMNI*** <i>for 229702</i>		--	45071GT	BEARING,1.5IDX1.75ODX1.5L <i>not included, order seperately</i>	
--	139971GT	BEARING KIT,OMNI*** <i>for 229702</i>					

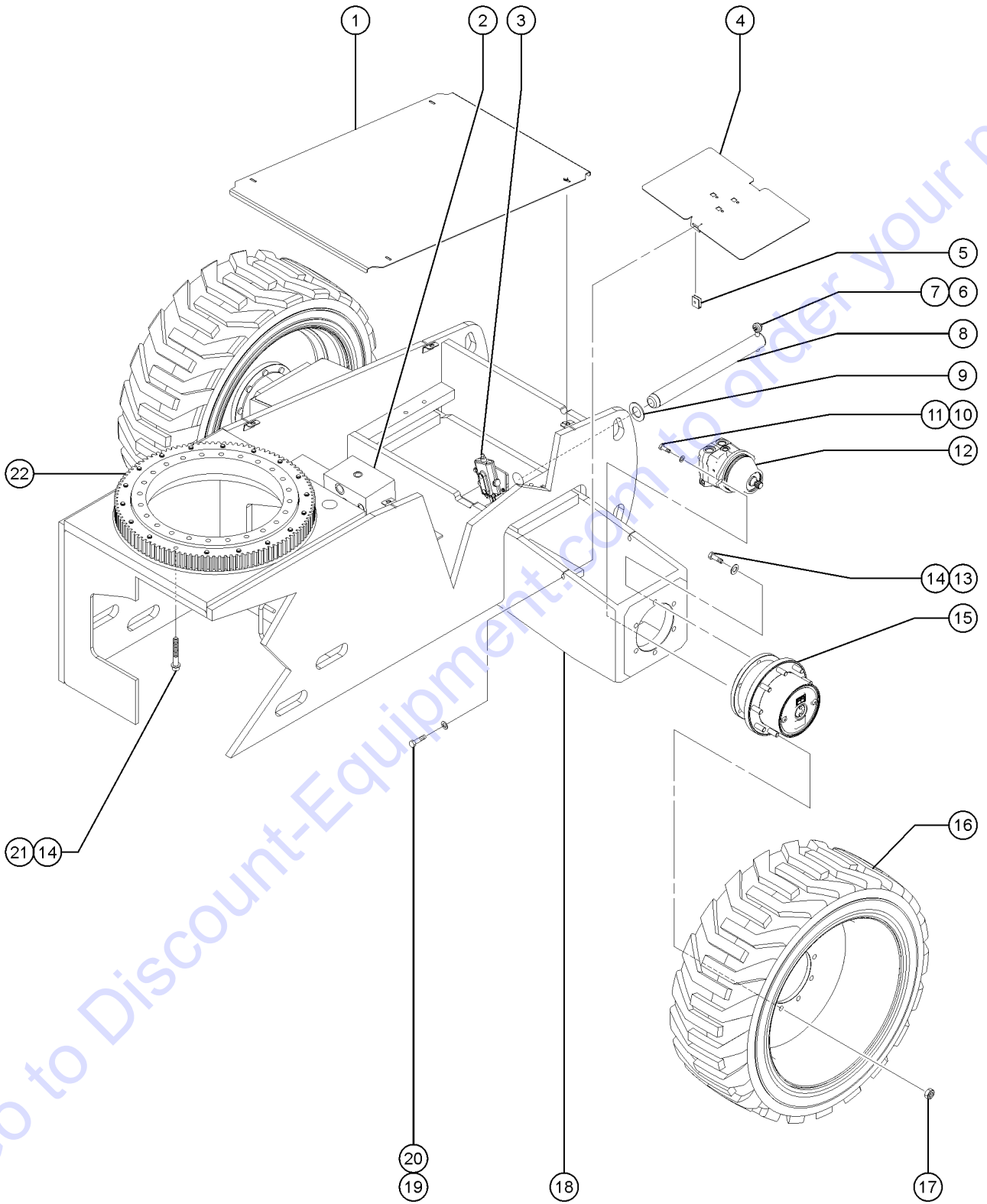
201.1 Steer End  
(continued)

Item	Part No.	Description	Qty.
24	77880GT	PIN,1.50DIAX9.38LG,1HOLE.....	2
25	825674GT	SCREW, HHC, 5/16-18X2,8,ZAG	
26	110578GT	CYLINDER,OSCILLATE,S60.....	2
--	101255GT	SEAL KIT (89675)	
--	33428GT	VALVE,COUNTERBALANCE	
27	824089GT	SCREW,HHF,3/8-16X.75,8,ZAG	
28	1255452GT	ROD END,.375 X 2.25,ZAG	
29	94221GT	PIN,1.50DIAX3.75LG,1HOLE.....	2
30	77610GT	PIN,2.00DIAX23.13LG,CHAMFER.....	1
31	1256267GT	ROD END,.5 X 3.75,ZAG	
32	1253498GT	SCREW,HHF,1/2-13X1.5,8,ZAG	
33	1255704GT	BRACKET,HOSE ROUTING,AXLE RH...1	
34	106516GT	CLAMP,HOSE,2X4,1X6,2X8***.....	2
35	1255706GT	CLAMP TOP,HOSE ROUTING***.....	2
36	824095GT	SCREW,HHF,3/8-16X3,8,ZAG	
37	824029GT	NUT, TL FLG, 3/8-16, G, ZAG	

*This Page Intentionally Left Blank*

Go to [Discount-Equipment.com](http://Discount-Equipment.com) to order your parts

202.1 Non-steer End



Go to Discount-Equipment.com to order your parts

202.1 Non-steer End

Item	Part No.	Description	Qty.	Item	Part No.	Description	Qty.
1	1255703GT	COVER,DRIVE CHASSIS.....1 <i>decals not included, refer to section 100</i>	1	15A	229702GT	WHEEL DRIVE 57.5:1 4WD.....2 <i>TYPE: OMNI. 4WD Models Visually identify which hub before ordering parts. ID tag is on end cover cap. Internal components are different for each type.</i>	2
2		Ref. Traction Manifold <i>(refer to 402.1 &amp; 403.1)</i>		--	1260084GT	END CAP, WHEEL DRIVE <i>for 229702</i>	
3		Ref. Oscillate Valve <i>(refer to 203.1)</i>		--	139965GT	WHEEL STUD,5/8-18,OMNI*** <i>for 229702</i>	
4	1255711GT	COVER,REAR AXLE.....2	2	--	139966GT	ROD,DISCONNECT,OMNI*** <i>for 229702</i>	
5	56912GT	SPRING CLIP,1/4-20,.025-.15X.54,ZAG		--	139967GT	CAP,DISENGAGE,OMNI*** <i>for 229702</i>	
6	1256267GT	ROD END,.5 X 3.75,ZAG		--	139968GT	O-RING,END COVER,OMNI*** <i>for 229702</i>	
7	1253498GT	SCREW,HHF,1/2-13X1.5,8,ZAG		--	139969GT	LINING KIT,BRAKE,OMNI*** <i>for 229702</i>	
8	77950GT	PIN,2.00DIAX20.88LG,CHAMFER		--	139970GT	SEAL KIT,BRAKE,OMNI*** <i>for 229702</i>	
9	1256864GT	WASHER,FLAT,2.01X3.5X.06,ZAG		--	139971GT	BEARING KIT,OMNI*** <i>for 229702</i>	
10	824072GT	SCREW, HHC, 7/16-14 X 1.25, ZAG.....4	4	--	139972GT	SEAL KIT,GEARBOX,OMNI*** <i>for 229702</i>	
11	1257078GT	WASHER, .469 X .768 HRD, ZAG.....4	4	--	147033GT	O-RING,PIPE PLUG KIT,OMNI*** <i>for 229702</i>	
12A	88884GT	MOTOR,PISTON,30CC,4WD*** <i>models</i>		--	147034GT	PIPE PLUG KIT,OMNI*** <i>for 229702</i>	
--	102155GT	BEARING,BALL DRIVE SHAFT <i>for 88884</i>		15B	88887GT	WHEEL DRIVE 56:1.....2 <i>2WD models; not shown</i>	2
--	102158GT	O-RING,.103 X 4.737,VITON, 75D <i>for 88884</i>		--	102126GT	SEAL KIT,DRIVE HUB (88887).....1 <i>for 88887</i>	1
--	102159GT	SHAFT,15 TOOTH <i>for 88884</i>		--	102131GT	DISCONNECT KIT (88887) <i>for 88887</i>	
--	106098GT	SEAL KIT,MOTOR,LC/KC*** <i>for 88884</i>		--	102162GT	LUG,STUD/WHEEL (88887) <i>for 88887</i>	
--	27067GT	SEAL,SHAFT-SUNDSTRAND*** <i>for 88884</i>		--	102163GT	RING,RETAINING*** <i>for 88887</i>	
--	72290GT	SNAP RING(M46 UNITS)* <i>for 88884</i>		--	102167GT	SHAFT,INPUT DRIVE HUB <i>for 88887</i>	
12B	88885GT	MOTOR,PISTON,35CC,2WD*** .....2 <i>2WD models, not shown</i>	2	--	102516GT	RING,RETAINING,INTERNAL <i>for 88887</i>	
--	102155GT	BEARING,BALL DRIVE SHAFT <i>for 88885</i>		--	1274613GT	HUB SCREW <i>for 88887</i>	
--	102158GT	O-RING,.103 X 4.737,VITON, 75D <i>for 88885</i>		--	215340GT	LOCKRING, RR*** <i>for 88887</i>	
--	102159GT	SHAFT,15 TOOTH <i>for 88885</i>		--	215642GT	BRAKE KIT (88886)*** <i>for 88887</i>	
--	106098GT	SEAL KIT,MOTOR,LC/KC*** <i>for 88885</i>		15C	229817GT	WHEEL DRIVE 56:1.....2 <i>(trax models)</i>	2
--	106117GT	O-RING,2-010,VITON <i>for 88885 (Mating O-ring for Brake Port)(Extremely small)</i>		--	102131GT	DISCONNECT KIT (88887) <i>(trax models)</i>	
--	27067GT	SEAL,SHAFT-SUNDSTRAND*** <i>for 88885</i>					
--	72290GT	SNAP RING(M46 UNITS)* <i>for 88885</i>					
13	1255385GT	SCREW,HHC,5/8-11X2.25,8,ZAG					
14	1256182GT	WASHER,FLAT,5/8,F436,HRD,ZAG					

202.1 Non-steer End  
 (continued)

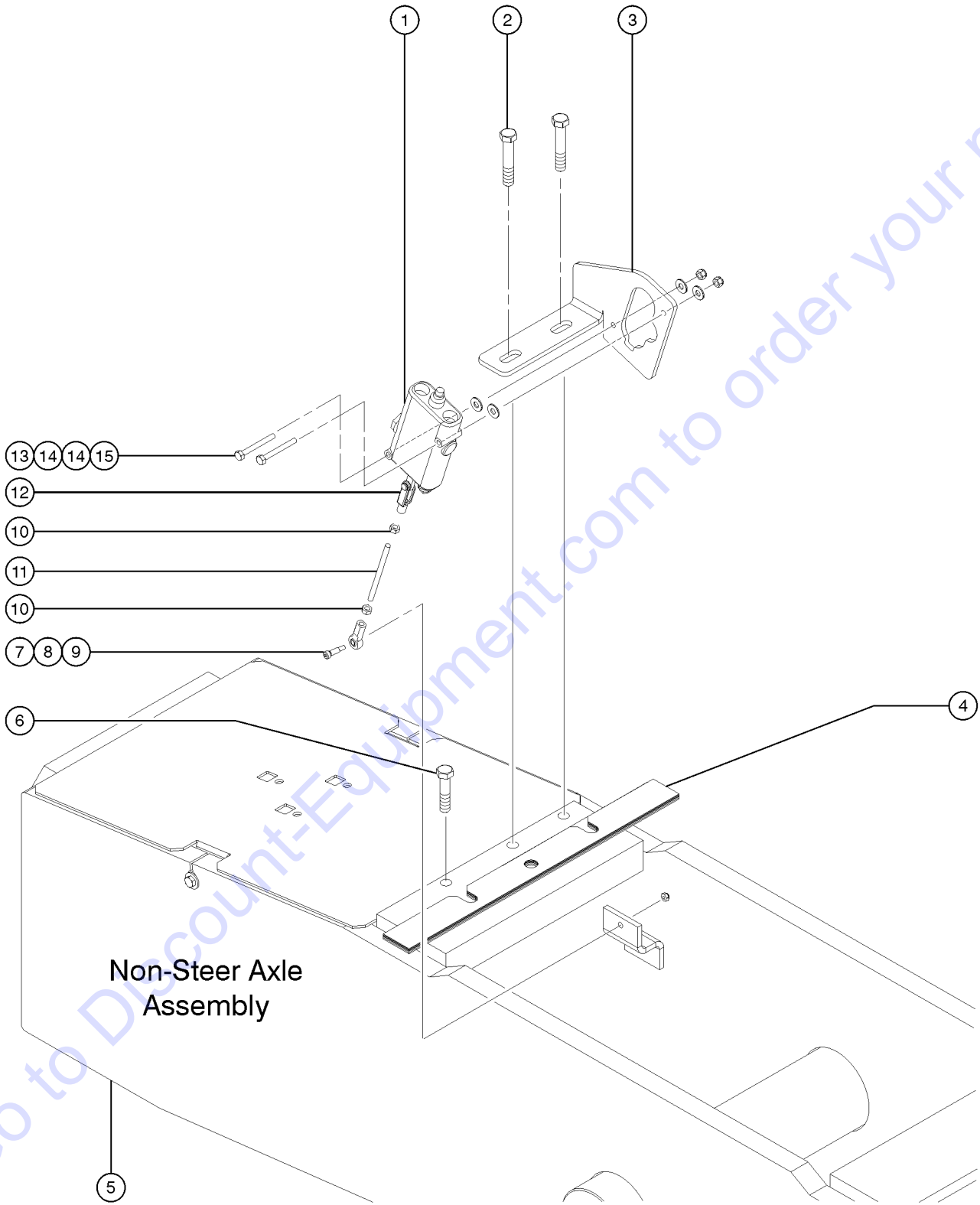
Item	Part No.	Description	Qty.
--	102157GT	O-RING,.070 X .239,VITON 75D <i>(trax models)</i>	
--	102158GT	O-RING,.103 X 4.737,VITON, 75D <i>(trax models)</i>	
--	102162GT	LUG,STUD/WHEEL (88887) <i>(trax models)</i>	
--	102166GT	VALVE,CHECK,30 PSI <i>(trax models)</i>	
--	102167GT	SHAFT,INPUT DRIVE HUB <i>(trax models)</i>	
--	102516GT	RING,RETAINING,INTERNAL <i>(trax models)</i>	
--	106098GT	SEAL KIT,MOTOR,LC/KC*** <i>(trax models)</i>	
--	215340GT	LOCKRING, RR*** <i>(trax models)</i>	
--	215642GT	BRAKE KIT (88886)*** <i>(trax models)</i>	
--	229818GT	SEAL KIT, DRIVE HUB <i>(trax models)</i>	
--	229931GT	SEAL,LIP <i>(trax models)</i>	
--	27067GT	SEAL,SHAFT-SUNDSTRAND*** <i>(trax models)</i>	
--	77674GT	NUT,HEX,FLANGE 5/8-18,GRD 8 ZI <i>(trax models)</i>	
--	88884GT	MOTOR,PISTON,30CC,4WD*** <i>(trax models)</i>	
16		REF. WHEEL AND TIRE ASSEMBLY <i>refer to 201.1</i>	
17	77674GT	NUT,HEX,FLANGE 5/8-18,GRD 8 ZI.....18	
18	1270349GT	NON-STEER AXLE ASSY BLACK.....1 <i>includes bearing</i>	
--	42014GT	BEARING,2.00IDX2.25ODX2.00L	
19	824063GT	SCREW,HHC,1/4-20X1.75,8,ZAG	
20	824113GT	WASHER,FLAT,USS,1/4,ZAG	
21	1256170GT	SCREW,HHC,5/8-11X4,8,ZAG.....18	
22	63468GT	BEARING,TURNTABLE ROTATION	

*This Page Intentionally Left Blank*

Go to [Discount-Equipment.com](http://Discount-Equipment.com) to order your parts

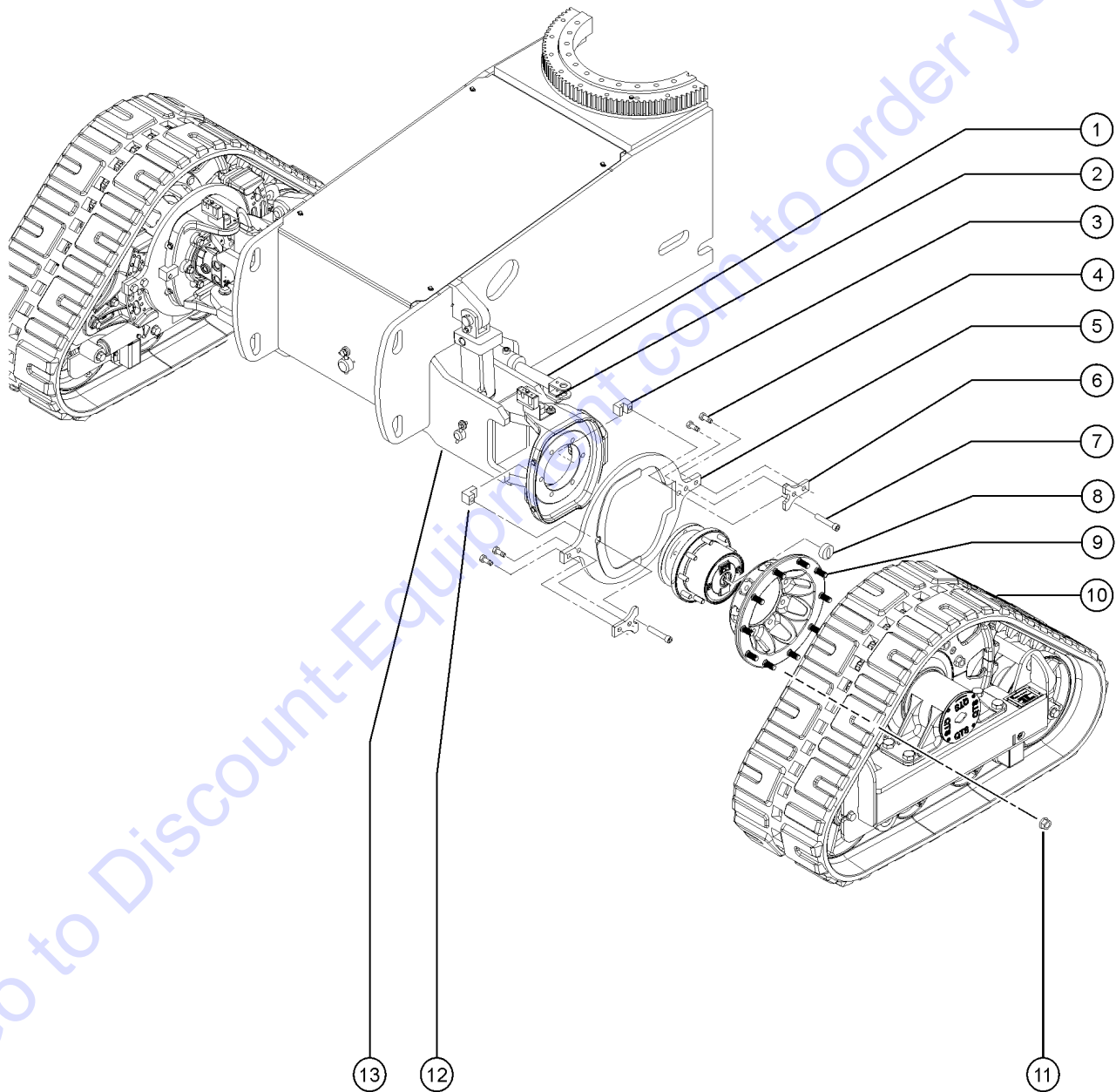


203.1 Oscillate Valve



Item	Part No.	Description	Qty.
1	81552GT	VALVE,MANUAL,W/RELIEF VALVE***.....1	
--	32681GT	SEAL KIT,CONTROL VALVE	
2	1257862GT	SCREW,HHF,1/2-13X2.75,8,ZAG.....2	
3	1255712GT	BRACKET, OSCILLATE VALVE.....1	
4	81609GT	SHIM,AXLE ROTATION STOP,22G.....2	
5		REF: Non-Steer Axle.....1 <i>refer to 202.1 or 205.1 for TraX models</i>	
6	1255802GT	SCREW,HHF,1/2-13X2.5,8,ZAG.....1	
7	1257076GT	BOLT,SHS,1/4-28X4,ZAG.....1	
8	81691GT	ROD END,BALL JOINT 1/4-28.....1	
9	1256467GT	NUT,TL FLG,10-24,F,ZAG.....1	
10	824041GT	NUT,1/4-28,8,ZAG.....2	
11	1257077GT	ROD,THREADED,1/4-28X4,ZAG.....1	
12	21130GT	CLEVIS YOKE-1/4-28,PLTD W/PIN.....1	
13	824064GT	SCREW,HHC,1/4-20X2.25,8,ZAG.....2	
14	824113GT	WASHER,FLAT,USS,1/4,ZAG.....4	
15	824027GT	NUT,TL FLG,1/4-20,G,ZAG.....2	

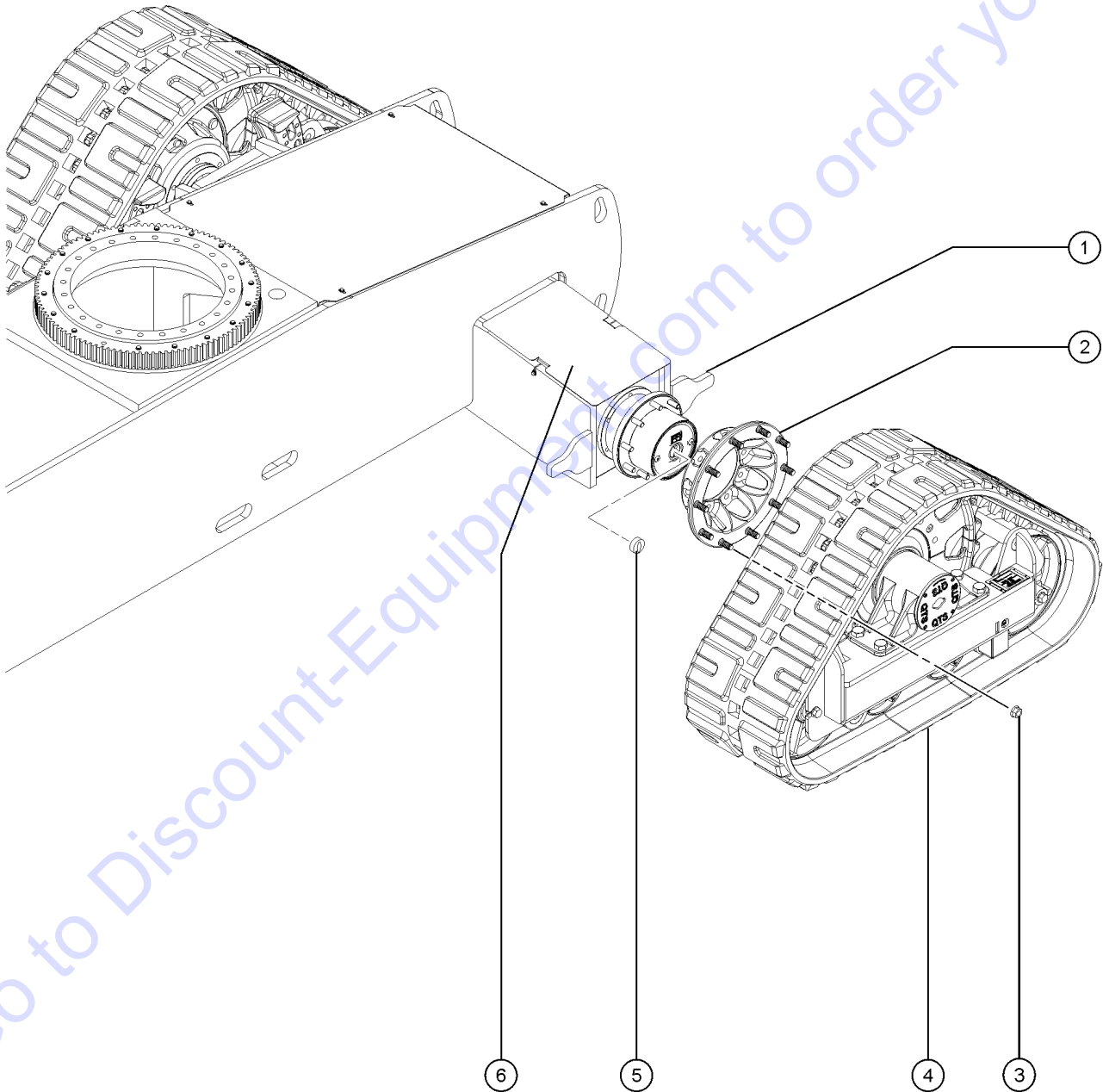
204.1 TraX Option Steer End



## 204.1 TraX Option Steer End

Item	Part No.	Description	Qty.
1	125865GT	CYLINDER, STEER.....	1
--	89294GT	SEAL KIT CYLINDER (59460)	
2	1255715GT	WELDMENT, TIE ROD.....	1
3	139122GT	MACH. MOUNTING BLOCK.....	1
4	94439GT	SCREW,HHC,3/4-10 X 1.5.....	4
5A	139000GT	ROTATIONAL LIMITER FRONT RIGHT.....	1
5B	139001GT	ROTATIONAL LIMITER FRONT LEFT.....	1
6	139121GT	PLATE, HAMMER SHIM 1/2.....	2
7	1284569GT	SCREW,SHC,5/8-11X1.50,GR5,PLN.....	2
8	139179GT	SEAL,TRAX HUBS.....	1
9	139002GT	SPACER.....	2
--	139140GT	STUD, 3/4-16 UNF X 2-1/2 LG for 139002	
10A	139120GT	ASSEMBLY, TRAX UNIT, RIGHT..... <i>refer to 206.1 for TRAX System service components</i>	1
10B	147149GT	ASSEMBLY, TRAX UNIT, LEFT..... <i>refer to 206.1 for TRAX System service components</i>	1
11	1257865GT	NUT,TL FLG,3/4-16,G,ZAG.....	10
12	139125GT	MACH. MOUNTING BLOCK.....	1
13	1270350GT	STEER AXLE ASSY BLK,TRAX..... <i>includes bearing</i>	1
--	45071GT	BEARING,1.5IDX1.75ODX1.5L for 1255716, sold separately	

205.1 TraX Option Non-steer End

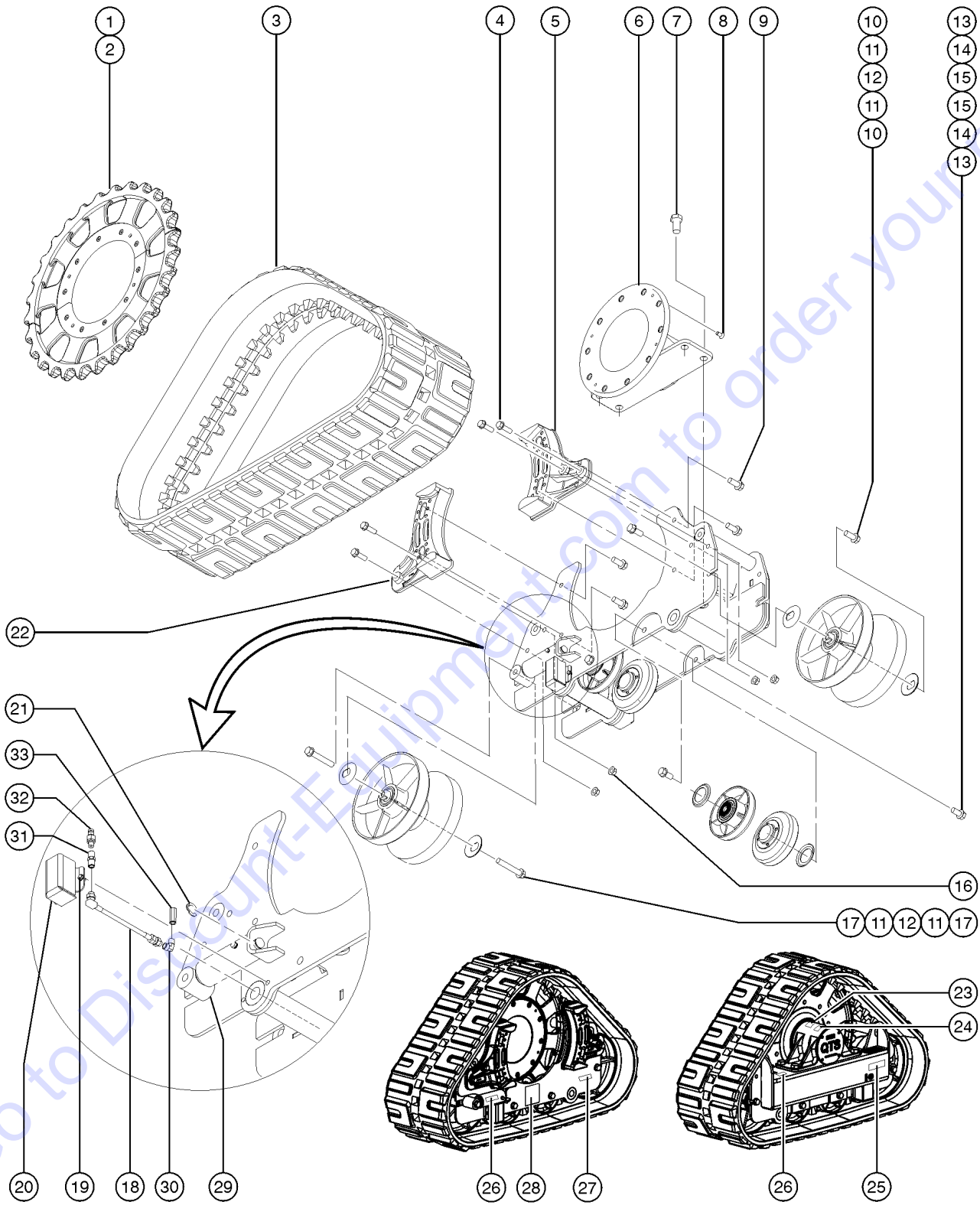


Item	Part No.	Description	Qty.
1	1270351GT	NON-STEER AXLE ASSY BLK,TRAX <i>includes bearing</i>	
--	42014GT	BEARING,2.00IDX2.25ODX2.00L <i>not included, order seperately</i>	
2	139002GT	SPACER.....	2
--	139140GT	STUD, 3/4-16 UNF X 2-1/2 LG <i>for 139002</i>	
3	1257865GT	NUT,TL FLG,3/4-16,G,ZAG.....	10
4A		Ref., TRAX UNIT, RIGHT..... <i>refer to 206.1</i>	1
4B		Ref., TRAX UNIT, LEFT..... <i>refer to 206.1</i>	1
5	139179GT	SEAL,TRAX HUBS.....	2
6	1255714GT	COVER, REAR AXLE	

Go to Discount-Equipment.com to order your parts



206.1 TraX Option Components

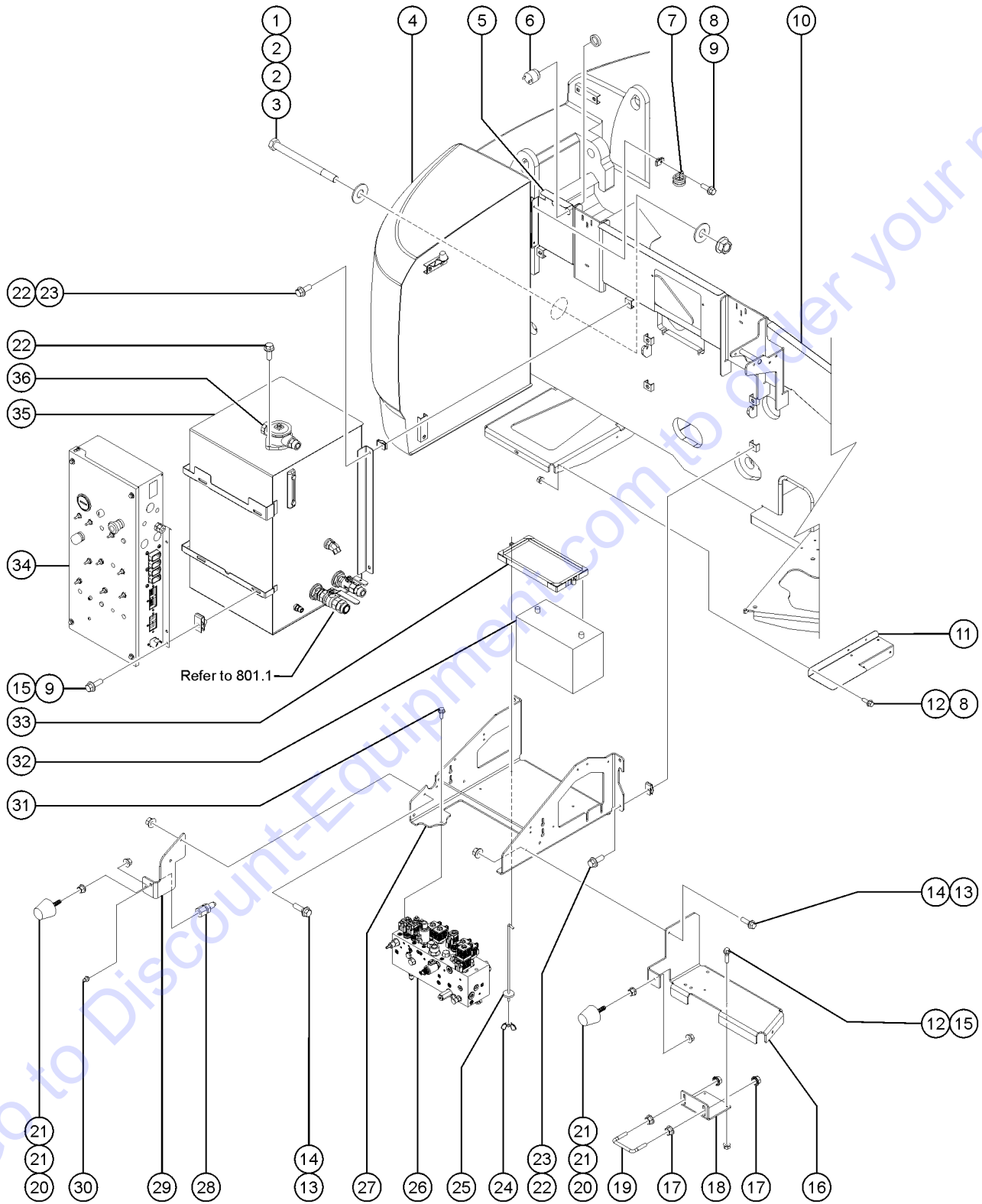


206.1 TraX Option Components

Item	Part No.	Description	Qty.	Item	Part No.	Description	Qty.
A	139262GT	KIT,TRAX,9-BOLT,S60 W/RR HUBS		26	226943GT	DECAL,CAUTION,READ INST.....1	1
--	139179GT	SEAL,TRAX HUBS		27	226945GT	DECAL,WARN,CRUSH HAZ.....1	1
B	217979GT	KIT,TRAX,9-BOLT,S60 W/OMNI HUB		28A	226941GT	DECAL,LABEL,ASSY INSTALL,R.....1	1
--	139179GT	SEAL,TRAX HUBS		28B	226942GT	DECAL,LABEL,ASSY INSTALL,I	1
C	139000GT	ROTATIONAL LIMITER FRONT RIGHT		29	215423GT	TENSIONER, TRAX	
D	139001GT	ROTATIONAL LIMITER FRONT LEFT		30	1261392GT	ELBOW,90,1/4-18NPT,FEMALE	
E	147155GT	ROTATIONAL LIMITER REAR		31	1261390GT	COUPLING - 1/4 NPT	
1	128922GT	SPROCKET, MACH. HALF RIGHT.....1	1	32	1261389GT	NIPPLE,STEEL PIPE,1/4NPTX1 LG	
2	128923GT	SPROCKET, MACH. HALF LEFT.....1	1	33	1261391GT	NIPPLE,STEEL PIPE,1/4NPTX2.5LG	
3	128926GT	TRACK, RUBBER.....1	1				
4	111155GT	SCREW,FLANGE,HHC,5/8-11X2,GR8....4	4				
5	128925GT	CAST, LIMITER STOP BRKT R.....1	1				
6	128928GT	HUB ASSEMBLY.....1	1				
--	1287812GT	SEAL,RUBBER BRAKE RELEASE,RUBBER TRACK (139120)					
--	1287813GT	O-RING,RUBBER TRACK (139120)					
7	128913GT	BOLT,HHC,1-14X2.0"GR8 PLT.....4	4				
8	128914GT	SCREW, FHSC, 1/2-13X1.00.....4	4				
9	128912GT	BOLT,FLANGE,5/8-11X1.5"GR8 PLT....4	4				
10	128910GT	BOLT,FLANGE,3/4-10X1.75GR8 PLT....2	2				
11	128920GT	COVER, DUST.....4	4				
12	128917GT	END BOGEY.....2	2				
13	128909GT	BOLT,FLANGE,3/4-10X1.5"GR8 PLT....4	4				
14	128921GT	GUARD, SEAL.....4	4				
15	128918GT	SPLIT BOGEY.....4	4				
--	215424GT	BEARING, SPL BOGEY (128918) <i>for 128918</i>					
--	215425GT	SEAL, BEARING (128918) <i>for 215424</i>					
--	215426GT	SHAFT, RAISED BOSS (128918) <i>internal shaft with raised boss on end</i>					
--	215427GT	SHAFT, KNURLED (128918) <i>internal shaft with knurled end</i>					
16	128916GT	LOCKNUT,FLANGE,5/8-11,GR8.....4	4				
17	128911GT	BOLT,FLANGE,3/4-10X4.5"GR8 PLT....2	2				
18	128927GT	HYD. HOSE ASSEMBLY 3000 PSI.....1	1				
19	128955GT	BOLT,FLANGE,5/16-18X.50 GR5.....4	4				
20A	1261393GT	ASSEMBLY, OUTSIDE HOSE GUARD <i>shown for reference only</i>					
20B	1261394GT	ASSEMBLY, INSIDE HOSE GUARD					
21	128919GT	SNAP RING.....2	2				
22	128924GT	CAST, LIMITER STOP BRKT L.....1	1				
23	226940GT	DECAL,LABEL,TORQUE.....1	1				
24	226944GT	DECAL,WARN,AVOID INJURY.....1	1				
25	226946GT	DECAL,WARN,HIGH PRESS.....1	1				



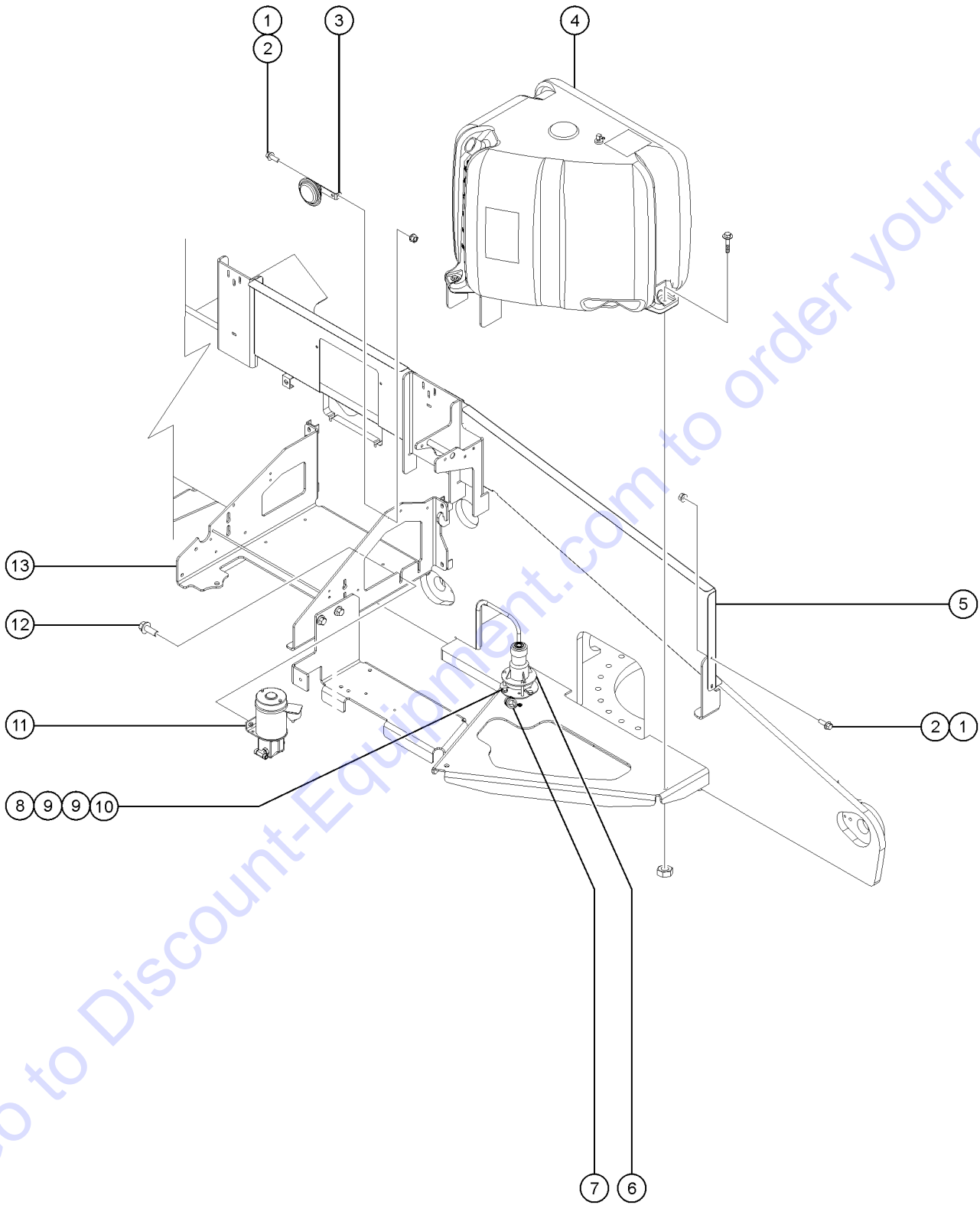
301.1 Tank Side - View 1



301.1 Tank Side - View 1

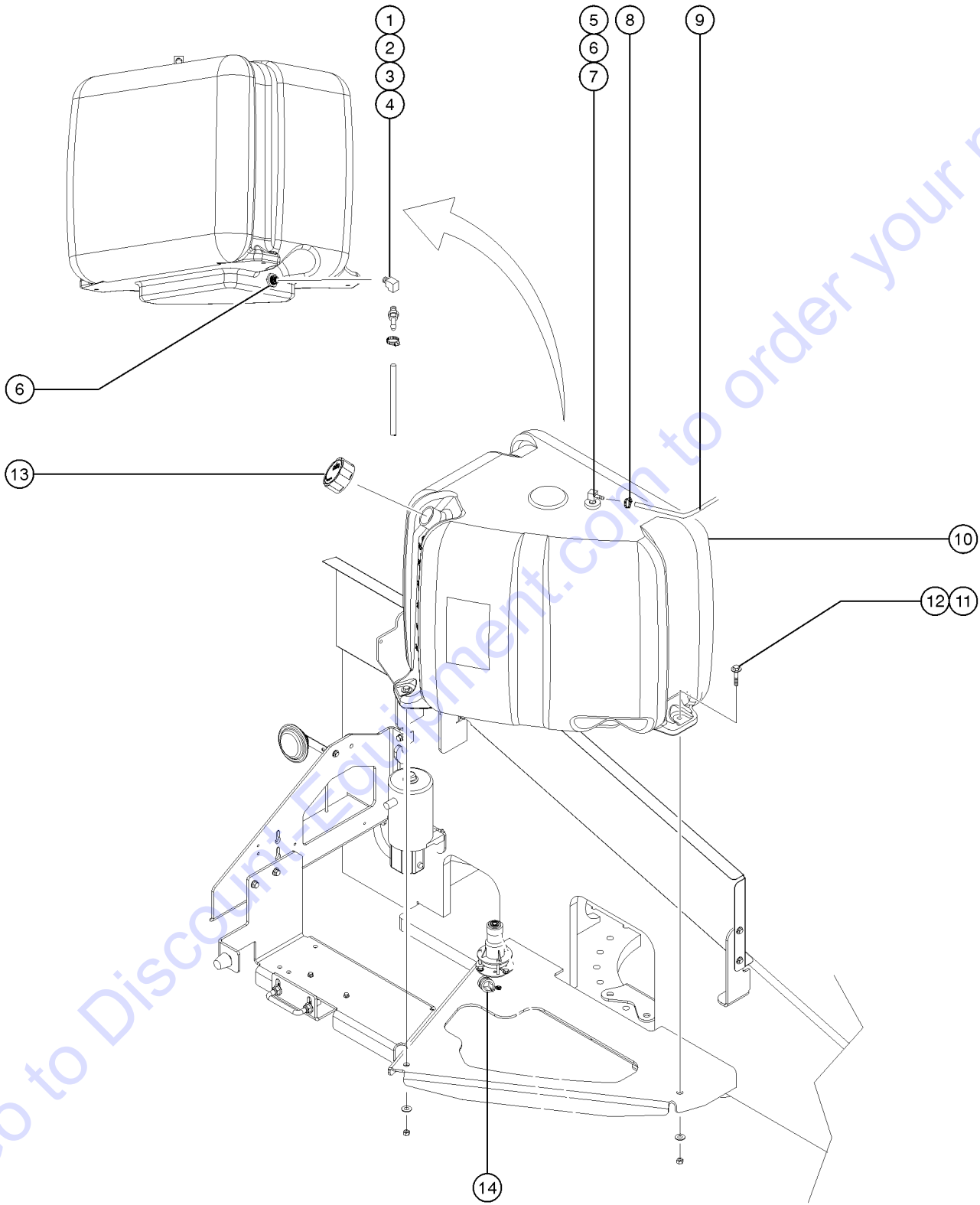
Item	Part No.	Description	Qty.	Item	Part No.	Description	Qty.
1	1255389GT	SCREW,HHC,1-8X12,5,ZAG.....	1	32C	237068GT	SEPARATOR,DUAL BATTERY,100A..... <i>for dual-battery option (not shown)</i>	1
2	1256469GT	WASHER,FLAT,1.0,USS,ZAG.....	2	33	30144GT	BATTERY HOLD DOWN,GROUP 31.....	1
3	824031GT	NUT,TL FLG,1-8,G,ZAG.....	1	34		Ref. Ground Controls..... <i>(refer to 304.1 or 305.1)</i>	1
4A	1253263GT	COUNTERWEIGHT, S60..... <i>(S-60 and S-60X)</i>	1	35	1253800GT	ASSY, HYDRAULIC TANK..... <i>includes item 37 with fasteners and fittings</i>	1
4B	1257226GT	COUNTERWEIGHT, S65..... <i>(S-65 and S-65 trax)</i>	1	--	1274135GT	TANK,HYDRAULIC,S60 <i>includes sight gauge</i>	
5	1253819GT	FORMING, BULKHEAD, TS FRONT.....	1	--	21141GT	GAUGE-SIGHT,LHA-LGTB***	
6	230392GT	ALARM,DESCENT..... <i>"72326 nut not included, order separately"</i>	1	36A	110345GT	FILTER ASSY,INTANK..... <i>includes item 36B</i>	1
--	72326GT	NUT - PLASTIC,RING FOR ALARMS		--	147223GT	SEAL,FILTER LID	
7	13268GT	CLAMP,0.75,#12 X 1/4,RUB CUSH.....	1	36B	77353GT	KIT,ELEMENT**	
8	824078GT	SCREW,HHF,1/4-20X.75,8,ZAG.....	4	--	77354GT	FILTER LID,RFM165	
9	56912GT	SPRING CLIP,1/4-20,.025-.15X.54,ZAG.....	6	--	77365GT	BREATHER CAP,RFM165	
10		Ref. Bulkhead, Left Rear..... <i>(refer to 302.1)</i>	1	--	88917GT	FILTER,ELEMENT,BETA(10)=200	
11	T107829GT	FORMING,HARNES SUPPORT,S60/65.....	1	--	94526GT	GASKET,RETURN FILTER-77353	
12	824027GT	NUT,TL FLG,1/4-20,G,ZAG.....	4				
13	824091GT	SCREW,HHF,3/8-16X1.25,8,ZAG.....	5				
14	824029GT	NUT, TL FLG, 3/8-16, G, ZAG.....	5				
15	824079GT	SCREW,HHF,1/4-20X1,8,ZAG.....	6				
16	1260112GT	FORMING, MOUNT, LATCH.....	1				
17	1261724GT	NUT,SERRATED,1/2-13,8,ZAG.....	4				
18	1260113GT	FORMING, BRACKET, LATCH.....	1				
19	1259855GT	UBOLT, 0.4724 IN D X 4.0 IN L.....	1				
20	1261277GT	BUMPER, RUBBER, 1.25 X 1.25 IN.....	2				
21	824028GT	NUT,TL FLG,5/16-18,G,ZAG.....	4				
22	824090GT	SCREW,HHF,3/8-16X1,8,ZAG.....	10				
23	29868GT	SPRING CLIP,3/8-16,.05-.20X.73,ZAG...	8				
24	8170GT	NUT,WING,1/4-20.....	2				
25	45708GT	HOOK,BATT HOLD DOWN,10".....	2				
26		Ref. Function Manifold..... <i>(refer to 401.1)</i>	1				
27	1253824GT	WLDMT, BATT/MANIF TRAY, S60/65.....	1				
28	48885GT	CONNECTOR,BULKHEAD,FEMALE-4...1	1				
--	49189-8636	HOSE ASSY,1/4",STR FEM,STR F** <i>Grease hose connects to fitting 48885 is purchased separately (not shown)</i>					
29	1253825GT	FORMING, BRACKET, COVER STOP....	1				
30	94643GT	ZERK,GREASE,5/16-24,STRAIT.....	1				
31	1255469GT	SCREW,HHF,1/2-13X1.25,8,ZAG.....	2				
32A	30143GT	BATTERY,12V,1000 CCA GRP 31..... <i>models with single battery (shown)</i>	1				
32B	67325GT	BATTERY,12V 1000CCA,5/16STUD W... <i>for dual-battery option (not shown)</i>	1				

302.1 Tank Side - View 2



Item	Part No.	Description	Qty.
1	824078GT	SCREW,HHF,1/4-20X.75,8,ZAG.....	3
2	824027GT	NUT,TL FLG,1/4-20,G,ZAG.....	4
3	81578GT	HORN,12VDC,SPADE TERMINALS*** ..	1
4		Ref: Fuel Tank..... (refer to 303.1)	1
5	1253818GT	FORMING, BULKHEAD, TS REAR.....	1
6A	94077GT	SENSOR,LEVEL,4.5 DEG..... S-60, S-65, S-60X and S-65 TraX; ANSI models	1
6B	110382GT	LEVEL SENSOR,LS60,YL.2.5X4.5..... S-60, S-65, S-60 and S-65 TraX; European models	1
6C	1263187GT	SENSOR,LEVEL,2.5*4.5 DEG.....	1
7	45454GT	CLAMP,RUB CUSH,0.75,#12 X 3/8*	
8	8915GT	SCREW,HHC,1/4-20 X 1.25.....	3
9	6638GT	WASHER,FLAT,USS,1/4"Y.....	6
10	6091GT	NUT,NYLOCK,1/4-20.....	3
11	89617GT	POWER UNIT,AUX PUMP 12VDC.....	1
--	147289GT	SEAL KIT, APU	
--	147290GT	SHAFT SEAL, APU	
--	58489GT	PUMP ASSY,AUX.POWER UNIT 89617	
--	77069GT	MOTOR,12VDC,77066	
--	77071GT	SOLENOID,77066	
12	824090GT	SCREW,HHF,3/8-16X1,8,ZAG.....	2
13		"Ref. WELDMENT,BAT/MANIF TRAY,S60/65"..... (refer to 301.1)	1

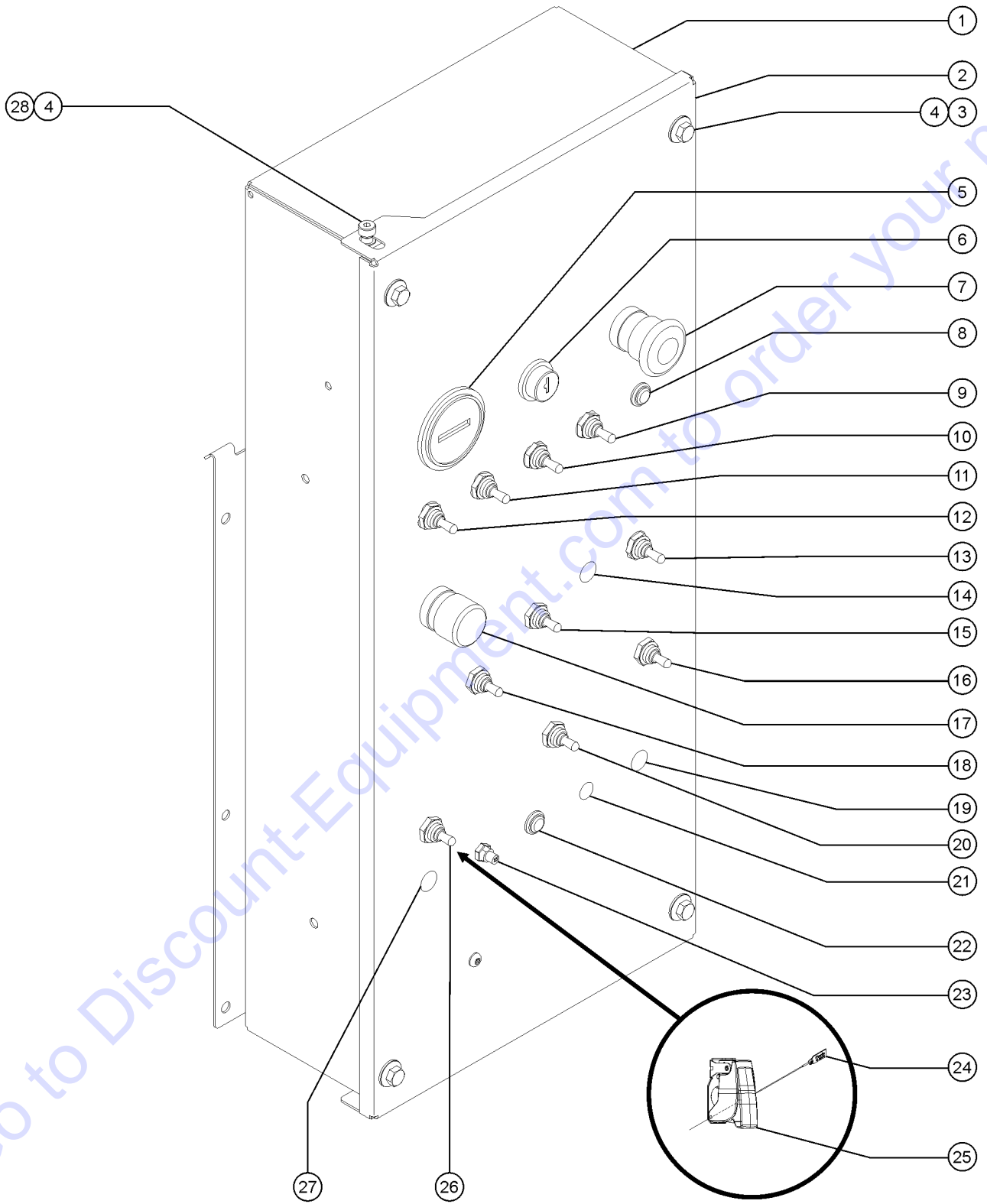
303.1 Tank Side - Diesel Fuel Tank Installation



## 303.1 Tank Side - Diesel Fuel Tank Installation

Item	Part No.	Description	Qty.
1	22348GT	ELBOW,130339-6-6.....1 <i>(bottom of tank)</i>	1
2	54124GT	HOSE END,BARB,3/8 MNPT X 5/16.....1 <i>(bottom of tank) Deutz D2011L03i, Deutz TD2011L04I and Perkins 404-22D engines</i>	1
3	65887GT	CLAMP,HOSE,1 EAR,1/2 <i>(bottom of tank)</i>	1
4A	27089GT	HOSE,5/16 FUEL,SAE 30R7...114-inches <i>Deutz D2011L03i engine</i>	1
4B	27089GT	HOSE,5/16 FUEL,SAE 30R7.....64-inches <i>Perkins 404-22D (tank to handpump)</i>	1
4C	27089GT	HOSE,5/16 FUEL,SAE 30R7.....18-inches <i>Perkins 404-22D (handpump to filter/separator)</i>	1
4D	27089GT	HOSE,5/16 FUEL,SAE 30R7.....12-inches <i>Perkins 404-22D (filter/separator to lift pump)</i>	1
5A	34940GT	HOSE END.375 MPT X .25 HOSE.....1 <i>Deutz D2011L03i and Deutz TD2011L04I engines</i>	1
5B	826590GT	FITTING,3/8 NPT TO 1/4 NPT.....1 <i>Perkins 404-22D engine</i>	1
6	823356GT	TUBE,FUEL RETURN,3/8X3/8X23.5.....1 <i>(top of tank)</i>	1
7	54324GT	FITTING,BULKHEAD,3/8NPT,FUELTK....2 <i>(top and bottom of tank)</i>	2
8	21465GT	CLAMP,HOSE,SIZE .25 TO .63 <i>(top of tank)</i>	1
9	30490GT	HOSE,1/4 FUEL LINE,SAE 30R7.....126-inches <i>fuel return (top of tank)</i>	1
10	823396GT	FUEL TANK ASSY,35 GAL PLASTIC.....1 <i>includes items 5 and 6</i>	1
11	1253478GT	SCREW,HHF,3/8-16X2,8,ZAG	1
12	824029GT	NUT, TL FLG, 3/8-16, G, ZAG	1
13	101726GT	CAP,FUEL,DIESEL,1/8"VENT(GRN).....1	1
14	45454GT	CLAMP,RUB CUSH,0.75,#12 X 3/8*	1

304.1 Ground Control Box, with Hour Meter - View 1, External

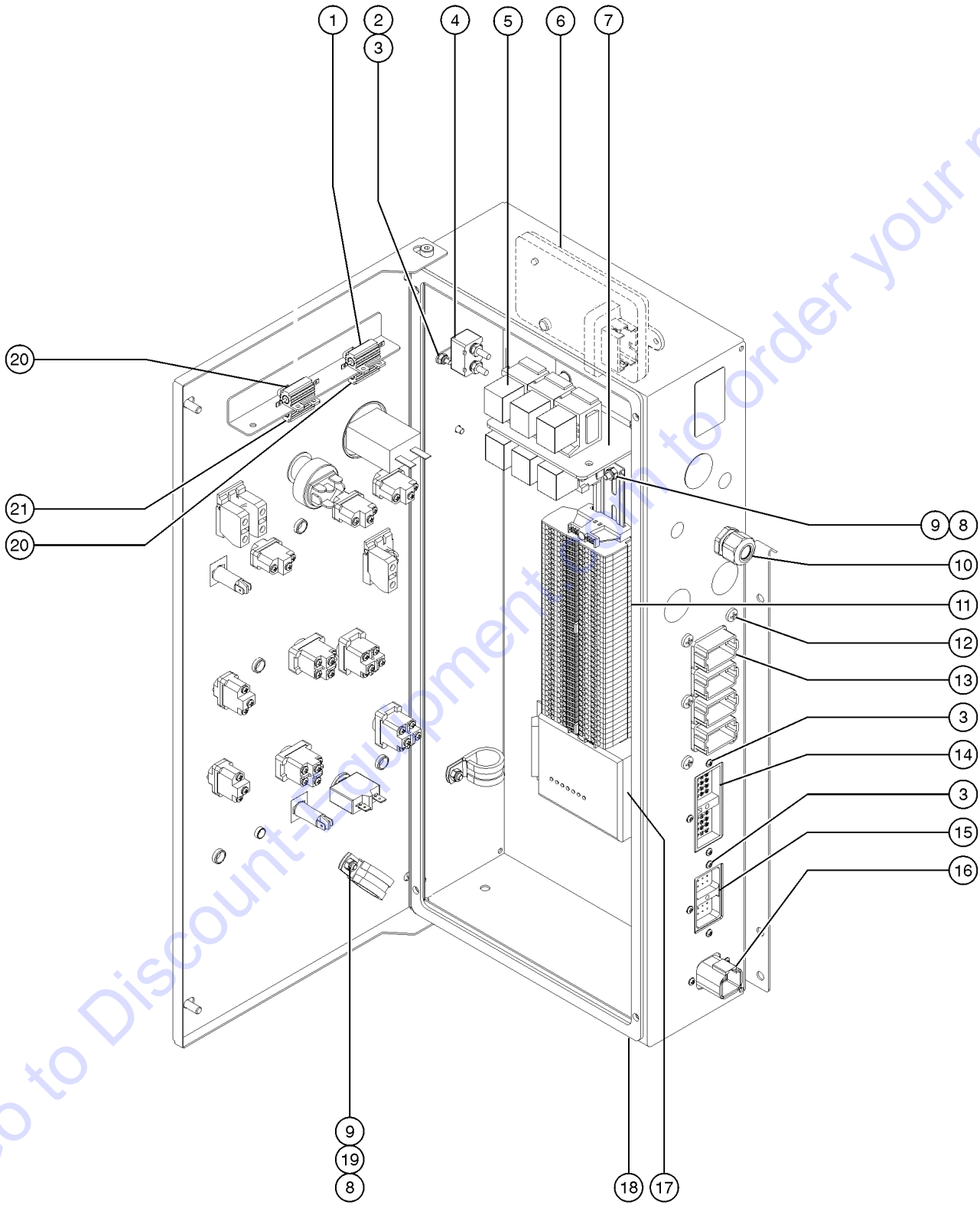


304.1 Ground Control Box, with Hour Meter - View 1, External

Item	Part No.	Description	Qty.	Item	Part No.	Description	Qty.
A	T106495GT	ASSY,GROUND CONTROL BOX.....1 <i>included box, lid and gasket (decals not included, refer to section 100)</i>	1	14A	229567GT	PLUG, SANTOPRENE .5 BLACK DOME.....2 <i>(S-60)</i>	2
1	147840GT	WELDMENT, GROUND BOX, S60/65 <i>(decals not included, refer to section 100)</i>	1	14B	128200GT	SWITCH TOGGLE ASSY SPDT 3P MOM <i>(Jib up/down) (S-65)</i>	1
2	T106482GT	WELDMENT, LID, GBOX, S60/65.....1 <i>(decals not included, refer to section 100)</i>	1	15	128202GT	SWITCH TOGGLE ASSY DPDT 3P MOM.....1 <i>(Boom extend/retract)</i>	1
3	1256855GT	SCREW,HHF,1/4-20X.625,8,ZAG	1	16	128202GT	SWITCH TOGGLE ASSY DPDT 3P MOM.....1 <i>(Platform rotate)</i>	1
4	T107520GT	NUTSERT,LP KNURLED,1/4-20X.165.....6	6	17A	66813GT	BUTTON,PUSH,BLACK W/SEAL***.....1 <i>(Function enable) (models with push button) shown</i>	1
5A	19506GT	HOUR METER,10-80 VOLTS***.....1 <i>to SN S65D-864</i>	1	17B	80716GT	SWITCH,SELECTOR,BLACK <i>(Function enable) (models with selector switch) not shown</i>	1
5B	1271076GT	DISPLAY,DIAGNOSTIC,J1939.....1 <i>Deutz D436-L3i-CN3, from SN S65D-865</i>	1	18	128202GT	SWITCH TOGGLE ASSY DPDT 3P MOM.....1 <i>(Boom up/down)</i>	1
6	96008-SGT	KEYSWITCH,3 POS. W/KEYS***.....1 <i>includes key</i>	1	19	229567GT	PLUG, SANTOPRENE .5 BLACK DOME.....1	1
--	37947GT	KEYS,10 PACK*** <i>sold seperately</i>	1	20	128202GT	SWITCH TOGGLE ASSY DPDT 3P MOM.....1 <i>(Turntable rotate)</i>	1
--	83093GT	KEY SINGLE***	1	21	21858GT	PLUG,NYLON .38 BLACK DOMED.....1	1
--	85239GT	NUT,RETAINER (96008)	1	22	824879GT	LIGHT,LED IND. RED 12V NH.....1	1
--	88827GT	GASKET,KEYSWITCH,PLASTIC***	1	23	147094GT	ASSY, CIRCUIT BREAKER 15A.....1 <i>(Controls)</i>	1
--	96010GT	SCREW,PHILLIPS,PHM,8-32 X.25**	1	24	1261566GT	SECURITY TIE,TOGGLE GUARD.....1 <i>CE option</i>	1
7	66812GT	BUTTON,PUSH,RED MUSHROOM HEAD.....1	1	25	1261346GT	TOGGLE SWITCH GUARD,RED.....1 <i>CE option</i>	1
--	58627GT	NUT <i>for 66812</i>	1	26	128201GT	SWITCH TOGGLE ASSY DPDT 2P MOM.....1 <i>(Auxiliary pump)</i>	1
--	73805GT	BASE,W/2 NC CONTACTS***.....1	1	27A	21858GT	PLUG,NYLON .38 BLACK DOMED.....1 <i>ANSI models</i>	1
8A	824879GT	LIGHT,LED IND. RED 12V NH.....1 <i>(Diesel models) , to SN S65D-864</i>	1	27B	824879GT	LIGHT,LED IND. RED 12V NH <i>(Load sense) (Australia and CE models)</i>	1
8B	229567GT	PLUG, SANTOPRENE .5 BLACK DOME.....1 <i>(D436 models), from SN S65D-865</i>	1	28	1257410GT	BOLT,SHS,5/16X.375X1/4-20,ZAG	1
9	128204GT	SWITCH TOGGLE ASSY SPDT 2P MNT.....1 <i>(Engine speed select)</i>	1				
10	229567GT	PLUG, SANTOPRENE .5 BLACK DOME.....1 <i>(Diesel models)</i>	1				
11A	128200GT	SWITCH TOGGLE ASSY SPDT 3P MOM.....1 <i>(Start assist, glow plug) (diesel models)</i>	1				
11B	229567GT	PLUG, SANTOPRENE .5 BLACK DOME.....1	1				
12A	128200GT	SWITCH TOGGLE ASSY SPDT 3P MOM.....1 <i>(Starter)</i>	1				
12B	229567GT	PLUG, SANTOPRENE .5 BLACK DOME.....1	1				
13	128200GT	SWITCH TOGGLE ASSY SPDT 3P MOM.....1 <i>(Platform level)</i>	1				



305.1 Ground Control Box, with Hour Meter - View 2, Internal



## 305.1 Ground Control Box, with Hour Meter - View 2, Internal

Item	Part No.	Description	Qty.
--	121846GT	RELAY,TIME DELAY,2 SEC,10A <i>models with load sense</i>	
--	61225GT	RELAY,12VDC,70AMP,SEALED <i>(glow plug)</i>	
1	40614GT	RESISTOR,5 OHM,25W***	1
2	824036GT	NUT,TL,10-32,A,ZAG	
3	824214GT	SCREW,PHPM,6-32X.5,ZAG	
4A	128935GT	CIRCUIT BKR 10A TYPE 2 METAL	1
4B	128935GT	CIRCUIT BKR 10A TYPE 2 METAL <i>Except D436 models</i>	1
5	34052GT	RELAY,SPDT,12V(AUTO) PLUG IN** <i>Diesel models</i>	6
6	128045GT	MODULE,LOAD SENSE 2007 <i>CE models only</i>	1
--	54365GT	SCREW,PHIL,PHM,10-32 X .5,SSTL	
--	6178GT	NUT,NYLOCK,10-32	
7	54534GT	ANGLE,RELAY MNT,W/NUTSERTS,PNT	1
--	23404GT	NUTSERT,1/4-20,STEEL CAD PLTD	
8	824036GT	NUT,TL,10-32,A,ZAG	
9	1251757GT	SCREW,PHPM,10-32X.50,ZAG	
10	7056GT	CONN, SQZ, 1/2NPT .38-.50, SM**	1
11	217043GT	ASSY, TERMINAL RAIL	1
--	217044GT	TERMINAL BLOCK, WIELAND	43
--	217045GT	TERMINAL BLOCK, END PLATE	1
--	217046GT	KIT, TERMINAL BLOCK	
--	33422GT	DIN RAIL,17"	1
--	74913GT	END STOP, DIN RAIL,SCREW CLAMP	2
--	74917GT	JUMPER COMB, 2-WAY,WIELAND	4
--	74918GT	JUMPER COMB, 3-WAY,WIELAND	1
12	824226GT	SCREW,PHPSH,#12-11X.75,ZAG	
13	73736GT	CONN,RECEP 48 WAY,4 X 12	1
14	73754GT	CONN,RECEP 40 WAY,W/FLANGE	1
15	73753GT	CONN,RECEP 24 WAY,W/FLANGE	1
16	73717GT	CONN,RECEP 4 WAY,12-14GA FL***	1
17	56057GT	MODULE,IGNITION/START,12/24V	1
18	121599GT	GASKET,GBOX,S80/85 2008	1
19	18666GT	CLAMP,1.00,#16 X 1/4,RUB CUSH	2
20	89575GT	RESISTOR,7.5 OHM,25 WATT,1PCNT	2
21	27287GT	RESISTOR,10 OHM,25 WATT	1

# PARTS FINDER

**Search Website  
by Part Number**



**Search Manual  
Library For Parts  
Manual & Lookup Part  
Numbers – Purchase  
or Request Quote**

**Search Manuals**

Enter your information to help us find the right parts manual for your machine.

\* Brand:

\* Model:

\* Serial:

\* Part Number:

SEARCH

**Can't Find Part or  
Manual? Request Help  
by Manufacturer,  
Model & Description**

**Parts Order Form**

Please fill in the following information to help us find the right part for your machine.

Manufacturer:	<input type="text"/>
Model:	<input type="text"/>
Description:	<input type="text"/>
Part Number:	<input type="text"/>
Quantity:	<input type="text"/>
Notes:	<input type="text"/>

Submit

Discount-Equipment.com is your online resource for quality parts & equipment.

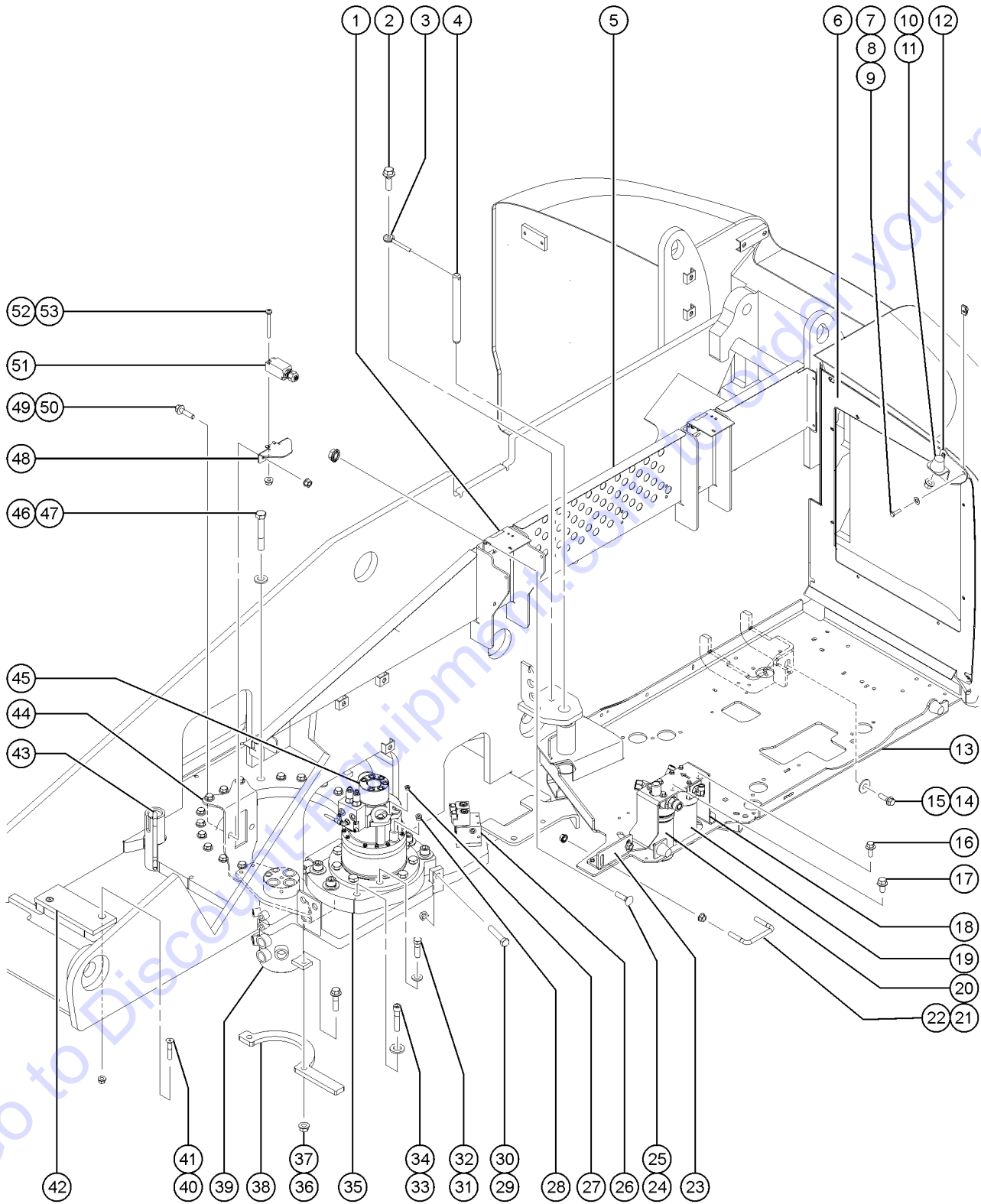
Florida: **561-964-4949** Outside Florida TOLL FREE: **877-690-3101**

**Need parts?**

Click on this link: <http://www.discount-equipment.com/category/5443-parts/> and choose one of the options to help get the right parts and equipment you are looking for. Please have the machine model and serial number available in order to help us get you the correct parts. If you don't find the part on the website or on one of the online manuals, please fill out the request form and one of our experienced staff members will get back to you with a quote for the right part that your machine needs.

We sell worldwide for the brands: Genie, Terex, JLG, MultiQuip, Mikasa, Essick, Whiteman, Mayco, Toro Stone, Diamond Products, Generac Magnum, Airman, Haulotte, Barreto, Power Blanket, Nifty Lift, Atlas Copco, Chicago Pneumatic, Allmand, Miller Curber, Skyjack, Lull, Skytrak, Tsurumi, Husquvarna Target, Stow, Wacker, Sakai, Mi-T-M, Sullair, Basic, Dynapac, MBW, Weber, Bartell, Bennar Newman, Haulotte, Ditch Runner, Menegotti, Morrison, Contec, Buddy, Crown, Edco, Wyco, Bomag, Laymor, EZ Trench, Bil-Jax, F.S. Curtis, Gehl Pavers, Heli, Honda, ICS/PowerGrit, IHI, Partner, Imer, Clipper, MMD, Koshin, Rice, CH&E, General Equipment, Amida, Coleman, NAC, Gradall, Square Shooter, Kent, Stanley, Tamco, Toku, Hatz, Kohler, Robin, Wisconsin, Northrock, Oztec, Toker TK, Rol-Air, APT, Wylie, Ingersoll Rand / Doosan, Innovatech, Con X, Ammann, Mecalac, Makinex, Smith Surface Prep, Small Line, Wanco, Yanmar

306.1 Engine Side



Item	Part No.	Description	Qty.	Item	Part No.	Description	Qty.
1	75073GT	HINGE,.375X.120THK.,SLOTTED.....	2	26		Ref: Brake and 2 Speed Manifold.....	1
--	77778GT	PLATE,HINGE SUPPORT				(refer to 406.1)	
2	824091GT	SCREW,HHF,3/8-16X1.25,8,ZAG.....	1	27	39882GT	PLUG,HEX SOCKET,090109B-4.....	1
3	825019GT	ROD END,.375X3.69,ZAG.....	1	28	109802GT	PLUG,ORB #6.....	1
4	81724GT	PIN,1.25 X 13.25 IN,CHAMFER.....	1	29	1256846GT	SCREW,HEX TAP,3/4-10X4,8,ZAG.....	1
5	T106425GT	FORMING, BULKHEAD,RIGHT,S60/65.....	1	30	1256837GT	NUT,JAM,3/4-10,A, ZAG.....	1
6A	106172PGT	BAFFLE,AIR INTAKE,PAINTED***.....	1	31	1256168GT	SCREW,HHC,1/2-13X1.75,8,ZAG.....	9
		<i>models with Deutz D2011L03i and Perkins 404D-22 engines</i>		32	825353GT	WASHER,FLAT,1/2,SAE,HRD,ZAG.....	9
6B	110183PGT	BAFFLE,AIR INTAKE S60 PAINTED <i>models with Deutz TD2011L04i engines</i>		33	1257223GT	SCREW,SHC,3/4-10X3.75,A574,ZAG.....	6
7	6175GT	SCREW,HHC,3/8-16 X 1.....	2	34	1256863GT	WASHER,FLAT,.75,SAE,HRD,ZAG.....	6
8	6097GT	WASHER,FLAT,USS,3/8",Y.....	2	35	77671GT	PLATE,BACKLASH ADJUSTMENT MACH.....	1
9	29868GT	SPRING CLIP,3/8-16,.05-.20X.73,ZAG....	2	36	1251997GT	NUT,TL FLG,1/2-13,G,ZAG.....	2
10	30973GT	BUMPER,RUBBER-1 X 1.25.....	1	37	1256172GT	SCREW,HHF,1/2-13X 2,8,ZAG.....	2
11	18503GT	NUT,LOCKING-LG.FLANGE,5/16-18.....	1	38	77803GT	PLATE,SWIVEL ROTATION STOP.....	1
12	161608GT	FORMING, BRKT, ENGINE COVER.....	1	39	89571GT	SWIVEL,HYD 8 PORT***.....	1
13	1253419GT	ASSY,ENGINE TRAY,W/BEARINGS.....	1	--	94937GT	SEAL KIT,8-PORT SWIVEL	
--	35675GT	BEARING,FL,1.25IDX1.5ODX1.25L		--	T106954GT	SEAL, O-RING LIP	
14	1256126GT	SCREW,HHF,5/8-11X2,8,ZAG.....	1	--	T106955GT	SEAL, POLY, CHAMFER	
15	824115GT	WASHER, FLAT, USS, 5/8, ZAG.....	1	--	T106957GT	SEAL, CAP, NOTCHED	
16	1256855GT	SCREW,HHF,1/4-20X.625,8,ZAG.....	4	--	T106961GT	SEAL, O-RING ENERGIZER	
17	824089GT	SCREW,HHF,3/8-16X.75,8,ZAG.....	4	--	T106962GT	SEAL, CAP, NOTCHED	
18	161603GT	FORMING, FILTER BRKT.....	1	40	1256842GT	SCREW,FHS,3/8-16X2.25,F835,ZAG.....	2
19	824090GT	SCREW,HHF,3/8-16X1,8,ZAG.....	2	41	824029GT	NUT, TL FLG, 3/8-16, G, ZAG.....	2
19A		FILTER ASY,M PRESS,SAE8,WOIND*(77139).....	1	42	161607GT	WEAPAD, BOOM REST.....	1
		<i>component no longer available</i>		43	81834GT	WELDMENT,TRANSPORT LOCK.....	1
--	60857GT	FILTER,ELEMENT,BETA(5)=1000 <i>for 1267807</i>		44	77665PGT	FORMING,HYD SWIVEL BRACKET.....	2
19B	1267807GT	ASSY, MED. PRESS. FILTER, SAE8		45	1255768GT	SWING DRIVE ASSEMBLY.....	1
--	1268229GT	ELEMENT-5 MIC, PAPER, W/BYPASS <i>for 1267807</i>		--	1255769GT	SEAL KIT, SWING BRAKE	
20	60334GT	FILTER ASSY,HIGH PRESS SAE-12*.....	1	--	1255770GT	KIT, FRICTION DISC	
20	824029GT	NUT, TL FLG, 3/8-16, G, ZAG.....	4	--	1255771GT	KIT, BRAKE SPRING	
--	1279465GT	BACKUP RING,71.60X67.20X1.40PTFE(60334)		--	1255772GT	KIT, SWING BRAKE REBUILD	
--	1279466GT	O-RING,67.95X2.62-NBR-70SH(HF2P)(60334)		--	1255773GT	BRAKE TUBING	
--	58380GT	FILTER INDICATOR-(60334)		--	139308GT	SWING MOTOR COMPLETE***	
--	60857GT	FILTER,ELEMENT,BETA(5)=1000		--	139309GT	CBV ASSEMBLY***	
21	1259855GT	UBOLT, 0.4724 IN D X 4.0 IN L.....	1	--	139315GT	O-RING,MOTOR/BRAKE***	
22	1261724GT	NUT,SERRATED,1/2-13,8,ZAG.....	4	--	139323GT	VALVE,COUNTERBAL,CBCA-LIN***	
23	1260174GT	FORMING, ENGINE TRAY LATCH.....	1	--	58304GT	SHAFT,OUTPUT	
24	1256127GT	BOLT,CARRIAGE,1/4-20X1,5,ZAG.....	6	--	75627GT	BEARING,1.25 X 1.5 X 2	
25	1256679GT	NUT,SERRATED,1/4-20,8,ZAG.....	6	--	94620GT	SEAL KIT,SWING TORQ HUB***	
				46	1256170GT	SCREW,HHC,5/8-11X4,8,ZAG.....	24
				47	1256182GT	WASHER,FLAT,5/8,F436,HRD,ZAG.....	24
				48	77666PGT	FORMING,DRIVE ENABLE LIMIT SW....	1
				49	824079GT	SCREW,HHF,1/4-20X1,8,ZAG.....	2

306.1 Engine Side  
(continued)

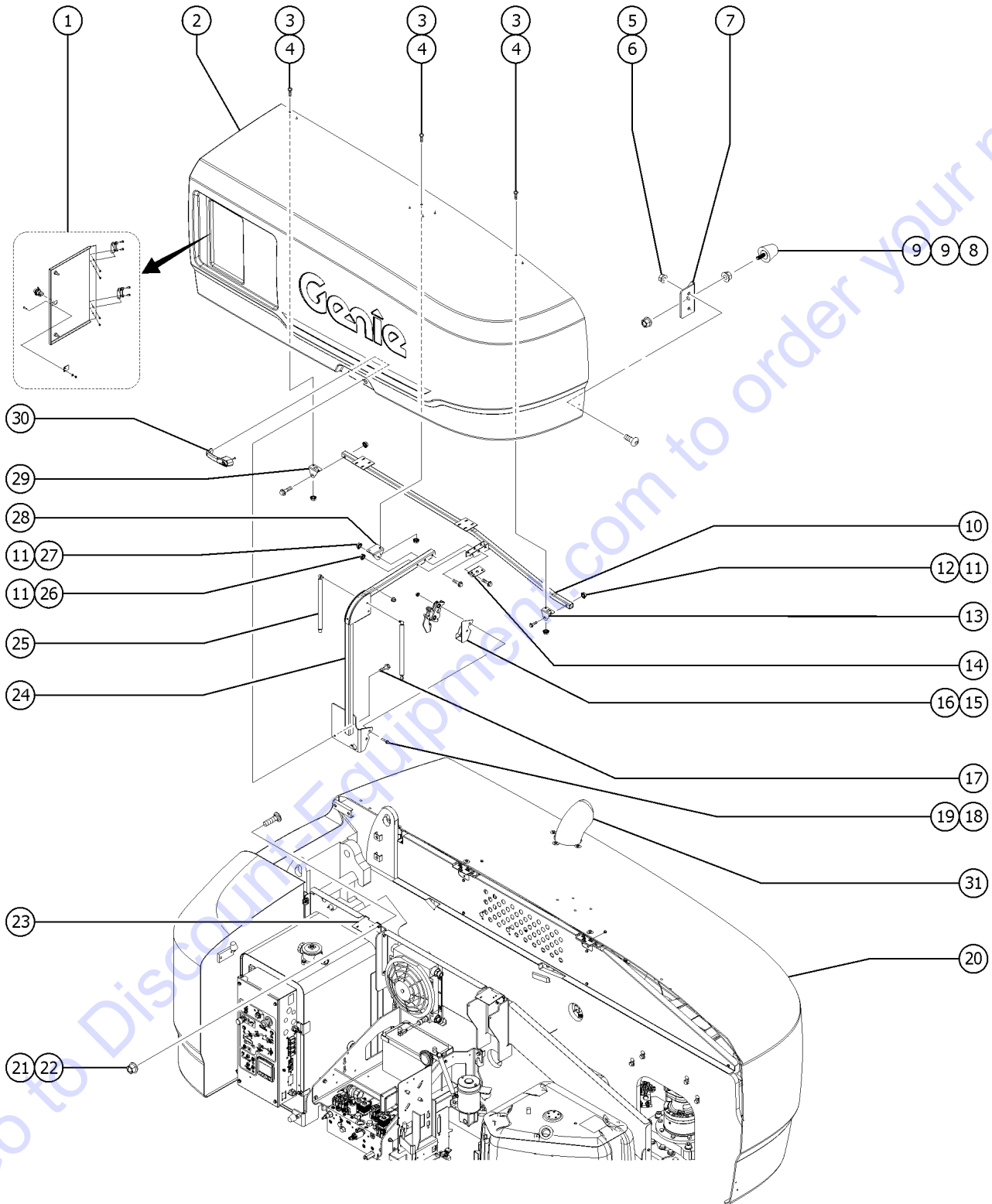
Item	Part No.	Description	Qty.
50	824027GT	NUT,TL FLG,1/4-20,G,ZAG.....	2
51	88356-13103GT	SWITCH,LIMIT,W/RLLR ARM,NO/NC.....	1
52	1256177GT	SCREW,PHPM,10-32X1.75,ZAG.....	2
53	824032GT	NUT,TL FLG,10-32,F,ZAG.....	2

Go to Discount-Equipment.com to order your parts

*This Page Intentionally Left Blank*

Go to [Discount-Equipment.com](http://Discount-Equipment.com) to order your parts

307.1 Turntable Covers

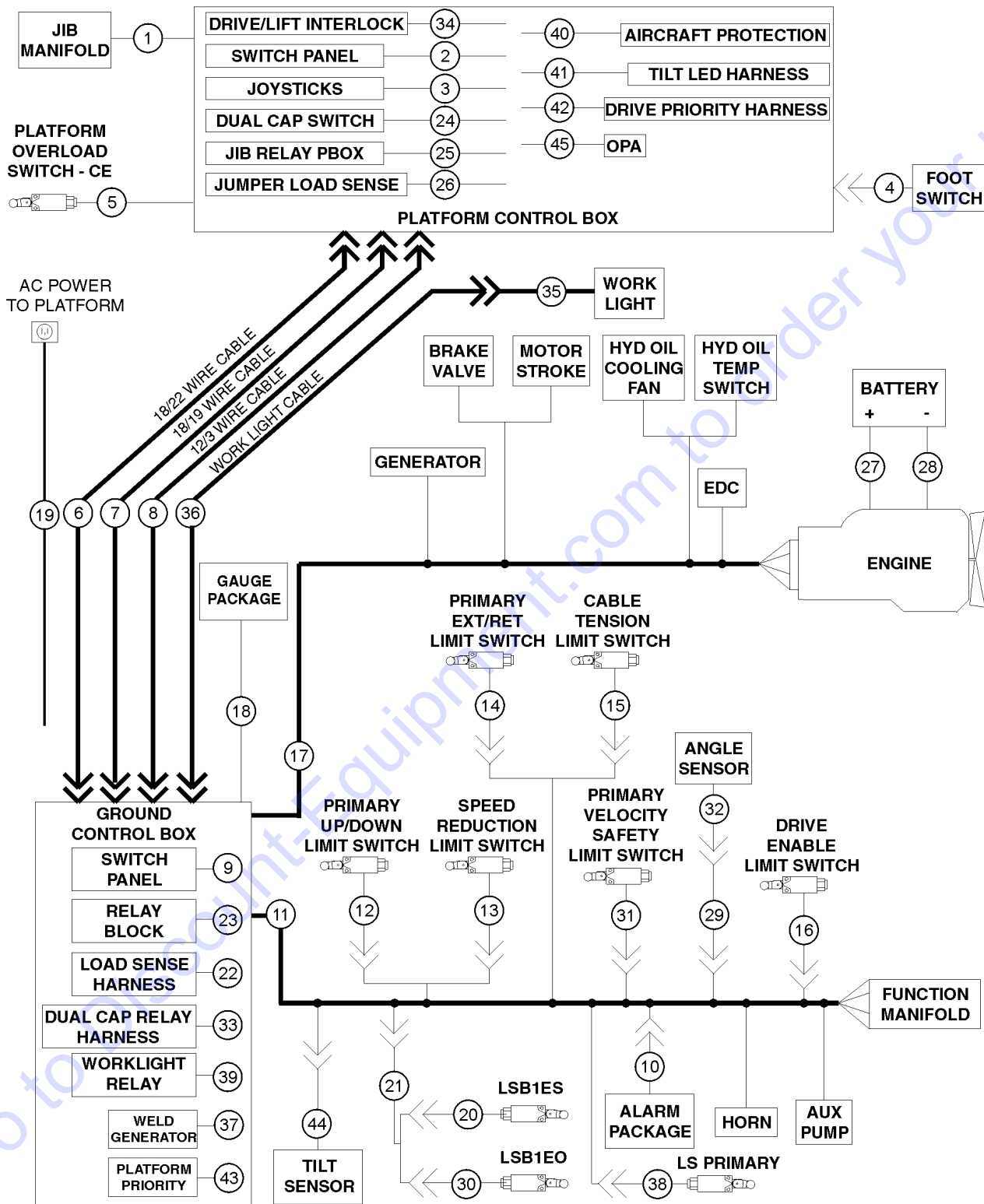




307.1 Turntable Covers

Item	Part No.	Description	Qty.	Item	Part No.	Description	Qty.
1		Ref. COVER, GROUND CONTROLS, HOSTILE ENVIRONMENT <i>(refer to 908.1)</i>		25A	28301GT	GAS STRUT,250 LBS FORCE***.....	4
2	1253270GT	ASSY, TS SWING CHASSIS COVER <i>complete (decals not included, refer to section 100)</i>		--	72256GT	GAS STRUT,CONNECTOR (28301)	
--	1253265GT	COVER, SWING CHASSIS, TS.....1 <i>(decals not included, refer to section 100)</i>	1	25B	33555GT	BALL STUD**	
3	1261836GT	SCREW, THM, TORX, 3/8-16X1,SS.....	16	25C	27377GT	RETAINER,GAS SPRING***	
4	1257628GT	NUT,SERRATED,3/8-16,8,ZAG.....	16	26	1256693GT	SCREW,HHF,3/8-16X2.25,8,ZAG.....	4
5	231513GT	NUT,TL FLG,M6-1.0,DIN6927,10,ZAB....	4	27	1256856GT	SCREW,HHF,3/8-16X2.5,8,ZAG.....	2
6	1261837GT	SCREW, THM, TORX, M6X25, ZAB.....	4	28	1253831GT	MOUNT, COVER SUPPORT CTR 93DEG.....	2
7	1254625GT	BRACKET, BUMPER.....	2	29	1258723GT	MOUNT, COVER SUPPORT FRONT.....	2
8	1261277GT	BUMPER, RUBBER, 1.25 X 1.25 IN.....	2	30	1256054GT	HANDLE,YELLOW LOCKING,CODE 455.....	2
9	1255805GT	NUT,SERRATED,5/16-18,8,ZAG.....	4	--	37947GT	KEYS,10 PACK*** <i>sold separately</i>	
10A	1256767GT	WLDMT, TS UPPER COVER SUPPORT.....	1	--	83093GT	KEY SINGLE*** <i>sold separately</i>	
10B	1256771GT	WLDMT, ES UPPER COVER SUPPORT.....	1	31	101964GT	WELDMENT,EXHAUST TUBE.....	1
11	824029GT	NUT, TL FLG, 3/8-16, G, ZAG.....	10				
12	1253478GT	SCREW,HHF,3/8-16X2,8,ZAG.....	4				
13	1258722GT	MOUNT, COVER SUPPORT REAR.....	2				
14	1253830GT	MOUNT, COVER SUPPORT CTR 86DEG.....	2				
15A	1261244GT	FORMING,LATCH GUARD,TS <i>tank side</i>					
15B	1261245GT	FORMING,LATCH GUARD,ES <i>engine side</i>					
16	215254GT	LATCH,ROTARY,ENGINE COVER					
17	231532GT	SCREW,HHF,M6-1.0X20,DIN6921,10.9,ZAB.4					
18	1255763GT	SCREW,HHF,5/16-18X1.5,8,ZAG					
19	824028GT	NUT,TL FLG,5/16-18,G,ZAG					
20	1253271GT	ASSY, ES SWING CHASSIS COVER.....1 <i>complete (decals not included, refer to section 100)</i>	1				
--	1253264GT	COVER, SWING CHASSIS, ES.....1 <i>(decals not included, refer to section 100)</i>	1				
21	1256679GT	NUT,SERRATED,1/4-20,8,ZAG.....	12				
22	1256127GT	BOLT,CARRIAGE,1/4-20X1,5,ZAG.....	12				
23A	75073GT	HINGE, .375X.120THK.,SLOTTED.....	4				
23B	1258724GT	SUPPORT, TAPPED HINGE.....	4				
24A	1255986GT	WLDMT, TS LOWER COVER SUPPORT.....	1				
24B	1255987GT	WLDMT, ES LOWER COVER SUPPORT.....	1				

308.1 Wire Harness Diagram



308.1 Wire Harness Diagram

Item	Part No.	Description	Qty.	Item	Part No.	Description	Qty.
A	58253GT	KIT,REPAIR,DEUTSCH PLUG,W/TUBE <i>small kit</i>		--	119061GT	CONN PLUG 12 WAY ENDCAP DT GY	
B	83129GT	KIT,REPAIR,DEUTSCH CONNECTORS* <i>large kit</i>		--	119062GT	CONN PLUG 12 WAY ENDCAP DT BK	
C	61794GT	CRIMPER,DEUTSCH,LIGHT DUTY*** <i>tool</i>		8A	139734GT	HARNESS, 12/3 12V TO PLAT NJ.....1 <i>S-60</i>	
D	101191GT	WIRE LOOM,1"DIA.SLIT,HI TEMP		8B	139733GT	HARNESS, 12/3 12V TO PLAT JIB.....1 <i>S-65</i>	
E	49219GT	SLEEVE,NYLON,2.19 ID,BULK.....48-inches <i>near platform; 48 inches required</i>		9	1261294GT	HARNESS ASSY,GBOX.....1 <i>models with Deutz D2011L03i, Deutz TD2011L04i and Perkins 404D-22</i>	
F	1264822GT	KIT, TRC RETROFIT, STNDRD <i>Telematics (includes 1264834)</i>		10	128005GT	HARNESS,BEACON OPTION.....1	
--	1264834GT	INSTRN, TRC RETROFIT, STNDRD		11	147650GT	HARN,FUNCT MANIFOLD,S60/65.....1	
1	101080GT	HARNESS,JIB SELECT MANIFOLD.....1 <i>S-65</i>		--	73751GT	CONN,PLUG 40 WAY,DRC SERIES	
--	7056GT	CONN, SQZ, 1/2NPT .38-.50, SM**		12	139832GT	HARNESS, LS, OP, PRI ANGLE.....1	
2	1260105GT	HARNESS ASSY,PBOX,SNGL CAP.....1		13	139835GT	HARNESS, LS, OP, PRI, VELOCITY.....1	
2	1279881GT	HARNESS,PBOX,SINGLE CAP,COMMON.....1		14	139836GT	HARNESS, LS, OP, PRIMARY.....1	
--	119058GT	CONN PLUG 4 WAY ENDCAP DT.....1 <i>for 1260105</i>		15	139833GT	HARNESS, LS, OP, CABLE TENSION....1	
--	119061GT	CONN PLUG 12 WAY ENDCAP DT GY.....1 <i>for 1260105</i>		16	139834GT	HARNESS,LS,DRIVE ENABLE.....1	
--	147621GT	CONN,MOLEX 10 WAY.....1 <i>for 1260105</i>		17A	88810GT	HARNESS,DEUTZ ENGINE.....1 <i>Deutz D2011L03i engine</i>	
--	229152GT	CONN,MOLEX 12 WAY.....1 <i>for 1260105</i>		17B	122053GT	HARNESS,S60 TURBO DEUTZ SPEC...1 <i>Deutz TD2011L04i engine</i>	
3	147643GT	HARN,PBOX,JOYSTICK,S60/65.....1		17C	110268GT	HARNESS PERKINS ENGINE S60 ALT.....1 <i>Perkins 404D-22 engine</i>	
--	81546GT	CONN,MOLEX 16 WAY		18A	107552GT	HARNESS,GAUGE OPT.,S60 DEUTZ....1 <i>Deutz models</i>	
--	99343GT	CONNECTOR,PLUG 6 WAY 18-20 GA		18B	T108415GT	HARNESS,ENGINE GAUGE.....1 <i>Perkins models</i>	
--	99344GT	LOCK,PLUG 6 WAY 18-20GA <i>use with 99344</i>		19A	139732GT	HARNESS, AC POWER TO PLAT NJ.....1 <i>S-60</i>	
4		Ref: Foot Switch Assembly <i>(refer to 701.1)</i>		19A	228322GT	ASSY,CABLE,12.5KW WELDER.....936-inches <i>(S-60 Welder option)</i>	
5	121848GT	ASSY,LS,LOAD SENSE,38.5 IN.....1		19B	139731GT	HARNESS, AC POWER TO PLAT JIB.....1 <i>S-65</i>	
6A	139738GT	HARNESS, 18/22, CABLE NJ.....1 <i>S-60 (green/brown)</i>		--	228323GT	ASSY,CABLE,12.5KW WELDER.....1008-inches <i>(S-65 Welder option)</i>	
--	119063GT	CONN PLUG 12 WAY ENDCAP DT GR		20	T108321GT	HARN,LS SAFETY,PRI.DUAL CAP.....1	
--	119064GT	CONN PLUG 12 WAY ENDCAP DT BR		21	147654GT	HARN,LS CABLE,S60 DUAL CAP.....1 <i>S-60X and S-60 TraX</i>	
6B	139737GT	HARNESS, 18/22, CABLE JIB.....1 <i>S-65 (Green, Brown plugs)</i>		22A	139741GT	HARNESS, LOAD SENSE, GBOX.....1	
--	119063GT	CONN PLUG 12 WAY ENDCAP DT GR		--	119061GT	CONN PLUG 12 WAY ENDCAP DT GY	
--	119064GT	CONN PLUG 12 WAY ENDCAP DT BR		--	60432GT	CONN,PLUG 8 WAY,14-18GA	
7A	823918GT	HARNESS,18/22,CABLE2 NJ.....1 <i>S-60</i>		22B	147255GT	HARNESS, JUMPER, LOAD SENSE....1 <i>not shown</i>	
--	119061GT	CONN PLUG 12 WAY ENDCAP DT GY		23	1255457GT	HARN,GBOX & RELAY WIRES,DIESEL.....1 <i>models with Deutz D2011L03i, Deutz TD2011L04i and Perkins 404D-22</i>	
--	119062GT	CONN PLUG 12 WAY ENDCAP DT BK					
7B	823917GT	HARNESS,18/22,CABLE2 JIB.....1 <i>S-65 (Grey, Black plugs)</i>					

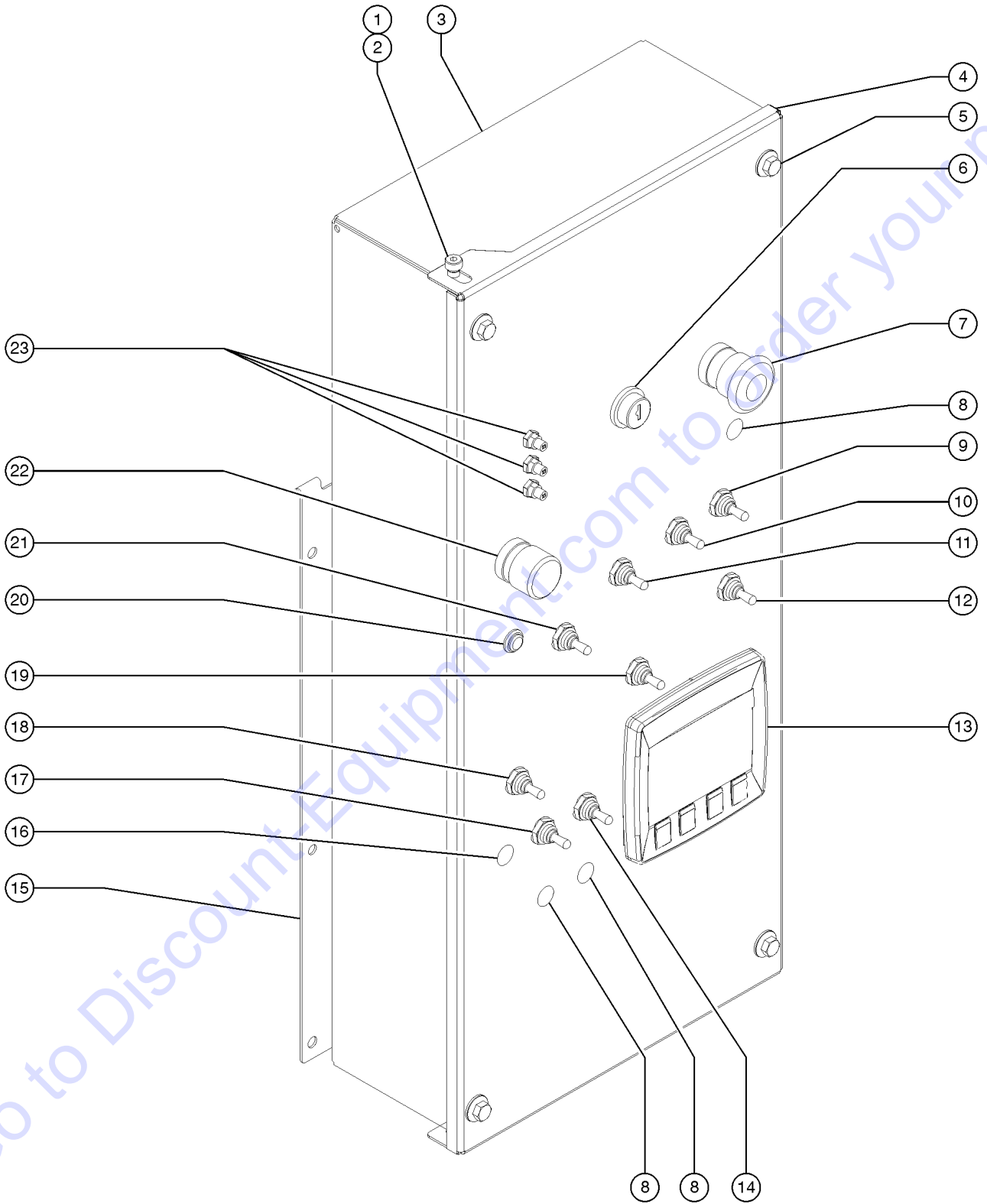
308.1 Wire Harness Diagram  
(continued)

Item	Part No.	Description	Qty.
23A	1255457GT	HARN,GBOX & RELAY WIRES,DIESEL.....1 <i>models with Deutz D2011L03i, Deutz TD2011104i and Perkins 404D-22</i>	1
24	T108886GT	HARN,PBOX,DUAL CAP.....1	1
--	147621GT	CONN,MOLEX 10 WAY	
25	1261295GT	HARNESS ASSY,PCON,JIB	
26	1261296GT	HARNESS ASSY,PCON,LOAD SENSE	
--	121847GT	RELAY,TIME DELAY,2 SEC,30A	
27	88801GT	BATTERY CABLE,POSITIVE,RED.....1 <i>models with Deutz D2011L03i, Deutz TD2011104i and Perkins 404D-22</i>	1
28	88802GT	BATTERY CABLE,NEGATIVE,BLACK.....1	1
29	T106600GT	HARN,ANGLE,SNSR.CONN. CABLE.....1	1
30	T108322GT	HARN, LS OP PRI.DUAL CAP.....1	1
31	T106741GT	HARN,LS,SAFETY,PRI,VELOCITY.....1	1
32	94980GT	SENSOR,DUAL OUTPUT,ANGLE***.....1	1
33	T107130GT	HARNESS,GBOX,DUAL CAP RELAY.....1 <i>models with Deutz D2011L03i, Deutz TD2011104i, and Perkins 404D-22</i>	1
34	T108416GT	HARNESS,DRIVE/LIFT INTERLOCK.....1	1
35	T114627GT	HARNESS,12V WORK LIGHTS.....1	1
36A	T114625GT	CABLE,S60 12VDC WORK LIGHT.....1 S-60	1
36B	T114626GT	CABLE,S65 12VDC WORK LIGHT.....1 S-65	1
37	147396GT	HARNESS,GENERATOR POWER.....1	1
38	T106741GT	HARN,LS,SAFETY,PRI,VELOCITY.....1	1
39	T114624GT	HARN,12V WORK LIGHT RELAY.....1	1
40	1261292GT	HARNESS ASSY,PCON,PROX KILL.....1	1
41	1261297GT	HARNESS ASSY,PCON,TILT LED.....1	1
42	1261293GT	HARNESS ASSY,PCON,DRIVE PRTY.....1	1
43	1261298GT	HARNESS ASSY,GCON,PLAT PRTY	
44	1261844GT	HARNESS, TILT, 12V, CSA PROD.....1 <i>ANSI/CSA only</i>	1
45A	1255555GT	HARN,PBOX,OPA,HW,12V.....1	1
45B	1255030GT	PLUG,BLANKING.....1	1

***This Page Intentionally Left Blank***

Go to Discount-Equipment.com to order your parts

309.1 Ground Control Box, with LCD Readout Screen - View 1 External



309.1 Ground Control Box, with LCD Readout Screen - View 1 External

Item	Part No.	Description	Qty.	Item	Part No.	Description	Qty.
A	825446GT	GBOX ASSY,PERKINS T4,SGL CAP <i>(models with Perkins, single capacity) decals not included refer to section 100</i>		11	128202GT	SWITCH TOGGLE ASSY DPDT 3P MOM.....1 <i>(Boom extend/retract)</i>	1
B	825447GT	GBOX ASSY,PERKINS T4,DUAL CAP <i>(models with Perkins, dual capacity) decals not included refer to section 100</i>		--	128578GT	SCREW T-SWITCH PH/PH 6-32X1/4	
C	825448GT	GBOX ASSY,DEUTZ T4,SGL CAP <i>(models with Deutz single capacity) decals not included refer to section 100</i>		--	128584-SGT	SWITCH TOGGLE SPDT 2P MNT SHDR	
D	825449GT	GBOX ASSY,DEUTZ T4,DUAL CAP <i>(models with Deutz dual capacity) decals not included refer to section 100</i>		--	27246GT	BOOT,TOGGLE SWITCH,SHORT*	
E	825445GT	GBOX ASSY,COMMON,T4		12	128202GT	SWITCH TOGGLE ASSY DPDT 3P MOM.....1 <i>(Platform rotate)</i>	1
1	1257410GT	BOLT,SHS,5/16X.375X1/4-20,ZAG.....2		--	128578GT	SCREW T-SWITCH PH/PH 6-32X1/4	
2	T107520GT	NUTSERT,LP KNURLED,1/4-20X.165.....2		--	128584-SGT	SWITCH TOGGLE SPDT 2P MNT SHDR	
3	147840GT	WELDMENT, GROUND BOX, S60/65.....1		--	27246GT	BOOT,TOGGLE SWITCH,SHORT*	
4	219722GT	WELDMENT,LID,GBOX.....1 <i>(does not include decal) (refer to section one for decals)</i>		13A	1251984GT	ASSY,DISPLAY,DP200 DEUTZ T4.....1 <i>(Deutz models)</i>	1
5	1256855GT	SCREW,HHF,1/4-20X.625,8,ZAG.....4		--	1252684GT	SCREW,DP200 M3X10 4PACK	
6	96008-SGT	KEYSWITCH,3 POS. W/KEYS***.....1		--	1252685GT	GASKET,DP200 BLACK PANEL SEAL	
--	37947GT	KEYS,10 PACK*** <i>sold separately</i>		--	219718GT	BRACKET,DP200 PANEL MOUNT	
--	83093GT	KEY SINGLE***		13B	1251985GT	ASSY,DISPLAY,DP200 PERKINS T4 <i>(Perkins models)</i>	
7	66812GT	BUTTON,PUSH,RED MUSHROOM HEAD.....1 <i>(58627 nut included)</i>	1	--	1252684GT	SCREW,DP200 M3X10 4PACK	
--	58627GT	NUT.....1	1	--	1252685GT	GASKET,DP200 BLACK PANEL SEAL	
8A	229567GT	PLUG, SANTOPRENE .5 BLACK DOME.....1 <i>(S-60, S-65, S-60X, S-60XC, S-60TX, S-65TX models)</i>	1	--	219718GT	BRACKET,DP200 PANEL MOUNT	
8B	824879GT	LIGHT,LED IND. RED 12V NH <i>(S-60HC model)</i>		14	128200GT	SWITCH TOGGLE ASSY SPDT 3P MOM.....1 <i>(Starter)</i>	1
9	128200GT	SWITCH TOGGLE ASSY SPDT 3P MOM.....1 <i>(Platform level)</i>	1	--	128578GT	SCREW T-SWITCH PH/PH 6-32X1/4	
--	128578GT	SCREW T-SWITCH PH/PH 6-32X1/4		--	128584-SGT	SWITCH TOGGLE SPDT 2P MNT SHDR	
--	128584-SGT	SWITCH TOGGLE SPDT 2P MNT SHDR		--	27246GT	BOOT,TOGGLE SWITCH,SHORT*	
--	27246GT	BOOT,TOGGLE SWITCH,SHORT*		15A	77667GT	MOUNT,GROUND CONTROL BOX RH.....1	1
10A	229567GT	PLUG, SANTOPRENE .5 BLACK DOME.....2 <i>(all S-60 models)</i>	2	--	55912GT	PIN, STEER BELLCRANK CLEVIS	
10B	128200GT	SWITCH TOGGLE ASSY SPDT 3P MOM.....2 <i>(Jib up/down) (all S-65 models)</i>	2	--	6090GT	SCREW,HHC,1/4-20 X .75	
--	128578GT	SCREW T-SWITCH PH/PH 6-32X1/4		--	6356GT	WASHER,LOCK,.25	
--	128584-SGT	SWITCH TOGGLE SPDT 2P MNT SHDR		15B	77641GT	MOUNT,GROUND CONTROL BOX LH.....1	1
--	27246GT	BOOT,TOGGLE SWITCH,SHORT*		--	55912GT	PIN, STEER BELLCRANK CLEVIS	
				--	6090GT	SCREW,HHC,1/4-20 X .75	
				--	6356GT	WASHER,LOCK,.25	
				16A	21858GT	PLUG,NYLON .38 BLACK DOMED.....1 <i>(ANSI models)</i>	1
				16B	824879GT	LIGHT,LED IND. RED 12V NH <i>(Load sense) (Australia and CE models)</i>	
				17	128204GT	SWITCH TOGGLE ASSY SPDT 2P MNT.....1 <i>(Engine speed select)</i>	1
				--	128578GT	SCREW T-SWITCH PH/PH 6-32X1/4	
				--	128584-SGT	SWITCH TOGGLE SPDT 2P MNT SHDR	

### 309.1 Ground Control Box, with LCD Readout Screen - View 1 External (continued)

Item	Part No.	Description	Qty.
--	27246GT	BOOT,TOGGLE SWITCH,SHORT*	
18	128201GT	SWITCH TOGGLE ASSY DPDT 2P MOM.....1 (Emergency Power)	1
--	128578GT	SCREW T-SWITCH PH/PH 6-32X1/4	
--	128584-SGT	SWITCH TOGGLE SPDT 2P MNT SHDR	
--	27246GT	BOOT,TOGGLE SWITCH,SHORT*	
19	128202GT	SWITCH TOGGLE ASSY DPDT 3P MOM.....1 (Turntable rotate)	1
--	128578GT	SCREW T-SWITCH PH/PH 6-32X1/4	
--	128584-SGT	SWITCH TOGGLE SPDT 2P MNT SHDR	
--	27246GT	BOOT,TOGGLE SWITCH,SHORT*	
20	21858GT	PLUG,NYLON .38 BLACK DOMED.....1 (Diesel models)	1
21	128202GT	SWITCH TOGGLE ASSY DPDT 3P MOM.....1 (Boom up/down)	1
--	128578GT	SCREW T-SWITCH PH/PH 6-32X1/4	
--	128584-SGT	SWITCH TOGGLE SPDT 2P MNT SHDR	
--	27246GT	BOOT,TOGGLE SWITCH,SHORT*	
22A	80716GT	SWITCH,SELECTOR,BLACK.....1 (models with dual capacity)	1
22B	66813GT	BUTTON,PUSH,BLACK W/SEAL*** (models with single capacity)	
23A	147094GT	ASSY, CIRCUIT BREAKER 15A.....2	2
23B	147094GT	ASSY, CIRCUIT BREAKER 15A.....3 (models with worklight or oil cooler option)	3

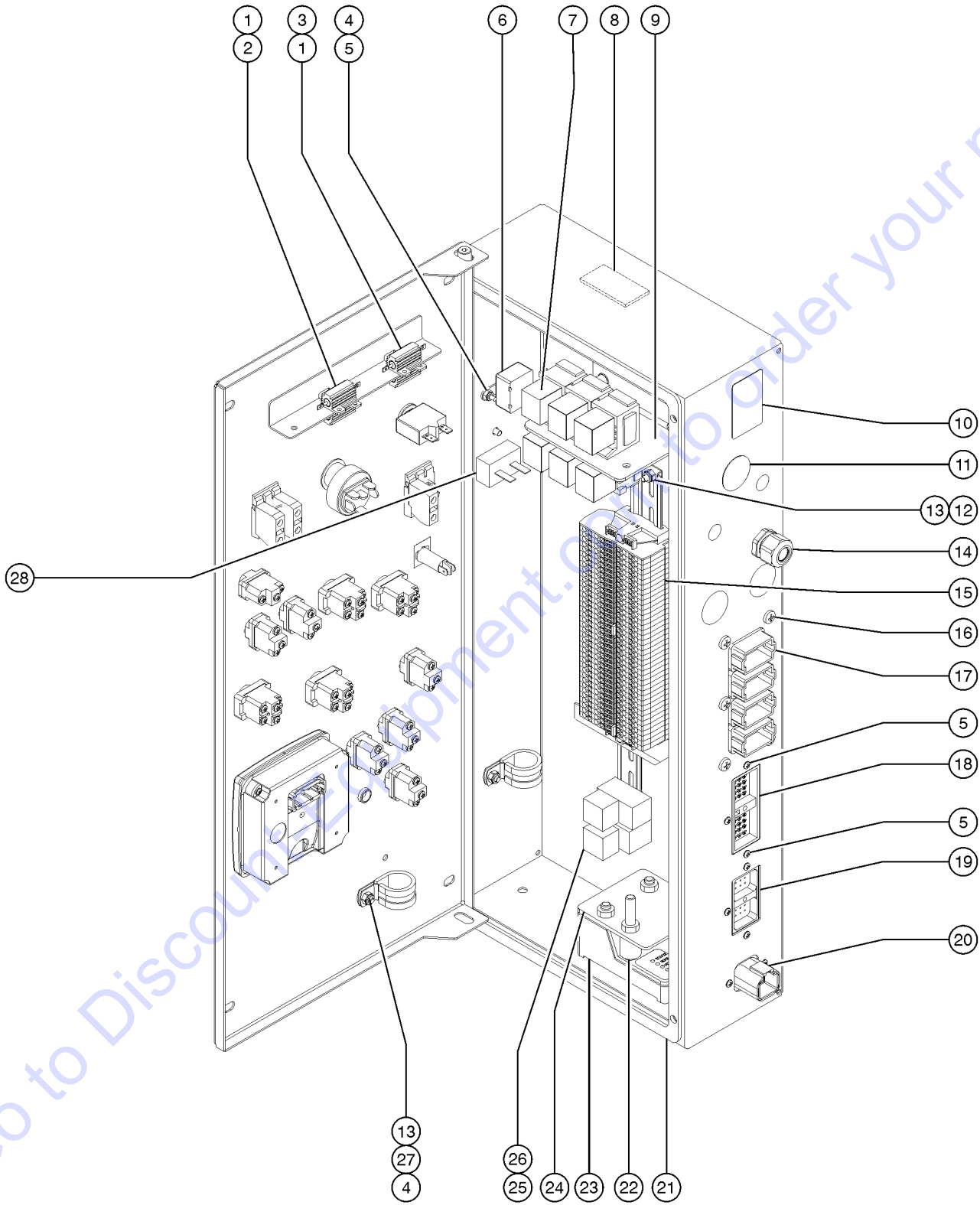


309.1 Ground Control Box, with LCD Readout Screen - View 1 External  
(continued)

*This Page Intentionally Left Blank*

Go to Discount-Equipment.com to order your parts

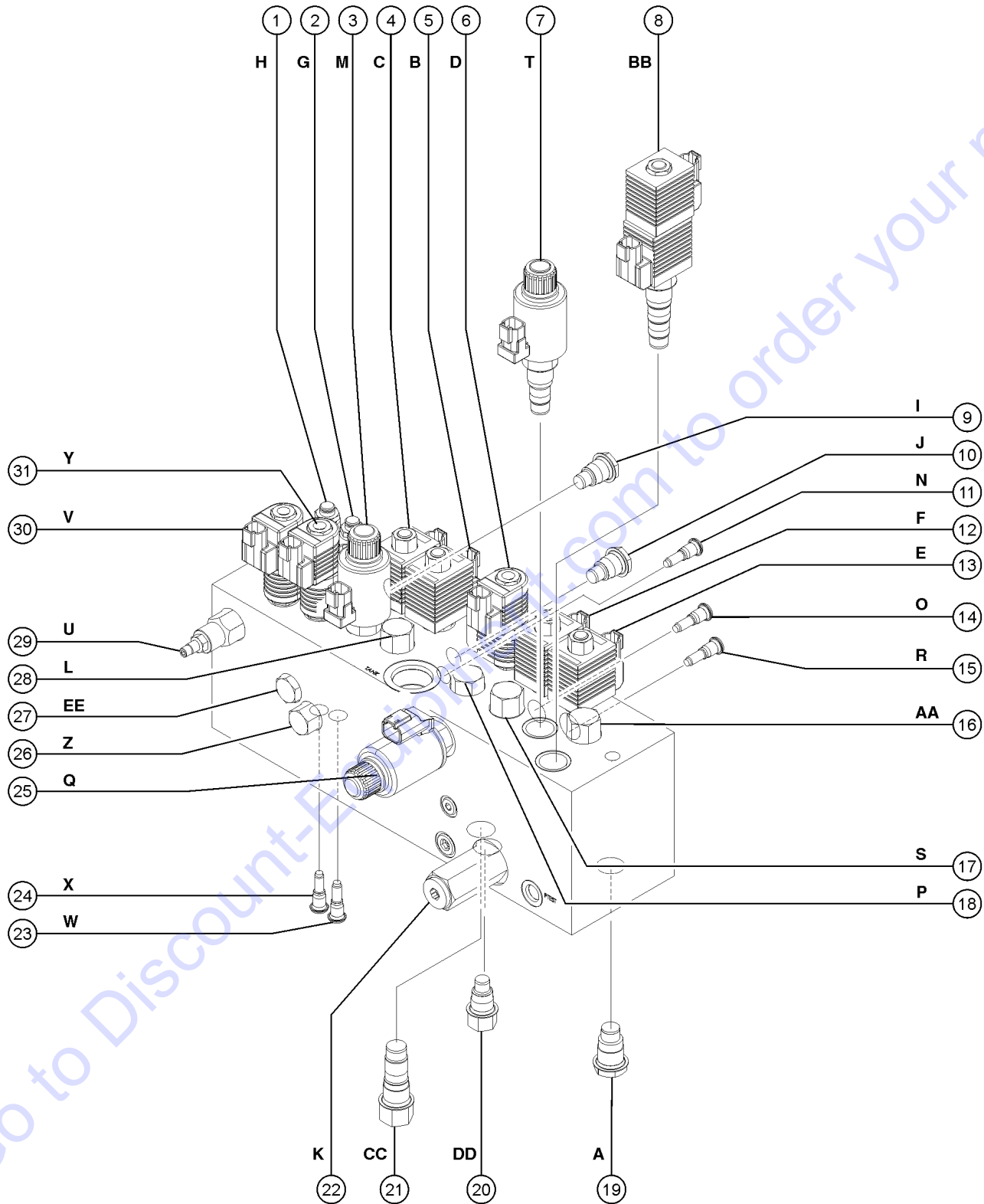
310.1 Ground Control Box, with LCD Readout Screen - View 2 Internal



## 310.1 Ground Control Box, with LCD Readout Screen - View 2 Internal

Item	Part No.	Description	Qty.	Item	Part No.	Description	Qty.
--	77430GT	CAPACITOR,3 MF,50VDC <i>Terminal 41</i>		23	106657GT	MODULE,CONTROL,HI AMP <i>(models with welder option)</i>	
1	89575GT	RESISTOR,7.5 OHM,25 WATT,1PCNT....2		24	106140PGT	BRACKET,1K OHM 10-TURN POT,PNT <i>(models with welder option)</i>	
2	27287GT	RESISTOR,10 OHM,25 WATT.....1		25	33607GT	RELAY,OMRON,DPDT,12V.....2 <i>(models with welder option)</i>	
3	40614GT	RESISTOR,5 OHM,25W*** .....1		26	33608GT	RELAY,SOCKET,OMRON.....2 <i>(models with welder option) (harness not included)</i>	
4	824036GT	NUT,TL,10-32,A,ZAG		--	147455GT	HARNESS, OMRON RELAY, CR66 <i>(models with welder option) (order separately)</i>	
5	825352GT	SCREW,PHPM,10-32X1.25,ZAG		27	18666GT	CLAMP,1.00,#16 X 1/4,RUB CUSH.....2	
6	121846GT	RELAY,TIME DELAY,2 SEC,10A.....1		28	106637GT	MODULE,TIME DELAY ON BREAK 4S...1 <i>(models with welder option)</i>	
7A	34052GT	RELAY,SPDT,12V(AUTO) PLUG IN**....11 <i>(Perkins models with dual capacity)</i>					
7B	34052GT	RELAY,SPDT,12V(AUTO) PLUG IN** .....9 <i>(Deutz models with dual capacity)</i>					
7C	34052GT	RELAY,SPDT,12V(AUTO) PLUG IN** .....5 <i>(Perkins or Deutz models with single capacity)</i>					
8	30997GT	CORROSION INHIBITOR,FOAM.....1					
9A	99632GT	PLATE,PRIMARY BOOM SIDE.....1 <i>(models with single capacity)</i>					
--	1256855GT	SCREW,HHF,1/4-20X.625,8,ZAG					
--	23404GT	NUTSERT,1/4-20,STEEL CAD PLTD					
9B	99632GT	PLATE,PRIMARY BOOM SIDE.....2 <i>(models with dual capacity)</i>					
--	1256855GT	SCREW,HHF,1/4-20X.625,8,ZAG					
--	23404GT	NUTSERT,1/4-20,STEEL CAD PLTD					
10	110280GT	PLUG,NYLON, .94X1.65 BLK D0MED....1					
11	45385GT	PLUG,NYLON 1.12 BLACK DOMED					
12	6178GT	NUT,NYLOCK,10-32 <i>(use to replace nutsert)</i>					
13	1251757GT	SCREW,PHPM,10-32X.50,ZAG					
14	7057GT	CONN. SQZ,1/2NPT .39-.56 MED.....1					
15	825017GT	ASSY,TERMINAL RAIL,TIER IV					
--	216791GT	TERMINAL BLOCK,WIELAND					
--	216793GT	TERMINAL BLOCK END PLATE					
--	33422GT	DIN RAIL,17"					
--	74917GT	JUMPER COMB, 2-WAY,WIELAND					
--	74918GT	JUMPER COMB, 3-WAY,WIELAND					
16	824214GT	SCREW,PHPM,6-32X.5,ZAG					
17	73736GT	CONN,RECEP 48 WAY,4 X 12 <i>for harness, refer to 313.1</i>					
18	73754GT	CONN,RECEP 40 WAY,W/FLANGE <i>for harness, refer to 313.1</i>					
19	73753GT	CONN,RECEP 24 WAY,W/FLANGE <i>for harness, refer to 313.1</i>					
20	73717GT	CONN,RECEP 4 WAY,12-14GA FL*** <i>for harness, refer to 313.1</i>					
21	121599GT	GASKET,GBOX,S80/85 2008					
22	102357GT	POTENTIOMETER ASSY, WELDER					

401.1 Function Manifold



401.1 Function Manifold

Item	Part No.	Description	Qty.	Item	Part No.	Description	Qty.
--	161141GT	MANIFOLD,FUNCTION		--	74902GT	SEAL KIT, VALVE	
--	94499GT	ACCUMULATOR,10CC,1000PSI,#6SAE <i>(not shown)</i>		11	27807GT	VALVE,CHECK***.....1 <i>Differential sensing circuit, boom extend/retract</i>	
1	62256GT	VALVE,CB 3:1 3500 PSI.....1 <i>Platform level down</i>		--	110200GT	SEAL KIT, VALVE, #4	
--	110202GT	SEAL KIT, VALVE, #10		12	89309GT	VALVE - SOLENOID 2POSITION 3WA...1 <i>Boom down</i>	
2	62256GT	VALVE,CB 3:1 3500 PSI.....1 <i>Platform level up</i>		--	45912GT	NUT,SOLENOID VALVE 2P3W	
--	110202GT	SEAL KIT, VALVE, #10		--	62275GT	COIL,10V	
3	107753GT	VALVE,PROPORTIONAL.....1 <i>Boom extend/retract</i>		--	89310GT	SEAL KIT, SOLENOID VALVE	
--	45921GT	RETAINER-N.C.PROPOR.SOLENOID		13	89309GT	VALVE - SOLENOID 2POSITION 3WA...1 <i>Boom up/down circuit</i>	
--	58303GT	COIL,VALVE,PROPORTIONAL***		--	45912GT	NUT,SOLENOID VALVE 2P3W	
--	89310GT	SEAL KIT, SOLENOID VALVE		--	62275GT	COIL,10V	
4	89309GT	VALVE - SOLENOID 2POSITION 3WA...1 <i>Boom retract</i>		--	89310GT	SEAL KIT, SOLENOID VALVE	
--	45912GT	NUT,SOLENOID VALVE 2P3W		14	27807GT	VALVE,CHECK***.....1 <i>Differential sensing circuit, turntable rotate</i>	
--	62275GT	COIL,10V		--	110200GT	SEAL KIT, VALVE, #4	
--	89310GT	SEAL KIT, SOLENOID VALVE		15	27807GT	VALVE,CHECK***.....1 <i>Differential sensing circuit, boom up/down</i>	
5	89309GT	VALVE - SOLENOID 2POSITION 3WA...1 <i>Boom extend</i>		--	110200GT	SEAL KIT, VALVE, #4	
--	45912GT	NUT,SOLENOID VALVE 2P3W		16	111705GT	VALVE,FLOW REGULATOR 3.5 GPM**.....1 <i>Steer left/right circuit</i>	
--	62275GT	COIL,10V		--	110202GT	SEAL KIT, VALVE, #10	
--	89310GT	SEAL KIT, SOLENOID VALVE		17	94599GT	VALVE,DIFFERENTIAL SENSING,110...1 <i>Boom up/down circuit</i>	
6	89307GT	VALVE,SOLENOID 3POS 4WAY*.....1 <i>Turntable rotate</i>		--	110197GT	SEAL KIT, VALVE, #10	
--	52943GT	NUT,SOLENOID VALVE COIL		18	27802GT	VALVE,DIFFERENTIAL SENSING***.....1 <i>Turntable rotate circuit</i>	
--	62273GT	COIL,GREEN W/ 2 PIN CONNECTOR*		--	110197GT	SEAL KIT, VALVE, #10	
--	72047GT	SEAL KIT, SOLENOID VALVE		19	27836GT	VALVE,CHECK,5 PSI.....1 <i>Blocks flow from auxiliary pump to function pump</i>	
--	89311GT	SPACER, DUAL COIL SIZE #8		--	110194GT	SEAL KIT, VALVE, #10	
7	107753GT	VALVE,PROPORTIONAL <i>Boom up/down circuit</i>		20	32975GT	VALVE,FLOW REGULATOR 0.1 GPM.....1 <i>Bleeds off differential sensing valves to tank</i>	
--	45921GT	RETAINER-N.C.PROPOR.SOLENOID		--	74902GT	SEAL KIT, VALVE	
--	58303GT	COIL,VALVE,PROPORTIONAL***		21	27804GT	VALVE,DIFFERENTIAL SENSING***.....1 <i>Differential sensing circuit, meters flow to functions</i>	
--	89310GT	SEAL KIT, SOLENOID VALVE		--	110201GT	SEAL KIT, VALVE, #10	
8	62260GT	VALVE,SOLENOID 3 POS,4WAY***.....1 <i>Steer left/right</i>		22	45489GT	VALVE,RELIEF 3000 PSI***.....1 <i>System relief</i>	
--	110196GT	SEAL KIT, VALVE, #10		--	110194GT	SEAL KIT, VALVE, #10	
--	52943GT	NUT,SOLENOID VALVE COIL		23	27807GT	VALVE,CHECK***.....1 <i>Differential sensing circuit, platform level up</i>	
--	89861GT	COIL, 10V DC (D10, 20 WATT)		--	110200GT	SEAL KIT, VALVE, #4	
9	62257GT	VALVE,CHECK, 30 PSI.....1 <i>Differential sensing circuit, platform rotate left and jib boom up (S-65, S-65 Trax)</i>					
--	74902GT	SEAL KIT, VALVE					
10	62257GT	VALVE,CHECK, 30 PSI.....1 <i>Differential sensing circuit, platform rotate right and jib boom down (S-65, S-65 Trax)</i>					

401.1 Function Manifold  
(continued)

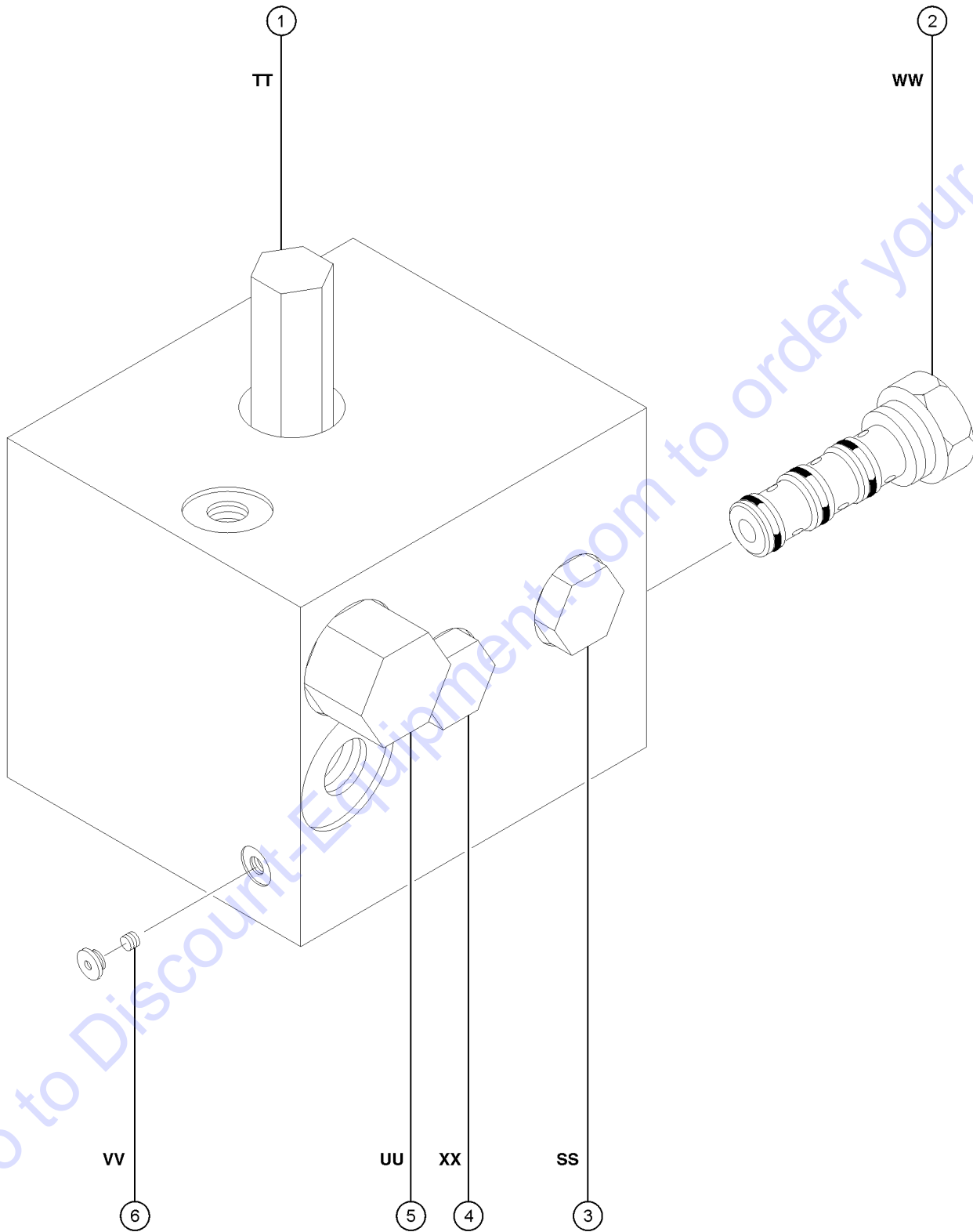
Item	Part No.	Description	Qty.
24	27807GT	VALVE,CHECK*** .....1 <i>Differential sensing circuit, platform level down</i>	
--	110200GT	SEAL KIT, VALVE, #4	
25	102528GT	VALVE,PROPORTIONAL.....1 <i>Turntable rotate left/right</i>	
--	89312GT	SEAL KIT, SOLENOID VALVE	
--	89737GT	COIL,PROPORTIONAL VALVE***	
--	89738GT	NUT, PROPORTIONAL VALVE	
26	31100GT	VALVE,FLOW REGULATOR 0.6GPM....1 <i>Platform rotate and jib boom (S-65, S-65 TraX)</i>	
--	74902GT	SEAL KIT, VALVE	
27	62257GT	VALVE,CHECK, 30 PSI.....1 <i>Platform rotate and jib boom circuit (S-65, S-65 TraX) (prevents hydraulic hoses from draining back to tank)</i>	
--	74902GT	SEAL KIT, VALVE	
28	94599GT	VALVE,DIFFERENTIAL SENSING,110...1 <i>Boom extend/retract circuit</i>	
--	110197GT	SEAL KIT, VALVE, #10	
29	62258GT	VALVE,NEEDLE*** .....1 <i>Platform level circuit</i>	
--	110194GT	SEAL KIT, VALVE, #10	
30	89307GT	VALVE,SOLENOID 3POS 4WAY* .....1 <i>Platform level up/down</i>	
--	52943GT	NUT,SOLENOID VALVE COIL	
--	62273GT	COIL,GREEN W/ 2 PIN CONNECTOR*	
--	72047GT	SEAL KIT, SOLENOID VALVE	
--	89311GT	SPACER, DUAL COIL SIZE #8	
31	89307GT	VALVE,SOLENOID 3POS 4WAY* .....1 <i>Platform rotate and jib boom up/down (S-65, S-65 TraX)</i>	
--	52943GT	NUT,SOLENOID VALVE COIL	
--	62273GT	COIL,GREEN W/ 2 PIN CONNECTOR*	
--	72047GT	SEAL KIT, SOLENOID VALVE	
--	89311GT	SPACER, DUAL COIL SIZE #8	

Go to [DiscoParts.com](http://DiscoParts.com) to order your parts

***This Page Intentionally Left Blank***

Go to [Discount-Equipment.com](http://Discount-Equipment.com) to order your parts

402.1 Traction Manifold, 2WD

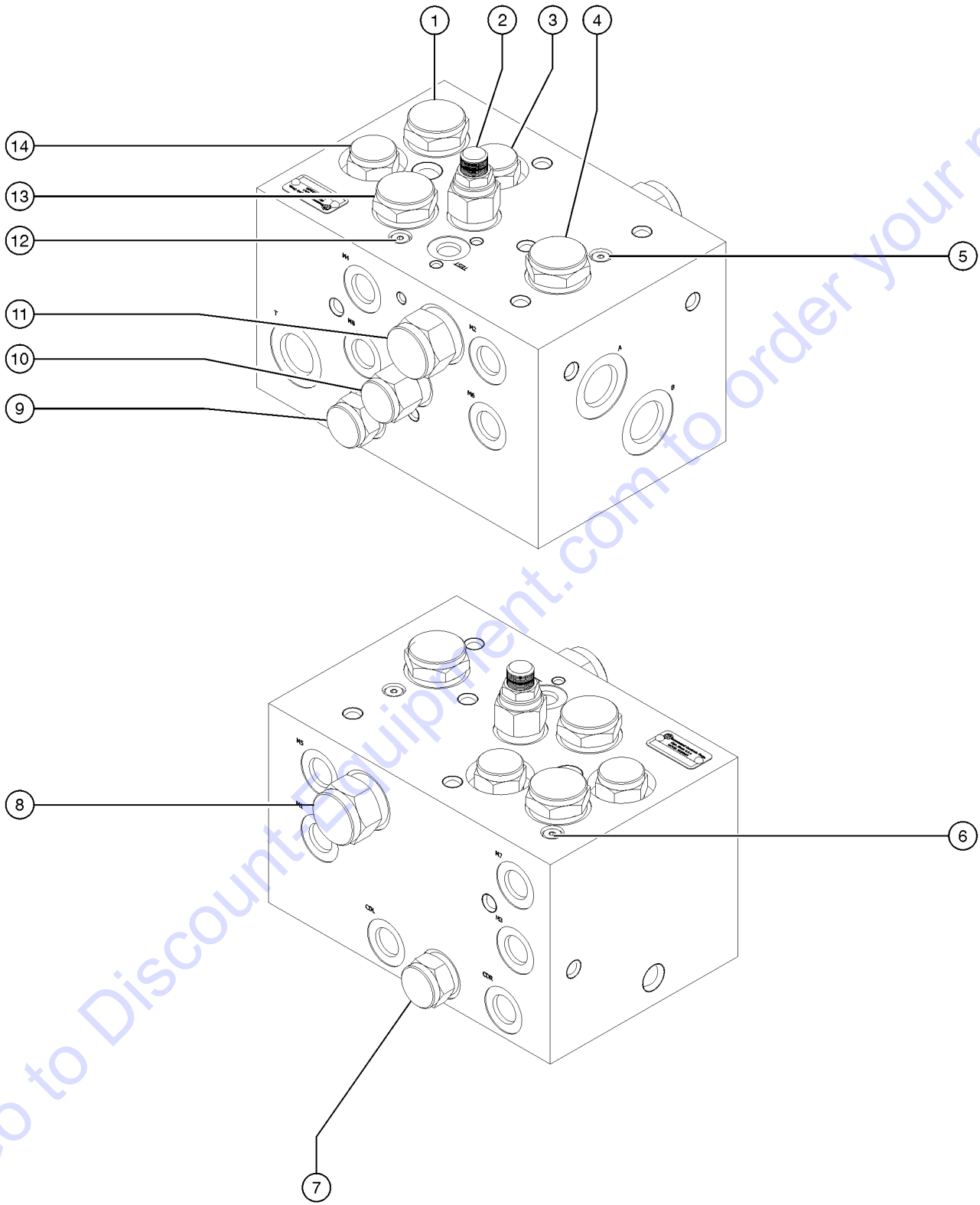




Item	Part No.	Description	Qty.
--	88783GT	MANIFOLD, TRACTION, 2WD	
1	94758GT	VALVE, RELIEF, 280 PSI.....1 <i>Charge Pressure circuit</i>	1
--	110194GT	SEAL KIT, VALVE, #10	
2	52726GT	VALVE, FLOW DIVIDER/COMBINER.....1 <i>Controls flow to drive motors in forward and reverse</i>	1
--	84135GT	SEAL KIT, VALVE	
3	27836GT	VALVE, CHECK, 5 PSI.....1 <i>Drive circuit</i>	1
--	110194GT	SEAL KIT, VALVE, #10	
4	27836GT	VALVE, CHECK, 5 PSI.....1 <i>Drive circuit</i>	1
--	110194GT	SEAL KIT, VALVE, #10	
5	27761GT	VALVE, SHUTTLE.....1 <i>Charge Pressure circuit that directs hot oil out of low pressure side of drive pump</i>	1
--	84134GT	SEAL KIT, VALVE	
6	101440GT	ORIFICE PLUG, 0.070".....1 <i>Drive motor circuit</i>	1

Go to Discount-Equipment.com to order your parts

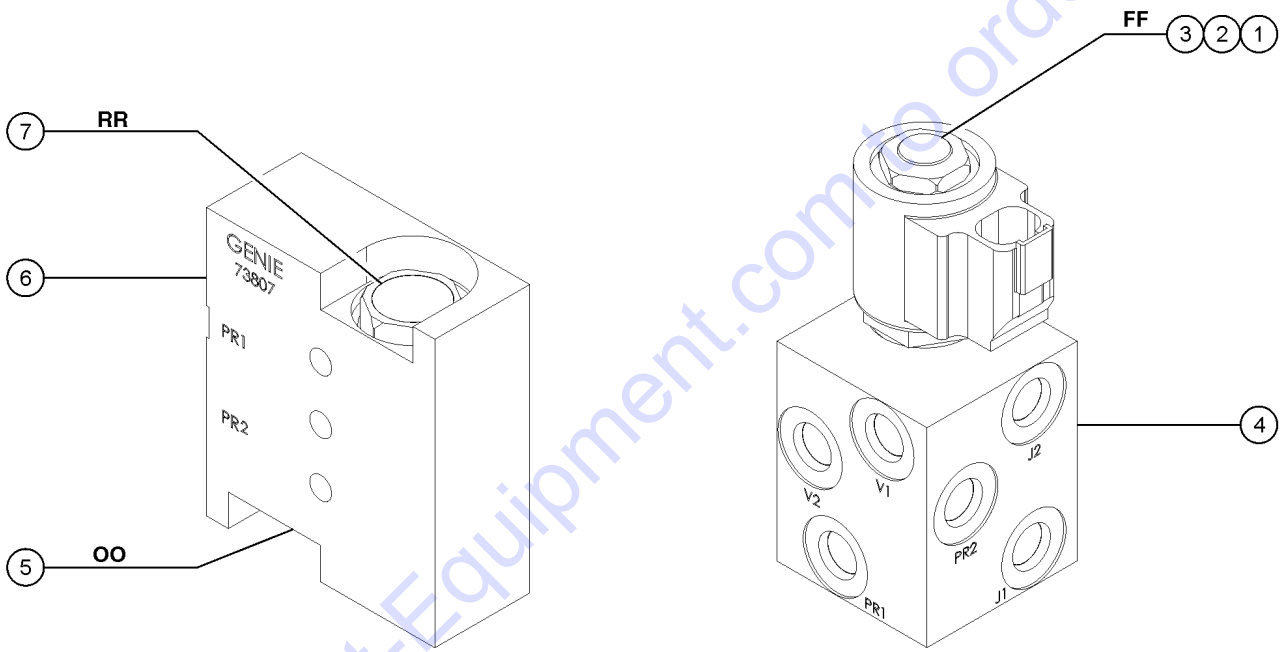
403.1 Traction Manifold, 4WD



## 403.1 Traction Manifold, 4WD

Item	Part No.	Description	Qty.
--	139712GT	MANIFOLD,TRACTION,4WD***	
1	139717GT	VALVE, FLOW DIVIDE/COMB,24GPM...1 <i>(controls flow to non-steer end drive motors in forward and reverse)</i>	
--	139512GT	SEAL KIT, VALVE	
2	139718GT	VALVE, RELIEF, 280PSI.....1 <i>(charge pressure circuit)</i>	
--	139528GT	SEAL KIT, VALVE	
3	139527GT	VALVE, CHECK, 5PSI.....1 <i>(steer end drive motor circuit)</i>	
4	139508GT	VALVE, FLOW DIVIDE/COMBINE 1:1.....1 <i>(controls flow to flow divider/combiner valves 1 and 13)</i>	
5	139719GT	ORIFICE, 0.040".....1 <i>(equalizes pressure on both sides of flow divider/combiner valve )</i>	
--	1287434GT	PLUG,SAE #03 (139712)	
6	139719GT	ORIFICE, 0.040".....1 <i>(equalizes pressure on both sides of flow divider/combiner valve )</i>	
--	1287434GT	PLUG,SAE #03 (139712)	
7	139527GT	VALVE, CHECK, 5PSI.....1 <i>(non-steer end drive motor circuit)</i>	
8	139716GT	VALVE, CHECK.....1 <i>(non-steer end drive motor circuit)</i>	
--	139727GT	SEAL KIT, VALVE	
9	139527GT	VALVE, CHECK, 5PSI.....1 <i>(steer end drive motor circuit)</i>	
10	139715GT	VALVE, SHUTTLE, FIXED.....1 <i>(steer end drive motor circuit)</i>	
--	139512GT	SEAL KIT, VALVE	
11	139716GT	VALVE, CHECK.....1 <i>(charge pressure circuit that directs hot oil out of low pressure side of drive pump)</i>	
12	139719GT	ORIFICE, 0.040".....1 <i>(equalizes pressure on both sides of flow divider/combiner valve )</i>	
--	1287434GT	PLUG,SAE #03 (139712)	
13	139717GT	VALVE, FLOW DIVIDE/COMB,24GPM...1 <i>(controls flow to steer end drive motors in forward and reverse)</i>	
--	139512GT	SEAL KIT, VALVE	
14	139527GT	VALVE, CHECK, 5PSI.....1 <i>(non-steer end drive motor circuit)</i>	

404.1 Platform Rotate and Jib Boom/Platform Rotate Manifold



Platform Rotate Manifold

Jib Select Manifold

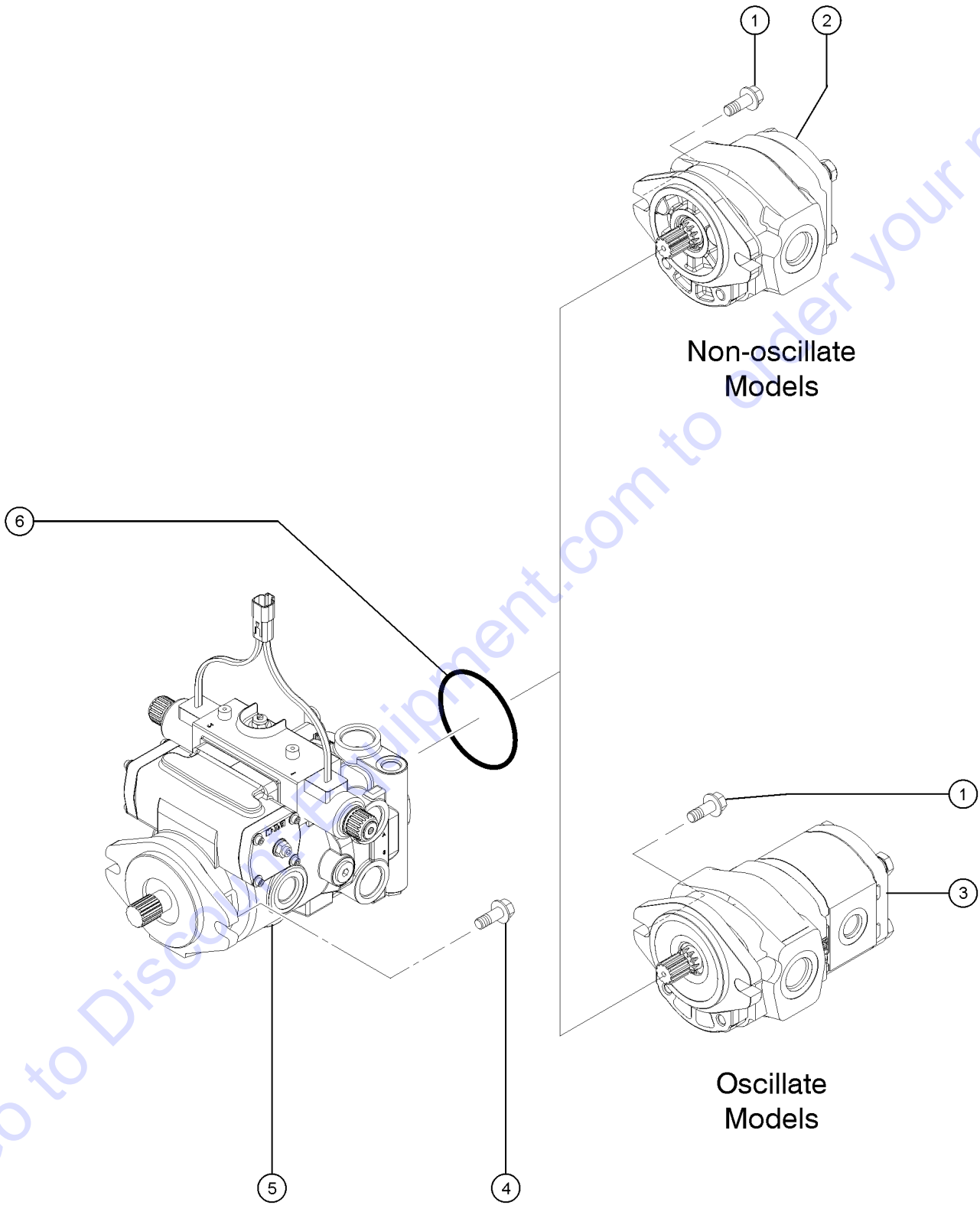
404.1 Platform Rotate and Jib Boom/Platform Rotate Manifold

Item	Part No.	Description	Qty.
1	44174GT	NUT-COIL SHORT.....	1
2	52897GT	VALVE,SOLENOID, 2POS/3WAY***.....	1
--	52371GT	SEAL KIT, VALVE.....	1
3	104759GT	COIL,12VDC #8 DTSCH IP69 ECOIL.....	1
4A	1256670GT	MANIFOLD,JIB SELECT W/QD PLUG... <i>includes items 1-3</i>	1
4B		MANIFOLD,JIB SELECT W/QD PLUG* (88786)..... <i>replaced by 1256670</i>	1
--	89862GT	VALVE-SOLENOID,2POS 3WAY,JIB** ..... <i>Platform rotate/Jib boom select</i>	1
--	89864GT	SEAL KIT,SOLENOID VALVE, SV07	
5	62506GT	VALVE - COUNTERBALANCE**..... <i>Platform rotate left</i>	1
--	43018GT	SEAL KIT (39345)	
6	73807GT	MANIFOLD,ROTATOR,CB***.....	1
--	62507GT	O-RING, ROTATOR MANIFOLD	
7	62506GT	VALVE - COUNTERBALANCE**..... <i>Platform rotate right</i>	1
--	43018GT	SEAL KIT (39345)	

Go to Discount-Equipment.com to order your parts

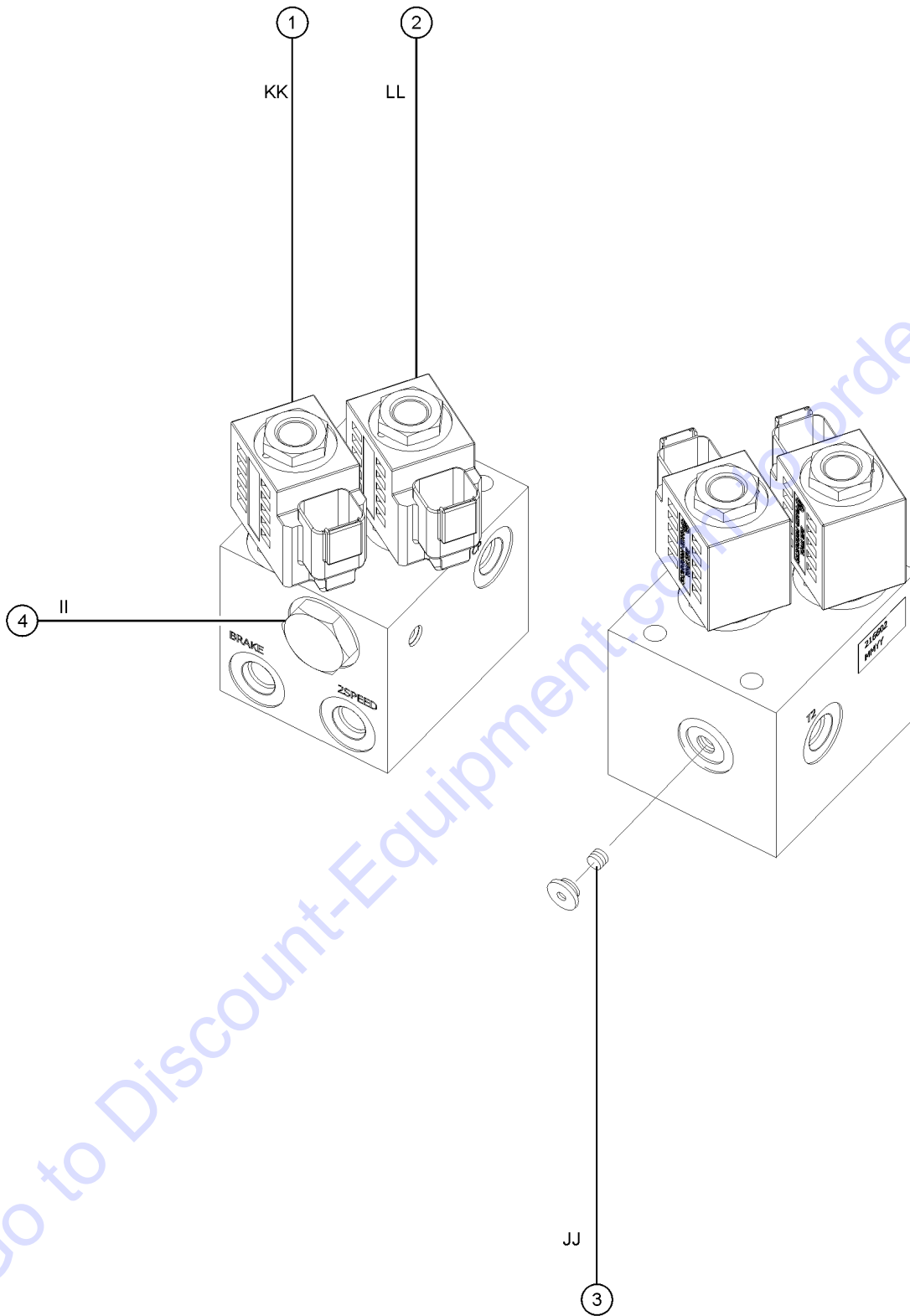


405.1 Pumps



Item	Part No.	Description	Qty.
1	824090GT	SCREW,HHF,3/8-16X1,8,ZAG	
2	139799GT	PUMP,LIFT,1 SECTION.....1 <i>non-oscillate models</i>	
--	147550GT	KIT, SEAL, PUMP, 1 SECTION	
3	139801GT	PUMP,LIFT,2 SECTION***.....1 <i>oscillate models</i>	
--	147549GT	KIT, SEAL, PUMP, 2 SECTION	
4	1253498GT	SCREW,HHF,1/2-13X1.5,8,ZAG	
5	77788GT	PUMP,PISTON,49CC***.....1	
--	101294GT	KIT,CHARGE PUMP	
--	106835GT	CONTROLLER W/O COILS (77788) <i>(first time replacement requires 1285505GT)</i>	
--	106836GT	O-RING,STEM,EATON	
--	106837GT	NUT,STEM,EATON***	
--	107813GT	SPACER,EATON PUMP SHAFT SEAL** <i>check pump date code, for pumps after 031505</i>	
--	107814GT	SEAL,SHAFT,EATON PUMP***	
--	107815GT	SNAP RING,PUMP SHAFT SEAL***	
--	107842GT	KIT,PUMP SHAFT SEAL W/INST*** <i>includes PNs 107813, 107814, 107815</i>	
--	128423GT	KIT,CHARGE PUMP HOUSING	
--	1285505GT	KIT,SOLENOID CONTROL SERVICE	
--	1285506GT	SEAL RING,SOLENOID CONTROL <i>(for 1285505GT)</i>	
--	43683GT	O-RING,2-042 N674-70***	
--	58431GT	SEAL KIT,PUMP SHAFT (EATON)*** <i>check pump date code, if after 031505, must also order 107813 qty 1</i>	
--	82431GT	HOSE ASM-JCAF310-06-41	
6	43683GT	O-RING,2-042 N674-70***.....1	

406.1 Brake and 2 Speed Manifold





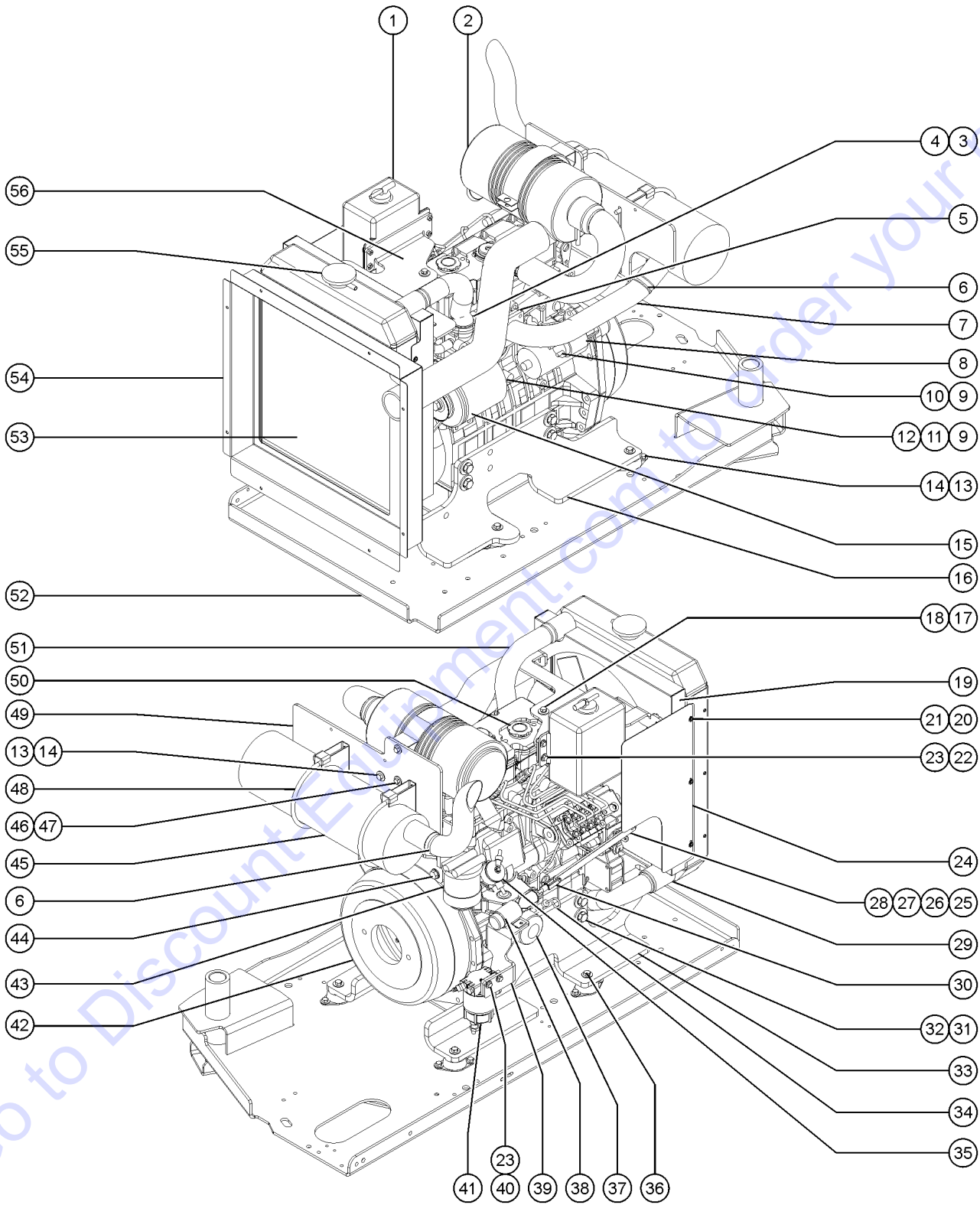
406.1 Brake and 2 Speed Manifold

Item	Part No.	Description	Qty.
--	216602GT	MANIFOLD,BRAKE,2-SPEED.....	1
1	219243GT	COIL, SOLENOID VALVE, 10V..... <i>Brake Release</i>	1
--	161144GT	SEAL KIT,SOLENOID VALVE 219247	
--	219247GT	VALVE, SOLENOID	
--	94759GT	NUT,SOLENOID	
2	219243GT	COIL, SOLENOID VALVE, 10V..... <i>Two Speed Motor Shift</i>	1
--	161144GT	SEAL KIT,SOLENOID VALVE 219247	
--	219247GT	VALVE, SOLENOID	
--	94759GT	NUT,SOLENOID	
3	219245GT	ORIFICE PLUG .025 DIA..... <i>Turntable Rotation Brake Release</i>	1
4	219246GT	VALVE, CHECK..... <i>Brake Release Circuit</i>	1
--	161145GT	SEAL KIT,CHECK VALVE 219246	

Go to Discount-Equipment.com to order your parts



501.1 Perkins 404D-22



501.1 Perkins 404D-22

Item	Part No.	Description	Qty.	Item	Part No.	Description	Qty.
--		<i>For internal engine parts, contact engine dealer</i>		--	62420GT	FILTER,AIR***	
A	128831GT	ENGINE,PERKINS,DIESEL 404D-22 <i>Tier III Engine</i>		--	65810GT	BAFFLE, AIR CLEANER (27915)**	
--	106663GT	SOLENOID,SHUT DOWN PERKIN40422 <i>(for 128831 engine)</i>		--	88846GT	HOSE,AIR INLET	
--	119809GT	SWITCH, OIL PRESSURE <i>Old switch design was used with an adaptor; New switch screws directly into engine block. With older engine, remove adaptor and install new switch directly into engine block</i>		--	88847GT	HOSE,AIR CLEANER TO INTAKE	
--	128987GT	WATER PUMP <i>(for 128831 engine)</i>		3	128986GT	WATER OUTLET, VERTICAL.....1	
--	147348GT	SEAL-VALVE SYSTEM (A) <i>(for Perkins 404 engine)</i>		4	128991GT	THERMOSTAT.....1	
--	147349GT	SEAL-VALVE SYSTEM (B) <i>(for Perkins 404 engine)</i>		--	77477GT	GASKET, THERMOSTAT HOUSING.....1 <i>for 128991</i>	
--	147350GT	GASKET-CYLINDER HEAD <i>(for Perkins 404 engine)</i>		5	72343GT	GASKET,EXH FLANGE-FORD/PERKINS.....1	
--	147351GT	SEAL-ROCKER BOX <i>(for Perkins 404 engine)</i>		6	70385GT	CLAMP,EXHAUST,2.00 PLATED.....2	
--	147352GT	SEAL-INJECTOR <i>(for Perkins 404 engine)</i>		7	110899GT	WELDMENT,EXHAUST PIPE.....1	
--	147353GT	SEAL-INJECTOR <i>(for Perkins 404 engine)</i>		--	62845GT	NUT-FLANGE, 8MM (62849) <i>sold separately</i>	
--	58354GT	GASKET,WATER PUMP <i>(for 128831 engine)</i>		--	72343GT	GASKET,EXH FLANGE-FORD/PERKINS.....1 <i>sold separately</i>	
--	65538GT	FLYWHEEL (PERKINS KR70481U)** <i>(for 128831 engine)</i>		--	72344GT	BOLT,EXHAUST,PERKINS(54555)** <i>sold separately</i>	
--	72348GT	PUMP,LIFT(FUEL) PERKINS(54555) <i>(for 128831 engine)</i>		--	94711GT	FLANGE,EXHAUST <i>sold separately</i>	
--	77736GT	GLOW PLUG (PERKINS 404-22) <i>(for 128831 engine)</i>		--	94888GT	EXHAUST MANIFOLD <i>sold separately</i>	
--	85155GT	PUMP,PRIMER,PERKINS*** <i>(for 128831 engine)</i>		8	228457GT	STARTER, PERKINS, 404D.....1	
--	94887GT	INTAKE MANIFOLD <i>(for 128831 engine)</i>		9	231513GT	NUT,TL FLG,M6-1.0,DIN6927,10,ZAB	
--	94890GT	MANUAL,OPERATORS PERKINS 404 <i>(for 128831 engine)</i>		10	237832GT	NUT,TL FLG,M8-1.25,DIN6927,10,ZAB	
--	97473GT	SENSOR,WATER TEMPERATURE <i>(for 128831 engine)</i>		11	826215GT	WASHER,FLAT,M5,DIN125,ZAB	
1	70367GT	BOTTLE,COOLANT RECOVERY,3.7*** .....1		12	826214GT	NUT,TL,M5-0.8,DIN980,10,ZAB	
--	1062264000GT	TUBING, VINYL, 1/2" CLEAR		13	824090GT	SCREW,HHF,3/8-16X1,8,ZAG	
--	115431GT	CAP ASSY,COOLANT BOTTLE***		14	824029GT	NUT, TL FLG, 3/8-16, G, ZAG	
2	63463GT	AIR CLEANER,NELSON*** .....1		15	111029GT	ALTERNATOR,65 AMP,PERKINS 404	
--	52866GT	EVACUATOR VALVE-AIR CLEANER		16	161611GT	FORMING, ENGINE MOUNT, PERKINS.....1	
--	53952GT	BRKT,AIR CLEANER ORIENTATION**		17	824132GT	SCREW,HHF,M8-1.25X20,DIN6921,10,9,ZAB.1	
--	58415GT	CLIP,AIR CLEANER END CAP*** <i>end cap not available separately</i>		18	60585GT	ISOLATOR,VIBRATION,M8 MALE/FEM.....1	
				19	88990PGT	SHROUD,FAN PAINTED	
				20	824220GT	SCREW,PHPM SEMS ET,10-24X.5,ZAG.....1	
				21	1253185GT	WASHER,FLAT,#10,USS,ZAG	
				22	824079GT	SCREW,HHF,1/4-20X1,8,ZAG	
				23	824027GT	NUT,TL FLG,1/4-20,G,ZAG	
				24	54487PGT	GUARD,FAN,FORD/PERKINS,PAINTED.1	
				25	89953GT	FLATBAR,ALUM,THROTTLE LINKAGE.....1	
				26	1258824GT	BOLT,SHS,8X12XM6-1.0,ISO7379,12,9,ZAB	
				27	824144GT	WASHER,FLAT,M8,DIN125,ZAB	

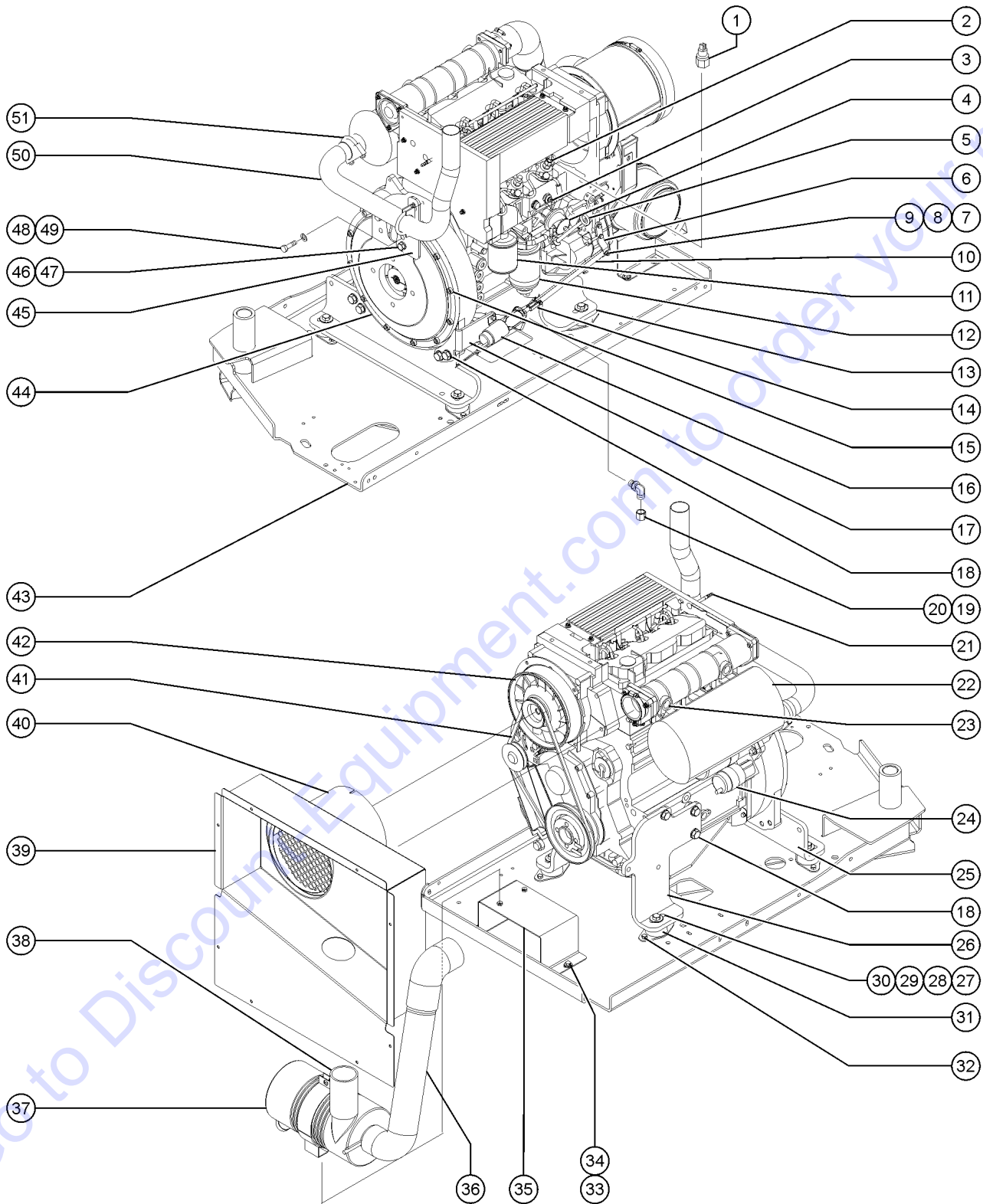
501.1 Perkins 404D-22  
(continued)

Item	Part No.	Description	Qty.	Item	Part No.	Description	Qty.
28	1256455GT	NUT,TL,M6-1.0,DIN980,10,ZAB		47	824086GT	SCREW,HHF,5/16-18X1,8,ZAG	
29	54579GT	HOSE,LOWER,RADIATOR,PERKINS.....1		48	88993GT	CLAMP,MUFFLER.....2	
--	22672GT	CLAMP,HOSE,1.75		49	88991PGT	FORMING,MUFFLER MOUNT PAINTED.....1	
30	21130GT	CLEVIS YOKE-1/4-28,PLTD W/PIN.....1		50	65636GT	CAP, OIL FILLER.....1	
31	1257705GT	SCREW,HHC,M14-1.5X35,DIN960,10,9,ZAB		--	65638GT	SEAL, OIL FILLER CAP.....1	
32	1257810GT	WASHER,FLAT,M14,DIN6916,HRD,ZAB		51	54578GT	HOSE,UPPER RADIATOR,PERKINS.....1	
33	88988PGT	FORMING,ENGINE MOUNT RH PAINTE.....1		--	22672GT	CLAMP,HOSE,1.75	
34	128984GT	DIPSTICK, STRAIGHT SHORT.....1		52		Ref. Engine Tray Assembly <i>refer to 309.1</i>	
--	128985GT	DIPSTICK TUBE, STRAIGHT SHORT....1		53	110304GT	RADIATOR,FORD/PERKINS***.....1	
35	72348GT	PUMP,LIFT(FUEL) PERKINS(54555).....1 <i>replaced 128989</i>		--	1252943GT	SPACER,FAN,PERKINS 404F.....1 <i>sold separately</i>	
--	77990GT	KIT,SEAL,3CC PUMP***		--	24038GT	SHOCK MOUNT,SMALL.....4 <i>sold separately</i>	
36	1251994GT	SCREW,HHF,1/2-13X3,8,ZAG		--	77482GT	PULLEY, WATER PUMP.....1 <i>sold separately</i>	
37	94762GT	OIL FILTER - PERKINS.....1		--	77483GT	FAN, ENGINE (104-22)(404-22)*.....1 <i>sold separately</i>	
38	77402GT	SOLENOID,THROTTLE ACTUATOR DSL.....1		54	106003PGT	BAFFLE,PERKINS ENGINE PAINTED....1	
--	21130GT	CLEVIS YOKE-1/4-28,PLTD W/PIN		55	65473GT	CAP,RADIATOR,PERKINS/FORD.....1	
--	89953GT	FLATBAR,ALUM,THROTTLE LINKAGE		56	88989PGT	FORMING,UPPER RAD SUPPORT PNTD.....1	
39	128588GT	FORMING,SOLENOID MOUNT.....1					
40	824080GT	SCREW,HHF,1/4-20X1.25,8,ZAG					
41	147826GT	SEPRTR/FLTR,FUEL DSL,15GPH,.30....1 <i>(replaced 75020, the filter is the same for both assemblies)</i>					
--	54205GT	HOSE END,BARB,1/4 MNPTX5/16,90					
--	54437GT	HOSE END,BARB,1/4 MNPTX5/16,ST <i>(included with filter assembly)</i>					
--	62433GT	FILTER,ELEMENT,30 MIC,75020 <i>(included with filter assembly)</i>					
42	89771GT	HOUSING,PUMP MOUNT (54573).....1					
--	1251983GT	SCREW,HHF,M8-1.25X16,DIN6921,10,9,ZAB.6					
--	128003GT	COUPLER,15 TOOTH,FBA,PERKINS**.....1					
--	128022GT	KIT,FBA STYLE COUPLER,PERKINS <i>(includes 128003, 128024 (6 qty) and 128025)</i>					
--	128025GT	GREASE,SERVICE PACKET.....1					
43	94889GT	FUEL FILTER ASSEMBLY.....1					
--	62421GT	FILTER,FUEL,PERKINS.....1					
44	1257834GT	SCREW,HHF,M12-1.75X45,DIN6921,					
45A	88841GT	MUFFLER,6".....1					
45B	70298GT	MUFFLER,SPARK ARRESTOR.....1 <i>spark arrestor option</i>					
45C	70357GT	MUFFLER,CATALYTIC.....1 <i>scrubber muffler option</i>					
45D	822515GT	TAILPIPE, PERKINS, 404D.....1					
46	824028GT	NUT,TL FLG,5/16-18,G,ZAG					

*This Page Intentionally Left Blank*

Go to [Discount-Equipment.com](http://Discount-Equipment.com) to order your parts

502.1 Deutz D2011L03i, View 1



502.1 Deutz D2011L03i, View 1

Item	Part No.	Description	Qty.	Item	Part No.	Description	Qty.
--		<i>For internal engine parts, contact engine dealer</i>		18	1256776GT	SCREW,HHF,M14-2.0X35,DIN6921,10.9,ZAB	
--	139622GT	HEAT SHIELD,DEUTZ STARTER		19	54428GT	FITTING,HYDRAULIC,90DEG,O-RING...1	
--	T114678GT	SHUTDOWN SOLENOID,12V,DEUTZ...1 <i>(must order cable assembly, 58256, if replacing 32752) (includes o-ring)</i>		20	69775GT	CAP,520112-8.....1	
--	58256GT	SOLENOID CABLE ASSY***		21	147525GT	FITTING,BARBED,STRT,FUEL LINE.....1	
--	72255GT	CONNECTOR, DEUTZ FUEL SHUTOFF* <i>(does not include diode, 45782)</i>		--	147526GT	FITTING,BARBED,TEE,FUEL LINE <i>(not shown)</i>	
--	45782GT	DIODE,6 AMP,200 PIV,BULK		--	30490GT	HOSE,1/4 FUEL LINE,SAE 30R7.....127-inches	
1	111445GT	SENDING UNIT,OIL TEMP SWCH,DTZ.....1	1	22A	32695GT	MUFFLER,DEUTZ.....1	
2	89792GT	INJECTOR, FUEL(DEUTZ F3L2011F)....2	2	22B	119117GT	MUFFLER,CAT/SPARK,DEUTZ <i>(Option - spark arresst)</i>	
3	139666GT	KIT,OP SWITCH,DEUTZ <i>(oil pressure kit for models with ALC-500 control system. includes item 139624 and instructions)</i>		22C	29559GT	GASKET,EXHAUST.....3 <i>for 119117, 3 required</i>	
--	139624GT	SWITCH, OIL PRESSURE 1.5 BAR.....1		23	31408GT	GLOW PLUG,L1011.....1	
4	111668GT	PUMP,FUEL 2011 DEUTZ ***.....1	1	24	139709GT	STARTER, 12V.....1 <i>with solenoid</i>	
--	119344GT	KIT,PRIMER BULB		--	139621GT	KIT, HEAT GUARD, DEUTZ STARTER <i>(includes sheild 139622 and bolt 139623)</i>	
--	27089GT	HOSE,5/16 FUEL,SAE 30R7...116-inches		--	139622GT	HEAT SHIELD,DEUTZ STARTER	
5	147243GT	DIPSTICK, OIL, D2011.....1	1	--	139623GT	BOLT, GUARD, DEUTZ STARTER	
6	50787-SGT	LEVER, GOVERNOR ACTUATOR.....1	1	25	70459PGT	FORMING,REAR ENGINE MOUNT PNT*.....1	
7	1257076GT	BOLT,SHS,1/4-28X4,ZAG		26	70461PGT	FORMING,ENGINE MOUNT,FL PAINT*.....1	
8	825355GT	WASHER,FLAT,M6,DIN125,ZAB		27	1251994GT	SCREW,HHF,1/2-13X3,8,ZAG	
9	1256467GT	NUT,TL FLG,10-24,F,ZAG		28	1255760GT	WASHER,FLAT,1/2,USS,ZAG	
10	94485GT	THROTTLE LINKAGE,DIESEL ***.....1	1	29	1256283GT	WASHER,FLAT,5X2.25X.188,ZAG	
11	49924GT	FILTER,OIL,DEUTZ F4L1011F.....1 <i>Genie Genuine Part. See PN 1255653 for compatible aftermarket replacement.</i>	1	30	1251997GT	NUT,TL FLG,1/2-13,G,ZAG	
--	1255653GT	FILTER,OIL,DEUTZ,REPLACEMENT....1 <i>Genie Aftermarket Part. Compatible with Genie Genuine Part 49924.</i>	1	31	70452GT	ISOLATOR,ENGINE VIBRATION***.....4	
12	29560GT	FILTER,FUEL/WTR SEP, DTZ 1008.....1 <i>Genie Genuine Part. See PN 1254826 for compatible aftermarket replacement.</i>	1	32	824090GT	SCREW,HHF,3/8-16X1,8,ZAG	
--	1254826GT	FUEL FILTER W/SEP,DEUTZ,1008.....1 <i>Genie Aftermarket Part. Filter for Deutz F3L 1011F Engine.</i>	1	33	824086GT	SCREW,HHF,5/16-18X1,8,ZAG	
--	58566GT	FILTER HEAD (29560)		34	1255805GT	NUT,SERRATED,5/16-18,8,ZAG	
13	70460PGT	FORMING,ENGINE MOUNT,FR PAINT*.....1	1	35	70351PGT	FORMING,AIR CLEANER MOUNT PNTD.....1	
14	21130GT	CLEVIS YOKE-1/4-28,PLTD W/PIN.....1	1	36	70375GT	HOSE,AIR CLEANER.....1	
15	1255666GT	SCREW,SHC,M10-1.5X30,DIN912,12.9,ZAB		37	63463GT	AIR CLEANER,NELSON***.....1	
16	77402GT	SOLENOID,THROTTLE ACTUATOR DSL.....1	1	--	52866GT	EVACUATOR VALVE-AIR CLEANER	
17A	101129PGT	BRACKET,SOLENOID MOUNT PAINT....1	1	--	53952GT	BRKT,AIR CLEANER ORIENTATION**	
17B	77245PGT	BRACKET,SOLEN.MOUNT BRACE,PNTD.....1 <i>(not shown)</i>	1	--	58415GT	CLIP,AIR CLEANER END CAP*** <i>end cap not available separately</i>	
				--	62420GT	FILTER,AIR***	
				--	65810GT	BAFFLE, AIR CLEANER (27915)**	
				38	101006GT	TUBE,AIR CLEANER INLET.....1	
				--	30971GT	CLAMP,HOSE,3.00".....2	
				39	70494PGT	FORMING,DEUTZ AIR INTAKE BAF P...1	
				40	101140P-SGT	AIR INTAKE TUBE ASSY.....1	

502.1 Deutz D2011L03i, View 1  
(continued)

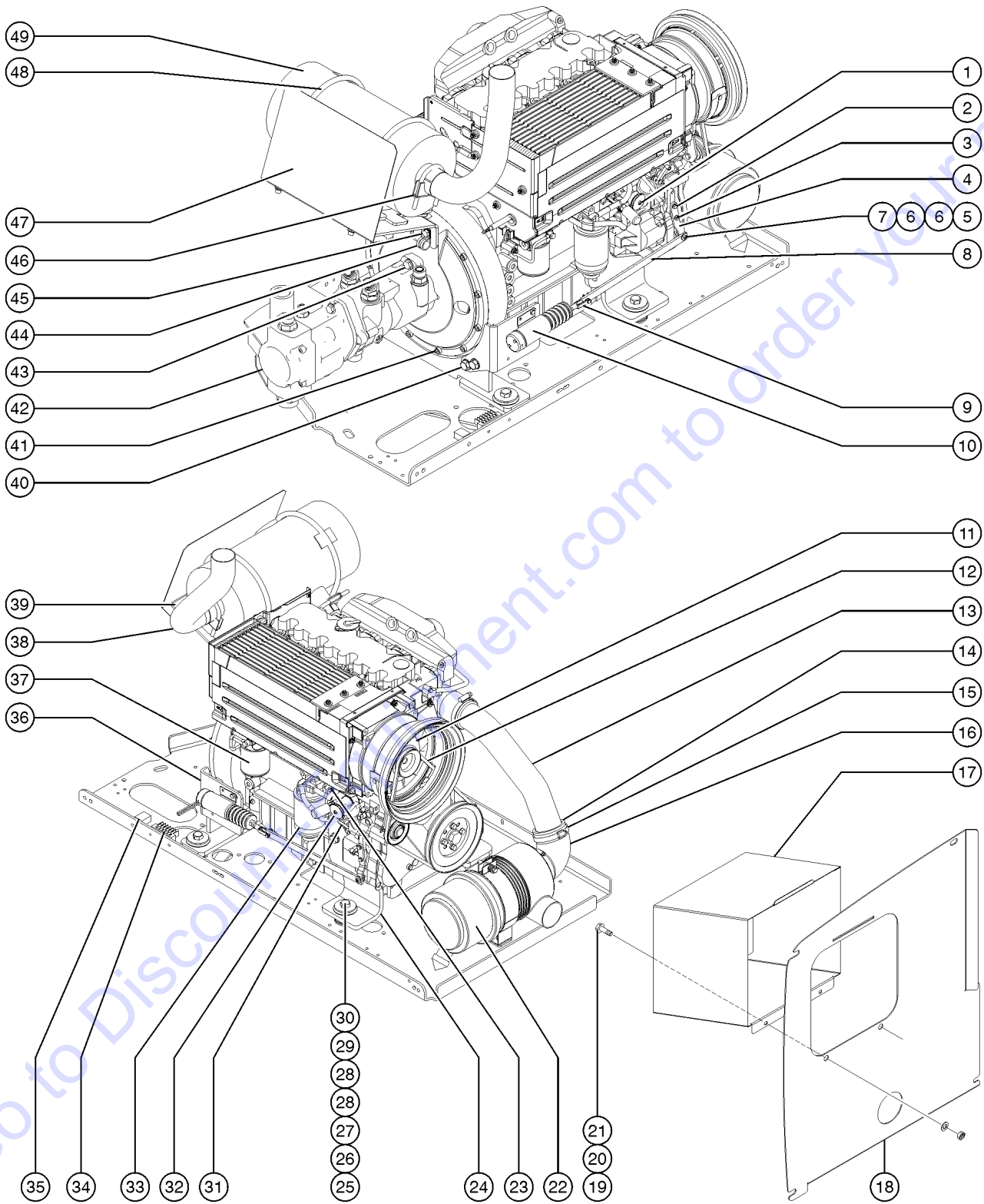
Item	Part No.	Description	Qty.
--	31523GT	CLAMP,HOSE,8.50 DIA***	
--	33239GT	SHEET,RUBBER,AIR INTAKE	
41	32698GT	BELT,V, DEUTZ DIESEL ENGINE.....1	
42	35586GT	ALTERNATOR, DEUTZ F3L10/F4L10*....1	
43		Ref: Engine Tray <i>refer to 309.1</i>	
44	70381GT	COVER,FLYWHEEL CASTING.....1	
--	128023GT	KIT,FBA STYLE COUPLER,SAE8	
45	70472PGT	FORMING,SOLENOID MOUNT PAINT...1	
46	1257837GT	SCREW,HHC,M10-1.5X65,DIN931,10.9,ZAB	
47	824142GT	WASHER,LOCK,M10,ZAB	
48	1257706GT	SCREW,HHC,M10-1.5X70,DIN931,10....2	
49	824145GT	WASHER,FLAT,M10,DIN125,ZAB	
50	822693GT	TAILPIPE, DEUTZ, TPEM & ROW.....1	
51	70385GT	CLAMP,EXHAUST,2.00 PLATED.....2	



***This Page Intentionally Left Blank***

Go to [Discount-Equipment.com](http://Discount-Equipment.com) to order your parts

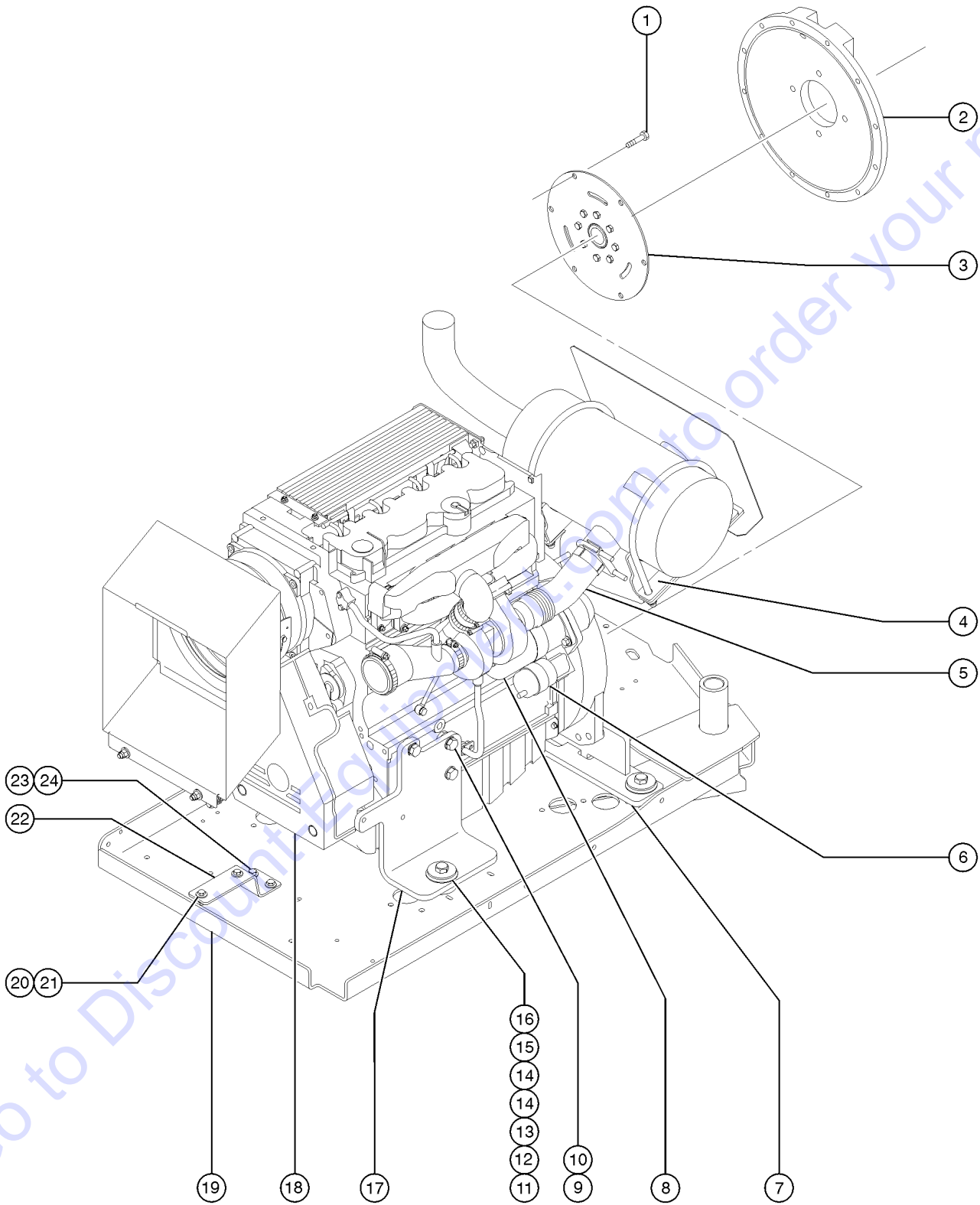
503.1 Deutz TD2011L04i, View 1



503.1 Deutz TD2011L04i, View 1

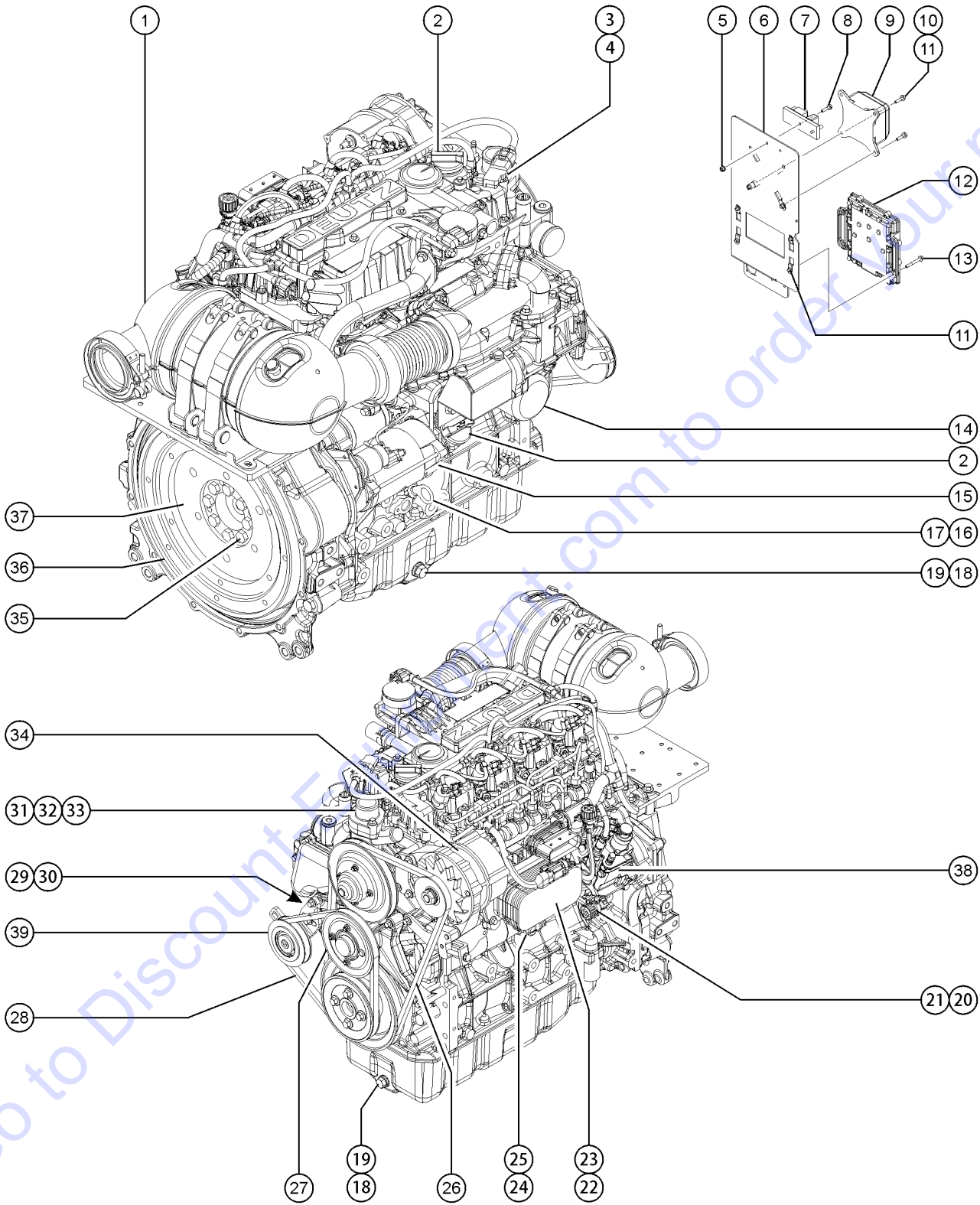
Item	Part No.	Description	Qty.	Item	Part No.	Description	Qty.
--		<i>For internal engine parts, contact engine dealer</i>		--	75451GT	AIR CLEANER COVER, SUPERBOOM* for 81467	
--	161189GT	ENGINE,DEUTZ, TD2011L04i TPEM		--	81468GT	MOUNTING BAND,AIR CLEANER	
--	T114678GT	SHUTDOWN SOLENOID,12V, DEUTZ....1 <i>(includes o-ring)</i>	1	23	111445GT	SENDING UNIT,OIL TEMP SWCH,DTZ.....1	1
--	58256GT	SOLENOID CABLE ASSY***		24	70455GT	FORMING,ENGINE MOUNT	
--	72255GT	CONNECTOR, DEUTZ FUEL SHUTOFF* <i>(does not include diode, 45782)</i>		25	1256167GT	FP,CAB TOP,RL4 BUTTE HNGE	
--	45782GT	DIODE,6 AMP,200 PIV,BULK		26	824123GT	WASHER,FLAT,.625X2.25X.188,ZAG	
1	111668GT	PUMP,FUEL 2011 DEUTZ ***.....1	1	27	102045GT	ISOLATOR,ENGINE VIBRATION	
--	111402GT	O-RING, FUEL LIFT PUMP		28	1251565GT	WASHER,SHIM,1.56X2.5X.061,ZAG	
--	27089GT	HOSE,5/16 FUEL,SAE 30R7		29	1256182GT	WASHER,FLAT,5/8,F436,HRD,ZAG	
--	30490GT	HOSE,1/4 FUEL LINE,SAE 30R7		30	1258049GT	NUT,TL,5/8-11,C,ZAG	
2	231532GT	SCREW,HHF,M6-1.0X20,DIN6921,10.9,ZAB		31	52352GT	DIPSTICK-F3L1011F (DEUTZ).....1	1
3	237238GT	SCREW,HHF,M6-1.0X12,DIN6921,10		32	58299GT	SENDING UNIT,OIL PRESS.,DEUTZ*....1	1
4	50787-SGT	LEVER, GOVERNOR ACTUATOR.....1	1	33	29560GT	FILTER,FUEL/WTR SEP, DTZ 1008.....1 <i>Genie Genuine Part. See PN 1254826 for compatible aftermarket replacement.</i>	1
5	1257076GT	BOLT,SHS,1/4-28X4,ZAG.....1	1	--	1254826GT	FUEL FILTER W/SEP,DEUTZ,1008.....1 <i>Genie Aftermarket Part. Filter for Deutz F3L 1011F Engine.</i>	1
6	824113GT	WASHER,FLAT,USS,1/4,ZAG.....2	2	34	89997GT	RELAY MODULE(89996,89998).....1	1
7	1256467GT	NUT,TL FLG,10-24,F,ZAG.....1	1	35	128829GT	CIRCUIT BRKR 15A TYPE 2 METAL.....1	1
8	139322GT	THROTTLE LINKAGE, DSL.....1	1	36	139321GT	FORMING, SOLENOID MOUNT***.....1	1
9	21130GT	CLEVIS YOKE-1/4-28,PLTD W/PIN.....1 <i>includes clevis pin and cotter pin</i>	1	37	49924GT	FILTER,OIL,DEUTZ F4L1011F.....1 <i>Genie Genuine Part. See PN 1255653 for compatible aftermarket replacement.</i>	1
10	77402GT	SOLENOID,THROTTLE ACTUATOR DSL.....1	1	--	1255653GT	FILTER,OIL,DEUTZ,REPLACEMENT.....1 <i>Genie Aftermarket Part. Compatible with Genie Genuine Part 49924.</i>	1
11	58249GT	ALTERNATOR, DEUTZ,BF4L2011***.....1	1	38	822514GT	TAILPIPE, DEUTZ,TPEM & ROW.....1	1
--	1280590GT	PULLEY,ALTERNATOR,DEUTZ BF4L2011 for 58249		39	70448PGT	FORMING,MUFFLER MOUNT.....1	1
--	1280591GT	SPACER,ALT PULLEY,DEUTZ BF4L2011 for 58249		40	1251899GT	SCREW,HHF,M14-2.0X40,DIN6921,10.9,ZAB	
12	58630GT	V-BELT, DEUTZ TD2011LOAI.....1	1	41	1255666GT	SCREW,SHC,M10-1.5X30,DIN912,12.9,ZAB	
13	102227GT	TUBE,AIR INTAKE.....1	1	42		Ref: Pumps <i>refer to section 405.1</i>	
14	88064GT	REDUCER,3" TO 2.75".....1	1	43	1253498GT	SCREW,HHF,1/2-13X1.5,8,ZAG	
15	30489GT	CLAMP,HOSE,3.50.....4	4	44	60838GT	CLAMP,1.00,#16 X 7/16,RUB CUSH.....1	1
16	139455GT	ELBOW,AIR INTAKE,RUBBER		45	238347GT	SCREW,HHF,M10-1.5X70,DIN6921,10.9,ZAB	
17	128896GT	WELDMENT, AIR INTAKE BOX.....1	1	46	71911GT	CLAMP,MUFFLER, 2.50 INCH.....2	2
18	110183PGT	BAFFLE,AIR INTAKE S60 PAINTED.....1	1	47	102237GT	FORMING,HEAT SHIELD,MUFFLER***.....1	1
19	824089GT	SCREW,HHF,3/8-16X.75,8,ZAG		48	70449GT	U-BOLT,1/2-13 X 8.5.....2	2
20	1255758GT	WASHER,FLAT,3/8,USS,ZAG		49A	70444GT	MUFFLER,2.5"INLET/OUTLET.....1	1
21	824025GT	NUT,TL,3/8-16,C,ZAG		49B	119117GT	MUFFLER,CAT/SPARK,DEUTZ <i>spark arrest option</i>	
22	81467GT	AIR CLEANER,NELSON.....1	1	49C	29559GT	GASKET,EXHAUST.....3 <i>for 119117, 3 required</i>	3
--	52866GT	EVACUATOR VALVE-AIR CLEANER for 81467					
--	62425GT	FILTER,AIR CLEANER, SUPERBOOM for 81467					
--	75450GT	AIR CLEANER CLIPS, SUPERBOOM for 81467					

504.1 Deutz TD2011L04i, View 2



Item	Part No.	Description	Qty.
--		<i>For internal engine parts, contact engine dealer</i>	
--	102581GT	PUMP,FUEL INJ,DEUTZ BF4L20 <i>class A injection pump; provide SN of engine to service to get correct injection pump (A, B, C, D)</i>	
--	T108732GT	PUMP,FUEL INJ,DEUTZ BF4L20 <i>class B injection pump; provide SN of engine to service to get correct injection pump (A, B, C, D)</i>	
--	T108733GT	PUMP,FUEL INJ,DEUTZ BF4L20 <i>class C injection pump; provide SN of engine to service to get correct injection pump (A, B, C, D)</i>	
--	T108734GT	PUMP,FUEL INJ,DEUTZ BF4L20 <i>class D injection pump; provide SN of engine to service to get correct injection pump (A, B, C, D)</i>	
1	825351GT	SCREW,HHC,M10-1.5X20,DIN933,10	
2	70381GT	COVER,FLYWHEEL CASTING.....1	
3	128004GT	COUPLER,15 TOOTH,FBA,SAE8***	
4	70483GT	FORMING,8.5' MUFFLER MOUNT.....1	
5	70445GT	FLEX PIPE,EXHAUST,2.5" DIA.....1	
5B	139983GT	EXHAUST PIPE GASKET	
5B	71911GT	CLAMP,MUFFLER, 2.50 INCH	
6	49915GT	SOLENOID-STARTER DEUTZF4L1011F*.....1	
7	160517GT	FORMING,ENGINE MOUNT,DEUTZ.....1	
8	139709GT	STARTER, 12V.....1	
9	22558GT	SCREW,HHC,M14 X 40MM,GR 8.8	
10	49411GT	WASHER,FLAT,M14	
11	13003GT	SCREW,HHC,5/8-11 X 3.5 GRD.8.....4	
12	33418GT	WASHER,FLAT,.625 X 2.25 X.15	
13	102045GT	ISOLATOR,ENGINE VIBRATION.....4	
14	18596GT	WASHER,FLAT,1.56 X 2.5 X .061	
15	13064GT	WASHER,FLAT,.625 HARDENED.....4	
16	6024GT	NUT,NYLOCK,5/8-11	
17	70454PGT	FORMING,ENGINE MOUNT PAINTED...1	
18	146061GT	V-BELT GUARD, DEUTZ 2011.....1	
19		Ref: Engine Tray with Bearing <i>refer to section 309.1</i>	
20	824086GT	SCREW,HHF,5/16-18X1,8,ZAG	
21	1255805GT	NUT,SERRATED,5/16-18,8,ZAG	
22	102209PGT	FORMING,AIR CLEANER MOUNT PNTD.....1	
23	824091GT	SCREW,HHF,3/8-16X1.25,8,ZAG	
24	824029GT	NUT, TL FLG, 3/8-16, G, ZAG	

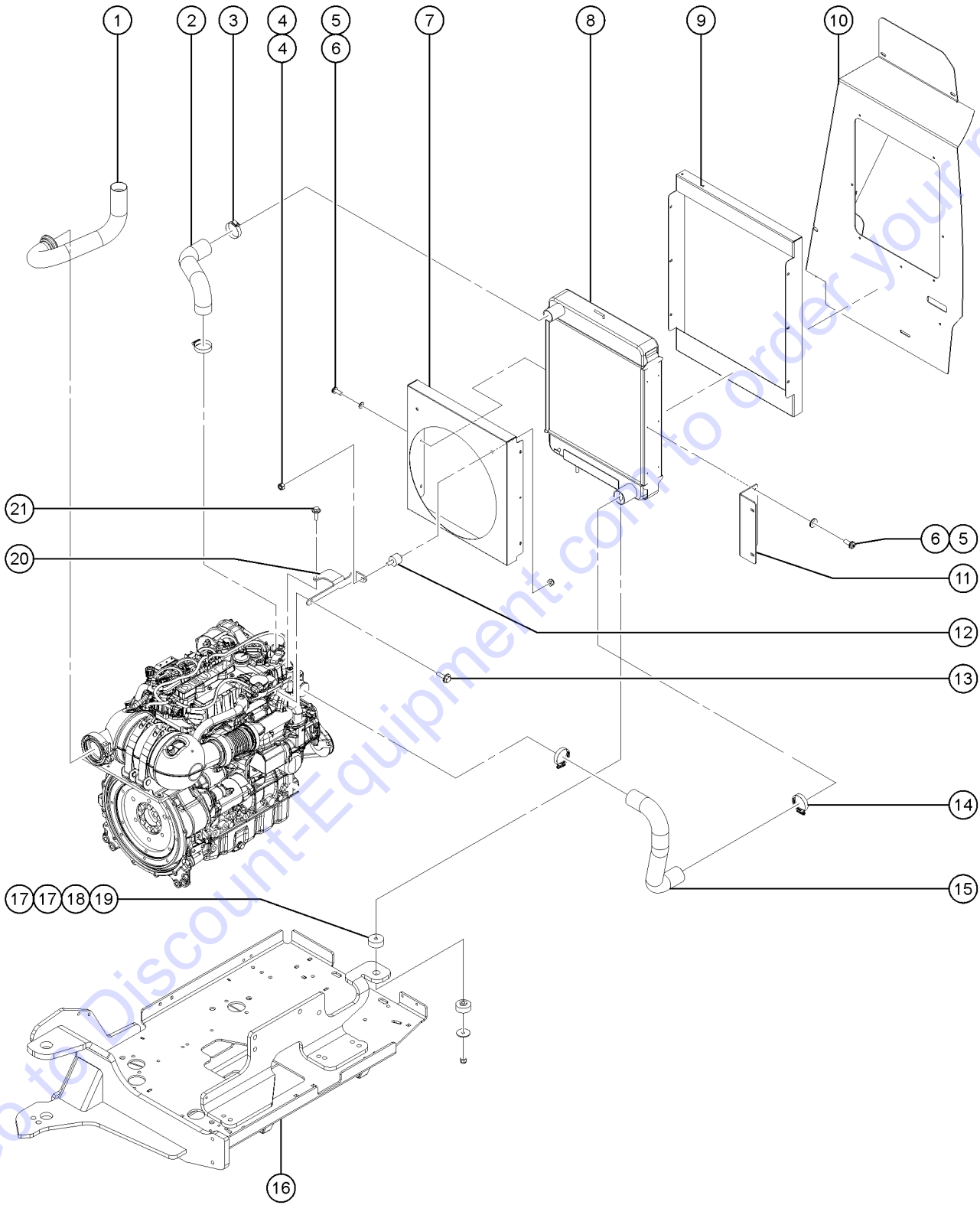
505.1 Deutz D2.9L4, View 1



## 505.1 Deutz D2.9L4, View 1

Item	Part No.	Description	Qty.	Item	Part No.	Description	Qty.
A	237188GT	ENGINE KIT, DEUTZ D2.9L4 <i>Due to Tier 4 regulations, many engine replacement parts require the engine serial number at time of order placement. When ordering engine parts please have both machine and engine serial numbers available. For internal engine parts, contact engine dealer</i>		22	1260357GT	OIL COOLER,TD2.9.....	1
B	1259717GT	MANUAL, DEUTZ D2.9 ENGINE.....	1	23	1262883GT	GASKET, OIL COOLER, DEUTZ.....	1
C	1262870GT	GLOW PLUG, DEUTZ.....	4	24	824673GT	SENSOR, PRESSURE,DEUTZ 2.9.....	1
D	1262871GT	SEAL, FRONT ENGINE,DEUTZ.....	1	25	1262893GT	O-RING, OIL PRESSURE SENSOR.....	1
E	1262872GT	SEAL, REAR ENGINE,DEUTZ.....	1	26	1262866GT	FAN BELT, ALTERNATOR.....	1
F	1272624GT	KIT,WATER PUMP 2.9 L4..... <i>includes fasteners and 1262874 pump</i>	1	27	236248GT	PULLEY ASSEMBLY,ALTERNATOR,TCD.....	1
G	1262875GT	O-RING, WATER PUMP.....	1	28	1262867GT	V-BELT, DEUTZ.....	1
--	1259654GT	INTAKE BREATHER.....	1	29	1262894GT	SENSOR,CAM/CRANKSHAFT POSITION..... <i>hidden from view (camshaft)</i>	1
H	1277974GT	PINS,CONNECTOR,INJ HARNESS,D2.9.....	1	30	1262899GT	O-RING, CAMSHAFT POSITION SENSOR..... <i>hidden from view</i>	1
1	1262890GT	OXIDATION CATALYST,DEUTZ.....	1	31	1262877GT	THERMOSTAT HOUSING.....	1
2	29557GT	CAP,OIL FILLER,DEUTZ,DIESEL***.....	2	32	1262876GT	THERMOSTAT,DEUTZ.....	1
3	1262896GT	SENSOR,INTAKE AIR PRESSURE.....	1	33	1262878GT	GASKET, THERMOSTAT HOUSING.....	1
4	1262897GT	O-RING, INTAKE AIR PRESSURE SENSOR.....	1	34	236251GT	ALTERNATOR,95 AMP,DEUTZ.....	1
5	824027GT	NUT,TL FLG,1/4-20,G,ZAG		35	1262873GT	BOLT, DEUTZ FLYWHEEL.....	8
6	1254654GT	MOUNT, DIESEL ECM.....	1	36	89785GT	RING GEAR,DEUTZ F3L2011F.....	1
7	824023GT	RELAY, POWER & FUSE MODULE.....	1	37	1259660GT	FLYWHEEL, SAE 8/10..... <i>order with item #37, PN 1262873, qty 8</i>	1
--	1251508GT	FUSE, FMX, 60AMP		38	1279653GT	PUMP,FUEL,HI PRESS,DEUTZ TD2.9....	1
--	1251509GT	COVER,PRM FUSE SERVICE PART		39	1279631GT	PULLEY,BELT TENSIONER,D2.9L4.....	1
8	1253485GT	SCREW,HHF,1/4-20X2,8,ZAG					
9	822781GT	MODULE,FUSE&RELAY,DEUTZ 2.9.....	1				
10	824079GT	SCREW,HHF,1/4-20X1,8,ZAG					
11	56912GT	SPRING CLIP,1/4-20,.025-.15X.54,ZAG					
12	214795GT	ECM, DEUTZ..... <i>need engine SN to program</i>	1				
13	824080GT	SCREW,HHF,1/4-20X1.25,8,ZAG					
14	49924GT	FILTER,OIL,DEUTZ F4L1011F.....	1				
15	1254594GT	STARTER,3.2KW,DEUTZ D2.9.....	1				
--	1262868GT	BOLT, DEUTZ STARTER <i>not included sold seperately</i>					
16	825708GT	DIPSTICK,TD2.9.....	1				
17	1262881GT	ORING, OIL DIP STICK.....	1				
18	102587GT	PLUG,ENGINE OIL,DEUTZ F4L2011....	2				
19	108538GT	RING / SEALING.....	2				
20	1262894GT	SENSOR,CAM/CRANKSHAFT POSITION..... <i>(crankshaft)</i>	1				
21	1262895GT	O-RING, CRANKSHAFT POSITION SENSOR.....	1				

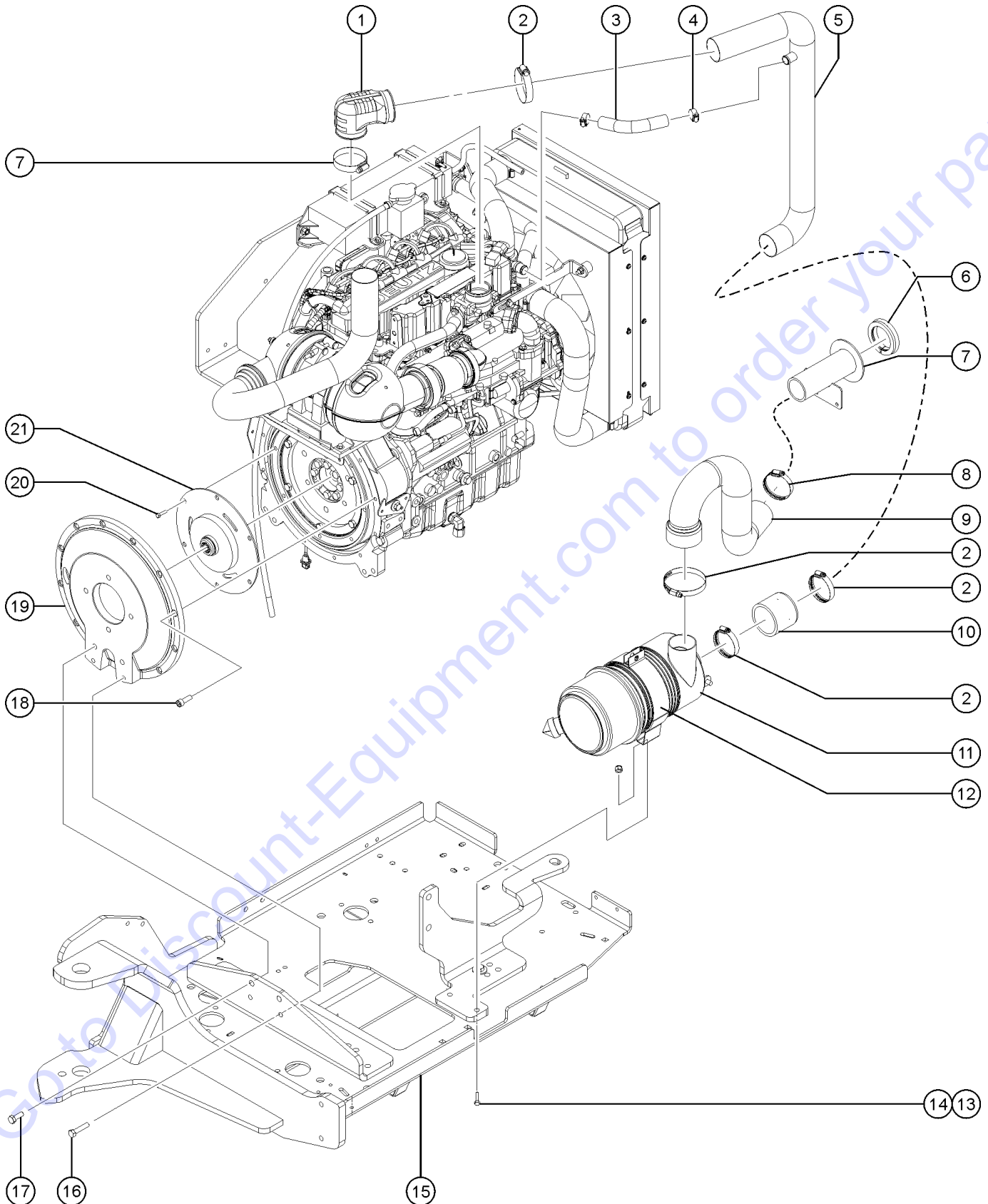
506.1 Deutz D2.9L4, View 2





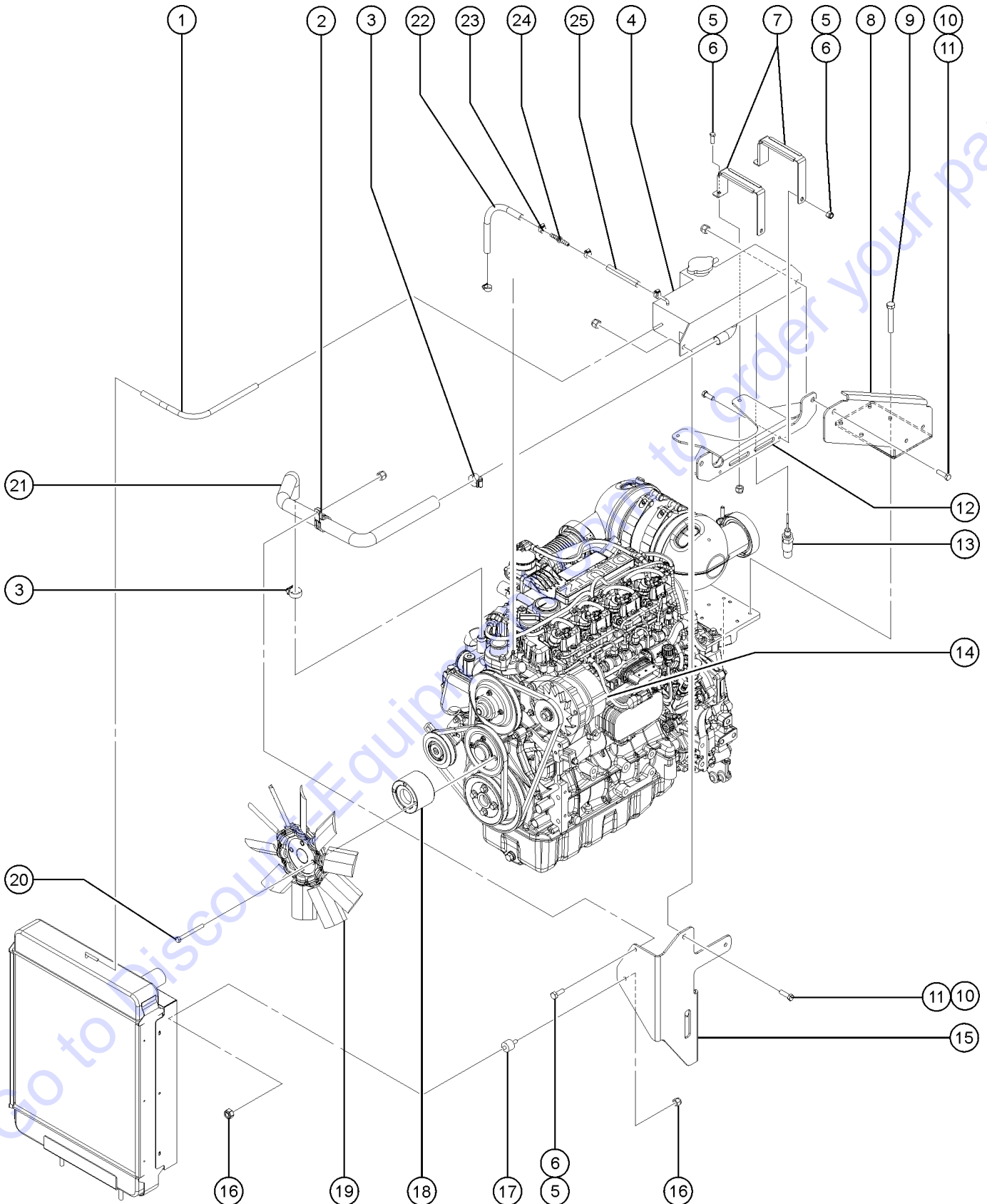
Item	Part No.	Description	Qty.
--		<i>Due to Tier 4 regulations, many engine replacement parts require the engine serial number at time of order placement. When ordering engine parts please have both machine and engine serial numbers available. For internal engine parts, contact engine dealer</i>	
A	237188GT	ENGINE KIT, DEUTZ D2.9L4	
--		Ref: Deutz 2.9DL4, Engine Harness.....1 <i>refer to 308.1</i>	
1	1253203GT	WELDMENT, TAILPIPE, Z62 DEUTZ T4...1	
2	237193GT	HOSE, UPPER RADIATOR, DEUTZ D2.9.....1	
3	22672GT	CLAMP, HOSE, 1.75.....2	
4	1255805GT	NUT, SERRATED, 5/16-18, 8, ZAG	
5	824220GT	SCREW, PHPM SEMS ET, 10-24X.5, ZAG	
6	1253185GT	WASHER, FLAT, #10, USS, ZAG	
7	237192GT	FAN SHROUD, DEUTZ D2.9.....1	
8	214685GT	RADIATOR, CAPLESS, DEUTZ D 2.9	
9	235660GT	FORMING, RADIATOR SHROUD.....1	
10	1251850GT	FORMING, RADIATOR BAFFLE.....1	
11	217877GT	FORMING, CLEAN AIR BRACKET.....1	
12	219437GT	ISOLATOR, VIBRATION.....1	
13	1251983GT	SCREW, HHF, M8-1.25X16, DIN6921, 10.9, ZAB	
14	35434GT	CLAMP, HOSE, 2.00***.....2	
15	237194GT	HOSE, LOWER RADIATOR, DEUTZ D2.9.....1	
16	1253827GT	WELDMENT, ENGINE TRAY.....1	
17	24038GT	SHOCK MOUNT, SMALL.....2	
18	824120GT	WASHER, FLAT, 375X1.50X.125, ZAG.....1	
19	824029GT	NUT, TL FLG, 3/8-16, G, ZAG	
20	214237GT	FORMING, RAD BRACE, DEUTZ D2.9.....1	
21	824132GT	SCREW, HHF, M8-1.25X20, DIN6921, 10.9, ZAB	

507.1 Deutz D2.9L4, View 3



Item	Part No.	Description	Qty.
--		<i>Due to Tier 4 regulations, many engine replacement parts require the engine serial number at time of order placement. When ordering engine parts please have both machine and engine serial numbers available. For internal engine parts, contact engine dealer</i>	
1	214686GT	AIR INTAKE ELBOW,90 DEGREE.....1	1
2	45435GT	CLAMP,HOSE,2.50****.....4	4
3	1255894GT	HOSE,PCV,DEUTZ D2.9.....1	1
4	30348GT	CLAMP,HOSE,1.00.....2	2
5	219976GT	WELDMENT,STEEL INTAKE TUBE.....1	1
6	1262842GT	SEAL,AIR INTAKE ADAPTER,LOWER...1	1
7	1270883GT	WELDMENT, INTAKE AIR.....1	1
8	35434GT	CLAMP,HOSE,2.00***.....2	2
9	217930GT	HOSE,RAW AIR,DEUTZ D2.9	
10	34162-300GT	HOSE,AIR INTAKE 2.50" ID.....1	1
11	63463GT	AIR CLEANER,NELSON***.....1	1
--	52866GT	EVACUATOR VALVE-AIR CLEANER	
--	58415GT	CLIP,AIR CLEANER END CAP*** <i>end cap not available separately</i>	
--	62420GT	FILTER,AIR***	
--	65810GT	BAFFLE, AIR CLEANER (27915)**	
12	53952GT	BRKT,AIR CLEANER ORIENTATION**.....1	1
13	824086GT	SCREW,HHF,5/16-18X1,8,ZAG	
14	824028GT	NUT,TL FLG,5/16-18,G,ZAG	
15	1253827GT	WELDMENT, ENGINE TRAY.....1	1
16	826008GT	SCREW,HHF,M10-1.5X75,DIN6921,1	
17	1253498GT	SCREW,HHF,1/2-13X1.5,8,ZAG	
18	1255666GT	SCREW,SHC,M10-1.5X30,DIN912,12.9,ZAB	
19	70381GT	COVER,FLYWHEEL CASTING.....1	1
20	1257421GT	SCREW,HHC,M10-1.5X16,DIN933,10.9,ZAB	
21	128004GT	COUPLER,15 TOOTH,FBA,SAE8***.....1	1

508.1 Deutz D2.9L4, View 4



# PARTS FINDER

**Search Website  
by Part Number**



**Search Manual  
Library For Parts  
Manual & Lookup Part  
Numbers – Purchase  
or Request Quote**

**Search Manuals**

Enter your information to help us find the right parts manual for your machine.

\* Brand:

\* Model:

\* Serial:

\* Part Number:

SEARCH

**Can't Find Part or  
Manual? Request Help  
by Manufacturer,  
Model & Description**

**Parts Order Form**

Please fill in the following information to help us find the right part for your machine.

Manufacturer:	<input type="text"/>
Model:	<input type="text"/>
Description:	<input type="text"/>
Part Number:	<input type="text"/>
Quantity:	<input type="text"/>
Notes:	<input type="text"/>
Submit	<input type="button" value="Submit"/>

Discount-Equipment.com is your online resource for quality parts & equipment.

Florida: **561-964-4949** Outside Florida TOLL FREE: **877-690-3101**

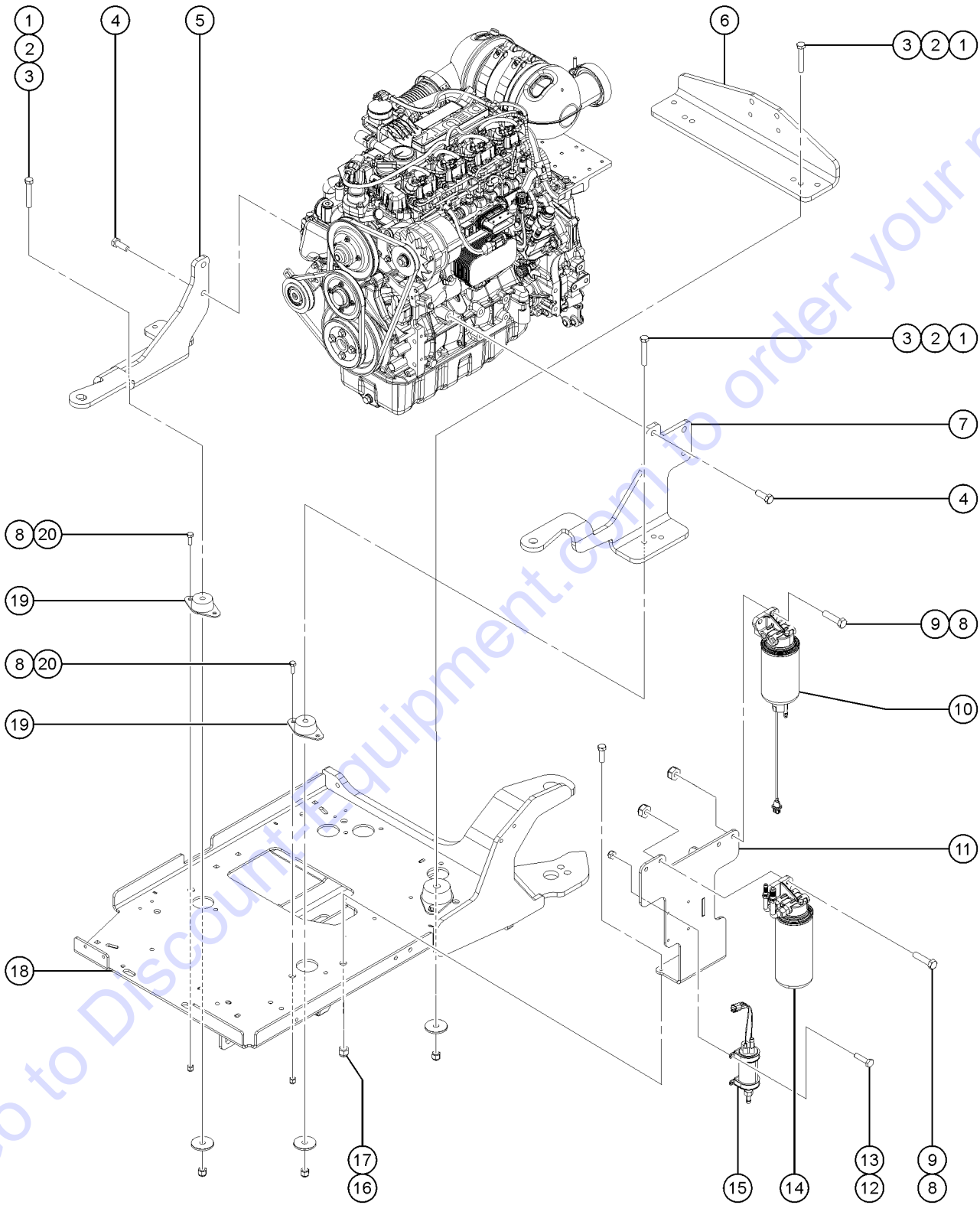
**Need parts?**

Click on this link: <http://www.discount-equipment.com/category/5443-parts/> and choose one of the options to help get the right parts and equipment you are looking for. Please have the machine model and serial number available in order to help us get you the correct parts. If you don't find the part on the website or on one of the online manuals, please fill out the request form and one of our experienced staff members will get back to you with a quote for the right part that your machine needs.

We sell worldwide for the brands: Genie, Terex, JLG, MultiQuip, Mikasa, Essick, Whiteman, Mayco, Toro Stone, Diamond Products, Generac Magnum, Airman, Haulotte, Barreto, Power Blanket, Nifty Lift, Atlas Copco, Chicago Pneumatic, Allmand, Miller Curber, Skyjack, Lull, Skytrak, Tsurumi, Husquvarna Target, Stow, Wacker, Sakai, Mi-T-M, Sullair, Basic, Dynapac, MBW, Weber, Bartell, Bennar Newman, Haulotte, Ditch Runner, Menegotti, Morrison, Contec, Buddy, Crown, Edco, Wyco, Bomag, Laymor, EZ Trench, Bil-Jax, F.S. Curtis, Gehl Pavers, Heli, Honda, ICS/PowerGrit, IHI, Partner, Imer, Clipper, MMD, Koshin, Rice, CH&E, General Equipment, Amida, Coleman, NAC, Gradall, Square Shooter, Kent, Stanley, Tamco, Toku, Hatz, Kohler, Robin, Wisconsin, Northrock, Oztec, Toker TK, Rol-Air, APT, Wylie, Ingersoll Rand / Doosan, Innovatech, Con X, Ammann, Mecalac, Makinex, Smith Surface Prep, Small Line, Wanco, Yanmar

Item	Part No.	Description	Qty.
--	237188GT	ENGINE KIT, DEUTZ D2.9L4 <i>Due to Tier 4 regulations, many engine replacement parts require the engine serial number at time of order placement. When ordering engine parts please have both machine and engine serial numbers available. For internal engine parts, contact engine dealer</i>	
1	823523GT	HOSE,RADIATOR VENT,DEUTZ D2.9....1	
2	119394GT	CLAMP,1.38,#212X3/8,RUB CUSH.....1	
3	30348GT	CLAMP,HOSE,1.00.....2	
4	161938GT	EXPANSION TANK,METAL,D2.9.....1	
--	1254823GT	CAP,RADIATOR,PERKINS(94232) <i>for 161938</i>	
--	1274900GT	SIGHT GLASS <i>for 161938</i>	
5	824078GT	SCREW,HHF,1/4-20X.75,8,ZAG.....3	
6	824027GT	NUT,TL FLG,1/4-20,G,ZAG.....3	
7	1253922GT	FORMING,EXP TANK BAND,D2.9.....2	
--	1254452GT	EXTRUSION,RUBBER STRIP,LG,D2.9.....2 <i>for 1253922</i>	
--	1254453GT	EXTRUSION,RUBBER STRIP,SM,D2.9.....2 <i>for 1253922</i>	
8	1255692GT	FORMING,EXPANSION TANK SUPT.....1	
9	824133GT	SCREW,HHF,M8-1.25X25,DIN6921,10.9,ZAB.1	
10	824092GT	SCREW,HHF,3/8-16X1.5,8,ZAG.....2	
11	824029GT	NUT, TL FLG, 3/8-16, G, ZAG.....2	
12	1254267GT	WDMT,EXPANSION TANK SUPT.....1	
13	162210GT	SENSOR,COOLANT LEVEL,DEUTZ....1	
14	236251GT	ALTERNATOR,95 AMP,DEUTZ.....1	
15	214934GT	FORMING,RAD EXPSN TANK SUPT.....1	
16	1256679GT	NUT,SERRATED,1/4-20,8,ZAG.....1	
17	219437GT	ISOLATOR, VIBRATION.....1	
18	1256599GT	SPACER, FAN, DEUTZ, 29.5MM LNG....1	
19	214682GT	FAN, 10 BLADE, 15".....1	
20	1257231GT	SCREW,HHF,M8-1.25X50,DIN6921,10.9,ZAB.4	
21	1251731GT	HOSE,EXPANSION TANK,D2.9.....1	
22	824600-850	HOSE, HEATER, 1/4", 8.5".....1	
23	21465	CLAMP,HOSE,SIZE .25 TO .63.....4	
24	1282119	2MM ORIFICE UNION,1/4" HOSE.....1	
25	824600-350	HOSE, HEATER, 1/4", 3.5".....1	

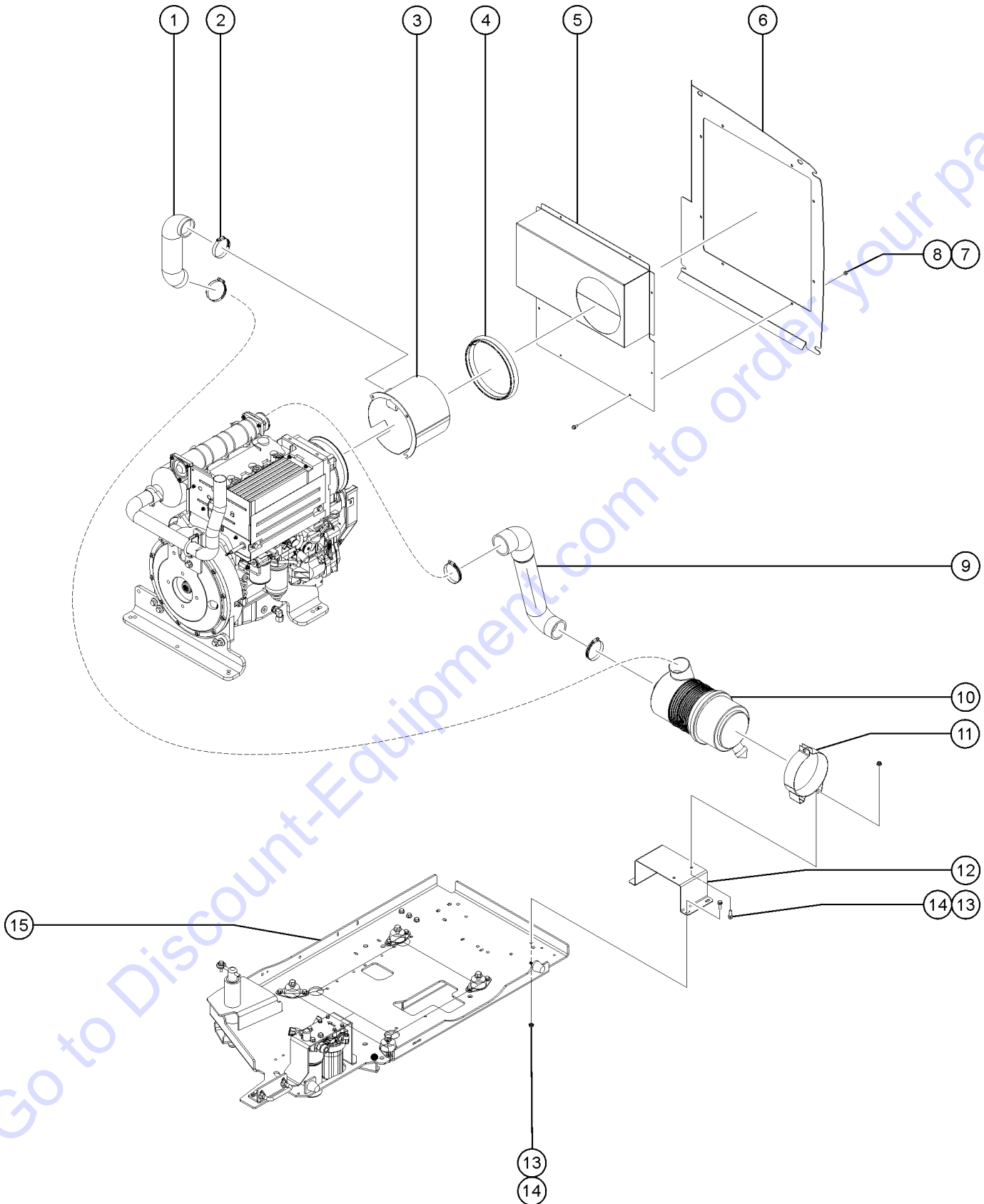
509.1 Deutz D2.9L4, View 5



Item	Part No.	Description	Qty.
--		<i>Due to Tier 4 regulations, many engine replacement parts require the engine serial number at time of order placement. When ordering engine parts please have both machine and engine serial numbers available. For internal engine parts, contact engine dealer</i>	
1	1251994GT	SCREW,HHF,1/2-13X3,8,ZAG	
2	1256283GT	WASHER,FLAT,.5X2.25X.188,ZAG	
3	1251997GT	NUT,TL FLG,1/2-13,G,ZAG	
4	1256776GT	SCREW,HHF,M14-2.0X35,DIN6921,10.9,ZAB	
5	237190GT	FORMING, RIGHT ENGINE MOUNT.....1	
6	237191GT	FORMING, REAR ENGINE MOUNT.....1	
7	237189GT	FORMING, LEFT ENGINE MOUNT.....1	
8	824091GT	SCREW,HHF,3/8-16X1.25,8,ZAG	
9	824029GT	NUT, TL FLG, 3/8-16, G, ZAG	
10	236260GT	PRE-FILTER,FUEL,DEUTZ.....1	
--	162207GT	FITTING,ELBOW,8GS-8FJX90S.....2	
--	162209GT	FITTING,CONN,16MM-8MJ.....2	
11	1257961GT	WELDMENT, FUEL FILTER BRACKET.....1	
12	1251567GT	SCREW,PHPM SEMS ET,10-24X.75,Z	
13	1256467GT	NUT,TL FLG,10-24,F,ZAG	
14	214228GT	FILTER, DEUTZ 2.9, FUEL.....1	
--	1261240GT	CABLE,WIF SENSOR,DEUTZ 2.9	
--	162206GT	FITTING,ELBOW,6GS-6FJX90S.....1	
--	162207GT	FITTING,ELBOW,8GS-8FJX90S.....1	
--	162208GT	FITTING,CONN,16MM-6MJ.....1	
--	162209GT	FITTING,CONN,16MM-8MJ.....1	
--	236260GT	PRE-FILTER,FUEL,DEUTZ	
15	214691GT	FUEL LIFT PUMP, DEUTZ D 2.9.....1	
16	824027GT	NUT,TL FLG,1/4-20,G,ZAG	
17	824079GT	SCREW,HHF,1/4-20X1,8,ZAG	
18	1253827GT	WELDMENT, ENGINE TRAY.....1	
19	70452GT	ISOLATOR,ENGINE VIBRATION*** .....4	
20	824029GT	NUT, TL FLG, 3/8-16, G, ZAG	

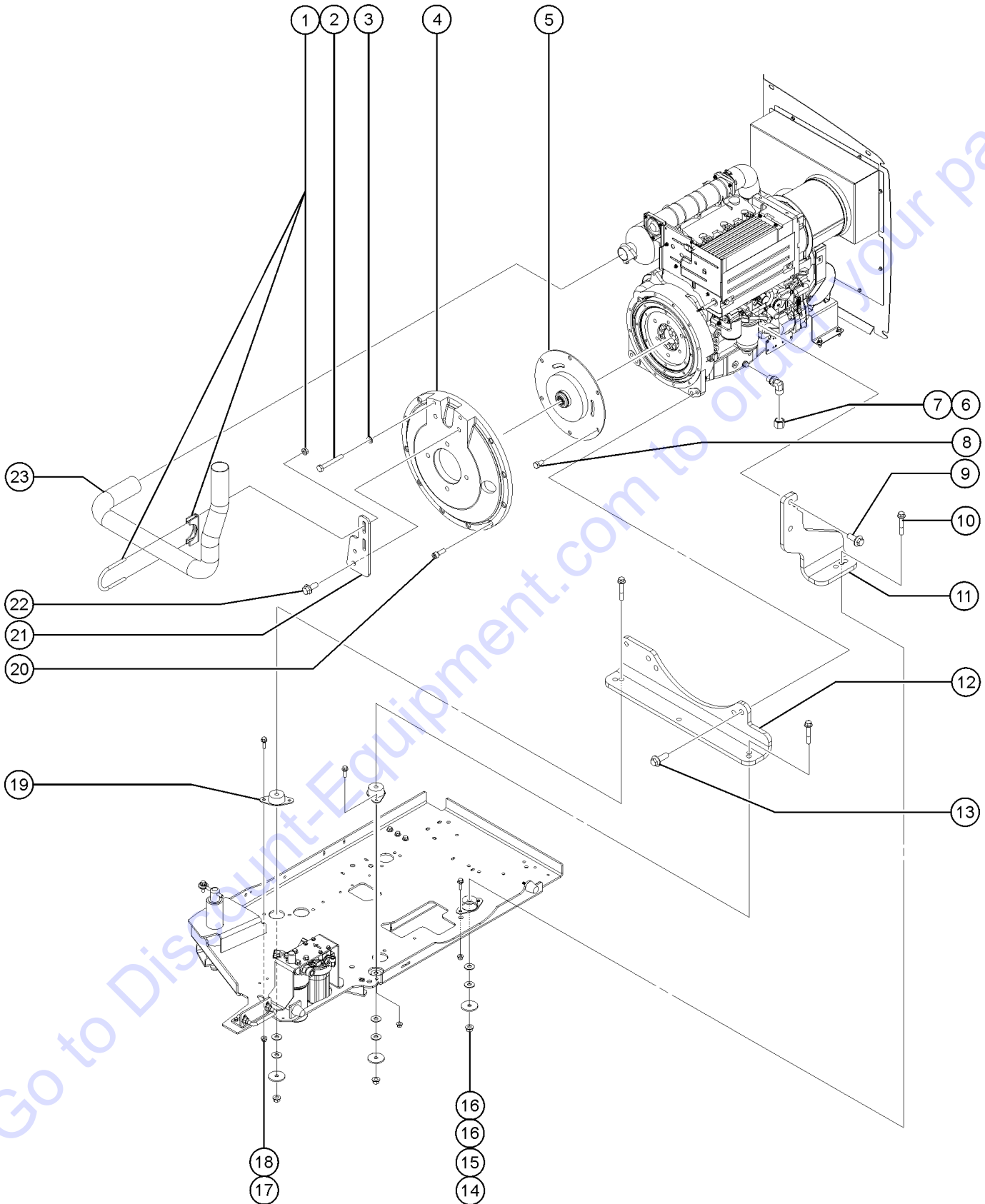


510.1 Deutz, D2011 CHINA III ,View 1



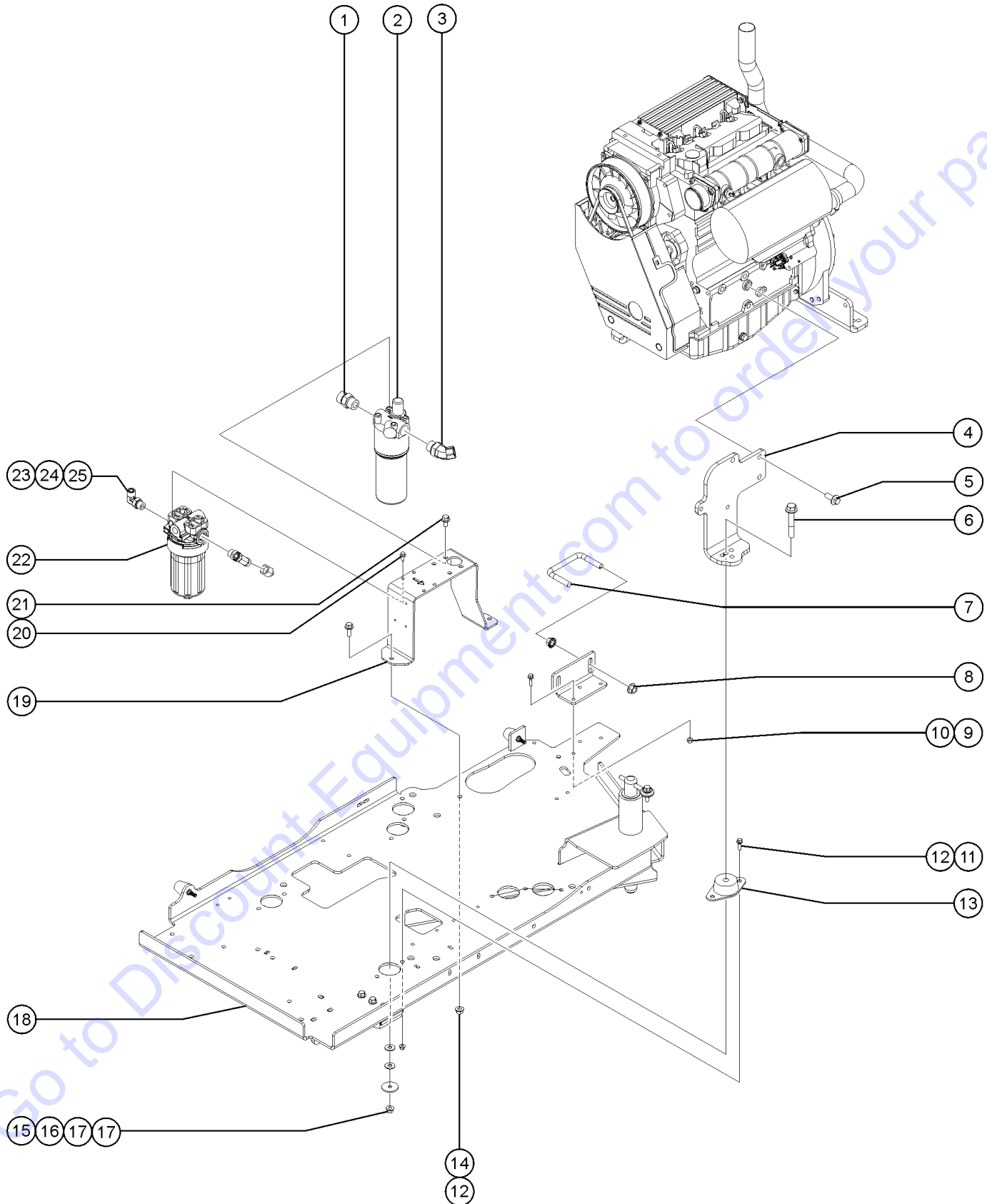
Item	Part No.	Description	Qty.
1	101006GT	TUBE,AIR CLEANER INLET.....	1
2	30971GT	CLAMP,HOSE,3.00".....	4
3	101140GT	WELDMENT,AIR INTAKE TUBE.....	1
4	119219GT	TRIM,EDGE,1/8X3/4 END BULB.....	1
5	70494PGT	FORMING,DEUTZ AIR INTAKE BAF P...1	
6	106172PGT	BAFFLE,AIR INTAKE,PAINTED***.....	1
7	824027GT	NUT,TL FLG,1/4-20,G,ZAG.....	8
8	1256855GT	SCREW,HHF,1/4-20X.625,8,ZAG.....	8
9	70375GT	HOSE,AIR CLEANER.....	1
10	63463GT	AIR CLEANER,NELSON***.....	1
11	53952GT	BRKT,AIR CLEANER ORIENTATION**.....	1
12	70351PGT	FORMING,AIR CLEANER MOUNT PNTD.....	1
13	824086GT	SCREW,HHF,5/16-18X1,8,ZAG.....	5
14	1255805GT	NUT,SERRATED,5/16-18,8,ZAG.....	5
15	1261568GT	ASSEMBLY, S60 ENGINE TRAY.....	1

511.1 Deutz, D2011 CHINA III ,View 2



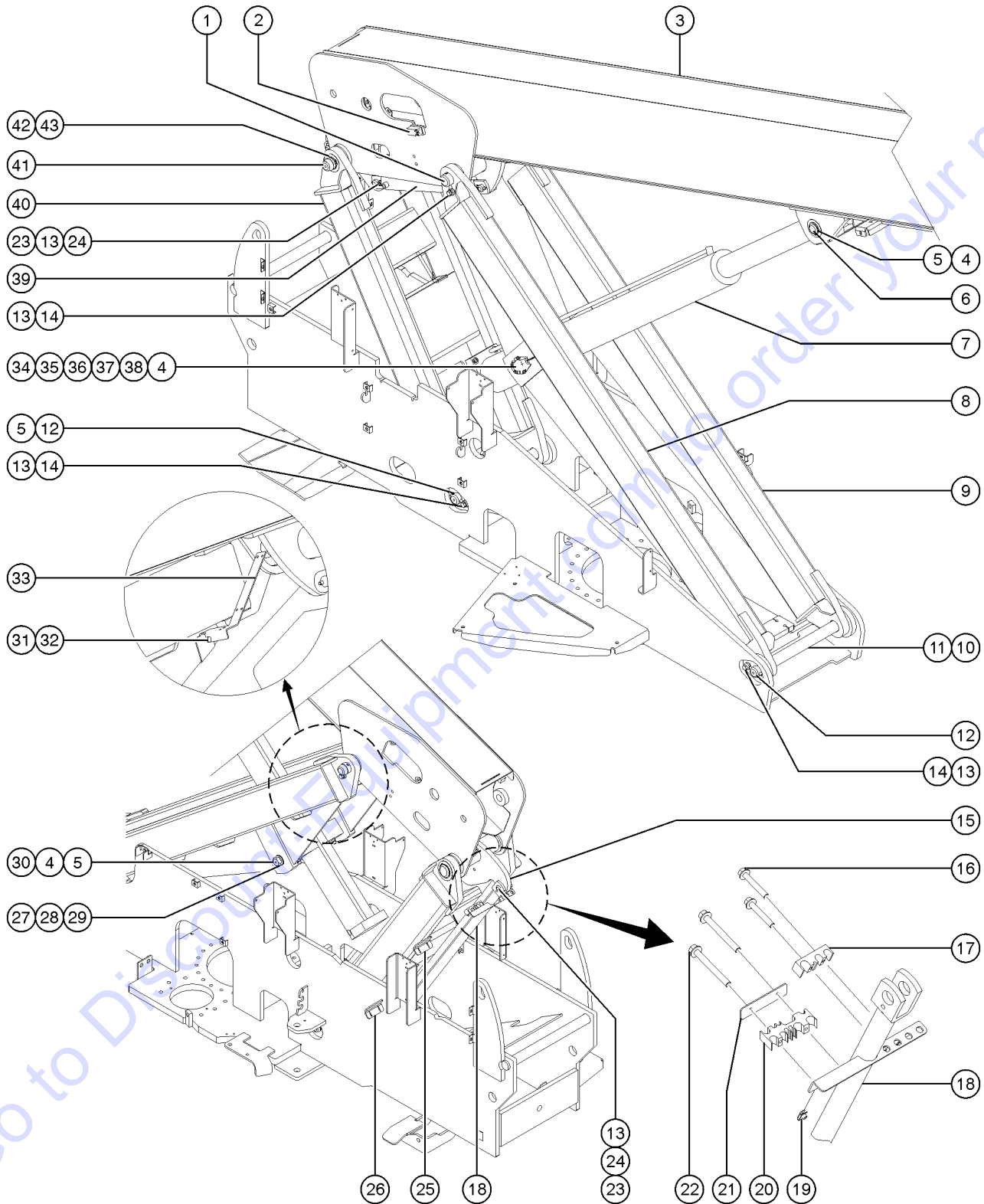
Item	Part No.	Description	Qty.
1	70385GT	CLAMP,EXHAUST,2.00 PLATED.....	2
2	67631GT	SCREW,HHC,M10 X 80 GR 8.8.....	2
3	22699GT	WASHER,FLAT,M10,ZINC PLTD.....	2
4	70381GT	COVER,FLYWHEEL CASTING.....	1
5	128004GT	COUPLER,15 TOOTH,FBA,SAE8***.....	1
6	54428GT	FITTING,HYDRAULIC,90DEG,O-RING...1	
7	69775GT	CAP,520112-8.....	1
8	825351GT	SCREW,HHC,M10-1.5X20,DIN933,10...6	
9	1256776GT	SCREW,HHF,M14-2.0X35,DIN6921,10.9,ZAB.2	
10	1251994GT	SCREW,HHF,1/2-13X3,8,ZAG.....	4
11	70460GT	FORMING,ENGINE MOUNT,FR***.....	1
12	70459PGT	FORMING,REAR ENGINE MOUNT PNT*.....	1
13	1251899GT	SCREW,HHF,M14-2.0X40,DIN6921,10.9,ZAB.4	
14	1251997GT	NUT,TL FLG,1/2-13,G,ZAG.....	4
15	1256283GT	WASHER,FLAT,.5X2.25X.188,ZAG.....	4
16	1255760GT	WASHER,FLAT,1/2,USS,ZAG.....	8
17	824029GT	NUT, TL FLG, 3/8-16, G, ZAG.....	8
18	824091GT	SCREW,HHF,3/8-16X1.25,8,ZAG.....	8
19	70452GT	ISOLATOR,ENGINE VIBRATION***.....	4
20	1255666GT	SCREW,SHC,M10-1.5X30,DIN912,12.9,ZAB.10	
21	70472PGT	FORMING,SOLENOID MOUNT PAINT...1	
22	1255469GT	SCREW,HHF,1/2-13X1.25,8,ZAG.....	1
23	822693GT	TAILPIPE, DEUTZ, TPEM & ROW.....	1

512.1 Deutz, D2011 CHINA III ,View 3



Item	Part No.	Description	Qty.
1	48960GT	FITTING,CONN,520120-12***.....1	1
2	60334GT	FILTER ASSY,HIGH PRESS SAE-12*.....1	1
3	48963GT	FITTING,ELBOW,45D,520320-12***.....1	1
4	70461GT	FORMING,ENGINE MOUNT,FL***.....1	1
5	1256776GT	SCREW,HHF,M14-2.0X35,DIN6921,10.9,ZAB.3	
6	1251994GT	SCREW,HHF,1/2-13X3,8,ZAG.....1	1
7	1259855GT	UBOLT, 0.4724 IN D X 4.0 IN L.....1	1
8	1261724GT	NUT,SERRATED,1/2-13,8,ZAG.....4	4
9	824027GT	NUT,TL FLG,1/4-20,G,ZAG.....3	3
10	824079GT	SCREW,HHF,1/4-20X1,8,ZAG.....3	3
11	824091GT	SCREW,HHF,3/8-16X1.25,8,ZAG.....2	2
12	824029GT	NUT, TL FLG, 3/8-16, G, ZAG.....4	4
13	70452GT	ISOLATOR,ENGINE VIBRATION***.....1	1
14	824090GT	SCREW,HHF,3/8-16X1,8,ZAG.....2	2
15	1251997GT	NUT,TL FLG,1/2-13,G,ZAG.....1	1
16	1256283GT	WASHER,FLAT,.5X2.25X.188,ZAG.....1	1
17	1255760GT	WASHER,FLAT,1/2,USS,ZAG.....2	2
18	1253827GT	WELDMENT, ENGINE TRAY.....1	1
19	161603GT	FORMING, FILTER BRKT.....1	1
20	1256855GT	SCREW,HHF,1/4-20X.625,8,ZAG.....4	4
21	824089GT	SCREW,HHF,3/8-16X.75,8,ZAG.....4	4
22	1267807GT	ASSY, MED. PRESS. FILTER, SAE8.....1	1
23	48932GT	FITTING,ELBOW,90D,520220-8***.....1	1
24	48936GT	TEE,BRANCH,520429-8.....1	1
25	48941GT	REDUCER,520123-8-4.....1	1

601.1 Linkage Assembly



601.1 Linkage Assembly

Item	Part No.	Description	Qty.	Item	Part No.	Description	Qty.
1	88665GT	PIN,2.25DIAX19.25LG,CHAMFER.....1		--	88919GT	BEARING,FL,2.25IDX2.50ODX1.63L <i>(sold separately)</i>	
2		Ref: Primary Ext/Ret Harness.....1 <i>refer to 308.1</i>		16	824082GT	SCREW,HHF,1/4-20X1.75,8,ZAG.....2	
3		Ref: Boom Tube #1.....1 <i>refer to 602.1</i>		17	824550GT	CLAMP, TIMING LINK, LH	
4	1253815GT	SNAP RING,EXTERNAL,2.00,ZAG.....2		18	88675GT	WELDMENT,MASTER LINK.....1	
5	1256864GT	WASHER,FLAT,2.01X3.5X.06,ZAG.....9		19	25969GT	CLIP,SPRING,1/4-20 BLACK.....4	
6	88872GT	PIN,2.00DIAX11.18LG,2RING.....1		20	824546GT	CLAMP, TIMING LINK, RH	
7	101252GT	SEAL KIT (88653) <i>for 88653</i>		21	227125GT	BAR, CLAMP, TIMING LINK.....1	
7	1262331GT	KIT, GLAND NUT, S60 LIFT CYL. <i>for 88653</i>		22	824083GT	SCREW,HHF,1/4-20X2.5,8,ZAG.....2	
7	1268376GT	NUT, PISTON, LIFT CYLINDER <i>for 88653</i>		23	50742GT	PIN,1.25DIAX3.75LG,1HOLE.....1	
7	1268377GT	SET SCREW, LIFT CYLINDER <i>for 88653</i>		24	1255452GT	ROD END,.375 X 2.25,ZAG.....2	
7	18720GT	BEARING,2.0IDX2.25ODX1.50L <i>for 88653</i>		25		Ref: Ref: Harness LS, OP, Primary Angle.....1 <i>refer to 308.1</i>	
7	61602GT	VALVE,COUNTERBAL.CBBB-LHN@3500 <i>for 88653</i>		--	88356-11103GT	SWITCH,LIMIT,W/RLLR ARM,NO/NC**....1	
7	88653GT	CYLINDER,LIFT,S60***.....1 <i>for all S-60 and S-65 models</i>		26A		Ref: Ref: Harness LS, OP, Primary Velocity.....1 <i>refer to 308.1</i>	
--	101252GT	SEAL KIT (88653) <i>for 88653</i>		--	88356-11103GT	SWITCH,LIMIT,W/RLLR ARM,NO/NC**....1	
--	1262331GT	KIT, GLAND NUT, S60 LIFT CYL. <i>for 88653</i>		26B		Ref: Ref: Harness LS, Safety, Primary Velocity.....1 <i>refer to 308.1</i>	
--	1268376GT	NUT, PISTON, LIFT CYLINDER <i>for 88653</i>		--	88356-13103GT	SWITCH,LIMIT,W/RLLR ARM,NO/NC.....1	
--	1268377GT	SET SCREW, LIFT CYLINDER <i>for 88653</i>		27	1256107GT	SCREW,HHC,1/2-13X4.5,8,ZAG.....2	
--	18720GT	BEARING,2.0IDX2.25ODX1.50L <i>for 88653</i>		28	1255760GT	WASHER,FLAT,1/2,USS,ZAG.....2	
--	61602GT	VALVE,COUNTERBAL.CBBB-LHN@3500 <i>for 88653</i>		29	1251997GT	NUT,TL FLG,1/2-13,G,ZAG	
8	139601GT	ASSY, LONG LINK LT W/BEARINGS.....1		30	88666GT	PIN,2 X 5.75 LG.....1	
--	18722GT	BEARING,2.25IDX2.50ODX1.50L***		31	824091GT	SCREW,HHF,3/8-16X1.25,8,ZAG	
--	88920GT	BEARING,FL,2.00IDX2.25ODX1.50L		32	824029GT	NUT, TL FLG, 3/8-16, G, ZAG	
9	139602GT	ASSY, LONG LINK RT W/BEARINGS.....1		33	230497GT	FORMING,ANGLE SENSOR CABLE.....1	
--	18722GT	BEARING,2.25IDX2.50ODX1.50L***		34	147834GT	ASSY, ANGLE SENSOR AND COVER...1 <i>all models</i>	
--	88920GT	BEARING,FL,2.00IDX2.25ODX1.50L		--	110452GT	COVER,STEERING SENSOR	
10	110908GT	WELDMENT, LONG LINK SPACER.....1		--	60746GT	BUSHING, STRAIN RELIEF, 1"	
11	1253498GT	SCREW,HHF,1/2-13X1.5,8,ZAG		--	6607GT	WASHER,LOCK,#10 PLTD	
12	88676GT	PIN,2.00DIAX24.00LG,CHAMFER***.....2		--	75041GT	SCREW,PHILLIPS,PHM,10-32 X 1	
13	824090GT	SCREW,HHF,3/8-16X1,8,ZAG		--	94980GT	SENSOR,DUAL OUTPUT,ANGLE***	
14	1256267GT	ROD END, 5 X 3.75,ZAG.....2		35	824078GT	SCREW,HHF,1/4-20X.75,8,ZAG.....1	
15	77672GT	WELDMENT,TIMING LINK CAM.....1 <i>(bearings not included)</i>		36	147571GT	KEY, HEX, 5/16" X 2.50"LG,SS.....1	
--	30370GT	BEARING,1.25IDX1.5ODX1.00L <i>(sold separately)</i>		37	147842GT	PIN, LIFT CYL, HEX END.....1	
				38	1257079GT	WASHER,FLAT,2.01X2.25X.06,ZAG.....1	
				39	81694GT	CYLINDER,MASTER.....1 <i>S-60 and S65 models</i>	
				--	75470GT	SEAL KIT,CYL,S45 MASTER(81694) <i>for 81694</i>	
				40	T106508GT	SHORT LINK W/BEARINGS, SERVICE.....1 <i>(includes items 41-43)</i>	



601.1 Linkage Assembly  
(continued)

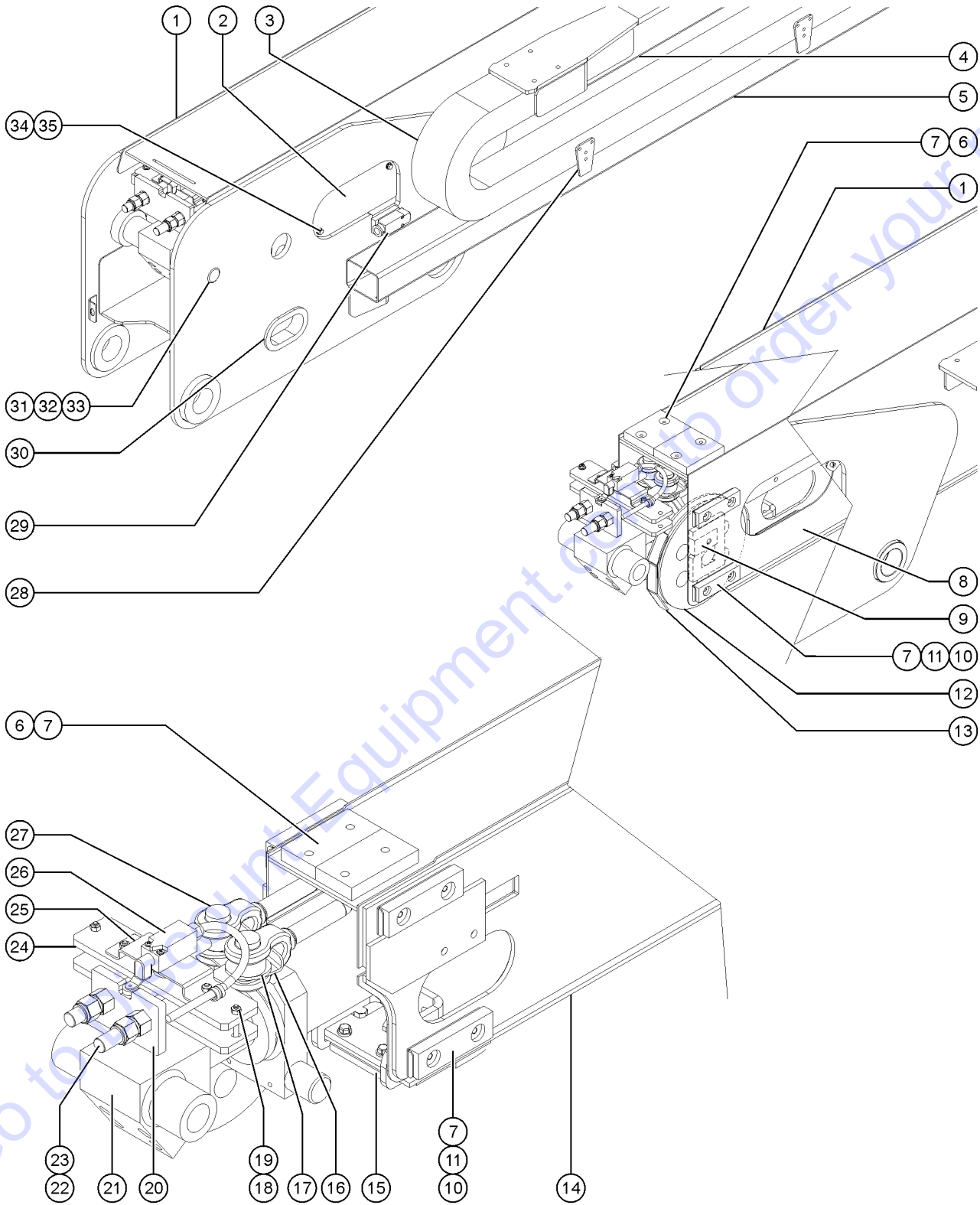
Item	Part No.	Description	Qty.
--	18720GT	BEARING,2.0IDX2.25ODX1.50L.....2	
--	18722GT	BEARING,2.25IDX2.50ODX1.50L***.....2	
--	T106413GT	WELDMENT, SHORT LINK, S60/65.....1	
41	119990GT	PIN,2.25DIAX18.75LG,CHAMFER.....1	
42	1257080GT	WASHER,FLAT,2.27X3.5X.06,ZAG.....6	
43	1254639GT	SNAP RING,EXTERNAL,2.25,ZAG.....2	

Go to Discount-Equipment.com to order your parts

*This Page Intentionally Left Blank*

Go to [Discount-Equipment.com](http://Discount-Equipment.com) to order your parts

602.1 Boom Components, View 1



602.1 Boom Components, View 1

Item	Part No.	Description	Qty.	Item	Part No.	Description	Qty.
1	147224GT	WELDMNT,BOOM SECTION # 1***.....1 <i>for decal refer to section 100</i>	1	--	34245GT	BEARING,1.25IDX1.50X1.25L.....2	2
--	18720GT	BEARING,2.0IDX2.25ODX1.50L.....2 <i>sold separately</i>	2	15	77718GT	WEAR PAD,5 X 3 X .75.....1	1
--	30370GT	BEARING,1.25IDX1.5ODX1.00L.....1 <i>sold separately</i>	1	--	1283442GT	SHIM, WEAR PAD, 3X5 <i>not Included, Sold Separately</i>	
--	88919GT	BEARING,FL,2.25IDX2.50ODX1.63L.....4 <i>sold separately</i>	4	--	34344GT	SHIM,SIDE PAD 16GA. 3 X 5 <i>not Included, Sold Separately</i>	
1A	T108890GT	#1 BOOM TUBE ASSY,W/WORD DECAL.....1 <i>for decal refer to section 100</i>	1	--	38621GT	SHIM,PAD,5 X 3 <i>not Included, Sold Separately</i>	
1B	T108891GT	#1 BOOM TUBE ASSY,W/SYM DECAL <i>for decal refer to section 100</i>		--	824090GT	SCREW,HHF,3/8-16X1.8,ZAG <i>not Included, Sold Separately</i>	
2A	77882PGT	COVER,RH,BOOM SECTION #1.....1	1	16	77618PGT	PLATE,ANTIROTATION.....1	1
2B	147403GT	COVER,LH,BOOM SECTION #1.....1	1	17	1256119GT	WASHER,SHIM,1.01X1.63X.062,ZAG...2	2
3		Ref: Cable Track.....1 <i>refer to 609.1</i>	1	18	824027GT	NUT,TL FLG,1/4-20,G,ZAG.....2	2
4		Ref: Cable Track Tube.....1 <i>refer to 609.1</i>	1	19	824083GT	SCREW,HHF,1/4-20X2.5,8,ZAG.....2	2
5		Ref: Cable Track Tray.....1 <i>refer to 609.1</i>	1	20	77795GT	MACHINED PIVOT PLATE WELDMNT.....1	1
6	34124GT	WEAR PAD,5 X 3 X .625 W/NUTS.....4	4	21	88571GT	CYLINDER,BOOM EXTENSION.....1	1
--	1283442GT	SHIM, WEAR PAD, 3X5		--	101251GT	SEAL KIT (88571)	
--	34344GT	SHIM,SIDE PAD 16GA. 3 X 5		--	74872GT	VALVE,COUNTERBALANCE 3000 PSI*.....1	1
7	824089GT	SCREW,HHF,3/8-16X.75,8,ZAG		--	88667GT	VALVE,CB.CBCA-LHN@1500PSI***.....1	1
8A	147617GT	WELDMNT, BOOM SECTION #2.....1 <i>S-60X models</i>	1	22	77656GT	ROD END,CABLE	
8B	63078GT	WELDMNT,BOOM SECTION #2***.....1 <i>S-60, S-65, S-60TRAX and S-65TRAX models</i>	1	23	824030GT	NUT, TL FLG, 3/4-10, G, ZAG	
9	88795PGT	CAP,EXTENSION,PAINTED.....1	1	24	77654PGT	PLATE,ROCKER.....2	2
--	824090GT	SCREW,HHF,3/8-16X1.8,ZAG <i>not Included, Sold Separately</i>		25	77653PGT	FORMING,LIMIT SWITCH BRACKET.....1	1
10	30138GT	WEAR PAD,5 X 1.5 X .625 W/NUTS		--	824027GT	NUT,TL FLG,1/4-20,G,ZAG <i>not Included, Sold Separately</i>	
11	1283888GT	SHIM,WEAR PAD,5X1.5,16GA <i>qty as needed</i>		--	824079GT	SCREW,HHF,1/4-20X1.8,ZAG <i>not Included, Sold Separately</i>	
11	29080GT	SHIM,WEAR PAD,5X 1.5 16GA <i>qty as needed</i>		26		Ref: Harness, Cable Tension Limit Switch.....1 <i>refer to 308.1</i>	1
12	88568GT	SHEAVE,RETRACT CABLE(SMALLER).....2	2	--	119067GT	CONN,RECEP 4 WAY ENDCAP DT	
13	107665PGT	COVER,RETRACT SHEAVE,PAINTED.....1	1	--	19491GT	CONTACTOR,LIMIT SWITCH	
14	63079GT	WELDMNT,BOOM SECTION # 3.....1	1	--	43960GT	WIRE CABLE,16/4 CON.TPE JKT.....15	15
--	34245GT	BEARING,1.25IDX1.50X1.25L.....2	2	--	60443GT	LOCK,RECEP 4 WAY,14-18GA	
14A	94692GT	ASSEMBLY,BOOM TUBE #3 S60/65**.....1 <i>USA, Canada and Australia models</i>	1	--	73713GT	TERM,NI PIN,S&F,16-18GA,REEL	
--	34245GT	BEARING,1.25IDX1.50X1.25L.....2	2	--	73725GT	BOOT,DTSCH,DTP4-BT	
14B	119567GT	ASSEM,BOOM TUBE #3 S60/65,CE** <i>South America, Asia and Europe models</i>		--	88356-13103GT	SWITCH,LIMIT,W/RLLR ARM,NO/NC	
				--	97128GT	ROLLER ARM,LIMIT SWITCH***	
				27	19440GT	PIN,CLEVIS,1 X 2.5 LG.....2	2
				28		Ref: Cable Track Guide.....10 <i>refer to 609.1</i>	10
				29		Ref: Harness, Primary Ext/Ret Limit Switch.....1 <i>refer to 308.1</i>	1
				--	88356-14963GT	SWITCH,LIMIT,W/RLLR ARM,NO/NC	

602.1 Boom Components, View 1  
(continued)

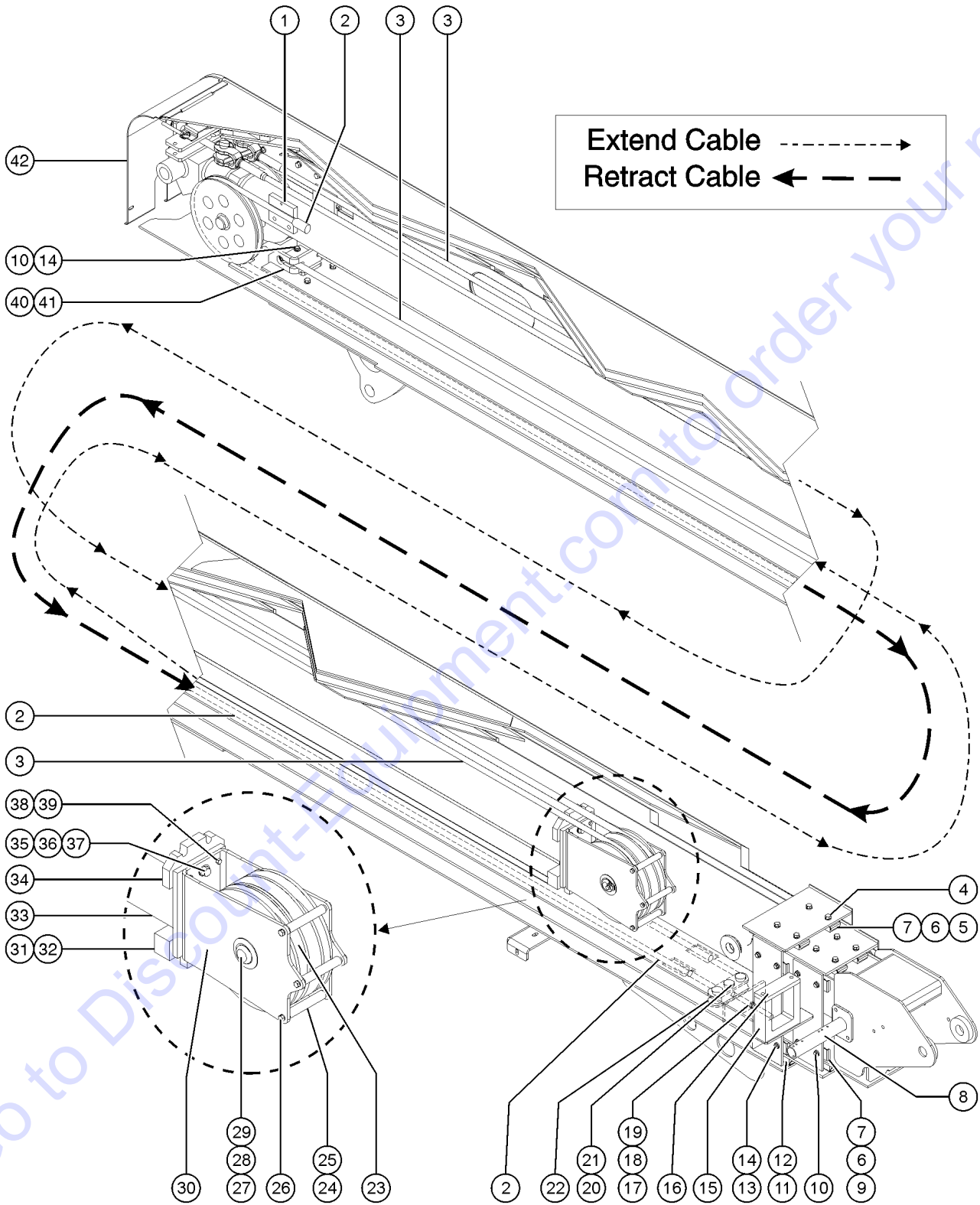
Item	Part No.	Description	Qty.
30	71768GT	GROMMET,4.00 GRV. X .75 THK.....1	
31	81856GT	PIN,1.50DIAX13.43LG,2RING.....1	
32	825796GT	SNAP RING,EXTERNAL,1.50,ZAG.....2	
33	1251565GT	WASHER,SHIM,1.56X2.5X.061,ZAG	
34	824078GT	SCREW,HHE,1/4-20X.75,8,ZAG	
35	56912GT	SPRING CLIP,1/4-20,.025-.15X.54,ZAG	

Go to Discount-Equipment.com to order your parts

***This Page Intentionally Left Blank***

Go to [Discount-Equipment.com](http://Discount-Equipment.com) to order your parts

603.1 Boom Components, View 2

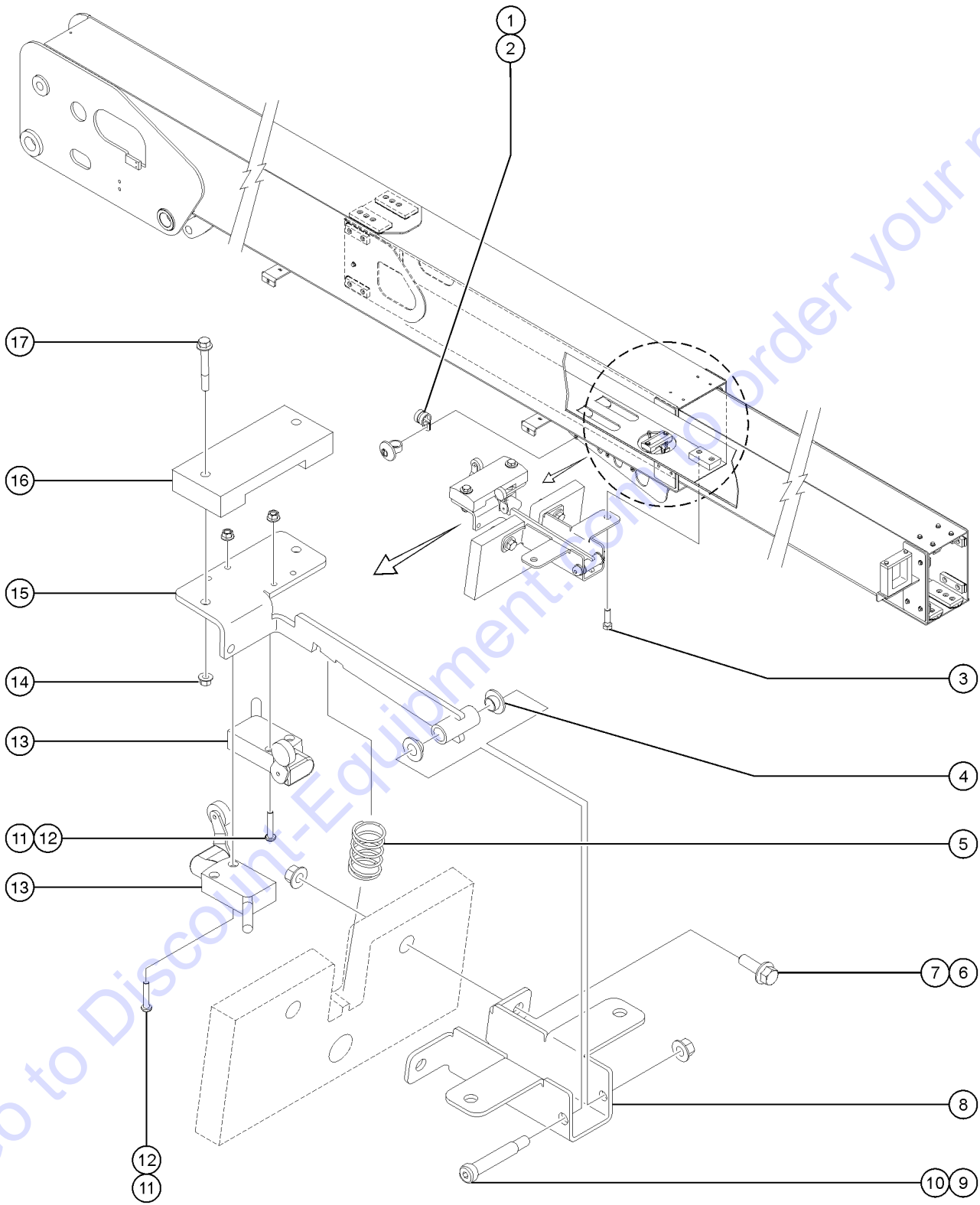


603.1 Boom Components, View 2

Item	Part No.	Description	Qty.	Item	Part No.	Description	Qty.
A	214690GT	KIT,EXTEND/RETRACT CABLE,S60 <i>(includes items 2 &amp; 3) (for easier installation, suggest ordering 94510, below)</i>		34	139385GT	GUIDE, EXT CABLE, TOP.....	1
B	94510GT	TOOL,CABLE GRIP, 7/16" <i>for installation of 214690</i>		35	1255782GT	SCREW,HHC,1/2-13X2.0,8,ZAG.....	2
1	77616PGT	PLATE,BOTTOM BLOCK,PAINTED.....	1	36	825353GT	WASHER,FLAT,1/2,SAE,HRD,ZAG	
2	110340GT	CABLE ASSY, RETRACT SET (PAIR)..... <i>(one end mounts at the base, the other end mounts at the top of the mast)</i>	1	37	1256106GT	NUT,TL,1/2-13,C,ZAG	
3	110339GT	CABLE ASSY, EXTEND SET(PAIR)..... <i>(both ends mount at the base of the mast)</i>	1	38	1252978GT	SCREW,HHC,3/8-16X2.25,8,ZAG	
4	824090GT	SCREW,HHF,3/8-16X1.8,ZAG.....	8	39	824029GT	NUT, TL FLG, 3/8-16, G, ZAG	
5	30138GT	WEAR PAD,5 X 1.5 X .625 W/NUTS.....	8	40	77688GT	WELDMENT,EXTENSION BRACKET.....	1
6	38620GT	SHIM,WEAR PAD,5 X 1.5,14GA.....	16	41	77713PGT	PLATE,TAP BLOCK.....	1
7	1283888GT	SHIM,WEAR PAD,5X1.5,16GA.....	16	42	101066PGT	COVER,PRIMARY BOOM,PAINTED.....	1
8		Ref: Weldment Track Pull Tube..... <i>refer to 609.1</i>	1				
9	34125GT	WEAR PAD,5 X 1.5 X .75 W/NUTS.....	8				
10	824091GT	SCREW,HHF,3/8-16X1.25,8,ZAG					
11	1283442GT	SHIM, WEAR PAD, 3X5.....	4				
12	77718GT	WEAR PAD,5 X 3 X .75.....	4				
13	1255629GT	SCREW,BHC,3/8-16X1.25,F835,ZAG					
14	824110GT	WASHER,LOCK,3/8,ZAG					
15		Ref: Hose/Cable Clamps..... <i>refer to 609.1</i>	1				
16		Ref: Bar Clamp, Cable Track..... <i>refer to 609.1</i>	1				
17	77051GT	NUT,NYLOCK,3/4-10,GRD.8					
18	33278GT	WASHER,FLAT,.75 HARDENED					
19	77656GT	ROD END,CABLE					
20	826379GT	PIN,CLEVIS,1X2.250,ZAG.....	4				
21	13635-10GT	PIN,COTTER,.156 X 1.75.....	4				
22	88796GT	PLATE,RETRACTION CABLE EQUALIZ.....	2				
23	88567GT	SHEAVE,EXTENSION CABLE(LARGER).....	1				
24	77648GT	ROLLER,1/2" PVC.....	1				
25	77649GT	ROLLER,1/2" ALUMINUM.....	1				
26	824078GT	SCREW,HHF,1/4-20X.75,8,ZAG.....	3				
27	88793GT	PIN,1.5 X 5.50 LG.....	1				
28	825796GT	SNAP RING,EXTERNAL,1.50,ZAG.....	2				
29	1251565GT	WASHER,SHIM,1.56X2.5X.061,ZAG					
30	139384GT	BRACKET, EXTEND SHEAVE.....	1				
31	139288GT	GUIDE, EXT. CABLE, BOTTOM.....	1				
32	1256122GT	SCREW,HHC,3/8-16X4,8,ZAG.....	2				
33		Ref: Extension Cylinder <i>refer to 602.1</i>					



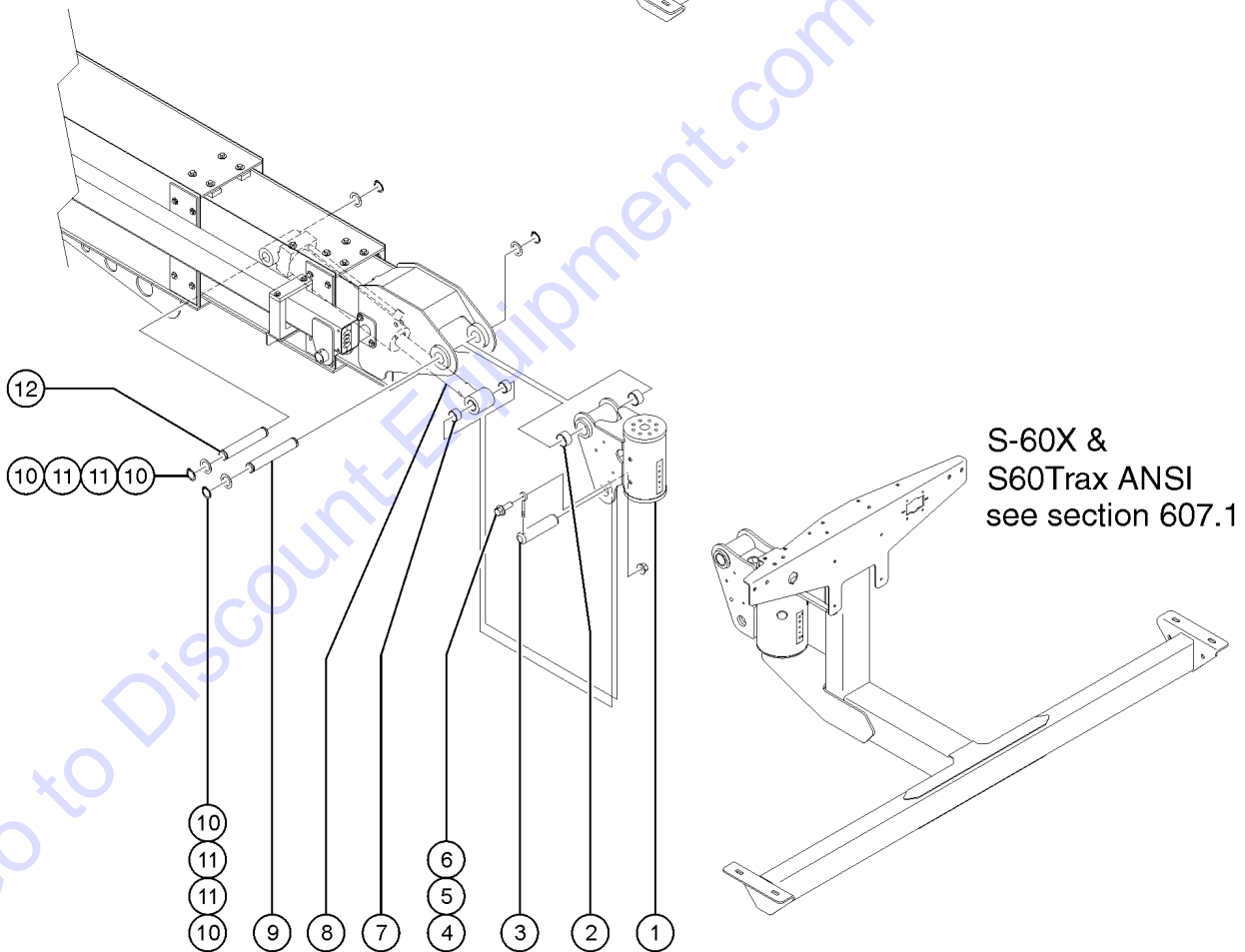
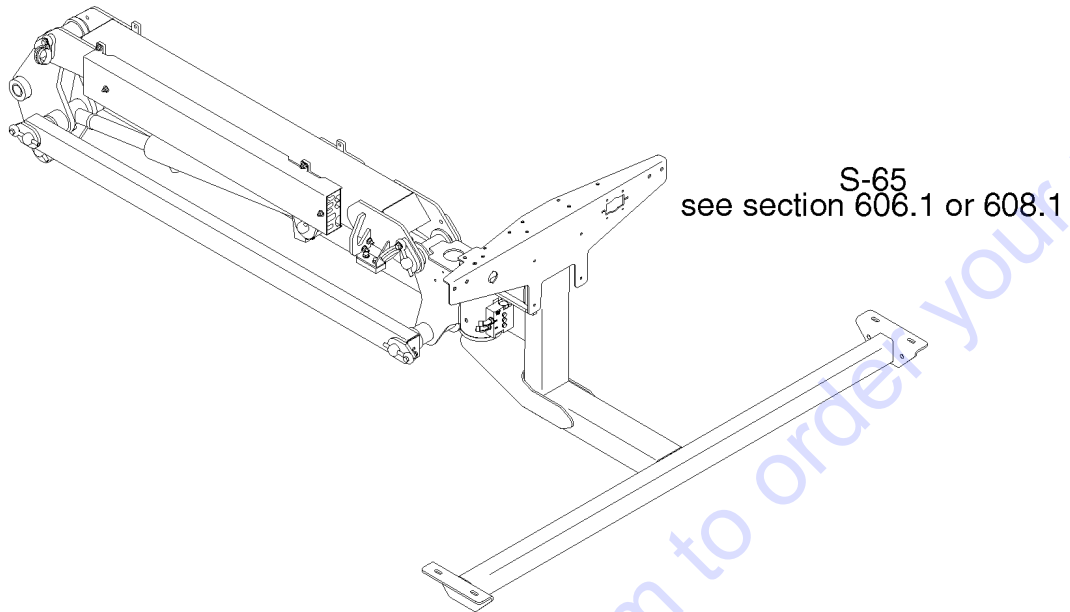
604.1 Boom Limit Switch -S-60X, ANSI Models



## 604.1 Boom Limit Switch -S-60X, ANSI Models

Item	Part No.	Description	Qty.
1	45470GT	CLAMP,0.31,#5 X 1/4,RUB CUSH.....1	1
2	56361GT	CABLE TIE,BUTTON,BLACK,14.75LG...3	3
3	824068GT	SCREW,HHC,3/8-16X1.25,8,ZAG.....2	2
4	47222GT	WASHER,SHOULDER,NYLON.....2	2
5	T112459GT	SPRING,0.984"OD X 1.50"LG.....1	1
6	824092GT	SCREW,HHF,3/8-16X1.5,8,ZAG.....2	2
7	824029GT	NUT, TL FLG, 3/8-16, G, ZAG.....2	2
8	147504GT	COVER, LIMIT SWITCH ARM MOUNT...1	1
9	1257863GT	BOLT,SHS,3/8X1.75X5/16-18,ZAG.....1	1
10	824028GT	NUT,TL FLG,5/16-18,G,ZAG.....1	1
11	1258189GT	SCREW,PHPM,8-32X1,ZAG.....4	4
12	1255803GT	NUT,TL FLG,8-32,F,ZAG.....4	4
13	<del>1366414B61GT</del> 1366414B61GT	LIMIT SWITCH,BLUE,MICRO.....2	2
14	824027GT	NUT,TL FLG,1/4-20,G,ZAG.....2	2
15	230329GT	WELDMENT, LIMIT SWITCH ARM.....1	1
16	230331GT	WEARPAD, LIMIT SWITCH GUIDE.....1	1
17	824081GT	SCREW,HHF,1/4-20X1.5,8,ZAG.....2	2

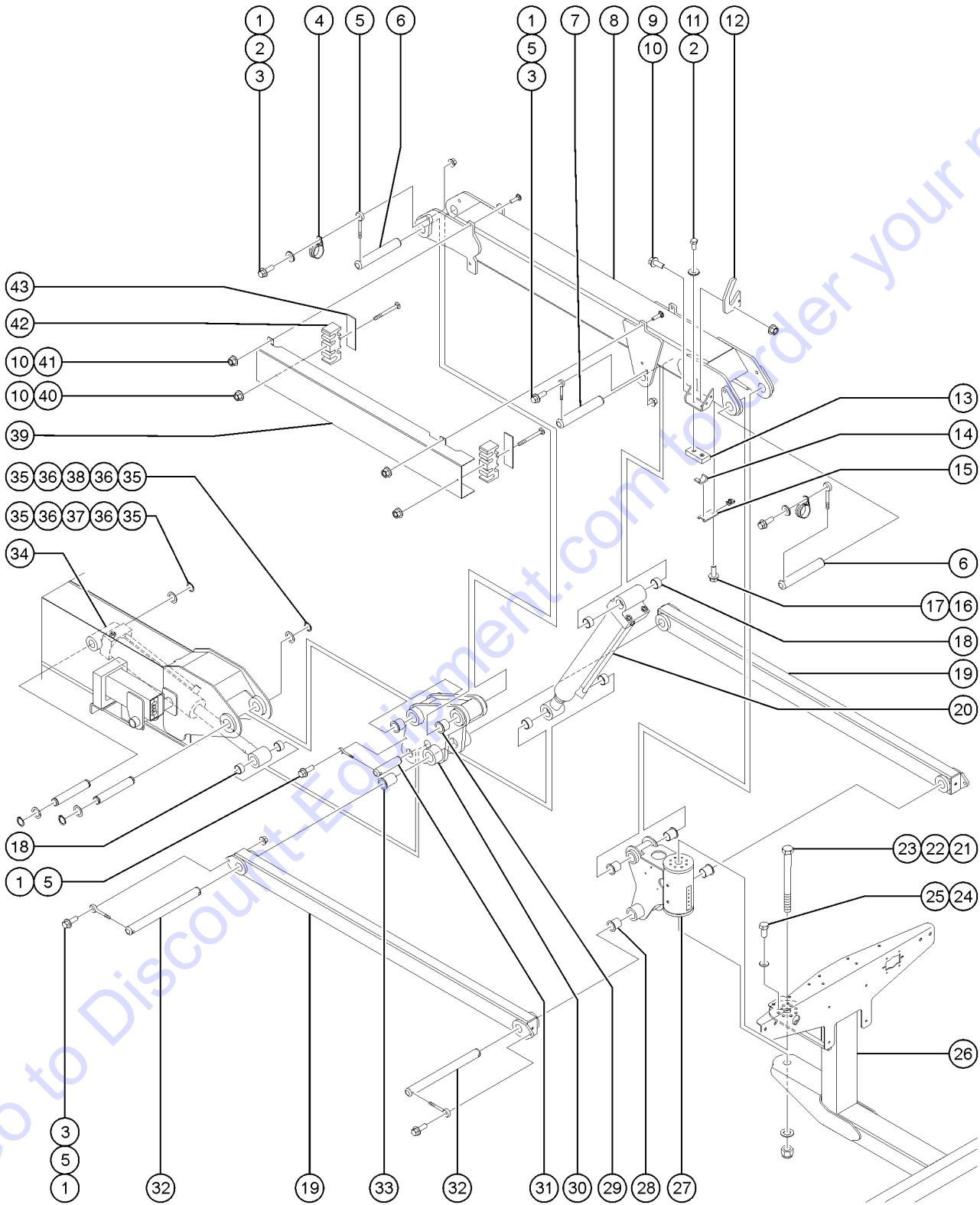
605.1 Boom End Components, S-60, and S-65TraX



## 605.1 Boom End Components, S-60, and S-65TraX

Item	Part No.	Description	Qty.
1	88576GT	ROTATOR, NON-JIB.....1 <i>Includes item 2; S-60 CE only</i>	1
--	122944GT	SEAL KIT, 8K ROTATOR***	
--	88516GT	SCREW, BLEEDER, M5X0.8	
2	30370GT	BEARING, 1.25IDX1.5ODX1.00L.....4	4
3	T108075GT	PIN, 1.25DIAX5.25LG, 1HOLE.....1	1
4	824091GT	SCREW, HHF, 3/8-16X1.25, 8, ZAG.....1	1
5	825019GT	ROD END, .375X3.69, ZAG.....1	1
6	824029GT	NUT, TL FLG, 3/8-16, G, ZAG.....1	1
7	25683GT	BEARING, POLYGON, 20DU12.....4	4
8	63566GT	CYLINDER, PLATFORM LEVEL*** .....1 <i>Includes item 7</i>	1
--	101254GT	SEAL KIT (63566)	
--	77303GT	VALVE, CNTRBAL 3500 PSI, ATM VEN	
9	T111124GT	PIN, 1.25DIAX8.42LG, 2RING.....1	1
10	824164GT	SNAP RING, EXTERNAL, 1.25, ZAG.....4	4
11	824151GT	WASHER, SHIM, 1.270X2.130X.062, Z, as-needed	
12	88870GT	PIN, 1.25DIAX7.47LG, 2RING.....1	1

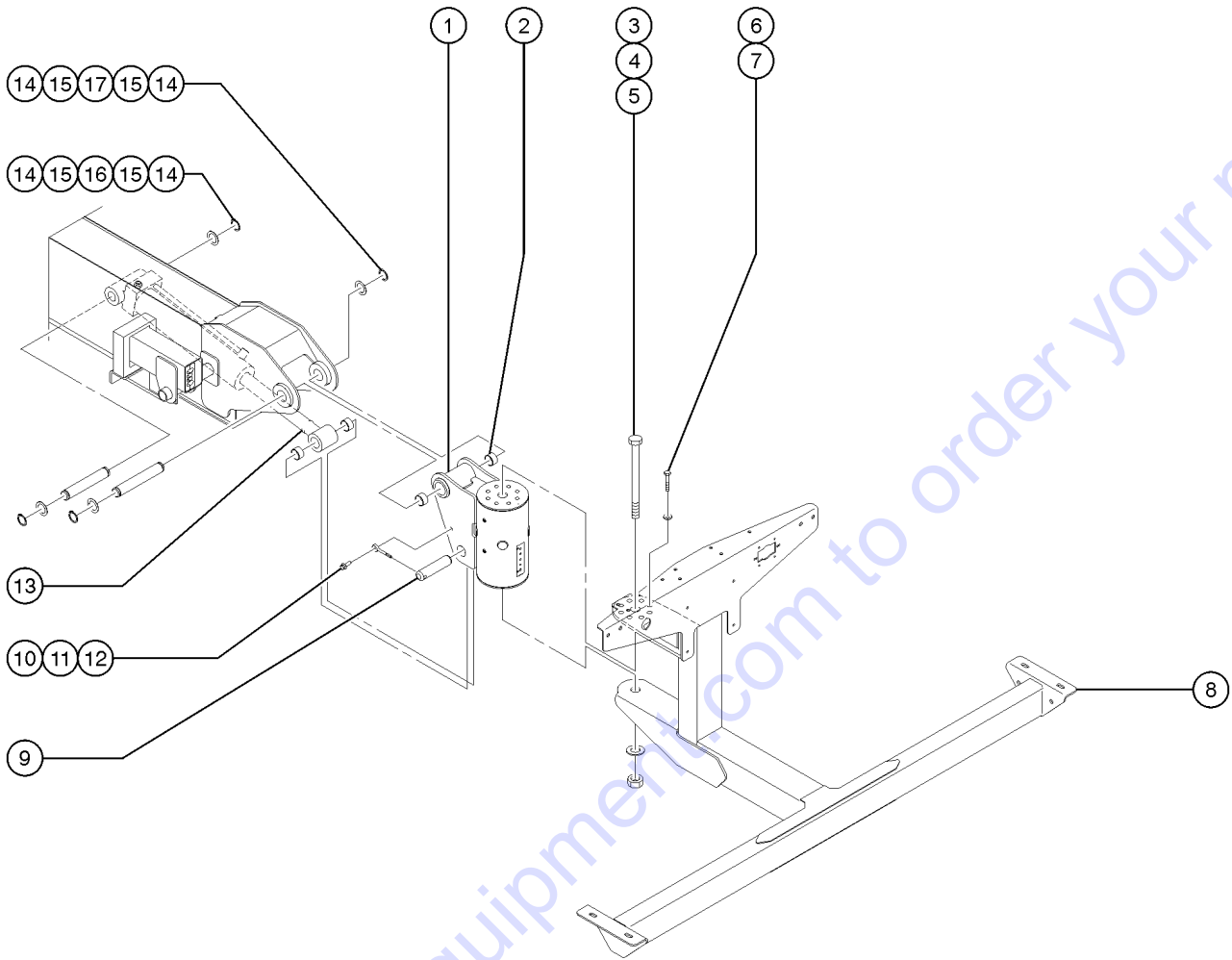
606.1 Boom End Components, S-65



606.1 Boom End Components, S-65

Item	Part No.	Description	Qty.	Item	Part No.	Description	Qty.
1	824092GT	SCREW,HHF,3/8-16X1.5,8,ZAG.....	5	29	35675GT	BEARING,FL,1.25IDX1.5ODX1.25L.....	4
2	824110GT	WASHER,LOCK,3/8,ZAG.....	2	30	101244GT	BELLCRANK W/BEARINGS..... <i>includes bearings item 29 and 33</i>	1
3	824029GT	NUT, TL FLG, 3/8-16, G, ZAG		31	T108075GT	PIN,1.25DIAX5.25LG,1HOLE.....	1
4	77181GT	CLAMP,1.63,#26 X 3/8,RUB CUSH.....	2	32	81175GT	PIN,1.25DIAX14.45LG,2HOLE.....	2
5	825019GT	ROD END,.375X3.69,ZAG		33	128268GT	BEARING,FL, 1.25X1.5X2.13.....	2
6	T108076GT	PIN,1.25DIAX7.88LG,1HOLE.....	2	34	63566GT	CYLINDER,PLATFORM LEVEL***..... <i>Includes item 7</i>	1
7	T108077GT	PIN,1.25DIAX7.00LG,1HOLE.....	1	--	101254GT	SEAL KIT (63566)	
8B	128534GT	JIB BOOM ASSY W/WORD DECAL..... <i>USA, Canada and Australia models, includes item 8A</i>	1	--	77303GT	VALVE, CNTRBAL 3500 PSI, ATM VEN	
8C	T108892GT	JIB BOOM ASSY W/SYMBOL DECAL <i>South America, Asia and Europe models, includes item 8A</i>		35	30217GT	SNAP RING,EXTERNAL,1.25 DIA.**.....	4
9	824079GT	SCREW,HHF,1/4-20X1,8,ZAG		36	824151GT	WASHER,SHIM,1.270X2.130X.062,Z	
10	824027GT	NUT,TL FLG,1/4-20,G,ZAG		37	88870GT	PIN,1.25DIAX7.47LG,2RING.....	1
11	1256109GT	SCREW,HHC,3/8-16X.75,8,ZAG		38	T111124GT	PIN,1.25DIAX8.42LG,2RING.....	1
12	128482GT	HOSE GUIDE, JIB..... <i>to SN S6015A-29311</i>	1	39	128454PGT	COVER, JIB HOSES/CABLES.....	1
13	81640GT	WEAR PAD,3 X 1.5 X.625 W/NUTS		40	1256180GT	BOLT,CARRIAGE,1/4-20X2.75,5,ZAG.....	2
14	119542GT	CLAMP,TWO HOSE.....	1	41	1256127GT	BOLT,CARRIAGE,1/4-20X1,5,ZAG.....	4
15	119536PGT	BRACKET,HOSE CLAMP,PAINTED.....	1	42	824551GT	CLAMP,HOSE/CABLE,JIB.....	2
16	824078GT	SCREW,HHF,1/4-20X.75,8,ZAG		43	128483GT	BACKING PLATE, HOSE BLOCK, JIB....	2
17	56912GT	SPRING CLIP,1/4-20,.025-.15X.54,ZAG.....	1				
18	25683GT	BEARING,POLYGON,20DU12.....	4				
19	61306-SGT	COMPR.LINK,MACHINED,GND CONTR*.....	2				
20	63213GT	CYLINDER,JIB (STICK BOOMS)..... <i>includes item 18</i>	1				
--	33428GT	VALVE,COUNTERBALANCE					
--	63353GT	SEAL KIT,CYL,S65 (63213)					
21	826792GT	SCREW,HHC,1-8X11,5,ZAG.....	1				
22	824116GT	WASHER,FLAT,1.0,F436,HRD,ZAG.....	2				
23	1257081GT	NUT,1-8,8,ZAG.....	1				
24	826791GT	SCREW,HHC,3/8-16X.875,8,ZAG.....	8				
25	826793GT	WASHER,FLAT,3/8,SAE,HRD,ZAG.....	8				
26	60370-SGT	PLATFORM SUPPORT WELDMNT-SERV*.....	1				
27	94397GT	ROTATOR,PLAT JIB,160 DEG***..... <i>includes bearing item 28</i>	1				
--	122944GT	SEAL KIT,8K ROTATOR*** <i>for 94397</i>					
--	75395GT	BEARING KIT,PLAT ROTATOR,SUPER <i>for 94397</i>					
--	88516GT	SCREW,BLEEDER,M5X0.8 <i>for 94397</i>					
28	30222GT	BEARING,FL,1.25IDX1.41ODX1.50L.....	4				

607.1 Boom End Components, S-60X



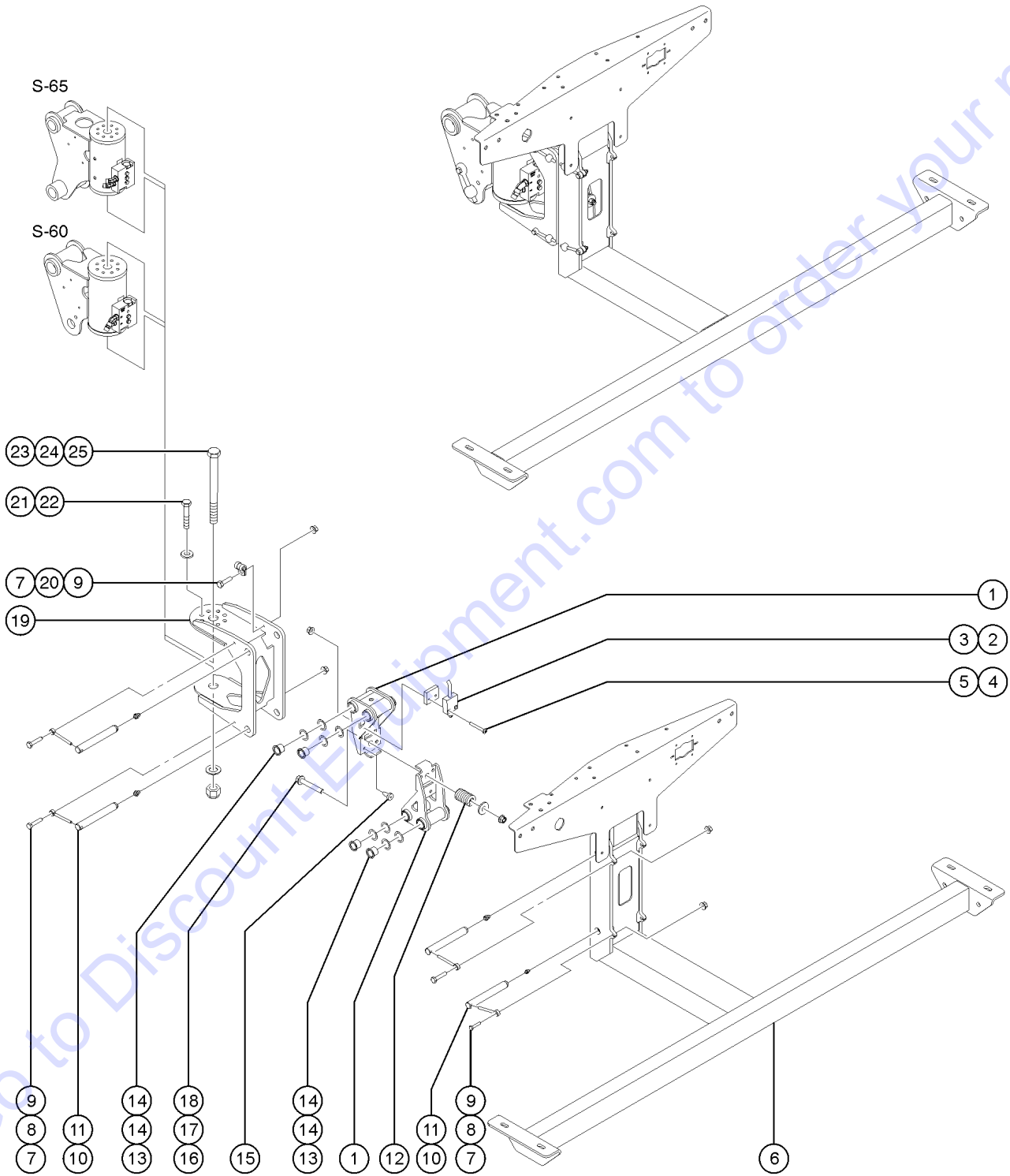
Go to Discount-Equipment.com to order your parts

## 607.1 Boom End Components, S-60X

Item	Part No.	Description	Qty.
1	226541GT	ROTATOR,PLATFORM,15K.....1 <i>includes item 2</i>	1
--	226542GT	SEAL KIT, 15K ROTATOR <i>for 226541</i>	
2	30370GT	BEARING,1.25IDX1.5ODX1.00L.....2	2
3	824075GT	SCREW,HHC,1-8X12.75,5,ZAG.....1	1
4	824116GT	WASHER,FLAT,1.0,F436,HRD,ZAG.....1	1
5	1257081GT	NUT,1-8,8,ZAG.....1	1
6	1256843GT	SCREW,HHC,1/2-13X1.25,8,ZAG.....8	8
7	825353GT	WASHER,FLAT,1/2,SAE,HRD,ZAG.....8	8
8	147347GT	WELDMENT, PLAT SUPPORT.....1 <i>6ft and 8ft platforms</i>	1
9	T108075GT	PIN,1.25DIA X5.25LG,1HOLE.....1	1
10	824091GT	SCREW,HHF,3/8-16X1.25,8,ZAG.....1	1
11	825019GT	ROD END, .375X3.69,ZAG.....1	1
12	824029GT	NUT, TL FLG, 3/8-16, G, ZAG.....1	1
13	63566GT	CYLINDER,PLATFORM LEVEL***.....1	1
--	101254GT	SEAL KIT (63566)	
--	25683GT	BEARING,POLYGON,20DU12.....4	4
--	77303GT	VALVE, CNTRBAL 3500 PSI, ATM VEN	
14	30217GT	SNAP RING,EXTERNAL,1.25 DIA.**.....4	4
15	824151GT	WASHER,SHIM,1.270X2.130X.062,Z as-needed	
16	88870GT	PIN,1.25DIA X7.47LG,2RING.....1	1
17	T111124GT	PIN,1.25DIA X8.42LG,2RING.....1	1



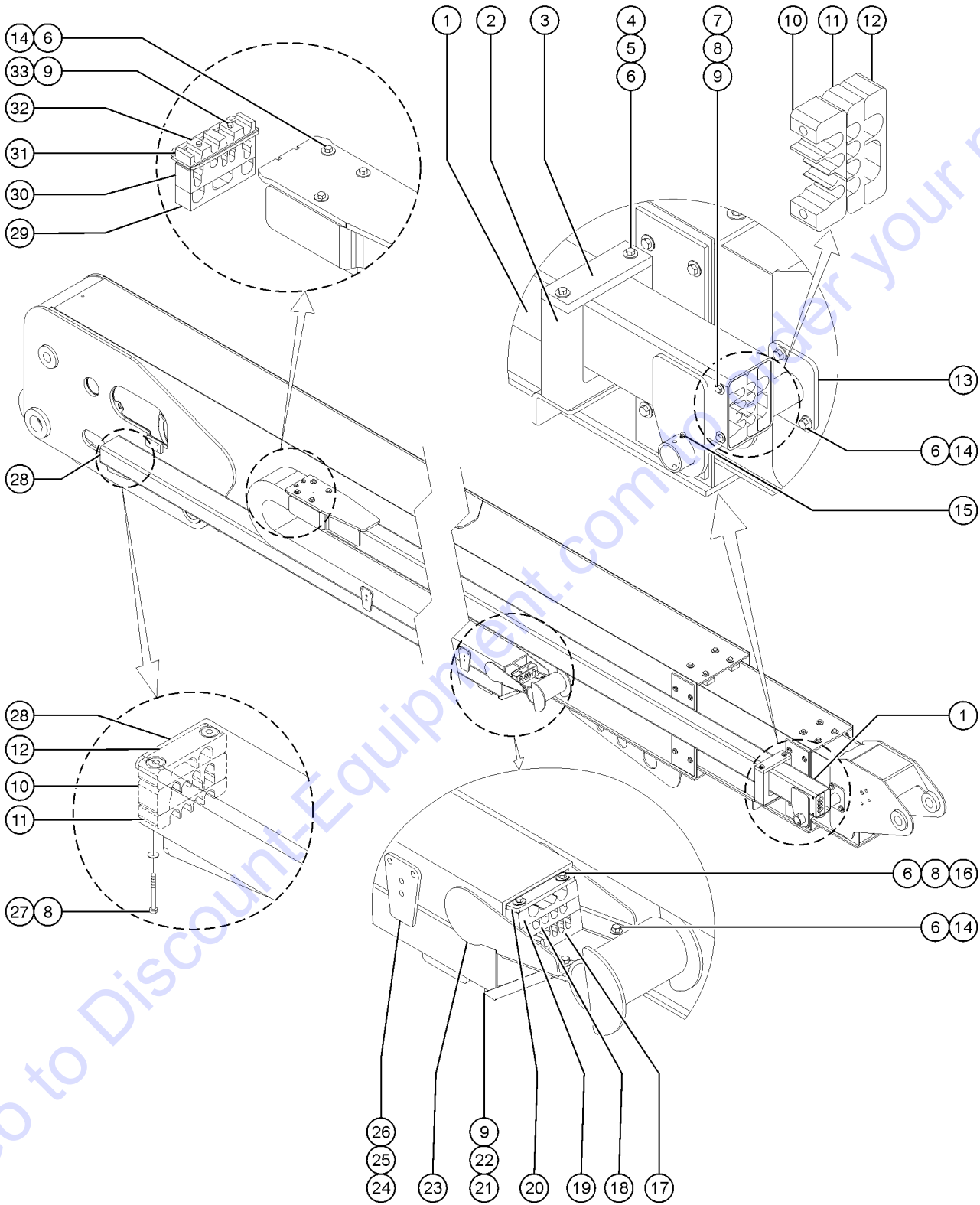
608.1 Boom End Components, Load Sense, S-60 and S-65 CE Models



## 608.1 Boom End Components, Load Sense, S-60 and S-65 CE Models

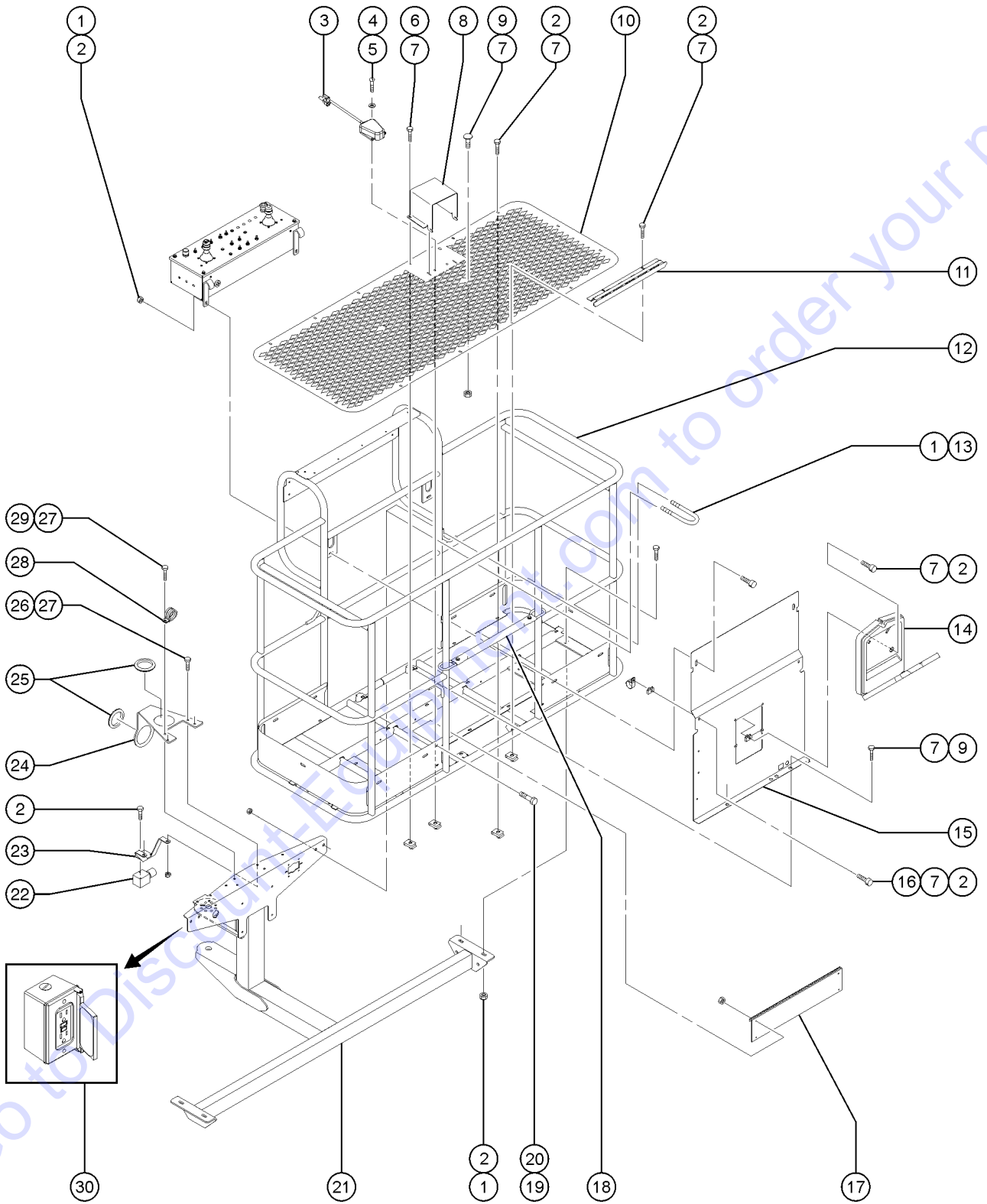
Item	Part No.	Description	Qty.
1	89755GT	LOAD SUPPORT W/BEARINGS.....	2
2	121848GT	ASSY,LS,LOAD SENSE,38.5 IN.....	1
3	61972GT	MOUNT,SWITCH.....	1
4	1257264GT	SCREW,BHC,10-32X1.5,F835,ZAG.....	2
5	824032GT	NUT,TL FLG,10-32,F,ZAG.....	2
6A	60370-SGT	PLATFORM SUPPORT WELDMNT-SERV*.....	1
		<i>ANSI models</i>	
6B	61997GT	WELDMNT,PLATFORM SUPPORT,CE.....	1
		<i>CE models</i>	
7	824061GT	SCREW,HHC,1/4-20X1.25,8,ZAG	
8	825020GT	ROD END, .25 X 2.75, ZAG	
9	824027GT	NUT,TL FLG,1/4-20,G,ZAG	
10	61726GT	PIN,0.75DIA X 5.75LG,CHAMFER.....	4
11	94643GT	ZERK,GREASE,5/16-24,STRAIT.....	4
12	61974GT	SPRING,COMP,1" OD,232 LB/IN.....	1
13	25685GT	BEARING,GARLOCK,12FDU12.....	8
14	110789GT	WASHER,SHIM .0151 THK.....	as-needed
15	34619GT	BUMPER,RUBBER***.....	2
16	824095GT	SCREW,HHF,3/8-16X3,8,ZAG	
17	61975GT	RETAINER,SPRING,1.21 X .375.....	1
18	824029GT	NUT, TL FLG, 3/8-16, G, ZAG	
19	101845GT	ROTATOR MOUNT KIT.....	1
--	61804GT	WELDMNT,ROTATOR SUPPORT	
20	45470GT	CLAMP,0.31,#5 X 1/4,RUB CUSH.....	1
21	826791GT	SCREW,HHC,3/8-16X.875,8,ZAG.....	8
22	826793GT	WASHER,FLAT,3/8,SAE,HRD,ZAG.....	8
23	826792GT	SCREW,HHC,1-8X11,5,ZAG.....	1
24	824116GT	WASHER,FLAT,1.0,F436,HRD,ZAG.....	2
25	1257081GT	NUT,1-8,8,ZAG.....	1

609.1 Cable Track



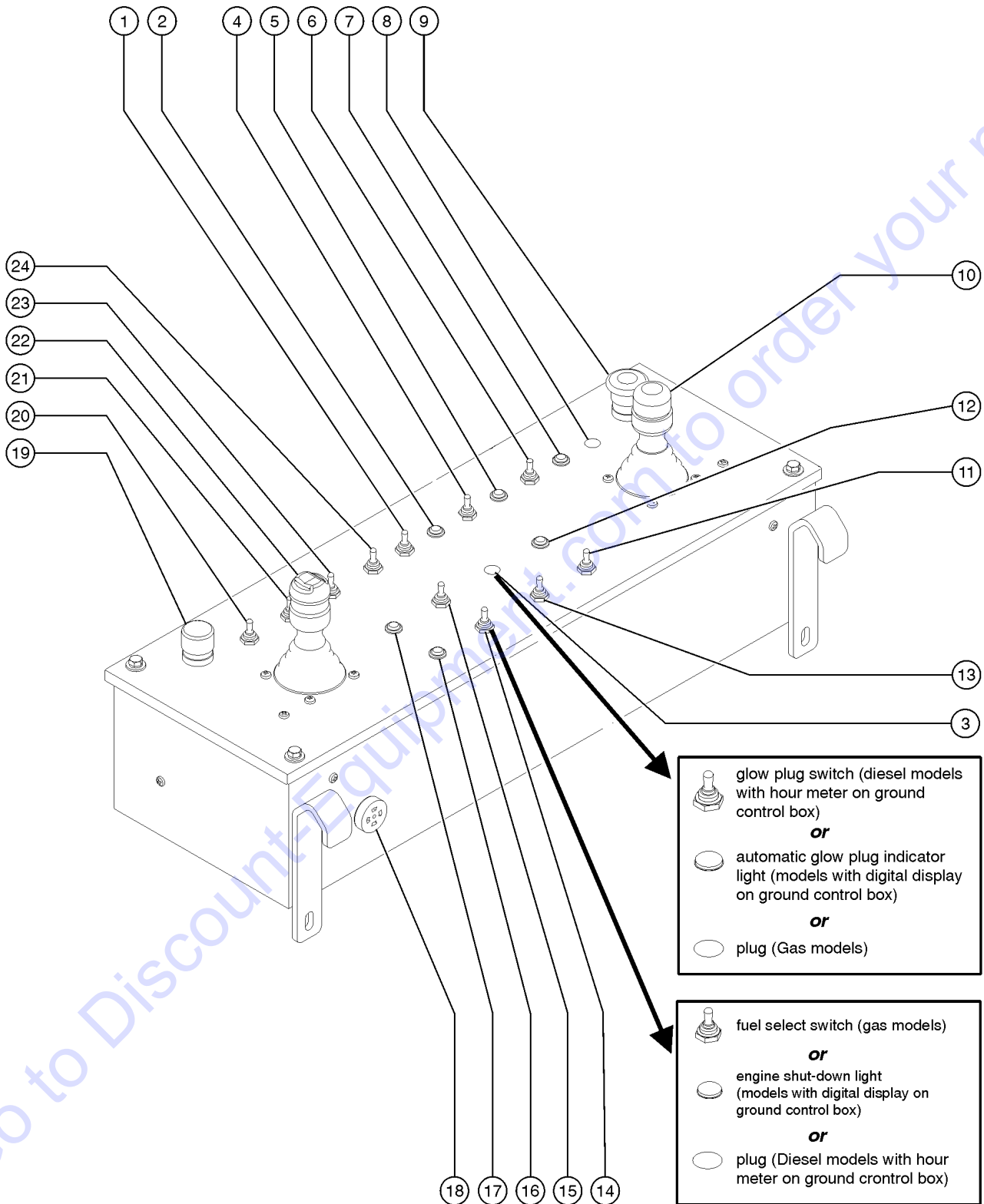
Item	Part No.	Description	Qty.	Item	Part No.	Description	Qty.
1	88859GT	WELDMENT,CABLE TRACK TUBE***.....1		25	39317GT	STOP PLATFORM ROLLER	
2	81341GT	WEAR PAD,CABLE TRACK PULL TUBE.....1		26	87085GT	RIVET,ALUM,P,.188 X .25	
3	81342GT	WEAR PAD,5.5 X 1.75 X .5.....1		27	1256171GT	SCREW,HHC,1/4-20X3,8,ZAG	
4	826791GT	SCREW,HHC,3/8-16X.875,8,ZAG		28	88858GT	WELDMENT,CABLE TRACK TRAY*** .....1	
5	1255758GT	WASHER,FLAT,3/8,USS,ZAG		29	228969GT	CLAMP, OPTIONS, CABLE TRACK.....1 <i>(weld cable option)</i>	
6	824029GT	NUT, TL FLG, 3/8-16, G, ZAG		30	824549GT	CLAMP, CABLES.....1	
7	824083GT	SCREW,HHF,1/4-20X2.5,8,ZAG		31	121065GT	FORMING,CLAMP,TOP,CABLE TRACK.....1	
8	824113GT	WASHER,FLAT,USS,1/4,ZAG		32	228967GT	CLAMP, CABLE.....1	
9	824027GT	NUT,TL FLG,1/4-20,G,ZAG		33	824084GT	SCREW,HHF,1/4-20X3,8,ZAG	
10	824547GT	CLAMP, CABLES.....2					
11	227308GT	CLAMP, HOSES.....2					
12	227306GT	CLAMP ASSY,OPTIONS BLOCK W/NUT.....2 <i>(weld cable option)</i>					
13	81347GT	WELDMENT,TRACK PULL TUBE PIVOT.....1					
14	824090GT	SCREW,HHF,3/8-16X1,8,ZAG					
15	13635-10GT	PIN,COTTER,.156 X 1.75.....1					
16	824096GT	SCREW,HHF,3/8-16X3.5,8,ZAG					
17	824548GT	CLAMP, CABLES.....1					
18	226325GT	CLAMP, HOSES.....1					
19	228796GT	CLAMP, OPTIONS, CABLE TRACK.....1 <i>(weld cable option)</i>					
20	228797GT	BAR, CLAMP, CABLE TRACK.....1					
21A	1264258GT	FORMING, TRACK BRACE, LH.....1 <i>outboard bracket; furthest from boom tube (shown)</i>					
21B	1264257GT	FORMING, TRACK BRACE, RH.....1 <i>inboard bracket; closest to boom tube</i>					
22	824078GT	SCREW,HHF,1/4-20X.75,8,ZAG					
23	T114223GT	CABLE TRACK, SX, 49 LINK.....1					
--	121035GT	PIN,1.250 X 9.25, 2 RINGS <i>for T114223</i>					
--	122661GT	REPAIR KIT,4 LINK,W/GUIDE <i>for T114223</i>					
--	122662GT	END BRACKET,MOVING END <i>for T114223</i>					
--	122663GT	END BRACKET,FIXED END <i>for T114223</i>					
--	122668GT	GUIDE FINGER,PLASTIC <i>for T114223</i>					
--	218448GT	FINGER,GUIDE,CABLE TRACK <i>for T114223</i>					
--	229169GT	FLATBAR, CLAMPS, CABLE TRACK <i>for T114223</i>					
24	218448GT	FINGER,GUIDE,CABLE TRACK.....10					
--	58310GT	SCREW,10-24 X.5 TORX PAN HD*** <i>for 218448</i>					

701.1 Platform Installation



Item	Part No.	Description	Qty.
1	824029GT	NUT, TL FLG, 3/8-16, G, ZAG	
2	824091GT	SCREW,HHF,3/8-16X1.25,8,ZAG	
3	1254874GT	ASSEMBLY,FOOT SWITCH, S60.....1	
4	1256460GT	SCREW,PHPM,10-24X1,ZAG	
5	73575GT	SPRING CLIP,10-24,.025-.125X.468,ZAG	
6	824079GT	SCREW,HHF,1/4-20X1,8,ZAG	
7	56912GT	SPRING CLIP,1/4-20,.025-.15X.54,ZAG	
8	147121GT	COVER, FOOT SWITCH, LARGE.....1 <i>decals not included, refer to section 100</i>	
9	824078GT	SCREW,HHF,1/4-20X.75,8,ZAG	
10A	73477PGT	FLOORING, 6'FT PLATFORM.....1	
10B	73478PGT	FLOORING,8 FT PLATFORM**.....1	
11	73610PGT	STEP PLATFORM ENTRY PAINTED***.....1	
12A	160809GT	ASSY,6FT PLATFORM,NO DECALS.....1 <i>decals not included, refer to section 100</i>	
12B	160804GT	ASSY,8FT PLATFORM,NO DECALS.....1 <i>decals not included, refer to section 100</i>	
13	1251600GT	U-BOLT, FLATTENED, 1.5 X 3/8 UNC,ZAG	
14A	44743GT	MANUAL BOX W/DECALS***.....1 <i>USA/Canada/Australia</i>	
14B	24514GT	BOX,INSTRUCTION STORAGE <i>Europe/Asia/South America (decals required; refer to Section100)</i>	
15	73574-SGT	DECAL PLATE ASSEMBLY.....1 <i>decals not included, refer to section 100</i>	
16	56424GT	CLAMP,1.25X.5 RUBBER-CUSHION	
17	94745PGT	TOEBOARD,ENTRY EUROPEAN PNTD** .....1	
18	102992GT	SLIDING MIDRAIL KIT,PTD.....1	
19	1256855GT	SCREW,HHF,1/4-20X.625,8,ZAG	
20	824027GT	NUT,TL FLG,1/4-20,G,ZAG	
21		Ref: Platform Support <i>refer to section 600</i>	
22		Ref: Jib Manifold <i>refer to 404.1</i>	
23	110671GT	PLATE,JIB,ROTATE MANIFOLD.....1	
24	106163GT	FORMING,CABLE GUIDE.....1	
25	55067GT	GROMMET,RUBBER 3 X .19 X 3.5.....2	
26	824086GT	SCREW,HHF,5/16-18X1,8,ZAG	
27	824028GT	NUT,TL FLG,5/16-18,G,ZAG	
28	77180GT	CLAMP,1.31,#21 X 3/8,RUB CUSH.....1	
29	824087GT	SCREW,HHF,5/16-18X1.25,8,ZAG	
30		Ref. POWER AND AIR LINE TO PLATFORM <i>refer to 906.1</i>	

702.1 Platform Control Box - View 1, External



## 702.1 Platform Control Box - View 1, External

Item	Part No.	Description	Qty.	Item	Part No.	Description	Qty.
A	228311GT	S60 PBOX ASSY, COMMON		9	66812GT	BUTTON,PUSH,RED MUSHROOM HEAD.....	1
B	128578GT	SCREW T-SWITCH PH/PH 6-32X1/4 (included in each toggle switch assembly)		--	146478GT	BOOT(BELLOWS),E-STOP,BLACK	
C	27246GT	BOOT,TOGGLE SWITCH,SHORT* (included in each toggle switch assembly)		--	66818GT	CONTACT,NC	
1	128201GT	SWITCH TOGGLE ASSY DPDT 2P MOM.....	1	--	94506GT	BASE,W/3 NC CONTACTS	
		(Auxiliary Power; includes boot and hardware)		10		Ref. Joystick.....	1
--	128581-SGT	SWITCH TOGGLE DPDT 2P MOM SHDR				refer to 704.1	
2A	824879GT	LIGHT,LED IND. RED 12V NH.....	1	10	139338GT	SCREW PH M5-0.8X20 DIN 7500CE....	4
		(Machine not level indicator) (option)		11	128200GT	SWITCH TOGGLE ASSY SPDT 3P MOM.....	1
--	56848GT	WASHER,LOCK,IND,LAMP RETAINER				(Drive enable; includes boot and hardware)	
2B	229567GT	PLUG, SANTOPRENE .5 BLACK DOME.....	1	--	128580GT	SWITCH TOGGLE SPDT 3P MOM SHDR	
		(without option)		12	824879GT	LIGHT,LED IND. RED 12V NH.....	1
3	128200GT	SWITCH TOGGLE ASSY SPDT 3P MOM (Diesel models with an hour meter in the ground control box)				(Drive enable indicator light)	
--	128580GT	SWITCH TOGGLE SPDT 3P MOM SHDR (Diesel models with an hour meter in the ground control box)		13	128204GT	SWITCH TOGGLE ASSY SPDT 2P MNT.....	1
4A	128204GT	SWITCH TOGGLE ASSY SPDT 2P MNT.....	1			(Engine idle select; includes boot and hardware)	
		(Generator) (option)		--	128584-SGT	SWITCH TOGGLE SPDT 2P MNT SHDR	
--	128584-SGT	SWITCH TOGGLE SPDT 2P MNT SHDR		14	229567GT	PLUG, SANTOPRENE .5 BLACK DOME (diesel models with hour meter in ground control box)	
4B	229567GT	PLUG, SANTOPRENE .5 BLACK DOME.....	1				
		(without option)		15	128200GT	SWITCH TOGGLE ASSY SPDT 3P MOM.....	1
5A	824880GT	LIGHT,LED IND. AMBER 12V NH.....	1			(Engine start; includes boot and hardware)	
		(upper capacity range) (S-60X, S-60TX, S-65TX)		--	128580GT	SWITCH TOGGLE SPDT 3P MOM SHDR	
--	56848GT	WASHER,LOCK,IND,LAMP RETAINER		16	824879GT	LIGHT,LED IND. RED 12V NH.....	1
5B	229567GT	PLUG, SANTOPRENE .5 BLACK DOME (S-60, S-65)				(CE models, platform overload indicator)	
6A	128200GT	SWITCH TOGGLE ASSY SPDT 3P MOM.....	1	--	56848GT	WASHER,LOCK,IND,LAMP RETAINER	
		(Capacity range select) (S-60X, S-60TX, S-65TX)		17	824879GT	LIGHT,LED IND. RED 12V NH.....	1
--	128580GT	SWITCH TOGGLE SPDT 3P MOM SHDR				(Machine malfunction indicator)	
6B	229567GT	PLUG, SANTOPRENE .5 BLACK DOME.....	1	--	56848GT	WASHER,LOCK,IND,LAMP RETAINER	
		(S-60, S-65)		18	45383GT	ALARM,WARBLE TONE 5-30 VDC***.....	1
7A	824880GT	LIGHT,LED IND. AMBER 12V NH.....	1			(retaining nut 72326 sold separately)	
		(lower capacity range) (S-60X, S-60TX, S-65TX)		--	72326GT	NUT - PLASTIC,RING FOR ALARMS	
--	56848GT	WASHER,LOCK,IND,LAMP RETAINER		19	66813GT	BUTTON,PUSH,BLACK W/SEAL***.....	1
7B	229567GT	PLUG, SANTOPRENE .5 BLACK DOME.....	1				
		(S-60, S-65)		--	66815GT	BASE, W/1 N.O. CONTACTS***	
8	229567GT	PLUG, SANTOPRENE .5 BLACK DOME.....	1	--	66816GT	CONTACT,N.O.***	
		(used for optional equipment)		20	128200GT	SWITCH TOGGLE ASSY SPDT 3P MOM.....	1
						(Platform level; includes boot and hardware)	
				--	128580GT	SWITCH TOGGLE SPDT 3P MOM SHDR	
				21	128202GT	SWITCH TOGGLE ASSY DPDT 3P MOM.....	1
						(Platform rotate; includes boot and hardware)	
				--	128582-SGT	SWITCH TOGGLE DPDT 3P MOM SHDR	
				22		Ref. Joystick.....	1
						refer to 704.1	



702.1 Platform Control Box - View 1, External  
(continued)

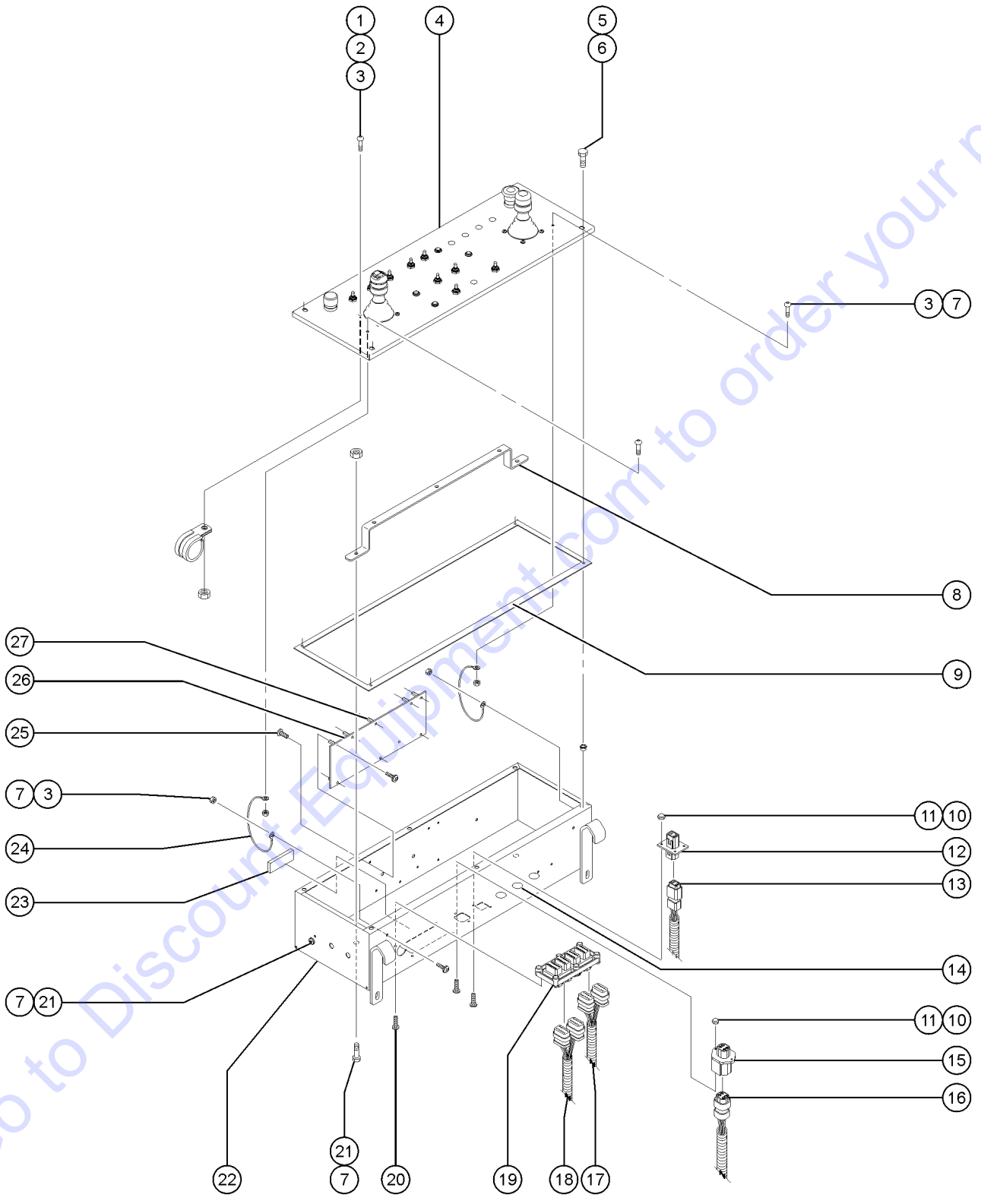
Item	Part No.	Description	Qty.
22	139338GT	SCREW PH M5-0.8X20 DIN 7500CE.....	4
23A	128200GT	SWITCH TOGGLE ASSY SPDT 3P MOM.....	1
		<i>(Jib boom up/down; includes boot and hardware)</i>	
--	128580GT	SWITCH TOGGLE SPDT 3P MOM SHDR	
23B	824880GT	LIGHT,LED IND. AMBER 12V NH.....	1
--	56848GT	WASHER,LOCK,IND,LAMP RETAINER	
24	128204GT	SWITCH TOGGLE ASSY SPDT 2P MNT.....	1
		<i>(Drive speed; includes boot and hardware)</i>	
--	128584-SGT	SWITCH TOGGLE SPDT 2P MNT SHDR	

Go to Discount-Equipment.com to order your parts

***This Page Intentionally Left Blank***

Go to [Discount-Equipment.com](http://Discount-Equipment.com) to order your parts

703.1 Platform Control Box - View 2, Internal

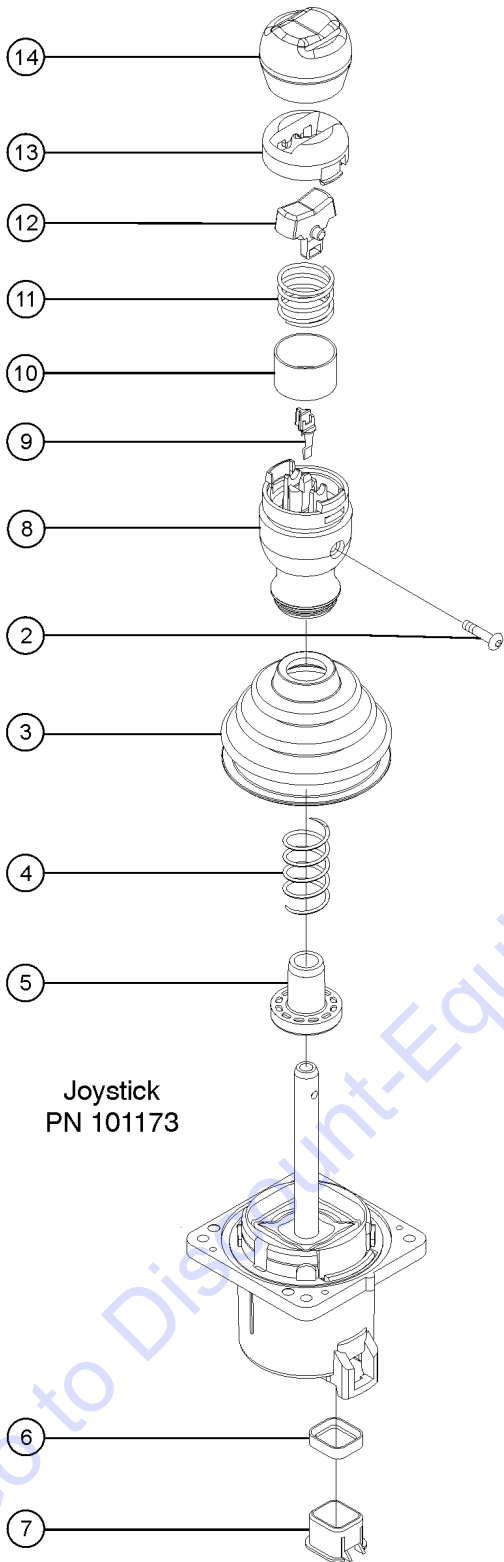


A TEREX BRAND

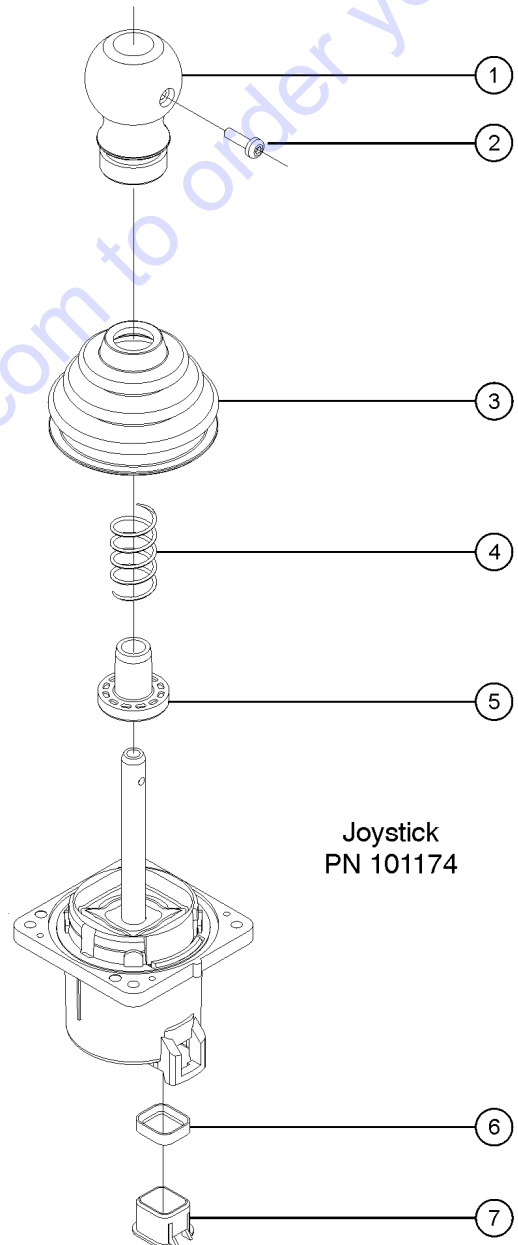
## 703.1 Platform Control Box - View 2, Internal

Item	Part No.	Description	Qty.
--		Ref. PLATFORM BOX HARNESS <i>refer to 308.1</i>	
--	111413GT	JOYSTICK CONNECTOR ASSEM,DEUT	
--	111420GT	OPTION,ROCKER STEER	
--	121847GT	RELAY,TIME DELAY,2 SEC,30A	
1	1257404GT	SCREW,PHPM-ST,M5-0.8X20,DIN750...8	
2	18666GT	CLAMP,1.00,#16 X 1/4,RUB CUSH.....1	
3	826214GT	NUT,TL,M5-0.8,DIN980,10,ZAB	
4	147387GT	FORMING, PLAT. BOX LID.....1	
5	1256855GT	SCREW,HHF,1/4-20X.625,8,ZAG	
6	T107520GT	NUTSERT,LP KNURLED,1/4-20X.165....4	
7	1251757GT	SCREW,PHPM,10-32X.50,ZAG	
8	119644GT	BRACKET,PBOX WIRE SUPPORT.....1	
9	81488GT	GASKET,PLATFORM CONTROL BOX....1	
10	824214GT	SCREW,PHPM,6-32X.5,ZAG	
11	824019GT	NUT,TL,6-32,A,ZAG	
12	73723GT	CONN RECEP,FLANGED.....1	
13		Ref. FOOT SWITCH WIRE HARNESS ASSEMBLY <i>refer to 308.1</i>	
14	15243GT	PLUG,NYLON .875 BLACK DOMED.....3	
15	73717GT	CONN,RECEP 4 WAY,12-14GA FL***.....1	
16		Ref. HARNESS,12V TO PLAT <i>refer to 308.1</i>	
17		Ref. HARNESS,18/22 BOOM 2 <i>refer to 308.1</i>	
18		Ref. HARNESS BOOM CABLE 1 <i>refer to 308.1</i>	
19	73736GT	CONN,RECEP 48 WAY,4 X 12.....1	
20	824226GT	SCREW,PHPSH,#12-11X.75,ZAG	
21	824032GT	NUT,TL FLG,10-32,F,ZAG	
22	T109350GT	PLATFORM CONTROL BOX W/DECAL	
--	81487PGT	PLATFORM CONTROL BOX,PAINTED.....1	
23	30997GT	CORROSION INHIBITOR,FOAM.....1	
24	77351GT	LANYARD,PLATFORM CONTROL BOX.....2	
25	81551GT	SCREW,PHIL,PHM,6-32 X 1/4 SS	
26	1257417GT	ASSY,PCB,ALC500 S60 S0849300.....1	
27	81550GT	STANDOFF,6-32 X 3/8L X 1/4 HEX.....10	

704.1 Joysticks



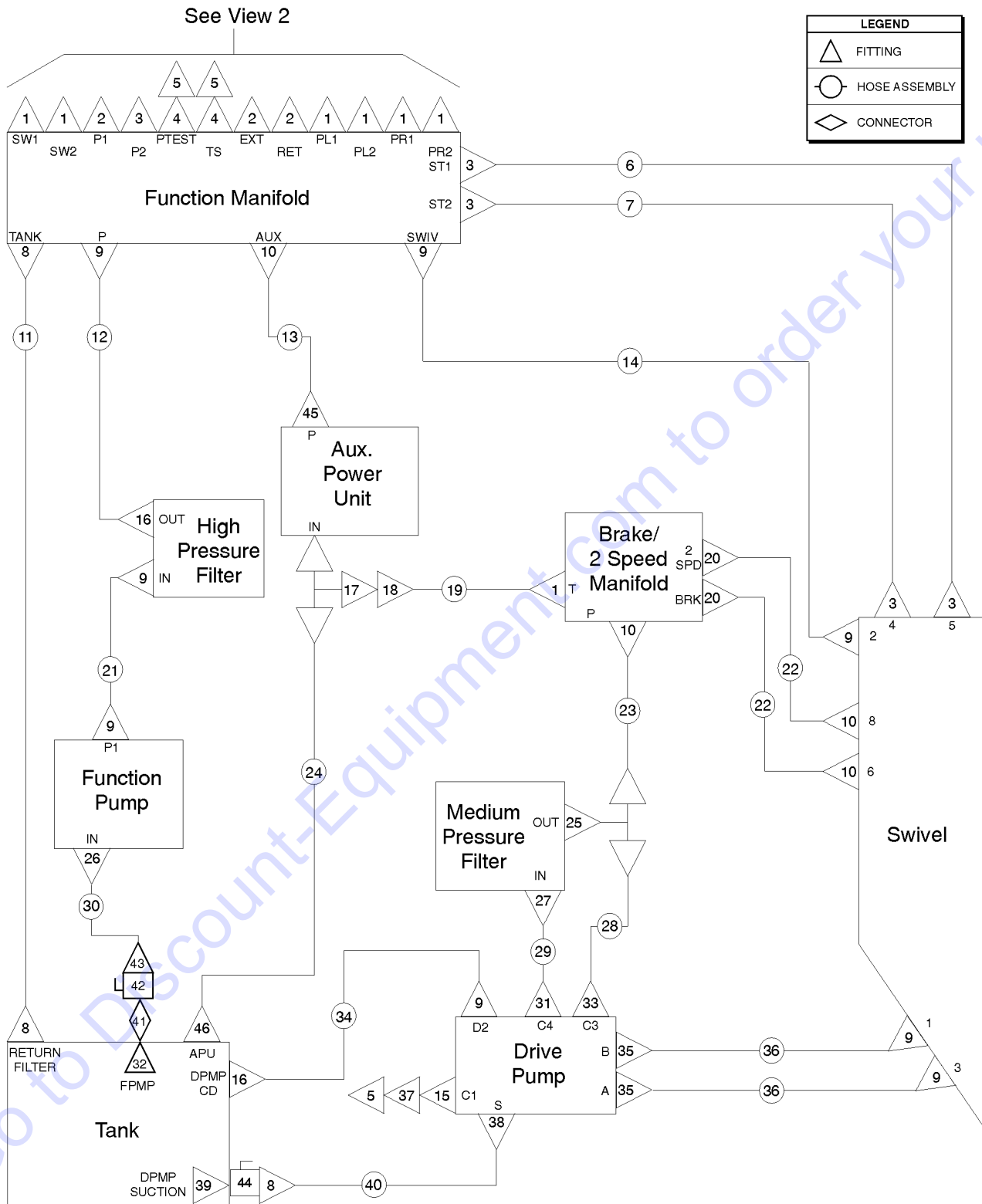
Joystick  
PN 101173



Joystick  
PN 101174

Item	Part No.	Description	Qty.
--	101173GT	JOYSTICK,2 AXIS,ROCKER,DEUTSCH <i>(calibration required after replacement), OEM joystick</i>	
--	101173HGT	JOYSTICK,DUAL AXIS W/STEER <i>(calibration required after replacement), aftermarket joystick</i>	
--	101174GT	JOYSTICK,2 AXIS,DEUTSCH <i>(calibration required after replacement), OEM joystick</i>	
--	101174HGT	JOYSTICK,DUAL AXIS W/KNOB <i>(calibration required after replacement), aftermarket joystick</i>	
--	101005GT	JOYSTICK,1 AXIS ROCKER,DEUTSCH <i>(calibration required after replacement), OEM joystick</i>	
--	101005HGT	JOYSTICK,SINGLE AXIS W/STEER <i>(calibration required after replacement), aftermarket joystick</i>	
--	58253GT	KIT,REPAIR,DEUTSCH PLUG,W/TUBE <i>small kit</i>	
--	83129GT	KIT,REPAIR,DEUTSCH CONNECTORS* <i>large kit</i>	
--	61794GT	CRIMPER,DEUTSCH,LIGHT DUTY*** <i>tool</i>	
--	119613GT	HARN JOYSTICK ADAPTOR JS100 <i>6-pin to 7-pin adapter (for 101174, 101175, 101005)</i>	
Z	1269500GT	KIT, ISOLATION, 2 JOYSTICK	
1	62392GT	KNOB,JOYSTICK, 62390/62391.....	1
2	T112626GT	SCREW, PHM, #6-32 X .625 ZINC.....	1
3	139598GT	BOOT,JOYSTICK.....	1
4		SPRING,JOYSTK CENTR,62390/91..... <i>no longer available from supplier</i>	1
5	119915GT	COLLAR,JOYSTICK,CENTER.....	1
6	128000GT	SEAL, CONNECTOR (DT JOYSTICKS).....	1
7	128001GT	SLEEVE,CONNECTOR,DT JOYSTICKS.....	1
8	75449GT	KNOB,ROCKER JOYSTICK 75565.....	1
9	75448GT	SUPPORT,SENSOR,JOYSTICK.....	1
10	75447GT	SWITCH SHIELD,ROCK JOYSTK75565.....	1
11	75446GT	SPRING,SWITCH CENTERING,75565...1	
12	75445GT	ROCKER ASSY.,MAGNETIC 75565.....	1
13	75444GT	ROCKER,RETAINER, 75565.....	1
14	75443GT	BOOT, ROCKER JOYSTICK 75565.....	1

801.1 Function Manifold, View 1



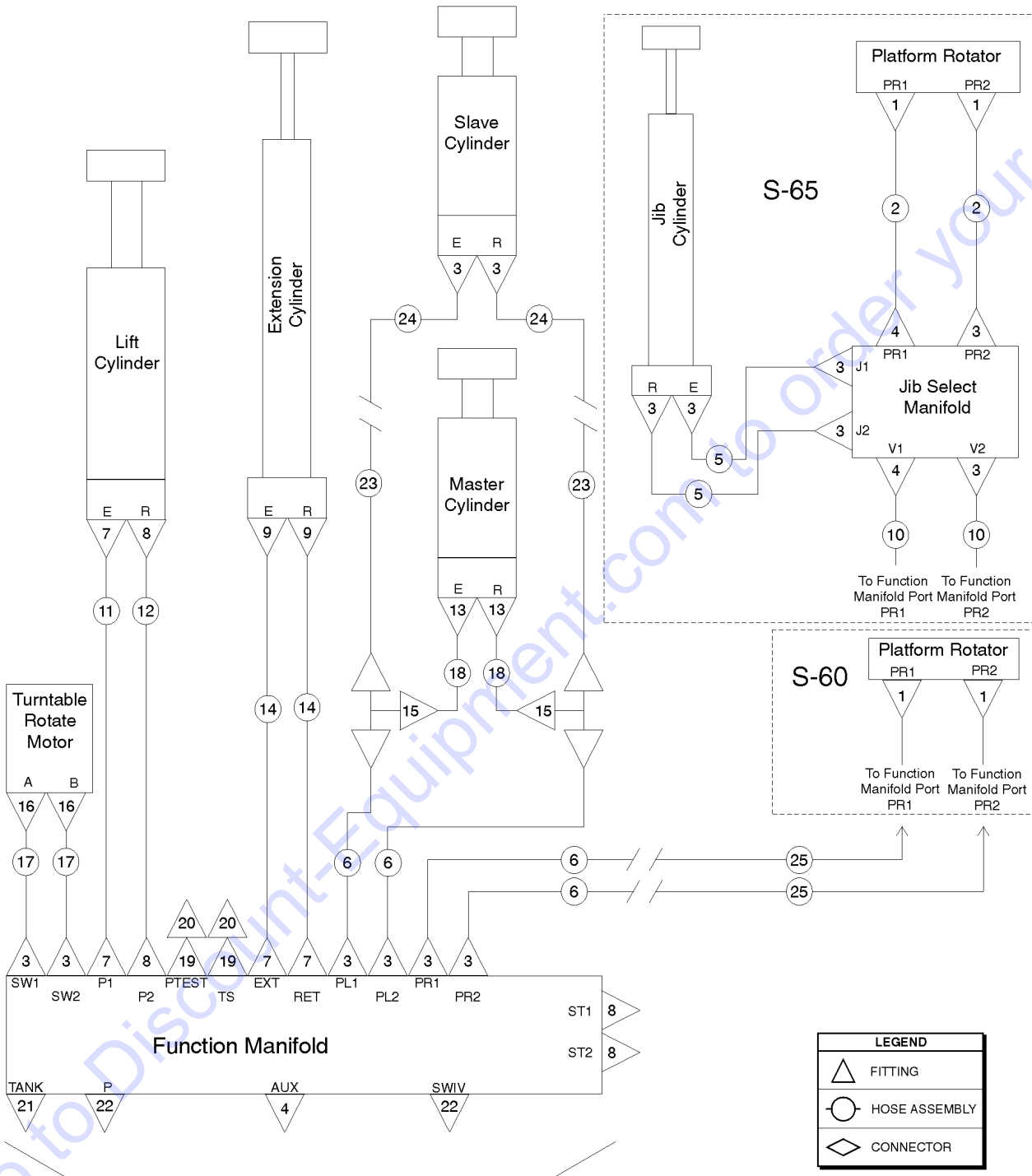
801.1 Function Manifold, View 1

Item	Part No.	Description	Qty.	Item	Part No.	Description	Qty.
--		<i>The hose lengths below reflect the length of the hose only. Refer to the 'Fittings Cross Reference' to match Genie part numbers to Parker part numbers.</i>		26	88936GT	CONN,520120-20-16.....	1
1	48905GT	CONN,520120-4***.....	7	27	48932GT	FITTING,ELBOW,90D,520220-8***.....	1
2	48933GT	CONN,520120-8***.....	3	28	49143-3429GT	HOSE ASSY,1/2,90 FEM,STR FEM..... <i>Components: Genie part numbers 48822, 48827 and 48756 @ 32 inches</i>	1
3	48916GT	FITTING,CONN,520120-6.....	5	29	49143-3629GT	HOSE ASSY,1/2,90 FEM,STR FEM..... <i>Components: Genie part numbers 48822, 48827 and 48756 @ 34 inches</i>	1
4	48998GT	NIPPLE,DIAGNOSTIC,#6 PORT***.....	2	30	1259903GT	HOSE ASSY, 1-1/4", 76.75"..... <i>Components: Genie part numbers 88474, 88477, 88944 and 88478 @ 73 inches</i>	1
5	48880GT	CAP,DIAGNOSTIC NIPPLE.....	2	31	48949GT	CONN,520120-8-16.....	1
6	49130-5782GT	HOSE ASSY 3/8, STR FEM,STR FEM.... <i>Components: Genie part numbers 48812, 48812 and 48753 @ 56 inches</i>	1	32	101491GT	STRAINER,20 SAE F/24 SAE M***	
7	49130-5582GT	HOSE ASSY 3/8, STR FEM,STR FEM.... <i>Components: Genie part numbers 48812, 48812 and 48753 @ 54 inches</i>	1	33	48946GT	CONN,520120-8-10.....	1
8	48984GT	CONN,520120-16.....	2	34	49150-9130GT	HOSE ASSY,3/4,90 FEM,STR FEM..... <i>Components: Genie part numbers 48841, 48846 and 48761 @ 88 inches</i>	1
9	48960GT	FITTING,CONN,520120-12***.....	6	35	48977GT	CONN,520120-12-16.....	2
10	48904GT	ELBOW,90D,520220-4-4.....	4	36	94374-6030GT	HOSE ASSY,3/4,90 FEM,STR FEM..... <i>Components: Genie part numbers 48841, 48846 and 84358 @ 57 inches</i>	2
11	88949-3828GT	HOSE ASSY 1",STR FEM,STR FEM.... <i>Components: Genie part numbers 88938, 88941 and 88940 @ 36 inches</i>	1	37	49207GT	NIPPLE,DIAGNOSTIC,ORFS,FM,SWIV..	1
12	1259904GT	HOSE ASSY, 3/4", 72.54" <i>Components: Genie part numbers 48841, 48841 and 48762 @ 69 inches</i>		38	48985GT	ELBOW,45D,520320-16.....	1
13	49117-2491GT	HOSE ASSY,1/4,90 FEM,STR FEM..... <i>Components: Genie part numbers 48802, 48800 and 48751 @ 23 inches</i>	1	39	147419GT	KIT,STRAINER REPLACEMENT.....	1
14	49151-6248GT	HOSE ASSY,3/4,STR FEM,STR FEM.... <i>Components: Genie part numbers 48841, 48841 and 48761 @ 60 inches</i>	1	40	88942-8354GT	HOSE ASSY,1",90 FEM,STR FEM..... <i>Components: Genie part numbers 88938, 88941, 88939 and 88940 @ 80 inches</i>	1
15	48914GT	CONN,520120-4-8.....	1	41	61263GT	UNION,STR.THREAD 20.....	1
16	48963GT	FITTING,ELBOW,45D,520320-12***.....	1	42	101494GT	VALVE,BALL,FSAE-20,FSAE-20.....	1
17	48936GT	TEE,BRANCH,520429-8.....	1	43	75654GT	CONN,520120-20.....	1
18	48941GT	REDUCER,520123-8-4.....	2	44	48996GT	VALVE,BALL,16 MSAE-16 FSAE***.....	1
19	49117-4691GT	HOSE ASSY,1/4,90 FEM,STR FEM..... <i>Components: Genie part numbers 48800, 48802 and 48751 @ 45 inches</i>	1	45	48912GT	CONN,520120-4-6***.....	1
20	48907GT	ELBOW,45D,520320-4.....	2	46	48943GT	FITTING,CONN,520120-8-6.....	1
21	61073-3930GT	HOSE ASSY.,3/4",90,FEM,STR FEM.... <i>Components: Genie part numbers 48846, 48841 and 48762 @ 36 inches</i>	1				
22	49119-2878GT	HOSE ASSY,1/4,STR FEM,STR FEM*.... <i>Components: Genie part numbers 48800, 48800 and 48751 @ 27 inches</i>	2				
23	49117-3391GT	HOSE ASSY,1/4,90 FEM,STR FEM..... <i>Components: Genie part numbers 48800, 48802 and 48751 @ 32 inches</i>	1				
24	94465-3650GT	HOSE ASSY,1/2"..... <i>Components: Genie part numbers 48808, 48808 and 39888 @ 35 inches</i>	1				
25	48936GT	TEE,BRANCH,520429-8.....	1				





802.1 Function Manifold, View 2



See View 1

Item	Part No.	Description	Qty.	Item	Part No.	Description	Qty.
--		<i>The hose lengths below reflect the length of the hose only. Refer to the 'Fittings Cross Reference' to match Genie part numbers to Parker part numbers.</i>		20	48880GT	CAP,DIAGNOSTIC NIPPLE.....	2
--	48767GT	SLEEVE,NYLON,1.42 ID.....23-inches protective hose sleeve, 1.42" diameter (near platform rotator)		21	48984GT	CONN,520120-16.....	1
--	49219GT	SLEEVE,NYLON,2.19 ID,BULK.....46-inches protective hose sleeve, 2.19" diameter (near platform rotator)		22	48960GT	FITTING,CONN,520120-12***.....	1
--				23	161523GT	HOSE ASSY,1/4,693" Components: Genie part numbers 48800, 48800 and 48751 @ 691 inches;	
1	48907GT	ELBOW,45D,520320-4.....	2	24	88636-2573GT	HOSE ASSY 1/4,STR FEM,STR BULK...2 Components: Genie part numbers 48800, 75628 and 48751 @ 23 inches	
2	49119-2878GT	HOSE ASSY,1/4,STR FEM,STR FEM*...2 (S-65) Components: Genie part numbers 48800, 48800 and 48751 @ 27 inches		--	75574GT	NUT,BULKHEAD,520118-4 (item sold seperately)	
3	48905GT	CONN,520120-4***.....	11	25	1253798GT	HOSE ASSY, 1/4", 713" Genie part numbers 48800, 48800 and 48751 @ 711 inches	
4	48904GT	ELBOW,90D,520220-4-4.....	2				
5	49119-4278GT	HOSE ASSY,1/4,STR FEM,STR FEM*...2 (S-65) Components: Genie part numbers 48800, 48800 and 48751 @ 41 inches					
6	88636-11973GT	HOSE ASSY 1/4,STR FEM,STR BULK...4 Components: Genie part numbers 48800, 75628 and 48751 @ 117 inches					
7	48933GT	CONN,520120-8***.....	4				
8	48916GT	FITTING,CONN,520120-6.....	3				
9	48937GT	ELBOW,45D,520320-8.....	2				
10	49119-79678GT	HOSE ASSY,1/4,STR FEM,STR FEM (S-65) Components: Genie part numbers 48800, 48800 and 48751 @ 795 inches					
11	49143-12329GT	HOSE ASSY,1/2,90 FEM,STR FEM.....1 Components: Genie part numbers 48822, 48827, and 48756 @ 121 inches;					
12	49128-12309GT	HOSE ASSY,3/8,STR FEM,STR,90D.....1 Components: Genie part numbers 48812, 48816, and 48753 @ 121 inches;					
13	48911GT	ELBOW,90D,520220-4-6***.....	2				
14	49183-13492GT	HOSE ASSY,1/2,STR FEM,STR FEM.....2 Components: Genie part numbers 48822, 48822 and 48756 @ 133 inches					
15	48908GT	FITTING,TEE,RUN,SWIVEL520432-4.....	2				
16	49418GT	FITTING,ELBOW,45D,520320-4-6**.....	2				
17	49119-7478GT	HOSE ASSY,1/4,STR FEM,STR FEM.....2 Components: Genie part numbers 48800, 48800 and 48751 @ 73 inches					
18A	49117-3791GT	HOSE ASSY,1/4,90 FEM,STR FEM**.....1 Components: Genie part numbers 48800, 75628 and 48751 @ 36 inches					
18B	227347GT	HOSE ASSY,1/4", 38.00.....2 Components: Genie part numbers 48800, 48802 and 48751 @ 38 inches;					
19	48998GT	NIPPLE,DIAGNOSTIC,#6 PORT***.....	2				



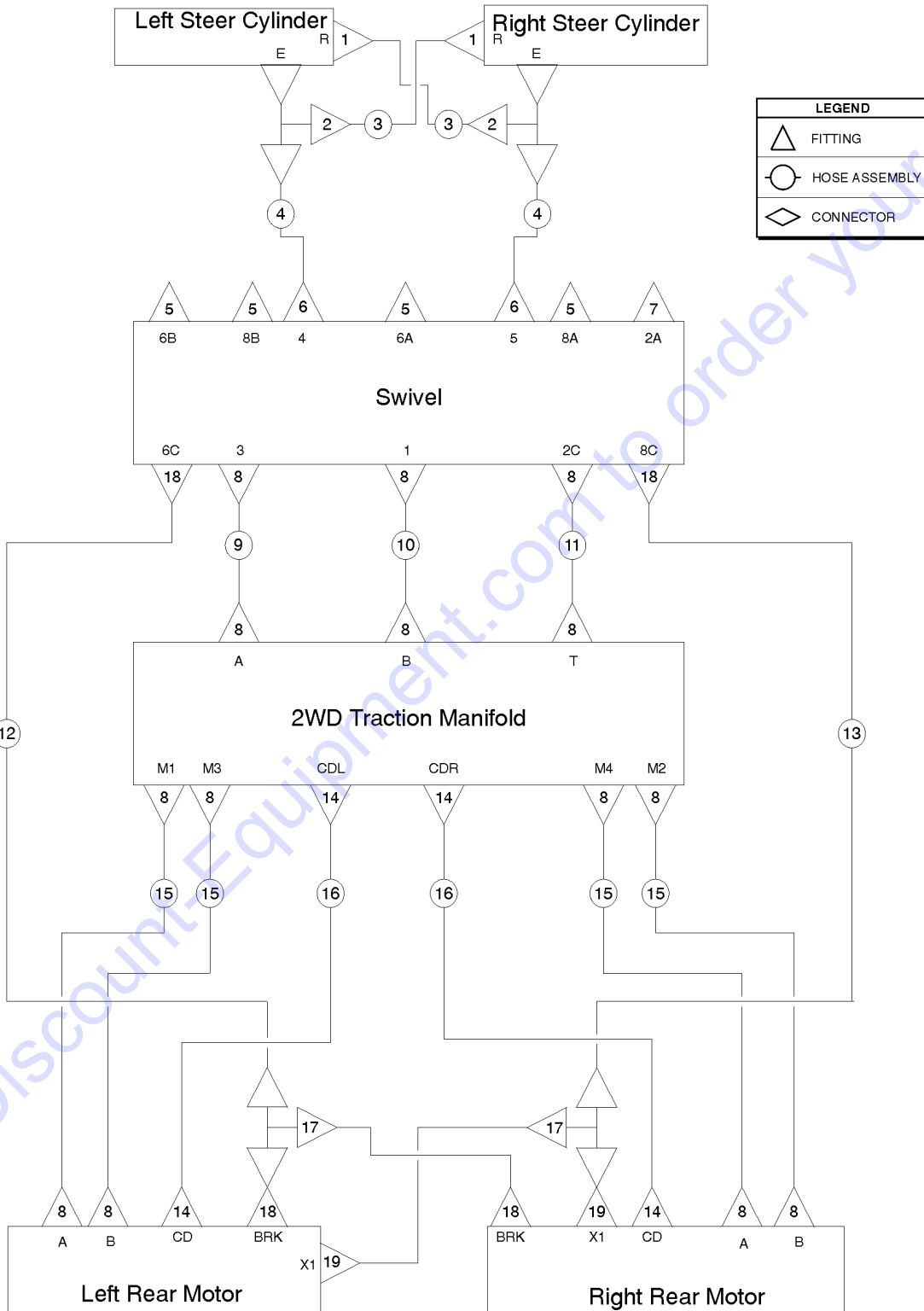


803.1 4WD Traction Manifold

Item	Part No.	Description	Qty.	Item	Part No.	Description	Qty.
--		<i>The hose lengths below reflect the length of the hose only. Refer to the 'Fittings Cross Reference' to match Genie part numbers to Parker part numbers.</i>		20	49117-6291GT	HOSE ASSY,1/4,90 FEM,STR FEM.....1 <i>Components: Genie part numbers 48800, 48802 and 48751 @ 61 inches</i>	1
1	48915GT	ELBOW,90D,520220-6.....2	2	21	75278-5029GT	HOSE ASSY,1/2,90 FEM,STR FEM.....3 <i>Components: Genie part numbers 48822, 48827 and 56777 @ 48 inches</i>	3
2	48948GT	CONN,520120-8-12.....8	8	22	75278-5129GT	HOSE ASSY,1/2,90 FEM,STR FEM**.....1 <i>Components: Genie part numbers 48822, 48827 and 56777 @ 49 inches</i>	1
3	48912GT	CONN,520120-4-6***.....2	2	23	94464-4986GT	HOSE ASSY,1/2****.....2 <i>Components: Genie part numbers 48808, 77703 and 39888 @ 48 inches</i>	2
4	48905GT	CONN,520120-4***.....10	10	24	48908GT	FITTING,TEE,RUN,SWIVEL520432-4.....2	2
5	48930GT	FITTING,CONN,520120-6-8***.....2	2	25	48911GT	ELBOW,90D,520220-4-6***.....2	2
6	48918GT	TEE,RUN,520428-6.....2	2	26	48998GT	NIPPLE,DIAGNOSTIC,#6 PORT***.....1	1
7A	49130-2482GT	HOSE ASSY 3/8, STR FEM,STR FEM.....2 <i>Components: Genie part numbers 48812, 48812 and 48753 @ 23 inches</i>	2	27	48880GT	CAP,DIAGNOSTIC NIPPLE.....1	1
7B	101795-2482GT	HOSE ASSY,3/8,STR FEM,STR FEM <i>Components: Genie part numbers 48812, 48812 and 101697 @ 23 inches (arctic option)</i>		28A	49117-10691GT	HOSE ASSY 1/4,90 FEM STR FEM.....1 <i>Components: Genie part numbers 48800, 48802 and 48751 @ 105 inches</i>	1
8	81812-13292GT	HOSE ASSY,1/2".....4 <i>Components: Genie part numbers 48822, 48822 and 56777 @ 131 inches</i>	4	28B	101790-10691GT	HOSE ASSY,1/4,90 FEM,STR FEM <i>Components: Genie part numbers 48800, 48802 and 48751 @ 105 inches (arctic option)</i>	1
9A	49117-10091GT	HOSE ASSY 1/4.90 FEM STR FEM.....3 <i>Components: Genie part numbers 48800, 48802 and 48751 @ 99 inches</i>	3	29	49117-6091GT	HOSE ASSY,1/4,90 FEM,STR FEM**.....1 <i>Components: Genie part numbers 48800, 48802 and 48751 @ 59 inches</i>	1
9B	101790-10091GT	HOSE ASSY,1/4,90 FEM,STR FEM <i>Components: Genie part numbers 48800, 48802 and 101697 @ 99 inches (arctic option)</i>					
10A	49131-9603GT	HOSE ASSEMBLY 3/8".....2 <i>Components: Genie part numbers 48812, 48819 and 48753 @ 94 inches</i>	2				
10B	102230-9589GT	HOSE ASSY,3/8,STR FEM,STR FEM <i>Components: Genie part numbers 48812, 48819 and 101698 @ 94 inches (arctic option)</i>					
11	49130-4782GT	HOSE ASSY,3/8,STR FEM,STR FEM.....2 <i>Components: Genie part numbers 48812, 48812 and 48753 @ 46 inches</i>	2				
12	48916GT	FITTING,CONN,520120-6.....2	2				
13	48936GT	TEE,BRANCH,520429-8.....1	1				
14	48960GT	FITTING,CONN,520120-12***.....6	6				
15	94374-2430GT	HOSE ASSY,3/4,90 FEM,STR FEM.....1 <i>Components: Genie part numbers 48841, 48846 and 94358 @ 21 inches</i>	1				
16	94466-2336GT	HOSE ASSY,3/4".....1 <i>Components: Genie part numbers 48809, 48809 and 39889 @ 21 inches</i>	1				
17	94374-2630GT	HOSE ASSY,3/4,90 FEM,STR FEM**.....1 <i>Components: Genie part numbers 48841, 48846 and 94358 @ 23 inches</i>	1				
18	48933GT	CONN,520120-8***.....12	12				
19	49119-7578GT	HOSE ASSY,1/4 STR FEM,STR FEM.....2 <i>Components: Genie part numbers 48800, 48800 and 48751 @ 74 inches</i>	2				



804.1 2WD Traction Manifold



Item	Part No.	Description	Qty.
--		<i>The hose lengths below reflect the length of the hose only. Refer to the 'Fittings Cross Reference' to match Genie part numbers to Parker part numbers.</i>	
1	48915GT	ELBOW,90D,520220-6.....	2
2	48918GT	TEE,RUN,520428-6.....	2
3	49130-2482GT	HOSE ASSY 3/8, STR FEM,STR FEM.... <i>Components: Genie part numbers 48812, 48812 and 48753 @ 23 inches</i>	2
4A	49130-4782GT	HOSE ASSY,3/8,STR FEM,STR FEM.... <i>Components: Genie part numbers 48812, 48812 and 48753 @ 46 inches</i>	2
4B	101795-4782GT	HOSE ASSY,3/8,STR FEM,STR FEM <i>Components: Genie part numbers 48812, 48812 and 101698 @ 46 inches (arctic option)</i>	
5	49859GT	PLUG,HEX,090109A-4.....	4
6	48916GT	FITTING,CONN,520120-6.....	2
7	48883GT	PLUG,HEX,090109A-8***.....	1
8	48960GT	FITTING,CONN,520120-12***.....	14
9	94374-2330GT	HOSE ASSY,3/4,90 FEM,STR FEM..... <i>Components: Genie part numbers 48841, 48846 and 94358 @ 20 inches</i>	1
10	94374-2530GT	HOSE ASSY,3/4,90 FEM,STR FEM..... <i>Components: Genie part numbers 48841, 48846 and 94358 @ 22 inches</i>	1
11	94466-2336GT	HOSE ASSY,3/4".....	1
12	49119-7578GT	HOSE ASSY,1/4 STR FEM,STR FEM..... <i>Components: Genie part numbers 48800, 48800 and 48751 @ 74 inches</i>	1
13	49119-7578GT	HOSE ASSY,1/4 STR FEM,STR FEM..... <i>Components: Genie part numbers 48800, 48800 and 48751 @ 74 inches</i>	1
14	48933GT	CONN,520120-8***.....	4
15	94374-4730GT	HOSE ASSY,3/4,90 FEM,STR FEM..... <i>Components: Genie part numbers 48841, 48846 and 94358 @ 44 inches</i>	4
16	94464-4986GT	HOSE ASSY,1/2"***..... <i>Components: Genie part numbers 48808, 77703 and 39888 @ 48 inches</i>	4
17	48908GT	FITTING,TEE,RUN,SWIVEL520432-4.....	2
18	48905GT	CONN,520120-4***.....	2
19	48911GT	ELBOW,90D,520220-4-6***.....	1

# PARTS FINDER

**Search Website  
by Part Number**



**Search Manual  
Library For Parts  
Manual & Lookup Part  
Numbers – Purchase  
or Request Quote**

**Search Manuals**

Enter your information to help us find the right parts manual for your machine.

\* Brand:

\* Model:

\* Serial:

\* Part Number:

SEARCH

**Can't Find Part or  
Manual? Request Help  
by Manufacturer,  
Model & Description**

**Parts Order Form**

Please fill in the following information to help us find the right part for your machine.

Manufacturer:	<input type="text"/>
Model:	<input type="text"/>
Description:	<input type="text"/>
Part Number:	<input type="text"/>
Quantity:	<input type="text"/>
Notes:	<input type="text"/>

Submit

Discount-Equipment.com is your online resource for quality parts & equipment.

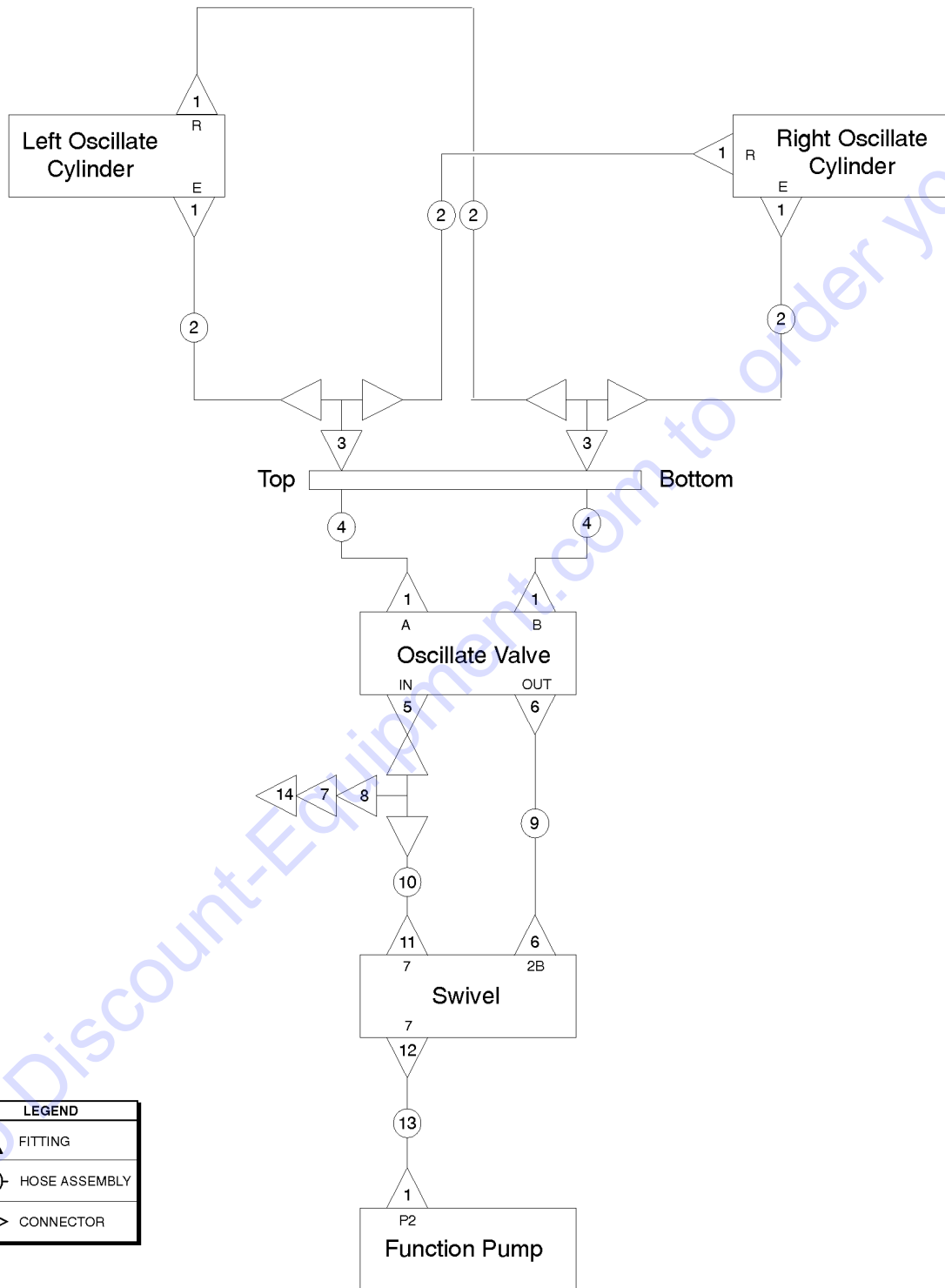
Florida: **561-964-4949** Outside Florida TOLL FREE: **877-690-3101**

**Need parts?**

Click on this link: <http://www.discount-equipment.com/category/5443-parts/> and choose one of the options to help get the right parts and equipment you are looking for. Please have the machine model and serial number available in order to help us get you the correct parts. If you don't find the part on the website or on one of the online manuals, please fill out the request form and one of our experienced staff members will get back to you with a quote for the right part that your machine needs.

We sell worldwide for the brands: Genie, Terex, JLG, MultiQuip, Mikasa, Essick, Whiteman, Mayco, Toro Stone, Diamond Products, Generac Magnum, Airman, Haulotte, Barreto, Power Blanket, Nifty Lift, Atlas Copco, Chicago Pneumatic, Allmand, Miller Curber, Skyjack, Lull, Skytrak, Tsurumi, Husquvarna Target, Stow, Wacker, Sakai, Mi-T-M, Sullair, Basic, Dynapac, MBW, Weber, Bartell, Bennar Newman, Haulotte, Ditch Runner, Menegotti, Morrison, Contec, Buddy, Crown, Edco, Wyco, Bomag, Laymor, EZ Trench, Bil-Jax, F.S. Curtis, Gehl Pavers, Heli, Honda, ICS/PowerGrit, IHI, Partner, Imer, Clipper, MMD, Koshin, Rice, CH&E, General Equipment, Amida, Coleman, NAC, Gradall, Square Shooter, Kent, Stanley, Tamco, Toku, Hatz, Kohler, Robin, Wisconsin, Northrock, Oztec, Toker TK, Rol-Air, APT, Wylie, Ingersoll Rand / Doosan, Innovatech, Con X, Ammann, Mecalac, Makinex, Smith Surface Prep, Small Line, Wanco, Yanmar

805.1 Oscillate Option



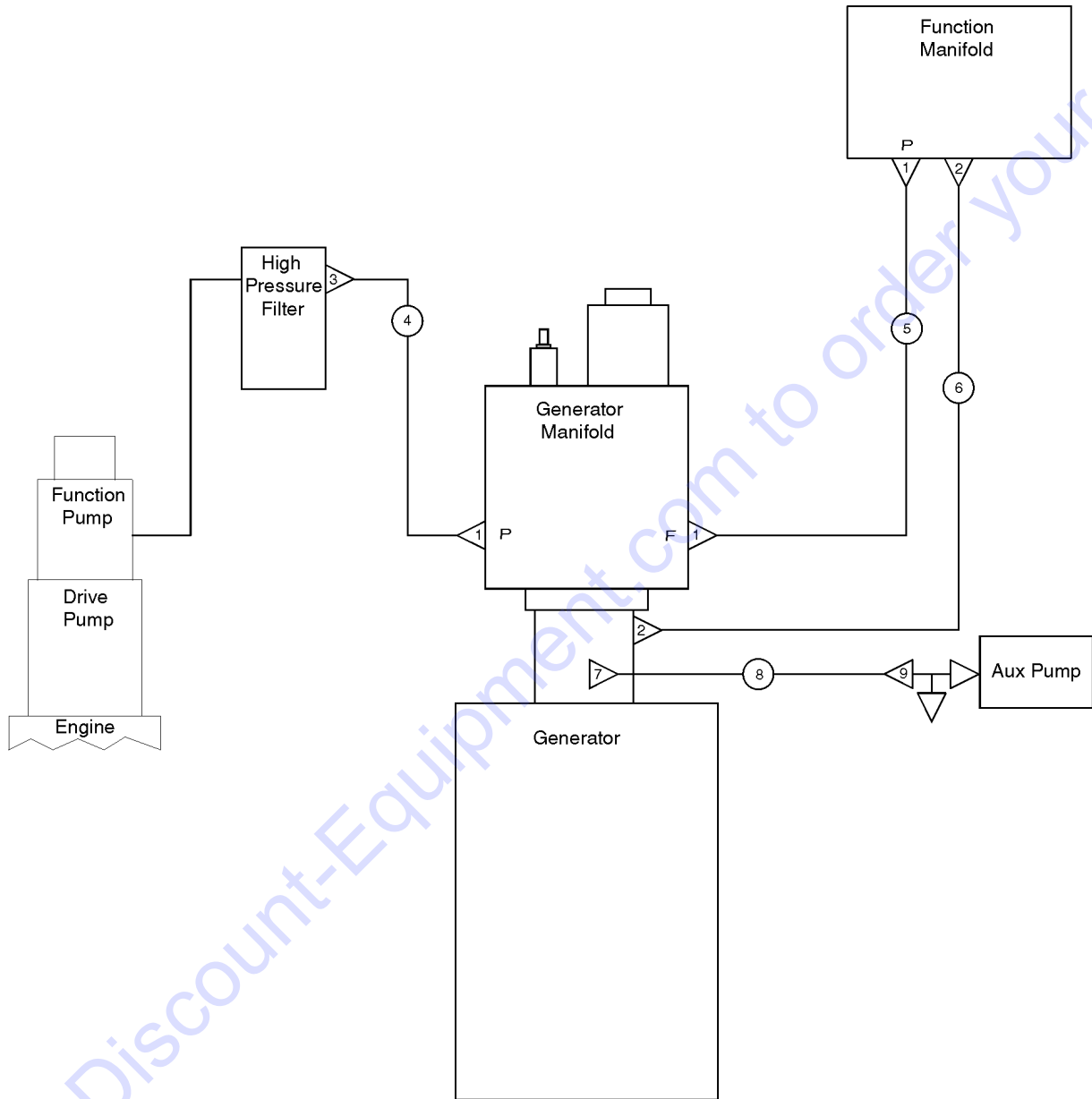
LEGEND	
	FITTING
	HOSE ASSEMBLY
	CONNECTOR



Item	Part No.	Description	Qty.
--		<i>The hose lengths below reflect the length of the hose only. Refer to the 'Fittings Cross Reference' to match Genie part numbers to Parker part numbers.</i>	
1	48912GT	CONN,520120-4-6***.....	7
2	49117-3291GT	HOSE ASSY,1/4,90 FEM,STR FEM**.... <i>Components: Genie part numbers 48800, 48802 and 48751 @ 31 inches</i>	4
3	48891GT	FITTING,TEE,BRANCH,520433-4.....	2
4	88636-8573GT	HOSE ASSY 1/4,STR FEM,STR BULK... <i>Components: Genie part numbers 48800, 75628 and 48751 @ 83 inches</i>	2
5	48914GT	CONN,520120-4-8.....	1
6	48933GT	CONN,520120-8***.....	2
7	49207GT	NIPPLE,DIAGNOSTIC,ORFS,FM,SWIV..	1
8	48908GT	FITTING,TEE,RUN,SWIVEL520432-4.....	1
9	94464-4186GT	HOSE ASSY,1/2"..... <i>Components: Genie part numbers 48808, 77703 and 39888 @ 40 inches</i>	1
10	49117-4691GT	HOSE ASSY,1/4,90 FEM,STR FEM..... <i>Components: Genie part numbers 48800, 48802 and 48751 @ 45 inches</i>	1
11A	48905GT	CONN,520120-4***.....	1
11B	49859GT	PLUG,HEX,090109A-4..... <i>models without oscillate</i>	1
12	48904GT	ELBOW,90D,520220-4-4.....	1
13	49117-5191GT	HOSE ASSY,1/4,90 FEM,STR FEM**.... <i>Components: Genie part numbers 48800, 48802 and 48751 @ 50 inches</i>	1
14	48880GT	CAP,DIAGNOSTIC NIPPLE.....	1

Go to Discount-Equipment.com to order your parts



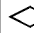
806.1 Hydraulic Generator Option

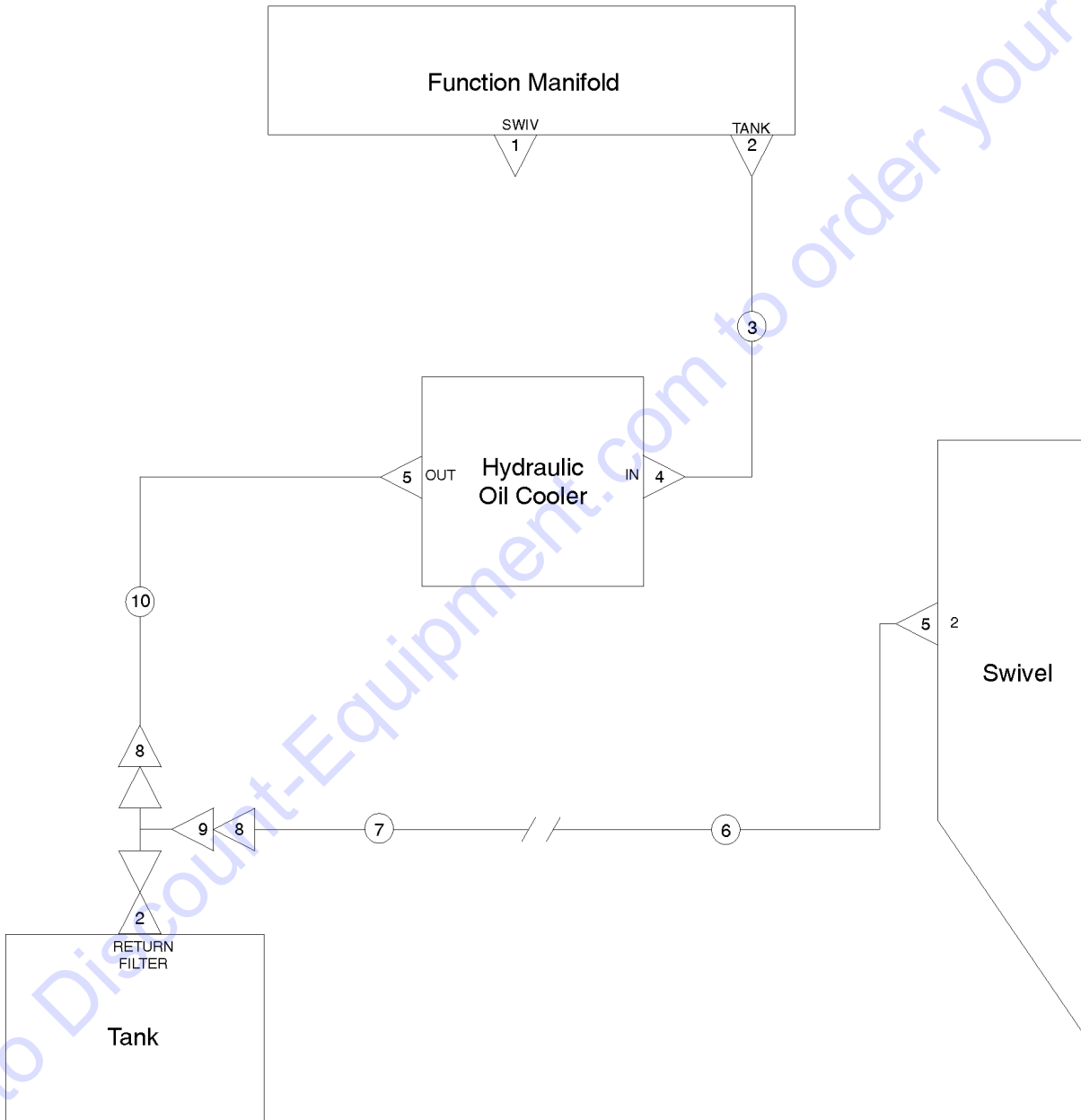


LEGEND	
	ADAPTER
	HOSE ASSEMBLY
	UNION

Item	Part No.	Description	Qty.
1	48960GT	FITTING,CONN,520120-12*** <i>(includes 45° and reducer)</i>	3
2	48933GT	CONN,520120-8***	2
3	48963GT	FITTING,ELBOW,45D,520320-12***	1
4	1259906GT	HOSE ASSY, 3/4", 34.05" <i>(components: 48841, 48846, and 48762 @ 30 inches)</i>	1
5	61073-7330GT	HOSE ASSY,3/4,90 FEM,STR FEM <i>(components: 48841, 48846, and 48762 @ 70 inches)</i>	1
6	49183-7592GT	HOSE ASSEMBLY,1/2,STR FEM <i>(components: 48822, 48822, and 48756 @ 74 inches)</i>	1
7	49861GT	CONN,LONG,520122-4	1
8	49117-6119GT	HOSE ASSY,1/4,90 FEM,STR FEM** <i>(components: 48800, 48802, and 48751 @ 60 inches)</i>	1
9	48908GT	FITTING,TEE,RUN,SWIVEL520432-4	1

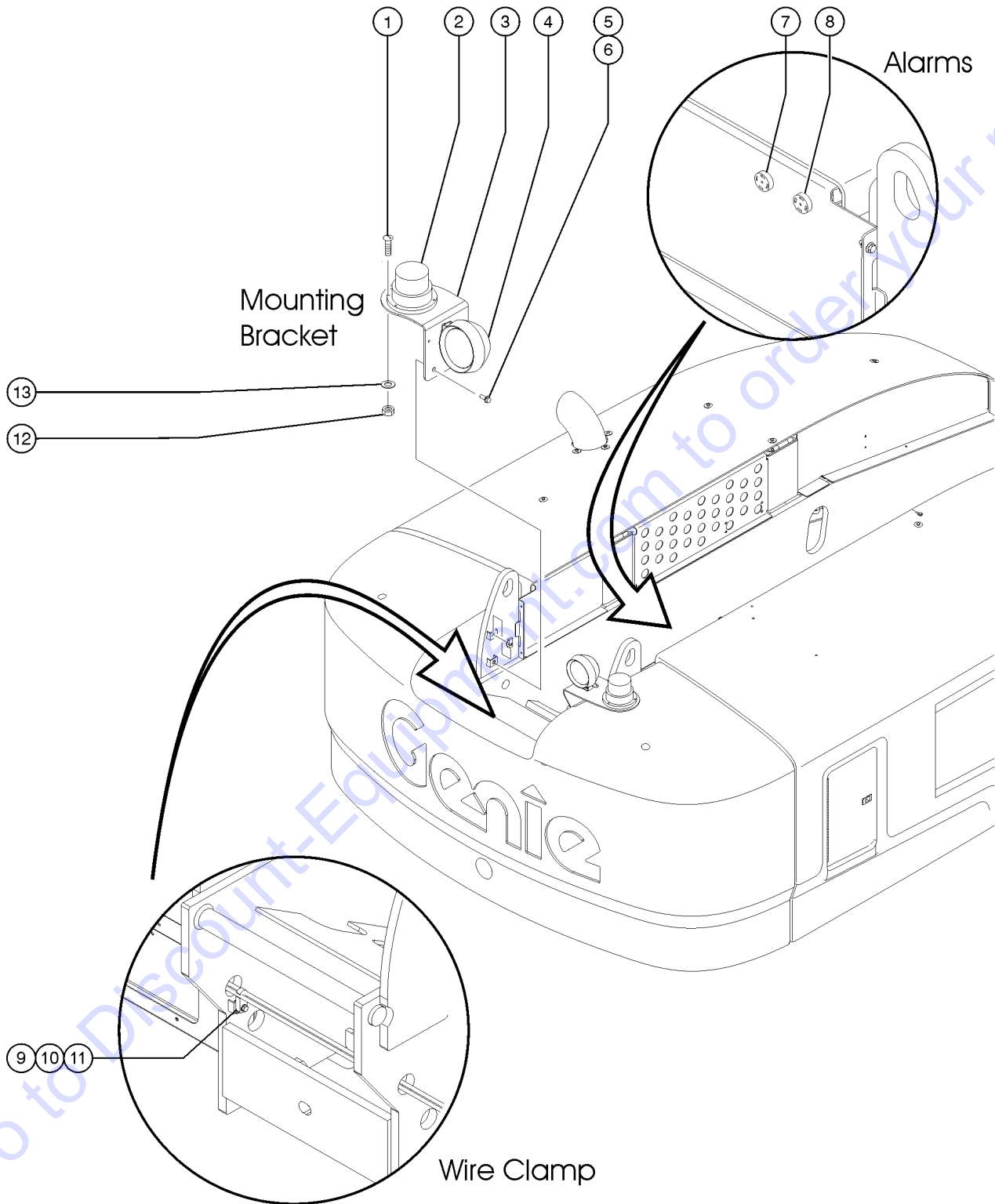
807.1 Hydraulic Oil Cooler Option

LEGEND	
	FITTING
	HOSE ASSEMBLY
	CONNECTOR



Item	Part No.	Description	Qty.
1	87172GT	PLUG,HEX SOCKET,090109B-12.....1	1
2	48984GT	CONN,520120-16.....2	2
3	88949-3828GT	HOSE ASSY 1",STR FEM,STR FEM.....1 (components: 88941, 88938, 88938, and 88940 @ 36 inches)	1
4	48878GT	ELBOW,90D,520220-16-12.....1	1
5	48960GT	FITTING,CONN,520120-12*** .....2	2
6	49151-6248GT	HOSE ASSY,3/4,STR FEM,STR FEM.....1 (components: 48841, 48841, and 48761 @ 60 inches)	1
7	94205-3164GT	HOSE ASSY,3/4,45 FEM,STR MALE.....1 (components: 48842, 48845, and 48761 @ 28 inches)	1
8	101293GT	REDUCER,520123-16-12.....2	2
9	42787GT	TEE,RUN,SWIVEL,520432-16.....1	1
10	1259905GT	HOSE ASSY, 3/4", 28.55".....1 (components: 48841, 48846, and 48761 @ 24 inches)	1

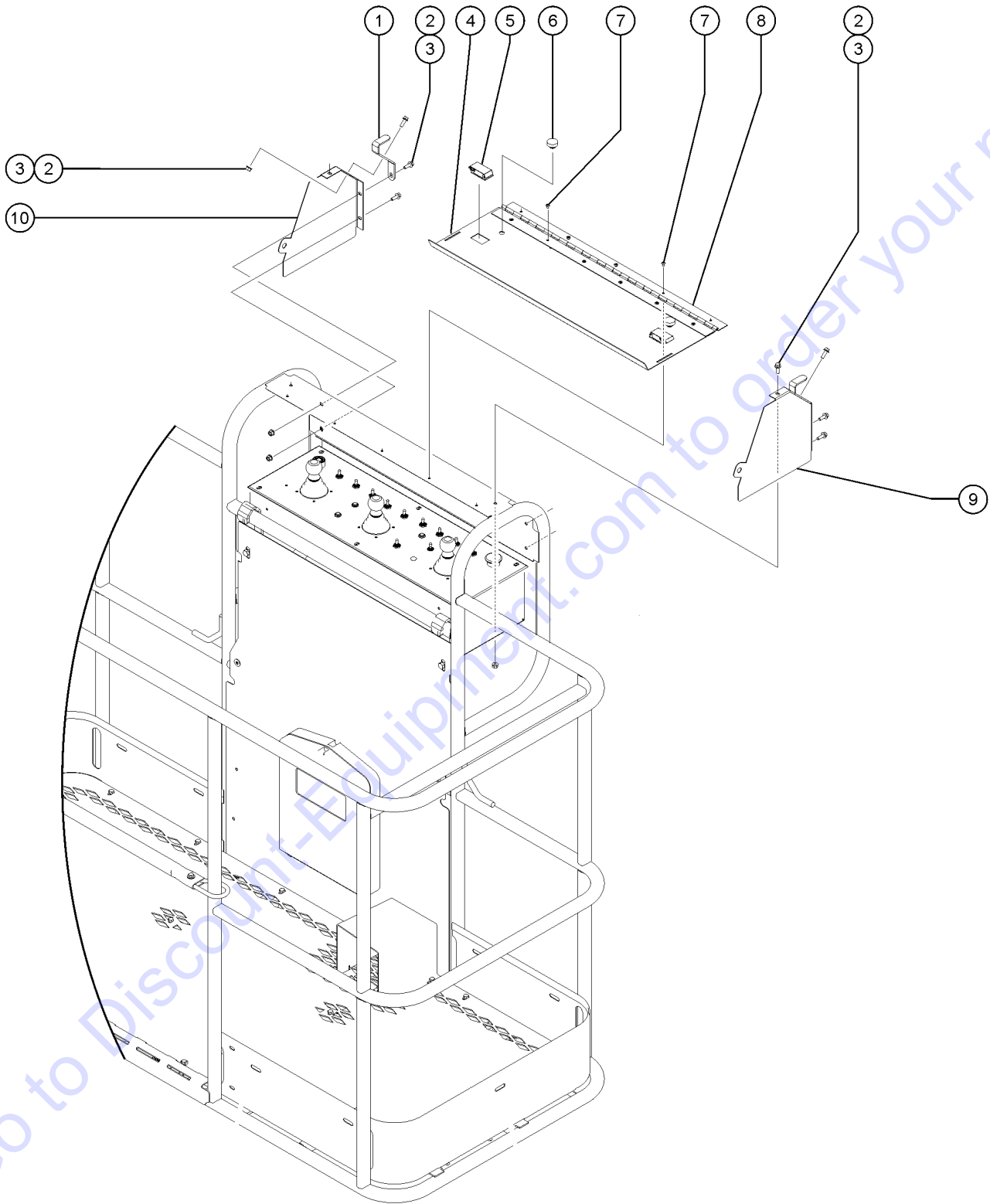
901.1 Drive Lights, Alarm and Beacon Packages



## 901.1 Drive Lights, Alarm and Beacon Packages

Item	Part No.	Description	Qty.
--	T109268GT	ACC, BEACON, TRVL ALARM,SERV	
1	6147GT	SCREW,RHM,10-32 X 1	
2	56704GT	STROBE,FIREBOLT,12-80VDC,AMB**...2 <i>Replaced 20189</i>	
--	122019GT	FLASHTUBE,U SHAPED,360DEG,BULB	
--	128005GT	HARNESS,BEACON OPTION	
--	226393GT	FLASHTUBE,STRAIGHT,360DEG,BULB	
--	72282GT	LENS,AMBER,STROBE,FIREBOLT	
3A	1253796GT	FORMING,LIGHT/BEACON BRKT,RH....1	
3B	1253795GT	FORMING,LIGHT/BEACON BRKT,LH.....1	
4	107857GT	LIGHT, 12 VOLT.....2	
--	119065GT	CONN,RECEP 2 WAY ENDCAP DT	
--	35960GT	BULB,WORKLIGHT,12V 35W	
--	56051GT	WIRE CABLE,16/2,WHT/BLK,SJEOW	
--	60439GT	LOCK,RECEP 2 WAY, 14-18GA	
--	73713GT	TERM,NI PIN,S&F,16-18GA,REEL	
5	121066GT	SCREW,HHC,FLG,3/8-16 X 1 GR8	
6	29868GT	SPRING CLIP,3/8-16,.05-.20X.73,ZAG....4	
7		REF: Descent Alarm <i>(refer to 301.1)</i>	
8	18963GT	ALARM,INTERMITTENT TONE 6-30V*...1 <i>Does not include 72326 nut</i>	
--	72326GT	NUT - PLASTIC,RING FOR ALARMS.....1	
9	822692GT	CLAMP, WIRE, 16/2.....2 <i>(one of 2 shown)</i>	
10	6175GT	SCREW,HHC,3/8-16 X 1	
11	6021GT	WASHER,LOCK,.375	
12	6178GT	NUT,NYLOCK,10-32	
13	6146GT	WASHER,FLAT,MS,#10,Y	

902.1 Platform Control Cover Option





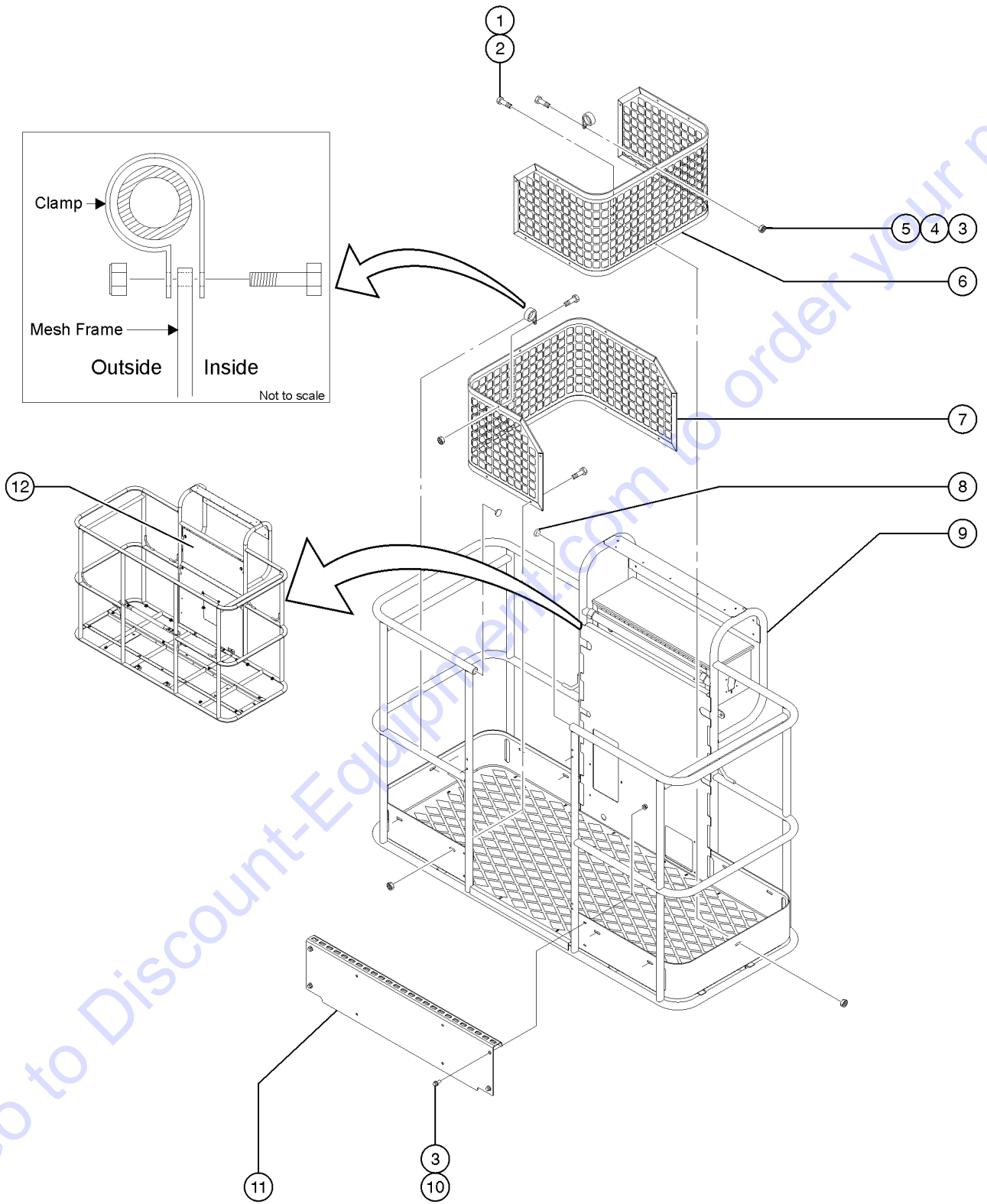
902.1 Platform Control Cover Option

Item	Part No.	Description	Qty.
1	102786PGT	FORMING,LATCH,CTRL BOX LID PTD..... <i>None</i>	2
2	824078GT	SCREW,HHF,1/4-20X.75,8,ZAG.....	8
3	824027GT	NUT,TL FLG,1/4-20,G,ZAG.....	8
4	102785PGT	CONTROL BOX COVER,LID,PTD.....	1
5	30468GT	LATCH,SLIDE, FLUSH MOUNT STYLE.....	2
6	43392GT	BUMPER,BATTERY BOX & RAILS.....	2
7	87085GT	RIVET,ALUM,P,188 X .25.....	11
8	111526GT	HINGE,PLAT CONTROL BOX COVER..	1
9	88606PGT	COVER,CONTROL BOX RIGHT SIDE**.....	1
10	88607PGT	COVER,CONTROL BOX LEFT SIDE***.....	1

Go to Discount-Equipment.com to order your parts



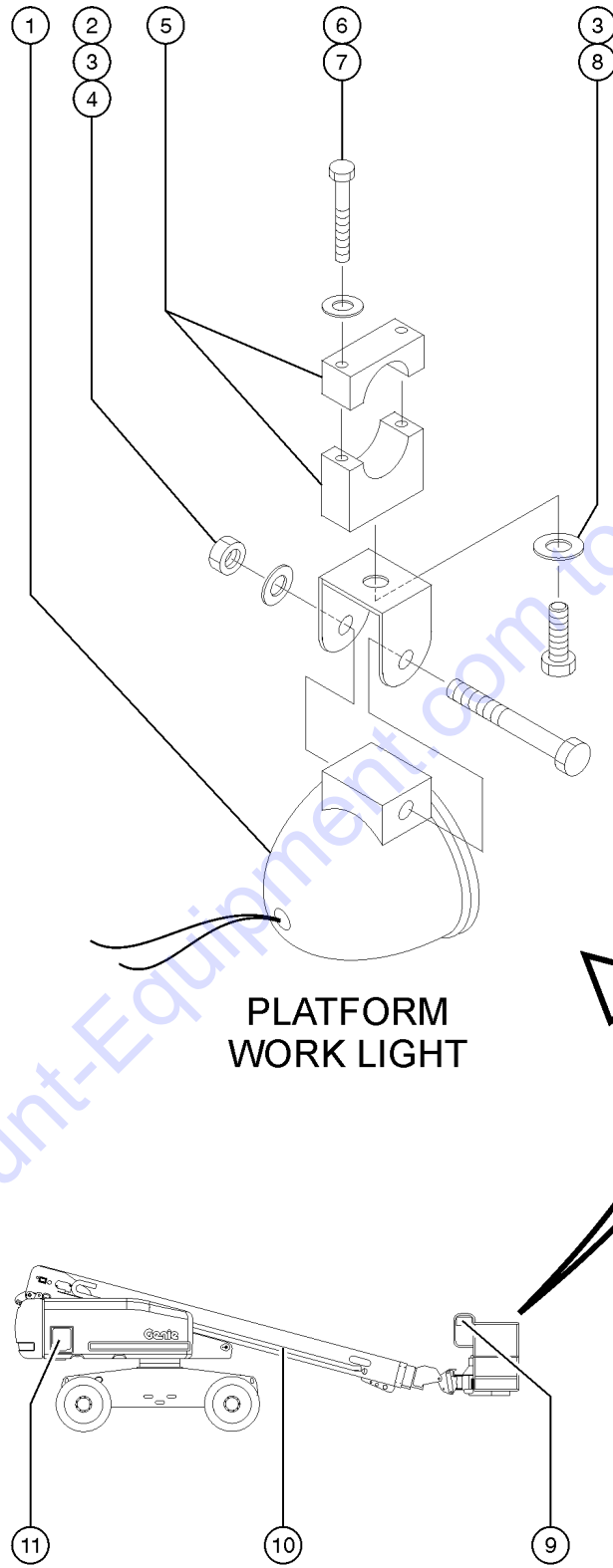
903.1 Half Mesh and Platform Toeboard



## 903.1 Half Mesh and Platform Toeboard

Item	Part No.	Description	Qty.
1	824085GT	SCREW,HHF,5/16-18X.75,8,ZAG	
2	824028GT	NUT,TL FLG,5/16-18,G,ZAG	
3	824027GT	NUT,TL FLG,1/4-20,G,ZAG.....	16
4	56424GT	CLAMP,1.25X.5 RUBBER-CUSHION....	16
5	824078GT	SCREW,HHF,1/4-20X.75,8,ZAG	
6A	54458GT	MESH,HALF,LH,6'PLATFORM.....	1 <i>6ft</i>
6B	73501GT	HALF MESH,8'PLATFORM,LH.....	1 <i>8ft</i>
7A	54465GT	MESH,HALF,RH,6'PLATFORM.....	1 <i>6ft</i>
7B	73500GT	HALF MESH,8'PLATFORM,RH***.....	1 <i>8ft</i>
8	55753GT	BUMPER, PLASTIC, 1.25 O.D.....	2
9		REF: Platform Weldment.....	1 <i>(refer to 701.1)</i>
10	1256855GT	SCREW,HHF,1/4-20X.625,8,ZAG	
11	94745PGT	TOEBOARD,ENTRY EUROPEAN PNTD**	
12	73901GT	DECAL PLATE,MESH.....	1 <i>decals not included</i>

904.1 Platform Work Lights



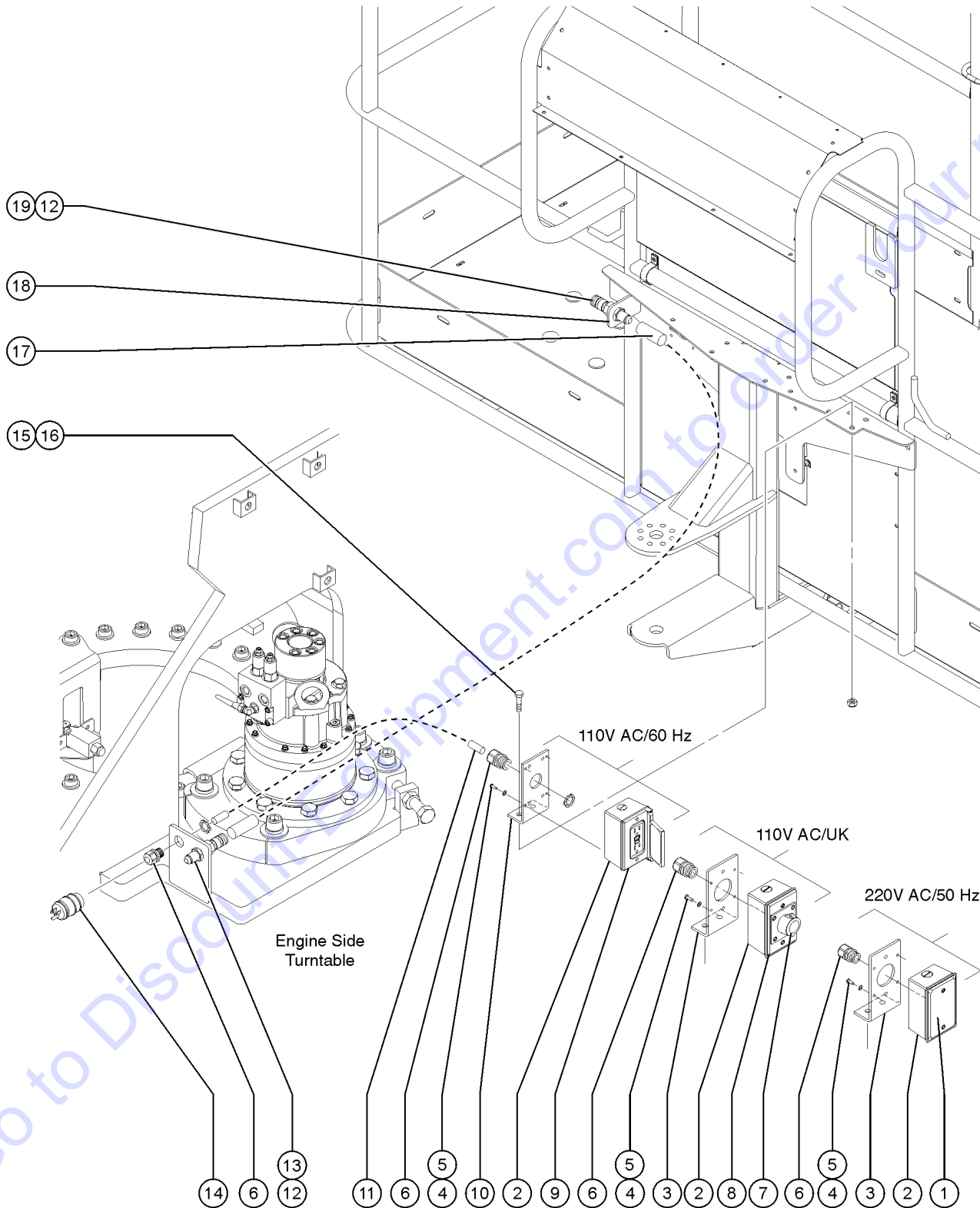
904.1 Platform Work Lights

Item	Part No.	Description	Qty.
1	71498GT	WORKLIGHT, 12V, DEUTSCH RECEPT..... <i>includes mount (not available separately)</i>	2
2	4828GT	NUT,NYLOCK,3/8-16	
3	5397GT	WASHER,FLAT,USS,5/16",Y	
4	8178GT	SCREW,HHC,3/8-16 X 2.5	
5	35956GT	BRACKET,WORK LIGHT MOUNT 5/16"	
6	6145GT	SCREW,HHC,1/4-20 X 1.5	
7	6356GT	WASHER,LOCK,.25	
8	10107GT	SCREW,HHC,5/16-18 X .75	
9		Ref: HARNESS,12V WORK LIGHTS <i>refer to 311.1</i>	
10		Ref: CABLE,S60 & S65 12VDC WORK LIGHT <i>refer to 311.1</i>	
11		Ref: HARN,12V WORK LIGHT RELAY <i>refer to 311.1</i>	

Go to Discount-Equipment.com to order your parts



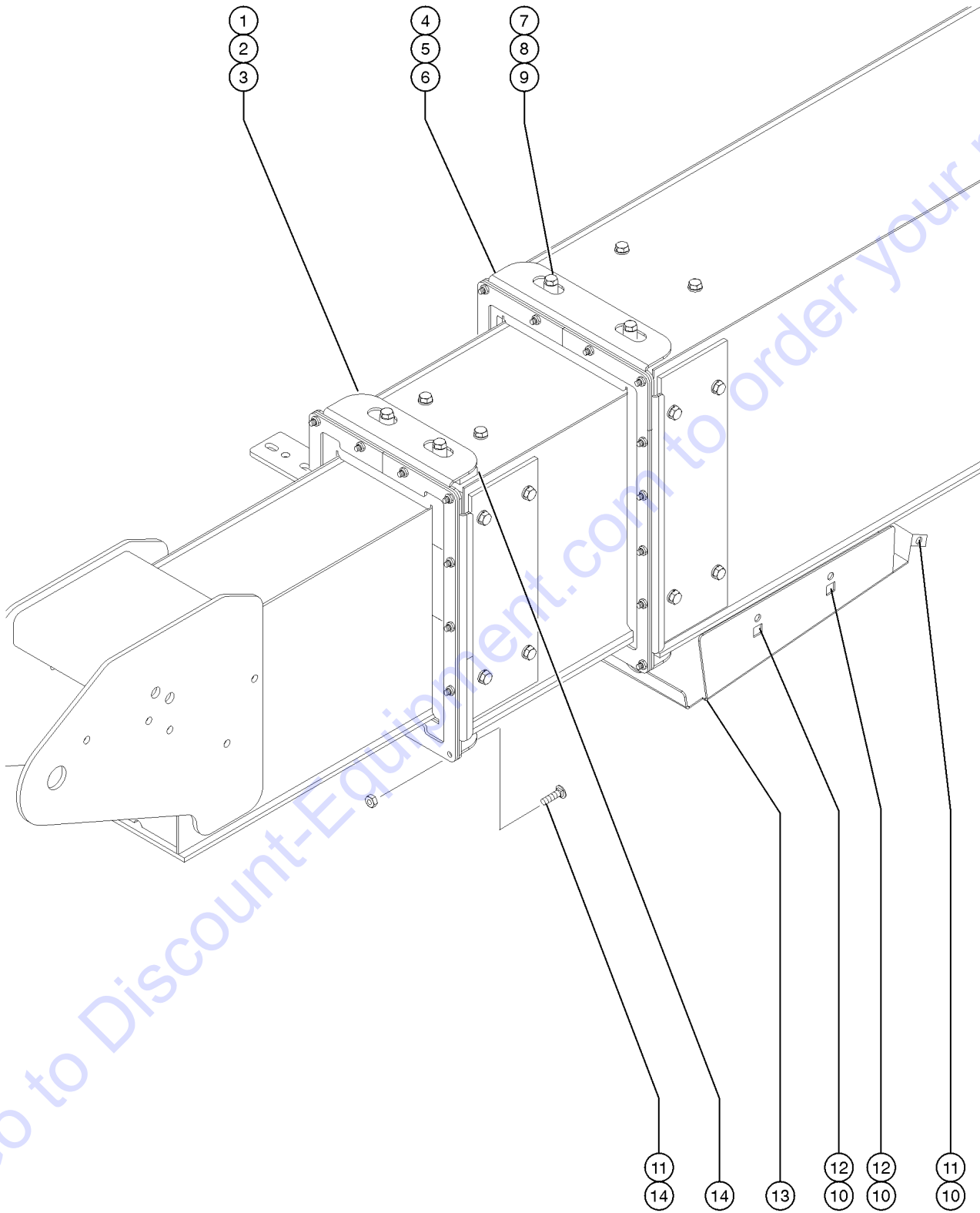
905.1 Air line and Power to Platform



## 905.1 Air line and Power to Platform

Item	Part No.	Description	Qty.
--	T109331GT	ACC,AIRLINE TO PLAT,S60 ,SERV	
--	119845GT	CLAMP, HYD WELD, AIR, OPT.....1	1
1	10777GT	COVER,BLANK.....1	1
--	33724GT	KIT,GASKET,UK POWER TO PLAT.	
--	81458GT	GASKET, UK POWER TO PLAT	
2	10775GT	T-BOX, 2.75 x 4.5 x 2.0.....1	1
3A	81096GT	BRACKET,POWER TO PLAT, DOM.....1 <i>ANSI models</i>	1
3B	81570GT	BRACKET,POWER TO PLAT, UK <i>CE models</i>	
4	57075GT	SCREW,PHIL,8-32X.50,SELF TAP.....4	4
5	35461GT	WASHER,FLAT,MS,#8,Y.....4	4
6	7056GT	CONN, SQZ, 1/2NPT .38-.50, SM**.....2	2
--	6935GT	LOCKNUT,ELEC,1/2"	
7	T112560GT	RECEPTACLE,UK,110V.....1	1
8	T112561GT	PLATE,UK,POWER TO PLAT.....1	1
9	13585GT	OUTLET, 110V.....1	1
--	74006GT	COVER,GFCI,HORIZONTAL,WEATHER	
10	81096GT	BRACKET,POWER TO PLAT, DOM.....1	1
11		Ref: Harness, Power to Platform.....1 <i>refer to 311.1</i>	1
12	49212GT	FEMALE BULKHEAD CONNECTOR-8...2	2
13	49214GT	MALE PIPE THD,1/4" SER,3/8"X18	
14A	119403GT	CONN,PLUG 120 AC/15A DOMESTIC...1	1
14B	119404GT	CONN,RECEP 120AC/15A DOMESTIC.....1	1
14C	144161GT	PLUG,PWR,UK,16AMP,3PIN,BLK.....1	1
14D	25388GT	PLUG,FUSED,250V,13AMP,U.K.**.....1	1
14E	1280665GT	PLUG, TYPE F, 230A, 50HZ, 16A, IP44.....1	1
15	6019GT	SCREW,HHC,3/8-16 X 1.25 GRD 5.....2	2
16	4828GT	NUT,NYLOCK,3/8-16.....2	2
17A	49177-108894GT	HOSE ASSEMBLY,1/2"***.....1 S-60	1
17B	49177-108894GT	HOSE ASSEMBLY,1/2"***.....1 S-65	1
18	60886PGT	BRACKET,AIRLINE TO PLATFORM.....1	1
19	49215GT	MPT,CPLR,1/4"SER,3/8"X18	

906.1 Hostile Environment, Boom Wipers

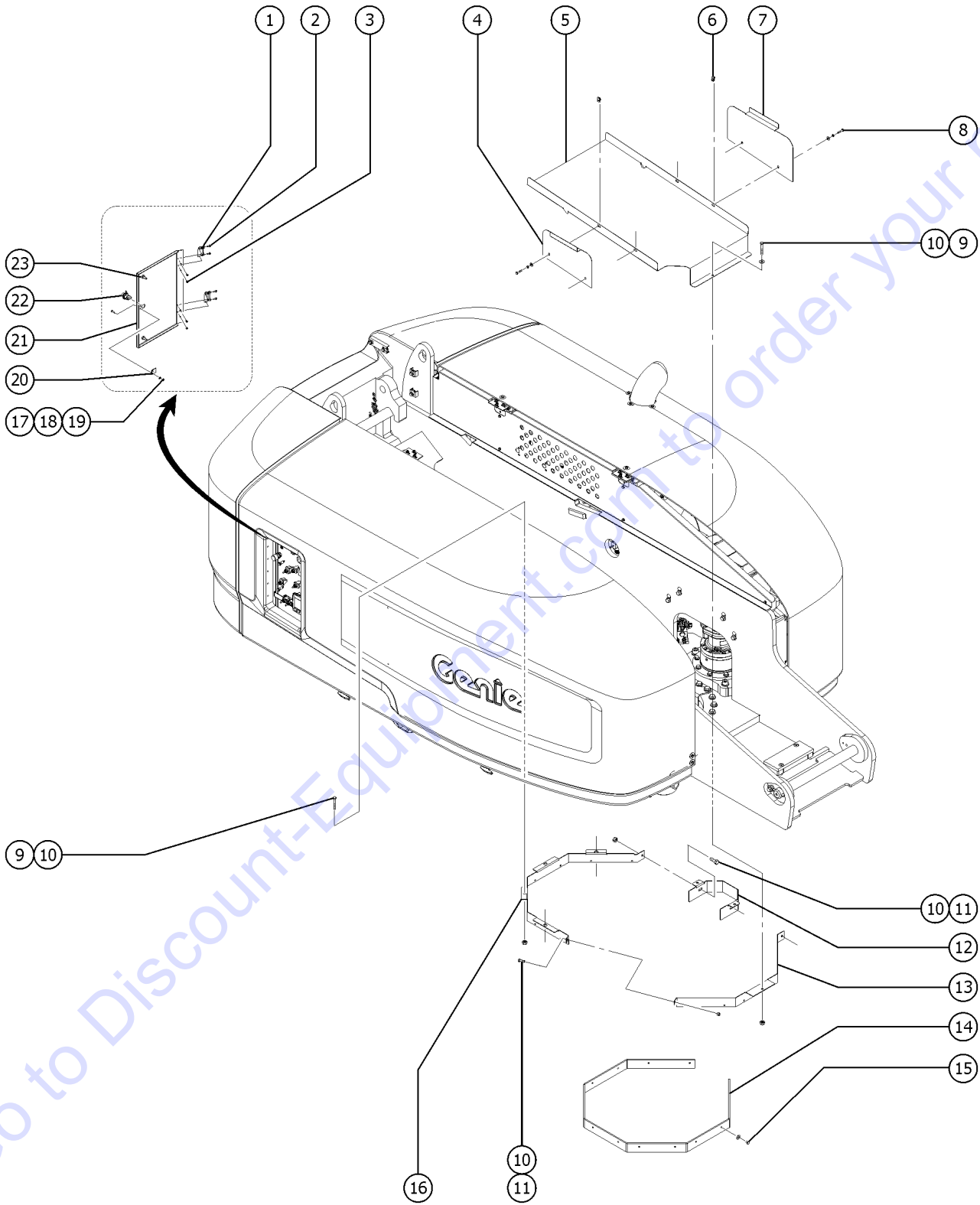




## 906.1 Hostile Environment, Boom Wipers

Item	Part No.	Description	Qty.
1	119087GT	FORMING BRKT, WIPER 2 TO 3.....	2
2	119089GT	WIPER RUBBER, 2 TO 3.....	1
3	119088GT	PLATE BACKING, WIPER 2 TO 3.....	2
4	119084GT	FORMING BRKT, WIPER 1 TO 2.....	2
5	119086GT	WIPER RUBBER, 1 TO 2.....	1
6	119085GT	PLATE BACKING, WIPER 1 TO 2.....	2
7	1256108GT	SCREW,HHC,3/8-16X2,8,ZAG.....	8
8	101932GT	TUBE,RD,STL,DOM,.75X.38X.78.....	8
9	119090GT	SPACER, BOOM TOP.....	2
10	824079GT	SCREW,HHF,1/4-20X1,8,ZAG.....	6
11	824027GT	NUT,TL FLG,1/4-20,G,ZAG.....	2
12	56912GT	SPRING CLIP,1/4-20,.025-.15X.54,ZAG.....	4
13	147783GT	COVER,LIMIT SWITCH ASSY,S60.....	1
14	824124GT	BOLT,CARRIAGE,1/4-20X.75,5,ZAG	

907.1 Hostile Environment, Turntable Components

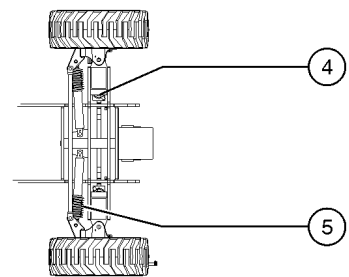
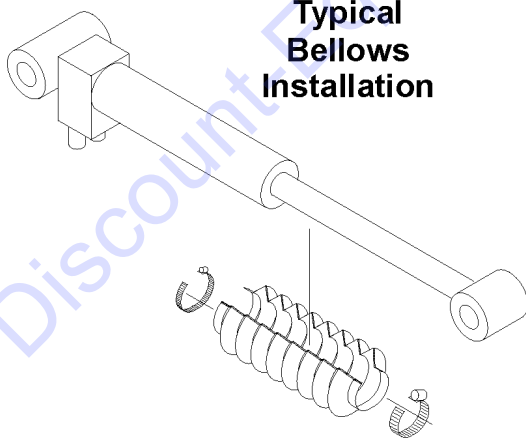
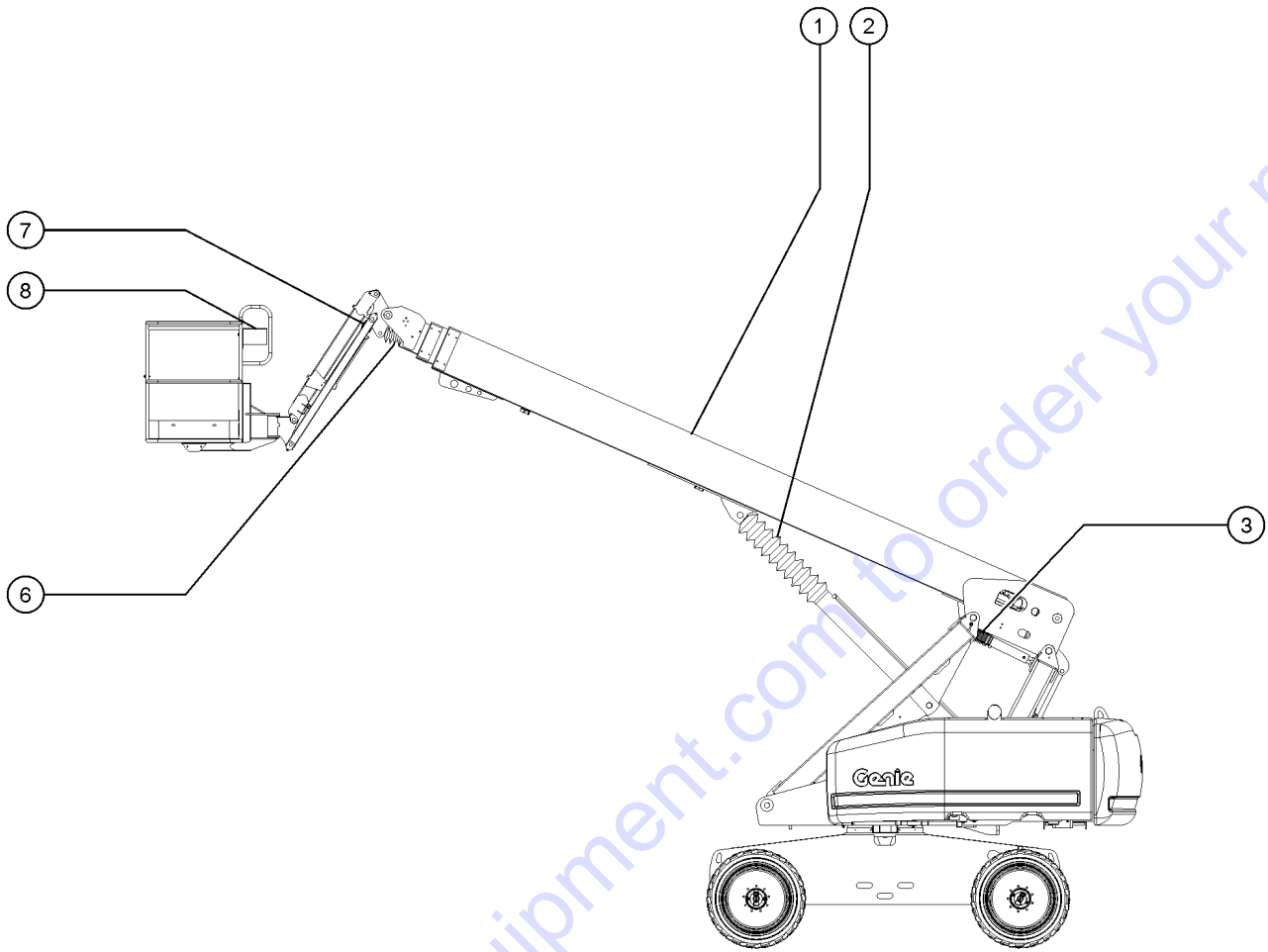


A TEREX BRAND

## 907.1 Hostile Environment, Turntable Components

Item	Part No.	Description	Qty.
1	1259584GT	HINGE,CONSTANT TORQUE.....	2
2	218457GT	SCREW,HHF,M5X12,DIN6921,10.9,Z....	4
3	229845GT	SCREW,BHSCS,M5X10,SS.....	4
4	77997PGT	FORMING,TT LH SIDE COVER PAINT...1	
5	77996PGT	TURNTABLE CENTER COVER PAINTED.....	1
6	56912GT	SPRING CLIP,1/4-20,.025-.15X.54,ZAG.....	4
7	77998PGT	FORMING,TT RH SIDE COVER PAINT.....	1
8	824078GT	SCREW,HHF,1/4-20X.75,8,ZAG	
9	1256856GT	SCREW,HHF,3/8-16X2.5,8,ZAG	
10	824029GT	NUT, TL FLG, 3/8-16, G, ZAG	
11	820991GT	SCREW,HHF,3/8-16X1.25,8,ZAG	
12	77879PGT	FORMING,PINION GUARD PAINTED.....	1
13	70318PGT	FORMING,WIPER GUARD RT..... <i>(models with Deluxe Hostile Option)</i>	1
14	70319GT	WIPER,RING GEAR GUARD..... <i>(models with Deluxe Hostile Option)</i>	1
15	81167GT	RIVET,ALUM,P,.25X.625.....	14
16	70317PGT	FORMING,WIPER GUARD LT..... <i>(models with Deluxe Hostile Option)</i>	1
17	1256804GT	NUT,10-32,ZAG.....	1
18	1253185GT	WASHER,FLAT,#10,USS,ZAG.....	1
19	824215GT	SCREW,PHPM,10-32X.75,ZAG.....	1
20	1261001GT	STRIKER, LATCH.....	1
21	1260979GT	ASSEMBLY, GROUND CONTROL BOX C..... <i>(complete, includes hinges, latch and fasteners)</i>	1
22	1259583GT	LATCH,PUSH BUTTON.....	1
23	34619GT	BUMPER,RUBBER***.....	2

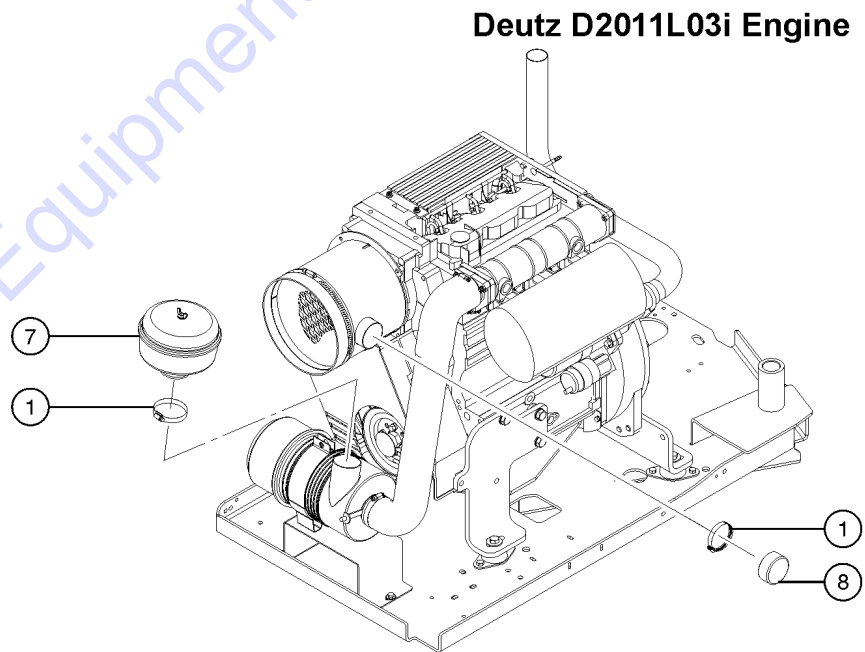
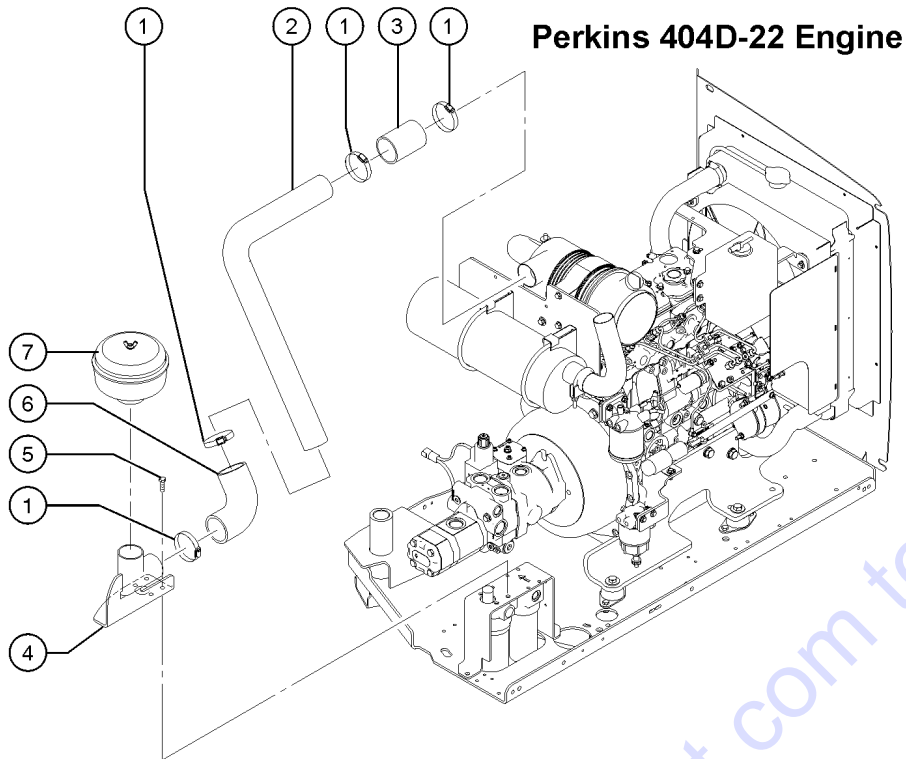
908.1 Hostile Environment, Cylinder Bellows and Cable Track



## 908.1 Hostile Environment, Cylinder Bellows and Cable Track

Item	Part No.	Description	Qty.
1	106099GT	COVER,CABLE TRACK.....1 <i>(not shown) models with Deluxe Hostile Option</i>	1
1	824027GT	NUT,TL FLG,1/4-20,G,ZAG.....4	4
1	824079GT	SCREW,HHF,1/4-20X1,8,ZAG.....4	4
2	94479GT	BELLOWS,CYLINDER LIFT.....1	1
--	34955GT	CLAMP,HOSE,5.00	
--	35432GT	CLAMP,HOSE,6.50	
3	94463GT	BELLOWS,MASTER CYLINDER.....1	1
--	22672GT	CLAMP,HOSE,1.75	
--	34955GT	CLAMP,HOSE,5.00	
4	63727GT	COVER, PROTECTIVE, OSCILLATE....2 <i>Oscillate Only</i>	2
--	22672GT	CLAMP,HOSE,1.75 <i>Oscillate Only</i>	
--	34955GT	CLAMP,HOSE,5.00 <i>Oscillate Only</i>	
5	34922GT	COVER,PROTECTIVE,STEERING.....2	2
--	22672GT	CLAMP,HOSE,1.75	
--	34955GT	CLAMP,HOSE,5.00	
6	94537GT	BELLOWS,CYLINDER,PLAT LEVEL.....1	1
--	1253185GT	WASHER,FLAT,#10,USS,ZAG	
--	22672GT	CLAMP,HOSE,1.75	
--	23405GT	NUTSERT,10-32 STEEL CAD PLTD	
--	826516GT	SCREW, PHPM, 10-32 X 1.0, ZAG	
--	94533GT	PLATE,BACKING BELLOWS	
7	34505GT	COVER,PROTECTIVE,JIB CYLINDER...1 <i>S-65 Only</i>	1
--	30971GT	CLAMP,HOSE,3.00" <i>S-65 Only</i>	
--	36208GT	CLAMP,HOSE,1.25*** <i>S-65 Only</i>	
8	T107895GT	DECAL,PROTECTOR,CLEAR.....1	1

909.1 Hostile Environment, Engine Air Pre-Cleaners



Go to [Discount-Equipment.com](http://Discount-Equipment.com) to order your parts

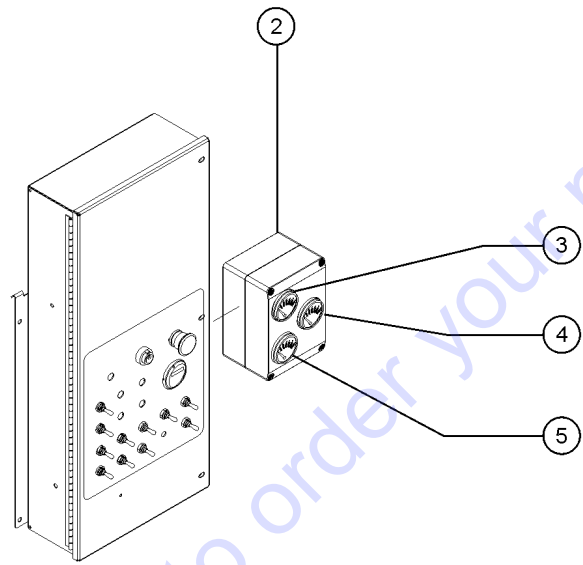
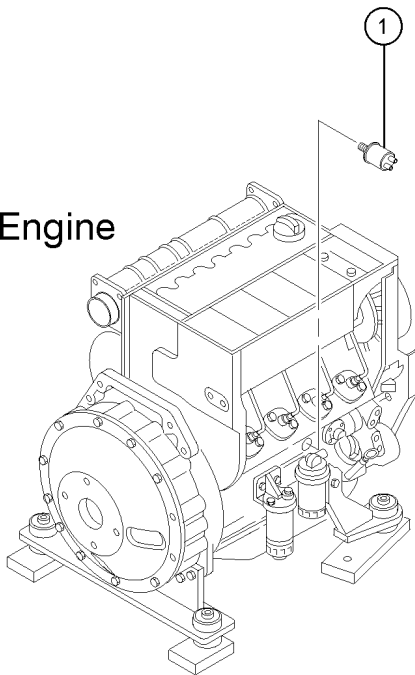
## 909.1 Hostile Environment, Engine Air Pre-Cleaners

Item	Part No.	Description	Qty.
1	45435GT	CLAMP,HOSE,2.50"*** .....	4
2	77891GT	TUBE,AIR INTAKE.....	1
3	34162-0400GT	HOSE,AIR INTAKE 2.5" I.D.....	1
4	1262359GT	WELDMENT, PRE-CLEANER, BRACKET	
5	824090GT	SCREW,HHF,3/8-16X1,8,ZAG	
6	34164GT	ELBOW,90 DEGR,RUBBER,2.5" I.D.* .....	1
7	34959GT	PRECLEANER,AIR INTAKE*** .....	1
8	70529GT	CAP,PLASTIC,2.5 ID.....	1

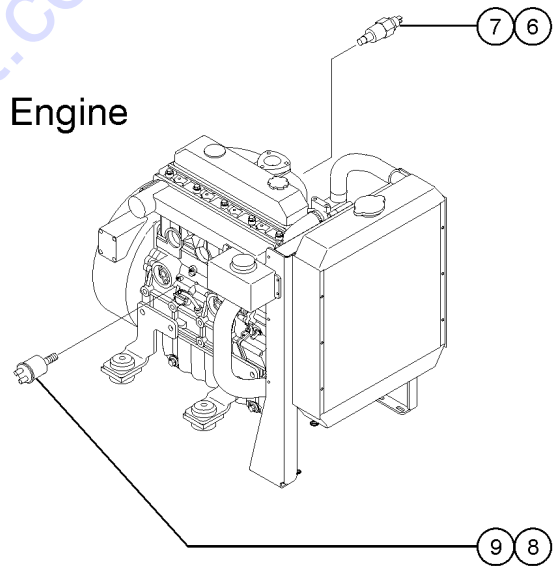
Go to Discount-Equipment.com to order your parts

910.1 Gauge Option

Deutz Engine



Perkins Engine

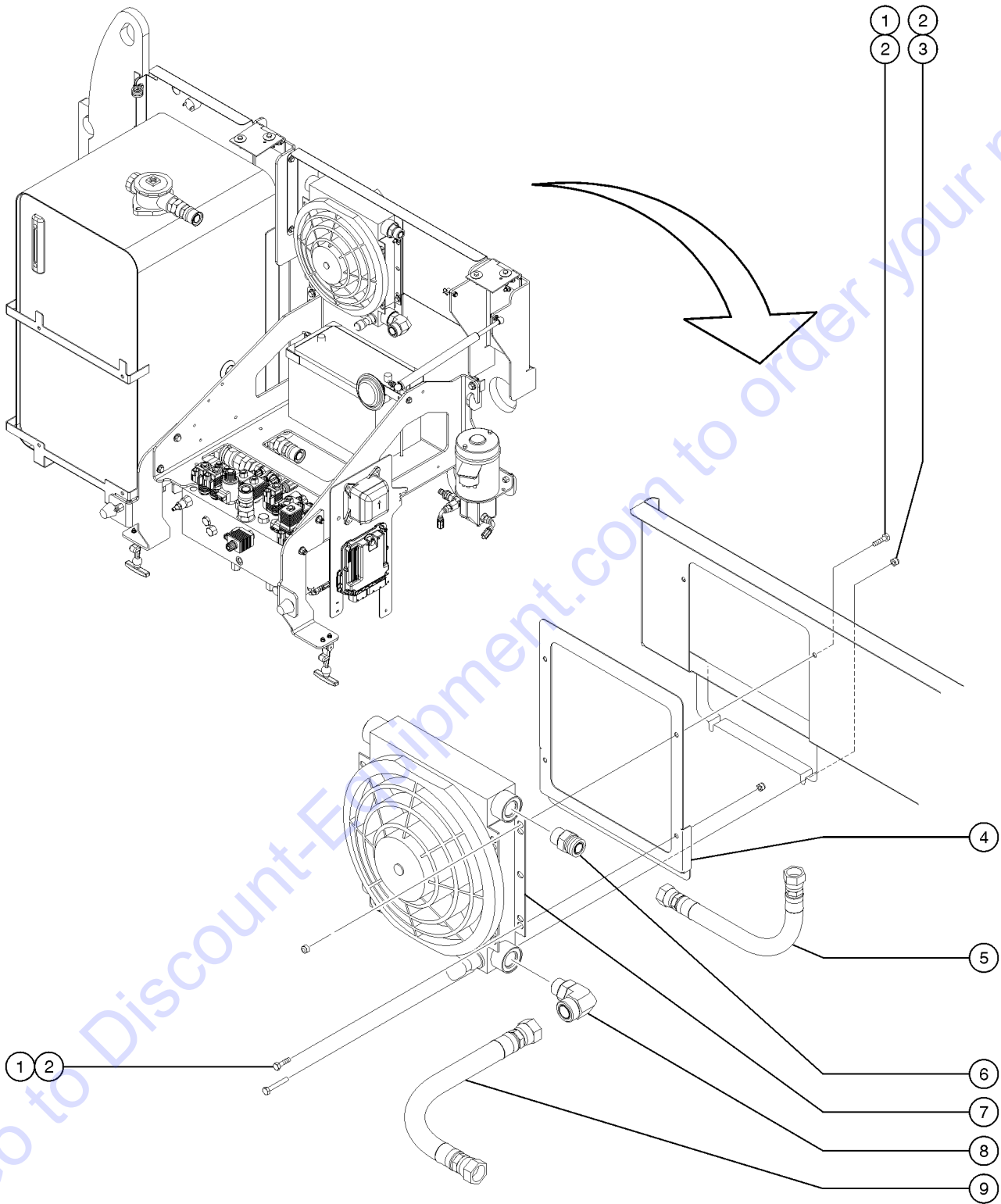


Go to Discount-Equipment.com to order your parts



Item	Part No.	Description	Qty.
A	T109334GT	ACC,FULL GAUGE,FORD DSG423,SV	
B	T109333GT	ACC,FULL GAUGE,DEUTZ,SERV	
C	T109332GT	ACC,FULL GAUGE,PERKINS,SERV	
1	106033GT	ADAPTER,NPT 6-4	
2	101232GT	ENCLOSURE BOX,GAUGE OPT,DRILLD.....1 <i>bracket not included</i>	
--	139878GT	FORMING, GAUGE OPTION BRACKET.....1 <i>not included with 101232, must order separately</i>	
3	53761-SGT	GAUGE,VOLTAGE.....1	
4	53758-SGT	GAUGE,OIL PRESSURE W/O SENDER.....1	
5	53759-SGT	GAUGE,WATER TEMP.....1 <i>Perkins and Ford models only</i>	
6	34058GT	SENDING UNIT,TMP,FRD,GM,PRK704.....1	
7	28607GT	ADAPTER,140139-8-6.....1	
8	30810GT	SENDING UNIT,OIL PRESSURE*** .....1 <i>dual-terminal sender</i>	
9	71038GT	ADAPTER, 1/8 X 1/4 F3H6-S.....1	

911.1 Hydraulic Oil Cooler Option

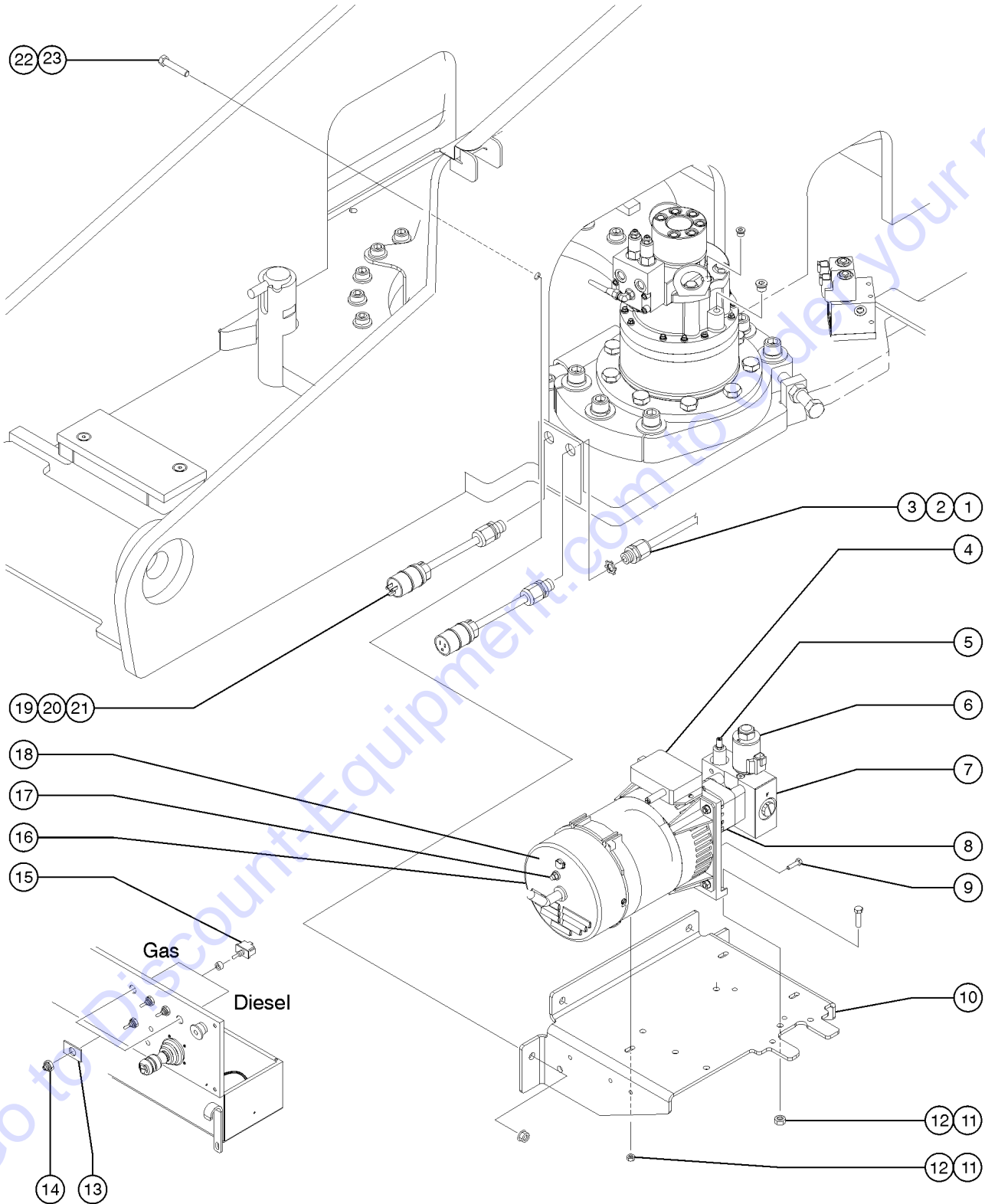


## 911.1 Hydraulic Oil Cooler Option

Item	Part No.	Description	Qty.
A	T109335GT	ACC, OIL COOLER,S60, SERV	
1	824078GT	SCREW,HHF,1/4-20X.75,8,ZAG.....	4
2	824027GT	NUT,TL FLG,1/4-20,G,ZAG.....	6
3	824081GT	SCREW,HHF,1/4-20X1.5,8,ZAG.....	2
4	77693GT	FORMING,OIL COOLER MOUNT.....	1
5	1259905GT	HOSE ASSY, 3/4", 28.55".....	1
6	48960GT	FITTING,CONN,520120-12*** .....	1
7	71259GT	OIL COOLER W/FAN, 12VDC.....	1
8	48878GT	ELBOW,90D,520220-16-12.....	1
9	94205-3164GT	HOSE ASSY,3/4,45 FEM,STR MALE.....	1

Go to Discount-Equipment.com to order your parts

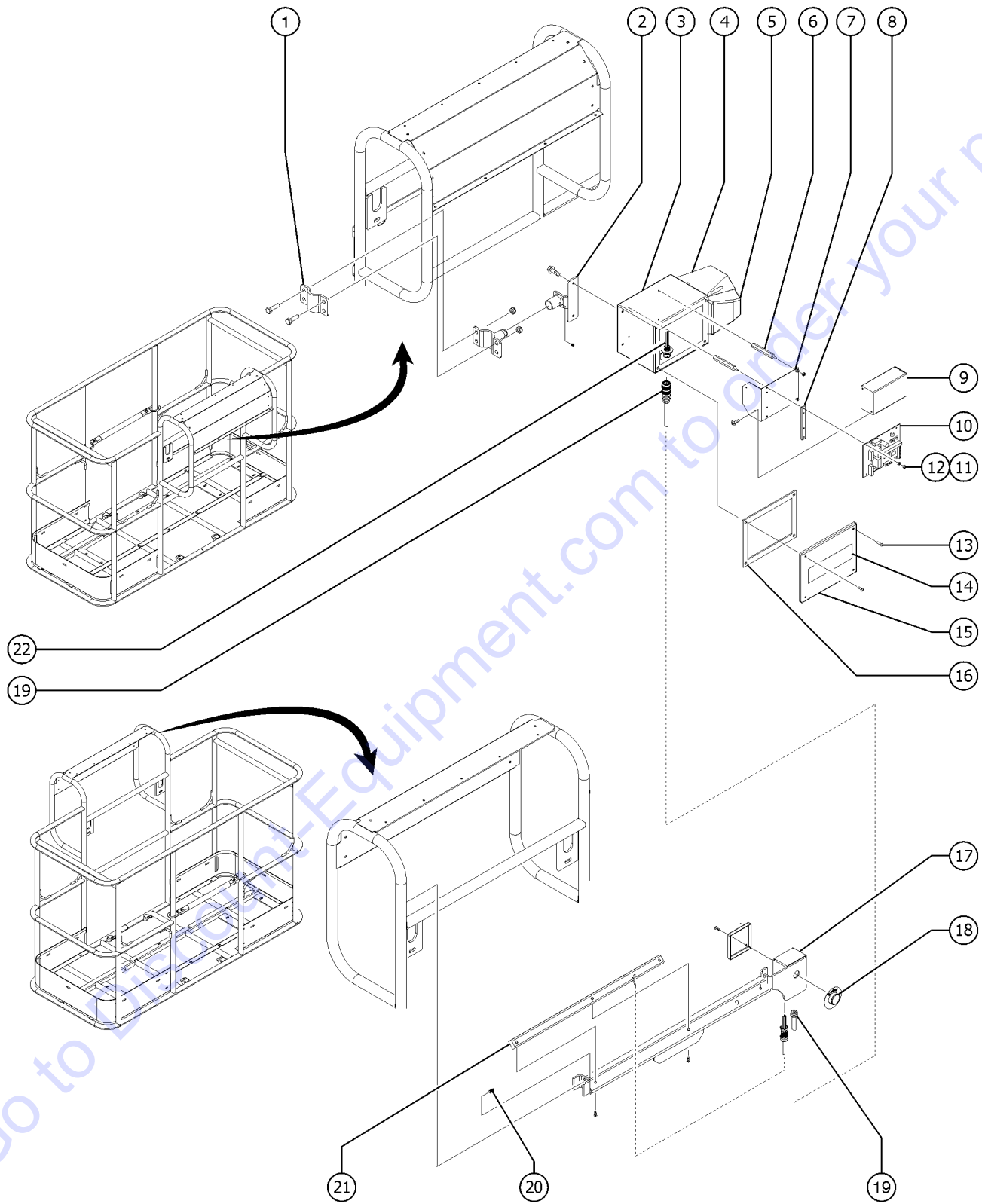
912.1 Hydraulic Generator



## 912.1 Hydraulic Generator

Item	Part No.	Description	Qty.	Item	Part No.	Description	Qty.
A	236923GT	FIELD KIT,MTE, 120V-50HZ, S60 <i>only for European machines already equipped with an oil cooler</i>		17A	147239GT	BREAKER, 25 AMP, GEN.....1 <i>(part of generators 139952 and 139953)</i>	1
B	216178GT	KIT,MTE&OIL COOL,120V50HZ,S60 <i>only for European machines without an oil cooler</i>		17B	147258GT	BREAKER,15 AMP,GEN <i>(part of generator 139954)</i>	
C	822687GT	FIELD KIT,MTE 120V-60HZ, S60.....1 <i>for units with oil cooler already installed</i>	1	18A	147241GT	COVER, END, GEN, 120V.....1 <i>(part of generators 139952 and 139953)</i>	1
D	822688GT	KIT,MTE&OIL COOL,120V60HZ,S60.....1 <i>for units that do not already have an oil cooler installed</i>	1	18B	147262GT	COVER, END, GENERATOR, 240V <i>(part of generator 139954)</i>	
E	236924GT	FIELD KIT,MTE, 240V-50HZ, S60 <i>only for European machines already equipped with an oil cooler</i>		19	119403GT	CONN,PLUG 120 AC/15A DOMESTIC...1	
F	216181GT	KIT,MTE&OIL COOL,240V50HZ,S60 <i>only for European machines without an oil cooler</i>		20	61278GT	CONN. SQZ, 1/2NPT .56-.63.....1	1
1	6935GT	LOCKNUT,ELEC,1/2"		21	6935GT	LOCKNUT,ELEC,1/2".....1	1
2	7057GT	CONN. SQZ,1/2NPT .39-.56 MED.		22	1256172GT	SCREW,HHF,1/2-13X 2,8,ZAG.....4	4
3	119404GT	CONN,RECEP 120AC/15A DOMESTIC.....1	1	23	1251997GT	NUT,TL FLG,1/2-13,G,ZAG.....4	4
4A	1269693GT	CONTROL BOX,2KW,120/240V,50HZ.....1 <i>(part of generators 139952 and 139954)</i>	1				
4B	147228GT	CONTROLLER BOX, 120/240V, 60H <i>(part of generator 139953)</i>					
5	147233GT	VALVE, RELIEF, GEN, 3.0kW.....1	1				
6	147232GT	12VDC PROPORTIONAL VALVE.....1	1				
7	147229GT	MANIFOLD ASSEMBLY, GEN.....1 <i>(complete, includes items 5 and 6)</i>	1				
8	147230GT	207 HYD MOTOR ASSY, GEN.....1	1				
--	147231GT	SEAL KIT, HYD MOTOR, GEN					
9	147242GT	SCREW, GEN ROTOR.....4	4				
10	106114GT	BRACKET,GENERATOR12.5 KW,PNTD*.....1	1				
--	56361GT	CABLE TIE,BUTTON,BLACK,14.75LG....1	1				
11	824028GT	NUT,TL FLG,5/16-18,G,ZAG.....3	3				
12	824066GT	SCREW,HHC,5/16-18X1.375,8,ZAG.....2	2				
13	133518GT	DECAL, PATCH, GEN,ALC-500.....1	1				
14	27246GT	BOOT,TOGGLE SWITCH,SHORT*.....1	1				
15	128204GT	SWITCH TOGGLE ASSY SPDT 2P MNT.....1	1				
16A	139952GT	GENERATOR,3kW,120V/50Hz.....1 <i>(complete, includes items 4-9 and 17-18)</i>	1				
16B	139953GT	GENERATOR, 3kW, 120V/60Hz.....1 <i>(complete, includes items 4-9 and 17-18)</i>	1				
--	147239GT	BREAKER, 25 AMP, GEN					
--	147240GT	CAPACITOR 16 F, GEN					
16C	139954GT	GENERATOR,3kW,240V/50Hz.....1 <i>(complete, includes items 4-9 and 17-18)</i>	1				

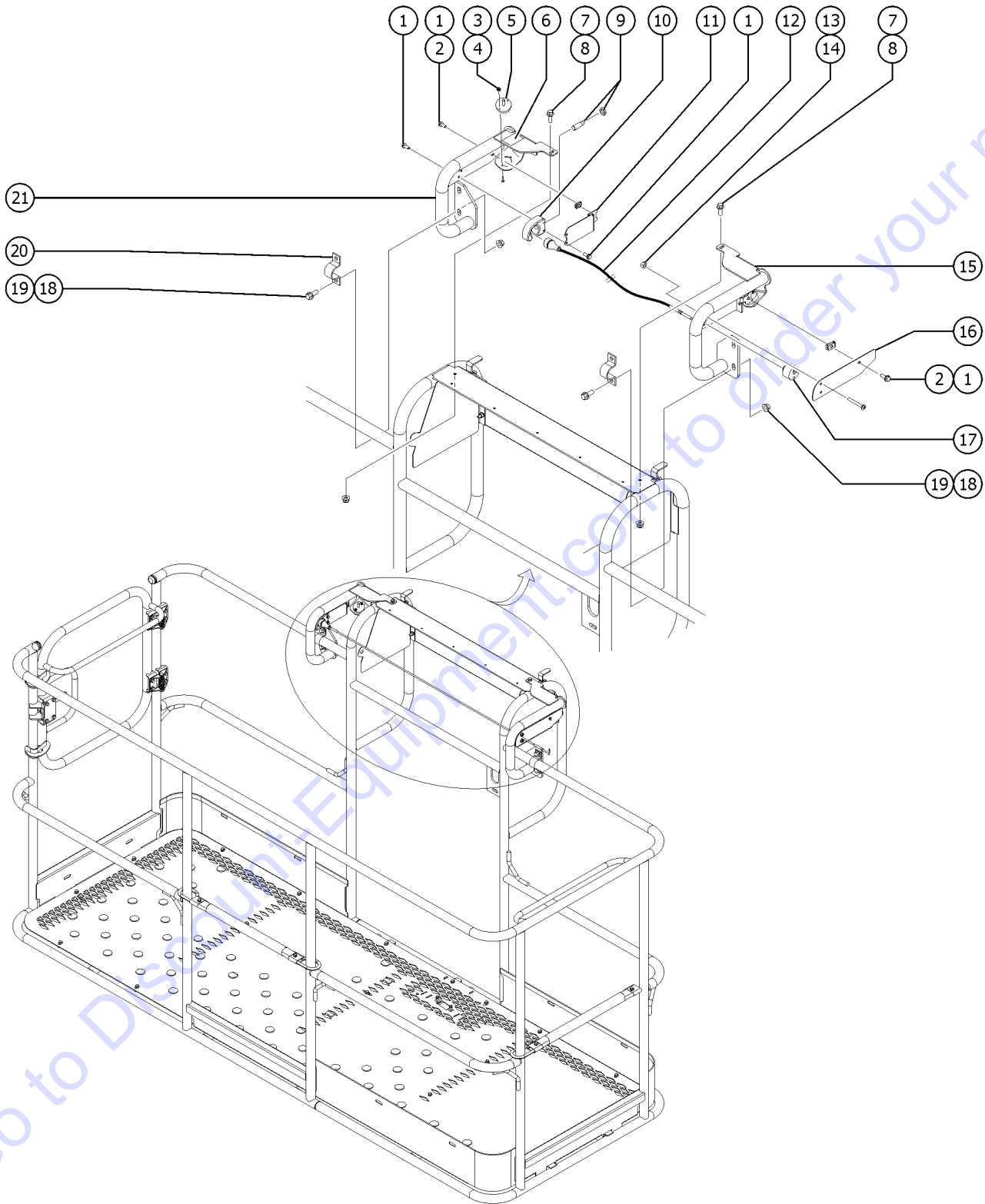
913.1 Operators Protection Alarm



## 913.1 Operators Protection Alarm

Item	Part No.	Description	Qty.
1	1255032GT	CLAMP,HAND RAIL,OPA,6'-8'.....1 <i>(includes fasteners)</i>	1
2	1255026GT	ASSY,BRKT,CNTRL BOX W/FASTNRS.....1	1
3	1255018GT	BASE ENCLOSURE,RED,OPA.....1	1
4	1255021GT	SOUNDER,MIDI,OPA.....1	1
5A	1255037GT	SOUNDER LENS, OPA, BLUE.....1 <i>(standard lens fitted to OPA)</i>	1
5B	1270116GT	SOUNDER LENS, OPA, RED	
5C	1270117GT	SOUNDER LENS, OPA, AMBER	
5D	1270118GT	SOUNDER LENS, OPA, CLEAR	
6	1255028GT	STAND OFF,CONTROL UNIT.....1	1
7	1255024GT	BRACKET,CONTROL UNIT.....1	1
8	1255025GT	SPACER,HEAT SINK.....1	1
9	1255023GT	ASSY,MODULE,CONTROL UNIT,OPA....1	1
10	1255022GT	MODULE,CONTROL UNIT,PCB,OPA....1	1
11	1255067GT	NUT,M4 NYLOCK.....4	4
12	1255066GT	WASHER,M4 NYLON.....4	4
13	1255038GT	SCREW,M5X16 BHD.....4	4
14	1255890GT	DECAL,COSMETIC,GENIE.....1	1
15	1255020GT	LID ENCLOSURE,RED,OPA.....1	1
16	1255019GT	GASKET,ENCLOSURE.....1	1
17	1255029GT	ASSEMBLY,TAPESWITCH.....1 <i>(6'/8' platforms) (includes j-box and fasteners)</i>	1
18	1255036GT	ASSEMBLY RESET SWITCH.....1	1
19	1255035GT	ASSEMBLY,CABLE,TAPESWITCH.....1	1
20	1255068GT	SCREW,M6X8.....2	2
21	1255047GT	SENSOR,RUBBER EDGE.....1 <i>(6'/8' platforms)</i>	1
22	1255033GT	HARN,PIGTAIL,TAPESWITCH,OPA.....1	1

914.1 Lift Guard Contact Alarm Option (from January 2017)

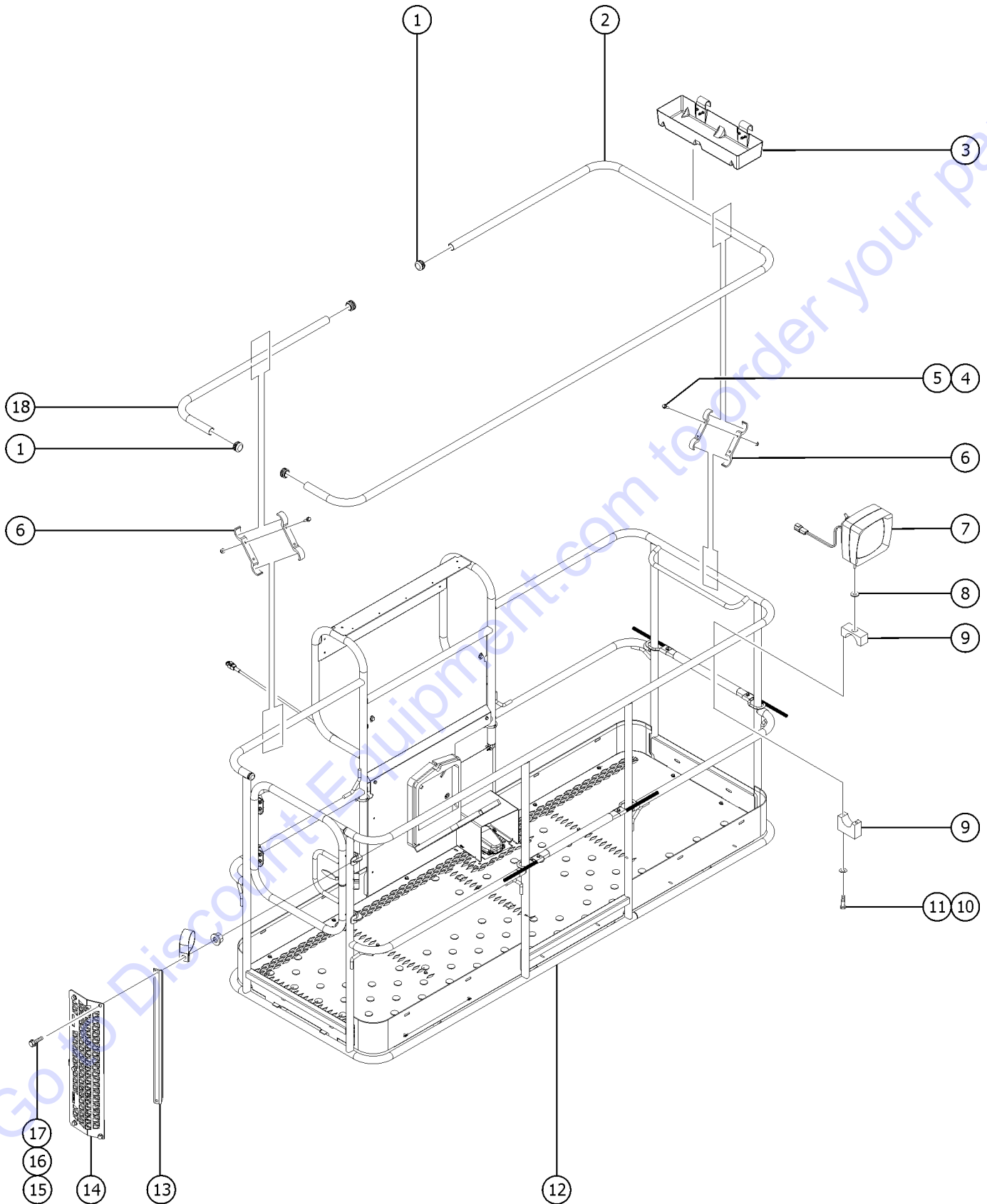




## 914.1 Lift Guard Contact Alarm Option (from January 2017)

Item	Part No.	Description	Qty.
1	1264934GT	SCREW,HHF,10-24X.5.....	7
2	73575GT	SPRING CLIP,10-24,.025-.125X.468,ZAG.....	2
3	12344GT	NUT,NYLOCK,6-32.....	4
4	1256859GT	SCREW,PHPM,6-32X.875,ZAG.....	4
5	1278111GT	ASSEMBLY, LIGHT, CONTACT ALARM.....	2
6	1278542GT	DECAL, INSTRUCTION, CONTACT ALARM.....	1
7	824078GT	SCREW,HHF,1/4-20X.75,8,ZAG.....	2
8	1277924GT	NUT,NYLOCK FLG,1/4-20,F,ZAG.....	2
9	1278119GT	ASSEMBLY, SENSOR, PROX, CONTACT ALARM.....	1
10	1278433GT	ASSY, SENSOR W/HOUSING..... <i>(Includes holder item 1277877 and sensor part 1278119)</i>	1
--	1277877GT	HOLDER, SENSOR	
11	1277873GT	FORMING, SENSOR HOLDER.....	1
12	1278416GT	ASSEMBLY,CONTACT ALARM CABLE, LARGE.....	1
--	1261184GT	NUT,1/4-20,8,ZAG <i>(part of assembly 1278416)</i>	
--	1278124GT	MAGNET, 1/4-20, 15 LB. <i>(part of assembly 1278416)</i>	
--	1278368GT	GRIP, CABLE <i>(part of assembly 1278416)</i>	
--	1278458GT	CONTACT ALARM WIRE ASSY, LARGE <i>(part of assembly 1278416)</i>	
13	1274168GT	NUT,NYLOCK,10-32,A,ZAG.....	2
14	824216GT	SCREW,PHPM,10-32X1.5,ZAG.....	2
15	1278138GT	WELDMENT, RIGHT CONTACT ALARM, LARGE.....	1
--	1277924GT	NUT,NYLOCK FLG,1/4-20,F,ZAG	
--	824037GT	NUT,HH JAM,1/4-20,A,ZAG	
16	1277875GT	PLATE, CABLE AND WIRE COVER.....	1
17	1277876GT	GUIDE, CABLE.....	1
18	1274322GT	NUT,NYLOCK FLG,3/8-16,F,ZAG.....	4
19	824090GT	SCREW,HHF,3/8-16X1,8,ZAG.....	4
20	1278363GT	CLAMP, 1.25 INCH TUBE.....	2
21	1278144GT	WELDMENT, LEFT CONTACT ALARM, LARGE.....	1

915.1 Platform Options



## 915.1 Platform Options

Item	Part No.	Description	Qty.
A	1271072GT	OPTION, AUX RAIL, 8' PLAT, SIDE ENTRY.....	1
B	1270569GT	OPTION, AUX RAIL, 6' PLAT, SIDE ENTRY.....	1
1	55753GT	BUMPER, PLASTIC, 1.25 O.D.....	4
2A	1271077GT	AUX RAIL, 8' PLAT, TRI-ENTRY..... (8 foot platform)	1
2B	1270570GT	AUX RAIL, 6' PLAT, SIDE ENTRY..... (6 foot platform)	1
3	9599GT	TOOL TRAY ACCESSORY***.....	1
4A	824079GT	SCREW,HHF,1/4-20X1,8,ZAG..... (8 foot platform)	26
4B	824079GT	SCREW,HHF,1/4-20X1,8,ZAG..... (6 foot platform)	22
5A	824027GT	NUT,TL FLG,1/4-20,G,ZAG..... (8 foot platform)	26
5B	824027GT	NUT,TL FLG,1/4-20,G,ZAG..... (6 foot platform)	22
6A	122073GT	SUPPORT, RAILING..... (8 foot platform)	26
6B	122073GT	SUPPORT, RAILING..... (6 foot platform)	22
7	71498GT	WORKLIGHT, 12V, DEUTSCH RECEPT.....	2
8	5397GT	WASHER,FLAT,USS,5/16",Y.....	2
9	35956GT	BRACKET,WORK LIGHT MOUNT 5/16".....	2
10	6145GT	SCREW,HHC,1/4-20 X 1.5.....	4
11	6356GT	WASHER,LOCK, .25.....	4
12		Ref.WELDMENT, PLATFORM..... (refer to 703.1)	1
13	1277966GT	TUBE, SWING GATE GUARD.....	1
14	1277952GT	GUARD, SWING GATE.....	1
15	824086GT	SCREW,HHF,5/16-18X1,8,ZAG.....	5
16	56424GT	CLAMP,1.25X.5 RUBBER-CUSHION....	5
17	824028GT	NUT,TL FLG,5/16-18,G,ZAG.....	5
18A	1271078GT	AUX RAIL, 8' PLAT, TRI-ENTRY..... (8 foot platform)	1
18B	1270571GT	AUX RAIL, 6' PLAT, SIDE ENTRY..... (6 foot platform)	1

## Part Number Index

The Part Number Index is a numeric index of all part numbers included in this manual. The index shows what page(s) the part is used on.

Part Number	Page	Part Number	Page	Part Number	Page	Part Number	Page
101005GT	143	107665PGT	117-118	119613GT	143	1254625GT	59
101005HGT	143	107753GT	71-72	119644GT	141	1254639GT	114
101006GT	89-90, 107	10775GT	167	119809GT	85-86	1254654GT	97
101066PGT	121	10777GT	167	119845GT	167	1254823GT	103
10107GT	165	107813GT	81	119915GT	143	1254826GT	89-90, 93
101080GT	61-62	107814GT	81	119990GT	114	1254874GT	135
101129PGT	89-90	107815GT	81	121035GT	133	1255018GT	183
101140GT	107	107842GT	81	121065GT	133	1255019GT	183
101140P-SGT	89-90	107857GT	159	121066GT	159	1255020GT	183
101173GT	143	108538GT	97	121599GT	53, 69	1255021GT	183
101173HGT	143	109802GT	55-56	121846GT	53, 69	1255022GT	183
101174GT	143	110183PGT	55-56, 93	121847GT	62, 141	1255023GT	183
101174HGT	143	110194GT	71-72, 75	121848GT	61-62, 131	1255024GT	183
101191GT	61-62	110196GT	71-72	122019GT	159	1255025GT	183
101232GT	177	110197GT	71-72	122053GT	61-62	1255026GT	183
101244GT	127	110200GT	71-72	122073GT	187	1255028GT	183
101251GT	117-118	110201GT	71-72	122661GT	133	1255029GT	183
101252GT	113-114	110202GT	71-72	122662GT	133	1255030GT	62
101254GT	125, 127, 129	110221GT	29-30	122663GT	133	1255032GT	183
101255GT	30	110268GT	61-62	122668GT	133	1255033GT	183
101293GT	157	110280GT	69	122944GT	125, 127	1255035GT	183
101294GT	81	110304GT	86	12344GT	185	1255036GT	183
101440GT	75	110339GT	121	1251508GT	97	1255037GT	183
101491GT	145	110340GT	121	1251509GT	97	1255038GT	183
101494GT	145	110345GT	45	1251565GT	93, 118, 121	1255047GT	183
101726GT	49	110382GT	47	1251567GT	105	1255066GT	183
101790-10091GT	149	110452GT	113-114	1251600GT	135	1255067GT	183
101790-10691GT	149	110578GT	30	1251731GT	103	1255068GT	183
101795-2482GT	149	110671GT	135	1251757GT	53, 69, 141	1255385GT	29-30, 33-34
101795-4782GT	151	110789GT	131	1251850GT	99	1255389GT	45
101845GT	131	110899GT	85-86	1251899GT	93, 109	1255452GT	30, 113-114
101932GT	169	110908GT	113-114	1251983GT	86, 99	1255457GT	61-62
101964GT	59	111029GT	85-86	1251984GT	65-66	1255469GT	45, 109
102045GT	93, 95	111155GT	43	1251985GT	65-66	1255555GT	62
102126GT	33-34	111402GT	93	1251994GT	86, 89-90, 105, 109, 111	1255581GT	12, 15, 21, 23
102131GT	29-30, 33-34	111413GT	141	1251997GT	55-56, 89-90, 105, 109, 111, 113-114, 181	1255582GT	12, 21
102155GT	29-30, 33-34	111420GT	141	1252684GT	65-66	1255629GT	121
102157GT	34	111445GT	89-90, 93	1252685GT	65-66	1255653GT	89-90, 93
102158GT	29-30, 33-34	111526GT	161	1252943GT	86	1255666GT	89-90, 93, 101, 109
102159GT	29-30, 33-34	111668GT	89-90, 93	1252978GT	121	1255692GT	103
102162GT	29-30, 33-34	111705GT	71-72	1253011GT	15	1255703GT	29-30, 33-34
102163GT	33-34	114219GT	11-12	1253185GT	85-86, 99, 171, 173	1255704GT	30
102166GT	34	114249GT	21, 23	1253203GT	99	1255705GT	29-30
102167GT	33-34	114251GT	21, 23	1253263GT	45	1255706GT	30
102209PGT	95	114252GT	25	1253264GT	59	1255710GT	29-30
102227GT	93	114258GT	11-12, 15	1253265GT	59	1255711GT	33-34
102230-9589GT	149	114390GT	11-12, 15, 19	1253270GT	59	1255712GT	37
102237GT	93	114416GT	19	1253271GT	59	1255714GT	41
102357GT	69	114425GT	11-12	1253419GT	55-56	1255715GT	39
102516GT	29-30, 33-34	114465GT	11-12, 21	1253478GT	49, 59	1255758GT	93, 133
102528GT	72	114473GT	27	1253485GT	97	1255760GT	89-90, 109, 111, 113-114
102581GT	95	115431GT	85-86	1253498GT	30, 33-34, 81, 93, 101, 113-114	1255763GT	59
102587GT	97	119058GT	61-62	1253629GT	12	1255768GT	55-56
102785PGT	161	119061GT	61-62	1253795GT	159	1255769GT	55-56
102786PGT	161	119062GT	61-62	1253796GT	159	1255770GT	55-56
102992GT	135	119063GT	61-62	1253798GT	147	1255771GT	55-56
104759GT	79	119064GT	61-62	1253800GT	45	1255772GT	55-56
106003PGT	86	119065GT	159	1253815GT	113-114	1255782GT	121
106033GT	177	119067GT	117-118	1253818GT	47	1255802GT	37
106098GT	29-30, 33-34	119084GT	169	1253819GT	45	1255803GT	123
106099GT	173	119085GT	169	1253824GT	45	1255805GT	59, 89-90, 95, 99, 107
106114GT	181	119086GT	169	1253825GT	45	1255890GT	183
106117GT	33-34	119087GT	169	1253827GT	99, 101, 105, 111	1255894GT	101
106140PGT	69	119088GT	169	1253830GT	59	1255986GT	59
106163GT	135	119089GT	169	1253831GT	59	1255987GT	59
106172PGT	55-56, 107	119090GT	169	1253922GT	103	1256054GT	59
106226-4000GT	85-86	119117GT	89-90, 93	1254267GT	103	1256106GT	121
106516GT	30	119219GT	107	1254452GT	103	1256107GT	113-114
106637GT	69	119344GT	89-90	1254453GT	103	1256108GT	169
106657GT	69	119394GT	103	1254594GT	97	1256109GT	127
106663GT	85-86	119403GT	167, 181			1256119GT	117-118
106835GT	81	119404GT	167, 181				
106836GT	81	119536PGT	127				
106837GT	81	119542GT	127				
107552GT	61-62	119567GT	117-118				

Part Number	Page	Part Number	Page	Part Number	Page	Part Number	Page
1256122GT	121	1259660GT	97	1262899GT	97	128201GT	51, 66, 137-138
1256126GT	55-56	1259717GT	97	1263187GT	47	128202GT	51, 65-66, 137-138
1256127GT	55-56, 59, 127	1259855GT	45, 55-56, 111	1264257GT	133	128204GT	51, 65-66, 137-138, 181
1256167GT	93	1259903GT	145	1264258GT	133	1282119	103
1256168GT	55-56	1259904GT	145	1264822GT	61-62	128268GT	127
1256170GT	34, 55-56	1259905GT	157, 179	1264834GT	61-62	1283442GT	117-118, 121
1256171GT	133	1259906GT	155	1264934GT	185	1283888GT	117-118, 121
1256172GT	55-56, 181	1260084GT	29-30, 33-34	1267807GT	55-56, 111	128423GT	81
1256177GT	56	1260105GT	61-62	1268229GT	55-56	128454PGT	127
1256180GT	127	1260107GT	12, 15, 21, 23	1268376GT	113-114	1284569GT	39
1256182GT	29-30, 33-34, 55-56, 93	1260112GT	45	1268377GT	113-114	128482GT	127
1256267GT	30, 33-34, 113-114	1260113GT	45	1269500GT	143	128483GT	127
1256283GT	89-90, 105, 109, 111	1260174GT	55-56	1269693GT	181	128534GT	127
1256425GT	23, 27	1260357GT	97	1270116GT	183	1285505GT	81
1256455GT	86	1260979GT	171	1270117GT	183	1285506GT	81
1256460GT	135	1261001GT	171	1270118GT	183	128578GT	65-66, 137-138
1256467GT	37, 89-90, 93, 105	1261184GT	185	1270347GT	29-30	128580GT	137-138
1256469GT	45	1261240GT	105	1270348GT	29-30	128581-SGT	137-138
1256599GT	103	1261244GT	59	1270349GT	34	128582-SGT	137-138
1256670GT	79	1261245GT	59	1270350GT	39	128584-SGT	65-66, 137-138
1256679GT	55-56, 59, 103	1261277GT	45, 59	1270351GT	41	128588GT	86
1256693GT	59	1261292GT	62	1270570GT	187	1287434GT	77
1256767GT	59	1261293GT	62	1270571GT	187	1287812GT	43
1256771GT	59	1261294GT	61-62	1270883GT	101	1287813GT	43
1256776GT	89-90, 105, 109, 111	1261295GT	62	1271072GT	187	128829GT	93
1256804GT	171	1261296GT	62	1271076GT	51	128831GT	85-86
1256837GT	55-56	1261297GT	62	1271077GT	187	128896GT	93
1256842GT	55-56	1261298GT	62	1271078GT	187	128909GT	43
1256843GT	129	1261346GT	51	1272624GT	97	128910GT	43
1256846GT	55-56	1261389GT	43	1274135GT	45	128911GT	43
1256855GT	51, 55-56, 65-66, 69, 107, 111, 135, 141, 163	1261390GT	43	1274168GT	185	128912GT	43
1256856GT	59, 171	1261391GT	43	1274322GT	185	128913GT	43
1256859GT	185	1261392GT	43	1274613GT	33-34	128914GT	43
1256863GT	55-56	1261393GT	43	1274900GT	103	128916GT	43
1256864GT	33-34, 113-114	1261394GT	43	1277873GT	185	128917GT	43
1257076GT	37, 89-90, 93	1261414GT	27	1277875GT	185	128918GT	43
1257077GT	37	1261415GT	27	1277876GT	185	128919GT	43
1257078GT	33-34	1261416GT	27	1277877GT	185	128920GT	43
1257079GT	113-114	1261566GT	51	1277924GT	185	128921GT	43
1257080GT	114	1261568GT	107	1277952GT	187	128922GT	43
1257081GT	127, 129, 131	1261724GT	45, 55-56, 111	1277966GT	187	128923GT	43
1257223GT	55-56	1261737GT	19	1277974GT	97	128924GT	43
1257226GT	45	1261739GT	19	1278111GT	185	128925GT	43
1257231GT	103	1261836GT	59	1278119GT	185	128926GT	43
1257264GT	131	1261837GT	59	1278124GT	185	128927GT	43
1257404GT	141	1261844GT	62	1278138GT	185	128928GT	43
1257410GT	51, 65-66	1262331GT	113-114	1278144GT	185	128935GT	53
1257417GT	141	1262342GT	19	1278363GT	185	128953GT	15
1257421GT	101	1262343GT	27	1278368GT	185	128955GT	43
1257628GT	59	1262344GT	12	1278416GT	185	128984GT	86
1257705GT	86	1262345GT	12	1278433GT	185	128985GT	86
1257706GT	90	1262346GT	12	1278458GT	185	128986GT	85-86
1257810GT	86	1262347GT	12	1278542GT	185	128987GT	85-86
1257834GT	86	1262348GT	12	1278643GT	15	128991GT	85-86
1257837GT	90	1262359GT	175	1279465GT	55-56	13003GT	95
1257862GT	37	1262842GT	101	1279466GT	55-56	13064GT	95
1257863GT	123	1262866GT	97	1279631GT	97	13268GT	45
1257865GT	39, 41	1262867GT	97	1279653GT	97	133067GT	21, 23, 27
1257961GT	105	1262868GT	97	1279698GT	29-30	133205GT	21
1258049GT	93	1262870GT	97	1279699GT	29-30	133238GT	15
1258189GT	123	1262871GT	97	1279881GT	61-62	133250GT	11-12, 15
125865GT	39	1262872GT	97	128000GT	143	133251GT	11-12, 15, 21, 23
1258722GT	59	1262873GT	97	128001GT	143	133252GT	11-12, 15, 21, 23
1258723GT	59	1262875GT	97	128003GT	86	133253GT	17, 25
1258724GT	59	1262876GT	97	128004GT	95, 101, 109	133254GT	17, 25
1258824GT	85-86	1262877GT	97	128005GT	61-62, 159	133259GT	15, 23
1259583GT	171	1262878GT	97	128022GT	86	133260GT	15, 23
1259584GT	171	1262881GT	97	128023GT	90	133263GT	21, 23
1259654GT	97	1262882GT	97	128025GT	86	133278GT	11-12
		1262883GT	97	128045GT	53	133387GT	27
		1262890GT	97	128059GT	93	133413GT	21
		1262893GT	97	1280591GT	93	133518GT	181
		1262894GT	97	128065GT	167	13585GT	167
		1262895GT	97	128200GT	51, 65-66, 137-138	13635-10GT	121, 133
		1262896GT	97				
		1262897GT	97				

## Part Number Index (continued)

Part Number	Page	Part Number	Page	Part Number	Page	Part Number	Page
139000GT	39, 43	147149GT	39	162210GT	103	226942GT	43
139001GT	39, 43	147155GT	43	18503GT	55-56	226943GT	43
139002GT	39, 41	147223GT	45	18596GT	95	226944GT	43
139120GT	39	147224GT	117-118	18666GT	53, 69, 141	226945GT	43
139121GT	39	147228GT	181	18720GT	113-114, 117-118	226946GT	43
139122GT	39	147229GT	181			22699GT	109
139125GT	39	147230GT	181	18722GT	113-114	227125GT	113-114
139140GT	39, 41	147231GT	181	18963GT	159	227306GT	133
139179GT	39, 41, 43	147232GT	181	19440GT	117-118	227308GT	133
139262GT	43	147233GT	181	19491GT	117-118	227347GT	147
139288GT	121	147239GT	181	19506GT	51	228311GT	137-138
139308GT	55-56	147240GT	181	21130GT	37, 86, 89-90, 93	228322GT	61-62
139309GT	55-56	147241GT	181	21141GT	45	228323GT	61-62
139315GT	55-56	147242GT	181	214228GT	105	228457GT	85-86
139321GT	93	147243GT	89-90	214237GT	99	228796GT	133
139322GT	93	147255GT	61-62	21465	103	228797GT	133
139323GT	55-56	147258GT	181	21465GT	49	228967GT	133
139338GT	137-138	147262GT	181	214682GT	103	228969GT	133
139384GT	121	147289GT	47	214685GT	99	229152GT	61-62
139385GT	121	147290GT	47	214686GT	101	229169GT	133
139455GT	93	147347GT	129	214690GT	121	229567GT	51, 65-66, 137-138
139508GT	77	147348GT	85-86	214691GT	105		
139512GT	77	147349GT	85-86	214795GT	97	229702GT	29-30, 33-34
139527GT	77	147350GT	85-86	214934GT	103	229743GT	11-12, 15, 21, 23
139528GT	77	147351GT	85-86	215254GT	59	229744GT	11-12, 15, 21, 23
139598GT	143	147352GT	85-86	215340GT	29-30, 33-34	229817GT	29-30, 33-34
139601GT	113-114	147353GT	85-86	215423GT	43	229818GT	29-30, 34
139602GT	113-114	147387GT	141	215424GT	43	229845GT	171
139621GT	89-90	147396GT	62	215425GT	43	229931GT	29-30, 34
139622GT	89-90	147403GT	117-118	215426GT	43	230329GT	123
139623GT	89-90	147419GT	145	215427GT	43	230331GT	123
139624GT	89-90	147455GT	69	215526GT	15, 23	230392GT	45
139644-14B61GT	123	147504GT	123	215527GT	15	230497GT	113-114
139666GT	89-90	147525GT	89-90	215642GT	29-30, 33-34	231513GT	59, 85-86
139709GT	89-90, 95	147526GT	89-90	216178GT	181	231532GT	59, 93
139712GT	77	147549GT	81	216181GT	181	23404GT	53, 69
139715GT	77	147550GT	81	216602GT	83	23405GT	173
139716GT	77	147571GT	113-114	216791GT	69	235372GT	11-12, 15, 21, 23
139717GT	77	147575GT	19, 27	216793GT	69	235660GT	99
139718GT	77	147601GT	19, 27	217043GT	53	236248GT	97
139719GT	77	147602GT	19, 27	217044GT	53	236251GT	97, 103
139727GT	77	147603GT	19, 27	217045GT	53	236260GT	105
139731GT	61-62	147617GT	117-118	217046GT	53	236923GT	181
139732GT	61-62	147621GT	61-62	217877GT	99	236924GT	181
139733GT	61-62	147643GT	61-62	217930GT	101	237068GT	45
139734GT	61-62	147650GT	61-62	217979GT	43	237188GT	97, 99, 103
139737GT	61-62	147654GT	61-62	218448GT	133	237189GT	105
139738GT	61-62	147658GT	17, 25	218457GT	171	237190GT	105
139741GT	61-62	147660GT	17, 25	218549GT	19	237191GT	105
139799GT	81	147755GT	11-12, 21	218550GT	19	237192GT	99
139801GT	81	147756GT	11-12, 21	218559GT	19	237193GT	99
139832GT	61-62	147783GT	169	21858GT	51, 65-66	237194GT	99
139833GT	61-62	147792GT	11-12, 15	219160GT	19, 27	237238GT	93
139834GT	61-62	147794GT	11-12, 21	219243GT	83	237832GT	85-86
139835GT	61-62	147826GT	86	219245GT	83	238347GT	93
139836GT	61-62	147834GT	113-114	219246GT	83	24038GT	86, 99
139878GT	177	147840GT	51, 65-66	219247GT	83	24514GT	135
139952GT	181	147842GT	113-114	219437GT	99, 103	25388GT	167
139953GT	181	15243GT	141	219487GT	19	25683GT	125, 127, 129
139954GT	181	160517GT	95	219718GT	65-66	25685GT	131
139965GT	29-30, 33-34	160804GT	135	219722GT	65-66	25817GT	29-30
139966GT	29-30, 33-34	160809GT	135	219723GT	11-12	25969GT	113-114
139967GT	29-30, 33-34	161141GT	71-72	219953GT	27	27067GT	29-30, 33-34
139968GT	29-30, 33-34	161144GT	83	219954GT	27	27089GT	49, 89-90, 93
139969GT	29-30, 33-34	161145GT	83	219956GT	27	27204GT	15, 23
139970GT	29-30, 33-34	161189GT	93	219958GT	27	27205GT	11-12, 21
139971GT	29-30, 33-34	161523GT	147	219976GT	101	27206GT	11-12, 15, 21, 23
139972GT	29-30, 33-34	161603GT	55-56, 111	22348GT	49	27207GT	11-12, 15, 21, 23
139983GT	95	161607GT	55-56	22558GT	95	27246GT	65-66, 137-138, 181
144161GT	167	161608GT	55-56	226325GT	133		
146061GT	95	161611GT	85-86	226393GT	159	27287GT	53, 69
146478GT	137-138	161938GT	103	226541GT	129	27377GT	59
147033GT	29-30, 33-34	162206GT	105	226542GT	129	27761GT	75
147034GT	29-30, 33-34	162207GT	105	22672GT	86, 99, 173	27802GT	71-72
147094GT	51, 66	162208GT	105	226940GT	43	27804GT	71-72
147121GT	135	162209GT	105	226941GT	43	27807GT	71-72

Part Number	Page	Part Number	Page	Part Number	Page	Part Number	Page
27836GT	71-72, 75	39317GT	133	49117-3791GT	147	56361GT	123, 181
28158GT	11-12, 21	39882GT	55-56	49117-4691GT	145, 153	56424GT	135, 163, 187
28159GT	11-12, 21	40434GT	19, 27	49117-5191GT	153	56704GT	159
28160GT	11-12, 21	40614GT	53, 69	49117-6091GT	149	56848GT	137-138
28174GT	15, 19, 23, 27	42014GT	29-30, 34, 41	49117-6119GT	155	56912GT	29-30, 33-34,
28175GT	11-12, 15	42787GT	157	49117-6291GT	149		45, 97, 118, 127,
28235GT	15, 19, 23, 27	43018GT	79	49119-2878GT	145, 147		135, 169, 171
28236GT	19	43392GT	161	49119-4278GT	147	57075GT	167
28301GT	59	43683GT	81	49119-7478GT	147	58249GT	93
28607GT	177	43960GT	117-118	49119-7578GT	149, 151	58253GT	61-62, 143
29080GT	117-118	44174GT	79	49119-79678GT	147	58256GT	89-90, 93
29104GT	11-12	44743GT	135	49128-12309GT	147	58299GT	93
29557GT	97	44981GT	15, 19, 23, 27	49130-2482GT	149, 151	58303GT	71-72
29559GT	89-90, 93	45071GT	29-30, 39	49130-4782GT	149, 151	58304GT	55-56
29560GT	89-90, 93	45074GT	29-30	49130-5582GT	145	58310GT	133
29868GT	45, 55-56, 159	45383GT	137-138	49130-5782GT	145	58354GT	85-86
30138GT	117-118, 121	45385GT	69	49131-9603GT	149	58380GT	55-56
30143GT	45	45435GT	101, 175	49143-12329GT	147	58415GT	85-86, 89-90,
30144GT	45	45454GT	47, 49	49143-3429GT	145		101
30217GT	127, 129	45470GT	123, 131	49143-3629GT	145	58431GT	81
30222GT	127	45489GT	71-72	49150-9130GT	145	58489GT	47
30348GT	101, 103	45708GT	45	49151-6248GT	145, 157	58566GT	89-90
30370GT	113-114, 117-118, 125, 129	45782GT	89-90, 93	49177-102894GT	167	58627GT	51, 65-66
		45912GT	71-72	49177-108894GT	167	58630GT	93
30468GT	161	45921GT	71-72	49183-13492GT	147	59460GT	29-30
30489GT	93	46137GT	11-12, 15	49183-7592GT	155	6019GT	167
30490GT	49, 89-90, 93	46139GT	11-12	49189-8636	45	6021GT	159
30810GT	177	46181GT	11-12	49207GT	145, 153	6024GT	95
30971GT	89-90, 107, 173	47041GT	11-12	49212GT	167	60334GT	55-56, 111
30973GT	55-56	47222GT	123	49214GT	167	60370-SGT	127, 131
30997GT	69, 141	4828GT	165, 167	49215GT	167	60432GT	61-62
31060GT	17	48767GT	147	49219GT	61-62, 147	60439GT	159
31100GT	72	48878GT	157, 179	49411GT	95	60443GT	117-118
31408GT	89-90	48880GT	145, 147, 149,	49418GT	147	60585GT	85-86
31523GT	90		153	49859GT	151, 153	60746GT	113-114
31788GT	11-12	48883GT	151	49861GT	155	60838GT	93
32681GT	37	48885GT	45	49915GT	95	60857GT	55-56
32695GT	89-90	48891GT	153	49924GT	89-90, 93, 97	60886PGT	167
32698GT	90	48904GT	145, 147, 153	50742GT	113-114	6090GT	65-66
32975GT	71-72	48905GT	145, 147, 149,	50787-SGT	89-90, 93	6091GT	47
33239GT	90		151, 153	52352GT	93	6097GT	55-56
33278GT	121	48907GT	145, 147	52371GT	79	61073-3930GT	145
33418GT	95	48908GT	147, 149, 151,	52475GT	11-12, 21	61073-7330GT	155
33422GT	53, 69		153, 155	52607GT	11-12	61225GT	53
33428GT	30, 127	48911GT	147, 149, 151	52726GT	75	61263GT	145
33550GT	19, 27	48912GT	145, 149, 153	52865GT	11-12	61278GT	181
33555GT	59	48914GT	145, 153	52866GT	85-86, 89-90,	61306-SGT	127
33607GT	69	48915GT	149, 151		93, 101	6145GT	165, 187
33608GT	69	48916GT	145, 147, 149,	52897GT	79	6146GT	159
33724GT	167		151	52943GT	71-72	6147GT	159
34052GT	53, 69	48918GT	149, 151	52966GT	11-12, 21	61602GT	113-114
34058GT	177	48930GT	149	52967GT	11-12, 21	61726GT	131
34124GT	117-118	48932GT	111, 145	53386GT	29-30	6175GT	55-56, 159
34125GT	121	48933GT	145, 147, 149,	53758-SGT	177	6178GT	53, 69, 159
34162-0400GT	175		151, 153, 155	53759-SGT	177	61794GT	61-62, 143
34162-300GT	101	48936GT	111, 145, 149	53761-SGT	177	61804GT	131
34164GT	175	48937GT	147	53952GT	85-86, 89-90,	61922GT	131
34245GT	117-118	48941GT	111, 145		101, 107	61974GT	131
34344GT	117-118	48943GT	145	5397GT	165, 187	61975GT	131
34505GT	173	48946GT	145	54124GT	49	61997GT	131
34619GT	131, 171	48948GT	149	54205GT	86	62076GT	17, 25
34922GT	173	48949GT	145	54324GT	49	62077GT	15, 23
34940GT	49	48960GT	111, 145, 147,	54365GT	53	62078GT	17, 25
34955GT	173		149, 151, 155,	54428GT	89-90, 109	62079GT	15, 23
34959GT	175		157, 179	54437GT	86	62256GT	71-72
35432GT	173	48963GT	111, 145, 155	54458GT	163	62257GT	71-72
35434GT	99, 101	48977GT	145	54465GT	163	62258GT	72
35461GT	167	48984GT	145, 147, 157	54487PGT	85-86	62260GT	71-72
35586GT	90	48985GT	145	54534GT	53	62273GT	71-72
35675GT	55-56, 127	48996GT	145	54578GT	86	62275GT	71-72
35956GT	165, 187	48998GT	145, 147, 149	54579GT	86	62392GT	143
35960GT	159	49117-10091GT	149	55067GT	135	62420GT	85-86, 89-90,
36208GT	173	49117-10691GT	149	55753GT	163, 187		101
37947GT	51, 59, 65-66	49117-2491GT	145	55912GT	65-66	62421GT	86
38620GT	121	49117-3291GT	153	56051GT	159	62425GT	93
38621GT	117-118	49117-3391GT	145	56057GT	53	62433GT	86

## Part Number Index (continued)

Part Number	Page	Part Number	Page	Part Number	Page	Part Number	Page
62506GT	79	72344GT	85-86	77674GT	34	824019GT	141
62507GT	79	72348GT	85-86	77688GT	121	824023GT	97
62845GT	85-86	72875GT	19	77693GT	179	824025GT	93
63078GT	117-118	72999GT	11-12	77713PGT	121	824027GT	37, 45, 47, 56, 85-86, 97, 103, 105, 107, 111, 117-118, 123, 127, 131, 133, 135, 161, 163, 169, 173, 179, 187
63079GT	117-118	73477PGT	135	77718GT	117-118, 121		
63213GT	127	73478PGT	135	77736GT	85-86		
63353GT	127	73500GT	163	77778GT	55-56		
63463GT	85-86, 89-90, 101, 107	73501GT	163	77788GT	81		
63468GT	34	73574-SGT	135	77790GT	29-30		
63566GT	125, 127, 129	73575GT	135, 185	77791GT	29-30		
6356GT	65-66, 165, 187	73610PGT	135	77795GT	117-118		
63727GT	173	73713GT	117-118, 159	77803GT	55-56	824028GT	45, 59, 86, 101, 123, 135, 163, 181, 187
65473GT	86	73717GT	53, 69, 141	77879PGT	171		
65538GT	85-86	73723GT	141	77880GT	30		
65636GT	86	73725GT	117-118	77882PGT	117-118	824029GT	30, 45, 49, 55- 56, 59, 85-86, 95, 99, 103, 105, 109, 111, 113- 114, 121, 123, 125, 127, 129, 131, 133, 135, 171
65638GT	86	73736GT	53, 69, 141	77891GT	175		
65810GT	85-86, 89-90, 101	73751GT	61-62	77950GT	33-34		
65887GT	49	73753GT	53, 69	77990GT	86		
6607GT	113-114	73754GT	53, 69	77996PGT	171		
6638GT	47	73805GT	51	77997PGT	171		
66812GT	51, 65-66, 137- 138	73807GT	79	77998PGT	171		
66813GT	51, 66, 137-138	73901GT	163	80716GT	51, 66	824030GT	117-118
66815GT	137-138	74006GT	167	81096GT	167	824031GT	45
66816GT	137-138	74872GT	117-118	81167GT	171	824032GT	56, 131, 141
66818GT	137-138	74902GT	71-72	81175GT	127	824036GT	53, 69
67325GT	45	74913GT	53	81341GT	133	824037GT	185
67631GT	109	74917GT	53, 69	81342GT	133	824041GT	37
6935GT	167, 181	74918GT	53, 69	81347GT	133	824059GT	29-30
69775GT	89-90, 109	75041GT	113-114	81458GT	167	824061GT	131
70298GT	86	75073GT	55-56, 59	81467GT	93	824063GT	34
70317PGT	171	75278-5029GT	149	81468GT	93	824064GT	37
70318PGT	171	75278-5129GT	149	81487PGT	141	824066GT	181
70319GT	171	75395GT	127	81488GT	141	824068GT	123
70351PGT	89-90, 107	75443GT	143	81546GT	61-62	824072GT	33-34
70357GT	86	75444GT	143	81550GT	141	824075GT	129
70367GT	85-86	75445GT	143	81551GT	141	824078GT	45, 47, 103, 113- 114, 118, 121, 127, 133, 135, 161, 163, 171, 179, 185
70375GT	89-90, 107	75446GT	143	81552GT	37	824079GT	45, 55-56, 85- 86, 97, 105, 111, 117-118, 127, 135, 169, 173, 187
70381GT	90, 95, 101, 109	75447GT	143	81570GT	167	824080GT	86, 97
70385GT	85-86, 90, 109	75448GT	143	81578GT	47	824081GT	123, 179
70444GT	93	75449GT	143	81609GT	37	824082GT	113-114
70445GT	95	75450GT	93	81640GT	127	824083GT	113-114, 117- 118, 133
70448PGT	93	75451GT	93	81691GT	37	824084GT	133
70449GT	93	75470GT	113-114	81694GT	113-114	824085GT	163
70452GT	89-90, 105, 109, 111	75574GT	147	8170GT	45	824086GT	86, 89-90, 95, 101, 107, 135, 187
70454PGT	95	75627GT	55-56	81724GT	55-56	824087GT	135
70455GT	93	75654GT	145	8178GT	165	824089GT	30, 55-56, 93, 111, 117-118
70459PGT	89-90, 109	77051GT	121	81812-13292GT	149	824090GT	45, 47, 55-56, 81, 85-86, 89- 90, 111, 113- 114, 117-118, 121, 133, 175, 185
70460GT	109	77069GT	47	81834GT	55-56		
70460PGT	89-90	77071GT	47	81856GT	118	824091GT	29-30, 45, 55- 56, 95, 105, 109, 111, 113-114, 121, 125, 129, 135
70461GT	111	77180GT	135	820991GT	171		
70461PGT	89-90	77181GT	127	82161GT	11-12		
70472PGT	90, 109	77245PGT	89-90	822004GT	15		
70483GT	95	77303GT	125, 127, 129	822131GT	15		
70494PGT	89-90, 107	77351GT	141	82237GT	15, 19		
70529GT	175	77353GT	45	82240GT	21		
7056GT	53, 61-62, 167	77354GT	45	82243GT	19		
7057GT	69, 181	77365GT	45	822514GT	93		
71038GT	177	77402GT	86, 89-90, 93	822515GT	86		
71259GT	179	77430GT	69	822687GT	181		
71498GT	165, 187	77477GT	85-86	822688GT	181		
71768GT	118	77482GT	86	822692GT	159		
71911GT	93, 95	77483GT	86	822693GT	90, 109		
72047GT	71-72	77610GT	30	822781GT	97		
72086GT	11-12, 21	77616PGT	121	823356GT	49		
72168GT	11-12	77618PGT	117-118	823396GT	49		
72169GT	11-12	77641GT	65-66	823523GT	103	824091GT	29-30, 45, 55- 56, 95, 105, 109, 111, 113-114, 121, 125, 129, 135
72255GT	89-90, 93	77648GT	121	823656GT	11-12		
72256GT	59	77649GT	121	823658GT	11-12		
72282GT	159	77653PGT	117-118	823659GT	11-12		
72290GT	29-30, 33-34	77654PGT	117-118	82366GT	11-12		
72326GT	45, 137-138, 159	77656GT	117-118, 121	823761GT	19	824092GT	103, 123, 127
72343GT	85-86	77665PGT	55-56	823762GT	19	824095GT	30, 131
		77666PGT	55-56	823764GT	19	824096GT	133
		77667GT	65-66	823765GT	19	82410GT	19
		77671GT	55-56	823917GT	61-62	824110GT	121, 127
		77672GT	113-114	823918GT	61-62		



Part Number	Page	Part Number	Page	Part Number	Page	Part Number	Page
824113GT	29-30, 34, 37, 93, 133	87172GT	157	89997GT	93	T108416GT	62
824115GT	55-56	88064GT	93	94077GT	47	T108732GT	95
824116GT	127, 129, 131	88356-11103GT	113-114	94205-3164GT	157, 179	T108733GT	95
824120GT	99	88356-13103GT	56, 113-114, 117-118	94221GT	30	T108734GT	95
824123GT	93	88356-14963GT	117-118	94374-2330GT	151	T108886GT	62
824124GT	169	88516GT	125, 127	94374-2430GT	149	T108890GT	117-118
824127GT	29-30	88567GT	121	94374-2530GT	151	T108891GT	117-118
824129GT	29-30	88568GT	117-118	94374-2630GT	149	T108892GT	127
824132GT	85-86, 99	88571GT	117-118	94374-4730GT	151	T109268GT	159
824133GT	103	88576GT	125	94374-6030GT	145	T109331GT	167
824142GT	90	88606PGT	161	94397GT	127	T109332GT	177
824144GT	85-86	88607PGT	161	94439GT	39	T109333GT	177
824145GT	90	88636-11973GT	147	94463GT	173	T109334GT	177
824151GT	125, 127, 129	88636-2573GT	147	94464-4186GT	153	T109335GT	179
824164GT	125	88636-8573GT	153	94464-4986GT	149, 151	T109350GT	141
824214GT	53, 69, 141	88653GT	113-114	94465-3650GT	145	T111124GT	125, 127, 129
824215GT	171	88665GT	113-114	94466-2336GT	149, 151	T112459GT	123
824216GT	185	88666GT	113-114	94479GT	173	T112560GT	167
824220GT	85-86, 99	88667GT	117-118	94485GT	89-90	T112561GT	167
824226GT	53, 141	88675GT	113-114	94499GT	71-72	T112626GT	143
82431GT	81	88676GT	113-114	94506GT	137-138	T112773GT	19, 27
824546GT	113-114	88727GT	29-30	94510GT	121	T114223GT	133
824547GT	133	88728GT	29-30	94526GT	45	T114624GT	62
824548GT	133	88729GT	29-30	94533GT	173	T114625GT	62
824549GT	133	88730GT	29-30	94537GT	173	T114626GT	62
824550GT	113-114	88783GT	75	94599GT	71-72	T114627GT	62
824551GT	127	88793GT	121	94620GT	55-56	T114678GT	89-90, 93
824600-350	103	88795PGT	117-118	94643GT	45, 131		
824600-850	103	88796GT	121	94692GT	117-118		
824673GT	97	88801GT	62	94711GT	85-86		
82473GT	21, 23	88802GT	62	94745PGT	135, 163		
82481GT	21	88810GT	61-62	94758GT	75		
824879GT	51, 65-66, 137-138	88827GT	51	94759GT	83		
82487GT	21, 27	88841GT	86	94762GT	86		
824880GT	137-138	88846GT	85-86	94887GT	85-86		
825017GT	69	88847GT	85-86	94888GT	85-86		
825019GT	29-30, 55-56, 125, 127, 129	88858GT	133	94889GT	86		
825020GT	131	88859GT	133	94890GT	85-86		
825351GT	95, 109	88870GT	125, 127, 129	94937GT	55-56		
825352GT	69	88872GT	113-114	94980GT	62, 113-114		
825353GT	55-56, 121, 129	88884GT	29-30, 33-34	9599GT	187		
825355GT	89-90	88885GT	33-34	96008-SGT	51, 65-66		
825445GT	65-66	88887GT	33-34	96010GT	51		
825446GT	65-66	88917GT	45	97128GT	117-118		
825447GT	65-66	88919GT	113-114, 117-118	97473GT	85-86		
825448GT	65-66		118	97548GT	15		
825449GT	65-66	88920GT	113-114	97579GT	19		
82551GT	21, 23	88936GT	145	97602GT	15		
82552GT	21, 23	88942-8354GT	145	97815GT	19, 27		
825579GT	12	88949-3828GT	145, 157	97865GT	11-12		
825674GT	30	88988PGT	86	97875GT	15, 19		
825708GT	97	88989PGT	86	99343GT	61-62		
825796GT	29-30, 118, 121	88990PGT	85-86	99344GT	61-62		
826008GT	101	88991PGT	86	99632GT	69		
826214GT	85-86, 141	88993GT	86	T106413GT	114		
826215GT	85-86	8915GT	47	T106425GT	55-56		
826345GT	12	89294GT	29-30, 39	T106482GT	51		
826379GT	121	89307GT	71-72	T106495GT	51		
826516GT	173	89309GT	71-72	T106508GT	113-114		
826590GT	49	89310GT	71-72	T106600GT	62		
82677GT	11-12, 15	89311GT	71-72	T106741GT	62		
82678GT	11-12, 15	89312GT	72	T106954GT	55-56		
826791GT	127, 131, 133	89571GT	55-56	T106955GT	55-56		
826792GT	127, 131	89575GT	53, 69	T106957GT	55-56		
826793GT	127, 131	89617GT	47	T106961GT	55-56		
82862GT	19	89737GT	72	T106962GT	55-56		
83093GT	51, 59, 65-66	89738GT	72	T107130GT	62		
83129GT	61-62, 143	89755GT	131	T107520GT	51, 65-66, 141		
84134GT	75	89771GT	86	T107829GT	45		
84135GT	75	89785GT	97	T107895GT	173		
85155GT	85-86	89792GT	89-90	T108075GT	125, 127, 129		
85239GT	51	89861GT	71-72	T108076GT	127		
87085GT	133, 161	89862GT	79	T108077GT	127		
		89864GT	79	T108321GT	61-62		
		89953GT	85-86	T108322GT	62		
				T108415GT	61-62		

## Part Description Index

The Part Description Index is an alphabetical index of all part descriptions included in this manual. The index shows what page(s) the part is used on.

"	WELDMENT, BAT/MANIF TRAY, S60/65".....47	ASSEMBLY, CONTACT ALARM CABLE, LARGE.....185	BEARING, 2.00IDX2.25ODX2.00L.....29-30, 34, 41
#	#1 BOOM TUBE ASSY, W/SYM DECAL.....117-118	ASSEMBLY, FOOT SWITCH, S60.....135	BEARING, 2.0IDX2.25ODX1.50L.....113-114, 117-118
1	12VDC PROPORTIONAL VALVE.....181	ASSEMBLY, TAPESWITCH.....183	BEARING, 2.25IDX2.50ODX1.50L***...113-114
2	207 HYD MOTOR ASSY, GEN.....181	ASSY, ANGLE SENSOR AND COVER.....113-114	BEARING, BALL DRIVE SHAFT.....29-30, 33-34
A	2MM ORIFICE UNION, 1/4" HOSE.....103	ASSY, CIRCUIT BREAKER 15A.....51, 66	BEARING, FL, 1.25X1.5X2.13.....127
	ACC, BEACON, TRVL ALARM, SERV.....159	ASSY, ES SWING CHASSIS COVER.....59	BEARING, FL, 1.25IDX1.41ODX1.50L.....127
	ACC, OIL COOLER, S60, SERV.....179	ASSY, HYDRAULIC TANK.....45	BEARING, FL, 1.25IDX1.50DX1.25L.....55-56, 127
	ACC, AIRLINE TO PLAT, S60, SERV.....167	ASSY, LONG LINK LT W/BEARINGS.....113-114	BEARING, FL, 2.00IDX2.25ODX1.50L.....113-114
	ACC, FULL GAUGE, DEUTZ, SERV.....177	ASSY, LONG LINK RT W/BEARINGS.....113-114	BEARING, FL, 2.25IDX2.50ODX1.63L.....113-114, 117-118
	ACC, FULL GAUGE, FORD DSG423, SV.....177	ASSY, MED. PRESS. FILTER, SAE8.....55-56, 111	BEARING, GARLOCK, 12FDU12.....131
	ACC, FULL GAUGE, PERKINS, SERV.....177	ASSY, SENSOR W/HOUSING.....185	BEARING, POLYGON, 20DU12.....125, 127, 129
	ACCUMULATOR, 10CC, 1000PSI, #6SAE.....71-72	ASSY, TERMINAL RAIL.....53	BEARING, TURNABLE ROTATION.....34
	ADAPTER, 1/8 X 1/4 F3H6-S.....177	ASSY, TS SWING CHASSIS COVER.....59	BELLCRANK W/BEARINGS.....127
	ADAPTER, 140139-8-6.....177	ASSY, 6FT PLATFORM, NO DECALS.....135	BELLOWS, CYLINDER LIFT.....173
	ADAPTER, NPT 6-4.....177	ASSY, 8FT PLATFORM, NO DECALS.....135	BELLOWS, CYLINDER, PLAT LEVEL.....173
	AIR CLEANER CLIPS, SUPERBOOM.....93	ASSY, BRKT, CNTRL BOX W/FASTNRS.....183	BELLOWS, MASTER CYLINDER.....173
	AIR CLEANER COVER, SUPERBOOM*.....93	ASSY, CABLE, 12.5KW WELDER.....61-62	BELT, V, DEUTZ DIESEL ENGINE.....90
	AIR CLEANER, NELSON.....93	ASSY, DISPLAY, DP200 DEUTZ T4.....65-66	BOLT, DEUTZ FLYWHEEL.....97
	AIR CLEANER, NELSON***.....85-86, 89-90, 101, 107	ASSY, DISPLAY, DP200 PERKINS T4.....65-66	BOLT, DEUTZ STARTER.....97
	AIR INTAKE ELBOW, 90 DEGREE.....101	ASSY, ENGINE TRAY, W/BEARINGS.....55-56	BOLT, GUARD, DEUTZ STARTER.....89-90
	AIR INTAKE TUBE ASSY.....89-90	ASSY, GROUND CONTROL BOX.....51	BOLT, CARRIAGE, 1/4-20X.75, 5,ZAG.....169
	ALARM, DESCENT.....45	ASSY, LS, LOAD SENSE, 38.5 IN.....61-62, 131	BOLT, CARRIAGE, 1/4-20X1.5,ZAG.....55-56, 59, 127
	ALARM, INTERMITTENT TONE 6-30V*.....159	ASSY, MODULE, CONTROL UNIT, OPA.....183	BOLT, CARRIAGE, 1/4-20X2.75, 5,ZAG.....127
	ALARM, WARBLE TONE 5-30 VDC***.....137-138	ASSY, PCB, ALC500 S60 S0849300.....141	BOLT, EXHAUST, PERKINS(54555)**.....85-86
	ALTERNATOR, DEUTZ F3L10/F4L10*.....90	ASSY, TERMINAL RAIL, TIER IV.....69	BOLT, FLANGE, 3/4-10X1.5"GR8 PLT.....43
	ALTERNATOR, DEUTZ, BF4L2011***.....93	AUX RAIL, 6' PLAT, SIDE ENTRY.....187	BOLT, FLANGE, 3/4-10X1.75GR8 PLT.....43
	ALTERNATOR, 65 AMP, PERKINS 404.....85-86	AUX RAIL, 8' PLAT, TRI-ENTRY.....187	BOLT, FLANGE, 3/4-10X4.5"GR8 PLT.....43
	ALTERNATOR, 95 AMP, DEUTZ.....97, 103		BOLT, FLANGE, 5/16-18X.50 GR5.....43
	ANGLE, RELAY MNT, W/NUTSERTS, PNT.....53		BOLT, FLANGE, 5/8-11X1.5"GR8 PLT.....43
	ASSEM, BOOM TUBE #3 S60/65, CE**.....117-118		BOLT, HHC, 1-14X2.0"GR8 PLT.....43
	ASSEMBLY RESET SWITCH.....183		BOLT, SHS, 1/4-28X4,ZAG.....37, 89-90, 93
	ASSEMBLY, GROUND CONTROL BOX C.....171		BOLT, SHS, 3/8X1.75X5/16-18,ZAG.....123
	ASSEMBLY, INSIDE HOSE GUARD.....43		BOLT, SHS, 5/16X.375X1/4-20,ZAG.....51, 65-66
	ASSEMBLY, LIGHT, CONTACT ALARM.....185		BOLT, SHS, 8X12XM6-1.0, ISO7379, 12.9,ZAB.85-86
	ASSEMBLY, OUTSIDE HOSE GUARD.....43		BOOT(BELLOWS), E-STOP, BLACK.....137-138
	ASSEMBLY, S60 ENGINE TRAY.....107		BOOT, ROCKER JOYSTICK 75665.....143
	ASSEMBLY, SENSOR, PROX, CONTACT ALARM.....185		BOOT, DTSCH, DTP4-BT.....117-118
	ASSEMBLY, TRAX UNIT, LEFT.....39		BOOT, JOYSTICK.....143
	ASSEMBLY, TRAX UNIT, RIGHT.....39		BOOT, TOGGLE SWITCH, SHORT*.....65-66, 137-138, 181
	ASSEMBLY, BOOM TUBE #3 S60/65**.....117-118		BOTTLE, COOLANT RECOVERY, 3.7***.....85-86
	ASSEMBLY, CABLE, TAPESWITCH.....183		BOX, INSTRUCTION STORAGE.....135
			BRACKET, BUMPER.....59
			BRACKET, EXTEND SHEAVE.....121
			BRACKET, OSCILLATE VALVE.....37
			BRACKET, 1K OHM 10-TURN POT, PNT.....69
			BRACKET, AIRLINE TO PLATFORM.....167
			BRACKET, CONTROL UNIT.....183
			BRACKET, DP200 PANEL MOUNT.....65-66
			BRACKET, GENERATOR 12.5 KW, PNTD*...181
			BRACKET, HOSE CLAMP, PAINTED.....127
			BRACKET, HOSE ROUTING, AXLE LH.....29-30
			BRACKET, HOSE ROUTING, AXLE RH.....30
			BRACKET, PBOX WIRE SUPPORT.....141
			BRACKET, POWER TO PLAT, DOM.....167
			BRACKET, POWER TO PLAT, UK.....167

B R A C K E T , S O L E N . M O U N T	CLAMP,1.25X.5 RUBBER-CUSHION.....135,	CONN,PLUG 120 AC/15A DOMESTIC.....167,
BRACE,PNTD.....89-90	163, 187	181
BRACKET,SOLENOID MOUNT PAINT.....89-90	CLAMP,1.31,#21 X 3/8,RUB CUSH.....135	CONN,PLUG 40 WAY,DRC SERIES.....61-62
BRACKET,WORK LIGHT MOUNT 5/16"....165, 187	CLAMP,1.38,#212X3/8,RUB CUSH.....103	CONN,PLUG 8 WAY,14-18GA.....61-62
BRAKE KIT (88886)***.....29-30, 33-34	CLAMP,1.63,#26 X 3/8,RUB CUSH.....127	CONN,RECEP 120AC/15A DOMESTIC.....167, 181
BRAKE TUBING.....55-56	CLAMP,EXHAUST,2.00 PLATED.....85-86, 90, 109	CONN,RECEP 2 WAY ENDCAP DT.....159
BREAKER, 25 AMP, GEN.....181	CLAMP,HAND RAIL,OPA,6'-8'.....183	CONN,RECEP 24 WAY,W/FLANGE.....53, 69
BREAKER,15 AMP,GEN.....181	CLAMP,HOSE,1 EAR,1/2.....49	CONN,RECEP 4 WAY ENDCAP DT.....117-118
BREATHER CAP,RFM165.....45	CLAMP,HOSE,1.00.....101, 103	CONN,RECEP 4 WAY,12-14GA FL***.....53, 69, 141
BRKT,AIR CLEANER ORIENTATION**.....85-86, 89-90, 101, 107	CLAMP,HOSE,1.25***.....173	CONN,RECEP 40 WAY,W/FLANGE.....53, 69
BULB,WORKLIGHT,12V 35W.....159	CLAMP,HOSE,1.75.....86, 99, 173	CONN,RECEP 48 WAY,4 X 12.....53, 69, 141
BUMPER, PLASTIC, 1.25 O.D.....163, 187	CLAMP,HOSE,2.00***.....99, 101	CONN. SQZ,1/2NPT .39-.56 MED.....69, 181
BUMPER, RUBBER, 1.25 X 1.25 IN.....45, 59	CLAMP,HOSE,2.50***.....101, 175	CONN. SQZ,1/2NPT .56-.63.....181
BUMPER,BATTERY BOX & RAILS.....161	CLAMP,HOSE,2X4,1X6,2X8***.....30	CONNECTOR, DEUTZ FUEL SHUTOFF*..89-90, 93
BUMPER,RUBBER***.....131, 171	CLAMP,HOSE,3.00".....89-90, 107, 173	CONNECTOR,BULKHEAD,FEMALE-4.....45
BUMPER,RUBBER-1 X 1.25.....55-56	CLAMP,HOSE,3.50.....93	CONNECTOR,PLUG 6 WAY 18-20 GA.....61-62
BUSHING, STRAIN RELIEF, 1".....113-114	CLAMP,HOSE,5.00.....173	CONTACT ALARM WIRE ASSY, LARGE....185
BUTTON,PUSH,BLACK W/SEAL***.....51, 66, 137-138	CLAMP,HOSE,6.50.....173	CONTACT,N.O.***.....137-138
BUTTON,PUSH,RED MUSHROOM HEAD.....51, 65-66, 137-138	CLAMP,HOSE,8.50 DIA***.....90	CONTACT,NC.....137-138
	CLAMP,HOSE,SIZE .25 TO .63.....49, 103	CONTACTOR,LIMIT SWITCH.....117-118
	CLAMP,HOSE/CABLE,JIB.....127	CONTROL BOX COVER,LID,PTD.....161
	CLAMP,MUFFLER.....86	CONTROL BOX,2KW,120/240V,50HZ.....181
	CLAMP,MUFFLER, 2.50 INCH.....93, 95	CONTROLLER BOX, 120/240V, 60H.....181
	CLAMP,RUB CUSH,0.75,#12 X 3/8*.....47, 49	CONTROLLER W/O COILS (77788).....81
	CLAMP,TWO HOSE.....127	CORROSION INHIBITOR,FOAM.....69, 141
	CLEVIS YOKE-1/4-28,PLTD W/PIN.....37, 86, 89-90, 93	COUNTERWEIGHT, S60.....45
	CLIP,AIR CLEANER END CAP***.....85-86, 89-90, 101	COUNTERWEIGHT, S65.....45
	CLIP,SPRING,1/4-20 BLACK.....113-114	COUPLER,15 TOOTH,FBA,PERKINS**.....86
	COIL, 10V DC (D10, 20 WATT).....71-72	COUPLER,15 TOOTH,FBA,SAE8***.....95, 101, 109
	COIL, SOLENOID VALVE, 10V.....83	COUPLING - 1/4 NPT.....43
	COIL,10V.....71-72	COVER, DUST.....43
	COIL,12VDC #8 DTSCH IP69 ECOIL.....79	COVER, END, GEN, 120V.....181
	COIL,GREEN W/ 2 PIN CONNECTOR*.....71-72	COVER, END, GENERATOR, 240V.....181
	COIL,PROPORTIONAL VALVE***.....72	COVER, FOOT SWITCH, LARGE.....135
	COIL,VALVE,PROPORTIONAL ***.....71-72	COVER, JIB HOSES/CABLES.....127
	COLLAR,JOYSTICK,CENTER.....143	COVER, LIMIT SWITCH ARM MOUNT.....123
	COMPR.LINK,MACHINED,GND CONTR*..127	COVER, PROTECTIVE, OSCILLATE.....173
	CONN PLUG 12 WAY ENDCAP DT BK.....61-62	COVER, REAR AXLE.....41
	CONN PLUG 12 WAY ENDCAP DT BR.....61-62	COVER, SWING CHASSIS, ES.....59
	CONN PLUG 12 WAY ENDCAP DT GR.....61-62	COVER, SWING CHASSIS, TS.....59
	CONN PLUG 12 WAY ENDCAP DT GY.....61-62	COVER,BLANK.....167
	CONN PLUG 4 WAY ENDCAP DT.....61-62	COVER,CABLE TRACK.....173
	CONN RECEP,FLANGED.....141	COVER,CONTROL BOX LEFT SIDE***.....161
	CONN, SQZ, 1/2NPT .38-.50, SM**.....53, 61-62, 167	COVER,CONTROL BOX RIGHT SIDE**.....161
	CONN,520120-12-16.....145	COVER,DRIVE CHASSIS.....29-30, 33-34
	CONN,520120-16.....145, 147, 157	COVER,FLYWHEEL CASTING.....90, 95, 101, 109
	CONN,520120-20.....145	COVER,GFCI,HORIZONTAL,WEATHER....167
	CONN,520120-20-16.....145	COVER,LH,BOOM SECTION #1.....117-118
	CONN,520120-4***.....145, 147, 149, 151, 153	COVER,LIMIT SWITCH ASSY,S60.....169
	CONN,520120-4-6***.....145, 149, 153	COVER,PRIMARY BOOM,PAINTED.....121
	CONN,520120-4-8.....145, 153	COVER,PRM FUSE SERVICE PART.....97
	CONN,520120-8***.....145, 147, 149, 151, 153, 155	COVER,PROTECTIVE,JIB CYLINDER.....173
	CONN,520120-8-10.....145	COVER,PROTECTIVE,STEERING.....173
	CONN,520120-8-12.....149	COVER,REAR AXLE.....33-34
	CONN,520120-8-16.....145	COVER,RETRACT SHEAVE,PAINTED.....117-118
	CONN,LONG,520122-4.....155	COVER,RH,BOOM SECTION #1.....117-118
	CONN,MOLEX 10 WAY.....61-62	COVER,STEERING SENSOR.....113-114
	CONN,MOLEX 12 WAY.....61-62	CRIMPER,DEUTSCH,LIGHT DUTY***.....61-62, 143
	CONN,MOLEX 16 WAY.....61-62	CYLINDER, STEER.....39

## C

CABLE ASSY, EXTEND SET(PAIR).....121
CABLE ASSY, RETRACT SET (PAIR).....121
CABLE TIE,BUTTON,BLACK,14.75LG.....123, 181
CABLE TRACK, SX, 49 LINK.....133
CABLE,S60 12VDC WORK LIGHT.....62
CABLE,S65 12VDC WORK LIGHT.....62
CABLE,WIF SENSOR,DEUTZ 2.9.....105
CAP ASSY,COOLANT BOTTLE***.....85-86
CAP, OIL FILLER.....86
CAP,520112-8.....89-90, 109
CAP,DIAGNOSTIC NIPPLE.....145, 147, 149, 153
CAP,DISENGAGE,OMNI***.....29-30, 33-34
CAP,EXTENSION,PAINTED.....117-118
CAP,FUEL,DIESEL,1/8"VENT(GRN).....49
CAP,OIL FILLER,DEUTZ,DIESEL***.....97
CAP,PLASTIC,2.5 ID.....175
CAP,RADIATOR,PERKINS(94232).....103
CAP,RADIATOR,PERKINS/FORD.....86
CAPACITOR 16 F, GEN.....181
CAPACITOR,3 MF,50VDC.....69
CAST, LIMITER STOP BRKT L.....43
CAST, LIMITER STOP BRKT R.....43
CBV ASSEMBLY***.....55-56
CIRCUIT BKR 10A TYPE 2 METAL.....53
CIRCUIT BRKR 15A TYPE 2 METAL.....93
CLAMP ASSY,OPTIONS BLOCK W/NUT...133
CLAMP TOP,HOSE ROUTING***.....30
CLAMP, 1.25 INCH TUBE.....185
CLAMP, CABLE.....133
CLAMP, CABLES.....133
CLAMP, HOSES.....133
CLAMP, HYD WELD, AIR, OPT.....167
CLAMP, OPTIONS, CABLE TRACK.....133
CLAMP, TIMING LINK, LH.....113-114
CLAMP, TIMING LINK, RH.....113-114
CLAMP, WIRE, 16/2.....159
CLAMP,0.31,#5 X 1/4,RUB CUSH.....123, 131
CLAMP,0.75,#12 X 1/4,RUB CUSH.....45
CLAMP,1.00,#16 X 1/4,RUB CUSH.....53, 69, 141
CLAMP,1.00,#16 X 7/16,RUB CUSH.....93

## Part Description Index (continued)

CYLINDER,LIFT,S60\*\*\*.....113-114  
 CYLINDER,MASTER.....113-114  
 CYLINDER,OSCILLATE,S60.....30  
 CYLINDER,PLATFORM LEVEL \*\*\*.....125, 127,  
 129  
 CYLINDER,STEERING\*\*\*.....29-30

**D**

DANGER,TIPOVR,TIRES FF ONLY.....11-12,  
 15  
 DECAL COSMETIC,10" GENIE BLUE.....12,  
 15, 21, 23  
 DECAL COSMETIC,15" GENIE BLUE.....12, 21  
 DECAL FAULT CODE.....19  
 DECAL GROUND CONTROL BOX.....11-12,  
 21  
 DECAL PLATE ASSEMBLY.....135  
 DECAL PLATE,MESH.....163  
 DECAL, COSM,GENIE S65 TRAX.....17, 25  
 DECAL, DANGER, ELECTROCUTION  
 HAZARD, SYMBOL.....23, 27  
 DECAL, ENGINE SPEC, 404F-22.....15  
 DECAL, ENGINE SPEC, D2.9.....15  
 DECAL, INSTRUCTION, CONTACT  
 ALARM.....185  
 DECAL, INSTRUCTION, OPS.....19, 27  
 DECAL, LABEL - CHEVRON RANDO.....11-12  
 DECAL, LCD, TIER 4.....12  
 DECAL, OPERATING INSTRUCTIONS.....12  
 DECAL, PATCH, GEN,ALC-500.....181  
 DECAL, PLAT CNTL PNL.....19, 27  
 DECAL, PLAT CNTL PNL 60TX.....19, 27  
 DECAL, PLAT CNTL PNL 60X 80X.....19, 27  
 DECAL, PLAT CNTL PNL 60XC.....19, 27  
 DECAL, POWER TO PLATFORM 230V\*\*.....15,  
 19, 23, 27  
 DECAL, SYMBOL - READ THE MANUAL.....21,  
 27  
 DECAL, TRANSPORT/LIFTING, S60.....12, 15,  
 21, 23  
 DECAL, VAPORIZER PRESSURE.....15  
 DECAL, WHEEL LOAD S60TRAX.....11-12,  
 15, 21, 23  
 DECAL, WHEEL LOAD S65 TRAX.....11-12,  
 15, 21, 23  
 DECAL,ANNUAL INSP\*\*\*.....11-12  
 DECAL,ARROW BLUE.....15, 23  
 DECAL,ARROW YELLOW LRG 9".....11-12,  
 21  
 DECAL,BATTERY DISCONNECT.....11-12  
 DECAL,CAUTION,READ INST.....43  
 DECAL,CAUTION,TOWING SPEED.....11-12  
 DECAL,COSM GENIE S60X.....17, 25  
 DECAL,COSM GENIE S60XC.....17, 25  
 DECAL,COSM, S60 TRAX.....15, 23  
 DECAL,COSM, S65 TRAX.....15, 23  
 DECAL,COSM,GENIE S60 TRAX.....17, 25  
 DECAL,COSMETIC,4 X 2.....11-12, 21  
 DECAL,COSMETIC,4 X 4.....11-12, 21  
 DECAL,COSMETIC,GENIE.....183  
 DECAL,COSMETIC,GENIE S-60.....17, 25  
 DECAL,COSMETIC,GENIE S65.....17, 25  
 DECAL,COSMETIC,S60.....15, 23  
 DECAL,COSMETIC,S65.....15, 23  
 DECAL,DANGER DO NOT ALTER SWTC.....17  
 DECAL,DANGER TIP OVER TRAX.....11-12,  
 15  
 DECAL,DANGER,BATTERY SAFETY\*\*\*.....11-  
 12

DECAL,DANGER,CAP,ANSI WORD.....19  
 DECAL,DANGER,CAP,AUS WORD.....19  
 DECAL,DANGER,ELEC.HAZ.STAY CLR.....21,  
 23, 27  
 DECAL,DANGER,ELECT HAZARD\*\*\*.....11-  
 12, 15, 19  
 DECAL,DANGER,HI-FLOAT TIRE.....11-12, 15  
 DECAL,DANGER,HIGH VOLTAGE.....15, 19  
 DECAL,DANGER,NO SMOKING.....11-12, 15  
 DECAL,DANGER,TIP-OVER,WELDER\*\*.....19  
 DECAL,DANGER,TIPOVER,TILT.....19  
 DECAL,DANGER,TIPOVER,TILT,SYM.....27  
 DECAL,DANGER/LABEL,TIRE SPECS.....11-  
 12, 15  
 DECAL,DANGER/WARNING COMBO.....19  
 DECAL,DRIVE ENABLE PATCH.....27  
 DECAL,EMERGENCY LOWERING.....21  
 DECAL,ENGINE SPEC,DEUTZ 2011.....15  
 DECAL,ENGINE SPEC,DEUTZ CHINA III.....15  
 DECAL,ENGINE SPEC,DEUTZ,TD2011.....15  
 DECAL,ENGINE SPEC,PERKINS\*\*\*.....15  
 DECAL,EXPLOSION HAZARD.....15  
 DECAL,FIRE EXTINGUISHER.....19  
 DECAL,FMRC APPROVAL,PLATE,LPS.....11-  
 12  
 DECAL,FORD ENGINE SPEC MSG425.....15  
 DECAL,GR CNTL PNL 60TX.....11-12, 21  
 DECAL,GR CNTL PNL 60X 80X.....11-12, 21  
 DECAL,GR CNTL PNL 60XC.....11-12, 21  
 DECAL,GROUND BOX,TIER IV.....11-12  
 DECAL,INST PLAT CAP 60TX,SYM.....27  
 DECAL,INST PLAT CAP 60TX,WORD.....19  
 DECAL,INST PLAT CAP 60X,SYM.....27  
 DECAL,INST PLAT CAP 60X,WORD.....19  
 DECAL,INST PLAT CAP 60XC,SYM.....27  
 DECAL,INST PLAT CAP 60XC,WORD.....19  
 DECAL,LABEL, ELECTRO HAZARD.....21  
 DECAL,LABEL,105 DB.....21  
 DECAL,LABEL,AIR LINE 110 PSI...15, 19, 23,  
 27  
 DECAL,LABEL,ASSY INSTALL,I.....43  
 DECAL,LABEL,ASSY INSTALL,R.....43  
 DECAL,LABEL,BELT,MSG425.....15, 23  
 DECAL,LABEL,CONTROLS BATTERY.....11-  
 12  
 DECAL,LABEL,DIESEL FUEL.....11-12, 21  
 DECAL,LABEL,LIFTING EYE.....11-12, 21  
 DECAL,LABEL,LIQUID PROPANE.....11-12,  
 21  
 DECAL,LABEL,LOWER MIDRAIL.....19, 27  
 DECAL,LABEL,NO SMOKING,SYMB.....21, 23  
 DECAL,LABEL,PETRO CANADA\*\*\*.....11-12  
 DECAL,LABEL,RELAYS,S60&65.....11-12  
 DECAL,LABEL,STARTER BATTERY.....11-12  
 DECAL,LABEL,TEST\*\*\*.....11-12  
 DECAL,LABEL,TIP OVER LMT SWTCH.....25  
 DECAL,LABEL,TIPOVER,TIRES,SYMB.....21,  
 23  
 DECAL,LABEL,TIPOVER,TRAX,SYMB.....21,  
 23  
 DECAL,LABEL,TIRE PRESS HF.....21, 23  
 DECAL,LABEL,TIRE PRESSURE.....21, 23  
 DECAL,LABEL,TORQUE.....43  
 DECAL,LABEL,TRANSPORT TIEDOWN\*..11-  
 12, 21  
 DECAL,LABEL,UCON HYDROLUBE.....11-12  
 DECAL,LABEL,UNLEADED GAS ONLY.....11-  
 12, 21

DECAL,LABEL,WHEEL LOAD S60/60X.....11-  
 12, 15, 21, 23  
 DECAL,LABEL,WHEEL LOAD S60H/XC.....11-  
 12, 15, 21, 23  
 DECAL,LABEL,WHEEL LOAD S65.....11-12,  
 15, 21, 23  
 DECAL,LANYARD ANCHORAGE POINT...19,  
 27  
 DECAL,LOW/ULTRA LOW SULFR FUEL...11-  
 12  
 DECAL,LP BOTTLE,S60.....12  
 DECAL,LPS (4"X4").....11-12, 15  
 DECAL,PLATFORM OVERLOAD.....19, 27  
 DECAL,POWER TO PLATFORM 115V.....15,  
 19, 23, 27  
 DECAL,PROTECTOR,CLEAR.....173  
 DECAL,SYM,SLOPE RATING,S60.....27  
 DECAL,SYMBOL-BATTERY SAFETY.....21  
 DECAL,SYMBOL-COMP ACCESS.....21, 23  
 DECAL,TIP-OVER HAZARD,ANSI.....27  
 DECAL,TIP-OVER HAZARD,CE.....27  
 DECAL,TIP-OVER,CRUSH.....27  
 DECAL,TOWING INSTRUCTIONS.....11-12  
 DECAL,TRIANGLE,BLUE.....11-12, 15, 21, 23  
 DECAL,TRIANGLE,YELLOW.....11-12, 15, 21,  
 23  
 DECAL,ULS DIESEL ONLY,TIER 4.....12  
 DECAL,WARN,AVOID INJURY.....43  
 DECAL,WARN,CRUSH HAZ.....43  
 DECAL,WARN,ELECTRO HAZARD.....11-12  
 DECAL,WARN,HIGH PRESS.....43  
 DECAL,WARN,IMPROPER OPERATION.....19  
 DECAL,WARN.WELD LINE INST.WORD.....15,  
 19  
 DECAL,WARNING,PANEL CRADLE.....19  
 DECAL,WARNING,PIPE CRADLE,BOOM.....19  
 DECAL,WARNING-COMPART ACCESS...11-  
 12, 15  
 DECAL,WORD,SLOPE RATING,S60.....19  
 DIN RAIL,17".....53, 69  
 DIODE,6 AMP,200 PIV,BULK.....89-90, 93  
 DIPSTICK TUBE, STRAIGHT SHORT.....86  
 DIPSTICK, OIL, D2011.....89-90  
 DIPSTICK, STRAIGHT SHORT.....86  
 DIPSTICK,TD2.9.....97  
 DIPSTICK-F3L1011F (DEUTZ).....93  
 DISCONNECT KIT (88887).....29-30, 33-34  
 DISPLAY,DIAGNOSTIC,J1939.....51

**E**

ECM, DEUTZ.....97  
 ELBOW,130339-6-6.....49  
 ELBOW,45D,520320-16.....145  
 ELBOW,45D,520320-4.....145, 147  
 ELBOW,45D,520320-8.....147  
 ELBOW,90 DEGR,RUBBER,2.5" I.D.\*.....175  
 ELBOW,90,1/4-18NPT,FEMALE.....43  
 ELBOW,90D,520220-16-12.....157, 179  
 ELBOW,90D,520220-4-4.....145, 147, 153  
 ELBOW,90D,520220-4-6\*\*\*.....147, 149, 151  
 ELBOW,90D,520220-6.....149, 151  
 ELBOW,AIR INTAKE,RUBBER.....93  
 ELEMENT-5 MIC, PAPER, W/BYPASS.....55-  
 56  
 ENCLOSURE BOX, GAUGE  
 OPT,DRILLD.....177  
 END BOGEY.....43  
 END BRACKET,FIXED END.....133  
 END BRACKET,MOVING END.....133

END CAP, WHEEL DRIVE.....29-30, 33-34  
 END STOP, DIN RAIL, SCREW CLAMP.....53  
 ENGINE KIT, DEUTZ D2.9L4.....97, 99, 103  
 ENGINE, DEUTZ, TD2011L04i TPEM.....93  
 ENGINE, PERKINS, DIESEL 404D-22.....85-86  
 EVACUATOR VALVE-AIR CLEANER.....85-86,  
 89-90, 93, 101  
 EXHAUST MANIFOLD.....85-86  
 EXHAUST PIPE GASKET.....95  
 EXPANSION TANK, METAL, D2.9.....103  
 EXTRUSION, RUBBER STRIP, LG, D2.9.....103  
 EXTRUSION, RUBBER STRIP, SM, D2.9.....103

**F**

FAN BELT, ALTERNATOR.....97  
 FAN SHROUD, DEUTZ D2.9.....99  
 FAN, 10 BLADE, 15".....103  
 FAN, ENGINE (104-22)(404-22)\*.....86  
 FEMALE BULKHEAD CONNECTOR-8.....167  
 FIELD KIT, MTE 120V-60HZ, S60.....181  
 FIELD KIT, MTE, 120V-50HZ, S60.....181  
 FIELD KIT, MTE, 240V-50HZ, S60.....181  
 FILTER ASSY, HIGH PRESS SAE-12\*.....55-  
 56, 111  
 FILTER ASSY, INTANK.....45  
 F I L T E R A S S Y , M  
 PRESS, SAE8, WOIND\*(77139).....55-56  
 FILTER HEAD (29560).....89-90  
 FILTER INDICATOR-(60334).....55-56  
 FILTER LID, RFM165.....45  
 FILTER, DEUTZ 2.9, FUEL.....105  
 FILTER, AIR CLEANER, SUPERBOOM.....93  
 FILTER, AIR\*\*\*.....85-86, 89-90, 101  
 FILTER, ELEMENT, 30 MIC, 75020.....86  
 FILTER, ELEMENT, BETA(10)=200.....45  
 FILTER, ELEMENT, BETA(5)=1000.....55-56  
 FILTER, FUEL, PERKINS.....86  
 FILTER, FUEL/WTR SEP, DTZ 1008.....89-90,  
 93  
 FILTER, OIL, DEUTZ F4L1011F.....89-90, 93,  
 97  
 FILTER, OIL, DEUTZ, REPLACEMENT...89-90,  
 93  
 FINGER, GUIDE, CABLE TRACK.....133  
 FITTING, 3/8 NPT TO 1/4 NPT.....49  
 FITTING, BARBED, STRT, FUEL LINE.....89-90  
 FITTING, BARBED, TEE, FUEL LINE.....89-90  
 FITTING, BULKHEAD, 3/8NPT, FUELTK.....49  
 FITTING, CONN, 16MM-6MJ.....105  
 FITTING, CONN, 16MM-8MJ.....105  
 FITTING, CONN, 520120-12\*\*\*.....111, 145, 147,  
 149, 151, 155, 157, 179  
 FITTING, CONN, 520120-6.....145, 147, 149, 151  
 FITTING, CONN, 520120-6-8\*\*\*.....149  
 FITTING, CONN, 520120-8-6.....145  
 FITTING, ELBOW, 45D, 520320-12\*\*\*.....111,  
 145, 155  
 FITTING, ELBOW, 45D, 520320-4-6\*\*\*.....147  
 FITTING, ELBOW, 6GS-6FJX90S.....105  
 FITTING, ELBOW, 8GS-8FJX90S.....105  
 FITTING, ELBOW, 90D, 520220-8\*\*\*.....111, 145  
 FITTING, HYDRAULIC, 90DEG, O-RING.....89-  
 90, 109  
 FITTING, TEE, BRANCH, 520433-4.....153  
 FITTING, TEE, RUN, SWIVEL520432-4.....147,  
 149, 151, 153, 155  
 FLANGE, EXHAUST.....85-86  
 FLASH TUBE, STRAIGHT, 360DEG, BULB....159  
 FLASH TUBE, U SHAPED, 360DEG, BULB....159

FLATBAR, CLAMPS, CABLE TRACK.....133  
 FLATBAR, ALUM, THROTTLE LINKAGE.....85-  
 86  
 FLEX PIPE, EXHAUST, 2.5" DIA.....95  
 FLOORING, 6'FT PLATFORM.....135  
 FLOORING, 8 FT PLATFORM\*\*.....135  
 FLYWHEEL (PERKINS KR70481U)\*\*.....85-86  
 FLYWHEEL, SAE 8/10.....97  
 FORMING BRKT, WIPER 1 TO 2.....169  
 FORMING BRKT, WIPER 2 TO 3.....169  
 FORMING, BRACKET, COVER STOP.....45  
 FORMING, BRACKET, LATCH.....45  
 FORMING, BRKT, ENGINE COVER.....55-56  
 FORMING, BULKHEAD, TS FRONT.....45  
 FORMING, BULKHEAD, TS REAR.....47  
 FORMING, BULKHEAD, RIGHT, S60/65.....55-  
 56  
 FORMING, ENGINE MOUNT, PERKINS.....85-  
 86  
 FORMING, ENGINE TRAY LATCH.....55-56  
 FORMING, FILTER BRKT.....55-56, 111  
 FORMING, GAUGE OPTION BRACKET....177  
 FORMING, LEFT ENGINE MOUNT.....105  
 FORMING, MOUNT, LATCH.....45  
 FORMING, PLAT. BOX LID.....141  
 FORMING, RADIATOR BAFFLE.....99  
 FORMING, REAR ENGINE MOUNT.....105  
 FORMING, RIGHT ENGINE MOUNT.....105  
 FORMING, SENSOR HOLDER.....185  
 FORMING, SOLENOID MOUNT\*\*\*.....93  
 FORMING, TRACK BRACE, LH.....133  
 FORMING, TRACK BRACE, RH.....133  
 FORMING, 8.5' MUFFLER MOUNT.....95  
 FORMING, AIR CLEANER MOUNT PNTD..89-  
 90, 95, 107  
 FORMING, ANGLE SENSOR CABLE.....113-  
 114  
 FORMING, CABLE GUIDE.....135  
 FORMING, CLAMP, TOP, CABLE TRACK.....133  
 FORMING, CLEAN AIR BRACKET.....99  
 FORMING, DEUTZ AIR INTAKE BAF P.....89-  
 90, 107  
 FORMING, DRIVE ENABLE LIMIT SW.....55-56  
 FORMING, ENGINE MOUNT.....93  
 FORMING, ENGINE MOUNT PAINTED.....95  
 FORMING, ENGINE MOUNT RH PAINTE.....86  
 FORMING, ENGINE MOUNT, DEUTZ.....95  
 FORMING, ENGINE MOUNT, FL PAINT\*.....89-  
 90  
 FORMING, ENGINE MOUNT, FL\*\*\*.....111  
 FORMING, ENGINE MOUNT, FR PAINT\*.....89-  
 90  
 FORMING, ENGINE MOUNT, FR\*\*\*.....109  
 FORMING, EXP TANK BAND, D2.9.....103  
 FORMING, EXPANSION TANK SUPT.....103  
 FORMING, HARNESS SUPPORT, S60/65.....45  
 FORMING, HEAT SHIELD, MUFFLER\*\*\*.....93  
 FORMING, HYD SWIVEL BRACKET.....55-56  
 FORMING, LATCH GUARD, ES.....59  
 FORMING, LATCH GUARD, TS.....59  
 FORMING, LATCH, CTRL BOX LID PTD.....161  
 FORMING, LIGHT/BEACON BRKT, LH.....159  
 FORMING, LIGHT/BEACON BRKT, RH.....159  
 FORMING, LIMIT SWITCH BRACKET.....117-  
 118  
 FORMING, MUFFLER MOUNT.....93  
 FORMING, MUFFLER MOUNT PAINTED.....86  
 FORMING, OIL COOLER MOUNT.....179  
 FORMING, PINION GUARD PAINTED.....171

FORMING, RAD BRACE, DEUTZ D2.9.....99  
 FORMING, RAD EXPSN TANK SUPT.....103  
 FORMING, RADIATOR SHROUD.....99  
 FORMING, REAR ENGINE MOUNT PNT\*..89-  
 90, 109  
 FORMING, SOLENOID MOUNT.....86  
 FORMING, SOLENOID MOUNT PAINT.....90,  
 109  
 FORMING, TT LH SIDE COVER PAINT.....171  
 FORMING, TT RH SIDE COVER PAINT.....171  
 FORMING, UPPER RAD SUPPORT PNTD...86  
 FORMING, WIPER GUARD LT.....171  
 FORMING, WIPER GUARD RT.....171  
 FP, CAB TOP, RL4 BUTTE HNGE.....93  
 FUEL FILTER ASSEMBLY.....86  
 FUEL FILTER W/SEP, DEUTZ, 1008.....89-90,  
 93  
 FUEL LIFT PUMP, DEUTZ D 2.9.....105  
 FUEL TANK ASSY, 35 GAL PLASTIC.....49  
 FUSE, FMX, 60AMP.....97

**G**

GAS STRUT, 250 LBS FORCE\*\*\*.....59  
 GAS STRUT, CONNECTOR (28301).....59  
 GASKET, OIL COOLER, DEUTZ.....97  
 GASKET, THERMOSTAT HOUSING.....85-86,  
 97  
 GASKET, UK POWER TO PLAT.....167  
 GASKET, DP200 BLACK PANEL SEAL.....65-  
 66  
 GASKET, ENCLOSURE.....183  
 GASKET, EXH FLANGE-FORD/PERKINS...85-  
 86  
 GASKET, EXHAUST.....89-90, 93  
 GASKET, GBOX, S80/85 2008.....53, 69  
 GASKET, KEYSWITCH, PLASTIC\*\*\*.....51  
 GASKET, PLATFORM CONTROL BOX.....141  
 GASKET, RETURN FILTER-77353.....45  
 GASKET, WATER PUMP.....85-86  
 GASKET-CYLINDER HEAD.....85-86  
 GAUGE, OIL PRESSURE W/O SENDER....177  
 GAUGE, VOLTAGE.....177  
 GAUGE, WATER TEMP.....177  
 GAUGE-SIGHT, LHA-LGTB\*\*\*.....45  
 GBOX ASSY, COMMON, T4.....65-66  
 GBOX ASSY, DEUTZ T4, DUAL CAP.....65-66  
 GBOX ASSY, DEUTZ T4, SGL CAP.....65-66  
 GBOX ASSY, PERKINS T4, DUAL CAP.....65-  
 66  
 GBOX ASSY, PERKINS T4, SGL CAP.....65-66  
 GENERATOR, 3kW, 120V/60Hz.....181  
 GENERATOR, 3kW, 120V/50Hz.....181  
 GENERATOR, 3kW, 240V/50Hz.....181  
 GLOW PLUG (PERKINS 404-22).....85-86  
 GLOW PLUG, DEUTZ.....97  
 GLOW PLUG, L1011.....89-90  
 GREASE, SERVICE PACKET.....86  
 GRIP, CABLE.....185  
 GROMMET, 4.00 GRV. X .75 THK.....118  
 GROMMET, RUBBER 3 X .19 X 3.5.....135  
 GUARD, HOSE PROTECTOR.....29-30  
 GUARD, SEAL.....43  
 GUARD, SWING GATE.....187  
 GUARD, FAN, FORD/PERKINS, PAINTED...85-  
 86  
 GUIDE FINGER, PLASTIC.....133  
 GUIDE, CABLE.....185  
 GUIDE, EXT CABLE, TOP.....121  
 GUIDE, EXT. CABLE, BOTTOM.....121

## Part Description Index (continued)

**H**

HALF MESH,8'PLATFORM,LH.....163  
 HALF MESH,8'PLATFORM,RH\*\*\*.....163  
 HANDLE,YELLOW LOCKING,CODE 455.....59  
 HARN JOYSTICK ADAPTOR JS100.....143  
 HARN, LS OP PRI.DUAL CAP.....62  
 HARN,12V WORK LIGHT RELAY.....62  
 HARN,ANGLE,SNSR.CONN. CABLE.....62  
 HARN,FUNCT MANIFOLD,S60/65.....61-62  
 HARN,GBOX & RELAY WIRES,DIESEL.....61-62  
 HARN,LS CABLE,S60 DUAL CAP.....61-62  
 HARN,LS SAFETY,PRI.DUAL CAP.....61-62  
 HARN,LS,SAFETY,PRI,VELOCITY.....62  
 HARN,PBOX,DUAL CAP.....62  
 HARN,PBOX,JOYSTICK,S60/65.....61-62  
 HARN,PBOX,OPA,HW,12V.....62  
 HARN,PIGTAIL,TAPESWITCH,OPA.....183  
 HARNESS ASSY,GBOX.....61-62  
 HARNESS ASSY,GCON,PLAT PRTY.....62  
 HARNESS ASSY,PBOX,SNGL CAP.....61-62  
 HARNESS ASSY,PCON,DRIVE PRTY.....62  
 HARNESS ASSY,PCON,JIB.....62  
 HARNESS ASSY,PCON,LOAD SENSE.....62  
 HARNESS ASSY,PCON,PROX KILL.....62  
 HARNESS ASSY,PCON,TILT LED.....62  
 HARNESS PERKINS ENGINE S60 ALT.....61-62  
 HARNESS, 12/3 12V TO PLAT JIB.....61-62  
 HARNESS, 12/3 12V TO PLAT NJ.....61-62  
 HARNESS, 18/22, CABLE JIB.....61-62  
 HARNESS, 18/22, CABLE NJ.....61-62  
 HARNESS, AC POWER TO PLAT JIB.....61-62  
 HARNESS, AC POWER TO PLAT NJ.....61-62  
 HARNESS, JUMPER, LOAD SENSE.....61-62  
 HARNESS, LOAD SENSE, GBOX.....61-62  
 HARNESS, LS, OP, CABLE TENSION.....61-62  
 HARNESS, LS, OP, PRI ANGLE.....61-62  
 HARNESS, LS, OP, PRI, VELOCITY.....61-62  
 HARNESS, LS, OP, PRIMARY.....61-62  
 HARNESS, OMRON RELAY, CR66.....69  
 HARNESS, TILT, 12V, CSA PROD.....62  
 HARNESS,12V WORK LIGHTS.....62  
 HARNESS,18/22,CABLE2 JIB.....61-62  
 HARNESS,18/22,CABLE2 NJ.....61-62  
 HARNESS,BEACON OPTION.....61-62, 159  
 HARNESS,DEUTZ ENGINE.....61-62  
 HARNESS,DRIVE/LIFT INTERLOCK.....62  
 HARNESS,ENGINE GAUGE.....61-62  
 HARNESS,GAUGE OPT.,S60 DEUTZ.....61-62  
 HARNESS,GBOX,DUAL CAP RELAY.....62  
 HARNESS,GENERATOR POWER.....62  
 HARNESS,JIB SELECT MANIFOLD.....61-62  
 HARNESS,LS,DRIVE ENABLE.....61-62  
 H A R N E S S , P B O X , S I N G L E  
 CAP,COMMON.....61-62  
 HARNESS,S60 TURBO DEUTZ SPEC.....61-62  
 HEAT SHIELD,DEUTZ STARTER.....89-90  
 HINGE, .375X.120THK.,SLOTTED.....55-56, 59  
 HINGE,CONSTANT TORQUE.....171  
 HINGE,PLAT CONTROL BOX COVER.....161  
 HOLDER, SENSOR.....185  
 HOOK,BATT HOLD DOWN,10".....45  
 HORN,12VDC,SPADE TERMINALS\*\*\*.....47  
 HOSE ASM-JCAF310-06-41.....81  
 HOSE ASSEMBLY 3/8".....149  
 HOSE ASSEMBLY,1/2"\*\*\*\*.....167

HOSE ASSEMBLY,1/2,STR FEM.....155  
 HOSE ASSY 1",STR FEM,STR FEM.....145,157  
 HOSE ASSY 1/4,90 FEM STR FEM.....149  
 HOSE ASSY 1/4,STR FEM,STR BULK.....147,153  
 HOSE ASSY 1/4.90 FEM STR FEM.....149  
 HOSE ASSY 3/8, STR FEM,STR FEM.....145,149,151  
 HOSE ASSY, 1-1/4", 76.75".....145  
 HOSE ASSY, 1/4", 713".....147  
 HOSE ASSY, 3/4", 28.55".....157, 179  
 HOSE ASSY, 3/4", 34.05".....155  
 HOSE ASSY, 3/4", 72.54".....145  
 HOSE ASSY,1",90 FEM,STR FEM.....145  
 HOSE ASSY,1/2".....145, 149, 153  
 HOSE ASSY,1/2"\*\*\*\*.....149, 151  
 HOSE ASSY,1/2,90 FEM,STR FEM.....145,147, 149  
 HOSE ASSY,1/2,90 FEM,STR FEM\*\*.....149  
 HOSE ASSY,1/2,STR FEM,STR FEM.....147  
 HOSE ASSY,1/4 STR FEM,STR FEM.....149,151  
 HOSE ASSY,1/4", 38.00.....147  
 HOSE ASSY,1/4",STR FEM,STR F\*\*.....45  
 HOSE ASSY,1/4,693".....147  
 HOSE ASSY,1/4,90 FEM,STR FEM.....145,149, 153  
 HOSE ASSY,1/4,90 FEM,STR FEM\*\*.....147,149, 153, 155  
 HOSE ASSY,1/4,STR FEM,STR FEM.....147  
 HOSE ASSY,1/4,STR FEM,STR FEM\*.....145,147  
 HOSE ASSY,3/4".....149, 151  
 HOSE ASSY,3/4,45 FEM,STR MALE.....157,179  
 HOSE ASSY,3/4,90 FEM,STR FEM.....145,149, 151, 155  
 HOSE ASSY,3/4,90 FEM,STR FEM\*\*.....149  
 HOSE ASSY,3/4,STR FEM,STR FEM.....145,157  
 HOSE ASSY,3/8,STR FEM,STR FEM.....149,151  
 HOSE ASSY,3/8,STR FEM,STR,90D.....147  
 HOSE ASSY,3/4",90,FEM,STR FEM.....145  
 HOSE END,BARB,1/4 MNPTX5/16,90.....86  
 HOSE END,BARB,1/4 MNPTX5/16,ST.....86  
 HOSE END,BARB,3/8 MNPT X 5/16.....49  
 HOSE END.375 MPT X .25 HOSE.....49  
 HOSE GUIDE, JIB.....127  
 HOSE, HEATER, 1/4", 3.5".....103  
 HOSE, HEATER, 1/4", 8.5".....103  
 HOSE,1/4 FUEL LINE,SAE 30R7.....49, 89-90,93  
 HOSE,5/16 FUEL,SAE 30R7.....49, 89-90, 93  
 HOSE,AIR CLEANER.....89-90, 107  
 HOSE,AIR CLEANER TO INTAKE.....85-86  
 HOSE,AIR INLET.....85-86  
 HOSE,AIR INTAKE 2.5" I.D.....175  
 HOSE,AIR INTAKE 2.50" ID.....101  
 HOSE,EXPANSION TANK,D2.9.....103  
 HOSE,LOWER RADIATOR,DEUTZ D2.9.....99  
 HOSE,LOWER,RADIATOR,PERKINS.....86  
 HOSE,PCV,DEUTZ D2.9.....101  
 HOSE,RADIATOR VENT,DEUTZ D2.9.....103  
 HOSE,RAW AIR,DEUTZ D2.9.....101  
 HOSE,UPPER RADIATOR,DEUTZ D2.9.....99  
 HOSE,UPPER RADIATOR,PERKINS.....86  
 HOUR METER,10-80 VOLTS\*\*\*.....51

HOUSING,PUMP MOUNT (54573).....86  
 HUB ASSEMBLY.....43  
 HUB SCREW.....33-34  
 HYD. HOSE ASSEMBLY 3000 PSI.....43

**I**

INJECTOR, FUEL(DEUTZ F3L2011F).....89-90  
 INSTRN, TRC RETROFIT, STNDRD.....61-62  
 INTAKE BREATHER.....97  
 INTAKE MANIFOLD.....85-86  
 ISOLATOR, VIBRATION.....99, 103  
 ISOLATOR,ENGINE VIBRATION.....93, 95  
 ISOLATOR,ENGINE VIBRATION\*\*\*.....89-90,105, 109, 111  
 ISOLATOR,VIBRATION,M8 MALE/FEM.....85-86

**J**

JIB BOOM ASSY W/SYMBOL DECAL.....127  
 JIB BOOM ASSY W/WORD DECAL.....127  
 JOYSTICK CONNECTOR ASSEM,DEUT...141  
 JOYSTICK,1 AXIS ROCKER,DEUTSCH.....143  
 JOYSTICK,2 AXIS,DEUTSCH.....143  
 JOYSTICK,2 AXIS,ROCKER,DEUTSCH.....143  
 JOYSTICK,DUAL AXIS W/KNOB.....143  
 JOYSTICK,DUAL AXIS W/STEER.....143  
 JOYSTICK,SINGLE AXIS W/STEER.....143  
 JUMPER COMB, 2-WAY,WIELAND.....53, 69  
 JUMPER COMB, 3-WAY,WIELAND.....53, 69

**K**

KEY SINGLE\*\*\*.....51, 59, 65-66  
 KEY, HEX, 5/16" X 2.50"LG,SS.....113-114  
 KEYS,10 PACK\*\*\*.....51, 59, 65-66  
 KEYSWITCH,3 POS. W/KEYS\*\*\*.....51, 65-66  
 KIT, BRAKE SPRING.....55-56  
 KIT, FRICTION DISC.....55-56  
 KIT, GLAND NUT, S60 LIFT CYL.....113-114  
 KIT, HEAT GUARD, DEUTZ STARTER.....89-90  
 KIT, ISOLATION, 2 JOYSTICK.....143  
 KIT, SEAL, PUMP, 1 SECTION.....81  
 KIT, SEAL, PUMP, 2 SECTION.....81  
 KIT, SWING BRAKE REBUILD.....55-56  
 KIT, TERMINAL BLOCK.....53  
 KIT, TRC RETROFIT, STNDRD.....61-62  
 KIT,CHARGE PUMP.....81  
 KIT,CHARGE PUMP HOUSING.....81  
 KIT,ELEMENT\*\*.....45  
 KIT,EXTEND/RETRACT CABLE,S60.....121  
 KIT,FBA STYLE COUPLER,PERKINS.....86  
 KIT,FBA STYLE COUPLER,SAE8.....90  
 KIT,GASKET,UK POWER TO PLAT.....167  
 KIT,MTE&OIL COOL,120V50HZ,S60.....181  
 KIT,MTE&OIL COOL,120V60HZ,S60.....181  
 KIT,MTE&OIL COOL,240V50HZ,S60.....181  
 KIT,OP SWITCH,DEUTZ.....89-90  
 KIT,PRIMER BULB.....89-90  
 KIT,PUMP SHAFT SEAL W/INST\*\*\*.....81  
 KIT,REPAIR,DEUTSCH CONNECTORS\*.....61-62, 143  
 KIT,REPAIR,DEUTSCH PLUG,W/TUBE.....61-62, 143  
 KIT,SEAL,3CC PUMP\*\*\*.....86  
 KIT,SOLENOID CONTROL SERVICE.....81  
 KIT,STRAINER REPLACEMENT.....145  
 KIT,TRAX,9-BOLT,S60 W/OMNI HUB.....43  
 KIT,TRAX,9-BOLT,S60 W/RR HUBS.....43

KIT,WATER PUMP 2.9 L4.....97  
 KNOB,JOYSTICK, 62390/62391.....143  
 KNOB,ROCKER JOYSTICK 75565.....143

**L**

L,NAMEPLT,USE UNDERWRITE LAB.....11-12  
 LABEL, GBOX, S60TX ANSI TIER 4.....11-12  
 LABEL, GBOX, S60X TIER 4.....11-12  
 LABEL, PBOX, S60TX ANSI TIER 4.....19  
 LABEL, PBOX, S60X TIER 4.....19  
 LABEL, PBOX, S60XC TIER 4.....19  
 LABEL, PBOX, S65 TIER 4.....19  
 LANYARD,PLATFORM CONTROL BOX.....141  
 LATCH,PUSH BUTTON.....171  
 LATCH,ROTARY,ENGINE COVER.....59  
 LATCH,SLIDE, FLUSH MOUNT STYLE.....161  
 LENS,AMBER,STROBE,FIREBOLT.....159  
 LEVEL SENSOR,LS60,YL,2.5X4.5.....47  
 LEVER, GOVERNOR ACTUATOR.....89-90, 93  
 LID ENCLOSURE,RED,OPA.....183  
 LIGHT, 12 VOLT.....159  
 LIGHT,LED IND. AMBER 12V NH.....137-138  
 LIGHT,LED IND. RED 12V NH.....51, 65-66, 137-138  
 LIMIT SWITCH,BLUE,MICRO.....123  
 LINING KIT,BRAKE,OMNI\*\*\*.....29-30, 33-34  
 LOAD SUPPORT W/BEARINGS.....131  
 LOCK,PLUG 6 WAY 18-20GA.....61-62  
 LOCK,RECEP 2 WAY, 14-18GA.....159  
 LOCK,RECEP 4 WAY,14-18GA.....117-118  
 LOCKNUT,ELEC,1/2".....167, 181  
 LOCKNUT,FLANGE,5/8-11,GR8.....43  
 LOCKRING, RR\*\*\*.....29-30, 33-34  
 LUG,STUD/WHEEL (88887).....29-30, 33-34

**M**

MACH. MOUNTING BLOCK.....39  
 MACHINED PIVOT PLATE WELDMNT...117-118  
 MAGNET, 1/4-20, 15 LB.....185  
 MALE PIPE THD,1/4" SER,3/8"X18.....167  
 MANIFOLD ASSEMBLY, GEN.....181  
 MANIFOLD,BRAKE,2-SPEED.....83  
 MANIFOLD,FUNCTION.....71-72  
 MANIFOLD,JIB SELECT W/QD PLUG.....79  
 MANIFOLD,JIB SELECT W/QD PLUG\* (88786).....79  
 MANIFOLD,ROTATOR,CB\*\*\*.....79  
 MANIFOLD,TRACTION,2WD.....75  
 MANIFOLD,TRACTION,4WD\*\*\*.....77  
 MANUAL BOX W/DECALS\*\*\*.....135  
 MANUAL, DEUTZ D2.9 ENGINE.....97  
 MANUAL,OPERATORS PERKINS 404.....85-86  
 MESH,HALF,LH,6'PLATFORM.....163  
 MESH,HALF,RH,6'PLATFORM.....163  
 MODULE,CONTROL UNIT,PCB,OPA.....183  
 MODULE,CONTROL,HI AMP.....69  
 MODULE,FUSE&RELAY,DEUTZ 2.9.....97  
 MODULE,IGNITION/START,12/24V.....53  
 MODULE,LOAD SENSE 2007.....53  
 MODULE,TIME DELAY ON BREAK 4S.....69  
 MOTOR,12VDC,77066.....47  
 MOTOR,PISTON,30CC,4WD\*\*\*.....29-30, 33-34  
 MOTOR,PISTON,35CC,2WD\*\*\*.....33-34

MOUNT, COVER SUPPORT CTR 86DEG.....59  
 MOUNT, COVER SUPPORT CTR 93DEG.....59  
 MOUNT, COVER SUPPORT FRONT.....59  
 MOUNT, COVER SUPPORT REAR.....59  
 MOUNT, DIESEL ECM.....97  
 MOUNT,GROUND CONTROL BOX LH.....65-66  
 MOUNT,GROUND CONTROL BOX RH.....65-66  
 MOUNT,SWITCH.....131  
 MOUNTING BAND,AIR CLEANER.....93  
 MPT,CPLR,1/4"SER,3/8"X18.....167  
 MUFFLER,2.5"INLET/OUTLET.....93  
 MUFFLER,6".....86  
 MUFFLER,CAT/SPARK,DEUTZ.....89-90, 93  
 MUFFLER,CATALYTIC.....86  
 MUFFLER,DEUTZ.....89-90  
 MUFFLER,SPARK ARRESTOR.....86

**N**

NIPPLE,DIAGNOSTIC,#6 PORT\*\*\*...145, 147, 149  
 NIPPLE,DIAGNOSTIC,ORFS,FM,SWIV...145, 153  
 NIPPLE,STEEL PIPE,1/4NPTX1 LG.....43  
 NIPPLE,STEEL PIPE,1/4NPTX2.5LG.....43  
 NON-STEER AXLE ASSY BLACK.....34  
 NON-STEER AXLE ASSY BLK,TRAX.....41  
 NUT.....51, 65-66  
 NUT - PLASTIC,RING FOR ALARMS.....45, 137-138, 159  
 NUT, PISTON, LIFT CYLINDER.....113-114  
 NUT, PROPORTIONAL VALVE.....72  
 NUT, TL FLG, 3/4-10, G, ZAG.....117-118  
 NUT, TL FLG, 3/8-16, G, ZAG.....30, 45, 49, 55-56, 59, 85-86, 95, 99, 103, 105, 109, 111, 113-114, 121, 123, 125, 127, 129, 131, 133, 135, 171  
 NUT,1-8,8,ZAG.....127, 129, 131  
 NUT,1/4-20,8,ZAG.....185  
 NUT,1/4-28,8,ZAG.....37  
 NUT,10-32,ZAG.....171  
 NUT,BULKHEAD,520118-4.....147  
 NUT,HEX,FLANGE 5/8-18,GRD 8 ZI.....34  
 NUT,HH JAM,1/4-20,A,ZAG.....185  
 NUT,JAM,3/4-10,A, ZAG.....55-56  
 NUT,LOCKING-LG.FLANGE,5/16-18.....55-56  
 NUT,M4 NYLOCK.....183  
 NUT,NYLOCK FLG,1/4-20,F,ZAG.....185  
 NUT,NYLOCK FLG,3/8-16,F,ZAG.....185  
 NUT,NYLOCK,1/4-20.....47  
 NUT,NYLOCK,10-32.....53, 69, 159  
 NUT,NYLOCK,10-32,A,ZAG.....185  
 NUT,NYLOCK,3/4-10,GRD.8.....121  
 NUT,NYLOCK,3/8-16.....165, 167  
 NUT,NYLOCK,5/8-11.....95  
 NUT,NYLOCK,6-32.....185  
 NUT,RETAINER (96008).....51  
 NUT,SERRATED,1/2-13,8,ZAG.....45, 55-56, 111  
 NUT,SERRATED,1/4-20,8,ZAG.....55-56, 59, 103  
 NUT,SERRATED,3/8-16,8,ZAG.....59  
 NUT,SERRATED,5/16-18,8,ZAG.....59, 89-90, 95, 99, 107  
 NUT,SOLENOID.....83  
 NUT,SOLENOID VALVE 2P3W.....71-72  
 NUT,SOLENOID VALVE COIL.....71-72  
 NUT,STEM,EATON\*\*\*.....81

NUT,TL FLG,1-8,G,ZAG.....45  
 NUT,TL FLG,1/2-13,G,ZAG.....55-56, 89-90, 105, 109, 111, 113-114, 181  
 NUT,TL FLG,1/4-20,G,ZAG.....37, 45, 47, 56, 85-86, 97, 103, 105, 107, 111, 117-118, 123, 127, 131, 133, 135, 161, 163, 169, 173, 179, 187  
 NUT,TL FLG,10-24,F,ZAG.....37, 89-90, 93, 105  
 NUT,TL FLG,10-32,F,ZAG.....56, 131, 141  
 NUT,TL FLG,3/4-16,G,ZAG.....39, 41  
 NUT,TL FLG,5/16-18,G,ZAG.....45, 59, 86, 101, 123, 135, 163, 181, 187  
 NUT,TL FLG,8-32,F,ZAG.....123  
 NUT,TL FLG,M6-1.0,DIN6927,10,ZAB.....59, 85-86  
 NUT,TL FLG,M8-1.25,DIN6927,10,ZAB.....85-86  
 NUT,TL,1/2-13,C,ZAG.....121  
 NUT,TL,10-32,A,ZAG.....53, 69  
 NUT,TL,3/8-16,C,ZAG.....93  
 NUT,TL,5/8-11,C,ZAG.....93  
 NUT,TL,6-32,A,ZAG.....141  
 NUT,TL,M5-0.8,DIN980,10,ZAB.....85-86, 141  
 NUT,TL,M6-1.0,DIN980,10,ZAB.....86  
 NUT,WING,1/4-20.....45  
 NUT-COIL SHORT.....79  
 NUT-FLANGE, 8MM (62849).....85-86  
 NUTSERT,1/4-20,STEEL CAD PLTD.....53, 69  
 NUTSERT,10-32 STEEL CAD PLTD.....173  
 NUTSERT,LP KNURLED,1/4-20X.165.....51, 65-66, 141

**O**

O-RING, CAMSHAFT POSITION SENSOR.....97  
 O-RING, CRANKSHAFT POSITION SENSOR.....97  
 O-RING, FUEL LIFT PUMP.....93  
 O-RING, INTAKE AIR PRESSURE SENSOR.....97  
 O-RING, OIL PRESSURE SENSOR.....97  
 O-RING, ROTATOR MANIFOLD.....79  
 O-RING, WATER PUMP.....97  
 O-RING,.070 X .239,VITON 75D.....34  
 O-RING,.103 X 4.737,VITON, 75D.....29-30, 33-34  
 O-RING,2-010,VITON.....33-34  
 O-RING,2-042 N674-70\*\*\*.....81  
 O-RING,67.95X2.62-NBR-70SH(HF2P)(60334).55-56  
 O-RING,END COVER,OMNI\*\*\*.....29-30, 33-34  
 O-RING,MOTOR/BRAKE\*\*\*.....55-56  
 O-RING,PIPE PLUG KIT,OMNI\*\*\*...29-30, 33-34  
 O-RING,RUBBER TRACK (139120).....43  
 O-RING,STEM,EATON.....81  
 OIL COOLER W/FAN, 12VDC.....179  
 OIL COOLER,TD2.9.....97  
 OIL FILTER - PERKINS.....86  
 OPTION, AUX RAIL, 6' PLAT, SIDE ENTRY.....187  
 OPTION, AUX RAIL, 8' PLAT, SIDE ENTRY.....187  
 OPTION,ROCKER STEER.....141  
 ORIFICE PLUG .025 DIA.....83  
 ORIFICE PLUG, 0.070".....75  
 ORIFICE, 0.040".....77

## Part Description Index (continued)

ORING, OIL DIP STICK.....97  
 OUTLET, 110V.....167  
 OXIDATION CATALYST,DEUTZ.....97

**P**

PIN, LIFT CYL, HEX END.....113-114  
 PIN, STEER BELLCRANK CLEVIS.....65-66  
 PIN,0.75DIAX5.75LG,CHAMFER.....131  
 PIN,1.25 X 13.25 IN,CHAMFER.....55-56  
 PIN,1.250 X 9.25, 2 RINGS.....133  
 PIN,1.25DIAX14.45LG,2HOLE.....127  
 PIN,1.25DIAX3.75LG,1HOLE.....113-114  
 PIN,1.25DIAX5.25LG,1HOLE.....125, 127, 129  
 PIN,1.25DIAX7.00LG,1HOLE.....127  
 PIN,1.25DIAX7.47LG,2RING.....125, 127, 129  
 PIN,1.25DIAX7.88LG,1HOLE.....127  
 PIN,1.25DIAX8.42LG,2RING.....125, 127, 129  
 PIN,1.5 X 5.50 LG.....121  
 PIN,1.50DIAX13.43LG,2RING.....118  
 PIN,1.50DIAX3.75LG,1HOLE.....30  
 PIN,1.50DIAX9.38LG,1HOLE.....30  
 PIN,2 X 5.75 LG.....113-114  
 PIN,2.00DIAX11.18LG,2RING.....113-114  
 PIN,2.00DIAX20.88LG,CHAMFER.....33-34  
 PIN,2.00DIAX23.13LG,CHAMFER.....30  
 PIN,2.00DIAX24.00LG,CHAMFER\*\*\*.....113-114  
 PIN,2.25DIAX18.75LG,CHAMFER.....114  
 PIN,2.25DIAX19.25LG,CHAMFER.....113-114  
 PIN,CLEVIS,1 X 2.5 LG.....117-118  
 PIN,CLEVIS,1.0X2.41,SAE,ZAG.....29-30  
 PIN,CLEVIS,1X2.250,ZAG.....121  
 PIN,COTTER,.156 X 1.75.....121, 133  
 PIN,GROOVE/HOLE,1.50 DIAX4.475.....29-30  
 PINS,CONNECTOR,INJ HARNESS,D2.9.....97  
 PIPE PLUG KIT,OMNI\*\*\*.....29-30, 33-34  
 PLATE BACKING, WIPER 1 TO 2.....169  
 PLATE BACKING, WIPER 2 TO 3.....169  
 PLATE, CABLE AND WIRE COVER.....185  
 PLATE, HAMMER SHIM 1/2.....39  
 PLATE,ANTIROTATION.....117-118  
 PLATE,BACKING BELLOWS.....173  
 PLATE,BACKLASH ADJUSTMENT MACH.....55-56  
 PLATE,BOTTOM BLOCK,PAINTED.....121  
 PLATE,HINGE SUPPORT.....55-56  
 PLATE,JIB,ROTATE MANIFOLD.....135  
 PLATE,PRIMARY BOOM SIDE.....69  
 PLATE,RETRACTION CABLE EQUALIZ.....121  
 PLATE,ROCKER.....117-118  
 PLATE,SWIVEL ROTATION STOP.....55-56  
 PLATE,TAP BLOCK.....121  
 PLATE,UK,POWER TO PLAT.....167  
 PLATFORM CONTROL BOX W/DECAL.....141  
 PLATFORM CONTROL BOX,PAINTED.....141  
 P L A T F O R M S U P P O R T  
 WELDMNT-SERV\*.....127, 131  
 PLUG, SANTOPRENE .5 BLACK DOME.....51, 65-66, 137-138  
 PLUG, TYPE F, 230A, 50HZ, 16A, IP44.....167  
 PLUG,BLANKING.....62  
 PLUG,ENGINE OIL,DEUTZ F4L2011.....97  
 PLUG,FUSED,250V,13AMP,U.K.\*\*.....167  
 PLUG,HEX SOCKET,090109B-12.....157  
 PLUG,HEX SOCKET,090109B-4.....55-56  
 PLUG,HEX,090109A-4.....151, 153  
 PLUG,HEX,090109A-8\*\*\*.....151  
 PLUG,NYLON .38 BLACK DOMED.....51, 65-66

PLUG,NYLON .875 BLACK DOMED.....141  
 PLUG,NYLON 1.12 BLACK DOMED.....69  
 PLUG,NYLON, .94X1.65 BLK DOMED.....69  
 PLUG,ORB #6.....55-56  
 PLUG,PWR,UK,16AMP,3PIN,BLK.....167  
 PLUG,SAE #03 (139712).....77  
 POTENTIOMETER ASSY, WELDER.....69  
 POWER UNIT,AUX PUMP 12VDC.....47  
 PRE-FILTER,FUEL,DEUTZ.....105  
 PRECLEANER,AIR INTAKE\*\*\*.....175  
 PULLEY ASSEMBLY,ALTERNATOR,TCD.....97  
 PULLEY, WATER PUMP.....86  
 P U L L E Y, A L T E R N A T O R, D E U T Z  
 BF4L2011.....93  
 PULLEY,BELT TENSIONER,D2.9L4.....97  
 PUMP ASSY,AUX.POWER UNIT 89617.....47  
 PUMP,FUEL 2011 DEUTZ \*\*\*.....89-90, 93  
 PUMP,FUEL INJ,DEUTZ BF4L20.....95  
 PUMP,FUEL,HI PRESS,DEUTZ TD2.9.....97  
 PUMP,LIFT(FUEL) PERKINS(54555).....85-86  
 PUMP,LIFT,1 SECTION.....81  
 PUMP,LIFT,2 SECTION\*\*\*.....81  
 PUMP,PISTON,49CC\*\*\*.....81  
 PUMP,PRIMER,PERKINS\*\*\*.....85-86

**R**

RADIATOR, CAPLESS, DEUTZ D 2.9.....99  
 RADIATOR,FORD/PERKINS\*\*\*.....86  
 RECEPTACLE,UK,110V.....167  
 REDUCER,3" TO 2.75".....93  
 REDUCER,520123-16-12.....157  
 REDUCER,520123-8-4.....111, 145  
 REF. WHEEL AND TIRE ASSEMBLY.....34  
 Ref: Bar Clamp, Cable Track.....121  
 Ref: Boom Tube #1.....113-114  
 Ref: Brake and 2 Speed Manifold.....55-56  
 Ref: Bulkhead, Left Rear.....45  
 Ref: Cable Track.....117-118  
 Ref: Cable Track Guide.....117-118  
 Ref: Cable Track Tray.....117-118  
 Ref: Cable Track Tube.....117-118  
 Ref: CABLE,S60 & S65 12VDC WORK LIGHT.....165  
 REF: Descent Alarm.....159  
 Ref: Deutz 2.9DL4,Engine Harness.....99  
 Ref: Engine Tray.....90  
 Ref: Engine Tray with Bearing.....95  
 Ref: Extension Cylinder.....121  
 Ref: Foot Switch Assembly.....61-62  
 Ref: Fuel Tank.....47  
 Ref: HARN,12V WORK LIGHT RELAY.....165  
 Ref: Harness, Cable Tension Limit Switch.....117-118  
 Ref: Harness, Power to Platform.....167  
 Ref: Harness, Primary Ext/Ret Limit Switch.....117-118  
 Ref: HARNNESS,12V WORK LIGHTS.....165  
 Ref: Hose/Cable Clamps.....121  
 Ref: Jib Manifold.....135  
 REF: Non-Steer Axle.....37  
 Ref: Platform Support.....135  
 REF: Platform Weldment.....163  
 Ref: Primary Ext/Ret Harness.....113-114  
 Ref: Pumps.....93  
 Ref: Ref: Harness LS, OP, Primary Angle.....113-114  
 Ref: Ref: Harness LS, OP, Primary Velocity.....113-114

Ref: Ref: Harness LS, Safety, Primary Velocity.....113-114  
 Ref: Weldment Track Pull Tube.....121  
 RELAY MODULE(89996,89998).....93  
 RELAY, POWER & FUSE MODULE.....97  
 RELAY,12VDC,70AMP,SEALED.....53  
 RELAY,OMRON,DPDT,12V.....69  
 RELAY,SOCKET,OMRON.....69  
 RELAY,SPDT,12V(AUTO) PLUG IN\*\*.....53, 69  
 RELAY,TIME DELAY,2 SEC,10A.....53, 69  
 RELAY,TIME DELAY,2 SEC,30A.....62, 141  
 REPAIR KIT,4 LINK,W/GUIDE.....133  
 RESISTOR,10 OHM,25 WATT.....53, 69  
 RESISTOR,5 OHM,25W\*\*\*.....53, 69  
 RESISTOR,7.5 OHM,25 WATT,1PCNT.....53, 69  
 RETAINER,GAS SPRING\*\*\*.....59  
 RETAINER,SPRING,1.21 X .375.....131  
 RETAINER-N.C.PROPOR.SOLENOID.....71-72  
 RING / SEALING.....97  
 RING GEAR,DEUTZ F3L2011F.....97  
 RING,RETAINING\*\*\*.....33-34  
 RING,RETAINING,INTERNAL.....29-30, 33-34  
 RIVET,ALUM,P,.188 X .25.....133, 161  
 RIVET,ALUM,P,.25X.625.....171  
 ROCKER ASSY.,MAGNETIC 75565.....143  
 ROCKER,RETAINER, 75565.....143  
 ROD END, .25 X 2.75, ZAG.....131  
 ROD END,.375 X 2.25,ZAG.....30, 113-114  
 ROD END,.375X3.69,ZAG.....29-30, 55-56, 125, 127, 129  
 ROD END,.5 X 3.75,ZAG.....30, 33-34, 113-114  
 ROD END,BALL JOINT 1/4-28.....37  
 ROD END,CABLE.....117-118, 121  
 ROD,DISCONNECT,OMNI\*\*\*.....29-30, 33-34  
 ROD,THREADED,1/4-28X4,ZAG.....37  
 ROLLER ARM,LIMIT SWITCH\*\*\*.....117-118  
 ROLLER,1/2" ALUMINUM.....121  
 ROLLER,1/2" PVC.....121  
 ROTATIONAL LIMITER FRONT LEFT.....39, 43  
 ROTATIONAL LIMITER FRONT RIGHT.....39, 43  
 ROTATIONAL LIMITER REAR.....43  
 ROTATOR MOUNT KIT.....131  
 ROTATOR,NON-JIB.....125  
 ROTATOR,PLAT JIB,160 DEG\*\*\*.....127  
 ROTATOR,PLATFORM,15K.....129  
 RUE RING,1.0,ZAG.....29-30

**S**

S60 PBOX ASSY, COMMON.....137-138  
 SCREW PH M5-0.8X20 DIN 7500CE.....137-138  
 SCREW T-SWITCH PH/PH 6-32X1/4.....65-66, 137-138  
 SCREW, FHSC, 1/2-13X1.00.....43  
 SCREW, GEN ROTOR.....181  
 SCREW, HHC, 5/16-18X2.8,ZAG.....30  
 SCREW, HHC, 7/16-14 X 1.25, ZAG.....33-34  
 SCREW, PHM, #6-32 X .625 ZINC.....143  
 SCREW, PHPM, 10-32 X 1.0, ZAG.....173  
 SCREW, THM, TORX, 3/8-16X1,SS.....59  
 SCREW, THM, TORX, M6X25, ZAB.....59  
 SCREW,10-24 X.5 TORX PAN HD\*\*\*.....133  
 SCREW,BHC,10-32X1.5,F835,ZAG.....131  
 SCREW,BHC,3/8-16X1.25,F835,ZAG.....121



# PARTS FINDER

**Search Website  
by Part Number**



**Search Manual  
Library For Parts  
Manual & Lookup Part  
Numbers – Purchase  
or Request Quote**

**Search Manuals**

Enter your information to help us find the right parts manual for your machine.

\* Brand:

\* Model:

\* Serial:

\* Part Number:

SEARCH

**Can't Find Part or  
Manual? Request Help  
by Manufacturer,  
Model & Description**

**Parts Order Form**

Please fill in the following information to help us find the right part for your machine.

Manufacturer:	<input type="text"/>
Model:	<input type="text"/>
Description:	<input type="text"/>
Part Number:	<input type="text"/>
Quantity:	<input type="text"/>
Notes:	<input type="text"/>

Discount-Equipment.com is your online resource for quality parts & equipment.

Florida: **561-964-4949** Outside Florida TOLL FREE: **877-690-3101**

**Need parts?**

Click on this link: <http://www.discount-equipment.com/category/5443-parts/> and choose one of the options to help get the right parts and equipment you are looking for. Please have the machine model and serial number available in order to help us get you the correct parts. If you don't find the part on the website or on one of the online manuals, please fill out the request form and one of our experienced staff members will get back to you with a quote for the right part that your machine needs.

We sell worldwide for the brands: Genie, Terex, JLG, MultiQuip, Mikasa, Essick, Whiteman, Mayco, Toro Stone, Diamond Products, Generac Magnum, Airman, Haulotte, Barreto, Power Blanket, Nifty Lift, Atlas Copco, Chicago Pneumatic, Allmand, Miller Curber, Skyjack, Lull, Skytrak, Tsurumi, Husquvarna Target, Stow, Wacker, Sakai, Mi-T-M, Sullair, Basic, Dynapac, MBW, Weber, Bartell, Bennar Newman, Haulotte, Ditch Runner, Menegotti, Morrison, Contec, Buddy, Crown, Edco, Wyco, Bomag, Laymor, EZ Trench, Bil-Jax, F.S. Curtis, Gehl Pavers, Heli, Honda, ICS/PowerGrit, IHI, Partner, Imer, Clipper, MMD, Koshin, Rice, CH&E, General Equipment, Amida, Coleman, NAC, Gradall, Square Shooter, Kent, Stanley, Tamco, Toku, Hatz, Kohler, Robin, Wisconsin, Northrock, Oztec, Toker TK, Rol-Air, APT, Wylie, Ingersoll Rand / Doosan, Innovatech, Con X, Ammann, Mecalac, Makinex, Smith Surface Prep, Small Line, Wanco, Yanmar

SCREW,BHSCS,M5X10,SS.....171	SCREW,HHF,1/4-20X3,8,ZAG.....133	SEAL KIT (88653).....113-114
SCREW,BLEEDER,M5X0.8.....125, 127	SCREW,HHF,10-24X.5.....185	SEAL KIT (89675).....30
SCREW,DP200 M3X10 4PACK.....65-66	SCREW,HHF,3/8-16X.75,8,ZAG.....30, 55-56, 93, 111, 117-118	SEAL KIT CYLINDER (59460).....29-30, 39
SCREW,FHS,3/8-16X2.25,F835,ZAG.....55-56	SCREW,HHF,3/8-16X1.8,ZAG.....45, 47, 55-56, 81, 85-86, 89-90, 111, 113-114, 117-118, 121, 133, 175, 185	SEAL KIT, 15K ROTATOR.....129
SCREW,FLANGE,HHC,5/8-11X2,GR8.....43	SCREW,HHF,3/8-16X1.25,8,ZAG.....29-30, 45, 55-56, 95, 105, 109, 111, 113-114, 121, 125, 129, 135, 171	SEAL KIT, APU.....47
SCREW,HEX TAP,3/4-10X4,8,ZAG.....55-56	SCREW,HHF,3/8-16X1.5,8,ZAG.....103, 123, 127	SEAL KIT, DRIVE HUB.....29-30, 34
SCREW,HHC,1-8X11,5,ZAG.....127, 131	SCREW,HHF,3/8-16X2.8,ZAG.....49, 59	SEAL KIT, HYD MOTOR, GEN.....181
SCREW,HHC,1-8X12,5,ZAG.....45	SCREW,HHF,3/8-16X2.25,8,ZAG.....59	SEAL KIT, SOLENOID VALVE.....71-72
SCREW,HHC,1-8X12.75,5,ZAG.....129	SCREW,HHF,3/8-16X2.5,8,ZAG.....59, 171	SEAL KIT, SWING BRAKE.....55-56
SCREW,HHC,1/2-13X1.25,8,ZAG.....129	SCREW,HHF,3/8-16X3,8,ZAG.....30, 131	SEAL KIT, VALVE.....71-72, 75, 77, 79
SCREW,HHC,1/2-13X1.75,8,ZAG.....55-56	SCREW,HHF,3/8-16X3.5,8,ZAG.....133	SEAL KIT, VALVE, #10.....71-72, 75
SCREW,HHC,1/2-13X2.0,8,ZAG.....121	SCREW,HHF,5/16-18X.75,8,ZAG.....163	SEAL KIT, VALVE, #4.....71-72
SCREW,HHC,1/2-13X4.5,8,ZAG.....113-114	SCREW,HHF,5/16-18X1,8,ZAG.....86, 89-90, 95, 101, 107, 135, 187	SEAL KIT,8-PORT SWIVEL.....55-56
SCREW,HHC,1/4-20 X .75.....65-66	SCREW,HHF,5/16-18X1.25,8,ZAG.....135	SEAL KIT,8K ROTATOR***.....125, 127
SCREW,HHC,1/4-20 X 1.25.....47	SCREW,HHF,5/16-18X1.5,8,ZAG.....59	SEAL KIT,BRAKE,OMNI***.....29-30, 33-34
SCREW,HHC,1/4-20 X 1.5.....165, 187	SCREW,HHF,5/8-11X2,8,ZAG.....55-56	SEAL KIT,CHECK VALVE 219246.....83
SCREW,HHC,1/4-20X.75,8,ZAG.....29-30	SCREW,HHF,M10-1.5X70,DIN6921,10,9,ZAB.93	SEAL KIT,CONTROL VALVE.....37
SCREW,HHC,1/4-20X1.25,8,ZAG.....131	SCREW,HHF,M10-1.5X75,DIN6921,1.....101	SEAL KIT,CYL,S45 MASTER(81694).....113-114
SCREW,HHC,1/4-20X1.75,8,ZAG.....34	SCREW,HHF,M12-1.75X45,DIN6921.....86	SEAL KIT,CYL,S65 (63213).....127
SCREW,HHC,1/4-20X2.25,8,ZAG.....37	SCREW,HHF,M14-2.0X35,DIN6921,10,9,ZAB.89-90, 105, 109, 111	SEAL KIT,DRIVE HUB (88887).....33-34
SCREW,HHC,1/4-20X3,8,ZAG.....133	SCREW,HHF,M14-2.0X40,DIN6921,10,9,ZAB.93, 109	SEAL KIT,GEARBOX,OMNI***.....29-30, 33-34
SCREW,HHC,3/4-10 X 1.5.....39	SCREW,HHF,M5X12,DIN6921,10,9,Z.....171	SEAL KIT,MOTOR,LC/KC***.....29-30, 33-34
SCREW,HHC,3/8-16 X 1.....55-56, 159	SCREW,HHF,M6-1.0X12,DIN6921,10.....93	SEAL KIT,PUMP SHAFT (EATON)***.....81
SCREW,HHC,3/8-16 X 1.25 GRD 5.....167	SCREW,HHF,M6-1.0X20,DIN6921,10,9,ZAB.59, 93	SEAL KIT,SOLENOID VALVE 219247.....83
SCREW,HHC,3/8-16 X 2.5.....165	SCREW,HHF,M8-1.25X16,DIN6921,10,9,ZAB.86, 99	SEAL KIT,SOLENOID VALVE, SV07.....79
SCREW,HHC,3/8-16X.75,8,ZAG.....127	SCREW,HHF,M8-1.25X20,DIN6921,10,9,ZAB.85-86, 99	SEAL KIT,SWING TORQ HUB***.....55-56
SCREW,HHC,3/8-16X.875,8,ZAG.....127, 131, 133	SCREW,HHF,M8-1.25X25,DIN6921,10,9,ZAB.103	SEAL RING,SOLENOID CONTROL.....81
SCREW,HHC,3/8-16X1.25,8,ZAG.....123	SCREW,HHF,M8-1.25X50,DIN6921,10,9,ZAB.103	SEAL, BEARING (128918).....43
SCREW,HHC,3/8-16X2,8,ZAG.....169	SCREW,M5X16 BHD.....183	SEAL, CAP, NOTCHED.....55-56
SCREW,HHC,3/8-16X2.25,8,ZAG.....121	SCREW,M6X8.....183	SEAL, CONNECTOR (DT JOYSTICKS).....143
SCREW,HHC,3/8-16X4,8,ZAG.....121	SCREW,PHIL,8-32X.50,SELF TAP.....167	SEAL, FRONT ENGINE,DEUTZ.....97
SCREW,HHC,5/16-18 X .75.....165	SCREW,PHIL,PHM,10-32 X .5,SSTL.....53	SEAL, O-RING ENERGIZER.....55-56
SCREW,HHC,5/16-18X1.375,8,ZAG.....181	SCREW,PHIL,PHM,6-32 X 1/4 SS.....141	SEAL, O-RING LIP.....55-56
SCREW,HHC,5/8-11 X 3.5 GRD.8.....95	SCREW,PHILLIPS,PHM,10-32 X 1.....113-114	SEAL, OIL FILLER CAP.....86
SCREW,HHC,5/8-11X2.25,8,ZAG.....29-30, 33-34	SCREW,PHILLIPS,PHM,8-32 X.25**.....51	SEAL, POLY, CHAMFER.....55-56
SCREW,HHC,5/8-11X4,8,ZAG.....34, 55-56	SCREW,PHPM SEMS ET,10-24X.5,ZAG.....85-86, 99	SEAL, REAR ENGINE,DEUTZ.....97
SCREW,HHC,FLG,3/8-16 X 1 GR8.....159	SCREW,PHPM SEMS ET,10-24X.75,Z.....105	SEAL, AIR INTAKE ADAPTER,LOWER.....101
SCREW,HHC,M10 X 80 GR 8.8.....109	SCREW,PHPM,10-24X1,ZAG.....135	SEAL, FILTER LID.....45
SCREW,HHC,M10-1.5X16,DIN933,10,9,ZAB.101	SCREW,PHPM,10-32X.50,ZAG.....53, 69, 141	SEAL,LIP.....29-30, 34
SCREW,HHC,M10-1.5X20,DIN933,10.....95, 109	SCREW,PHPM,10-32X.75,ZAG.....171	SEAL,RUBBER BRAKE RELEASE,RUBBER TRACK (139120).....43
SCREW,HHC,M10-1.5X65,DIN931,10,9,ZAB.90	SCREW,PHPM,10-32X1.25,ZAG.....69	SEAL,SHAFT,EATON PUMP***.....81
SCREW,HHC,M10-1.5X70,DIN931,10.....90	SCREW,PHPM,10-32X1.5,ZAG.....185	SEAL,SHAFT-SUNDSTRAND***.....29-30, 33-34
SCREW,HHC,M14 X 40MM,GR 8.8.....95	SCREW,PHPM,10-32X1.75,ZAG.....56	SEAL,TRAX HUBS.....39, 41, 43
SCREW,HHC,M14-1.5X35,DIN960,10,9,ZAB.86	SCREW,PHPM,6-32X.5,ZAG.....53, 69, 141	SEAL-INJECTOR.....85-86
SCREW,HHF,1/2-13X 2,8,ZAG.....55-56, 181	SCREW,PHPM,6-32X.875,ZAG.....185	SEAL-ROCKER BOX.....85-86
SCREW,HHF,1/2-13X1.25,8,ZAG.....45, 109	SCREW,PHPM,8-32X1,ZAG.....123	SEAL-VALVE SYSTEM (A).....85-86
SCREW,HHF,1/2-13X1.5,8,ZAG.....30, 33-34, 81, 93, 101, 113-114	SCREW,PHPM-ST,M5-0.8X20,DIN750.....141	SEAL-VALVE SYSTEM (B).....85-86
SCREW,HHF,1/2-13X2.5,8,ZAG.....37	SCREW,PHPSH,#12-11X.75,ZAG.....53, 141	SECURITY TIE,TOGGLE GUARD.....51
SCREW,HHF,1/2-13X2.75,8,ZAG.....37	SCREW,RHM,10-32 X 1.....159	SENDING UNIT,OIL PRESS.,DEUTZ*.....93
SCREW,HHF,1/2-13X3,8,ZAG.....86, 89-90, 105, 109, 111	SCREW,SHC,3/4-10X3.75,A574,ZAG.....55-56	SENDING UNIT,OIL PRESSURE***.....177
SCREW,HHF,1/4-20X.625,8,ZAG.....51, 55-56, 65-66, 69, 107, 111, 135, 141, 163	SCREW,SHC,5/8-11X1.50,GR5,PLN.....39	SENDING UNIT,OIL TEMP SWCH,DTZ.....89-90, 93
SCREW,HHF,1/4-20X.75,8,ZAG.....45, 47, 103, 113-114, 118, 121, 127, 133, 135, 161, 163, 171, 179, 185	SCREW,SHC,M10-1.5X30,DIN912,12,9,ZAB.89-90, 93, 101, 109	SENDING UNIT,TMP,FRD,GM,PRK704.....177
SCREW,HHF,1/4-20X1,8,ZAG.....45, 55-56, 85-86, 97, 105, 111, 117-118, 127, 135, 169, 173, 187	SEAL KIT (39345).....79	SENSOR, PRESSURE,DEUTZ 2.9.....97
SCREW,HHF,1/4-20X1.25,8,ZAG.....86, 97	SEAL KIT (63566).....125, 127, 129	SENSOR,CAM/CRANKSHAFT POSITION...97
SCREW,HHF,1/4-20X1.5,8,ZAG.....123, 179	SEAL KIT (88571).....117-118	SENSOR,COOLANT LEVEL,DEUTZ.....103
SCREW,HHF,1/4-20X1.75,8,ZAG.....113-114		SENSOR,DUAL OUTPUT,ANGLE***.62, 113-114
SCREW,HHF,1/4-20X2,8,ZAG.....97		SENSOR,INTAKE AIR PRESSURE.....97
SCREW,HHF,1/4-20X2.5,8,ZAG.....113-114, 117-118, 133		SENSOR,LEVEL,2.5*4.5 DEG.....47

## Part Description Index (continued)

SHAFT SEAL, APU.....47	SPROCKET, MACH. HALF LEFT.....43	TIRE & WHEEL ASSY RH,FF.....29-30
SHAFT, KNURLED (128918).....43	SPROCKET, MACH. HALF RIGHT.....43	TIRE & WHEEL ASSY,AIR,LH.....29-30
SHAFT, RAISED BOSS (128918).....43	STAND OFF,CONTROL UNIT.....183	TIRE & WHEEL ASSY,AIR,RH***.....29-30
SHAFT,15 TOOTH.....29-30, 33-34	STANDOFF,6-32 X 3/8 X 1/4 HEX.....141	TIRE & WHEEL ASSY,LH FF***.....29-30
SHAFT,INPUT DRIVE HUB.....33-34	STARTER, 12V.....89-90, 95	TIRE & WHEEL ASSY,LH,FOAM,NM.....29-30
SHAFT,OUTPUT.....55-56	STARTER, PERKINS, 404D.....85-86	TIRE & WHEEL ASSY,RH,FOAM,NM.....29-30
SHEAVE,EXTENSION CABLE(LARGER)....121	STARTER,3.2KW,DEUTZ D2.9.....97	TIRE,355/55D625.....29-30
SHEAVE,RETRACT CABLE(SMALLER)....117-118	STEER AXLE ASSY BLACK.....29-30	TOEBOARD,ENTRY EUROPEAN
SHEET,RUBBER,AIR INTAKE.....90	STEER AXLE ASSY BLK,TRAX.....39	PNTD**.....135, 163
SHIM, WEAR PAD, 3X5.....117-118, 121	STEP PLATFORM ENTRY PAINTED*** .....135	TOGGLE SWITCH GUARD,RED.....51
SHIM,AXLE ROTATION STOP,22G.....37	STOP PLATFORM ROLLER.....133	TOOL TRAY ACCESSORY*** .....187
SHIM,PAD,5 X 3.....117-118	STRAINER,20 SAE F/24 SAE M*** .....145	TOOL,CABLE GRIP, 7/16".....121
SHIM,SIDE PAD 16GA. 3 X 5.....117-118	STRIKER, LATCH.....171	TRACK, RUBBER.....43
SHIM,WEAR PAD,5 X 1.5,14GA.....121	STROBE,FIREBOLT,12-80VDC,AMB**.....159	TRIM,EDGE,1/8X3/4 END BULB.....107
SHIM,WEAR PAD,5X 1.5 16GA.....117-118	STUD, 3/4-16 UNF X 2-1/2 LG.....39, 41	TUBE, SWING GATE GUARD.....187
SHIM,WEAR PAD,5X1.5,16GA.....117-118, 121	SUPPORT, RAILING.....187	TUBE,AIR CLEANER INLET.....89-90, 107
SHOCK MOUNT,SMALL.....86, 99	SUPPORT, TAPPED HINGE.....59	TUBE,AIR INTAKE.....93, 175
SHORT LINK W/BEARINGS, SERVICE.....113-114	SUPPORT,SENSOR,JOYSTICK.....143	TUBE,FUEL RETURN,3/8X3/8X23.5.....49
SHROUD,FAN PAINTED.....85-86	SWING DRIVE ASSEMBLY.....55-56	TUBE,RD,STL,DOM.,75X.38X.78.....169
SHUTDOWN SOLENOID,12V, DEUTZ.....89-90, 93	SWING MOTOR COMPLETE***.....55-56	TUBING, VINYL, 1/2" CLEAR.....85-86
SIGHT GLASS.....103	SWITCH SHIELD,ROCK JOYSTK7565.....143	TURNTABLE CENTER COVER
SLEEVE,CONNECTOR,DT JOYSTICKS.....143	SWITCH TOGGLE ASSY DPDT 2P MOM..51, 66, 137-138	PAINTED.....171
SLEEVE,NYLON,1.42 ID.....147	SWITCH TOGGLE ASSY DPDT 3P MOM..51, 65-66, 137-138	
SLEEVE,NYLON,2.19 ID,BULK.....61-62, 147	SWITCH TOGGLE ASSY SPDT 2P MNT.....51, 65-66, 137-138, 181	<b>U</b>
SLIDING MIDRAIL KIT,PTD.....135	SWITCH TOGGLE ASSY SPDT 3P MOM..51, 65-66, 137-138	U-BOLT, FLATTENED, 1.5 X 3/8
SNAP RING.....43	SWITCH TOGGLE DPDT 2P MOM	UNC,ZAG.....135
SNAP RING(M46 UNITS)*.....29-30, 33-34	SHDR.....137-138	U-BOLT,1/2-13 X 8.5.....93
SNAP RING,EXTERNAL,1.25 DIA.**.....127, 129	SWITCH TOGGLE DPDT 3P MOM	UBOLT, 0.4724 IN D X 4.0 IN L.....45, 55-56, 111
SNAP RING,EXTERNAL,1.25,ZAG.....125	SHDR.....137-138	UNION,STR.THREAD 20.....145
SNAP RING,EXTERNAL,1.50,ZAG.....29-30, 118, 121	SWITCH TOGGLE SPDT 2P MNT SHDR..65-66, 137-138	
SNAP RING,EXTERNAL,2.00,ZAG.....113-114	SWITCH TOGGLE SPDT 3P MOM	<b>V</b>
SNAP RING,EXTERNAL,2.25,ZAG.....114	SHDR.....137-138	V-BELT GUARD, DEUTZ 2011.....95
SNAP RING,PUMP SHAFT SEAL***.....81	SWITCH, OIL PRESSURE.....85-86	V-BELT, DEUTZ.....97
SOLENOID CABLE ASSY***.....89-90, 93	SWITCH, OIL PRESSURE 1.5 BAR.....89-90	V-BELT, DEUTZ TD2011LOAI.....93
SOLENOID,77066.....47	SWITCH,LIMIT,W/RLLR ARM,NO/NC.....56, 113-114, 117-118	VALVE - COUNTERBALANCE**.....79
SOLENOID,SHUT DOWN PERKIN40422...85-86	SWITCH,LIMIT,W/RLLR ARM,NO/NC***.....113-114	VALVE - SOLENOID 2POSITION 3WA.....71-72
SOLENOID,THROTTLE ACTUATOR	SWITCH,SELECTOR,BLACK.....51, 66	VALVE, CHECK.....77, 83
DSL.....86, 89-90, 93	SWIVEL,HYD 8 PORT***.....55-56	VALVE, CHECK, 5PSI.....77
SOLENOID-STARTR DEUTZF4L1011F*.....95		VALVE, CNTRBAL 3500 PSI, ATM VEN.....125, 127, 129
SOUNDER LENS, OPA, AMBER.....183	<b>T</b>	VALVE, FLOW DIVIDE/COMB,24GPM.....77
SOUNDER LENS, OPA, BLUE.....183	T-BOX, 2.75 x 4.5 x 2.0.....167	VALVE, FLOW DIVIDE/COMBINE 1:1.....77
SOUNDER LENS, OPA, CLEAR.....183	TAILPIPE, DEUTZ, TPDM & ROW.....90, 109	VALVE, RELIEF, 280PSI.....77
SOUNDER LENS, OPA, RED.....183	TAILPIPE, DEUTZ,TPDM & ROW.....93	VALVE, RELIEF, GEN, 3.0kW.....181
SOUNDER,MIDI,OPA.....183	TAILPIPE, PERKINS, 404D.....86	VALVE, SHUTTLE, FIXED.....77
SPACER.....39, 41	TANK,HYDRAULIC,S60.....45	VALVE, SOLENOID.....83
SPACER, BOOM TOP.....169	TAPE, PROTECTIVE MASK.....19, 27	VALVE,BALL,16 MSAE-16 FSAE*** .....145
SPACER, DUAL COIL SIZE #8.....71-72	TAPE,WARNING,BLK/YEL, 50*** .....19, 27	VALVE,BALL,FSAE-20,FSAE-20.....145
SPACER, FAN, DEUTZ, 29.5MM LNG.....103	TEE,BRANCH,520429-8.....111, 145, 149	VALVE,CB 3:1 3500 PSI.....71-72
SPACER,ALT PULLEY,DEUTZ BF4L2011.....93	TEE,RUN,520428-6.....149, 151	VALVE,CB.CBCA-LHN@1500PSI***.....117-118
SPACER,EATON PUMP SHAFT SEAL**.....81	TEE,RUN,SWIVEL,520432-16.....157	VALVE,CHECK***.....71-72
SPACER,FAN,PERKINS 404F.....86	TENSIONER, TRAX.....43	VALVE,CHECK, 30 PSI.....71-72
SPACER,HEAT SINK.....183	TERM,NI PIN,S&F,16-18GA,REEL.....117-118, 159	VALVE,CHECK,30 PSI.....34
SPLIT BOGEY.....43	TERMINAL BLOCK END PLATE.....69	VALVE,CHECK,5 PSI.....71-72, 75
SPRING CLIP,1/4-20, .025-.15X.54,ZAG.....29-30, 33-34, 45, 97, 118, 127, 135, 169, 171	TERMINAL BLOCK, END PLATE.....53	VALVE,COUNTERBAL,CBCA-LIN***.....55-56
<b>S P R I N G</b>	TERMINAL BLOCK, WIELAND.....53	VALVE,COUNTERBAL.CBBB-LHN@3500.113-114
CLIP,10-24, .025-.125X.468,ZAG.....135, 185	TERMINAL BLOCK,WIELAND.....69	VALVE,COUNTERBALANCE.....30, 127
SPRING CLIP,3/8-16, .05-.20X.73,ZAG.....45, 55-56, 159	THERMOSTAT.....85-86	VALVE,COUNTERBALANCE 3000 PSI*...117-118
SPRING,0.984"OD X 1.50"LG.....123	THERMOSTAT HOUSING.....97	VALVE,DIFFERENTIAL SENSING*** .....71-72
SPRING,COMP,1" OD,232 LB/IN.....131	THERMOSTAT,DEUTZ.....97	VALVE,DIFFERENTIAL SENSING,110.....71-72
SPRING,JOYSTK CENTR,62390/91.....143	THROTTLE LINKAGE, DSL.....93	VALVE,FLOW DIVIDER/COMBINER.....75
SPRING,SWITCH CENTERING,75565.....143	THROTTLE LINKAGE,DIESEL *** .....89-90	

VALVE,FLOW REGULATOR 0.1 GPM.....71-72	WASHER,SHIM,1.01X1.63X.062,ZAG.....117-118	WIRE CABLE,16/2,WHT/BLK,SJEOW.....159
VALVE,FLOW REGULATOR 0.6GPM.....72	WASHER,SHIM,1.270X2.130X.062,Z.....125,127,129	WIRE CABLE,16/4 CON.TPE JKT.....117-118
VALVE,FLOW REGULATOR 3.5 GPM**.....71-72	WASHER,SHIM,1.56X2.5X.061,ZAG..93,118,121	WIRE LOOM,1"DIA.SLIT,HI TEMP.....61-62
VALVE,MANUAL,W/RELIEF VALVE***.....37	WASHER,SHOULDER,NYLON.....123	WLDMT, BATT/MANIF TRAY, S60/65.....45
VALVE,NEEDLE***.....72	WASHER,THRUST,1.5 X 3.5 X .187.....29-30	WLDMT, ES LOWER COVER SUPPORT.....59
VALVE,PROPORTIONAL.....71-72	WATER OUTLET, VERTICAL.....85-86	WLDMT, ES UPPER COVER SUPPORT.....59
VALVE,RELIEF 3000 PSI***.....71-72	WATER PUMP.....85-86	WLDMT, TS LOWER COVER SUPPORT.....59
VALVE,RELIEF,280PSI.....75	WDMT,EXPANSION TANK SUPT.....103	WLDMT, TS UPPER COVER SUPPORT.....59
VALVE,SHUTTLE.....75	WEAPAD, BOOM REST.....55-56	WORKLIGHT, 12V, DEUTSCH RECEPT.....165, 187
VALVE,SOLENOID 3 POS,4WAY***.....71-72	WEAR PAD,3 X 1.5 X.625 W/NUTS.....127	
VALVE,SOLENOID 3POS 4WAY*.....71-72	WEAR PAD,5 X 1.5 X .625 W/NUTS.....117-118, 121	<b>Y</b>
VALVE,SOLENOID, 2POS/3WAY***.....79	WEAR PAD,5 X 1.5 X .75 W/NUTS.....121	YOKE ASSY BLK W/BEARINGS,LH.....29-30
VALVE-SOLENOID,2POS 3WAY,JIB**.....79	WEAR PAD,5 X 3 X .625 W/NUTS.....117-118	<b>Z</b>
	WEAR PAD,5 X 3 X .75.....117-118, 121	ZERK,GREASE,5/16-24,STRAIT.....45, 131
<b>W</b>	WEAR PAD,5.5 X 1.75 X .5.....133	
WASHER, .469 X .768 HRD, ZAG.....33-34	WEAR PAD,CABLE TRACK PULL TUBE...133	
WASHER, FLAT, USS, 5/8, ZAG.....55-56	WEARPAD, LIMIT SWITCH GUIDE.....123	
WASHER,FLAT,#10,USS,ZAG.....85-86, 99, 171, 173	WELDMENT, AIR INTAKE BOX.....93	
WASHER,FLAT,.375X1.50X.125,ZAG.....99	WELDMENT, BOOM SECTION #2.....117-118	
WASHER,FLAT,.5X2.25X.188,ZAG.....89-90, 105, 109, 111	WELDMENT, ENGINE TRAY.....99, 101, 105, 111	
WASHER,FLAT,.625 HARDENED.....95	WELDMENT, FUEL FILTER BRACKET.....105	
WASHER,FLAT,.625 X 2.25 X.15.....95	WELDMENT, GROUND BOX, S60/65.....51, 65-66	
WASHER,FLAT,.625X2.25X.188,ZAG.....93	WELDMENT, INTAKE AIR.....101	
WASHER,FLAT,.75 HARDENED.....121	WELDMENT, LEFT CONTACT ALARM, LARGE.....185	
WASHER,FLAT,.75,SAE,HRD,ZAG.....55-56	WELDMENT, LID, GBOX, S60/65.....51	
WASHER,FLAT,1.0,F436,HRD,ZAG.....127, 129, 131	WELDMENT, LIMIT SWITCH ARM.....123	
WASHER,FLAT,1.0,USS,ZAG....45	WELDMENT, LONG LINK SPACER.....113-114	
WASHER,FLAT,1.56 X 2.5 X .061.....95	WELDMENT, PLAT SUPPORT.....129	
WASHER,FLAT,1/2,SAE,HRD,ZAG.....55-56, 121, 129	WELDMENT, PRE-CLEANER, BRACKET.....175	
WASHER,FLAT,1/2,USS,ZAG.....89-90, 109, 111, 113-114	WELDMENT, RIGHT CONTACT ALARM, LARGE.....185	
WASHER,FLAT,2.01X2.25X.06,ZAG.....113-114	WELDMENT, SHORT LINK, S60/65.....114	
WASHER,FLAT,2.01X3.5X.06,ZAG.....33-34, 113-114	WELDMENT, TIE ROD.....29-30, 39	
WASHER,FLAT,2.27X3.5X.06,ZAG.....114	WELDMENT,AIR INTAKE TUBE.....107	
WASHER,FLAT,3/8,SAE,HRD,ZAG....127, 131	WELDMENT,BOOM SECTION # 1***.....117-118	
WASHER,FLAT,3/8,USS,ZAG.....93, 133	WELDMENT,BOOM SECTION # 3.....117-118	
WASHER,FLAT,5/8,F436,HRD,ZAG.....29-30, 33-34, 55-56, 93	WELDMENT,BOOM SECTION #2***.....117-118	
WASHER,FLAT,M10,DIN125,ZAB.....90	WELDMENT,CABLE TRACK TRAY***.....133	
WASHER,FLAT,M10,ZINC PLTD.....109	WELDMENT,CABLE TRACK TUBE***.....133	
WASHER,FLAT,M14.....95	WELDMENT,EXHAUST PIPE.....85-86	
WASHER,FLAT,M14,DIN6916,HRD,ZAB.....86	WELDMENT,EXHAUST TUBE.....59	
WASHER,FLAT,M5,DIN125,ZAB.....85-86	WELDMENT,EXTENSION BRACKET.....121	
WASHER,FLAT,M6,DIN125,ZAB.....89-90	WELDMENT,LID,GBOX.....65-66	
WASHER,FLAT,M8,DIN125,ZAB.....85-86	WELDMENT,MASTER LINK.....113-114	
WASHER,FLAT,MS,#10,Y.....159	WELDMENT,PLATFORM SUPPORT,CE.....131	
WASHER,FLAT,MS,#8,Y.....167	WELDMENT,ROTATOR SUPPORT.....131	
WASHER,FLAT,USS,1/4"Y.....47	WELDMENT,STEEL INTAKE TUBE.....101	
WASHER,FLAT,USS,1/4,ZAG.....29-30, 34, 37, 93, 133	WELDMENT,TAILPIPE,Z62 DEUTZ T4.....99	
WASHER,FLAT,USS,3/8",Y.....55-56	WELDMENT,TIMING LINK CAM.....113-114	
WASHER,FLAT,USS,5/16",Y.....165, 187	WELDMENT,TRACK PULL TUBE PIVOT...133	
WASHER,LOCK,#10 PLTD.....113-114	WELDMENT,TRANSPORT LOCK.....55-56	
WASHER,LOCK,.25.....65-66, 165, 187	WHEEL DRIVE 56:1.....29-30, 33-34	
WASHER,LOCK,.375.....159	WHEEL DRIVE 57.5:1 4WD.....29-30, 33-34	
WASHER,LOCK,3/8,ZAG.....121, 127	WHEEL STUD,5/8-18,OMNI***.....29-30, 33-34	
WASHER,LOCK,IND,LAMP RETAINER....137-138	WHEEL, 24.5X11.75, 9 X 9 BCD.....29-30	
WASHER,LOCK,M10,ZAB.....90	WIPER RUBBER, 1 TO 2.....169	
WASHER,M4 NYLON.....183	WIPER RUBBER, 2 TO 3.....169	
WASHER,SHIM .0151 THK.....131	WIPER,RING GEAR GUARD.....171	

## Fitting Cross References

Genie PN	Parker PN	Description	Genie PN	Parker PN	Description
12342	6-4 F5OX-S	CONNECTOR,STRAIGHT THREAD TO FLARE TUBE	42794	1 CR-S	ELBOW,90°,MALE PIPE
13757	4 R6X-S	RUN TEE,SWIVEL NUT,ORFS	42795	BV-0839	BALL VALVE
19685	12-10 C5OX-S	ELBOW,90°,STRAIGHT THREAD TO FLARE TUBE	42796	BV-0838	BALL VALVE
22664	12-10 C5OX	ELBOW,90°,STRAIGHT THREAD TO FLARE TUBE	42874	6-8 CLO-S	ELBOW,90°,MALE PIPE TO ORFS
27431	8-12 F5OX-S	CONNECTOR,STRAIGHT THREAD TO FLARE TUBE	42912	13943-6-4	HOSE END,90° FEMALE SWIVEL,JIC
28678	AS-B-33	SLEEVE,NYLON,1.81" ID	42920	BV-0840	BALL VALVE,90°
39871	6 WETX-WLN-S	UNION,90° BULKHEAD W/NUT,FLARE TUBE	42932	AS-B-17	SLEEVE,NYLON,1.22" ID
39872	4 R5OX-S	RUN TEE,STRAIGHT THREAD	42936	10243-2-4	HOSE END,FEMALE PIPE
39873	6 C5OX-S	ELBOW,90°,STRAIGHT THREAD TO FLARE TUBE	42953	1/2 DD-S	ELBOW,90°,FEMALE PIPE
39874	8-6 C5OX-S	ELBOW,90°,STRAIGHT THREAD TO FLARE TUBE	42956	6 WELO-WLNL-S	UNION,90° BULKHEAD W/NUT,ORFS
39875	4-6 C5OX-S	ELBOW,90°,STRAIGHT THREAD TO FLARE TUBE	45349	8 V5OX-S	ELBOW,45°,STRAIGHT THREAD TO FLARE TUBE
39876	6-8 C5OX-S	ELBOW,90°,STRAIGHT THREAD TO FLARE TUBE	45351	4 V5OX-S	ELBOW,45°,STRAIGHT THREAD TO FLARE TUBE
39877	4 F5OX-S	CONNECTOR,STRAIGHT THREAD TO FLARE TUBE	47223	10343-6-6	HOSE END,MALE,JIC
39878	6 F5OX-S	CONNECTOR,STRAIGHT THREAD TO FLARE TUBE	47419	PS690503-6-6	SWIVEL,90°,STRAIGHT THREAD TO 37° FLARE
39879	4-8 F5OX-S	CONNECTOR,STRAIGHT THREAD TO FLARE TUBE	48750	421-4	HOSE,1/4 INCH ID
39880	6-10 F5OX-S	CONNECTOR,STRAIGHT THREAD TO FLARE TUBE	48751	481TC-4	HOSE,1/4 INCH ID
39881	4-6 F5OX-S	CONNECTOR,STRAIGHT THREAD TO FLARE TUBE	48752	482TC-4	HOSE,1/4 INCH ID
39882	4-HP5ON-S	PLUG,STRAIGHT THREAD	48753	451TC-6	HOSE,3/8 INCH ID
39883	8-8 FTX-S	CONNECTOR,MALE PIPE TO FLARE TUBE	48754	482TC-6	HOSE,3/8 INCH ID
39885	269HB 12-12	ELBOW,90°,BEADED HOSE BARB TO MALE PIPE	48755	381-6	HOSE,3/8 INCH ID
39886	431-6	HOSE,3/8 INCH ID	48756	451TC-8	HOSE,1/2 INCH ID
39887	540N-2	HOSE,1/8 INCH ID	48757	482TC-8	HOSE,1/2 INCH ID
39888	801-8	HOSE,1/2 INCH ID	48758	381-8	HOSE,1/2 INCH ID
39889	801-12	HOSE,3/4 INCH ID	48759	381-10	HOSE,5/8 INCH ID
39890	10643-6-6	HOSE END,FEMALE SWIVEL,JIC	48760	451TC-10	HOSE,5/8 INCH ID
39891	13943-6-6	HOSE END,90° FEMALE SWIVEL,JIC	48761	482TC-12	HOSE,3/4 INCH ID
39892	13743-6-6	HOSE END,45° FEMALE SWIVEL,JIC	48762	451TC-12	HOSE,3/4 INCH ID
39894	30682-8-8	HOSE END,FEMALE SWIVEL,JIC	48763	772-12	HOSE,3/4 INCH ID
39895	30682-10-12	HOSE END,FEMALE SWIVEL,JIC	48764	881-16	HOSE,1 INCH ID
42286	8-8 CTX-S	ELBOW,90°,MALE PIPE TO FLARE TUBE	48765	772-16	HOSE,1 INCH ID
42756	8-12 CLO-S	ELBOW,90,MALE PIPE TO ORFS	48766	AS-B-15	SLEEVE,NYLON,1.06" ID
42757	8-12 FLO-S	CONNECTOR,MALE PIPE TO ORFS	48767	AS-B-22	SLEEVE,NYLON,1.42" ID
42758	4 JLO-S	UNION TEE,ORFS	48770	881-8	HOSE,1/2 INCH ID
42759	4-4 FLO-S	CONNECTOR,MALE PIPE TO ORFS			
42760	6-8 FLO-S	CONNECTOR,MALE PIPE TO ORFS			
42761	1J143-6-4	HOSE END,90° FEMALE SWIVEL,SEAL LOK			
42762	1J743-6-4	HOSE END,45° FEMALE SWIVEL,SEAL LOK			
42768	1JO43-4-4	HOSE END,MALE,SEAL LOK			
42776	601-8	HOSE,1/2 INCH ID			
42777	1J743-16-16	HOSE END,45° FEMALE SWIVEL,SEAL LOK			
42786	16 CLO-S	ELBOW,90°,MALE PIPE TO ORFS			
42787	16 R6LO-S	RUN TEE,SWIVEL NUT,ORFS			
42788	16-8 TRLO-BL-S	REDUCER,TUBE END TO SWIVEL,ORFS			
42789	6-6 CLO-S	ELBOW,90°,MALE PIPE TO ORFS			
42790	8-10 V5OLO-S	ELBOW,45°,STRAIGHT THREAD TO ORFS			
42791	3/4 CD-S	ELBOW,90°,MALE TO FEMALE PIPE			
42792	3/4 X 1/2 PTR-S	REDUCER,MALE TO FEMALE PIPE			
42793	1/2 CR-S	ELBOW,90°,MALE PIPE			

## Fitting Cross References (Continued)

Genie PN	Parker PN	Description	Genie PN	Parker PN	Description
48771	881-10	HOSE,5/8 INCH ID	48847	13943-12-12	HOSE END,90° FEMALE SWIVEL,JIC
48772	381-4	HOSE,1/4 INCH ID	48848	10543-12-12	HOSE END,MALE,STRAIGHT THREAD
48773	AS-B-13	SLEEVE,NYLON,.86" ID	48849	1JC71-12-12	HOSE END,FEMALE SWIVEL,SEAL LOK
48800	1JC43-4-4	HOSE END,FEMALE SWIVEL,SEAL LOK	48850	1JS71-12-12	HOSE END,FEMALE SWIVEL,SEAL LOK
48801	1J743-4-4	HOSE END,45° FEMALE SWIVEL,SEAL LOK	48851	1J171-12-12	HOSE END,90° FEMALE SWIVEL,SEAL LOK
48802	1J943-4-4	HOSE END,90° FEMALE SWIVEL,SEAL LOK	48852	1J771-12-12	HOSE END,45° FEMALE SWIVEL,SEAL LOK
48804	1JM43-4-4	HOSE END,MALE,SEAL LOK, NO O-RING	48853	1J971-12-12	HOSE END,90° FEMALE SWIVEL,SEAL LOK
48805	10643-4-4	HOSE END,FEMALE SWIVEL,JIC	48854	1JC43-16-16	HOSE END,FEMALE SWIVEL,SEAL LOK
48806	13943-4-4	HOSE END,90° FEMALE SWIVEL,JIC	48855	1J943-16-16	HOSE END,90° FEMALE SWIVEL,SEAL LOK
48807	1JS43-4-4	HOSE END,FEMALE SWIVEL,SEAL LOK	48856	1J171-16-16	HOSE END,90° FEMALE SWIVEL,SEAL LOK
48808	3JC82-8-8	HOSE END,FEMALE SWIVEL,SEAL LOK	48857	1J971-16-16	HOSE END,90° FEMALE SWIVEL,SEAL LOK
48809	3JC82-12-12	HOSE END,FEMALE SWIVEL,SEAL LOK	48859	1JS43-8-4	HOSE END,FEMALE SWIVEL,SEAL LOK
48810	1JC43-6-4	HOSE END,FEMALE SWIVEL,SEAL LOK	48867	PD36BTL	DIAGNOSTIC NIPPLE,SEAL-LOK SWIVEL
48811	1J943-6-4	HOSE END,90° FEMALE SWIVEL,SEAL LOK	48873	6 PNLO-S	PLUG,TUBE END,ORFS
48812	1JC43-6-6	HOSE END,FEMALE SWIVEL,SEAL LOK	48874	6 PNTX-S	PLUG,FLARE TUBE
48813	1J143-6-6	HOSE END,90° FEMALE SWIVEL,SEAL LOK	48875	6 R6LO-S	RUN TEE,SWIVEL NUT,ORFS
48814	1J543-6-6	HOSE END,90° FEMALE SWIVEL,SEAL LOK	48877	4 F5OLO-SW/.025	CONNECTOR,STRAIGHT THREAD TO ORFS, W/.025 ORI
48815	1J743-6-6	HOSE END,45° FEMALE SWIVEL,SEAL LOK	48878	16-12 C5OLO-S	ELBOW,90°,STRAIGHT THREAD TO ORFS
48816	1J943-6-6	HOSE END,90° FEMALE SWIVEL,SEAL LOK	48879	8 C6LO-S	ELBOW,90°,SWIVEL NUT ORFS
48817	1JS43-6-8	HOSE END,FEMALE SWIVEL,SEAL LOK	48880	PD6-285	CAP,DIAGNOSTIC NIPPLE
48818	1J943-8-4	HOSE END,90° FEMALE SWIVEL,SEAL LOK	48881	6 HLO-S	UNION,ORFS
48819	1JC43-8-6	HOSE END,FEMALE SWIVEL,SEAL LOK	48883	8 P5ON-S	PLUG,STRAIGHT THREAD
48820	1J743-8-6	HOSE END,45° FEMALE SWIVEL,SEAL LOK	48884	8M18F87OMLO-S	CONNECTOR,METRIC,STRAIGHT THREAD TO ORFS
48821	1J943-8-6	HOSE END,90° FEMALE SWIVEL,SEAL LOK	48885	4 WGTX-WLN-S	CONNECTOR,BULKHEAD,FEMALE PIPE TO FLARE TUBE
48822	1JC43-8-8	HOSE END,FEMALE SWIVEL,SEAL LOK	48886	4 F5OLO-SW/2MM	CONNECTOR,MACHINED STRAIGHT THREAD TO ORFS
48823	1JS43-8-8	HOSE END,FEMALE SWIVEL,SEAL LOK	48887	4 CTX-S	ELBOW,90°,MALE PIPE TO FLARE TUBE
48824	1J143-8-8	HOSE END,90° FEMALE SWIVEL,SEAL LOK	48888	10-12 V5OLO-S	ELBOW,45°,STRAIGHT THREAD TO ORFS
48825	1J543-8-8	HOSE END,90° FEMALE SWIVEL,SEAL LOK	48890	4 S5OLO-S	BRANCH TEE,STRAIGHT THREAD TO ORFS
48826	1J743-8-8	HOSE END,45° FEMALE SWIVEL,SEAL LOK	48891	4 S6LO-S	BRANCH TEE,SWIVEL NUT TO ORFS
48827	1J943-8-8	HOSE END,90° FEMALE SWIVEL,SEAL LOK			
48828	1JC43-10-8	HOSE END,FEMALE SWIVEL,SEAL LOK			
48829	1JS43-10-8	HOSE END,FEMALE SWIVEL,SEAL LOK			
48830	1J743-10-8	HOSE END,45° FEMALE SWIVEL,SEAL LOK			
48831	1J943-10-8	HOSE END,90° FEMALE SWIVEL,SEAL LOK			
48833	1JC43-10-10	HOSE END,FEMALE SWIVEL,SEAL LOK			
48834	1J943-10-10	HOSE END,90° FEMALE SWIVEL,SEAL LOK			
48835	1JS43-10-12	HOSE END,FEMALE SWIVEL,SEAL LOK			
48836	1JC43-12-8	HOSE END,FEMALE SWIVEL,SEAL LOK			
48837	1JS43-12-8	HOSE END,FEMALE SWIVEL,SEAL LOK			
48838	1J743-12-8	HOSE END,45° FEMALE SWIVEL,SEAL LOK			
48839	1J943-12-8	HOSE END,90° FEMALE SWIVEL,SEAL LOK			
48840	1J943-12-10	HOSE END,90° FEMALE SWIVEL,SEAL LOK			
48841	1JC43-12-12	HOSE END,FEMALE SWIVEL,SEAL LOK			
48842	1JO43-12-12	HOSE END,MALE,SEAL LOK			
48843	1J143-12-12	HOSE END,90° FEMALE SWIVEL,SEAL LOK			
48844	1J543-12-12	HOSE END,90° FEMALE SWIVEL,SEAL LOK			
48845	1J743-12-12	HOSE END,45° FEMALE SWIVEL,SEAL LOK			
48846	1J943-12-12	HOSE END,90° FEMALE SWIVEL,SEAL LOK			

## Fitting Cross References (Continued)

Genie PN	Parker PN	Description	Genie PN	Parker PN	Description
48892	6 C6LO-S	ELBOW,90°,SWIVEL NUT ORFS	48938	8 R6LO-S	RUN TEE,SWIVEL NUT,ORFS
48893	6 F5OHAO-S	UNION,STRAIGHT THREAD	48939	8 S6LO-S	BRANCH TEE,SWIVEL NUT TO ORFS
48894	8 WLO-WLNL-S	UNION,BULKHEAD,ORFS	48940	8 WJLO-WLNL-S	RUN TEE, BULKHEAD,ORFS
48895	DT-370-MSMO-5	VALVE,CHECK	48941	8-4 TRLO-S	REDUCER,TUBE END TO SWIVEL,ORFS
48896	6 JLO-S	UNION,TEE,ORFS	48942	8-6 C5OLO-S	ELBOW,90°,STRAIGHT THREAD TO ORFS
48897	DT-750-MSMS-5	VALVE,CHECK	48943	8-6 F5OLO-S	CONNECTOR,STRAIGHT THREAD TO ORFS
48898	DT-750-MOMS-5	VALVE,CHECK	48944	8-8 FLO-S	CONNECTOR,MALE PIPE TO ORFS
48899	DT-620-MOMS-5	VALVE,CHECK	48945	8 FTX-S	CONNECTOR,MALE PIPE TO FLARE TUBE
48900	4-6 F5OLO-SW/.035	CONNECTOR,STRAIGHT THREAD TO ORFS, W/.035 ORI	48946	8-10 F5OLO-S	CONNECTOR,STRAIGHT THREAD TO ORFS
48902	16-1 AOE4G-S	ELBOW,90° LONG,FEMALE PIPE TO STRAIGHT THREAD	48947	8-12 C5OLO-S	ELBOW,90°,STRAIGHT THREAD TO ORFS
48903	1 FF-S	NIPPLE,PIPE	48948	8-12 F5OLO-S	CONNECTOR,STRAIGHT THREAD TO ORFS
48904	4 C5OLO-S	ELBOW,90°,STRAIGHT THREAD TO ORFS	48949	8-16 F5OLO-S	CONNECTOR,STRAIGHT THREAD TO ORFS
48905	4 F5OLO-S	CONNECTOR,STRAIGHT THREAD TO ORFS	48950	10 C5OLO-S	ELBOW,90°,STRAIGHT THREAD TO ORFS
48906	4 R5OLO-S	RUN TEE,STRAIGHT THREAD	48951	10 CC5OLO-S	ELBOW,90° LONG,STRAIGHT THREAD TO ORFS
48907	4 V5OLO-S	ELBOW,45°,STRAIGHT THREAD TO ORFS	48952	10 F5OLO-S	CONNECTOR,STRAIGHT THREAD TO ORFS
48908	4 R6LO-S	RUN TEE,SWIVEL NUT,ORFS	48953	10 R5OLO-S	RUN TEE,STRAIGHT THREAD
48909	4 WJLO-WLNL-S	RUN TEE, BULKHEAD,ORFS	48954	10 S5OLO-S	BRANCH TEE,STRAIGHT THREAD TO ORFS
48910	4 GTX-S W/.030	CONNECTOR,FEMALE PIPE TO FLARE TUBE	48955	10 R6LO-S	RUN TEE,SWIVEL NUT,ORFS
48911	4-6 C5OLO-S	ELBOW,90°,STRAIGHT THREAD TO ORFS	48956	10-4 TRLO-BL-S	REDUCER,TUBE END TO SWIVEL,ORFS
48912	4-6 F5OLO-S	CONNECTOR,STRAIGHT THREAD TO ORFS	48957	10-6 TRLO-BL-S	REDUCER,TUBE END TO SWIVEL,ORFS
48913	4-6 F5OLO-SW/.030	CONNECTOR,STRAIGHT THREAD TO ORFS, W/.030 ORI	48958	10-12 F5OLO-S	CONNECTOR,STRAIGHT THREAD TO ORFS
48914	4-8 F5OLO-S	CONNECTOR,STRAIGHT THREAD TO ORFS	48959	12 C5OLO-S	ELBOW,90°,STRAIGHT THREAD TO ORFS
48915	6 C5OLO-S	ELBOW,90°,STRAIGHT THREAD TO ORFS	48960	12 F5OLO-S	CONNECTOR,STRAIGHT THREAD TO ORFS
48916	6 F5OLO-S	CONNECTOR,STRAIGHT THREAD TO ORFS	48961	12 R5OLO-S	RUN TEE,STRAIGHT THREAD
48917	6 FF5OLO-S	CONNECTOR,LONG,STRAIGHT THREAD TO ORFS	48962	12 S5OLO-S	BRANCH TEE,STRAIGHT THREAD TO ORFS
48918	6 R5OLO-S	RUN TEE,STRAIGHT THREAD	48963	12 V5OLO-S	ELBOW,45°,STRAIGHT THREAD TO ORFS
48919	6 S5OLO-S	BRANCH TEE,STRAIGHT THREAD TO ORFS	48964	12 R6LO-S	RUN TEE,SWIVEL NUT,ORFS
48920	6 V5OLO-S	ELBOW,45°,STRAIGHT THREAD TO ORFS	48965	12 CLO-S	ELBOW,90°,MALE PIPE TO ORFS
48921	6 FLO-S	CONNECTOR,MALE PIPE TO ORFS	48966	12 FLO-S	CONNECTOR,MALE PIPE TO ORFS
48922	6-6 FLO-S	CONNECTOR,MALE PIPE TO ORFS	48967	12 JLO-S	UNION TEE,ORFS
48923	6 P5ON-S	PLUG,STRAIGHT THREAD	48968	12 WLO-WLNL-S	UNION,BULKHEAD,ORFS
48925	6 WELO-S	UNION,90° BULKHEAD,ORFS	48969	12 WJLO-WLNL-S	RUN TEE, BULKHEAD,ORFS
48926	6-4 C5OLO-S	ELBOW,90°,STRAIGHT THREAD TO ORFS	48970	12 WELO-WLNL-S	UNION,90° BULKHEAD W/NUT,ORFS
48927	6-4 F5OLO-S	CONNECTOR,STRAIGHT THREAD TO ORFS			
48928	6-4 V5OLO-S	ELBOW,45°,STRAIGHT THREAD TO ORFS			
48929	6-8 C5OLO-S	ELBOW,90°,STRAIGHT THREAD TO ORFS			
48930	6-8 F5OLO-S	CONNECTOR,STRAIGHT THREAD TO ORFS			
48931	6-10 F5OLO-S	CONNECTOR,STRAIGHT THREAD TO ORFS			
48932	8 C5OLO-S	ELBOW,90°,STRAIGHT THREAD TO ORFS			
48933	8 F5OLO-S	CONNECTOR,STRAIGHT THREAD TO ORFS			
48934	8 FF5OLO-S	CONNECTOR,LONG,STRAIGHT THREAD TO ORFS			
48935	8 R5OLO-S	RUN TEE,STRAIGHT THREAD			
48936	8 S5OLO-S	BRANCH TEE,STRAIGHT THREAD TO ORFS			
48937	8 V5OLO-S	ELBOW,45°,STRAIGHT THREAD TO ORFS			

## Fitting Cross References (Continued)

Genie PN	Parker PN	Description	Genie PN	Parker PN	Description
48971	12 G5G5JG5-S	TEE,FEMALE STRAIGHT THREAD	49612	PKT02586	O-RING KIT (ORFS FITTINGS)
48972	12 XHL6-S	ADAPTER, 37° MALE TO SWIVEL ORFS	49613	PKT06276	PLUG AND CAP KIT-SERVICE,ORFS
48973	12-1/2 F5OG-S	ADAPTER,FEMALE PIPE TO STRAIGHT THREAD	49728	10143-12-12	HOSE END, MALE PIPE
48974	12-10 C5OLO-S	ELBOW,90°,STRAIGHT THREAD TO ORFS	49729	16-1 F5OG-S	ADAPTER,FEMALE PIPE TO STRAIGHT THREAD
48975	12-10 F5OLO-S	CONNECTOR,STRAIGHT THREAD TO ORFS	49814	12-8 FLO-S	CONNECTOR,MALE PIPE TO ORFS
48976	12-16 C5OLO-S	ELBOW,90°,STRAIGHT THREAD TO ORFS	49829	DT-500-MOMF-5	VALVE,CHECK
48977	12-16 F5OLO-S	CONNECTOR,STRAIGHT THREAD TO ORFS	49831	881-12	HOSE,3/4 INCH ID
48978	12-16 V5OLO-S	ELBOW,45°,STRAIGHT THREAD TO ORFS	49834	16 JLO-S	UNION TEE,ORFS
48980	12-16 FLO-S	CONNECTOR,MALE PIPE TO ORFS	49838	12-8 TRLO-BL-S	REDUCER,TUBE END TO SWIVEL,ORFS
48983	16 C5OLO-S	ELBOW,90°,STRAIGHT THREAD TO ORFS	49840	8 JLO-S	UNION TEE,ORFS
48984	16 F5OLO-S	CONNECTOR,STRAIGHT THREAD TO ORFS	49844	10-8 TRLO-BL-S	REDUCER,TUBE END TO SWIVEL,ORFS
48985	16 V5OLO-S	ELBOW,45°,STRAIGHT THREAD TO ORFS	49854	8 P5ON-S	PLUG,STRAIGHT THREAD
48986	16 FLO-S	CONNECTOR,MALE PIPE TO ORFS	49855	1JC43-16-12	HOSE END,FEMALE SWIVEL,SEAL LOK
48988	16 CD45-S	ELBOW,45°,MALE TO FEMALE PIPE	49859	4 P5ON-S	PLUG,STRAIGHT THREAD
48989	12 CD45-S	ELBOW,45°,MALE TO FEMALE PIPE	49861	4 FF5OLO-S	CONNECTOR, LONG, STRAIGHT THREAD TO ORFS
48990	8 CD45-S	ELBOW,45°,MALE TO FEMALE PIPE	49867	12-3/4 F5OG-S	ADAPTER,FEMALE PIPE TO STRAIGHT THREAD
48991	16-12 FLO-S	CONNECTOR,MALE PIPE TO ORFS	51152	6 R6X-S	RUN TEE,SWIVEL NUT,ORFS
48992	16-12 V5OLO-S	ELBOW,45°,STRAIGHT THREAD TO ORFS	51153	6-4 TRTX-S	REDUCER,TUBE END TO SWIVEL,ORFS
48993	XV501-12	BALL VALVE	51154	4-4 GTX	CONNECTOR,FEMALE PIPE TO FLARE TUBE
48994	XV501-16	BALL VALVE	51264	881-12	HOSE,3/4 INCH ID
48995	XV510P-12	BALL VALVE	51265	8 JLO-S	UNION TEE,ORFS
48996	XV510P-16	BALL VALVE	51508	6 BTX-S	NUT,FLARE TUBE
48997	PD341	DIAGNOSTIC NIPPLE, STRAIGHT THREAD	51580	12-8 TRLO-BL-S	TUBE END REDUCER,ORFS
48998	PD 361	DIAGNOSTIC NIPPLE, STRAIGHT THREAD	51628	6 R6X-S	RUN TEE,SWIVEL NUT,ORFS
48999	DT-500-MOMS-5	VALVE,CHECK	51735	3/8 HHP	PLUG,PIPE THREAD
49201	10 V5OLO-S	ELBOW,45°,STRAIGHT THREAD TO ORFS	51803	1J943-6-8	HOSE END,90° FEMALE SWIVEL,SEAL LOK
49202	1JC43-12-10	HOSE END,FEMALE SWIVEL,SEAL LOK	53023	125HBL-5-4	FITTING,HOSE BARB TO MALE PIPE
49203	10-8 V5OLO-S	ELBOW,45°,STRAIGHT THREAD TO ORFS	53497	PKT02585	O-RING KIT
49205	6 F5OHAO-S	UNION,STRAIGHT THREAD	53499	1JC71-16-16	HOSE END,FEMALE SWIVEL,SEAL LOK
49207	PD34BTL	DIAGNOSTIC NIPPLE,SEAL-LOK SWIVEL	53500	3-904	O-RING,STRAIGHT THREAD,-4
49209	8M18F870MX-S	CONNECTOR,METRIC,STRAIGHT THREAD TO FLARE TUBE	53501	3-906	O-RING,STRAIGHT THREAD,-6
49212	8 WGTX-WLN-S	CONNECTOR,BULKHEAD,FEMALE PIPE TO FLARE TUBE	53502	3-908	O-RING,STRAIGHT THREAD,-8
49213	30682-8-8	HOSE END,FEMALE SWIVEL,JIC	53503	3-910	O-RING,STRAIGHT THREAD,-10
49216	831-8	HOSE,1/2 INCH ID			
49217	33982-8-8	HOSE END,90° FEMALE SWIVEL,JIC			
49219	PS-B-35	SLEEVE,NYLON,2.19" ID			
49418	4-6 V5OLO-S	ELBOW,45°,STRAIGHT THREAD TO ORFS			
49511	DT370-MOMS-5	VALVE,CHECK			
49512	1 DD-S	ELBOW,90°,FEMALE PIPE			
49513	1 FF-S	NIPPLE,PIPE			
49514	10 HP5ON-S	PLUG,STRAIGHT THREAD			
49515	12-16 CLO-S	ELBOW,90°,MALE PIPE TO ORFS			
49517	6 HP5ON-S	PLUG,STRAIGHT THREAD			
49519	16-12 F5OLO-S	CONNECTOR,STRAIGHT THREAD TO ORFS			
49520	4 VTX-S	ELBOW,45°,MALE PIPE TO FLARE TUBE			
49530	16 C6LO-S	ELBOW,90°,SWIVEL NUT ORFS			



## Fitting Cross References (Continued)

Genie PN	Parker PN	Description	Genie PN	Parker PN	Description
53535	3-912	O-RING, STRAIGHT THREAD, -12	61083	24 F5OLO-S	CONNECTOR, STRAIGHT THREAD TO ORFS
53536	4-PNLO-S	PLUG, TUBE END, ORFS	61086	20 R5OLO-S	RUN TEE, STRAIGHT THREAD
53537	6 PNLO-S	PLUG, TUBE END, ORFS	61090	24-20 F5OLO-S	CONNECTOR, STRAIGHT THREAD TO ORFS
53538	8 PNLO-S	PLUG, TUBE END, ORFS	61091	1J943 24-24	HOSE END, 90° FEMALE SWIVEL, SEAL LOK
53539	10 PNLO-S	PLUG, TUBE END, ORFS	61093	1J978-12-12	HOSE END, 90° FEMALE SWIVEL, JIC
53540	12 PNLO-S	PLUG, TUBE END, ORFS	61095	1JS43-20-16	HOSE END, FEMALE SWIVEL, SEAL LOK
53946	129HB-5-4	FITTING, 90° HOSE BARB TO MALE PIPE	61100	811-24	HOSE, 1 1/2 INCH ID
53951	8-1/4F50G-S	ADAPTER, FEMALE PIPE TO STRAIGHT THREAD	61130	1JS43-24-24	HOSE END, FEMALE SWIVEL, SEAL LOK
53980	6 S6LO-S	BRANCH TEE, SWIVEL NUT TO ORFS	61131	1JS78 12-12	HOSE END, FEMALE SWIVEL, SEAL LOK
54132	4 C6LO-S	ELBOW, 90°, SWIVEL NUT ORFS	61132	1J778-12-12	HOSE END, 45° FEMALE SWIVEL, JIC
54135	11343-16-16	HOSE END, MALE SWIVEL, PIPE	61152	139HB-6-4	ELBOW, 45°, BARB TO MALE PIPE
54283	8-10 C5OLO-S	ELBOW, 90°, STRAIGHT THREAD TO ORFS	61251	BV-0750	BALL VALVE
54428	8M18C870MLO-S	ELBOW, 90° METRIC, STRAIGHT THREAD TO ORFS	61259	4 CC5OLO-S	ELBOW, 90° LONG, STRAIGHT THREAD TO ORFS
54803	FS-F-16-10	SLEEVE, FIRE, .96" ID	61260	20-12 TRLO-BL	REDUCER, TUBE END TO SWIVEL, ORFS
54954	10143-2-4	HOSE END, MALE PIPE	61262	12 C6LO-S	ELBOW, 90°, SWIVEL NUT ORFS
55190	3/8 HP-S	PLUG, PIPE THREAD	61263	20 F5OHAO-S	UNION, STRAIGHT THREAD
55448	8 HLO-S	UNION, ORFS	61264	6-10 C5OLO-S	ELBOW, 90°, STRAIGHT THREAD TO ORFS
55839	6 F65OX-S	CONNECTOR, STRAIGHT THREAD TO 37° SWIVEL	61265	6 WNLO-WLNL-S	UNION, BULKHEAD 45°, ORFS
55968	10 C5OX-S	ELBOW, 90°, STRAIGHT THREAD TO FLARE TUBE	61268	4 WNLO-WLNL-S	UNION, BULKHEAD 45°, ORFS
56003	6 CC5OLO-S	ELBOW, 90° LONG, STRAIGHT THREAD TO ORFS	61269	4 WLO-WLNL-S	UNION, BULKHEAD, ORFS
56166	BV-0837	BALL VALVE, 90°	61272	12 AOEL6	ELBOW, 90°, STRAIGHT THREAD TO ORFS SWIVEL
56188	10143-8-6	HOSE END, MALE PIPE	61316	482TC-16	HOSE, 1 INCH ID
56233	2-011	O-RING, ORFS, -4	61321	6 JLO-S	UNION TEE, ORFS
56234	2-012	O-RING, ORFS, -6	61327	782-12	HOSE, 3/4 INCH ID
56235	2-014	O-RING, ORFS, -8	61328	881-24	HOSE, 1 1/2 INCH ID
56236	2-016	O-RING, ORFS, -10	61336	11943-20-24	HOSE END, 90° FLANGE HEAD
56237	2-018	O-RING, ORFS, -12	61345	12 WJLO-WLNL-S	RUN TEE, BULKHEAD, ORFS
56238	2-021	O-RING, ORFS, -16	61346	8 WNLO-WLNL-S 4	UNION, BULKHEAD 45°, ORFS
56352	6 WLNL-S	LOCKNUT, BULKHEAD	61569	33782-8-8	HOSE END, 45° FEMALE SWIVEL, JIC
56353	3J782-12-12	HOSE END, 45° FEMALE SWIVEL, SEAL LOK	61610	12 FF5OLO-S	CONNECTOR, LONG, STRAIGHT THREAD TO ORFS
56354	3J982-12-12	HOSE END, 90° FEMALE SWIVEL, SEAL LOK	61742	1/8 X 1.5 FFF	NIPPLE, PIPE
56604	10-8 F5OLO-S	CONNECTOR, STRAIGHT THREAD TO ORFS	63426	8 PNTX-S	PLUG, FLARE TUBE
56639	3JC82-10-10	HOSE END, FEMALE SWIVEL, SEAL LOK			
56640	3J982-10-10	HOSE END, 90° FEMALE SWIVEL, SEAL LOK			
56655	3JC82-8-10	HOSE END, FEMALE SWIVEL, SEAL LOK			
56676	10-8 C5OLO-S	ELBOW, 90°, STRAIGHT THREAD TO ORFS			
56776	471TC-6	HOSE, 3/8 INCH ID			
56777	471TC-8	HOSE, 1/2 INCH ID			
56789	811-16	HOSE, 1 INCH ID			
57884	3/8 FF	NIPPLE, PIPE			
59335	6 FNL-S	CAP, TUBE END			
59342	4 FNL-S	CAP, TUBE END			
59371	8 HP5ON-S	PLUG, STRAIGHT THREAD			
60653	BV-0751	BALL VALVE			
60806	125HB-3-4	FITTING, HOSE BARB TO MALE PIPE			
61064	5-1/4 F5OG-S	ADAPTER, FEMALE PIPE TO STRAIGHT THREAD			
61079	4 WELO-WLNL-S	UNION, 90° BULKHEAD W/NUT, ORFS			
61080	6 WLO-WLNL-S	UNION, BULKHEAD, ORFS			

## Fitting Cross References (Continued)

Genie PN	Parker PN	Description	Genie PN	Parker PN	Description
64271	4 WLO-WLNL-S	UNION,BULKHEAD,ORFS	75631	801-6	HOSE,3/8 INCH ID
64272	6 WLO-WLNL-S	UNION,BULKHEAD,ORFS	75654	20 F5OLO-S	CONNECTOR,STRAIGHT THREAD TO ORFS
65776	8 F65OL-S	CONNECTOR,STRAIGHT THREAD TO ORFS SWIVEL	75655	1J943-20-20	HOSE END,90° FEMALE SWIVEL,SEAL LOK
65880	6001012	O-RING KIT	75656	881-20	HOSE,1-1/4 INCH ID
66154	6 WTX-WLNS	UNION,BULKHEAD,FLARE TUBE	75971	8 F5OHAO-S	UNION,STRAIGHT THREAD
66155	6 WETX-S	UNION,BULKHEAD 90°,FLARE TUBE	77307	1JB43-8-8	HOSE END,BULKHEAD,SEAL LOK
66156	6 WLN-S	BULKHEAD LOCKNUT	77309	8 WLNL-S	BULKHEAD LOCKNUT
66389	6-8 F5OX-S	CONNECTOR,STRAIGHT THREAD TO FLARE TUBE	77379	8M18C87OMX-S	ELBOW,90° METRIC,STRAIGHT THREAD TO FLARE TUBE
66392	6 R5OX-S	RUN TEE,STRAIGHT THREAD	77703	3J982-8-8	HOSE END,90° FEMALE SWIVEL,SEAL LOK
66396	811-12	HOSE,3/4 INCH ID	77711	801-10	HOSE,5/8 INCH ID
66829	H3174PP	CLAMP,TUBE	77758	12 WNLO-WLNL-S	UNION,BULKHEAD 45°,ORFS
67217	4 KLO-S	UNION,CROSS,ORFS	78091	6 C6X-S	ELBOW,90°,SWIVEL NUT TO FLARE TUBE
67339	10-6 F5OX-S	CONNECTOR,STRAIGHT THREAD TO FLARE TUBE	78684	30582-8-8B	HOSE END,PUSH LOK,MALE
67357	13943-8-6	HOSE END,90° FEMALE SWIVEL,JIC	78852	549-2	HOSE,1/8 INCH ID
67358	10 HP5ON-S	PLUG,STRAIGHT THREAD	78855	10657-4-2	HOSE END,FEMALE SWIVEL,JIC
67371	12 S6LO-S	BRANCH TEE,SWIVEL NUT TO ORFS	79138	PS-B-37	SLEEVE,NYLON,2.38" ID
67498	4 FNL-S	CAP, TUBE END	79476	1JS43-6-8	HOSE END,FEMALE SWIVEL,SEAL LOK
67906	DC-370-F0F0-5	VALVE,CHECK	79847	12-3/4 A0EG-S	ELBOW,90°,STRAIGHT THREAD TO FEMALE PIPE
69316	8 FLO-S	CONNECTOR,MALE PIPE TO ORFS	80044	8 CLO-S	ELBOW,90°,MALE PIPE TO ORFS
69333	H3174PP	CLAMP,HYDRAULIC HOSE	80502	8 F5OX-S	CONNECTOR,STRAIGHT THREAD TO FLARE TUBE
69503	4 F65OX-S	CONNECTOR,STRAIGHT THREAD TO 37° SWIVEL	80503	8 C5OX-S	ELBOW,90°,STRAIGHT THREAD TO FLARE TUBE
69775	8 FNL-S	CAP, TUBE END	81010	AS-B-27	SLEEVE,NYLON,1.63" ID
71038	1/4X1/4F3HG-S	ADAPTER,CONVERSION	83052	821-6	HOSE,3/8 INCH ID
71196	12-8 F5OLO-S	CONNECTOR,STRAIGHT THREAD TO ORFS	83053	821-8	HOSE,1/2 INCH ID
71383	1/4 CD45-S	ELBOW,45°,MALE TO FEMALE PIPE	83054	821-12	HOSE,3/4 INCH ID
72270	12FNL-S	CAP, TUBE END	83055	30682-6-6	HOSE END,FEMALE SWIVEL,JIC
73436	60C-4	SLEEVE,COMPRESSION	83056	30682-12-12	HOSE END,FEMALE SWIVEL,JIC
73437	61C-4	NUT,COMPRESSION	83057	33782-6-6	HOSE END,45° FEMALE SWIVEL,JIC
73438	33482-4-4B	HOSE END,PUSH LOK,MALE	83058	33982-6-6	HOSE END,90° FEMALE SWIVEL,JIC
73767	1CD-S	ELBOW,90°,MALE TO FEMALE PIPE	83060	33982-12-12	HOSE END,90° FEMALE SWIVEL,JIC
73768	20-16-F5OG5-S	ADAPTER,FEMALE PIPE TO STRAIGHT THREAD	83063	13743-4-4	HOSE END,45° FEMALE SWIVEL,JIC
73769	16-20 F5OLO-S	CONNECTOR,STRAIGHT THREAD TO ORFS			
74660	6-8 F42EDMLO-S	CONNECTOR,MALE BSPP TO ORFS			
74661	8-8 F42EDMLO-S	CONNECTOR,MALE BSPP TO ORFS			
75007	4 FLO-S	CONNECTOR,MALE PIPE TO ORFS			
75008	1/8 HP-S	PLUG,PIPE THREAD			
75014	1/2 HP-S	PLUG,PIPE THREAD			
75042	8 WELO-WLNL-S	UNION,90° BULKHEAD W/NUT,ORFS			
75043	3/4 FF-S	NIPPLE,PIPE			
75254	24 F5OHAO-S	UNION,STRAIGHT THREAD			
75255	12 F5OHAO-S	UNION,STRAIGHT THREAD			
75256	XV506P-24	BALL VALVE			
75574	4 WLNL-S	BULKHEAD LOCKNUT			
75612	8 WJLO-WLNL-S	RUN TEE, BULKHEAD,ORFS			
75613	12-8 F5OG5-S	ADAPTER,FEMALE PIPE TO STRAIGHT THREAD			
75614	8 CC5OLO-S	ELBOW,90° LONG,STRAIGHT THREAD TO ORFS			
75628	1JB43-4-4	HOSE END,BULKHEAD,SEAL LOK			

## Fitting Cross References (Continued)

Genie PN	Parker PN	Description	Genie PN	Parker PN	Description
83064	13743-8-8	HOSE END,45° FEMALE SWIVEL,JIC	89449	6 WJLO-WLNL-S	RUN TEE, BULKHEAD,ORFS
83065	13743-12-12	HOSE END,45° FEMALE SWIVEL,JIC	89489	4 WJMLO-S	BRANCH TEE,BULKHEAD,ORFS
83066	13943-8-8	HOSE END,90° FEMALE SWIVEL,JIC	89551	1JB43-6-6	HOSE END,BULKHEAD,SEAL LOK
83067	14143-6-6	HOSE END,90° FEMALE SWIVEL,JIC	89552	1JB43-8-8	HOSE END,BULKHEAD,SEAL LOK
83068	14143-8-8	HOSE END,90° FEMALE SWIVEL,JIC	89593	20 C5OLO-S	ELBOW,90°,STRAIGHT THREAD TO ORFS
83069	14143-12-12	HOSE END,90° FEMALE SWIVEL,JIC	94161	8-8 CLO-S	ELBOW,90°,MALE PIPE TO ORFS
83070	772-8	HOSE,1/2 INCH ID	94358	351TC-12	HOSE,3/4 INCH ID
83071	10671-8-8	HOSE END,FEMALE SWIVEL,JIC	94418	20 FLO-S	CONNECTOR,MALE PIPE TO ORFS
83072	10671-12-12	HOSE END,FEMALE SWIVEL,JIC	96358	12 TX-S	SLEEVE,FLARE TUBE
83073	13771-8-8	HOSE END,45° FEMALE SWIVEL,JIC	96359	12 BTX-S	NUT,FLARE TUBE
83074	13771-12-12	HOSE END,45° FEMALE SWIVEL,JIC	96397	8 F5OX-S	CONNECTOR,STRAIGHT THREAD TO FLARE TUBE
83075	13971-8-8	HOSE END,90° FEMALE SWIVEL,JIC	96398	12-8 F5OX-S	CONNECTOR,STRAIGHT THREAD TO FLARE TUBE
83076	13971-12-12	HOSE END,90° FEMALE SWIVEL,JIC	96402	10343-6-6	HOSE END,MALE,JIC
83077	14171-8-8	HOSE END,90° FEMALE SWIVEL,JIC	96407	30382-6-6B	HOSE END,MALE,JIC
83078	14171-12-12	HOSE END,90° FEMALE SWIVEL,JIC			
83080	13943-16-16	HOSE END,90° FEMALE SWIVEL,JIC			
83103	10671-16-12	HOSE END,FEMALE SWIVEL,JIC			
83104	10671-10-12	HOSE END,FEMALE SWIVEL,JIC			
83112	1JC71-8-8	HOSE END,FEMALE SWIVEL,SEAL LOK			
83113	1JS71-16-12	HOSE END,FEMALE SWIVEL,SEAL LOK			
83114	1JS71-10-12	HOSE END,FEMALE SWIVEL,SEAL LOK			
83115	1J971-8-8	HOSE END,90° FEMALE SWIVEL,SEAL LOK			
83116	1J171-8-8	HOSE END,90° FEMALE SWIVEL,SEAL LOK			
83117	1J771-8-8	HOSE END,45° FEMALE SWIVEL,SEAL LOK			
83127	1J543-6-8	HOSE END,90° FEMALE SWIVEL,JIC			
83128	1JC43-6-8	HOSE END,FEMALE SWIVEL,SEAL LOK			
87033	12-6 TRLO-S	REDUCER,TUBE END TO SWIVEL,ORFS			
87034	3J782-8-8	HOSE END,45° FEMALE SWIVEL,SEAL LOK			
87172	12 HP5ON-S	PLUG,STRAIGHT THREAD			
87185	8 WNLO-WLNL-S	UNION,BULKHEAD 45°,ORFS			
87246	4 C6X-S	ELBOW,90°,SWIVEL NUT TO FLARE TUBE			
87679	6 LHP-S	FLANGE SEAL FITTING, MALE			
87681	6PLS N0702	BONDED SEAL			
88100	SR88100	ADAPTER,OIL DRAIN,GM 3.0L			
88311	1JS43-20-20	HOSE END,FEMALE SWIVEL,SEAL LOK			
88353	20 V5OLO-S	ELBOW,45°,STRAIGHT THREAD TO ORFS			
88474	10081-20	Crimp Shell, 1.25"			
88475	1988-20-24	HOSE END,90° FLANGE HEAD			
88476	JS88-24-24	HOSE END,FEMALE SWIVEL,SEAL LOK			
88477	1JC88-20-20	HOSE END,FEMALE SWIVEL,SEAL LOK			
88478	811-20	HOSE,11/4 INCH ID			
88936	20-16 F5OLO-S	CONNECTOR,STRAIGHT THREAD TO ORFS			
88937	20-16 FLO-S	CONNECTOR,MALE PIPE TO ORFS			
88938	1JC88-16-16	HOSE END,FEMALE SWIVEL,SEAL LOK			
88939	1J988-16-16	HOSE END,90° FEMALE SWIVEL,ORFS			
88940	811-16	HOSE,1 INCH ID			
88944	1J988-20-20	HOSE END,90° FEMALE SWIVEL,ORFS			
89403	16 VLO-S	ELBOW,45°,MALE PIPE TO ORFS			

California Proposition 65



**WARNING**

Operating, servicing and maintaining this equipment can expose you to chemicals including engine exhaust, carbon monoxide, phthalates, and lead, which are known to the State of California to cause cancer and birth defects or other reproductive harm. These chemicals can be emitted from or contained in other various parts and systems, fluids and some component wear by-products. To minimize exposure, avoid breathing exhaust, do not idle the engine except as necessary, service your equipment and vehicle in a well-ventilated area and wear gloves or wash your hands frequently when servicing your equipment or vehicle and after operation. For more information go to [www.P65Warnings.ca.gov/passenger-vehicle](http://www.P65Warnings.ca.gov/passenger-vehicle).

Breathing diesel engine exhaust exposes you to chemicals known to the State of California to cause cancer and birth defects or other reproductive harm.

- Always start and operate the engine in a well-ventilated area.
- If in an enclosed area, vent the exhaust to the outside.
- Do not modify or tamper with the exhaust system.
- Do not idle the engine except as necessary.

For more information go to [www.P65warnings.ca.gov/diesel](http://www.P65warnings.ca.gov/diesel).

Distributed By:

# PARTS FINDER

**Search Website  
by Part Number**



**Search Manual  
Library For Parts  
Manual & Lookup Part  
Numbers – Purchase  
or Request Quote**

**Search Manuals**

Enter your information to help us find the right parts manual for your machine.

\* Brand:

\* Model:

\* Serial:

\* Part Number:

SEARCH

**Can't Find Part or  
Manual? Request Help  
by Manufacturer,  
Model & Description**

**Parts Order Form**

Please fill in the following information to help us find the right part for your machine.

Manufacturer:	<input type="text"/>
Model:	<input type="text"/>
Description:	<input type="text"/>
Part Number:	<input type="text"/>
Quantity:	<input type="text"/>
Notes:	<input type="text"/>

Discount-Equipment.com is your online resource for quality parts & equipment.

Florida: **561-964-4949** Outside Florida TOLL FREE: **877-690-3101**

**Need parts?**

Click on this link: <http://www.discount-equipment.com/category/5443-parts/> and choose one of the options to help get the right parts and equipment you are looking for. Please have the machine model and serial number available in order to help us get you the correct parts. If you don't find the part on the website or on one of the online manuals, please fill out the request form and one of our experienced staff members will get back to you with a quote for the right part that your machine needs.

We sell worldwide for the brands: Genie, Terex, JLG, MultiQuip, Mikasa, Essick, Whiteman, Mayco, Toro Stone, Diamond Products, Generac Magnum, Airman, Haulotte, Barreto, Power Blanket, Nifty Lift, Atlas Copco, Chicago Pneumatic, Allmand, Miller Curber, Skyjack, Lull, Skytrak, Tsurumi, Husquvarna Target, Stow, Wacker, Sakai, Mi-T-M, Sullair, Basic, Dynapac, MBW, Weber, Bartell, Bennar Newman, Haulotte, Ditch Runner, Menegotti, Morrison, Contec, Buddy, Crown, Edco, Wyco, Bomag, Laymor, EZ Trench, Bil-Jax, F.S. Curtis, Gehl Pavers, Heli, Honda, ICS/PowerGrit, IHI, Partner, Imer, Clipper, MMD, Koshin, Rice, CH&E, General Equipment, Amida, Coleman, NAC, Gradall, Square Shooter, Kent, Stanley, Tamco, Toku, Hatz, Kohler, Robin, Wisconsin, Northrock, Oztec, Toker TK, Rol-Air, APT, Wylie, Ingersoll Rand / Doosan, Innovatech, Con X, Ammann, Mecalac, Makinex, Smith Surface Prep, Small Line, Wanco, Yanmar