



A TEREX BRAND



Parts Manual

Serial Number Range

S-60

from SN 09154 to 21000

S-65

S-60 HC

S-60 Trax

S-65 Trax

Part No. 77827

Rev J18

November 2018

Go to Discount-Equipment.com to order your parts

PARTS FINDER

**Search Website
by Part Number**



**Search Manual
Library For Parts
Manual & Lookup Part
Numbers – Purchase
or Request Quote**

Search Manuals

Enter your information to help us find the right parts manual for your machine.

* Brand:

* Model:

* Serial:

* Part Number:

SEARCH

**Can't Find Part or
Manual? Request Help
by Manufacturer,
Model & Description**

Parts Order Form

Please fill in the following information to help us find the right part for your machine.

Manufacturer:	<input type="text"/>
Model:	<input type="text"/>
Description:	<input type="text"/>
Part Number:	<input type="text"/>
Quantity:	<input type="text"/>
Notes:	<input type="text"/>

Submit

Discount-Equipment.com is your online resource for quality parts & equipment.

Florida: **561-964-4949** Outside Florida TOLL FREE: **877-690-3101**

Need parts?

Click on this link: <http://www.discount-equipment.com/category/5443-parts/> and choose one of the options to help get the right parts and equipment you are looking for. Please have the machine model and serial number available in order to help us get you the correct parts. If you don't find the part on the website or on one of the online manuals, please fill out the request form and one of our experienced staff members will get back to you with a quote for the right part that your machine needs.

We sell worldwide for the brands: Genie, Terex, JLG, MultiQuip, Mikasa, Essick, Whiteman, Mayco, Toro Stone, Diamond Products, Generac Magnum, Airman, Haulotte, Barreto, Power Blanket, Nifty Lift, Atlas Copco, Chicago Pneumatic, Allmand, Miller Curber, Skyjack, Lull, Skytrak, Tsurumi, Husquvarna Target, Stow, Wacker, Sakai, Mi-T-M, Sullair, Basic, Dynapac, MBW, Weber, Bartell, Bennar Newman, Haulotte, Ditch Runner, Menegotti, Morrison, Contec, Buddy, Crown, Edco, Wyco, Bomag, Laymor, EZ Trench, Bil-Jax, F.S. Curtis, Gehl Pavers, Heli, Honda, ICS/PowerGrit, IHI, Partner, Imer, Clipper, MMD, Koshin, Rice, CH&E, General Equipment, Amida, Coleman, NAC, Gradall, Square Shooter, Kent, Stanley, Tamco, Toku, Hatz, Kohler, Robin, Wisconsin, Northrock, Oztec, Toker TK, Rol-Air, APT, Wylie, Ingersoll Rand / Doosan, Innovatech, Con X, Ammann, Mecalac, Makinex, Smith Surface Prep, Small Line, Wanco, Yanmar



A TEREX BRAND

Model: S-60

Serial number: S6001-12345

Model year: 2005 **Manufacture date:** 04/12/01

Electrical schematic number: E0186

Machine unladen weight: 20,736lbs / 9,406kg
Foam Tires add 764 lbs/347 kg to weight

Rated work load (including occupants): 500 lb / 227 kg

Maximum number of platform occupants: 2

Maximum allowable side force : 150 lb / 670 N

Maximum allowable inclination of the chassis:

Air Tires 2 deg / Foam Tires 4.5 deg

Maximum wind speed : 28 mph/ 12.5 m/s

Maximum platform height : 60 ft 2 in/ 18.3 m

Maximum platform reach : 50 ft 4 in/ 15.3 m

Gradeability: 45%

Country of manufacture: USA

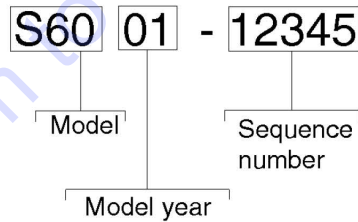
This machine complies with:

ANSI A92.5

CAN B.354.4



1110111



Serial label
(located under cover)

Serial number
stamped on chassis

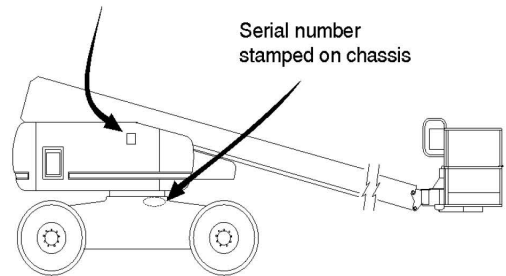


Table of Contents

This manual is updated frequently. For the most up-to-date parts information, visit www.discount-equipment.com

How to Read Your Serial Number.....	3
Parts Stocking List.....	9

Electronic Version

Click on any page number to view the figure.

001 Parts Stocking List

001.1 Parts Stocking List.....	12
--------------------------------	----

100 Decals

101.1 S-60 & S-65 Decals with Words (to SN 17349).....	14
102.1 S-60 & S-65 Decals with Symbols (to SN 17349).....	16
103.1 S-60 Decals with Word, Hydraulic Tank Side (ANSI & Australia) (from SN 17350).....	18
104.1 S-60 Decals with Word, Engine Side (ANSI & Australia) (from SN 17350).....	20
105.1 S-60 Decals with Word, Boom (ANSI & Australia) (from SN 17350).....	22
106.1 S-60 Decals with Word, Platform (ANSI & Australia) (from SN 17350).....	24
107.1 S-60 Decals with Symbol, Hydraulic Tank Side (CE) (from SN 17350).....	26
108.1 S-60 Decals with Symbol, Engine Side (CE) (from SN 17350).....	28
109.1 S-60 Decals with Symbol, Boom (CE) (from SN 17350).....	30
110.1 S-60 Decals with Symbol, Platform (CE) (from SN 17350).....	32
111.1 S-65 Decals with Word, Hydraulic Tank Side (ANSI & Australia) (from SN 17350).....	34
112.1 S-65 Decals with Word, Engine Side (ANSI & Australia) (from SN 17350).....	36
113.1 S-65 Decals with Word, Boom (ANSI & Australia) (from SN 17350).....	38
114.1 S-65 Decals with Word, Platform (ANSI & Australia) (from SN 17350).....	40
115.1 S-65 Decals with Symbol, Hydraulic Tank Side (ANSI & CE) (from SN 17350).....	42

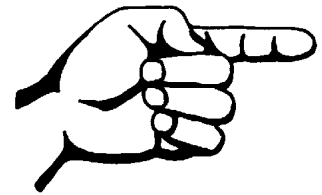
116.1 S-65 Decals with Symbol, Engine Side (ANSI & CE) (from SN 17350).....	44
117.1 S-65 Decals with Symbol, Boom (ANSI & CE) (from SN 17350).....	46
118.1 S-65 Decals with Symbol, Platform (ANSI & CE) (from SN 17350).....	48
119.1 S-60HC Decals with Word, Hydraulic Tank Side (ANSI & Australia) (from SN 17350).....	50
120.1 S-60HC Decals with Word, Engine Side (ANSI & Australia) (from SN 17350).....	52
121.1 S-60HC Decals with Word, Boom (ANSI & Australia) (from SN 17350).....	54
122.1 S-60HC Decals with Word, Platform (ANSI & Australia) (from SN 17350).....	56
123.1 S-60HC Decals with Symbol, Hydraulic Tank Side (ANSI & CE) (from SN 17350).....	58
124.1 S-60HC Decals with Symbol, Engine Side (ANSI & CE) (from SN 17350).....	60
125.1 S-60HC Decals with Symbol, Boom (ANSI & CE) (from SN 17350).....	62
126.1 S-60HC Decals with Symbol, Platform (ANSI & CE) (from SN 17350).....	64
127.1 S-60TraX Decals with Word, Hydraulic Tank Side (ANSI & Australia) (from SN 17350).....	66
128.1 S-60TraX Decals with Word, Engine Side (ANSI & Australia) (from SN 17350).....	68
129.1 S-60TraX Decals with Word, Boom (ANSI & Australia) (from SN 17350).....	70
130.1 S-60TraX Decals with Word, Platform (ANSI & Australia) (from SN 17350).....	72
131.1 S-60TraX Decals with Symbol, Hydraulic Tank Side (ANSI & CE) (from SN 17350).....	74
132.1 S-60TraX Decals with Symbol, Engine Side (ANSI & CE) (from SN 17350).....	76
133.1 S-60TraX Decals with Symbol, Boom (ANSI & CE) (from SN 17350).....	78
134.1 S-60TraX Decals with Symbol, Platform (ANSI & CE) (from SN 17350).....	80
135.1 S-65TraX Decals with Word, Hydraulic Tank Side (ANSI & Australia) (from SN 17350).....	82
136.1 S-65TraX Decals with Word, Engine Side (ANSI & Australia) (from SN 17350).....	84
137.1 S-65TraX Decals with Word, Boom (ANSI & Australia) (from SN 17350).....	86
138.1 S-65TraX Decals with Word, Platform (ANSI & Australia) (from SN 17350).....	88
139.1 S-65TraX Decals with Symbol, Hydraulic Tank Side (ANSI & CE) (from SN 17350).....	90
140.1 S-65TraX Decals with Symbol, Engine Side (ANSI & CE) (from SN 17350).....	92
141.1 S-65TraX Decals with Symbol, Boom (ANSI & CE) (from SN 17350).....	94

142.1 S-65TraX Decals with Symbol, Platform (ANSI & CE) (from SN 17350).....	96	511.1 Deutz BF4L-2011/TD2011-L04i Engine - View 2.....	198
200 Drive Chassis Components		600 Boom Structure Components	
201.1 Steer End (to SN 10344).....	98	601.1 Linkage Assembly (to SN 15752).....	200
201.2 Steer End (from SN 10345).....	102	601.2 Linkage Assembly (from SN 15753).....	202
202.1 Non-steer End.....	106	602.1 Boom Components - View 1.....	206
203.1 Oscillate Valve.....	108	603.1 Boom Components - View 2.....	210
204.1 TraX Option Steer End.....	110	604.1 Boom Components - View 3.....	212
205.1 TraX Option Non-Steer End.....	112	605.1 S-60 HC Primary Boom - View 1 (to SN 19038).....	214
206.1 TraX Option Components.....	114	606.1 S-60 HC Primary Boom - View 2 (to SN 19038).....	216
300 Turntable Components		606.2 S-60 HC Primary Boom - View 2 (from SN 19039).....	218
301.1 Tank Side - View 1.....	116	607.1 Cable Track (to SN 16340).....	220
302.1 Tank Side - View 2.....	118	607.2 Cable Track (from SN 16341).....	222
303.1 Turntable Covers.....	120	608.1 Jib Detail.....	224
304.1 Engine Side.....	122	700 Platform Components	
305.1 Ground Control Box - View 1 (to SN 20420).....	126	701.1 Platform Configurations.....	226
305.2 Ground Control Box - View 1 (from SN 20421).....	130	702.1 Platform Configurations - Platform Overload Option.....	230
306.1 Ground Control Box - View 2 (to SN 20420).....	134	703.1 Platform Control Box - View 1.....	232
306.2 Ground Control Box - View 2 (from SN 20421).....	136	704.1 Platform Control Box - View 2.....	236
307.1 Wire Harness Diagram (to SN 20420).....	138	705.1 Standard Joystick (To SN 14781).....	238
307.2 Wire Harness Diagram (from SN 20421).....	140	705.2 Standard Joystick (from SN 14782).....	240
308.1 S-60 HC Turntable - View 1.....	142	706.1 Optional Joystick (to SN 14781).....	242
309.1 S-60 HC Turntable - View 2.....	144	706.2 Optional Joystick (from SN 14782).....	244
400 Manifolds and Pumps		707.1 S-60 HC Platform Overload.....	246
401.1 Function Manifold.....	146	800 Hydraulic Hoses and Fittings	
402.1 Traction Manifold, 2WD.....	150	801.1 Function Manifold - View 1.....	248
403.1 Traction Manifold, 4WD.....	152	802.1 Function Manifold - View 2.....	250
403.2 Traction Manifold, 4WD.....	154	803.1 4WD Traction Manifold.....	252
404.1 Platform Rotate and Jib Boom/Platform Rotate Manifold.....	156	804.1 2WD Traction Manifold.....	254
405.1 Pumps.....	158	805.1 Oscillate Option.....	256
406.1 Brake and 2 Speed Manifold.....	160	806.1 Hydraulic Generator Option.....	258
500 Engine Components		807.1 Hydraulic Oil Cooler Option.....	260
501.1 GM 3.0 Liter.....	162	900 Accessories	
502.1 Deutz F4L1011 (to SN 9718).....	164	901.1 Alarm and Beacon Package.....	262
502.2 Deutz F3L2011/D2011L03i (from SN 9719).....	168	902.1 Platform Accessories.....	264
503.1 Perkins 704-30 (to SN 9693).....	172	903.1 Air Line and Power to Platform.....	266
503.2 Perkins 404-22 (from SN 9694).....	176	904.1 Belt Driven Generator Option.....	268
504.1 Ford LRG-425 EFI Engine - View 1 (to SN 14053).....	180	905.1 Hostile Environment Package, Boom Wipers (to SN 15854).....	270
505.1 Ford LRG-425 EFI Engine - View 2 (to SN 14053).....	184	905.2 Hostile Environment Package, Boom Wipers (from SN 15855).....	272
506.1 Ford DSG-423 Engine - View 1 (from SN 14054).....	186	906.1 Tri-Entry Platform Option.....	274
507.1 Ford DSG-423 Engine - View 2 (from SN 14054).....	188	907.1 Hydraulic Generator Option.....	276
508.1 Ford DSG-423 Engine - View 3 (from SN 14054).....	190	908.1 Gauge Option.....	278
509.1 Ford DSG-423 Engine - View 4 (from SN 14054).....	192	909.1 Hostile Environment Package, Turntable Components.....	280
510.1 Deutz BF4L-2011/TD2011-L04i Engine - View 1.....	194		

Table of Contents (continued)

910.1 Hostile Environment Package, Cylinder Bellows and Cable Track Protection.....	282
911.1 Hostile Environment Package, Engine Air Pre-Cleaners.....	284
912.1 Welder Option - Chassis Components.....	286
913.1 Welder Option - Platform Components.....	288
914.1 Welder Option - Hydraulic Hoses and Fittings.....	290
915.1 Aircraft Protection Package - Standard (to SN 20267).....	292
915.2 Aircraft Protection Package - Standard (from SN 20268).....	294
916.1 Aircraft Protection Package - Deluxe (to SN 20267).....	296
916.2 Aircraft Protection Package - Deluxe (from SN 20268).....	298
917.1 Welder Option - Generator Components.....	300
918.1 Hydraulic Oil Cooler Option.....	302
919.1 Cold Start Option.....	304
920.1 Panel Cradle Option.....	306
921.1 Tow Package.....	308
Indices	
Part Number Index.....	310
Part Description Index.....	319
Cross References	
Fittings Cross Reference.....	332

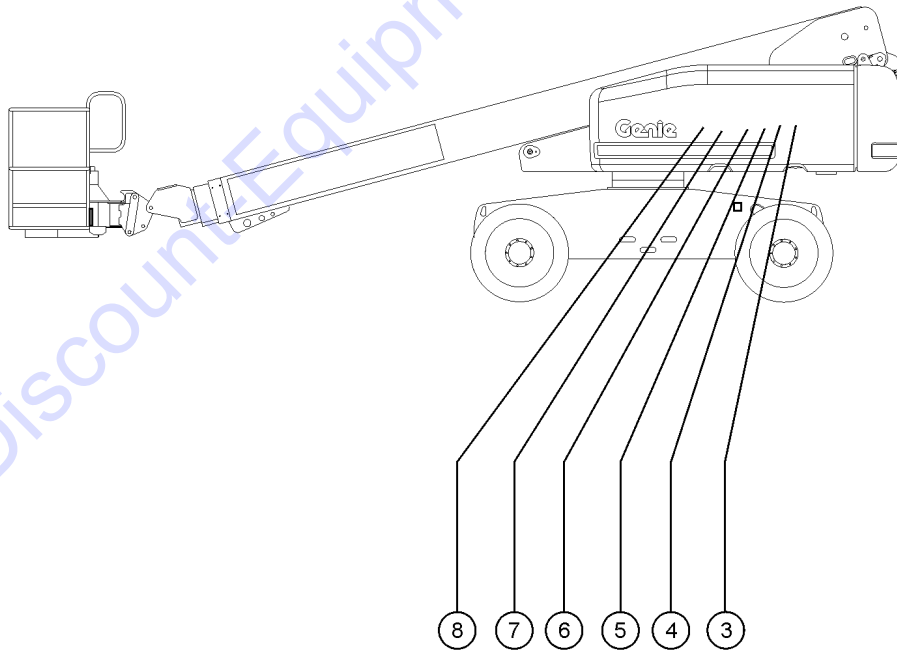
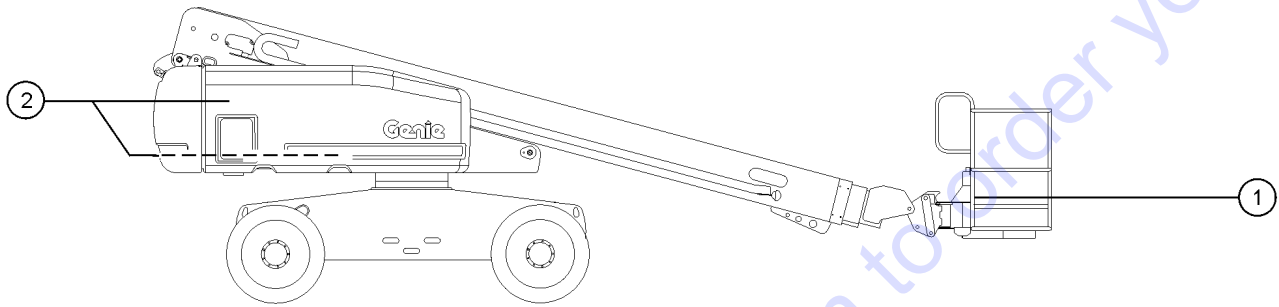
Please refer to section 001 for the Recommended Spare Parts List.



This page intentionally left blank.

Go to Discount-Equipment.com to order your parts

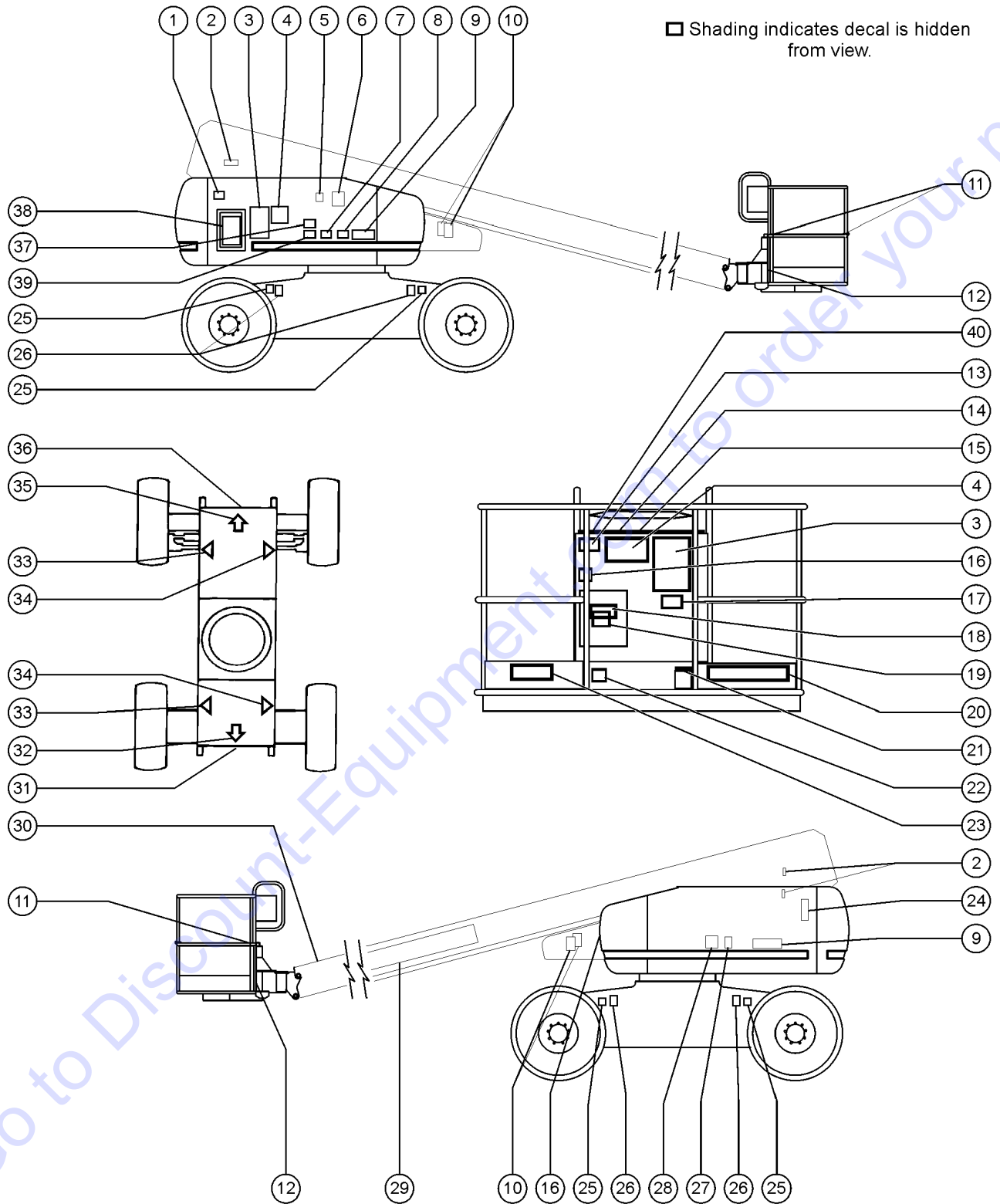
001.1 Parts Stocking List



001.1 Parts Stocking List

Item	Part No.	Description	Qty.	Item	Part No.	Description	Qty.
A		—GENERAL SERVICE PARTS—		4		—Deutz F4L-3011 Models (to SN 9718)—	
--		LITHIUM BASED GREASE <i>(source locally)</i>		--	29560GT	FILTER,FUEL/WTR SEP, DTZ 1008	
--	1257733GT	PAINT,WET,TRAFFIC BLACK (1 GL)** <i>1-gallon</i>		--	32698GT	BELT,V, DEUTZ DIESEL ENGINE	
--	1258567GT	PAINT, AEROSOL, TRAFFIC BLACK <i>12-ounce spray paint</i>		--	49924GT	FILTER,OIL,DEUTZ F4L1011F	
--	1268GT	PAINT,AEROSOL,GENIE GRAY*** <i>12-ounce spray paint</i>		--	62420GT	FILTER,AIR***	
--	1283776GT	SEAL MARKER,CROSS CHECK,BLUE,TUBE		5		—Deutz F3L-2011 Models (from SN 9719)—	
--	1484GT	PAINT,AEROSOL,BRIGHT BLUE*** <i>12-ounce spray paint</i>		--	29560GT	FILTER,FUEL/WTR SEP, DTZ 1008	
--	32150GT	PAINT,WET,GENIE BLUE (1 GL)** <i>1-gallon</i>		--	32698GT	BELT,V, DEUTZ DIESEL ENGINE	
--	32151GT	PAINT,WET,GENIE GRAY (1 GL)** <i>1-gallon</i>		--	49924GT	FILTER,OIL,DEUTZ F4L1011F	
--	49613GT	PLUG AND CAP KIT-SERVICE,ORFS* <i>O-ring kit, Parker</i>		--	62420GT	FILTER,AIR***	
--	66399GT	GREASE,DIELECTRIC 4 OZ**		6		—Ford LRG-425 EFI Models (to SN 14053)—	
--	93500GT	PARKER DIGITAL PRESSURE GAUGE		--	28656GT	FILTER,OIL,FORD	
--				--	52179GT	FILTER, FUEL LRG 425/423 EFI	
1		—MANUALS—		--	52580GT	BELT,SERPENTINE,LRG425 EFI***	
--	27581GT	MANUAL,AEM SAFETY		--	58967GT	FUEL PRESSURE REG,425EFI***	
--	31779GT	MANUAL,RESPON,A92.5 BOOM		--	77295GT	FILTER ELEMENT,AIR,NOLFF LPG	
2		—HYD FILTERS—		7		—Ford DSG-423 EFI Models (from SN 14054)—	
--	60857GT	FILTER,ELEMENT,BETA(5)=1000 <i>All Models</i>		--	119138GT	BELT,SERPENTINE,DSG-423	
--	77353GT	KIT,ELEMENT** <i>All Models</i>		--	119139GT	OIL FILTER,DSG-423	
3		—GM 3.0 Liter Models—		--	119170GT	FUEL SENSOR ASSY.	
--				--	119474GT	VALVE,PCV FORD DSG-423	
--	1267807GT	ASSY, MED. PRESS. FILTER, SAE8		--	119495GT	SPARK PLUG, FORD DSG-423	
--	1272019GT	FILTER, FUEL		--	52179GT	FILTER, FUEL LRG 425/423 EFI	
--	60334GT	FILTER ASSY,HIGH PRESS SAE-12*		--	77295GT	FILTER ELEMENT,AIR,NOLFF LPG	
--	62420GT	FILTER,AIR***					
--	62421GT	FILTER,FUEL,PERKINS					
--	62433GT	FILTER,ELEMENT,30 MIC,75020					
--	65620GT	PCV VALVE-GM 3.0L ENGINE					
--	65621GT	BELT-FAN, GM 3.0L ENGINE					
--	65622GT	SPARK PLUG-GM 3.0L ENGINE					
--	65623GT	FILTER-OIL,GM 3.0L ENGINE					
--	65624GT	CAP-DISTRIBUTOR, GM 3.0L					
--	65625GT	ROTOR-DISTRIBUTOR, GM 3.0L					
--	77295GT	FILTER ELEMENT,AIR,NOLFF LPG					
--	89765GT	BELT, V (PERKINS 404)					
--	94762GT	OIL FILTER - PERKINS					

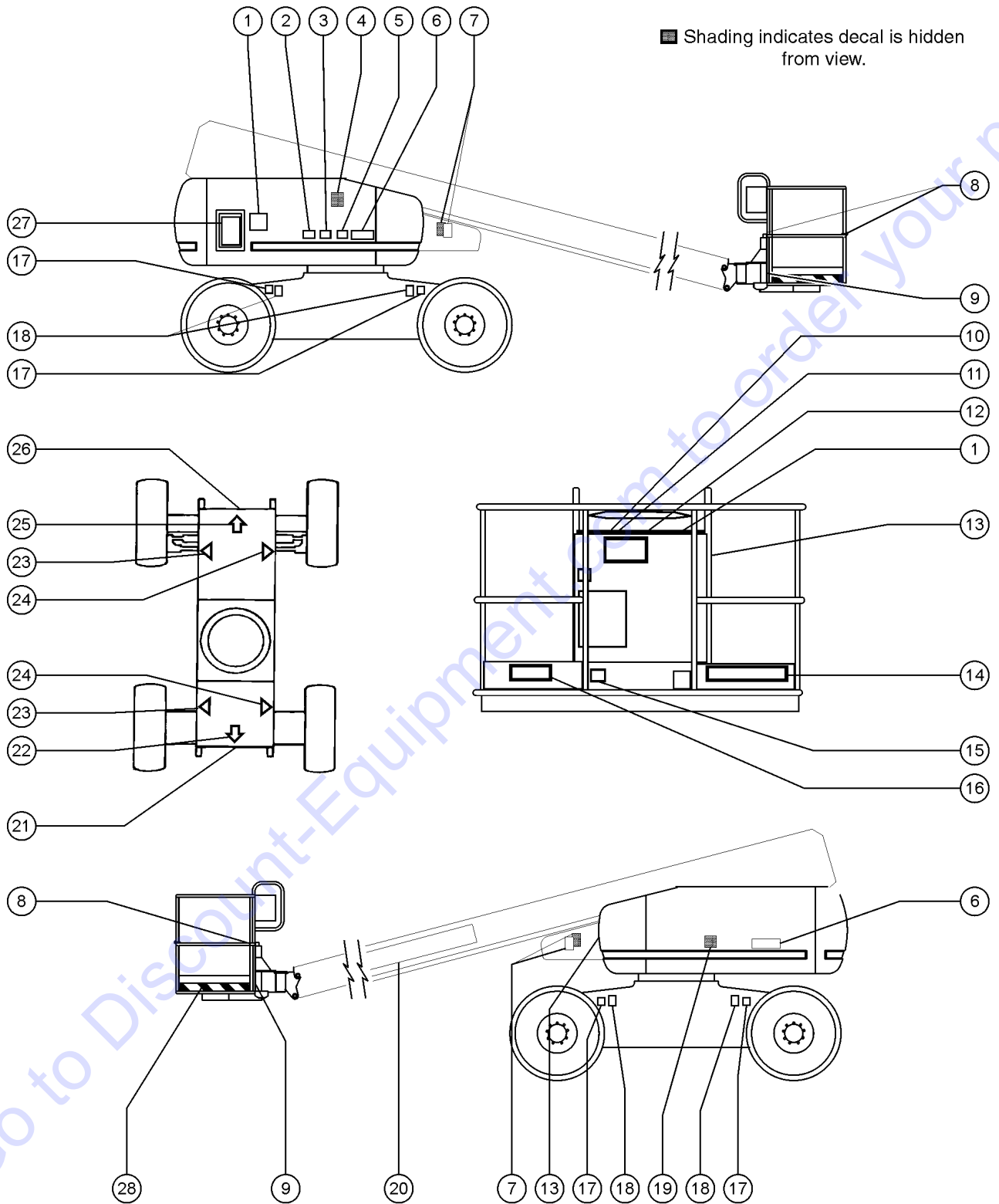
101.1 S-60 & S-65 Decals with Words (to SN 17349)



101.1 S-60 & S-65 Decals with Words (to SN 17349)

Item	Part No.	Description	Qty.	Item	Part No.	Description	Qty.
--	82408GT	DECAL KIT,WORDS,S60/65 <i>includes Items 1-4, 7, 9-13, 17, 19, 21, 26, 27, 28, 30 and 32-35</i>		--	133238GT	DECAL,ENGINE SPEC,PERKINS***.....1 <i>for Tier III Engine; from SN 19607</i>	1
1	82366GT	DECAL,CHEVRON RANDO HD.....1		--	82644GT	DECAL, ENGINE SPEC, PERKINS.....1 <i>for Tier II Engine; to SN 19606</i>	1
2	31060GT	DECAL,DANGER DO NOT ALTER SWTC.....3		--	128953GT	DECAL,ENGINE SPEC,DEUTZ,TD2011 <i>Turbo Deutz only</i>	
3	97890GT	DECAL,DANGER,GEN SAFETY RULES.....2		--	82645GT	DECAL,NOTICE,DEUTZ ENG SPEC.....1 <i>to SN 9718</i>	1
4	82283GT	DECAL,NOTICE,OPER INST.IC***.....2		--	97548GT	DECAL,ENGINE SPEC,DEUTZ 2011 <i>from SN 9719</i>	
5	38149GT	DECAL,LABEL,PATENTS.....1		25A	82549GT	DECAL,LABEL,WHEEL LOAD S60.....4	4
6	77046GT	SERIAL # LABEL,MYLAR 4X8***.....1		25B	82550GT	DECAL,LABEL,WHEEL LOAD S65.....4	4
7	28171GT	DECAL,DANGER,NO SMOKING ***.....2		26	82677GT	DECAL,DANGER/LABEL,TIRE SPECS.....4	4
8	28160GT	DECAL,LABEL,LIQUID PROPANE.....1 <i>Gasoline/LP models</i>		--	82678GT	DECAL,DANGER,HI-FLOAT TIRE.....4	4
9	27564GT	DECAL,DANGER,ELEC.HAZ.STAY CLR.....3		27	28164GT	DECAL,NOTICE,HAZARDOUS MAT'LS*.....1	1
10	28161GT	DECAL,WARN,CRUSH HAZARD HAND.....4		28	28175GT	DECAL,WARNING-COMPART ACCESS.....1	1
11	40434GT	DECAL,LANYARD ANCHORAGE POINT.....8		29	62076GT	DECAL,COSMETIC,GENIE S-60.....1	1
12	28177GT	DECAL,WARN,CRUSH HAZARD PLAT.....2		29	62078GT	DECAL,COSMETIC,GENIE S65.....1	1
13	33952GT	DECAL,DANGER,TILT ALARM.....1		30	28181GT	DECAL,WARN,FALL HAZARD.....1	1
14	133518GT	DECAL, PATCH, GEN,ALC-500.....1		31	52966GT	DECAL,COSMETIC,4 X 2.....1	1
15	82456GT	DECAL,PLAT CONTROL PANEL,S60**.....1		--	52967GT	DECAL,COSMETIC,4 X 4.....1	1
--	82244GT	DECAL,PROTECTOR,CLEAR***		32	27205GT	DECAL,ARROW YELLOW LRG 9".....1	1
16	28235GT	DECAL,POWER TO PLATFORM 115V...2		33	27206GT	DECAL,TRIANGLE,BLUE.....2	2
--	28174GT	DECAL, POWER TO PLATFORM 230V**.....2		34	27207GT	DECAL,TRIANGLE,YELLOW.....2	2
17	28236GT	DECAL,WARN,IMPROPER OPERATION.....1		35	27204GT	DECAL,ARROW BLUE.....1	1
18	82686GT	DECAL,DANGER,TIP-OVER,HI-CAP....1		36	62077GT	DECAL,COSMETIC,S60.....1	1
19	28176GT	DECAL,LABEL,MANUAL NOT HERE.....1		36	62079GT	DECAL,COSMETIC,S65.....1	1
20	30080GT	DECAL,NOTICE,MAX LOAD 500 LBS <i>refer to machine serial label before ordering</i>		37	28158GT	DECAL,LABEL,UNLEADED GAS ONLY.....2 <i>Gasoline/LP models</i>	2
--	43594GT	DECAL,NOTICE,MAX LOAD 750 LBS....1 <i>refer to machine serial label before ordering</i>		--	28159GT	DECAL,DIESEL.....2 <i>Diesel models</i>	2
21	28165GT	DECAL,INSTRUCT,FOOTSWITCH OPER.....1		38	82455GT	DECAL,GROUND CONTROL PANEL ***.....1	1
22	44981GT	DECAL,LABEL, AIR LINE 110 PSI.....1		39	133278GT	DECAL,LOW/ULTRA LOW SULFR FUEL.....1 <i>from SN 19607</i>	1
23	97887GT	DECAL,INSTR,MAX SIDE FRC,ANSI....1 <i>ANSI and CSA models</i>		40	46468GT	DECAL,FUNCTION OVERRIDE.....1	1
--	44986GT	DECAL,INSTR,SIDE FRC/WIND,AUS....1 <i>CE models</i>					
24	82679GT	DECAL,NOTICE,GM 3.0 ENG SPEC....1					
--	114169GT	DECAL,FORD ENGINE SPEC DSG423.....1 <i>from SN 14054</i>					

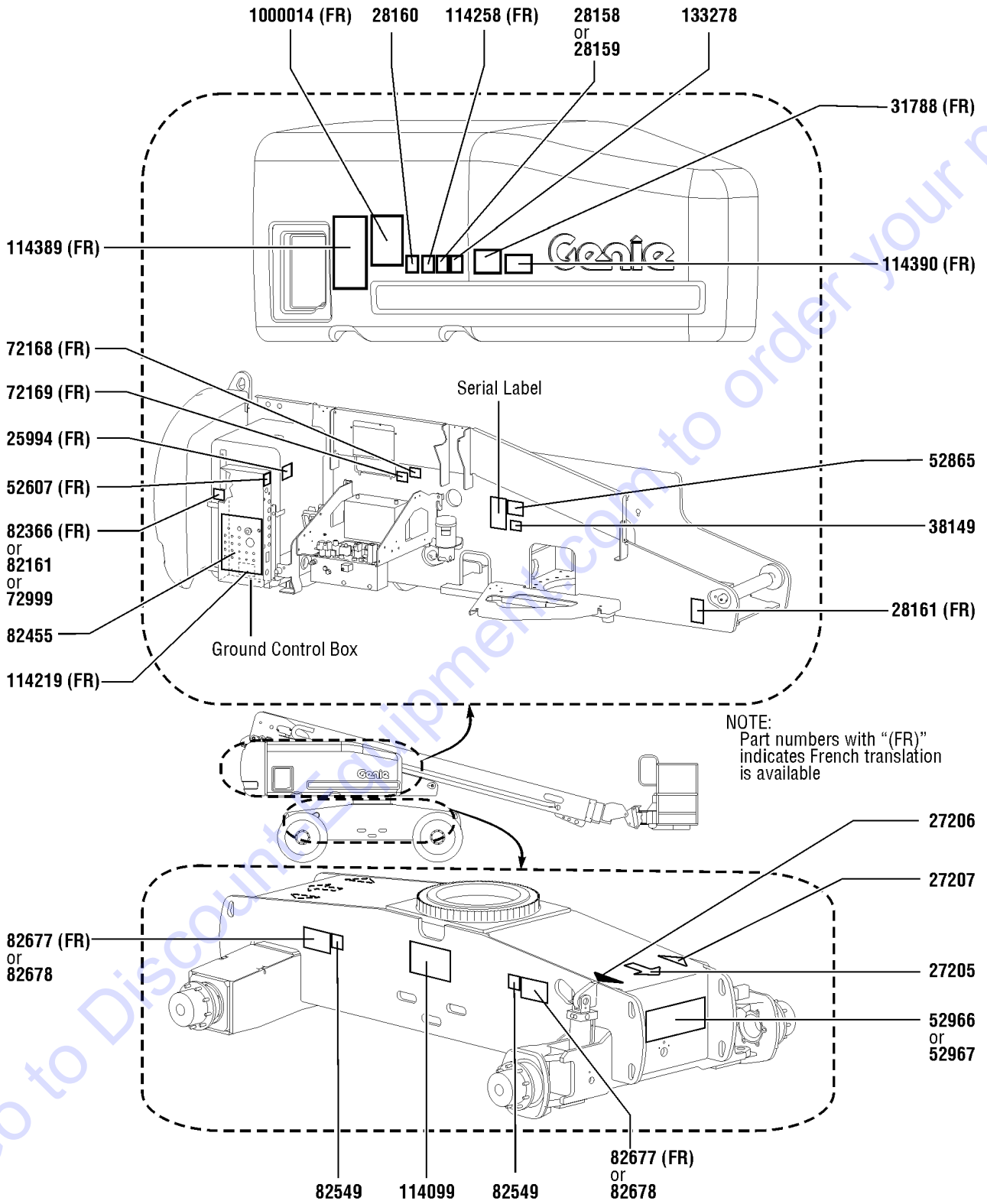
102.1 S-60 & S-65 Decals with Symbols (to SN 17349)



102.1 S-60 & S-65 Decals with Symbols (to SN 17349)

Item	Part No.	Description	Qty.	Item	Part No.	Description	Qty.
--	82760GT	DECAL KIT,SYMBOL,S60 <i>includes Items 1, 3, 6 - 9, and 22 - 25</i>		23	27206GT	DECAL,TRIANGLE,BLUE.....	2
--	97815GT	DECAL,LABEL,LOWER MIDRAIL.....	1	24	27207GT	DECAL,TRIANGLE,YELLOW.....	2
1	82487GT	DECAL, SYMBOL - READ THE MANUAL.....	1	25	27204GT	DECAL,ARROW BLUE.....	1
2	28158GT	DECAL,LABEL,UNLEADED GAS ONLY.....	2	26	62077GT	DECAL,COSMETIC,S60.....	1
--	28159GT	DECAL,DIESEL.....	2	26	62079GT	DECAL,COSMETIC,S65.....	1
3	28171GT	DECAL,DANGER,NO SMOKING ***.....	2	27	82455GT	DECAL,GROUND CONTROL PANEL***.....	1
4	77046GT	SERIAL # LABEL,MYLAR 4X8***.....	1	28	33550GT	TAPE,WARNING,BLK/YEL, 50'***.....	1
5	28160GT	DECAL,LABEL,LIQUID PROPANE.....	1				
6	82544GT	DECAL,DANGER,ELEC.HAZ.STAY CLR.....	3				
7	82472GT	DECAL,WARNING,CRUSHING HAZARD.....	4				
8	40434GT	DECAL,LANYARD ANCHORAGE POINT.....	4				
9	82548GT	DECAL,WARN,CRUSH HAZARD PLAT.....	2				
10	82646GT	DECAL,DRIVE ENABLE PATCH.....	1				
11	133518GT	DECAL, PATCH, GEN,ALC-500.....	1				
12	82456GT	DECAL,PLAT CONTROL PANEL,S60**.....	1				
--	82244GT	DECAL,PROTECTOR,CLEAR***.....					
13	28235GT	DECAL,POWER TO PLATFORM 115V...2					
--	28174GT	DECAL, POWER TO PLATFORM 230V**.....	2				
14	82545GT	DECAL,DANGER,MAX LOAD 227 KG** <i>refer to machine serial label before ordering</i>					
--	82547GT	DECAL,DANGER,MAX LOAD 340 KG...1 <i>refer to machine serial label before ordering</i>	1				
15	44981GT	DECAL,LABEL, AIR LINE 110 PSI.....	2				
16	82602GT	DECAL,DANGER,MAX SIDE FRC,667N.....	1				
--	82604GT	DECAL,DANGER,SIDE FRC 400N.....1 <i>CE models</i>	1				
17	82549GT	DECAL,LABEL,WHEEL LOAD S60.....	4				
17	82550GT	DECAL,LABEL,WHEEL LOAD S65.....	4				
18	82551GT	DECAL,LABEL,TIRE PRESSURE.....	4				
18	82552GT	DECAL,LABEL,TIRE PRESS HF.....	4				
19	82473GT	DECAL,SYMBOL-COMP ACCESS.....	1				
20	62076GT	DECAL,COSMETIC,GENIE S-60.....	1				
20	62078GT	DECAL,COSMETIC,GENIE S65.....	1				
21	52966GT	DECAL,COSMETIC,4 X 2.....	1				
--	52967GT	DECAL,COSMETIC,4 X 4.....	1				
22	27205GT	DECAL,ARROW YELLOW LRG 9".....	1				

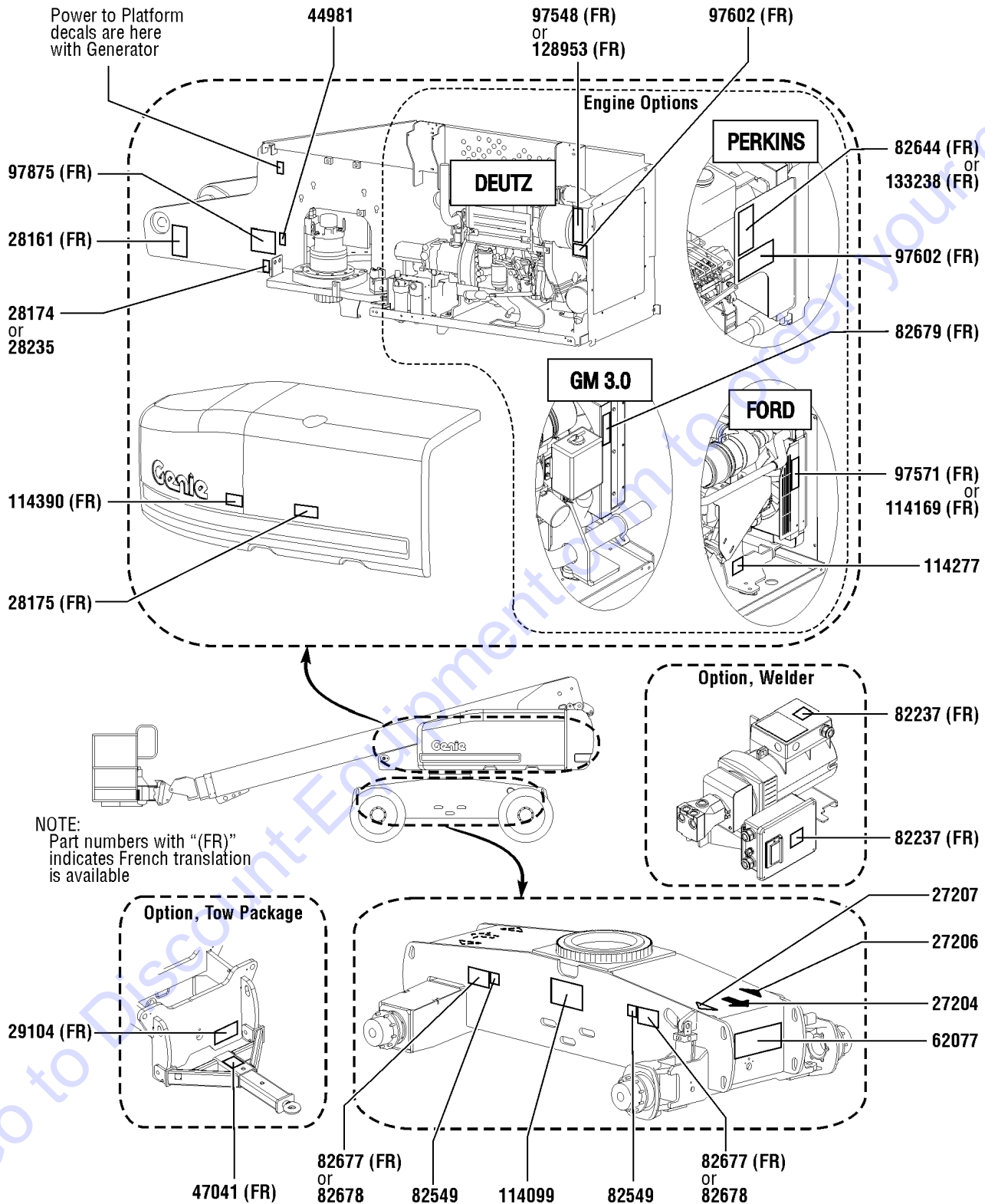
103.1 S-60 Decals with Word, Hydraulic Tank Side (ANSI & Australia) (from SN 17350)



103.1 S-60 Decals with Word, Hydraulic Tank Side (ANSI & Australia) (from SN 17350)

Item	Part No.	Description	Qty.	Item	Part No.	Description	Qty.
1	25994GT	DECAL,NOTICE,SHUTOFF VALVES.....	1	29	133278GT	DECAL,LOW/ULTRA LOW SULFR FUEL.....	1
2	27205GT	DECAL,ARROW YELLOW LRG 9".....	1			<i>Diesel models only</i>	
3	27206GT	DECAL,TRIANGLE,BLUE.....	1	30	1000014GT	DECAL,NOTICE,OPER INST.S60.....	1
4	27207GT	DECAL,TRIANGLE,YELLOW.....	1				
5	28158GT	DECAL,LABEL,UNLEADED GAS ONLY.....	1				
		<i>Option, Fuel</i>					
6	28159GT	DECAL,DIESEL.....	1				
		<i>Option, Fuel</i>					
7	28160GT	DECAL,LABEL,LIQUID PROPANE.....	1				
		<i>Option, LPG tank</i>					
8	28161GT	DECAL,WARN,CRUSH HAZARD HAND.....	1				
9	31788GT	DECAL,DANGER,BATTERY SAFETY***.....	1				
10	38149GT	DECAL,LABEL,PATENTS.....	1				
		<i>(US Only)</i>					
11	52607GT	DECAL,LABEL,TEST***.....	1				
		<i>(Ford Only)</i>					
12	52865GT	DECAL,ANNUAL INSP***.....	1				
		<i>(ANSI Only)</i>					
13	52966GT	DECAL,COSMETIC,4 X 2.....	1				
		<i>Option, Drive</i>					
14	52967GT	DECAL,COSMETIC,4 X 4.....	1				
		<i>Option, Drive</i>					
15	72168GT	DECAL,LABEL,STARTER BATTERY.....	1				
		<i>Option, Dual battery</i>					
16	72169GT	DECAL,LABEL,CONTROLS BATTERY...1					
		<i>Option, Dual battery</i>					
17	72999GT	DECAL,LABEL,PETRO CANADA***.....	1				
		<i>Option, hydraulic oil</i>					
18	82161GT	DECAL,LABEL,UCON HYDROLUBE.....	1				
		<i>Option, hydraulic oil</i>					
19	82366GT	DECAL,CHEVRON RANDO HD.....	1				
		<i>Option, hydraulic oil</i>					
20	82455GT	DECAL,GROUND CONTROL PANEL***.....	1				
21	82549GT	DECAL,LABEL,WHEEL LOAD S60.....	2				
22	82677GT	DECAL,DANGER/LABEL,TIRE SPECS.....	2				
23	82678GT	DECAL,DANGER,HI-FLOAT TIRE.....	2				
		<i>ANSI Only Option, High Floatation tires</i>					
24	114099GT	DECAL,LABEL,TRANSPORT DIAGRAM.....	1				
25	114219GT	DECAL,LABEL,RELAYS,S60&65.....	1				
26	114258GT	DECAL,DANGER,NO SMOKING.....	1				
27	114389GT	DECAL,DANGER,GENERAL SAFETY....	1				
28	114390GT	DECAL,DANGER,ELECT HAZARD***....	1				

104.1 S-60 Decals with Word, Engine Side (ANSI & Australia) (from SN 17350)

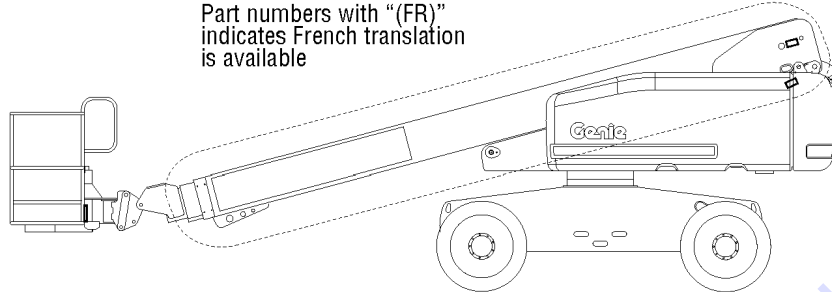


104.1 S-60 Decals with Word, Engine Side (ANSI & Australia) (from SN 17350)

Item	Part No.	Description	Qty.	Item	Part No.	Description	Qty.
1	27204GT	DECAL,ARROW BLUE.....	1	27	133238GT	DECAL,ENGINE SPEC,PERKINS***..... <i>404D-22 from SN S6008-19607</i>	1
2	27206GT	DECAL,TRIANGLE,BLUE.....	1				
3	27207GT	DECAL,TRIANGLE,YELLOW.....	1				
4	28161GT	DECAL,WARN,CRUSH HAZARD HAND.....	1				
5	28174GT	DECAL, POWER TO PLATFORM 230V**.....	1				
6	28175GT	DECAL,WARNING-COMPART ACCESS.....	1				
7	28235GT	DECAL,POWER TO PLATFORM 115V...1					
8	29104GT	DECAL,TOWING INSTRUCTIONS..... <i>Option, Tow Package</i>	1				
9	44981GT	DECAL,LABEL, AIR LINE 110 PSI..... <i>Option, airline to platform</i>	1				
10	47041GT	DECAL,CAUTION,TOWING SPEED..... <i>Option, Tow Package</i>	1				
11	62077GT	DECAL,COSMETIC,S60.....	1				
12	82237GT	DECAL,DANGER,HIGH VOLTAGE..... <i>Option, Welder</i>	2				
13	82549GT	DECAL,LABEL,WHEEL LOAD S60.....	2				
14	82644GT	DECAL, ENGINE SPEC, PERKINS..... <i>404C-22 from SN S6004-9694 to S6008-19606</i>	1				
15	82677GT	DECAL,DANGER/LABEL,TIRE SPECS.....	2				
16	82678GT	DECAL,DANGER,HI-FLOAT TIRE..... <i>ANSI Only Option, high floatation tires</i>	2				
17	82679GT	DECAL,NOTICE,GM 3.0 ENG SPEC.....	1				
18	97548GT	DECAL,ENGINE SPEC,DEUTZ 2011..... <i>D2011L03i</i>	1				
19	97571GT	DECAL,NOTICE,FORD ENG SPECS T2..... <i>LRG -425 to SN S6006-14053</i>	1				
20	97602GT	DECAL,EXPLOSION HAZARD..... <i>Diesel engines</i>	1				
21	97875GT	DECAL,WARN.WELD LINE INST.WORD..... <i>Option, Weld Cable Line</i>	1				
22	114099GT	DECAL,LABEL,TRANSPORT DIAGRAM.....	1				
23	114169GT	DECAL,FORD ENGINE SPEC DSG423..... <i>Ford DSG -423 from SN S6006-14054</i>	1				
24	114277GT	DECAL,LABEL,BELT ROUTING DSG..... <i>Ford DSG-423</i>	1				
25	114390GT	DECAL,DANGER,ELECT HAZARD***.....	1				
26	128953GT	DECAL,ENGINE SPEC,DEUTZ,TD2011..... <i>TD2011L03i - turbo deutz only from SN S6010-20379</i>	1				

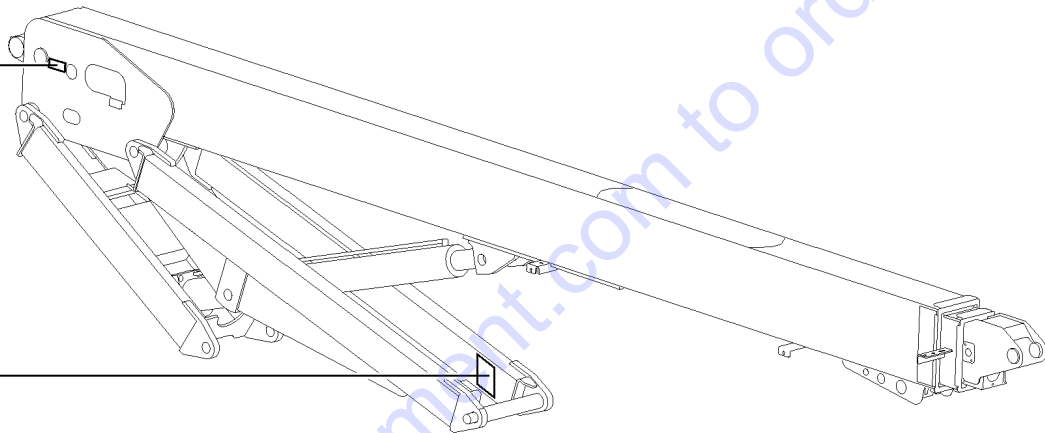
105.1 S-60 Decals with Word, Boom (ANSI & Australia) (from SN 17350)

NOTE:
Part numbers with "(FR)"
indicates French translation
is available



31060 (FR)

28161 (FR)



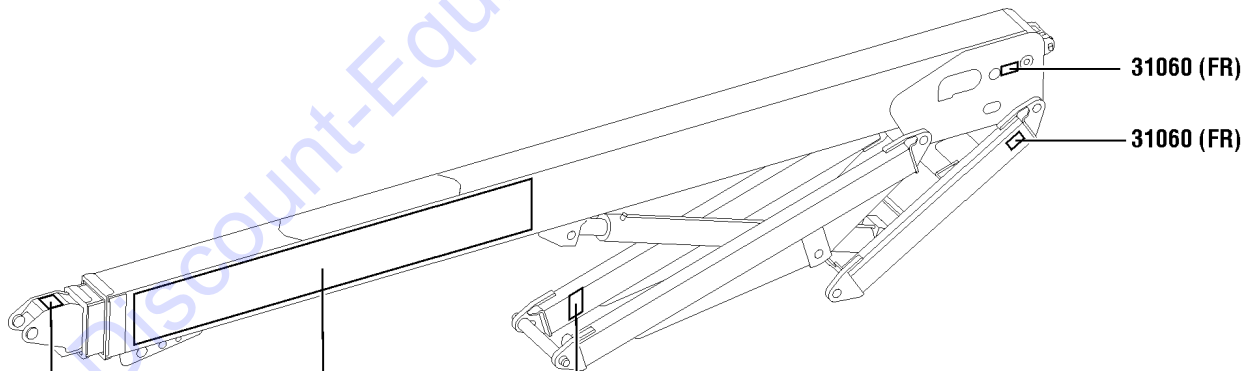
31060 (FR)

31060 (FR)

28181 (FR)

62076

28161 (FR)

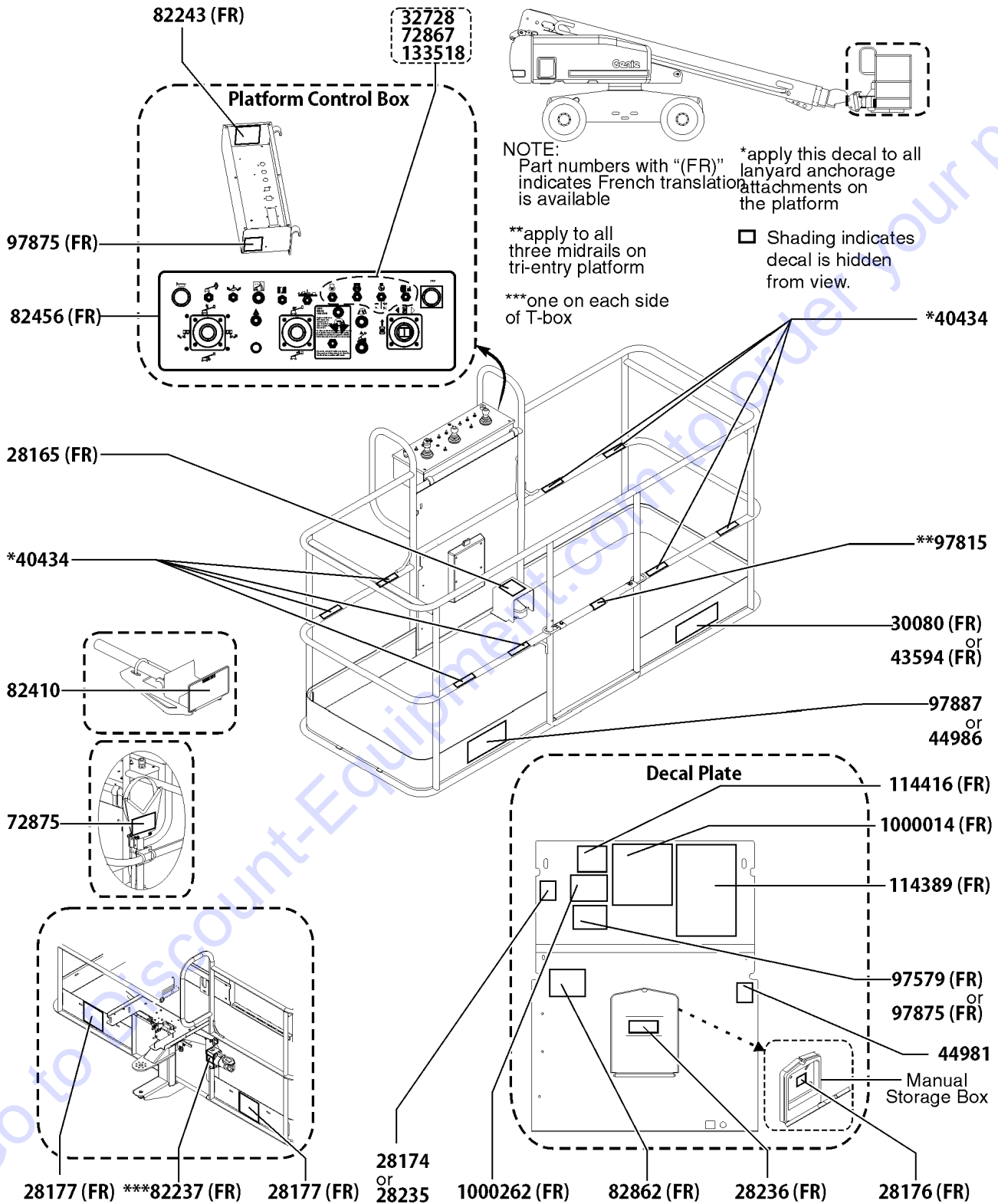


105.1 S-60 Decals with Word, Boom (ANSI & Australia) (from SN 17350)

Item	Part No.	Description	Qty.
1	28161GT	DECAL,WARN,CRUSH HAZARD HAND.....	2
2	28181GT	DECAL,WARN,FALL HAZARD.....	1
3	31060GT	DECAL,DANGER DO NOT ALTER SWTC.....	3
4	62076GT	DECAL,COSMETIC,GENIE S-60.....	1

Go to Discount-Equipment.com to order your parts

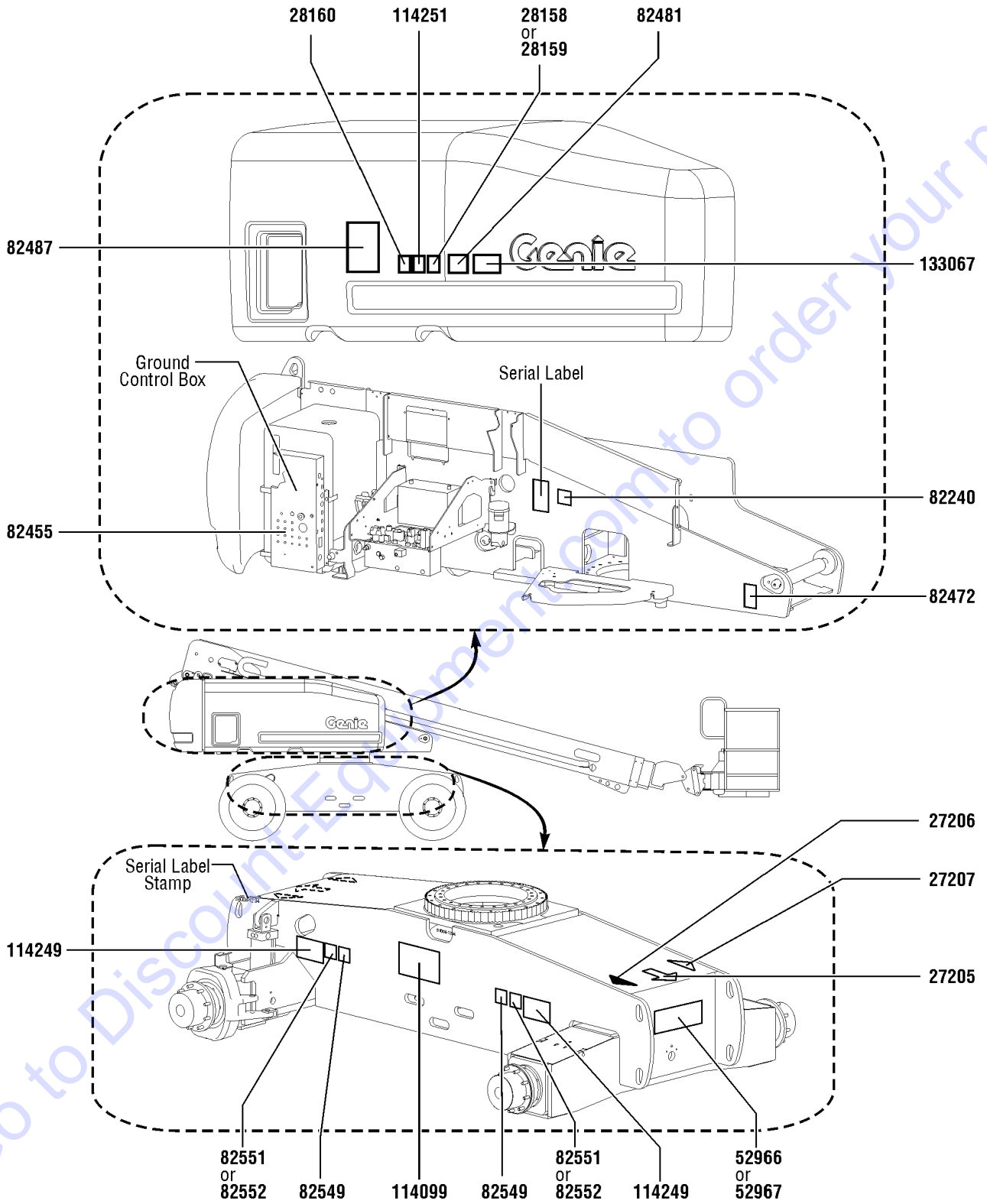
106.1 S-60 Decals with Word, Platform (ANSI & Australia) (from SN 17350)



106.1 S-60 Decals with Word, Platform (ANSI & Australia) (from SN 17350)

Item	Part No.	Description	Qty.	Item	Part No.	Description	Qty.
1	28165GT	DECAL,INSTRUCT,FOOTSWITCH OPER.....	1	28	1000262GT	DECAL,DANGER,TIP OVER,PLAT..... <i>Use on S-60 HC and S-60s with 750 lb capacity option</i>	1
2	28174GT	DECAL, POWER TO PLATFORM 230V**.....	1				
3	28176GT	DECAL,LABEL,MANUAL NOT HERE.....	1				
4	28177GT	DECAL,WARN,CRUSH HAZARD PLAT.....	2				
5	28235GT	DECAL,POWER TO PLATFORM 115V....	1				
6	28236GT	DECAL,WARN,IMPROPER OPERATION.....	1				
7	30080GT	DECAL,NOTICE,MAX LOAD 500 LBS.... <i>500 lbs</i>	1				
8	32728GT	DECAL,OPTION GENERATOR***..... <i>Option, Generator</i>	1				
9	40434GT	DECAL,LANYARD ANCHORAGE POINT.....	8				
10	43594GT	DECAL,NOTICE,MAX LOAD 750 LBS.... <i>Option, 750 lbs</i>	1				
11	44981GT	DECAL,LABEL, AIR LINE 110 PSI..... <i>Option, airline to platform</i>	1				
12	44986GT	DECAL,INSTR,SIDE FRC/WIND,AUS.... <i>Australia</i>	1				
13	72867GT	DECAL,LABEL,LIGHTS***..... <i>Option, Work Lights or Driving Lights</i>	1				
14	72875GT	DECAL,WARNING,PIPE CRADLE,BOOM..... <i>Option, Pipe Cradle</i>	2				
15	82237GT	DECAL,DANGER,HIGH VOLTAGE..... <i>Option, Welder</i>	2				
16	82243GT	DECAL FAULT CODE.....	1				
17	82410GT	DECAL,WARNING,PANEL CRADLE..... <i>Option, Panel Cradle</i>	2				
18	82456GT	DECAL,PLAT CONTROL PANEL,S60**.....	1				
--	82244GT	DECAL,PROTECTOR,CLEAR***					
19	82862GT	DECAL,FIRE EXTINGUISHER..... <i>Option, Welder</i>	1				
20	97579GT	DECAL,DANGER,TIP-OVER,WELDER**. <i>Option, Welder</i>	1				
21	97815GT	DECAL,LABEL,LOWER MIDRAIL.....	1				
22	97875GT	DECAL,WARN.WELD LINE INST.WORD..... <i>Option, Weld cable line</i>	2				
23	97887GT	DECAL,INSTR,MAX SIDE FRC,ANSI.... <i>ANSI</i>	1				
24	114389GT	DECAL,DANGER,GENERAL SAFETY....	1				
25	114416GT	DECAL,DANGER,TIPOVER,TILT.....	1				
26	133518GT	DECAL, PATCH, GEN,ALC-500..... <i>Option, Generator / Welder</i>	1				
27	1000014GT	DECAL,NOTICE,OPER INST.S60.....	1				

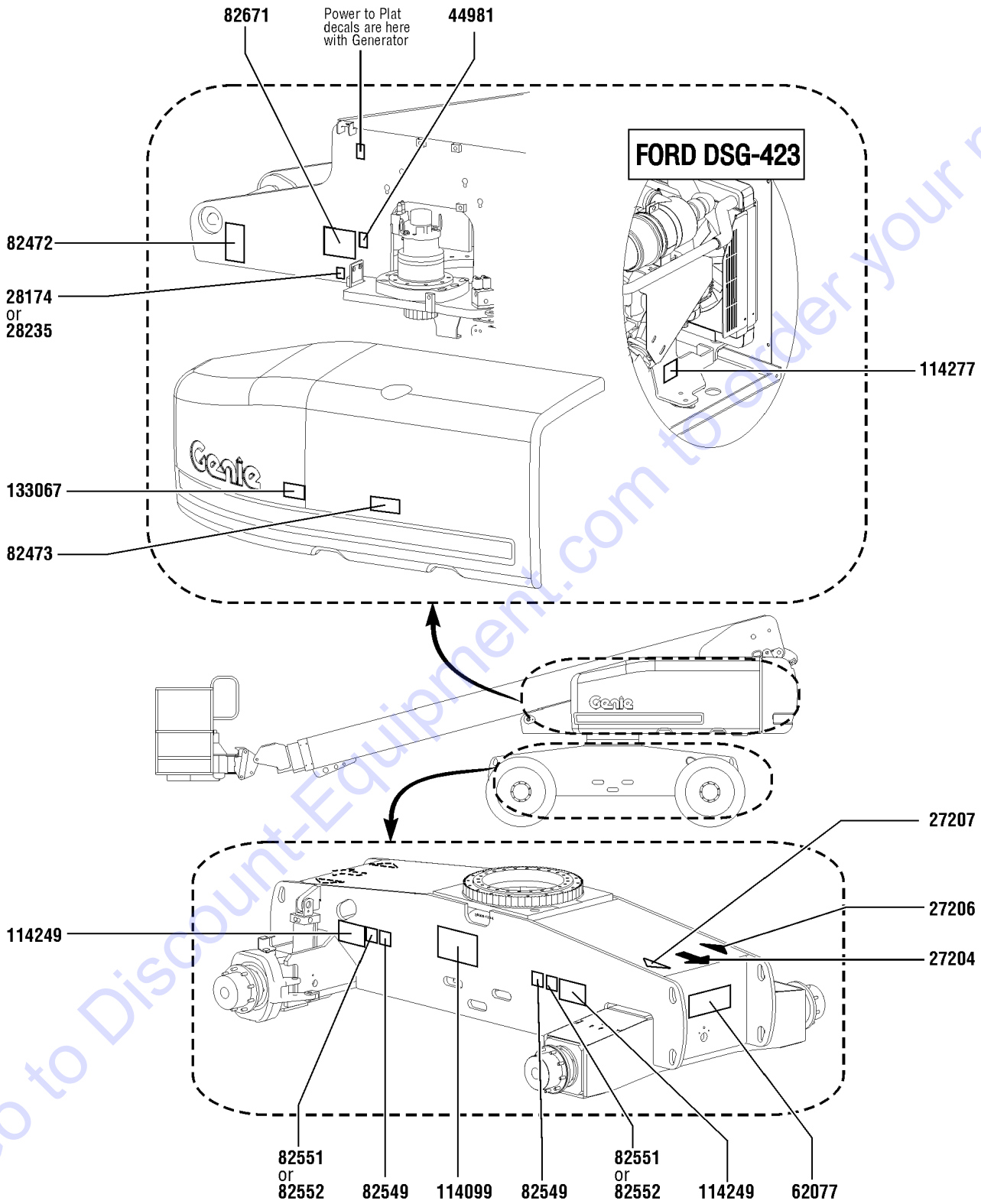
107.1 S-60 Decals with Symbol, Hydraulic Tank Side (CE) (from SN 17350)



107.1 S-60 Decals with Symbol, Hydraulic Tank Side (CE) (from SN 17350)

Item	Part No.	Description	Qty.
1	27205GT	DECAL,ARROW YELLOW LRG 9".....1	1
2	27206GT	DECAL,TRIANGLE,BLUE.....1	1
3	27207GT	DECAL,TRIANGLE,YELLOW.....1	1
4	28158GT	DECAL,LABEL,UNLEADED GAS ONLY.....1 <i>Option, fuel</i>	1
5	28159GT	DECAL,DIESEL.....1 <i>Option, fuel</i>	1
6	28160GT	DECAL,LABEL,LIQUID PROPANE.....1 <i>Option, LPG Tank</i>	1
7	52966GT	DECAL,COSMETIC,4 X 2.....1 <i>Option, drive</i>	1
8	52967GT	DECAL,COSMETIC,4 X 4.....1 <i>Option, drive</i>	1
9	82240GT	DECAL,LABEL,105 DB.....1	1
10	82455GT	DECAL,GROUND CONTROL PANEL ***1	1
11	82472GT	DECAL,WARNING,CRUSHING HAZARD.....1	1
12	82481GT	DECAL,SYMBOL-BATTERY SAFETY.....1	1
13	82487GT	DECAL, SYMBOL - READ THE MANUAL.....1	1
14	82549GT	DECAL,LABEL,WHEEL LOAD S60.....2	2
15	82551GT	DECAL,LABEL,TIRE PRESSURE.....2 <i>RT air filled tires only</i>	2
16	82552GT	DECAL,LABEL,TIRE PRESS HF.....2 <i>High floatation air filled tires only</i>	2
17	114099GT	DECAL,LABEL,TRANSPORT DIAGRAM.....1	1
18	114249GT	DECAL,LABEL,TIPOVER,TIRES,SYMB.2	2
19	114251GT	DECAL,LABEL,NO SMOKING,SYMB.....1	1
20	133067GT	DECAL,DANGER,ELEC.HAZ.STAY CLR.....1	1

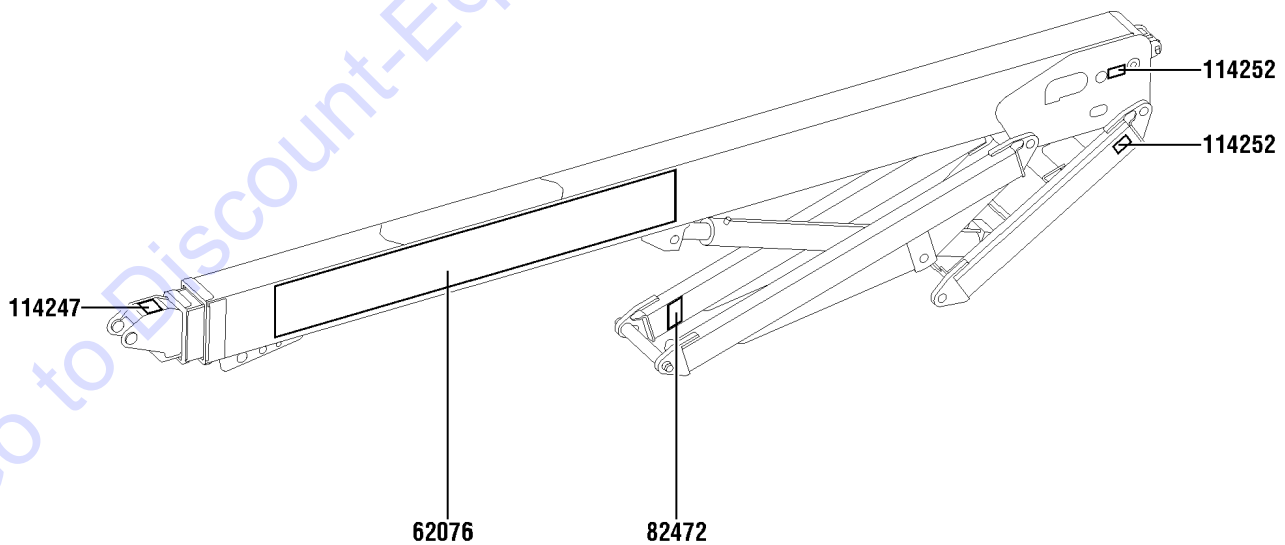
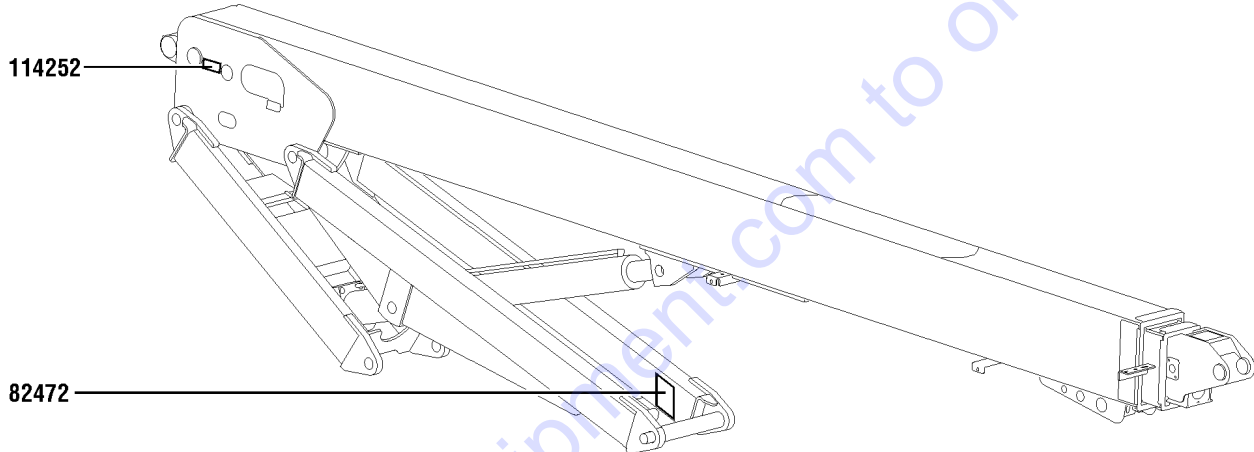
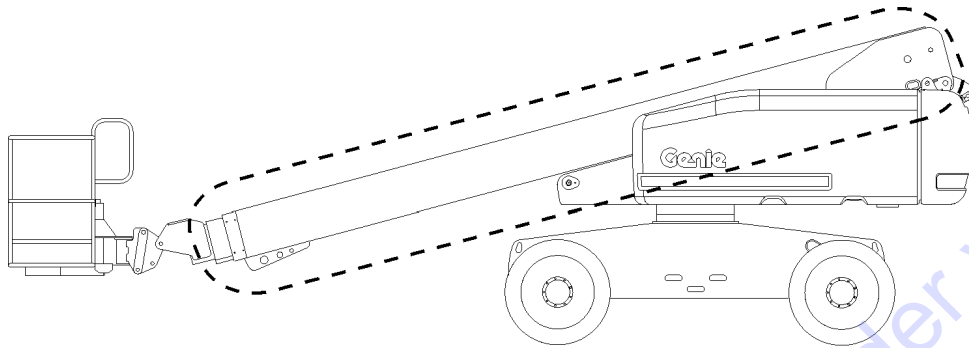
108.1 S-60 Decals with Symbol, Engine Side (CE) (from SN 17350)



108.1 S-60 Decals with Symbol, Engine Side (CE) (from SN 17350)

Item	Part No.	Description	Qty.
1	27204GT	DECAL,ARROW BLUE.....	1
2	27206GT	DECAL,TRIANGLE,BLUE.....	1
3	27207GT	DECAL,TRIANGLE,YELLOW.....	1
4	28174GT	DECAL, POWER TO PLATFORM 230V**.....	1
5	28235GT	DECAL,POWER TO PLATFORM 115V...1	1
6	44981GT	DECAL,LABEL, AIR LINE 110 PSI.....1 <i>Option, airline to plat</i>	1
7	62077GT	DECAL,COSMETIC,S60.....	1
8	82472GT	DECAL,WARNING,CRUSHING HAZARD.....	1
9	82473GT	DECAL,SYMBOL-COMP ACCESS.....	1
10	82549GT	DECAL,LABEL,WHEEL LOAD S60.....	2
11	82551GT	DECAL,LABEL,TIRE PRESSURE.....2 <i>RT air filled tires only</i>	2
12	82552GT	DECAL,LABEL,TIRE PRESS HF.....2 <i>High floatation air filled tires only</i>	2
13	82671GT	DECAL,LABEL,WELD LINE INST,SYM...1 <i>Option, weld cable line</i>	1
14	114099GT	DECAL,LABEL,TRANSPORT DIAGRAM.....	1
15	114249GT	DECAL,LABEL,TIPOVER,TIRES,SYMB.2 <i>Option, tire</i>	2
16	114277GT	DECAL,LABEL,BELT ROUTING DSG.....1 <i>Ford DSG-423</i>	1
17	133067GT	DECAL,DANGER,ELEC.HAZ.STAY CLR.....	1

109.1 S-60 Decals with Symbol, Boom (CE) (from SN 17350)

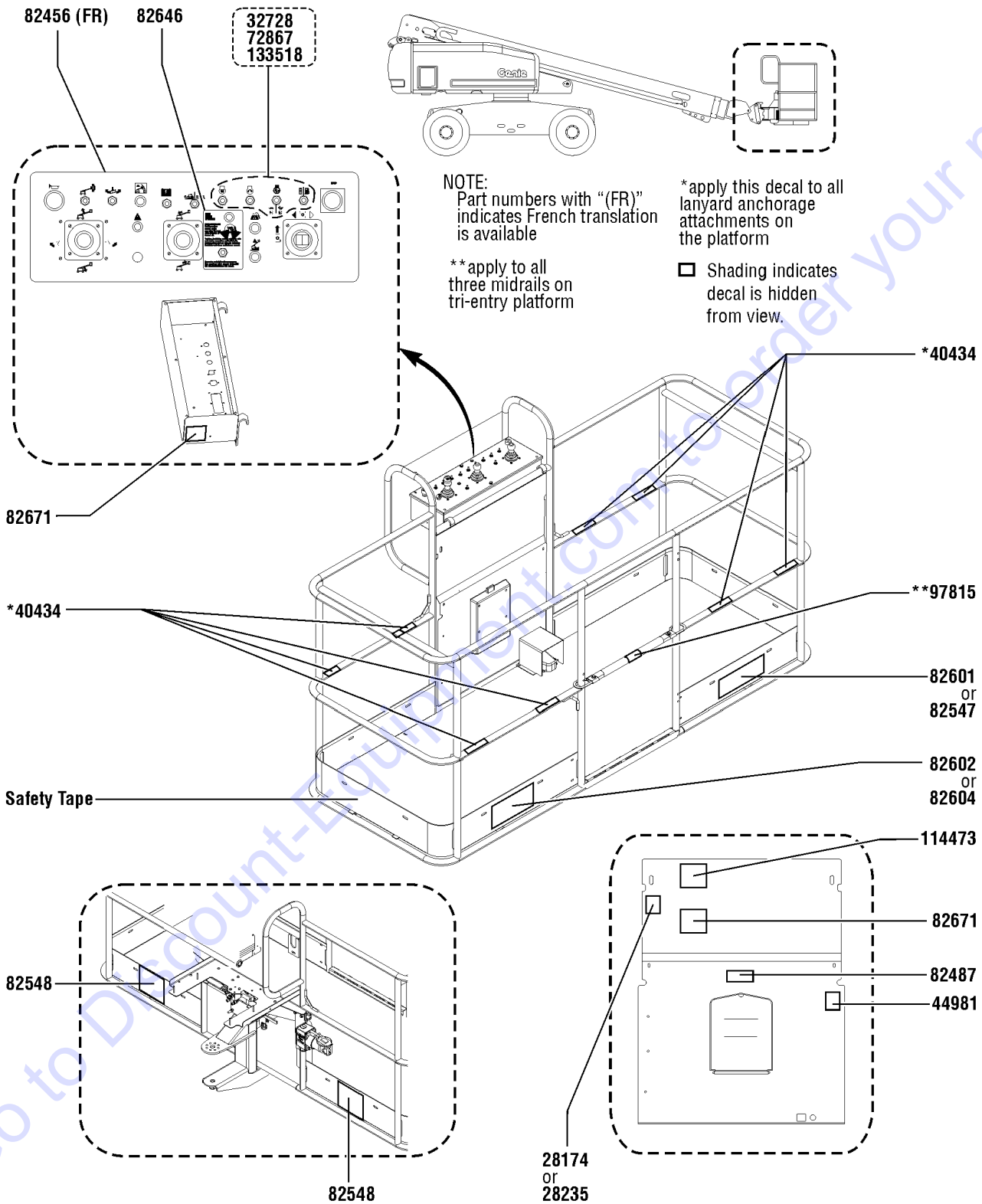


109.1 S-60 Decals with Symbol, Boom (CE) (from SN 17350)

Item	Part No.	Description	Qty.
1	62076GT	DECAL,COSMETIC,GENIE S-60.....	1
2	82472GT	DECAL,WARNING,CRUSHING HAZARD.....	2
3	114247GT	DECAL,LABEL,FALL HAZARD***.....	1
4	114252GT	DECAL,LABEL,TIP OVER LMT SWTCH.....	3

Go to Discount-Equipment.com to order your parts

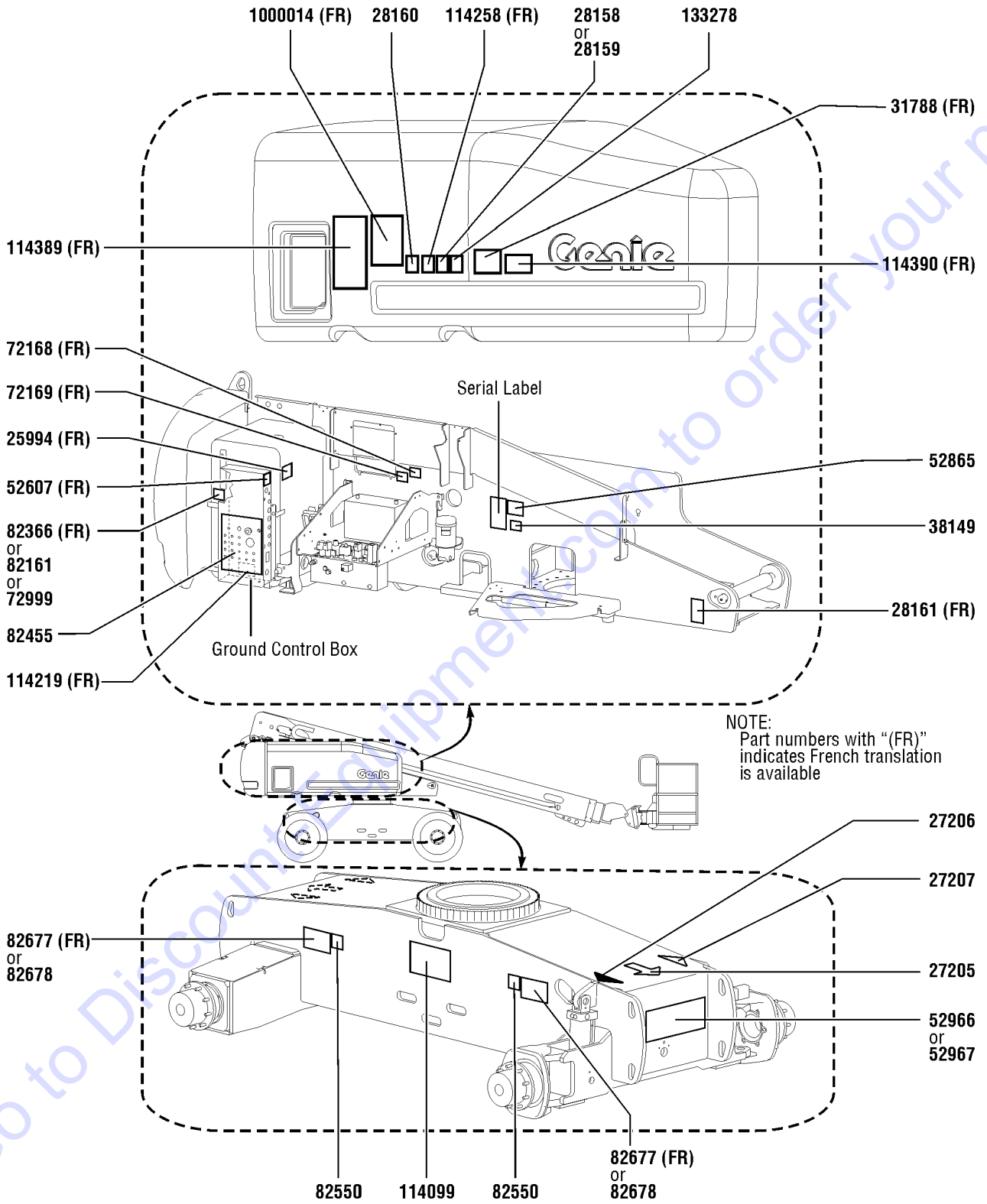
110.1 S-60 Decals with Symbol, Platform (CE) (from SN 17350)



110.1 S-60 Decals with Symbol, Platform (CE) (from SN 17350)

Item	Part No.	Description	Qty.
1	28174GT	DECAL, POWER TO PLATFORM 230V**.....	1
2	28235GT	DECAL,POWER TO PLATFORM 115V...1	1
3	32728GT	DECAL,OPTION GENERATOR***.....1 <i>Option, generator</i>	1
4	40434GT	DECAL,LANYARD ANCHORAGE POINT.....	8
5	44981GT	DECAL,LABEL, AIR LINE 110 PSI.....1 <i>Option, airline to plat</i>	1
6	72867GT	DECAL,LABEL,LIGHTS***.....1 <i>Option, work lights or driving lights</i>	1
7	82456GT	DECAL,PLAT CONTROL PANEL,S60**.....	1
--	82244GT	DECAL,PROTECTOR,CLEAR***	
8	82487GT	DECAL, SYMBOL - READ THE MANUAL.....	1
9	82547GT	DECAL,DANGER,MAX LOAD 340 KG....1 <i>Option, maximum platform capacity - 750 lbs</i>	1
10	82548GT	DECAL,WARN,CRUSH HAZARD PLAT.....	2
11	82601GT	DECAL,LABEL,MAX CAPACITY***.....1 <i>Maximum platform capacity - 500 lbs</i>	1
12	82602GT	DECAL,DANGER,MAX SIDE FRC,667N.....	1
13	82604GT	DECAL,DANGER,SIDE FRC 400N.....1 <i>CE</i>	1
14	82646GT	DECAL,DRIVE ENABLE PATCH.....1	1
15	82671GT	DECAL,LABEL,WELD LINE INST,SYM...2 <i>Option, weld cable line</i>	2
16	97815GT	DECAL,LABEL,LOWER MIDRAIL.....1	1
17	114473GT	DECAL,DANGER,TIPOVER,TILT,SYM...1	1
18	133518GT	DECAL, PATCH, GEN,ALC-500.....1 <i>Opion, generator/welder</i>	1

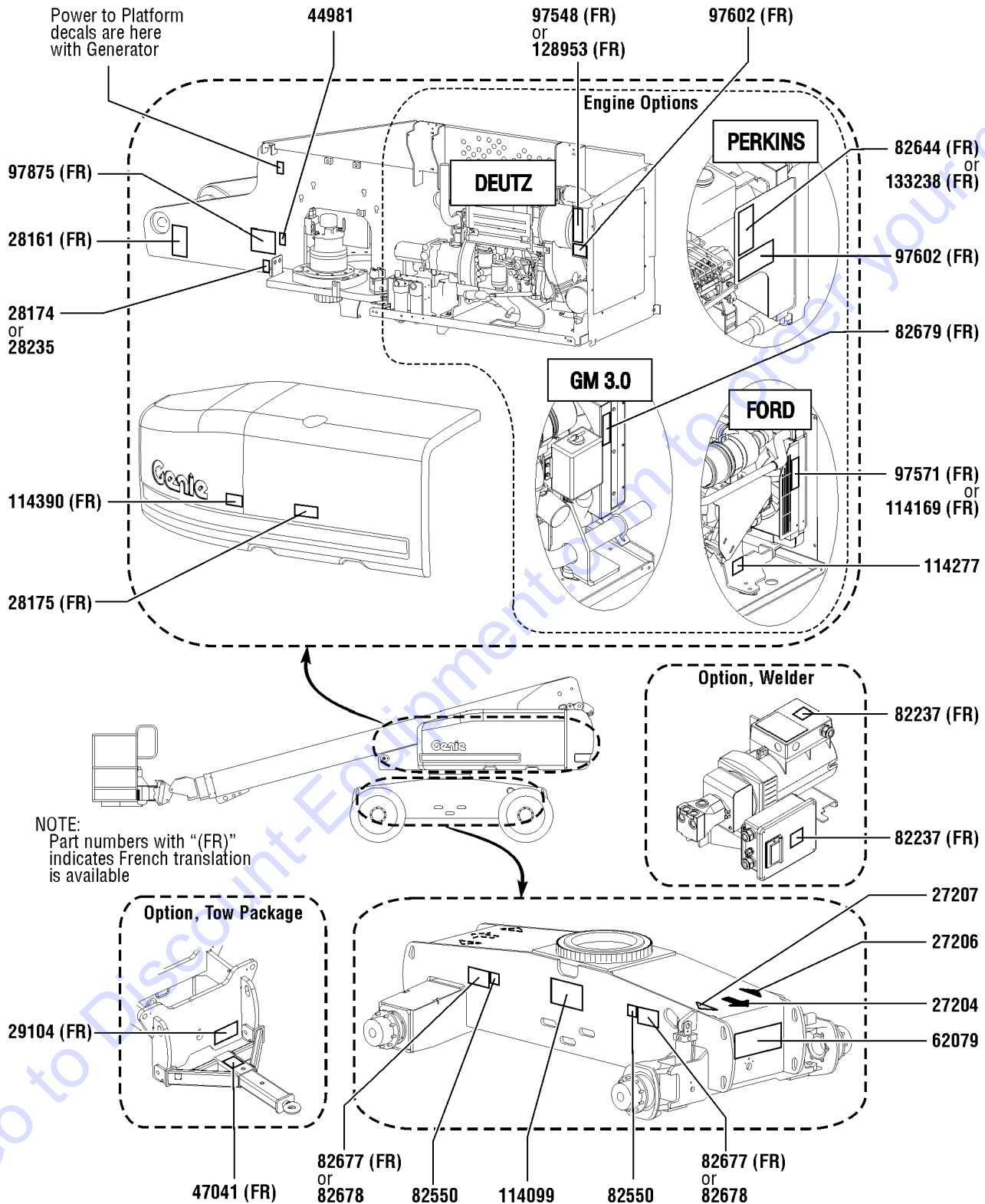
111.1S-65 Decals with Word, Hydraulic Tank Side (ANSI & Australia) (from SN 17350)



111.1S-65 Decals with Word, Hydraulic Tank Side (ANSI & Australia) (from SN 17350)

Item	Part No.	Description	Qty.	Item	Part No.	Description	Qty.
1	25994GT	DECAL,NOTICE,SHUTOFF VALVES.....	1	29	133278GT	DECAL,LOW/ULTRA LOW SULFR FUEL.....	1
2	27205GT	DECAL,ARROW YELLOW LRG 9".....	1			<i>Diesel models only</i>	
3	27206GT	DECAL,TRIANGLE,BLUE.....	1	30	1000014GT	DECAL,NOTICE,OPER INST.S60.....	1
4	27207GT	DECAL,TRIANGLE,YELLOW.....	1				
5	28158GT	DECAL,LABEL,UNLEADED GAS ONLY.....	1				
		<i>Option, Fuel</i>					
6	28159GT	DECAL,DIESEL.....	1				
		<i>Option, Fuel</i>					
7	28160GT	DECAL,LABEL,LIQUID PROPANE.....	1				
		<i>Option, LPG tank</i>					
8	28161GT	DECAL,WARN,CRUSH HAZARD HAND.....	1				
9	31788GT	DECAL,DANGER,BATTERY SAFETY***.....	1				
10	38149GT	DECAL,LABEL,PATENTS.....	1				
		<i>(US Only)</i>					
11	52607GT	DECAL,LABEL,TEST***.....	1				
		<i>(Ford Only)</i>					
12	52865GT	DECAL,ANNUAL INSP***.....	1				
		<i>(ANSI Only)</i>					
13	52966GT	DECAL,COSMETIC,4 X 2.....	1				
		<i>Option, Drive</i>					
14	52967GT	DECAL,COSMETIC,4 X 4.....	1				
		<i>Option, Drive</i>					
15	72168GT	DECAL,LABEL,STARTER BATTERY.....	1				
		<i>Option, Dual battery</i>					
16	72169GT	DECAL,LABEL,CONTROLS BATTERY...1					
		<i>Option, Dual battery</i>					
17	72999GT	DECAL,LABEL,PETRO CANADA***.....	1				
		<i>Option, hydraulic oil</i>					
18	82161GT	DECAL,LABEL,UCON HYDROLUBE.....	1				
		<i>Option, hydraulic oil</i>					
19	82366GT	DECAL,CHEVRON RANDO HD.....	1				
		<i>Option, hydraulic oil</i>					
20	82455GT	DECAL,GROUND CONTROL PANEL***.....	1				
21	82550GT	DECAL,LABEL,WHEEL LOAD S65.....	2				
22	82677GT	DECAL,DANGER/LABEL,TIRE SPECS.....	2				
23	82678GT	DECAL,DANGER,HI-FLOAT TIRE.....	2				
		<i>ANSI Only Option, High Floatation tires</i>					
24	114099GT	DECAL,LABEL,TRANSPORT DIAGRAM.....	1				
25	114219GT	DECAL,LABEL,RELAYS,S60&65.....	1				
26	114258GT	DECAL,DANGER,NO SMOKING.....	1				
27	114389GT	DECAL,DANGER,GENERAL SAFETY....	1				
28	114390GT	DECAL,DANGER,ELECT HAZARD***....	1				

112.1 S-65 Decals with Word, Engine Side (ANSI & Australia) (from SN 17350)

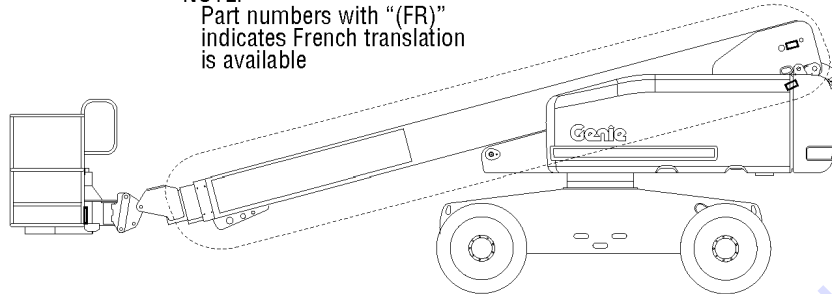


112.1 S-65 Decals with Word, Engine Side (ANSI & Australia) (from SN 17350)

Item	Part No.	Description	Qty.	Item	Part No.	Description	Qty.
1	27204GT	DECAL,ARROW BLUE.....	1	27	133238GT	DECAL,ENGINE SPEC,PERKINS***..... <i>404D-22 from SN S6008-19607</i>	1
2	27206GT	DECAL,TRIANGLE,BLUE.....	1				
3	27207GT	DECAL,TRIANGLE,YELLOW.....	1				
4	28161GT	DECAL,WARN,CRUSH HAZARD HAND.....	1				
5	28174GT	DECAL, POWER TO PLATFORM 230V**.....	1				
6	28175GT	DECAL,WARNING-COMPART ACCESS.....	1				
7	28235GT	DECAL,POWER TO PLATFORM 115V...1					
8	29104GT	DECAL,TOWING INSTRUCTIONS..... <i>Option, Tow Package</i>	1				
9	44981GT	DECAL,LABEL, AIR LINE 110 PSI..... <i>Option, airline to platform</i>	1				
10	47041GT	DECAL,CAUTION,TOWING SPEED..... <i>Option, Tow Package</i>	1				
11	62079GT	DECAL,COSMETIC,S65.....	1				
12	82237GT	DECAL,DANGER,HIGH VOLTAGE..... <i>Option, Welder</i>	2				
13	82550GT	DECAL,LABEL,WHEEL LOAD S65.....	2				
14	82644GT	DECAL, ENGINE SPEC, PERKINS..... <i>404C-22 from SN S6004-9694 to S6008-19606</i>	1				
15	82677GT	DECAL,DANGER/LABEL,TIRE SPECS.....	2				
16	82678GT	DECAL,DANGER,HI-FLOAT TIRE..... <i>ANSI Only Option, high floatation tires</i>	2				
17	82679GT	DECAL,NOTICE,GM 3.0 ENG SPEC.....	1				
18	97548GT	DECAL,ENGINE SPEC,DEUTZ 2011..... <i>D2011L03i</i>	1				
19	97571GT	DECAL,NOTICE,FORD ENG SPECS T2..... <i>LRG -425 to SN S6006-14053</i>	1				
20	97602GT	DECAL,EXPLOSION HAZARD..... <i>Diesel engines</i>	1				
21	97875GT	DECAL,WARN.WELD LINE INST.WORD..... <i>Option, Weld Cable Line</i>	1				
22	114099GT	DECAL,LABEL,TRANSPORT DIAGRAM.....	1				
23	114169GT	DECAL,FORD ENGINE SPEC DSG423..... <i>Ford DSG -423 from SN S6006-14054</i>	1				
24	114277GT	DECAL,LABEL,BELT ROUTING DSG..... <i>Ford DSG-423</i>	1				
25	114390GT	DECAL,DANGER,ELECT HAZARD***.....	1				
26	128953GT	DECAL,ENGINE SPEC,DEUTZ,TD2011..... <i>TD2011L03i - turbo deutz only from SN S6010-20379</i>	1				

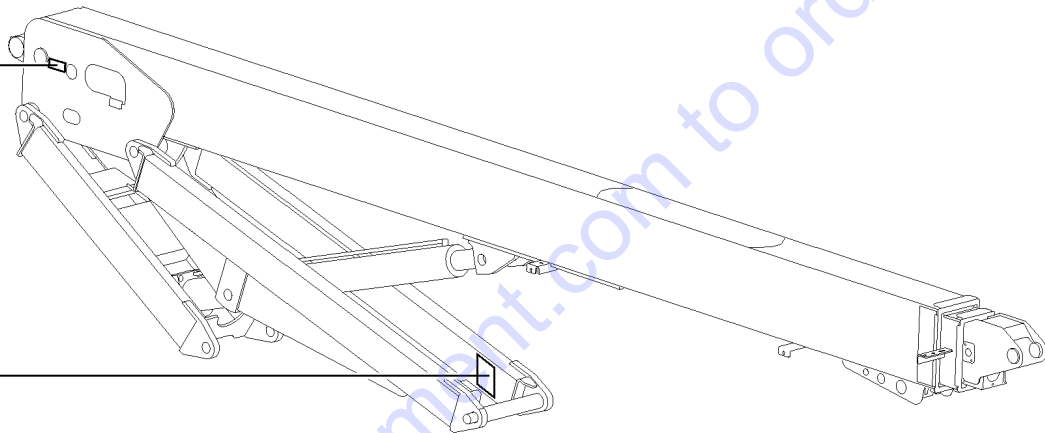
113.1 S-65 Decals with Word, Boom (ANSI & Australia) (from SN 17350)

NOTE:
Part numbers with "(FR)"
indicates French translation
is available



31060 (FR)

28161 (FR)



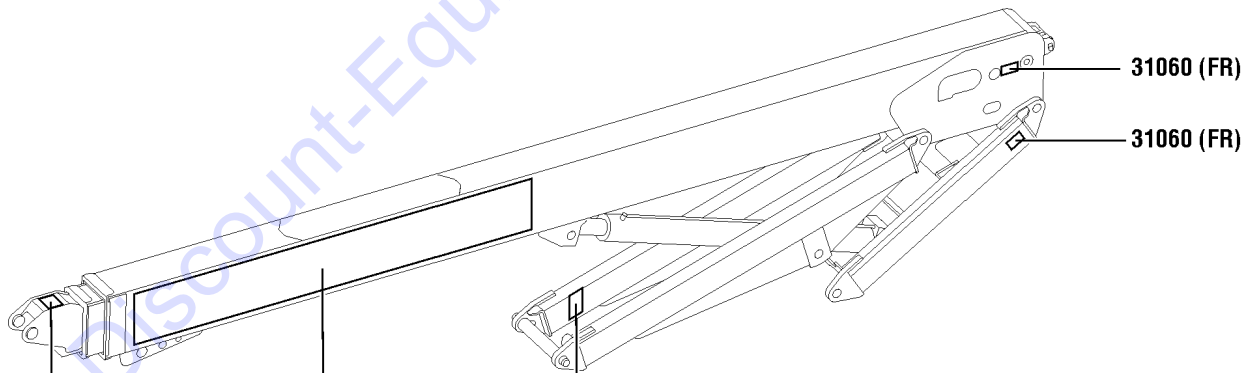
31060 (FR)

31060 (FR)

28181 (FR)

62078

28161 (FR)

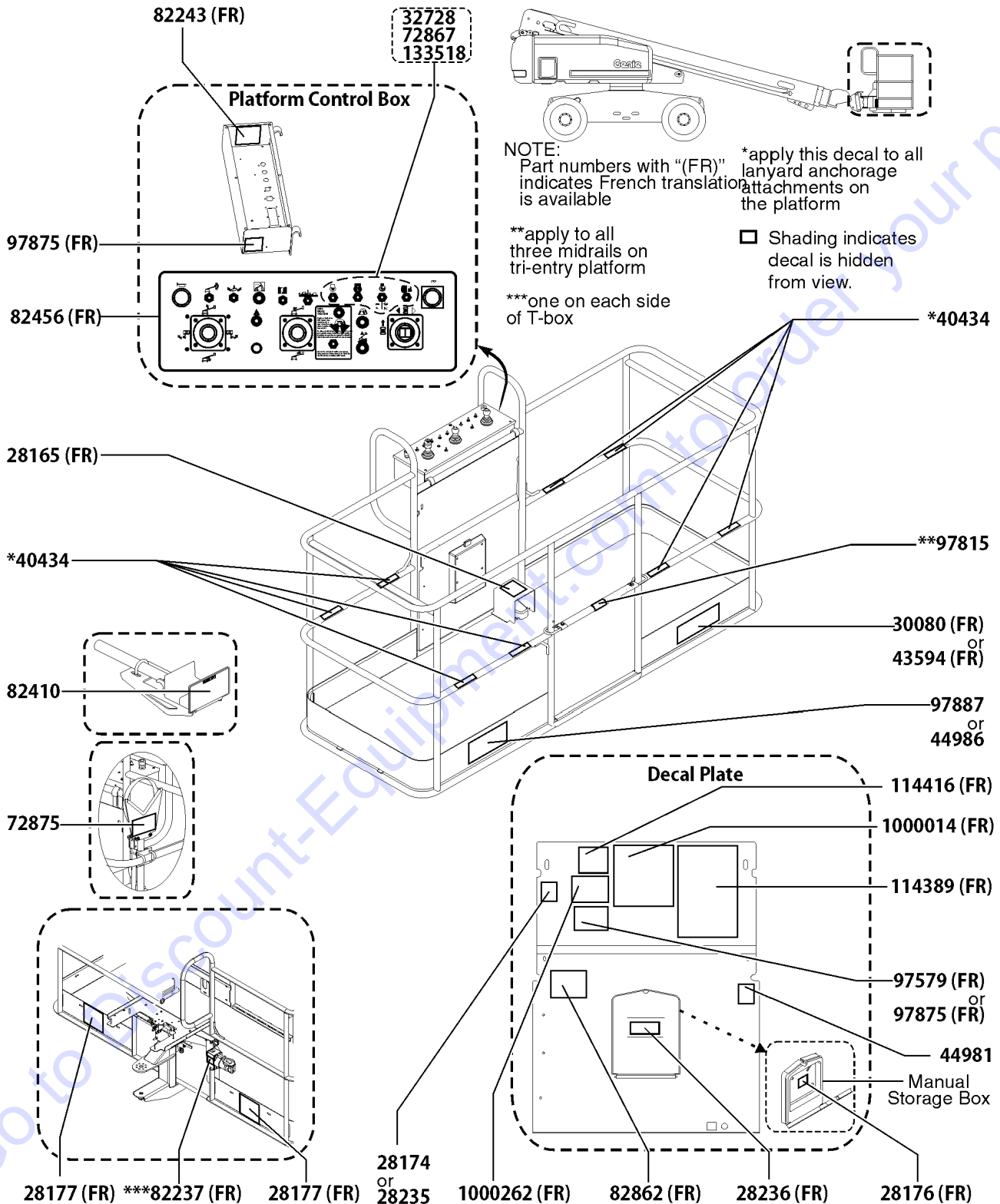


113.1 S-65 Decals with Word, Boom (ANSI & Australia) (from SN 17350)

Item	Part No.	Description	Qty.
1	28161GT	DECAL,WARN,CRUSH HAZARD HAND.....	2
2	28181GT	DECAL,WARN,FALL HAZARD.....	1
3	31060GT	DECAL,DANGER DO NOT ALTER SWTC.....	3
4	62078GT	DECAL,COSMETIC,GENIE S65.....	1

Go to Discount-Equipment.com to order your parts

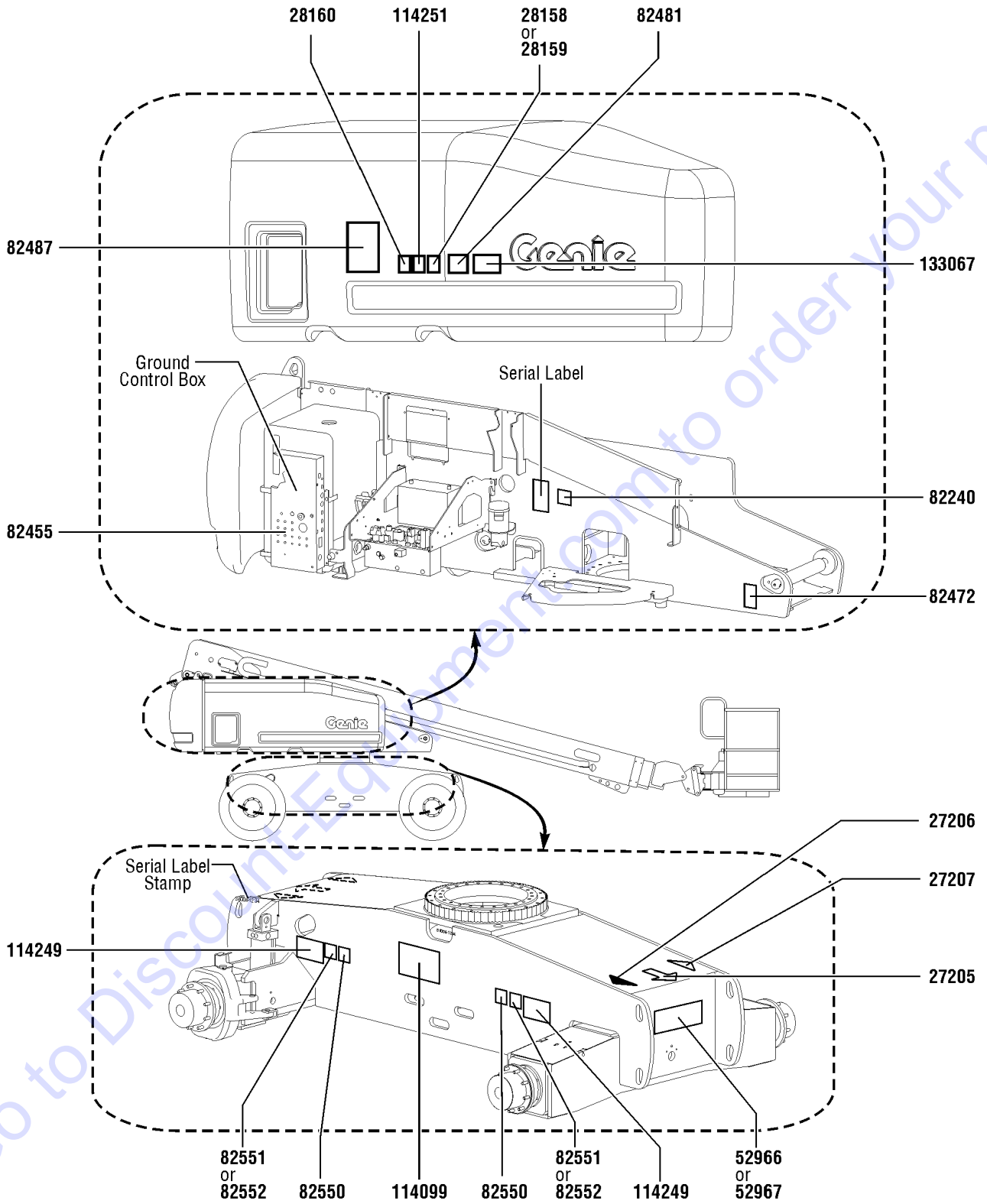
114.1 S-65 Decals with Word, Platform (ANSI & Australia) (from SN 17350)



114.1 S-65 Decals with Word, Platform (ANSI & Australia) (from SN 17350)

Item	Part No.	Description	Qty.	Item	Part No.	Description	Qty.
1	28165GT	DECAL,INSTRUCT,FOOTSWITCH OPER.....1	1	28	1000262GT	DECAL,DANGER,TIP OVER,PLAT.....1 <i>Use on S-60 HC and S-60s with 750 lb capacity option</i>	1
2	28174GT	DECAL, POWER TO PLATFORM 230V**.....1	1				
3	28176GT	DECAL,LABEL,MANUAL NOT HERE.....1	1				
4	28177GT	DECAL,WARN,CRUSH HAZARD PLAT.....2	2				
5	28235GT	DECAL,POWER TO PLATFORM 115V...1	1				
6	28236GT	DECAL,WARN,IMPROPER OPERATION.....1	1				
7	30080GT	DECAL,NOTICE,MAX LOAD 500 LBS...1 <i>500 lbs</i>	1				
8	32728GT	DECAL,OPTION GENERATOR***.....1 <i>Option, Generator</i>	1				
9	40434GT	DECAL,LANYARD ANCHORAGE POINT.....8	8				
10	43594GT	DECAL,NOTICE,MAX LOAD 750 LBS...1 <i>Option, 750 lbs</i>	1				
11	44981GT	DECAL,LABEL, AIR LINE 110 PSI.....1 <i>Option, airline to platform</i>	1				
12	44986GT	DECAL,INSTR,SIDE FRC/WIND,AUS....1 <i>Australia</i>	1				
13	72867GT	DECAL,LABEL,LIGHTS***.....1 <i>Option, Work Lights or Driving Lights</i>	1				
14	72875GT	DECAL,WARNING,PIPE CRADLE,BOOM.....2 <i>Option, Pipe Cradle</i>	2				
15	82237GT	DECAL,DANGER,HIGH VOLTAGE.....2 <i>Option, Welder</i>	2				
16	82243GT	DECAL FAULT CODE.....1	1				
17	82410GT	DECAL,WARNING,PANEL CRADLE.....2 <i>Option, Panel Cradle</i>	2				
18	82456GT	DECAL,PLAT CONTROL PANEL,S60**.....1	1				
--	82244GT	DECAL,PROTECTOR,CLEAR***					
19	82862GT	DECAL,FIRE EXTINGUISHER.....1 <i>Option, Welder</i>	1				
20	97579GT	DECAL,DANGER,TIP-OVER,WELDER**..1 <i>Option, Welder</i>	1				
21	97815GT	DECAL,LABEL,LOWER MIDRAIL.....1	1				
22	97875GT	DECAL,WARN.WELD LINE INST.WORD.....2 <i>Option, Weld cable line</i>	2				
23	97887GT	DECAL,INSTR,MAX SIDE FRC,ANSI....1 <i>ANSI</i>	1				
24	114389GT	DECAL,DANGER,GENERAL SAFETY....1	1				
25	114416GT	DECAL,DANGER,TIPOVER,TILT.....1	1				
26	133518GT	DECAL, PATCH, GEN,ALC-500.....1 <i>Option, Generator / Welder</i>	1				
27	1000014GT	DECAL,NOTICE,OPER INST.S60.....1	1				

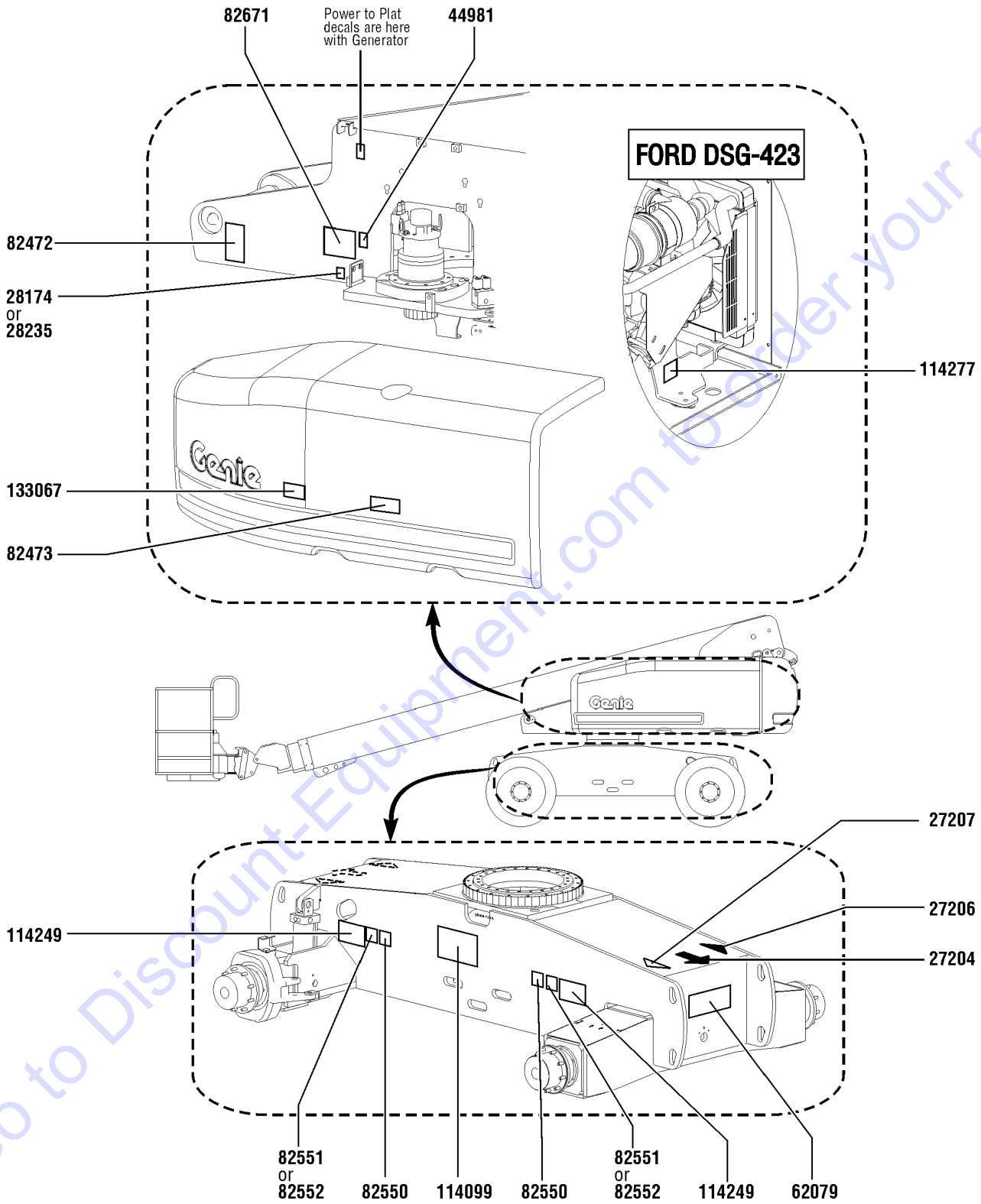
115.1 S-65 Decals with Symbol, Hydraulic Tank Side (ANSI & CE) (from SN 17350)



115.1 S-65 Decals with Symbol, Hydraulic Tank Side (ANSI & CE) (from SN 17350)

Item	Part No.	Description	Qty.
1	27205GT	DECAL,ARROW YELLOW LRG 9".....1	1
2	27206GT	DECAL,TRIANGLE,BLUE.....1	1
3	27207GT	DECAL,TRIANGLE,YELLOW.....1	1
4	28158GT	DECAL,LABEL,UNLEADED GAS ONLY.....1 <i>Option, fuel</i>	1
5	28159GT	DECAL,DIESEL.....1 <i>Option, fuel</i>	1
6	28160GT	DECAL,LABEL,LIQUID PROPANE.....1 <i>Option, LPG Tank</i>	1
7	52966GT	DECAL,COSMETIC,4 X 2.....1 <i>Option, drive</i>	1
8	52967GT	DECAL,COSMETIC,4 X 4.....1 <i>Option, drive</i>	1
9	82240GT	DECAL,LABEL,105 DB.....1	1
10	82455GT	DECAL,GROUND CONTROL PANEL ***1	1
11	82472GT	DECAL,WARNING,CRUSHING HAZARD.....1	1
12	82481GT	DECAL,SYMBOL-BATTERY SAFETY.....1	1
13	82487GT	DECAL, SYMBOL - READ THE MANUAL.....1	1
14	82550GT	DECAL,LABEL,WHEEL LOAD S65.....2	2
15	82551GT	DECAL,LABEL,TIRE PRESSURE.....2 <i>RT air filled tires only</i>	2
16	82552GT	DECAL,LABEL,TIRE PRESS HF.....2 <i>High floatation air filled tires only</i>	2
17	114099GT	DECAL,LABEL,TRANSPORT DIAGRAM.....1	1
18	114249GT	DECAL,LABEL,TIPOVER,TIRES,SYMB.2	2
19	114251GT	DECAL,LABEL,NO SMOKING,SYMB.....1	1
20	133067GT	DECAL,DANGER,ELEC.HAZ.STAY CLR.....1	1

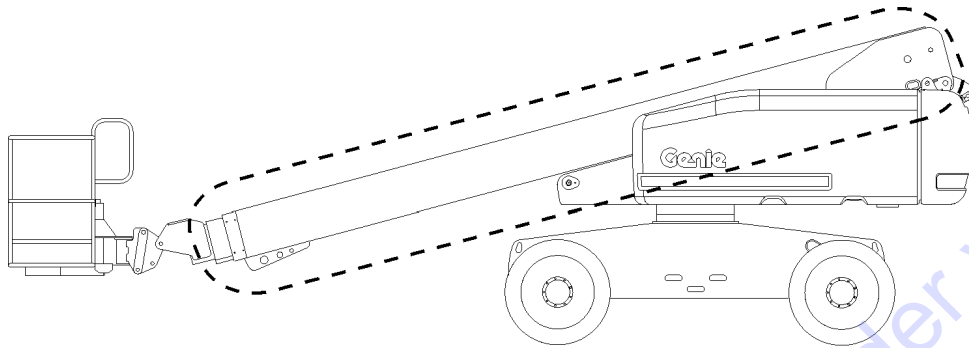
116.1 S-65 Decals with Symbol, Engine Side (ANSI & CE) (from SN 17350)



116.1 S-65 Decals with Symbol, Engine Side (ANSI & CE) (from SN 17350)

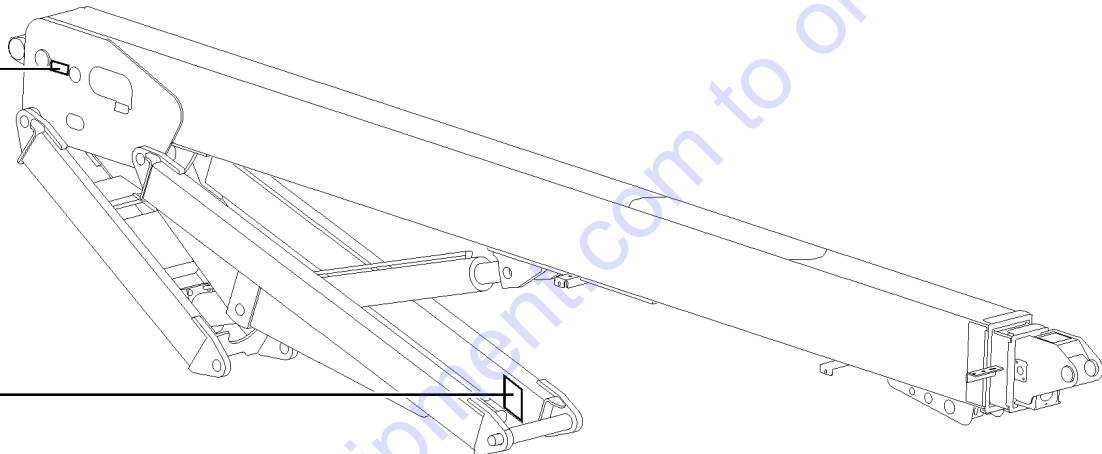
Item	Part No.	Description	Qty.
1	27204GT	DECAL,ARROW BLUE.....	1
2	27206GT	DECAL,TRIANGLE,BLUE.....	1
3	27207GT	DECAL,TRIANGLE,YELLOW.....	1
4	28174GT	DECAL, POWER TO PLATFORM 230V**.....	1
5	28235GT	DECAL,POWER TO PLATFORM 115V...1	1
6	44981GT	DECAL,LABEL, AIR LINE 110 PSI.....1 <i>Option, airline to plat</i>	1
7	62079GT	DECAL,COSMETIC,S65.....	1
8	82472GT	DECAL,WARNING,CRUSHING HAZARD.....	1
9	82473GT	DECAL,SYMBOL-COMP ACCESS.....	1
10	82550GT	DECAL,LABEL,WHEEL LOAD S65.....	2
11	82551GT	DECAL,LABEL,TIRE PRESSURE.....2 <i>RT air filled tires only</i>	2
12	82552GT	DECAL,LABEL,TIRE PRESS HF.....2 <i>High floatation air filled tires only</i>	2
13	82671GT	DECAL,LABEL,WELD LINE INST,SYM...1 <i>Option, weld cable line</i>	1
14	114099GT	DECAL,LABEL,TRANSPORT DIAGRAM.....	1
15	114249GT	DECAL,LABEL,TIPOVER,TIRES,SYMB.2	2
16	114277GT	DECAL,LABEL,BELT ROUTING DSG.....1 <i>Ford DSG-423</i>	1
17	133067GT	DECAL,DANGER,ELEC.HAZ.STAY CLR.....	1

117.1 S-65 Decals with Symbol, Boom (ANSI & CE) (from SN 17350)



114252

82472



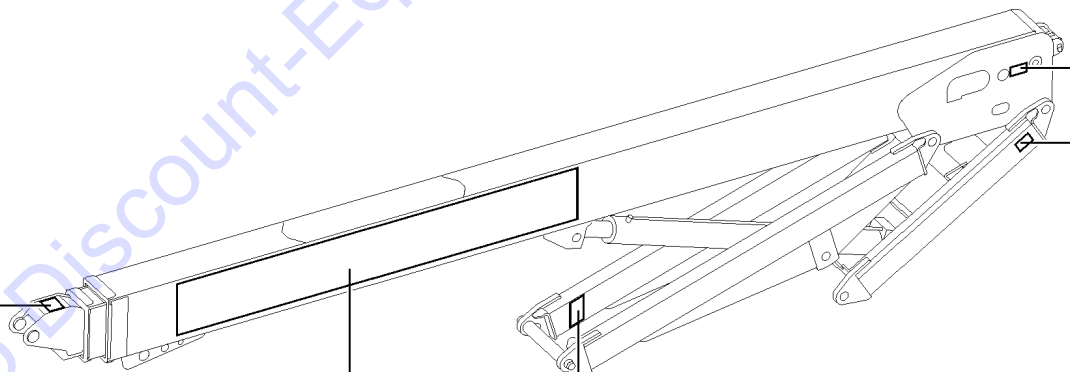
114247

62078

82472

114252

114252

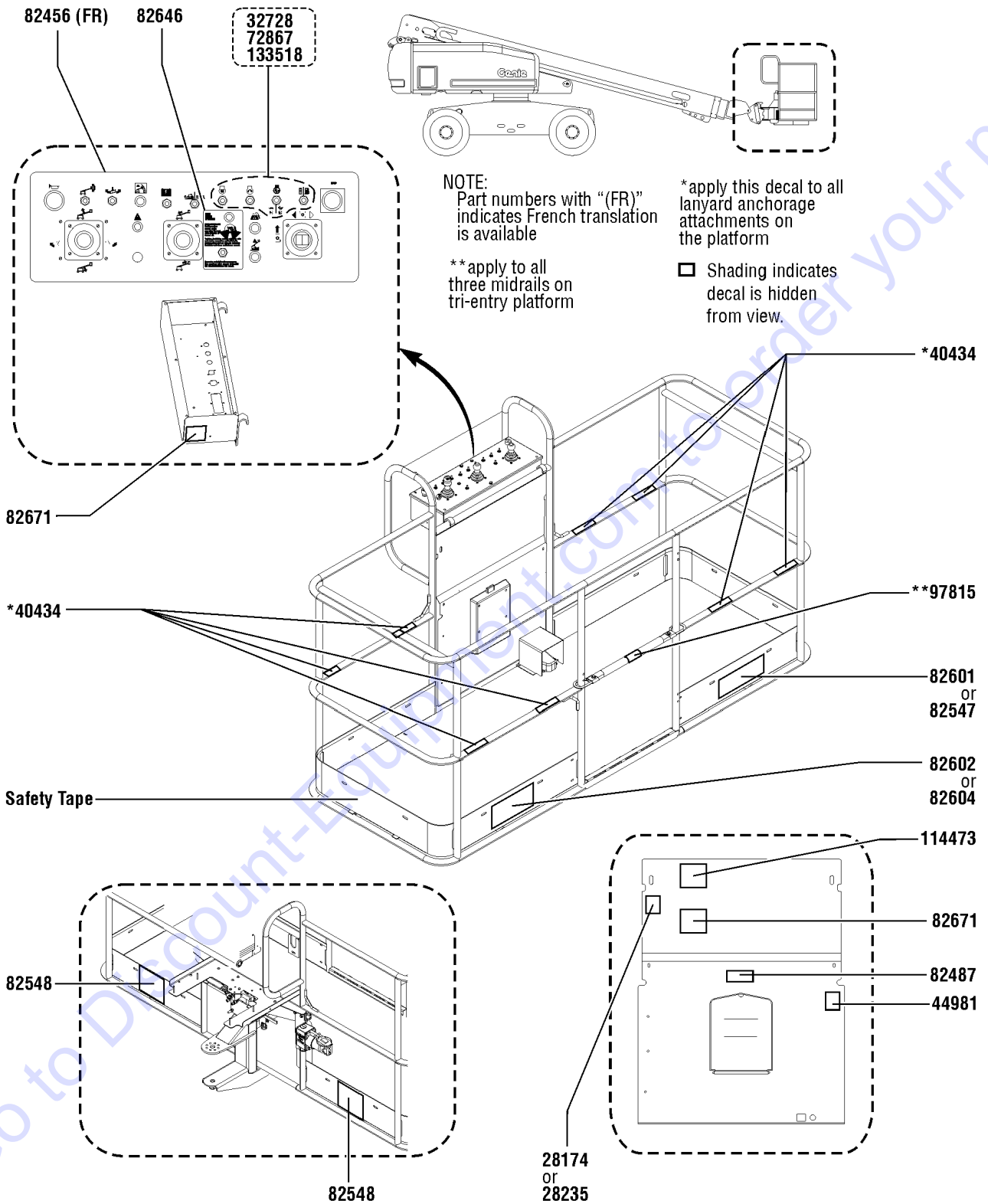


117.1 S-65 Decals with Symbol, Boom (ANSI & CE) (from SN 17350)

Item	Part No.	Description	Qty.
1	62078GT	DECAL,COSMETIC,GENIE S65.....	1
2	82472GT	DECAL,WARNING,CRUSHING HAZARD.....	2
3	114247GT	DECAL,LABEL,FALL HAZARD***.....	1
4	114252GT	DECAL,LABEL,TIP OVER LMT SWTCH.....	3

Go to Discount-Equipment.com to order your parts

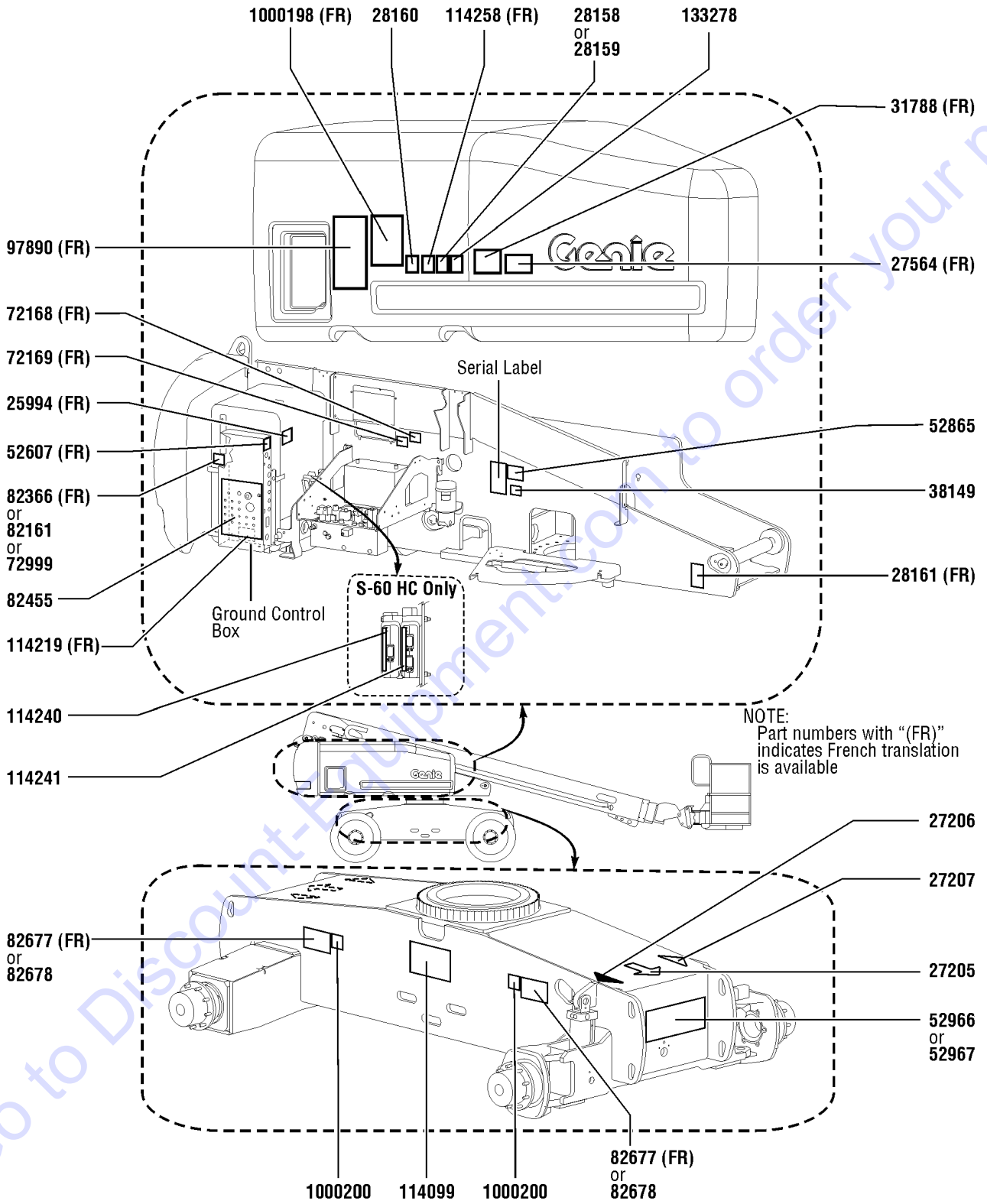
118.1 S-65 Decals with Symbol, Platform (ANSI & CE) (from SN 17350)



118.1 S-65 Decals with Symbol, Platform (ANSI & CE) (from SN 17350)

Item	Part No.	Description	Qty.
1	28174GT	DECAL, POWER TO PLATFORM 230V**.....1	1
2	28235GT	DECAL,POWER TO PLATFORM 115V...1	1
3	32728GT	DECAL,OPTION GENERATOR***.....1 <i>Option, generator</i>	1
4	40434GT	DECAL,LANYARD ANCHORAGE POINT.....8	8
5	44981GT	DECAL,LABEL, AIR LINE 110 PSI.....1 <i>Option, airline to plat</i>	1
6	72867GT	DECAL,LABEL,LIGHTS***.....1 <i>Option, work lights or driving lights</i>	1
7	82456GT	DECAL,PLAT CONTROL PANEL,S60**.....1	1
--	82244GT	DECAL,PROTECTOR,CLEAR***	
8	82487GT	DECAL, SYMBOL - READ THE MANUAL.....1	1
9	82547GT	DECAL,DANGER,MAX LOAD 340 KG....1 <i>Option, maximum platform capacity - 750 lbs</i>	1
10	82548GT	DECAL,WARN,CRUSH HAZARD PLAT.....2	2
11	82601GT	DECAL,LABEL,MAX CAPACITY***.....1 <i>Maximum platform capacity - 500 lbs</i>	1
12	82602GT	DECAL,DANGER,MAX SIDE FRC,667N.....1 ANSI	1
13	82604GT	DECAL,DANGER,SIDE FRC 400N.....1 CE	1
14	82646GT	DECAL,DRIVE ENABLE PATCH.....1	1
15	82671GT	DECAL,LABEL,WELD LINE INST,SYM...2 <i>Option, weld cable line</i>	2
16	97815GT	DECAL,LABEL,LOWER MIDRAIL.....1	1
17	114473GT	DECAL,DANGER,TIPOVER,TILT,SYM...1	1
18	133518GT	DECAL, PATCH, GEN,ALC-500.....1 <i>Opion, generator/welder</i>	1

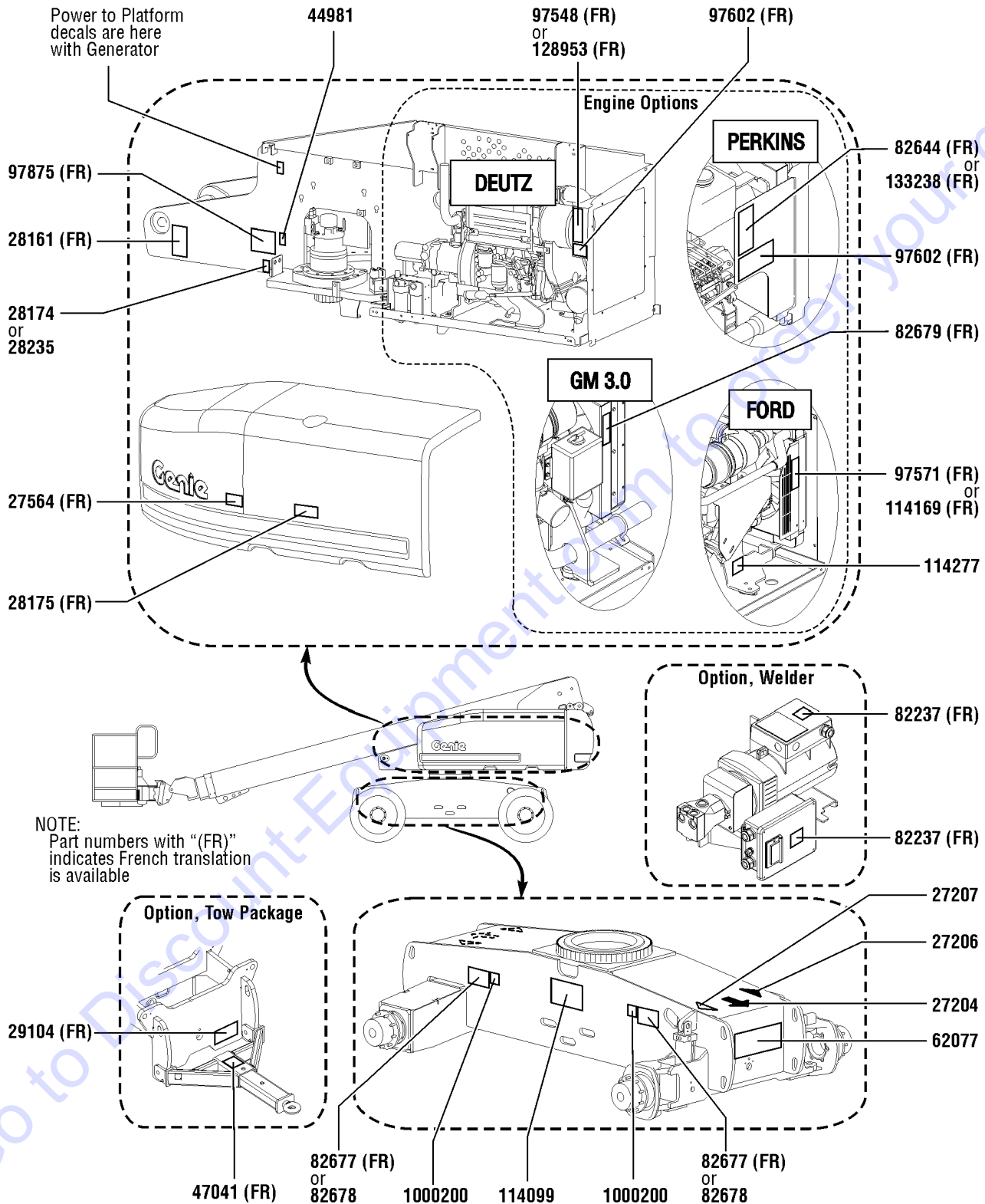
119.1 S-60HC Decals with Word, Hydraulic Tank Side (ANSI & Australia) (from SN 17350)



119.1 S-60HC Decals with Word, Hydraulic Tank Side (ANSI & Australia) (from SN 17350)

Item	Part No.	Description	Qty.	Item	Part No.	Description	Qty.
1	25994GT	DECAL,NOTICE,SHUTOFF VALVES.....	1	29	114258GT	DECAL,DANGER,NO SMOKING.....	1
2	27205GT	DECAL,ARROW YELLOW LRG 9".....	1	30	133278GT	DECAL,LOW/ULTRA LOW SULFR FUEL.....	1
3	27206GT	DECAL,TRIANGLE,BLUE.....	1			<i>Diesel models only</i>	
4	27207GT	DECAL,TRIANGLE,YELLOW.....	1	31	1000198GT	DECAL,INSTR,OPER INST.S60HC.....	1
5	27564GT	DECAL,DANGER,ELEC.HAZ.STAY CLR.....	1	32	1000200GT	DECAL,LABEL,WHEEL LOAD S60HC....	2
6	28158GT	DECAL,LABEL,UNLEADED GAS ONLY.....	1				
		<i>Option, Fuel</i>					
7	28159GT	DECAL,DIESEL.....	1				
		<i>Option, Fuel</i>					
8	28160GT	DECAL,LABEL,LIQUID PROPANE.....	1				
		<i>Option, LPG tank</i>					
9	28161GT	DECAL,WARN,CRUSH HAZARD HAND.....	1				
10	31788GT	DECAL,DANGER,BATTERY SAFETY***.....	1				
11	38149GT	DECAL,LABEL,PATENTS.....	1				
		<i>(US Only)</i>					
12	52607GT	DECAL,LABEL,TEST***.....	1				
		<i>(Ford Only)</i>					
13	52865GT	DECAL,ANNUAL INSP***.....	1				
		<i>(ANSI Only)</i>					
14	52966GT	DECAL,COSMETIC,4 X 2.....	1				
		<i>Option, Drive</i>					
15	52967GT	DECAL,COSMETIC,4 X 4.....	1				
		<i>Option, Drive</i>					
16	72168GT	DECAL,LABEL,STARTER BATTERY.....	1				
		<i>Option, Dual battery</i>					
17	72169GT	DECAL,LABEL,CONTROLS BATTERY...1	1				
		<i>Option, Dual battery</i>					
18	72999GT	DECAL,LABEL,PETRO CANADA***.....	1				
		<i>Option, hydraulic oil</i>					
19	82161GT	DECAL,LABEL,UCON HYDROLUBE.....	1				
		<i>Option, hydraulic oil</i>					
20	82366GT	DECAL,CHEVRON RANDO HD.....	1				
		<i>Option, hydraulic oil</i>					
21	82455GT	DECAL,GROUND CONTROL PANEL***.....	1				
22	82677GT	DECAL,DANGER/LABEL,TIRE SPECS.....	2				
23	82678GT	DECAL,DANGER,HI-FLOAT TIRE.....	2				
		<i>ANSI Only Option, High Floatation tires</i>					
24	97890GT	DECAL,DANGER,GEN SAFETY RULES.....	1				
25	114099GT	DECAL,LABEL,TRANSPORT DIAGRAM.....	1				
26	114219GT	DECAL,LABEL,RELAYS,S60&65.....	1				
27	114240GT	LABEL,TCON SOFTWARE,S60HC.....	1				
28	114241GT	LABEL,SCON SOFTWARE,S60HC.....	1				

120.1 S-60HC Decals with Word, Engine Side (ANSI & Australia) (from SN 17350)

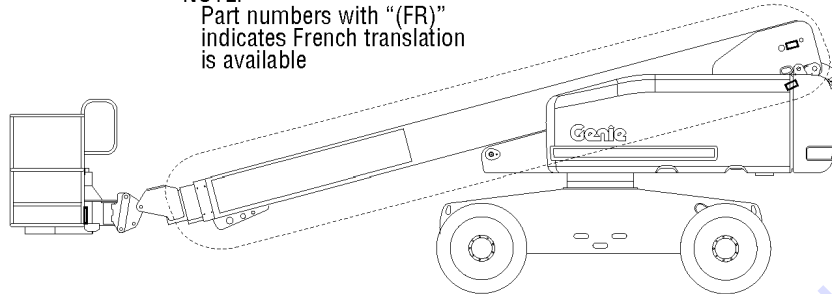


120.1 S-60HC Decals with Word, Engine Side (ANSI & Australia) (from SN 17350)

Item	Part No.	Description	Qty.	Item	Part No.	Description	Qty.
1	27204GT	DECAL,ARROW BLUE.....	1	27	1000200GT	DECAL,LABEL,WHEEL LOAD S60HC....	2
2	27206GT	DECAL,TRIANGLE,BLUE.....	1				
3	27207GT	DECAL,TRIANGLE,YELLOW.....	1				
4	27564GT	DECAL,DANGER,ELEC.HAZ.STAY CLR.....	1				
5	28161GT	DECAL,WARN,CRUSH HAZARD HAND.....	1				
6	28174GT	DECAL, POWER TO PLATFORM 230V**.....	1				
7	28175GT	DECAL,WARNING-COMPART ACCESS.....	1				
8	28235GT	DECAL,POWER TO PLATFORM 115V...1					
9	29104GT	DECAL,TOWING INSTRUCTIONS.....1 <i>Option, Tow Package</i>					
10	44981GT	DECAL,LABEL, AIR LINE 110 PSI.....1 <i>Option, airline to platform</i>					
11	47041GT	DECAL,CAUTION,TOWING SPEED.....1 <i>Option, Tow Package</i>					
12	62077GT	DECAL,COSMETIC,S60.....	1				
13	82237GT	DECAL,DANGER,HIGH VOLTAGE.....2 <i>Option, Welder</i>					
14	82644GT	DECAL, ENGINE SPEC, PERKINS.....1 <i>404C-22 from SN S6004-9694 to S6008-19606</i>					
15	82677GT	DECAL,DANGER/LABEL,TIRE SPECS.....	2				
16	82678GT	DECAL,DANGER,HI-FLOAT TIRE.....2 <i>ANSI Only Option, high floatation tires</i>					
17	82679GT	DECAL,NOTICE,GM 3.0 ENG SPEC.....1					
18	97548GT	DECAL,ENGINE SPEC,DEUTZ 2011.....1 <i>D2011L03i</i>					
19	97571GT	DECAL,NOTICE,FORD ENG SPECS T2.....	1				
		<i>LRG -425 to SN S6006-14053</i>					
20	97602GT	DECAL,EXPLOSION HAZARD.....1 <i>Diesel engines</i>					
21	97875GT	DECAL,WARN.WELD LINE INST.WORD.....	1				
		<i>Option, Weld Cable Line</i>					
22	114099GT	DECAL,LABEL,TRANSPORT DIAGRAM.....	1				
23	114169GT	DECAL,FORD ENGINE SPEC DSG423.....	1				
		<i>Ford DSG -423 from SN S6006-14054</i>					
24	114277GT	DECAL,LABEL,BELT ROUTING DSG.....1 <i>Ford DSG-423</i>					
25	128953GT	DECAL,ENGINE SPEC,DEUTZ,TD2011.....	1				
		<i>TD2011L03i - turbo deutz only from SN S6010-20379</i>					
26	133238GT	DECAL,ENGINE SPEC,PERKINS***1 <i>404D-22 from SN S6008-19607</i>					

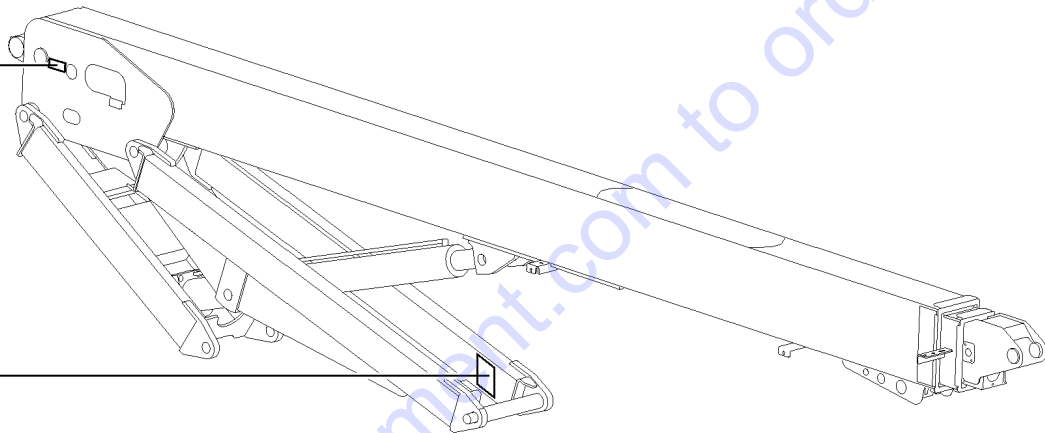
121.1 S-60HC Decals with Word, Boom (ANSI & Australia) (from SN 17350)

NOTE:
Part numbers with "(FR)"
indicates French translation
is available



31060 (FR)

28161 (FR)



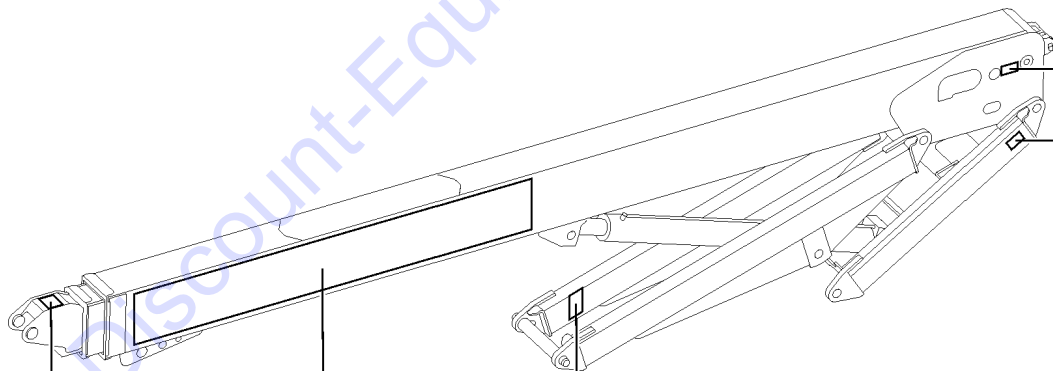
31060 (FR)

31060 (FR)

28181 (FR)

1000199

28161 (FR)



PARTS FINDER

Search Website
by Part Number



Search Manual
Library For Parts
Manual & Lookup Part
Numbers – Purchase
or Request Quote

Can't Find Part or
Manual? Request Help
by Manufacturer,
Model & Description

Discount-Equipment.com is your online resource for quality parts & equipment.

Florida: **561-964-4949** Outside Florida TOLL FREE: **877-690-3101**

Need parts?

Click on this link: <http://www.discount-equipment.com/category/5443-parts/> and choose one of the options to help get the right parts and equipment you are looking for. Please have the machine model and serial number available in order to help us get you the correct parts. If you don't find the part on the website or on one of the online manuals, please fill out the request form and one of our experienced staff members will get back to you with a quote for the right part that your machine needs.

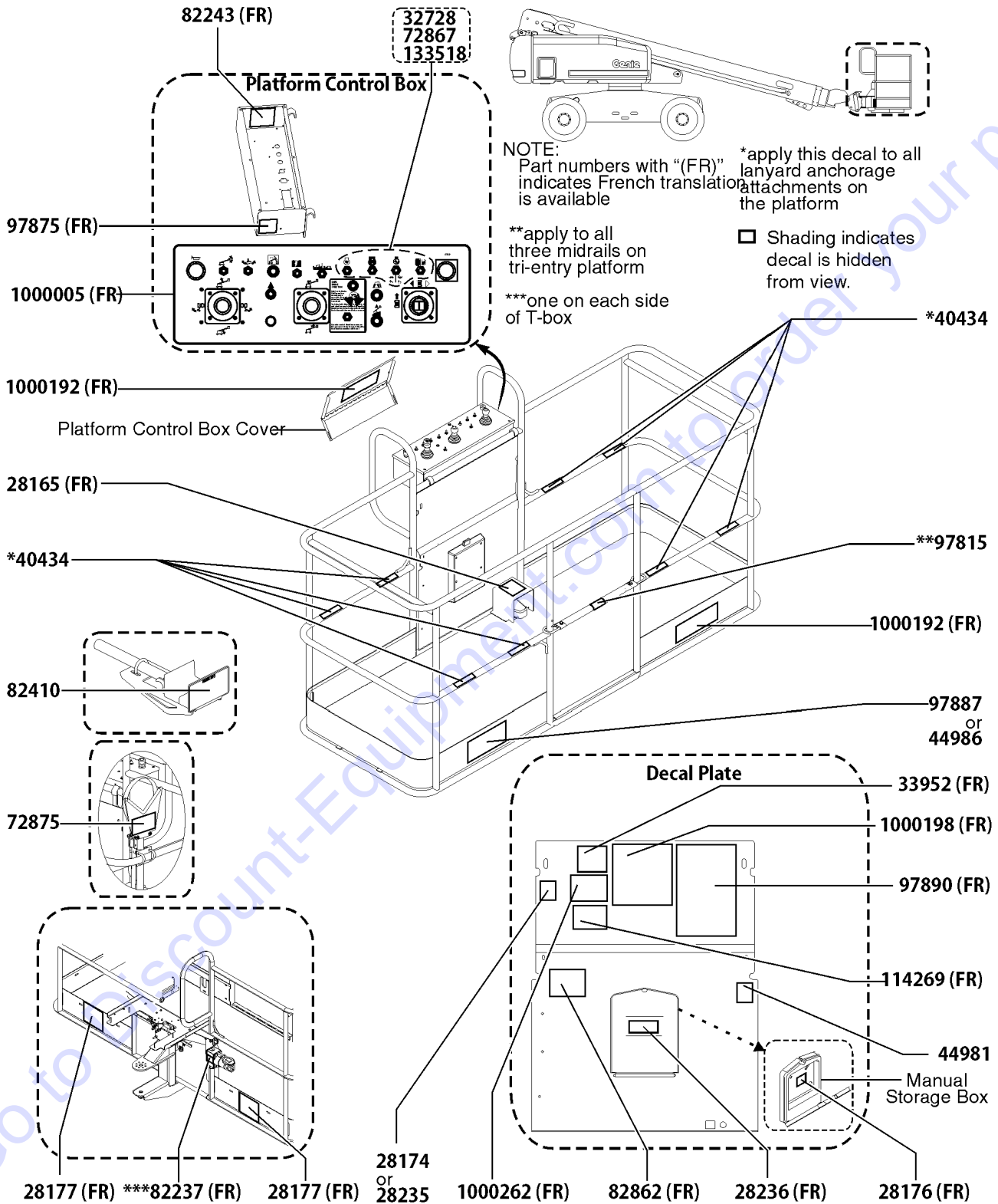
We sell worldwide for the brands: Genie, Terex, JLG, MultiQuip, Mikasa, Essick, Whiteman, Mayco, Toro Stone, Diamond Products, Generac Magnum, Airman, Haulotte, Barreto, Power Blanket, Nifty Lift, Atlas Copco, Chicago Pneumatic, Allmand, Miller Curber, Skyjack, Lull, Skytrak, Tsurumi, Husquvarna Target, Stow, Wacker, Sakai, Mi-T-M, Sullair, Basic, Dynapac, MBW, Weber, Bartell, Bennar Newman, Haulotte, Ditch Runner, Menegotti, Morrison, Contec, Buddy, Crown, Edco, Wyco, Bomag, Laymor, EZ Trench, Bil-Jax, F.S. Curtis, Gehl Pavers, Heli, Honda, ICS/PowerGrit, IHI, Partner, Imer, Clipper, MMD, Koshin, Rice, CH&E, General Equipment, Amida, Coleman, NAC, Gradall, Square Shooter, Kent, Stanley, Tamco, Toku, Hatz, Kohler, Robin, Wisconsin, Northrock, Oztec, Toker TK, Rol-Air, APT, Wylie, Ingersoll Rand / Doosan, Innovatech, Con X, Ammann, Mecalac, Makinex, Smith Surface Prep, Small Line, Wanco, Yanmar

121.1 S-60HC Decals with Word, Boom (ANSI & Australia) (from SN 17350)

Item	Part No.	Description	Qty.
1	28161GT	DECAL,WARN,CRUSH HAZARD HAND.....	2
2	28181GT	DECAL,WARN,FALL HAZARD.....	1
3	31060GT	DECAL,DANGER DO NOT ALTER SWTC.....	3
4	1000199GT	DECAL,COSMETIC,GENIE S-60HC.....	1

Go to Discount-Equipment.com to order your parts

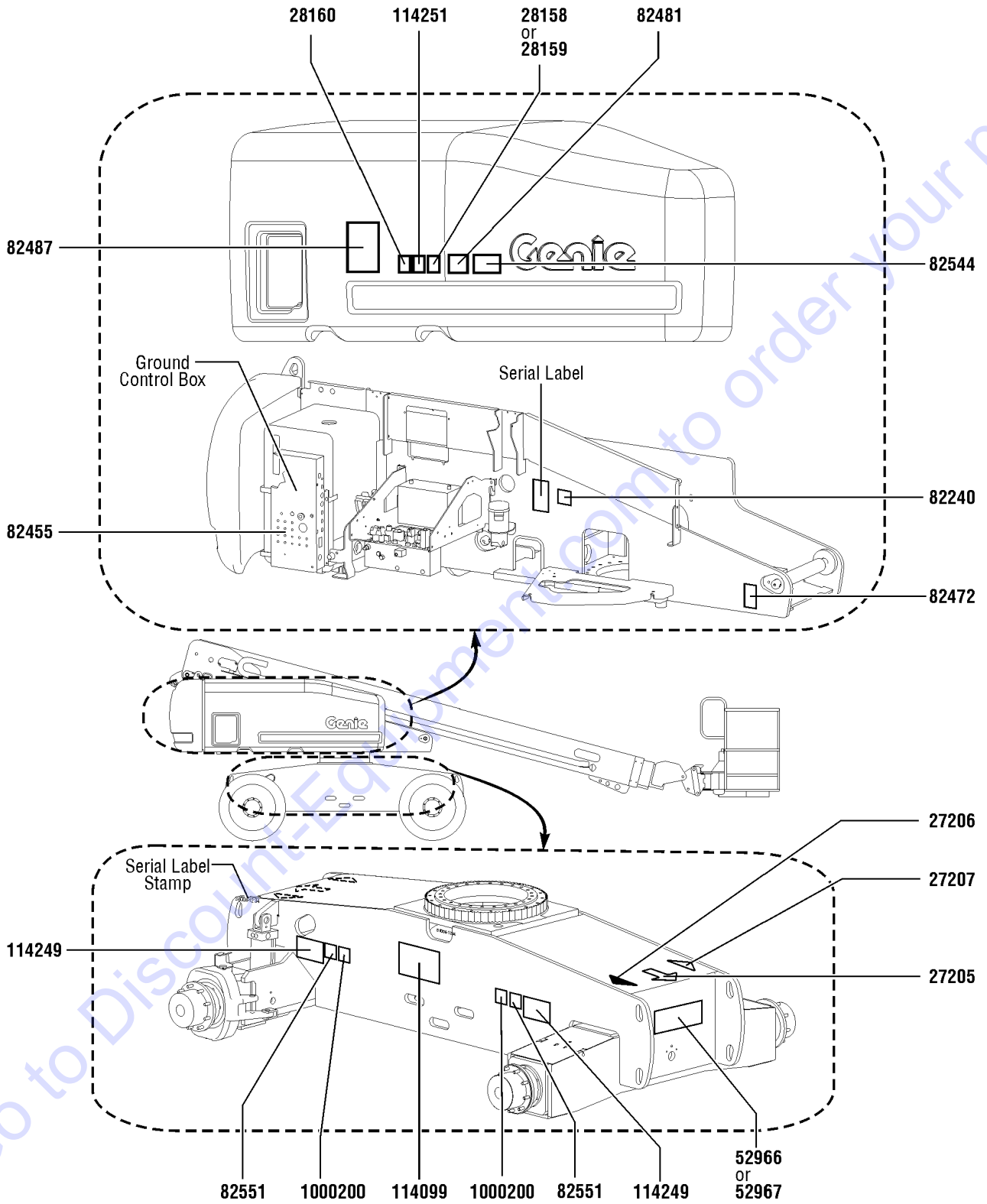
122.1 S-60HC Decals with Word, Platform (ANSI & Australia) (from SN 17350)



122.1 S-60HC Decals with Word, Platform (ANSI & Australia) (from SN 17350)

Item	Part No.	Description	Qty.	Item	Part No.	Description	Qty.
1	28165GT	DECAL,INSTRUCT,FOOTSWITCH OPER.....	1	27	1000262GT	DECAL,DANGER,TIP OVER,PLAT..... <i>Use on S-60 HC and S-60s with 750 lb capacity option</i>	1
2	28174GT	DECAL, POWER TO PLATFORM 230V**.....	1				
3	28176GT	DECAL,LABEL,MANUAL NOT HERE.....	1				
4	28177GT	DECAL,WARN,CRUSH HAZARD PLAT.....	2				
5	28235GT	DECAL,POWER TO PLATFORM 115V.....	1				
6	28236GT	DECAL,WARN,IMPROPER OPERATION.....	1				
7	32728GT	DECAL,OPTION GENERATOR***..... <i>Option, Generator</i>	1				
8	33952GT	DECAL,DANGER,TILT ALARM.....	1				
9	40434GT	DECAL,LANYARD ANCHORAGE POINT.....	8				
10	44981GT	DECAL,LABEL, AIR LINE 110 PSI..... <i>Option, airline to platform</i>	1				
11	44986GT	DECAL,INSTR,SIDE FRC/WIND,AUS..... <i>Australia</i>	1				
12	72867GT	DECAL,LABEL,LIGHTS***..... <i>Option, Work Lights or Driving Lights</i>	1				
13	72875GT	DECAL,WARNING,PIPE CRADLE,BOOM..... <i>Option, Pipe Cradle</i>	2				
14	82237GT	DECAL,DANGER,HIGH VOLTAGE..... <i>Option, Welder</i>	2				
15	82243GT	DECAL FAULT CODE.....	1				
16	82410GT	DECAL,WARNING,PANEL CRADLE..... <i>Option, Panel Cradle</i>	2				
17	82862GT	DECAL,FIRE EXTINGUISHER..... <i>Option, Welder</i>	1				
18	97815GT	DECAL,LABEL,LOWER MIDRAIL.....	1				
19	97875GT	DECAL,WARN.WELD LINE INST.WORD..... <i>Option, Weld cable line</i>	1				
20	97887GT	DECAL,INSTR,MAX SIDE FRC,ANSI..... <i>ANSI</i>	1				
21	97890GT	DECAL,DANGER,GEN SAFETY RULES.....	1				
22	114269GT	DECAL,DANGER,WELDER TIP HAZARD..... <i>Option, Welder</i>	1				
23	133518GT	DECAL, PATCH, GEN,ALC-500..... <i>Option, Generator / Welder</i>	1				
24	1000005GT	DECAL,PLATFORM CONTROL PANELHC.....	1				
25	1000192GT	DECAL,INSTR,MAX LOAD 750/1250..... <i>750-1250 lbs</i>	2				
26	1000198GT	DECAL,INSTR,OPER INST.S60HC.....	1				

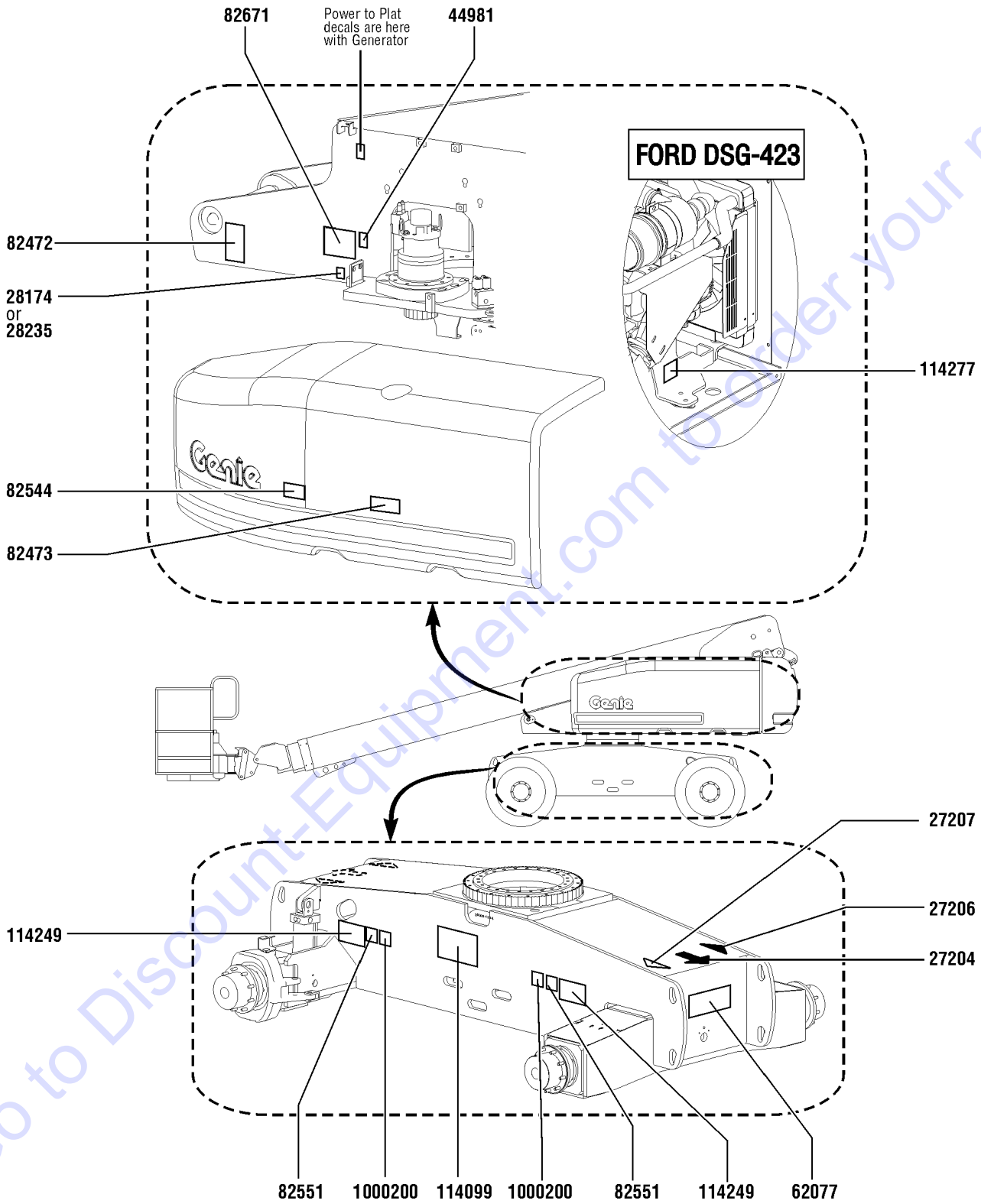
123.1 S-60HC Decals with Symbol, Hydraulic Tank Side (ANSI & CE) (from SN 17350)



123.1 S-60HC Decals with Symbol, Hydraulic Tank Side (ANSI & CE) (from SN 17350)

Item	Part No.	Description	Qty.
1	27205GT	DECAL,ARROW YELLOW LRG 9".....1	1
2	27206GT	DECAL,TRIANGLE,BLUE.....1	1
3	27207GT	DECAL,TRIANGLE,YELLOW.....1	1
4	28158GT	DECAL,LABEL,UNLEADED GAS ONLY.....1 <i>Option, fuel</i>	1
5	28159GT	DECAL,DIESEL.....1 <i>Option, fuel</i>	1
6	28160GT	DECAL,LABEL,LIQUID PROPANE.....1 <i>Option, LPG Tank</i>	1
7	52966GT	DECAL,COSMETIC,4 X 2.....1 <i>Option, drive</i>	1
8	52967GT	DECAL,COSMETIC,4 X 4.....1 <i>Option, drive</i>	1
9	82240GT	DECAL,LABEL,105 DB.....1	1
10	82455GT	DECAL,GROUND CONTROL PANEL ***.....1	1
11	82472GT	DECAL,WARNING,CRUSHING HAZARD.....1	1
12	82481GT	DECAL,SYMBOL-BATTERY SAFETY.....1	1
13	82487GT	DECAL, SYMBOL - READ THE MANUAL.....1	1
14	82544GT	DECAL,DANGER,ELEC.HAZ.STAY CLR.....1	1
15	82551GT	DECAL,LABEL,TIRE PRESSURE.....2 <i>RT air filled tires only</i>	2
16	114099GT	DECAL,LABEL,TRANSPORT DIAGRAM.....1	1
17	114249GT	DECAL,LABEL,TIPOVER,TIRES,SYMB.2	2
18	114251GT	DECAL,LABEL,NO SMOKING,SYMB.....1	1
19	1000200GT	DECAL,LABEL,WHEEL LOAD S60HC....2	2

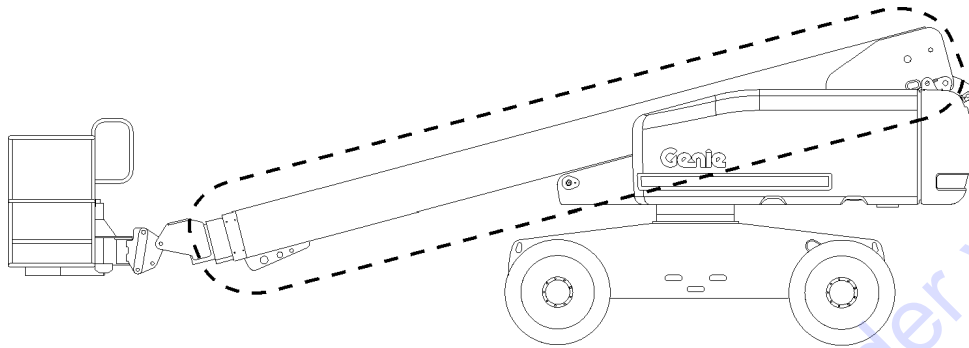
124.1 S-60HC Decals with Symbol, Engine Side (ANSI & CE) (from SN 17350)



124.1 S-60HC Decals with Symbol, Engine Side (ANSI & CE) (from SN 17350)

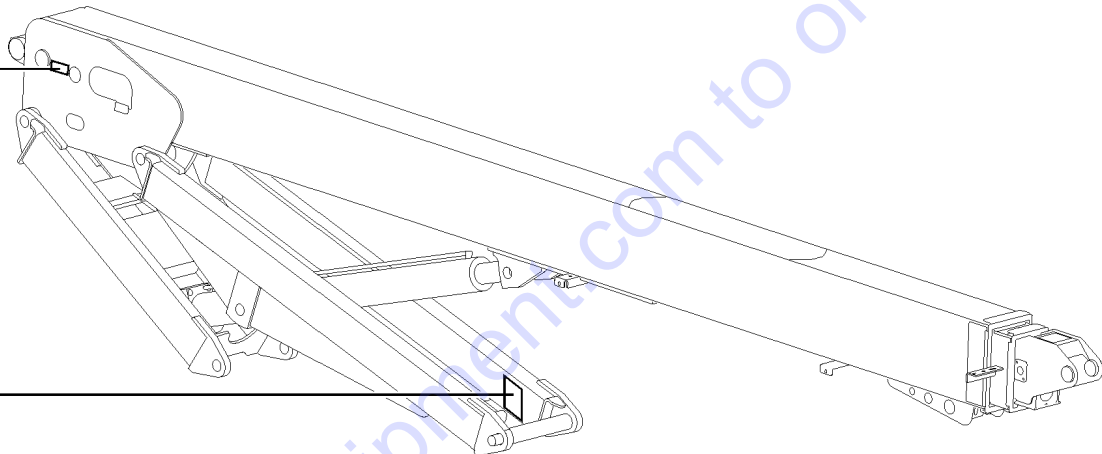
Item	Part No.	Description	Qty.
1	27204GT	DECAL,ARROW BLUE.....	1
2	27206GT	DECAL,TRIANGLE,BLUE.....	1
3	27207GT	DECAL,TRIANGLE,YELLOW.....	1
4	28174GT	DECAL, POWER TO PLATFORM 230V**.....	1
5	28235GT	DECAL,POWER TO PLATFORM 115V...1	1
6	44981GT	DECAL,LABEL, AIR LINE 110 PSI.....1 <i>Option, airline to plat</i>	1
7	62077GT	DECAL,COSMETIC,S60.....	1
8	82472GT	DECAL,WARNING,CRUSHING HAZARD.....	1
9	82473GT	DECAL,SYMBOL-COMP ACCESS.....	1
10	82544GT	DECAL,DANGER,ELEC.HAZ.STAY CLR.....	1
11	82551GT	DECAL,LABEL,TIRE PRESSURE.....2 <i>RT air filled tires only</i>	2
12	82671GT	DECAL,LABEL,WELD LINE INST,SYM...1 <i>Option, weld cable line</i>	1
13	114099GT	DECAL,LABEL,TRANSPORT DIAGRAM.....	1
14	114249GT	DECAL,LABEL,TIPOVER,TIRES,SYMB.2	2
15	114277GT	DECAL,LABEL,BELT ROUTING DSG.....1 <i>Ford DSG-423</i>	1
16	1000200GT	DECAL,LABEL,WHEEL LOAD S60HC....	2

125.1 S-60HC Decals with Symbol, Boom (ANSI & CE) (from SN 17350)



114252

82472



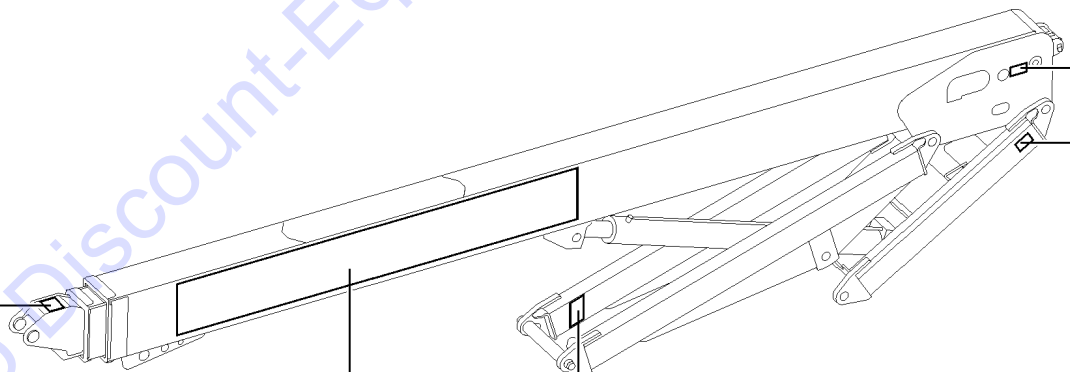
114247

1000199

82472

114252

114252

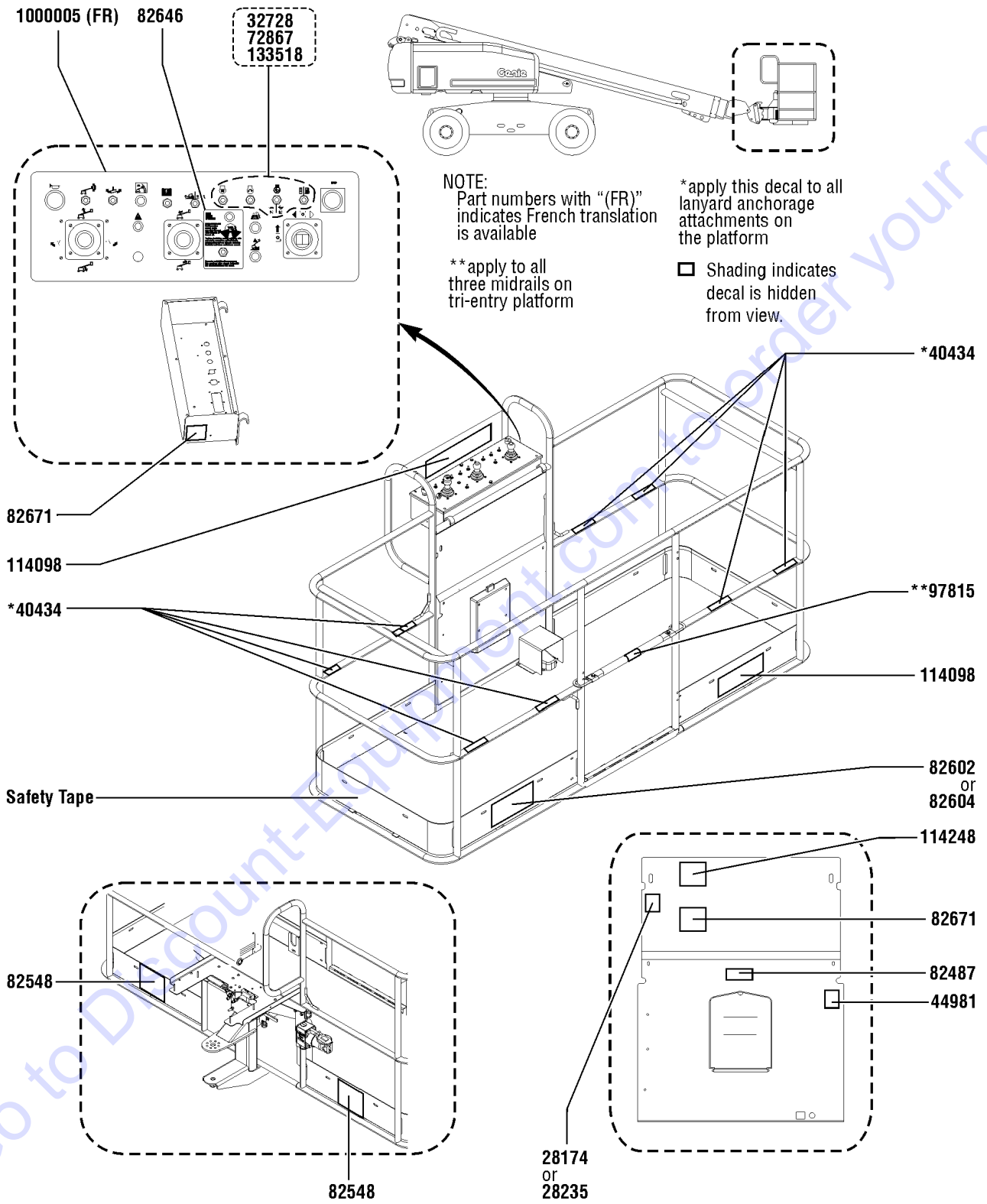


125.1 S-60HC Decals with Symbol, Boom (ANSI & CE) (from SN 17350)

Item	Part No.	Description	Qty.
1	82472GT	DECAL,WARNING,CRUSHING HAZARD.....	2
2	114247GT	DECAL,LABEL,FALL HAZARD***.....	1
3	114252GT	DECAL,LABEL,TIP OVER LMT SWTCH.....	3
4	1000199GT	DECAL,COSMETIC,GENIE S-60HC.....	1

Go to Discount-Equipment.com to order your parts

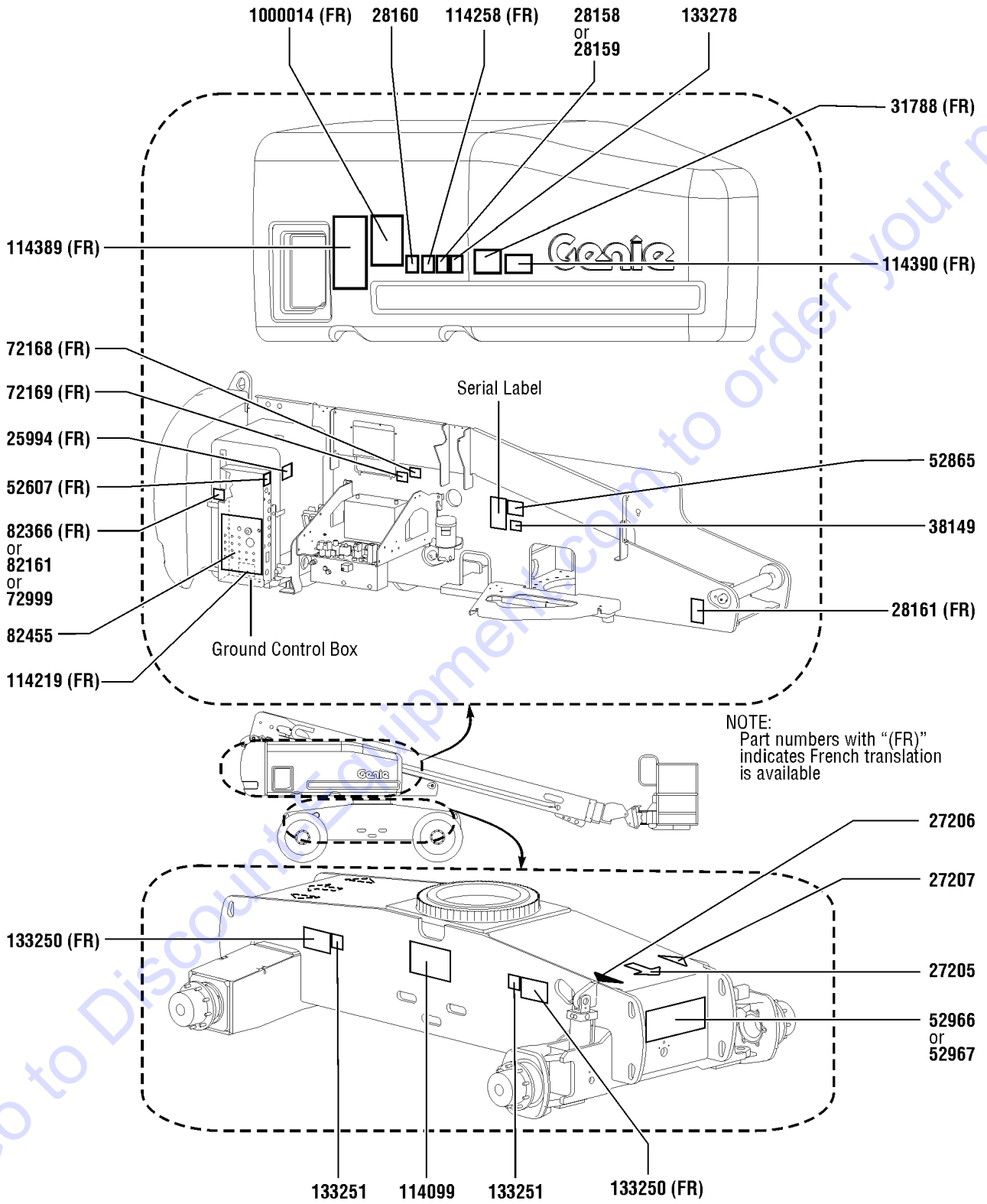
126.1 S-60HC Decals with Symbol, Platform (ANSI & CE) (from SN 17350)



126.1 S-60HC Decals with Symbol, Platform (ANSI & CE) (from SN 17350)

Item	Part No.	Description	Qty.
1	28174GT	DECAL, POWER TO PLATFORM 230V**.....	1
2	28235GT	DECAL,POWER TO PLATFORM 115V...1	1
3	32728GT	DECAL,OPTION GENERATOR***.....1 <i>Option, generator</i>	1
4	40434GT	DECAL,LANYARD ANCHORAGE POINT.....	8
5	44981GT	DECAL,LABEL, AIR LINE 110 PSI.....1 <i>Option, airline to plat</i>	1
6	72867GT	DECAL,LABEL,LIGHTS***.....1 <i>Option, work lights or driving lights</i>	1
7	82487GT	DECAL, SYMBOL - READ THE MANUAL.....	1
8	82548GT	DECAL,WARN,CRUSH HAZARD PLAT.....	2
9	82602GT	DECAL,DANGER,MAX SIDE FRC,667N.....1 <i>ANSI</i>	1
10	82604GT	DECAL,DANGER,SIDE FRC 400N.....1 <i>CE</i>	1
11	82646GT	DECAL,DRIVE ENABLE PATCH.....	1
12	82671GT	DECAL,LABEL,WELD LINE INST,SYM...2 <i>Option, weld cable line</i>	2
13	97815GT	DECAL,LABEL,LOWER MIDRAIL.....	1
14	114098GT	DECAL,DANGER,MAX LOAD S60HCSYM.....	2
15	114248GT	DECAL,LABEL,TIPOVER,TILT AL SY.....	1
16	133518GT	DECAL, PATCH, GEN,ALC-500.....1 <i>Opion, generator/welder</i>	1
17	1000005GT	DECAL,PLATFORM CONTROL PANELHC.....	1

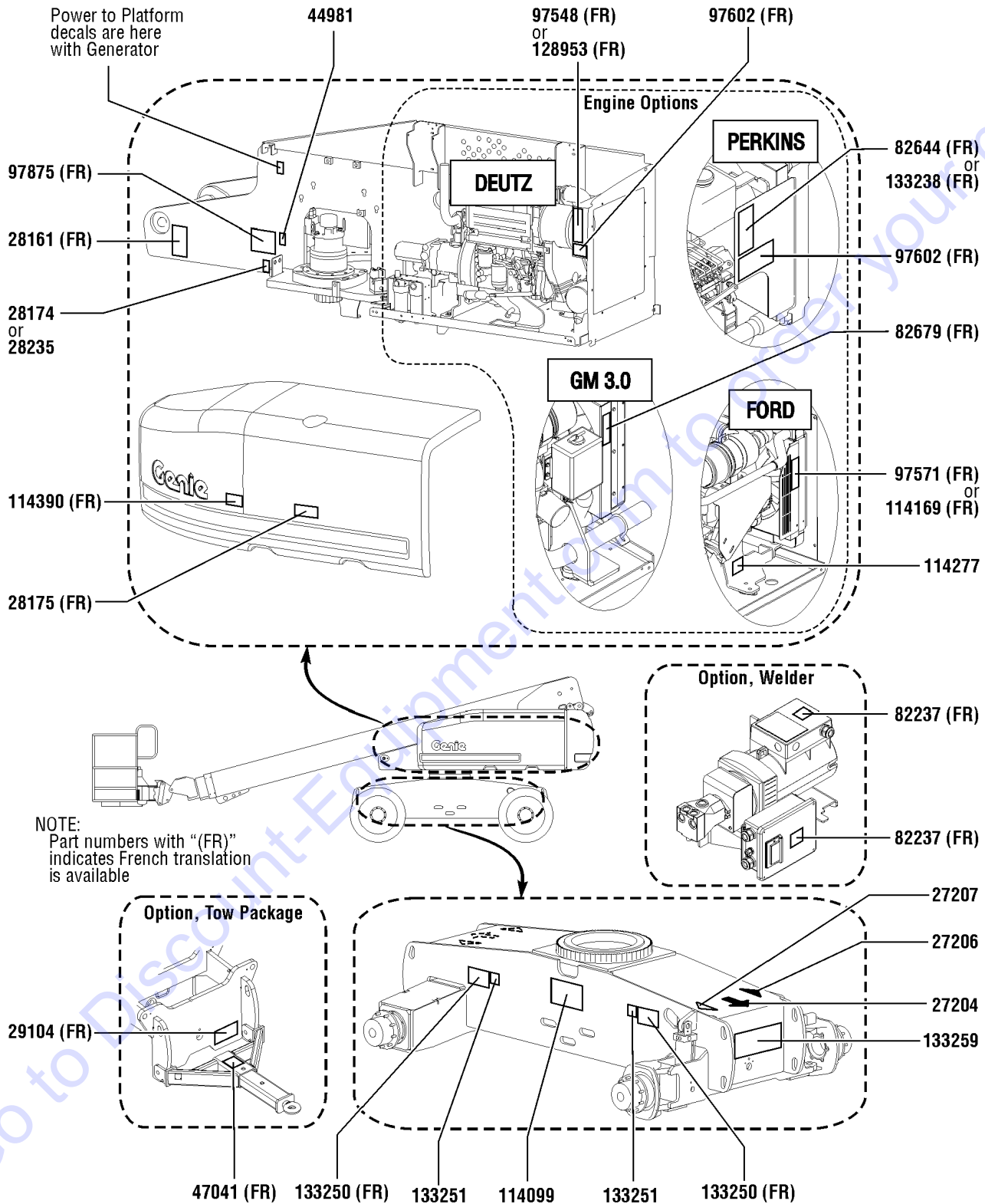
127.1 S-60TraX Decals with Word, Hydraulic Tank Side (ANSI & Australia) (from SN 17350)



127.1 S-60TraX Decals with Word, Hydraulic Tank Side (ANSI & Australia) (from SN 17350)

Item	Part No.	Description	Qty.
1	25994GT	DECAL,NOTICE,SHUTOFF VALVES.....1	
2	27205GT	DECAL,ARROW YELLOW LRG 9".....1	
3	27206GT	DECAL,TRIANGLE,BLUE.....1	
4	27207GT	DECAL,TRIANGLE,YELLOW.....1	
5	28158GT	DECAL,LABEL,UNLEADED GAS ONLY.....1 <i>Option, Fuel</i>	
6	28159GT	DECAL,DIESEL.....1 <i>Option, Fuel</i>	
7	28160GT	DECAL,LABEL,LIQUID PROPANE.....1 <i>Option, LPG tank</i>	
8	28161GT	DECAL,WARN,CRUSH HAZARD HAND.....1	
9	31788GT	DECAL,DANGER,BATTERY SAFETY***.....1	
10	38149GT	DECAL,LABEL,PATENTS.....1 <i>(US Only)</i>	
11	52607GT	DECAL,LABEL,TEST***.....1 <i>(Ford Only)</i>	
12	52865GT	DECAL,ANNUAL INSP***.....1 <i>(ANSI Only)</i>	
13	52966GT	DECAL,COSMETIC,4 X 2.....1 <i>Option, Drive</i>	
14	52967GT	DECAL,COSMETIC,4 X 4.....1 <i>Option, Drive</i>	
15	72168GT	DECAL,LABEL,STARTER BATTERY.....1 <i>Option, Dual battery</i>	
16	72169GT	DECAL,LABEL,CONTROLS BATTERY...1 <i>Option, Dual battery</i>	
17	72999GT	DECAL,LABEL,PETRO CANADA***.....1 <i>Option, hydraulic oil</i>	
18	82161GT	DECAL,LABEL,UCON HYDROLUBE.....1 <i>Option, hydraulic oil</i>	
19	82366GT	DECAL,CHEVRON RANDO HD.....1 <i>Option, hydraulic oil</i>	
20	82455GT	DECAL,GROUND CONTROL PANEL***.....1	
21	114099GT	DECAL,LABEL,TRANSPORT DIAGRAM.....1	
22	114219GT	DECAL,LABEL,RELAYS,S60&65.....1	
23	114258GT	DECAL,DANGER,NO SMOKING.....1	
24	114389GT	DECAL,DANGER,GENERAL SAFETY....1	
25	114390GT	DECAL,DANGER,ELECT HAZARD***...1	
26	133250GT	DECAL,DANGER TIP OVER TRAX.....2	
27	133251GT	DECAL, WHEEL LOAD S60TRAX.....2	
28	133278GT	DECAL,LOW/ULTRA LOW SULFR FUEL.....1 <i>Diesel models only</i>	
29	100014GT	DECAL,NOTICE,OPER INST.S60.....1	

128.1 S-60TraX Decals with Word, Engine Side (ANSI & Australia) (from SN 17350)

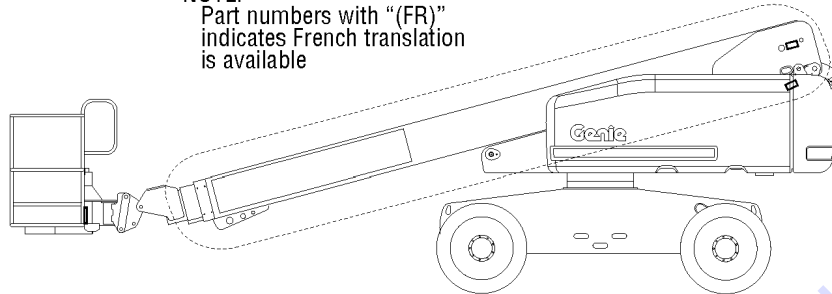


128.1 S-60TraX Decals with Word, Engine Side (ANSI & Australia) (from SN 17350)

Item	Part No.	Description	Qty.
1	27204GT	DECAL,ARROW BLUE.....	1
2	27206GT	DECAL,TRIANGLE,BLUE.....	1
3	27207GT	DECAL,TRIANGLE,YELLOW.....	1
4	28161GT	DECAL,WARN,CRUSH HAZARD HAND.....	1
5	28174GT	DECAL, POWER TO PLATFORM 230V**.....	1
6	28175GT	DECAL,WARNING-COMPART ACCESS.....	1
7	28235GT	DECAL,POWER TO PLATFORM 115V...1	
8	29104GT	DECAL,TOWING INSTRUCTIONS.....1 <i>Option, Tow Package</i>	
9	44981GT	DECAL,LABEL, AIR LINE 110 PSI.....1 <i>Option, airline to platform</i>	
10	47041GT	DECAL,CAUTION,TOWING SPEED.....1 <i>Option, Tow Package</i>	
11	82237GT	DECAL,DANGER,HIGH VOLTAGE.....2 <i>Option, Welder</i>	
12	82644GT	DECAL, ENGINE SPEC, PERKINS.....1 <i>404C-22 from SN S6004-9694 to S6008-19606</i>	
13	82679GT	DECAL,NOTICE,GM 3.0 ENG SPEC.....1	
14	97548GT	DECAL,ENGINE SPEC,DEUTZ 2011.....1 <i>D2011L03i</i>	
15	97571GT	DECAL,NOTICE,FORD ENG SPECS T2.....1 <i>LRG -425 to SN S6006-14053</i>	
16	97602GT	DECAL,EXPLOSION HAZARD.....1 <i>Diesel engines</i>	
17	97875GT	DECAL,WARN.WELD LINE INST.WORD.....1 <i>Option, Weld Cable Line</i>	
18	114099GT	DECAL,LABEL,TRANSPORT DIAGRAM.....1	
19	114169GT	DECAL,FORD ENGINE SPEC DSG423.....1 <i>Ford DSG -423 from SN S6006-14054</i>	
20	114277GT	DECAL,LABEL,BELT ROUTING DSG.....1 <i>Ford DSG-423</i>	
21	114390GT	DECAL,DANGER,ELECT HAZARD***1	
22	128953GT	DECAL,ENGINE SPEC,DEUTZ,TD2011.....1 <i>TD2011L03i - turbo deutz only from SN S6010-20379</i>	
23	133238GT	DECAL,ENGINE SPEC,PERKINS***.....1 <i>404D-22 from SN S6008-19607</i>	
24	133250GT	DECAL,DANGER TIP OVER TRAX.....2	
25	133251GT	DECAL, WHEEL LOAD S60TRAX.....2	
26	133259GT	DECAL,COSM, S60 TRAX.....1	

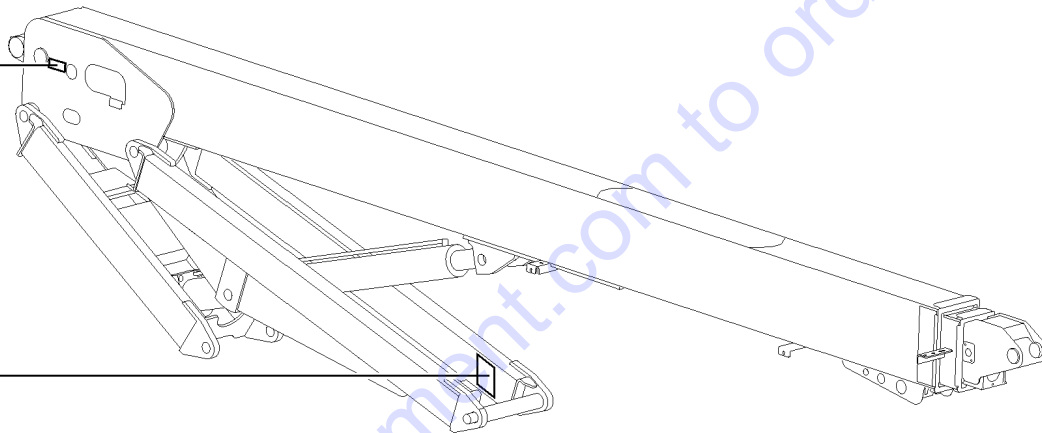
129.1 S-60TraX Decals with Word, Boom (ANSI & Australia) (from SN 17350)

NOTE:
Part numbers with "(FR)"
indicates French translation
is available



31060 (FR)

28161 (FR)



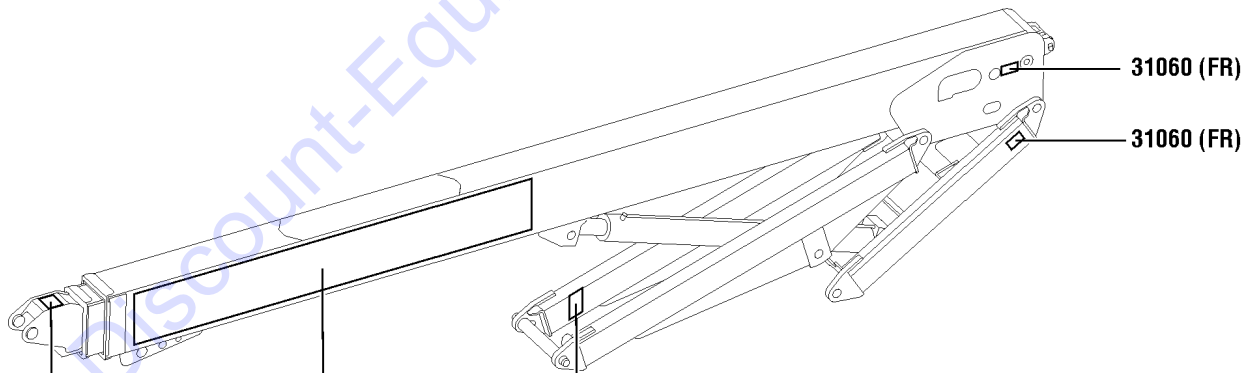
31060 (FR)

31060 (FR)

28181 (FR)

133253

28161 (FR)

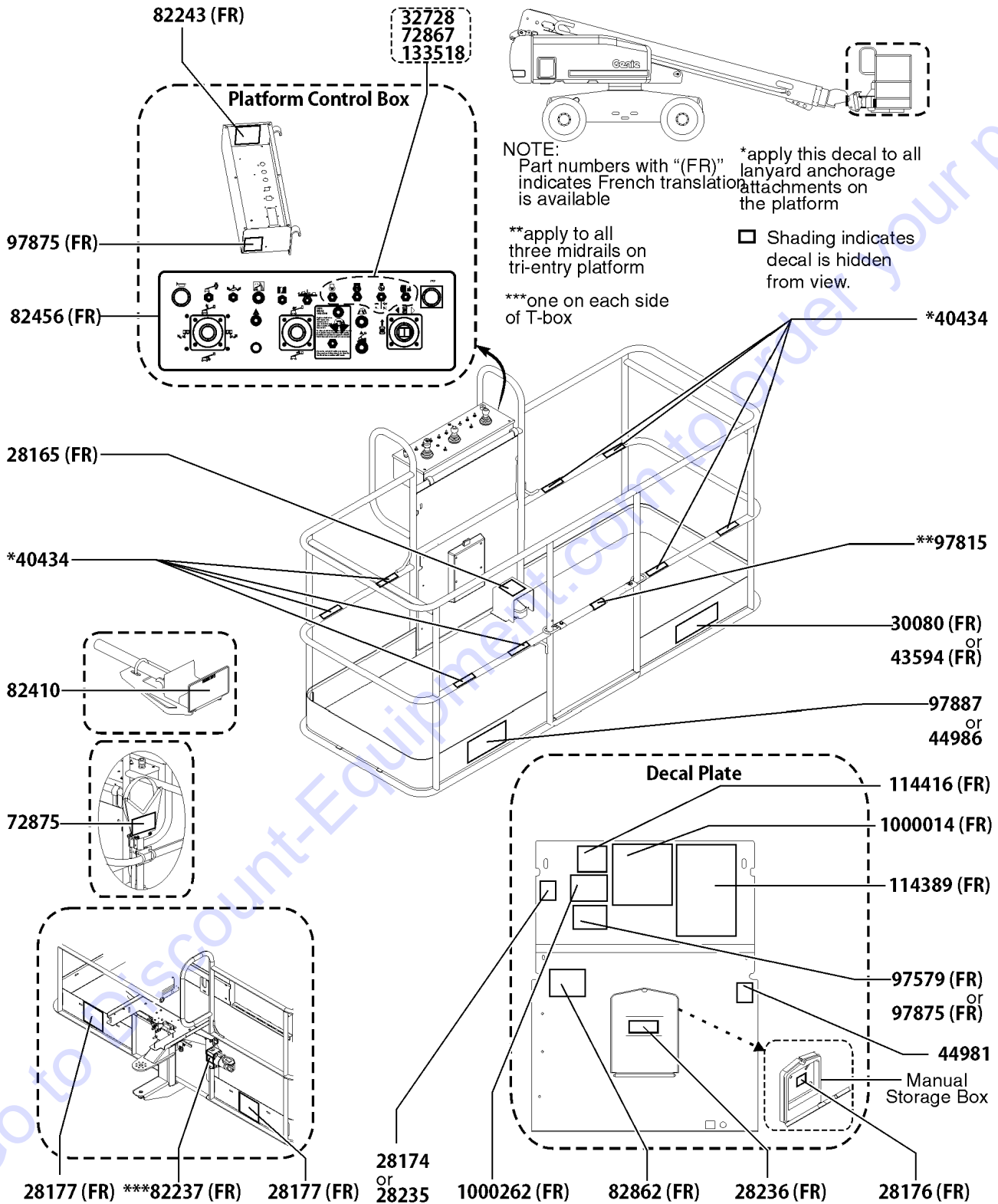


129.1 S-60TraX Decals with Word, Boom (ANSI & Australia) (from SN 17350)

Item	Part No.	Description	Qty.
1	28161GT	DECAL,WARN,CRUSH HAZARD HAND.....	2
2	28181GT	DECAL,WARN,FALL HAZARD.....	1
3	31060GT	DECAL,DANGER DO NOT ALTER SWTC.....	3
4	133253GT	DECAL,COSM,GENIE S60 TRAX.....	1

Go to Discount-Equipment.com to order your parts

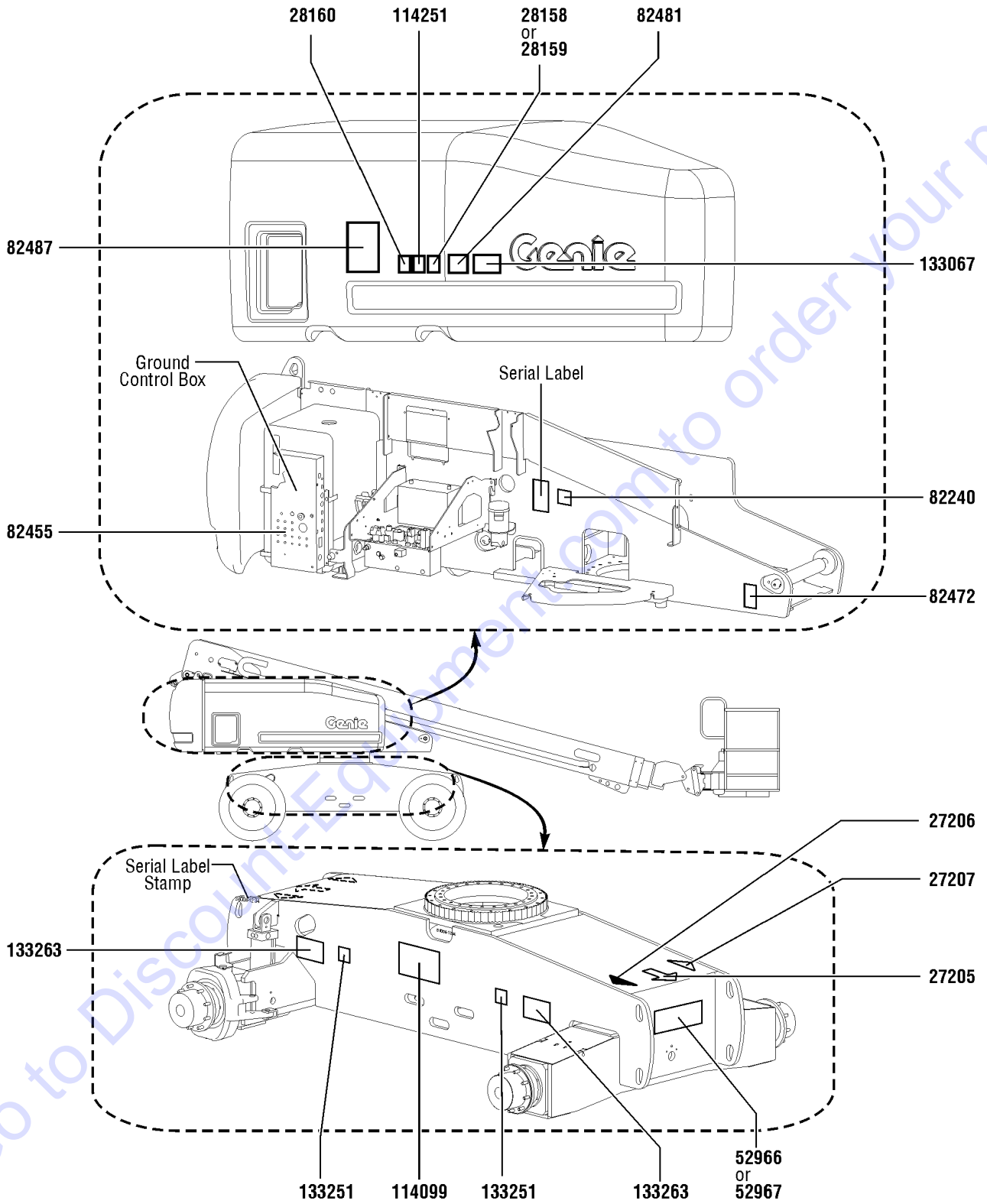
130.1 S-60TraX Decals with Word, Platform (ANSI & Australia) (from SN 17350)



130.1 S-60TraX Decals with Word, Platform (ANSI & Australia) (from SN 17350)

Item	Part No.	Description	Qty.	Item	Part No.	Description	Qty.
1	28165GT	DECAL,INSTRUCT,FOOTSWITCH OPER.....	1	27	1000014GT	DECAL,NOTICE,OPER INST.S60.....	1
2	28174GT	DECAL, POWER TO PLATFORM 230V**.....	1	28	1000262GT	DECAL,DANGER,TIP OVER,PLAT..... <i>Use on S-60 HC and S-60s with 750 lb capacity option</i>	1
3	28176GT	DECAL,LABEL,MANUAL NOT HERE.....	1				
4	28177GT	DECAL,WARN,CRUSH HAZARD PLAT.....	2				
5	28235GT	DECAL,POWER TO PLATFORM 115V....	1				
6	28236GT	DECAL,WARN,IMPROPER OPERATION.....	1				
7	30080GT	DECAL,NOTICE,MAX LOAD 500 LBS.... <i>500 lbs (refer to serial label before ordering)</i>	1				
8	32728GT	DECAL,OPTION GENERATOR***..... <i>Option, Generator</i>	1				
9	40434GT	DECAL,LANYARD ANCHORAGE POINT.....	8				
10	43594GT	DECAL,NOTICE,MAX LOAD 750 LBS.... <i>Option, 750 lbs (refer to serial label before ordering)</i>	1				
11	44981GT	DECAL,LABEL, AIR LINE 110 PSI..... <i>Option, airline to platform</i>	1				
12	44986GT	DECAL,INSTR,SIDE FRC/WIND,AUS.... <i>Australia</i>	1				
13	72867GT	DECAL,LABEL,LIGHTS***..... <i>Option, Work Lights or Driving Lights</i>	1				
14	72875GT	DECAL,WARNING,PIPE CRADLE,BOOM..... <i>Option, Pipe Cradle</i>	2				
15	82237GT	DECAL,DANGER,HIGH VOLTAGE..... <i>Option, Welder</i>	2				
16	82243GT	DECAL FAULT CODE.....	1				
17	82410GT	DECAL,WARNING,PANEL CRADLE..... <i>Option, Panel Cradle</i>	2				
18	82456GT	DECAL,PLAT CONTROL PANEL,S60**.....	1				
--	82244GT	DECAL,PROTECTOR,CLEAR***					
19	82862GT	DECAL,FIRE EXTINGUISHER..... <i>Option, Welder</i>	1				
20	97579GT	DECAL,DANGER,TIP-OVER,WELDER**. <i>Option, Welder</i>	1				
21	97815GT	DECAL,LABEL,LOWER MIDRAIL.....	1				
22	97875GT	DECAL,WARN.WELD LINE INST.WORD..... <i>Option, Weld cable line</i>	2				
23	97887GT	DECAL,INSTR,MAX SIDE FRC,ANSI.... <i>ANSI</i>	1				
24	114389GT	DECAL,DANGER,GENERAL SAFETY....	1				
25	114416GT	DECAL,DANGER,TIPOVER,TILT.....	1				
26	133518GT	DECAL, PATCH, GEN,ALC-500..... <i>Option, Generator / Welder</i>	1				

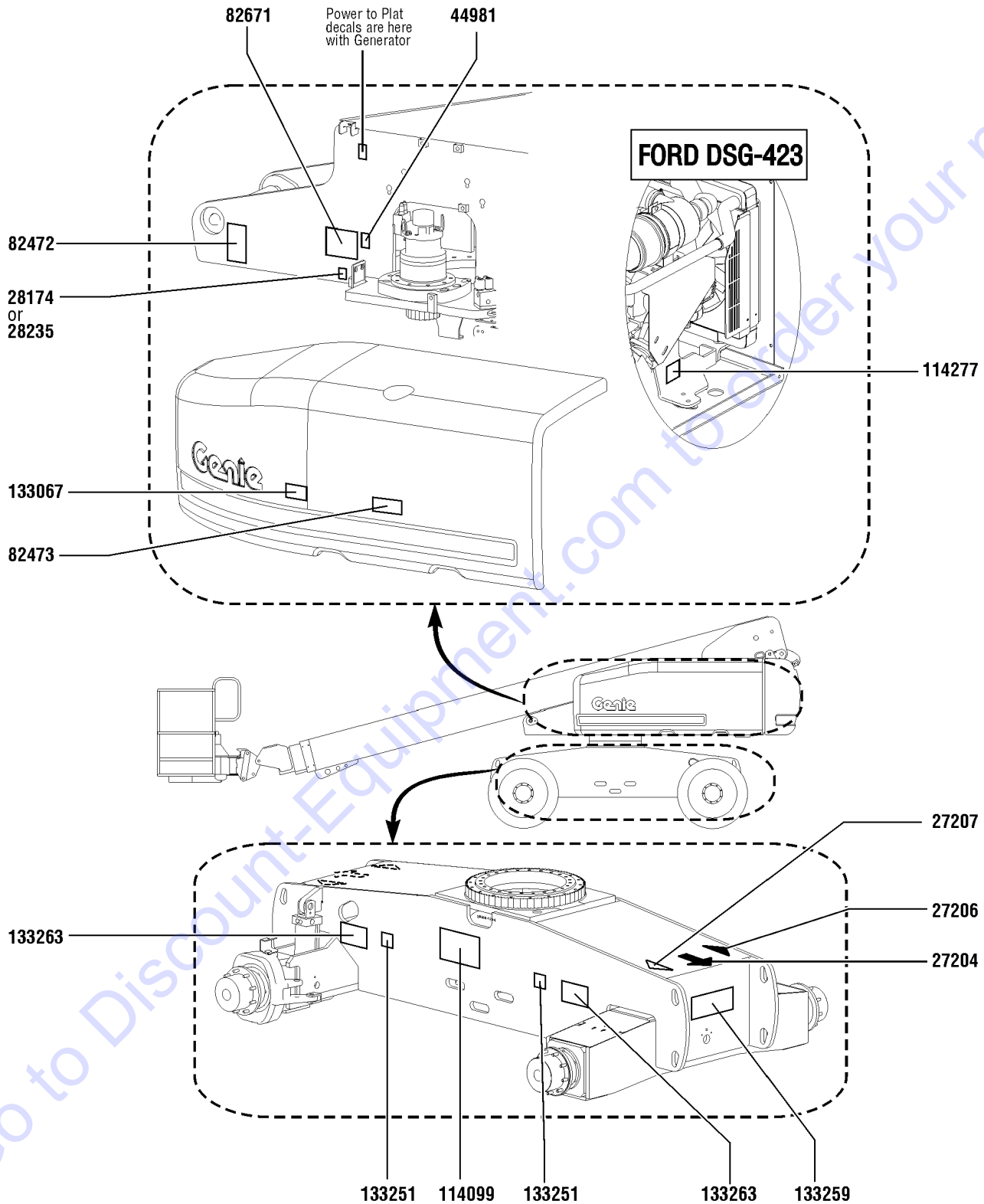
131.1 S-60TraX Decals with Symbol, Hydraulic Tank Side (ANSI & CE) (from SN 17350)



131.1 S-60TraX Decals with Symbol, Hydraulic Tank Side (ANSI & CE) (from SN 17350)

Item	Part No.	Description	Qty.
1	27205GT	DECAL,ARROW YELLOW LRG 9".....1	1
2	27206GT	DECAL,TRIANGLE,BLUE.....1	1
3	27207GT	DECAL,TRIANGLE,YELLOW.....1	1
4	28158GT	DECAL,LABEL,UNLEADED GAS ONLY.....1 <i>Option, fuel</i>	1
5	28159GT	DECAL,DIESEL.....1 <i>Option, fuel</i>	1
6	28160GT	DECAL,LABEL,LIQUID PROPANE.....1 <i>Option, LPG Tank</i>	1
7	52966GT	DECAL,COSMETIC,4 X 2.....1 <i>Option, drive</i>	1
8	52967GT	DECAL,COSMETIC,4 X 4.....1 <i>Option, drive</i>	1
9	82240GT	DECAL,LABEL,105 DB.....1	1
10	82455GT	DECAL,GROUND CONTROL PANEL ***.....1	1
11	82472GT	DECAL,WARNING,CRUSHING HAZARD.....1	1
12	82481GT	DECAL,SYMBOL-BATTERY SAFETY.....1	1
13	82487GT	DECAL, SYMBOL - READ THE MANUAL.....1	1
14	114099GT	DECAL,LABEL,TRANSPORT DIAGRAM.....1	1
15	114251GT	DECAL,LABEL,NO SMOKING,SYMB.....1	1
16	133067GT	DECAL,DANGER,ELEC.HAZ.STAY CLR.....1	1
17	133251GT	DECAL, WHEEL LOAD S60TRAX.....2	2
18	133263GT	DECAL,LABEL,TIPOVER,TRAX,SYMB..2	2

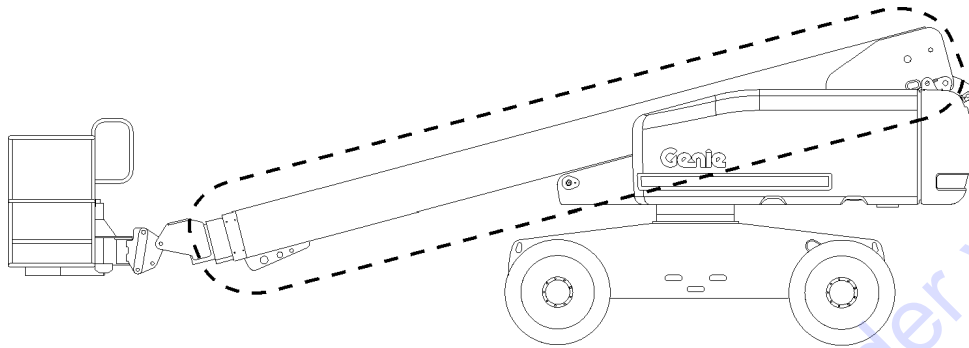
132.1 S-60TraX Decals with Symbol, Engine Side (ANSI & CE) (from SN 17350)



132.1 S-60TraX Decals with Symbol, Engine Side (ANSI & CE) (from SN 17350)

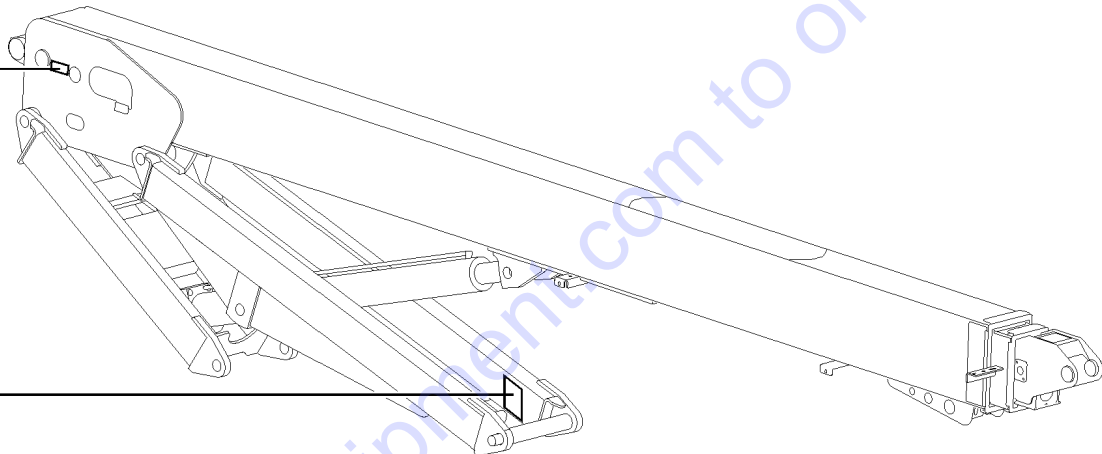
Item	Part No.	Description	Qty.
1	27204GT	DECAL,ARROW BLUE.....1	1
2	27206GT	DECAL,TRIANGLE,BLUE.....1	1
3	27207GT	DECAL,TRIANGLE,YELLOW.....1	1
4	28174GT	DECAL, POWER TO PLATFORM 230V**.....1	1
5	28235GT	DECAL,POWER TO PLATFORM 115V...1	1
6	44981GT	DECAL,LABEL, AIR LINE 110 PSI.....1 <i>Option, airline to plat</i>	1
7	82472GT	DECAL,WARNING,CRUSHING HAZARD.....1	1
8	82473GT	DECAL,SYMBOL-COMP ACCESS.....1	1
9	82671GT	DECAL,LABEL,WELD LINE INST,SYM...1 <i>Option, weld cable line</i>	1
10	114099GT	DECAL,LABEL,TRANSPORT DIAGRAM.....1	1
11	114277GT	DECAL,LABEL,BELT ROUTING DSG....1 <i>Ford DSG-423</i>	1
12	133067GT	DECAL,DANGER,ELEC.HAZ.STAY CLR.....1	1
13	133251GT	DECAL, WHEEL LOAD S60TRAX.....2	2
14	133259GT	DECAL,COSM, S60 TRAX.....1	1
15	133263GT	DECAL,LABEL,TIPOVER,TRAX,SYMB..2	2

133.1 S-60TraX Decals with Symbol, Boom (ANSI & CE) (from SN 17350)



114252

82472



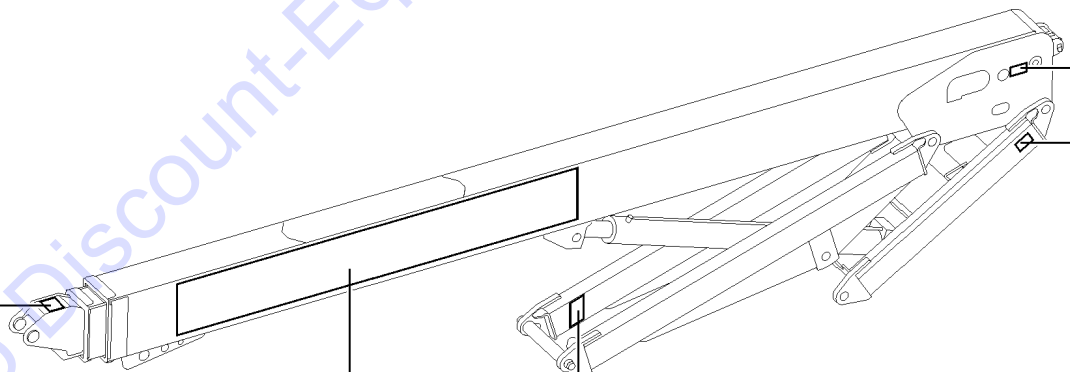
114247

133253

82472

114252

114252

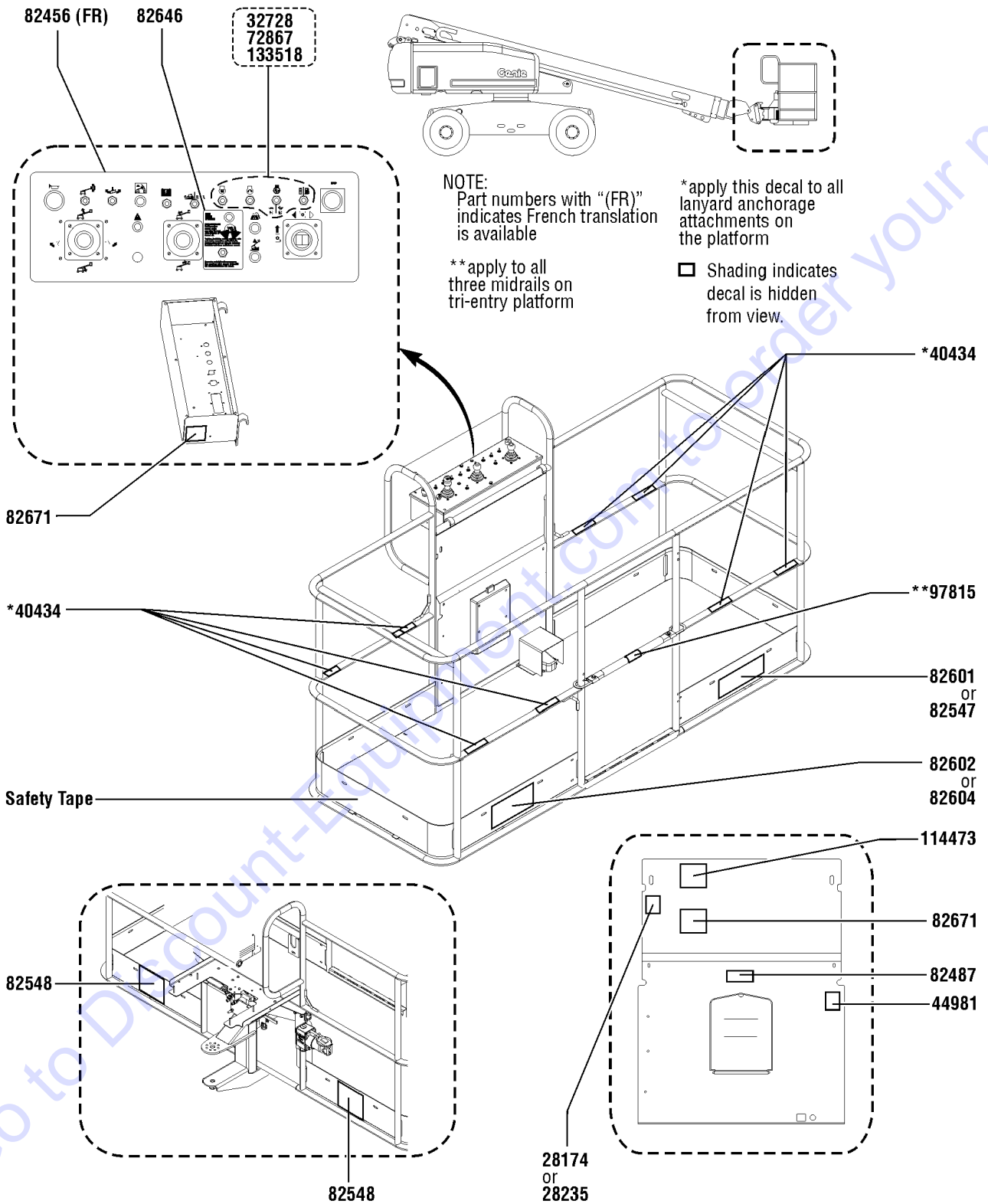


133.1 S-60TraX Decals with Symbol, Boom (ANSI & CE) (from SN 17350)

Item	Part No.	Description	Qty.
1	82472GT	DECAL,WARNING,CRUSHING HAZARD.....	2
2	114247GT	DECAL,LABEL,FALL HAZARD***.....	1
3	114252GT	DECAL,LABEL,TIP OVER LMT SWTCH.....	3
4	133253GT	DECAL,COSM,GENIE S60 TRAX.....	1

Go to Discount-Equipment.com to order your parts

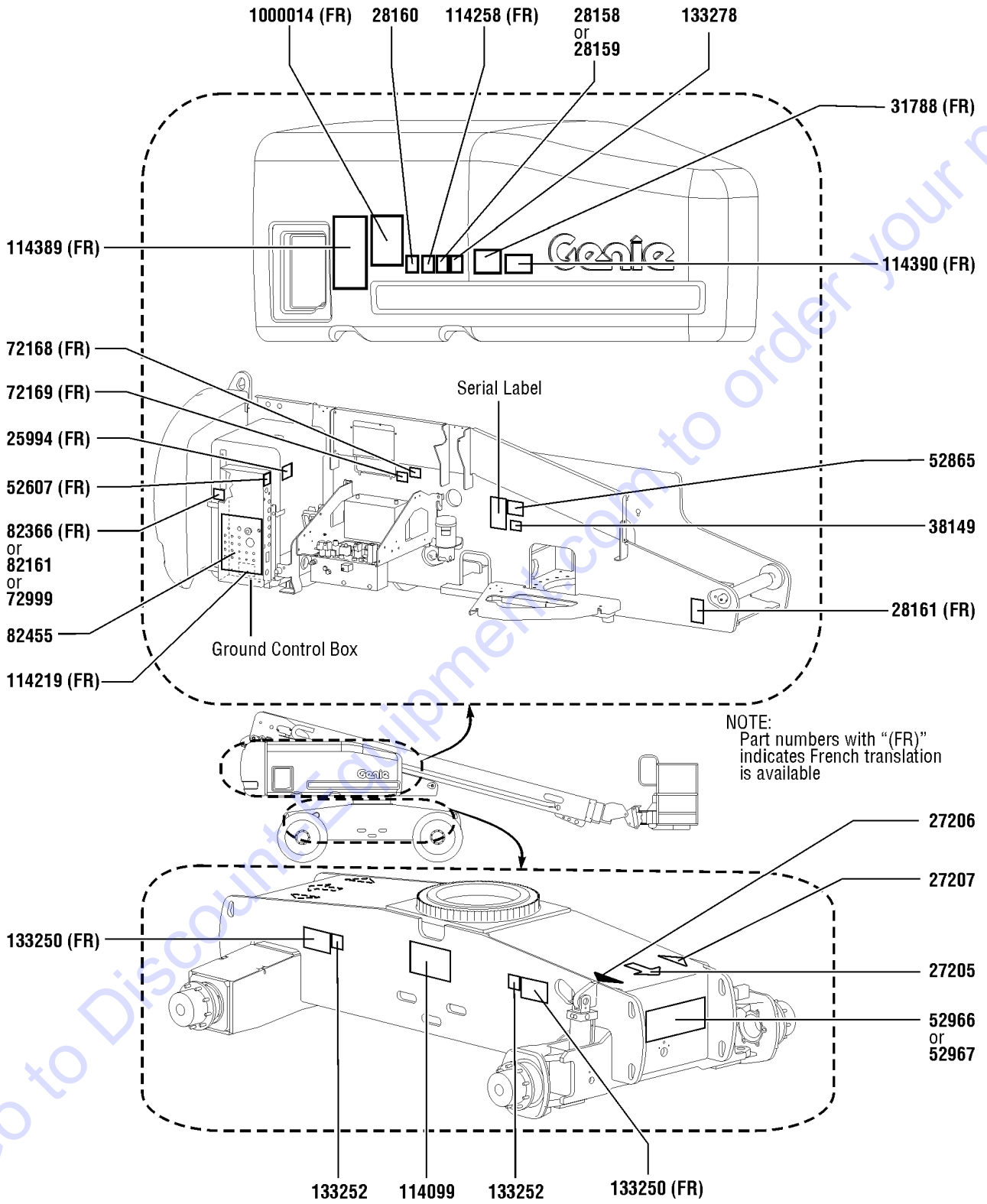
134.1 S-60TraX Decals with Symbol, Platform (ANSI & CE) (from SN 17350)



134.1 S-60TraX Decals with Symbol, Platform (ANSI & CE) (from SN 17350)

Item	Part No.	Description	Qty.
1	28174GT	DECAL, POWER TO PLATFORM 230V**.....	1
2	28235GT	DECAL,POWER TO PLATFORM 115V...1	1
3	32728GT	DECAL,OPTION GENERATOR***.....1 <i>Option, generator</i>	1
4	40434GT	DECAL,LANYARD ANCHORAGE POINT.....	8
5	44981GT	DECAL,LABEL, AIR LINE 110 PSI.....1 <i>Option, airline to plat</i>	1
6	72867GT	DECAL,LABEL,LIGHTS***.....1 <i>Option, work lights or driving lights</i>	1
7	82456GT	DECAL,PLAT CONTROL PANEL,S60**.....	1
--	82244GT	DECAL,PROTECTOR,CLEAR***	
8	82487GT	DECAL, SYMBOL - READ THE MANUAL.....	1
9	82547GT	DECAL,DANGER,MAX LOAD 340 KG....1 <i>Option, maximum platform capacity - 750 lbs</i>	1
10	82548GT	DECAL,WARN,CRUSH HAZARD PLAT.....	2
11	82601GT	DECAL,LABEL,MAX CAPACITY***.....1 <i>Maximum platform capacity - 500 lbs</i>	1
12	82602GT	DECAL,DANGER,MAX SIDE FRC,667N.....	1
13	82604GT	DECAL,DANGER,SIDE FRC 400N.....1 <i>CE</i>	1
14	82646GT	DECAL,DRIVE ENABLE PATCH.....1	1
15	82671GT	DECAL,LABEL,WELD LINE INST,SYM...2 <i>Option, weld cable line</i>	2
16	97815GT	DECAL,LABEL,LOWER MIDRAIL.....1	1
17	114473GT	DECAL,DANGER,TIPOVER,TILT,SYM...1	1
18	133518GT	DECAL, PATCH, GEN,ALC-500.....1 <i>Opion, generator/welder</i>	1

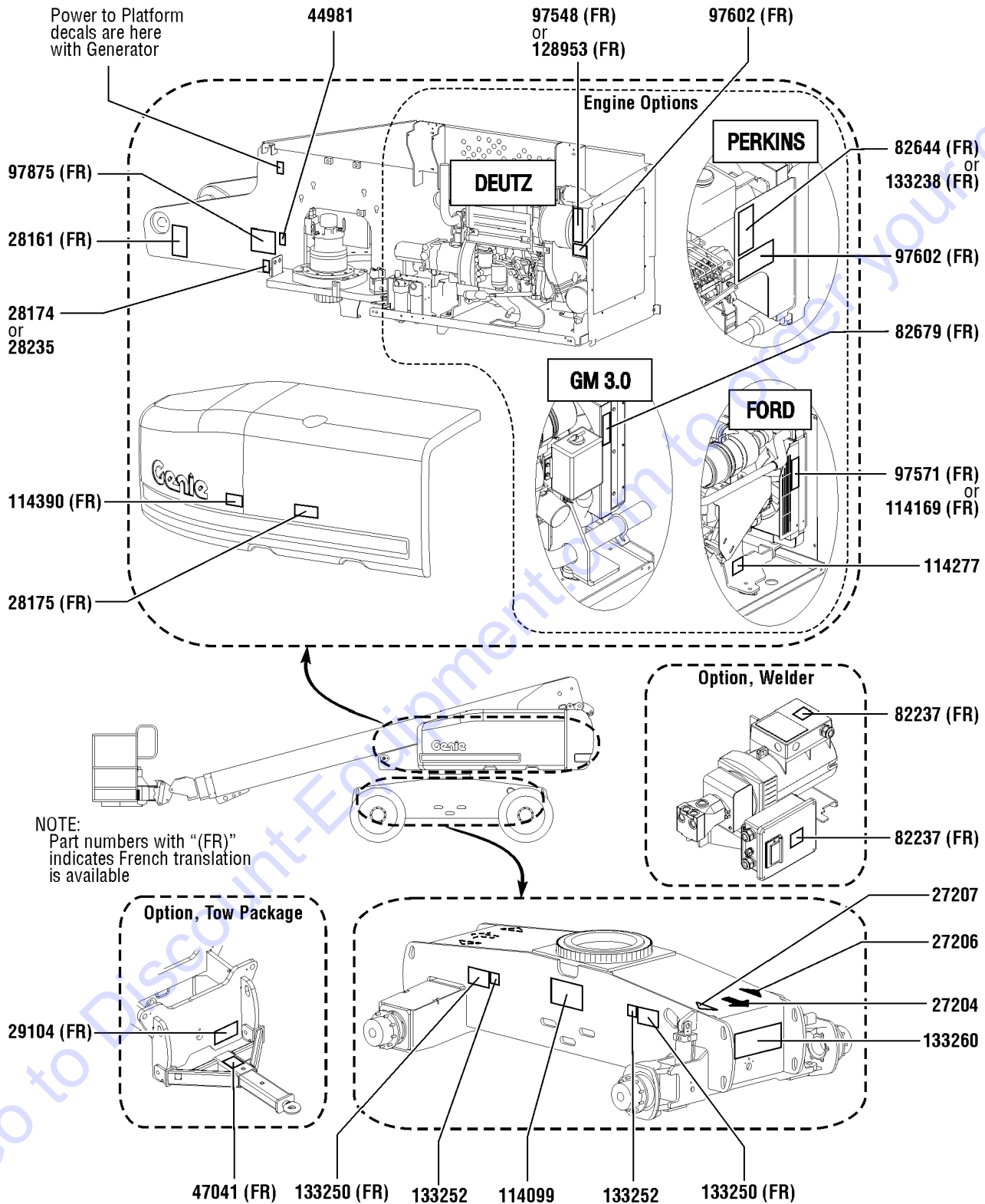
135.1 S-65TraX Decals with Word, Hydraulic Tank Side (ANSI & Australia) (from SN 17350)



135.1 S-65TraX Decals with Word, Hydraulic Tank Side (ANSI & Australia) (from SN 17350)

Item	Part No.	Description	Qty.
1	25994GT	DECAL,NOTICE,SHUTOFF VALVES.....1	
2	27205GT	DECAL,ARROW YELLOW LRG 9".....1	
3	27206GT	DECAL,TRIANGLE,BLUE.....1	
4	27207GT	DECAL,TRIANGLE,YELLOW.....1	
5	28158GT	DECAL,LABEL,UNLEADED GAS ONLY.....1 <i>Option, Fuel</i>	
6	28159GT	DECAL,DIESEL.....1 <i>Option, Fuel</i>	
7	28160GT	DECAL,LABEL,LIQUID PROPANE.....1 <i>Option, LPG tank</i>	
8	28161GT	DECAL,WARN,CRUSH HAZARD HAND.....1	
9	31788GT	DECAL,DANGER,BATTERY SAFETY***.....1	
10	38149GT	DECAL,LABEL,PATENTS.....1 <i>(US Only)</i>	
11	52607GT	DECAL,LABEL,TEST***.....1 <i>(Ford Only)</i>	
12	52865GT	DECAL,ANNUAL INSP***.....1 <i>(ANSI Only)</i>	
13	52966GT	DECAL,COSMETIC,4 X 2.....1 <i>Option, Drive</i>	
14	52967GT	DECAL,COSMETIC,4 X 4.....1 <i>Option, Drive</i>	
15	72168GT	DECAL,LABEL,STARTER BATTERY.....1 <i>Option, Dual battery</i>	
16	72169GT	DECAL,LABEL,CONTROLS BATTERY...1 <i>Option, Dual battery</i>	
17	72999GT	DECAL,LABEL,PETRO CANADA***.....1 <i>Option, hydraulic oil</i>	
18	82161GT	DECAL,LABEL,UCON HYDROLUBE.....1 <i>Option, hydraulic oil</i>	
19	82366GT	DECAL,CHEVRON RANDO HD.....1 <i>Option, hydraulic oil</i>	
20	82455GT	DECAL,GROUND CONTROL PANEL***.....1	
21	114099GT	DECAL,LABEL,TRANSPORT DIAGRAM.....1	
22	114219GT	DECAL,LABEL,RELAYS,S60&65.....1	
23	114258GT	DECAL,DANGER,NO SMOKING.....1	
24	114389GT	DECAL,DANGER,GENERAL SAFETY....1	
25	114390GT	DECAL,DANGER,ELECT HAZARD***...1	
26	133250GT	DECAL,DANGER TIP OVER TRAX.....2	
27	133252GT	DECAL, WHEEL LOAD S65 TRAX.....2	
28	133278GT	DECAL,LOW/ULTRA LOW SULFR FUEL.....1 <i>Diesel models only</i>	
29	100014GT	DECAL,NOTICE,OPER INST.S60.....1	

136.1 S-65TraX Decals with Word, Engine Side (ANSI & Australia) (from SN 17350)

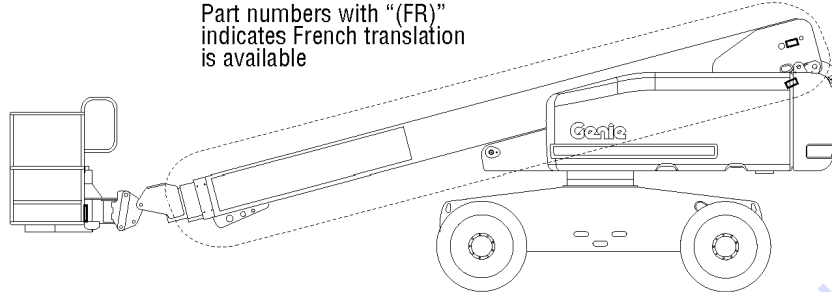


136.1 S-65TraX Decals with Word, Engine Side (ANSI & Australia) (from SN 17350)

Item	Part No.	Description	Qty.
1	27204GT	DECAL,ARROW BLUE.....	1
2	27206GT	DECAL,TRIANGLE,BLUE.....	1
3	27207GT	DECAL,TRIANGLE,YELLOW.....	1
4	28161GT	DECAL,WARN,CRUSH HAZARD HAND.....	1
5	28174GT	DECAL, POWER TO PLATFORM 230V**.....	1
6	28175GT	DECAL,WARNING-COMPART ACCESS.....	1
7	28235GT	DECAL,POWER TO PLATFORM 115V...1	
8	29104GT	DECAL,TOWING INSTRUCTIONS.....1 <i>Option, Tow Package</i>	
9	44981GT	DECAL,LABEL, AIR LINE 110 PSI.....1 <i>Option, airline to platform</i>	
10	47041GT	DECAL,CAUTION,TOWING SPEED.....1 <i>Option, Tow Package</i>	
11	82237GT	DECAL,DANGER,HIGH VOLTAGE.....2 <i>Option, Welder</i>	
12	82644GT	DECAL, ENGINE SPEC, PERKINS.....1 <i>404C-22 from SN S6004-9694 to S6008-19606</i>	
13	82679GT	DECAL,NOTICE,GM 3.0 ENG SPEC....1	
14	97548GT	DECAL,ENGINE SPEC,DEUTZ 2011.....1 <i>D2011L03i</i>	
15	97571GT	DECAL,NOTICE,FORD ENG SPECS T2.....1 <i>LRG -425 to SN S6006-14053</i>	
16	97602GT	DECAL,EXPLOSION HAZARD.....1 <i>Diesel engines</i>	
17	97875GT	DECAL,WARN.WELD LINE INST.WORD.....1 <i>Option, Weld Cable Line</i>	
18	114099GT	DECAL,LABEL,TRANSPORT DIAGRAM.....1	
19	114169GT	DECAL,FORD ENGINE SPEC DSG423.....1 <i>Ford DSG -423 from SN S6006-14054</i>	
20	114277GT	DECAL,LABEL,BELT ROUTING DSG....1 <i>Ford DSG-423</i>	
21	114390GT	DECAL,DANGER,ELECT HAZARD***1	
22	128953GT	DECAL,ENGINE SPEC,DEUTZ,TD2011.....1 <i>TD2011L03i - turbo deutz only from SN S6010-20379</i>	
23	133238GT	DECAL,ENGINE SPEC,PERKINS***1 <i>404D-22 from SN S6008-19607</i>	
24	133250GT	DECAL,DANGER TIP OVER TRAX.....2	
25	133252GT	DECAL, WHEEL LOAD S65 TRAX.....2	
26	133260GT	DECAL,COSM, S65 TRAX.....1	

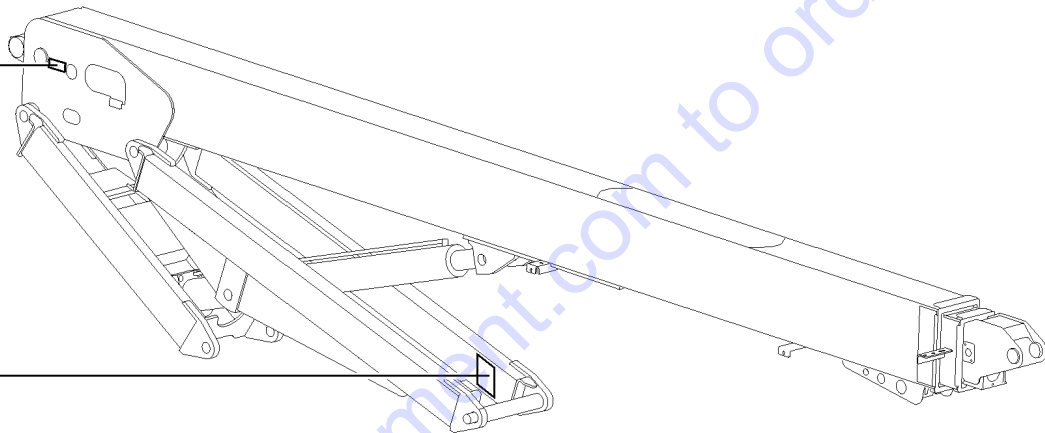
137.1 S-65TraX Decals with Word, Boom (ANSI & Australia) (from SN 17350)

NOTE:
Part numbers with "(FR)"
indicates French translation
is available



31060 (FR)

28161 (FR)



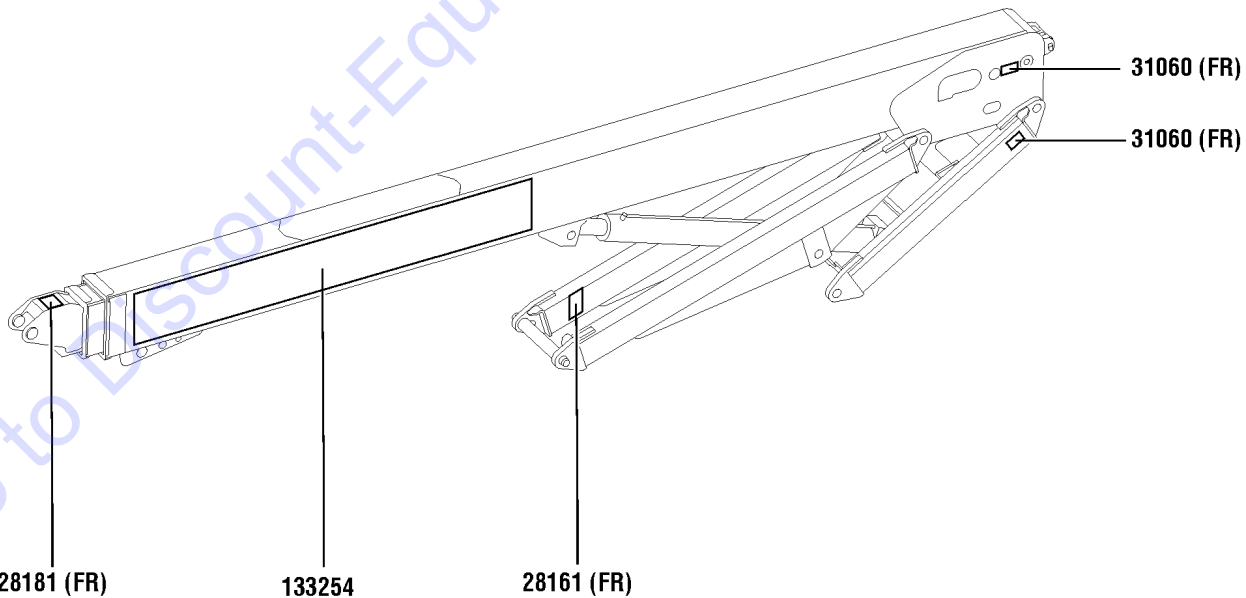
31060 (FR)

31060 (FR)

28181 (FR)

133254

28161 (FR)

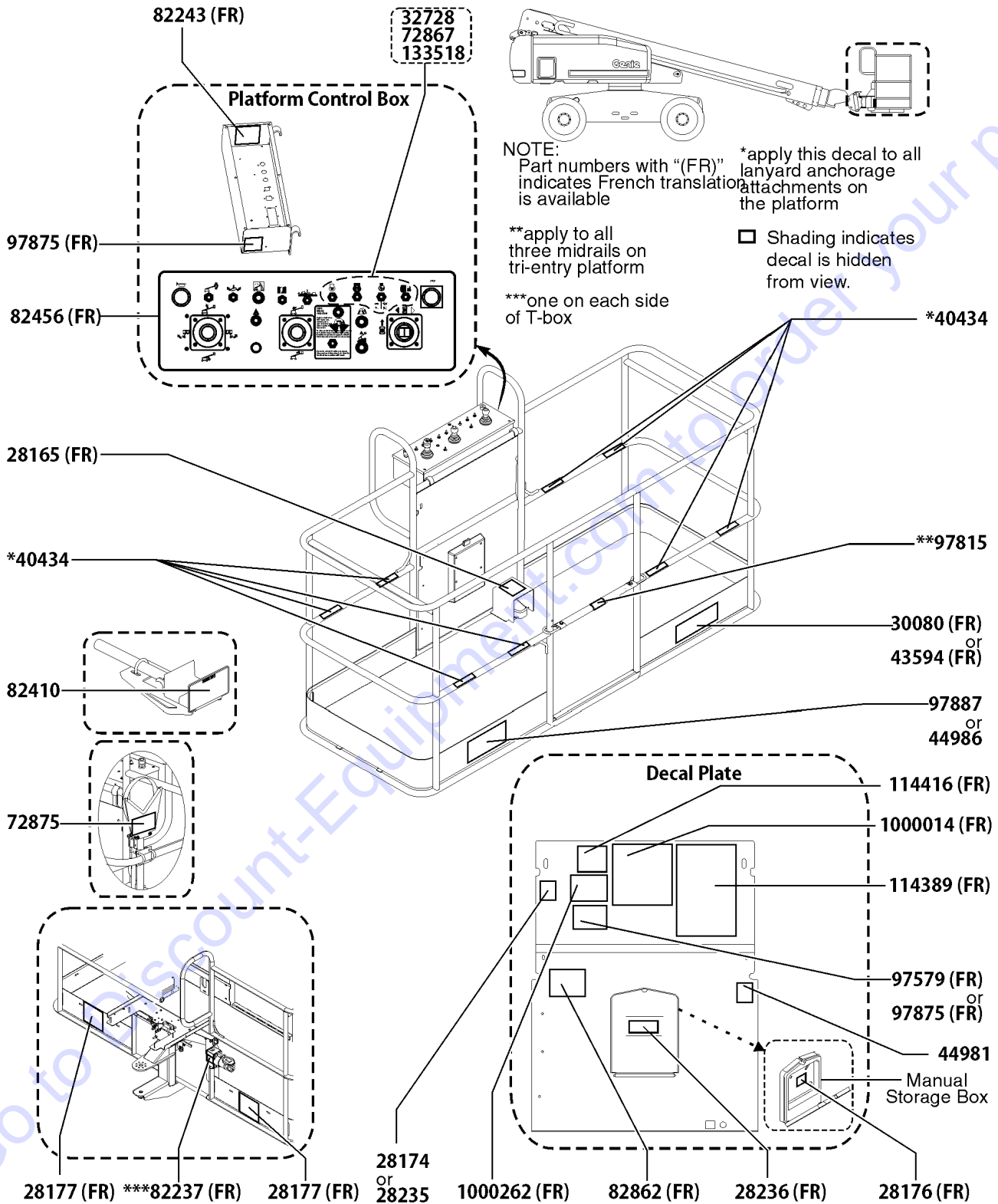


137.1 S-65TraX Decals with Word, Boom (ANSI & Australia) (from SN 17350)

Item	Part No.	Description	Qty.
1	28161GT	DECAL,WARN,CRUSH HAZARD HAND.....	2
2	28181GT	DECAL,WARN,FALL HAZARD.....	1
3	31060GT	DECAL,DANGER DO NOT ALTER SWTC.....	3
4	133254GT	DECAL, COSM,GENIE S65 TRAX.....	1

Go to Discount-Equipment.com to order your parts

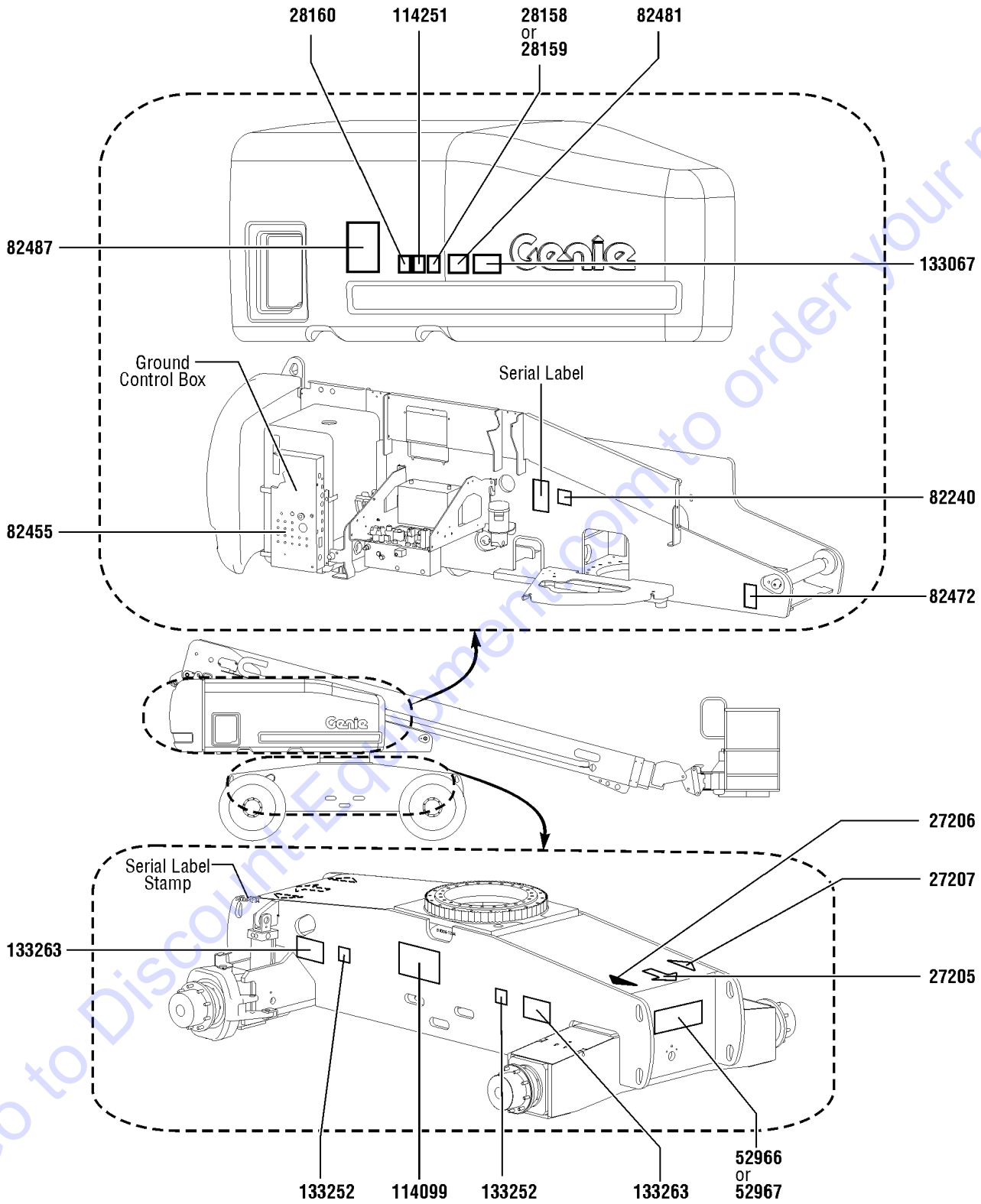
138.1 S-65TraX Decals with Word, Platform (ANSI & Australia) (from SN 17350)



138.1 S-65TraX Decals with Word, Platform (ANSI & Australia) (from SN 17350)

Item	Part No.	Description	Qty.	Item	Part No.	Description	Qty.
1	28165GT	DECAL,INSTRUCT,FOOTSWITCH OPER.....	1	28	1000262GT	DECAL,DANGER,TIP OVER,PLAT..... <i>Use on S-60 HC and S-60s with 750 lb capacity option</i>	1
2	28174GT	DECAL, POWER TO PLATFORM 230V**.....	1				
3	28176GT	DECAL,LABEL,MANUAL NOT HERE.....	1				
4	28177GT	DECAL,WARN,CRUSH HAZARD PLAT.....	2				
5	28235GT	DECAL,POWER TO PLATFORM 115V....	1				
6	28236GT	DECAL,WARN,IMPROPER OPERATION.....	1				
7	30080GT	DECAL,NOTICE,MAX LOAD 500 LBS.... <i>500 lbs</i>	1				
8	32728GT	DECAL,OPTION GENERATOR***..... <i>Option, Generator</i>	1				
9	40434GT	DECAL,LANYARD ANCHORAGE POINT.....	8				
10	43594GT	DECAL,NOTICE,MAX LOAD 750 LBS.... <i>Option, 750 lbs</i>	1				
11	44981GT	DECAL,LABEL, AIR LINE 110 PSI..... <i>Option, airline to platform</i>	1				
12	44986GT	DECAL,INSTR,SIDE FRC/WIND,AUS.... <i>Australia</i>	1				
13	72867GT	DECAL,LABEL,LIGHTS***..... <i>Option, Work Lights or Driving Lights</i>	1				
14	72875GT	DECAL,WARNING,PIPE CRADLE,BOOM..... <i>Option, Pipe Cradle</i>	2				
15	82237GT	DECAL,DANGER,HIGH VOLTAGE..... <i>Option, Welder</i>	2				
16	82243GT	DECAL FAULT CODE.....	1				
17	82410GT	DECAL,WARNING,PANEL CRADLE..... <i>Option, Panel Cradle</i>	2				
18	82456GT	DECAL,PLAT CONTROL PANEL,S60**.....	1				
--	82244GT	DECAL,PROTECTOR,CLEAR***					
19	82862GT	DECAL,FIRE EXTINGUISHER..... <i>Option, Welder</i>	1				
20	97579GT	DECAL,DANGER,TIP-OVER,WELDER**. <i>Option, Welder</i>	1				
21	97815GT	DECAL,LABEL,LOWER MIDRAIL.....	1				
22	97875GT	DECAL,WARN.WELD LINE INST.WORD..... <i>Option, Weld cable line</i>	2				
23	97887GT	DECAL,INSTR,MAX SIDE FRC,ANSI.... <i>ANSI</i>	1				
24	114389GT	DECAL,DANGER,GENERAL SAFETY....	1				
25	114416GT	DECAL,DANGER,TIPOVER,TILT.....	1				
26	133518GT	DECAL, PATCH, GEN,ALC-500..... <i>Option, Generator / Welder</i>	1				
27	1000014GT	DECAL,NOTICE,OPER INST.S60.....	1				

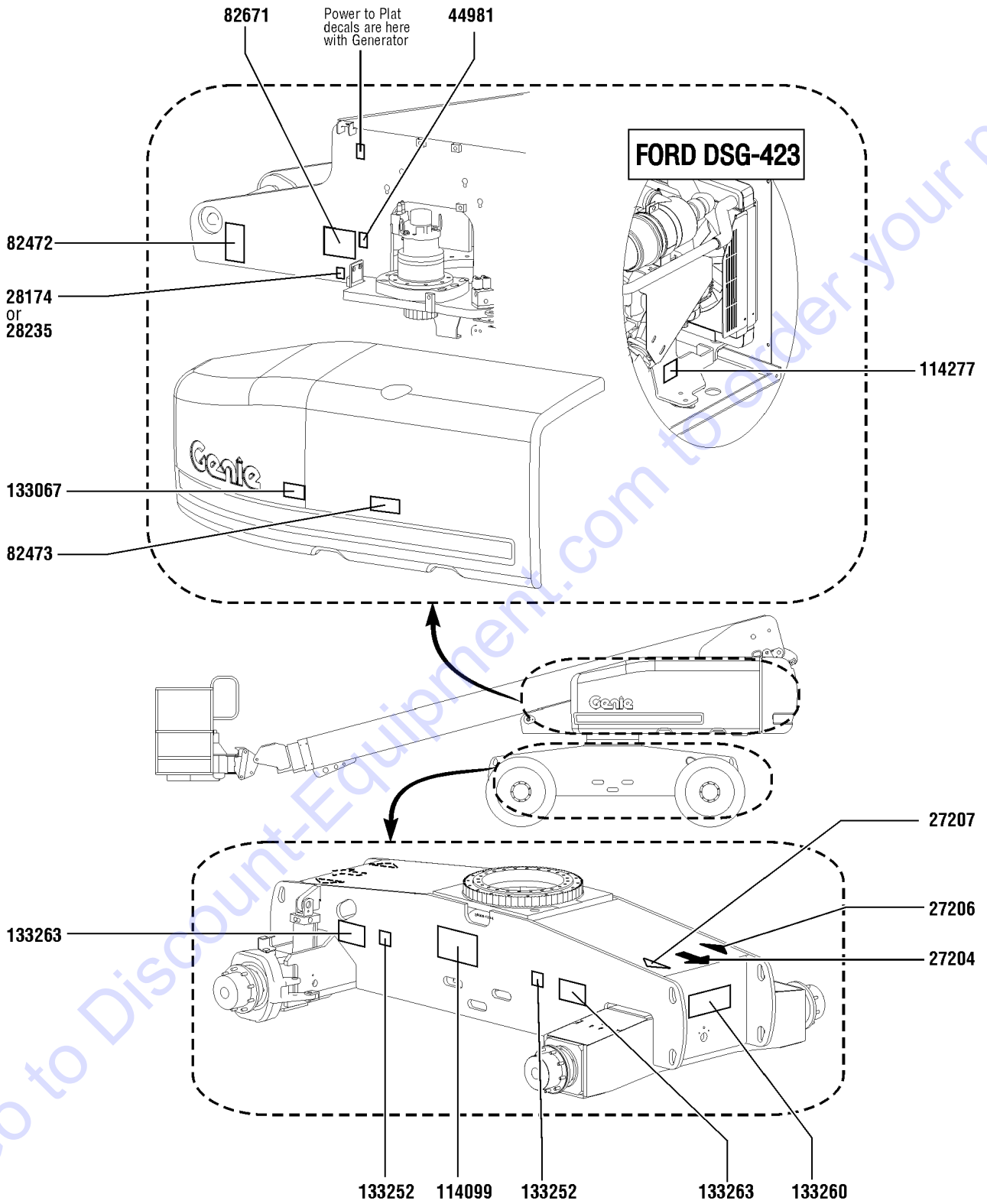
139.1 S-65TraX Decals with Symbol, Hydraulic Tank Side (ANSI & CE) (from SN 17350)



139.1 S-65TraX Decals with Symbol, Hydraulic Tank Side (ANSI & CE) (from SN 17350)

Item	Part No.	Description	Qty.
1	27205GT	DECAL,ARROW YELLOW LRG 9".....1	1
2	27206GT	DECAL,TRIANGLE,BLUE.....1	1
3	27207GT	DECAL,TRIANGLE,YELLOW.....1	1
4	28158GT	DECAL,LABEL,UNLEADED GAS ONLY.....1 <i>Option, fuel</i>	1
5	28159GT	DECAL,DIESEL.....1 <i>Option, fuel</i>	1
6	28160GT	DECAL,LABEL,LIQUID PROPANE.....1 <i>Option, LPG Tank</i>	1
7	52966GT	DECAL,COSMETIC,4 X 2.....1 <i>Option, drive</i>	1
8	52967GT	DECAL,COSMETIC,4 X 4.....1 <i>Option, drive</i>	1
9	82240GT	DECAL,LABEL,105 DB.....1	1
10	82455GT	DECAL,GROUND CONTROL PANEL ***.....1	1
11	82472GT	DECAL,WARNING,CRUSHING HAZARD.....1	1
12	82481GT	DECAL,SYMBOL-BATTERY SAFETY.....1	1
13	82487GT	DECAL,SYMBOL - READ THE MANUAL.....1	1
14	114099GT	DECAL,LABEL,TRANSPORT DIAGRAM.....1	1
15	114251GT	DECAL,LABEL,NO SMOKING,SYMB.....1	1
16	133067GT	DECAL,DANGER,ELEC.HAZ.STAY CLR.....1	1
17	133252GT	DECAL, WHEEL LOAD S65 TRAX.....2	2
18	133263GT	DECAL,LABEL,TIPOVER,TRAX,SYMB..2	2

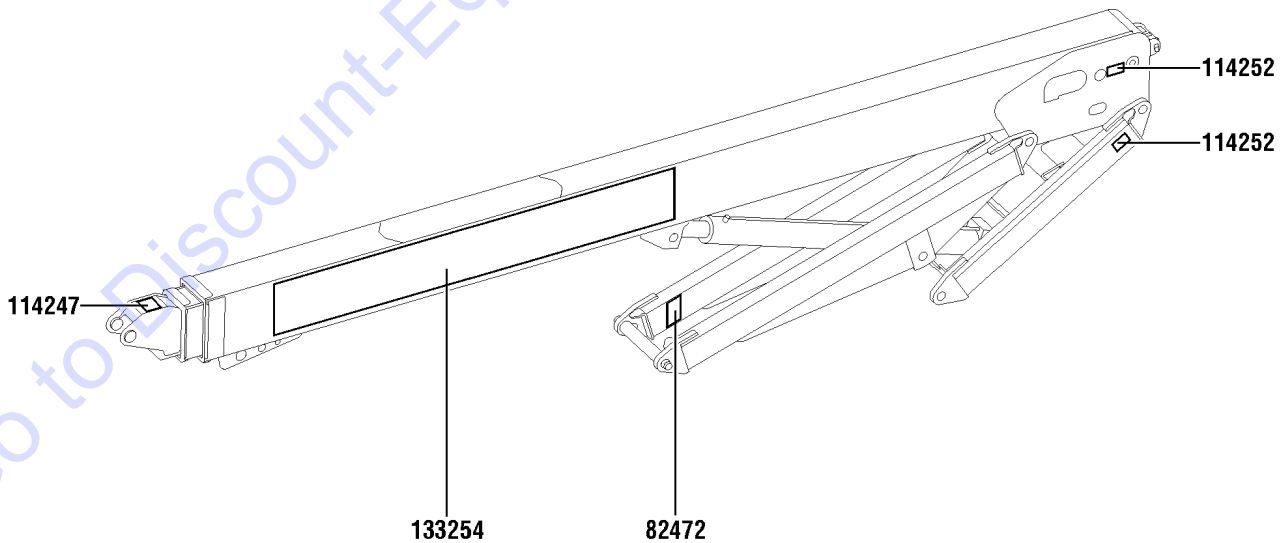
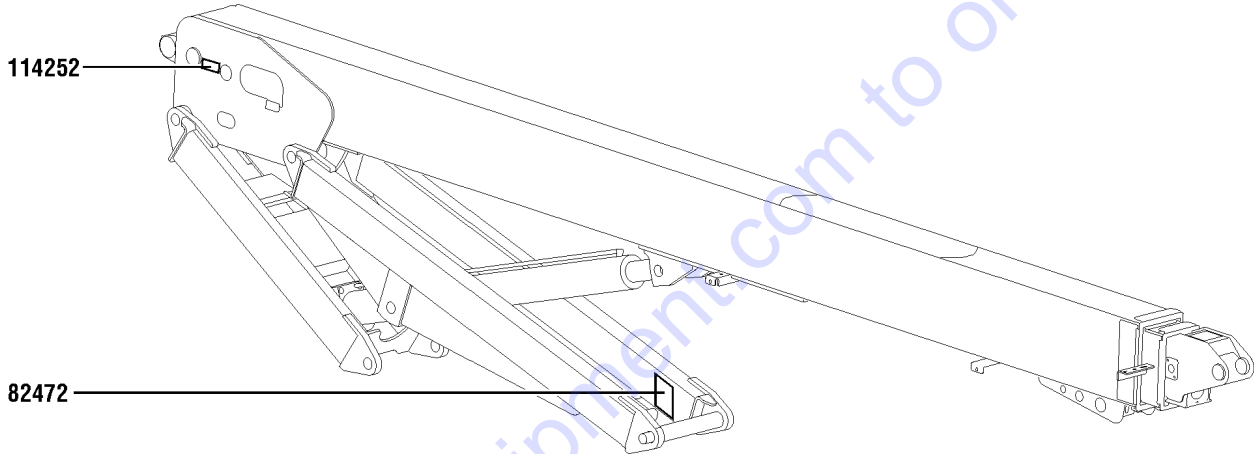
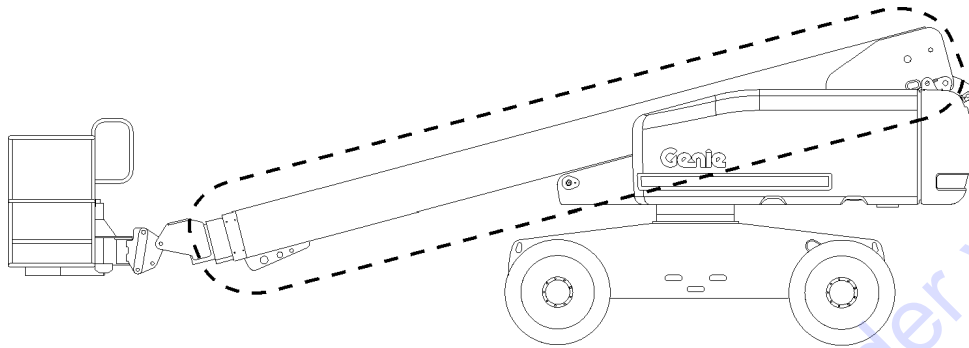
140.1 S-65TraX Decals with Symbol, Engine Side (ANSI & CE) (from SN 17350)



140.1 S-65TraX Decals with Symbol, Engine Side (ANSI & CE) (from SN 17350)

Item	Part No.	Description	Qty.
1	27204GT	DECAL,ARROW BLUE.....	1
2	27206GT	DECAL,TRIANGLE,BLUE.....	1
3	27207GT	DECAL,TRIANGLE,YELLOW.....	1
4	28174GT	DECAL, POWER TO PLATFORM 230V**.....	1
5	28235GT	DECAL,POWER TO PLATFORM 115V...1	1
6	44981GT	DECAL,LABEL, AIR LINE 110 PSI.....1 <i>Option, airline to plat</i>	1
7	82472GT	DECAL,WARNING,CRUSHING HAZARD.....	1
8	82473GT	DECAL,SYMBOL-COMP ACCESS.....1	1
9	82671GT	DECAL,LABEL,WELD LINE INST,SYM...1 <i>Option, weld cable line</i>	1
10	114099GT	DECAL,LABEL,TRANSPORT DIAGRAM.....	1
11	114277GT	DECAL,LABEL,BELT ROUTING DSG.....1 <i>Ford DSG-423</i>	1
12	133067GT	DECAL,DANGER,ELEC.HAZ.STAY CLR.....	1
13	133252GT	DECAL, WHEEL LOAD S65 TRAX.....2	2
14	133260GT	DECAL,COSM, S65 TRAX.....1	1
15	133263GT	DECAL,LABEL,TIPOVER,TRAX,SYMB..2	2

141.1 S-65TraX Decals with Symbol, Boom (ANSI & CE) (from SN 17350)

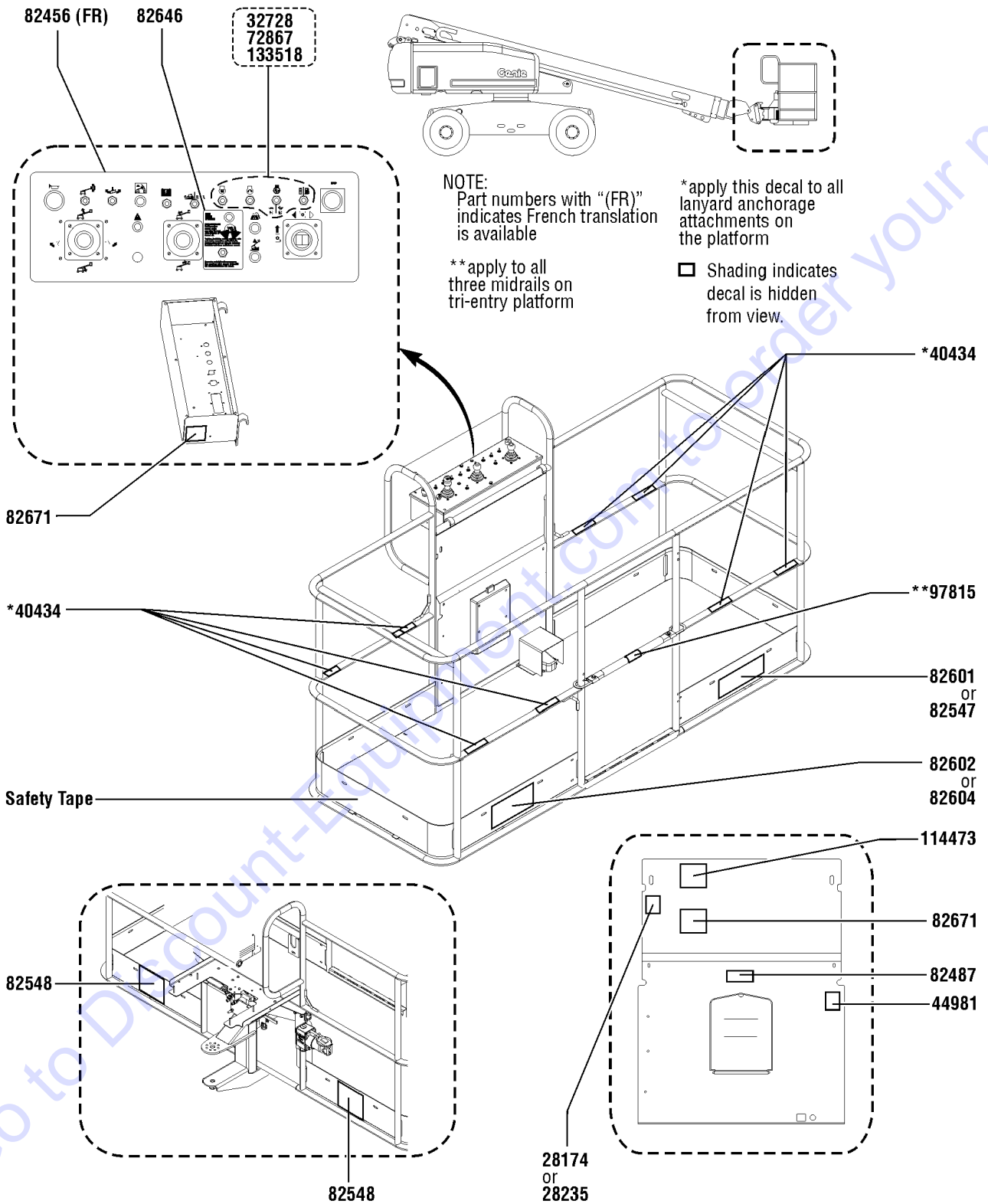


141.1 S-65TraX Decals with Symbol, Boom (ANSI & CE) (from SN 17350)

Item	Part No.	Description	Qty.
1	82472GT	DECAL,WARNING,CRUSHING HAZARD.....	2
2	114247GT	DECAL,LABEL,FALL HAZARD***.....	1
3	114252GT	DECAL,LABEL,TIP OVER LMT SWTCH.....	3
4	133254GT	DECAL, COSM,GENIE S65 TRAX.....	1

Go to Discount-Equipment.com to order your parts

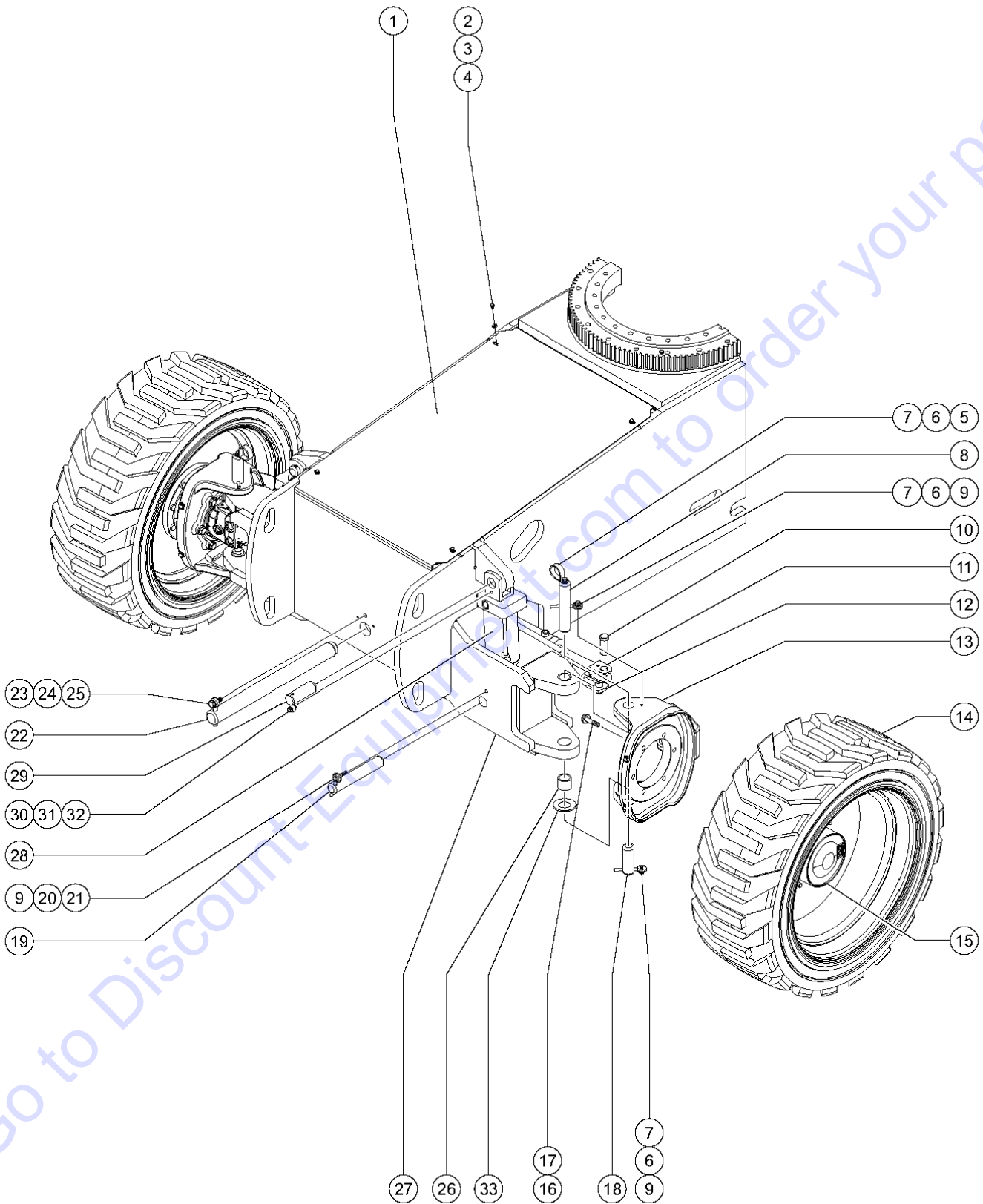
142.1 S-65TraX Decals with Symbol, Platform (ANSI & CE) (from SN 17350)



142.1 S-65TraX Decals with Symbol, Platform (ANSI & CE) (from SN 17350)

Item	Part No.	Description	Qty.
1	28174GT	DECAL, POWER TO PLATFORM 230V**.....	1
2	28235GT	DECAL,POWER TO PLATFORM 115V...1	1
3	32728GT	DECAL,OPTION GENERATOR***.....1 <i>Option, generator</i>	1
4	40434GT	DECAL,LANYARD ANCHORAGE POINT.....	8
5	44981GT	DECAL,LABEL, AIR LINE 110 PSI.....1 <i>Option, airline to plat</i>	1
6	72867GT	DECAL,LABEL,LIGHTS***.....1 <i>Option, work lights or driving lights</i>	1
7	82456GT	DECAL,PLAT CONTROL PANEL,S60**.....	1
--	82244GT	DECAL,PROTECTOR,CLEAR***	
8	82487GT	DECAL, SYMBOL - READ THE MANUAL.....	1
9	82547GT	DECAL,DANGER,MAX LOAD 340 KG....1 <i>Option, maximum platform capacity - 750 lbs</i>	1
10	82548GT	DECAL,WARN,CRUSH HAZARD PLAT.....	2
11	82601GT	DECAL,LABEL,MAX CAPACITY***.....1 <i>Maximum platform capacity - 500 lbs</i>	1
12	82602GT	DECAL,DANGER,MAX SIDE FRC,667N.....	1
13	82604GT	DECAL,DANGER,SIDE FRC 400N.....1 <i>CE</i>	1
14	82646GT	DECAL,DRIVE ENABLE PATCH.....1	1
15	82671GT	DECAL,LABEL,WELD LINE INST,SYM...2 <i>Option, weld cable line</i>	2
16	97815GT	DECAL,LABEL,LOWER MIDRAIL.....1	1
17	114473GT	DECAL,DANGER,TIPOVER,TILT,SYM...1	1
18	133518GT	DECAL, PATCH, GEN,ALC-500.....1 <i>Opion, generator/welder</i>	1

201.1 Steer End (to SN 10344)



201.1 Steer End (to SN 10344)

Item	Part No.	Description	Qty.	Item	Part No.	Description	Qty.
1	94507GT	COVER, WITH DECALS, STEER END*		14E	106647GT	TIRE & WHEEL ASSY,RH,FOAM,NM <i>RT, Foam-filled, Non-marking, right</i>	
2	7339GT	SCREW,HHC,1/4-20 X .5		14E	106648GT	TIRE & WHEEL ASSY,LH,FOAM,NM <i>RT, Foam-filled, Non-marking, left</i>	
3	6638GT	WASHER,FLAT,USS,1/4"Y		--	77674GT	NUT,HEX,FLANGE 5/8-18,GRD 8 ZI.....18	
4	56912GT	SPRING CLIP,1/4-20,.025-.15X.54,ZAG		15A	88883GT	HUB,2WD,FRONT***.....2	
5	32339GT	CLAMP,1.75,#28 X 3/8,RUB CUSH*.....2 <i>4WD models</i>		--	102126GT	SEAL KIT,DRIVE HUB (88887)	
6	8255GT	SCREW,HHC,3/8-16 X .75.....2 <i>4WD models</i>		--	227986GT	V-RING 100,RUBBER SEAL	
7	6021GT	WASHER,LOCK, .375.....2 <i>4WD models</i>		--	227987GT	RING,OIL SEAL, 95 X 120 X 12	
8	81599GT	PIN, 1.5DIA X 4.38LG,1HOLE.....2 <i>2WD models</i>		--	77674GT	NUT,HEX,FLANGE 5/8-18,GRD 8 ZI.....18	
8	81895GT	PIN,1.50DIA X 7.88LG,THREADED.....2 <i>4WD models</i>		--	94891GT	COVER,HUB (88883)	
9	825019GT	ROD END,.375X3.69,ZAG		--	94892GT	SHIM,HUB (88883)	
10	19440GT	PIN,CLEVIS,1 X 2.5 LG.....6		--	94893GT	BEARING,OUTER (88883)	
--	74389GT	RUE RING,1.00		--	94894GT	BEARING,INNER (88883)	
11	59460GT	CYLINDER,STEERING***.....2		15B	88884GT	MOTOR,PISTON,30CC,4WD*** <i>sold separately</i>	
--	89294GT	SEAL KIT CYLINDER (59460)		--	102155GT	BEARING,BALL DRIVE SHAFT <i>for 88884</i>	
12	77643GT	TIE ROD WELDMENT,S60.....1		--	102158GT	O-RING,.103 X 4.737,VITON, 75D <i>for 88884</i>	
13	77726GT	YOKE ASSEMBLY W/BEARINGS,LH.....1		--	102159GT	SHAFT,15 TOOTH <i>for 88884</i>	
--	25817GT	BEARING,1.00IDX1.25ODX1.00L		--	106098GT	SEAL KIT,MOTOR,LC/KC*** <i>for 88884</i>	
--	77725GT	YOKE ASSEMBLY W/BEARINGS,RH		--	27067GT	SEAL,SHAFT-SUNDSTRAND*** <i>for 88884</i>	
14A	88729GT	TIRE & WHEEL ASSY,AIR,RH***.....1 <i>RT, Air-filled, right</i>		--	72290GT	SNAP RING(M46 UNITS)* <i>for 88884</i>	
14A	88730GT	TIRE & WHEEL ASSY,AIR,LH.....1 <i>RT, Air-filled, left</i>		15C	88887GT	WHEEL DRIVE 56:1 2WD.....2 <i>shown; 4WD models</i>	
--	88727GT	WHEEL, 24.5X11.75, 9 X 9 BCD <i>for 88729, 88730</i>		--	102126GT	SEAL KIT,DRIVE HUB (88887) <i>for 88886 and 88887. Lip seal comes in seal kit, not available individually.</i>	
--	88728GT	TIRE,355/55D625 <i>for 88729, 88730</i>		--	102131GT	DISCONNECT KIT (88887) <i>for 88886. Comes with disconnect rod, cover, and mounting screws.</i>	
14B	77790GT	TIRE & WHEEL ASSY RH,FF <i>RT, Foam-filled, right</i>		--	102162GT	LUG,STUD/WHEEL (88887) <i>for 88887</i>	
14B	77791GT	TIRE & WHEEL ASSY,LH FF*** <i>RT, Foam-filled, left</i>		--	102163GT	RING,RETAINING*** <i>for 88886 and 88887</i>	
14C	94332GT	TIRE & WHEEL ASSY,TURF SPEC*** <i>Turf, Air-filled</i>		--	102164GT	COVER,END,KIT (88887) <i>for 88887</i>	
--	81164GT	TIRE,41/18LL X 22.5,14PR,TURF* <i>for 94332</i>		--	102167GT	SHAFT,INPUT DRIVE HUB <i>for 88886</i>	
--	94333GT	WHEEL,22.5X14.00*** <i>for 94332</i>		--	102449GT	CAP,MANUAL DISENGAGE (89212) <i>for 88886</i>	
14D	94534GT	WHEEL & TIRE ASSY,RH,NM AIR <i>RT, Air-filled, Non-marking, right</i>		--	102511GT	BEARING,WHEEL DRIVE (88886) <i>for 1284723</i>	
14D	94535GT	WHEEL & TIRE ASSY,LH NM AIR <i>RT, Air-filled, Non-marking, left</i>		--	102515GT	BEARING,ROLLER TAPERED <i>for 88886</i>	
--	88727GT	WHEEL, 24.5X11.75, 9 X 9 BCD <i>for 94534, 94535</i>					
--	94536GT	TIRE,355/55D625,14 PLY,NM <i>for 94534, 94535</i>					

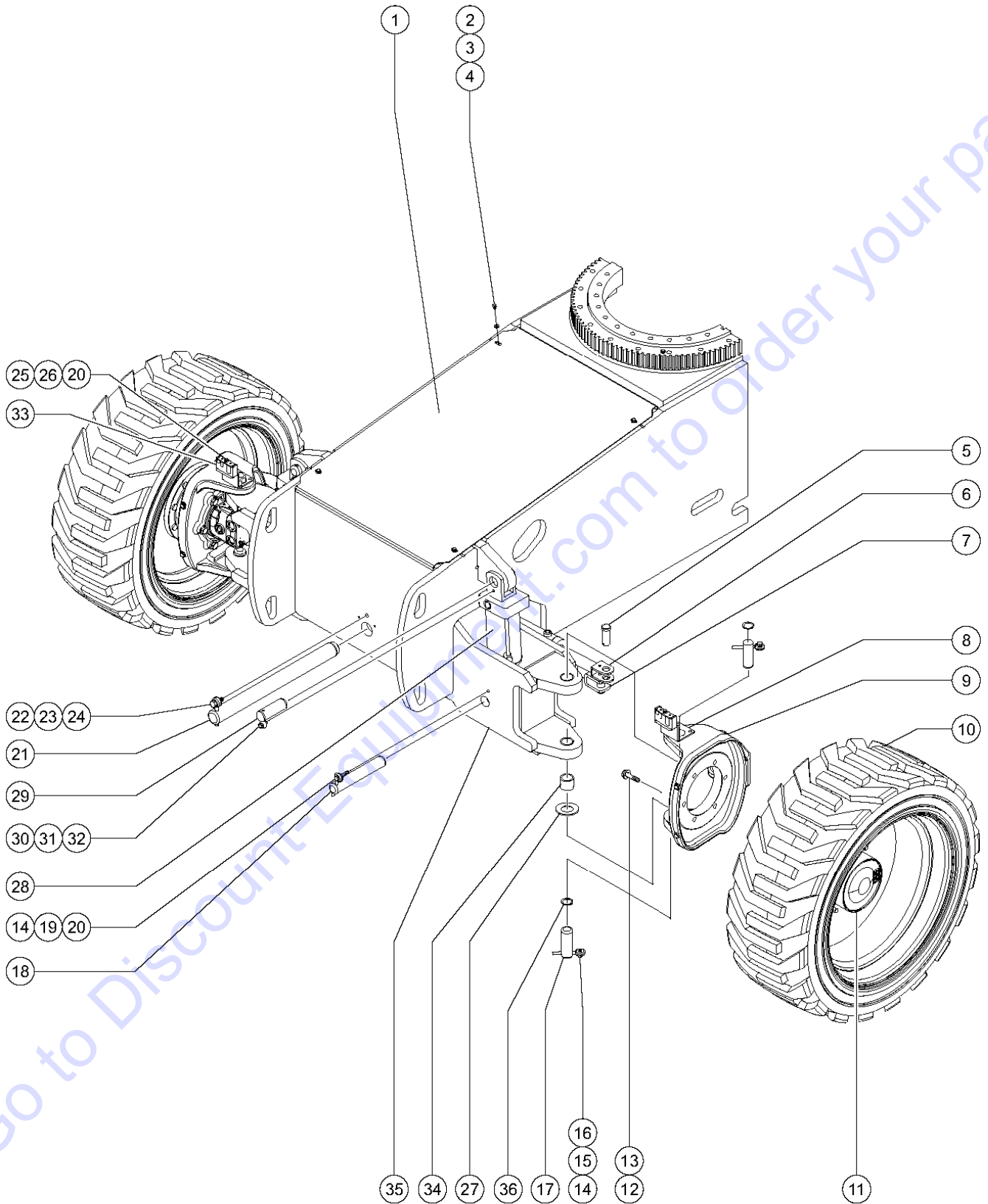
201.1 Steer End (to SN 10344)
(continued)

Item	Part No.	Description	Qty.
--	102516GT	RING,RETAINING,INTERNAL for 88886	
--	102684GT	PLUG,DRAIN,RR TRANS.DRIVE HUBS for 88887	
--	1268373GT	O-RING, WHEEL DRIVE, 4WD for 88886 and 88887	
--	1274613GT	HUB SCREW for 88887	
--	1284723GT	GEAR/BEARING ASSY,WHEEL DRIVE (88886) to replace bearing; order part 102511	
--	215340GT	LOCKRING, RR*** for 88886 and 88887	
--	215642GT	BRAKE KIT (88886)*** for 88886 and 88887	
16	73455GT	SCREW,HHC,5/8-11 X 2.25 GR8.....	12
17	13064GT	WASHER,FLAT,.625 HARDENED.....	12
18	81599GT	PIN, 1.5DIA X 4.38LG,1HOLE	
19	77880GT	PIN,1.50DIA X 9.38LG,1HOLE	
20	5224GT	SCREW,HHC,3/8-16 X 2	
21	4828GT	NUT,NYLOCK,3/8-16	
22	77610GT	PIN,2.00DIA X 23.13LG,CHAMFER	
23	1256267GT	ROD END,.5 X 3.75,ZAG	
24	8177GT	SCREW,HHC,1/2-13 X 1.5	
25	6033GT	WASHER,LOCK,0.5"	
26	45071GT	BEARING,1.5IDX1.75ODX1.5L.....	4
		included with 119145GT	
27	119146GT	AXLE ASSEMBLY,S60 FRONT.....	1
		Includes item 26	
--	42014GT	BEARING,2.00IDX2.25ODX2.00L.....	2
		not included with 119145GT; order seperately	
28	110578GT	CYLINDER,OSCILLATE,S60.....	2
--	33428GT	VALVE,COUNTERBALANCE	
--	89295GT	SEAL KIT,CYLINDER (63189)	
29	110221GT	PIN,GROOVE/HOLE,1.50 DIA X 4.475.....	2
30	1255452GT	ROD END,.375 X 2.25,ZAG	
31	6021GT	WASHER,LOCK,.375	
32	6175GT	SCREW,HHC,3/8-16 X 1	
33	45074GT	WASHER,THRUST,1.5 X 3.5 X .187.....	2-inches

This Page Intentionally Left Blank

Go to Discount-Equipment.com to order your parts

201.2 Steer End (from SN 10345)



201.2 Steer End (from SN 10345)

Item	Part No.	Description	Qty.	Item	Part No.	Description	Qty.
1	94507GT	COVER, WITH DECALS, STEER END*		10F	106648GT	TIRE & WHEEL ASSY,LH,FOAM,NM <i>RT, Foam-filled, Non-marking, left</i>	
2	7339GT	SCREW,HHC,1/4-20 X .5		11	88883GT	HUB,2WD,FRONT***2 <i>2WD models</i>	2
3	6638GT	WASHER,FLAT,USS,1/4"Y		--	227986GT	V-RING 100,RUBBER SEAL	
4	56912GT	SPRING CLIP,1/4-20,.025-.15X.54,ZAG		--	227987GT	RING,OIL SEAL, 95 X 120 X 12	
5	19440GT	PIN,CLEVIS,1 X 2.5 LG.....6	6	--	77674GT	NUT,HEX,FLANGE 5/8-18,GRD 8 ZI.....18	
--	74389GT	RUE RING,1.00		--	94891GT	COVER,HUB (88883)	
6	59460GT	CYLINDER,STEERING***2	2	--	94892GT	SHIM,HUB (88883)	
--	89294GT	SEAL KIT CYLINDER (59460)		--	94893GT	BEARING,OUTER (88883)	
7	77643GT	TIE ROD WELDMENT,S60.....1	1	--	94894GT	BEARING,INNER (88883)	
8	107615PGT	BRACKET,HOSE ROUTING,LH,PTD.....1	1	11A	88887GT	WHEEL DRIVE 56:1 2WD.....2 <i>4WD models</i>	2
--	106516GT	CLAMP,HOSE,2X4,1X6,2X8***		--	102126GT	SEAL KIT,DRIVE HUB (88887) <i>for 88886 and 88887</i>	
--	106517PGT	CLAMP TOP,HOSE ROUTING PAINTED		--	102131GT	DISCONNECT KIT (88887) <i>for 88886 and 88887</i>	
--	107616PGT	BRACKET,HOSE ROUTING,RH,PNTD...1	1	--	102157GT	O-RING,.070 X .239,VITON 75D <i>for 88886</i>	
9	77726GT	YOKE ASSEMBLY W/BEARINGS,LH		--	102162GT	LUG,STUD/WHEEL (88887) <i>for 88886</i>	
--	25817GT	BEARING,1.00IDX1.25ODX1.00L		--	102163GT	RING,RETAINING*** <i>for 88886 and 88887</i>	
--	77725GT	YOKE ASSEMBLY W/BEARINGS,RH		--	102164GT	COVER,END,KIT (88887) <i>for 88886 and 88887</i>	
10A	88729GT	TIRE & WHEEL ASSY,AIR,RH***1 <i>RT, Air-filled, right</i>	1	--	102167GT	SHAFT,INPUT DRIVE HUB <i>for 88886</i>	
10A	88730GT	TIRE & WHEEL ASSY,AIR,LH.....1 <i>RT, Air-filled, left</i>	1	--	102449GT	CAP,MANUAL DISENGAGE (89212) <i>for 88886</i>	
--	88727GT	WHEEL, 24.5X11.75, 9 X 9 BCD <i>for 88729, 88730</i>		--	102511GT	BEARING,WHEEL DRIVE (88886) <i>for 1284723</i>	
--	88728GT	TIRE,355/55D625 <i>for 88729, 88730</i>		--	102515GT	BEARING,ROLLER TAPERED <i>for 88886</i>	
10B	77790GT	TIRE & WHEEL ASSY RH,FF <i>RT, Foam-filled, right; 37 inch diameter</i>		--	102516GT	RING,RETAINING,INTERNAL <i>for 88886</i>	
10B	77791GT	TIRE & WHEEL ASSY,LH FF*** <i>RT, Foam-filled, left; 37 inch diameter</i>		--	102684GT	PLUG,DRAIN,RR TRANS.DRIVE HUBS <i>for 88886</i>	
10C	77792GT	WHEEL & TIRE ASSY,RH FF <i>RT, Foam-filled, right; 40 inch diameter</i>		--	1274613GT	HUB SCREW <i>for 88887</i>	
10C	77793GT	WHEEL & TIRE ASSY,LH,FF <i>RT, Foam-filled, left; 40 inch diameter</i>		--	1284723GT	GEAR/BEARING ASSY,WHEEL DRIVE (88886) <i>to replace bearing; order part 102511</i>	
10D	94332GT	TIRE & WHEEL ASSY,TURF SPEC*** <i>Turf, Air-filled</i>		--	215340GT	LOCKRING, RR*** <i>for 88886 and 88887</i>	
--	81164GT	TIRE,41/18LL X 22.5,14PR,TURF* <i>for 94332</i>		--	215642GT	BRAKE KIT (88886)*** <i>for 88886 and 88887</i>	
--	94333GT	WHEEL,22.5X14.00*** <i>for 94332</i>		--	77674GT	NUT,HEX,FLANGE 5/8-18,GRD 8 ZI.....18	
10E	94534GT	WHEEL & TIRE ASSY,RH,NM AIR <i>RT, Air-filled, Non-marking, right</i>		11B	88884GT	MOTOR,PISTON,30CC,4WD*** <i>sold seperately</i>	
10E	94535GT	WHEEL & TIRE ASSY,LH NM AIR <i>RT, Air-filled, Non-marking, left</i>					
--	88727GT	WHEEL, 24.5X11.75, 9 X 9 BCD <i>for 94534, 94535</i>					
--	94536GT	TIRE,355/55D625,14 PLY,NM <i>for 94534, 94535</i>					
10F	106647GT	TIRE & WHEEL ASSY,RH,FOAM,NM <i>RT, Foam-filled, Non-marking, right</i>					

PARTS FINDER

**Search Website
by Part Number**



**Search Manual
Library For Parts
Manual & Lookup Part
Numbers – Purchase
or Request Quote**

Search Manuals

Enter your information to help us find the right parts manual for your machine.

* Brand:

* Model:

* Serial:

* Part Number:

SEARCH

**Can't Find Part or
Manual? Request Help
by Manufacturer,
Model & Description**

Parts Order Form

Please fill in the following information to help us find the right part for your machine.

Manufacturer:	<input type="text"/>
Model:	<input type="text"/>
Description:	<input type="text"/>
Part Number:	<input type="text"/>
Quantity:	<input type="text"/>
Notes:	<input type="text"/>

Submit

Discount-Equipment.com is your online resource for quality parts & equipment.

Florida: **561-964-4949** Outside Florida TOLL FREE: **877-690-3101**

Need parts?

Click on this link: <http://www.discount-equipment.com/category/5443-parts/> and choose one of the options to help get the right parts and equipment you are looking for. Please have the machine model and serial number available in order to help us get you the correct parts. If you don't find the part on the website or on one of the online manuals, please fill out the request form and one of our experienced staff members will get back to you with a quote for the right part that your machine needs.

We sell worldwide for the brands: Genie, Terex, JLG, MultiQuip, Mikasa, Essick, Whiteman, Mayco, Toro Stone, Diamond Products, Generac Magnum, Airman, Haulotte, Barreto, Power Blanket, Nifty Lift, Atlas Copco, Chicago Pneumatic, Allmand, Miller Curber, Skyjack, Lull, Skytrak, Tsurumi, Husquvarna Target, Stow, Wacker, Sakai, Mi-T-M, Sullair, Basic, Dynapac, MBW, Weber, Bartell, Bennar Newman, Haulotte, Ditch Runner, Menegotti, Morrison, Contec, Buddy, Crown, Edco, Wyco, Bomag, Laymor, EZ Trench, Bil-Jax, F.S. Curtis, Gehl Pavers, Heli, Honda, ICS/PowerGrit, IHI, Partner, Imer, Clipper, MMD, Koshin, Rice, CH&E, General Equipment, Amida, Coleman, NAC, Gradall, Square Shooter, Kent, Stanley, Tamco, Toku, Hatz, Kohler, Robin, Wisconsin, Northrock, Oztec, Toker TK, Rol-Air, APT, Wylie, Ingersoll Rand / Doosan, Innovatech, Con X, Ammann, Mecalac, Makinex, Smith Surface Prep, Small Line, Wanco, Yanmar

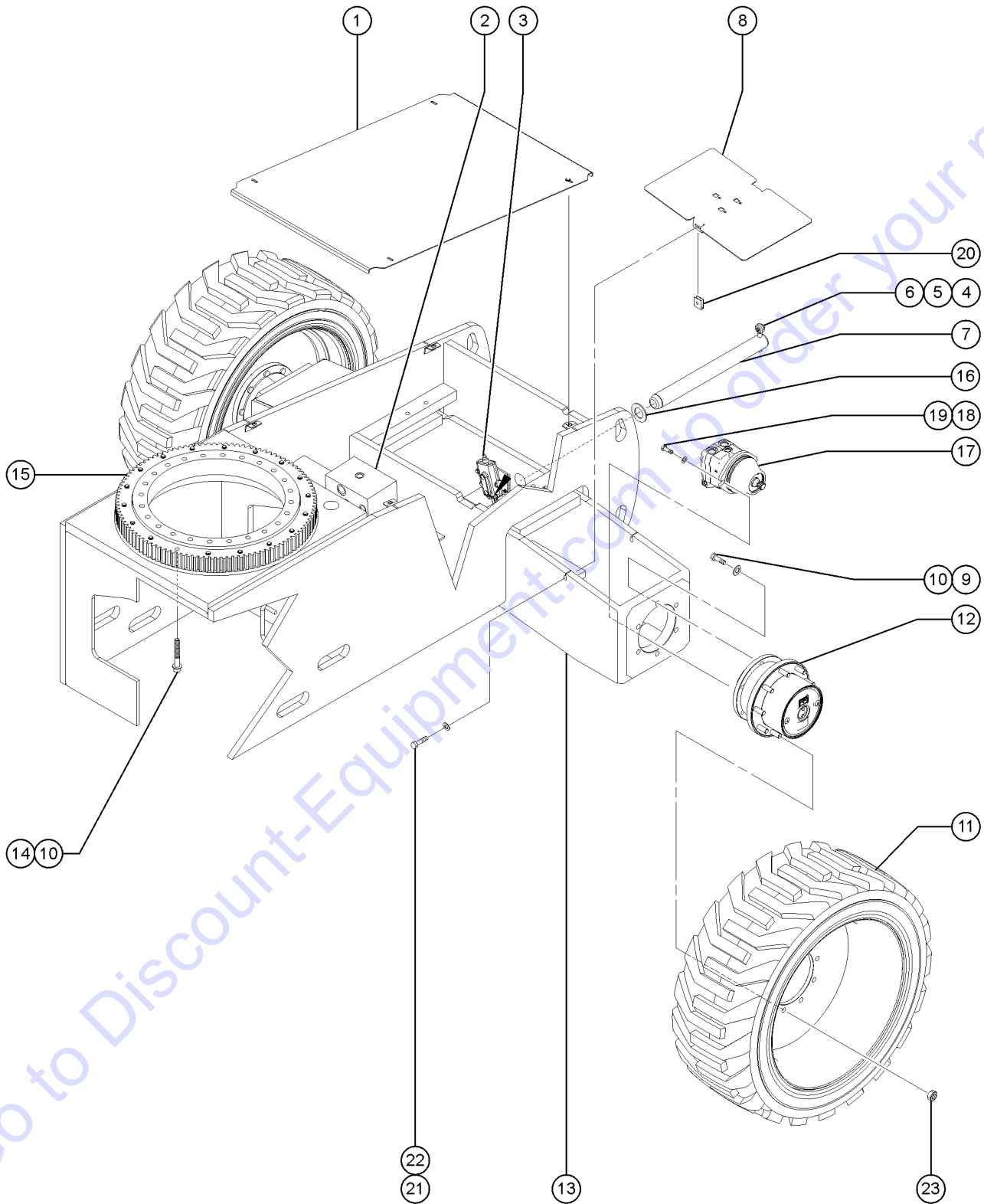
201.2 Steer End (from SN 10345)
(continued)

Item	Part No.	Description	Qty.
--	102155GT	BEARING,BALL DRIVE SHAFT <i>for 88884</i>	
--	102158GT	O-RING,.103 X 4.737,VITON, 75D	
--	102159GT	SHAFT,15 TOOTH <i>for 88884</i>	
--	106098GT	SEAL KIT,MOTOR,LC/KC*** <i>for 88884</i>	
--	27067GT	SEAL,SHAFT-SUNDSTRAND*** <i>for 88884</i>	
--	72290GT	SNAP RING(M46 UNITS)* <i>for 88884</i>	
12	73455GT	SCREW,HHC,5/8-11 X 2.25 GR8.....	12
13	13064GT	WASHER,FLAT,.625 HARDENED.....	12
14	825019GT	ROD END,.375X3.69,ZAG	
15	8255GT	SCREW,HHC,3/8-16 X .75	
16	6021GT	WASHER,LOCK,.375	
17	110221GT	PIN,GROOVE/HOLE,1.50 DIA X 4.475....	4
18	77880GT	PIN,1.50DIA X 9.38LG,1HOLE.....	2
19	5224GT	SCREW,HHC,3/8-16 X 2	
20	4828GT	NUT,NYLOCK,3/8-16	
21	77610GT	PIN,2.00DIA X 23.13LG,CHAMFER.....	1
22	1256267GT	ROD END,.5 X 3.75,ZAG	
23	8177GT	SCREW,HHC,1/2-13 X 1.5	
24	6033GT	WASHER,LOCK,0.5"	
25	6326GT	SCREW,HHC,3/8-16 X 3	
26	6097GT	WASHER,FLAT,USS,3/8",Y	
27	45074GT	WASHER,THRUST,1.5 X 3.5 X .187.....	2
28	110578GT	CYLINDER,OSCILLATE,S60.....	2
--	33428GT	VALVE,COUNTERBALANCE	
--	89295GT	SEAL KIT,CYLINDER (63189)	
29	94221GT	PIN,1.50DIA X 3.75LG,1HOLE.....	2
30	1255452GT	ROD END,.375 X 2.25,ZAG	
31	6021GT	WASHER,LOCK,.375	
32	6175GT	SCREW,HHC,3/8-16 X 1	
33	106516GT	CLAMP,HOSE,2X4,1X6,2X8***	2
34	45071GT	BEARING,1.5ID X 1.75OD X 1.5L.....	2
		<i>included with 119145GT</i>	
35	119146GT	AXLE ASSEMBLY,S60 FRONT.....	1
		<i>Includes item 34</i>	
--	42014GT	BEARING,2.00ID X 2.25OD X 2.00L.....	2
		<i>not included with 119145GT; order seperately</i>	
36	825796GT	SNAP RING,EXTERNAL,1.50,ZAG	

This Page Intentionally Left Blank

Go to Discount-Equipment.com to order your parts

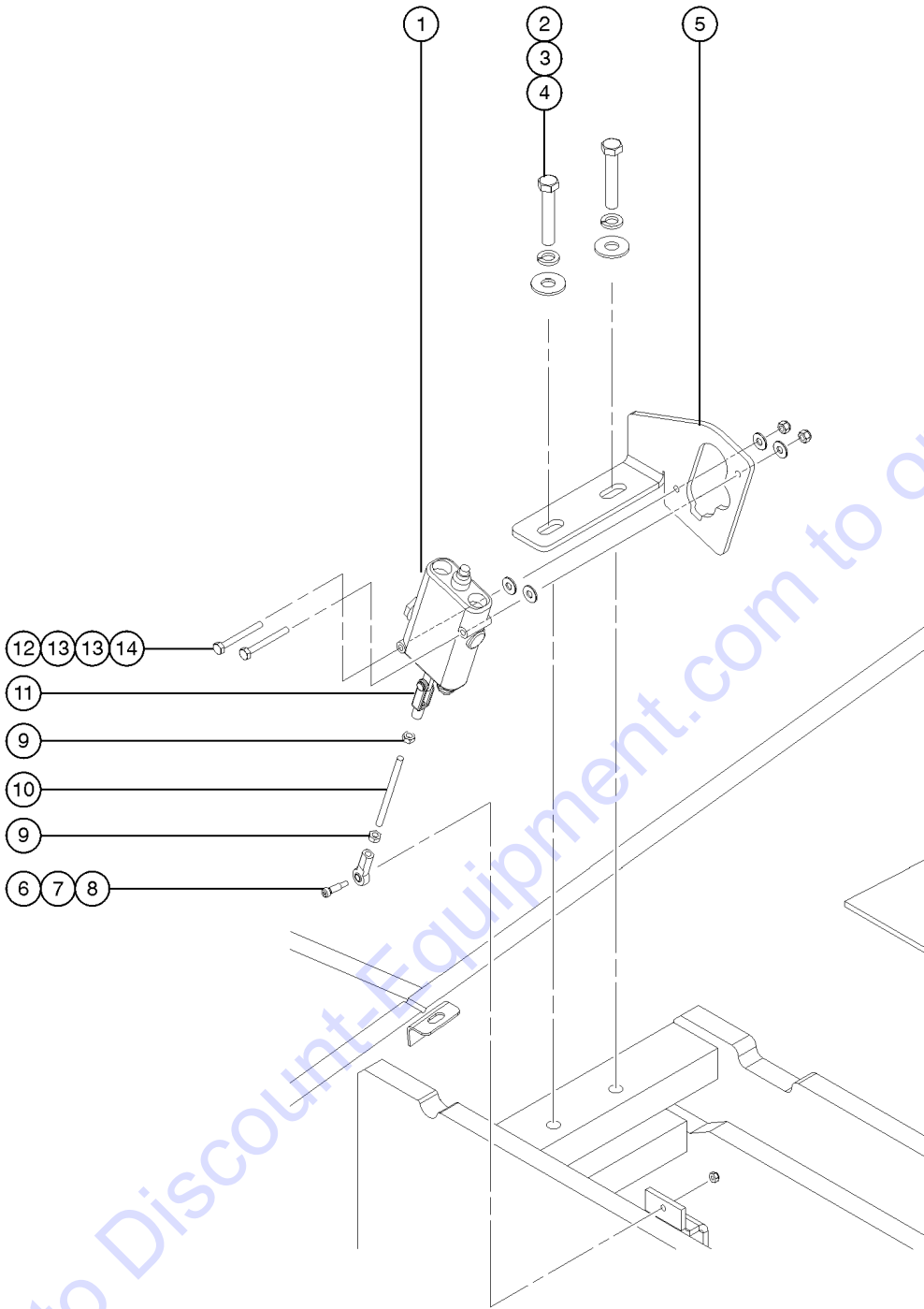
202.1 Non-steer End



202.1 Non-steer End

Item	Part No.	Description	Qty.	Item	Part No.	Description	Qty.
1	94508GT	COVER, W/DECALS, NONSTEER END*		--	215340GT	LOCKRING, RR*** for 88887	
2		Ref. Traction Manifold (refer to 402.1)		--	215642GT	BRAKE KIT (88886)*** for 88886 and 88887	
3		Ref. Oscillate Valve (refer to 203.1)		13	94746GT	NON-STEER AXLE ASSEMBLY**	
4	1256267GT	ROD END,.5 X 3.75,ZAG		--	42014GT	BEARING,2.00IDX2.25ODX2.00L	
5	6175GT	SCREW,HHC,3/8-16 X 1		14	21175GT	SCREW,SHC,5/8-11 X 4,A574.....18 to SN 20315	
6	6021GT	WASHER,LOCK,.,375		--	139865GT	SCREW,HHC,5/8-11 X 4.00 GR8 BO....18 from SN 20316	
7	77950GT	PIN,2.00DIAX20.88LG,CHAMFER		15	63468GT	BEARING,TURNTABLE ROTATION	
8	77623PGT	COVER,REAR AXLE.....2		16	18730GT	WASHER,FLAT,2.01 X 3.5 X .06	
9	73455GT	SCREW,HHC,5/8-11 X 2.25 GR8.....12		17	88884GT	MOTOR,PISTON,30CC,4WD*** 4WD; shown	
10	13064GT	WASHER,FLAT,625 HARDENED.....30		--	102155GT	BEARING,BALL DRIVE SHAFT for 88884	
11		Ref. Wheel and Tire Assembly refer to 201.1 or 201.2		--	102158GT	O-RING,.103 X 4.737,VITON, 75D FOR 88884	
12	88887GT	WHEEL DRIVE 56:1 2WD.....2 4WD models; shown		--	102159GT	SHAFT,15 TOOTH for 88884	
--	102126GT	SEAL KIT,DRIVE HUB (88887) for 88886 and 88887		--	106098GT	SEAL KIT,MOTOR,LC/KC*** for 88884	
--	102131GT	DISCONNECT KIT (88887) for 88886 and 88887		--	27067GT	SEAL,SHAFT-SUNDSTRAND*** for 88884	
--	102162GT	LUG,STUD/WHEEL (88887) for 88886 and 88887		--	72290GT	SNAP RING(M46 UNITS)* for 88884	
--	102163GT	RING,RETAINING*** for 88886 and 88887		17A	88885GT	MOTOR,PISTON,35CC,2WD*** 2WD; not shown	
--	102164GT	COVER,END,KIT (88887) for 88886 and 88887		--	102155GT	BEARING,BALL DRIVE SHAFT for 88885	
--	102167GT	SHAFT,INPUT DRIVE HUB for 88886 and 88887		--	102158GT	O-RING,.103 X 4.737,VITON, 75D FOR 88885	
--	102449GT	CAP,MANUAL DISENGAGE (89212) for 88886		--	102159GT	SHAFT,15 TOOTH for 88885	
--	215340GT	LOCKRING, RR*** for 88886		--	106098GT	SEAL KIT,MOTOR,LC/KC*** for 88885	
--	215642GT	BRAKE KIT (88886)*** for 88886 and 88887		--	27067GT	SEAL,SHAFT-SUNDSTRAND*** for 88885	
12A	88887GT	WHEEL DRIVE 56:1 2WD.....2 2WD models		--	72290GT	SNAP RING(M46 UNITS)* for 88885	
--	102126GT	SEAL KIT,DRIVE HUB (88887) for 88886 and 88887		18	88296GT	SCREW,HHC,7/16-14 X 1.25.....4	
--	102131GT	DISCONNECT KIT (88887) for 88886 and 88887		19	119988GT	WASHER,.469 X .781,HRD.....4	
--	102162GT	LUG,STUD/WHEEL (88887) for 88886 and 88887		20	56912GT	SPRING CLIP,1/4-20,.025-.15X.54,ZAG	
--	102163GT	RING,RETAINING*** for 88886 and 88887		21	6090GT	SCREW,HHC,1/4-20 X .75	
--	102164GT	COVER,END,KIT (88887) for 88886 and 88887		22	6638GT	WASHER,FLAT,USS,1/4"Y	
--	102167GT	SHAFT,INPUT DRIVE HUB for 88886 and 88887		23	77674GT	NUT,HEX,FLANGE 5/8-18,GRD 8 ZI.....18	
--	1268373GT	O-RING, WHEEL DRIVE, 4WD for 88886 and 88887					
--	1274613GT	HUB SCREW for 88887					

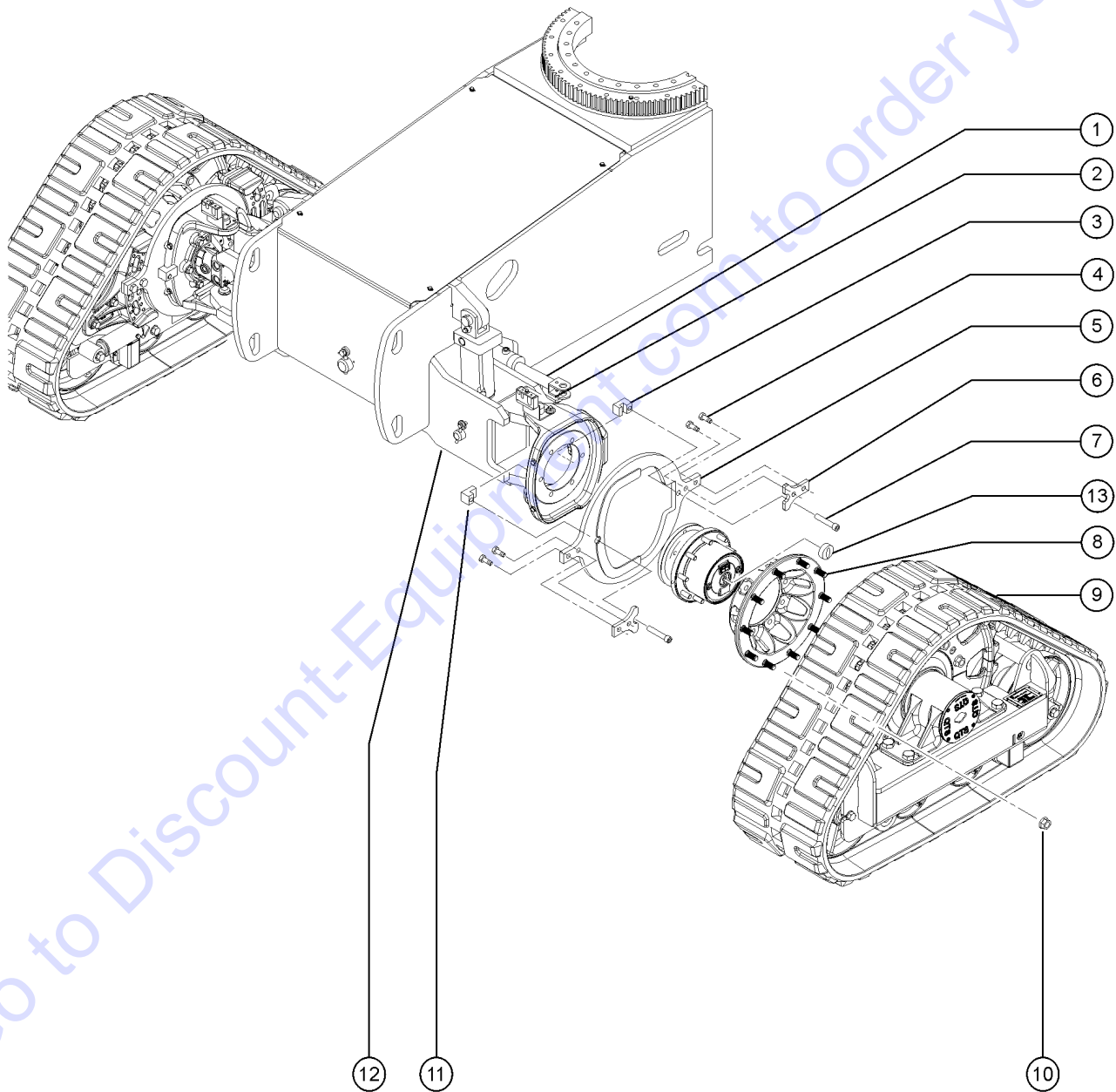
203.1 Oscillate Valve



Item	Part No.	Description	Qty.
1	81552GT	VALVE,MANUAL,W/RELIEF VALVE***.....1	
--	32681GT	SEAL KIT,CONTROL VALVE for 81552	
2	39479GT	SCREW,HHC,1/2-13 X 2.75.....2	
3	6033GT	WASHER,LOCK,0.5".....2	
4	6095GT	WASHER,FLAT,USS,1/2",Y.....2	
5	139578GT	BRACKET, OSCILLATE VALVE.....1	
6	6584GT	SCREW,SHS,10-24 X .625.....1	
7	81691GT	ROD END,BALL JOINT 1/4-28.....1	
8	5365GT	NUT,NYLOCK,10-24.....1	
9	21496GT	NUT,HEX,1/4-28.....2	
10	30785-400GT	THREADED ROD,1/4-28 X 4 IN***.....1	
11	21130GT	CLEVIS YOKE-1/4-28,PLTD W/PIN.....1	
12	8179GT	SCREW,HHC,1/4-20 X 2.25.....2	
13	6638GT	WASHER,FLAT,USS,1/4"Y.....4	
14	6091GT	NUT,NYLOCK,1/4-20.....2	

Go to Discount-Equipment.com to order your parts

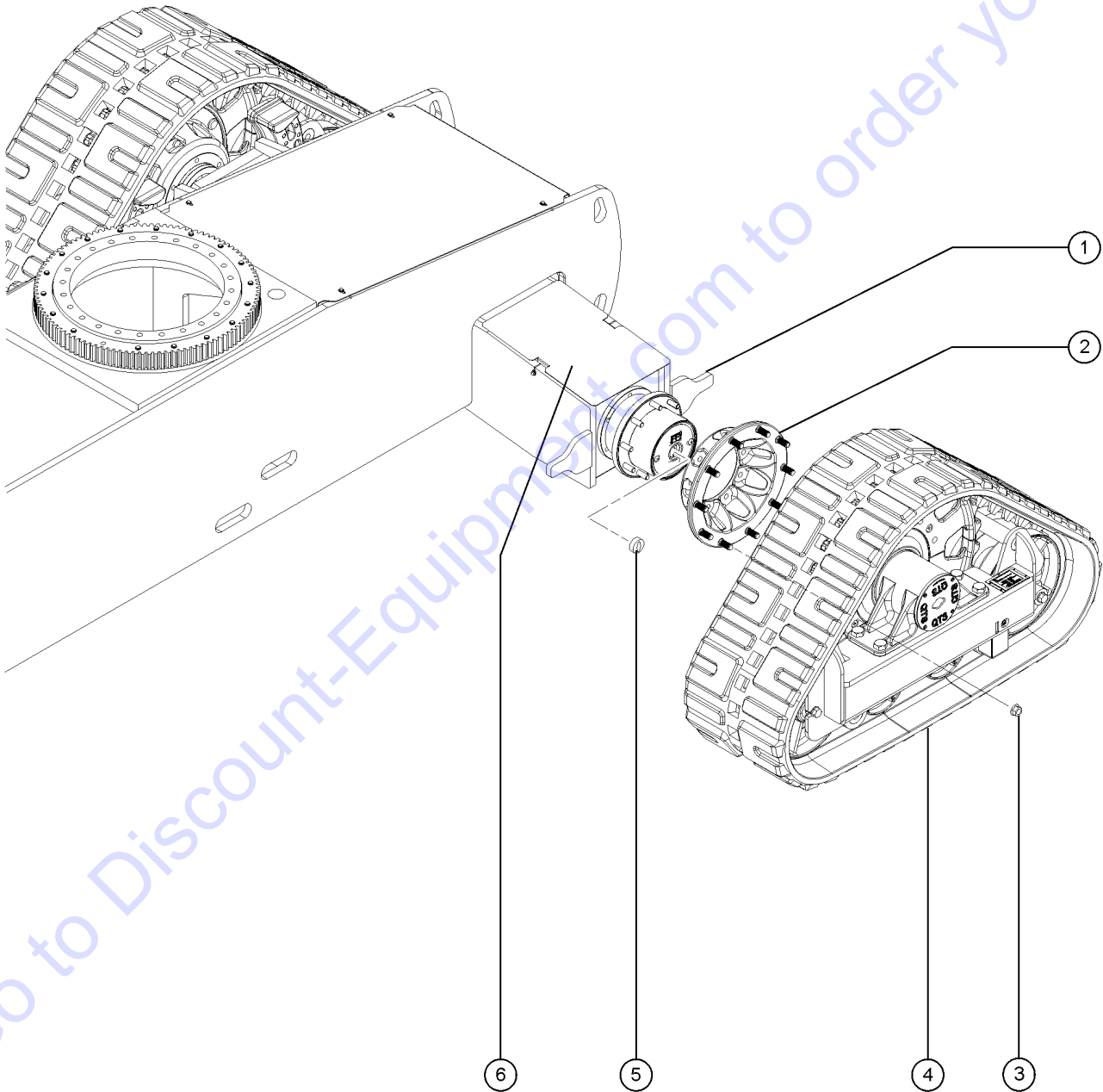
204.1 TraX Option Steer End



204.1 TraX Option Steer End

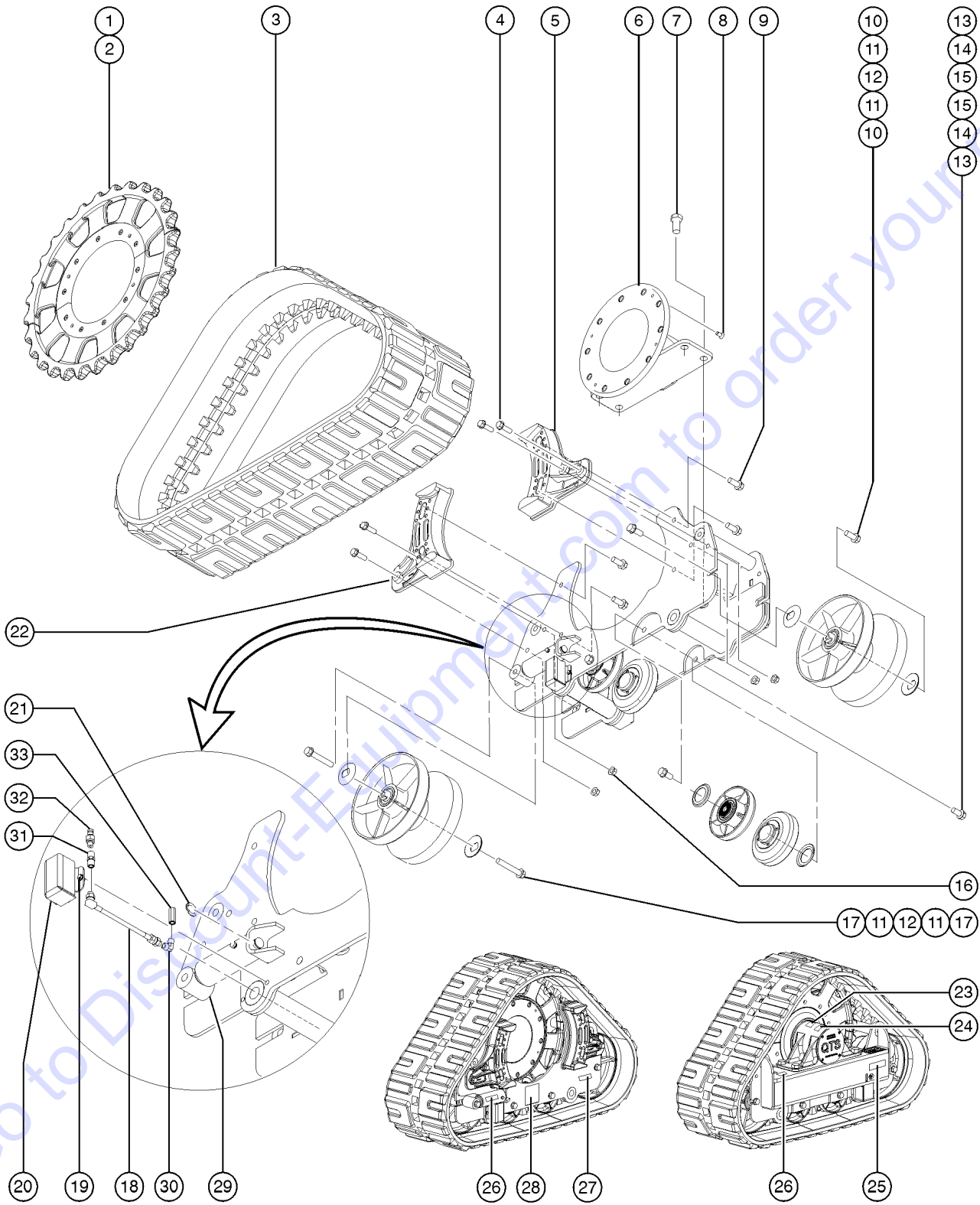
Item	Part No.	Description	Qty.
1	125865GT	CYLINDER, STEER.....	1
--	89294GT	SEAL KIT CYLINDER (59460)	
2	125864GT	WELDMENT, TIE ROD.....	1
3	139122GT	MACH. MOUNTING BLOCK.....	1
4	94439GT	SCREW,HHC,3/4-10 X 1.5.....	4
5	1260511GT	SCREW,SHC,5/8-11X1.5,A574,ZAG.....	1
--	139001GT	ROTATIONAL LIMITER FRONT LEFT.....	1
6	139121GT	PLATE, HAMMER SHIM 1/2.....	2
7	1284569GT	SCREW,SHC,5/8-11X1.50,GR5,PLN.....	2
8	139002GT	SPACER.....	2
--	139140GT	STUD, 3/4-16 UNF X 2-1/2 LG for 139002	
9A	139120GT	ASSEMBLY, TRAX UNIT, RIGHT..... <i>refer to 206.1 for TRAX System service components</i>	1
9B	147149GT	ASSEMBLY, TRAX UNIT, LEFT..... <i>refer to 206.1 for TRAX System service components</i>	1
10	139135GT	NUT, FLANGE, 3/4-16 UNF GR8.....	10
11	139125GT	MACH. MOUNTING BLOCK.....	1
12	139224GT	STEER AXLE ASSEMBLY.....	1
--	45071GT	BEARING,1.5IDX1.75ODX1.5L	
13	139179GT	SEAL,TRAX HUBS.....	1

205.1 TraX Option Non-Steer End



Item	Part No.	Description	Qty.
--		Ref., SKID PLATE KIT <i>S-60 and S-65 models; refer to 204.1</i>	
1	139175GT	NON-STEER AXLE ASSEMBLY.....	2
--	42014GT	BEARING,2.00IDX2.25ODX2.00L	
2	139002GT	SPACER.....	2
--	139140GT	STUD, 3/4-16 UNF X 2-1/2 LG <i>for 139002</i>	
3	139135GT	NUT, FLANGE, 3/4-16 UNF GR8.....	10
4A		Ref., TRAX UNIT, RIGHT..... <i>refer to 206.1</i>	1
4B		Ref., TRAX UNIT, LEFT..... <i>refer to 206.1</i>	1
5	139179GT	SEAL,TRAX HUBS.....	2
6	125866GT	COVER, REAR AXLE.....	2

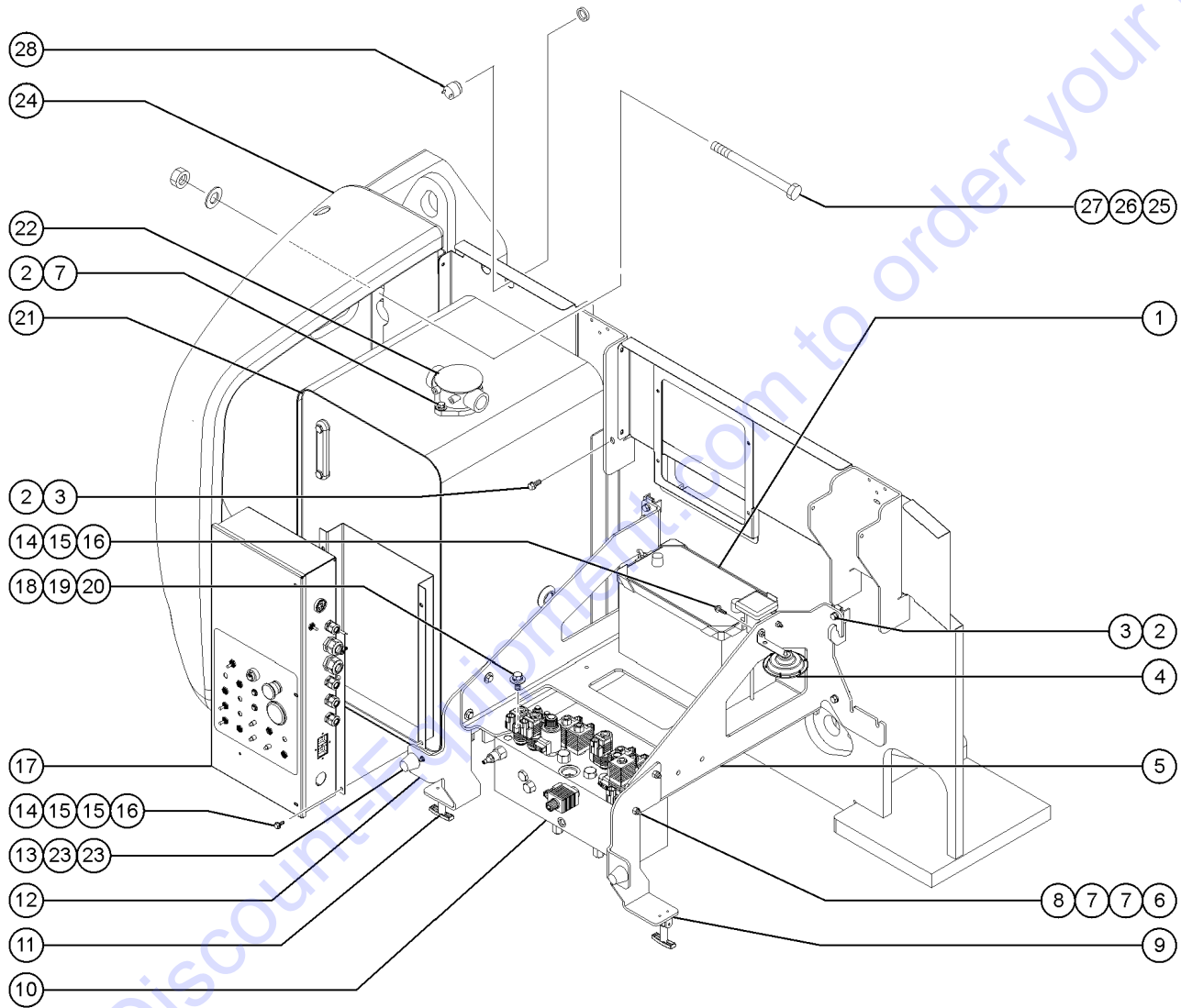
206.1 TraX Option Components



206.1 TraX Option Components

Item	Part No.	Description	Qty.	Item	Part No.	Description	Qty.
A	139262GT	KIT,TRAX,9-BOLT,S60 W/RR HUBS		26	226943GT	DECAL,CAUTION,READ INST.....1	1
--	139179GT	SEAL,TRAX HUBS		27	226945GT	DECAL,WARN,CRUSH HAZ.....1	1
B	217979GT	KIT,TRAX,9-BOLT,S60 W/OMNI HUB		28A	226941GT	DECAL,LABEL,ASSY INSTALL,R.....1	1
--	139179GT	SEAL,TRAX HUBS		28B	226942GT	DECAL,LABEL,ASSY INSTALL,I	
C	139000GT	ROTATIONAL LIMITER FRONT RIGHT		29	215423GT	TENSIONER, TRAX	
D	139001GT	ROTATIONAL LIMITER FRONT LEFT		30	1261392GT	ELBOW,90,1/4-18NPT,FEMALE	
E	147155GT	ROTATIONAL LIMITER REAR		31	1261390GT	COUPLING - 1/4 NPT	
1	128922GT	SPROCKET, MACH. HALF RIGHT.....1	1	32	1261389GT	NIPPLE,STEEL PIPE,1/4NPTX1 LG	
2	128923GT	SPROCKET, MACH. HALF LEFT.....1	1	33	1261391GT	NIPPLE,STEEL PIPE,1/4NPTX2.5LG	
3	128926GT	TRACK, RUBBER.....1	1				
4	111155GT	SCREW,FLANGE,HHC,5/8-11X2,GR8....4	4				
5	128925GT	CAST, LIMITER STOP BRKT R.....1	1				
6	128928GT	HUB ASSEMBLY.....1	1				
--	1287812GT	SEAL,RUBBER BRAKE RELEASE,RUBBER TRACK (139120)					
--	1287813GT	O-RING,RUBBER TRACK (139120)					
7	128913GT	BOLT,HHC,1-14X2.0"GR8 PLT.....4	4				
8	128914GT	SCREW, FHSC, 1/2-13X1.00.....4	4				
9	128912GT	BOLT,FLANGE,5/8-11X1.5"GR8 PLT.....4	4				
10	128910GT	BOLT,FLANGE,3/4-10X1.75GR8 PLT.....2	2				
11	128920GT	COVER, DUST.....4	4				
12	128917GT	END BOGEY.....2	2				
13	128909GT	BOLT,FLANGE,3/4-10X1.5"GR8 PLT.....4	4				
14	128921GT	GUARD, SEAL.....4	4				
15A	128918GT	SPLIT BOGEY.....4	4				
--	215424GT	BEARING, SPL BOGEY (128918) <i>for 128918</i>					
--	215425GT	SEAL, BEARING (128918) <i>for 215424</i>					
--	215426GT	SHAFT, RAISED BOSS (128918) <i>internal shaft with raised boss on end</i>					
--	215427GT	SHAFT, KNURLED (128918) <i>internal shaft with knurled end</i>					
16	128916GT	LOCKNUT,FLANGE,5/8-11,GR8.....4	4				
17	128911GT	BOLT,FLANGE,3/4-10X4.5"GR8 PLT.....2	2				
18	128927GT	HYD. HOSE ASSEMBLY 3000 PSI.....1	1				
19	128955GT	BOLT,FLANGE,5/16-18X.50 GR5.....4	4				
20A	1261393GT	ASSEMBLY, OUTSIDE HOSE GUARD <i>shown for reference only</i>					
20B	1261394GT	ASSEMBLY, INSIDE HOSE GUARD					
21	128919GT	SNAP RING.....2	2				
22	128924GT	CAST, LIMITER STOP BRKT L.....1	1				
23	226940GT	DECAL,LABEL,TORQUE.....1	1				
24	226944GT	DECAL,WARN,AVOID INJURY.....1	1				
25	226946GT	DECAL,WARN,HIGH PRESS.....1	1				

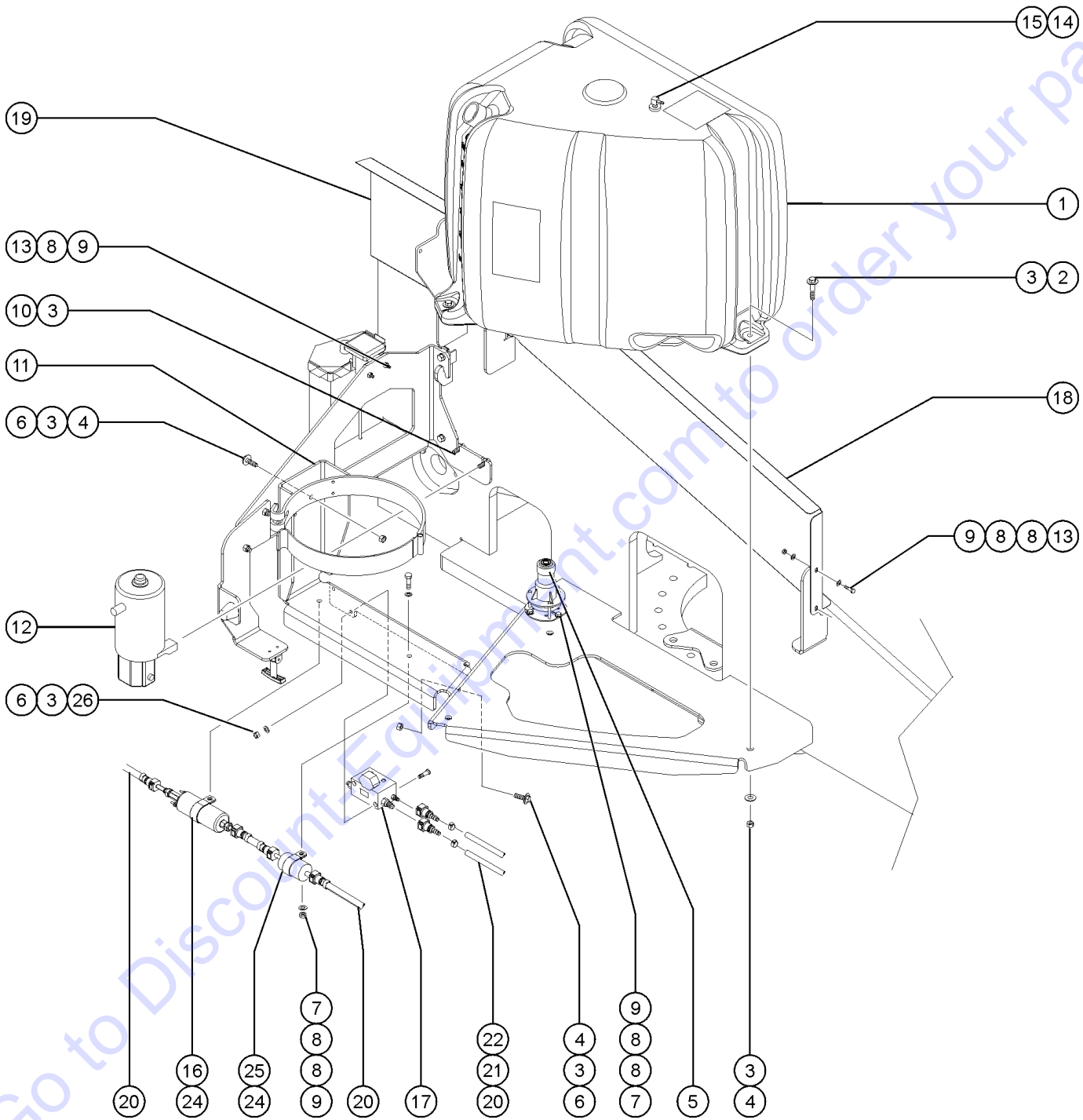
301.1 Tank Side - View 1



301.1 Tank Side - View 1

Item	Part No.	Description	Qty.	Item	Part No.	Description	Qty.
1	30143GT	BATTERY,12V,1000 CCA GRP 31.....1	1	26	38859GT	WASHER,FLAT,USS,1",Y	
--	30144GT	BATTERY HOLD DOWN,GROUP 31		27	29764GT	NUT,NYLOCK,1-8	
--	45708GT	HOOK,BATT HOLD DOWN,10"		28	230392GT	ALARM,DESCENT.....1 <i>from SN 15909; does not include 72326 nut</i>	
1A	237068GT	SEPARATOR,DUAL BATTERY,100A <i>for dual-battery option</i>		28	72326GT	NUT - PLASTIC,RING FOR ALARMS.....1	
2	6175GT	SCREW,HHC,3/8-16 X 1					
3	29868GT	SPRING CLIP,3/8-16,.05-.20X.73,ZAG					
4	81578GT	HORN,12VDC,SPADE TERMINALS***1					
5	T108403GT	WELDMENT,BAT/MANIF TRAY,S60/65.....1	1				
6	4828GT	NUT,NYLOCK,3/8-16					
7	6097GT	WASHER,FLAT,USS,3/8",Y					
8	6019GT	SCREW,HHC,3/8-16 X 1.25 GRD 5					
9	77646PGT	FORMING,COVER STOP,PAINTED.....1	1				
10		Ref. Function Manifold (refer to 401.1)					
11	45363GT	LATCH,FLEXIBLE DRAW W/O KEEPER.....4	4				
--	54322GT	SCREW,10-32 X.625,SF.TAP.PHIL					
--	6146GT	WASHER,FLAT,MS,#10,Y					
--	6178GT	NUT,NYLOCK,10-32					
12	77645PGT	FORMING,COVER STOP,PAINTED.....1	1				
13	30973GT	BUMPER,RUBBER-1 X 1.25.....2	2				
14	6090GT	SCREW,HHC,1/4-20 X .75					
15	6638GT	WASHER,FLAT,USS,1/4"Y					
16	6091GT	NUT,NYLOCK,1/4-20					
17		Ref. Ground Controls (refer to 305.1 or 306.1)					
18	10597GT	SCREW,HHC,1/2-13 X 1.25 GR5					
19	6033GT	WASHER,LOCK,0.5"					
20	6095GT	WASHER,FLAT,USS,1/2",Y					
21	94521GT	HYDRAULIC TANK ASSEMBLY***.....1 <i>includes item 22 with fasteners</i>	1				
--	21141GT	GAUGE-SIGHT,LHA-LGTB***					
22A	110345GT	FILTER ASSY,INTANK.....1 <i>includes item 22B</i>	1				
--	147223GT	SEAL,FILTER LID					
22B	77353GT	KIT,ELEMENT**					
--	77354GT	FILTER LID,RFM165					
--	77365GT	BREATHER CAP,RFM165					
--	88917GT	FILTER,ELEMENT,BETA(10)=200					
--	94526GT	GASKET,RETURN FILTER-77353					
23	18503GT	NUT,LOCKING-LG.FLANGE,5/16-18.....4	4				
24	88888GT	COUNTERWEIGHT,S60 4350LBS.....1	1				
24	88889GT	COUNTERWEIGHT,S60/65 5500LBS**					
25	73928GT	SCREW,HHC,1-8 X 11,GRD 5***.....1	1				

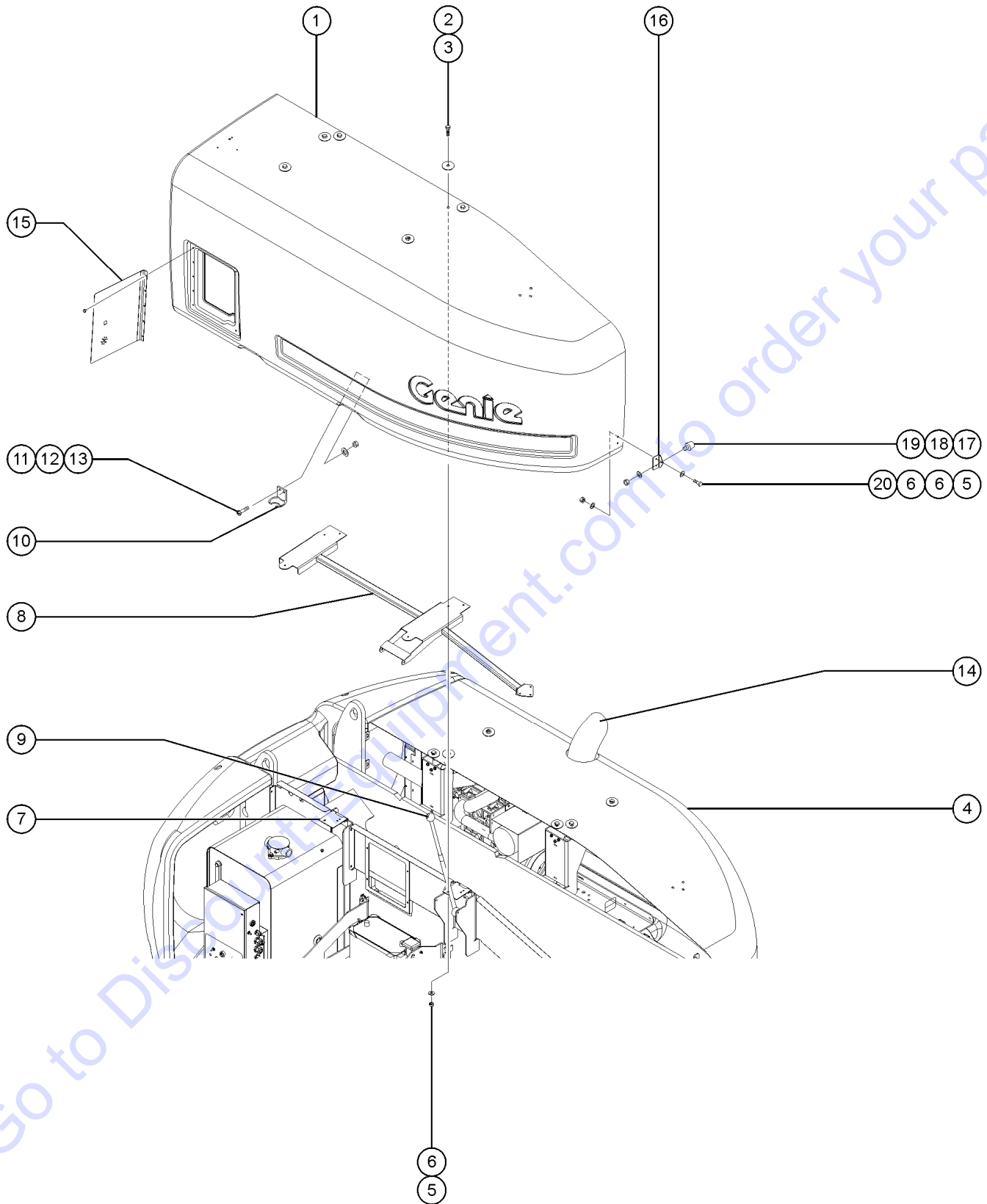
302.1 Tank Side - View 2



302.1 Tank Side - View 2

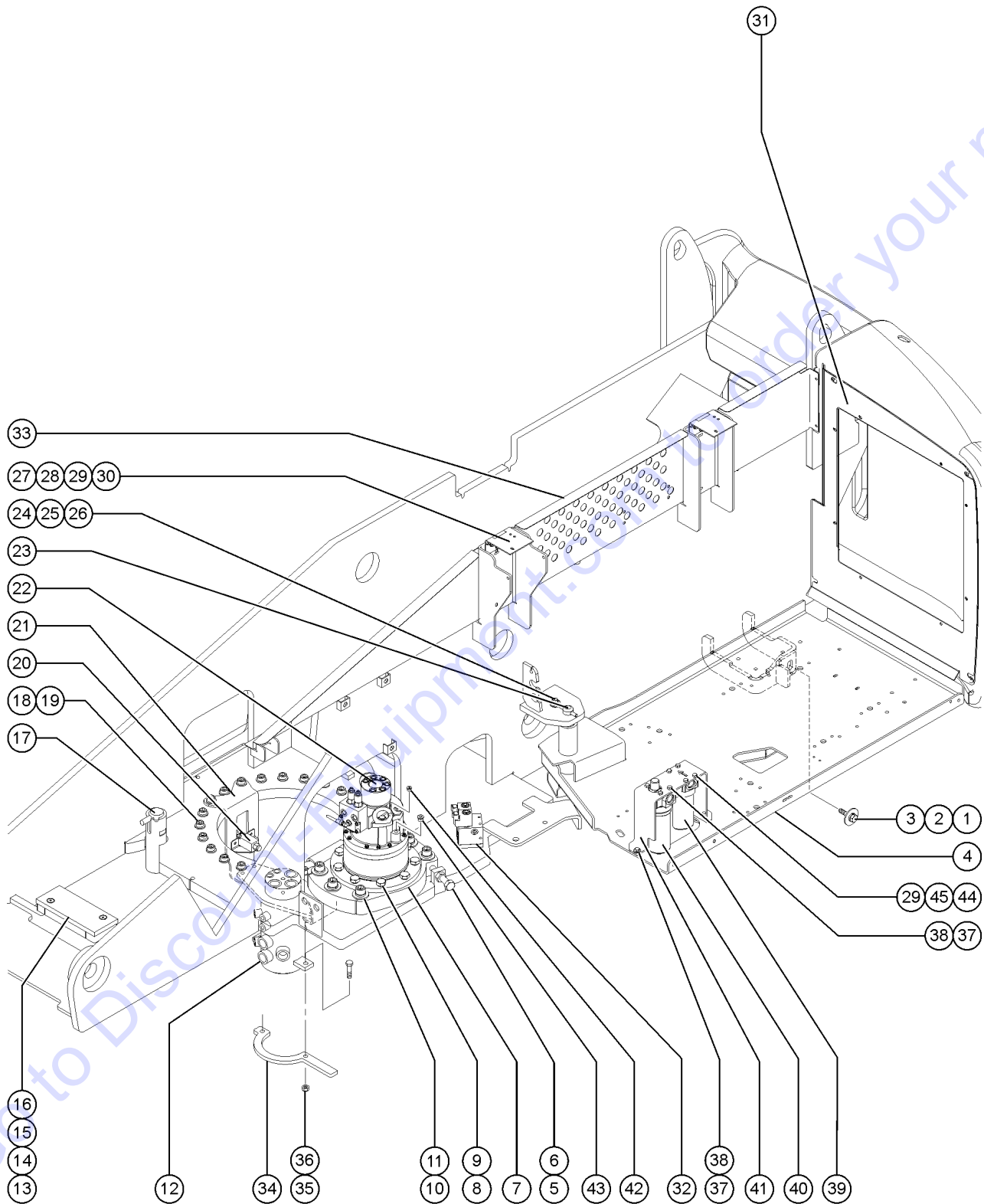
Item	Part No.	Description	Qty.	Item	Part No.	Description	Qty.
1	88684GT	TANK,FUEL 35 GAL PLASTIC,S60.....1 <i>Diesel models; Gasoline models to SN 16157</i>		17A	58967GT	FUEL PRESSURE REG,425EFI*** <i>LRG-425 and DSG-433 models (from SN 9154 to 14053)</i>	
--	101726GT	CAP,FUEL,DIESEL,1/8"VENT(GRN).....1 <i>Diesel models</i>		17A	65453GT	BRACKET-FUEL FILTER (52567) <i>for 58967</i>	
--	101727GT	CAP,FUEL,GAS,1/8"VENT(RED).....1 <i>Gasoline models to SN 15157</i>		17B	111699PGT	FORMING,FUEL PRES.REG MNT,PTD <i>for 119170</i>	
--	119841GT	TANK ASSY,GAS,30 GAL,PLASTIC.....1 <i>Gasoline models from SN 16158</i>		17B	119170GT	FUEL SENSOR ASSY.....1 <i>(from SN 14054)</i>	
--	119918GT	CAP,FUEL,GASOLINE 3.5PSI <i>Gasoline models from SN 16158</i>		18	77681GT	FORMING,BULKHEAD,LEFT REAR.....1	
2	5224GT	SCREW,HHC,3/8-16 X 2		19	77680GT	FORMING,BULKHEAD,LEFT FRONT.....1	
3	6097GT	WASHER,FLAT,USS,3/8",Y		20	71909GT	HOSE,FUEL,5/16 HIGH PRESSURE**	
4	4828GT	NUT,NYLOCK,3/8-16		21	65887GT	CLAMP,HOSE,1 EAR,1/2	
5A	94077GT	SENSOR,LEVEL,4.5 DEG.....1 <i>S-65, S-60XC, S-60X, S-60, S-60 TraX and S-65 TraX; ANSI models. PN 1261449 may be required, see below</i>		22	111819GT	FITTING,SAE J2044F X5/16 BARB	
5B	110382GT	LEVEL SENSOR,LS60,YL,2.5X4.5 <i>European models; from SN 13290</i>		23	6090GT	SCREW,HHC,1/4-20 X .75	
5C	42439GT	SENSOR,LEVEL 3 DEG** <i>Australia models; from SN 13742</i>		24	27497GT	CLAMP,RUBBER CUSHIONED-2 5/32	
5D	1264947GT	KIT, LEVEL SENSOR, 6 PIN CONN. <i>For ANSI/CSA models with 6-pin wire harness connector, includes instructions</i>		25	52179GT	FILTER, FUEL LRG 425/423 EFI.....1 <i>Ford LRG-425 models; to SN 14053</i>	
6	6019GT	SCREW,HHC,3/8-16 X 1.25 GRD 5		--	1272019GT	FILTER, FUEL <i>Ford DSG-423 models; from SN 14054</i>	
7	8915GT	SCREW,HHC,1/4-20 X 1.25		26	4266GT	SCREW,HHC,1/4-20 X 2	
8	6638GT	WASHER,FLAT,USS,1/4"Y					
9	6091GT	NUT,NYLOCK,1/4-20					
10	6175GT	SCREW,HHC,3/8-16 X 1					
11	77679GT	WELDMENT,LP MOUNT.....1					
12	89617GT	POWER UNIT,AUX PUMP 12VDC.....1					
--	147289GT	SEAL KIT, APU					
--	147290GT	SHAFT SEAL, APU					
--	58489GT	PUMP ASSY,AUX.POWER UNIT 89617					
--	77069GT	MOTOR,12VDC,77066					
--	77071GT	SOLENOID,77066					
13	6888GT	SCREW,HHC,1/4-20 X 1					
14	70387GT	FUEL RETURN,DAPCO 3/8" <i>Gasoline/LPG models</i>					
--	61234GT	FUEL RETURN,DAPCO 18.75 <i>Diesel models</i>					
15	61240GT	BUSHING,FUEL TANK FITTING (SM).....1					
16A	119168GT	FUEL PUMP,DSG-423 AND MSG-425 <i>Ford DSG-423 Models</i>					
16B	77219GT	PUMP, FUEL, LRG425, WALBRO.....1 <i>Ford LRG-425 Models</i>					
16C	77750GT	FUEL PUMP (GM 3.0L).....1 <i>GM Models</i>					

303.1 Turntable Covers



Item	Part No.	Description	Qty.
1A	94528GT	COVER ASSY.W/WORD DECALS LH***.....1 to SN 17349	1
--	101405GT	COVER ASSY W/ SYMBOL DECALS LH to SN 17349	
1B	139901GT	COVER ASSY W/ WORD DECALS LH from SN17350	
--	139899GT	COVER ASSY W/ SYMBOL DECALS LH from SN17350	
2	8915GT	SCREW,HHC,1/4-20 X 1.25	
3	12906GT	WASHER,FENDER,.25 X 1.25 X.062	
4A	94527GT	COVER ASSY.W/WORD DECALS RH**.....1 to SN 17349	1
--	101404GT	COVER ASSY W/ SYMBOL DECALS RH to SN 17349	
4B	139902GT	COVER ASSY W/ WORD DECALS RH from SN 17350	
--	139900GT	COVER ASSY W/ SYMBOL DECALS RH from SN 17350	
5	6091GT	NUT,NYLOCK,1/4-20	
6	6638GT	WASHER,FLAT,USS,1/4"Y	
7	75073GT	HINGE,.375X.120THK.,SLOTTED.....4	4
--	77778GT	PLATE,HINGE SUPPORT	
8	81874GT	WELDMENT,LEFT COVER SUPPORT...1	1
--	81876GT	WELDMENT,RIGHT COVER SUPPORT	
9	28301GT	GAS STRUT,250 LBS FORCE***.....2	2
--	27377GT	RETAINER,GAS SPRING***	
--	33555GT	BALL STUD**	
10	75076GT	KEEPER,LATCH (45363).....4	4
11	49816GT	SCREW,PHILLIPS,PHM,10-32 X .75	
12	6146GT	WASHER,FLAT,MS,#10,Y	
13	6178GT	NUT,NYLOCK,10-32	
14	101964GT	WELDMENT,EXHAUST TUBE.....1	1
15		Ref. COVER, GROUND CONTROL BOX refer to figure 909.1	
16	88106PGT	FORMING,COVER STOP,PAINT.....1	1
17	30973GT	BUMPER,RUBBER-1 X 1.25.....1	1
18	5397GT	WASHER,FLAT,USS,5/16",Y	
19	6782GT	NUT,NYLOCK,5/16-18	
20	6090GT	SCREW,HHC,1/4-20 X .75	

304.1 Engine Side



304.1 Engine Side

Item	Part No.	Description	Qty.	Item	Part No.	Description	Qty.
1	73455GT	SCREW,HHC,5/8-11 X 2.25 GR8.....	1	--	1255772GT	KIT, SWING BRAKE REBUILD <i>(Used on swing drive 1255768)</i>	
2	6036GT	WASHER,LOCK,.625 PLTD		--	1255773GT	BRAKE TUBING <i>(Used on swing drive 1255768)</i>	
3	33418GT	WASHER,FLAT,.625 X 2.25 X.15		--	139308GT	SWING MOTOR COMPLETE*** <i>(Used on swing drive 1255768)</i>	
4	101291GT	ENGINE TRAY ASSY W/BEARINGS.....1 <i>to SN 9693</i>	1	--	139309GT	CBV ASSEMBLY*** <i>(Used on swing drive 1255768)</i>	
--	101540GT	ENGINE TRAY ASSY W/BEARINGS.....1 <i>from SN 9694</i>	1	--	139315GT	O-RING,MOTOR/BRAKE*** <i>(Used on swing drive 1255768)</i>	
--	35675GT	BEARING,FL,1.25IDX1.5ODX1.25L.....	1	--	139323GT	VALVE,COUNTERBAL,CBCA-LIN*** <i>(Used on swing drive 1255768)</i>	
5	61128GT	SCREW,HHC,3/4-10 X 4 FULL THRD		--	58304GT	SHAFT,OUTPUT <i>(Used on swing drive 1255768)</i>	
6	6126GT	NUT,HEX,JAM,3/4-10		22B		Ref. SWING DRIVE ASSEMBLY <i>Previous SWING DRIVE ASSEMBLY 139189 is no longer available, order complete assembly 1255768 for first time replacement</i>	
7	77671GT	PLATE,BACKLASH ADJUSTMENT MACH.....	1	--	139308GT	SWING MOTOR COMPLETE*** <i>(Used on swing drive 139189)</i>	
8	94747GT	SCREW,HHC,1/2-13 X 1.75 GRD 8.....	9	--	139309GT	CBV ASSEMBLY*** <i>(Used on swing drive 139189)</i>	
9	13066GT	WASHER,FLAT,.5 HARDENED.....	9	--	139310GT	BRAKE TUBING*** <i>(Used on swing drive 139189)</i>	
10	88212GT	SCREW,SHC,3/4-10 X 3.00,A574.....	6	--	139311GT	KIT,FRICITION DISC*** <i>(Used on swing drive 139189)</i>	
11	33278GT	WASHER,FLAT,.75 HARDENED.....	6	--	139312GT	KIT,BRAKE SPRING*** <i>(Used on swing drive 139189)</i>	
12	89571GT	SWIVEL,HYD 8 PORT***	1	--	139313GT	SEAL KIT,SWING BRAKE*** <i>(Used on swing drive 139189)</i>	
--	94937GT	SEAL KIT,8-PORT SWIVEL		--	139314GT	KIT,SWING BRAKE REBUILD*** <i>(Used on swing drive 139189)</i>	
--	T106954GT	SEAL, O-RING LIP		--	139315GT	O-RING,MOTOR/BRAKE*** <i>(Used on swing drive 139189)</i>	
--	T106955GT	SEAL, POLY, CHAMFER		--	139323GT	VALVE,COUNTERBAL,CBCA-LIN*** <i>(Used on swing drive 139189)</i>	
--	T106957GT	SEAL, CAP, NOTCHED		--	58304GT	SHAFT,OUTPUT <i>(Used on swing drive 139189)</i>	
--	T106961GT	SEAL, O-RING ENERGIZER		--	58596GT	BEARING KIT,OUTER (88921) <i>(Used on swing drive 139189)</i>	
--	T106962GT	SEAL, CAP, NOTCHED		--	58597GT	BEARING KIT,INNER (88921) <i>(Used on swing drive 139189)</i>	
13	77676GT	WEARPAD,BOOM REST.....	1	--	94620GT	SEAL KIT,SWING TORQ HUB*** <i>(Used on swing drive 139189)</i>	
14	6610GT	SCREW,FHS,3/8-16 X 2 GRD.8.....	2	22C		SWING DRIVE (88921) <i>(component no longer available)</i>	
15	6097GT	WASHER,FLAT,USS,3/8",Y.....	2	--	45483GT	VALVE,SHUTTLE*** <i>(Used on swing drive 88921)</i>	
16	4828GT	NUT,NYLOCK,3/8-16.....	2	--	81366GT	MANIFOLD,SWING CB & BRAKE <i>(Used on swing drive 88921)</i>	
17	81834GT	WELDMENT,TRANSPORT LOCK					
18	25068GT	SCREW,SHC,5/8-11 X 4.5,A574.....	24				
--	139865GT	SCREW,HHC,5/8-11 X 4.00 GR8 BO....	24				
		<i>from SN 20316</i>					
19	13064GT	WASHER,FLAT,.625 HARDENED.....	24				
20	88356-13103GT	SWITCH,LIMIT,W/RLLR ARM,NO/NC.....	1				
--	77666PGT	FORMING,DRIVE ENABLE LIMIT SW					
21	77665PGT	FORMING,HYD SWIVEL BRACKET.....	2				
22A	1255768GT	SWING DRIVE ASSEMBLY <i>Previous SWING DRIVE ASSEMBLY 139189 is no longer available, order complete assembly 1255768 for first time replacement</i>					
--	1255769GT	SEAL KIT, SWING BRAKE <i>(Used on swing drive 1255768)</i>					
--	1255770GT	KIT, FRICTION DISC <i>(Used on swing drive 1255768)</i>					
--	1255771GT	KIT, BRAKE SPRING <i>(Used on swing drive 1255768)</i>					



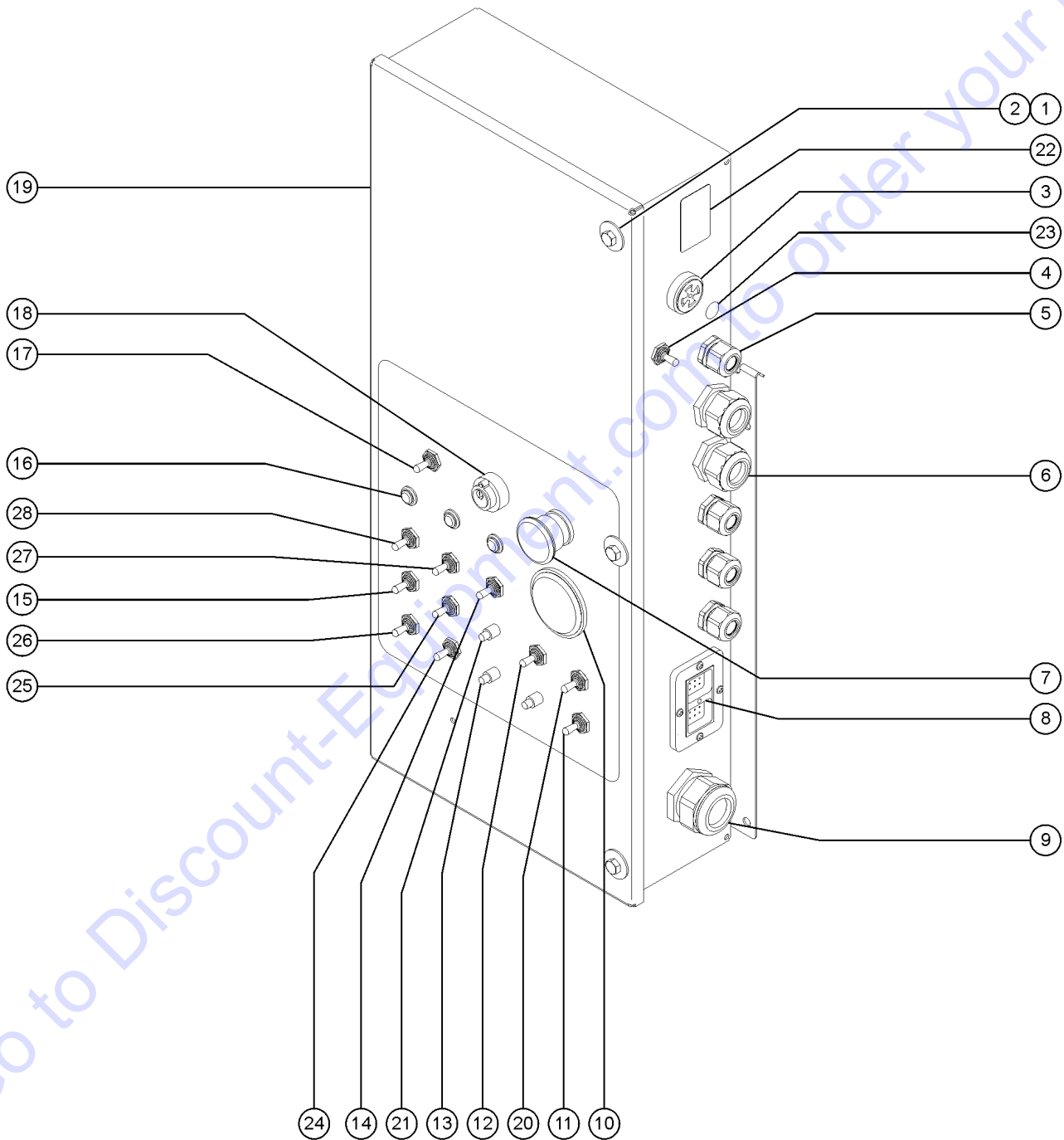
304.1 Engine Side
(continued)

Item	Part No.	Description	Qty.	Item	Part No.	Description	Qty.
--	83009GT	VALVE,COUNTERBALANCE(81366)*** <i>(Used on swing drive 88921)</i>		--	60857GT	FILTER,ELEMENT,BETA(5)=1000 <i>for 60334</i>	
--	94620GT	SEAL KIT,SWING TORQ HUB*** <i>(Used on swing drive 88921)</i>		41	81005GT	BRACKET,FILTER MOUNT	
--	94621GT	SWING MOTOR,COMPLETE*** <i>(Used on swing drive 88921)</i>		42	39882GT	PLUG,HEX SOCKET,090109B-4.....1	
--	94622GT	BRAKE PORT HARDLINE <i>(Used on swing drive 88921)</i>		43	109802GT	PLUG,ORB #6.....1	
--	94623GT	KIT,FRICITION DISC <i>(Used on swing drive 88921)</i>		44	6090GT	SCREW,HHC,1/4-20 X .75	
--	94624GT	KIT,BRAKE SPRING <i>(Used on swing drive 88921)</i>		45	6356GT	WASHER,LOCK,.25	
--	94625GT	SEAL KIT,SWING BRAKE <i>(Used on swing drive 88921)</i>					
--	94626GT	KIT,SWING BRAKE REBUILD <i>(Used on swing drive 88921)</i>					
23	81724GT	PIN,1.25 X 13.25 IN,CHAMFER.....1					
24	825019GT	ROD END,.375X3.69,ZAG.....1					
25	8516GT	SCREW, HCC, 3/8-16 X 1.50					
26	6021GT	WASHER,LOCK,.375					
27	75073GT	HINGE,.375X.120THK.,SLOTTED					
28	6888GT	SCREW,HHC,1/4-20 X 1					
29	6638GT	WASHER,FLAT,USS,1/4"Y					
30	6091GT	NUT,NYLOCK,1/4-20					
31	106172PGT	BAFFLE,AIR INTAKE,PAINTED***.....1					
--	110996PGT	BAFFLE,AIR INTAKE,FORD PNTD <i>from SN 14054 - Ford models only</i>					
32	1279420GT	KIT,BRAKE MNFLD REPLACEMENT,BOOMS.....1 <i>for component parts refer to 406.1</i>					
33	77682GT	FORMING,BULKHEAD,RIGHT.....1					
34	77803GT	PLATE,SWIVEL ROTATION STOP					
35	6198GT	NUT,NYLOCK,1/2-13					
36	6096GT	SCREW,HHC,1/2-13 X 2 GR5					
37	8255GT	SCREW,HHC,3/8-16 X .75					
38	5397GT	WASHER,FLAT,USS,5/16",Y					
39		FILTER ASY,M PRESS,SAE8,WOIND* (77139) <i>component no longer available</i>					
--	60857GT	FILTER,ELEMENT,BETA(5)=1000 <i>for 77139</i>					
39A	1267807GT	ASSY, MED. PRESS. FILTER, SAE8					
--	1268229GT	ELEMENT-5 MIC, PAPER, W/ BYPASS <i>for 1267807</i>					
40	60334GT	FILTER ASSY,HIGH PRESS SAE-12*					
--	1279465GT	BACKUP RING,71.60X67.20X1.40PTFE(60334)					
--	1279466GT	O-RING,67.95X2.62-NBR-70SH(HF2P)(60334)					
--	58380GT	FILTER INDICATOR-(60334)					

This Page Intentionally Left Blank

Go to Discount-Equipment.com to order your parts

305.1 Ground Control Box - View 1 (to SN 20420)



305.1 Ground Control Box - View 1 (to SN 20420)

Item	Part No.	Description	Qty.	Item	Part No.	Description	Qty.
1	6090GT	SCREW,HHC,1/4-20 X .75		15	128202GT	SWITCH TOGGLE ASSY DPDT 3P MOM.....1 <i>(Turntable Rotate; includes boot and hardware)</i>	1
2	6638GT	WASHER,FLAT,USS,1/4"Y		--	128578GT	SCREW T-SWITCH PH/PH 6-32X1/4	
3	45383GT	ALARM,WARBLE TONE 5-30 VDC***1 <i>Does not include 72326 nut</i>		--	128582-SGT	SWITCH TOGGLE DPDT 3P MOM SHDR	
--	72326GT	NUT - PLASTIC,RING FOR ALARMS		--	27246GT	BOOT,TOGGLE SWITCH,SHORT*	
4	128203GT	SWITCH TOGGLE ASSY SPDT 2P MOM.....1 <i>(Test, Gas/LPG models; includes boot and hardware)</i>	1	16A	824879GT	LIGHT,LED IND. RED 12V NH.....2 <i>Diesel models</i>	2
--	128578GT	SCREW T-SWITCH PH/PH 6-32X1/4		16B	119800GT	LAMP,INDICATOR,RED,14V,1.2W** <i>Ford models</i>	
--	128583GT	SWITCH TOGGLE SPDT 2P MOM SHDR		--	56848GT	WASHER,LOCK,IND,LAMP RETAINER	
--	27246GT	BOOT,TOGGLE SWITCH,SHORT*		16C	824880GT	LIGHT,LED IND. AMBER 12V NH	
5	7056GT	CONN,SQUEEZE,1/2NPT .38-.50,SM....4	4	17	128201GT	SWITCH TOGGLE ASSY DPDT 2P MOM.....1 <i>(Auxiliary Power; includes boot and hardware)</i>	1
6	12960GT	CABLE SQUEEZE CONN.,XTRA LRG...2	2	--	128578GT	SCREW T-SWITCH PH/PH 6-32X1/4	
7	66812GT	BUTTON,PUSH,RED MUSHROOM HEAD.....1	1	--	128581-SGT	SWITCH TOGGLE DPDT 2P MOM SHDR	
--	66818GT	CONTACT, N.C.		--	27246GT	BOOT,TOGGLE SWITCH,SHORT*	
--	73805GT	BASE,W/2 NC CONTACTS*** <i>includes 2 each N.C. contacts</i>		18	96008-SGT	KEYSWITCH,3 POS. W/KEYS***.....1	1
8	73753GT	CONN,RECEP 24 WAY,W/FLANGE		--	21982GT	KEY,SINGLE***	
--	49820GT	SCREW,PHILLIPS,PHM,6-32 X .5.....4	4	--	37947GT	KEYS,10 PACK***	
9	20776GT	CABLE SQUEEZE CONN.		19	101421GT	GROUND CONTROL BOX,W/DECAL.....1	1
10	19506GT	HOUR METER,10-80 VOLTS***1 <i>includes mounting bracket</i>	1	--	121599GT	GASKET,GBOX,S80/85 2008.....1 <i>replaced 30782</i>	1
11	128200GT	SWITCH TOGGLE ASSY SPDT 3P MOM.....1 <i>(Function Enable; includes boot and hardware)</i>	1	20	128200GT	SWITCH TOGGLE ASSY SPDT 3P MOM.....1 <i>(Glow Plug, Diesel models; includes boot and hardware)</i>	1
--	128578GT	SCREW T-SWITCH PH/PH 6-32X1/4		--	128578GT	SCREW T-SWITCH PH/PH 6-32X1/4	
--	128580-SGT	SWITCH TOGGLE SPDT 3P MOM SHDR		--	128580-SGT	SWITCH TOGGLE SPDT 3P MOM SHDR	
--	27246GT	BOOT,TOGGLE SWITCH,SHORT*		--	27246GT	BOOT,TOGGLE SWITCH,SHORT*	
12	128200GT	SWITCH TOGGLE ASSY SPDT 3P MOM.....1 <i>(Engine Start; includes boot and hardware)</i>	1	--	45384GT	PLUG,NYLON .50 BLACK DOMED <i>Gasoline/LPG models</i>	
--	128578GT	SCREW T-SWITCH PH/PH 6-32X1/4		21	147094GT	ASSY, CIRCUIT BREAKER 15A.....1	1
--	128580-SGT	SWITCH TOGGLE SPDT 3P MOM SHDR		--	147095GT	ASSY, CIRCUIT BREAKER 20A	
--	27246GT	BOOT,TOGGLE SWITCH,SHORT*		22	110280GT	PLUG,NYLON, .94X1.65 BLK DOMED....1	1
13	147094GT	ASSY, CIRCUIT BREAKER 15A		23	45384GT	PLUG,NYLON .50 BLACK DOMED	
14	128204GT	SWITCH TOGGLE ASSY SPDT 2P MNT1 <i>(Fuel Select, Gas/LPG models; includes boot and hardware)</i>	1	24	128200GT	SWITCH TOGGLE ASSY SPDT 3P MOM.....1 <i>(Platform Level, includes boot and hardware)</i>	1
--	128578GT	SCREW T-SWITCH PH/PH 6-32X1/4		--	128578GT	SCREW T-SWITCH PH/PH 6-32X1/4	
--	128584-SGT	SWITCH TOGGLE SPDT 2P MNT SHDR		--	128580-SGT	SWITCH TOGGLE SPDT 3P MOM SHDR	
--	27246GT	BOOT,TOGGLE SWITCH,SHORT*		--	27246GT	BOOT,TOGGLE SWITCH,SHORT*	
--	45384GT	PLUG,NYLON .50 BLACK DOMED		25	128200GT	SWITCH TOGGLE ASSY SPDT 3P MOM.....1 <i>(Jib Boom Up/Down, S65 Models; includes boot and hardware)</i>	1

305.1 Ground Control Box - View 1 (to SN 20420)
(continued)

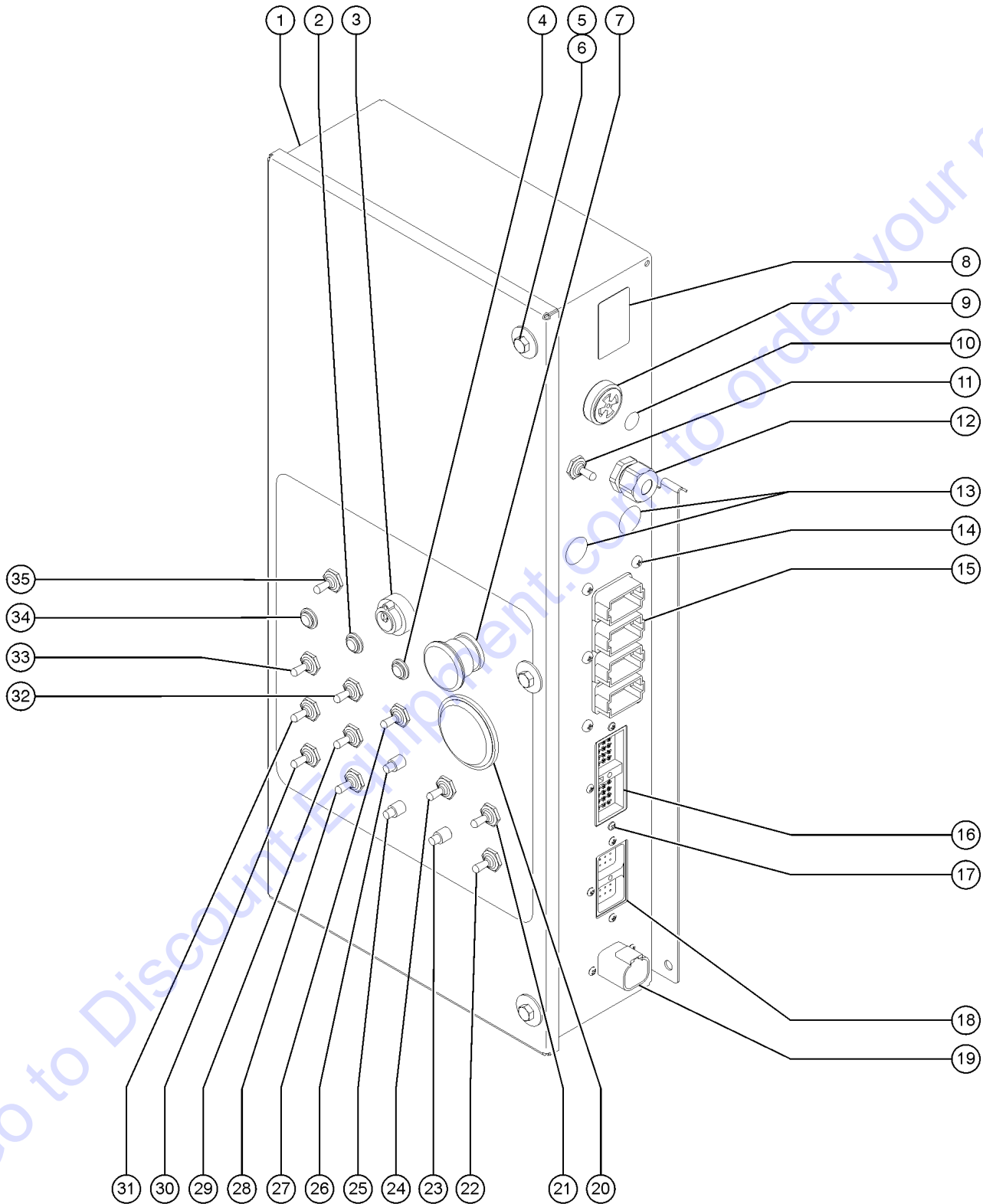
Item	Part No.	Description	Qty.
--	128578GT	SCREW T-SWITCH PH/PH 6-32X1/4	
--	128580-SGT	SWITCH TOGGLE SPDT 3P MOM SHDR	
--	27246GT	BOOT,TOGGLE SWITCH,SHORT*	
26	128202GT	SWITCH TOGGLE ASSY DPDT 3P MOM.....1 <i>(PlatformRotate; includes boot and hardware)</i>	
--	128578GT	SCREW T-SWITCH PH/PH 6-32X1/4	
--	128582-SGT	SWITCH TOGGLE DPDT 3P MOM SHDR	
--	27246GT	BOOT,TOGGLE SWITCH,SHORT*	
27	128202GT	SWITCH TOGGLE ASSY DPDT 3P MOM.....1 <i>(Boom Ext/Ret; includes boot and hardware)</i>	
--	128578GT	SCREW T-SWITCH PH/PH 6-32X1/4	
--	128582-SGT	SWITCH TOGGLE DPDT 3P MOM SHDR	
--	27246GT	BOOT,TOGGLE SWITCH,SHORT*	
28	128202GT	SWITCH TOGGLE ASSY DPDT 3P MOM.....1 <i>(Boom Up/Down; includes boot and hardware)</i>	
--	128578GT	SCREW T-SWITCH PH/PH 6-32X1/4	
--	128582-SGT	SWITCH TOGGLE DPDT 3P MOM SHDR	
--	27246GT	BOOT,TOGGLE SWITCH,SHORT*	

Go to Discount-Equipment.com to order your parts

This Page Intentionally Left Blank

Go to Discount-Equipment.com to order your parts

305.2 Ground Control Box - View 1 (from SN 20421)



305.2 Ground Control Box - View 1 (from SN 20421)

Item	Part No.	Description	Qty.	Item	Part No.	Description	Qty.
1	139786GT	GROUND CONTROL BOX W/DECAL.....1		--	128578GT	SCREW T-SWITCH PH/PH 6-32X1/4	
2	824879GT	LIGHT,LED IND. RED 12V NH.....1 <i>(Machine malfunction)</i>		--	128580GT	SWITCH TOGGLE SPDT 3P MOM SHDR	
3	96008-SGT	KEYSWITCH,3 POS. W/KEYS***.....1		--	27246GT	BOOT,TOGGLE SWITCH,SHORT*	
4	824879GT	LIGHT,LED IND. RED 12V NH.....1 <i>(Check engine light)</i>		23	147094GT	ASSY, CIRCUIT BREAKER 15A.....1 <i>(Engine electrical circuits)</i>	
5	6090GT	SCREW,HHC,1/4-20 X .75		24	128200GT	SWITCH TOGGLE ASSY SPDT 3P MOM.....1 <i>(Engine start)</i>	
6	6638GT	WASHER,FLAT,USS,1/4"Y		--	128578GT	SCREW T-SWITCH PH/PH 6-32X1/4	
7	66812GT	BUTTON,PUSH,RED MUSHROOM HEAD.....1		--	128580GT	SWITCH TOGGLE SPDT 3P MOM SHDR	
8	110280GT	PLUG,NYLON .94X1.65 BLK D0MED....1		--	27246GT	BOOT,TOGGLE SWITCH,SHORT*	
9	45383GT	ALARM,WARBLE TONE 5-30 VDC***.....1 <i>(Does not include 72326 nut)</i>		25	147094GT	ASSY, CIRCUIT BREAKER 15A.....1 <i>(Control electrical circuits)</i>	
--	72326GT	NUT - PLASTIC,RING FOR ALARMS		26	147095GT	ASSY, CIRCUIT BREAKER 20A.....1 <i>(Oil cooler & options)</i>	
10	45384GT	PLUG,NYLON .50 BLACK DOMED.....1		27	128204GT	SWITCH TOGGLE ASSY SPDT 2P MNT.....1 <i>(Fuel select, Gas/LPG models)</i>	
11	128203GT	SWITCH TOGGLE ASSY SPDT 2P MOM.....1 <i>(Test, Gas/LPG models)</i>		--	128578GT	SCREW T-SWITCH PH/PH 6-32X1/4	
--	128578GT	SCREW T-SWITCH PH/PH 6-32X1/4		--	128584-SGT	SWITCH TOGGLE SPDT 2P MNT SHDR	
--	128583GT	SWITCH TOGGLE SPDT 2P MOM SHDR		--	27246GT	BOOT,TOGGLE SWITCH,SHORT*	
--	27246GT	BOOT,TOGGLE SWITCH,SHORT*		28	128200GT	SWITCH TOGGLE ASSY SPDT 3P MOM.....1 <i>(Platform level)</i>	
12	7056GT	CONN,SQUEEZE,1/2NPT .38-.50,SM....1		--	128578GT	SCREW T-SWITCH PH/PH 6-32X1/4	
13	15243GT	PLUG,NYLON .875 BLACK DOMED.....2		--	128580GT	SWITCH TOGGLE SPDT 3P MOM SHDR	
14	73803GT	SCREW,SHM,PHP, #12 X .75		--	27246GT	BOOT,TOGGLE SWITCH,SHORT*	
15	73736GT	CONN,RECEP 48 WAY,4 X 12.....1		29	128200GT	SWITCH TOGGLE ASSY SPDT 3P MOM.....1 <i>(Jib boom up/down (S-65))</i>	
--	54255GT	LOCK,RECEP 12 WAY, 14-18GA		--	128578GT	SCREW T-SWITCH PH/PH 6-32X1/4	
--	73713GT	TERM,NI PIN,S&F,16-18GA,REEL		--	128580GT	SWITCH TOGGLE SPDT 3P MOM SHDR	
16	73754GT	CONN,RECEP 40 WAY,W/FLANGE.....1		--	27246GT	BOOT,TOGGLE SWITCH,SHORT*	
--	73751GT	CONN,PLUG 40 WAY,DRC SERIES		30	128202GT	SWITCH TOGGLE ASSY DPDT 3P MOM.....1 <i>(Platform rotate)</i>	
17	49820GT	SCREW,PHILLIPS,PHM,6-32 X .5		--	128578GT	SCREW T-SWITCH PH/PH 6-32X1/4	
18	73753GT	CONN,RECEP 24 WAY,W/FLANGE.....1		--	128582-SGT	SWITCH TOGGLE DPDT 3P MOM SHDR	
--	60757GT	PLUG,SEAL,12-18 GA		--	27246GT	BOOT,TOGGLE SWITCH,SHORT*	
--	73714GT	TERM,NI SOC,S&F,16-18GA,REEL		31	128202GT	SWITCH TOGGLE ASSY DPDT 3P MOM.....1 <i>(Turntable rotate)</i>	
--	73749GT	CONN,PLUG 24 WAY,DRC SERIES		--	128578GT	SCREW T-SWITCH PH/PH 6-32X1/4	
19	73717GT	CONN,RECEP 4 WAY,12-14GA FL***.....1		--	128582-SGT	SWITCH TOGGLE DPDT 3P MOM SHDR	
--	60526GT	LOCK,RECEP 4 WAY,12-14GA		--	27246GT	BOOT,TOGGLE SWITCH,SHORT*	
--	73711GT	TERM,DEUTSCH, PIN #12-14		32	128202GT	SWITCH TOGGLE ASSY DPDT 3P MOM.....1 <i>(Boom ext/ret)</i>	
20	19506GT	HOUR METER,10-80 VOLTS***.....1		--	128578GT	SCREW T-SWITCH PH/PH 6-32X1/4	
21	128200GT	SWITCH TOGGLE ASSY SPDT 3P MOM.....1 <i>(Glow plug, Diesel models)</i>		--	128582-SGT	SWITCH TOGGLE DPDT 3P MOM SHDR	
--	128578GT	SCREW T-SWITCH PH/PH 6-32X1/4		--	27246GT	BOOT,TOGGLE SWITCH,SHORT*	
--	128580GT	SWITCH TOGGLE SPDT 3P MOM SHDR		22	128200GT	SWITCH TOGGLE ASSY SPDT 3P MOM.....1 <i>(Function enable)</i>	
--	27246GT	BOOT,TOGGLE SWITCH,SHORT*					

305.2 Ground Control Box - View 1 (from SN 20421)
 (continued)

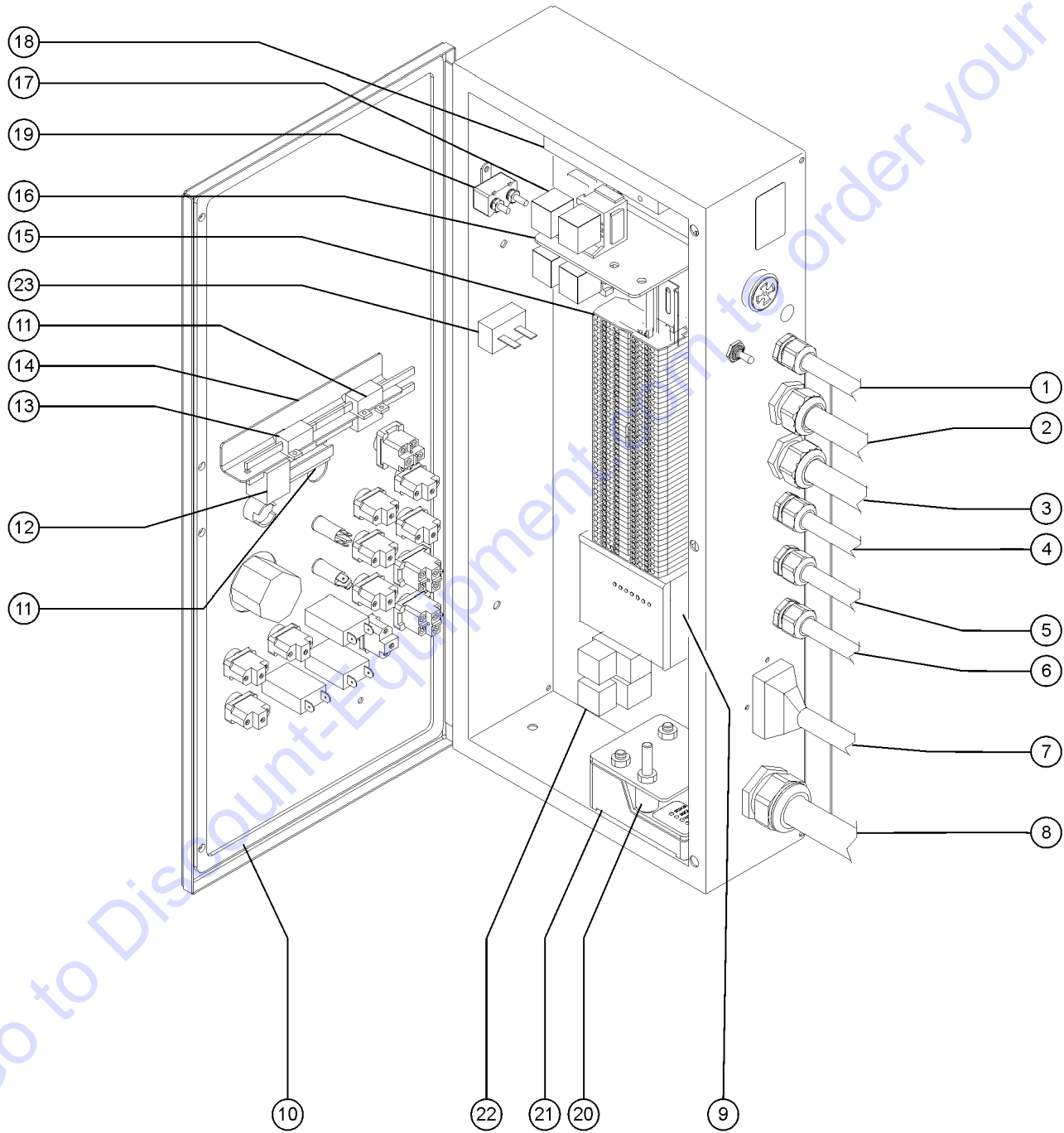
Item	Part No.	Description	Qty.
--	128578GT	SCREW T-SWITCH PH/PH 6-32X1/4	
--	128582-SGT	SWITCH TOGGLE DPDT 3P MOM SHDR	
--	27246GT	BOOT,TOGGLE SWITCH,SHORT*	
33	128202GT	SWITCH TOGGLE ASSY DPDT 3P MOM.....1 <i>(Boom up/down)</i>	
--	128578GT	SCREW T-SWITCH PH/PH 6-32X1/4	
--	128582-SGT	SWITCH TOGGLE DPDT 3P MOM SHDR	
--	27246GT	BOOT,TOGGLE SWITCH,SHORT*	
34	824879GT	LIGHT,LED IND. RED 12V NH.....1	
35	128201GT	SWITCH TOGGLE ASSY DPDT 2P MOM.....1 <i>(Auxiliary power)</i>	
--	128578GT	SCREW T-SWITCH PH/PH 6-32X1/4	
--	128581-SGT	SWITCH TOGGLE DPDT 2P MOM SHDR	
--	27246GT	BOOT,TOGGLE SWITCH,SHORT*	

Go to Discount-Equipment.com to order your parts

This Page Intentionally Left Blank

Go to Discount-Equipment.com to order your parts

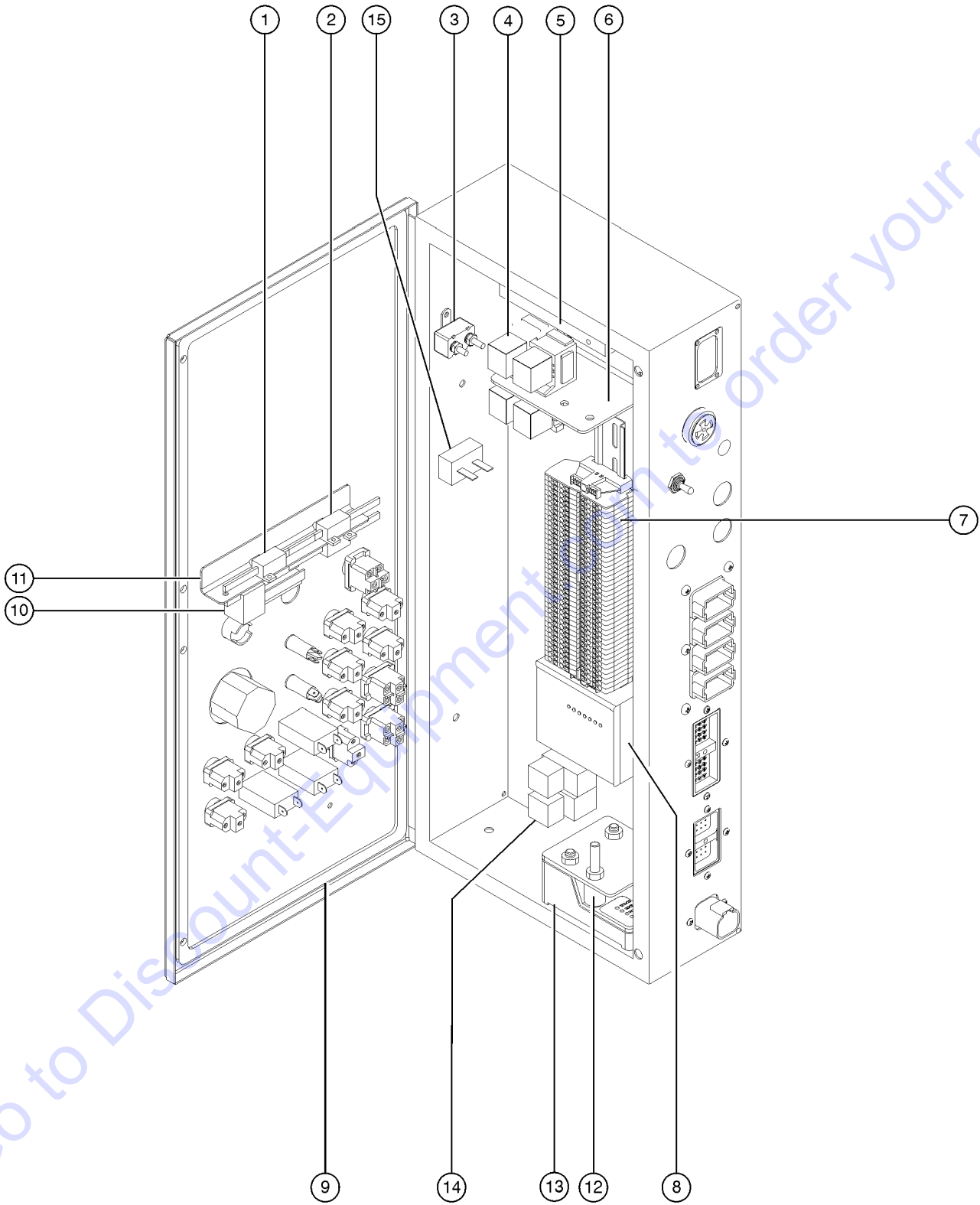
306.1 Ground Control Box - View 2 (to SN 20420)



306.1 Ground Control Box - View 2 (to SN 20420)

Item	Part No.	Description	Qty.	Item	Part No.	Description	Qty.
--	88813GT	HARNESS,GROUND BOX WIRING		--	96010GT	SCREW,PHILLIPS,PHM,8-32 X.25**	
1	88930GT	HARNESS,12/3,12V TO PLAT PIG T.....1		18	128045GT	MODULE,LOAD SENSE 2007.....1	
2	88934GT	HARNESS,18/19,BOOM CBL 2,PIG T....1		--	54365GT	SCREW,PHIL,PHM,10-32 X .5,SSTL	
3	88935GT	HARNESS,18/19,BOOM CBL 1,PIGT.....1		--	6178GT	NUT,NYLOCK,10-32	
4	88835GT	HARNESS,EXT/RET PIGTAIL.....1		19	128935GT	CIRCUIT BKR 10A TYPE 2 METAL <i>from SN 19406</i>	
5	88834GT	HARNESS,CABLE TENSION PIGTAIL....1		20	102357GT	POTENTIOMETER ASSY, WELDER.....1 <i>models with welder option</i>	
6	94342GT	WIRE,10 GA,BROWN,GXL***1		20	106140PGT	BRACKET,1K OHM 10-TURN POT,PNT.....1 <i>models with welder option</i>	
--	94343GT	WIRE,12 GA,RED,GXL***		21	106657GT	MODULE,CONTROL,HI AMP.....1 <i>models with welder option</i>	
7	88809GT	HARNESS,PERKINS ENGINE.....1 <i>Perkins models</i>		22	33607GT	RELAY,OMRON,DPDT,12V.....2 <i>models with welder option</i>	
--	61225GT	RELAY,12VDC,70AMP,SEALED <i>(glow plug)</i>		--	33608GT	RELAY,SOCKET,OMRON.....2 <i>models with welder option</i>	
--	61226GT	RELAY SOCKET,70AMP <i>(glow plug)</i>		23	106637GT	MODULE,TIME DELAY ON BREAK 4S...1 <i>models with welder option</i>	
--	88810GT	HARNESS,DEUTZ ENGINE.....1 <i>Deutz models</i>					
--	88833GT	HARNESS,ENGINE,GM S60/S65.....1 <i>GM models</i>					
8	88808GT	HARNESS,FUNCTION MANIFOLD.....1					
9	56057GT	MODULE,IGNITION/START,12/24V.....1 <i>Diesel models</i>					
10	121599GT	GASKET,GBOX,S80/85 2008.....1 <i>replaced 30782</i>					
11	40614GT	RESISTOR,5 OHM,25W***2					
12	19274GT	RELAY,SPDT,12V(AUTO)**6					
13	27287GT	RESISTOR,10 OHM,25 WATT.....2					
14	94632GT	BRACKET,RELAY & RESISTOR.....1					
15	88805GT	TERMINAL RAIL,S60/S65					
--	216791GT	TERMINAL BLOCK,WIELAND.....43					
--	216793GT	TERMINAL BLOCK END PLATE					
--	33422GT	DIN RAIL,17"					
--	74913GT	END STOP, DIN RAIL,SCREW CLAMP.....2					
--	74917GT	JUMPER COMB, 2-WAY,WIELAND.....2					
--	88811GT	TERMINAL SINGLE BLOCK 2 WIRE.....2					
16	54534GT	ANGLE,RELAY MNT,W/NUTSERTS,PNT.....1					
--	23404GT	NUTSERT,1/4-20,STEEL CAD PLTD					
--	6638GT	WASHER,FLAT,USS,1/4"Y					
--	7339GT	SCREW,HHC,1/4-20 X .5					
17	34052GT	RELAY,SPDT,12V(AUTO) PLUG IN**2 <i>Gasoline/LPG models</i>					
--		RELAY SOCKET,AUTO,RETAINER*** <i>individual part no longer available, now part of kit 34053</i>					
--	18605GT	NUT,NYLOCK,8-32					
--	34052GT	RELAY,SPDT,12V(AUTO) PLUG IN**4 <i>Diesel models</i>					

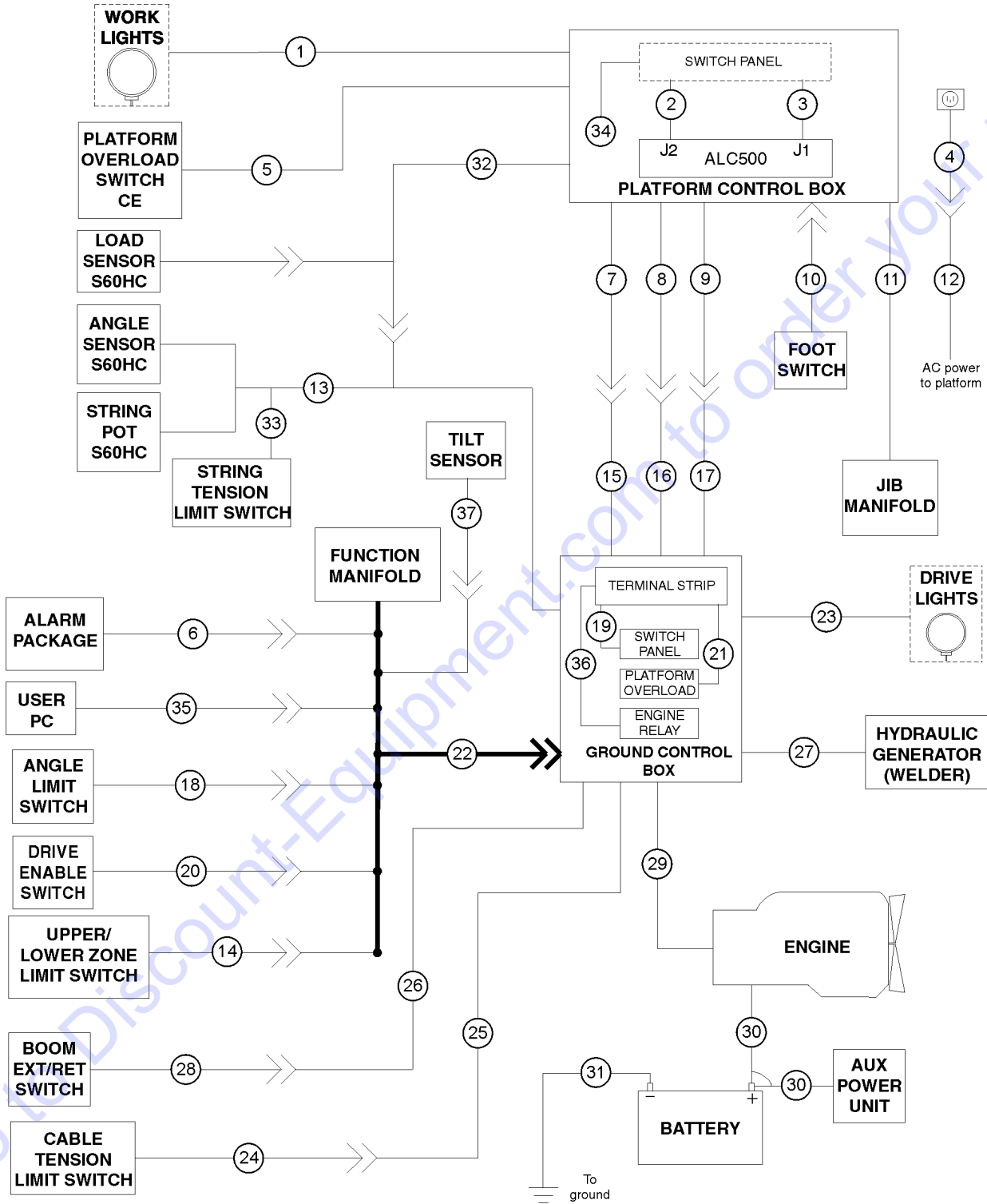
306.2 Ground Control Box - View 2 (from SN 20421)



306.2 Ground Control Box - View 2 (from SN 20421)

Item	Part No.	Description	Qty.	Item	Part No.	Description	Qty.
--	121846GT	RELAY,TIME DELAY,2 SEC,10A <i>models with load sense</i>		15	106637GT	MODULE,TIME DELAY ON BREAK 4S...1 <i>models with welder option</i>	
1	27287GT	RESISTOR,10 OHM,25 WATT.....	2				
2	40614GT	RESISTOR,5 OHM,25W***.....	2				
3	128935GT	CIRCUIT BKR 10A TYPE 2 METAL.....	1				
4A	34052GT	RELAY,SPDT,12V(AUTO) PLUG IN**..... <i>Gas/LPG models</i>	2				
--	18605GT	NUT,NYLOCK,8-32					
4B	34052GT	RELAY,SPDT,12V(AUTO) PLUG IN**..... <i>Diesel models</i>	4				
--		RELAY SOCKET,AUTO,RETAINER*** <i>individual part no longer available, now part of kit 34053</i>					
--	96010GT	SCREW,PHILLIPS,PHM,8-32 X.25**					
5	128045GT	MODULE,LOAD SENSE 2007.....	1				
--	54365GT	SCREW,PHIL,PHM,10-32 X .5,SSTL					
--	6178GT	NUT,NYLOCK,10-32					
6	54534GT	ANGLE,RELAY MNT,W/NUTSERTS,PNT.....	1				
--	23404GT	NUTSERT,1/4-20,STEEL CAD PLTD					
--	6638GT	WASHER,FLAT,USS,1/4"Y					
--	7339GT	SCREW,HHC,1/4-20 X .5					
7	217043GT	ASSY, TERMINAL RAIL.....	1				
--	217044GT	TERMINAL BLOCK, WIELAND.....	43				
--	217045GT	TERMINAL BLOCK, END PLATE.....	1				
--	217046GT	KIT, TERMINAL BLOCK					
--	33422GT	DIN RAIL,17".....	1				
--	74913GT	END STOP, DIN RAIL,SCREW CLAMP.....	2				
--	74917GT	JUMPER COMB, 2-WAY,WIELAND.....	4				
--	74918GT	JUMPER COMB, 3-WAY,WIELAND.....	1				
8	56057GT	MODULE,IGNITION/START,12/24V.....	1				
9	121599GT	GASKET,GBOX,S80/85 2008..... <i>(replaced 30782)</i>	1				
10	19274GT	RELAY,SPDT,12V(AUTO)**.....	1				
11	94632GT	BRACKET,RELAY & RESISTOR.....	1				
12	102357GT	POTENTIOMETER ASSY, WELDER..... <i>models with welder option</i>	1				
12	106140PGT	BRACKET,1K OHM 10-TURN POT,PNT..... <i>models with welder option</i>	1				
13	106657GT	MODULE,CONTROL,HI AMP..... <i>models with welder option</i>	1				
14	33607GT	RELAY,OMRON,DPDT,12V..... <i>models with welder option</i>	2				
--	33608GT	RELAY,SOCKET,OMRON..... <i>models with welder option</i>	2				

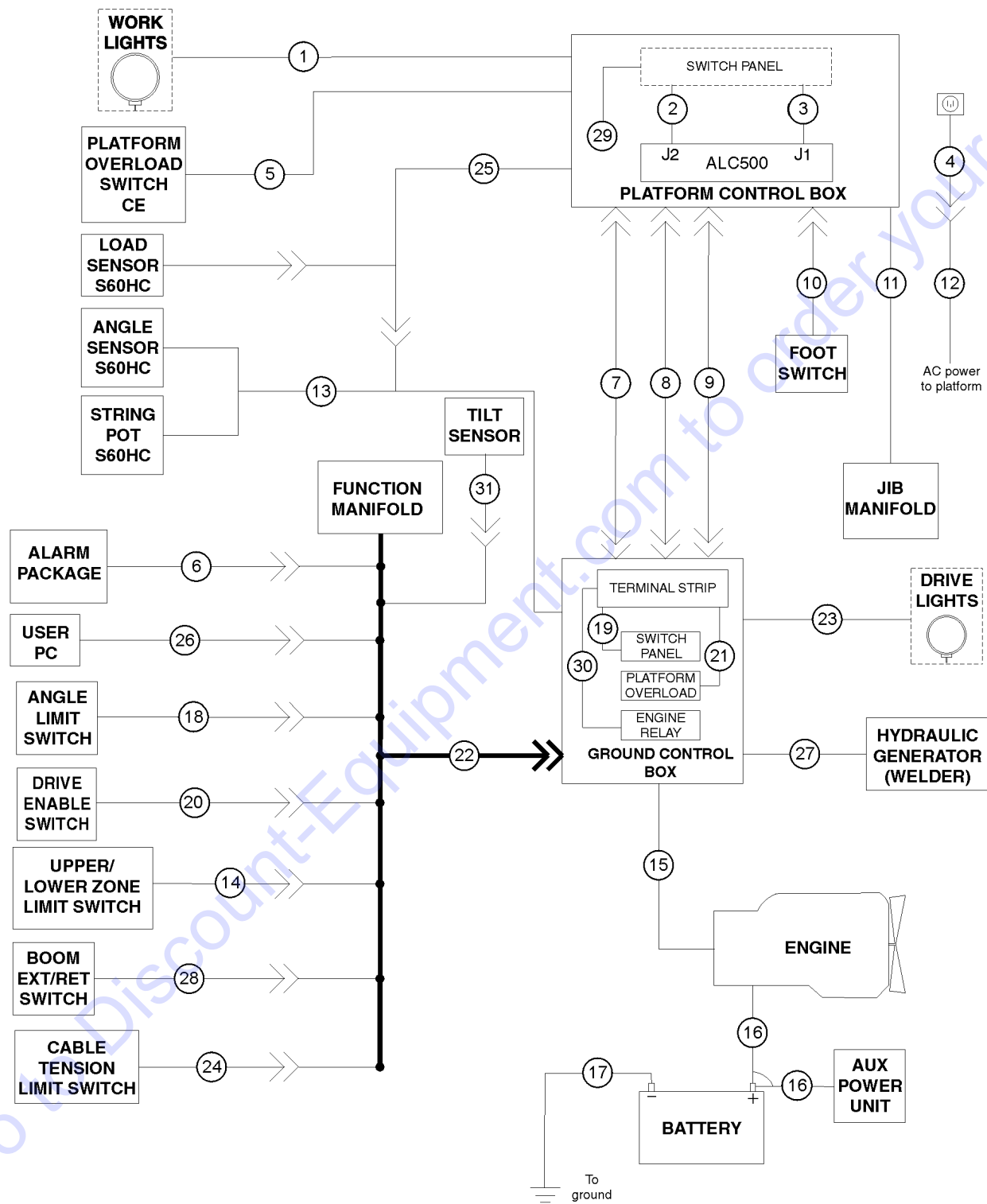
307.1 Wire Harness Diagram (to SN 20420)



307.1 Wire Harness Diagram (to SN 20420)

Item	Part No.	Description	Qty.	Item	Part No.	Description	Qty.
--	28131GT	WIRE LOOM,1.25 DIA.		18	88926GT	HARNESS,LS,OP,PRIMARY ANGLE.....1	
--	49219GT	SLEEVE,NYLON,2.19 ID,BULK.....48-inches <i>near platform; 48 inches required</i>		19	88813GT	HARNESS,GROUND BOX WIRING.....1	
1	88800GT	HARNESS,WORK LIGHT.....1		20	88928GT	HARNESS,LS,OP,DRIVE ENABLE.....1	
2	88806GT	HARNESS,PBOX WIRING***.....1		21	88840GT	HARNESS,LOAD SENSE,GBOX.....1	
--	119867GT	WIRING KIT,JIB TIME DELAY IC S-65		22	88808GT	HARNESS,FUNCTION MANIFOLD.....1	
3A	94650GT	HARNESS,PBOX JOYSTICKS.....1 <i>to SN 14781</i>		23	88815GT	HARNESS,DRIVE LIGHT ACC.....1	
3B	119671GT	HARNESS,PBOX JOYSTICKS.....1 <i>from SN 14782</i>		24	88927GT	HARNESS,LS,OP,CABLE TENSION.....1	
4A	107906GT	HARNESS,POWER TO PLAT,NON JIB.....1 S-60		25	88834GT	HARNESS,CABLE TENSION PIGTAIL.....1	
4B	88837GT	HARNESS,POWER TO PLAT,JIB S-65		26	88835GT	HARNESS,EXT/RET PIGTAIL.....1	
5	94549GT	SWITCH,LOAD LIMIT <i>CE option</i>		27	106607GT	HARNESS,LINCOLN WELDER***.....1	
6	88814GT	HARNESS,ALARM PACKAGE.....1		28	88836GT	HARNESS,LS,OP,PRIMARY EXT/RET...1	
7A	119850GT	HARN,18/19 CABLE NJGY&BK.....1 S-60		29	88809GT	HARNESS,PERKINS ENGINE.....1 <i>Perkins models</i>	
7B	119852GT	HARN,18/19 CABLE JIB GY&BK S-65		--	101890GT	HARNESS,FORD ENGINE,EFI,2004 <i>Ford models; to SN 14053</i>	
8A	119851GT	HARN,18/19 CABLE NJGR&BR.....1 S-60		--	119035GT	HARNESS,FORD DSG423,S60 <i>Ford models; from SN 14054 to SN 14622</i>	
8B	119853GT	HARN,18/19 CABLE JIB GR&BR.....1 S-65		--	119483GT	FUEL JUMPER HARNESS <i>Ford models; from SN 19677</i>	
9A	107909GT	HARNESS, 12/3, 12V TO PLAT S-60		--	119777GT	HARNESS,FORD DSG423,S60 <i>Ford models; from SN 14623</i>	
9B	88933GT	HARNESS,12/3,12V TO PLAT,JIB S-65		--	122053GT	HARNESS,S60 TURBO DEUTZ SPEC <i>Deutz models; from SN 20315</i>	
10		REF: Foot Switch Assembly.....1 <i>(refer to 701.1)</i>		--	88810GT	HARNESS,DEUTZ ENGINE <i>Deutz models</i>	
11	101080GT	HARNESS,JIB SELECT MANIFOLD.....1 S-65		--	88833GT	HARNESS,ENGINE,GM S60/S65 <i>GM models</i>	
11A	119867GT	WIRING KIT,JIB TIME DELAY IC S-65		30	88801GT	BATTERY CABLE,POSITIVE,RED.....1	
--	19274GT	RELAY,SPDT,12V(AUTO)** S-65		31	88802GT	BATTERY CABLE,NEGATIVE,BLACK....1	
--	43181GT	CAPACITOR,TIME DELAY S-65		32	110390GT	HARNESS,BOOM CABLE HIGH CAP....1	
12	88838GT	HARNESS,POWER TO PLAT PIGTAIL....1		33	110389GT	HARNESS,LS SAFETY WIRE BREAK....1 <i>to SN 19038</i>	
13	110293GT	HARNESS,HIGH CAPACITY OPTION....1		34	110391GT	HARNESS,PBOX HI-CAPACITY OPT.....1	
14	88929GT	HARNESS,LS,OP,PRIMARY VELOCITY.....1		35	110803GT	HARNESS PROGRAM CAN PLUS1.....1 <i>S-60HC (from SN 14191)</i>	
15	88935GT	HARNESS,18/19,BOOM CBL 1,PIGT....1		--	110987GT	SOFTWARE,S60HC,TCON,+1.....1 <i>S-60HC</i>	
16	88934GT	HARNESS,18/19,BOOM CBL 2,PIG T....1		--	110988GT	SOFTWARE,S60HC,SCON,+1.....1 <i>S-60HC</i>	
17	88930GT	HARNESS,12/3,12V TO PLAT PIG T.....1		--	119607GT	SOFTWARE,S60HC,DIAGNOSTIC,+1....1 <i>S-60HC</i>	
				36	88952GT	HARNESS,GBOX & RELAY WIRES DSL	
				37	1260218GT	HARNESS,TILT ALARM,12V.....1 <i>CSA only</i>	
				--	1264947GT	KIT, LEVEL SENSOR, 6 PIN CONN. <i>For ANSI/CSA models with 6-pin wire harness connector, includes instructions</i>	

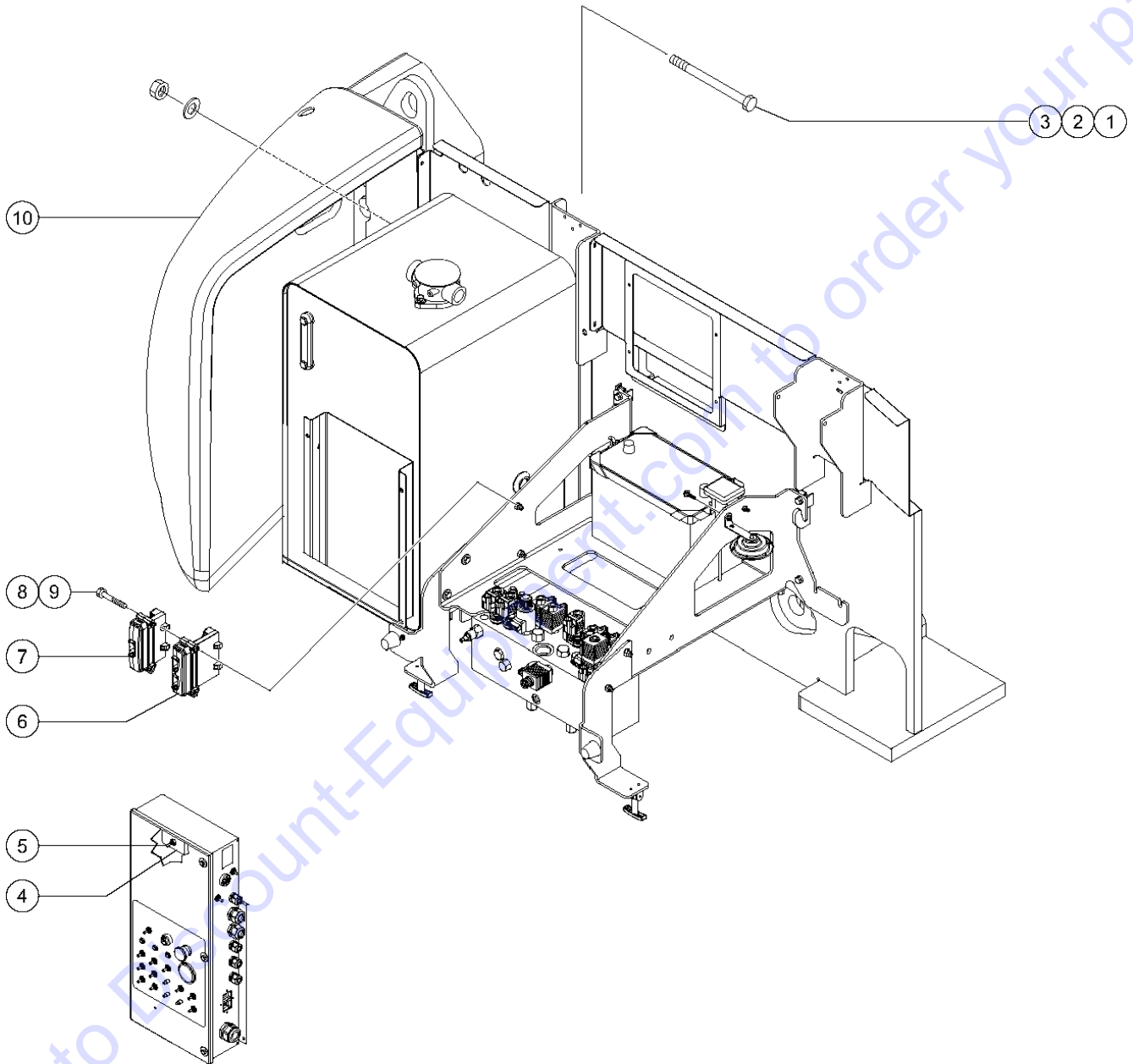
307.2 Wire Harness Diagram (from SN 20421)



307.2 Wire Harness Diagram (from SN 20421)

Item	Part No.	Description	Qty.	Item	Part No.	Description	Qty.
--	28131GT	WIRE LOOM,1.25 DIA.		--	88833GT	HARNESS,ENGINE,GM S60/S65 <i>GM models</i>	
--	49219GT	SLEEVE,NYLON,2.19 ID,BULK.....48-inches <i>near platform; 48 inches required</i>		16	88801GT	BATTERY CABLE,POSITIVE,RED.....1	
1	88800GT	HARNESS,WORK LIGHT.....1		17	88802GT	BATTERY CABLE,NEGATIVE,BLACK.....1	
2	88806GT	HARNESS,PBOX WIRING***.....1		18	139832GT	HARNESS, LS, OP, PRI ANGLE.....1	
--	119867GT	WIRING KIT,JIB TIME DELAY IC		19	147171GT	HARNESS, GBOX WIRING.....1	
3	119671GT	HARNESS,PBOX JOYSTICKS.....1		20	139834GT	HARNESS,LS,DRIVE ENABLE.....1	
4A	139732GT	HARNESS, AC POWER TO PLAT NJ.....1 S-60		21	139741GT	HARNESS, LOAD SENSE, GBOX.....1	
4B	139731GT	HARNESS, AC POWER TO PLAT JIB.....1 S-65		--	147255GT	HARNESS, JUMPER, LOAD SENSE	
5	121848GT	ASSY,LS,LOAD SENSE,38.5 IN <i>(replaced 94549)</i>		22	139739GT	HARNESS, FUNCTION MANIFOLD.....1	
--	147031GT	HARNESS, LOAD SENSE		--	147255GT	HARNESS, JUMPER, LOAD SENSE	
6	147300GT	HARNESS, ALARM PACKAGE.....1		23	88815GT	HARNESS,DRIVE LIGHT ACC.....1	
7A	139736GT	HARNESS, 18/19, CABLE NJ.....1 S-60 <i>(grey/black)</i>		24	139833GT	HARNESS, LS, OP, CABLE TENSION....1	
7B	139735GT	HARNESS, 18/19, CABLE JIB.....1 S-65 <i>(Grey, Black plugs)</i>		25	110390GT	HARNESS,BOOM CABLE HIGH CAP.....1 <i>HC option</i>	
8A	139738GT	HARNESS, 18/22, CABLE NJ.....1 S-60 <i>(green/brown)</i>		26	110803GT	HARNESS PROGRAM CAN PLUS1.....1 <i>HC option</i>	
8B	139737GT	HARNESS, 18/22, CABLE JIB.....1 S-65 <i>(Green, Brown plugs)</i>		--	110987GT	SOFTWARE,S60HC,TCON,+1 <i>HC option</i>	
9A	139734GT	HARNESS, 12/3 12V TO PLAT NJ.....1 S-60		--	110988GT	SOFTWARE,S60HC,SCON,+1 <i>HC option</i>	
9B	139733GT	HARNESS, 12/3 12V TO PLAT JIB.....1 S-65		--	119607GT	SOFTWARE,S60HC,DIAGNOSTIC,+1 <i>HC option</i>	
10		REF: Foot Switch Assembly.....1 <i>(refer to 701.1)</i>		27	106607GT	HARNESS,LINCOLN WELDER***.....1	
11	101080GT	HARNESS,JIB SELECT MANIFOLD.....1 S-65		28	139836GT	HARNESS, LS, OP, PRIMARY.....1	
--	19274GT	RELAY,SPDT,12V(AUTO)** S-65		29	110391GT	HARNESS,PBOX HI-CAPACITY OPT.....1 <i>HC option</i>	
--	43181GT	CAPACITOR,TIME DELAY S-65		30	139742GT	HARN,GBOX & RELAY WIRES,DIESEL.....1 <i>Deutz and Perkins models</i>	
12	88838GT	HARNESS,POWER TO PLAT PIGTAIL....1		--	139743GT	HARN, GBOX & RELAY WIRES, FORD <i>Ford models</i>	
13	147246GT	HARNESS, HIGH CAPACITY OPTION...1 <i>HC option</i>		31	1260218GT	HARNESS,TILT ALARM,12V.....1 <i>CSA only</i>	
14	139835GT	HARNESS, LS, OP, PRI, VELOCITY.....1		--	1264947GT	KIT, LEVEL SENSOR, 6 PIN CONN. <i>For ANSI/CSA models with 6-pin wire harness connector, includes instructions</i>	
15	88809GT	HARNESS,PERKINS ENGINE.....1 <i>Perkins models</i>					
--	119483GT	FUEL JUMPER HARNESS <i>Ford models; from SN 19677</i>					
--	119777GT	HARNESS,FORD DSG423,S60 <i>Ford models</i>					
--	122053GT	HARNESS,S60 TURBO DEUTZ SPEC <i>Deutz models</i>					
--	88810GT	HARNESS,DEUTZ ENGINE <i>Deutz models</i>					

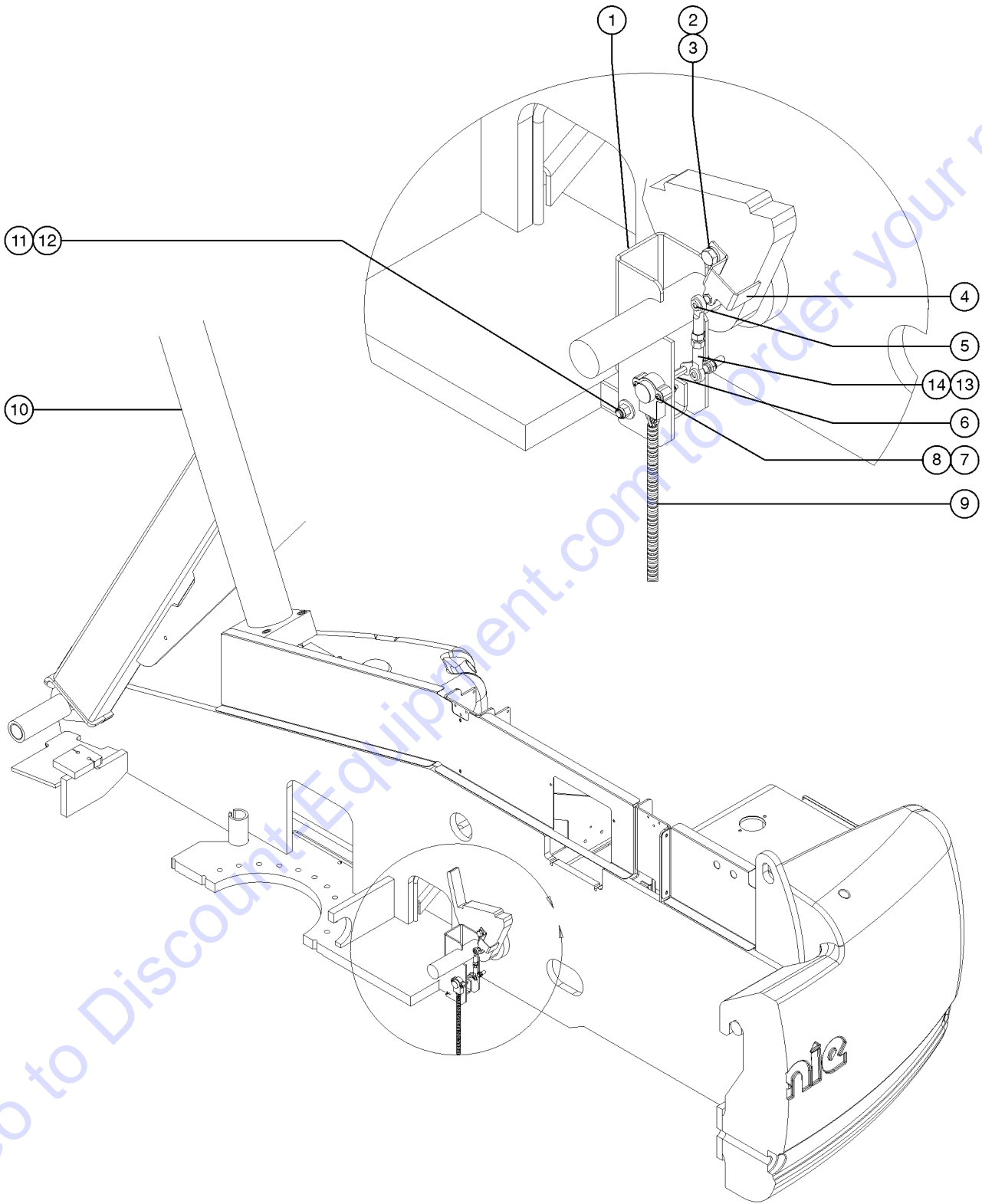
308.1 S-60 HC Turntable - View 1



Item	Part No.	Description	Qty.
1	73928GT	SCREW,HHC,1-8 X 11,GRD 5***.....1	1
2	38859GT	WASHER,FLAT,USS,1",Y	
3	29764GT	NUT,NYLOCK,1-8	
4	119246GT	FORMING,CAL TOGGLE SWITCH.....1	1
5	13480-SGT	SWITCH,TOGGLE,DPDT,2POS MOMEN.....1	1
6	110991GT	CONTROLLER ASSY TCON S60HC.....1	1
7	110992GT	CONTROLLER ASSY SCON S60HC.....1	1
8	74254GT	SCREW,HHC,1/4-20 X 4.5	
9	6091GT	NUT,NYLOCK,1/4-20	
10	88889GT	COUNTERWEIGHT,S60/65 5500LBS**1	1

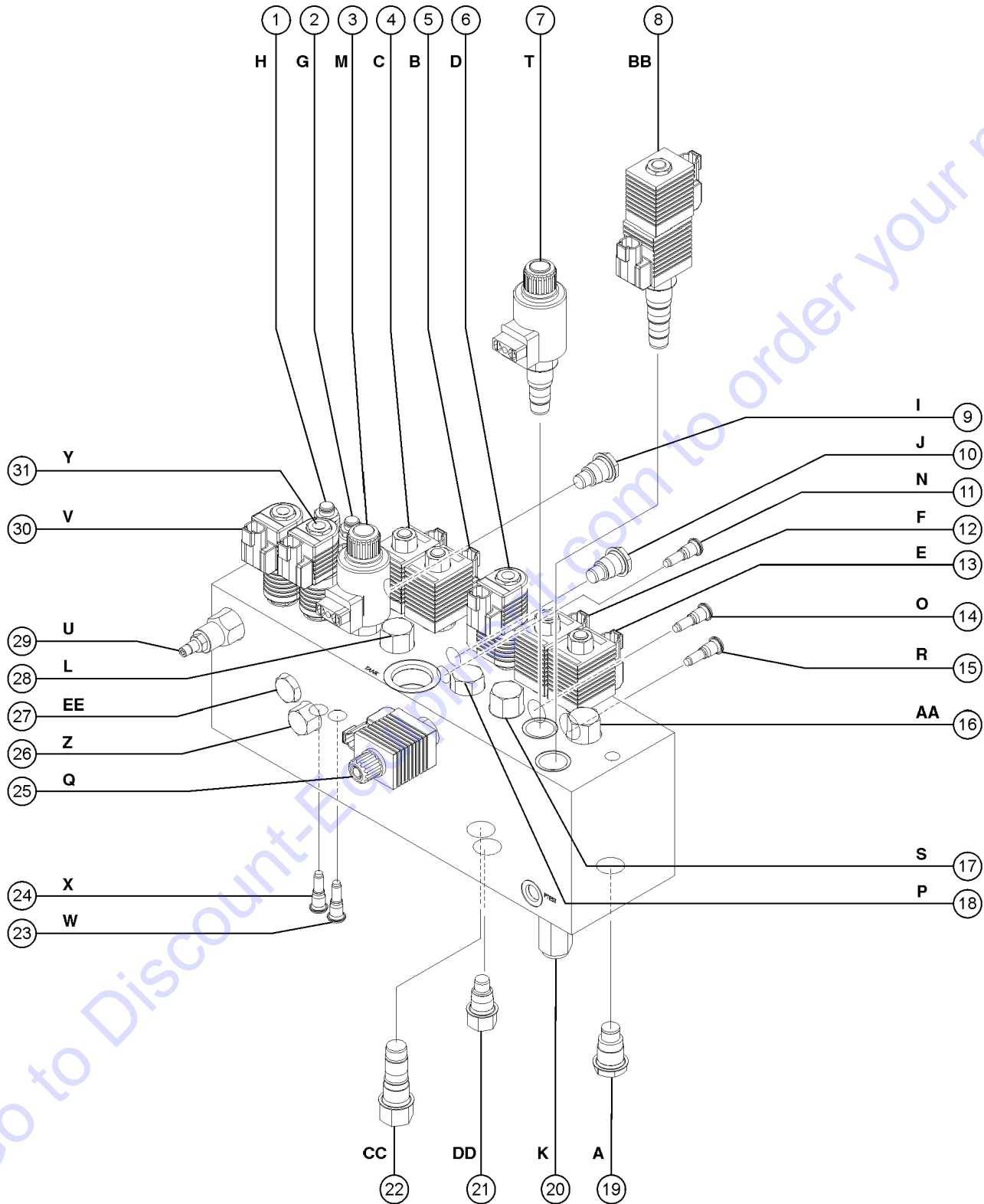
Go to Discount-Equipment.com to order your parts

309.1 S-60 HC Turntable - View 2



Item	Part No.	Description	Qty.
1	106883PGT	FORMING,SENSOR BRACKET(PTD)....1	
2	10597GT	SCREW,HHC,1/2-13 X 1.25 GR5.....1	
3	6033GT	WASHER,LOCK,0.5".....1	
4	119044GT	FORMING,ANGLE LINKAGE BRACKET.....1	
5A	110329GT	BALL JOINT, 3/8-24 FEMALE.....2 <i>qty (2) to SN 20288</i>	
--	110755GT	NUT,HEX,JAM,3/8-24	
--	5408GT	NUT,LP NYLOCK,3/8-24	
5B	110329GT	BALL JOINT, 3/8-24 FEMALE.....1 <i>qty (1) from SN 20289</i>	
--	110755GT	NUT,HEX,JAM,3/8-24	
--	5408GT	NUT,LP NYLOCK,3/8-24	
6	106886GT	ROTATOR SHAFT.....1	
7	6179GT	SCREW,RHM,10-32 X 1.25.....2	
8	6178GT	NUT,NYLOCK,10-32.....2	
9	94980GT	SENSOR,DUAL OUTPUT,ANGLE***.....1 <i>(calibration required after replacement)</i>	
10	107825GT	CYLINDER, LIFT, S60HC.....1	
--	1262331GT	KIT, GLAND NUT, S60 LIFT CYL. <i>for 107825</i>	
11	6175GT	SCREW,HHC,3/8-16 X 1.....2	
12	4828GT	NUT,NYLOCK,3/8-16.....2	
13	139440GT	BALL JOINT, 3/8-24 LEFT HAND.....1 <i>from SN 20289</i>	
--	139441GT	NUT,HEX,JAM,3/8-24, LEFT HAND	
--	5408GT	NUT,LP NYLOCK,3/8-24	
14	110328GT	THREADED ROD, 3/8-24X2".....1 <i>to SN 20288</i>	
--	139366GT	ADJ ROD, LH/RH, 3/8-24 <i>from SN 20289</i>	

401.1 Function Manifold



401.1 Function Manifold

Item	Part No.	Description	Qty.	Item	Part No.	Description	Qty.
--	88782GT	MANIFOLD,FUNCTION to SN 20420		--	58303GT	COIL,VALVE,PROPORTIONAL***	
--	139963GT	MANIFOLD,FUNCTION from SN 20421		--	89310GT	SEAL KIT, SOLENOID VALVE	
--	94499GT	ACCUMULATOR,10CC,1000PSI,#6SAE		8	62260GT	VALVE,SOLENOID 3 POS,4WAY***.....1 Steer left/right	
1	62256GT	VALVE,CB 3:1 3500 PSI.....1 Platform level down		--	110196GT	SEAL KIT, VALVE, #10	
--	110202GT	SEAL KIT, VALVE, #10		--	52943GT	NUT,SOLENOID VALVE COIL	
2	62256GT	VALVE,CB 3:1 3500 PSI.....1 Platform level up		--	89861GT	COIL, 10V DC (D10, 20 WATT)	
--	110202GT	SEAL KIT, VALVE, #10		9	62257GT	VALVE,CHECK, 30 PSI.....1 Differential sensing circuit, platform rotate left and jib boom up (S-65, S-65 Trax)	
3A	48641GT	VALVE,PROPORTIONAL, 12V **.....1 Boom extend/retract; to SN 20420		--	74902GT	SEAL KIT	
--	21935GT	COIL, 12V, 19972/21623/29069		10	62257GT	VALVE,CHECK, 30 PSI.....1 Differential sensing circuit, platform rotate right and jib boom down (S-65, S-65 Trax)	
--	45914GT	O-RING, DO1 VALVE		--	74902GT	SEAL KIT	
--	45921GT	RETAINER-N.C.PROPOR.SOLENOID		11	27807GT	VALVE,CHECK***.....1 Differential sensing circuit, boom extend/retract	
--	89310GT	SEAL KIT, SOLENOID VALVE		--	110200GT	SEAL KIT, VALVE, #4	
3B	107753GT	VALVE,PROPORTIONAL.....1 Boom extend/retract; from SN 20421		12	89309GT	VALVE - SOLENOID 2POSITION 3WA...1 Boom down	
--	45921GT	RETAINER-N.C.PROPOR.SOLENOID		--	45912GT	NUT,SOLENOID VALVE 2P3W	
--	58303GT	COIL,VALVE,PROPORTIONAL***		--	62275GT	COIL,10V	
--	89310GT	SEAL KIT, SOLENOID VALVE		--	89310GT	SEAL KIT, SOLENOID VALVE	
4	89309GT	VALVE - SOLENOID 2POSITION 3WA...1 Boom retract		13	89309GT	VALVE - SOLENOID 2POSITION 3WA...1 Boom up/down circuit	
--	45912GT	NUT,SOLENOID VALVE 2P3W		--	45912GT	NUT,SOLENOID VALVE 2P3W	
--	62275GT	COIL,10V		--	62275GT	COIL,10V	
--	89310GT	SEAL KIT, SOLENOID VALVE		--	89310GT	SEAL KIT, SOLENOID VALVE	
5	89309GT	VALVE - SOLENOID 2POSITION 3WA...1 Boom extend		14	27807GT	VALVE,CHECK***.....1 Differential sensing circuit, turntable rotate	
--	45912GT	NUT,SOLENOID VALVE 2P3W		--	110200GT	SEAL KIT, VALVE, #4	
--	62275GT	COIL,10V		15	27807GT	VALVE,CHECK***.....1 Differential sensing circuit, boom up/down	
--	89310GT	SEAL KIT, SOLENOID VALVE		--	110200GT	SEAL KIT, VALVE, #4	
6	89307GT	VALVE,SOLENOID 3POS 4WAY*.....1 Turntable rotate		16	111705GT	VALVE,FLOW REGULATOR 3.5 GPM**.....1 Steer left/right circuit	
--	52943GT	NUT,SOLENOID VALVE COIL		--	110202GT	SEAL KIT, VALVE, #10	
--	62273GT	COIL,GREEN W/ 2 PIN CONNECTOR*		17	94599GT	VALVE,DIFFERENTIAL SENSING,110...1 Boom up/down circuit	
--	72047GT	SEAL KIT, SOLENOID VALVE		--	110197GT	SEAL KIT, VALVE, #10	
--	89311GT	SPACER, DUAL COIL SIZE #8		18	27802GT	VALVE,DIFFERENTIAL SENSING***.....1 Turntable rotate circuit	
7A	48641GT	VALVE,PROPORTIONAL, 12V **.....1 Boom up/down circuit; to SN 20420		--	110197GT	SEAL KIT, VALVE, #10	
--	21935GT	COIL, 12V, 19972/21623/29069		19	27836GT	VALVE,CHECK,5 PSI.....1 Blocks flow from auxiliary pump to function pump	
--	45914GT	O-RING, DO1 VALVE					
--	45921GT	RETAINER-N.C.PROPOR.SOLENOID					
--	89310GT	SEAL KIT, SOLENOID VALVE					
7B	107753GT	VALVE,PROPORTIONAL Boom up/down circuit; from SN 20421					
--	45921GT	RETAINER-N.C.PROPOR.SOLENOID					

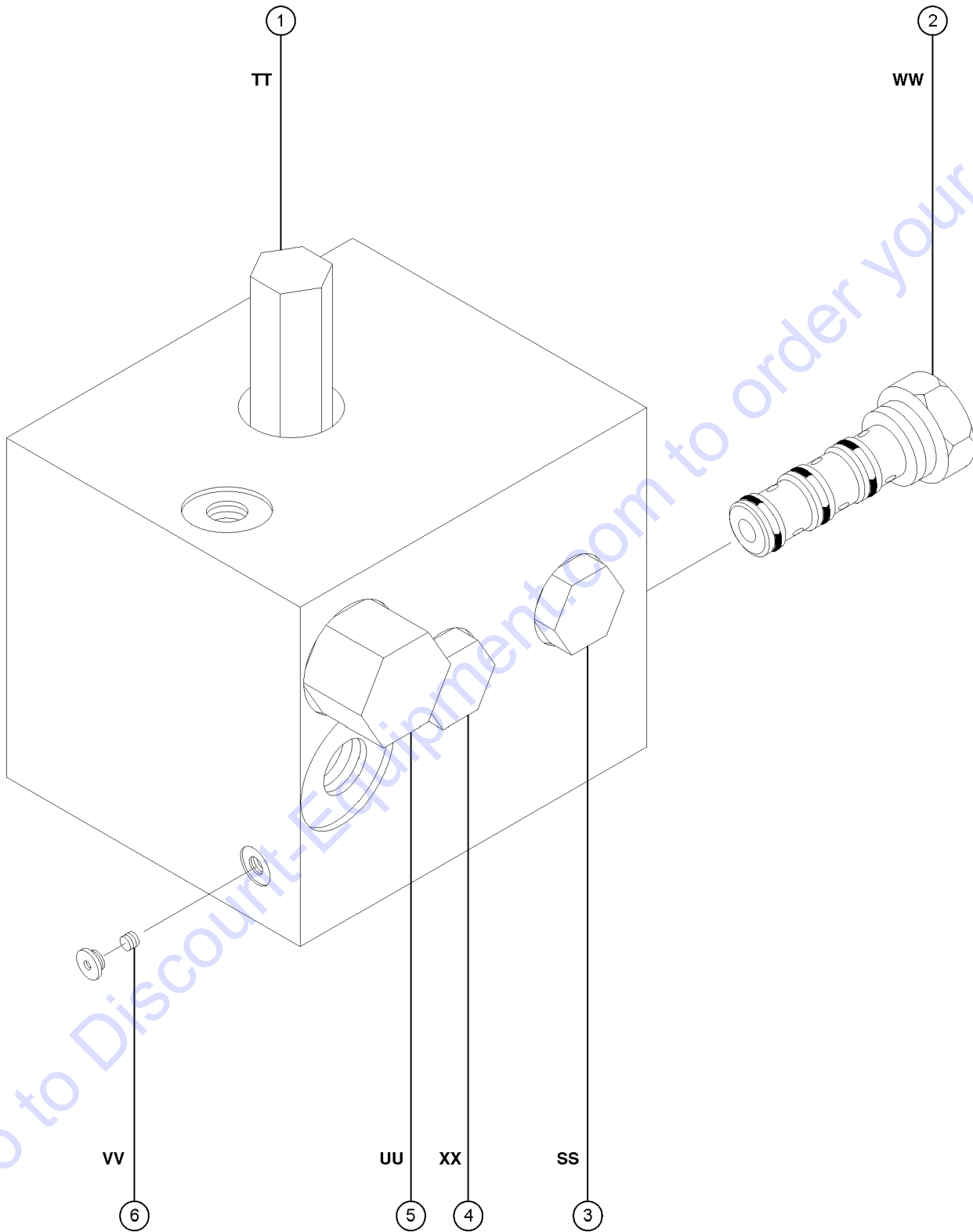
401.1 Function Manifold
(continued)

Item	Part No.	Description	Qty.	Item	Part No.	Description	Qty.
--	110194GT	SEAL KIT, VALVE, #10		--	62273GT	COIL, GREEN W/ 2 PIN CONNECTOR*	
20	45489GT	VALVE, RELIEF 3000 PSI***.....1 <i>System relief</i>	1	--	72047GT	SEAL KIT, SOLENOID VALVE	
--	110194GT	SEAL KIT, VALVE, #10		--	89311GT	SPACER, DUAL COIL SIZE #8	
21	32975GT	VALVE, FLOW REGULATOR 0.1 GPM....1 <i>Bleeds off differential sensing valves to tank</i>	1				
--	74902GT	SEAL KIT					
22	27804GT	VALVE, DIFFERENTIAL SENSING***.....1 <i>Differential sensing circuit, meters flow to functions</i>	1				
--	110201GT	SEAL KIT, VALVE, #10					
23	27807GT	VALVE, CHECK***1 <i>Differential sensing circuit, platform level up</i>	1				
--	110200GT	SEAL KIT, VALVE, #4					
24	27807GT	VALVE, CHECK***1 <i>Differential sensing circuit, platform level down</i>	1				
--	110200GT	SEAL KIT, VALVE, #4					
25	94598GT	VALVE, PROPORTIONAL ***1 <i>Turntable rotate left/right</i>	1				
--	62274GT	COIL, 12V					
--	62276GT	NUT, SOLENOID VALVE COIL					
--	89736GT	SEAL KIT, PROPORTIONAL VALVE					
26	31100GT	VALVE, FLOW REGULATOR 0.6GPM....1 <i>Platform rotate and jib boom (S-65, S-65 Trax)</i>	1				
--	74902GT	SEAL KIT					
27	62257GT	VALVE, CHECK, 30 PSI.....1 <i>Platform rotate and jib boom circuit (S-65, S-65 Trax) (prevents hydraulic hoses from draining back to tank)</i>	1				
--	74902GT	SEAL KIT					
28	94599GT	VALVE, DIFFERENTIAL SENSING, 110...1 <i>Boom extend/retract circuit</i>	1				
--	110197GT	SEAL KIT, VALVE, #10					
29	62258GT	VALVE, NEEDLE***1 <i>Platform level circuit</i>	1				
--	110194GT	SEAL KIT, VALVE, #10					
30	89307GT	VALVE, SOLENOID 3POS 4WAY*1 <i>Platform level up/down</i>	1				
--	52943GT	NUT, SOLENOID VALVE COIL					
--	62273GT	COIL, GREEN W/ 2 PIN CONNECTOR*					
--	72047GT	SEAL KIT, SOLENOID VALVE					
--	89311GT	SPACER, DUAL COIL SIZE #8					
31	89307GT	VALVE, SOLENOID 3POS 4WAY*1 <i>Platform rotate and jib boom up/down (-S65, S-65 Trax)</i>	1				
--	52943GT	NUT, SOLENOID VALVE COIL					

This Page Intentionally Left Blank

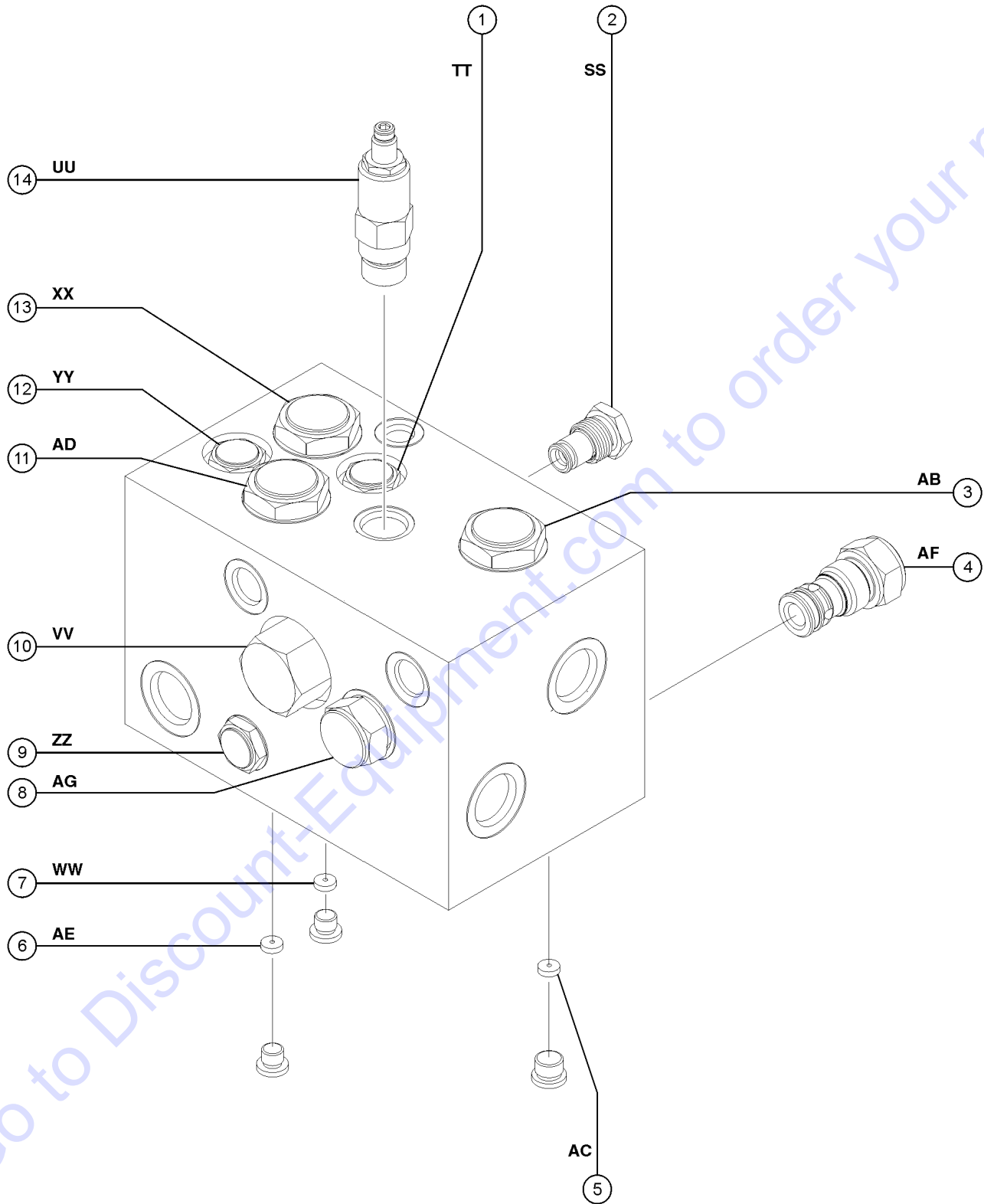
Go to Discount-Equipment.com to order your parts

402.1 Traction Manifold, 2WD



Item	Part No.	Description	Qty.
1	94758GT	VALVE,RELIEF,280PSI.....1 <i>Charge Pressure circuit</i>	1
--	110194GT	SEAL KIT, VALVE, #10	
2	52726GT	VALVE,FLOW DIVIDER/COMBINER.....1 <i>Controls flow to drive motors in forward and reverse</i>	1
--	84135GT	SEAL KIT, VALVE	
3	27836GT	VALVE,CHECK,5 PSI.....1 <i>Drive circuit</i>	1
--	110194GT	SEAL KIT, VALVE, #10	
4	27836GT	VALVE,CHECK,5 PSI.....1 <i>Drive circuit</i>	1
--	110194GT	SEAL KIT, VALVE, #10	
5	27761GT	VALVE,SHUTTLE.....1 <i>Charge Pressure circuit that directs hot oil out of low pressure side of drive pump</i>	1
--	84134GT	SEAL KIT, VALVE	
6	101440GT	ORIFICE PLUG, 0.070".....1 <i>Drive motor circuit</i>	1

403.1 Traction Manifold, 4WD



PARTS FINDER

**Search Website
by Part Number**



**Search Manual
Library For Parts
Manual & Lookup Part
Numbers – Purchase
or Request Quote**

Search Manuals

Enter your information to help us find the right parts manual for your machine.

* Brand:

* Model:

* Serial:

* Part Number:

SEARCH

**Can't Find Part or
Manual? Request Help
by Manufacturer,
Model & Description**

Parts Order Form

Please fill in the following information to help us find the right part for your machine.

Manufacturer:	<input type="text"/>
Model:	<input type="text"/>
Description:	<input type="text"/>
Part Number:	<input type="text"/>
Quantity:	<input type="text"/>
Notes:	<input type="text"/>

Discount-Equipment.com is your online resource for quality parts & equipment.

Florida: **561-964-4949** Outside Florida TOLL FREE: **877-690-3101**

Need parts?

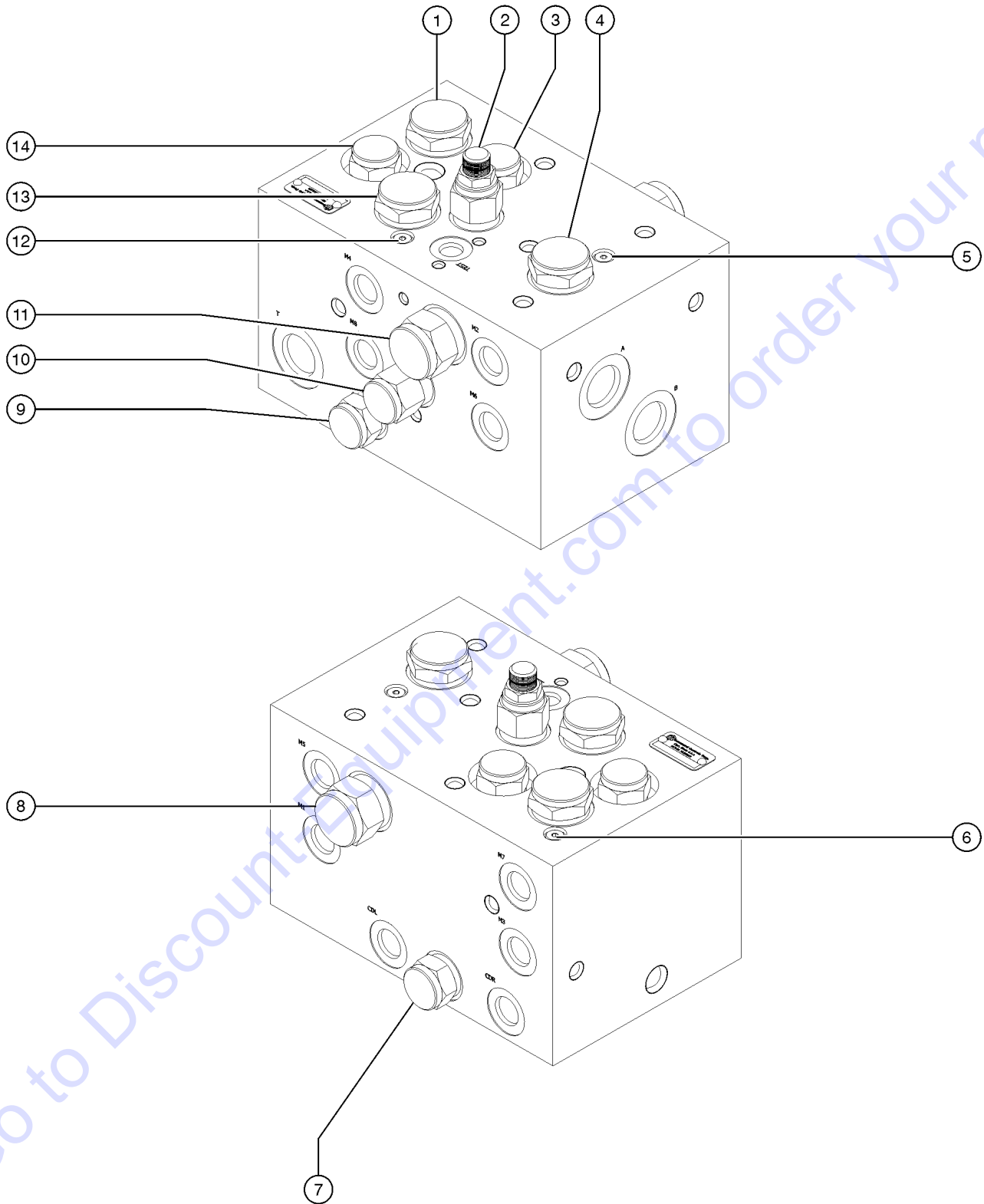
Click on this link: <http://www.discount-equipment.com/category/5443-parts/> and choose one of the options to help get the right parts and equipment you are looking for. Please have the machine model and serial number available in order to help us get you the correct parts. If you don't find the part on the website or on one of the online manuals, please fill out the request form and one of our experienced staff members will get back to you with a quote for the right part that your machine needs.

We sell worldwide for the brands: Genie, Terex, JLG, MultiQuip, Mikasa, Essick, Whiteman, Mayco, Toro Stone, Diamond Products, Generac Magnum, Airman, Haulotte, Barreto, Power Blanket, Nifty Lift, Atlas Copco, Chicago Pneumatic, Allmand, Miller Curber, Skyjack, Lull, Skytrak, Tsurumi, Husquvarna Target, Stow, Wacker, Sakai, Mi-T-M, Sullair, Basic, Dynapac, MBW, Weber, Bartell, Bennar Newman, Haulotte, Ditch Runner, Menegotti, Morrison, Contec, Buddy, Crown, Edco, Wyco, Bomag, Laymor, EZ Trench, Bil-Jax, F.S. Curtis, Gehl Pavers, Heli, Honda, ICS/PowerGrit, IHI, Partner, Imer, Clipper, MMD, Koshin, Rice, CH&E, General Equipment, Amida, Coleman, NAC, Gradall, Square Shooter, Kent, Stanley, Tamco, Toku, Hatz, Kohler, Robin, Wisconsin, Northrock, Oztec, Toker TK, Rol-Air, APT, Wylie, Ingersoll Rand / Doosan, Innovatech, Con X, Ammann, Mecalac, Makinex, Smith Surface Prep, Small Line, Wanco, Yanmar

403.1 Traction Manifold, 4WD

Item	Part No.	Description	Qty.	Item	Part No.	Description	Qty.
--		Ref. MANIFOLD,TRACTION,4WD*** 4WD traction manifold part 88784 is no longer available; for its complete replacement customer must order part 139712. (refer to 403.2)		--	128416GT	SEAL KIT	
1	94757GT	VALVE,CHECK,3 PSI***.....1 Steer End Drive motor circuit (88784)	1				
--	128416GT	SEAL KIT					
2	94757GT	VALVE,CHECK,3 PSI***.....1 Non-steer End Drive motor circuit (88784)	1				
--	128416GT	SEAL KIT					
3	94754GT	VALVE,FLOW DIVIDER/COMBINER.....1 Controls flow to flow divider/combiner valves (88784)	1				
--	128417GT	SEAL KIT					
4	94756GT	VALVE,CHECK, 2.5 PSI.....1 Non-steer End Drive motor circuit (88784)	1				
--	128418GT	SEAL KIT					
5	94751GT	ORIFICE,0.040".....1 Equalizes pressure on both sides of flow divider/combiner valve 3	1				
6	94751GT	ORIFICE,0.040".....1 Equalizes pressure on both sides of flow divider/combiner valve 11	1				
7	94751GT	ORIFICE,0.040".....1 Equalizes pressure on both sides of flow divider/combiner valve 13	1				
8	94756GT	VALVE,CHECK, 2.5 PSI.....1 Steer End Drive motor circuit (88784)	1				
--	128418GT	SEAL KIT					
9	94757GT	VALVE,CHECK,3 PSI***.....1 Steer End Drive motor circuit (88784)	1				
--	128416GT	SEAL KIT					
10	94753GT	VALVE,SHUTTLE,40 PSI.....1 Charge pressure circuit that directs hot oil out of low pressure side of drive pump (88784)	1				
--	128417GT	SEAL KIT					
11	94752GT	VALVE FLOW DIVIDER/COMBINER.....1 Controls flow to steer end drive motors in forward and reverse (88784)	1				
--	128417GT	SEAL KIT					
12	94757GT	VALVE,CHECK,3 PSI***.....1 Non-steer End Drive motor circuit (88784)	1				
--	128416GT	SEAL KIT					
13	94752GT	VALVE FLOW DIVIDER/COMBINER.....1 Controls flow to steer end drive motors in forward and reverse (88784)	1				
--	128417GT	SEAL KIT					
14	101446GT	VALVE,RELIEF 280 PSI.....1 Charge pressure circuit (88784)	1				

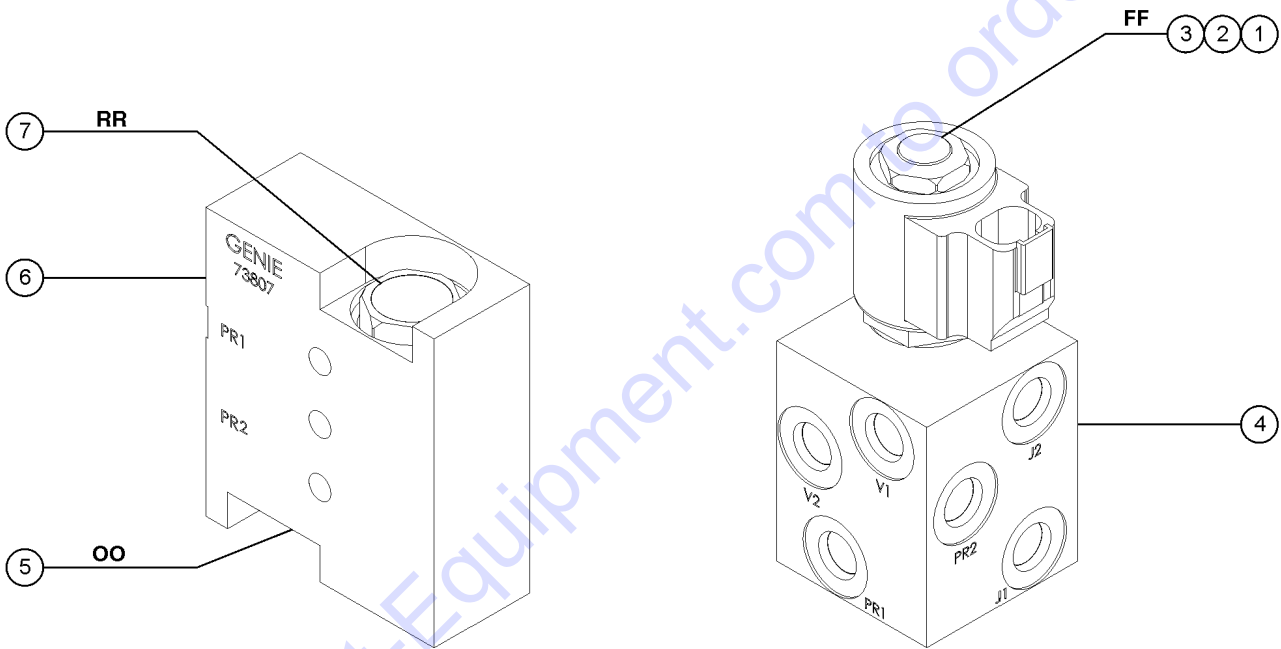
403.2 Traction Manifold, 4WD



403.2 Traction Manifold, 4WD

Item	Part No.	Description	Qty.
--	139712GT	MANIFOLD, TRACTION, 4WD*** <i>4WD traction manifold part 88784 is no longer available; for its complete replacement customer must order part 139712</i>	
1	139717GT	VALVE, FLOW DIVIDE/COMB, 24GPM...1 <i>(controls flow to non-steer end drive motors in forward and reverse)</i>	
--	139512GT	SEAL KIT, VALVE	
2	139718GT	VALVE, RELIEF, 280PSI.....1 <i>(charge pressure circuit)</i>	
--	139528GT	SEAL KIT, VALVE	
3	139527GT	VALVE, CHECK, 5PSI.....1 <i>(steer end drive motor circuit)</i>	
4	139508GT	VALVE, FLOW DIVIDE/COMBINE 1:1.....1 <i>(controls flow to flow divider/combiner valves 1 and 13)</i>	
5	139719GT	ORIFICE, 0.040".....1 <i>(equalizes pressure on both sides of flow divider/combiner valve)</i>	
--	1287434GT	PLUG, SAE #03 (139712)	
6	139719GT	ORIFICE, 0.040".....1 <i>(equalizes pressure on both sides of flow divider/combiner valve)</i>	
--	1287434GT	PLUG, SAE #03 (139712)	
7	139527GT	VALVE, CHECK, 5PSI.....1 <i>(non-steer end drive motor circuit)</i>	
8	139716GT	VALVE, CHECK.....1 <i>(non-steer end drive motor circuit)</i>	
--	139727GT	SEAL KIT, VALVE	
9	139527GT	VALVE, CHECK, 5PSI.....1 <i>(steer end drive motor circuit)</i>	
10	139715GT	VALVE, SHUTTLE, FIXED.....1 <i>(steer end drive motor circuit)</i>	
--	139512GT	SEAL KIT, VALVE	
11	139716GT	VALVE, CHECK.....1 <i>(charge pressure circuit that directs hot oil out of low pressure side of drive pump)</i>	
12	139719GT	ORIFICE, 0.040".....1 <i>(equalizes pressure on both sides of flow divider/combiner valve)</i>	
--	1287434GT	PLUG, SAE #03 (139712)	
13	139717GT	VALVE, FLOW DIVIDE/COMB, 24GPM...1 <i>(controls flow to steer end drive motors in forward and reverse)</i>	
--	139512GT	SEAL KIT, VALVE	
14	139527GT	VALVE, CHECK, 5PSI.....1 <i>(non-steer end drive motor circuit)</i>	

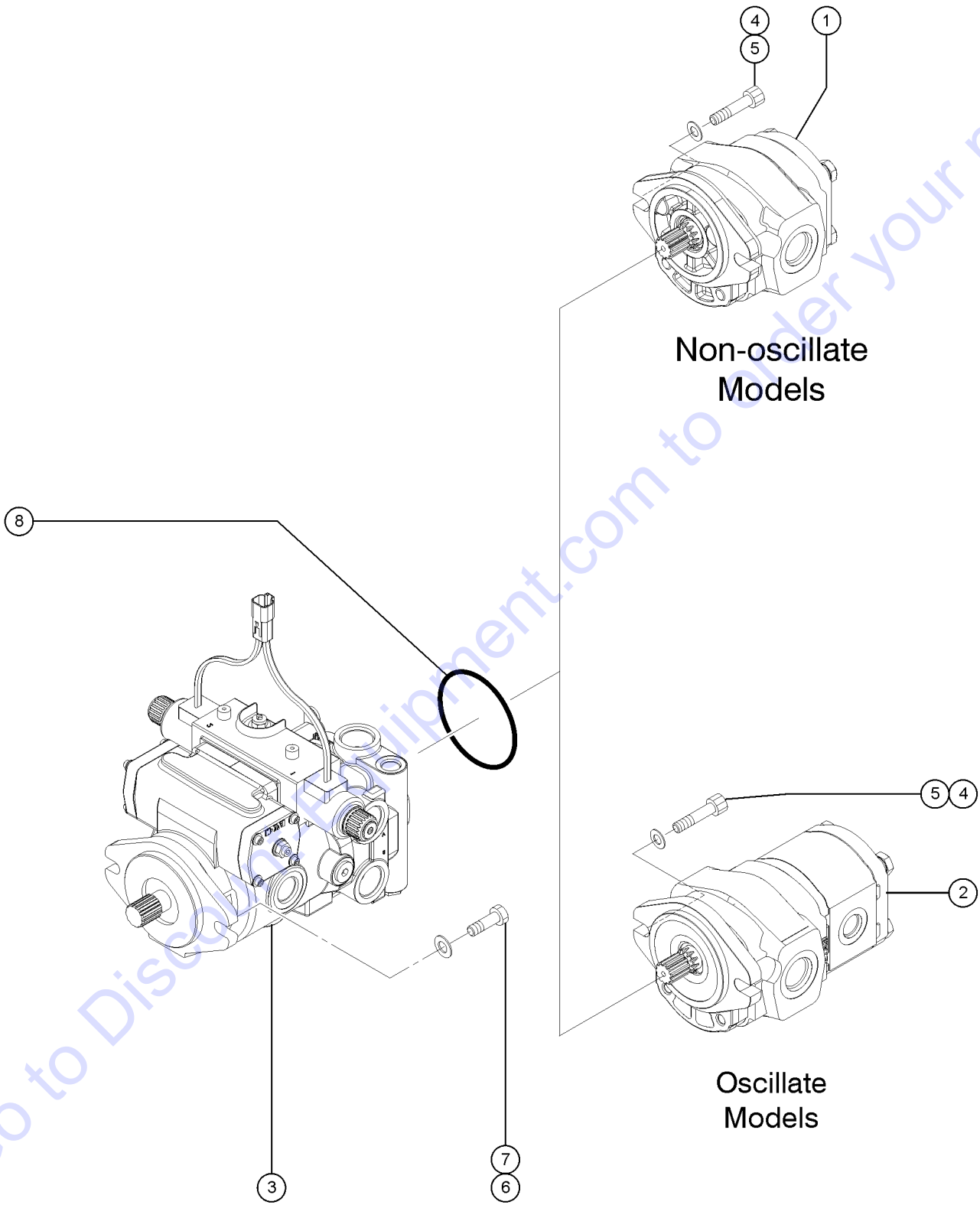
404.1 Platform Rotate and Jib Boom/Platform Rotate Manifold



404.1 Platform Rotate and Jib Boom/Platform Rotate Manifold

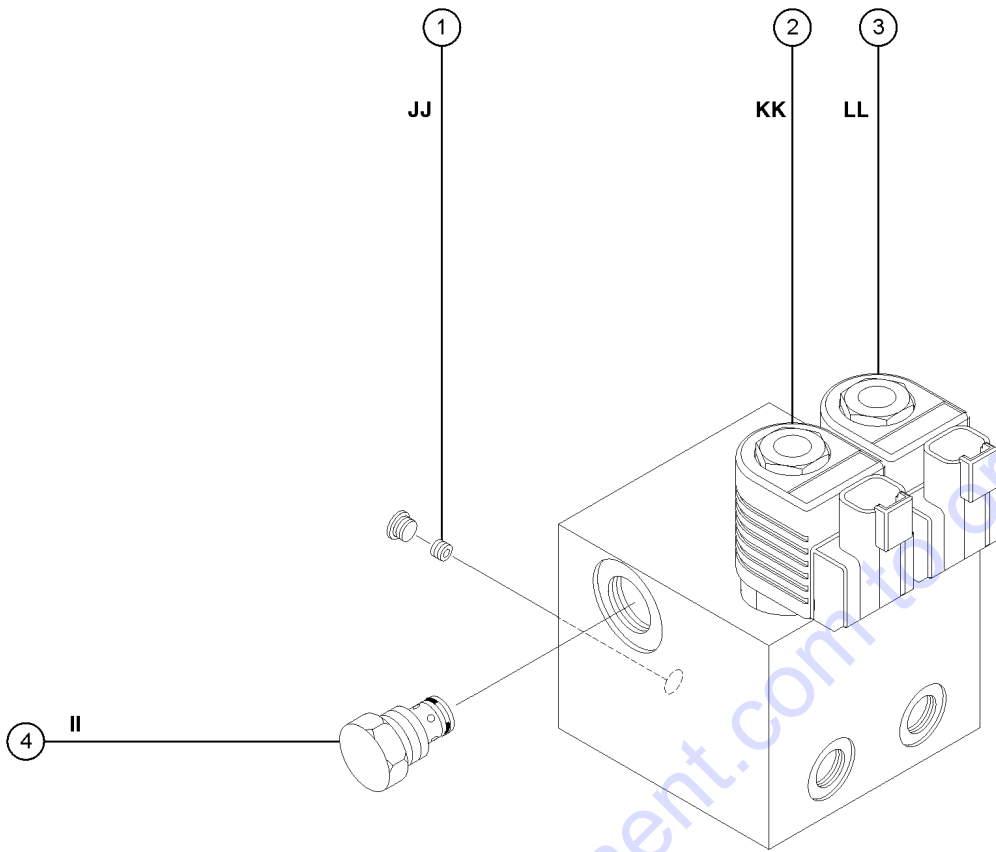
Item	Part No.	Description	Qty.
--	89864GT	SEAL KIT,SOLENOID VALVE, SV07 <i>Used with valve part 89862</i>	
1	44174GT	NUT-COIL SHORT.....	1
2	52897GT	VALVE,SOLENOID, 2POS/3WAY***.....	1
--	52371GT	SEAL KIT, VALVE..... <i>for 52897</i>	1
3	104759GT	COIL,12VDC #8 DTSCH IP69 ECOIL.....	1
4A	1256670GT	MANIFOLD,JIB SELECT W/QD PLUG.... <i>Platform rotate/Jib boom select (includes items 1-3)</i>	1
4B		MANIFOLD,JIB SELECT W/QD PLUG* (88786) <i>replaced by 1256670</i>	
--	89862GT	VALVE-SOLENOID,2POS 3WAY,JIB** <i>FC, Platform rotate / jib boom select (used only on previous jib manifold 88786)</i>	
--	89864GT	SEAL KIT,SOLENOID VALVE, SV07 <i>Used with valve part 89862</i>	
5	62506GT	VALVE - COUNTERBALANCE**.....	1
		<i>Platform rotate left</i>	
--	43018GT	SEAL KIT (39345) <i>for 62506</i>	
6	73807GT	MANIFOLD,ROTATOR,CB***.....	1
--	62507GT	O-RING, ROTATOR MANIFOLD	
7	62506GT	VALVE - COUNTERBALANCE**.....	1
		<i>Platform rotate right</i>	
--	43018GT	SEAL KIT (39345) <i>for 62506</i>	

405.1 Pumps



Item	Part No.	Description	Qty.
1	139799GT	PUMP,LIFT,1 SECTION.....	1
--	147550GT	KIT, SEAL, PUMP, 1 SECTION <i>for pump 139799; verify pump part number prior to ordering</i>	
--	81669GT	SEAL KIT,11 TOOTH PUMP*** <i>to SN 20339; for pump 94354; verify pump part number prior to ordering</i>	
2A	139822GT	KIT,GEAR PUMP,S60***	1
--	94918GT	KIT,SEAL,PUMP 81103 <i>to SN 20339; for pump 81103; verify pump part number prior to ordering</i>	
2B	139801GT	PUMP,LIFT,2 SECTION*** <i>from SN 20340</i>	
--	147549GT	KIT, SEAL, PUMP, 2 SECTION <i>for pump 139822 and 139801; verify pump part number prior to ordering</i>	
3	77788GT	PUMP,PISTON,49CC***	1
--	101294GT	KIT,CHARGE PUMP	
--	106835GT	CONTROLLER W/O COILS (77788) <i>(first time replacement requires 1285505GT)</i>	
--	106836GT	O-RING,STEM,EATON	
--	106837GT	NUT,STEM,EATON***	
--	107813GT	SPACER,EATON PUMP SHAFT SEAL** <i>check pump date code, for pumps after 031505</i>	
--	107814GT	SEAL,SHAFT,EATON PUMP***	
--	107815GT	SNAP RING,PUMP SHAFT SEAL***	
--	107842GT	KIT,PUMP SHAFT SEAL W/INST*** <i>includes PNs 107813, 107814, 107815</i>	
--	128423GT	KIT,CHARGE PUMP HOUSING	
--	1285505GT	KIT,SOLENOID CONTROL SERVICE	
--	1285506GT	SEAL RING,SOLENOID CONTROL <i>(for 1285505GT)</i>	
--	43683GT	O-RING,2-042 N674-70***	
--	58431GT	SEAL KIT,PUMP SHAFT (EATON)*** <i>check pump date code, if after 031505, must also order 107813 qty 1</i>	
--	82431GT	HOSE ASM-JCAF310-06-41	
4	33988GT	SCREW,SHC,3/8-16 X 1	
5	5397GT	WASHER,FLAT,USS,5/16",Y	
6	8177GT	SCREW,HHC,1/2-13 X 1.5	
7	13066GT	WASHER,FLAT,.5 HARDENED	
8	43683GT	O-RING,2-042 N674-70***	1

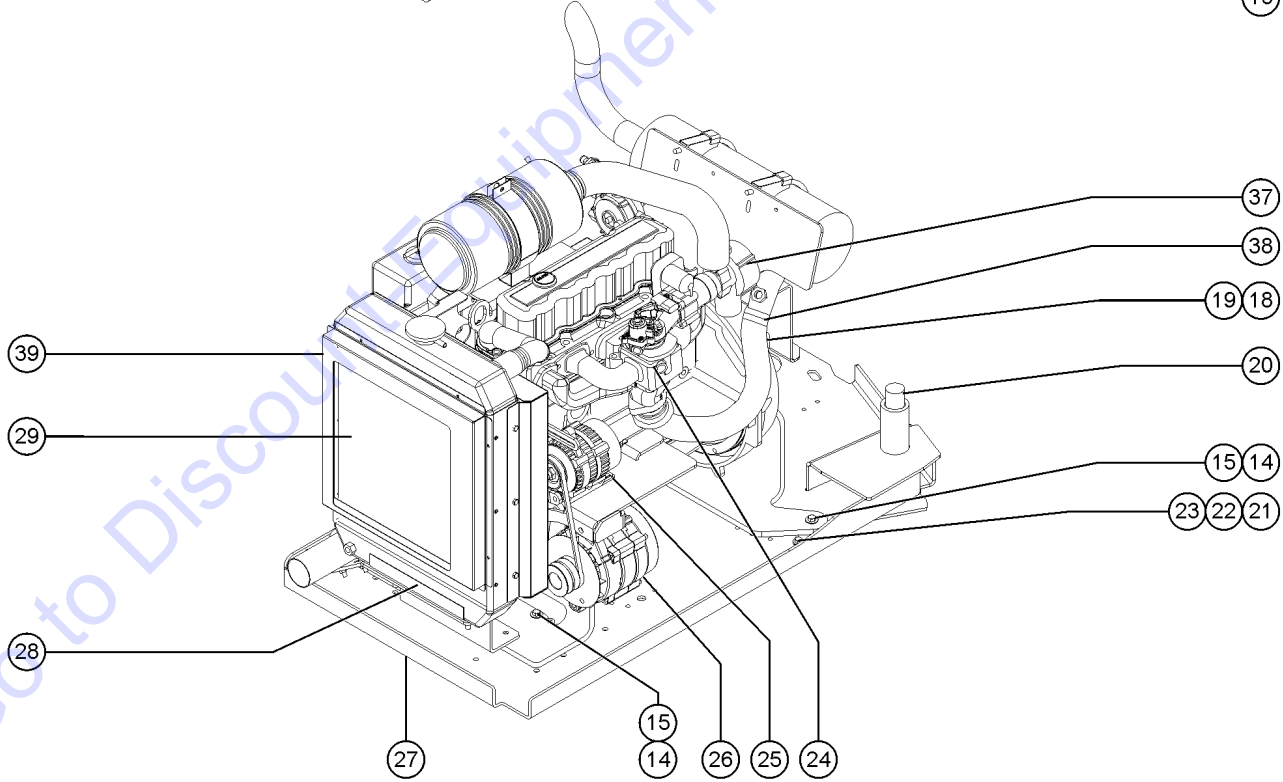
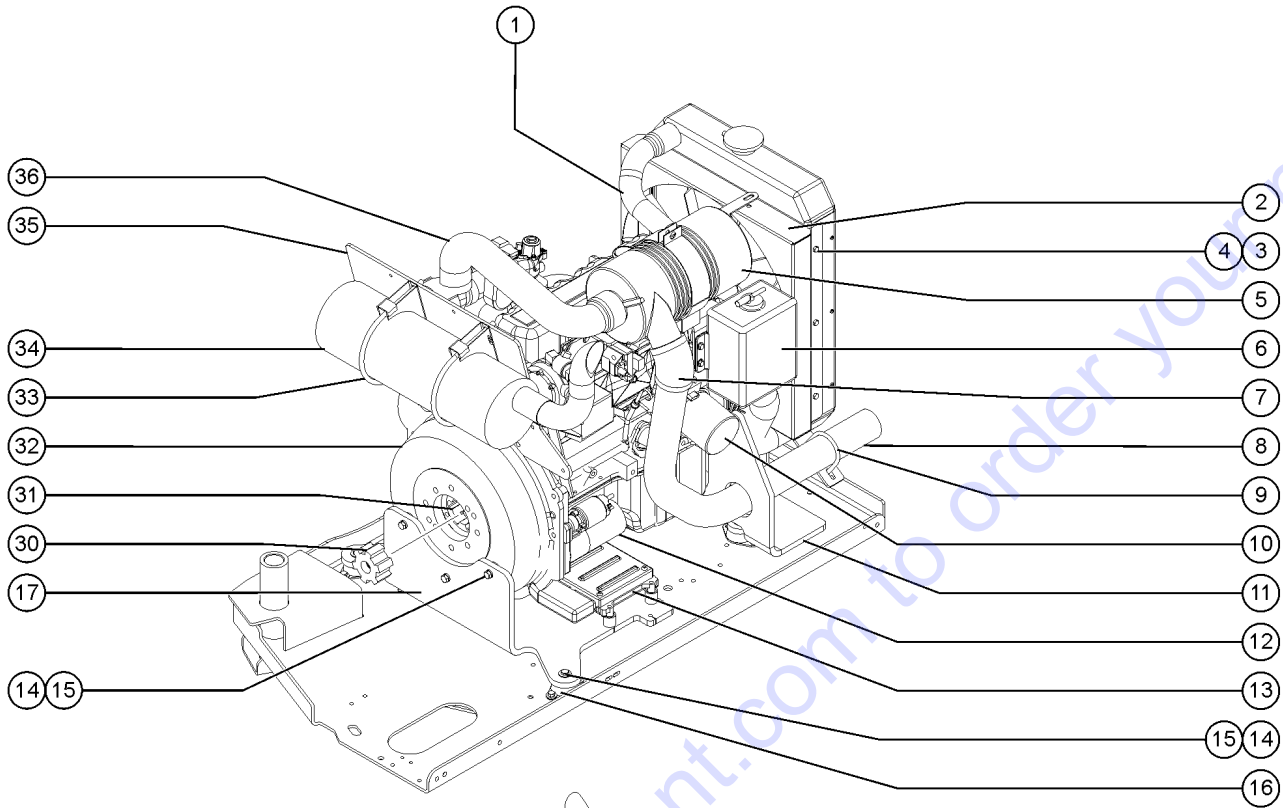
406.1 Brake and 2 Speed Manifold



406.1 Brake and 2 Speed Manifold

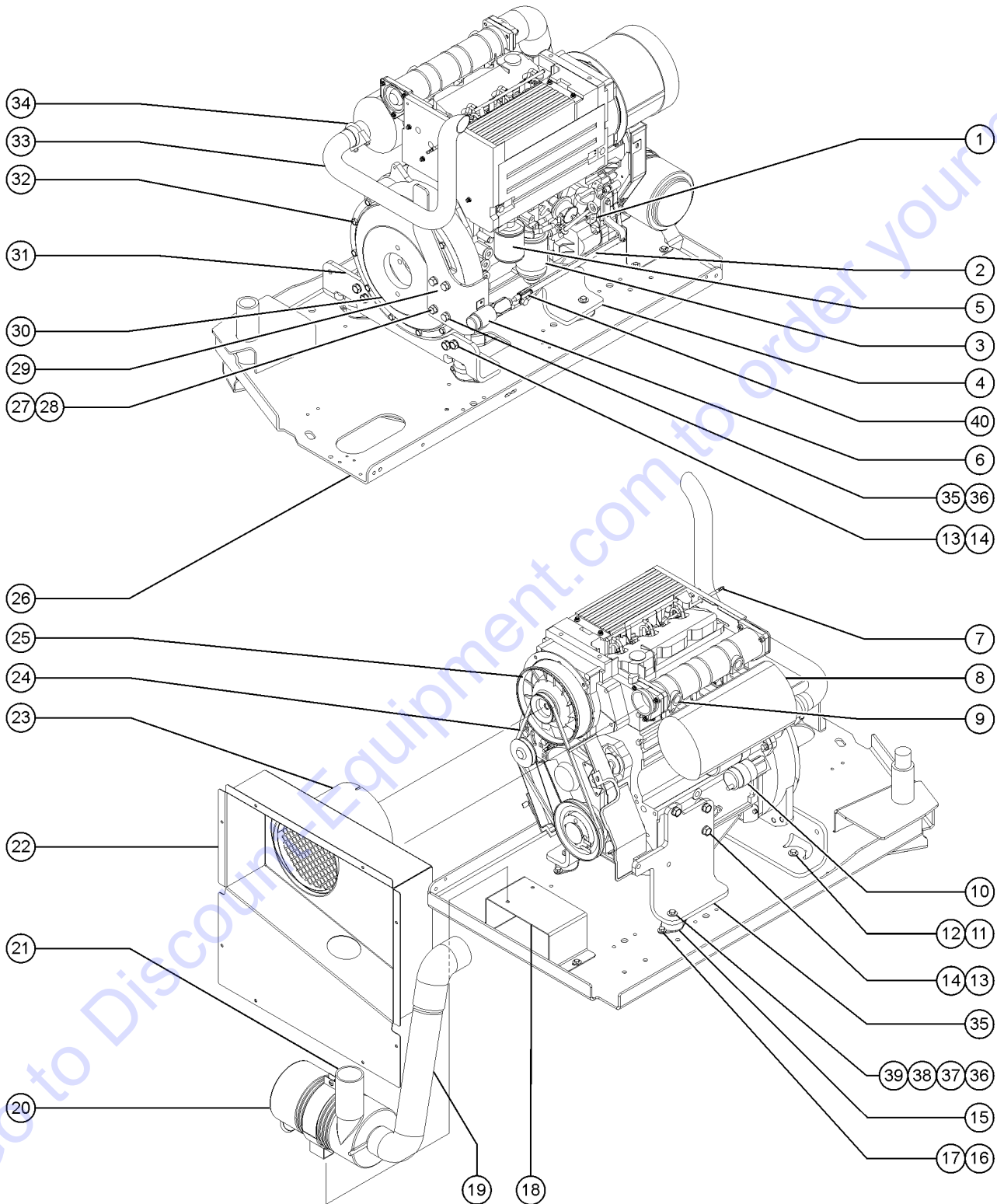
Item	Part No.	Description	Qty.
1	94764GT	ORIFICE,0.025".....1 <i>Turntable rotation brake release</i>	1
2	94760GT	VALVE,SOLENOID,10V,W/OUT COIL*....1 <i>Brake release</i>	1
--	128419GT	SEAL KIT	
--	94759GT	NUT,SOLENOID	
--	94765GT	COIL-10V DC***	
3	94760GT	VALVE,SOLENOID,10V,W/OUT COIL*....1 <i>Two-speed motor shift</i>	1
--	128419GT	SEAL KIT	
--	94759GT	NUT,SOLENOID	
--	94765GT	COIL-10V DC***	
4	94761GT	VALVE,CHECK.....1 <i>Brake release circuit</i>	1
--	128420GT	SEAL KIT	

501.1 GM 3.0 Liter



Item	Part No.	Description	Qty.	Item	Part No.	Description	Qty.
--	1272019GT	FILTER, FUEL (replaced 77751)		22	5397GT	WASHER,FLAT,USS,5/16",Y	
--	65620GT	PCV VALVE-GM 3.0L ENGINE		23	6782GT	NUT,NYLOCK,5/16-18	
--	65622GT	SPARK PLUG-GM 3.0L ENGINE		24	88451GT	THROTTLE ACTUATOR*(BOSCH).....1	
--	65624GT	CAP-DISTRIBUTOR, GM 3.0L		25	77822GT	ALTERNATOR, GM3.0L ENGINE.....1	
--	65625GT	ROTOR-DISTRIBUTOR, GM 3.0L		26	88403GT	GENERATOR,WELD	
--	77550GT	DISTRIBUTOR/GM 3.0L ENGINE		--	102681GT	PULLY, GNRTR,220V,50HZ(89908) for 89908 generator	
--	77750GT	FUEL PUMP (GM 3.0L)		--	146062GT	PULLY,GNRTR,120V,60HZ(60707) for 60707 generator	
--	77850GT	OIL PRESSURE SWITCH GM 3.0L		--	60707GT	GENERATOR,3500W,120V,60HZ**	
--	94902GT	SENSOR COOLANT TEMP		--	89908GT	GENERATOR,3000W,220V,50HZ***	
1	70254GT	RADIATOR HOSE,UPPER-GM.....1		27		Ref. Engine Tray Assembly (refer to 304.1)	
--	70255GT	RADIATOR HOSE,LOWER-GM		28	70261PGT	FORMING,RADIATOR SUPPORT.....1	
2	70262PGT	FORMING,RADIATOR SHROUD.....1		29	110304GT	RADIATOR,FORD/PERKINS***.....1	
3	21019GT	SCREW,PHIL,PHM,10-24 X.5,SEMS		--	15086GT	WASHER,FLAT,375 X 1.5 X .125	
4	6146GT	WASHER,FLAT,MS,#10,Y		--	48425GT	NUT,FLG-LRG,3/8-16,YZ	
5	111634GT	AIR CLEANER,FORD,T3.....1		--	65473GT	CAP,RADIATOR,PERKINS/FORD	
--	1277991GT	CLIP,AIR CLEANER COVER (58247) for 58247		--	65621GT	BELT-FAN, GM 3.0L ENGINE	
--	227988GT	VACUATOR VALVE		--	77821GT	FAN KIT ,GM 3.0 ENGINE	
--	38922GT	ELBOW,90DEG.1/8MPT-5/16 BARB		30	70294GT	COUPLER,HUB,15 TOOTH GM 3.0L.....1	
--	58247GT	AIR CLEANER CAP/ FORD/NOLFF***		31	81426GT	FLYWHEEL FLANGE,AUTO STYLE GM.....1	
--	77295GT	FILTER ELEMENT,AIR,NOLFF LPG		32	94905GT	BELL HOUSING.....1	
6	70367GT	BOTTLE,COOLANT RECOVERY,3.7***.....1		33	88993GT	CLAMP,MUFFLER.....2	
--	115431GT	CAP ASSY, COOLANT BOTTLE		34	88841GT	MUFFLER,6".....1	
6B	131581GT	HOSE,RAD.OVERFLOW,KD-1105,50"		--	70298GT	MUFFLER,SPARK ARRESTOR option	
7	33361GT	ELBOW,45 DEGR,RUBBER,2.5" I.D.....1		--	88842GT	TAILPIPE,MUFFLER.....1	
8	70284GT	TUBE,AIR INTAKE.....1		35	70258GT	FORMING,MUFFLER MOUNT.....1	
9	16584GT	U-BOLT, KIT 5/16-18 X 2.5 ***		36	34163GT	ELBOW,90 DEGR,RUBBER,MODIFIED*.....1	
--	75826GT	NUT, HEX 5/16X18 GT10		--	30971GT	CLAMP,HOSE,3.00"	
10	65623GT	FILTER-OIL,GM 3.0L ENGINE.....1		--	35067GT	TUBE,RD,ALUM 2.5 X .083	
11	70260PGT	FORMING,FRONT ENGINE MOUNT.....1		37	77745GT	LPG MIXER, IMPACO (GM 3.0L).....1	
12	83048GT	STARTER,GM 3.0L.....1		38	70385GT	CLAMP,EXHAUST,2.00 PLATED.....1	
13	94903GT	ENGINE CONTROL MODULE GM.....1		39	77762PGT	FORMING,ENGINE BAFFLE,GM.....1	
14	6019GT	SCREW,HHC,3/8-16 X 1.25 GRD 5					
15	6097GT	WASHER,FLAT,USS,3/8",Y					
16	70251GT	ISOLATOR,ENGINE VIBRATION.....4					
17	70259PGT	FORMING,REAR ENGINE MOUNT.....1					
18	70368GT	HEAD PIPE WELDMENT.....1 includes item 19					
19	61782GT	FLANGE,GM EXHAUST.....1					
--	75953GT	SEAL,EXHAUST MANIFOLD,GM					
20	81724GT	PIN,1.25 X 13.25 IN,CHAMFER.....1					
21	13000GT	SCREW,HHC,5/16-18 X 1.25					

502.1 Deutz F4L1011 (to SN 9718)



502.1 Deutz F4L1011 (to SN 9718)

Item	Part No.	Description	Qty.	Item	Part No.	Description	Qty.
--	70453GT	ENGINE,DEUTZ D2011L031 <i>F3L1011 AND F3L1011F Engines only</i>		--	70452GT	ISOLATOR,ENGINE VIBRATION***.....4 <i>from SN 9520</i>	4
--	T114678GT	SHUTDOWN SOLENOID,12V, DEUTZ....1 <i>(must order cable assembly, 58256, if replacing 32752) (includes o-ring)</i>	1	16	13000GT	SCREW,HHC,5/16-18 X 1.25 <i>to SN 9519</i>	
--	58256GT	SOLENOID CABLE ASSY***		--	6175GT	SCREW,HHC,3/8-16 X 1 <i>from SN 9520</i>	
--	72255GT	CONNECTOR, DEUTZ FUEL SHUTOFF* <i>(does not include diode, 45782)</i>		17	5397GT	WASHER,FLAT,USS,5/16",Y <i>to SN 9519</i>	
--	45782GT	DIODE,6 AMP,200 PIV,BULK		--	6097GT	WASHER,FLAT,USS,3/8",Y <i>from SN 9520</i>	
1	33240GT	BRACKET,ACTUATOR ARM MOUNTING.....1 <i>to SN 9519</i>	1	18	70351PGT	FORMING,AIR CLEANER MOUNT PNTD.....1	1
--	50787-SGT	LEVER, GOVERNOR ACTUATOR <i>from SN 9520</i>		19	70375GT	HOSE,AIR CLEANER.....1	1
2	88512GT	THROTTLE LINK,DSL***.....1 <i>to SN 9519</i>	1	20	63463GT	AIR CLEANER,NELSON***.....1	1
--	94485GT	THROTTLE LINKAGE,DIESEL*** <i>from SN 9520</i>		--	52866GT	EVACUATOR VALVE-AIR CLEANER	
3	29560GT	FILTER,FUEL/WTR SEP, DTZ 1008.....1 <i>Genie Genuine Part. See PN 1254826 for compatible aftermarket replacement.</i>	1	--	53952GT	BRKT,AIR CLEANER ORIENTATION**	
--	1254826GT	FUEL FILTER W/SEP,DEUTZ,1008.....1 <i>Genie Aftermarket Part. Filter for Deutz F3L 1011F Engine.</i>	1	--	62420GT	FILTER,AIR***	
4	70378GT	FORMING,ENGINE MOUNT,FR.....1 <i>to SN 9519</i>	1	21	34162-475GT	HOSE,AIR INTAKE 2.5" I.D.....1	1
--	70460PGT	FORMING,ENGINE MOUNT,FR PAINT* <i>from SN 9520</i>		22	77763PGT	BAFFLE,DEUTZ AIR INTAKE PAINTD....1	1
5	49924GT	FILTER,OIL,DEUTZ F4L1011F.....1 <i>Genie Genuine Part. See PN 1255653 for compatible aftermarket replacement.</i>	1	23	50579-SGT	WELDMENT, AIR INTAKE TUBE.....1	1
--	1255653GT	FILTER,OIL,DEUTZ,REPLACEMENT.....1 <i>Genie Aftermarket Part. Compatible with Genie Genuine Part 49924.</i>	1	--	31523GT	CLAMP,HOSE,8.50 DIA***	
6	77402GT	SOLENOID,THROTTLE ACTUATOR DSL.....1	1	--	33239GT	SHEET,RUBBER,AIR INTAKE	
7	147525GT	FITTING,BARBED,STRT,FUEL LINE....1	1	--	49914GT	GUARD-FAN, DEUTZ ENG,F4L1011F	
--	147526GT	FITTING,BARBED,TEE,FUEL LINE <i>(not shown)</i>		24	32698GT	BELT,V, DEUTZ DIESEL ENGINE.....1	1
--	30490GT	HOSE,1/4 FUEL LINE,SAE 30R7.....127-inches		25	35586GT	ALTERNATOR, DEUTZ F3L10/F4L10*....1	1
8	32695GT	MUFFLER,DEUTZ.....1	1	26	101291GT	ENGINE TRAY ASSY W/BEARINGS.....1 <i>to SN 9519</i>	1
9	31408GT	GLOW PLUG,L1011.....1	1	--	101540GT	ENGINE TRAY ASSY W/BEARINGS.....1 <i>from SN 9520</i>	1
10	139709GT	STARTER, 12V.....1	1	--	35675GT	BEARING,FL,1.25IDX1.5ODX1.25L.....1	1
11	6019GT	SCREW,HHC,3/8-16 X 1.25 GRD 5		27	10597GT	SCREW,HHC,1/2-13 X 1.25 GR5	
12	6097GT	WASHER,FLAT,USS,3/8",Y		28	6033GT	WASHER,LOCK,0.5"	
13	22558GT	SCREW,HHC,M14 X 40MM,GR 8.8		29	70380PGT	FORMING,SOLENOID MOUNT,PTD....1 <i>to SN 9519</i>	1
14	49411GT	WASHER,FLAT,M14		--	101129PGT	BRACKET,SOLENOID MOUNT PAINT....1 <i>from SN 9520</i>	1
15	70251GT	ISOLATOR,ENGINE VIBRATION.....4 <i>to SN 9519</i>	4	--	22699GT	WASHER,FLAT,M10,ZINC PLTD. <i>from SN 9520</i>	
				--	70472PGT	FORMING,SOLENOID MOUNT PAINT...1 <i>from SN 9520</i>	1
				--	85053GT	SCREW,HHC,M10 X 1.5 X70,GR 8.8 <i>from SN 9520</i>	
				30	70381GT	COVER,FLYWHEEL CASTING.....1	1
				31	70377GT	FORMING,REAR ENGINE MOUNT.....1 <i>to SN 9519</i>	1
				--	70459PGT	FORMING,REAR ENGINE MOUNT PNT*.....1 <i>from SN 9520</i>	1

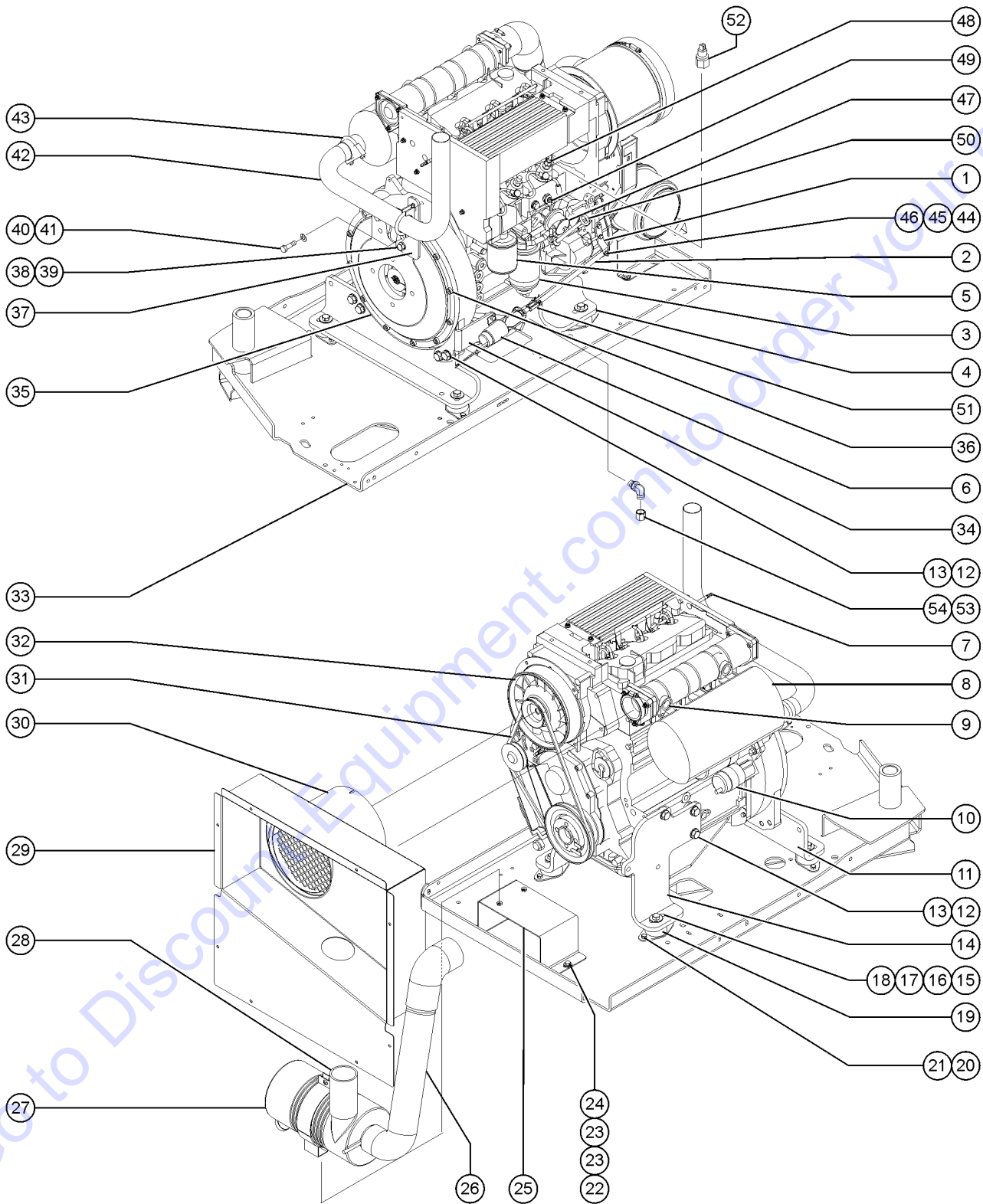
502.1 Deutz F4L1011 (to SN 9718)
(continued)

Item	Part No.	Description	Qty.
32	44064GT	SCREW,HHC,M10 X 30MM,	
33	70311GT	EXHAUST PIPE,DEUTZ.....1	
34	70385GT	CLAMP,EXHAUST,2.00 PLATED.....2	
35	70379PGT	FORMING,ENGINE MOUNT,FL PNT.....1 to SN 9519	
--	70461PGT	FORMING,ENGINE MOUNT,FL PAINT*.....1 from SN 9520	
36	6019GT	SCREW,HHC,3/8-16 X 1.25 GRD 5 to SN 9519	
--	10598GT	SCREW,HHC,1/2-13 X 3 from SN 9520	
37	6097GT	WASHER,FLAT,USS,3/8",Y to SN 9519	
--	6095GT	WASHER,FLAT,USS,1/2",Y from SN 9520	
38	24040GT	WASHER, 1/2 PLATE (1/2 X 2.25 X 3/16) from SN 9520	
39	6198GT	NUT,NYLOCK,1/2-13 from SN 9520	
40	21130GT	CLEVIS YOKE-1/4-28,PLTD W/PIN.....1	

This Page Intentionally Left Blank

Go to Discount-Equipment.com to order your parts

502.2 Deutz F3L2011/D2011L03i (from SN 9719)



502.2 Deutz F3L2011/D2011L03i (from SN 9719)

Item	Part No.	Description	Qty.	Item	Part No.	Description	Qty.
--	70453GT	ENGINE,DEUTZ D2011L03I F3L1011 AND F3L1011F Engines only		18	6198GT	NUT,NYLOCK,1/2-13	
--	T114678GT	SHUTDOWN SOLENOID,12V,DEUTZ....1 (must order cable assembly, 58256, if replacing 32752) (includes o-ring)		19	70452GT	ISOLATOR,ENGINE VIBRATION***4	
--	58256GT	SOLENOID CABLE ASSY***		20	6175GT	SCREW,HHC,3/8-16 X 1	
--	72255GT	CONNECTOR, DEUTZ FUEL SHUTOFF* (does not include diode, 45782)		21	6097GT	WASHER,FLAT,USS,3/8",Y	
--	45782GT	DIODE,6 AMP,200 PIV,BULK		22	13002GT	SCREW,HHC,5/16-18 X 1 GR5	
1	50787-SGT	LEVER, GOVERNOR ACTUATOR.....1		23	5397GT	WASHER,FLAT,USS,5/16",Y	
2	94485GT	THROTTLE LINKAGE,DIESEL***.....1		24	6782GT	NUT,NYLOCK,5/16-18	
3	29560GT	FILTER,FUEL/WTR SEP, DTZ 1008.....1 Genie Genuine Part. See PN 1254826 for compatible aftermarket replacement.		25	70351PGT	FORMING,AIR CLEANER MOUNT PNTD.....1	
--	1254826GT	FUEL FILTER W/SEP,DEUTZ,1008.....1 Genie Aftermarket Part. Filter for Deutz F3L 1011F Engine.		26	70375GT	HOSE,AIR CLEANER.....1	
4	70460PGT	FORMING,ENGINE MOUNT,FR PAINT*.....1		27	63463GT	AIR CLEANER,NELSON***.....1	
5	49924GT	FILTER,OIL,DEUTZ F4L1011F.....1 Genie Genuine Part. See PN 1255653 for compatible aftermarket replacement.		--	52866GT	EVACUATOR VALVE-AIR CLEANER	
--	1255653GT	FILTER,OIL,DEUTZ,REPLACEMENT.....1 Genie Aftermarket Part. Compatible with Genie Genuine Part 49924.		--	53952GT	BRKT,AIR CLEANER ORIENTATION**	
6	77402GT	SOLENOID,THROTTLE ACTUATOR DSL.....1		--	62420GT	FILTER,AIR***	
7	147525GT	FITTING,BARBED,STRT,FUEL LINE.....1		28	101006GT	TUBE,AIR CLEANER INLET.....1	
--	147526GT	FITTING,BARBED,TEE,FUEL LINE (not shown)		--	30971GT	CLAMP,HOSE,3.00".....2	
--	30490GT	HOSE,1/4 FUEL LINE,SAE 30R7.....127-inches		29	70494PGT	FORMING,DEUTZ AIR INTAKE BAF P...1	
8	32695GT	MUFFLER,DEUTZ.....1		30	101140P-SGT	AIR INTAKE TUBE ASSY.....1	
8B	119117GT	MUFFLER,CAT/SPARK,DEUTZ spark arresting option		--	31523GT	CLAMP,HOSE,8.50 DIA***	
8C	29559GT	GASKET,EXHAUST.....3 for 119117, 3 required		--	33239GT	SHEET,RUBBER,AIR INTAKE	
9	31408GT	GLOW PLUG,L1011.....1		31	32698GT	BELT,V, DEUTZ DIESEL ENGINE.....1	
10	139709GT	STARTER, 12V.....1		32	35586GT	ALTERNATOR, DEUTZ F3L10/F4L10*....1	
--	139621GT	KIT, HEAT GUARD, DEUTZ STARTER		33	101540GT	ENGINE TRAY ASSY W/BEARINGS.....1	
11	70459PGT	FORMING,REAR ENGINE MOUNT PNT*.....1		--	35675GT	BEARING,FL,1.25IDX1.5ODX1.25L.....1	
12	22558GT	SCREW,HHC,M14 X 40MM,GR 8.8		34	101129PGT	BRACKET,SOLENOID MOUNT PAINT....1	
13	49411GT	WASHER,FLAT,M14		--	77245PGT	BRACKET,SOLEN.MOUNT BRACE,PNTD	
14	70461PGT	FORMING,ENGINE MOUNT,FL PAINT*.....1		35	70381GT	COVER,FLYWHEEL CASTING.....1	
15	10598GT	SCREW,HHC,1/2-13 X 3		--	128023GT	KIT,FBA STYLE COUPLER,SAE8	
16	6095GT	WASHER,FLAT,USS,1/2",Y		--	33024GT	FLYWHEEL FLANGE,GREEN PLASTIC.....1	
17	24040GT	WASHER, 1/2 PLATE (1/2 X 2.25 X 3/16)		--	37003GT	COUPLER,HUB,15 TOOTH 7/16BOLT*.....1	
				36	44064GT	SCREW,HHC,M10 X 30MM,	
				37	70472PGT	FORMING,SOLENOID MOUNT PAINT...1	
				38	10597GT	SCREW,HHC,1/2-13 X 1.25 GR5	
				39	6033GT	WASHER,LOCK,0.5"	
				40	85053GT	SCREW,HHC,M10 X 1.5 X70,GR 8.8	
				41	22699GT	WASHER,FLAT,M10,ZINC PLTD.	
				42	70499GT	EXHAUST PIPE,DEUTZ.....1	
				43	70385GT	CLAMP,EXHAUST,2.00 PLATED.....2	
				44	6584GT	SCREW,SHS,10-24 X .625	
				45	85054GT	WASHER,FLAT,M10	
				46	25625GT	NUT,HEX,10-24	
				47	111668GT	PUMP,FUEL 2011 DEUTZ ***.....1	

502.2 Deutz F3L2011/D2011L03i (from SN 9719)
(continued)

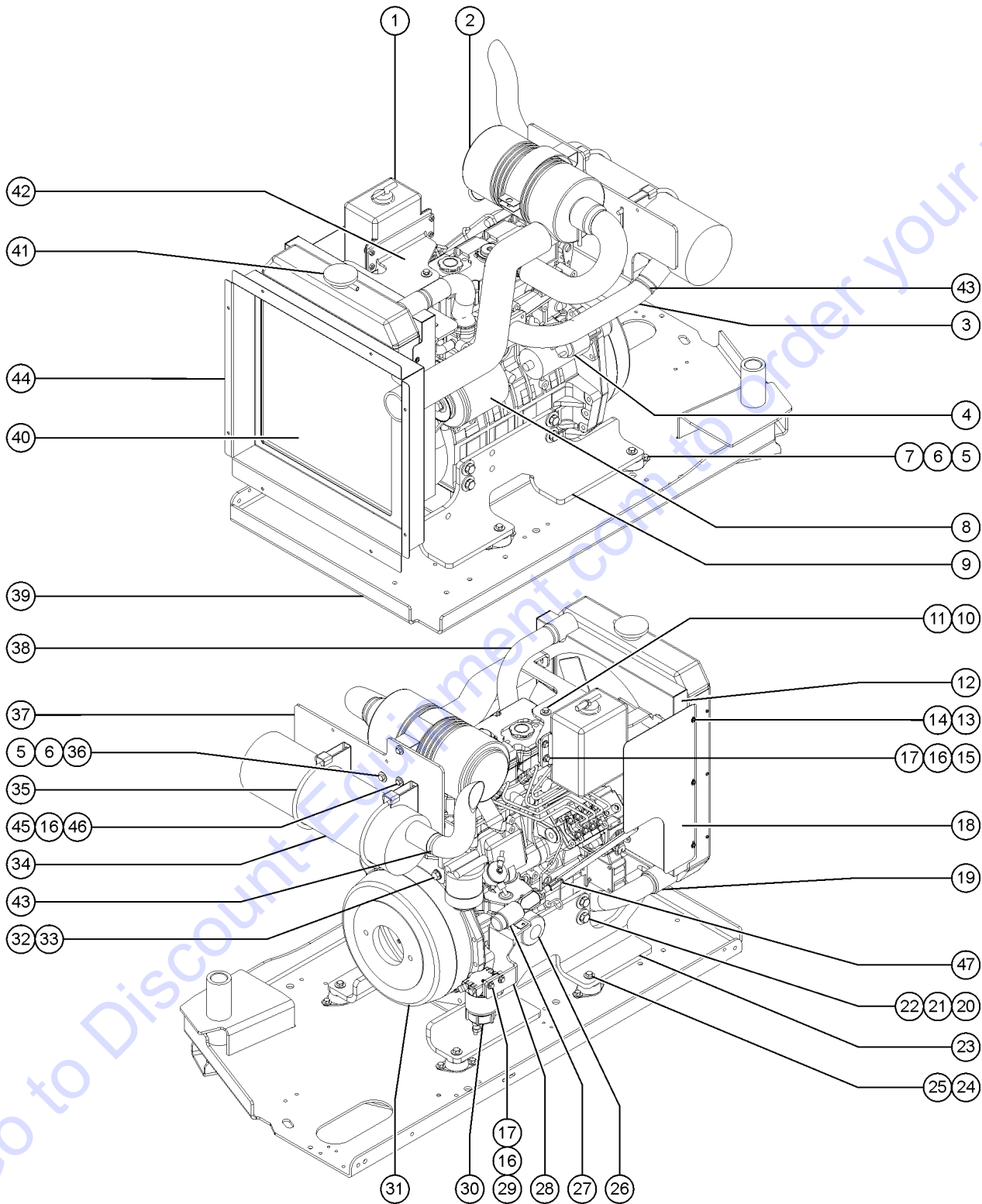
Item	Part No.	Description	Qty.
--	119344GT	KIT,PRIMER BULB	
--	27089GT	HOSE,5/16 FUEL,SAE 30R7...116-inches	
48	89792GT	INJECTOR, FUEL(DEUTZ F3L2011F)....2	
--	1288561GT	O-RING,FUEL INJECTOR,DEUTZ (89792) <i>for 89792</i>	
49	139624GT	SWITCH, OIL PRESSURE 1.5 BAR.....1 <i>(replaced 65765)</i>	
--	139666GT	KIT,OP SWITCH,DEUTZ <i>(oil pressure kit for models with ALC-500 control system. replaces 65765. includes item 139624 and instructions)</i>	
50	52352GT	DIPSTICK-F3L1011F (DEUTZ) <i>to SN 15555</i>	
--	147243GT	DIPSTICK, OIL, D2011.....1 <i>from SN 15556</i>	
51	21130GT	CLEVIS YOKE-1/4-28,PLTD W/PIN.....1	
52	111445GT	SENDING UNIT,OIL TEMP SWCH,DTZ.....1	
53	54428GT	FITTING,HYDRAULIC,90DEG,O-RING...1	
54	69775GT	CAP,520112-8.....1	

502.2 Deutz F3L2011/D2011L03i (from SN 9719)
(continued)

This Page Intentionally Left Blank

Go to Discount-Equipment.com to order your parts

503.1 Perkins 704-30 (to SN 9693)



503.1 Perkins 704-30 (to SN 9693)

Item	Part No.	Description	Qty.	Item	Part No.	Description	Qty.
--	106663GT	SOLENOID,SHUT DOWN PERKIN40422		24	6019GT	SCREW,HHC,3/8-16 X 1.25 GRD 5	
--	111028GT	SWITCH,WATER TEMP,PRKNS,404***		25	6097GT	WASHER,FLAT,USS,3/8",Y	
--	58354GT	GASKET,WATER PUMP for 89763		26	94762GT	OIL FILTER - PERKINS.....1	
--	72337GT	SWITCH,OIL PRESS-PERKINS(54555		27	77402GT	SOLENOID,THROTTLE ACTUATOR DSL.....1	
--	89763GT	PUMP WATER (PERKINS 404)***		28	94378PGT	FORMING,SOLENOID MOUNT PAINTED.....1	
1	70367GT	BOTTLE,COOLANT RECOVERY,3.7***.....1		29	8915GT	SCREW,HHC,1/4-20 X 1.25	
--	115431GT	CAP ASSY, COOLANT BOTTLE		30	147826GT	SEPRTR/FLTR,FUEL DSL,15GPH,.30....1 (replaced 75020, the filter is the same for both assemblies)	
1B	131581GT	HOSE,RAD.OVERFLOW,KD-1105,50"		--	54205GT	HOSE END,BARB,1/4 MNPTX5/16,90....1 (included with filter assembly)	
2	63463GT	AIR CLEANER,NELSON***.....1		--	54437GT	HOSE END,BARB,1/4 MNPTX5/16,ST....1 (included with filter assembly)	
--	52866GT	EVACUATOR VALVE-AIR CLEANER		--	62433GT	FILTER,ELEMENT,30 MIC,75020	
--	53952GT	BRKT,AIR CLEANER ORIENTATION**		31A	54573GT	PUMP MOUNT KIT,PERKINS DSL.....1	
--	62420GT	FILTER,AIR***		--	89773GT	KIT, HARDWARE (54573)	
--	88846GT	HOSE,AIR INLET		31B	128022GT	KIT,FBA STYLE COUPLER,PERKINS includes 15-tooth coupler (128003), fastener kit (1263209) and grease	
--	88847GT	HOSE,AIR CLEANER TO INTAKE		--	29749GT	COUPLER,SMALL METAL,15T,***	
3	110899GT	WELDMENT,EXHAUST PIPE.....1		--	89771GT	HOUSING,PUMP MOUNT (54573)	
--	62845GT	NUT-FLANGE, 8MM (62849)		--	89772GT	FLEX PLATE (54573)***	
--	72343GT	GASKET,EXH FLANGE-FORD/PERKINS		32	60868GT	SCREW,HHC,M12 X 45	
--	72344GT	BOLT,EXHAUST,PERKINS(54555)**		33	49410GT	WASHER,FLAT,M12	
--	94888GT	EXHAUST MANIFOLD		34	88841GT	MUFFLER,6".....1	
4	228457GT	STARTER, PERKINS, 404D.....1		--	70298GT	MUFFLER,SPARK ARRESTOR option	
5	13000GT	SCREW,HHC,5/16-18 X 1.25		--	70357GT	MUFFLER,CATALYTIC option	
6	5397GT	WASHER,FLAT,USS,5/16",Y		--	88842GT	TAILPIPE,MUFFLER	
7	6782GT	NUT,NYLOCK,5/16-18		35	88993GT	CLAMP,MUFFLER.....2	
8	72342GT	ALTERNATOR, PERKINS (54555).....1		36	6782GT	NUT,NYLOCK,5/16-18	
9	88987PGT	FORMING,ENGINE MOUNT,LH PAINTE.....1		37	88991PGT	FORMING,MUFFLER MOUNT PAINTED.....1	
10	23057GT	SCREW,HHC,M8 X 20MM		38	54578GT	HOSE,UPPER RADIATOR,PERKINS....1	
11	33277GT	WASHER,FLAT,M8,YELLOW ZINC		--	13014GT	CLAMP,HOSE,2.25" DIA.	
12	88990PGT	SHROUD,FAN PAINTED.....1		39		Ref. Engine Tray Assembly (refer to 304.1)	
13	21019GT	SCREW,PHIL,PHM,10-24 X.5,SEMS		40	110304GT	RADIATOR,FORD/PERKINS***.....1	
14	6146GT	WASHER,FLAT,MS,#10,Y		--	1252943GT	SPACER,FAN,PERKINS 404F	
15	6090GT	SCREW,HHC,1/4-20 X .75		--	24038GT	SHOCK MOUNT,SMALL	
16	6638GT	WASHER,FLAT,USS,1/4"Y		--	77483GT	FAN, ENGINE (104-22)(404-22)*	
17	6091GT	NUT,NYLOCK,1/4-20		41	65473GT	CAP,RADIATOR,PERKINS/FORD.....1	
18	54487PGT	GUARD,FAN,FORD/PERKINS,PAINTED.1		42	88989PGT	FORMING,UPPER RAD SUPPORT PNTD	
19	54579GT	HOSE,LOWER,RADIATOR,PERKINS....1		43	70385GT	CLAMP,EXHAUST,2.00 PLATED.....2	
--	13014GT	CLAMP,HOSE,2.25" DIA.					
20	54687GT	SCREW,HHC,M14 X 1.5X40MM,GR8.8					
21	37505GT	WASHER,LOCK,M14					
22	49411GT	WASHER,FLAT,M14					
23	88988PGT	FORMING,ENGINE MOUNT RH PAINTE.....1					

503.1 Perkins 704-30 (to SN 9693)
(continued)

Item	Part No.	Description	Qty.
44	77761PGT	FORMING,ENGINE BAFFLE,PERKINS.....	1
45	13002GT	SCREW,HHC,5/16-18 X 1 GR5	
46	6782GT	NUT,NYLOCK,5/16-18	
47	21130GT	CLEVIS YOKE-1/4-28,PLTD W/PIN.....	1

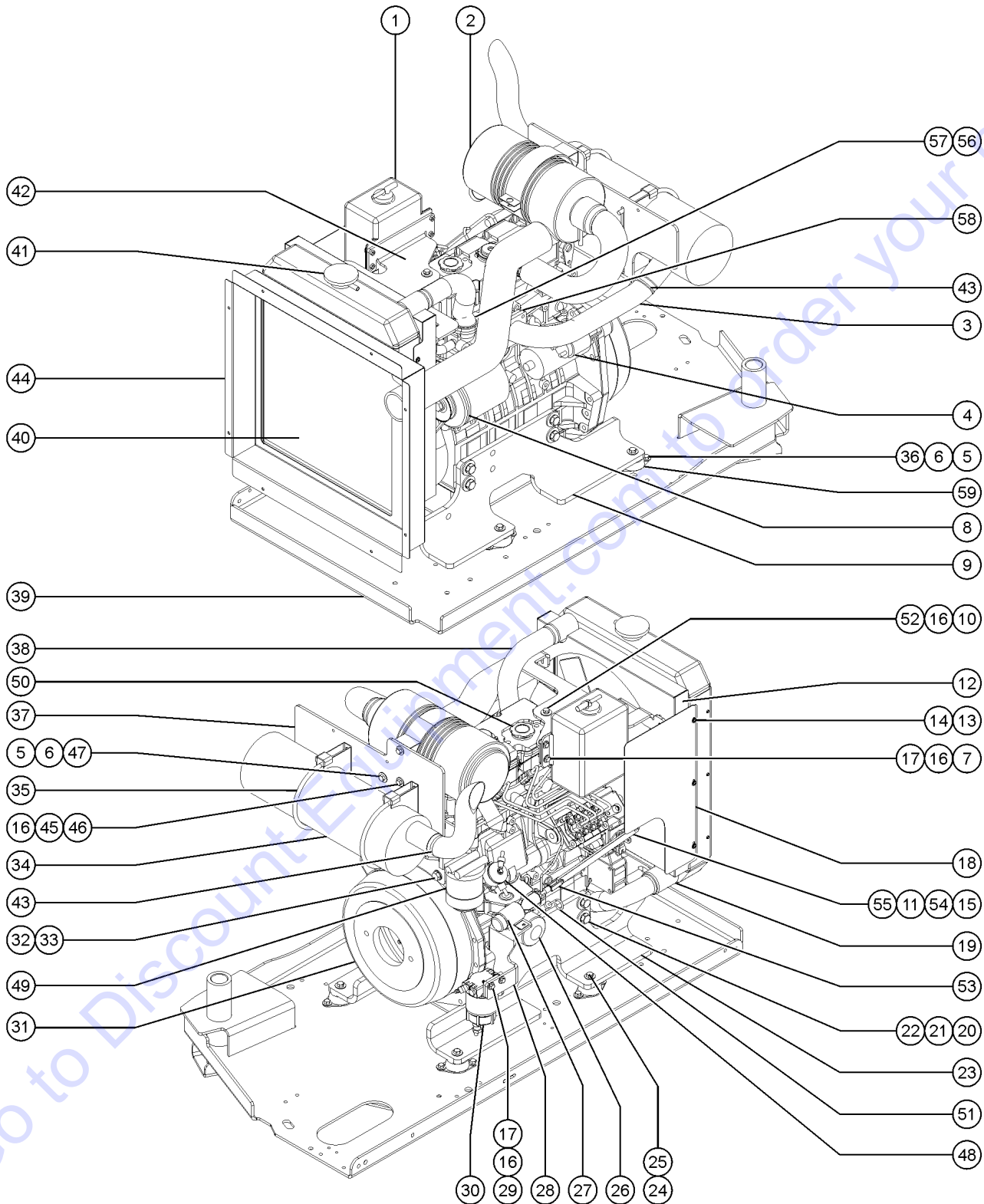
Go to Discount-Equipment.com to order your parts



This Page Intentionally Left Blank

Go to Discount-Equipment.com to order your parts

503.2 Perkins 404-22 (from SN 9694)



503.2 Perkins 404-22 (from SN 9694)

Item	Part No.	Description	Qty.	Item	Part No.	Description	Qty.
B	111027GT	SWITCH,OIL PRESS-PERKINS 404 (approx. 1.75-inches; spade connector)		4	228457GT	STARTER, PERKINS, 404D.....	1
C	119809GT	SWITCH, OIL PRESSURE Old switch design was used with an adaptor; New switch screws directly into engine block. With older engine, remove adaptor and install new switch directly into engine block		5	6175GT	SCREW,HHC,3/8-16 X 1	
D	111028GT	SWITCH,WATER TEMP,PRKNS,404***		6	5397GT	WASHER,FLAT,USS,5/16",Y	
E	89763GT	PUMP WATER (PERKINS 404)*** 404C-22; to SN 19606		7	6888GT	SCREW,HHC,1/4-20 X 1	
--	58354GT	GASKET,WATER PUMP for 89763, 128987		8A	72342GT	ALTERNATOR, PERKINS (54555).....	1
F	128987GT	WATER PUMP 404D-22; from SN 19607				to SN 12563	
--	236426GT	SOLENOID KIT,SHUT DN,PERKINS		8B	111029GT	ALTERNATOR,65 AMP,PERKINS 404 from SN 12564	
G	77478GT	THERMOSTAT (PERKINS 104-22)		9	88987PGT	FORMING,ENGINE MOUNT,LH PAINTE.....	1
H	147348GT	SEAL-VALVE SYSTEM (A) (for 70253 engine)		10	23057GT	SCREW,HHC,M8 X 20MM	
I	147349GT	SEAL-VALVE SYSTEM (B) (for 70253 engine)		11	33277GT	WASHER,FLAT,M8,YELLOW ZINC	
J	147350GT	GASKET-CYLINDER HEAD (for 70253 engine)		12	88990PGT	SHROUD,FAN PAINTED.....	1
K	147351GT	SEAL-ROCKER BOX (for 70253 engine)		13	21019GT	SCREW,PHIL,PHM,10-24 X.5,SEMS	
L	147352GT	SEAL-INJECTOR (for 70253 engine)		14	6146GT	WASHER,FLAT,MS,#10,Y	
M	147353GT	SEAL-INJECTOR (for 70253 engine)		15	89953GT	FLATBAR,ALUM,THROTTLE LINKAGE.....	1
N	147355GT	GASKET-THERMOSTAT HSG (for 70253 engine)		16	6638GT	WASHER,FLAT,USS,1/4"Y	
O	85155GT	PUMP,PRIMER,PERKINS***		17	6091GT	NUT,NYLOCK,1/4-20	
P	89765GT	BELT, V (PERKINS 404).....	1	18	54487PGT	GUARD,FAN,FORD/PERKINS,PAINTED.	1
		not pictured		19	54579GT	HOSE,LOWER,RADIATOR,PERKINS.....	1
1	70367GT	BOTTLE,COOLANT RECOVERY,3.7***.....	1	--	22672GT	CLAMP,HOSE,1.75	
--	1062264000GT	TUBING, VINYL, 1/2" CLEAR		20	54687GT	SCREW,HHC,M14 X 1.5X40MM,GR8.8	
--	115431GT	CAP ASSY, COOLANT BOTTLE		21	37505GT	WASHER,LOCK,M14	
2	63463GT	AIR CLEANER,NELSON***.....	1	22	49411GT	WASHER,FLAT,M14	
--	52866GT	EVACUATOR VALVE-AIR CLEANER		23	88988PGT	FORMING,ENGINE MOUNT RH PAINTE.....	1
--	53952GT	BRKT,AIR CLEANER ORIENTATION**		24	10598GT	SCREW,HHC,1/2-13 X 3	
--	62420GT	FILTER,AIR***		25	6095GT	WASHER,FLAT,USS,1/2",Y	
--	88846GT	HOSE,AIR INLET		26	94762GT	OIL FILTER - PERKINS.....	1
--	88847GT	HOSE,AIR CLEANER TO INTAKE		27	77402GT	SOLENOID,THROTTLE ACTUATOR DSL.....	1
3	110899GT	WELDMENT,EXHAUST PIPE.....	1	--	21130GT	CLEVIS YOKE-1/4-28,PLTD W/PIN	
--	62845GT	NUT-FLANGE, 8MM (62849)		--	89953GT	FLATBAR,ALUM,THROTTLE LINKAGE	
--	72343GT	GASKET,EXH FLANGE-FORD/PERKINS		28	94378PGT	FORMING,SOLENOID MOUNT PAINTED.....	1
--	72344GT	BOLT,EXHAUST,PERKINS(54555)**				to SN 19606	
--	94888GT	EXHAUST MANIFOLD		--	128588GT	FORMING,SOLENOID MOUNT.....	1
						from SN 19607	
				29	8915GT	SCREW,HHC,1/4-20 X 1.25	
				30	147826GT	SEPTR/FLTR,FUEL DSL,15GPH,.30....	1
						(replaced 75020, the filter is the same for both assemblies)	
				--	54205GT	HOSE END,BARB,1/4 MNPTX5/16,90....	1
						(included with filter assembly)	
				--	54437GT	HOSE END,BARB,1/4 MNPTX5/16,ST....	1
						(included with filter assembly)	

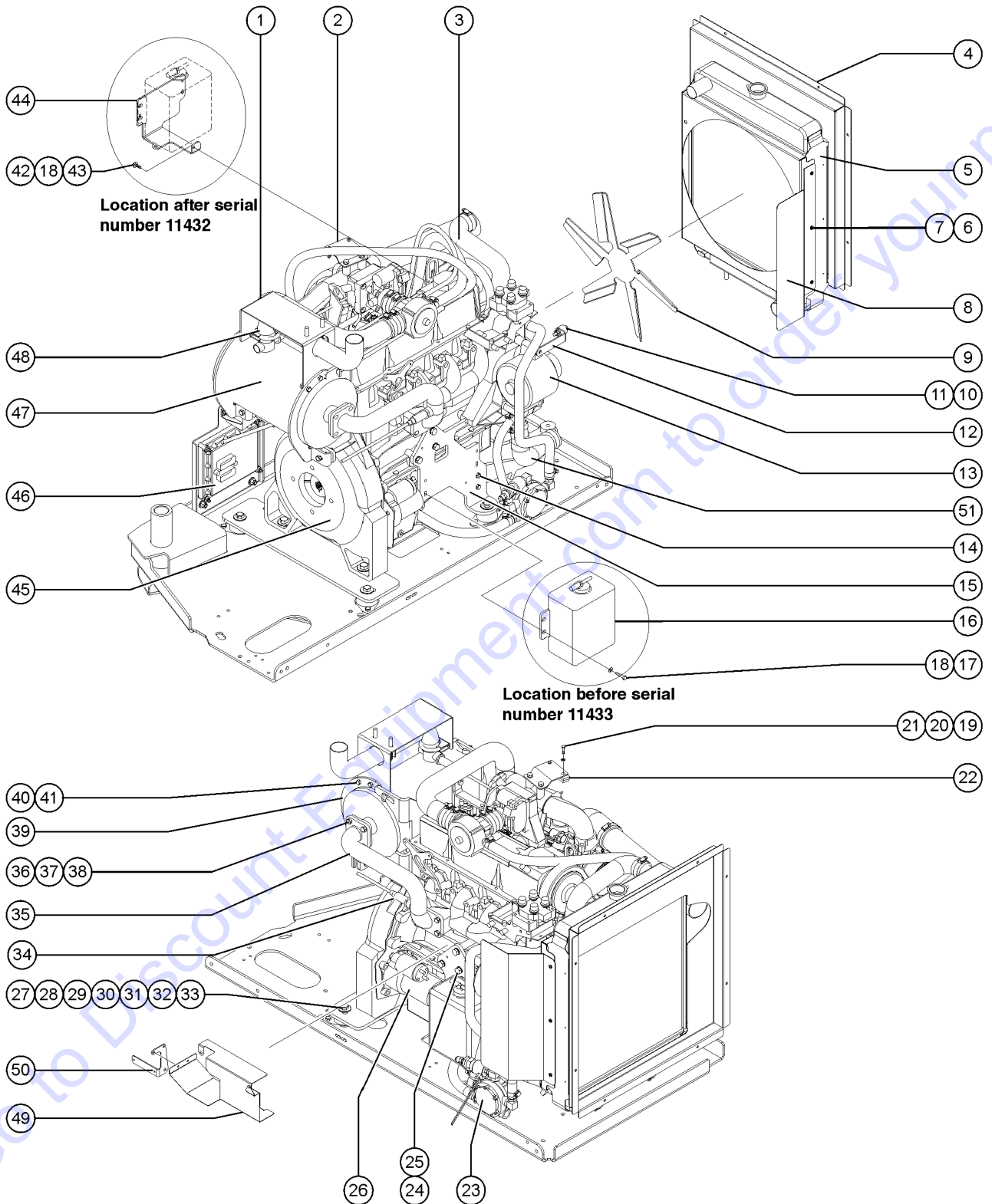
503.2 Perkins 404-22 (from SN 9694)
(continued)

Item	Part No.	Description	Qty.	Item	Part No.	Description	Qty.
--	62433GT	FILTER,ELEMENT,30 MIC,75020		--	128984GT	DIPSTICK, STRAIGHT SHORT.....1 404D-22; from SN 19607	1
31A	54573GT	PUMP MOUNT KIT,PERKINS DSL.....1	1	52	60585GT	ISOLATOR,VIBRATION,M8 MALE/FEM.....1	1
--	89773GT	KIT, HARDWARE (54573)		53	21130GT	CLEVIS YOKE-1/4-28,PLTD W/PIN.....1	1
31B	128022GT	KIT,FBA STYLE COUPLER,PERKINS <i>includes 15-tooth coupler (128003), fastener kit (1263209) and grease</i>		54	119866GT	SCREW,SHS,M6X12MM,8MM	
--	29749GT	COUPLER,SMALL METAL,15T,***		55	49364GT	NUT,NYLOCK,M6X1.00	
--	89771GT	HOUSING,PUMP MOUNT (54573)		56	77476GT	HOUSING,THERMOSTAT,PERKINS 104.....1 404C-22; to SN 19606	1
--	89772GT	FLEX PLATE (54573)***		56A	128986GT	WATER OUTLET, VERTICAL 404D-22; from SN 19607	
32	60868GT	SCREW,HHC,M12 X 45		57	77478GT	THERMOSTAT (PERKINS 104-22).....1 404C-22; to SN 19606	1
33	49410GT	WASHER,FLAT,M12		57A	128991GT	THERMOSTAT 404D-22; from SN 19607	
34	88841GT	MUFFLER,6".....1	1	57A	147355GT	GASKET-THERMOSTAT HSG for 128991	
--	106048GT	TAILPIPE,MUFFLER,2.00"DIA.....1	1	58	72343GT	GASKET,EXH FLANGE-FORD/PERKINS.....1	1
--	70298GT	MUFFLER,SPARK ARRESTOR <i>option</i>		59	70452GT	ISOLATOR,ENGINE VIBRATION***.....4	4
--	70357GT	MUFFLER,CATALYTIC <i>option</i>					
35	88993GT	CLAMP,MUFFLER.....2	2				
36	4828GT	NUT,NYLOCK,3/8-16					
37	88991PGT	FORMING,MUFFLER MOUNT PAINTED.....1	1				
38	54578GT	HOSE,UPPER RADIATOR,PERKINS.....1	1				
--	22672GT	CLAMP,HOSE,1.75					
39		Ref. Engine Tray Assembly (refer to 304.1)					
40	110304GT	RADIATOR,FORD/PERKINS***.....1	1				
--	1252943GT	SPACER,FAN,PERKINS 404F					
--	24038GT	SHOCK MOUNT,SMALL					
--	77483GT	FAN, ENGINE (104-22)(404-22)*					
41	65473GT	CAP,RADIATOR,PERKINS/FORD.....1	1				
42	88989PGT	FORMING,UPPER RAD SUPPORT PNTD.....1	1				
43	70385GT	CLAMP,EXHAUST,2.00 PLATED.....2	2				
44	106003PGT	BAFFLE,PERKINS ENGINE PAINTED....1	1				
45	6782GT	NUT,NYLOCK,5/16-18					
46	13002GT	SCREW,HHC,5/16-18 X 1 GR5					
47	7713GT	NUT, LP NYLOCK, 3/8-16					
48	72348GT	PUMP,LIFT(FUEL) PERKINS(54555).....1 404C-22; to SN 19606	1				
--	77990GT	KIT,SEAL,3CC PUMP***					
48A		PUMP,LIFT(FUEL) 404D-22; from SN 19607					
49	94889GT	FUEL FILTER ASSEMBLY.....1	1				
--	62421GT	FILTER,FUEL,PERKINS					
50	65636GT	CAP, OIL FILLER.....1	1				
--	65638GT	SEAL, OIL FILLER CAP					
51	89759GT	DIPSTICK, OIL (PERKINS 404).....1 404C-22; to SN 19606	1				

This Page Intentionally Left Blank

Go to Discount-Equipment.com to order your parts

504.1 Ford LRG-425 EFI Engine - View 1 (to SN 14053)



504.1 Ford LRG-425 EFI Engine - View 1 (to SN 14053)

Item	Part No.	Description	Qty.	Item	Part No.	Description	Qty.
--		REF: Fuel Pump (refer to figure 302.1)		--	102074GT	ELBOW,90DEG, .63 HS X.375 MPT	
--	28647GT	SPARK PLUG,FORD.....	4	--	19363GT	ELBOW,130239-4-4	
--	33963GT	PUMP, WATER, WITH GASKET includes o-ring		--	88757GT	VALVE,LP LOCKOUT W/CONN***	
--	33964GT	GASKET, WATER PUMP		23A	102119GT	HOSE,3/4,LP.....8-inches from regulator to mixer	
--	33966GT	THERMOSTAT, FORD LRG		24	22676GT	SCREW,HHC,M10 X 1.25 X 30MM**	
--	49735GT	ENGINE,FORD LRG 425,EFIZ45 (remanufactured long block only, does not include starter, alternator, radiator or fuel system)		25	22699GT	WASHER,FLAT,M10,ZINC PLTD.	
--	52580GT	BELT,SERPENTINE,LRG425 EFI***.....	1	26	29606GT	RING GEAR,FORD*** FITS LSG-LRG 423, AND LRG425	
--	52656GT	FUEL INJECTOR, LRG-425 EFI.....	4	26	29616GT	STARTER,ENGINE,FORD LSG/LRG***.....	1
--	65770GT	BELT,TIMING,FORD LRG423/425EFI		27	10598GT	SCREW,HHC,1/2-13 X 3	
1	102307GT	FORMING,HEAT SHIELD.....	1	28	6095GT	WASHER,FLAT,USS,1/2",Y	
2	54531PGT	BRACKET,MAP SENSOR,PAINTED.....	1	29	70452GT	ISOLATOR,ENGINE VIBRATION***.....	4
3	54862GT	HOSE,UPPER RADIATOR,Z45.....	1	30	101730GT	SPACER,ENGINE MOUNT.....	4
--	22672GT	CLAMP,HOSE,1.75		31	101729GT	WASHER,VIBRATION ISOLATING.....	4
4	70422PGT	FORMING,ENGINE BAFFLE PNTD.....	1	32	24040GT	WASHER, 1/2 PLATE (1/2 X 2.25 X 3/16)	
5	110304GT	RADIATOR,FORD/PERKINS***.....	1	33	6198GT	NUT,NYLOCK,1/2-13	
--	15086GT	WASHER,FLAT,.375 X 1.5 X .125		34	88450GT	SENSOR,OXYGEN LRG425EFI.....	1
--	24038GT	SHOCK MOUNT,SMALL.....	4	35	94931GT	WELDMENT,HEADER PIPE.....	1
--	4828GT	NUT,NYLOCK,3/8-16		36	13000GT	SCREW,HHC,5/16-18 X 1.25	
6	21019GT	SCREW,PHIL,PHM,10-24 X.5,SEMS		37	72343GT	GASKET,EXH FLANGE-FORD/PERKINS.....	1
7	6146GT	WASHER,FLAT,MS,#10,Y		--	27142GT	GASKET,EXHAUST*** (at other end of item 35)	
8	70433PGT	FORMING,FAN GUARD PNTD.....	1	38	18503GT	NUT,LOCKING-LG.FLANGE,5/16-18	
9	52076GT	FAN, LSG423/LRG425.....	1	39	106271PGT	CLAMP,FORD MUFFLER,PAINTED.....	1
10	219437GT	ISOLATOR, VIBRATION.....	2	--	101126PGT	FORMING,RH MUFFLER SUP PAINTED	
11	18503GT	NUT,LOCKING-LG.FLANGE,5/16-18		40	6175GT	SCREW,HHC,3/8-16 X 1	
12	101123PGT	FORMING,STRUT,RH RADIATOR PNTD.....	2	41	4828GT	NUT,NYLOCK,3/8-16	
13	33960GT	ALTERNATOR,LRG-423 RE-BUILT*.....	1	42	6888GT	SCREW,HHC,1/4-20 X 1	
14	8516GT	SCREW, HCC, 3/8-16 X 1.50		43	6091GT	NUT,NYLOCK,1/4-20	
15	101119PGT	ENGINE MOUNT FOOT,RH PNTD.....	1	44	107587GT	PLATE,OVER FLOW BOTTLE MOUNT.....	1
16	70367GT	BOTTLE,COOLANT RECOVERY,3.7***.....	1	45	64079GT	BELL HOUSING KIT, FORD 425EFI..... kit includes; 89811 Pump Mount Housing, 89813 Flex Plate, 37003 15 tooth Hub Coupler, and 102136 Screws 7/16-14 X 1.25	1
--	115431GT	CAP ASSY, COOLANT BOTTLE		--	128021GT	KIT,FBA STYLE COUPLER,FORD	
17	8915GT	SCREW,HHC,1/4-20 X 1.25		--	37003GT	COUPLER,HUB,15 TOOTH 7/16BOLT*	
18	6638GT	WASHER,FLAT,USS,1/4"Y		46	106487GT	ENGINE PERFORMANCE MODULE T2**.....	1
19	49817GT	SCREW,PHILLIPS,PHM,10-32 X1.25		47	106178GT	WELDMENT,MUFFLER,FORD TIER2.....	1
20	6146GT	WASHER,FLAT,MS,#10,Y		48	70420GT	TAILPIPE,FORD LRG 425.....	1
21	6178GT	NUT,NYLOCK,10-32		--	106486GT	SENSOR,AIR,CAT MONITOR***.....	1
22	49898GT	MAP SENSOR, EFI.....	1				
23	70525GT	REGULATOR,LPG.....	1				
--	102073GT	ELBOW,90 DEG,3/8NPT X 1/2 FNPT					

504.1 Ford LRG-425 EFI Engine - View 1 (to SN 14053)
 (continued)

Item	Part No.	Description	Qty.
49	101998GT	HEAT SHIELD,EXHAUST MANIFOLD**.....	1
50	101997GT	BRACKET,RELAY BLOCK MOUNT.....	1
51	77170GT	HOSE,LOWER RADIATOR,Z45.....	1

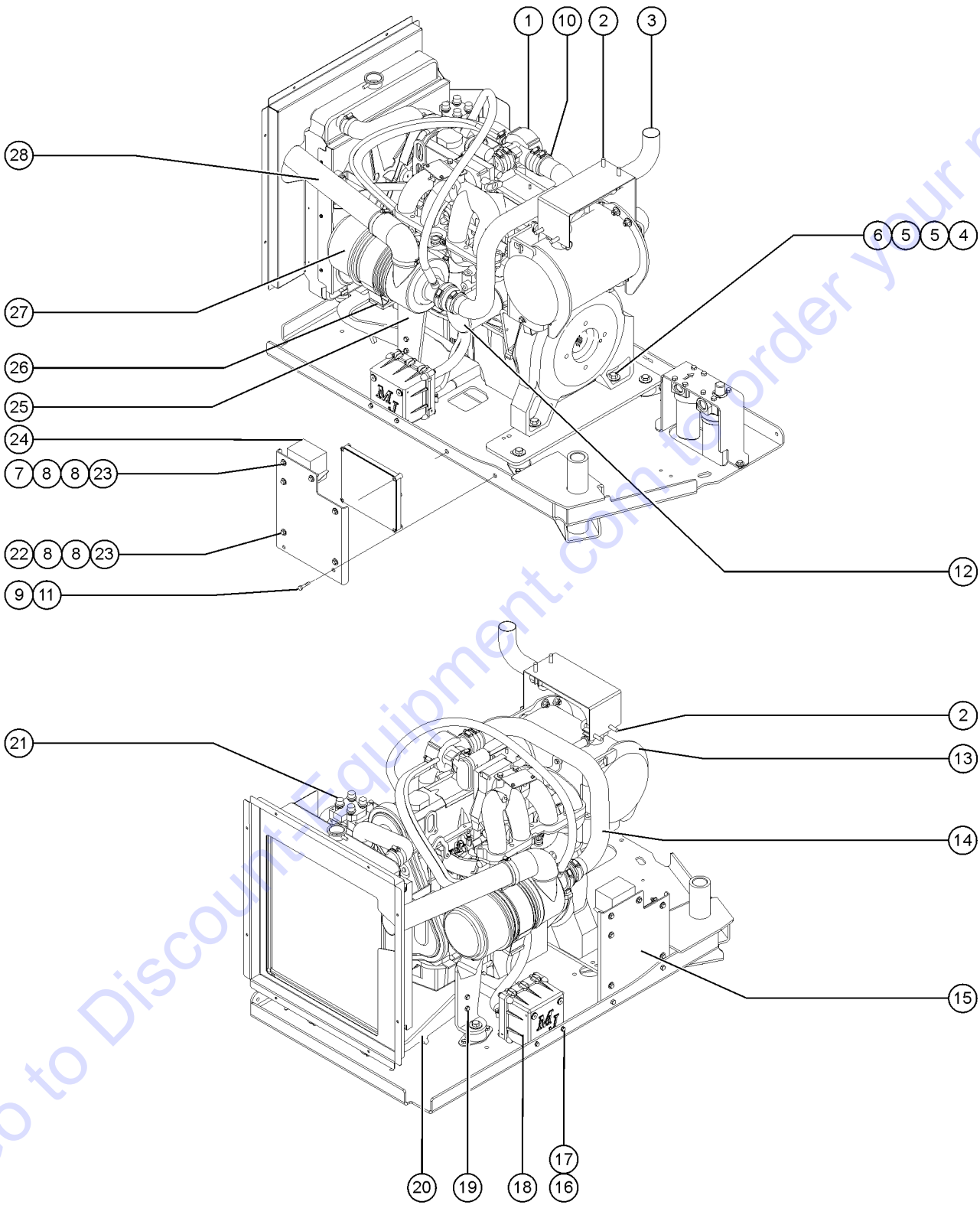
Go to Discount-Equipment.com to order your parts



This Page Intentionally Left Blank

Go to Discount-Equipment.com to order your parts

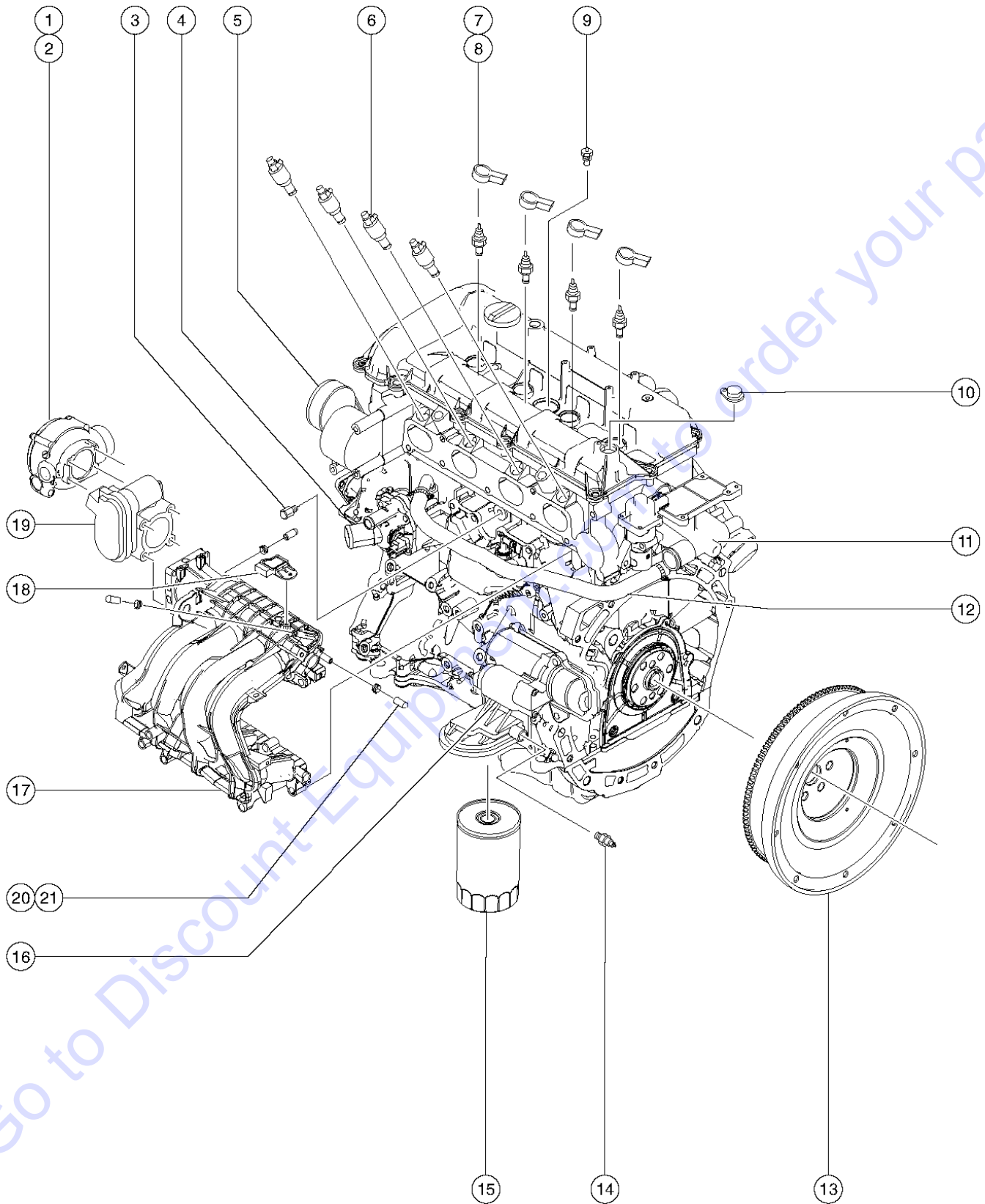
505.1 Ford LRG-425 EFI Engine - View 2 (to SN 14053)



505.1 Ford LRG-425 EFI Engine - View 2 (to SN 14053)

Item	Part No.	Description	Qty.	Item	Part No.	Description	Qty.
1	106485GT	MIXER,AIR VALVE,TIER II FORD**.....	1	--	77295GT	FILTER ELEMENT,AIR,NOLFF LPG	
2	102121GT	CLAMP,MUFFLER,1-7/8 IN.....	2	28	35067GT	TUBE,RD,ALUM 2.5 X .083.....	1
3	70420GT	TAILPIPE,FORD LRG 425.....	1	--	45435GT	CLAMP,HOSE,2.50****	
--	106486GT	SENSOR,AIR,CAT MONITOR***.....	1	--	50941GT	HOSE,90DEG 2.5" AIR INTAKE	
4	6096GT	SCREW,HHC,1/2-13 X 2 GR5					
5	6095GT	WASHER,FLAT,USS,1/2",Y					
6	6198GT	NUT,NYLOCK,1/2-13					
7	6888GT	SCREW,HHC,1/4-20 X 1					
8	6638GT	WASHER,FLAT,USS,1/4"Y					
9	6175GT	SCREW,HHC,3/8-16 X 1					
10	80825-200GT	HOSE,2.0"ID X 2.0" LG.....	2				
11	4828GT	NUT,NYLOCK,3/8-16					
12	28656GT	FILTER,OIL,FORD.....	1				
		<i>Genie genuine part</i>					
--	1259054GT	FILTER, OIL, FORD					
		<i>Genie aftermarket part</i>					
13	101128PGT	FORMING,MUFFLER CLAMP, PAINTED.....	1				
--	101127PGT	FORMING,LH MUFFLER SUPPORT PNT					
14	101063GT	TUBE,CLEAN AIR.....	1				
15	70425PGT	FORMING,ECM MOUNT PAINTED.....	1				
16	22578GT	SCREW,HHC,M6 X 20MM,GR8.8					
17	49407GT	WASHER,LOCK,M6					
18	70527GT	MEGAJECTOR,FUEL KIT.....	1				
--	102106GT	FUEL RETURN,DAPCO 5/16"					
19	8516GT	SCREW, HCC, 3/8-16 X 1.50					
20	101121PGT	FORMING,RADIATOR SUP PNTD.....	1				
21	33970GT	COIL, ELECTRONIC IGN., FORD.....	1				
22	6637GT	SCREW,HHC,1/4-20 X 1.75					
23	6091GT	NUT,NYLOCK,1/4-20					
24	106605GT	HARNESSE,ENGINE W/RELAY BOX T2.....	1				
		<i>from SN 9817</i>					
--	128903GT	JUMPER,THROTTLE BODY,FORD 2.5L.....	1				
--	88448GT	HARNESSE,FORD LRG 425 EFI***** <i>to SN 9816</i>	1				
25	101118PGT	ENGINE MOUNT FOOT,LH PNTD.....	1				
26	101064PGT	BRACKET,AIR CLEANER MOUNT PNTD.....	1				
27	111634GT	AIR CLEANER,FORD,T3.....	1				
--	1277991GT	CLIP,AIR CLEANER COVER (58247) <i>for 58247</i>					
--	227988GT	VACUATOR VALVE					
--	38922GT	ELBOW,90DEG.1/8MPT-5/16 BARB					
--	58247GT	AIR CLEANER CAP/ FORD/NOLFF***					

506.1 Ford DSG-423 Engine - View 1 (from SN 14054)

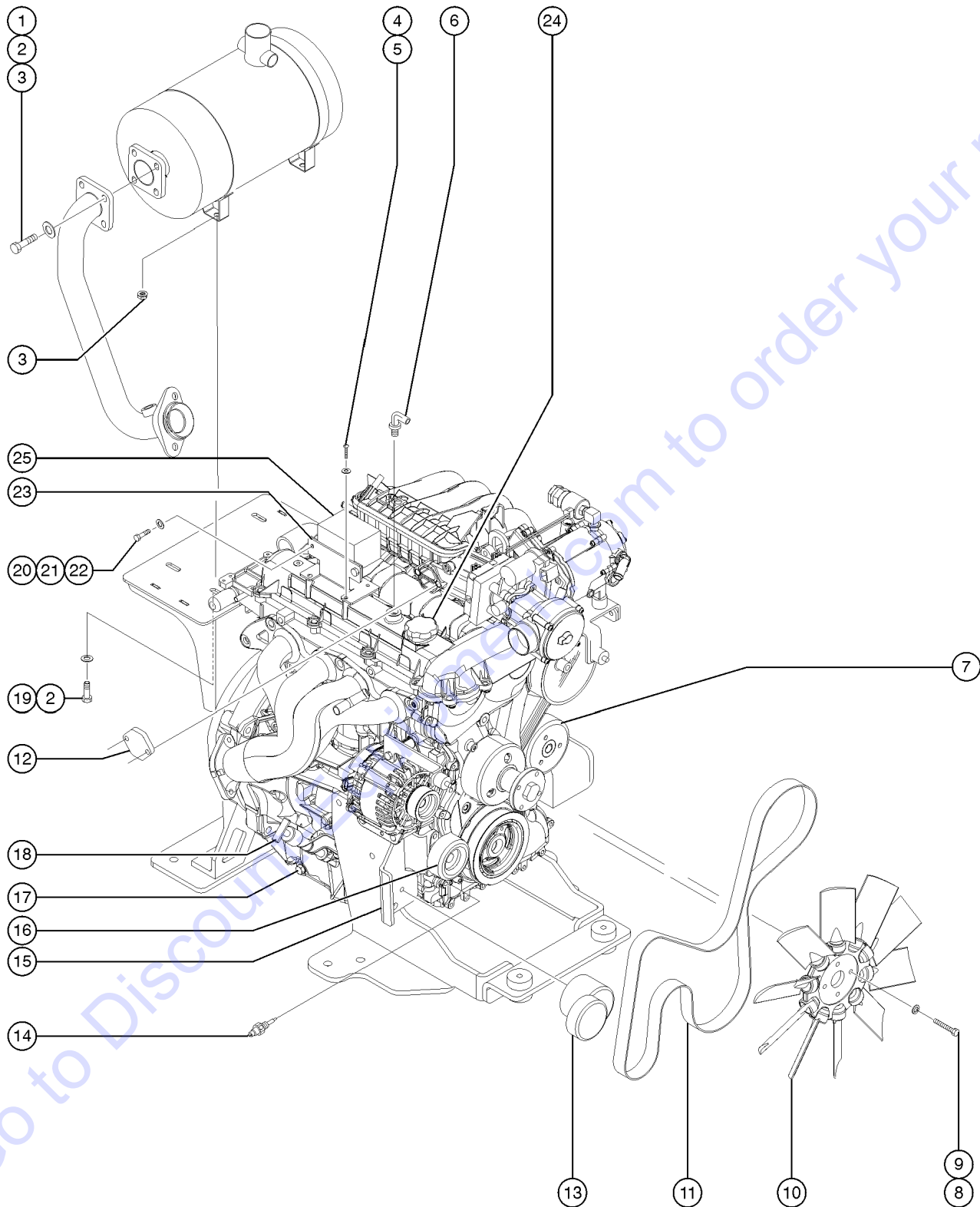


Go to Discount Equipment to order your parts

506.1 Ford DSG-423 Engine - View 1 (from SN 14054)

Item	Part No.	Description	Qty.	Item	Part No.	Description	Qty.
--	119472GT	HARNESSE,ENGINE FORD DSG-423		--	1259057GT	STARTER, DSG-423RING <i>Genie aftermarket</i>	
--	128165GT	RELAY,PWR/FUEL,FORD DSG423		17	119545GT	MANIFOLD,INTAKE FORD DSG-423.....1	
--	128166GT	RELAY,STARTER,FORD DSG/MSG		--	147016GT	CAP,EPDM,5/16".....2	
1	119135GT	MIXER,LPG,DSG-423.....1	1	18	119475GT	MAP SENSOR, DSG-423.....1	
--	119500GT	GASKET,MIXER, FORD DSG423		19	88451GT	THROTTLE ACTUATOR*(BOSCH).....1	
--	119547GT	O-RING,MIXER,SMOOTHED,DSG-423		--	88452GT	GASKET,THROTTLE ACTUATOR***	
--	119548GT	O-RING,MIXER,RIBBED,DSG-423		20	147016GT	CAP,EPDM,5/16".....3	
2	119142GT	ADAPTER,MIXER/THROTTLE BODY.....1	1	--	147015GT	CLAMP,SPRING,7/16"	
--	119466GT	GASKET,ACTUATOR PLATE		--	147115GT	KIT, VAC CAP REPLC, DSG-423 <i>(includes clamps, caps and installation instructions)</i>	
3	119498GT	SENSOR,KNOCK DSG-423 FORD.....1	1	21	119568GT	CLAMP,SPRING,1/2".....3	
4	119551GT	THERMOSTAT,FORD DSG423.....1	1				
5	215298GT	UPPER IDLER PULLEY, MSG425.....1	1				
6	119479GT	FUEL INJECTOR FORD DSG423,YL.....4 <i>yellow injector</i>	4				
--	233365GT	FUEL INJECTOR FORD DSG423, BK <i>black injector</i>					
7	119478GT	COIL ASSEMBLY.....4	4				
8	119495GT	SPARK PLUG, FORD DSG-423.....4	4				
9	234005GT	SENSOR KIT, TEMPERATURE.....1 <i>Required for first time replacement of older temperature sensor part 119480 (kit includes sensor part 233437 and wire harness part 234006)</i>	1				
--	233437GT	SENSOR, FORD TEMPERATURE					
--	234006GT	WIRE HARNESS, SENSOR, TEMP					
10	119497GT	SENSOR,CAM POSITION DSG-423.....1	1				
11	214803GT	KIT, DSG423 COOLANT OUTLET.....1 <i>Required for first time replacement of older adapter 119461 (kit includes water outlet 214796 and hose bypass 214798)</i>	1				
--	214796GT	WATER OUTLET, FORD DSG423.....1 <i>Previous adapter 119461 is no longer available. Order kit 214803 for first time replacement (kit includes water outlet 214796 and hose bypass 214798)</i>	1				
12	214803GT	KIT, DSG423 COOLANT OUTLET.....1 <i>Required for first time replacement of older hose 139780 (kit includes water outlet 214796 and hose bypass 214798)</i>	1				
--	214798GT	HOSE, COOLANT BYPASS, DSG423.....1 <i>Previous hose bypass 139780 is no longer available. Order kit 214803 for first time replacement (kit includes water outlet 214796 and hose bypass 214798)</i>	1				
13	119465GT	FLYWHEEL ASSEMBLY,DSG-423 FORD.....1	1				
14	119481GT	SWITCH,OIL PRESSURE.....1	1				
15	119139GT	OIL FILTER,DSG-423.....1	1				
16	119137GT	STARTER,DSG-423.....1 <i>Genie genuine part</i>	1				

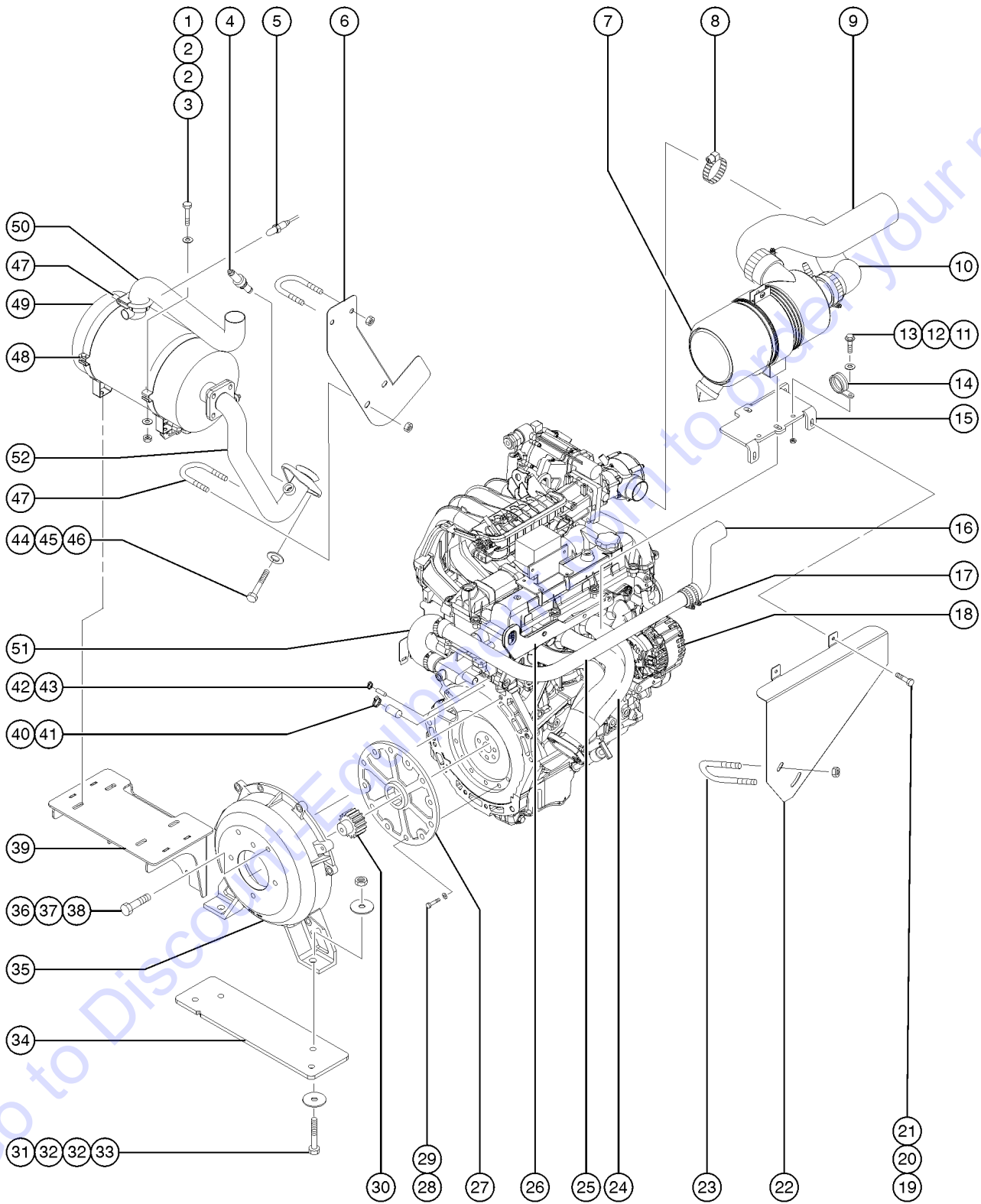
507.1 Ford DSG-423 Engine - View 2 (from SN 14054)



507.1 Ford DSG-423 Engine - View 2 (from SN 14054)

Item	Part No.	Description	Qty.
1	13000GT	SCREW,HHC,5/16-18 X 1.25	
2	5397GT	WASHER,FLAT,USS,5/16",Y	
3	18503GT	NUT,LOCKING-LG.FLANGE,5/16-18	
4	54365GT	SCREW,PHIL,PHM,10-32 X .5,SSTL	
5	25926GT	WASHER,FLAT,M6 PLTD.	
6	119474GT	VALVE,PCV FORD DSG-423.....1	
--	75631GT	HOSE,AIR 3/8	
7	119468GT	WATER PUMP W/GASKET.....1	
8	32309GT	SCREW,HHC,M8 X 60MM X 1.25	
9	49408GT	WASHER,LOCK,M8	
10	119153GT	FAN (FORD TIER 3).....1	
11	119138GT	BELT,SERPENTINE,DSG-423.....1	
12	119964GT	PLATE,BLANKING,FORD DSG423.....1	
13	119469GT	PULLEY AND TENSIONER,DSG423.....1	
14	119496GT	SENSOR,CRANK POSITION DSG-423.....1	
15	119471GT	BRACKET,TENSIONER.....1	
16	119544GT	LOWER IDLER FORD DSG-423.....1	
17	119588GT	OIL DRAIN PLUG,FORD DSG423.....1	
18	119473GT	DIPSTICK, FORD DSG 423.....1	
19	13002GT	SCREW,HHC,5/16-18 X 1 GR5	
20	6090GT	SCREW,HHC,1/4-20 X .75	
21	6638GT	WASHER,FLAT,USS,1/4"Y	
22	6091GT	NUT,NYLOCK,1/4-20	
23	110768GT	BRACKET,RELAY BLOCK MOUNT.....1	
24	58632GT	CAP,OIL FILLER,FORD DSG 423.....1	
25A	237856GT	FUSE BOX COVER.....1 <i>decal not included</i>	
25B	237857GT	FUSE BOX RELAY STICKER.....1 <i>(not shown) not included with 237856, order seperately</i>	
25C	237858GT	FUSE BOX MOUNTING,LEFT.....1 <i>(not shown) not included with 237856, order seperately</i>	
25D	237859GT	FUSE BOX MOUNTING,RIGHT.....1 <i>(not shown) not included with 237856, order seperately</i>	

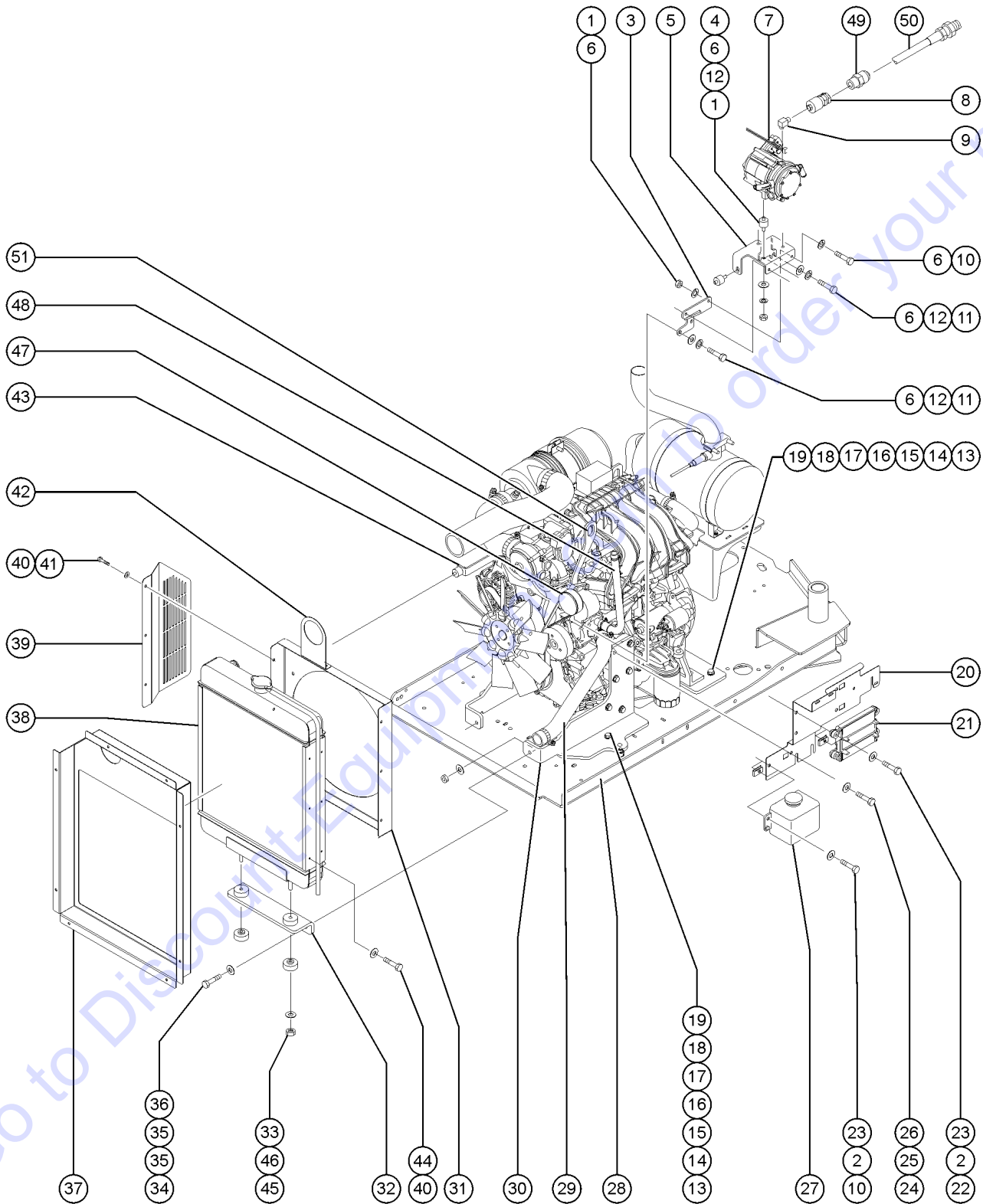
508.1 Ford DSG-423 Engine - View 3 (from SN 14054)



508.1 Ford DSG-423 Engine - View 3 (from SN 14054)

Item	Part No.	Description	Qty.	Item	Part No.	Description	Qty.
--	29606GT	RING GEAR,FORD*** <i>FITS LSG-LRG 423, AND LRG425</i>		28	6019GT	SCREW,HHC,3/8-16 X 1.25 GRD 5	
--	29616GT	STARTER,ENGINE,FORD LSG/LRG***		29	6021GT	WASHER,LOCK,.375	
1	14033GT	SCREW,HHC,3/8-16 X 2.75		30	37003GT	COUPLER,HUB,15 TOOTH 7/16BOLT*.....1	1
2	22692GT	WASHER,WAVE SPRG,1X.635X.015		31	6096GT	SCREW,HHC,1/2-13 X 2 GR5	
3	4828GT	NUT,NYLOCK,3/8-16		32	6095GT	WASHER,FLAT,USS,1/2",Y	
4	88450GT	SENSOR,OXYGEN LRG425EFI.....1	1	33	6198GT	NUT,NYLOCK,1/2-13	
5	139610GT	SENSOR,AIR,CAT MONITOR.....1	1	34	119223GT	PLATE,REAR ENGINE SUPPORT.....1	1
6	119238GT	FORMING,HEAT SHIELD.....1	1	35	110405GT	BELL HOUSING KIT,FORD DSG423.....1 <i>includes items 27 and 30</i>	1
7	111634GT	AIR CLEANER,FORD,T3.....1	1	--	111748GT	SCREW,SHC,M10X1.5 X 60 GR8.8.....2	2
--	1277991GT	CLIP,AIR CLEANER COVER (58247) <i>for 58247</i>		--	119052GT	PUMP MOUNT,FORD DSG423	
--	227988GT	VACUATOR VALVE		36	10597GT	SCREW,HHC,1/2-13 X 1.25 GR5	
--	38922GT	ELBOW,90DEG.1/8MPT-5/16 BARB		37	13066GT	WASHER,FLAT,5 HARDENED	
--	53952GT	BRKT,AIR CLEANER ORIENTATION** <i>sold separately</i>		38	6033GT	WASHER,LOCK,0.5"	
--	58247GT	AIR CLEANER CAP/ FORD/NOLFF***		39	110480GT	WELDMENT,CAT MOUNT.....1	1
--	77295GT	FILTER ELEMENT,AIR,NOLFF LPG		40	119484GT	CAP,COOLANT 3/4.....1	1
8	45435GT	CLAMP,HOSE,2.50"***.....2	2	41	46131GT	CLAMP,HOSE,.63" - 1.0" X .5".....1	1
9	110421GT	HOSE,AIR INTAKE.....1	1	42	147016GT	CAP,EPDM,5/16".....1	1
--	45435GT	CLAMP,HOSE,2.50"***		43	147015GT	CLAMP,SPRING,7/16".....1	1
10	110422GT	HOSE,AIR,MIXER.....1	1	44	25548GT	SCREW,HHC,M10 X 40MM,GRD8	
11	13000GT	SCREW,HHC,5/16-18 X 1.25.....1	1	45	22699GT	WASHER,FLAT,M10,ZINC PLTD.	
12	5397GT	WASHER,FLAT,USS,5/16",Y		46	22700GT	WASHER,LOCK,M10	
13	18503GT	NUT,LOCKING-LG.FLANGE,5/16-18		47	102121GT	CLAMP,MUFFLER,1-7/8 IN.....3	3
14	45454GT	CLAMP,RUB CUSH,0.75,#12 X 3/8*.....3	3	48	119051GT	MOUNTING BAND,MUFFLER,8.0".....2	2
15	111614GT	FORMING,AIR CLEANER MOUNT.....1	1	49	111666GT	WELDMENT,MUFFLER,DSG423.....1	1
16	110758GT	HOSE,UPPER RADIATOR.....1	1	50	119234GT	TAILPIPE,FORD DSG423.....1	1
17	119053GT	CLAMP,HOSE,1.50.....2	2	51	110424GT	HOSE,RETURN,ENGINE.....1	1
18	119140GT	ALTERNATOR,FORD DSG423,MSG425.....1 <i>heat shield not included</i>	1	52	110407GT	WELDMENT,HEADER PIPE.....1	1
18A	227309GT	HEAT SHIELD,ALTERNATOR,FORD <i>must order separately</i>		--	72343GT	GASKET,EXH FLANGE-FORD/PERKINS	
19	6888GT	SCREW,HHC,1/4-20 X 1					
20	6638GT	WASHER,FLAT,USS,1/4"Y					
21	6091GT	NUT,NYLOCK,1/4-20					
22	111615GT	FORMING,HEAT SHLD,HEADER PIPE.....1	1				
23	71911GT	CLAMP,MUFFLER, 2.50 INCH.....1	1				
24	119463GT	MANIFOLD,EXHAUST TURBO.....1	1				
25	112285GT	PIPE,COOLANT RETURN,FORD 2.3L...1	1				
26	110777GT	PLATE,REAR LIFTING EYE.....1	1				
27	89813GT	FLEX PLATE,COUPLER (64079).....1	1				
--	128021GT	KIT,FBA STYLE COUPLER,FORD					

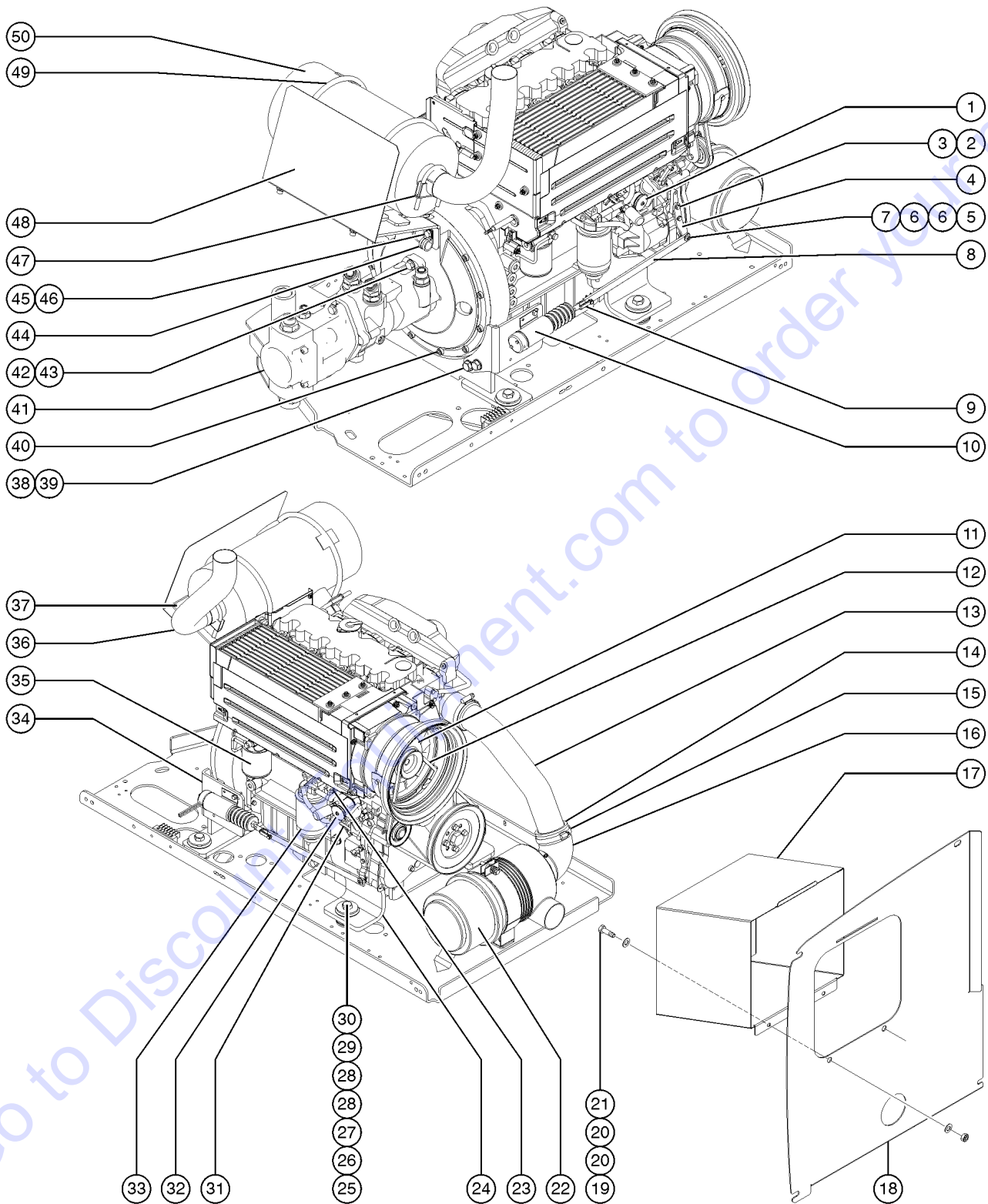
509.1 Ford DSG-423 Engine - View 4 (from SN 14054)



509.1 Ford DSG-423 Engine - View 4 (from SN 14054)

Item	Part No.	Description	Qty.	Item	Part No.	Description	Qty.
1	25368GT	NUT,NYLOCK,M8X1.25		33	24038GT	SHOCK MOUNT,SMALL.....	4
2	6638GT	WASHER,FLAT,USS,1/4"Y		34	8516GT	SCREW, HCC, 3/8-16 X 1.50	
3	110892PGT	BRACKET,REGULATOR SUPPORT,PNTD.....	1	35	6097GT	WASHER,FLAT,USS,3/8",Y	
4	110919GT	ISOLATOR,VIBRATION,M8 M/M.....	4	36	4828GT	NUT,NYLOCK,3/8-16	
5	110890PGT	FORMING,REGULATOR MOUNT,PTD...	1	37	110997GT	BAFFLE,RADIATOR,FORD.....	1
6	33277GT	WASHER,FLAT,M8,YELLOW ZINC		38	110406GT	RADIATOR,FORD DSG423 & MSG425.....	1
7	119826GT	REGULATOR,LPG,DSG-423.....	1	38B	131589GT	HOSE,OVERFLOW,RADIATOR.....	1
--	119546GT	KIT,FITTING,REGULATOR DSG-423		38C	65473GT	CAP,RADIATOR,PERKINS/FORD	
7A	102119GT	HOSE,3/4,LP.....8-inches from regulator to mixer	1	39	111341GT	FORD TIII FAN GUARD W/DECALS.....	1
8	119232GT	LOCKOFF,LP,FORD DSG/MSG.....	1	40	21019GT	SCREW,PHIL,PHM,10-24 X.5,SEMS	
9	19363GT	ELBOW,130239-4-4.....	1	41	6146GT	WASHER,FLAT,MS,#10,Y	
10	75159GT	SCREW,HHC,M8X1.25X 25MM,GR8.8		42	110995GT	GUIDE,HOSE,FORD.....	1
11	49386GT	SCREW,HHC,M8 X 40		43	110419GT	FORMING,RADIATOR BRACE LEFT.....	1
12	49408GT	WASHER,LOCK,M8		--	18503GT	NUT,LOCKING-LG.FLANGE,5/16-18	
13	10598GT	SCREW,HHC,1/2-13 X 3		--	219437GT	ISOLATOR, VIBRATION	
14	6095GT	WASHER,FLAT,USS,1/2",Y		44	25926GT	WASHER,FLAT,M6 PLTD.	
15	70452GT	ISOLATOR,ENGINE VIBRATION***.....	4	45	48425GT	NUT,FLG-LRG,3/8-16,YZ	
16	101730GT	SPACER,ENGINE MOUNT.....	4	46	15086GT	WASHER,FLAT,.375 X 1.5 X .125	
17	101729GT	WASHER,VIBRATION ISOLATING.....	4	47	215298GT	UPPER IDLER PULLEY, MSG425	
18	24040GT	WASHER, 1/2 PLATE (1/2 X 2.25 X 3/16)		--	119477GT	IDLER BRACKET	
19	6198GT	NUT,NYLOCK,1/2-13		48	119073GT	HOSE,COOLANT,REG INTAKE.....	1
20	112283GT	FORMING,FORD GCP MOUNT.....	1	--	119053GT	CLAMP,HOSE,1.50	
21	119169GT	CONTROL MODULE,DSG-423..... (for models with YELLOW fuel injectors)	1	49	19358GT	CONNECTOR,010102-6-4	
22	6145GT	SCREW,HHC,1/4-20 X 1.5		50	119055GT	HOSE ASSY,LP GAS	
23	56912GT	SPRING CLIP,1/4-20,.025-.15X.54,ZAG		51	112400GT	PLATE,FRONT LIFTING EYE.....	1
24	25927GT	SCREW,HHC,M10 X 55MM,GRD 8.8					
25	22700GT	WASHER,LOCK,M10					
26	22699GT	WASHER,FLAT,M10,ZINC PLTD.					
27	70367GT	BOTTLE,COOLANT RECOVERY,3.7***.....	1				
--	1062264000GT	TUBING, VINYL, 1/2" CLEAR					
--	115431GT	CAP ASSY, COOLANT BOTTLE					
--	21465GT	CLAMP,HOSE,.25" - .63" X .3125					
28	101540GT	ENGINE TRAY ASSY W/BEARINGS.....	1				
--	35675GT	BEARING,FL,1.25IDX1.5ODX1.25L					
29	110423GT	HOSE,LOWER RADIATOR.....	1				
--	119053GT	CLAMP,HOSE,1.50.....	2				
30	110416GT	FORMING,LEFT ENGINE SUPPORT.....	1				
--	110414GT	FORMING,RIGHT ENGINE SUPPORT					
31	110413GT	FORMING,FAN SHROUD.....	1				
32	110417PGT	FORMING,RADIATOR SUPPORT,PNTD.....	1				

510.1 Deutz BF4L-2011/TD2011-L04i Engine - View 1



510.1 Deutz BF4L-2011/TD2011-L04i Engine - View 1

Item	Part No.	Description	Qty.	Item	Part No.	Description	Qty.
1	111668GT	PUMP,FUEL 2011 DEUTZ ***	1	--	75450GT	AIR CLEANER CLIPS, SUPERBOOM for 81467	
--	111402GT	O-RING, FUEL LIFT PUMP		--	75451GT	AIR CLEANER COVER, SUPERBOOM* for 81467	
--	27089GT	HOSE,5/16 FUEL,SAE 30R7		--	81468GT	MOUNTING BAND,AIR CLEANER	
--	30490GT	HOSE,1/4 FUEL LINE,SAE 30R7		23	111445GT	SENDING UNIT,OIL TEMP SWCH,DTZ	1
2	22578GT	SCREW,HHC,M6 X 20MM,GR8.8		24	70455GT	FORMING,ENGINE MOUNT	
3	49407GT	WASHER,LOCK,M6		25	13003GT	SCREW,HHC,5/8-11 X 3.5 GRD.8	
4A	50787-SGT	LEVER, GOVERNOR ACTUATOR.....1 to SN 20378	1	26	33418GT	WASHER,FLAT,625 X 2.25 X.15	
4B	70479PGT	FORMING,THROTTLE ARM PAINTED from SN 20379		27	102045GT	ISOLATOR,ENGINE VIBRATION	
5	6584GT	SCREW,SHS,10-24 X .625	1	28	18596GT	WASHER,FLAT,1.56 X 2.5 X .061	
6	6638GT	WASHER,FLAT,USS,1/4"Y	2	29	13064GT	WASHER,FLAT,.625 HARDENED	
7	5365GT	NUT,NYLOCK,10-24	1	30	6024GT	NUT,NYLOCK,5/8-11	
8A	88512GT	THROTTLE LINK,DSL*** to SN 20378		31	52352GT	DIPSTICK-F3L1011F (DEUTZ)	1
8B	139322GT	THROTTLE LINKAGE, DSL.....1 from SN 20379	1	32	58299GT	SENDING UNIT,OIL PRESS.,DEUTZ*.....1	1
9	21130GT	CLEVIS YOKE-1/4-28,PLTD W/PIN.....1 includes clevis pin and cotter pin	1	33	29560GT	FILTER,FUEL/WTR SEP, DTZ 1008.....1 Genie Genuine Part. See PN 1254826 for compatible aftermarket replacement.	1
10	77402GT	SOLENOID,THROTTLE ACTUATOR DSL	1	--	1254826GT	FUEL FILTER W/SEP,DEUTZ,1008.....1 Genie Aftermarket Part. Filter for Deutz F3L 1011F Engine.	1
11	58249GT	ALTERNATOR, DEUTZ,BF4L2011***	1	34A	70478PGT	FORMING,SOLENOID MOUNT PAINTED (to SN S6010-20378)	
--	1280590GT	PULLEY,ALTERNATOR,DEUTZ BF4L2011 for 58249		34B	139321GT	FORMING, SOLENOID MOUNT***.....11 (from SN S6010-20379)	11
--	1280591GT	SPACER,ALT PULLEY,DEUTZ BF4L2011 for 58249		35	49924GT	FILTER,OIL,DEUTZ F4L1011F.....1 Genie Genuine Part. See PN 1255653 for compatible aftermarket replacement.	1
12	58630GT	V-BELT, DEUTZ TD2011LOAI	1	--	1255653GT	FILTER,OIL,DEUTZ,REPLACEMENT.....1 Genie Aftermarket Part. Compatible with Genie Genuine Part 49924.	1
13	102227GT	TUBE,AIR INTAKE	1	36	70465GT	TAILPIPE,DEUTZ BF4L2011	1
14	88064GT	REDUCER,3" TO 2.75".....1 to SN 19171	1	37	70448PGT	FORMING,MUFFLER MOUNT	1
15	30489GT	CLAMP,HOSE,3.50	4	38	22558GT	SCREW,HHC,M14 X 40MM,GR 8.8	
16A	60561GT	ELBOW,INLET,CUMMINS.....1 to SN 19171	1	39	49411GT	WASHER,FLAT,M14	
16B	139455GT	ELBOW,AIR INTAKE,RUBBER from SN 19172		40	61110GT	SCREW,SHC,M10X1.5X30 GR 12.9	
17A	110182PGT	WELDMENT,COOLING AIR BOX PANTD to SN 20378		41		Ref. HYDRAULIC PUMPS refer to 404.1	
17B	128896GT	WELDMENT, AIR INTAKE BOX.....1 from SN 20379	1	42	8177GT	SCREW,HHC,1/2-13 X 1.5	
18	110183PGT	BAFFLE,AIR INTAKE S60 PAINTED.....1	1	43	13066GT	WASHER,FLAT,.5 HARDENED	
19	6175GT	SCREW,HHC,3/8-16 X 1		44	60838GT	CLAMP,1.00,#16 X 7/16,RUB CUSH.....1	1
20	5397GT	WASHER,FLAT,USS,5/16",Y		45	85053GT	SCREW,HHC,M10 X 1.5 X70,GR 8.8	
21	4828GT	NUT,NYLOCK,3/8-16		46	22699GT	WASHER,FLAT,M10,ZINC PLTD.	
22	81467GT	AIR CLEANER,NELSON.....1	1	47	71911GT	CLAMP,MUFFLER, 2.50 INCH.....2	2
--	52866GT	EVACUATOR VALVE-AIR CLEANER for 81467		48	102237GT	FORMING,HEAT SHIELD,MUFFLER***	1
--	62425GT	FILTER,AIR CLEANER,SUPERBOOM for 81467		49	70449GT	U-BOLT,1/2-13 X 8.5.....2	2

510.1 Deutz BF4L-2011/TD2011-L04i Engine - View 1
(continued)

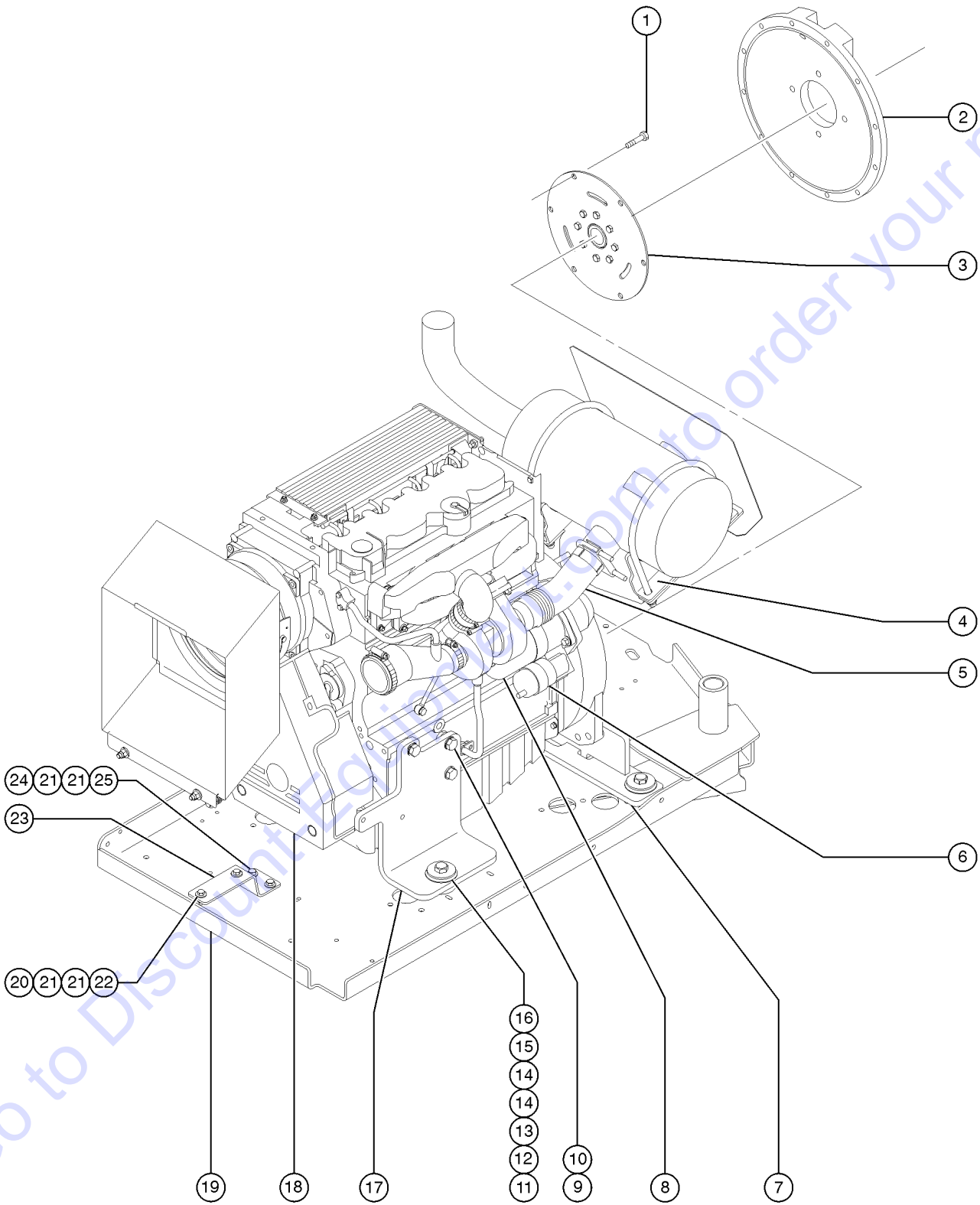
Item	Part No.	Description	Qty.
50	70444GT	MUFFLER,2.5"INLET/OUTLET.....1	
--	101633GT	MUFFLER,SPARK ARREST,2.5 I/O <i>option</i>	
--	101634GT	MUFFLER,CATALYTIC,2.5 I/O <i>option</i>	

Go to Discount-Equipment.com to order your parts

This Page Intentionally Left Blank

Go to Discount-Equipment.com to order your parts

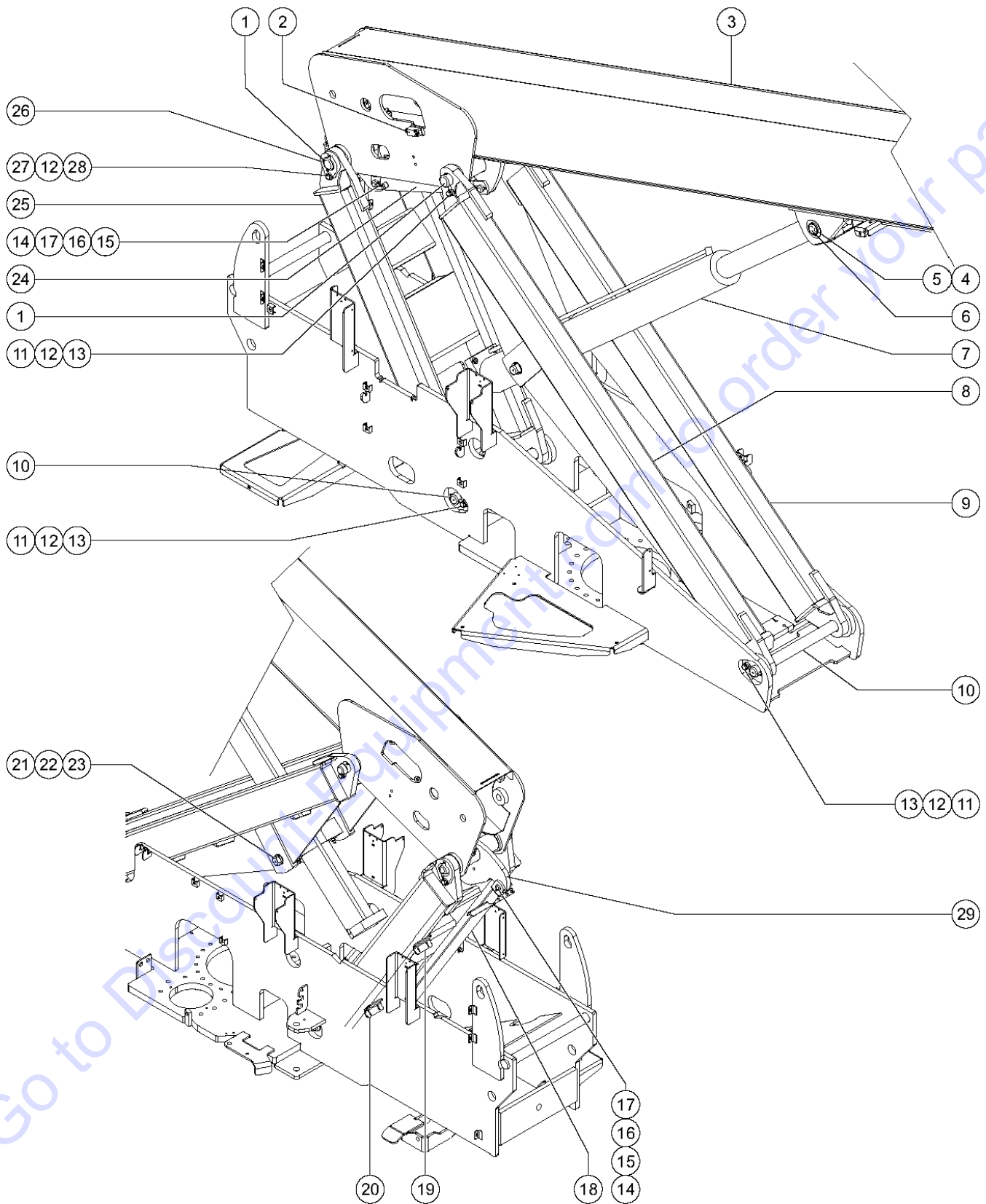
511.1 Deutz BF4L-2011/TD2011-L04i Engine - View 2



511.1 Deutz BF4L-2011/TD2011-L04i Engine - View 2

Item	Part No.	Description	Qty.
--	102581GT	PUMP,FUEL INJ,DEUTZ BF4L20 class A injection pump; provide SN of engine to service to get correct injection pump (A, B, C, D)	
--	T108732GT	PUMP,FUEL INJ,DEUTZ BF4L20 class B injection pump; provide SN of engine to service to get correct injection pump (A, B, C, D)	
--	T108733GT	PUMP,FUEL INJ,DEUTZ BF4L20 class C injection pump; provide SN of engine to service to get correct injection pump (A, B, C, D)	
--	T108734GT	PUMP,FUEL INJ,DEUTZ BF4L20 class D injection pump; provide SN of engine to service to get correct injection pump (A, B, C, D)	
1	62476GT	SCREW,SHC,M10X1.5X20MM (75090)	
2	70381GT	COVER,FLYWHEEL CASTING.....1	
3	128004GT	COUPLER,15 TOOTH,FBA,SAE8***	
4	70483GT	FORMING,8.5' MUFFLER MOUNT.....1	
5	70445GT	FLEX PIPE,EXHAUST,2.5" DIA.....1	
5B	139983GT	EXHAUST PIPE GASKET	
5B	71911GT	CLAMP,MUFFLER, 2.50 INCH	
6	49915GT	SOLENOID-STARTER DEUTZF4L1011F*.....1	
7	70456GT	WELDMENT,REAR ENGINE MOUNT.....1	
8	139709GT	STARTER, 12V.....1	
9	22558GT	SCREW,HHC,M14 X 40MM,GR 8.8	
10	49411GT	WASHER,FLAT,M14	
11	13003GT	SCREW,HHC,5/8-11 X 3.5 GRD.8.....4	
12	33418GT	WASHER,FLAT,.625 X 2.25 X.15	
13	102045GT	ISOLATOR,ENGINE VIBRATION.....4	
14	18596GT	WASHER,FLAT,1.56 X 2.5 X .061	
15	13064GT	WASHER,FLAT,.625 HARDENED.....4	
16	6024GT	NUT,NYLOCK,5/8-11	
17	70454PGT	FORMING,ENGINE MOUNT PAINTED...1	
18	146061GT	V-BELT GUARD, DEUTZ 2011.....1	
19		ENGINE TRAY refer to section 304.1	
20	13002GT	SCREW,HHC,5/16-18 X 1 GR5	
21	5397GT	WASHER,FLAT,USS,5/16",Y	
22	6782GT	NUT,NYLOCK,5/16-18	
23	102209PGT	FORMING,AIR CLEANER MOUNT PNTD.....1	
24	6019GT	SCREW,HHC,3/8-16 X 1.25 GRD 5	
25	4828GT	NUT,NYLOCK,3/8-16	

601.1 Linkage Assembly (to SN 15752)



601.1 Linkage Assembly (to SN 15752)

Item	Part No.	Description	Qty.	Item	Part No.	Description	Qty.
1	88665GT	PIN,2.25DIA X 19.25LG,CHAMFER.....	2	--	19491GT	CONTACTOR,LIMIT SWITCH	
2		Ref. Primary Limit Switch (refer to 602.1)		--	43960GT	WIRE CABLE,16/4 CON.TPE JKT.....86-inches	
3		Ref. Number 1 Boom Tube (refer to 602.1)		--	54260GT	TERM,NI SOC,14-16GA,BULK	
4	18716GT	SNAP RING,EXTERNAL,2.00 DIA.....	2	--	60425GT	LOCK, PLUG 2WAY, 14-18GA	
5	18730GT	WASHER,FLAT,2.01 X 3.5 X .06		--	73814GT	CONN,DSCH,BOOT,DT2S-BT	
6	88872GT	PIN,2.00DIA X 11.18LG,2RING.....	1	--	88356-11103GT	SWITCH,LIMIT,W/RLR ARM,NO/NC**	
7	88653GT	CYLINDER,LIFT,S60***	1	--	97128GT	ROLLER ARM,LIMIT SWITCH***	
--	101252GT	SEAL KIT (88653) for 88653		20	88929GT	HARNESS,LS,OP,PRIMARY VELOCITY.....	1
--	1262331GT	KIT, GLAND NUT, S60 LIFT CYL. for 88653		--	119058GT	CONN PLUG 4 WAY ENDCAP DT	
--	1268376GT	NUT, PISTON, LIFT CYLINDER for 88653		--	43960GT	WIRE CABLE,16/4 CON.TPE JKT.....61-inches	
--	1268377GT	SET SCREW, LIFT CYLINDER for 88653		--	54260GT	TERM,NI SOC,14-16GA,BULK	
--	18720GT	BEARING,2.0IDX2.25ODX1.50L for 88653		--	60429GT	LOCK,PLUG 4 WAY,14-18GA	
--	61602GT	VALVE,COUNTERBAL.CBBB-LHN@3500 for 88653		--	73739GT	BOOT,PLUG 4 WAY	
8A	88742GT	WELDMENT,LONG LINK LH.....	1	--	88356-11103GT	SWITCH,LIMIT,W/RLR ARM,NO/NC**	
--	88920GT	BEARING,FL,2.00IDX2.25ODX1.50L		21	88666GT	PIN,2 X 5.75 LG.....	1
8B	139601GT	ASSY, LONG LINK LT W/BEARINGS from SN 13875		22	13854GT	SCREW,HHC,1/2-13 X 4.5,GRD.8	
9A	88892GT	WELDMENT,LONG LINK RT.....	1	23	6198GT	NUT,NYLOCK,1/2-13	
--	88920GT	BEARING,FL,2.00IDX2.25ODX1.50L		24	88668GT	CYLINDER,MASTER,S60,S65.....	1
9B	139602GT	ASSY, LONG LINK RT W/BEARINGS from SN 13875		--	101253GT	SEAL KIT (88668) for 88668	
10	88676GT	PIN,2.00DIA X 24.00LG,CHAMFER***.....	1	--	75470GT	SEAL KIT,CYL,S45 MASTER(81694) for 81694	
--	10597GT	SCREW,HHC,1/2-13 X 1.25 GR5		--	81694GT	CYLINDER,MASTER	
--	107808GT	ARM SPACER*** to SN 13874		25	88764GT	WELDMENT,SHORT LINK.....	1
--	110908GT	WELDMENT, LONG LINK SPACER from SN 13875		--	119045GT	WELDMENT, SHORT LINK.....	1
--	14815GT	PIN,ROLL,SST,.25 X 2.25 to SN 13874		26	107856GT	PLATE,PIN RETAINER,2.25 DIA.**.....	2
11	8177GT	SCREW,HHC,1/2-13 X 1.5		--	107869GT	PIN,.50DIA X 3.163LG.***	
12	6033GT	WASHER,LOCK,0.5"		--	107870GT	KIT,SERVICE,S60 PIVOT PIN***	
13	1256267GT	ROD END,.5 X 3.75,ZAG.....	2	27	8177GT	SCREW,HHC,1/2-13 X 1.5 to SN 11294	
14	34276GT	PIN,1.25DIA X 3.37LG,1HOLE.....	1	--	94747GT	SCREW,HHC,1/2-13 X 1.75 GRD 8 from SN 11295	
15	1255452GT	ROD END,.375 X 2.25,ZAG.....	2	28	1256267GT	ROD END,.5 X 3.75,ZAG.....	2
16	6021GT	WASHER,LOCK,.375		--	13066GT	WASHER,FLAT,.5 HARDENED from SN 11295	
17	6175GT	SCREW,HHC,3/8-16 X 1		29	77672GT	WELDMENT,TIMING LINK CAM.....	1
18	88675GT	WELDMENT,MASTER LINK.....	1	--	30370GT	BEARING,1.25IDX1.5ODX1.00L	
19	88926GT	HARNESS,LS,OP,PRIMARY ANGLE.....	1	--	88919GT	BEARING,FL,2.25IDX2.50ODX1.63L	
--	119056GT	CONN,PLUG 2 WAY,14-18GA					

PARTS FINDER

**Search Website
by Part Number**



**Search Manual
Library For Parts
Manual & Lookup Part
Numbers – Purchase
or Request Quote**

Search Manuals

Enter your information to search for a manual or to purchase a manual or parts.

* Brand:

* Model:

* Serial:

* Part Number:

SEARCH

**Can't Find Part or
Manual? Request Help
by Manufacturer,
Model & Description**

Parts Order Form

Please fill in the following information:

Manufacturer:

Model:

Description:

Quantity:

Part Number:

Part Name:

Part Description:

Part Category:

Part Location:

Part Status:

Part Condition:

Part Material:

Part Color:

Part Weight:

Part Dimensions:

Part Price:

Part Notes:

Submit

Discount-Equipment.com is your online resource for quality parts & equipment.

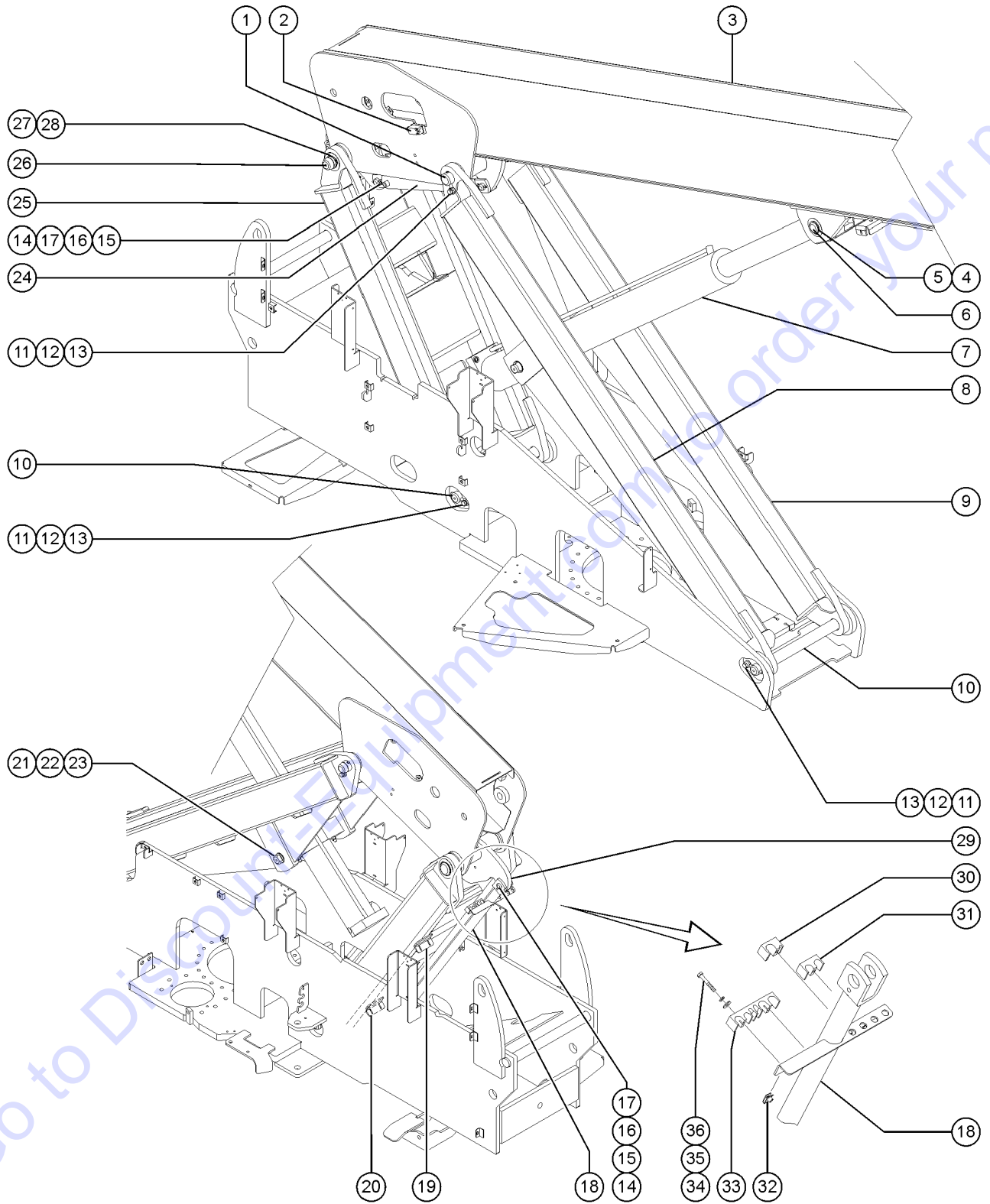
Florida: **561-964-4949** Outside Florida TOLL FREE: **877-690-3101**

Need parts?

Click on this link: <http://www.discount-equipment.com/category/5443-parts/> and choose one of the options to help get the right parts and equipment you are looking for. Please have the machine model and serial number available in order to help us get you the correct parts. If you don't find the part on the website or on one of the online manuals, please fill out the request form and one of our experienced staff members will get back to you with a quote for the right part that your machine needs.

We sell worldwide for the brands: Genie, Terex, JLG, MultiQuip, Mikasa, Essick, Whiteman, Mayco, Toro Stone, Diamond Products, Generac Magnum, Airman, Haulotte, Barreto, Power Blanket, Nifty Lift, Atlas Copco, Chicago Pneumatic, Allmand, Miller Curber, Skyjack, Lull, Skytrak, Tsurumi, Husquvarna Target, Stow, Wacker, Sakai, Mi-T-M, Sullair, Basic, Dynapac, MBW, Weber, Bartell, Bennar Newman, Haulotte, Ditch Runner, Menegotti, Morrison, Contec, Buddy, Crown, Edco, Wyco, Bomag, Laymor, EZ Trench, Bil-Jax, F.S. Curtis, Gehl Pavers, Heli, Honda, ICS/PowerGrit, IHI, Partner, Imer, Clipper, MMD, Koshin, Rice, CH&E, General Equipment, Amida, Coleman, NAC, Gradall, Square Shooter, Kent, Stanley, Tamco, Toku, Hatz, Kohler, Robin, Wisconsin, Northrock, Oztec, Toker TK, Rol-Air, APT, Wylie, Ingersoll Rand / Doosan, Innovatech, Con X, Ammann, Mecalac, Makinex, Smith Surface Prep, Small Line, Wanco, Yanmar

601.2 Linkage Assembly (from SN 15753)



601.2 Linkage Assembly (from SN 15753)

Item	Part No.	Description	Qty.	Item	Part No.	Description	Qty.
1	88665GT	PIN,2.25DIA X 19.25LG,CHAMFER.....1	1	17	6175GT	SCREW,HHC,3/8-16 X 1	
2		HARNESS,LS,OP,PRIMARY EXT/RET...1 <i>refer to section 602.1</i>	1	18	88675GT	WELDMENT,MASTER LINK.....1	1
3		ASSEMBLY,BOOM TUBE #1 S60/65.....1 <i>refer to section 602.1</i>	1	19	88926GT	HARNESS,LS,OP,PRIMARY ANGLE.....1	1
4	18716GT	SNAP RING,EXTERNAL,2.00 DIA.....2	2	--	119056GT	CONN,PLUG 2 WAY,14-18GA	
5	18730GT	WASHER,FLAT,2.01 X 3.5 X .06		--	19491GT	CONTACTOR,LIMIT SWITCH	
6	88872GT	PIN,2.00DIA X 11.18LG,2RING.....1	1	--	43960GT	WIRE CABLE,16/4 CON.TPE JKT.....86-inches	
7	88653GT	CYLINDER,LIFT,S60***.....1	1	--	54260GT	TERM,NI SOC,14-16GA,BULK	
--	101252GT	SEAL KIT (88653) <i>for 88653</i>		--	60425GT	LOCK, PLUG 2WAY, 14-18GA	
--	1262331GT	KIT, GLAND NUT, S60 LIFT CYL. <i>for 88653</i>		--	73814GT	CONN,DSCH,BOOT,DT2S-BT	
--	1268376GT	NUT, PISTON, LIFT CYLINDER <i>for 88653</i>		--	88356-11103GT	SWITCH,LIMIT,W/RLR ARM,NO/NC**	
--	1268377GT	SET SCREW, LIFT CYLINDER <i>for 88653</i>		--	97128GT	ROLLER ARM,LIMIT SWITCH***	
--	18720GT	BEARING,2.0IDX2.25ODX1.50L <i>for 88653</i>		20	88929GT	HARNESS,LS,OP,PRIMARY VELOCITY.....1	1
--	61602GT	VALVE,COUNTERBAL.CBBB-LHN@3500 <i>for 88653</i>		--	119058GT	CONN PLUG 4 WAY ENDCAP DT	
7A	107825GT	CYLINDER, LIFT, S60HC.....1 <i>FOR S-60 HC</i>	1	--	19491GT	CONTACTOR,LIMIT SWITCH	
--	101252GT	SEAL KIT (88653).....1 <i>FOR S-60 HC</i>	1	--	43960GT	WIRE CABLE,16/4 CON.TPE JKT.....61-inches	
--	1262331GT	KIT, GLAND NUT, S60 LIFT CYL. <i>for 107825</i>		--	54260GT	TERM,NI SOC,14-16GA,BULK	
--	128464GT	VALVE,COUNTERBAL.CWCK-LHN@3500.1 <i>FOR S-60 HC</i>	1	--	60429GT	LOCK,PLUG 4 WAY,14-18GA	
--	60984GT	VALVE COUNTERBAL.CBBD-LJN@5000.....2 <i>FOR S-60 HC</i>	2	--	73739GT	BOOT,PLUG 4 WAY	
8	139601GT	ASSY, LONG LINK LT W/BEARINGS.....1	1	--	88356-11103GT	SWITCH,LIMIT,W/RLR ARM,NO/NC**	
--	18722GT	BEARING,2.25IDX2.50ODX1.50L***		--	97128GT	ROLLER ARM,LIMIT SWITCH***	
--	88920GT	BEARING,FL,2.00IDX2.25ODX1.50L		21	88666GT	PIN,2 X 5.75 LG.....1	1
9	139602GT	ASSY, LONG LINK RT W/BEARINGS.....1	1	22	13854GT	SCREW,HHC,1/2-13 X 4.5,GRD.8	
--	18722GT	BEARING,2.25IDX2.50ODX1.50L***		23	6198GT	NUT,NYLOCK,1/2-13	
--	88920GT	BEARING,FL,2.00IDX2.25ODX1.50L		24	88668GT	CYLINDER,MASTER,S60,S65.....1 <i>component no longer available</i>	1
10	88676GT	PIN,2.00DIA X 24.00LG,CHAMFER***.....1	1	--	101253GT	SEAL KIT (88668) <i>for 88668</i>	
--	10597GT	SCREW,HHC,1/2-13 X 1.25 GR5		--	75470GT	SEAL KIT,CYL,S45 MASTER(81694) <i>for 81694</i>	
--	110908GT	WELDMENT, LONG LINK SPACER		--	81694GT	CYLINDER,MASTER	
11	8177GT	SCREW,HHC,1/2-13 X 1.5		25	119992GT	SHORT LINK W/BEARINGS, SERVICE.....1 <i>(includes items 26-28)</i>	1
12	6033GT	WASHER,LOCK,0.5"		--	119991GT	WELDMENT, SHORT LINK	
13	1256267GT	ROD END,.5 X 3.75,ZAG.....2	2	--	18720GT	BEARING,2.0IDX2.25ODX1.50L	
14	34276GT	PIN,1.25DIA X 3.37LG,1HOLE.....1	1	--	18722GT	BEARING,2.25IDX2.50ODX1.50L***	
15	1255452GT	ROD END,.375 X 2.25,ZAG.....2	2	26	119990GT	PIN,2.25DIA X 18.75LG,CHAMFER.....1	1
16	6021GT	WASHER,LOCK,.375		27	18731GT	WASHER,FLAT,2.27 X 3.5 X .06.....6	6
				28	18717GT	SNAP RING,EXTERNAL,2.25 DIA.....2	2
				29	77672GT	WELDMENT,TIMING LINK CAM.....1	1
				--	30370GT	BEARING,1.25IDX1.50DX1.00L	
				--	88919GT	BEARING,FL,2.25IDX2.50ODX1.63L	
				30	70290GT	CLAMP,LINK,LH.....1 <i>to SN 20420</i>	1

601.2 Linkage Assembly (from SN 15753)
(continued)

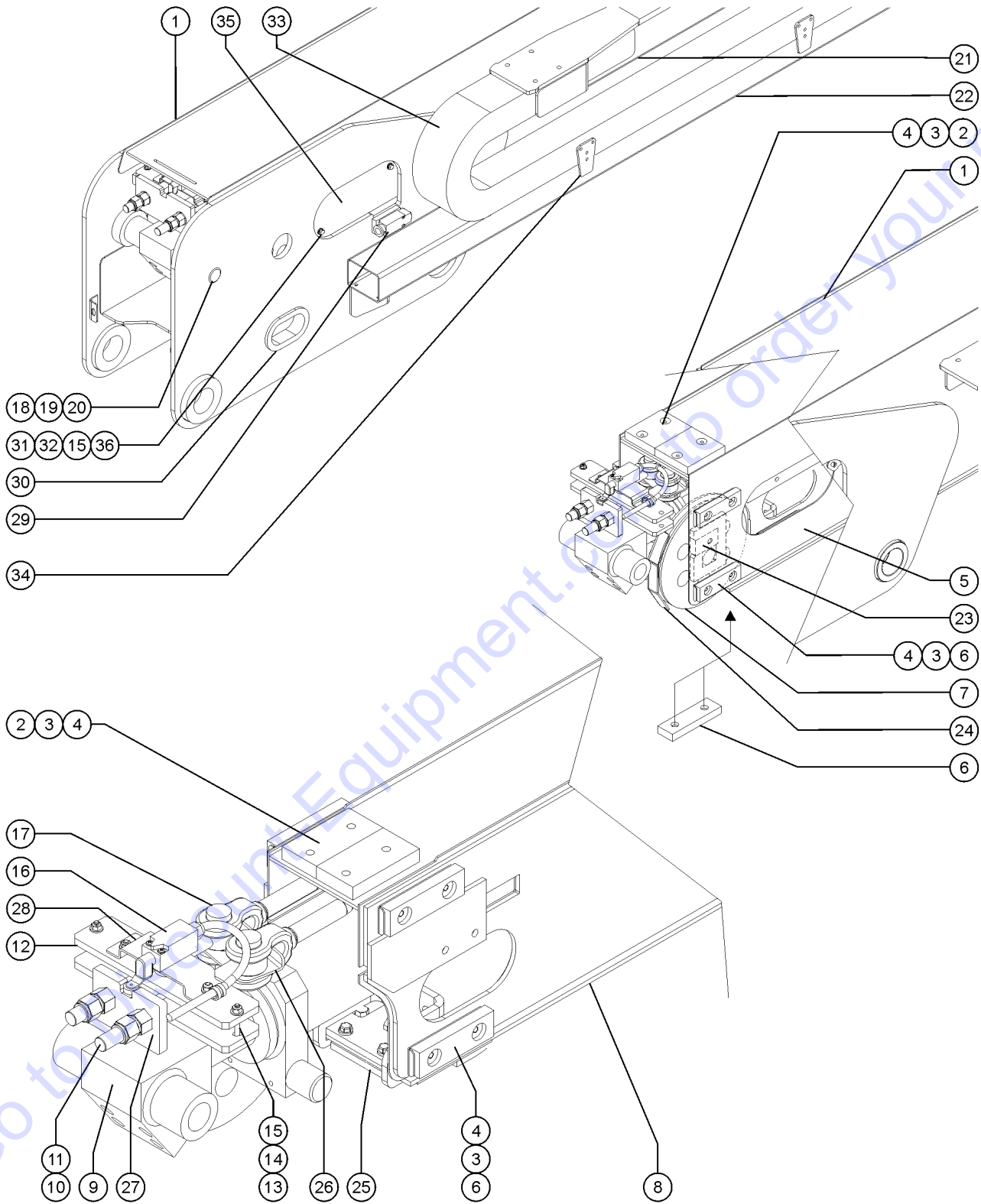
Item	Part No.	Description	Qty.
--	139790GT	CLAMP, PULL TUBE.....1 <i>from SN 20421</i>	1
31	70289GT	CLAMP, LINK, LH WELD WIRE.....1	1
32	25969GT	CLIP, SPRING, 1/4-20 BLACK.....4	4
33	70292GT	CLAMP, LINK, RH <i>to SN 20420</i>	
--	139793GT	CLAMP, TIMING LINK <i>from SN 20421</i>	
34	6637GT	SCREW, HHC, 1/4-20 X 1.75.....4	4
35	6356GT	WASHER, LOCK, .25.....4	4
36	6638GT	WASHER, FLAT, USS, 1/4"Y.....4	4

Go to Discount-Equipment.com to order your parts

This Page Intentionally Left Blank

Go to Discount-Equipment.com to order your parts

602.1 Boom Components - View 1



602.1 Boom Components - View 1

Item	Part No.	Description	Qty.	Item	Part No.	Description	Qty.
1A	94690GT	ASSEMBLY,BOOM TUBE #1 S60/65.....1 <i>USA/Canadian/Australia; to SN 20420</i>		--	97128GT	ROLLER ARM,LIMIT SWITCH***	
--	147227GT	#1 BOOM TUBE ASSY,W/WORD DECAL <i>USA/Canadian/Australia; from SN 20421</i>		17	19440GT	PIN,CLEVIS,1 X 2.5 LG.....2	
1B	101435GT	#1 BOOM TUBE ASSM, W/SYM DECAL <i>CE/Asia/South America; to SN 20420</i>		18A	94641GT	PIN,1.50DIAX12.93LG,2RING <i>(from SN 9154 to 13257)</i>	
--	147226GT	#1 BOOM TUBE ASSM, W/SYM DECAL <i>CE/Asia/South America; from SN 20421</i>		18B	81856GT	PIN,1.50DIAX13.43LG,2RING.....1 <i>(from SN 13258 to 21000)</i>	
--	18720GT	BEARING,2.0IDX2.25ODX1.50L.....2		19	825796GT	SNAP RING,EXTERNAL,1.50,ZAG.....2	
--	30370GT	BEARING,1.25IDX1.50DX1.00L.....1		20	18596GT	WASHER,FLAT,1.56 X 2.5 X .061	
--	88919GT	BEARING,FL,2.25IDX2.50ODX1.63L.....4		21		WELDMNT,CABLE TRACK TUBE.....1 <i>refer to section 607.1</i>	
2	34124GT	WEAR PAD,5 X 3 X .625 W/NUTS.....4		22		WELDMNT,CABLE TRACK TRAY.....1 <i>refer to section 607.1</i>	
--	34344GT	SHIM,SIDE PAD 16GA. 3 X 5		23	88795PGT	CAP,EXTENSION,PAINTED.....1	
3	6021GT	WASHER,LOCK, .375		--	6021GT	WASHER,LOCK, .375	
4	6175GT	SCREW,HHC,3/8-16 X 1		--	6097GT	WASHER,FLAT,USS,3/8",Y	
5	63078GT	WELDMNT,BOOM SECTION #2***.....1		--	6175GT	SCREW,HHC,3/8-16 X 1	
6	30138GT	WEAR PAD,5 X 1.5 X .625 W/NUTS		24	107665PGT	COVER,RETRACT SHEAVE,PAINTED.....1 <i>to SN 11156</i>	
7	88568GT	SHEAVE,RETRACT CABLE(SMALLER).....2		--	107665PGT	COVER,RETRACT SHEAVE,PAINTED <i>from SN 11157</i>	
8	94692GT	ASSEMBLY,BOOM TUBE #3 S60/65**1 <i>USA/Canadian/Australia</i>		25	77718GT	WEAR PAD,5 X 3 X .75.....2	
--	119567GT	ASSEM,BOOM TUBE #3 S60/65,CE** <i>CE/Asia/South America</i>		--	34344GT	SHIM,SIDE PAD 16GA. 3 X 5	
--	34245GT	BEARING,1.25IDX1.50X1.25L.....2		--	38621GT	SHIM,PAD,5 X 3	
9	88571GT	CYLINDER,BOOM EXTENSION.....1		--	6019GT	SCREW,HHC,3/8-16 X 1.25 GRD 5	
--	101251GT	SEAL KIT (88571)		--	6021GT	WASHER,LOCK, .375	
--	74872GT	VALVE,COUNTERBALANCE 3000 PSI*.....1		26	77618PGT	PLATE,ANTIROTATION.....1	
--	88667GT	VALVE,CB.CBCA-LHN@1500PSI***.....1		27	77795GT	MACHINED PIVOT PLATE WELDMNT.....1	
10	77656GT	ROD END,CABLE		28	77653PGT	FORMING,LIMIT SWITCH BRACKET.....1	
11	77051GT	NUT,NYLOCK,3/4-10,GRD.8		--	6091GT	NUT,NYLOCK,1/4-20	
12	77654PGT	PLATE,ROCKER.....2		--	6638GT	WASHER,FLAT,USS,1/4"Y	
--	826379GT	PIN,CLEVIS,1X2.250,ZAG <i>(sold seperately)</i>		--	6888GT	SCREW,HHC,1/4-20 X 1	
13	8179GT	SCREW,HHC,1/4-20 X 2.25		29	88836GT	HARNESS,LS,OP,PRIMARY EXT/RET...1	
14	6091GT	NUT,NYLOCK,1/4-20		--	119065GT	CONN,RECEP 2 WAY ENDCAP DT	
15	6638GT	WASHER,FLAT,USS,1/4"Y		--	19491GT	CONTACTOR,LIMIT SWITCH	
16	88927GT	HARNESS,LS,OP,CABLE TENSION.....1		--	43960GT	WIRE CABLE,16/4 CON.TPE JKT.....23-inches	
--	119067GT	CONN,RECEP 4 WAY ENDCAP DT		--	54259GT	TERM,NI PIN, 14-16GA,BULK	
--	19491GT	CONTACTOR,LIMIT SWITCH		--	60439GT	LOCK,RECEP 2 WAY, 14-18GA	
--	43960GT	WIRE CABLE,16/4 CON.TPE JKT.....15-inches		--	73811GT	CONN,DSCH,BOOT,DT2P-BT	
--	54259GT	TERM,NI PIN, 14-16GA,BULK		--	88356-14963GT	SWITCH,LIMIT,W/RLLR ARM,NO/NC	
--	60443GT	LOCK,RECEP 4 WAY,14-18GA		30	71768GT	GROMMET,4.00 GRV. X .75 THK.....1	
--	73725GT	BOOT,DTSCH,DTP4-BT		31	6090GT	SCREW,HHC,1/4-20 X .75	
--	88356-13103GT	SWITCH,LIMIT,W/RLLR ARM,NO/NC		32	6356GT	WASHER,LOCK, .25	
				33		CABLE TRACK,STEEL 49 LINKS.....1 <i>refer to section 607.1</i>	

602.1 Boom Components - View 1
(continued)

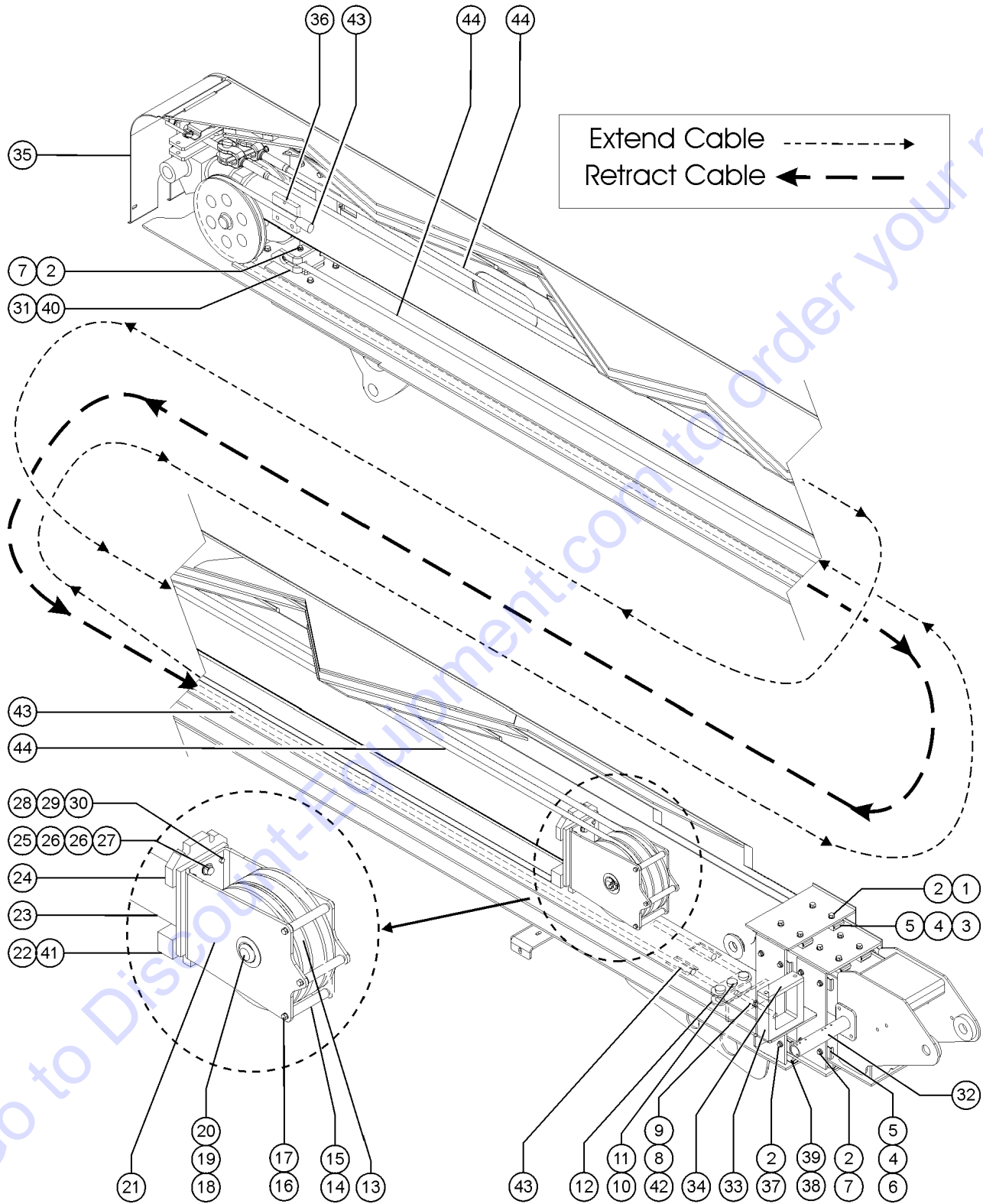
Item	Part No.	Description	Qty.
34		CABLE TRACK GUIDE TRIANGLE.....10 <i>refer to section 607.1</i>	
35	77882PGT	COVER,RH,BOOM SECTION #1.....1	
--	147403GT	COVER,LH,BOOM SECTION #1	
36	56912GT	SPRING CLIP,1/4-20,.025-.15X.54,ZAG	

Go to Discount-Equipment.com to order your parts

This Page Intentionally Left Blank

Go to Discount-Equipment.com to order your parts

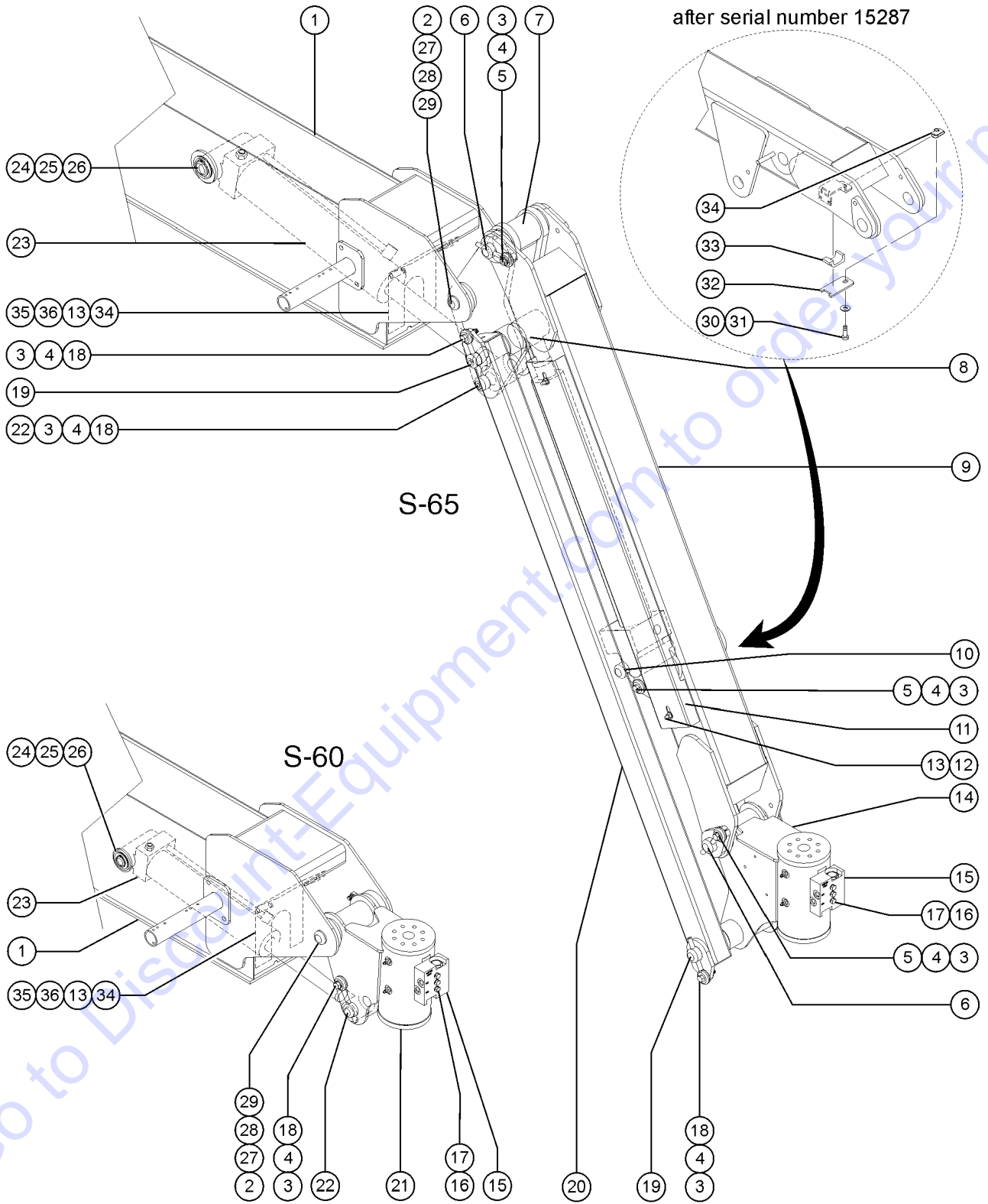
603.1 Boom Components - View 2



603.1 Boom Components - View 2

Item	Part No.	Description	Qty.	Item	Part No.	Description	Qty.
A	214690GT	KIT,EXTEND/RETRACT CABLE,S60 <i>(includes items 43 & 44) (for easier installation, suggest ordering 94510, below)</i>		32		WELDMENT,TRACK PULL TUBE PIVOT.....1 <i>refer to section 607.1</i>	1
B	94510GT	TOOL,CABLE GRIP, 7/16" <i>for installation of 214690</i>		33		WEAR PAD,CABLE TRACK PULL TUBE.....1 <i>refer to section 607.1</i>	1
1	6175GT	SCREW,HHC,3/8-16 X 1		34		WEAR PAD,5.5 X 1.75 X .5.....1 <i>refer to section 607.1</i>	1
2	6021GT	WASHER,LOCK,.375		35	77784PGT	COVER,PRIMARY BOOM.....1 <i>to SN 9409</i>	1
3	30138GT	WEAR PAD,5 X 1.5 X .625 W/NUTS.....8	8	--	101066PGT	COVER,PRIMARY BOOM,PAINTED.....1 <i>from SN 9410</i>	1
4	38620GT	SHIM,WEAR PAD,5 X 1.5,14GA.....16	16	36	77616PGT	PLATE,BOTTOM BLOCK,PAINTED.....1	1
5	29080GT	SHIM,WEAR PAD,5X 1.5 16GA.....16	16	37	57072GT	SCREW,BHHS,3/8-16 X 1.25	
6	34125GT	WEAR PAD,5 X 1.5 X .75 W/NUTS.....8	8	38	34344GT	SHIM,SIDE PAD 16GA. 3 X 5.....4	4
7	6019GT	SCREW,HHC,3/8-16 X 1.25 GRD 5		39	77718GT	WEAR PAD,5 X 3 X .75.....4	4
8	77656GT	ROD END,CABLE		40	77713PGT	PLATE,TAP BLOCK.....1	1
9	77051GT	NUT,NYLOCK,3/4-10,GRD.8		41	6605GT	SCREW,HHC,3/8-16 X 3.5,GR5.....2 <i>from SN 19982</i>	2
10	826379GT	PIN,CLEVIS,1X2.250,ZAG.....4	4	42	33278GT	WASHER,FLAT,.75 HARDENED	
11	13635-10GT	PIN,COTTER,.156 X 1.75.....4	4	43	110340GT	CABLE ASSY, RETRACT SET (PAIR).....1	1
12	88796GT	PLATE,RETRACTION CABLE EQUALIZ.....2	2	44	110339GT	CABLE ASSY, EXTEND SET(PAIR).....1	1
13	88567GT	SHEAVE,EXTENSION CABLE(LARGER).....1	1				
14	77648GT	ROLLER,1/2" PVC.....1	1				
15	77649GT	ROLLER,1/2" ALUMINUM.....1	1				
16	6090GT	SCREW,HHC,1/4-20 X .75					
17	6356GT	WASHER,LOCK,.25					
18	88793GT	PIN,1.5 X 5.50 LG.....1	1				
19	825796GT	SNAP RING,EXTERNAL,1.50,ZAG.....2	2				
20	18596GT	WASHER,FLAT,1.56 X 2.5 X .061					
21	88791PGT	BRACKET,EXTEND SHEAVE.....1 <i>to SN 19981</i>	1				
--	139384GT	BRACKET, EXTEND SHEAVE.....1 <i>from SN 19982</i>	1				
22	77650GT	GUIDE,EXT.CABLE,BOTTOM.....1 <i>to SN 19981</i>	1				
--	139288GT	GUIDE, EXT. CABLE, BOTTOM.....1 <i>from SN 19982</i>	1				
23		Ref. Extension Cylinder (refer to 602.1)					
24	88598GT	GUIDE,EXT CABLE TOP.....1 <i>to SN 19981</i>	1				
--	139385GT	GUIDE, EXT CABLE, TOP.....1 <i>from SN 19982</i>	1				
25	54177GT	SCREW,HHC,1/2-13 X 1.5 GRD 8.....2	2				
26	49411GT	WASHER,FLAT,M14					
27	6198GT	NUT,NYLOCK,1/2-13					
28	4266GT	SCREW,HHC,1/4-20 X 2					
29	6638GT	WASHER,FLAT,USS,1/4"Y					
30	6091GT	NUT,NYLOCK,1/4-20					
31	77688GT	WELDMENT,EXTENSION BRACKET.....1	1				

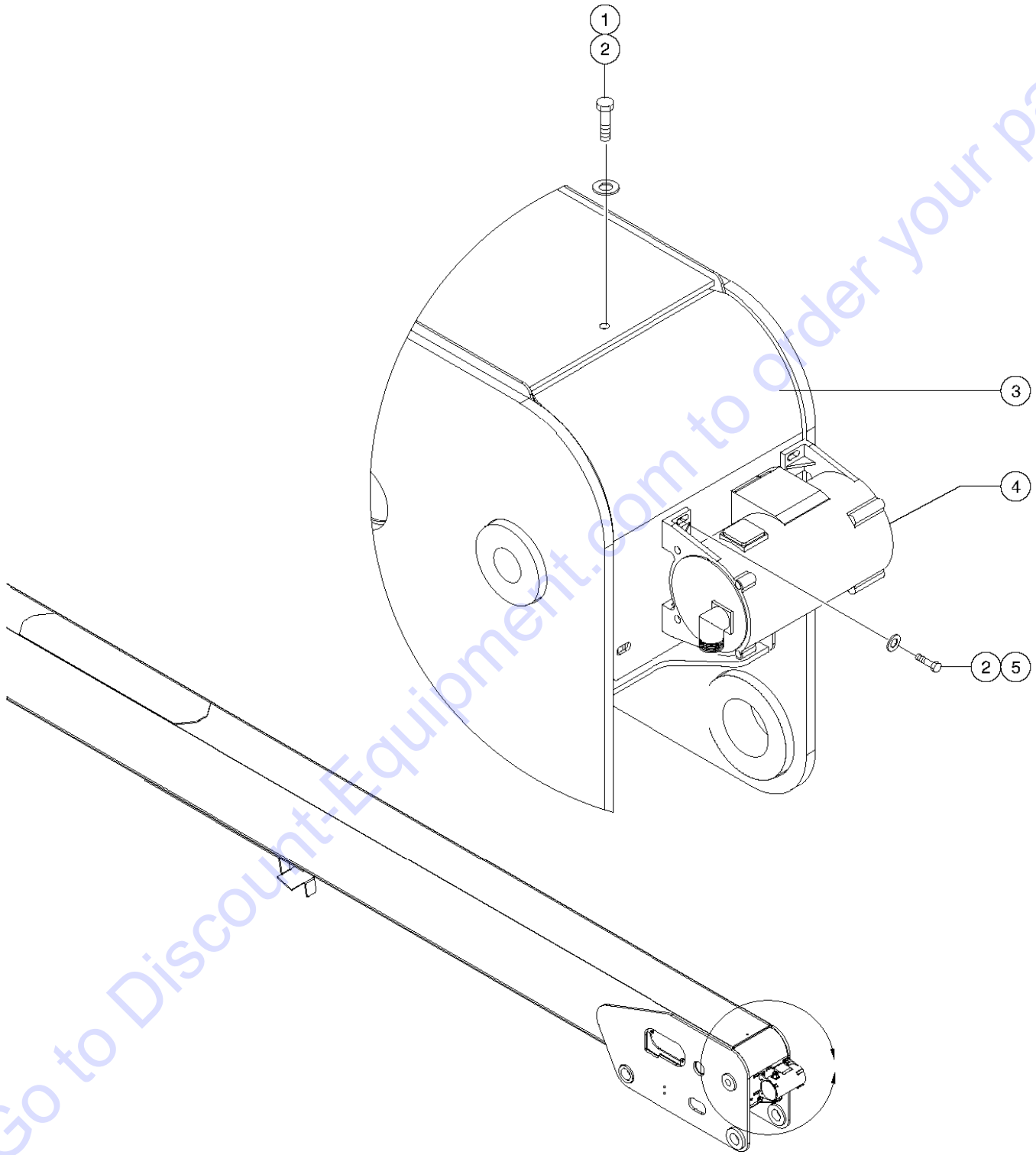
604.1 Boom Components - View 3



604.1 Boom Components - View 3

Item	Part No.	Description	Qty.	Item	Part No.	Description	Qty.
1		Ref. Number 3 Boom Tube (refer to 602.1)		21	88576GT	ROTATOR, NON-JIB.....1 S-60	1
2A	48232GT	PIN, 1.25DIA X 7.81LG, 1HOLE.....1 to SN 13657	1	--	122944GT	SEAL KIT, 8K ROTATOR*** S-60	
2B	T111124GT	PIN, 1.25DIA X 8.42LG, 2RING from SN 13658 (replaced 88345 at 21174)		--	30370GT	BEARING, 1.25IDX 1.5ODX 1.00L S-60	
3	825019GT	ROD END, .375X 3.69, ZAG.....7	7	--	88516GT	SCREW, BLEEDER, M5X0.8 S-60	
4	6175GT	SCREW, HHC, 3/8-16 X 1		22	T108075GT	PIN, 1.25DIA X 5.25LG, 1HOLE.....1	1
5	6021GT	WASHER, LOCK, .375		23	63566GT	CYLINDER, PLATFORM LEVEL***.....1 S-60 and S-65	1
6	T108076GT	PIN, 1.25DIA X 7.88LG, 1HOLE.....2	2	--	101254GT	SEAL KIT (63566)	
7	101244GT	BELLCRANK W/BEARINGS.....1	1	--	77303GT	VALVE, CNTRBAL 3500 PSI, ATM VEN	
--	128268GT	BEARING, FL, 1.25X 1.5X 2.13 (bellcrank to compr link); from SN 16192		24	88870GT	PIN, 1.25DIA X 7.47LG, 2RING.....1	1
--	35675GT	BEARING, FL, 1.25IDX 1.5ODX 1.25L		25	30217GT	SNAP RING, EXTERNAL, 1.25 DIA.**.....2	2
--	70239GT	BEARING, FL, 1.25IDX 1.5ODX 1.50L (bellcrank to compr link); to SN 16191		26	30255GT	WASHER, SHIM, 1.27 X 2.13 X .062.....4	4
8	63213GT	CYLINDER, JIB (STICK BOOMS).....1	1	27	825019GT	ROD END, .375X 3.69, ZAG.....1 to SN 13657	1
--	25683GT	BEARING, POLYGON, 20DU12		--	34245GT	BEARING, 1.25IDX 1.50X 1.25L.....2 from SN 13658	2
--	33428GT	VALVE, COUNTERBALANCE		28	6175GT	SCREW, HHC, 3/8-16 X 1 to SN 13657	
--	63353GT	SEAL KIT, CYL, S65 (63213)		--	30217GT	SNAP RING, EXTERNAL, 1.25 DIA.** from SN 13658	
9		SERVICE KIT, 5FT JIB.....1 see section 608.1 for jib detail	1	29	6021GT	WASHER, LOCK, .375 to SN 13657	
10	T108077GT	PIN, 1.25DIA X 7.00LG, 1HOLE.....1	1	--	30255GT	WASHER, SHIM, 1.27 X 2.13 X .062 from SN 13658	
--	106534GT	CLAMP, JIB HOSE S-65.....2	2	30	6090GT	SCREW, HHC, 1/4-20 X .75	
--	106540PGT	CABLE COVER, JIB PAINTED from SN 10498		31	6091GT	NUT, NYLOCK, 1/4-20	
--	107841GT	CLAMP, ARCTIC JIB HOSE		32	119536PGT	BRACKET, HOSE CLAMP, PAINTED.....1	1
--	54527-SGT	CABLE COVER, JIB***.....1 to SN 10497	1	33	119542GT	CLAMP, TWO HOSE.....1	1
12	6091GT	NUT, NYLOCK, 1/4-20		--	119994GT	CLAMP, TWO HOSE, ARCTIC	
13	6638GT	WASHER, FLAT, USS, 1/4"Y		34	56912GT	SPRING CLIP, 1/4-20, .025-.15X.54, ZAG	
14	94397GT	ROTATOR, PLAT JIB, 160 DEG***.....1 S-65	1	35	70240GT	COVER, DEBRIS #3 BOOM.....1	1
--	122944GT	SEAL KIT, 8K ROTATOR*** for 94397		36	6888GT	SCREW, HHC, 1/4-20 X 1.....4	4
--	30222GT	BEARING, FL, 1.25IDX 1.41ODX 1.50L for 94397					
--	88516GT	SCREW, BLEEDER, M5X0.8 for 94397					
15		Ref. Rotator Manifold (refer to 403.1)					
16	6637GT	SCREW, HHC, 1/4-20 X 1.75					
17	6356GT	WASHER, LOCK, .25					
18	4828GT	NUT, NYLOCK, 3/8-16					
19	81175GT	PIN, 1.25DIA X 14.45LG, 2HOLE.....2	2				
20	61306-SGT	COMPR. LINK, MACHINED, GND CONTR*.....2	2				

605.1 S-60 HC Primary Boom - View 1 (to SN 19038)

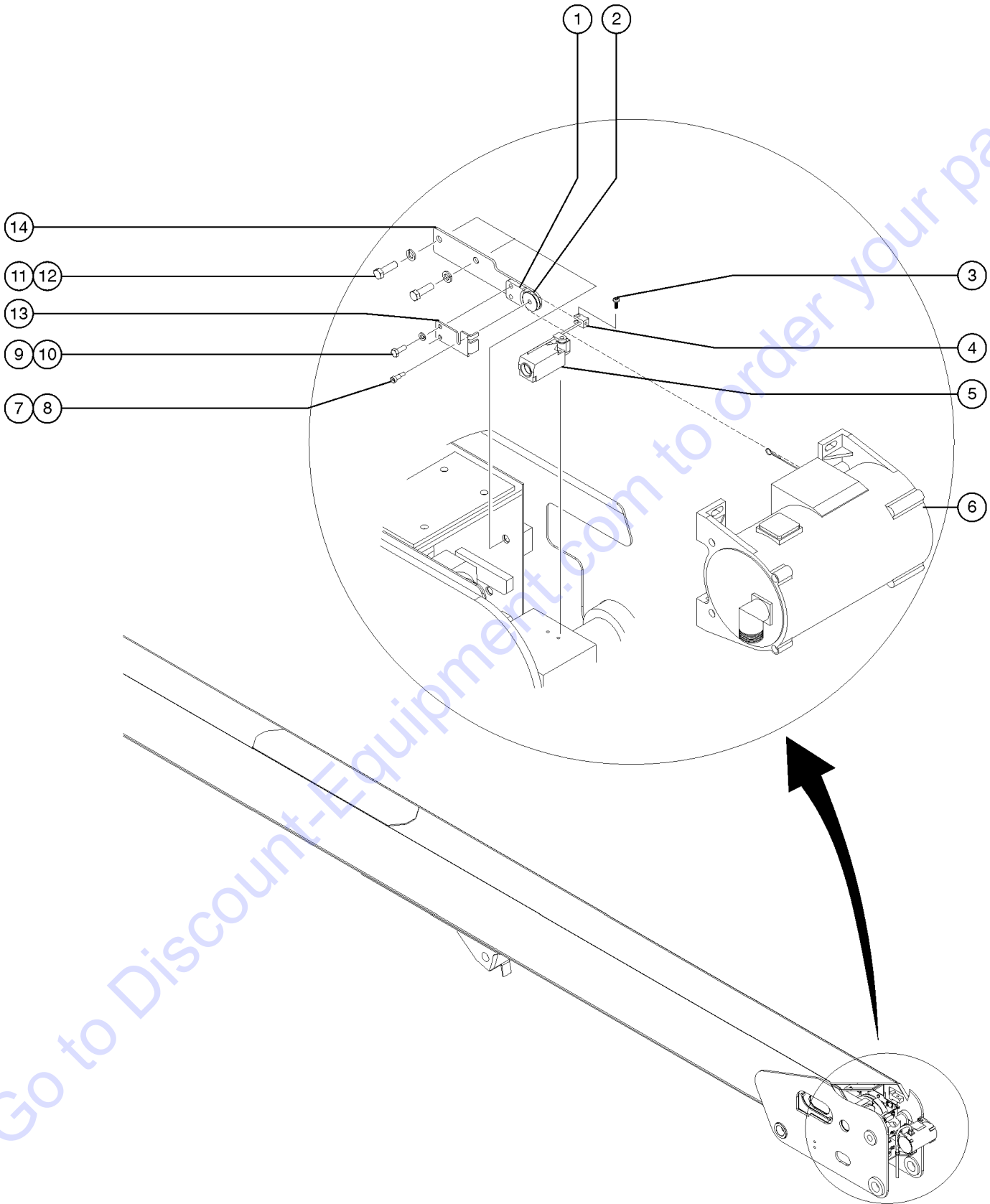


605.1 S-60 HC Primary Boom - View 1 (to SN 19038)

Item	Part No.	Description	Qty.
--	139388GT	RELAY ASSY,S60HC,RETRO-KIT <i>(refer to 606.1)</i>	
--	139390GT	RETRO FIT KIT,S60HC,V2008 <i>(refer to 606.1)</i>	
1	6888GT	SCREW,HHC,1/4-20 X 1	
2	6638GT	WASHER,FLAT,USS,1/4"Y	
3	106850PGT	COVER, PRIMARY BOOM, PTD.....1	
4		Ref. POSITION TRANSDUCER.....1 <i>(refer to 606.1 or 602.1)</i>	
5	7339GT	SCREW,HHC,1/4-20 X .5	

Go to Discount-Equipment.com to order your parts

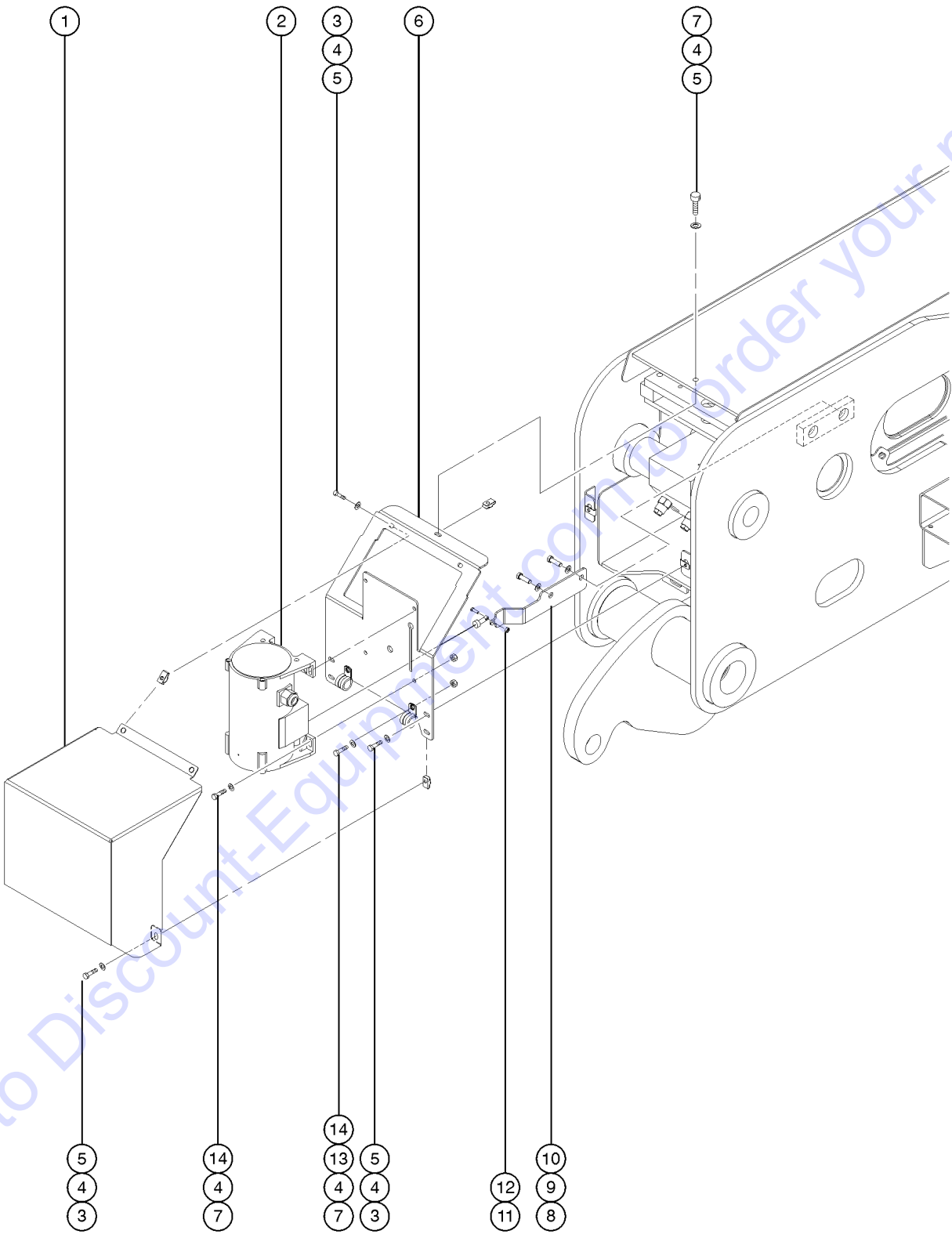
606.1 S-60 HC Primary Boom - View 2 (to SN 19038)



606.1 S-60 HC Primary Boom - View 2 (to SN 19038)

Item	Part No.	Description	Qty.
--	139388GT	RELAY ASSY,S60HC,RETRO-KIT <i>(one time upgrade for models before serial number 19039)</i>	
--	139390GT	RETRO FIT KIT,S60HC,V2008 <i>(one time upgrade for models before serial number 19039)</i>	
--			
1	107671GT	PLATE, CABLE SPACER.....	1
2	107673GT	PULLEY, .970D X .250ID.....	1
3	110359GT	SCREW,PHM, 10-24 X .50.....	1
4	107711GT	CLEVIS, CABLE TRANSDUCER.....	1
5	8835631802 GT	SWITCH,LIMIT,W/ROD,NO/NO.....	1
6	107694GT	POSITION TRANSDUCER..... <i>(for models with horizontal installation only)</i> <i>(after one time upgrade, refer to 606.2 for vertical installation)</i>	1
7	17017GT	SCREW,SHS,10-24 X .38.....	1
8	5365GT	NUT,NYLOCK,10-24.....	1
9	6090GT	SCREW,HHC,1/4-20 X .75.....	2
10	6356GT	WASHER,LOCK,.25.....	2
11	6019GT	SCREW,HHC,3/8-16 X 1.25 GRD 5.....	2
12	6021GT	WASHER,LOCK,.375.....	2
13	107672GT	FORMING, PULLEY KEEPER.....	1
14	107670GT	PLATE, CABLE ANCHOR.....	1

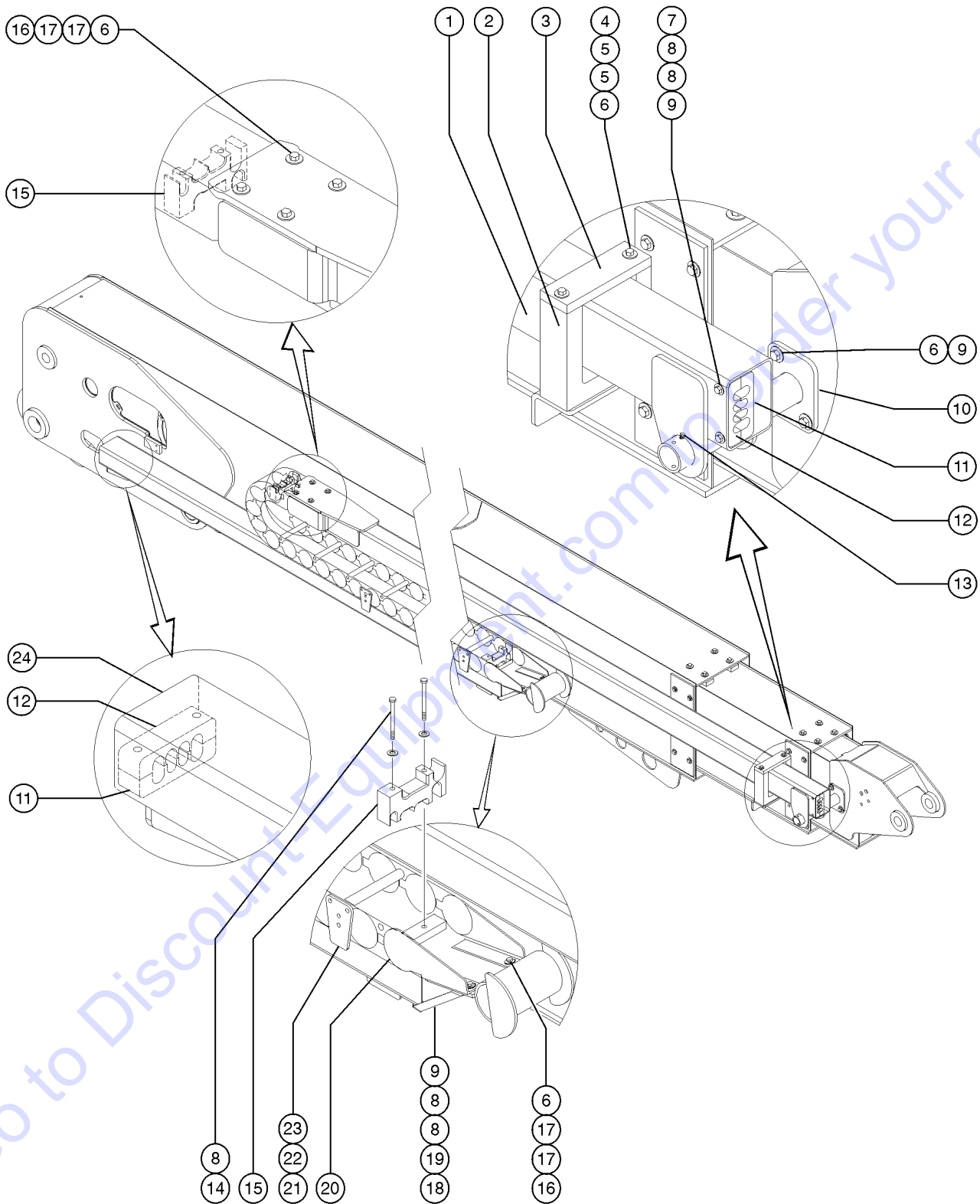
606.2 S-60 HC Primary Boom - View 2 (from SN 19039)



606.2 S-60 HC Primary Boom - View 2 (from SN 19039)

Item	Part No.	Description	Qty.
1	119537GT	COVER, STRING POT, S60HC***.....1	1
2	139293GT	POSITION TRANSDUCER,LINEAR,2CH.....1 <i>(for models with vertical installation only)</i>	1
3	6090GT	SCREW,HHC,1/4-20 X .75	
4	6638GT	WASHER,FLAT,USS,1/4*Y	
5	56912GT	SPRING CLIP,1/4-20,.025-.15X.54,ZAG.....4	4
6	119535GT	MOUNT, STRING POT, S60HC	
7	6888GT	SCREW,HHC,1/4-20 X 1	
8	139307GT	FORMING, CABLE ANCHOR.....1	1
9	6021GT	WASHER,LOCK,.375	
10	6019GT	SCREW,HHC,3/8-16 X 1.25 GRD 5	
11	49826GT	SCREW,PHILLIPS,PHM,10-32 X.625	
12	6178GT	NUT,NYLOCK,10-32	
13	45454GT	CLAMP,RUB CUSH,0.75,#12 X 3/8*.....2	2
14	6091GT	NUT,NYLOCK,1/4-20	

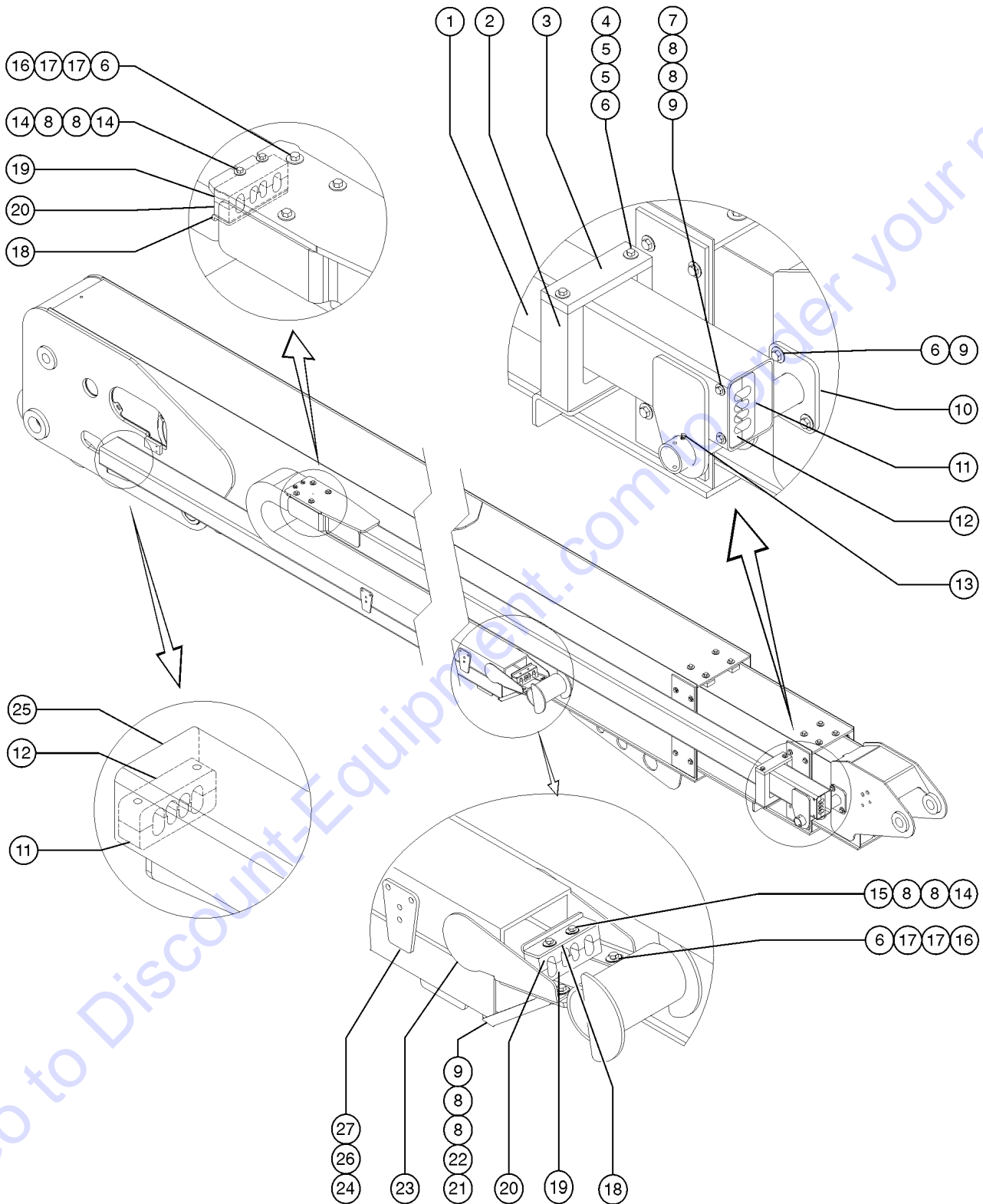
607.1 Cable Track (to SN 16340)



607.1 Cable Track (to SN 16340)

Item	Part No.	Description	Qty.	Item	Part No.	Description	Qty.
1	88859GT	WELDMENT,CABLE TRACK TUBE***.....1		--	122661GT	REPAIR KIT,4 LINK,W/GUIDE for T114223	
2	81341GT	WEAR PAD,CABLE TRACK PULL TUBE.....1		--	122662GT	END BRACKET,MOVING END for T114223	
3	81342GT	WEAR PAD,5.5 X 1.75 X .5.....1		--	122663GT	END BRACKET,FIXED END for T114223	
4	81777GT	SCREW,HHC,3/8-16 X 7		--	122668GT	GUIDE FINGER,PLASTIC for T114223	
5	6097GT	WASHER,FLAT,USS,3/8",Y		--	218448GT	FINGER,GUIDE,CABLE TRACK for T114223	
6	4828GT	NUT,NYLOCK,3/8-16		--	229169GT	FLATBAR, CLAMPS, CABLE TRACK for T114223	
7	8179GT	SCREW,HHC,1/4-20 X 2.25		21	70264GT	CABLE TRACK GUIDE TRIANGLE.....10	
8	6638GT	WASHER,FLAT,USS,1/4"Y		22	39317GT	STOP PLATFORM ROLLER	
9	6091GT	NUT,NYLOCK,1/4-20		23	87085GT	RIVET,ALUM,P,188 X .25	
10	81347GT	WELDMENT,TRACK PULL TUBE PIVOT.....1		24A	88858GT	WELDMENT,CABLE TRACK TRAY***.....1	
11	88515GT	CABLE STAY.....2		24B	227711GT	KIT,S60 CABLE TRK TRAY UPDATE from SN 9154 to 15855	
12	88514GT	CABLE STAY,TOP***.....2					
13	13635-10GT	PIN,COTTER,,156 X 1.75.....1					
14	6884GT	SCREW,HHC,1/4-20 X 2.5					
15	81351GT	CLAMP,PLASTIC HOSE***					
16	6019GT	SCREW,HHC,3/8-16 X 1.25 GRD 5					
17	6097GT	WASHER,FLAT,USS,3/8",Y					
18	1264257GT	FORMING, TRACK BRACE, RH <i>inboard bracket; closest to boom tube</i>					
18	1264258GT	FORMING, TRACK BRACE, LH.....1 <i>outboard bracket; furthest from boom tube (shown)</i>					
19	6090GT	SCREW,HHC,1/4-20 X .75					
20A	88705GT	CABLE TRACK,STEEL 49 LINKS***.....1 <i>no longer available, use PN 226327</i>					
--	102215GT	BRACKET,CABLE TRACK,FIXED END* for 88705					
--	102216GT	BRACKET,CABLE TRACK,MOVING END for 88705					
--	106154GT	KIT,PIN & RING*** for 88705					
--	226327GT	KIT, CABLE TRACK, S60/65 <i>(use for replacement of 88705)</i>					
--	231653GT	KIT,CABLE TRAK FLAT BAR for 88705					
--	58308GT	ROLLER,ALUM TUBE,ST.TRK*** for 58309					
--	58309GT	ROLLER,POLY,STEEL TRACK*** for 88705					
--	58310GT	SCREW,10-24 X.5 TORX PAN HD*** for 58308					
--	77896GT	ASSY,FOUR LINK CABLE TRACK*** for 88705					
20B	T114223GT	CABLE TRACK, SX, 49 LINK.....1 for 226327					
--	121035GT	PIN,1.250 X 9.25, 2 RINGS for T114223					

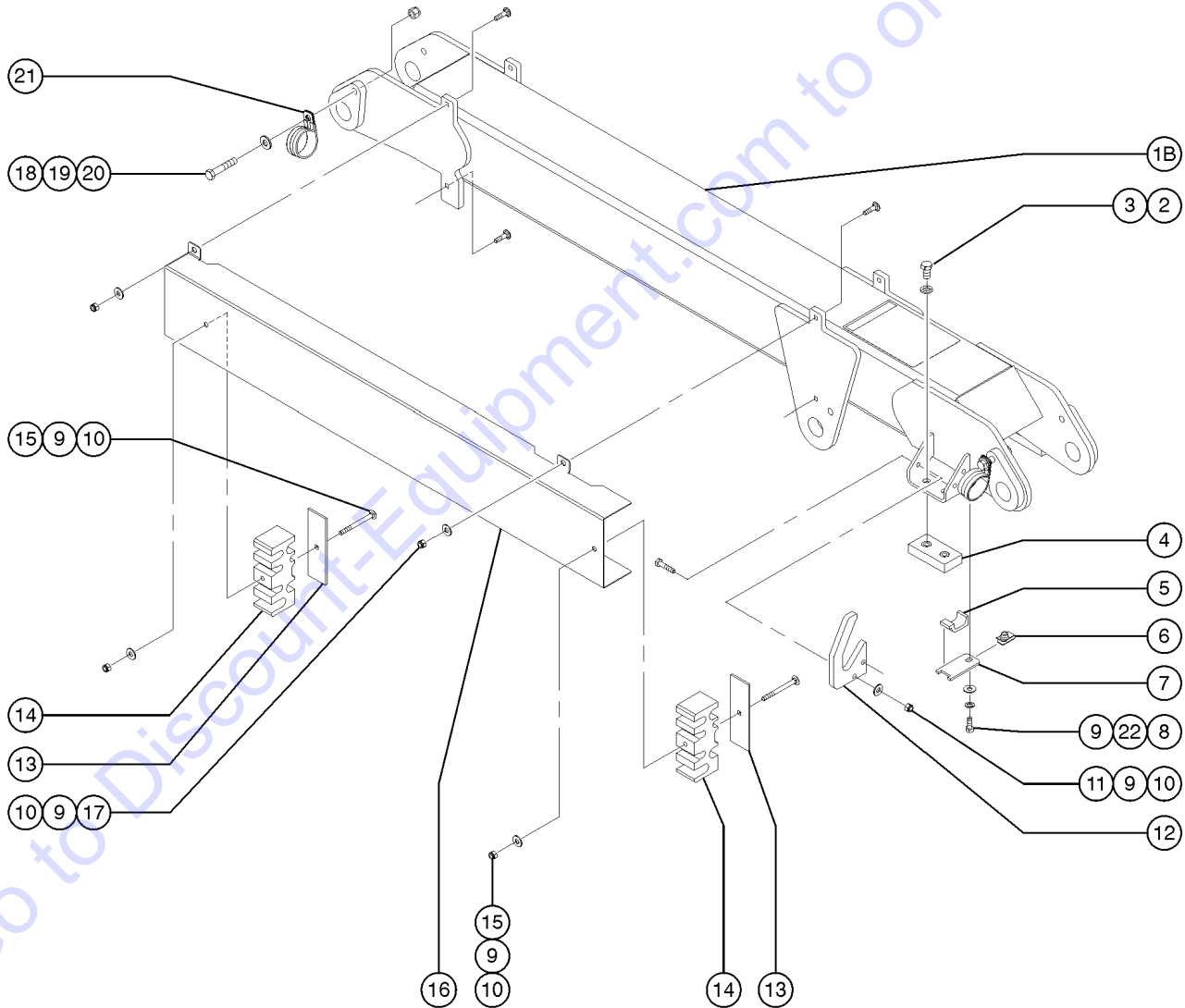
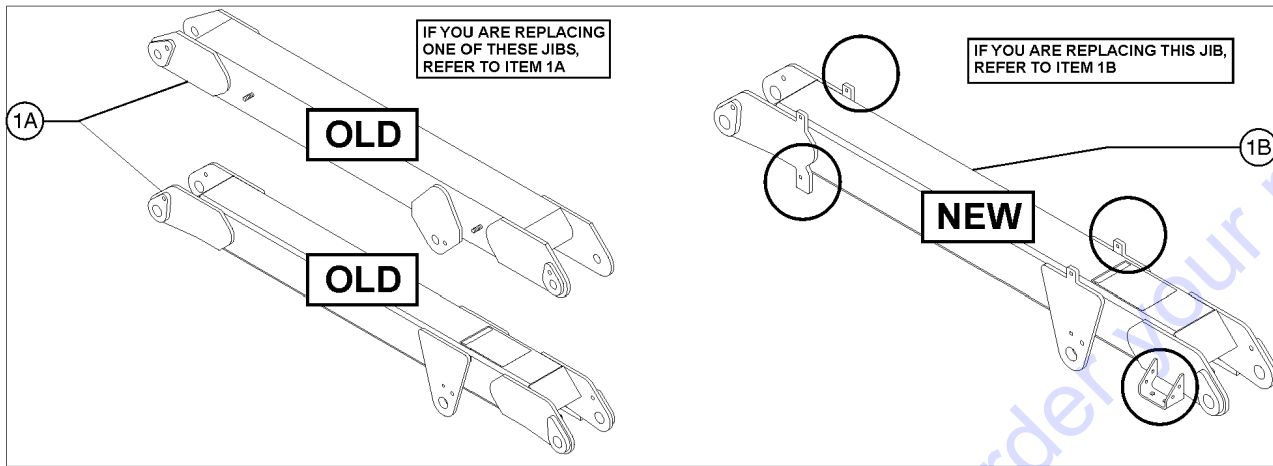
607.2 Cable Track (from SN 16341)



607.2 Cable Track (from SN 16341)

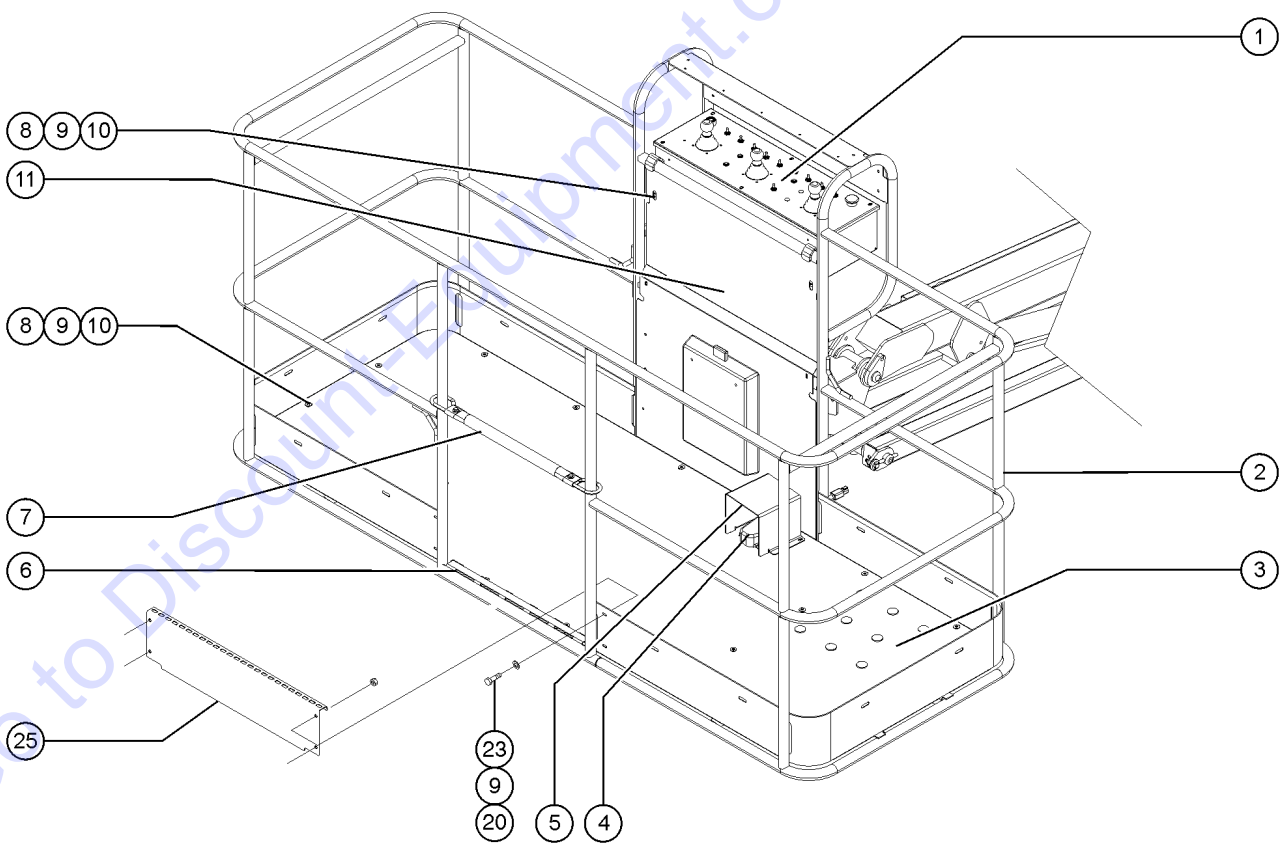
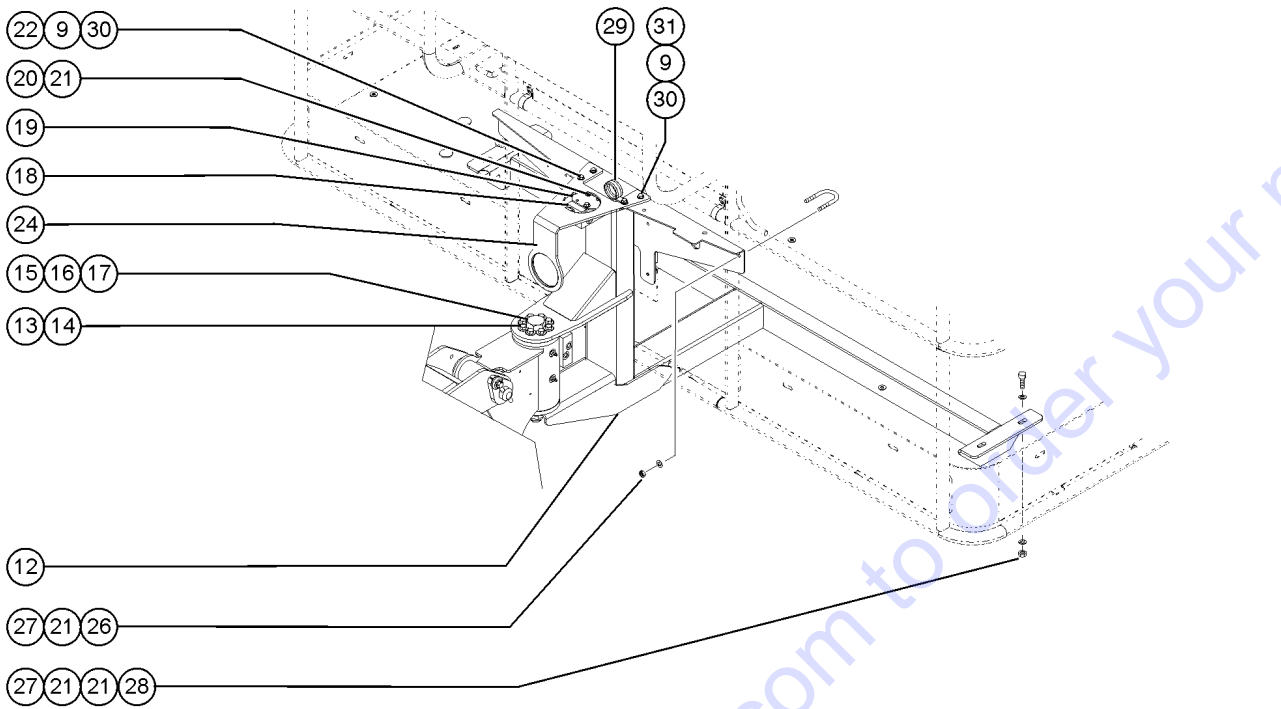
Item	Part No.	Description	Qty.	Item	Part No.	Description	Qty.
1	88859GT	WELDMENT,CABLE TRACK TUBE***.....1		--	58309GT	ROLLER,POLY,STEEL TRACK*** for 88705	
2	81341GT	WEAR PAD,CABLE TRACK PULL TUBE.....1		--	58310GT	SCREW,10-24 X.5 TORX PAN HD*** for 58308	
3	81342GT	WEAR PAD,5.5 X 1.75 X .5.....1		--	77896GT	ASSY,FOUR LINK CABLE TRACK*** for 88705	
4	81777GT	SCREW,HHC,3/8-16 X 7		23B	T114223GT	CABLE TRACK, SX, 49 LINK.....1 for 226327	
5	6097GT	WASHER,FLAT,USS,3/8",Y		--	121035GT	PIN,1.250 X 9.25, 2 RINGS for T114223	
6	4828GT	NUT,NYLOCK,3/8-16		--	122661GT	REPAIR KIT,4 LINK,W/GUIDE for T114223	
7	8179GT	SCREW,HHC,1/4-20 X 2.25		--	122662GT	END BRACKET,MOVING END for T114223	
8	6638GT	WASHER,FLAT,USS,1/4"Y		--	122663GT	END BRACKET,FIXED END for T114223	
9	6091GT	NUT,NYLOCK,1/4-20		--	122668GT	GUIDE FINGER,PLASTIC for T114223	
10	81347GT	WELDMENT,TRACK PULL TUBE PIVOT.....1		--	218448GT	FINGER,GUIDE,CABLE TRACK for T114223	
11	88515GT	CABLE STAY.....2 to SN 20420		--	229169GT	FLATBAR, CLAMPS, CABLE TRACK for T114223	
--	139790GT	CLAMP, PULL TUBE to SN 20421		24	70264GT	CABLE TRACK GUIDE TRIANGLE.....10	
12	88514GT	CABLE STAY, TOP***.....2		25	88858GT	WELDMENT,CABLE TRACK TRAY***.....1	
13	13635-10GT	PIN,COTTER,,156 X 1.75.....1		26	39317GT	STOP PLATFORM ROLLER	
14	6884GT	SCREW,HHC,1/4-20 X 2.5		27	87085GT	RIVET,ALUM,P,.188 X .25	
15	6889GT	NUT,LP NYLOCK,1/4-20					
16	6019GT	SCREW,HHC,3/8-16 X 1.25 GRD 5					
17	6097GT	WASHER,FLAT,USS,3/8",Y					
18	107868PGT	PLATE,REINF.CLAMP STACK,PTD.....1					
19	119838GT	CLAMP, HOSE, PRIM.....2					
20	119837GT	CLAMP, CABLE, PRIM.....2 to SN 20420					
--	139791GT	CLAMP, CABLE TRACK, SUPPORT from SN 20421					
21	1264257GT	FORMING, TRACK BRACE, RH inboard bracket; closest to boom tube					
21	1264258GT	FORMING, TRACK BRACE, LH.....1 outboard bracket; furthest from boom tube (shown)					
22	6090GT	SCREW,HHC,1/4-20 X .75					
23A	88705GT	CABLE TRACK,STEEL 49 LINKS***.....1 no longer available, use kit PN 226327					
--	102215GT	BRACKET,CABLE TRACK,FIXED END* for 88705					
--	102216GT	BRACKET,CABLE TRACK,MOVING END for 88705					
--	106154GT	KIT,PIN & RING*** for 88705					
--	226327GT	KIT, CABLE TRACK, S60/65 (use for replacement of 88705)					
--	231653GT	KIT,CABLE TRAK FLAT BAR for 88705					
--	58308GT	ROLLER,ALUM TUBE,ST.TRK*** for 58309					

608.1 Jib Detail



Item	Part No.	Description	Qty.
1A	128513GT	SERVICE KIT,5FT JIB <i>required for first time replacement (includes part number 128534)</i>	
1B	128534GT	JIB BOOM ASSY W/WORD DECAL.....1 <i>use ONLY if service kit 128513 has been installed on the machine</i>	
2	8255GT	SCREW,HHC,3/8-16 X .75	
3	6021GT	WASHER,LOCK,.375	
4	81640GT	WEAR PAD,3 X 1.5 X.625 W/NUTS.....1	
5	119542GT	CLAMP,TWO HOSE.....1	
6	56912GT	SPRING CLIP,1/4-20,.025-.15X.54,ZAG.....1	
7	119536PGT	BRACKET,HOSE CLAMP,PAINTED.....1	
8	6090GT	SCREW,HHC,1/4-20 X .75	
9	6638GT	WASHER,FLAT,USS,1/4"Y	
10	6091GT	NUT,NYLOCK,1/4-20	
11	8915GT	SCREW,HHC,1/4-20 X 1.25	
12	128482GT	HOSE GUIDE, JIB.....1	
13	128483GT	BACKING PLATE, HOSE BLOCK, JIB....2	
14	128501GT	CLAMP,JIB HOSE/CABLE.....2	
15	128724GT	BOLT,CARRIAGE,1/4-20 X 2.75,G2	
16	128454PGT	COVER, JIB HOSES/CABLES.....1	
17	79456GT	BOLT,CARRIAGE,1/4-20 X 1.00,G2	
18	5224GT	SCREW,HHC,3/8-16 X 2	
19	5397GT	WASHER,FLAT,USS,5/16",Y	
20	4828GT	NUT,NYLOCK,3/8-16	
21	77181GT	CLAMP,1.63,#26 X 3/8,RUB CUSH.....2	

701.1 Platform Configurations



701.1 Platform Configurations

Item	Part No.	Description	Qty.	Item	Part No.	Description	Qty.
--	77834GT	PLAT.ASSY,4 FT,SERV,S80 ANSI <i>USA/Canadian models</i>		--	101381GT	PLAT ASSEMBLY,6FT,ASIA/S AM <i>Asia/South America</i>	
--	77836GT	PLAT.ASSY,5 FT,SERV,S80 ANSI <i>USA/Canadian models</i>		--	101382GT	PLATFORM RAIL ASSY,8FT,CE/UK <i>CE</i>	
--	1272303GT	ASSY,6FT PLAT DUAL LG,BLANK W/SIDE SWING GATE <i>USA/Canadian models</i>		--	101383GT	PLAT RAIL ASSY,8FT,AUSTRALIA** <i>Australia</i>	
--	52082GT	PLAT ASSY,8 FT,SERV,S40/60/80 <i>USA/Canadian models</i>		--	101384GT	PLAT ASSEMBLY,8FT,ASIA/S AM <i>Asia/South America</i>	
--	101385GT	PLAT ASSY, COMP, 4', CE/UK/UK <i>CE models</i>		--	60042-SGT	PLATFORM WELDMENT,4 FT <i>Australia</i>	
--	101388GT	PLAT ASSY, COMP, 5', CE/UK/UK <i>CE models</i>		--	73900GT	WELDMNT,6 FT PLATFORM <i>Australia; no decals</i>	
--	101391GT	PLAT ASSY, COMP, 6', CE/UK/UK <i>CE models</i>		--	73976GT	PLATFORM RAIL ASSY, 8FT, ANSI <i>USA/Canada</i>	
--	101394GT	PLAT ASSY, COMP, 8', CE/UK/UK <i>CE models</i>		3	60160PGT	FLOORING,4 FT PLATFORM,PAINTED.....	1
--	101386GT	PLAT ASSY, COMP, 4', AUSTRALIA <i>Australian models</i>		--	54247-SGT	PLAT. FLOOR, 5FT, PAINTED	
--	101389GT	PLAT ASSY, COMP, 5', AUSTRALIA <i>Australian models</i>		--	73477PGT	FLOORING, 6'FT PLATFORM	
--	101392GT	PLAT ASSY, COMP, 6', AUSTRALIA <i>Australian models</i>		--	73478PGT	FLOORING,8 FT PLATFORM**	
--	101395GT	PLAT ASSY, COMP, 8', AUSTRALIA <i>Australian models</i>		4A	73233GT	ASSEMBLY,FOOT SWITCH***1 <i>for PN 73233</i>	1
--	101387GT	PLAT ASSY,COMP,4',ASIA/SO. AM. <i>Asia/South American models</i>		--	119058GT	CONN PLUG 4 WAY ENDCAP DT <i>for PN 73233</i>	
--	101390GT	PLAT ASSY,COMP,5',ASIA/SO. AM. <i>Asia/South American models</i>		--	13482GT	FOOT SWITCH*** <i>for PN 73233</i>	
--	101393GT	PLAT ASSY,COMP,6',ASIA/SO. AM. <i>Asia/South American models</i>		--	20262GT	MICROSWITCH,13482 FOOTSWITCH <i>for PN 73233</i>	
--	101396GT	PLAT ASSY,COMP,8',ASIA/SO. AM. <i>Asia/South American models</i>		--	43960GT	WIRE CABLE,16/4 CON.TPE JKT.....66-inches <i>for PN 73233</i>	
--		<i>The following is a list of complete platforms by region, then by size.</i>		--	73739GT	BOOT,PLUG 4 WAY <i>for PN 73233</i>	
1		Ref. PLATFORM CONTROL BOX <i>refer to 703.1 or 704.1</i>		4B	1257422GT	KIT, FOOTSWITCH, S60.....1 <i>upgrade kit</i>	1
--	119795GT	KIT,CONTROL BOX COVER		--	1254874GT	ASSEMBLY,FOOT SWITCH, S60 <i>for PN 1257422</i>	
2	77840GT	WELDMENT W/DECALS,5FT,500LB AN <i>USA/Canada</i>		5A	73931GT	GUARD,FOOTSWITCH,W/DECAL ALUM.....1 <i>USA/Canada/Australia (to SN 20380)</i>	1
--	101373GT	PLATFORM ASSEMBLY,4FT,CE/UK <i>CE</i>		--	63766GT	COVER,FOOT SWITCH <i>Europe, Asia, South America (to SN 20380)</i>	
--	101375GT	PLAT ASSEMBLY,4FT,ASIA/S AM <i>Asia/South America</i>		5B	147221GT	GUARD,FOOTSWITCH,W/DECAL ALUM <i>USA/Canada/Australia (from SN 20381)</i>	
--	101376GT	PLATFORM ASSEMBLY,5FT,CE/UK <i>CE</i>		--	147121GT	COVER, FOOT SWITCH, LARGE <i>Europe, Asia, South America (from SN 20381)</i>	
--	101377GT	PLAT ASSEMBLY,5FT,AUSTRALIA*** <i>Australia</i>		6	73610PGT	STEP PLATFORM ENTRY PAINTED***1	1
--	101378GT	PLAT ASSEMBLY,5FT,ASIA/S AM <i>Asia/South America</i>		7	102992GT	SLIDING MIDRAIL KIT,PTD.....1	1
--	101379GT	PLATFORM RAIL ASSY,6FT,CE/UK <i>CE</i>		--	102992GT	SLIDING MIDRAIL KIT,PTD	



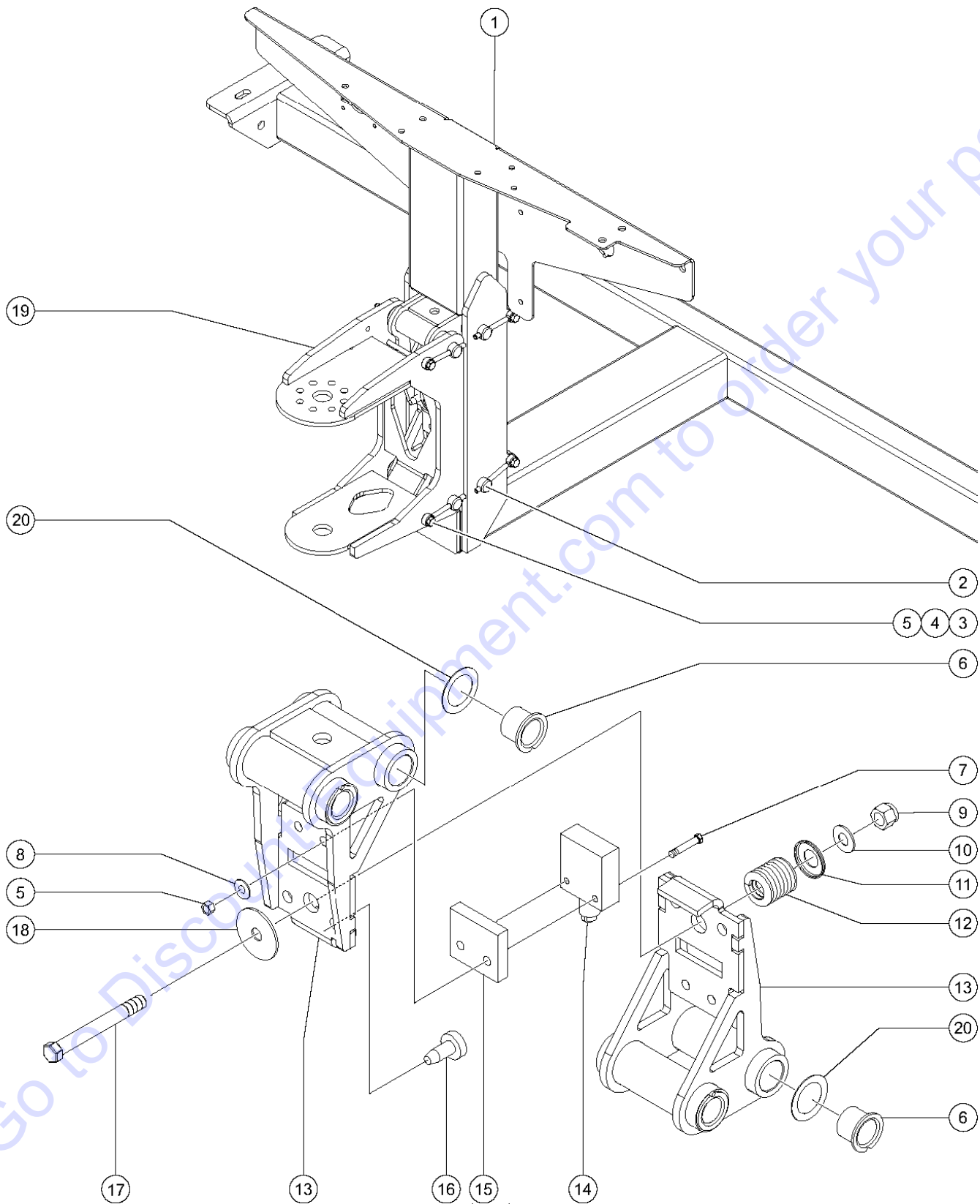
701.1 Platform Configurations
(continued)

Item	Part No.	Description	Qty.
--	97815GT	DECAL,LABEL,LOWER MIDRAIL.....1	1
8	6090GT	SCREW,HHC,1/4-20 X .75	
9	6638GT	WASHER,FLAT,USS,1/4"Y	
10	56912GT	SPRING CLIP,1/4-20,.025-.15X.54,ZAG	
11A	77844GT	DECAL PLATE W/DECALS,S80/85 2K....1 <i>USA, Canada, Australia</i>	1
11B	101578GT	DECAL PLATE W/ SYMBOL DECALS <i>Europe, Asia, South America</i>	
11C	44743GT	MANUAL BOX W/DECALS***.....1 <i>USA/Canada/Australia</i>	1
11D	24514GT	BOX,INSTRUCTION STORAGE <i>Europe/Asia/South America (decal required; refer to Section100)</i>	
12	60370-SGT	PLATFORM SUPPORT WELDMNT-SERV*.....1	1
--	94326GT	WELDMENT,4/5FT PLATFORM SUPPOR	
13	77692GT	SCREW,HHC,3/8-16 X 1 GRD 8.....8	8
14	6097GT	WASHER,FLAT,USS,3/8",Y	
15	73928GT	SCREW,HHC,1-8 X 11,GRD 5***	
16	122079GT	WASHER,FLAT,1.000,HARDENED	
17	29764GT	NUT,NYLOCK,1-8	
18		Ref. Jib Manifold (refer to 403.1)	
19	77968PGT	PLATE,JIB,ROTATE MANIFOLD.....1 <i>to SN 13043</i>	1
--	110671GT	PLATE,JIB,ROTATE MANIFOLD <i>from SN 13044</i>	
20	6090GT	SCREW,HHC,1/4-20 X .75	
21	5397GT	WASHER,FLAT,USS,5/16",Y	
22	13000GT	SCREW,HHC,5/16-18 X 1.25	
23	6091GT	NUT,NYLOCK,1/4-20	
24	106163GT	FORMING,CABLE GUIDE.....1 <i>(from SN 13044) order 55067 grommet separately</i>	1
--	55067GT	GROMMET,RUBBER 3 X .19 X 3.5	
25	94745PGT	TOEBOARD,ENTRY EUROPEAN PNTD**.....1	1
26	6550GT	U-BOLT,3/8 X 1 YZ	
27	4828GT	NUT,NYLOCK,3/8-16	
28	6019GT	SCREW,HHC,3/8-16 X 1.25 GRD 5	
29	77180GT	CLAMP,1.31,#21 X 3/8,RUB CUSH.....1	1
30	6782GT	NUT,NYLOCK,5/16-18	
31	13002GT	SCREW,HHC,5/16-18 X 1 GR5	

This Page Intentionally Left Blank

Go to Discount-Equipment.com to order your parts

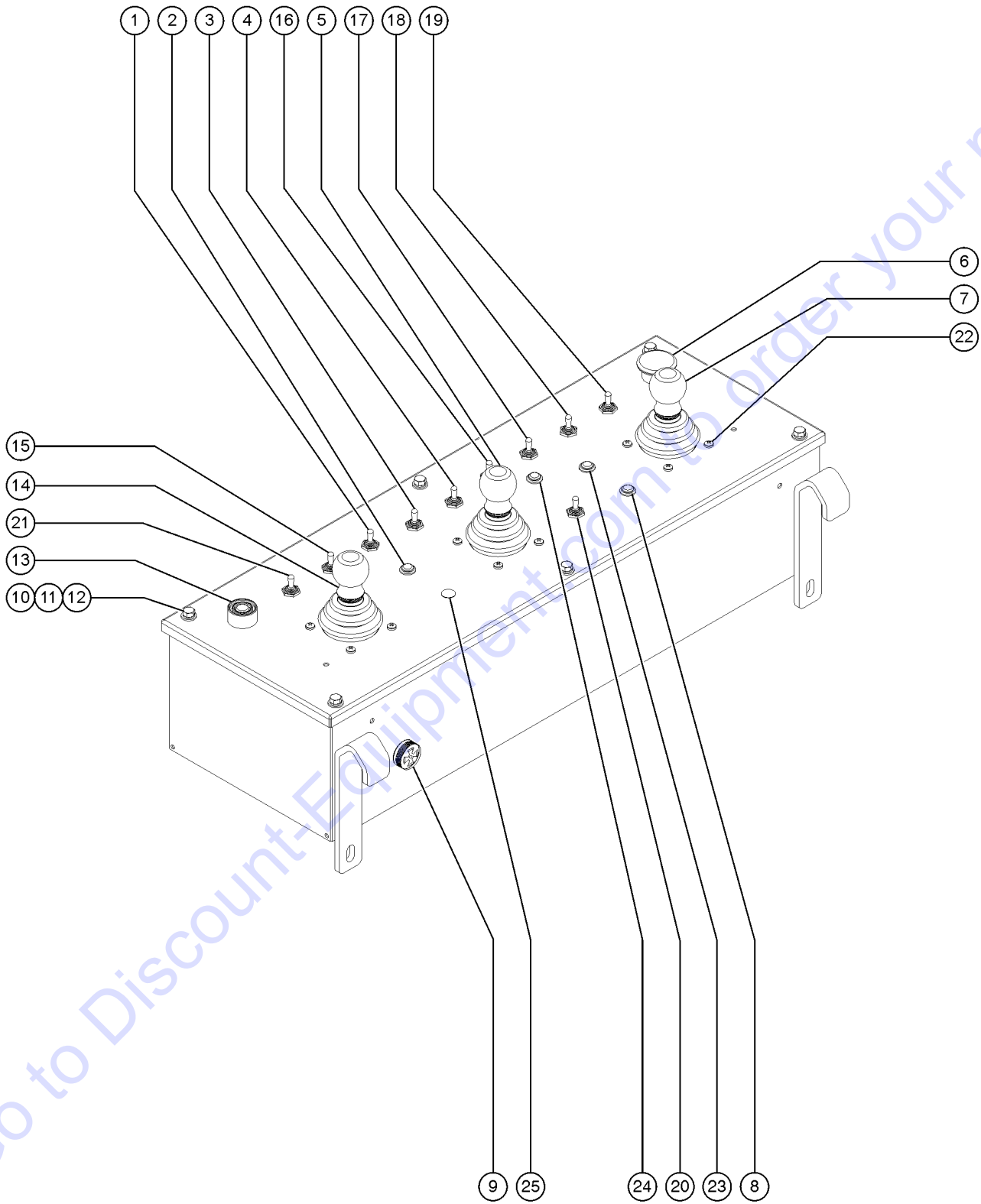
702.1 Platform Configurations - Platform Overload Option



702.1 Platform Configurations - Platform Overload Option

Item	Part No.	Description	Qty.
1	61997GT	WELDMENT,PLATFORM SUPPORT,CE.....1 <i>CE models</i>	1
2	28646GT	ZERK,GREASE,1/8 NPT	
2	61726GT	PIN,0.75DIAX5.75LG,CHAMFER.....4	4
3	6888GT	SCREW,HHC,1/4-20 X 1	
4	45748GT	ROD END,.250 X 2.75 LG	
5	5365GT	NUT,NYLOCK,10-24	
6	25685GT	BEARING,GARLOCK,12FDU12.....4	4
7	73634GT	SCREW,PHIL,PHM,10-24X1.5 ZINC	
8	6146GT	WASHER,FLAT,MS,#10,Y	
9	4828GT	NUT,NYLOCK,3/8-16	
10	6097GT	WASHER,FLAT,USS,3/8",Y	
11	61975GT	RETAINER,SPRING,1.21 X .375.....1	1
12	61974GT	SPRING,COMP,1" OD,232 LB/IN.....1	1
13	89755GT	LOAD SUPPORT W/BEARINGS.....2 <i>includes item 6</i>	2
14	94549GT	SWITCH,LOAD LIMIT.....1	1
15	61972GT	MOUNT,SWITCH.....1	1
16	34619GT	BUMPER,RUBBER***.....1	1
17	21604GT	SCREW,HHC,3/8-16 X 3.25	
18	6097GT	WASHER,FLAT,USS,3/8",Y	
19	101845GT	ROTATOR MOUNT KIT.....1	1
20	110789GT	WASHER,SHIM .0151 THK.	

703.1 Platform Control Box - View 1



703.1 Platform Control Box - View 1

Item	Part No.	Description	Qty.	Item	Part No.	Description	Qty.
--		<i>Power to Platform components can now be found in section 903.1</i>		12	6638GT	WASHER,FLAT,USS,1/4*Y	
--	101434GT	PLAT. CONTROL BOX W/DECAL <i>includes 81484P</i>		13	66813GT	BUTTON,PUSH,BLACK W/SEAL***1	
--	81484PGT	PLATFORM CONTROL BOX LID,PAINT		--	66815GT	BASE, W/1 N.O. CONTACTS*** <i>includes 1 N.O. contact</i>	
1	128200GT	SWITCH TOGGLE ASSY SPDT 3P MOM.....1 <i>(Jib Boom Up/Down; includes boot and hardware) (S-65 only)</i>		--	66816GT	CONTACT,N.O.***	
--	128578GT	SCREW T-SWITCH PH/PH 6-32X1/4		14		Ref. Joystick Controller, Multi-axis (Boom up/down and turntable rotate) (refer to 705.1)	
--	128580-SGT	SWITCH TOGGLE SPDT 3P MOM SHDR		15	128202GT	SWITCH TOGGLE ASSY DPDT 3P MOM.....1 <i>(Platform Rotate; includes boot and hardware)</i>	
--	27246GT	BOOT,TOGGLE SWITCH,SHORT*		--	128578GT	SCREW T-SWITCH PH/PH 6-32X1/4	
--	45384GT	PLUG,NYLON .50 BLACK DOMED <i>(S-60 only)</i>		--	128582-SGT	SWITCH TOGGLE DPDT 3P MOM SHDR	
2	824879GT	LIGHT,LED IND. RED 12V NH.....1 <i>(Machine malfunction indicator)</i>		--	27246GT	BOOT,TOGGLE SWITCH,SHORT*	
3	128201GT	SWITCH TOGGLE ASSY DPDT 2P MOM.....1 <i>(Auxiliary Power; includes boot and hardware)</i>		16	128200GT	SWITCH TOGGLE ASSY SPDT 3P MOM.....1 <i>(Glow Plug, Diesel models; includes boot and hardware)</i>	
--	128578GT	SCREW T-SWITCH PH/PH 6-32X1/4		--	128578GT	SCREW T-SWITCH PH/PH 6-32X1/4	
--	128581-SGT	SWITCH TOGGLE DPDT 2P MOM SHDR		--	128580-SGT	SWITCH TOGGLE SPDT 3P MOM SHDR	
--	27246GT	BOOT,TOGGLE SWITCH,SHORT*		--	27246GT	BOOT,TOGGLE SWITCH,SHORT*	
4	128204GT	SWITCH TOGGLE ASSY SPDT 2P MNT.....1 <i>(Drive Speed; includes boot and hardware)</i>		17	128200GT	SWITCH TOGGLE ASSY SPDT 3P MOM.....1 <i>(Engine Start; includes boot and hardware)</i>	
--	128578GT	SCREW T-SWITCH PH/PH 6-32X1/4		--	128578GT	SCREW T-SWITCH PH/PH 6-32X1/4	
--	128584-SGT	SWITCH TOGGLE SPDT 2P MNT SHDR		--	128580-SGT	SWITCH TOGGLE SPDT 3P MOM SHDR	
--	27246GT	BOOT,TOGGLE SWITCH,SHORT*		--	27246GT	BOOT,TOGGLE SWITCH,SHORT*	
5		Ref. Joystick Controller, Single Axis (Boom extend/retract) (refer to 705.1)		18	128204GT	SWITCH TOGGLE ASSY SPDT 2P MNT1 <i>(Engine Idle; includes boot and hardware)</i>	
6	66812GT	BUTTON,PUSH,RED MUSHROOM HEAD.....1		--	128578GT	SCREW T-SWITCH PH/PH 6-32X1/4	
--	66818GT	CONTACT, N.C.		--	128584-SGT	SWITCH TOGGLE SPDT 2P MNT SHDR	
--	94506GT	BASE,W/3 NC CONTACTS <i>includes 3 N.C. contacts</i>		--	27246GT	BOOT,TOGGLE SWITCH,SHORT*	
7		Ref. Joystick Controller, Multi-axis (drive/steer function) (refer to 705.1)		19	128204GT	SWITCH TOGGLE ASSY SPDT 2P MNT <i>(Fuel Select, Gas/LPG Models; includes boot and hardware)</i>	
--		Ref. Joystick Controller with Rocker Switch (option) (refer to 706.1)		--	128578GT	SCREW T-SWITCH PH/PH 6-32X1/4	
8	824879GT	LIGHT,LED IND. RED 12V NH.....2 <i>(Machine not level indicator)</i>		--	128584-SGT	SWITCH TOGGLE SPDT 2P MNT SHDR	
--	45384GT	PLUG,NYLON .50 BLACK DOMED		--	27246GT	BOOT,TOGGLE SWITCH,SHORT*	
--	56848GT	WASHER,LOCK,IND,LAMP RETAINER		20	128200GT	SWITCH TOGGLE ASSY SPDT 3P MOM.....1 <i>(Drive Enable; includes boot and hardware)</i>	
9	45383GT	ALARM,WARBLE TONE 5-30 VDC***1 <i>Does not include 72326 nut</i>		--	128578GT	SCREW T-SWITCH PH/PH 6-32X1/4	
--	72326GT	NUT - PLASTIC,RING FOR ALARMS		--	128580-SGT	SWITCH TOGGLE SPDT 3P MOM SHDR	
10	8914GT	SCREW,HHC,1/4-20 X .625		--	27246GT	BOOT,TOGGLE SWITCH,SHORT*	
11	6356GT	WASHER,LOCK,.25		21	128200GT	SWITCH TOGGLE ASSY SPDT 3P MOM.....1 <i>(Platform Level; includes boot and hardware)</i>	

703.1 Platform Control Box - View 1
(continued)

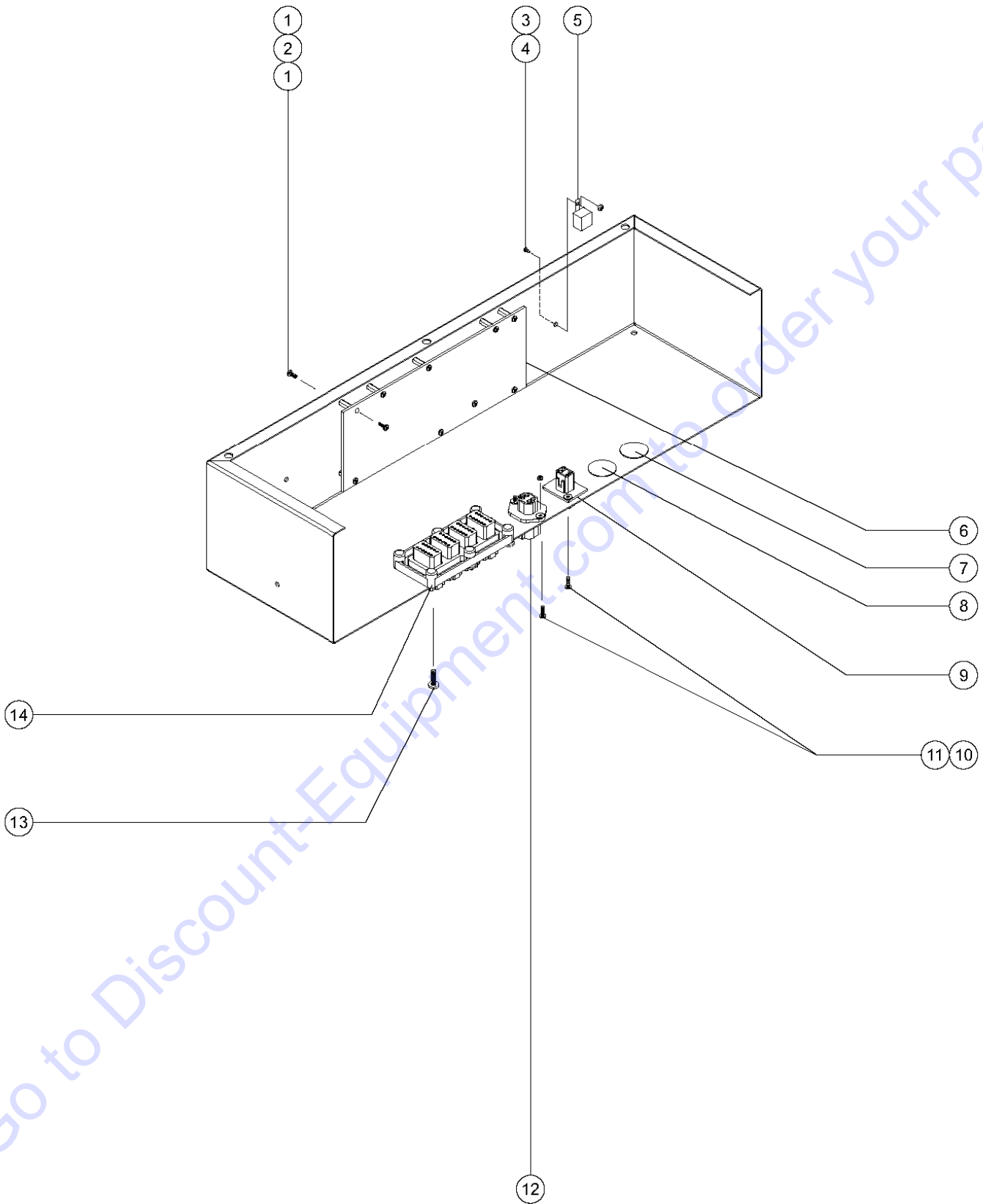
Item	Part No.	Description	Qty.
--	128578GT	SCREW T-SWITCH PH/PH 6-32X1/4	
--	128580-SGT	SWITCH TOGGLE SPDT 3P MOM SHDR	
--	27246GT	BOOT,TOGGLE SWITCH,SHORT*	
22	139338GT	SCREW PH M5-0.8X20 DIN 7500CE	
23	824879GT	LIGHT,LED IND. RED 12V NH.....1 <i>(Platform overload indicator)</i>	
--	56848GT	WASHER,LOCK,IND,LAMP RETAINER	
24	824879GT	LIGHT,LED IND. RED 12V NH <i>(Drive enable indicator)</i>	
--	56848GT	WASHER,LOCK,IND,LAMP RETAINER	
25	45384GT	PLUG,NYLON .50 BLACK DOMED.....1	

Go to Discount-Equipment.com to order your parts

This Page Intentionally Left Blank

Go to Discount-Equipment.com to order your parts

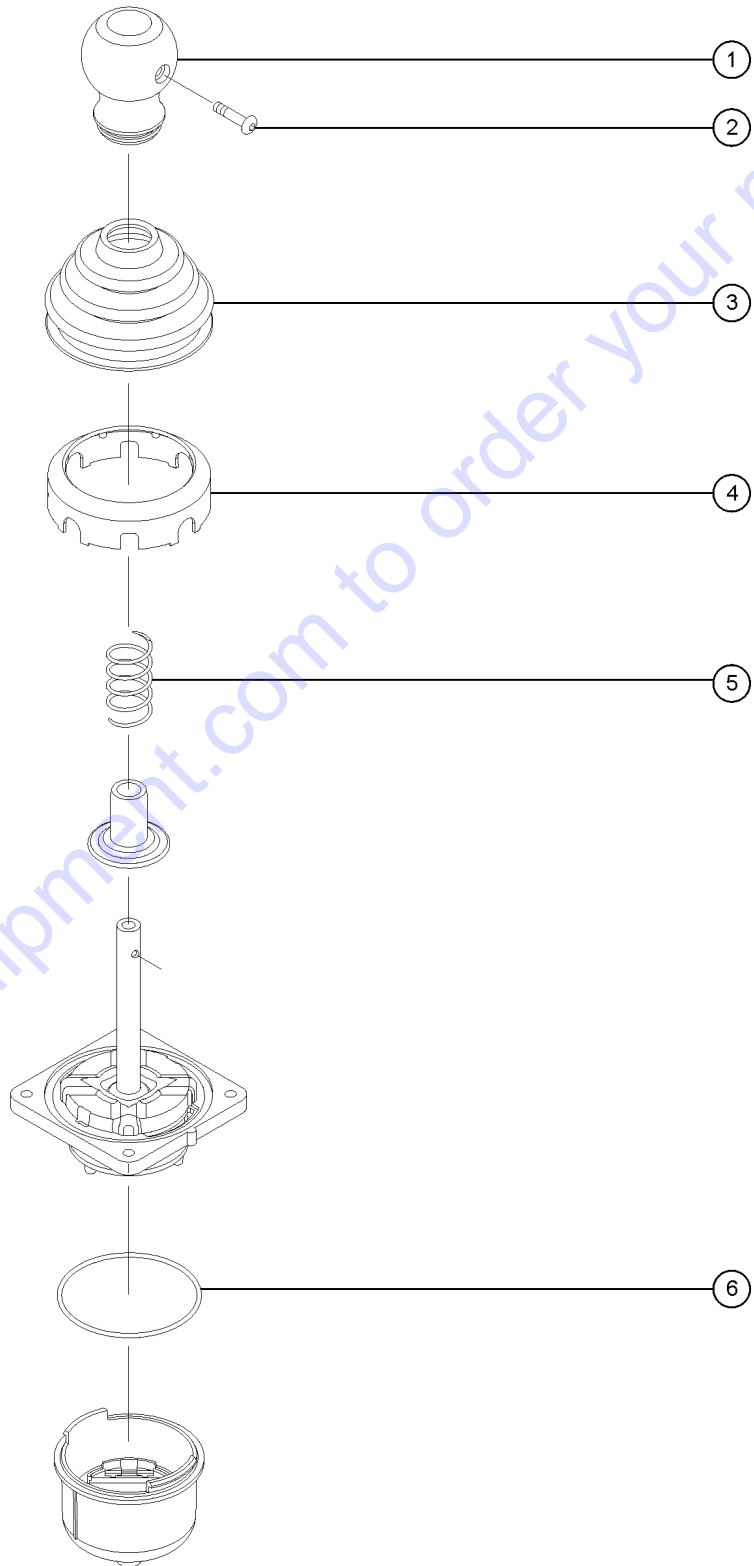
704.1 Platform Control Box - View 2



704.1 Platform Control Box - View 2

Item	Part No.	Description	Qty.	Item	Part No.	Description	Qty.
--	121847GT	RELAY,TIME DELAY,2 SEC,30A <i>from SN 20421; models with load sense</i>		--	54259GT	TERM,NI PIN, 14-16GA,BULK	
--	128045GT	MODULE,LOAD SENSE 2007 <i>from SN 12381</i>		--	73723GT	CONN RECEP,FLANGED	
--	77351GT	LANYARD,PLATFORM CONTROL BOX		10	49820GT	SCREW,PHILLIPS,PHM,6-32 X .5	
--	81487PGT	PLATFORM CONTROL BOX,PAINTED		11	12344GT	NUT,NYLOCK,6-32	
--	81488GT	GASKET,PLATFORM CONTROL BOX		12	73717GT	CONN,RECEP 4 WAY,12-14GA FL***.....1	
1	81551GT	SCREW,PHIL,PHM,6-32 X 1/4 SS		--	107909GT	HARNESS, 12/3, 12V TO PLAT S-60	
2	81550GT	STANDOFF,6-32 X 3/8L X 1/4 HEX		--	60526GT	LOCK,RECEP 4 WAY,12-14GA	
3	54365GT	SCREW,PHIL,PHM,10-32 X .5,SSTL <i>CE models</i>		--	73711GT	TERM,DEUTSCH, PIN #12-14	
4	6178GT	NUT,NYLOCK,10-32 <i>CE models</i>		--	88933GT	HARNESS,12/3,12V TO PLAT,JIB S-65	
5	19274GT	RELAY,SPDT,12V(AUTO)**.....1 <i>CE models</i>	1	13	73803GT	SCREW,SHM,PHP, #12 X .75	
6A	235411GT	ASSY,PCB ALC500 S60 LEG V202 <i>from SN 9154 to 21000; Machine model and serial number required when ordering. Please contact Discount-equipment for assistance.</i>		14	73736GT	CONN,RECEP 48 WAY,4 X 12.....1	
6A	56030GT	TERMINAL,MOLEX 16 GAUGE***		--		HARNESS,18/19,BOOM CABLE <i>(refer to 307.1)</i>	
--	56029GT	CONNECTOR,MOLEX 24-WAY**		--	54255GT	LOCK,RECEP 12 WAY, 14-18GA	
--	56030GT	TERMINAL,MOLEX 16 GAUGE***		--	73713GT	TERM,NI PIN,S&F,16-18GA,REEL	
--	56561GT	TOOL,TERMINAL CRIMPER,MOLEX***					
--	56562GT	TOOL,TERMINAL EXTRACTOR,MOLEX					
--	119250GT	BRACKET,PLATFORM HEATER OPT.....1					
--	119534GT	STANDOFF,1/4X1/4 M-F 6-32 S/S.....1					
--	119560GT	WIRING KIT,CONTROL BOX HEATER...1					
--	119641GT	SWITCH,THERMOSTAT 85F OPEN.....1					
--	128204GT	SWITCH TOGGLE ASSY SPDT 2P MNT.....1	1				
--	27287GT	RESISTOR,10 OHM,25 WATT.....2 <i>for 119560</i>	2				
--	T115352GT	DECAL,OPTION CONTROL BOX HEATR					
7	45385GT	PLUG,NYLON 1.12 BLACK DOMED.....1					
--	94549GT	SWITCH,LOAD LIMIT <i>CE models</i>					
8A	45385GT	PLUG,NYLON 1.12 BLACK DOMED.....1 S-60					
8B	7056GT	CONN,SQUEEZE,1/2NPT .38-.50,SM S-65					
--	101080GT	HARNESS,JIB SELECT MANIFOLD <i>S-65; includes Squeeze Connector and Locknut</i>					
--	6935GT	LOCKNUT,ELEC,1/2" S-65					
9	60443GT	LOCK,RECEP 4 WAY,14-18GA.....1					
--		REF: Foot Switch Assembly <i>(refer to 701.1)</i>					

705.1 Standard Joystick (To SN 14781)

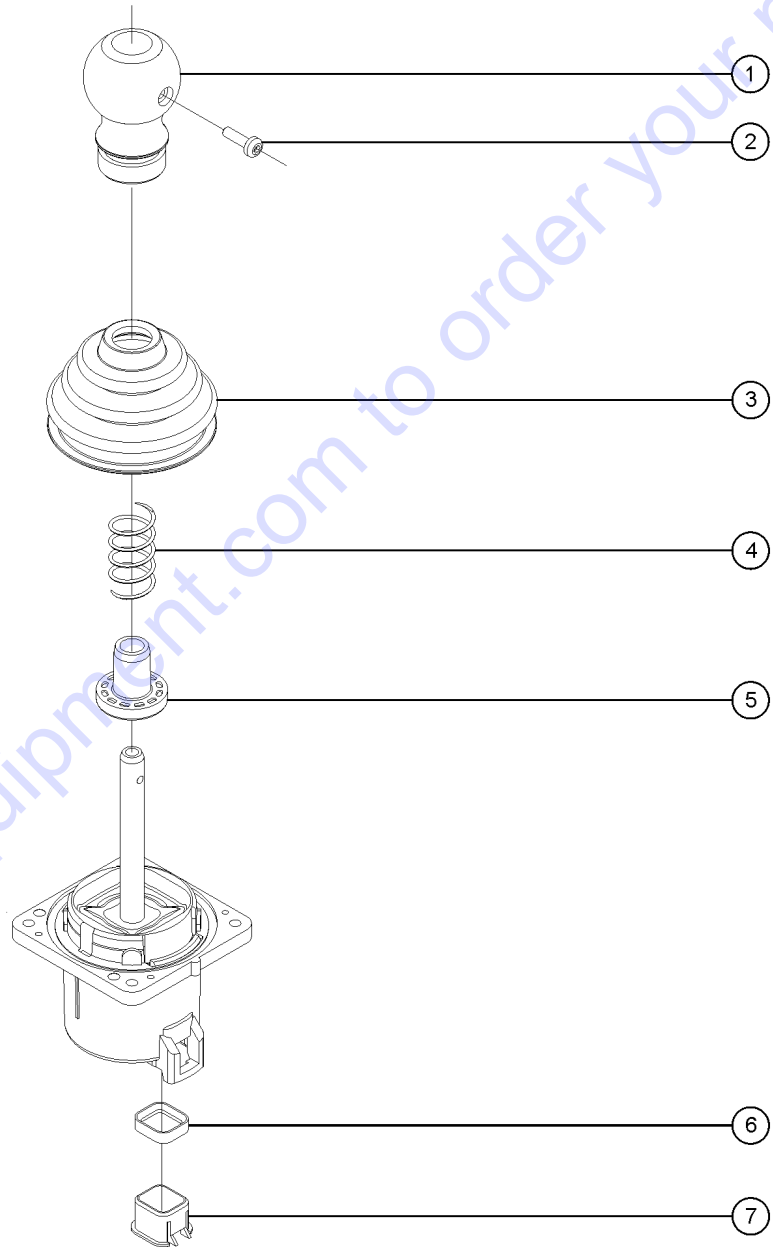


Go to Discount-Equipment.com to order your parts

705.1 Standard Joystick (To SN 14781)

Item	Part No.	Description	Qty.
--	111417GT	JOYSTICK W/HARN ADPTR, 2 AXIS <i>This kit converts joystick to Deutsch style connection (OEM joystick); after first time replacement, refer to section 705.2</i>	
--	111415GT	JOYSTICK W/HARN ADPTR, 1 AXIS <i>This kit converts joystick to Deutsch style connection (OEM joystick); after first time replacement, refer to section 705.2</i>	
--	119613GT	HARN JOYSTICK ADAPTOR JS100.....1 <i>For first time replacement</i>	
Z	1269500GT	KIT, ISOLATION, 2 JOYSTICK	
1	62392GT	KNOB,JOYSTICK, 62390/62391.....1	
2	T112626GT	SCREW, PHM, #6-32 X .625 ZINC.....1	
3	139598GT	BOOT,JOYSTICK.....1	
4	75143GT	BOOT GUARD, JOYSTICK 62390/91.....1	
5		SPRING,JOYSTK CENTR,62390/91.....1 <i>no longer available from supplier</i>	
6		O-RING,JOYSTICK, 62390/62391.....1 <i>no longer available from supplier</i>	

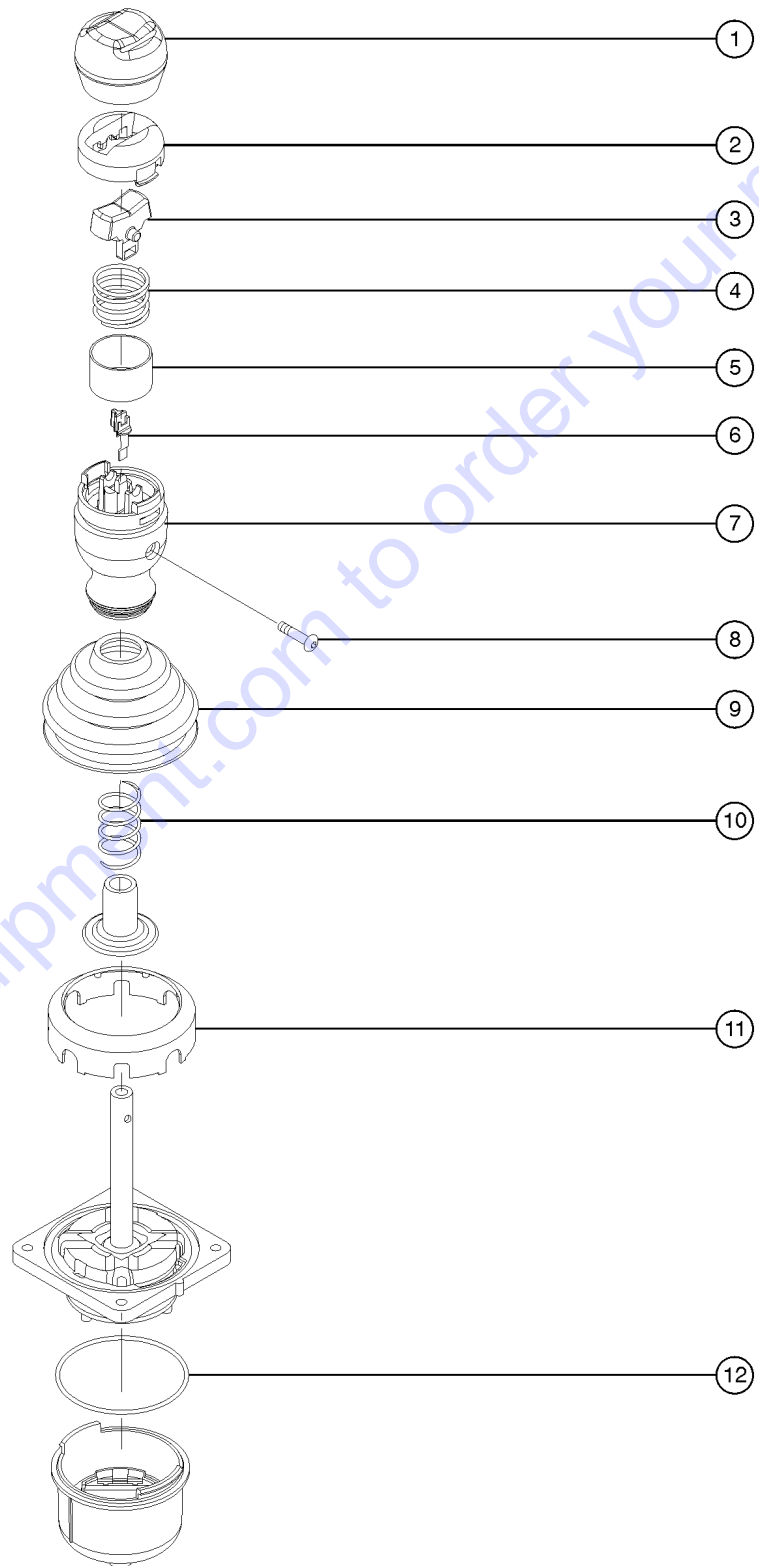
705.2 Standard Joystick (from SN 14782)



705.2 Standard Joystick (from SN 14782)

Item	Part No.	Description	Qty.
--	101174GT	JOYSTICK,2 AXIS,DEUTSCH <i>OEM joystick (calibration required after replacement)</i>	
--	101174HGT	JOYSTICK,DUAL AXIS W/KNOB <i>aftermarket joystick (calibration required after replacement)</i>	
--	101175GT	JOYSTICK,1 AXIS,DEUTSCH <i>OEM joystick (calibration required after replacement)</i>	
--	101175HGT	JOYSTICK,SINGLE AXIS W/KNOB <i>aftermarket joystick (calibration required after replacement)</i>	
--	83098GT	TERM,AMP MTE,SOC,22-26 GA BULK	
--	119613GT	HARN JOYSTICK ADAPTOR JS100 <i>for first time replacement on machines before SN 14782 (6-pin to 7-pin adapter)</i>	
Z	1269500GT	KIT, ISOLATION, 2 JOYSTICK	
1	62392GT	KNOB,JOYSTICK, 62390/62391.....	1
2	T112626GT	SCREW, PHM, #6-32 X .625 ZINC.....	1
3	139598GT	BOOT,JOYSTICK.....	1
4		SPRING,JOYSTK CENTR,62390/91..... <i>no longer available from supplier</i>	1
5	119915GT	COLLAR,JOYSTICK,CENTER.....	1
6	128000GT	SEAL, CONNECTOR (DT JOYSTICKS).....	1
7	128001GT	SLEEVE,CONNECTOR,DT JOYSTICKS.....	1

706.1 Optional Joystick (to SN 14781)

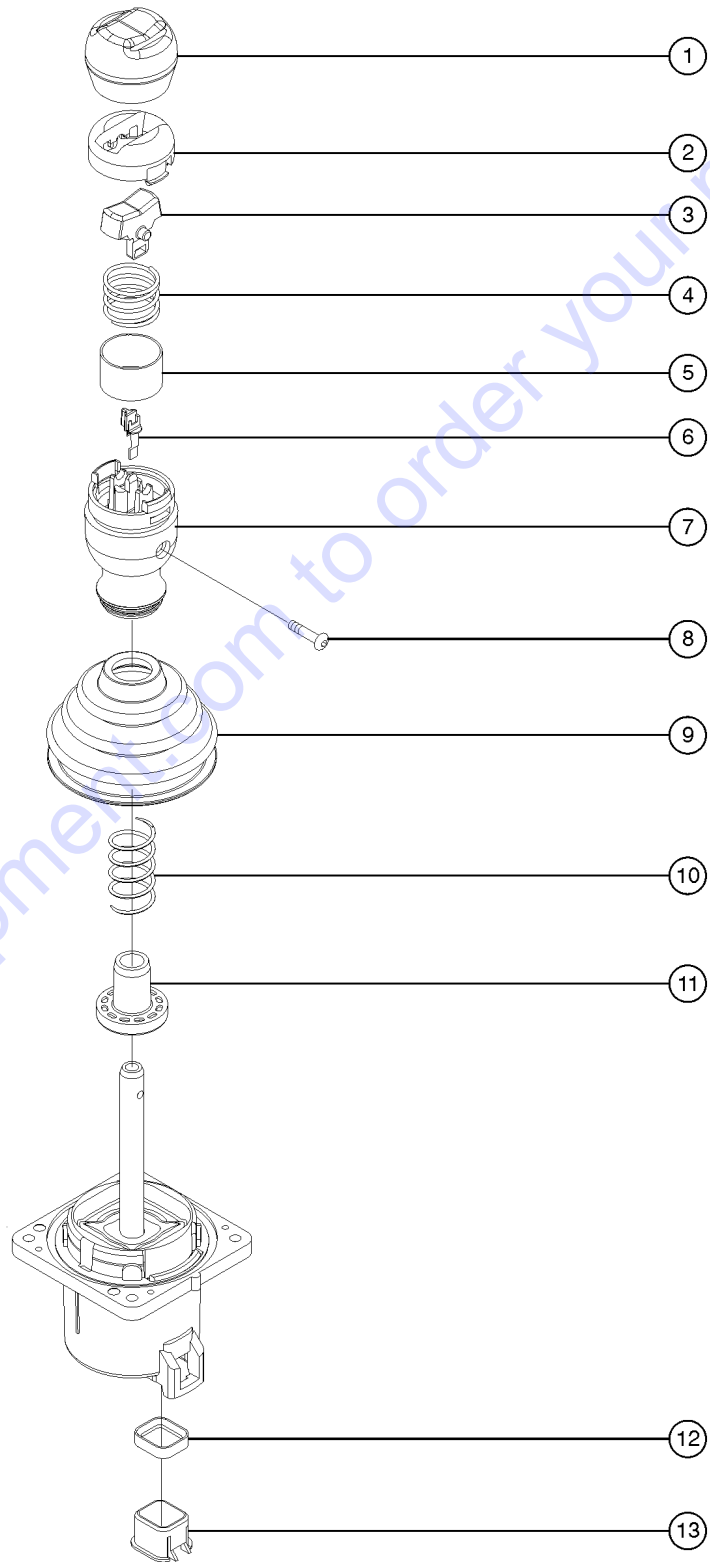


Go to Discount-Equipment.com to order your parts

706.1 Optional Joystick (to SN 14781)

Item	Part No.	Description	Qty.
--	111416GT	JOYSTICK W/HARN ADPTR KIT RCKR <i>kit converts joystick to Deutsch style connection (OEM joystick); after first time replacement, refer to section 706.2</i>	
--	119613GT	HARN JOYSTICK ADAPTOR JS100 <i>required for first time replacement</i>	
Z	1269500GT	KIT, ISOLATION, 2 JOYSTICK	
1	75443GT	BOOT, ROCKER JOYSTICK 75565.....1	
2	75444GT	ROCKER,RETAINER, 75565.....1	
3	75445GT	ROCKER ASSY.,MAGNETIC 75565.....1	
4	75446GT	SPRING,SWITCH CENTERING,75565...1	
5	75447GT	SWITCH SHIELD,ROCK JOYSTK75565.....1	
6	75448GT	SUPPORT,SENSOR,JOYSTICK.....1	
7	75449GT	KNOB,ROCKER JOYSTICK 75565.....1	
8	T112626GT	SCREW, PHM, #6-32 X .625 ZINC.....1	
9	139598GT	BOOT,JOYSTICK.....1	
10		SPRING,JOYSTK CENTR,62390/91.....1 <i>no longer available from supplier</i>	
11	75143GT	BOOT GUARD, JOYSTICK 62390/91.....1	
12		O-RING,JOYSTICK, 62390/62391.....1 <i>no longer available from supplier</i>	

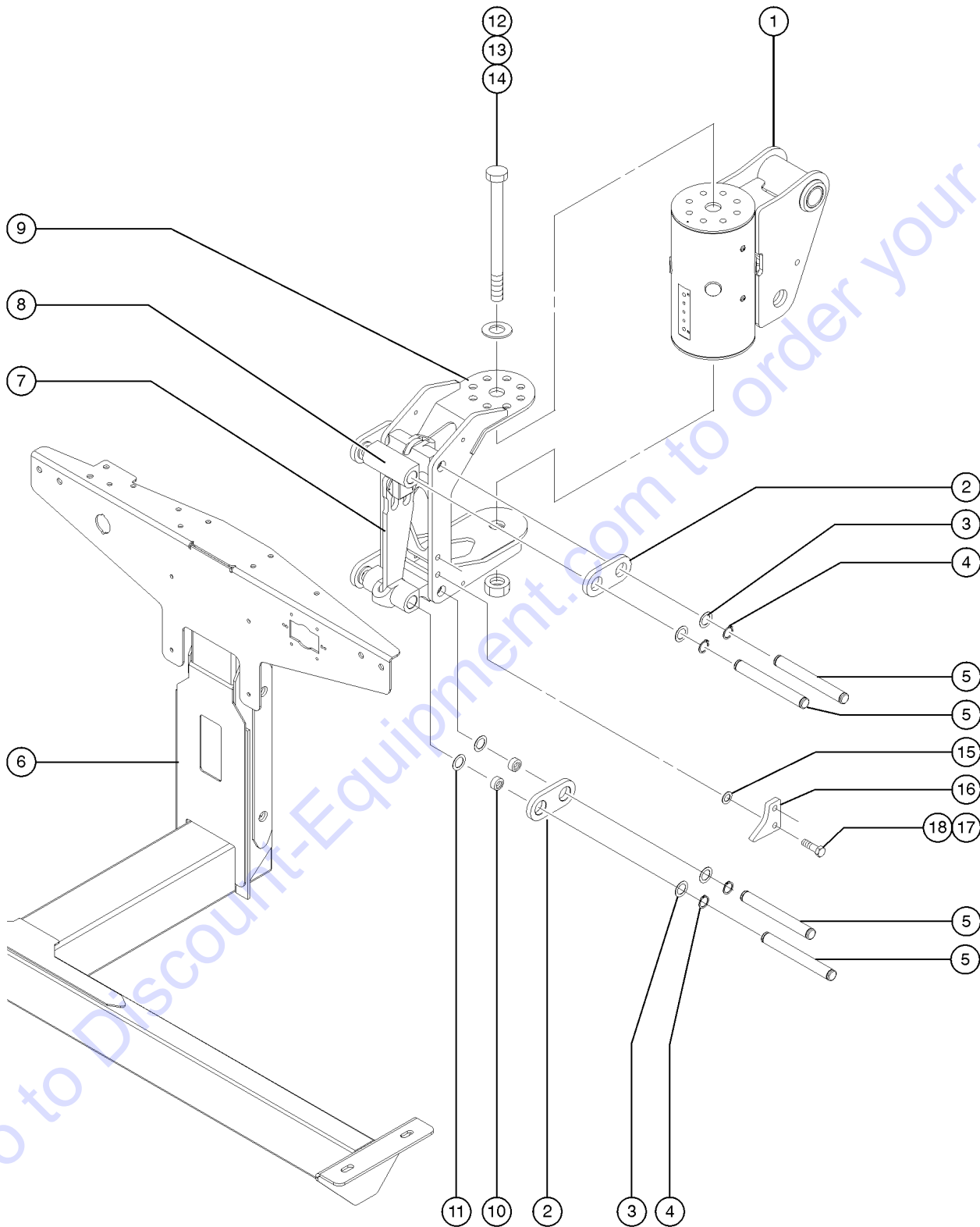
706.2 Optional Joystick (from SN 14782)



706.2 Optional Joystick (from SN 14782)

Item	Part No.	Description	Qty.
--	101005GT	JOYSTICK,1 AXIS ROCKER,DEUTSCH <i>OEM joystick (calibration required after replacement)</i>	
--	101005HGT	JOYSTICK,SINGLE AXIS W/STEER <i>aftermarket joystick (calibration required after replacement)</i>	
--	83098GT	TERM,AMP MTE,SOC,22-26 GA BULK	
--	119613GT	HARN JOYSTICK ADAPTOR JS100 <i>for units before SN 14782</i>	
Z	1269500GT	KIT, ISOLATION, 2 JOYSTICK	
1	75443GT	BOOT, ROCKER JOYSTICK 75565.....1	
2	75444GT	ROCKER,RETAINER, 75565.....1	
3	75445GT	ROCKER ASSY.,MAGNETIC 75565.....1	
4	75446GT	SPRING,SWITCH CENTERING,75565...1	
5	75447GT	SWITCH SHIELD,ROCK JOYSTK75565.....1	
6	75448GT	SUPPORT,SENSOR,JOYSTICK.....1	
7	75449GT	KNOB,ROCKER JOYSTICK 75565.....1	
8	T112626GT	SCREW, PHM, #6-32 X .625 ZINC.....1	
9	139598GT	BOOT,JOYSTICK.....1	
10		SPRING,JOYSTK CENTR,62390/91.....1 <i>no longer available from supplier</i>	
11	119915GT	COLLAR,JOYSTICK,CENTER.....1	
12	128000GT	SEAL, CONNECTOR (DT JOYSTICKS).....1	
13	128001GT	SLEEVE,CONNECTOR,DT JOYSTICKS.....1	

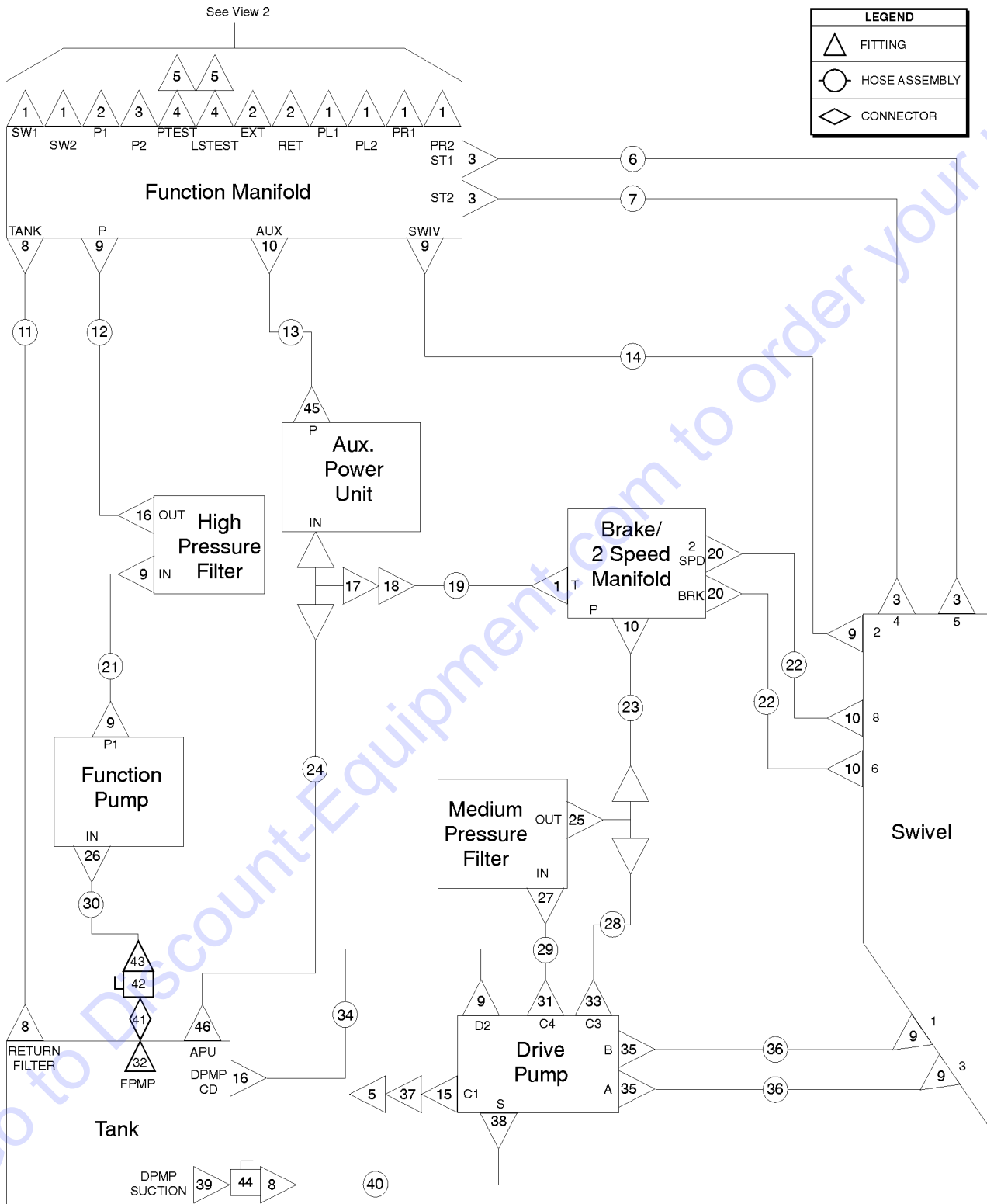
707.1 S-60 HC Platform Overload



707.1 S-60 HC Platform Overload

Item	Part No.	Description	Qty.
1	226541GT	ROTATOR,PLATFORM,15K.....	1
--	147370GT	SEAL KIT,15K ROTATOR <i>for 107836; to SN 21918</i>	
--	226542GT	SEAL KIT, 15K ROTATOR <i>for 226541; from SN 21919</i>	
2	110784GT	MACHINED,LOAD CELL LINK.....	2
--	47548GT	BEARING,FL,0.75ID X 1 OD X .49.....	8
3	6563GT	WASHER,SHIM,.75 X 1.125 X.030.....	4
4	10262GT	SNAP RING,EXTERNAL,.75 DIA.....	4
5	110785GT	PIN,.75DIA X 6.38 LG,2RING.....	4
6	106399GT	WELDMENT,PLATFORM SUPPORT.....	1
7	106766GT	LOAD CELL FLEXURE.....	1
8	119230GT	MACH,PLATE,LOAD SUPPORT.....	2
9	107564GT	WELDMENT,ROTATOR MOUNT.....	1
10	25685GT	BEARING,GARLOCK,12FDU12.....	8
11	110789GT	WASHER,SHIM .0151 THK.....	8
12	824075GT	SCREW,HHC,1-8X12.75,5,ZAG	
13	122079GT	WASHER,FLAT,1.000,HARDENED	
14	29764GT	NUT,NYLOCK,1-8	
15	7268GT	WASHER,SHIM,.375 X.625X.033 ST.....	4
16	139248GT	MACH.,PLATE,STOP.....	2
17	8516GT	SCREW, HCC, 3/8-16 X 1.50	
18	4828GT	NUT,NYLOCK,3/8-16	

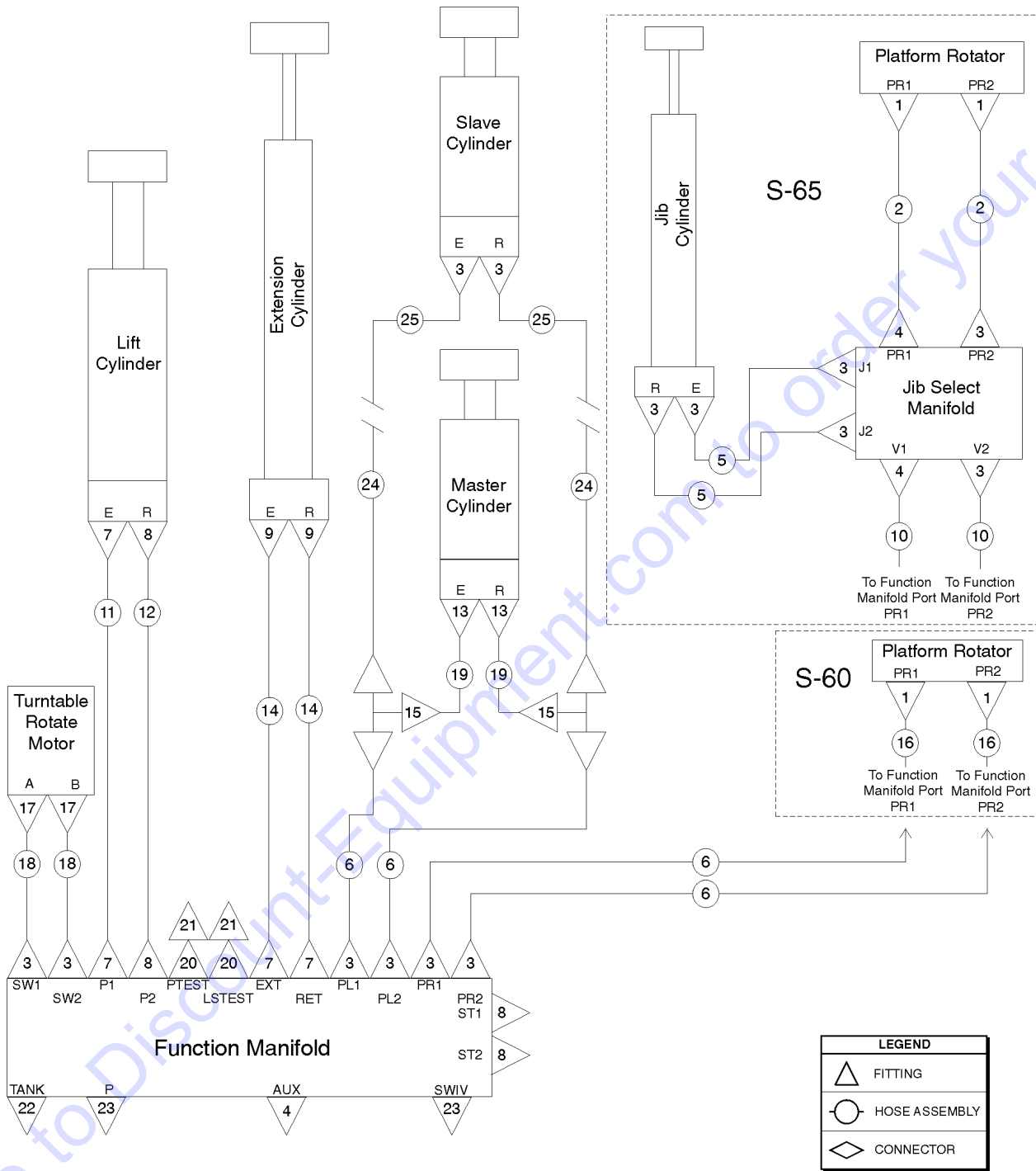
801.1 Function Manifold - View 1



801.1 Function Manifold - View 1

Item	Part No.	Description	Qty.	Item	Part No.	Description	Qty.
--		<i>The hose lengths below reflect the length of the hose only. Refer to the 'Fittings Cross Reference' to match Genie part numbers to Parker part numbers.</i>		26	88936GT	CONN,520120-20-16.....	1
1	48905GT	CONN,520120-4***.....	7	27	48932GT	FITTING,ELBOW,90D,520220-8***.....	1
2	48933GT	CONN,520120-8***.....	3	28	49143-3429GT	HOSE ASSY,1/2,90 FEM,STR FEM..... <i>Components: Genie part numbers 48822, 48827 and 48756 @ 32 inches</i>	1
3	48916GT	CONN, 520120-6.....	5	29	49143-3629GT	HOSE ASSY,1/2,90 FEM,STR FEM..... <i>Components: Genie part numbers 48822, 48827 and 48756 @ 34 inches</i>	1
4	48998GT	NIPPLE,DIAGNOSTIC,#6 PORT***.....	2	30	88943-8236GT	HOSE ASSY,1.25",90 FEM,STR FEM..... <i>Components: Genie part numbers 88474, 88477, 88944 and 88478 @ 78.5 inches (to SN 9655)</i>	1
5	48880GT	CAP,DIAGNOSTIC NIPPLE.....	2	--	88943-7636GT	HOSE ASSY,1.25",90 FEM,STR FEM <i>Components: Genie part numbers 88474, 88477, 88944 and 88478 @ 72.5 inches (from SN 9656)</i>	
6	49130-5782GT	HOSE ASSY 3/8, STR FEM,STR FEM.... <i>Components: Genie part numbers 48812, 48812 and 48753 @ 56 inches</i>	1	31	48949GT	CONN,520120-8-16.....	1
7	49130-5582GT	HOSE ASSY 3/8, STR FEM,STR FEM.... <i>Components: Genie part numbers 48812, 48812 and 48753 @ 54 inches</i>	1	32	139340GT	KIT, STRAINER REPLACEMENT..... <i>to SN 9655</i>	1
8	48984GT	CONN,520120-16.....	2	--	101491GT	STRAINER,20 SAE F/24 SAE M*** <i>from SN 9656</i>	
9	48960GT	FITTING,CONN,520120-12***.....	6	33	48946GT	CONN,520120-8-10.....	1
10	48904GT	ELBOW,90D,520220-4-4.....	4	34	49150-9130GT	HOSE ASSY,3/4,90 FEM,STR FEM..... <i>Components: Genie part numbers 48841, 48846 and 48761 @ 88 inches</i>	1
11	88949-3828GT	HOSE ASSY 1",STR FEM,STR FEM.... <i>Components: Genie part numbers 88938, 88941 and 88940 @ 36 inches</i>	1	35	48977GT	CONN,520120-12-16.....	2
12	61074-7572GT	HOSE ASSEMBLY 3/4" STR-STR..... <i>Components: Genie part numbers 48841, 48841 and 48762 @ 72 inches</i>	1	36	94374-6030GT	HOSE ASSY,3/4,90 FEM,STR FEM..... <i>Components: Genie part numbers 48841, 48846 and 84358 @ 57 inches</i>	2
13	49117-2491GT	HOSE ASSY,1/4,90 FEM,STR FEM..... <i>Components: Genie part numbers 48802, 48800 and 48751 @ 23 inches</i>	1	37	49207GT	NIPPLE,DIAGNOSTIC,ORFS,FM,SWIV..	1
14	49151-6248GT	HOSE ASSY,3/4,STR FEM,STR FEM.... <i>Components: Genie part numbers 48841, 48841 and 48761 @ 60 inches</i>	1	38	48985GT	ELBOW,45D,520320-16.....	1
15	48914GT	CONN,520120-4-8.....	1	39	147419GT	KIT,STRAINER REPLACEMENT..... <i>to SN 9655</i>	1
16	48963GT	FITTING,ELBOW,45D,520320-12***.....	1	--	147419GT	KIT,STRAINER REPLACEMENT..... <i>from SN 9656</i>	1
17	48935GT	TEE,RUN,520428-8.....	1	40	88942-8754GT	HOSE ASSY,1",90 FEM,STR FEM..... <i>Components: Genie part numbers 88938, 88941, 88939 and 88940 @ 84 inches (to SN 9655)</i>	1
18	48941GT	REDUCER,520123-8-4.....	2	--	88942-8354GT	HOSE ASSY,1",90 FEM,STR FEM <i>Components: Genie part numbers 88938, 88941, 88939 and 88940 @ 80 inches (from SN 9656)</i>	
19	49117-4491GT	HOSE ASSY,1/4,90 FEM,STR FEM..... <i>Components: Genie part numbers 48800, 48802 and 48751 @ 43 inches</i>	1	41	61263GT	UNION,STR.THREAD 20.....	1
20	48907GT	ELBOW,45D,520320-4.....	2	42	101494GT	VALVE,BALL,FSAE-20,FSAE-20.....	1
21	61073-3930GT	HOSE ASSY.,3/4",90,FEM,STR FEM.... <i>Components: Genie part numbers 48846, 48841 and 48762 @ 36 inches</i>	1	43	75654GT	CONN,520120-20.....	1
22	49119-2878GT	HOSE ASSY,1/4,STR FEM,STR FEM*.... <i>Components: Genie part numbers 48800, 48800 and 48751 @ 27 inches</i>	2	44	48996GT	VALVE,BALL,16 MSAE-16 FSAE***.....	1
23	49117-3391GT	HOSE ASSY,1/4,90 FEM,STR FEM..... <i>Components: Genie part numbers 48800, 48802 and 48751 @ 32 inches</i>	1	45	48912GT	CONN,520120-4-6***.....	1
24	94465-3650GT	HOSE ASSY,1/2"..... <i>Components: Genie part numbers 48808, 48808 and 39888 @ 35 inches</i>	1	46	48943GT	CONN, 520120-8-6.....	1
25	48936GT	TEE,BRANCH,520429-8.....	1				

802.1 Function Manifold - View 2



PARTS FINDER

**Search Website
by Part Number**



**Search Manual
Library For Parts
Manual & Lookup Part
Numbers – Purchase
or Request Quote**

Search Manuals

Enter your information to help us find the right parts manual for your machine.

* Brand:

* Model:

* Serial:

* Part Number:

SEARCH

**Can't Find Part or
Manual? Request Help
by Manufacturer,
Model & Description**

Parts Order Form

Please fill in the following information to help us find the right part for your machine.

Manufacturer:	<input type="text"/>
Model:	<input type="text"/>
Description:	<input type="text"/>
Part Number:	<input type="text"/>
Quantity:	<input type="text"/>
Notes:	<input type="text"/>

Submit

Discount-Equipment.com is your online resource for quality parts & equipment.

Florida: **561-964-4949** Outside Florida TOLL FREE: **877-690-3101**

Need parts?

Click on this link: <http://www.discount-equipment.com/category/5443-parts/> and choose one of the options to help get the right parts and equipment you are looking for. Please have the machine model and serial number available in order to help us get you the correct parts. If you don't find the part on the website or on one of the online manuals, please fill out the request form and one of our experienced staff members will get back to you with a quote for the right part that your machine needs.

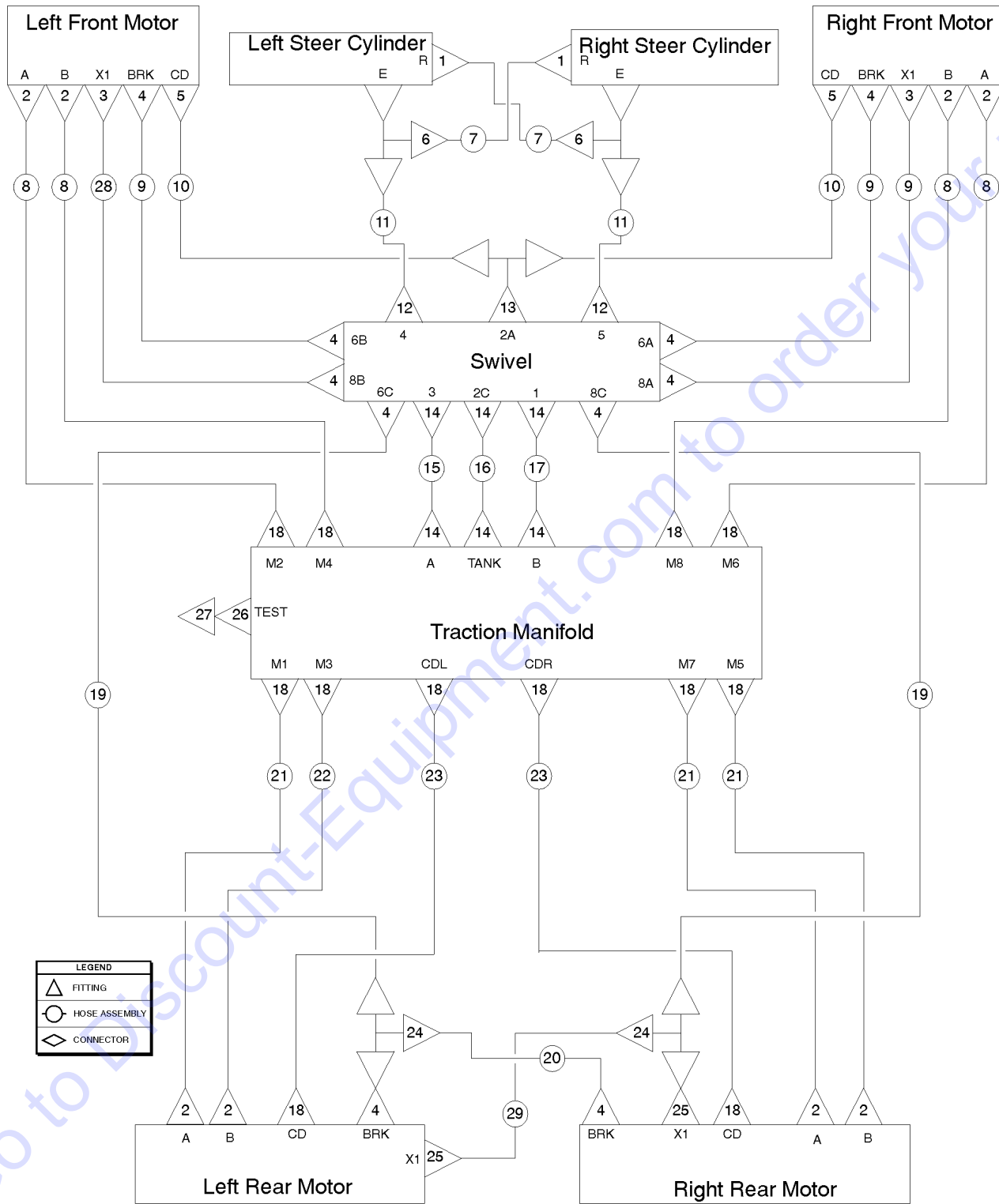
We sell worldwide for the brands: Genie, Terex, JLG, MultiQuip, Mikasa, Essick, Whiteman, Mayco, Toro Stone, Diamond Products, Generac Magnum, Airman, Haulotte, Barreto, Power Blanket, Nifty Lift, Atlas Copco, Chicago Pneumatic, Allmand, Miller Curber, Skyjack, Lull, Skytrak, Tsurumi, Husquvarna Target, Stow, Wacker, Sakai, Mi-T-M, Sullair, Basic, Dynapac, MBW, Weber, Bartell, Bennar Newman, Haulotte, Ditch Runner, Menegotti, Morrison, Contec, Buddy, Crown, Edco, Wyco, Bomag, Laymor, EZ Trench, Bil-Jax, F.S. Curtis, Gehl Pavers, Heli, Honda, ICS/PowerGrit, IHI, Partner, Imer, Clipper, MMD, Koshin, Rice, CH&E, General Equipment, Amida, Coleman, NAC, Gradall, Square Shooter, Kent, Stanley, Tamco, Toku, Hatz, Kohler, Robin, Wisconsin, Northrock, Oztec, Toker TK, Rol-Air, APT, Wylie, Ingersoll Rand / Doosan, Innovatech, Con X, Ammann, Mecalac, Makinex, Smith Surface Prep, Small Line, Wanco, Yanmar

802.1 Function Manifold - View 2

Item	Part No.	Description	Qty.	Item	Part No.	Description	Qty.
--		<i>The hose lengths below reflect the length of the hose only. Refer to the 'Fittings Cross Reference' to match Genie part numbers to Parker part numbers.</i>		--	49119-72078GT	HOSE ASSY,1/4,STR FEM,STR FEM <i>Components: Genie part numbers 48800, 48800 and 48751 @ 719 inches (from SN 16341)</i>	
1	48907GT	ELBOW,45D,520320-4.....	2	17	49418GT	FITTING,ELBOW,45D,520320-4-6**.....	2
2	49119-2878GT	HOSE ASSY,1/4,STR FEM,STR FEM*.... <i>Components: Genie part numbers 48800, 48800 and 48751 @ 27 inches</i>	2	18	49119-7478GT	HOSE ASSY,1/4,STR FEM,STR FEM.... <i>Components: Genie part numbers 48800, 48800 and 48751 @ 73 inches</i>	2
3	48905GT	CONN,520120-4***.....	11	19	49117-3791GT	HOSE ASSY,1/4,90 FEM,STR FEM**..... <i>Components: Genie part numbers 48800, 48802 and 48751 @ 36 inches</i>	2
4	48904GT	ELBOW,90D,520220-4-4.....	2	20	48998GT	NIPPLE,DIAGNOSTIC,#6 PORT***.....	2
5	49119-4278GT	HOSE ASSY,1/4,STR FEM,STR FEM*.... <i>Components: Genie part numbers 48800, 48800 and 48751 @ 41 inches</i>	2	21	48880GT	CAP,DIAGNOSTIC NIPPLE.....	2
6	88636-11973GT	HOSE ASSY 1/4,STR FEM,STR BULK... <i>Components: Genie part numbers 48800, 75628 and 48751 @ 117 inches</i>	4	22	48984GT	CONN,520120-16.....	1
7	48933GT	CONN,520120-8***.....	4	23	48960GT	FITTING,CONN,520120-12***.....	1
8	48916GT	CONN, 520120-6.....	3	24	49119-70678GT	HOSE ASSY,1/4,STR FEM,STR FEM.... <i>Components: Genie part numbers 48800, 48800 and 48751 @ 705 inches (to SN 16340)</i>	2
9	48937GT	ELBOW,45D,520320-8.....	2	--	49119-70978GT	HOSE ASSY,1/4,STR FEM,STR FEM <i>Components: Genie part numbers 48800, 48800 and 48751 @ 708 inches (from SN 16341)</i>	
10	49119-79278GT	HOSE ASSY,1/4,STR FEM,STR FEM.... <i>Components: Genie part numbers 48800, 48800 and 48751 @ 791 inches (to SN 16340)</i>	2	25	88636-2573GT	HOSE ASSY 1/4,STR FEM,STR BULK... <i>Components: Genie part numbers 48800, 75628 and 48751 @ 23 inches</i>	2
--	49119-79678GT	HOSE ASSY,1/4,STR FEM,STR FEM <i>Components: Genie part numbers 48800, 48800 and 48751 @ 795 inches (from SN 16341)</i>		--	75574GT	NUT,BULKHEAD,520118-4 <i>(item sold seperately)</i>	
11	49183-17692GT	HOSE ASSY,1/2,STR FEM,STR FEM.... <i>Components: Genie part numbers 48822, 48822 and 48756 @ 175 inches (to SN 10344)</i>	1				
--	49143-13829GT	HOSE ASSY,1/2,90 FEM,STR FEM..... <i>Components: Genie part numbers 48822, 48827 and 48756 @ 136 inches (from SN 10345)</i>	1				
12	49130-17682GT	HOSE ASSY 3/8, STR FEM,STR FEM... <i>Components: Genie part numbers 48812, 48812 and 48753 @ 175 inches (to SN 10344)</i>	1				
--	49128-13809GT	HOSE ASSY 3/8,STR FEM,90D..... <i>Components: Genie part numbers 48812, 48816 and 48753 @ 136 inches (from SN 10345)</i>	1				
13	48911GT	ELBOW,90D,520220-4-6***.....	2				
14	49183-13492GT	HOSE ASSY,1/2,STR FEM,STR FEM.... <i>Components: Genie part numbers 48822, 48822 and 48756 @ 133 inches</i>	2				
15	48908GT	FITTING,TEE,RUN,SWIVEL520432-4....	2				
16	49119-71478GT	HOSE ASSY,1/4,STR FEM,STR FEM.... <i>Components: Genie part numbers 48800, 48800 and 48751 @ 713 inches (to SN 16340)</i>	2				



803.1 4WD Traction Manifold

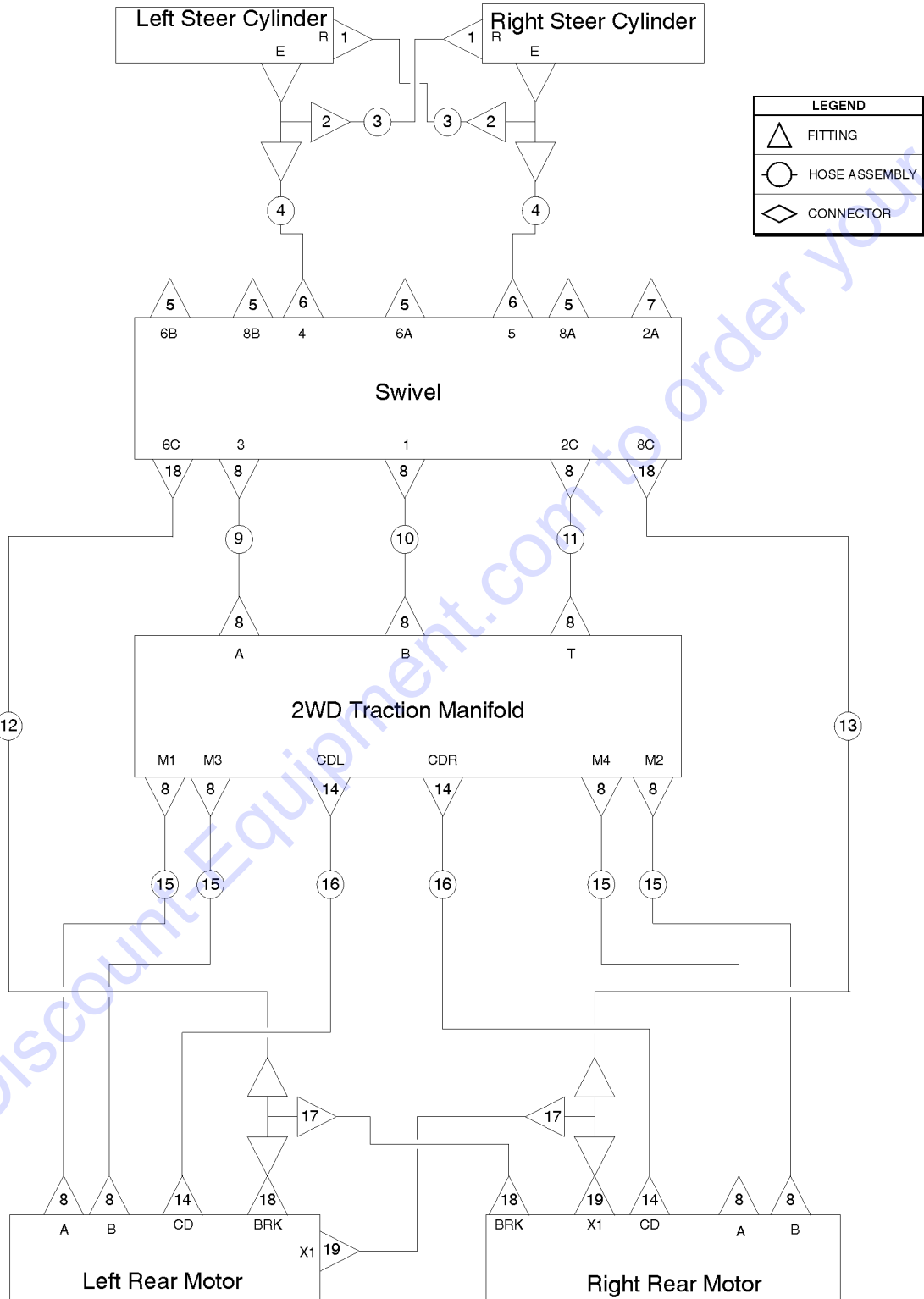


803.1 4WD Traction Manifold

Item	Part No.	Description	Qty.	Item	Part No.	Description	Qty.
--		<i>The hose lengths below reflect the length of the hose only. Refer to the 'Fittings Cross Reference' to match Genie part numbers to Parker part numbers.</i>		20	49117-6291GT	HOSE ASSY,1/4,90 FEM,STR FEM.....1 <i>Components: Genie part numbers 48800, 48802 and 48751 @ 61 inches</i>	1
1	48915GT	ELBOW,90D,520220-6.....2	2	21	75278-5029GT	HOSE ASSY,1/2,90 FEM,STR FEM.....3 <i>Components: Genie part numbers 48822, 48827 and 56777 @ 48 inches</i>	3
2	48948GT	CONN,520120-8-12.....8	8	22	75278-5129GT	HOSE ASSY,1/2,90 FEM,STR FEM**.....1 <i>Components: Genie part numbers 48822, 48827 and 56777 @ 49 inches</i>	1
3	48912GT	CONN,520120-4-6***.....2	2	23	94464-4986GT	HOSE ASSY,1/2"****.....2 <i>Components: Genie part numbers 48808, 77703 and 39888 @ 48 inches</i>	2
4	48905GT	CONN,520120-4***.....10	10	24	48908GT	FITTING,TEE,RUN,SWIVEL520432-4.....2	2
5	48930GT	CONN,520120-6-8.....2	2	25	48911GT	ELBOW,90D,520220-4-6***.....2	2
6	48918GT	TEE,RUN,520428-6.....2	2	26	48998GT	NIPPLE,DIAGNOSTIC,#6 PORT***.....1	1
7	49130-2482GT	HOSE ASSY 3/8, STR FEM,STR FEM.....2 <i>Components: Genie part numbers 48812, 48812 and 48753 @ 23 inches</i>	2	27	48880GT	CAP,DIAGNOSTIC NIPPLE.....1	1
--	101795-2482GT	HOSE ASSY,3/8,STR FEM,STR FEM <i>Components: Genie part numbers 48812, 48812 and 101697 @ 23 inches (arctic option)</i>		28	49117-10691GT	HOSE ASSY 1/4,90 FEM STR FEM.....1 <i>Components: Genie part numbers 48800, 48802 and 48751 @ 105 inches</i>	1
8	81812-13292GT	HOSE ASSY,1/2".....4 <i>Components: Genie part numbers 48822, 48822 and 56777 @ 131 inches</i>	4	--	101790-10691GT	HOSE ASSY,1/4,90 FEM,STR FEM <i>Components: Genie part numbers 48800, 48802 and 48751 @ 105 inches (arctic option)</i>	
9	49117-10091GT	HOSE ASSY 1/4.90 FEM STR FEM.....3 <i>Components: Genie part numbers 48800, 48802 and 48751 @ 99 inches</i>	3	29	49117-6091GT	HOSE ASSY,1/4,90 FEM,STR FEM**.....1 <i>Components: Genie part numbers 48800, 48802 and 48751 @ 59 inches</i>	1
--	101790-10091GT	HOSE ASSY,1/4,90 FEM,STR FEM <i>Components: Genie part numbers 48800, 48802 and 101697 @ 99 inches (arctic option)</i>					
10	49131-9603GT	HOSE ASSEMBLY 3/8".....2 <i>Components: Genie part numbers 48812, 48819 and 48753 @ 94 inches</i>	2				
--	102230-9589GT	HOSE ASSY,3/8,STR FEM,STR FEM <i>Components: Genie part numbers 48812, 48819 and 101698 @ 94 inches (arctic option)</i>					
11	49130-4782GT	HOSE ASSY,3/8,STR FEM,STR FEM.....2 <i>Components: Genie part numbers 48812, 48812 and 48753 @ 46 inches</i>	2				
12	48916GT	CONN, 520120-6.....2	2				
13	48936GT	TEE,BRANCH,520429-8.....1	1				
14	48960GT	FITTING,CONN,520120-12***.....6	6				
15	94374-2430GT	HOSE ASSY,3/4,90 FEM,STR FEM.....1 <i>Components: Genie part numbers 48841, 48846 and 94358 @ 21 inches</i>	1				
16	94466-2336GT	HOSE ASSY,3/4".....1 <i>Components: Genie part numbers 48809, 48809 and 39889 @ 21 inches</i>	1				
17	94374-2630GT	HOSE ASSY,3/4,90 FEM,STR FEM**.....1 <i>Components: Genie part numbers 48841, 48846 and 94358 @ 23 inches</i>	1				
18	48933GT	CONN,520120-8***.....12	12				
19	49119-7578GT	HOSE ASSY,1/4 STR FEM,STR FEM.....2 <i>Components: Genie part numbers 48800, 48800 and 48751 @ 74 inches</i>	2				

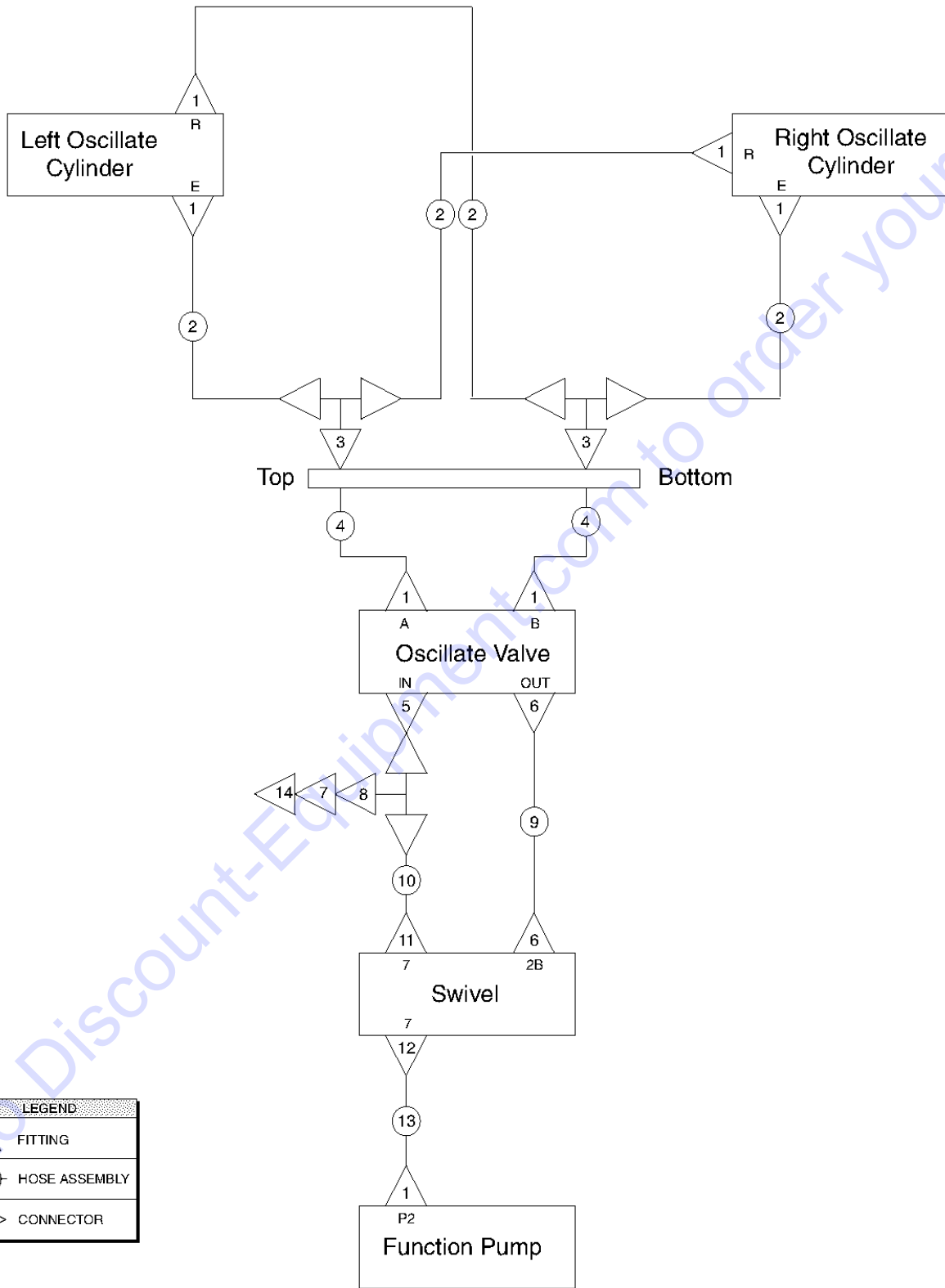


804.1 2WD Traction Manifold






Item	Part No.	Description	Qty.
--		<i>The hose lengths below reflect the length of the hose only. Refer to the 'Fittings Cross Reference' to match Genie part numbers to Parker part numbers.</i>	
1	48915GT	ELBOW,90D,520220-6.....	2
2	48918GT	TEE,RUN,520428-6.....	2
3	49130-2482GT	HOSE ASSY 3/8, STR FEM,STR FEM.... <i>Components: Genie part numbers 48812, 48812 and 48753 @ 23 inches</i>	2
4	49130-4782GT	HOSE ASSY,3/8,STR FEM,STR FEM.... <i>Components: Genie part numbers 48812, 48812 and 48753 @ 46 inches</i>	2
--	101795-4782GT	HOSE ASSY,3/8,STR FEM,STR FEM <i>Components: Genie part numbers 48812, 48812 and 101698 @ 46 inches (arctic option)</i>	
5	49859GT	PLUG,HEX,090109A-4.....	4
6	48916GT	CONN, 520120-6.....	2
7	48883GT	PLUG,HEX,090109A-8***.....	1
8	48960GT	FITTING,CONN,520120-12***.....	14
9	94374-2330GT	HOSE ASSY,3/4,90 FEM,STR FEM..... <i>Components: Genie part numbers 48841, 48846 and 94358 @ 20 inches</i>	1
10	94374-2530GT	HOSE ASSY,3/4,90 FEM,STR FEM..... <i>Components: Genie part numbers 48841, 48846 and 94358 @ 22 inches</i>	1
11	94466-2336GT	HOSE ASSY,3/4".....	1
12	49119-7578GT	HOSE ASSY,1/4 STR FEM,STR FEM..... <i>Components: Genie part numbers 48800, 48800 and 48751 @ 74 inches</i>	1
13	49119-7578GT	HOSE ASSY,1/4 STR FEM,STR FEM..... <i>Components: Genie part numbers 48800, 48800 and 48751 @ 74 inches</i>	1
14	48933GT	CONN,520120-8***.....	4
15	94374-4730GT	HOSE ASSY,3/4,90 FEM,STR FEM..... <i>Components: Genie part numbers 48841, 48846 and 94358 @ 44 inches</i>	4
16	94464-4986GT	HOSE ASSY,1/2****..... <i>Components: Genie part numbers 48808, 77703 and 39888 @ 48 inches</i>	4
17	48908GT	FITTING,TEE,RUN,SWIVEL520432-4.....	2
18	48905GT	CONN,520120-4***.....	2
19	48911GT	ELBOW,90D,520220-4-6***.....	1

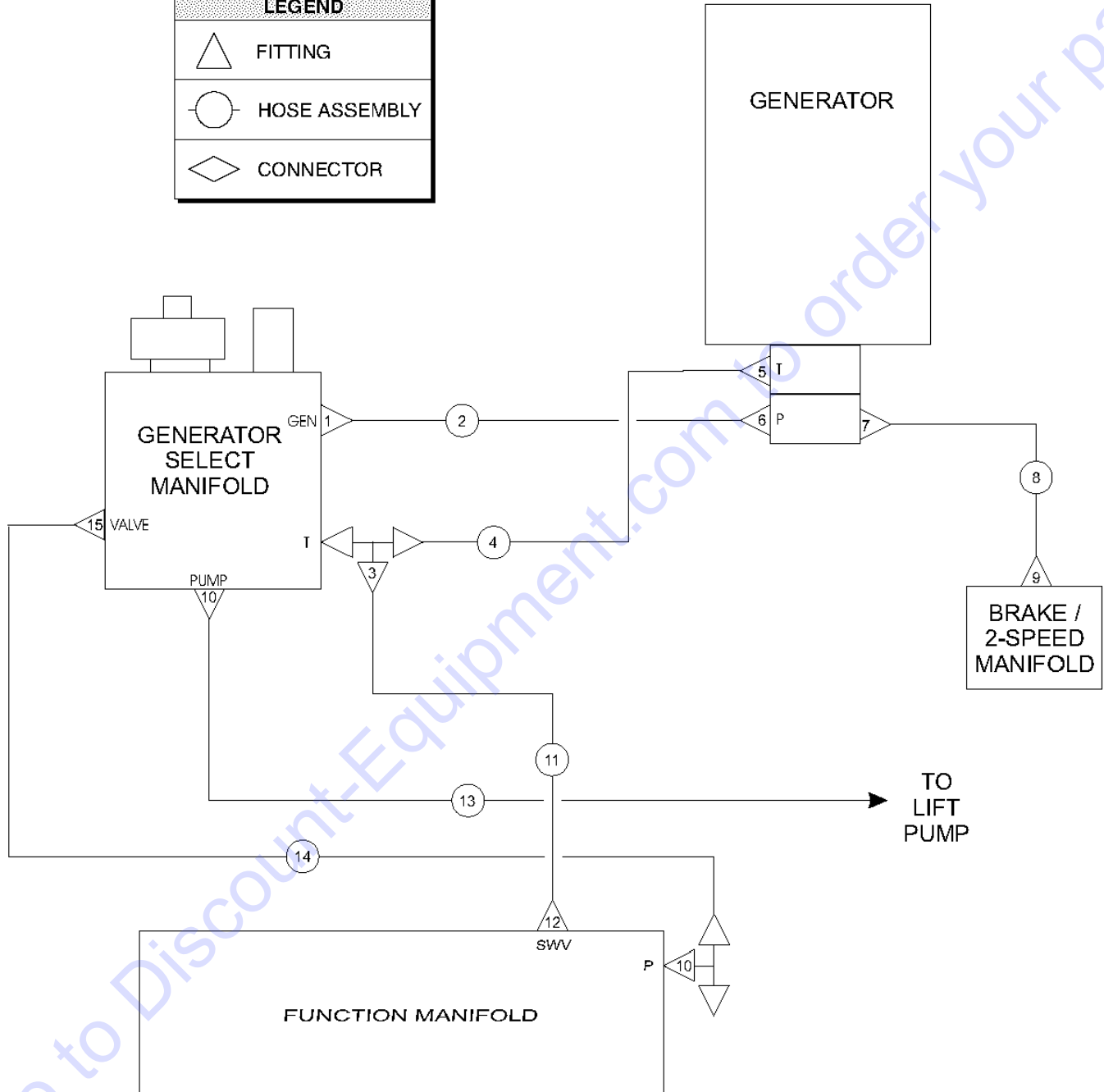
805.1 Oscillate Option



Item	Part No.	Description	Qty.
--		<i>The hose lengths below reflect the length of the hose only. Refer to the 'Fittings Cross Reference' to match Genie part numbers to Parker part numbers.</i>	
1	48912GT	CONN,520120-4-6***.....	7
2	49117-3291GT	HOSE ASSY,1/4,90 FEM,STR FEM**..... <i>Components: Genie part numbers 48800, 48802 and 48751 @ 31 inches</i>	4
3	48891GT	FITTING,TEE,BRANCH,520433-4.....	2
4	88636-8573GT	HOSE ASSY 1/4,STR FEM,STR BULK... <i>Components: Genie part numbers 48800, 75628 and 48751 @ 83 inches</i>	2
5	48914GT	CONN,520120-4-8.....	1
6	48933GT	CONN,520120-8***.....	2
7	49207GT	NIPPLE,DIAGNOSTIC,ORFS,FM,SWIV..	1
8	48908GT	FITTING,TEE,RUN,SWIVEL520432-4.....	1
9	94464-4186GT	HOSE ASSY,1/2"..... <i>Components: Genie part numbers 48808, 77703 and 39888 @ 40 inches</i>	1
10	49117-4491GT	HOSE ASSY,1/4,90 FEM,STR FEM..... <i>Components: Genie part numbers 48800, 48802 and 48751 @ 43 inches</i>	1
11	48905GT	CONN,520120-4***.....	1
--	49859GT	PLUG,HEX,090109A-4..... <i>models without oscillate</i>	1
12	48904GT	ELBOW,90D,520220-4-4.....	1
13	49117-5191GT	HOSE ASSY,1/4,90 FEM,STR FEM**..... <i>Components: Genie part numbers 48800, 48802 and 48751 @ 50 inches</i>	1
14	48880GT	CAP,DIAGNOSTIC NIPPLE.....	1



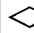
806.1 Hydraulic Generator Option

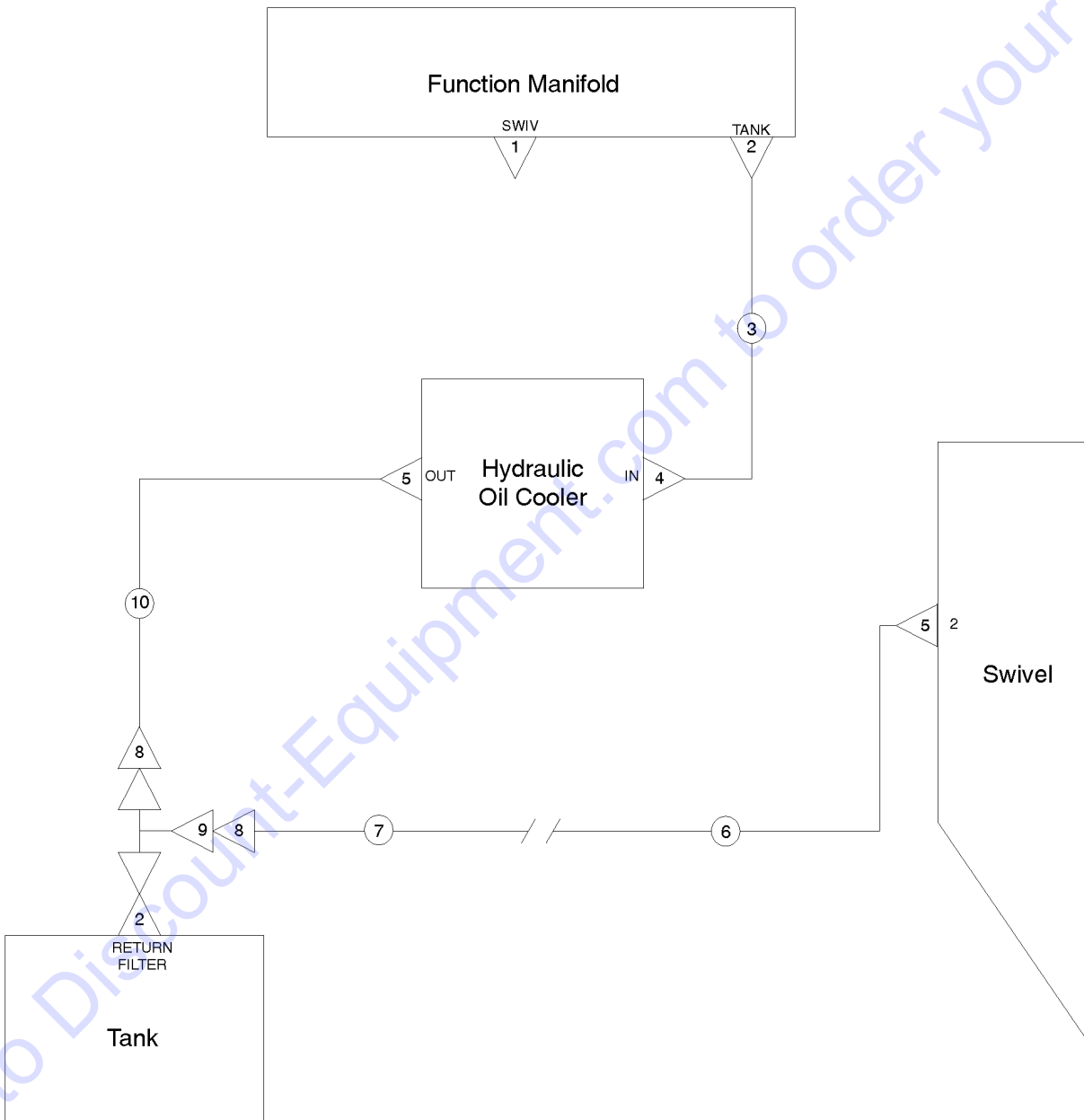
LEGEND	
	FITTING
	HOSE ASSEMBLY
	CONNECTOR



Item	Part No.	Description	Qty.
--		<i>The hose lengths below reflect the length of the hose only. Refer to the 'Fittings Cross Reference' to match Genie part numbers to Parker part numbers.</i>	
1	48933GT	CONN,520120-8***.....1	1
2	49143-3179GT	HOSE ASSY,1/2,90 FEM,STR FEM.....1 <i>Components: Genie part numbers 48822, 48827 and 48756 @ 29.5 inches</i>	1
3	48935GT	TEE,RUN,520428-8.....1	1
4	49143-2979GT	HOSE ASSY,1/2,90 FEM,STR FEM.....1 <i>Components: Genie part numbers 48822, 48827 and 48756 @ 27.5 inches</i>	1
5	42790GT	ELBOW,45D,520320-8-10.....1	1
6	48937GT	ELBOW,45D,520320-8.....1	1
7	48905GT	CONN,520120-4***.....1	1
8	49117-3691GT	HOSE ASSY,1/4,90 FEM,STR FEM.....1 <i>Components: Genie part numbers 48800, 48802 and 48751 @ 35 inches</i>	1
9	48908GT	FITTING,TEE,RUN,SWIVEL520432-4.....1	1
10	48960GT	FITTING,CONN,520120-12***.....1	1
11	49142-7112GT	HOSE ASSEMBLY,1/2,90FEM,STR FEM.....1 <i>Components: Genie part numbers 48822, 48839 and 48756 @ 68.5 inches</i>	1
12	48964GT	FITTING,TEE,RUN,SWIVEL52043212....1	1
13	61073-2830GT	HOSE ASSY,3/4",90 FEM, STR FEM.....1 <i>Components: Genie part numbers 48841, 48846 and 48762 @ 25 inches</i>	1
14	61074-6222GT	HOSE ASSEMBLY 3/4" STR-STR.....1 <i>Components: Genie part numbers 48841, 48841 and 48762 @ 59.9 inches</i>	1
15	48963GT	FITTING,ELBOW,45D,520320-12***.....1	1

807.1 Hydraulic Oil Cooler Option

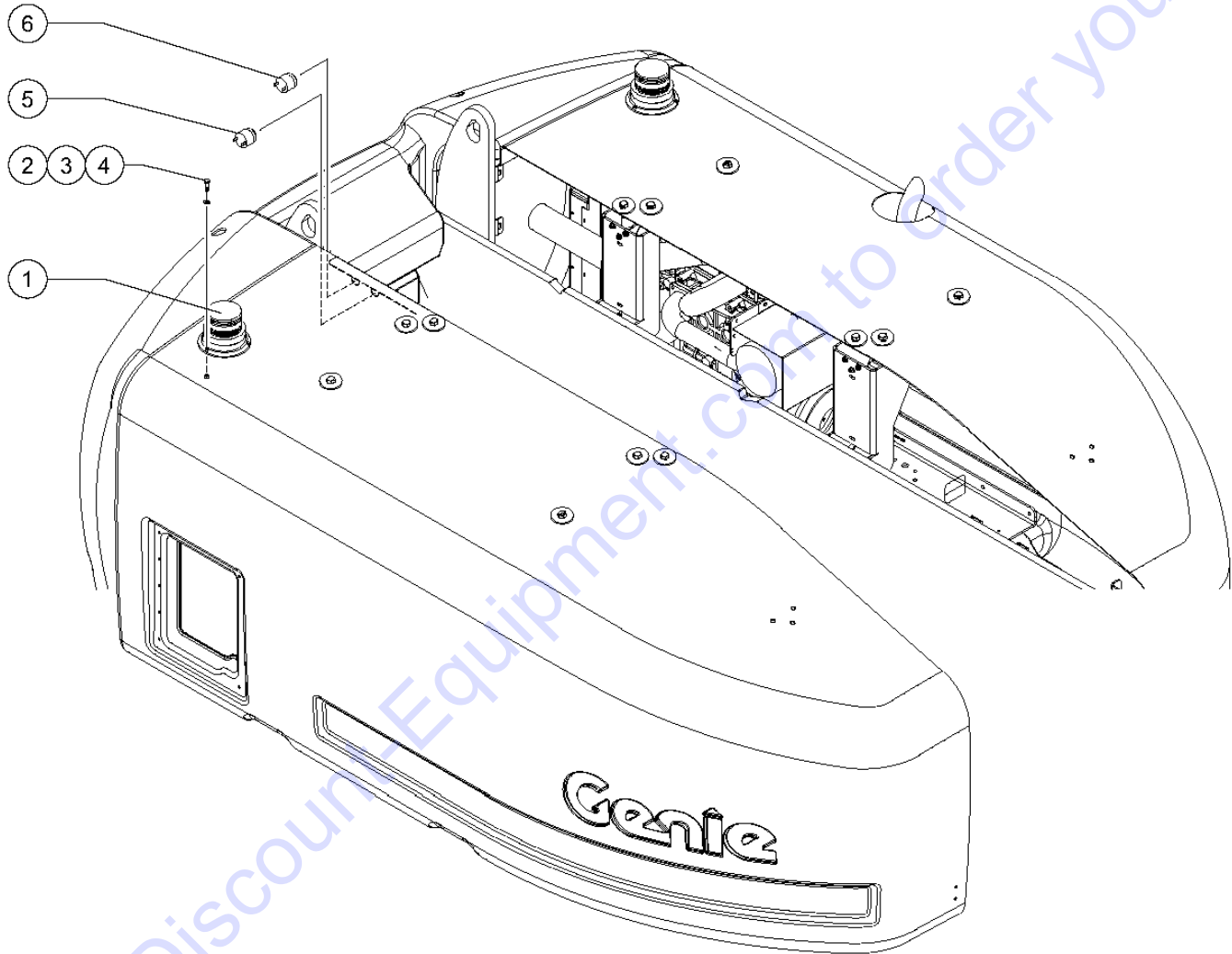
LEGEND	
	FITTING
	HOSE ASSEMBLY
	CONNECTOR



Item	Part No.	Description	Qty.
1	87172GT	PLUG,HEX SOCKET,090109B-12.....	1
2	48984GT	CONN,520120-16.....	2
3	88949-3828GT	HOSE ASSY 1",STR FEM,STR FEM.....	1
4	48878GT	ELBOW,90D,520220-16-12.....	1
5	48960GT	FITTING,CONN,520120-12***.....	2
6	49151-6248GT	HOSE ASSY,3/4,STR FEM,STR FEM.....	1
7	94205-3164GT	HOSE ASSY,3/4,45 FEM,STR MALE.....	1
8	101293GT	REDUCER,520123-16-12.....	2
9	42787GT	TEE,RUN,SWIVEL,520432-16.....	1
10	1259905GT	HOSE ASSY, 3/4", 28.55".....	1

Go to Discount-Equipment.com to order your parts

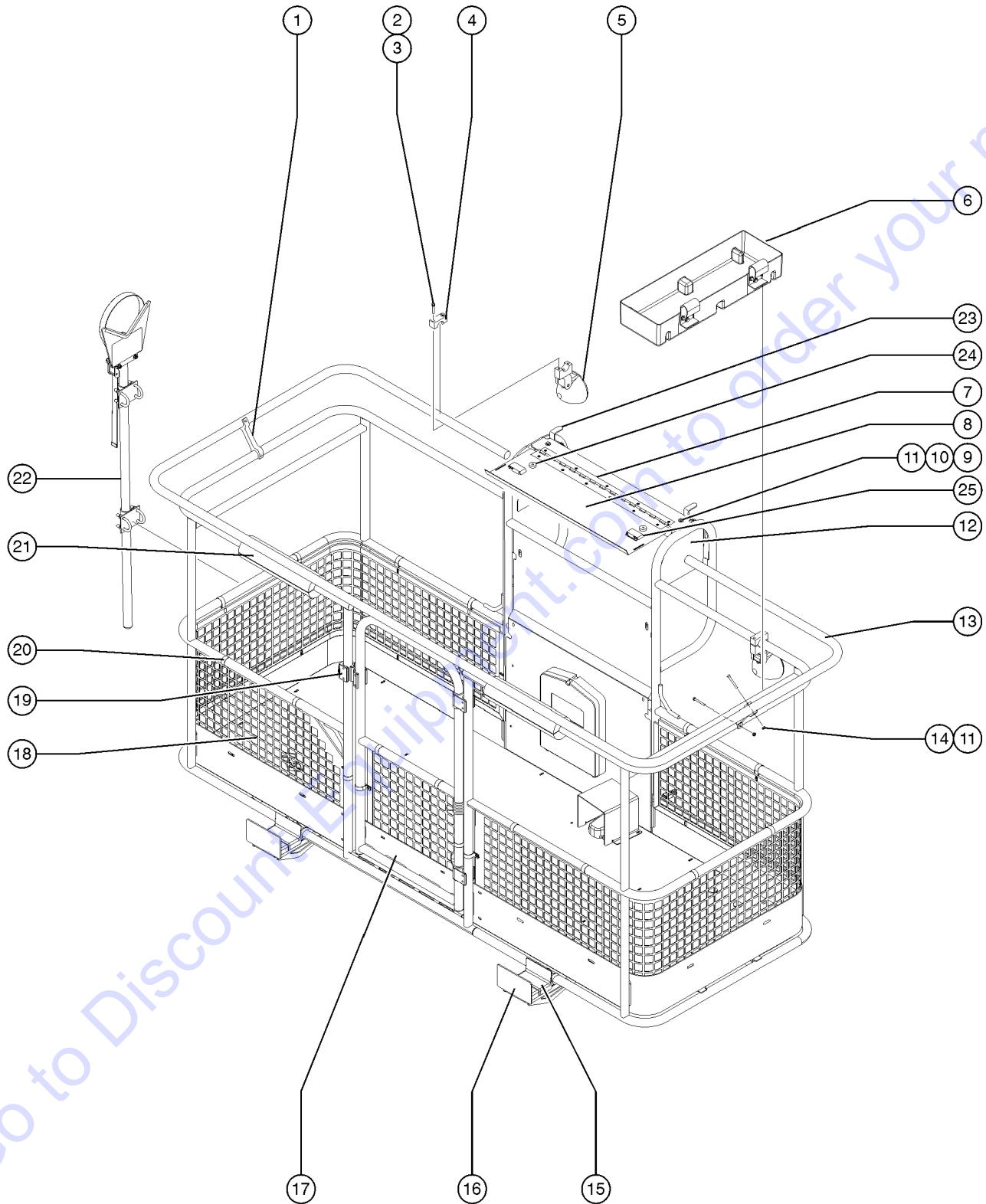
901.1 Alarm and Beacon Package



901.1 Alarm and Beacon Package

Item	Part No.	Description	Qty.
--	88829GT	STROBE,FIREBOLT,12-80VDC,AMB**	
1	56704GT	STROBE,FIREBOLT,12-80VDC,AMB**...2 <i>(replaced 20189)</i>	
--	122019GT	FLASHTUBE,U SHAPED,360DEG,BULB	
--	226393GT	FLASHTUBE,STRAIGHT,360DEG,BULB	
--	72282GT	LENS,AMBER,STROBE,FIREBOLT	
2	6147GT	SCREW,RHM,10-32 X 1	
3	6146GT	WASHER,FLAT,MS,#10,Y	
4	6178GT	NUT,NYLOCK,10-32	
5	230392GT	ALARM,DESCENT.....1 <i>to SN 15908; Does not include 72326 nut</i>	
5	72326GT	NUT - PLASTIC,RING FOR ALARMS	
6	18963GT	ALARM,INTERMITTENT TONE 6-30V*...1 <i>Does not include 72326 nut</i>	
6	72326GT	NUT - PLASTIC,RING FOR ALARMS	

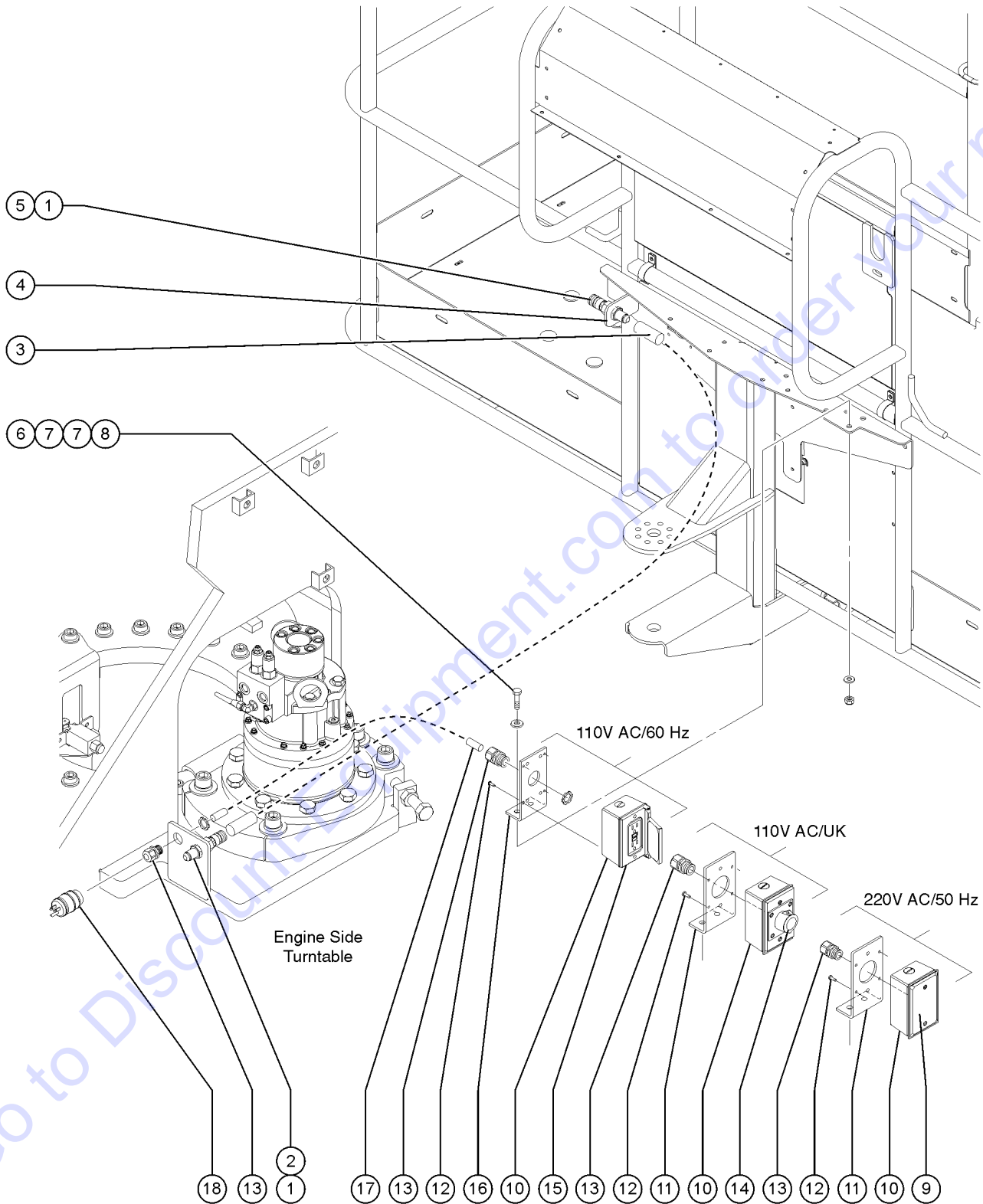
902.1 Platform Accessories



902.1 Platform Accessories

Item	Part No.	Description	Qty.	Item	Part No.	Description	Qty.
--	122278GT	AUX TOP RAIL,6',SWG GT, SRV		16		Ref., BRACKET <i>refer to 920.1</i>	
--	122279GT	AUX TOP RAIL,8',SWG GT, SRV		17	128368GT	KIT,SWING GATE W/SPRING.....1	
--	53807-SGT	AUX TOP RAIL,8'(1.25")SERVICE <i>includes items 1, 11 and 13-14</i>		17A	119950GT	KIT,FIELD INSTALL,SWING GATE <i>includes 128368, 1487, 1488, and 33674</i>	
--	53808-SGT	AUX TOP RAIL,6'(1.25")SERVICE		--	1487GT	GATE LATCH CASTING--DRILLED	
--	T109328GT	ACC,PLAT CONTROL COVER, SERV <i>includes items 7-12 and 23-25</i>		--	1488GT	RAILING CATCH CASTING--DRILLED	
1A	139958GT	KIT, AUX TOP RAIL SUPPORT.....10 <i>(to SN 17145)</i>		--	33674GT	PIN,LOCK,SHORT***	
1B	122073GT	SUPPORT, RAILING <i>(from SN 17146)</i>		--	9596GT	HINGE CASTING <i>Special welding requirements for installation of this component. Strongly suggest ordering 128368 OR contact Discount-equipment for welding requirements.</i>	
2	6145GT	SCREW,HHC,1/4-20 X 1.5		18	73501GT	HALF MESH,8'PLATFORM,LH.....1	
3	6356GT	WASHER,LOCK,.25		--	54457GT	MESH,HALF,SWING GATE***	
4	35956GT	BRACKET,WORK LIGHT MOUNT 5/16".....2		--	73500GT	HALF MESH,8'PLATFORM,RH***	
5	107857GT	LIGHT, 12 VOLT.....2		19	1487GT	GATE LATCH CASTING--DRILLED.....1	
5	35960GT	BULB,WORKLIGHT,12V 35W		--	63311GT	SNAP PIN	
6	9599-SGT	TOOL TRAY ACCESSORY***.....1		20	56424GT	CLAMP,1.25X.5 RUBBER-CUSHION....14	
--	7746PGT	TOOL TRAY BRACKET (GRAY) **.....2		21		Ref., FOAM PAD <i>refer to 920.1</i>	
7	111526GT	HINGE,PLAT CONTROL BOX COVER...1		22	85300GT	PIPE CRADLE ASSY. SERV (ONE)**.....2	
--	54486GT	RIVET,ALUM,ALUM,3/16BUTTONHEAD <i>(not included - sold seperately)</i>		--	72875GT	DECAL,WARNING,PIPE CRADLE,BOOM	
8	102785PGT	CONTROL BOX COVER,LID,PTD.....1		23	102786PGT	FORMING,LATCH,CTRL BOX LID PTD	
--	88606PGT	COVER,CONTROL BOX RIGHT SIDE**.....1 <i>(not included - sold seperately)</i>		24	43392GT	BUMPER,BATTERY BOX & RAILS	
--	88607PGT	COVER,CONTROL BOX LEFT SIDE***.....1 <i>(not included - sold seperately)</i>		25	30468GT	LATCH,SLIDE, FLUSH MOUNT STYLE	
9	6090GT	SCREW,HHC,1/4-20 X .75					
10	6638GT	WASHER,FLAT,USS,1/4"Y					
11	6889GT	NUT,LP NYLOCK,1/4-20					
12	119797PGT	CONTROL BOX COVER,RT SIDE,PTD.....1					
--	119796PGT	CONTROL BOX COVER,LFT SIDE,PTD					
13	1259704GT	PINCH GUARD RAIL,6' PLATFORM.....1 <i>includes 55753 bumpers</i>					
13	52661GT	PINCH GUARD RAIL,8' PLATFORM**....1					
--	111485PGT	AUX TOP RAIL,6FT,PTD.....2 <i>for use with swing gate</i>					
--	111486PGT	AUX TOP RAIL,8FT,PTD.....2 <i>for use with swing gate</i>					
--	31120GT	PLUG,NYLON 1.187 BLACK DOMED					
14	4266GT	SCREW,HHC,1/4-20 X 2 <i>(to SN 17145)</i>					
14B	122231GT	SCREW,BHSC,1/4-20 X 1 <i>(from SN 17146)</i>					
15		Ref., REST PAD <i>refer to 920.1</i>					

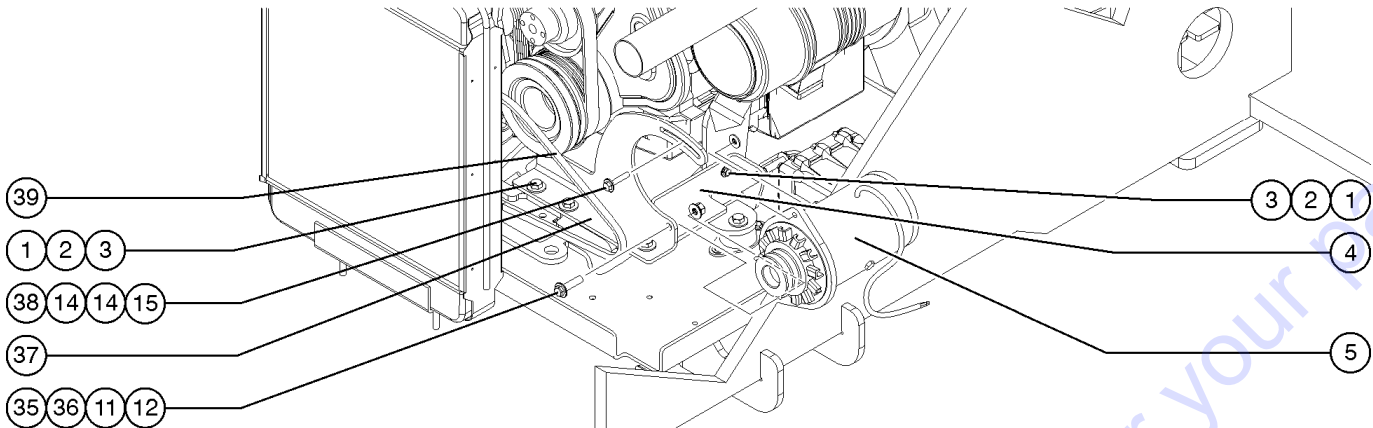
903.1 Air Line and Power to Platform



903.1 Air Line and Power to Platform

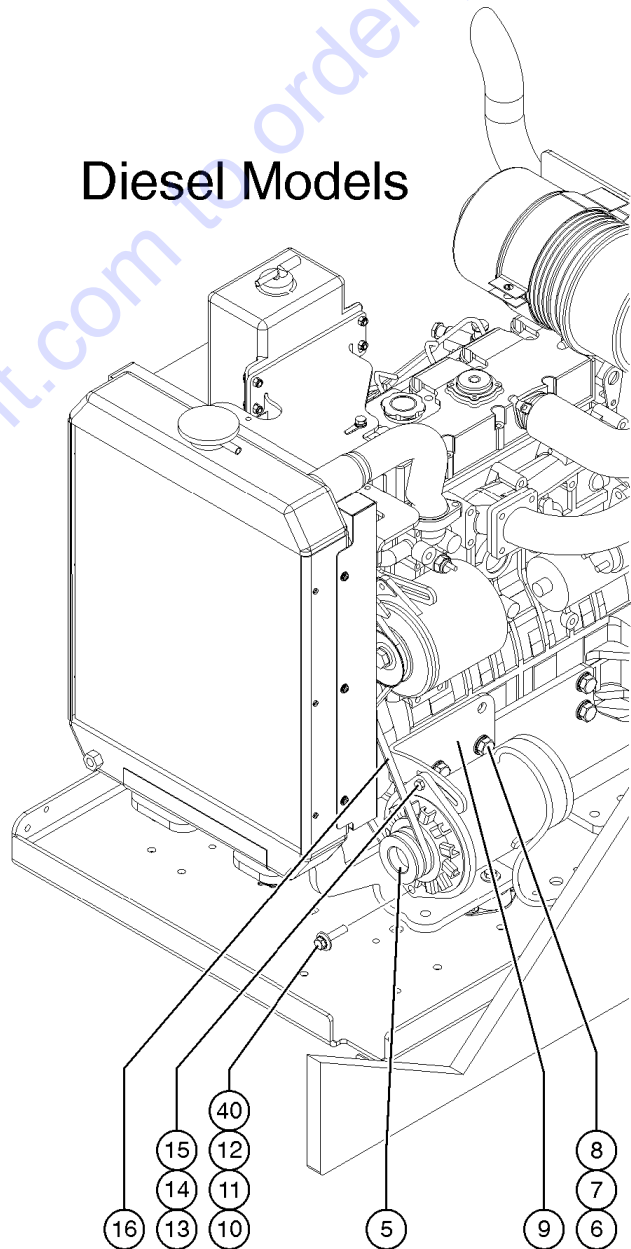
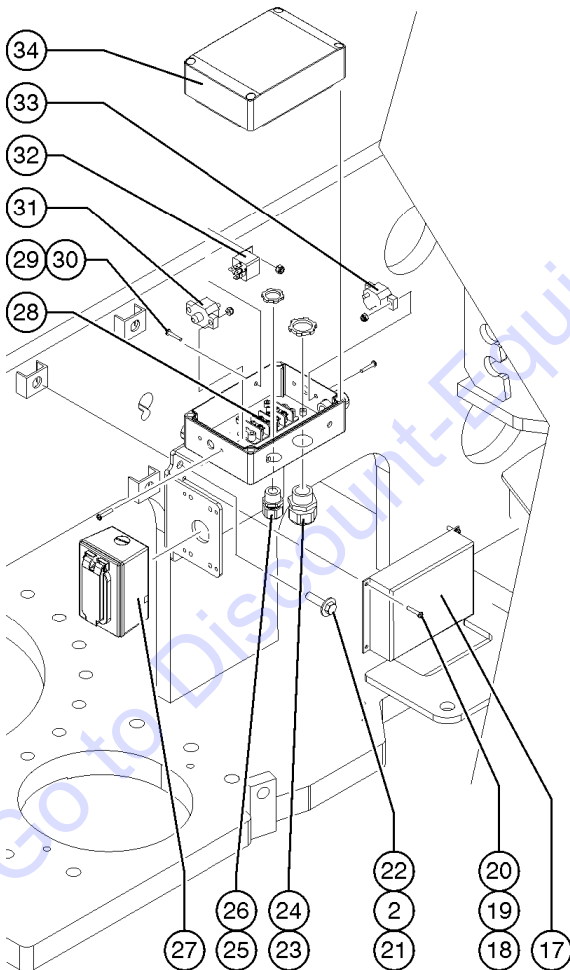
Item	Part No.	Description	Qty.
--	77766GT	OPT,AIRLINE TO PLATFORM,S60	
--	128033GT	OPT,AIRLINE TO PLATFORM,S65	
--	119845GT	CLAMP, HYD WELD, AIR, OPT.....1	
1	49212GT	FEMALE BULKHEAD CONNECTOR-8...2	
2	49214GT	MALE PIPE THD,1/4" SER,3/8"X18	
3A	49177-102894GT 49177-108894GT	HOSE ASSEMBLY,1/2"***.....1 S-60	
3B	49177-108894GT 49177-108894GT	HOSE ASSEMBLY,1/2"*** S-65	
4	60886PGT	BRACKET,AIRLINE TO PLATFORM.....1	
5	49215GT	MPT,CPLR,1/4"SER,3/8"X18	
6	6019GT	SCREW,HHC,3/8-16 X 1.25 GRD 5.....2	
7	5397GT	WASHER,FLAT,USS,5/16",Y.....4	
8	4828GT	NUT,NYLOCK,3/8-16.....2	
9	10777GT	COVER,BLANK.....1	
--	33724GT	KIT,GASKET,UK POWER TO PLAT.	
--	81458GT	GASKET, UK POWER TO PLAT	
10	10775GT	T-BOX,2.75 X 4.5 X 2.0.....1	
11	81570GT	BRACKET,POWER TO PLAT, UK.....1	
12	57075GT	SCREW,PHIL,8-32X.50,SELF TAP.....4	
12A	35461GT	WASHER,FLAT,MS,#8,Y.....4	
13	7056GT	CONN,SQUEEZE,1/2NPT .38-.50,SM...2	
--	6935GT	LOCKNUT,ELEC,1/2"	
14	T112563GT	SVC KIT,UK RECEPT.REPLACEMENT.....1	
--	63375GT	SCREW,FHM,6-32 X .75.....2 <i>for T112561</i>	
--	74052GT	GASKET,COVER,GFCI,WEATHERPROOF	
--	T112560GT	RECEPTACLE,UK,110V	
--	T112561GT	PLATE,UK,POWER TO PLAT	
15	13585GT	OUTLET, 110V.....1	
--	74006GT	COVER,GFCI,HORIZONTAL,WEATHER	
16	81096GT	BRACKET,POWER TO PLAT, DOM.....1	
17		REF: HARNESS,POWER TO PLAT <i>refer to section 307</i>	
18	119403GT	CONN,PLUG 120 AC/15A DOMESTIC...1	
--		FUSE,13 AMP,220V PLUG*** <i>(component no longer available) refer to BS1362 BUSS TDC180-13A</i>	
--	119404GT	CONN,RECEP 120AC/15A DOMESTIC	
--	1280665GT	PLUG, TYPE F, 230A, 50HZ, 16A, IP44	
--	144161GT	PLUG,PWR,UK,16AMP,3PIN,BLK	
--	25388GT	PLUG,FUSED,250V,13AMP,U.K.**	

904.1 Belt Driven Generator Option



Ford LRG-425

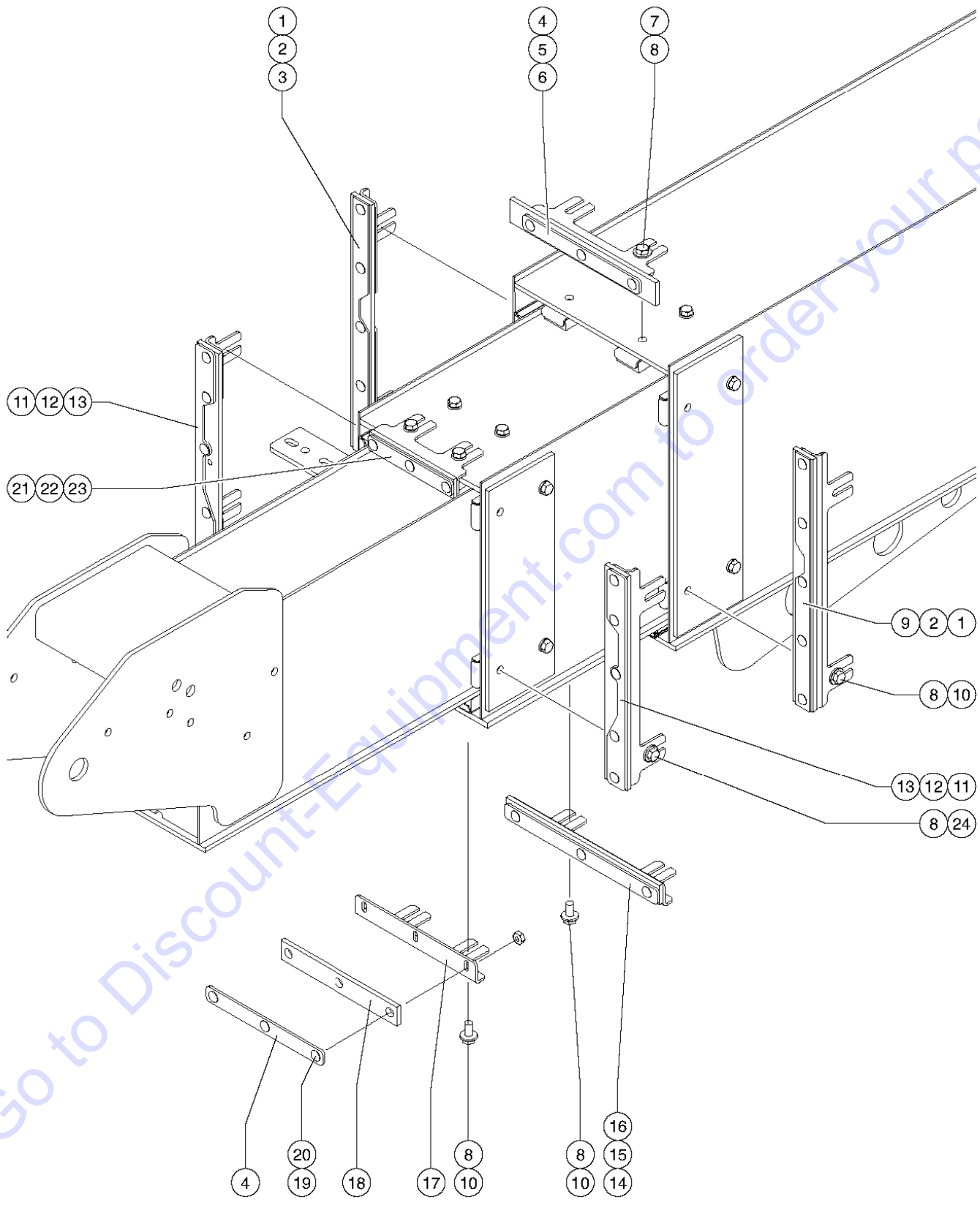
Diesel Models



904.1 Belt Driven Generator Option

Item	Part No.	Description	Qty.	Item	Part No.	Description	Qty.
--	70391GT	HARNESS,BD GEN.110 <i>Deutz models</i>		--	33724GT	KIT,GASKET,UK POWER TO PLAT.	
1	8516GT	SCREW, HCC, 3/8-16 X 1.50		--	45437GT	COVER,GFCI,WEATHERPROOF	
2	6097GT	WASHER,FLAT,USS,3/8",Y		28	69776GT	TERMINAL,STRIP,4-POLE,600V***.....1	
3	4828GT	NUT,NYLOCK,3/8-16		29	54380GT	SCREW,PHILLIPS,PHM,8-32 X .875	
4	70399GT	FORMING,GENERATOR MOUNT.....1 <i>Ford models</i>		30	18605GT	NUT,NYLOCK,8-32	
5A	60707GT	GENERATOR,3500W,120V,60HZ**1		31	60887GT	CIRCUIT BREAKER, 30 AMP.....1	
--	146062GT	PULLY,GNRTR,120V,60HZ(60707) <i>for 60707 generator</i>		32	19274GT	RELAY,SPDT,12V(AUTO)**.....1	
5B	89908GT	GENERATOR,3000W,220V,50HZ***		33	61211GT	CIRCUIT BREAKER,15 AMP.....1	
--	102681GT	PULLY, GNRTR,220V,50HZ(89908) <i>for 89908 generator</i>		34	8425GT	ENCLOSURE,FG ELEC.,STOCK,7X5X4.....1	
6	54687GT	SCREW,HHC,M14 X 1.5X40MM,GR8.8		35	81852GT	SCREW,HHC,7/16-14 X 1.75	
7	37505GT	WASHER,LOCK,M14		36	11209GT	WASHER,FLAT,USS,7/16",Y	
8	49411GT	WASHER,FLAT,M14		37	70398GT	FORMING,GENERATOR MOUNT.....1	
9	119533PGT	FORMING,GENERATOR MOUNT,PTD.....1 <i>Diesel models</i>		38	14723GT	SCREW,HHC,5/16-18 X 1.75	
10	81852GT	SCREW,HHC,7/16-14 X 1.75		39	94600GT	BELT, (NAPA 9360).....1 <i>Ford models</i>	
11	20912GT	WASHER,LOCK,.437,PLTD.		40	45400GT	SPACER TUBE,.50 LG	
12	6083GT	NUT,HEX,7/16-14					
13	60790GT	BOLT, CARRIAGE, 3/8-16 X 1.50, G5					
14	5397GT	WASHER,FLAT,USS,5/16",Y					
15	4828GT	NUT,NYLOCK,3/8-16					
16A	70397GT	BELT,AX34***1 <i>Deutz models (to SN 10514)</i>					
16B	106535GT	BELT,AX33*** <i>Deutz models (from SN 10515)</i>					
16C	61113GT	BELT,AX35 <i>Perkins models</i>					
17	60738GT	VOLTAGE REGULATOR,110V.....1					
--	60739GT	VOLTAGE REGULATOR,220V					
18	49826GT	SCREW,PHILLIPS,PHM,10-32 X.625					
19	6146GT	WASHER,FLAT,MS,#10,Y					
20	6178GT	NUT,NYLOCK,10-32					
21	29868GT	SPRING CLIP,3/8-16,.05-.20X.73,ZAG					
22	8516GT	SCREW, HCC, 3/8-16 X 1.50					
23	12960GT	CABLE SQUEEZE CONN.,XTRA LRG...1					
24	14041GT	LOCKNUT,ELECTRIC,3/4".....1					
25	7056GT	CONN,SQUEEZE,1/2NPT .38-.50,SM....2					
26	6935GT	LOCKNUT,ELEC,1/2".....2					
27	10775GT	T-BOX,2.75 X 4.5 X 2.0.....1					
--	10777GT	COVER,BLANK					
--	13585GT	OUTLET, 110V <i>North American models</i>					

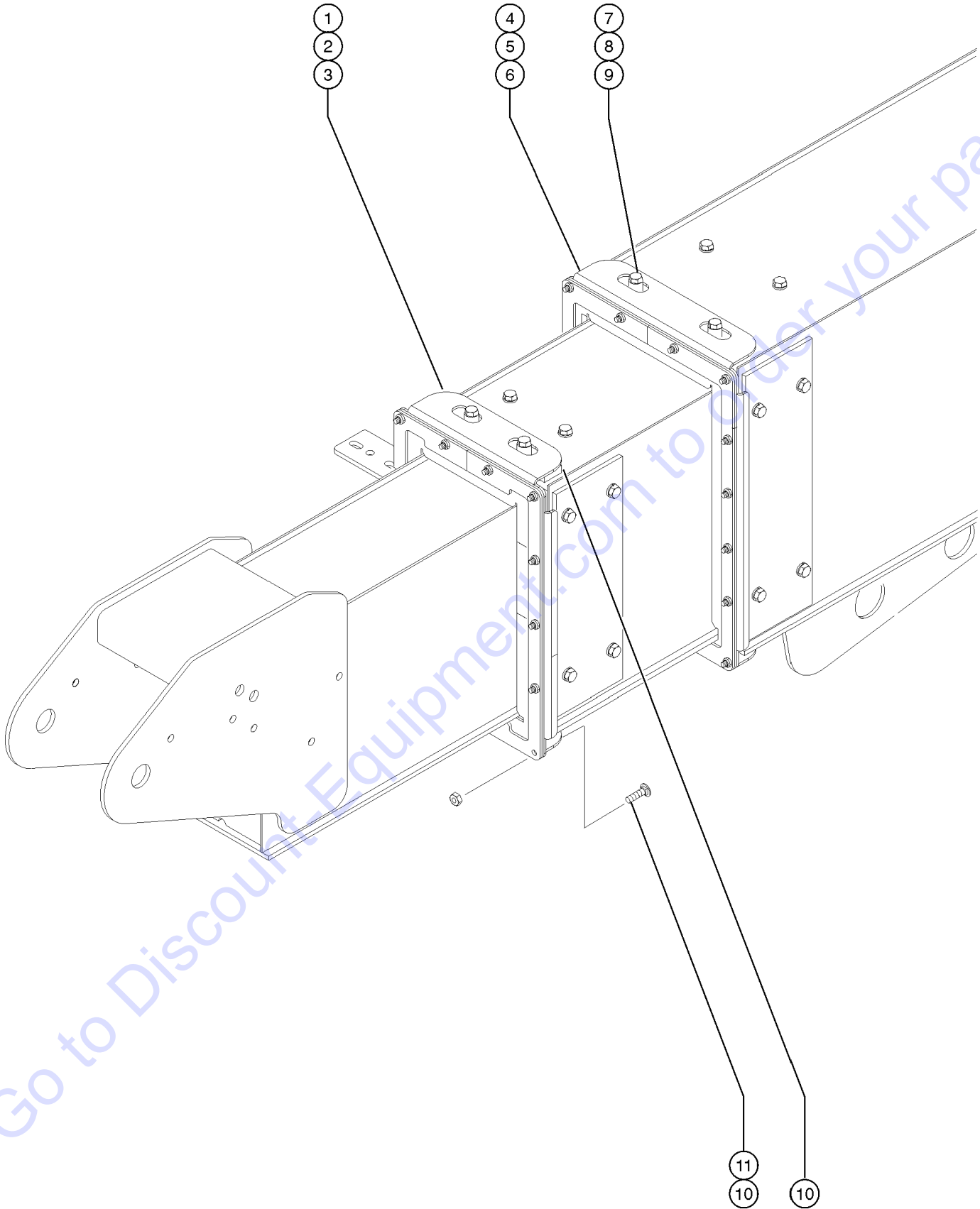
905.1 Hostile Environment Package, Boom Wipers (to SN 15854)



905.1 Hostile Environment Package, Boom Wipers (to SN 15854)

Item	Part No.	Description	Qty.
1	63170GT	BACKING PLATE.....	2
2	63144GT	WIPER.....	2
3	63143GT	WIPER BRACKET.....	1
4	70324GT	BACKING PLATE,#1 TOP.....	1
5	63136GT	WIPER.....	1
6	70322GT	WIPER BRACKET,#1 TOP.....	1
7	6019GT	SCREW,HHC,3/8-16 X 1.25 GRD 5	
8	5397GT	WASHER,FLAT,USS,5/16",Y	
9	63180GT	WIPER BRACKET.....	1
10	8516GT	SCREW, HCC, 3/8-16 X 1.50	
11	63167GT	BACKING PLATE.....	2
12	63138GT	WIPER.....	2
13	63176GT	WIPER BRACKET.....	2
14	70325GT	BACKING PLATE,#1 BOTTOM.....	1
15	70327GT	WIPER,#1 BOTTOM.....	1
16	70323GT	WIPER BRACKET,#1 BOTTOM.....	1
17	70329GT	WIPER BRACKET,#2 BOTTOM.....	1
18	70326GT	WIPER,#1 TOP.....	1
19	6878GT	BOLT,CARRIAGE,1/4-20 X .75,G2	
20	6889GT	NUT,LP NYLOCK,1/4-20	
21	70330GT	BACKING PLATE,#2 TOP.....	1
22	70331GT	WIPER,#2 TOP.....	1
23	70328GT	WIPER BRACKET,#2 TOP.....	1
24	107666GT	SCREW,BHHS,3/8-16 X 1.5	

905.2 Hostile Environment Package, Boom Wipers (from SN 15855)

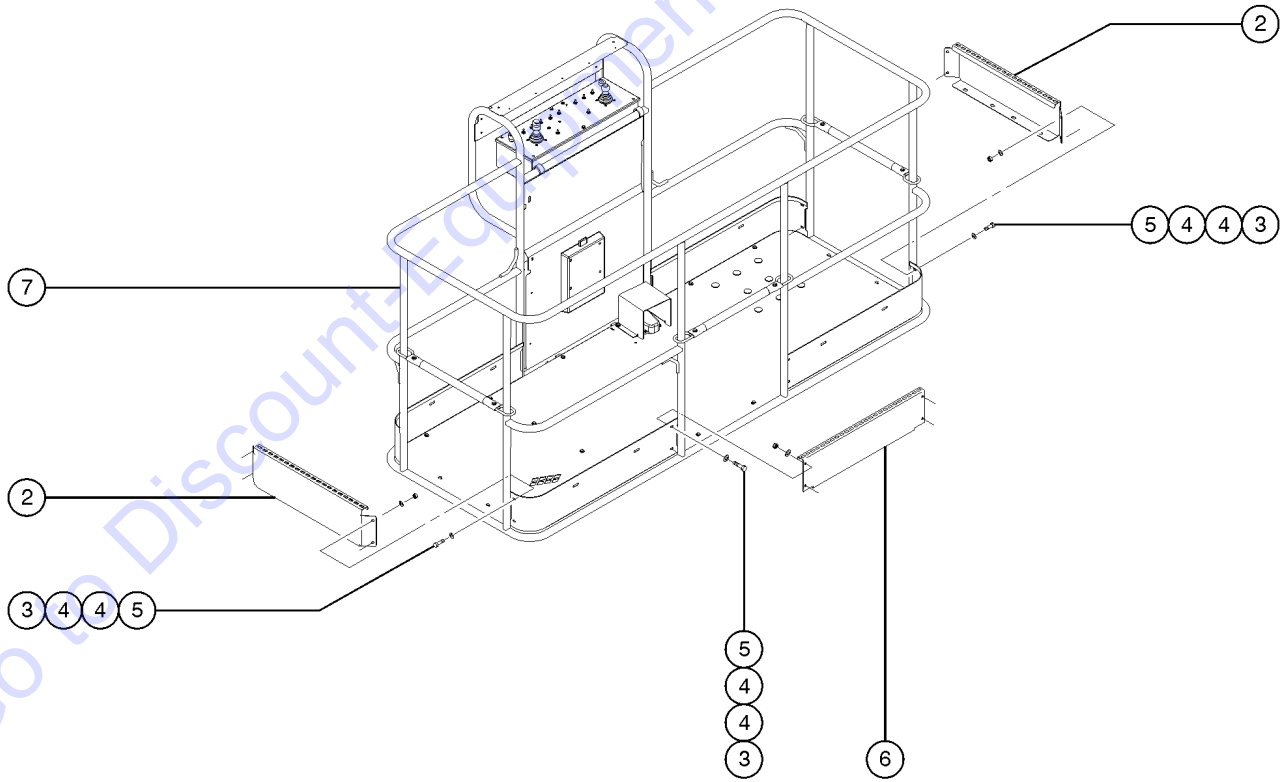
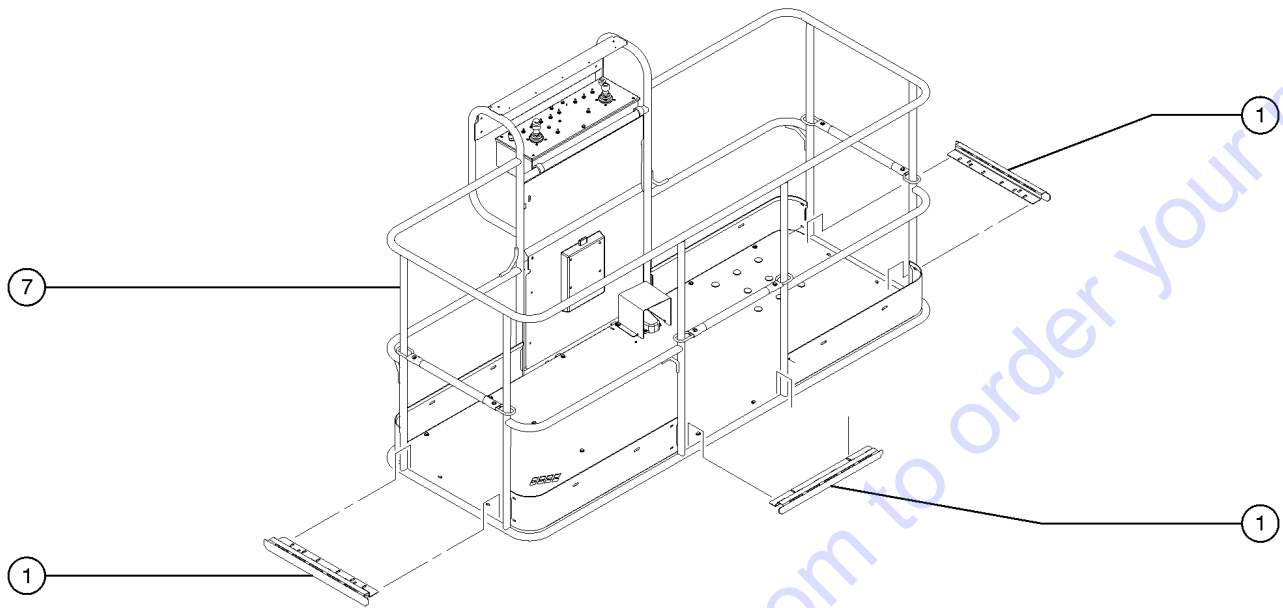


905.2 Hostile Environment Package, Boom Wipers (from SN 15855)

Item	Part No.	Description	Qty.
1	119087GT	FORMING BRKT, WIPER 2 TO 3.....	2
2	119089GT	WIPER RUBBER, 2 TO 3.....	1
3	119088GT	PLATE BACKING, WIPER 2 TO 3.....	2
4	119084GT	FORMING BRKT, WIPER 1 TO 2.....	2
5	119086GT	WIPER RUBBER, 1 TO 2.....	1
6	119085GT	PLATE BACKING, WIPER 1 TO 2.....	2
7	5224GT	SCREW,HHC,3/8-16 X 2.....	8
8	101932GT	TUBE,RD,STL,DOM, .75X.38X.78.....	8
9	119090GT	SPACER, BOOM TOP.....	2
10	6878GT	BOLT,CARRIAGE,1/4-20 X .75,G2	
11	6889GT	NUT,LP NYLOCK,1/4-20	

Go to Discount-Equipment.com to order your parts

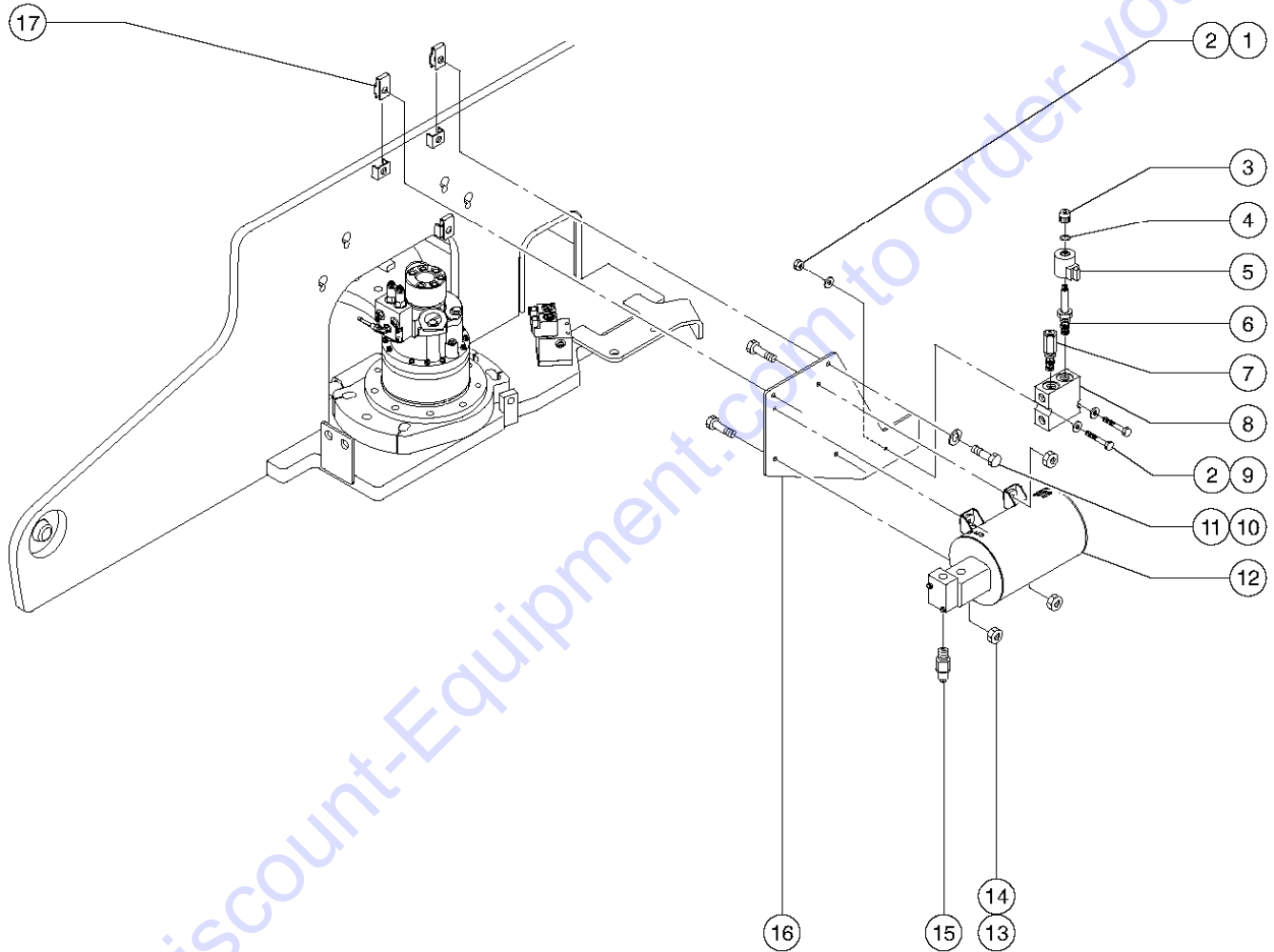
906.1 Tri-Entry Platform Option



906.1 Tri-Entry Platform Option

Item	Part No.	Description	Qty.
--	107696GT	PLAT.ASSY,6FT TRI ENTRY ANSI	
--	107697GT	PLAT.ASSY,8 TRI ENTRY ANSI	
--	107699GT	PLAT ASSY, 3 ENTRY 8' CE/UK/UK	
--	107700GT	PLAT ASSY,3 ENTRY 6',AUSTRALIA	
--	107701GT	PLAT ASSY,3 ENTRY 8',AUSTRALIA	
--	107702GT	PLAT ASSY,3 ENTRY 6'ASIA/SO.AM	
--	107703GT	PLAT ASSY,3 ENTRY 8'ASIA/SO.AM	
1	73610PGT	STEP PLATFORM ENTRY PAINTED***.....	3
2	139438GT	TOEBOARD, TRI ENTRY 6', EURO.....	2
3	6090GT	SCREW,HHC,1/4-20 X .75	
4	6638GT	WASHER,FLAT,USS,1/4"Y	
5	6889GT	NUT,LP NYLOCK,1/4-20	
6	94745PGT	TOEBOARD,ENTRY EUROPEAN PNTD**.....	1
7	107704GT	6' TRI-ENT RAIL W/DECALS ANSI..... <i>USA/Canada</i>	1
--	107705GT	8' TRI-ENT RAIL W/DECALS ANSI <i>USA/Canada</i>	
--	107706GT	8' TRI-ENT RAIL W/DECALS CE/UK <i>CE</i>	
--	107707GT	6' TRI-ENT RAIL W/DECALS AUSTR <i>Australia</i>	
--	107708GT	8' TRI-ENT RAIL W/DECALS AUSTR <i>Australia</i>	
--	107709GT	6' TRI-ENT RAIL W/DECALS A/SOA <i>Asia/South America</i>	
--	107710GT	8' TRI-ENT RAIL W/DECALS A/SOA <i>Asia/South America</i>	

907.1 Hydraulic Generator Option



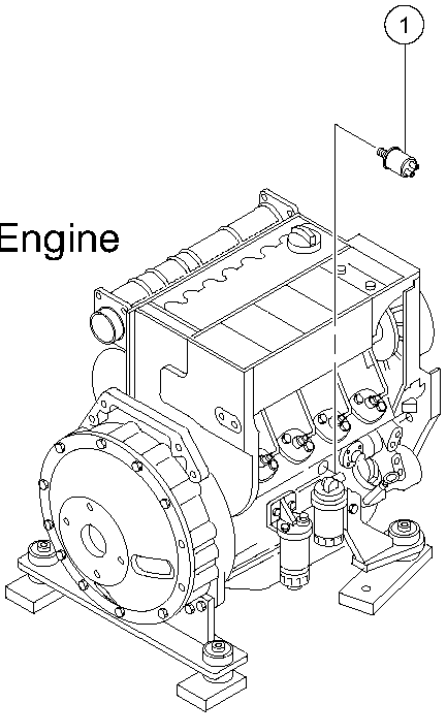
Go to Discount-Equipment.com to order your parts

907.1 Hydraulic Generator Option

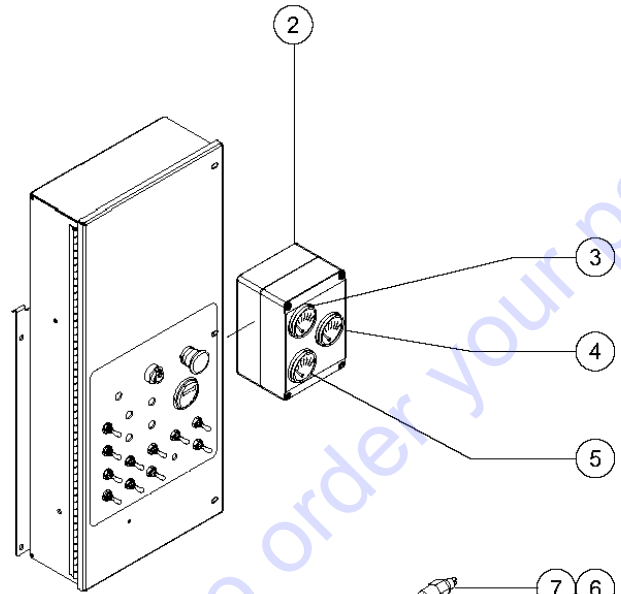
Item	Part No.	Description	Qty.
--	128205GT	SWITCH TOGGLE ASSY DPDT 2P MNT <i>(toggle switch on the upper control box)</i>	
1	6091GT	NUT,NYLOCK,1/4-20	
2	6638GT	WASHER,FLAT,USS,1/4"Y	
3	33568GT	NUT, CP521-1 VALVE.....	1
4	45914GT	O-RING, DO1 VALVE.....	1
5	27535GT	COIL,12V.DO1 VALVE.....	1
--	45782GT	DIODE,6 AMP,200 PIV,BULK	
6	19969GT	VALVE,SOLENOID (18660)*** <i>includes items 3 through 5</i>	1
7	44950GT	VALVE,RELIEF,1500 PSI***.....	1
8	53976GT	MANIFOLD,GENERATOR..... <i>includes items 3 through 7</i>	1
9	8179GT	SCREW,HHC,1/4-20 X 2.25	
10	6175GT	SCREW,HHC,3/8-16 X 1	
11	6021GT	WASHER,LOCK,.375	
12A	111381GT	GEN,HYD,3000W,110V,60HZ.....	1
--	147836GT	SEAL, GASKET, .00075" *GOLD*	
--	147837GT	SEAL, GASKET, .0005" *SILVER*	
--	147838GT	SEAL, GASKET, .0010"	
--	147839GT	ASSM, GEN. ONLY, 110V, 60HZ	
--	58944GT	BRUSH 3/8 X 1/4 X 15/16(36928)	
--	58954GT	O-RING,SPACER #115***	
--	T111608GT	SEAL,RETAINING RING	
--	T111609GT	SEAL,SHAFT	
--	T111610GT	SPACER	
--	T111611GT	BEARING,MOTOR	
--	T111612GT	RETAINING RING	
--	T111613GT	SHAFT,MOTOR	
--	58944GT	BRUSH 3/8 X 1/4 X 15/16(36928)	
--	94748GT	GENERATOR,2500W,HYD 220/50HZ.....	1
13	4828GT	NUT,NYLOCK,3/8-16	
14	8516GT	SCREW, HCC, 3/8-16 X 1.50	
15	65841GT	PRIORITY FLOW CONTROL VALVE***..... <i>for 3000W generators</i>	1
16	77684PGT	PLATE,GENERATOR MOUNT.....	1
17	29868GT	SPRING CLIP,3/8-16,.05-.20X.73,ZAG	

908.1 Gauge Option

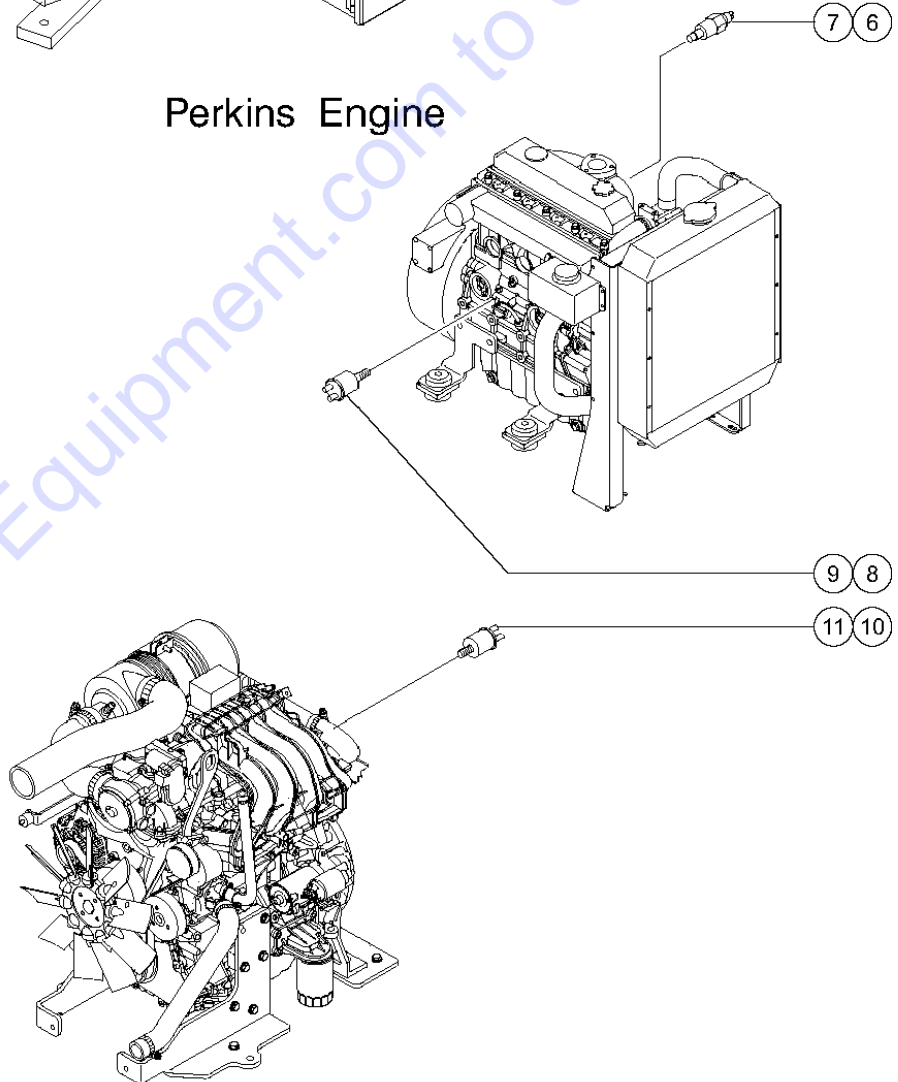
Deutz Engine



Perkins Engine

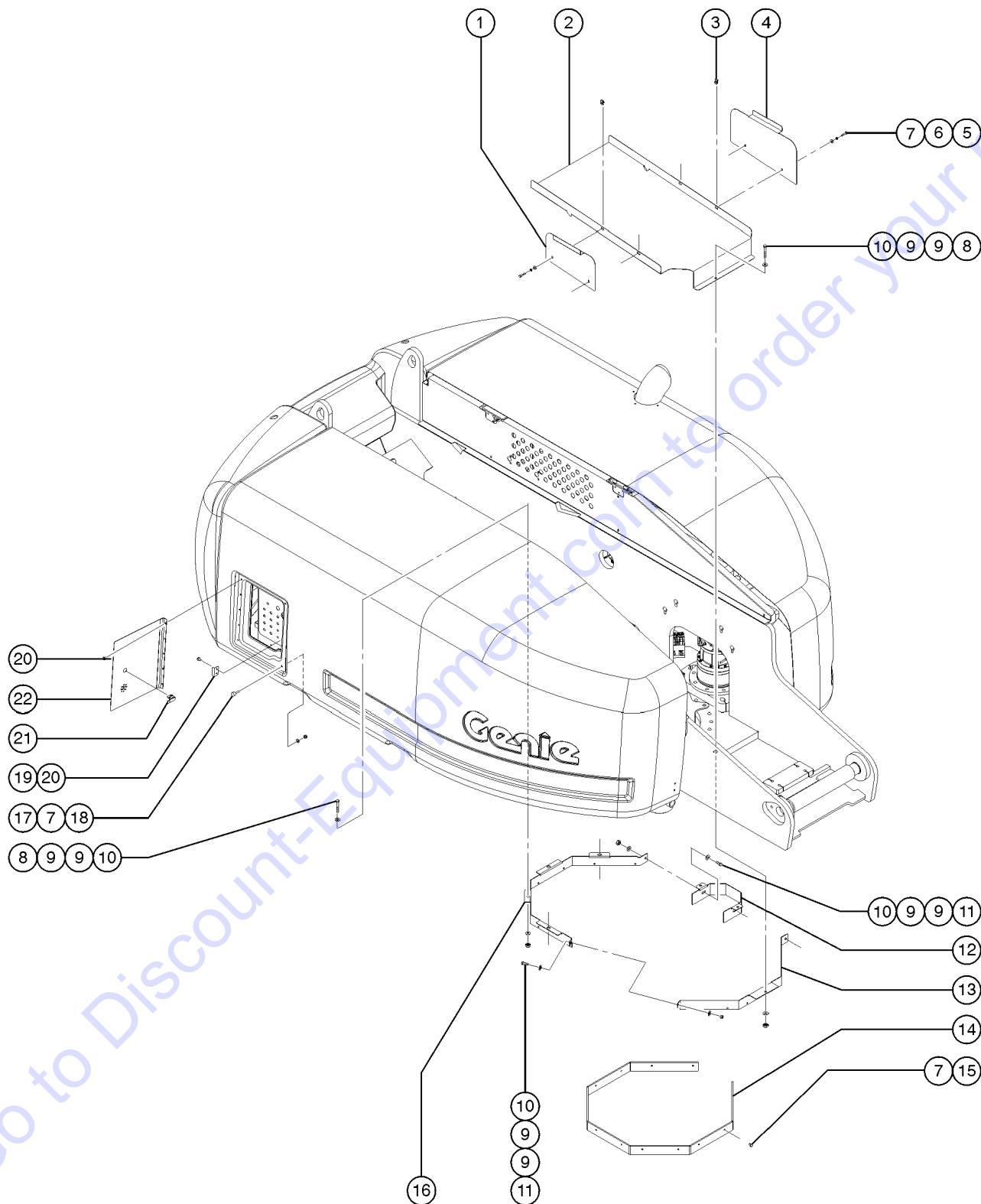


Ford Engine



Item	Part No.	Description	Qty.
1	106033GT	ADAPTER,NPT 6-4	
2	101232GT	ENCLOSURE BOX,GAUGE OPT,DRILLD.....	1
--	101227PGT	FORMING,GAUGE OPTION BRKT PNTD.....	1
3	53761-SGT	GAUGE,VOLTAGE.....	1
4	53758-SGT	GAUGE,OIL PRESSURE W/O SENDER.....	1
5	53759-SGT	GAUGE,WATER TEMP..... <i>Perkins and Ford models only</i>	1
6	34058GT	SENDING UNIT,TMP,FRD,GM,PRK704.....	1
7	28607GT	ADAPTER,140139-8-6.....	1
8	30810GT	SENDING UNIT,OIL PRESSURE***..... <i>dual-terminal sender</i>	1
9	71038GT	ADAPTER, 1/8 X 1/4 F3H6-S.....	1
10	119418GT	ADAPTER,140130-4-4.....	1
11	119417GT	TEE,RUN,1/4" PIPE.....	1

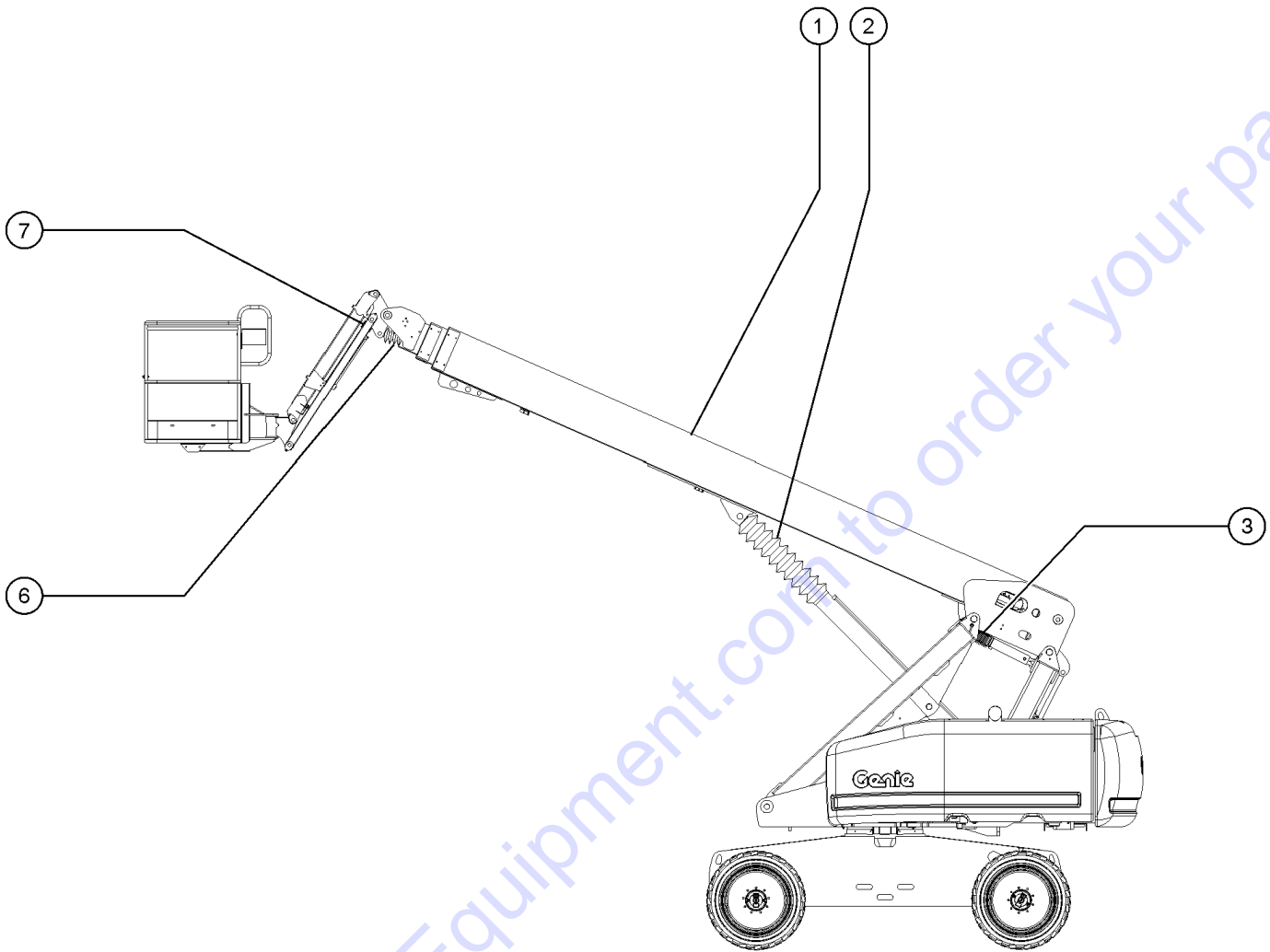
909.1 Hostile Environment Package, Turntable Components



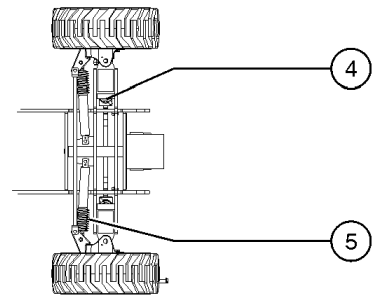
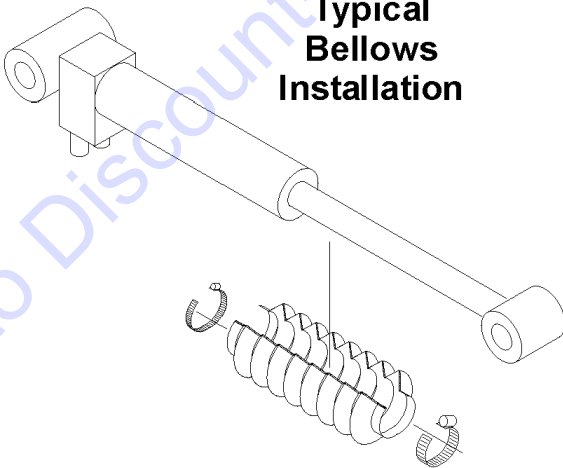
909.1 Hostile Environment Package, Turntable Components

Item	Part No.	Description	Qty.
1	77997PGT	FORMING,TT LH SIDE COVER PAINT...1	
2	77996PGT	TURNTABLE CENTER COVER PAINTED.....1	
3	56912GT	SPRING CLIP,1/4-20,.025-.15X.54,ZAG.....4	
4	77998PGT	FORMING,TT RH SIDE COVER PAINT.....1	
5	8915GT	SCREW,HHC,1/4-20 X 1.25	
6	6356GT	WASHER,LOCK,.25	
7	6638GT	WASHER,FLAT,USS,1/4"Y	
8	8178GT	SCREW,HHC,3/8-16 X 2.5	
9	6097GT	WASHER,FLAT,USS,3/8",Y	
10	4828GT	NUT,NYLOCK,3/8-16	
11	6175GT	SCREW,HHC,3/8-16 X 1	
12	77879PGT	FORMING,PINION GUARD PAINTED.....1	
13	70318PGT	FORMING,WIPER GUARD RT.....1 <i>models with Deluxe Hostile Option</i>	
14	70319GT	WIPER,RING GEAR GUARD.....1 <i>models with Deluxe Hostile Option</i>	
15	81167GT	RIVET,ALUM,P,.25X.625.....14	
16	70317PGT	FORMING,WIPER GUARD LT.....1 <i>models with Deluxe Hostile Option</i>	
17	36388GT	BUMPER,RUBBER,.75 X .50H,STUD.....2	
18	6889GT	NUT,LP NYLOCK,1/4-20	
19	63772GT	CATCH,GRND.CTRL.BOX COVER.....1	
20	53189GT	RIVET,ALUM,ALUM,P,.25X.375.....7	
21	63773GT	LATCH,GRND.CTRL.BOX COVER.....1	
22	63771PGT	COVER,GRND.CTRL.BOX,PAINTED.....1	

910.1 Hostile Environment Package, Cylinder Bellows and Cable Track Protection



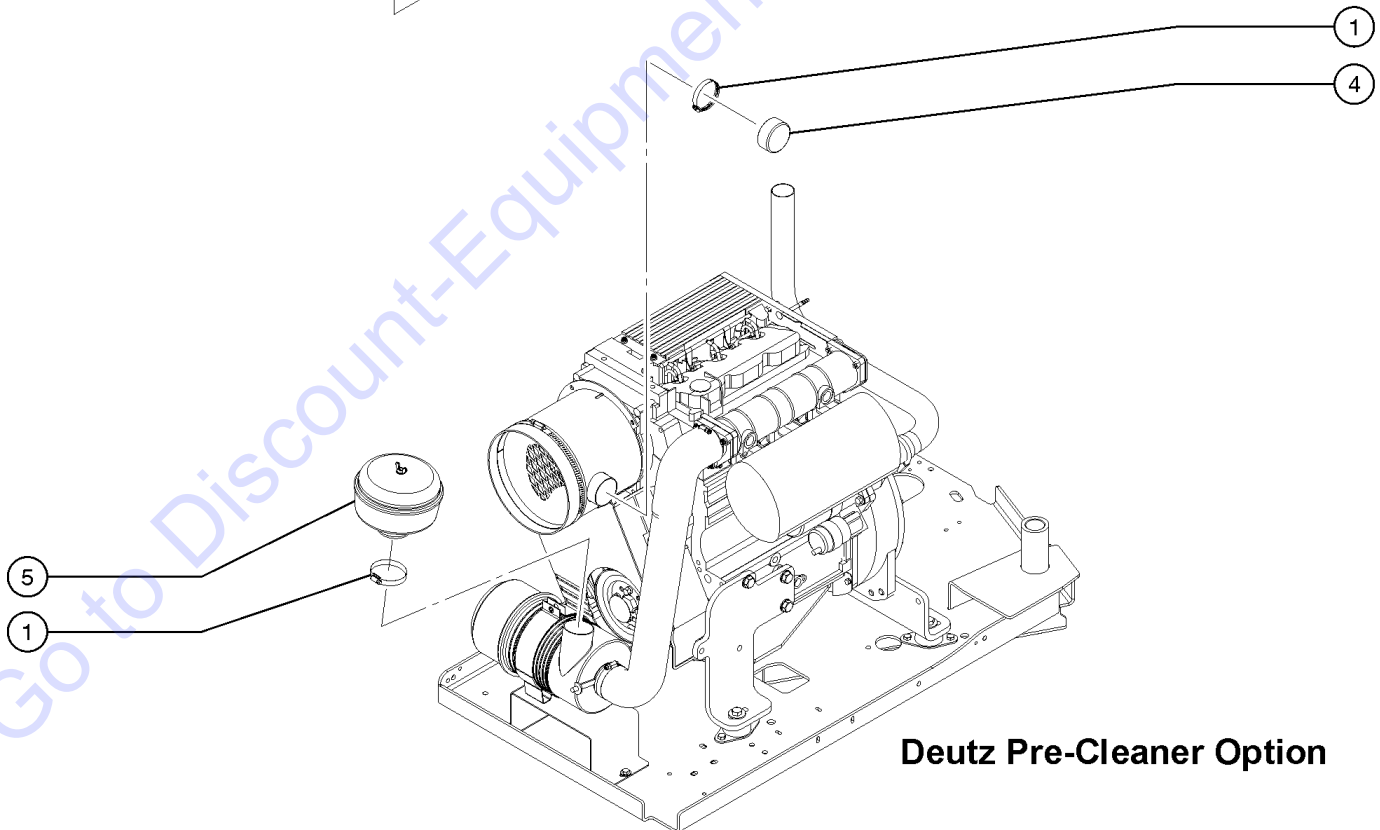
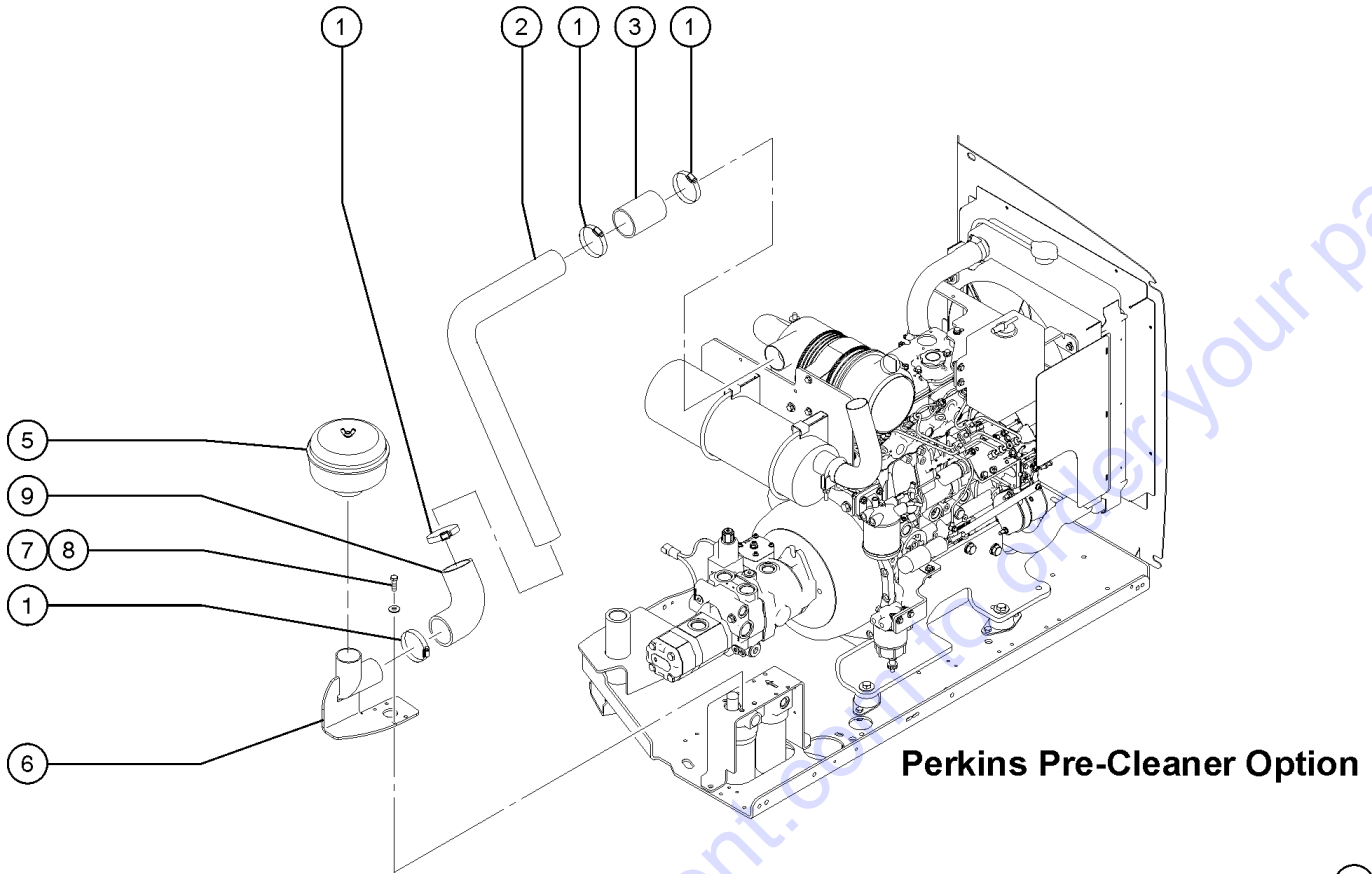
Typical Bellows Installation



910.1 Hostile Environment Package, Cylinder Bellows and Cable Track Protection

Item	Part No.	Description	Qty.
1	106099GT	COVER,CABLE TRACK.....1 <i>(not shown) models with Deluxe Hostile Option</i>	1
2	94479GT	BELLOWS,CYLINDER LIFT.....1	1
--	34955GT	CLAMP,HOSE,5.00	
--	35432GT	CLAMP,HOSE,6.50	
3	94463GT	BELLOWS,MASTER CYLINDER.....1	1
--	22672GT	CLAMP,HOSE,1.75	
--	34955GT	CLAMP,HOSE,5.00	
4	63727GT	COVER, PROTECTIVE, OSCILLATE....2 <i>Oscillate Only</i>	2
--	22672GT	CLAMP,HOSE,1.75 <i>Oscillate Only</i>	
--	34955GT	CLAMP,HOSE,5.00 <i>Oscillate Only</i>	
5	34922GT	COVER,PROTECTIVE,STEERING.....2	2
--	22672GT	CLAMP,HOSE,1.75	
--	34955GT	CLAMP,HOSE,5.00	
6	94537GT	BELLOWS,CYLINDER,PLAT LEVEL.....1	1
--	22672GT	CLAMP,HOSE,1.75	
--	23405GT	NUTSERT,10-32 STEEL CAD PLTD	
--	49824GT	SCREW,PHILLIPS,FHM,10-32X1.00	
--	6146GT	WASHER,FLAT,MS,#10,Y	
--	94533GT	PLATE,BACKING BELLOWS	
7	34505GT	COVER,PROTECTIVE,JIB CYLINDER...1 <i>S-65 Only</i>	1
--	30971GT	CLAMP,HOSE,3.00" <i>S-65 Only</i>	
--	36208GT	CLAMP,HOSE,1.25*** <i>S-65 Only</i>	

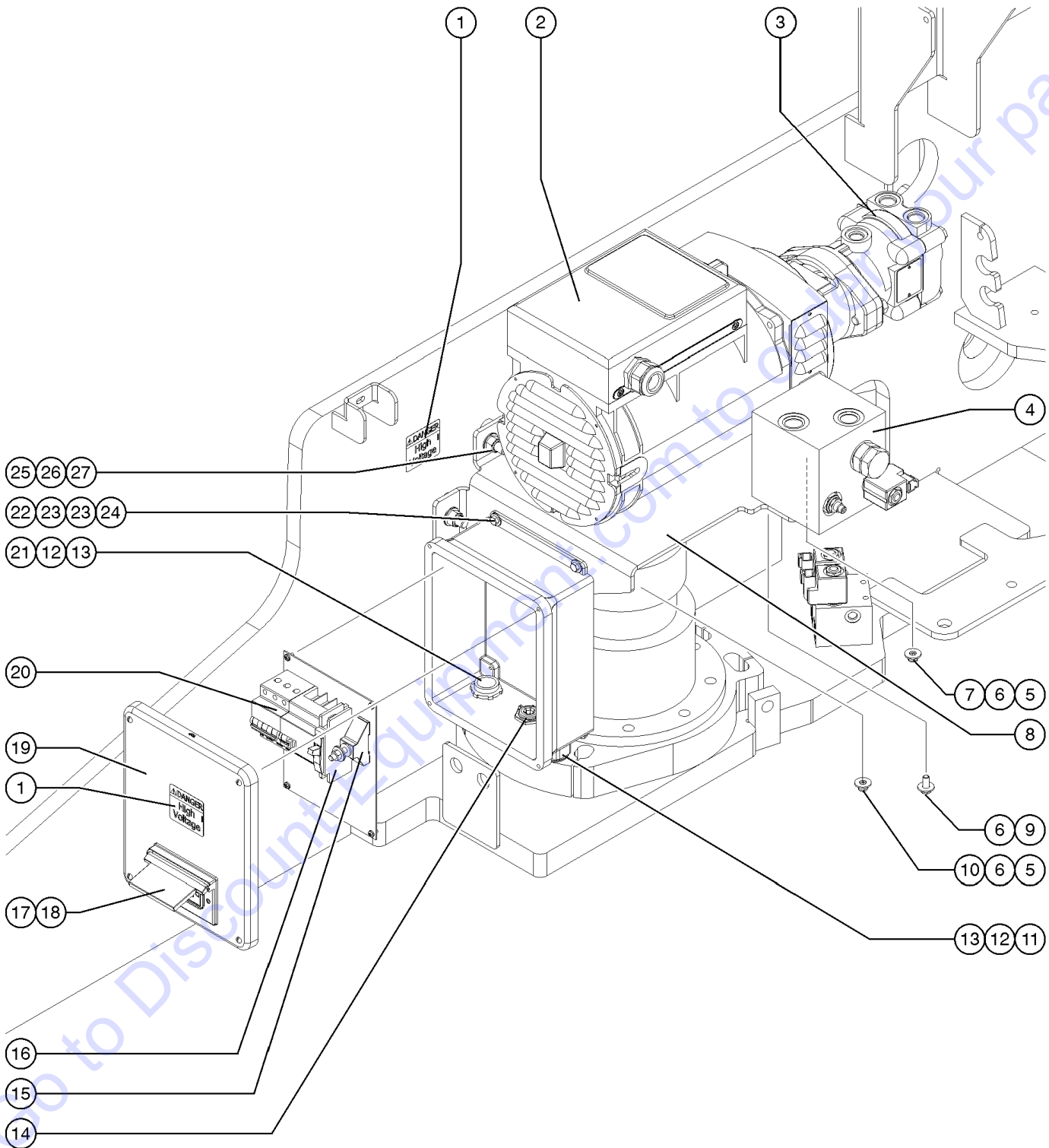
911.1 Hostile Environment Package, Engine Air Pre-Cleaners



911.1 Hostile Environment Package, Engine Air Pre-Cleaners

Item	Part No.	Description	Qty.
--	1262360GT	ACC, AIR PRE-CLEANER, PERKINS	
--	70358GT	ACC,AIR PRE-CLEANER,DEUTZ T2	
1	45435GT	CLAMP,HOSE,2.50"***4 <i>Perkins Models</i>	
--	45435GT	CLAMP,HOSE,2.50"***2 <i>Deutz Models</i>	
2	77891GT	TUBE,AIR INTAKE.....1	
3	34162-0400GT	HOSE,AIR INTAKE 2.5" I.D.....1	
4	70529GT	CAP,PLASTIC,2.5 ID.....1	
5	34959GT	PRECLEANER,AIR INTAKE***1	
6	1262359GT	WELDMENT, PRE-CLEANER, BRACKET.....1	
7	6019GT	SCREW,HHC,3/8-16 X 1.25 GRD 5	
8	6097GT	WASHER,FLAT,USS,3/8",Y	
9	34164GT	ELBOW,90 DEGR,RUBBER,2.5"I.D.*1	

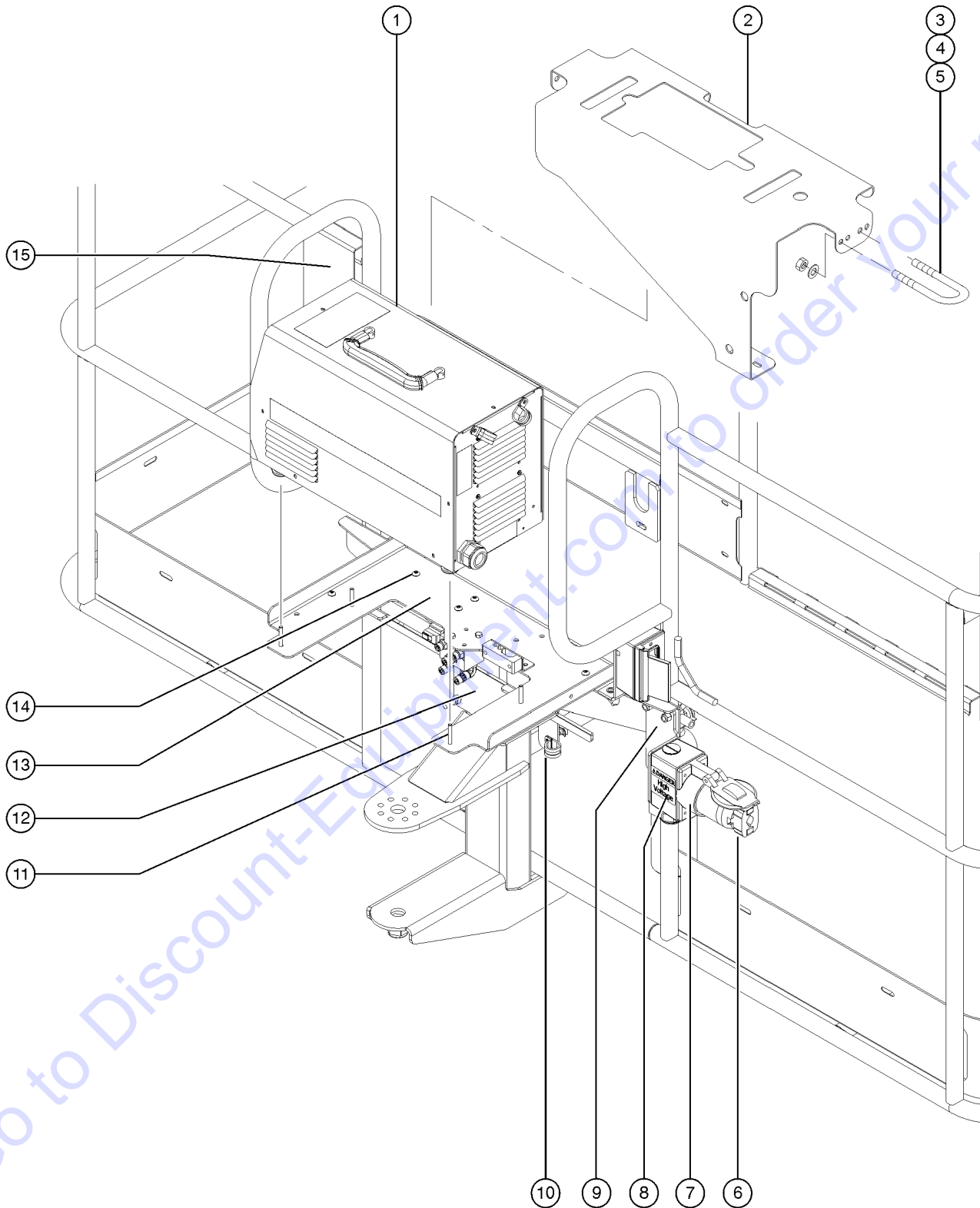
912.1 Welder Option - Chassis Components



912.1 Welder Option - Chassis Components

Item	Part No.	Description	Qty.	Item	Part No.	Description	Qty.
--	1061159360GT	WIRE CABLE 8/4 CON.SO.....	1	--	94759GT	NUT,SOLENOID	
--	106203GT	CLAMPLINK,WELD CABLE/HOSE.....	1	--	94760GT	VALVE,SOLENOID,10V,W/OUT COIL*	
--	119846GT	CLAMP, WELD LEADS, AIR, OPT.....	1	--	94765GT	COIL-10V DC***	
--	1276694GT	KIT, RETROFIT, WELDGEN, MAG BREAKER <i>S-60 TraX from SN S60TX08-17768</i>		5	6037GT	NUT,HEX,5/16-18,GR5	
--	128050GT	CLAMP, HYD, WELD, AIR, OPT.....	1	6	5397GT	WASHER,FLAT,USS,5/16",Y	
--	147491GT	KIT,HD WELDER UPGRADE,S60 <i>for sn 9154 to 20456</i>		7	13000GT	SCREW,HHC,5/16-18 X 1.25	
1	82237GT	DECAL,DANGER,HIGH VOLTAGE.....	2	8	106114GT	BRACKET,GENERATOR12.5 KW,PNTD*.....	1
2A	139367GT	GENERATOR,HYDRA,25CC,208V*** <i>Harrison Generator; includes item 3; Consult Discount-equipment prior to ordering</i>	1	9	10107GT	SCREW,HHC,5/16-18 X .75	
--	1273323GT	ALTERNATOR <i>for 139367</i>		10	13002GT	SCREW,HHC,5/16-18 X 1 GR5	
--	139919GT	FITTING,ORIFICE,.047 <i>for 139367</i>		11	20776GT	CABLE SQUEEZE CONN.....	1
--	58631GT	COUPLER,INSERT <i>for 139367</i>		12	18665GT	LOCKNUT,ELECTRIC,1" NPT.....	2
2B	106113GT	GENERATOR,HYDRO-12KEP-21-3 <i>Fabco Generator; includes item 3; Consult Discount-equipment prior to ordering</i>		13	106104GT	O-RING,SEAL RING,1" NPT (PKG OF 10).....	1
--	T113655GT	COUPLING, 28MM (106113) <i>for 106113</i>		14	106495GT	PLUG,1/2" HUBBLE.....	1
--	T114022GT	SPIDER (106113) <i>for 106113</i>		15	106108GT	TERMINAL,STUD BOLT,250 V.....	1
--	T114023GT	COUPLING (106113) <i>for 106113</i>		--	5397GT	WASHER,FLAT,USS,5/16",Y	
3	33432GT	MOTOR,HYD,25CC FIXED*** <i>Sauer Motor for Harrison Generator; Consult Discount-equipment</i>	1	--	6037GT	NUT,HEX,5/16-18,GR5	
--	106184GT	MOTOR,HYD 12.5KW GEN,21CC*** <i>Fabco Motor; Consult Discount-equipment</i>		16	106073GT	CIRCUIT BREAKER,20A,SINGLE PH.....	1
--	162006GT	SEAL KIT,HYD MOTOR(106184) <i>for 106184</i>		17	74006GT	COVER,GFCI,HORIZONTAL,WEATHER.1	
--	32675GT	SEAL KIT,SUNSTRAND <i>for 33432</i>		18	80543GT	RECEPTACLE, 120VAC, 20A, GFCI.....	1
4	101516GT	MANIFOLD,DRIVE OIL DIVERter.....	1	19	101947GT	J-BOX ASSEMBLY,8X10.....	1
--	102746GT	VALVE,PILOT OPER DIRECTIONAL		20	106477GT	GFI/CIRCUIT BREAKER ASSEMBLY.....	1
--	106394GT	ORIFICE DISC,.030,CONE		--	106374GT	CIRCUIT BREAKER,50A,3P.....	1
--	122302GT	RELIEF,VALVE 270 PSI		--	106375GT	GFCI,50A, 3PH.....	1
--	1271398GT	KIT,GEN. PRESSURE SWITCH <i>includes pressure switch, hose, fittings and installation instructions</i>		21	106077GT	CABLE SQUEEZE CONN .63-.75.....	1
--	146284GT	SWITCH,PRESS,#4NPT,200PSIF..... <i>for first time replacement, order service kit 1271398GT.</i>	1	22	6888GT	SCREW,HHC,1/4-20 X 1	
--	146285GT	CONN, SAE#4-1/4" NPT <i>for 146284</i>		23	6638GT	WASHER,FLAT,USS,1/4"Y	
--	94757GT	VALVE,CHECK,3 PSI***		24	6091GT	NUT,NYLOCK,1/4-20	
				25	9145GT	SCREW,HHC,1/2-13 X 2.5,GR5	
				26	6198GT	NUT,NYLOCK,1/2-13	
				27	13066GT	WASHER,FLAT,.5 HARDENED	

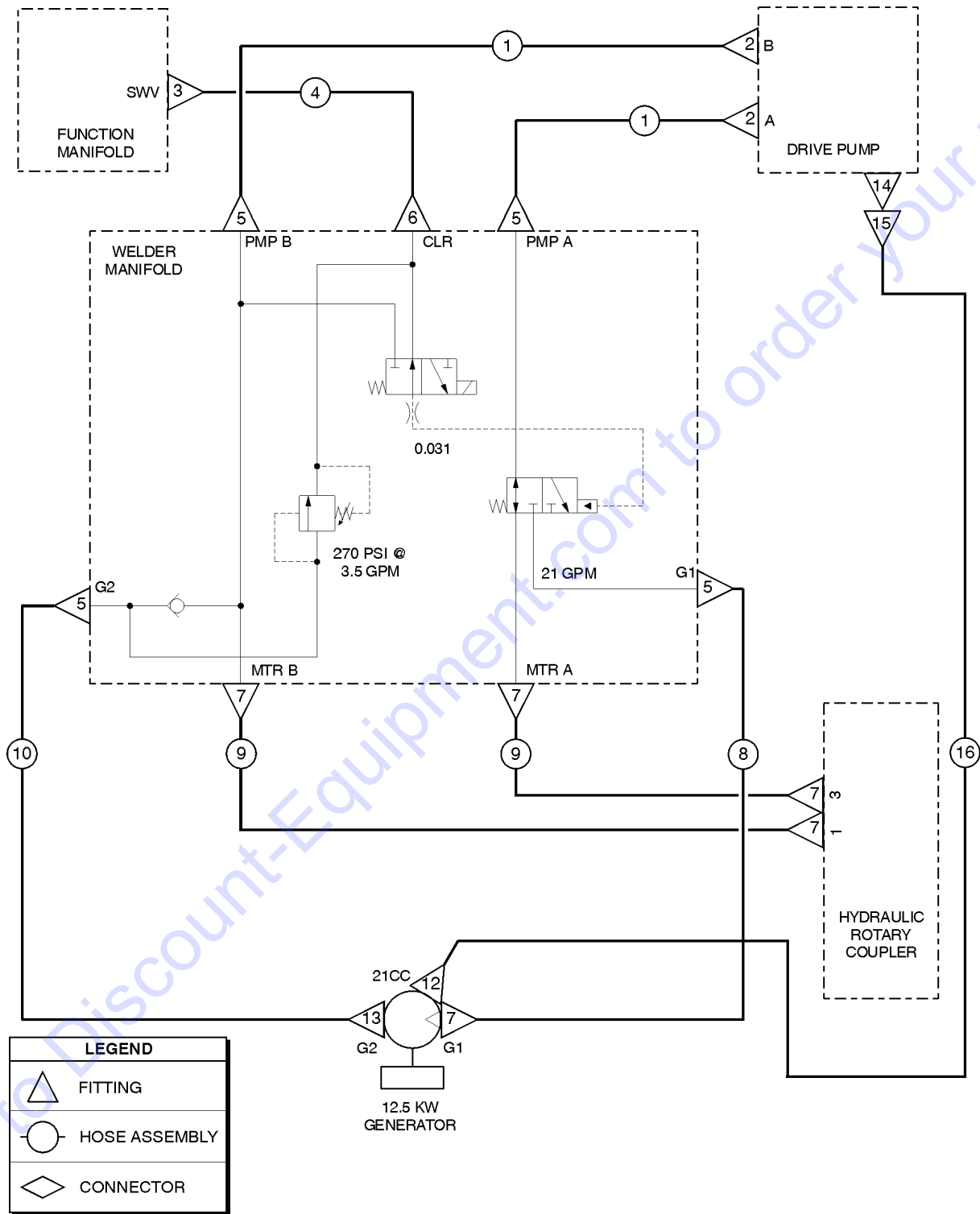
913.1 Welder Option - Platform Components



913.1 Welder Option - Platform Components

Item	Part No.	Description	Qty.
1	101525GT	WELDER,INVERTEC V275-S.....1	1
--	106183GT	FUSE,.6AMP,250V,WELDER,V275S	
--	106275GT	KIT,WELD LEADS ASSY,V275S	
2	101547PGT	BRACKET,WELDER SUPPORT,PNT.....1	1
3	6550GT	U-BOLT,3/8 X 1 YZ.....2	2
4	5397GT	WASHER,FLAT,USS,5/16",Y	
5	4828GT	NUT,NYLOCK,3/8-16	
6	106112GT	PLUG,4-WIRE,3-PHASE,50A,MALE.....1	1
7	106111GT	RECEPTCL,LOCK 3-PH,50A,4 WIRE.....1	1
--	101732GT	COVER,WEATHERPROOF 3-PHASE	
--	106110GT	T-BOX,2.75X4.5X2.63,3PH	
8	82237GT	DECAL,DANGER,HIGH VOLTAGE.....2	2
9	101731PGT	BRACKET,POWER TO PLAT TBOX,PNT.....1	1
--	106044GT	U-BOLT,3/8-16X4X4.63X3.00	
--	4828GT	NUT,NYLOCK,3/8-16	
--	5397GT	WASHER,FLAT,USS,5/16",Y	
10	18666GT	CLAMP,1.00,#16 X 1/4,RUB CUSH	
11	106141GT	SCREW,SECURITY,1/4-20 X 1.75LG	
12	101701GT	BRACKET,WELDER MOUNT SUPPORT.....1	1
13	101701GT	BRACKET,WELDER MOUNT SUPPORT.....1	1
--	128322GT	SCREW,5/16-18X1.00,SECURITY TO	
--	128323GT	BIT,TORX SOCKET,SECURITY	
--	4828GT	NUT,NYLOCK,3/8-16	
--	5397GT	WASHER,FLAT,USS,5/16",Y	
--	6782GT	NUT,NYLOCK,5/16-18	
14	128322GT	SCREW,5/16-18X1.00,SECURITY TO	
--	128323GT	BIT,TORX SOCKET,SECURITY	
15	106204PGT	BRACKET,V275S WELD LEADS	

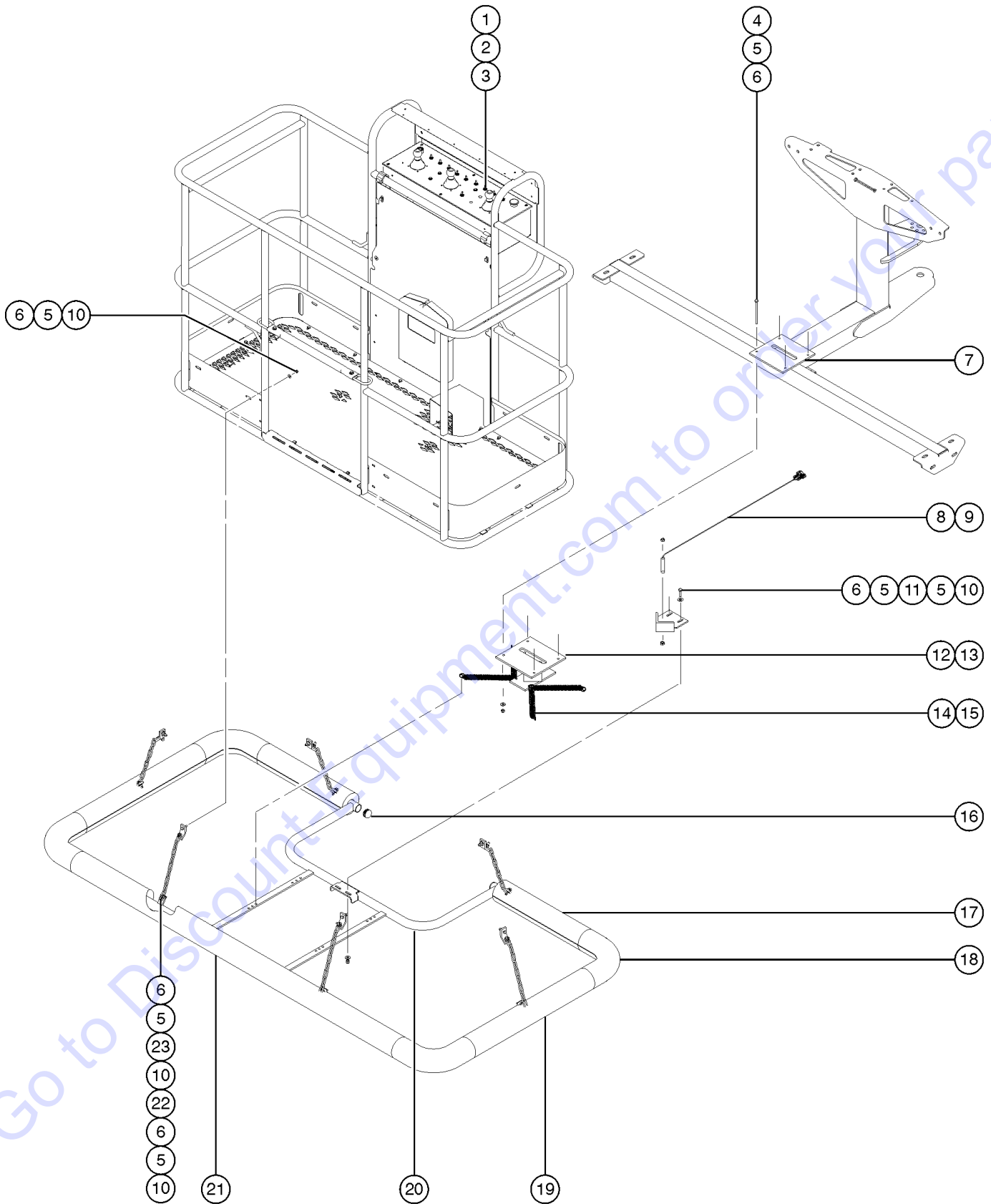
914.1 Welder Option - Hydraulic Hoses and Fittings



914.1 Welder Option - Hydraulic Hoses and Fittings

Item	Part No.	Description	Qty.
1	102313-3326GT	HOSE ASSY,3/4",45F,STR F.....	2
2	48978GT	ELBOW,45D,520320-12-16.....	1
3	48948GT	CONN,520120-8-12.....	1
4	49183-8492GT	HOSE ASSY,1/2,STR FEM,STR FEM*....	1
5	48963GT	FITTING,ELBOW,45D,520320-12***.....	4
6	48933GT	CONN,520120-8***.....	1
7	48960GT	FITTING,CONN,520120-12***.....	5
8	61072-2443GT	HOSE ASSY,3/4,45 FEM,STR FEM**.....	1
9	94374-6030GT	HOSE ASSY,3/4,90 FEM,STR FEM.....	2
10	61072-2543GT	HOSE ASSY,3/4,45 FEM,STR FEM**.....	1
11			
12	48932GT	FITTING,ELBOW,90D,520220-8***.....	1
13	61610GT	CONN,LONG,520122-12***.....	1
14	48961GT	TEE,RUN,520428-12.....	1
15	51580GT	FITTING,REDUCER,520123-12-8***.....	1
16	218751GT	HOSE ASSY,1/2,90 FEM,STR FEM.....	1

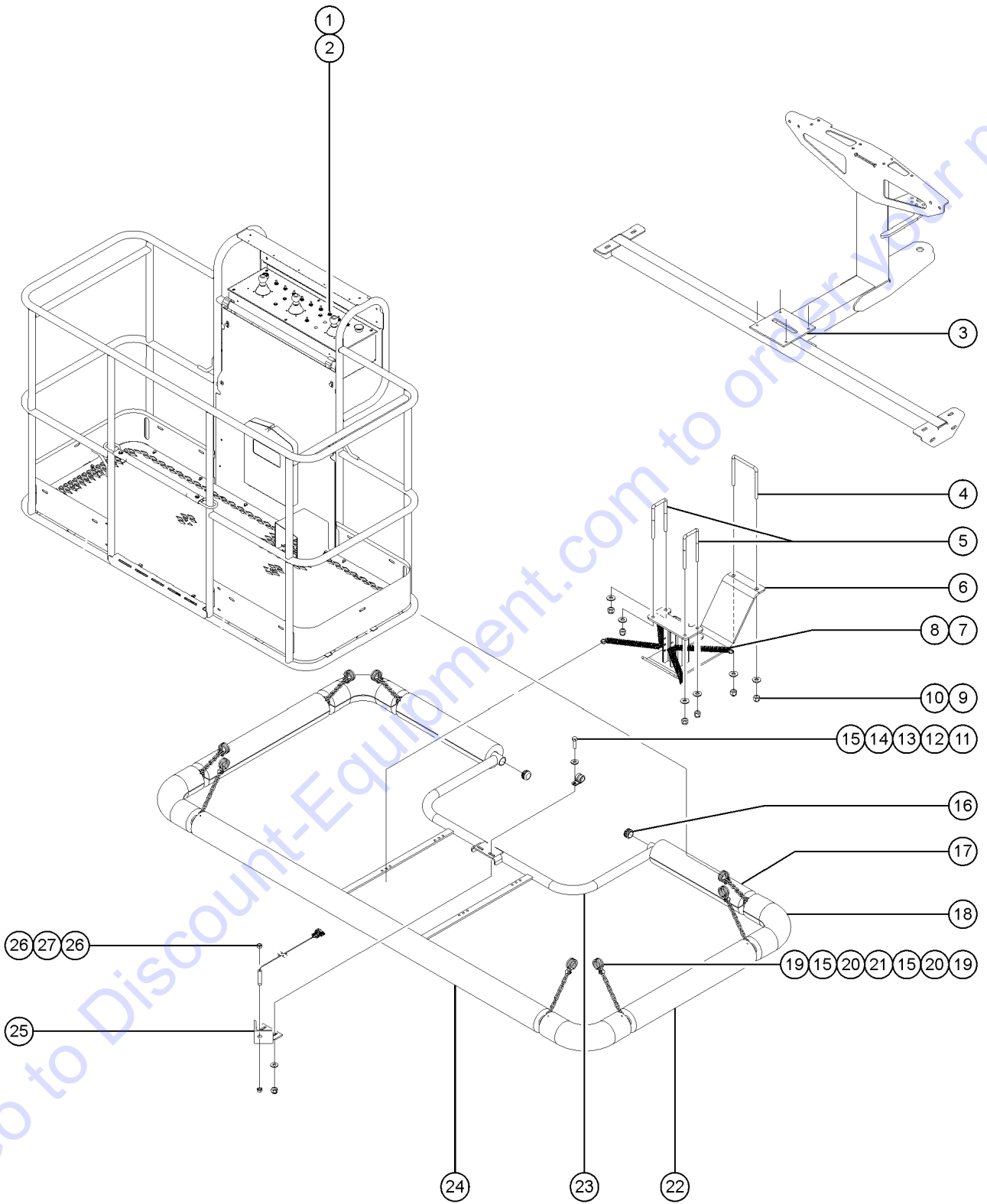
915.1 Aircraft Protection Package - Standard (to SN 20267)



915.1 Aircraft Protection Package - Standard (to SN 20267)

Item	Part No.	Description	Qty.
1	128204GT	SWITCH TOGGLE ASSY SPDT 2P MNT.....	1
2	27246GT	BOOT,TOGGLE SWITCH,SHORT*.....	1
3	46468GT	DECAL,FUNCTION OVERRIDE.....	1
4	11413GT	SCREW,HHC,1/4-20 X 4.....	4
5	6638GT	WASHER,FLAT,USS,1/4"Y	
6	6091GT	NUT,NYLOCK,1/4-20	
7	81754GT	BRACKET, AIRCRAFT MAGNET MOUNT.....	1
8	81532GT	HARNES,PROX.KILL..... <i>(includes PN 27391 for Proximity Sensor)</i>	1
--	27391GT	PROXIMITY SENSOR***	
9	88390GT	NUT,HEX,M8,PLASTIC.....	2
10	6888GT	SCREW,HHC,1/4-20 X 1	
11	77797GT	WELDMNT, SENSOR MOUNT.....	1
12	46028GT	WELDMNT, AIRCRAFT SENSOR MNT.....	1
13	29261GT	MAGNET,NEODYMIUM,.375 X .100.....	2
14	88385GT	SPRING, SS, 1/2-EO500-49-4500.....	6
15	88384GT	SPRING, SS, 3/4-EO750-69-4500.....	6
16	55753GT	BUMPER, PLASTIC, 1.25 O.D.....	2
17	75617-1775GT	PADDING,FOAM 3.5"OD X 1.50"ID.....	2
18	75636GT	PADDING,FOAM,3.0"X1.50ID 90DEG.....	4
19	75617-2475GT	PADDING,FOAM 3.5"OD X 1.50"ID.....	2
20	46187GT	WELDMNT,AIRCRAFT SENSOR BUMPR.....	1
21	75617-6675GT	PADDING,FOAM 3.5"OD X 1.50"ID.....	2
22	88378-1100GT	CHAIN, 2/0, 11" LONG.....	6
23	88373GT	MOUNT, AIRCRAFT PROTECTION OPT.....	6

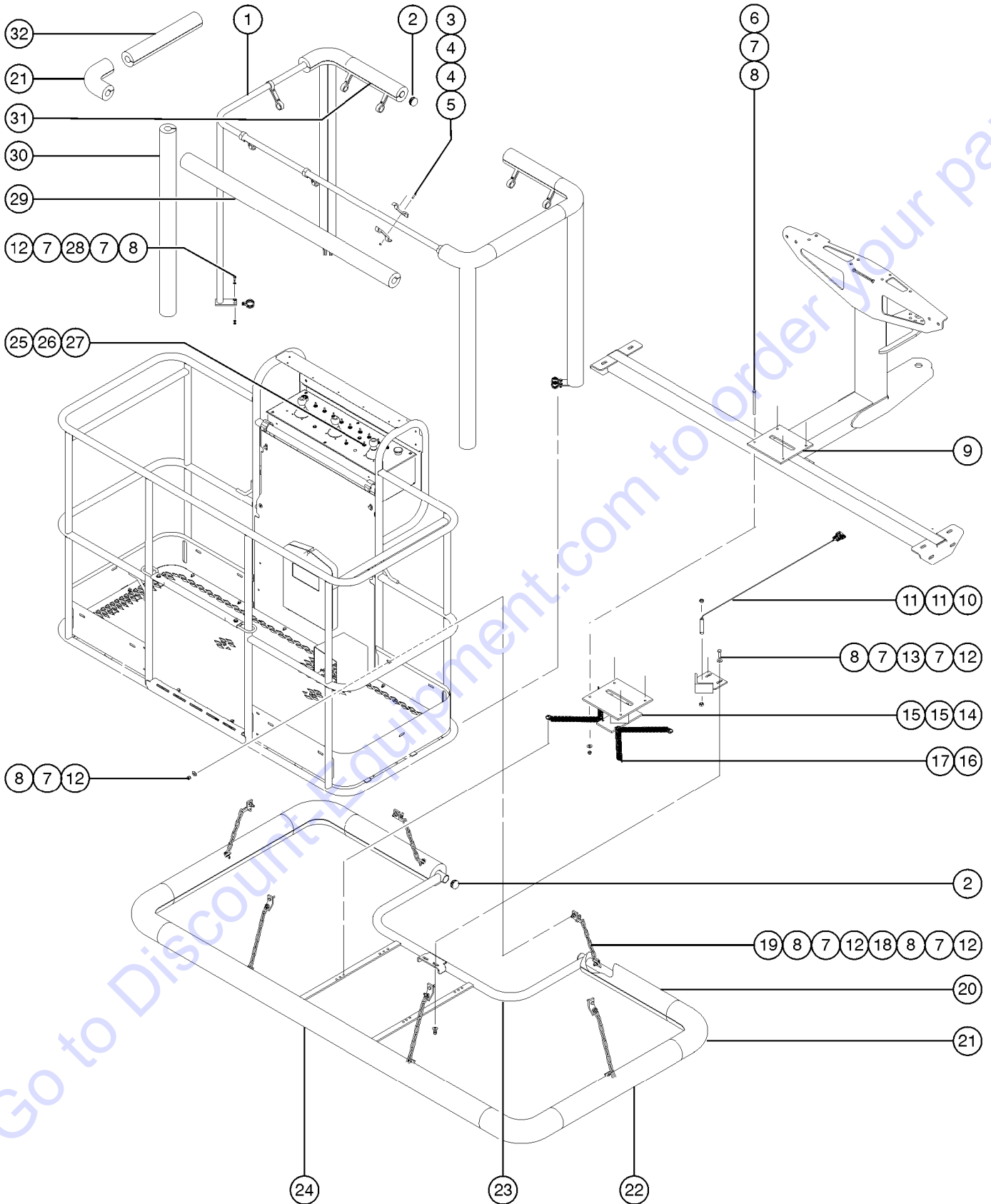
915.2 Aircraft Protection Package - Standard (from SN 20268)



915.2 Aircraft Protection Package - Standard (from SN 20268)

Item	Part No.	Description	Qty.
1A	128204GT	SWITCH TOGGLE ASSY SPDT 2P MNT.....	1
1B	128203GT	SWITCH TOGGLE ASSY SPDT 2P MOM.....	1
--	139882GT	HARN, AC PROTECTION BYPASS.....	1
2	27246GT	BOOT,TOGGLE SWITCH,SHORT*.....	1
3	81754GT	BRACKET, AIRCRAFT MAGNET MOUNT.....	1
4	106044GT	U-BOLT,3/8-16X4X4.63X3.00.....	1
5	66472GT	U-BOLT, SQR, 3/8-16X2X5, PLTD.....	2
6	139904GT	WELDMENT, SKIDPLATE**.....	1
7	88384GT	SPRING, SS, 3/4-EO750-69-4500.....	4
8	88385GT	SPRING, SS, 1/2-EO500-49-4500.....	4
9	4828GT	NUT,NYLOCK,3/8-16	
10	5397GT	WASHER,FLAT,USS,5/16",Y	
11	6888GT	SCREW,HHC,1/4-20 X 1	
12	6638GT	WASHER,FLAT,USS,1/4"Y	
13	6833GT	CLAMP,0.50,#8 X 1/4,RUB CUSH.....	1
14	6638GT	WASHER,FLAT,USS,1/4"Y	
15	6091GT	NUT,NYLOCK,1/4-20	
16	55753GT	BUMPER, PLASTIC, 1.25 O.D.....	2
17	75617-1675GT	PADDING,FOAM 3.5"OD X 1.50"ID.....	2
18	75636GT	PADDING,FOAM,3.0"X1.50ID 90DEG.....	4
19	21618GT	CLAMP,1.13,#18 X 1/4,RUB CUSH.....	16
20	6090GT	SCREW,HHC,1/4-20 X .75	
21	56426-700GT	CHAIN,NO.2 (11 LINKS).....	8
22	75617-2275GT	PADDING,FOAM 3.5"OD X 1.50"ID.....	2
23	139181GT	WELDMENT,AIRCRAFT SENSOR BUMPR.....	1
24	75617-6475GT	PADDING,FOAM 3.5"OD X 1.50"ID.....	1
25	77797GT	WELDMENT, SENSOR MOUNT.....	1
26	88390GT	NUT,HEX,M8,PLASTIC	
27	81532GT	HARNES,PROX.KILL..... (includes PN 27391 for Proximity Sensor)	1
--	27391GT	PROXIMITY SENSOR***	

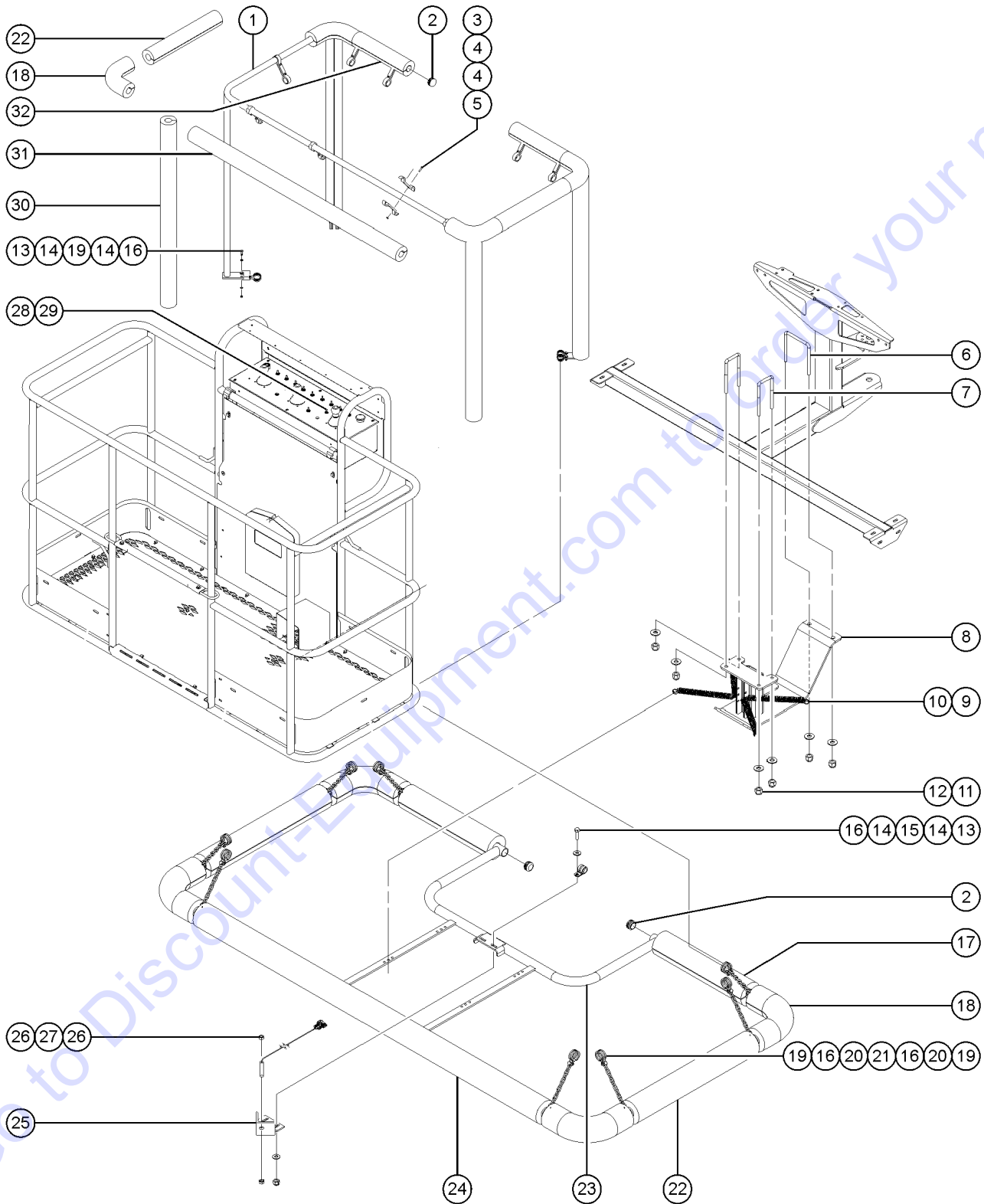
916.1 Aircraft Protection Package - Deluxe (to SN 20267)



916.1 Aircraft Protection Package - Deluxe (to SN 20267)

Item	Part No.	Description	Qty.
1	46188GT	WELDMENT, AIRCRAFT TOP BUMPER.....	1
2	55753GT	BUMPER, PLASTIC, 1.25 O.D.....	4
3	122231GT	SCREW,BHSC,1/4-20 X 1	
4	122073GT	SUPPORT, RAILING	
5	6889GT	NUT,LP NYLOCK,1/4-20	
6	11413GT	SCREW,HHC,1/4-20 X 4	
7	6638GT	WASHER,FLAT,USS,1/4"Y	
8	6091GT	NUT,NYLOCK,1/4-20	
9	81754GT	BRACKET, AIRCRAFT MAGNET MOUNT.....	1
10	81532GT	HARNES,PROX.KILL..... (includes PN 27391 for Proximity Sensor)	1
--	27391GT	PROXIMITY SENSOR***	
11	88390GT	NUT,HEX,M8,PLASTIC.....	2
12	6888GT	SCREW,HHC,1/4-20 X 1	
13	77797GT	WELDMENT, SENSOR MOUNT.....	1
14	46028GT	WELDMENT, AIRCRAFT SENSOR MNT.....	1
15	29261GT	MAGNET,NEODYMIUM,.375 X .100.....	2
16	88384GT	SPRING, SS, 3/4-EO750-69-4500.....	6
17	88385GT	SPRING, SS, 1/2-EO500-49-4500.....	6
18	88378-1100GT	CHAIN, 2/0, 11" LONG.....	6
19	88373GT	MOUNT, AIRCRAFT PROTECTION OPT.....	6
20	75617-1775GT	PADDING,FOAM 3.5"OD X 1.50"ID.....	2
21	75636GT	PADDING,FOAM,3.0"X1.50ID 90DEG.....	8
22	75617-2475GT	PADDING,FOAM 3.5"OD X 1.50"ID.....	2
23	46187GT	WELDMENT,AIRCRAFT SENSOR BUMPR.....	1
24	75617-6675GT	PADDING,FOAM 3.5"OD X 1.50"ID.....	1
25	128204GT	SWITCH TOGGLE ASSY SPDT 2P MNT.....	1
26	27246GT	BOOT,TOGGLE SWITCH,SHORT*.....	1
27	46468GT	DECAL,FUNCTION OVERRIDE.....	1
28	21618GT	CLAMP,1.13,#18 X 1/4,RUB CUSH.....	4
29	75617-6275GT	PADDING,FOAM 3.5"OD X 1.50"ID.....	1
30	75617-4788GT	PADDING,FOAM 3.5"OD X 1.50"ID.....	4
31	75617-1538GT	PADDING,FOAM 3.5"OD X 1.50"ID.....	2
32	75617-2075GT	PADDING,FOAM 3.5"OD X 1.50"ID.....	2

916.2 Aircraft Protection Package - Deluxe (from SN 20268)



916.2 Aircraft Protection Package - Deluxe (from SN 20268)

Item	Part No.	Description	Qty.
1	46188GT	WELDMENT, AIRCRAFT TOP BUMPER.....	1
2	55753GT	BUMPER, PLASTIC, 1.25 O.D.....	4
3	122231GT	SCREW,BHSC,1/4-20 X 1	
4	122073GT	SUPPORT, RAILING.....	20
5	6889GT	NUT,LP NYLOCK,1/4-20	
6	106044GT	U-BOLT,3/8-16X4X4.63X3.00.....	1
7	66472GT	U-BOLT, SQR, 3/8-16X2X5, PLTD.....	2
8	139904GT	WELDMENT, SKIDPLATE**.....	1
9	88384GT	SPRING, SS, 3/4-EO750-69-4500.....	4
10	88385GT	SPRING, SS, 1/2-EO500-49-4500.....	4
11	4828GT	NUT,NYLOCK,3/8-16	
12	5397GT	WASHER,FLAT,USS,5/16",Y	
13	6888GT	SCREW,HHC,1/4-20 X 1	
14	6638GT	WASHER,FLAT,USS,1/4"Y	
15	6833GT	CLAMP,0.50,#8 X 1/4,RUB CUSH.....	1
16	6091GT	NUT,NYLOCK,1/4-20	
17	75617-1675GT	PADDING,FOAM 3.5"OD X 1.50"ID.....	2
18	75636GT	PADDING,FOAM,3.0"X1.50ID 90DEG.....	8
19	21618GT	CLAMP,1.13,#18 X 1/4,RUB CUSH.....	16
20	6090GT	SCREW,HHC,1/4-20 X .75	
21	56426-700GT	CHAIN,NO.2 (11 LINKS).....	8
22	75617-2275GT	PADDING,FOAM 3.5"OD X 1.50"ID.....	4
23	139181GT	WELDMENT,AIRCRAFT SENSOR BUMPR.....	1
24	75617-6475GT	PADDING,FOAM 3.5"OD X 1.50"ID.....	1
25	77797GT	WELDMENT, SENSOR MOUNT.....	1
26	88390GT	NUT,HEX,M8,PLASTIC	
27	81532GT	HARNESS,PROX.KILL..... (includes PN 27391 for Proximity Sensor)	1
--	27391GT	PROXIMITY SENSOR***	
28	128203GT	SWITCH TOGGLE ASSY SPDT 2P MOM.....	1
--	139882GT	HARN, AC PROTECTION BYPASS.....	1
29	27246GT	BOOT,TOGGLE SWITCH,SHORT*.....	1
30	75617-4788GT	PADDING,FOAM 3.5"OD X 1.50"ID.....	4
31	75617-6275GT	PADDING,FOAM 3.5"OD X 1.50"ID.....	1
32	75617-1538GT	PADDING,FOAM 3.5"OD X 1.50"ID.....	2

PARTS FINDER

**Search Website
by Part Number**



**Search Manual
Library For Parts
Manual & Lookup Part
Numbers – Purchase
or Request Quote**

Search Manuals

Enter your information to help us find the right parts manual for your machine.

* Brand:

* Model:

* Serial:

* Part Number:

SEARCH

**Can't Find Part or
Manual? Request Help
by Manufacturer,
Model & Description**

Parts Order Form

Please fill in the following information to help us find the right part for your machine.

Manufacturer:

Model:

Description:

Part Number:

Quantity:

Submit

Discount-Equipment.com is your online resource for quality parts & equipment.

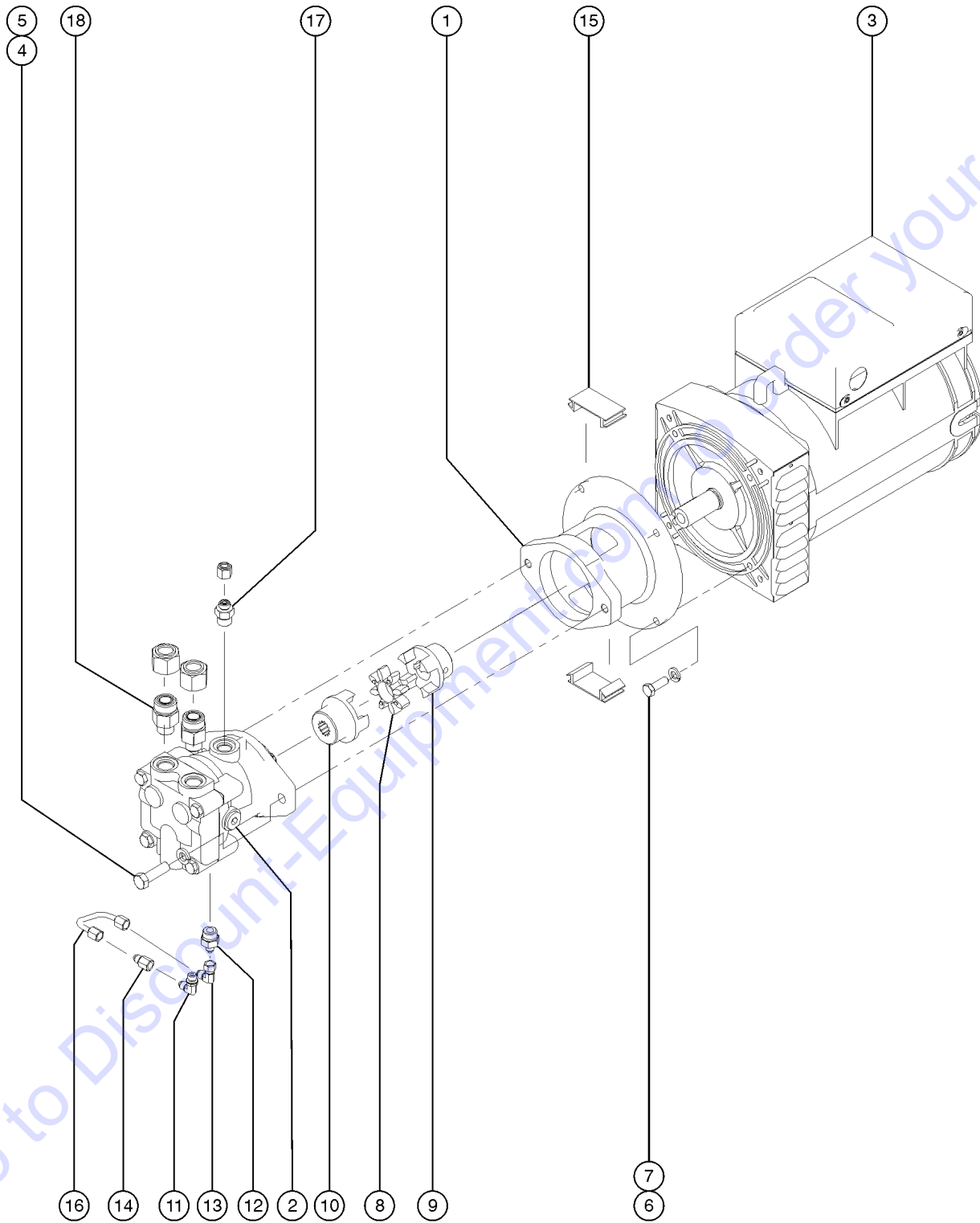
Florida: **561-964-4949** Outside Florida TOLL FREE: **877-690-3101**

Need parts?

Click on this link: <http://www.discount-equipment.com/category/5443-parts/> and choose one of the options to help get the right parts and equipment you are looking for. Please have the machine model and serial number available in order to help us get you the correct parts. If you don't find the part on the website or on one of the online manuals, please fill out the request form and one of our experienced staff members will get back to you with a quote for the right part that your machine needs.

We sell worldwide for the brands: Genie, Terex, JLG, MultiQuip, Mikasa, Essick, Whiteman, Mayco, Toro Stone, Diamond Products, Generac Magnum, Airman, Haulotte, Barreto, Power Blanket, Nifty Lift, Atlas Copco, Chicago Pneumatic, Allmand, Miller Curber, Skyjack, Lull, Skytrak, Tsurumi, Husquvarna Target, Stow, Wacker, Sakai, Mi-T-M, Sullair, Basic, Dynapac, MBW, Weber, Bartell, Bennar Newman, Haulotte, Ditch Runner, Menegotti, Morrison, Contec, Buddy, Crown, Edco, Wyco, Bomag, Laymor, EZ Trench, Bil-Jax, F.S. Curtis, Gehl Pavers, Heli, Honda, ICS/PowerGrit, IHI, Partner, Imer, Clipper, MMD, Koshin, Rice, CH&E, General Equipment, Amida, Coleman, NAC, Gradall, Square Shooter, Kent, Stanley, Tamco, Toku, Hatz, Kohler, Robin, Wisconsin, Northrock, Oztec, Toker TK, Rol-Air, APT, Wylie, Ingersoll Rand / Doosan, Innovatech, Con X, Ammann, Mecalac, Makinex, Smith Surface Prep, Small Line, Wanco, Yanmar

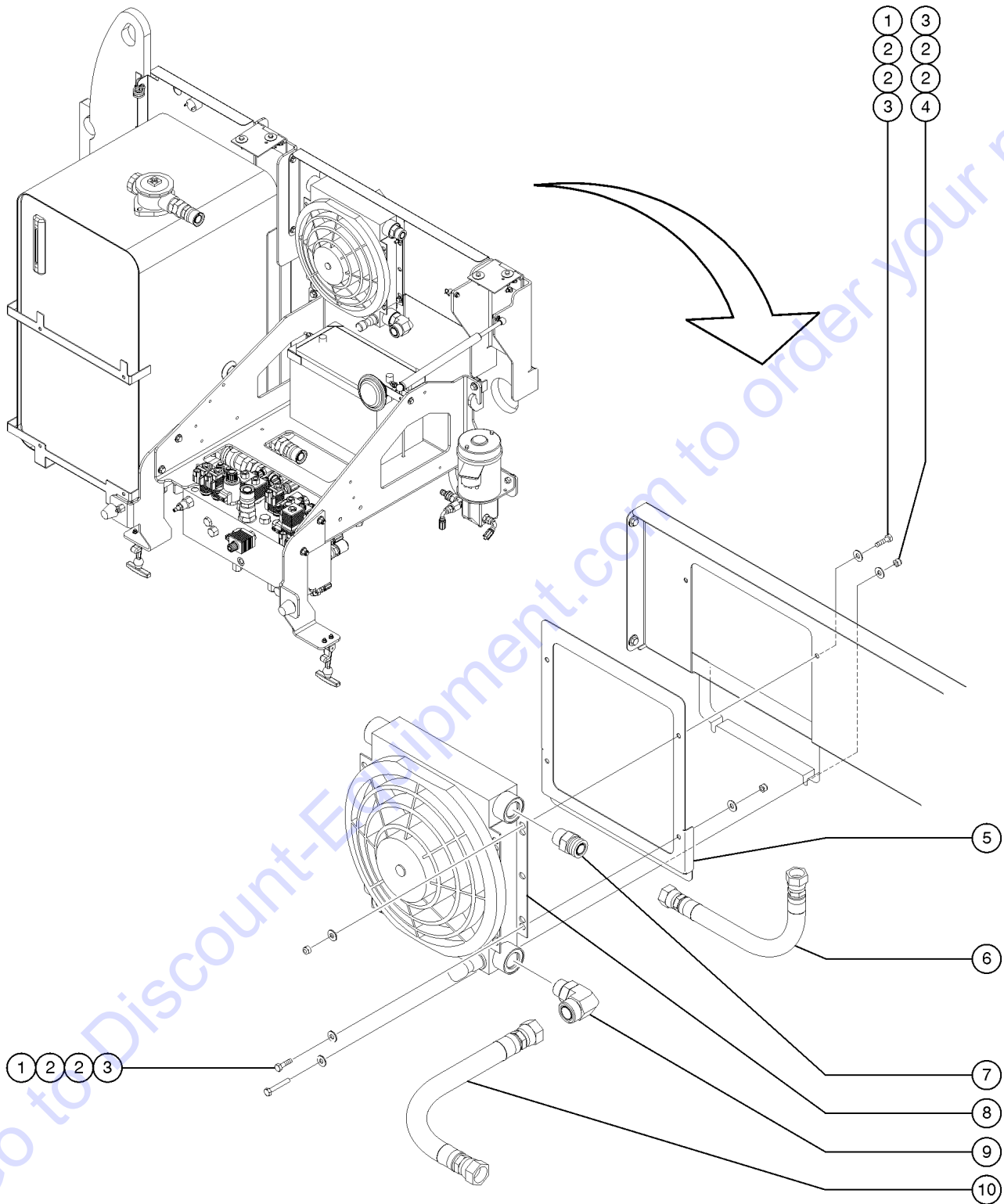
917.1 Welder Option - Generator Components



917.1 Welder Option - Generator Components

Item	Part No.	Description	Qty.
--		GENERATOR, HYDRA, 25CC, 208V.....1 <i>refer to section 912.1</i>	1
1		MOTOR MOUNT.....1 <i>consult Discount-equipment</i>	1
2		MOTOR, HYD, 25CC FIXED***.....1 <i>refer to section 912.1</i>	1
3		ALTERNATOR.....1 <i>refer to section 912.1</i>	1
4	6036GT	WASHER, LOCK, .625 PLTD.....2	2
5	22788GT	SCREW, HHC, 1/2-13 X 1.75.....2	2
6	44064GT	SCREW, HHC, M10 X 30MM.....4	4
7	22700GT	WASHER, LOCK, M10.....4	4
8	58631GT	COUPLER, INSERT.....1	1
9	147404GT	DRIVE COUPLING, KEYED.....1	1
10	147405GT	DRIVE COUPLING, 13 TOOTH.....1	1
11	13921GT	ELBOW, 070220-4-4.....1	1
12	39879GT	CONNECTOR, 070120-4-8.....1	1
13	87246GT	ELBOW, SWIVEL NUT 90DEG, -4.....1	1
14	139919GT	FITTING, ORIFICE, .047.....1	1
15		MOUNT COVER.....2 <i>consult Discount-equipment</i>	2
16	147418GT	ASSY, BLEED LINE (139367).....1	1
17	48914GT	CONN, 520120-4-8.....1	1
18	48975GT	CONN, 520120-12-10.....2	2

918.1 Hydraulic Oil Cooler Option

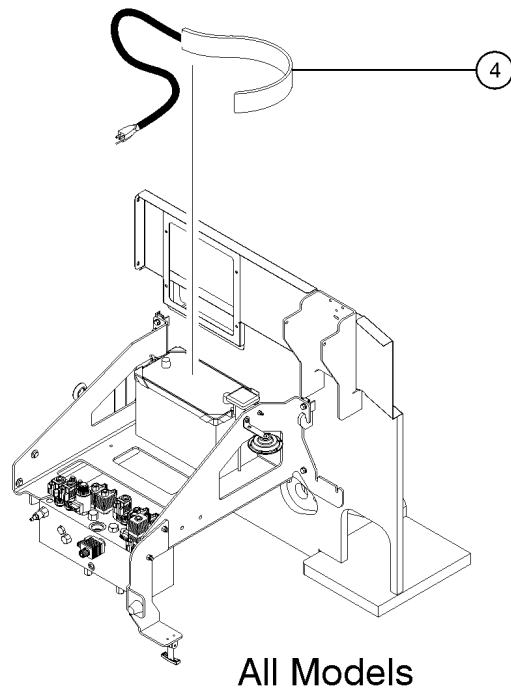
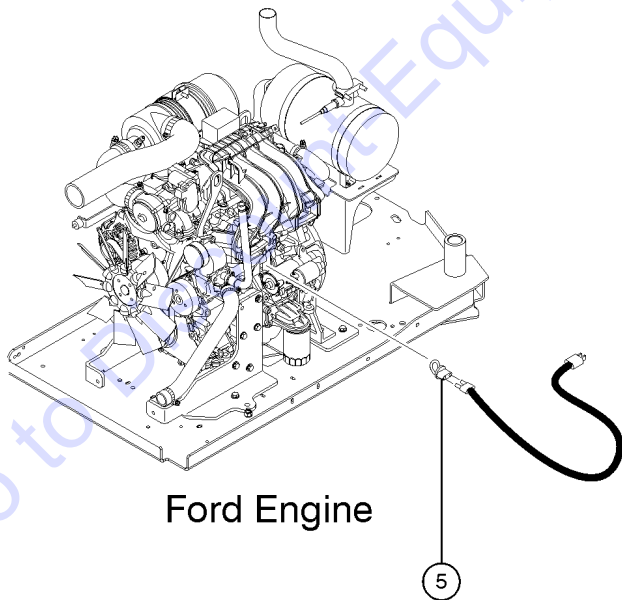
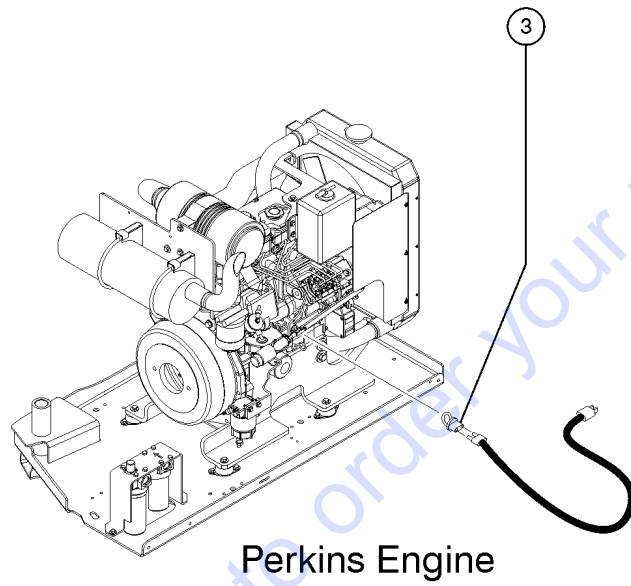
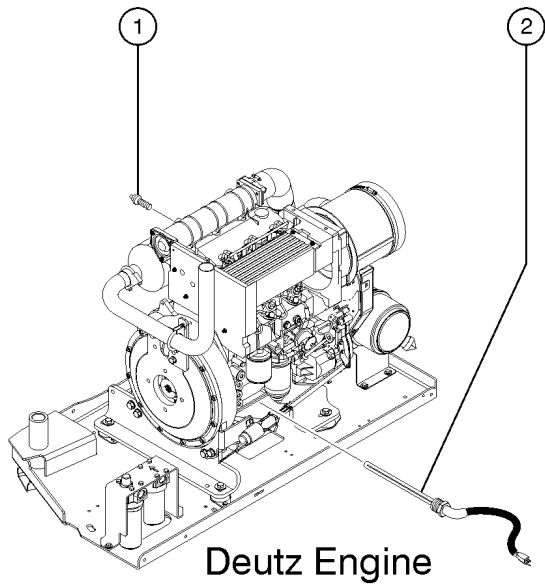


918.1 Hydraulic Oil Cooler Option

Item	Part No.	Description	Qty.
1	6888GT	SCREW,HHC,1/4-20 X 1.....	4
2	6638GT	WASHER,FLAT,USS,1/4"Y.....	12
3	6091GT	NUT,NYLOCK,1/4-20.....	6
4	6637GT	SCREW,HHC,1/4-20 X 1.75.....	2
5	77693GT	FORMING,OIL COOLER MOUNT.....	1
6	1259905GT	HOSE ASSY, 3/4", 28.55".....	1
7	48960GT	FITTING,CONN,520120-12***.....	1
8	71259GT	OIL COOLER W/FAN, 12VDC.....	1
9	48878GT	ELBOW,90D,520220-16-12.....	1
10	94205-3164GT	HOSE ASSY,3/4,45 FEM,STR MALE.....	1

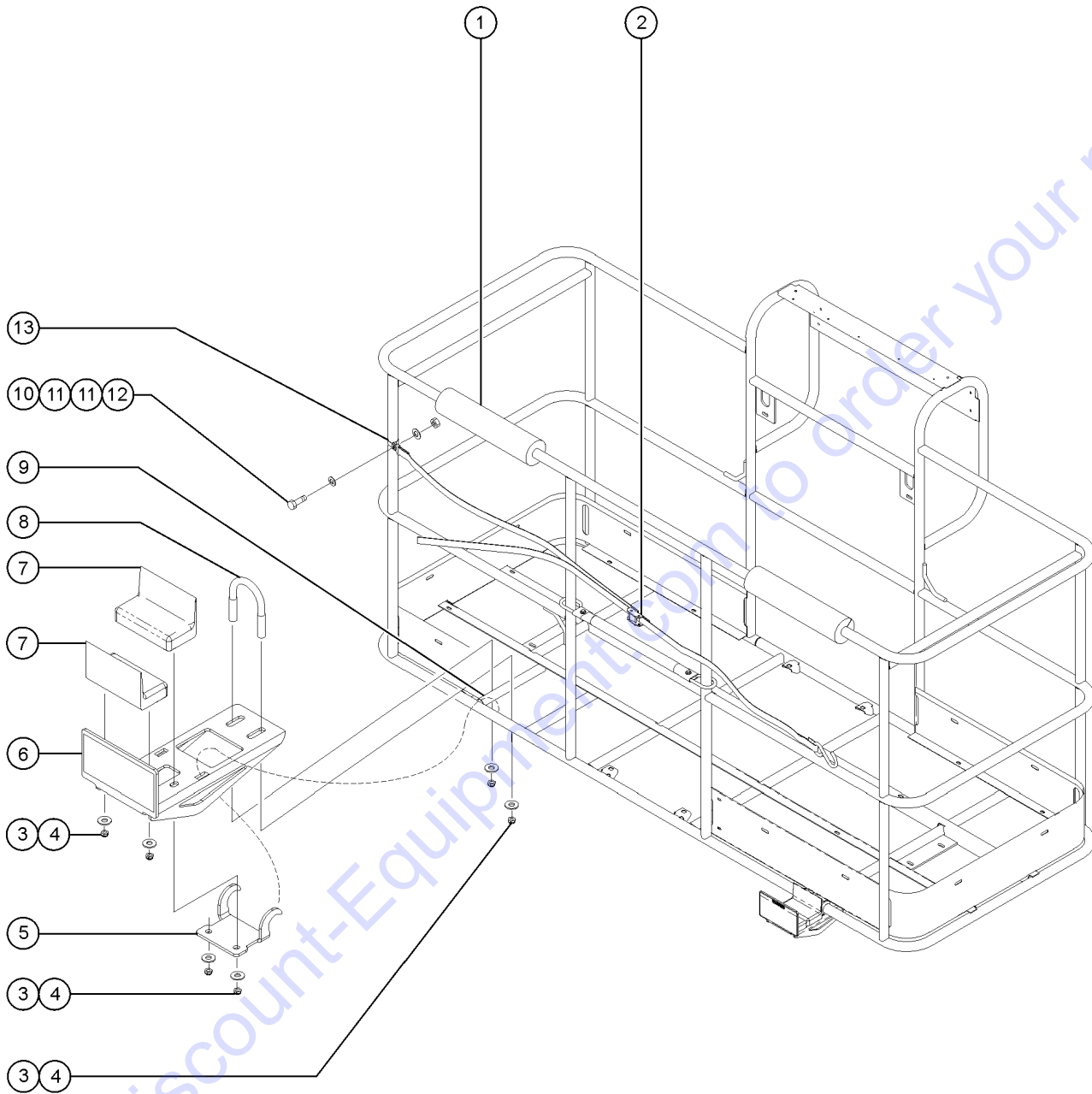
Go to Discount-Equipment.com to order your parts

919.1 Cold Start Option



Item	Part No.	Description	Qty.
--	128430GT	COLD ACCESSORIES, PERKINS	
--	128431GT	COLD ACCESSORIES, DEUTZ	
--	128432GT	COLD ACCESSORIES, FORD	
1	128367GT	KIT,SECOND INTAKE GLOW PLUG.....1 <i>Deutz models</i>	
2	128274GT	OIL PAN HEATER,DEUTZ,120V,150W....1 <i>Deutz models</i>	
3	77382GT	HEATER,FREEZE PLUG,PRKINS40422.....1 <i>Perkins models</i>	
4	28853GT	BLANKET,BATTERY.....1 <i>all models</i>	
5	119231GT	BLOCK HEATER,FORD DSG-423.....1 <i>Ford models</i>	
--	35610GT	HEATER,FREEZE PLUG,FORD LRG423.....1 <i>Ford Models</i>	

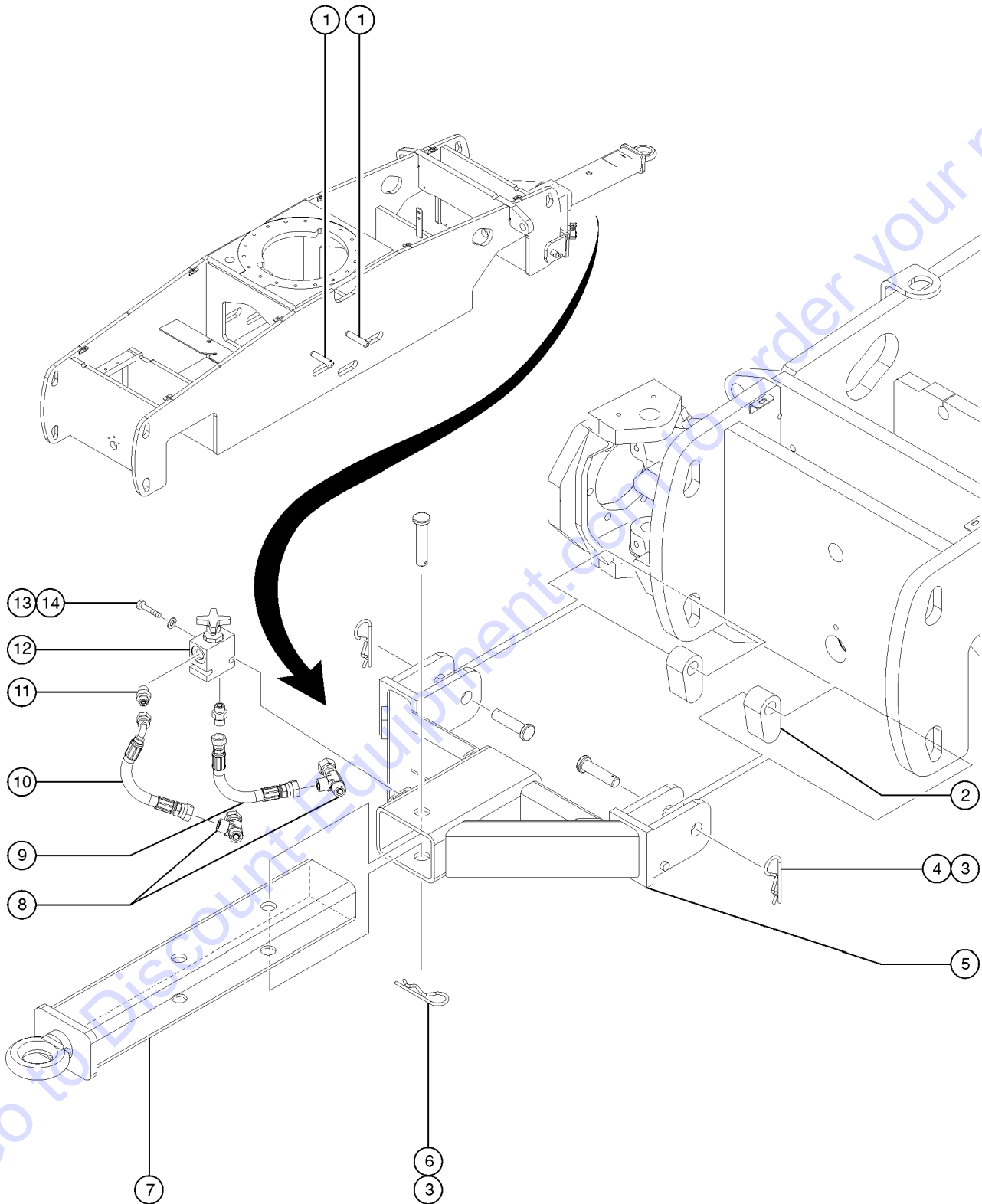
920.1 Panel Cradle Option



920.1 Panel Cradle Option

Item	Part No.	Description	Qty.
--	77683GT	ACCESSORY,PANEL CRADLE,ANSI (ANSI/CSA models)	
--	94493-SGT	KIT,PANEL CRADLE,CE (CE/AUS models)	
1	88377-1400GT	FOAM PAD, 3" OD X 1.25" ID X 14 IN.....2	
2	77664GT	ADJUSTABLE STRAP ASSY.....1	
3	1274322GT	NUT,NYLOCK FLG,3/8-16,F,ZAG.....8	
4	5397GT	WASHER,FLAT,USS,5/16",Y for machines before 2010	
5	228849GT	FORMING,SECONDARY SUPPORT.....2 77576P is no longer available. For machines before 2010, must install Qty 2 service kit 233992 (ANSI) or 233993 (CE) for initial replacement.	
6	228848GT	FORMING PANEL CRADLE.....2 89724 is no longer available. For machines before 2010, must install Qty 2 service kit 233992 (ANSI) or 233993 (CE) for initial replacement.	
--	233992GT	KIT,PANEL CRADLE BRACKET,WORD.....1 (ANSI models) (includes hook, panel support bracket and installation instructions)	
--	233993GT	KIT,PANEL CRADLE BRACKET,SYMBL.....1 (CE models) (includes hook, panel support bracket and installation instructions)	
7	56934GT	PAD,REST,1"THICK,FLANGED.....4	
7A	824038GT	NUT, TL JAM, 3/8-16, A, ZAG.....4 for 56934	
8	1251600GT	U-BOLT, FLATTENED, 1.5 X 3/8 UNC,ZAG.....2	
9	73463-1175GT	TUBE, RD, ALUM, 1.25 X .083 X 11.75...2	
10	1256855GT	SCREW,HHF,1/4-20X.625,8,ZAG.....1	
11	6638GT	WASHER,FLAT,USS,1/4"Y for machines before 2010	
12	1277924GT	NUT,NYLOCK FLG,1/4-20,F,ZAG.....1	
13	56424GT	CLAMP,1.25X.5 RUBBER-CUSHION.....1	

921.1 Tow Package



Item	Part No.	Description	Qty.
--	77756GT	S60 TOW PACKAGE	
1	47025GT	PIN,STORAGE,TOW PACKAGE.....2 <i>used to store 94420 WELDMENT,PULL BAR</i>	
2	81975PGT	PLATE,CHASSIS ATTACHMENT	
3	42111GT	CLIP,HAIR PIN .243 X 5.25.....3	
4	42113GT	PIN,CLEVIS,1.25 X 5.0,ZINC.....2	
5	77870GT	WELDMENT,TOW BAR.....1	
6	42112GT	PIN,CLEVIS,1.25 X 6.0,ZINC.....1	
7	94420GT	WELDMENT,PULL BAR.....1	
8	48875GT	TEE,RUN,SWIVEL,520432-6.....2	
9	49120-7131GT	HOSE ASSEMBLY,1/4".....1 <i>attach to right front steer cylinder</i>	
10	49163-7144GT	HOSE ASSEMBLY,1/4".....1 <i>includes 90-degree elbow fitting; attach to left steer cylinder</i>	
11	48912GT	CONN,520120-4-6***.....2	
12	25282GT	VALVE,NEEDLE,BRAKE RELEASE.....1	
13	824063GT	SCREW,HHC,1/4-20X1.75,8,ZAG.....2	
14	824113GT	WASHER,FLAT,USS,1/4,ZAG.....2	

Part Number Index (continued)

Part Number	Page	Part Number	Page	Part Number	Page	Part Number	Page
128323GT	289		182, 189, 191,	139440GT	145	147149GT	111
128367GT	305		228, 287	139441GT	145	147155GT	115
128368GT	265	13002GT	169-170, 174,	139455GT	195-196	147171GT	141
1283776GT	13		178, 189, 199,	139508GT	155	147221GT	227-228
128416GT	153		228, 287	139512GT	155	147223GT	117
128417GT	153	13003GT	195-196, 199	139527GT	155	147226GT	207-208
128418GT	153	13014GT	173-174	139528GT	155	147227GT	207-208
128419GT	161	13064GT	100, 104, 107,	139578GT	109	14723GT	269
128420GT	161		123-124, 195-	139598GT	239, 241, 243,	147243GT	170
128423GT	159		196, 199		245	147246GT	141
128430GT	305	13066GT	123-124, 159,	139601GT	201, 203-204	147255GT	141
128431GT	305		191, 195-196,	139602GT	201, 203-204	147289GT	119
128432GT	305		201, 287	139610GT	191	147290GT	119
128454PGT	225	131581GT	163, 173-174	139621GT	169-170	147300GT	141
1284569GT	111	131589GT	193	139624GT	170	147348GT	177-178
128464GT	203-204	133067GT	27, 29, 43, 45,	139666GT	170	147349GT	177-178
1284723GT	100, 103-104		75, 77, 91, 93	139709GT	165-166, 169-	147350GT	177-178
128482GT	225	133238GT	15, 21, 37, 53,		170, 199	147351GT	177-178
128483GT	225		69, 85	139712GT	155	147352GT	177-178
128501GT	225	133250GT	67, 69, 83, 85	139715GT	155	147353GT	177-178
128513GT	225	133251GT	67, 69, 75, 77	139716GT	155	147355GT	177-178
128534GT	225	133252GT	83, 85, 91, 93	139717GT	155	147370GT	247
1285505GT	159	133253GT	71, 79	139718GT	155	147403GT	208
1285506GT	159	133254GT	87, 95	139719GT	155	147404GT	301
128578GT	127-128, 131-	133259GT	69, 77	139727GT	155	147405GT	301
	132, 233-234	133260GT	85, 93	139731GT	141	147418GT	301
128580-SGT	127-128, 233-	133263GT	75, 77, 91, 93	139732GT	141	147419GT	249
	234	133278GT	15, 19, 35, 51,	139733GT	141	147491GT	287
128580GT	131-132		67, 83	139734GT	141	147525GT	165-166, 169-
128581-SGT	127-128, 132,	133518GT	15, 17, 25, 33,	139735GT	141		170
	233-234		41, 49, 57, 65,	139736GT	141	147526GT	165-166, 169-
128582-SGT	127-128, 131-		73, 81, 89, 97	139737GT	141		170
	132, 233-234	13480-SGT	143	139738GT	141	147549GT	159
128583GT	127-128, 131-	13482GT	227-228	139739GT	141	147550GT	159
	132	13585GT	267, 269	139741GT	141	147826GT	173-174, 177-
128584-SGT	127-128, 131-	13635-10GT	211, 221, 223	139742GT	141		178
	132, 233-234	13854GT	201, 203-204	139743GT	141	147836GT	277
128588GT	177-178	139000GT	115	139786GT	131-132	147837GT	277
128724GT	225	139001GT	111, 115	139790GT	204, 223	147838GT	277
1287434GT	155	139002GT	111, 113	139791GT	223	147839GT	277
1287812GT	115	139120GT	111	139793GT	204	14815GT	201
1287813GT	115	139121GT	111	139799GT	159	1484GT	13
1288561GT	170	139122GT	111	139801GT	159	1487GT	265
128896GT	195-196	139125GT	111	139822GT	159	1488GT	265
128903GT	185	139135GT	111, 113	139832GT	141	15086GT	163, 181-182,
128909GT	115	139140GT	111, 113	139833GT	141		193
128910GT	115	139175GT	113	139834GT	141	15243GT	131-132
128911GT	115	139179GT	111, 113, 115	139835GT	141	162006GT	287
128912GT	115	139181GT	295, 299	139836GT	141	16584GT	163
128913GT	115	13921GT	301	139865GT	107, 123-124	17017GT	217
128914GT	115	139224GT	111	139882GT	295, 299	18503GT	117, 181-182,
128916GT	115	139248GT	247	139899GT	121		189, 191, 193
128917GT	115	139262GT	115	139900GT	121	18596GT	195-196, 199,
128918GT	115	139288GT	211	139901GT	121		207-208, 211
128919GT	115	139293GT	219	139902GT	121	18605GT	135, 137, 269
128920GT	115	139307GT	219	139904GT	295, 299	18665GT	287
128921GT	115	139308GT	123-124	139919GT	287, 301	18666GT	289
128922GT	115	139309GT	123-124	139958GT	265	18716GT	201, 203-204
128923GT	115	139310GT	123-124	139963GT	147-148	18717GT	203-204
128924GT	115	139311GT	123-124	139983GT	199	18720GT	201, 203-204,
128925GT	115	139312GT	123-124	14033GT	191		207-208
128926GT	115	139313GT	123-124	14041GT	269	18722GT	203-204
128927GT	115	139314GT	123-124	144161GT	267	18730GT	107, 201, 203-
128928GT	115	139315GT	123-124	146061GT	199		204
128935GT	135, 137	139321GT	195-196	146062GT	163, 269	18731GT	203-204
128953GT	15, 21, 37, 53,	139322GT	195-196	146284GT	287	18963GT	263
	69, 85	139323GT	123-124	146285GT	287	19274GT	135, 137, 139,
128955GT	115	139338GT	234	147015GT	187, 191		141, 237, 269
128984GT	178	139340GT	249	147016GT	187, 191	19358GT	193
128986GT	178	139366GT	145	147031GT	141	19363GT	181-182, 193
128987GT	177-178	139367GT	287	147094GT	127-128, 131-	19440GT	99-100, 103-
128991GT	178	139384GT	211		132		104, 207-208
12906GT	121	139385GT	211	147095GT	127-128, 131-	19491GT	201, 203-204,
12960GT	127-128, 269	139388GT	215, 217		132		207-208
13000GT	163, 165-166,	139390GT	215, 217	147115GT	187	19506GT	127-128, 131-
	173-174, 181-	139438GT	275	147121GT	227-228		132

Part Number Index (continued)

Part Number	Page	Part Number	Page	Part Number	Page	Part Number	Page
19969GT	277	229169GT	221, 223	28131GT	139, 141	30973GT	117, 121
20262GT	227-228	230392GT	117, 263	28158GT	15, 17, 19, 27,	31060GT	15, 23, 39, 55,
20776GT	127-128, 287	23057GT	173-174, 177-		35, 43, 51, 59,		71, 87
20912GT	269		178		67, 75, 83, 91	31100GT	148
21019GT	163, 173-174,	231653GT	221, 223	28159GT	15, 17, 19, 27,	31120GT	265
	177-178, 181-	233365GT	187		35, 43, 51, 59,	31408GT	165-166, 169-
	182, 193	233437GT	187		67, 75, 83, 91		170
21130GT	109, 166, 170,	233992GT	307	28160GT	15, 17, 19, 27,	31523GT	165-166, 169-
	174, 177-178,	233993GT	307		35, 43, 51, 59,		170
	195-196	234005GT	187		67, 75, 83, 91	31779GT	13
21141GT	117	234006GT	187	28161GT	15, 19, 21, 23,	31788GT	19, 35, 51, 67, 83
21175GT	107	23404GT	135, 137		35, 37, 39, 51,	32150GT	13
21465GT	193	23405GT	283		53, 55, 67, 69,	32151GT	13
214690GT	211	235411GT	237		71, 83, 85, 87	32309GT	189
214796GT	187	236426GT	177-178	28164GT	15	32339GT	99-100
214798GT	187	237068GT	117	28165GT	15, 25, 41, 57,	32675GT	287
214803GT	187	237856GT	189		73, 89	32681GT	109
21496GT	109	237857GT	189	28171GT	15, 17	32695GT	165-166, 169-
215298GT	187, 193	237858GT	189	28174GT	15, 17, 21, 25,		170
215340GT	100, 103-104,	237859GT	189		29, 33, 37, 41,	32698GT	13, 165-166,
	107	24038GT	173-174, 178,		45, 49, 53, 57,		169-170
			181-182, 193		61, 65, 69, 73,	32728GT	25, 33, 41, 49,
215423GT	115	24040GT	166, 169-170,		77, 81, 85, 89,		57, 65, 73, 81,
215424GT	115		181-182, 193		93, 97		89, 97
215425GT	115	24514GT	228	28175GT	15, 21, 37, 53,	32975GT	148
215426GT	115	25068GT	123-124		69, 85	33024GT	169-170
215427GT	115	25282GT	309	28176GT	15, 25, 41, 57,	33239GT	165-166, 169-
215642GT	100, 103-104,	25368GT	193		73, 89		170
	107	25388GT	267	28177GT	15, 25, 41, 57,	33240GT	165-166
21604GT	231	25548GT	191		73, 89	33277GT	173-174, 177-
21618GT	295, 297, 299	25625GT	169-170	28181GT	15, 23, 39, 55,		178, 193
216791GT	135	25683GT	213		71, 87	33278GT	123-124, 211
216793GT	135	25685GT	231, 247	28235GT	15, 17, 21, 25,	33361GT	163
217043GT	137	25817GT	99-100, 103-104		29, 33, 37, 41,	33418GT	123-124, 195-
217044GT	137	25926GT	189, 193		45, 49, 53, 57,		196, 199
217045GT	137	25927GT	193		61, 65, 69, 73,	33422GT	135, 137
217046GT	137	25969GT	204		77, 81, 85, 89,	33428GT	100, 104, 213
217979GT	115	25994GT	19, 35, 51, 67, 83		93, 97	33432GT	287
218448GT	221, 223	27067GT	99-100, 104, 107	28236GT	15, 25, 41, 57,	33550GT	17
218751GT	291	27089GT	170, 195-196		73, 89	33555GT	121
21935GT	147-148	27142GT	181-182	28301GT	121	33568GT	277
21943GT	181-182, 193	27204GT	15, 17, 21, 29,	28607GT	279	33607GT	135, 137
21982GT	127-128		37, 45, 53, 61,	28646GT	231	33608GT	135, 137
22558GT	165-166, 169-		69, 77, 85, 93	28647GT	181-182	33674GT	265
	170, 195-196,	27205GT	15, 17, 19, 27,	28656GT	13, 185	33724GT	267, 269
	199		35, 43, 51, 59,	28853GT	305	33952GT	15, 57
22578GT	185, 195-196		67, 75, 83, 91	29080GT	211	33960GT	181-182
226327GT	221, 223	27206GT	15, 17, 19, 21,	29104GT	21, 37, 53, 69, 85	33963GT	181-182
226393GT	263		27, 29, 35, 37,	29261GT	293, 297	33964GT	181-182
226541GT	247		43, 45, 51, 53,	29559GT	169-170	33966GT	181-182
226542GT	247		59, 61, 67, 69,	29560GT	13, 165-166,	33970GT	185
22672GT	177-178, 181-		75, 77, 83, 85,		169-170, 195-	33988GT	159
	182, 283		91, 93		196	34052GT	135, 137
22676GT	181-182	27207GT	15, 17, 19, 21,	29606GT	181-182, 191	34058GT	279
22692GT	191		27, 29, 35, 37,	29616GT	181-182, 191	34124GT	207-208
226940GT	115		43, 45, 51, 53,	29749GT	173-174, 178	34125GT	211
226941GT	115		59, 61, 67, 69,	29764GT	117, 143, 228,	34162-0400GT	285
226942GT	115		75, 77, 83, 85,		247	34162-475GT	165-166
226943GT	115		91, 93	29868GT	117, 269, 277	34163GT	163
226944GT	115	27246GT	127-128, 131-	30080GT	15, 25, 41, 73, 89	34164GT	285
226945GT	115		132, 233-234,	30138GT	207-208, 211	34245GT	207-208, 213
226946GT	115		293, 295, 297,	30143GT	117	34276GT	201, 203-204
22699GT	165-166, 169-		299	30144GT	117	34344GT	207-208, 211
	170, 181-182,	27287GT	135, 137, 237	30217GT	213	34505GT	283
	191, 193, 195-	27377GT	121	30222GT	213	34619GT	231
	196	27391GT	293, 295, 297,	30255GT	213	34922GT	283
22700GT	191, 193, 301		299	30370GT	201, 203-204,	34956GT	283
227309GT	191		27497GT		207-208, 213	34959GT	285
227711GT	221		27535GT			35067GT	163, 185
22788GT	301		27564GT			35432GT	283
227986GT	99-100, 103-104		27581GT			35461GT	267
227987GT	99-100, 103-104		27761GT			35586GT	165-166, 169-
227988GT	163, 185, 191		27802GT				170
228457GT	173-174, 177-		27804GT			35610GT	305
	178		27807GT				
228848GT	307		27836GT				
228849GT	307						

Part Number	Page	Part Number	Page	Part Number	Page	Part Number	Page
56424GT	265, 307	6083GT	269	6178GT	117, 121, 135,	65624GT	13, 163
56426-700GT	295, 299	60857GT	13, 124		137, 145, 181-	65625GT	13, 163
56561GT	237	60868GT	173-174, 178		182, 219, 237,	65636GT	178
56562GT	237	60886PGT	267		263, 269	65638GT	178
56704GT	263	60887GT	269	6179GT	145	6563GT	247
56848GT	127-128, 233-	6090GT	107, 117, 119,	61972GT	231	65770GT	181-182
	234		121, 124, 127-	61974GT	231	65841GT	277
56912GT	99-100, 103-		128, 131-132,	61975GT	231	6584GT	109, 169-170,
	104, 107, 193,		173-174, 189,	6198GT	124, 166, 169-		195-196
	208, 213, 219,		207-208, 211,		170, 181-182,	65887GT	119
	225, 228, 281		213, 217, 219,		185, 191, 193,	6605GT	211
56934GT	307		221, 223, 225,		201, 203-204,	6610GT	123-124
57072GT	211		228, 265, 275,		211, 287	6637GT	185, 204, 213,
57075GT	267	6091GT	295, 299	61997GT	231		303
58247GT	163, 185, 191		109, 117, 119,	62076GT	15, 17, 23, 31	6638GT	99-100, 103-
58249GT	195-196		121, 124, 143,	62077GT	15, 17, 21, 29,		104, 107, 109,
58256GT	165-166, 169-		173-174, 177-		53, 61		117, 119, 121,
	170		178, 181-182,	62078GT	15, 17, 39, 47		124, 127-128,
58299GT	195-196		185, 189, 191,	62079GT	15, 17, 37, 45		131-132, 135,
58303GT	147-148		207-208, 211,	62256GT	147-148		137, 173-174,
58304GT	123-124		213, 219, 221,	62257GT	147-148		177-178, 181-
58308GT	221, 223		223, 225, 228,	62258GT	148		182, 185, 189,
58309GT	221, 223		277, 287, 293,	62260GT	147-148		191, 193, 195-
58310GT	221, 223		295, 297, 299,	62273GT	147-148		196, 204, 207-
58354GT	173-174, 177-	6095GT	303	62274GT	148		208, 211, 213,
	178		109, 117, 166,	62275GT	147-148		215, 219, 221,
58380GT	124		169-170, 177-	62276GT	148		223, 225, 228,
58431GT	159		178, 181-182,	62392GT	239, 241		233-234, 265,
58489GT	119		185, 191, 193	62420GT	13, 165-166,		275, 277, 281,
58596GT	123-124	6096GT	124, 185, 191		169-170, 173-		287, 293, 295,
58597GT	123-124	6097GT	104, 117, 119,		174, 177-178		297, 299, 303,
58630GT	195-196		123-124, 163,	62421GT	13, 178		307
58631GT	287, 301		165-166, 169-	62425GT	195-196	66399GT	13
58632GT	189		170, 173-174,	62433GT	13, 173-174, 178	66472GT	295, 299
58944GT	277		193, 207-208,	62476GT	199	66812GT	127-128, 131-
58954GT	277		221, 223, 228,	62506GT	157		132, 233-234
58967GT	13, 119		231, 269, 281,	62507GT	157	66813GT	233-234
59460GT	99-100, 103-104		285	62845GT	173-174, 177-	66815GT	233-234
60042-SGT	227-228	60984GT	203-204		178	66816GT	233-234
60160PGT	227-228	61072-2443GT	291	63078GT	207-208	66818GT	127-128, 233-
6019GT	117, 119, 163,	61072-2543GT	291	63136GT	271		234
	165-166, 173-	61073-2830GT	259	63138GT	271	6782GT	121, 163, 169-
	174, 191, 199,	61073-3930GT	249	63143GT	271		170, 173-174,
	207-208, 211,	61074-6222GT	259	63144GT	271		178, 199, 228,
	217, 219, 221,	61074-7572GT	249	63167GT	271		289
	223, 228, 267,	61110GT	195-196	63170GT	271	6833GT	295, 299
	271, 285	61113GT	269	63176GT	271	6878GT	271, 273
6021GT	99-100, 104,	61128GT	123-124	63180GT	271	6884GT	221, 223
	107, 124, 191,	61211GT	269	63213GT	213	6888GT	119, 124, 177-
	201, 203-204,	61225GT	135	6326GT	104		178, 181-182,
	207-208, 211,	61226GT	135	63311GT	265		185, 191, 207-
	213, 217, 219,	61234GT	119	63353GT	213		208, 213, 215,
	225, 277	61240GT	119	63375GT	267		219, 231, 287,
6024GT	195-196, 199	61263GT	249	63463GT	165-166, 169-		293, 295, 297,
60334GT	13, 124	6126GT	123-124		170, 173-174,		299, 303
6033GT	100, 104, 109,	61306-SGT	213		177-178	6889GT	223, 265, 271,
	117, 145, 165-	6145GT	193, 265	63468GT	107		273, 275, 281,
	166, 169-170,	6146GT	117, 121, 163,	63566GT	213		297, 299
	191, 201, 203-		173-174, 177-	6356GT	124, 204, 207-	6935GT	237, 267, 269
	204		178, 181-182,		208, 211, 213,	69775GT	170
6036GT	123-124, 301		193, 231, 263,		217, 233-234,	69776GT	269
60370-SGT	228		269, 283		265, 281	70239GT	213
6037GT	287	6147GT	263	63727GT	283	70240GT	213
60425GT	201, 203-204	61602GT	201, 203-204	63766GT	227-228	70251GT	163, 165-166
60429GT	201, 203-204	61610GT	291	63771PGT	281	70254GT	163
60439GT	207-208	61726GT	231	63772GT	281	70255GT	163
60443GT	207-208, 237	6175GT	100, 104, 107,	63773GT	281	70258GT	163
60526GT	131-132, 237		117, 119, 145,	64079GT	181-182	70259PGT	163
60561GT	195-196		165-166, 169-	65453GT	119	70260PGT	163
60585GT	178		170, 177-178,	65473GT	163, 173-174,	70261PGT	163
60707GT	163, 269		181-182, 185,		178, 193	70262PGT	163
60738GT	269		195-196, 201,	6550GT	228, 289	70264GT	221, 223
60739GT	269		203-204, 207-	65620GT	13, 163	70284GT	163
60757GT	131-132		208, 211, 213,	65621GT	13, 163	70289GT	204
60790GT	269		277, 281	65622GT	13, 163	70290GT	203-204
60838GT	195-196	61782GT	163	65623GT	13, 163	70292GT	204

Part Number Index (continued)

Part Number	Page	Part Number	Page	Part Number	Page	Part Number	Page
70294GT	163	71038GT	279	74918GT	137	77671GT	123-124
70298GT	163, 173-174, 178	71259GT	303	75073GT	121, 124	77672GT	201, 203-204
70311GT	166	71768GT	207-208	75076GT	121	77674GT	99-100, 103-104, 107
70317PGT	281	71909GT	119	75143GT	239, 243	77676GT	123-124
70318PGT	281	71911GT	191, 195-196, 199	75159GT	193	77679GT	119
70319GT	281	72047GT	147-148	75278-5029GT	253	77680GT	119
70322GT	271	72168GT	19, 35, 51, 67, 83	75278-5129GT	253	77681GT	119
70323GT	271	72169GT	19, 35, 51, 67, 83	75443GT	243, 245	77682GT	124
70324GT	271	72255GT	165-166, 169-170	75444GT	243, 245	77683GT	307
70325GT	271	72282GT	263	75445GT	243, 245	77684PGT	277
70326GT	271	72290GT	99-100, 104, 107	75446GT	243, 245	77688GT	211
70327GT	271	72326GT	117, 127-128, 131-132, 233-234, 263	75447GT	243, 245	77692GT	228
70328GT	271	72337GT	173-174	75448GT	243, 245	77693GT	303
70329GT	271	72342GT	173-174, 177-178	75449GT	243, 245	77713PGT	211
70330GT	271	72343GT	173-174, 177-178, 181-182, 191	75450GT	195-196	77718GT	207-208, 211
70331GT	271	72344GT	173-174, 177-178	75451GT	195-196	77725GT	99-100, 103-104
70351PGT	165-166, 169-170	72348GT	178	75470GT	201, 203-204	77726GT	99-100, 103-104
70357GT	173-174, 178	72349GT	178	75617-1538GT	297, 299	77745GT	163
70358GT	285	72348GT	178	75617-1675GT	295, 299	77750GT	119, 163
70367GT	163, 173-174, 177-178, 181-182, 193	72348GT	178	75617-1775GT	293, 297	77756GT	309
70368GT	163	72348GT	178	75617-2075GT	297	77761PGT	174
70375GT	165-166, 169-170	7268GT	247	75617-2275GT	295, 299	77762PGT	163
70377GT	165-166	72867GT	25, 33, 41, 49, 57, 65, 73, 81, 89, 97	75617-2475GT	293, 297	77763PGT	165-166
70378GT	165-166	72875GT	25, 41, 57, 73, 89, 265	75617-4788GT	297, 299	77766GT	267
70379PGT	166	72999GT	19, 35, 51, 67, 83	75617-6275GT	297, 299	77778GT	121
70380PGT	165-166	73233GT	227-228	75617-6475GT	295, 299	77784PGT	211
70381GT	165-166, 169-170, 199	7339GT	99-100, 103-104, 135, 137, 215	75617-6675GT	293, 297	77788GT	159
70385GT	163, 166, 169-170, 173-174, 178	73455GT	100, 104, 107, 123-124	75631GT	189	77790GT	99-100, 103-104
70387GT	119	73463-1175GT	307	75636GT	293, 295, 297, 299	77791GT	99-100, 103-104
70391GT	269	73477PGT	227-228	75654GT	249	77792GT	103-104
70397GT	269	73478PGT	227-228	75826GT	163	77793GT	103-104
70398GT	269	73500GT	265	75953GT	163	77795GT	207-208
70399GT	269	73501GT	265	77046GT	15, 17	77797GT	293, 295, 297, 299
70420GT	181-182, 185	73610PGT	227-228, 275	77051GT	207-208, 211	77803GT	124
70422PGT	181-182	73634GT	231	77069GT	119	77821GT	163
70425PGT	185	73711GT	131-132, 237	77071GT	119	77822GT	163
70433PGT	181-182	73713GT	131-132, 237	7713GT	178	77834GT	227-228
70444GT	196	73714GT	131-132	77170GT	182	77836GT	227-228
70445GT	199	73717GT	131-132, 237	77180GT	228	77840GT	227-228
70448PGT	195-196	73723GT	237	77181GT	225	77844GT	228
70449GT	195-196	73725GT	207-208	77219GT	119	77850GT	163
70452GT	165-166, 169-170, 178, 181-182, 193	73736GT	131-132, 237	77245PGT	169-170	77870GT	309
70453GT	165-166, 169-170	73739GT	201, 203-204, 227-228	77295GT	13, 163, 185, 191	77879PGT	281
70454PGT	199	73749GT	131-132	77303GT	213	77880GT	100, 104
70455GT	195-196	73751GT	131-132	77351GT	237	77882PGT	208
70456GT	199	73753GT	127-128, 131-132	77353GT	13, 117	77891GT	285
70459PGT	165-166, 169-170	73754GT	131-132	77354GT	117	77896GT	221, 223
70460PGT	165-166, 169-170	73803GT	131-132, 237	77365GT	117	7790GT	178
70461PGT	166, 169-170	73805GT	127-128	77382GT	305	77968PGT	228
70465GT	195-196	73807GT	157	77402GT	165-166, 169-170, 173-174, 177-178, 195-196	77990GT	178
70472PGT	165-166, 169-170	73811GT	207-208	7746PGT	265	77996PGT	281
70478PGT	195-196	73814GT	201, 203-204	77476GT	178	77997PGT	281
70479PGT	195-196	73900GT	227-228	77478GT	177-178	77998PGT	281
70483GT	199	73928GT	117, 143, 228	77483GT	173-174, 178	79456GT	225
70494PGT	169-170	73931GT	227-228	77550GT	163	80543GT	287
70499GT	169-170	73976GT	227-228	77610GT	100, 104	80825-200GT	185
70525GT	181-182	74006GT	267, 287	77616PGT	211	81005GT	124
70527GT	185	74052GT	267	77618PGT	207-208	81096GT	267
70529GT	285	74254GT	143	77623PGT	107	81164GT	99-100, 103-104
7056GT	127-128, 131-132, 237, 267, 269	74389GT	99-100, 103-104	77643GT	99-100, 103-104	81167GT	281
		74872GT	207-208	77645PGT	117	81175GT	213
		74902GT	147-148	77646PGT	117	81341GT	221, 223
		74913GT	135, 137	77648GT	211	81342GT	221, 223
		74917GT	135, 137	77649GT	211	81347GT	221, 223
				77650GT	211	81351GT	221
				77653PGT	207-208	81366GT	123-124
				77654PGT	207-208	81426GT	163
				77656GT	207-208, 211	81458GT	267
				77664GT	307	81467GT	195-196
				77665PGT	123-124	81468GT	195-196
				77666PGT	123-124	81484PGT	233-234
						81487PGT	237
						81488GT	237

Part Number Index (continued)

Part Number	Page	Part Number	Page
94420GT	309	96008-SGT	127-128, 131-132
94439GT	111		
94463GT	283	96010GT	135, 137
94464-4186GT	257	97128GT	201, 203-204, 207-208
94464-4986GT	253, 255		
94465-3650GT	249	97548GT	15, 21, 37, 53, 69, 85
94466-2336GT	253, 255		
94479GT	283	97571GT	21, 37, 53, 69, 85
94485GT	165-166, 169-170	97579GT	25, 41, 73, 89
		97602GT	21, 37, 53, 69, 85
94493-SGT	307	97815GT	17, 25, 33, 41, 49, 57, 65, 73, 81, 89, 97, 228
94499GT	147-148		
94506GT	233-234	97875GT	21, 25, 37, 41, 53, 57, 69, 73, 85, 89
94507GT	99-100, 103-104		
94508GT	107	97887GT	15, 25, 41, 57, 73, 89
94510GT	211		
94521GT	117	97890GT	15, 51, 57
94526GT	117	T106954GT	123-124
94527GT	121	T106955GT	123-124
94528GT	121	T106957GT	123-124
94533GT	283	T106961GT	123-124
94534GT	99-100, 103-104	T106962GT	123-124
94535GT	99-100, 103-104	T108075GT	213
94536GT	99-100, 103-104	T108076GT	213
94537GT	283	T108077GT	213
94549GT	139, 231, 237	T108403GT	117
94598GT	148	T108732GT	199
94599GT	147-148	T108733GT	199
94600GT	269	T108734GT	199
94620GT	123-124	T109328GT	265
94621GT	124	T111124GT	213
94622GT	124	T111608GT	277
94623GT	124	T111609GT	277
94624GT	124	T111610GT	277
94625GT	124	T111611GT	277
94626GT	124	T111612GT	277
94632GT	135, 137	T111613GT	277
94641GT	207-208	T112560GT	267
94650GT	139	T112561GT	267
94690GT	207-208	T112563GT	267
94692GT	207-208	T112626GT	239, 241, 243, 245
94745PGT	228, 275		
94746GT	107	T113655GT	287
94747GT	123-124, 201	T114022GT	287
94748GT	277	T114023GT	287
94751GT	153	T114223GT	221, 223
94752GT	153	T114678GT	165-166, 169-170
94753GT	153		
94754GT	153	T115352GT	237
94756GT	153		
94757GT	153, 287		
94758GT	151		
94759GT	161, 287		
94760GT	161, 287		
94761GT	161		
94762GT	13, 173-174, 177-178		
94764GT	161		
94765GT	161, 287		
94888GT	173-174, 177-178		
94889GT	178		
94891GT	99-100, 103-104		
94892GT	99-100, 103-104		
94893GT	99-100, 103-104		
94894GT	99-100, 103-104		
94902GT	163		
94903GT	163		
94905GT	163		
94918GT	159		
94931GT	181-182		
94937GT	123-124		
94980GT	145		
9596GT	265		
9599-SGT	265		

The Part Description Index is an alphabetical index of all part descriptions included in this manual. The index shows what page(s) the part is used on.

#
 #1 BOOM TUBE ASSM, W/SYM DECAL...207-208
 #1 BOOM TUBE ASSY,W/WORD DECAL.....207-208

6
 6' TRI-ENT RAIL W/DECALS A/SOA.....275
 6' TRI-ENT RAIL W/DECALS ANSI.....275
 6' TRI-ENT RAIL W/DECALS AUSTR.....275

8
 8' TRI-ENT RAIL W/DECALS A/SOA.....275
 8' TRI-ENT RAIL W/DECALS ANSI.....275
 8' TRI-ENT RAIL W/DECALS AUSTR.....275
 8' TRI-ENT RAIL W/DECALS CE/UK.....275

A
 ACC, AIR PRE-CLEANER, PERKINS.....285
 ACC,AIR PRE-CLEANER,DEUTZ T2.....285
 ACC,PLAT CONTROL COVER, SERV.....265
 ACCESSORY,PANEL CRADLE,ANSI.....307
 ACCUMULATOR,10CC,1000PSI,#6SAE...147-148
 ADAPTER, 1/8 X 1/4 F3H6-S.....279
 ADAPTER,140130-4-4.....279
 ADAPTER,140139-8-6.....279
 ADAPTER,MIXER/THROTTLE BODY.....187
 ADAPTER,NPT 6-4.....279
 ADJ ROD, LH/RH, 3/8-24.....145
 ADJUSTABLE STRAP ASSY.....307
 AIR CLEANER CAP/ FORD/NOLFF***.....163, 185, 191
 AIR CLEANER CLIPS, SUPERBOOM.....195-196
 AIR CLEANER COVER, SUPERBOOM*..195-196
 AIR CLEANER,FORD,T3.....163, 185, 191
 AIR CLEANER,NELSON.....195-196
 AIR CLEANER,NELSON***.....165-166, 169-170, 173-174, 177-178
 AIR INTAKE TUBE ASSY.....169-170
 ALARM,DESCENT.....117, 263
 ALARM,INTERMITTENT TONE 6-30V*.....263
 ALARM,WARBLE TONE 5-30 VDC***.....127-128, 131-132, 233-234
 ALTERNATOR.....287, 301
 ALTERNATOR, DEUTZ F3L10/F4L10*.....165-166, 169-170
 ALTERNATOR, DEUTZ,BF4L2011***.....195-196
 ALTERNATOR, GM3.0L ENGINE.....163
 ALTERNATOR, PERKINS (54555).....173-174, 177-178
 ALTERNATOR,65 AMP,PERKINS 404.....177-178
 ALTERNATOR,FORD DSG423,MSG425.....191
 ALTERNATOR,LRG-423 RE-BUILT*.....181-182
 A N G L E , R E L A Y
 MNT,W/NUTSERTS,PNT.....135, 137
 ARM SPACER***.....201
 ASSEM,BOOM TUBE #3 S60/65,CE**.....207-208

ASSEMBLY, INSIDE HOSE GUARD.....115
 ASSEMBLY, OUTSIDE HOSE GUARD.....115
 ASSEMBLY, TRAX UNIT, LEFT.....111
 ASSEMBLY, TRAX UNIT, RIGHT.....111
 ASSEMBLY,BOOM TUBE #1 S60/65.....203-204, 207-208
 ASSEMBLY,BOOM TUBE #3 S60/65**.....207-208
 ASSEMBLY,FOOT SWITCH***.....227-228
 ASSEMBLY,FOOT SWITCH, S60.....227-228
 ASSM, GEN. ONLY, 110V, 60HZ.....277
 ASSY, CIRCUIT BREAKER 15A.....127-128, 131-132
 ASSY, CIRCUIT BREAKER 20A.....127-128, 131-132
 ASSY, LONG LINK LT W/BEARINGS.....201, 203-204
 ASSY, LONG LINK RT W/BEARINGS.....201, 203-204
 ASSY, MED. PRESS. FILTER, SAE8.....13, 124
 ASSY, TERMINAL RAIL.....137
 ASSY,6FT PLAT DUAL LG,BLANK W/SIDE SWING GATE.....227-228
 ASSY,BLEED LINE (139367).....301
 ASSY,FOUR LINK CABLE TRACK***.....221, 223
 ASSY,LS,LOAD SENSE,38.5 IN.....141
 ASSY,PCB ALC500 S60 LEG V202.....237
 AUX TOP RAIL,6"(1.25")SERVICE.....265
 AUX TOP RAIL,6",SWG GT, SRV.....265
 AUX TOP RAIL,6FT,PTD.....265
 AUX TOP RAIL,8"(1.25")SERVICE.....265
 AUX TOP RAIL,8",SWG GT, SRV.....265
 AUX TOP RAIL,8FT,PTD.....265
 AXLE ASSEMBLY,S60 FRONT.....100, 104

B
 BACKING PLATE.....271
 BACKING PLATE, HOSE BLOCK, JIB.....225
 BACKING PLATE,#1 BOTTOM.....271
 BACKING PLATE,#1 TOP.....271
 BACKING PLATE,#2 TOP.....271
 B A C K U P
 RING,71.60X67.20X1.40PTFE(60334).....124
 BAFFLE,AIR INTAKE S60 PAINTED.....195-196
 BAFFLE,AIR INTAKE,FORD PNTD.....124
 BAFFLE,AIR INTAKE,PAINTED***.....124
 BAFFLE,DEUTZ AIR INTAKE PAINTD.....165-166
 BAFFLE,PERKINS ENGINE PAINTED.....178
 BAFFLE,RADIATOR,FORD.....193
 BALL JOINT, 3/8-24 FEMALE.....145
 BALL JOINT, 3/8-24 LEFT HAND.....145
 BALL STUD**.....121
 BASE, W/1 N.O. CONTACTS***.....233-234
 BASE,W/2 NC CONTACTS***.....127-128
 BASE,W/3 NC CONTACTS.....233-234
 BATTERY CABLE,NEGATIVE,BLACK.....139, 141
 BATTERY CABLE,POSITIVE,RED.....139, 141
 BATTERY HOLD DOWN,GROUP 31.....117
 BATTERY,12V,1000 CCA GRP 31.....117
 BEARING KIT,INNER (88921).....123-124
 BEARING KIT,OUTER (88921).....123-124
 BEARING, SPL BOGEY (128918).....115

BEARING,1.00IDX1.25ODX1.00L.....99-100, 103-104
 BEARING,1.25IDX1.50X1.25L.....207-208, 213
 BEARING,1.25IDX1.50DX1.00L.....201, 203-204, 207-208, 213
 BEARING,1.5IDX1.75ODX1.5L.....100, 104, 111
 BEARING,2.00IDX2.25ODX2.00L.....100, 104, 107, 113
 BEARING,2.0IDX2.25ODX1.50L.....201, 203-204, 207-208
 BEARING,2.25IDX2.50ODX1.50L***.....203-204
 BEARING,BALL DRIVE SHAFT..99-100, 104, 107
 BEARING,FL, 1.25X1.5X2.13.....213
 BEARING,FL,0.75ID X 1 OD X .49.....247
 BEARING,FL,1.25IDX1.41ODX1.50L.....213
 BEARING,FL,1.25IDX1.50ODX1.50L.....213
 BEARING,FL,1.25IDX1.50DX1.25L.....123-124, 165-166, 169-170, 193, 213
 BEARING,FL,2.00IDX2.25ODX1.50L.....201, 203-204
 BEARING,FL,2.25IDX2.50ODX1.63L.....201, 203-204, 207-208
 BEARING,GARLOCK,12FDU12.....231, 247
 BEARING,INNER (88883).....99-100, 103-104
 BEARING,MOTOR.....277
 BEARING,OUTER (88883).....99-100, 103-104
 BEARING,POLYGON,20DU12.....213
 BEARING,ROLLER TAPERED.....99-100, 103-104
 BEARING,TURNTABLE ROTATION.....107
 BEARING,WHEEL DRIVE (88886).....99-100, 103-104
 BELL HOUSING.....163
 BELL HOUSING KIT, FORD 425EFI...181-182
 BELL HOUSING KIT,FORD DSG423.....191
 BELLCRANK W/BEARINGS.....213
 BELLOW,CYLINDER LIFT.....283
 BELLOW,CYLINDER,PLAT LEVEL.....283
 BELLOW,MASTER CYLINDER.....283
 BELT, (NAPA 9360).....269
 BELT, V (PERKINS 404).....13, 177-178
 BELT,AX33***.....269
 BELT,AX34***.....269
 BELT,AX35.....269
 BELT,SERPENTINE,DSG-423.....13, 189
 BELT,SERPENTINE,LRG425 EFI***...13, 181-182
 BELT,TIMING,FORD LRG423/425EFI.....181-182
 BELT,V, DEUTZ DIESEL ENGINE.....13, 165-166, 169-170
 BELT-FAN, GM 3.0L ENGINE.....13, 163
 BIT,TORX SOCKET,SECURITY.....289
 BLANKET,BATTERY.....305
 BLOCK HEATER,FORD DSG-423.....305
 BOLT, CARRIAGE, 3/8-16 X 1.50, G5.....269
 BOLT,CARRIAGE,1/4-20 X .75,G2.....271, 273
 BOLT,CARRIAGE,1/4-20 X 1.00,G2.....225
 BOLT,CARRIAGE,1/4-20 X 2.75,G2.....225
 BOLT,EXHAUST,PERKINS(54555)**.....173-174, 177-178
 BOLT,FLANGE,3/4-10X1.5"GR8 PLT.....115
 BOLT,FLANGE,3/4-10X1.75GR8 PLT.....115
 BOLT,FLANGE,3/4-10X4.5"GR8 PLT.....115
 BOLT,FLANGE,5/16-18X.50 GR5.....115
 BOLT,FLANGE,5/8-11X1.5"GR8 PLT.....115

Part Description Index (continued)

- BOLT,HHC,1-14X2.0"GR8 PLT.....115
 BOOT GUARD, JOYSTICK 62390/91.....239, 243
 BOOT, ROCKER JOYSTICK 75565.....243, 245
 BOOT,DTSCH,DTP4-BT.....207-208
 BOOT,JOYSTICK.....239, 241, 243, 245
 BOOT,PLUG 4 WAY.....201, 203-204, 227-228
 BOOT,TOGGLE SWITCH,SHORT*.....127-128, 131-132, 233-234, 293, 295, 297, 299
 BOTTLE,COOLANT RECOVERY,3.7***.....163, 173-174, 177-178, 181-182, 193
 BOX,INSTRUCTION STORAGE.....228
 BRACKET, AIRCRAFT MAGNET MOUNT.....293, 295, 297
 BRACKET, EXTEND SHEAVE.....211
 BRACKET, OSCILLATE VALVE.....109
 BRACKET,1K OHM 10-TURN POT,PNT...135, 137
 BRACKET,ACTUATOR ARM MOUNTING.....165-166
 BRACKET,AIR CLEANER MOUNT PNTD..185
 BRACKET,AIRLINE TO PLATFORM.....267
 BRACKET,CABLE TRACK,FIXED END*.....221, 223
 BRACKET,CABLE TRACK,MOVING END.....221, 223
 BRACKET,EXTEND SHEAVE.....211
 BRACKET,FILTER MOUNT.....124
 BRACKET,GENERATOR12.5 KW,PNTD*...287
 BRACKET,HOSE CLAMP,PAINTED.....213, 225
 BRACKET,HOSE ROUTING,LH,PTD.....103-104
 BRACKET,HOSE ROUTING,RH,PNTD.....103-104
 BRACKET,MAP SENSOR,PAINTED.....181-182
 BRACKET,PLATFORM HEATER OPT.....237
 BRACKET,POWER TO PLAT TBOX,PNT...289
 BRACKET,POWER TO PLAT, DOM.....267
 BRACKET,POWER TO PLAT, UK.....267
 B R A C K E T , R E G U L A T O R SUPPORT,PNTD.....193
 BRACKET,RELAY & RESISTOR.....135, 137
 BRACKET,RELAY BLOCK MOUNT.....182, 189
 B R A C K E T , S O L E N . M O U N T BRACE,PNTD.....169-170
 BRACKET,SOLENOID MOUNT PAINT.....165-166, 169-170
 BRACKET,TENSIONER.....189
 BRACKET,V275S WELD LEADS.....289
 BRACKET,WELDER MOUNT SUPPORT.....289
 BRACKET,WELDER SUPPORT,PNT.....289
 BRACKET,WORK LIGHT MOUNT 5/16".....265
 BRACKET-FUEL FILTER (52567).....119
 BRAKE KIT (88886)***.....100, 103-104, 107
 BRAKE PORT HARDLINE.....124
 BRAKE TUBING.....123-124
 BRAKE TUBING***.....123-124
 BREATHER CAP,RFM165.....117
 BRKT,AIR CLEANER ORIENTATION**.....165-166, 169-170, 173-174, 177-178, 191
 BRUSH 3/8 X 1/4 X 15/16(36928).....277
 BULB,WORKLIGHT,12V 35W.....265
 BUMPER, PLASTIC, 1.25 O.D.....293, 295, 297, 299
 BUMPER,BATTERY BOX & RAILS.....265
 BUMPER,RUBBER***.....231
 BUMPER,RUBBER,.75 X .50H,STUD.....281
 BUMPER,RUBBER-1 X 1.25.....117, 121
 BUSHING,FUEL TANK FITTING (SM).....119
 BUTTON,PUSH,BLACK W/SEAL ***.....233-234
 BUTTON,PUSH,RED MUSHROOM HEAD.....127-128, 131-132, 233-234
- C**
- CABLE ASSY, EXTEND SET(PAIR).....211
 CABLE ASSY, RETRACT SET (PAIR).....211
 CABLE COVER,JIB PAINTED.....213
 CABLE COVER,JIB***.....213
 CABLE SQUEEZE CONN .63-.75.....287
 CABLE SQUEEZE CONN.....127-128, 287
 CABLE SQUEEZE CONN.,XTRA LRG.....127-128, 269
 CABLE STAY.....221, 223
 CABLE STAY,TOP***.....221, 223
 CABLE TRACK GUIDE TRIANGLE...208, 221, 223
 CABLE TRACK, SX, 49 LINK.....221, 223
 CABLE TRACK,STEEL 49 LINKS.....207-208
 CABLE TRACK,STEEL 49 LINKS***.....221, 223
 CAP ASSY, COOLANT BOTTLE.....163, 173-174, 177-178, 181-182, 193
 CAP, OIL FILLER.....178
 CAP,520112-8.....170
 CAP,COOLANT 3/4.....191
 CAP,DIAGNOSTIC NIPPLE.....249, 251, 253, 257
 CAP,EPDM,5/16".....187, 191
 CAP,EXTENSION,PAINTED.....207-208
 CAP,FUEL,DIESEL,1/8"VENT(GRN).....119
 CAP,FUEL,GAS,1/8"VENT(RED).....119
 CAP,FUEL,GASOLINE 3.5PSI.....119
 CAP,MANUAL DISENGAGE (89212).....99-100, 103-104, 107
 CAP,OIL FILLER,FORD DSG 423.....189
 CAP,PLASTIC,2.5 ID.....285
 CAP,RADIATOR,PERKINS/FORD.....163, 173-174, 178, 193
 CAP-DISTRIBUTOR, GM 3.0L.....13, 163
 CAPACITOR,TIME DELAY.....139, 141
 CAST, LIMITER STOP BRKT L.....115
 CAST, LIMITER STOP BRKT R.....115
 CATCH,GRND.CTRL.BOX COVER.....281
 CBV ASSEMBLY***.....123-124
 CHAIN, 2/0, 11" LONG.....293, 297
 CHAIN,NO.2 (11 LINKS).....295, 299
 CIRCUIT BKR 10A TYPE 2 METAL.....135, 137
 CIRCUIT BREAKER, 30 AMP.....269
 CIRCUIT BREAKER,15 AMP.....269
 CIRCUIT BREAKER,20A,SINGLE PH.....287
 CIRCUIT BREAKER,50A,3P.....287
 CLAMP TOP,HOSE ROUTING PAINTED.....103-104
 CLAMP, ARCTIC JIB HOSE.....213
 CLAMP, CABLE TRACK, SUPPORT.....223
 CLAMP, CABLE, PRIM.....223
 CLAMP, HOSE, PRIM.....223
 CLAMP, HYD WELD, AIR, OPT.....267
 CLAMP, HYD, WELD, AIR, OPT.....287
 CLAMP, PULL TUBE.....204, 223
 CLAMP, TIMING LINK.....204
 CLAMP, WELD LEADS, AIR, OPT.....287
 CLAMP,0.50,#8 X 1/4,RUB CUSH.....295, 299
 CLAMP,1.00,#16 X 1/4,RUB CUSH.....289
 CLAMP,1.00,#16 X 7/16,RUB CUSH.....195-196
 CLAMP,1.13,#18 X 1/4,RUB CUSH...295, 297, 299
 CLAMP,1.25X.5 RUBBER-CUSHION.....265, 307
 CLAMP,1.31,#21 X 3/8,RUB CUSH.....228
 CLAMP,1.63,#26 X 3/8,RUB CUSH.....225
 CLAMP,1.75,#28 X 3/8,RUB CUSH*.....99-100
 CLAMP,EXHAUST,2.00 PLATED.....163, 166, 169-170, 173-174, 178
 CLAMP,FORD MUFFLER,PAINTED....181-182
 CLAMP,HOSE,.25" - .63" X .3125.....193
 CLAMP,HOSE,.63" - 1.0" X .5".....191
 CLAMP,HOSE,1 EAR,1/2.....119
 CLAMP,HOSE,1.25***.....283
 CLAMP,HOSE,1.50.....191, 193
 CLAMP,HOSE,1.75.....177-178, 181-182, 283
 CLAMP,HOSE,2.25" DIA.....173-174
 CLAMP,HOSE,2.50****.....185, 191, 285
 CLAMP,HOSE,2X4,1X6,2X8***.....103-104
 CLAMP,HOSE,3.00".....163, 169-170, 283
 CLAMP,HOSE,3.50.....195-196
 CLAMP,HOSE,5.00.....283
 CLAMP,HOSE,6.50.....283
 CLAMP,HOSE,8.50 DIA***.....165-166, 169-170
 CLAMP,JIB HOSE S-65.....213
 CLAMP,JIB HOSE/CABLE.....225
 CLAMP,LINK,LH.....203-204
 CLAMP,LINK,LH WELD WIRE.....204
 CLAMP,LINK,RH.....204
 CLAMP,LINK,WELD CABLE/HOSE.....287
 CLAMP,MUFFLER.....163, 173-174, 178
 CLAMP,MUFFLER, 2.50 INCH.....191, 195-196, 199
 CLAMP,MUFFLER,1-7/8 IN.....185, 191
 CLAMP,PLASTIC HOSE***.....221
 CLAMP,RUB CUSH,0.75,#12 X 3/8*.....191, 219
 CLAMP,RUBBER CUSHIONED-2 5/32.....119
 CLAMP,SPRING,1/2".....187
 CLAMP,SPRING,7/16".....187, 191
 CLAMP,TWO HOSE.....213, 225
 CLAMP,TWO HOSE,ARCTIC.....213
 CLEVIS YOKE-1/4-28,PLTD W/PIN...109, 166, 170, 174, 177-178, 195-196
 CLEVIS, CABLE TRANSDUCER.....217
 CLIP,AIR CLEANER COVER (58247).....163, 185, 191
 CLIP,HAIR PIN .243 X 5.25.....309
 CLIP,SPRING,1/4-20 BLACK.....204
 COIL ASSEMBLY.....187
 COIL, 10V DC (D10, 20 WATT).....147-148
 COIL, 12V, 19972/21623/29069.....147-148
 COIL, ELECTRONIC IGN., FORD.....185
 COIL,10V.....147-148
 COIL,12V.....148
 COIL,12V,DO1 VALVE.....277
 COIL,12VDC #8 DTSCH IP69 ECOIL.....157
 COIL,GREEN W/ 2 PIN CONNECTOR*.....147-148
 COIL,VALVE,PROPORTIONAL***.....147-148
 COIL-10V DC***.....161, 287
 COLD ACCESSORIES, DEUTZ.....305
 COLD ACCESSORIES, FORD.....305
 COLD ACCESSORIES, PERKINS.....305
 COLLAR,JOYSTICK,CENTER.....241, 245
 COMPR.LINK,MACHINED,GND CONTR*..213
 CONN PLUG 4 WAY ENDCAP DT.....201, 203-204, 227-228
 CONN RECEIPT,FLANGED.....237
 CONN, 520120-6.....249, 251, 253, 255
 CONN, 520120-8-6.....249

CONN, SAE#4-1/4" NPT.....287	COVER ASSY.W/WORD DECALS LH***.....121	DECAL,ARROW BLUE.....15, 17, 21, 29, 37,
CONN,520120-12-10.....301	COVER ASSY.W/WORD DECALS RH**.....121	45, 53, 61, 69, 77, 85, 93
CONN,520120-12-16.....249	COVER, DUST.....115	DECAL,ARROW YELLOW LRG 9".....15, 17,
CONN,520120-16.....249, 251, 261	COVER, FOOT SWITCH, LARGE.....227-228	19, 27, 35, 43, 51, 59, 67, 75, 83, 91
CONN,520120-20.....249	COVER, JIB HOSES/CABLES.....225	DECAL,CAUTION,READ INST.....115
CONN,520120-20-16.....249	COVER, PRIMARY BOOM, PTD.....215	DECAL,CAUTION,TOWING SPEED.....21, 37,
CONN,520120-4***.....249, 251, 253, 255, 257,	COVER, PROTECTIVE, OSCILLATE.....283	53, 69, 85
259	COVER, REAR AXLE.....113	DECAL,CHEVRON RANDO HD.....15, 19, 35,
CONN,520120-4-6***.....249, 253, 257, 309	COVER, STRING POT, S60HC***.....219	51, 67, 83
CONN,520120-4-8.....249, 257, 301	COVER, W/DECALS, NONSTEER END*.....107	DECAL,COSM, S60 TRAX.....69, 77
CONN,520120-6-8.....253	COVER, WITH DECALS, STEER END*.....99-	DECAL,COSM, S65 TRAX.....85, 93
CONN,520120-8***.....249, 251, 253, 255, 257,	100, 103-104	DECAL,COSM,GENIE S60 TRAX.....71, 79
259, 291	COVER,BLANK.....267, 269	DECAL,COSMETIC,4 X 2.....15, 17, 19, 27, 35,
CONN,520120-8-10.....249	COVER,CABLE TRACK.....283	43, 51, 59, 67, 75, 83, 91
CONN,520120-8-12.....253, 291	COVER,CONTROL BOX LEFT SIDE***.....265	DECAL,COSMETIC,4 X 4.....15, 17, 19, 27, 35,
CONN,520120-8-16.....249	COVER,CONTROL BOX RIGHT SIDE**.....265	43, 51, 59, 67, 75, 83, 91
CONN,DSCH,BOOT,DT2P-BT.....207-208	COVER,DEBRIS #3 BOOM.....213	DECAL,COSMETIC,GENIE S-60.....15, 17, 23,
CONN,DSCH,BOOT,DT2S-BT.....201, 203-204	COVER,END,KIT (88887).....99-100, 103-104,	31
CONN,LONG,520122-12***.....291	107	DECAL,COSMETIC,GENIE S-60HC.....55, 63
CONN,PLUG 120 AC/15A DOMESTIC.....267	COVER,FLYWHEEL CASTING.....165-166,	DECAL,COSMETIC,GENIE S65.....15, 17, 39,
CONN,PLUG 2 WAY,14-18GA.....201, 203-204	169-170, 199	47
CONN,PLUG 24 WAY,DRC SERIES.....131-	COVER,FOOT SWITCH.....227-228	DECAL,COSMETIC,S60.....15, 17, 21, 29, 53,
132	COVER,GFCI,HORIZONTAL,WEATHER..267,	61
CONN,PLUG 40 WAY,DRC SERIES.....131-	287	DECAL,COSMETIC,S65.....15, 17, 37, 45
132	COVER,GFCI,WEATHERPROOF.....269	DECAL,DANGER DO NOT ALTER
CONN,RECEP 120AC/15A DOMESTIC.....267	COVER,GRND.CTRL.BOX,PAINTED.....281	SWTC.....15, 23, 39, 55, 71, 87
CONN,RECEP 2 WAY ENDCAP DT.....207-208	COVER,HUB (88883).....99-100, 103-104	DECAL,DANGER TIP OVER TRAX.....67, 69,
CONN,RECEP 24 WAY,W/FLANGE.....127-	COVER,LH,BOOM SECTION #1.....208	83, 85
128, 131-132	COVER,PRIMARY BOOM.....211	DECAL,DANGER,BATTERY SAFETY***.....19,
CONN,RECEP 4 WAY ENDCAP DT.....207-208	COVER,PRIMARY BOOM,PAINTED.....211	35, 51, 67, 83
CONN,RECEP 4 WAY,12-14GA FL***.....131-	COVER,PROTECTIVE,JIB CYLINDER.....283	DECAL,DANGER,ELEC.HAZ.STAY CLR....15,
132, 237	COVER,PROTECTIVE,STEERING.....283	17, 27, 29, 43, 45, 51, 53, 59, 61, 75, 77, 91,
CONN,RECEP 40 WAY,W/FLANGE....131-132	COVER,REAR AXLE.....107	93
CONN,RECEP 48 WAY,4 X 12.....131-132, 237	COVER,RETRACT SHEAVE,PAINTED.....207-	DECAL,DANGER,ELECT HAZARD***.....19,
CONN,SQUEEZE,1/2NPT .38-.50,SM.....127-	208	21, 35, 37, 67, 69, 83, 85
128, 131-132, 237, 267, 269	COVER,RH,BOOM SECTION #1.....208	DECAL,DANGER,GEN SAFETY RULES....15,
CONNECTOR, DEUTZ FUEL	COVER,WEATHERPROOF 3-PHASE.....289	51, 57
SHUTOFF*.....165-166, 169-170	CYLINDER, LIFT, S60HC.....145, 203-204	DECAL,DANGER,GENERAL SAFETY.....19,
CONNECTOR,010102-6-4.....193	CYLINDER, STEER.....111	25, 35, 41, 67, 73, 83, 89
CONNECTOR,070120-4-8.....301	CYLINDER,BOOM EXTENSION.....207-208	DECAL,DANGER,HI-FLOAT TIRE.....15, 19,
CONNECTOR,MOLEX 24-WAY**.....237	CYLINDER,JIB (STICK BOOMS).....213	21, 35, 37, 51, 53
CONTACT, N.C.....127-128, 233-234	CYLINDER,LIFT,S60***.....201, 203-204	DECAL,DANGER,HIGH VOLTAGE.....21, 25,
CONTACT,N.O.***.....233-234	CYLINDER,MASTER.....201, 203-204	37, 41, 53, 57, 69, 73, 85, 89, 287, 289
CONTACTOR,LIMIT SWITCH...201, 203-204,	CYLINDER,MASTER,S60,S65.....201, 203-204	DECAL,DANGER,MAX LOAD 227 KG**.....17
207-208	CYLINDER,OSCILLATE,S60.....100, 104	DECAL,DANGER,MAX LOAD 340 KG.....17,
CONTROL BOX COVER,LFT SIDE,PTD.....265	CYLINDER,PLATFORM LEVEL***.....213	33, 49, 81, 97
CONTROL BOX COVER,LID,PTD.....265	CYLINDER,STEERING***.....99-100, 103-104	DECAL,DANGER,MAX LOAD S60HCSYM...65
CONTROL BOX COVER,RT SIDE,PTD.....265		DECAL,DANGER,MAX SIDE FRC,667N.....17,
CONTROL MODULE,DSG-423.....193		33, 49, 65, 81, 97
CONTROLLER ASSY SCON S60HC.....143		DECAL,DANGER,NO SMOKING....19, 35, 51,
CONTROLLER ASSY TCON S60HC.....143		67, 83
CONTROLLER W/O COILS (77788).....159		DECAL,DANGER,NO SMOKING ***.....15, 17
COUNTERWEIGHT,S60 4350LBS.....117		DECAL,DANGER,SIDE FRC 400N.....17, 33,
COUNTERWEIGHT,S60/65 5500LBS**.....117,		49, 65, 81, 97
143		DECAL,DANGER,TILT ALARM.....15, 57
COUPLER, 15 TOOTH,FBA,SAE8***.....199		DECAL,DANGER,TIP OVER,PLAT.....25, 41,
COUPLER,HUB,15 TOOTH 7/16BOLT*.....169-		57, 73, 89
170, 181-182, 191		DECAL,DANGER,TIP-OVER,HI-CAP.....15
COUPLER,HUB,15 TOOTH GM 3.0L.....163		DECAL,DANGER,TIP-OVER,WELDER**.....25,
COUPLER,INSERT.....287, 301		41, 73, 89
COUPLER,SMALL METAL,15T,***.....173-174,		DECAL,DANGER,TIPOVER,TILT....25, 41, 73,
178		89
COUPLING (106113).....287		DECAL,DANGER,TIPOVER,TILT,SYM.....33,
COUPLING - 1/4 NPT.....115		49, 81, 97
COUPLING, 28MM (106113).....287		DECAL,DANGER,WELDER TIP HAZARD...57
COVER ASSY W/ SYMBOL DECALS LH...121		DECAL,DANGER/LABEL,TIRE SPECS.....15,
COVER ASSY W/ SYMBOL DECALS RH...121		19, 21, 35, 37, 51, 53
COVER ASSY W/ WORD DECALS LH.....121		DECAL,DIESEL.....15, 17, 19, 27, 35, 43, 51,
COVER ASSY W/ WORD DECALS RH.....121		59, 67, 75, 83, 91

D

DECAL FAULT CODE.....25, 41, 57, 73, 89
 DECAL KIT,SYMBOL,S60.....17
 DECAL KIT,WORDS,S60/65.....15
 DECAL PLATE W/ SYMBOL DECALS.....228
 DECAL PLATE W/DECALS,S80/85 2K.....228
 DECAL, COSM,GENIE S65 TRAX.....87, 95
 DECAL, ENGINE SPEC, PERKINS.....15, 21,
 37, 53, 69, 85
 DECAL, PATCH, GEN,ALC-500.....15, 17, 25,
 33, 41, 49, 57, 65, 73, 81, 89, 97
 DECAL, POWER TO PLATFORM 230V**...15,
 17, 21, 25, 29, 33, 37, 41, 45, 49, 53, 57, 61,
 65, 69, 73, 77, 81, 85, 89, 93, 97
 DECAL, SYMBOL - READ THE MANUAL...17,
 27, 33, 43, 49, 59, 65, 75, 81, 91, 97
 DECAL, WHEEL LOAD S60TRAX.....67, 69,
 75, 77
 DECAL, WHEEL LOAD S65 TRAX.....83, 85,
 91, 93
 DECAL,ANNUAL INSP***.....19, 35, 51, 67, 83

Part Description Index (continued)

- DECAL,DRIVE ENABLE PATCH.....17, 33, 49, 65, 81, 97
 DECAL,ENGINE SPEC,DEUTZ 2011...15, 21, 37, 53, 69, 85
 DECAL,ENGINE SPEC,DEUTZ,TD2011.....15, 21, 37, 53, 69, 85
 DECAL,ENGINE SPEC,PERKINS***...15, 21, 37, 53, 69, 85
 DECAL,EXPLOSION HAZARD.....21, 37, 53, 69, 85
 DECAL,FIRE EXTINGUISHER.....25, 41, 57, 73, 89
 DECAL,FORD ENGINE SPEC DSG423.....15, 21, 37, 53, 69, 85
 DECAL,FUNCTION OVERRIDE.....15, 293, 297
 DECAL,GROUND CONTROL PANEL***.....15, 17, 19, 27, 35, 43, 51, 59, 67, 75, 83, 91
 DECAL,INSTR,MAX LOAD 750/1250.....57
 DECAL,INSTR,MAX SIDE FRC,ANSI...15, 25, 41, 57, 73, 89
 DECAL,INSTR,OPER INST.S60HC.....51, 57
 DECAL,INSTR,SIDE FRC/WIND,AUS.....15, 25, 41, 57, 73, 89
 DECAL,INSTR,FOOT SWITCH OPER.....15, 25, 41, 57, 73, 89
 DECAL,LABEL, AIR LINE 110 PSI.....15, 17, 21, 25, 29, 33, 37, 41, 45, 49, 53, 57, 61, 65, 69, 73, 77, 81, 85, 89, 93, 97
 DECAL,LABEL,105 DB.....27, 43, 59, 75, 91
 DECAL,LABEL,ASSY INSTALL,L.....115
 DECAL,LABEL,ASSY INSTALL,R.....115
 DECAL,LABEL,BELT ROUTING DSG.....21, 29, 37, 45, 53, 61, 69, 77, 85, 93
 DECAL,LABEL,CONTROLS BATTERY.....19, 35, 51, 67, 83
 DECAL,LABEL,FALL HAZARD***...31, 47, 63, 79, 95
 DECAL,LABEL,LIGHTS***.....25, 33, 41, 49, 57, 65, 73, 81, 89, 97
 DECAL,LABEL,LIQUID PROPANE.....15, 17, 19, 27, 35, 43, 51, 59, 67, 75, 83, 91
 DECAL,LABEL,LOWER MIDRAIL...17, 25, 33, 41, 49, 57, 65, 73, 81, 89, 97, 228
 DECAL,LABEL,MANUAL NOT HERE...15, 25, 41, 57, 73, 89
 DECAL,LABEL,MAX CAPACITY***.....33, 49, 81, 97
 DECAL,LABEL,NO SMOKING,SYMB...27, 43, 59, 75, 91
 DECAL,LABEL,PATENTS....15, 19, 35, 51, 67, 83
 DECAL,LABEL,PETRO CANADA***.....19, 35, 51, 67, 83
 DECAL,LABEL,RELAYS,S60&65....19, 35, 51, 67, 83
 DECAL,LABEL,STARTER BATTERY....19, 35, 51, 67, 83
 DECAL,LABEL,TEST***.....19, 35, 51, 67, 83
 DECAL,LABEL,TIP OVER LMT SWTCH.....31, 47, 63, 79, 95
 DECAL,LABEL,TIPOVER,TILT AL SY.....65
 DECAL,LABEL,TIPOVER,TIRES,SYMB.....27, 29, 43, 45, 59, 61
 DECAL,LABEL,TIPOVER,TRAX,SYMB.....75, 77, 91, 93
 DECAL,LABEL,TIRE PRESS HF....17, 27, 29, 43, 45
 DECAL,LABEL,TIRE PRESSURE...17, 27, 29, 43, 45, 59, 61
 DECAL,LABEL,TORQUE.....115
 DECAL,LABEL,TRANSPORT DIAGRAM.....19, 21, 27, 29, 35, 37, 43, 45, 51, 53, 59, 61, 67, 69, 75, 77, 83, 85, 91, 93
 DECAL,LABEL,UCON HYDROLUBE.....19, 35, 51, 67, 83
 DECAL,LABEL,UNLEADED GAS ONLY.....15, 17, 19, 27, 35, 43, 51, 59, 67, 75, 83, 91
 DECAL,LABEL,WELD LINE INST,SYM.....29, 33, 45, 49, 61, 65, 77, 81, 93, 97
 DECAL,LABEL,WHEEL LOAD S60.....15, 17, 19, 21, 27, 29
 DECAL,LABEL,WHEEL LOAD S60HC.....51, 53, 59, 61
 DECAL,LABEL,WHEEL LOAD S65.....15, 17, 35, 37, 43, 45
 DECAL,LANYARD ANCHORAGE POINT...15, 17, 25, 33, 41, 49, 57, 65, 73, 81, 89, 97
 DECAL,LOW/ULTRA LOW SULFR FUEL...15, 19, 35, 51, 67, 83
 DECAL,NOTICE,DEUTZ ENG SPEC.....15
 DECAL,NOTICE,FORD ENG SPECS T2....21, 37, 53, 69, 85
 DECAL,NOTICE,GM 3.0 ENG SPEC....15, 21, 37, 53, 69, 85
 DECAL,NOTICE,HAZARDOUS MAT'LS*.....15
 DECAL,NOTICE,MAX LOAD 500 LBS.....15, 25, 41, 73, 89
 DECAL,NOTICE,MAX LOAD 750 LBS.....15, 25, 41, 73, 89
 DECAL,NOTICE,OPER INST.IC***.....15
 DECAL,NOTICE,OPER INST.S60.....19, 25, 35, 41, 67, 73, 83, 89
 DECAL,NOTICE,SHUTOFF VALVES.....19, 35, 51, 67, 83
 DECAL,OPTION CONTROL BOX HEATR.....237
 DECAL,OPTION GENERATOR***.....25, 33, 41, 49, 57, 65, 73, 81, 89, 97
 DECAL,PLAT CONTROL PANEL,S60**.....15, 17, 25, 33, 41, 49, 73, 81, 89, 97
 DECAL,PLATFORM CONTROL PANELHC.....57, 65
 DECAL,POWER TO PLATFORM 115V.....15, 17, 21, 25, 29, 33, 37, 41, 45, 49, 53, 57, 61, 65, 69, 73, 77, 81, 85, 89, 93, 97
 DECAL,PROTECTOR,CLEAR***.....15, 17, 25, 33, 41, 49, 73, 81, 89, 97
 DECAL,SYMBOL-BATTERY SAFETY.....27, 43, 59, 75, 91
 DECAL,SYMBOL-COMP ACCESS.....17, 29, 45, 61, 77, 93
 DECAL,TOWING INSTRUCTIONS.....21, 37, 53, 69, 85
 DECAL,TRIANGLE,BLUE...15, 17, 19, 21, 27, 29, 35, 37, 43, 45, 51, 53, 59, 61, 67, 69, 75, 77, 83, 85, 91, 93
 DECAL,TRIANGLE,YELLOW....15, 17, 19, 21, 27, 29, 35, 37, 43, 45, 51, 53, 59, 61, 67, 69, 75, 77, 83, 85, 91, 93
 DECAL,WARN,AVOID INJURY.....115
 DECAL,WARN,CRUSH HAZ.....115
 DECAL,WARN,CRUSH HAZARD HAND....15, 19, 21, 23, 35, 37, 39, 51, 53, 55, 67, 69, 71, 83, 85, 87
 DECAL,WARN,CRUSH HAZARD PLAT.....15, 17, 25, 33, 41, 49, 57, 65, 73, 81, 89, 97
 DECAL,WARN,FALL HAZARD.....15, 23, 39, 55, 71, 87
 DECAL,WARN,HIGH PRESS.....115
 DECAL,WARN,IMPROPER OPERATION...15, 25, 41, 57, 73, 89
 DECAL,WARN,WELD LINE INST.WORD....21, 25, 37, 41, 53, 57, 69, 73, 85, 89
 DECAL,WARNING,CRUSHING HAZARD...17, 27, 29, 31, 43, 45, 47, 59, 61, 63, 75, 77, 79, 91, 93, 95
 DECAL,WARNING,PANEL CRADLE.....25, 41, 57, 73, 89
 DECAL,WARNING,PIPE CRADLE,BOOM.....25, 41, 57, 73, 89, 265
 DECAL,WARNING-COMPART ACCESS....15, 21, 37, 53, 69, 85
 DIN RAIL,17".....135, 137
 DIODE,6 AMP,200 PIV,BULK.....165-166, 169-170, 277
 DIPSTICK, FORD DSG 423.....189
 DIPSTICK, OIL (PERKINS 404).....178
 DIPSTICK, OIL, D2011.....170
 DIPSTICK, STRAIGHT SHORT.....178
 DIPSTICK-F3L1011F (DEUTZ)...170, 195-196
 DISCONNECT KIT (88887).....99-100, 103-104, 107
 DISTRIBUTOR/GM 3.0L ENGINE.....163
 DRIVE COUPLING, 13 TOOTH.....301
 DRIVE COUPLING,KEYED.....301
- E**
- ELBOW,070220-4-4.....301
 ELBOW,130239-4-4.....181-182, 193
 ELBOW,45 DEGR,RUBBER,2.5" I.D.....163
 ELBOW,45D,520320-12-16.....291
 ELBOW,45D,520320-16.....249
 ELBOW,45D,520320-4.....249, 251
 ELBOW,45D,520320-8.....251, 259
 ELBOW,45D,520320-8-10.....259
 ELBOW,90 DEG,3/8NPT X 1/2 FNPT.....181-182
 ELBOW,90 DEGR,RUBBER,2.5" I.D.*.....285
 ELBOW,90 DEGR,RUBBER,MODIFIED*....163
 ELBOW,90,1/4-18NPT,FEMALE.....115
 ELBOW,90D,520220-16-12.....261, 303
 ELBOW,90D,520220-4-4.....249, 251, 257
 ELBOW,90D,520220-4-6***.....251, 253, 255
 ELBOW,90D,520220-6.....253, 255
 ELBOW,90DEG, .63 HS X.375 MPT...181-182
 ELBOW,90DEG,1/8MPT-5/16 BARB.....163, 185, 191
 ELBOW,AIR INTAKE,RUBBER.....195-196
 ELBOW,INLET,CUMMINS.....195-196
 ELBOW,SWIVEL NUT 90DEG,-4.....301
 ELEMENT-5 MIC, PAPER, W/ BYPASS.....124
 ENCLOSURE BOX, GAUGE OPT,DRILLD.....279
 ENCLOSURE,FG ELEC.,STOCK,7X5X4....269
 END BOGEY.....115
 END BRACKET,FIXED END.....221, 223
 END BRACKET,MOVING END.....221, 223
 END STOP, DIN RAIL,SCREW CLAMP....135, 137
 ENGINE CONTROL MODULE GM.....163
 ENGINE MOUNT FOOT,LH PNTD.....185
 ENGINE MOUNT FOOT,RH PNTD.....181-182
 ENGINE PERFORMANCE MODULE T2**.....181-182
 ENGINE TRAY.....199
 ENGINE TRAY ASSY W/BEARINGS.....123-124, 165-166, 169-170, 193

- ENGINE,DEUTZ D2011L03I.....165-166, 169-170
ENGINE,FORD LRG 425,EFIZ45.....181-182
EVACUATOR VALVE-AIR CLEANER.....165-166, 169-170, 173-174, 177-178, 195-196
EXHAUST MANIFOLD.....173-174, 177-178
EXHAUST PIPE GASKET.....199
EXHAUST PIPE,DEUTZ.....166, 169-170
- F**
- FAN (FORD TIER 3).....189
FAN KIT ,GM 3.0 ENGINE.....163
FAN, ENGINE (104-22)(404-22)*.....173-174, 178
FAN, LSG423/LRG425.....181-182
FEMALE BULKHEAD CONNECTOR-8.....267
FILTER ASSY,HIGH PRESS SAE-12*.....13, 124
FILTER ASSY,INTANK.....117
FILTER ASY,M PRESS,SAE8,WOIND*(77139).....124
FILTER ELEMENT,AIR,NOLFF LPG...13, 163, 185, 191
FILTER INDICATOR-(60334).....124
FILTER LID,RFM165.....117
FILTER, FUEL.....13, 119, 163
FILTER, FUEL LRG 425/423 EFI.....13, 119
FILTER, OIL, FORD.....185
FILTER,AIR CLEANER,SUPERBOOM.....195-196
FILTER,AIR***.....13, 165-166, 169-170, 173-174, 177-178
FILTER,ELEMENT,30 MIC,75020.....13, 173-174, 178
FILTER,ELEMENT,BETA(10)=200.....117
FILTER,ELEMENT,BETA(5)=1000.....13, 124
FILTER,FUEL,PERKINS.....13, 178
FILTER,FUEL/WTR SEP, DTZ 1008....13, 165-166, 169-170, 195-196
FILTER,OIL,DEUTZ F4L1011F.....13, 165-166, 169-170, 195-196
FILTER,OIL,DEUTZ,REPLACEMENT.....165-166, 169-170, 195-196
FILTER,OIL,FORD.....13, 185
FILTER-OIL,GM 3.0L ENGINE.....13, 163
FINGER,GUIDE,CABLE TRACK.....221, 223
FITTING,BARBED,STRT,FUEL LINE.....165-166, 169-170
FITTING,BARBED,TEE,FUEL LINE..165-166, 169-170
FITTING,CONN,520120-12***...249, 251, 253, 255, 259, 261, 291, 303
FITTING,ELBOW,45D,520320-12***.....249, 259, 291
FITTING,ELBOW,45D,520320-4-6**.....251
FITTING,ELBOW,90D,520220-8***.....249, 291
FITTING,HYDRAULIC,90DEG,O-RING.....170
FITTING,ORIFICE,.047.....287, 301
FITTING,REDUCER,520123-12-8***.....291
FITTING,SAE J2044F X5/16 BARB.....119
FITTING,TEE,BRANCH,520433-4.....257
FITTING,TEE,RUN,SWIVEL520432-4.....251, 253, 255, 257, 259
FITTING,TEE,RUN,SWIVEL52043212.....259
FLANGE,GM EXHAUST.....163
FLASHTUBE,STRAIGHT,360DEG,BULB....263
FLASHTUBE,U SHAPED,360DEG,BULB..263
FLATBAR, CLAMPS, CABLE TRACK.....221, 223
FLATBAR,ALUM,THROTTLE LINKAGE....177-178
FLEX PIPE,EXHAUST,2.5" DIA.....199
FLEX PLATE (54573)***.....173-174, 178
FLEX PLATE,COUPLER (64079).....191
FLOORING, 6'FT PLATFORM.....227-228
FLOORING,4 FT PLATFORM,PAINTED...227-228
FLOORING,8 FT PLATFORM*.....227-228
FLYWHEEL ASSEMBLY,DSG-423 FORD...187
FLYWHEEL FLANGE,AUTO STYLE GM.....163
FLYWHEEL FLANGE,GREEN PLASTIC...169-170
FOAM PAD, 3" OD X 1.25" ID X 14 IN.....307
FOOT SWITCH***.....227-228
FORD TIII FAN GUARD W/DECALS.....193
FORMING BRKT, WIPER 1 TO 2.....273
FORMING BRKT, WIPER 2 TO 3.....273
FORMING PANEL CRADLE.....307
FORMING, CABLE ANCHOR.....219
FORMING, PULLEY KEEPER.....217
FORMING, SOLENOID MOUNT***.....195-196
FORMING, TRACK BRACE, LH.....221, 223
FORMING, TRACK BRACE, RH.....221, 223
FORMING,8.5' MUFFLER MOUNT.....199
FORMING,AIR CLEANER MOUNT.....191
FORMING,AIR CLEANER MOUNT PNTD.....165-166, 169-170, 199
FORMING,ANGLE LINKAGE BRACKET....145
FORMING,BULKHEAD,LEFT FRONT.....119
FORMING,BULKHEAD,LEFT REAR.....119
FORMING,BULKHEAD,RIGHT.....124
FORMING,CABLE GUIDE.....228
FORMING,CAL TOGGLE SWITCH.....143
FORMING,COVER STOP,PAINT.....121
FORMING,COVER STOP,PAINTED.....117
FORMING,DEUTZ AIR INTAKE BAF P.....169-170
FORMING,DRIVE ENABLE LIMIT SW.....123-124
FORMING,ECM MOUNT PAINTED.....185
FORMING,ENGINE BAFFLE PNTD.....181-182
FORMING,ENGINE BAFFLE,GM.....163
FORMING,ENGINE BAFFLE,PERKINS.....174
FORMING,ENGINE MOUNT.....195-196
FORMING,ENGINE MOUNT PAINTED.....199
FORMING,ENGINE MOUNT RH PAINTE.....173-174, 177-178
FORMING,ENGINE MOUNT,FL PAINT*....166, 169-170
FORMING,ENGINE MOUNT,FL PNT.....166
FORMING,ENGINE MOUNT,FR.....165-166
FORMING,ENGINE MOUNT,FR PAINT*...165-166, 169-170
FORMING,ENGINE MOUNT,LH PAINTE.....173-174, 177-178
FORMING,FAN GUARD PNTD.....181-182
FORMING,FAN SHROUD.....193
FORMING,FORD GCP MOUNT.....193
FORMING,FRONT ENGINE MOUNT.....163
FORMING,FUEL PRES.REG MNT,PTD.....119
FORMING,GAUGE OPTION BRKT PNTD.....279
FORMING,GENERATOR MOUNT.....269
FORMING,GENERATOR MOUNT,PTD.....269
FORMING,HEAT SHIELD.....181-182, 191
FORMING,HEAT SHIELD,MUFFLER***...195-196
FORMING,HEAT SHLD,HEADER PIPE.....191
FORMING,HYD SWIVEL BRACKET...123-124
FORMING,LATCH,CTRL BOX LID PTD.....265
FORMING,LEFT ENGINE SUPPORT.....193
FORMING,LH MUFFLER SUPPORT PNT.....185
FORMING,LIMIT SWITCH BRACKET.....207-208
FORMING,MUFFLER CLAMP, PAINTED....185
FORMING,MUFFLER MOUNT.....163, 195-196
FORMING,MUFFLER MOUNT PAINTED.....173-174, 178
FORMING,OIL COOLER MOUNT.....303
FORMING,PINION GUARD PAINTED.....281
FORMING,RADIATOR BRACE LEFT.....193
FORMING,RADIATOR SHROUD.....163
FORMING,RADIATOR SUP PNTD.....185
FORMING,RADIATOR SUPPORT.....163
FORMING,RADIATOR SUPPORT,PNTD....193
FORMING,REAR ENGINE MOUNT..163, 165-166
FORMING,REAR ENGINE MOUNT PNT*.....165-166, 169-170
FORMING,REGULATOR MOUNT,PTD.....193
FORMING,RH MUFFLER SUP PAINTED.....181-182
FORMING,RIGHT ENGINE SUPPORT.....193
FORMING,SECONDARY SUPPORT.....307
FORMING,SENSOR BRACKET(PTD).....145
FORMING,SOLENOID MOUNT.....177-178
FORMING,SOLENOID MOUNT PAINT.....165-166, 169-170
FORMING,SOLENOID MOUNT PAINTED.....173-174, 177-178, 195-196
FORMING,SOLENOID MOUNT,PTD.....165-166
FORMING,STRUT,RH RADIATOR PNTD.....181-182
FORMING,THROTTLE ARM PAINTED.....195-196
FORMING,TT LH SIDE COVER PAINT.....281
FORMING,TT RH SIDE COVER PAINT.....281
FORMING,UPPER RAD SUPPORT PNTD.....173-174, 178
FORMING,WIPER GUARD LT.....281
FORMING,WIPER GUARD RT.....281
FUEL FILTER ASSEMBLY.....178
FUEL FILTER W/SEP,DEUTZ,1008.....165-166, 169-170, 195-196
FUEL INJECTOR FORD DSG423, BK.....187
FUEL INJECTOR FORD DSG423,YL.....187
FUEL INJECTOR, LRG-425 EFI.....181-182
FUEL JUMPER HARNESS.....139, 141
FUEL PRESSURE REG,425EFI***.....13, 119
FUEL PUMP (GM 3.0L).....119, 163
FUEL PUMP,DSG-423 AND MSG-425.....119
FUEL RETURN,DAPCO 18.75.....119
FUEL RETURN,DAPCO 3/8".....119
FUEL RETURN,DAPCO 5/16".....185
FUEL SENSOR ASSY.....13, 119
FUSE BOX COVER.....189
FUSE BOX MOUNTING,LEFT.....189
FUSE BOX MOUNTING,RIGHT.....189
FUSE BOX RELAY STICKER.....189
FUSE,.6AMP,250V,WELDER,V275S.....289
FUSE,13 AMP,220V PLUG***.....267
- G**
- GAS STRUT,250 LBS FORCE***.....121
GASKET, UK POWER TO PLAT.....267

Part Description Index (continued)

GASKET, WATER PUMP.....181-182	HARNESS PROGRAM CAN PLUS1...139, 141	HARNESS, POWER TO PLAT PIGTAIL.....139, 141
GASKET,ACTUATOR PLATE.....187	HARNESS, 12/3 12V TO PLAT JIB.....141	HARNESS, POWER TO PLAT, JIB.....139
GASKET,COVER,GFCI,WEATHERPROOF.267	HARNESS, 12/3 12V TO PLAT NJ.....141	HARNESS, POWER TO PLAT, NON JIB.....139
G A S K E T , E X H	HARNESS, 12/3, 12V TO PLAT.....139, 237	HARNESS, PROX. KILL.....293, 295, 297, 299
FLANGE-FORD/PERKINS.....173-174, 177-178, 181-182, 191	HARNESS, 18/19, CABLE JIB.....141	HARNESS, S60 TURBO DEUTZ SPEC.....139, 141
GASKET,EXHAUST.....169-170	HARNESS, 18/19, CABLE NJ.....141	HARNESS, TILT ALARM, 12V.....139, 141
GASKET,EXHAUST***.....181-182	HARNESS, 18/22, CABLE JIB.....141	HARNESS, WORK LIGHT.....139, 141
GASKET,GBOX,S80/85 2008.....127-128, 135, 137	HARNESS, 18/22, CABLE NJ.....141	HEAD PIPE WELDMENT.....163
GASKET,MIXER, FORD DSG423.....187	HARNESS, AC POWER TO PLAT JIB.....141	HEAT SHIELD, ALTERNATOR, FORD.....191
GASKET,PLATFORM CONTROL BOX.....237	HARNESS, AC POWER TO PLAT NJ.....141	HEAT SHIELD, EXHAUST MANIFOLD**.....182
GASKET,RETURN FILTER-77353.....117	HARNESS, ALARM PACKAGE.....141	HEATER, FREEZE PLUG, FORD LRG423...305
GASKET,THROTTLE ACTUATOR***.....187	HARNESS, FUNCTION MANIFOLD.....141	HEATER, FREEZE PLUG, PERKINS40422...305
GASKET,WATER PUMP.....173-174, 177-178	HARNESS, GBOX WIRING.....141	HINGE CASTING.....265
GASKET-CYLINDER HEAD.....177-178	HARNESS, HIGH CAPACITY OPTION.....141	HINGE, .375X.120THK., SLOTTED.....121, 124
GASKET-THERMOSTAT HSG.....177-178	HARNESS, JUMPER, LOAD SENSE.....141	HINGE, PLAT CONTROL BOX COVER.....265
GATE LATCH CASTING--DRILLED.....265	HARNESS, LOAD SENSE.....141	HOOK, BATT HOLD DOWN, 10".....117
GAUGE,OIL PRESSURE W/O SENDER.....279	HARNESS, LOAD SENSE, GBOX.....141	HORN, 12VDC, SPADE TERMINALS***.....117
GAUGE,VOLTAGE.....279	HARNESS, LS, OP, CABLE TENSION.....141	HOSE ASM-JCAF310-06-41.....159
GAUGE,WATER TEMP.....279	HARNESS, LS, OP, PRI ANGLE.....141	HOSE ASSEMBLY 3/4" STR-STR.....249, 259
GAUGE-SIGHT,LHA-LGTB***.....117	HARNESS, LS, OP, PRI VELOCITY.....141	HOSE ASSEMBLY 3/8".....253
GEAR/BEARING ASSY,WHEEL DRIVE (88886).....100, 103-104	HARNESS, LS, OP, PRIMARY.....141	HOSE ASSEMBLY, 1/2"***.....267
GEN, HYD, 3000W, 110V, 60HZ.....277	HARNESS, 12/3, 12V TO PLAT PIG T.....135, 139	HOSE ASSEMBLY, 1/4".....309
GENERATOR, 2500W, HYD 220/50HZ.....277	HARNESS, 12/3, 12V TO PLAT, JIB.....139, 237	HOSE ASSEMBLY, 1/2, 90FEM, STR FEM.....259
GENERATOR, 3000W, 220V, 50HZ***.....163, 269	HARNESS, 18/19, BOOM CABLE.....237	HOSE ASSY 1", STR FEM, STR FEM.....249, 261
GENERATOR, 3500W, 120V, 60HZ**.....163, 269	HARNESS, 18/19, BOOM CBL 1, PIGT.....135, 139	HOSE ASSY 1/4, 90 FEM STR FEM.....253
GENERATOR, HYDRA, 25CC, 208V.....301	HARNESS, 18/19, BOOM CBL 2, PIG T.....135, 139	HOSE ASSY 1/4, STR FEM, STR BULK.....251, 257
GENERATOR, HYDRA, 25CC, 208V***.....287	HARNESS, ALARM PACKAGE.....139	HOSE ASSY 1/4, 90 FEM STR FEM.....253
GENERATOR, HYDRO-12KEP-21-3.....287	HARNESS, BD GEN.110.....269	HOSE ASSY 3/8, STR FEM, STR FEM.....249, 251, 253, 255
GENERATOR, WELD.....163	HARNESS, BOOM CABLE HIGH CAP.....139, 141	HOSE ASSY 3/8, STR FEM, 90D.....251
GFCI, 50A, 3PH.....287	HARNESS, CABLE TENSION PIGTAIL.....135, 139	HOSE ASSY, 3/4", 28.55".....261, 303
GFI/CIRCUIT BREAKER ASSEMBLY.....287	HARNESS, DEUTZ ENGINE.....135, 139, 141	HOSE ASSY, 1", 90 FEM, STR FEM.....249
GLOW PLUG, L1011.....165-166, 169-170	HARNESS, DRIVE LIGHT ACC.....139, 141	HOSE ASSY, 1.25", 90 FEM, STR FEM.....249
GREASE, DIELECTRIC 4 OZ**.....13	HARNESS, ENGINE FORD DSG-423.....187	HOSE ASSY, 1/2".....249, 253, 257
GROMMET, 4.00 GRV. X .75 THK.....207-208	HARNESS, ENGINE W/RELAY BOX T2.....185	HOSE ASSY, 1/2"***.....253, 255
GROMMET, RUBBER 3 X .19 X 3.5.....228	HARNESS, ENGINE, GM S60/S65.....135, 139, 141	HOSE ASSY, 1/2, 90 FEM, STR FEM.....249, 251, 253, 259, 291
GROUND CONTROL BOX W/DECAL.....131-132	HARNESS, EXT/RET PIGTAIL.....135, 139	HOSE ASSY, 1/2, 90 FEM, STR FEM**.....253
GROUND CONTROL BOX, W/DECAL.....127-128	HARNESS, FORD DSG423, S60.....139, 141	HOSE ASSY, 1/2, STR FEM, STR FEM.....251
GUARD, SEAL.....115	HARNESS, FORD ENGINE, EFI, 2004.....139	HOSE ASSY, 1/2, STR FEM, STR FEM*.....291
GUARD, FAN, FORD/PERKINS, PAINTED..173-174, 177-178	HARNESS, FORD LRG 425 EF1***.....185	HOSE ASSY, 1/4 STR FEM, STR FEM.....253, 255
G U A R D , F O O T S W I T C H , W / D E C A L	HARNESS, FUNCTION MANIFOLD.....135, 139	HOSE ASSY, 1/4, 90 FEM, STR FEM.....249, 253, 257, 259
ALUM.....227-228	HARNESS, GBOX & RELAY WIRES DSL.....139	HOSE ASSY, 1/4, 90 FEM, STR FEM**.....251, 253, 257
GUARD-FAN, DEUTZ ENG, F4L1011F.....165-166	HARNESS, GROUND BOX WIRING.....135, 139	HOSE ASSY, 1/4, STR FEM, STR FEM*.....249, 251
GUIDE FINGER, PLASTIC.....221, 223	HARNESS, HIGH CAPACITY OPTION.....139	HOSE ASSY, 3/4".....253, 255
GUIDE, EXT CABLE, TOP.....211	HARNESS, JIB SELECT MANIFOLD.....139, 141, 237	HOSE ASSY, 3/4", 45F, STR F.....291
GUIDE, EXT. CABLE, BOTTOM.....211	HARNESS, LINCOLN WELDER***.....139, 141	HOSE ASSY, 3/4", 90 FEM, STR FEM.....259
GUIDE, EXT CABLE TOP.....211	HARNESS, LOAD SENSE, GBOX.....139	HOSE ASSY, 3/4, 45 FEM, STR FEM**.....291
GUIDE, EXT. CABLE, BOTTOM.....211	HARNESS, LS, DRIVE ENABLE.....141	HOSE ASSY, 3/4, 45 FEM, STR MALE.....261, 303
GUIDE, HOSE, FORD.....193	HARNESS, LS, OP, CABLE TENSION.....139, 207-208	HOSE ASSY, 3/4, 90 FEM, STR FEM.....249, 253, 255, 291
	HARNESS, LS, OP, DRIVE ENABLE.....139	HOSE ASSY, 3/4, 90 FEM, STR FEM**.....253
H	HARNESS, LS, OP, PRIMARY ANGLE.....139, 201, 203-204	HOSE ASSY, 3/4, STR FEM, STR FEM.....249, 261
HALF MESH, 8' PLATFORM, LH.....265	HARNESS, LS, OP, PRIMARY EXT/RET.....139, 203-204, 207-208	HOSE ASSY, 3/8, STR FEM, STR FEM.....253, 255
HALF MESH, 8' PLATFORM, RH***.....265	H A R N E S S , L S , O P , P R I M A R Y	HOSE ASSY, LP GAS.....193
HARN JOYSTICK ADAPTOR JS100.....239, 241, 243, 245	VELOCITY.....139, 201, 203-204	HOSE ASSY, 3/4", 90, FEM, STR FEM.....249
HARN, AC PROTECTION BYPASS.....295, 299	HARNESS, PBOX HI-CAPACITY OPT.....139, 141	
HARN, GBOX & RELAY WIRES, FORD.....141	HARNESS, PBOX JOYSTICKS.....139, 141	
HARN, 18/19 CABLE JIB GR&BR.....139	HARNESS, PBOX WIRING***.....139, 141	
HARN, 18/19 CABLE JIB GY&BK.....139	HARNESS, PERKINS ENGINE.....135, 139, 141	
HARN, 18/19 CABLE NJGR&BR.....139		
HARN, 18/19 CABLE NJGY&BK.....139		
HARN, GBOX & RELAY WIRES, DIESEL.....141		

- HOSE END,BARB,1/4 MNPTX5/16,90.....173-174, 177-178
HOSE END,BARB,1/4 MNPTX5/16,ST.....173-174, 177-178
HOSE GUIDE, JIB.....225
HOSE, COOLANT BYPASS, DSG423.....187
HOSE,1/4 FUEL LINE,SAE 30R7.....165-166, 169-170, 195-196
HOSE,2.0"ID X 2.0" LG.....185
HOSE,3/4,LP.....181-182, 193
HOSE,5/16 FUEL,SAE 30R7.....170, 195-196
HOSE,90DEG 2.5" AIR INTAKE.....185
HOSE,AIR 3/8.....189
HOSE,AIR CLEANER.....165-166, 169-170
HOSE,AIR CLEANER TO INTAKE.....173-174, 177-178
HOSE,AIR INLET.....173-174, 177-178
HOSE,AIR INTAKE.....191
HOSE,AIR INTAKE 2.5" I.D.....165-166, 285
HOSE,AIR,MIXER.....191
HOSE,COOLANT,REG INTAKE.....193
HOSE,FUEL,5/16 HIGH PRESSURE**.....119
HOSE,LOWER RADIATOR.....193
HOSE,LOWER RADIATOR,Z45.....182
HOSE,LOWER,RADIATOR,PERKINS.....173-174, 177-178
HOSE,OVERFLOW,RADIATOR.....193
HOSE,RAD.OVERFLOW,KD-1105,50".....163, 173-174
HOSE,RETURN,ENGINE.....191
HOSE,UPPER RADIATOR.....191
HOSE,UPPER RADIATOR,PERKINS.....173-174, 178
HOSE,UPPER RADIATOR,Z45.....181-182
HOUR METER,10-80 VOLTS***.....127-128, 131-132
HOUSING,PUMP MOUNT (54573).....173-174, 178
HOUSING,THERMOSTAT,PERKINS 104.....178
HUB ASSEMBLY.....115
HUB SCREW.....100, 103-104, 107
HUB,2WD,FRONT***.....99-100, 103-104
HYD. HOSE ASSEMBLY 3000 PSI.....115
HYDRAULIC TANK ASSEMBLY***.....117
- I**
- IDLER BRACKET.....193
INJECTOR, FUEL(DEUTZ F3L2011F).....170
ISOLATOR, VIBRATION.....181-182, 193
ISOLATOR,ENGINE VIBRATION.....163, 165-166, 195-196, 199
ISOLATOR,ENGINE VIBRATION***.....165-166, 169-170, 178, 181-182, 193
ISOLATOR,VIBRATION,M8 M/M.....193
ISOLATOR,VIBRATION,M8 MALE/FEM.....178
- J**
- J-BOX ASSEMBLY,8X10.....287
JIB BOOM ASSY W/WORD DECAL.....225
JOYSTICK W/HARN ADPTR KIT RCKR.....243
JOYSTICK W/HARN ADPTR, 1 AXIS.....239
JOYSTICK W/HARN ADPTR, 2 AXIS.....239
JOYSTICK,1 AXIS ROCKER,DEUTSCH.....245
JOYSTICK,1 AXIS,DEUTSCH.....241
JOYSTICK,2 AXIS,DEUTSCH.....241
JOYSTICK,DUAL AXIS W/KNOB.....241
JOYSTICK,SINGLE AXIS W/KNOB.....241
JOYSTICK,SINGLE AXIS W/STEER.....245
- JUMPER COMB, 2-WAY,WIELAND.....135, 137
JUMPER COMB, 3-WAY,WIELAND.....137
JUMPER,THROTTLE BODY,FORD 2.5L.....185
- K**
- KEEPER,LATCH (45363).....121
KEY,SINGLE***.....127-128
KEYS,10 PACK***.....127-128
KEYSWITCH,3 POS. W/KEYS***.....127-128, 131-132
KIT, AUX TOP RAIL SUPPORT.....265
KIT, BRAKE SPRING.....123-124
KIT, CABLE TRACK, S60/65.....221, 223
KIT, DSG423 COOLANT OUTLET.....187
KIT, FOOTSWITCH, S60.....227-228
KIT, FRICTION DISC.....123-124
KIT, GLAND NUT, S60 LIFT CYL.....145, 201, 203-204
KIT, HARDWARE (54573).....173-174, 178
KIT, HEAT GUARD, DEUTZ STARTER.....169-170
KIT, ISOLATION, 2 JOYSTICK.....239, 241, 243, 245
KIT, LEVEL SENSOR, 6 PIN CONN.....119, 139, 141
KIT, RETROFIT, WELDGEN, MAG BREAKER.....287
KIT, SEAL, PUMP, 1 SECTION.....159
KIT, SEAL, PUMP, 2 SECTION.....159
KIT, STRAINER REPLACEMENT.....249
KIT, SWING BRAKE REBUILD.....123-124
KIT, TERMINAL BLOCK.....137
KIT, VAC CAP REPLC, DSG-423.....187
K I T , B R A K E M N F L D REPLACEMENT,BOOMS.....124
KIT,BRAKE SPRING.....124
KIT,BRAKE SPRING***.....123-124
KIT,CABLE TRAK FLAT BAR.....221, 223
KIT,CHARGE PUMP.....159
KIT,CHARGE PUMP HOUSING.....159
KIT,CONTROL BOX COVER.....227-228
KIT,ELEMENT**.....13, 117
KIT,EXTEND/RETRACT CABLE,S60.....211
KIT,FBA STYLE COUPLER,FORD.....181-182, 191
KIT,FBA STYLE COUPLER,PERKINS.....173-174, 178
KIT,FBA STYLE COUPLER,SAE8.....169-170
KIT,FIELD INSTALL,SWING GATE.....265
KIT,FITTING,REGULATOR DSG-423.....193
KIT,FRICTION DISC.....124
KIT,FRICTION DISC***.....123-124
KIT,GASKET,UK POWER TO PLAT.....267, 269
KIT,GEAR PUMP,S60***.....159
KIT,GEN. PRESSURE SWITCH.....287
KIT,HD WELDER UPGRADE,S60.....287
KIT,OP SWITCH,DEUTZ.....170
KIT,PANEL CRADLE BRACKET,SYMBL.....307
KIT,PANEL CRADLE BRACKET,WORD.....307
KIT,PANEL CRADLE,CE.....307
KIT,PIN & RING***.....221, 223
KIT,PRIMER BULB.....170
KIT,PUMP SHAFT SEAL W/INST***.....159
KIT,S60 CABLE TRK TRAY UPDATE.....221
KIT,SEAL,3CC PUMP***.....178
KIT,SEAL,PUMP 81103.....159
KIT,SECOND INTAKE GLOW PLUG.....305
KIT,SERVICE,S60 PIVOT PIN***.....201
KIT,SOLENOID CONTROL SERVICE.....159
KIT,STRAINER REPLACEMENT.....249
KIT,SWING BRAKE REBUILD.....124
KIT,SWING BRAKE REBUILD***.....123-124
KIT,SWING GATE W/SPRING.....265
KIT,TRAX,9-BOLT,S60 W/OMNI HUB.....115
KIT,TRAX,9-BOLT,S60 W/RR HUBS.....115
KIT,WELD LEADS ASSY,V275S.....289
KNOB,JOYSTICK, 62390/62391.....239, 241
KNOB,ROCKER JOYSTICK 75565.....243, 245
- L**
- LABEL,SCON SOFTWARE,S60HC.....51
LABEL,TCON SOFTWARE,S60HC.....51
LAMP,INDICATOR,RED,14V,1.2W**.....127-128
LANYARD,PLATFORM CONTROL BOX.....237
LATCH,FLEXIBLE DRAW W/O KEEPER.....117
LATCH,GRND.CTRL.BOX COVER.....281
LATCH,SLIDE, FLUSH MOUNT STYLE.....265
LENS,AMBER,STROBE,FIREBOLT.....263
LEVEL SENSOR,LS60,YL,2.5X4.5.....119
LEVER, GOVERNOR ACTUATOR.....165-166, 169-170, 195-196
LIGHT, 12 VOLT.....265
LIGHT,LED IND. AMBER 12V NH.....127-128
LIGHT,LED IND. RED 12V NH.....127-128, 131-132, 233-234
LITHIUM BASED GREASE.....13
LOAD CELL FLEXURE.....247
LOAD SUPPORT W/BEARINGS.....231
LOCK, PLUG 2WAY, 14-18GA.....201, 203-204
LOCK,PLUG 4 WAY,14-18GA.....201, 203-204
LOCK,RECEP 12 WAY, 14-18GA.....131-132, 237
LOCK,RECEP 2 WAY, 14-18GA.....207-208
LOCK,RECEP 4 WAY,12-14GA.....131-132, 237
LOCK,RECEP 4 WAY,14-18GA.....207-208, 237
LOCKNUT,ELEC,1/2".....237, 267, 269
LOCKNUT,ELECTRIC,1" NPT.....287
LOCKNUT,ELECTRIC,3/4".....269
LOCKNUT,FLANGE,5/8-11,GR8.....115
LOCKOFF,LP,FORD DSG/MSG.....193
LOCKRING, RR***.....100, 103-104, 107
LOWER IDLER FORD DSG-423.....189
LPG MIXER, IMPACO (GM 3.0L).....163
LUG,STUD/WHEEL (88887).....99-100, 103-104, 107
- M**
- MACH,PLATE,LOAD SUPPORT.....247
MACH. MOUNTING BLOCK.....111
MACH.,PLATE,STOP.....247
MACHINED PIVOT PLATE WELDMENT...207-208
MACHINED,LOAD CELL LINK.....247
MAGNET,NEODYMIUM,375 X.100.....293, 297
MALE PIPE THD,1/4" SER,3/8"X18.....267
MANIFOLD,DRIVE OIL DIVERTER.....287
MANIFOLD,EXHAUST TURBO.....191
MANIFOLD,FUNCTION.....147-148
MANIFOLD,GENERATOR.....277
MANIFOLD,INTAKE FORD DSG-423.....187
MANIFOLD,JIB SELECT W/QD PLUG.....157
MANIFOLD,JIB SELECT W/QD PLUG* (88786).....157

Part Description Index (continued)

- MANIFOLD, ROTATOR, CB***.....157
 MANIFOLD, SWING CB & BRAKE.....123-124
 MANIFOLD, TRACTION, 4WD***.....155
 MANUAL BOX W/DECALS***.....228
 MANUAL, AEM SAFETY.....13
 MANUAL, RESPON, A92.5 BOOM.....13
 MAP SENSOR, DSG-423.....187
 MAP SENSOR, EFI.....181-182
 MEGAJECTOR, FUEL KIT.....185
 MESH, HALF, SWING GATE***.....265
 MICROSWITCH, 13482 FOOTSWITCH.....227-228
 MIXER, AIR VALVE, TIER II FORD**.....185
 MIXER, LPG, DSG-423.....187
 MODULE, CONTROL, HI AMP.....135, 137
 MODULE, IGNITION/START, 12/24V....135, 137
 MODULE, LOAD SENSE 2007.....135, 137, 237
 MODULE, TIME DELAY ON BREAK 4S....135, 137
 MOTOR MOUNT.....301
 MOTOR, 12VDC, 77066.....119
 MOTOR, HYD 12.5KW GEN, 21CC***.....287
 MOTOR, HYD, 25CC FIXED***.....287, 301
 MOTOR, PISTON, 30CC, 4WD***.....99-100, 103-104, 107
 MOTOR, PISTON, 35CC, 2WD***.....107
 MOUNT COVER.....301
 MOUNT, AIRCRAFT PROTECTION OPT.....293, 297
 MOUNT, STRING POT, S60HC.....219
 MOUNT, SWITCH.....231
 MOUNTING BAND, AIR CLEANER.....195-196
 MOUNTING BAND, MUFFLER, 8.0".....191
 MPT, CPLR, 1/4"SER, 3/8"X18.....267
 MUFFLER, 2.5"INLET/OUTLET.....196
 MUFFLER, 6".....163, 173-174, 178
 MUFFLER, CAT/SPARK, DEUTZ.....169-170
 MUFFLER, CATALYTIC.....173-174, 178
 MUFFLER, CATALYTIC, 2.5 I/O.....196
 MUFFLER, DEUTZ.....165-166, 169-170
 MUFFLER, SPARK ARREST, 2.5 I/O.....196
 MUFFLER, SPARK ARRESTOR.....163, 173-174, 178
- N**
- NIPPLE, DIAGNOSTIC, #6 PORT***...249, 251, 253
 NIPPLE, DIAGNOSTIC, ORFS, FM, SWIV....249, 257
 NIPPLE, STEEL PIPE, 1/4NPTX1 LG.....115
 NIPPLE, STEEL PIPE, 1/4NPTX2.5LG.....115
 NON-STEER AXLE ASSEMBLY.....113
 NON-STEER AXLE ASSEMBLY**.....107
 NUT - PLASTIC, RING FOR ALARMS.....117, 127-128, 131-132, 233-234, 263
 NUT, CP521-1 VALVE.....277
 NUT, FLANGE, 3/4-16 UNF GR8.....111, 113
 NUT, HEX 5/16X18 GT10.....163
 NUT, LP NYLOCK, 3/8-16.....178
 NUT, PISTON, LIFT CYLINDER.....201, 203-204
 NUT, SOLENOID VALVE COIL.....148
 NUT, TL JAM, 3/8-16, A, ZAG.....307
 NUT, BULKHEAD, 520118-4.....251
 NUT, FLG-LRG, 3/8-16, YZ.....163, 193
 NUT, HEX, 1/4-28.....109
 NUT, HEX, 10-24.....169-170
 NUT, HEX, 5/16-18, GR5.....287
 NUT, HEX, 7/16-14.....269
- NUT, HEX, FLANGE 5/8-18, GRD 8 ZI...99-100, 103-104, 107
 NUT, HEX, JAM, 3/4-10.....123-124
 NUT, HEX, JAM, 3/8-24.....145
 NUT, HEX, JAM, 3/8-24, LEFT HAND.....145
 NUT, HEX, M8, PLASTIC.....293, 295, 297, 299
 NUT, LOCKING-LG, FLANGE, 5/16-18.....117, 181-182, 189, 191, 193
 NUT, LP NYLOCK, 1/4-20.....223, 265, 271, 273, 275, 281, 297, 299
 NUT, LP NYLOCK, 3/8-24.....145
 NUT, NYLOCK FLG, 1/4-20, F, ZAG.....307
 NUT, NYLOCK FLG, 3/8-16, F, ZAG.....307
 NUT, NYLOCK, 1-8.....117, 143, 228, 247
 NUT, NYLOCK, 1/2-13.....124, 166, 169-170, 181-182, 185, 191, 193, 201, 203-204, 211, 287
 NUT, NYLOCK, 1/4-20.....109, 117, 119, 121, 124, 143, 173-174, 177-178, 181-182, 185, 189, 191, 207-208, 211, 213, 219, 221, 223, 225, 228, 277, 287, 293, 295, 297, 299, 303
 NUT, NYLOCK, 10-24.....109, 195-196, 217, 231
 NUT, NYLOCK, 10-32.....117, 121, 135, 137, 145, 181-182, 219, 237, 263, 269
 NUT, NYLOCK, 3/4-10, GRD.8.....207-208, 211
 NUT, NYLOCK, 3/8-16.....100, 104, 117, 119, 123-124, 145, 178, 181-182, 185, 191, 193, 195-196, 199, 213, 221, 223, 225, 228, 231, 247, 267, 269, 277, 281, 289, 295, 299
 NUT, NYLOCK, 5/16-18.....121, 163, 169-170, 173-174, 178, 199, 228, 289
 NUT, NYLOCK, 5/8-11.....195-196, 199
 NUT, NYLOCK, 6-32.....237
 NUT, NYLOCK, 8-32.....135, 137, 269
 NUT, NYLOCK, M6X1.00.....178
 NUT, NYLOCK, M8X1.25.....193
 NUT, SOLENOID.....161, 287
 NUT, SOLENOID VALVE 2P3W.....147-148
 NUT, SOLENOID VALVE COIL.....147-148
 NUT, STEM, EATON***.....159
 NUT-COIL SHORT.....157
 NUT-FLANGE, 8MM (62849).....173-174, 177-178
 NUTSERT, 1/4-20, STEEL CAD PLTD.....135, 137
 NUTSERT, 10-32 STEEL CAD PLTD.....283
- O**
- O-RING, DO1 VALVE.....147-148, 277
 O-RING, FUEL LIFT PUMP.....195-196
 O-RING, ROTATOR MANIFOLD.....157
 O-RING, WHEEL DRIVE, 4WD.....100, 107
 O-RING, .070 X .239, VITON 75D.....103-104
 O-RING, .103 X 4.737, VITON, 75D.....99-100, 104, 107
 O-RING, 2-042 N674-70***.....159
 O-RING, 67.95X2.62-NBR-70SH(HF2P)(60334).124
 O-RING, FUEL INJECTOR, DEUTZ (89792).....170
 O-RING, JOYSTICK, 62390/62391.....239, 243
 O-RING, MIXER, RIBBED, DSG-423.....187
 O-RING, MIXER, SMOOTHED, DSG-423.....187
 O-RING, MOTOR/BRAKE***.....123-124
 O-RING, RUBBER TRACK (139120).....115
 O-RING, SEAL RING, 1" NPT (PKG OF 10).....287
 O-RING, SPACER #115***.....277
 O-RING, STEM, EATON.....159
 OIL COOLER W/FAN, 12VDC.....303
- OIL DRAIN PLUG, FORD DSG423.....189
 OIL FILTER - PERKINS.....13, 173-174, 177-178
 OIL FILTER, DSG-423.....13, 187
 OIL PAN HEATER, DEUTZ, 120V, 150W.....305
 OIL PRESSURE SWITCH GM 3.0L.....163
 OPT, AIRLINE TO PLATFORM, S60.....267
 OPT, AIRLINE TO PLATFORM, S65.....267
 ORIFICE DISC, .030, CONE.....287
 ORIFICE PLUG, 0.070".....151
 ORIFICE, 0.040".....155
 ORIFICE, 0.025".....161
 ORIFICE, 0.040".....153
 OUTLET, 110V.....267, 269
- P**
- PAD, REST, 1"THICK, FLANGED.....307
 PADDING, FOAM 3.5"OD X 1.50"ID...293, 295, 297, 299
 PADDING, FOAM, 3.0"X1.50ID 90DEG....293, 295, 297, 299
 PAINT, AEROSOL, TRAFFIC BLACK.....13
 PAINT, AEROSOL, BRIGHT BLUE***.....13
 PAINT, AEROSOL, GENIE GRAY***.....13
 PAINT, WET, GENIE BLUE (1 GL)**.....13
 PAINT, WET, GENIE GRAY (1 GL)**.....13
 PAINT, WET, TRAFFIC BLACK (1 GL)**.....13
 PARKER DIGITAL PRESSURE GAUGE.....13
 PCV VALVE-GM 3.0L ENGINE.....13, 163
 PIN, 1.5DIA X 4.38LG, 1HOLE.....99-100
 PIN, .50DIA X 3.163LG ***.....201
 PIN, .75DIA X 6.38 LG, 2RING.....247
 PIN, 0.75DIA X 5.75LG, CHAMFER.....231
 PIN, 1.25 X 13.25 IN, CHAMFER.....124, 163
 PIN, 1.250 X 9.25, 2 RINGS.....221, 223
 PIN, 1.25DIA X 14.45LG, 2HOLE.....213
 PIN, 1.25DIA X 3.37LG, 1HOLE.....201, 203-204
 PIN, 1.25DIA X 5.25LG, 1HOLE.....213
 PIN, 1.25DIA X 7.00LG, 1HOLE.....213
 PIN, 1.25DIA X 7.47LG, 2RING.....213
 PIN, 1.25DIA X 7.81LG, 1HOLE.....213
 PIN, 1.25DIA X 7.88LG, 1HOLE.....213
 PIN, 1.25DIA X 8.42LG, 2RING.....213
 PIN, 1.5 X 5.50 LG.....211
 PIN, 1.50DIA X 12.93LG, 2RING.....207-208
 PIN, 1.50DIA X 13.43LG, 2RING.....207-208
 PIN, 1.50DIA X 3.75LG, 1HOLE.....104
 PIN, 1.50DIA X 7.88LG, THREADED.....99-100
 PIN, 1.50DIA X 9.38LG, 1HOLE.....100, 104
 PIN, 2 X 5.75 LG.....201, 203-204
 PIN, 2.00DIA X 11.18LG, 2RING.....201, 203-204
 PIN, 2.00DIA X 20.88LG, CHAMFER.....107
 PIN, 2.00DIA X 23.13LG, CHAMFER.....100, 104
 PIN, 2.00DIA X 24.00LG, CHAMFER***.....201, 203-204
 PIN, 2.25DIA X 18.75LG, CHAMFER.....203-204
 PIN, 2.25DIA X 19.25LG, CHAMFER.....201, 203-204
 PIN, CLEVIS, 1 X 2.5 LG.....99-100, 103-104, 207-208
 PIN, CLEVIS, 1.25 X 5.0, ZINC.....309
 PIN, CLEVIS, 1.25 X 6.0, ZINC.....309
 PIN, CLEVIS, 1X2.250, ZAG.....207-208, 211
 PIN, COTTER, .156 X 1.75.....211, 221, 223
 PIN, GROOVE/HOLE, 1.50 DIA X 4.475.....100, 104
 PIN, LOCK, SHORT***.....265
 PIN, ROLL, SST, .25 X 2.25.....201
 PIN, STORAGE, TOW PACKAGE.....309

PINCH GUARD RAIL,6' PLATFORM.....265	PLATE,TAP BLOCK.....211	PUMP,PISTON,49CC***.....159
PINCH GUARD RAIL,8' PLATFORM**.....265	PLATE,UK,POWER TO PLAT.....267	PUMP,PRIMER,PERKINS***.....177-178
PIPE CRADLE ASSY, SERV (ONE)**.....265	PLATFORM ASSEMBLY,4FT,CE/UK.....227-228	
PIPE,COOLANT RETURN,FORD 2.3L.....191	PLATFORM ASSEMBLY,5FT,CE/UK.....227-228	R
PLAT ASSEMBLY,4FT,ASIA/S AM.....227-228	PLATFORM CONTROL BOX LID,PAINT...233-234	RADIATOR HOSE,LOWER-GM.....163
PLAT ASSEMBLY,5FT,ASIA/S AM.....227-228	PLATFORM CONTROL BOX,PAINTED.....237	RADIATOR HOSE,UPPER-GM.....163
PLAT ASSEMBLY,5FT,AUSTRALIA***.....227-228	PLATFORM RAIL ASSY, 8FT, ANSI.....227-228	RADIATOR,FORD DSG423 & MSG425.....193
PLAT ASSEMBLY,6FT,ASIA/S AM.....227-228	PLATFORM RAIL ASSY,6FT,CE/UK.....227-228	RADIATOR,FORD/PERKINS***.....163, 173-174, 178, 181-182
PLAT ASSEMBLY,8FT,ASIA/S AM.....227-228	PLATFORM RAIL ASSY,8FT,CE/UK.....227-228	RAILING CATCH CASTING--DRILLED.....265
PLAT ASSY, 3 ENTRY 8' CE/UK/UK.....275	P L A T F O R M S U P P O R T	RECEPTACLE, 120VAC, 20A, GFCI.....287
PLAT ASSY, COMP, 4', AUSTRALIA.....227-228	WELDMNT-SERV*.....228	RECEPTACLE,UK,110V.....267
PLAT ASSY, COMP, 4', CE/UK/UK.....227-228	PLATFORM WELDMENT,4 FT.....227-228	RECEPTCL,LOCK 3-PH,50A,4 WIRE.....289
PLAT ASSY, COMP, 5', AUSTRALIA.....227-228	PLUG AND CAP KIT-SERVICE,ORFS*.....13	REDUCER,3" TO 2.75".....195-196
PLAT ASSY, COMP, 5', CE/UK/UK.....227-228	PLUG, TYPE F, 230A, 50HZ, 16A, IP44.....267	REDUCER,520123-16-12.....261
PLAT ASSY, COMP, 6', AUSTRALIA.....227-228	PLUG,1/2" HUBBLE.....287	REDUCER,520123-8-4.....249
PLAT ASSY, COMP, 6', CE/UK/UK.....227-228	PLUG,4-WIRE,3-PHASE,50A,MALE.....289	REF: Foot Switch Assembly.....139, 141, 237
PLAT ASSY, COMP, 8', AUSTRALIA.....227-228	PLUG,DRAIN,RR TRANS.DRIVE HUBS...100,103-104	REF: Fuel Pump.....181-182
PLAT ASSY, COMP, 8', CE/UK/UK.....227-228	PLUG,FUSED,250V,13AMP,U.K.*.....267	REF: HARNESS,POWER TO PLAT.....267
PLAT ASSY,3 ENTRY 6',AUSTRALIA.....275	PLUG,HEX SOCKET,090109B-12.....261	REGULATOR,LPG.....181-182
PLAT ASSY,3 ENTRY 6',ASIA/SO.AM.....275	PLUG,HEX SOCKET,090109B-4.....124	REGULATOR,LPG,DSG-423.....193
PLAT ASSY,3 ENTRY 8',AUSTRALIA.....275	PLUG,HEX,090109A-4.....255, 257	RELAY ASSY,S60HC,RETRO-KIT.....215, 217
PLAT ASSY,3 ENTRY 8',ASIA/SO.AM.....275	PLUG,HEX,090109A-8***.....255	RELAY SOCKET,70AMP.....135
PLAT ASSY,8 FT,SERV,S40/60/80.....227-228	PLUG,NYLON .50 BLACK DOMED...127-128,131-132, 233-234	RELAY SOCKET,AUTO,RETAINER***.....135, 137
PLAT ASSY,COMP,4',ASIA/SO. AM.....227-228	PLUG,NYLON .875 BLACK DOMED.....131-132	RELAY,12VDC,70AMP,SEALED.....135
PLAT ASSY,COMP,5',ASIA/SO. AM.....227-228	PLUG,NYLON 1.12 BLACK DOMED.....237	RELAY,OMRON,DPDT,12V.....135, 137
PLAT ASSY,COMP,6',ASIA/SO. AM.....227-228	PLUG,NYLON 1.187 BLACK DOMED.....265	RELAY,PWR/FUEL,FORD DSG423.....187
PLAT ASSY,COMP,8',ASIA/SO. AM.....227-228	PLUG,NYLON,.94X1.65 BLK DOMED.....127-128, 131-132	RELAY,SOCKET,OMRON.....135, 137
PLAT RAIL ASSY,8FT,AUSTRALIA**.....227-228	PLUG,ORB #6.....124	RELAY,SPDT,12V(AUTO) PLUG IN**.....135, 137
PLAT. CONTROL BOX W/DECAL.....233-234	PLUG,PWR,UK,16AMP,3PIN,BLK.....267	RELAY,SPDT,12V(AUTO)**.....135, 137, 139, 141, 237, 269
PLAT. FLOOR, 5FT, PAINTED.....227-228	PLUG,SAE #03 (139712).....155	RELAY,STARTER,FORD DSG/MSG.....187
PLAT.ASSY,4 FT,SERV,S80 ANSI.....227-228	PLUG,SEAL,12-18 GA.....131-132	RELAY,TIME DELAY,2 SEC,10A.....137
PLAT.ASSY,5 FT,SERV,S80 ANSI.....227-228	POSITION TRANSDUCER.....217	RELAY,TIME DELAY,2 SEC,30A.....237
PLAT.ASSY,6FT TRI ENTRY ANSI.....275	POSITION TRANSDUCER,LINEAR,2CH.....219	RELIEF,VALVE 270 PSI.....287
PLAT.ASSY,8 TRI ENTRY ANSI.....275	POTENTIOMETER ASSY, WELDER.....135, 137	REPAIR KIT,4 LINK,W/GUIDE.....221, 223
PLATE BACKING, WIPER 1 TO 2.....273	POWER UNIT,AUX PUMP 12VDC.....119	RESISTOR,10 OHM,25 WATT.....135, 137, 237
PLATE BACKING, WIPER 2 TO 3.....273	PRECLEANER,AIR INTAKE***.....285	RESISTOR,5 OHM,25W***.....135, 137
PLATE, CABLE ANCHOR.....217	PRIORITY FLOW CONTROL VALVE***.....277	RETAINER,GAS SPRING***.....121
PLATE, CABLE SPACER.....217	PROXIMITY SENSOR***.....293, 295, 297, 299	RETAINER,SPRING,1.21 X .375.....231
PLATE, HAMMER SHIM 1/2.....111	PULLEY AND TENSIONER,DSG423.....189	RETAINER-N.C.PROPOR.SOLENOID.....147-148
PLATE,ANTIROTATION.....207-208	PULLEY,.970D X.250ID.....217	RETAINING RING.....277
PLATE,BACKING BELLOWS.....283	P U L L E Y, A L T E R N A T O R, D E U T Z	RETRO FIT KIT,S60HC,V2008.....215, 217
PLATE,BACKLASH ADJUSTMENT MACH.....123-124	BF4L2011.....195-196	RING GEAR,FORD***.....181-182, 191
PLATE,BLANKING,FORD DSG423.....189	PULLY,GNRTR,220V,50HZ(89908).....163, 269	RING,OIL SEAL, 95 X 120 X 12..99-100, 103-104
PLATE,BOTTOM BLOCK,PAINTED.....211	PULLY,GNRTR,120V,60HZ(60707).....163, 269	RING,RETAINING***.....99-100, 103-104, 107
PLATE,CHASSIS ATTACHMENT.....309	PUMP ASSY,AUX.POWER UNIT 89617.....119	RING,RETAINING,INTERNAL.....100, 103-104
PLATE,FRONT LIFTING EYE.....193	PUMP MOUNT KIT,PERKINS DSL.....173-174, 178	RIVET,ALUM,ALUM,P,.25X.375.....281
PLATE,GENERATOR MOUNT.....277	PUMP MOUNT,FORD DSG423.....191	RIVET,ALUM,P,.188 X .25.....221, 223
PLATE,HINGE SUPPORT.....121	PUMP WATER (PERKINS 404)***.....173-174, 177-178	RIVET,ALUM,P,.25X.625.....281
PLATE,JIB,ROTATE MANIFOLD.....228	PUMP, FUEL, LRG425, WALBRO.....119	ROCKER ASSY,MAGNETIC 75565.....243, 245
PLATE,OVER FLOW BOTTLE MOUNT.....181-182	PUMP, WATER, WITH GASKET.....181-182	ROCKER,RETAINER, 75565.....243, 245
PLATE,PIN RETAINER,2.25 DIA.**.....201	PUMP,FUEL 2011 DEUTZ ***.....169-170, 195-196	ROD END,.250 X 2.75 LG.....231
PLATE,REAR ENGINE SUPPORT.....191	PUMP,FUEL INJ,DEUTZ BF4L20.....199	ROD END,.375 X 2.25,ZAG.....100, 104, 201, 203-204
PLATE,REAR LIFTING EYE.....191	PUMP,LIFT(FUEL).....178	ROD END,.375X3.69,ZAG...99-100, 104, 124, 213
PLATE,REINF.CLAMP STACK,PTD.....223	PUMP,LIFT(FUEL) PERKINS(54555).....178	ROD END,.5 X 3.75,ZAG...100, 104, 107, 201, 203-204
PLATE,RETRACTION CABLE EQUALIZ.....211	PUMP,LIFT,1 SECTION.....159	ROD END,BALL JOINT 1/4-28.....109
PLATE,ROCKER.....207-208	PUMP,LIFT,2 SECTION***.....159	ROD END,CABLE.....207-208, 211
PLATE,SWIVEL ROTATION STOP.....124		ROLLER ARM,LIMIT SWITCH***.....201, 203-204, 207-208
		ROLLER,1/2" ALUMINUM.....211

Part Description Index (continued)

ROLLER,1/2" PVC.....211	SCREW,HHC,1/4-20 X 2.....119, 211, 265	SCREW,PHIL,PHM,6-32 X 1/4 SS.....237
ROLLER,ALUM TUBE,ST.TRK***.....221, 223	SCREW,HHC,1/4-20 X 2.25.....109, 207-208, 221, 223, 277	SCREW,PHILLIPS,FHM,10-32X1.00.....283
ROLLER,POLY,STEEL TRACK***.....221, 223	SCREW,HHC,1/4-20 X 2.5.....221, 223	SCREW,PHILLIPS,PHM,10-32 X .75.....121
ROTATIONAL LIMITER FRONT LEFT.....111, 115	SCREW,HHC,1/4-20 X 4.....293, 297	SCREW,PHILLIPS,PHM,10-32 X.625.....219, 269
ROTATIONAL LIMITER FRONT RIGHT.....115	SCREW,HHC,1/4-20 X 4.5.....143	SCREW,PHILLIPS,PHM,10-32 X1.25.....181-182
ROTATIONAL LIMITER REAR.....115	SCREW,HHC,1/4-20X1.75,8,ZAG.....309	SCREW,PHILLIPS,PHM,6-32 X .5.....127-128, 131-132, 237
ROTATOR MOUNT KIT.....231	SCREW,HHC,3/4-10 X 1.5.....111	SCREW,PHILLIPS,PHM,8-32 X .875.....269
ROTATOR SHAFT.....145	SCREW,HHC,3/4-10 X 4 FULL THRD.....123-124	SCREW,PHILLIPS,PHM,8-32 X.25**.....135, 137
ROTATOR,NON-JIB.....213	SCREW,HHC,3/8-16 X .75..99-100, 104, 124, 225	SCREW,PHM, 10-24 X .50.....217
ROTATOR,PLAT JIB,160 DEG***.....213	SCREW,HHC,3/8-16 X 1...100, 104, 107, 117, 119, 145, 165-166, 169-170, 177-178, 181-182, 185, 195-196, 201, 203-204, 207-208, 211, 213, 277, 281	SCREW,RHM,10-32 X 1.....263
ROTATOR,PLATFORM,15K.....247	SCREW,HHC,3/8-16 X 1 GRD 8.....228	SCREW,RHM,10-32 X 1.25.....145
ROTOR-DISTRIBUTOR, GM 3.0L.....13, 163	SCREW,HHC,3/8-16 X 1.25 GRD 5..117, 119, 163, 165-166, 173-174, 191, 199, 207-208, 211, 217, 219, 221, 223, 228, 267, 271, 285	SCREW,SECURITY,1/4-20 X 1.75LG.....289
RUE RING,1.00.....99-100, 103-104	SCREW,HHC,3/8-16 X 2...100, 104, 119, 225, 273	SCREW,SHC,3/4-10 X 3.00,A574.....123-124
	SCREW,HHC,3/8-16 X 2.5.....281	SCREW,SHC,3/8-16 X 1.....159
S	SCREW,HHC,3/8-16 X 2.75.....191	SCREW,SHC,5/8-11 X 4,A574.....107
S60 TOW PACKAGE.....309	SCREW,HHC,3/8-16 X 3.....104	SCREW,SHC,5/8-11 X 4.5,A574.....123-124
SCREW PH M5-0.8X20 DIN 7500CE.....234	SCREW,HHC,3/8-16 X 3.25.....231	SCREW,SHC,5/8-11X1.5,A574,ZAG.....111
SCREW T-SWITCH PH/PH 6-32X1/4.....127-128, 131-132, 233-234	SCREW,HHC,3/8-16 X 3.5,GR5.....211	SCREW,SHC,5/8-11X1.50,GR5,PLN.....111
SCREW, FHSC, 1/2-13X1.00.....115	SCREW,HHC,3/8-16 X 7.....221, 223	SCREW,SHC,M10X1.5 X 60 GR8.8.....191
SCREW, HCC, 3/8-16 X 1.50.....124, 181-182, 185, 193, 247, 269, 271, 277	SCREW,HHC,5/16-18 X .75.....287	SCREW,SHC,M10X1.5X20MM (75090).....199
SCREW, PHM, #6-32 X .625 ZINC.....239, 241, 243, 245	SCREW,HHC,5/16-18 X 1 GR5.....169-170, 174, 178, 189, 199, 228, 287	SCREW,SHC,M10X1.5X30 GR 12.9...195-196
SCREW,10-24 X.5 TORX PAN HD***.....221, 223	SCREW,HHC,5/16-18 X 1.25.....163, 165-166, 173-174, 181-182, 189, 191, 228, 287	SCREW,SHM,PHP, #12 X .75.....131-132, 237
SCREW,10-32 X.625,SF.TAP,PHIL.....117	SCREW,HHC,5/16-18 X 1.75.....269	SCREW,SHS,10-24 X .38.....217
SCREW,5/16-18X1.00,SECURITY TO.....289	SCREW,HHC,5/16-18 X 2.25 GR8.....100, 104, 107, 123-124	SCREW,SHS,10-24 X .625.....109, 169-170, 195-196
SCREW,BHHS,3/8-16 X 1.25.....211	SCREW,HHC,5/8-11 X 3.5 GRD.8.....195-196, 199	SCREW,SHS,M6X12MM,8MM.....178
SCREW,BHHS,3/8-16 X 1.5.....271	SCREW,HHC,5/8-11 X 4.00 GR8 BO.....107, 123-124	SEAL KIT.....147-148, 153, 161
SCREW,BHSC,1/4-20 X 1.....265, 297, 299	SCREW,HHC,7/16-14 X 1.25.....107	SEAL KIT (39345).....157
SCREW,BLEEDER,M5X0.8.....213	SCREW,HHC,7/16-14 X 1.75.....269	SEAL KIT (63566).....213
SCREW,FHM,6-32 X .75.....267	SCREW,HHC,M10 X 1.25 X 30MM**.....181-182	SEAL KIT (88571).....207-208
SCREW,FHS,3/8-16 X 2 GRD.8.....123-124	SCREW,HHC,M10 X 1.5 X70,GR 8.8.....165-166, 169-170, 195-196	SEAL KIT (88653).....201, 203-204
SCREW,FLANGE,HHC,5/8-11X2,GR8.....115	SCREW,HHC,M10 X 30MM.....166, 169-170, 301	SEAL KIT (88668).....201, 203-204
SCREW,HHC,1-8 X 11,GRD 5***.....117, 143, 228	SCREW,HHC,M10 X 40MM,GRD8.....191	SEAL KIT CYLINDER (59460)....99-100, 103-104, 111
SCREW,HHC,1-8X12.75,5,ZAG.....247	SCREW,HHC,M10 X 55MM,GRD 8.8.....193	SEAL KIT, 15K ROTATOR.....247
SCREW,HHC,1/2-13 X 1.25 GR5.....117, 145, 165-166, 169-170, 191, 201, 203-204	SCREW,HHC,M12 X 45.....173-174, 178	SEAL KIT, APU.....119
SCREW,HHC,1/2-13 X 1.5.....100, 104, 159, 195-196, 201, 203-204	SCREW,HHC,M14 X 1.5X40MM,GR8.8.....173-174, 177-178, 269	SEAL KIT, PROPORTIONAL VALVE.....148
SCREW,HHC,1/2-13 X 1.5 GRD 8.....211	SCREW,HHC,M14 X 40MM,GR 8.8..165-166, 169-170, 195-196, 199	SEAL KIT, SOLENOID VALVE.....147-148
SCREW,HHC,1/2-13 X 1.75.....301	SCREW,HHC,M6 X 20MM,GR8.8.....185, 195-196	SEAL KIT, SWING BRAKE.....123-124
SCREW,HHC,1/2-13 X 1.75 GRD 8..123-124, 201	SCREW,HHC,M8 X 20MM.....173-174, 177-178	SEAL KIT, VALVE.....151, 155, 157
SCREW,HHC,1/2-13 X 2 GR5.....124, 185, 191	SCREW,HHC,M8 X 40.....193	SEAL KIT, VALVE, #10.....147-148, 151
SCREW,HHC,1/2-13 X 2.5,GR5.....287	SCREW,HHC,M8 X 60MM X 1.25.....189	SEAL KIT, VALVE, #4.....147-148
SCREW,HHC,1/2-13 X 2.75.....109	SCREW,HHC,M8X1.25X 25MM,GR8.8.....193	SEAL KIT,11 TOOTH PUMP***.....159
SCREW,HHC,1/2-13 X 3...166, 169-170, 177-178, 181-182, 193	SCREW,HHC,M8X1.25X 25MM,GR8.8.....307	SEAL KIT,15K ROTATOR.....247
SCREW,HHC,1/2-13 X 4.5,GRD.8.....201, 203-204	SCREW,PHIL,8-32X.50,SELF TAP.....267	SEAL KIT,8-PORT SWIVEL.....123-124
SCREW,HHC,1/4-20 X .5.....99-100, 103-104, 135, 137, 215	SCREW,PHIL,PHM,10-24 X.5,SEMS.....163, 173-174, 177-178, 181-182, 193	SEAL KIT,8K ROTATOR***.....213
SCREW,HHC,1/4-20 X .625.....233-234	SCREW,PHIL,PHM,10-24X1.5 ZINC.....231	SEAL KIT,CONTROL VALVE.....109
SCREW,HHC,1/4-20 X .75.....107, 117, 119, 121, 124, 127-128, 131-132, 173-174, 189, 207-208, 211, 213, 217, 219, 221, 223, 225, 228, 265, 275, 295, 299	SCREW,PHIL,PHM,10-32 X .5,SSTL.....135, 137, 189, 237	SEAL KIT,CYL,S45 MASTER(81694).....201, 203-204
SCREW,HHC,1/4-20 X 1...119, 124, 177-178, 181-182, 185, 191, 207-208, 213, 215, 219, 231, 287, 293, 295, 297, 299, 303		SEAL KIT,CYL,S65 (63213).....213
SCREW,HHC,1/4-20 X 1.25.....119, 121, 173-174, 177-178, 181-182, 225, 281		SEAL KIT,CYLINDER (63189).....100, 104
SCREW,HHC,1/4-20 X 1.5.....193, 265		SEAL KIT,DRIVE HUB (88887)....99-100, 103-104, 107
SCREW,HHC,1/4-20 X 1.75.....185, 204, 213, 303		SEAL KIT,HYD MOTOR(106184).....287
		SEAL KIT,MOTOR,LC/KC***.....99-100, 104, 107
		SEAL KIT,PUMP SHAFT (EATON)***.....159
		SEAL KIT,SOLENOID VALVE, SV07.....157
		SEAL KIT,SUNSTRAND.....287
		SEAL KIT,SWING BRAKE.....124
		SEAL KIT,SWING BRAKE***.....123-124
		SEAL KIT,SWING TORQ HUB***.....123-124
		S E A L M A R K E R , C R O S S
		CHECK,BLUE,TUBE.....13
		SEAL RING,SOLENOID CONTROL.....159

- SEAL, BEARING (128918).....115
 SEAL, CAP, NOTCHED.....123-124
 SEAL, CONNECTOR (DT JOYSTICKS).....241,
 245
 SEAL, GASKET, .0005" *SILVER*.....277
 SEAL, GASKET, .00075" *GOLD*.....277
 SEAL, GASKET, .0010".....277
 SEAL, O-RING ENERGIZER.....123-124
 SEAL, O-RING LIP.....123-124
 SEAL, OIL FILLER CAP.....178
 SEAL, POLY, CHAMFER.....123-124
 SEAL, EXHAUST MANIFOLD, GM.....163
 SEAL, FILTER LID.....117
 SEAL, RETAINING RING.....277
 SEAL, RUBBER BRAKE RELEASE, RUBBER
 TRACK (139120).....115
 SEAL, SHAFT.....277
 SEAL, SHAFT, EATON PUMP***.....159
 SEAL, SHAFT-SUNDSTRAND***.....99-100,
 104, 107
 SEAL, TRAX HUBS.....111, 113, 115
 SEAL-INJECTOR.....177-178
 SEAL-ROCKER BOX.....177-178
 SEAL-VALVE SYSTEM (A).....177-178
 SEAL-VALVE SYSTEM (B).....177-178
 SENDING UNIT, OIL PRESS., DEUTZ*.....195-
 196
 SENDING UNIT, OIL PRESSURE***.....279
 SENDING UNIT, OIL TEMP SWCH, DTZ.....170,
 195-196
 SENDING UNIT, TMP, FRD, GM, PRK704.....279
 SENSOR COOLANT TEMP.....163
 SENSOR KIT, TEMPERATURE.....187
 SENSOR, FORD TEMPERATURE.....187
 SENSOR, AIR, CAT MONITOR.....191
 SENSOR, AIR, CAT MONITOR***.....181-182,
 185
 SENSOR, CAM POSITION DSG-423.....187
 SENSOR, CRANK POSITION DSG-423.....189
 SENSOR, DUAL OUTPUT, ANGLE***.....145
 SENSOR, KNOCK DSG-423 FORD.....187
 SENSOR, LEVEL 3 DEG**.....119
 SENSOR, LEVEL, 4.5 DEG.....119
 SENSOR, OXYGEN LRG425EFI.....181-182,
 191
 SEPARATOR, DUAL BATTERY, 100A.....117
 SEPRTR/FLTR, FUEL DSL, 15GPH, 30.....173-
 174, 177-178
 SERIAL # LABEL, MYLAR 4X8***.....15, 17
 SERVICE KIT, 5FT JIB.....213
 SERVICE KIT, 5FT JIB.....225
 SET SCREW, LIFT CYLINDER...201, 203-204
 SHAFT SEAL, APU.....119
 SHAFT, KNURLED (128918).....115
 SHAFT, RAISED BOSS (128918).....115
 SHAFT, 15 TOOTH.....99-100, 104, 107
 SHAFT, INPUT DRIVE HUB.....99-100, 103-
 104, 107
 SHAFT, MOTOR.....277
 SHAFT, OUTPUT.....123-124
 SHEAVE, EXTENSION CABLE (LARGER)...211
 SHEAVE, RETRACT CABLE (SMALLER)...207-
 208
 SHEET, RUBBER, AIR INTAKE...165-166, 169-
 170
 SHIM, HUB (88883).....99-100, 103-104
 SHIM, PAD, 5 X 3.....207-208
 SHIM, SIDE PAD 16GA. 3 X 5.....207-208, 211
 SHIM, WEAR PAD, 5 X 1.5, 14GA.....211
 SHIM, WEAR PAD, 5X 1.5 16GA.....211
 SHOCK MOUNT, SMALL...173-174, 178, 181-
 182, 193
 SHORT LINK W/BEARINGS, SERVICE....203-
 204
 SHROUD, FAN PAINTED.....173-174, 177-178
 SHUTDOWN SOLENOID, 12V, DEUTZ.....165-
 166, 169-170
 SLEEVE, CONNECTOR, DT JOYSTICKS..241,
 245
 SLEEVE, NYLON, 2.19 ID, BULK.....139, 141
 SLIDING MIDRAIL KIT, PTD.....227-228
 SNAP PIN.....265
 SNAP RING.....115
 SNAP RING (M46 UNITS)*.....99-100, 104, 107
 SNAP RING, EXTERNAL,.75 DIA.....247
 SNAP RING, EXTERNAL, 1.25 DIA.**.....213
 SNAP RING, EXTERNAL, 1.50, ZAG...104, 207-
 208, 211
 SNAP RING, EXTERNAL, 2.00 DIA....201, 203-
 204
 SNAP RING, EXTERNAL, 2.25 DIA.....203-204
 SNAP RING, PUMP SHAFT SEAL***.....159
 SOFTWARE, S60HC, DIAGNOSTIC, +1.....139,
 141
 SOFTWARE, S60HC, SCON, +1.....139, 141
 SOFTWARE, S60HC, TCON, +1.....139, 141
 SOLENOID CABLE ASSY***.....165-166, 169-
 170
 SOLENOID KIT, SHUT DN, PERKINS.....177-
 178
 SOLENOID, 77066.....119
 SOLENOID, SHUT DOWN
 PERKIN40422.....173-174
 SOLENOID, THROTTLE ACTUATOR
 DSL..165-166, 169-170, 173-174, 177-178,
 195-196
 SOLENOID-STARTR DEUTZF4L1011F*.....199
 SPACER.....111, 113, 277
 SPACER TUBE, .50 LG.....269
 SPACER, BOOM TOP.....273
 SPACER, DUAL COIL SIZE #8.....147-148
 SPACER, ALT PULLEY, DEUTZ
 BF4L2011.....195-196
 SPACER, EATON PUMP SHAFT SEAL**.....159
 SPACER, ENGINE MOUNT.....181-182, 193
 SPACER, FAN, PERKINS 404F.....173-174, 178
 SPARK PLUG, FORD DSG-423.....13, 187
 SPARK PLUG, FORD.....181-182
 SPARK PLUG-GM 3.0L ENGINE.....13, 163
 SPIDER (106113).....287
 SPLIT BOGEY.....115
 SPRING CLIP, 1/4-20,.025-.15X.54,ZAG.....99-
 100, 103-104, 107, 193, 208, 213, 219, 225,
 228, 281
 SPRING CLIP, 3/8-16,.05-.20X.73,ZAG.....117,
 269, 277
 SPRING, SS, 1/2-EO500-49-4500.....293, 295,
 297, 299
 SPRING, SS, 3/4-EO750-69-4500.....293, 295,
 297, 299
 SPRING, COMP, 1" OD, 232 LB/IN.....231
 SPRING, JOYSTK CENTR, 62390/91.....239,
 241, 243, 245
 SPRING, SWITCH CENTERING, 75565.....243,
 245
 SPROCKET, MACH. HALF LEFT.....115
 SPROCKET, MACH. HALF RIGHT.....115
 STANDOFF, 1/4X1/4 M-F 6-32 S/S.....237
 STANDOFF, 6-32 X 3/8L X 1/4 HEX.....237
 STARTER, 12V.....165-166, 169-170, 199
 STARTER, DSG-423RING.....187
 STARTER, PERKINS, 404D.....173-174, 177-
 178
 STARTER, DSG-423.....187
 STARTER, ENGINE, FORD LSG/LRG***.....181-
 182, 191
 STARTER, GM 3.0L.....163
 STEER AXLE ASSEMBLY.....111
 STEP PLATFORM ENTRY PAINTED***.....227-
 228, 275
 STOP PLATFORM ROLLER.....221, 223
 STRAINER, 20 SAE F/24 SAE M***.....249
 STROBE, FIREBOLT, 12-80VDC, AMB**.....263
 STUD, 3/4-16 UNF X 2-1/2 LG.....111, 113
 SUPPORT, RAILING.....265, 297, 299
 SUPPORT, SENSOR, JOYSTICK.....243, 245
 SVC KIT, UK RECEPT. REPLACEMENT.....267
 SWING DRIVE (88921).....123-124
 SWING DRIVE ASSEMBLY.....123-124
 SWING MOTOR COMPLETE***.....123-124
 SWING MOTOR, COMPLETE***.....124
 SWITCH SHIELD, ROCK JOYSTK75565...243,
 245
 SWITCH TOGGLE ASSY DPDT 2P MNT...277
 SWITCH TOGGLE ASSY DPDT 2P
 MOM.....127-128, 132, 233-234
 SWITCH TOGGLE ASSY DPDT 3P
 MOM.....127-128, 131-132, 233-234
 SWITCH TOGGLE ASSY SPDT 2P
 MNT.....127-128, 131-132, 233-234, 237,
 293, 295, 297
 SWITCH TOGGLE ASSY SPDT 2P
 MOM.....127-128, 131-132, 295, 299
 SWITCH TOGGLE ASSY SPDT 3P
 MOM.....127-128, 131-132, 233-234
 SWITCH TOGGLE DPDT 2P MOM
 SHDR.....127-128, 132, 233-234
 SWITCH TOGGLE DPDT 3P MOM
 SHDR.....127-128, 131-132, 233-234
 SWITCH TOGGLE SPDT 2P MNT
 SHDR.....127-128, 131-132, 233-234
 SWITCH TOGGLE SPDT 2P MOM
 SHDR.....127-128, 131-132
 SWITCH TOGGLE SPDT 3P MOM
 SHDR.....127-128, 131-132, 233-234
 SWITCH, OIL PRESSURE.....177-178
 SWITCH, OIL PRESSURE 1.5 BAR.....170
 SWITCH, LIMIT, W/RLLR ARM, NO/NC.....123-
 124, 207-208
 SWITCH, LIMIT, W/RLR ARM, NO/NC**.....201,
 203-204
 SWITCH, LIMIT, W/ROD, NO/NO.....217
 SWITCH, LOAD LIMIT.....139, 231, 237
 SWITCH, OIL PRESS-PERKINS 404...177-178
 SWITCH, OIL PRESS-PERKINS(54555)...173-
 174
 SWITCH, OIL PRESSURE.....187
 SWITCH, PRESS, #4NPT, 200PSIF.....287
 SWITCH, THERMOSTAT 85F OPEN.....237
 SWITCH, TOGGLE, DPDT, 2 POS MOMEN...143
 SWITCH, WATER TEMP, PRKNS, 404***.....173-
 174, 177-178
 SWIVEL, HYD 8 PORT***.....123-124

T

- T-BOX, 2.75 X 4.5 X 2.0.....267, 269
 T-BOX, 2.75X4.5X2.63, 3PH.....289

Part Description Index (continued)

TAILPIPE,DEUTZ BF4L2011.....195-196	TOOL,CABLE GRIP, 7/16".....211	VALVE,DIFFERENTIAL SENSING,110.....147-148
TAILPIPE,FORD DSG423.....191	TOOL,TERMINAL CRIMPER,MOLEX***.....237	VALVE,FLOW DIVIDER/COMBINER.....151,153
TAILPIPE,FORD LRG 425.....181-182, 185	TOOL,TERMINAL EXTRACTOR,MOLEX.....237	VALVE,FLOW REGULATOR 0.1 GPM.....148
TAILPIPE,MUFFLER.....163, 173-174	TRACK, RUBBER.....115	VALVE,FLOW REGULATOR 0.6GPM.....148
TAILPIPE,MUFFLER,2.00"DIA.....178	TUBE, RD, ALUM, 1.25 X .083 X 11.75.....307	VALVE,FLOW REGULATOR 3.5 GPM**.....147-148
TANK ASSY,GAS,30 GAL,PLASTIC.....119	TUBE,AIR CLEANER INLET.....169-170	VALVE,LP LOCKOUT W/CONN***.....181-182
TANK,FUEL 35 GAL PLASTIC,S60.....119	TUBE,AIR INTAKE.....163, 195-196, 285	VALVE,MANUAL,W/RELIEF VALVE***.....109
TAPE,WARNING,BLK/YEL, 50***.....17	TUBE,CLEAN AIR.....185	VALVE,NEEDLE***.....148
TEE,BRANCH,520429-8.....249, 253	TUBE,RD,ALUM 2.5 X .083.....163, 185	VALVE,NEEDLE,BRAKE RELEASE.....309
TEE,RUN,1/4" PIPE.....279	TUBE,RD,STL,DOM,.75X.38X.78.....273	VALVE,PCV FORD DSG-423.....13, 189
TEE,RUN,520428-12.....291	TUBING, VINYL, 1/2" CLEAR.....177-178, 193	VALVE,PILOT OPER DIRECTIONAL.....287
TEE,RUN,520428-6.....253, 255	TURNTABLE CENTER COVER	VALVE,PROPORTIONAL.....147-148
TEE,RUN,520428-8.....249, 259	PAINTED.....281	VALVE,PROPORTIONAL***.....148
TEE,RUN,SWIVEL,520432-16.....261		VALVE,PROPORTIONAL, 12V **.....147-148
TEE,RUN,SWIVEL,520432-6.....309		VALVE,RELIEF 280 PSI.....153
TENSIONER, TRAX.....115		VALVE,RELIEF 3000 PSI***.....148
TERM,AMP MTE,SOC,22-26 GA BULK.....241,245		VALVE,RELIEF,1500 PSI***.....277
TERM,DEUTSCH, PIN #12-14.....131-132, 237		VALVE,RELIEF,280PSI.....151
TERM,NI PIN, 14-16GA,BULK.....207-208, 237		VALVE,SHUTTLE.....151
TERM,NI PIN,S&F,16-18GA,REEL.....131-132,237		VALVE,SHUTTLE***.....123-124
TERM,NI SOC,14-16GA,BULK.....201,203-204		VALVE,SHUTTLE,40 PSI.....153
TERM,NI SOC,S&F,16-18GA,REEL.....131-132		VALVE,SOLENOID (18660)***.....277
TERMINAL BLOCK END PLATE.....135		VALVE,SOLENOID 3 POS,4WAY***.....147-148
TERMINAL BLOCK, END PLATE.....137		VALVE,SOLENOID 3POS 4WAY*.....147-148
TERMINAL BLOCK,WIELAND.....137		VALVE,SOLENOID, 2POS/3WAY***.....157
TERMINAL BLOCK,WIELAND.....135		VALVE,SOLENOID,10V,W/OUT COIL*.....161,287
TERMINAL RAIL,S60/S65.....135		VALVE-SOLENOID,2POS 3WAY,JIB**.....157
TERMINAL SINGLE BLOCK 2 WIRE.....135		VOLTAGE REGULATOR,110V.....269
TERMINAL,MOLEX 16 GAUGE***.....237		VOLTAGE REGULATOR,220V.....269
TERMINAL,STRIP,4-POLE,600V***.....269		
TERMINAL,STUD BOLT,250 V.....287		
THERMOSTAT.....178		
THERMOSTAT (PERKINS 104-22).....177-178		
THERMOSTAT, FORD LRG.....181-182		
THERMOSTAT,FORD DSG423.....187		
THREADED ROD, 3/8-24X2".....145		
THREADED ROD,1/4-28 X 4 IN***.....109		
THROTTLE ACTUATOR*(BOCH).....163, 187		
THROTTLE LINK,DSL***.....165-166, 195-196		
THROTTLE LINKAGE, DSL.....195-196		
THROTTLE LINKAGE,DIESEL***.....165-166,169-170		
TIE ROD WELDMENT,S60....99-100, 103-104		
TIRE & WHEEL ASSY RH,FF.....99-100, 103-104		
TIRE & WHEEL ASSY,AIR,LH.....99-100, 103-104		
TIRE & WHEEL ASSY,AIR,RH***.....99-100,103-104		
TIRE & WHEEL ASSY,LH FF***.....99-100,103-104		
TIRE & WHEEL ASSY,LH,FOAM,NM.....99-100, 103-104		
TIRE & WHEEL ASSY,RH,FOAM,NM.....99-100, 103-104		
TIRE & WHEEL ASSY,TURF SPEC***.....99-100, 103-104		
TIRE,355/55D625.....99-100, 103-104		
TIRE,355/55D625,14 PLY,NM.....99-100, 103-104		
TIRE,41/18LL X 22.5,14PR,TURF*.....99-100,103-104		
TOEBOARD, TRI ENTRY 6', EURO.....275		
TOEBOARD,ENTRY EUROPEAN		
PNTD**.....228, 275		
TOOL TRAY ACCESSORY***.....265		
TOOL TRAY BRACKET (GRAY) **.....265		
	U	
	U-BOLT, FLATTENED, 1.5 X 3/8 UNC,ZAG.....307	
	U-BOLT, KIT 5/16-18 X 2.5 ***.....163	
	U-BOLT, SQR, 3/8-16X2X5, PLTD.....295, 299	
	U-BOLT,1/2-13 X 8.5.....195-196	
	U-BOLT,3/8 X 1 YZ.....228, 289	
	U-BOLT,3/8-16X4X4.63X3.00.....289, 295, 299	
	UNION,STR.THREAD 20.....249	
	UPPER IDLER PULLEY, MSG425.....187, 193	
	V	
	V-BELT GUARD, DEUTZ 2011.....199	
	V-BELT, DEUTZ TD2011LOAI.....195-196	
	V-RING 100,RUBBER SEAL.....99-100, 103-104	
	VACUATOR VALVE.....163, 185, 191	
	VALVE - COUNTERBALANCE***.....157	
	VALVE - SOLENOID 2POSITION 3WA.....147-148	
	V A L V E	
	COUNTERBAL.CBBB-LJN@5000.....203-204	
	VALVE FLOW DIVIDER/COMBINER.....153	
	VALVE, CHECK.....155	
	VALVE, CHECK, 5PSI.....155	
	VALVE, CNTRBAL 3500 PSI, ATM VEN.....213	
	VALVE, FLOW DIVIDE/COMB,24GPM.....155	
	VALVE, FLOW DIVIDE/COMBINE 1:1.....155	
	VALVE, RELIEF, 280PSI.....155	
	VALVE, SHUTTLE, FIXED.....155	
	VALVE,BALL,16 MSAE-16 FSAE***.....249	
	VALVE,BALL,FSAE-20,FSAE-20.....249	
	VALVE,CB 3:1 3500 PSI.....147-148	
	VALVE,CB,CBCA-LHN@1500PSI***.....207-208	
	VALVE,CHECK.....161	
	VALVE,CHECK***.....147-148	
	VALVE,CHECK, 2.5 PSI.....153	
	VALVE,CHECK, 30 PSI.....147-148	
	VALVE,CHECK,3 PSI***.....153, 287	
	VALVE,CHECK,5 PSI.....147-148, 151	
	VALVE,COUNTERBAL,CBCA-LIN***.....123-124	
	VALVE,COUNTERBAL,CWCK-LHN@3500.203-204	
	VALVE,COUNTERBAL.CBBB-LHN@3500.201,203-204	
	VALVE,COUNTERBALANCE.....100, 104, 213	
	VALVE,COUNTERBALANCE 3000 PSI*...207-208	
	VALVE,COUNTERBALANCE(81366)***.....124	
	VALVE,DIFFERENTIAL SENSING***.....147-148	
	W	
	WASHER, 1/2 PLATE (1/2 X 2.25 X 3/16).....166, 169-170, 181-182, 193	
	WASHER,,469 X .781,HRD.....107	
	WASHER,FENDER,.25 X 1.25 X.062.....121	
	WASHER,FLAT,375 X 1.5 X .125.....163, 181-182, 193	
	WASHER,FLAT,5 HARDENED.....123-124, 159, 191, 195-196, 201, 287	
	WASHER,FLAT,625 HARDENED.....100, 104, 107, 123-124, 195-196, 199	
	WASHER,FLAT,625 X 2.25 X.15.....123-124, 195-196, 199	
	WASHER,FLAT,.75 HARDENED.....123-124, 211	
	WASHER,FLAT,1.000,HARDENED.....228, 247	
	WASHER,FLAT,1.56 X 2.5 X .061.....195-196, 199, 207-208, 211	
	WASHER,FLAT,2.01 X 3.5 X .06.....107, 201, 203-204	
	WASHER,FLAT,2.27 X 3.5 X .06.....203-204	
	WASHER,FLAT,M10.....169-170	
	WASHER,FLAT,M10,ZINC PLTD.....165-166, 169-170, 181-182, 191, 193, 195-196	
	WASHER,FLAT,M12.....173-174, 178	
	WASHER,FLAT,M14.....165-166, 169-170, 173-174, 177-178, 195-196, 199, 211, 269	
	WASHER,FLAT,M6 PLTD.....189, 193	
	WASHER,FLAT,M8,YELLOW ZINC...173-174, 177-178, 193	
	WASHER,FLAT,MS,#10,Y.....117, 121, 163, 173-174, 177-178, 181-182, 193, 231, 263, 269, 283	
	WASHER,FLAT,MS,#8,Y.....267	
	WASHER,FLAT,USS,1",Y.....117, 143	

WASHER,FLAT,USS,1/2",Y.....109, 117, 166, 169-170, 177-178, 181-182, 185, 191, 193	WELDMENT, PRE-CLEANER, WIPER,#1 BOTTOM.....271	
WASHER,FLAT,USS,1/4"Y.....99-100, 103-104, 107, 109, 117, 119, 121, 124, 127-128, 131-132, 135, 137, 173-174, 177-178, 181-182, 185, 189, 191, 193, 195-196, 204, 207-208, 211, 213, 215, 219, 221, 223, 225, 228, 233-234, 265, 275, 277, 281, 287, 293, 295, 297, 299, 303, 307	BRACKET.....285	WIPER,#1 TOP.....271
WASHER,FLAT,USS,1/4,ZAG.....309	WELDMENT, SENSOR MOUNT.....293, 295, 297, 299	WIPER,#2 TOP.....271
WASHER,FLAT,USS,3/8",Y.....104, 117, 119, 123-124, 163, 165-166, 169-170, 173-174, 193, 207-208, 221, 223, 228, 231, 269, 281, 285	WELDMENT, SHORT LINK.....201, 203-204	WIPER,RING GEAR GUARD.....281
WASHER,FLAT,USS,5/16",Y.....121, 124, 159, 163, 165-166, 169-170, 173-174, 177-178, 189, 191, 195-196, 199, 225, 228, 267, 269, 271, 287, 289, 295, 299, 307	WELDMENT, SKIDPLATE**.....295, 299	WIRE CABLE 8/4 CON.SO.....287
WASHER,FLAT,USS,7/16",Y.....269	WELDMENT, TIE ROD.....111	WIRE CABLE,16/4 CON.TPE JKT.....201, 203-204, 207-208, 227-228
WASHER,LOCK,.25..124, 204, 207-208, 211, 213, 217, 233-234, 265, 281	WELDMENT,4/5FT PLATFORM SUPPOR.....228	WIRE HARNESS, SENSOR, TEMP.....187
WASHER,LOCK,.375..99-100, 104, 107, 124, 191, 201, 203-204, 207-208, 211, 213, 217, 219, 225, 277	WELDMENT,AIRCRAFT SENSOR BUMPR.....293, 295, 297, 299	WIRE LOOM,1.25 DIA.....139, 141
WASHER,LOCK,.437,PLTD.....269	WELDMENT,BAT/MANIF TRAY,S60/65.....117	WIRE,10 GA,BROWN,GXL***.....135
WASHER,LOCK,.625 PLTD.....123-124, 301	WELDMENT,BOOM SECTION #2***.....207-208	WIRE,12 GA,RED,GXL***.....135
WASHER,LOCK,0.5".....100, 104, 109, 117, 145, 165-166, 169-170, 191, 201, 203-204	WELDMENT,CABLE TRACK TRAY.....207-208	WIRING KIT,CONTROL BOX HEATER.....237
WASHER,LOCK,IND,LAMP RETAINER.....127-128, 233-234	WELDMENT,CABLE TRACK TRAY***.....221, 223	WIRING KIT,JIB TIME DELAY IC.....139, 141
WASHER,LOCK,M10.....191, 193, 301	WELDMENT,CABLE TRACK TUBE.....207-208	
WASHER,LOCK,M14.....173-174, 177-178, 269	WELDMENT,CABLE TRACK TUBE***.....221, 223	Y
WASHER,LOCK,M6.....185, 195-196	WELDMENT,CAT MOUNT.....191	YOKE ASSEMBLY W/BEARINGS,LH.....99-100, 103-104
WASHER,LOCK,M8.....189, 193	WELDMENT,COOLING AIR BOX PANTD.....195-196	YOKE ASSEMBLY W/BEARINGS,RH.....99-100, 103-104
WASHER,SHIM .0151 THK.....231, 247	WELDMENT,EXHAUST PIPE....173-174, 177-178	Z
WASHER,SHIM,.375 X .625X.033 ST.....247	WELDMENT,EXHAUST TUBE.....121	ZERK,GREASE,1/8 NPT.....231
WASHER,SHIM,.75 X 1.125 X.030.....247	WELDMENT,EXTENSION BRACKET.....211	
WASHER,SHIM,1.27 X 2.13 X .062.....213	WELDMENT,HEADER PIPE.....181-182, 191	—Deutz F3L-2011 Models (from SN 9719)—.....13
WASHER,THRUST,1.5 X 3.5 X .187...100, 104	WELDMENT,LEFT COVER SUPPORT.....121	—Deutz F4L-3011 Models (to SN 9718)—.....13
WASHER,VIBRATION ISOLATING.....181-182, 193	WELDMENT,LONG LINK LH.....201	—Ford DSG-423 EFI Models (from SN 14054)—.....13
WASHER,WAVE SPRG,1X.635X.015.....191	WELDMENT,LONG LINK RT.....201	—Ford LRG-425 EFI Models (to SN 14053)—.....13
WATER OUTLET, FORD DSG423.....187	WELDMENT,LP MOUNT.....119	—GENERAL SERVICE PARTS—.....13
WATER OUTLET, VERTICAL.....178	WELDMENT,MASTER LINK.....201, 203-204	—GM 3.0 Liter Models—.....13
WATER PUMP.....177-178	WELDMENT,MUFFLER,DSG423.....191	—HYD FILTERS—.....13
WATER PUMP W/GASKET.....189	WELDMENT,MUFFLER,FORD TIER2.....181-182	—MANUALS—.....13
WEAR PAD,3 X 1.5 X .625 W/NUTS.....225	WELDMENT,PLATFORM SUPPORT.....247	
WEAR PAD,5 X 1.5 X .625 W/NUTS.....207-208, 211	WELDMENT,PLATFORM SUPPORT,CE.....231	
WEAR PAD,5 X 1.5 X .75 W/NUTS.....211	WELDMENT,PULL BAR.....309	
WEAR PAD,5 X 3 X .625 W/NUTS.....207-208	WELDMENT,REAR ENGINE MOUNT.....199	
WEAR PAD,5 X 3 X .75.....207-208, 211	WELDMENT,RIGHT COVER SUPPORT.....121	
WEAR PAD,5.5 X 1.75 X .5.....211, 221, 223	WELDMENT,ROTATOR MOUNT.....247	
WEAR PAD,CABLE TRACK PULL TUBE.....211, 221, 223	WELDMENT,SHORT LINK.....201	
WEARPAD,BOOM REST.....123-124	WELDMENT,TIMING LINK CAM.....201, 203-204	
WELDER,INVERTEC V275-S.....289	WELDMENT,TOW BAR.....309	
WELDMENT W/DECALS,5FT,500LB AN.....227-228	WELDMENT,TRACK PULL TUBE PIVOT.....211, 221, 223	
WELDMENT, AIR INTAKE BOX.....195-196	WELDMENT,TRANSPORT LOCK.....123-124	
WELDMENT, AIR INTAKE TUBE.....165-166	WELDMNT,6 FT PLATFORM.....227-228	
WELDMENT, AIRCRAFT SENSOR MNT.....293, 297	WHEEL & TIRE ASSY,LH NM AIR.....99-100, 103-104	
WELDMENT, AIRCRAFT TOP BUMPER.....297, 299	WHEEL & TIRE ASSY,LH,FF.....103-104	
WELDMENT, LONG LINK SPACER.....201, 203-204	WHEEL & TIRE ASSY,RH FF.....103-104	
	WHEEL & TIRE ASSY,RH,NM AIR.....99-100, 103-104	
	WHEEL DRIVE 56:1 2WD...99-100, 103-104, 107	
	WHEEL, 24.5X11.75, 9 X 9 BCD.....99-100, 103-104	
	WHEEL,22.5X14.00***.....99-100, 103-104	
	WIPER.....271	
	WIPER BRACKET.....271	
	WIPER BRACKET,#1 BOTTOM.....271	
	WIPER BRACKET,#1 TOP.....271	
	WIPER BRACKET,#2 BOTTOM.....271	
	WIPER BRACKET,#2 TOP.....271	
	WIPER RUBBER, 1 TO 2.....273	
	WIPER RUBBER, 2 TO 3.....273	

Fitting Cross References

Genie PN	Parker PN	Description	Genie PN	Parker PN	Description
12342	6-4 F5OX-S	CONNECTOR,STRAIGHT THREAD TO FLARE TUBE	42794	1 CR-S	ELBOW,90°,MALE PIPE
13757	4 R6X-S	RUN TEE,SWIVEL NUT,ORFS	42795	BV-0839	BALL VALVE
19685	12-10 C5OX-S	ELBOW,90°,STRAIGHT THREAD TO FLARE TUBE	42796	BV-0838	BALL VALVE
22664	12-10 C5OX	ELBOW,90°,STRAIGHT THREAD TO FLARE TUBE	42874	6-8 CLO-S	ELBOW,90°,MALE PIPE TO ORFS
27431	8-12 F5OX-S	CONNECTOR,STRAIGHT THREAD TO FLARE TUBE	42912	13943-6-4	HOSE END,90° FEMALE SWIVEL,JIC
28678	AS-B-33	SLEEVE,NYLON,1.81" ID	42920	BV-0840	BALL VALVE,90°
39871	6 WETX-WLN-S	UNION,90° BULKHEAD W/NUT,FLARE TUBE	42932	AS-B-17	SLEEVE,NYLON,1.22" ID
39872	4 R5OX-S	RUN TEE,STRAIGHT THREAD	42936	10243-2-4	HOSE END,FEMALE PIPE
39873	6 C5OX-S	ELBOW,90°,STRAIGHT THREAD TO FLARE TUBE	42953	1/2 DD-S	ELBOW,90°,FEMALE PIPE
39874	8-6 C5OX-S	ELBOW,90°,STRAIGHT THREAD TO FLARE TUBE	42956	6 WELO-WLNL-S	UNION,90° BULKHEAD W/NUT,ORFS
39875	4-6 C5OX-S	ELBOW,90°,STRAIGHT THREAD TO FLARE TUBE	45349	8 V5OX-S	ELBOW,45°,STRAIGHT THREAD TO FLARE TUBE
39876	6-8 C5OX-S	ELBOW,90°,STRAIGHT THREAD TO FLARE TUBE	45351	4 V5OX-S	ELBOW,45°,STRAIGHT THREAD TO FLARE TUBE
39877	4 F5OX-S	CONNECTOR,STRAIGHT THREAD TO FLARE TUBE	47223	10343-6-6	HOSE END,MALE,JIC
39878	6 F5OX-S	CONNECTOR,STRAIGHT THREAD TO FLARE TUBE	47419	PS690503-6-6	SWIVEL,90°,STRAIGHT THREAD TO 37° FLARE
39879	4-8 F5OX-S	CONNECTOR,STRAIGHT THREAD TO FLARE TUBE	48750	421-4	HOSE,1/4 INCH ID
39880	6-10 F5OX-S	CONNECTOR,STRAIGHT THREAD TO FLARE TUBE	48751	481TC-4	HOSE,1/4 INCH ID
39881	4-6 F5OX-S	CONNECTOR,STRAIGHT THREAD TO FLARE TUBE	48752	482TC-4	HOSE,1/4 INCH ID
39882	4-HP5ON-S	PLUG,STRAIGHT THREAD	48753	451TC-6	HOSE,3/8 INCH ID
39883	8-8 FTX-S	CONNECTOR,MALE PIPE TO FLARE TUBE	48754	482TC-6	HOSE,3/8 INCH ID
39885	269HB 12-12	ELBOW,90°,BEADED HOSE BARB TO MALE PIPE	48755	381-6	HOSE,3/8 INCH ID
39886	431-6	HOSE,3/8 INCH ID	48756	451TC-8	HOSE,1/2 INCH ID
39887	540N-2	HOSE,1/8 INCH ID	48757	482TC-8	HOSE,1/2 INCH ID
39888	801-8	HOSE,1/2 INCH ID	48758	381-8	HOSE,1/2 INCH ID
39889	801-12	HOSE,3/4 INCH ID	48759	381-10	HOSE,5/8 INCH ID
39890	10643-6-6	HOSE END,FEMALE SWIVEL,JIC	48760	451TC-10	HOSE,5/8 INCH ID
39891	13943-6-6	HOSE END,90° FEMALE SWIVEL,JIC	48761	482TC-12	HOSE,3/4 INCH ID
39892	13743-6-6	HOSE END,45° FEMALE SWIVEL,JIC	48762	451TC-12	HOSE,3/4 INCH ID
39894	30682-8-8	HOSE END,FEMALE SWIVEL,JIC	48763	772-12	HOSE,3/4 INCH ID
39895	30682-10-12	HOSE END,FEMALE SWIVEL,JIC	48764	881-16	HOSE,1 INCH ID
42286	8-8 CTX-S	ELBOW,90°,MALE PIPE TO FLARE TUBE	48765	772-16	HOSE,1 INCH ID
42756	8-12 CLO-S	ELBOW,90,MALE PIPE TO ORFS	48766	AS-B-15	SLEEVE,NYLON,1.06" ID
42757	8-12 FLO-S	CONNECTOR,MALE PIPE TO ORFS	48767	AS-B-22	SLEEVE,NYLON,1.42" ID
42758	4 JLO-S	UNION TEE,ORFS	48770	881-8	HOSE,1/2 INCH ID
42759	4-4 FLO-S	CONNECTOR,MALE PIPE TO ORFS			
42760	6-8 FLO-S	CONNECTOR,MALE PIPE TO ORFS			
42761	1J143-6-4	HOSE END,90° FEMALE SWIVEL,SEAL LOK			
42762	1J743-6-4	HOSE END,45° FEMALE SWIVEL,SEAL LOK			
42768	1JO43-4-4	HOSE END,MALE,SEAL LOK			
42776	801-8	HOSE,1/2 INCH ID			
42777	1J743-16-16	HOSE END,45° FEMALE SWIVEL,SEAL LOK			
42786	16 CLO-S	ELBOW,90°,MALE PIPE TO ORFS			
42787	16 R6LO-S	RUN TEE,SWIVEL NUT,ORFS			
42788	16-8 TRLO-BL-S	REDUCER,TUBE END TO SWIVEL,ORFS			
42789	6-6 CLO-S	ELBOW,90°,MALE PIPE TO ORFS			
42790	8-10 V5OLO-S	ELBOW,45°,STRAIGHT THREAD TO ORFS			
42791	3/4 CD-S	ELBOW,90°,MALE TO FEMALE PIPE			
42792	3/4 X 1/2 PTR-S	REDUCER,MALE TO FEMALE PIPE			
42793	1/2 CR-S	ELBOW,90°,MALE PIPE			

Fitting Cross References (Continued)

Genie PN	Parker PN	Description	Genie PN	Parker PN	Description
48771	881-10	HOSE,5/8 INCH ID	48847	13943-12-12	HOSE END,90° FEMALE SWIVEL,JIC
48772	381-4	HOSE,1/4 INCH ID	48848	10543-12-12	HOSE END,MALE,STRAIGHT THREAD
48773	AS-B-13	SLEEVE,NYLON,.86" ID	48849	1JC71-12-12	HOSE END,FEMALE SWIVEL,SEAL LOK
48800	1JC43-4-4	HOSE END,FEMALE SWIVEL,SEAL LOK	48850	1JS71-12-12	HOSE END,FEMALE SWIVEL,SEAL LOK
48801	1J743-4-4	HOSE END,45° FEMALE SWIVEL,SEAL LOK	48851	1J171-12-12	HOSE END,90° FEMALE SWIVEL,SEAL LOK
48802	1J943-4-4	HOSE END,90° FEMALE SWIVEL,SEAL LOK	48852	1J771-12-12	HOSE END,45° FEMALE SWIVEL,SEAL LOK
48804	1JM43-4-4	HOSE END,MALE,SEAL LOK, NO O-RING	48853	1J971-12-12	HOSE END,90° FEMALE SWIVEL,SEAL LOK
48805	10643-4-4	HOSE END,FEMALE SWIVEL,JIC	48854	1JC43-16-16	HOSE END,FEMALE SWIVEL,SEAL LOK
48806	13943-4-4	HOSE END,90° FEMALE SWIVEL,JIC	48855	1J943-16-16	HOSE END,90° FEMALE SWIVEL,SEAL LOK
48807	1JS43-4-4	HOSE END,FEMALE SWIVEL,SEAL LOK	48856	1J171-16-16	HOSE END,90° FEMALE SWIVEL,SEAL LOK
48808	3JC82-8-8	HOSE END,FEMALE SWIVEL,SEAL LOK	48857	1J971-16-16	HOSE END,90° FEMALE SWIVEL,SEAL LOK
48809	3JC82-12-12	HOSE END,FEMALE SWIVEL,SEAL LOK	48859	1JS43-8-4	HOSE END,FEMALE SWIVEL,SEAL LOK
48810	1JC43-6-4	HOSE END,FEMALE SWIVEL,SEAL LOK	48867	PD36BTL	DIAGNOSTIC NIPPLE,SEAL-LOK SWIVEL
48811	1J943-6-4	HOSE END,90° FEMALE SWIVEL,SEAL LOK	48873	6 PNLO-S	PLUG,TUBE END,ORFS
48812	1JC43-6-6	HOSE END,FEMALE SWIVEL,SEAL LOK	48874	6 PNTX-S	PLUG,FLARE TUBE
48813	1J143-6-6	HOSE END,90° FEMALE SWIVEL,SEAL LOK	48875	6 R6LO-S	RUN TEE,SWIVEL NUT,ORFS
48814	1J543-6-6	HOSE END,90° FEMALE SWIVEL,SEAL LOK	48877	4 F5OLO-SW/.025	CONNECTOR,STRAIGHT THREAD TO ORFS, W/.025 ORI
48815	1J743-6-6	HOSE END,45° FEMALE SWIVEL,SEAL LOK	48878	16-12 C5OLO-S	ELBOW,90°,STRAIGHT THREAD TO ORFS
48816	1J943-6-6	HOSE END,90° FEMALE SWIVEL,SEAL LOK	48879	8 C8LO-S	ELBOW,90°,SWIVEL NUT ORFS
48817	1JS43-6-8	HOSE END,FEMALE SWIVEL,SEAL LOK	48880	PD6-285	CAP,DIAGNOSTIC NIPPLE
48818	1J943-8-4	HOSE END,90° FEMALE SWIVEL,SEAL LOK	48881	6 HLO-S	UNION,ORFS
48819	1JC43-8-6	HOSE END,FEMALE SWIVEL,SEAL LOK	48883	8 P5ON-S	PLUG,STRAIGHT THREAD
48820	1J743-8-6	HOSE END,45° FEMALE SWIVEL,SEAL LOK	48884	8M18F87OMLO-S	CONNECTOR,METRIC,STRAIGHT THREAD TO ORFS
48821	1J943-8-6	HOSE END,90° FEMALE SWIVEL,SEAL LOK	48885	4 WGTX-WLN-S	CONNECTOR,BULKHEAD,FEMALE PIPE TO FLARE TUBE
48822	1JC43-8-8	HOSE END,FEMALE SWIVEL,SEAL LOK	48886	4 F5OLO-SW/2MM	CONNECTOR,MACHINED STRAIGHT THREAD TO ORFS
48823	1JS43-8-8	HOSE END,FEMALE SWIVEL,SEAL LOK	48887	4 CTX-S	ELBOW,90°,MALE PIPE TO FLARE TUBE
48824	1J143-8-8	HOSE END,90° FEMALE SWIVEL,SEAL LOK	48888	10-12 V5OLO-S	ELBOW,45°,STRAIGHT THREAD TO ORFS
48825	1J543-8-8	HOSE END,90° FEMALE SWIVEL,SEAL LOK	48890	4 S5OLO-S	BRANCH TEE,STRAIGHT THREAD TO ORFS
48826	1J743-8-8	HOSE END,45° FEMALE SWIVEL,SEAL LOK	48891	4 S8LO-S	BRANCH TEE,SWIVEL NUT TO ORFS
48827	1J943-8-8	HOSE END,90° FEMALE SWIVEL,SEAL LOK			
48828	1JC43-10-8	HOSE END,FEMALE SWIVEL,SEAL LOK			
48829	1JS43-10-8	HOSE END,FEMALE SWIVEL,SEAL LOK			
48830	1J743-10-8	HOSE END,45° FEMALE SWIVEL,SEAL LOK			
48831	1J943-10-8	HOSE END,90° FEMALE SWIVEL,SEAL LOK			
48833	1JC43-10-10	HOSE END,FEMALE SWIVEL,SEAL LOK			
48834	1J943-10-10	HOSE END,90° FEMALE SWIVEL,SEAL LOK			
48835	1JS43-10-12	HOSE END,FEMALE SWIVEL,SEAL LOK			
48836	1JC43-12-8	HOSE END,FEMALE SWIVEL,SEAL LOK			
48837	1JS43-12-8	HOSE END,FEMALE SWIVEL,SEAL LOK			
48838	1J743-12-8	HOSE END,45° FEMALE SWIVEL,SEAL LOK			
48839	1J943-12-8	HOSE END,90° FEMALE SWIVEL,SEAL LOK			
48840	1J943-12-10	HOSE END,90° FEMALE SWIVEL,SEAL LOK			
48841	1JC43-12-12	HOSE END,FEMALE SWIVEL,SEAL LOK			
48842	1JO43-12-12	HOSE END,MALE,SEAL LOK			
48843	1J143-12-12	HOSE END,90° FEMALE SWIVEL,SEAL LOK			
48844	1J543-12-12	HOSE END,90° FEMALE SWIVEL,SEAL LOK			
48845	1J743-12-12	HOSE END,45° FEMALE SWIVEL,SEAL LOK			
48846	1J943-12-12	HOSE END,90° FEMALE SWIVEL,SEAL LOK			

Fitting Cross References (Continued)

Genie PN	Parker PN	Description	Genie PN	Parker PN	Description
48892	6 C6LO-S	ELBOW,90°,SWIVEL NUT ORFS	48938	8 R6LO-S	RUN TEE,SWIVEL NUT,ORFS
48893	6 F5OHAO-S	UNION,STRAIGHT THREAD	48939	8 S6LO-S	BRANCH TEE,SWIVEL NUT TO ORFS
48894	8 WLO-WLNL-S	UNION,BULKHEAD,ORFS	48940	8 WJLO-WLNL-S	RUN TEE, BULKHEAD,ORFS
48895	DT-370-MSMO-5	VALVE,CHECK	48941	8-4 TRLO-S	REDUCER,TUBE END TO SWIVEL,ORFS
48896	6 JLO-S	UNION,TEE,ORFS	48942	8-6 C5OLO-S	ELBOW,90°,STRAIGHT THREAD TO ORFS
48897	DT-750-MSMS-5	VALVE,CHECK	48943	8-6 F5OLO-S	CONNECTOR,STRAIGHT THREAD TO ORFS
48898	DT-750-MOMS-5	VALVE,CHECK	48944	8-8 FLO-S	CONNECTOR,MALE PIPE TO ORFS
48899	DT-620-MOMS-5	VALVE,CHECK	48945	8 FTX-S	CONNECTOR,MALE PIPE TO FLARE TUBE
48900	4-6 F5OLO-SW/.035	CONNECTOR,STRAIGHT THREAD TO ORFS, W/.035 ORI	48946	8-10 F5OLO-S	CONNECTOR,STRAIGHT THREAD TO ORFS
48902	16-1 AOE4G-S	ELBOW,90° LONG,FEMALE PIPE TO STRAIGHT THREAD	48947	8-12 C5OLO-S	ELBOW,90°,STRAIGHT THREAD TO ORFS
48903	1 FF-S	NIPPLE,PIPE	48948	8-12 F5OLO-S	CONNECTOR,STRAIGHT THREAD TO ORFS
48904	4 C5OLO-S	ELBOW,90°,STRAIGHT THREAD TO ORFS	48949	8-16 F5OLO-S	CONNECTOR,STRAIGHT THREAD TO ORFS
48905	4 F5OLO-S	CONNECTOR,STRAIGHT THREAD TO ORFS	48950	10 C5OLO-S	ELBOW,90°,STRAIGHT THREAD TO ORFS
48906	4 R5OLO-S	RUN TEE,STRAIGHT THREAD	48951	10 CC5OLO-S	ELBOW,90° LONG,STRAIGHT THREAD TO ORFS
48907	4 V5OLO-S	ELBOW,45°,STRAIGHT THREAD TO ORFS	48952	10 F5OLO-S	CONNECTOR,STRAIGHT THREAD TO ORFS
48908	4 R6LO-S	RUN TEE,SWIVEL NUT,ORFS	48953	10 R5OLO-S	RUN TEE,STRAIGHT THREAD
48909	4 WJLO-WLNL-S	RUN TEE, BULKHEAD,ORFS	48954	10 S5OLO-S	BRANCH TEE,STRAIGHT THREAD TO ORFS
48910	4 GTX-S W/.030	CONNECTOR,FEMALE PIPE TO FLARE TUBE	48955	10 R6LO-S	RUN TEE,SWIVEL NUT,ORFS
48911	4-6 C5OLO-S	ELBOW,90°,STRAIGHT THREAD TO ORFS	48956	10-4 TRLO-BL-S	REDUCER,TUBE END TO SWIVEL,ORFS
48912	4-6 F5OLO-S	CONNECTOR,STRAIGHT THREAD TO ORFS	48957	10-6 TRLO-BL-S	REDUCER,TUBE END TO SWIVEL,ORFS
48913	4-6 F5OLO-SW/.030	CONNECTOR,STRAIGHT THREAD TO ORFS, W/.030 ORI	48958	10-12 F5OLO-S	CONNECTOR,STRAIGHT THREAD TO ORFS
48914	4-8 F5OLO-S	CONNECTOR,STRAIGHT THREAD TO ORFS	48959	12 C5OLO-S	ELBOW,90°,STRAIGHT THREAD TO ORFS
48915	6 C5OLO-S	ELBOW,90°,STRAIGHT THREAD TO ORFS	48960	12 F5OLO-S	CONNECTOR,STRAIGHT THREAD TO ORFS
48916	6 F5OLO-S	CONNECTOR,STRAIGHT THREAD TO ORFS	48961	12 R5OLO-S	RUN TEE,STRAIGHT THREAD
48917	6 FF5OLO-S	CONNECTOR,LONG,STRAIGHT THREAD TO ORFS	48962	12 S5OLO-S	BRANCH TEE,STRAIGHT THREAD TO ORFS
48918	6 R5OLO-S	RUN TEE,STRAIGHT THREAD	48963	12 V5OLO-S	ELBOW,45°,STRAIGHT THREAD TO ORFS
48919	6 S5OLO-S	BRANCH TEE,STRAIGHT THREAD TO ORFS	48964	12 R6LO-S	RUN TEE,SWIVEL NUT,ORFS
48920	6 V5OLO-S	ELBOW,45°,STRAIGHT THREAD TO ORFS	48965	12 CLO-S	ELBOW,90°,MALE PIPE TO ORFS
48921	6 FLO-S	CONNECTOR,MALE PIPE TO ORFS	48966	12 FLO-S	CONNECTOR,MALE PIPE TO ORFS
48922	6-6 FLO-S	CONNECTOR,MALE PIPE TO ORFS	48967	12 JLO-S	UNION TEE,ORFS
48923	6 P5ON-S	PLUG,STRAIGHT THREAD	48968	12 WLO-WLNL-S	UNION,BULKHEAD,ORFS
48925	6 WELO-S	UNION,90° BULKHEAD,ORFS	48969	12 WJLO-WLNL-S	RUN TEE, BULKHEAD,ORFS
48926	6-4 C5OLO-S	ELBOW,90°,STRAIGHT THREAD TO ORFS	48970	12 WELO-WLNL-S	UNION,90° BULKHEAD W/NUT,ORFS
48927	6-4 F5OLO-S	CONNECTOR,STRAIGHT THREAD TO ORFS			
48928	6-4 V5OLO-S	ELBOW,45°,STRAIGHT THREAD TO ORFS			
48929	6-8 C5OLO-S	ELBOW,90°,STRAIGHT THREAD TO ORFS			
48930	6-8 F5OLO-S	CONNECTOR,STRAIGHT THREAD TO ORFS			
48931	6-10 F5OLO-S	CONNECTOR,STRAIGHT THREAD TO ORFS			
48932	8 C5OLO-S	ELBOW,90°,STRAIGHT THREAD TO ORFS			
48933	8 F5OLO-S	CONNECTOR,STRAIGHT THREAD TO ORFS			
48934	8 FF5OLO-S	CONNECTOR,LONG,STRAIGHT THREAD TO ORFS			
48935	8 R5OLO-S	RUN TEE,STRAIGHT THREAD			
48936	8 S5OLO-S	BRANCH TEE,STRAIGHT THREAD TO ORFS			
48937	8 V5OLO-S	ELBOW,45°,STRAIGHT THREAD TO ORFS			

Fitting Cross References (Continued)

Genie PN	Parker PN	Description	Genie PN	Parker PN	Description
48971	12 G5G5JG5-S	TEE,FEMALE STRAIGHT THREAD	49612	PKT02586	O-RING KIT (ORFS FITTINGS)
48972	12 XHL6-S	ADAPTER, 37° MALE TO SWIVEL ORFS	49613	PKT06276	PLUG AND CAP KIT-SERVICE,ORFS
48973	12-1/2 F5OG-S	ADAPTER,FEMALE PIPE TO STRAIGHT THREAD	49728	10143-12-12	HOSE END, MALE PIPE
48974	12-10 C5OLO-S	ELBOW,90°,STRAIGHT THREAD TO ORFS	49729	16-1 F5OG-S	ADAPTER,FEMALE PIPE TO STRAIGHT THREAD
48975	12-10 F5OLO-S	CONNECTOR,STRAIGHT THREAD TO ORFS	49814	12-8 FLO-S	CONNECTOR,MALE PIPE TO ORFS
48976	12-16 C5OLO-S	ELBOW,90°,STRAIGHT THREAD TO ORFS	49829	DT-500-MOMF-5	VALVE,CHECK
48977	12-16 F5OLO-S	CONNECTOR,STRAIGHT THREAD TO ORFS	49831	881-12	HOSE,3/4 INCH ID
48978	12-16 V5OLO-S	ELBOW,45°,STRAIGHT THREAD TO ORFS	49834	16 JLO-S	UNION TEE,ORFS
48980	12-16 FLO-S	CONNECTOR,MALE PIPE TO ORFS	49838	12-8 TRLO-BL-S	REDUCER,TUBE END TO SWIVEL,ORFS
48983	16 C5OLO-S	ELBOW,90°,STRAIGHT THREAD TO ORFS	49840	8 JLO-S	UNION TEE,ORFS
48984	16 F5OLO-S	CONNECTOR,STRAIGHT THREAD TO ORFS	49844	10-8 TRLO-BL-S	REDUCER,TUBE END TO SWIVEL,ORFS
48985	16 V5OLO-S	ELBOW,45°,STRAIGHT THREAD TO ORFS	49854	8 P5ON-S	PLUG,STRAIGHT THREAD
48986	16 FLO-S	CONNECTOR,MALE PIPE TO ORFS	49855	1JC43-16-12	HOSE END,FEMALE SWIVEL,SEAL LOK
48988	16 CD45-S	ELBOW,45°,MALE TO FEMALE PIPE	49859	4 P5ON-S	PLUG,STRAIGHT THREAD
48989	12 CD45-S	ELBOW,45°,MALE TO FEMALE PIPE	49861	4 FF5OLO-S	CONNECTOR, LONG, STRAIGHT THREAD TO ORFS
48990	8 CD45-S	ELBOW,45°,MALE TO FEMALE PIPE	49867	12-3/4 F5OG-S	ADAPTER,FEMALE PIPE TO STRAIGHT THREAD
48991	16-12 FLO-S	CONNECTOR,MALE PIPE TO ORFS	51152	6 R6X-S	RUN TEE,SWIVEL NUT,ORFS
48992	16-12 V5OLO-S	ELBOW,45°,STRAIGHT THREAD TO ORFS	51153	6-4 TRTX-S	REDUCER,TUBE END TO SWIVEL,ORFS
48993	XV501-12	BALL VALVE	51154	4-4 GTX	CONNECTOR,FEMALE PIPE TO FLARE TUBE
48994	XV501-16	BALL VALVE	51264	881-12	HOSE,3/4 INCH ID
48995	XV510P-12	BALL VALVE	51265	8 JLO-S	UNION TEE,ORFS
48996	XV510P-16	BALL VALVE	51508	6 BTX-S	NUT,FLARE TUBE
48997	PD341	DIAGNOSTIC NIPPLE, STRAIGHT THREAD	51580	12-8 TRLO-BL-S	TUBE END REDUCER,ORFS
48998	PD 361	DIAGNOSTIC NIPPLE, STRAIGHT THREAD	51628	6 R6X-S	RUN TEE,SWIVEL NUT,ORFS
48999	DT-500-MOMS-5	VALVE,CHECK	51735	3/8 HHP	PLUG,PIPE THREAD
49201	10 V5OLO-S	ELBOW,45°,STRAIGHT THREAD TO ORFS	51803	1J943-6-8	HOSE END,90° FEMALE SWIVEL,SEAL LOK
49202	1JC43-12-10	HOSE END,FEMALE SWIVEL,SEAL LOK	53023	125HBL-5-4	FITTING,HOSE BARB TO MALE PIPE
49203	10-8 V5OLO-S	ELBOW,45°,STRAIGHT THREAD TO ORFS	53497	PKT02585	O-RING KIT
49205	6 F5OHAO-S	UNION,STRAIGHT THREAD	53499	1JC71-16-16	HOSE END,FEMALE SWIVEL,SEAL LOK
49207	PD34BTL	DIAGNOSTIC NIPPLE,SEAL-LOK SWIVEL	53500	3-904	O-RING,STRAIGHT THREAD,-4
49209	8M18F870MX-S	CONNECTOR,METRIC,STRAIGHT THREAD TO FLARE TUBE	53501	3-906	O-RING,STRAIGHT THREAD,-6
49212	8 WGTX-WLN-S	CONNECTOR,BULKHEAD,FEMALE PIPE TO FLARE TUBE	53502	3-908	O-RING,STRAIGHT THREAD,-8
49213	30682-8-8	HOSE END,FEMALE SWIVEL,JIC	53503	3-910	O-RING,STRAIGHT THREAD,-10
49216	831-8	HOSE,1/2 INCH ID			
49217	33982-8-8	HOSE END,90° FEMALE SWIVEL,JIC			
49219	PS-B-35	SLEEVE,NYLON,2.19" ID			
49418	4-6 V5OLO-S	ELBOW,45°,STRAIGHT THREAD TO ORFS			
49511	DT370-MOMS-5	VALVE,CHECK			
49512	1 DD-S	ELBOW,90°,FEMALE PIPE			
49513	1 FF-S	NIPPLE,PIPE			
49514	10 HP5ON-S	PLUG,STRAIGHT THREAD			
49515	12-16 CLO-S	ELBOW,90°,MALE PIPE TO ORFS			
49517	6 HP5ON-S	PLUG,STRAIGHT THREAD			
49519	16-12 F5OLO-S	CONNECTOR,STRAIGHT THREAD TO ORFS			
49520	4 VTX-S	ELBOW,45°,MALE PIPE TO FLARE TUBE			
49530	16 C6LO-S	ELBOW,90°,SWIVEL NUT ORFS			

Fitting Cross References (Continued)

Genie PN	Parker PN	Description	Genie PN	Parker PN	Description
53535	3-912	O-RING,STRAIGHT THREAD,-12	61083	24 F5OLO-S	CONNECTOR,STRAIGHT THREAD TO ORFS
53536	4-PNLO-S	PLUG,TUBE END,ORFS	61086	20 R5OLO-S	RUN TEE,STRAIGHT THREAD
53537	6 PNLO-S	PLUG,TUBE END,ORFS	61090	24-20 F5OLO-S	CONNECTOR,STRAIGHT THREAD TO ORFS
53538	8 PNLO-S	PLUG,TUBE END,ORFS	61091	1J943 24-24	HOSE END,90° FEMALE SWIVEL,SEAL LOK
53539	10 PNLO-S	PLUG,TUBE END,ORFS	61093	1J978-12-12	HOSE END,90° FEMALE SWIVEL,JIC
53540	12 PNLO-S	PLUG,TUBE END,ORFS	61095	1JS43-20-16	HOSE END,FEMALE SWIVEL,SEAL LOK
53946	129HB-5-4	FITTING,90° HOSE BARB TO MALE PIPE	61100	811-24	HOSE,11/2 INCH ID
53951	8-1/4F5OG-S	ADAPTER,FEMALE PIPE TO STRAIGHT THREAD	61130	1JS43-24-24	HOSE END,FEMALE SWIVEL,SEAL LOK
53980	6 S6LO-S	BRANCH TEE,SWIVEL NUT TO ORFS	61131	1JS78 12-12	HOSE END,FEMALE SWIVEL,SEAL LOK
54132	4 C6LO-S	ELBOW,90°,SWIVEL NUT ORFS	61132	1J778-12-12	HOSE END,45° FEMALE SWIVEL,JIC
54135	11343-16-16	HOSE END,MALE SWIVEL,PIPE	61152	139HB-6-4	ELBOW,45°,BARB TO MALE PIPE
54283	8-10 C5OLO-S	ELBOW,90°,STRAIGHT THREAD TO ORFS	61251	BV-0750	BALL VALVE
54428	8M18C870MLO-S	ELBOW, 90° METRIC, STRAIGHT THREAD TO ORFS	61259	4 CC5OLO-S	ELBOW,90° LONG,STRAIGHT THREAD TO ORFS
54803	FS-F-16-10	SLEEVE,FIRE,.96" ID	61260	20-12 TRLO-BL	REDUCER,TUBE END TO SWIVEL,ORFS
54954	10143-2-4	HOSE END, MALE PIPE	61262	12 C6LO-S	ELBOW,90°,SWIVEL NUT ORFS
55190	3/8 HP-S	PLUG,PIPE THREAD	61263	20 F5OHAO-S	UNION,STRAIGHT THREAD
55448	8 HLO-S	UNION,ORFS	61264	6-10 C5OLO-S	ELBOW,90°,STRAIGHT THREAD TO ORFS
55839	6 F65OX-S	CONNECTOR,STRAIGHT THREAD TO 37° SWIVEL	61265	6 WNLO-WLNL-S	UNION,BULKHEAD 45°,ORFS
55968	10 C5OX-S	ELBOW,90°,STRAIGHT THREAD TO FLARE TUBE	61268	4 WNLO-WLNL-S	UNION,BULKHEAD 45°,ORFS
56003	6 CC5OLO-S	ELBOW,90° LONG,STRAIGHT THREAD TO ORFS	61269	4 WLO-WLNL-S	UNION,BULKHEAD,ORFS
56166	BV-0837	BALL VALVE,90°	61272	12 AOEL6	ELBOW,90°,STRAIGHT THREAD TO ORFS SWIVEL
56188	10143-8-6	HOSE END, MALE PIPE	61316	482TC-16	HOSE,1 INCH ID
56233	2-011	O-RING,ORFS,-4	61321	6 JLO-S	UNION TEE,ORFS
56234	2-012	O-RING,ORFS,-6	61327	782-12	HOSE,3/4 INCH ID
56235	2-014	O-RING,ORFS,-8	61328	881-24	HOSE,11/2 INCH ID
56236	2-016	O-RING,ORFS,-10	61336	11943-20-24	HOSE END,90° FLANGE HEAD
56237	2-018	O-RING,ORFS,-12	61345	12 WJLO-WLNL-S	RUN TEE, BULKHEAD,ORFS
56238	2-021	O-RING,ORFS,-16	61346	8 WNLO-WLNL-S 4	UNION,BULKHEAD 45°,ORFS
56352	6 WLNL-S	LOCKNUT,BULKHEAD	61569	33782-8-8	HOSE END,45° FEMALE SWIVEL,JIC
56353	3J782-12-12	HOSE END,45° FEMALE SWIVEL,SEAL LOK	61610	12 FF5OLO-S	CONNECTOR,LONG,STRAIGHT THREAD TO ORFS
56354	3J982-12-12	HOSE END,90° FEMALE SWIVEL,SEAL LOK	61742	1/8 X 1.5 FFF	NIPPLE,PIPE
56604	10-8 F5OLO-S	CONNECTOR,STRAIGHT THREAD TO ORFS	63426	8 PNTX-S	PLUG,FLARE TUBE
56639	3JC82-10-10	HOSE END,FEMALE SWIVEL,SEAL LOK			
56640	3J982-10-10	HOSE END,90° FEMALE SWIVEL,SEAL LOK			
56655	3JC82-8-10	HOSE END,FEMALE SWIVEL,SEAL LOK			
56676	10-8 C5OLO-S	ELBOW,90°,STRAIGHT THREAD TO ORFS			
56776	471TC-6	HOSE,3/8 INCH ID			
56777	471TC-8	HOSE,1/2 INCH ID			
56789	811-16	HOSE,1 INCH ID			
57884	3/8 FF	NIPPLE,PIPE			
59335	6 FNL-S	CAP,TUBE END			
59342	4 FNL-S	CAP,TUBE END			
59371	8 HP5ON-S	PLUG,STRAIGHT THREAD			
60653	BV-0751	BALL VALVE			
60806	125HB-3-4	FITTING,HOSE BARB TO MALE PIPE			
61064	5-1/4 F5OG-S	ADAPTER,FEMALE PIPE TO STRAIGHT THREAD			
61079	4 WELO-WLNL-S	UNION,90° BULKHEAD W/NUT,ORFS			
61080	6 WLO-WLNL-S	UNION,BULKHEAD,ORFS			

Fitting Cross References (Continued)

Genie PN	Parker PN	Description	Genie PN	Parker PN	Description
64271	4 WLO-WLNL-S	UNION,BULKHEAD,ORFS	75631	801-6	HOSE,3/8 INCH ID
64272	6 WLO-WLNL-S	UNION,BULKHEAD,ORFS	75654	20 F5OLO-S	CONNECTOR,STRAIGHT THREAD TO ORFS
65776	8 F65OL-S	CONNECTOR,STRAIGHT THREAD TO ORFS SWIVEL	75655	1J943-20-20	HOSE END,90° FEMALE SWIVEL,SEAL LOK
65880	6001012	O-RING KIT	75656	881-20	HOSE,1-1/4 INCH ID
66154	6 WTX-WLNS	UNION,BULKHEAD,FLARE TUBE	75971	8 F5OHAO-S	UNION,STRAIGHT THREAD
66155	6 WETX-S	UNION,BULKHEAD 90°,FLARE TUBE	77307	1JB43-8-8	HOSE END,BULKHEAD,SEAL LOK
66156	6 WLNL-S	BULKHEAD LOCKNUT	77309	8 WLNL-S	BULKHEAD LOCKNUT
66389	6-8 F5OX-S	CONNECTOR,STRAIGHT THREAD TO FLARE TUBE	77379	8M18C87OMX-S	ELBOW,90° METRIC,STRAIGHT THREAD TO FLARE TUBE
66392	6 R5OX-S	RUN TEE,STRAIGHT THREAD	77703	3J982-8-8	HOSE END,90° FEMALE SWIVEL,SEAL LOK
66396	811-12	HOSE,3/4 INCH ID	77711	801-10	HOSE,5/8 INCH ID
66829	H3174PP	CLAMP,TUBE	77758	12 WNLO-WLNL-S	UNION,BULKHEAD 45°,ORFS
67217	4 KLO-S	UNION,CROSS,ORFS	78091	6 C6X-S	ELBOW,90°,SWIVEL NUT TO FLARE TUBE
67339	10-6 F5OX-S	CONNECTOR,STRAIGHT THREAD TO FLARE TUBE	78684	30582-8-8B	HOSE END,PUSH LOK,MALE
67357	13943-8-6	HOSE END,90° FEMALE SWIVEL,JIC	78852	549-2	HOSE,1/8 INCH ID
67358	10 HP5ON-S	PLUG,STRAIGHT THREAD	78855	10657-4-2	HOSE END,FEMALE SWIVEL,JIC
67371	12 S6LO-S	BRANCH TEE,SWIVEL NUT TO ORFS	79138	PS-B-37	SLEEVE,NYLON,2.38" ID
67498	4 FNL-S	CAP, TUBE END	79476	1JS43-6-8	HOSE END,FEMALE SWIVEL,SEAL LOK
67906	DC-370-F0F0-5	VALVE,CHECK	79847	12-3/4 A0EG-S	ELBOW,90°,STRAIGHT THREAD TO FEMALE PIPE
69316	8 FLO-S	CONNECTOR,MALE PIPE TO ORFS	80044	8 CLO-S	ELBOW,90°,MALE PIPE TO ORFS
69333	H3174PP	CLAMP,HYDRAULIC HOSE	80502	8 F5OX-S	CONNECTOR,STRAIGHT THREAD TO FLARE TUBE
69503	4 F65OX-S	CONNECTOR,STRAIGHT THREAD TO 37° SWIVEL	80503	8 C5OX-S	ELBOW,90°,STRAIGHT THREAD TO FLARE TUBE
69775	8 FNL-S	CAP, TUBE END	81010	AS-B-27	SLEEVE,NYLON,1.63" ID
71038	1/4X1/4F3HG-S	ADAPTER,CONVERSION	83052	821-6	HOSE,3/8 INCH ID
71196	12-8 F5OLO-S	CONNECTOR,STRAIGHT THREAD TO ORFS	83053	821-8	HOSE,1/2 INCH ID
71383	1/4 CD45-S	ELBOW,45°,MALE TO FEMALE PIPE	83054	821-12	HOSE,3/4 INCH ID
72270	12FNL-S	CAP, TUBE END	83055	30682-6-6	HOSE END,FEMALE SWIVEL,JIC
73436	60C-4	SLEEVE,COMPRESSION	83056	30682-12-12	HOSE END,FEMALE SWIVEL,JIC
73437	61C-4	NUT,COMPRESSION	83057	33782-6-6	HOSE END,45° FEMALE SWIVEL,JIC
73438	33482-4-4B	HOSE END,PUSH LOK,MALE	83058	33982-6-6	HOSE END,90° FEMALE SWIVEL,JIC
73767	1CD-S	ELBOW,90°,MALE TO FEMALE PIPE	83060	33982-12-12	HOSE END,90° FEMALE SWIVEL,JIC
73768	20-16-F5OG5-S	ADAPTER,FEMALE PIPE TO STRAIGHT THREAD	83063	13743-4-4	HOSE END,45° FEMALE SWIVEL,JIC
73769	16-20 F5OLO-S	CONNECTOR,STRAIGHT THREAD TO ORFS			
74660	6-8 F42EDMLO-S	CONNECTOR,MALE BSPP TO ORFS			
74661	8-8 F42EDMLO-S	CONNECTOR,MALE BSPP TO ORFS			
75007	4 FLO-S	CONNECTOR,MALE PIPE TO ORFS			
75008	1/8 HP-S	PLUG,PIPE THREAD			
75014	1/2 HP-S	PLUG,PIPE THREAD			
75042	8 WELO-WLNL-S	UNION,90° BULKHEAD W/NUT,ORFS			
75043	3/4 FF-S	NIPPLE,PIPE			
75254	24 F5OHAO-S	UNION,STRAIGHT THREAD			
75255	12 F5OHAO-S	UNION,STRAIGHT THREAD			
75256	XV506P-24	BALL VALVE			
75574	4 WLNL-S	BULKHEAD LOCKNUT			
75612	8 WJLO-WLNL-S	RUN TEE, BULKHEAD,ORFS			
75613	12-8 F5OG5-S	ADAPTER,FEMALE PIPE TO STRAIGHT THREAD			
75614	8 CC5OLO-S	ELBOW,90° LONG,STRAIGHT THREAD TO ORFS			
75628	1JB43-4-4	HOSE END,BULKHEAD,SEAL LOK			

Fitting Cross References (Continued)

Genie PN	Parker PN	Description	Genie PN	Parker PN	Description
83064	13743-8-8	HOSE END,45° FEMALE SWIVEL,JIC	89449	6 WJLO-WLNL-S	RUN TEE, BULKHEAD,ORFS
83065	13743-12-12	HOSE END,45° FEMALE SWIVEL,JIC	89489	4 WJMLO-S	BRANCH TEE,BULKHEAD,ORFS
83066	13943-8-8	HOSE END,90° FEMALE SWIVEL,JIC	89551	1JB43-6-6	HOSE END,BULKHEAD,SEAL LOK
83067	14143-6-6	HOSE END,90° FEMALE SWIVEL,JIC	89552	1JB43-8-8	HOSE END,BULKHEAD,SEAL LOK
83068	14143-8-8	HOSE END,90° FEMALE SWIVEL,JIC	89593	20 C5OLO-S	ELBOW,90°,STRAIGHT THREAD TO ORFS
83069	14143-12-12	HOSE END,90° FEMALE SWIVEL,JIC	94161	8-8 CLO-S	ELBOW,90°,MALE PIPE TO ORFS
83070	772-8	HOSE,1/2 INCH ID	94358	351TC-12	HOSE,3/4 INCH ID
83071	10671-8-8	HOSE END,FEMALE SWIVEL,JIC	94418	20 FLO-S	CONNECTOR,MALE PIPE TO ORFS
83072	10671-12-12	HOSE END,FEMALE SWIVEL,JIC	96358	12 TX-S	SLEEVE,FLARE TUBE
83073	13771-8-8	HOSE END,45° FEMALE SWIVEL,JIC	96359	12 BTX-S	NUT,FLARE TUBE
83074	13771-12-12	HOSE END,45° FEMALE SWIVEL,JIC	96397	8 F5OX-S	CONNECTOR,STRAIGHT THREAD TO FLARE TUBE
83075	13971-8-8	HOSE END,90° FEMALE SWIVEL,JIC	96398	12-8 F5OX-S	CONNECTOR,STRAIGHT THREAD TO FLARE TUBE
83076	13971-12-12	HOSE END,90° FEMALE SWIVEL,JIC	96402	10343-6-6	HOSE END,MALE,JIC
83077	14171-8-8	HOSE END,90° FEMALE SWIVEL,JIC	96407	30382-6-6B	HOSE END,MALE,JIC
83078	14171-12-12	HOSE END,90° FEMALE SWIVEL,JIC			
83080	13943-16-16	HOSE END,90° FEMALE SWIVEL,JIC			
83103	10671-16-12	HOSE END,FEMALE SWIVEL,JIC			
83104	10671-10-12	HOSE END,FEMALE SWIVEL,JIC			
83112	1JC71-8-8	HOSE END,FEMALE SWIVEL,SEAL LOK			
83113	1JS71-16-12	HOSE END,FEMALE SWIVEL,SEAL LOK			
83114	1JS71-10-12	HOSE END,FEMALE SWIVEL,SEAL LOK			
83115	1J971-8-8	HOSE END,90° FEMALE SWIVEL,SEAL LOK			
83116	1J171-8-8	HOSE END,90° FEMALE SWIVEL,SEAL LOK			
83117	1J771-8-8	HOSE END,45° FEMALE SWIVEL,SEAL LOK			
83127	1J543-6-8	HOSE END,90° FEMALE SWIVEL,JIC			
83128	1JC43-6-8	HOSE END,FEMALE SWIVEL,SEAL LOK			
87033	12-6 TRLO-S	REDUCER,TUBE END TO SWIVEL,ORFS			
87034	3J782-8-8	HOSE END,45° FEMALE SWIVEL,SEAL LOK			
87172	12 HP5ON-S	PLUG,STRAIGHT THREAD			
87185	8 WNLO-WLNL-S	UNION,BULKHEAD 45°,ORFS			
87246	4 C6X-S	ELBOW,90°,SWIVEL NUT TO FLARE TUBE			
87679	6 LHP-S	FLANGE SEAL FITTING, MALE			
87681	6PLS N0702	BONDED SEAL			
88100	SR88100	ADAPTER,OIL DRAIN,GM 3.0L			
88311	1JS43-20-20	HOSE END,FEMALE SWIVEL,SEAL LOK			
88353	20 V5OLO-S	ELBOW,45°,STRAIGHT THREAD TO ORFS			
88474	10081-20	Crimp Shell, 1.25"			
88475	1988-20-24	HOSE END,90° FLANGE HEAD			
88476	JS88-24-24	HOSE END,FEMALE SWIVEL,SEAL LOK			
88477	1JC88-20-20	HOSE END,FEMALE SWIVEL,SEAL LOK			
88478	811-20	HOSE,11/4 INCH ID			
88936	20-16 F5OLO-S	CONNECTOR,STRAIGHT THREAD TO ORFS			
88937	20-16 FLO-S	CONNECTOR,MALE PIPE TO ORFS			
88938	1JC88-16-16	HOSE END,FEMALE SWIVEL,SEAL LOK			
88939	1J988-16-16	HOSE END,90° FEMALE SWIVEL,ORFS			
88940	811-16	HOSE,1 INCH ID			
88944	1J988-20-20	HOSE END,90° FEMALE SWIVEL,ORFS			
89403	16 VLO-S	ELBOW,45°,MALE PIPE TO ORFS			

California Proposition 65



WARNING

Operating, servicing and maintaining this equipment can expose you to chemicals including engine exhaust, carbon monoxide, phthalates, and lead, which are known to the State of California to cause cancer and birth defects or other reproductive harm. These chemicals can be emitted from or contained in other various parts and systems, fluids and some component wear by-products. To minimize exposure, avoid breathing exhaust, do not idle the engine except as necessary, service your equipment and vehicle in a well-ventilated area and wear gloves or wash your hands frequently when servicing your equipment or vehicle and after operation. For more information go to www.P65Warnings.ca.gov/passenger-vehicle.

Breathing diesel engine exhaust exposes you to chemicals known to the State of California to cause cancer and birth defects or other reproductive harm.

- Always start and operate the engine in a well-ventilated area.
- If in an enclosed area, vent the exhaust to the outside.
- Do not modify or tamper with the exhaust system.
- Do not idle the engine except as necessary.

For more information go to www.P65warnings.ca.gov/diesel.

Distributed By:

www.Steak-Equipment.com to order your parts

PARTS FINDER

**Search Website
by Part Number**



**Search Manual
Library For Parts
Manual & Lookup Part
Numbers – Purchase
or Request Quote**

Search Manuals

Enter your information to help us find the right parts manual for your machine.

* Brand:

* Model:

* Serial:

* Part Number:

SEARCH

**Can't Find Part or
Manual? Request Help
by Manufacturer,
Model & Description**

Parts Order Form

Please fill in the following information to help us find the right part for your machine.

Manufacturer:	<input type="text"/>
Model:	<input type="text"/>
Description:	<input type="text"/>
Part Number:	<input type="text"/>
Quantity:	<input type="text"/>
Notes:	<input type="text"/>

Submit

Discount-Equipment.com is your online resource for quality parts & equipment.

Florida: **561-964-4949** Outside Florida TOLL FREE: **877-690-3101**

Need parts?

Click on this link: <http://www.discount-equipment.com/category/5443-parts/> and choose one of the options to help get the right parts and equipment you are looking for. Please have the machine model and serial number available in order to help us get you the correct parts. If you don't find the part on the website or on one of the online manuals, please fill out the request form and one of our experienced staff members will get back to you with a quote for the right part that your machine needs.

We sell worldwide for the brands: Genie, Terex, JLG, MultiQuip, Mikasa, Essick, Whiteman, Mayco, Toro Stone, Diamond Products, Generac Magnum, Airman, Haulotte, Barreto, Power Blanket, Nifty Lift, Atlas Copco, Chicago Pneumatic, Allmand, Miller Curber, Skyjack, Lull, Skytrak, Tsurumi, Husquvarna Target, Stow, Wacker, Sakai, Mi-T-M, Sullair, Basic, Dynapac, MBW, Weber, Bartell, Bennar Newman, Haulotte, Ditch Runner, Menegotti, Morrison, Contec, Buddy, Crown, Edco, Wyco, Bomag, Laymor, EZ Trench, Bil-Jax, F.S. Curtis, Gehl Pavers, Heli, Honda, ICS/PowerGrit, IHI, Partner, Imer, Clipper, MMD, Koshin, Rice, CH&E, General Equipment, Amida, Coleman, NAC, Gradall, Square Shooter, Kent, Stanley, Tamco, Toku, Hatz, Kohler, Robin, Wisconsin, Northrock, Oztec, Toker TK, Rol-Air, APT, Wylie, Ingersoll Rand / Doosan, Innovatech, Con X, Ammann, Mecalac, Makinex, Smith Surface Prep, Small Line, Wanco, Yanmar