



A TEREX BRAND



# Parts Manual

Serial Number Range

**S-60**

from SN S6013-26296 to  
S6014-27507

**S-65**

**S-60X**

**S-60XC**

**S-60HC**

**S-60TRAX**

**S-65TRAX**

Part No. 826283

Rev A23

November 2018

Go to [Discount-Equipment.com](http://Discount-Equipment.com) to order your parts

# PARTS FINDER

**Search Website  
by Part Number**



**Search Manual  
Library For Parts  
Manual & Lookup Part  
Numbers – Purchase  
or Request Quote**

**Search Manuals**

Enter your information to help us find the right parts manual for your machine.

\* Brand:

\* Model:

\* Serial:

\* Part Number:

SEARCH

**Can't Find Part or  
Manual? Request Help  
by Manufacturer,  
Model & Description**

**Parts Order Form**

Please fill in the following information to help us find the right part for your machine.

Manufacturer:	<input type="text"/>
Model:	<input type="text"/>
Description:	<input type="text"/>
Part Number:	<input type="text"/>
Quantity:	<input type="text"/>
Notes:	<input type="text"/>

Submit


Discount-Equipment.com is your online resource for quality parts & equipment.

Florida: **561-964-4949** Outside Florida TOLL FREE: **877-690-3101**

**Need parts?**

Click on this link: <http://www.discount-equipment.com/category/5443-parts/> and choose one of the options to help get the right parts and equipment you are looking for. Please have the machine model and serial number available in order to help us get you the correct parts. If you don't find the part on the website or on one of the online manuals, please fill out the request form and one of our experienced staff members will get back to you with a quote for the right part that your machine needs.


We sell worldwide for the brands: Genie, Terex, JLG, MultiQuip, Mikasa, Essick, Whiteman, Mayco, Toro Stone, Diamond Products, Generac Magnum, Airman, Haulotte, Barreto, Power Blanket, Nifty Lift, Atlas Copco, Chicago Pneumatic, Allmand, Miller Curber, Skyjack, Lull, Skytrak, Tsurumi, Husquvarna Target, Stow, Wacker, Sakai, Mi-T-M, Sullair, Basic, Dynapac, MBW, Weber, Bartell, Bennar Newman, Haulotte, Ditch Runner, Menegotti, Morrison, Contec, Buddy, Crown, Edco, Wyco, Bomag, Laymor, EZ Trench, Bil-Jax, F.S. Curtis, Gehl Pavers, Heli, Honda, ICS/PowerGrit, IHI, Partner, Imer, Clipper, MMD, Koshin, Rice, CH&E, General Equipment, Amida, Coleman, NAC, Gradall, Square Shooter, Kent, Stanley, Tamco, Toku, Hatz, Kohler, Robin, Wisconsin, Northrock, Oztec, Toker TK, Rol-Air, APT, Wylie, Ingersoll Rand / Doosan, Innovatech, Con X, Ammann, Mecalac, Makinex, Smith Surface Prep, Small Line, Wanco, Yanmar

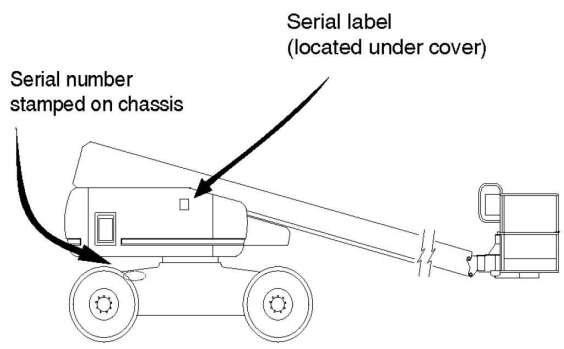
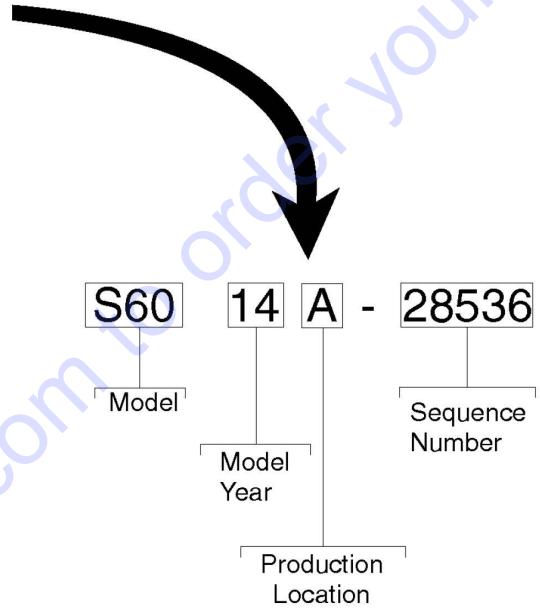


**A TEREX BRAND**

**Model:** S-60  
**Serial number:** S6014A-28536  
**Model year:** 2014    **Manufacture date:** 03/01/14  
**Electrical schematic number:** E0186  
**Machine unladen weight:** 20,736lbs / 9,406kg  
 Foam Tires add 764 lbs/347 kg to weight

**Rated work load (including occupants):** 500 lb / 227 kg  
**Maximum number of platform occupants:** 2  
**Maximum allowable side force :** 150 lb / 670 N  
**Maximum allowable inclination of the chassis:**  
 Air Tires 2 deg / Foam Tires 4.5 deg  
**Maximum wind speed :** 28 mph/ 12.5 m/s  
**Maximum platform height :** 60 ft 2 in/ 18.3 m  
**Maximum platform reach :** 50 ft 4 in/ 15.3 m  
**Gradeability:** 45%  
**Country of manufacture:** USA  
**This machine complies with:**  
 ANSI A92.5  
 CAN B.354.4





## Table of Contents

This manual is updated frequently. For the most up-to-date parts information, visit [www.discount-equipment.com](http://www.discount-equipment.com)

How to Read Your Serial Number.....	3
Parts Stocking List.....	9

**Electronic Version**

Click on any page number to view the figure.

**100 Decals**

101.1 S-60 Decals with Word, Hydraulic Tank Side (Australia).....	12
102.1 S-60 Decals with Word, Engine Side (Australia).....	14
103.1 S-60 Decals with Word, Boom (Australia).....	16
104.1 S-60 Decals with Word, Platform (Australia).....	18
105.1 S-60 Decals with Symbol, Hydraulic Tank Side (CE).....	20
106.1 S-60 Decals with Symbol, Engine Side (CE).....	22
107.1 S-60 Decals with Symbol, Boom (CE).....	24
108.1 S-60 Decals with Symbol, Platform (CE).....	26
109.1 S-65 Decals with Word, Hydraulic Tank Side (ANSI & Australia).....	28
110.1 S-65 Decals with Word, Engine Side (ANSI & Australia).....	30
111.1 S-65 Decals with Word, Boom (ANSI & Australia).....	32
112.1 S-65 Decals with Word, Platform (ANSI & Australia).....	34
113.1 S-65 Decals with Symbol, Hydraulic Tank Side (ANSI & CE).....	36
114.1 S-65 Decals with Symbol, Engine Side (ANSI & CE).....	38
115.1 S-65 Decals with Symbol, Boom (ANSI & CE).....	40
116.1 S-65 Decals with Symbol, Platform (ANSI & CE).....	42
117.1 S-60X Decals with Word, Hydraulic Tank Side (ANSI).....	44
118.1 S-60X Decals with Word, Engine Side (ANSI).....	46
119.1 S-60X Decals with Word, Boom (ANSI).....	48
120.1 S-60X Decals with Word, Platform (ANSI).....	50
121.1 S-60X Decals with Symbol, Hydraulic Tank Side (ANSI).....	52
122.1 S-60X Decals with Symbol, Engine Side (ANSI).....	54
123.1 S-60X Decals with Symbol, Boom (ANSI).....	56
124.1 S-60X Decals with Symbol, Platform (ANSI).....	58

125.1 S-60XC Decals with Word, Hydraulic Tank Side (ANSI).....	60
126.1 S-60XC Decals with Word, Engine Side (ANSI).....	62
127.1 S-60XC Decals with Word, Boom (ANSI).....	64
128.1 S-60XC Decals with Word, Platform (ANSI).....	66
129.1 S-60XC Decals with Symbol, Hydraulic Tank Side (ANSI).....	68
130.1 S-60XC Decals with Symbol, Engine Side (ANSI).....	70
131.1 S-60XC Decals with Symbol, Boom (ANSI).....	72
132.1 S-60XC Decals with Symbol, Platform (ANSI).....	74
133.1 S-60TraX Decals with Word, Hydraulic Tank Side (ANSI & Australia).....	76
134.1 S-60TraX Decals with Word, Engine Side (ANSI & Australia).....	78
135.1 S-60TraX Decals with Word, Boom (ANSI & Australia).....	80
136.1 S-60TraX Decals with Word, Platform (ANSI & Australia).....	82
137.1 S-60TraX Decals with Symbol, Hydraulic Tank Side (ANSI & CE).....	84
138.1 S-60TraX Decals with Symbol, Engine Side (ANSI & CE).....	86
139.1 S-60TraX Decals with Symbol, Boom (ANSI & CE).....	88
140.1 S-60TraX Decals with Symbol, Platform (ANSI & CE).....	90
141.1 S-65TraX Decals with Word, Hydraulic Tank Side (ANSI & Australia).....	92
142.1 S-65TraX Decals with Word, Engine Side (ANSI & Australia).....	94
143.1 S-65TraX Decals with Word, Boom (ANSI & Australia).....	96
144.1 S-65TraX Decals with Word, Platform (ANSI & Australia).....	98
145.1 S-65TraX Decals with Symbol, Hydraulic Tank Side (ANSI & CE).....	100
146.1 S-65TraX Decals with Symbol, Engine Side (ANSI & CE).....	102
147.1 S-65TraX Decals with Symbol, Boom (ANSI & CE).....	104
148.1 S-65TraX Decals with Symbol, Platform (ANSI & CE).....	106
149.1 S-60HC Decals with Symbol, Hydraulic Tank Side (CE).....	108
150.1 S-60HC Decals with Symbol, Engine Side (CE).....	110
151.1 S-60HC Decals with Symbol, Boom (CE).....	112
152.1 S-60HC Decals with Symbol, Platform (CE).....	114

**200 Drive Chassis Components**

201.1 Steer End.....	116
202.1 Non-steer End.....	120
203.1 Oscillate Valve.....	124

204.1 TraX Option Steer End.....	126	516.1 Perkins 404F-22, View 4.....	220
205.1 TraX Option Non-steer End.....	128		
206.1 TraX Option Components.....	130		
<b>300 Turntable Components</b>		<b>600 Boom Structure Components</b>	
301.1 Tank Side - View 1.....	132	601.1 Linkage Assembly.....	222
302.1 Tank Side - View 2.....	136	602.1 Boom Components, View 1.....	226
303.1 Tank Side - S-60 HC Turntable.....	138	603.1 Boom Components, View 2.....	228
304.1 Diesel Fuel Tank Installation.....	140	604.1 Boom Limit Switch, S-60X, S-60XC, S-60TraX ANSI.....	230
305.1 Gasoline Fuel Tank Installation.....	142	605.1 Boom End Components, S-60, S-60TraX.....	232
306.1 Ground Control Box, with Hour Meter - View 1, External.....	144	606.1 Boom End Components, S-65, S-65TraX.....	234
307.1 Ground Control Box, with Hour Meter - View 2, Internal.....	146	607.1 Boom End Components, S-60HC.....	236
308.1 Ground Control Box, with LCD Readout Screen - View 1, External.....	148	608.1 Boom End Components, S-60X and S-60XC.....	238
309.1 Ground Control Box, with LCD Readout Screen - View 2, Internal.....	152	609.1 Boom End Components, Load Sense, S-60, S-65 CE.....	240
310.1 Engine Side.....	154	610.1 Primary Boom Components, S-60HC.....	242
311.1 Engine Side, S-60 HC Turntable.....	158	611.1 Cable Track.....	244
312.1 Turntable Covers.....	160		
313.1 Wire Harness Diagram.....	162	<b>700 Platform Components</b>	
<b>400 Manifolds and Pumps</b>		701.1 Platform Installation.....	246
401.1 Function Manifold (to SN 26514).....	166	702.1 Platform Control Box - View 1, External.....	248
401.2 Function Manifold (from SN 26515).....	170	703.1 Platform Control Box - View 2, Internal.....	252
402.1 Traction Manifold, 2WD.....	174	704.1 Joysticks.....	254
403.1 Traction Manifold, 4WD.....	176	<b>800 Hydraulic Hose and Fittings</b>	
404.1 Platform Rotate and Jib Rotate Manifold.....	178	801.1 Function Manifold, View 1 (to SN 26514).....	256
405.1 Pumps.....	180	801.2 Function Manifold, View 1 (from SN 26515).....	258
406.1 Brake and 2 Speed Manifold.....	182	802.1 Function Manifold, View 2 (to SN 26514).....	260
<b>500 Engine Components</b>		802.2 Function Manifold, View 2 (from SN 26515).....	262
501.1 Deutz D2011L03i.....	184	803.1 4WD Traction Manifold.....	264
502.1 Deutz TD2011L04i, View 1.....	188	804.1 2WD Traction Manifold.....	266
503.1 Deutz TD2011L04i, View 2.....	192	805.1 Oscillate Option.....	268
504.1 Deutz D2.9L4, View 1.....	194	806.1 Hydraulic Generator Option.....	270
505.1 Deutz D2.9L4, View 2.....	196	807.1 Hydraulic Oil Cooler Option.....	272
506.1 Deutz D2.9L4, View 3.....	198	808.1 Welder Option.....	274
507.1 Deutz D2.9L4, View 4.....	200	<b>900 Accessories</b>	
508.1 Ford MSG-425 EFI, View 1.....	202	901.1 Flashing Alarm Package.....	276
509.1 Ford MSG-425 EFI, View 2.....	204	902.1 Control Box Cover, Pinch Guard and Tool Tray.....	278
510.1 Ford MSG-425 EFI, View 3.....	206	903.1 Half Mesh and Swing Gate.....	280
511.1 Ford MSG-425 EFI, View 4.....	208	904.1 Tri-Entry Platform and Platform Toeboard.....	282
512.1 Perkins 404D-22.....	210	905.1 Panel Cradle and Pipe Cradle.....	284
513.1 Perkins 404F-22, View 1.....	214	906.1 Work Lights and Drive Lights.....	286
514.1 Perkins 404F-22, View 2.....	216	907.1 Operator Protective Structure.....	288
515.1 Perkins 404F-22, View 3.....	218	908.1 Aircraft Protection, S-65, S-65TraX (to SN S6014A-27652).....	290
		908.2 Aircraft Protection, Standard Entry, S-65, S-65TraX (from SN S6014A-27653).....	292
		909.1 Aircraft Protection, Deluxe, S-65, S-65TraX (to SN S6014A-27652).....	294

## Table of Contents (continued)

909.2 Aircraft Protection, Swing Gate, S-65, S-65TraX (from SN S6014A-27653).....	296
910.1 Air line and Power to Platform.....	298
911.1 Hostile Environment, Boom Wipers.....	300
912.1 Hostile Environment, Turntable Components.....	302
913.1 Hostile Environment, Cylinder Bellows and Cable Track.....	304
914.1 Hostile Environment, Engine Air Pre-Cleaners.....	306
915.1 Welder Option, Chassis Components.....	308
916.1 Welder Option, Platform Components.....	310
917.1 Welder Option, Generator Components.....	312
918.1 Gauge Option.....	314
919.1 Cold Start Package.....	316
920.1 Hydraulic Oil Cooler Option.....	318
921.1 Hydraulic Generator.....	320
922.1 Tow Package.....	322
923.1 Fall Arrest Bar.....	324
924.1 Operators Protection Alarm.....	326
<b>Indices</b>	
Part Number Index.....	328
Part Description Index.....	337
<b>Cross References</b>	
Fittings Cross Reference.....	350

## Required Parts

The following parts are required to perform maintenance procedures for your machine.

### All Models:

Description	Part No.
Hydraulic Tank Filter .....	88917
Medium Pressure Filter .....	60857
High Pressure Filter .....	60857
Dielectric Grease .....	66399
Lithium Based Grease.....(source locally)	
Drive Hub Oil (refer to Service Manual) ..(source locally)	

### Perkins 404D-22 Models:

Description	Part No.
Air Filter Element .....	62420
Fuel/water Separator Element.....	62433
Engine Oil Filter .....	94762
V-belt .....	89765
Fuel Filter.....	62421

### Perkins 404F-22 Models:

Description.....	Part No.
Air Filter Element .....	62420
Fuel/water Separator Element.....	62433
Engine Oil Filter .....	94762
V-belt (alternator & water pump) .....	89765
V-belt (air pump).....	1253750
Fuel Filter Cartridge.....	62421
Fuel Filter Assembly .....	94889

### Deutz TD2011-L03i Models:

Description.....	Part No.
Air Filter .....	62420
Fuel/water Separator Element.....	29560
Engine Oil Filter .....	49924
V-belt .....	32698

### Deutz TD2011-L04i Models:

Description	Part No.
Air Filter .....	62425
Fuel/water Separator Element.....	29560
Engine Oil Filter .....	49924
V-belt .....	58630

### Deutz D2.9L4 Models:

Description.....	Part No.
Air Filter .....	62420
Main Fuel Filter .....	214228
Fuel Filter/water Separator Element.....	214229
Engine Oil Filter .....	49924
V-belt (alternator & water pump) .....	1253748
V-belt (air pump) .....	1253750

### Ford DSG-423 EFI Models:

Description	Part No.
Fuel Pre-Filter .....	119984
Engine Oil Filter .....	119139
Air Filter Element .....	77295
Serpentine Belt .....	119138
PCV Valve.....	119474
Spark Plug .....	119495

## Recommended Parts

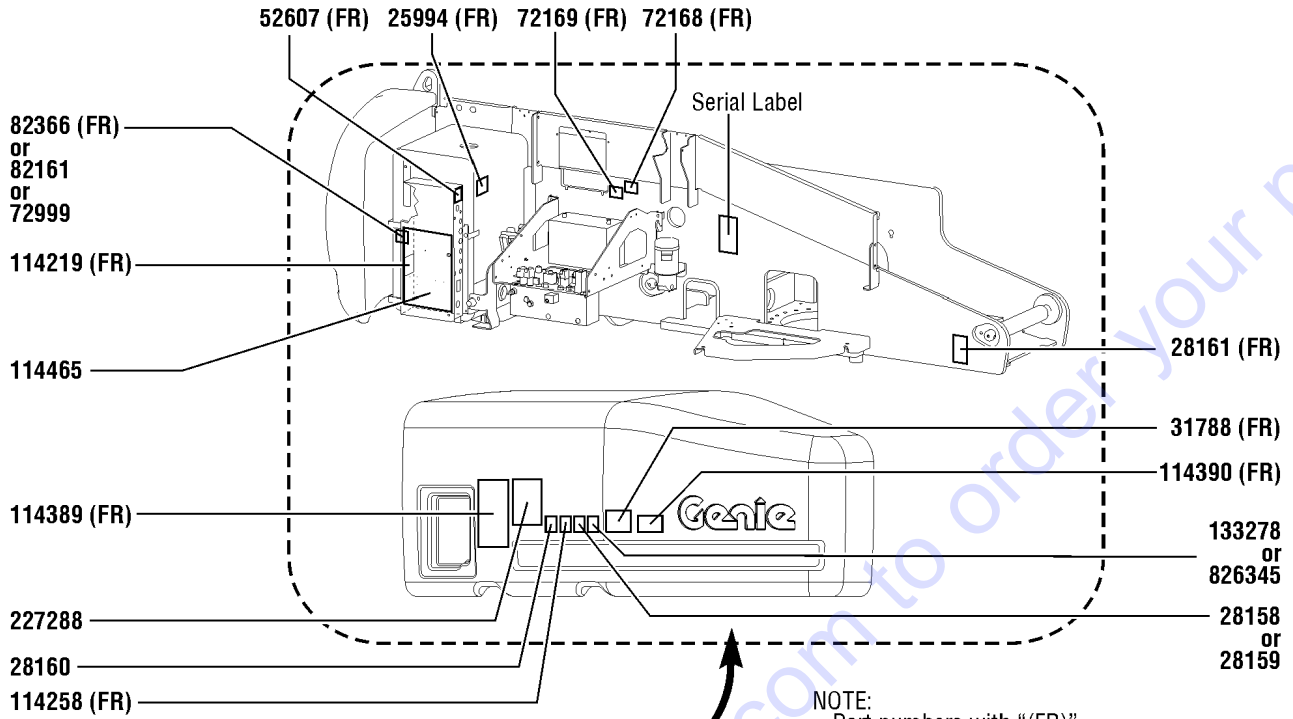
Description	Part No.
Genie Blue Paint, 1 Gallon .....	32150
Genie Blue Paint, 12 Ounce Aerosol.....	1484
Genie Gray Paint, 1 Gallon.....	32151
Genie Gray Paint, 12 Ounce Aerosol .....	1268
Plug and Cap Kit (for ORFS fittings).....	49613
Protractor Kit .....	58351

## Find a Manual for this Model

Genie also offers the following support documents:

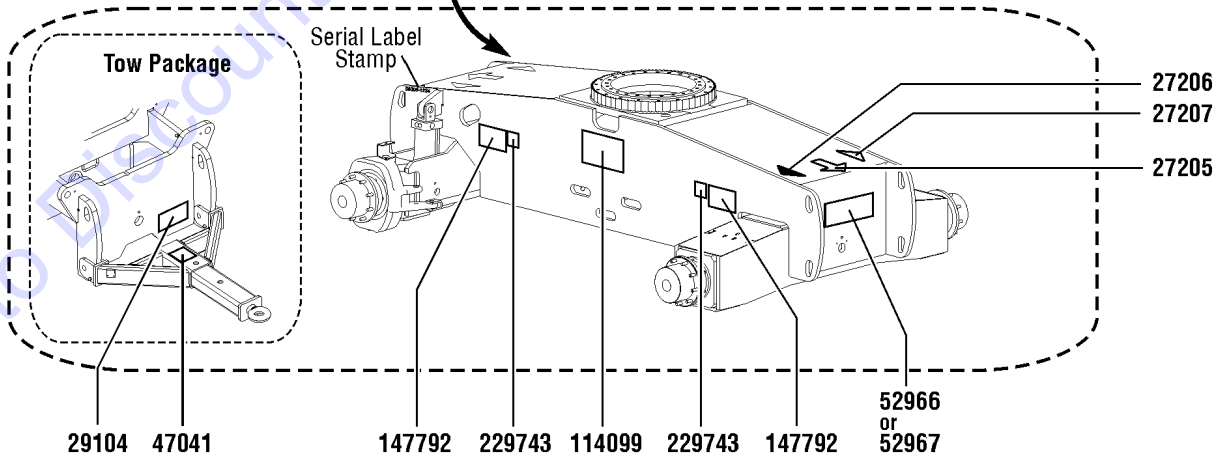
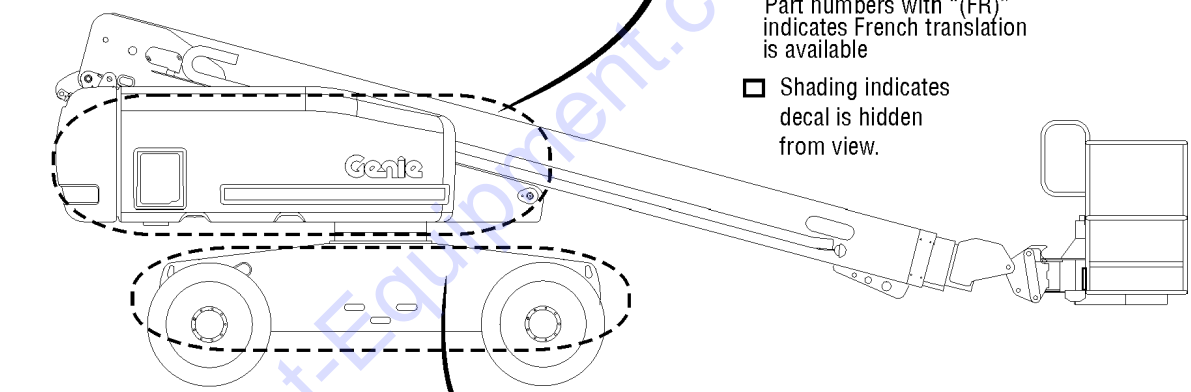
EMI Safety Manual .....	27581
Manual of Responsibilities ANSI A92.5.....	31779

101.1 S-60 Decals with Word, Hydraulic Tank Side (Australia)



NOTE:  
Part numbers with "(FR)"  
indicates French translation  
is available

☐ Shading indicates  
decal is hidden  
from view.

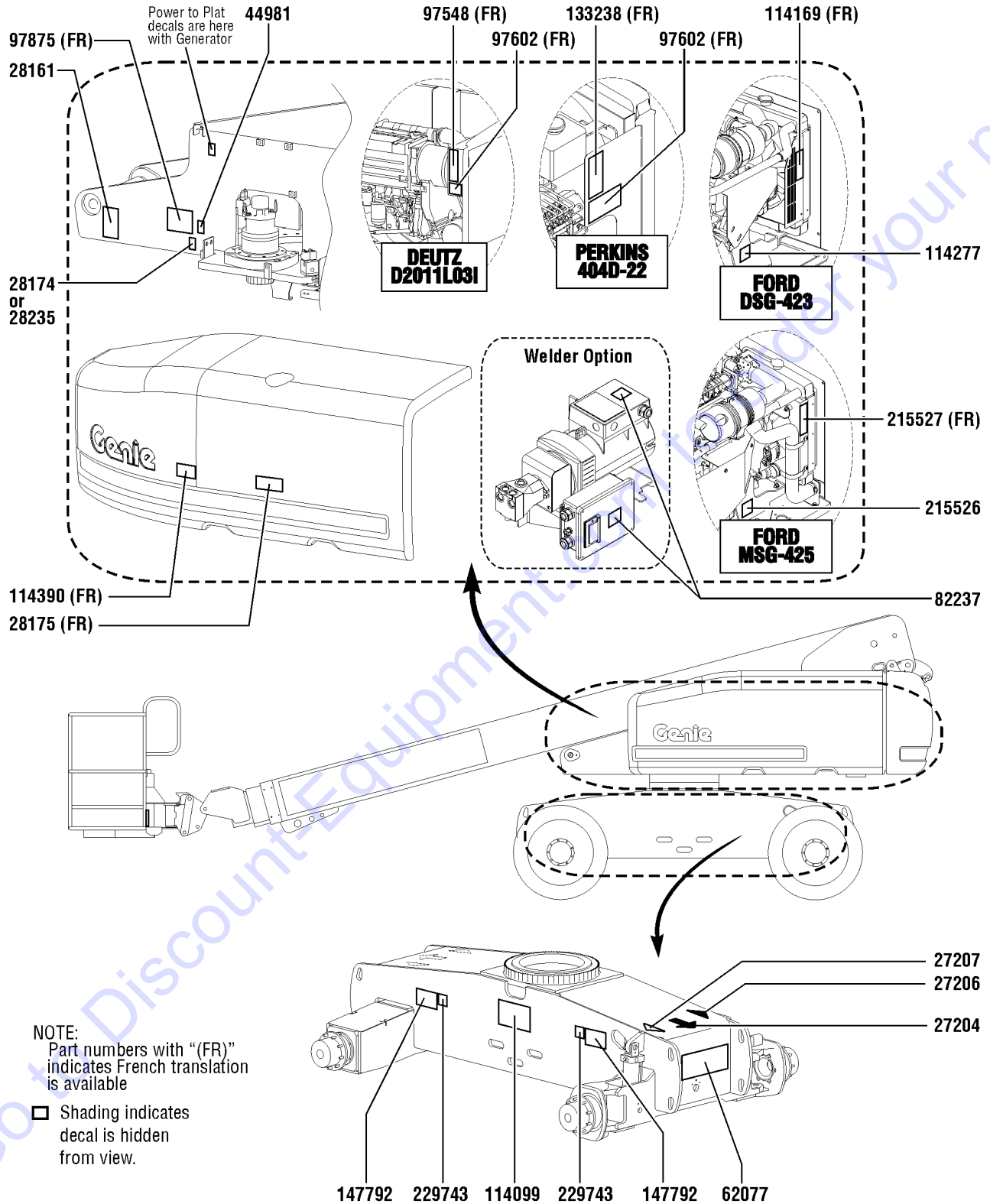




## 101.1 S-60 Decals with Word, Hydraulic Tank Side (Australia)

Item	Part No.	Description	Qty.
1	25994GT	DECAL,NOTICE,SHUTOFF VALVES.....1	1
2	27205GT	DECAL,ARROW YELLOW LRG 9".....1	1
3	27206GT	DECAL,TRIANGLE,BLUE.....1	1
4	27207GT	DECAL,TRIANGLE,YELLOW.....1	1
5	28158GT	DECAL,LABEL,UNLEADED GAS ONLY.....1	1
6	28159GT	DECAL,DIESEL.....1	1
7	28160GT	DECAL,LABEL,LIQUID PROPANE.....1 <i>Option, LPG tank</i>	1
8	28161GT	DECAL,WARN,CRUSH HAZARD HAND.....1	1
9	29104GT	DECAL,TOWING INSTRUCTIONS.....1 <i>Option, tow package</i>	1
10	31788GT	DECAL,DANGER,BATTERY SAFETY***.....1	1
11	47041GT	DECAL,CAUTION,TOWING SPEED.....1 <i>Option, tow package</i>	1
12	52607GT	DECAL,LABEL,TEST***.....1 <i>Ford only</i>	1
13	52966GT	DECAL,COSMETIC,4 X 2.....1	1
14	52967GT	DECAL,COSMETIC,4 X 4.....1	1
15	72168GT	DECAL,LABEL,STARTER BATTERY.....1	1
16	72169GT	DECAL,LABEL,CONTROLS BATTERY.....1	1
17	72999GT	DECAL,LABEL,PETRO CANADA***.....1	1
18	82161GT	DECAL,LABEL,UCON HYDROLUBE.....1	1
19	82366GT	DECAL,CHEVRON RANDO HD.....1	1
20	114099GT	DECAL,LABEL,TRANSPORT DIAGRAM.....1	1
21	114219GT	DECAL,LABEL,RELAYS,S60&65.....1	1
22	114258GT	DECAL,DANGER,NO SMOKING.....1	1
23	114389GT	DECAL,DANGER,GENERAL SAFETY....1	1
24	114390GT	DECAL,DANGER,ELECT HAZARD***....1	1
25	114465GT	DECAL GROUND CONTROL BOX.....1	1
26	133278GT	DECAL,LOW/ULTRA LOW SULFR FUEL.....1 <i>(Deutz D2011L3i, Deutz TD2011L04i and Perkins 404D-22)</i>	1
27	147792GT	DANGER,TIPOVR,TIRES FF ONLY.....2	2
28	227288GT	DECAL, OPERATING INSTRUCTIONS.....1	1
29	229743GT	DECAL,LABEL,WHEEL LOAD S60/60X.....2	2
30	826345GT	DECAL,ULS DIESEL ONLY,TIER 4.....1 <i>(Deutz D2.9L4 and Perkins 404F-22)</i>	1

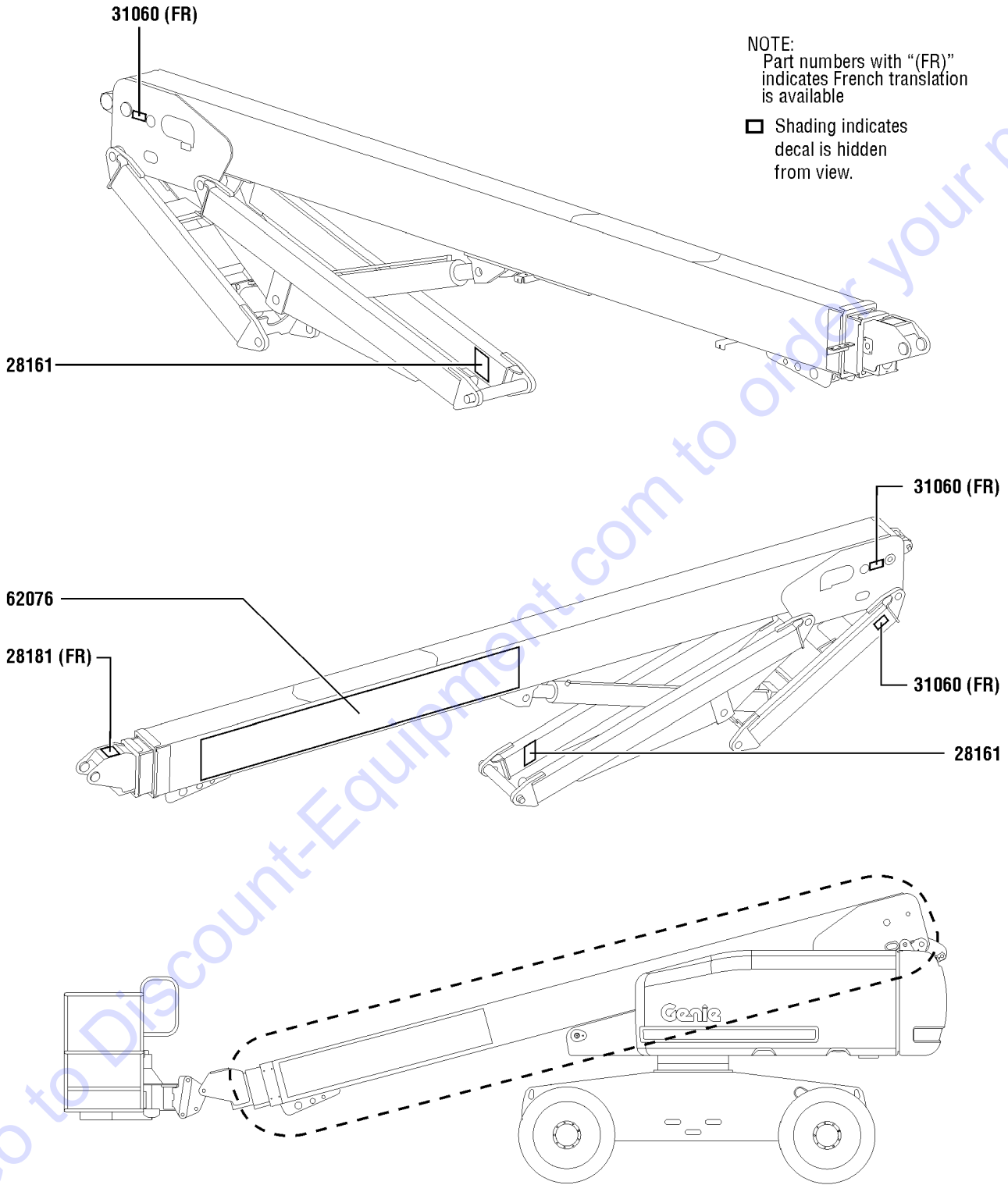
102.1 S-60 Decals with Word, Engine Side (Australia)



## 102.1 S-60 Decals with Word, Engine Side (Australia)

Item	Part No.	Description	Qty.
1	27204GT	DECAL,ARROW BLUE.....	1
2	27206GT	DECAL,TRIANGLE,BLUE.....	1
3	27207GT	DECAL,TRIANGLE,YELLOW.....	1
4	28161GT	DECAL,WARN,CRUSH HAZARD HAND.....	1
5	28174GT	DECAL, POWER TO PLATFORM 230V**.....	1
6	28175GT	DECAL,WARNING-COMPART ACCESS.....	1
7	28235GT	DECAL,POWER TO PLATFORM 115V...1	
8	44981GT	DECAL,LABEL, AIR LINE 110 PSI.....1 <i>Option,airline to plat</i>	
9	62077GT	DECAL,COSMETIC,S60.....	1
10	82237GT	DECAL,DANGER,HIGH VOLTAGE.....2 <i>Option, welder</i>	
11	97548GT	DECAL,ENGINE SPEC,DEUTZ 2011.....1	
12	97602GT	DECAL,EXPLOSION HAZARD.....1	
13	97875GT	DECAL,WARN.WELD LINE INST.WORD.....1 <i>Option, weld cable line</i>	
14	114099GT	DECAL,LABEL,TRANSPORT DIAGRAM.....	1
15	114169GT	DECAL,FORD ENGINE SPEC DSG423.....	1
16	114277GT	DECAL,LABEL,BELT ROUTING DSG.....1	
17	114390GT	DECAL,DANGER,ELECT HAZARD***.....1	
18	133238GT	DECAL,ENGINE SPEC,PERKINS***.....1	
19	147792GT	DANGER,TIPOVR,TIRES FF ONLY.....2	
20	215526GT	DECAL,LABEL,BELT,MSG425.....	1
21	215527GT	DECAL,FORD ENGINE SPEC MSG425.....	1
22	229743GT	DECAL,LABEL,WHEEL LOAD S60/60X.....	2

103.1 S-60 Decals with Word, Boom (Australia)

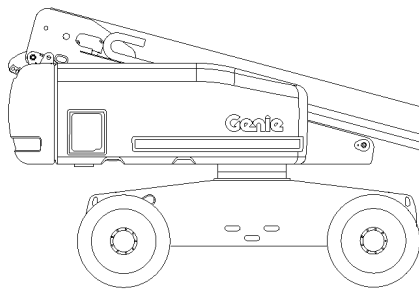


## 103.1 S-60 Decals with Word, Boom (Australia)

Item	Part No.	Description	Qty.
1	28161GT	DECAL,WARN,CRUSH HAZARD HAND.....	2
2	28181GT	DECAL,WARN,FALL HAZARD.....	1
3	31060GT	DECAL,DANGER DO NOT ALTER SWTC.....	3
4	62076GT	DECAL,COSMETIC,GENIE S-60.....	1

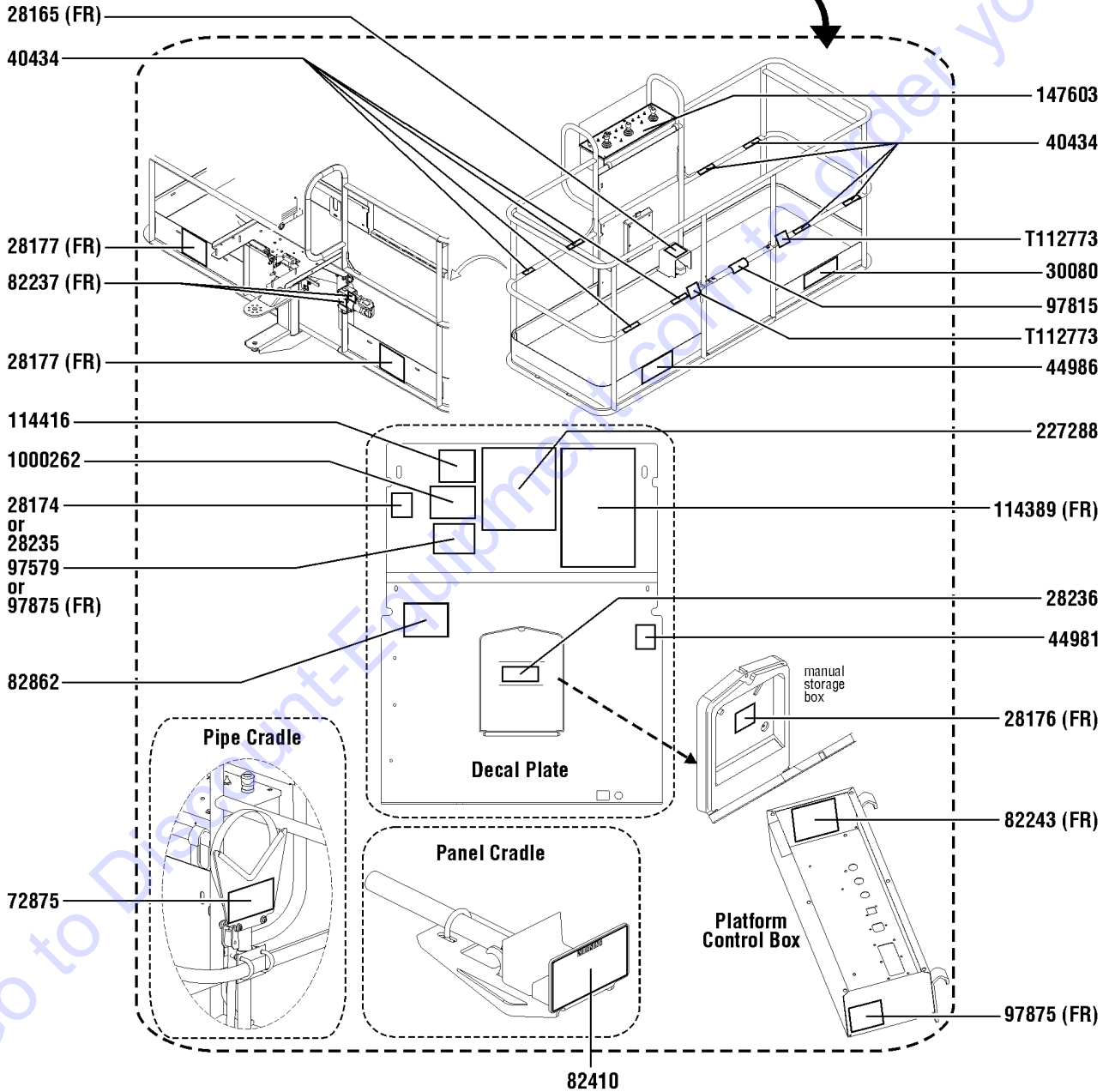
Go to Discount-Equipment.com to order your parts

104.1 S-60 Decals with Word, Platform (Australia)



NOTE:  
Part numbers with "(FR)" indicates French translation is available

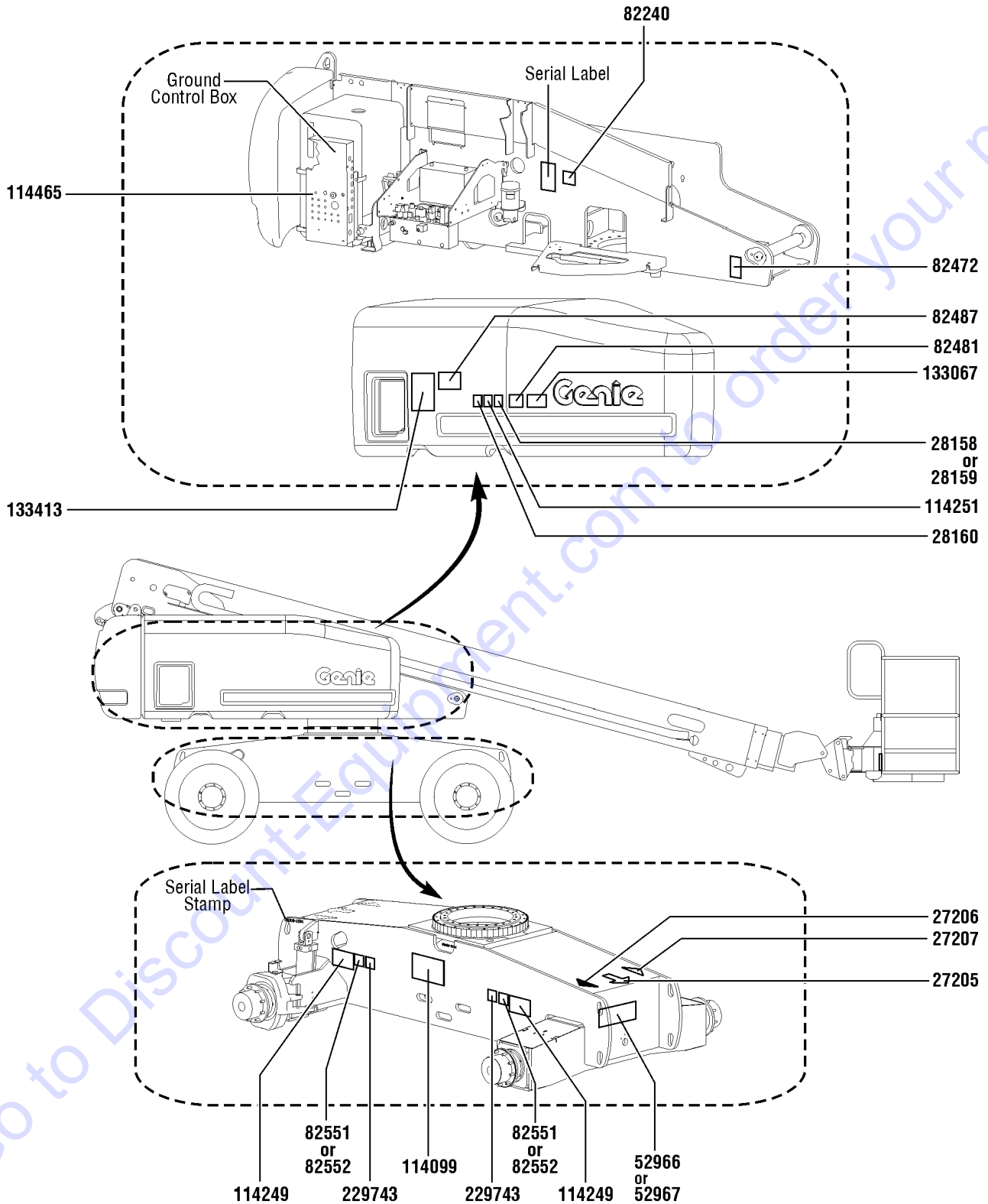
☐ Shading indicates decal is hidden from view.



## 104.1 S-60 Decals with Word, Platform (Australia)

Item	Part No.	Description	Qty.
1	28165GT	DECAL,INSTRUCT,FOOTSWITCH OPER.....	1
2	28174GT	DECAL, POWER TO PLATFORM 230V**.....	1
3	28176GT	DECAL,LABEL,MANUAL NOT HERE.....	1
4	28177GT	DECAL,WARN,CRUSH HAZARD PLAT.....	2
5	28235GT	DECAL,POWER TO PLATFORM 115V....	1
6	28236GT	DECAL,WARN,IMPROPER OPERATION.....	1
7	30080GT	DECAL,NOTICE,MAX LOAD 500 LBS....	1
8	40434GT	DECAL,LANYARD ANCHORAGE POINT.....	8
9	44981GT	DECAL,LABEL, AIR LINE 110 PSI..... <i>Option, airline to plat</i>	1
10	44986GT	DECAL,INSTR,SIDE FRC/WIND,AUS....	1
11	72875GT	DECAL,WARNING,PIPE CRADLE,BOOM..... <i>Option, pipe cradle</i>	2
12	82237GT	DECAL,DANGER,HIGH VOLTAGE..... <i>Option, welder</i>	2
13	82243GT	DECAL FAULT CODE.....	1
14	82410GT	DECAL,WARNING,PANEL CRADLE..... <i>Option, panel cradle</i>	2
15	82862GT	DECAL,FIRE EXTINGUISHER..... <i>Option, welder</i>	1
16	97579GT	DECAL,DANGER,TIP-OVER,WELDER**. <i>Option, welder</i>	1
17	97815GT	DECAL,LABEL,LOWER MIDRAIL.....	1
18	97875GT	DECAL,WARN.WELD LINE INST.WORD..... <i>Option, weld cable line</i>	2
19	114389GT	DECAL,DANGER,GENERAL SAFETY....	1
20	114416GT	DECAL,DANGER,TIPOVER,TILT.....	1
21	147603GT	DECAL, PLAT CNTL PNL.....	1
22	227288GT	DECAL, OPERATING INSTRUCTIONS.....	1
23	1000262GT	DECAL,DANGER,TIP OVER,PLAT.....	1
24	T112773GT	TAPE, PROTECTIVE MASK.....	2

105.1 S-60 Decals with Symbol, Hydraulic Tank Side (CE)

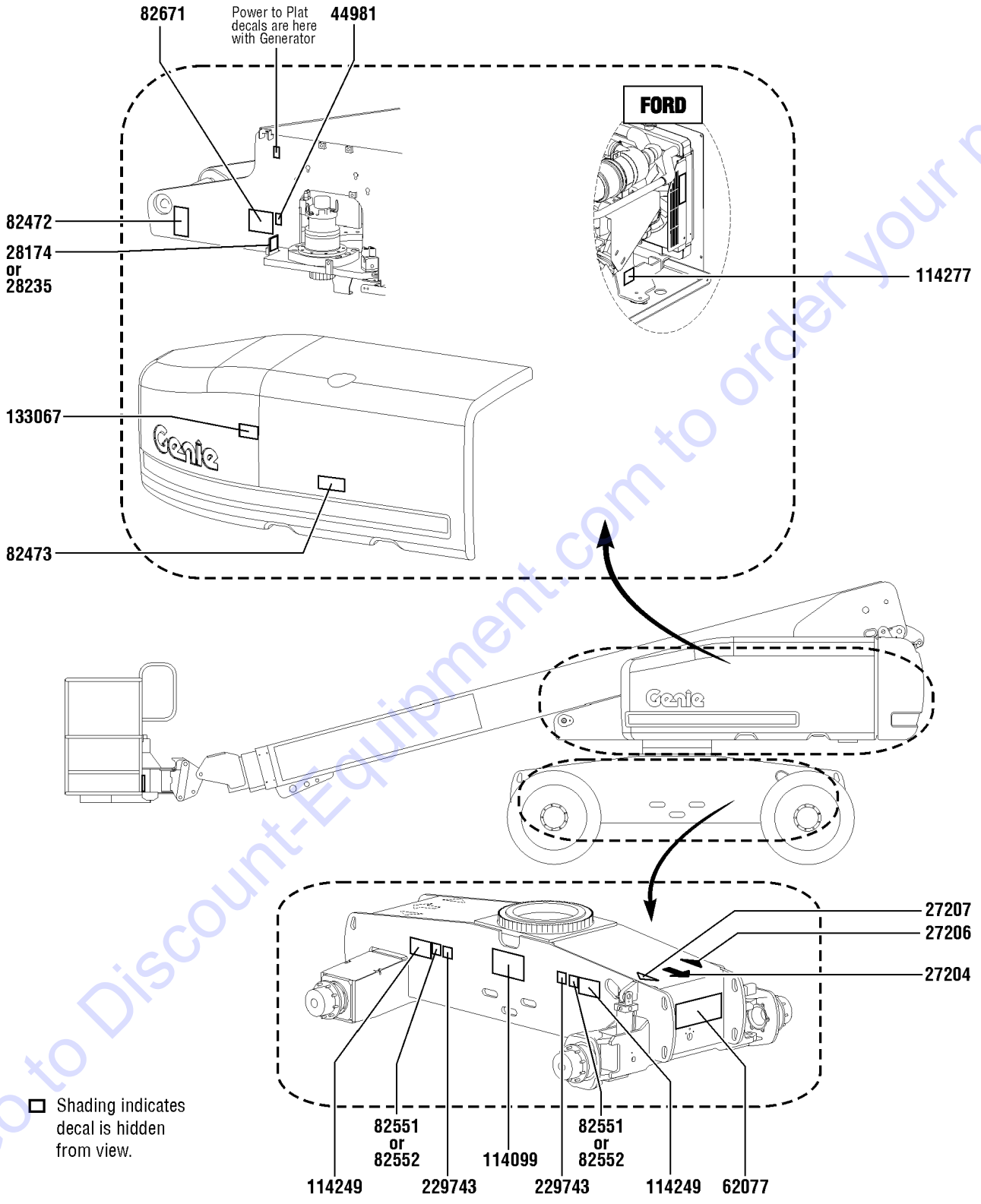




## 105.1 S-60 Decals with Symbol, Hydraulic Tank Side (CE)

Item	Part No.	Description	Qty.
1	27205GT	DECAL,ARROW YELLOW LRG 9".....1	1
2	27206GT	DECAL,TRIANGLE,BLUE.....1	1
3	27207GT	DECAL,TRIANGLE,YELLOW.....1	1
4	28158GT	DECAL,LABEL,UNLEADED GAS ONLY.....1	1
5	28159GT	DECAL,DIESEL.....1	1
6	28160GT	DECAL,LABEL,LIQUID PROPANE.....1 <i>Option, LPG tank</i>	1
7	52966GT	DECAL,COSMETIC,4 X 2.....1	1
8	82240GT	DECAL,LABEL,105 DB.....1	1
9	82472GT	DECAL,WARNING,CRUSHING HAZARD.....1	1
10	82481GT	DECAL,SYMBOL-BATTERY SAFETY.....1	1
11	82487GT	DECAL,SYMBOL - READ THE MANUAL.....1	1
12	82551GT	DECAL,LABEL,TIRE PRESSURE.....2	2
13	82552GT	DECAL,LABEL,TIRE PRESS HF.....2 <i>Option, hi-floatation tires</i>	2
14	82967GT	DECAL KIT,SYMBOLS,Z34IC.....1	1
15	114099GT	DECAL,LABEL,TRANSPORT DIAGRAM.....1	1
16	114249GT	DECAL,LABEL,TIPOVER,TIRES,SYMB.2	2
17	114251GT	DECAL,LABEL,NO SMOKING,SYMB.....1	1
18	114465GT	DECAL GROUND CONTROL BOX.....1	1
19	133067GT	DECAL,DANGER,ELEC.HAZ.STAY CLR.....1	1
20	133413GT	DECAL,EMERGENCY LOWERING.....1	1
21	229743GT	DECAL,LABEL,WHEEL LOAD S60/60X.....2	2

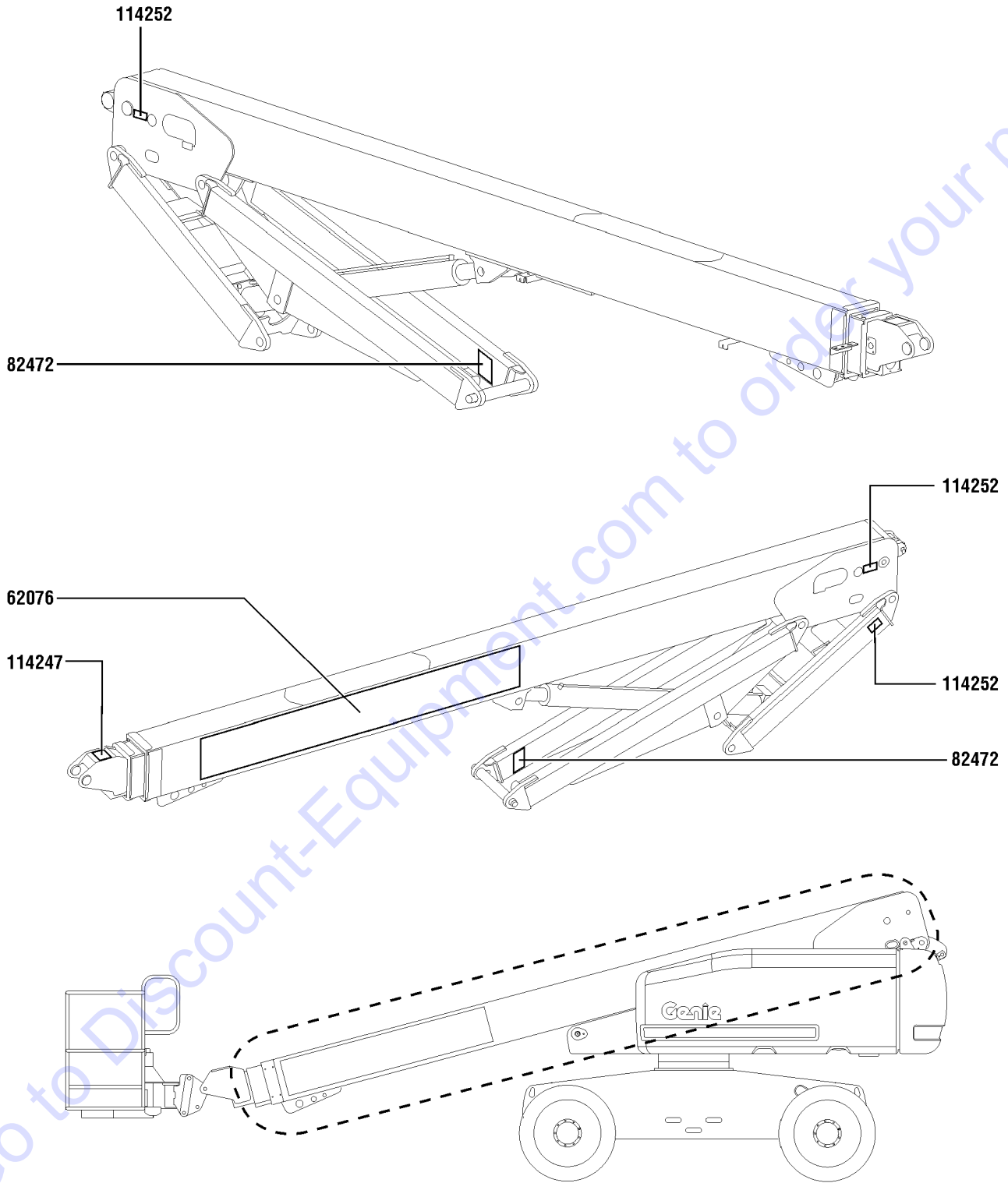
106.1 S-60 Decals with Symbol, Engine Side (CE)



## 106.1 S-60 Decals with Symbol, Engine Side (CE)

Item	Part No.	Description	Qty.
1	27204GT	DECAL,ARROW BLUE.....	1
2	27206GT	DECAL,TRIANGLE,BLUE.....	1
3	27207GT	DECAL,TRIANGLE,YELLOW.....	1
4	28174GT	DECAL, POWER TO PLATFORM 230V**.....	1
5	28235GT	DECAL,POWER TO PLATFORM 115V...1	1
6	44981GT	DECAL,LABEL, AIR LINE 110 PSI.....1 <i>Option, airline to plat</i>	1
7	62077GT	DECAL,COSMETIC,S60.....	1
8	82472GT	DECAL,WARNING,CRUSHING HAZARD.....	1
9	82473GT	DECAL,SYMBOL-COMP ACCESS.....	1
10	82551GT	DECAL,LABEL,TIRE PRESSURE.....	2
11	82552GT	DECAL,LABEL,TIRE PRESS HF.....2 <i>Option, hi-floatation tires</i>	2
12	82671GT	DECAL,LABEL,WELD LINE INST,SYM...1 <i>Option, weld cable line</i>	1
13	114099GT	DECAL,LABEL,TRANSPORT DIAGRAM.....	1
14	114249GT	DECAL,LABEL,TIPOVER,TIRES,SYMB.2	2
15	114277GT	DECAL,LABEL,BELT ROUTING DSG....	1
16	133067GT	DECAL,DANGER,ELEC.HAZ.STAY CLR.....	1
17	229743GT	DECAL,LABEL,WHEEL LOAD S60/60X.....	2

107.1 S-60 Decals with Symbol, Boom (CE)

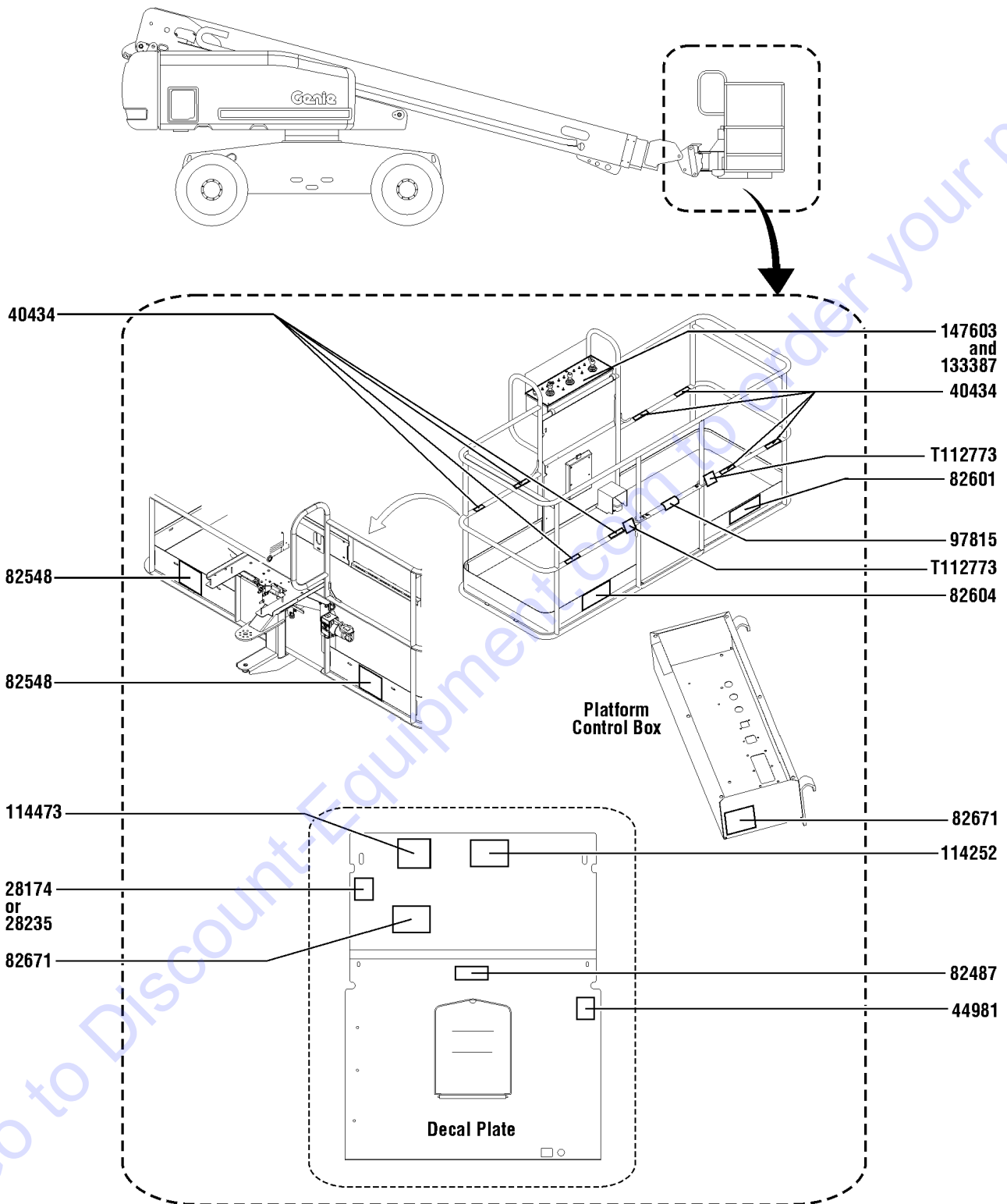


## 107.1 S-60 Decals with Symbol, Boom (CE)

Item	Part No.	Description	Qty.
1	62076GT	DECAL,COSMETIC,GENIE S-60.....	1
2	82472GT	DECAL,WARNING,CRUSHING HAZARD.....	2
3	114247GT	DECAL,LABEL,FALL HAZARD***.....	1
4	114252GT	DECAL,LABEL,TIP OVER LMT SWTCH.....	3

Go to Discount-Equipment.com to order your parts

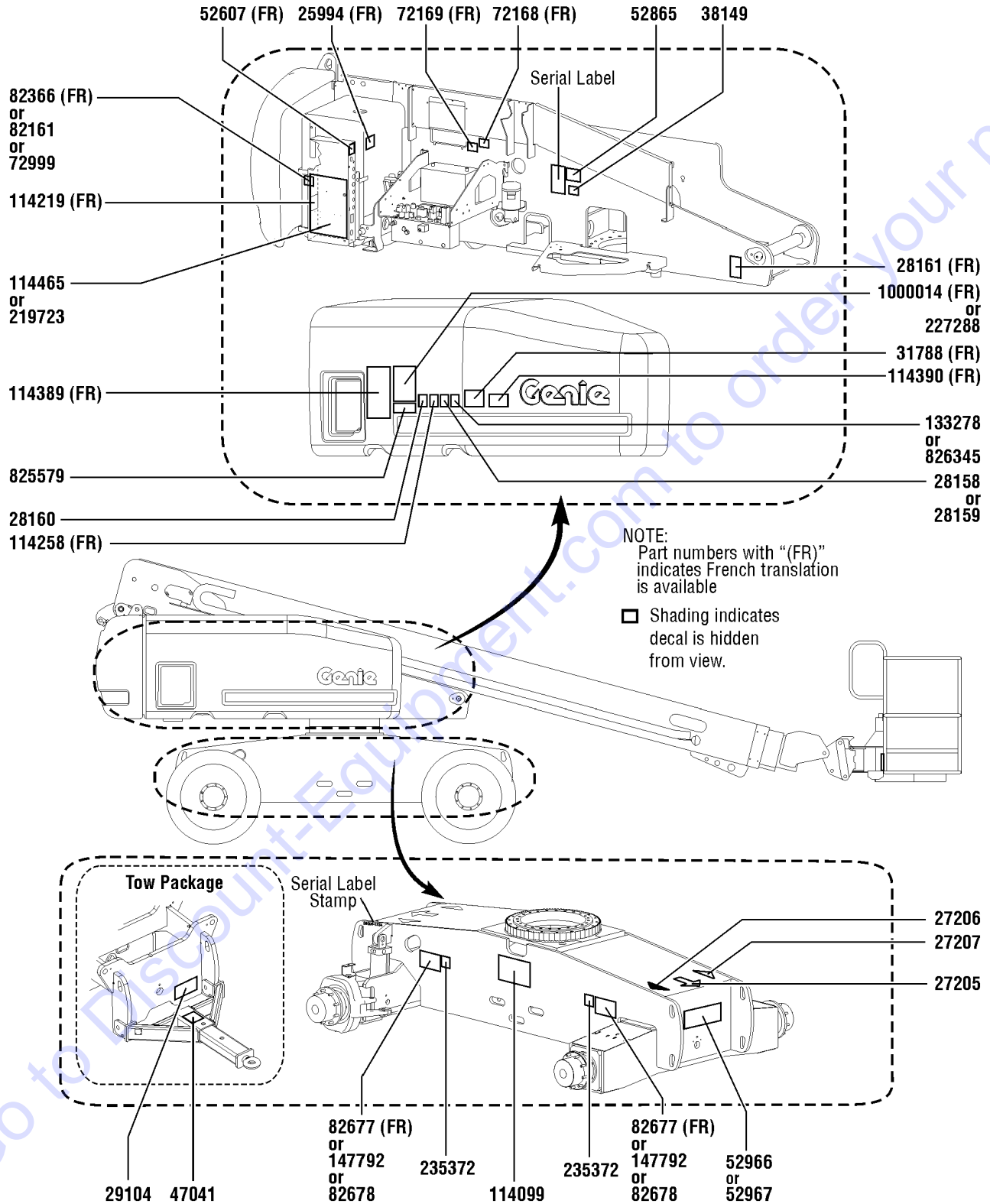
108.1 S-60 Decals with Symbol, Platform (CE)



## 108.1 S-60 Decals with Symbol, Platform (CE)

Item	Part No.	Description	Qty.
1	28174GT	DECAL, POWER TO PLATFORM 230V**.....	1
2	28235GT	DECAL,POWER TO PLATFORM 115V...1	1
3	40434GT	DECAL,LANYARD ANCHORAGE POINT.....	8
4	44981GT	DECAL,LABEL, AIR LINE 110 PSI.....1 <i>Option, airline to plat</i>	1
5	82487GT	DECAL, SYMBOL - READ THE MANUAL.....	1
6	82548GT	DECAL,WARN,CRUSH HAZARD PLAT.....	2
7	82601GT	DECAL,LABEL,MAX CAPACITY***.....	1
8	82604GT	DECAL,DANGER,SIDE FRC 400N.....	1
9	82671GT	DECAL,LABEL,WELD LINE INST,SYM...2 <i>Option, weld cable line</i>	2
10	97815GT	DECAL,LABEL,LOWER MIDRAIL.....	1
11	114252GT	DECAL,LABEL,TIP OVER LMT SWTCH.....	1
12	114473GT	DECAL,DANGER,TIPOVER,TILT,SYM...1	1
13	133387GT	DECAL,DRIVE ENABLE PATCH.....	1
14	147603GT	DECAL, PLAT CNTL PNL.....	1
15	T112773GT	TAPE, PROTECTIVE MASK.....	2

109.1 S-65 Decals with Word, Hydraulic Tank Side (ANSI & Australia)

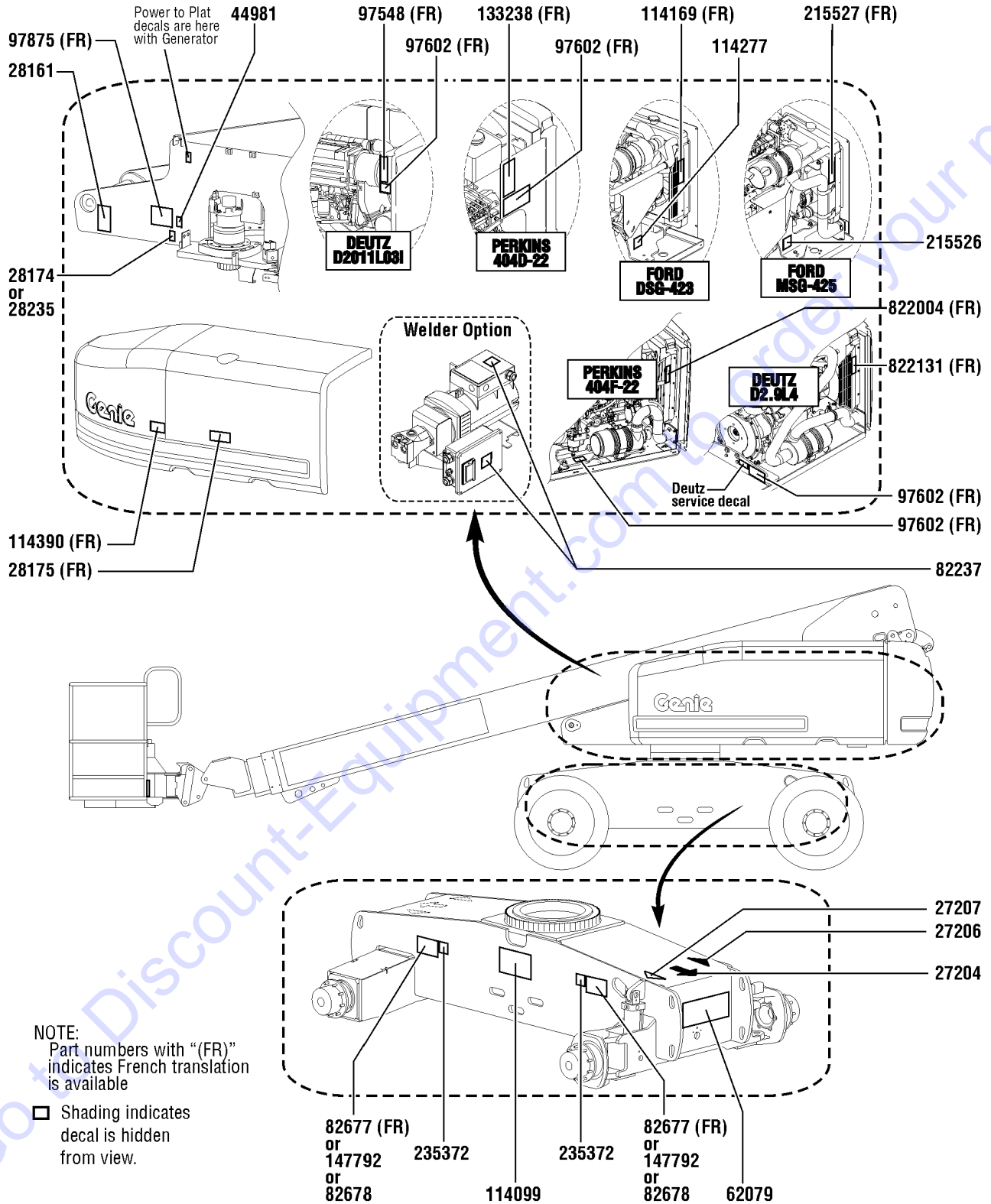




## 109.1 S-65 Decals with Word, Hydraulic Tank Side (ANSI &amp; Australia)

Item	Part No.	Description	Qty.	Item	Part No.	Description	Qty.
1	25994GT	DECAL,NOTICE,SHUTOFF VALVES.....1		33	227288GT	DECAL, OPERATING INSTRUCTIONS.....1 <i>AUS only</i>	
2	27205GT	DECAL,ARROW YELLOW LRG 9".....1		34	235372GT	DECAL,LABEL,WHEEL LOAD S65.....2	
3	27206GT	DECAL,TRIANGLE,BLUE.....1		35	825579GT	DECAL, LCD, TIER 4.....1	
4	27207GT	DECAL,TRIANGLE,YELLOW.....1		36	826345GT	DECAL,ULS DIESEL ONLY,TIER 4.....1 <i>Tier 4 models only</i>	
5	28158GT	DECAL,LABEL,UNLEADED GAS ONLY.....1		37	1000014GT	DECAL,NOTICE,OPER INST.S60.....1 <i>ANSI only</i>	
6	28159GT	DECAL,DIESEL.....1					
7	28160GT	DECAL,LABEL,LIQUID PROPANE.....1 <i>Option, LPG tank</i>					
8	28161GT	DECAL,WARN,CRUSH HAZARD HAND.....1					
9	29104GT	DECAL,TOWING INSTRUCTIONS.....1 <i>Option, tow package</i>					
10	31788GT	DECAL,DANGER,BATTERY SAFETY***.....1					
11	38149GT	DECAL,LABEL,PATENTS.....1 <i>US only</i>					
12	47041GT	DECAL,CAUTION,TOWING SPEED.....1 <i>Option, tow package</i>					
13	52607GT	DECAL,LABEL,TEST***.....1 <i>Ford only</i>					
14	52865GT	DECAL,ANNUAL INSP***.....1 <i>ANSI only</i>					
15	52966GT	DECAL,COSMETIC,4 X 2.....1					
16	52967GT	DECAL,COSMETIC,4 X 4.....1					
17	72168GT	DECAL,LABEL,STARTER BATTERY.....1					
18	72169GT	DECAL,LABEL,CONTROLS BATTERY...1					
19	72999GT	DECAL,LABEL,PETRO CANADA***.....1					
20	82161GT	DECAL,LABEL,UCON HYDROLUBE.....1					
21	82366GT	DECAL,CHEVRON RANDO HD.....1					
22	82677GT	DECAL,DANGER/LABEL,TIRE SPECS.....2 <i>ANSI only</i>					
23	82678GT	DECAL,DANGER,HI-FLOAT TIRE.....2 <i>Option, Hi-floatation</i>					
24	114099GT	DECAL,LABEL,TRANSPORT DIAGRAM.....1					
25	114219GT	DECAL,LABEL,RELAYS,S60&65.....1					
26	114258GT	DECAL,DANGER,NO SMOKING.....1					
27	114389GT	DECAL,DANGER,GENERAL SAFETY....1					
28	114390GT	DECAL,DANGER,ELECT HAZARD***....1					
29	114465GT	DECAL GROUND CONTROL BOX.....1					
30	133278GT	DECAL,LOW/ULTRA LOW SULFR FUEL.....1 <i>Diesel models only</i>					
31	147792GT	DANGER,TIPOVR,TIRES FF ONLY.....2 <i>AUS only</i>					
32	219723GT	DECAL,GROUND BOX,TIER IV.....1 <i>Tier 4 models only</i>					

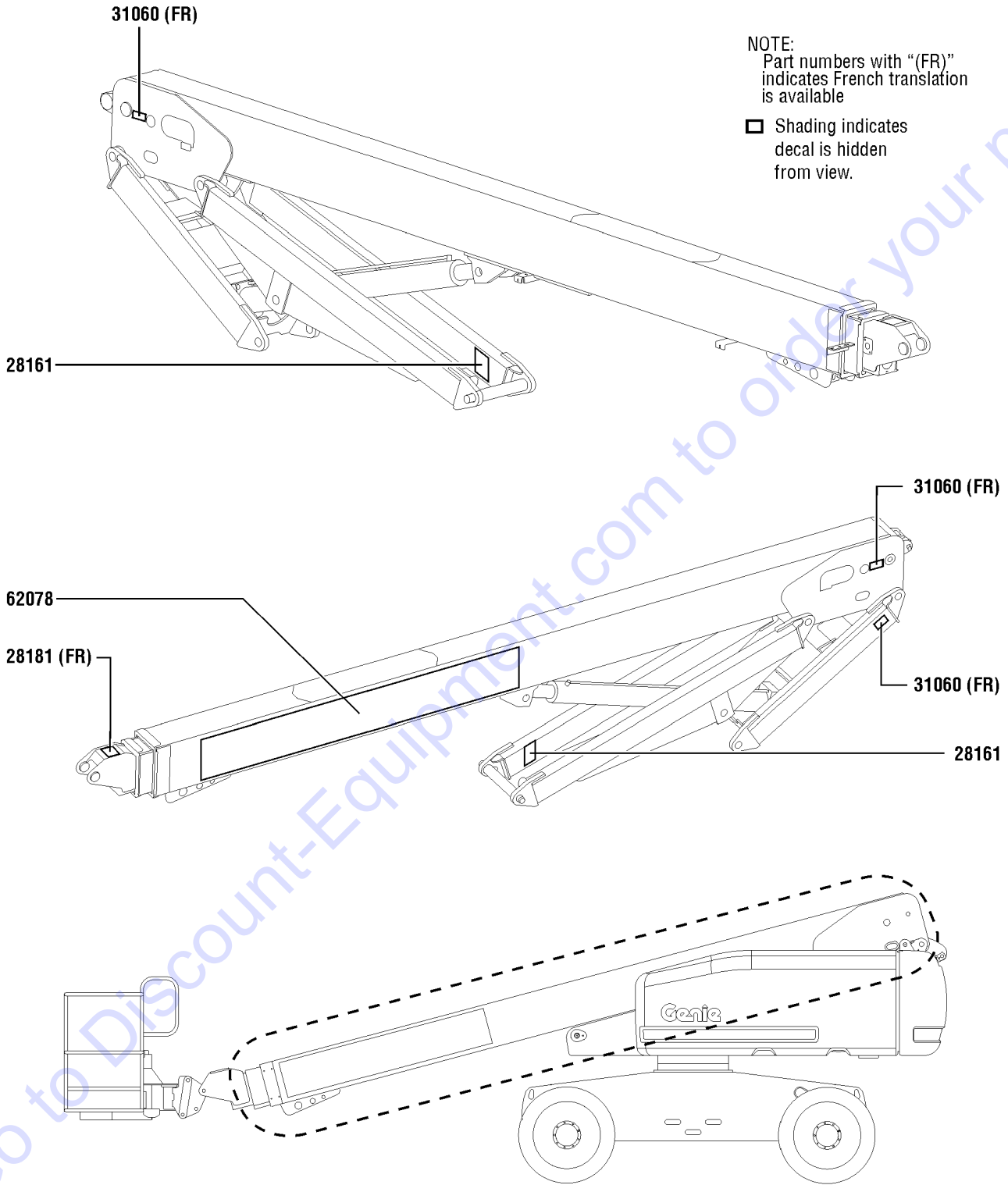
110.1 S-65 Decals with Word, Engine Side (ANSI & Australia)



## 110.1 S-65 Decals with Word, Engine Side (ANSI &amp; Australia)

Item	Part No.	Description	Qty.
1	27204GT	DECAL,ARROW BLUE.....	1
2	27206GT	DECAL,TRIANGLE,BLUE.....	1
3	27207GT	DECAL,TRIANGLE,YELLOW.....	1
4	28161GT	DECAL,WARN,CRUSH HAZARD HAND.....	1
5	28174GT	DECAL, POWER TO PLATFORM 230V**.....	1
6	28175GT	DECAL,WARNING-COMPART ACCESS.....	1
7	28235GT	DECAL,POWER TO PLATFORM 115V...1	
8	44981GT	DECAL,LABEL, AIR LINE 110 PSI.....1 <i>Option, airline to plat</i>	
9	62079GT	DECAL,COSMETIC,S65.....	1
10	82237GT	DECAL,DANGER,HIGH VOLTAGE.....2 <i>Option, welder</i>	
11	82677GT	DECAL,DANGER/LABEL,TIRE SPECS.....2 <i>ANSI only</i>	
12	82678GT	DECAL,DANGER,HI-FLOAT TIRE.....2	
13	97548GT	DECAL,ENGINE SPEC,DEUTZ 2011.....1	
14	97602GT	DECAL,EXPLOSION HAZARD.....1	
15	97875GT	DECAL,WARN.WELD LINE INST.WORD.....1 <i>Option, weld cable line</i>	
16	114099GT	DECAL,LABEL,TRANSPORT DIAGRAM.....1	
17	114169GT	DECAL,FORD ENGINE SPEC DSG423.....1	
18	114277GT	DECAL,LABEL,BELT ROUTING DSG....1	
19	114390GT	DECAL,DANGER,ELECT HAZARD*** ...1	
20	133238GT	DECAL,ENGINE SPEC,PERKINS*** ...1	
21	147792GT	DANGER,TIPOVR,TIRES FF ONLY .....2 <i>AUS only</i>	
22	215526GT	DECAL,LABEL,BELT,MSG425.....1	
23	215527GT	DECAL,FORD ENGINE SPEC MSG425.....1	
24	235372GT	DECAL,LABEL,WHEEL LOAD S65.....2	
25	822004GT	DECAL, ENGINE SPEC, 404F-22.....1 <i>Perkins Tier 4 models only</i>	
26	822131GT	DECAL, ENGINE SPEC, D2.9.....1 <i>Deutz Tier 4 models only</i>	

111.1 S-65 Decals with Word, Boom (ANSI & Australia)

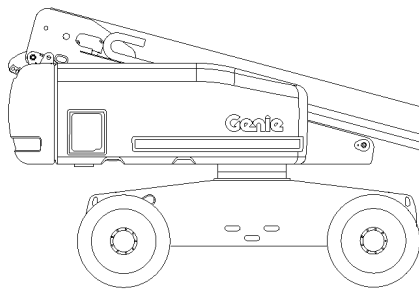


## 111.1 S-65 Decals with Word, Boom (ANSI &amp; Australia)

Item	Part No.	Description	Qty.
1	28161GT	DECAL,WARN,CRUSH HAZARD HAND.....	2
2	28181GT	DECAL,WARN,FALL HAZARD.....	1
3	31060GT	DECAL,DANGER DO NOT ALTER SWTC.....	3
4	62078GT	DECAL,COSMETIC,GENIE S65.....	1

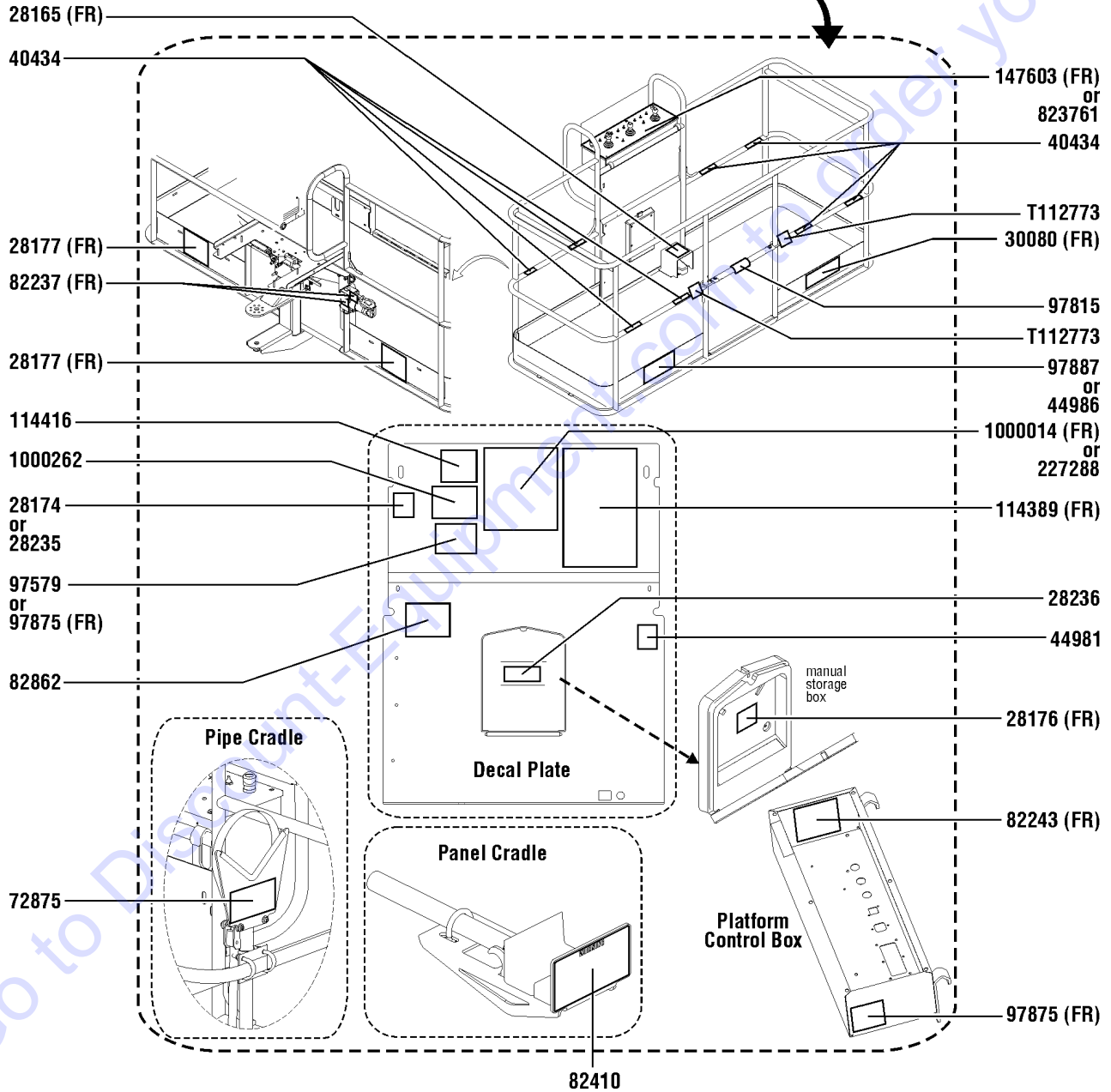
Go to Discount-Equipment.com to order your parts

112.1 S-65 Decals with Word, Platform (ANSI & Australia)



NOTE:  
Part numbers with "(FR)" indicates French translation is available

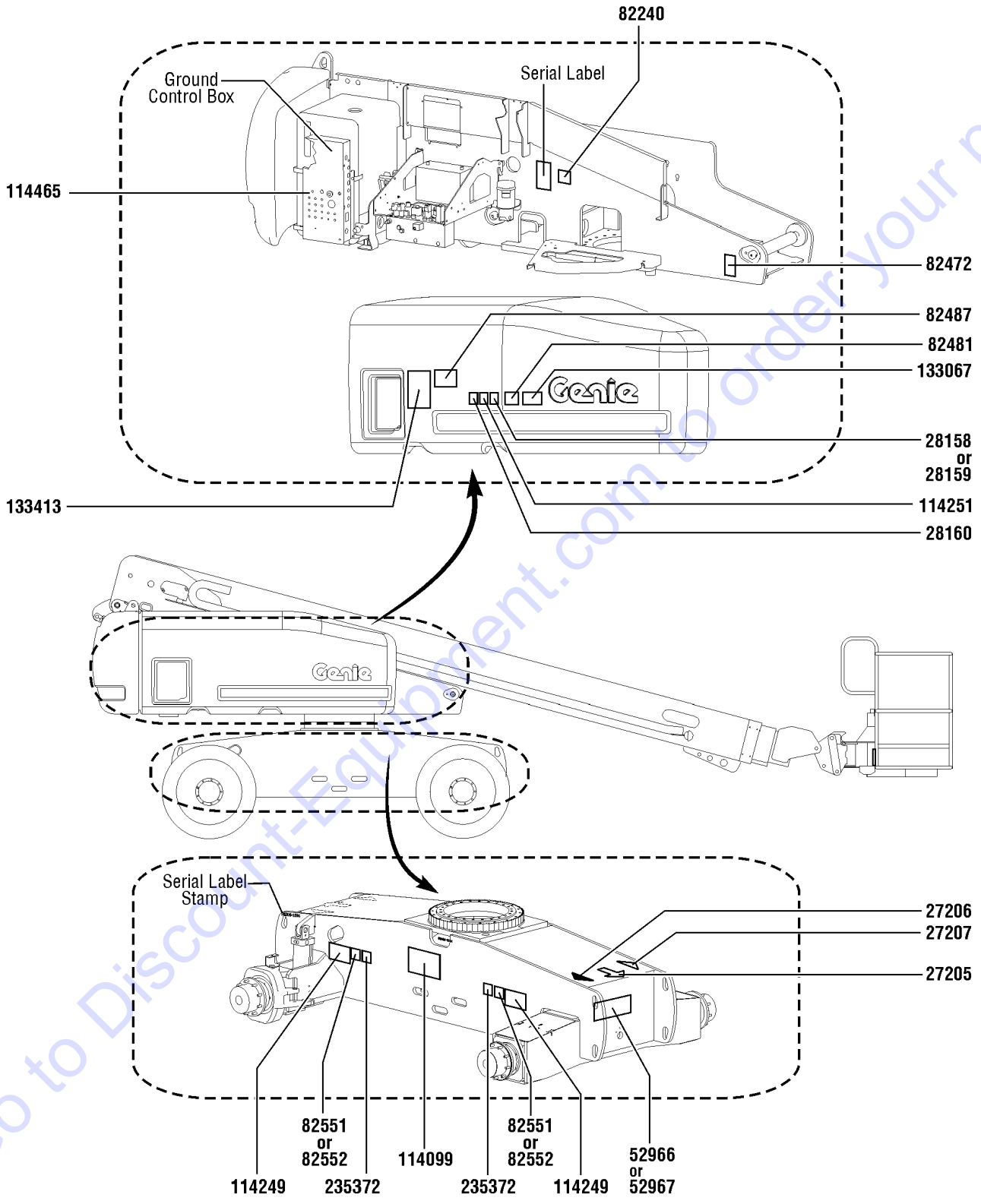
☐ Shading indicates decal is hidden from view.



## 112.1 S-65 Decals with Word, Platform (ANSI &amp; Australia)

Item	Part No.	Description	Qty.
1	28165GT	DECAL,INSTRUCT,FOOTSWITCH OPER.....	1
2	28174GT	DECAL, POWER TO PLATFORM 230V**.....	1
3	28176GT	DECAL,LABEL,MANUAL NOT HERE.....	1
4	28177GT	DECAL,WARN,CRUSH HAZARD PLAT.....	2
5	28235GT	DECAL,POWER TO PLATFORM 115V....	1
6	28236GT	DECAL,WARN,IMPROPER OPERATION.....	1
7	30080GT	DECAL,NOTICE,MAX LOAD 500 LBS....	1
8	40434GT	DECAL,LANYARD ANCHORAGE POINT.....	8
9	44981GT	DECAL,LABEL, AIR LINE 110 PSI..... <i>Option, airline to plat</i>	1
10	44986GT	DECAL,INSTR,SIDE FRC/WIND,AUS..... <i>AUS only</i>	1
11	72875GT	DECAL,WARNING,PIPE CRADLE,BOOM..... <i>Option, pipe cradle</i>	2
12	82237GT	DECAL,DANGER,HIGH VOLTAGE..... <i>Option, welder</i>	2
13	82243GT	DECAL FAULT CODE.....	1
14	82410GT	DECAL,WARNING,PANEL CRADLE..... <i>Option, panel cradle</i>	2
15	82862GT	DECAL,FIRE EXTINGUISHER..... <i>Option, welder</i>	1
16	97579GT	DECAL,DANGER,TIP-OVER,WELDER**. <i>Option, welder</i>	1
17	97815GT	DECAL,LABEL,LOWER MIDRAIL.....	1
18	97875GT	DECAL,WARN.WELD LINE INST.WORD..... <i>Option, weld cable line</i>	2
19	97887GT	DECAL,INSTR,MAX SIDE FRC,ANSI..... <i>ANSI/CSA only</i>	1
20	114389GT	DECAL,DANGER,GENERAL SAFETY....	1
21	114416GT	DECAL,DANGER,TIPOVER,TILT.....	1
22	147603GT	DECAL, PLAT CNTL PNL.....	1
23	227288GT	DECAL, OPERATING INSTRUCTIONS..... <i>AUS only</i>	1
24	823761GT	LABEL, PBOX, S65 TIER 4..... <i>Tier 4 models only</i>	1
25	1000014GT	DECAL,NOTICE,OPER INST.S60..... <i>ANSI only</i>	1
26	1000262GT	DECAL,DANGER,TIP OVER,PLAT.....	1
27	T112773GT	TAPE, PROTECTIVE MASK.....	2

113.1 S-65 Decals with Symbol, Hydraulic Tank Side (ANSI & CE)

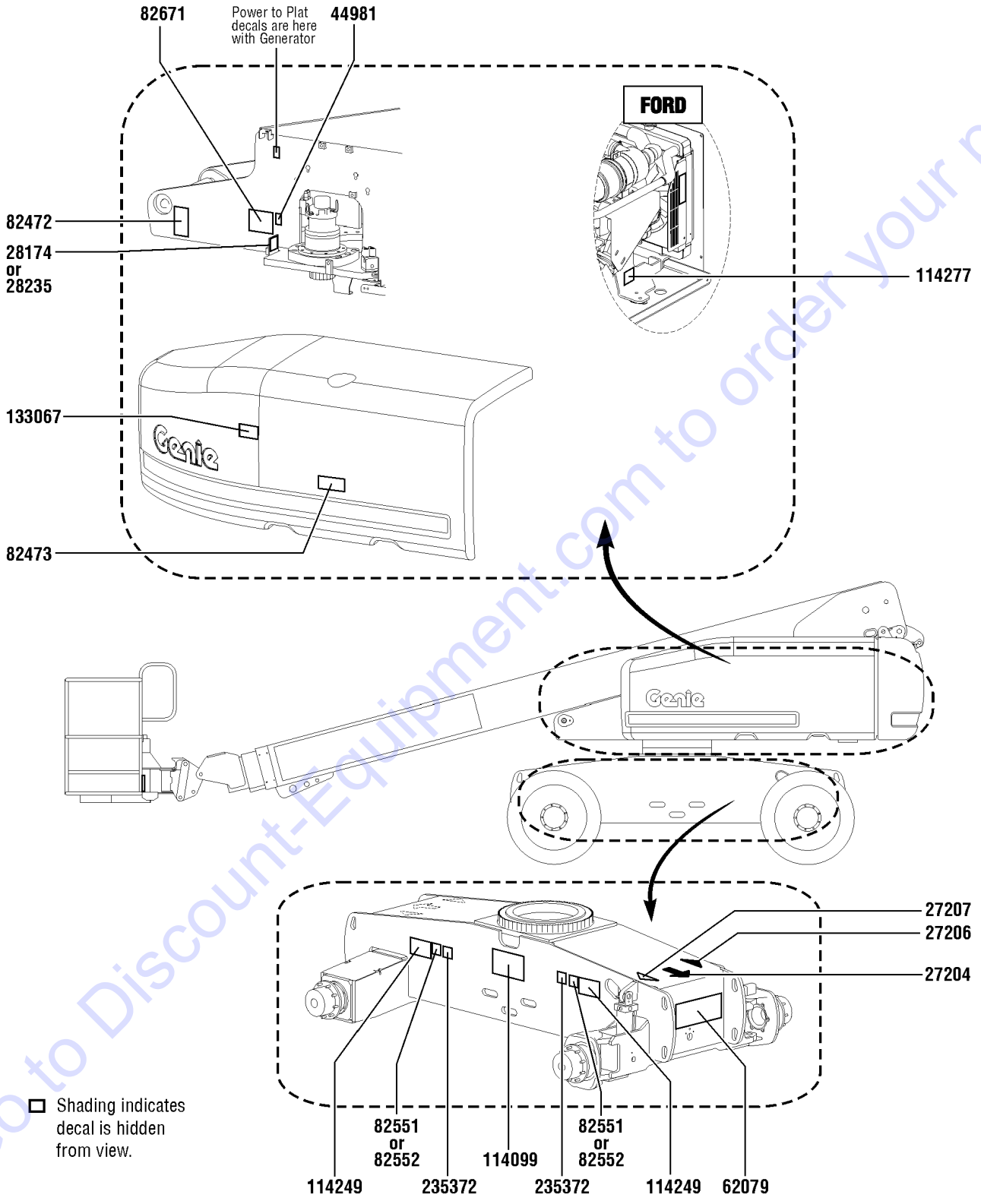




## 113.1 S-65 Decals with Symbol, Hydraulic Tank Side (ANSI &amp; CE)

Item	Part No.	Description	Qty.
1	27205GT	DECAL,ARROW YELLOW LRG 9".....1	1
2	27206GT	DECAL,TRIANGLE,BLUE.....1	1
3	27207GT	DECAL,TRIANGLE,YELLOW.....1	1
4	28158GT	DECAL,LABEL,UNLEADED GAS ONLY.....1	1
5	28159GT	DECAL,DIESEL.....1	1
6	28160GT	DECAL,LABEL,LIQUID PROPANE.....1 <i>Option, LPG tank</i>	1
7	52966GT	DECAL,COSMETIC,4 X 2.....1	1
8	52967GT	DECAL,COSMETIC,4 X 4.....1	1
9	82240GT	DECAL,LABEL,105 DB.....1	1
10	82472GT	DECAL,WARNING,CRUSHING HAZARD.....1	1
11	82481GT	DECAL,SYMBOL-BATTERY SAFETY.....1	1
12	82487GT	DECAL,SYMBOL-READ THE MANUAL.....1	1
13	82551GT	DECAL,LABEL,TIRE PRESSURE.....2	2
14	82552GT	DECAL,LABEL,TIRE PRESS HF.....2 <i>Option, hi-floatation tires</i>	2
15	114099GT	DECAL,LABEL,TRANSPORT DIAGRAM.....1	1
16	114249GT	DECAL,LABEL,TIPOVER,TIRES,SYMB.2	2
17	114251GT	DECAL,LABEL,NO SMOKING,SYMB.....1	1
18	114465GT	DECAL GROUND CONTROL BOX.....1	1
19	133067GT	DECAL,DANGER,ELEC.HAZ.STAY CLR.....1	1
20	133413GT	DECAL,EMERGENCY LOWERING.....1 <i>CE only</i>	1
21	235372GT	DECAL,LABEL,WHEEL LOAD S65.....2	2

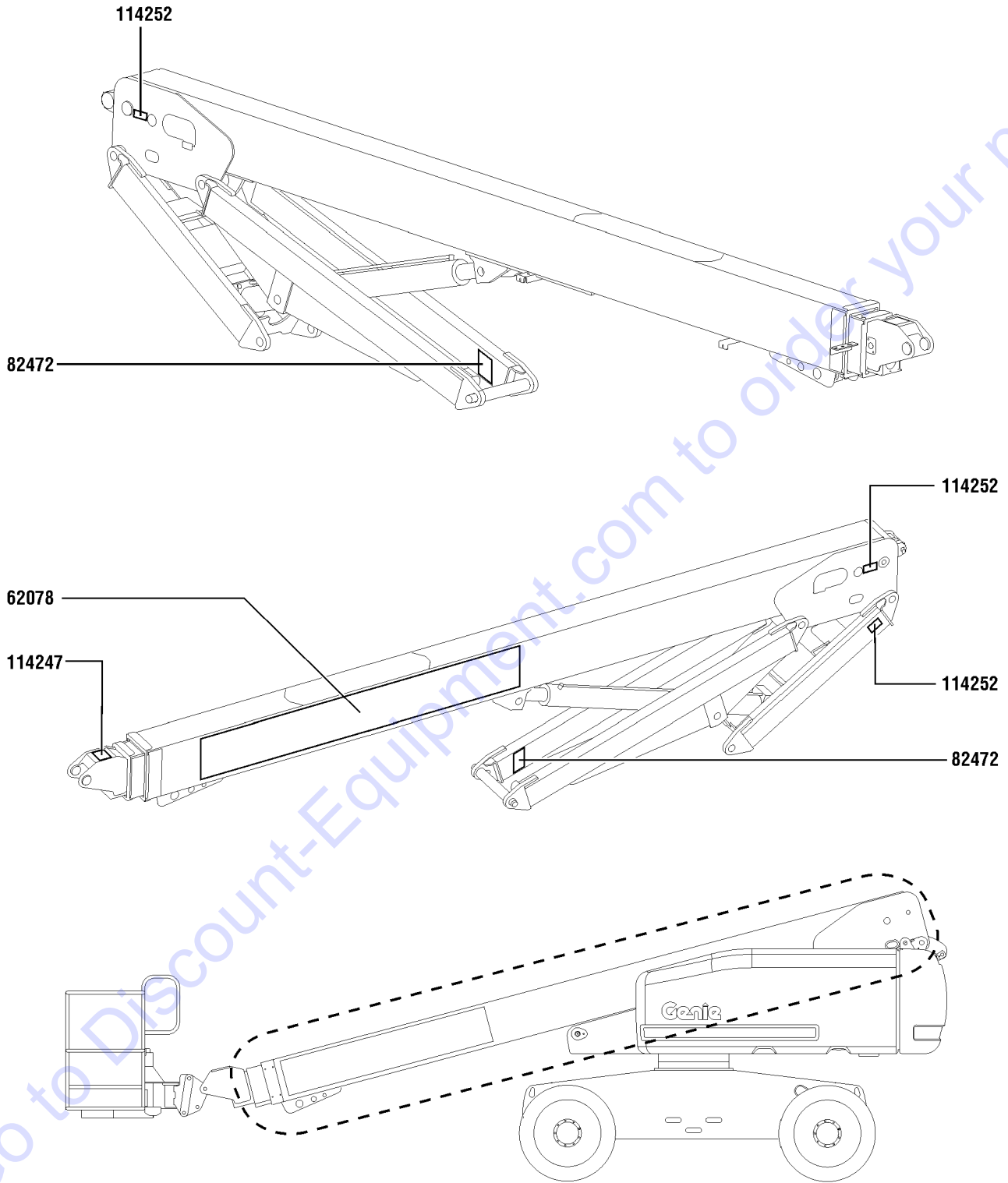
114.1 S-65 Decals with Symbol, Engine Side (ANSI & CE)



## 114.1 S-65 Decals with Symbol, Engine Side (ANSI &amp; CE)

Item	Part No.	Description	Qty.
1	27204GT	DECAL,ARROW BLUE.....	1
2	27206GT	DECAL,TRIANGLE,BLUE.....	1
3	27207GT	DECAL,TRIANGLE,YELLOW.....	1
4	28174GT	DECAL, POWER TO PLATFORM 230V**.....	1
5	28235GT	DECAL,POWER TO PLATFORM 115V...1	1
6	44981GT	DECAL,LABEL, AIR LINE 110 PSI.....1 <i>Option, airline to plat</i>	1
7	62079GT	DECAL,COSMETIC,S65.....	1
8	82472GT	DECAL,WARNING,CRUSHING HAZARD.....	1
9	82473GT	DECAL,SYMBOL-COMP ACCESS.....	1
10	82551GT	DECAL,LABEL,TIRE PRESSURE.....	2
11	82552GT	DECAL,LABEL,TIRE PRESS HF.....2 <i>Option, hi-floatation tires</i>	2
12	82671GT	DECAL,LABEL,WELD LINE INST,SYM...1	1
13	114099GT	DECAL,LABEL,TRANSPORT DIAGRAM.....	1
14	114249GT	DECAL,LABEL,TIPOVER,TIRES,SYMB.2	2
15	114277GT	DECAL,LABEL,BELT ROUTING DSG.....1	1
16	133067GT	DECAL,DANGER,ELEC.HAZ.STAY CLR.....	1
17	235372GT	DECAL,LABEL,WHEEL LOAD S65.....	2

115.1 S-65 Decals with Symbol, Boom (ANSI & CE)

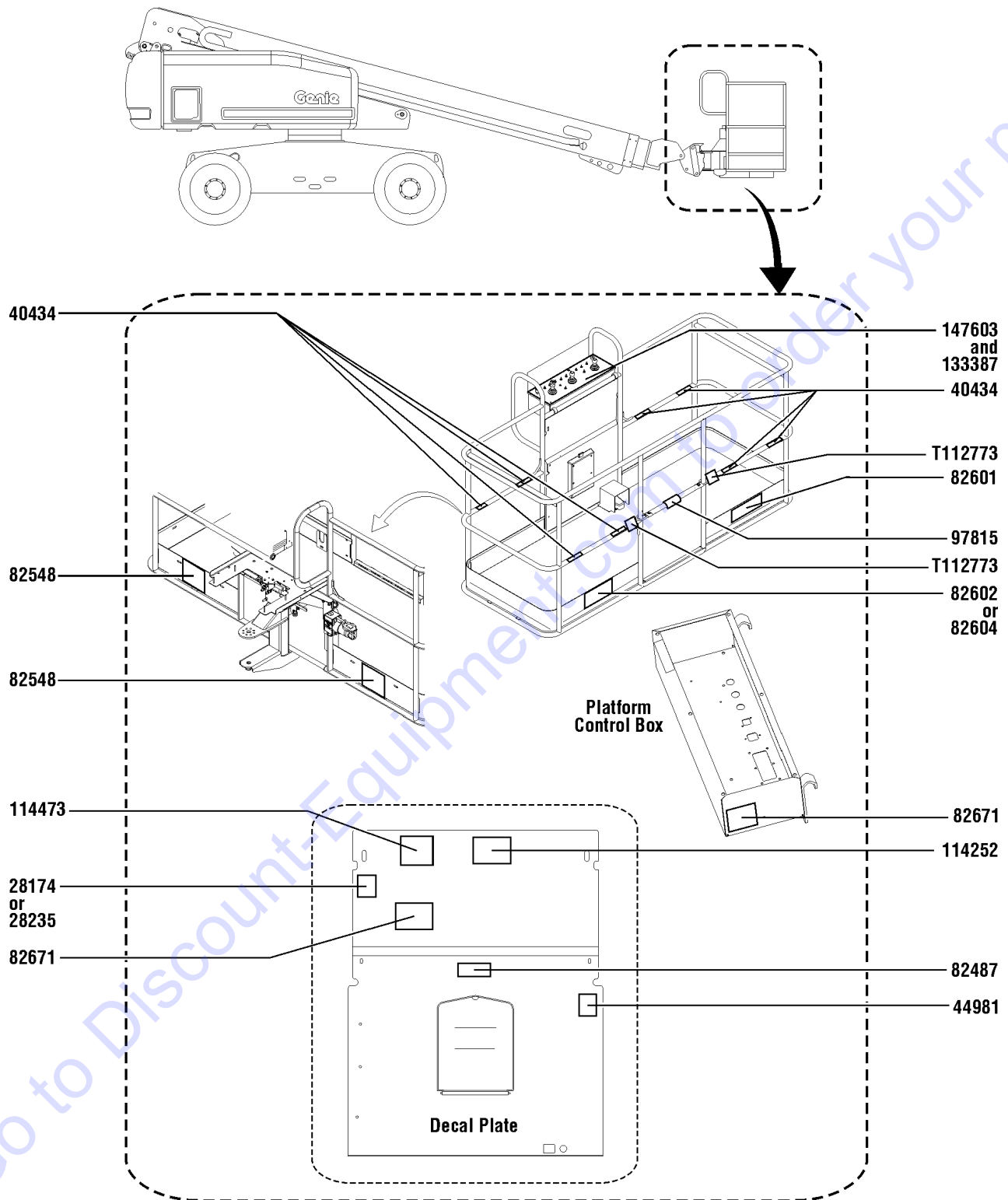


## 115.1 S-65 Decals with Symbol, Boom (ANSI &amp; CE)

Item	Part No.	Description	Qty.
1	62078GT	DECAL,COSMETIC,GENIE S65.....	1
2	82472GT	DECAL,WARNING,CRUSHING HAZARD.....	2
3	114247GT	DECAL,LABEL,FALL HAZARD***.....	1
4	114252GT	DECAL,LABEL,TIP OVER LMT SWTCH.....	3

Go to Discount-Equipment.com to order your parts

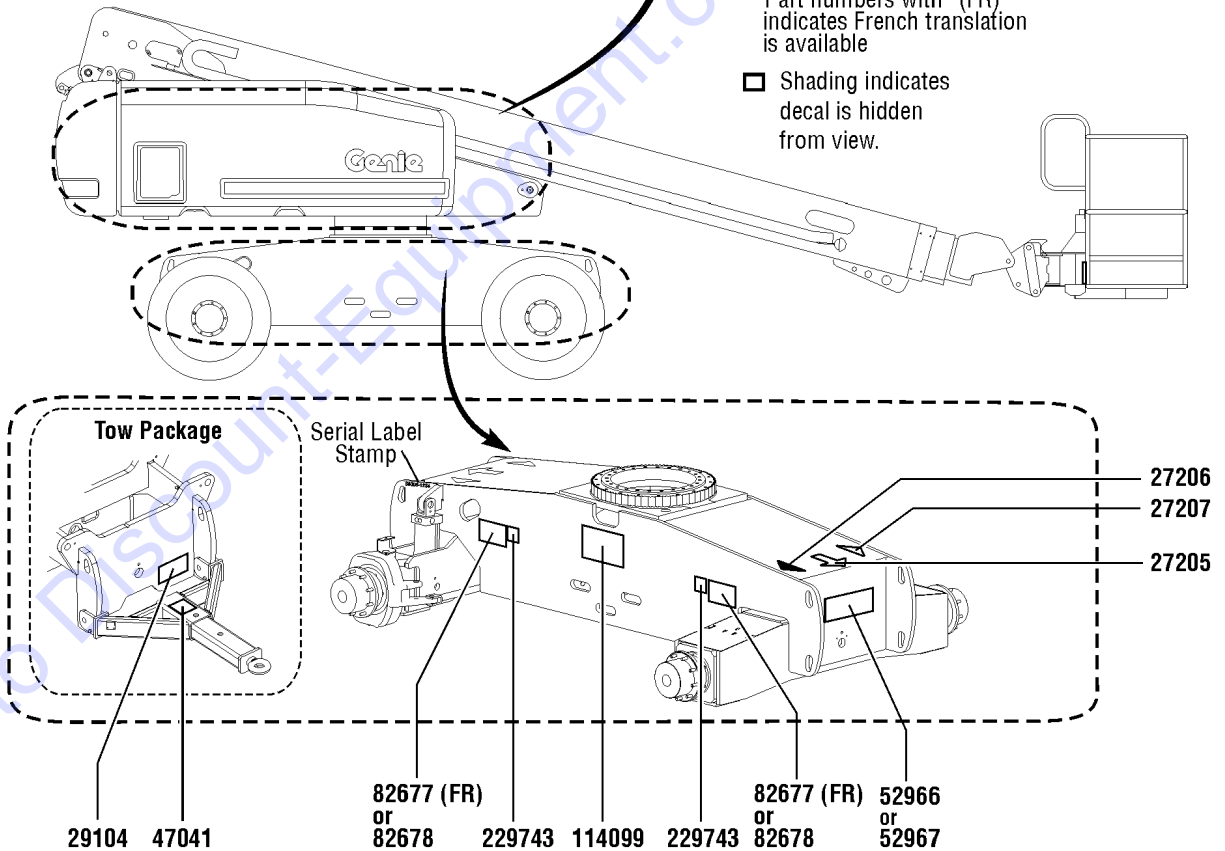
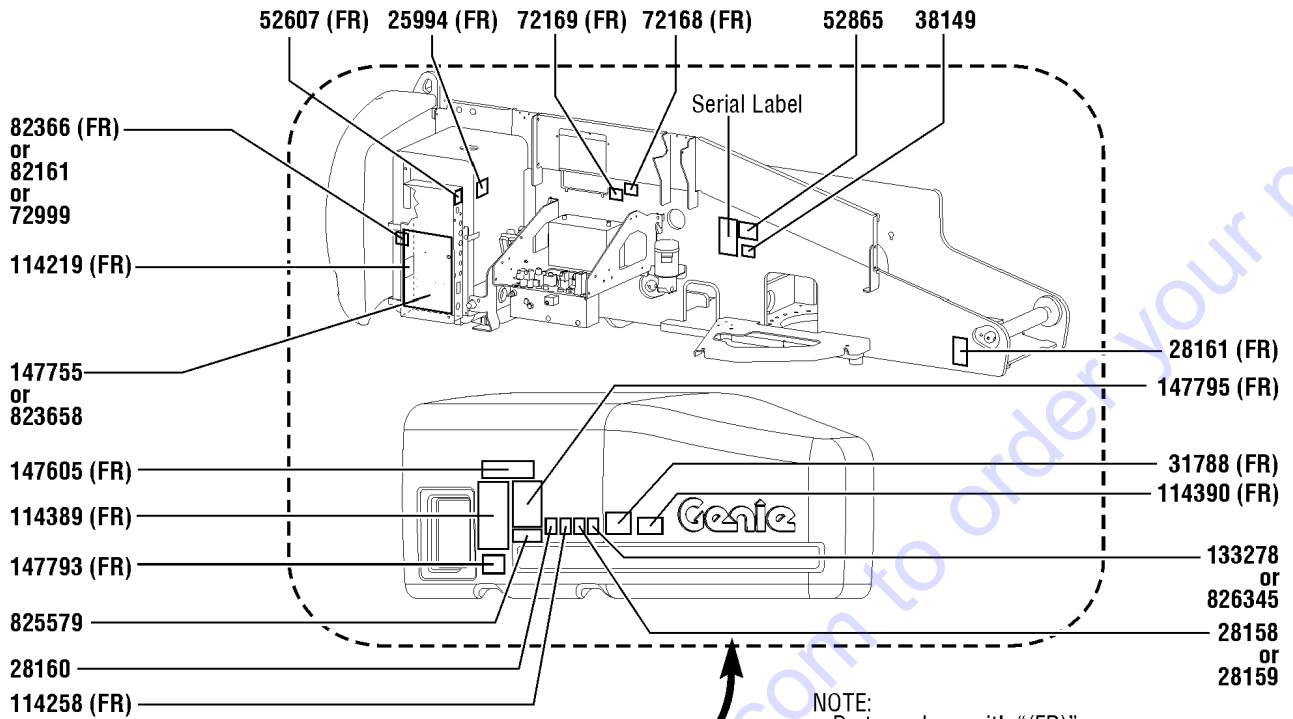
116.1 S-65 Decals with Symbol, Platform (ANSI & CE)



## 116.1 S-65 Decals with Symbol, Platform (ANSI &amp; CE)

Item	Part No.	Description	Qty.
1	28174GT	DECAL, POWER TO PLATFORM 230V**.....	1
2	28235GT	DECAL,POWER TO PLATFORM 115V...1	1
3	40434GT	DECAL,LANYARD ANCHORAGE POINT.....	8
4	44981GT	DECAL,LABEL, AIR LINE 110 PSI.....1 <i>Option, airline to plat</i>	1
5	82487GT	DECAL, SYMBOL - READ THE MANUAL.....	1
6	82548GT	DECAL,WARN,CRUSH HAZARD PLAT.....	2
7	82601GT	DECAL,LABEL,MAX CAPACITY***.....1	1
8	82602GT	DECAL,DANGER,MAX SIDE FRC,667N.....1 <i>ANSI only</i>	1
9	82604GT	DECAL,DANGER,SIDE FRC 400N.....1 <i>CE only</i>	1
10	82671GT	DECAL,LABEL,WELD LINE INST,SYM...2 <i>Option, weld cable line</i>	2
11	97815GT	DECAL,LABEL,LOWER MIDRAIL.....1	1
12	114252GT	DECAL,LABEL,TIP OVER LMT SWTCH.....	1
13	114473GT	DECAL,DANGER,TIPOVER,TILT,SYM...1	1
14	133387GT	DECAL,DRIVE ENABLE PATCH.....1	1
15	147603GT	DECAL, PLAT CNTL PNL.....1	1
16	T112773GT	TAPE, PROTECTIVE MASK.....	2

117.1 S-60X Decals with Word, Hydraulic Tank Side (ANSI)



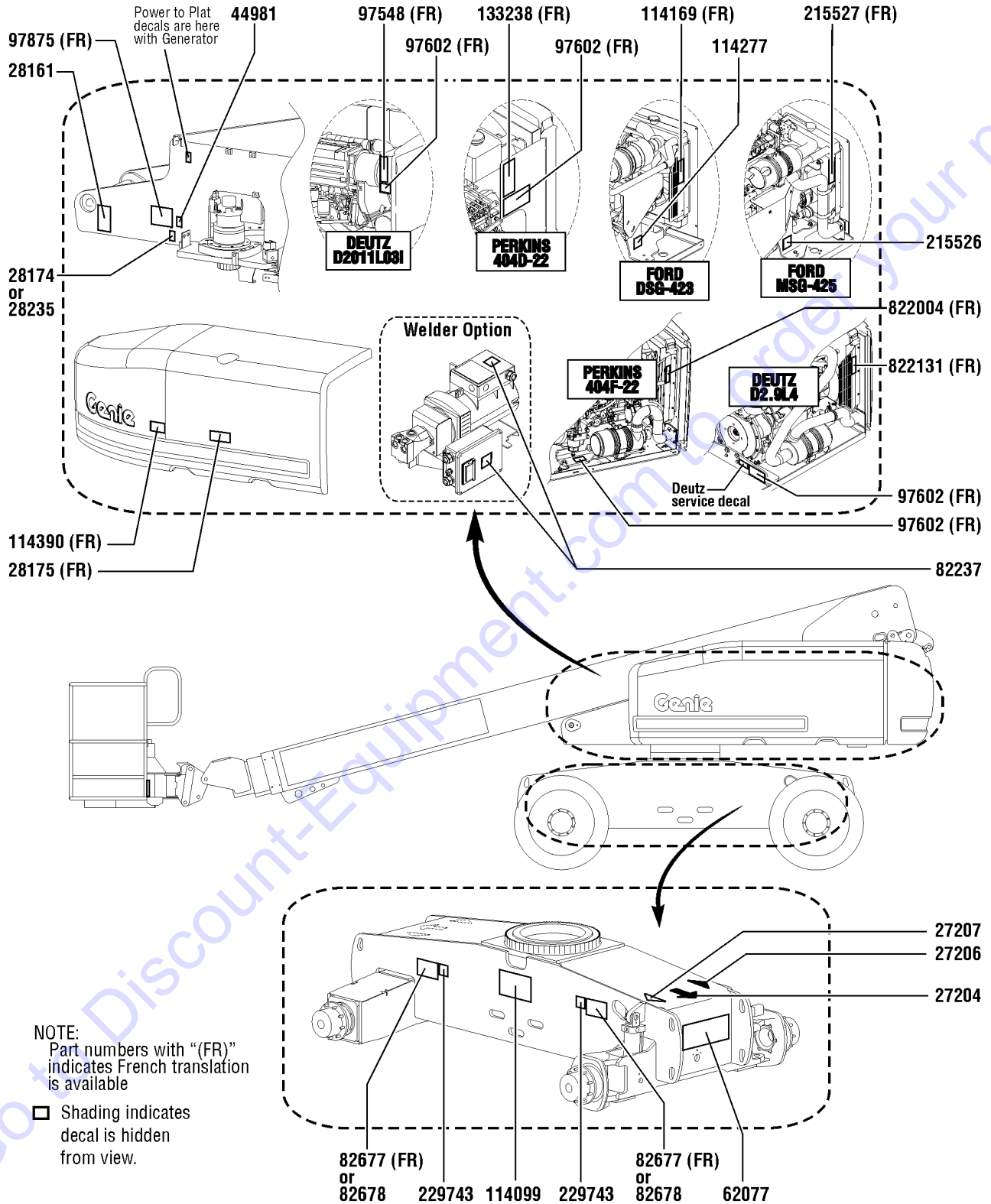


117.1 S-60X Decals with Word, Hydraulic Tank Side (ANSI)

Item	Part No.	Description	Qty.	Item	Part No.	Description	Qty.
--	162023GT	DECAL KIT,S60X,COMPWRD,ANSI S-60X from SN 21001		34	229743GT	DECAL,LABEL,WHEEL LOAD S60/60X.....	2
1	25994GT	DECAL,NOTICE,SHUTOFF VALVES.....	1	35	823658GT	LABEL, GBOX, S60X TIER 4.....	1
2	27205GT	DECAL,ARROW YELLOW LRG 9".....	1	36	825579GT	DECAL, LCD, TIER 4.....	1
3	27206GT	DECAL,TRIANGLE,BLUE.....	1	37	826345GT	DECAL,ULS DIESEL ONLY,TIER 4.....	1
4	27207GT	DECAL,TRIANGLE,YELLOW.....	1				
5	28158GT	DECAL,LABEL,UNLEADED GAS ONLY.....	1				
6	28159GT	DECAL,DIESEL.....	1				
7	28160GT	DECAL,LABEL,LIQUID PROPANE..... <i>Option, LPG tank</i>	1				
8	28161GT	DECAL,WARN,CRUSH HAZARD HAND.....	1				
9	29104GT	DECAL,TOWING INSTRUCTIONS..... <i>Option, tow package</i>	1				
10	31788GT	DECAL,DANGER,BATTERY SAFETY***.....	1				
11	38149GT	DECAL,LABEL,PATENTS.....	1				
12	47041GT	DECAL,CAUTION,TOWING SPEED..... <i>Option, tow package</i>	1				
13	52607GT	DECAL,LABEL,TEST***..... <i>Ford only</i>	1				
14	52865GT	DECAL,ANNUAL INSP***.....	1				
15	52966GT	DECAL,COSMETIC,4 X 2.....	1				
16	52967GT	DECAL,COSMETIC,4 X 4.....	1				
17	72168GT	DECAL,LABEL,STARTER BATTERY.....	1				
18	72169GT	DECAL,LABEL,CONTROLS BATTERY.....	1				
19	72999GT	DECAL,LABEL,PETRO CANADA***.....	1				
20	82161GT	DECAL,LABEL,UCON HYDROLUBE.....	1				
21	82366GT	DECAL,CHEVRON RANDO HD.....	1				
22	82677GT	DECAL,DANGER/LABEL,TIRE SPECS.....	2				
23	82678GT	DECAL,DANGER,HI-FLOAT TIRE..... <i>Option, hi-floatation tires</i>	2				
24	114099GT	DECAL,LABEL,TRANSPORT DIAGRAM.....	1				
25	114219GT	DECAL,LABEL,RELAYS,S60&65.....	1				
26	114258GT	DECAL,DANGER,NO SMOKING.....	1				
27	114389GT	DECAL,DANGER,GENERAL SAFETY.....	1				
28	114390GT	DECAL,DANGER,ELECT HAZARD***.....	1				
29	133278GT	DECAL,LOW/ULTRA LOW SULFR FUEL..... <i>Diesel models only</i>	1				
30	147605GT	DECAL,INST PLAT CAP 60X.....	1				
31	147755GT	DECAL,GR CNTL PNL 60X 80X.....	1				
32	147793GT	DECAL,DANGER,TIPOVR,MAX CAP.....	1				
33	147795GT	DECAL, OPER INST 6080X GRD.....	1				



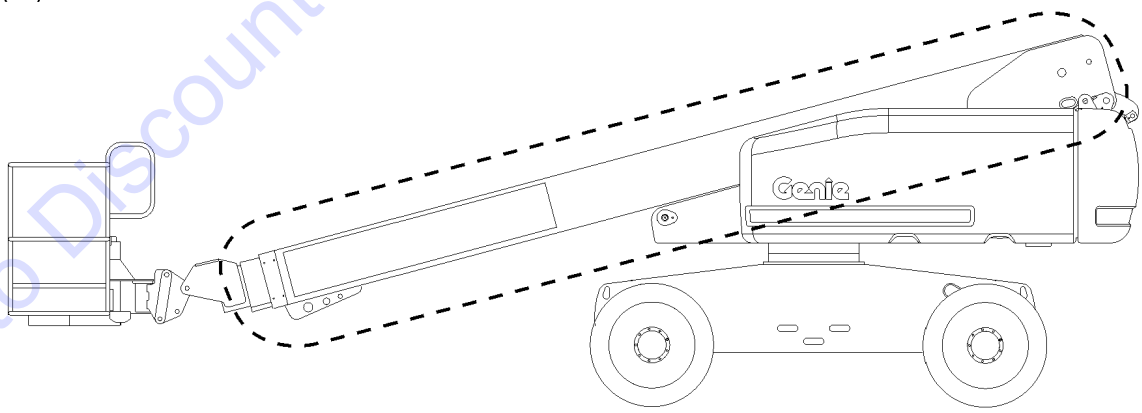
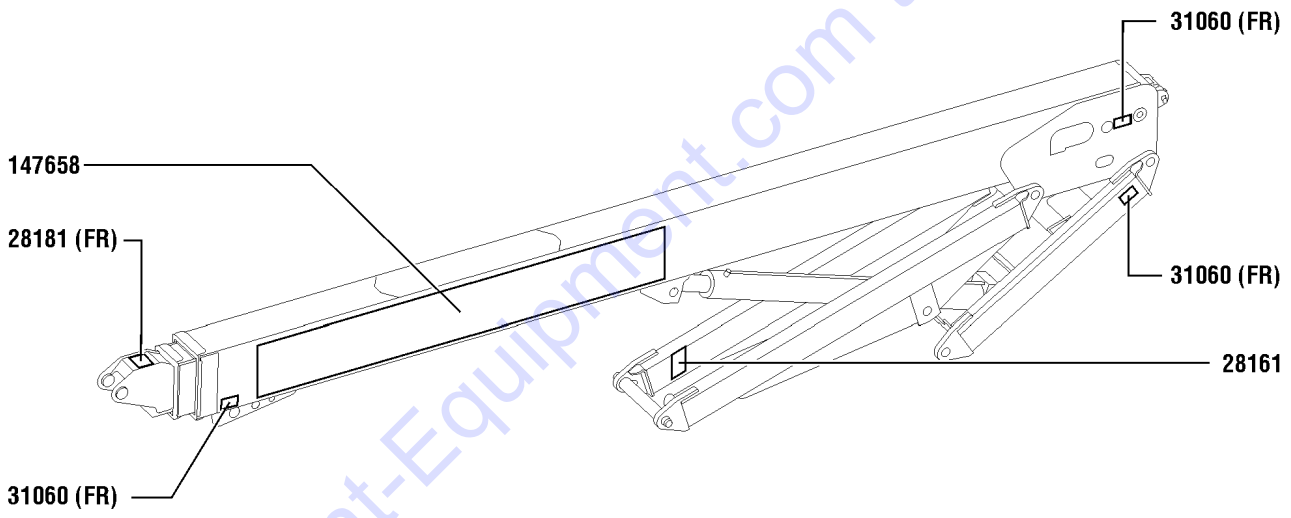
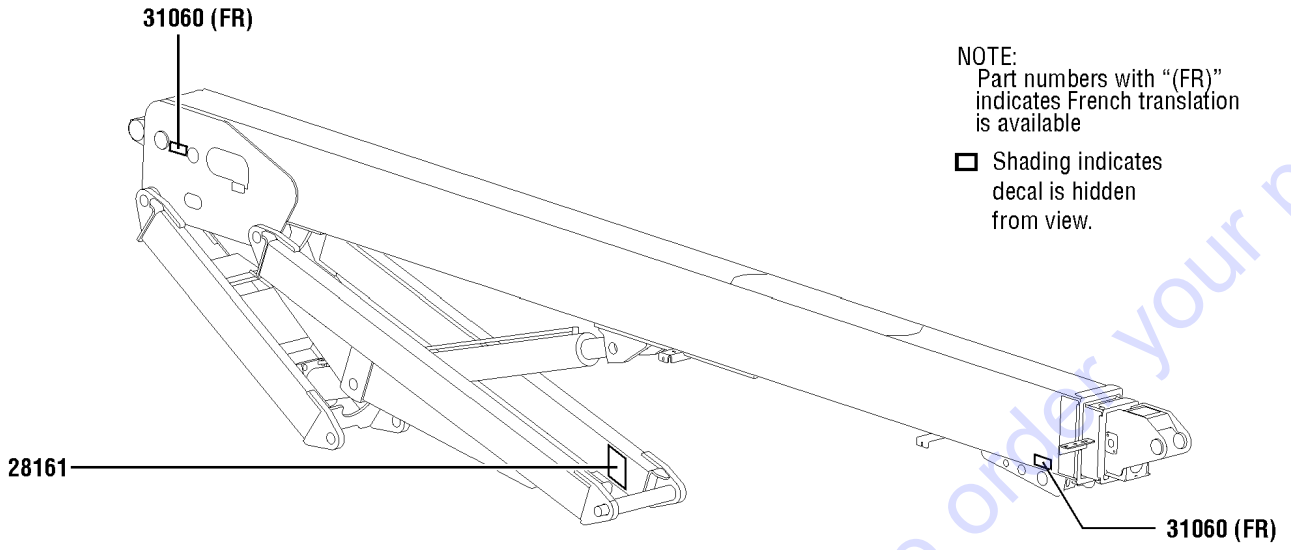
118.1 S-60X Decals with Word, Engine Side (ANSI)



## 118.1 S-60X Decals with Word, Engine Side (ANSI)

Item	Part No.	Description	Qty.
1	27204GT	DECAL,ARROW BLUE.....	1
2	27206GT	DECAL,TRIANGLE,BLUE.....	1
3	27207GT	DECAL,TRIANGLE,YELLOW.....	1
4	28161GT	DECAL,WARN,CRUSH HAZARD HAND.....	1
5	28174GT	DECAL, POWER TO PLATFORM 230V**.....	1
6	28175GT	DECAL,WARNING-COMPART ACCESS.....	1
7	28235GT	DECAL,POWER TO PLATFORM 115V...1	
8	44981GT	DECAL,LABEL, AIR LINE 110 PSI.....1 <i>Option, airline to plat</i>	
9	62077GT	DECAL,COSMETIC,S60.....	1
10	82237GT	DECAL,DANGER,HIGH VOLTAGE.....2 <i>Option, welder</i>	
11	82677GT	DECAL,DANGER/LABEL,TIRE SPECS.....	2
12	82678GT	DECAL,DANGER,HI-FLOAT TIRE.....2 <i>Option, hi-floatation tires</i>	
13	97548GT	DECAL,ENGINE SPEC,DEUTZ 2011.....1	
14	97602GT	DECAL,EXPLOSION HAZARD.....	1
15	97875GT	DECAL,WARN.WELD LINE INST.WORD.....	1
		<i>Option, weld cable line</i>	
16	114099GT	DECAL,LABEL,TRANSPORT DIAGRAM.....	1
17	114169GT	DECAL,FORD ENGINE SPEC DSG423.....	1
18	114277GT	DECAL,LABEL,BELT ROUTING DSG....1	
19	114390GT	DECAL,DANGER,ELECT HAZARD*** ....1	
20	133238GT	DECAL,ENGINE SPEC,PERKINS*** ....1	
21	215526GT	DECAL,LABEL,BELT,MSG425.....	1
22	215527GT	DECAL,FORD ENGINE SPEC MSG425.....	1
23	229743GT	DECAL,LABEL,WHEEL LOAD S60/60X.....	2
24	822004GT	DECAL, ENGINE SPEC, 404F-22.....1 <i>Perkins Tier 4 models only</i>	
25	822131GT	DECAL, ENGINE SPEC, D2.9.....1 <i>Deutz Tier 4 models only</i>	

119.1 S-60X Decals with Word, Boom (ANSI)

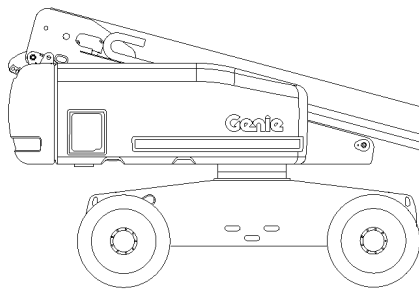


## 119.1 S-60X Decals with Word, Boom (ANSI)

Item	Part No.	Description	Qty.
1	28161GT	DECAL,WARN,CRUSH HAZARD HAND.....	2
2	28181GT	DECAL,WARN,FALL HAZARD.....	1
3	31060GT	DECAL,DANGER DO NOT ALTER SWTC.....	5
4	147658GT	DECAL,COSM GENIE S60X.....	1

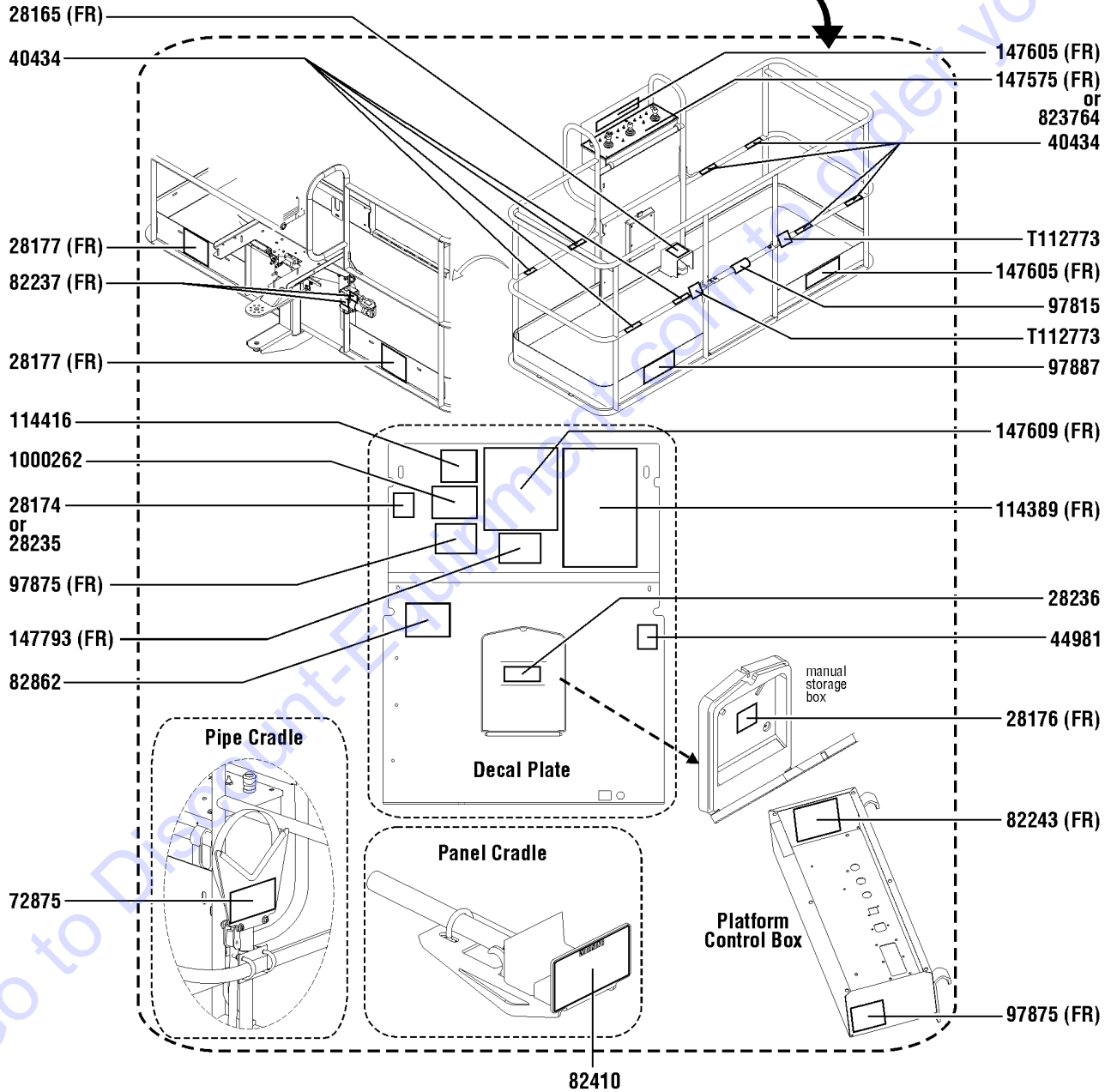
Go to Discount-Equipment.com to order your parts

120.1 S-60X Decals with Word, Platform (ANSI)



NOTE:  
Part numbers with "(FR)" indicates French translation is available

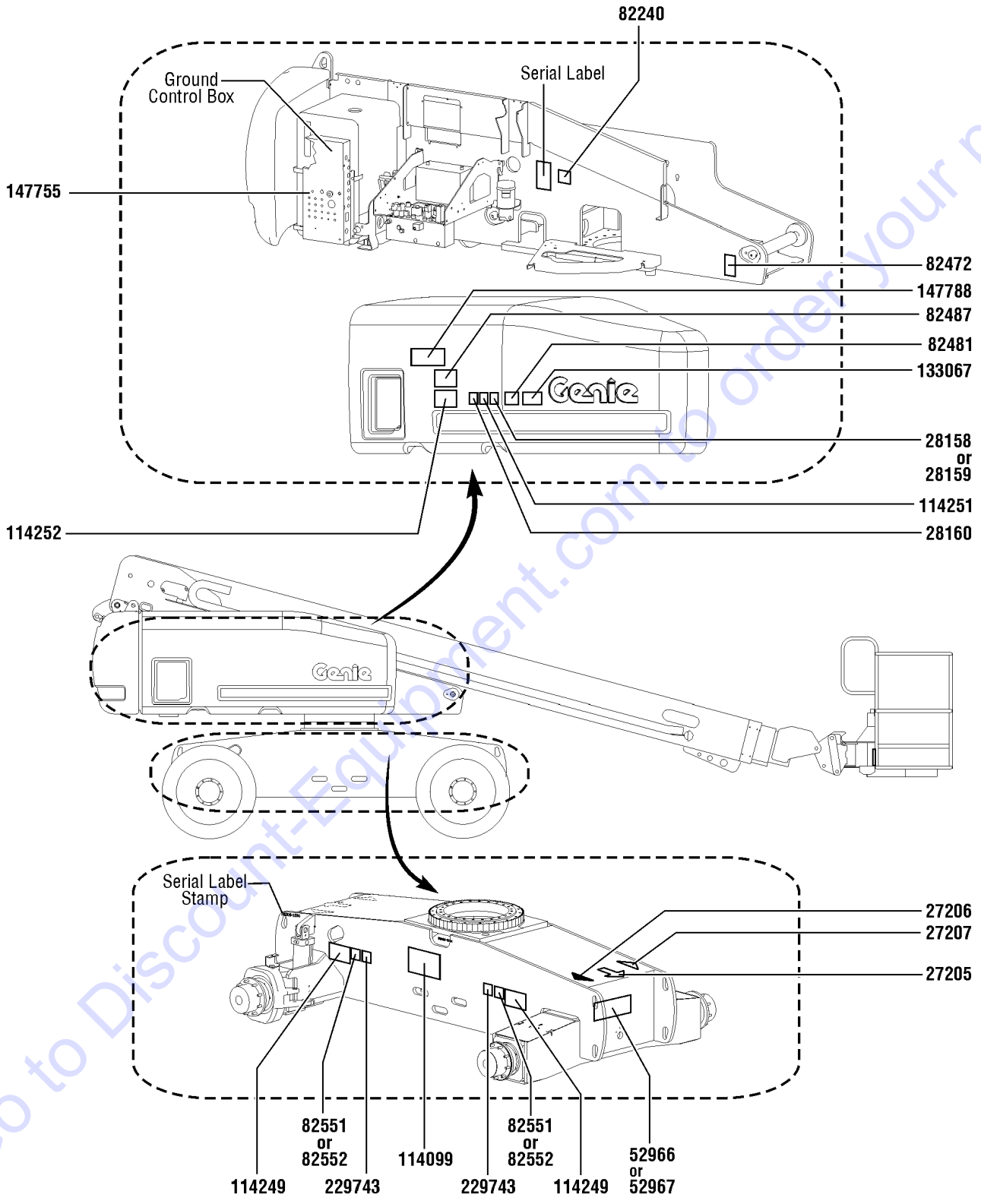
☐ Shading indicates decal is hidden from view.



## 120.1 S-60X Decals with Word, Platform (ANSI)

Item	Part No.	Description	Qty.
1	28165GT	DECAL,INSTRUCT,FOOTSWITCH OPER.....	1
2	28174GT	DECAL, POWER TO PLATFORM 230V**.....	1
3	28176GT	DECAL,LABEL,MANUAL NOT HERE.....	1
4	28177GT	DECAL,WARN,CRUSH HAZARD PLAT.....	2
5	28235GT	DECAL,POWER TO PLATFORM 115V.....	1
6	28236GT	DECAL,WARN,IMPROPER OPERATION.....	1
7	40434GT	DECAL,LANYARD ANCHORAGE POINT.....	8
8	44981GT	DECAL,LABEL, AIR LINE 110 PSI..... <i>Option, airline to plat</i>	1
9	72875GT	DECAL,WARNING,PIPE CRADLE,BOOM..... <i>Option, pipe cradle</i>	2
10	82237GT	DECAL,DANGER,HIGH VOLTAGE..... <i>Option, welder</i>	2
11	82243GT	DECAL FAULT CODE.....	1
12	82410GT	DECAL,WARNING,PANEL CRADLE..... <i>Option, panel cradle</i>	2
13	82862GT	DECAL,FIRE EXTINGUISHER..... <i>Option, welder</i>	1
14	97815GT	DECAL,LABEL,LOWER MIDRAIL.....	1
15	97875GT	DECAL,WARN.WELD LINE INST.WORD..... <i>Option, weld cable line</i>	2
16	97887GT	DECAL,INSTR,MAX SIDE FRC,ANSI.....	1
17	114389GT	DECAL,DANGER,GENERAL SAFETY.....	1
18	114416GT	DECAL,DANGER,TIPOVER,TILT.....	1
19	147575GT	DECAL, PLAT CNTL PNL 60X 80X.....	1
20	147605GT	DECAL,INST PLAT CAP 60X.....	2
21	147609GT	DECAL, INST, OPER INST 60X PLT.....	1
22	147793GT	DECAL,DANGER,TIPOVR,MAX CAP.....	1
23	823764GT	LABEL, PBOX, S60X TIER 4..... <i>Tier 4 models only</i>	1
24	1000262GT	DECAL,DANGER,TIP OVER,PLAT.....	1
25	T112773GT	TAPE, PROTECTIVE MASK.....	2

121.1 S-60X Decals with Symbol, Hydraulic Tank Side (ANSI)

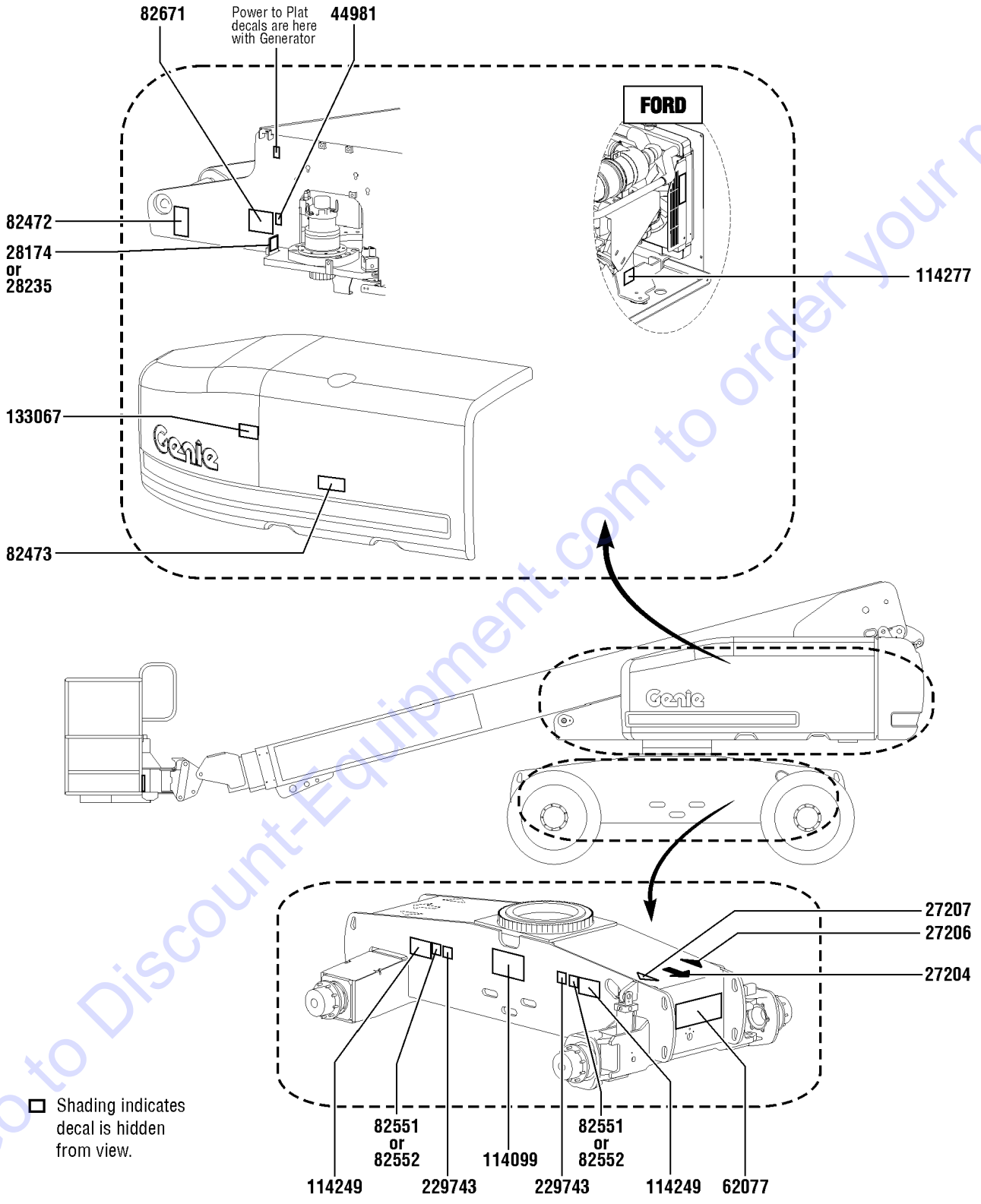




## 121.1 S-60X Decals with Symbol, Hydraulic Tank Side (ANSI)

Item	Part No.	Description	Qty.
1	27205GT	DECAL,ARROW YELLOW LRG 9".....1	1
2	27206GT	DECAL,TRIANGLE,BLUE.....1	1
3	27207GT	DECAL,TRIANGLE,YELLOW.....1	1
4	28158GT	DECAL,LABEL,UNLEADED GAS ONLY.....1	1
5	28159GT	DECAL,DIESEL.....1	1
6	28160GT	DECAL,LABEL,LIQUID PROPANE.....1 <i>Option, LPG tank</i>	1
7	52966GT	DECAL,COSMETIC,4 X 2.....1	1
8	52967GT	DECAL,COSMETIC,4 X 4.....1	1
9	82240GT	DECAL,LABEL,105 DB.....1	1
10	82472GT	DECAL,WARNING,CRUSHING HAZARD.....1	1
11	82481GT	DECAL,SYMBOL-BATTERY SAFETY.....1	1
12	82551GT	DECAL,LABEL,TIRE PRESSURE.....2	2
13	82552GT	DECAL,LABEL,TIRE PRESS HF.....2 <i>Option, hi-floatation tires</i>	2
14	114099GT	DECAL,LABEL,TRANSPORT DIAGRAM.....1	1
15	114249GT	DECAL,LABEL,TIPOVER,TIRES,SYMB.2	2
16	114251GT	DECAL,LABEL,NO SMOKING,SYMB.....1	1
17	114252GT	DECAL,LABEL,TIP OVER LMT SWTCH.....1	1
18	133067GT	DECAL,DANGER,ELEC.HAZ.STAY CLR.....1	1
19	147755GT	DECAL,GR CNTL PNL 60X 80X.....1	1
20	147788GT	DECAL,INST PLAT CAPACITY,SYM.....1	1
21	229743GT	DECAL,LABEL,WHEEL LOAD S60/60X.....2	2

122.1 S-60X Decals with Symbol, Engine Side (ANSI)



# PARTS FINDER

**Search Website  
by Part Number**



**Search Manual  
Library For Parts  
Manual & Lookup Part  
Numbers – Purchase  
or Request Quote**

**Search Manuals**

Enter your information to help us find the right parts manual for your machine.

\* Brand:

\* Model:

\* Serial:

\* Part Number:

SEARCH

**Can't Find Part or  
Manual? Request Help  
by Manufacturer,  
Model & Description**

**Parts Order Form**

Please fill in the following information to help us find the right part for your machine.

Manufacturer:	<input type="text"/>
Model:	<input type="text"/>
Description:	<input type="text"/>
Part Number:	<input type="text"/>
Quantity:	<input type="text"/>
Notes:	<input type="text"/>

Submit

Discount-Equipment.com is your online resource for quality parts & equipment.

Florida: **561-964-4949** Outside Florida TOLL FREE: **877-690-3101**

**Need parts?**

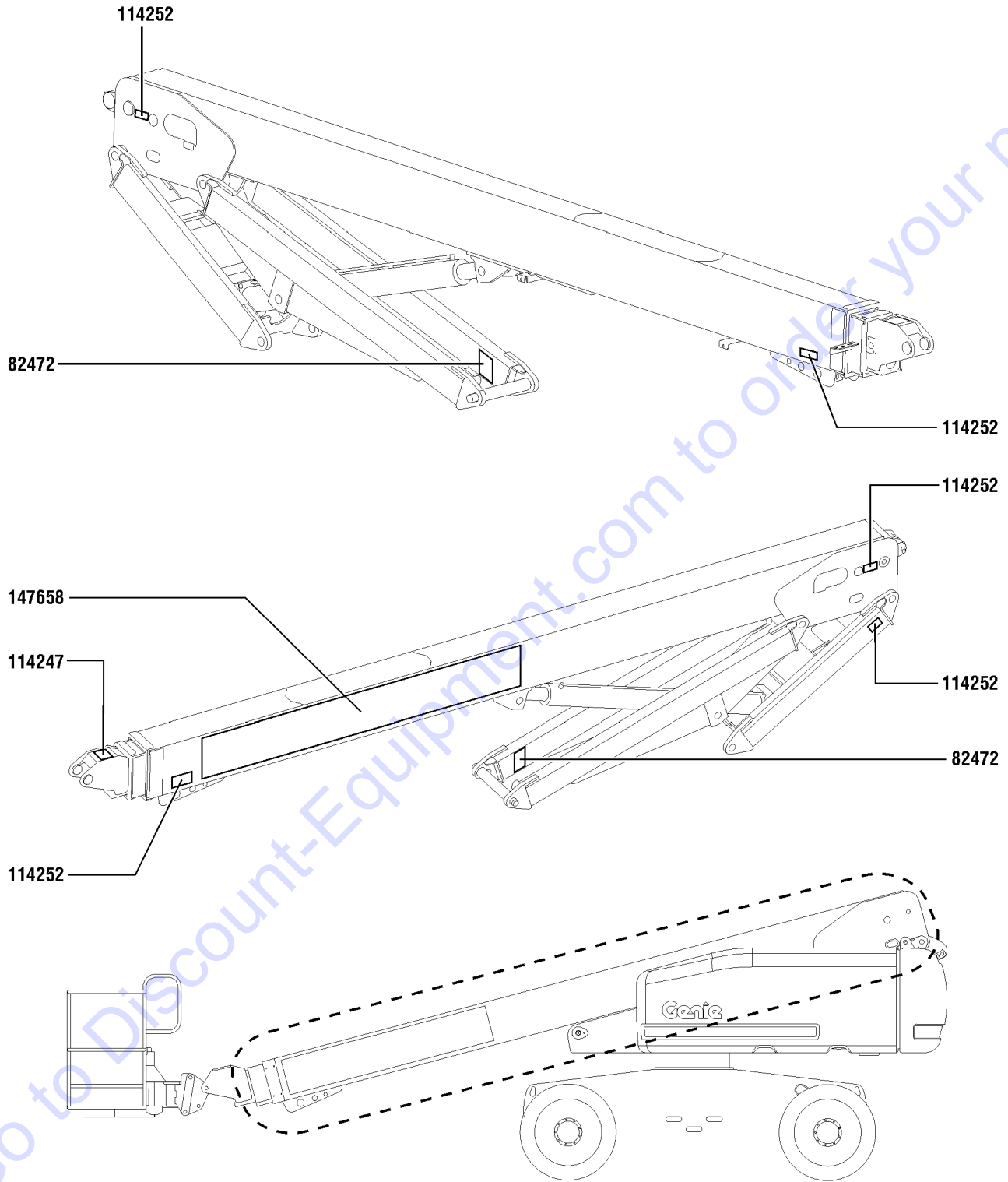
Click on this link: <http://www.discount-equipment.com/category/5443-parts/> and choose one of the options to help get the right parts and equipment you are looking for. Please have the machine model and serial number available in order to help us get you the correct parts. If you don't find the part on the website or on one of the online manuals, please fill out the request form and one of our experienced staff members will get back to you with a quote for the right part that your machine needs.

We sell worldwide for the brands: Genie, Terex, JLG, MultiQuip, Mikasa, Essick, Whiteman, Mayco, Toro Stone, Diamond Products, Generac Magnum, Airman, Haulotte, Barreto, Power Blanket, Nifty Lift, Atlas Copco, Chicago Pneumatic, Allmand, Miller Curber, Skyjack, Lull, Skytrak, Tsurumi, Husquvarna Target, Stow, Wacker, Sakai, Mi-T-M, Sullair, Basic, Dynapac, MBW, Weber, Bartell, Bennar Newman, Haulotte, Ditch Runner, Menegotti, Morrison, Contec, Buddy, Crown, Edco, Wyco, Bomag, Laymor, EZ Trench, Bil-Jax, F.S. Curtis, Gehl Pavers, Heli, Honda, ICS/PowerGrit, IHI, Partner, Imer, Clipper, MMD, Koshin, Rice, CH&E, General Equipment, Amida, Coleman, NAC, Gradall, Square Shooter, Kent, Stanley, Tamco, Toku, Hatz, Kohler, Robin, Wisconsin, Northrock, Oztec, Toker TK, Rol-Air, APT, Wylie, Ingersoll Rand / Doosan, Innovatech, Con X, Ammann, Mecalac, Makinex, Smith Surface Prep, Small Line, Wanco, Yanmar

## 122.1 S-60X Decals with Symbol, Engine Side (ANSI)

Item	Part No.	Description	Qty.
1	25235GT	WELDMENT, NON-OSCILLATING AXLE.....	1
2	27204GT	DECAL, ARROW BLUE.....	1
3	27206GT	DECAL, TRIANGLE, BLUE.....	1
4	27207GT	DECAL, TRIANGLE, YELLOW.....	1
5	28174GT	DECAL, POWER TO PLATFORM 230V**.....	1
6	44981GT	DECAL, LABEL, AIR LINE 110 PSI..... <i>Option, airline to plat</i>	1
7	62077GT	DECAL, COSMETIC, S60.....	1
8	82472GT	DECAL, WARNING, CRUSHING HAZARD.....	1
9	82473GT	DECAL, SYMBOL-COMP ACCESS.....	1
10	82551GT	DECAL, LABEL, TIRE PRESSURE.....	2
11	82552GT	DECAL, LABEL, TIRE PRESS HF..... <i>Option, hi-floatation tires</i>	2
12	82671GT	DECAL, LABEL, WELD LINE INST, SYM... <i>Option, weld cable line</i>	1
13	114099GT	DECAL, LABEL, TRANSPORT DIAGRAM.....	1
14	114249GT	DECAL, LABEL, TIPOVER, TIRES, SYMB.2	2
15	114277GT	DECAL, LABEL, BELT ROUTING DSG.....	1
16	133067GT	DECAL, DANGER, ELEC. HAZ. STAY CLR.....	1
17	229743GT	DECAL, LABEL, WHEEL LOAD S60/60X.....	2

123.1 S-60X Decals with Symbol, Boom (ANSI)

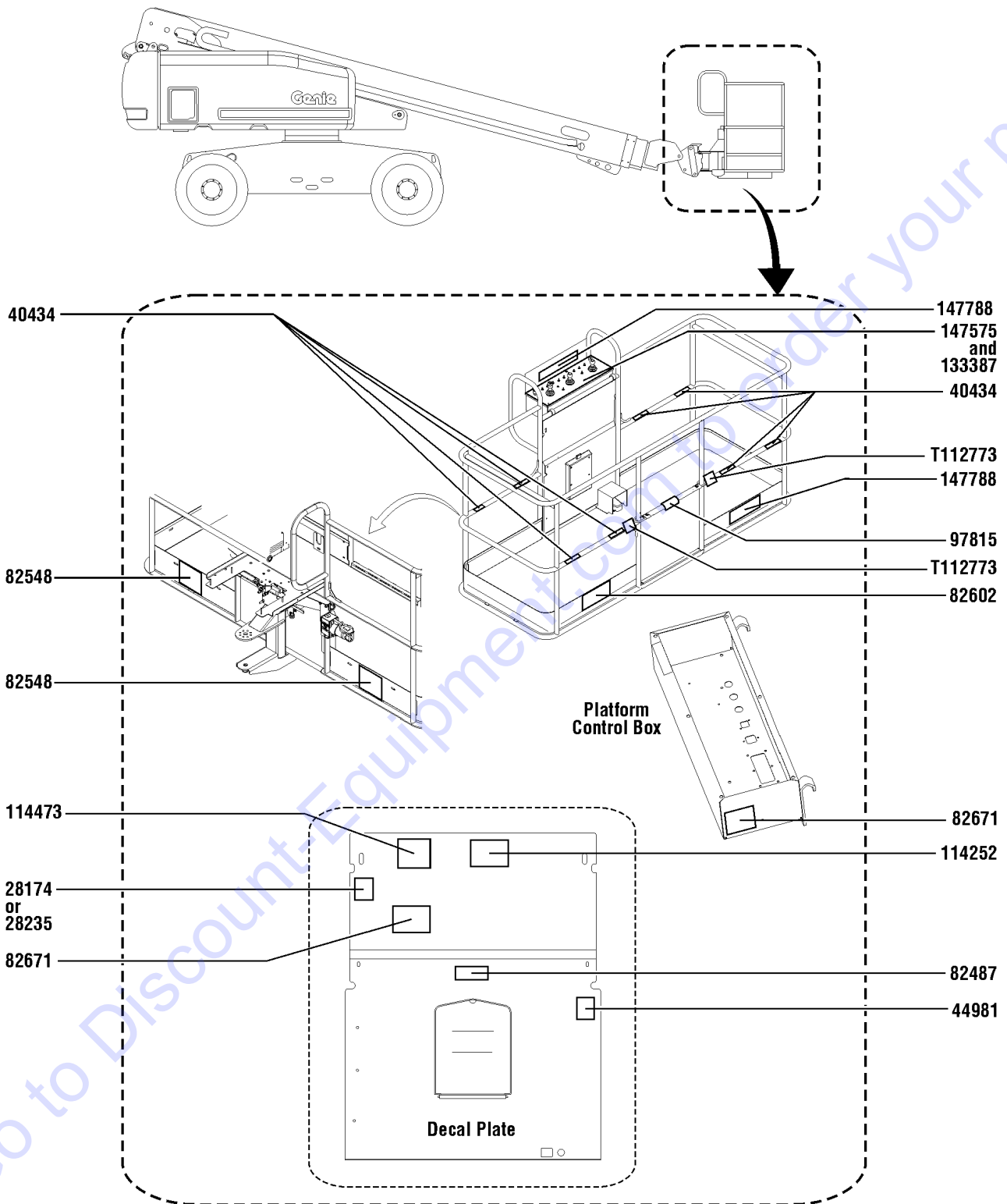


## 123.1 S-60X Decals with Symbol, Boom (ANSI)

Item	Part No.	Description	Qty.
1	82472GT	DECAL,WARNING,CRUSHING HAZARD.....	2
2	114247GT	DECAL,LABEL,FALL HAZARD***.....	1
3	114252GT	DECAL,LABEL,TIP OVER LMT SWTCH.....	5
4	147658GT	DECAL,COSM GENIE S60X.....	1

Go to Discount-Equipment.com to order your parts

124.1 S-60X Decals with Symbol, Platform (ANSI)

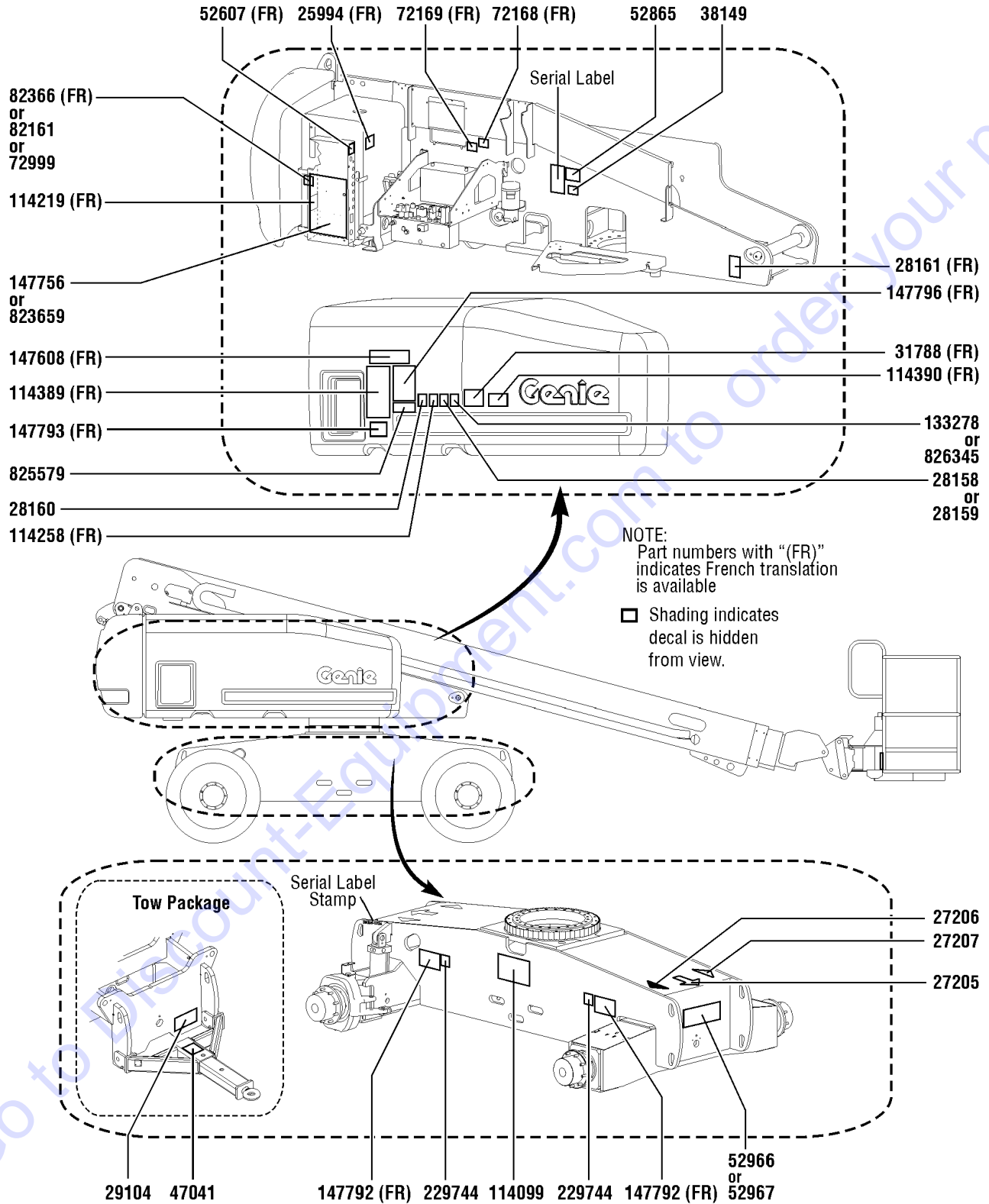


## 124.1 S-60X Decals with Symbol, Platform (ANSI)

Item	Part No.	Description	Qty.
1	28174GT	DECAL, POWER TO PLATFORM 230V**.....	1
2	28235GT	DECAL,POWER TO PLATFORM 115V...1	1
3	40434GT	DECAL,LANYARD ANCHORAGE POINT.....	8
4	44981GT	DECAL,LABEL, AIR LINE 110 PSI.....1 <i>Option, airline to plat</i>	1
5	82487GT	DECAL, SYMBOL - READ THE MANUAL.....	1
6	82548GT	DECAL,WARN,CRUSH HAZARD PLAT.....	2
7	82602GT	DECAL,DANGER,MAX SIDE FRC,667N.....	1
8	82671GT	DECAL,LABEL,WELD LINE INST,SYM...2 <i>Option, weld cable line</i>	2
9	97815GT	DECAL,LABEL,LOWER MIDRAIL.....	1
10	114252GT	DECAL,LABEL,TIP OVER LMT SWTCH.....	1
11	114473GT	DECAL,DANGER,TIPOVER,TILT,SYM....	1
12	133387GT	DECAL,DRIVE ENABLE PATCH.....	1
13	147575GT	DECAL, PLAT CNTL PNL 60X 80X.....	1
14	147788GT	DECAL,INST PLAT CAPACITY,SYM.....	2
15	T112773GT	TAPE, PROTECTIVE MASK.....	2



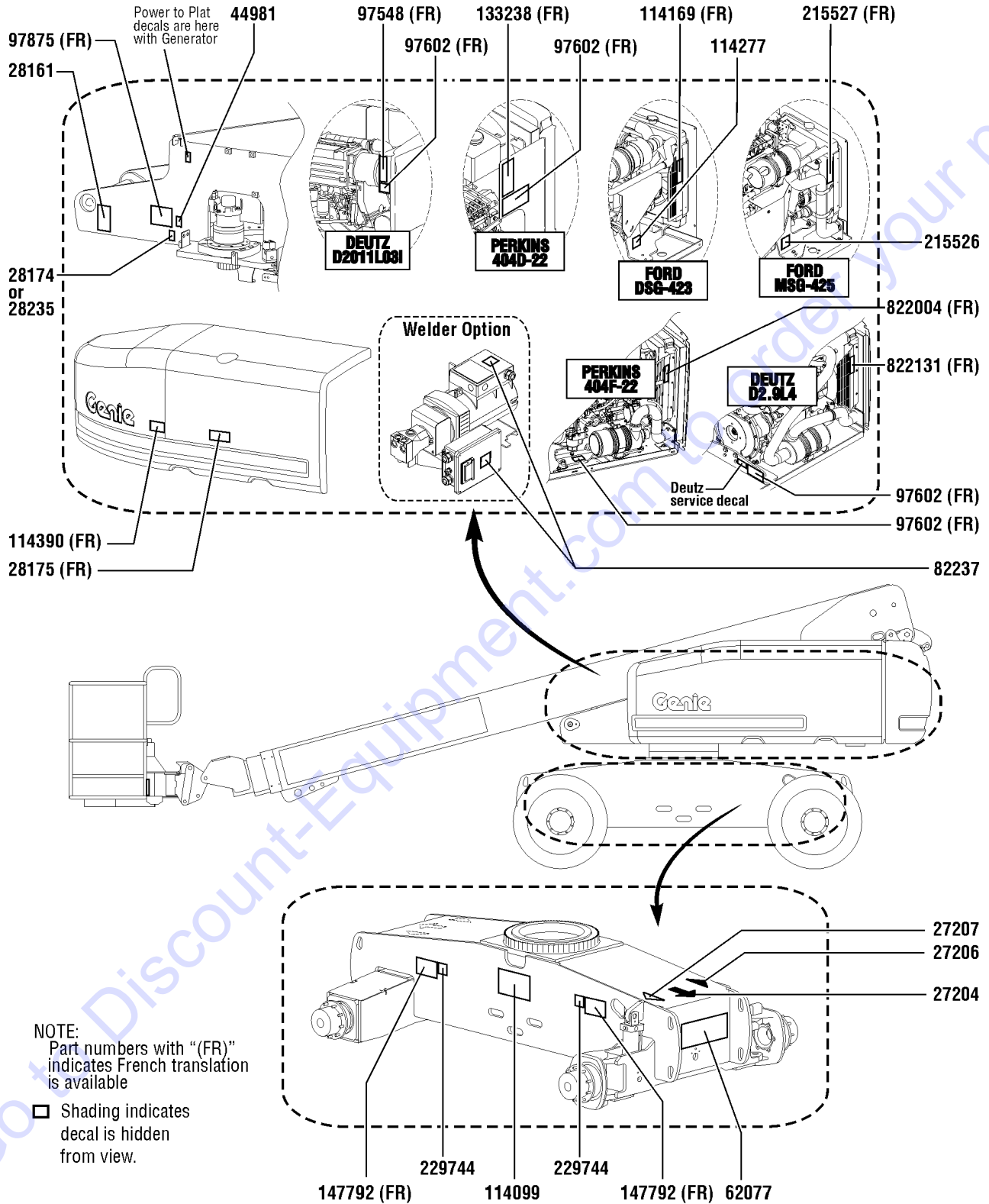
125.1 S-60XC Decals with Word, Hydraulic Tank Side (ANSI)



## 125.1 S-60XC Decals with Word, Hydraulic Tank Side (ANSI)

Item	Part No.	Description	Qty.	Item	Part No.	Description	Qty.
1	25994GT	DECAL,NOTICE,SHUTOFF VALVES.....	1	36	826345GT	DECAL,ULS DIESEL ONLY,TIER 4.....	1
2	27205GT	DECAL,ARROW YELLOW LRG 9".....	1			<i>Tier 4 models only</i>	
3	27206GT	DECAL,TRIANGLE,BLUE.....	1				
4	27207GT	DECAL,TRIANGLE,YELLOW.....	1				
5	28158GT	DECAL,LABEL,UNLEADED GAS ONLY.....	1				
6	28159GT	DECAL,DIESEL.....	1				
7	28160GT	DECAL,LABEL,LIQUID PROPANE.....	1				
		<i>Option, LPG tank</i>					
8	28161GT	DECAL,WARN,CRUSH HAZARD HAND.....	1				
9	29104GT	DECAL,TOWING INSTRUCTIONS.....	1				
		<i>Option, tow package</i>					
10	31788GT	DECAL,DANGER,BATTERY SAFETY***.....	1				
11	38149GT	DECAL,LABEL,PATENTS.....	1				
12	47041GT	DECAL,CAUTION,TOWING SPEED.....	1				
		<i>Option, tow package</i>					
13	52607GT	DECAL,LABEL,TEST***.....	1				
		<i>Ford only</i>					
14	52865GT	DECAL,ANNUAL INSP***.....	1				
15	52966GT	DECAL,COSMETIC,4 X 2.....	1				
16	52967GT	DECAL,COSMETIC,4 X 4.....	1				
17	72168GT	DECAL,LABEL,STARTER BATTERY.....	1				
18	72169GT	DECAL,LABEL,CONTROLS BATTERY.....	1				
19	72999GT	DECAL,LABEL,PETRO CANADA***.....	1				
20	82161GT	DECAL,LABEL,UCON HYDROLUBE.....	1				
21	82366GT	DECAL,CHEVRON RANDO HD.....	1				
22	114099GT	DECAL,LABEL,TRANSPORT DIAGRAM.....	1				
23	114219GT	DECAL,LABEL,RELAYS,S60&65.....	1				
24	114258GT	DECAL,DANGER,NO SMOKING.....	1				
25	114389GT	DECAL,DANGER,GENERAL SAFETY.....	1				
26	114390GT	DECAL,DANGER,ELECT HAZARD***.....	1				
27	133278GT	DECAL,LOW/ULTRA LOW SULFR FUEL.....	1				
		<i>Diesel models only</i>					
28	147608GT	DECAL,INST PLAT CAP 60XC.....	1				
29	147756GT	DECAL,GR CNTL PNL 60XC.....	1				
30	147792GT	DANGER,TIPOVR,TIRES FF ONLY.....	2				
31	147793GT	DECAL,DANGER,TIPOVR,MAX CAP.....	1				
32	147796GT	DECAL, OPER INST 60XC GRD.....	1				
33	229744GT	DECAL,LABEL,WHEEL LOAD S60H/XC.....	2				
34	823659GT	LABEL, GBOX, S60X TIER 4.....	1				
35	825579GT	DECAL, LCD, TIER 4.....	1				
		<i>Tier 4 models only</i>					

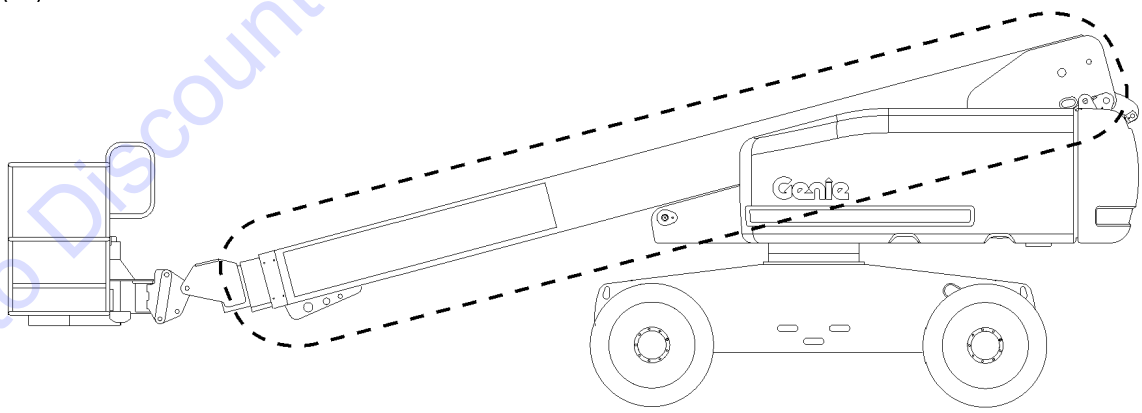
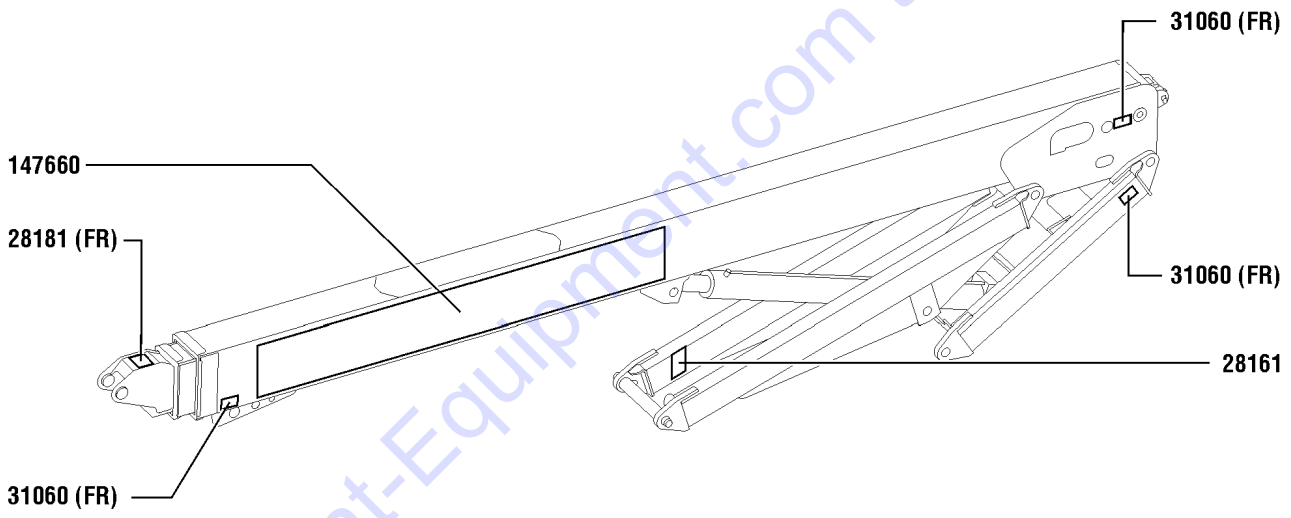
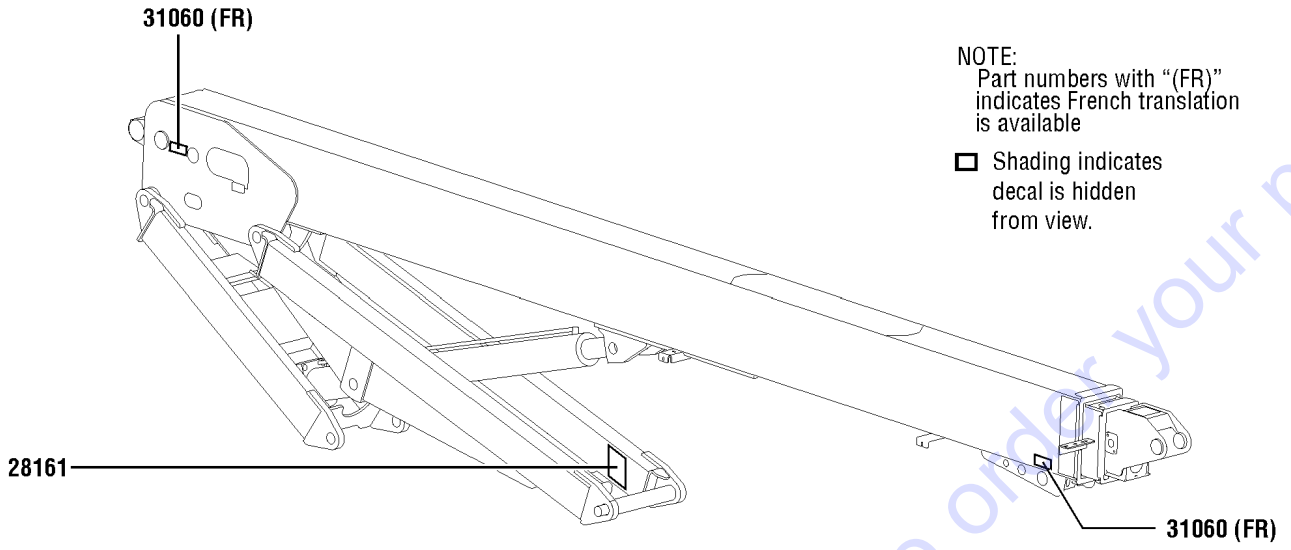
126.1 S-60XC Decals with Word, Engine Side (ANSI)



## 126.1 S-60XC Decals with Word, Engine Side (ANSI)

Item	Part No.	Description	Qty.
1	27204GT	DECAL,ARROW BLUE.....	1
2	27206GT	DECAL,TRIANGLE,BLUE.....	1
3	27207GT	DECAL,TRIANGLE,YELLOW.....	1
4	28161GT	DECAL,WARN,CRUSH HAZARD HAND.....	1
5	28174GT	DECAL, POWER TO PLATFORM 230V**.....	1
6	28175GT	DECAL,WARNING-COMPART ACCESS.....	1
7	28235GT	DECAL,POWER TO PLATFORM 115V...1	
8	44981GT	DECAL,LABEL, AIR LINE 110 PSI.....1 <i>Option, airline to plat</i>	
9	62077GT	DECAL,COSMETIC,S60.....	1
10	82237GT	DECAL,DANGER,HIGH VOLTAGE.....2 <i>Option, welder</i>	
11	97548GT	DECAL,ENGINE SPEC,DEUTZ 2011.....1	
12	97602GT	DECAL,EXPLOSION HAZARD.....1	
13	97875GT	DECAL,WARN.WELD LINE INST.WORD.....1 <i>Option, weld cable line</i>	
14	114099GT	DECAL,LABEL,TRANSPORT DIAGRAM.....	1
15	114169GT	DECAL,FORD ENGINE SPEC DSG423.....	1
16	114277GT	DECAL,LABEL,BELT ROUTING DSG.....1	
17	114390GT	DECAL,DANGER,ELECT HAZARD***.....1	
18	133238GT	DECAL,ENGINE SPEC,PERKINS***.....1	
19	147792GT	DANGER,TIPOVR,TIRES FF ONLY.....2	
20	215526GT	DECAL,LABEL,BELT,MSG425.....	1
21	215527GT	DECAL,FORD ENGINE SPEC MSG425.....	1
22	229744GT	DECAL,LABEL,WHEEL LOAD S60H/XC.....	2
23	822004GT	DECAL, ENGINE SPEC, 404F-22.....1 <i>Perkins Tier 4 models only</i>	
24	822131GT	DECAL, ENGINE SPEC, D2.9.....1 <i>Deutz Tier 4 models only</i>	

127.1 S-60XC Decals with Word, Boom (ANSI)

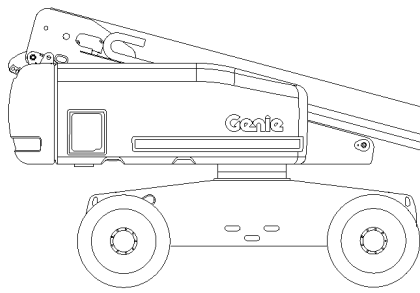


## 127.1 S-60XC Decals with Word, Boom (ANSI)

Item	Part No.	Description	Qty.
1	28161GT	DECAL,WARN,CRUSH HAZARD HAND.....	2
2	28181GT	DECAL,WARN,FALL HAZARD.....	1
3	31060GT	DECAL,DANGER DO NOT ALTER SWTC.....	5
4	147660GT	DECAL,COSM GENIE S60XC.....	1

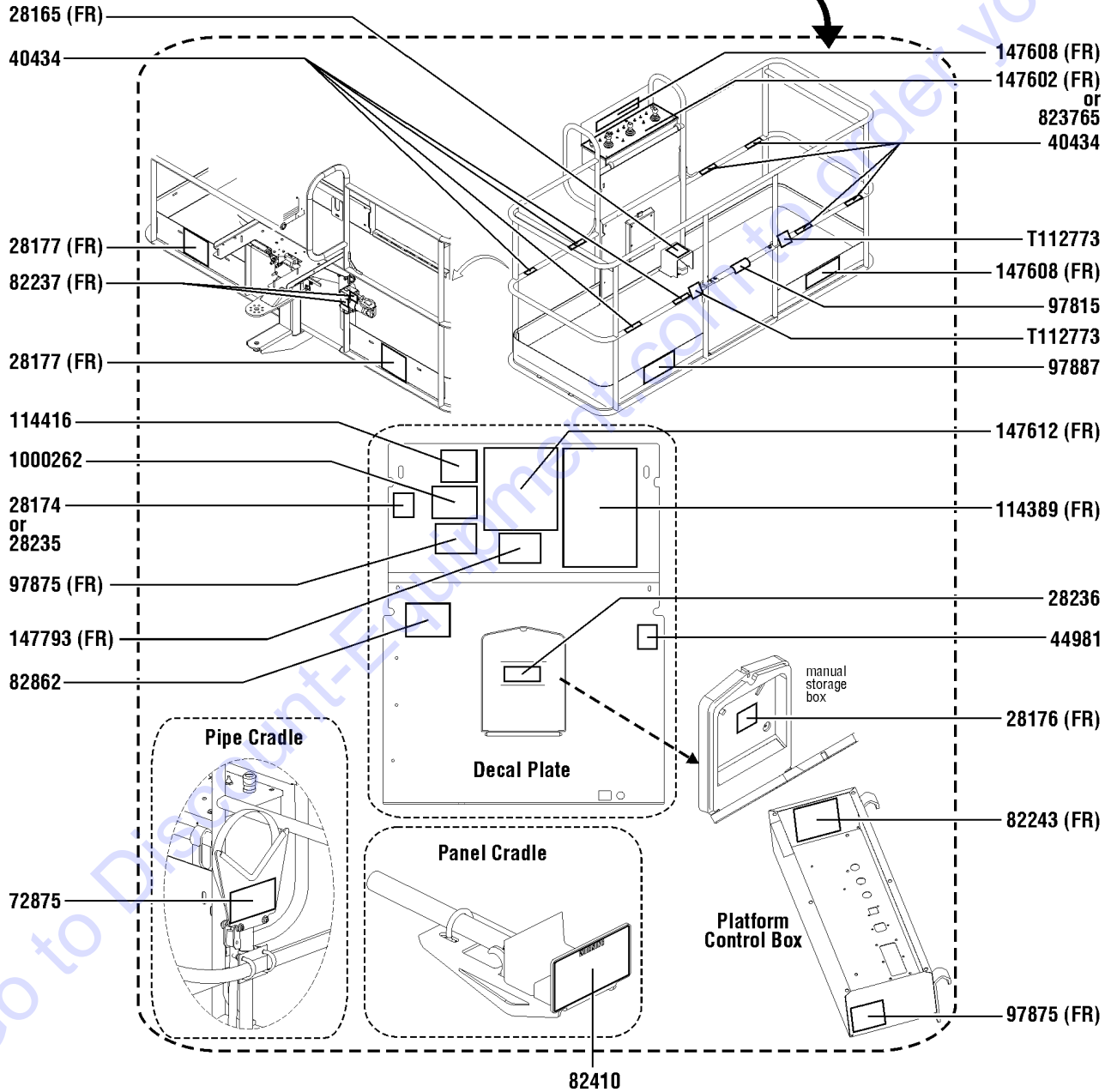
Go to Discount-Equipment.com to order your parts

128.1 S-60XC Decals with Word, Platform (ANSI)



NOTE:  
Part numbers with "(FR)" indicates French translation is available

☐ Shading indicates decal is hidden from view.

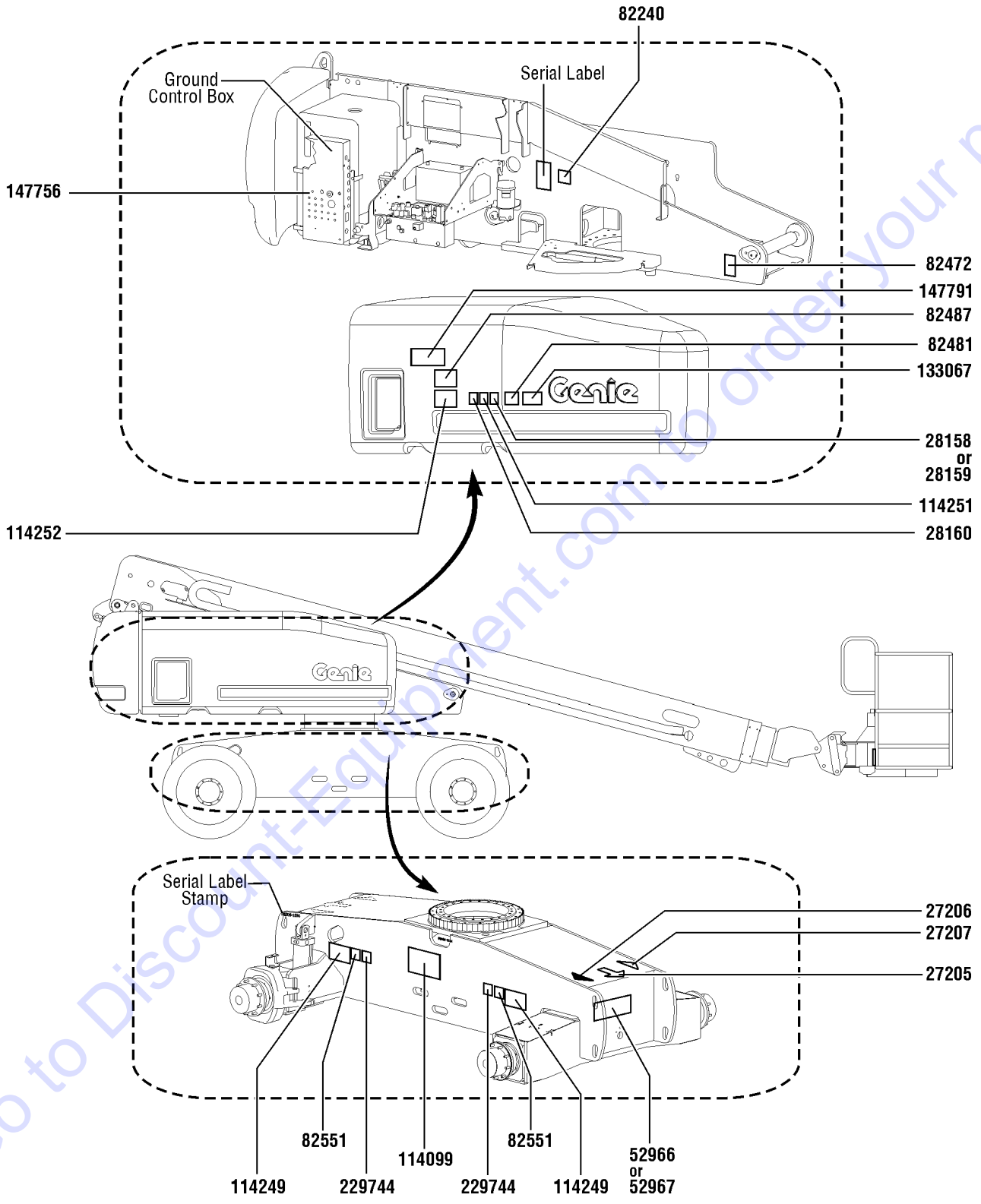


## 128.1 S-60XC Decals with Word, Platform (ANSI)

Item	Part No.	Description	Qty.
1	28165GT	DECAL,INSTRUCT,FOOTSWITCH OPER.....	1
2	28174GT	DECAL, POWER TO PLATFORM 230V**.....	1
3	28176GT	DECAL,LABEL,MANUAL NOT HERE.....	1
4	28177GT	DECAL,WARN,CRUSH HAZARD PLAT.....	2
5	28235GT	DECAL,POWER TO PLATFORM 115V....	1
6	28236GT	DECAL,WARN,IMPROPER OPERATION.....	1
7	40434GT	DECAL,LANYARD ANCHORAGE POINT.....	8
8	44981GT	DECAL,LABEL, AIR LINE 110 PSI..... <i>Option, airline to plat</i>	1
9	72875GT	DECAL,WARNING,PIPE CRADLE,BOOM..... <i>Option, pipe cradle</i>	2
10	82237GT	DECAL,DANGER,HIGH VOLTAGE..... <i>Option, welder</i>	2
11	82243GT	DECAL FAULT CODE.....	1
12	82410GT	DECAL,WARNING,PANEL CRADLE..... <i>Option, panel cradle</i>	2
13	82862GT	DECAL,FIRE EXTINGUISHER..... <i>Option, welder</i>	1
14	97815GT	DECAL,LABEL,LOWER MIDRAIL.....	1
15	97875GT	DECAL,WARN.WELD LINE INST.WORD..... <i>Option, weld cable line</i>	2
16	97887GT	DECAL,INSTR,MAX SIDE FRC,ANSI.....	1
17	114389GT	DECAL,DANGER,GENERAL SAFETY....	1
18	114416GT	DECAL,DANGER,TIPOVER,TILT.....	1
19	147602GT	DECAL, PLAT CNTL PNL 60XC.....	1
20	147608GT	DECAL,INST PLAT CAP 60XC.....	2
21	147612GT	DECAL,INST OPER INST 60XC.....	1
22	147793GT	DECAL,DANGER,TIPOVR,MAX CAP....	1
23	823765GT	LABEL, PBOX, S60XC TIER 4..... <i>Tier 4 models only</i>	1
24	1000262GT	DECAL,DANGER,TIP OVER,PLAT.....	1
25	T112773GT	TAPE, PROTECTIVE MASK.....	2



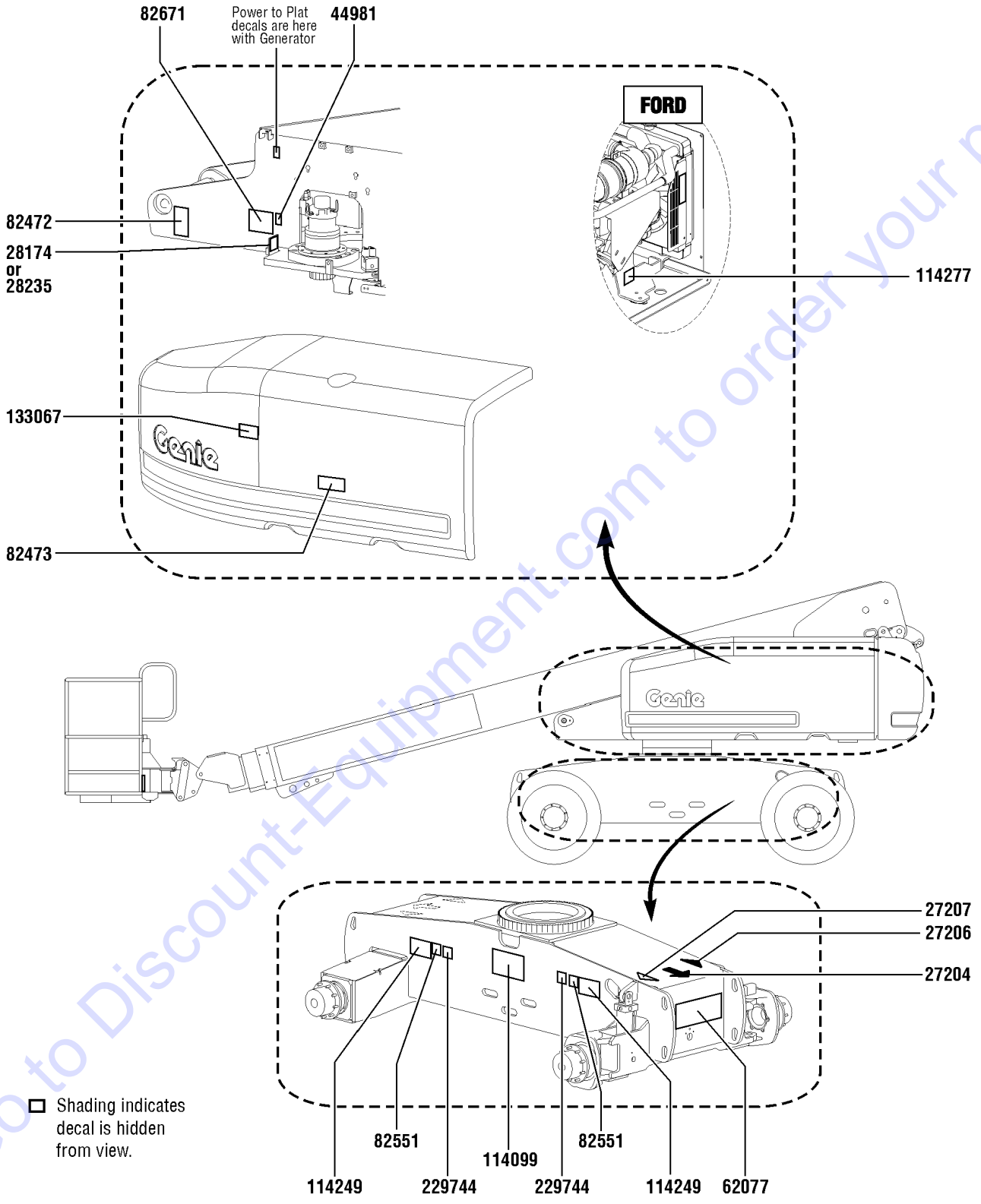
129.1 S-60XC Decals with Symbol, Hydraulic Tank Side (ANSI)



## 129.1 S-60XC Decals with Symbol, Hydraulic Tank Side (ANSI)

Item	Part No.	Description	Qty.
1	27205GT	DECAL,ARROW YELLOW LRG 9".....1	1
2	27206GT	DECAL,TRIANGLE,BLUE.....1	1
3	27207GT	DECAL,TRIANGLE,YELLOW.....1	1
4	28158GT	DECAL,LABEL,UNLEADED GAS ONLY.....1	1
5	28159GT	DECAL,DIESEL.....1	1
6	28160GT	DECAL,LABEL,LIQUID PROPANE.....1 <i>Option, LPG tank</i>	1
7	52966GT	DECAL,COSMETIC,4 X 2.....1	1
8	52967GT	DECAL,COSMETIC,4 X 4.....1	1
9	82240GT	DECAL,LABEL,105 DB.....1	1
10	82472GT	DECAL,WARNING,CRUSHING HAZARD.....1	1
11	82481GT	DECAL,SYMBOL-BATTERY SAFETY.....1	1
12	82487GT	DECAL,SYMBOL-READ THE MANUAL.....1	1
13	82551GT	DECAL,LABEL,TIRE PRESSURE.....2	2
14	114099GT	DECAL,LABEL,TRANSPORT DIAGRAM.....1	1
15	114249GT	DECAL,LABEL,TIPOVER,TIRES,SYMB.1	1
16	114251GT	DECAL,LABEL,NO SMOKING,SYMB.....1	1
17	114252GT	DECAL,LABEL,TIP OVER LMT SWTCH.....1	1
18	114349GT	OPT,COSM DECAL,NES S105.....1	1
19	133067GT	DECAL,DANGER,ELEC.HAZ.STAY CLR.....1	1
20	147756GT	DECAL,GR CNTL PNL 60XC.....1	1
21	147791GT	DECAL,INST PLAT CAP 60XC SYM.....1	1
22	229744GT	DECAL,LABEL,WHEEL LOAD S60H/XC.....2	2

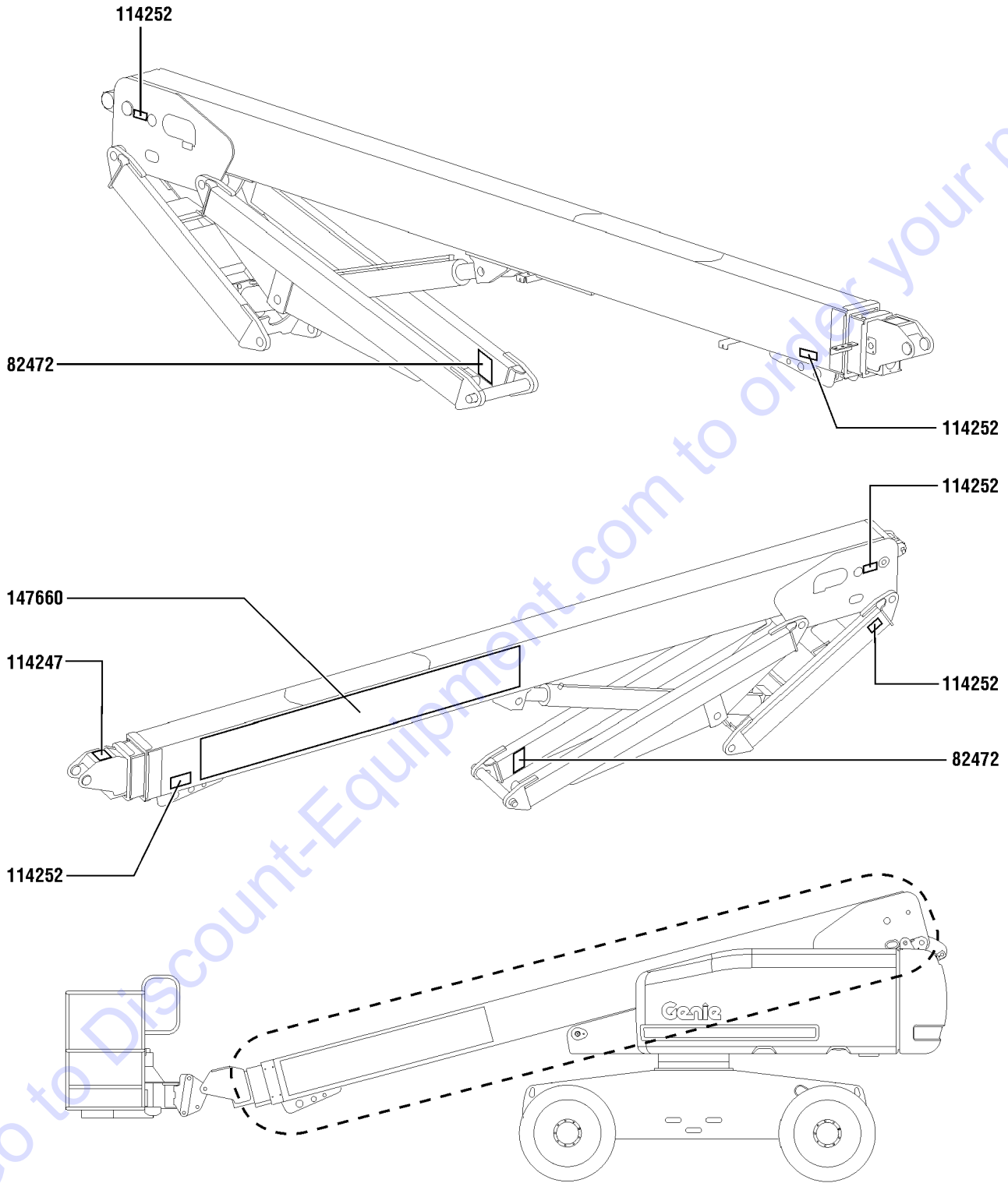
130.1 S-60XC Decals with Symbol, Engine Side (ANSI)



## 130.1 S-60XC Decals with Symbol, Engine Side (ANSI)

Item	Part No.	Description	Qty.
1	27204GT	DECAL,ARROW BLUE.....	1
2	27206GT	DECAL,TRIANGLE,BLUE.....	1
3	27207GT	DECAL,TRIANGLE,YELLOW.....	1
4	28174GT	DECAL, POWER TO PLATFORM 230V**.....	1
5	28235GT	DECAL,POWER TO PLATFORM 115V...1	1
6	44981GT	DECAL,LABEL, AIR LINE 110 PSI.....1 <i>Option, airline to plat</i>	1
7	62077GT	DECAL,COSMETIC,S60.....	1
8	82472GT	DECAL,WARNING,CRUSHING HAZARD.....	1
9	82473GT	DECAL,SYMBOL-COMP ACCESS.....	1
10	82551GT	DECAL,LABEL,TIRE PRESSURE.....	2
11	82671GT	DECAL,LABEL,WELD LINE INST,SYM...1 <i>Option, weld cable line</i>	1
12	114099GT	DECAL,LABEL,TRANSPORT DIAGRAM.....	1
13	114219GT	DECAL,LABEL,RELAYS,S60&65.....	1
14	114249GT	DECAL,LABEL,TIPOVER,TIRES,SYMB.1	1
15	114277GT	DECAL,LABEL,BELT ROUTING DSG.....	1
16	133067GT	DECAL,DANGER,ELEC.HAZ.STAY CLR.....	1
17	229744GT	DECAL,LABEL,WHEEL LOAD S60H/XC.....	2

131.1 S-60XC Decals with Symbol, Boom (ANSI)

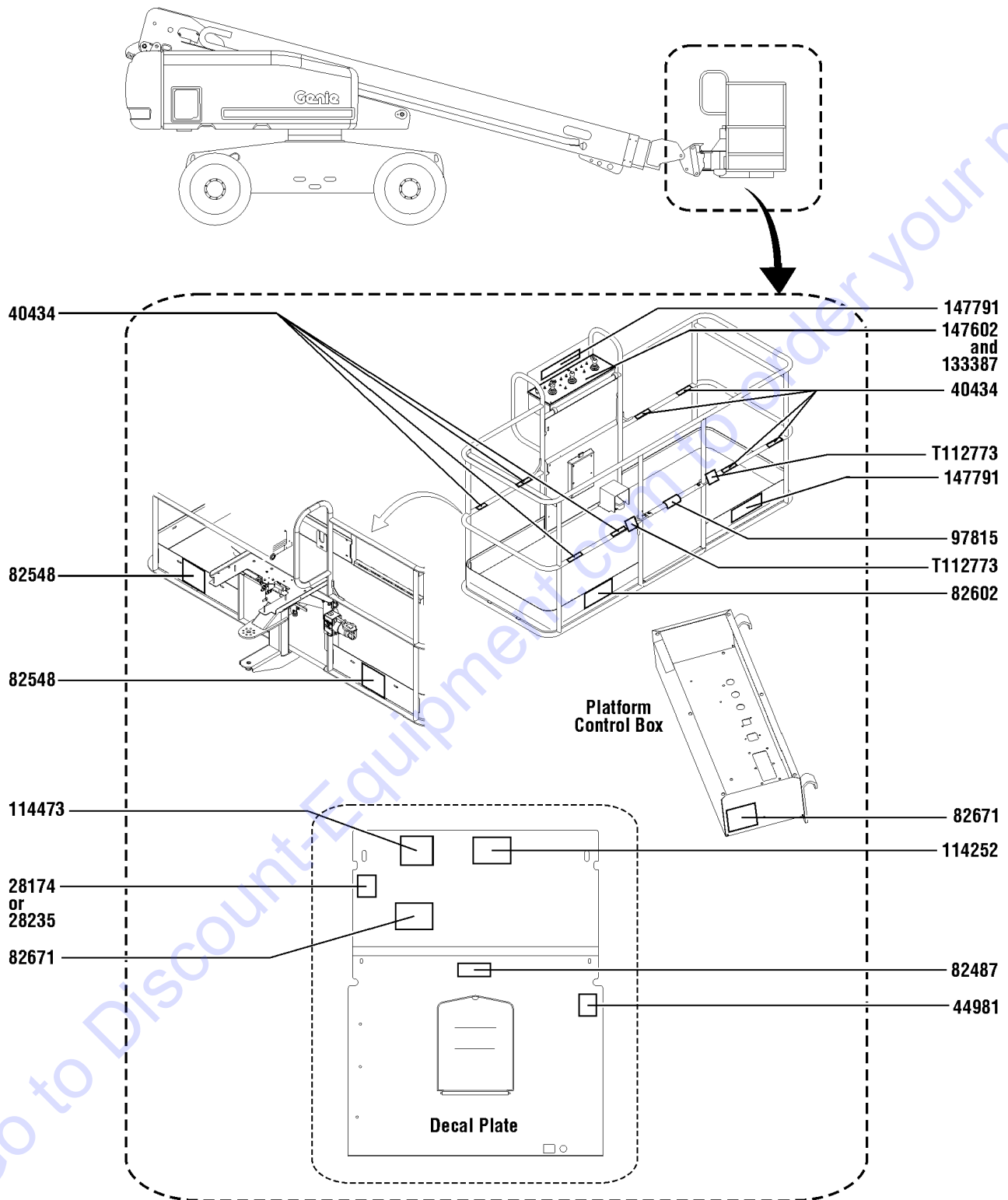


## 131.1 S-60XC Decals with Symbol, Boom (ANSI)

Item	Part No.	Description	Qty.
1	82472GT	DECAL,WARNING,CRUSHING HAZARD.....	2
2	114247GT	DECAL,LABEL,FALL HAZARD***.....	1
3	114252GT	DECAL,LABEL,TIP OVER LMT SWTCH.....	5
4	147660GT	DECAL,COSM GENIE S60XC.....	1

Go to Discount-Equipment.com to order your parts

132.1 S-60XC Decals with Symbol, Platform (ANSI)

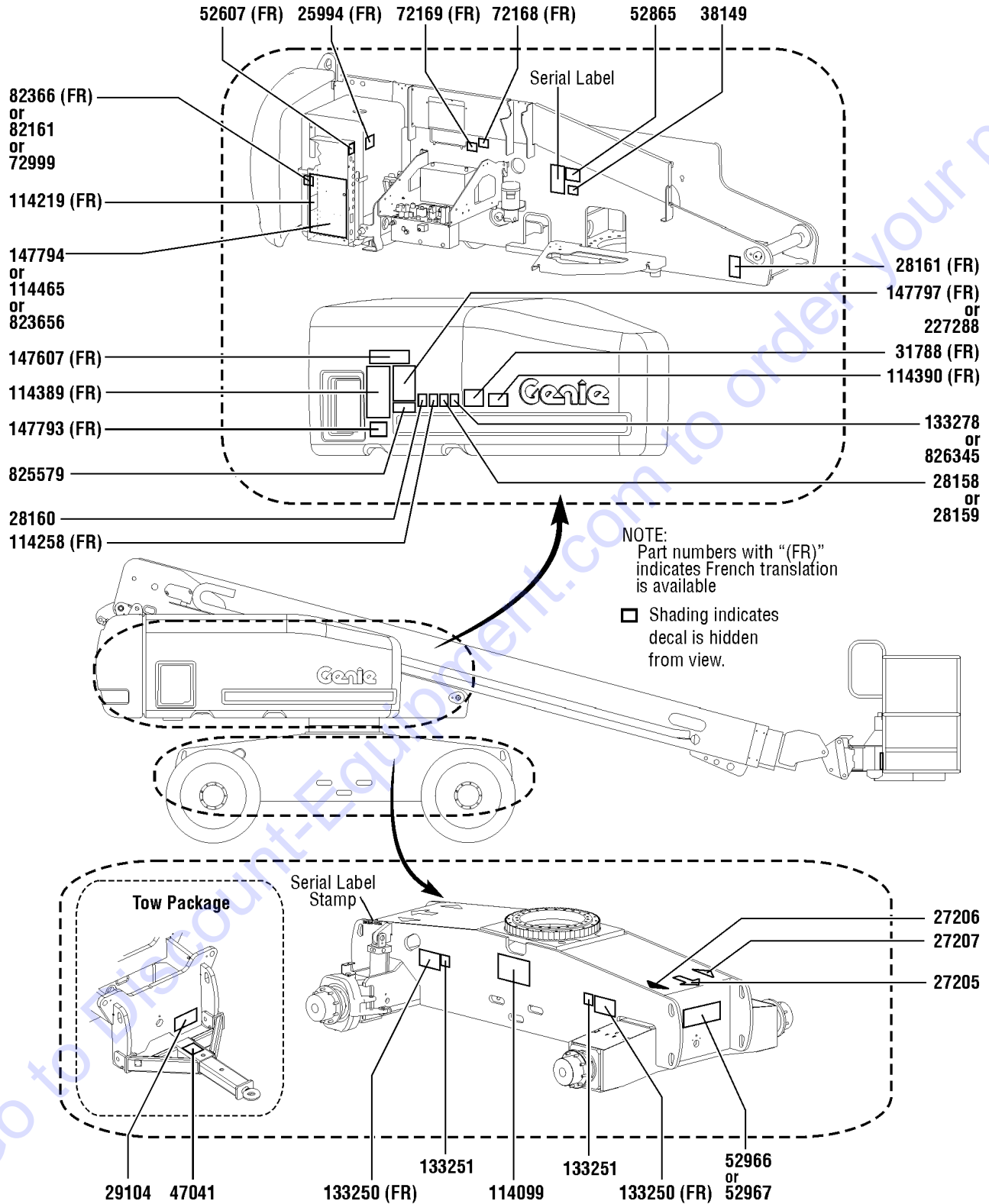


## 132.1 S-60XC Decals with Symbol, Platform (ANSI)

Item	Part No.	Description	Qty.
1	28174GT	DECAL, POWER TO PLATFORM 230V**.....	1
2	28235GT	DECAL,POWER TO PLATFORM 115V...1	1
3	40434GT	DECAL,LANYARD ANCHORAGE POINT.....	8
4	44981GT	DECAL,LABEL, AIR LINE 110 PSI.....1 <i>Option, airline to plat</i>	1
5	82487GT	DECAL, SYMBOL - READ THE MANUAL.....	1
6	82548GT	DECAL,WARN,CRUSH HAZARD PLAT.....	2
7	82602GT	DECAL,DANGER,MAX SIDE FRC,667N.....	1
8	82671GT	DECAL,LABEL,WELD LINE INST,SYM...2 <i>Option, weld cable line</i>	2
9	97815GT	DECAL,LABEL,LOWER MIDRAIL.....1	1
10	114252GT	DECAL,LABEL,TIP OVER LMT SWTCH.....	1
11	114473GT	DECAL,DANGER,TIPOVER,TILT,SYM...1	1
12	133387GT	DECAL,DRIVE ENABLE PATCH.....1	1
13	147602GT	DECAL, PLAT CNTL PNL 60XC.....1	1
14	147791GT	DECAL,INST PLAT CAP 60XC SYM.....2	2
15	T112773GT	TAPE, PROTECTIVE MASK.....	2



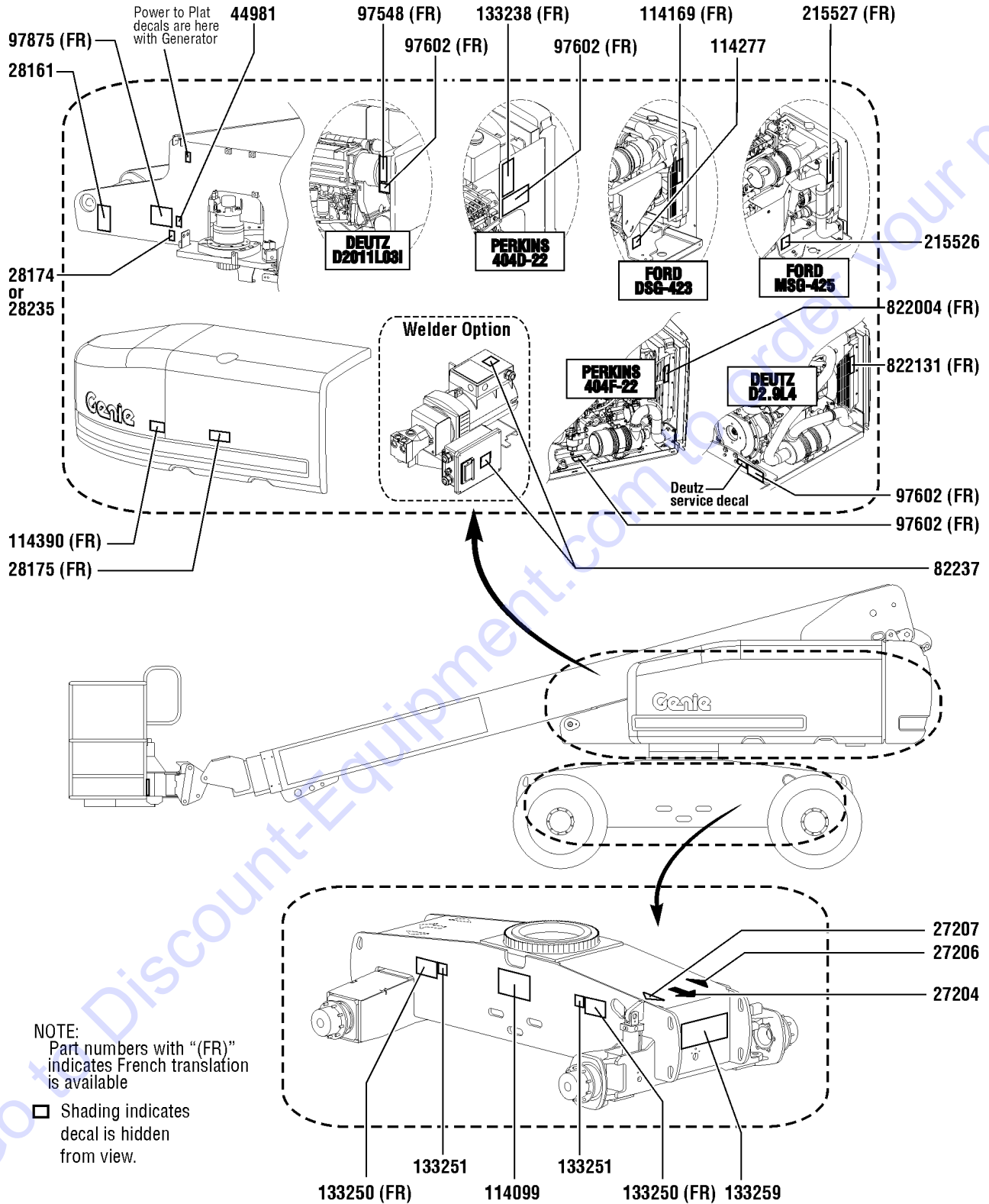
133.1 S-60TraX Decals with Word, Hydraulic Tank Side (ANSI & Australia)



## 133.1 S-60TraX Decals with Word, Hydraulic Tank Side (ANSI &amp; Australia)

Item	Part No.	Description	Qty.	Item	Part No.	Description	Qty.
1	25994GT	DECAL,NOTICE,SHUTOFF VALVES.....1		34	147797GT	DECAL, OPER INST 60TRX GRD.....1 <i>ANSI only</i>	
2	27205GT	DECAL,ARROW YELLOW LRG 9".....1		35	227288GT	DECAL, OPERATING INSTRUCTIONS.....1 <i>AUS only</i>	
3	27206GT	DECAL,TRIANGLE,BLUE.....1		36	823656GT	LABEL, GBOX, S60TX ANSI TIER 4.....1	
4	27207GT	DECAL,TRIANGLE,YELLOW.....1		37	825579GT	DECAL, LCD, TIER 4.....1 <i>Tier 4 models only</i>	
5	28158GT	DECAL,LABEL,UNLEADED GAS ONLY.....1		38	826345GT	DECAL,ULS DIESEL ONLY,TIER 4.....1 <i>Tier 4 models only</i>	
6	28159GT	DECAL,DIESEL.....1					
7	28160GT	DECAL,LABEL,LIQUID PROPANE.....1 <i>Option, LPG tank</i>					
8	28161GT	DECAL,WARN,CRUSH HAZARD HAND.....1					
9	29104GT	DECAL,TOWING INSTRUCTIONS.....1 <i>Option, tow package</i>					
10	31788GT	DECAL,DANGER,BATTERY SAFETY***.....1					
11	38149GT	DECAL,LABEL,PATENTS.....1 <i>US only</i>					
12	47041GT	DECAL,CAUTION,TOWING SPEED.....1 <i>Option, tow package</i>					
13	52607GT	DECAL,LABEL,TEST***.....1 <i>Ford only</i>					
14	52865GT	DECAL,ANNUAL INSP***.....1 <i>ANSI only</i>					
15	52966GT	DECAL,COSMETIC,4 X 2.....1					
16	52967GT	DECAL,COSMETIC,4 X 4.....1					
17	72168GT	DECAL,LABEL,STARTER BATTERY.....1					
18	72169GT	DECAL,LABEL,CONTROLS BATTERY...1					
19	72999GT	DECAL,LABEL,PETRO CANADA***.....1					
20	82161GT	DECAL,LABEL,UCON HYDROLUBE.....1					
21	82366GT	DECAL,CHEVRON RANDO HD.....1					
22	114099GT	DECAL,LABEL,TRANSPORT DIAGRAM.....1					
23	114219GT	DECAL,LABEL,RELAYS,S60&65.....1					
24	114258GT	DECAL,DANGER,NO SMOKING.....1					
25	114389GT	DECAL,DANGER,GENERAL SAFETY....1					
26	114390GT	DECAL,DANGER,ELECT HAZARD***....1					
27	114465GT	DECAL GROUND CONTROL BOX.....1 <i>AUS only</i>					
28	133250GT	DECAL,DANGER TIP OVER TRAX.....2					
29	133251GT	DECAL, WHEEL LOAD S60TRAX.....2					
30	133278GT	DECAL,LOW/ULTRA LOW SULFR FUEL.....1 <i>Diesel models only</i>					
31	147607GT	DECAL,INST PLAT CAP 60TRAX.....1					
32	147793GT	DECAL,DANGER,TIPOVR,MAX CAP.....1 <i>ANSI only</i>					
33	147794GT	DECAL,GR CNTL PNL 60TX.....1 <i>ANSI only</i>					

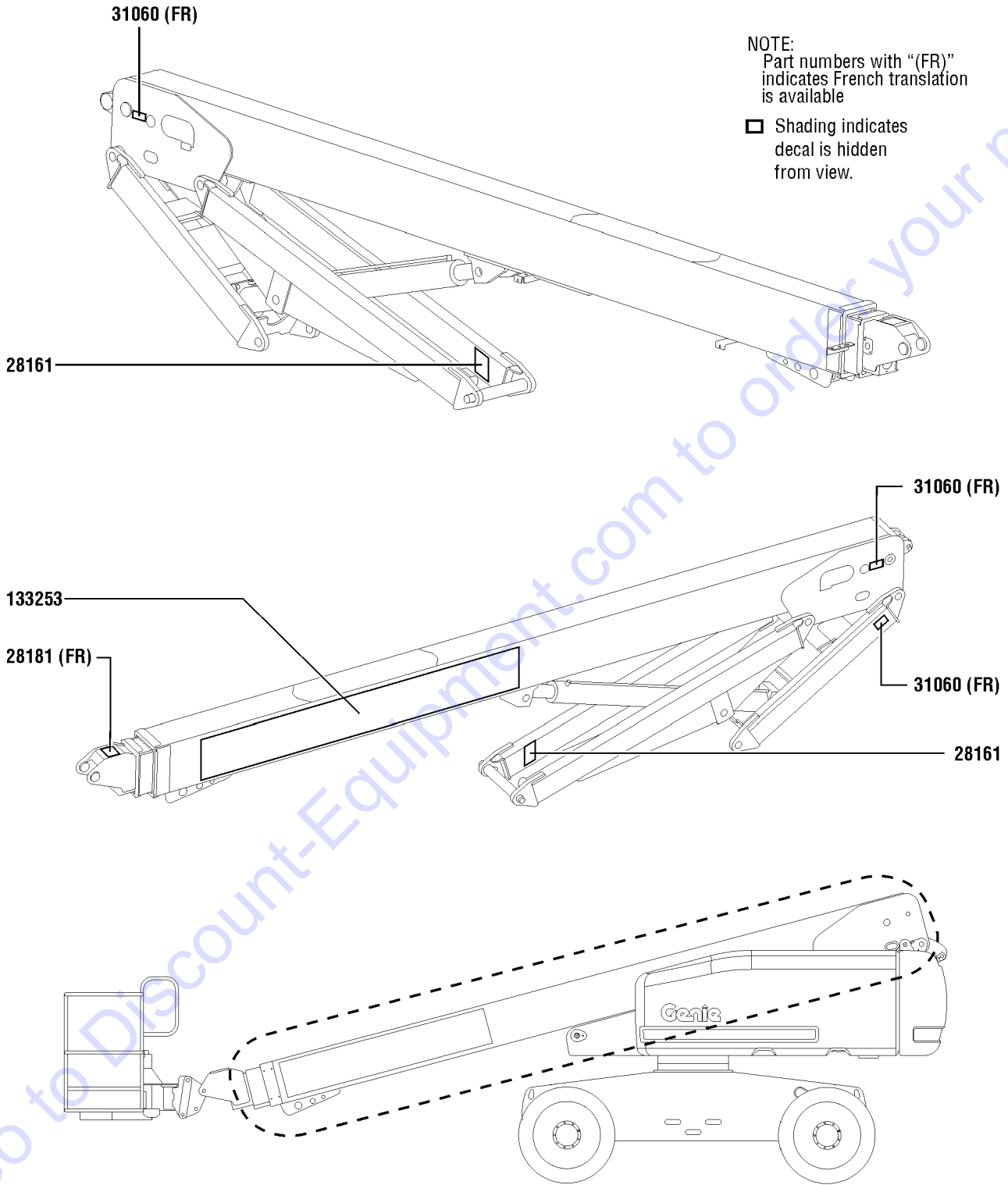
134.1 S-60TraX Decals with Word, Engine Side (ANSI & Australia)



## 134.1 S-60TraX Decals with Word, Engine Side (ANSI &amp; Australia)

Item	Part No.	Description	Qty.
1	27204GT	DECAL,ARROW BLUE.....	1
2	27206GT	DECAL,TRIANGLE,BLUE.....	1
3	27207GT	DECAL,TRIANGLE,YELLOW.....	1
4	28161GT	DECAL,WARN,CRUSH HAZARD HAND.....	1
5	28174GT	DECAL, POWER TO PLATFORM 230V**.....	1
6	28175GT	DECAL,WARNING-COMPART ACCESS.....	1
7	28235GT	DECAL,POWER TO PLATFORM 115V...1	
8	44981GT	DECAL,LABEL, AIR LINE 110 PSI.....1 <i>Option, airline to plat</i>	
9	82237GT	DECAL,DANGER,HIGH VOLTAGE.....2 <i>Option, welder</i>	
10	97548GT	DECAL,ENGINE SPEC,DEUTZ 2011.....1	
11	97602GT	DECAL,EXPLOSION HAZARD.....1	
12	97875GT	DECAL,WARN.WELD LINE INST.WORD.....1 <i>Option, weld cable line</i>	
13	114099GT	DECAL,LABEL,TRANSPORT DIAGRAM.....1	
14	114169GT	DECAL,FORD ENGINE SPEC DSG423.....1	
15	114277GT	DECAL,LABEL,BELT ROUTING DSG....1	
16	114390GT	DECAL,DANGER,ELECT HAZARD***...1	
17	133238GT	DECAL,ENGINE SPEC,PERKINS***...1	
18	133250GT	DECAL,DANGER TIP OVER TRAX.....2	
19	133251GT	DECAL, WHEEL LOAD S60TRAX.....2	
20	133259GT	DECAL,COSM, S60 TRAX.....1	
21	215526GT	DECAL,LABEL,BELT,MSG425.....1	
22	215527GT	DECAL,FORD ENGINE SPEC MSG425.....1	
23	822004GT	DECAL, ENGINE SPEC, 404F-22.....1 <i>Perkins Tier 4 models only</i>	
24	822131GT	DECAL, ENGINE SPEC, D2.9.....1 <i>Deutz Tier 4 models only</i>	

135.1 S-60TraX Decals with Word, Boom (ANSI & Australia)

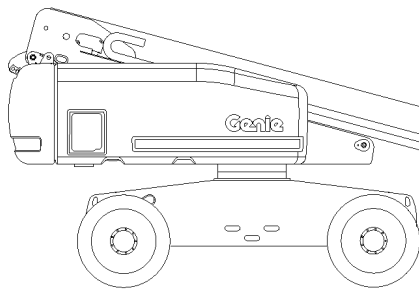


## 135.1 S-60TraX Decals with Word, Boom (ANSI &amp; Australia)

Item	Part No.	Description	Qty.
1	28161GT	DECAL,WARN,CRUSH HAZARD HAND.....	2
2	28181GT	DECAL,WARN,FALL HAZARD.....	1
3	31060GT	DECAL,DANGER DO NOT ALTER SWTC.....	3
4	133253GT	DECAL,COSM,GENIE S60 TRAX.....	1

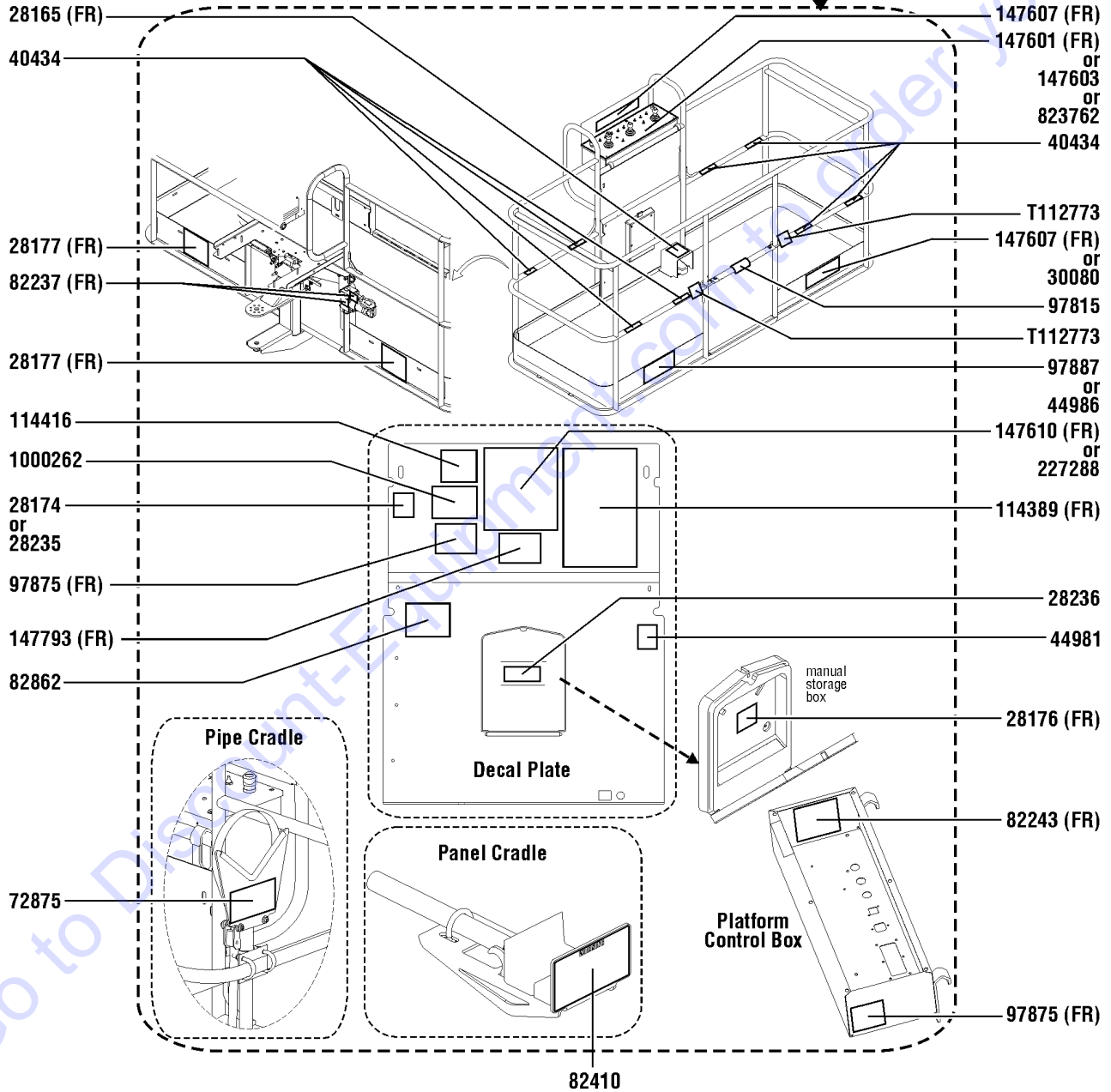
Go to Discount-Equipment.com to order your parts

136.1 S-60TraX Decals with Word, Platform (ANSI & Australia)



NOTE:  
Part numbers with "(FR)" indicates French translation is available

☐ Shading indicates decal is hidden from view.

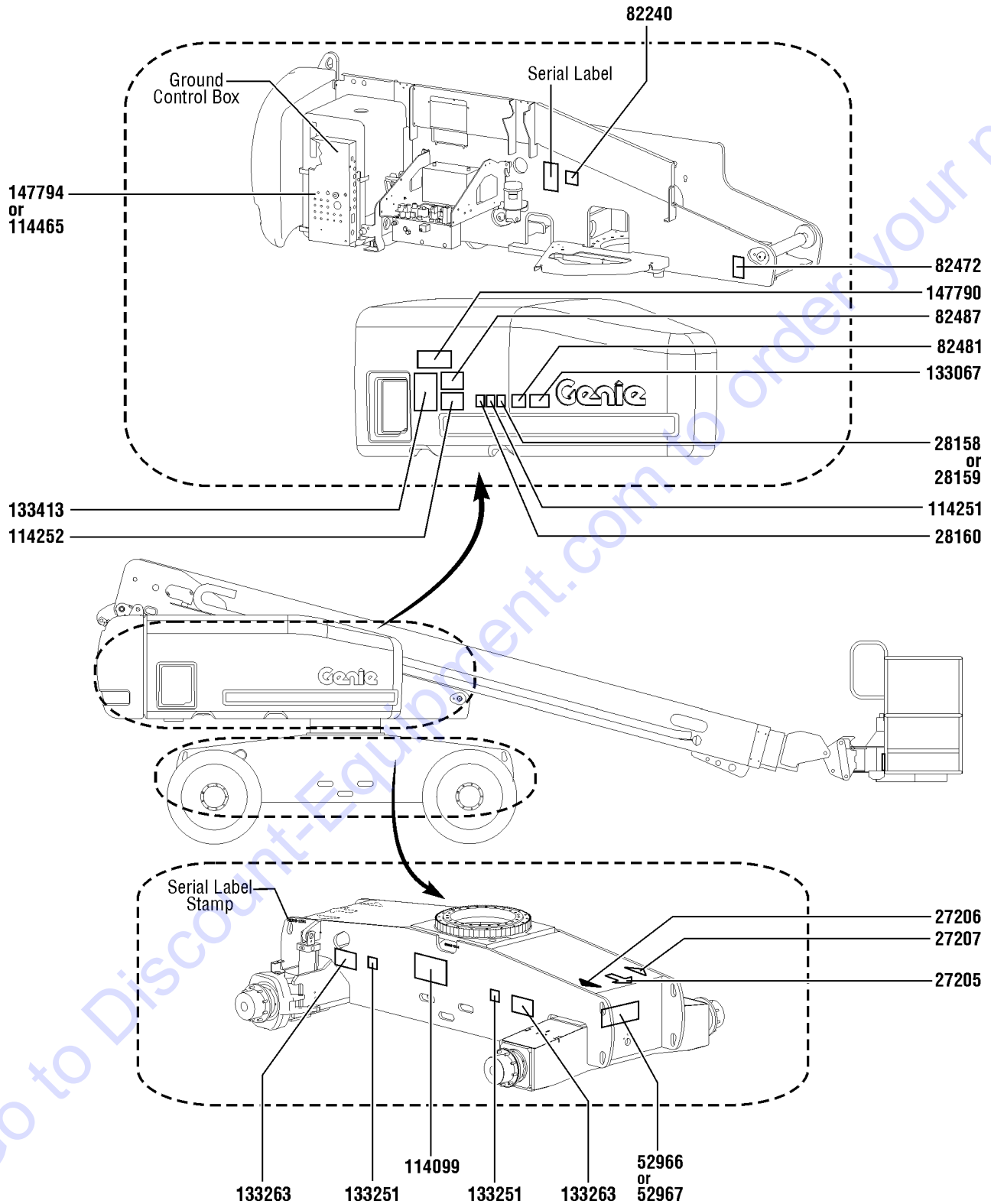


## 136.1 S-60TraX Decals with Word, Platform (ANSI &amp; Australia)

Item	Part No.	Description	Qty.	Item	Part No.	Description	Qty.
1	28165GT	DECAL,INSTRUCT,FOOTSWITCH OPER.....	1	28	1000262GT	DECAL,DANGER,TIP OVER,PLAT.....	1
2	28174GT	DECAL, POWER TO PLATFORM 230V**.....	1	29	T112773GT	TAPE, PROTECTIVE MASK.....	2
3	28176GT	DECAL,LABEL,MANUAL NOT HERE.....	1				
4	28177GT	DECAL,WARN,CRUSH HAZARD PLAT.....	2				
5	28235GT	DECAL,POWER TO PLATFORM 115V.....	1				
6	28236GT	DECAL,WARN,IMPROPER OPERATION.....	1				
7	30080GT	DECAL,NOTICE,MAX LOAD 500 LBS..... <i>AUS only</i>	1				
8	40434GT	DECAL,LANYARD ANCHORAGE POINT.....	8				
9	44981GT	DECAL,LABEL, AIR LINE 110 PSI..... <i>Option, airline to plat</i>	1				
10	44986GT	DECAL,INSTR,SIDE FRC/WIND,AUS..... <i>AUS only</i>	1				
11	72875GT	DECAL,WARNING,PIPE CRADLE,BOOM..... <i>Option, pipe cradle</i>	2				
12	82237GT	DECAL,DANGER,HIGH VOLTAGE..... <i>Option, welder</i>	2				
13	82243GT	DECAL FAULT CODE.....	1				
14	82410GT	DECAL,WARNING,PANEL CRADLE..... <i>Option, panel cradle</i>	2				
15	82862GT	DECAL,FIRE EXTINGUISHER..... <i>Option, welder</i>	1				
16	97815GT	DECAL,LABEL,LOWER MIDRAIL.....	1				
17	97875GT	DECAL,WARN.WELD LINE INST.WORD..... <i>Option, weld cable line</i>	2				
18	97887GT	DECAL,INSTR,MAX SIDE FRC,ANSI..... <i>ANSI only</i>	1				
19	114389GT	DECAL,DANGER,GENERAL SAFETY.....	1				
20	114416GT	DECAL,DANGER,TIPOVER,TILT.....	1				
21	147601GT	DECAL, PLAT CNTL PNL 60TX..... <i>ANSI only</i>	1				
22	147603GT	DECAL, PLAT CNTL PNL..... <i>AUS only</i>	1				
23	147607GT	DECAL,INST PLAT CAP 60TRAX..... <i>ANSI only</i>	2				
24	147610GT	DECAL,INST,OPER INST 60TRAX..... <i>ANSI only</i>	1				
25	147793GT	DECAL,DANGER,TIPOVR,MAX CAP..... <i>ANSI only</i>	1				
26	227288GT	DECAL, OPERATING INSTRUCTIONS..... <i>AUS only</i>	1				
27	823762GT	LABEL, PBOX, S60TX ANSI TIER 4..... <i>Tier 4 models only</i>	1				



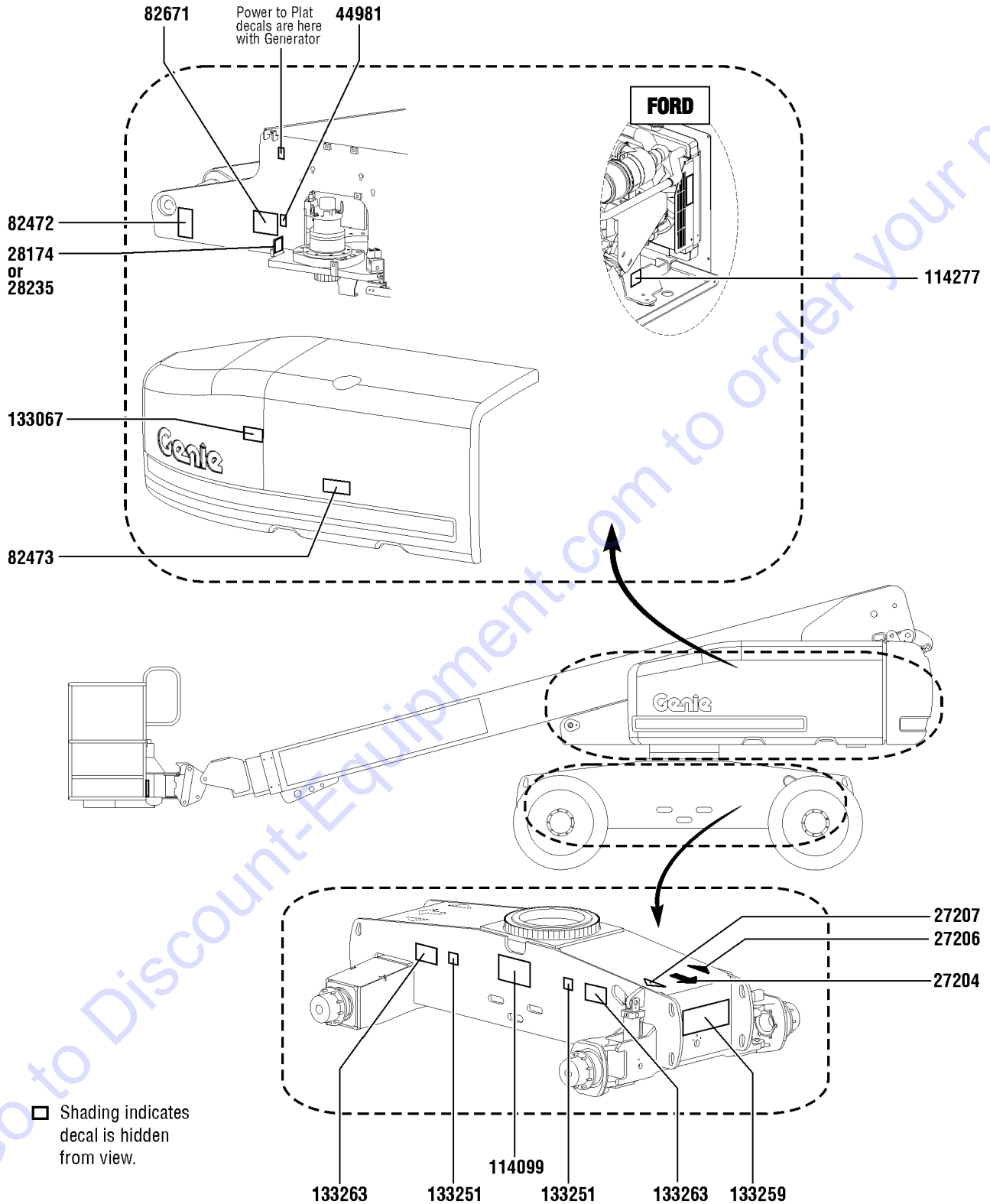
137.1 S-60TraX Decals with Symbol, Hydraulic Tank Side (ANSI & CE)



## 137.1 S-60TraX Decals with Symbol, Hydraulic Tank Side (ANSI &amp; CE)

Item	Part No.	Description	Qty.
1	27205GT	DECAL,ARROW YELLOW LRG 9".....1	1
2	27206GT	DECAL,TRIANGLE,BLUE.....1	1
3	27207GT	DECAL,TRIANGLE,YELLOW.....1	1
4	28158GT	DECAL,LABEL,UNLEADED GAS ONLY.....1	1
5	28159GT	DECAL,DIESEL.....1	1
6	28160GT	DECAL,LABEL,LIQUID PROPANE.....1 <i>Option, LPG tank</i>	1
7	52966GT	DECAL,COSMETIC,4 X 2.....1	1
8	52967GT	DECAL,COSMETIC,4 X 4.....1	1
9	82240GT	DECAL,LABEL,105 DB.....1	1
10	82472GT	DECAL,WARNING,CRUSHING HAZARD.....1	1
11	82481GT	DECAL,SYMBOL-BATTERY SAFETY.....1	1
12	82487GT	DECAL,SYMBOL-READ THE MANUAL.....1	1
13	114099GT	DECAL,LABEL,TRANSPORT DIAGRAM.....1	1
14	114251GT	DECAL,LABEL,NO SMOKING,SYMB.....1	1
15	114252GT	DECAL,LABEL,TIP OVER LMT SWTCH.....1	1
16	114465GT	DECAL GROUND CONTROL BOX.....1 <i>CE only</i>	1
17	133067GT	DECAL,DANGER,ELEC.HAZ.STAY CLR.....1	1
18	133251GT	DECAL, WHEEL LOAD S60TRAX.....2	2
19	133263GT	DECAL,LABEL,TIPOVER,TRAX,SYMB.2	2
20	133413GT	DECAL,EMERGENCY LOWERING.....1 <i>CE only</i>	1
21	147790GT	DECAL,INST PLAT CAP 60TRAX SYM.....1 <i>ANSI only</i>	1
22	147794GT	DECAL,GR CNTL PNL 60TX.....1 <i>ANSI only</i>	1

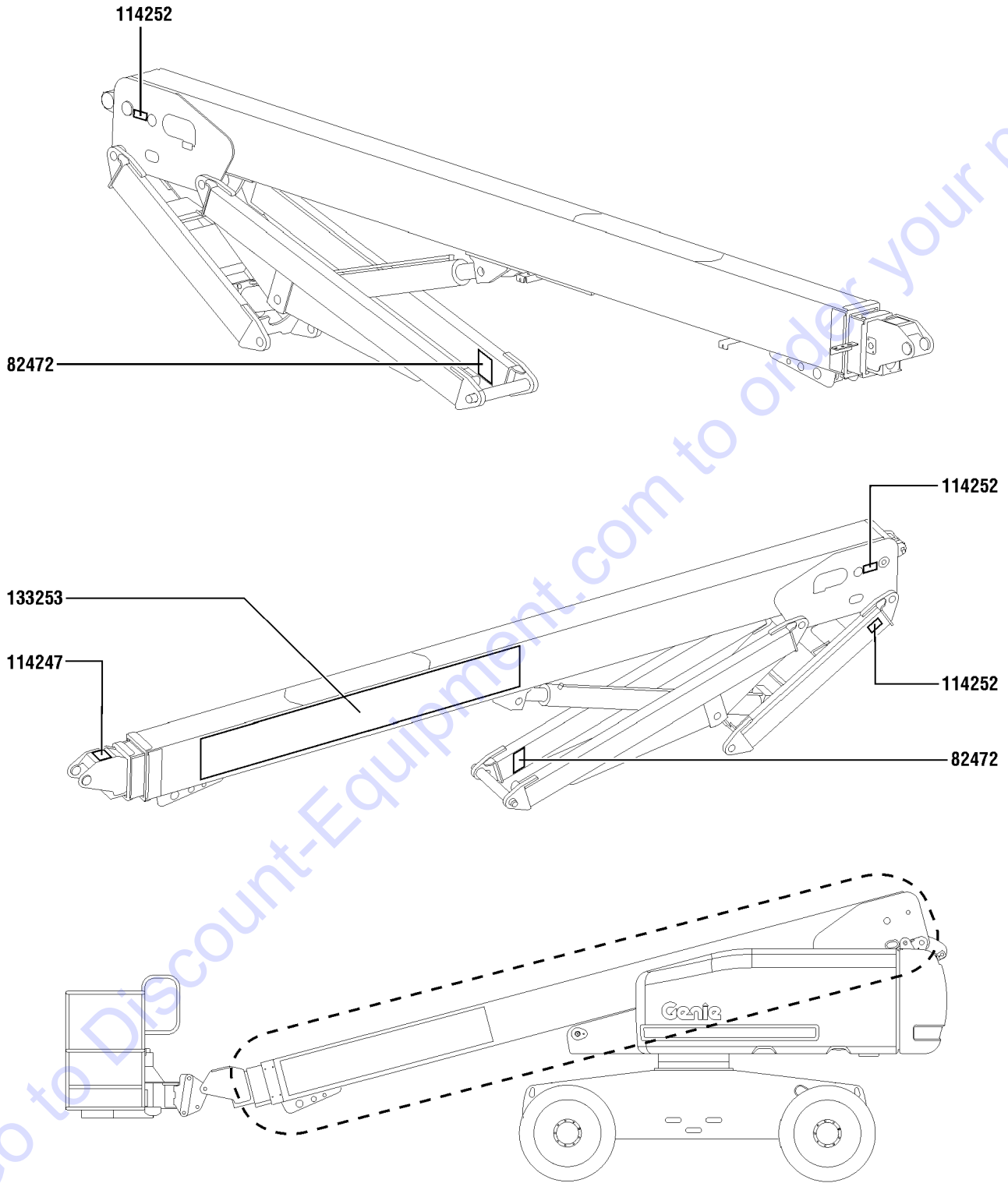
138.1 S-60TraX Decals with Symbol, Engine Side (ANSI & CE)



## 138.1 S-60TraX Decals with Symbol, Engine Side (ANSI &amp; CE)

Item	Part No.	Description	Qty.
1	27204GT	DECAL,ARROW BLUE.....	1
2	27206GT	DECAL,TRIANGLE,BLUE.....	1
3	27207GT	DECAL,TRIANGLE,YELLOW.....	1
4	28174GT	DECAL, POWER TO PLATFORM 230V**.....	1
5	28235GT	DECAL,POWER TO PLATFORM 115V...1	1
6	44981GT	DECAL,LABEL, AIR LINE 110 PSI.....1 <i>Option, airline to plat</i>	1
7	82472GT	DECAL,WARNING,CRUSHING HAZARD.....	1
8	82473GT	DECAL,SYMBOL-COMP ACCESS.....1	1
9	82671GT	DECAL,LABEL,WELD LINE INST,SYM...1 <i>Option, weld cable line</i>	1
10	114099GT	DECAL,LABEL,TRANSPORT DIAGRAM.....	1
11	114277GT	DECAL,LABEL,BELT ROUTING DSG....1	1
12	133067GT	DECAL,DANGER,ELEC.HAZ.STAY CLR.....	1
13	133251GT	DECAL, WHEEL LOAD S60TRAX.....2	2
14	133259GT	DECAL,COSM, S60 TRAX.....1	1
15	133263GT	DECAL,LABEL,TIPOVER,TRAX,SYMB.2	2

139.1 S-60TraX Decals with Symbol, Boom (ANSI & CE)

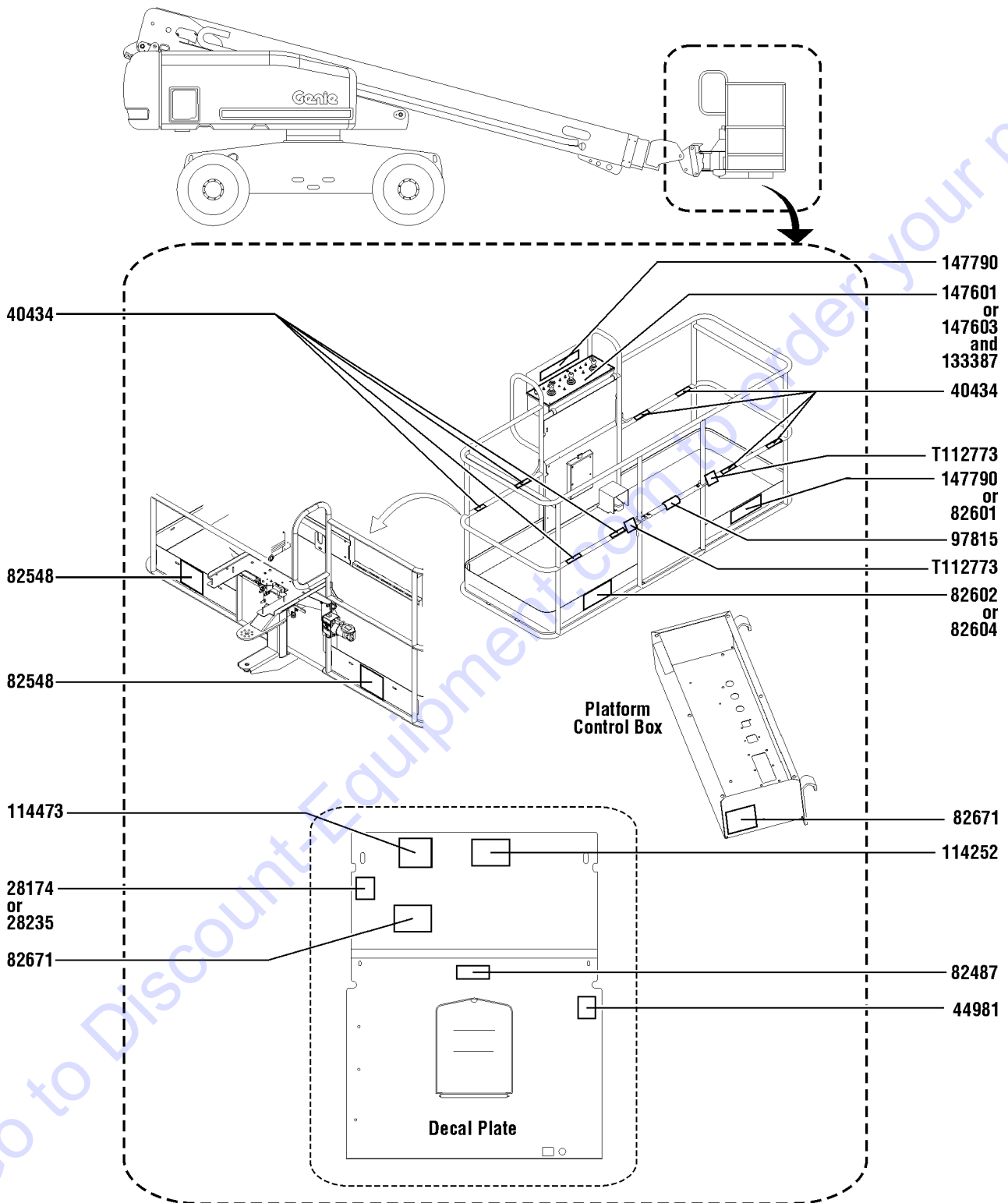


## 139.1 S-60TraX Decals with Symbol, Boom (ANSI &amp; CE)

Item	Part No.	Description	Qty.
1	82472GT	DECAL,WARNING,CRUSHING HAZARD.....	2
2	114247GT	DECAL,LABEL,FALL HAZARD***.....	1
3	114252GT	DECAL,LABEL,TIP OVER LMT SWTCH.....	3
4	133253GT	DECAL,COSM,GENIE S60 TRAX.....	1

Go to Discount-Equipment.com to order your parts

140.1 S-60TraX Decals with Symbol, Platform (ANSI & CE)

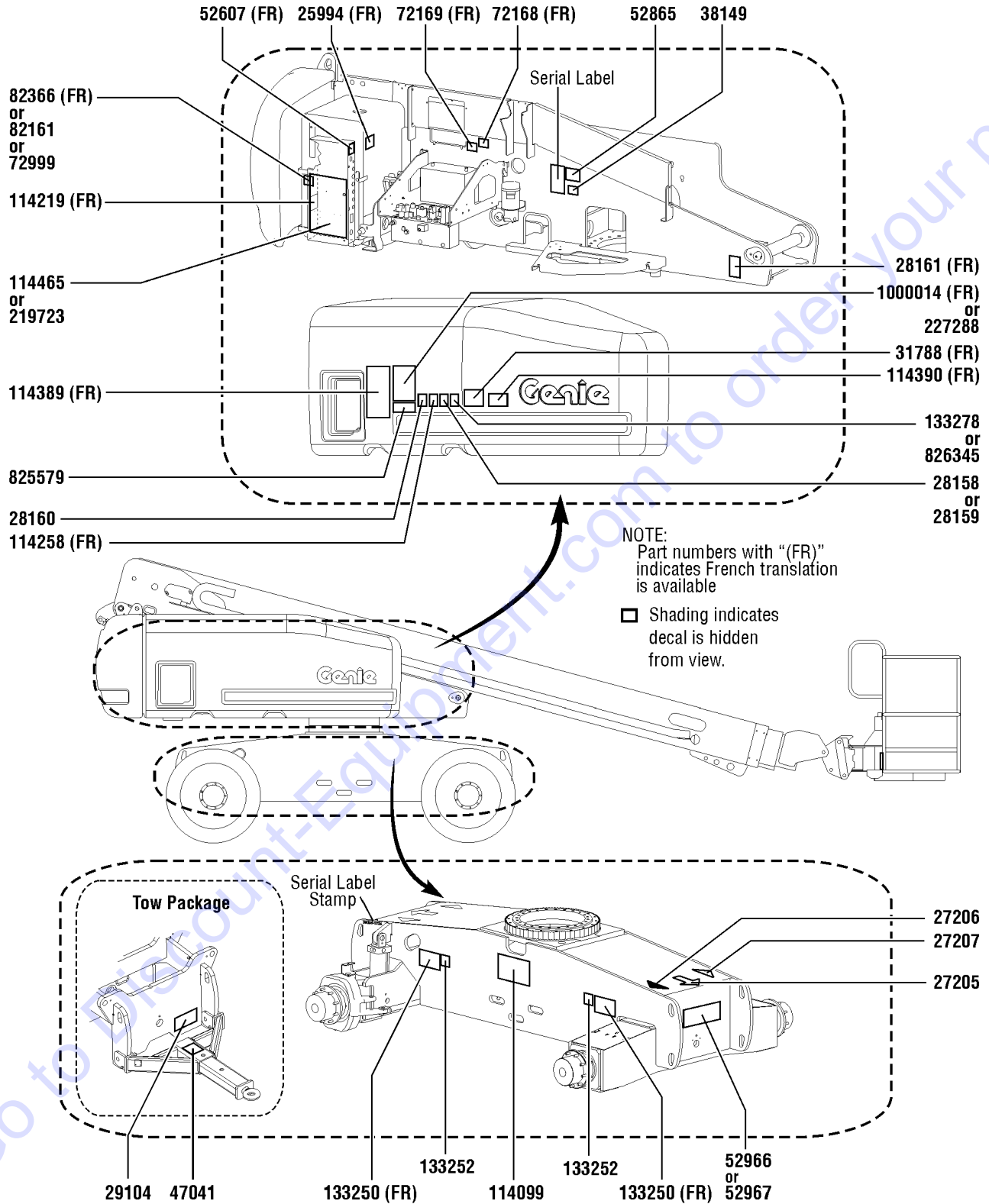


## 140.1 S-60TraX Decals with Symbol, Platform (ANSI &amp; CE)

Item	Part No.	Description	Qty.
1	28174GT	DECAL, POWER TO PLATFORM 230V**.....	1
2	28235GT	DECAL,POWER TO PLATFORM 115V...	1
3	40434GT	DECAL,LANYARD ANCHORAGE POINT.....	8
4	44981GT	DECAL,LABEL, AIR LINE 110 PSI..... <i>Option, airline to plat</i>	1
5	82487GT	DECAL, SYMBOL - READ THE MANUAL.....	1
6	82548GT	DECAL,WARN,CRUSH HAZARD PLAT.....	2
7	82601GT	DECAL,LABEL,MAX CAPACITY*** ..... <i>CE only</i>	1
8	82602GT	DECAL,DANGER,MAX SIDE FRC,667N.....	1
9	82604GT	DECAL,DANGER,SIDE FRC 400N.....	1
10	82671GT	DECAL,LABEL,WELD LINE INST,SYM... <i>Option, weld cable line</i>	2
11	97815GT	DECAL,LABEL,LOWER MIDRAIL.....	1
12	114252GT	DECAL,LABEL,TIP OVER LMT SWTCH.....	1
13	114473GT	DECAL,DANGER,TIPOVER,TILT,SYM...	1
14	133387GT	DECAL,DRIVE ENABLE PATCH.....	1
15	147601GT	DECAL, PLAT CNTL PNL 60TX..... <i>ANSI only</i>	1
16	147603GT	DECAL, PLAT CNTL PNL..... <i>CE only</i>	1
17	147790GT	DECAL,INST PLAT CAP 60TRAX SYM..... <i>ANSI only</i>	2
18	T112773GT	TAPE, PROTECTIVE MASK.....	2



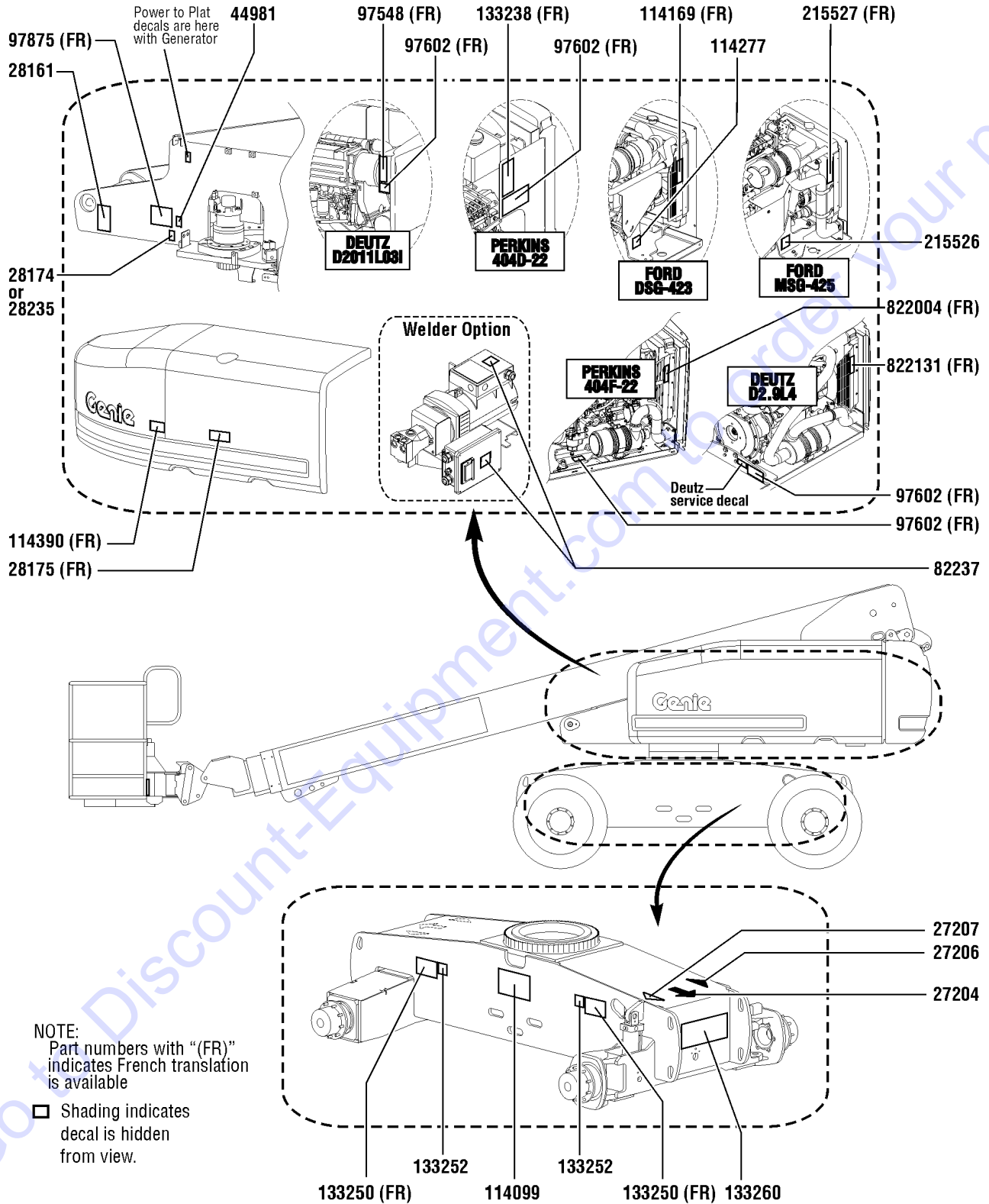
141.1 S-65TraX Decals with Word, Hydraulic Tank Side (ANSI & Australia)



## 141.1 S-65TraX Decals with Word, Hydraulic Tank Side (ANSI &amp; Australia)

Item	Part No.	Description	Qty.
1	25994GT	DECAL,NOTICE,SHUTOFF VALVES.....1	1
2	27205GT	DECAL,ARROW YELLOW LRG 9".....1	1
3	27206GT	DECAL,TRIANGLE,BLUE.....1	1
4	27207GT	DECAL,TRIANGLE,YELLOW.....1	1
5	28158GT	DECAL,LABEL,UNLEADED GAS ONLY.....1	1
6	28159GT	DECAL,DIESEL.....1	1
7	28160GT	DECAL,LABEL,LIQUID PROPANE.....1	1
8	28161GT	DECAL,WARN,CRUSH HAZARD HAND.....1	1
9	29104GT	DECAL,TOWING INSTRUCTIONS.....1	1
10	31788GT	DECAL,DANGER,BATTERY SAFETY***.....1	1
11	38149GT	DECAL,LABEL,PATENTS.....1	1
12	47041GT	DECAL,CAUTION,TOWING SPEED.....1	1
13	52607GT	DECAL,LABEL,TEST***.....1	1
14	52865GT	DECAL,ANNUAL INSP***.....1	1
15	52966GT	DECAL,COSMETIC,4 X 2.....1	1
16	52967GT	DECAL,COSMETIC,4 X 4.....1	1
17	72168GT	DECAL,LABEL,STARTER BATTERY.....1	1
18	72169GT	DECAL,LABEL,CONTROLS BATTERY.....1	1
19	72999GT	DECAL,LABEL,PETRO CANADA***.....1	1
20	82161GT	DECAL,LABEL,UCON HYDROLUBE.....1	1
21	82366GT	DECAL,CHEVRON RANDO HD.....1	1
22	114099GT	DECAL,LABEL,TRANSPORT DIAGRAM.....1	1
23	114219GT	DECAL,LABEL,RELAYS,S60&65.....1	1
24	114258GT	DECAL,DANGER,NO SMOKING.....1	1
25	114389GT	DECAL,DANGER,GENERAL SAFETY.....1	1
26	114390GT	DECAL,DANGER,ELECT HAZARD***.....1	1
27	114465GT	DECAL GROUND CONTROL BOX.....1	1
28	133250GT	DECAL,DANGER TIP OVER TRAX.....2	2
29	133252GT	DECAL, WHEEL LOAD S65 TRAX.....2	2
30	133278GT	DECAL,LOW/ULTRA LOW SULFR FUEL.....1	1
31	219723GT	DECAL,GROUND BOX,TIER IV.....1	1
32	227288GT	DECAL, OPERATING INSTRUCTIONS.....1	1
33	825579GT	DECAL, LCD, TIER 4.....1	1
34	826345GT	DECAL,ULS DIESEL ONLY,TIER 4.....1	1
35	1000014GT	DECAL,NOTICE,OPER INST.S60.....1	1

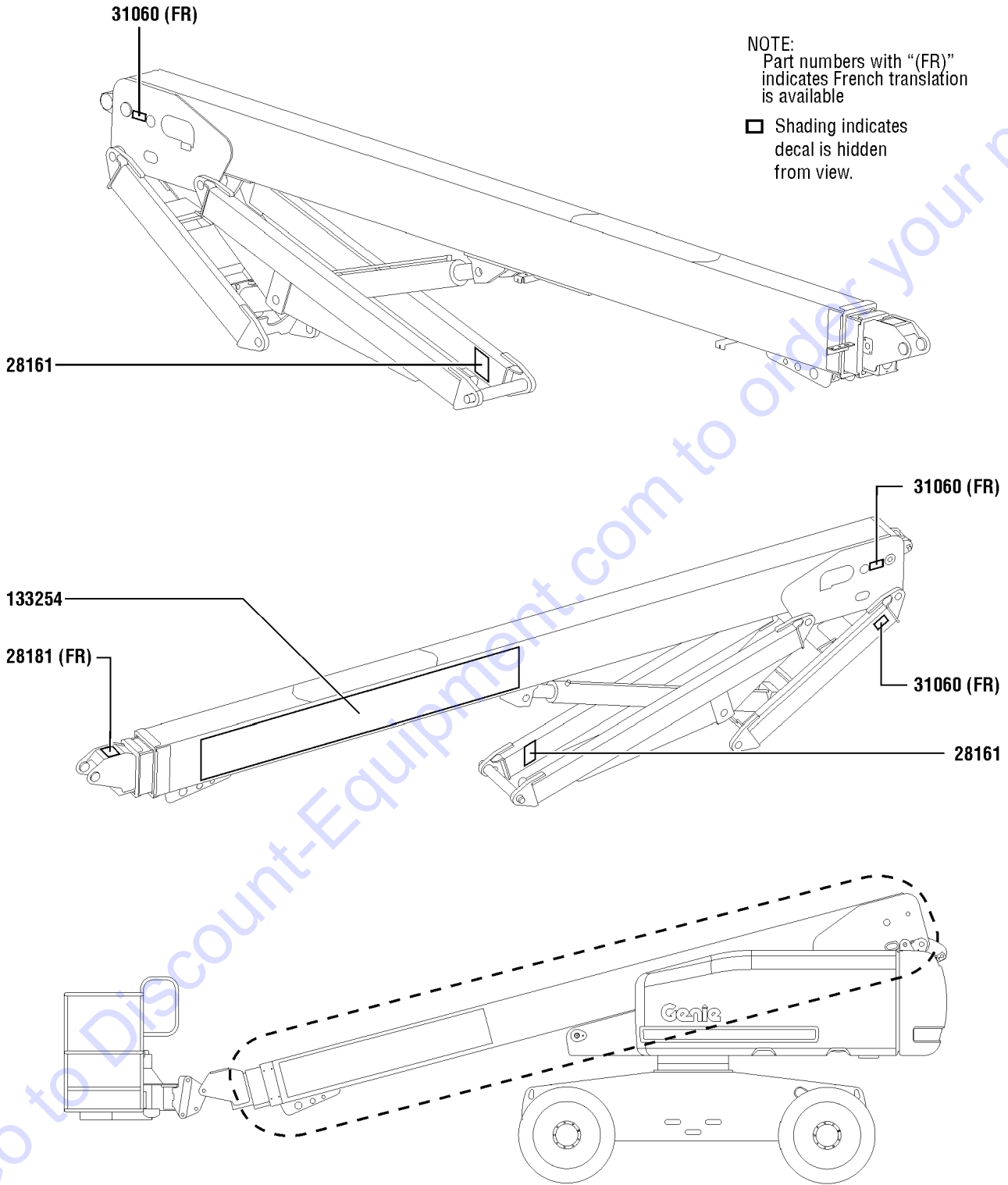
142.1 S-65TraX Decals with Word, Engine Side (ANSI & Australia)



## 142.1 S-65TraX Decals with Word, Engine Side (ANSI &amp; Australia)

Item	Part No.	Description	Qty.
1	27204GT	DECAL,ARROW BLUE.....	1
2	27206GT	DECAL,TRIANGLE,BLUE.....	1
3	27207GT	DECAL,TRIANGLE,YELLOW.....	1
4	28161GT	DECAL,WARN,CRUSH HAZARD HAND.....	1
5	28174GT	DECAL, POWER TO PLATFORM 230V**.....	1
6	28175GT	DECAL,WARNING-COMPART ACCESS.....	1
7	28235GT	DECAL,POWER TO PLATFORM 115V...1	
8	44981GT	DECAL,LABEL, AIR LINE 110 PSI.....1 <i>Option, airline to plat</i>	
9	82237GT	DECAL,DANGER,HIGH VOLTAGE.....2 <i>Option, welder</i>	
10	97548GT	DECAL,ENGINE SPEC,DEUTZ 2011.....1	
11	97602GT	DECAL,EXPLOSION HAZARD.....1	
12	97875GT	DECAL,WARN.WELD LINE INST.WORD.....1 <i>Option, weld cable line</i>	
13	114099GT	DECAL,LABEL,TRANSPORT DIAGRAM.....1	
14	114169GT	DECAL,FORD ENGINE SPEC DSG423.....1	
15	114277GT	DECAL,LABEL,BELT ROUTING DSG....1	
16	114390GT	DECAL,DANGER,ELECT HAZARD***...1	
17	133238GT	DECAL,ENGINE SPEC,PERKINS***...1	
18	133250GT	DECAL,DANGER TIP OVER TRAX.....2	
19	133252GT	DECAL, WHEEL LOAD S65 TRAX.....2	
20	133260GT	DECAL,COSM, S65 TRAX.....1	
21	215526GT	DECAL,LABEL,BELT,MSG425.....1	
22	215527GT	DECAL,FORD ENGINE SPEC MSG425.....1	
23	822004GT	DECAL, ENGINE SPEC, 404F-22.....1 <i>Perkins Tier 4 models only</i>	
24	822131GT	DECAL, ENGINE SPEC, D2.9.....1 <i>Deutz Tier 4 models only</i>	

143.1 S-65TraX Decals with Word, Boom (ANSI & Australia)

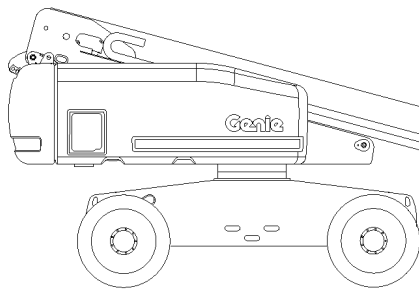


## 143.1 S-65TraX Decals with Word, Boom (ANSI &amp; Australia)

Item	Part No.	Description	Qty.
1	28161GT	DECAL,WARN,CRUSH HAZARD HAND.....	2
2	28181GT	DECAL,WARN,FALL HAZARD.....	1
3	31060GT	DECAL,DANGER DO NOT ALTER SWTC.....	3
4	133254GT	DECAL, COSM,GENIE S65 TRAX.....	1

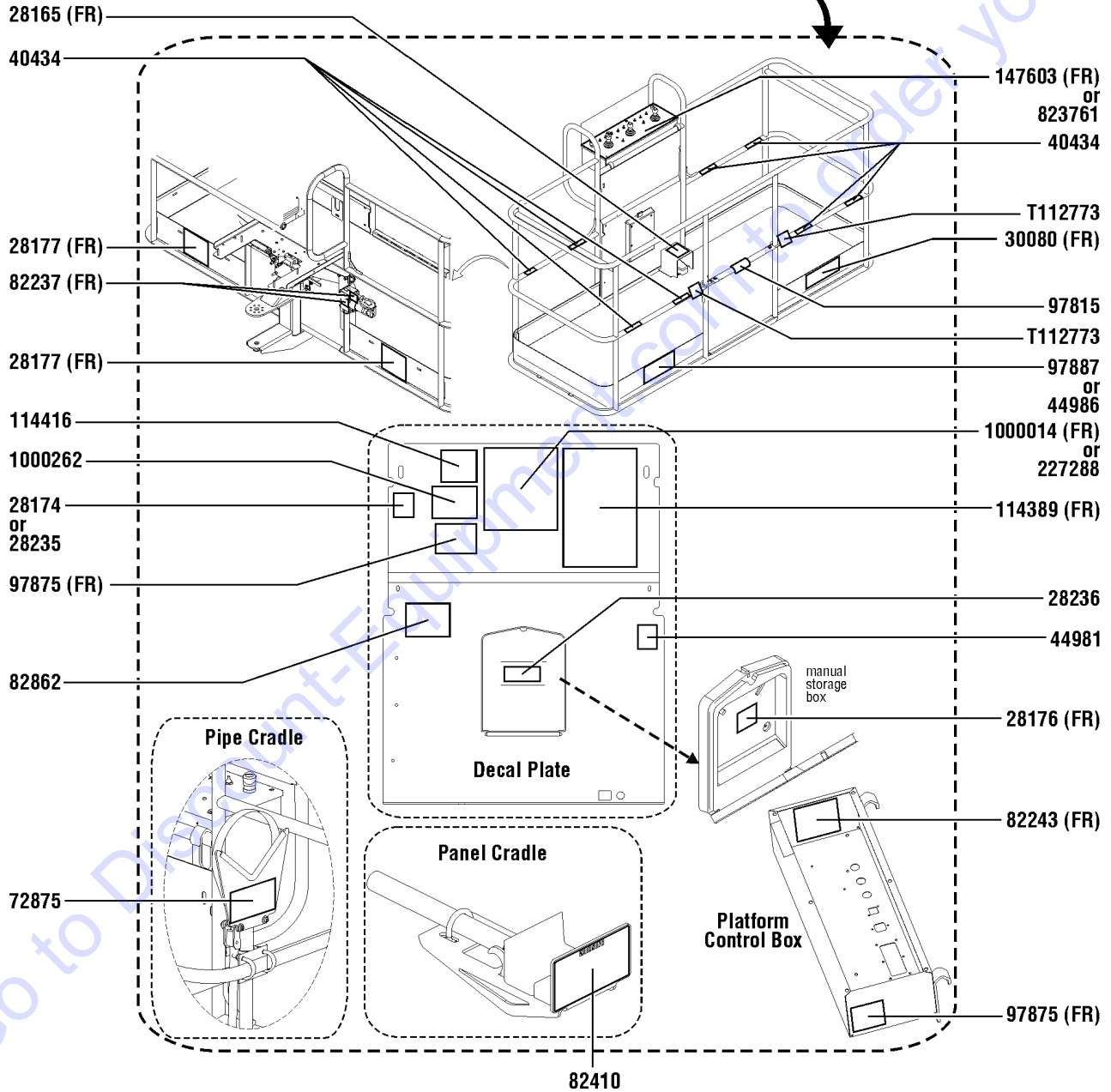
Go to Discount-Equipment.com to order your parts

144.1 S-65TraX Decals with Word, Platform (ANSI & Australia)



NOTE:  
Part numbers with "(FR)" indicates French translation is available

☐ Shading indicates decal is hidden from view.

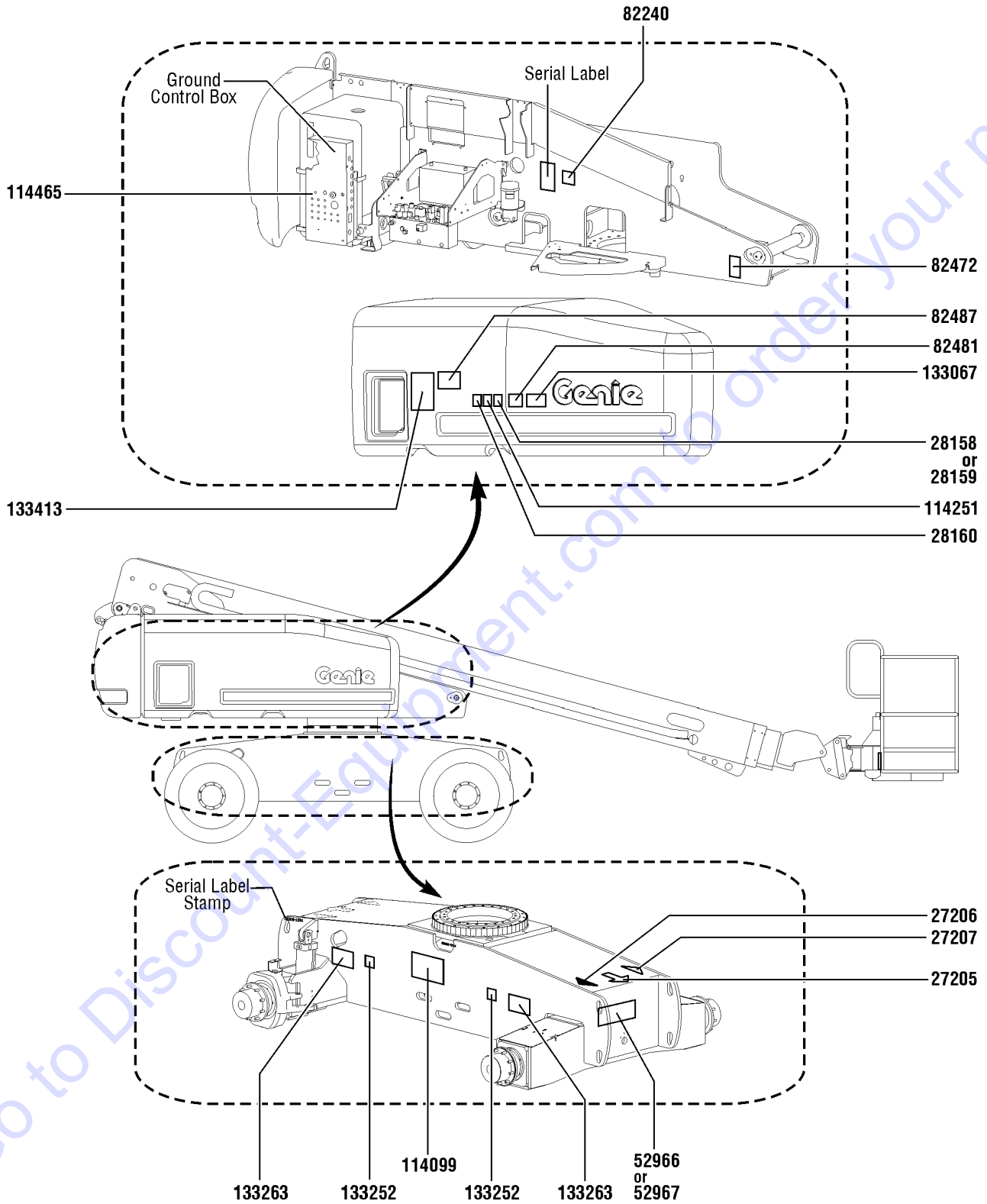


## 144.1 S-65TraX Decals with Word, Platform (ANSI &amp; Australia)

Item	Part No.	Description	Qty.
1	28165GT	DECAL,INSTRUCT,FOOTSWITCH OPER.....	1
2	28174GT	DECAL, POWER TO PLATFORM 230V**.....	1
3	28176GT	DECAL,LABEL,MANUAL NOT HERE.....	1
4	28177GT	DECAL,WARN,CRUSH HAZARD PLAT.....	2
5	28235GT	DECAL,POWER TO PLATFORM 115V.....	1
6	28236GT	DECAL,WARN,IMPROPER OPERATION.....	1
7	30080GT	DECAL,NOTICE,MAX LOAD 500 LBS.....	1
8	40434GT	DECAL,LANYARD ANCHORAGE POINT.....	8
9	44981GT	DECAL,LABEL, AIR LINE 110 PSI..... <i>Option, airline to plat</i>	1
10	44986GT	DECAL,INSTR,SIDE FRC/WIND,AUS..... <i>AUS only</i>	1
11	72875GT	DECAL,WARNING,PIPE CRADLE,BOOM..... <i>Option, pipe cradle</i>	2
12	82237GT	DECAL,DANGER,HIGH VOLTAGE..... <i>Option, welder</i>	2
13	82243GT	DECAL FAULT CODE.....	1
14	82410GT	DECAL,WARNING,PANEL CRADLE..... <i>Option, panel cradle</i>	2
15	82862GT	DECAL,FIRE EXTINGUISHER..... <i>Option, welder</i>	1
16	97815GT	DECAL,LABEL,LOWER MIDRAIL.....	1
17	97875GT	DECAL,WARN.WELD LINE INST.WORD..... <i>Option, weld cable line</i>	2
18	97887GT	DECAL,INSTR,MAX SIDE FRC,ANSI..... <i>ANSI only</i>	1
19	114389GT	DECAL,DANGER,GENERAL SAFETY.....	1
20	114416GT	DECAL,DANGER,TIPOVER,TILT.....	1
21	147603GT	DECAL, PLAT CNTL PNL.....	1
22	227288GT	DECAL, OPERATING INSTRUCTIONS..... <i>AUS only</i>	1
23	823761GT	LABEL, PBOX, S65 TIER 4..... <i>Tier 4 models only</i>	1
24	1000014GT	DECAL,NOTICE,OPER INST.S60..... <i>ANSI only</i>	1
25	1000262GT	DECAL,DANGER,TIP OVER,PLAT.....	1
26	T112773GT	TAPE, PROTECTIVE MASK.....	2



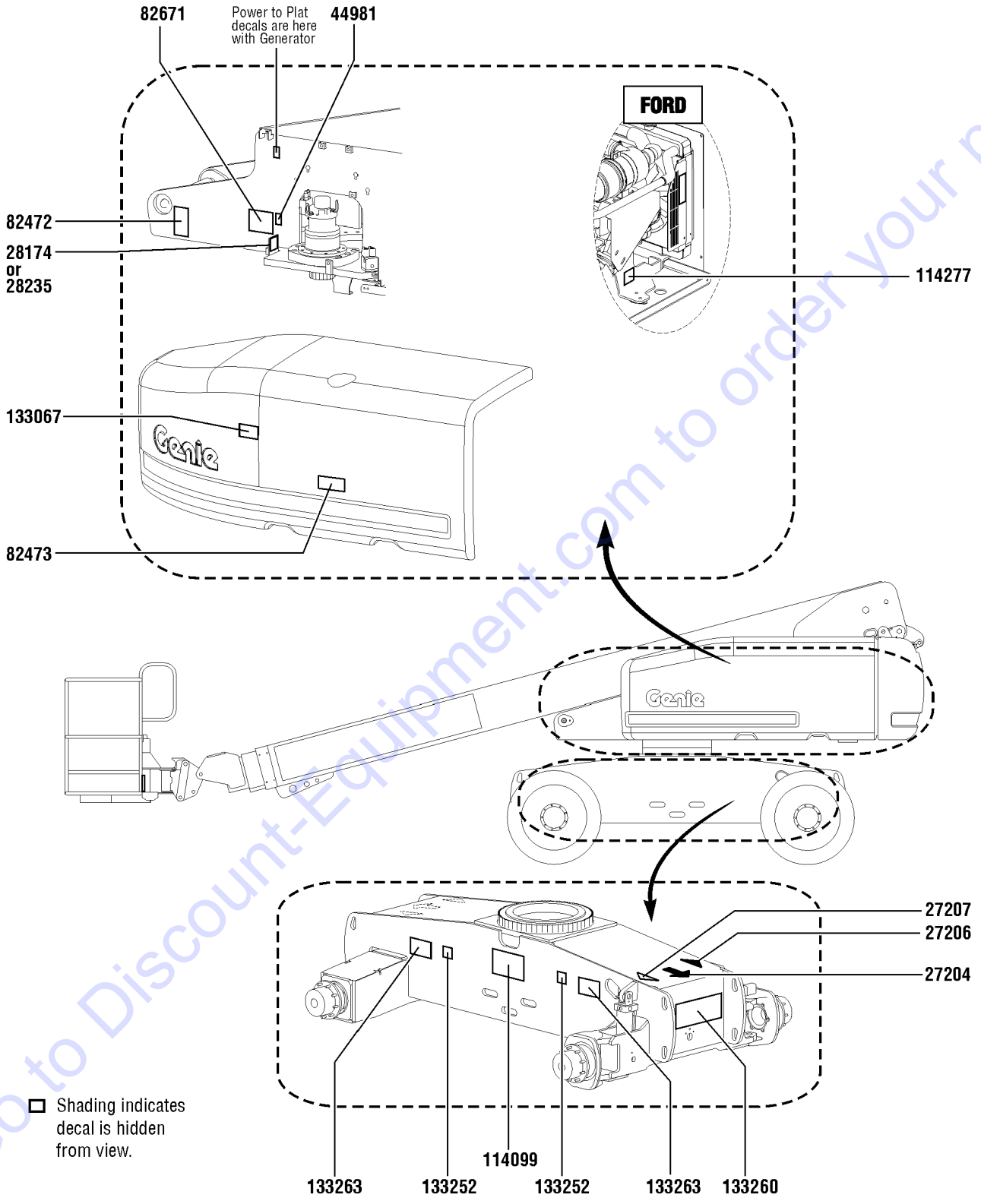
145.1 S-65TraX Decals with Symbol, Hydraulic Tank Side (ANSI & CE)



## 145.1 S-65TraX Decals with Symbol, Hydraulic Tank Side (ANSI &amp; CE)

Item	Part No.	Description	Qty.
1	27205GT	DECAL,ARROW YELLOW LRG 9".....1	1
2	27206GT	DECAL,TRIANGLE,BLUE.....1	1
3	27207GT	DECAL,TRIANGLE,YELLOW.....1	1
4	28158GT	DECAL,LABEL,UNLEADED GAS ONLY.....1	1
5	28159GT	DECAL,DIESEL.....1	1
6	28160GT	DECAL,LABEL,LIQUID PROPANE.....1 <i>Option, LPG tank</i>	1
7	52966GT	DECAL,COSMETIC,4 X 2.....1	1
8	52967GT	DECAL,COSMETIC,4 X 4.....1	1
9	82240GT	DECAL,LABEL,105 DB.....1	1
10	82472GT	DECAL,WARNING,CRUSHING HAZARD.....1	1
11	82481GT	DECAL,SYMBOL-BATTERY SAFETY.....1	1
12	82487GT	DECAL,SYMBOL - READ THE MANUAL.....1	1
13	114099GT	DECAL,LABEL,TRANSPORT DIAGRAM.....1	1
14	114251GT	DECAL,LABEL,NO SMOKING,SYMB.....1	1
15	114465GT	DECAL GROUND CONTROL BOX.....1	1
16	133067GT	DECAL,DANGER,ELEC.HAZ.STAY CLR.....1	1
17	133252GT	DECAL, WHEEL LOAD S65 TRAX.....2	2
18	133263GT	DECAL,LABEL,TIPOVER,TRAX,SYMB..2	2
19	133413GT	DECAL,EMERGENCY LOWERING.....1 <i>CE only</i>	1

146.1 S-65TraX Decals with Symbol, Engine Side (ANSI & CE)



## 146.1 S-65TraX Decals with Symbol, Engine Side (ANSI &amp; CE)

Item	Part No.	Description	Qty.
1	27204GT	DECAL,ARROW BLUE.....	1
2	27206GT	DECAL,TRIANGLE,BLUE.....	1
3	27207GT	DECAL,TRIANGLE,YELLOW.....	1
4	28174GT	DECAL, POWER TO PLATFORM 230V**.....	1
5	28235GT	DECAL,POWER TO PLATFORM 115V...1	1
6	44981GT	DECAL,LABEL, AIR LINE 110 PSI.....1 <i>Option, airline to plat</i>	1
7	82472GT	DECAL,WARNING,CRUSHING HAZARD.....	1
8	82473GT	DECAL,SYMBOL-COMP ACCESS.....1	1
9	82671GT	DECAL,LABEL,WELD LINE INST,SYM...1 <i>Option, weld cable line</i>	1
10	114099GT	DECAL,LABEL,TRANSPORT DIAGRAM.....	1
11	114277GT	DECAL,LABEL,BELT ROUTING DSG....1	1
12	133067GT	DECAL,DANGER,ELEC.HAZ.STAY CLR.....	1
13	133252GT	DECAL, WHEEL LOAD S65 TRAX.....2	2
14	133260GT	DECAL,COSM, S65 TRAX.....1	1
15	133263GT	DECAL,LABEL,TIPOVER,TRAX,SYMB.2	2

# PARTS FINDER

**Search Website  
by Part Number**



**Search Manual  
Library For Parts  
Manual & Lookup Part  
Numbers – Purchase  
or Request Quote**

**Search Manuals**

Enter your information to help us find the right parts manual for your machine.

\* Brand:

\* Model:

\* Serial:

\* Part Number:

SEARCH

**Can't Find Part or  
Manual? Request Help  
by Manufacturer,  
Model & Description**

**Parts Order Form**

Please fill in the following information to help us find the right part for your machine.

Manufacturer:	<input type="text"/>
Model:	<input type="text"/>
Description:	<input type="text"/>
Part Number:	<input type="text"/>
Quantity:	<input type="text"/>
Notes:	<input type="text"/>

Discount-Equipment.com is your online resource for quality parts & equipment.

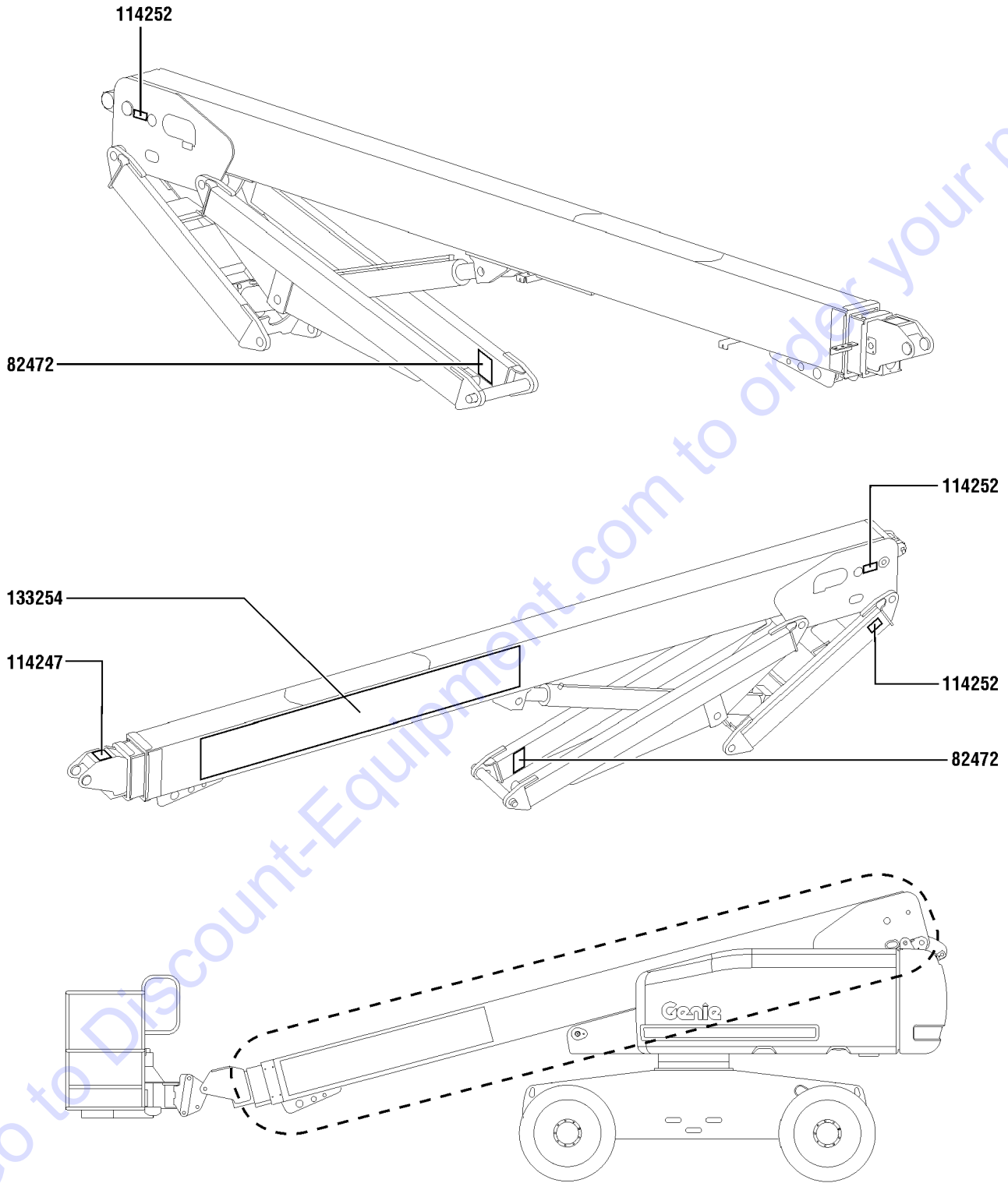
Florida: **561-964-4949** Outside Florida TOLL FREE: **877-690-3101**

**Need parts?**

Click on this link: <http://www.discount-equipment.com/category/5443-parts/> and choose one of the options to help get the right parts and equipment you are looking for. Please have the machine model and serial number available in order to help us get you the correct parts. If you don't find the part on the website or on one of the online manuals, please fill out the request form and one of our experienced staff members will get back to you with a quote for the right part that your machine needs.

We sell worldwide for the brands: Genie, Terex, JLG, MultiQuip, Mikasa, Essick, Whiteman, Mayco, Toro Stone, Diamond Products, Generac Magnum, Airman, Haulotte, Barreto, Power Blanket, Nifty Lift, Atlas Copco, Chicago Pneumatic, Allmand, Miller Curber, Skyjack, Lull, Skytrak, Tsurumi, Husquvarna Target, Stow, Wacker, Sakai, Mi-T-M, Sullair, Basic, Dynapac, MBW, Weber, Bartell, Bennar Newman, Haulotte, Ditch Runner, Menegotti, Morrison, Contec, Buddy, Crown, Edco, Wyco, Bomag, Laymor, EZ Trench, Bil-Jax, F.S. Curtis, Gehl Pavers, Heli, Honda, ICS/PowerGrit, IHI, Partner, Imer, Clipper, MMD, Koshin, Rice, CH&E, General Equipment, Amida, Coleman, NAC, Gradall, Square Shooter, Kent, Stanley, Tamco, Toku, Hatz, Kohler, Robin, Wisconsin, Northrock, Oztec, Toker TK, Rol-Air, APT, Wylie, Ingersoll Rand / Doosan, Innovatech, Con X, Ammann, Mecalac, Makinex, Smith Surface Prep, Small Line, Wanco, Yanmar

147.1 S-65TraX Decals with Symbol, Boom (ANSI & CE)

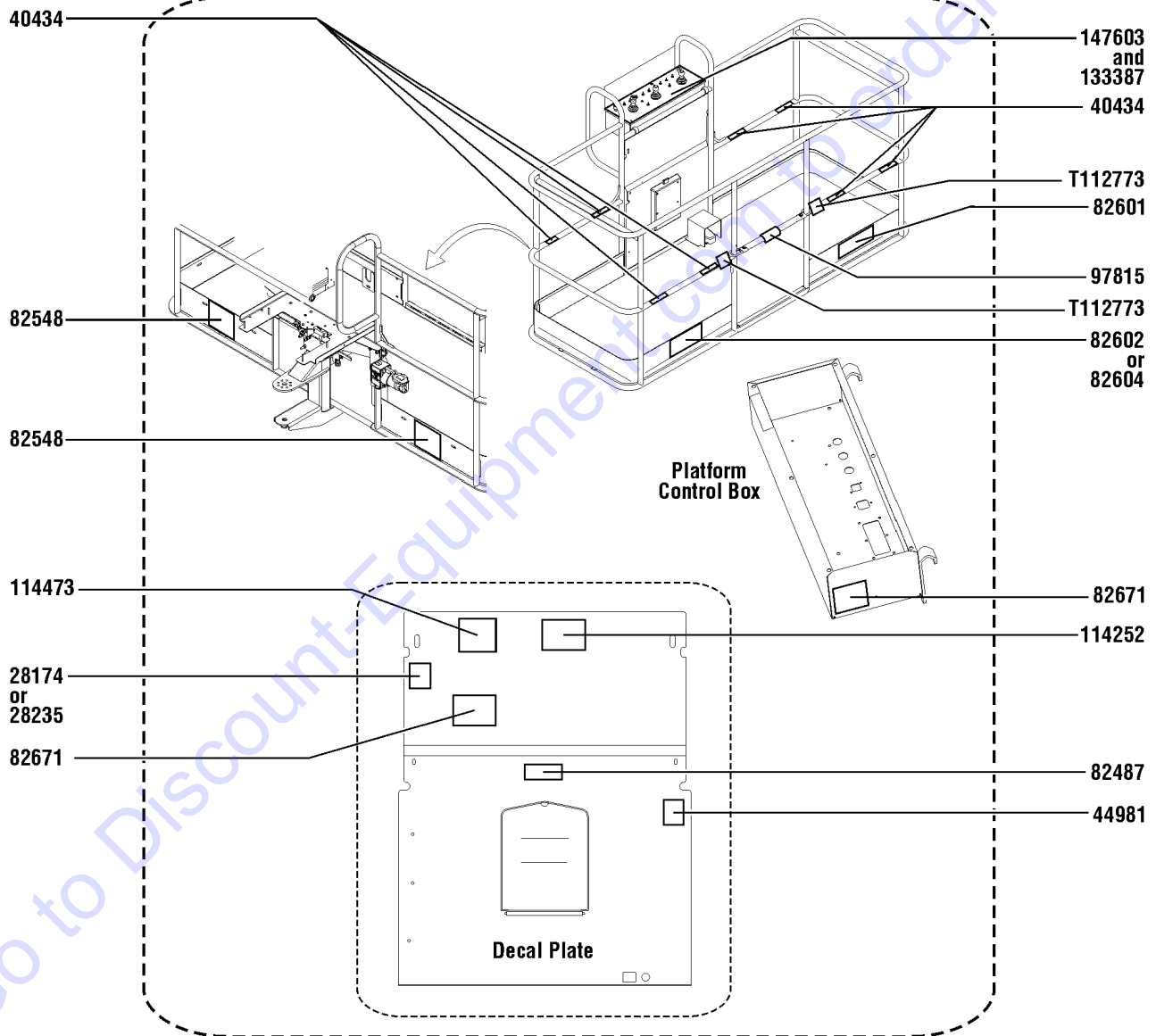
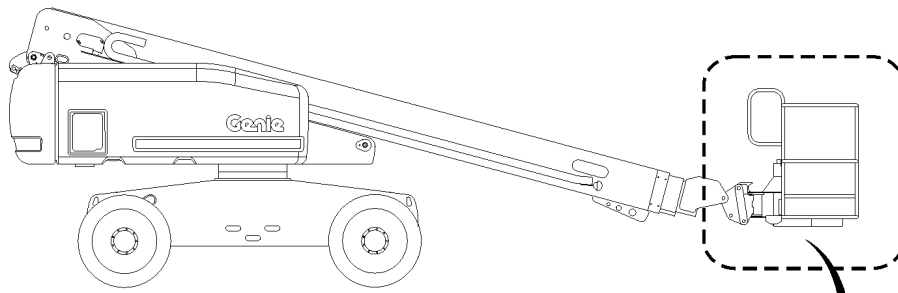


## 147.1 S-65TraX Decals with Symbol, Boom (ANSI &amp; CE)

Item	Part No.	Description	Qty.
1	82472GT	DECAL,WARNING,CRUSHING HAZARD.....	2
2	114247GT	DECAL,LABEL,FALL HAZARD***.....	1
3	114252GT	DECAL,LABEL,TIP OVER LMT SWTCH.....	3
4	133254GT	DECAL, COSM,GENIE S65 TRAX.....	1

Go to Discount-Equipment.com to order your parts

148.1 S-65TraX Decals with Symbol, Platform (ANSI & CE)

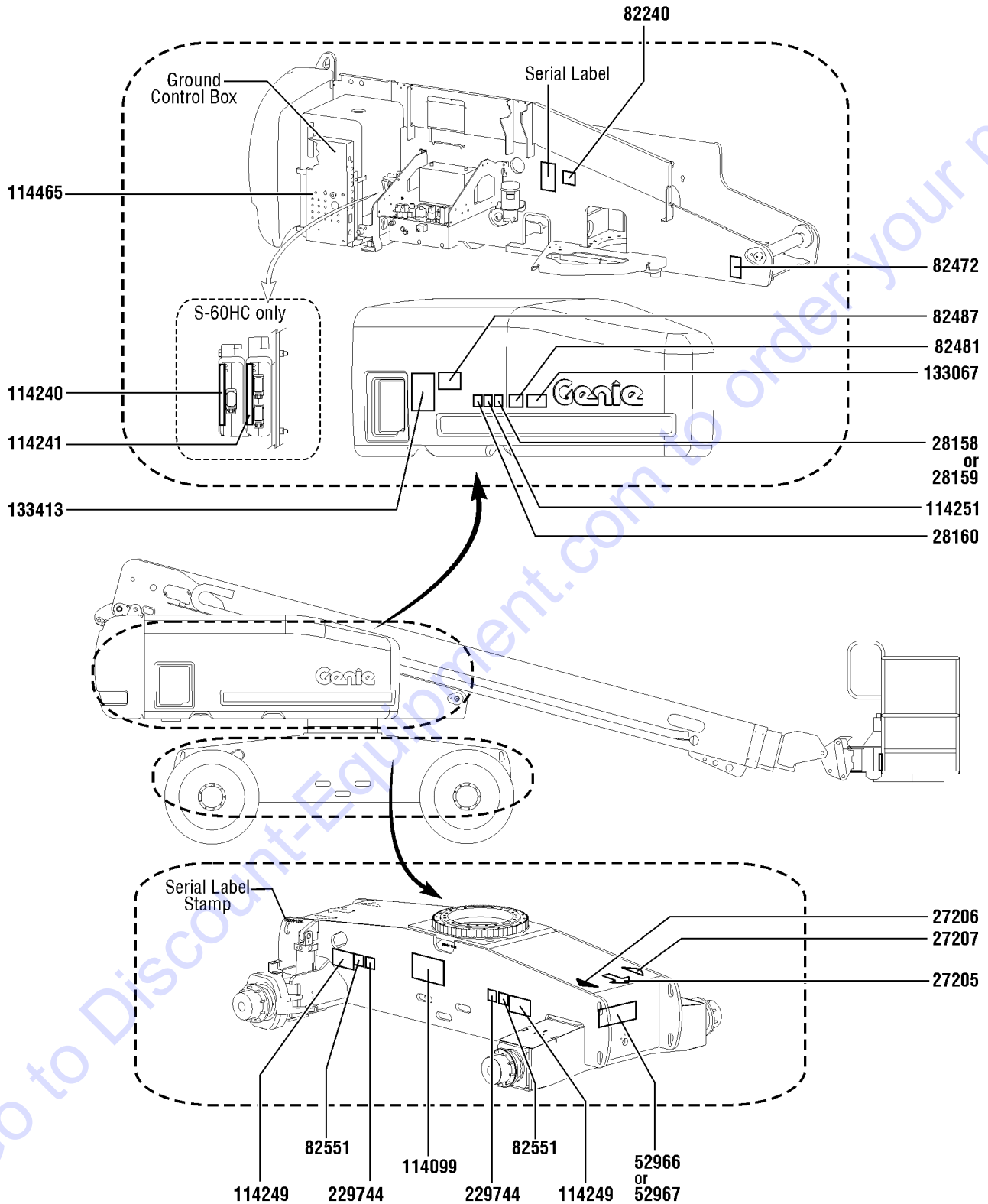




## 148.1 S-65TraX Decals with Symbol, Platform (ANSI &amp; CE)

Item	Part No.	Description	Qty.
1	28174GT	DECAL, POWER TO PLATFORM 230V**.....	1
2	28235GT	DECAL,POWER TO PLATFORM 115V...1	1
3	40434GT	DECAL,LANYARD ANCHORAGE POINT.....	8
4	44981GT	DECAL,LABEL, AIR LINE 110 PSI.....1 <i>Option, airline to plat</i>	1
5	82487GT	DECAL, SYMBOL - READ THE MANUAL.....	1
6	82548GT	DECAL,WARN,CRUSH HAZARD PLAT.....	2
7	82601GT	DECAL,LABEL,MAX CAPACITY***.....1	1
8	82602GT	DECAL,DANGER,MAX SIDE FRC,667N.....1 <i>ANSI only</i>	1
9	82604GT	DECAL,DANGER,SIDE FRC 400N.....1 <i>CE only</i>	1
10	82671GT	DECAL,LABEL,WELD LINE INST,SYM...2 <i>Option, weld cable line</i>	2
11	97815GT	DECAL,LABEL,LOWER MIDRAIL.....1	1
12	114252GT	DECAL,LABEL,TIP OVER LMT SWTCH.....	1
13	114473GT	DECAL,DANGER,TIPOVER,TILT,SYM...1	1
14	133387GT	DECAL,DRIVE ENABLE PATCH.....1	1
15	147603GT	DECAL, PLAT CNTL PNL.....1	1
16	T112773GT	TAPE, PROTECTIVE MASK.....	2

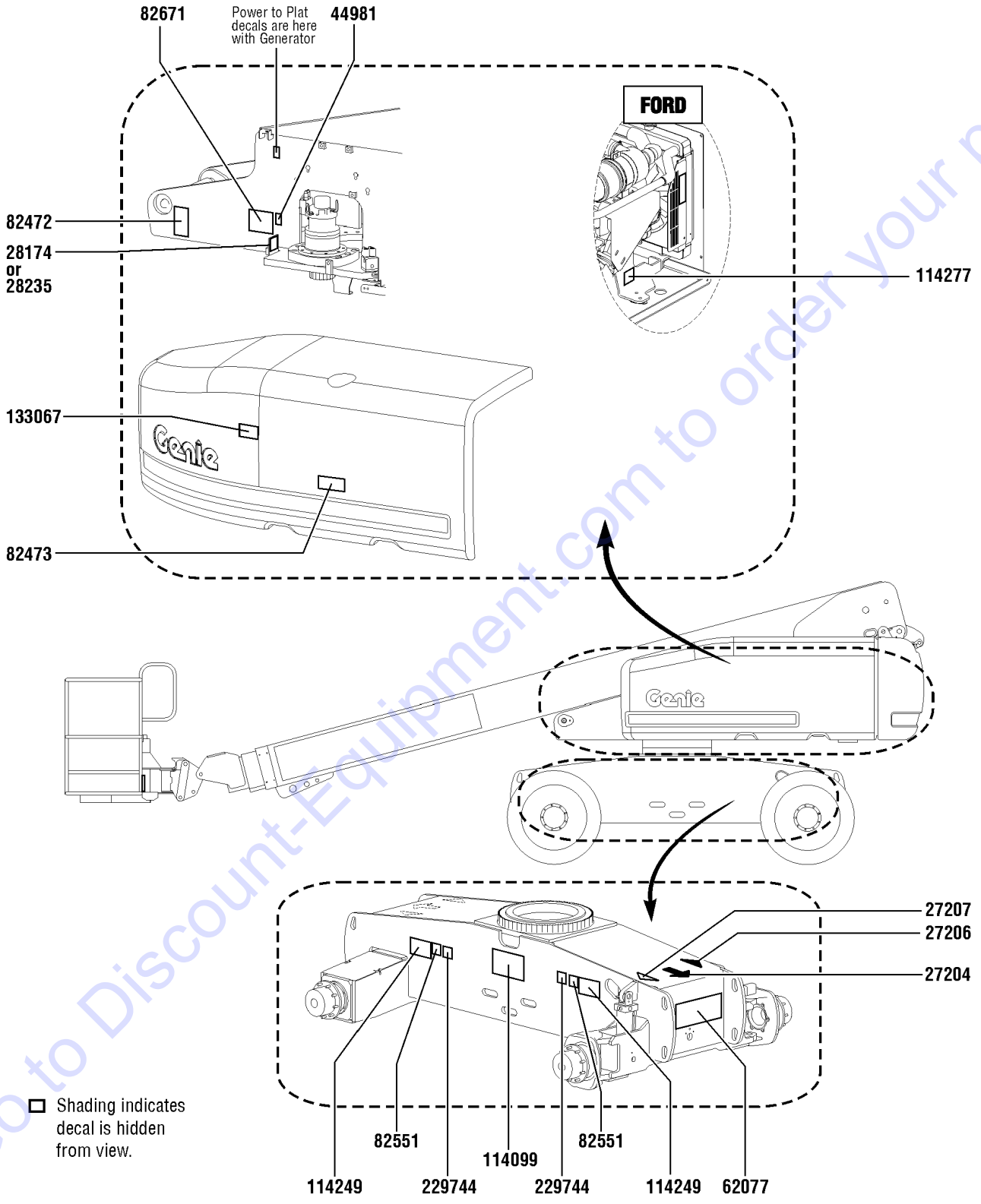
149.1 S-60HC Decals with Symbol, Hydraulic Tank Side (CE)



## 149.1 S-60HC Decals with Symbol, Hydraulic Tank Side (CE)

Item	Part No.	Description	Qty.
1	27205GT	DECAL,ARROW YELLOW LRG 9".....1	1
2	27206GT	DECAL,TRIANGLE,BLUE.....1	1
3	27207GT	DECAL,TRIANGLE,YELLOW.....1	1
4	28158GT	DECAL,LABEL,UNLEADED GAS ONLY.....1	1
5	28159GT	DECAL,DIESEL.....1	1
6	28160GT	DECAL,LABEL,LIQUID PROPANE.....1 <i>Option, LPG tank</i>	1
7	52966GT	DECAL,COSMETIC,4 X 2.....1	1
8	52967GT	DECAL,COSMETIC,4 X 4.....1	1
9	82240GT	DECAL,LABEL,105 DB.....1	1
10	82472GT	DECAL,WARNING,CRUSHING HAZARD.....1	1
11	82481GT	DECAL,SYMBOL-BATTERY SAFETY.....1	1
12	82487GT	DECAL,SYMBOL-READ THE MANUAL.....1	1
13	82551GT	DECAL,LABEL,TIRE PRESSURE.....2	2
14	114099GT	DECAL,LABEL,TRANSPORT DIAGRAM.....1	1
15	114240GT	LABEL,TCON SOFTWARE,S60HC.....1	1
16	114241GT	LABEL,SCON SOFTWARE,S60HC.....1	1
17	114249GT	DECAL,LABEL,TIPOVER,TIRES,SYMB.2	2
18	114251GT	DECAL,LABEL,NO SMOKING,SYMB.....1	1
19	114465GT	DECAL GROUND CONTROL BOX.....1	1
20	133067GT	DECAL,DANGER,ELEC.HAZ.STAY CLR.....1	1
21	133413GT	DECAL,EMERGENCY LOWERING.....1	1
22	229744GT	DECAL,LABEL,WHEEL LOAD S60H/XC.....2	2

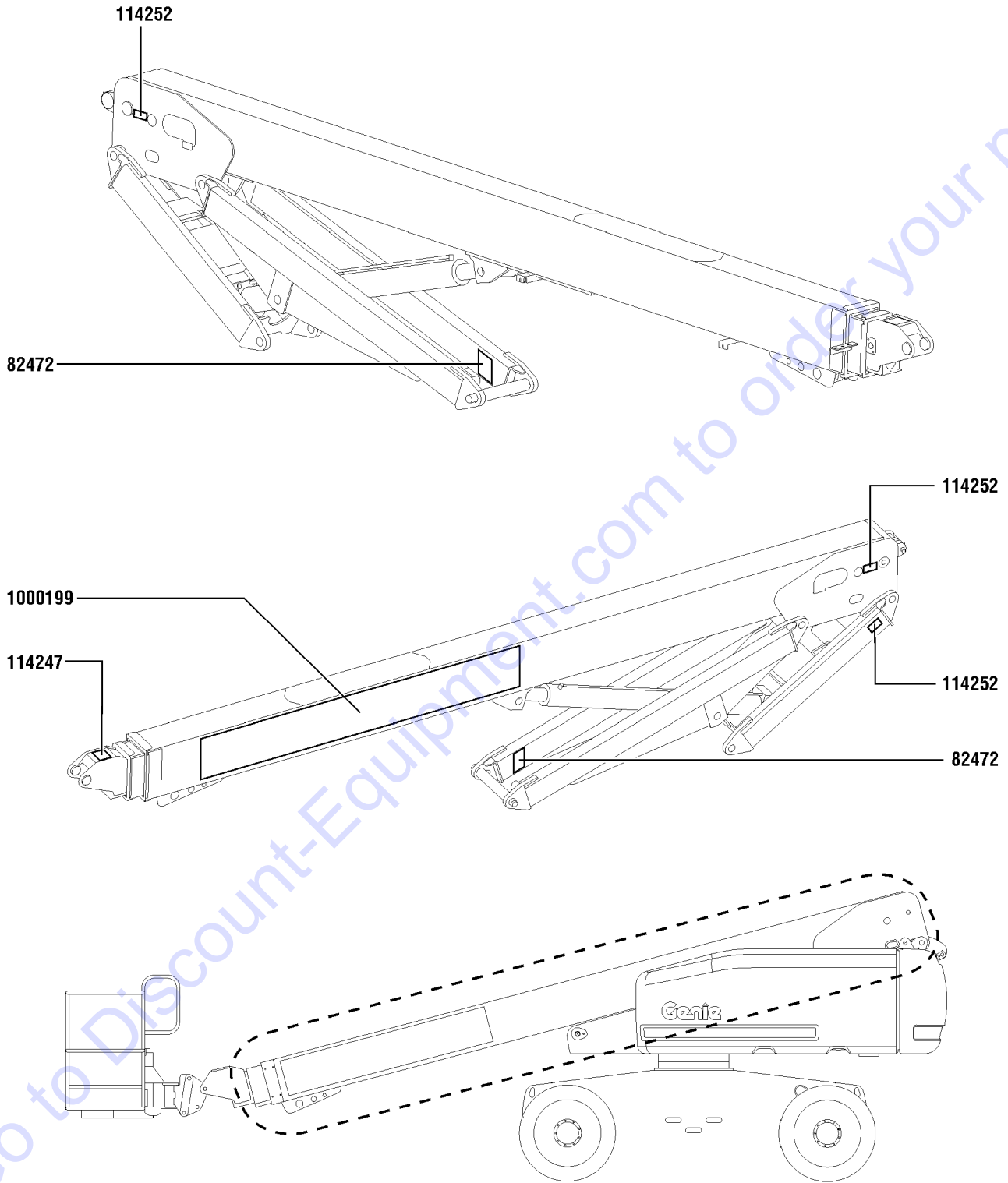
150.1 S-60HC Decals with Symbol, Engine Side (CE)



## 150.1 S-60HC Decals with Symbol, Engine Side (CE)

Item	Part No.	Description	Qty.
1	27204GT	DECAL,ARROW BLUE.....	1
2	27206GT	DECAL,TRIANGLE,BLUE.....	1
3	27207GT	DECAL,TRIANGLE,YELLOW.....	1
4	28174GT	DECAL, POWER TO PLATFORM 230V**.....	1
5	28235GT	DECAL,POWER TO PLATFORM 115V...1	1
6	44981GT	DECAL,LABEL, AIR LINE 110 PSI.....1 <i>Option, airline to plat</i>	1
7	62077GT	DECAL,COSMETIC,S60.....	1
8	82472GT	DECAL,WARNING,CRUSHING HAZARD.....	1
9	82473GT	DECAL,SYMBOL-COMP ACCESS.....	1
10	82551GT	DECAL,LABEL,TIRE PRESSURE.....	2
11	82671GT	DECAL,LABEL,WELD LINE INST,SYM...1 <i>Option, weld cable line</i>	1
12	114099GT	DECAL,LABEL,TRANSPORT DIAGRAM.....	1
13	114249GT	DECAL,LABEL,TIPOVER,TIRES,SYMB.2	2
14	114277GT	DECAL,LABEL,BELT ROUTING DSG.....	1
15	133067GT	DECAL,DANGER,ELEC.HAZ.STAY CLR.....	1
16	229744GT	DECAL,LABEL,WHEEL LOAD S60H/XC.....	1

151.1 S-60HC Decals with Symbol, Boom (CE)

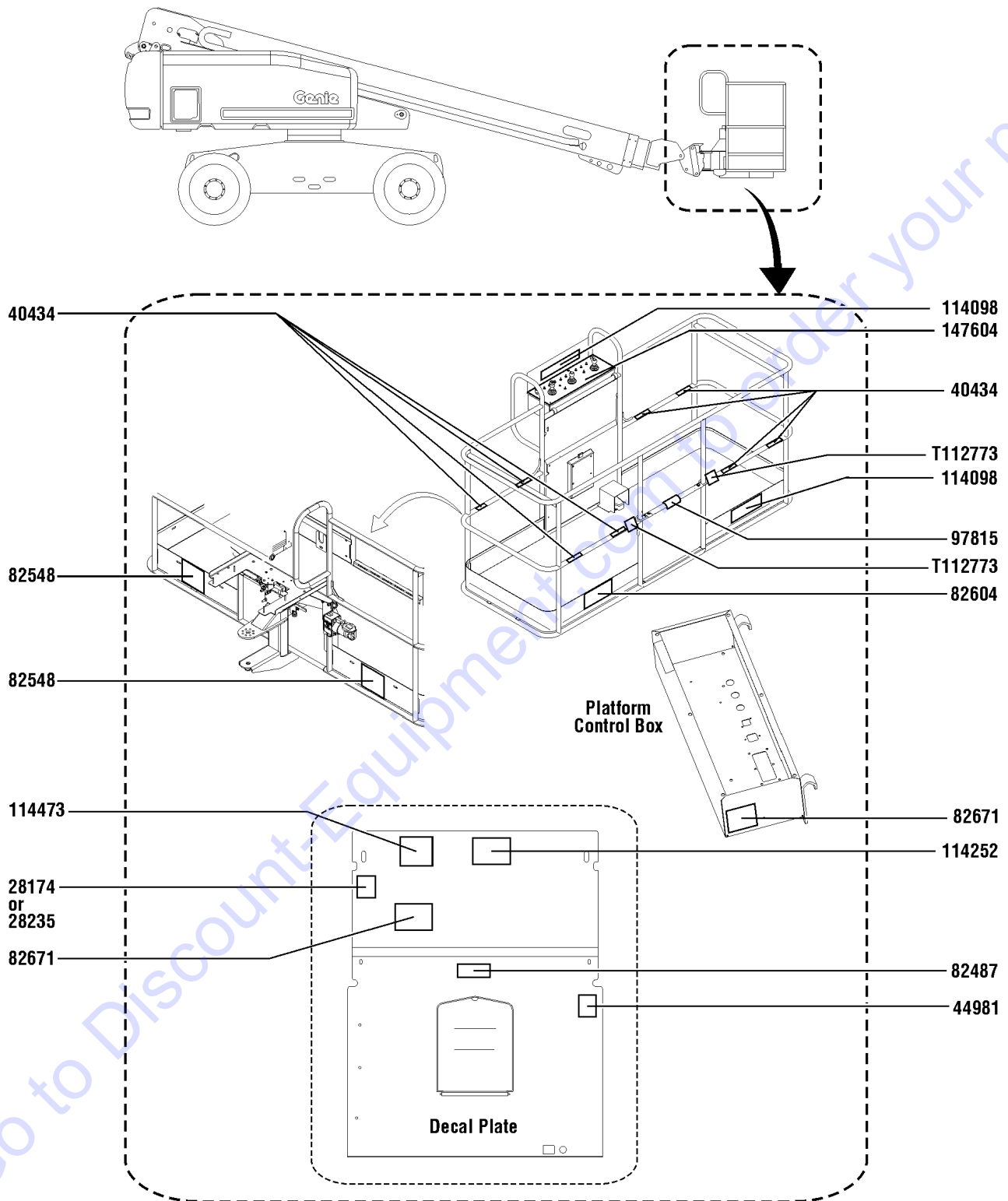


## 151.1 S-60HC Decals with Symbol, Boom (CE)

Item	Part No.	Description	Qty.
1	82472GT	DECAL,WARNING,CRUSHING HAZARD.....	2
2	114247GT	DECAL,LABEL,FALL HAZARD***.....	1
3	114252GT	DECAL,LABEL,TIP OVER LMT SWTCH.....	3
4	1000199GT	DECAL,COSMETIC,GENIE S-60HC.....	1

Go to Discount-Equipment.com to order your parts

152.1 S-60HC Decals with Symbol, Platform (CE)

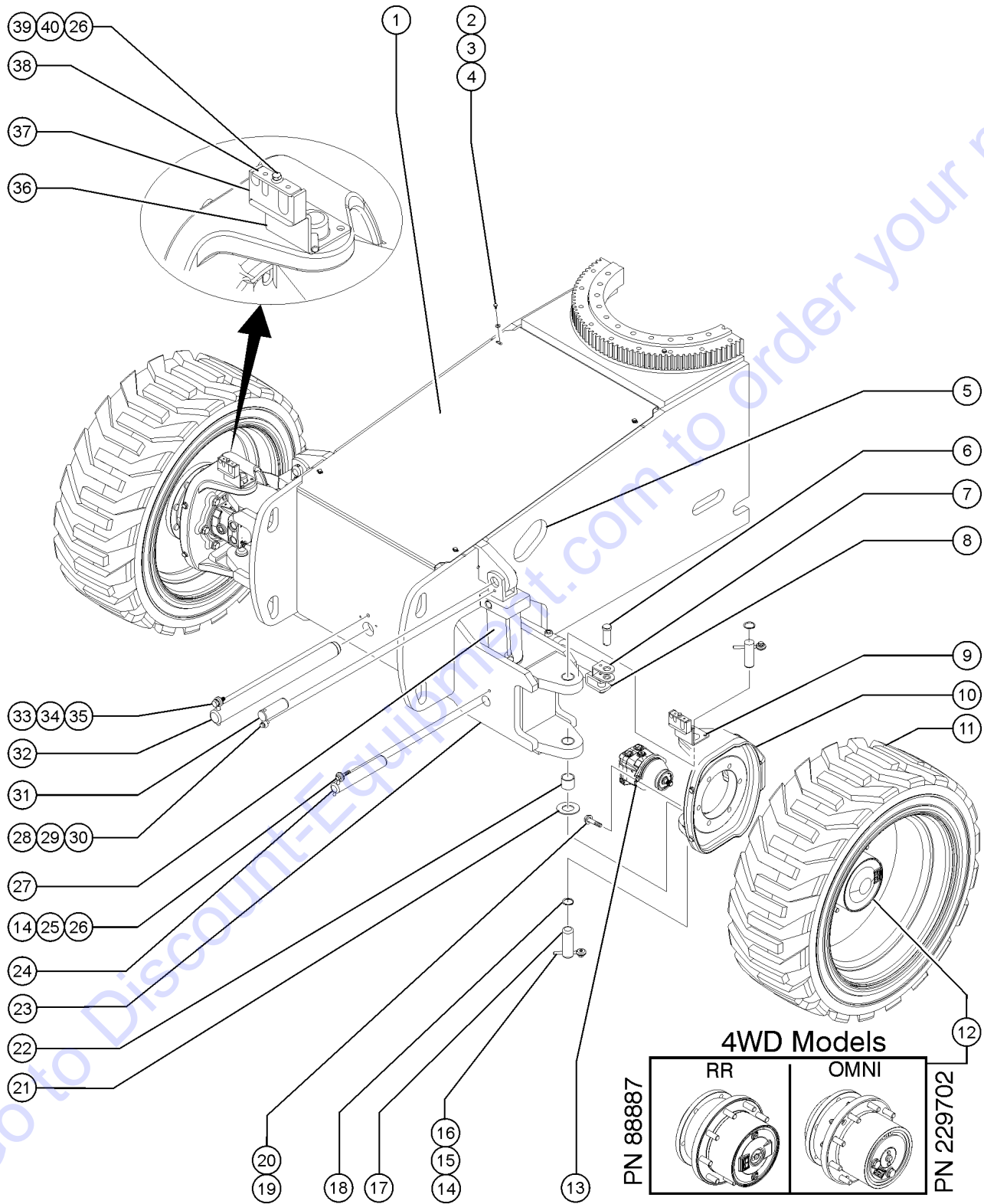




## 152.1 S-60HC Decals with Symbol, Platform (CE)

Item	Part No.	Description	Qty.
1	28174GT	DECAL, POWER TO PLATFORM 230V**.....	1
2	28235GT	DECAL,POWER TO PLATFORM 115V...1	1
3	40434GT	DECAL,LANYARD ANCHORAGE POINT.....	8
4	44981GT	DECAL,LABEL, AIR LINE 110 PSI.....1 <i>Option, airline to plat</i>	1
5	82487GT	DECAL, SYMBOL - READ THE MANUAL.....	1
6	82548GT	DECAL,WARN,CRUSH HAZARD PLAT.....	2
7	82604GT	DECAL,DANGER,SIDE FRC 400N.....1	1
8	82671GT	DECAL,LABEL,WELD LINE INST,SYM...2 <i>Option, weld cable line</i>	2
9	97815GT	DECAL,LABEL,LOWER MIDRAIL.....1	1
10	114098GT	DECAL,DANGER,MAX LOAD S60HCSYM.....	2
11	114252GT	DECAL,LABEL,TIP OVER LMT SWTCH.....	1
12	114473GT	DECAL,DANGER,TIPOVER,TILT,SYM...1	1
13	147604GT	DECAL, PLAT CNTL PNL 60HC.....1	1
14	T112773GT	TAPE, PROTECTIVE MASK.....	2

201.1 Steer End



## 201.1 Steer End

Item	Part No.	Description	Qty.	Item	Part No.	Description	Qty.
1	77624PGT	COVER,DRIVE CHASSIS.....1 <i>decals not included, refer to section 100</i>	1	11E	106647GT	TIRE & WHEEL ASSY,RH,FOAM,NM.....2 <i>RT, Foam-filled, Non-marking, right (S-60,S-65,S-60X,S-60XC,S-60HC; overall diameter: 37 inches)</i>	2
2	7339GT	SCREW,HHC,1/4-20 X .5		11E	106648GT	TIRE & WHEEL ASSY,LH,FOAM,NM.....2 <i>RT, Foam-filled, Non-marking, left (S-60,S-65,S-60X,S-60XC,S-60HC; overall diameter: 37 inches)</i>	2
3	6638GT	WASHER,FLAT,USS,1/4"Y		11F	110727GT	TIRE/WHEEL ASSY,LP RT W/SEALAN.....2 <i>RT, Air-filled, with sealant, left (S-60,S-65,S-60X)</i>	2
4	56912GT	SPRING CLIP,1/4-20,.025-.15X.54,ZAG		11F	110728GT	TIRE/WHEEL ASSY,LP RT W/SEALAN.....2 <i>RT, Air-filled, with sealant, right (S-60,S-65,S-60X)</i>	2
5	53386GT	GUARD, HOSE PROTECTOR.....1	1	11G	110730GT	TIRE/WHEEL ASSY,LP NM W/SEALAN.....2 <i>RT, Air-filled, Non-marking, with sealant, right (S-60,S-65,S-60X)</i>	2
6	19440GT	PIN,CLEVIS,1 X 2.5 LG.....6	6	11G	110731GT	TIRE/WHEEL ASSY,LP NM W/SEALAN.....2 <i>RT, Air-filled, Non-marking, with sealant, left (S-60,S-65,S-60X)</i>	2
--	74389GT	RUE RING,1.00		11H	110733GT	TIRE/WHEEL ASSY,HF W/SEALANT.....4 <i>Turf, Air-filled, with sealant (S-60,S-65,S-60X)</i>	4
7	59460GT	CYLINDER,STEERING***.....2	2	11J	228768GT	TIRE/WH ASSY,RH,FF,REPNEU***.....2 <i>RT, Foam-filled, oil based (S-60,S-65,S-60X,S-60XC,S-60HC)</i>	2
--	89294GT	SEAL KIT CYLINDER (59460)		11J	228769GT	TIRE/WH ASSY,LH,FF,REPNEU***.....2 <i>RT, Foam-filled, oil based (S-60,S-65,S-60X,S-60XC,S-60HC)</i>	2
8	77643GT	TIE ROD WELDMENT,S60.....1	1	12A	229702GT	WHEEL DRIVE 57.5:1 4WD.....2 <i>TYPE: OMNI. 4WD models Visually identify which hub before ordering parts. ID tag is on end cover cap. Hubs are not interchangeable, internal components are different for each type.</i>	2
9	107615PGT	BRACKET,HOSE ROUTING,LH,PTD.....1	1	--	1260084GT	END CAP, WHEEL DRIVE for 229702	
10A	77726GT	YOKE ASSEMBLY W/BEARINGS,LH.....1	1	--	139965GT	WHEEL STUD,5/8-18,OMNI*** for 229702	
--	25817GT	BEARING,1.00IDX1.25ODX1.00L.....2	2	--	139966GT	ROD,DISCONNECT,OMNI*** for 229702	
10B	77725GT	YOKE ASSEMBLY W/BEARINGS,RH.....1	1	--	139967GT	CAP,DISENGAGE,OMNI*** for 229702	
--	25817GT	BEARING,1.00IDX1.25ODX1.00L.....2	2	--	139968GT	O-RING,END COVER,OMNI*** for 229702	
11A	88729GT	TIRE & WHEEL ASSY,AIR,RH***.....2 <i>RT, Air-filled, right (S-60,S-65,S-60X)</i>	2	--	139969GT	LINING KIT,BRAKE,OMNI*** for 229702	
11A	88730GT	TIRE & WHEEL ASSY,AIR,LH.....2 <i>RT, Air-filled, left (S-60,S-65,S-60X)</i>	2	--	139970GT	SEAL KIT,BRAKE,OMNI*** for 229702	
--	88727GT	WHEEL, 24.5X11.75, 9 X 9 BCD for 88730 & 88729		--	139971GT	BEARING KIT,OMNI*** for 229702	
--	88728GT	TIRE,355/55D625 for 88730 & 88729					
11B	77790GT	TIRE & WHEEL ASSY RH,FF.....2 <i>RT, Foam-filled, right (S-60,S-65,S-60X,S-60XC,S-60HC; overall diameter: 37 inches)</i>	2				
11B	77791GT	TIRE & WHEEL ASSY,LH FF***.....2 <i>RT, Foam-filled, left (S-60,S-65,S-60X,S-60XC,S-60HC; overall diameter: 37 inches)</i>	2				
11C	94332GT	TIRE & WHEEL ASSY,TURF SPEC***....4 <i>Turf, Air-filled (S-60,S-65,S-60X)</i>	4				
--	81164GT	TIRE,41/18LL X 22.5,14PR,TURF* for 94332					
--	94333GT	WHEEL,22.5X14.00*** for 94332					
11D	94534GT	WHEEL & TIRE ASSY,RH,NM AIR.....2 <i>RT, Air-filled, Non-marking, right (S-60,S-65,S-60X)</i>	2				
11D	94535GT	WHEEL & TIRE ASSY,LH NM AIR.....2 <i>RT, Air-filled, Non-marking, left (S-60,S-65,S-60X)</i>	2				
--	88727GT	WHEEL, 24.5X11.75, 9 X 9 BCD for 94534 & 94535					
--	94536GT	TIRE,355/55D625,14 PLY,NM for 94534 & 94535					

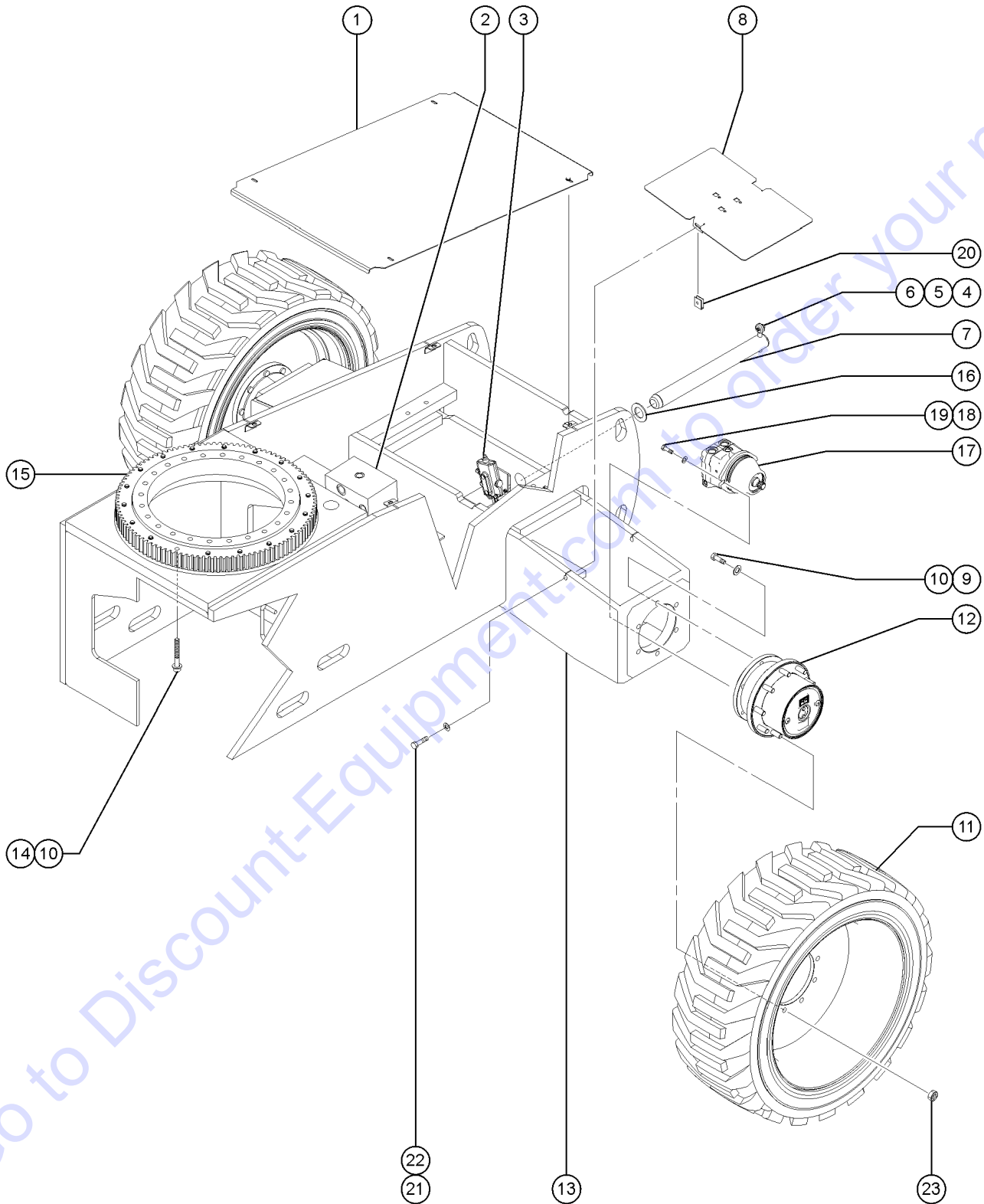
201.1 Steer End  
(continued)

Item	Part No.	Description	Qty.	Item	Part No.	Description	Qty.
--	139972GT	SEAL KIT,GEARBOX,OMNI*** <i>for 229702</i>		25	5224GT	SCREW,HHC,3/8-16 X 2	
--	147033GT	O-RING,PIPE PLUG KIT,OMNI*** <i>for 229702</i>		26	4828GT	NUT,NYLOCK,3/8-16	
--	147034GT	PIPE PLUG KIT,OMNI*** <i>for 229702</i>		27	110578GT	CYLINDER,OSCILLATE,S60.....2	
12B	229817GT	WHEEL DRIVE 56:1.....2 <i>(Trax models)</i>	2	--	101255GT	SEAL KIT (89675)	
--	102131GT	DISCONNECT KIT (88887) <i>for 102162</i>		--	33428GT	VALVE,COUNTERBALANCE	
--	102162GT	LUG,STUD/WHEEL (88887) <i>for 102162</i>		28	1255452GT	ROD END,.375 X 2.25,ZAG	
--	102516GT	RING,RETAINING,INTERNAL <i>for 102162</i>		29	6021GT	WASHER,LOCK,.375	
--	215340GT	LOCKRING, RR*** <i>for 102162</i>		30	6175GT	SCREW,HHC,3/8-16 X 1	
--	215642GT	BRAKE KIT (88886)*** <i>for 102162</i>		31	94221GT	PIN,1.50DIA X3.75LG,1HOLE.....2	
--	229818GT	SEAL KIT, DRIVE HUB <i>for 102162</i>		32	77610GT	PIN,2.00DIA X23.13LG,CHAMFER.....1	
--	229931GT	SEAL,LIP <i>for 102162</i>		33	1256267GT	ROD END,.5 X 3.75,ZAG	
13	88884GT	MOTOR,PISTON,30CC,4WD*** .....2 <i>4WD models</i>	2	34	8177GT	SCREW,HHC,1/2-13 X 1.5	
--	102155GT	BEARING,BALL DRIVE SHAFT <i>for 88884</i>		35	6033GT	WASHER,LOCK,0.5"	
--	102158GT	O-RING,.103 X 4.737,VITON, 75D <i>for 88884</i>		36	107616PGT	BRACKET,HOSE ROUTING,RH,PNTD	
--	102159GT	SHAFT,15 TOOTH <i>for 88884</i>		37	106516GT	CLAMP,HOSE,2X4,1X6,2X8*** .....2	
--	106098GT	SEAL KIT,MOTOR,LC/KC*** <i>for 88884</i>		38	106517PGT	CLAMP TOP,HOSE ROUTING PAINTED.....2	
--	27067GT	SEAL,SHAFT-SUNDSTRAND*** <i>for 88884</i>		39	6326GT	SCREW,HHC,3/8-16 X 3	
--	72290GT	SNAP RING(M46 UNITS)* <i>for 88884</i>		40	6097GT	WASHER,FLAT,USS,3/8",Y	
14	825019GT	ROD END,.375X3.69,ZAG					
15	8255GT	SCREW,HHC,3/8-16 X .75					
16	6021GT	WASHER,LOCK,.375					
17	110221GT	PIN,GROOVE/HOLE,1.50 DIA X4.475....4					
18	825796GT	SNAP RING,EXTERNAL,1.50,ZAG					
19	73455GT	SCREW,HHC,5/8-11 X 2.25 GR8.....12					
20	13064GT	WASHER,FLAT,.625 HARDENED.....12					
21	45074GT	WASHER,THRUST,1.5 X 3.5 X .187.....2					
22	45071GT	BEARING,1.5IDX1.75ODX1.5L					
23	119146GT	AXLE ASSEMBLY,S60 FRONT.....1 <i>Includes item 34</i>	1				
--	42014GT	BEARING,2.00IDX2.25ODX2.00L.....2	2				
24	77880GT	PIN,1.50DIA X9.38LG,1HOLE.....2	2				

*This Page Intentionally Left Blank*

Go to [Discount-Equipment.com](http://Discount-Equipment.com) to order your parts

202.1 Non-steer End



202.1 Non-steer End

Item	Part No.	Description	Qty.	Item	Part No.	Description	Qty.
1	77624PGT	COVER,DRIVE CHASSIS.....1 <i>decals not included, refer to section 100</i>		--	102163GT	RING,RETAINING*** <i>for 88887</i>	
2		Ref. Traction Manifold <i>(refer to 402.1 &amp; 403.1)</i>		--	102167GT	SHAFT,INPUT DRIVE HUB <i>for 88887</i>	
3		Ref. Oscillate Valve <i>(refer to 203.1)</i>		--	102516GT	RING,RETAINING,INTERNAL <i>for 88887</i>	
4	1256267GT	ROD END,.5 X 3.75,ZAG		--	1274613GT	HUB SCREW <i>for 88887</i>	
5	6175GT	SCREW,HHC,3/8-16 X 1		--	215340GT	LOCKRING, RR*** <i>for 88887</i>	
6	6021GT	WASHER,LOCK, .375		--	215642GT	BRAKE KIT (88886)*** <i>for 88887</i>	
7	77950GT	PIN,2.00DIA X 20.88LG,CHAMFER		--	215642GT	BRAKE KIT (88886)*** <i>for 88887</i>	
8	77623PGT	COVER,REAR AXLE.....2		12C	229817GT	WHEEL DRIVE 56:1.....2 <i>(trax models)</i>	
9	73455GT	SCREW,HHC,5/8-11 X 2.25 GR8		--	102131GT	DISCONNECT KIT (88887) <i>(trax models)</i>	
10	13064GT	WASHER,FLAT,.625 HARDENED		--	102157GT	O-RING,.070 X .239,VITON 75D <i>(trax models)</i>	
11		REF. WHEEL AND TIRE ASSEMBLY <i>refer to 201.1</i>		--	102158GT	O-RING,.103 X 4.737,VITON, 75D <i>(trax models)</i>	
12A	229702GT	WHEEL DRIVE 57.5:1 4WD.....2 <i>TYPE: OMNI. 4WD Models Visually identify which hub before ordering parts. ID tag is on end cover cap. Internal components are different for each type.</i>		--	102162GT	LUG,STUD/WHEEL (88887) <i>(trax models)</i>	
--	1260084GT	END CAP, WHEEL DRIVE <i>for 229702</i>		--	102166GT	VALVE,CHECK,30 PSI <i>(trax models)</i>	
--	139965GT	WHEEL STUD,5/8-18,OMNI*** <i>for 229702</i>		--	102167GT	SHAFT,INPUT DRIVE HUB <i>(trax models)</i>	
--	139966GT	ROD,DISCONNECT,OMNI*** <i>for 229702</i>		--	102516GT	RING,RETAINING,INTERNAL <i>(trax models)</i>	
--	139967GT	CAP,DISENGAGE,OMNI*** <i>for 229702</i>		--	106098GT	SEAL KIT,MOTOR,LC/KC*** <i>(trax models)</i>	
--	139968GT	O-RING,END COVER,OMNI*** <i>for 229702</i>		--	215340GT	LOCKRING, RR*** <i>(trax models)</i>	
--	139969GT	LINING KIT,BRAKE,OMNI*** <i>for 229702</i>		--	215642GT	BRAKE KIT (88886)*** <i>(trax models)</i>	
--	139970GT	SEAL KIT,BRAKE,OMNI*** <i>for 229702</i>		--	229818GT	SEAL KIT, DRIVE HUB <i>(trax models)</i>	
--	139971GT	BEARING KIT,OMNI*** <i>for 229702</i>		--	229931GT	SEAL,LIP <i>(trax models)</i>	
--	139972GT	SEAL KIT,GEARBOX,OMNI*** <i>for 229702</i>		--	27067GT	SEAL,SHAFT-SUNDSTRAND*** <i>(trax models)</i>	
--	147033GT	O-RING,PIPE PLUG KIT,OMNI*** <i>for 229702</i>		--	77674GT	NUT,HEX,FLANGE 5/8-18,GRD 8 ZI <i>(trax models)</i>	
--	147034GT	PIPE PLUG KIT,OMNI*** <i>for 229702</i>		--	88884GT	MOTOR,PISTON,30CC,4WD*** <i>(trax models)</i>	
12B	88887GT	WHEEL DRIVE 56:1 2WD.....2 <i>2WD models; not shown</i>		13	94746GT	NON-STEER AXLE ASSEMBLY**.....1	
--	102126GT	SEAL KIT,DRIVE HUB (88887).....1 <i>for 88887</i>		--	42014GT	BEARING,2.00IDX2.25ODX2.00L	
--	102131GT	DISCONNECT KIT (88887) <i>for 88887</i>		14	139865GT	SCREW,HHC,5/8-11 X 4.00 GR8 BO....18	
--	102162GT	LUG,STUD/WHEEL (88887) <i>for 88887</i>		15	63468GT	BEARING,TURNTABLE ROTATION	
				16	18730GT	WASHER,FLAT,2.01 X 3.5 X .06	
				17A	88884GT	MOTOR,PISTON,30CC,4WD***	

202.1 Non-steer End  
(continued)

Item	Part No.	Description	Qty.
--	102155GT	BEARING,BALL DRIVE SHAFT	
--	102158GT	O-RING,.103 X 4.737,VITON, 75D <i>for 88884</i>	
--	102159GT	SHAFT,15 TOOTH	
--	106098GT	SEAL KIT,MOTOR,LC/KC*** <i>for 88884</i>	
--	27067GT	SEAL,SHAFT-SUNDSTRAND***	
--	72290GT	SNAP RING(M46 UNITS)*	
17B	88885GT	MOTOR,PISTON,35CC,2WD*** .....2 <i>2WD models, not shown</i>	
--	102155GT	BEARING,BALL DRIVE SHAFT <i>for 88885</i>	
--	102158GT	O-RING,.103 X 4.737,VITON, 75D <i>for 88885</i>	
--	102159GT	SHAFT,15 TOOTH <i>for 88885</i>	
--	106098GT	SEAL KIT,MOTOR,LC/KC*** <i>for 88885</i>	
--	106117GT	O-RING,2-010,VITON <i>for 88885 (Mating O-ring for Brake Port)(Extremely small)</i>	
--	27067GT	SEAL,SHAFT-SUNDSTRAND*** <i>for 88885</i>	
--	72290GT	SNAP RING(M46 UNITS)* <i>for 88885</i>	
18	88296GT	SCREW,HHC,7/16-14 X 1.25.....4	
19	119988GT	WASHER,.469 X .781,HRD.....4	
20	56912GT	SPRING CLIP,1/4-20,.025-.15X.54,ZAG	
21	6090GT	SCREW,HHC,1/4-20 X .75	
22	6638GT	WASHER,FLAT,USS,1/4"Y	
23	77674GT	NUT,HEX,FLANGE 5/8-18,GRD 8 ZI.....18	

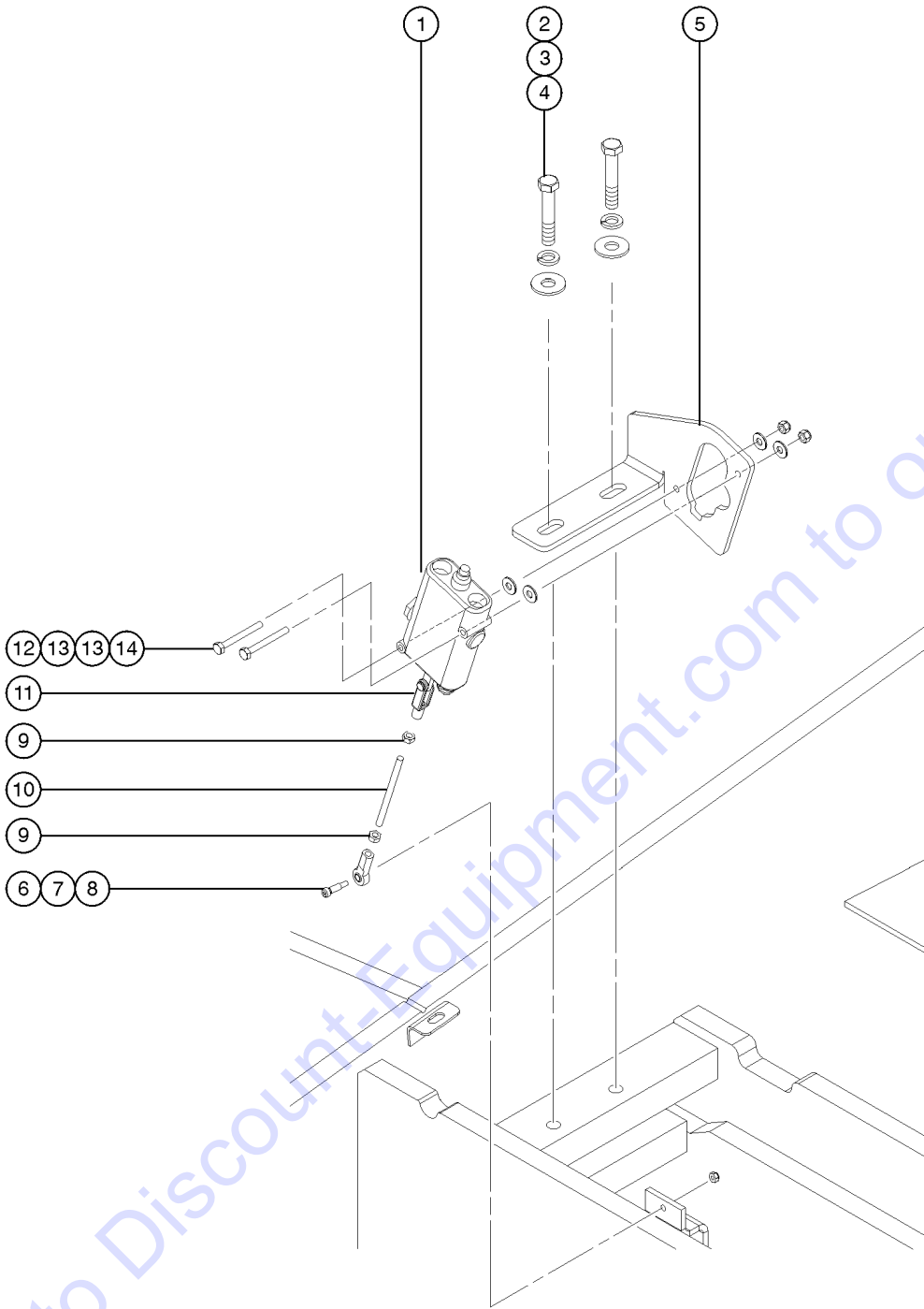
Go to Discount-Equipment.com to order your parts



***This Page Intentionally Left Blank***

Go to [Discount-Equipment.com](http://Discount-Equipment.com) to order your parts

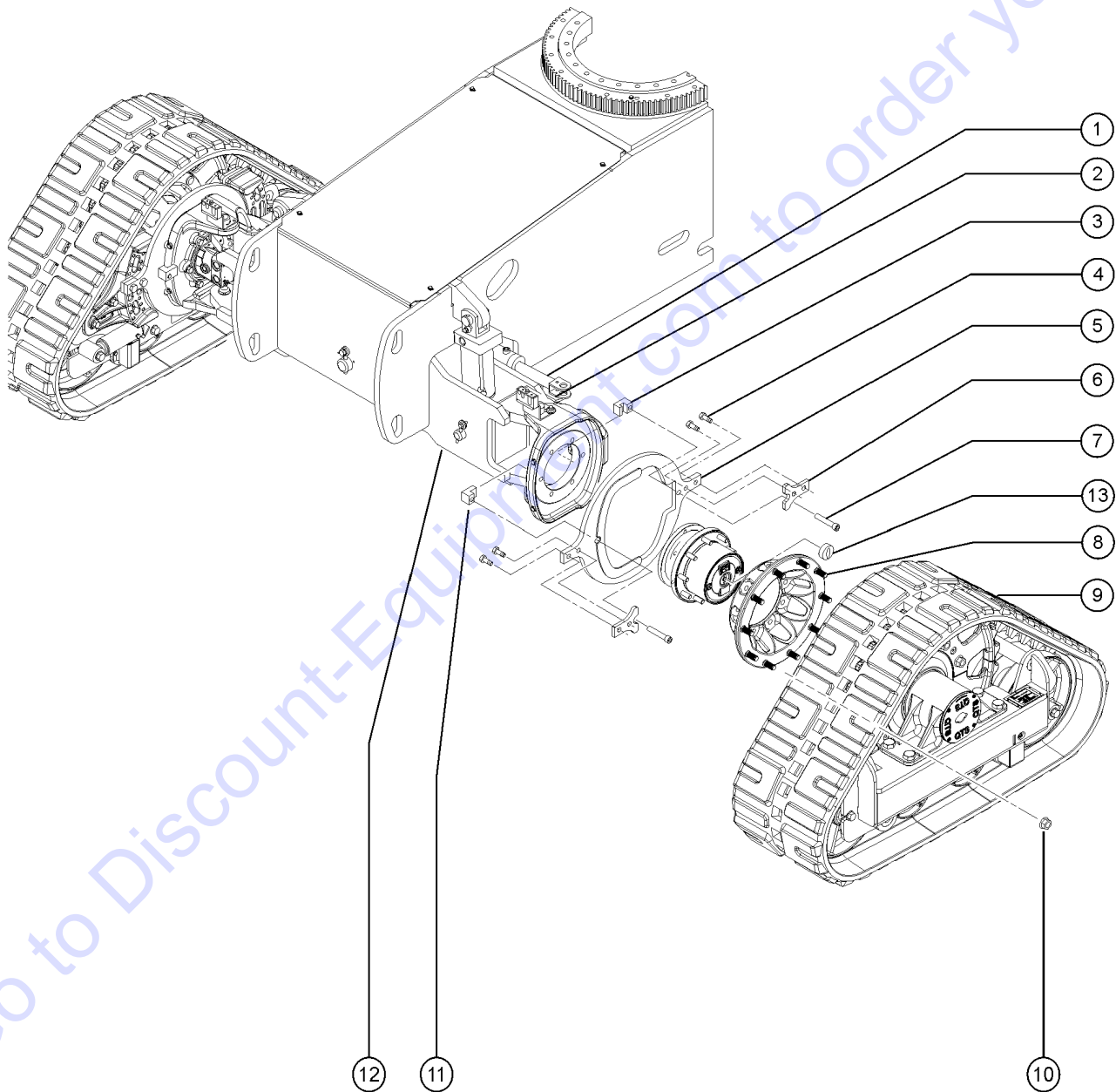
203.1 Oscillate Valve



Go to Discount-Equipment.com to order your parts

Item	Part No.	Description	Qty.
1	81552GT	VALVE,MANUAL,W/RELIEF VALVE***.....1	
--	32681GT	SEAL KIT,CONTROL VALVE for 81552	
2	39479GT	SCREW,HHC,1/2-13 X 2.75.....2	
3	6033GT	WASHER,LOCK,0.5".....2	
4	6095GT	WASHER,FLAT,USS,1/2",Y.....2	
5	139578GT	BRACKET, OSCILLATE VALVE.....1	
6	6584GT	SCREW,SHS,10-24 X .625.....1	
7	81691GT	ROD END,BALL JOINT 1/4-28.....1	
8	5365GT	NUT,NYLOCK,10-24.....1	
9	21496GT	NUT,HEX,1/4-28.....2	
10	30785-400GT	THREADED ROD,1/4-28 X 4 IN***.....1	
11	21130GT	CLEVIS YOKE-1/4-28,PLTD W/PIN.....1	
12	8179GT	SCREW,HHC,1/4-20 X 2.25.....2	
13	6638GT	WASHER,FLAT,USS,1/4"Y.....4	
14	6091GT	NUT,NYLOCK,1/4-20.....2	

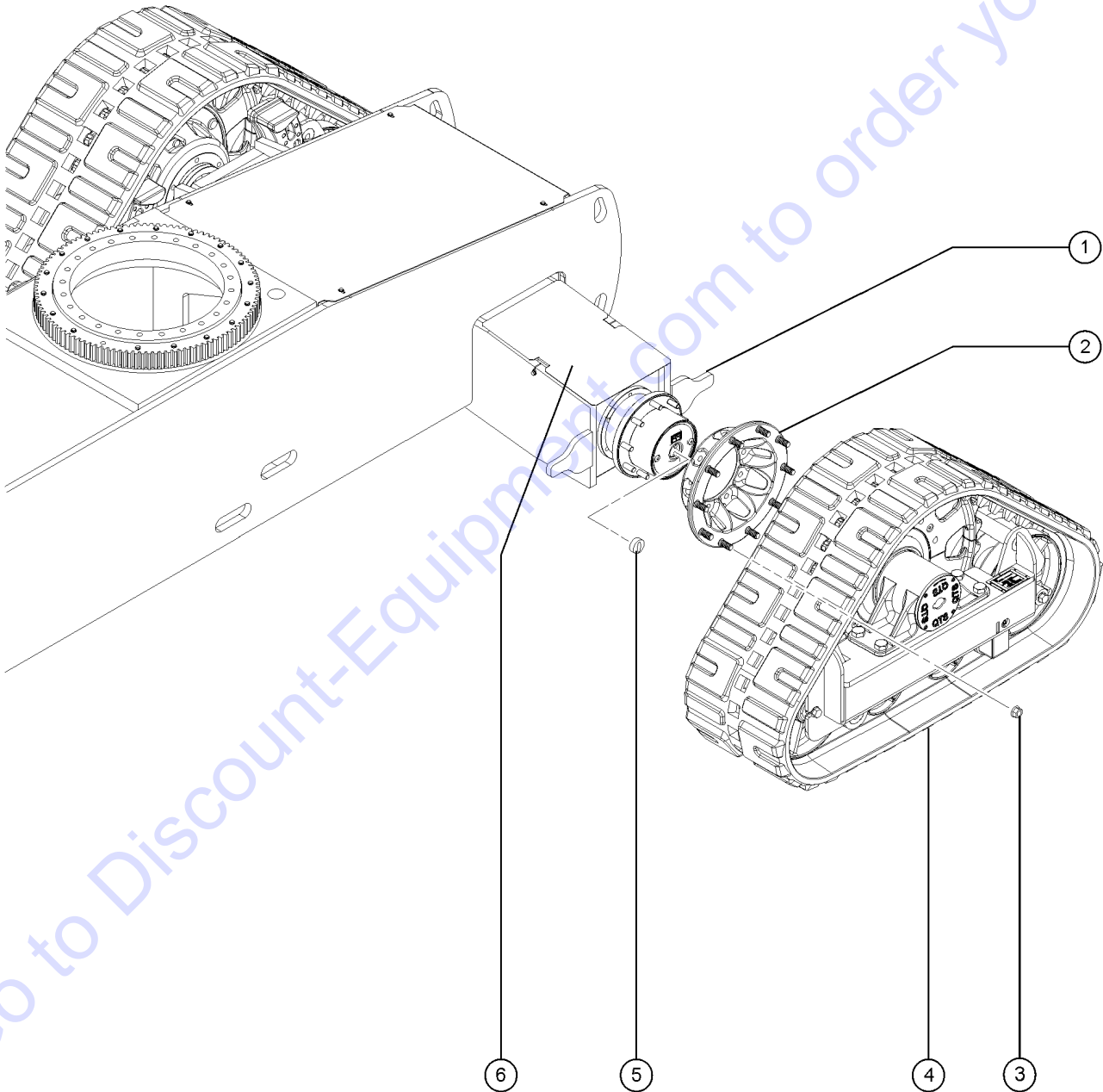
204.1 TraX Option Steer End



## 204.1 TraX Option Steer End

Item	Part No.	Description	Qty.
1	125865GT	CYLINDER, STEER.....	1
--	89294GT	SEAL KIT CYLINDER (59460)	
2	125864GT	WELDMENT, TIE ROD.....	1
3	139122GT	MACH. MOUNTING BLOCK.....	1
4	94439GT	SCREW,HHC,3/4-10 X 1.5.....	4
5A	139000GT	ROTATIONAL LIMITER FRONT RIGHT.....	1
5B	139001GT	ROTATIONAL LIMITER FRONT LEFT.....	1
6	139121GT	PLATE, HAMMER SHIM 1/2.....	2
7	1284569GT	SCREW,SHC,5/8-11X1.50,GR5,PLN.....	2
8	139002GT	SPACER.....	2
--	139140GT	STUD, 3/4-16 UNF X 2-1/2 LG for 139002	
9A	139120GT	ASSEMBLY, TRAX UNIT, RIGHT..... <i>refer to 206.1 for TRAX System service components</i>	1
9B	147149GT	ASSEMBLY, TRAX UNIT, LEFT..... <i>refer to 206.1 for TRAX System service components</i>	1
10	139135GT	NUT, FLANGE, 3/4-16 UNF GR8.....	10
11	139125GT	MACH. MOUNTING BLOCK.....	1
12	139224GT	STEER AXLE ASSEMBLY.....	1
--	45071GT	BEARING,1.5IDX1.75ODX1.5L	
13	139179GT	SEAL,TRAX HUBS.....	1

205.1 TraX Option Non-steer End

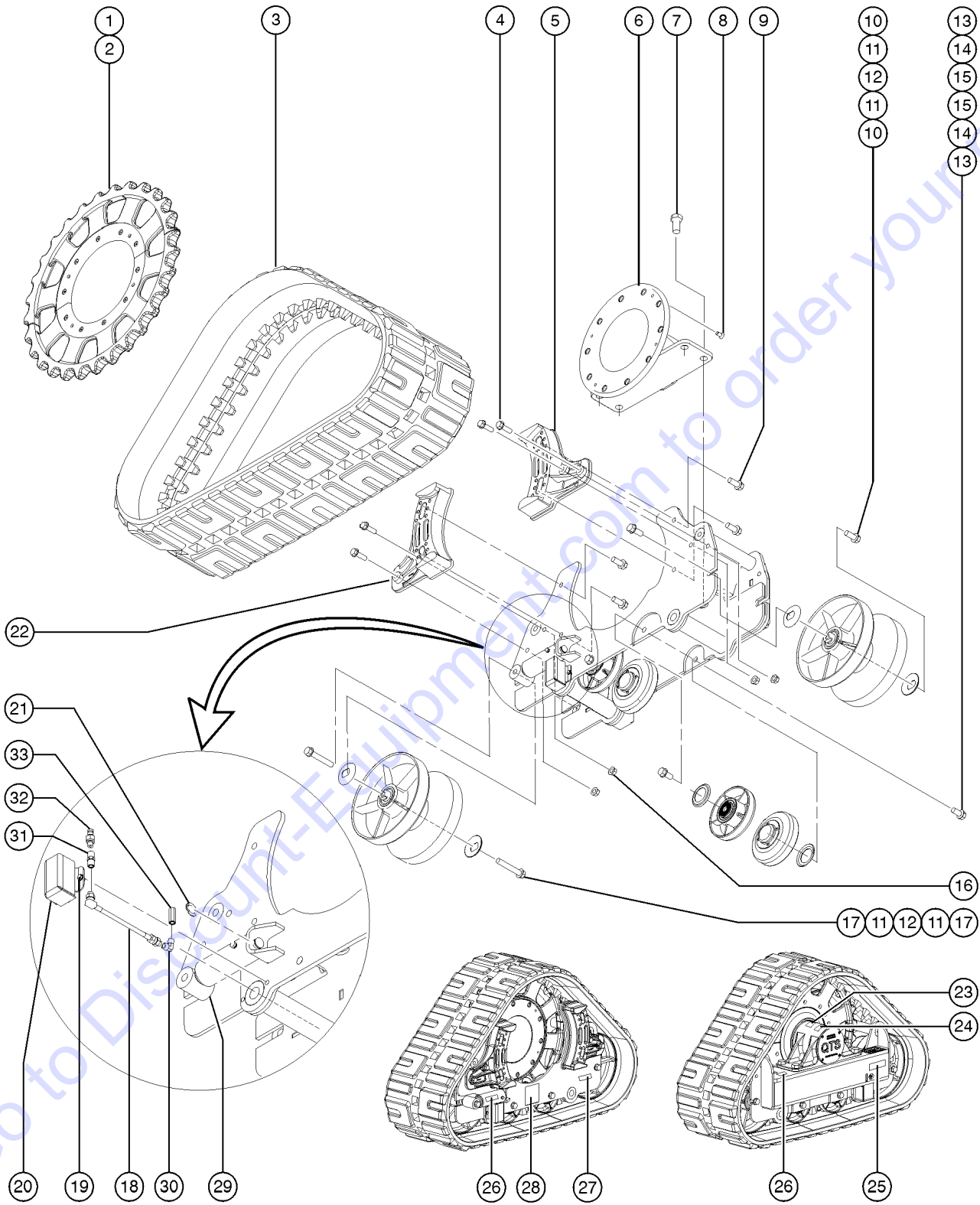


## 205.1 TraX Option Non-steer End

Item	Part No.	Description	Qty.
1	139175GT	NON-STEER AXLE ASSEMBLY.....	2
--	42014GT	BEARING,2.00IDX2.25ODX2.00L	
2	139002GT	SPACER.....	2
--	139140GT	STUD, 3/4-16 UNF X 2-1/2 LG for 139002	
3	139135GT	NUT, FLANGE, 3/4-16 UNF GR8.....	10
4A		Ref., TRAX UNIT, RIGHT..... refer to 206.1	1
4B		Ref., TRAX UNIT, LEFT..... refer to 206.1	1
5	139179GT	SEAL,TRAX HUBS.....	2
6	125866GT	COVER, REAR AXLE.....	2

Go to Discount-Equipment.com to order your parts

206.1 TraX Option Components

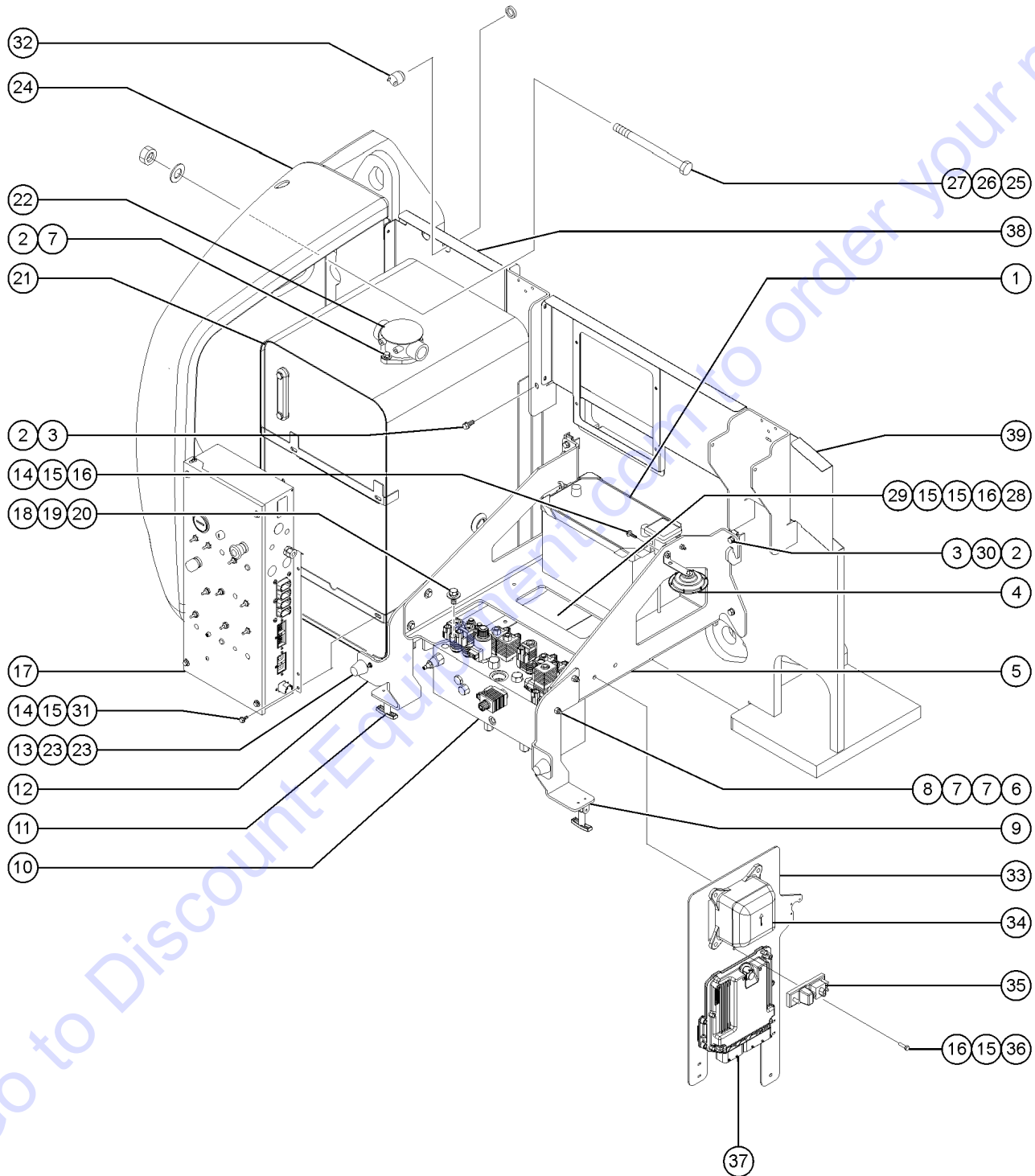




## 206.1 TraX Option Components

Item	Part No.	Description	Qty.	Item	Part No.	Description	Qty.
A	139262GT	KIT,TRAX,9-BOLT,S60 W/RR HUBS		26	226943GT	DECAL,CAUTION,READ INST.....1	1
--	139179GT	SEAL,TRAX HUBS		27	226945GT	DECAL,WARN,CRUSH HAZ.....1	1
B	217979GT	KIT,TRAX,9-BOLT,S60 W/OMNI HUB		28A	226941GT	DECAL,LABEL,ASSY INSTALL,R.....1	1
--	139179GT	SEAL,TRAX HUBS		28B	226942GT	DECAL,LABEL,ASSY INSTALL,I	1
C	139000GT	ROTATIONAL LIMITER FRONT RIGHT		29	215423GT	TENSIONER, TRAX	
D	139001GT	ROTATIONAL LIMITER FRONT LEFT		30	1261392GT	ELBOW,90,1/4-18NPT,FEMALE	
E	147155GT	ROTATIONAL LIMITER REAR		31	1261390GT	COUPLING - 1/4 NPT	
1	128922GT	SPROCKET, MACH. HALF RIGHT.....1	1	32	1261389GT	NIPPLE,STEEL PIPE,1/4NPTX1 LG	
2	128923GT	SPROCKET, MACH. HALF LEFT.....1	1	33	1261391GT	NIPPLE,STEEL PIPE,1/4NPTX2.5LG	
3	128926GT	TRACK, RUBBER.....1	1				
4	111155GT	SCREW,FLANGE,HHC,5/8-11X2,GR8....4	4				
5	128925GT	CAST, LIMITER STOP BRKT R.....1	1				
6	128928GT	HUB ASSEMBLY.....1	1				
--	1287812GT	SEAL,RUBBER BRAKE RELEASE,RUBBER TRACK (139120)					
--	1287813GT	O-RING,RUBBER TRACK (139120)					
7	128913GT	BOLT,HHC,1-14X2.0"GR8 PLT.....4	4				
8	128914GT	SCREW, FHSC, 1/2-13X1.00.....4	4				
9	128912GT	BOLT,FLANGE,5/8-11X1.5"GR8 PLT.....4	4				
10	128910GT	BOLT,FLANGE,3/4-10X1.75GR8 PLT.....2	2				
11	128920GT	COVER, DUST.....4	4				
12	128917GT	END BOGEY.....2	2				
13	128909GT	BOLT,FLANGE,3/4-10X1.5"GR8 PLT.....4	4				
14	128921GT	GUARD, SEAL.....4	4				
15A	128918GT	SPLIT BOGEY.....4	4				
--	215424GT	BEARING, SPL BOGEY (128918) <i>for 128918</i>					
--	215425GT	SEAL, BEARING (128918) <i>for 215424</i>					
--	215426GT	SHAFT, RAISED BOSS (128918) <i>internal shaft with raised boss on end</i>					
--	215427GT	SHAFT, KNURLED (128918) <i>internal shaft with knurled end</i>					
16	128916GT	LOCKNUT,FLANGE,5/8-11,GR8.....4	4				
17	128911GT	BOLT,FLANGE,3/4-10X4.5"GR8 PLT.....2	2				
18	128927GT	HYD. HOSE ASSEMBLY 3000 PSI.....1	1				
19	128955GT	BOLT,FLANGE,5/16-18X.50 GR5.....4	4				
20A	1261393GT	ASSEMBLY, OUTSIDE HOSE GUARD <i>shown for reference only</i>					
20B	1261394GT	ASSEMBLY, INSIDE HOSE GUARD					
21	128919GT	SNAP RING.....2	2				
22	128924GT	CAST, LIMITER STOP BRKT L.....1	1				
23	226940GT	DECAL,LABEL,TORQUE.....1	1				
24	226944GT	DECAL,WARN,AVOID INJURY.....1	1				
25	226946GT	DECAL,WARN,HIGH PRESS.....1	1				

301.1 Tank Side - View 1



## 301.1 Tank Side - View 1

Item	Part No.	Description	Qty.	Item	Part No.	Description	Qty.
1A	30143GT	BATTERY,12V,1000 CCA GRP 31.....1 <i>models with single battery (shown)</i>	1	--	94526GT	GASKET,RETURN FILTER-77353	
--	30144GT	BATTERY HOLD DOWN,GROUP 31		23	18503GT	NUT,LOCKING-LG.FLANGE,5/16-18.....4	
--	45708GT	HOOK,BATT HOLD DOWN,10"		24A	88888GT	COUNTERWEIGHT,S60 4350LBS.....1 <i>S-60, S-60X, and S-60TraX</i>	
--	8170GT	NUT,WING,1/4-20		24B	88889GT	COUNTERWEIGHT,S60/65 5500LBS**.....1 <i>S-60 and-S60 TraX with 750 lb capacity; S-60XC, S-60HC, S-65 and S-65TraX</i>	
1B	67325GT	BATTERY,12V 1000CCA,5/16STUD W...1 <i>for dual-battery option (not shown)</i>	1	25	121283GT	SCREW,HHC,1-8 X 12 GRD 5.....1	
1C	237068GT	SEPARATOR,DUAL BATTERY,100A.....1 <i>for dual-battery option (not shown)</i>	1	26	38859GT	WASHER,FLAT,USS,1",Y	
2	6175GT	SCREW,HHC,3/8-16 X 1		27	29764GT	NUT,NYLOCK,1-8	
3	29868GT	SPRING CLIP,3/8-16,.05-.20X.73,ZAG		28	T107829GT	FORMING,HARNES SUPPORT,S60/65.....1	
4	81578GT	HORN,12VDC,SPADE TERMINALS***.....1	1	29	6888GT	SCREW,HHC,1/4-20 X 1	
5	T108403GT	WELDMENT,BAT/MANIF TRAY,S60/65.....1	1	30	5397GT	WASHER,FLAT,USS,5/16",Y	
6	4828GT	NUT,NYLOCK,3/8-16		31	56912GT	SPRING CLIP,1/4-20,.025-.15X.54,ZAG	
7	6097GT	WASHER,FLAT,USS,3/8",Y		32	230392GT	ALARM,DESCENT.....1 <i>72326 nut not included, order separately</i>	
8	6019GT	SCREW,HHC,3/8-16 X 1.25 GRD 5		32	72326GT	NUT - PLASTIC,RING FOR ALARMS.....1	
9	77646PGT	FORMING,COVER STOP,PAINTED.....1	1	33A	823074GT	WELDMENT,ECU MOUNT,DEUTZ D2.9.....1 <i>models with Deutz D2.9 engine</i>	
10		Ref. Function Manifold <i>(refer to 401.1 or 401.2)</i>		33B	823243GT	WDMT,ECU MOUNT,404F-22.....1 <i>models with Perkins 404F-22 engine</i>	
11	45363GT	LATCH,FLEXIBLE DRAW W/O KEEPER.....4	4	34A	822781GT	MODULE,FUSE&RELAY,DEUTZ 2.9.....1 <i>models with Deutz D2.9 engine</i>	
--	54322GT	SCREW,10-32 X.625,SF.TAP.PHIL		--	1251499GT	FUSE, ATM, 15AMP.....1	
--	6146GT	WASHER,FLAT,MS,#10,Y		--	1251500GT	FUSE, ATM, 20AMP.....1	
--	6178GT	NUT,NYLOCK,10-32		--	1251501GT	FUSE, ATM, 30AMP.....1	
12	77645PGT	FORMING,COVER STOP,PAINTED.....1	1	--	1251502GT	FUSE, ATM, 10AMP.....1	
13	30973GT	BUMPER,RUBBER-1 X 1.25.....2	2	--	1251503GT	RELAY, 12V MICRO, 35AMP.....6	
14	6090GT	SCREW,HHC,1/4-20 X .75		--	1251504GT	DIODE, 6A 22903-6V.....1	
15	6638GT	WASHER,FLAT,USS,1/4"Y		--	1251505GT	TOOL, FUSE PULLER, ATM.....1	
16	6091GT	NUT,NYLOCK,1/4-20		--	1251510GT	CIRCUIT BREAKER,20AMP MINI.....1	
17		Ref. Ground Controls <i>(refer to 305.1, 306.1, 307.1 or 308.1)</i>		34B	822793GT	MODULE,FUSE&RELAY,PERKINS 404F.....1 <i>models with Perkins 404F-22 engine</i>	
18	10597GT	SCREW,HHC,1/2-13 X 1.25 GR5		--	1251499GT	FUSE, ATM, 15AMP.....4	
19	6033GT	WASHER,LOCK,0.5"		--	1251500GT	FUSE, ATM, 20AMP.....2	
20	6095GT	WASHER,FLAT,USS,1/2",Y		--	1251502GT	FUSE, ATM, 10AMP.....1	
21	T108331GT	HYDRAULIC TANK ASSEMBLY.....1 <i>includes item 22 with fasteners</i>	1	--	1251503GT	RELAY, 12V MICRO, 35AMP.....6	
--	1285235GT	PLUG,HYD.TANK,SAE-8 (147831)		--	1251504GT	DIODE, 6A 22903-6V.....1	
--	21141GT	GAUGE-SIGHT,LHA-LGTB***		--	1251505GT	TOOL, FUSE PULLER, ATM.....1	
22A	110345GT	FILTER ASSY,INTANK.....1 <i>includes item 22B</i>	1	--	1251506GT	FUSE, ATM, 5AMP.....1	
--	147223GT	SEAL,FILTER LID		--	1251507GT	FUSE, ATM, 7.5AMP.....2	
22B	77353GT	KIT,ELEMENT**		35	824023GT	RELAY, POWER & FUSE MODULE.....1 <i>models with Deutz D2.9 or Perkins 404F-22 engines</i>	
--	77354GT	FILTER LID,RFM165					
--	77365GT	BREATHER CAP,RFM165					
--	88917GT	FILTER,ELEMENT,BETA(10)=200					

301.1 Tank Side - View 1  
(continued)

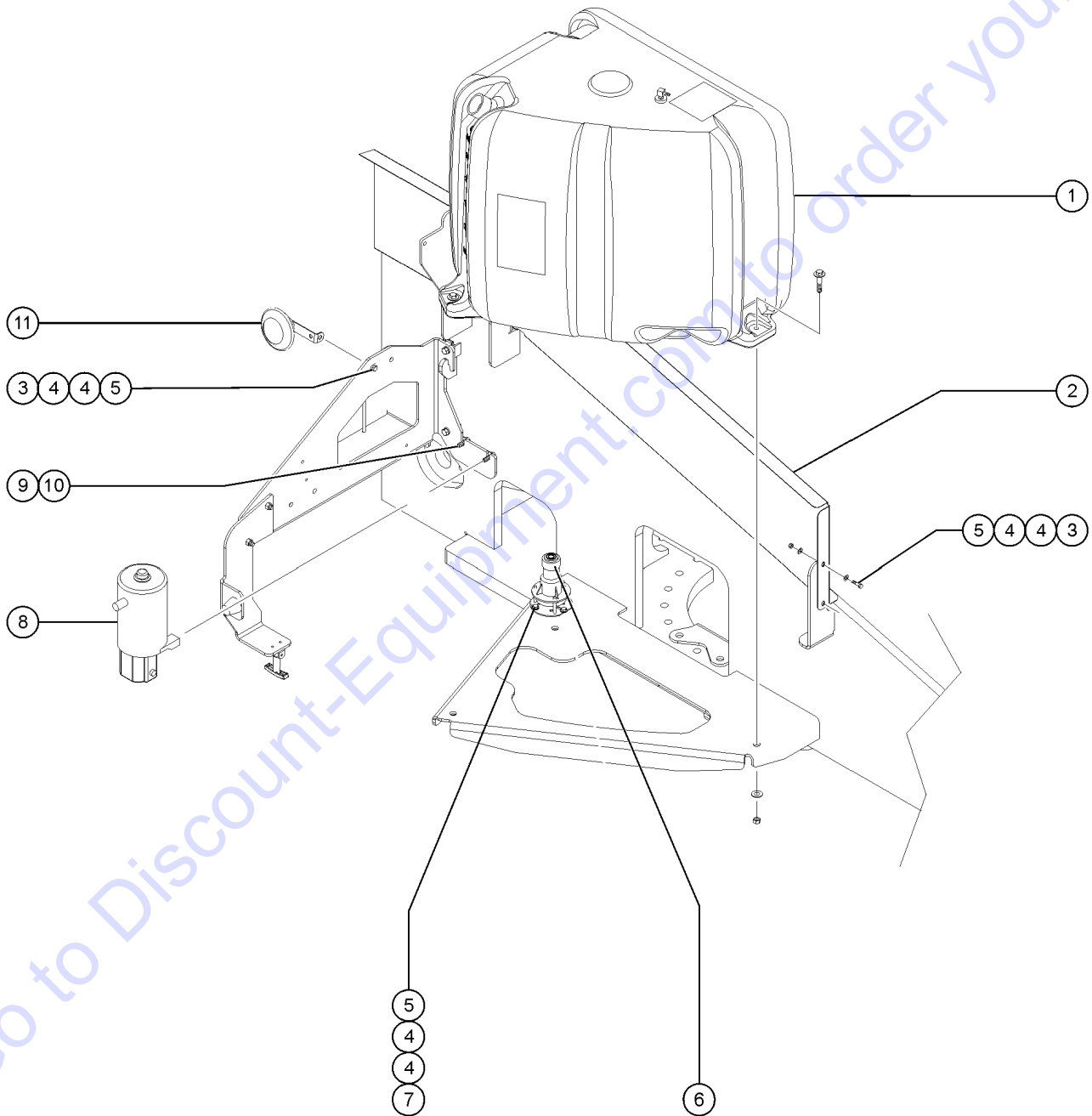
Item	Part No.	Description	Qty.
--	1251508GT	FUSE, FMX, 60AMP.....	2
--	1251509GT	COVER,PRM FUSE SERVICE PART.....	1
36	4266GT	SCREW,HHC,1/4-20 X 2..... <i>models with Deutz D2.9 or Perkins 404F-22 engines</i>	1
37	214795GT	ECM, Deutz D2.9..... <i>models with Deutz D2.9 or Perkins 404F-22 engines (This part is serialized, contact Discount-equipment with full model and SN of both the unit and engine)</i>	1
38	77680GT	FORMING,BULKHEAD,LEFT FRONT	
39		Ref: Bulkhead, Left Rear <i>(refer to 302.1)</i>	

Go to Discount-Equipment.com to order your parts

***This Page Intentionally Left Blank***

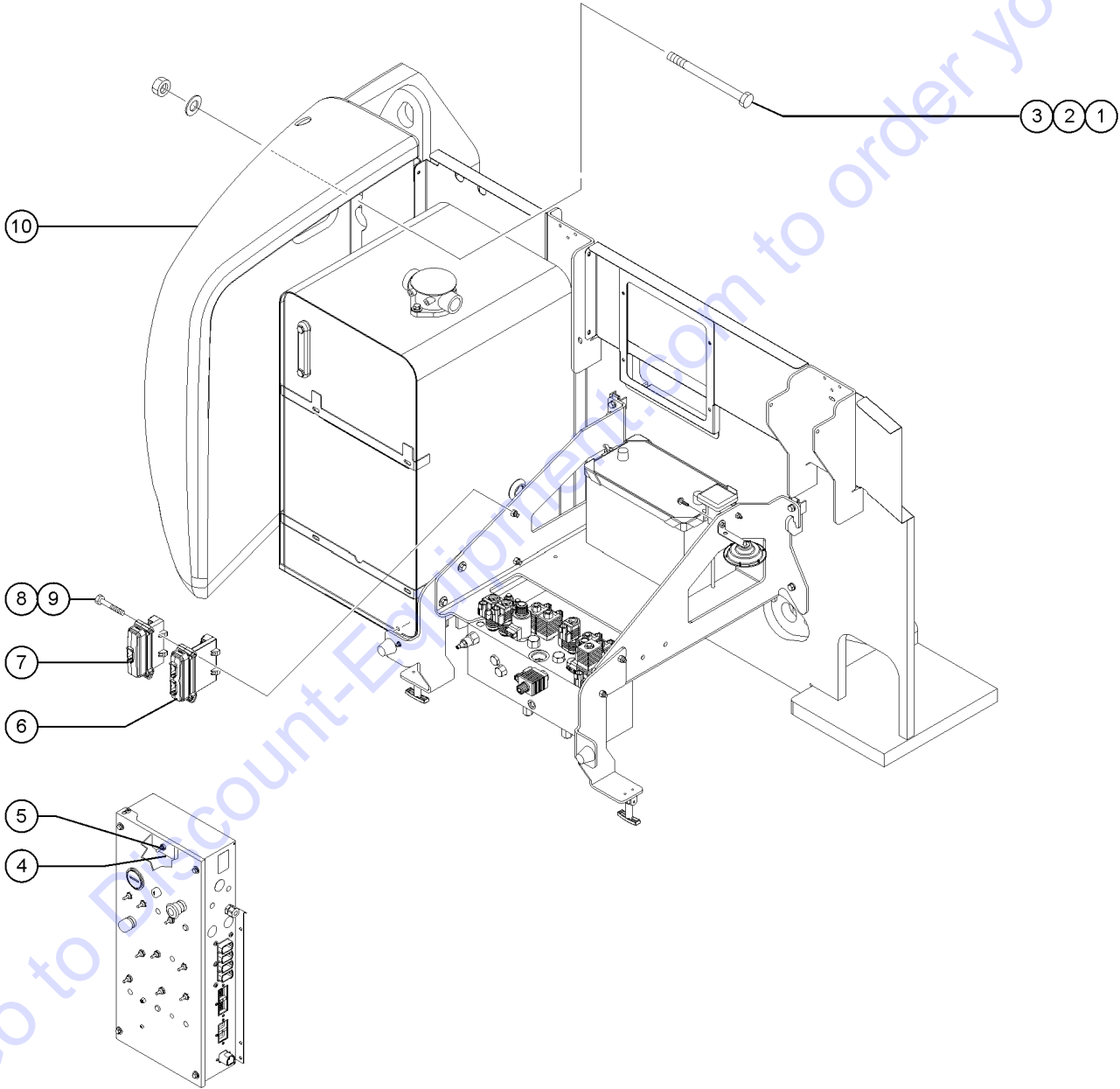
Go to [Discount-Equipment.com](http://Discount-Equipment.com) to order your parts

302.1 Tank Side - View 2



Item	Part No.	Description	Qty.
1		Ref: Fuel Tank (refer to 304.1 or 305.1)	
2	77681GT	FORMING,BULKHEAD,LEFT REAR.....1	
3	6888GT	SCREW,HHC,1/4-20 X 1	
4	6638GT	WASHER,FLAT,USS,1/4"Y	
5	6091GT	NUT,NYLOCK,1/4-20	
6A	94077GT	SENSOR,LEVEL,4.5 DEG.....1 S-65, S-60XC, S-60X, S-60, S-60 TraX and S-65 TraX; ANSI models. PN 1261449 may be required, see item 6C below	
6B	110382GT	LEVEL SENSOR,LS60,YL,2.5X4.5 S-65,S-60 HC, S-60, S-60 TraX and S-65 TraX; European models	
6C	1264947GT	KIT, LEVEL SENSOR, 6 PIN CONN. For ANSI/CSA models with 6-pin wire harness connector, includes instructions	
7	8915GT	SCREW,HHC,1/4-20 X 1.25	
8	89617GT	POWER UNIT,AUX PUMP 12VDC.....1	
--	147289GT	SEAL KIT, APU	
--	147290GT	SHAFT SEAL, APU	
--	58489GT	PUMP ASSY,AUX.POWER UNIT 89617	
--	77069GT	MOTOR,12VDC,77066	
--	77071GT	SOLENOID,77066	
9	6175GT	SCREW,HHC,3/8-16 X 1	
10	6097GT	WASHER,FLAT,USS,3/8",Y	
11	81578GT	HORN,12VDC,SPADE TERMINALS*** ....1	

303.1 Tank Side - S-60 HC Turntable



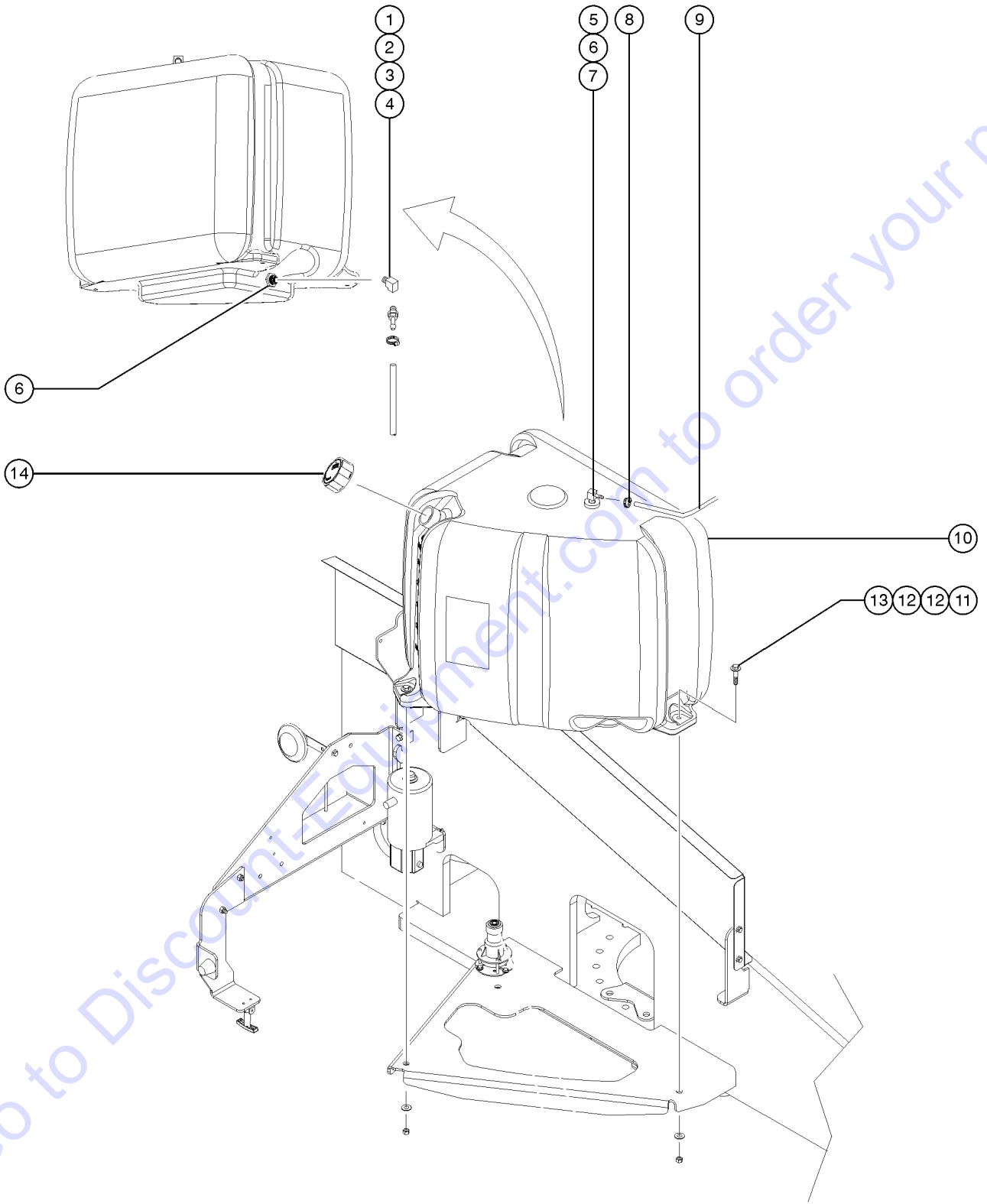


## 303.1 Tank Side - S-60 HC Turntable

Item	Part No.	Description	Qty.
1	121283GT	SCREW,HHC,1-8 X 12 GRD 5.....	1
2	38859GT	WASHER,FLAT,USS,1",Y	
3	29764GT	NUT,NYLOCK,1-8	
4	119246GT	FORMING,CAL TOGGLE SWITCH.....	1
5	13480-SGT	SWITCH,TOGGLE,DPDT,2POS MOMEN.....	1
6	110991GT	CONTROLLER ASSY TCON S60HC.....	1
7	110992GT	CONTROLLER ASSY SCON S60HC.....	1
8	74254GT	SCREW,HHC,1/4-20 X 4.5	
9	6091GT	NUT,NYLOCK,1/4-20	
10	88889GT	COUNTERWEIGHT,S60/65 5500LBS** ..... S-60HC	1

Go to Discount-Equipment.com to order your parts

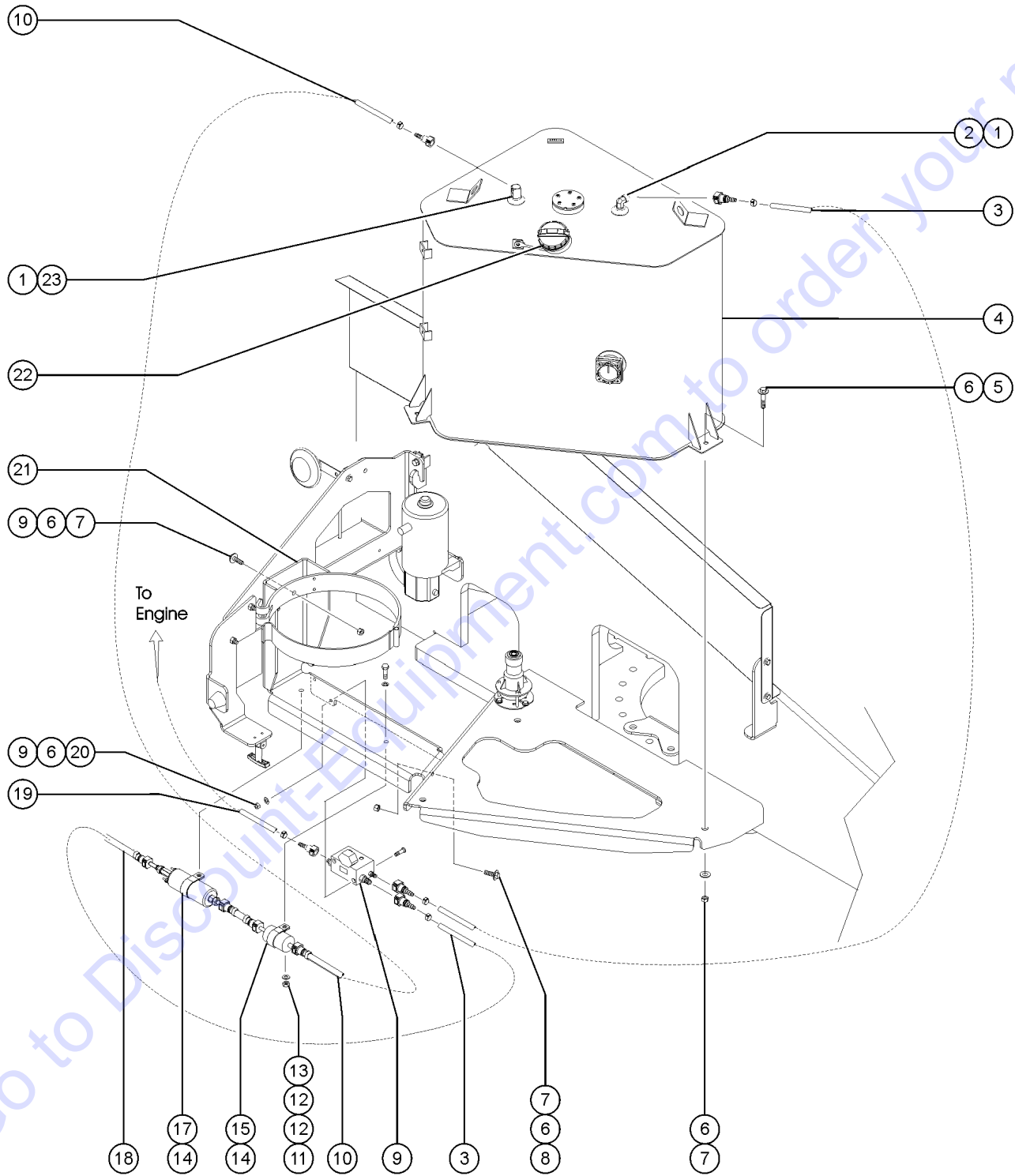
304.1 Diesel Fuel Tank Installation



## 304.1 Diesel Fuel Tank Installation

Item	Part No.	Description	Qty.
1	22348GT	ELBOW,130339-6-6.....1 (bottom of tank)	1
2A	54124GT	HOSE END,BARB,3/8 MNPT X 5/16.....1 (bottom of tank) Deutz D2011L03i, Deutz TD2011L04I Perkins 404-22D and Perkins 404-22F engines	1
2B	824471GT	FITTING,3/8 NPT TO 1/2 BARB (bottom of tank) Deutz D2.9L4 engine	1
3	65887GT	CLAMP,HOSE,1 EAR,1/2 (bottom of tank)	1
4A	27089GT	HOSE,5/16 FUEL,SAE 30R7...114-inches Deutz D2011L03i engine	1
4B	824491GT	HOSE,FUEL,1/2,S60,D2.9,SUPLY.88-inches Deutz D2.9L4 engine	1
4C	27089GT	HOSE,5/16 FUEL,SAE 30R7.....64-inches Perkins models (tank to handpump)	1
4D	27089GT	HOSE,5/16 FUEL,SAE 30R7.....18-inches Perkins models (handpump to filter/separator)	1
4E	27089GT	HOSE,5/16 FUEL,SAE 30R7.....12-inches Perkins models (filter/separator to lift pump)	1
5A	34940GT	HOSE END.375 MPT X .25 HOSE.....1 Deutz D2011L03i, Deutz TD2011L04I and Deutz D2.9L4 engines	1
5B	826590GT	FITTING,3/8 NPT TO 1/4 NPT.....1 Perkins 404-22D engines	1
5C	826601GT	FITTING, 3/8 NPT TO 3/16 HOSE.....1 Perkins 404-22F engines	1
6	823356GT	TUBE,FUEL RETURN,3/8X3/8X23.5.....1 (top of tank)	1
7	54324GT	FITTING,BULKHEAD,3/8NPT,FUELTK....2 (top and bottom of tank)	2
8	21465GT	CLAMP,HOSE,.25" - .63" X .3125 (top of tank)	1
9	30490GT	HOSE,1/4 FUEL LINE,SAE 30R7.....126-inches fuel return (top of tank)	1
10	823396GT	FUEL TANK ASSY,35 GAL PLASTIC.....1 includes items 5 and 6	1
11	5224GT	SCREW,HHC,3/8-16 X 2	2
12	6097GT	WASHER,FLAT,USS,3/8",Y	2
13	4828GT	NUT,NYLOCK,3/8-16	2
14	101726GT	CAP,FUEL,DIESEL,1/8"VENT(GRN).....1	1

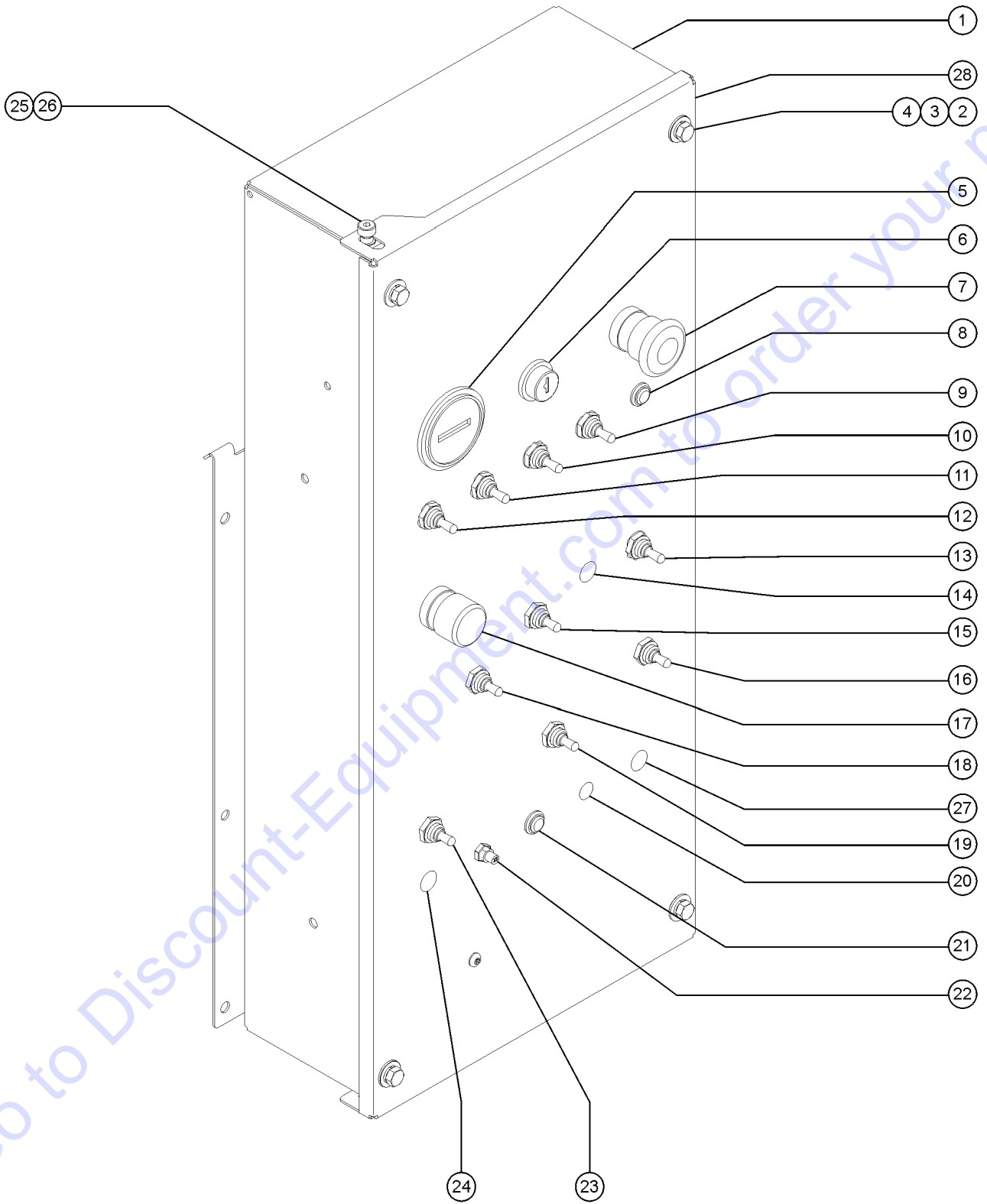
305.1 Gasoline Fuel Tank Installation



## 305.1 Gasoline Fuel Tank Installation

Item	Part No.	Description	Qty.	Item	Part No.	Description	Qty.
1	111818GT	FITTING,1/4 NPT X SAE J2044.....	2	22	119918GT	CAP,FUEL,GASOLINE 3.5PSI.....	1
2	128081GT	ELBOW,90D,1/4FPTX3/8MPT.....	1	23	146417GT	ASSY, FUEL PICKUP TUBE.....	1
3	236912GT	HOSE,FUEL,5/16HIGH PRS 60 IN.....	1				
--	111819GT	FITTING,SAE J2044F X5/16 BARB.....	2				
--	65887GT	CLAMP,HOSE,1 EAR,1/2.....	2				
--	71909GT	HOSE,FUEL,5/16 HIGH PRESSURE**.....	60-inches				
4	146415GT	TANK ASSY, GAS, 30 GAL.....	1				
--	146413GT	GAUGE, FUEL LEVEL, 20/30 GAL					
--	146551GT	GASKET, FUEL LEVEL SENDER, Z80					
--	146552GT	PLATE, COVER, FUEL LEVEL SNDR					
--	49826GT	SCREW,PHILLIPS,PHM,10-32 X.625					
5	5224GT	SCREW,HHC,3/8-16 X 2					
6	6097GT	WASHER,FLAT,USS,3/8",Y					
7	4828GT	NUT,NYLOCK,3/8-16					
8	6019GT	SCREW,HHC,3/8-16 X 1.25 GRD 5					
9	119170GT	FUEL SENSOR ASSY.....	1				
10	236911GT	HOSE,FUEL,5/16HIGH PRS 40 IN.....	1				
--	111819GT	FITTING,SAE J2044F X5/16 BARB.....	2				
--	65887GT	CLAMP,HOSE,1 EAR,1/2.....	2				
--	71909GT	HOSE,FUEL,5/16 HIGH PRESSURE**.....	40-inches				
11	6091GT	NUT,NYLOCK,1/4-20					
12	6638GT	WASHER,FLAT,USS,1/4"Y					
13	8915GT	SCREW,HHC,1/4-20 X 1.25					
14	27497GT	CLAMP,RUBBER CUSHIONED-2 5/32....	2				
15	1272019GT	FILTER, FUEL.....	1				
16	229203GT	HOSE,FUEL,5/16 HIGH PRES 3 IN.....	1				
--	111819GT	FITTING,SAE J2044F X5/16 BARB.....	2				
--	65887GT	CLAMP,HOSE,1 EAR,1/2.....	2				
--	71909GT	HOSE,FUEL,5/16 HIGH PRESSURE**.....	3-inches				
17	119168GT	FUEL PUMP,DSG-423 AND MSG-425....	1				
18	229202GT	HOSE,FUEL,5/16 HIGH PRES 35 IN.....	1				
--	111819GT	FITTING,SAE J2044F X5/16 BARB.....	2				
--	65887GT	CLAMP,HOSE,1 EAR,1/2.....	2				
--	71909GT	HOSE,FUEL,5/16 HIGH PRESSURE**.....	35-inches				
19	229201GT	HOSE,FUEL,5/16HIGH PRES 127 IN.....	1				
--	111819GT	FITTING,SAE J2044F X5/16 BARB.....	2				
--	65887GT	CLAMP,HOSE,1 EAR,1/2.....	2				
--	71909GT	HOSE,FUEL,5/16 HIGH PRESSURE**.....	127-inches				
20	4266GT	SCREW,HHC,1/4-20 X 2					
21	77679GT	WELDMENT,LP MOUNT.....	1				

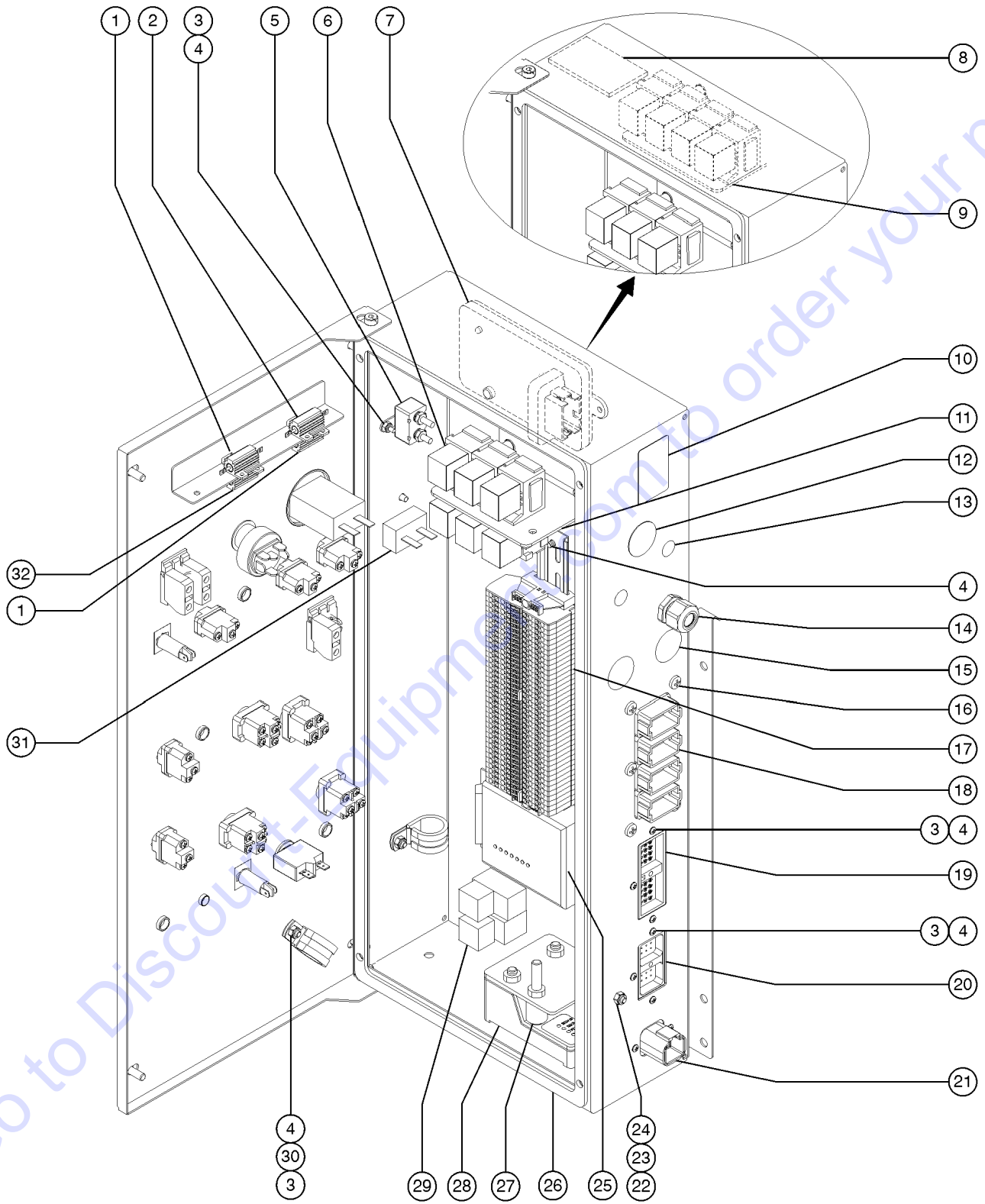
306.1 Ground Control Box, with Hour Meter - View 1, External



## 306.1 Ground Control Box, with Hour Meter - View 1, External

Item	Part No.	Description	Qty.	Item	Part No.	Description	Qty.
A	T106495GT	ASSY,GROUND CONTROL BOX.....1 <i>included box, lid and gasket (decal not included, refer to section 100)</i>	1	17A	66813GT	BUTTON,PUSH,BLACK W/SEAL***.....1 <i>(Function enable) (models with push button) shown</i>	1
1	147840GT	WELDMENT, GROUND BOX, S60/65		17B	80716GT	SWITCH,SELECTOR,BLACK <i>(Function enable) (models with selector switch) not shown</i>	
2	6090GT	SCREW,HHC,1/4-20 X .75		18	128202GT	SWITCH TOGGLE ASSY DPDT 3P MOM.....1 <i>(Boom up/down)</i>	1
3	6356GT	WASHER,LOCK,.25		19	128202GT	SWITCH TOGGLE ASSY DPDT 3P MOM.....1 <i>(Turntable rotate)</i>	1
4	6638GT	WASHER,FLAT,USS,1/4"Y		20	21858GT	PLUG,NYLON .38 BLACK DOMED.....1	
5	19506GT	HOUR METER,10-80 VOLTS***.....1	1	21	824879GT	LIGHT,LED IND. RED 12V NH.....1	1
6	96008-SGT	KEYSWITCH,3 POS. W/KEYS***.....1	1	22	147094GT	ASSY, CIRCUIT BREAKER 15A.....1 <i>(Controls)</i>	1
7	66812GT	BUTTON,PUSH,RED MUSHROOM HEAD.....1	1	23	128201GT	SWITCH TOGGLE ASSY DPDT 2P MOM.....1 <i>(Auxiliary pump)</i>	1
--	58627GT	NUT <i>for 66812</i>		24A	21858GT	PLUG,NYLON .38 BLACK DOMED.....1	
--	73805GT	BASE,W/2 NC CONTACTS***		24B	824879GT	LIGHT,LED IND. RED 12V NH <i>(Load sense) (CE models)</i>	
8A	824879GT	LIGHT,LED IND. RED 12V NH.....1 <i>(Diesel models)</i>	1	25	6090GT	SCREW,HHC,1/4-20 X .75	
8B	824882GT	LT.LAMP IND. AMBER 12V ENG.NH.....1 <i>(Gas/LPG models)</i>	1	26	T107520GT	NUTSERT,LP KNURLED,1/4-20X.165.....2	2
9	128204GT	SWITCH TOGGLE ASSY SPDT 2P MNT.....1 <i>(Engine speed select)</i>	1	27	229567GT	PLUG,SANTOPRENE .5 BLACK DOME.....1	1
10	128204GT	SWITCH TOGGLE ASSY SPDT 2P MNT.....1 <i>(Gas/LPG select)</i>	1	28	T106482GT	WELDMENT, LID, GBOX, S60/65.....1 <i>(decal not included, refer to section 100)</i>	1
--	229567GT	PLUG,SANTOPRENE .5 BLACK DOME.....1 <i>(Diesel models)</i>	1				
11	128200GT	SWITCH TOGGLE ASSY SPDT 3P MOM.....1 <i>(Start assist, glow plug) (diesel models)</i>	1				
--	229567GT	PLUG,SANTOPRENE .5 BLACK DOME.....1	1				
12	128200GT	SWITCH TOGGLE ASSY SPDT 3P MOM.....1 <i>(Starter)</i>	1				
--	229567GT	PLUG,SANTOPRENE .5 BLACK DOME.....1	1				
13	128200GT	SWITCH TOGGLE ASSY SPDT 3P MOM.....1 <i>(Platform level)</i>	1				
14A	229567GT	PLUG,SANTOPRENE .5 BLACK DOME.....2 <i>(S-60)</i>	2				
14B	128200GT	SWITCH TOGGLE ASSY SPDT 3P MOM <i>(Jib up/down) (S-65)</i>					
15	128202GT	SWITCH TOGGLE ASSY DPDT 3P MOM.....1 <i>(Boom extend/retract)</i>	1				
16	128202GT	SWITCH TOGGLE ASSY DPDT 3P MOM.....1 <i>(Platform rotate)</i>	1				

307.1 Ground Control Box, with Hour Meter - View 2, Internal

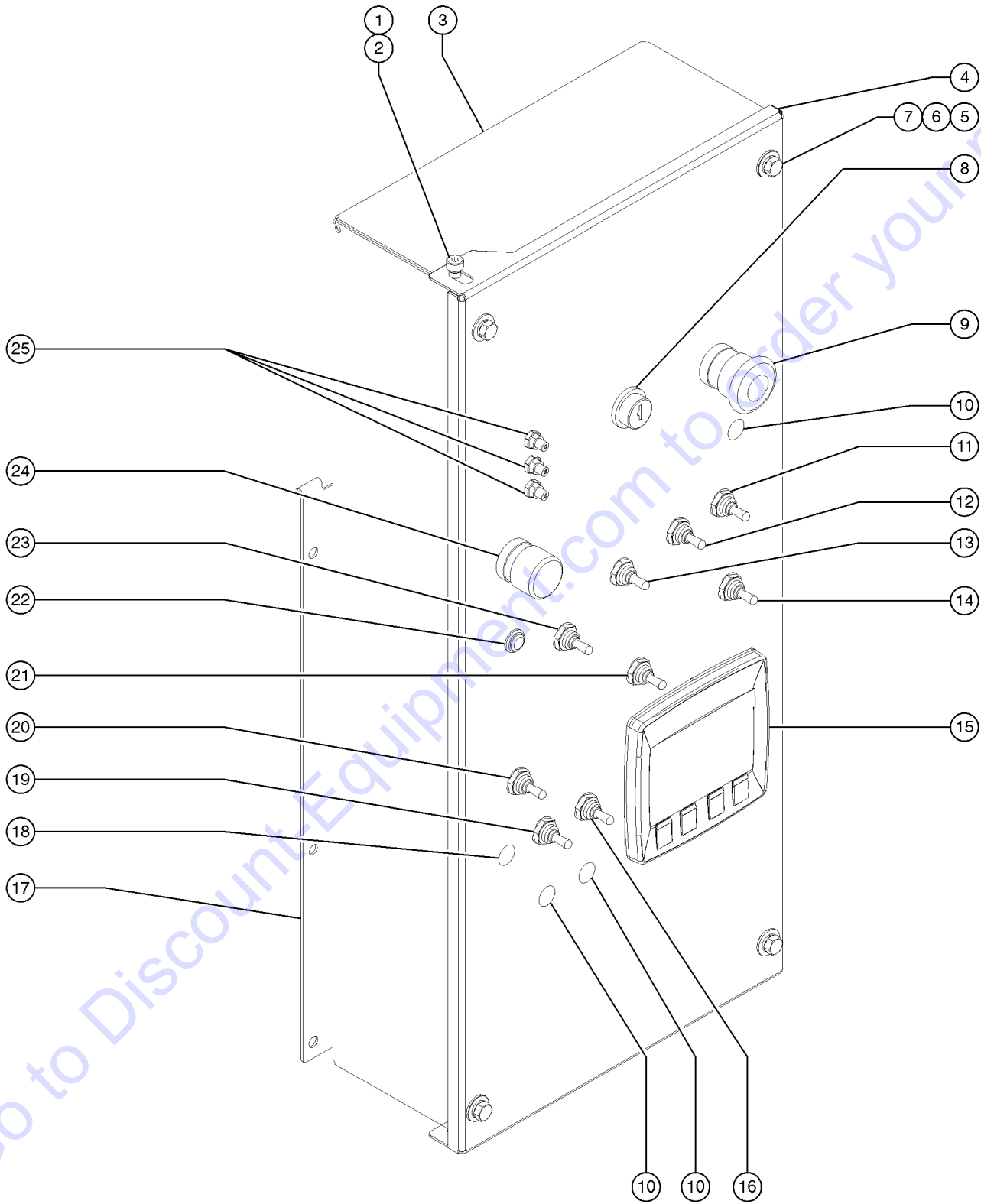




## 307.1 Ground Control Box, with Hour Meter - View 2, Internal

Item	Part No.	Description	Qty.	Item	Part No.	Description	Qty.
--	121846GT	RELAY,TIME DELAY,2 SEC,10A <i>models with load sense</i>		18	73736GT	CONN,RECEP 48 WAY,4 X 12.....1	1
--	61225GT	RELAY,12VDC,70AMP,SEALED <i>(glow plug)</i>		19	73754GT	CONN,RECEP 40 WAY,W/FLANGE.....1	1
--	77430GT	CAPACITOR,3 MF,50VDC <i>Terminal 41</i>		20	73753GT	CONN,RECEP 24 WAY,W/FLANGE.....1	1
1	89575GT	RESISTOR,7.5 OHM,25 WATT,1PCNT....2		21	73717GT	CONN,RECEP 4 WAY,12-14GA FL***.....1	1
2	40614GT	RESISTOR,5 OHM,25W***.....1		22	6091GT	NUT,NYLOCK,1/4-20	
3	6178GT	NUT,NYLOCK,10-32		23	25926GT	WASHER,FLAT,M6 PLTD.	
4	54365GT	SCREW,PHIL,PHM,10-32 X .5,SSTL		24	6888GT	SCREW,HHC,1/4-20 X 1	
5	128935GT	CIRCUIT BKR 10A TYPE 2 METAL.....1		25	56057GT	MODULE,IGNITION/START,12/24V.....1 <i>diesel models only</i>	1
6A	34052GT	RELAY,SPDT,12V(AUTO) PLUG IN**.....6 <i>Diesel models</i>		26	121599GT	GASKET,GBOX,S80/85 2008.....1	1
6B	34052GT	RELAY,SPDT,12V(AUTO) PLUG IN**.....4 <i>Gas/LPG models</i>		27A	102357GT	POTENTIOMETER ASSY, WELDER.....1 <i>models with welder option</i>	1
--	34053GT	ASSY,RELAY SOCKET, AUTO <i>individual parts no longer available</i>		27B	106140PGT	BRACKET,1K OHM 10-TURN POT,PNT.....1 <i>models with welder option</i>	1
--	54365GT	SCREW,PHIL,PHM,10-32 X .5,SSTL....2		28	106657GT	MODULE,CONTROL,HI AMP.....1 <i>models with welder option</i>	1
--	6178GT	NUT,NYLOCK,10-32.....2		29A	147455GT	HARNESS, OMRON RELAY, CR66 <i>models with welder option</i>	
7	128045GT	MODULE,LOAD SENSE 2007.....1 <i>CE models only</i>		29B	33607GT	RELAY,OMRON,DPDT,12V.....2 <i>models with welder option</i>	2
--	54365GT	SCREW,PHIL,PHM,10-32 X .5,SSTL....2		29C	33608GT	RELAY,SOCKET,OMRON.....2 <i>models with welder option</i>	2
--	6178GT	NUT,NYLOCK,10-32.....2		30	13268GT	CLAMP,0.75,#12 X 1/4,RUB CUSH	
8	30997GT	CORROSION INHIBITOR,FOAM.....1		31	106637GT	MODULE,TIME DELAY ON BREAK 4S...1 <i>models with welder option</i>	1
9		REF: Harness, Dual Cap Relay.....1 <i>refer to 313.1</i>		32A	27287GT	RESISTOR,10 OHM,25 WATT.....1 <i>dual capacity models</i>	1
10	110280GT	PLUG,NYLON .94X1.65 BLK DOMED....1		32B	40614GT	RESISTOR,5 OHM,25W*** S-60, S-65, S-60HC, S-60TX, S-65TX	
11	54534GT	ANGLE,RELAY MNT,W/NUTSERTS,PNT.....1					
--	23404GT	NUTSERT,1/4-20,STEEL CAD PLTD					
--	6638GT	WASHER,FLAT,USS,1/4"Y					
--	7339GT	SCREW,HHC,1/4-20 X .5					
12	45385GT	PLUG,NYLON 1.12 BLACK DOMED.....1					
13	45384GT	PLUG,NYLON .50 BLACK DOMED.....1					
14	7057GT	CONN. SQZ,1/2NPT .39-.56 MED.					
15	15243GT	PLUG,NYLON .875 BLACK DOMED.....2					
16	73803GT	SCREW,SHM,PHP, #12 X .75.....6					
17	217043GT	ASSY, TERMINAL RAIL.....1					
--	217044GT	TERMINAL BLOCK, WIELAND.....43					
--	217045GT	TERMINAL BLOCK, END PLATE.....1					
--	217046GT	KIT, TERMINAL BLOCK					
--	33422GT	DIN RAIL,17".....1					
--	74913GT	END STOP, DIN RAIL,SCREW CLAMP.....2					
--	74917GT	JUMPER COMB, 2-WAY,WIELAND.....4					
--	74918GT	JUMPER COMB, 3-WAY,WIELAND.....1					

308.1 Ground Control Box, with LCD Readout Screen - View 1, External



## 308.1 Ground Control Box, with LCD Readout Screen - View 1, External

Item	Part No.	Description	Qty.	Item	Part No.	Description	Qty.
A	825446GT	GBOX ASSY,PERKINS T4,SGL CAP (models with Perkins, single capacity) decals not included refer to section 100		--	128578GT	SCREW T-SWITCH PH/PH 6-32X1/4	
B	825447GT	GBOX ASSY,PERKINS T4,DUAL CAP (models with Perkins, dual capacity) decals not included refer to section 100		--	128584-SGT	SWITCH TOGGLE SPDT 2P MNT SHDR	
C	825448GT	GBOX ASSY,DEUTZ T4,SGL CAP (models with Deutz single capacity) decals not included refer to section 100		--	27246GT	BOOT,TOGGLE SWITCH,SHORT*	
D	825449GT	GBOX ASSY,DEUTZ T4,DUAL CAP (models with Deutz dual capacity) decals not included refer to section 100		14	128202GT	SWITCH TOGGLE ASSY DPDT 3P MOM.....1 (Platform rotate)	1
E	825445GT	GBOX ASSY,COMMON,T4		--	128578GT	SCREW T-SWITCH PH/PH 6-32X1/4	
1	228463GT	SCREW,SHS,1/4-20 X .375 ZINC.....2	2	--	128584-SGT	SWITCH TOGGLE SPDT 2P MNT SHDR	
2	T107520GT	NUTSERT,LP KNURLED,1/4-20X.165.....2	2	--	27246GT	BOOT,TOGGLE SWITCH,SHORT*	
3	147840GT	WELDMENT, GROUND BOX, S60/65.....1	1	15A	1251984GT	ASSY,DISPLAY,DP200 DEUTZ T4.....1 (Deutz models)	1
4	219722GT	WELDMENT,LID,GBOX.....1 (does not include decal) (refer to section one for decals)	1	--	1252684GT	SCREW,DP200 M3X10 4PACK	
5	6090GT	SCREW,HHC,1/4-20 X .75.....4	4	--	1252685GT	GASKET,DP200 BLACK PANEL SEAL	
6	6356GT	WASHER,LOCK,.25.....4	4	--	219718GT	BRACKET,DP200 PANEL MOUNT	
7	6638GT	WASHER,FLAT,USS,1/4"Y.....4	4	15B	1251985GT	ASSY,DISPLAY,DP200 PERKINS T4 (Perkins models)	
8	96008-SGT	KEYSWITCH,3 POS. W/KEYS***.....1	1	--	1252684GT	SCREW,DP200 M3X10 4PACK	
9	66812GT	BUTTON,PUSH,RED MUSHROOM HEAD.....1	1	--	1252685GT	GASKET,DP200 BLACK PANEL SEAL	
--	58627GT	NUT.....1	1	--	219718GT	BRACKET,DP200 PANEL MOUNT	
--	73805GT	BASE,W/2 NC CONTACTS***.....1	1	16	128200GT	SWITCH TOGGLE ASSY SPDT 3P MOM.....1 (Starter)	1
10A	229567GT	PLUG,SANTOPRENE .5 BLACK DOME.....1 (S-60, S-65, S-60X, S-60XC, S-60TX, S-65TX models)	1	--	128578GT	SCREW T-SWITCH PH/PH 6-32X1/4	
10B	824879GT	LIGHT,LED IND. RED 12V NH (S-60HC model)		--	128584-SGT	SWITCH TOGGLE SPDT 2P MNT SHDR	
11	128200GT	SWITCH TOGGLE ASSY SPDT 3P MOM.....1 (Platform level)	1	--	27246GT	BOOT,TOGGLE SWITCH,SHORT*	
--	128578GT	SCREW T-SWITCH PH/PH 6-32X1/4		17A	77667GT	MOUNT,GROUND CONTROL BOX RH.....1	1
--	128584-SGT	SWITCH TOGGLE SPDT 2P MNT SHDR		--	55912GT	PIN, STEER BELLCRANK CLEVIS	
--	27246GT	BOOT,TOGGLE SWITCH,SHORT*		--	6090GT	SCREW,HHC,1/4-20 X .75	
12A	229567GT	PLUG,SANTOPRENE .5 BLACK DOME.....2 (all S-60 models)	2	--	6356GT	WASHER,LOCK,.25	
12B	128200GT	SWITCH TOGGLE ASSY SPDT 3P MOM.....2 (Jib up/down) (all S-65 models)	2	17B	77641GT	MOUNT,GROUND CONTROL BOX LH.....1	1
--	128578GT	SCREW T-SWITCH PH/PH 6-32X1/4		--	55912GT	PIN, STEER BELLCRANK CLEVIS	
--	128584-SGT	SWITCH TOGGLE SPDT 2P MNT SHDR		--	6090GT	SCREW,HHC,1/4-20 X .75	
--	27246GT	BOOT,TOGGLE SWITCH,SHORT*		--	6356GT	WASHER,LOCK,.25	
13	128202GT	SWITCH TOGGLE ASSY DPDT 3P MOM.....1 (Boom extend/retract)	1	18	21858GT	PLUG,NYLON .38 BLACK DOMED.....1 (ANSI models)	1
				19	128204GT	SWITCH TOGGLE ASSY SPDT 2P MNT.....1 (Engine speed select)	1
				--	128578GT	SCREW T-SWITCH PH/PH 6-32X1/4	
				--	128584-SGT	SWITCH TOGGLE SPDT 2P MNT SHDR	
				--	27246GT	BOOT,TOGGLE SWITCH,SHORT*	
				20	128201GT	SWITCH TOGGLE ASSY DPDT 2P MOM.....1 (Emergency Power)	1
				--	128578GT	SCREW T-SWITCH PH/PH 6-32X1/4	

308.1 Ground Control Box, with LCD Readout Screen - View 1, External  
(continued)

Item	Part No.	Description	Qty.
--	128584-SGT	SWITCH TOGGLE SPDT 2P MNT SHDR	
--	27246GT	BOOT,TOGGLE SWITCH,SHORT*	
21	128202GT	SWITCH TOGGLE ASSY DPDT 3P MOM.....1 <i>(Turntable rotate)</i>	
--	128578GT	SCREW T-SWITCH PH/PH 6-32X1/4	
--	128584-SGT	SWITCH TOGGLE SPDT 2P MNT SHDR	
--	27246GT	BOOT,TOGGLE SWITCH,SHORT*	
22	21858GT	PLUG,NYLON .38 BLACK DOMED.....1 <i>(Diesel models)</i>	
23	128202GT	SWITCH TOGGLE ASSY DPDT 3P MOM.....1 <i>(Boom up/down)</i>	
--	128578GT	SCREW T-SWITCH PH/PH 6-32X1/4	
--	128584-SGT	SWITCH TOGGLE SPDT 2P MNT SHDR	
--	27246GT	BOOT,TOGGLE SWITCH,SHORT*	
24A	80716GT	SWITCH,SELECTOR,BLACK.....1 <i>(models with dual capacity)</i>	
24B	66813GT	BUTTON,PUSH,BLACK W/SEAL*** <i>(models with single capacity)</i>	
25A	147094GT	ASSY, CIRCUIT BREAKER 15A.....2	
25B	147094GT	ASSY, CIRCUIT BREAKER 15A.....3 <i>(models with worklight or oil cooler option)</i>	

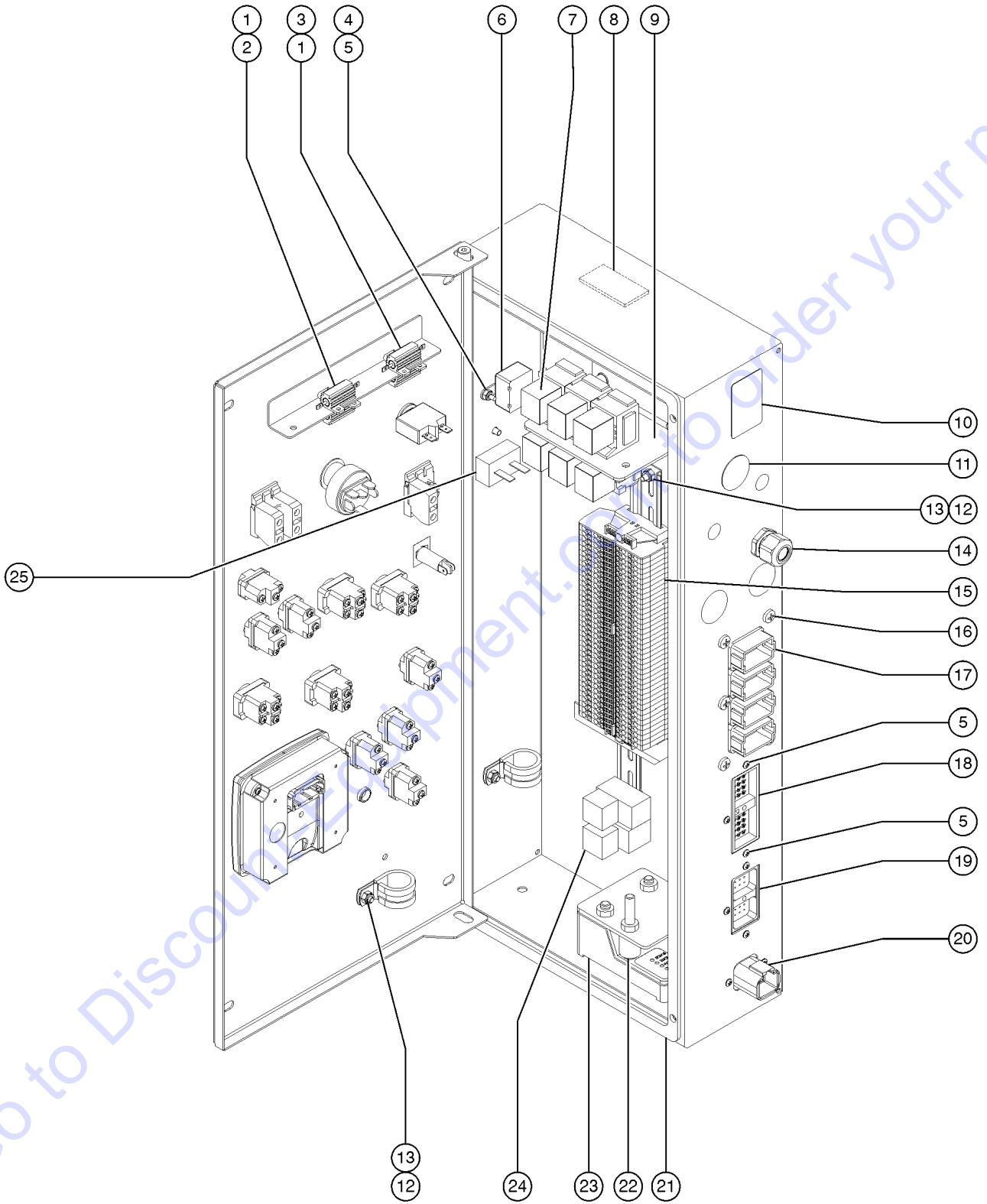
Go to Discount-Equipment.com to order your parts

308.1 Ground Control Box, with LCD Readout Screen - View 1, External  
(continued)

***This Page Intentionally Left Blank***

Go to Discount-Equipment.com to order your parts

309.1 Ground Control Box, with LCD Readout Screen - View 2, Internal



# PARTS FINDER

**Search Website  
by Part Number**



**Search Manual  
Library For Parts  
Manual & Lookup Part  
Numbers – Purchase  
or Request Quote**

**Search Manuals**

Enter your information to help us find the right parts manual for your machine.

\* Brand:

\* Model:

\* Serial:

\* Part Number:

SEARCH

**Can't Find Part or  
Manual? Request Help  
by Manufacturer,  
Model & Description**

**Parts Order Form**

Please fill in the following information to help us find the right part for your machine.

Manufacturer:	<input type="text"/>
Model:	<input type="text"/>
Description:	<input type="text"/>
Part Number:	<input type="text"/>
Quantity:	<input type="text"/>
Notes:	<input type="text"/>

Submit

Discount-Equipment.com is your online resource for quality parts & equipment.

Florida: **561-964-4949** Outside Florida TOLL FREE: **877-690-3101**

**Need parts?**

Click on this link: <http://www.discount-equipment.com/category/5443-parts/> and choose one of the options to help get the right parts and equipment you are looking for. Please have the machine model and serial number available in order to help us get you the correct parts. If you don't find the part on the website or on one of the online manuals, please fill out the request form and one of our experienced staff members will get back to you with a quote for the right part that your machine needs.

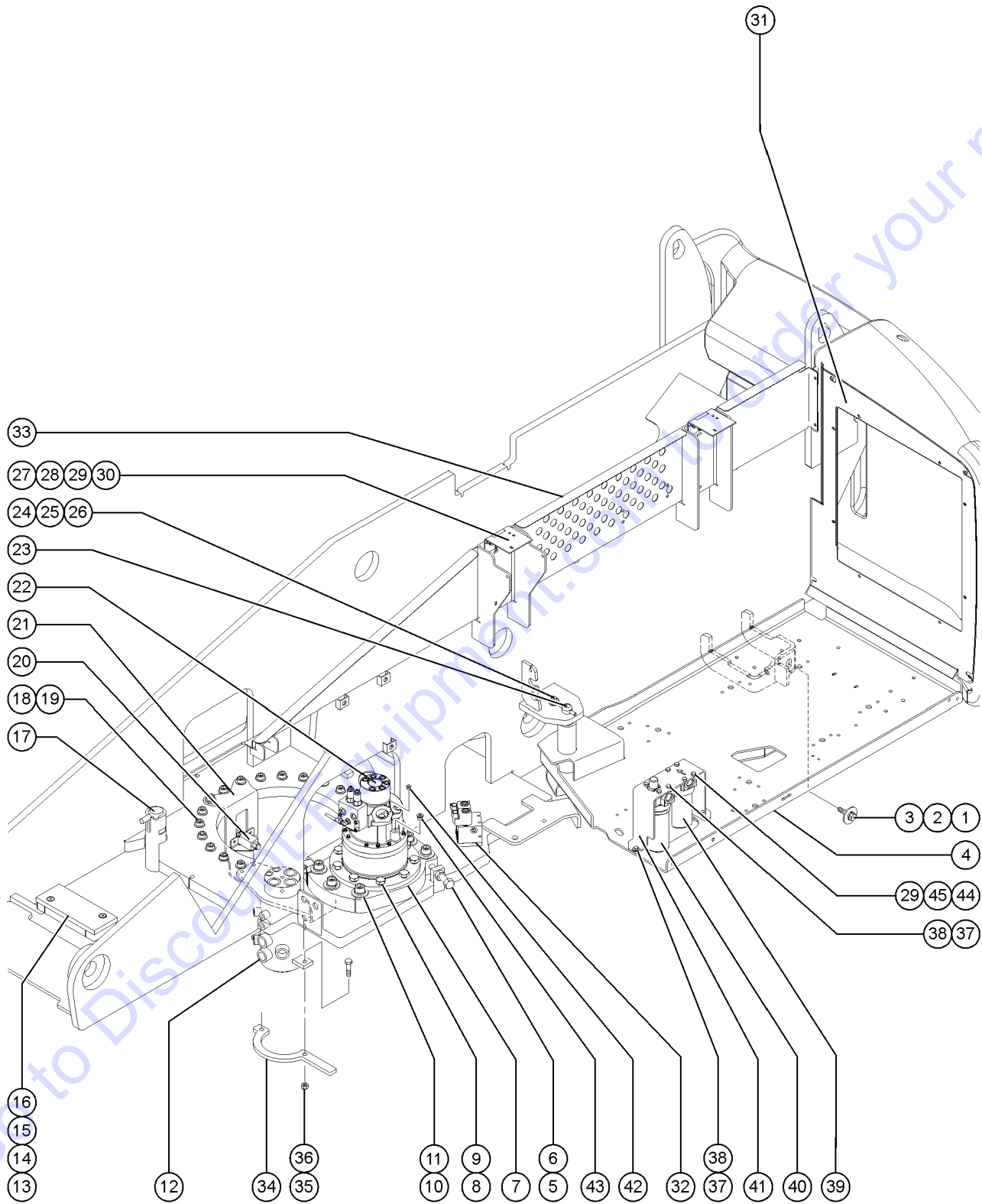
We sell worldwide for the brands: Genie, Terex, JLG, MultiQuip, Mikasa, Essick, Whiteman, Mayco, Toro Stone, Diamond Products, Generac Magnum, Airman, Haulotte, Barreto, Power Blanket, Nifty Lift, Atlas Copco, Chicago Pneumatic, Allmand, Miller Curber, Skyjack, Lull, Skytrak, Tsurumi, Husquvarna Target, Stow, Wacker, Sakai, Mi-T-M, Sullair, Basic, Dynapac, MBW, Weber, Bartell, Bennar Newman, Haulotte, Ditch Runner, Menegotti, Morrison, Contec, Buddy, Crown, Edco, Wyco, Bomag, Laymor, EZ Trench, Bil-Jax, F.S. Curtis, Gehl Pavers, Heli, Honda, ICS/PowerGrit, IHI, Partner, Imer, Clipper, MMD, Koshin, Rice, CH&E, General Equipment, Amida, Coleman, NAC, Gradall, Square Shooter, Kent, Stanley, Tamco, Toku, Hatz, Kohler, Robin, Wisconsin, Northrock, Oztec, Toker TK, Rol-Air, APT, Wylie, Ingersoll Rand / Doosan, Innovatech, Con X, Ammann, Mecalac, Makinex, Smith Surface Prep, Small Line, Wanco, Yanmar

## 309.1 Ground Control Box, with LCD Readout Screen - View 2, Internal

Item	Part No.	Description	Qty.	Item	Part No.	Description	Qty.
--	77430GT	CAPACITOR,3 MF,50VDC <i>Terminal 41</i>		21	121599GT	GASKET,GBOX,S80/85 2008	
1	89575GT	RESISTOR,7.5 OHM,25 WATT,1PCNT....2		22	106140PGT	BRACKET,1K OHM 10-TURN POT,PNT <i>(models with welder option)</i>	
2	27287GT	RESISTOR,10 OHM,25 WATT.....1		23	106657GT	MODULE,CONTROL,HI AMP <i>(models with welder option)</i>	
3	40614GT	RESISTOR,5 OHM,25W*** .....1		24	147455GT	HARNESS, OMRON RELAY, CR66 <i>(models with welder option)</i>	
4	6178GT	NUT,NYLOCK,10-32		--	33607GT	RELAY,OMRON,DPDT,12V.....2 <i>(models with welder option)</i>	
5	49817GT	SCREW,PHILLIPS,PHM,10-32 X1.25		--	33608GT	RELAY,SOCKET,OMRON.....2 <i>(models with welder option)</i>	
6	121846GT	RELAY,TIME DELAY,2 SEC,10A.....1		25	106637GT	MODULE,TIME DELAY ON BREAK 4S <i>(models with welder option)</i>	
7A	34052GT	RELAY,SPDT,12V(AUTO) PLUG IN**....11 <i>(Perkins models with dual capacity)</i>					
7B	34052GT	RELAY,SPDT,12V(AUTO) PLUG IN** .....9 <i>(Deutz models with dual capacity)</i>					
7C	34052GT	RELAY,SPDT,12V(AUTO) PLUG IN** .....5 <i>(Perkins or Deutz models with single capacity)</i>					
8	30997GT	CORROSION INHIBITOR,FOAM.....1					
9A	99632GT	PLATE,PRIMARY BOOM SIDE.....1 <i>(models with single capacity)</i>					
--	23404GT	NUTSERT,1/4-20,STEEL CAD PLTD					
--	6638GT	WASHER,FLAT,USS,1/4"Y					
--	7339GT	SCREW,HHC,1/4-20 X .5					
9B	99632GT	PLATE,PRIMARY BOOM SIDE.....2 <i>(models with dual capacity)</i>					
--	23404GT	NUTSERT,1/4-20,STEEL CAD PLTD					
--	6638GT	WASHER,FLAT,USS,1/4"Y					
--	7339GT	SCREW,HHC,1/4-20 X .5					
10A	110280GT	PLUG,NYLON, .94X1.65 BLK DOMED....1					
11	45385GT	PLUG,NYLON 1.12 BLACK DOMED					
12	6178GT	NUT,NYLOCK,10-32 <i>(use to replace nutsert)</i>					
13	54365GT	SCREW,PHIL,PHM,10-32 X .5,SSTL					
14	7057GT	CONN. SQZ,1/2NPT .39-.56 MED.....1					
15	825017GT	ASSY,TERMINAL RAIL,TIER IV					
--	216791GT	TERMINAL BLOCK,WIELAND					
--	216793GT	TERMINAL BLOCK END PLATE					
--	33422GT	DIN RAIL,17"					
--	74917GT	JUMPER COMB, 2-WAY,WIELAND					
--	74918GT	JUMPER COMB, 3-WAY,WIELAND					
16	73803GT	SCREW,SHM,PHP, #12 X .75					
17	73736GT	CONN,RECEP 48 WAY,4 X 12 <i>for harness, refer to 313.1</i>					
18	73754GT	CONN,RECEP 40 WAY,W/FLANGE <i>for harness, refer to 313.1</i>					
19	73753GT	CONN,RECEP 24 WAY,W/FLANGE <i>for harness, refer to 313.1</i>					
20	73717GT	CONN,RECEP 4 WAY,12-14GA FL*** <i>for harness, refer to 313.1</i>					



310.1 Engine Side



## 310.1 Engine Side

Item	Part No.	Description	Qty.	Item	Part No.	Description	Qty.
1	73455GT	SCREW,HHC,5/8-11 X 2.25 GR8.....	1	--	1255772GT	KIT, SWING BRAKE REBUILD (Used on swing drive 1255768)	
2	6036GT	WASHER,LOCK,,625 PLTD		--	1255773GT	BRAKE TUBING (Used on swing drive 1255768)	
3	33418GT	WASHER,FLAT,,625 X 2.25 X.15		--	139308GT	SWING MOTOR COMPLETE*** (Used on swing drive 1255768)	
4A	101540GT	ENGINE TRAY ASSY W/BEARINGS.....1 <i>models with Deutz D2011L03i, Deutz TD2011L04i, Ford MSG-425 EFI and Perkins 404D-22 engines</i>	1	--	139309GT	CBV ASSEMBLY*** (Used on swing drive 1255768)	
--	35675GT	BEARING,FL,1.25IDX1.5ODX1.25L.....	2	--	139315GT	O-RING,MOTOR/BRAKE*** (Used on swing drive 1255768)	
4B	161613GT	ASSY,ENGINE TRAY,W/BEARINGS.....1 <i>models with Deutz D2.9L4 and Perkins 404F-22 engines</i>	1	--	139323GT	VALVE,COUNTERBAL,CBCA-LIN*** (Used on swing drive 1255768)	
--	35675GT	BEARING,FL,1.25IDX1.5ODX1.25L.....	2	--	58304GT	SHAFT,OUTPUT (Used on swing drive 1255768)	
5	61128GT	SCREW,HHC,3/4-10 X 4 FULL THRD		22B		Ref. SWING DRIVE ASSEMBLY <i>Previous SWING DRIVE ASSEMBLY 139189 is no longer available, order complete assembly 1255768 for first time replacement</i>	
6	6126GT	NUT,HEX,JAM,3/4-10		--	139308GT	SWING MOTOR COMPLETE*** (Used on swing drive 139189)	
7	77671GT	PLATE,BACKLASH ADJUSTMENT MACH.....	1	--	139309GT	CBV ASSEMBLY*** (Used on swing drive 139189)	
8	94747GT	SCREW,HHC,1/2-13 X 1.75 GRD 8.....	9	--	139310GT	BRAKE TUBING*** (Used on swing drive 139189)	
9	13066GT	WASHER,FLAT,,5 HARDENED.....	9	--	139311GT	KIT,FRICITION DISC*** (Used on swing drive 139189)	
10	88212GT	SCREW,SHC,3/4-10 X 3.00,A574.....	6	--	139312GT	KIT,BRAKE SPRING*** (Used on swing drive 139189)	
11	33278GT	WASHER,FLAT,,.75 HARDENED.....	6	--	139313GT	SEAL KIT,SWING BRAKE*** (Used on swing drive 139189)	
12	89571GT	SWIVEL,HYD 8 PORT*** .....	1	--	139314GT	KIT,SWING BRAKE REBUILD*** (Used on swing drive 139189)	
--	94937GT	SEAL KIT,8-PORT SWIVEL		--	139315GT	O-RING,MOTOR/BRAKE*** (Used on swing drive 139189)	
--	T106954GT	SEAL, O-RING LIP		--	139323GT	VALVE,COUNTERBAL,CBCA-LIN*** (Used on swing drive 139189)	
--	T106955GT	SEAL, POLY, CHAMFER		--	58304GT	SHAFT,OUTPUT (Used on swing drive 139189)	
--	T106957GT	SEAL, CAP, NOTCHED		--	58596GT	BEARING KIT,OUTER (88921) (Used on swing drive 139189)	
--	T106961GT	SEAL, O-RING ENERGIZER		--	58597GT	BEARING KIT,INNER (88921) (Used on swing drive 139189)	
--	T106962GT	SEAL, CAP, NOTCHED		--	94620GT	SEAL KIT,SWING TORQ HUB*** (Used on swing drive 139189)	
13	77676GT	WEARPAD,BOOM REST.....	1	23	81724GT	PIN,1.25 X 13.25 IN,CHAMFER.....	1
14	6610GT	SCREW,FHS,3/8-16 X 2 GRD.8.....	2	24	825019GT	ROD END,,375X3.69,ZAG.....	1
15	6097GT	WASHER,FLAT,USS,3/8",Y.....	2	25	8516GT	SCREW, HCC, 3/8-16 X 1.50	
16	4828GT	NUT,NYLOCK,3/8-16.....	2	26	6021GT	WASHER,LOCK,,.375	
17	81834GT	WELDMENT,TRANSPORT LOCK.....	1	27	75073GT	HINGE,,.375X.120THK.,SLOTTED.....	2
18	139865GT	SCREW,HHC,5/8-11 X 4.00 GR8 BO....	24				
19	13064GT	WASHER,FLAT,,625 HARDENED.....	24				
20	88356-13103GT	SWITCH,LIMIT,W/RLLR ARM,NO/NC.....	1				
--	77666PGT	FORMING,DRIVE ENABLE LIMIT SW					
21	77665PGT	FORMING,HYD SWIVEL BRACKET.....	2				
22A	1255768GT	SWING DRIVE ASSEMBLY <i>Previous SWING DRIVE ASSEMBLY 139189 is no longer available, order complete assembly 1255768 for first time replacement</i>					
--	1255769GT	SEAL KIT, SWING BRAKE (Used on swing drive 1255768)					
--	1255770GT	KIT, FRICTION DISC (Used on swing drive 1255768)					
--	1255771GT	KIT, BRAKE SPRING (Used on swing drive 1255768)					

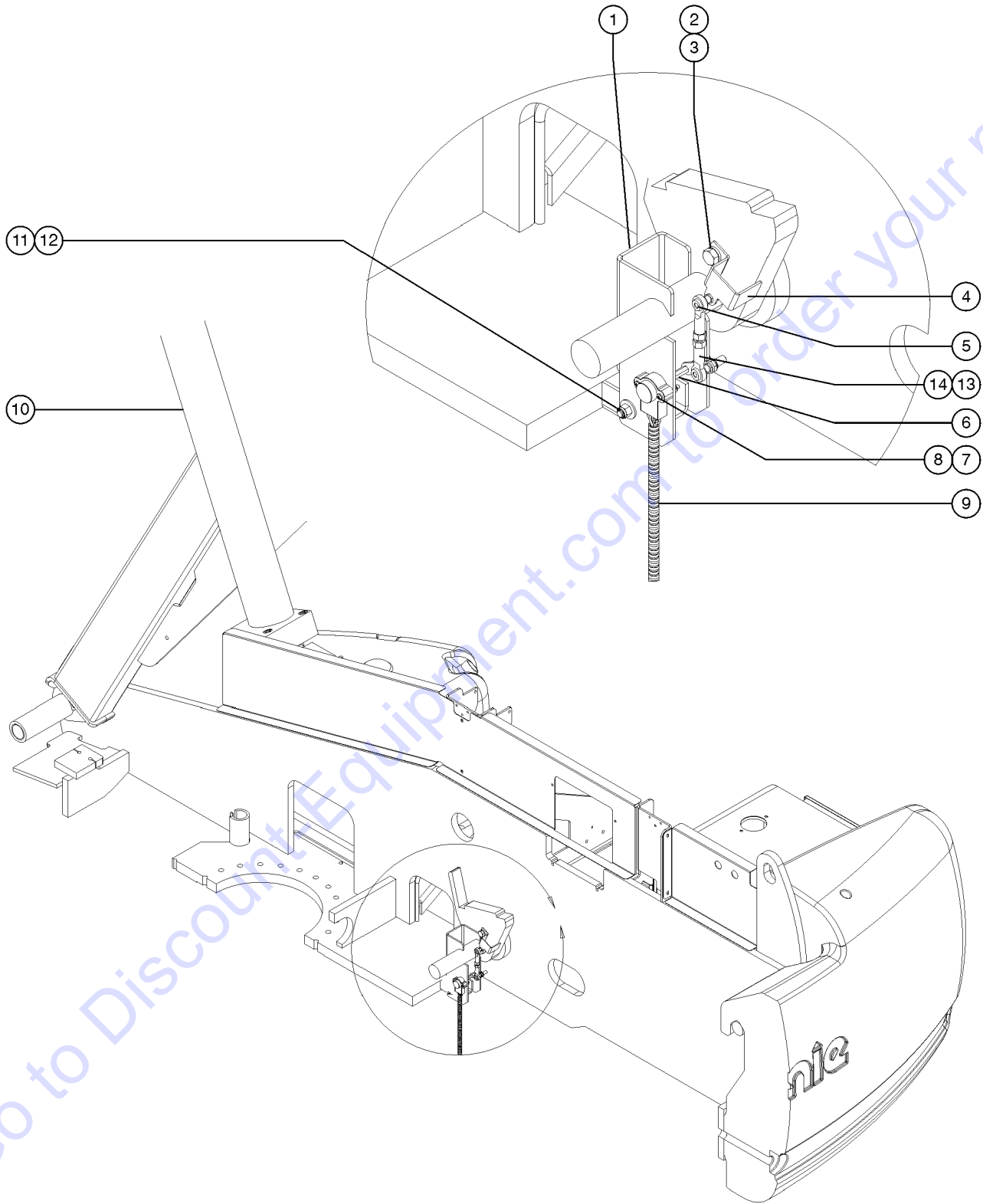
### 310.1 Engine Side (continued)

Item	Part No.	Description	Qty.
28	6888GT	SCREW,HHC,1/4-20 X 1	
29	6638GT	WASHER,FLAT,USS,1/4"Y	
30	6091GT	NUT,NYLOCK,1/4-20	
31A	106172PGT	BAFFLE,AIR INTAKE,PAINTED***.....1 <i>models with Deutz D2011L03i and Perkins 404D-22 and 404F-22 engines</i>	
31B	110183PGT	BAFFLE,AIR INTAKE S60 PAINTED <i>models with Deutz TD2011L04i engines</i>	
31C	214681GT	BAFFLE, DEUTZ D2.9 ENGINE <i>models with Deutz D2.9 engine</i>	
31D	237379GT	BAFFLE, CNTRWT, S60 MSG425 <i>models with Ford MSG-425 EFI engine</i>	
32		Ref: Brake and 2 Speed Manifold.....1 <i>(refer to 406.1)</i>	
33	T106425GT	FORMING, BULKHEAD,RIGHT,S60/65.....1	
34	77803GT	PLATE,SWIVEL ROTATION STOP.....1	
35	6198GT	NUT,NYLOCK,1/2-13	
36	6096GT	SCREW,HHC,1/2-13 X 2 GR5	
37	8255GT	SCREW,HHC,3/8-16 X .75	
38	5397GT	WASHER,FLAT,USS,5/16",Y	
39		FILTER ASY,M PRESS,SAE8,WIND* (77139).....1 <i>component no longer available</i>	
--	60857GT	FILTER,ELEMENT,BETA(5)=1000 <i>for 77139</i>	
39A	1267807GT	ASSY, MED. PRESS. FILTER, SAE8	
--	1268229GT	ELEMENT-5 MIC, PAPER, W/ BYPASS <i>for 1267807</i>	
40	60334GT	FILTER ASSY,HIGH PRESS SAE-12*.....1	
--	1279465GT	BACKUP RING,71.60X67.20X1.40PTFE(60334)	
--	1279466GT	O-RING,67.95X2.62-NBR-70SH(HF2P)(60334)	
--	58380GT	FILTER INDICATOR-(60334)	
--	60857GT	FILTER,ELEMENT,BETA(5)=1000	
41	81005GT	BRACKET,FILTER MOUNT.....1	
42	39882GT	PLUG,HEX SOCKET,090109B-4.....1	
43	109802GT	PLUG,ORB #6.....1	
44	6090GT	SCREW,HHC,1/4-20 X .75	
45	6356GT	WASHER,LOCK,.25	

***This Page Intentionally Left Blank***

Go to [Discount-Equipment.com](http://Discount-Equipment.com) to order your parts

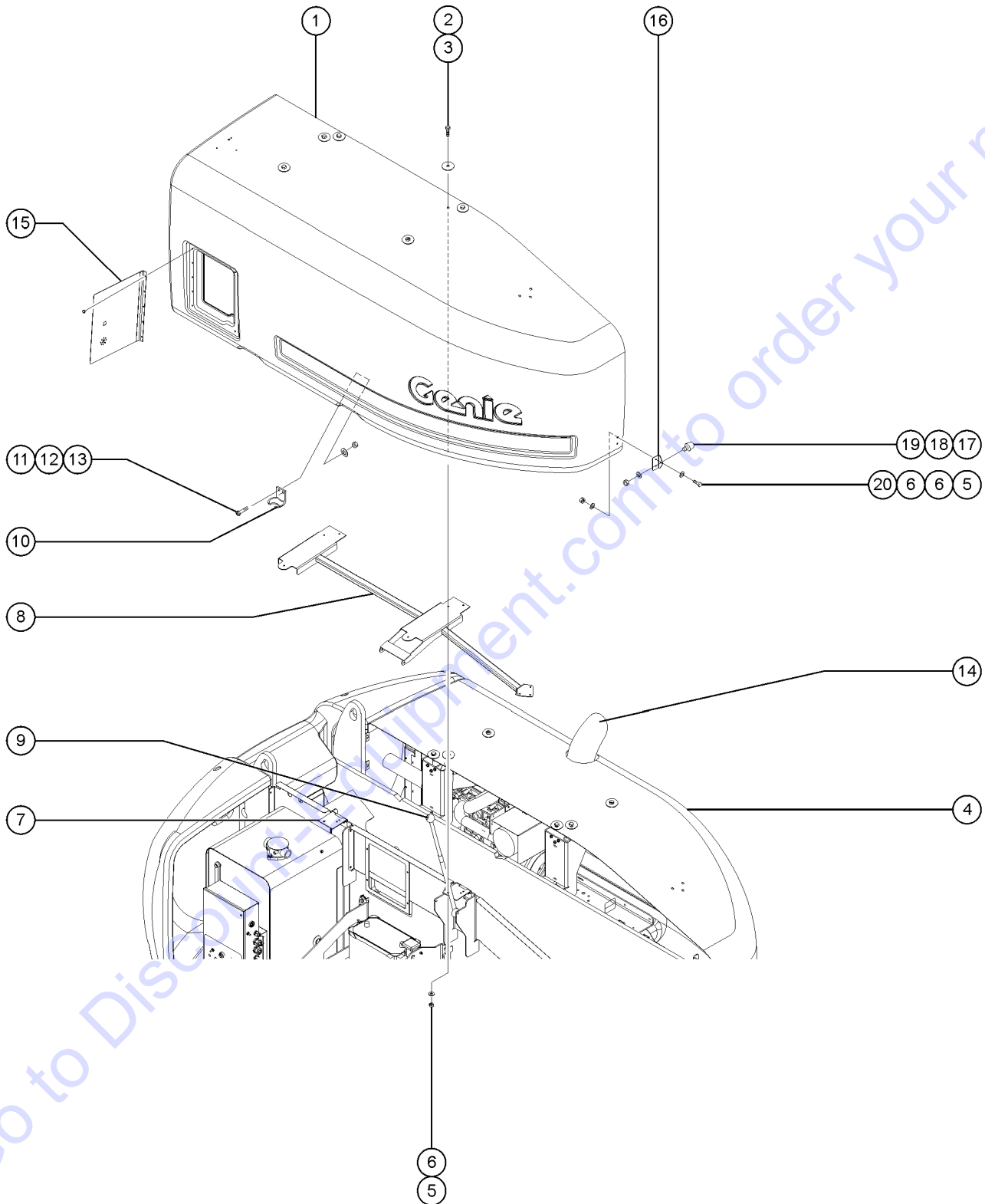
311.1 Engine Side, S-60 HC Turntable



## 311.1 Engine Side, S-60 HC Turntable

Item	Part No.	Description	Qty.
1	106883PGT	FORMING,SENSOR BRACKET(PTD)....1	
2	10597GT	SCREW,HHC,1/2-13 X 1.25 GR5.....1	
3	6033GT	WASHER,LOCK,0.5".....1	
4	119044GT	FORMING,ANGLE LINKAGE BRACKET.....1	
5	110329GT	BALL JOINT, 3/8-24 FEMALE.....1 <i>qty (1)</i>	
--	110755GT	NUT,HEX,JAM,3/8-24	
--	5408GT	NUT,LP NYLOCK,3/8-24	
6	106884GT	WELDMENT, ROTATOR ARM.....1	
7	6179GT	SCREW,RHM,10-32 X 1.25.....2	
8	6178GT	NUT,NYLOCK,10-32.....2	
9	94980GT	SENSOR,DUAL OUTPUT,ANGLE***.....1 <i>(calibration required after replacement)</i>	
--	119068GT	CONN,RECEP 6 WAY ENDCAP DT	
--	20973-1700GT	WIRE LOOM,3/8 POLY SLIT	
--	60445GT	LOCK,RECEP 6 WAY,14-18GA	
--	60455GT	TERM,GOLD PIN,18-16GA REEL	
10	107825GT	CYLINDER, LIFT, S60HC.....1	
--	101252GT	SEAL KIT (88653)	
--	1262331GT	KIT, GLAND NUT, S60 LIFT CYL. <i>for 107825</i>	
--	128464GT	VALVE,COUNTERBAL,CWCK-LHN@3500	
--	60984GT	VALVE COUNTERBAL.CBBB-LJN@5000	
11	6175GT	SCREW,HHC,3/8-16 X 1.....2	
12	4828GT	NUT,NYLOCK,3/8-16.....2	
13	139440GT	BALL JOINT, 3/8-24 LEFT HAND.....1	
--	139441GT	NUT,HEX,JAM,3/8-24, LEFT HAND	
--	5408GT	NUT,LP NYLOCK,3/8-24	
14	139366GT	ADJ ROD, LH/RH, 3/8-24.....1	

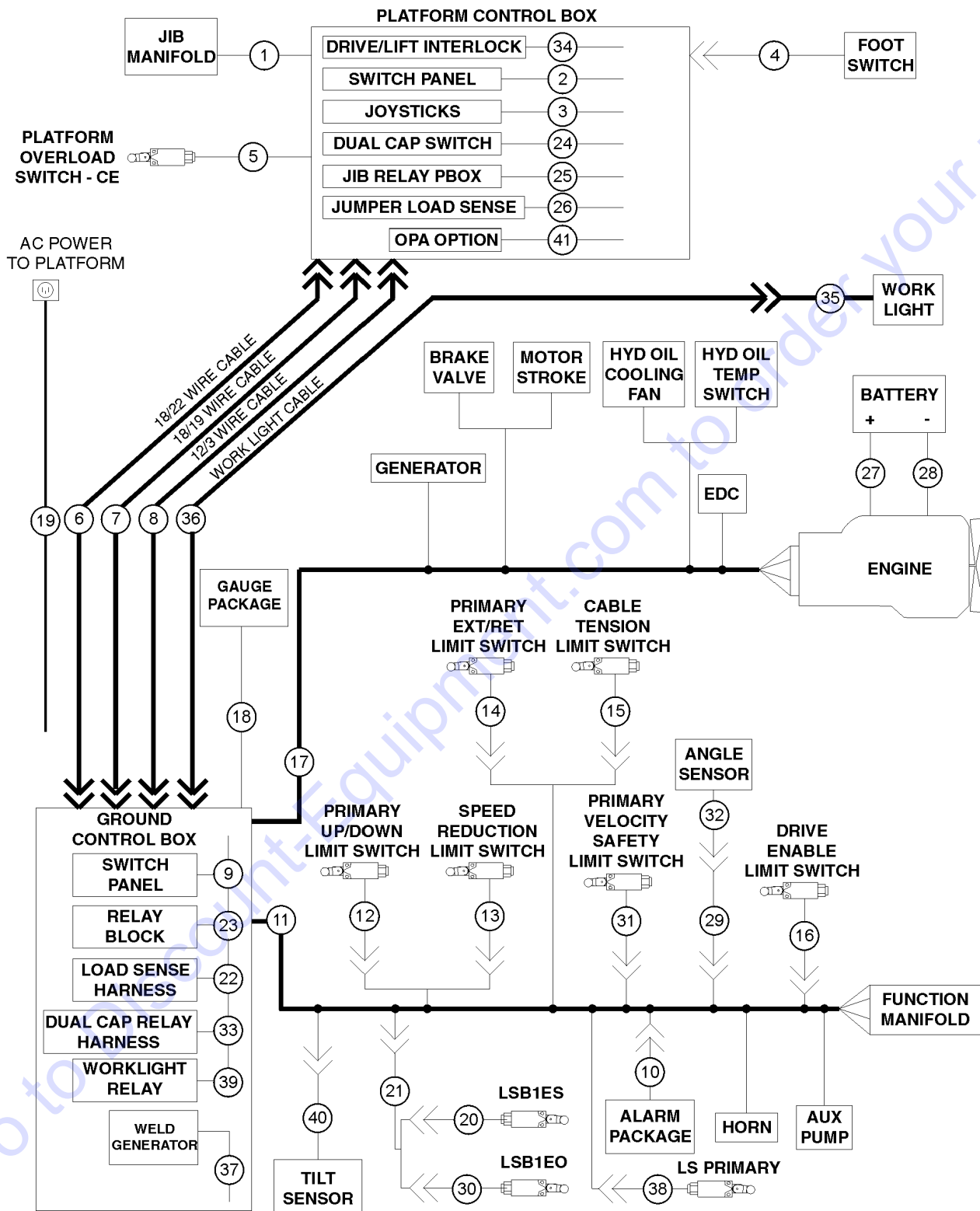
312.1 Turntable Covers



Item	Part No.	Description	Qty.
1	147398GT	COVER, TURNTABLE, TANK.....1 <i>(decals not included, refer to section 100)</i>	1
2	6888GT	SCREW,HHC,1/4-20 X 1	
3	12906GT	WASHER,FENDER,.25 X 1.25 X.062	
4	101924GT	COVER,TURNTABLE RH.....1 <i>(decals not included, refer to section 100)</i>	1
5	6091GT	NUT,NYLOCK,1/4-20	
6	6638GT	WASHER,FLAT,USS,1/4"Y	
7	75073GT	HINGE,.375X.120THK.,SLOTTED	
--	77778GT	PLATE,HINGE SUPPORT.....1	1
8	81874GT	WELDMENT,LEFT COVER SUPPORT	
--	81876GT	WELDMENT,RIGHT COVER SUPPORT.....1	1
9	28301GT	GAS STRUT,250 LBS FORCE***	
--	27377GT	RETAINER,GAS SPRING***	
--	33555GT	BALL STUD**	
10	75076GT	KEEPER,LATCH (45363)	
11	49816GT	SCREW,PHILLIPS,PHM,10-32 X .75	
12	6146GT	WASHER,FLAT,MS,#10,Y	
13	6178GT	NUT,NYLOCK,10-32	
14	101964GT	WELDMENT,EXHAUST TUBE	
15		Ref: Control Box Cover.....1 <i>hostile environment option (refer to 912.1)</i>	1
16	88106PGT	FORMING,COVER STOP,PAINT.....2	2
17	30973GT	BUMPER,RUBBER-1 X 1.25.....6	6
18	5397GT	WASHER,FLAT,USS,5/16",Y	
19	6782GT	NUT,NYLOCK,5/16-18	
20	6090GT	SCREW,HHC,1/4-20 X .75	



313.1 Wire Harness Diagram



## 313.1 Wire Harness Diagram

Item	Part No.	Description	Qty.	Item	Part No.	Description	Qty.
--	110803GT	HARNESS PROGRAM CAN PLUS1 S-60HC		7A	823917GT	HARNESS,18/22,CABLE2 JIB.....1 S-65 (Black, Grey plugs)	1
--	110987GT	SOFTWARE,S60HC,TCON,+1 S-60HC		--	119061GT	CONN PLUG 12 WAY ENDCAP DT GY	
--	110988GT	SOFTWARE,S60HC,SCON,+1 S-60HC		--	119062GT	CONN PLUG 12 WAY ENDCAP DT BK	
--	119607GT	SOFTWARE,S60HC,DIAGNOSTIC,+1 S-60HC		7B	823918GT	HARNESS,18/22,CABLE2 NJ.....1 S-60 (Black, Grey plugs)	1
A	58253GT	KIT,REPAIR,DEUTSCH PLUG,W/TUBE small kit		--	119061GT	CONN PLUG 12 WAY ENDCAP DT GY	
B	83129GT	KIT,REPAIR,DEUTSH CONNECTORS** large kit		--	119062GT	CONN PLUG 12 WAY ENDCAP DT BK	
C	61794GT	CRIMPER,DEUTSCH,LIGHT DUTY*** tool		8A	139733GT	HARNESS, 12/3 12V TO PLAT JIB.....1 S-65	1
D	101191GT	WIRE LOOM,1"DIA.SLIT,HI TEMP		8B	139734GT	HARNESS, 12/3 12V TO PLAT NJ.....1 S-60	1
E	49219GT	SLEEVE,NYLON,2.19 ID,BULK.....48-inches near platform; 48 inches required		9A	147652GT	HARNESS,GBOX WIRING.....1 models with Deutz D2011L03i, Deutz TD2011I04i, Perkins 404D-22 and Ford MSG-425 EFI	1
F	110390GT	HARNESS,BOOM CABLE HIGH CAP. S-60HC		--	73736GT	CONN,RECEP 48 WAY,4 X 12	
G	1264822GT	KIT, TRC RETROFIT, STNDRD Telematics (includes 1264834)		--	73754GT	CONN,RECEP 40 WAY,W/FLANGE	
--	1264834GT	INSTRN, TRC RETROFIT, STNDRD		9B	824993GT	HARNESS,GBOX,T4,S60/65.....1 models with Deutz D2.9L4 and Perkins 404F-22	1
1	101080GT	HARNESS,JIB SELECT MANIFOLD.....1 S-65		--	73736GT	CONN,RECEP 48 WAY,4 X 12	
--	119056GT	CONN,PLUG 2 WAY,14-18GA		--	73754GT	CONN,RECEP 40 WAY,W/FLANGE	
--	7056GT	CONN,SQUEEZE,1/2NPT-.38-.50,SM		10	128005GT	HARNESS,BEACON OPTION.....1	1
--	73714GT	TERM,NI SOC,S&F,16-18GA,REEL		11	147650GT	HARN,FUNCT MANIFOLD,S60/65.....1	1
--	73814GT	CONN,DSCH,BOOT,DT2S-BT		--	73751GT	CONN,PLUG 40 WAY,DRC SERIES	
2	147642GT	HARNESS,PBOX,S60/65.....1		12	139832GT	HARNESS, LS, OP, PRI ANGLE.....1	1
--	73736GT	CONN,RECEP 48 WAY,4 X 12		13	139835GT	HARNESS, LS, OP, PRI, VELOCITY.....1	1
--	81545GT	CONN,MOLEX 20 WAY		14	139836GT	HARNESS, LS, OP, PRIMARY.....1	1
3	147643GT	HARN,PBOX,JOYSTICK,S60/65.....1		15	139833GT	HARNESS, LS, OP, CABLE TENSION....1	1
--	81546GT	CONN,MOLEX 16 WAY		16	139834GT	HARNESS,LS,DRIVE ENABLE.....1	1
--	99343GT	CONNECTOR,PLUG 6 WAY 18-20 GA		17A	88810GT	HARNESS,DEUTZ ENGINE.....1 Deutz D2011L03i engine	1
--	99344GT	LOCK,PLUG 6 WAY 18-20GA use with 99344		17B	122053GT	HARNESS,S60 TURBO DEUTZ SPEC...1 Deutz TD2011L04i engine	1
4		Ref: Foot Switch Assembly (refer to 701.1)		17C	822048GT	HARNESS, S60 DEUTZ D2.9 Deutz D2.9L4 engine	
5	121848GT	ASSY,LS,LOAD SENSE,38.5 IN.....1		17D	110268GT	HARNESS PERKINS ENGINE S60 ALT.....1 Perkins 404D-22 engine	1
6A	139737GT	HARNESS, 18/22, CABLE JIB.....1 S-65 (Green, Brown plugs)		17E	823146GT	HARNESS, S60 PERKINS 404F Perkins 404F-22 engine	
--	119063GT	CONN PLUG 12 WAY ENDCAP DT GR		17F	822513GT	HARN,PERKINS 404F,6WAY EXT Jumper for Perkins 404F-22 engine	
--	119064GT	CONN PLUG 12 WAY ENDCAP DT BR		17G	119777GT	HARNESS,FORD DSG423,S60.....1 Ford engine	1
6B	139738GT	HARNESS, 18/22, CABLE NJ.....1 S-60 (Green, Brown plugs)		17H	119483GT	FUEL JUMPER HARNESS Ford engine	
--	119063GT	CONN PLUG 12 WAY ENDCAP DT GR		17J	147428GT	HARNESS, FORD STARTER.....1 Ford engine	1
--	119064GT	CONN PLUG 12 WAY ENDCAP DT BR					

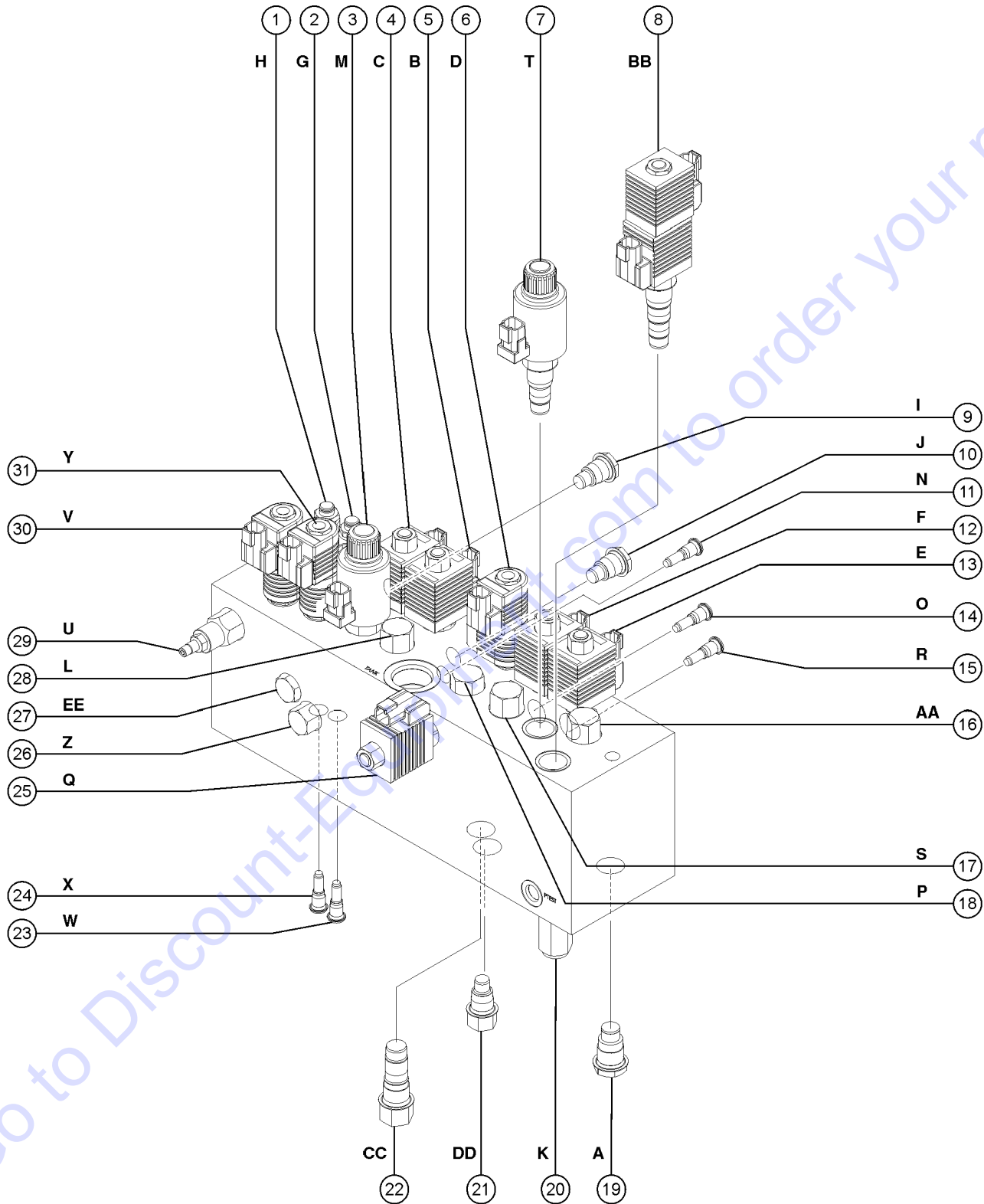
313.1 Wire Harness Diagram  
(continued)

Item	Part No.	Description	Qty.	Item	Part No.	Description	Qty.
18A	107552GT	HARNESS,GAUGE OPT.,S60 DEUTZ....1 <i>Deutz models</i>		31	T106741GT	HARN,LS,SAFETY,PRI,VELOCITY.....1	
18B	T108415GT	HARNESS,ENGINE GAUGE.....1 <i>Perkins models</i>		32	94980GT	SENSOR,DUAL OUTPUT,ANGLE***.....1	
19A	139731GT	HARNESS, AC POWER TO PLAT JIB.....1 <i>S-65</i>		33A	T107130GT	HARNESS,GBOX,DUAL CAP RELAY.....1 <i>models with Deutz D2011L03i, Deutz TD2011104i, Deutz D2.9L4, Perkins 404D-22 and Ford MSG-425 EFI</i>	
--	228323GT	ASSY,CABLE,12.5KW WELDER.....1008-inches <i>(S-65 Welder option)</i>		33B	824996GT	HARNESS ASSY,RELAY DC T4 PERK.....1 <i>models with Perkins 404F-22</i>	
19B	139732GT	HARNESS, AC POWER TO PLAT NJ.....1 <i>S-60</i>		34	T108416GT	HARNESS,DRIVE/LIFT INTERLOCK.....1	
--	228322GT	ASSY,CABLE,12.5KW WELDER.....936-inches <i>(S-60 Welder option)</i>		35	T114627GT	HARNESS,12V WORK LIGHTS.....1	
20	T108321GT	HARN,LS SAFETY,PRI.DUAL CAP.....1		36A	T114625GT	CABLE,S60 12VDC WORK LIGHT.....1 <i>S-60</i>	
21	147654GT	HARN,LS CABLE,S60 DUAL CAP.....1 <i>S-60X, S-60XC and S-60 TraX</i>		36B	T114626GT	CABLE,S65 12VDC WORK LIGHT.....1 <i>S-65</i>	
22A	139741GT	HARNESS, LOAD SENSE, GBOX.....1		37	147396GT	HARNESS,GENERATOR POWER.....1	
--	119061GT	CONN PLUG 12 WAY ENDCAP DT GY		38	T106741GT	HARN,LS,SAFETY,PRI,VELOCITY.....1	
--	60432GT	CONN,PLUG 8 WAY,14-18GA		39	T114624GT	HARN,12V WORK LIGHT RELAY.....1	
22B	147255GT	HARNESS, JUMPER, LOAD SENSE.....1		40	1260218GT	HARNESS,TILT ALARM,12V.....1 <i>CSA only</i>	
23A	147646GT	HARN,GBOX & RELAY WIRES,DIESEL.....1 <i>models with Deutz D2011L03i, Deutz TD2011104i and Perkins 404D-22</i>		--	1264947GT	KIT, LEVEL SENSOR, 6 PIN CONN. <i>For ANSI/CSA models with 6-pin wire harness connector, includes instructions</i>	
--	73753GT	CONN,RECEP 24 WAY,W/FLANGE		41A	1255555GT	HARN,PBOX,OPA,HW,12V.....1	
23B	147647GT	HARN, GBOX & RELAY WIRES, FORD.....1 <i>models with Ford MSG-425 EFI</i>		41B	1255030GT	PLUG,BLANKING.....1	
--	73753GT	CONN,RECEP 24 WAY,W/FLANGE					
23C	824994GT	HARNESS ASSY,RELAY 404F,S60/65....1 <i>models with Perkins 404F-22</i>					
23D	824995GT	HARNESS ASSY,RELAY D2.9,S60/65....1 <i>models with Deutz D2.9L4</i>					
--	73749GT	CONN,PLUG 24 WAY,DRC SERIES					
24	T108886GT	HARN,PBOX,DUAL CAP.....1					
--	147621GT	CONN,MOLEX 10 WAY					
25	147657GT	HARNESS,JIB,PBOX,S65.....1					
--	43181GT	CAPACITOR,TIME DELAY					
26	147031GT	HARNESS, LOAD SENSE.....1					
27A	88801GT	BATTERY CABLE,POSITIVE,RED.....1 <i>models with Deutz D2011L03i, Deutz TD2011104i, Perkins 404D-22 and Ford MSG-425 EFI</i>					
27B	824849GT	BATTERY CABLE,POSITIVE,RED,T4 <i>models with Deutz D2.9L4 and Perkins 404F-22</i>					
28	88802GT	BATTERY CABLE,NEGATIVE,BLACK.....1					
29	T106600GT	HARN,ANGLE,SNSR.CONN. CABLE.....1					
30	T108322GT	HARN, LS OP PRI.DUAL CAP.....1					

***This Page Intentionally Left Blank***

Go to Discount-Equipment.com to order your parts

401.1 Function Manifold (to SN 26514)



## 401.1 Function Manifold (to SN 26514)

Item	Part No.	Description	Qty.	Item	Part No.	Description	Qty.
--	139963GT	MANIFOLD,FUNCTION		--	74902GT	SEAL KIT	
--	94499GT	ACCUMULATOR,10CC,1000PSI,#6SAE (not shown)		11	27807GT	VALVE,CHECK***.....1 Differential sensing circuit, boom extend/retract	1
1	62256GT	VALVE,CB 3:1 3500 PSI.....1 Platform level down	1	--	110200GT	SEAL KIT, VALVE, #4	
--	110202GT	SEAL KIT, VALVE, #10		12	89309GT	VALVE - SOLENOID 2POSITION 3WA...1 Boom down	1
2	62256GT	VALVE,CB 3:1 3500 PSI.....1 Platform level up	1	--	45912GT	NUT,SOLENOID VALVE 2P3W	
--	110202GT	SEAL KIT, VALVE, #10		--	62275GT	COIL,10V	
3	107753GT	VALVE,PROPORTIONAL.....1 Boom extend/retract	1	--	89310GT	SEAL KIT, SOLENOID VALVE	
--	45921GT	RETAINER-N.C.PROPOR.SOLENOID		13	89309GT	VALVE - SOLENOID 2POSITION 3WA...1 Boom up/down circuit	1
--	58303GT	COIL,VALVE,PROPORTIONAL***		--	45912GT	NUT,SOLENOID VALVE 2P3W	
--	89310GT	SEAL KIT, SOLENOID VALVE		--	62275GT	COIL,10V	
4	89309GT	VALVE - SOLENOID 2POSITION 3WA...1 Boom retract	1	--	89310GT	SEAL KIT, SOLENOID VALVE	
--	45912GT	NUT,SOLENOID VALVE 2P3W		14	27807GT	VALVE,CHECK***.....1 Differential sensing circuit, turntable rotate	1
--	62275GT	COIL,10V		--	110200GT	SEAL KIT, VALVE, #4	
--	89310GT	SEAL KIT, SOLENOID VALVE		15	27807GT	VALVE,CHECK***.....1 Differential sensing circuit, boom up/down	1
5	89309GT	VALVE - SOLENOID 2POSITION 3WA...1 Boom extend	1	--	110200GT	SEAL KIT, VALVE, #4	
--	45912GT	NUT,SOLENOID VALVE 2P3W		16	111705GT	VALVE,FLOW REGULATOR 3.5 GPM**.....1 Steer left/right circuit	1
--	62275GT	COIL,10V		--	110202GT	SEAL KIT, VALVE, #10	
--	89310GT	SEAL KIT, SOLENOID VALVE		17	94599GT	VALVE,DIFFERENTIAL SENSING,110...1 Boom up/down circuit	1
6	89307GT	VALVE,SOLENOID 3POS 4WAY* .....1 Turntable rotate	1	--	110197GT	SEAL KIT, VALVE, #10	
--	52943GT	NUT,SOLENOID VALVE COIL		18	27802GT	VALVE,DIFFERENTIAL SENSING*** .....1 Turntable rotate circuit	1
--	62273GT	COIL,GREEN W/ 2 PIN CONNECTOR*		--	110197GT	SEAL KIT, VALVE, #10	
--	72047GT	SEAL KIT, SOLENOID VALVE		19	27836GT	VALVE,CHECK,5 PSI.....1 Blocks flow from auxiliary pump to function pump	1
--	89311GT	SPACER, DUAL COIL SIZE #8		--	110194GT	SEAL KIT, VALVE, #10	
7	107753GT	VALVE,PROPORTIONAL Boom up/down circuit	1	20	45489GT	VALVE,RELIEF 3000 PSI*** .....1 System relief	1
--	45921GT	RETAINER-N.C.PROPOR.SOLENOID		--	110194GT	SEAL KIT, VALVE, #10	
--	58303GT	COIL,VALVE,PROPORTIONAL***		21	32975GT	VALVE,FLOW REGULATOR 0.1 GPM.....1 Bleeds off differential sensing valves to tank	1
--	89310GT	SEAL KIT, SOLENOID VALVE		--	74902GT	SEAL KIT	
8	62260GT	VALVE,SOLENOID 3 POS,4WAY*** .....1 Steer left/right	1	22	27804GT	VALVE,DIFFERENTIAL SENSING*** .....1 Differential sensing circuit, meters flow to functions	1
--	110196GT	SEAL KIT, VALVE, #10		--	110201GT	SEAL KIT, VALVE, #10	
--	52943GT	NUT,SOLENOID VALVE COIL		23	27807GT	VALVE,CHECK***.....1 Differential sensing circuit, platform level up	1
--	89861GT	COIL, 10V DC (D10, 20 WATT)		--	110200GT	SEAL KIT, VALVE, #4	
9	62257GT	VALVE,CHECK, 30 PSI.....1 Differential sensing circuit, platform rotate left and jib boom up (S-65, S-65 Trax)	1				
--	74902GT	SEAL KIT					
10	62257GT	VALVE,CHECK, 30 PSI.....1 Differential sensing circuit, platform rotate right and jib boom down (S-65, S-65 Trax)	1				

401.1 Function Manifold (to SN 26514)  
(continued)

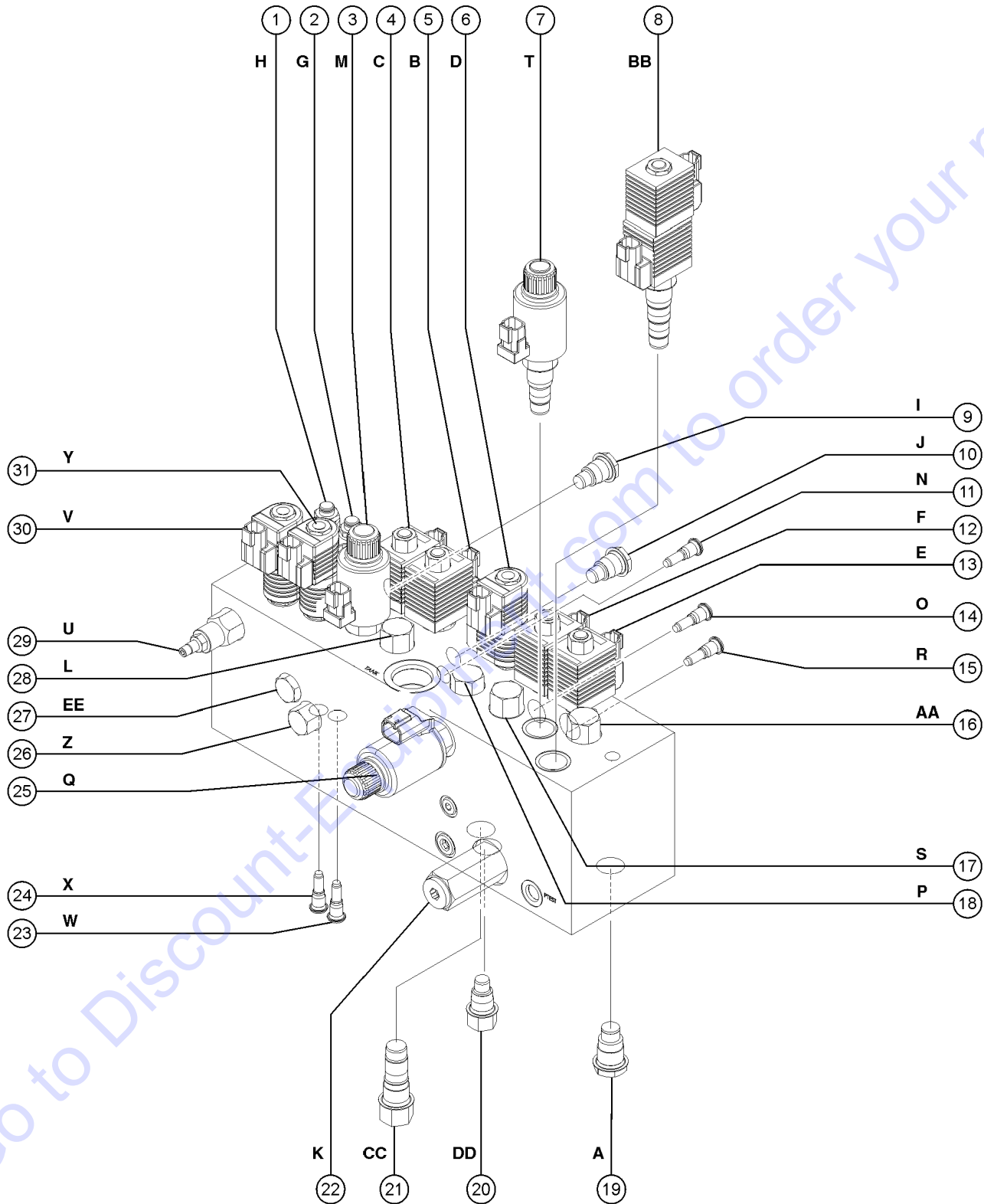
Item	Part No.	Description	Qty.
24	27807GT	VALVE,CHECK*** .....1 <i>Differential sensing circuit, platform level down</i>	
--	110200GT	SEAL KIT, VALVE, #4	
25	94598GT	VALVE,PROPORTIONAL *** .....1 <i>Turntable rotate left/right</i>	
--	62274GT	COIL,12V	
--	62276GT	NUT, SOLENOID VALVE COIL	
--	89736GT	SEAL KIT, PROPORTIONAL VALVE	
26	31100GT	VALVE,FLOW REGULATOR 0.6GPM....1 <i>Platform rotate and jib boom (S-65, S-65 TraX)</i>	
--	74902GT	SEAL KIT	
27	62257GT	VALVE,CHECK, 30 PSI.....1 <i>Platform rotate and jib boom circuit (S-65, S-65 TraX) (prevents hydraulic hoses from draining back to tank)</i>	
--	74902GT	SEAL KIT	
28	94599GT	VALVE,DIFFERENTIAL SENSING,110...1 <i>Boom extend/retract circuit</i>	
--	110197GT	SEAL KIT, VALVE, #10	
29	62258GT	VALVE,NEEDLE*** .....1 <i>Platform level circuit</i>	
--	110194GT	SEAL KIT, VALVE, #10	
30	89307GT	VALVE,SOLENOID 3POS 4WAY* .....1 <i>Platform level up/down</i>	
--	52943GT	NUT,SOLENOID VALVE COIL	
--	62273GT	COIL,GREEN W/ 2 PIN CONNECTOR*	
--	72047GT	SEAL KIT, SOLENOID VALVE	
--	89311GT	SPACER, DUAL COIL SIZE #8	
31	89307GT	VALVE,SOLENOID 3POS 4WAY* .....1 <i>Platform rotate and jib boom up/down (S-65, S-65 TraX)</i>	
--	52943GT	NUT,SOLENOID VALVE COIL	
--	62273GT	COIL,GREEN W/ 2 PIN CONNECTOR*	
--	72047GT	SEAL KIT, SOLENOID VALVE	
--	89311GT	SPACER, DUAL COIL SIZE #8	

***This Page Intentionally Left Blank***

Go to Discount-Equipment.com to order your parts



401.2 Function Manifold (from SN 26515)



## 401.2 Function Manifold (from SN 26515)

Item	Part No.	Description	Qty.	Item	Part No.	Description	Qty.
--	161141GT	MANIFOLD,FUNCTION		--	74902GT	SEAL KIT	
--	94499GT	ACCUMULATOR,10CC,1000PSI,#6SAE (not shown)		11	27807GT	VALVE,CHECK***.....1 Differential sensing circuit, boom extend/retract	1
1	62256GT	VALVE,CB 3:1 3500 PSI.....1 Platform level down	1	--	110200GT	SEAL KIT, VALVE, #4	
--	110202GT	SEAL KIT, VALVE, #10		12	89309GT	VALVE - SOLENOID 2POSITION 3WA...1 Boom down	1
2	62256GT	VALVE,CB 3:1 3500 PSI.....1 Platform level up	1	--	45912GT	NUT,SOLENOID VALVE 2P3W	
--	110202GT	SEAL KIT, VALVE, #10		--	62275GT	COIL,10V	
3	107753GT	VALVE,PROPORTIONAL.....1 Boom extend/retract	1	--	89310GT	SEAL KIT, SOLENOID VALVE	
--	45921GT	RETAINER-N.C.PROPOR.SOLENOID		13	89309GT	VALVE - SOLENOID 2POSITION 3WA...1 Boom up/down circuit	1
--	58303GT	COIL,VALVE,PROPORTIONAL***		--	45912GT	NUT,SOLENOID VALVE 2P3W	
--	89310GT	SEAL KIT, SOLENOID VALVE		--	62275GT	COIL,10V	
4	89309GT	VALVE - SOLENOID 2POSITION 3WA...1 Boom retract	1	--	89310GT	SEAL KIT, SOLENOID VALVE	
--	45912GT	NUT,SOLENOID VALVE 2P3W		14	27807GT	VALVE,CHECK***.....1 Differential sensing circuit, turntable rotate	1
--	62275GT	COIL,10V		--	110200GT	SEAL KIT, VALVE, #4	
--	89310GT	SEAL KIT, SOLENOID VALVE		15	27807GT	VALVE,CHECK***.....1 Differential sensing circuit, boom up/down	1
5	89309GT	VALVE - SOLENOID 2POSITION 3WA...1 Boom extend	1	--	110200GT	SEAL KIT, VALVE, #4	
--	45912GT	NUT,SOLENOID VALVE 2P3W		16	111705GT	VALVE,FLOW REGULATOR 3.5 GPM**.....1 Steer left/right circuit	1
--	62275GT	COIL,10V		--	110202GT	SEAL KIT, VALVE, #10	
--	89310GT	SEAL KIT, SOLENOID VALVE		17	94599GT	VALVE,DIFFERENTIAL SENSING,110...1 Boom up/down circuit	1
6	89307GT	VALVE,SOLENOID 3POS 4WAY*.....1 Turntable rotate	1	--	110197GT	SEAL KIT, VALVE, #10	
--	52943GT	NUT,SOLENOID VALVE COIL		18	27802GT	VALVE,DIFFERENTIAL SENSING***.....1 Turntable rotate circuit	1
--	62273GT	COIL,GREEN W/ 2 PIN CONNECTOR*		--	110197GT	SEAL KIT, VALVE, #10	
--	72047GT	SEAL KIT, SOLENOID VALVE		19	27836GT	VALVE,CHECK,5 PSI.....1 Blocks flow from auxiliary pump to function pump	1
--	89311GT	SPACER, DUAL COIL SIZE #8		--	110194GT	SEAL KIT, VALVE, #10	
7	107753GT	VALVE,PROPORTIONAL Boom up/down circuit	1	20	32975GT	VALVE,FLOW REGULATOR 0.1 GPM.....1 Bleeds off differential sensing valves to tank	1
--	45921GT	RETAINER-N.C.PROPOR.SOLENOID		--	74902GT	SEAL KIT	
--	58303GT	COIL,VALVE,PROPORTIONAL***		21	27804GT	VALVE,DIFFERENTIAL SENSING***.....1 Differential sensing circuit, meters flow to functions	1
--	89310GT	SEAL KIT, SOLENOID VALVE		--	110201GT	SEAL KIT, VALVE, #10	
8	62260GT	VALVE,SOLENOID 3 POS,4WAY***.....1 Steer left/right	1	22	45489GT	VALVE,RELIEF 3000 PSI***.....1 System relief	1
--	110196GT	SEAL KIT, VALVE, #10		--	110194GT	SEAL KIT, VALVE, #10	
--	52943GT	NUT,SOLENOID VALVE COIL		23	27807GT	VALVE,CHECK***.....1 Differential sensing circuit, platform level up	1
--	89861GT	COIL, 10V DC (D10, 20 WATT)		--	110200GT	SEAL KIT, VALVE, #4	
9	62257GT	VALVE,CHECK, 30 PSI.....1 Differential sensing circuit, platform rotate left and jib boom up (S-65, S-65 Trax)	1				
--	74902GT	SEAL KIT					
10	62257GT	VALVE,CHECK, 30 PSI.....1 Differential sensing circuit, platform rotate right and jib boom down (S-65, S-65 Trax)	1				

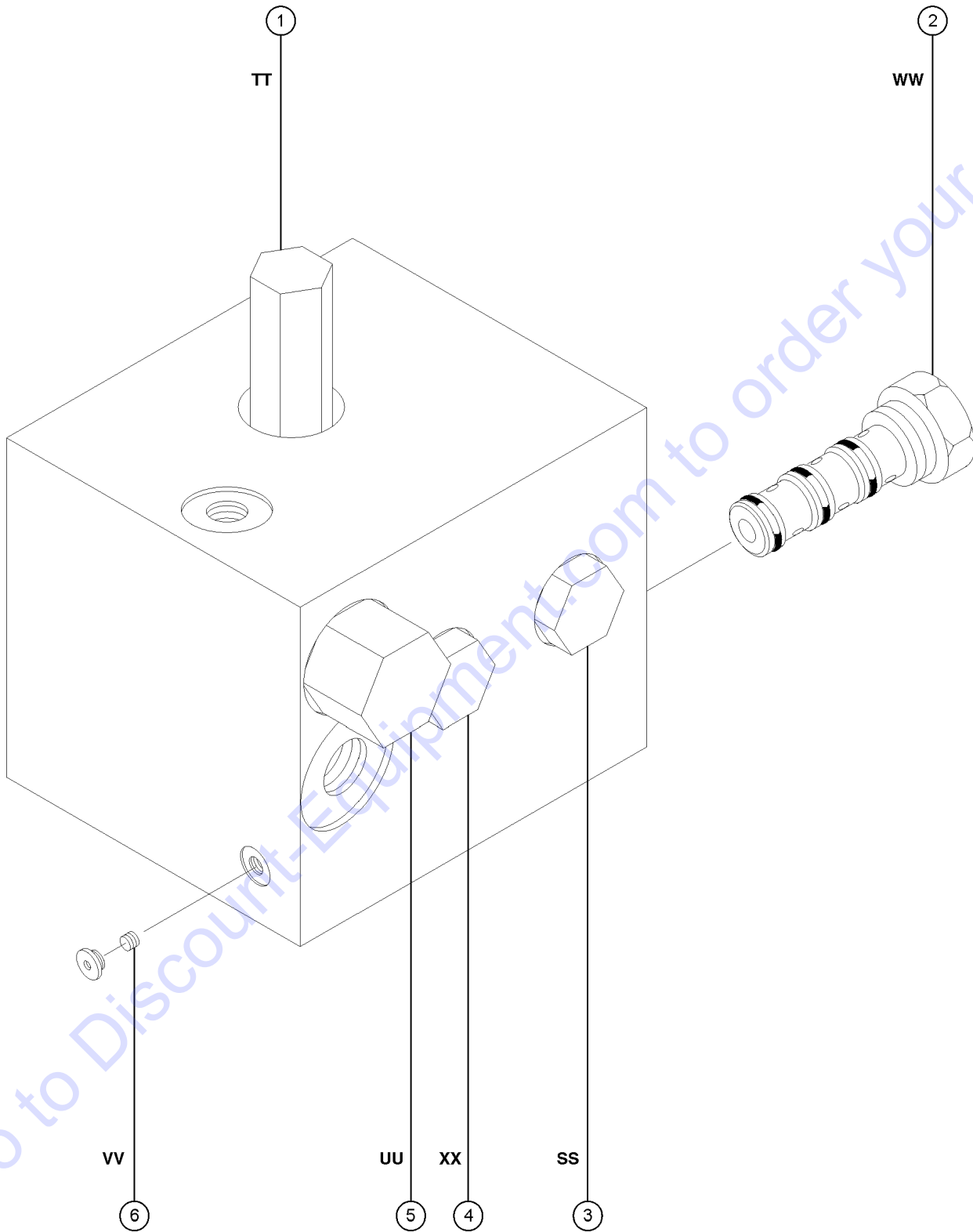
401.2 Function Manifold (from SN 26515)  
(continued)

Item	Part No.	Description	Qty.
24	27807GT	VALVE,CHECK*** .....1 <i>Differential sensing circuit, platform level down</i>	1
--	110200GT	SEAL KIT, VALVE, #4	
25	102528GT	VALVE,PROPORTIONAL.....1 <i>Turntable rotate left/right</i>	1
--	89312GT	SEAL KIT, SOLENOID VALVE	
--	89737GT	COIL,PROPORTIONAL VALVE***	
--	89738GT	NUT, PROPORTIONAL VALVE	
26	31100GT	VALVE,FLOW REGULATOR 0.6GPM....1 <i>Platform rotate and jib boom (S-65, S-65 TraX)</i>	1
--	74902GT	SEAL KIT	
27	62257GT	VALVE,CHECK, 30 PSI.....1 <i>Platform rotate and jib boom circuit (S-65, S-65 TraX) (prevents hydraulic hoses from draining back to tank)</i>	1
--	74902GT	SEAL KIT	
28	94599GT	VALVE,DIFFERENTIAL SENSING,110...1 <i>Boom extend/retract circuit</i>	1
--	110197GT	SEAL KIT, VALVE, #10	
29	62258GT	VALVE,NEEDLE*** .....1 <i>Platform level circuit</i>	1
--	110194GT	SEAL KIT, VALVE, #10	
30	89307GT	VALVE,SOLENOID 3POS 4WAY* .....1 <i>Platform level up/down</i>	1
--	52943GT	NUT,SOLENOID VALVE COIL	
--	62273GT	COIL,GREEN W/ 2 PIN CONNECTOR*	
--	72047GT	SEAL KIT, SOLENOID VALVE	
--	89311GT	SPACER, DUAL COIL SIZE #8	
31	89307GT	VALVE,SOLENOID 3POS 4WAY* .....1 <i>Platform rotate and jib boom up/down (S-65, S-65 TraX)</i>	1
--	52943GT	NUT,SOLENOID VALVE COIL	
--	62273GT	COIL,GREEN W/ 2 PIN CONNECTOR*	
--	72047GT	SEAL KIT, SOLENOID VALVE	
--	89311GT	SPACER, DUAL COIL SIZE #8	

***This Page Intentionally Left Blank***

Go to [Discount-Equipment.com](http://Discount-Equipment.com) to order your parts

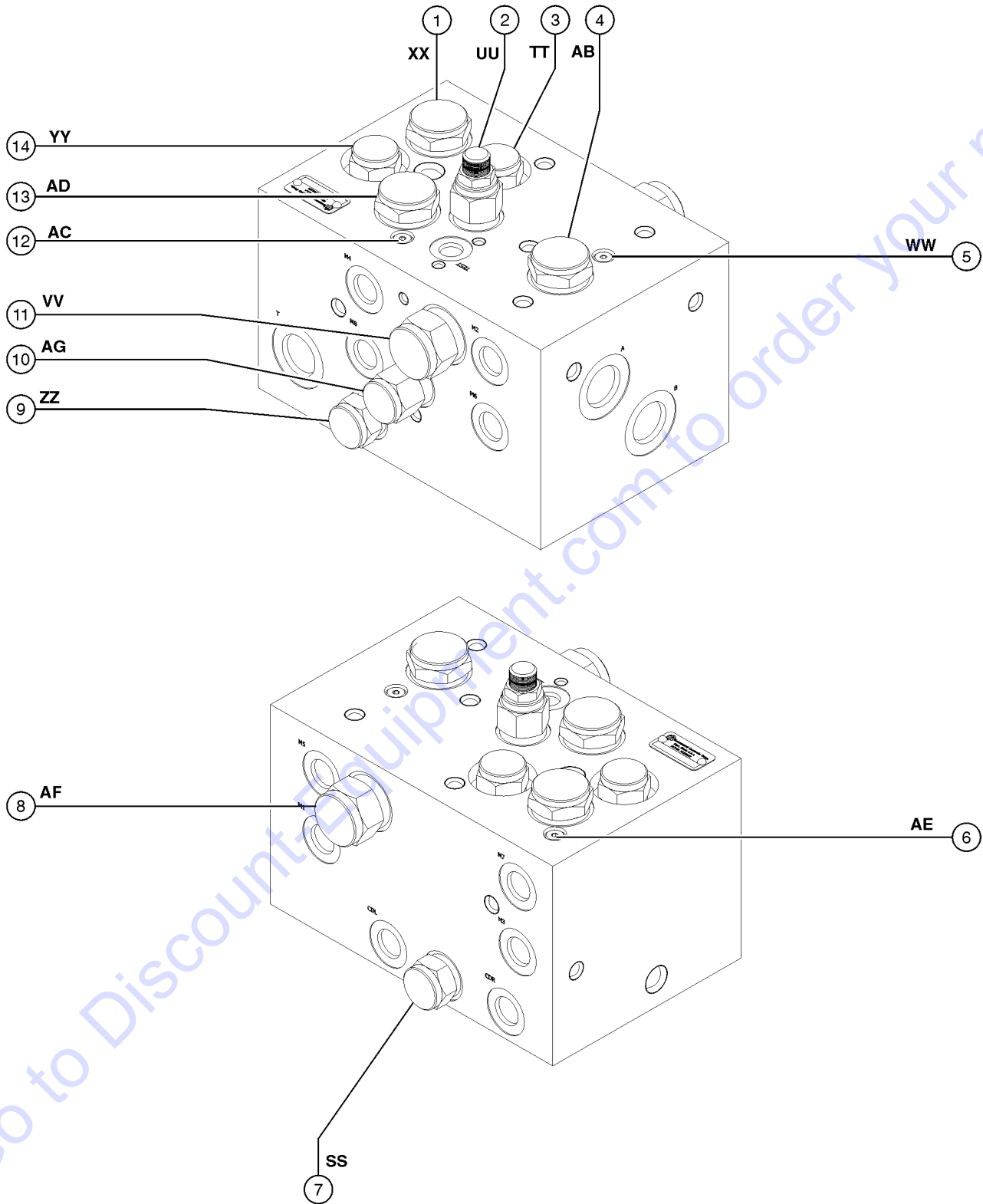
402.1 Traction Manifold, 2WD



## 402.1 Traction Manifold, 2WD

Item	Part No.	Description	Qty.
--	88783GT	MANIFOLD, TRACTION, 2WD	
1	94758GT	VALVE, RELIEF, 280 PSI.....1 <i>Charge Pressure circuit</i>	
--	110194GT	SEAL KIT, VALVE, #10	
2	52726GT	VALVE, FLOW DIVIDER/COMBINER.....1 <i>Controls flow to drive motors in forward and reverse</i>	
--	84135GT	SEAL KIT, VALVE	
3	27836GT	VALVE, CHECK, 5 PSI.....1 <i>Drive circuit</i>	
--	110194GT	SEAL KIT, VALVE, #10	
4	27836GT	VALVE, CHECK, 5 PSI.....1 <i>Drive circuit</i>	
--	110194GT	SEAL KIT, VALVE, #10	
5	27761GT	VALVE, SHUTTLE.....1 <i>Charge Pressure circuit that directs hot oil out of low pressure side of drive pump</i>	
--	84134GT	SEAL KIT, VALVE	
6	101440GT	ORIFICE PLUG, 0.070".....1 <i>Drive motor circuit</i>	

403.1 Traction Manifold, 4WD

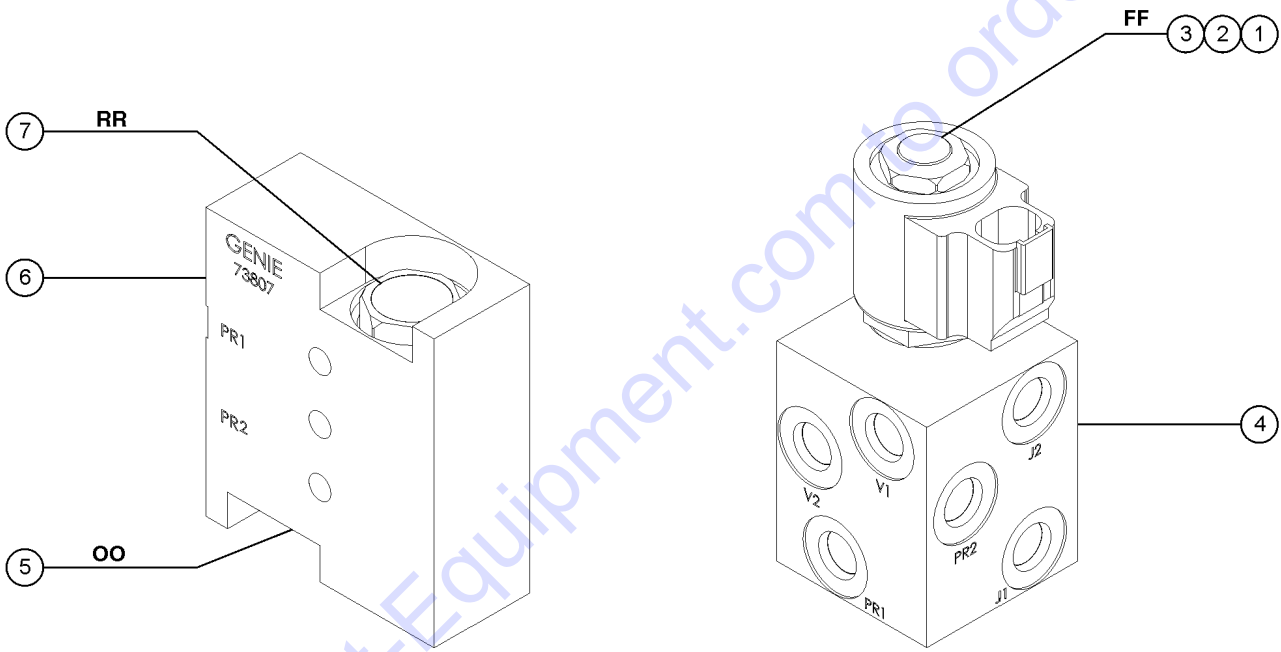


## 403.1 Traction Manifold, 4WD

Item	Part No.	Description	Qty.
--	139712GT	MANIFOLD,TRACTION,4WD***	
1	139717GT	VALVE, FLOW DIVIDE/COMB,24GPM...1 <i>(controls flow to non-steer end drive motors in forward and reverse)</i>	
--	139512GT	SEAL KIT, VALVE	
2	139718GT	VALVE, RELIEF, 280PSI.....1 <i>(charge pressure circuit)</i>	
--	139528GT	SEAL KIT, VALVE	
3	139527GT	VALVE, CHECK, 5PSI.....1 <i>(steer end drive motor circuit)</i>	
4	139508GT	VALVE, FLOW DIVIDE/COMBINE 1:1.....1 <i>(controls flow to flow divider/combiner valves 1 and 13)</i>	
5	139719GT	ORIFICE, 0.040".....1 <i>(equalizes pressure on both sides of flow divider/combiner valve )</i>	
--	1287434GT	PLUG,SAE #03 (139712)	
6	139719GT	ORIFICE, 0.040".....1 <i>(equalizes pressure on both sides of flow divider/combiner valve )</i>	
--	1287434GT	PLUG,SAE #03 (139712)	
7	139527GT	VALVE, CHECK, 5PSI.....1 <i>(non-steer end drive motor circuit)</i>	
8	139716GT	VALVE, CHECK.....1 <i>(non-steer end drive motor circuit)</i>	
--	139727GT	SEAL KIT, VALVE	
9	139527GT	VALVE, CHECK, 5PSI.....1 <i>(steer end drive motor circuit)</i>	
10	139715GT	VALVE, SHUTTLE, FIXED.....1 <i>(steer end drive motor circuit)</i>	
--	139512GT	SEAL KIT, VALVE	
11	139716GT	VALVE, CHECK.....1 <i>(charge pressure circuit that directs hot oil out of low pressure side of drive pump)</i>	
12	139719GT	ORIFICE, 0.040".....1 <i>(equalizes pressure on both sides of flow divider/combiner valve )</i>	
--	1287434GT	PLUG,SAE #03 (139712)	
13	139717GT	VALVE, FLOW DIVIDE/COMB,24GPM...1 <i>(controls flow to steer end drive motors in forward and reverse)</i>	
--	139512GT	SEAL KIT, VALVE	
14	139527GT	VALVE, CHECK, 5PSI.....1 <i>(non-steer end drive motor circuit)</i>	



404.1 Platform Rotate and Jib Rotate Manifold



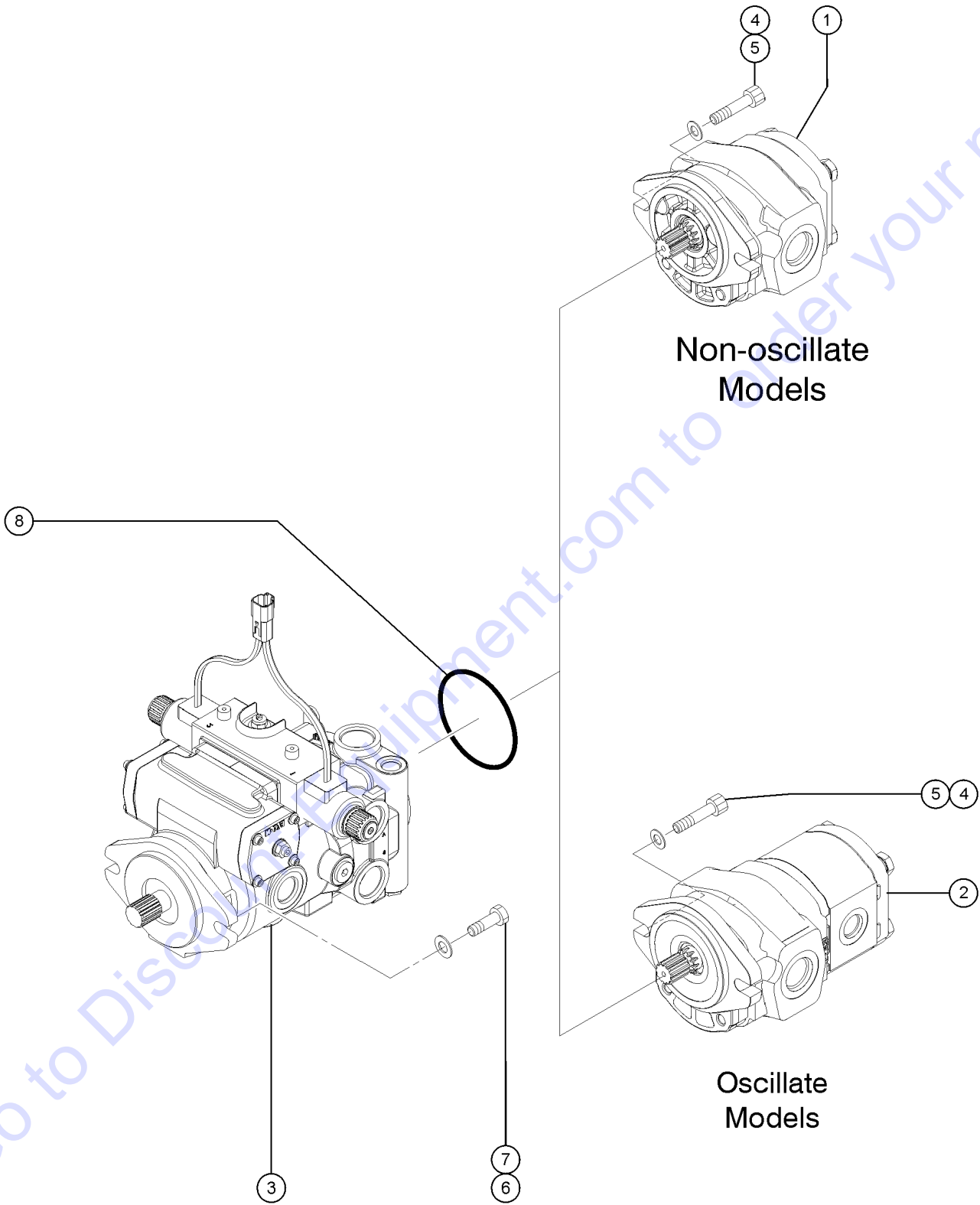
Platform Rotate Manifold

Jib Select Manifold

## 404.1 Platform Rotate and Jib Rotate Manifold

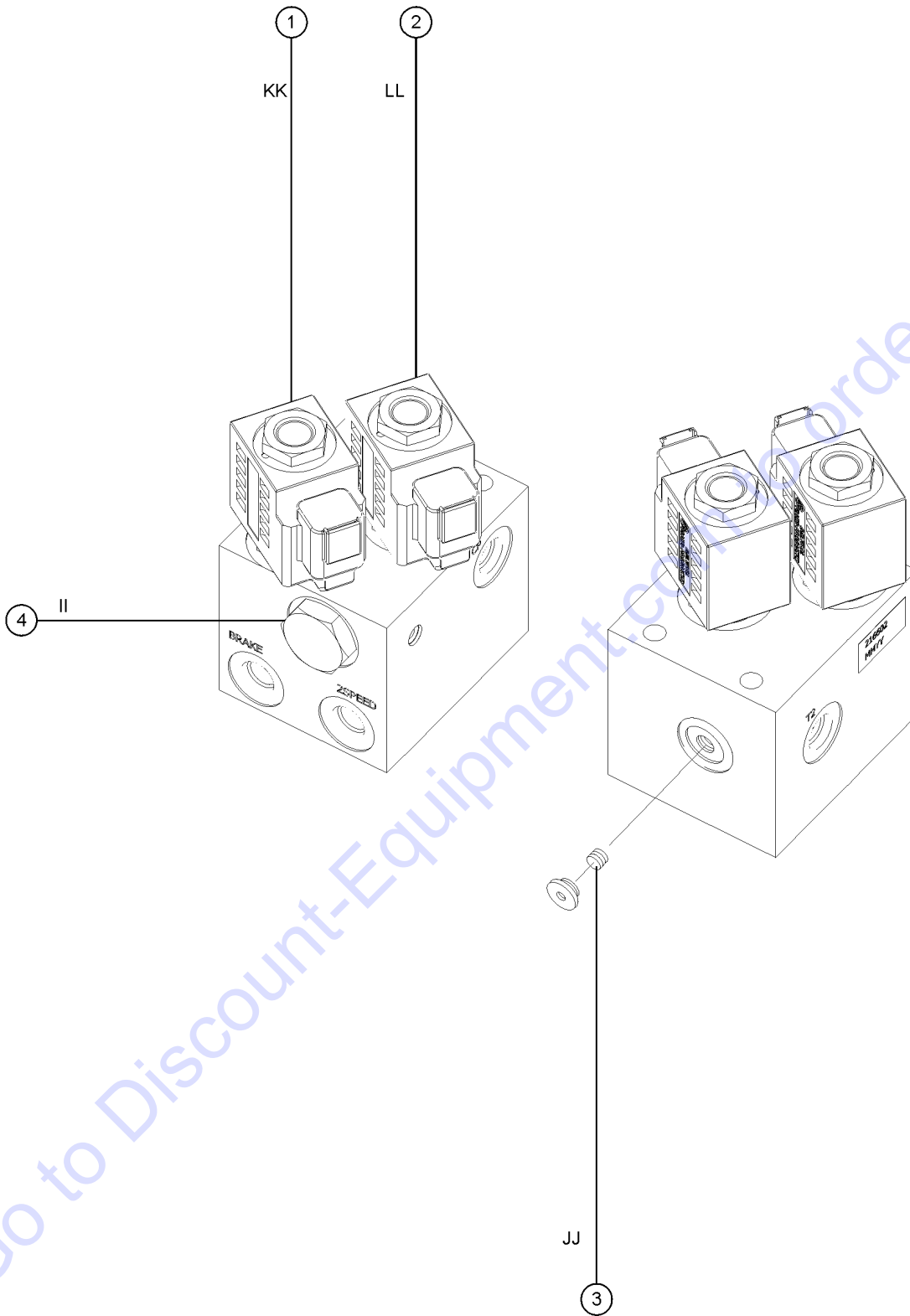
Item	Part No.	Description	Qty.
1	44174GT	NUT-COIL SHORT.....	1
2	52897GT	VALVE,SOLENOID, 2POS/3WAY***.....	1
--	52371GT	SEAL KIT, VALVE.....	1
3	104759GT	COIL,12VDC #8 DTSCH IP69 ECOIL.....	1
4A	1256670GT	MANIFOLD,JIB SELECT W/QD PLUG.... <i>includes items 1-3</i>	1
4B		MANIFOLD,JIB SELECT W/QD PLUG* (88786)..... <i>replaced by 1256670</i>	1
--	89862GT	VALVE-SOLENOID,2POS 3WAY,JIB** ..... <i>Platform rotate/Jib boom select</i>	1
--	89864GT	SEAL KIT,SOLENOID VALVE, SV07	
5	62506GT	VALVE - COUNTERBALANCE**..... <i>Platform rotate left</i>	1
--	43018GT	SEAL KIT (39345)	
6	73807GT	MANIFOLD,ROTATOR,CB***.....	1
--	62507GT	O-RING, ROTATOR MANIFOLD	
7	62506GT	VALVE - COUNTERBALANCE**..... <i>Platform rotate right</i>	1
--	43018GT	SEAL KIT (39345)	

405.1 Pumps



Item	Part No.	Description	Qty.
1	139799GT	PUMP,LIFT,1 SECTION.....	1
--	147550GT	KIT, SEAL, PUMP, 1 SECTION	
2	139801GT	PUMP,LIFT,2 SECTION***.....	1
--	147549GT	KIT, SEAL, PUMP, 2 SECTION	
3	77788GT	PUMP,PISTON,49CC***.....	1
--	101294GT	KIT,CHARGE PUMP	
--	106835GT	CONTROLLER W/O COILS (77788) <i>(first time replacement requires 1285505GT)</i>	
--	106836GT	O-RING,STEM,EATON	
--	106837GT	NUT,STEM,EATON***	
--	107813GT	SPACER,EATON PUMP SHAFT SEAL** <i>check pump date code, for pumps after 031505</i>	
--	107814GT	SEAL,SHAFT,EATON PUMP***	
--	107815GT	SNAP RING,PUMP SHAFT SEAL***	
--	107842GT	KIT,PUMP SHAFT SEAL W/INST*** <i>includes PNs 107813, 107814, 107815</i>	
--	128423GT	KIT,CHARGE PUMP HOUSING	
--	1285505GT	KIT,SOLENOID CONTROL SERVICE	
--	1285506GT	SEAL RING,SOLENOID CONTROL <i>(for 1285505GT)</i>	
--	43683GT	O-RING,2-042 N674-70***	
--	58431GT	SEAL KIT,PUMP SHAFT (EATON)*** <i>check pump date code, if after 031505, must also order 107813 qty 1</i>	
--	82431GT	HOSE ASM-JCAF310-06-41	
4	33988GT	SCREW,SHC,3/8-16 X 1	
5	5397GT	WASHER,FLAT,USS,5/16",Y	
6	8177GT	SCREW,HHC,1/2-13 X 1.5	
7	13066GT	WASHER,FLAT,.5 HARDENED	
8	43683GT	O-RING,2-042 N674-70***.....	1

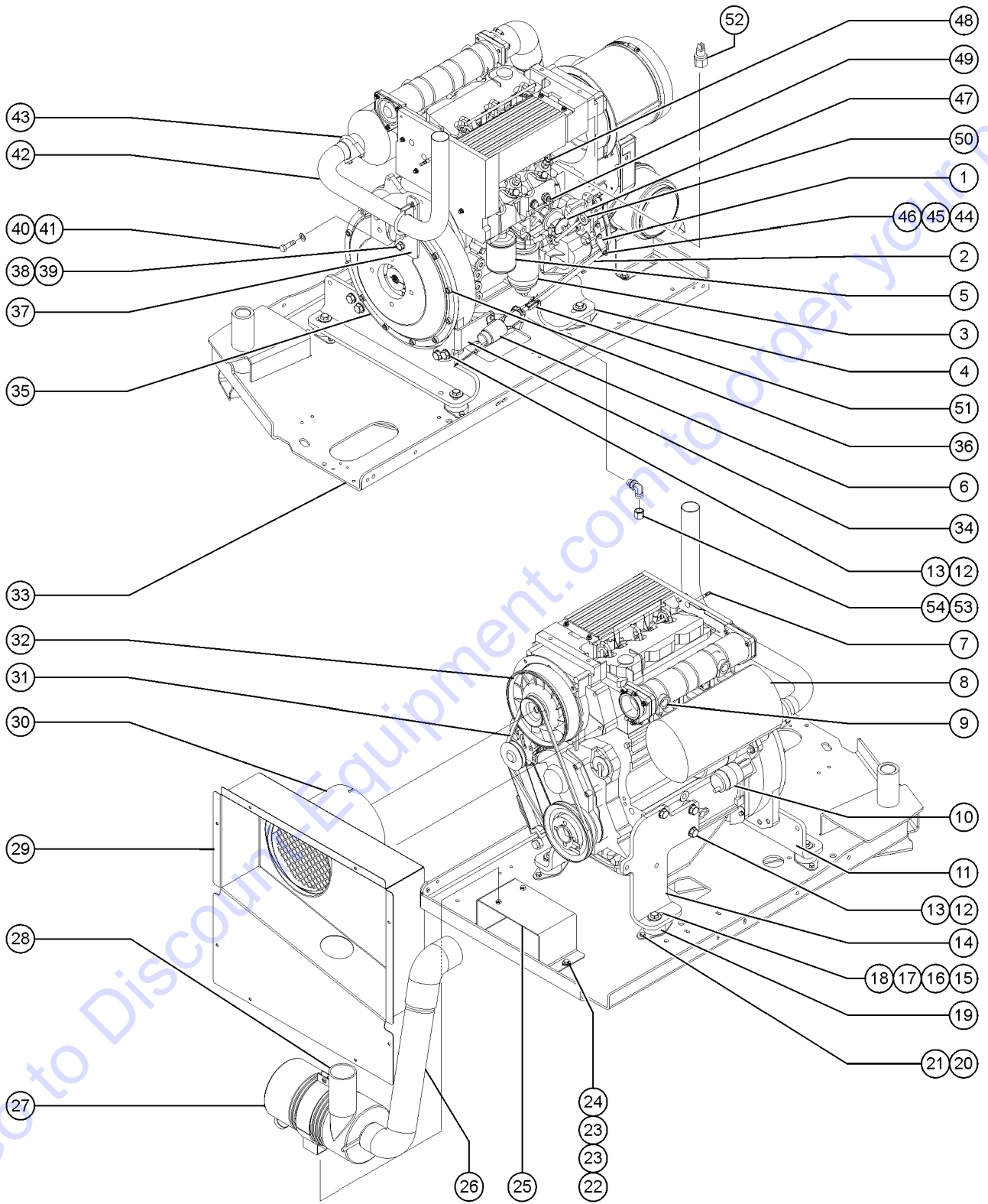
406.1 Brake and 2 Speed Manifold



## 406.1 Brake and 2 Speed Manifold

Item	Part No.	Description	Qty.
--	216602GT	MANIFOLD,BRAKE,2-SPEED.....	1
1	219243GT	COIL, SOLENOID VALVE, 10V..... <i>Brake Release</i>	1
--	161144GT	SEAL KIT,SOLENOID VALVE 219247	
--	219247GT	VALVE, SOLENOID	
--	94759GT	NUT,SOLENOID	
2	219243GT	COIL, SOLENOID VALVE, 10V..... <i>Two Speed Motor Shift</i>	1
--	161144GT	SEAL KIT,SOLENOID VALVE 219247	
--	219247GT	VALVE, SOLENOID	
--	94759GT	NUT,SOLENOID	
3	219245GT	ORIFICE PLUG .025 DIA..... <i>Turntable Rotation Brake Release</i>	1
4	35726GT	VALVE,HYDRAULIC CHECK..... <i>Brake Release Circuit</i>	1
--	161145GT	SEAL KIT,CHECK VALVE 219246	

501.1 Deutz D2011L03i



## 501.1 Deutz D2011L03i

Item	Part No.	Description	Qty.	Item	Part No.	Description	Qty.
--		<i>For internal engine parts, contact engine dealer</i>		13	49411GT	WASHER,FLAT,M14	
--	139622GT	HEAT SHIELD,DEUTZ STARTER		14	70461PGT	FORMING,ENGINE MOUNT,FL PAINT* .....1	
--	T114678GT	SHUTDOWN SOLENOID,12V,DEUTZ....1 <i>(must order cable assembly, 58256, if replacing 32752) (includes o-ring)</i>		15	10598GT	SCREW,HHC,1/2-13 X 3	
--	58256GT	SOLENOID CABLE ASSY***		16	6095GT	WASHER,FLAT,USS,1/2",Y	
--	72255GT	CONNECTOR, DEUTZ FUEL SHUTOFF* <i>(does not include diode, 45782)</i>		17	24040GT	WASHER, 1/2 PLATE (1/2 X 2.25 X 3/16)	
--	45782GT	DIODE,6 AMP,200 PIV,BULK		18	6198GT	NUT,NYLOCK,1/2-13	
1	50787-SGT	LEVER, GOVERNOR ACTUATOR.....1		19	70452GT	ISOLATOR,ENGINE VIBRATION*** .....4	
2	94485GT	THROTTLE LINKAGE,DIESEL *** .....1		20	6175GT	SCREW,HHC,3/8-16 X 1	
3	29560GT	FILTER,FUEL/WTR SEP, DTZ 1008.....1 <i>Genie Genuine Part. See PN 1254826 for compatible aftermarket replacement.</i>		21	6097GT	WASHER,FLAT,USS,3/8",Y	
--	1254826GT	FUEL FILTER W/SEP,DEUTZ,1008.....1 <i>Genie Aftermarket Part. Filter for Deutz F3L 1011F Engine.</i>		22	13002GT	SCREW,HHC,5/16-18 X 1 GR5	
--	58566GT	FILTER HEAD (29560)		23	5397GT	WASHER,FLAT,USS,5/16",Y	
4	70460PGT	FORMING,ENGINE MOUNT,FR PAINT* .....1		24	6782GT	NUT,NYLOCK,5/16-18	
5	49924GT	FILTER,OIL,DEUTZ F4L1011F.....1 <i>Genie Genuine Part. See PN 1255653 for compatible aftermarket replacement.</i>		25	70351PGT	FORMING,AIR CLEANER MOUNT PNTD.....1	
--	1255653GT	FILTER,OIL,DEUTZ,REPLACEMENT.....1 <i>Genie Aftermarket Part. Compatible with Genie Genuine Part 49924.</i>		26	70375GT	HOSE,AIR CLEANER.....1	
6	77402GT	SOLENOID,THROTTLE ACTUATOR DSL.....1		27	63463GT	AIR CLEANER,NELSON*** .....1	
7	147525GT	FITTING,BARBED,STRT,FUEL LINE.....1		--	52866GT	EVACUATOR VALVE-AIR CLEANER	
--	147526GT	FITTING,BARBED,TEE,FUEL LINE <i>(not shown)</i>		--	53952GT	BRKT,AIR CLEANER ORIENTATION**	
--	30490GT	HOSE,1/4 FUEL LINE,SAE 30R7.....127-inches		--	62420GT	FILTER,AIR***	
8A	32695GT	MUFFLER,DEUTZ.....1		28	101006GT	TUBE,AIR CLEANER INLET.....1	
8B	119117GT	MUFFLER,CAT/SPARK,DEUTZ <i>(Option - spark arresst)</i>		--	30971GT	CLAMP,HOSE,3.00".....2	
8C	29559GT	GASKET,EXHAUST.....3 <i>for 119117, 3 required</i>		29	70494PGT	FORMING,DEUTZ AIR INTAKE BAF P...1	
9	31408GT	GLOW PLUG,L1011.....1		30	101140P-SGT	AIR INTAKE TUBE ASSY.....1	
10	139709GT	STARTER, 12V.....1 <i>with solenoid</i>		--	31523GT	CLAMP,HOSE,8.50 DIA***	
--	139621GT	KIT, HEAT GUARD, DEUTZ STARTER <i>(includes sheild 139622 and bolt 139623)</i>		--	33239GT	SHEET,RUBBER,AIR INTAKE	
--	139622GT	HEAT SHIELD,DEUTZ STARTER		31	32698GT	BELT,V, DEUTZ DIESEL ENGINE.....1	
--	139623GT	BOLT, GUARD, DEUTZ STARTER		32	35586GT	ALTERNATOR, DEUTZ F3L10/F4L10*....1	
11	70459PGT	FORMING,REAR ENGINE MOUNT PNT* .....1		33		Ref: Engine Tray <i>refer to 310.1</i>	
12	22558GT	SCREW,HHC,M14 X 40MM,GR 8.8		34A	101129PGT	BRACKET,SOLENOID MOUNT PAINT....1	
				34B	77245PGT	BRACKET,SOLEN.MOUNT BRACE,PNTD.....1 <i>(not shown)</i>	
				35	70381GT	COVER,FLYWHEEL CASTING.....1	
				--	128023GT	KIT,FBA STYLE COUPLER,SAE8	
				36	44064GT	SCREW,HHC,M10 X 30MM,	
				37	70472PGT	FORMING,SOLENOID MOUNT PAINT...1	
				38	10597GT	SCREW,HHC,1/2-13 X 1.25 GR5	
				39	6033GT	WASHER,LOCK,0.5"	
				40	85053GT	SCREW,HHC,M10 X 1.5 X70,GR 8.8.....2	
				41	22699GT	WASHER,FLAT,M10,ZINC PLTD.	
				42	70499GT	EXHAUST PIPE,DEUTZ.....1	
				43	70385GT	CLAMP,EXHAUST,2.00 PLATED.....2	
				44	6584GT	SCREW,SHS,10-24 X .625	



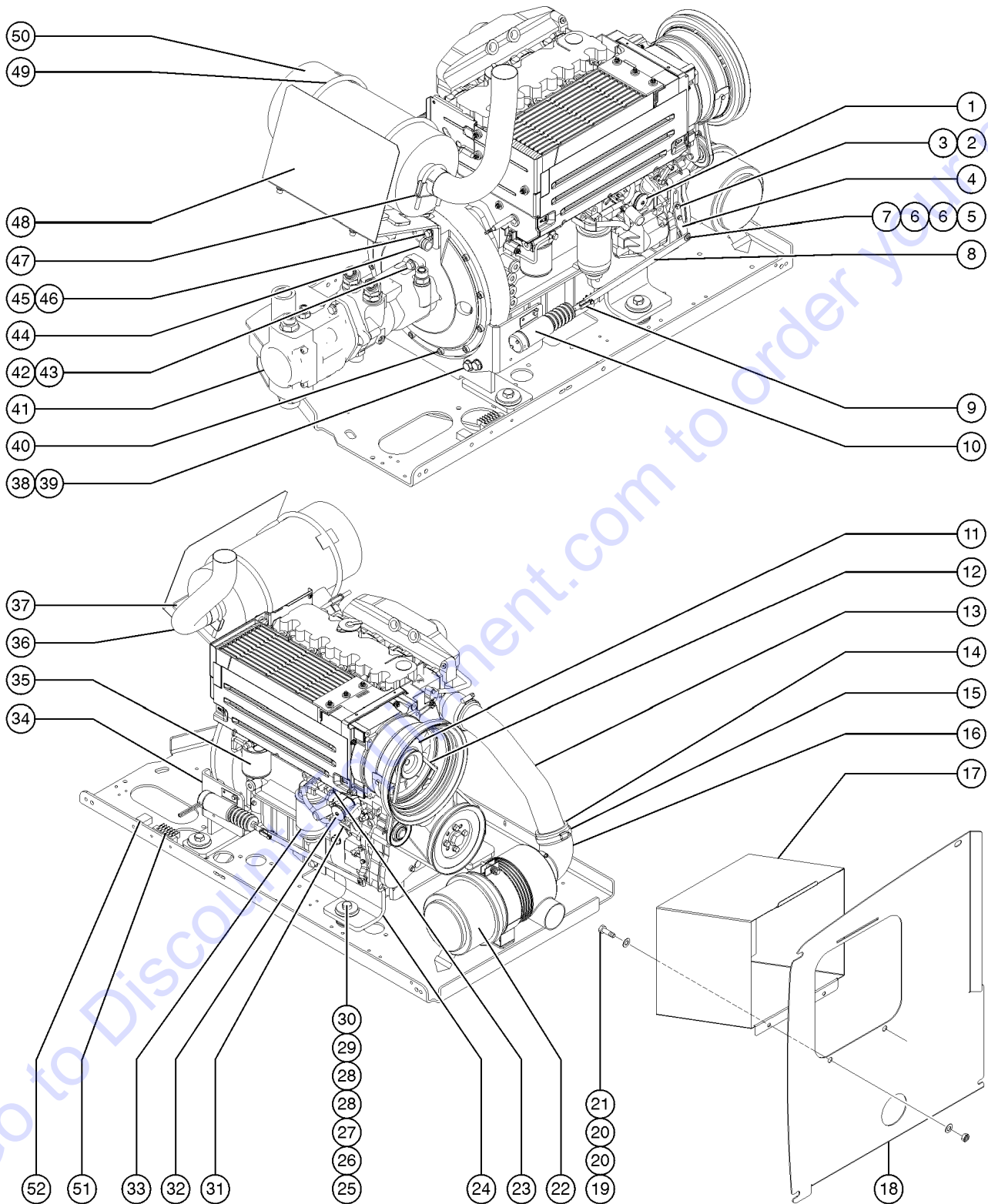
501.1 Deutz D2011L03i  
(continued)

Item	Part No.	Description	Qty.
45	85054GT	WASHER,FLAT,M10	
46	25625GT	NUT,HEX,10-24	
47	111668GT	PUMP,FUEL 2011 DEUTZ ***.....	1
--	119344GT	KIT,PRIMER BULB	
--	27089GT	HOSE,5/16 FUEL,SAE 30R7...116-inches	
48	89792GT	INJECTOR, FUEL(DEUTZ F3L2011F)....	2
--	1288561GT	O-RING,FUEL INJECTOR,DEUTZ (89792) for 89792	
49	139666GT	KIT,OP SWITCH,DEUTZ <i>(oil pressure kit for models with ALC-500 control system. includes item 139624 and instructions)</i>	
--	139624GT	SWITCH, OIL PRESSURE 1.5 BAR.....	1
50	147243GT	DIPSTICK, OIL, D2011.....	1
51	21130GT	CLEVIS YOKE-1/4-28,PLTD W/PIN.....	1
52	111445GT	SENDING UNIT,OIL TEMP SWCH,DTZ.....	1
53	54428GT	FITTING,HYDRAULIC,90DEG,O-RING...1	
54	69775GT	CAP,520112-8.....	1

***This Page Intentionally Left Blank***

Go to [Discount-Equipment.com](http://Discount-Equipment.com) to order your parts

502.1 Deutz TD2011L04i, View 1



## 502.1 Deutz TD2011L04i, View 1

Item	Part No.	Description	Qty.	Item	Part No.	Description	Qty.
--		<i>For internal engine parts, contact engine dealer</i>		--	81468GT	MOUNTING BAND,AIR CLEANER	
--	T114678GT	SHUTDOWN SOLENOID,12V, DEUTZ....1 <i>(includes o-ring)</i>		23	111445GT	SENDING UNIT,OIL TEMP SWCH,DTZ.....1	1
--	58256GT	SOLENOID CABLE ASSY***		24	70455GT	FORMING,ENGINE MOUNT	
--	72255GT	CONNECTOR, DEUTZ FUEL SHUTOFF* <i>(does not include diode, 45782)</i>		25	13003GT	SCREW,HHC,5/8-11 X 3.5 GRD.8	
--	45782GT	DIODE,6 AMP,200 PIV,BULK		26	33418GT	WASHER,FLAT,.625 X 2.25 X.15	
1	111668GT	PUMP,FUEL 2011 DEUTZ ***.....1	1	27	102045GT	ISOLATOR,ENGINE VIBRATION	
--	111402GT	O-RING, FUEL LIFT PUMP		28	18596GT	WASHER,FLAT,1.56 X 2.5 X .061	
--	27089GT	HOSE,5/16 FUEL,SAE 30R7		29	13064GT	WASHER,FLAT,.625 HARDENED	
--	30490GT	HOSE,1/4 FUEL LINE,SAE 30R7		30	6024GT	NUT,NYLOCK,5/8-11	
2	22578GT	SCREW,HHC,M6 X 20MM,GR8.8		31	52352GT	DIPSTICK-F3L1011F (DEUTZ).....1	1
3	49407GT	WASHER,LOCK,M6		32	58299GT	SENDING UNIT,OIL PRESS.,DEUTZ*....1	1
4	50787-SGT	LEVER, GOVERNOR ACTUATOR.....1	1	33	29560GT	FILTER,FUEL/WTR SEP, DTZ 1008.....1 <i>Genie Genuine Part. See PN 1254826 for compatible aftermarket replacement.</i>	1
5	6584GT	SCREW,SHS,10-24 X .625.....1	1	--	1254826GT	FUEL FILTER W/SEP,DEUTZ,1008.....1 <i>Genie Aftermarket Part. Filter for Deutz F3L 1011F Engine.</i>	1
6	6638GT	WASHER,FLAT,USS,1/4"Y.....2	2	34	139321GT	FORMING, SOLENOID MOUNT***.....1	1
7	5365GT	NUT,NYLOCK,10-24.....1	1	35	49924GT	FILTER,OIL,DEUTZ F4L1011F.....1 <i>Genie Genuine Part. See PN 1255653 for compatible aftermarket replacement.</i>	1
8	139322GT	THROTTLE LINKAGE, DSL.....1	1	--	1255653GT	FILTER,OIL,DEUTZ,REPLACEMENT....1 <i>Genie Aftermarket Part. Compatible with Genie Genuine Part 49924.</i>	1
9	21130GT	CLEVIS YOKE-1/4-28,PLTD W/PIN.....1 <i>includes clevis pin and cotter pin</i>	1	36	70465GT	TAILPIPE,DEUTZ BF4L2011.....1	1
10	77402GT	SOLENOID,THROTTLE ACTUATOR DSL.....1	1	37	70448PGT	FORMING,MUFFLER MOUNT.....1	1
11	58249GT	ALTERNATOR, DEUTZ,BF4L2011***.....1	1	38	22558GT	SCREW,HHC,M14 X 40MM,GR 8.8	
--	1280590GT	PULLEY,ALTERNATOR,DEUTZ BF4L2011 <i>for 58249</i>		39	49411GT	WASHER,FLAT,M14	
--	1280591GT	SPACER,ALT PULLEY,DEUTZ BF4L2011 <i>for 58249</i>		40	61110GT	SCREW,SHC,M10X1.5X30 GR 12.9	
12	58630GT	V-BELT, DEUTZ TD2011LOAI.....1	1	41		Ref: Pumps <i>refer to section 405.1</i>	
13	102227GT	TUBE,AIR INTAKE.....1	1	42	8177GT	SCREW,HHC,1/2-13 X 1.5	
14	88064GT	REDUCER,3" TO 2.75".....1	1	43	13066GT	WASHER,FLAT,5 HARDENED	
15	30489GT	CLAMP,HOSE,3.50.....4	4	44	60838GT	CLAMP,1.00,#16 X 7/16,RUB CUSH.....1	1
16	139455GT	ELBOW,AIR INTAKE,RUBBER		45	85053GT	SCREW,HHC,M10 X 1.5 X70,GR 8.8	
17	128896GT	WELDMENT, AIR INTAKE BOX.....1	1	46	22699GT	WASHER,FLAT,M10,ZINC PLTD.	
18	110183PGT	BAFFLE,AIR INTAKE S60 PAINTED.....1	1	47	71911GT	CLAMP,MUFFLER, 2.50 INCH.....2	2
19	6175GT	SCREW,HHC,3/8-16 X 1		48	102237GT	FORMING,HEAT SHIELD,MUFFLER***.....1	1
20	5397GT	WASHER,FLAT,USS,5/16",Y		49	70449GT	U-BOLT,1/2-13 X 8.5.....2	2
21	4828GT	NUT,NYLOCK,3/8-16		50A	70444GT	MUFFLER,2.5"INLET/OUTLET.....1	1
22	81467GT	AIR CLEANER,NELSON.....1	1	50B	119117GT	MUFFLER,CAT/SPARK,DEUTZ <i>spark arrest option</i>	
--	52866GT	EVACUATOR VALVE-AIR CLEANER <i>for 81467</i>		50C	29559GT	GASKET,EXHAUST.....3 <i>for 119117, 3 required</i>	3
--	62425GT	FILTER,AIR CLEANER,SUPERBOOM <i>for 81467</i>		51	89997GT	RELAY MODULE(89996,89998).....1	1
--	75450GT	AIR CLEANER CLIPS, SUPERBOOM <i>for 81467</i>					
--	75451GT	AIR CLEANER COVER, SUPERBOOM* <i>for 81467</i>					

502.1 Deutz TD2011L04i, View 1  
(continued)

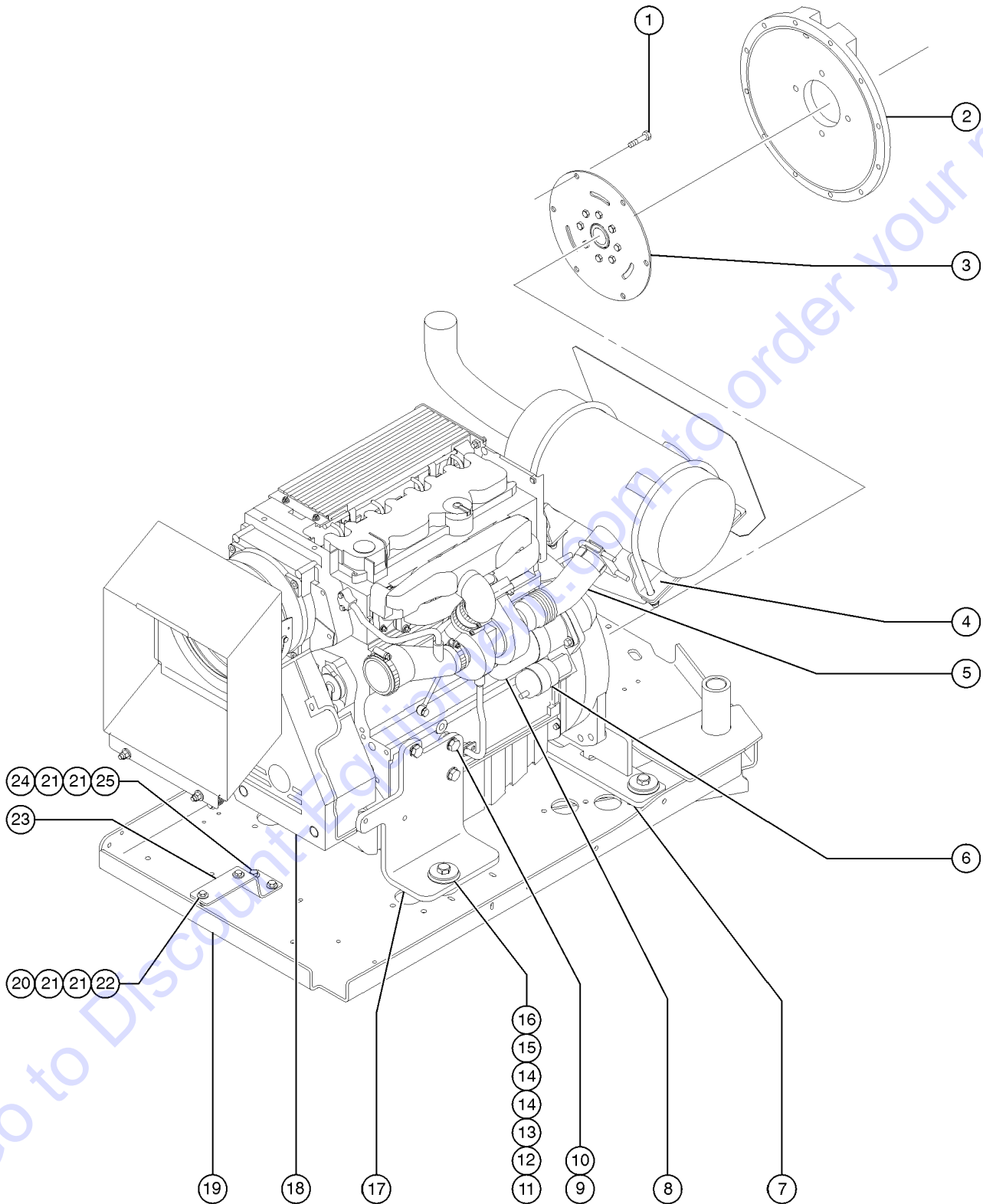
Item	Part No.	Description	Qty.
52	128829GT	CIRCUIT BRKR 15A TYPE 2 METAL.....1	

Go to Discount-Equipment.com to order your parts

***This Page Intentionally Left Blank***

Go to [Discount-Equipment.com](http://Discount-Equipment.com) to order your parts

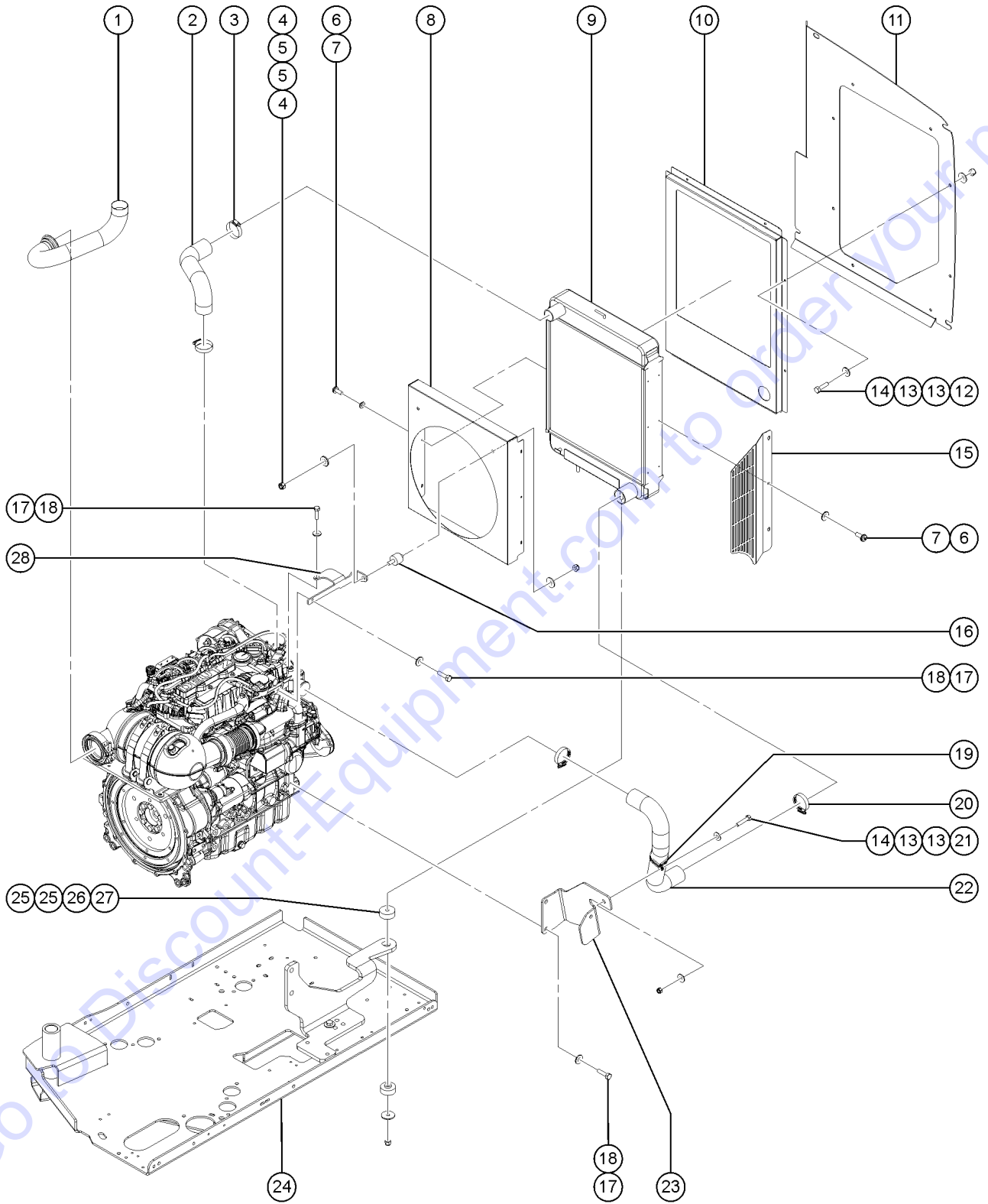
503.1 Deutz TD2011L04i, View 2



Item	Part No.	Description	Qty.
--		<i>For internal engine parts, contact engine dealer</i>	
--	102581GT	PUMP,FUEL INJ,DEUTZ BF4L20 <i>class A injection pump; provide SN of engine to service to get correct injection pump (A, B, C, D)</i>	
--	T108732GT	PUMP,FUEL INJ,DEUTZ BF4L20 <i>class B injection pump; provide SN of engine to service to get correct injection pump (A, B, C, D)</i>	
--	T108733GT	PUMP,FUEL INJ,DEUTZ BF4L20 <i>class C injection pump; provide SN of engine to service to get correct injection pump (A, B, C, D)</i>	
--	T108734GT	PUMP,FUEL INJ,DEUTZ BF4L20 <i>class D injection pump; provide SN of engine to service to get correct injection pump (A, B, C, D)</i>	
1	62476GT	SCREW,SHC,M10X1.5X20MM (75090)	
2	70381GT	COVER,FLYWHEEL CASTING.....1	
3	128004GT	COUPLER,15 TOOTH,FBA,SAE8***	
4	70483GT	FORMING,8.5' MUFFLER MOUNT.....1	
5	70445GT	FLEX PIPE,EXHAUST,2.5" DIA.....1	
5B	139983GT	EXHAUST PIPE GASKET	
5B	71911GT	CLAMP,MUFFLER, 2.50 INCH	
6	49915GT	SOLENOID-STARTR DEUTZF4L1011F*.....1	
7	70456GT	WELDMENT,REAR ENGINE MOUNT.....1	
8	139709GT	STARTER, 12V.....1	
9	22558GT	SCREW,HHC,M14 X 40MM,GR 8.8	
10	49411GT	WASHER,FLAT,M14	
11	13003GT	SCREW,HHC,5/8-11 X 3.5 GRD.8.....4	
12	33418GT	WASHER,FLAT,.625 X 2.25 X.15	
13	102045GT	ISOLATOR,ENGINE VIBRATION.....4	
14	18596GT	WASHER,FLAT,1.56 X 2.5 X .061	
15	13064GT	WASHER,FLAT,.625 HARDENED.....4	
16	6024GT	NUT,NYLOCK,5/8-11	
17	70454PGT	FORMING,ENGINE MOUNT PAINTED...1	
18	146061GT	V-BELT GUARD, DEUTZ 2011.....1	
19		Ref: Engine Tray with Bearing <i>refer to section 310.1</i>	
20	13002GT	SCREW,HHC,5/16-18 X 1 GR5	
21	5397GT	WASHER,FLAT,USS,5/16",Y	
22	6782GT	NUT,NYLOCK,5/16-18	
23	102209PGT	FORMING,AIR CLEANER MOUNT PNTD.....1	
24	6019GT	SCREW,HHC,3/8-16 X 1.25 GRD 5	
25	4828GT	NUT,NYLOCK,3/8-16	

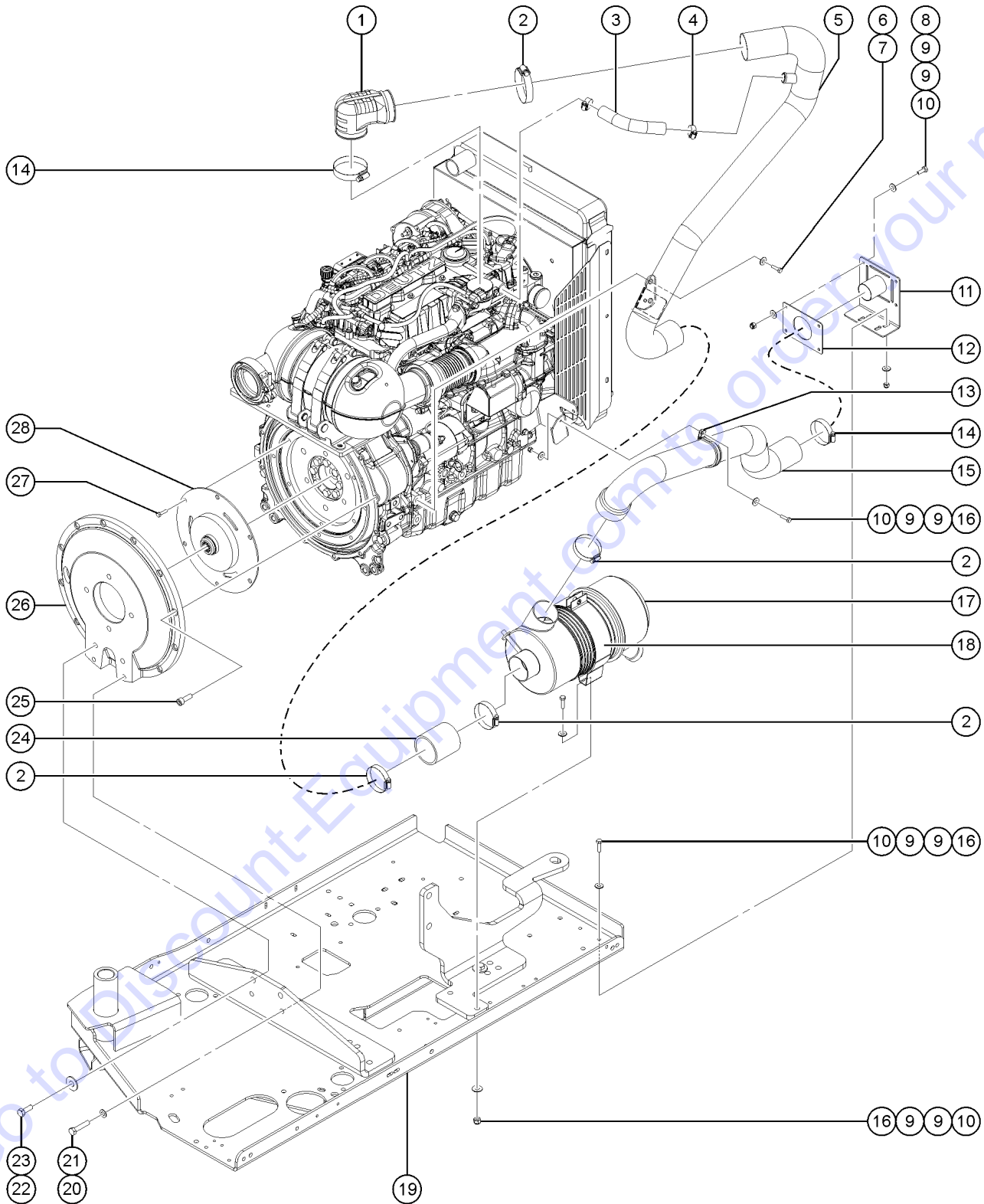


504.1 Deutz D2.9L4, View 1



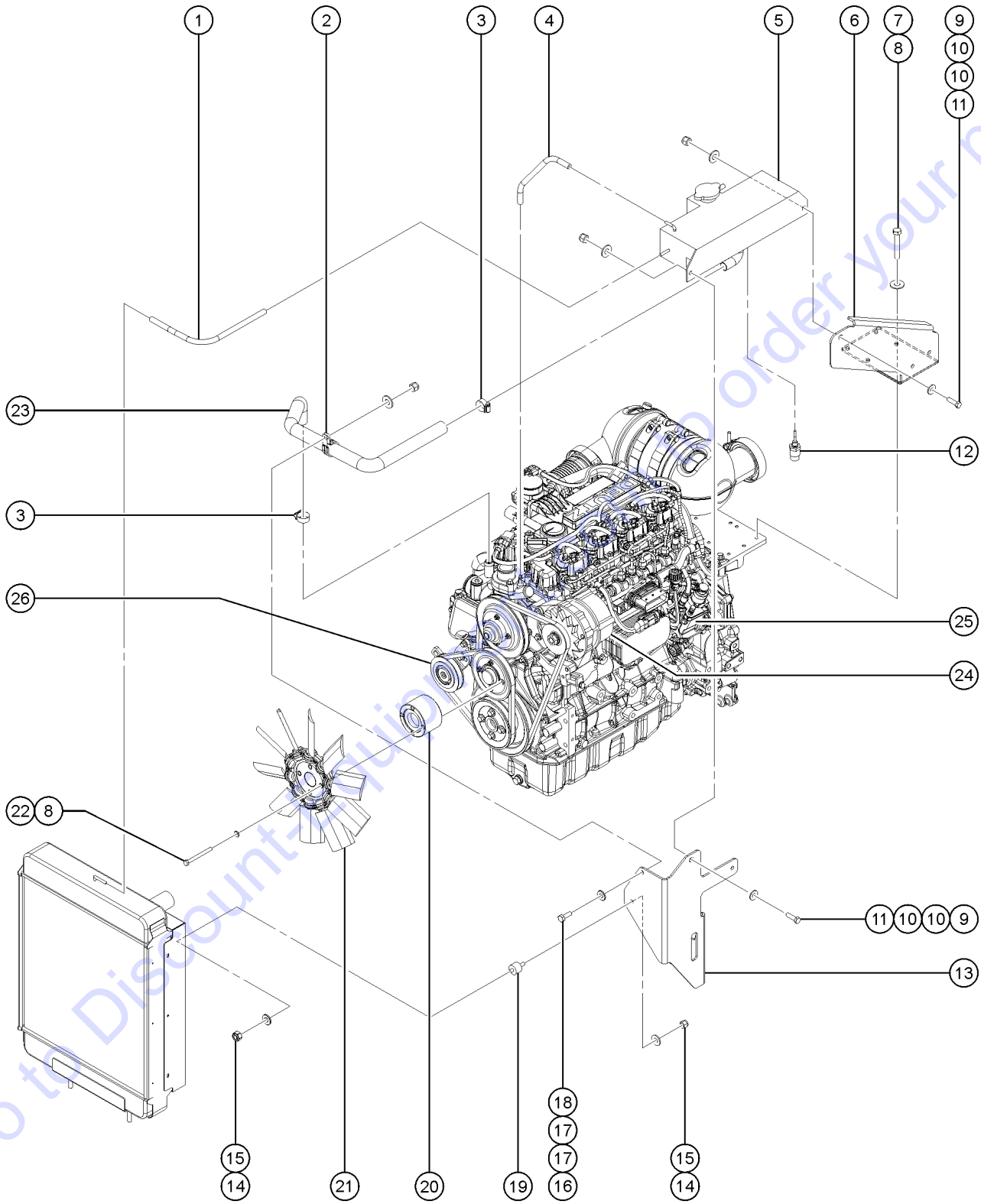
Item	Part No.	Description	Qty.
--		<i>For internal engine parts, contact engine dealer</i>	
--	237188GT	ENGINE KIT, DEUTZ D2.9L4	
--	1254594GT	STARTER,3.2KW,DEUTZ D2.9 <i>no sub-components available</i>	
--	1257838GT	HARNESS,INJECTOR,DEUTZ D2.9.....1	
--	1259899GT	HARNESS, ENGINE, DEUTZ TD2.9.....1	
--	1262876GT	THERMOSTAT,DEUTZ.....1	
--	49924GT	FILTER,OIL,DEUTZ F4L1011F.....1 <i>Genie Genuine Part. See PN 1255653 for compatible aftermarket replacement.</i>	
--	1255653GT	FILTER,OIL,DEUTZ,REPLACEMENT.....1 <i>Genie Aftermarket Part. Compatible with Genie Genuine Part 49924.</i>	
--	1277974GT	PINS,CONNECTOR,INJ HARNESS,D2.9	
1	824708GT	WELDMENT,TAILPIPE,S60,D2.9.....1	
2	237193GT	HOSE,UPPER RADIATOR,DEUTZ D2.9.....1	
3	22672GT	CLAMP,HOSE,1.75.....2	
4	6782GT	NUT,NYLOCK,5/16-18	
5	5397GT	WASHER,FLAT,USS,5/16",Y	
6	21019GT	SCREW,PHIL,PHM,10-24 X.5,SEMS	
7	6146GT	WASHER,FLAT,MS,#10,Y	
8	237192GT	FAN SHROUD,DEUTZ D2.9.....1	
9	214685GT	RADIATOR, CAPLESS, DEUTZ D 2.9.....1	
10	215581GT	BAFFLE, DEUTZ D2.9 ENGINE.....1	
11	214681GT	BAFFLE, DEUTZ D2.9 ENGINE.....1	
12	6090GT	SCREW,HHC,1/4-20 X .75	
13	6638GT	WASHER,FLAT,USS,1/4"Y	
14	6091GT	NUT,NYLOCK,1/4-20	
15	215476GT	FORMING,FAN GUARD, DEUTZ D2.9....1	
16	219437GT	ISOLATOR, VIBRATION.....1	
17	49378GT	SCREW,HHC,M8 X 16	
18	33277GT	WASHER,FLAT,M8, YELLOW ZINC	
19	87188GT	CLAMP,2.38,#38 X 3/8 RUB CUSH.....1	
20	35434GT	CLAMP,HOSE,2.00***.....2	
21	6888GT	SCREW,HHC,1/4-20 X 1	
22	237194GT	HOSE,LOWER RADIATOR,DEUTZ D2.9.....1	
23	215442GT	FORMING,HOSE BRACKET.....1	
24		Ref. Engine Tray <i>refer to 310.1</i>	
25	24038GT	SHOCK MOUNT,SMALL.....2	
26	15086GT	WASHER,FLAT,.375 X 1.5 X .125.....2	
27	48425GT	NUT,FLG-LRG,3/8-16,YZ.....2	
28	214237GT	FORMING,RAD BRACE,DEUTZ D2.9.....1	

505.1 Deutz D2.9L4, View 2



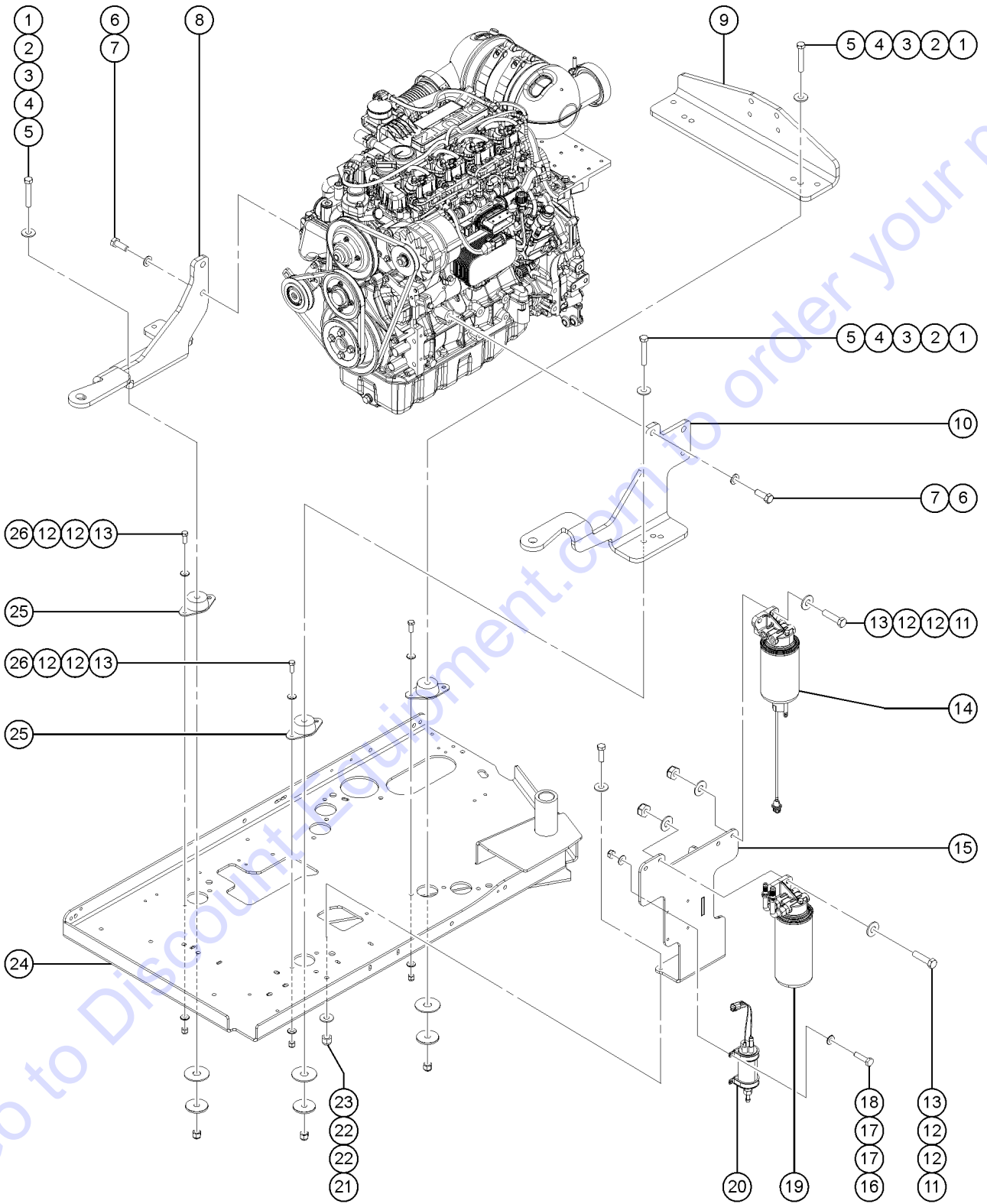
Item	Part No.	Description	Qty.
--		<i>For internal engine parts, contact engine dealer</i>	
1	214686GT	AIR INTAKE ELBOW,90 DEGREE.....1	1
2	45435GT	CLAMP,HOSE,2.50**** .....4	4
3	1255894GT	HOSE,PCV,DEUTZ D2.9.....1	1
4	30348GT	CLAMP,HOSE,1.00.....2	2
5	214640GT	WELDMENT,AIR PIPE.....1	1
6	30496GT	SCREW,HHC,M14 X 25MM,GRD 8.8....2	2
7	49411GT	WASHER,FLAT,M14	
8	6090GT	SCREW,HHC,1/4-20 X .75	
9	6638GT	WASHER,FLAT,USS,1/4"Y	
10	6091GT	NUT,NYLOCK,1/4-20	
11A	215811GT	WDMT,INTAKE ADAPTER.....1 <i>to SN 27179</i>	1
11B	1253991GT	WDMT,INTAKE ADAPTER.....1 <i>from SN 27180</i>	1
12A	215809GT	SHEET,AIR SEAL BACKING.....1 <i>to SN 27179</i>	1
12B	1253990GT	SHEET,AIR SEAL BACKING.....1 <i>from SN 27180</i>	1
13	101626GT	CLAMP,2.5,#40 X 1/4,RUB CUSH.....1	1
14	35434GT	CLAMP,HOSE,2.00*** .....2	2
15	237195GT	HOSE, RAW AIR, DEUTZ D2.9.....1	1
16	6888GT	SCREW,HHC,1/4-20 X 1	
17	63463GT	AIR CLEANER,NELSON***.....1 <i>plastic housing, for metal housing see PN 27915</i>	1
--	52866GT	EVACUATOR VALVE-AIR CLEANER	
--	58415GT	CLIP,AIR CLEANER END CAP***	
--	62420GT	FILTER,AIR***	
--	65810GT	BAFFLE, AIR CLEANER (27915)**	
18	53952GT	BRKT,AIR CLEANER ORIENTATION**.....1	1
19		Ref. Engine Tray <i>refer to 310.1</i>	
20	67631GT	SCREW,HHC,M10 X 80 GR 8.8.....2	2
21	22699GT	WASHER,FLAT,M10,ZINC PLTD.....2	2
22	54177GT	SCREW,HHC,1/2-13 X 1.5 GRD 8.....2	2
23	6095GT	WASHER,FLAT,USS,1/2",Y	
24	34162-300GT	HOSE,AIR INTAKE 2.50" ID.....1	1
25	61110GT	SCREW,SHC,M10X1.5X30 GR 12.9....10	10
26	70381GT	COVER,FLYWHEEL CASTING.....1	1
27	49388GT	SCREW,HHC,M10 X 1.5 X 16.....1	1
28	128004GT	COUPLER,15 TOOTH,FBA,SAE8***.....1	1

506.1 Deutz D2.9L4, View 3



Item	Part No.	Description	Qty.
--		<i>For internal engine parts, contact engine dealer</i>	
--	237188GT	ENGINE KIT, DEUTZ D2.9L4	
1	823523GT	HOSE,RADIATOR VENT,DEUTZ D2.9....1	
2	119394GT	CLAMP,1.38,#212X3/8,RUB CUSH.....1	
3	30348GT	CLAMP,HOSE,1.00.....2	
4	823524GT	HOSE,ENGINE VENT,DEUTZ D2.9.....1	
5	161938GT	EXPANSION TANK,METAL,D2.9.....1	
5B	1274900GT	SIGHT GLASS <i>for 161938</i>	
5C	1254823GT	CAP,RADIATOR,PERKINS(94232) <i>for 161938</i>	
6	1255692GT	FORMING,EXPANSION TANK SUPT.....1	
7	49378GT	SCREW,HHC,M8 X 16	
8	33277GT	WASHER,FLAT,M8,YELLOW ZINC	
9	6019GT	SCREW,HHC,3/8-16 X 1.25 GRD 5	
10	6097GT	WASHER,FLAT,USS,3/8",Y	
11	4828GT	NUT,NYLOCK,3/8-16	
12	218715GT	SENSOR,COOLANT LEVEL, DEUTZ.....1	
13	214934GT	FORMING,RAD EXPSN TANK SUPT.....1	
14	6782GT	NUT,NYLOCK,5/16-18	
15	5397GT	WASHER,FLAT,USS,5/16",Y	
16	6090GT	SCREW,HHC,1/4-20 X .75	
17	6638GT	WASHER,FLAT,USS,1/4"Y	
18	6091GT	NUT,NYLOCK,1/4-20	
19	219437GT	ISOLATOR, VIBRATION.....1	
20	214683GT	FAN SPACER,DEUTZ D 2.9.....1	
21	214682GT	FAN, 10 BLADE, 15".....1	
22	162282GT	SCREW,HHC,M8 X 85 X 1.25,GR8.8....4	
23	1251731GT	HOSE,EXPANSION TANK,D2.9.....1	
24	236251GT	ALTERNATOR,95 AMP,DEUTZ.....1	
25	1279653GT	PUMP,FUEL,HI PRESS,DEUTZ TD2.9....1	
26	1279631GT	PULLEY,BELT TENSIONER,D2.9L4.....1	

507.1 Deutz D2.9L4, View 4



Item	Part No.	Description	Qty.
--		<i>For internal engine parts, contact engine dealer</i>	
1	10598GT	SCREW,HHC,1/2-13 X 3	
2	6095GT	WASHER,FLAT,USS,1/2",Y	
3	101729GT	WASHER,VIBRATION ISOLATING.....4	
4	24040GT	WASHER, 1/2 PLATE (1/2 X 2.25 X 3/16).....4	
5	6198GT	NUT,NYLOCK,1/2-13	
6	22558GT	SCREW,HHC,M14 X 40MM,GR 8.8.....5	
7	49411GT	WASHER,FLAT,M14	
8	237190GT	FORMING, RIGHT ENGINE MOUNT.....1	
9	237191GT	FORMING, REAR ENGINE MOUNT.....1	
10	237189GT	FORMING, LEFT ENGINE MOUNT.....1	
11	8516GT	SCREW, HCC, 3/8-16 X 1.50	
12	6097GT	WASHER,FLAT,USS,3/8",Y	
13	4828GT	NUT,NYLOCK,3/8-16	
14	1261239GT	ASSY,FUEL PREFILTER,DEUTZ 2.9.....1	
--	074501.0291GT	SENSOR	
--	162207GT	FITTING,ELBOW,8GS-8FJX90S.....2	
--	162209GT	FITTING,CONN,16MM-8MJ.....2	
--	236260GT	PRE-FILTER,FUEL,DEUTZ TCD3.6	
15	1257961GT	WELDMENT, FUEL FILTER BRACKET.....1	
16	29752GT	SCREW,HHC,10-24 X .75	
17	6146GT	WASHER,FLAT,MS,#10,Y	
18	5365GT	NUT,NYLOCK,10-24	
19	214228GT	FILTER, DEUTZ 2.9, FUEL.....1	
--	162206GT	FITTING,ELBOW,6GS-6FJX90S.....1	
--	162207GT	FITTING,ELBOW,8GS-8FJX90S.....1	
--	162208GT	FITTING,CONN,16MM-6MJ.....1	
--	162209GT	FITTING,CONN,16MM-8MJ.....1	
19A	1256482GT	KIT,MED PRES FUEL SUPPLY,D2.9	
20	236259GT	LIFT PUMP,FUEL,DEUTZ.....2	
21	6091GT	NUT,NYLOCK,1/4-20	
22	6638GT	WASHER,FLAT,USS,1/4"Y	
23	6888GT	SCREW,HHC,1/4-20 X 1	
24		Ref: Engine Tray <i>refer to 310.1</i>	
25	70452GT	ISOLATOR,ENGINE VIBRATION*** .....4	
26	6175GT	SCREW,HHC,3/8-16 X 1	



# PARTS FINDER

**Search Website  
by Part Number**



**Search Manual  
Library For Parts  
Manual & Lookup Part  
Numbers – Purchase  
or Request Quote**

**Search Manuals**

Enter your information to help us find the right parts manual for your machine.

\* Brand:

\* Model:

\* Serial:

\* Part Number:

SEARCH

**Can't Find Part or  
Manual? Request Help  
by Manufacturer,  
Model & Description**

**Parts Order Form**

Please fill in the following information to help us find the right part for your machine.

Manufacturer:	<input type="text"/>
Model:	<input type="text"/>
Description:	<input type="text"/>
Part Number:	<input type="text"/>
Quantity:	<input type="text"/>
Notes:	<input type="text"/>

Discount-Equipment.com is your online resource for quality parts & equipment.

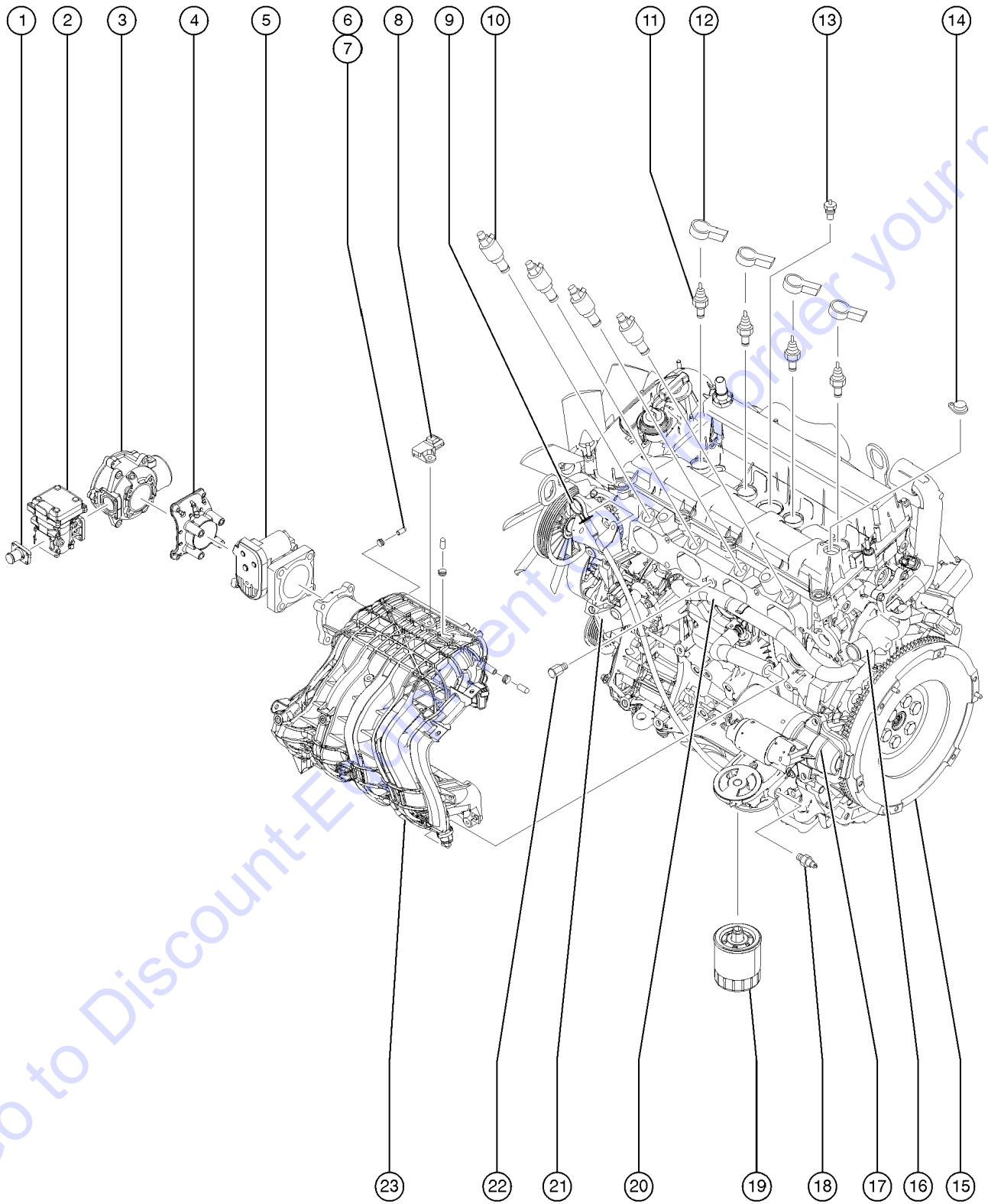
Florida: **561-964-4949** Outside Florida TOLL FREE: **877-690-3101**

**Need parts?**

Click on this link: <http://www.discount-equipment.com/category/5443-parts/> and choose one of the options to help get the right parts and equipment you are looking for. Please have the machine model and serial number available in order to help us get you the correct parts. If you don't find the part on the website or on one of the online manuals, please fill out the request form and one of our experienced staff members will get back to you with a quote for the right part that your machine needs.

We sell worldwide for the brands: Genie, Terex, JLG, MultiQuip, Mikasa, Essick, Whiteman, Mayco, Toro Stone, Diamond Products, Generac Magnum, Airman, Haulotte, Barreto, Power Blanket, Nifty Lift, Atlas Copco, Chicago Pneumatic, Allmand, Miller Curber, Skyjack, Lull, Skytrak, Tsurumi, Husquvarna Target, Stow, Wacker, Sakai, Mi-T-M, Sullair, Basic, Dynapac, MBW, Weber, Bartell, Bennar Newman, Haulotte, Ditch Runner, Menegotti, Morrison, Contec, Buddy, Crown, Edco, Wyco, Bomag, Laymor, EZ Trench, Bil-Jax, F.S. Curtis, Gehl Pavers, Heli, Honda, ICS/PowerGrit, IHI, Partner, Imer, Clipper, MMD, Koshin, Rice, CH&E, General Equipment, Amida, Coleman, NAC, Gradall, Square Shooter, Kent, Stanley, Tamco, Toku, Hatz, Kohler, Robin, Wisconsin, Northrock, Oztec, Toker TK, Rol-Air, APT, Wylie, Ingersoll Rand / Doosan, Innovatech, Con X, Ammann, Mecalac, Makinex, Smith Surface Prep, Small Line, Wanco, Yanmar

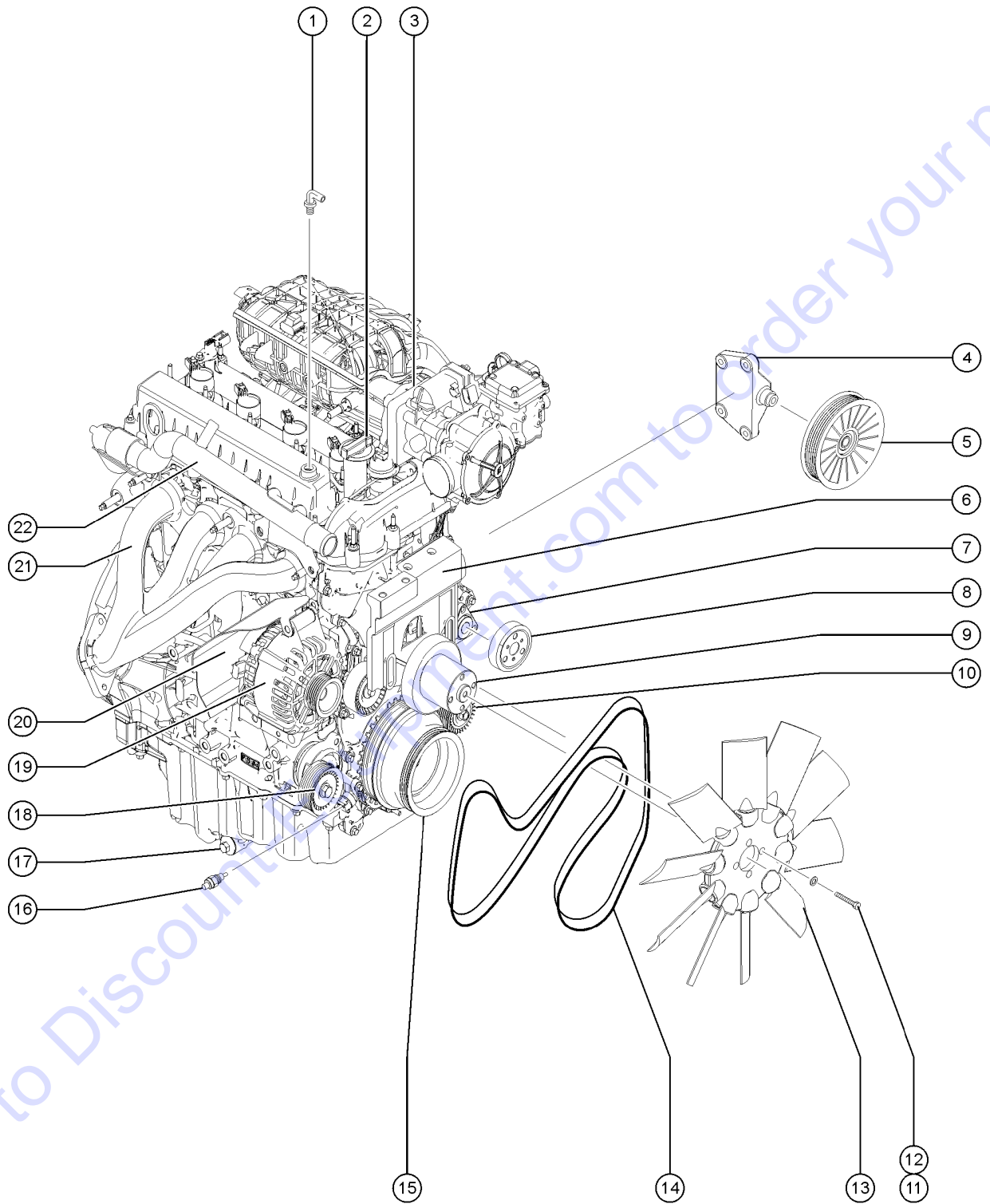
508.1 Ford MSG-425 EFI, View 1



## 508.1 Ford MSG-425 EFI, View 1

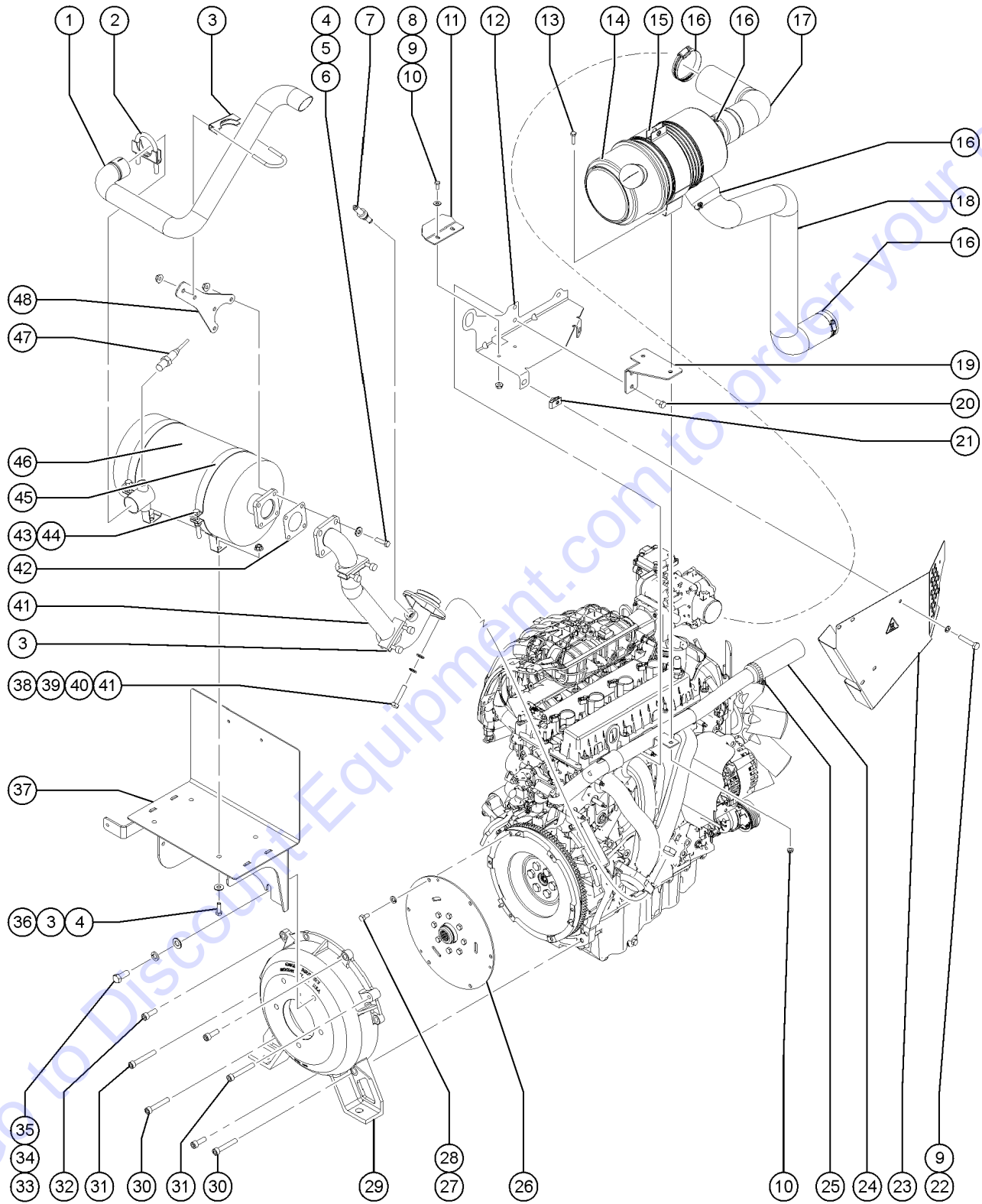
Item	Part No.	Description	Qty.	Item	Part No.	Description	Qty.
--		<i>For internal engine parts, contact engine dealer</i>		18	215301GT	SWITCH, OIL PRES, MSG425.....	1
--	128165GT	RELAY,PWR/FUEL,FORD DSG423		19	119139GT	OIL FILTER,DSG-423.....	1
--	128166GT	RELAY,STARTER,FORD DSG/MSG		19A	1277968GT	SEPERATOR ASSY,OIL,FORD MSG.....	1
--	215294GT	ENGINE HARNESS, MSG425.....	1	20	215302GT	HOSE, COOLANT BYPASS, MSG425....	1
--	215295GT	SOLENOID, VAR. TIM, MSG425		21	215310GT	THERMOSTAT W/HOUSING, MSG425.....	1
1A	215285GT	FITTING, DEPR LP, MSG425..... <i>(sold seperately) (for 215284)</i>	1	22	215309GT	SENSOR, KNOCK, MSG425.....	1
1B	119055GT	HOSE ASSY,LP GAS		23	215305GT	INTAKE MANIFOLD, MSG425.....	1
2	215284GT	REGULATOR,LP PRESSURE,MSG425.....	1	23A	1277969GT	GASKET,INTAKE MANIFOLD,MSG 425..... <i>for 215305</i>	1
--	215286GT	FITTING, DEPR COOLANT, MSG425 <i>(sold seperately) (for 215284)</i>					
3	215280GT	MIXER, MSG425.....	1				
--	215281GT	O-RING, SMOOTH, MSG425					
--	215282GT	O-RING, RIBBED, MSG425					
4	215283GT	ADAPTER, MIXER/THRO, MSG425.....	1				
5	88451GT	THROTTLE ACTUATOR*(BOSCH).....	1				
--	88452GT	GASKET,THROTTLE ACTUATOR***					
6	217820GT	CAP, INT. MFLD. VAC, MSG425.....	2				
7	119568GT	CLAMP,SPRING, 1/2".....	3				
8	119475GT	MAP SENSOR, DSG-423.....	1				
--	119965GT	COVER,DUST,IDLER,FORD DSG423					
9	220230GT	DIPSTICK, MSG425					
--	18506GT	SCREW 5/16-18 X .75 LG.FLG.LCK. <i>(not shown, use to mount dipstck part 220230)</i>					
--	220231GT	O-RING,DIPSTICK,MSG425 <i>(not shown, use with dipstck part 220230)</i>					
--	6002GT	NUT,LP NYLOCK,5/16-18 <i>(not shown, use to mount dipstck part 220230)</i>					
--	6638GT	WASHER,FLAT,USS,1/4"Y <i>(not shown, use to mount dipstck part 220230)</i>					
10	215299GT	INJECTOR, FUEL, MSG425.....	4				
11	215287GT	SPARK PLUG, MSG425.....	4				
12	215314GT	COIL ASSY, MSG425.....	4				
13	215300GT	SENSOR, CYL. HEAD TEMP, MSG425.....	1				
14	215308GT	SENSOR, CAM POS, MSG425.....	1				
15	215278GT	FLYWHEEL ASSY, MSG425.....	1				
16	215275GT	ADAPTER, WATER CONN, MSG425....	1				
17A	1264894GT	KIT, HD STARTER INSTALL, MSG-4.....	1				
17B	128166GT	RELAY,STARTER,FORD DSG/MSG <i>for 215293</i>					
17C	217823GT	STARTER PLUG SEAL, MSG425 <i>for 215293</i>					

509.1 Ford MSG-425 EFI, View 2



Item	Part No.	Description	Qty.
--		<i>For internal engine parts, contact engine dealer</i>	
1	119474GT	VALVE,PCV FORD DSG-423.....	1
--	75631GT	HOSE,AIR 3/8	
2	58632GT	CAP,OIL FILLER,FORD DSG 423.....	1
3	215279GT	PLATE, INT. MFLD ADAP, MSG425	
4	119477GT	IDLER BRACKET.....	1
5	215298GT	UPPER IDLER PULLEY, MSG425.....	1
6	1283575GT	KIT,FAN SUPPORT RETRO,FORD MSG.....	1
		<i>For first time replacement</i>	
--	1283571GT	BRACKET,FAN,FORD MSG.....	1
		<i>included in kit 1283575GT</i>	
--	1283572GT	BRACKET,IDLER,FORD MSG.....	1
		<i>included in kit 1283575GT</i>	
--	1283573GT	BOLT, BRACKET, SUPPORT,FORD MSG.....	2
		<i>included in kit 1283575GT</i>	
--	1283574GT	SCREW,HHC,M8X1.25.80.....	1
		<i>included in kit 1283575GT</i>	
7	215288GT	WATER PUMP, MSG425.....	1
8	215289GT	WATER PUMP PULLEY, MSG425.....	1
9	215271GT	FAN PULLEY, MSG425.....	1
--	215270GT	FAN SPACER, MSG425.....	1
10	215313GT	LOWER IDLER PULLEY, MSG425.....	1
11	32309GT	SCREW,HHC,M8 X 60MM X 1.25	
12	49408GT	WASHER,LOCK,M8	
13	215269GT	FAN, MSG425.....	1
14A	215291GT	BELT, FEAD, MSG425.....	1
		<i>(shown)</i>	
14B	215274GT	FAN DRIVE BELT, MSG425	
		<i>Fan belt (not shown)</i>	
15	215273GT	CRANK PULLEY, EXT, MSG425.....	1
16	215307GT	SENSOR, CRANK POS, MSG425.....	1
17	215311GT	PLUG, OIL DRAIN, MSG425.....	1
18	215290GT	PULLEY/TENSIONER, MSG425.....	1
19	119140GT	ALTERNATOR,FORD DSG423,MSG425.....	1
--	217824GT	CHARGE WIRE, MSG425	
20	227309GT	HEAT SHIELD,ALTERNATOR,FORD.....	1
21	215276GT	EXHAUST MANIFOLD, MSG425.....	1
--	215277GT	GASKET, MSG425	
--	217822GT	NUT, EXH. MANIFOLD, MSG425	
--	823816GT	GASKET,EXHAUST,FORD MSG	
22	236373GT	PIPE,COOLANT RETURN, MSG425.....	1

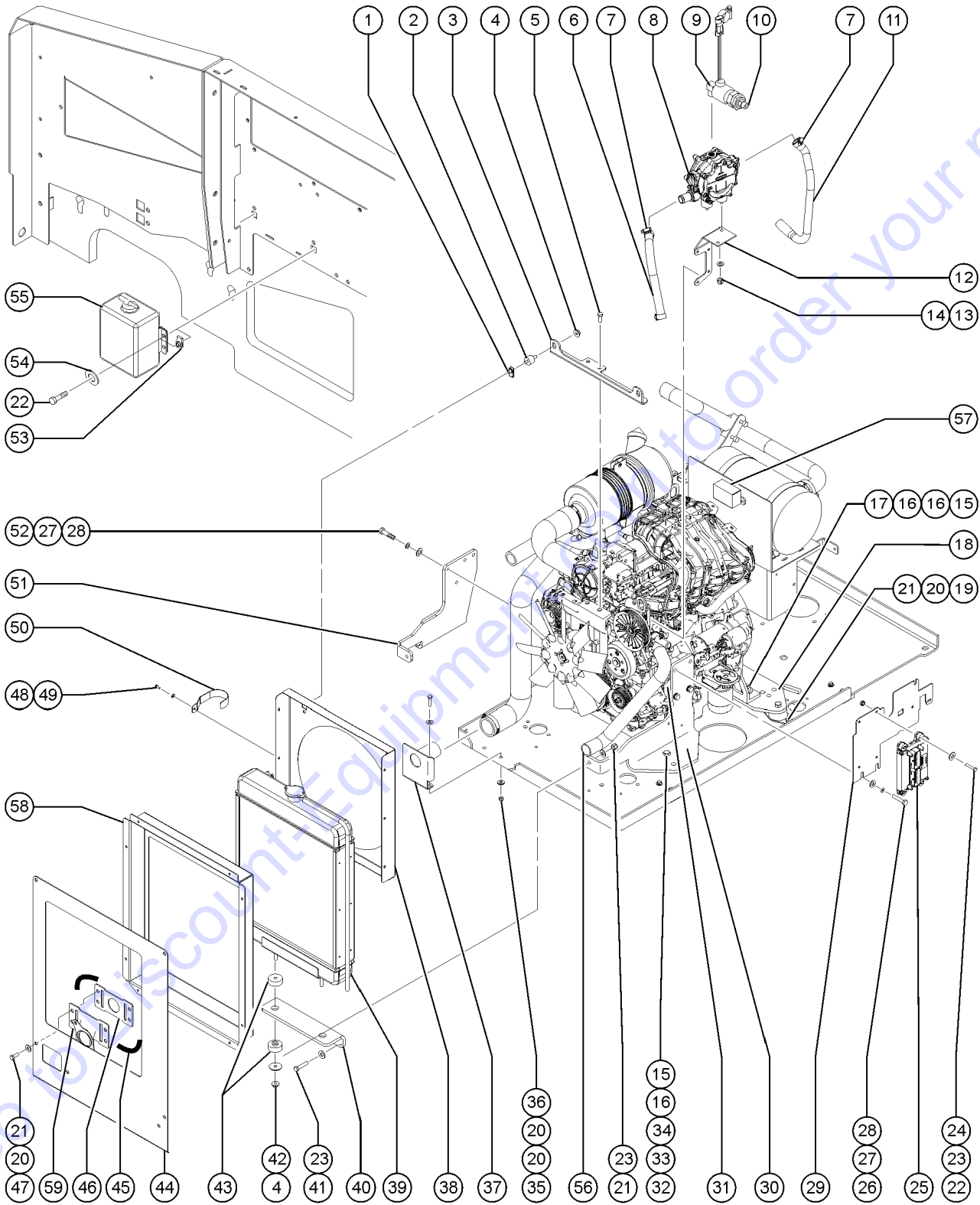
510.1 Ford MSG-425 EFI, View 3



## 510.1 Ford MSG-425 EFI, View 3

Item	Part No.	Description	Qty.	Item	Part No.	Description	Qty.
--		<i>For internal engine parts, contact engine dealer</i>		34	6033GT	WASHER,LOCK,0.5"	
1	119234GT	TAILPIPE,FORD DSG423.....	1	35	13066GT	WASHER,FLAT,.5 HARDENED	
1	237251GT	TAILPIPE, S60 MSG425.....	1	36	13002GT	SCREW,HHC,5/16-18 X 1 GR5	
2	102121GT	CLAMP,MUFFLER,1-7/8 IN.....	1	37	215709GT	WELDMNT,CAT MOUNT,MSG425.....	1
3	32064GT	CLAMP,MUFFLER,1.75 INCH.....	3	38	128061GT	SCREW, HHC, M10 X 1.5 X 50	
4	18503GT	NUT,LOCKING-LG.FLANGE,5/16-18		39	22700GT	WASHER,LOCK,M10	
5	5397GT	WASHER,FLAT,USS,5/16",Y		40	22699GT	WASHER,FLAT,M10,ZINC PLTD.	
6	13000GT	SCREW,HHC,5/16-18 X 1.25		41	218576GT	WDMT,HEADER PIPE,MSG425	
7	215320GT	SENSOR, O2, MSG425.....	1	42	72343GT	GASKET,EXH FLANGE-FORD/PERKINS.....	1
8	6090GT	SCREW,HHC,1/4-20 X .75		43	14033GT	SCREW,HHC,3/8-16 X 2.75.....	2
9	6638GT	WASHER,FLAT,USS,1/4"Y		44	4828GT	NUT,NYLOCK,3/8-16	
10	18504GT	NUT,LOCKING-LG.FLANGE,1/4-20		45	119051GT	MOUNTING BAND,MUFFLER,8.0".....	2
11	218742GT	FORMING,MFLD GUARD,MSG425.....	1	46	215528GT	WDMT, CAT. MUFFLER, MSG425.....	1
12	218668GT	FORMING, HEAT SHIELD MOUNT.....	1	47	139610GT	SENSOR,AIR,CAT MONITOR.....	1
13	6888GT	SCREW,HHC,1/4-20 X 1		48	236832GT	TAILPIPE MOUNT , S40 MSG425.....	1
14	111634GT	AIR CLEANER,FORD,T3.....	1				
--	111634GT	AIR CLEANER,FORD,T3					
--	1277991GT	CLIP,AIR CLEANER COVER (58247) <i>for 58247</i>					
--	227988GT	VACUATOR VALVE					
--	38922GT	ELBOW,90DEG.1/8MPT-5/16 BARB					
--	58247GT	AIR CLEANER CAP/ FORD/NOLFF***					
--	77295GT	FILTER ELEMENT,AIR,NOLFF LPG					
15	53952GT	BRKT,AIR CLEANER ORIENTATION**.....	1				
16	45435GT	CLAMP,HOSE,2.50"***.....	4				
17	237146GT	HOSE, CLEAN AIR, MSG425.....	1				
18	235659GT	HOSE, RAW AIR, MSG425.....	1				
19	216367GT	FORMING ,AIR CLEANER MOUNT.....	1				
20	33681GT	SCREW,HHC,3/8-16 X .625					
21	56912GT	SPRING CLIP,1/4-20,.025-.15X.54,ZAG					
22	7339GT	SCREW,HHC,1/4-20 X .5					
23	160541GT	WDMT, HEAT SHIELD, MSG425					
24	236338GT	HOSE,UPPER RADIATOR,MSG425					
25	36208GT	CLAMP,HOSE,1.25***.....	2				
26	214446GT	COUPLER,15T,FBA,SAE 8,MSG425.....	1				
27	49378GT	SCREW,HHC,M8 X 16					
28	6021GT	WASHER,LOCK,.375					
29	119052GT	PUMP MOUNT,FORD DSG423.....	1				
30	111748GT	SCREW,SHC,M10X1.5 X 60 GR8.8.....	2				
31	215544GT	SHCS, M10-1.5X70MM, CL12.9.....	2				
32	61110GT	SCREW,SHC,M10X1.5X30 GR 12.9.....	3				
33	10597GT	SCREW,HHC,1/2-13 X 1.25 GR5					

511.1 Ford MSG-425 EFI, View 4

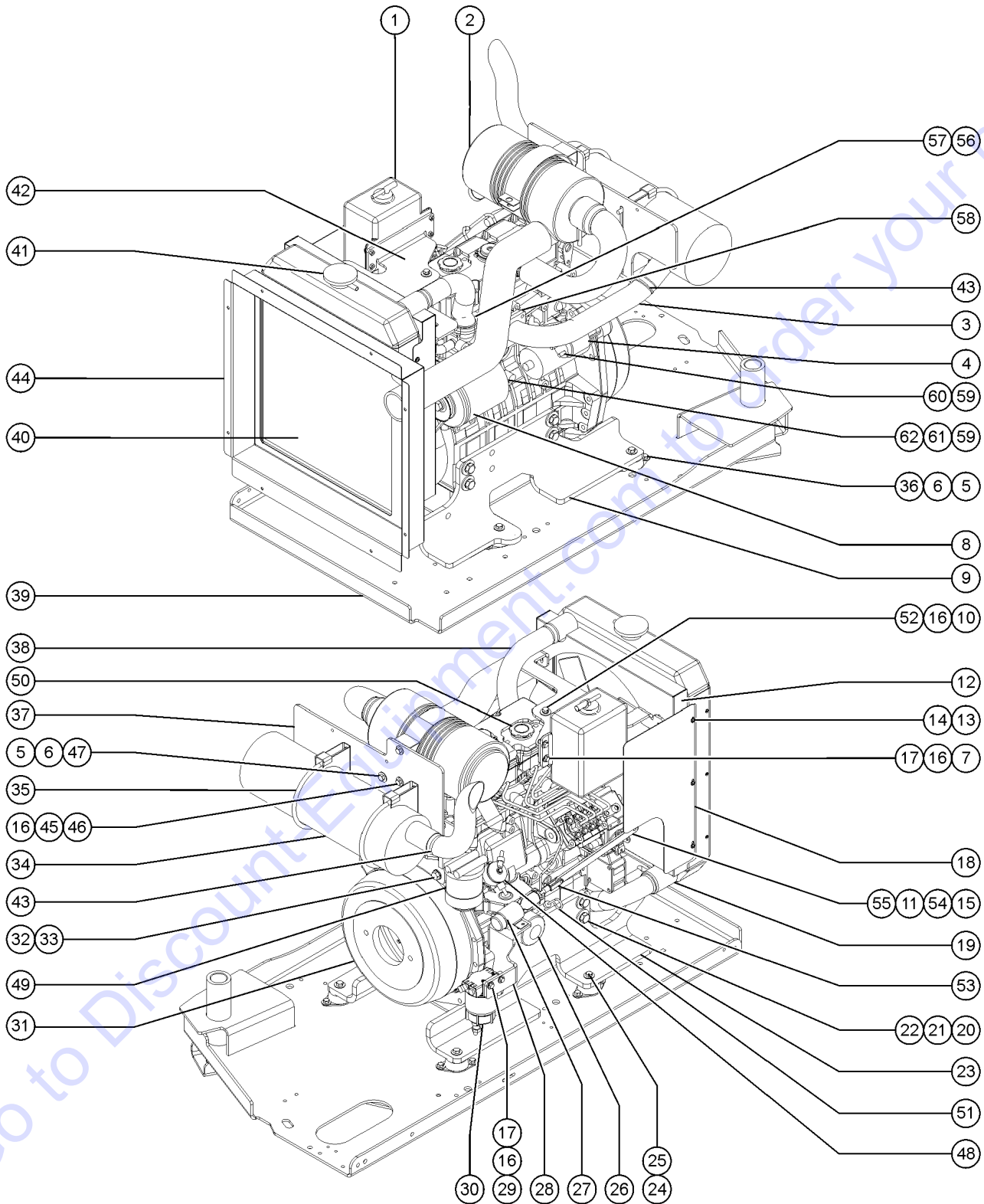




## 511.1 Ford MSG-425 EFI, View 4

Item	Part No.	Description	Qty.	Item	Part No.	Description	Qty.
--		<i>For internal engine parts, contact engine dealer</i>		40	110417PGT	FORMING,RADIATOR SUPPORT,PNTD.....	1
1	36456GT	SPRING CLIP,5/16-18,.025-.15X.....	2	41	13918GT	SCREW,HHC,3/8-16 X 1.75,GRD.8	
2	219437GT	ISOLATOR, VIBRATION.....	2	42	15086GT	WASHER,FLAT,375 X 1.5 X .125	
3	237780GT	FORMING, RAD SUPPORT, MSG425....	1	43	24038GT	SHOCK MOUNT,SMALL.....	4
4	48425GT	NUT,FLG-LRG,3/8-16,YZ		44	237379GT	BAFFLE, CNTRWT, S60 MSG425.....	1
5	49381GT	SCREW,HHC,M12 X 30		45	119218GT	TRIM,EDGE,1/8X3/4 SIDE BULB.....	8-inches
6	1702GT	HOSE-HEATER,5/8 ID-BLACK.....	1	46	238234GT	PLATE, INT. SHRD SEAL, MSG425.....	1
7	46131GT	CLAMP,HOSE,.63" - 1.0" X .5".....	4	47	8255GT	SCREW,HHC,3/8-16 X .75	
8	215316GT	REGULATOR, LP, MSG425.....	1	48	21019GT	SCREW,PHIL,PHM,10-24 X.5,SEMS	
--	219477GT	ISOLATOR, DEPR		49	6146GT	WASHER,FLAT,MS,#10,Y	
9	119232GT	LOCKOFF,LP,FORD DSG/MSG.....	1	50	237385GT	HOSE HANGER, MSG425.....	2
10	19358GT	CONNECTOR,010102-6-4.....	10	51	236421GT	ENGINE MOUNT, RIGHT, MSG425.....	1
11	236340GT	HOSE, COOLANT, VAP, MSG425.....	1	52	44064GT	SCREW,HHC,M10 X 30MM,.....	4
12	236423GT	FORMING, LP REG MOUNT, MSG425...1		53	56912GT	SPRING CLIP,1/4-20,.025-.15X.54,ZAG	
13	25368GT	NUT,NYLOCK,M8X1.25		54	6638GT	WASHER,FLAT,USS,1/4"Y	
14	33277GT	WASHER,FLAT,M8,YELLOW ZINC		55	70367GT	BOTTLE,COOLANT RECOVERY,3.7***.....	1
15	6198GT	NUT,NYLOCK,1/2-13				<i>includes cap</i>	
16	6095GT	WASHER,FLAT,USS,1/2",Y		--	106226GT	TUBING,VINYL,1/2" CLEAR	
17	22788GT	SCREW,HHC,1/2-13 X 1.75		--	21465GT	CLAMP,HOSE,.25" - .63" X .3125 <i>(not shown) not included with 70367, must order seperately</i>	
18	236422GT	ENGINE MOUNT, REAR, MSG425.....	1	--	6833GT	CLAMP,0.50,#8 X 1/4,RUB CUSH <i>(not shown) not included with 70367, must order seperately</i>	
19	6019GT	SCREW,HHC,3/8-16 X 1.25 GRD 5		--	72327GT	CAP, COOLANT RET SYS(54071)	
20	5397GT	WASHER,FLAT,USS,5/16",Y		56	236339GT	HOSE, LOWER RADIATOR, MSG425....	1
21	4828GT	NUT,NYLOCK,3/8-16		57A	237856GT	FUSE BOX COVER.....	1
22	6145GT	SCREW,HHC,1/4-20 X 1.5				<i>(decal not included, refer to item 57B)</i>	
23	6097GT	WASHER,FLAT,USS,3/8",Y		57B	237857GT	FUSE BOX RELAY STICKER.....	1
24	6091GT	NUT,NYLOCK,1/4-20				<i>(not shown) not included with 237856, order seperately</i>	
25	215317GT	CONTROL MODULE, MSG425.....	1	57C	237858GT	FUSE BOX MOUNTING,LEFT.....	1
26	25927GT	SCREW,HHC,M10 X 55MM,GRD 8.8....	4			<i>(not shown)</i>	
27	22700GT	WASHER,LOCK,M10.....	8	57D	237859GT	FUSE BOX MOUNTING,RIGHT.....	1
28	22699GT	WASHER,FLAT,M10,ZINC PLTD.....	8			<i>(not shown)</i>	
29	236425GT	FORMING, ECU MOUNT, MSG425.....	1	58	217188GT	SHROUD, RAD S60 MSG425	
30	236420GT	ENGINE MOUNT, LEFT, MSG425.....	1	59	216019GT	WDMT, SHROUD INT, S60 MSG425	
31	110477GT	PLATE,ENGINE SUPPORT SPACER....	1				
32	39479GT	SCREW,HHC,1/2-13 X 2.75					
33	70452GT	ISOLATOR,ENGINE VIBRATION***.....	4				
34	102066GT	CASTING,WASHER,REBOUND					
35	6782GT	NUT,NYLOCK,5/16-18					
36	13000GT	SCREW,HHC,5/16-18 X 1.25					
37	216016GT	WDMT, RAW AIR INT, S60 MSG425....	1				
38	236364GT	FAN SHROUD, MSG425.....	1				
39A	110406GT	RADIATOR,FORD DSG423 & MSG425.....	1				
39B	119484GT	CAP,COOLANT 3/4					

512.1 Perkins 404D-22



512.1 Perkins 404D-22

Item	Part No.	Description	Qty.	Item	Part No.	Description	Qty.
--		<i>For internal engine parts, contact engine dealer</i>		--	88846GT	HOSE,AIR INLET	
A	128831GT	ENGINE,PERKINS,DIESEL 404D-22 <i>Tier III Engine</i>		--	88847GT	HOSE,AIR CLEANER TO INTAKE	
--	106663GT	SOLENOID,SHUT DOWN PERKIN40422 <i>(for 128831 engine)</i>		3	110899GT	WELDMENT,EXHAUST PIPE.....1	
--	119809GT	SWITCH, OIL PRESSURE <i>Old switch design was used with an adaptor; New switch screws directly into engine block. With older engine, remove adaptor and install new switch directly into engine block</i>		--	62845GT	NUT-FLANGE, 8MM (62849) <i>sold separately</i>	
--	128987GT	WATER PUMP <i>(for 128831 engine)</i>		--	72343GT	GASKET,EXH FLANGE-FORD/PERKINS.....1 <i>sold separately</i>	
--	58354GT	GASKET,WATER PUMP <i>(for 128831 engine)</i>		--	72344GT	BOLT,EXHAUST,PERKINS(54555)** <i>sold separately</i>	
--	65538GT	FLYWHEEL (PERKINS KR70481U)** <i>(for 128831 engine)</i>		--	94711GT	FLANGE,EXHAUST <i>sold separately</i>	
--	72348GT	PUMP,LIFT(FUEL) PERKINS(54555) <i>(for 128831 engine)</i>		--	94888GT	EXHAUST MANIFOLD <i>sold separately</i>	
--	77736GT	GLOW PLUG (PERKINS 404-22) <i>(for 128831 engine)</i>		4	228457GT	STARTER, PERKINS, 404D.....1	
--	85155GT	PUMP,PRIMER,PERKINS*** <i>(for 128831 engine)</i>		5	6175GT	SCREW,HHC,3/8-16 X 1	
--	94887GT	INTAKE MANIFOLD <i>(for 128831 engine)</i>		6	5397GT	WASHER,FLAT,USS,5/16",Y	
--	94890GT	MANUAL,OPERATORS PERKINS 404 <i>(for 128831 engine)</i>		7	6888GT	SCREW,HHC,1/4-20 X 1	
--	97473GT	SENSOR,WATER TEMPERATURE <i>(for 128831 engine)</i>		8	111029GT	ALTERNATOR,65 AMP,PERKINS 404.....1	
B	147350GT	GASKET-CYLINDER HEAD <i>(for Perkins 404 engine)</i>		9	161611GT	FORMING, ENGINE MOUNT, PERKINS.....1	
C	147348GT	SEAL-VALVE SYSTEM (A) <i>(for Perkins 404 engine)</i>		10	23057GT	SCREW,HHC,M8 X 20MM	
D	147349GT	SEAL-VALVE SYSTEM (B) <i>(for Perkins 404 engine)</i>		11	33277GT	WASHER,FLAT,M8, YELLOW ZINC	
E	147351GT	SEAL-ROCKER BOX <i>(for Perkins 404 engine)</i>		12	88990PGT	SHROUD,FAN PAINTED.....1	
F	147352GT	SEAL-INJECTOR <i>(for Perkins 404 engine)</i>		13	21019GT	SCREW,PHIL,PHM,10-24 X.5,SEMS	
G	147353GT	SEAL-INJECTOR <i>(for Perkins 404 engine)</i>		14	6146GT	WASHER,FLAT,MS,#10,Y	
1	70367GT	BOTTLE,COOLANT RECOVERY,3.7*** .....1		15	89953GT	FLATBAR,ALUM,THROTTLE LINKAGE.....1	
--	1062264000GT	TUBING, VINYL, 1/2" CLEAR		16	6638GT	WASHER,FLAT,USS,1/4"Y	
--	115431GT	CAP ASSY, COOLANT BOTTLE		17	6091GT	NUT,NYLOCK,1/4-20	
2	63463GT	AIR CLEANER,NELSON*** .....1		18	54487PGT	GUARD,FAN,FORD/PERKINS,PAINTED.1	
--	52866GT	EVACUATOR VALVE-AIR CLEANER		19	54579GT	HOSE,LOWER,RADIATOR,PERKINS.....1	
--	53952GT	BRKT,AIR CLEANER ORIENTATION**		--	22672GT	CLAMP,HOSE,1.75	
--	62420GT	FILTER,AIR***		20	54687GT	SCREW,HHC,M14 X 1.5X40MM,GR8.8	
				21	37505GT	WASHER,LOCK,M14	
				22	49411GT	WASHER,FLAT,M14	
				23	88988PGT	FORMING,ENGINE MOUNT RH PAINTE.....1	
				24	10598GT	SCREW,HHC,1/2-13 X 3	
				25	6095GT	WASHER,FLAT,USS,1/2",Y	
				26	94762GT	OIL FILTER - PERKINS.....1	
				27	77402GT	SOLENOID,THROTTLE ACTUATOR DSL.....1	
				--	21130GT	CLEVIS YOKE-1/4-28,PLTD W/PIN	
				--	89953GT	FLATBAR,ALUM,THROTTLE LINKAGE	
				28	128588GT	FORMING,SOLENOID MOUNT.....1	

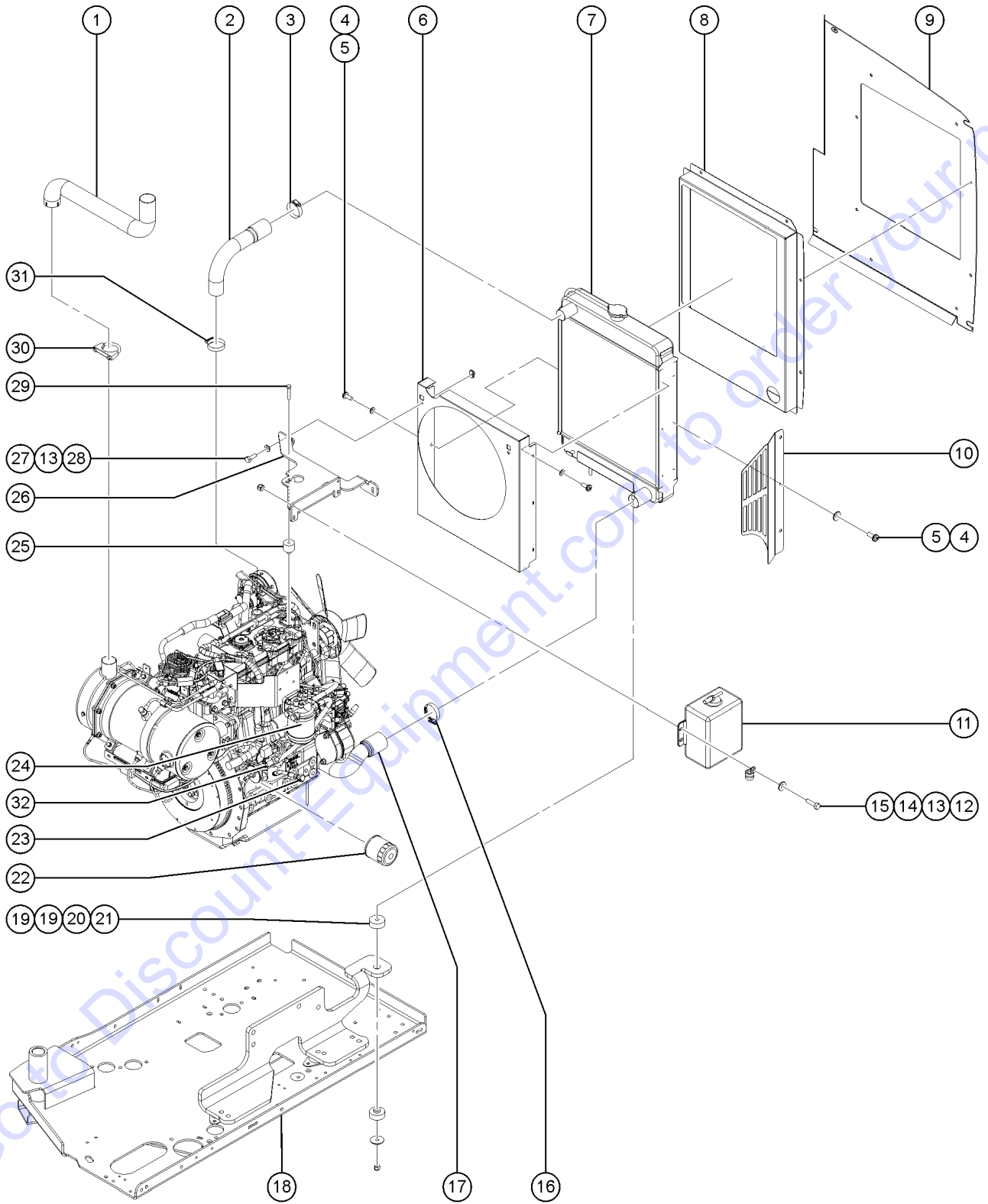
### 512.1 Perkins 404D-22 (continued)

Item	Part No.	Description	Qty.	Item	Part No.	Description	Qty.
29	8915GT	SCREW,HHC,1/4-20 X 1.25		46	13002GT	SCREW,HHC,5/16-18 X 1 GR5	
30	147826GT	SEPRTR/FLTR,FUEL DSL,15GPH,.30....1 <i>(replaced 75020, the filter is the same for both assemblies)</i>		47	7713GT	NUT, LP NYLOCK, 3/8-16	
--	54205GT	HOSE END,BARB,1/4 MNPTX5/16,90 <i>(included with filter assembly)</i>		48	72348GT	PUMP,LIFT(FUEL) PERKINS(54555).....1 <i>replaced 128989</i>	
--	54437GT	HOSE END,BARB,1/4 MNPTX5/16,ST <i>(included with filter assembly)</i>		--	77990GT	KIT,SEAL,3CC PUMP***	
--	62433GT	FILTER,ELEMENT,30 MIC,75020		49	94889GT	FUEL FILTER ASSEMBLY.....1	
31	89771GT	HOUSING,PUMP MOUNT (54573).....1		--	62421GT	FILTER,FUEL,PERKINS.....1	
--	128003GT	COUPLER,15 TOOTH,FBA,PERKINS** .....1 <i>includes grease</i>		50	65636GT	CAP, OIL FILLER.....1	
--	128022GT	KIT,FBA STYLE COUPLER,PERKINS <i>includes 15-tooth coupler (128003), fastener kit (1263209) and grease</i>		--	65638GT	SEAL, OIL FILLER CAP.....1	
--	128024GT	SCREW, HHC, M8 X 1.25 X 12.....6		51	128984GT	DIPSTICK, STRAIGHT SHORT.....1	
--	128025GT	GREASE,SERVICE PACKET.....1		--	128985GT	DIPSTICK TUBE, STRAIGHT SHORT....1	
32	60868GT	SCREW,HHC,M12 X 45		52	60585GT	ISOLATOR,VIBRATION,M8 MALE/FEM.....1	
33	49410GT	WASHER,FLAT,M12		53	21130GT	CLEVIS YOKE-1/4-28,PLTD W/PIN.....1	
34A	88841GT	MUFFLER,6".....1		54	119866GT	SCREW,SHS,M6X12MM,8MM	
34B	70298GT	MUFFLER,SPARK ARRESTOR.....1 <i>spark arrestor option</i>		55	49364GT	NUT,NYLOCK,M6X1.00	
34C	70357GT	MUFFLER,CATALYTIC.....1 <i>scrubber muffler option</i>		56	128986GT	WATER OUTLET, VERTICAL.....1	
34D	822515GT	TAILPIPE, PERKINS, 404D.....1		57	128991GT	THERMOSTAT.....1	
35	88993GT	CLAMP,MUFFLER.....2		--	147355GT	GASKET-THERMOSTAT HSG.....1 <i>for 128991</i>	
36	4828GT	NUT,NYLOCK,3/8-16		58	72343GT	GASKET,EXH FLANGE-FORD/PERKINS.....1	
37	88991PGT	FORMING,MUFFLER MOUNT PAINTED.....1		59	231513GT	NUT,TL FLG,M6-1.0,DIN6927,10,ZAB	
38	54578GT	HOSE,UPPER RADIATOR,PERKINS....1		60	237832GT	NUT,TL FLG,M8-1.25,DIN6927,10,ZAB	
--	22672GT	CLAMP,HOSE,1.75		61	826215GT	WASHER,FLAT,M5,DIN125,ZAB	
39		Ref. Engine Tray Assembly <i>refer to 310.1</i>		62	826214GT	NUT,TL,M5-0.8,DIN980,10,ZAB	
40	110304GT	RADIATOR,FORD/PERKINS*** .....1					
--	1252943GT	SPACER,FAN,PERKINS 404F.....1 <i>sold separately</i>					
--	24038GT	SHOCK MOUNT,SMALL.....4 <i>sold separately</i>					
--	77482GT	PULLEY, WATER PUMP.....1 <i>sold separately</i>					
--	77483GT	FAN, ENGINE (104-22)(404-22)*.....1 <i>sold separately</i>					
41	65473GT	CAP,RADIATOR,PERKINS/FORD.....1					
42	88989PGT	FORMING,UPPER RAD SUPPORT PNTD.....1					
43	70385GT	CLAMP,EXHAUST,2.00 PLATED.....2					
44	106003PGT	BAFFLE,PERKINS ENGINE PAINTED....1					
45	6782GT	NUT,NYLOCK,5/16-18					

*This Page Intentionally Left Blank*

Go to [Discount-Equipment.com](http://Discount-Equipment.com) to order your parts

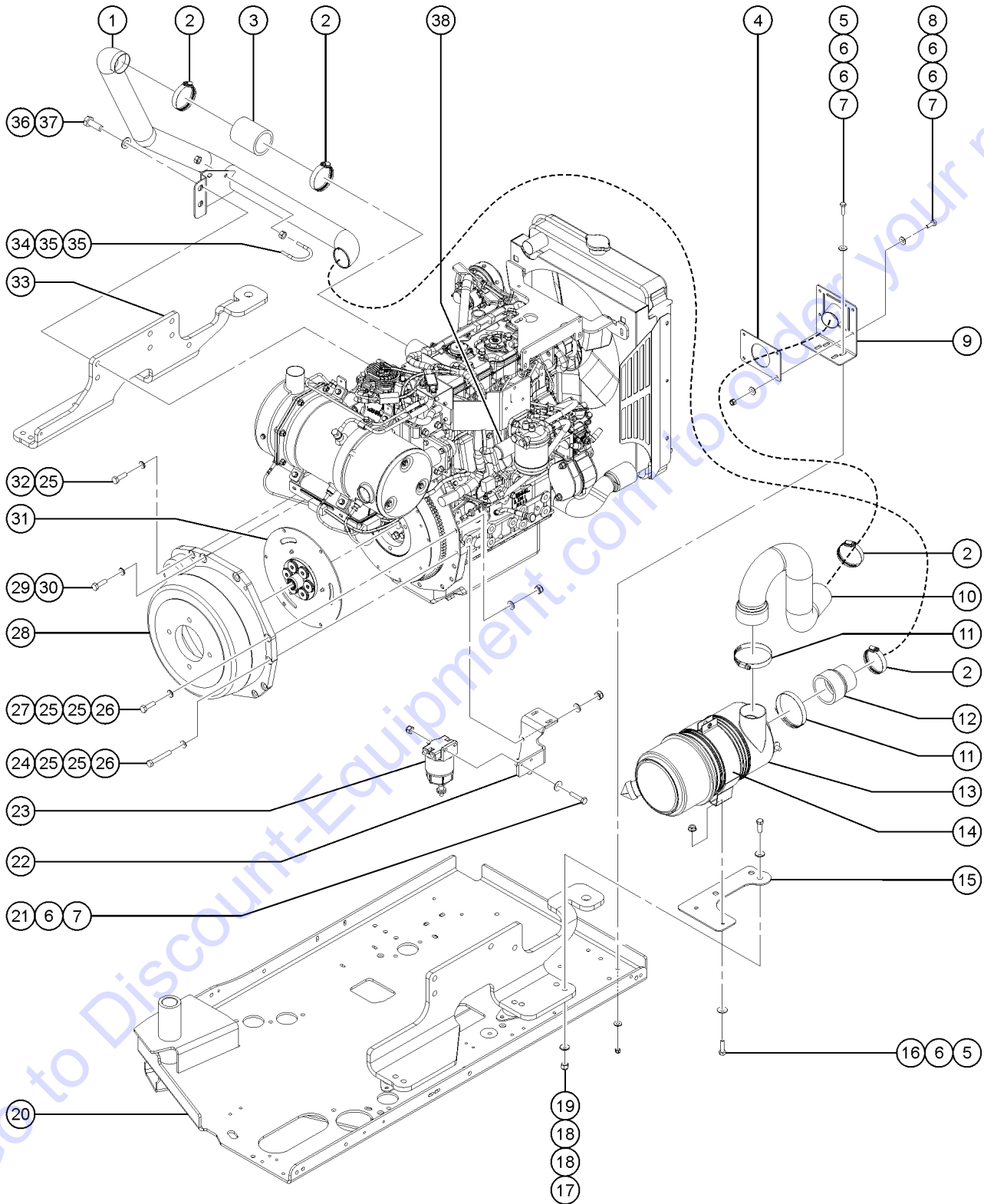
513.1 Perkins 404F-22, View 1



## 513.1 Perkins 404F-22, View 1

Item	Part No.	Description	Qty.	Item	Part No.	Description	Qty.
--		<i>For internal engine parts, contact engine dealer</i>		25	60585GT	ISOLATOR,VIBRATION,M8 MALE/FEM.....	1
A	214335GT	ENGINE,PERKINS,DIESEL,404F-22		26	88989PGT	FORMING,UPPER RAD SUPPORT PNTD.....	1
B	1257825GT	HARDWARE KIT,PERKINS 404F BELL		27	6090GT	SCREW,HHC,1/4-20 X .75	
C	1262866GT	FAN BELT, ALTERNATOR		28	56912GT	SPRING CLIP,1/4-20,.025-.15X.54,ZAG.....	2
D	1262867GT	V-BELT, DEUTZ <i>also used on certain Perkins engine installations</i>		29	28214GT	SCREW,HHC,M8 X 45.....	1
E	1262487GT	BELT,AIR PUMP,PERKINS 404F-22T		30	70385GT	CLAMP,EXHAUST,2.00 PLATED.....	1
F	1262027GT	PRESSURE PUMP,PERKINS 404F-22T		31	119053GT	CLAMP,HOSE,1.50.....	2
G	82710GT	DECAL,INSTR-MAX CAP 1200LBS				<i>(1 of 2 is hidden from view)</i>	
1	215477GT	TAILPIPE, S-60 404F-22.....	1	32	1252941GT	SWITCH,OIL PRESS,PERKINS 404F.....	1
2	54578GT	HOSE,UPPER RADIATOR,PERKINS.....	1				
3	22672GT	CLAMP,HOSE,1.75.....	2				
4	21019GT	SCREW,PHIL,PHM,10-24 X.5,SEMS					
5	6146GT	WASHER,FLAT,MS,#10,Y					
6	88990PGT	SHROUD,FAN PAINTED.....	1				
7	110304GT	RADIATOR,FORD/PERKINS***.....	1				
--	65473GT	CAP,RADIATOR,PERKINS/FORD					
8	215478GT	RADIATOR SHROUD,S60,404F-22.....	1				
9	215537GT	BAFFLE, S60 PERKINS, 404F-22.....	1				
10	215917GT	FORMING, FAN GUARD,PERKINS 404.....	1				
11	70367GT	BOTTLE,COOLANT RECOVERY,3.7***.....	1				
--	115431GT	CAP ASSY, COOLANT BOTTLE					
12	6888GT	SCREW,HHC,1/4-20 X 1					
13	6638GT	WASHER,FLAT,USS,1/4"Y					
14	6833GT	CLAMP,0.50,#8 X 1/4,RUB CUSH.....	1				
15	6091GT	NUT,NYLOCK,1/4-20					
16	13014GT	CLAMP,HOSE,2.25" DIA.....	2				
17	54579GT	HOSE,LOWER,RADIATOR,PERKINS.....	1				
18		Ref. Engine Tray <i>refer to 310.1</i>					
19	24038GT	SHOCK MOUNT,SMALL.....	2				
20	15086GT	WASHER,FLAT,.375 X 1.5 X .125					
21	4828GT	NUT,NYLOCK,3/8-16					
22	94762GT	OIL FILTER - PERKINS.....	1				
23	128984GT	DIPSTICK, STRAIGHT SHORT.....	1				
--	128985GT	DIPSTICK TUBE, STRAIGHT SHORT....	1				
24A	94889GT	FUEL FILTER ASSEMBLY.....	1				
--	62421GT	FILTER,FUEL,PERKINS.....	1				
--	62433GT	FILTER,ELEMENT,30 MIC,75020					
24B	1252944GT	PUMP,FUEL LIFT,PERKINS 404F.....	1				

514.1 Perkins 404F-22, View 2

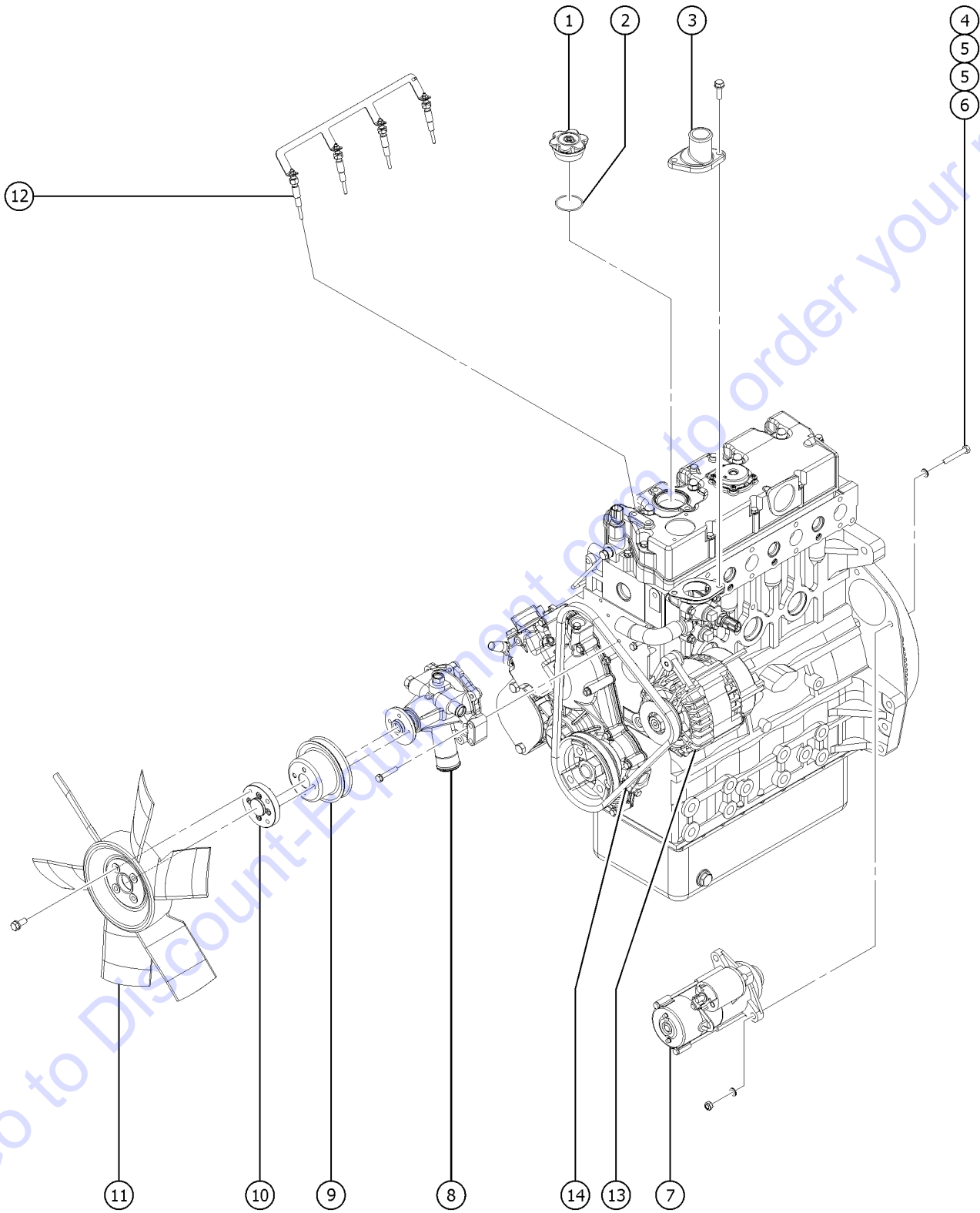




## 514.1 Perkins 404F-22, View 2

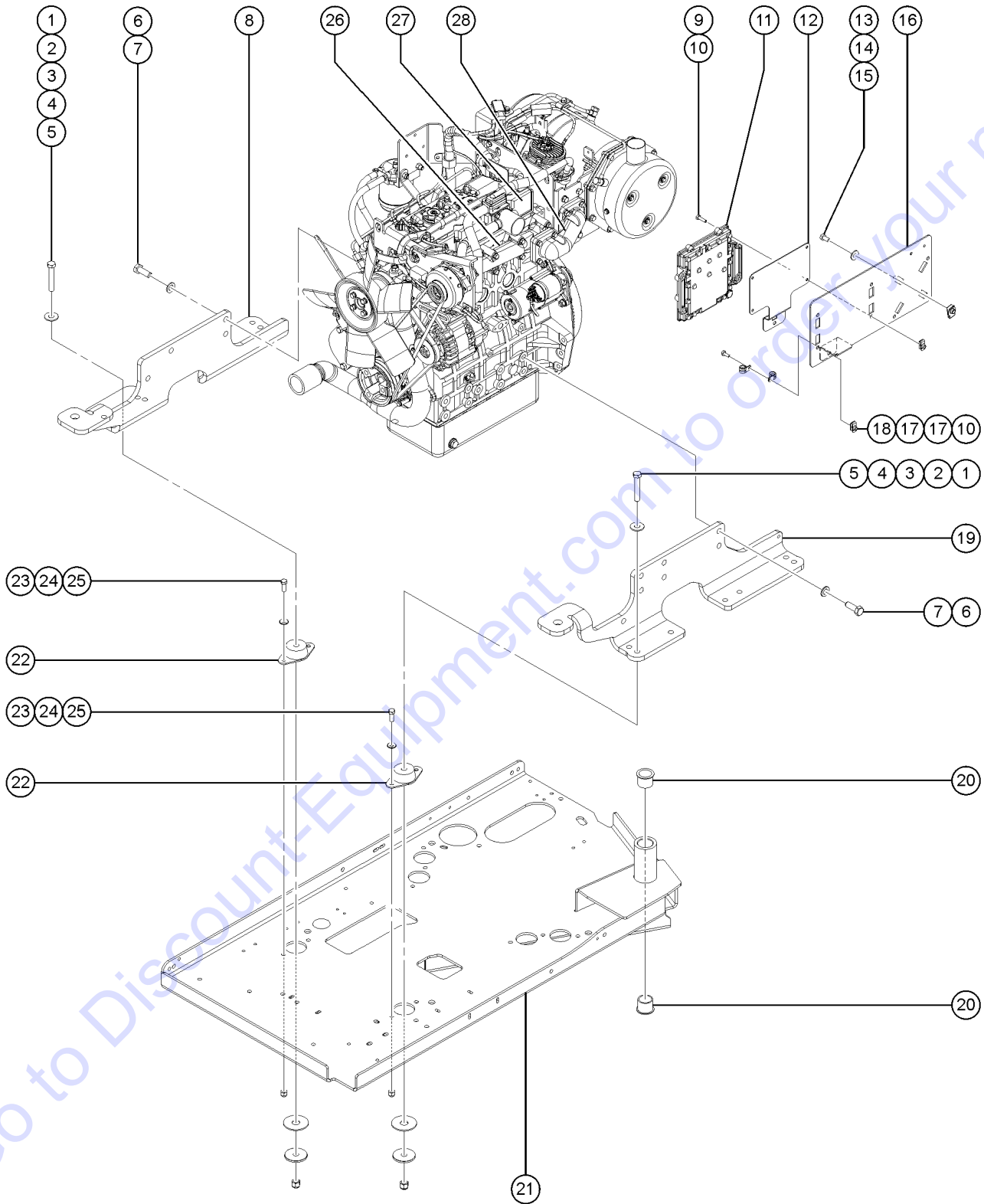
Item	Part No.	Description	Qty.	Item	Part No.	Description	Qty.
--		<i>For internal engine parts, contact engine dealer</i>		27	85059GT	SCREW,HHC,M10 X 1.5 X 35	
--	106663GT	SOLENOID,SHUT DOWN PERKIN40422.....1		28	824507GT	PUMP MOUNT,PERKINS 404F-22.....1	
--	85124GT	GASKET,SOLENOID,PERKINS 72350 (for 106663)		29	27584GT	SCREW,HHC,M12 X 35MM	
1	217703GT	WDMT, PERKINS INTAKE AIR HOSE.....4		30	49410GT	WASHER,FLAT,M12	
2	45435GT	CLAMP,HOSE,2.50"***.....1		31	128022GT	KIT,FBA STYLE COUPLER,PERKINS....1 <i>includes 15-tooth coupler (128003), fastener kit (1263209) and grease</i>	
3	217187GT	HOSE, INTAKE, 2"ID X 3".....1		--	128003GT	COUPLER,15 TOOTH,FBA,PERKINS**.....1 <i>includes grease</i>	
4A	215809GT	SHEET,AIR SEAL BACKING.....1 <i>to SN 27179</i>		--	128024GT	SCREW, HHC, M8 X 1.25 X 12.....6	
4B	1253990GT	SHEET,AIR SEAL BACKING.....1 <i>from SN 27180</i>		--	128025GT	GREASE,SERVICE PACKET.....1	
5	6888GT	SCREW,HHC,1/4-20 X 1		32	128061GT	SCREW, HHC, M10 X 1.5 X 50.....2	
6	6638GT	WASHER,FLAT,USS,1/4"Y		33		Ref. Forming Engine Mount <i>refer to 516.1</i>	
7	6091GT	NUT,NYLOCK,1/4-20		34	80391GT	U-BOLT,5/16 -18 X 2IN**.....1	
8	6090GT	SCREW,HHC,1/4-20 X .75.....1		35	18503GT	NUT,LOCKING-LG.FLANGE,5/16-18....4	
9A	219101GT	WDMT, 20 DEG INTAKE ADAPTER.....1 <i>to SN 27179</i>		36	54687GT	SCREW,HHC,M14 X 1.5X40MM,GR8.8	
9B	1254017GT	WDMT,INTAKE ADAPTER,404F.....1 <i>from SN 27180</i>		37	49411GT	WASHER,FLAT,M14	
10	215912GT	COLD AIR HOSE, PERK 404F-22.....2		38	1279271GT	SOLENOID,SHUTDOWN,PERKINS,404F-22.1	
11	30971GT	CLAMP,HOSE,3.00".....1					
12	216150GT	ADAPTER,AIR HOSE,PERK 404F.....1					
13	63463GT	AIR CLEANER,NELSON***.....1					
--	52866GT	EVACUATOR VALVE-AIR CLEANER					
--	58415GT	CLIP,AIR CLEANER END CAP***					
--	62420GT	FILTER,AIR*** <i>end cap not available separately</i>					
--	65810GT	BAFFLE, AIR CLEANER (27915)**					
14	53952GT	BRKT,AIR CLEANER ORIENTATION**.....1					
15	215472GT	PLATE, AIR CLEANER, 404F-22.....1					
16	18504GT	NUT,LOCKING-LG.FLANGE,1/4-20					
17	6198GT	NUT,NYLOCK,1/2-13					
18	6095GT	WASHER,FLAT,USS,1/2",Y					
19	8177GT	SCREW,HHC,1/2-13 X 1.5					
20		Ref. Engine Tray <i>refer to 310.1</i>					
21	8915GT	SCREW,HHC,1/4-20 X 1.25.....1					
22	128588GT	FORMING,SOLENOID MOUNT.....1					
23	75020GT	SEPRTR/FLTR,FUEL DSL,15GPH,.30....3					
--	62433GT	FILTER,ELEMENT,30 MIC,75020					
24	85053GT	SCREW,HHC,M10 X 1.5 X70,GR 8.8					
25	22699GT	WASHER,FLAT,M10,ZINC PLTD.					
26	22736GT	NUT,NYLOCK,M10X1.50					

515.1 Perkins 404F-22, View 3



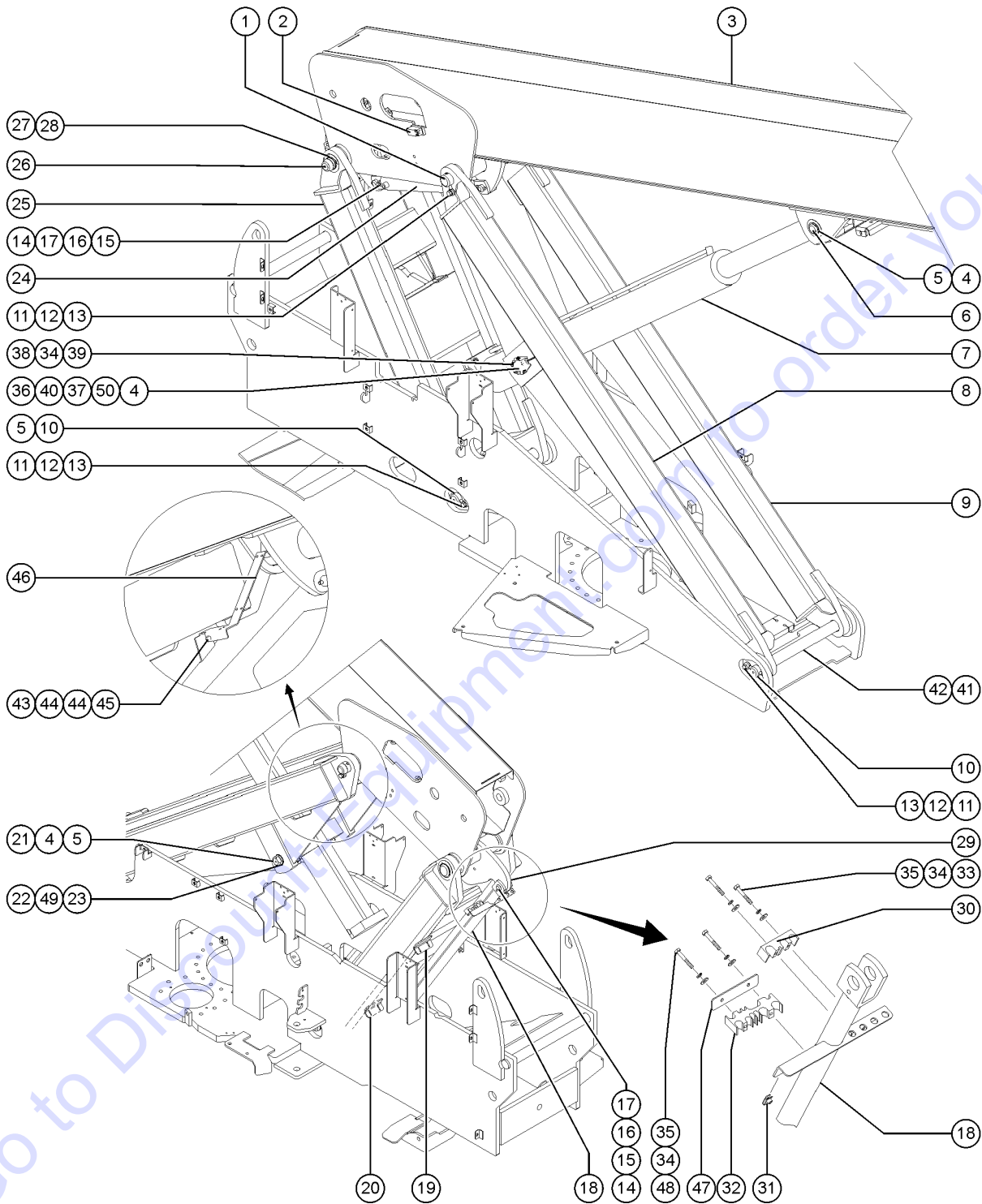
Item	Part No.	Description	Qty.
--		<i>For internal engine parts, contact engine dealer</i>	
--	97473GT	SENSOR,WATER TEMPERATURE	
--	85155GT	PUMP,PRIMER,PERKINS***	
--	128991GT	THERMOSTAT	
--	147355GT	GASKET-THERMOSTAT HSG <i>for 128991</i>	
--	72348GT	PUMP,LIFT(FUEL) PERKINS(54555)	
1	65636GT	CAP, OIL FILLER.....	1
2	65638GT	SEAL, OIL FILLER CAP.....	1
3	128986GT	WATER OUTLET, VERTICAL.....	1
4	128061GT	SCREW, HHC, M10 X 1.5 X 50	
5	22699GT	WASHER,FLAT,M10,ZINC PLTD.	
6	22736GT	NUT,NYLOCK,M10X1.50	
7	1252940GT	STARTER,PERKINS 404F..... <i>no componets available from supplier</i>	1
8	1252942GT	PUMP,WATER,PERKINS 404F.....	1
9	77482GT	PULLEY, WATER PUMP.....	1
10	1252943GT	SPACER,FAN,PERKINS 404F.....	1
11	77483GT	FAN, ENGINE (104-22)(404-22)*.....	1
12	77736GT	GLOW PLUG (PERKINS 404-22).....	4
13	1251814GT	ALTERNATOR - 85 AMP, INT REGULATED.....	1
14	89765GT	BELT, V (PERKINS 404).....	1

516.1 Perkins 404F-22, View 4



Item	Part No.	Description	Qty.
--		<i>For internal engine parts, contact engine dealer</i>	
1	10598GT	SCREW,HHC,1/2-13 X 3.....	4
2	6095GT	WASHER,FLAT,USS,1/2",Y.....	4
3	101729GT	WASHER,VIBRATION ISOLATING.....	4
4	24040GT	WASHER, 1/2 PLATE (1/2 X 2.25 X 3/16).....	4
5	6198GT	NUT,NYLOCK,1/2-13.....	4
6	54687GT	SCREW,HHC,M14 X 1.5X40MM,GR8.8.....	6
7	49411GT	WASHER,FLAT,M14.....	6
8	88988PGT	FORMING,ENGINE MOUNT RH PAINTE.....	1
9	6888GT	SCREW,HHC,1/4-20 X 1	
10	71875GT	SPRING CLIP,1/4 TURN,.188PANEL.....	4
11	216065GT	ECM, PERKINS 404F-22.....	1
12	216836GT	ECM MOUNT, PERK 404F-22.....	1
13	8255GT	SCREW,HHC,3/8-16 X .75	
14	6097GT	WASHER,FLAT,USS,3/8",Y	
15	29868GT	SPRING CLIP,3/8-16,.05-.20X.73,ZAG...2	
16	216166GT	FORMING,ECU MOUNT,404F-22.....	1
17	6833GT	CLAMP,0.50,#8 X 1/4,RUB CUSH.....	2
18	6090GT	SCREW,HHC,1/4-20 X .75	
19	88987PGT	FORMING,ENGINE MOUNT,LH PAINTE.....	1
20	35675GT	BEARING,FL,1.25IDX1.5ODX1.25L.....	2
21		Ref: Engine Tray <i>refer to 310.1</i>	
22	70452GT	ISOLATOR,ENGINE VIBRATION***.....	4
23	6175GT	SCREW,HHC,3/8-16 X 1	
24	5397GT	WASHER,FLAT,USS,5/16",Y	
25	4828GT	NUT,NYLOCK,3/8-16	
26A	1251815GT	MANIFOLD,EXHAUST,PERKINS 404F...1	
26B	1251818GT	GASKET,EXHAUST ELBOW,PERKINS.....	1
26C	1251819GT	GASKET,EXHAUST MANIFOLD,PERK.....	1
26D	1251995GT	STUD,EXHAUST,PERKINS 404F.....	1
26E	1251996GT	NUT,EXHAUST,PERKINS 404F.....	1
27	94887GT	INTAKE MANIFOLD.....	1
28A	1251816GT	FLANGE,EXHAUST,PERKINS 404F.....	1
28B	1251818GT	GASKET,EXHAUST ELBOW,PERKINS.....	1

601.1 Linkage Assembly



## 601.1 Linkage Assembly

Item	Part No.	Description	Qty.	Item	Part No.	Description	Qty.
1	88665GT	PIN,2.25DIA X 19.25LG,CHAMFER.....	1	16	6021GT	WASHER,LOCK,.375	
2		Ref: Primary Ext/Ret Harness..... <i>refer to 313.1</i>	1	17	6175GT	SCREW,HHC,3/8-16 X 1	
3		Ref: Boom Tube #1..... <i>refer to 602.1</i>	1	18	88675GT	WELDMENT,MASTER LINK.....	1
4	18716GT	SNAP RING,EXTERNAL,2.00 DIA.....	2	19		Ref: Ref: Harness LS, OP, Primary Angle..... <i>refer to 313.1</i>	1
5	18730GT	WASHER,FLAT,2.01 X 3.5 X .06.....	9	--	88356-11103GT	SWITCH,LIMIT,W/RLR ARM,NO/NC**....	1
6	88872GT	PIN,2.00DIA X 11.18LG,2RING.....	1	20A		Ref: Ref: Harness LS, OP, Primary Velocity..... <i>refer to 313.1</i>	1
7A	88653GT	CYLINDER,LIFT,S60***..... <i>for all S-60 and S-65 models except S-60 HC</i>	1	--	88356-11103GT	SWITCH,LIMIT,W/RLR ARM,NO/NC**....	1
--	101252GT	SEAL KIT (88653) <i>for 88653</i>		20B		Ref: Ref: Harness LS, Safety, Primary Velocity..... <i>refer to 313.1</i>	1
--	1262331GT	KIT, GLAND NUT, S60 LIFT CYL. <i>for 88653</i>		--	88356-13103GT	SWITCH,LIMIT,W/RLLR ARM,NO/NC.....	1
--	1268376GT	NUT, PISTON, LIFT CYLINDER <i>for 88653</i>		21	88666GT	PIN,2 X 5.75 LG.....	1
--	1268377GT	SET SCREW, LIFT CYLINDER <i>for 88653</i>		22	13854GT	SCREW,HHC,1/2-13 X 4.5,GRD.8.....	2
--	18720GT	BEARING,2.0IDX2.25ODX1.50L <i>for 88653</i>		23	6198GT	NUT,NYLOCK,1/2-13	
--	61602GT	VALVE,COUNTERBAL.CBBB-LHN@3500 <i>for 88653</i>		24	81694GT	CYLINDER,MASTER..... <i>S-60 and S65 models</i>	1
7B	107825GT	CYLINDER, LIFT, S60HC..... <i>FOR S-60 HC</i>	1	--	75470GT	SEAL KIT,CYL,S45 MASTER(81694) <i>for 81694</i>	
--	101252GT	SEAL KIT (88653)..... <i>for 107825</i>	1	25	T106508GT	SHORT LINK W/BEARINGS, SERVICE..... <i>(includes items 26-28)</i>	1
--	1262331GT	KIT, GLAND NUT, S60 LIFT CYL. <i>for 107825</i>		--	18720GT	BEARING,2.0IDX2.25ODX1.50L.....	2
--	128464GT	VALVE,COUNTERBAL,CWCK-LHN@3500.1 <i>for 107825</i>		--	18722GT	BEARING,2.25IDX2.50ODX1.50L***.....	2
--	18720GT	BEARING,2.0IDX2.25ODX1.50L <i>for 107825</i>		--	T106413GT	WELDMENT, SHORT LINK, S60/65.....	1
--	60984GT	VALVE COUNTERBAL.CBBB-LJN@5000..... <i>for 107825</i>	2	26	119990GT	PIN,2.25DIA X 18.75LG,CHAMFER.....	1
8	139601GT	ASSY, LONG LINK LT W/BEARINGS.....	1	27	18731GT	WASHER,FLAT,2.27 X 3.5 X .06.....	6
--	18722GT	BEARING,2.25IDX2.50ODX1.50L***		28	18717GT	SNAP RING,EXTERNAL,2.25 DIA.....	2
--	88920GT	BEARING,FL,2.00IDX2.25ODX1.50L		29	77672GT	WELDMENT,TIMING LINK CAM..... <i>(bearings not included)</i>	1
9	139602GT	ASSY, LONG LINK RT W/BEARINGS.....	1	--	30370GT	BEARING,1.25IDX1.5ODX1.00L <i>(sold separately)</i>	
--	18722GT	BEARING,2.25IDX2.50ODX1.50L***		--	88919GT	BEARING,FL,2.25IDX2.50ODX1.63L <i>(sold separately)</i>	
--	88920GT	BEARING,FL,2.00IDX2.25ODX1.50L		30	824550GT	CLAMP, TIMING LINK, LH	
10	88676GT	PIN,2.00DIA X 24.00LG,CHAMFER***.....	2	31	25969GT	CLIP,SPRING,1/4-20 BLACK.....	4
11	8177GT	SCREW,HHC,1/2-13 X 1.5		32	824546GT	CLAMP, TIMING LINK, RH	
12	6033GT	WASHER,LOCK,0.5"		33	6637GT	SCREW,HHC,1/4-20 X 1.75.....	2
13	1256267GT	ROD END,.5 X 3.75,ZAG.....	2	34	6356GT	WASHER,LOCK,.25.....	4
14	34276GT	PIN,1.25DIA X 3.37LG,1HOLE.....	1	35	6638GT	WASHER,FLAT,USS,1/4"Y.....	4
15	1255452GT	ROD END,.375 X 2.25,ZAG.....	2	36	147834GT	ASSY, ANGLE SENSOR AND COVER... <i>all models except S-60HC</i>	1
				--	110452GT	COVER,STEERING SENSOR	
				--	60746GT	BUSHING, STRAIN RELIEF, 1"	

601.1 Linkage Assembly  
(continued)

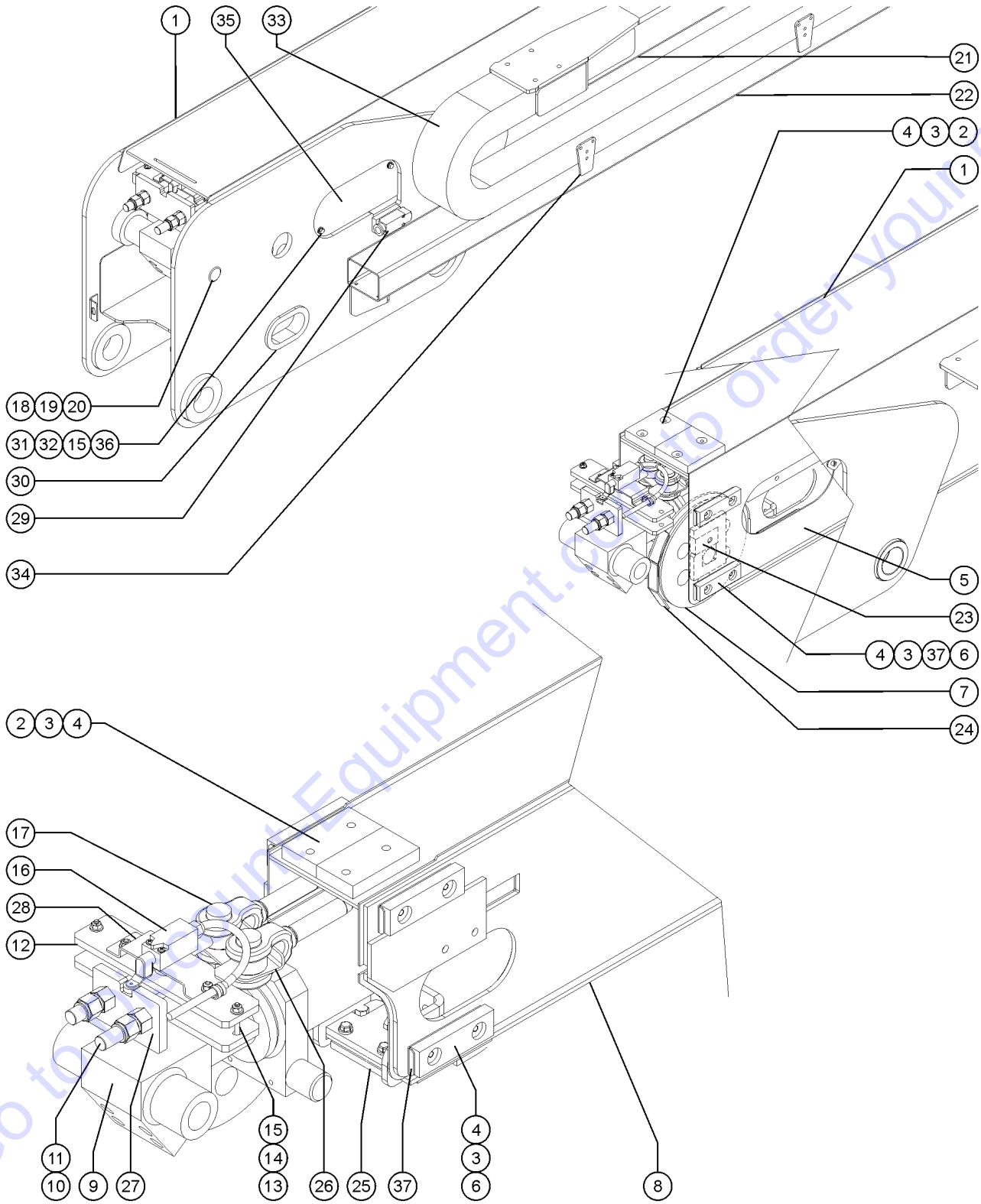
Item	Part No.	Description	Qty.
--	6607GT	WASHER,LOCK,#10 PLTD	
--	75041GT	SCREW,PHILLIPS,PHM,10-32 X 1	
--	94980GT	SENSOR,DUAL OUTPUT,ANGLE***	
37	147842GT	PIN, LIFT CYL, HEX END.....	1
38	6090GT	SCREW,HHC,1/4-20 X .75	
39	6638GT	WASHER,FLAT,USS,1/4"Y	
40	147571GT	KEY, HEX, 5/16" X 2.50"LG,SS.....	1
41	110908GT	WELDMENT, LONG LINK SPACER.....	1
42	10597GT	SCREW,HHC,1/2-13 X 1.25 GR5.....	1
43	81852GT	SCREW,HHC,7/16-14 X 1.75	
44	106134GT	WASHER,FLAT,HARDENED 7/16	
45	11210GT	NUT,NYLOCK,7/16-14	
46	230497GT	FORMING,ANGLE SENSOR CABLE.....	1
47	227125GT	BAR, CLAMP, TIMING LINK.....	1
48	36294GT	SCREW,HHC,1/4-20 X 2.75.....	2
49	13066GT	WASHER,FLAT,.5 HARDENED.....	2
50	T107751GT	WASHER,FLAT,2.01X2.25X.06,PLTD.....	1



***This Page Intentionally Left Blank***

Go to [Discount-Equipment.com](http://Discount-Equipment.com) to order your parts

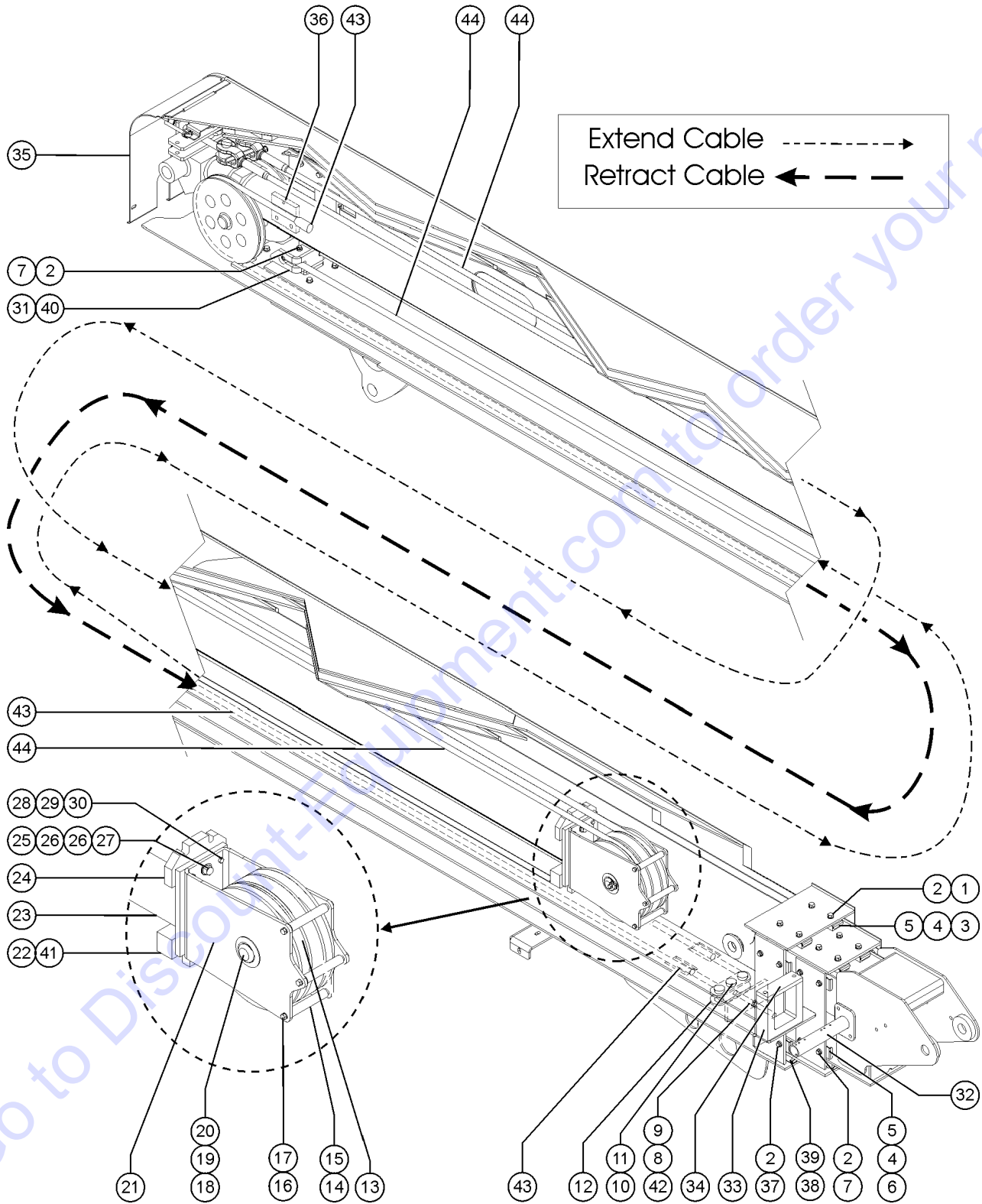
602.1 Boom Components, View 1



## 602.1 Boom Components, View 1

Item	Part No.	Description	Qty.	Item	Part No.	Description	Qty.
--	18720GT	BEARING,2.0IDX2.25ODX1.50L.....2 <i>sold seperately</i>		--	73725GT	BOOT,DTSCH,DTP4-BT	
--	30370GT	BEARING,1.25IDX1.5ODX1.00L.....1 <i>sold seperately</i>		--	19491GT	CONTACTOR,LIMIT SWITCH	
--	88919GT	BEARING,FL,2.25IDX2.50ODX1.63L.....4 <i>sold seperately</i>		--	97128GT	ROLLER ARM,LIMIT SWITCH***	
1A	T108890GT	#1 BOOM TUBE ASSY,W/WORD DECAL.....1 <i>for decal refer to section 100</i>		17	19440GT	PIN,CLEVIS,1 X 2.5 LG.....2	
1B	T108891GT	#1 BOOM TUBE ASSY,W/SYM DECAL <i>for decal refer to section 100</i>		18	81856GT	PIN,1.50DIA X 13.43LG,2RING.....1	
2	34124GT	WEAR PAD,5 X 3 X .625 W/NUTS.....4		19	825796GT	SNAP RING,EXTERNAL,1.50,ZAG.....2	
--	34344GT	SHIM,SIDE PAD 16GA. 3 X 5		20	18596GT	WASHER,FLAT,1.56 X 2.5 X .061	
3	6021GT	WASHER,LOCK,.375		21		Ref: Cable Track Tube.....1 <i>refer to 611.1</i>	
4	28487GT	SCREW,BHHS,3/8-16 X 1		22		Ref: Cable Track Tray.....1 <i>refer to 611.1</i>	
5A	147617GT	WELDMNT, BOOM SECTION #2.....1 <i>S-60X and S-60XC models</i>		23	88795PGT	CAP,EXTENSION,PAINTED.....1	
5B	63078GT	WELDMNT,BOOM SECTION #2*** <i>S-60, S-60HX, S-60TRAX models</i>		--	6021GT	WASHER,LOCK,.375	
5C	63078GT	WELDMNT,BOOM SECTION #2*** <i>S-65 and S-65TRAX models</i>		--	6097GT	WASHER,FLAT,USS,3/8",Y	
6	30138GT	WEAR PAD,5 X 1.5 X .625 W/NUTS		--	6175GT	SCREW,HHC,3/8-16 X 1	
7	88568GT	SHEAVE,RETRACT CABLE(SMALLER).....2		24	107665PGT	COVER,RETRACT SHEAVE,PAINTED.....1	
8	94692GT	ASSEMBLY,BOOM TUBE #3 S60/65**.....1 <i>USA, Canada and Australia models</i>		25	77718GT	WEAR PAD,5 X 3 X .75.....1	
--	119567GT	ASSEM,BOOM TUBE #3 S60/65,CE** <i>South America, Asia and Europe models</i>		--	34344GT	SHIM,SIDE PAD 16GA. 3 X 5	
--	34245GT	BEARING,1.25IDX1.50X1.25L.....2		--	38621GT	SHIM,PAD,5 X 3	
9	88571GT	CYLINDER,BOOM EXTENSION.....1		--	6019GT	SCREW,HHC,3/8-16 X 1.25 GRD 5	
--	101251GT	SEAL KIT (88571)		--	6021GT	WASHER,LOCK,.375	
--	74872GT	VALVE,COUNTERBALANCE 3000 PSI*.....1		26	77618PGT	PLATE,ANTIROTATION.....1	
--	88667GT	VALVE,CB.CBCA-LHN@1500PSI***.....1		27	77795GT	MACHINED PIVOT PLATE WELDMNT.....1	
10	77656GT	ROD END,CABLE		28	77653PGT	FORMING,LIMIT SWITCH BRACKET.....1	
11	77051GT	NUT,NYLOCK,3/4-10,GRD.8		--	6091GT	NUT,NYLOCK,1/4-20	
12	77654PGT	PLATE,ROCKER.....2		--	6638GT	WASHER,FLAT,USS,1/4"Y	
13	8179GT	SCREW,HHC,1/4-20 X 2.25		--	6888GT	SCREW,HHC,1/4-20 X 1	
14	6091GT	NUT,NYLOCK,1/4-20		29		Ref: Harness, Primary Ext/Ret Limit Switch.....1 <i>refer to 313.1</i>	
15	6638GT	WASHER,FLAT,USS,1/4"Y		--	88356-14963GT	SWITCH,LIMIT,W/RLLR ARM,NO/NC	
16		Ref: Harness, Cable Tension Limit Switch.....1 <i>refer to 313.1</i>		30	71768GT	GROMMET,4.00 GRV. X .75 THK.....1	
--	88356-13103GT	SWITCH,LIMIT,W/RLLR ARM,NO/NC		31	6090GT	SCREW,HHC,1/4-20 X .75	
--	119067GT	CONN,RECEP 4 WAY ENDCAP DT		32	6356GT	WASHER,LOCK,.25	
--	60443GT	LOCK,RECEP 4 WAY,14-18GA		33		Ref: Cable Track.....1 <i>refer to 611.1</i>	
--	73713GT	TERM,NI PIN,S&F,16-18GA,REEL		34		Ref: Cable Track Guide.....10 <i>refer to 611.1</i>	
--	43960GT	WIRE CABLE,16/4 CON.TPE JKT.....15		35	77882PGT	COVER,RH,BOOM SECTION #1.....1	
				--	147403GT	COVER,LH,BOOM SECTION #1	
				36	56912GT	SPRING CLIP,1/4-20,.025-.15X.54,ZAG	
				37	29080GT	SHIM,WEAR PAD,5X 1.5 16GA <i>qty as needed</i>	

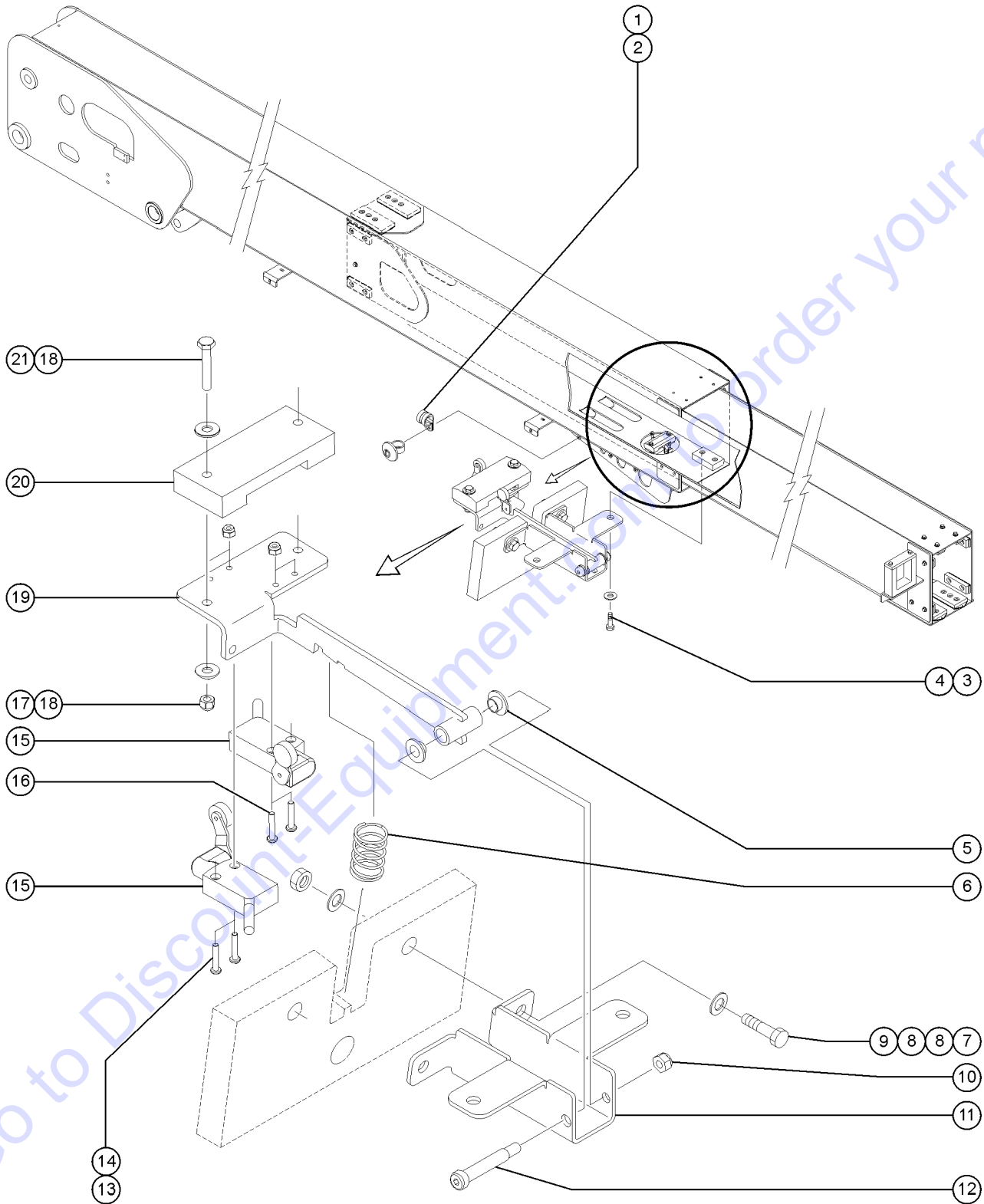
603.1 Boom Components, View 2



## 603.1 Boom Components, View 2

Item	Part No.	Description	Qty.	Item	Part No.	Description	Qty.
A	214690GT	KIT,EXTEND/RETRACT CABLE,S60 <i>(includes items 43 &amp; 44) (for easier installation, suggest ordering 94510, below)</i>		36	77616PGT	PLATE,BOTTOM BLOCK,PAINTED.....1	
B	94510GT	TOOL,CABLE GRIP, 7/16" <i>for installation of 214690</i>		37	57072GT	SCREW,BHHS,3/8-16 X 1.25	
1	6175GT	SCREW,HHC,3/8-16 X 1		38	34344GT	SHIM,SIDE PAD 16GA. 3 X 5.....4	
2	6021GT	WASHER,LOCK,.375		39	77718GT	WEAR PAD,5 X 3 X .75.....4	
3	30138GT	WEAR PAD,5 X 1.5 X .625 W/NUTS.....8		40	77713PGT	PLATE,TAP BLOCK.....1	
4	38620GT	SHIM,WEAR PAD,5 X 1.5,14GA.....16		41	6605GT	SCREW,HHC,3/8-16 X 3.5,GR5.....2	
5	29080GT	SHIM,WEAR PAD,5X 1.5 16GA.....16		42	33278GT	WASHER,FLAT,.75 HARDENED	
6	34125GT	WEAR PAD,5 X 1.5 X .75 W/NUTS.....8		43	110340GT	CABLE ASSY, RETRACT SET (PAIR).....1 <i>(one end mounts at the base, the other end mounts at the top of the mast)</i>	
7	6019GT	SCREW,HHC,3/8-16 X 1.25 GRD 5		44	110339GT	CABLE ASSY, EXTEND SET(PAIR).....1 <i>(both ends mount at the base of the mast)</i>	
8	77656GT	ROD END,CABLE					
9	77051GT	NUT,NYLOCK,3/4-10,GRD.8					
10	826379GT	PIN,CLEVIS,1X2.250,ZAG.....4					
11	13635-10GT	PIN,COTTER,.156 X 1.75.....4					
12	88796GT	PLATE,RETRACTION CABLE EQUALIZ.....2					
13	88567GT	SHEAVE,EXTENSION CABLE(LARGER).....1					
14	77648GT	ROLLER,1/2" PVC.....1					
15	77649GT	ROLLER,1/2" ALUMINUM.....1					
16	6090GT	SCREW,HHC,1/4-20 X .75					
17	6356GT	WASHER,LOCK,.25					
18	88793GT	PIN,1.5 X 5.50 LG.....1					
19	825796GT	SNAP RING,EXTERNAL,1.50,ZAG.....2					
20	18596GT	WASHER,FLAT,1.56 X 2.5 X .061					
21	139384GT	BRACKET, EXTEND SHEAVE.....1					
22	139288GT	GUIDE, EXT. CABLE, BOTTOM.....1					
23		Ref: Extension Cylinder <i>refer to 602.1</i>					
24	139385GT	GUIDE, EXT CABLE, TOP.....1					
25	54177GT	SCREW,HHC,1/2-13 X 1.5 GRD 8.....2					
26	49411GT	WASHER,FLAT,M14					
27	6198GT	NUT,NYLOCK,1/2-13					
28	4266GT	SCREW,HHC,1/4-20 X 2					
29	6638GT	WASHER,FLAT,USS,1/4"Y					
30	6091GT	NUT,NYLOCK,1/4-20					
31	77688GT	WELDMENT,EXTENSION BRACKET.....1					
32		Ref: Weldment Track Pull Tube.....1 <i>refer to 611.1</i>					
33		Ref: Hose/Cable Clamps.....1 <i>refer to 611.1</i>					
34		Ref: Bar Clamp, Cable Track.....1 <i>refer to 611.1</i>					
35	101066PGT	COVER,PRIMARY BOOM,PAINTED.....1					

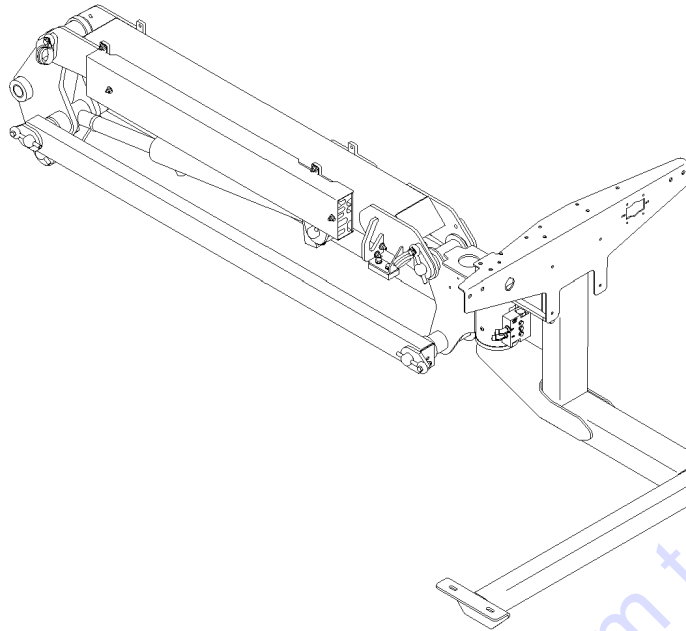
604.1 Boom Limit Switch, S-60X, S-60XC, S-60TraX ANSI



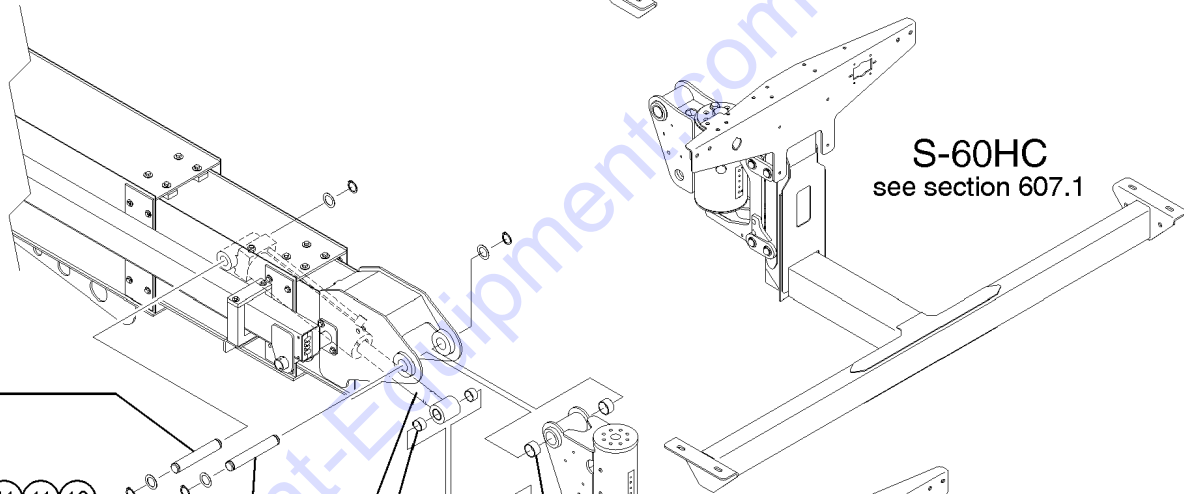
## 604.1 Boom Limit Switch, S-60X, S-60XC, S-60TraX ANSI

Item	Part No.	Description	Qty.
1	45470GT	CLAMP,0.31,#5 X 1/4,RUB CUSH.....1	1
2	56361GT	CABLE TIE,BUTTON,BLACK,14.75LG...3	3
3	6019GT	SCREW,HHC,3/8-16 X 1.25 GRD 5.....2	2
4	6021GT	WASHER,LOCK,.375.....2	2
5	47222GT	WASHER,SHOULDER,NYLON.....2	2
6	T112459GT	SPRING,0.984"OD X 1.50"LG.....1	1
7	13918GT	SCREW,HHC,3/8-16 X 1.75,GRD.8.....2	2
8	5397GT	WASHER,FLAT,USS,5/16",Y.....4	4
9	4828GT	NUT,NYLOCK,3/8-16.....2	2
10	6782GT	NUT,NYLOCK,5/16-18.....1	1
11	147504GT	COVER, LIMIT SWITCH ARM MOUNT...1	1
12	147578GT	SCREW,SHC,3/8 X 1.75 SHOULDER....1	1
13	T106385GT	SCREW,PHILLIPS,PHM,8-32 X 1.00.....4	4
14	18605GT	NUT,NYLOCK,8-32.....4	4
15	<del>1364414B61GT</del>	LIMIT SWITCH,BLUE,MICRO.....2 <i>LSB1ES and LSB1EO, refer to 313.1 for wire harnesses</i>	2
16	T106385GT	SCREW,PHILLIPS,PHM,8-32 X 1.00.....2	2
17	6091GT	NUT,NYLOCK,1/4-20.....2	2
18	6638GT	WASHER,FLAT,USS,1/4"Y.....4	4
19	230329GT	WELDMENT, LIMIT SWITCH ARM.....1	1
20	230331GT	WEARPAD, LIMIT SWITCH GUIDE.....1	1
21	6145GT	SCREW,HHC,1/4-20 X 1.5.....2	2

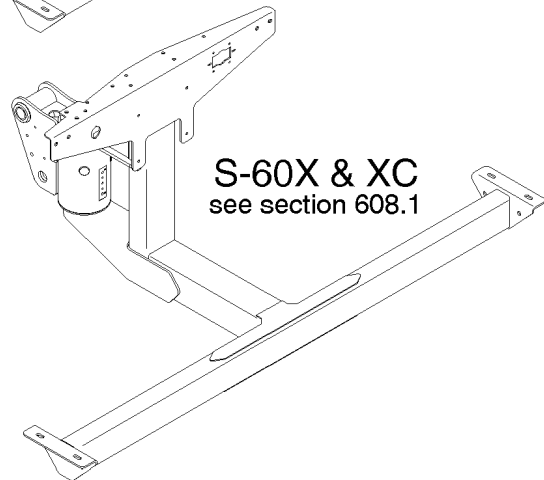
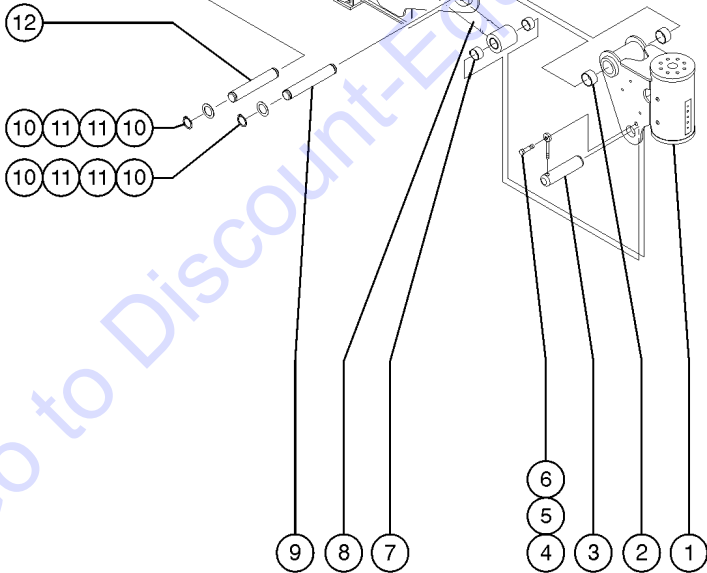
605.1 Boom End Components, S-60, S-60TraX



**S-65**  
see section 606.1 or 609.1



**S-60HC**  
see section 607.1



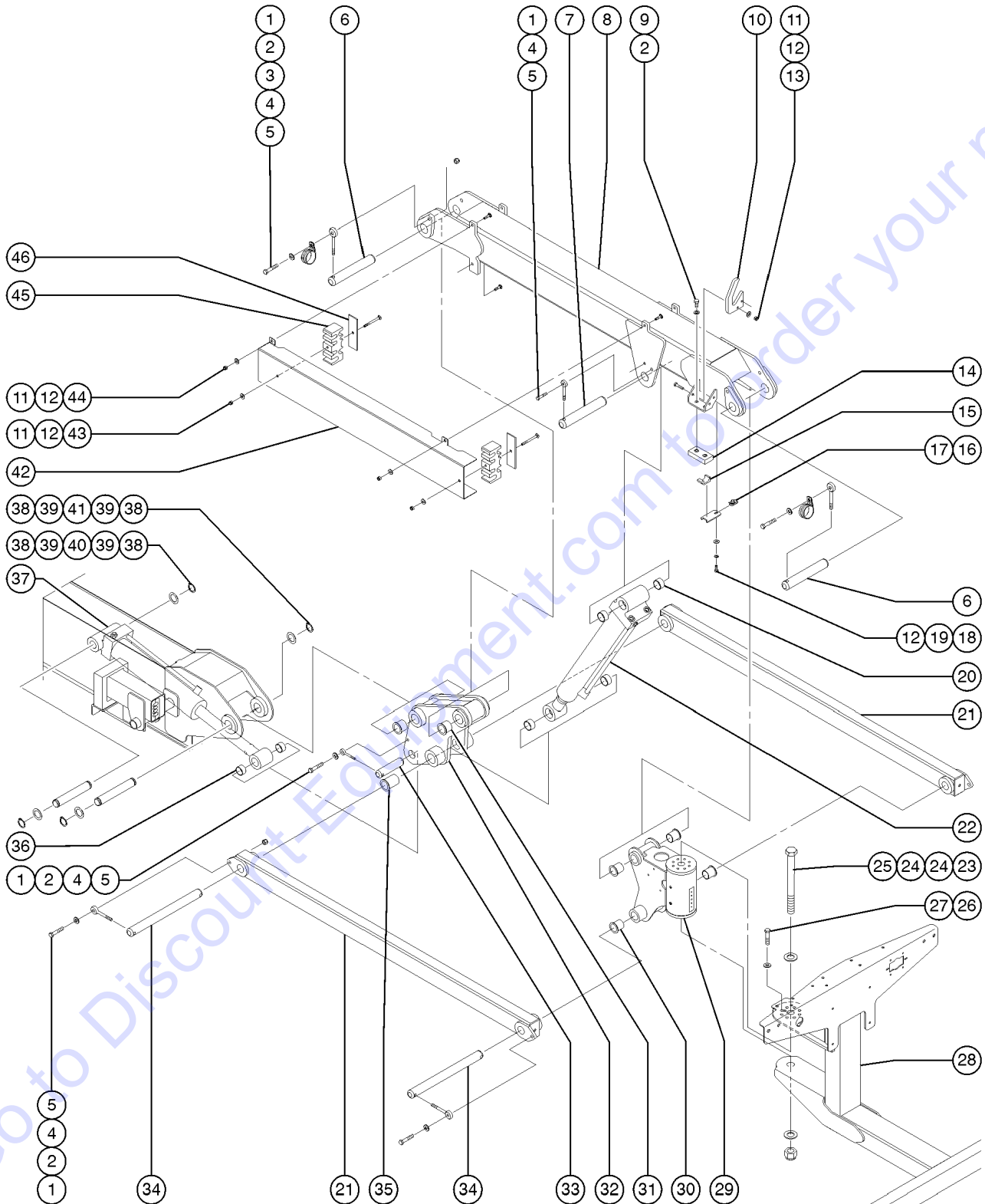
**S-60X & XC**  
see section 608.1



## 605.1 Boom End Components, S-60, S-60TraX

Item	Part No.	Description	Qty.
1	88576GT	ROTATOR, NON-JIB.....1 <i>Includes item 2; S-60 CE only</i>	1
--	122944GT	SEAL KIT, 8K ROTATOR***	
--	88516GT	SCREW, BLEEDER, M5X0.8	
2	30370GT	BEARING, 1.25ID X 1.5OD X 1.00L.....4	4
3	T108075GT	PIN, 1.25DIA X 5.25LG, 1HOLE.....1	1
4	825019GT	ROD END, .375 X 3.69, ZAG	
5	6175GT	SCREW, HHC, 3/8-16 X 1	
6	4828GT	NUT, NYLOCK, 3/8-16	
7	25683GT	BEARING, POLYGON, 20DU12.....4	4
8	63566GT	CYLINDER, PLATFORM LEVEL*** .....1 <i>Includes item 7</i>	1
--	101254GT	SEAL KIT (63566)	
--	77303GT	VALVE, CNTRBAL 3500 PSI, ATM VEN	
9	T111124GT	PIN, 1.25DIA X 8.42LG, 2RING.....1	1
10	30217GT	SNAP RING, EXTERNAL, 1.25 DIA. ** .....4	4
11	30255GT	WASHER, SHIM, 1.27 X 2.13 X .062.....as-needed	
12	88870GT	PIN, 1.25DIA X 7.47LG, 2RING.....1	1

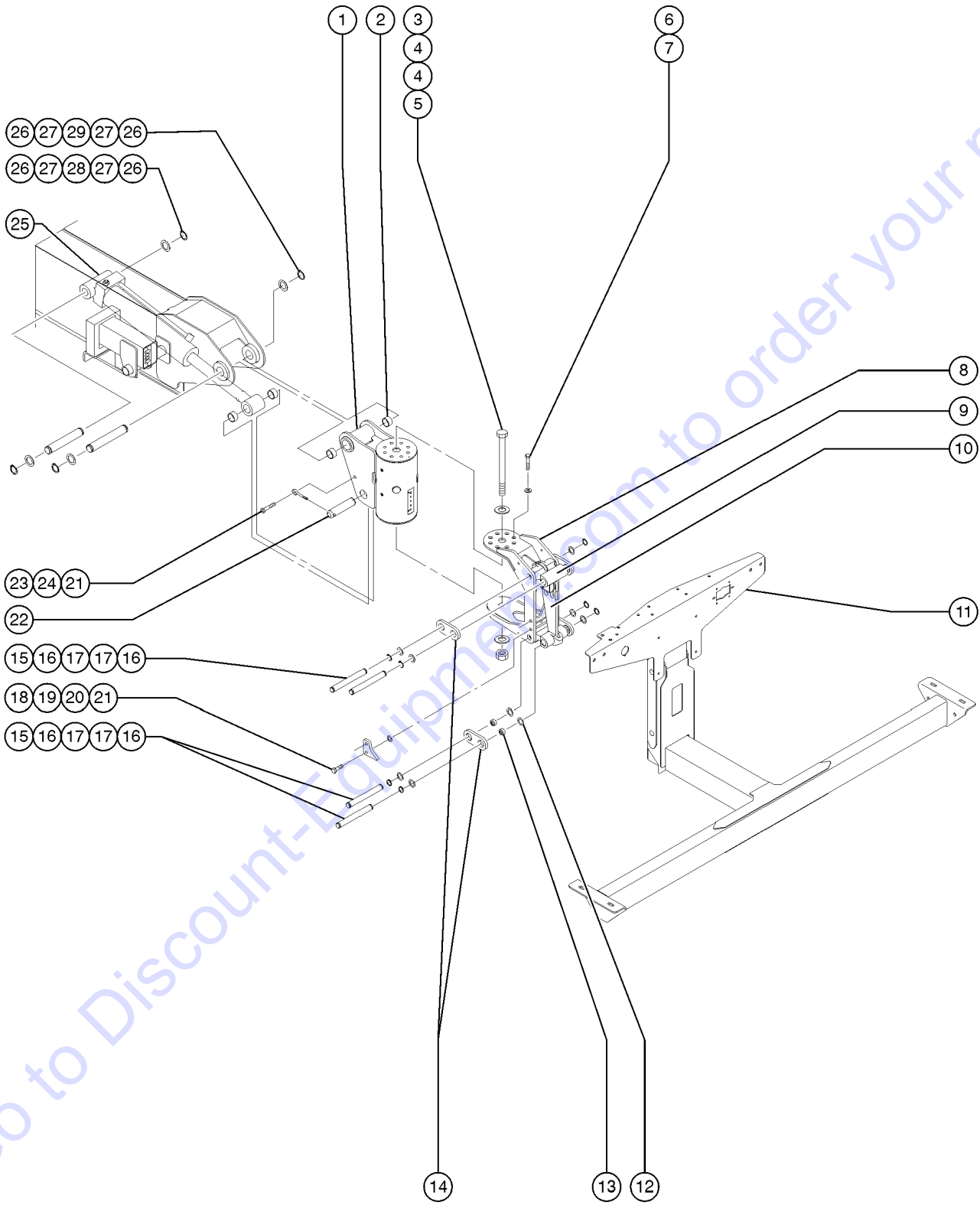
606.1 Boom End Components, S-65, S-65TraX



## 606.1 Boom End Components, S-65, S-65TraX

Item	Part No.	Description	Qty.	Item	Part No.	Description	Qty.
1	6175GT	SCREW,HHC,3/8-16 X 1		30	30222GT	BEARING,FL,1.25IDX1.41ODX1.50L.....4	4
2	6021GT	WASHER,LOCK,.375		31	35675GT	BEARING,FL,1.25IDX1.50DX1.25L.....4	4
3	77181GT	CLAMP,1.63,#26 X 3/8,RUB CUSH.....2	2	32	101244GT	BELLCRANK W/BEARINGS.....1 <i>includes bearings item 31 and 35</i>	1
4	825019GT	ROD END,.375X3.69,ZAG		33	T108075GT	PIN,1.25DIAX5.25LG,1HOLE.....1	1
5	4828GT	NUT,NYLOCK,3/8-16		34	81175GT	PIN,1.25DIAX14.45LG,2HOLE.....2	2
6	T108076GT	PIN,1.25DIAX7.88LG,1HOLE.....2	2	35	128268GT	BEARING,FL, 1.25X1.5X2.13.....2	2
7	T108077GT	PIN,1.25DIAX7.00LG,1HOLE.....1	1	36	25683GT	BEARING,POLYGON,20DU12.....4	4
8B	128534GT	JIB BOOM ASSY W/WORD DECAL.....1 <i>USA, Canada and Australia models, includes item 8A</i>	1	37	63566GT	CYLINDER,PLATFORM LEVEL***.....1 <i>Includes item 7</i>	1
8C	T108892GT	JIB BOOM ASSY W/SYMBOL DECAL <i>South America, Asia and Europe models, includes item 8A</i>		--	101254GT	SEAL KIT (63566)	
9	8255GT	SCREW,HHC,3/8-16 X .75		--	77303GT	VALVE, CNTRBAL 3500 PSI, ATM VEN	
10	128482GT	HOSE GUIDE, JIB.....1 <i>to SN S6015A-29311</i>	1	38	30217GT	SNAP RING,EXTERNAL,1.25 DIA.**.....4	4
11	6091GT	NUT,NYLOCK,1/4-20		39	30255GT	WASHER,SHIM,1.27 X 2.13 X .062.....as-needed	
12	6638GT	WASHER,FLAT,USS,1/4"Y		40	88870GT	PIN,1.25DIAX7.47LG,2RING.....1	1
13	8915GT	SCREW,HHC,1/4-20 X 1.25		41	T111124GT	PIN,1.25DIAX8.42LG,2RING.....1	1
14	81640GT	WEAR PAD,3 X 1.5 X.625 W/NUTS		42	128454PGT	COVER, JIB HOSES/CABLES.....1	1
15	119542GT	CLAMP,TWO HOSE.....1	1	43	128724GT	BOLT,CARRIAGE,1/4-20 X 2.75,G2.....2	2
16	56912GT	SPRING CLIP,1/4-20,.025-.15X.54,ZAG.....1	1	44	79456GT	BOLT,CARRIAGE,1/4-20 X 1.00,G2.....4	4
17	119536PGT	BRACKET,HOSE CLAMP,PAINTED.....1	1	45	824551GT	CLAMP,HOSE/CABLE,JIB.....2	2
18	6090GT	SCREW,HHC,1/4-20 X .75		46	128483GT	BACKING PLATE, HOSE BLOCK, JIB....2	2
19	6356GT	WASHER,LOCK,.25					
20	25683GT	BEARING,POLYGON,20DU12.....4	4				
21	61306-SGT	COMPR.LINK,MACHINED,GND CONTR*.....2	2				
22	63213GT	CYLINDER,JIB (STICK BOOMS).....1 <i>includes item 20</i>	1				
--	33428GT	VALVE,COUNTERBALANCE					
--	63353GT	SEAL KIT,CYL,S65 (63213)					
23	73928GT	SCREW,HHC,1-8 X 11,GRD 5***.....1	1				
24	122079GT	WASHER,FLAT,1.000,HARDENED.....2	2				
25	29764GT	NUT,NYLOCK,1-8.....1	1				
26	77692GT	SCREW,HHC,3/8-16 X 1 GRD 8.....8	8				
27	6097GT	WASHER,FLAT,USS,3/8",Y.....8	8				
28	60370-SGT	PLATFORM SUPPORT WELDMNT-SERV*.....1	1				
29	94397GT	ROTATOR,PLAT JIB,160 DEG***.....1 <i>includes bearing item 30</i>	1				
--	122944GT	SEAL KIT,8K ROTATOR*** <i>for 94397</i>					
--	75395GT	BEARING KIT,PLAT ROTATOR,SUPER <i>for 94397</i>					
--	88516GT	SCREW,BLEEDER,M5X0.8 <i>for 94397</i>					

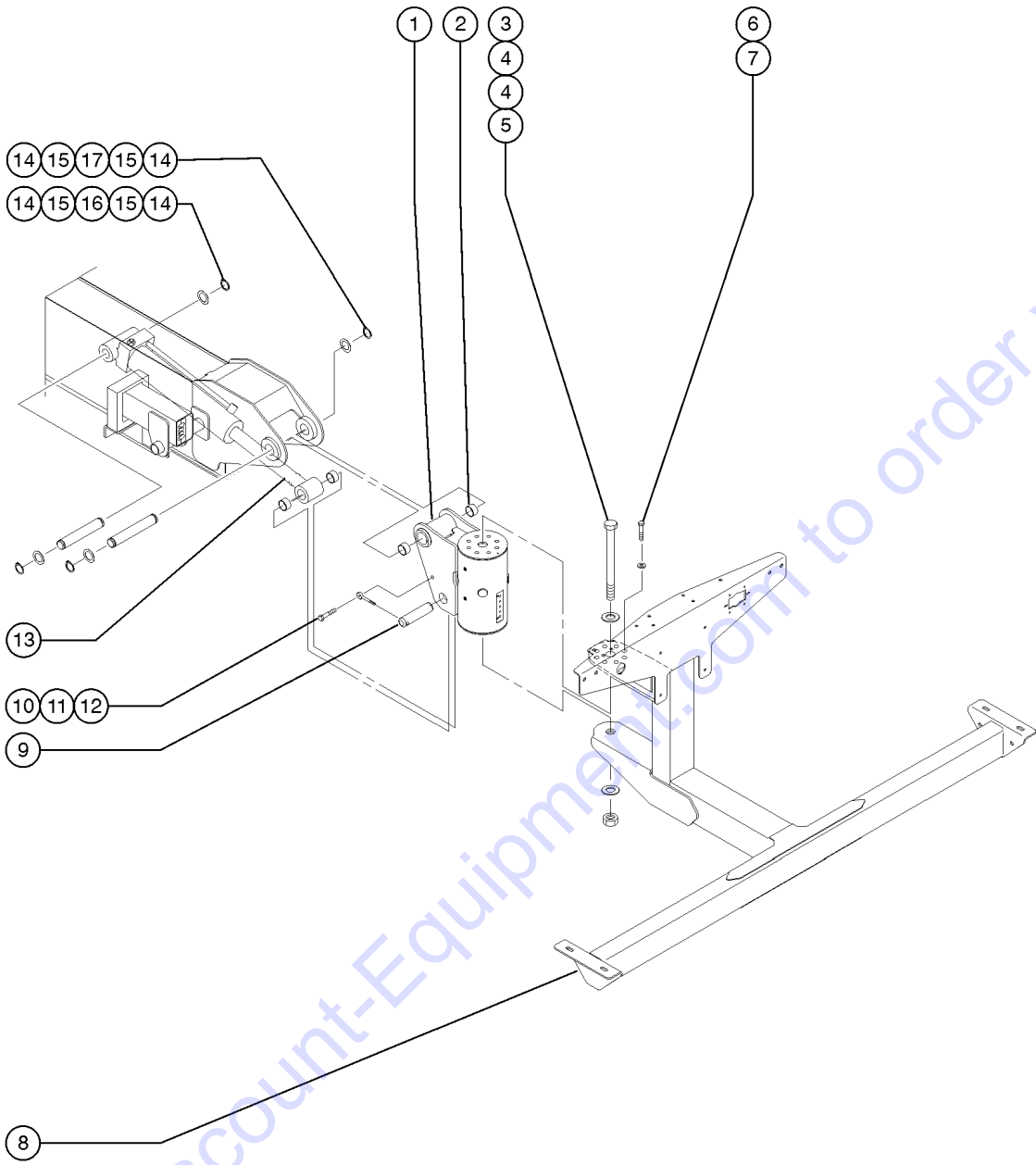
607.1 Boom End Components, S-60HC



## 607.1 Boom End Components, S-60HC

Item	Part No.	Description	Qty.
1	226541GT	ROTATOR,PLATFORM,15K.....1 <i>includes item 2</i>	
--	147370GT	SEAL KIT,15K ROTATOR <i>for 107836; to SN 21918</i>	
--	226542GT	SEAL KIT, 15K ROTATOR <i>for 226541; from SN 21919</i>	
2	30370GT	BEARING,1.25IDX1.5ODX1.00L.....2	
3	824075GT	SCREW,HHC,1-8X12.75,5,ZAG	
4	122079GT	WASHER,FLAT,1.000,HARDENED.....2	
5	123143GT	NUT,NYLOCK,1-8,GR8.....1	
6	123663GT	SCREW,HHC,1/2-13X1.25,GR8,Y.....8	
7	13066GT	WASHER,FLAT,.5 HARDENED.....8	
8	107564GT	WELDMENT,ROTATOR MOUNT.....1	
9	119230GT	MACH,PLATE,LOAD SUPPORT.....1	
10	106766GT	LOAD CELL FLEXURE.....2	
11	106399GT	WELDMENT,PLATFORM SUPPORT.....1	
12	110789GT	WASHER,SHIM .0151 THK.....as-needed	
13	25685GT	BEARING,GARLOCK,12FDU12.....8	
14	110784GT	MACHINED,LOAD CELL LINK.....1	
--	45748GT	ROD END,.250 X 2.75 LG	
15	110785GT	PIN,.75DIA X 6.38 LG,2RING.....4	
16	10262GT	SNAP RING,EXTERNAL,.75 DIA.....8	
17	6563GT	WASHER,SHIM,.75 X 1.125 X.030.....as-needed	
18	8516GT	SCREW, HCC, 3/8-16 X 1.50.....2	
19	139248GT	MACH.,PLATE,STOP.....2	
20	7268GT	WASHER,SHIM,.375 X.625X.033 ST....4	
21	4828GT	NUT,NYLOCK,3/8-16.....2	
22	T108075GT	PIN,1.25DIA X 5.25LG,1HOLE.....1	
23	6175GT	SCREW,HHC,3/8-16 X 1.....1	
24	825019GT	ROD END,.375X3.69,ZAG.....1	
25	63566GT	CYLINDER,PLATFORM LEVEL ***.....1	
--	101254GT	SEAL KIT (63566)	
--	25683GT	BEARING,POLYGON,20DU12.....4	
--	77303GT	VALVE, CNTRBAL 3500 PSI, ATM VEN	
26	30217GT	SNAP RING,EXTERNAL,1.25 DIA.**.....4	
27	30255GT	WASHER,SHIM,1.27 X 2.13 X .062.....as-needed	
28	88870GT	PIN,1.25DIA X 7.47LG,2RING.....1	
29	T111124GT	PIN,1.25DIA X 8.42LG,2RING.....1	

608.1 Boom End Components, S-60X and S-60XC

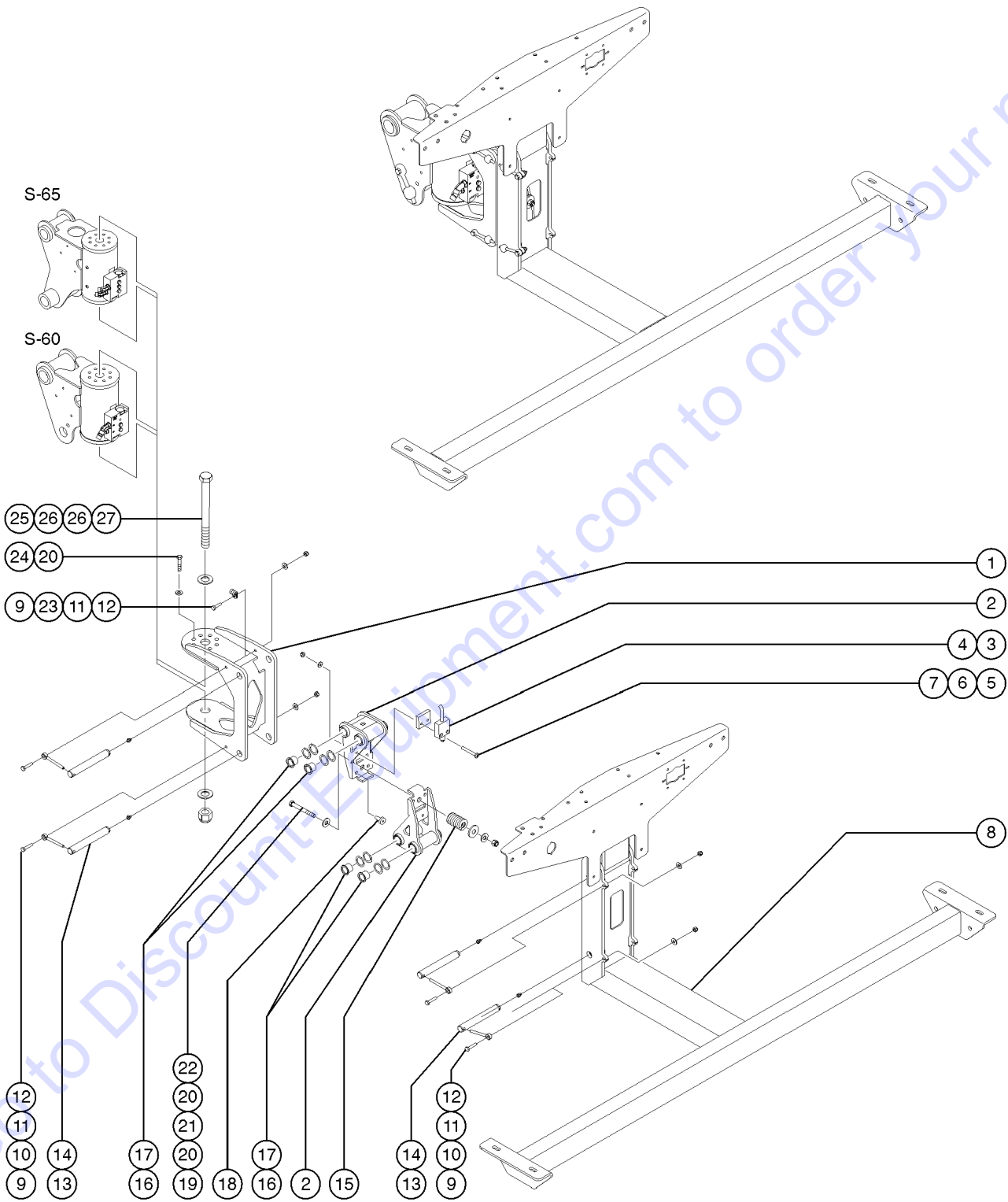


Go to Discount-Equipment.com to order your parts

## 608.1 Boom End Components, S-60X and S-60XC

Item	Part No.	Description	Qty.
1	226541GT	ROTATOR,PLATFORM,15K.....1 <i>includes item 2</i>	1
--	226542GT	SEAL KIT, 15K ROTATOR <i>for 226541</i>	
2	30370GT	BEARING,1.25IDX1.5ODX1.00L.....2	2
3	824075GT	SCREW,HHC,1-8X12.75,5,ZAG	
4	122079GT	WASHER,FLAT,1.000,HARDENED.....2	2
5	123143GT	NUT,NYLOCK,1-8,GR8.....1	1
6	123663GT	SCREW,HHC,1/2-13X1.25,GR8,Y.....8	8
7	13066GT	WASHER,FLAT,.5 HARDENED.....8	8
8A	147347GT	WELDMENT, PLAT SUPPORT.....1 <i>6ft and 8ft platforms</i>	1
8B	234242GT	WDMT,4FT/5FT PLAT. SUPPORT,15K....1 <i>4ft and 5ft Platforms</i>	1
9	T108075GT	PIN,1.25DIA X 5.25LG,1HOLE.....1	1
10	8516GT	SCREW, HCC, 3/8-16 X 1.50.....1	1
11	825019GT	ROD END,.375X3.69,ZAG.....1	1
12	4828GT	NUT,NYLOCK,3/8-16.....1	1
13	63566GT	CYLINDER,PLATFORM LEVEL***.....1	1
--	101254GT	SEAL KIT (63566)	
--	25683GT	BEARING,POLYGON,20DU12.....4	4
--	77303GT	VALVE, CNTRBAL 3500 PSI, ATM VEN	
14	30217GT	SNAP RING,EXTERNAL,1.25 DIA.**.....4	4
15	30255GT	WASHER,SHIM,1.27 X 2.13 X .062.....as-needed	
16	88870GT	PIN,1.25DIA X 7.47LG,2RING.....1	1
17	T111124GT	PIN,1.25DIA X 8.42LG,2RING.....1	1

609.1 Boom End Components, Load Sense, S-60, S-65 CE

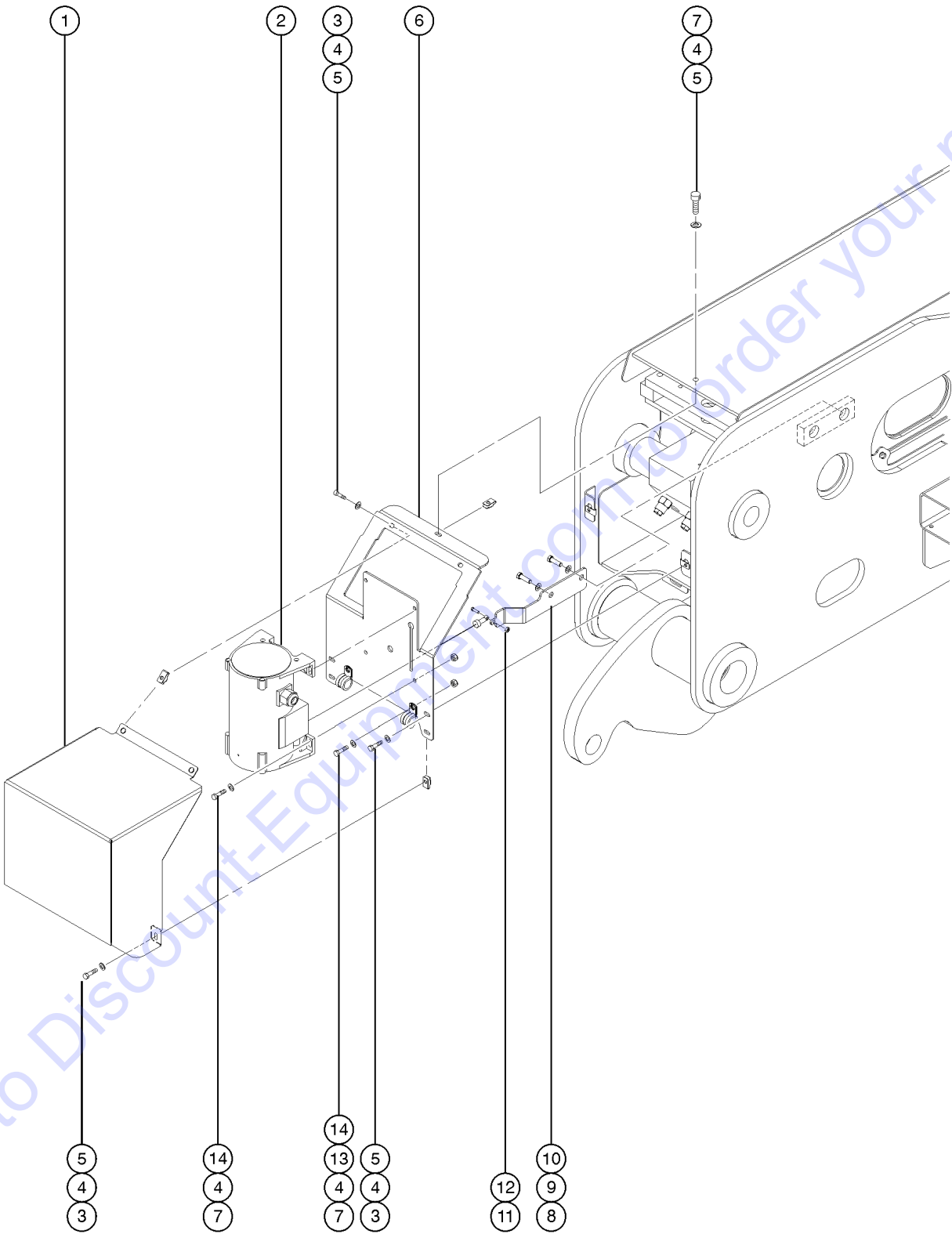




## 609.1 Boom End Components, Load Sense, S-60, S-65 CE

Item	Part No.	Description	Qty.
1	101845GT	ROTATOR MOUNT KIT.....	1
--	61804GT	WELDMENT,ROTATOR SUPPORT	
2	89755GT	LOAD SUPPORT W/BEARINGS.....	2
3	121848GT	ASSY,LS,LOAD SENSE,38.5 IN.....	1
4	61972GT	MOUNT,SWITCH.....	1
5	73634GT	SCREW,PHIL,PHM,10-24X1.5 ZINC.....	2
6	6146GT	WASHER,FLAT,MS,#10,Y.....	2
7	5365GT	NUT,NYLOCK,10-24.....	2
8	60370-SGT	PLATFORM SUPPORT WELDMNT-SERV*.....	1
		<i>ANSI models</i>	
8	61997GT	WELDMENT,PLATFORM SUPPORT,CE.....	1
		<i>CE models</i>	
--	94326GT	WELDMENT,4/5FT PLATFORM SUPPOR.....	1
		<i>4 ft. and 5 ft. platforms only</i>	
9	6888GT	SCREW,HHC,1/4-20 X 1	
10	45748GT	ROD END,.250 X 2.75 LG	
11	6638GT	WASHER,FLAT,USS,1/4*Y	
12	6091GT	NUT,NYLOCK,1/4-20	
13	61726GT	PIN,0.75DIA X 5.75LG,CHAMFER.....	4
14	28646GT	ZERK,GREASE,1/8 NPT.....	4
15	61974GT	SPRING,COMP,1" OD,232 LB/IN.....	1
16	25685GT	BEARING,GARLOCK,12FDU12.....	8
17	110789GT	WASHER,SHIM .0151 THK.....	as-needed
18	34619GT	BUMPER,RUBBER***.....	2
19	21604GT	SCREW,HHC,3/8-16 X 3.25	
20	6097GT	WASHER,FLAT,USS,3/8",Y	
21	61975GT	RETAINER,SPRING,1.21 X .375.....	1
22	4828GT	NUT,NYLOCK,3/8-16	
23	45470GT	CLAMP,0.31,#5 X 1/4,RUB CUSH.....	1
24	77692GT	SCREW,HHC,3/8-16 X 1 GRD 8.....	8
25	73928GT	SCREW,HHC,1-8 X 11,GRD 5***.....	1
26	122079GT	WASHER,FLAT,1.000,HARDENED.....	2
27	29764GT	NUT,NYLOCK,1-8.....	1

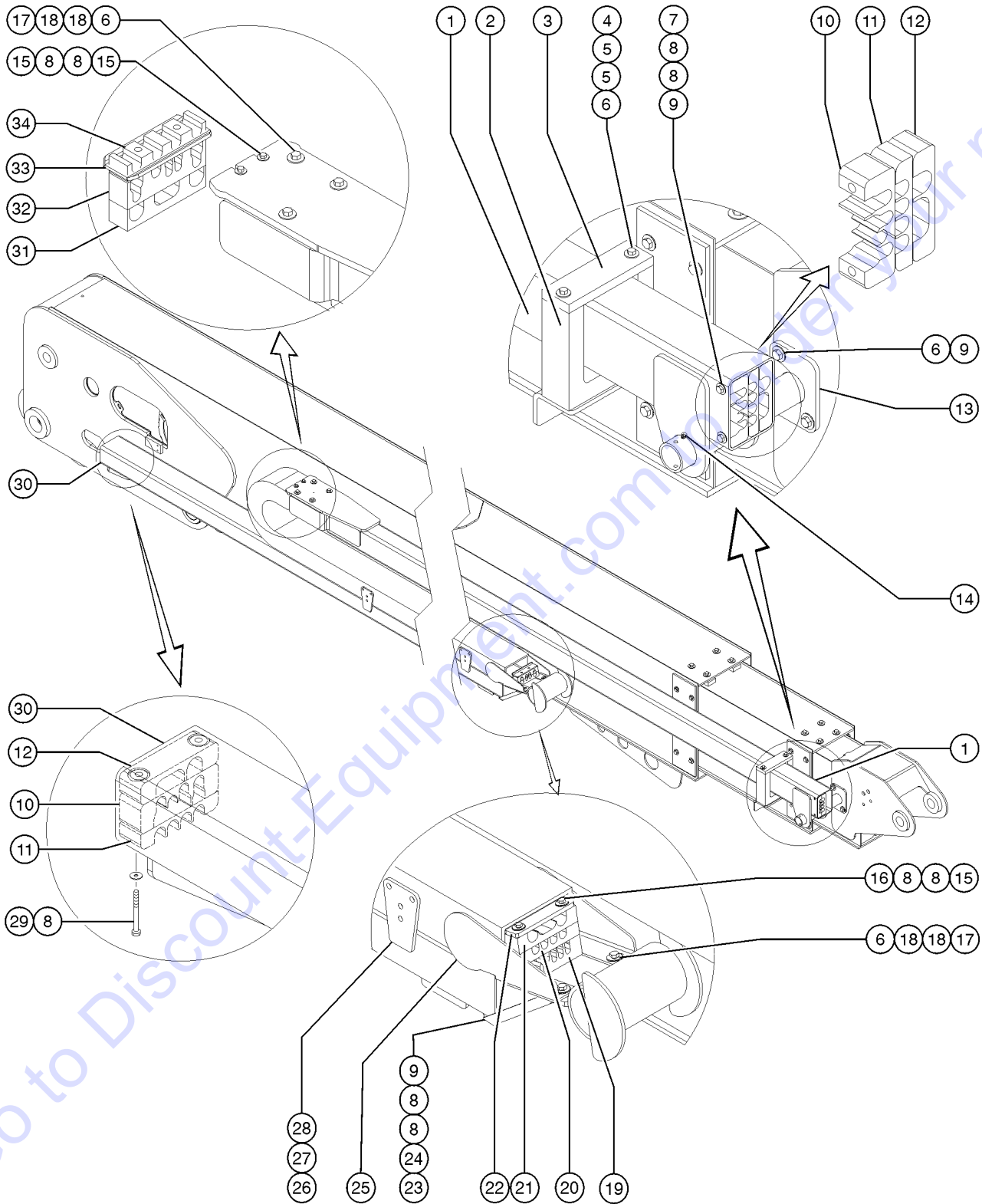
610.1 Primary Boom Components, S-60HC



## 610.1 Primary Boom Components, S-60HC

Item	Part No.	Description	Qty.
1	119537GT	COVER, STRING POT, S60HC***.....	1
2	139293GT	POSITION TRANSDUCER,LINEAR,2CH.....	1
3	6090GT	SCREW,HHC,1/4-20 X .75	
4	6638GT	WASHER,FLAT,USS,1/4"Y	
5	56912GT	SPRING CLIP,1/4-20,.025-.15X.54,ZAG.....	4
6	119535GT	MOUNT, STRING POT, S60HC.....	1
7	6888GT	SCREW,HHC,1/4-20 X 1	
8	139307GT	FORMING, CABLE ANCHOR.....	1
9	6021GT	WASHER,LOCK,.375	
10	6019GT	SCREW,HHC,3/8-16 X 1.25 GRD 5	
11	49826GT	SCREW,PHILLIPS,PHM,10-32 X.625	
12	6178GT	NUT,NYLOCK,10-32	
13	45454GT	CLAMP,RUB CUSH,0.75,#12 X 3/8*.....	2
14	6091GT	NUT,NYLOCK,1/4-20	

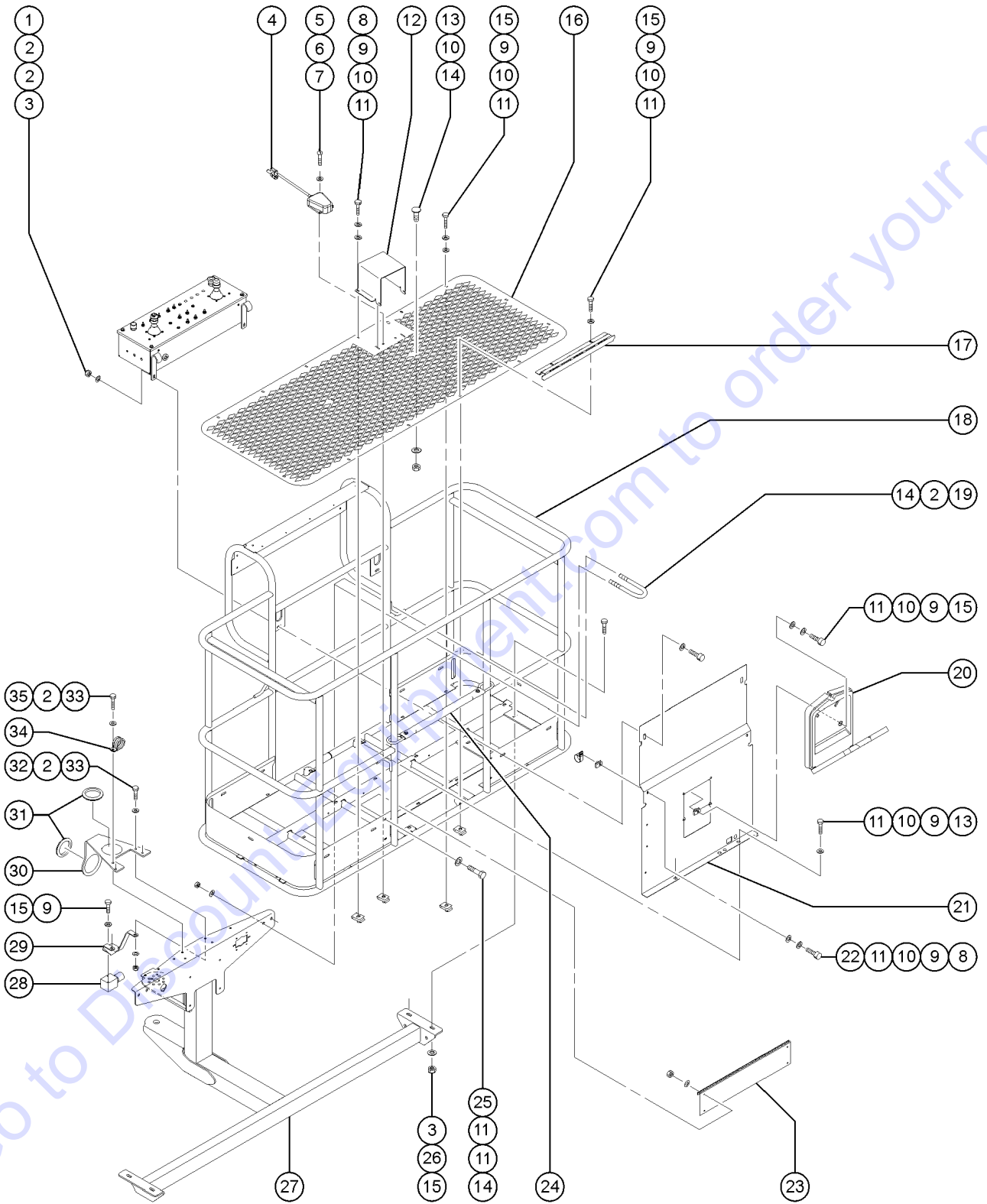
611.1 Cable Track



## 611.1 Cable Track

Item	Part No.	Description	Qty.	Item	Part No.	Description	Qty.
1	88859GT	WELDMENT,CABLE TRACK TUBE***.....1		26	218448GT	FINGER,GUIDE,CABLE TRACK.....12	
2	81341GT	WEAR PAD,CABLE TRACK PULL TUBE.....1		--	58310GT	SCREW,10-24 X.5 TORX PAN HD*** for 218448	
3	81342GT	WEAR PAD,5.5 X 1.75 X .5.....1		27	39317GT	STOP PLATFORM ROLLER	
4	81777GT	SCREW,HHC,3/8-16 X 7		28	87085GT	RIVET,ALUM,P,.188 X .25	
5	6097GT	WASHER,FLAT,USS,3/8",Y		29	12343GT	SCREW,HHC,1/4-20 X 3	
6	4828GT	NUT,NYLOCK,3/8-16		30	88858GT	WELDMENT,CABLE TRACK TRAY***.....1	
7	8179GT	SCREW,HHC,1/4-20 X 2.25		31	228969GT	CLAMP, OPTIONS, CABLE TRACK.....1 (weld cable option)	
8	6638GT	WASHER,FLAT,USS,1/4"Y		32	824549GT	CLAMP, CABLES.....1	
9	6091GT	NUT,NYLOCK,1/4-20		33	121065GT	FORMING,CLAMP,TOP,CABLE TRACK.....1	
10	824547GT	CLAMP, CABLES.....2		34	228967GT	CLAMP, CABLE.....1	
11	227308GT	CLAMP, HOSES.....2					
12	227306GT	CLAMP ASSY,OPTIONS BLOCK W/NUT.....2 (weld cable option)					
13	81347GT	WELDMENT,TRACK PULL TUBE PIVOT.....1					
14	13635-10GT	PIN,COTTER,.156 X 1.75.....1					
15	6884GT	SCREW,HHC,1/4-20 X 2.5					
16	6889GT	NUT,LP NYLOCK,1/4-20					
17	6019GT	SCREW,HHC,3/8-16 X 1.25 GRD 5					
18	6097GT	WASHER,FLAT,USS,3/8",Y					
19	824548GT	CLAMP, CABLES.....1					
20	226325GT	CLAMP, HOSES.....1					
21	228796GT	CLAMP, OPTIONS, CABLE TRACK.....1 (weld cable option)					
22	228797GT	BAR, CLAMP, CABLE TRACK.....1					
23A	1264258GT	FORMING, TRACK BRACE, LH.....1 outboard bracket; furthest from boom tube (shown)					
23B	1264257GT	FORMING, TRACK BRACE, RH.....1 inboard bracket; closest to boom tube					
24	6090GT	SCREW,HHC,1/4-20 X .75					
25	T114223GT	CABLE TRACK, SX, 49 LINK.....1					
--	121035GT	PIN,1.250 X 9.25, 2 RINGS for T114223					
--	122661GT	REPAIR KIT,4 LINK,W/GUIDE for T114223					
--	122662GT	END BRACKET,MOVING END for T114223					
--	122663GT	END BRACKET,FIXED END for T114223					
--	122668GT	GUIDE FINGER,PLASTIC for T114223					
--	218448GT	FINGER,GUIDE,CABLE TRACK for T114223					
--	229169GT	FLATBAR, CLAMPS, CABLE TRACK for T114223					

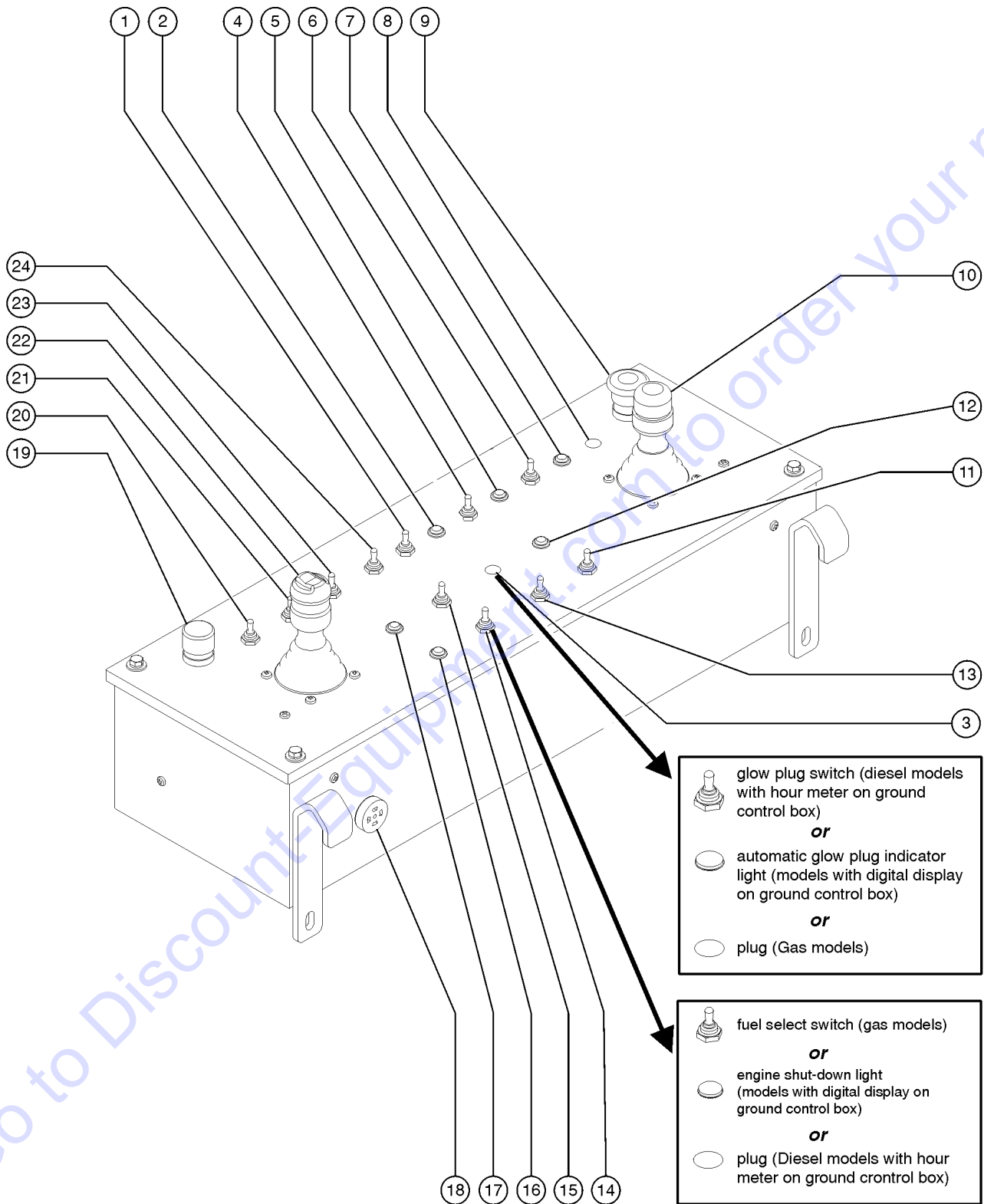
701.1 Platform Installation



## 701.1 Platform Installation

Item	Part No.	Description	Qty.	Item	Part No.	Description	Qty.
1	7713GT	NUT, LP NYLOCK, 3/8-16		28		Ref: Jib Manifold <i>refer to 404.1</i>	
2	5397GT	WASHER,FLAT,USS,5/16",Y		29	110671GT	PLATE,JIB,ROTATE MANIFOLD.....1	
3	6019GT	SCREW,HHC,3/8-16 X 1.25 GRD 5		30	106163GT	FORMING,CABLE GUIDE.....1 <i>order 55067 grommet separately</i>	
4	1254874GT	ASSEMBLY,FOOT SWITCH, S60.....1		31	55067GT	GROMMET,RUBBER 3 X .19 X 3.5.....2	
5	73587GT	SCREW,PHIL,10-24 X .75		32	13002GT	SCREW,HHC,5/16-18 X 1 GR5	
6	6607GT	WASHER,LOCK,#10 PLTD		33	6782GT	NUT,NYLOCK,5/16-18	
7	73575GT	SPRING CLIP,10-24,.025-.125X.468,ZAG		34	77180GT	CLAMP,1.31,#21 X 3/8,RUB CUSH.....1	
8	6888GT	SCREW,HHC,1/4-20 X 1		35	13000GT	SCREW,HHC,5/16-18 X 1.25	
9	6356GT	WASHER,LOCK,.25					
10	6638GT	WASHER,FLAT,USS,1/4"Y					
11	56912GT	SPRING CLIP,1/4-20,.025-.15X.54,ZAG					
12	147121GT	COVER, FOOT SWITCH, LARGE.....1 <i>decals not included, refer to section 100</i>					
13	54274GT	SCREW,STEP BOLT,1/4-20 X .75					
14	4828GT	NUT,NYLOCK,3/8-16					
15	6090GT	SCREW,HHC,1/4-20 X .75					
16A	60160PGT	FLOORING,4 FT PLATFORM,PAINTED.....1					
16B	54247-SGT	PLAT. FLOOR, 5FT, PAINTED.....1					
16C	73477PGT	FLOORING, 6'FT PLATFORM.....1					
16D	73478PGT	FLOORING,8 FT PLATFORM**.....1					
17	73610PGT	STEP PLATFORM ENTRY PAINTED***.....1					
18A	161541GT	ASSY,4FT PLATFORM, NO DECALS.....1 <i>decals not included, refer to section 100</i>					
18B	161542GT	ASSY,5FT PLATFORM, NO DECALS.....1 <i>decals not included, refer to section 100</i>					
18C	160809GT	ASSY,6FT PLATFORM,NO DECALS.....1 <i>decals not included, refer to section 100</i>					
18D	160804GT	ASSY,8FT PLATFORM,NO DECALS.....1 <i>decals not included, refer to section 100</i>					
19	122755GT	UBOLT,FLATTENED,1.5DIA X 3/8 UNC					
20A	44743GT	MANUAL BOX W/DECALS***.....1 <i>USA/Canada/Australia</i>					
20B	24514GT	BOX,INSTRUCTION STORAGE <i>Europe/Asia/South America (decal required; refer to Section100)</i>					
21	73574-SGT	DECAL PLATE ASSEMBLY.....1 <i>decals not included, refer to section 100</i>					
22	56424GT	CLAMP,1.25X.5 RUBBER-CUSHION					
23	94745PGT	TOEBOARD,ENTRY EUROPEAN PNTD**.....1					
24	102992GT	SLIDING MIDRAIL KIT,PTD.....1					
25	6091GT	NUT,NYLOCK,1/4-20					
26	6097GT	WASHER,FLAT,USS,3/8",Y					
27		Ref: Platform Support <i>refer to section 600</i>					

702.1 Platform Control Box - View 1, External





## 702.1 Platform Control Box - View 1, External

Item	Part No.	Description	Qty.	Item	Part No.	Description	Qty.
A	825441GT	PBOX ASSY,PERKINS T4,SGL CAP (models with Perkins 404F-22, single capacity) decals not included refer to section 100		--	56848GT	WASHER,LOCK,IND,LAMP RETAINER	
B	825442GT	PBOX ASSY,PERKINS T4,DUAL CAP (models with Perkins 404F-22, dual capacity) decals not included refer to section 100		5B	229567GT	PLUG,SANTOPRENE .5 BLACK DOME (S-60, S-65)	
C	825443GT	PBOX ASSY,DEUTZ T4,SGL CAP (models with Deutz D2.9L4, single capacity) decals not included refer to section 100		6A	128200GT	SWITCH TOGGLE ASSY SPDT 3P MOM.....1 (Capacity range select) (S-60X, S-60XC, S-60TX, S-65TX, S-60HC)	
D	825444GT	PBOX ASSY,DEUTZ T4,DUAL CAP (models with Deutz D2.9L4, dual capacity) decals not included refer to section 100		--	128580GT	SWITCH TOGGLE SPDT 3P MOM SHDR	
E	228311GT	S60 PBOX ASSY, COMMON		6B	229567GT	PLUG,SANTOPRENE .5 BLACK DOME.....1 (S-60, S-65)	
F	128578GT	SCREW T-SWITCH PH/PH 6-32X1/4 (included in each toggle switch assembly)		7A	824880GT	LIGHT,LED IND. AMBER 12V NH.....1 (lower capacity range) (S-60X, S-60XC, S-60TX, S-65TX, S-60HC)	
G	27246GT	BOOT,TOGGLE SWITCH,SHORT* (included in each toggle switch assembly)		--	56848GT	WASHER,LOCK,IND,LAMP RETAINER	
1	128201GT	SWITCH TOGGLE ASSY DPDT 2P MOM.....1 (Auxiliary Power; includes boot and hardware)		7B	229567GT	PLUG,SANTOPRENE .5 BLACK DOME.....1 (S-60, S-65)	
--	128581-SGT	SWITCH TOGGLE DPDT 2P MOM SHDR		8	229567GT	PLUG,SANTOPRENE .5 BLACK DOME.....1 (used for optional equipment)	
2A	824879GT	LIGHT,LED IND. RED 12V NH.....1 (Machine not level indicator) (option)		9	66812GT	BUTTON,PUSH,RED MUSHROOM HEAD.....1	
--	56848GT	WASHER,LOCK,IND,LAMP RETAINER		--	146478GT	BOOT(BELLOWS),E-STOP,BLACK	
2B	229567GT	PLUG,SANTOPRENE .5 BLACK DOME.....1 (without option)		--	66818GT	CONTACT, N.C.	
3A	229567GT	PLUG,SANTOPRENE .5 BLACK DOME.....1 (Gas/LPG models)		--	94506GT	BASE,W/3 NC CONTACTS	
3B	128200GT	SWITCH TOGGLE ASSY SPDT 3P MOM (Diesel models with an hour meter in the ground control box)		10		Ref. Joystick.....1 refer to 704.1	
--	128580GT	SWITCH TOGGLE SPDT 3P MOM SHDR (Diesel models with an hour meter in the ground control box)		10	139338GT	SCREW PH M5-0.8X20 DIN 7500CE....4	
3C	1254804GT	LT.LAMP IND.AMBER 12V NH (models with digital display in the ground control box)		11	128200GT	SWITCH TOGGLE ASSY SPDT 3P MOM.....1 (Drive enable; includes boot and hardware)	
4A	128204GT	SWITCH TOGGLE ASSY SPDT 2P MNT.....1 (Generator) (option)		--	128580GT	SWITCH TOGGLE SPDT 3P MOM SHDR	
--	128584-SGT	SWITCH TOGGLE SPDT 2P MNT SHDR		12	824879GT	LIGHT,LED IND. RED 12V NH.....1 (Drive enable indicator light)	
4B	229567GT	PLUG,SANTOPRENE .5 BLACK DOME.....1 (without option)		13	128204GT	SWITCH TOGGLE ASSY SPDT 2P MNT.....1 (Engine idle select; includes boot and hardware)	
5A	824880GT	LIGHT,LED IND. AMBER 12V NH.....1 (upper capacity range) (S-60X, S-60XC, S-60TX, S-65TX, S-60HC)		--	128584-SGT	SWITCH TOGGLE SPDT 2P MNT SHDR	
				14A	128204GT	SWITCH TOGGLE ASSY SPDT 2P MNT.....1 (Gas/LPG models)(Fuel select; includes boot and hardware)	
				--	128584-SGT	SWITCH TOGGLE SPDT 2P MNT SHDR	
				14B	824879GT	LIGHT,LED IND. RED 12V NH (models with digital display on the ground control box)	
				14C	229567GT	PLUG,SANTOPRENE .5 BLACK DOME (diesel models with hour meter in ground control box)	

702.1 Platform Control Box - View 1, External  
(continued)

Item	Part No.	Description	Qty.
15	128200GT	SWITCH TOGGLE ASSY SPDT 3P MOM.....1 <i>(Engine start; includes boot and hardware)</i>	1
--	128580GT	SWITCH TOGGLE SPDT 3P MOM SHDR	
16	824879GT	LIGHT,LED IND. RED 12V NH.....1 <i>(CE models, platform overload indicator)</i>	1
--	56848GT	WASHER,LOCK,IND,LAMP RETAINER	
17	824879GT	LIGHT,LED IND. RED 12V NH.....1 <i>(Machine malfunction indicator)</i>	1
--	56848GT	WASHER,LOCK,IND,LAMP RETAINER	
18	45383GT	ALARM,WARBLE TONE 5-30 VDC***.....1 <i>(retaining nut 72326 sold separately)</i>	1
--	72326GT	NUT - PLASTIC,RING FOR ALARMS	
19	66813GT	BUTTON,PUSH,BLACK W/SEAL***.....1	1
--	66815GT	BASE, W/1 N.O. CONTACTS***	
--	66816GT	CONTACT,N.O.***	
20	128200GT	SWITCH TOGGLE ASSY SPDT 3P MOM.....1 <i>(Platform level; includes boot and hardware)</i>	1
--	128580GT	SWITCH TOGGLE SPDT 3P MOM SHDR	
21	128202GT	SWITCH TOGGLE ASSY DPDT 3P MOM.....1 <i>(Platform rotate; includes boot and hardware)</i>	1
--	128582-SGT	SWITCH TOGGLE DPDT 3P MOM SHDR	
22		Ref. Joystick.....1 <i>refer to 704.1</i>	1
22	139338GT	SCREW PH M5-0.8X20 DIN 7500CE.....4	4
23A	128200GT	SWITCH TOGGLE ASSY SPDT 3P MOM.....1 <i>(Jib boom up/down; includes boot and hardware)</i>	1
--	128580GT	SWITCH TOGGLE SPDT 3P MOM SHDR	
23B	824880GT	LIGHT,LED IND. AMBER 12V NH.....1	1
--	56848GT	WASHER,LOCK,IND,LAMP RETAINER	
24	128204GT	SWITCH TOGGLE ASSY SPDT 2P MNT.....1 <i>(Drive speed; includes boot and hardware)</i>	1
--	128584-SGT	SWITCH TOGGLE SPDT 2P MNT SHDR	

# PARTS FINDER

**Search Website  
by Part Number**



**Search Manual  
Library For Parts  
Manual & Lookup Part  
Numbers – Purchase  
or Request Quote**

**Search Manuals**

Enter your information to help us find the right parts manual for your equipment.

\* Brand:

\* Model:

\* Serial:

\* Part Number:

SEARCH

**Can't Find Part or  
Manual? Request Help  
by Manufacturer,  
Model & Description**

**Parts Order Form**

Please fill in the following information to help us find the right part for your equipment.

Manufacturer:	<input type="text"/>
Model:	<input type="text"/>
Description:	<input type="text"/>
Part Number:	<input type="text"/>
Quantity:	<input type="text"/>
Notes:	<input type="text"/>

Submit

Discount-Equipment.com is your online resource for quality parts & equipment.

Florida: **561-964-4949** Outside Florida TOLL FREE: **877-690-3101**

**Need parts?**

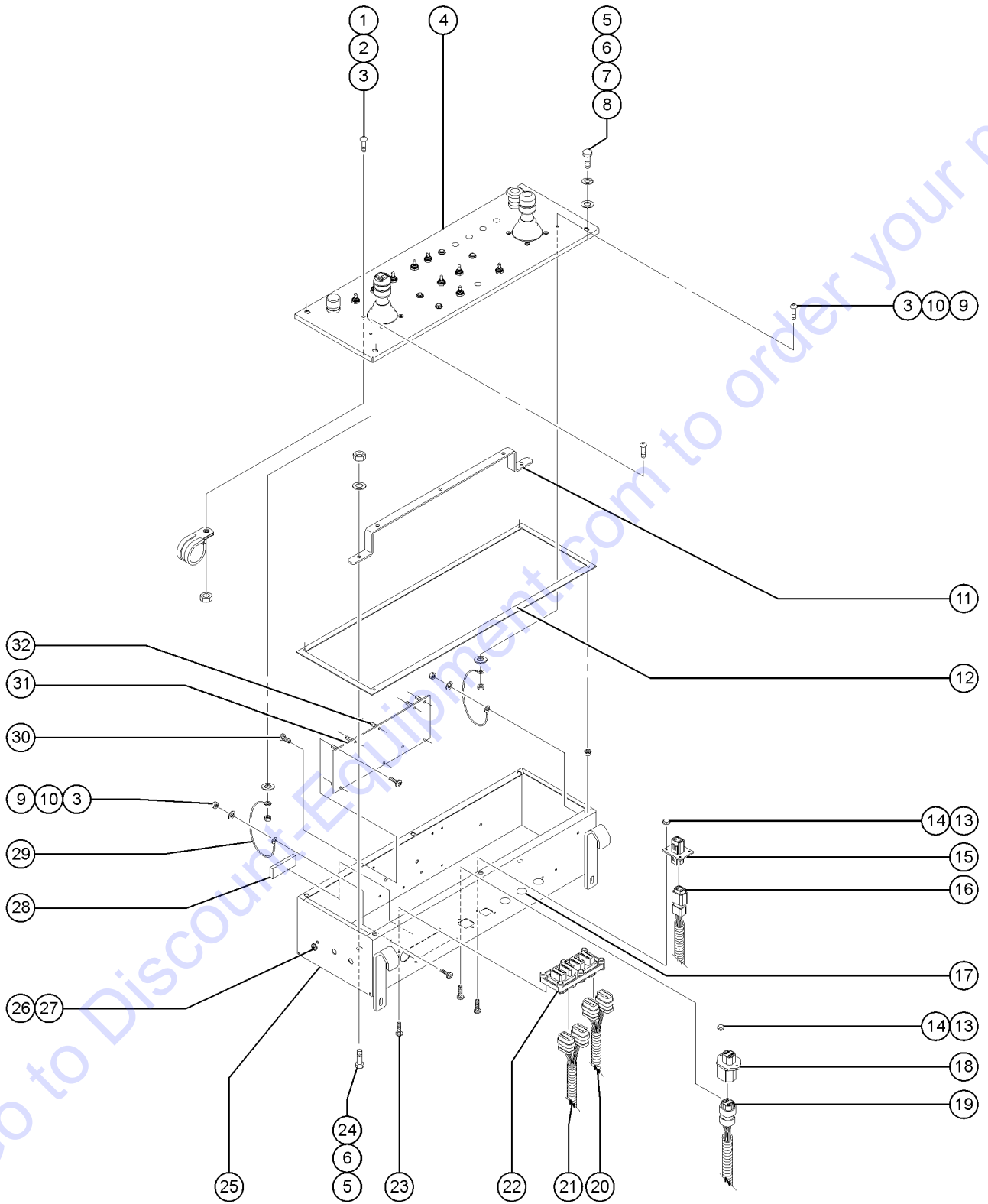
Click on this link: <http://www.discount-equipment.com/category/5443-parts/> and choose one of the options to help get the right parts and equipment you are looking for. Please have the machine model and serial number available in order to help us get you the correct parts. If you don't find the part on the website or on one of the online manuals, please fill out the request form and one of our experienced staff members will get back to you with a quote for the right part that your machine needs.

We sell worldwide for the brands: Genie, Terex, JLG, MultiQuip, Mikasa, Essick, Whiteman, Mayco, Toro Stone, Diamond Products, Generac Magnum, Airman, Haulotte, Barreto, Power Blanket, Nifty Lift, Atlas Copco, Chicago Pneumatic, Allmand, Miller Curber, Skyjack, Lull, Skytrak, Tsurumi, Husquvarna Target, Stow, Wacker, Sakai, Mi-T-M, Sullair, Basic, Dynapac, MBW, Weber, Bartell, Bennar Newman, Haulotte, Ditch Runner, Menegotti, Morrison, Contec, Buddy, Crown, Edco, Wyco, Bomag, Laymor, EZ Trench, Bil-Jax, F.S. Curtis, Gehl Pavers, Heli, Honda, ICS/PowerGrit, IHI, Partner, Imer, Clipper, MMD, Koshin, Rice, CH&E, General Equipment, Amida, Coleman, NAC, Gradall, Square Shooter, Kent, Stanley, Tamco, Toku, Hatz, Kohler, Robin, Wisconsin, Northrock, Oztec, Toker TK, Rol-Air, APT, Wylie, Ingersoll Rand / Doosan, Innovatech, Con X, Ammann, Mecalac, Makinex, Smith Surface Prep, Small Line, Wanco, Yanmar

***This Page Intentionally Left Blank***

Go to [Discount-Equipment.com](http://Discount-Equipment.com) to order your parts

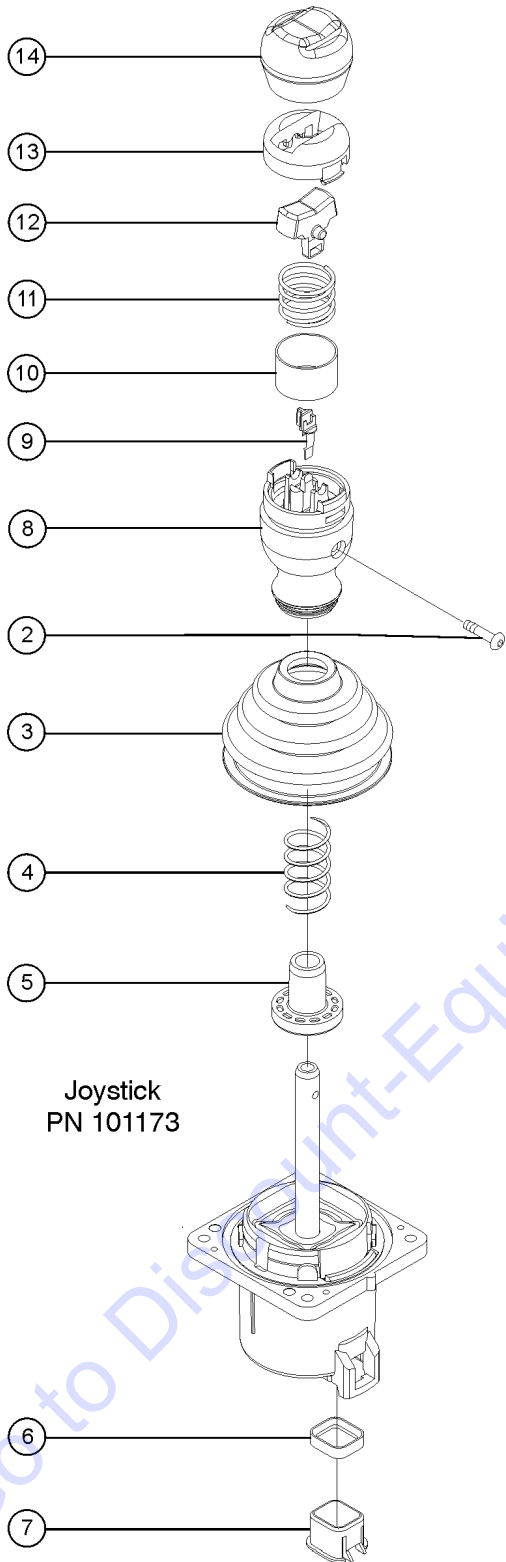
703.1 Platform Control Box - View 2, Internal



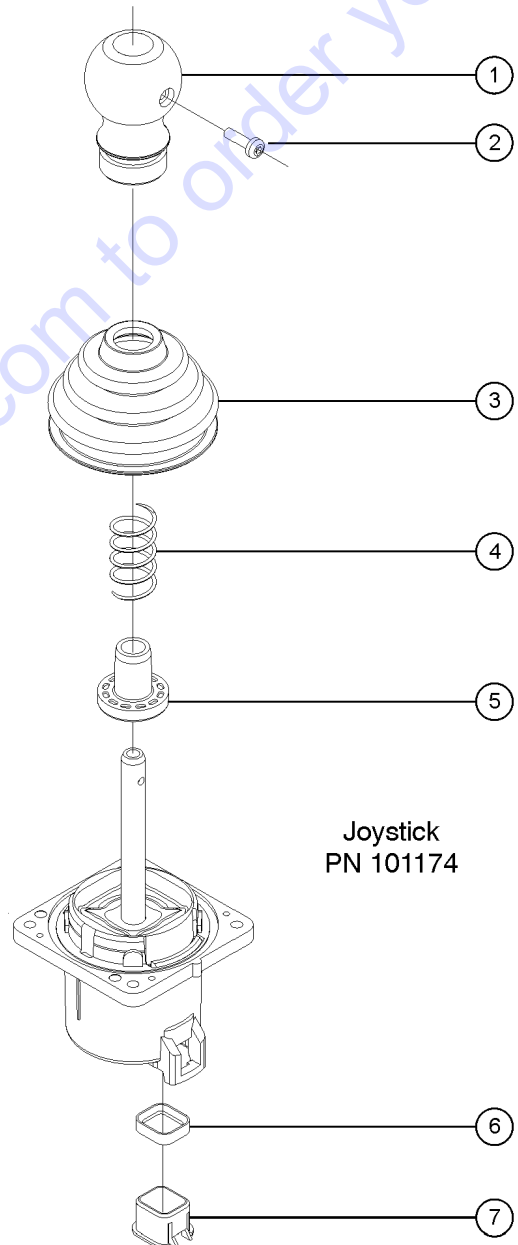
## 703.1 Platform Control Box - View 2, Internal

Item	Part No.	Description	Qty.	Item	Part No.	Description	Qty.
--		Ref. PLATFORM BOX HARNESS		--	119560GT	WIRING KIT,CONTROL BOX HEATER	
--	111413GT	JOYSTICK CONNECTOR ASSEM,DEUT		--	128204GT	SWITCH TOGGLE ASSY SPDT 2P MNT	
--	111420GT	OPTION,ROCKER STEER		--	27287GT	RESISTOR,10 OHM,25 WATT.....2	
--	121847GT	RELAY,TIME DELAY,2 SEC,30A		--	T115352GT	DECAL,OPTION CONTROL BOX HEATR.....1	
1	139338GT	SCREW PH M5-0.8X20 DIN 7500CE.....8		32	81550GT	STANDOFF,6-32 X 3/8L X 1/4 HEX.....10	
2	18666GT	CLAMP,1.00,#16 X 1/4,RUB CUSH.....1					
3	104030GT	NUT HEX M5-0.8 CLASS 8 ZINC					
4	147387GT	FORMING, PLAT. BOX LID.....1					
5	6090GT	SCREW,HHC,1/4-20 X .75					
6	6356GT	WASHER,LOCK,.25					
7	6638GT	WASHER,FLAT,USS,1/4"Y					
8	T107520GT	NUTSERT,LP KNURLED,1/4-20X.165.....4					
9	49819GT	SCREW,PHILLIPS,PHM,10-32 X .5					
10	6146GT	WASHER,FLAT,MS,#10,Y					
11	119644GT	BRACKET,PBOX WIRE SUPPORT.....1					
12	81488GT	GASKET,PLATFORM CONTROL BOX....1					
13	49820GT	SCREW,PHILLIPS,PHM,6-32 X .5					
14	12344GT	NUT,NYLOCK,6-32					
15	73723GT	CONN RECEP,FLANGED.....1					
16		Ref. FOOT SWITCH WIRE HARNESS ASSEMBLY <i>refer to 313.1</i>					
17	15243GT	PLUG,NYLON .875 BLACK DOMED.....3					
18	73717GT	CONN,RECEP 4 WAY,12-14GA FL***.....1					
19		Ref. HARNESS,12V TO PLAT <i>refer to 313.1</i>					
20		Ref. HARNESS,18/22 BOOM 2 <i>refer to 313.1</i>					
21		Ref. HARNESS BOOM CABLE 1 <i>refer to 313.1</i>					
22	73736GT	CONN,RECEP 48 WAY,4 X 12.....1					
23	73803GT	SCREW,SHM,PHP, #12 X .75					
24	6889GT	NUT,LP NYLOCK,1/4-20					
25	T109350GT	PLATFORM CONTROL BOX W/DECAL					
--	81487PGT	PLATFORM CONTROL BOX,PAINTED.....1					
26	54365GT	SCREW,PHIL,PHM,10-32 X .5,SSTL					
27	6178GT	NUT,NYLOCK,10-32					
28	30997GT	CORROSION INHIBITOR,FOAM.....1					
29	77351GT	LANYARD,PLATFORM CONTROL BOX.....2					
30	81551GT	SCREW,PHIL,PHM,6-32 X 1/4 SS					
31A	235323GT	ASSY,PCB,ALC500-2 S60 V204.....1					
31B	235411GT	ASSY,PCB ALC500 S60 LEG V202.....1					
31C	119641GT	SWITCH,THERMOSTAT 85F OPEN					

704.1 Joysticks



Joystick  
PN 101173

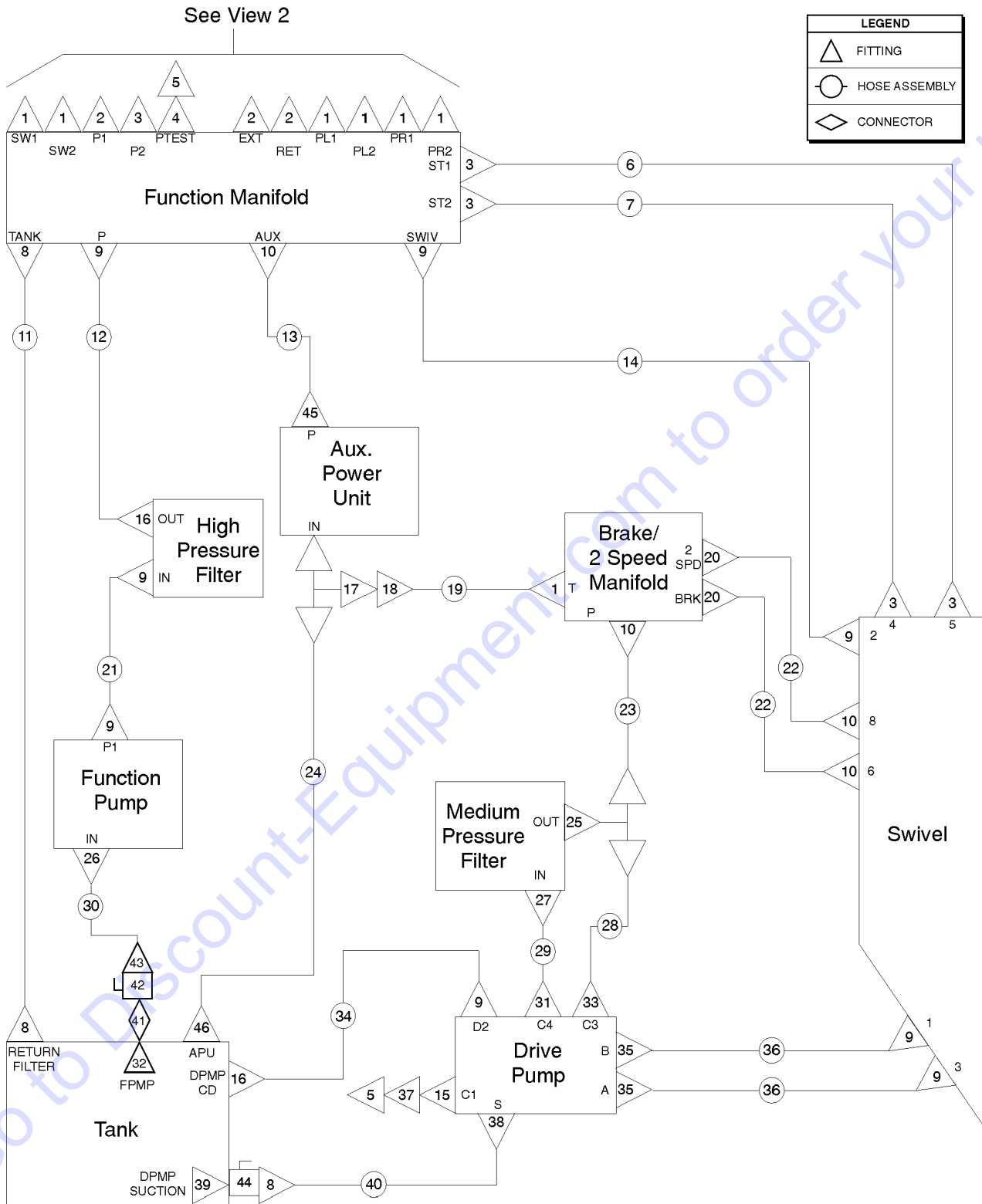


Joystick  
PN 101174

Item	Part No.	Description	Qty.
--	101173GT	JOYSTICK,2 AXIS,ROCKER,DEUTSCH <i>(calibration required after replacement), OEM joystick</i>	
--	101173HGT	JOYSTICK,DUAL AXIS W/STEER <i>(calibration required after replacement), aftermarket joystick</i>	
--	101174GT	JOYSTICK,2 AXIS,DEUTSCH <i>(calibration required after replacement), OEM joystick</i>	
--	101174HGT	JOYSTICK,DUAL AXIS W/KNOB <i>(calibration required after replacement), aftermarket joystick</i>	
--	101005GT	JOYSTICK,1 AXIS ROCKER,DEUTSCH <i>(calibration required after replacement), OEM joystick</i>	
--	101005HGT	JOYSTICK,SINGLE AXIS W/STEER <i>(calibration required after replacement), aftermarket joystick</i>	
--	58253GT	KIT,REPAIR,DEUTSCH PLUG,W/TUBE <i>small kit</i>	
--	83129GT	KIT,REPAIR,DEUTSH CONNECTORS** <i>large kit</i>	
--	61794GT	CRIMPER,DEUTSCH,LIGHT DUTY*** <i>tool</i>	
--	119613GT	HARN JOYSTICK ADAPTOR JS100 <i>6-pin to 7-pin adapter (for 101174, 101175, 101005)</i>	
--	1269500GT	KIT, ISOLATION, 2 JOYSTICK	
1	62392GT	KNOB,JOYSTICK, 62390/62391.....	1
2	T112626GT	SCREW, PHM, #6-32 X .625 ZINC.....	1
3	139598GT	BOOT,JOYSTICK.....	1
4		SPRING,JOYSTK CENTR,62390/91..... <i>no longer available from supplier</i>	1
5	119915GT	COLLAR,JOYSTICK,CENTER.....	1
6	128000GT	SEAL, CONNECTOR (DT JOYSTICKS).....	1
7	128001GT	SLEEVE,CONNECTOR,DT JOYSTICKS.....	1
8	75449GT	KNOB,ROCKER JOYSTICK 75565.....	1
9	75448GT	SUPPORT,SENSOR,JOYSTICK.....	1
10	75447GT	SWITCH SHIELD,ROCK JOYSTK75565.....	1
11	75446GT	SPRING,SWITCH CENTERING,75565...1	
12	75445GT	ROCKER ASSY.,MAGNETIC 75565.....	1
13	75444GT	ROCKER,RETAINER, 75565.....	1
14	75443GT	BOOT, ROCKER JOYSTICK 75565.....	1



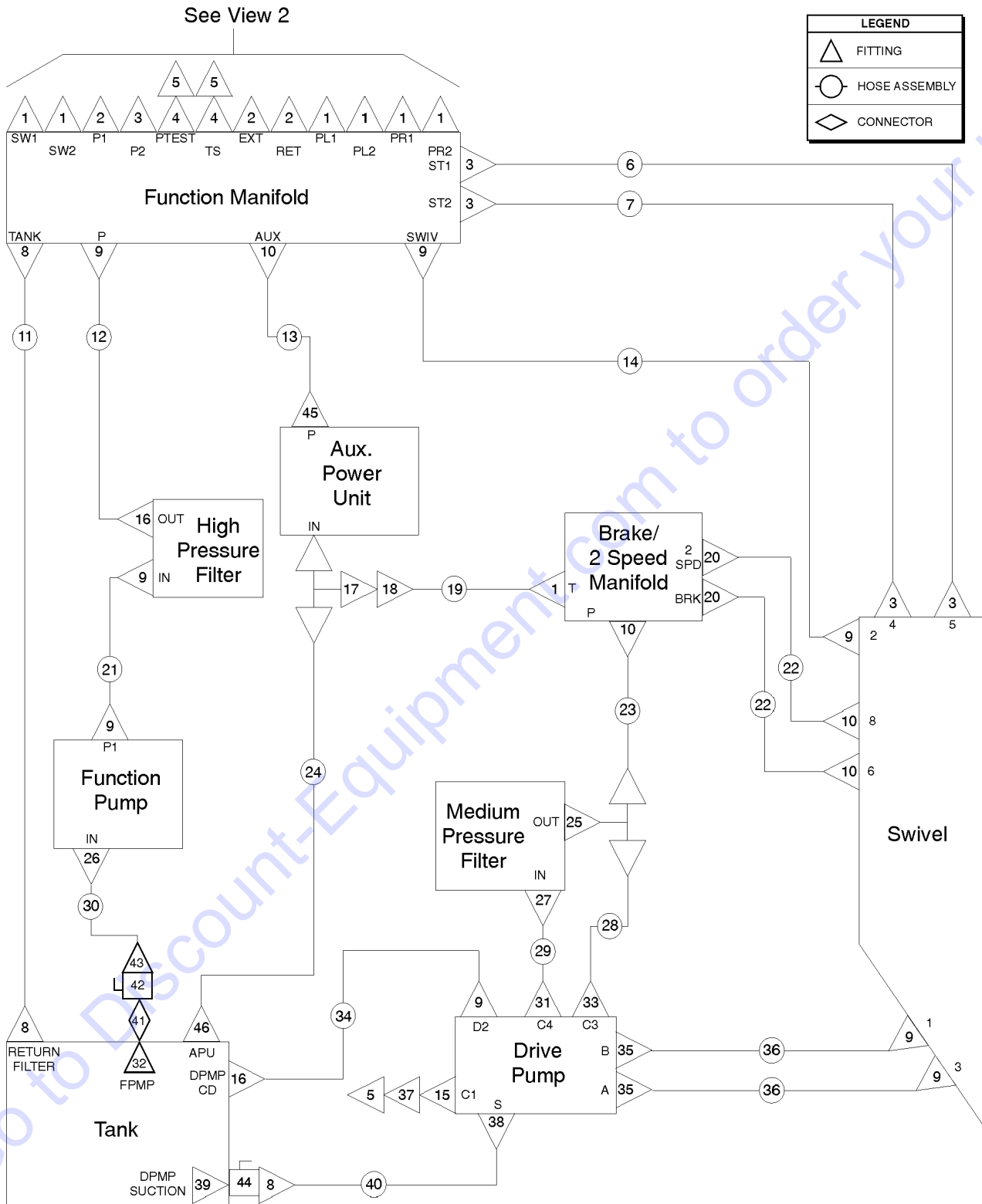
801.1 Function Manifold, View 1 (to SN 26514)



## 801.1 Function Manifold, View 1 (to SN 26514)

Item	Part No.	Description	Qty.	Item	Part No.	Description	Qty.
--		<i>The hose lengths below reflect the length of the hose only. Refer to the 'Fittings Cross Reference' to match Genie part numbers to Parker part numbers.</i>		24	94465-3650GT	HOSE ASSY,1/2".....1 <i>Components: Genie part numbers 48808, 48808 and 39888 @ 35 inches</i>	1
1	48905GT	CONN,520120-4***.....7		25	48936GT	TEE,BRANCH,520429-8.....1	1
2	48933GT	CONN,520120-8***.....3		26	88936GT	CONN,520120-20-16.....1	1
3	48916GT	CONN, 520120-6.....5		27	48932GT	FITTING,ELBOW,90D,520220-8***.....1	1
4	48998GT	NIPPLE,DIAGNOSTIC,#6 PORT***.....1		28	49143-3429GT	HOSE ASSY,1/2,90 FEM,STR FEM.....1 <i>Components: Genie part numbers 48822, 48827 and 48756 @ 32 inches</i>	1
5	48880GT	CAP,DIAGNOSTIC NIPPLE.....1		29	49143-3629GT	HOSE ASSY,1/2,90 FEM,STR FEM.....1 <i>Components: Genie part numbers 48822, 48827 and 48756 @ 34 inches</i>	1
6	49130-5782GT	HOSE ASSY 3/8, STR FEM,STR FEM....1 <i>Components: Genie part numbers 48812, 48812 and 48753 @ 56 inches</i>		30	88943-7636GT	HOSE ASSY,1.25",90 FEM,STR FEM....1 <i>Components: Genie part numbers 88474, 88477, 88944 and 88478 @ 72.5 inches</i>	1
7	49130-5582GT	HOSE ASSY 3/8, STR FEM,STR FEM....1 <i>Components: Genie part numbers 48812, 48812 and 48753 @ 54 inches</i>		31	48949GT	CONN,520120-8-16.....1	1
8	48984GT	CONN,520120-16.....2		32	101491GT	STRAINER,20 SAE F/24 SAE M***	1
9	48960GT	FITTING,CONN,520120-12***.....6		33	48946GT	CONN,520120-8-10.....1	1
10	48904GT	ELBOW,90D,520220-4-4.....4		34	49150-9130GT	HOSE ASSY,3/4,90 FEM,STR FEM.....1 <i>Components: Genie part numbers 48841, 48846 and 48761 @ 88 inches</i>	1
11	88949-3828GT	HOSE ASSY 1",STR FEM,STR FEM....1 <i>Components: Genie part numbers 88938, 88941 and 88940 @ 36 inches</i>		35	48977GT	CONN,520120-12-16.....2	2
12	61074-7572GT	HOSE ASSEMBLY 3/4" STR-STR.....1 <i>Components: Genie part numbers 48841, 48841 and 48762 @ 72 inches (from SN 21001 to 21204)</i>		36	94374-6030GT	HOSE ASSY,3/4,90 FEM,STR FEM.....2 <i>Components: Genie part numbers 48841, 48846 and 84358 @ 57 inches</i>	2
--	61074-7272GT	HOSE ASSEMBLY 3/4"STR-STR <i>Components: Genie part numbers 48841, 48841 and 48762 @ 70 inches (from SN 21205)</i>		37	49207GT	NIPPLE,DIAGNOSTIC,ORFS,FM,SWIV..1	1
13	49117-2491GT	HOSE ASSY,1/4,90 FEM,STR FEM.....1 <i>Components: Genie part numbers 48802, 48800 and 48751 @ 23 inches</i>		38	48985GT	ELBOW,45D,520320-16.....1	1
14	49151-6248GT	HOSE ASSY,3/4,STR FEM,STR FEM....1 <i>Components: Genie part numbers 48841, 48841 and 48761 @ 60 inches</i>		39	147419GT	KIT,STRAINER REPLACEMENT.....1	1
15	48914GT	CONN,520120-4-8.....1		40	88942-8354GT	HOSE ASSY,1",90 FEM,STR FEM.....1 <i>Components: Genie part numbers 88938, 88941, 88939 and 88940 @ 80 inches</i>	1
16	48963GT	FITTING,ELBOW,45D,520320-12***.....1		41	61263GT	UNION,STR.THREAD 20.....1	1
17	48936GT	TEE,BRANCH,520429-8.....1		42	101494GT	VALVE,BALL,FSAE-20,FSAE-20.....1	1
18	48941GT	REDUCER,520123-8-4.....2		43	75654GT	CONN,520120-20.....1	1
19	49117-4691GT	HOSE ASSY,1/4,90 FEM,STR FEM.....1 <i>Components: Genie part numbers 48800, 48802 and 48751 @ 45 inches</i>		44	48996GT	VALVE,BALL,16 MSAE-16 FSAE***.....1	1
20	48907GT	ELBOW,45D,520320-4.....2		45	48912GT	CONN,520120-4-6***.....1	1
21	61073-3930GT	HOSE ASSY.,3/4",90,FEM,STR FEM....1 <i>Components: Genie part numbers 48846, 48841 and 48762 @ 36 inches</i>		46	48943GT	CONN, 520120-8-6.....1	1
22	49119-2878GT	HOSE ASSY,1/4,STR FEM,STR FEM*....2 <i>Components: Genie part numbers 48800, 48800 and 48751 @ 27 inches</i>					
23	49117-3391GT	HOSE ASSY,1/4,90 FEM,STR FEM.....1 <i>Components: Genie part numbers 48800, 48802 and 48751 @ 32 inches</i>					

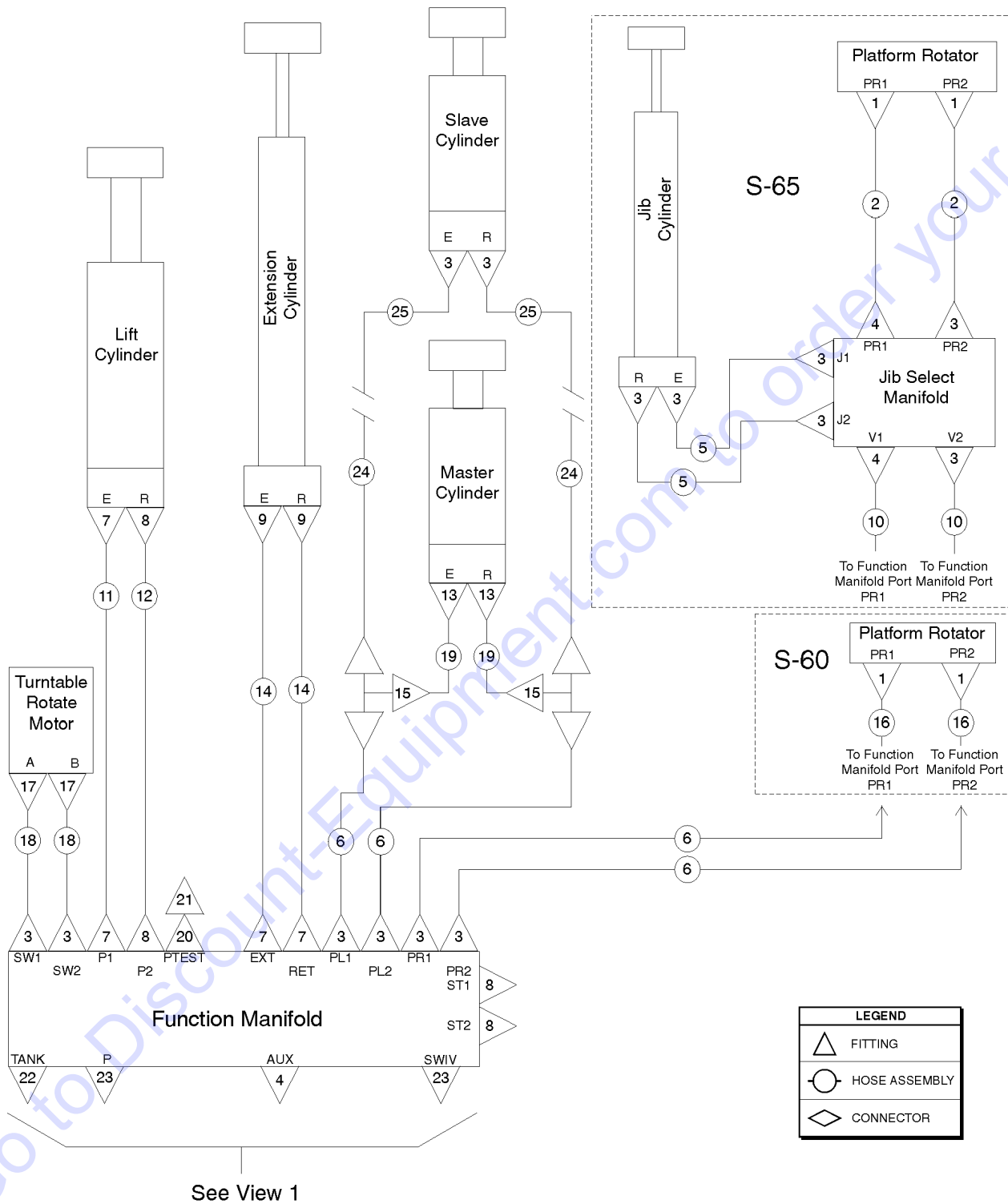
801.2 Function Manifold, View 1 (from SN 26515)



## 801.2 Function Manifold, View 1 (from SN 26515)

Item	Part No.	Description	Qty.	Item	Part No.	Description	Qty.
--		<i>The hose lengths below reflect the length of the hose only. Refer to the 'Fittings Cross Reference' to match Genie part numbers to Parker part numbers.</i>		24	94465-3650GT	HOSE ASSY,1/2".....1 <i>Components: Genie part numbers 48808, 48808 and 39888 @ 35 inches</i>	1
1	48905GT	CONN,520120-4***.....7		25	48936GT	TEE,BRANCH,520429-8.....1	1
2	48933GT	CONN,520120-8***.....3		26	88936GT	CONN,520120-20-16.....1	1
3	48916GT	CONN, 520120-6.....5		27	48932GT	FITTING,ELBOW,90D,520220-8***.....1	1
4	48998GT	NIPPLE,DIAGNOSTIC,#6 PORT***.....2		28	49143-3429GT	HOSE ASSY,1/2,90 FEM,STR FEM.....1 <i>Components: Genie part numbers 48822, 48827 and 48756 @ 32 inches</i>	1
5	48880GT	CAP,DIAGNOSTIC NIPPLE.....2		29	49143-3629GT	HOSE ASSY,1/2,90 FEM,STR FEM.....1 <i>Components: Genie part numbers 48822, 48827 and 48756 @ 34 inches</i>	1
6	49130-5782GT	HOSE ASSY 3/8, STR FEM,STR FEM....1 <i>Components: Genie part numbers 48812, 48812 and 48753 @ 56 inches</i>		30	88943-7636GT	HOSE ASSY,1.25",90 FEM,STR FEM....1 <i>Components: Genie part numbers 88474, 88477, 88944 and 88478 @ 72.5 inches</i>	1
7	49130-5582GT	HOSE ASSY 3/8, STR FEM,STR FEM....1 <i>Components: Genie part numbers 48812, 48812 and 48753 @ 54 inches</i>		31	48949GT	CONN,520120-8-16.....1	1
8	48984GT	CONN,520120-16.....2		32	101491GT	STRAINER,20 SAE F/24 SAE M***	1
9	48960GT	FITTING,CONN,520120-12***.....6		33	48946GT	CONN,520120-8-10.....1	1
10	48904GT	ELBOW,90D,520220-4-4.....4		34	49150-9130GT	HOSE ASSY,3/4,90 FEM,STR FEM.....1 <i>Components: Genie part numbers 48841, 48846 and 48761 @ 88 inches</i>	1
11	88949-3828GT	HOSE ASSY 1",STR FEM,STR FEM....1 <i>Components: Genie part numbers 88938, 88941 and 88940 @ 36 inches</i>		35	48977GT	CONN,520120-12-16.....2	2
12	61074-7572GT	HOSE ASSEMBLY 3/4" STR-STR.....1 <i>Components: Genie part numbers 48841, 48841 and 48762 @ 72 inches (from SN 21001 to 21204)</i>		36	94374-6030GT	HOSE ASSY,3/4,90 FEM,STR FEM.....2 <i>Components: Genie part numbers 48841, 48846 and 84358 @ 57 inches</i>	2
--	61074-7272GT	HOSE ASSEMBLY 3/4"STR-STR <i>Components: Genie part numbers 48841, 48841 and 48762 @ 70 inches (from SN 21205)</i>		37	49207GT	NIPPLE,DIAGNOSTIC,ORFS,FM,SWIV..1	1
13	49117-2491GT	HOSE ASSY,1/4,90 FEM,STR FEM.....1 <i>Components: Genie part numbers 48802, 48800 and 48751 @ 23 inches</i>		38	48985GT	ELBOW,45D,520320-16.....1	1
14	49151-6248GT	HOSE ASSY,3/4,STR FEM,STR FEM....1 <i>Components: Genie part numbers 48841, 48841 and 48761 @ 60 inches</i>		39	147419GT	KIT,STRAINER REPLACEMENT.....1	1
15	48914GT	CONN,520120-4-8.....1		40	88942-8354GT	HOSE ASSY,1",90 FEM,STR FEM.....1 <i>Components: Genie part numbers 88938, 88941, 88939 and 88940 @ 80 inches</i>	1
16	48963GT	FITTING,ELBOW,45D,520320-12***.....1		41	61263GT	UNION,STR.THREAD 20.....1	1
17	48936GT	TEE,BRANCH,520429-8.....1		42	101494GT	VALVE,BALL,FSAE-20,FSAE-20.....1	1
18	48941GT	REDUCER,520123-8-4.....2		43	75654GT	CONN,520120-20.....1	1
19	49117-4691GT	HOSE ASSY,1/4,90 FEM,STR FEM.....1 <i>Components: Genie part numbers 48800, 48802 and 48751 @ 45 inches</i>		44	48996GT	VALVE,BALL,16 MSAE-16 FSAE***.....1	1
20	48907GT	ELBOW,45D,520320-4.....2		45	48912GT	CONN,520120-4-6***.....1	1
21	61073-3930GT	HOSE ASSY.,3/4",90,FEM,STR FEM....1 <i>Components: Genie part numbers 48846, 48841 and 48762 @ 36 inches</i>		46	48943GT	CONN, 520120-8-6.....1	1
22	49119-2878GT	HOSE ASSY,1/4,STR FEM,STR FEM*....2 <i>Components: Genie part numbers 48800, 48800 and 48751 @ 27 inches</i>					
23	49117-3391GT	HOSE ASSY,1/4,90 FEM,STR FEM.....1 <i>Components: Genie part numbers 48800, 48802 and 48751 @ 32 inches</i>					

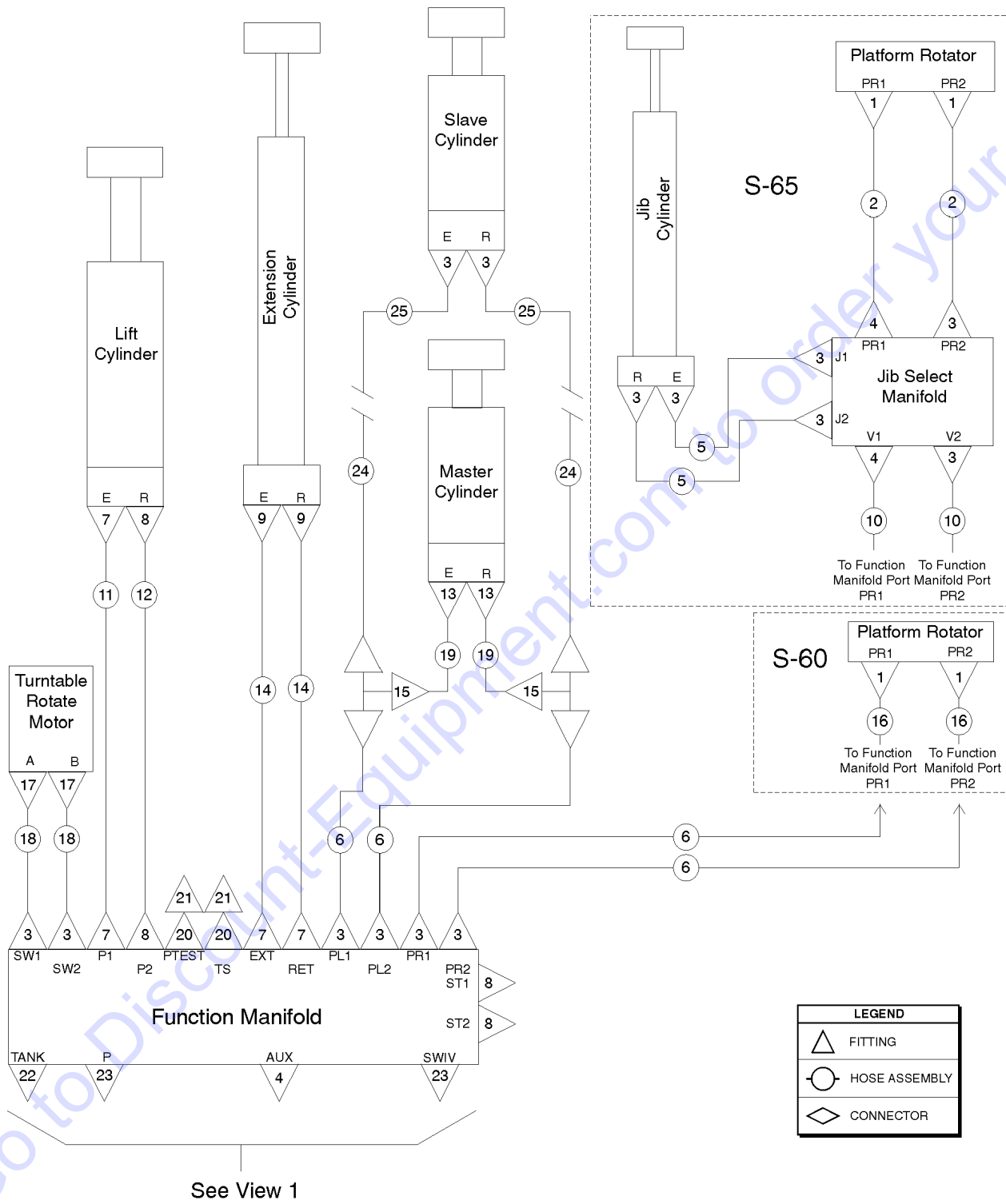
802.1 Function Manifold, View 2 (to SN 26514)



## 802.1 Function Manifold, View 2 (to SN 26514)

Item	Part No.	Description	Qty.	Item	Part No.	Description	Qty.
--		<i>The hose lengths below reflect the length of the hose only. Refer to the 'Fittings Cross Reference' to match Genie part numbers to Parker part numbers.</i>		20	48998GT	NIPPLE,DIAGNOSTIC,#6 PORT***.....	1
--	48767GT	SLEEVE,NYLON,1.42 ID.....23 inches protective hose sleeve, 1.42" diameter (near platform rotator)		21	48880GT	CAP,DIAGNOSTIC NIPPLE.....	1
--	49219GT	SLEEVE,NYLON,2.19 ID,BULK.....46 inches protective hose sleeve, 2.19" diameter (near platform rotator)		22	48984GT	CONN,520120-16.....	1
1	48907GT	ELBOW,45D,520320-4.....	2	23	48960GT	FITTING,CONN,520120-12***.....	1
2	49119-2878GT	HOSE ASSY,1/4,STR FEM,STR FEM*....2 <i>Components: Genie part numbers 48800, 48800 and 48751 @ 27 inches</i>		24	161523GT	HOSE ASSY,1/4,693" <i>Components: Genie part numbers 48800, 48800 and 48751 @ 691 inches;</i>	
3	48905GT	CONN,520120-4***.....	11	25	88636-2573GT	HOSE ASSY 1/4,STR FEM,STR BULK...2 <i>Components: Genie part numbers 48800, 75628 and 48751 @ 23 inches</i>	
4	48904GT	ELBOW,90D,520220-4-4.....	2	--	75574GT	NUT,BULKHEAD,520118-4 <i>(item sold seperately)</i>	
5	49119-4278GT	HOSE ASSY,1/4,STR FEM,STR FEM*....2 <i>Components: Genie part numbers 48800, 48800 and 48751 @ 41 inches</i>					
6	88636-11973GT	HOSE ASSY 1/4,STR FEM,STR BULK...4 <i>Components: Genie part numbers 48800, 75628 and 48751 @ 117 inches</i>					
7	48933GT	CONN,520120-8***.....	4				
8	48916GT	CONN, 520120-6.....	3				
9	48937GT	ELBOW,45D,520320-8.....	2				
10	49119-79678GT	HOSE ASSY,1/4,STR FEM,STR FEM <i>Components: Genie part numbers 48800, 48800 and 48751 @ 795 inches</i>					
11	49143-12329GT	HOSE ASSY,1/2,90 FEM,STR FEM.....1 <i>Components: Genie part numbers 48822, 48827, and 48756 @ 121 inches;</i>					
12	49128-12309GT	HOSE ASSY,3/8,STR FEM,STR,90D.....1 <i>Components: Genie part numbers 48812, 48816, and 48753 @ 121 inches;</i>					
13	48911GT	ELBOW,90D,520220-4-6***.....	2				
14	49183-13492GT	HOSE ASSY,1/2,STR FEM,STR FEM....2 <i>Components: Genie part numbers 48822, 48822 and 48756 @ 133 inches</i>					
15	48908GT	FITTING,TEE,RUN,SWIVEL520432-4.....	2				
16	49119-72078GT	HOSE ASSY,1/4,STR FEM,STR FEM <i>Components: Genie part numbers 48800, 48800 and 48751 @ 719 inches</i>					
17	49418GT	FITTING,ELBOW,45D,520320-4-6*.....	2				
18	49119-7478GT	HOSE ASSY,1/4,STR FEM,STR FEM....2 <i>Components: Genie part numbers 48800, 48800 and 48751 @ 73 inches</i>					
19A	49117-3791GT	HOSE ASSY,1/4,90 FEM,STR FEM**.....1 <i>Components: Genie part numbers 48800, 48802 and 48751 @ 36 inches;</i>					
19B	227347GT	HOSE ASSY,1/4", 38.00.....1 <i>Components: Genie part numbers 48800, 48802 and 48751 @ 38 inches;</i>					

802.2 Function Manifold, View 2 (from SN 26515)



LEGEND	
	FITTING
	HOSE ASSEMBLY
	CONNECTOR

## 802.2 Function Manifold, View 2 (from SN 26515)

Item	Part No.	Description	Qty.	Item	Part No.	Description	Qty.
--		<i>The hose lengths below reflect the length of the hose only. Refer to the 'Fittings Cross Reference' to match Genie part numbers to Parker part numbers.</i>		20	48998GT	NIPPLE,DIAGNOSTIC,#6 PORT***.....	2
--	48767GT	SLEEVE,NYLON,1.42 ID.....23 inches protective hose sleeve, 1.42" diameter (near platform rotator)		21	48880GT	CAP,DIAGNOSTIC NIPPLE.....	2
--	49219GT	SLEEVE,NYLON,2.19 ID,BULK.....46 inches protective hose sleeve, 2.19" diameter (near platform rotator)		22	48984GT	CONN,520120-16.....	1
1	48907GT	ELBOW,45D,520320-4.....	2	23	48960GT	FITTING,CONN,520120-12***.....	1
2	49119-2878GT	HOSE ASSY,1/4,STR FEM,STR FEM*....2 <i>Components: Genie part numbers 48800, 48800 and 48751 @ 27 inches</i>		24	161523GT	HOSE ASSY,1/4,693" <i>Components: Genie part numbers 48800, 48800 and 48751 @ 691 inches;</i>	
3	48905GT	CONN,520120-4***.....	11	25	88636-2573GT	HOSE ASSY 1/4,STR FEM,STR BULK...2 <i>Components: Genie part numbers 48800, 75628 and 48751 @ 23 inches</i>	
4	48904GT	ELBOW,90D,520220-4-4.....	2	--	75574GT	NUT,BULKHEAD,520118-4 <i>(item sold seperately)</i>	
5	49119-4278GT	HOSE ASSY,1/4,STR FEM,STR FEM*....2 <i>Components: Genie part numbers 48800, 48800 and 48751 @ 41 inches</i>					
6	88636-11973GT	HOSE ASSY 1/4,STR FEM,STR BULK...4 <i>Components: Genie part numbers 48800, 75628 and 48751 @ 117 inches</i>					
7	48933GT	CONN,520120-8***.....	4				
8	48916GT	CONN, 520120-6.....	3				
9	48937GT	ELBOW,45D,520320-8.....	2				
10	49119-79678GT	HOSE ASSY,1/4,STR FEM,STR FEM <i>Components: Genie part numbers 48800, 48800 and 48751 @ 795 inches</i>					
11	49143-12329GT	HOSE ASSY,1/2,90 FEM,STR FEM.....1 <i>Components: Genie part numbers 48822, 48827, and 48756 @ 121 inches;</i>					
12	49128-12309GT	HOSE ASSY,3/8,STR FEM,STR,90D.....1 <i>Components: Genie part numbers 48812, 48816, and 48753 @ 121 inches;</i>					
13	48911GT	ELBOW,90D,520220-4-6***.....	2				
14	49183-13492GT	HOSE ASSY,1/2,STR FEM,STR FEM....2 <i>Components: Genie part numbers 48822, 48822 and 48756 @ 133 inches</i>					
15	48908GT	FITTING,TEE,RUN,SWIVEL520432-4.....	2				
16	49119-72078GT	HOSE ASSY,1/4,STR FEM,STR FEM <i>Components: Genie part numbers 48800, 48800 and 48751 @ 719 inches</i>					
17	49418GT	FITTING,ELBOW,45D,520320-4-6*.....	2				
18	49119-7478GT	HOSE ASSY,1/4,STR FEM,STR FEM.....2 <i>Components: Genie part numbers 48800, 48800 and 48751 @ 73 inches</i>					
19A	49117-3791GT	HOSE ASSY,1/4,90 FEM,STR FEM**.....1 <i>Components: Genie part numbers 48800, 48802 and 48751 @ 36 inches;</i>					
19B	227347GT	HOSE ASSY,1/4", 38.00.....1 <i>Components: Genie part numbers 48800, 48802 and 48751 @ 38 inches;</i>					



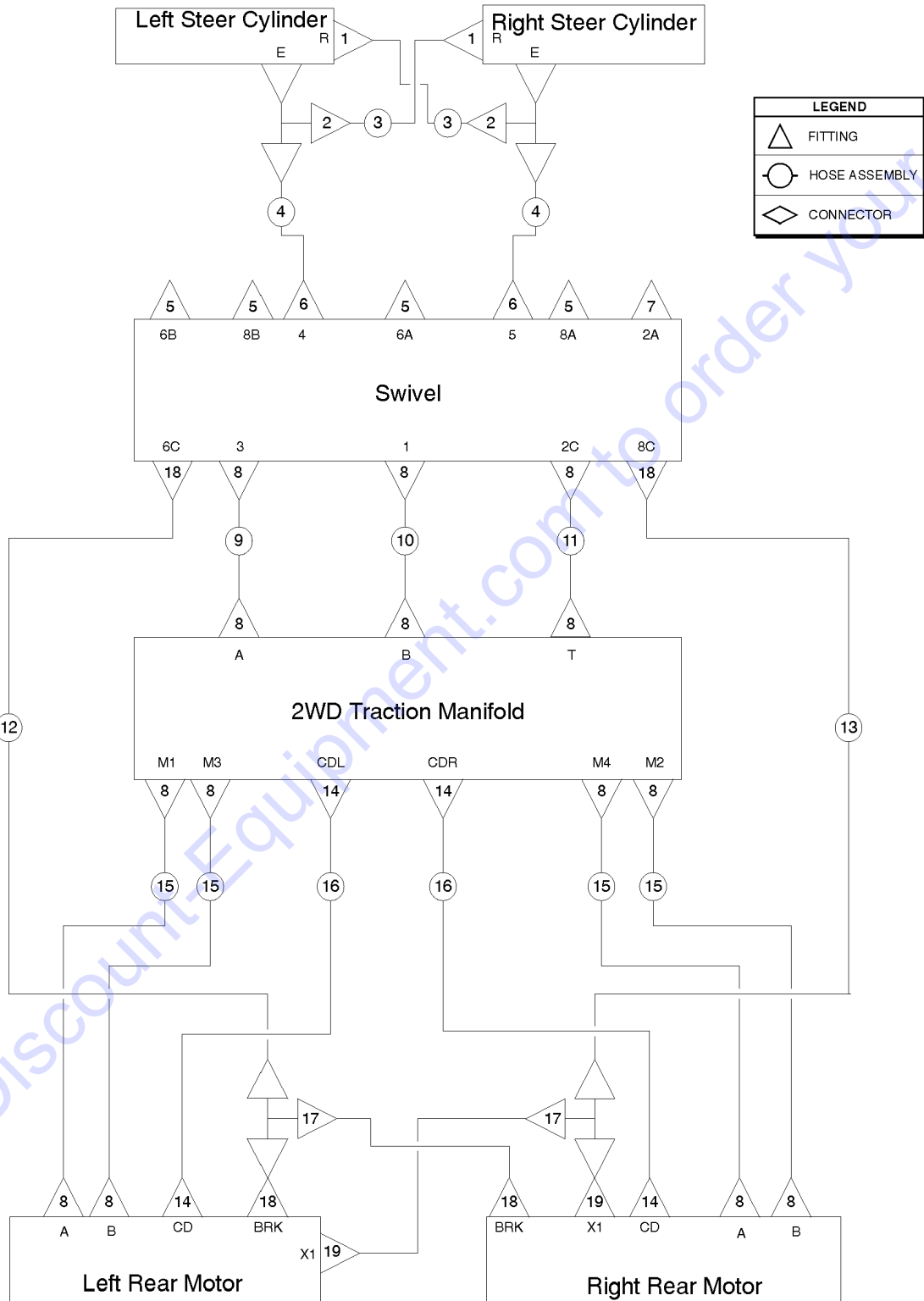


803.1 4WD Traction Manifold

Item	Part No.	Description	Qty.	Item	Part No.	Description	Qty.
--		<i>The hose lengths below reflect the length of the hose only. Refer to the 'Fittings Cross Reference' to match Genie part numbers to Parker part numbers.</i>		20	49117-6291GT	HOSE ASSY,1/4,90 FEM,STR FEM.....1 <i>Components: Genie part numbers 48800, 48802 and 48751 @ 61 inches</i>	1
1	48915GT	ELBOW,90D,520220-6.....2	2	21	75278-5029GT	HOSE ASSY,1/2,90 FEM,STR FEM.....3 <i>Components: Genie part numbers 48822, 48827 and 56777 @ 48 inches</i>	3
2	48948GT	CONN,520120-8-12.....8	8	22	75278-5129GT	HOSE ASSY,1/2,90 FEM,STR FEM**.....1 <i>Components: Genie part numbers 48822, 48827 and 56777 @ 49 inches</i>	1
3	48912GT	CONN,520120-4-6***.....2	2	23	94464-4986GT	HOSE ASSY,1/2"****.....2 <i>Components: Genie part numbers 48808, 77703 and 39888 @ 48 inches</i>	2
4	48905GT	CONN,520120-4***.....10	10	24	48908GT	FITTING,TEE,RUN,SWIVEL520432-4.....2	2
5	48930GT	CONN,520120-6-8.....2	2	25	48911GT	ELBOW,90D,520220-4-6***.....2	2
6	48918GT	TEE,RUN,520428-6.....2	2	26	48998GT	NIPPLE,DIAGNOSTIC,#6 PORT***.....1	1
7	49130-2482GT	HOSE ASSY 3/8, STR FEM,STR FEM.....2 <i>Components: Genie part numbers 48812, 48812 and 48753 @ 23 inches</i>	2	27	48880GT	CAP,DIAGNOSTIC NIPPLE.....1	1
--	101795-2482GT	HOSE ASSY,3/8,STR FEM,STR FEM <i>Components: Genie part numbers 48812, 48812 and 101697 @ 23 inches (arctic option)</i>		28	49117-10691GT	HOSE ASSY 1/4,90 FEM STR FEM.....1 <i>Components: Genie part numbers 48800, 48802 and 48751 @ 105 inches</i>	1
8	81812-13292GT	HOSE ASSY,1/2".....4 <i>Components: Genie part numbers 48822, 48822 and 56777 @ 131 inches</i>	4	--	101790-10691GT	HOSE ASSY,1/4,90 FEM,STR FEM <i>Components: Genie part numbers 48800, 48802 and 48751 @ 105 inches (arctic option)</i>	
9	49117-10091GT	HOSE ASSY 1/4.90 FEM STR FEM.....3 <i>Components: Genie part numbers 48800, 48802 and 48751 @ 99 inches</i>	3	29	49117-6091GT	HOSE ASSY,1/4,90 FEM,STR FEM**.....1 <i>Components: Genie part numbers 48800, 48802 and 48751 @ 59 inches</i>	1
--	101790-10091GT	HOSE ASSY,1/4,90 FEM,STR FEM <i>Components: Genie part numbers 48800, 48802 and 101697 @ 99 inches (arctic option)</i>					
10	49131-9603GT	HOSE ASSEMBLY 3/8".....2 <i>Components: Genie part numbers 48812, 48819 and 48753 @ 94 inches</i>	2				
--	102230-9589GT	HOSE ASSY,3/8,STR FEM,STR FEM <i>Components: Genie part numbers 48812, 48819 and 101698 @ 94 inches (arctic option)</i>					
11	49130-4782GT	HOSE ASSY,3/8,STR FEM,STR FEM.....2 <i>Components: Genie part numbers 48812, 48812 and 48753 @ 46 inches</i>	2				
12	48916GT	CONN, 520120-6.....2	2				
13	48936GT	TEE,BRANCH,520429-8.....1	1				
14	48960GT	FITTING,CONN,520120-12***.....6	6				
15	94374-2430GT	HOSE ASSY,3/4,90 FEM,STR FEM.....1 <i>Components: Genie part numbers 48841, 48846 and 94358 @ 21 inches</i>	1				
16	94466-2336GT	HOSE ASSY,3/4".....1 <i>Components: Genie part numbers 48809, 48809 and 39889 @ 21 inches</i>	1				
17	94374-2630GT	HOSE ASSY,3/4,90 FEM,STR FEM**.....1 <i>Components: Genie part numbers 48841, 48846 and 94358 @ 23 inches</i>	1				
18	48933GT	CONN,520120-8***.....12	12				
19	49119-7578GT	HOSE ASSY,1/4 STR FEM,STR FEM.....2 <i>Components: Genie part numbers 48800, 48800 and 48751 @ 74 inches</i>	2				

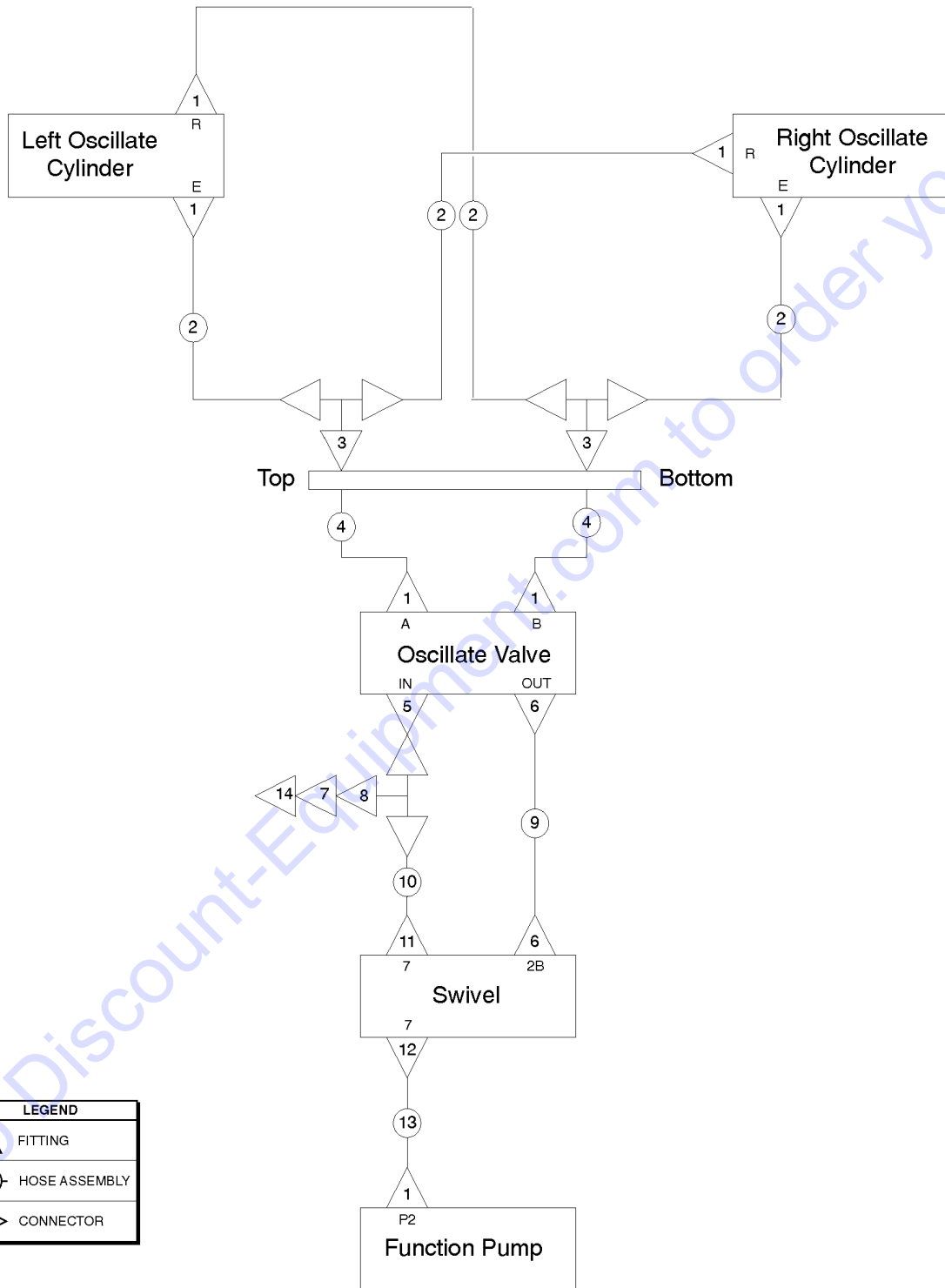





804.1 2WD Traction Manifold



Item	Part No.	Description	Qty.
--		<i>The hose lengths below reflect the length of the hose only. Refer to the 'Fittings Cross Reference' to match Genie part numbers to Parker part numbers.</i>	
1	48915GT	ELBOW,90D,520220-6.....	2
2	48918GT	TEE,RUN,520428-6.....	2
3	49130-2482GT	HOSE ASSY 3/8, STR FEM,STR FEM.... <i>Components: Genie part numbers 48812, 48812 and 48753 @ 23 inches</i>	2
4	49130-4782GT	HOSE ASSY,3/8,STR FEM,STR FEM.... <i>Components: Genie part numbers 48812, 48812 and 48753 @ 46 inches</i>	2
--	101795-4782GT	HOSE ASSY,3/8,STR FEM,STR FEM <i>Components: Genie part numbers 48812, 48812 and 101698 @ 46 inches (arctic option)</i>	
5	49859GT	PLUG,HEX,090109A-4.....	4
6	48916GT	CONN, 520120-6.....	2
7	48883GT	PLUG,HEX,090109A-8***.....	1
8	48960GT	FITTING,CONN,520120-12***.....	14
9	94374-2330GT	HOSE ASSY,3/4,90 FEM,STR FEM..... <i>Components: Genie part numbers 48841, 48846 and 94358 @ 20 inches</i>	1
10	94374-2530GT	HOSE ASSY,3/4,90 FEM,STR FEM..... <i>Components: Genie part numbers 48841, 48846 and 94358 @ 22 inches</i>	1
11	94466-2336GT	HOSE ASSY,3/4".....	1
12	49119-7578GT	HOSE ASSY,1/4 STR FEM,STR FEM..... <i>Components: Genie part numbers 48800, 48800 and 48751 @ 74 inches</i>	1
13	49119-7578GT	HOSE ASSY,1/4 STR FEM,STR FEM..... <i>Components: Genie part numbers 48800, 48800 and 48751 @ 74 inches</i>	1
14	48933GT	CONN,520120-8***.....	4
15	94374-4730GT	HOSE ASSY,3/4,90 FEM,STR FEM..... <i>Components: Genie part numbers 48841, 48846 and 94358 @ 44 inches</i>	4
16	94464-4986GT	HOSE ASSY,1/2****..... <i>Components: Genie part numbers 48808, 77703 and 39888 @ 48 inches</i>	4
17	48908GT	FITTING,TEE,RUN,SWIVEL520432-4.....	2
18	48905GT	CONN,520120-4***.....	2
19	48911GT	ELBOW,90D,520220-4-6***.....	1

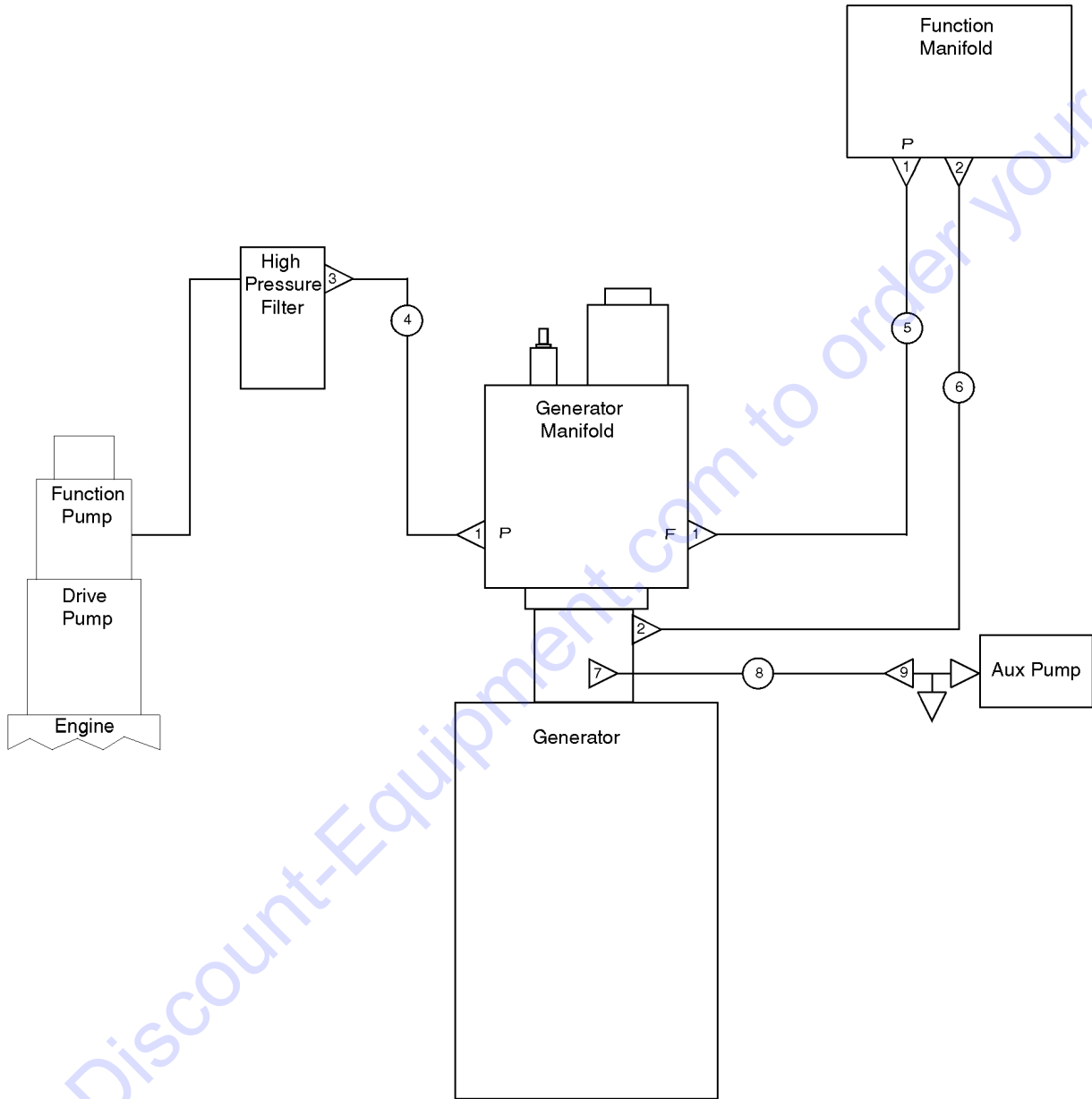
805.1 Oscillate Option



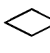


LEGEND	
	FITTING
	HOSE ASSEMBLY
	CONNECTOR

Item	Part No.	Description	Qty.
--		<i>The hose lengths below reflect the length of the hose only. Refer to the 'Fittings Cross Reference' to match Genie part numbers to Parker part numbers.</i>	
1	48912GT	CONN,520120-4-6***.....	7
2	49117-3291GT	HOSE ASSY,1/4,90 FEM,STR FEM**..... <i>Components: Genie part numbers 48800, 48802 and 48751 @ 31 inches</i>	4
3	48891GT	FITTING,TEE,BRANCH,520433-4.....	2
4	88636-8573GT	HOSE ASSY 1/4,STR FEM,STR BULK... <i>Components: Genie part numbers 48800, 75628 and 48751 @ 83 inches</i>	2
5	48914GT	CONN,520120-4-8.....	1
6	48933GT	CONN,520120-8***.....	2
7	49207GT	NIPPLE,DIAGNOSTIC,ORFS,FM,SWIV..	1
8	48908GT	FITTING,TEE,RUN,SWIVEL520432-4.....	1
9	94464-4186GT	HOSE ASSY,1/2"..... <i>Components: Genie part numbers 48808, 77703 and 39888 @ 40 inches</i>	1
10	49117-4691GT	HOSE ASSY,1/4,90 FEM,STR FEM..... <i>Components: Genie part numbers 48800, 48802 and 48751 @ 45 inches</i>	1
11	48905GT	CONN,520120-4***.....	1
--	49859GT	PLUG,HEX,090109A-4..... <i>models without oscillate</i>	1
12	48904GT	ELBOW,90D,520220-4-4.....	1
13	49117-5191GT	HOSE ASSY,1/4,90 FEM,STR FEM**..... <i>Components: Genie part numbers 48800, 48802 and 48751 @ 50 inches</i>	1
14	48880GT	CAP,DIAGNOSTIC NIPPLE.....	1

806.1 Hydraulic Generator Option






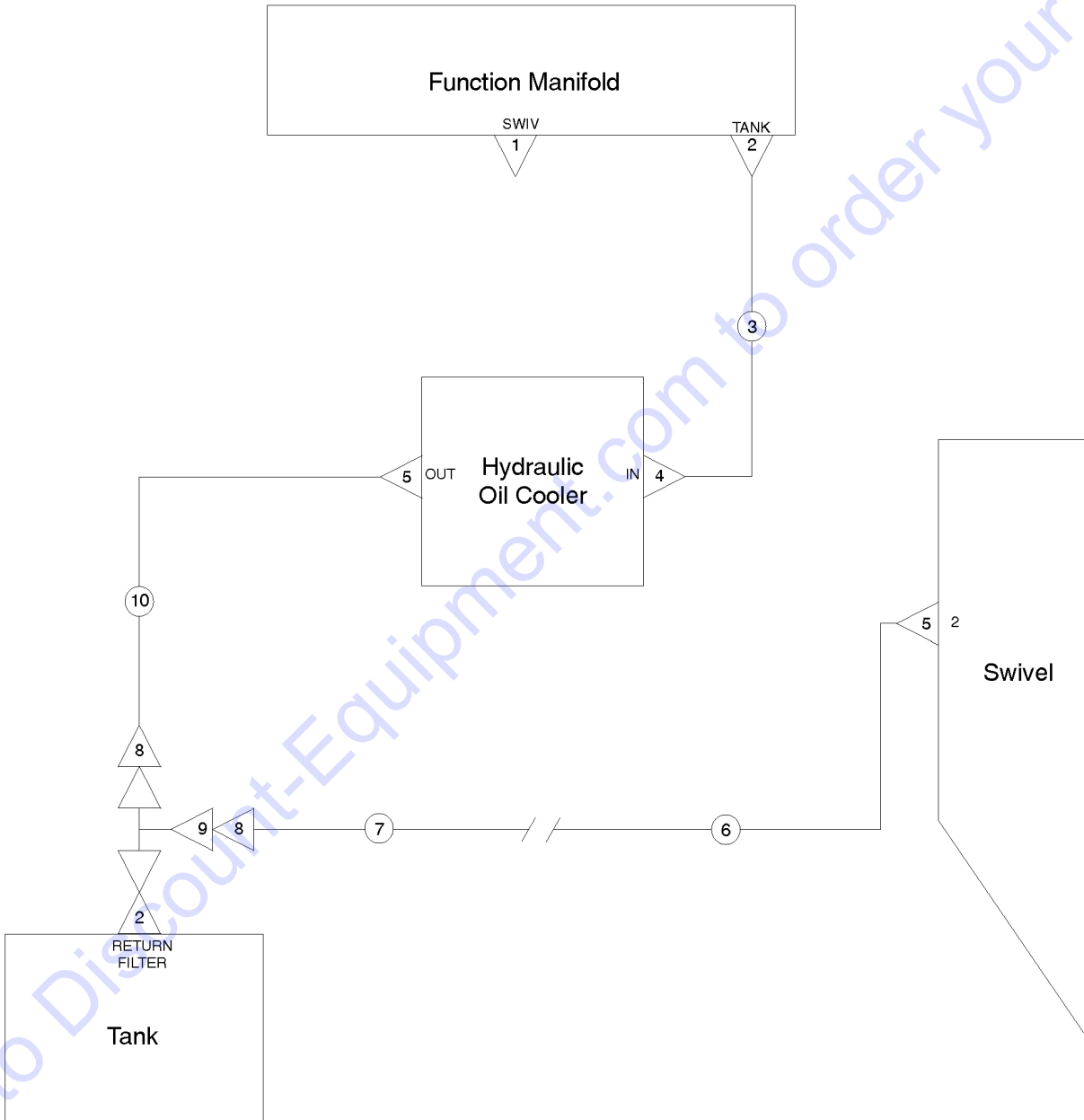
LEGEND	
	ADAPTER
	HOSE ASSEMBLY
	UNION

Item	Part No.	Description	Qty.
1	48960GT	FITTING,CONN,520120-12*** <i>(includes 45° and reducer)</i>	3
2	48933GT	CONN,520120-8***	2
3	48963GT	FITTING,ELBOW,45D,520320-12***	1
4	61073-3330GT	HOSE ASSY,3/4,90 FEM,STR FEM <i>(components: 48841, 48846, and 48762 @ 29 inches)</i>	1
5	61073-7330GT	HOSE ASSY,3/4,90 FEM,STR FEM <i>(components: 48841, 48846, and 48762 @ 70 inches)</i>	1
6	49183-7592GT	HOSE ASSEMBLY,1/2,STR FEM <i>(components: 48822, 48822, and 48756 @ 74 inches)</i>	1
7	49861GT	CONN,LONG,520122-4	1
8	49117-6119GT	HOSE ASSY,1/4,90 FEM,STR FEM** <i>(components: 48800, 48802, and 48751 @ 60 inches)</i>	1
9	48908GT	FITTING,TEE,RUN,SWIVEL520432-4	1



807.1 Hydraulic Oil Cooler Option

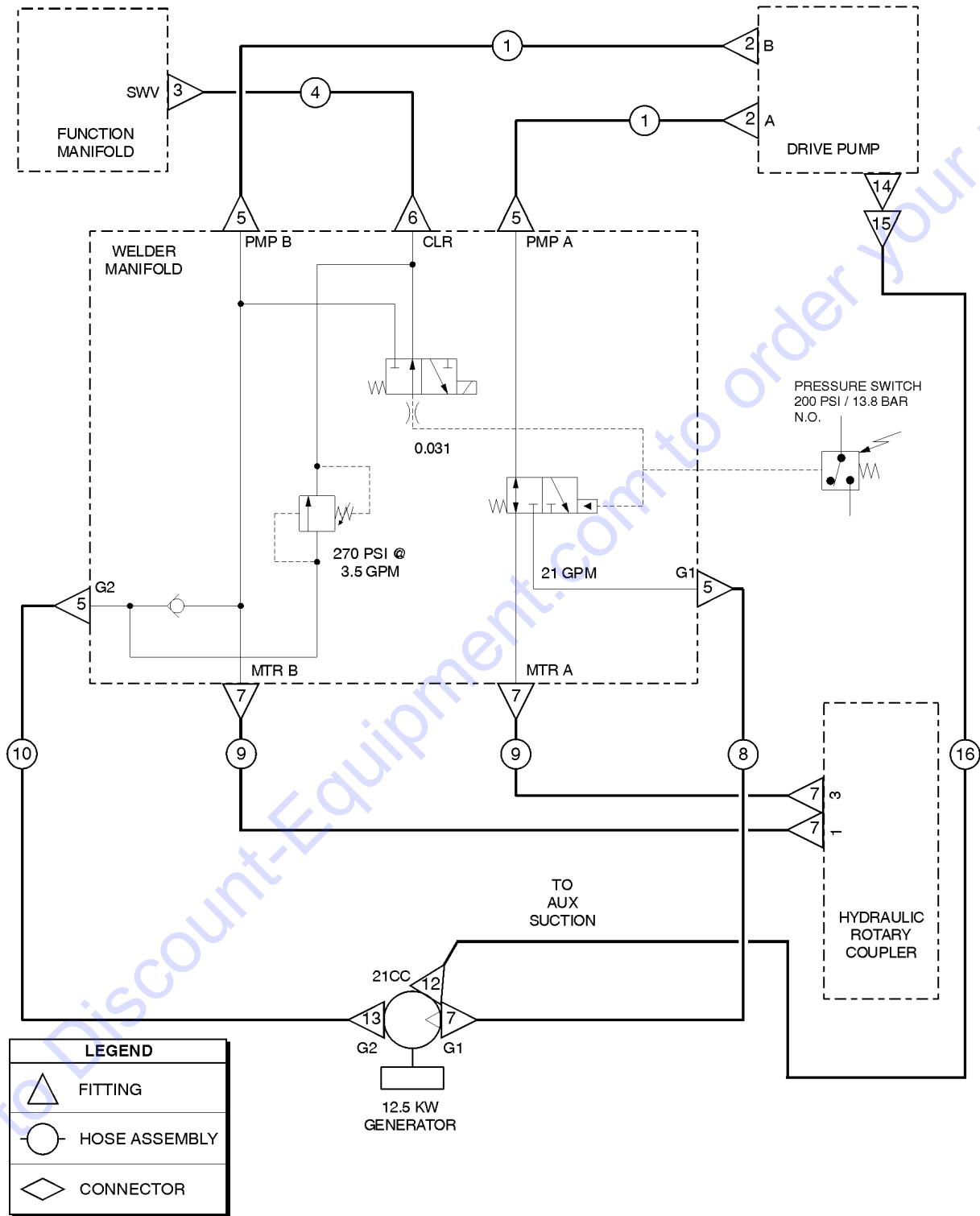
LEGEND	
	FITTING
	HOSE ASSEMBLY
	CONNECTOR



Item	Part No.	Description	Qty.
1	87172GT	PLUG,HEX SOCKET,090109B-12.....	1
2	48984GT	CONN,520120-16.....	2
3	88949-3828GT	HOSE ASSY 1",STR FEM,STR FEM.....	1
4	48878GT	ELBOW,90D,520220-16-12.....	1
5	48960GT	FITTING,CONN,520120-12***.....	2
6	49151-6248GT	HOSE ASSY,3/4,STR FEM,STR FEM.....	1
7	94205-3164GT	HOSE ASSY,3/4,45 FEM,STR MALE.....	1
8	101293GT	REDUCER,520123-16-12.....	2
9	42787GT	TEE,RUN,SWIVEL,520432-16.....	1
10	1259905GT	HOSE ASSY, 3/4", 28.55".....	1

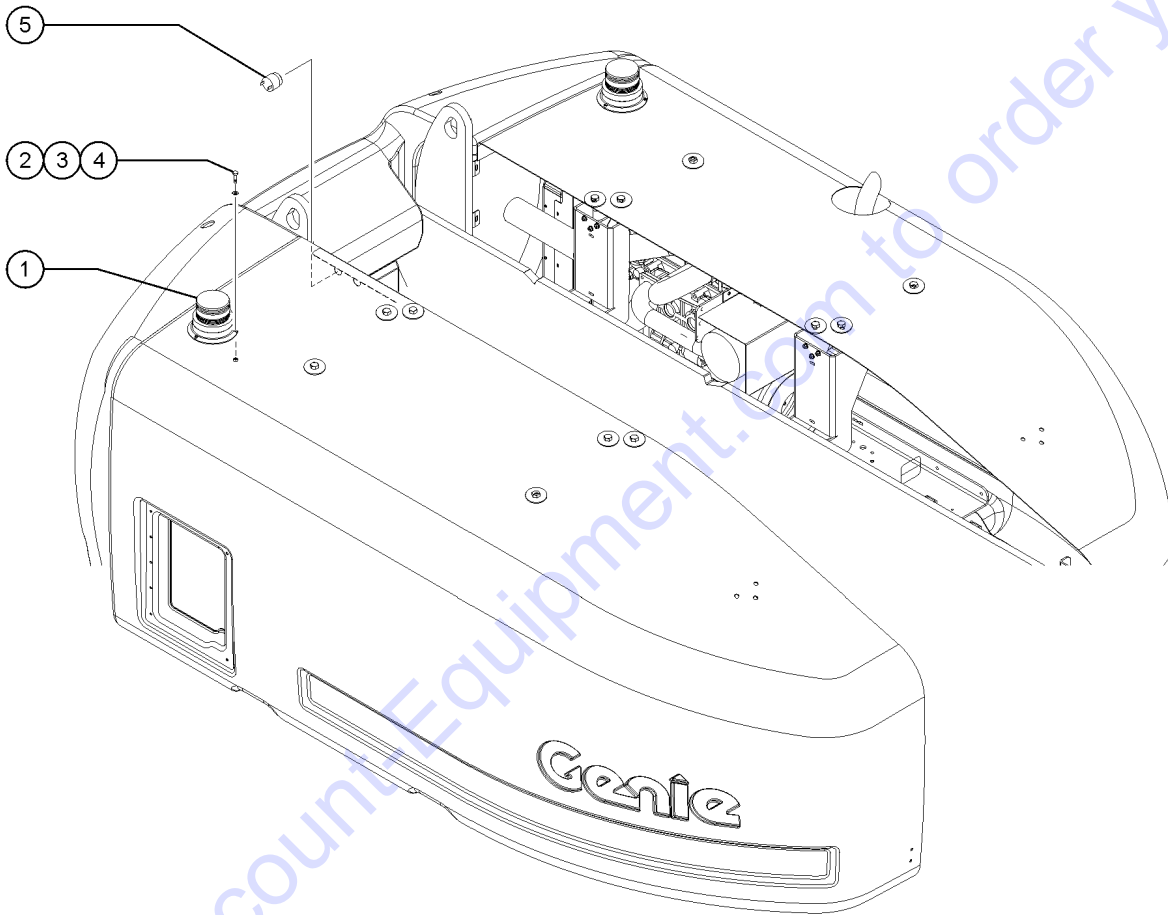
Go to Discount-Equipment.com to order your parts

808.1 Welder Option



Item	Part No.	Description	Qty.
1	162164GT	HOSE ASSY,3/4,STR FEM,STR FEM.....2 (components: 48841, 48841, and 94358 @ 38 inches)	
2	48978GT	ELBOW,45D,520320-12-16.....1	
3	48948GT	CONN,520120-8-12.....1	
4	1251842GT	HOSE ASSY,1/2,STR FEM,STR FEM.....1 (components: 48822, 48822, and 48756 @ 83 inches)	
5	48963GT	FITTING,ELBOW,45D,520320-12***.....4	
6	48933GT	CONN,520120-8***.....1	
7	48960GT	FITTING,CONN,520120-12***.....5	
8	162162GT	HOSE ASSY,3/4,45 FEM,STR FEM.....1 (components: 48841, 48845, and 48762 @ 21 inches)	
9	94374-6030GT	HOSE ASSY,3/4,90 FEM,STR FEM.....2 (components: 48841, 48846, and 94358 @ 57 inches)	
10	162163GT	HOSE ASSY,3/4,45 FEM,STR FEM.....1 (components: 48841, 48845, and 48762 @ 22 inches)	
11	48941GT	REDUCER,520123-8-4	
12	48932GT	FITTING,ELBOW,90D,520220-8***.....1	
13	61610GT	CONN,LONG,520122-12***.....1	
14	48961GT	TEE,RUN,520428-12.....1	
15	51580GT	FITTING,REDUCER,520123-12-8***.....1	
16	218751GT	HOSE ASSY,1/2,90 FEM,STR FEM.....1 (components: 48822, 48827, and 48756 @ 60 inches)	

901.1 Flashing Alarm Package



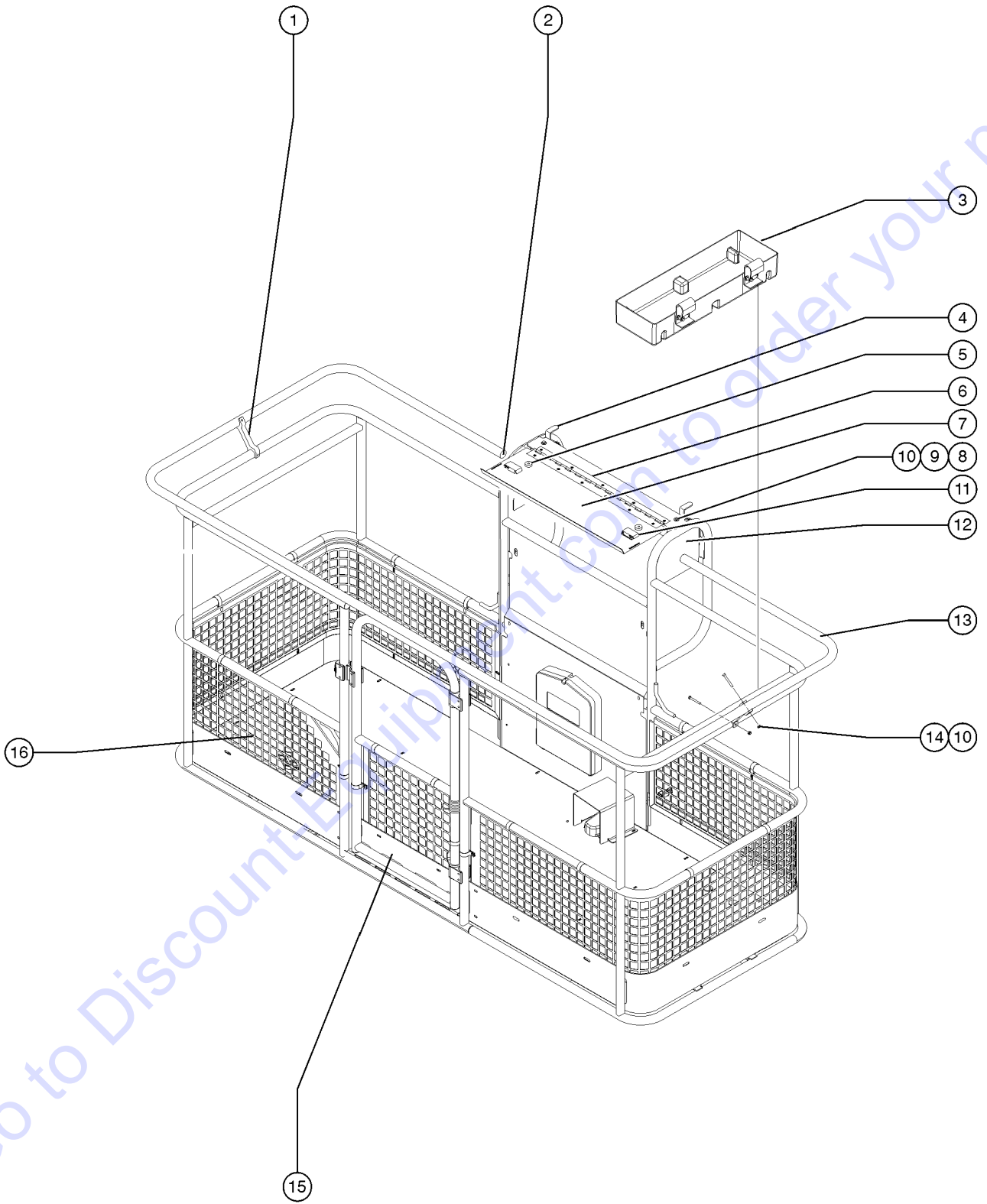
Go to DiscountEquipment.com to order your parts

## 901.1 Flashing Alarm Package

Item	Part No.	Description	Qty.
A	T109268GT	ACC, BEACON, TRVL ALARM,SERV	
1	56704GT	STROBE,FIREBOLT,12-80VDC,AMB**...2	
--	122019GT	FLASHTUBE,U SHAPED,360DEG,BULB	
--	226393GT	FLASHTUBE,STRAIGHT,360DEG,BULB	
--	72282GT	LENS,AMBER,STROBE,FIREBOLT	
2	6147GT	SCREW,RHM,10-32 X 1.....6	
3	6146GT	WASHER,FLAT,MS,#10,Y.....6	
4	6178GT	NUT,NYLOCK,10-32.....6	
5	18963GT	ALARM,INTERMITTENT TONE 6-30V*...1 <i>72326 nut not included, order separately</i>	
5	72326GT	NUT - PLASTIC,RING FOR ALARMS.....1	

Go to Discount-Equipment.com to order your parts

902.1 Control Box Cover, Pinch Guard and Tool Tray

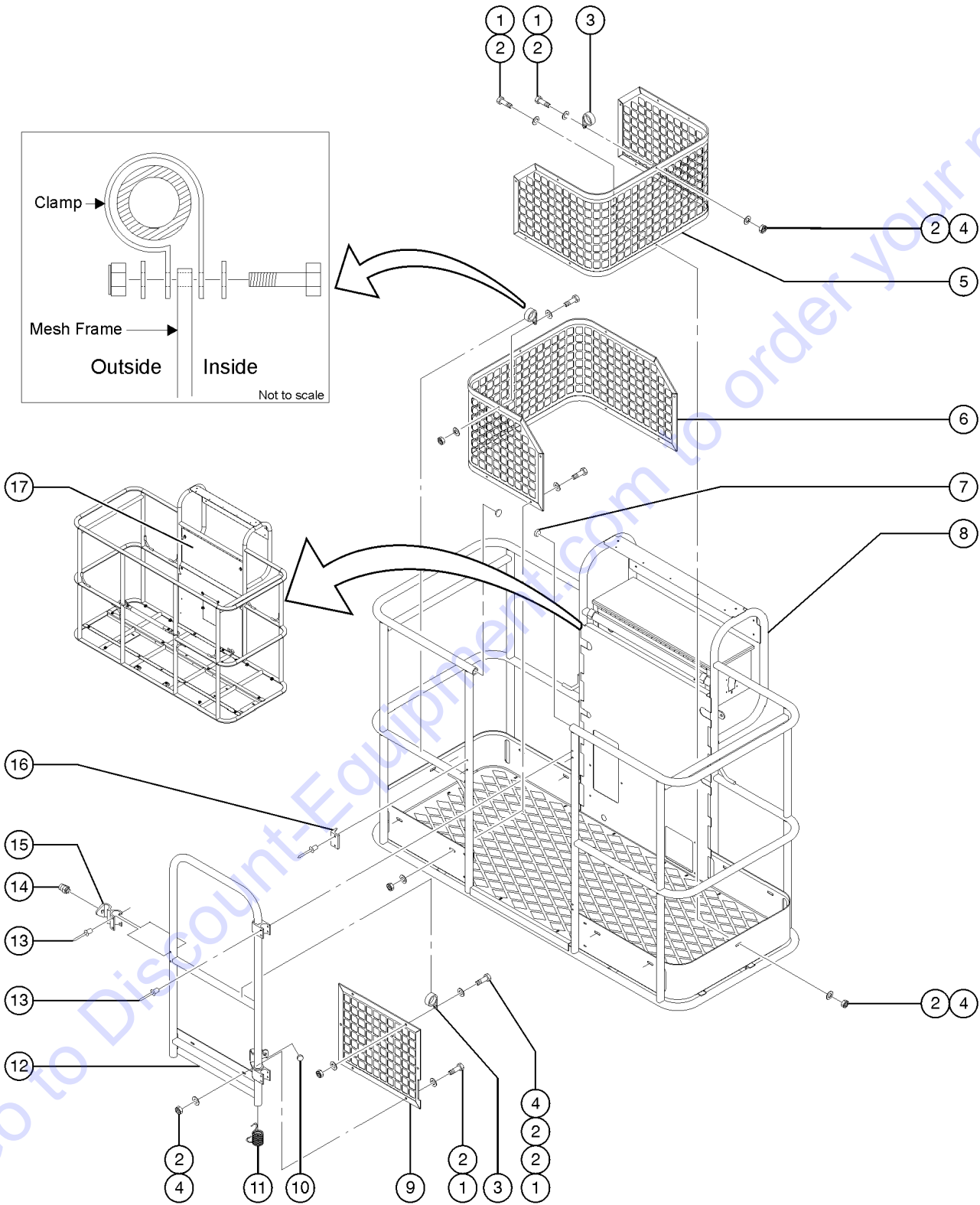


## 902.1 Control Box Cover, Pinch Guard and Tool Tray

Item	Part No.	Description	Qty.
A	T109328GT	ACC,PLAT CONTROL COVER, SERV <i>includes items 7-12 and 23-25</i>	
B	53808-SGT	AUX TOP RAIL,6'(1.25")SERVICE	
C	53807-SGT	AUX TOP RAIL,8'(1.25")SERVICE	
D	122278GT	AUX TOP RAIL,6',SWG GT, SRV	
E	122279GT	AUX TOP RAIL,8',SWG GT, SRV	
1	139958GT	KIT, AUX TOP RAIL SUPPORT.....10 <i>includes 2 supports and hardware</i>	
--	122073GT	SUPPORT, RAILING.....20	
2	55753GT	BUMPER, PLASTIC, 1.25 O.D.....2	
3	9599-SGT	TOOL TRAY ACCESSORY***.....1	
--	7746GT	BRACKET-TOOL TRAY MOUNTING.....1	
4	102786PGT	FORMING,LATCH,CTRL BOX LID PTD	
5	43392GT	BUMPER,BATTERY BOX & RAILS.....2	
6	111526GT	HINGE,PLAT CONTROL BOX COVER...1	
--	54486GT	RIVET,ALUM,ALUM,3/16BUTTONHEAD <i>not included - sold seperately</i>	
7	102785PGT	CONTROL BOX COVER,LID,PTD.....1	
8	6090GT	SCREW,HHC,1/4-20 X .75	
9	6638GT	WASHER,FLAT,USS,1/4"Y	
10	6889GT	NUT,LP NYLOCK,1/4-20	
11	30468GT	LATCH,SLIDE, FLUSH MOUNT STYLE	
12A	88606PGT	COVER,CONTROL BOX RIGHT SIDE**.....1	
12B	88607PGT	COVER,CONTROL BOX LEFT SIDE***.....1	
13A	1259704GT	PINCH GUARD RAIL,6' PLATFORM.....1 <i>includes 55753 bumpers</i>	
--	55753GT	BUMPER, PLASTIC, 1.25 O.D. <i>not included - sold seperately</i>	
13B	52661GT	PINCH GUARD RAIL,8' PLATFORM**....1	
--	55753GT	BUMPER, PLASTIC, 1.25 O.D.	
13C	111485PGT	AUX TOP RAIL,6FT,PTD.....1 <i>for models with swing gate</i>	
13D	111486PGT	AUX TOP RAIL,8FT,PTD.....1 <i>for models with swing gate</i>	
14	4266GT	SCREW,HHC,1/4-20 X 2	
15		Ref: Swing Gate <i>refer to 903.1</i>	
16		Ref: Half Mesh <i>refer to 903.1</i>	



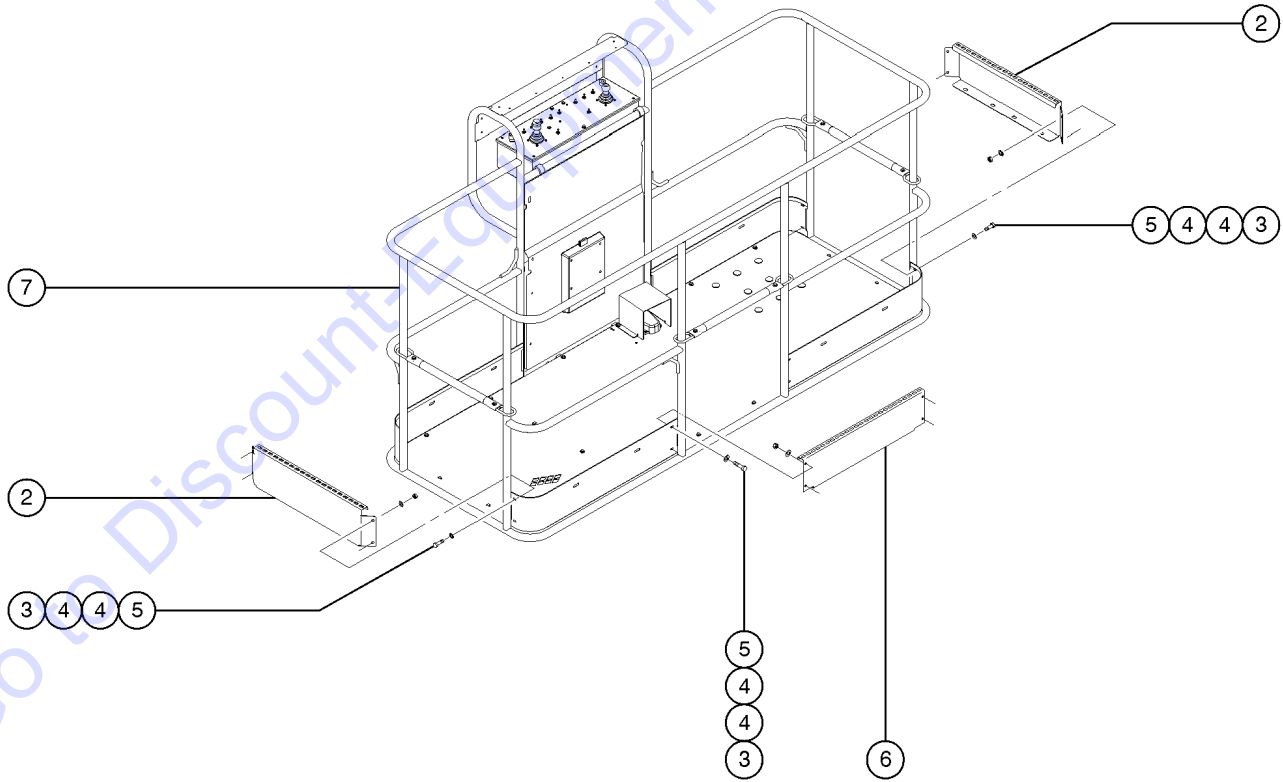
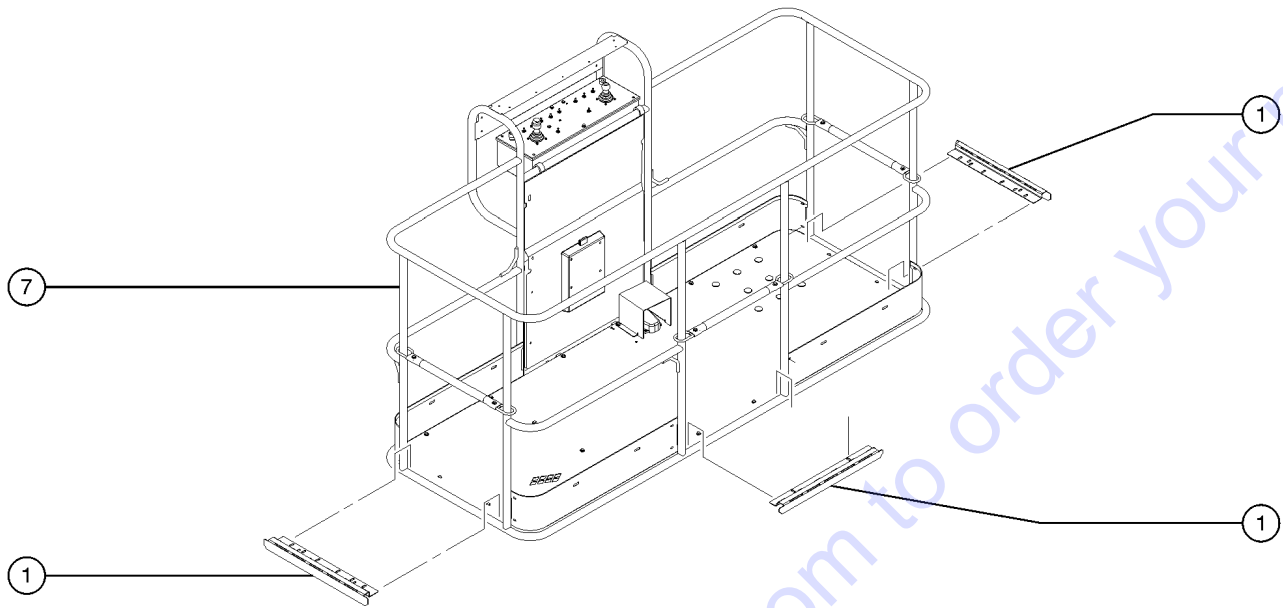
903.1 Half Mesh and Swing Gate



## 903.1 Half Mesh and Swing Gate

Item	Part No.	Description	Qty.
A	119950GT	KIT,FIELD INSTALL,SWING GATE <i>includes gate</i>	
B	77108GT	FIELD KIT,6'1/2MESH PLAT W/GAT <i>Includes swing gate</i>	
1	6090GT	SCREW,HHC,1/4-20 X .75	
2	6638GT	WASHER,FLAT,USS,1/4"Y	
3	56424GT	CLAMP,1.25X.5 RUBBER-CUSHION....16	
4	6091GT	NUT,NYLOCK,1/4-20	
5A	101852GT	MESH,HALF,LH 5' PLATFORM.....1 <i>5ft</i>	
5B	54458GT	MESH,HALF,LH,6'PLATFORM.....1 <i>6ft</i>	
6A	101853GT	MESH,HALF,RH 5' PLATFORM.....1 <i>5ft</i>	
6B	54465GT	MESH,HALF,RH,6'PLATFORM.....1 <i>6ft</i>	
7	55753GT	BUMPER, PLASTIC, 1.25 O.D.....2	
8		REF: Platform Weldment.....1 <i>(refer to 701.1)</i>	
9	54457GT	MESH,HALF,SWING GATE*** .....1	
10	43392GT	BUMPER,BATTERY BOX & RAILS.....1	
11	42104GT	SPRING,SHORT PLATFORM GATE.....1	
12	128374GT	WELDMENT,SWING GATE,ALUMINUM.....1	
13	7265GT	RIVET,STEEL,P .25 X .375	
14	33674GT	PIN,LOCK,SHORT*** .....1	
15	1487GT	GATE LATCH CASTING--DRILLED.....1	
16	1488GT	RAILING CATCH CASTING--DRILLED...1	
17	73901GT	DECAL PLATE,MESH.....1	

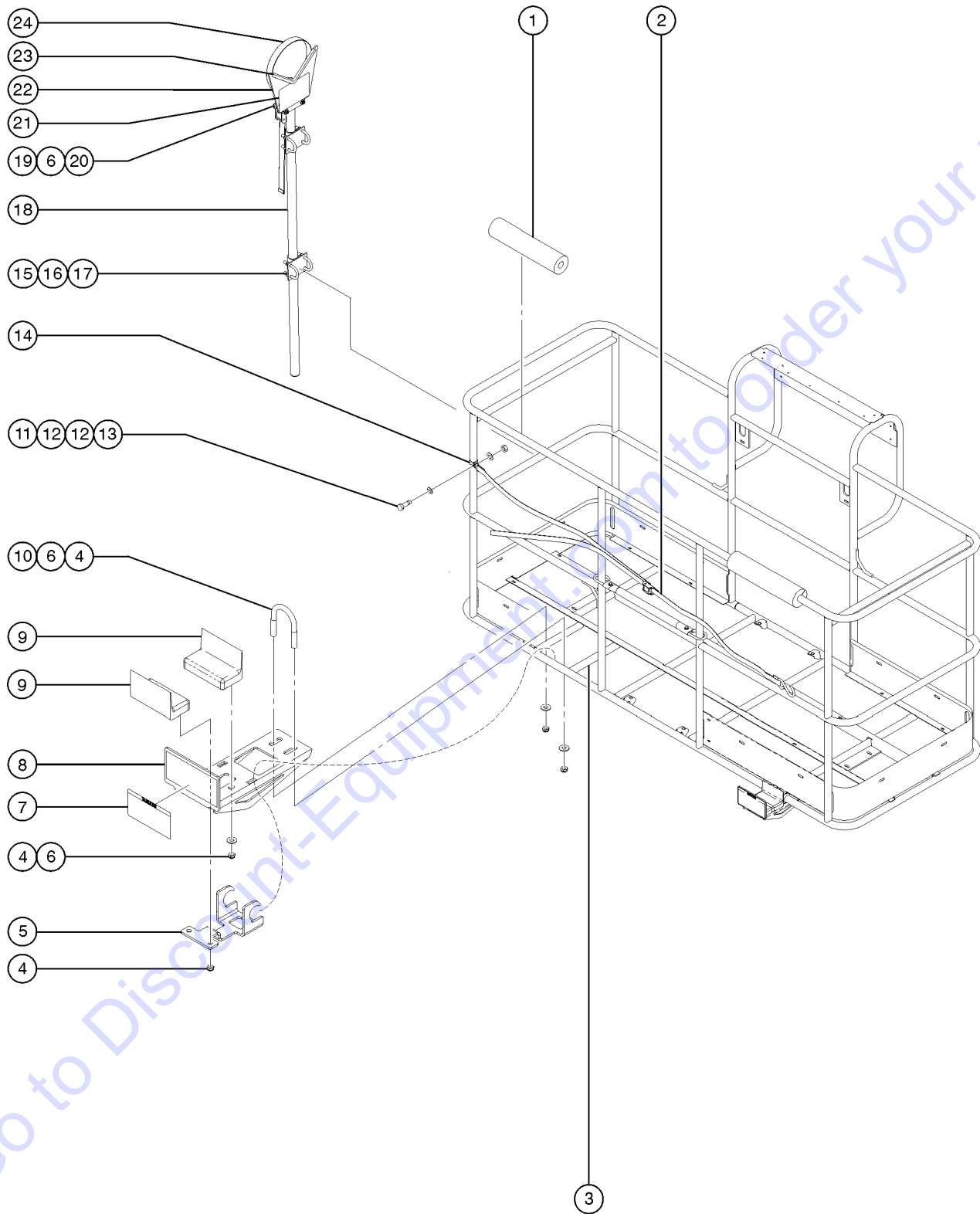
904.1 Tri-Entry Platform and Platform Toeboard



## 904.1 Tri-Entry Platform and Platform Toeboard

Item	Part No.	Description	Qty.
1	73610PGT	STEP PLATFORM ENTRY PAINTED*** .....	3
2A	139438GT	TOEBOARD, TRI ENTRY 6', EURO.....	2
2B	102721PGT	TOEBOARD,8'TRI ENTRY	
3	6090GT	SCREW,HHC,1/4-20 X .75	
4	6638GT	WASHER,FLAT,USS,1/4"Y	
5	6889GT	NUT,LP NYLOCK,1/4-20	
6	94745PGT	TOEBOARD,ENTRY EUROPEAN PNTD** .....	1
7A	215747GT	PLAT ASSY,TRI ENT,S60/65,6'..... <i>decals not included, refer to section 100</i>	1
--	101973GT	WELDMENT,6 FT TRI ENTRY PLAT <i>decals not included, refer to section 100</i>	
7B	215748GT	PLAT ASSY,TRI ENT,8' <i>decals not included, refer to section 100</i>	
--	94869GT	WELDMENT,8FT TRI ENTRY PLAT <i>decals not included, refer to section 100</i>	

905.1 Panel Cradle and Pipe Cradle

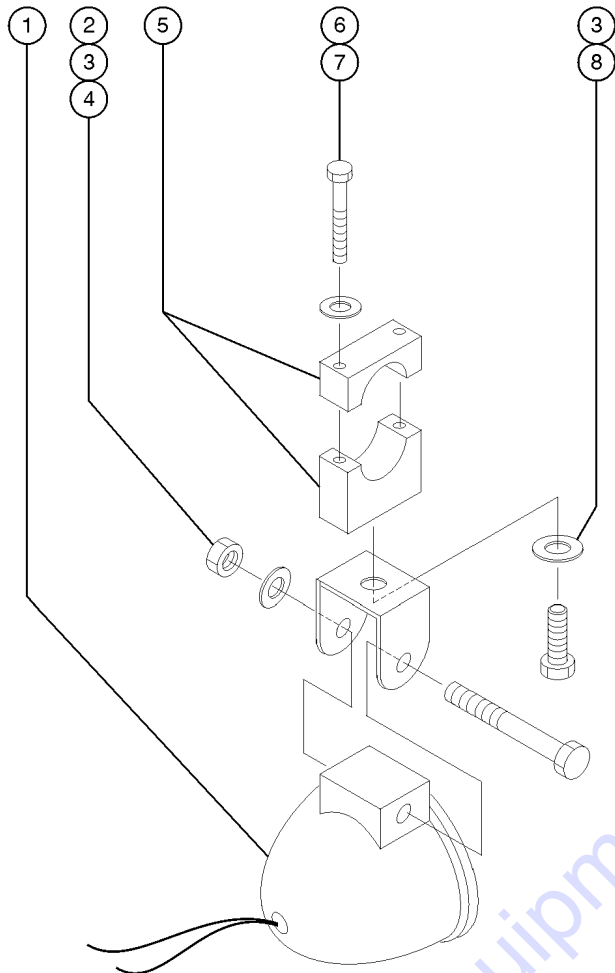


905.1 Panel Cradle and Pipe Cradle

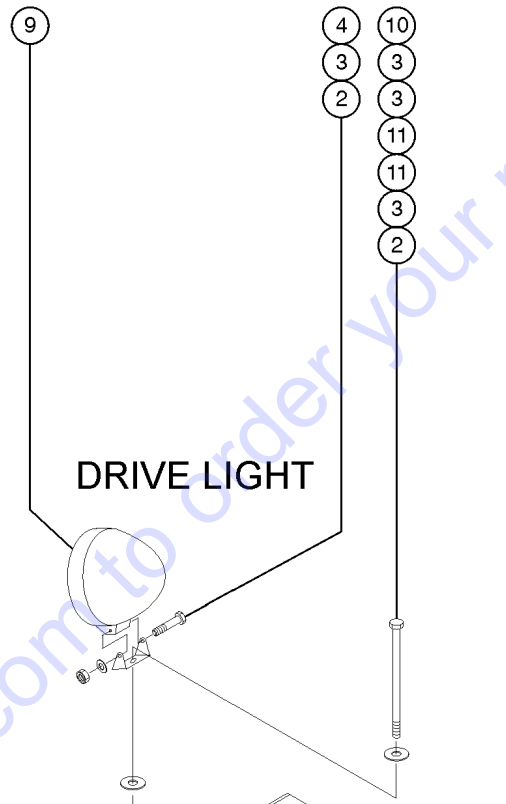
Item	Part No.	Description	Qty.	Item	Part No.	Description	Qty.
A	77683GT	ACCESSORY,PANEL CRADLE,ANSI (ANSI/CSA models)		17	1251600GT	U-BOLT, FLATTENED, 1.5 X 3/8 UNC,ZAG	
--	94493GT	ACCESSORY,PANEL CRADLE,CE (CE/AUS models)		18	56525GT	WELDMENT, PIPE CRADLE.....2	
B	85300GT	PIPE CRADLE ASSY. SERV (ONE)** .....2 <i>only one of two shown</i>		19	824083GT	SCREW,HHF,1/4-20X2.5,8,ZAG	
--	65630GT	INSTRUCTIONS-PIPE CRADLE,BOOMS		20			
1	88377-1400GT	FOAM PAD, 3" OD X 1.25" ID X 14 IN.....2		21	1277924GT	NUT,NYLOCK FLG,1/4-20,F,ZAG	
2	77664GT	ADJUSTABLE STRAP ASSY.....1		22	72875GT	DECAL,WARNING,PIPE CRADLE,BOOM.....2	
3	73463-1175GT	TUBE, RD, ALUM, 1.25 X .083 X 11.75....2		23	81368GT	WELDMENT,PIPE CRADLE MOUNT....4	
4	1274322GT	NUT,NYLOCK FLG,3/8-16,F,ZAG		24	56570GT	STRAP, CONDUIT HOLDER 60**** .....2	
5A	233992GT	KIT,PANEL CRADLE BRACKET,WORD.....1 <i>(ANSI models) (includes hook, panel support bracket and installation instructions)</i>					
5B	233993GT	KIT,PANEL CRADLE BRACKET,SYMBL.....1 <i>(CE models) (includes hook, panel support bracket and installation instructions)</i>					
5C	228849GT	FORMING,SECONDARY SUPPORT.....2 <i>77576P is no longer available. For machines before 2010, must install Qty 2 service kit 233992 (ANSI) or 233993 (CE) for initial replacement.</i>					
6	5397GT	WASHER,FLAT,USS,5/16",Y					
7	82410GT	DECAL,WARNING,PANEL CRADLE.....2 <i>(order seperately)</i>					
8A	233992GT	KIT,PANEL CRADLE BRACKET,WORD.....1 <i>(ANSI models) (includes hook, panel support bracket and installation instructions)</i>					
8B	233993GT	KIT,PANEL CRADLE BRACKET,SYMBL.....1 <i>(CE models) (includes hook, panel support bracket and installation instructions)</i>					
8C	228848GT	FORMING PANEL CRADLE.....2 <i>89724 is no longer available. For machines before 2010, must install Qty 2 service kit 233992 (ANSI) or 233993 (CE) for initial replacement.</i>					
9	56934GT	PAD,REST,1"THICK,FLANGED.....4					
10	1251600GT	U-BOLT, FLATTENED, 1.5 X 3/8 UNC,ZAG.....2					
11	1256855GT	SCREW,HHF,1/4-20X.625,8,ZAG.....1					
12	6638GT	WASHER,FLAT,USS,1/4"Y <i>for machines before 2010</i>					
13	1277924GT	NUT,NYLOCK FLG,1/4-20,F,ZAG.....1					
14	56424GT	CLAMP,1.25X.5 RUBBER-CUSHION....1					
15	1274322GT	NUT,NYLOCK FLG,3/8-16,F,ZAG.....8					
16							



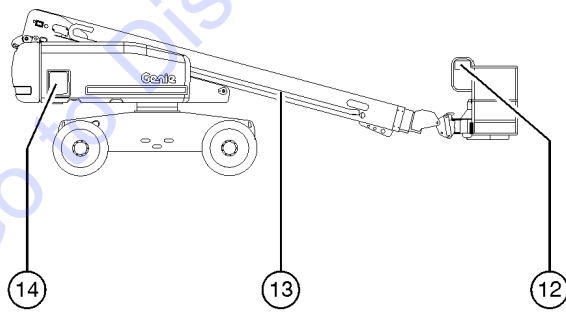
906.1 Work Lights and Drive Lights



PLATFORM WORK LIGHT



DRIVE LIGHT

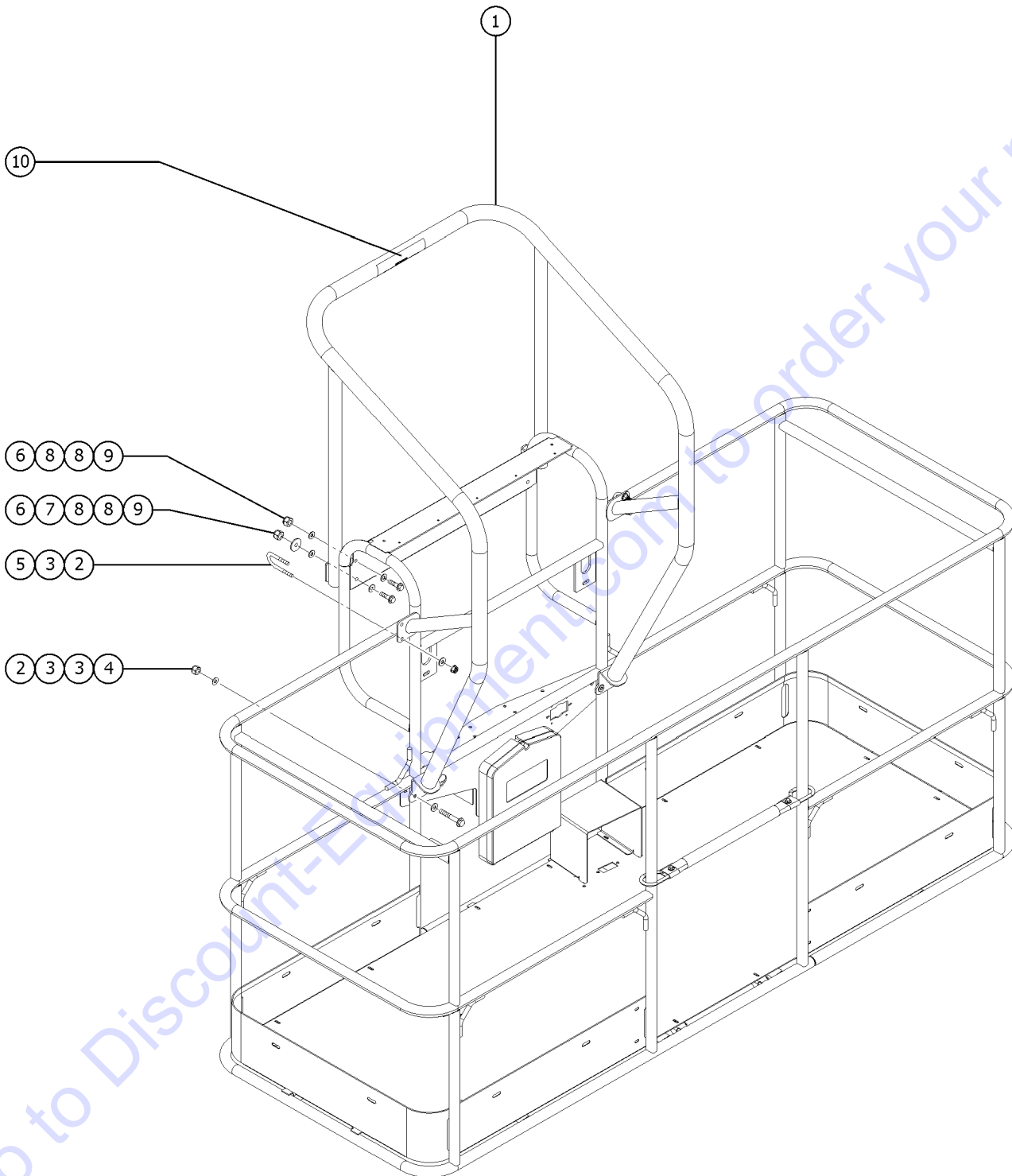


## 906.1 Work Lights and Drive Lights

Item	Part No.	Description	Qty.
1	71498GT	WORKLIGHT, 12V, DEUTSCH RECEPT.....2 <i>includes mount (not available separately)</i>	
2	4828GT	NUT,NYLOCK,3/8-16	
3	5397GT	WASHER,FLAT,USS,5/16",Y	
4	8178GT	SCREW,HHC,3/8-16 X 2.5	
5	35956GT	BRACKET,WORK LIGHT MOUNT 5/16"	
6	6145GT	SCREW,HHC,1/4-20 X 1.5	
7	6356GT	WASHER,LOCK,.25	
8	10107GT	SCREW,HHC,5/16-18 X .75	
9	107857GT	LIGHT, 12 VOLT.....2 <i>includes mount (not available separately)</i>	
--	119065GT	CONN,RECEP 2 WAY ENDCAP DT	
--	56051GT	WIRE CABLE,16/2,WHT/BLK,SJEOW	
--	60439GT	LOCK,RECEP 2 WAY, 14-18GA	
--	73713GT	TERM,NI PIN,S&F,16-18GA,REEL	
10	8177GT	SCREW,HHC,1/2-13 X 1.5	
11	101661GT	WASHER,SPACER,NOTCHED	
12		Ref. HARNESS,12V WORK LIGHTS <i>(refer to 313.1)</i>	
13		Ref. CABLE,S60/65 12VDC WORK LIGHT <i>(refer to 313.1)</i>	
14		HRef. ARN,12V WORK LIGHT RELAY <i>(refer to 313.1)</i>	



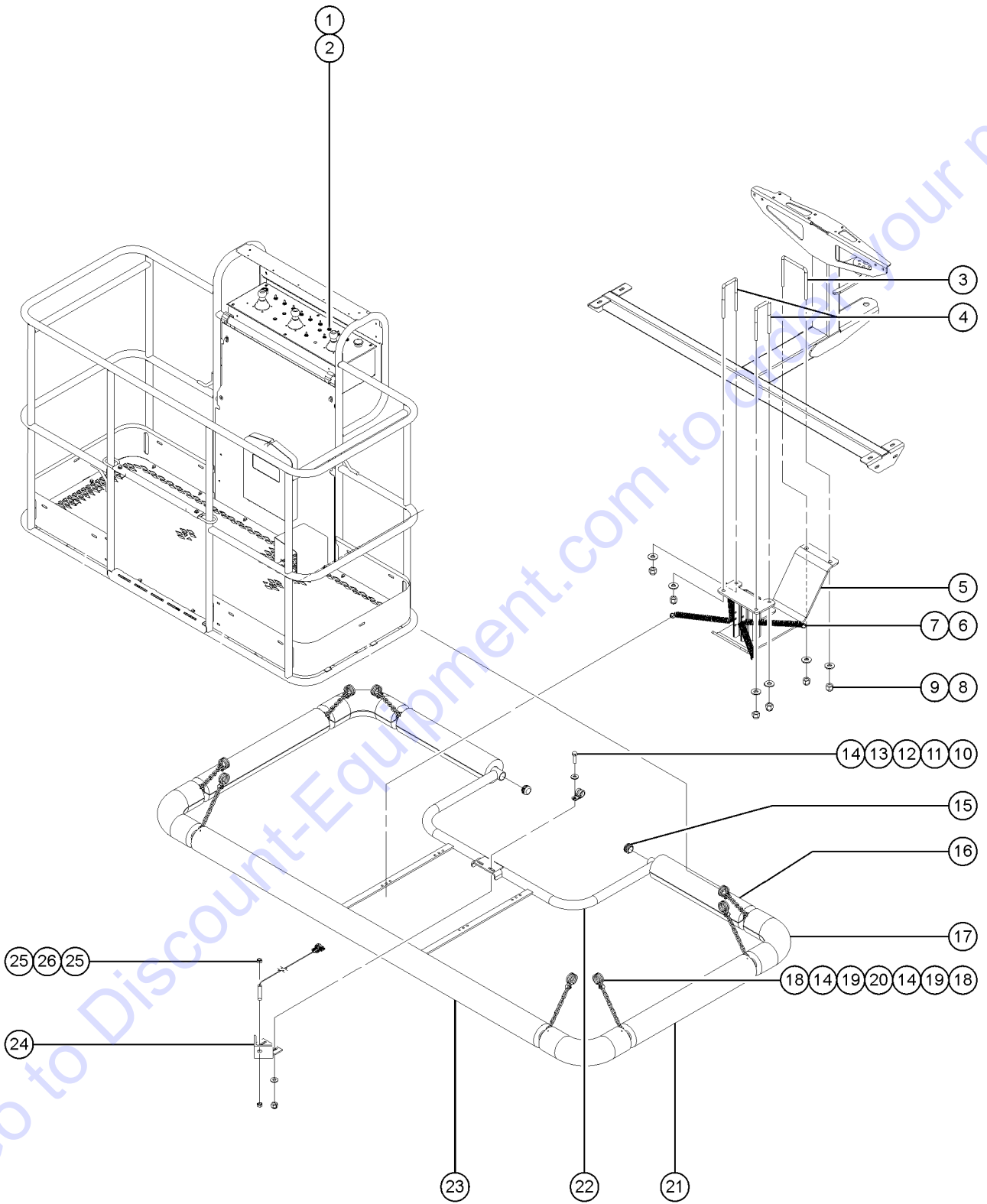
907.1 Operator Protective Structure



## 907.1 Operator Protective Structure

Item	Part No.	Description	Qty.
--		<i>Fits all 6' and 8' Booms</i>	
1	219158GT	ACCESSORY, OPERATOR PROT STRUCT.....1 <i>(Complete) includes all fasteners</i>	1
2	1256468GT	NUT, 3/8-16, 8, ZAG.....8	8
3	1255758GT	WASHER, FLAT, 3/8, USS, ZAG.....12	12
4	824069GT	SCREW, HHC, 3/8-16X2.5, 8, ZAG.....4	4
5	1251600GT	U-BOLT, FLATTENED, 1.5 X 3/8 UNC, ZAG.....4	4
6	1261184GT	NUT, 1/4-20, 8, ZAG.....4	4
7	824120GT	WASHER, FLAT, .375X1.50X.125, ZAG.....2 <i>Use only with the platform control box cover option</i>	2
8	824113GT	WASHER, FLAT, USS, 1/4, ZAG.....6	6
9	824060GT	SCREW, HHC, 1/4-20X1, 8, ZAG.....4	4
10	219160GT	DECAL, INSTRUCTION, OPS.....1	1

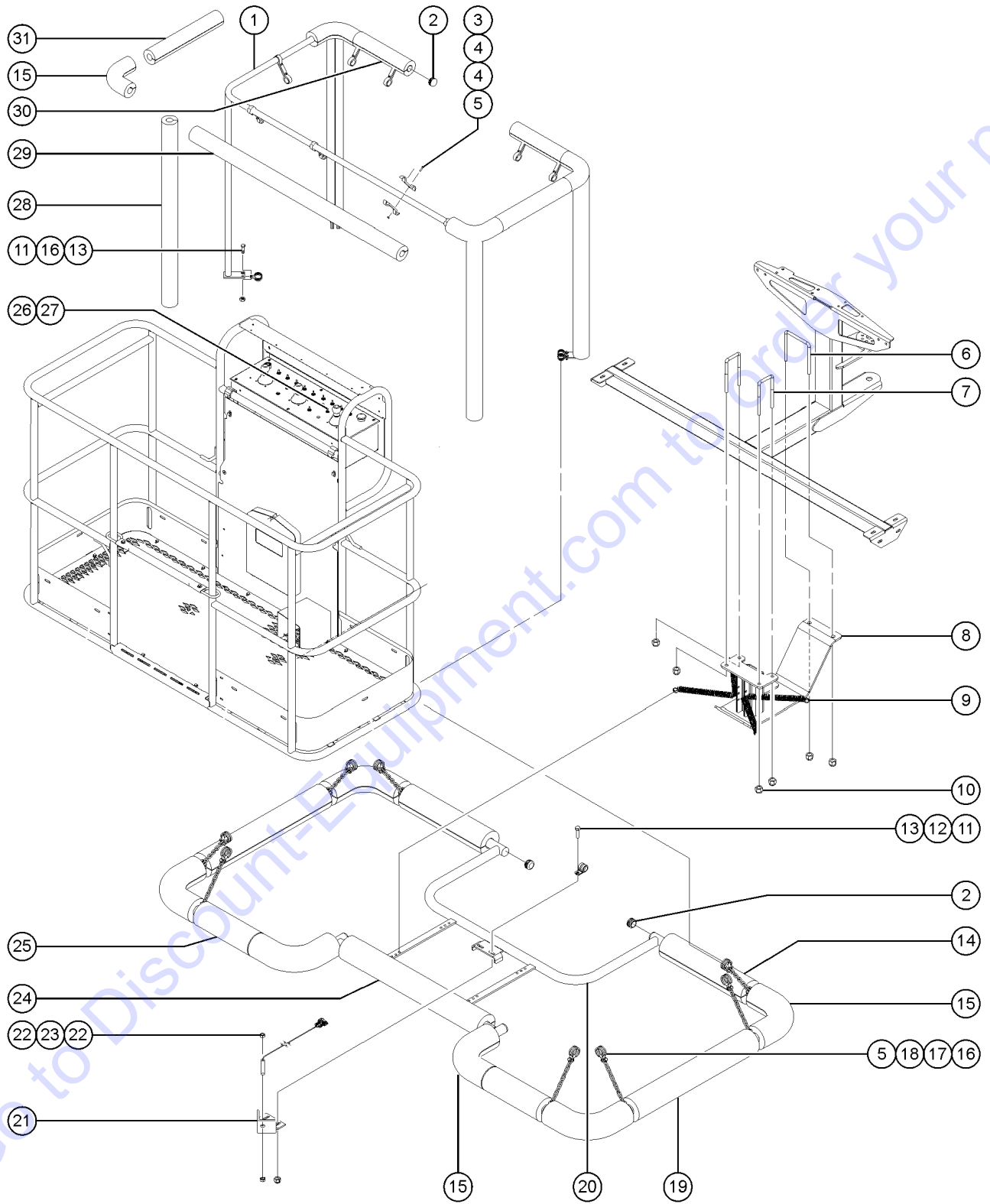
908.1 Aircraft Protection, S-65, S-65TraX (to SN S6014A-27652)



## 908.1 Aircraft Protection, S-65, S-65TraX (to SN S6014A-27652)

Item	Part No.	Description	Qty.
1	128203GT	SWITCH TOGGLE ASSY SPDT 2P MOM.....	1
--	139882GT	HARN, AC PROTECTION BYPASS.....	1
2	27246GT	BOOT,TOGGLE SWITCH,SHORT*.....	1
3	106044GT	U-BOLT,3/8-16X4X4.63X3.00.....	1
4	66472GT	U-BOLT, SQR, 3/8-16X2X5, PLTD.....	2
5	139904GT	WELDMENT, SKIDPLATE**.....	1
6	88384GT	SPRING, SS, 3/4-EO750-69-4500.....	4
7	88385GT	SPRING, SS, 1/2-EO500-49-4500.....	4
8	4828GT	NUT,NYLOCK,3/8-16	
9	5397GT	WASHER,FLAT,USS,5/16",Y	
10	6888GT	SCREW,HHC,1/4-20 X 1	
11	6638GT	WASHER,FLAT,USS,1/4"Y	
12	6833GT	CLAMP,0.50,#8 X 1/4,RUB CUSH.....	1
13	6638GT	WASHER,FLAT,USS,1/4"Y	
14	6091GT	NUT,NYLOCK,1/4-20	
15	55753GT	BUMPER, PLASTIC, 1.25 O.D.....	2
16	75617-1675GT	PADDING,FOAM 3.5"OD X 1.50"ID.....	2
17	75636GT	PADDING,FOAM,3.0"X1.50ID 90DEG....	4
18	21618GT	CLAMP,1.13,#18 X 1/4,RUB CUSH.....	16
19	6090GT	SCREW,HHC,1/4-20 X .75	
20	56426-700GT	CHAIN,NO.2 (11 LINKS).....	8
21	75617-2275GT	PADDING,FOAM 3.5"OD X 1.50"ID.....	2
22	139181GT	WELDMENT,AIRCRAFT SENSOR BUMPR.....	1
23	75617-6475GT	PADDING,FOAM 3.5"OD X 1.50"ID.....	1
24	77797GT	WELDMENT, SENSOR MOUNT.....	1
25	88390GT	NUT,HEX,M8,PLASTIC	
26	81532GT	HARNES,PROX.KILL..... (includes PN 27391 for Proximity Sensor)	1
--	27391GT	PROXIMITY SENSOR***	

908.2 Aircraft Protection, Standard Entry, S-65, S-65TraX (from SN S6014A-27653)



## 908.2 Aircraft Protection, Standard Entry, S-65, S-65TraX (from SN S6014A-27653)

Item	Part No.	Description	Qty.
A	29216GT	COVER W/DECALS,RR.DR.CHAS,S60.....2 <i>not shown</i>	
1	46188GT	WELDMENT, AIRCRAFT TOP BUMPER.....1	
2	55753GT	BUMPER, PLASTIC, 1.25 O.D.	
3	824227GT	SCREW, BHC, 1/4-20 X 1, ZAG	
4	122073GT	SUPPORT, RAILING	
5	824027GT	NUT,TL FLG,1/4-20,G,ZAG	
6	106044GT	U-BOLT,3/8-16X4X4.63X3.00	
7	66472GT	U-BOLT, SQR, 3/8-16X2X5, PLTD.....2	
8	822764GT	WDMT,SKID PLATE	
9	822769GT	SPRING,EXTENSION,1.92LB/IN.....4	
10	4828GT	NUT,NYLOCK,3/8-16	
11	6888GT	SCREW,HHC,1/4-20 X 1	
12	6833GT	CLAMP,0.50,#8 X 1/4,RUB CUSH.....1	
13	6091GT	NUT,NYLOCK,1/4-20	
14	75617-1550GT	PADDING,FOAM 3.5"OD X 1.50"ID.....2	
15	75636GT	PADDING,FOAM,3.0"X1.50ID 90DEG.....10	
16	21618GT	CLAMP,1.13,#18 X 1/4,RUB CUSH.....24	
17	824078GT	SCREW,HHF,1/4-20X.75,8,ZAG	
18	56426-700GT	CHAIN,NO.2 (11 LINKS).....8	
19	75617-2275GT	PADDING,FOAM 3.5"OD X 1.50"ID.....2	
20	822759GT	WDMT,AIRCRAFT SENSOR BUMPER...1	
21	77797GT	WELDMENT, SENSOR MOUNT.....1	
22	88390GT	NUT,HEX,M8,PLASTIC	
23	1261292GT	HARNES ASSY,PCON,PROX KILL.....1 <i>includes 27391 proximity sensor</i>	
--	27391GT	PROXIMITY SENSOR*** .....1	
24	822768GT	FOAM,AIRCRAFT PROTECTION.....1	
25	75617-1025GT	PADDING,FOAM 3.5"OD X 1.50"ID.....2	
26	128203GT	SWITCH TOGGLE ASSY SPDT 2P MOM.....1	
--	139882GT	HARN, AC PROTECTION BYPASS.....1	
27	27246GT	BOOT,TOGGLE SWITCH,SHORT* .....1	
28	1259329GT	PADDING, FOAM, 46.5".....4	
29	75617-6275GT	PADDING,FOAM 3.5"OD X 1.50"ID.....1	
30	1259328GT	PADDING, FOAM, 15.5".....2	
31	75617-2075GT	PADDING,FOAM 3.5"OD X 1.50"ID.....2	

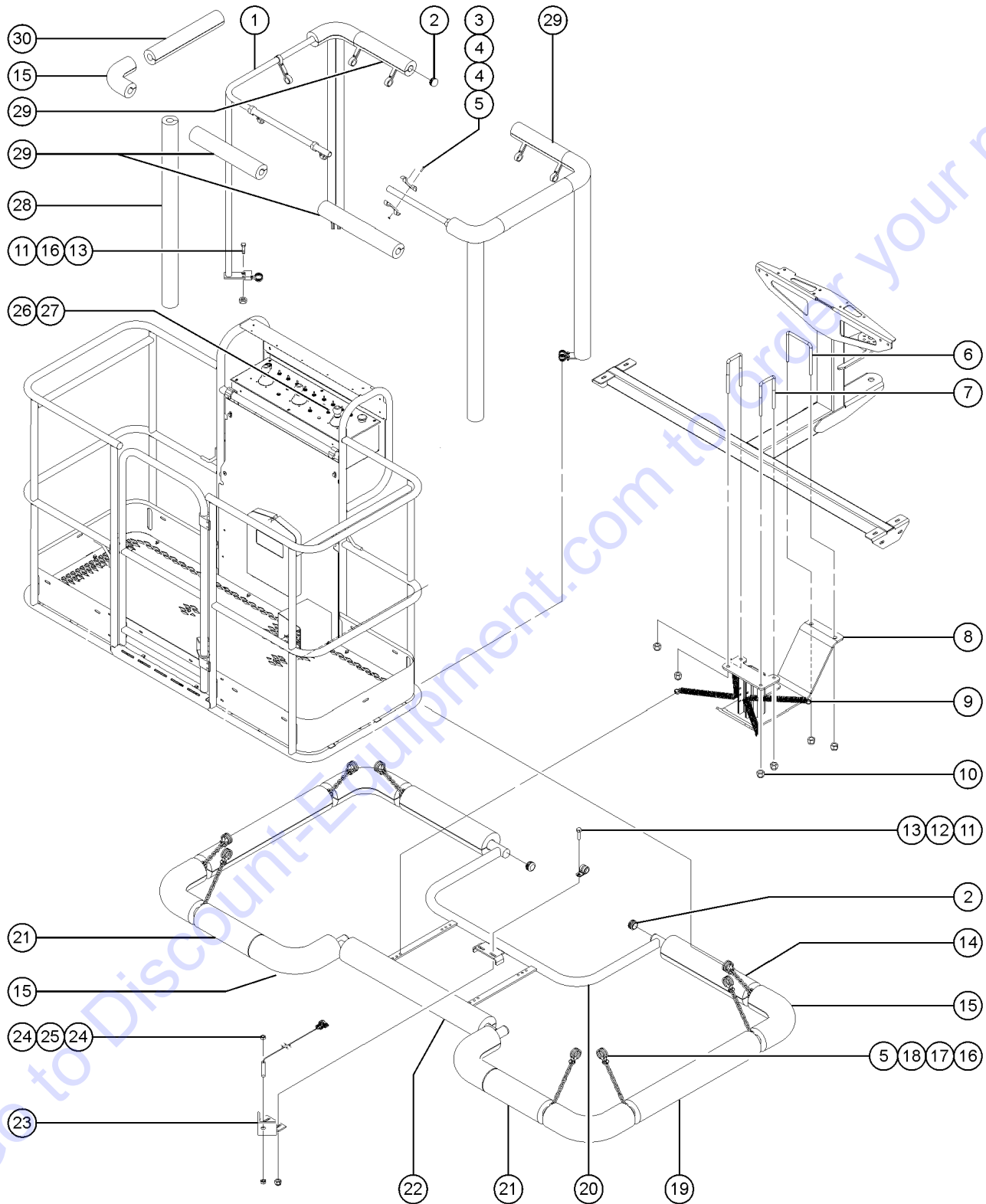


## 909.1 Aircraft Protection, Deluxe, S-65, S-65TraX (to SN S6014A-27652)

Item	Part No.	Description	Qty.
A	228448GT	HARNES,PROX.KILL.....	1
1	46188GT	WELDMNT, AIRCRAFT TOP BUMPER.....	1
2	55753GT	BUMPER, PLASTIC, 1.25 O.D.....	4
3	122231GT	SCREW,BHSC,1/4-20 X 1	
4	122073GT	SUPPORT, RAILING.....	20
5	6889GT	NUT,LP NYLOCK,1/4-20	
6	106044GT	U-BOLT,3/8-16X4X4.63X3.00.....	1
7	66472GT	U-BOLT, SQR, 3/8-16X2X5, PLTD.....	2
8	139904GT	WELDMNT, SKIDPLATE**.....	1
9	88384GT	SPRING, SS, 3/4-EO750-69-4500.....	4
10	88385GT	SPRING, SS, 1/2-EO500-49-4500.....	4
11	4828GT	NUT,NYLOCK,3/8-16	
12	5397GT	WASHER,FLAT,USS,5/16",Y	
13	6888GT	SCREW,HHC,1/4-20 X 1	
14	6638GT	WASHER,FLAT,USS,1/4"Y	
15	6833GT	CLAMP,0.50,#8 X 1/4,RUB CUSH.....	1
16	6091GT	NUT,NYLOCK,1/4-20	
17	75617-1675GT	PADDING,FOAM 3.5"OD X 1.50"ID.....	2
18	75636GT	PADDING,FOAM,3.0"X1.50ID 90DEG.....	8
19	21618GT	CLAMP,1.13,#18 X 1/4,RUB CUSH.....	16
20	6090GT	SCREW,HHC,1/4-20 X .75	
21	56426-700GT	CHAIN,NO.2 (11 LINKS).....	8
22	75617-2275GT	PADDING,FOAM 3.5"OD X 1.50"ID.....	4
23	139181GT	WELDMNT,AIRCRAFT SENSOR BUMPR.....	1
24	75617-6475GT	PADDING,FOAM 3.5"OD X 1.50"ID.....	1
25	77797GT	WELDMNT, SENSOR MOUNT.....	1
26	88390GT	NUT,HEX,M8,PLASTIC	
27	228448GT	HARNES,PROX.KILL.....	1
28	128203GT	SWITCH TOGGLE ASSY SPDT 2P MOM.....	1
--	139882GT	HARN, AC PROTECTION BYPASS.....	1
29	27246GT	BOOT,TOGGLE SWITCH,SHORT*.....	1
30	75617-4788GT	PADDING,FOAM 3.5"OD X 1.50"ID.....	4
31	75617-6275GT	PADDING,FOAM 3.5"OD X 1.50"ID.....	1
32	75617-1538GT	PADDING,FOAM 3.5"OD X 1.50"ID.....	2



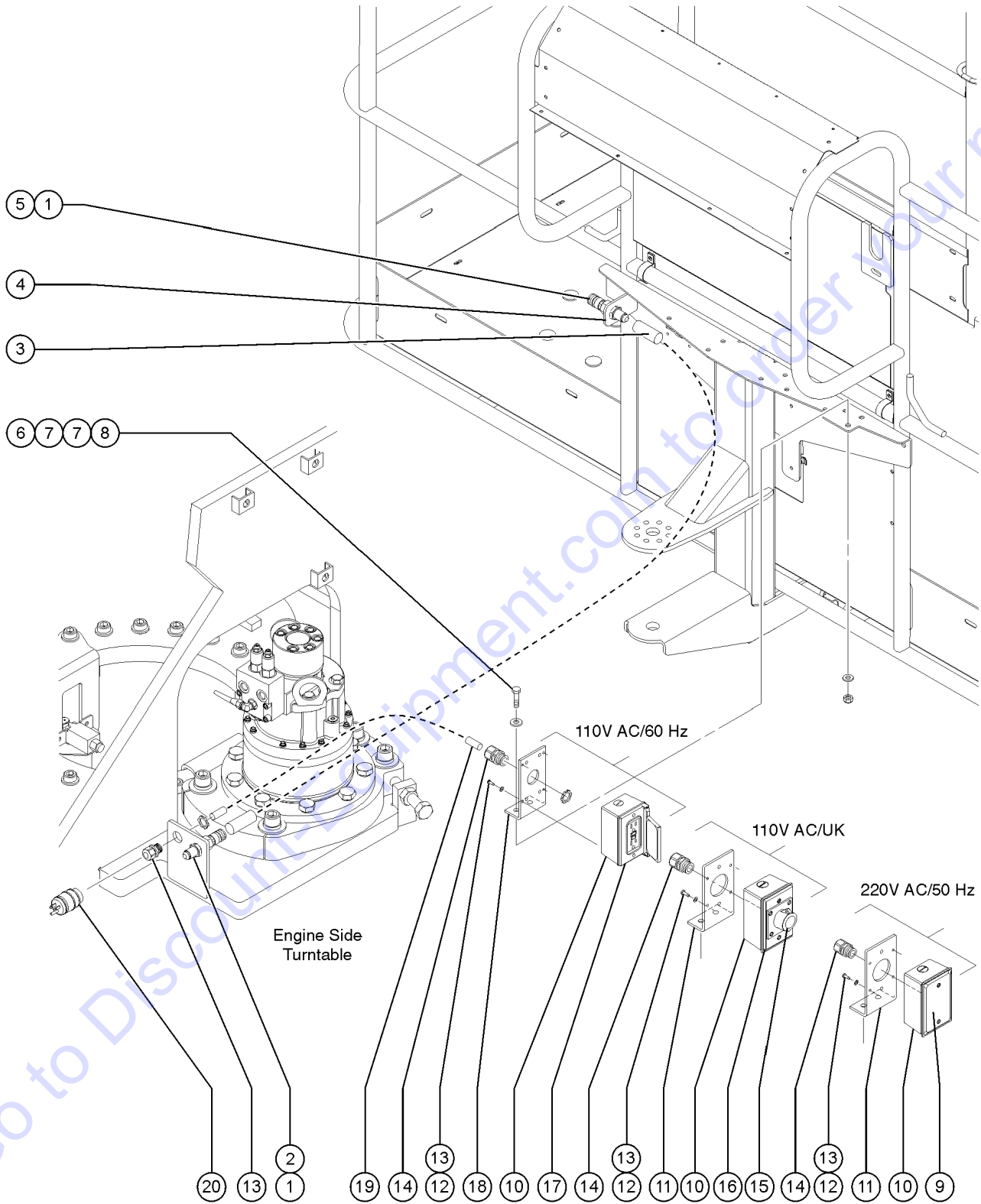
909.2 Aircraft Protection, Swing Gate, S-65, S-65TraX (from SN S6014A-27653)



## 909.2 Aircraft Protection, Swing Gate, S-65, S-65TraX (from SN S6014A-27653)

Item	Part No.	Description	Qty.
A	29216GT	COVER W/DECALS,RR.DR.CHAS,S60.....2 <i>not shown</i>	
1	822771GT	WDMT,FRAME,AIRCRAFT PROTECTION.....1	
2	55753GT	BUMPER, PLASTIC, 1.25 O.D.....4	
3	122231GT	SCREW,BHSC,1/4-20 X 1	
4	122073GT	SUPPORT, RAILING.....20	
5	824027GT	NUT,TL FLG,1/4-20,G,ZAG	
6	106044GT	U-BOLT,3/8-16X4X4.63X3.00.....1	
7	66472GT	U-BOLT, SQR, 3/8-16X2X5, PLTD.....2	
8	822764GT	WDMT,SKID PLATE.....1	
9	822769GT	SPRING,EXTENSION,1.92LB/IN.....4	
10	824029GT	NUT,TL FLG,3/8-16,G,ZAG	
11	824078GT	SCREW,HHF,1/4-20X.75,8,ZAG	
12	6833GT	CLAMP,0.50,#8 X 1/4,RUB CUSH.....1	
13	824027GT	NUT,TL FLG,1/4-20,G,ZAG	
14	75617-1550GT	PADDING,FOAM 3.5"OD X 1.50"ID.....2	
15	75636GT	PADDING,FOAM,3.0"X1.50ID 90DEG.....10	
16	21618GT	CLAMP,1.13,#18 X 1/4,RUB CUSH.....18	
17	824078GT	SCREW,HHF,1/4-20X.75,8,ZAG	
18	56426-700GT	CHAIN,NO.2 (11 LINKS).....8	
19	75617-2275GT	PADDING,FOAM 3.5"OD X 1.50"ID.....4	
20	822759GT	WDMT,AIRCRAFT SENSOR BUMPER...1	
21	75617-1025GT	PADDING,FOAM 3.5"OD X 1.50"ID.....2	
22	822768GT	FOAM,AIRCRAFT PROTECTION.....1	
23	77797GT	WELDMENT, SENSOR MOUNT.....1	
24	88390GT	NUT,HEX,M8,PLASTIC	
25	1261292GT	HARNES ASSY,PCON,PROX KILL.....1 <i>includes 27391 proximity sensor</i>	
--	27391GT	PROXIMITY SENSOR***.....1	
26	128203GT	SWITCH TOGGLE ASSY SPDT 2P MOM.....1	
--	139882GT	HARN, AC PROTECTION BYPASS.....1 <i>not shown sold seperately</i>	
27	27246GT	BOOT,TOGGLE SWITCH,SHORT*.....1	
28	1259329GT	PADDING, FOAM, 46.5".....4	
29	1259328GT	PADDING, FOAM, 15.5".....4	
30	75617-2075GT	PADDING,FOAM 3.5"OD X 1.50"ID.....2	

910.1 Air line and Power to Platform



## 910.1 Air line and Power to Platform

Item	Part No.	Description	Qty.
--	T109331GT	ACC,AIRLINE TO PLAT,S60 ,SERV	
--	119845GT	CLAMP, HYD WELD, AIR, OPT.....1	
1	49212GT	FEMALE BULKHEAD CONNECTOR-8...2	
2	49214GT	MALE PIPE THD,1/4" SER,3/8"X18	
3A	49177-102894GT	HOSE ASSEMBLY,1/2"***.....1 S-60	
3B	49177-108894GT	HOSE ASSEMBLY,1/2"***.....1 S-65	
4	60886PGT	BRACKET,AIRLINE TO PLATFORM.....1	
5	49215GT	MPT,CPLR,1/4"SER,3/8"X18	
6	6019GT	SCREW,HHC,3/8-16 X 1.25 GRD 5.....2	
7	5397GT	WASHER,FLAT,USS,5/16",Y.....4	
8	4828GT	NUT,NYLOCK,3/8-16.....2	
9	10777GT	COVER,BLANK.....1	
--	33724GT	KIT,GASKET,UK POWER TO PLAT.	
--	81458GT	GASKET, UK POWER TO PLAT	
10	10775GT	T-BOX,2.75 X 4.5 X 2.0.....1	
11A	81096GT	BRACKET,POWER TO PLAT, DOM.....1 <i>ANSI models</i>	
11B	81570GT	BRACKET,POWER TO PLAT, UK <i>CE models</i>	
12	57075GT	SCREW,PHIL,8-32X.50,SELF TAP.....4	
13	35461GT	WASHER,FLAT,MS,#8,Y.....4	
14	7056GT	CONN,SQUEEZE,1/2NPT .38-.50,SM...2	
--	6935GT	LOCKNUT,ELEC,1/2"	
15	T112560GT	RECEPTACLE,UK,110V.....1	
16	T112561GT	PLATE,UK,POWER TO PLAT.....1	
17	13585GT	OUTLET, 110V.....1	
--	74006GT	COVER,GFCI,HORIZONTAL,WEATHER	
18	81096GT	BRACKET,POWER TO PLAT, DOM.....1	
19		Ref: Harness, Power to Platform.....1 <i>refer to 313.1</i>	
20A	119403GT	CONN,PLUG 120 AC/15A DOMESTIC...1	
20B	119404GT	CONN,RECEP 120AC/15A DOMESTIC.....1	
20C	144161GT	PLUG,PWR,UK,16AMP,3PIN,BLK.....1	
20D	25388GT	PLUG,FUSED,250V,13AMP,U.K.**.....1	
20E	1280665GT	PLUG, TYPE F, 230A, 50HZ, 16A, IP44.....1	

# PARTS FINDER

**Search Website  
by Part Number**



**Search Manual  
Library For Parts  
Manual & Lookup Part  
Numbers – Purchase  
or Request Quote**

**Search Manuals**

Enter your information to help us find the right parts manual for your machine.

\* Brand:

\* Model:

\* Serial:

\* Part Number:

SEARCH

**Can't Find Part or  
Manual? Request Help  
by Manufacturer,  
Model & Description**

**Parts Order Form**

Please fill in the following information to help us find the right part for your machine.

Manufacturer:	<input type="text"/>
Model:	<input type="text"/>
Description:	<input type="text"/>
Part Number:	<input type="text"/>
Quantity:	<input type="text"/>
Notes:	<input type="text"/>

Discount-Equipment.com is your online resource for quality parts & equipment.

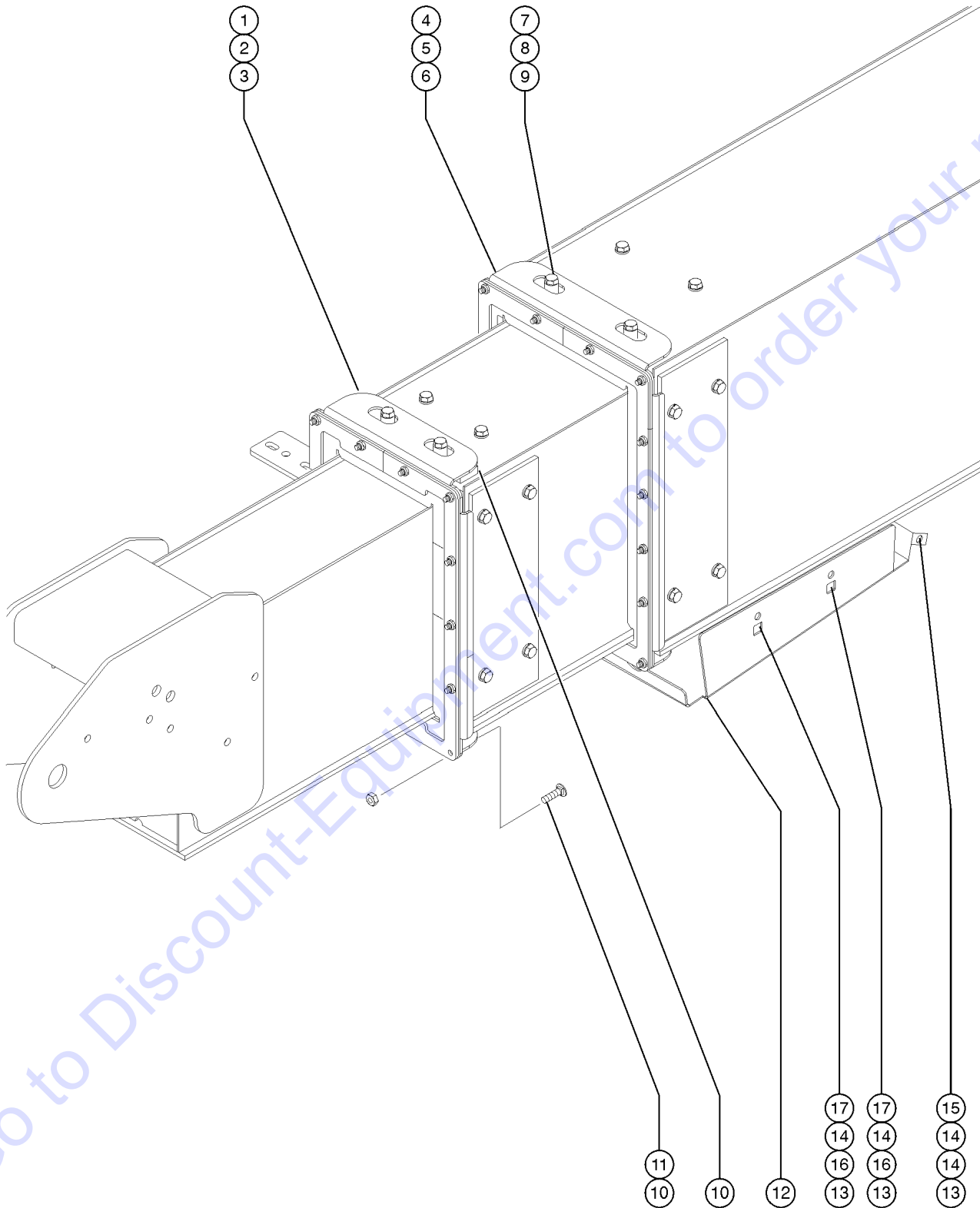
Florida: **561-964-4949** Outside Florida TOLL FREE: **877-690-3101**

**Need parts?**

Click on this link: <http://www.discount-equipment.com/category/5443-parts/> and choose one of the options to help get the right parts and equipment you are looking for. Please have the machine model and serial number available in order to help us get you the correct parts. If you don't find the part on the website or on one of the online manuals, please fill out the request form and one of our experienced staff members will get back to you with a quote for the right part that your machine needs.

We sell worldwide for the brands: Genie, Terex, JLG, MultiQuip, Mikasa, Essick, Whiteman, Mayco, Toro Stone, Diamond Products, Generac Magnum, Airman, Haulotte, Barreto, Power Blanket, Nifty Lift, Atlas Copco, Chicago Pneumatic, Allmand, Miller Curber, Skyjack, Lull, Skytrak, Tsurumi, Husquvarna Target, Stow, Wacker, Sakai, Mi-T-M, Sullair, Basic, Dynapac, MBW, Weber, Bartell, Bennar Newman, Haulotte, Ditch Runner, Menegotti, Morrison, Contec, Buddy, Crown, Edco, Wyco, Bomag, Laymor, EZ Trench, Bil-Jax, F.S. Curtis, Gehl Pavers, Heli, Honda, ICS/PowerGrit, IHI, Partner, Imer, Clipper, MMD, Koshin, Rice, CH&E, General Equipment, Amida, Coleman, NAC, Gradall, Square Shooter, Kent, Stanley, Tamco, Toku, Hatz, Kohler, Robin, Wisconsin, Northrock, Oztec, Toker TK, Rol-Air, APT, Wylie, Ingersoll Rand / Doosan, Innovatech, Con X, Ammann, Mecalac, Makinex, Smith Surface Prep, Small Line, Wanco, Yanmar

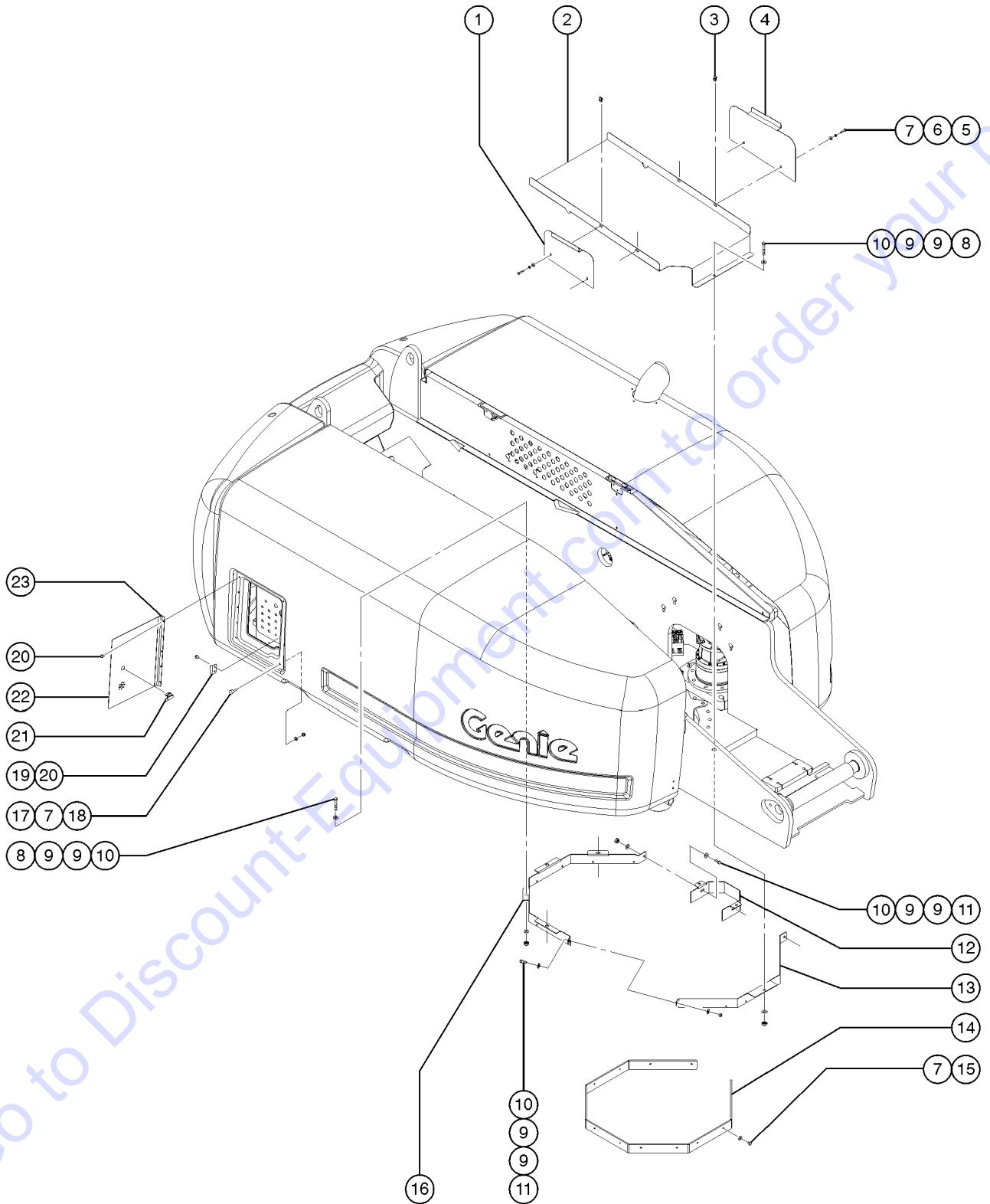
911.1 Hostile Environment, Boom Wipers



## 911.1 Hostile Environment, Boom Wipers

Item	Part No.	Description	Qty.
1	119087GT	FORMING BRKT, WIPER 2 TO 3.....	2
2	119089GT	WIPER RUBBER, 2 TO 3.....	1
3	119088GT	PLATE BACKING, WIPER 2 TO 3.....	2
4	119084GT	FORMING BRKT, WIPER 1 TO 2.....	2
5	119086GT	WIPER RUBBER, 1 TO 2.....	1
6	119085GT	PLATE BACKING, WIPER 1 TO 2.....	2
7	5224GT	SCREW,HHC,3/8-16 X 2.....	8
8	101932GT	TUBE,RD,STL,DOM,.75X.38X.78.....	8
9	119090GT	SPACER, BOOM TOP.....	2
10	6878GT	BOLT,CARRIAGE,1/4-20 X .75,G2	
11	6889GT	NUT,LP NYLOCK,1/4-20	
12	147783GT	COVER,LIMIT SWITCH ASSY,S60.....	1
12A	6833GT	CLAMP,0.50,#8 X 1/4,RUB CUSH.....	3
13	6888GT	SCREW,HHC,1/4-20 X 1.....	6
14	6638GT	WASHER,FLAT,USS,1/4"Y.....	8
15	6091GT	NUT,NYLOCK,1/4-20.....	2
16	6356GT	WASHER,LOCK,.25.....	4
17	56912GT	SPRING CLIP,1/4-20,.025-.15X.54,ZAG.....	4

912.1 Hostile Environment, Turntable Components

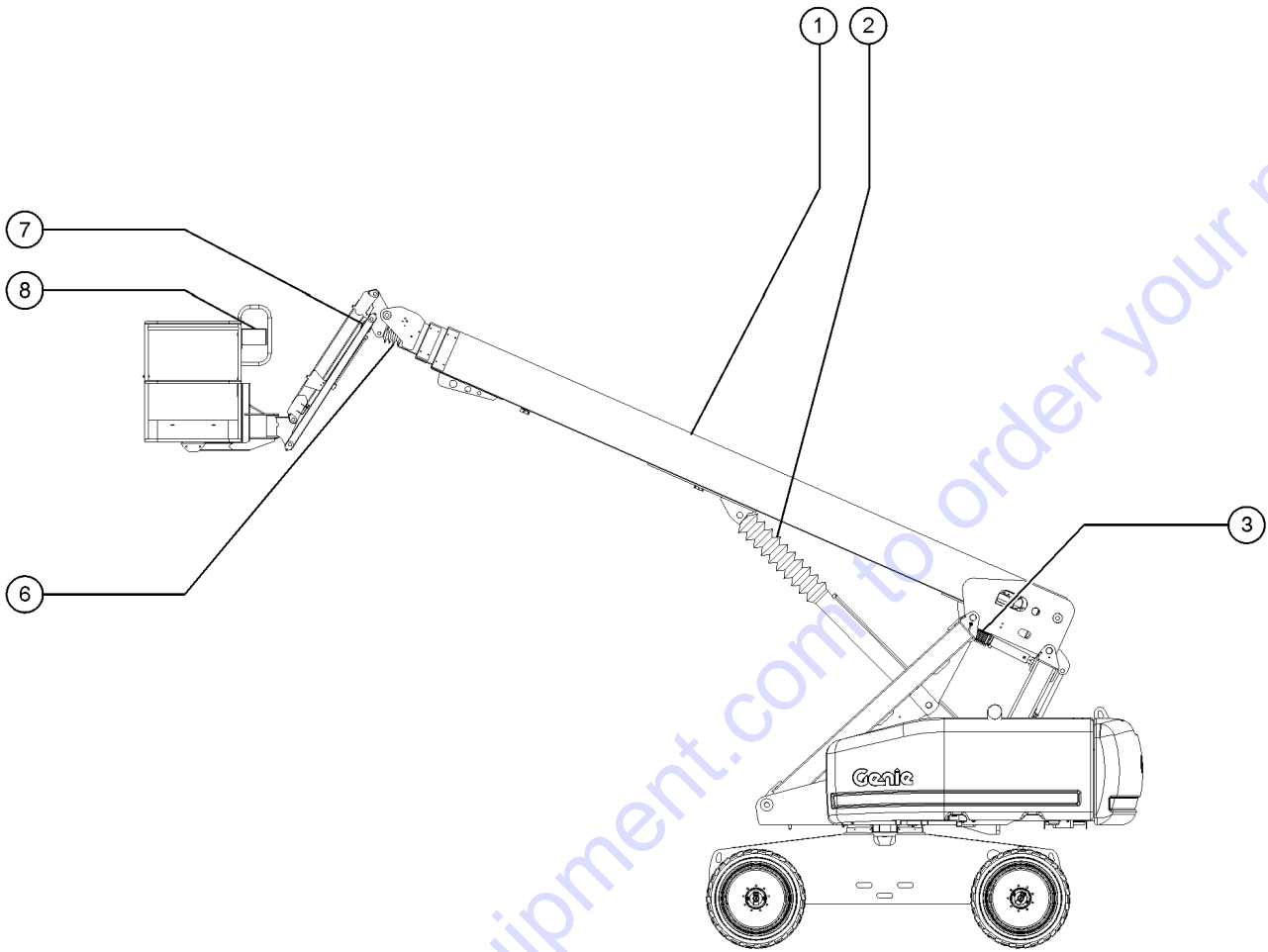




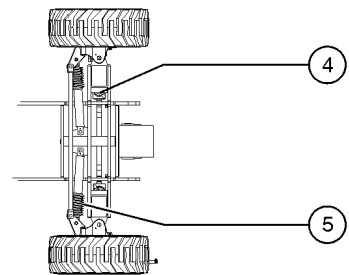
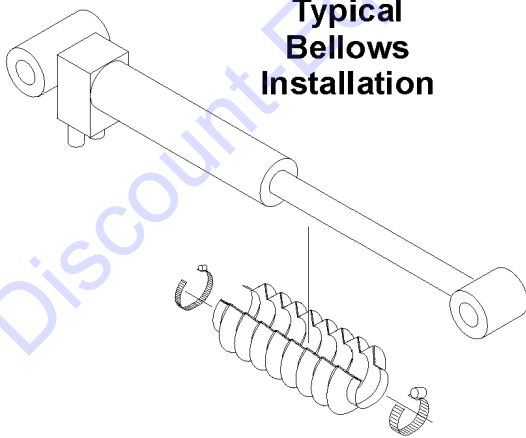
## 912.1 Hostile Environment, Turntable Components

Item	Part No.	Description	Qty.
1	77997PGT	FORMING,TT LH SIDE COVER PAINT...1	
2	77996PGT	TURNTABLE CENTER COVER PAINTED.....1	
3	56912GT	SPRING CLIP,1/4-20,.025-.15X.54,ZAG.....4	
4	77998PGT	FORMING,TT RH SIDE COVER PAINT.....1	
5	8915GT	SCREW,HHC,1/4-20 X 1.25	
6	6356GT	WASHER,LOCK,.25	
7	6638GT	WASHER,FLAT,USS,1/4"Y	
8	8178GT	SCREW,HHC,3/8-16 X 2.5	
9	6097GT	WASHER,FLAT,USS,3/8",Y	
10	4828GT	NUT,NYLOCK,3/8-16	
11	6175GT	SCREW,HHC,3/8-16 X 1	
12	77879PGT	FORMING,PINION GUARD PAINTED.....1	
13	70318PGT	FORMING,WIPER GUARD RT.....1 <i>models with Deluxe Hostile Option</i>	
14	70319GT	WIPER,RING GEAR GUARD.....1 <i>models with Deluxe Hostile Option</i>	
15	81167GT	RIVET,ALUM,P,.25X.625.....14	
16	70317PGT	FORMING,WIPER GUARD LT.....1 <i>models with Deluxe Hostile Option</i>	
17	36388GT	BUMPER,RUBBER,.75 X .50H,STUD.....2	
18	6889GT	NUT,LP NYLOCK,1/4-20	
19	63772GT	CATCH,GRND.CTRL.BOX COVER.....1	
20	53189GT	RIVET,ALUM,ALUM,P,.25X.375.....12	
21	63773GT	LATCH,GRND.CTRL.BOX COVER.....1	
22	147644GT	COVER,GRND.CTRL.BOX,PAINTED.....1	
23	121831GT	HINGE,GROUND BOX COVER.....1	

913.1 Hostile Environment, Cylinder Bellows and Cable Track



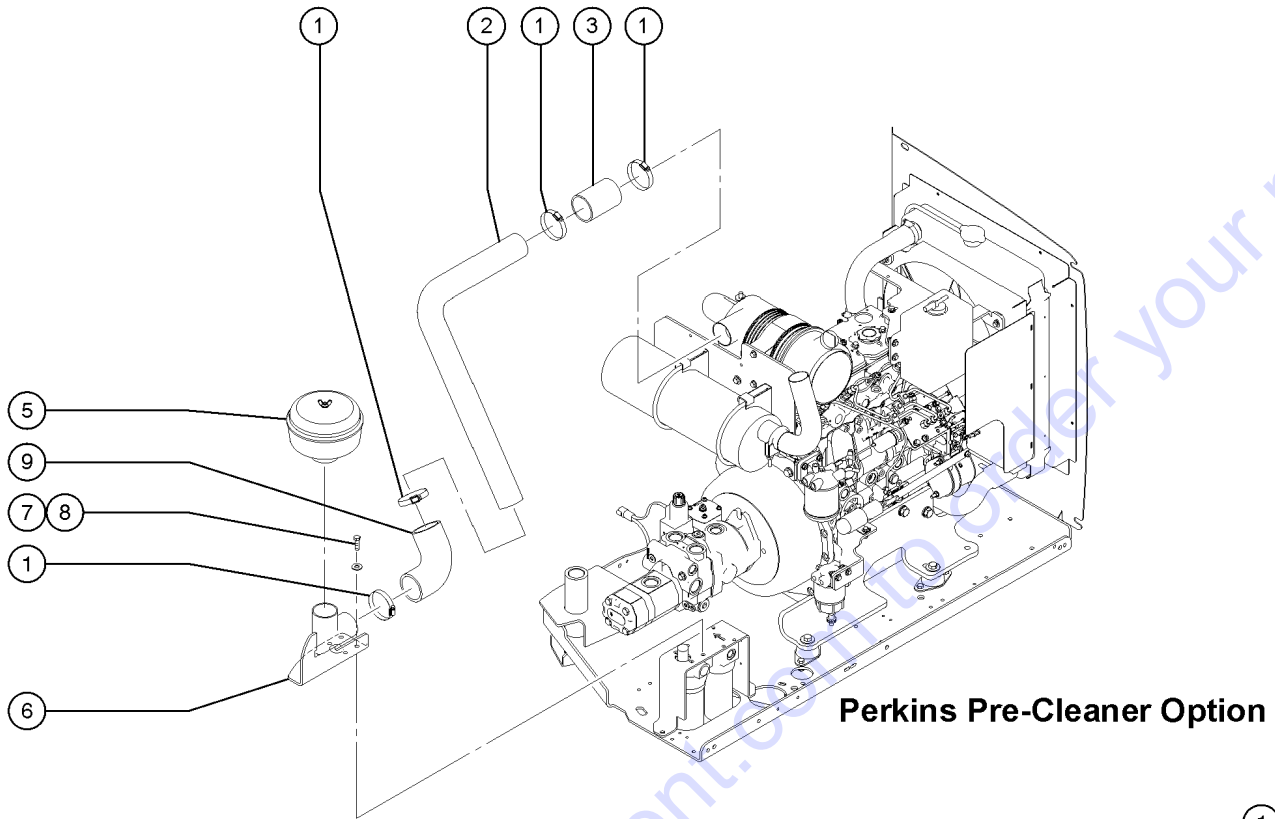
Typical Bellows Installation



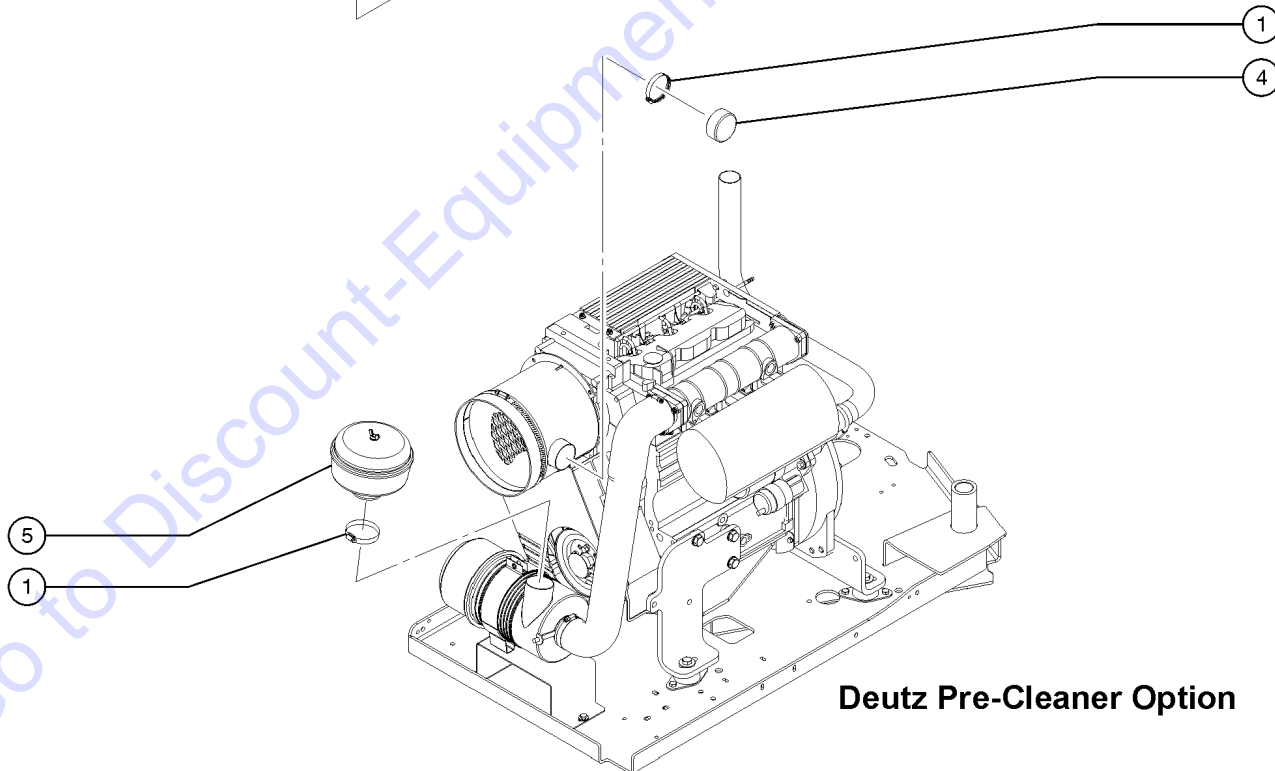
## 913.1 Hostile Environment, Cylinder Bellows and Cable Track

Item	Part No.	Description	Qty.
1	106099GT	COVER,CABLE TRACK.....1 <i>(not shown) models with Deluxe Hostile Option</i>	1
1	6091GT	NUT,NYLOCK,1/4-20.....4	4
1	6638GT	WASHER,FLAT,USS,1/4"Y.....8	8
1	6888GT	SCREW,HHC,1/4-20 X 1.....4	4
2	94479GT	BELLOWS,CYLINDER LIFT.....1	1
--	34955GT	CLAMP,HOSE,5.00	
--	35432GT	CLAMP,HOSE,6.50	
3	94463GT	BELLOWS,MASTER CYLINDER.....1	1
--	22672GT	CLAMP,HOSE,1.75	
--	34955GT	CLAMP,HOSE,5.00	
4	63727GT	COVER, PROTECTIVE, OSCILLATE.....2 <i>Oscillate Only</i>	2
--	22672GT	CLAMP,HOSE,1.75 <i>Oscillate Only</i>	
--	34955GT	CLAMP,HOSE,5.00 <i>Oscillate Only</i>	
5	34922GT	COVER,PROTECTIVE,STEERING.....2	2
--	22672GT	CLAMP,HOSE,1.75	
--	34955GT	CLAMP,HOSE,5.00	
6	94537GT	BELLOWS,CYLINDER,PLAT LEVEL.....1	1
--	22672GT	CLAMP,HOSE,1.75	
--	23405GT	NUTSERT,10-32 STEEL CAD PLTD	
--	49824GT	SCREW,PHILLIPS,FHM,10-32X1.00	
--	6146GT	WASHER,FLAT,MS,#10,Y	
--	94533GT	PLATE,BACKING BELLOWS	
7	34505GT	COVER,PROTECTIVE,JIB CYLINDER...1 <i>S-65 Only</i>	1
--	30971GT	CLAMP,HOSE,3.00" <i>S-65 Only</i>	
--	36208GT	CLAMP,HOSE,1.25*** <i>S-65 Only</i>	
8	T107895GT	DECAL,PROTECTOR,CLEAR.....1	1

914.1 Hostile Environment, Engine Air Pre-Cleaners



**Perkins Pre-Cleaner Option**

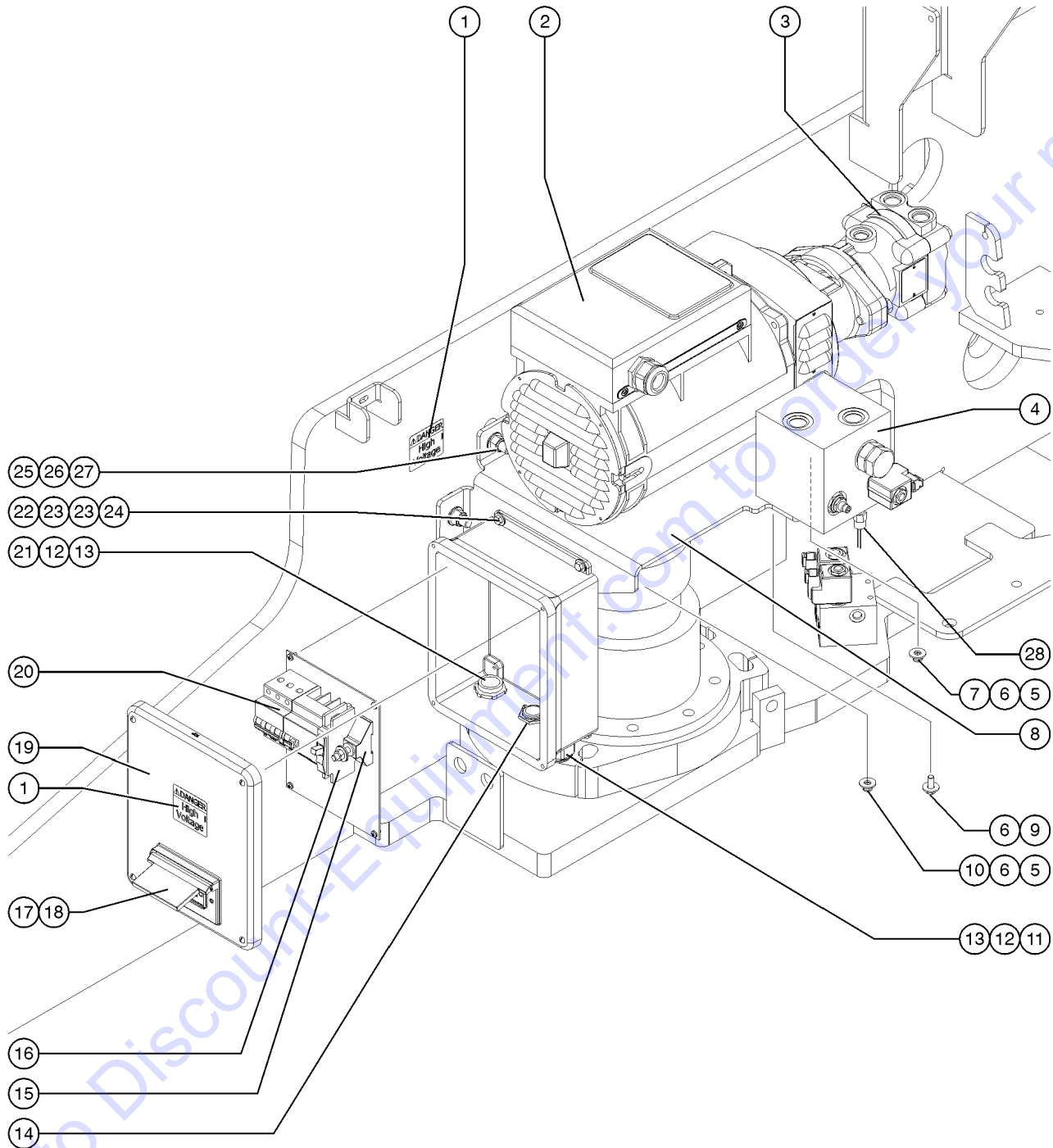


**Deutz Pre-Cleaner Option**

## 914.1 Hostile Environment, Engine Air Pre-Cleaners

Item	Part No.	Description	Qty.
A	T109339GT	ACC,AIR PRE-CLEANER,DEUTZ	
B	T109340GT	ACC,AIR PRE-CLEANER,PERKINS T2	
1	45435GT	CLAMP,HOSE,2.50"*** .....4 <i>Deutz and Perkins Models</i>	
2	77891GT	TUBE,AIR INTAKE.....1	
3	34162-0400GT	HOSE,AIR INTAKE 2.5" I.D.....1	
4	70529GT	CAP,PLASTIC,2.5 ID.....1	
5	34959GT	PRECLEANER,AIR INTAKE***.....1	
6	77887GT	WELDMENT,PRECLEANER BRACKET.....1	
7	6019GT	SCREW,HHC,3/8-16 X 1.25 GRD 5	
8	6097GT	WASHER,FLAT,USS,3/8",Y	
9	34164GT	ELBOW,90 DEGR,RUBBER,2.5" I.D.*.....1	

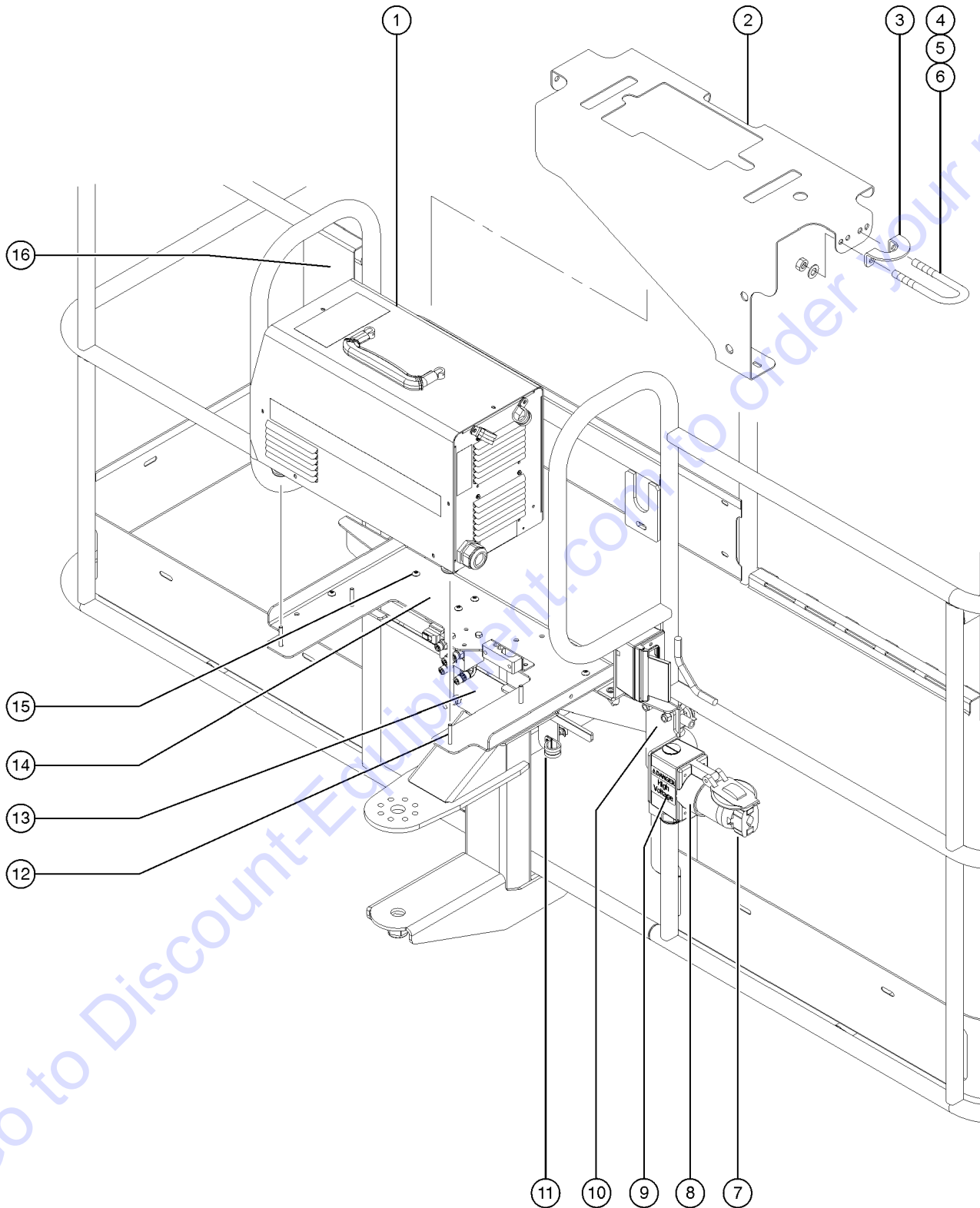
915.1 Welder Option, Chassis Components



## 915.1 Welder Option, Chassis Components

Item	Part No.	Description	Qty.	Item	Part No.	Description	Qty.
A	228796GT	CLAMP, OPTIONS, CABLE TRACK.....1		--	227424GT	CIRCUIT BREAKER,GFCI 30mA 3PH for 227426	
B	228969GT	CLAMP, OPTIONS, CABLE TRACK.....1		--	227425GT	CIRCUIT BREAKER, 35A 3PH for 227426	
C	106520GT	GROUNDING CABLE ASSEMBLY,18".....1		21	106077GT	CABLE SQUEEZE CONN .63-.75.....1	
D	1276694GT	KIT, RETROFIT, WELDGEN, MAG BREAKER S-60, S-65 from SN S6004-9708		22	6888GT	SCREW,HHC,1/4-20 X 1	
1	82237GT	DECAL,DANGER,HIGH VOLTAGE.....2		23	6638GT	WASHER,FLAT,USS,1/4"Y	
2		Ref: Hydraulic Generator.....1 refer to 921.1		24	6091GT	NUT,NYLOCK,1/4-20	
3		Ref: Hydraulic Motor for Generator.....1 refer to 921.1		25	9145GT	SCREW,HHC,1/2-13 X 2.5,GR5	
4	101516GT	MANIFOLD,DRIVE OIL DIVERter.....1		26	6198GT	NUT,NYLOCK,1/2-13	
--	102746GT	VALVE,PILOT OPER DIRECTIONAL		27	13066GT	WASHER,FLAT,5 HARDENED	
--	106394GT	ORIFICE DISC,.030,CONE		28A	146284GT	SWITCH,PRESS,#4NPT,200PSIF.....1 for first time replacement, order service kit 1271398GT.	
--	122302GT	RELIEF,VALVE 270 PSI		28B	1271398GT	KIT,GEN. PRESSURE SWITCH includes pressure switch, hose, fittings and installation instructions	
--	128416GT	SEAL KIT					
--	128419GT	SEAL KIT					
--	146284GT	SWITCH,PRESS,#4NPT,200PSIF					
--	146285GT	CONN, SAE#4-1/4" NPT for 146284					
--	94757GT	VALVE,CHECK,3 PSI***					
--	94759GT	NUT,SOLENOID					
--	94760GT	VALVE,SOLENOID,10V,W/OUT COIL*					
--	94765GT	COIL-10V DC***					
5	6037GT	NUT,HEX,5/16-18,GR5					
6	5397GT	WASHER,FLAT,USS,5/16",Y					
7	13000GT	SCREW,HHC,5/16-18 X 1.25					
8	106114GT	BRACKET,GENERATOR12.5 KW,PNTD*.....1					
9	10107GT	SCREW,HHC,5/16-18 X .75					
10	13002GT	SCREW,HHC,5/16-18 X 1 GR5					
11	20776GT	CABLE SQUEEZE CONN.....1					
12	18665GT	LOCKNUT,ELECTRIC,1" NPT.....2					
13	106104GT	O-RING,SEAL RING,1" NPT (PKG OF 10).....1					
14	106495GT	PLUG,1/2" HUBBLE.....1					
15	106108GT	TERMINAL,STUD BOLT,250 V.....1					
--	5397GT	WASHER,FLAT,USS,5/16",Y					
--	6037GT	NUT,HEX,5/16-18,GR5					
16	106073GT	CIRCUIT BREAKER,20A,SINGLE PH.....1					
17	74006GT	COVER,GFCI,HORIZONTAL,WEATHER.1					
18	80543GT	RECEPTACLE, 120VAC, 20A, GFCI.....1					
19A	101947GT	J-BOX ASSEMBLY,8X10.....1					
19B	227532GT	J-BOX ASSEMBLY,8X10 from SN 22405					
20	227426GT	ASSEMBLY,GFCI/CIRCUIT BREAKER from SN 22405					

916.1 Welder Option, Platform Components

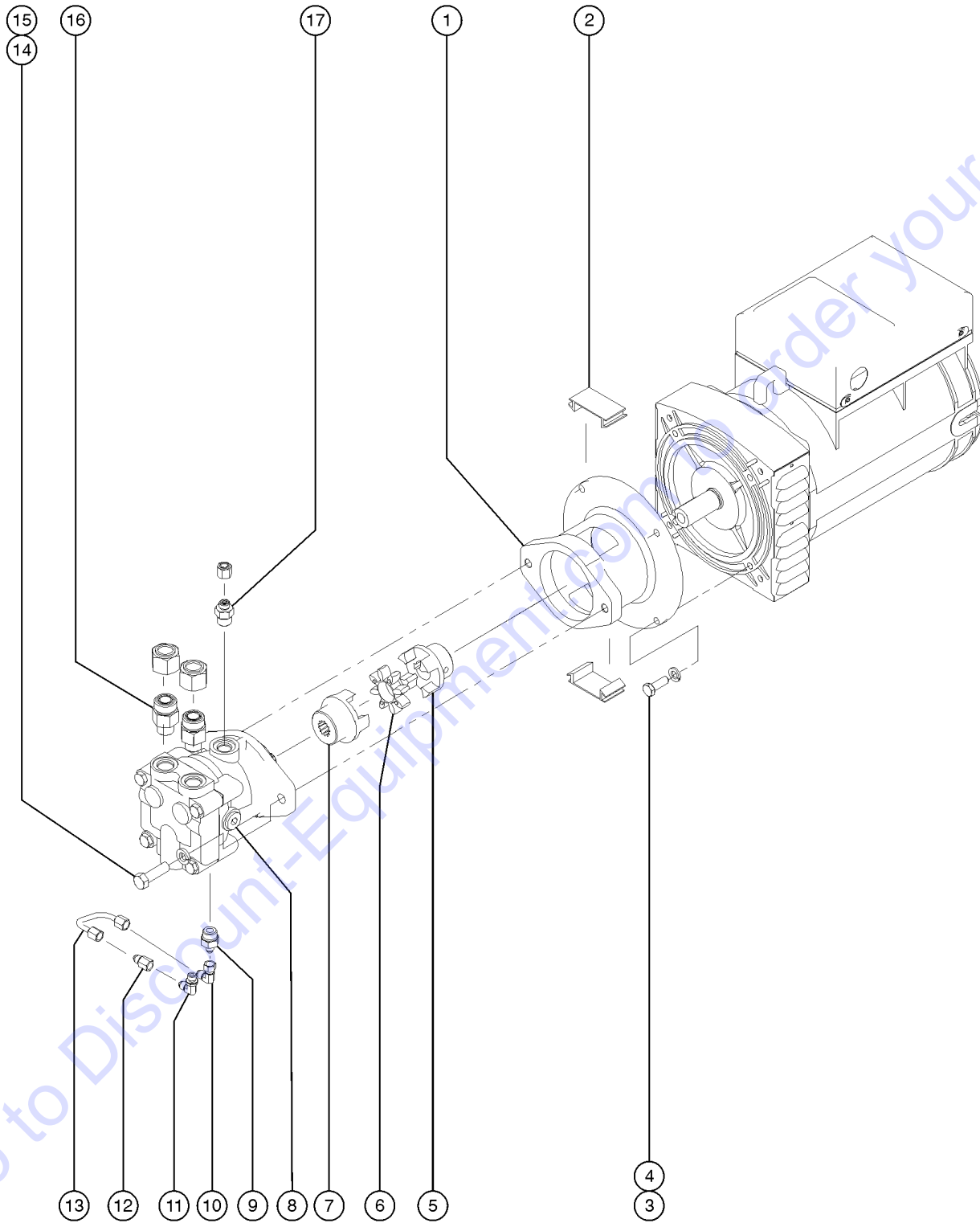




## 916.1 Welder Option, Platform Components

Item	Part No.	Description	Qty.
--	228320GT	KIT,WIRE,12.5KW WELDER <i>63" heavy cable assy</i>	
--	228321GT	KIT,WIRE,12.5KW WELDER <i>light wire assy</i>	
--	51147GT	BOOT,CABLE TERMINAL,LG,RED,2/0	
--	88406GT	FIRE EXTINGUISHER <i>includes mounting strap</i>	
--	89977GT	BOOT,CABLE TERMINAL,BLACK,2/0	
--	T113129GT	ASSEMBLY, WELD CABLE, S60 <i>S60 models</i>	
--	T114145GT	ASSEMBLY, WELD CABLE, S65 <i>S65 models</i>	
1A	101525GT	WELDER,INVERTEC V275-S.....	1
--	106183GT	FUSE,.6AMP,250V,WELDER,V275S	
--	106275GT	KIT,WELD LEADS ASSY,V275S	
1B	214619GT	WELDER, MILLER, CST 280	
2	101547PGT	BRACKET,WELDER SUPPORT,PNT.....	1
3	217366GT	BRACKET,WELDER TOP.....	2
4	122755GT	UBOLT,FLATTENED,1.5DIA X 3/8 UNC....	2
5	5397GT	WASHER,FLAT,USS,5/16",Y	
6	4828GT	NUT,NYLOCK,3/8-16	
7	106112GT	PLUG,4-WIRE,3-PHASE,50A,MALE.....	1
8	106111GT	RECEPTCL,LOCK 3-PH,50A,4 WIRE....	1
--	101732GT	COVER,WEATHERPROOF 3-PHASE	
--	106110GT	T-BOX,2.75X4.5X2.63,3PH	
9	82237GT	DECAL,DANGER,HIGH VOLTAGE.....	2
10	101731PGT	BRACKET,POWER TO PLAT TBOX,PNT.....	1
--	106044GT	U-BOLT,3/8-16X4X4.63X3.00	
--	4828GT	NUT,NYLOCK,3/8-16	
--	5397GT	WASHER,FLAT,USS,5/16",Y	
11	18666GT	CLAMP,1.00,#16 X 1/4,RUB CUSH	
12	106141GT	SCREW,SECURITY,1/4-20 X 1.75LG	
13	101701GT	BRACKET,WELDER MOUNT SUPPORT.....	1
14	106109PGT	BRACKET,WELDER COVER,PNTD.....	1
--	4828GT	NUT,NYLOCK,3/8-16	
--	5397GT	WASHER,FLAT,USS,5/16",Y	
--	6782GT	NUT,NYLOCK,5/16-18	
15	128322GT	SCREW,5/16-18X1.00,SECURITY TO	
--	128323GT	BIT,TORX SOCKET,SECURITY <i>tool for 128322</i>	
16	106204PGT	BRACKET,V275S WELD LEADS.....	1

917.1 Welder Option, Generator Components

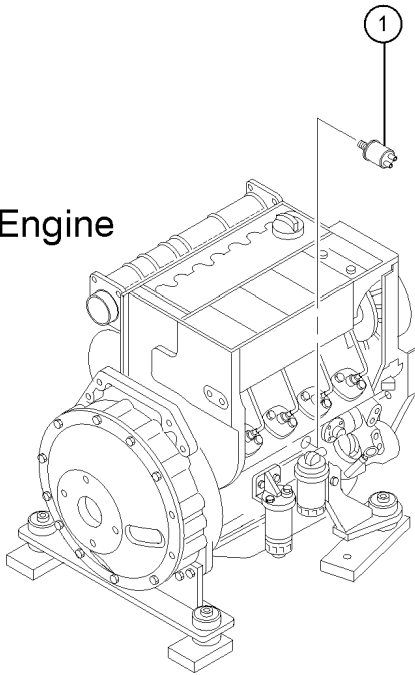


## 917.1 Welder Option, Generator Components

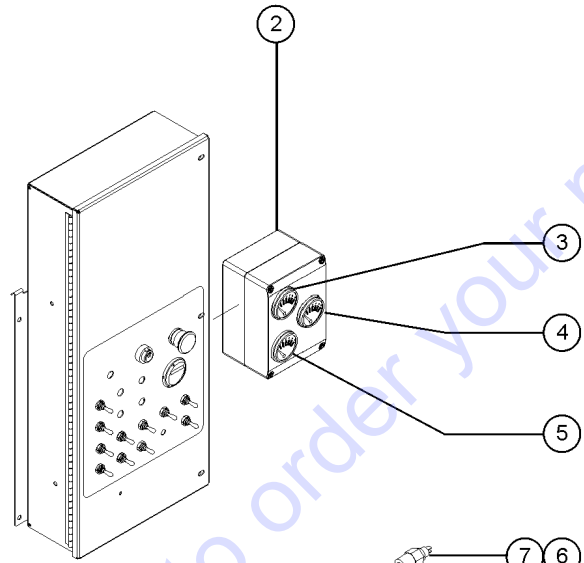
Item	Part No.	Description	Qty.
A	139367GT	GENERATOR,HYDRA,25CC,208V***.....1	
--	1273323GT	ALTERNATOR for 139367	
--	139919GT	FITTING,ORIFICE,.047	
--	32675GT	SEAL KIT,SUNSTRAND	
1		Ref: Hydraulic Motor Mount.....1 <i>consult Discount-equipment</i>	
2		MOUNT COVER.....2 <i>consult Discount-equipment</i>	
3	44064GT	SCREW,HHC,M10 X 30MM,.....4	
4	22700GT	WASHER,LOCK,M10.....4	
5	147404GT	DRIVE COUPLING,KEYED.....1	
6	58631GT	COUPLER,INSERT.....1	
7	147405GT	DRIVE COUPLING, 13 TOOTH.....1	
8	33432GT	MOTOR,HYD,25CC FIXED***.....1	
--	147418GT	ASSY,BLEED LINE (139367)	
9	39879GT	CONNECTOR,070120-4-8.....1	
10	87246GT	ELBOW,SWIVEL NUT 90DEG,-4.....1	
11	13921GT	ELBOW,070220-4-4.....1	
12	139919GT	FITTING,ORIFICE,.047.....1	
13	147418GT	ASSY,BLEED LINE (139367).....1	
14	6036GT	WASHER,LOCK,.625 PLTD.....2	
15	22788GT	SCREW,HHC,1/2-13 X 1.75.....2	
16	48975GT	CONN,520120-12-10.....2	
17	48914GT	CONN,520120-4-8.....1	

918.1 Gauge Option

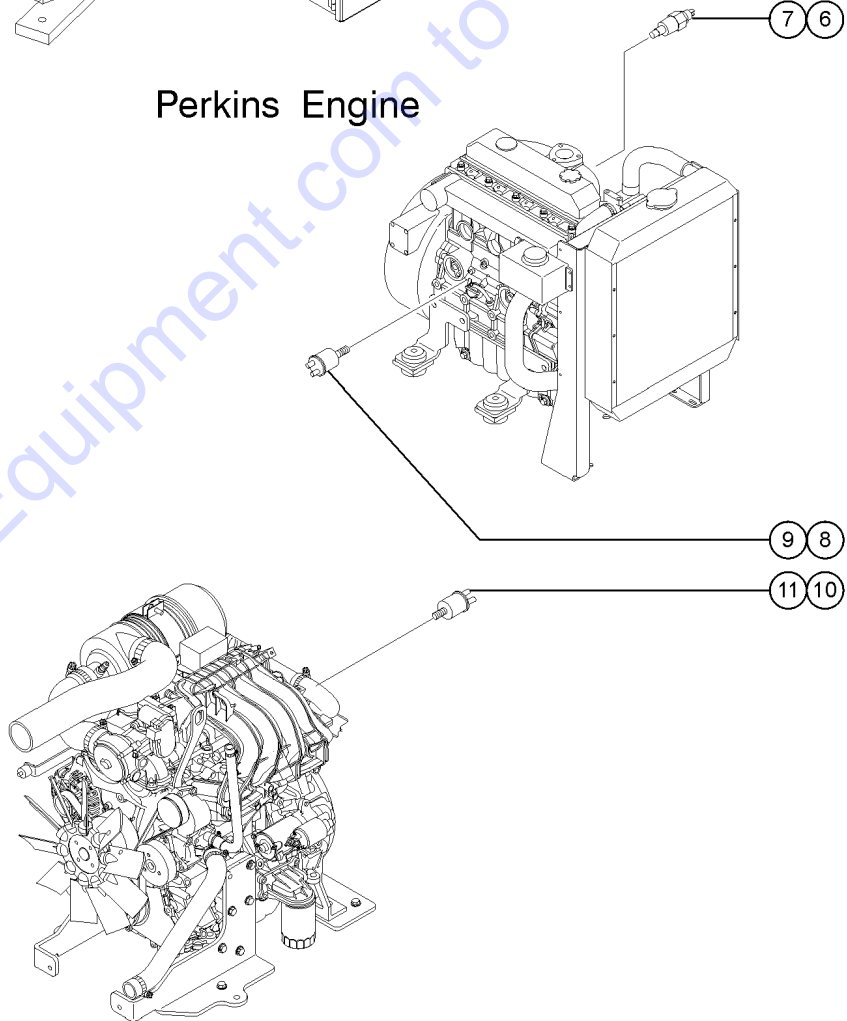
Deutz Engine



Perkins Engine



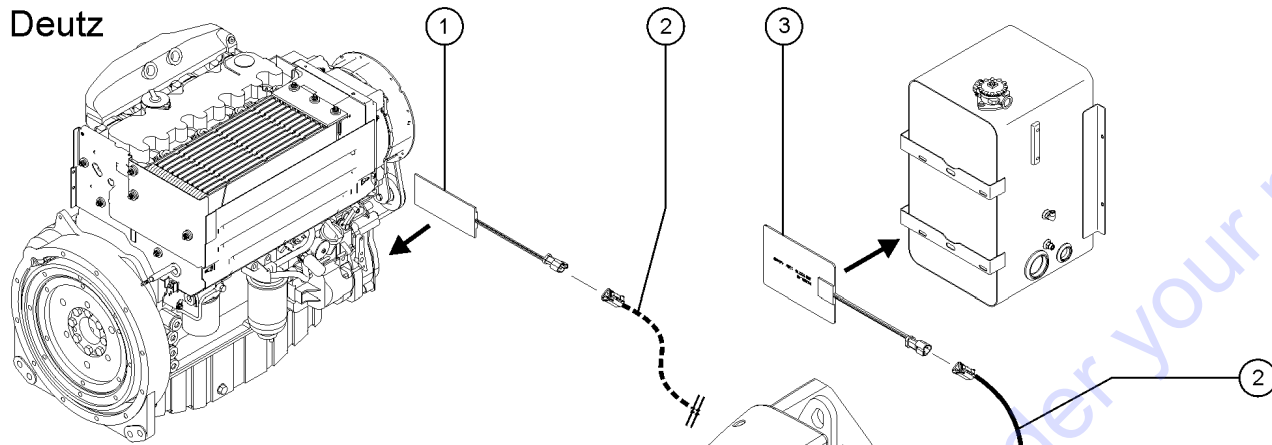
Ford Engine



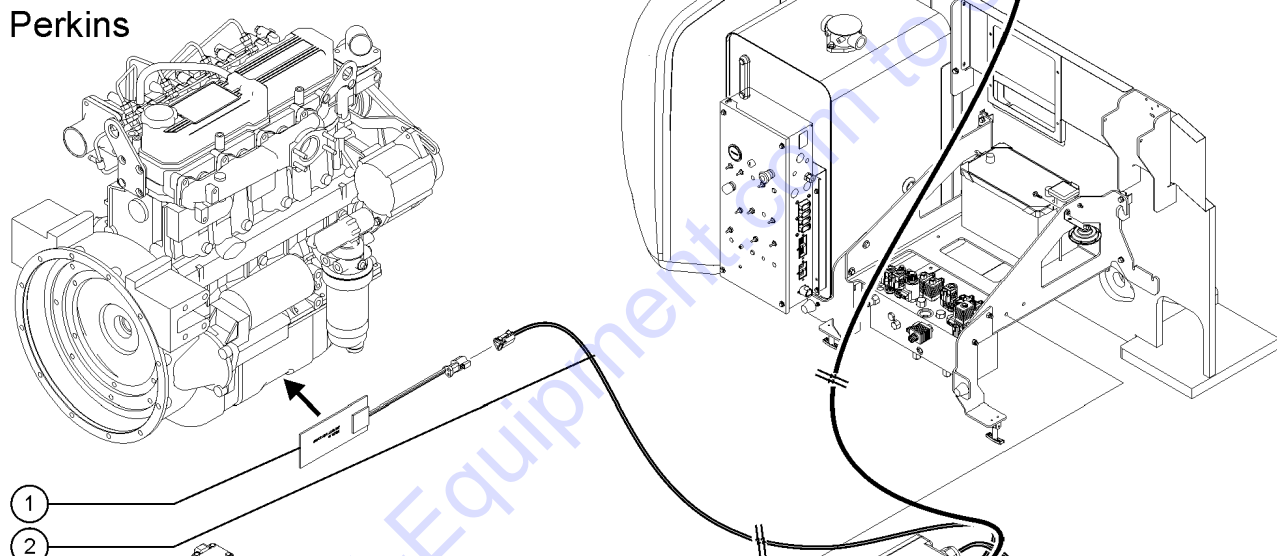
Item	Part No.	Description	Qty.
A	T109334GT	ACC,FULL GAUGE,FORD DSG423,SV	
B	T109333GT	ACC,FULL GAUGE,DEUTZ,SERV	
C	T109332GT	ACC,FULL GAUGE,PERKINS,SERV	
1	106033GT	ADAPTER,NPT 6-4	
2	101232GT	ENCLOSURE BOX,GAUGE OPT,DRILLD.....1 <i>bracket not included</i>	
--	139878GT	FORMING, GAUGE OPTION BRACKET.....1 <i>not included with 101232, must order separately</i>	
3	53761-SGT	GAUGE,VOLTAGE.....1	
4	53758-SGT	GAUGE,OIL PRESSURE W/O SENDER.....1	
5	53759-SGT	GAUGE,WATER TEMP.....1 <i>Perkins and Ford models only</i>	
6	34058GT	SENDING UNIT,TMP,FRD,GM,PRK704.....1	
7	28607GT	ADAPTER,140139-8-6.....1	
8	30810GT	SENDING UNIT,OIL PRESSURE*** .....1 <i>dual-terminal sender</i>	
9	71038GT	ADAPTER, 1/8 X 1/4 F3H6-S.....1	
10	119418GT	ADAPTER,140130-4-4.....1	
11	119417GT	TEE,RUN,1/4" PIPE.....1	

919.1 Cold Start Package

Deutz



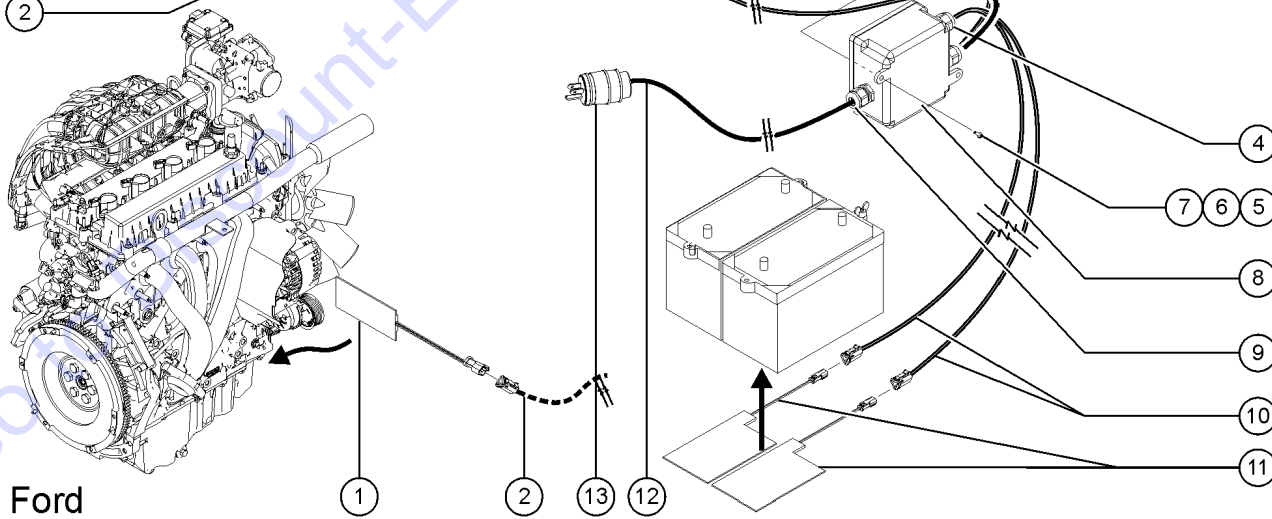
Perkins



1

2

Ford



1

2

13

12

4

7

6

5

8

9

10

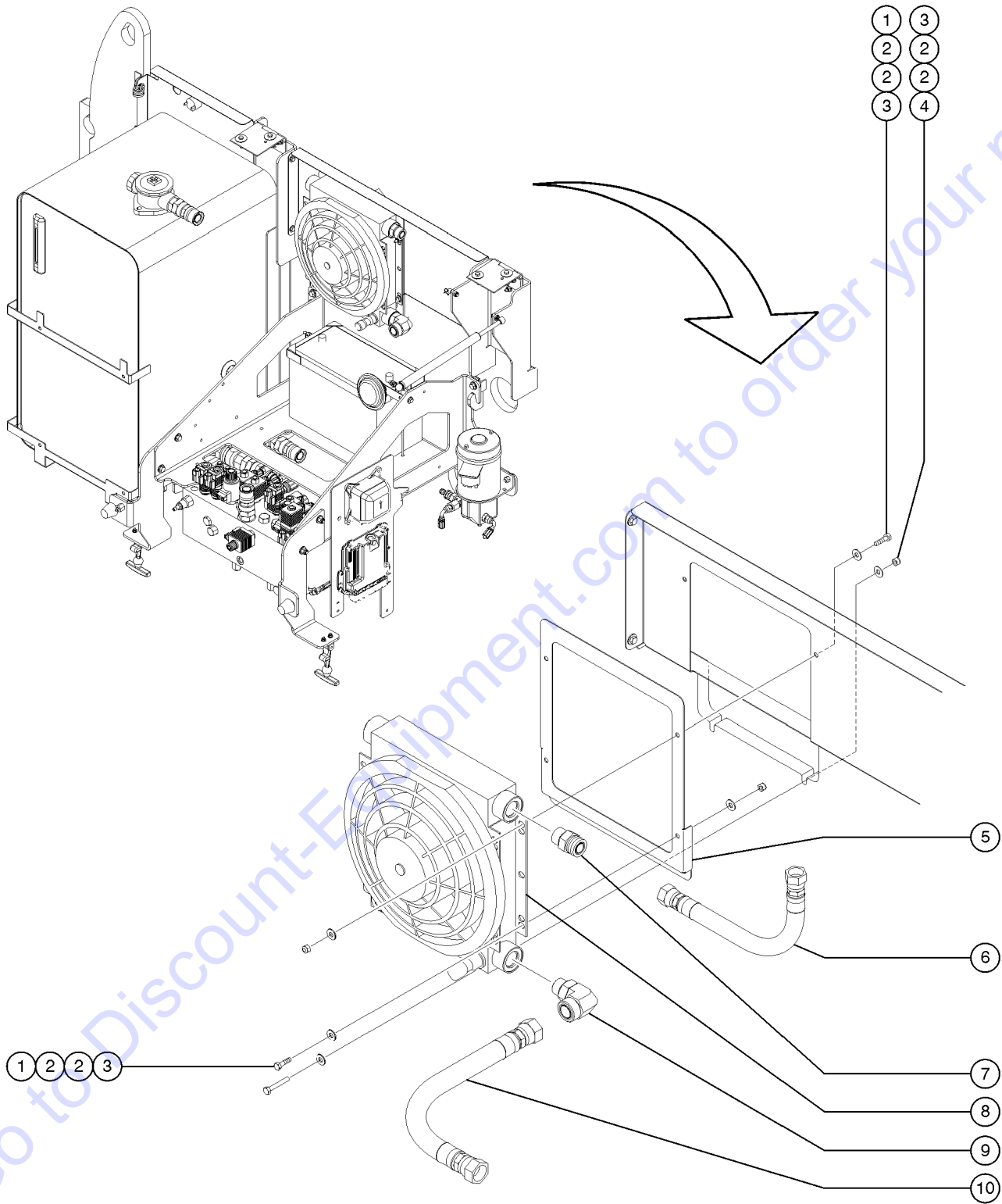
11



## 919.1 Cold Start Package

Item	Part No.	Description	Qty.	Item	Part No.	Description	Qty.
1A	216615GT	ASSY HEATER, MODEL 18, 120V.....1 <i>120V models</i>	1	--	101199-200GT	SHRINK TUBE,BLACK,RHW,1/2,3:1	
--	119066GT	CONN,RECEP 3 WAY ENDCAP DT		--	119056GT	CONN,PLUG 2 WAY,14-18GA	
--	60441GT	LOCK,RECEP 3 WAY,14-18GA		--	60425GT	LOCK, PLUG 2WAY, 14-18GA	
1B	216616GT	ASSY HEATER,MODEL 18,240V.....1 <i>240V models</i>	1	11A	216617GT	ASSY, BATTERY HEATER, 120V <i>120V models</i>	
--	119066GT	CONN,RECEP 3 WAY ENDCAP DT		--	119065GT	CONN,RECEP 2 WAY ENDCAP DT	
--	60441GT	LOCK,RECEP 3 WAY,14-18GA		--	60439GT	LOCK,RECEP 2 WAY, 14-18GA	
2A	216662GT	HARNESS,ENG/HYD HEATER,120V.....1 <i>120V models</i>	1	11B	216618GT	ASSY BATTERY HEATER,240V <i>240V models</i>	
--	101199-200GT	SHRINK TUBE,BLACK,RHW,1/2,3:1		--	119065GT	CONN,RECEP 2 WAY ENDCAP DT	
--	119057GT	CONN PLUG 3 WAY ENDCAP DT		--	60439GT	LOCK,RECEP 2 WAY, 14-18GA	
--	60427GT	LOCK,PLUG 3 WAY,14-18GA		12A	216606GT	HARNESS, 120V POWER CORD, 24"....1 <i>120V models includes plug and hubble</i>	
2B	216683GT	HARNESS,ENG/HYD HEATER,240V.....1 <i>240V models</i>	1	--	101199-200GT	SHRINK TUBE,BLACK,RHW,1/2,3:1	
--	101199-200GT	SHRINK TUBE,BLACK,RHW,1/2,3:1		--	45845GT	TERMINAL, RING, #10 YELLOW	
--	119057GT	CONN PLUG 3 WAY ENDCAP DT		12B	216607GT	HARNESS, 240V POWER CORD, 24"....1 <i>240V models includes hubble</i>	
--	60427GT	LOCK,PLUG 3 WAY,14-18GA		--	101199-200GT	SHRINK TUBE,BLACK,RHW,1/2,3:1	
3A	216612GT	ASSY,120V HEATER, HYD TANK.....1 <i>120V models</i>	1	--	45845GT	TERMINAL, RING, #10 YELLOW	
--	119066GT	CONN,RECEP 3 WAY ENDCAP DT		13	119403GT	CONN,PLUG 120 AC/15A DOMESTIC...1 <i>120V models</i>	
--	60441GT	LOCK,RECEP 3 WAY,14-18GA					
3B	216611GT	ASSY,240V HEATER, HYD TANK.....1 <i>240V models</i>	1				
--	119066GT	CONN,RECEP 3 WAY ENDCAP DT					
--	60441GT	LOCK,RECEP 3 WAY,14-18GA					
4	99778GT	SQUEEZE CONNECTOR, 4 WIRE.....2 <i>included in harness</i>	2				
--	238123GT	HUBBLE NUT, PG11					
5	75041GT	SCREW,PHILLIPS,PHM,10-32 X 1					
6	6146GT	WASHER,FLAT,MS,#10,Y					
7	14392GT	NUT,LP NYLOCK,10-32					
8	214249GT	COLD WEATHER 120V J BOX ASSY.....1	1				
--	13597GT	TERMINAL,#10 RING,BLUE.....4	4				
--	215347GT	COLD PKG GROUND, JUMPER ASSY.....1	1				
--	69776GT	TERMINAL,STRIP,4-POLE,600V***.....1	1				
9	214536GT	SQUEEZE CONN W/NUT, 2WIRE, 4MM.....1 <i>included in harness</i>	1				
10A	216655GT	HARNESS,BATT CABLE,120V <i>120V models</i>					
--	101199-200GT	SHRINK TUBE,BLACK,RHW,1/2,3:1					
--	119056GT	CONN,PLUG 2 WAY,14-18GA					
--	60425GT	LOCK, PLUG 2WAY, 14-18GA					
10B	216676GT	HARNESS,BATT CABLE,240V <i>240V models</i>					

920.1 Hydraulic Oil Cooler Option



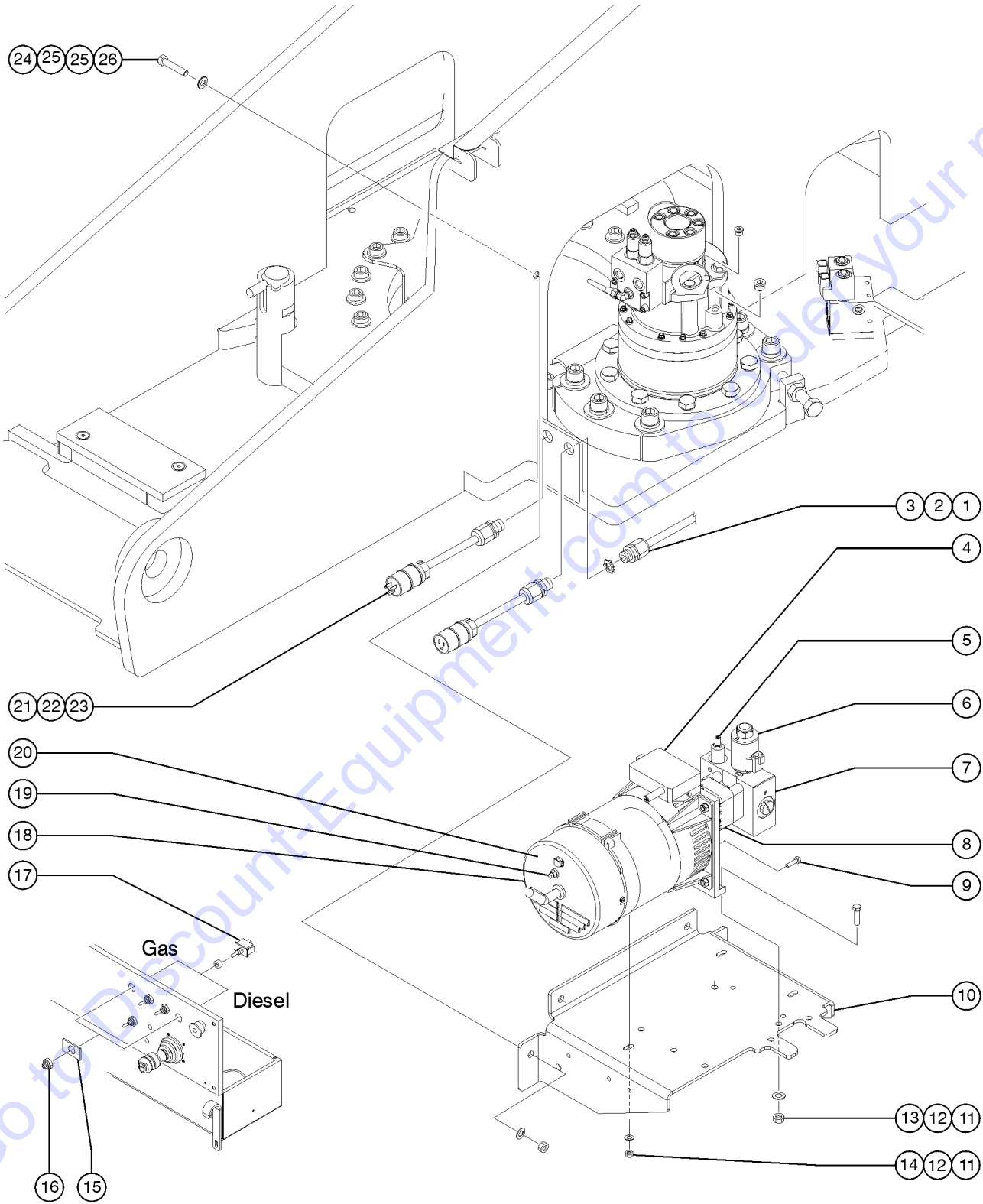


## 920.1 Hydraulic Oil Cooler Option

Item	Part No.	Description	Qty.
A	T109335GT	ACC, OIL COOLER,S60, SERV	
1	6888GT	SCREW,HHC,1/4-20 X 1.....	4
2	6638GT	WASHER,FLAT,USS,1/4"Y.....	12
3	6091GT	NUT,NYLOCK,1/4-20.....	6
4	6637GT	SCREW,HHC,1/4-20 X 1.75.....	2
5	77693GT	FORMING,OIL COOLER MOUNT.....	1
6	1259905GT	HOSE ASSY, 3/4", 28.55".....	1
7	48960GT	FITTING,CONN,520120-12***.....	1
8	71259GT	OIL COOLER W/FAN, 12VDC.....	1
9	48878GT	ELBOW,90D,520220-16-12.....	1
10	94205-3164GT	HOSE ASSY,3/4,45 FEM,STR MALE.....	1

Go to Discount-Equipment.com to order your parts

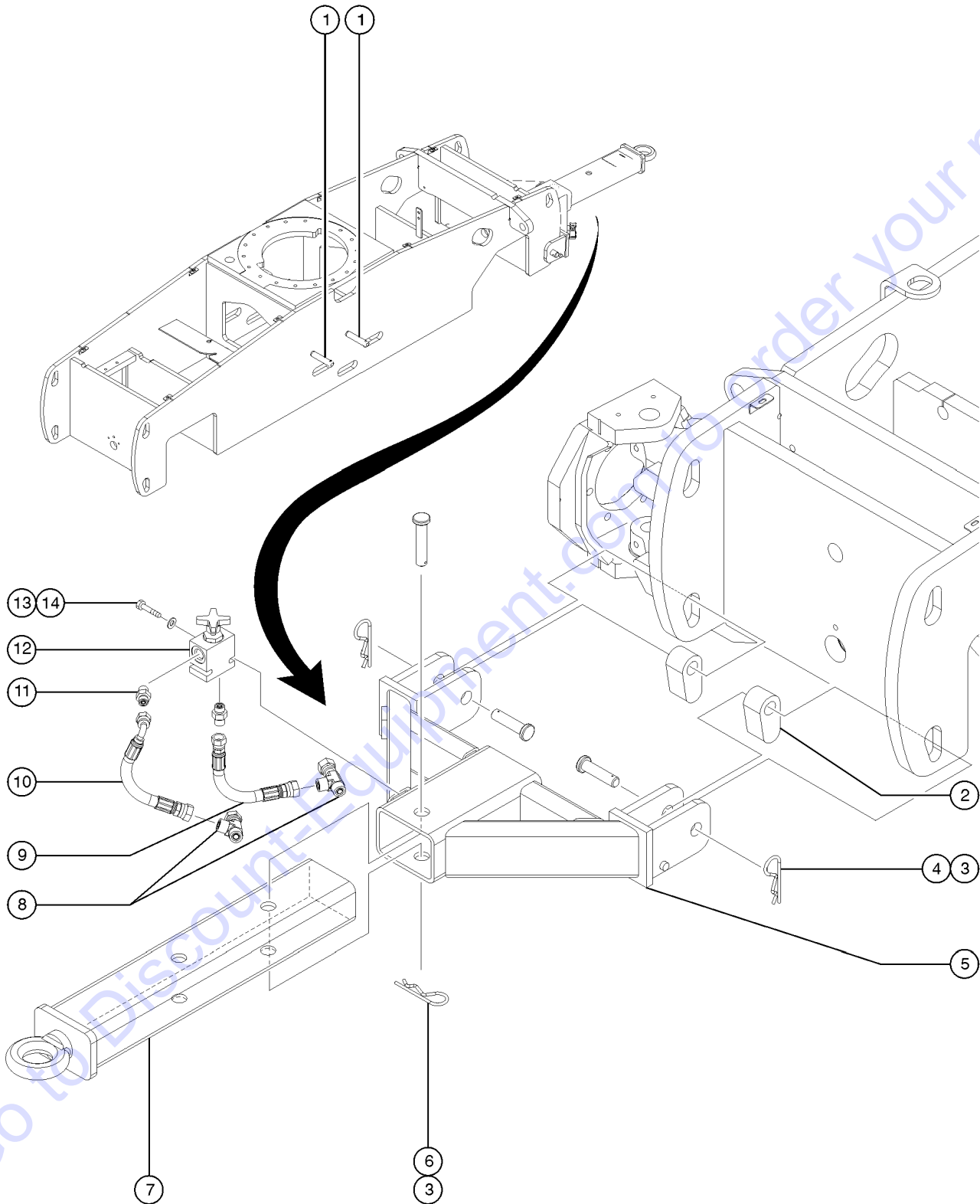
921.1 Hydraulic Generator



## 921.1 Hydraulic Generator

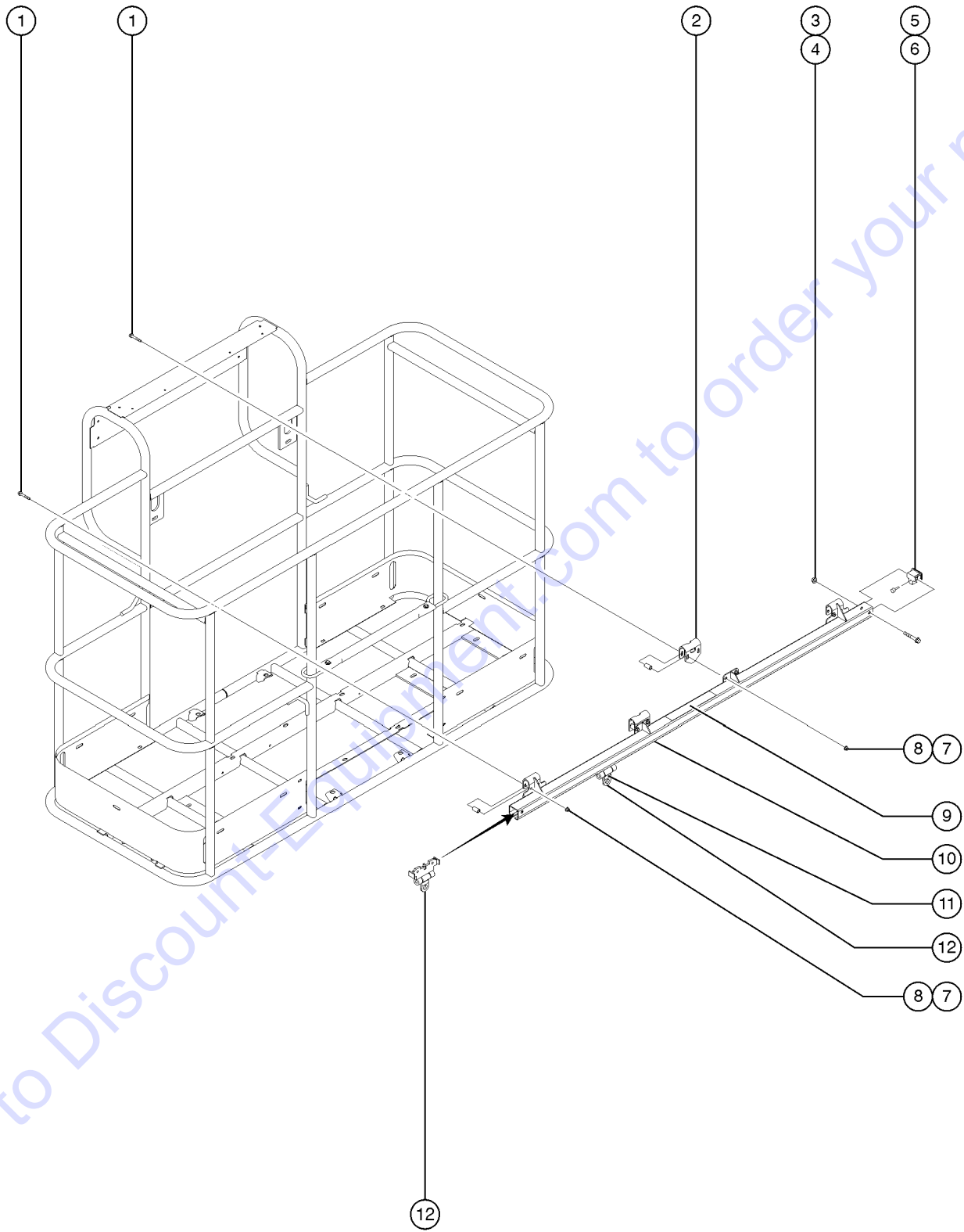
Item	Part No.	Description	Qty.	Item	Part No.	Description	Qty.
A	236923GT	FIELD KIT,MTE, 120V-50HZ, S60 <i>only for CE models with an oil cooler option only</i>		19A	147239GT	BREAKER, 25 AMP, GEN.....1 <i>(part of generators 139952 and 139953)</i>	1
B	216178GT	KIT,MTE&OIL COOL,120V50HZ,S60 <i>only for CE models without an oil cooler</i>		19B	147258GT	BREAKER,15 AMP,GEN <i>(part of generator 139954)</i>	
C	822687GT	FIELD KIT,MTE 120V-60HZ, S60.....1 <i>models with oil cooler</i>	1	20A	147241GT	COVER, END, GEN, 120V.....1 <i>(part of generators 139952 and 139953)</i>	1
D	822688GT	KIT,MTE&OIL COOL,120V60HZ,S60.....1 <i>models without an oil cooler</i>	1	20B	147262GT	COVER, END, GENERATOR, 240V <i>(part of generator 139954)</i>	
E	236924GT	FIELD KIT,MTE, 240V-50HZ, S60 <i>only for European machines already equipped with an oil cooler</i>		21	119403GT	CONN,PLUG 120 AC/15A DOMESTIC...1	
F	216181GT	KIT,MTE&OIL COOL,240V50HZ,S60 <i>only for European machines without an oil cooler</i>		22	61278GT	CONN. SQZ,1/2NPT .56-.63.....1	1
G	1271398GT	KIT,GEN. PRESSURE SWITCH		23	6935GT	LOCKNUT,ELEC,1/2".....1	1
1	6935GT	LOCKNUT,ELEC,1/2"		24	9145GT	SCREW,HHC,1/2-13 X 2.5,GR5.....4	4
2	7057GT	CONN. SQZ,1/2NPT .39-.56 MED.		25	13066GT	WASHER,FLAT,5 HARDENED.....8	8
3	119404GT	CONN,RECEP 120AC/15A DOMESTIC.....1	1	26	6198GT	NUT,NYLOCK,1/2-13.....4	4
4A	1269693GT	CONTROL BOX,2KW,120/240V,50HZ.....1 <i>(part of generators 139952 and 139954)</i>	1				
4B	147228GT	CONTROLLER BOX, 120/240V, 60H <i>(part of generator 139953)</i>					
5	147233GT	VALVE, RELIEF, GEN, 3.0kW.....1	1				
6	147232GT	12VDC PROPORTIONAL VALVE.....1	1				
7	147229GT	MANIFOLD ASSEMBLY, GEN.....1 <i>(complete, includes items 5 and 6)</i>	1				
8	147230GT	207 HYD MOTOR ASSY, GEN.....1	1				
--	147231GT	SEAL KIT, HYD MOTOR, GEN					
9	147242GT	SCREW, GEN ROTOR.....4	4				
10	106114GT	BRACKET,GENERATOR12.5 KW,PNTD*.....1	1				
--	56361GT	CABLE TIE,BUTTON,BLACK,14.75LG....1	1				
11	6782GT	NUT,NYLOCK,5/16-18.....3	3				
12	5397GT	WASHER,FLAT,USS,5/16",Y.....3	3				
13	13000GT	SCREW,HHC,5/16-18 X 1.25.....2	2				
14	13002GT	SCREW,HHC,5/16-18 X 1 GR5.....1	1				
15	133518GT	DECAL, PATCH, GEN,ALC-500.....1	1				
16	27246GT	BOOT,TOGGLE SWITCH,SHORT*.....1	1				
17	128204GT	SWITCH TOGGLE ASSY SPDT 2P MNT.....1	1				
18A	139952GT	GENERATOR,3kW,120V/50Hz.....1 <i>(complete, includes items 4-9 and 19-20)</i>	1				
18B	139953GT	GENERATOR, 3kW, 120V/60Hz.....1 <i>(complete, includes items 4-9 and 19-20)</i>	1				
--	147240GT	CAPACITOR 16 F, GEN					
18C	139954GT	GENERATOR,3kW,240V/50Hz.....1 <i>(complete, includes items 4-9 and 19-20)</i>	1				

922.1 Tow Package



Item	Part No.	Description	Qty.
--	77756GT	S60 TOW PACKAGE	
1	47025GT	PIN,STORAGE,TOW PACKAGE.....2 <i>used to store 94420 WELDMENT,PULL BAR</i>	
2	81975PGT	PLATE,CHASSIS ATTACHMENT	
3	42111GT	CLIP,HAIR PIN .243 X 5.25.....3	
4	42113GT	PIN,CLEVIS,1.25 X 5.0,ZINC.....2	
5	77870GT	WELDMENT,TOW BAR.....1	
6	42112GT	PIN,CLEVIS,1.25 X 6.0,ZINC.....1	
7	94420GT	WELDMENT,PULL BAR.....1	
8	48875GT	TEE,RUN,SWIVEL,520432-6.....2	
9	49120-7131GT	HOSE ASSEMBLY,1/4".....1 <i>attach to right front steer cylinder</i>	
10	49163-7144GT	HOSE ASSEMBLY,1/4".....1 <i>includes 90-degree elbow fitting; attach to left steer cylinder</i>	
11	48912GT	CONN,520120-4-6***.....2	
12	25282GT	VALVE,NEEDLE,BRAKE RELEASE.....1	
13	824063GT	SCREW,HHC,1/4-20X1.75,8,ZAG.....2	
14	824113GT	WASHER,FLAT,USS,1/4,ZAG.....2	

923.1 Fall Arrest Bar

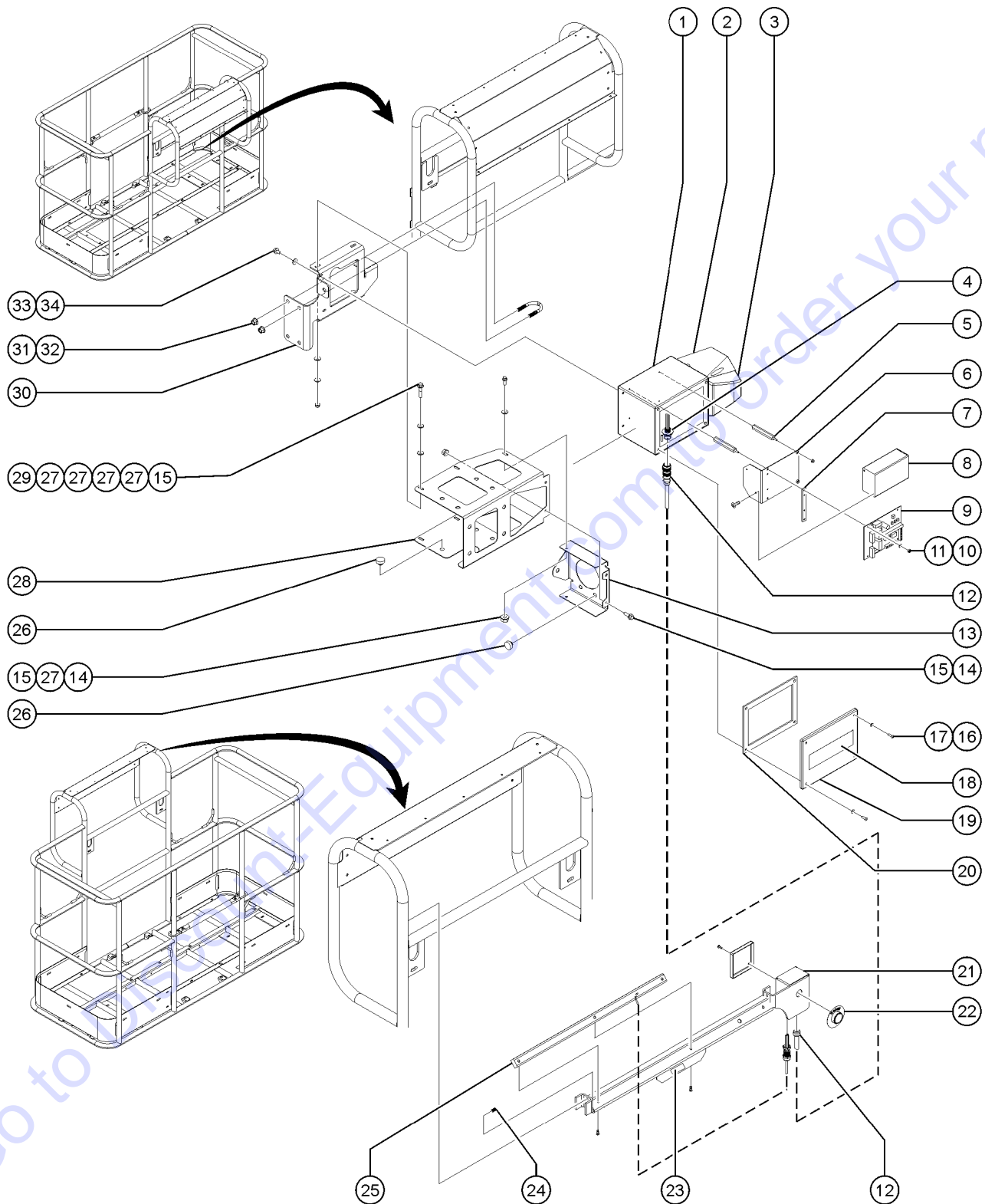


Go to DiscountEquipment.com to order your parts

## 923.1 Fall Arrest Bar

Item	Part No.	Description	Qty.
1	1256856GT	SCREW,HHF,3/8-16X2.5,8,ZAG.....	4
2	1256389GT	FORMING,INNER HANGER.....	2
3	1251997GT	NUT,TL FLG,1/2-13,G,ZAG.....	2
4	1256851GT	SCREW,HHF,1/2-13X3.5,8,ZAG.....	2
5	1260892GT	END STOP,TRACK,FALL ARREST BAR.....	2
6	36388GT	BUMPER,RUBBER,.75 X .50H,STUD....	2
7	1274322GT	NUT,NYLOCK FLG,3/8-16,F,ZAG.....	8
8	1256481GT	SPACER, HANGER BRACKET.....	8
9A	1256400GT	DECAL,TRACK,FALL ARREST BAR,WORD.....	1
9B	1260910GT	DECAL,TRACK,FALL ARREST BAR,SYMBOL.....	1
9C	1256400FRGT	DECAL,TRACK,FALL ARREST BAR,WORD FR.....	1
10A	1256377GT	ACC,FALL ARREST BAR,8FT WORD....	1
--	1256379GT	ASSY,TRACK,FALL ARREST BAR,8FT WORD <i>includes decals</i>	
10B	1261022GT	ACC,FALL ARREST BAR,8FT SYM.....	1
--	1261024GT	ASSY,TRACK,FALL ARREST BAR,8FT SYM <i>includes decals</i>	
10C	1261018GT	ACC,FALL ARREST BAR,8FT FR.....	1
--	1261020GT	ASSY,TRACK,FALL ARREST BAR,8FT FR <i>includes decals</i>	
10D	1256378GT	ACC,FALL ARREST BAR,6FT WORD....	1
--	1256380GT	ASSY,TRACK,FALL ARREST BAR,6FT WORD <i>includes decals</i>	
10E	1261023GT	ACC,FALL ARREST BAR,6FT SYM.....	1
--	1261025GT	ASSY,TRACK,FALL ARREST BAR,6FT SYM <i>includes decals</i>	
10F	1261019GT	ACC,FALL ARREST BAR,6FT FR.....	1
--	1261021GT	ASSY,TRACK,FALL ARREST BAR,6FT FR <i>includes decals</i>	
11	40434GT	DECAL,LANYARD ANCHORAGE POINT.....	1
12	1256439GT	TROLLEY, TRACK, FALL ARREST BAR.....	1

924.1 Operators Protection Alarm





## 924.1 Operators Protection Alarm

Item	Part No.	Description	Qty.	Item	Part No.	Description	Qty.
A	1275537GT	ASSEMBLY, OPA PROTECTION CAGE.....	1	33	237238GT	SCREW,HHF,M6-1.0X12,DIN6921,10.....	2
1	1255018GT	BASE ENCLOSURE,RED,OPA.....	1	34	1257389GT	WASHER, FLAT, M6X18X1.6,DIN9021,ZAB.....	2
2	1255021GT	SOUNDER,MIDI,OPA.....	1				
3A	1255037GT	SOUNDER LENS, OPA, BLUE..... <i>(standard lens fitted to OPA)</i>	1				
3B	1270116GT	SOUNDER LENS, OPA, RED.....	1				
3C	1270117GT	SOUNDER LENS, OPA, AMBER.....	1				
3D	1270118GT	SOUNDER LENS, OPA, CLEAR.....	1				
4	1255033GT	HARN,PIGTAIL,TAPESWITCH,OPA.....	1				
5	1255028GT	STAND OFF,CONTROL UNIT.....	4				
6	1255024GT	BRACKET,CONTROL UNIT.....	1				
7	1255025GT	SPACER,HEAT SINK.....	1				
8	1255023GT	ASSY,MODULE,CONTROL UNIT,OPA....	1				
9	1255022GT	MODULE,CONTROL UNIT,PCB,OPA....	1				
10	1255067GT	NUT,M4 NYLOCK.....	4				
11	1255066GT	WASHER,M4 NYLON.....	4				
12	1255035GT	ASSEMBLY,CABLE,TAPESWITCH.....	1				
13	1275539GT	FORMING, OPA CAP.....	1				
14	824078GT	SCREW,HHF,1/4-20X.75,8,ZAG.....	5				
15	824027GT	NUT,TL FLG,1/4-20,G,ZAG.....	9				
16	1255038GT	SCREW,M5X16 BHD.....	4				
17	1255027GT	WASHER,M5 NYLON.....	4				
18	1255890GT	DECAL,COSMETIC,GENIE.....	1				
19	1255020GT	LID ENCLOSURE,RED,OPA.....	1				
20	1255019GT	GASKET,ENCLOSURE.....	1				
21	1255029GT	ASSEMBLY,TAPESWITCH..... <i>"(6'8' platforms) (includes j-box and fasteners)"</i>	1				
22	1255036GT	ASSEMBLY RESET SWITCH.....	1				
23	1255889GT	DECAL,SYMBOL-READ THE MANUAL.....	1				
24	1255068GT	SCREW,M6X8.....	2				
25	1255047GT	SENSOR,RUBBER EDGE..... <i>(6'8' platforms)</i>	1				
26	43392GT	BUMPER,BATTERY BOX & RAILS.....	17				
27	824113GT	WASHER,FLAT,USS,1/4,ZAG.....	19				
28	1275538GT	FORMING, OPA CAGE.....	1				
29	824080GT	SCREW,HHF,1/4-20X1.25,8,ZAG.....	4				
30	1275540GT	FORMING, OPA, BRACKET.....	1				
--	1271945GT	KIT, OPA WELDER BRACKET <i>Complete assembly bracket with fasteners and U-Bolt 1251600; from SN 35544</i>					
31	824029GT	NUT,TL FLG,3/8-16,G,ZAG.....	4				
32	1251600GT	U-BOLT, FLATTENED, 1.5 X 3/8 UNC,ZAG.....	2				

## Part Number Index

The Part Number Index is a numeric index of all part numbers included in this manual. The index shows what page(s) the part is used on.

Part Number	Page	Part Number	Page	Part Number	Page	Part Number	Page
07.4501.0291GT	.....201	10262GT	.....237	110196GT	.....167-168, 171-172	114249GT	.....21, 23, 37, 39, 53, 55, 69, 71, 109, 111
1000014GT	.....29, 35, 93, 99	102721PGT	.....283	110197GT	.....167-168, 171-172	114251GT	.....21, 37, 53, 69, 85, 101, 109
1000199GT	.....113	102746GT	.....309	110200GT	.....167-168, 171-172	114252GT	.....25, 27, 41, 43, 53, 57, 59, 69, 73, 75, 85, 89, 91, 105, 107, 113, 115
1000262GT	.....19, 35, 51, 67, 83, 99	102785PGT	.....279	110201GT	.....167-168, 171-172	114258GT	.....13, 29, 45, 61, 77, 93
101005GT	.....255	102786PGT	.....279	110202GT	.....167-168, 171-172	114277GT	.....15, 23, 31, 39, 47, 55, 63, 71, 79, 87, 95, 103, 111
101005HGT	.....255	102992GT	.....247	110221GT	.....118	114349GT	.....69
101006GT	.....185-186	104030GT	.....253	110268GT	.....163-164	114389GT	.....13, 19, 29, 35, 45, 51, 61, 67, 77, 83, 93, 99
101066PGT	.....229	104759GT	.....179	110280GT	.....147, 153	114390GT	.....13, 15, 29, 31, 45, 47, 61, 63, 77, 79, 93, 95
10107GT	.....287, 309	10597GT	.....133-134, 159, 185-186, 207, 224	110304GT	.....212, 215	114416GT	.....19, 35, 51, 67, 83, 99
101080GT	.....163-164	10598GT	.....185-186, 201, 211-212, 221	110329GT	.....159	114465GT	.....13, 21, 29, 37, 77, 85, 93, 101, 109
101129PGT	.....185-186	106003PGT	.....212	110339GT	.....229	114473GT	.....27, 43, 59, 75, 91, 107, 115
101140P-SGT	.....185-186	106033GT	.....315	110340GT	.....229	115431GT	.....211-212, 215
101173GT	.....255	106044GT	.....291, 293, 295, 297, 311	110345GT	.....133-134	119044GT	.....159
101173HGT	.....255	106073GT	.....309	110382GT	.....137	119051GT	.....207
101174GT	.....255	106077GT	.....309	110390GT	.....163-164	119052GT	.....207
101174HGT	.....255	106098GT	.....118, 121-122	110406GT	.....209	119053GT	.....215
101191GT	.....163-164	106099GT	.....305	110417PGT	.....209	119055GT	.....203
101199-200GT	.....317	106104GT	.....309	110452GT	.....223-224	119056GT	.....163-164, 317
101232GT	.....315	106108GT	.....309	110477GT	.....209	119057GT	.....317
101244GT	.....235	106109PGT	.....311	110578GT	.....118	119061GT	.....163-164
101251GT	.....227	106110GT	.....311	110671GT	.....247	119062GT	.....163-164
101252GT	.....159, 223-224	106111GT	.....311	110727GT	.....117-118	119063GT	.....163-164
101254GT	.....233, 235, 237, 239	106112GT	.....311	110728GT	.....117-118	119064GT	.....163-164
101255GT	.....118	106114GT	.....309, 321	110730GT	.....117-118	119065GT	.....287, 317
101293GT	.....273	106117GT	.....122	110731GT	.....117-118	119066GT	.....317
101294GT	.....181	106134GT	.....224	110733GT	.....117-118	119067GT	.....227
101440GT	.....175	106140PGT	.....147, 153	110755GT	.....159	119068GT	.....159
101491GT	.....257, 259	106141GT	.....311	110784GT	.....237	119084GT	.....301
101494GT	.....257, 259	106163GT	.....247	110785GT	.....237	119085GT	.....301
101516GT	.....309	106172PGT	.....156	110789GT	.....237, 241	119086GT	.....301
101525GT	.....311	106183GT	.....311	110803GT	.....163-164	119087GT	.....301
101540GT	.....155-156	106204PGT	.....311	110899GT	.....211-212	119088GT	.....301
101547PGT	.....311	106226-4000GT	.....211-212	110908GT	.....224	119089GT	.....301
101626GT	.....197	106226GT	.....209	110987GT	.....163-164	119090GT	.....301
101661GT	.....287	106275GT	.....311	110988GT	.....163-164	119117GT	.....185-186, 189-190
101701GT	.....311	106394GT	.....309	110991GT	.....139	119139GT	.....203
101726GT	.....141	106399GT	.....237	110992GT	.....139	119140GT	.....205
101729GT	.....201, 221	106495GT	.....309	111029GT	.....211-212	119146GT	.....118
101731PGT	.....311	106516GT	.....118	111155GT	.....131	119168GT	.....143
101732GT	.....311	106517PGT	.....118	111402GT	.....189-190	119170GT	.....143
101790-10091GT	.....265	106520GT	.....309	111413GT	.....253	119188GT	.....209
101790-10691GT	.....265	106637GT	.....147, 153	111420GT	.....253	119230GT	.....237
101795-2482GT	.....265	106647GT	.....117-118	111445GT	.....186, 189-190	119232GT	.....209
101795-4782GT	.....267	106648GT	.....117-118	111485PGT	.....279	119234GT	.....207
101845GT	.....241	106657GT	.....147, 153	111486PGT	.....279	119246GT	.....139
101852GT	.....281	106663GT	.....211-212, 217	111526GT	.....279	119344GT	.....186
101853GT	.....281	106766GT	.....237	111634GT	.....207	119394GT	.....199
101924GT	.....161	106835GT	.....181	111668GT	.....186, 189-190	119403GT	.....299, 317, 321
101932GT	.....301	106836GT	.....181	111705GT	.....167-168, 171-172	119404GT	.....299, 321
101947GT	.....309	106837GT	.....181	111748GT	.....207	119417GT	.....315
101964GT	.....161	106883PGT	.....159	111818GT	.....143	119418GT	.....315
101973GT	.....283	106884GT	.....159	111819GT	.....143	119474GT	.....205
102045GT	.....189-190, 193	107552GT	.....164	11210GT	.....224	119475GT	.....203
102066GT	.....209	107564GT	.....237	114098GT	.....115	119477GT	.....205
102121GT	.....207	107615PGT	.....117-118	114099GT	.....13, 15, 21, 23, 29, 31, 37, 39, 45, 47, 53, 55, 61, 63, 69, 71, 77, 79, 85, 87, 93, 95, 101, 103, 109, 111	119483GT	.....163-164
102126GT	.....121-122	107616PGT	.....118				
102131GT	.....118, 121-122	107665PGT	.....227				
102155GT	.....118, 122	107753GT	.....167-168, 171-172				
102157GT	.....121-122	10775GT	.....299				
102158GT	.....118, 121-122	10777GT	.....299				
102159GT	.....118, 122	107813GT	.....181				
102162GT	.....118, 121-122	107814GT	.....181				
102163GT	.....121-122	107815GT	.....181				
102166GT	.....121-122	107825GT	.....159, 223-224				
102167GT	.....121-122	107842GT	.....181				
102209PGT	.....193	107857GT	.....287				
102227GT	.....189-190	109802GT	.....156				
102230-9589GT	.....265	110183PGT	.....156, 189-190				
102237GT	.....189-190	110194GT	.....167-168, 171-172, 175				
102357GT	.....147						
102516GT	.....118, 121-122						
102528GT	.....172						
102581GT	.....193						

Part Number	Page	Part Number	Page	Part Number	Page	Part Number	Page
119484GT	209	1252685GT	149-150	1259329GT	293, 297	128024GT	212, 217
119535GT	243	1252940GT	219	1259704GT	279	128025GT	212, 217
119536PGT	235	1252941GT	215	1259899GT	195	128045GT	147
119537GT	243	1252942GT	219	1259905GT	273, 319	1280590GT	189-190
119542GT	235	1252943GT	212, 219	1260084GT	117-118, 121-	1280591GT	189-190
119560GT	253	1252944GT	215		122	128061GT	207, 217, 219
119567GT	227	1253990GT	197, 217	1260218GT	164	1280665GT	299
119568GT	203	1253991GT	197	1260892GT	325	128081GT	143
119607GT	163-164	1254017GT	217	1260910GT	325	128165GT	203
119613GT	255	1254594GT	195	1261018GT	325	128166GT	203
119641GT	253	1254804GT	249-250	1261019GT	325	128200GT	145, 149-150,
119644GT	253	1254823GT	199	1261020GT	325		249-250
119777GT	163-164	1254826GT	185-186, 189-	1261021GT	325	128201GT	145, 149-150,
119809GT	211-212		190	1261022GT	325		249-250
119845GT	299	1254874GT	247	1261023GT	325	128202GT	145, 149-150,
119866GT	212	1255018GT	327	1261024GT	325		250
119915GT	255	1255019GT	327	1261025GT	325	128203GT	291, 293, 295,
119918GT	143	1255020GT	327	1261184GT	289		297
119950GT	281	1255021GT	327	1261239GT	201	128204GT	145, 149-150,
119965GT	203	1255022GT	327	1261292GT	293, 297		249-250, 253,
119988GT	122	1255023GT	327	1261389GT	131		321
119990GT	223-224	1255024GT	327	1261390GT	131	128268GT	235
121035GT	245	1255025GT	327	1261391GT	131	128322GT	311
121065GT	245	1255027GT	327	1261392GT	131	128323GT	311
121283GT	133-134, 139	1255028GT	327	1261393GT	131	1283571GT	205
121599GT	147, 153	1255029GT	327	1261394GT	131	1283572GT	205
121831GT	303	1255030GT	164	1262027GT	215	1283573GT	205
121846GT	147, 153	1255033GT	327	1262331GT	159, 223-224	1283574GT	205
121847GT	253	1255035GT	327	1262487GT	215	1283575GT	205
121848GT	163-164, 241	1255036GT	327	1262866GT	215	128374GT	281
122019GT	277	1255037GT	327	1262867GT	215	128416GT	309
122053GT	163-164	1255038GT	327	1262876GT	195	128419GT	309
122073GT	279, 293, 295,	1255047GT	327	1264257GT	245	128423GT	181
	297	1255066GT	327	1264258GT	245	128454PGT	235
122079GT	235, 237, 239,	1255067GT	327	1264822GT	163-164	1284569GT	127
	241	1255068GT	327	1264834GT	163-164	128464GT	159, 223-224
122231GT	295, 297	1255452GT	118, 223-224	1264894GT	203	128482GT	235
122278GT	279	1255555GT	164	1264947GT	137, 164	128483GT	235
122279GT	279	1255653GT	185-186, 189-	1267807GT	156	1285235GT	133-134
122302GT	309		190, 195	1268229GT	156	128534GT	235
122661GT	245	1255692GT	199	1268376GT	223-224	1285505GT	181
122662GT	245	1255758GT	289	1268377GT	223-224	1285506GT	181
122663GT	245	1255768GT	155-156	1269500GT	255	128578GT	149-150, 249-
122668GT	245	1255769GT	155-156	1269693GT	321		250
122755GT	247, 311	1255770GT	155-156	1270116GT	327	128580GT	249-250
122944GT	233, 235	1255771GT	155-156	1270117GT	327	128581-SGT	249-250
123143GT	237, 239	1255772GT	155-156	1270118GT	327	128582-SGT	250
12343GT	245	1255773GT	155-156	1271398GT	309, 321	128584-SGT	149-150, 249-
12344GT	253	1255889GT	327	1271945GT	327		250
123663GT	237, 239	1255890GT	327	1272019GT	143	128588GT	211-212, 217
1251499GT	133-134	1255894GT	197	1273323GT	313	128724GT	235
1251500GT	133-134	1256267GT	118, 121-122,	1274322GT	285, 325	1287434GT	177
1251501GT	133-134		223-224	1274613GT	121-122	1287812GT	131
1251502GT	133-134	1256377GT	325	1274900GT	199	1287813GT	131
1251503GT	133-134	1256378GT	325	1275537GT	327	128829GT	190
1251504GT	133-134	1256379GT	325	1275538GT	327	128831GT	211-212
1251505GT	133-134	1256380GT	325	1275539GT	327	1288561GT	186
1251506GT	133-134	1256389GT	325	1275540GT	327	128896GT	189-190
1251507GT	133-134	1256400FRGT	325	1276694GT	309	128909GT	131
1251508GT	134	1256400GT	325	1277924GT	285	128910GT	131
1251509GT	134	1256439GT	325	1277968GT	203	128911GT	131
1251510GT	133-134	1256468GT	289	1277969GT	203	128912GT	131
1251600GT	285, 289, 327	1256481GT	325	1277974GT	195	128913GT	131
1251731GT	199	1256482GT	201	1277991GT	207	128914GT	131
1251814GT	219	1256670GT	179	1279271GT	217	128916GT	131
1251815GT	221	1256851GT	325	1279465GT	156	128917GT	131
1251816GT	221	1256855GT	285	1279466GT	156	128918GT	131
1251818GT	221	1256856GT	325	1279631GT	199	128919GT	131
1251819GT	221	1257389GT	327	1279653GT	199	128920GT	131
1251842GT	275	1257825GT	215	128000GT	255	128921GT	131
1251984GT	149-150	1257838GT	195	128001GT	255	128922GT	131
1251985GT	149-150	1257961GT	201	128003GT	212, 217	128923GT	131
1251995GT	221	125864GT	127	128004GT	193, 197	128924GT	131
1251996GT	221	125865GT	127	128005GT	163-164	128925GT	131
1251997GT	325	125866GT	129	128022GT	212, 217	128926GT	131
1252684GT	149-150	1259328GT	293, 297	128023GT	185-186	128927GT	131

## Part Number Index (continued)

Part Number	Page	Part Number	Page	Part Number	Page	Part Number	Page
128928GT	131	139314GT	155-156	139971GT	117-118, 121-122	147610GT	83
128935GT	147	139315GT	155-156		122	147612GT	67
128955GT	131	139321GT	189-190	139972GT	118, 121-122	147617GT	227
128984GT	212, 215	139322GT	189-190	139983GT	193	147621GT	164
128985GT	212, 215	139323GT	155-156	14033GT	207	147642GT	163-164
128986GT	212, 219	139338GT	249-250, 253	14392GT	317	147643GT	163-164
128987GT	211-212	139366GT	159	144161GT	299	147644GT	303
128991GT	212, 219	139367GT	313	146061GT	193	147646GT	164
12906GT	161	139384GT	229	146284GT	309	147647GT	164
13000GT	207, 209, 247, 309, 321	139385GT	229	146285GT	309	147650GT	163-164
13002GT	185-186, 193, 207, 212, 247, 309, 321	139438GT	283	146413GT	143	147652GT	163-164
13003GT	189-190, 193	139440GT	159	146415GT	143	147654GT	164
13014GT	215	139441GT	159	146417GT	143	147657GT	164
13064GT	118, 121-122, 155-156, 189-190, 193	139455GT	189-190	146478GT	249-250	147658GT	49, 57
13066GT	155-156, 181, 189-190, 207, 224, 237, 239, 309, 321	139508GT	177	146551GT	143	147660GT	65, 73
13268GT	147	139512GT	177	146552GT	143	147755GT	45, 53
133067GT	21, 23, 37, 39, 53, 55, 69, 71, 85, 87, 101, 103, 109, 111	139527GT	177	147031GT	164	147756GT	61, 69
133238GT	15, 31, 47, 63, 79, 95	139528GT	177	147033GT	118, 121-122	147783GT	301
133250GT	77, 79, 93, 95	139578GT	125	147034GT	118, 121-122	147788GT	53, 59
133251GT	77, 79, 85, 87	139598GT	255	147094GT	145, 150	147790GT	85, 91
133252GT	93, 95, 101, 103	139601GT	223-224	147121GT	247	147791GT	69, 75
133253GT	81, 89	139602GT	223-224	147149GT	127	147792GT	13, 15, 29, 31, 61, 63
133254GT	97, 105	139610GT	207	147155GT	131	147793GT	45, 51, 61, 67, 77, 83
133259GT	79, 87	139621GT	185-186	147223GT	133-134	147794GT	77, 85
133260GT	95, 103	139622GT	185-186	147228GT	321	147795GT	45
133263GT	85, 87, 101, 103	139623GT	185-186	147229GT	321	147796GT	61
133278GT	13, 29, 45, 61, 77, 93	139624GT	186	147230GT	321	147797GT	77
133387GT	27, 43, 59, 75, 91, 107	139644-14B61GT	231	147231GT	321	147826GT	212
133413GT	21, 37, 85, 101, 109	139666GT	186	147232GT	321	147834GT	223-224
133518GT	321	139709GT	185-186, 193	147233GT	321	147840GT	145, 149-150
13480-SGT	139	139712GT	177	147239GT	321	147842GT	224
13585GT	299	139715GT	177	147240GT	321	1487GT	281
13597GT	317	139716GT	177	147241GT	321	1488GT	281
13635-10GT	229, 245	139717GT	177	147242GT	321	15086GT	195, 209, 215
13854GT	223-224	139718GT	177	147243GT	186	15243GT	147, 253
139000GT	127, 131	139719GT	177	147255GT	164	160541GT	207
139001GT	127, 131	139727GT	177	147258GT	321	160804GT	247
139002GT	127, 129	139731GT	164	147262GT	321	160809GT	247
139120GT	127	139732GT	164	147289GT	137	161141GT	171-172
139121GT	127	139733GT	163-164	147290GT	137	161144GT	183
139122GT	127	139734GT	163-164	147347GT	239	161145GT	183
139125GT	127	139737GT	163-164	147348GT	211-212	161523GT	261, 263
139135GT	127, 129	139738GT	163-164	147349GT	211-212	161541GT	247
139140GT	127, 129	139741GT	164	147350GT	211-212	161542GT	247
139175GT	129	139799GT	181	147351GT	211-212	161611GT	211-212
139179GT	127, 129, 131	139801GT	181	147352GT	211-212	161613GT	155-156
139181GT	291, 295	139832GT	163-164	147353GT	211-212	161938GT	199
139187GT	209, 231	139833GT	163-164	147355GT	212, 219	162023GT	45
13921GT	313	139834GT	163-164	147370GT	237	162162GT	275
139224GT	127	139835GT	163-164	147387GT	253	162163GT	275
139248GT	237	139836GT	163-164	147396GT	164	162164GT	275
139262GT	131	139865GT	121-122, 155-156	147398GT	161	162206GT	201
139288GT	229			147403GT	227	162207GT	201
139293GT	243	139878GT	315	147404GT	313	162208GT	201
139307GT	243	139882GT	291, 293, 295, 297	147405GT	313	162209GT	201
139308GT	155-156	139904GT	291, 295	147418GT	313	162282GT	199
139309GT	155-156	139919GT	313	147419GT	257, 259	1702GT	209
139310GT	155-156	139952GT	321	147428GT	163-164	18503GT	133-134, 207, 217
139311GT	155-156	139953GT	321	147455GT	147, 153		
139312GT	155-156	139953GT	321	147504GT	231	18605GT	231
139313GT	155-156	139954GT	321	147525GT	185-186	18665GT	309
		139958GT	279	147526GT	185-186	18666GT	253, 311
		139963GT	167-168	147549GT	181	18716GT	223-224
		139965GT	117-118, 121-122	147550GT	181	18717GT	223-224
		139966GT	117-118, 121-122	147571GT	224	18720GT	223-224, 227
		139967GT	117-118, 121-122	147575GT	51, 59	18722GT	223-224
		139968GT	117-118, 121-122	147578GT	231	18730GT	121-122, 223-224
		139969GT	117-118, 121-122	147601GT	83, 91		
				147602GT	67, 75	18731GT	223-224
				147603GT	19, 27, 35, 43, 83, 91, 99, 107	18963GT	277
				147604GT	115		
				147605GT	45, 51		
				147607GT	77, 83		
				147608GT	61, 67		
				147609GT	51		

Part Number	Page	Part Number	Page	Part Number	Page	Part Number	Page
19358GT	209	215442GT	195	219718GT	149-150	231513GT	212
19440GT	117-118, 227	215472GT	217	219722GT	149-150	233992GT	285
19491GT	227	215476GT	195	219723GT	29, 93	233993GT	285
19506GT	145	215477GT	215	220230GT	203	23404GT	147, 153
20776GT	309	215478GT	215	220231GT	203	23405GT	305
20973-1700GT	159	215526GT	15, 31, 47, 63, 79, 95	22348GT	141	234242GT	239
21019GT	195, 209, 211- 212, 215	215527GT	15, 31, 47, 63, 79, 95	22558GT	185-186, 189- 190, 193, 201	234242GT	239
21130GT	125, 186, 189- 190, 211-212	215528GT	207	22578GT	189-190	235323GT	253
21141GT	133-134	215537GT	215	226325GT	245	235372GT	29, 31, 37, 39
214228GT	201	215544GT	207	226393GT	277	235411GT	253
214237GT	195	215581GT	195	226541GT	237, 239	235659GT	207
214249GT	317	215642GT	118, 121-122	226542GT	237, 239	236251GT	199
214335GT	215	215709GT	207	22672GT	195, 211-212, 215, 305	236259GT	201
214446GT	207	215747GT	283	226940GT	131	236260GT	201
214536GT	317	215748GT	283	226941GT	131	236338GT	207
214619GT	311	215809GT	197, 217	226942GT	131	236339GT	209
214640GT	197	215811GT	197	226943GT	131	236340GT	209
21465GT	141, 209	215912GT	217	226944GT	131	236364GT	209
214681GT	156, 195	215917GT	215	226945GT	131	236373GT	205
214682GT	199	216016GT	209	226946GT	131	236420GT	209
214683GT	199	216019GT	209	22699GT	185-186, 189- 190, 197, 207, 209, 217, 219	236421GT	209
214685GT	195	21604GT	241	22700GT	207, 209, 313	236422GT	209
214686GT	197	216065GT	221	227125GT	224	236423GT	209
214690GT	229	216150GT	217	227288GT	13, 19, 29, 35, 77, 83, 93, 99	236425GT	209
214795GT	134	216166GT	221	227306GT	245	236832GT	207
214934GT	199	216178GT	321	227308GT	245	236911GT	143
21496GT	125	216181GT	321	227309GT	205	236912GT	143
215269GT	205	21618GT	291, 293, 295, 297	227347GT	261, 263	236923GT	321
215270GT	205	216367GT	207	22736GT	217, 219	236924GT	321
215271GT	205	216602GT	183	227424GT	309	237068GT	133-134
215273GT	205	216606GT	317	227425GT	309	237146GT	207
215274GT	205	216607GT	317	227426GT	309	237188GT	195, 199
215275GT	203	216611GT	317	227532GT	309	237189GT	201
215276GT	205	216612GT	317	22788GT	209, 313	237190GT	201
215277GT	205	216615GT	317	227988GT	207	237191GT	201
215278GT	203	216616GT	317	228311GT	249-250	237192GT	195
215279GT	205	216617GT	317	228320GT	311	237193GT	195
215280GT	203	216618GT	317	228321GT	311	237194GT	195
215281GT	203	216619GT	317	228322GT	164	237195GT	197
215282GT	203	216622GT	317	228323GT	164	237238GT	327
215283GT	203	216676GT	317	228448GT	295	237251GT	207
215284GT	203	216683GT	317	228457GT	211-212	237379GT	156, 209
215285GT	203	216791GT	153	228463GT	149-150	237385GT	209
215286GT	203	216793GT	153	228768GT	117-118	237780GT	209
215287GT	203	216836GT	221	228769GT	117-118	237832GT	212
215288GT	205	217043GT	147	228796GT	245, 309	237856GT	209
215289GT	205	217044GT	147	228797GT	245	237857GT	209
215290GT	205	217045GT	147	228848GT	285	237858GT	209
215291GT	205	217046GT	147	228849GT	285	237859GT	209
215294GT	203	217187GT	217	228967GT	245	238123GT	317
215295GT	203	217188GT	209	228969GT	245, 309	238234GT	209
215298GT	205	217366GT	311	229169GT	245	24038GT	195, 209, 212, 215
215299GT	203	217703GT	217	229201GT	143	24040GT	185-186, 201, 221
215300GT	203	217820GT	203	229202GT	143	24514GT	247
215301GT	203	217822GT	205	229203GT	143	25235GT	55
215302GT	203	217823GT	203	229567GT	145, 149-150, 249-250	25282GT	323
215305GT	203	217824GT	205	229702GT	117-118, 121- 122	25368GT	209
215307GT	205	217979GT	131	229743GT	13, 15, 21, 23, 45, 47, 53, 55	25388GT	299
215308GT	203	218448GT	245	229744GT	61, 63, 69, 71, 109, 111	25625GT	186
215309GT	203	218576GT	207	229817GT	118, 121-122	25683GT	233, 235, 237, 239
215310GT	203	21858GT	145, 149-150	229818GT	118, 121-122	25685GT	237, 241
215311GT	205	218668GT	207	229931GT	118, 121-122	25817GT	117-118
215313GT	205	218715GT	199	230329GT	231	25926GT	147
215314GT	203	218742GT	207	230331GT	231	25927GT	209
215316GT	209	219101GT	217	230392GT	133-134	25969GT	223-224
215317GT	209	219158GT	289	230497GT	224	25994GT	13, 29, 45, 61, 77, 93
215320GT	207	219160GT	289	23057GT	211-212	27067GT	118, 121-122
215340GT	118, 121-122	219243GT	183			27089GT	141, 186, 189- 190
215347GT	317	219245GT	183			27204GT	15, 23, 31, 39, 47, 55, 63, 71, 79, 87, 95, 103, 111
215423GT	131	219247GT	183				
215424GT	131	219437GT	195, 199, 209				
215425GT	131	219477GT	209				
215426GT	131						
215427GT	131						

## Part Number Index (continued)

Part Number	Page	Part Number	Page	Part Number	Page	Part Number	Page
27205GT	13, 21, 29, 37, 45, 53, 61, 69, 77, 85, 93, 101, 109	28236GT	19, 35, 51, 67, 83, 99	34058GT	315	45454GT	243
27206GT	13, 15, 21, 23, 29, 31, 37, 39, 45, 47, 53, 55, 61, 63, 69, 71, 77, 79, 85, 87, 93, 95, 101, 103, 109, 111	28301GT	161	34124GT	227	45470GT	231, 241
27207GT	13, 15, 21, 23, 29, 31, 37, 39, 45, 47, 53, 55, 61, 63, 69, 71, 77, 79, 85, 87, 93, 95, 101, 103, 109, 111	28487GT	227	34125GT	229	45489GT	167-168, 171- 172
27246GT	149-150, 249- 250, 291, 293, 295, 297, 321	28607GT	315	34162-0400GT	307	45708GT	133-134
27287GT	147, 153, 253	28646GT	241	34162-300GT	197	45748GT	237, 241
27377GT	161	29080GT	227, 229	34164GT	307	45782GT	185-186, 189- 190
27391GT	291, 293, 297	29104GT	13, 29, 45, 61, 77, 93	34245GT	227	45845GT	317
27497GT	143	29216GT	293, 297	34276GT	223-224	45912GT	167-168, 171- 172
27584GT	217	29559GT	185-186, 189- 190	34344GT	227, 229	45921GT	167-168, 171- 172
27761GT	175	29560GT	185-186, 189- 190	34505GT	305	46131GT	209
27802GT	167-168, 171- 172	29752GT	201	34561GT	227	46188GT	293, 295
27804GT	167-168, 171- 172	29764GT	133-134, 139, 235, 241	34619GT	241	47025GT	323
27807GT	167-168, 171- 172	29868GT	133-134, 221	34922GT	305	47041GT	13, 29, 45, 61, 77, 93
27836GT	167-168, 171- 172, 175	30080GT	19, 35, 83, 99	34940GT	141	47222GT	231
28158GT	13, 21, 29, 37, 45, 53, 61, 69, 77, 85, 93, 101, 109	30138GT	227, 229	34955GT	305	4828GT	118, 133-134, 141, 143, 155- 156, 159, 189- 190, 193, 199, 201, 207, 209, 212, 215, 221, 231, 233, 235, 237, 239, 241, 245, 247, 287, 291, 293, 295, 299, 303, 311
28159GT	13, 21, 29, 37, 45, 53, 61, 69, 77, 85, 93, 101, 109	30143GT	133-134	34959GT	307	48425GT	195, 209
28160GT	13, 21, 29, 37, 45, 53, 61, 69, 77, 85, 93, 101, 109	30144GT	133-134	35432GT	305	48767GT	261, 263
28161GT	13, 15, 17, 29, 31, 33, 45, 47, 49, 61, 63, 65, 77, 79, 81, 93, 95, 97	30217GT	233, 235, 237, 239	35434GT	195, 197	48875GT	323
28165GT	19, 35, 51, 67, 83, 99	30222GT	235	35461GT	299	48878GT	273, 319
28174GT	15, 19, 23, 27, 31, 35, 39, 43, 47, 51, 55, 59, 63, 67, 71, 75, 79, 83, 87, 91, 95, 99, 103, 107, 111, 115	30255GT	233, 235, 237, 239	35586GT	185-186	48880GT	257, 259, 261, 263, 265, 269
28175GT	15, 31, 47, 63, 79, 95	30348GT	197, 199	35675GT	155-156, 221, 235	48883GT	267
28176GT	19, 35, 51, 67, 83, 99	30370GT	223-224, 227, 233, 237, 239	35726GT	183	48891GT	269
28177GT	19, 35, 51, 67, 83, 99	30468GT	279	35956GT	287	48904GT	257, 259, 261, 263, 269
28181GT	17, 33, 49, 65, 81, 97	30489GT	189-190	36208GT	207, 305	48905GT	257, 259, 261, 263, 265, 267, 269
28214GT	215	30490GT	141, 185-186, 189-190	36294GT	224	48907GT	257, 259, 261, 263
28235GT	15, 19, 23, 27, 31, 35, 39, 43, 47, 51, 59, 63, 67, 71, 75, 79, 83, 87, 91, 95	30496GT	197	36388GT	303, 325	48908GT	261, 263, 265, 267, 269, 271
		30785-400GT	125	36456GT	209	48911GT	261, 263, 265, 267
		30810GT	315	37505GT	211-212	48912GT	257, 259, 265, 269, 323
		30971GT	185-186, 217, 305	38149GT	29, 45, 61, 77, 93	48914GT	257, 259, 269, 313
		30973GT	133-134, 161	38620GT	229	48915GT	265, 267
		30997GT	147, 153, 253	38621GT	227	48916GT	257, 259, 261, 263, 265, 267
		31060GT	17, 33, 49, 65, 81, 97	38859GT	133-134, 139	48918GT	265, 267
		31100GT	168, 172	38922GT	207	48930GT	265
		31408GT	185-186	39317GT	245	48932GT	257, 259, 275
		31523GT	185-186	39479GT	125, 209	48933GT	257, 259, 261, 263, 265, 267, 269, 271, 275
		31788GT	13, 29, 45, 61, 77, 93	39879GT	313	48941GT	257, 259, 275
		32064GT	207	39882GT	156	48943GT	257, 259
		32309GT	205	40434GT	19, 27, 35, 43, 51, 59, 67, 75, 83, 91, 99, 107, 115, 325	48946GT	257, 259
		32675GT	313	40614GT	147, 153	48948GT	265, 275
		32681GT	125	42014GT	118, 121-122, 129	48949GT	257, 259
		32695GT	185-186	42104GT	281	48960GT	257, 259, 261, 263, 265, 267, 271, 273, 275, 319
		32698GT	185-186	42111GT	323		
		32975GT	167-168, 171- 172	42112GT	323		
		33239GT	185-186	42113GT	323		
		33277GT	195, 199, 209, 211-212	4266GT	134, 143, 229, 279		
		33278GT	155-156, 229	42787GT	273		
		33418GT	155-156, 189- 190, 193	43018GT	179		
		33422GT	147, 153	43181GT	164		
		33428GT	118, 235	43392GT	279, 281, 327		
		33432GT	313	43683GT	181		
		33555GT	161	43960GT	227		
		33607GT	147, 153	44064GT	185-186, 209, 313		
		33608GT	147, 153	44174GT	179		
		33674GT	281	44743GT	247		
		33681GT	207	44981GT	15, 19, 23, 27, 31, 35, 39, 43, 47, 51, 55, 59, 63, 67, 71, 75, 79, 83, 87, 91, 95, 99, 103, 107, 111, 115		
		33724GT	299				
		33988GT	181				
		34052GT	147, 153				
		34053GT	147				

## Part Number Index (continued)

Part Number	Page	Part Number	Page	Part Number	Page	Part Number	Page
48975GT	313	51580GT	275	56570GT	285		247, 253, 279,
48977GT	257, 259	5224GT	118, 141, 143,	56704GT	277		281, 283, 291,
48978GT	275		301	56848GT	249-250		295
48984GT	257, 259, 261,	52352GT	189-190	56912GT	117-118, 122,	6091GT	125, 133-134,
	263, 273	52371GT	179		133-134, 207,		137, 139, 143,
48985GT	257, 259	52607GT	13, 29, 45, 61,		209, 215, 227,		147, 156, 161,
48996GT	257, 259		77, 93		235, 243, 247,		195, 197, 199,
48998GT	257, 259, 261,	52661GT	279		301, 303		201, 209, 211-
	263, 265	52726GT	175	56934GT	285		212, 215, 217,
49117-10091GT	265	52865GT	29, 45, 61, 77, 93	57072GT	229		227, 229, 231,
49117-10691GT	265	52866GT	185-186, 189-	57075GT	299		235, 241, 243,
49117-2491GT	257, 259		190, 197, 211-	58247GT	207		245, 247, 281,
49117-3291GT	269		212, 217	58249GT	189-190		291, 293, 295,
49117-3391GT	257, 259	52897GT	179	58253GT	163-164, 255		301, 305, 309,
49117-3791GT	261, 263	52943GT	167-168, 171-	58256GT	185-186, 189-		319
49117-4691GT	257, 259, 269		172		190	6095GT	125, 133-134,
49117-5191GT	269	52966GT	13, 21, 29, 37,	58299GT	189-190		185-186, 197,
49117-6091GT	265		45, 53, 61, 69,	58303GT	167-168, 171-		201, 209, 211-
49117-6119GT	271		77, 85, 93, 101,		172		212, 217, 221
49117-6291GT	265		109	58304GT	155-156	6096GT	156
49119-2878GT	257, 259, 261,	52967GT	13, 29, 37, 45,	58310GT	245	6097GT	118, 133-134,
	263		53, 61, 69, 77,	58354GT	211-212		137, 141, 143,
49119-4278GT	261, 263		85, 93, 101, 109	58380GT	156		155-156, 185-
49119-72078GT	261, 263	53189GT	303	58415GT	197, 217		186, 199, 201,
49119-7478GT	261, 263	53386GT	117-118	58431GT	181		209, 221, 227,
49119-7578GT	265, 267	5365GT	125, 189-190,	58489GT	137		235, 241, 245,
49119-79678GT	261, 263		201, 241	58566GT	185-186		247, 303, 307
49120-7131GT	323	53758-SGT	315	58596GT	155-156	60984GT	159, 223-224
49128-12309GT	261, 263	53759-SGT	315	58597GT	155-156	61073-3330GT	271
49130-2482GT	265, 267	53761-SGT	315	58627GT	145, 149-150	61073-3930GT	257, 259
49130-4782GT	265, 267	53807-SGT	279	58630GT	189-190	61073-7330GT	271
49130-5582GT	257, 259	53808-SGT	279	58631GT	313	61074-7272GT	257, 259
49130-5782GT	257, 259	53952GT	185-186, 197,	58632GT	205	61074-7572GT	257, 259
49131-9603GT	265		207, 211-212,	59460GT	117-118	61110GT	189-190, 197,
49143-12329GT	261, 263		217	6002GT	203		207
49143-3429GT	257, 259	5397GT	133-134, 156,	60160PGT	247	61128GT	155-156
49143-3629GT	257, 259		161, 181, 185-	6019GT	133-134, 143,	61225GT	147
49150-9130GT	257, 259		186, 189-190,		193, 199, 209,	61263GT	257, 259
49151-6248GT	257, 259, 273		193, 195, 199,		227, 229, 231,	6126GT	155-156
49163-7144GT	323		207, 209, 211-		243, 245, 247,	61278GT	321
49177-102894GT	299		212, 221, 231,		299, 307	61306-SGT	235
49177-108894GT	299		247, 285, 287,	6021GT	118, 121-122,	6145GT	209, 231, 287
49183-13492GT	261, 263		291, 295, 299,		155-156, 207,	6146GT	133-134, 161,
49183-7592GT	271		309, 311, 321		223-224, 227,		195, 201, 209,
49207GT	257, 259, 269	5408GT	159		229, 231, 235,		211-212, 215,
49212GT	299	54124GT	141		243		241, 253, 277,
49214GT	299	54177GT	197, 229	6024GT	189-190, 193		305, 317
49215GT	299	54205GT	212	60334GT	156	6147GT	277
49219GT	163-164, 261,	54247-SGT	247	6033GT	118, 125, 133-	61602GT	223-224
	263	54274GT	247		134, 159, 185-	61610GT	275
49364GT	212	54322GT	133-134		186, 207, 223-	61726GT	241
49378GT	195, 199, 207	54324GT	141		224	6175GT	118, 121-122,
49381GT	209	54365GT	147, 153, 253	6036GT	155-156, 313		133-134, 137,
49388GT	197	54428GT	186	60370-SGT	235, 241		159, 185-186,
49407GT	189-190	54437GT	212	6037GT	309		189-190, 201,
49408GT	205	54457GT	281	60425GT	317		211-212, 221,
49410GT	212, 217	54458GT	281	60427GT	317		223-224, 227,
49411GT	185-186, 189-	54465GT	281	60432GT	164		229, 233, 235,
	190, 193, 197,	54486GT	279	60439GT	287, 317		237, 303
	201, 211-212,	54487PGT	211-212	60441GT	317	6178GT	133-134, 147,
	217, 221, 229	54534GT	147	60443GT	227		153, 159, 161,
49418GT	261, 263	54578GT	212, 215	60445GT	159		243, 253, 277
49816GT	161	54579GT	211-212, 215	60455GT	159	61794GT	163-164, 255
49817GT	153	54687GT	211-212, 217,	60585GT	212, 215	6179GT	159
49819GT	253		221	60746GT	223-224	61804GT	241
49820GT	253	55067GT	247	60838GT	189-190	61972GT	241
49824GT	305	55753GT	279, 281, 291,	60857GT	156	61974GT	241
49826GT	143, 243		293, 295, 297	60868GT	212	61975GT	241
49859GT	267, 269	55912GT	149-150	60886PGT	299	6198GT	156, 185-186,
49861GT	271	56051GT	287	6090GT	122, 133-134,		201, 209, 217,
49915GT	193	56057GT	147		145, 149-150,		221, 223-224,
49924GT	185-186, 189-	56361GT	231, 321		156, 161, 195,		229, 309, 321
	190, 195	56424GT	247, 281, 285		197, 199, 207,	61997GT	241
50787-SGT	185-186, 189-	56426-700GT	291, 293, 295,		215, 217, 221,	62076GT	17, 25
	190		297		224, 227, 229,	62077GT	15, 23, 47, 55,
51147GT	311	56525GT	285		235, 243, 245,		63, 71, 111

## Part Number Index (continued)

Part Number	Page	Part Number	Page	Part Number	Page	Part Number	Page
62078GT	33, 41	66812GT	145, 149-150,	72169GT	13, 29, 45, 61,	75617-1538GT	295
62079GT	31, 39		249-250		77, 93	75617-1550GT	293, 297
62256GT	167-168, 171-172	66813GT	145, 150, 250	72255GT	185-186, 189-190	75617-1675GT	291, 295
62257GT	167-168, 171-172	66815GT	250		190	75617-2075GT	293, 297
62258GT	168, 172	66816GT	250	72282GT	277	75617-2275GT	291, 293, 295, 297
62260GT	167-168, 171-172	66818GT	249-250	72290GT	118, 122		
62273GT	167-168, 171-172	67325GT	133-134	72326GT	133-134, 250, 277	75617-4788GT	295
62274GT	168	67631GT	197			75617-6275GT	293, 295
62275GT	167-168, 171-172	6782GT	161, 185-186, 193, 195, 199, 209, 212, 231, 247, 311, 321	72327GT	209	75617-6475GT	291, 295
62276GT	168			72343GT	207, 211-212	75631GT	205
62392GT	255	6833GT	209, 215, 221, 291, 293, 295, 297, 301	72344GT	211-212	75636GT	291, 293, 295, 297
62420GT	185-186, 197, 211-212, 217	6878GT	301	72348GT	211-212, 219		
62421GT	212, 215	6884GT	245	7265GT	281	75654GT	257, 259
62425GT	189-190	6888GT	133-134, 137, 147, 156, 161, 195, 197, 201, 207, 211-212, 215, 217, 221, 227, 241, 243, 247, 291, 293, 295, 301, 305, 309, 319	7268GT	237	77051GT	227, 229
62433GT	212, 215, 217			72875GT	19, 35, 51, 67, 83, 99, 285	77069GT	137
62476GT	193	6889GT	245, 253, 279, 283, 295, 301, 303			77071GT	137
62506GT	179	6935GT	299, 321	72999GT	13, 29, 45, 61, 77, 93	77108GT	281
62507GT	179	69775GT	186			7713GT	212, 247
62845GT	211-212	69776GT	317	7339GT	117-118, 147, 153, 207	77180GT	247
63078GT	227	70298GT	212	73455GT	118, 121-122, 155-156	77181GT	235
63213GT	235	70317PGT	303			77245PGT	185-186
6326GT	118	70318PGT	303	73463-1175GT	285	77295GT	207
63353GT	235	70319GT	303	73477PGT	247	77303GT	233, 235, 237, 239
63463GT	185-186, 197, 211-212, 217	70351PGT	185-186	73478PGT	247		
63468GT	121-122	70357GT	212	73574-SGT	247	77351GT	253
63566GT	233, 235, 237, 239	70367GT	209, 211-212, 215	73575GT	247	77353GT	133-134
6356GT	145, 149-150, 156, 223-224, 227, 229, 235, 247, 253, 287, 301, 303	70381GT	185-186, 193, 197	73587GT	247	77354GT	133-134
		70385GT	185-186, 212, 215	73610PGT	247, 283	77365GT	133-134
63727GT	305			73634GT	241	77402GT	185-186, 189-190, 211-212
63772GT	303	70444GT	189-190	73713GT	227, 287		
63773GT	303	70445GT	193	73714GT	163-164	77430GT	147, 153
65473GT	212, 215	70448PGT	189-190	73717GT	147, 153, 253	7746GT	279
65538GT	211-212	70449GT	189-190	73723GT	253	77482GT	212, 219
65630GT	285	70452GT	185-186, 201, 209, 221	73725GT	227	77483GT	212, 219
65636GT	212, 219			73736GT	147, 153, 163-164, 253	77610GT	118
65638GT	212, 219	70454PGT	193			77616PGT	229
6563GT	237	70455GT	189-190	73749GT	164	77618PGT	227
65810GT	197, 217	70456GT	193	73751GT	163-164	77623PGT	121-122
6584GT	125, 185-186, 189-190	70459PGT	185-186	73753GT	147, 153, 164	77624PGT	117-118, 121-122
		70460PGT	185-186	73754GT	147, 153, 163-164		
65887GT	141, 143	70461PGT	185-186			77641GT	149-150
6605GT	229	70465GT	189-190	73803GT	147, 153, 253	77643GT	117-118
6607GT	224, 247	70472PGT	185-186	73805GT	145, 149-150	77645PGT	133-134
6610GT	155-156	70483GT	193	73807GT	179	77646PGT	133-134
6637GT	223-224, 319	70494PGT	185-186	73814GT	163-164	77648GT	229
6638GT	117-118, 122, 125, 133-134, 137, 143, 145, 147, 149-150, 153, 156, 161, 189-190, 195, 197, 199, 201, 203, 207, 209, 211-212, 215, 217, 223-224, 227, 229, 231, 235, 241, 243, 245, 247, 253, 279, 281, 283, 285, 291, 295, 301, 303, 305, 309, 319	70499GT	185-186	73901GT	281	77649GT	229
		70529GT	307	73928GT	235, 241	77653PGT	227
66472GT	291, 293, 295, 297	7056GT	163-164, 299	74006GT	299, 309	77654PGT	227
		7057GT	147, 153, 321	74254GT	139	77656GT	227, 229
		71038GT	315	74389GT	117-118	77664GT	285
		71259GT	319	74872GT	227	77665PGT	155-156
		71498GT	287	74902GT	167-168, 171-172	77666PGT	155-156
		71768GT	227			77667GT	149-150
		71875GT	221	74913GT	147	77671GT	155-156
		71909GT	143	74917GT	147	77672GT	223-224
		71911GT	189-190, 193	74918GT	147, 153	77674GT	121-122
		72047GT	167-168, 171-172	75020GT	217	77676GT	155-156
				75041GT	224, 317	77679GT	143
		72168GT	13, 29, 45, 61, 77, 93	75073GT	155-156, 161	77680GT	134
				75076GT	161	77681GT	137
				75278-5029GT	265	77683GT	285
				75278-5129GT	265	77688GT	229
				75395GT	235	77692GT	235, 241
				75443GT	255	77693GT	319
				75444GT	255	77713PGT	229
				75445GT	255	77718GT	227, 229
				75446GT	255	77725GT	117-118
				75447GT	255	77726GT	117-118
				75448GT	255	77736GT	211-212, 219
				75449GT	255	77756GT	323
				75450GT	189-190	77778GT	161
				75451GT	189-190	77788GT	181
				75470GT	223-224	77790GT	117-118
				75574GT	261, 263	77791GT	117-118
				75617-1025GT	293, 297	77795GT	227



Part Number	Page	Part Number	Page	Part Number	Page	Part Number	Page
77797GT	291, 293, 295, 297	822764GT	293, 297	825019GT	118, 155-156, 233, 235, 237, 239	88452GT	203
77803GT	156	822768GT	293, 297			88516GT	233, 235
77870GT	323	822769GT	293, 297	825441GT	249-250	88567GT	229
77879PGT	303	822771GT	297	825442GT	249-250	88568GT	227
77880GT	118	822781GT	133-134	825443GT	249-250	88571GT	227
77882PGT	227	822793GT	133-134	825444GT	249-250	88576GT	233
77887GT	307	823074GT	133-134	825445GT	149-150	88606PGT	279
77891GT	307	823146GT	163-164	825446GT	149-150	88607PGT	279
77950GT	121-122	823243GT	133-134	825447GT	149-150	88636-11973GT	261, 263
77990GT	212	823356GT	141	825448GT	149-150	88636-2573GT	261, 263
77996PGT	303	823396GT	141	825449GT	149-150	88636-8573GT	269
77997PGT	303	823523GT	199	82548GT	27, 43, 59, 75, 91, 107, 115	88653GT	223-224
77998PGT	303	823524GT	199			88665GT	223-224
79456GT	235	823656GT	77	82551GT	21, 23, 37, 39, 53, 55, 69, 71, 109, 111	88666GT	223-224
80391GT	217	823658GT	45			88667GT	227
80543GT	309	823659GT	61	82552GT	21, 23, 37, 39, 53, 55	88675GT	223-224
80716GT	145, 150	82366GT	13, 29, 45, 61, 77, 93			88676GT	223-224
81005GT	156	823761GT	35, 99	825579GT	29, 45, 61, 77, 93	88727GT	117-118
81096GT	299	823762GT	83	8255GT	118, 156, 209, 221, 235	88728GT	117-118
81164GT	117-118	823764GT	51			88729GT	117-118
81167GT	303	823765GT	67	825796GT	118, 227, 229	88730GT	117-118
81175GT	235	823816GT	205			88783GT	175
81341GT	245	823917GT	163-164	82601GT	27, 43, 91, 107	88793GT	229
81342GT	245	823918GT	163-164	82602GT	43, 59, 75, 91, 107	88795PGT	227
81347GT	245	824023GT	133-134	82604GT	27, 43, 91, 107, 115	88796GT	229
81368GT	285	824027GT	293, 297, 327			88801GT	164
81458GT	299	824029GT	297, 327	826214GT	212	88802GT	164
81467GT	189-190	824060GT	289	826215GT	212	88810GT	163-164
81468GT	189-190	824063GT	323	826345GT	13, 29, 45, 61, 77, 93	88841GT	212
81487PGT	253	824069GT	289			88846GT	211-212
81488GT	253	824075GT	237, 239	826379GT	229	88847GT	211-212
81532GT	291	824078GT	293, 297, 327	826590GT	141	88858GT	245
81545GT	163-164	824080GT	327	826601GT	141	88859GT	245
81546GT	163-164	824083GT	285	82671GT	23, 27, 39, 43, 55, 59, 71, 75, 87, 91, 103, 107, 111, 115	88870GT	233, 235, 237, 239
81550GT	253	82410GT	19, 35, 51, 67, 83, 99, 285			88872GT	223-224
81551GT	253	824113GT	289, 323, 327	82677GT	29, 31, 45, 47	88884GT	118, 121-122
81552GT	125	824120GT	289	82678GT	29, 31, 45, 47	88885GT	122
81570GT	299	824227GT	293	82710GT	215	88887GT	121-122
81578GT	133-134, 137	82431GT	181	82862GT	19, 35, 51, 67, 83, 99	88888GT	133-134
81640GT	235	824471GT	141			88889GT	133-134, 139
81691GT	125	824491GT	141	82967GT	21	88917GT	133-134
81694GT	223-224	824507GT	217	83129GT	163-164, 255	88919GT	223-224, 227
8170GT	133-134	824546GT	223-224	84134GT	175	88920GT	223-224
81724GT	155-156	824547GT	245	84135GT	175	88936GT	257, 259
81777GT	245	824548GT	245	85053GT	185-186, 189-190, 217	88942-8354GT	257, 259
8177GT	118, 181, 189-190, 217, 223-224, 287, 303	824549GT	245	85054GT	186	88943-7636GT	257, 259
		824550GT	223-224	85059GT	217	88949-3828GT	257, 259, 273
8178GT	287, 303	824551GT	235	85124GT	217	88987PGT	221
8179GT	125, 227, 245	824708GT	195	85155GT	211-212, 219	88988PGT	211-212, 221
81812-13292GT	265	82472GT	21, 23, 25, 37, 39, 41, 53, 55, 57, 69, 71, 73, 85, 87, 89, 101, 103, 105, 109, 111, 113	8516GT	155-156, 201, 237, 239	88989PGT	212, 215
81834GT	155-156			85300GT	285	88990PGT	211-212, 215
81852GT	224	82473GT	23, 39, 55, 71, 87, 103, 111	87085GT	245	88991PGT	212
81856GT	227			87172GT	273	88993GT	212
81874GT	161	82481GT	21, 37, 53, 69, 85, 101, 109	87188GT	195	8915GT	137, 143, 212, 217, 235, 303
81876GT	161			87246GT	313		
81975PGT	323	824849GT	164	88064GT	189-190	89294GT	117-118, 127
82161GT	13, 29, 45, 61, 77, 93	824879GT	145, 149-150, 249-250	88106PGT	161	89307GT	167-168, 171-172
822004GT	31, 47, 63, 79, 95	82487GT	21, 27, 37, 43, 59, 69, 75, 85, 91, 101, 107, 109, 115	88212GT	155-156	89309GT	167-168, 171-172
822048GT	163-164			88296GT	122	89310GT	167-168, 171-172
822131GT	31, 47, 63, 79, 95	824880GT	249-250	88356-11103GT	223-224	89311GT	167-168, 171-172
82237GT	15, 19, 31, 35, 47, 51, 63, 67, 79, 83, 95, 99, 309, 311	824882GT	145	88356-13103GT	155-156, 223-224, 227	89312GT	172
82240GT	21, 37, 53, 69, 85, 101, 109	824993GT	163-164			89571GT	155-156
82243GT	19, 35, 51, 67, 83, 99	824994GT	164	88356-14963GT	227	89575GT	147, 153
822513GT	163-164	824995GT	164	88377-1400GT	285	89617GT	137
822515GT	212	824996GT	164	88384GT	291, 295	89736GT	168
822687GT	321	825017GT	153	88385GT	291, 295	89737GT	172
822688GT	321			88390GT	291, 293, 295, 297	89738GT	172
822759GT	293, 297					89755GT	241
				88406GT	311	89765GT	219
				88451GT	203	89771GT	212
						89792GT	186

## Part Number Index (continued)

Part Number	Page	Part Number	Page
89861GT	167-168, 171-172	97875GT	15, 19, 31, 35, 47, 51, 63, 67, 79, 83, 95, 99
89862GT	179	97887GT	35, 51, 67, 83, 99
89864GT	179	99343GT	163-164
89953GT	211-212	99344GT	163-164
89977GT	311	99632GT	153
89997GT	189-190	99778GT	317
9145GT	309, 321	T106385GT	231
94077GT	137	T106413GT	223-224
94205-3164GT	273, 319	T106425GT	156
94221GT	118	T106482GT	145
94326GT	241	T106495GT	145
94332GT	117-118	T106508GT	223-224
94333GT	117-118	T106600GT	164
94374-2330GT	267	T106741GT	164
94374-2430GT	265	T106954GT	155-156
94374-2530GT	267	T106955GT	155-156
94374-2630GT	265	T106957GT	155-156
94374-4730GT	267	T106961GT	155-156
94374-6030GT	257, 259, 275	T106962GT	155-156
94397GT	235	T107130GT	164
94420GT	323	T107520GT	145, 149-150, 253
94439GT	127	T107751GT	224
94463GT	305	T107829GT	133-134
94464-4186GT	269	T107895GT	305
94464-4986GT	265, 267	T108075GT	233, 235, 237, 239
94465-3650GT	257, 259	T108076GT	235
94466-2336GT	265, 267	T108077GT	235
94479GT	305	T108321GT	164
94485GT	185-186	T108322GT	164
94493GT	285	T108331GT	133-134
94499GT	167-168, 171-172	T108403GT	133-134
94506GT	249-250	T108415GT	164
94510GT	229	T108416GT	164
94526GT	133-134	T108732GT	193
94533GT	305	T108733GT	193
94534GT	117-118	T108734GT	193
94535GT	117-118	T108886GT	164
94536GT	117-118	T108890GT	227
94537GT	305	T108891GT	227
94598GT	168	T108892GT	235
94599GT	167-168, 171-172	T109268GT	277
94620GT	155-156	T109328GT	279
94692GT	227	T109331GT	299
94711GT	211-212	T109332GT	315
94745PGT	247, 283	T109333GT	315
94746GT	121-122	T109334GT	315
94747GT	155-156	T109335GT	319
94757GT	309	T109339GT	307
94758GT	175	T109340GT	307
94759GT	183, 309	T109350GT	253
94760GT	309	T111124GT	233, 235, 237, 239
94762GT	211-212, 215	T112459GT	231
94765GT	309	T112560GT	299
94869GT	283	T112561GT	299
94887GT	211-212, 221	T112626GT	255
94888GT	211-212	T112773GT	19, 27, 35, 43, 51, 59, 67, 75, 83, 91, 99, 107, 115
94889GT	212, 215		
94890GT	211-212		
94937GT	155-156		
94980GT	159, 164, 224		
9599-SGT	279		
96008-SGT	145, 149-150	T113129GT	311
97128GT	227	T114145GT	311
97473GT	211-212, 219	T114223GT	245
97548GT	15, 31, 47, 63, 79, 95	T114624GT	164
97579GT	19, 35	T114625GT	164
97602GT	15, 31, 47, 63, 79, 95	T114626GT	164
97815GT	19, 27, 35, 43, 51, 59, 67, 75, 83, 91, 99, 107, 115	T114627GT	164
		T114678GT	185-186, 189-190
		T115352GT	253

The Part Description Index is an alphabetical index of all part descriptions included in this manual. The index shows what page(s) the part is used on.

**#**  
 #1 BOOM TUBE ASSY,W/SYM DECAL.....227  
 #1 BOOM TUBE ASSY,W/WORD DECAL.....227

**1**  
 12VDC PROPORTIONAL VALVE.....321

**2**  
 207 HYD MOTOR ASSY, GEN.....321

**A**  
 ACC, BEACON, TRVL ALARM, SERV.....277  
 ACC, OIL COOLER, S60, SERV.....319  
 ACC, AIR PRE-CLEANER, DEUTZ.....307  
 ACC, AIR PRE-CLEANER, PERKINS T2.....307  
 ACC, AIRLINE TO PLAT, S60, SERV.....299  
 ACC, FALL ARREST BAR, 6FT FR.....325  
 ACC, FALL ARREST BAR, 6FT SYM.....325  
 ACC, FALL ARREST BAR, 6FT WORD.....325  
 ACC, FALL ARREST BAR, 8FT FR.....325  
 ACC, FALL ARREST BAR, 8FT SYM.....325  
 ACC, FALL ARREST BAR, 8FT WORD.....325  
 ACC, FULL GAUGE, DEUTZ, SERV.....315  
 ACC, FULL GAUGE, FORD DSG423, SV.....315  
 ACC, FULL GAUGE, PERKINS, SERV.....315  
 ACC, PLAT CONTROL COVER, SERV.....279  
 ACCESSORY, OPERATOR PROT STRUCT.....289  
 ACCESSORY, PANEL CRADLE, ANSI.....285  
 ACCESSORY, PANEL CRADLE, CE.....285  
 ACCUMULATOR, 10CC, 1000PSI, #6SAE...167-168, 171-172  
 ADAPTER, 1/8 X 1/4 F3H6-S.....315  
 ADAPTER, MIXER/THRO, MSG425.....203  
 ADAPTER, WATER CONN, MSG425.....203  
 ADAPTER, 140130-4-4.....315  
 ADAPTER, 140139-8-6.....315  
 ADAPTER, AIR HOSE, PERK 404F.....217  
 ADAPTER, NPT 6-4.....315  
 ADJ ROD, LH/RH, 3/8-24.....159  
 ADJUSTABLE STRAP ASSY.....285  
 AIR CLEANER CAP/ FORD/NOLFF\*\*\*.....207  
 AIR CLEANER CLIPS, SUPERBOOM.....189-190  
 AIR CLEANER COVER, SUPERBOOM\*..189-190  
 AIR CLEANER, FORD, T3.....207  
 AIR CLEANER, NELSON.....189-190  
 AIR CLEANER, NELSON\*\*\*.....185-186, 197, 211-212, 217  
 AIR INTAKE ELBOW, 90 DEGREE.....197  
 AIR INTAKE TUBE ASSY.....185-186  
 ALARM, DESCENT.....133-134  
 ALARM, INTERMITTENT TONE 6-30V\*.....277  
 ALARM, WARBLE TONE 5-30 VDC\*\*\*.....250  
 ALTERNATOR.....313  
 ALTERNATOR - 85 AMP, INT REGULATED.....219  
 ALTERNATOR, DEUTZ F3L10/F4L10\*.....185-186  
 ALTERNATOR, DEUTZ, BF4L2011\*\*\*.....189-190  
 ALTERNATOR, 65 AMP, PERKINS 404.....211-212

ALTERNATOR, 95 AMP, DEUTZ.....199  
 ALTERNATOR, FORD DSG423, MSG425.....205  
 ANGLE, RELAY MNT, W/NUTSERTS, PNT...147  
 ASSEM, BOOM TUBE #3 S60/65, CE\*\*.....227  
 ASSEMBLY RESET SWITCH.....327  
 ASSEMBLY, INSIDE HOSE GUARD.....131  
 ASSEMBLY, OPA PROTECTION CAGE.....327  
 ASSEMBLY, OUTSIDE HOSE GUARD.....131  
 ASSEMBLY, TRAX UNIT, LEFT.....127  
 ASSEMBLY, TRAX UNIT, RIGHT.....127  
 ASSEMBLY, WELD CABLE, S60.....311  
 ASSEMBLY, WELD CABLE, S65.....311  
 ASSEMBLY, BOOM TUBE #3 S60/65\*\*.....227  
 ASSEMBLY, CABLE, TAPESWITCH.....327  
 ASSEMBLY, FOOT SWITCH, S60.....247  
 ASSEMBLY, GFCI/CIRCUIT BREAKER.....309  
 ASSEMBLY, TAPESWITCH.....327  
 ASSY BATTERY HEATER, 240V.....317  
 ASSY HEATER, MODEL 18, 120V.....317  
 ASSY HEATER, MODEL 18, 240V.....317  
 ASSY, ANGLE SENSOR AND COVER.....223-224  
 ASSY, BATTERY HEATER, 120V.....317  
 ASSY, CIRCUIT BREAKER 15A.....145, 150  
 ASSY, FUEL PICKUP TUBE.....143  
 ASSY, LONG LINK LT W/BEARINGS.....223-224  
 ASSY, LONG LINK RT W/BEARINGS.....223-224  
 ASSY, MED. PRESS. FILTER, SAE8.....156  
 ASSY, TERMINAL RAIL.....147  
 ASSY, 120V HEATER, HYD TANK.....317  
 ASSY, 240V HEATER, HYD TANK.....317  
 ASSY, 4FT PLATFORM, NO DECALS.....247  
 ASSY, 5FT PLATFORM, NO DECALS.....247  
 ASSY, 6FT PLATFORM, NO DECALS.....247  
 ASSY, 8FT PLATFORM, NO DECALS.....247  
 ASSY, BLEED LINE (139367).....313  
 ASSY, CABLE, 12.5KW WELDER.....164  
 ASSY, DISPLAY, DP200 DEUTZ T4.....149-150  
 ASSY, DISPLAY, DP200 PERKINS T4.....149-150  
 ASSY, ENGINE TRAY, W/BEARINGS.....155-156  
 ASSY, FUEL PREFILTER, DEUTZ 2.9.....201  
 ASSY, GROUND CONTROL BOX.....145  
 ASSY, LS, LOAD SENSE, 38.5 IN.....163-164, 241  
 ASSY, MODULE, CONTROL UNIT, OPA.....327  
 ASSY, PCB ALC500 S60 LEG V202.....253  
 ASSY, PCB, ALC500-2 S60 V204.....253  
 ASSY, RELAY SOCKET, AUTO.....147  
 ASSY, TERMINAL RAIL, TIER IV.....153  
 ASSY, TRACK, FALL ARREST BAR, 6FT FR.....325  
 ASSY, TRACK, FALL ARREST BAR, 6FT SYM.....325  
 ASSY, TRACK, FALL ARREST BAR, 6FT WORD.....325  
 ASSY, TRACK, FALL ARREST BAR, 8FT FR.....325  
 ASSY, TRACK, FALL ARREST BAR, 8FT SYM.....325  
 ASSY, TRACK, FALL ARREST BAR, 8FT WORD.....325  
 AUX TOP RAIL, 6'(1.25")SERVICE.....279  
 AUX TOP RAIL, 6', SWG GT, SRV.....279

AUX TOP RAIL, 6FT, PTD.....279  
 AUX TOP RAIL, 8'(1.25")SERVICE.....279  
 AUX TOP RAIL, 8', SWG GT, SRV.....279  
 AUX TOP RAIL, 8FT, PTD.....279  
 AXLE ASSEMBLY, S60 FRONT.....118

**B**

BACKING PLATE, HOSE BLOCK, JIB.....235  
 B A C K U P  
 RING, 71.60X67.20X1.40PTFE(60334).....156  
 BAFFLE, AIR CLEANER (27915)\*\*.....197, 217  
 BAFFLE, CNTRWT, S60 MSG425.....156, 209  
 BAFFLE, DEUTZ D2.9 ENGINE.....156, 195  
 BAFFLE, S60 PERKINS, 404F-22.....215  
 BAFFLE, AIR INTAKE S60 PAINTED.....156, 189-190  
 BAFFLE, AIR INTAKE, PAINTED\*\*\*.....156  
 BAFFLE, PERKINS ENGINE PAINTED.....212  
 BALL JOINT, 3/8-24 FEMALE.....159  
 BALL JOINT, 3/8-24 LEFT HAND.....159  
 BALL STUD\*\*.....161  
 BAR, CLAMP, CABLE TRACK.....245  
 BAR, CLAMP, TIMING LINK.....224  
 BASE ENCLOSURE, RED, OPA.....327  
 BASE, W/1 N.O. CONTACTS\*\*\*.....250  
 BASE, W/2 NC CONTACTS\*\*\*.....145, 149-150  
 BASE, W/3 NC CONTACTS.....249-250  
 BATTERY CABLE, NEGATIVE, BLACK.....164  
 BATTERY CABLE, POSITIVE, RED.....164  
 BATTERY CABLE, POSITIVE, RED, T4.....164  
 BATTERY HOLD DOWN, GROUP 31.....133-134  
 BATTERY, 12V 1000CCA, 5/16STUD W.....133-134  
 BATTERY, 12V, 1000 CCA GRP 31.....133-134  
 BEARING KIT, INNER (88921).....155-156  
 BEARING KIT, OMNI\*\*\*.....117-118, 121-122  
 BEARING KIT, OUTER (88921).....155-156  
 BEARING KIT, PLAT ROTATOR, SUPER.....235  
 BEARING, SPL BOGEY (128918).....131  
 BEARING, 1.00IDX1.25ODX1.00L.....117-118  
 BEARING, 1.25IDX1.50X1.25L.....227  
 BEARING, 1.25IDX1.50DX1.00L.....223-224, 227, 233, 237, 239  
 BEARING, 1.5IDX1.75ODX1.5L.....118, 127  
 BEARING, 2.00IDX2.25ODX2.00L.....118, 121-122, 129  
 BEARING, 2.0IDX2.25ODX1.50L.....223-224, 227  
 BEARING, 2.25IDX2.50ODX1.50L\*\*\*.....223-224  
 BEARING, BALL DRIVE SHAFT.....118, 122  
 BEARING, FL, 1.25X1.5X2.13.....235  
 BEARING, FL, 1.25IDX1.41ODX1.50L.....235  
 BEARING, FL, 1.25IDX1.50DX1.25L.....155-156, 221, 235  
 BEARING, FL, 2.00IDX2.25ODX1.50L.....223-224  
 BEARING, FL, 2.25IDX2.50ODX1.63L.....223-224, 227  
 BEARING, GARLOCK, 12FDU12.....237, 241  
 BEARING, POLYGON, 20DU12.....233, 235, 237, 239  
 BEARING, TURNTABLE ROTATION....121-122  
 BELLCRANK W/BEARINGS.....235  
 BELLOW, CYLINDER LIFT.....305  
 BELLOW, CYLINDER, PLAT LEVEL.....305



CONN PLUG 12 WAY ENDCAP DT BR....163-164	CONTROL BOX,2KW,120/240V,50HZ.....321	<b>D</b>	DANGER, TIPOVR, TIRES FF ONLY.....13, 15, 29, 31, 61, 63
CONN PLUG 12 WAY ENDCAP DT GR....163-164	CONTROL MODULE, MSG425.....209		DECAL FAULT CODE.....19, 35, 51, 67, 83, 99
CONN PLUG 12 WAY ENDCAP DT GY....163-164	CONTROLLER ASSY SCON S60HC.....139	DECAL GROUND CONTROL BOX.....13, 21, 29, 37, 77, 85, 93, 101, 109	
CONN PLUG 3 WAY ENDCAP DT.....317	CONTROLLER ASSY TCON S60HC.....139	DECAL KIT,S60X,COMP,WRD,ANSI.....45	
CONN RECEPT,FLANGED.....253	CONTROLLER BOX, 120/240V, 60H.....321	DECAL KIT,SYMBOLS,Z34IC.....21	
CONN, 520120-6.....257, 259, 261, 263, 265, 267	CONTROLLER W/O COILS (77788).....181	DECAL PLATE ASSEMBLY.....247	
CONN, 520120-8-6.....257, 259	CORROSION INHIBITOR,FOAM.....147, 153, 253	DECAL PLATE,MESH.....281	
CONN, SAE#4-1/4" NPT.....309	COUNTERWEIGHT,S60 4350LBS.....133-134	DECAL, COSM,GENIE S65 TRAX.....97, 105	
CONN,520120-12-10.....313	COUNTERWEIGHT,S60/65 5500LBS**.....133-134, 139	DECAL, ENGINE SPEC, 404F-22.....31, 47, 63, 79, 95	
CONN,520120-12-16.....257, 259	COUPLER, 15 TOOTH,FBA,PERKINS**.....212, 217	DECAL, ENGINE SPEC, D2.9...31, 47, 63, 79, 95	
CONN,520120-16.....257, 259, 261, 263, 273	COUPLER, 15 TOOTH,FBA,SAE8***.....193, 197	DECAL, INST, OPER INST 60X PLT.....51	
CONN,520120-20.....257, 259	COUPLER, 15T,FBA,SAE 8,MSG425.....207	DECAL, INSTRUCTION, OPS.....289	
CONN,520120-20-16.....257, 259	COUPLER,INSERT.....313	DECAL, LCD, TIER 4.....29, 45, 61, 77, 93	
CONN,520120-4***.....257, 259, 261, 263, 265, 267, 269	COUPLING - 1/4 NPT.....131	DECAL, OPER INST 6080X GRD.....45	
CONN,520120-4-6***.....257, 259, 265, 269, 323	COVER W/DECALS,RR.DR.CHAS,S60.....293, 297	DECAL, OPER INST 60TRX GRD.....77	
CONN,520120-4-8.....257, 259, 269, 313	COVER, DUST.....131	DECAL, OPER INST 60XC GRD.....61	
CONN,520120-6-8.....265	COVER, END, GEN, 120V.....321	DECAL, OPERATING INSTRUCTIONS.....13, 19, 29, 35, 77, 83, 93, 99	
CONN,520120-8***.....257, 259, 261, 263, 265, 267, 269, 271, 275	COVER, END, GENERATOR, 240V.....321	DECAL, PATCH, GEN,ALC-500.....321	
CONN,520120-8-10.....257, 259	COVER, FOOT SWITCH, LARGE.....247	DECAL, PLAT CNTL PNL.....19, 27, 35, 43, 83, 91, 99, 107	
CONN,520120-8-12.....265, 275	COVER, JIB HOSES/CABLES.....235	DECAL, PLAT CNTL PNL 60HC.....115	
CONN,520120-8-16.....257, 259	COVER, LIMIT SWITCH ARM MOUNT.....231	DECAL, PLAT CNTL PNL 60TX.....83, 91	
CONN,DSCH,BOOT,DT2S-BT.....163-164	COVER, PROTECTIVE, OSCILLATE.....305	DECAL, PLAT CNTL PNL 60X 80X.....51, 59	
CONN, LONG, 520122-12***.....275	COVER, REAR AXLE.....129	DECAL, PLAT CNTL PNL 60XC.....67, 75	
CONN, LONG, 520122-4.....271	COVER, STRING POT, S60HC***.....243	DECAL, POWER TO PLATFORM 230V**...15, 19, 23, 27, 31, 35, 39, 43, 47, 51, 55, 59, 63, 67, 71, 75, 79, 83, 87, 91, 95, 99, 103, 107, 111, 115	
CONN, MOLEX 10 WAY.....164	COVER, TURNTABLE, TANK.....161	DECAL, SYMBOL - READ THE MANUAL...21, 27, 37, 43, 59, 69, 75, 85, 91, 101, 107, 109, 115	
CONN, MOLEX 16 WAY.....163-164	COVER, BLANK.....299	DECAL, WHEEL LOAD S60TRAX.....77, 79, 85, 87	
CONN, MOLEX 20 WAY.....163-164	COVER, CABLE TRACK.....305	DECAL, WHEEL LOAD S65 TRAX.....93, 95, 101, 103	
CONN, PLUG 120 AC/15A DOMESTIC.....299, 317, 321	COVER, CONTROL BOX LEFT SIDE***.....279	DECAL, ANNUAL INSP***.....29, 45, 61, 77, 93	
CONN, PLUG 2 WAY, 14-18GA.....163-164, 317	COVER, CONTROL BOX RIGHT SIDE**.....279	DECAL, ARROW BLUE.....15, 23, 31, 39, 47, 55, 63, 71, 79, 87, 95, 103, 111	
CONN, PLUG 24 WAY, DRC SERIES.....164	COVER, DRIVE CHASSIS...117-118, 121-122	DECAL, ARROW YELLOW LRG 9".....13, 21, 29, 37, 45, 53, 61, 69, 77, 85, 93, 101, 109	
CONN, PLUG 40 WAY, DRC SERIES.....163-164	COVER, DUST, IDLER, FORD DSG423.....203	DECAL, CAUTION, READ INST.....131	
CONN, PLUG 8 WAY, 14-18GA.....164	COVER, FLYWHEEL CASTING.....185-186, 193, 197	DECAL, CAUTION, TOWING SPEED.....13, 29, 45, 61, 77, 93	
CONN, RECEP 120AC/15A DOMESTIC.....299, 321	COVER, GFCCI, HORIZONTAL, WEATHER...299, 309	DECAL, CHEVRON RANDO HD.....13, 29, 45, 61, 77, 93	
CONN, RECEP 2 WAY ENDCAP DT.....287, 317	COVER, GRND.CTRL.BOX, PAINTED.....303	DECAL, COSM GENIE S60X.....49, 57	
CONN, RECEP 24 WAY, W/FLANGE.....147, 153, 164	COVER, LH, BOOM SECTION #1.....227	DECAL, COSM GENIE S60XC.....65, 73	
CONN, RECEP 3 WAY ENDCAP DT.....317	COVER, LIMIT SWITCH ASSY,S60.....301	DECAL, COSM, S60 TRAX.....79, 87	
CONN, RECEP 4 WAY ENDCAP DT.....227	COVER, PRIMARY BOOM, PAINTED.....229	DECAL, COSM, S65 TRAX.....95, 103	
CONN, RECEP 4 WAY, 12-14GA FL***.....147, 153, 253	COVER, PRM FUSE SERVICE PART.....134	DECAL, COSM, GENIE S60 TRAX.....81, 89	
CONN, RECEP 40 WAY, W/FLANGE.....147, 153, 163-164	COVER, PROTECTIVE, JIB CYLINDER.....305	DECAL, COSMETIC, 4 X 2.....13, 21, 29, 37, 45, 53, 61, 69, 77, 85, 93, 101, 109	
CONN, RECEP 48 WAY, 4 X 12.....147, 153, 163-164, 253	COVER, PROTECTIVE, STEERING.....305	DECAL, COSMETIC, 4 X 4.....13, 29, 37, 45, 53, 61, 69, 77, 85, 93, 101, 109	
CONN, RECEP 6 WAY ENDCAP DT.....159	COVER, REAR AXLE.....121-122	DECAL, COSMETIC, GENIE.....327	
CONN, SQUEEZE, 1/2NPT .38-.50, SM.....163-164, 299	COVER, RETRACT SHEAVE, PAINTED.....227	DECAL, COSMETIC, GENIE S-60.....17, 25	
CONN. SQZ, 1/2NPT .39-.56 MED.....147, 153, 321	COVER, RH, BOOM SECTION #1.....227	DECAL, COSMETIC, GENIE S-60HC.....113	
CONN. SQZ, 1/2NPT .56-.63.....321	COVER, STEERING SENSOR.....223-224	DECAL, COSMETIC, GENIE S65.....33, 41	
CONNECTOR, DEUTZ FUEL SHUTOFF*.....185-186, 189-190	COVER, TURNTABLE RH.....161	DECAL, COSMETIC, S60.....15, 23, 47, 55, 63, 71, 111	
CONNECTOR, 010102-6-4.....209	COVER, WEATHERPROOF 3-PHASE.....311	DECAL, COSMETIC, S65.....31, 39	
CONNECTOR, 070120-4-8.....313	CRANK PULLEY, EXT, MSG425.....205	DECAL, DANGER DO NOT ALTER SWTC.....17, 33, 49, 65, 81, 97	
CONNECTOR, PLUG 6 WAY 18-20 GA.....163-164	CRIMPER, DEUTSCH, LIGHT DUTY***.....163-164, 255		
CONTACT, N.C.....249-250	CYLINDER, LIFT, S60HC.....159, 223-224		
CONTACT, N.O.***.....250	CYLINDER, STEER.....127		
CONTACTOR, LIMIT SWITCH.....227	CYLINDER, BOOM EXTENSION.....227		
CONTROL BOX COVER, LID, PTD.....279	CYLINDER, JIB (STICK BOOMS).....235		
	CYLINDER, LIFT, S60***.....223-224		
	CYLINDER, MASTER.....223-224		
	CYLINDER, OSCILLATE, S60.....118		
	CYLINDER, PLATFORM LEVEL ***.....233, 235, 237, 239		
	CYLINDER, STEERING***.....117-118		

## Part Description Index (continued)

DECAL,DANGER TIP OVER TRAX.....77, 79, 93, 95	DECAL,INSTR,SIDE FRC/WIND,AUS.....19, 35, 83, 99	DECAL,LANYARD ANCHORAGE POINT...19, 27, 35, 43, 51, 59, 67, 75, 83, 91, 99, 107, 115, 325
DECAL,DANGER,BATTERY SAFETY***....13, 29, 45, 61, 77, 93	DECAL,INSTR-MAX CAP 1200LBS.....215	DECAL,LOW/ULTRA LOW SULFR FUEL...13, 29, 45, 61, 77, 93
DECAL,DANGER,ELEC.HAZ.STAY CLR....21, 23, 37, 39, 53, 55, 69, 71, 85, 87, 101, 103, 109, 111	DECAL,INSTR,FOOTSWITCH OPER.....19, 35, 51, 67, 83, 99	DECAL,NOTICE,MAX LOAD 500 LBS.....19, 35, 83, 99
DECAL,DANGER,ELECT HAZARD***.....13, 15, 29, 31, 45, 47, 61, 63, 77, 79, 93, 95	DECAL,LABEL, AIR LINE 110 PSI.....15, 19, 23, 27, 31, 35, 39, 43, 47, 51, 55, 59, 63, 67, 71, 75, 79, 83, 87, 91, 95, 99, 103, 107, 111, 115	DECAL,NOTICE,OPER INST.S60.....29, 35, 93, 99
DECAL,DANGER,GENERAL SAFETY.....13, 19, 29, 35, 45, 51, 61, 67, 77, 83, 93, 99	DECAL,LABEL,105 DB.....21, 37, 53, 69, 85, 101, 109	DECAL,NOTICE,SHUTOFF VALVES....13, 29, 45, 61, 77, 93
DECAL,DANGER,HI-FLOAT TIRE.....29, 31, 45, 47	DECAL,LABEL,ASSY INSTALL,I.....131	DECAL,OPTION CONTROL BOX HEATR.....253
DECAL,DANGER,HIGH VOLTAGE.....15, 19, 31, 35, 47, 51, 63, 67, 79, 83, 95, 99, 309, 311	DECAL,LABEL,ASSY INSTALL,R.....131	DECAL,POWER TO PLATFORM 115V.....15, 19, 23, 27, 31, 35, 39, 43, 47, 51, 59, 63, 67, 71, 75, 79, 83, 87, 91, 95, 99, 103, 107, 111, 115
DECAL,DANGER,MAX LOAD S60HCSYM.....115	DECAL,LABEL,BELT ROUTING DSG.....15, 23, 31, 39, 47, 55, 63, 71, 79, 87, 95, 103, 111	DECAL,PROTECTOR,CLEAR.....305
DECAL,DANGER,MAX SIDE FRC,667N.....43, 59, 75, 91, 107	DECAL,LABEL,BELT,MSG425.....15, 31, 47, 63, 79, 95	DECAL,SYMBOL-BATTERY SAFETY.....21, 37, 53, 69, 85, 101, 109
DECAL,DANGER,NO SMOKING.....13, 29, 45, 61, 77, 93	DECAL,LABEL,CONTROLS BATTERY.....13, 29, 45, 61, 77, 93	DECAL,SYMBOL-COMP ACCESS.....23, 39, 55, 71, 87, 103, 111
DECAL,DANGER,SIDE FRC 400N.....27, 43, 91, 107, 115	DECAL,LABEL,FALL HAZARD***...25, 41, 57, 73, 89, 105, 113	DECAL,SYMBOL-READ THE MANUAL.....327
DECAL,DANGER,TIP OVER,PLAT.....19, 35, 51, 67, 83, 99	DECAL,LABEL,LIQUID PROPANE.....13, 21, 29, 37, 45, 53, 61, 69, 77, 85, 93, 101, 109	DECAL,TOWING INSTRUCTIONS.....13, 29, 45, 61, 77, 93
DECAL,DANGER,TIP-OVER,WELDER**....19, 35	DECAL,LABEL,LOWER MIDRAIL....19, 27, 35, 43, 51, 59, 67, 75, 83, 91, 99, 107, 115	DECAL,TRACK,FALL ARREST BAR,SYMBOL.....325
DECAL,DANGER,TIPOVER,TILT....19, 35, 51, 67, 83, 99	DECAL,LABEL,MANUAL NOT HERE...19, 35, 51, 67, 83, 99	DECAL,TRACK,FALL ARREST BAR,WORD.....325
DECAL,DANGER,TIPOVER,TILT,SYM.....27, 43, 59, 75, 91, 107, 115	DECAL,LABEL,MAX CAPACITY***.....27, 43, 91, 107	DECAL,TRACK,FALL ARREST BAR,WORD FR.....325
DECAL,DANGER,TIPOVR,MAX CAP...45, 51, 61, 67, 77, 83	DECAL,LABEL,NO SMOKING,SYMB...21, 37, 53, 69, 85, 101, 109	DECAL,TRIANGLE,BLUE...13, 15, 21, 23, 29, 31, 37, 39, 45, 47, 53, 55, 61, 63, 69, 71, 77, 79, 85, 87, 93, 95, 101, 103, 109, 111
DECAL,DANGER/LABEL,TIRE SPECS.....29, 31, 45, 47	DECAL,LABEL,PATENTS.....29, 45, 61, 77, 93	DECAL,TRIANGLE,YELLOW....13, 15, 21, 23, 29, 31, 37, 39, 45, 47, 53, 55, 61, 63, 69, 71, 77, 79, 85, 87, 93, 95, 101, 103, 109, 111
DECAL,DIESEL.....13, 21, 29, 37, 45, 53, 61, 69, 77, 85, 93, 101, 109	DECAL,LABEL,PETRO CANADA***.....13, 29, 45, 61, 77, 93	DECAL,ULS DIESEL ONLY,TIER 4.....13, 29, 45, 61, 77, 93
DECAL,DRIVE ENABLE PATCH.....27, 43, 59, 75, 91, 107	DECAL,LABEL,RELAYS,S60&65....13, 29, 45, 61, 71, 77, 93	DECAL,WARN,AVOID INJURY.....131
DECAL,EMERGENCY LOWERING.....21, 37, 85, 101, 109	DECAL,LABEL,STARTER BATTERY....13, 29, 45, 61, 77, 93	DECAL,WARN,CRUSH HAZ.....131
DECAL,ENGINE SPEC,DEUTZ 2011...15, 31, 47, 63, 79, 95	DECAL,LABEL,TEST***.....13, 29, 45, 61, 77, 93	DECAL,WARN,CRUSH HAZARD HAND....13, 15, 17, 29, 31, 33, 45, 47, 49, 61, 63, 65, 77, 79, 81, 93, 95, 97
DECAL,ENGINE SPEC,PERKINS***....15, 31, 47, 63, 79, 95	DECAL,LABEL,TIP OVER LMT SWTCH.....25, 27, 41, 43, 53, 57, 59, 69, 73, 75, 85, 89, 91, 105, 107, 113, 115	DECAL,WARN,CRUSH HAZARD PLAT....19, 27, 35, 43, 51, 59, 67, 75, 83, 91, 99, 107, 115
DECAL,EXPLOSION HAZARD.....15, 31, 47, 63, 79, 95	DECAL,LABEL,TIPOVER,TIRES,SYMB.....21, 23, 37, 39, 53, 55, 69, 71, 109, 111	DECAL,WARN,FALL HAZARD.....17, 33, 49, 65, 81, 97
DECAL,FIRE EXTINGUISHER.....19, 35, 51, 67, 83, 99	DECAL,LABEL,TIPOVER,TRAX,SYMB.....85, 87, 101, 103	DECAL,WARN,HIGH PRESS.....131
DECAL,FORD ENGINE SPEC DSG423.....15, 31, 47, 63, 79, 95	DECAL,LABEL,TIRE PRESS HF....21, 23, 37, 39, 53, 55	DECAL,WARN,IMPROPER OPERATION...19, 35, 51, 67, 83, 99
DECAL,FORD ENGINE SPEC MSG425.....15, 31, 47, 63, 79, 95	DECAL,LABEL,TIRE PRESSURE...21, 23, 37, 39, 53, 55, 69, 71, 109, 111	DECAL,WARN.WELD LINE INST.WORD....15, 19, 31, 35, 47, 51, 63, 67, 79, 83, 95, 99
DECAL,GR CNTL PNL 60TX.....77, 85	DECAL,LABEL,TORQUE.....131	DECAL,WARNING,CRUSHING HAZARD...21, 23, 25, 37, 39, 41, 53, 55, 57, 69, 71, 73, 85, 87, 89, 101, 103, 105, 109, 111, 113
DECAL,GR CNTL PNL 60X 80X....45, 53	DECAL,LABEL,TRANSPORT DIAGRAM....13, 15, 21, 23, 29, 31, 37, 39, 45, 47, 53, 55, 61, 63, 69, 71, 77, 79, 85, 87, 93, 95, 101, 103, 109, 111	DECAL,WARNING,PANEL CRADLE.....19, 35, 51, 67, 83, 99, 285
DECAL,GR CNTL PNL 60XC.....61, 69	DECAL,LABEL,UCON HYDROLUBE....13, 29, 45, 61, 77, 93	DECAL,WARNING,PIPE CRADLE,BOOM....19, 35, 51, 67, 83, 99, 285
DECAL,GROUND BOX,TIER IV.....29, 93	DECAL,LABEL,UNLEADED GAS ONLY.....13, 21, 29, 37, 45, 53, 61, 69, 77, 85, 93, 101, 109	DECAL,WARNING-COMPART ACCESS....15, 31, 47, 63, 79, 95
DECAL,INST OPER INST 60XC.....67	DECAL,LABEL,WELD LINE INST,SYM.....23, 27, 39, 43, 55, 59, 71, 75, 87, 91, 103, 107, 111, 115	DIN RAIL,17".....147, 153
DECAL,INST PLAT CAP 60TRAX.....77, 83	DECAL,LABEL,WHEEL LOAD S60/60X.....13, 15, 21, 23, 45, 47, 53, 55	DIODE, 6A 22903-6V.....133-134
DECAL,INST PLAT CAP 60TRAX SYM.....85, 91	DECAL,LABEL,WHEEL LOAD S60H/XC....61, 63, 69, 71, 109, 111	DIODE,6 AMP,200 PIV,BULK.....185-186, 189-190
DECAL,INST PLAT CAP 60X.....45, 51	DECAL,LABEL,WHEEL LOAD S65.....29, 31, 37, 39	DIPSTICK TUBE, STRAIGHT SHORT.....212, 215
DECAL,INST PLAT CAP 60XC.....61, 67		DIPSTICK, MSG425.....203
DECAL,INST PLAT CAP 60XC SYM.....69, 75		
DECAL,INST PLAT CAPACITY,SYM.....53, 59		
DECAL,INST,OPER INST 60TRAX.....83		
DECAL,INSTR,MAX SIDE FRC,ANSI...35, 51, 67, 83, 99		

DIPSTICK, OIL, D2011.....186  
 DIPSTICK, STRAIGHT SHORT.....212, 215  
 DIPSTICK-F3L1011F (DEUTZ).....189-190  
 DISCONNECT KIT (88887).....118, 121-122  
 DRIVE COUPLING, 13 TOOTH.....313  
 DRIVE COUPLING,KEYED.....313

**E**

ECM MOUNT, PERK 404F-22.....221  
 ECM, Deutz D2.9.....134  
 ECM, PERKINS 404F-22.....221  
 ELBOW,070220-4-4.....313  
 ELBOW,130339-6-6.....141  
 ELBOW,45D,520320-12-16.....275  
 ELBOW,45D,520320-16.....257, 259  
 ELBOW,45D,520320-4.....257, 259, 261, 263  
 ELBOW,45D,520320-8.....261, 263  
 ELBOW,90 DEGR,RUBBER,2.5" I.D.\*.....307  
 ELBOW,90,1/4-18NPT,FEMALE.....131  
 ELBOW,90D,1/4FPTX3/8MPT.....143  
 ELBOW,90D,520220-16-12.....273, 319  
 ELBOW,90D,520220-4-4.....257, 259, 261, 263, 269  
 ELBOW,90D,520220-4-6\*\*\*.....261, 263, 265, 267  
 ELBOW,90D,520220-6.....265, 267  
 ELBOW,90DEG,1/8MPT-5/16 BARB.....207  
 ELBOW,AIR INTAKE,RUBBER.....189-190  
 ELBOW,SWIVEL NUT 90DEG,-4.....313  
 ELEMENT-5 MIC, PAPER, W/ BYPASS.....156  
 ENCLOSURE BOX, GAUGE OPT,DRILLD.....315  
 END BOGEY.....131  
 END BRACKET,FIXED END.....245  
 END BRACKET,MOVING END.....245  
 END CAP, WHEEL DRIVE.....117-118, 121-122  
 END STOP, DIN RAIL,SCREW CLAMP.....147  
 END STOP,TRACK,FALL ARREST BAR.....325  
 ENGINE HARNESS, MSG425.....203  
 ENGINE KIT, DEUTZ D2.9L4.....195, 199  
 ENGINE MOUNT, LEFT, MSG425.....209  
 ENGINE MOUNT, REAR, MSG425.....209  
 ENGINE MOUNT, RIGHT, MSG425.....209  
 ENGINE TRAY ASSY W/BEARINGS.....155-156  
 ENGINE,PERKINS,DIESEL 404D-22.....211-212  
 ENGINE,PERKINS,DIESEL,404F-22.....215  
 EVACUATOR VALVE-AIR CLEANER.....185-186, 189-190, 197, 211-212, 217  
 EXHAUST MANIFOLD.....211-212  
 EXHAUST MANIFOLD, MSG425.....205  
 EXHAUST PIPE GASKET.....193  
 EXHAUST PIPE,DEUTZ.....185-186  
 EXPANSION TANK,METAL,D2.9.....199

**F**

FAN BELT, ALTERNATOR.....215  
 FAN DRIVE BELT, MSG425.....205  
 FAN PULLEY, MSG425.....205  
 FAN SHROUD, MSG425.....209  
 FAN SHROUD,DEUTZ D2.9.....195  
 FAN SPACER, MSG425.....205  
 FAN SPACER,DEUTZ D 2.9.....199  
 FAN, 10 BLADE, 15".....199  
 FAN, ENGINE (104-22)(404-22)\*.....212, 219  
 FAN, MSG425.....205

FEMALE BULKHEAD CONNECTOR-8.....299  
 FIELD KIT,6 1/2MESH PLAT W/GAT.....281  
 FIELD KIT,MTE 120V-60HZ, S60.....321  
 FIELD KIT,MTE, 120V-50HZ, S60.....321  
 FIELD KIT,MTE, 240V-50HZ, S60.....321  
 FILTER ASSY,HIGH PRESS SAE-12\*.....156  
 FILTER ASSY,INTANK.....133-134  
 FILTER ASY,M PRESS,SAE8,WOIND\* (77139).....156  
 FILTER ELEMENT,AIR,NOLFF LPG.....207  
 FILTER HEAD (29560).....185-186  
 FILTER INDICATOR-(60334).....156  
 FILTER LID,RFM165.....133-134  
 FILTER, DEUTZ 2.9, FUEL.....201  
 FILTER, FUEL.....143  
 FILTER,AIR CLEANER,SUPERBOOM.....189-190  
 FILTER,AIR\*\*\*.....185-186, 197, 211-212, 217  
 FILTER,ELEMENT,30 MIC,75020.....212, 215, 217  
 FILTER,ELEMENT,BETA(10)=200.....133-134  
 FILTER,ELEMENT,BETA(5)=1000.....156  
 FILTER,FUEL,PERKINS.....212, 215  
 FILTER,FUEL/WTR SEP, DTZ 1008.....185-186, 189-190  
 FILTER,OIL,DEUTZ F4L1011F.....185-186, 189-190, 195  
 FILTER,OIL,DEUTZ,REPLACEMENT.....185-186, 189-190, 195  
 FINGER,GUIDE,CABLE TRACK.....245  
 FIRE EXTINGUISHER.....311  
 FITTING, 3/8 NPT TO 3/16 HOSE.....141  
 FITTING, DEPR COOLANT, MSG425.....203  
 FITTING, DEPR LP, MSG425.....203  
 FITTING,1/4 NPT X SAE J2044.....143  
 FITTING,3/8 NPT TO 1/2 BARB.....141  
 FITTING,3/8 NPT TO 1/4 NPT.....141  
 FITTING,BARBED,STRT,FUEL LINE.....185-186  
 FITTING,BARBED,TEE,FUEL LINE.....185-186  
 FITTING,BULKHEAD,3/8NPT,FUELTK.....141  
 FITTING,CONN,16MM-6MJ.....201  
 FITTING,CONN,16MM-8MJ.....201  
 FITTING,CONN,520120-12\*\*\*.....257, 259, 261, 263, 265, 267, 271, 273, 275, 319  
 FITTING,ELBOW,45D,520320-12\*\*\*.....257, 259, 271, 275  
 FITTING,ELBOW,45D,520320-4-6\*\*.....261, 263  
 FITTING,ELBOW,6GS-6FJX90S.....201  
 FITTING,ELBOW,8GS-8FJX90S.....201  
 FITTING,ELBOW,90D,520220-8\*\*\*.....257, 259, 275  
 FITTING,HYDRAULIC,90DEG,O-RING.....186  
 FITTING,ORIFICE,.047.....313  
 FITTING,REDUCER,520123-12-8\*\*\*.....275  
 FITTING,SAE J2044F X5/16 BARB.....143  
 FITTING,TEE,BRANCH,520433-4.....269  
 FITTING,TEE,RUN,SWIVEL520432-4.....261, 263, 265, 267, 269, 271  
 FLANGE,EXHAUST.....211-212  
 FLANGE,EXHAUST,PERKINS 404F.....221  
 FLASHTUBE,STRAIGHT,360DEG,BULB...277  
 FLASHTUBE,U SHAPED,360DEG,BULB...277  
 FLATBAR, CLAMPS, CABLE TRACK.....245  
 FLATBAR,ALUM,THROTTLE LINKAGE.....211-212  
 FLEX PIPE,EXHAUST,2.5" DIA.....193  
 FLOORING, 6'FT PLATFORM.....247  
 FLOORING,4 FT PLATFORM,PAINTED.....247

FLOORING,8 FT PLATFORM\*\*.....247  
 FLYWHEEL (PERKINS KR70481U)\*\*.....211-212  
 FLYWHEEL ASSY, MSG425.....203  
 FOAM PAD, 3" OD X 1.25" ID X 14 IN.....285  
 FOAM,AIRCRAFT PROTECTION.....293, 297  
 FORMING ,AIR CLEANER MOUNT.....207  
 FORMING BRKT, WIPER 1 TO 2.....301  
 FORMING BRKT, WIPER 2 TO 3.....301  
 FORMING PANEL CRADLE.....285  
 FORMING, BULKHEAD,RIGHT,S60/65.....156  
 FORMING, CABLE ANCHOR.....243  
 FORMING, ECU MOUNT, MSG425.....209  
 FORMING, ENGINE MOUNT, PERKINS...211-212  
 FORMING, FAN GUARD,PERKINS 404.....215  
 FORMING, GAUGE OPTION BRACKET....315  
 FORMING, HEAT SHIELD MOUNT.....207  
 FORMING, LEFT ENGINE MOUNT.....201  
 FORMING, LP REG MOUNT, MSG425.....209  
 FORMING, OPA CAGE.....327  
 FORMING, OPA CAP.....327  
 FORMING, OPA, BRACKET.....327  
 FORMING, PLAT. BOX LID.....253  
 FORMING, RAD SUPPORT, MSG425.....209  
 FORMING, REAR ENGINE MOUNT.....201  
 FORMING, RIGHT ENGINE MOUNT.....201  
 FORMING, SOLENOID MOUNT\*\*\*.....189-190  
 FORMING, TRACK BRACE, LH.....245  
 FORMING, TRACK BRACE, RH.....245  
 FORMING,8.5' MUFFLER MOUNT.....193  
 FORMING,AIR CLEANER MOUNT PNTD.....185-186, 193  
 FORMING,ANGLE LINKAGE BRACKET....159  
 FORMING,ANGLE SENSOR CABLE.....224  
 FORMING,BULKHEAD,LEFT FRONT.....134  
 FORMING,BULKHEAD,LEFT REAR.....137  
 FORMING,CABLE GUIDE.....247  
 FORMING,CAL TOGGLE SWITCH.....139  
 FORMING,CLAMP,TOP,CABLE TRACK.....245  
 FORMING,COVER STOP,PAINT.....161  
 FORMING,COVER STOP,PAINTED....133-134  
 FORMING,DEUTZ AIR INTAKE BAF P.....185-186  
 FORMING,DRIVE ENABLE LIMIT SW.....155-156  
 FORMING,ECU MOUNT,404F-22.....221  
 FORMING,ENGINE MOUNT.....189-190  
 FORMING,ENGINE MOUNT PAINTED.....193  
 FORMING,ENGINE MOUNT MOUNT RH PAINTE.....211-212, 221  
 FORMING,ENGINE MOUNT,FL PAINT\*....185-186  
 FORMING,ENGINE MOUNT,FR PAINT\*...185-186  
 FORMING,ENGINE MOUNT,LH PAINTE....221  
 FORMING,EXPANSION TANK SUPT.....199  
 FORMING,FAN GUARD, DEUTZ D2.9.....195  
 F O R M I N G , H A R N E S S SUPPORT,S60/65.....133-134  
 FORMING,HEAT SHIELD,MUFFLER\*\*\*.....189-190  
 FORMING,HOSE BRACKET.....195  
 FORMING,HYD SWIVEL BRACKET...155-156  
 FORMING,INNER HANGER.....325  
 FORMING,LATCH,CTRL BOX LID PTD.....279  
 FORMING,LIMIT SWITCH BRACKET.....227  
 FORMING,MFLD GUARD,MSG425.....207  
 FORMING,MUFFLER MOUNT.....189-190





HOSE ASSY,1/4 STR FEM,STR FEM.....265, 267	HOSE-HEATER,5/8 ID-BLACK.....209	KIT,CHARGE PUMP HOUSING.....181
HOSE ASSY,1/4", 38.00.....261, 263	HOUR METER,10-80 VOLTS***.....145	KIT,ELEMENT**.....133-134
HOSE ASSY,1/4,693".....261, 263	HOUSING,PUMP MOUNT (54573).....212	KIT,EXTEND/RETRACT CABLE,S60.....229
HOSE ASSY,1/4,90 FEM,STR FEM.....257, 259, 265, 269	HRef. ARN,12V WORK LIGHT RELAY.....287	KIT,FAN SUPPORT RETRO,FORD MSG.....205
HOSE ASSY,1/4,90 FEM,STR FEM**.....261, 263, 265, 269, 271	HUB ASSEMBLY.....131	KIT,FBA STYLE COUPLER,PERKINS.....212, 217
HOSE ASSY,1/4,STR FEM,STR FEM.....261, 263	HUB SCREW.....121-122	KIT,FBA STYLE COUPLER,SAE8.....185-186
HOSE ASSY,1/4,STR FEM,STR FEM*.....257, 259, 261, 263	HUBBLE NUT, PG11.....317	KIT,FIELD INSTALL,SWING GATE.....281
HOSE ASSY,3/4".....265, 267	HYD. HOSE ASSEMBLY 3000 PSI.....131	KIT,FRICION DISC***.....155-156
HOSE ASSY,3/4,45 FEM,STR FEM.....275	HYDRAULIC TANK ASSEMBLY.....133-134	KIT,GASKET,UK POWER TO PLAT.....299
HOSE ASSY,3/4,45 FEM,STR MALE.....273, 319		KIT,GEN. PRESSURE SWITCH.....309, 321
HOSE ASSY,3/4,90 FEM,STR FEM.....257, 259, 265, 267, 271, 275	<b>I</b>	KIT,MED PRES FUEL SUPPLY,D2.9.....201
HOSE ASSY,3/4,90 FEM,STR FEM**.....265	IDLER BRACKET.....205	KIT,MTE&OIL COOL,120V50HZ,S60.....321
HOSE ASSY,3/4,STR FEM,STR FEM.....257, 259, 273, 275	INJECTOR, FUEL(DEUTZ F3L2011F).....186	KIT,MTE&OIL COOL,120V60HZ,S60.....321
HOSE ASSY,3/8,STR FEM,STR FEM.....265, 267	INJECTOR, FUEL, MSG425.....203	KIT,MTE&OIL COOL,240V50HZ,S60.....321
HOSE ASSY,3/8,STR FEM,STR,90D.....261, 263	INSTRN, TRC RETROFIT, STNDRD.....163-164	KIT,OP SWITCH,DEUTZ.....186
HOSE ASSY,LP GAS.....203	INSTRUCTIONS-PIPE CRADLE,BOOMS.....285	KIT,PANEL CRADLE BRACKET,SYMBL.....285
HOSE ASSY,3/4",90,FEM,STR FEM.....257, 259	INTAKE MANIFOLD.....211-212, 221	KIT,PANEL CRADLE BRACKET,WORD.....285
HOSE END,BARB,1/4 MNPTX5/16,90.....212	INTAKE MANIFOLD, MSG425.....203	KIT,PRIMER BULB.....186
HOSE END,BARB,1/4 MNPTX5/16,ST.....212	ISOLATOR, DEPR.....209	KIT,PUMP SHAFT SEAL W/INST***.....181
HOSE END,BARB,3/8 MNPT X 5/16.....141	ISOLATOR, VIBRATION.....195, 199, 209	KIT,REPAIR,DEUTSCH PLUG,W/TUBE.....163-164, 255
HOSE END,375 MPT X .25 HOSE.....141	ISOLATOR,ENGINE VIBRATION.....189-190, 193	<b>K I T , R E P A I R , D E U T S H</b>
HOSE GUIDE, JIB.....235	ISOLATOR,ENGINE VIBRATION***.....185-186, 201, 209, 221	CONNECTORS**.....163-164, 255
HOSE HANGER, MSG425.....209	ISOLATOR,VIBRATION,M8 MALE/FEM.....212, 215	KIT,SEAL,3CC PUMP***.....212
HOSE, CLEAN AIR, MSG425.....207		KIT,SOLENOID CONTROL SERVICE.....181
HOSE, COOLANT BYPASS, MSG425.....203	<b>J</b>	KIT,STRAINER REPLACEMENT.....257, 259
HOSE, COOLANT, VAP, MSG425.....209	J-BOX ASSEMBLY,8X10.....309	KIT,SWING BRAKE REBUILD***.....155-156
HOSE, INTAKE, 2"ID X 3".....217	JIB BOOM ASSY W/SYMBOL DECAL.....235	KIT,TRAX,9-BOLT,S60 W/OMNI HUB.....131
HOSE, LOWER RADIATOR, MSG425.....209	JIB BOOM ASSY W/WORD DECAL.....235	KIT,TRAX,9-BOLT,S60 W/RR HUBS.....131
HOSE, RAW AIR, DEUTZ D2.9.....197	JOYSTICK CONNECTOR ASSEM,DEUT.....253	KIT,WELD LEADS ASSY,V275S.....311
HOSE, RAW AIR, MSG425.....207	JOYSTICK,1 AXIS ROCKER,DEUTSCH.....255	KIT,WIRE,12.5KW WELDER.....311
HOSE,1/4 FUEL LINE,SAE 30R7.....141, 185-186, 189-190	JOYSTICK,2 AXIS,DEUTSCH.....255	KNOB,JOYSTICK, 62390/62391.....255
HOSE,5/16 FUEL,SAE 30R7.....141, 186, 189-190	JOYSTICK,2 AXIS,ROCKER,DEUTSCH.....255	KNOB,ROCKER JOYSTICK 75565.....255
HOSE,AIR 3/8.....205	JOYSTICK,DUAL AXIS W/KNOB.....255	
HOSE,AIR CLEANER.....185-186	JOYSTICK,DUAL AXIS W/STEER.....255	<b>L</b>
HOSE,AIR CLEANER TO INTAKE.....211-212	JOYSTICK,SINGLE AXIS W/STEER.....255	LABEL, GBOX, S60TX ANSI TIER 4.....77
HOSE,AIR INLET.....211-212	JUMPER COMB, 2-WAY,WIELAND.....147, 153	LABEL, GBOX, S60X TIER 4.....45, 61
HOSE,AIR INTAKE 2.5" I.D.....307	JUMPER COMB, 3-WAY,WIELAND.....147, 153	LABEL, PBOX, S60TX ANSI TIER 4.....83
HOSE,AIR INTAKE 2.50" ID.....197		LABEL, PBOX, S60X TIER 4.....51
HOSE,ENGINE VENT,DEUTZ D2.9.....199	<b>K</b>	LABEL, PBOX, S60XC TIER 4.....67
HOSE,EXPANSION TANK,D2.9.....199	KEEPER,LATCH (45363).....161	LABEL, PBOX, S65 TIER 4.....35, 99
HOSE,FUEL,1/2,S60,D2.9,SUPPLY.....141	KEY, HEX, 5/16" X 2.50"LG,SS.....224	LABEL,SCON SOFTWARE,S60HC.....109
HOSE,FUEL,5/16 HIGH PRES 3 IN.....143	KEYSWITCH,3 POS. W/KEYS***.....145, 149-150	LABEL,TCON SOFTWARE,S60HC.....109
HOSE,FUEL,5/16 HIGH PRES 35 IN.....143	KIT, AUX TOP RAIL SUPPORT.....279	LANYARD,PLATFORM CONTROL BOX.....253
HOSE,FUEL,5/16 HIGH PRESSURE**.....143	KIT, BRAKE SPRING.....155-156	LATCH,FLEXIBLE DRAW W/O
HOSE,FUEL,5/16HIGH PRES 127 IN.....143	KIT, FRICTION DISC.....155-156	KEEPER.....133-134
HOSE,FUEL,5/16HIGH PRS 40 IN.....143	KIT, GLAND NUT, S60 LIFT CYL.....159, 223-224	LATCH,GRND.CTRL.BOX COVER.....303
HOSE,FUEL,5/16HIGH PRS 60 IN.....143	KIT, HD STARTER INSTALL, MSG-4.....203	LATCH,SLIDE, FLUSH MOUNT STYLE.....279
HOSE,LOWER RADIATOR,DEUTZ D2.9.....195	KIT, HEAT GUARD, DEUTZ STARTER.....185-186	LENS,AMBER,STROBE,FIREBOLT.....277
HOSE,LOWER,RADIATOR,PERKINS.....211-212, 215	KIT, ISOLATION, 2 JOYSTICK.....255	LEVEL SENSOR,LS60,YL,2.5X4.5.....137
HOSE,PCV,DEUTZ D2.9.....197	KIT, LEVEL SENSOR, 6 PIN CONN.....137, 164	LEVER, GOVERNOR ACTUATOR.....185-186, 189-190
HOSE,RADIATOR VENT,DEUTZ D2.9.....199	KIT, OPA WELDER BRACKET.....327	LID ENCLOSURE,RED,OPA.....327
HOSE,UPPER RADIATOR,DEUTZ D2.9.....195	KIT, RETROFIT, WELDGEN, MAG BREAKER.....309	LIFT PUMP,FUEL,DEUTZ.....201
HOSE,UPPER RADIATOR,MSG425.....207	KIT, SEAL, PUMP, 1 SECTION.....181	LIGHT, 12 VOLT.....287
HOSE,UPPER RADIATOR,PERKINS.....212, 215	KIT, SEAL, PUMP, 2 SECTION.....181	LIGHT,LED IND. AMBER 12V NH.....249-250
	KIT, SWING BRAKE REBUILD.....155-156	LIGHT,LED IND. RED 12V NH...145, 149-150, 249-250
	KIT, TERMINAL BLOCK.....147	LIMIT SWITCH,BLUE,MICRO.....231
	KIT, TRC RETROFIT, STNDRD.....163-164	LINING KIT,BRAKE,OMNI***.....117-118, 121-122
	KIT,BRAKE SPRING***.....155-156	LOAD CELL FLEXURE.....237
	KIT,CHARGE PUMP.....181	LOAD SUPPORT W/BEARINGS.....241

## Part Description Index (continued)

- LOCK,RECEP 4 WAY,14-18GA.....227  
 LOCK,RECEP 6 WAY,14-18GA.....159  
 LOCKNUT,ELEC,1/2".....299, 321  
 LOCKNUT,ELECTRIC,1" NPT.....309  
 LOCKNUT,FLANGE,5/8-11,GR8.....131  
 LOCKOFF,LP,FORD DSG/MSG.....209  
 LOCKRING, RR\*\*\*.....118, 121-122  
 LOWER IDLER PULLEY, MSG425.....205  
 LT.LAMP IND. AMBER 12V ENG.NH.....145  
 LT.LAMP IND.AMBER 12V NH.....249-250  
 LUG,STUD/WHEEL (88887).....118, 121-122
- M**
- MACH,PLATE,LOAD SUPPORT.....237  
 MACH. MOUNTING BLOCK.....127  
 MACH.,PLATE,STOP.....237  
 MACHINED PIVOT PLATE WELDMENT.....227  
 MACHINED,LOAD CELL LINK.....237  
 MALE PIPE THD,1/4" SER,3/8"X18.....299  
 MANIFOLD ASSEMBLY, GEN.....321  
 MANIFOLD,BRAKE,2-SPEED.....183  
 MANIFOLD,DRIVE OIL DIVERTER.....309  
 MANIFOLD,EXHAUST,PERKINS 404F.....221  
 MANIFOLD,FUNCTION.....167-168, 171-172  
 MANIFOLD,JIB SELECT W/QD PLUG.....179  
 MANIFOLD,JIB SELECT W/QD PLUG\*  
 (88786).....179  
 MANIFOLD,ROTATOR,CB\*\*\*.....179  
 MANIFOLD,TRACTION,2WD.....175  
 MANIFOLD,TRACTION,4WD\*\*\*.....177  
 MANUAL BOX W/DECALS\*\*\*.....247  
 MANUAL,OPERATORS PERKINS 404.....211-  
 212  
 MAP SENSOR, DSG-423.....203  
 MESH,HALF,LH 5' PLATFORM.....281  
 MESH,HALF,LH,6' PLATFORM.....281  
 MESH,HALF,RH 5' PLATFORM.....281  
 MESH,HALF,RH,6' PLATFORM.....281  
 MESH,HALF,SWING GATE\*\*\*.....281  
 MIXER, MSG425.....203  
 MODULE,CONTROL UNIT,PCB,OPA.....327  
 MODULE,CONTROL,HI AMP.....147, 153  
 MODULE,FUSE&RELAY,DEUTZ 2.9.....133-  
 134  
 MODULE, FUSE & RELAY, PERKINS  
 404F.....133-134  
 MODULE,IGNITION/START,12/24V.....147  
 MODULE,LOAD SENSE 2007.....147  
 MODULE,TIME DELAY ON BREAK 4S.....147,  
 153  
 MOTOR,12VDC,77066.....137  
 MOTOR,HYD,25CC FIXED\*\*\*.....313  
 MOTOR,PISTON,30CC,4WD\*\*\*.....118, 121-  
 122  
 MOTOR,PISTON,35CC,2WD\*\*\*.....122  
 MOUNT COVER.....313  
 MOUNT, STRING POT, S60HC.....243  
 MOUNT,GROUND CONTROL BOX LH.....149-  
 150  
 MOUNT,GROUND CONTROL BOX RH.....149-  
 150  
 MOUNT,SWITCH.....241  
 MOUNTING BAND,AIR CLEANER.....189-190  
 MOUNTING BAND,MUFFLER,8.0".....207  
 MPT,CPLR,1/4"SER,3/8"X18.....299  
 MUFFLER,2.5"INLET/OUTLET.....189-190  
 MUFFLER,6".....212  
 MUFFLER,CAT/SPARK,DEUTZ.....185-186,  
 189-190
- MUFFLER,CATALYTIC.....212  
 MUFFLER,DEUTZ.....185-186  
 MUFFLER,SPARK ARRESTOR.....212
- N**
- NIPPLE,DIAGNOSTIC,#6 PORT\*\*\*.....257, 259,  
 261, 263, 265  
 NIPPLE,DIAGNOSTIC,ORFS,FM,SWIV.....257,  
 259, 269  
 NIPPLE,STEEL PIPE,1/4NPTX1 LG.....131  
 NIPPLE,STEEL PIPE,1/4NPTX2.5LG.....131  
 NON-STEER AXLE ASSEMBLY.....129  
 NON-STEER AXLE ASSEMBLY\*\*.....121-122  
 NUT.....145, 149-150  
 NUT - PLASTIC,RING FOR ALARMS.....133-  
 134, 250, 277  
 NUT HEX M5-0.8 CLASS 8 ZINC.....253  
 NUT, EXH. MANIFOLD, MSG425.....205  
 NUT, FLANGE, 3/4-16 UNF GR8.....127, 129  
 NUT, LP NYLOCK, 3/8-16.....212, 247  
 NUT, PISTON, LIFT CYLINDER.....223-224  
 NUT, PROPORTIONAL VALVE.....172  
 NUT, SOLENOID VALVE COIL.....168  
 NUT,1/4-20,8,ZAG.....289  
 NUT,3/8-16,8,ZAG.....289  
 NUT,BULKHEAD,520118-4.....261, 263  
 NUT,EXHAUST,PERKINS 404F.....221  
 NUT,FLG-LRG,3/8-16,YZ.....195, 209  
 NUT,HEX,1/4-28.....125  
 NUT,HEX,10-24.....186  
 NUT,HEX,5/16-18,GR5.....309  
 NUT,HEX,FLANGE 5/8-18,GRD 8 ZI.....121-  
 122  
 NUT,HEX,JAM,3/4-10.....155-156  
 NUT,HEX,JAM,3/8-24.....159  
 NUT,HEX,JAM,3/8-24, LEFT HAND.....159  
 NUT,HEX,M8,PLASTIC.....291, 293, 295, 297  
 NUT,LOCKING-LG.FLANGE,1/4-20.....207, 217  
 NUT,LOCKING-LG.FLANGE,5/16-18.....133-  
 134, 207, 217  
 NUT,LP NYLOCK,1/4-20.....245, 253, 279, 283,  
 295, 301, 303  
 NUT,LP NYLOCK,10-32.....317  
 NUT,LP NYLOCK,3/8-24.....159  
 NUT,LP NYLOCK,5/16-18.....203  
 NUT,M4 NYLOCK.....327  
 NUT,NYLOCK FLG,1/4-20,F,ZAG.....285  
 NUT,NYLOCK FLG,3/8-16,F,ZAG.....285, 325  
 NUT,NYLOCK,1-8.....133-134, 139, 235, 241  
 NUT,NYLOCK,1-8,GR8.....237, 239  
 NUT,NYLOCK,1/2-13.....156, 185-186, 201,  
 209, 217, 221, 223-224, 229, 309, 321  
 NUT,NYLOCK,1/4-20.....125, 133-134, 137,  
 139, 143, 147, 156, 161, 195, 197, 199, 201,  
 209, 211-212, 215, 217, 227, 229, 231, 235,  
 241, 243, 245, 247, 281, 291, 293, 295, 301,  
 305, 309, 319  
 NUT,NYLOCK,10-24.....125, 189-190, 201, 241  
 NUT,NYLOCK,10-32.....133-134, 147, 153,  
 159, 161, 243, 253, 277  
 NUT,NYLOCK,3/4-10,GRD.8.....227, 229  
 NUT,NYLOCK,3/8-16.....118, 133-134, 141,  
 143, 155-156, 159, 189-190, 193, 199, 201,  
 207, 209, 212, 215, 221, 231, 233, 235, 237,  
 239, 241, 245, 247, 287, 291, 293, 295, 299,  
 303, 311  
 NUT,NYLOCK,5/16-18.....161, 185-186, 193,  
 195, 199, 209, 212, 231, 247, 311, 321  
 NUT,NYLOCK,5/8-11.....189-190, 193
- NUT,NYLOCK,6-32.....253  
 NUT,NYLOCK,7/16-14.....224  
 NUT,NYLOCK,8-32.....231  
 NUT,NYLOCK,M10X1.50.....217, 219  
 NUT,NYLOCK,M6X1.00.....212  
 NUT,NYLOCK,M8X1.25.....209  
 NUT,SOLENOID.....183, 309  
 NUT,SOLENOID VALVE 2P3W.....167-168,  
 171-172  
 NUT,SOLENOID VALVE COIL...167-168, 171-  
 172  
 NUT,STEM,EATON\*\*\*.....181  
 NUT,TL FLG,1/2-13,G,ZAG.....325  
 NUT,TL FLG,1/4-20,G,ZAG.....293, 297, 327  
 NUT,TL FLG,3/8-16,G,ZAG.....297, 327  
 NUT,TL FLG,M6-1.0,DIN6927,10,ZAB.....212  
 NUT,TL FLG,M8-1.25,DIN6927,10,ZAB.....212  
 NUT,TL,M5-0.8,DIN980,10,ZAB.....212  
 NUT,WING,1/4-20.....133-134  
 NUT-COIL SHORT.....179  
 NUT-FLANGE, 8MM (62849).....211-212  
 NUTSERT,1/4-20,STEEL CAD PLTD.....147,  
 153  
 NUTSERT,10-32 STEEL CAD PLTD.....305  
 NUTSERT,LP KNURLED,1/4-20X.165.....145,  
 149-150, 253
- O**
- O-RING, FUEL LIFT PUMP.....189-190  
 O-RING, RIBBED, MSG425.....203  
 O-RING, ROTATOR MANIFOLD.....179  
 O-RING, SMOOTH, MSG425.....203  
 O-RING,.070 X .239,VITON 75D.....121-122  
 O-RING,.103 X 4.737,VITON, 75D.....118, 121-  
 122  
 O-RING,2-010,VITON.....122  
 O-RING,2-042 N674-70\*\*\*.....181  
 O-RING,67.95X2.62-NBR-70SH(HF2P)(60334).156  
 O-RING,DIPSTICK,MSG425.....203  
 O-RING,END COVER,OMNI\*\*\*.....117-118,  
 121-122  
 O-RING,FUEL INJECTOR,DEUTZ  
 (89792).....186  
 O-RING,MOTOR/BRAKE\*\*\*.....155-156  
 O-RING,PIPE PLUG KIT,OMNI\*\*\*.....118, 121-  
 122  
 O-RING,RUBBER TRACK (139120).....131  
 O-RING,SEAL RING,1" NPT (PKG OF  
 10).....309  
 O-RING,STEM,EATON.....181  
 OIL COOLER W/FAN, 12VDC.....319  
 OIL FILTER - PERKINS.....211-212, 215  
 OIL FILTER,DSG-423.....203  
 OPT,COSM DECAL,NES S105.....69  
 OPTION,ROCKER STEER.....253  
 ORIFICE DISC,.030,CONE.....309  
 ORIFICE PLUG .025 DIA.....183  
 ORIFICE PLUG, 0.070".....175  
 ORIFICE, 0.040".....177  
 OUTLET, 110V.....299
- P**
- PAD,REST,1"THICK,FLANGED.....285  
 PADDING, FOAM, 15.5".....293, 297  
 PADDING, FOAM, 46.5".....293, 297  
 PADDING,FOAM 3.5"OD X 1.50"ID...291, 293,  
 295, 297



## Part Description Index (continued)

RING,RETAINING,INTERNAL.....118, 121-122	SCREW,HHC,1/2-13 X 2.5,GR5.....309, 321	SCREW,HHC,M10 X 30MM,.....185-186, 209, 313
RIVET,ALUM,ALUM,3/16BUTTONHEAD....279	SCREW,HHC,1/2-13 X 2.75.....125, 209	SCREW,HHC,M10 X 55MM,GRD 8.8.....209
RIVET,ALUM,ALUM,P,.25X.375.....303	SCREW,HHC,1/2-13 X 3.....185-186, 201, 211-212, 221	SCREW,HHC,M10 X 80 GR 8.8.....197
RIVET,ALUM,P,188 X .25.....245	SCREW,HHC,1/2-13 X 4.5,GRD.8.....223-224	SCREW,HHC,M12 X 30.....209
RIVET,ALUM,P,.25X.625.....303	SCREW,HHC,1/2-13X1.25,GR8,Y.....237, 239	SCREW,HHC,M12 X 35MM.....217
RIVET,STEEL,P,.25 X .375.....281	SCREW,HHC,1/4-20 X .5.117-118, 147, 153, 207	SCREW,HHC,M12 X 45.....212
ROCKER ASSY.,MAGNETIC 75565.....255	SCREW,HHC,1/4-20 X .75.....122, 133-134, 145, 149-150, 156, 161, 195, 197, 199, 207, 215, 217, 221, 224, 227, 229, 235, 243, 245, 247, 253, 279, 281, 283, 291, 295	SCREW,HHC,M14 X 1.5X40MM,GR8.8.....211-212, 217, 221
ROCKER,RETAINER, 75565.....255	SCREW,HHC,1/4-20 X 1.....133-134, 137, 147, 156, 161, 195, 197, 201, 207, 211-212, 215, 217, 221, 227, 241, 243, 247, 291, 293, 295, 301, 305, 309, 319	SCREW,HHC,M14 X 25MM,GRD 8.8.....197
ROD END,.250 X 2.75 LG.....237, 241	SCREW,HHC,1/4-20 X 1.25.....137, 143, 212, 217, 235, 303	SCREW,HHC,M14 X 40MM,GR 8.8..185-186, 189-190, 193, 201
ROD END,.375 X 2.25,ZAG.....118, 223-224	SCREW,HHC,1/4-20 X 1.5.....209, 231, 287	SCREW,HHC,M6 X 20MM,GR8.8.....189-190
ROD END,.375X3.69,ZAG.....118, 155-156, 233, 235, 237, 239	SCREW,HHC,1/4-20 X 1.75.....223-224, 319	SCREW,HHC,M8 X 16.....195, 199, 207
ROD END,.5 X 3.75,ZAG...118, 121-122, 223-224	SCREW,HHC,1/4-20 X 2.....134, 143, 229, 279	SCREW,HHC,M8 X 20MM.....211-212
ROD END,BALL JOINT 1/4-28.....125	SCREW,HHC,1/4-20 X 2.25.....125, 227, 245	SCREW,HHC,M8 X 45.....215
ROD END,CABLE.....227, 229	SCREW,HHC,1/4-20 X 2.5.....245	SCREW,HHC,M8 X 60MM X 1.25.....205
ROD,DISCONNECT,OMNI***...117-118, 121-122	SCREW,HHC,1/4-20 X 2.75.....224	SCREW,HHC,M8 X 85 X 1.25,GR8.8.....199
ROLLER ARM,LIMIT SWITCH***.....227	SCREW,HHC,1/4-20 X 3.....245	SCREW,HHC,M8X1.25.80.....205
ROLLER,1/2" ALUMINUM.....229	SCREW,HHC,1/4-20 X 4.5.....139	SCREW,HHF,1/2-13X3.5,8,ZAG.....325
ROLLER,1/2" PVC.....229	SCREW,HHC,1/4-20X1,8,ZAG.....289	SCREW,HHF,1/4-20X.625,8,ZAG.....285
ROTATIONAL LIMITER FRONT LEFT.....127, 131	SCREW,HHC,1/4-20X1.75,8,ZAG.....323	SCREW,HHF,1/4-20X.75,8,ZAG.....293, 297, 327
ROTATIONAL LIMITER FRONT RIGHT....127, 131	SCREW,HHC,10-24 X .75.....201	SCREW,HHF,1/4-20X1.25,8,ZAG.....327
ROTATIONAL LIMITER REAR.....131	SCREW,HHC,3/4-10 X 1.5.....127	SCREW,HHF,1/4-20X2.5,8,ZAG.....285
ROTATOR MOUNT KIT.....241	SCREW,HHC,3/4-10 X 4 FULL THRD.....155-156	SCREW,HHF,3/8-16X2.5,8,ZAG.....325
ROTATOR,NON-JIB.....233	SCREW,HHC,3/8-16 X .625.....207	SCREW,HHF,M6-1.0X12,DIN6921,10.....327
ROTATOR,PLAT JIB,160 DEG***.....235	SCREW,HHC,3/8-16 X .75.....118, 156, 209, 221, 235	SCREW,M5X16 BHD.....327
ROTATOR,PLATFORM,15K.....237, 239	SCREW,HHC,3/8-16 X 1.....118, 121-122, 133-134, 137, 159, 185-186, 189-190, 201, 211-212, 221, 223-224, 227, 229, 233, 235, 237, 303	SCREW,M6X8.....327
RUE RING,1.00.....117-118	SCREW,HHC,3/8-16 X 1 GRD 8.....235, 241	SCREW,PHIL,10-24 X .75.....247
	SCREW,HHC,3/8-16 X 1.25 GRD 5..133-134, 143, 193, 199, 209, 227, 229, 231, 243, 245, 247, 299, 307	SCREW,PHIL,8-32X.50,SELF TAP.....299
	SCREW,HHC,3/8-16 X 1.75,GRD.8.....209, 231	SCREW,PHIL,PHM,10-24 X 5,SEMS.....195, 209, 211-212, 215
	SCREW,HHC,3/8-16 X 2.....118, 141, 143, 301	SCREW,PHIL,PHM,10-24X1.5 ZINC.....241
	SCREW,HHC,3/8-16 X 2.5.....287, 303	SCREW,PHIL,PHM,10-32 X .5,SSTL.....147, 153, 253
	SCREW,HHC,3/8-16 X 2.75.....207	SCREW,PHIL,PHM,6-32 X 1/4 SS.....253
	SCREW,HHC,3/8-16 X 3.....118	SCREW,PHILLIPS,FHM,10-32X1.00.....305
	SCREW,HHC,3/8-16 X 3.25.....241	SCREW,PHILLIPS,PHM,10-32 X .5.....253
	SCREW,HHC,3/8-16 X 3.5,GR5.....229	SCREW,PHILLIPS,PHM,10-32 X .75.....161
	SCREW,HHC,3/8-16 X 7.....245	SCREW,PHILLIPS,PHM,10-32 X 1.....224, 317
	SCREW,HHC,3/8-16X2.5,8,ZAG.....289	SCREW,PHILLIPS,PHM,10-32 X.625.....143, 243
	SCREW,HHC,5/16-18 X .75.....287, 309	SCREW,PHILLIPS,PHM,10-32 X1.25.....153
	SCREW,HHC,5/16-18 X 1 GR5.....185-186, 193, 207, 212, 247, 309, 321	SCREW,PHILLIPS,PHM,6-32 X .5.....253
	SCREW,HHC,5/16-18 X 1.25.....207, 209, 247, 309, 321	SCREW,PHILLIPS,PHM,8-32 X 1.00.....231
	SCREW,HHC,5/8-11 X 2.25 GR8.....118, 121-122, 155-156	SCREW,RHM,10-32 X 1.....277
	SCREW,HHC,5/8-11 X 3.5 GRD.8.....189-190, 193	SCREW,RHM,10-32 X 1.25.....159
	SCREW,HHC,5/8-11 X 4.00 GR8 BO.....121-122, 155-156	SCREW,SECURITY,1/4-20 X 1.75LG.....311
	SCREW,HHC,7/16-14 X 1.25.....122	SCREW,SHC,3/4-10 X 3.00,A574.....155-156
	SCREW,HHC,7/16-14 X 1.75.....224	SCREW,SHC,3/8 X 1.75 SHOULDER.....231
	SCREW,HHC,M10 X 1.5 X 16.....197	SCREW,SHC,3/8-16 X 1.....181
	SCREW,HHC,M10 X 1.5 X 35.....217	SCREW,SHC,5/8-11X1.50,GR5,PLN.....127
	SCREW,HHC,M10 X 1.5 X70,GR 8.8.....185-186, 189-190, 217	SCREW,SHC,M10X1.5 X 60 GR8.8.....207
		SCREW,SHC,M10X1.5X20MM (75090).....193
		SCREW,SHC,M10X1.5X30 GR 12.9.....189-190, 197, 207
		SCREW,SHM,PHP, #12 X .75.....147, 153, 253
		SCREW,SHS,1/4-20 X .375 ZINC.....149-150
		SCREW,SHS,10-24 X .625.....125, 185-186, 189-190
		SCREW,SHS,M6X12MM,8MM.....212
		SCREW,STEP BOLT,1/4-20 X .75.....247
		SEAL KIT.....167-168, 171-172, 309
		SEAL KIT (39345).....179
		SEAL KIT (63566).....233, 235, 237, 239
		SEAL KIT (88571).....227
		SEAL KIT (88653).....159, 223-224
		SEAL KIT (89675).....118

## S

S60 PBOX ASSY, COMMON.....249-250

S60 TOW PACKAGE.....323

SCREW 5/16-18 X .75 LG.FLG.LCK.....203

SCREW PH M5-0.8X20 DIN 7500CE.....249-250, 253

SCREW T-SWITCH PH/PH 6-32X1/4.....149-150, 249-250

SCREW, BHC, 1/4-20 X 1, ZAG.....293

SCREW, FHSC, 1/2-13X1.00.....131

SCREW, GEN ROTOR.....321

SCREW, HCC, 3/8-16 X 1.50.....155-156, 201, 237, 239

SCREW, HHC, M10 X 1.5 X 50.....207, 217, 219

SCREW, HHC, M8 X 1.25 X 12.....212, 217

SCREW, PHM, #6-32 X .625 ZINC.....255

SCREW,10-24 X.5 TORX PAN HD\*\*\*.....245

SCREW,10-32 X.625,SF.TAP,PHIL.....133-134

SCREW,5/16-18X1.00,SECURITY TO.....311

SCREW,BHHS,3/8-16 X 1.....227

SCREW,BHHS,3/8-16 X 1.25.....229

SCREW,BHSC,1/4-20 X 1.....295, 297

SCREW,BLEEDER,M5X0.8.....233, 235

SCREW,DP200 M3X10 4PACK.....149-150

SCREW,FHS,3/8-16 X 2 GRD.8.....155-156

SCREW,FLANGE,HHC,5/8-11X2,GR8.....131

SCREW,HHC,1-8 X 11,GRD 5\*\*\*.....235, 241

SCREW,HHC,1-8 X 12 GRD 5.....133-134, 139

SCREW,HHC,1-8X12.75,5,ZAG.....237, 239

SCREW,HHC,1/2-13 X 1.25 GR5.....133-134, 159, 185-186, 207, 224

SCREW,HHC,1/2-13 X 1.5.....118, 181, 189-190, 217, 223-224, 287

SCREW,HHC,1/2-13 X 1.5 GRD 8.....197, 229

SCREW,HHC,1/2-13 X 1.75.....209, 313

SCREW,HHC,1/2-13 X 1.75 GRD 8.....155-156

SCREW,HHC,1/2-13 X 2 GR5.....156

SEAL KIT,CYLINDER (59460).....117-118, 127	SENSOR,RUBBER EDGE.....327	SPACER, DUAL COIL SIZE #8.....167-168, 171-172
SEAL KIT, 15K ROTATOR.....237, 239	SENSOR,WATER TEMPERATURE.....211-212, 219	SPACER, HANGER BRACKET.....325
SEAL KIT, APU.....137	SEPARATOR,DUAL BATTERY,100A.....133-134	SPACER,ALT PULLEY,DEUTZ BF4L2011.....189-190
SEAL KIT, DRIVE HUB.....118, 121-122	SEPERATOR ASSY,OIL,FORD MSG.....203	SPACER,EATON PUMP SHAFT SEAL**.....181
SEAL KIT, HYD MOTOR, GEN.....321	SEPRTR/FLTR,FUEL DSL,15GPH,.30.....212, 217	SPACER,FAN,PERKINS 404F.....212, 219
SEAL KIT, PROPORTIONAL VALVE.....168	SET SCREW, LIFT CYLINDER.....223-224	SPACER,HEAT SINK.....327
SEAL KIT, SOLENOID VALVE...167-168, 171-172	SHAFT SEAL, APU.....137	SPARK PLUG, MSG425.....203
SEAL KIT, SWING BRAKE.....155-156	SHAFT, KNURLED (128918).....131	SPLIT BOGEY.....131
SEAL KIT, VALVE.....175, 177, 179	SHAFT, RAISED BOSS (128918).....131	SPRING CLIP,1/4 TURN,.188PANEL.....221
SEAL KIT, VALVE, #10.....167-168, 171-172, 175	SHAFT,15 TOOTH.....118, 122	SPRING CLIP,1/4-20,.025-.15X.54,ZAG.....117-118, 122, 133-134, 207, 209, 215, 227, 235, 243, 247, 301, 303
SEAL KIT, VALVE, #4.....167-168, 171-172	SHAFT,INPUT DRIVE HUB.....121-122	SPRING CLIP,10-24,.025-.125X.468,ZAG...247
SEAL KIT,15K ROTATOR.....237	SHAFT,OUTPUT.....155-156	SPRING CLIP,3/8-16,.05-.20X.73,ZAG.....133-134, 221
SEAL KIT,8-PORT SWIVEL.....155-156	SHCS, M10-1.5X70MM, CL12.9.....207	SPRING CLIP,5/16-18,.025-.15X.....209
SEAL KIT,8K ROTATOR***.....233, 235	SHEAVE,EXTENSION CABLE(LARGER)...229	SPRING, SS, 1/2-EO500-49-4500.....291, 295
SEAL KIT,BRAKE,OMNI***.....117-118, 121-122	SHEAVE,RETRACT CABLE(SMALLER).....227	SPRING, SS, 3/4-EO750-69-4500.....291, 295
SEAL KIT,CHECK VALVE 219246.....183	SHEET,AIR SEAL BACKING.....197, 217	SPRING,0.984"OD X 1.50"LG.....231
SEAL KIT,CONTROL VALVE.....125	SHEET,RUBBER,AIR INTAKE.....185-186	SPRING,COMP,1" OD,232 LB/IN.....241
SEAL KIT,CYL,S45 MASTER(81694).....223-224	SHIM,PAD,5 X 3.....227	SPRING,EXTENSION,1.92LB/IN.....293, 297
SEAL KIT,CYL,S65 (63213).....235	SHIM,SIDE PAD 16GA. 3 X 5.....227, 229	SPRING,JOYSTK CENTR,62390/91.....255
SEAL KIT,DRIVE HUB (88887).....121-122	SHIM,WEAR PAD,5 X 1.5,14GA.....229	SPRING,SHORT PLATFORM GATE.....281
SEAL KIT,GEARBOX,OMNI***.....118, 121-122	SHIM,WEAR PAD,5X 1.5 16GA.....227, 229	SPRING,SWITCH CENTERING,75565.....255
SEAL KIT,MOTOR,LC/KC***.....118, 121-122	SHOCK MOUNT,SMALL.....195, 209, 212, 215	SPROCKET, MACH. HALF LEFT.....131
SEAL KIT,PUMP SHAFT (EATON)***.....181	SHORT LINK W/BEARINGS, SERVICE.....223-224	SPROCKET, MACH. HALF RIGHT.....131
SEAL KIT,SOLENOID VALVE 219247.....183	SHRINK TUBE,BLACK,RHW,1/2,3:1.....317	SQUEEZE CONN W/NUT, 2WIRE, 4MM.....317
SEAL KIT,SOLENOID VALVE, SV07.....179	SHROUD, RAD S60 MSG425.....209	SQUEEZE CONNECTOR, 4 WIRE.....317
SEAL KIT,SUNSTRAND.....313	SHROUD,FAN PAINTED.....211-212, 215	STAND OFF,CONTROL UNIT.....327
SEAL KIT,SWING BRAKE***.....155-156	SHUTDOWN SOLENOID,12V, DEUTZ.....185-186, 189-190	STANDOFF,6-32 X 3/8L X 1/4 HEX.....253
SEAL KIT,SWING TORQ HUB***.....155-156	SIGHT GLASS.....199	STARTER PLUG SEAL, MSG425.....203
SEAL RING,SOLENOID CONTROL.....181	SLEEVE,CONNECTOR,DT JOYSTICKS.....255	STARTER, 12V.....185-186, 193
SEAL, BEARING (128918).....131	SLEEVE,NYLON,1.42 ID.....261, 263	STARTER, PERKINS, 404D.....211-212
SEAL, CAP, NOTCHED.....155-156	SLEEVE,NYLON,2.19 ID,BULK.....163-164, 261, 263	STARTER,3.2KW,DEUTZ D2.9.....195
SEAL, CONNECTOR (DT JOYSTICKS).....255	SLIDING MIDRAIL KIT,PTD.....247	STARTER,PERKINS 404F.....219
SEAL, O-RING ENERGIZER.....155-156	SNAP RING.....131	STEER AXLE ASSEMBLY.....127
SEAL, O-RING LIP.....155-156	SNAP RING(M46 UNITS)*.....118, 122	STEP PLATFORM ENTRY PAINTED***.....247, 283
SEAL, OIL FILLER CAP.....212, 219	SNAP RING,EXTERNAL,.75 DIA.....237	STOP PLATFORM ROLLER.....245
SEAL, POLY, CHAMFER.....155-156	SNAP RING,EXTERNAL,1.25 DIA.**.....233, 235, 237, 239	STRAINER,20 SAE F/24 SAE M***.....257, 259
SEAL, FILTER LID.....133-134	SNAP RING,EXTERNAL,1.50,ZAG...118, 227, 229	STRAP, CONDUIT HOLDER 60***.....285
SEAL,LIP.....118, 121-122	SNAP RING,EXTERNAL,2.00 DIA.....223-224	STROBE,FIREBOLT,12-80VDC,AMB**.....277
SEAL,RUBBER BRAKE RELEASE,RUBBER TRACK (139120).....131	SNAP RING,EXTERNAL,2.25 DIA.....223-224	STUD, 3/4-16 UNF X 2-1/2 LG.....127, 129
SEAL,SHAFT,EATON PUMP***.....181	SNAP RING,EXTERNAL,2.25 DIA.....223-224	STUD,EXHAUST,PERKINS 404F.....221
SEAL,SHAFT-SUNDSTRAND***.....118, 121-122	SNAP RING,PUMP SHAFT SEAL***.....181	SUPPORT, RAILING.....279, 293, 295, 297
SEAL,TRAX HUBS.....127, 129, 131	SOFTWARE,S60HC,DIAGNOSTIC,+1.....163-164	SUPPORT,SENSOR,JOYSTICK.....255
SEAL-INJECTOR.....211-212	SOFTWARE,S60HC,SCON,+1.....163-164	SWING DRIVE ASSEMBLY.....155-156
SEAL-ROCKER BOX.....211-212	SOFTWARE,S60HC,TCON,+1.....163-164	SWING MOTOR COMPLETE***.....155-156
SEAL-VALVE SYSTEM (A).....211-212	SOLENOID CABLE ASSY***.....185-186, 189-190	SWITCH SHIELD,ROCK JOYSTK75565.....255
SEAL-VALVE SYSTEM (B).....211-212	SOLENOID,VAR. TIM, MSG425.....203	SWITCH TOGGLE ASSY DPDT 2P MOM.....145, 149-150, 249-250
SENDING UNIT,OIL PRESS.,DEUTZ*.....189-190	SOLENOID,77066.....137	SWITCH TOGGLE ASSY DPDT 3P MOM.....145, 149-150, 250
SENDING UNIT,OIL PRESSURE***.....315	SOLENOID,SHUT DOWN PERKIN40422.....211-212, 217	SWITCH TOGGLE ASSY SPDT 2P MNT.....145, 149-150, 249-250, 253, 321
SENDING UNIT,OIL TEMP SWCH,DTZ.....186, 189-190	SOLENOID,SHUTDOWN,PERKINS,404F-22.217	SWITCH TOGGLE ASSY SPDT 2P MOM.....291, 293, 295, 297
SENDING UNIT,TMP,FRD,GM,PRK704.....315	SOLENOID,THROTTLE ACTUATOR DSL.....185-186, 189-190, 211-212	SWITCH TOGGLE ASSY SPDT 3P MOM.....145, 149-150, 249-250
SENSOR.....201	SOLENOID-STARTR DEUTZF4L1011F*.....193	SWITCH TOGGLE DPDT 2P MOM SHDR.....249-250
SENSOR, CAM POS, MSG425.....203	SOUNDER LENS, OPA, AMBER.....327	SWITCH TOGGLE DPDT 3P MOM SHDR.....250
SENSOR, CRANK POS, MSG425.....205	SOUNDER LENS, OPA, BLUE.....327	SWITCH TOGGLE SPDT 2P MNT SHDR.....149-150, 249-250
SENSOR, CYL. HEAD TEMP, MSG425.....203	SOUNDER LENS, OPA, CLEAR.....327	SWITCH TOGGLE SPDT 3P MOM SHDR.....249-250
SENSOR, KNOCK, MSG425.....203	SOUNDER LENS, OPA, RED.....327	
SENSOR, O2, MSG425.....207	SPACER.....127, 129	
SENSOR,AIR,CAT MONITOR.....207	SPACER, BOOM TOP.....301	
SENSOR,COOLANT LEVEL, DEUTZ.....199		
SENSOR,DUAL OUTPUT,ANGLE***.....159, 164, 224		
SENSOR,LEVEL,4.5 DEG.....137		



WASHER,FLAT,M10.....186	WDMT,AIRCRAFT SENSOR BUMPER.....293, 297	WELDMNT,ROTATOR SUPPORT.....241
WASHER,FLAT,M10,ZINC PLTD.....185-186, 189-190, 197, 207, 209, 217, 219	WDMT,ECU MOUNT,404F-22.....133-134	WELDMNT,SWING GATE,ALUMINUM.....281
WASHER,FLAT,M12.....212, 217	W D M T , F R A M E , A I R C R A F T PROTECTION.....297	WELDMNT,TAILPIPE,S60,D2.9.....195
WASHER,FLAT,M14.....185-186, 189-190, 193, 197, 201, 211-212, 217, 221, 229	WDMT,HEADER PIPE,MSG425.....207	WELDMNT,TIMING LINK CAM.....223-224
WASHER,FLAT,M5,DIN125,ZAB.....212	WDMT,INTAKE ADAPTER.....197	WELDMNT,TOW BAR.....323
WASHER,FLAT,M6 PLTD.....147	WDMT,INTAKE ADAPTER,404F.....217	WELDMNT,TRACK PULL TUBE PIVOT....245
WASHER,FLAT,M8,YELLOW ZINC...195, 199, 209, 211-212	WDMT,SKID PLATE.....293, 297	WELDMNT,TRANSPORT LOCK.....155-156
WASHER,FLAT,MS,#10,Y.....133-134, 161, 195, 201, 209, 211-212, 215, 241, 253, 277, 305, 317	WEAR PAD,3 X 1.5 X.625 W/NUTS.....235	WHEEL & TIRE ASSY,LH NM AIR.....117-118
WASHER,FLAT,MS,#8,Y.....299	WEAR PAD,5 X 1.5 X .625 W/NUTS...227, 229	WHEEL & TIRE ASSY,RH,NM AIR.....117-118
WASHER,FLAT,USS,1",Y.....133-134, 139	WEAR PAD,5 X 1.5 X .75 W/NUTS.....229	WHEEL DRIVE 56:1.....118, 121-122
WASHER,FLAT,USS,1/2",Y.....125, 133-134, 185-186, 197, 201, 209, 211-212, 217, 221	WEAR PAD,5 X 3 X .625 W/NUTS.....227	WHEEL DRIVE 56:1 2WD.....121-122
WASHER,FLAT,USS,1/4"Y.....117-118, 122, 125, 133-134, 137, 143, 145, 147, 149-150, 153, 156, 161, 189-190, 195, 197, 199, 201, 203, 207, 209, 211-212, 215, 217, 223-224, 227, 229, 231, 235, 241, 243, 245, 247, 253, 279, 281, 283, 285, 291, 295, 301, 303, 305, 309, 319	WEAR PAD,5 X 3 X .75.....227, 229	WHEEL DRIVE 57.5:1 4WD.....117-118, 121- 122
WASHER,FLAT,USS,1/4,ZAG.....289, 323, 327	WEAR PAD,5.5 X 1.75 X .5.....245	WHEEL STUD,5/8-18,OMNI***.....117-118, 121-122
WASHER,FLAT,USS,3/8",Y.....118, 133-134, 137, 141, 143, 155-156, 185-186, 199, 201, 209, 221, 227, 235, 241, 245, 247, 303, 307	WEAR PAD,CABLE TRACK PULL TUBE.....245	WHEEL, 24.5X11.75, 9 X 9 BCD.....117-118
WASHER,FLAT,USS,5/16",Y.....133-134, 156, 161, 181, 185-186, 189-190, 193, 195, 199, 207, 209, 211-212, 221, 231, 247, 285, 287, 291, 295, 299, 309, 311, 321	WEARPAD, LIMIT SWITCH GUIDE.....231	WHEEL,22.5X14.00***.....117-118
WASHER,LOCK,#10 PLTD.....224, 247	WEARPAD,BOOM REST.....155-156	WIPER RUBBER, 1 TO 2.....301
WASHER,LOCK,.25...145, 149-150, 156, 223- 224, 227, 229, 235, 247, 253, 287, 301, 303	WELDER, MILLER, CST 280.....311	WIPER RUBBER, 2 TO 3.....301
WASHER,LOCK,.375.....118, 121-122, 155- 156, 207, 223-224, 227, 229, 231, 235, 243	WELDER,INVERTEC V275-S.....311	WIPER,RING GEAR GUARD.....303
WASHER,LOCK,.625 PLTD.....155-156, 313	WELDMNT, AIR INTAKE BOX.....189-190	WIRE CABLE,16/2,WHT/BLK,SJEW.....287
WASHER,LOCK,0.5".....118, 125, 133-134, 159, 185-186, 207, 223-224	WELDMNT, AIRCRAFT TOP BUMPER.....293, 295	WIRE CABLE,16/4 CON.TPE JKT.....227
WASHER,LOCK,IND,LAMP RETAINER....249- 250	WELDMNT, BOOM SECTION #2.....227	WIRE LOOM,1",DIA.SLIT,HI TEMP.....163-164
WASHER,LOCK,M10.....207, 209, 313	WELDMNT, FUEL FILTER BRACKET.....201	WIRE LOOM,3/8 POLY SLIT.....159
WASHER,LOCK,M14.....211-212	WELDMNT, GROUND BOX, S60/65.....145, 149-150	WIRING KIT,CONTROL BOX HEATER.....253
WASHER,LOCK,M6.....189-190	WELDMNT, LID, GBOX, S60/65.....145	WORKLIGHT, 12V, DEUTSCH RECEPT.....287
WASHER,LOCK,M8.....205	WELDMNT, LIMIT SWITCH ARM.....231	
WASHER,M4 NYLON.....327	WELDMNT, LONG LINK SPACER.....224	<b>Y</b>
WASHER,M5 NYLON.....327	WELDMNT, PIPE CRADLE.....285	YOKE ASSEMBLY W/BEARINGS,LH.....117- 118
WASHER,SHIM .0151 THK.....237, 241	WELDMNT, PLAT SUPPORT.....239	YOKE ASSEMBLY W/BEARINGS,RH.....117- 118
WASHER,SHIM, .375 X 1.125 X.030 ST.....237	WELDMNT, ROTATOR ARM.....159	
WASHER,SHIM,.75 X 1.125 X.030.....237	WELDMNT, SENSOR MOUNT.....291, 293, 295, 297	<b>Z</b>
WASHER,SHIM,1.27 X 2.13 X .062..233, 235, 237, 239	WELDMNT, SHORT LINK, S60/65....223-224	ZERK,GREASE,1/8 NPT.....241
WASHER,SHOULDER,NYLON.....231	WELDMNT, SKIDPLATE**.....291, 295	
WASHER,SPACER,NOTCHED.....287	WELDMNT, TIE ROD.....127	
WASHER,THRUST,1.5 X 3.5 X .187.....118	WELDMNT,4.5FT PLATFORM SUPPOR.....241	
WASHER,VIBRATION ISOLATING.....201, 221	WELDMNT,6 FT TRI ENTRY PLAT.....283	
WATER OUTLET, VERTICAL.....212, 219	WELDMNT,8FT TRI ENTRY PLAT.....283	
WATER PUMP.....211-212	WELDMNT,AIR PIPE.....197	
WATER PUMP PULLEY, MSG425.....205	WELDMNT,AIRCRAFT SENSOR BUMPR.....291, 295	
WATER PUMP, MSG425.....205	WELDMNT,BAT/MANIF TRAY,S60/65.....133- 134	
WDMT, 20 DEG INTAKE ADAPTER.....217	WELDMNT,BOOM SECTION #2***.....227	
WDMT, CAT. MUFFLER, MSG425.....207	WELDMNT,CABLE TRACK TRAY***.....245	
WDMT, HEAT SHIELD, MSG425.....207	WELDMNT,CABLE TRACK TUBE***.....245	
WDMT, PERKINS INTAKE AIR HOSE.....217	WELDMNT,CAT MOUNT,MSG425.....207	
WDMT, RAW AIR INT, S60 MSG425.....209	WELDMNT,ECU MOUNT,DEUTZ D2.9...133- 134	
WDMT, SHROUD INT, S60 MSG425.....209	WELDMNT,EXHAUST PIPE.....211-212	
WDMT,4FT/5FT PLAT. SUPPORT,15K.....239	WELDMNT,EXHAUST TUBE.....161	
	WELDMNT,EXTENSION BRACKET.....229	
	WELDMNT,LEFT COVER SUPPORT.....161	
	WELDMNT,LID,GBOX.....149-150	
	WELDMNT,LP MOUNT.....143	
	WELDMNT,MASTER LINK.....223-224	
	WELDMNT,NON-OSCILLATING AXLE.....55	
	WELDMNT,PIPE CRADLE MOUNT.....285	
	WELDMNT,PLATFORM SUPPORT.....237	
	WELDMNT,PLATFORM SUPPORT,CE.....241	
	WELDMNT,PRECLEANER BRACKET.....307	
	WELDMNT,PULL BAR.....323	
	WELDMNT,REAR ENGINE MOUNT.....193	
	WELDMNT,RIGHT COVER SUPPORT.....161	
	WELDMNT,ROTATOR MOUNT.....237	

## Fitting Cross References

Genie PN	Parker PN	Description	Genie PN	Parker PN	Description
12342	6-4 F5OX-S	CONNECTOR,STRAIGHT THREAD TO FLARE TUBE	42794	1 CR-S	ELBOW,90°,MALE PIPE
13757	4 R6X-S	RUN TEE,SWIVEL NUT,ORFS	42795	BV-0839	BALL VALVE
19685	12-10 C5OX-S	ELBOW,90°,STRAIGHT THREAD TO FLARE TUBE	42796	BV-0838	BALL VALVE
22664	12-10 C5OX	ELBOW,90°,STRAIGHT THREAD TO FLARE TUBE	42874	6-8 CLO-S	ELBOW,90°,MALE PIPE TO ORFS
27431	8-12 F5OX-S	CONNECTOR,STRAIGHT THREAD TO FLARE TUBE	42912	13943-6-4	HOSE END,90° FEMALE SWIVEL,JIC
28678	AS-B-33	SLEEVE,NYLON,1.81" ID	42920	BV-0840	BALL VALVE,90°
39871	6 WETX-WLN-S	UNION,90° BULKHEAD W/NUT,FLARE TUBE	42932	AS-B-17	SLEEVE,NYLON,1.22" ID
39872	4 R5OX-S	RUN TEE,STRAIGHT THREAD	42936	10243-2-4	HOSE END,FEMALE PIPE
39873	6 C5OX-S	ELBOW,90°,STRAIGHT THREAD TO FLARE TUBE	42953	1/2 DD-S	ELBOW,90°,FEMALE PIPE
39874	8-6 C5OX-S	ELBOW,90°,STRAIGHT THREAD TO FLARE TUBE	42956	6 WELO-WLNL-S	UNION,90° BULKHEAD W/NUT,ORFS
39875	4-6 C5OX-S	ELBOW,90°,STRAIGHT THREAD TO FLARE TUBE	45349	8 V5OX-S	ELBOW,45°,STRAIGHT THREAD TO FLARE TUBE
39876	6-8 C5OX-S	ELBOW,90°,STRAIGHT THREAD TO FLARE TUBE	45351	4 V5OX-S	ELBOW,45°,STRAIGHT THREAD TO FLARE TUBE
39877	4 F5OX-S	CONNECTOR,STRAIGHT THREAD TO FLARE TUBE	47223	10343-6-6	HOSE END,MALE,JIC
39878	6 F5OX-S	CONNECTOR,STRAIGHT THREAD TO FLARE TUBE	47419	PS690503-6-6	SWIVEL,90°,STRAIGHT THREAD TO 37° FLARE
39879	4-8 F5OX-S	CONNECTOR,STRAIGHT THREAD TO FLARE TUBE	48750	421-4	HOSE,1/4 INCH ID
39880	6-10 F5OX-S	CONNECTOR,STRAIGHT THREAD TO FLARE TUBE	48751	481TC-4	HOSE,1/4 INCH ID
39881	4-6 F5OX-S	CONNECTOR,STRAIGHT THREAD TO FLARE TUBE	48752	482TC-4	HOSE,1/4 INCH ID
39882	4-HP5ON-S	PLUG,STRAIGHT THREAD	48753	451TC-6	HOSE,3/8 INCH ID
39883	8-8 FTX-S	CONNECTOR,MALE PIPE TO FLARE TUBE	48754	482TC-6	HOSE,3/8 INCH ID
39885	269HB 12-12	ELBOW,90°,BEADED HOSE BARB TO MALE PIPE	48755	381-6	HOSE,3/8 INCH ID
39886	431-6	HOSE,3/8 INCH ID	48756	451TC-8	HOSE,1/2 INCH ID
39887	540N-2	HOSE,1/8 INCH ID	48757	482TC-8	HOSE,1/2 INCH ID
39888	801-8	HOSE,1/2 INCH ID	48758	381-8	HOSE,1/2 INCH ID
39889	801-12	HOSE,3/4 INCH ID	48759	381-10	HOSE,5/8 INCH ID
39890	10643-6-6	HOSE END,FEMALE SWIVEL,JIC	48760	451TC-10	HOSE,5/8 INCH ID
39891	13943-6-6	HOSE END,90° FEMALE SWIVEL,JIC	48761	482TC-12	HOSE,3/4 INCH ID
39892	13743-6-6	HOSE END,45° FEMALE SWIVEL,JIC	48762	451TC-12	HOSE,3/4 INCH ID
39894	30682-8-8	HOSE END,FEMALE SWIVEL,JIC	48763	772-12	HOSE,3/4 INCH ID
39895	30682-10-12	HOSE END,FEMALE SWIVEL,JIC	48764	881-16	HOSE,1 INCH ID
42286	8-8 CTX-S	ELBOW,90°,MALE PIPE TO FLARE TUBE	48765	772-16	HOSE,1 INCH ID
42756	8-12 CLO-S	ELBOW,90,MALE PIPE TO ORFS	48766	AS-B-15	SLEEVE,NYLON,1.06" ID
42757	8-12 FLO-S	CONNECTOR,MALE PIPE TO ORFS	48767	AS-B-22	SLEEVE,NYLON,1.42" ID
42758	4 JLO-S	UNION TEE,ORFS	48770	881-8	HOSE,1/2 INCH ID
42759	4-4 FLO-S	CONNECTOR,MALE PIPE TO ORFS			
42760	6-8 FLO-S	CONNECTOR,MALE PIPE TO ORFS			
42761	1J143-6-4	HOSE END,90° FEMALE SWIVEL,SEAL LOK			
42762	1J743-6-4	HOSE END,45° FEMALE SWIVEL,SEAL LOK			
42768	1JO43-4-4	HOSE END,MALE,SEAL LOK			
42776	801-8	HOSE,1/2 INCH ID			
42777	1J743-16-16	HOSE END,45° FEMALE SWIVEL,SEAL LOK			
42786	16 CLO-S	ELBOW,90°,MALE PIPE TO ORFS			
42787	16 R6LO-S	RUN TEE,SWIVEL NUT,ORFS			
42788	16-8 TRLO-BL-S	REDUCER,TUBE END TO SWIVEL,ORFS			
42789	6-6 CLO-S	ELBOW,90°,MALE PIPE TO ORFS			
42790	8-10 V5OLO-S	ELBOW,45°,STRAIGHT THREAD TO ORFS			
42791	3/4 CD-S	ELBOW,90°,MALE TO FEMALE PIPE			
42792	3/4 X 1/2 PTR-S	REDUCER,MALE TO FEMALE PIPE			
42793	1/2 CR-S	ELBOW,90°,MALE PIPE			



## Fitting Cross References (Continued)

Genie PN	Parker PN	Description	Genie PN	Parker PN	Description
48771	881-10	HOSE,5/8 INCH ID	48847	13943-12-12	HOSE END,90° FEMALE SWIVEL,JIC
48772	381-4	HOSE,1/4 INCH ID	48848	10543-12-12	HOSE END,MALE,STRAIGHT THREAD
48773	AS-B-13	SLEEVE,NYLON,.86" ID	48849	1JC71-12-12	HOSE END,FEMALE SWIVEL,SEAL LOK
48800	1JC43-4-4	HOSE END,FEMALE SWIVEL,SEAL LOK	48850	1JS71-12-12	HOSE END,FEMALE SWIVEL,SEAL LOK
48801	1J743-4-4	HOSE END,45° FEMALE SWIVEL,SEAL LOK	48851	1J171-12-12	HOSE END,90° FEMALE SWIVEL,SEAL LOK
48802	1J943-4-4	HOSE END,90° FEMALE SWIVEL,SEAL LOK	48852	1J771-12-12	HOSE END,45° FEMALE SWIVEL,SEAL LOK
48804	1JM43-4-4	HOSE END,MALE,SEAL LOK, NO O-RING	48853	1J971-12-12	HOSE END,90° FEMALE SWIVEL,SEAL LOK
48805	10643-4-4	HOSE END,FEMALE SWIVEL,JIC	48854	1JC43-16-16	HOSE END,FEMALE SWIVEL,SEAL LOK
48806	13943-4-4	HOSE END,90° FEMALE SWIVEL,JIC	48855	1J943-16-16	HOSE END,90° FEMALE SWIVEL,SEAL LOK
48807	1JS43-4-4	HOSE END,FEMALE SWIVEL,SEAL LOK	48856	1J171-16-16	HOSE END,90° FEMALE SWIVEL,SEAL LOK
48808	3JC82-8-8	HOSE END,FEMALE SWIVEL,SEAL LOK	48857	1J971-16-16	HOSE END,90° FEMALE SWIVEL,SEAL LOK
48809	3JC82-12-12	HOSE END,FEMALE SWIVEL,SEAL LOK	48859	1JS43-8-4	HOSE END,FEMALE SWIVEL,SEAL LOK
48810	1JC43-6-4	HOSE END,FEMALE SWIVEL,SEAL LOK	48867	PD36BTL	DIAGNOSTIC NIPPLE,SEAL-LOK SWIVEL
48811	1J943-6-4	HOSE END,90° FEMALE SWIVEL,SEAL LOK	48873	6 PNLO-S	PLUG,TUBE END,ORFS
48812	1JC43-6-6	HOSE END,FEMALE SWIVEL,SEAL LOK	48874	6 PNTX-S	PLUG,FLARE TUBE
48813	1J143-6-6	HOSE END,90° FEMALE SWIVEL,SEAL LOK	48875	6 R6LO-S	RUN TEE,SWIVEL NUT,ORFS
48814	1J543-6-6	HOSE END,90° FEMALE SWIVEL,SEAL LOK	48877	4 F5OLO-SW/.025	CONNECTOR,STRAIGHT THREAD TO ORFS, W/.025 ORI
48815	1J743-6-6	HOSE END,45° FEMALE SWIVEL,SEAL LOK	48878	16-12 C5OLO-S	ELBOW,90°,STRAIGHT THREAD TO ORFS
48816	1J943-6-6	HOSE END,90° FEMALE SWIVEL,SEAL LOK	48879	8 C8LO-S	ELBOW,90°,SWIVEL NUT ORFS
48817	1JS43-6-8	HOSE END,FEMALE SWIVEL,SEAL LOK	48880	PD6-285	CAP,DIAGNOSTIC NIPPLE
48818	1J943-8-4	HOSE END,90° FEMALE SWIVEL,SEAL LOK	48881	6 HLO-S	UNION,ORFS
48819	1JC43-8-6	HOSE END,FEMALE SWIVEL,SEAL LOK	48883	8 P5ON-S	PLUG,STRAIGHT THREAD
48820	1J743-8-6	HOSE END,45° FEMALE SWIVEL,SEAL LOK	48884	8M18F87OMLO-S	CONNECTOR,METRIC,STRAIGHT THREAD TO ORFS
48821	1J943-8-6	HOSE END,90° FEMALE SWIVEL,SEAL LOK	48885	4 WGTX-WLN-S	CONNECTOR,BULKHEAD,FEMALE PIPE TO FLARE TUBE
48822	1JC43-8-8	HOSE END,FEMALE SWIVEL,SEAL LOK	48886	4 F5OLO-SW/2MM	CONNECTOR,MACHINED STRAIGHT THREAD TO ORFS
48823	1JS43-8-8	HOSE END,FEMALE SWIVEL,SEAL LOK	48887	4 CTX-S	ELBOW,90°,MALE PIPE TO FLARE TUBE
48824	1J143-8-8	HOSE END,90° FEMALE SWIVEL,SEAL LOK	48888	10-12 V5OLO-S	ELBOW,45°,STRAIGHT THREAD TO ORFS
48825	1J543-8-8	HOSE END,90° FEMALE SWIVEL,SEAL LOK	48890	4 S5OLO-S	BRANCH TEE,STRAIGHT THREAD TO ORFS
48826	1J743-8-8	HOSE END,45° FEMALE SWIVEL,SEAL LOK	48891	4 S8LO-S	BRANCH TEE,SWIVEL NUT TO ORFS
48827	1J943-8-8	HOSE END,90° FEMALE SWIVEL,SEAL LOK			
48828	1JC43-10-8	HOSE END,FEMALE SWIVEL,SEAL LOK			
48829	1JS43-10-8	HOSE END,FEMALE SWIVEL,SEAL LOK			
48830	1J743-10-8	HOSE END,45° FEMALE SWIVEL,SEAL LOK			
48831	1J943-10-8	HOSE END,90° FEMALE SWIVEL,SEAL LOK			
48833	1JC43-10-10	HOSE END,FEMALE SWIVEL,SEAL LOK			
48834	1J943-10-10	HOSE END,90° FEMALE SWIVEL,SEAL LOK			
48835	1JS43-10-12	HOSE END,FEMALE SWIVEL,SEAL LOK			
48836	1JC43-12-8	HOSE END,FEMALE SWIVEL,SEAL LOK			
48837	1JS43-12-8	HOSE END,FEMALE SWIVEL,SEAL LOK			
48838	1J743-12-8	HOSE END,45° FEMALE SWIVEL,SEAL LOK			
48839	1J943-12-8	HOSE END,90° FEMALE SWIVEL,SEAL LOK			
48840	1J943-12-10	HOSE END,90° FEMALE SWIVEL,SEAL LOK			
48841	1JC43-12-12	HOSE END,FEMALE SWIVEL,SEAL LOK			
48842	1JO43-12-12	HOSE END,MALE,SEAL LOK			
48843	1J143-12-12	HOSE END,90° FEMALE SWIVEL,SEAL LOK			
48844	1J543-12-12	HOSE END,90° FEMALE SWIVEL,SEAL LOK			
48845	1J743-12-12	HOSE END,45° FEMALE SWIVEL,SEAL LOK			
48846	1J943-12-12	HOSE END,90° FEMALE SWIVEL,SEAL LOK			

## Fitting Cross References (Continued)

Genie PN	Parker PN	Description	Genie PN	Parker PN	Description
48892	6 C6LO-S	ELBOW,90°,SWIVEL NUT ORFS	48938	8 R6LO-S	RUN TEE,SWIVEL NUT,ORFS
48893	6 F5OHAO-S	UNION,STRAIGHT THREAD	48939	8 S6LO-S	BRANCH TEE,SWIVEL NUT TO ORFS
48894	8 WLO-WLNL-S	UNION,BULKHEAD,ORFS	48940	8 WJLO-WLNL-S	RUN TEE, BULKHEAD,ORFS
48895	DT-370-MSMO-5	VALVE,CHECK	48941	8-4 TRLO-S	REDUCER,TUBE END TO SWIVEL,ORFS
48896	6 JLO-S	UNION,TEE,ORFS	48942	8-6 C5OLO-S	ELBOW,90°,STRAIGHT THREAD TO ORFS
48897	DT-750-MSMS-5	VALVE,CHECK	48943	8-6 F5OLO-S	CONNECTOR,STRAIGHT THREAD TO ORFS
48898	DT-750-MOMS-5	VALVE,CHECK	48944	8-8 FLO-S	CONNECTOR,MALE PIPE TO ORFS
48899	DT-620-MOMS-5	VALVE,CHECK	48945	8 FTX-S	CONNECTOR,MALE PIPE TO FLARE TUBE
48900	4-6 F5OLO-SW/.035	CONNECTOR,STRAIGHT THREAD TO ORFS, W/.035 ORI	48946	8-10 F5OLO-S	CONNECTOR,STRAIGHT THREAD TO ORFS
48902	16-1 AOE4G-S	ELBOW,90° LONG,FEMALE PIPE TO STRAIGHT THREAD	48947	8-12 C5OLO-S	ELBOW,90°,STRAIGHT THREAD TO ORFS
48903	1 FF-S	NIPPLE,PIPE	48948	8-12 F5OLO-S	CONNECTOR,STRAIGHT THREAD TO ORFS
48904	4 C5OLO-S	ELBOW,90°,STRAIGHT THREAD TO ORFS	48949	8-16 F5OLO-S	CONNECTOR,STRAIGHT THREAD TO ORFS
48905	4 F5OLO-S	CONNECTOR,STRAIGHT THREAD TO ORFS	48950	10 C5OLO-S	ELBOW,90°,STRAIGHT THREAD TO ORFS
48906	4 R5OLO-S	RUN TEE,STRAIGHT THREAD	48951	10 CC5OLO-S	ELBOW,90° LONG,STRAIGHT THREAD TO ORFS
48907	4 V5OLO-S	ELBOW,45°,STRAIGHT THREAD TO ORFS	48952	10 F5OLO-S	CONNECTOR,STRAIGHT THREAD TO ORFS
48908	4 R6LO-S	RUN TEE,SWIVEL NUT,ORFS	48953	10 R5OLO-S	RUN TEE,STRAIGHT THREAD
48909	4 WJLO-WLNL-S	RUN TEE, BULKHEAD,ORFS	48954	10 S5OLO-S	BRANCH TEE,STRAIGHT THREAD TO ORFS
48910	4 GTX-S W/.030	CONNECTOR,FEMALE PIPE TO FLARE TUBE	48955	10 R6LO-S	RUN TEE,SWIVEL NUT,ORFS
48911	4-6 C5OLO-S	ELBOW,90°,STRAIGHT THREAD TO ORFS	48956	10-4 TRLO-BL-S	REDUCER,TUBE END TO SWIVEL,ORFS
48912	4-6 F5OLO-S	CONNECTOR,STRAIGHT THREAD TO ORFS	48957	10-6 TRLO-BL-S	REDUCER,TUBE END TO SWIVEL,ORFS
48913	4-6 F5OLO-SW/.030	CONNECTOR,STRAIGHT THREAD TO ORFS, W/.030 ORI	48958	10-12 F5OLO-S	CONNECTOR,STRAIGHT THREAD TO ORFS
48914	4-8 F5OLO-S	CONNECTOR,STRAIGHT THREAD TO ORFS	48959	12 C5OLO-S	ELBOW,90°,STRAIGHT THREAD TO ORFS
48915	6 C5OLO-S	ELBOW,90°,STRAIGHT THREAD TO ORFS	48960	12 F5OLO-S	CONNECTOR,STRAIGHT THREAD TO ORFS
48916	6 F5OLO-S	CONNECTOR,STRAIGHT THREAD TO ORFS	48961	12 R5OLO-S	RUN TEE,STRAIGHT THREAD
48917	6 FF5OLO-S	CONNECTOR,LONG,STRAIGHT THREAD TO ORFS	48962	12 S5OLO-S	BRANCH TEE,STRAIGHT THREAD TO ORFS
48918	6 R5OLO-S	RUN TEE,STRAIGHT THREAD	48963	12 V5OLO-S	ELBOW,45°,STRAIGHT THREAD TO ORFS
48919	6 S5OLO-S	BRANCH TEE,STRAIGHT THREAD TO ORFS	48964	12 R6LO-S	RUN TEE,SWIVEL NUT,ORFS
48920	6 V5OLO-S	ELBOW,45°,STRAIGHT THREAD TO ORFS	48965	12 CLO-S	ELBOW,90°,MALE PIPE TO ORFS
48921	6 FLO-S	CONNECTOR,MALE PIPE TO ORFS	48966	12 FLO-S	CONNECTOR,MALE PIPE TO ORFS
48922	6-6 FLO-S	CONNECTOR,MALE PIPE TO ORFS	48967	12 JLO-S	UNION TEE,ORFS
48923	6 P5ON-S	PLUG,STRAIGHT THREAD	48968	12 WLO-WLNL-S	UNION,BULKHEAD,ORFS
48925	6 WELO-S	UNION,90° BULKHEAD,ORFS	48969	12 WJLO-WLNL-S	RUN TEE, BULKHEAD,ORFS
48926	6-4 C5OLO-S	ELBOW,90°,STRAIGHT THREAD TO ORFS	48970	12 WELO-WLNL-S	UNION,90° BULKHEAD W/NUT,ORFS
48927	6-4 F5OLO-S	CONNECTOR,STRAIGHT THREAD TO ORFS			
48928	6-4 V5OLO-S	ELBOW,45°,STRAIGHT THREAD TO ORFS			
48929	6-8 C5OLO-S	ELBOW,90°,STRAIGHT THREAD TO ORFS			
48930	6-8 F5OLO-S	CONNECTOR,STRAIGHT THREAD TO ORFS			
48931	6-10 F5OLO-S	CONNECTOR,STRAIGHT THREAD TO ORFS			
48932	8 C5OLO-S	ELBOW,90°,STRAIGHT THREAD TO ORFS			
48933	8 F5OLO-S	CONNECTOR,STRAIGHT THREAD TO ORFS			
48934	8 FF5OLO-S	CONNECTOR,LONG,STRAIGHT THREAD TO ORFS			
48935	8 R5OLO-S	RUN TEE,STRAIGHT THREAD			
48936	8 S5OLO-S	BRANCH TEE,STRAIGHT THREAD TO ORFS			
48937	8 V5OLO-S	ELBOW,45°,STRAIGHT THREAD TO ORFS			

## Fitting Cross References (Continued)

Genie PN	Parker PN	Description	Genie PN	Parker PN	Description
48971	12 G5G5JG5-S	TEE,FEMALE STRAIGHT THREAD	49612	PKT02586	O-RING KIT (ORFS FITTINGS)
48972	12 XHL6-S	ADAPTER, 37° MALE TO SWIVEL ORFS	49613	PKT06276	PLUG AND CAP KIT-SERVICE,ORFS
48973	12-1/2 F5OG-S	ADAPTER,FEMALE PIPE TO STRAIGHT THREAD	49728	10143-12-12	HOSE END, MALE PIPE
48974	12-10 C5OLO-S	ELBOW,90°,STRAIGHT THREAD TO ORFS	49729	16-1 F5OG-S	ADAPTER,FEMALE PIPE TO STRAIGHT THREAD
48975	12-10 F5OLO-S	CONNECTOR,STRAIGHT THREAD TO ORFS	49814	12-8 FLO-S	CONNECTOR,MALE PIPE TO ORFS
48976	12-16 C5OLO-S	ELBOW,90°,STRAIGHT THREAD TO ORFS	49829	DT-500-MOMF-5	VALVE,CHECK
48977	12-16 F5OLO-S	CONNECTOR,STRAIGHT THREAD TO ORFS	49831	881-12	HOSE,3/4 INCH ID
48978	12-16 V5OLO-S	ELBOW,45°,STRAIGHT THREAD TO ORFS	49834	16 JLO-S	UNION TEE,ORFS
48980	12-16 FLO-S	CONNECTOR,MALE PIPE TO ORFS	49838	12-8 TRLO-BL-S	REDUCER,TUBE END TO SWIVEL,ORFS
48983	16 C5OLO-S	ELBOW,90°,STRAIGHT THREAD TO ORFS	49840	8 JLO-S	UNION TEE,ORFS
48984	16 F5OLO-S	CONNECTOR,STRAIGHT THREAD TO ORFS	49844	10-8 TRLO-BL-S	REDUCER,TUBE END TO SWIVEL,ORFS
48985	16 V5OLO-S	ELBOW,45°,STRAIGHT THREAD TO ORFS	49854	8 P5ON-S	PLUG,STRAIGHT THREAD
48986	16 FLO-S	CONNECTOR,MALE PIPE TO ORFS	49855	1JC43-16-12	HOSE END,FEMALE SWIVEL,SEAL LOK
48988	16 CD45-S	ELBOW,45°,MALE TO FEMALE PIPE	49859	4 P5ON-S	PLUG,STRAIGHT THREAD
48989	12 CD45-S	ELBOW,45°,MALE TO FEMALE PIPE	49861	4 FF5OLO-S	CONNECTOR, LONG, STRAIGHT THREAD TO ORFS
48990	8 CD45-S	ELBOW,45°,MALE TO FEMALE PIPE	49867	12-3/4 F5OG-S	ADAPTER,FEMALE PIPE TO STRAIGHT THREAD
48991	16-12 FLO-S	CONNECTOR,MALE PIPE TO ORFS	51152	6 R6X-S	RUN TEE,SWIVEL NUT,ORFS
48992	16-12 V5OLO-S	ELBOW,45°,STRAIGHT THREAD TO ORFS	51153	6-4 TRTX-S	REDUCER,TUBE END TO SWIVEL,ORFS
48993	XV501-12	BALL VALVE	51154	4-4 GTX	CONNECTOR,FEMALE PIPE TO FLARE TUBE
48994	XV501-16	BALL VALVE	51264	881-12	HOSE,3/4 INCH ID
48995	XV510P-12	BALL VALVE	51265	8 JLO-S	UNION TEE,ORFS
48996	XV510P-16	BALL VALVE	51508	6 BTX-S	NUT,FLARE TUBE
48997	PD341	DIAGNOSTIC NIPPLE, STRAIGHT THREAD	51580	12-8 TRLO-BL-S	TUBE END REDUCER,ORFS
48998	PD 361	DIAGNOSTIC NIPPLE, STRAIGHT THREAD	51628	6 R6X-S	RUN TEE,SWIVEL NUT,ORFS
48999	DT-500-MOMS-5	VALVE,CHECK	51735	3/8 HHP	PLUG,PIPE THREAD
49201	10 V5OLO-S	ELBOW,45°,STRAIGHT THREAD TO ORFS	51803	1J943-6-8	HOSE END,90° FEMALE SWIVEL,SEAL LOK
49202	1JC43-12-10	HOSE END,FEMALE SWIVEL,SEAL LOK	53023	125HBL-5-4	FITTING,HOSE BARB TO MALE PIPE
49203	10-8 V5OLO-S	ELBOW,45°,STRAIGHT THREAD TO ORFS	53497	PKT02585	O-RING KIT
49205	6 F5OHAO-S	UNION,STRAIGHT THREAD	53499	1JC71-16-16	HOSE END,FEMALE SWIVEL,SEAL LOK
49207	PD34BTL	DIAGNOSTIC NIPPLE,SEAL-LOK SWIVEL	53500	3-904	O-RING,STRAIGHT THREAD,-4
49209	8M18F870MX-S	CONNECTOR,METRIC,STRAIGHT THREAD TO FLARE TUBE	53501	3-906	O-RING,STRAIGHT THREAD,-6
49212	8 WGTX-WLN-S	CONNECTOR,BULKHEAD,FEMALE PIPE TO FLARE TUBE	53502	3-908	O-RING,STRAIGHT THREAD,-8
49213	30682-8-8	HOSE END,FEMALE SWIVEL,JIC	53503	3-910	O-RING,STRAIGHT THREAD,-10
49216	831-8	HOSE,1/2 INCH ID			
49217	33982-8-8	HOSE END,90° FEMALE SWIVEL,JIC			
49219	PS-B-35	SLEEVE,NYLON,2.19" ID			
49418	4-6 V5OLO-S	ELBOW,45°,STRAIGHT THREAD TO ORFS			
49511	DT370-MOMS-5	VALVE,CHECK			
49512	1 DD-S	ELBOW,90°,FEMALE PIPE			
49513	1 FF-S	NIPPLE,PIPE			
49514	10 HP5ON-S	PLUG,STRAIGHT THREAD			
49515	12-16 CLO-S	ELBOW,90°,MALE PIPE TO ORFS			
49517	6 HP5ON-S	PLUG,STRAIGHT THREAD			
49519	16-12 F5OLO-S	CONNECTOR,STRAIGHT THREAD TO ORFS			
49520	4 VTX-S	ELBOW,45°,MALE PIPE TO FLARE TUBE			
49530	16 C6LO-S	ELBOW,90°,SWIVEL NUT ORFS			

## Fitting Cross References (Continued)

Genie PN	Parker PN	Description	Genie PN	Parker PN	Description
53535	3-912	O-RING,STRAIGHT THREAD,-12	61083	24 F5OLO-S	CONNECTOR,STRAIGHT THREAD TO ORFS
53536	4-PNLO-S	PLUG,TUBE END,ORFS	61086	20 R5OLO-S	RUN TEE,STRAIGHT THREAD
53537	6 PNLO-S	PLUG,TUBE END,ORFS	61090	24-20 F5OLO-S	CONNECTOR,STRAIGHT THREAD TO ORFS
53538	8 PNLO-S	PLUG,TUBE END,ORFS	61091	1J943 24-24	HOSE END,90° FEMALE SWIVEL,SEAL LOK
53539	10 PNLO-S	PLUG,TUBE END,ORFS	61093	1J978-12-12	HOSE END,90° FEMALE SWIVEL,JIC
53540	12 PNLO-S	PLUG,TUBE END,ORFS	61095	1JS43-20-16	HOSE END,FEMALE SWIVEL,SEAL LOK
53946	129HB-5-4	FITTING,90° HOSE BARB TO MALE PIPE	61100	811-24	HOSE,11/2 INCH ID
53951	8-1/4F50G-S	ADAPTER,FEMALE PIPE TO STRAIGHT THREAD	61130	1JS43-24-24	HOSE END,FEMALE SWIVEL,SEAL LOK
53980	6 S6LO-S	BRANCH TEE,SWIVEL NUT TO ORFS	61131	1JS78 12-12	HOSE END,FEMALE SWIVEL,SEAL LOK
54132	4 C6LO-S	ELBOW,90°,SWIVEL NUT ORFS	61132	1J778-12-12	HOSE END,45° FEMALE SWIVEL,JIC
54135	11343-16-16	HOSE END,MALE SWIVEL,PIPE	61152	139HB-6-4	ELBOW,45°,BARB TO MALE PIPE
54283	8-10 C5OLO-S	ELBOW,90°,STRAIGHT THREAD TO ORFS	61251	BV-0750	BALL VALVE
54428	8M18C870MLO-S	ELBOW, 90° METRIC, STRAIGHT THREAD TO ORFS	61259	4 CC5OLO-S	ELBOW,90° LONG,STRAIGHT THREAD TO ORFS
54803	FS-F-16-10	SLEEVE,FIRE,.96" ID	61260	20-12 TRLO-BL	REDUCER,TUBE END TO SWIVEL,ORFS
54954	10143-2-4	HOSE END, MALE PIPE	61262	12 C6LO-S	ELBOW,90°,SWIVEL NUT ORFS
55190	3/8 HP-S	PLUG,PIPE THREAD	61263	20 F5OHAO-S	UNION,STRAIGHT THREAD
55448	8 HLO-S	UNION,ORFS	61264	6-10 C5OLO-S	ELBOW,90°,STRAIGHT THREAD TO ORFS
55839	6 F65OX-S	CONNECTOR,STRAIGHT THREAD TO 37° SWIVEL	61265	6 WNLO-WLNL-S	UNION,BULKHEAD 45°,ORFS
55968	10 C5OX-S	ELBOW,90°,STRAIGHT THREAD TO FLARE TUBE	61268	4 WNLO-WLNL-S	UNION,BULKHEAD 45°,ORFS
56003	6 CC5OLO-S	ELBOW,90° LONG,STRAIGHT THREAD TO ORFS	61269	4 WLO-WLNL-S	UNION,BULKHEAD,ORFS
56166	BV-0837	BALL VALVE,90°	61272	12 AOEL6	ELBOW,90°,STRAIGHT THREAD TO ORFS SWIVEL
56188	10143-8-6	HOSE END, MALE PIPE	61316	482TC-16	HOSE,1 INCH ID
56233	2-011	O-RING,ORFS,-4	61321	6 JLO-S	UNION TEE,ORFS
56234	2-012	O-RING,ORFS,-6	61327	782-12	HOSE,3/4 INCH ID
56235	2-014	O-RING,ORFS,-8	61328	881-24	HOSE,11/2 INCH ID
56236	2-016	O-RING,ORFS,-10	61336	11943-20-24	HOSE END,90° FLANGE HEAD
56237	2-018	O-RING,ORFS,-12	61345	12 WJLO-WLNL-S	RUN TEE, BULKHEAD,ORFS
56238	2-021	O-RING,ORFS,-16	61346	8 WNLO-WLNL-S 4	UNION,BULKHEAD 45°,ORFS
56352	6 WLNL-S	LOCKNUT,BULKHEAD	61569	33782-8-8	HOSE END,45° FEMALE SWIVEL,JIC
56353	3J782-12-12	HOSE END,45° FEMALE SWIVEL,SEAL LOK	61610	12 FF5OLO-S	CONNECTOR,LONG,STRAIGHT THREAD TO ORFS
56354	3J982-12-12	HOSE END,90° FEMALE SWIVEL,SEAL LOK	61742	1/8 X 1.5 FFF	NIPPLE,PIPE
56604	10-8 F5OLO-S	CONNECTOR,STRAIGHT THREAD TO ORFS	63426	8 PNTX-S	PLUG,FLARE TUBE
56639	3JC82-10-10	HOSE END,FEMALE SWIVEL,SEAL LOK			
56640	3J982-10-10	HOSE END,90° FEMALE SWIVEL,SEAL LOK			
56655	3JC82-8-10	HOSE END,FEMALE SWIVEL,SEAL LOK			
56676	10-8 C5OLO-S	ELBOW,90°,STRAIGHT THREAD TO ORFS			
56776	471TC-6	HOSE,3/8 INCH ID			
56777	471TC-8	HOSE,1/2 INCH ID			
56789	811-16	HOSE,1 INCH ID			
57884	3/8 FF	NIPPLE,PIPE			
59335	6 FNL-S	CAP,TUBE END			
59342	4 FNL-S	CAP,TUBE END			
59371	8 HP50N-S	PLUG,STRAIGHT THREAD			
60653	BV-0751	BALL VALVE			
60806	125HB-3-4	FITTING,HOSE BARB TO MALE PIPE			
61064	5-1/4 F50G-S	ADAPTER,FEMALE PIPE TO STRAIGHT THREAD			
61079	4 WELO-WLNL-S	UNION,90° BULKHEAD W/NUT,ORFS			
61080	6 WLO-WLNL-S	UNION,BULKHEAD,ORFS			

## Fitting Cross References (Continued)

Genie PN	Parker PN	Description	Genie PN	Parker PN	Description
64271	4 WLO-WLNL-S	UNION,BULKHEAD,ORFS	75631	801-6	HOSE,3/8 INCH ID
64272	6 WLO-WLNL-S	UNION,BULKHEAD,ORFS	75654	20 F5OLO-S	CONNECTOR,STRAIGHT THREAD TO ORFS
65776	8 F65OL-S	CONNECTOR,STRAIGHT THREAD TO ORFS SWIVEL	75655	1J943-20-20	HOSE END,90° FEMALE SWIVEL,SEAL LOK
65880	6001012	O-RING KIT	75656	881-20	HOSE,1-1/4 INCH ID
66154	6 WTX-WLNS	UNION,BULKHEAD,FLARE TUBE	75971	8 F5OHAO-S	UNION,STRAIGHT THREAD
66155	6 WETX-S	UNION,BULKHEAD 90°,FLARE TUBE	77307	1JB43-8-8	HOSE END,BULKHEAD,SEAL LOK
66156	6 WLNL-S	BULKHEAD LOCKNUT	77309	8 WLNL-S	BULKHEAD LOCKNUT
66389	6-8 F5OX-S	CONNECTOR,STRAIGHT THREAD TO FLARE TUBE	77379	8M18C87OMX-S	ELBOW,90° METRIC,STRAIGHT THREAD TO FLARE TUBE
66392	6 R5OX-S	RUN TEE,STRAIGHT THREAD	77703	3J982-8-8	HOSE END,90° FEMALE SWIVEL,SEAL LOK
66396	811-12	HOSE,3/4 INCH ID	77711	801-10	HOSE,5/8 INCH ID
66829	H3174PP	CLAMP,TUBE	77758	12 WNLO-WLNL-S	UNION,BULKHEAD 45°,ORFS
67217	4 KLO-S	UNION,CROSS,ORFS	78091	6 C6X-S	ELBOW,90°,SWIVEL NUT TO FLARE TUBE
67339	10-6 F5OX-S	CONNECTOR,STRAIGHT THREAD TO FLARE TUBE	78684	30582-8-8B	HOSE END,PUSH LOK,MALE
67357	13943-8-6	HOSE END,90° FEMALE SWIVEL,JIC	78852	549-2	HOSE,1/8 INCH ID
67358	10 HP5ON-S	PLUG,STRAIGHT THREAD	78855	10657-4-2	HOSE END,FEMALE SWIVEL,JIC
67371	12 S6LO-S	BRANCH TEE,SWIVEL NUT TO ORFS	79138	PS-B-37	SLEEVE,NYLON,2.38" ID
67498	4 FNL-S	CAP, TUBE END	79476	1JS43-6-8	HOSE END,FEMALE SWIVEL,SEAL LOK
67906	DC-370-F0F0-5	VALVE,CHECK	79847	12-3/4 A0EG-S	ELBOW,90°,STRAIGHT THREAD TO FEMALE PIPE
69316	8 FLO-S	CONNECTOR,MALE PIPE TO ORFS	80044	8 CLO-S	ELBOW,90°,MALE PIPE TO ORFS
69333	H3174PP	CLAMP,HYDRAULIC HOSE	80502	8 F5OX-S	CONNECTOR,STRAIGHT THREAD TO FLARE TUBE
69503	4 F65OX-S	CONNECTOR,STRAIGHT THREAD TO 37° SWIVEL	80503	8 C5OX-S	ELBOW,90°,STRAIGHT THREAD TO FLARE TUBE
69775	8 FNL-S	CAP, TUBE END	81010	AS-B-27	SLEEVE,NYLON,1.63" ID
71038	1/4X1/4F3HG-S	ADAPTER,CONVERSION	83052	821-6	HOSE,3/8 INCH ID
71196	12-8 F5OLO-S	CONNECTOR,STRAIGHT THREAD TO ORFS	83053	821-8	HOSE,1/2 INCH ID
71383	1/4 CD45-S	ELBOW,45°,MALE TO FEMALE PIPE	83054	821-12	HOSE,3/4 INCH ID
72270	12FNL-S	CAP, TUBE END	83055	30682-6-6	HOSE END,FEMALE SWIVEL,JIC
73436	60C-4	SLEEVE,COMPRESSION	83056	30682-12-12	HOSE END,FEMALE SWIVEL,JIC
73437	61C-4	NUT,COMPRESSION	83057	33782-6-6	HOSE END,45° FEMALE SWIVEL,JIC
73438	33482-4-4B	HOSE END,PUSH LOK,MALE	83058	33982-6-6	HOSE END,90° FEMALE SWIVEL,JIC
73767	1CD-S	ELBOW,90°,MALE TO FEMALE PIPE	83060	33982-12-12	HOSE END,90° FEMALE SWIVEL,JIC
73768	20-16-F5OG5-S	ADAPTER,FEMALE PIPE TO STRAIGHT THREAD	83063	13743-4-4	HOSE END,45° FEMALE SWIVEL,JIC
73769	16-20 F5OLO-S	CONNECTOR,STRAIGHT THREAD TO ORFS			
74660	6-8 F42EDMLO-S	CONNECTOR,MALE BSPP TO ORFS			
74661	8-8 F42EDMLO-S	CONNECTOR,MALE BSPP TO ORFS			
75007	4 FLO-S	CONNECTOR,MALE PIPE TO ORFS			
75008	1/8 HP-S	PLUG,PIPE THREAD			
75014	1/2 HP-S	PLUG,PIPE THREAD			
75042	8 WELO-WLNL-S	UNION,90° BULKHEAD W/NUT,ORFS			
75043	3/4 FF-S	NIPPLE,PIPE			
75254	24 F5OHAO-S	UNION,STRAIGHT THREAD			
75255	12 F5OHAO-S	UNION,STRAIGHT THREAD			
75256	XV506P-24	BALL VALVE			
75574	4 WLNL-S	BULKHEAD LOCKNUT			
75612	8 WJLO-WLNL-S	RUN TEE, BULKHEAD,ORFS			
75613	12-8 F5OG5-S	ADAPTER,FEMALE PIPE TO STRAIGHT THREAD			
75614	8 CC5OLO-S	ELBOW,90° LONG,STRAIGHT THREAD TO ORFS			
75628	1JB43-4-4	HOSE END,BULKHEAD,SEAL LOK			

## Fitting Cross References (Continued)

Genie PN	Parker PN	Description	Genie PN	Parker PN	Description
83064	13743-8-8	HOSE END,45° FEMALE SWIVEL,JIC	89449	6 WJLO-WLNL-S	RUN TEE, BULKHEAD,ORFS
83065	13743-12-12	HOSE END,45° FEMALE SWIVEL,JIC	89489	4 WJMLO-S	BRANCH TEE,BULKHEAD,ORFS
83066	13943-8-8	HOSE END,90° FEMALE SWIVEL,JIC	89551	1JB43-6-6	HOSE END,BULKHEAD,SEAL LOK
83067	14143-6-6	HOSE END,90° FEMALE SWIVEL,JIC	89552	1JB43-8-8	HOSE END,BULKHEAD,SEAL LOK
83068	14143-8-8	HOSE END,90° FEMALE SWIVEL,JIC	89593	20 C5OLO-S	ELBOW,90°,STRAIGHT THREAD TO ORFS
83069	14143-12-12	HOSE END,90° FEMALE SWIVEL,JIC	94161	8-8 CLO-S	ELBOW,90°,MALE PIPE TO ORFS
83070	772-8	HOSE,1/2 INCH ID	94358	351TC-12	HOSE,3/4 INCH ID
83071	10671-8-8	HOSE END,FEMALE SWIVEL,JIC	94418	20 FLO-S	CONNECTOR,MALE PIPE TO ORFS
83072	10671-12-12	HOSE END,FEMALE SWIVEL,JIC	96358	12 TX-S	SLEEVE,FLARE TUBE
83073	13771-8-8	HOSE END,45° FEMALE SWIVEL,JIC	96359	12 BTX-S	NUT,FLARE TUBE
83074	13771-12-12	HOSE END,45° FEMALE SWIVEL,JIC	96397	8 F5OX-S	CONNECTOR,STRAIGHT THREAD TO FLARE TUBE
83075	13971-8-8	HOSE END,90° FEMALE SWIVEL,JIC	96398	12-8 F5OX-S	CONNECTOR,STRAIGHT THREAD TO FLARE TUBE
83076	13971-12-12	HOSE END,90° FEMALE SWIVEL,JIC	96402	10343-6-6	HOSE END,MALE,JIC
83077	14171-8-8	HOSE END,90° FEMALE SWIVEL,JIC	96407	30382-6-6B	HOSE END,MALE,JIC
83078	14171-12-12	HOSE END,90° FEMALE SWIVEL,JIC			
83080	13943-16-16	HOSE END,90° FEMALE SWIVEL,JIC			
83103	10671-16-12	HOSE END,FEMALE SWIVEL,JIC			
83104	10671-10-12	HOSE END,FEMALE SWIVEL,JIC			
83112	1JC71-8-8	HOSE END,FEMALE SWIVEL,SEAL LOK			
83113	1JS71-16-12	HOSE END,FEMALE SWIVEL,SEAL LOK			
83114	1JS71-10-12	HOSE END,FEMALE SWIVEL,SEAL LOK			
83115	1J971-8-8	HOSE END,90° FEMALE SWIVEL,SEAL LOK			
83116	1J171-8-8	HOSE END,90° FEMALE SWIVEL,SEAL LOK			
83117	1J771-8-8	HOSE END,45° FEMALE SWIVEL,SEAL LOK			
83127	1J543-6-8	HOSE END,90° FEMALE SWIVEL,JIC			
83128	1JC43-6-8	HOSE END,FEMALE SWIVEL,SEAL LOK			
87033	12-6 TRLO-S	REDUCER,TUBE END TO SWIVEL,ORFS			
87034	3J782-8-8	HOSE END,45° FEMALE SWIVEL,SEAL LOK			
87172	12 HP5ON-S	PLUG,STRAIGHT THREAD			
87185	8 WNLO-WLNL-S	UNION,BULKHEAD 45°,ORFS			
87246	4 C6X-S	ELBOW,90°,SWIVEL NUT TO FLARE TUBE			
87679	6 LHP-S	FLANGE SEAL FITTING, MALE			
87681	6PLS N0702	BONDED SEAL			
88100	SR88100	ADAPTER,OIL DRAIN,GM 3.0L			
88311	1JS43-20-20	HOSE END,FEMALE SWIVEL,SEAL LOK			
88353	20 V5OLO-S	ELBOW,45°,STRAIGHT THREAD TO ORFS			
88474	10081-20	Crimp Shell, 1.25"			
88475	1988-20-24	HOSE END,90° FLANGE HEAD			
88476	JS88-24-24	HOSE END,FEMALE SWIVEL,SEAL LOK			
88477	1JC88-20-20	HOSE END,FEMALE SWIVEL,SEAL LOK			
88478	811-20	HOSE,11/4 INCH ID			
88936	20-16 F5OLO-S	CONNECTOR,STRAIGHT THREAD TO ORFS			
88937	20-16 FLO-S	CONNECTOR,MALE PIPE TO ORFS			
88938	1JC88-16-16	HOSE END,FEMALE SWIVEL,SEAL LOK			
88939	1J988-16-16	HOSE END,90° FEMALE SWIVEL,ORFS			
88940	811-16	HOSE,1 INCH ID			
88944	1J988-20-20	HOSE END,90° FEMALE SWIVEL,ORFS			
89403	16 VLO-S	ELBOW,45°,MALE PIPE TO ORFS			

California Proposition 65



**WARNING**

Operating, servicing and maintaining this equipment can expose you to chemicals including engine exhaust, carbon monoxide, phthalates, and lead, which are known to the State of California to cause cancer and birth defects or other reproductive harm. These chemicals can be emitted from or contained in other various parts and systems, fluids and some component wear by-products. To minimize exposure, avoid breathing exhaust, do not idle the engine except as necessary, service your equipment and vehicle in a well-ventilated area and wear gloves or wash your hands frequently when servicing your equipment or vehicle and after operation. For more information go to [www.P65Warnings.ca.gov/passenger-vehicle](http://www.P65Warnings.ca.gov/passenger-vehicle).

Breathing diesel engine exhaust exposes you to chemicals known to the State of California to cause cancer and birth defects or other reproductive harm.

- Always start and operate the engine in a well-ventilated area.
- If in an enclosed area, vent the exhaust to the outside.
- Do not modify or tamper with the exhaust system.
- Do not idle the engine except as necessary.

For more information go to [www.P65warnings.ca.gov/diesel](http://www.P65warnings.ca.gov/diesel).

Distributed By:

[www.Steak-Equipment.com](http://www.Steak-Equipment.com) to order your parts

# PARTS FINDER

**Search Website  
by Part Number**



**Search Manual  
Library For Parts  
Manual & Lookup Part  
Numbers – Purchase  
or Request Quote**

**Search Manuals**

Enter your information to help us find the right parts manual for your machine.

\* Brand:

\* Model:

\* Serial:

\* Part Number:

SEARCH

**Can't Find Part or  
Manual? Request Help  
by Manufacturer,  
Model & Description**

**Parts Order Form**

Please fill in the following information to help us find the right part for your machine.

Manufacturer:	<input type="text"/>
Model:	<input type="text"/>
Description:	<input type="text"/>
Part Number:	<input type="text"/>
Quantity:	<input type="text"/>
Notes:	<input type="text"/>

Submit

Discount-Equipment.com is your online resource for quality parts & equipment.

Florida: **561-964-4949** Outside Florida TOLL FREE: **877-690-3101**

**Need parts?**

Click on this link: <http://www.discount-equipment.com/category/5443-parts/> and choose one of the options to help get the right parts and equipment you are looking for. Please have the machine model and serial number available in order to help us get you the correct parts. If you don't find the part on the website or on one of the online manuals, please fill out the request form and one of our experienced staff members will get back to you with a quote for the right part that your machine needs.

We sell worldwide for the brands: Genie, Terex, JLG, MultiQuip, Mikasa, Essick, Whiteman, Mayco, Toro Stone, Diamond Products, Generac Magnum, Airman, Haulotte, Barreto, Power Blanket, Nifty Lift, Atlas Copco, Chicago Pneumatic, Allmand, Miller Curber, Skyjack, Lull, Skytrak, Tsurumi, Husquvarna Target, Stow, Wacker, Sakai, Mi-T-M, Sullair, Basic, Dynapac, MBW, Weber, Bartell, Bennar Newman, Haulotte, Ditch Runner, Menegotti, Morrison, Contec, Buddy, Crown, Edco, Wyco, Bomag, Laymor, EZ Trench, Bil-Jax, F.S. Curtis, Gehl Pavers, Heli, Honda, ICS/PowerGrit, IHI, Partner, Imer, Clipper, MMD, Koshin, Rice, CH&E, General Equipment, Amida, Coleman, NAC, Gradall, Square Shooter, Kent, Stanley, Tamco, Toku, Hatz, Kohler, Robin, Wisconsin, Northrock, Oztec, Toker TK, Rol-Air, APT, Wylie, Ingersoll Rand / Doosan, Innovatech, Con X, Ammann, Mecalac, Makinex, Smith Surface Prep, Small Line, Wanco, Yanmar