



A TEREX BRAND



Parts Manual

Serial Number Range

S-60

from SN S6010-21001

S-65

to S6013-26295

S-60X

S-60XC

S-60HC

S-60TraX

S-65TraX

Part No. 147769

Rev B20

November 2018

Go to Discount-Equipment.com to order your parts

PARTS FINDER

**Search Website
by Part Number**



**Search Manual
Library For Parts
Manual & Lookup Part
Numbers – Purchase
or Request Quote**

Search Manuals

Enter your information to help us find the right parts manual for your machine.

* Brand:

* Model:

* Serial:

* Part Number:

SEARCH

**Can't Find Part or
Manual? Request Help
by Manufacturer,
Model & Description**

Parts Order Form

Please fill in the following information to help us find the right part for your machine.

Manufacturer:

Model:

Description:

Part Number:

Quantity:

Price:

Submit

Discount-Equipment.com is your online resource for quality parts & equipment.

Florida: **561-964-4949** Outside Florida TOLL FREE: **877-690-3101**

Need parts?

Click on this link: <http://www.discount-equipment.com/category/5443-parts/> and choose one of the options to help get the right parts and equipment you are looking for. Please have the machine model and serial number available in order to help us get you the correct parts. If you don't find the part on the website or on one of the online manuals, please fill out the request form and one of our experienced staff members will get back to you with a quote for the right part that your machine needs.

We sell worldwide for the brands: Genie, Terex, JLG, MultiQuip, Mikasa, Essick, Whiteman, Mayco, Toro Stone, Diamond Products, Generac Magnum, Airman, Haulotte, Barreto, Power Blanket, Nifty Lift, Atlas Copco, Chicago Pneumatic, Allmand, Miller Curber, Skyjack, Lull, Skytrak, Tsurumi, Husquvarna Target, Stow, Wacker, Sakai, Mi-T-M, Sullair, Basic, Dynapac, MBW, Weber, Bartell, Bennar Newman, Haulotte, Ditch Runner, Menegotti, Morrison, Contec, Buddy, Crown, Edco, Wyco, Bomag, Laymor, EZ Trench, Bil-Jax, F.S. Curtis, Gehl Pavers, Heli, Honda, ICS/PowerGrit, IHI, Partner, Imer, Clipper, MMD, Koshin, Rice, CH&E, General Equipment, Amida, Coleman, NAC, Gradall, Square Shooter, Kent, Stanley, Tamco, Toku, Hatz, Kohler, Robin, Wisconsin, Northrock, Oztec, Toker TK, Rol-Air, APT, Wylie, Ingersoll Rand / Doosan, Innovatech, Con X, Ammann, Mecalac, Makinex, Smith Surface Prep, Small Line, Wanco, Yanmar



A TEREX BRAND

Model: S-60

Serial number: S6010-21001

Model year: 2010 **Manufacture date:** 03/01/10

Electrical schematic number: E0186

Machine unladen weight: 20,736lbs / 9,406kg
Foam Tires add 764 lbs/347 kg to weight

Rated work load (including occupants): 500 lb / 227 kg

Maximum number of platform occupants: 2

Maximum allowable side force : 150 lb / 670 N

Maximum allowable inclination of the chassis:
Air Tires 2 deg / Foam Tires 4.5 deg

Maximum wind speed : 28 mph/ 12.5 m/s

Maximum platform height : 60 ft 2 in/ 18.3 m

Maximum platform reach : 50 ft 4 in/ 15.3 m

Gradeability: 45%

Country of manufacture: USA

This machine complies with:

ANSI A92.5
CAN B.354.4



11100011

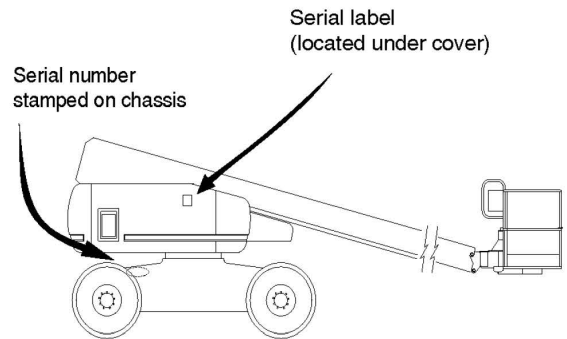
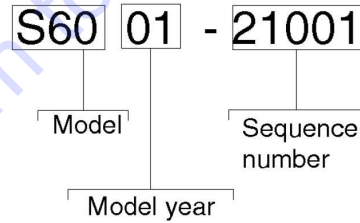
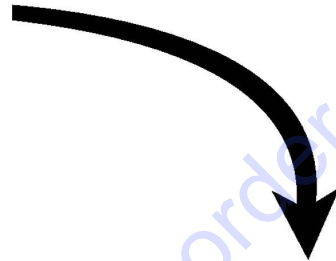


Table of Contents

This manual is updated frequently. For the most up-to-date parts information, visit www.discount-equipment.com

How to Read Your Serial Number.....	3
Parts Stocking List.....	9

Electronic Version

Click on any page number to view the figure.

100 Decals

101.1 S-60 Decals with Word, Hydraulic Tank Side (Australia).....	12
102.1 S-60 Decals with Word, Engine Side (Australia).....	14
103.1 S-60 Decals with Word, Boom (Australia).....	16
104.1 S-60 Decals with Word, Platform (Australia).....	18
105.1 S-60 Decals with Symbol, Hydraulic Tank Side (CE).....	20
106.1 S-60 Decals with Symbol, Engine Side (CE).....	22
107.1 S-60 Decals with Symbol, Boom (CE).....	24
108.1 S-60 Decals with Symbol, Platform (CE).....	26
109.1 S-65 Decals with Word, Hydraulic Tank Side (ANSI & Australia).....	28
110.1 S-65 Decals with Word, Engine Side (ANSI & Australia).....	30
111.1 S-65 Decals with Word, Boom (ANSI & Australia).....	32
112.1 S-65 Decals with Word, Platform (ANSI & Australia).....	34
113.1 S-65 Decals with Symbol, Hydraulic Tank Side (ANSI & CE).....	36
114.1 S-65 Decals with Symbol, Engine Side (ANSI & CE).....	38
115.1 S-65 Decals with Symbol, Boom (ANSI & CE).....	40
116.1 S-65 Decals with Symbol, Platform (ANSI & CE).....	42
117.1 S-60X Decals with Word, Hydraulic Tank Side (ANSI).....	44
118.1 S-60X Decals with Word, Engine Side (ANSI).....	46
119.1 S-60X Decals with Word, Boom (ANSI).....	48
120.1 S-60X Decals with Word, Platform (ANSI).....	50
121.1 S-60X Decals with Symbol, Hydraulic Tank Side (ANSI).....	52
122.1 S-60X Decals with Symbol, Engine Side (ANSI).....	54
123.1 S-60X Decals with Symbol, Boom (ANSI).....	56
124.1 S-60X Decals with Symbol, Platform (ANSI).....	58

125.1 S-60XC Decals with Word, Hydraulic Tank Side (ANSI).....	60
126.1 S-60XC Decals with Word, Engine Side (ANSI).....	62
127.1 S-60XC Decals with Word, Boom (ANSI).....	64
128.1 S-60XC Decals with Word, Platform (ANSI).....	66
129.1 S-60XC Decals with Symbol, Hydraulic Tank Side (ANSI).....	68
130.1 S-60XC Decals with Symbol, Engine Side (ANSI).....	70
131.1 S-60XC Decals with Symbol, Boom (ANSI).....	72
132.1 S-60XC Decals with Symbol, Platform (ANSI).....	74
133.1 S-60TX Decals with Word, Hydraulic Tank Side (ANSI & Australia).....	76
134.1 S-60TX Decals with Word, Engine Side (ANSI & Australia).....	78
135.1 S-60TX Decals with Word, Boom (ANSI & Australia).....	80
136.1 S-60TX Decals with Word, Platform (ANSI & Australia).....	82
137.1 S-60TX Decals with Symbol, Hydraulic Tank Side (ANSI & CE).....	84
138.1 S-60TX Decals with Symbol, Engine Side (ANSI & CE).....	86
139.1 S-60TX Decals with Symbol, Boom (ANSI & CE).....	88
140.1 S-60TX Decals with Symbol, Platform (ANSI & CE).....	90
141.1 S-65TX Decals with Word, Hydraulic Tank Side (ANSI & Australia).....	92
142.1 S-65TX Decals with Word, Engine Side (ANSI & Australia).....	94
143.1 S-65TX Decals with Word, Boom (ANSI & Australia).....	96
144.1 S-65TX Decals with Word, Platform (ANSI & Australia).....	98
145.1 S-65TX Decals with Symbol, Hydraulic Tank Side (ANSI & CE).....	100
146.1 S-65TX Decals with Symbol, Engine Side (ANSI & CE).....	102
147.1 S-65TX Decals with Symbol, Boom (ANSI & CE).....	104
148.1 S-65TX Decals with Symbol, Platform (ANSI & CE).....	106
149.1 S-60HC Decals with Symbol, Hydraulic Tank Side (CE).....	108
150.1 S-60HC Decals with Symbol, Engine Side (CE).....	110
151.1 S-60HC Decals with Symbol, Boom (CE).....	112
152.1 S-60HC Decals with Symbol, Platform (CE).....	114

200 Drive Chassis Components

201.1 Steer End (to SN 26295).....	116
201.2 Steer End (from SN 26296).....	120
202.1 Non-steer End.....	124
203.1 Oscillate Valve.....	128
204.1 TraX Option Steer End.....	130

205.1 TraX Option Non-Steer End.....	132	605.1 Boom End Components.....	218
206.1 TraX Option Components.....	134	606.1 Boom End Components - S-65.....	220
300 Turntable Components		607.1 Boom End Components - S-60 HC.....	222
301.1 Tank Side - View 1.....	136	608.1 Boom End Components - S-60X and S-60XC.....	224
302.1 Tank Side - View 2.....	138	609.1 Boom End Components - S-60 and S-65 CE Load Sense.....	226
303.1 Turntable Covers.....	140	610.1 S-60 HC Primary Boom Components.....	228
304.1 Engine Side.....	142	611.1 Cable Track (to SN 22585).....	230
305.1 Ground Control Box - View 1.....	146	611.2 Cable Track (from SN 22586).....	232
306.1 Ground Control Box - View 2.....	148	700 Platform Components	
307.1 Wire Harness Diagram.....	150	701.1 Platform Installation.....	234
308.1 S-60 HC Turntable - View 1.....	154	702.1 Platform Control Box - View 1.....	236
309.1 S-60 HC Turntable - View 2.....	156	703.1 Platform Control Box - View 2.....	240
400 Manifolds and Pumps		704.1 Joysticks.....	242
401.1 Function Manifold.....	158	800 Hydraulic Hoses and Fittings	
402.1 Traction Manifold, 2WD.....	162	801.1 Function Manifold - View 1.....	244
403.1 Traction Manifold, 4WD (to serial number 21231).....	164	802.1 Function Manifold - View 2.....	246
403.2 Traction Manifold, 4WD (from serial number 21232).....	166	803.1 4WD Traction Manifold.....	248
404.1 Platform Rotate and Jib Boom/Platform Rotate Manifold.....	168	804.1 2WD Traction Manifold.....	250
405.1 Pumps.....	170	805.1 Oscillate Option.....	252
406.1 Brake and 2 Speed Manifold (to SN 25201).....	172	806.1 Hydraulic Generator Option (to SN 21396).....	254
406.2 Brake and 2 Speed Manifold (from SN 25202).....	174	806.2 Hydraulic Generator Option (from SN 21397).....	256
500 Engine Components		807.1 Hydraulic Oil Cooler Option.....	258
501.1 Deutz D2011L03i.....	176	808.1 Welder Option (to SN 26173).....	260
502.1 Perkins 404-22.....	180	808.2 Welder Option (from SN 26174).....	262
503.1 Ford DSG-423 Engine - View 1 (to SN 24508).....	184	900 Accessories	
504.1 Ford DSG-423 Engine - View 2 (to SN 24508).....	186	901.1 Alarm and Beacon Package.....	264
505.1 Ford DSG-423 Engine - View 3 (to SN 24508).....	188	902.1 Platform Accessories.....	266
506.1 Ford DSG-423 Engine - View 4 (to SN 24508).....	190	903.1 Air Line and Power to Platform.....	268
507.1 Deutz TD2011-L04i Engine - View 1.....	192	904.1 Tri-Entry Platform Option.....	270
508.1 Deutz TD2011-L04i Engine - View 2.....	196	905.1 Gauge Option.....	272
509.1 Ford MSG-425 EFI Engine - View 1 (from SN 24509).....	198	906.1 Hydraulic Oil Cooler Option.....	274
510.1 Ford MSG-425 EFI Engine - View 2 (from SN 24509).....	200	907.1 Cold Start Package (to SN 23597).....	276
511.1 Ford MSG-425 EFI Engine - View 3 (from SN 24509).....	202	907.2 Cold Start Package (from SN 23598).....	278
512.1 Ford MSG-425 EFI Engine - View 4 (from SN 24509).....	204	908.1 Hostile Environment Package, Boom Wipers.....	280
600 Boom Structure Components		909.1 Hostile Environment Package, Turntable Components.....	282
601.1 Linkage Assembly.....	206	910.1 Hostile Environment Package, Cylinder Bellows and Cable Track Protection.....	284
602.1 Boom Components - View 1.....	210	911.1 Hostile Environment Package, Engine Air Pre-Cleaners.....	286
603.1 Boom Components - View 2.....	214	912.1 Welder Option - Chassis Components (to SN S6013-26173).....	288
604.1 Boom Limit Switch - S-60X, S-60XC and S-60 TraX (ANSI).....	216	912.2 Welder Option - Chassis Components (from SN S6013-26174).....	292

Table of Contents (continued)

913.1 Welder Option - Platform Components (to SN S6013-26173).....	294
913.2 Welder Option - Platform Components (from SN S6013-26174).....	296
914.1 Welder Option - Generator Components.....	298
915.1 Aircraft Protection Package, S-65 and S-65 TraX.....	300
916.1 Aircraft Protection Package, Deluxe, S-65 and S-65 TraX.....	302
917.1 Panel Cradle Option.....	304
918.1 Work Lights / Drive Lights.....	306
919.1 Generator Option.....	308
920.1 Operator Protective Structure.....	310
921.1 Tow Package.....	312
922.1 Fall Arrest Bar.....	314
Indices	
Part Number Index.....	316
Part Description Index.....	325
Cross References	
Fittings Cross Reference.....	338

Required Parts

The following parts are required to perform maintenance procedures as outlined in the Genie S-60 and S-65 Service Manual.

All Models:

Description	Part No.
Hydraulic Tank Filter	88917
Medium Pressure Filter	60857
High Pressure Filter	60857
Dielectric Grease	66399
Lithium Based Grease.....	(source locally)
Drive Hub Oil (refer to Service Manual) ..	(source locally)

Perkins 404-22 Models:

Description	Part No.
Air Filter Element	62420
Fuel/water Separator Element.....	62433
Engine Oil Filter	94762
V-belt	89765
Fuel Filter.....	62421

Deutz D2011-L03i Models:

Description	Part No.
Air Filter	62420
Fuel/water Separator Element.....	29560
Engine Oil Filter	49924
V-belt	32698

Deutz TD2011-L04i Models:

Description	Part No.
Air Filter	62425
Fuel/water Separator Element.....	29560
Engine Oil Filter	49924
V-belt	58630

Ford DSG-423 EFI Models:

Description	Part No.
Fuel Pre-Filter	119984
Engine Oil Filter	119139
Air Filter Element	77295
Serpentine Belt	119138
PCV Valve.....	119474
Spark Plug	119495

Recommended Parts

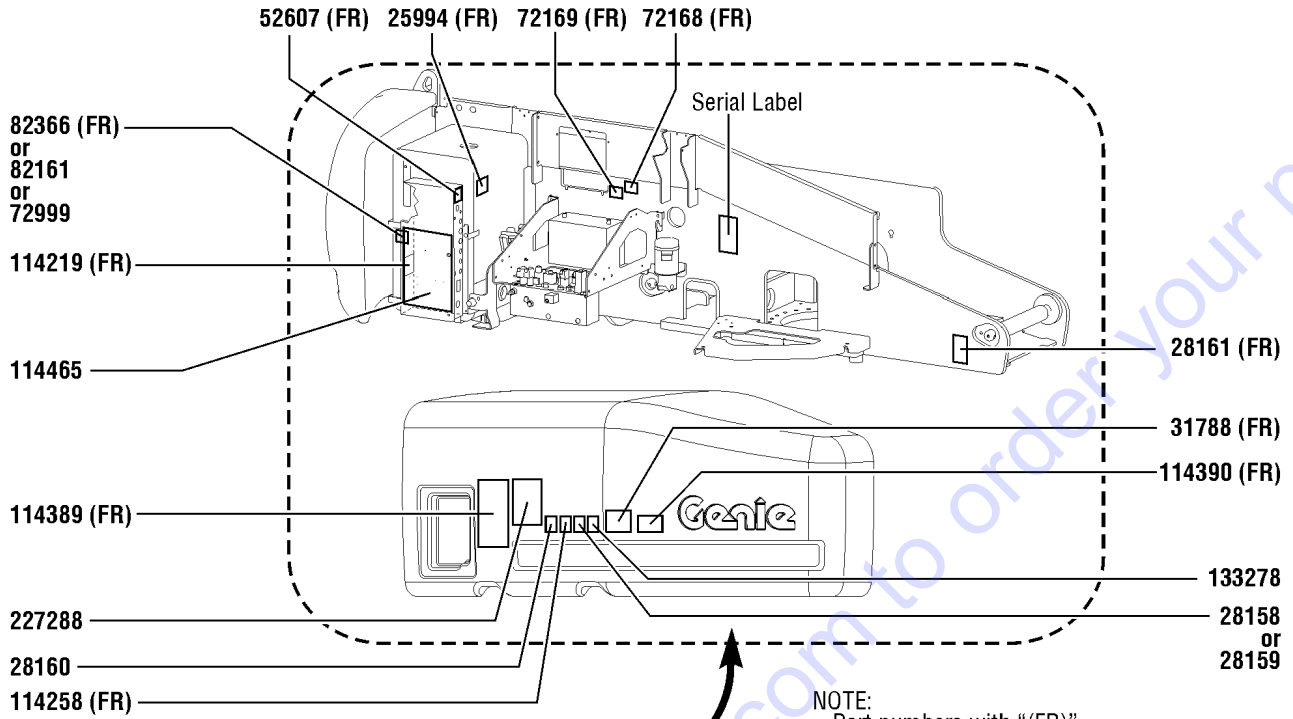
Description	Part No.
Genie Blue Paint, 1 Gallon	32150
Genie Blue Paint, 12 Ounce Aerosol.....	1484
Genie Gray Paint, 1 Gallon.....	32151
Genie Gray Paint, 12 Ounce Aerosol.....	1268
Plug and Cap Kit (for ORFS fittings).....	49613
Protractor Kit	58351

Manuals

Genie Industries offers the following support documents for these models:

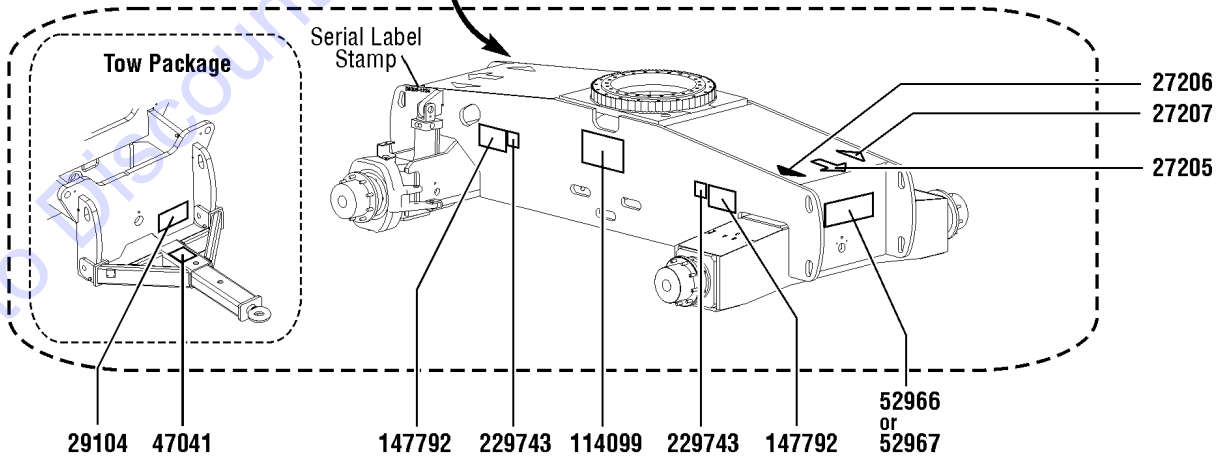
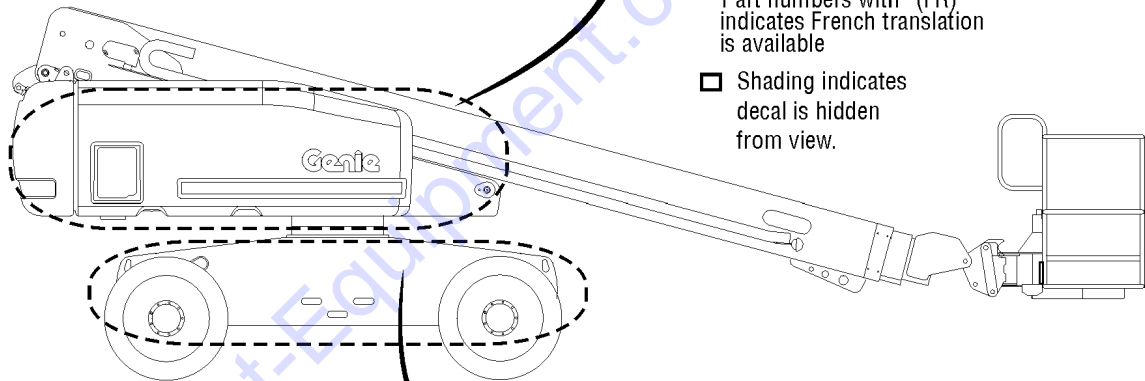
Title	Part No.
EMI Safety Manual	27581
Manual of Responsibilities ANSI A92.5.....	31779

101.1 S-60 Decals with Word, Hydraulic Tank Side (Australia)



NOTE:
Part numbers with "(FR)" indicates French translation is available

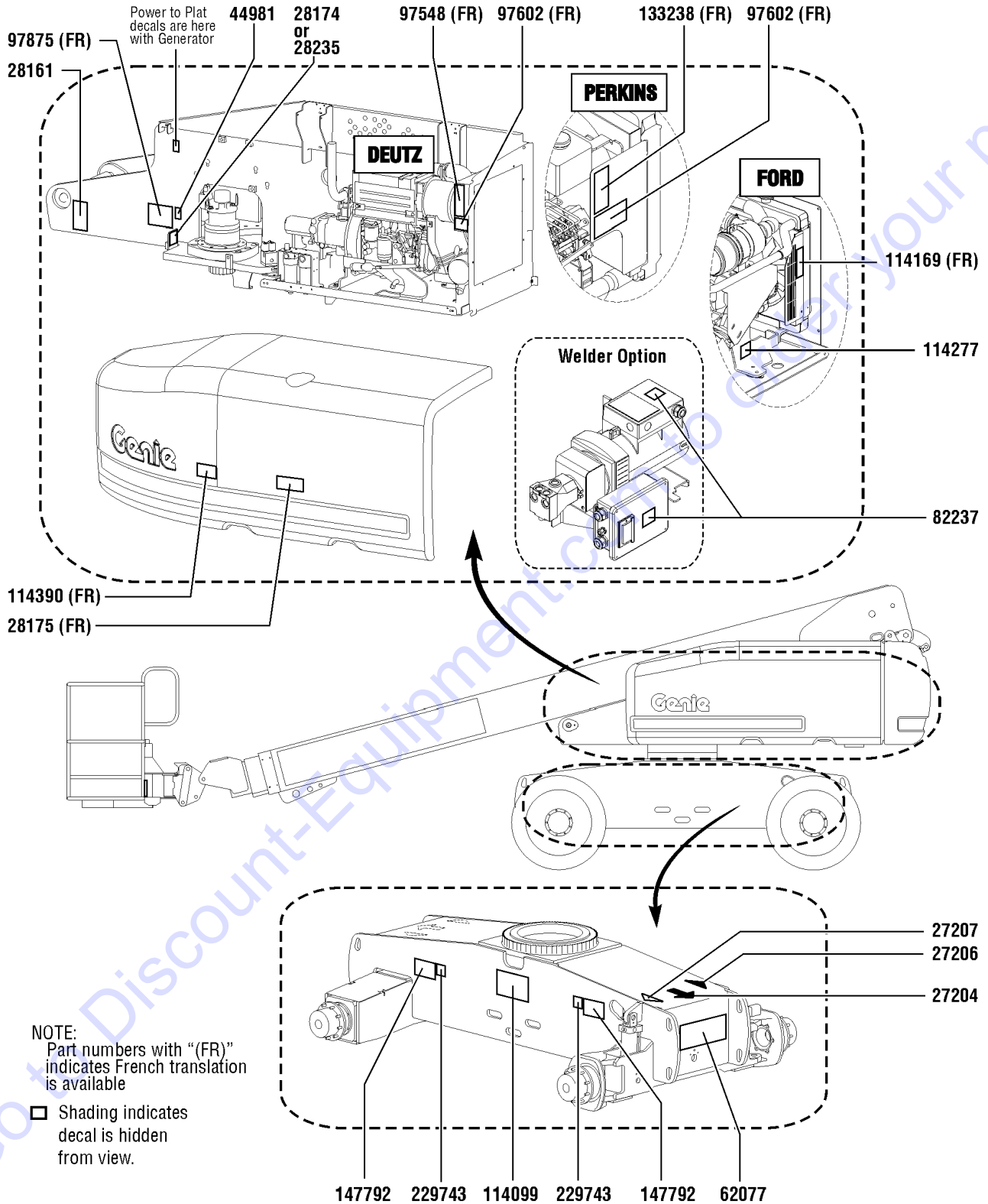
☐ Shading indicates decal is hidden from view.



101.1 S-60 Decals with Word, Hydraulic Tank Side (Australia)

Item	Part No.	Description	Qty.
1	25994GT	DECAL,NOTICE,SHUTOFF VALVES.....1	1
2	27205GT	DECAL,ARROW YELLOW LRG 9".....1	1
3	27206GT	DECAL,TRIANGLE,BLUE.....1	1
4	27207GT	DECAL,TRIANGLE,YELLOW.....1	1
5	28158GT	DECAL,LABEL,UNLEADED GAS ONLY.....1	1
6	28159GT	DECAL,DIESEL.....1	1
7	28160GT	DECAL,LABEL,LIQUID PROPANE.....1 <i>Option, LPG tank</i>	1
8	28161GT	DECAL,WARN,CRUSH HAZARD HAND.....1	1
9	29104GT	DECAL,TOWING INSTRUCTIONS.....1 <i>Option, tow package</i>	1
10	31788GT	DECAL,DANGER,BATTERY SAFETY***.....1	1
11	47041GT	DECAL,CAUTION,TOWING SPEED.....1 <i>Option, tow package</i>	1
12	52607GT	DECAL,LABEL,TEST***.....1 <i>Ford only</i>	1
13	52966GT	DECAL,COSMETIC,4 X 2.....1	1
14	52967GT	DECAL,COSMETIC,4 X 4.....1	1
15	72168GT	DECAL,LABEL,STARTER BATTERY.....1	1
16	72169GT	DECAL,LABEL,CONTROLS BATTERY...1	1
17	72999GT	DECAL,LABEL,PETRO CANADA***.....1	1
18	82161GT	DECAL,LABEL,UCON HYDROLUBE.....1	1
19	82366GT	DECAL,CHEVRON RANDO HD.....1	1
20	114099GT	DECAL,LABEL,TRANSPORT DIAGRAM.....1	1
21	114219GT	DECAL,LABEL,RELAYS,S60&65.....1	1
22	114258GT	DECAL,DANGER,NO SMOKING.....1	1
23	114389GT	DECAL,DANGER,GENERAL SAFETY....1	1
24	114390GT	DECAL,DANGER,ELECT HAZARD***...1	1
25	114465GT	DECAL GROUND CONTROL BOX.....1	1
26	133278GT	DECAL,LOW/ULTRA LOW SULFR FUEL.....1 <i>Diesel models only</i>	1
27	147792GT	DANGER,TIPOVR,TIRES FF ONLY.....2	2
28	227288GT	DECAL, OPERATING INSTRUCTIONS.....1	1
29	229743GT	DECAL,LABEL,WHEEL LOAD S60/60X.....2	2

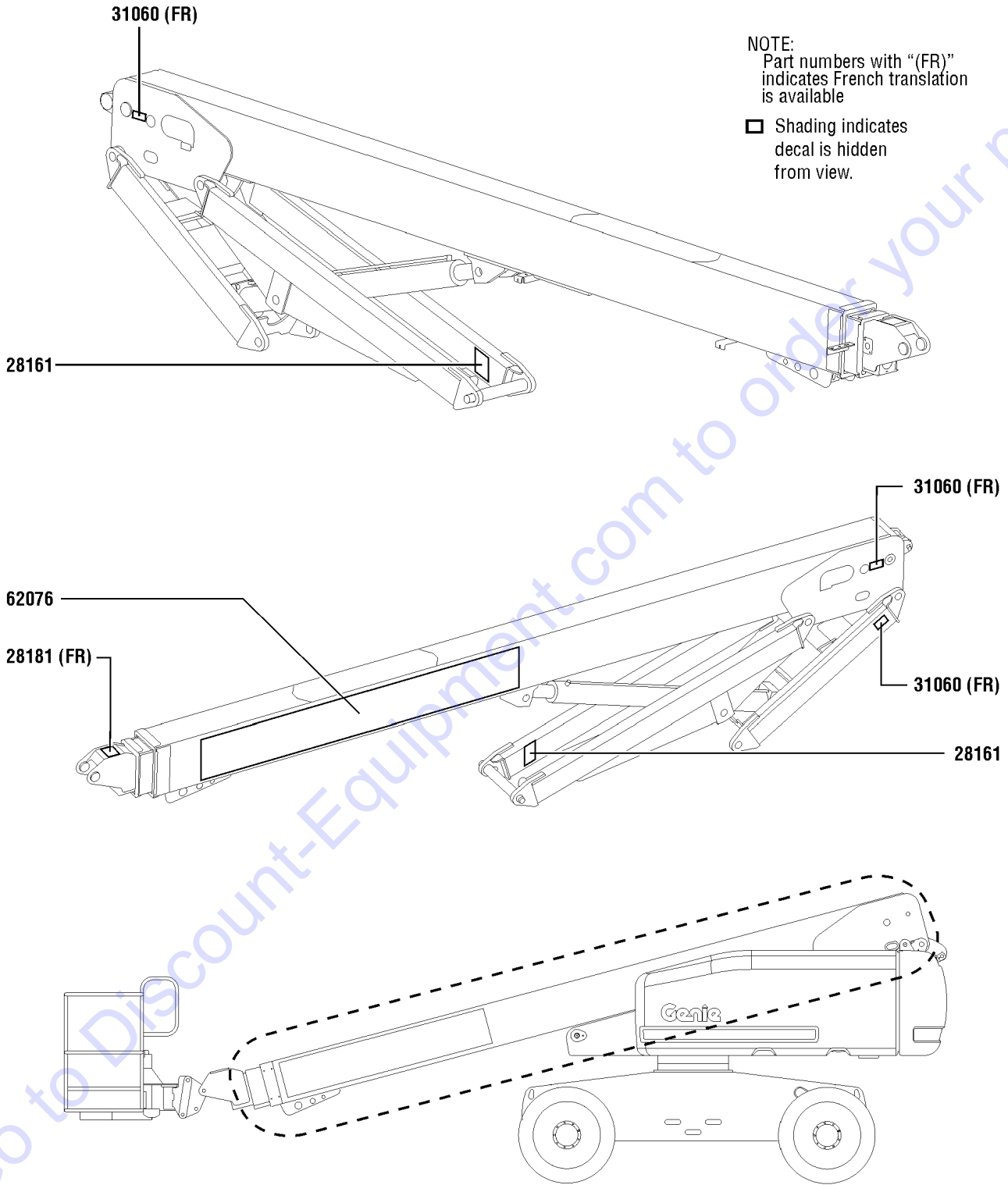
102.1 S-60 Decals with Word, Engine Side (Australia)



102.1 S-60 Decals with Word, Engine Side (Australia)

Item	Part No.	Description	Qty.
1	27204GT	DECAL,ARROW BLUE.....	1
2	27206GT	DECAL,TRIANGLE,BLUE.....	1
3	27207GT	DECAL,TRIANGLE,YELLOW.....	1
4	28161GT	DECAL,WARN,CRUSH HAZARD HAND.....	1
5	28174GT	DECAL, POWER TO PLATFORM 230V**.....	1
6	28175GT	DECAL,WARNING-COMPART ACCESS.....	1
7	28235GT	DECAL,POWER TO PLATFORM 115V...1	
8	44981GT	DECAL,LABEL, AIR LINE 110 PSI.....1 <i>Option,airline to plat</i>	
9	62077GT	DECAL,COSMETIC,S60.....	1
10	82237GT	DECAL,DANGER,HIGH VOLTAGE.....2 <i>Option, welder</i>	
11	97548GT	DECAL,ENGINE SPEC,DEUTZ 2011.....1	
12	97602GT	DECAL,EXPLOSION HAZARD.....1	
13	97875GT	DECAL,WARN.WELD LINE INST.WORD.....1 <i>Option, weld cable line</i>	
14	114099GT	DECAL,LABEL,TRANSPORT DIAGRAM.....	1
15	114169GT	DECAL,FORD ENGINE SPEC DSG423.....	1
16	114277GT	DECAL,LABEL,BELT ROUTING DSG.....1	
17	114390GT	DECAL,DANGER,ELECT HAZARD***.....1	
18	133238GT	DECAL,ENGINE SPEC,PERKINS***.....1	
19	147792GT	DANGER,TIPOVR,TIRES FF ONLY.....2	
20	229743GT	DECAL,LABEL,WHEEL LOAD S60/60X.....	2

103.1 S-60 Decals with Word, Boom (Australia)



NOTE:
Part numbers with "(FR)" indicates French translation is available

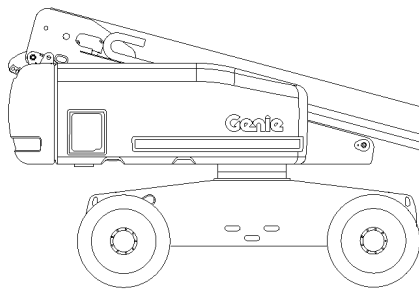
☐ Shading indicates decal is hidden from view.

103.1 S-60 Decals with Word, Boom (Australia)

Item	Part No.	Description	Qty.
1	28161GT	DECAL,WARN,CRUSH HAZARD HAND.....	2
2	28181GT	DECAL,WARN,FALL HAZARD.....	1
3	31060GT	DECAL,DANGER DO NOT ALTER SWTC.....	3
4	62076GT	DECAL,COSMETIC,GENIE S-60.....	1

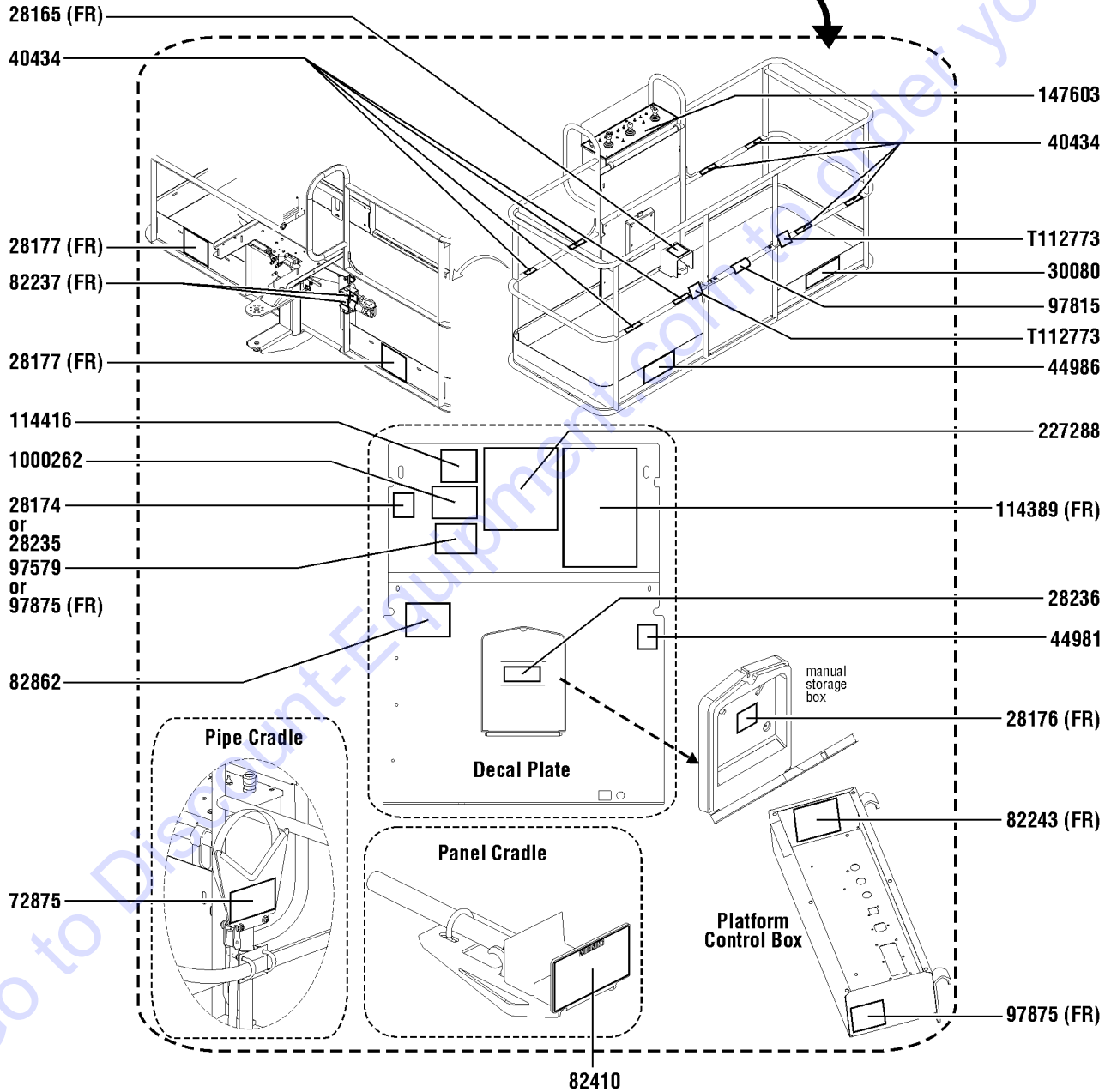
Go to Discount-Equipment.com to order your parts

104.1 S-60 Decals with Word, Platform (Australia)



NOTE:
Part numbers with "(FR)" indicates French translation is available

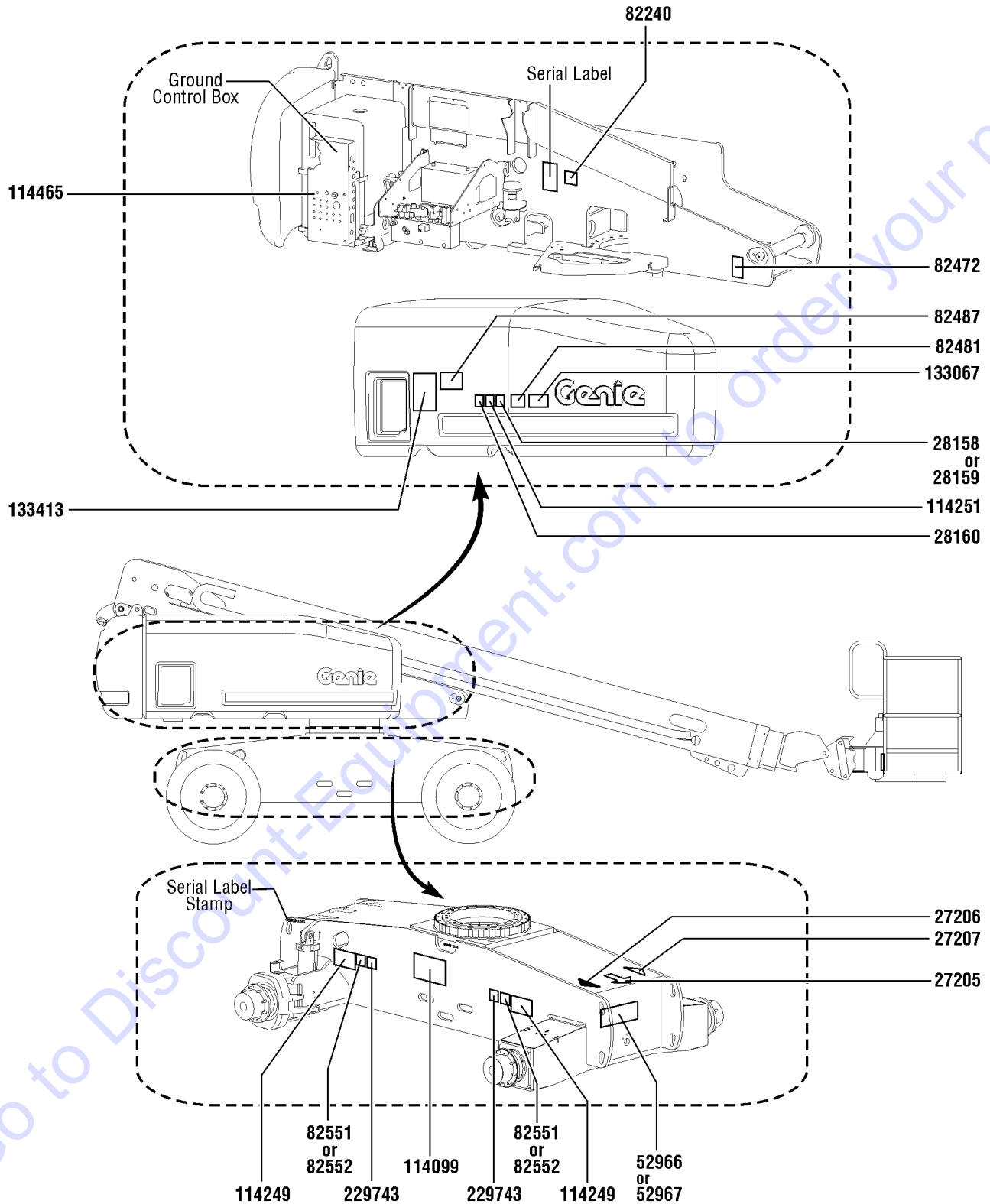
☐ Shading indicates decal is hidden from view.



104.1 S-60 Decals with Word, Platform (Australia)

Item	Part No.	Description	Qty.
1	28165GT	DECAL,INSTRUCT,FOOTSWITCH OPER.....	1
2	28174GT	DECAL, POWER TO PLATFORM 230V**.....	1
3	28176GT	DECAL,LABEL,MANUAL NOT HERE.....	1
4	28177GT	DECAL,WARN,CRUSH HAZARD PLAT.....	2
5	28235GT	DECAL,POWER TO PLATFORM 115V....	1
6	28236GT	DECAL,WARN,IMPROPER OPERATION.....	1
7	30080GT	DECAL,NOTICE,MAX LOAD 500 LBS....	1
8	40434GT	DECAL,LANYARD ANCHORAGE POINT.....	8
9	44981GT	DECAL,LABEL, AIR LINE 110 PSI..... <i>Option, airline to plat</i>	1
10	44986GT	DECAL,INSTR,SIDE FRC/WIND,AUS....	1
11	72875GT	DECAL,WARNING,PIPE CRADLE,BOOM..... <i>Option, pipe cradle</i>	2
12	82237GT	DECAL,DANGER,HIGH VOLTAGE..... <i>Option, welder</i>	2
13	82243GT	DECAL FAULT CODE.....	1
14	82410GT	DECAL,WARNING,PANEL CRADLE..... <i>Option, panel cradle</i>	2
15	82862GT	DECAL,FIRE EXTINGUISHER..... <i>Option, welder</i>	1
16	97579GT	DECAL,DANGER,TIP-OVER,WELDER**. <i>Option, welder</i>	1
17	97815GT	DECAL,LABEL,LOWER MIDRAIL.....	1
18	97875GT	DECAL,WARN.WELD LINE INST.WORD..... <i>Option, weld cable line</i>	2
19	114389GT	DECAL,DANGER,GENERAL SAFETY....	1
20	114416GT	DECAL,DANGER,TIPOVER,TILT.....	1
21	147603GT	DECAL, PLAT CNTL PNL.....	1
22	227288GT	DECAL, OPERATING INSTRUCTIONS.....	1
23	1000262GT	DECAL,DANGER,TIP OVER,PLAT.....	1
24	T112773GT	TAPE, PROTECTIVE MASK.....	2

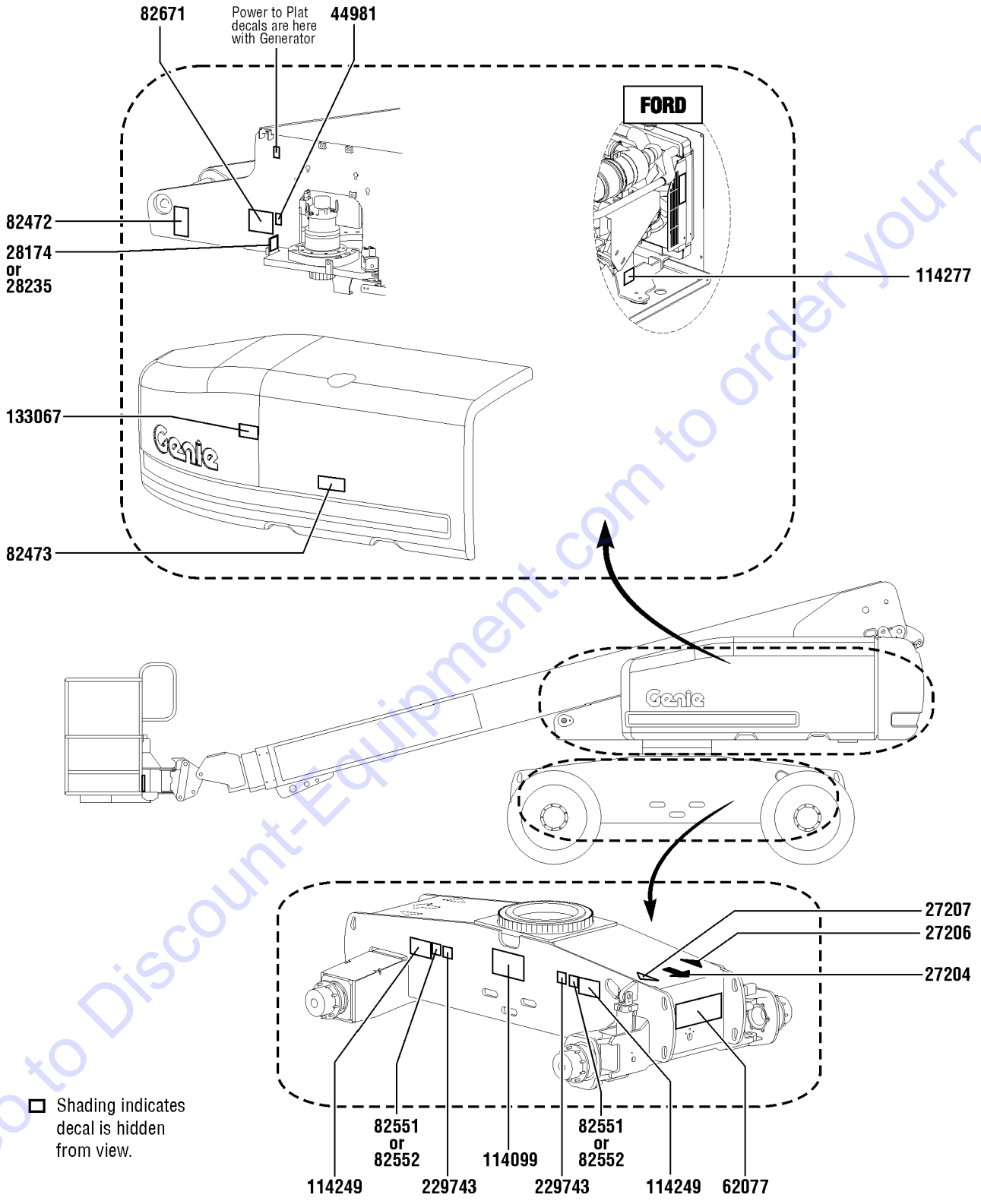
105.1 S-60 Decals with Symbol, Hydraulic Tank Side (CE)



105.1 S-60 Decals with Symbol, Hydraulic Tank Side (CE)

Item	Part No.	Description	Qty.
1	27205GT	DECAL,ARROW YELLOW LRG 9".....1	1
2	27206GT	DECAL,TRIANGLE,BLUE.....1	1
3	27207GT	DECAL,TRIANGLE,YELLOW.....1	1
4	28158GT	DECAL,LABEL,UNLEADED GAS ONLY.....1	1
5	28159GT	DECAL,DIESEL.....1	1
6	28160GT	DECAL,LABEL,LIQUID PROPANE.....1 <i>Option, LPG tank</i>	1
7	52966GT	DECAL,COSMETIC,4 X 2.....1	1
8	82240GT	DECAL,LABEL,105 DB.....1	1
9	82472GT	DECAL,WARNING,CRUSHING HAZARD.....1	1
10	82481GT	DECAL,SYMBOL-BATTERY SAFETY.....1	1
11	82487GT	DECAL,SYMBOL - READ THE MANUAL.....1	1
12	82551GT	DECAL,LABEL,TIRE PRESSURE.....2	2
13	82552GT	DECAL,LABEL,TIRE PRESS HF.....2 <i>Option, hi-floatation tires</i>	2
14	82967GT	DECAL KIT,SYMBOLS,Z34IC.....1	1
15	114099GT	DECAL,LABEL,TRANSPORT DIAGRAM.....1	1
16	114249GT	DECAL,LABEL,TIPOVER,TIRES,SYMB.2	2
17	114251GT	DECAL,LABEL,NO SMOKING,SYMB.....1	1
18	114465GT	DECAL GROUND CONTROL BOX.....1	1
19	133067GT	DECAL,DANGER,ELEC.HAZ.STAY CLR.....1	1
20	133413GT	DECAL,EMERGENCY LOWERING.....1	1
21	229743GT	DECAL,LABEL,WHEEL LOAD S60/60X.....2	2

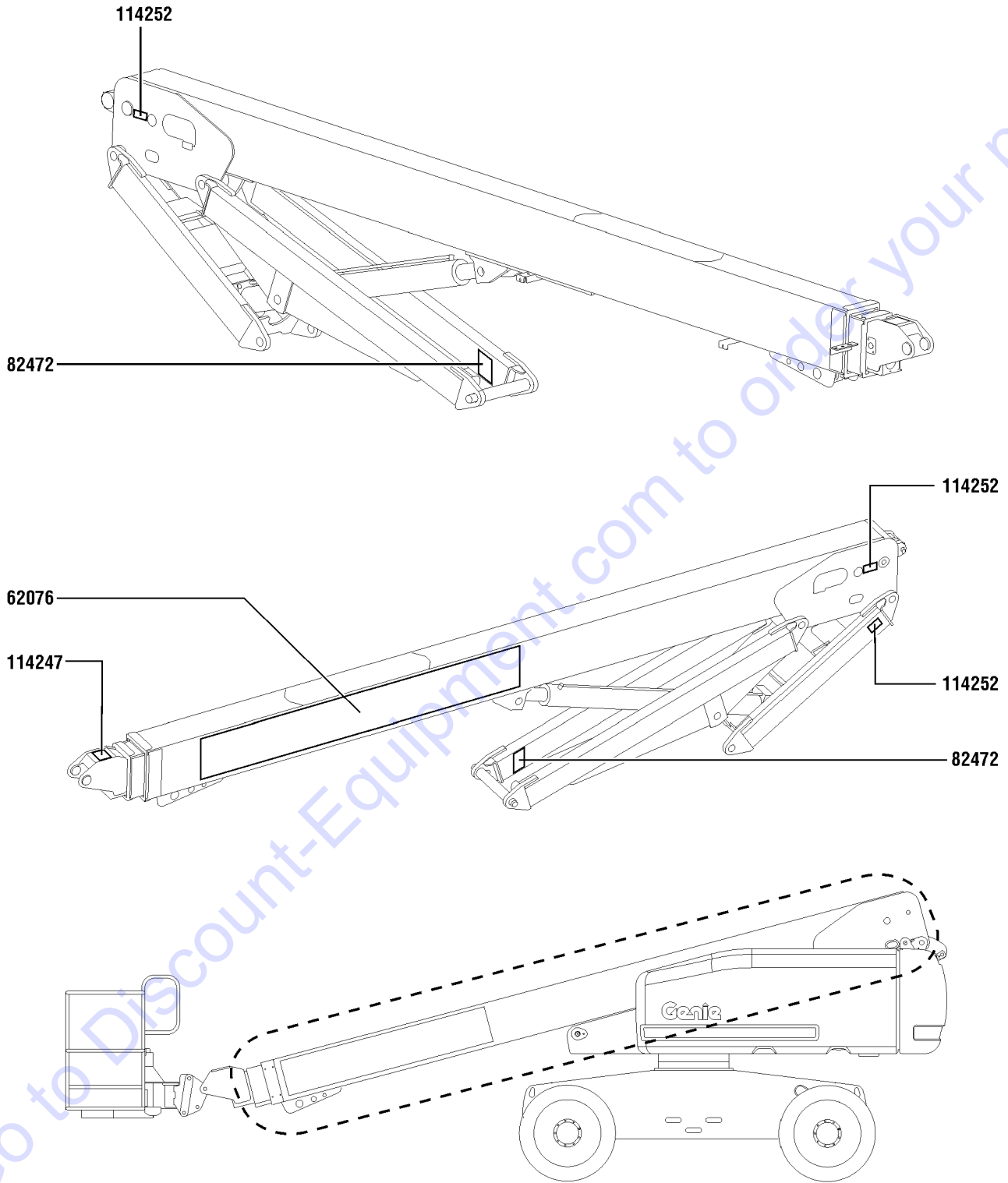
106.1 S-60 Decals with Symbol, Engine Side (CE)



106.1 S-60 Decals with Symbol, Engine Side (CE)

Item	Part No.	Description	Qty.
1	27204GT	DECAL,ARROW BLUE.....	1
2	27206GT	DECAL,TRIANGLE,BLUE.....	1
3	27207GT	DECAL,TRIANGLE,YELLOW.....	1
4	28174GT	DECAL, POWER TO PLATFORM 230V**.....	1
5	28235GT	DECAL,POWER TO PLATFORM 115V...1	1
6	44981GT	DECAL,LABEL, AIR LINE 110 PSI.....1 <i>Option, airline to plat</i>	1
7	62077GT	DECAL,COSMETIC,S60.....	1
8	82472GT	DECAL,WARNING,CRUSHING HAZARD.....	1
9	82473GT	DECAL,SYMBOL-COMP ACCESS.....	1
10	82551GT	DECAL,LABEL,TIRE PRESSURE.....	2
11	82552GT	DECAL,LABEL,TIRE PRESS HF.....2 <i>Option, hi-floatation tires</i>	2
12	82671GT	DECAL,LABEL,WELD LINE INST,SYM...1 <i>Option, weld cable line</i>	1
13	114099GT	DECAL,LABEL,TRANSPORT DIAGRAM.....	1
14	114249GT	DECAL,LABEL,TIPOVER,TIRES,SYMB.2	2
15	114277GT	DECAL,LABEL,BELT ROUTING DSG....	1
16	133067GT	DECAL,DANGER,ELEC.HAZ.STAY CLR.....	1
17	229743GT	DECAL,LABEL,WHEEL LOAD S60/60X.....	2

107.1 S-60 Decals with Symbol, Boom (CE)

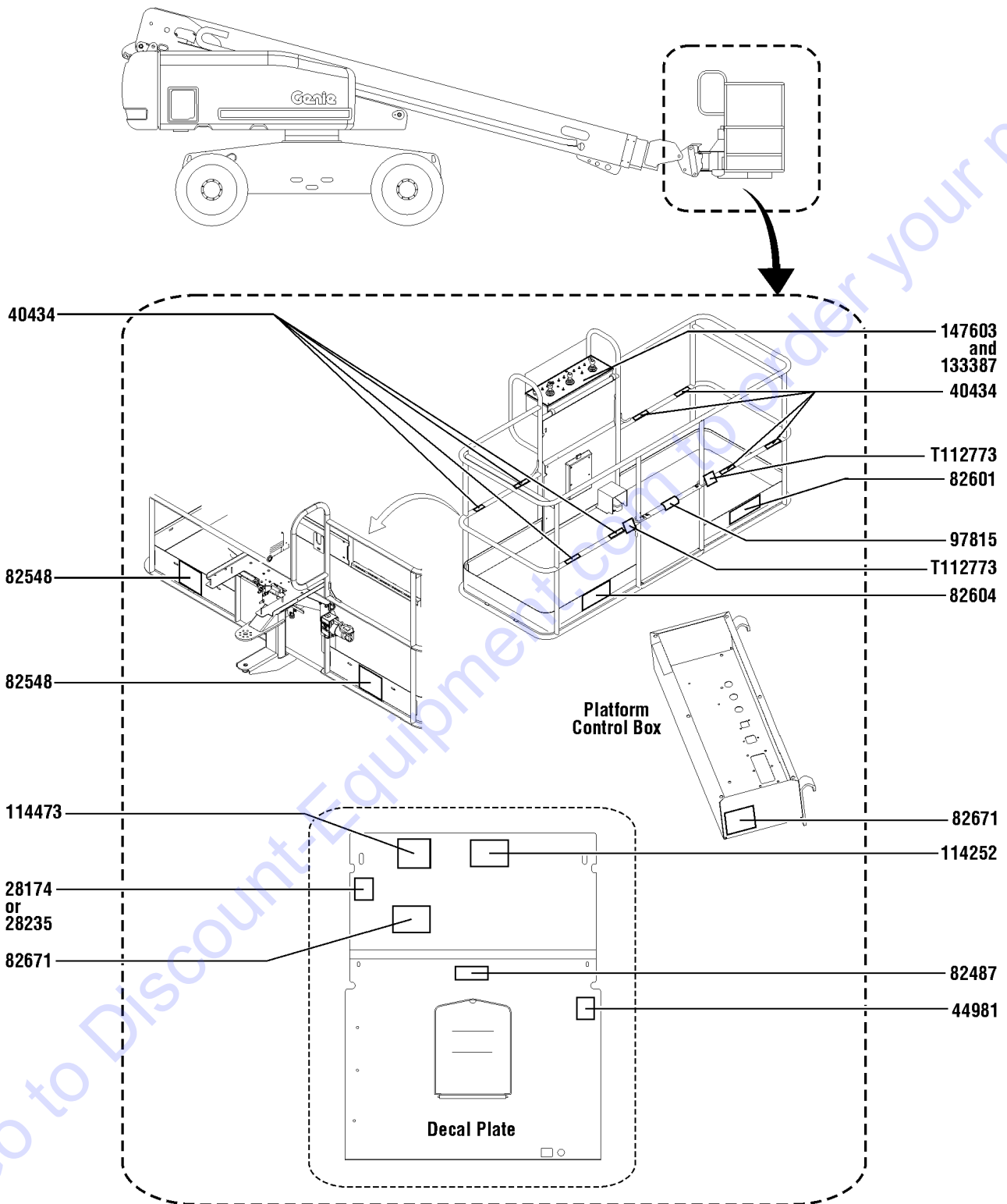


107.1 S-60 Decals with Symbol, Boom (CE)

Item	Part No.	Description	Qty.
1	62076GT	DECAL,COSMETIC,GENIE S-60.....	1
2	82472GT	DECAL,WARNING,CRUSHING HAZARD.....	2
3	114247GT	DECAL,LABEL,FALL HAZARD***.....	1
4	114252GT	DECAL,LABEL,TIP OVER LMT SWTCH.....	3

Go to Discount-Equipment.com to order your parts

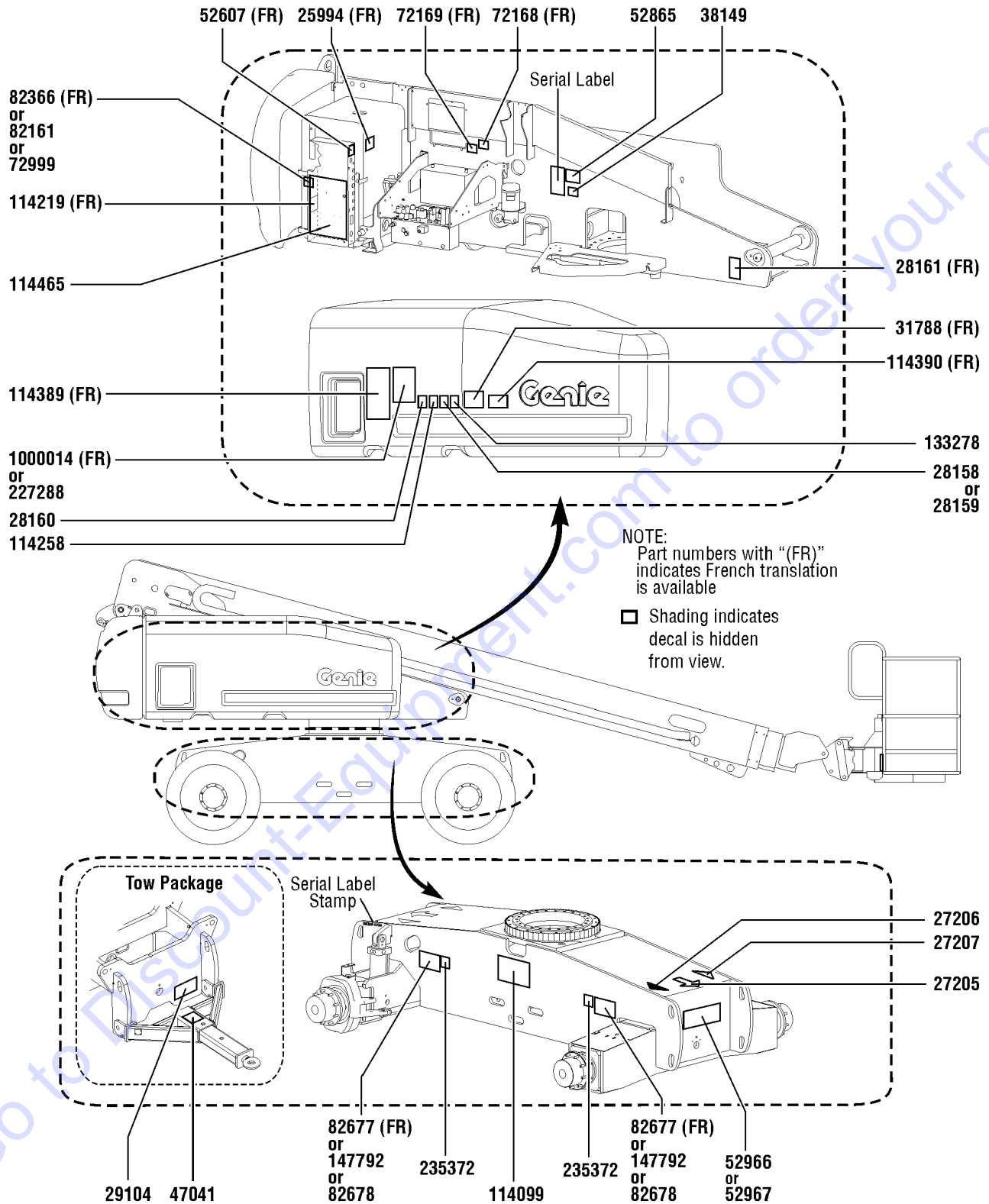
108.1 S-60 Decals with Symbol, Platform (CE)



108.1 S-60 Decals with Symbol, Platform (CE)

Item	Part No.	Description	Qty.
1	28174GT	DECAL, POWER TO PLATFORM 230V**.....	1
2	28235GT	DECAL,POWER TO PLATFORM 115V...1	1
3	40434GT	DECAL,LANYARD ANCHORAGE POINT.....	8
4	44981GT	DECAL,LABEL, AIR LINE 110 PSI.....1 <i>Option, airline to plat</i>	1
5	82487GT	DECAL, SYMBOL - READ THE MANUAL.....	1
6	82548GT	DECAL,WARN,CRUSH HAZARD PLAT.....	2
7	82601GT	DECAL,LABEL,MAX CAPACITY***.....	1
8	82604GT	DECAL,DANGER,SIDE FRC 400N.....	1
9	82671GT	DECAL,LABEL,WELD LINE INST,SYM...2 <i>Option, weld cable line</i>	2
10	97815GT	DECAL,LABEL,LOWER MIDRAIL.....	1
11	114252GT	DECAL,LABEL,TIP OVER LMT SWTCH.....	1
12	114473GT	DECAL,DANGER,TIPOVER,TILT,SYM...1	1
13	133387GT	DECAL,DRIVE ENABLE PATCH.....	1
14	147603GT	DECAL, PLAT CNTL PNL.....	1
15	T112773GT	TAPE, PROTECTIVE MASK.....	2

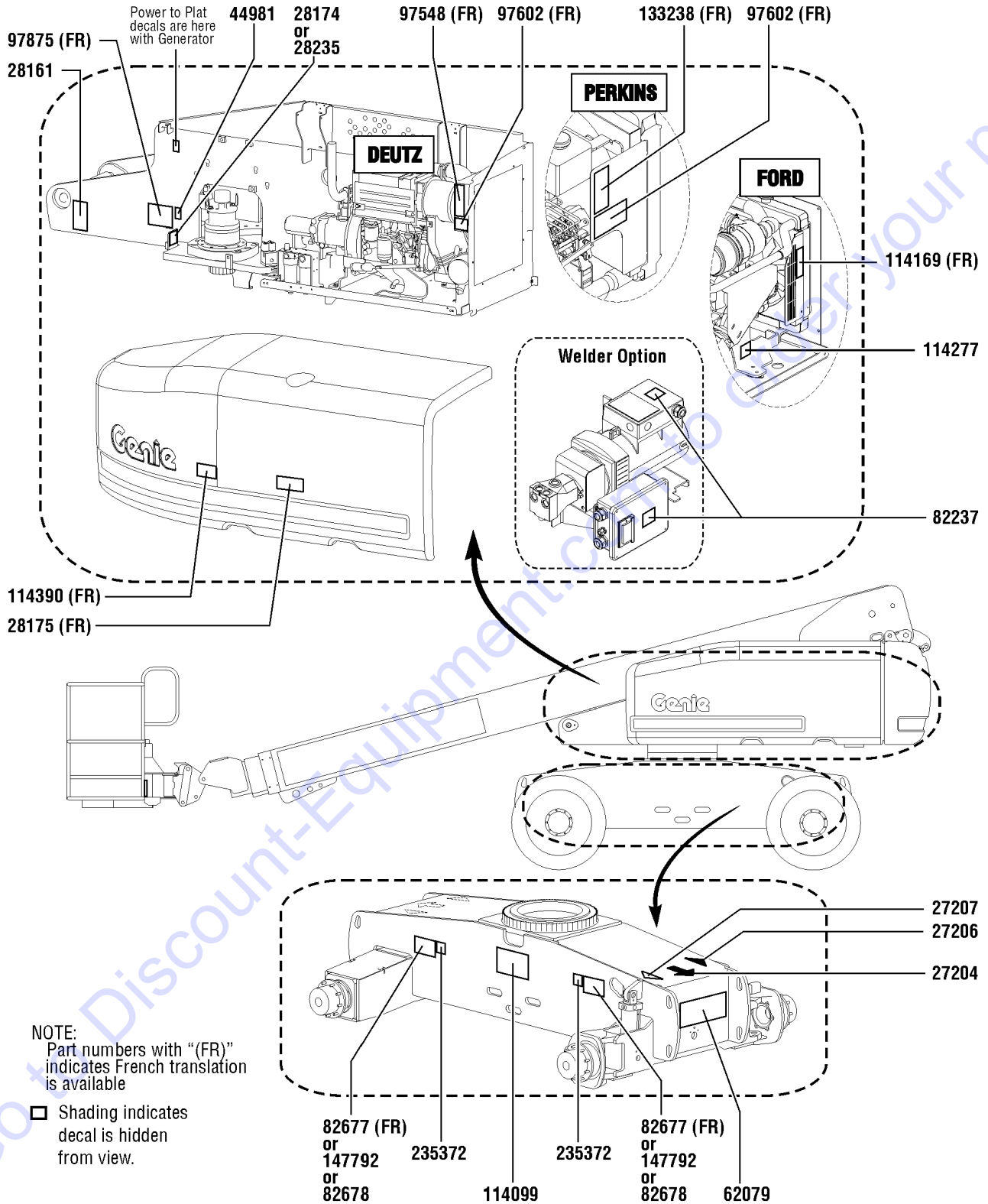
109.1 S-65 Decals with Word, Hydraulic Tank Side (ANSI & Australia)



109.1 S-65 Decals with Word, Hydraulic Tank Side (ANSI & Australia)

Item	Part No.	Description	Qty.	Item	Part No.	Description	Qty.
1	25994GT	DECAL,NOTICE,SHUTOFF VALVES.....1		32	227288GT	DECAL, OPERATING INSTRUCTIONS.....1 <i>AUS only</i>	
2	27205GT	DECAL,ARROW YELLOW LRG 9".....1		33	235372GT	DECAL,LABEL,WHEEL LOAD S65.....2	
3	27206GT	DECAL,TRIANGLE,BLUE.....1		34	1000014GT	DECAL,NOTICE,OPER INST.S60.....1 <i>ANSI only</i>	
4	27207GT	DECAL,TRIANGLE,YELLOW.....1					
5	28158GT	DECAL,LABEL,UNLEADED GAS ONLY.....1					
6	28159GT	DECAL,DIESEL.....1					
7	28160GT	DECAL,LABEL,LIQUID PROPANE.....1 <i>Option, LPG tank</i>					
8	28161GT	DECAL,WARN,CRUSH HAZARD HAND.....1					
9	29104GT	DECAL,TOWING INSTRUCTIONS.....1 <i>Option, tow package</i>					
10	31788GT	DECAL,DANGER,BATTERY SAFETY***.....1					
11	38149GT	DECAL,LABEL,PATENTS.....1 <i>US only</i>					
12	47041GT	DECAL,CAUTION,TOWING SPEED.....1 <i>Option, tow package</i>					
13	52607GT	DECAL,LABEL,TEST***.....1 <i>Ford only</i>					
14	52865GT	DECAL,ANNUAL INSP***.....1 <i>ANSI only</i>					
15	52966GT	DECAL,COSMETIC,4 X 2.....1					
16	52967GT	DECAL,COSMETIC,4 X 4.....1					
17	72168GT	DECAL,LABEL,STARTER BATTERY.....1					
18	72169GT	DECAL,LABEL,CONTROLS BATTERY...1					
19	72999GT	DECAL,LABEL,PETRO CANADA***.....1					
20	82161GT	DECAL,LABEL,UCON HYDROLUBE.....1					
21	82366GT	DECAL,CHEVRON RANDO HD.....1					
22	82677GT	DECAL,DANGER/LABEL,TIRE SPECS.....2 <i>ANSI only</i>					
23	82678GT	DECAL,DANGER,HI-FLOAT TIRE.....2 <i>Option, Hi-floatation</i>					
24	114099GT	DECAL,LABEL,TRANSPORT DIAGRAM.....1					
25	114219GT	DECAL,LABEL,RELAYS,S60&65.....1					
26	114258GT	DECAL,DANGER,NO SMOKING.....1					
27	114389GT	DECAL,DANGER,GENERAL SAFETY....1					
28	114390GT	DECAL,DANGER,ELECT HAZARD***....1					
29	114465GT	DECAL GROUND CONTROL BOX.....1					
30	133278GT	DECAL,LOW/ULTRA LOW SULFR FUEL.....1 <i>Diesel models only</i>					
31	147792GT	DANGER,TIPOVR,TIRES FF ONLY.....2 <i>AUS only</i>					

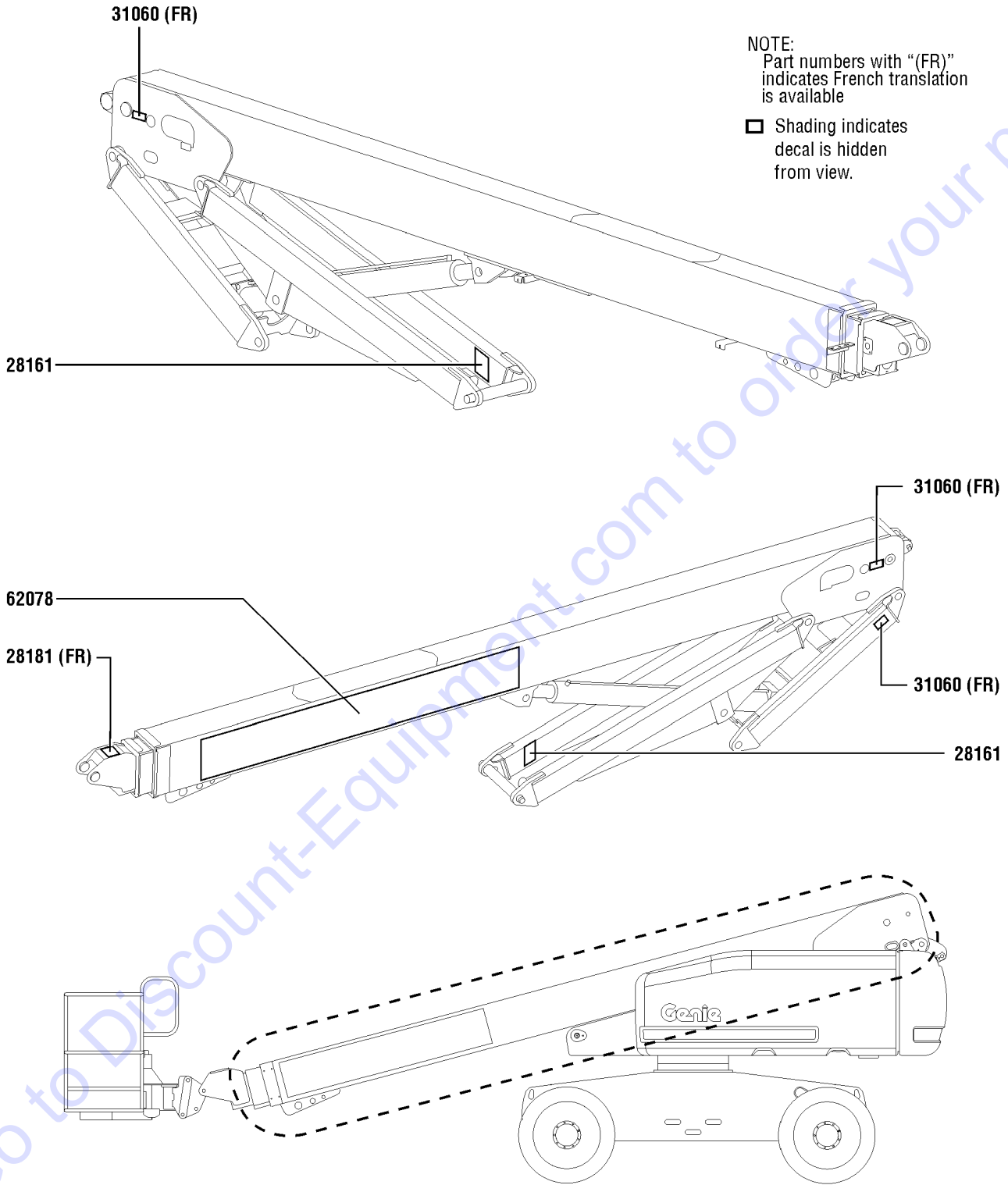
110.1 S-65 Decals with Word, Engine Side (ANSI & Australia)



110.1 S-65 Decals with Word, Engine Side (ANSI & Australia)

Item	Part No.	Description	Qty.
1	27204GT	DECAL,ARROW BLUE.....	1
2	27206GT	DECAL,TRIANGLE,BLUE.....	1
3	27207GT	DECAL,TRIANGLE,YELLOW.....	1
4	28161GT	DECAL,WARN,CRUSH HAZARD HAND.....	1
5	28174GT	DECAL, POWER TO PLATFORM 230V**.....	1
6	28175GT	DECAL,WARNING-COMPART ACCESS.....	1
7	28235GT	DECAL,POWER TO PLATFORM 115V....	1
8	44981GT	DECAL,LABEL, AIR LINE 110 PSI..... <i>Option, airline to plat</i>	1
9	62079GT	DECAL,COSMETIC,S65.....	1
10	82237GT	DECAL,DANGER,HIGH VOLTAGE..... <i>Option, welder</i>	2
11	82677GT	DECAL,DANGER/LABEL,TIRE SPECS..... <i>ANSI only</i>	2
12	82678GT	DECAL,DANGER,HI-FLOAT TIRE.....	2
13	97548GT	DECAL,ENGINE SPEC,DEUTZ 2011....	1
14	97602GT	DECAL,EXPLOSION HAZARD.....	1
15	97875GT	DECAL,WARN.WELD LINE INST.WORD..... <i>Option, weld cable line</i>	1
16	114099GT	DECAL,LABEL,TRANSPORT DIAGRAM.....	1
17	114169GT	DECAL,FORD ENGINE SPEC DSG423.....	1
18	114277GT	DECAL,LABEL,BELT ROUTING DSG....	1
19	114390GT	DECAL,DANGER,ELECT HAZARD***	1
20	133238GT	DECAL,ENGINE SPEC,PERKINS***	1
21	147792GT	DANGER,TIPOVR,TIRES FF ONLY..... <i>AUS only</i>	2
22	235372GT	DECAL,LABEL,WHEEL LOAD S65.....	2

111.1 S-65 Decals with Word, Boom (ANSI & Australia)

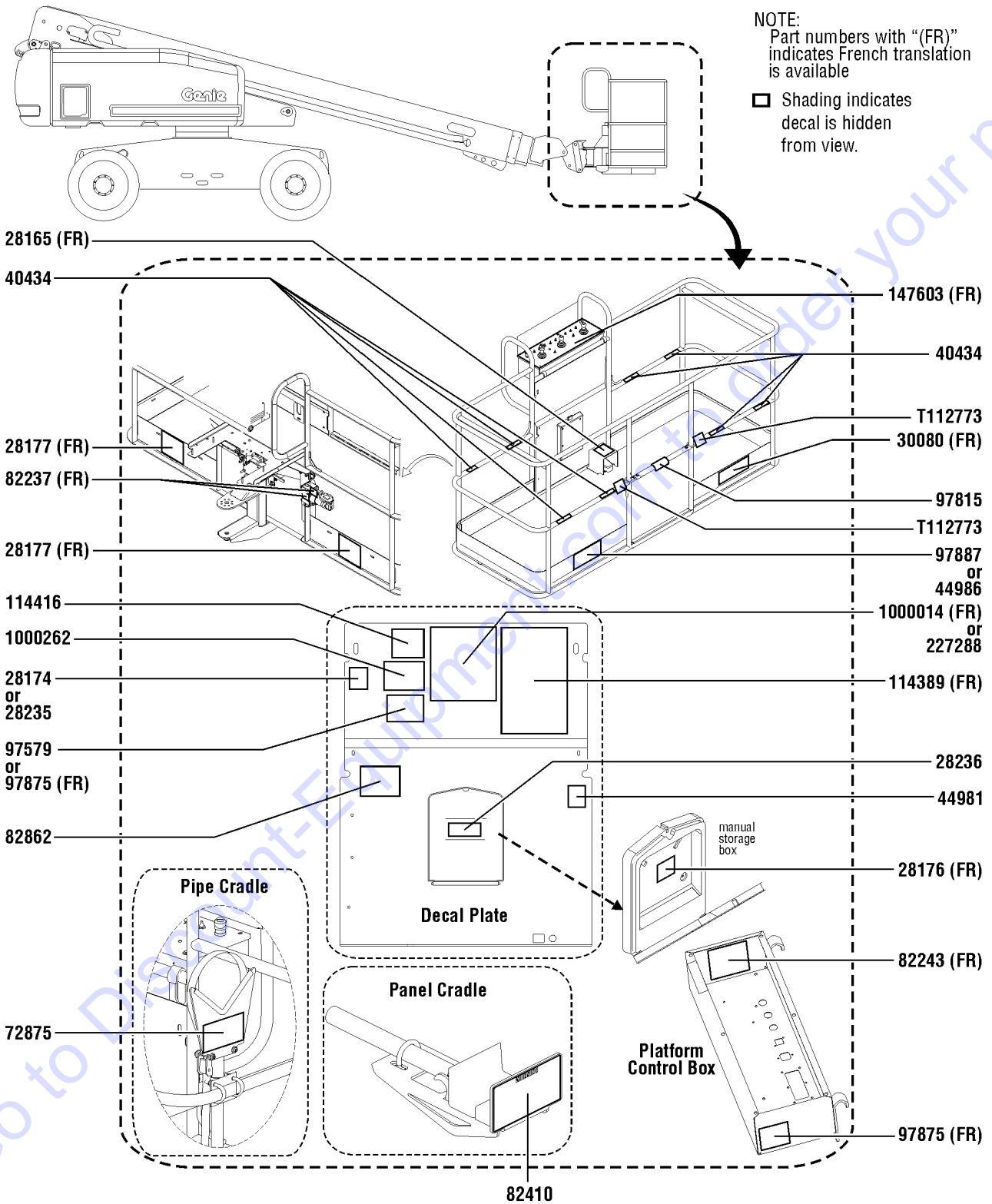


111.1 S-65 Decals with Word, Boom (ANSI & Australia)

Item	Part No.	Description	Qty.
1	28161GT	DECAL,WARN,CRUSH HAZARD HAND.....	2
2	28181GT	DECAL,WARN,FALL HAZARD.....	1
3	31060GT	DECAL,DANGER DO NOT ALTER SWTC.....	3
4	62078GT	DECAL,COSMETIC,GENIE S65.....	1

Go to Discount-Equipment.com to order your parts

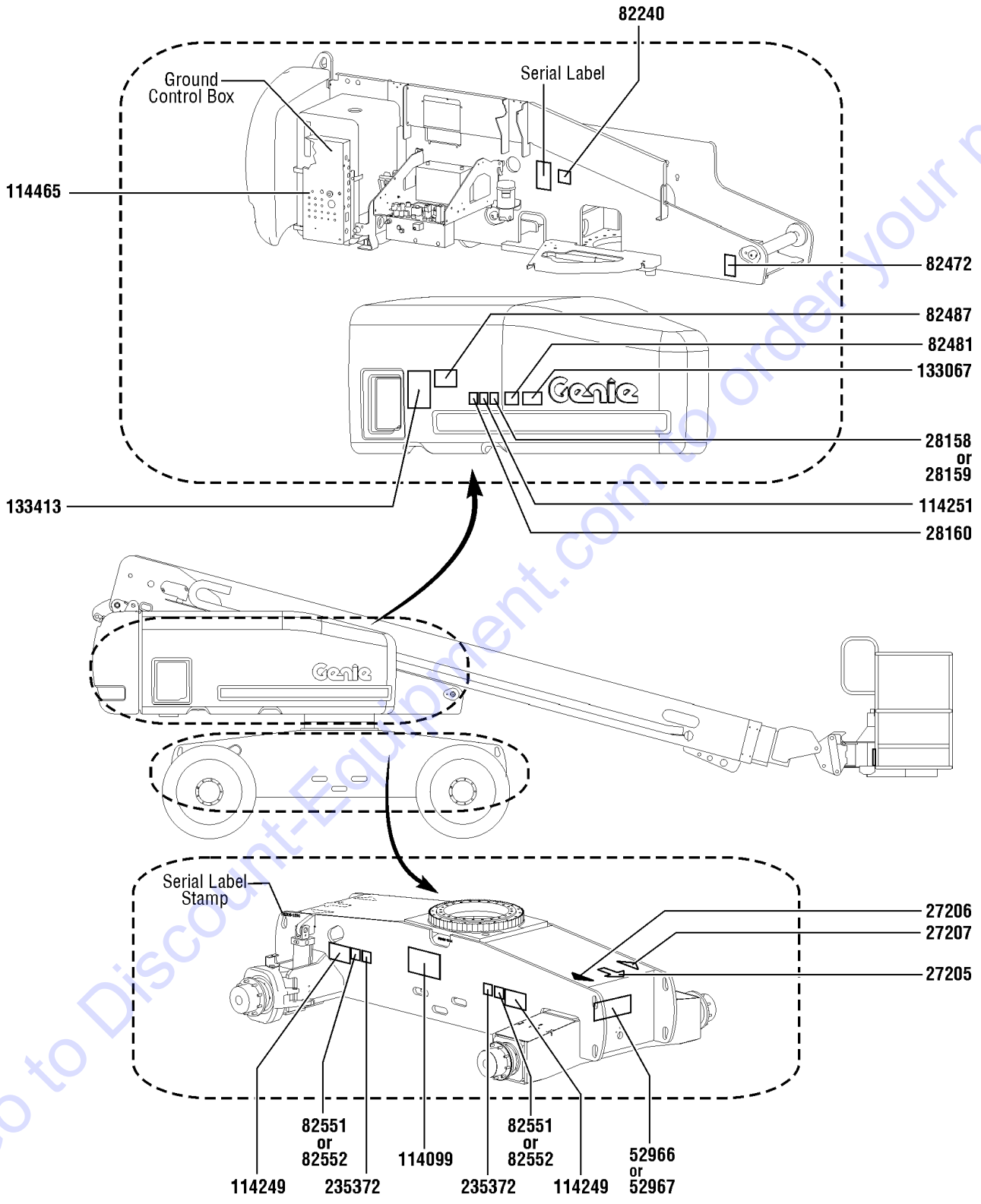
112.1 S-65 Decals with Word, Platform (ANSI & Australia)



112.1 S-65 Decals with Word, Platform (ANSI & Australia)

Item	Part No.	Description	Qty.
1	28165GT	DECAL,INSTRUCT,FOOTSWITCH OPER.....	1
2	28174GT	DECAL, POWER TO PLATFORM 230V**.....	1
3	28176GT	DECAL,LABEL,MANUAL NOT HERE.....	1
4	28177GT	DECAL,WARN,CRUSH HAZARD PLAT.....	2
5	28235GT	DECAL,POWER TO PLATFORM 115V....	1
6	28236GT	DECAL,WARN,IMPROPER OPERATION.....	1
7	30080GT	DECAL,NOTICE,MAX LOAD 500 LBS....	1
8	40434GT	DECAL,LANYARD ANCHORAGE POINT.....	8
9	44981GT	DECAL,LABEL, AIR LINE 110 PSI..... <i>Option, airline to plat</i>	1
10	44986GT	DECAL,INSTR,SIDE FRC/WIND,AUS..... <i>AUS only</i>	1
11	72875GT	DECAL,WARNING,PIPE CRADLE,BOOM..... <i>Option, pipe cradle</i>	2
12	82237GT	DECAL,DANGER,HIGH VOLTAGE..... <i>Option, welder</i>	2
13	82243GT	DECAL FAULT CODE.....	1
14	82410GT	DECAL,WARNING,PANEL CRADLE..... <i>Option, panel cradle</i>	2
15	82862GT	DECAL,FIRE EXTINGUISHER..... <i>Option, welder</i>	1
16	97579GT	DECAL,DANGER,TIP-OVER,WELDER**..1 <i>Option, welder</i>	1
17	97815GT	DECAL,LABEL,LOWER MIDRAIL.....	1
18	97875GT	DECAL,WARN.WELD LINE INST.WORD..... <i>Option, weld cable line</i>	2
19	97887GT	DECAL,INSTR,MAX SIDE FRC,ANSI..... <i>ANSI/CSA only</i>	1
20	114389GT	DECAL,DANGER,GENERAL SAFETY....	1
21	114416GT	DECAL,DANGER,TIPOVER,TILT.....	1
22	147603GT	DECAL, PLAT CNTL PNL.....	1
23	227288GT	DECAL, OPERATING INSTRUCTIONS..... <i>AUS only</i>	1
24	1000014GT	DECAL,NOTICE,OPER INST.S60..... <i>ANSI only</i>	1
25	1000262GT	DECAL,DANGER,TIP OVER,PLAT.....	1
26	T112773GT	TAPE, PROTECTIVE MASK.....	2

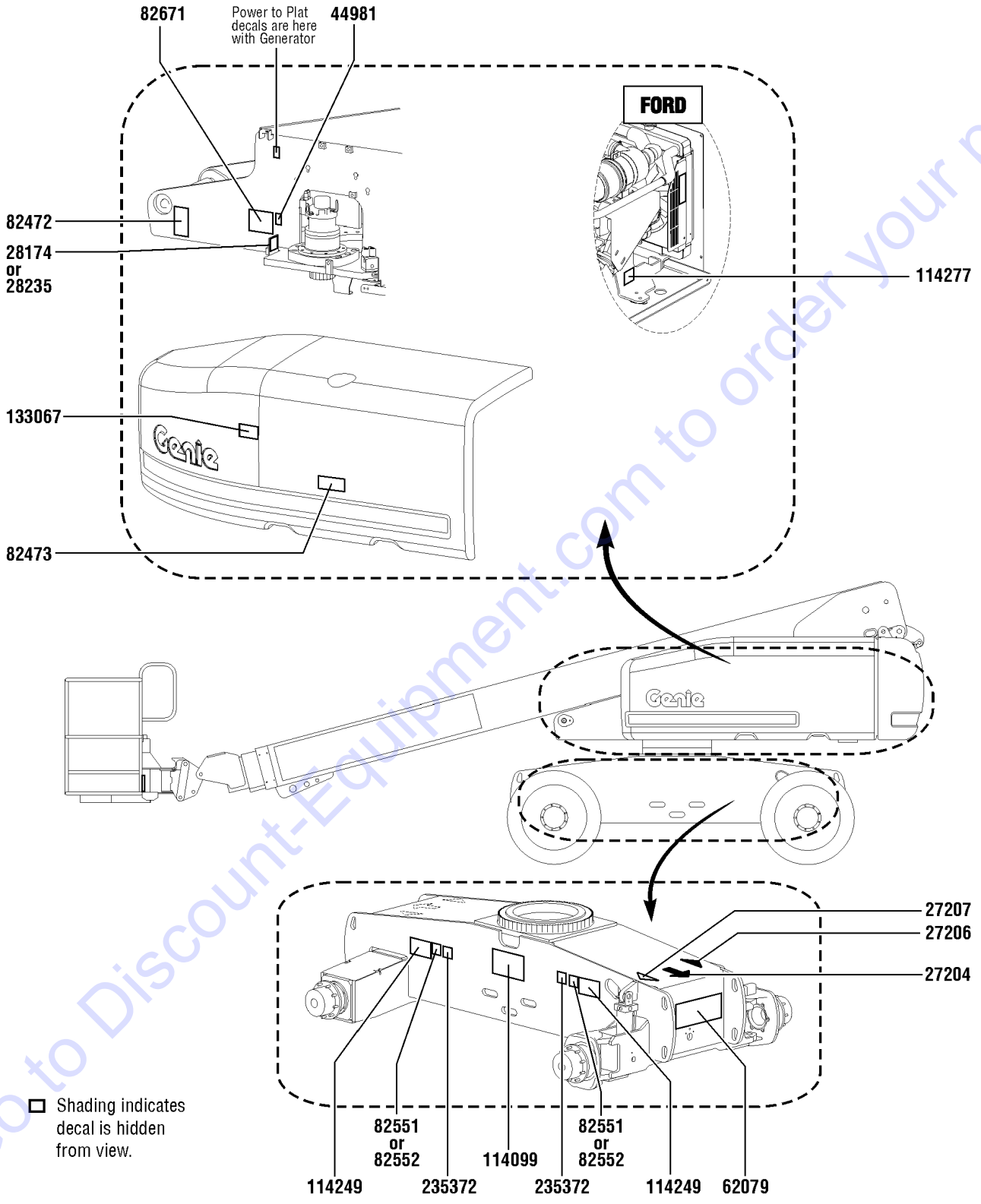
113.1 S-65 Decals with Symbol, Hydraulic Tank Side (ANSI & CE)



113.1 S-65 Decals with Symbol, Hydraulic Tank Side (ANSI & CE)

Item	Part No.	Description	Qty.
1	27205GT	DECAL,ARROW YELLOW LRG 9".....1	1
2	27206GT	DECAL,TRIANGLE,BLUE.....1	1
3	27207GT	DECAL,TRIANGLE,YELLOW.....1	1
4	28158GT	DECAL,LABEL,UNLEADED GAS ONLY.....1	1
5	28159GT	DECAL,DIESEL.....1	1
6	28160GT	DECAL,LABEL,LIQUID PROPANE.....1 <i>Option, LPG tank</i>	1
7	52966GT	DECAL,COSMETIC,4 X 2.....1	1
8	52967GT	DECAL,COSMETIC,4 X 4.....1	1
9	82240GT	DECAL,LABEL,105 DB.....1	1
10	82472GT	DECAL,WARNING,CRUSHING HAZARD.....1	1
11	82481GT	DECAL,SYMBOL-BATTERY SAFETY.....1	1
12	82487GT	DECAL,SYMBOL-READ THE MANUAL.....1	1
13	82551GT	DECAL,LABEL,TIRE PRESSURE.....2	2
14	82552GT	DECAL,LABEL,TIRE PRESS HF.....2 <i>Option, hi-floatation tires</i>	2
15	114099GT	DECAL,LABEL,TRANSPORT DIAGRAM.....1	1
16	114249GT	DECAL,LABEL,TIPOVER,TIRES,SYMB.2	2
17	114251GT	DECAL,LABEL,NO SMOKING,SYMB.....1	1
18	114465GT	DECAL GROUND CONTROL BOX.....1	1
19	133067GT	DECAL,DANGER,ELEC.HAZ.STAY CLR.....1	1
20	133413GT	DECAL,EMERGENCY LOWERING.....1 <i>CE only</i>	1
21	235372GT	DECAL,LABEL,WHEEL LOAD S65.....2	2

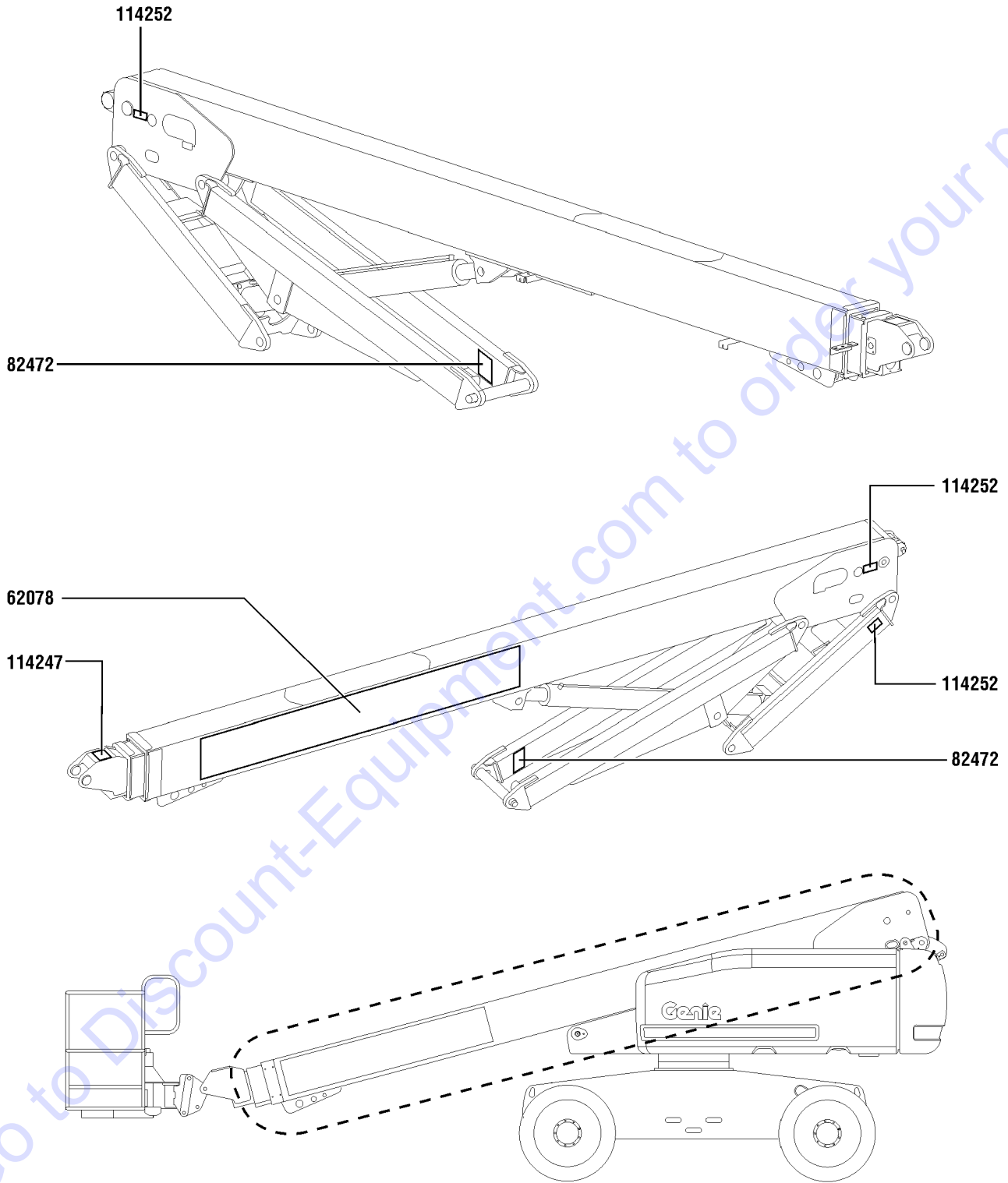
114.1 S-65 Decals with Symbol, Engine Side (ANSI & CE)



114.1 S-65 Decals with Symbol, Engine Side (ANSI & CE)

Item	Part No.	Description	Qty.
1	27204GT	DECAL,ARROW BLUE.....	1
2	27206GT	DECAL,TRIANGLE,BLUE.....	1
3	27207GT	DECAL,TRIANGLE,YELLOW.....	1
4	28174GT	DECAL, POWER TO PLATFORM 230V**.....	1
5	28235GT	DECAL,POWER TO PLATFORM 115V...1	1
6	44981GT	DECAL,LABEL, AIR LINE 110 PSI.....1 <i>Option, airline to plat</i>	1
7	62079GT	DECAL,COSMETIC,S65.....	1
8	82472GT	DECAL,WARNING,CRUSHING HAZARD.....	1
9	82473GT	DECAL,SYMBOL-COMP ACCESS.....	1
10	82551GT	DECAL,LABEL,TIRE PRESSURE.....	2
11	82552GT	DECAL,LABEL,TIRE PRESS HF.....2 <i>Option, hi-floatation tires</i>	2
12	82671GT	DECAL,LABEL,WELD LINE INST,SYM...1	1
13	114099GT	DECAL,LABEL,TRANSPORT DIAGRAM.....	1
14	114249GT	DECAL,LABEL,TIPOVER,TIRES,SYMB.2	2
15	114277GT	DECAL,LABEL,BELT ROUTING DSG.....1	1
16	133067GT	DECAL,DANGER,ELEC.HAZ.STAY CLR.....	1
17	235372GT	DECAL,LABEL,WHEEL LOAD S65.....	2

115.1 S-65 Decals with Symbol, Boom (ANSI & CE)

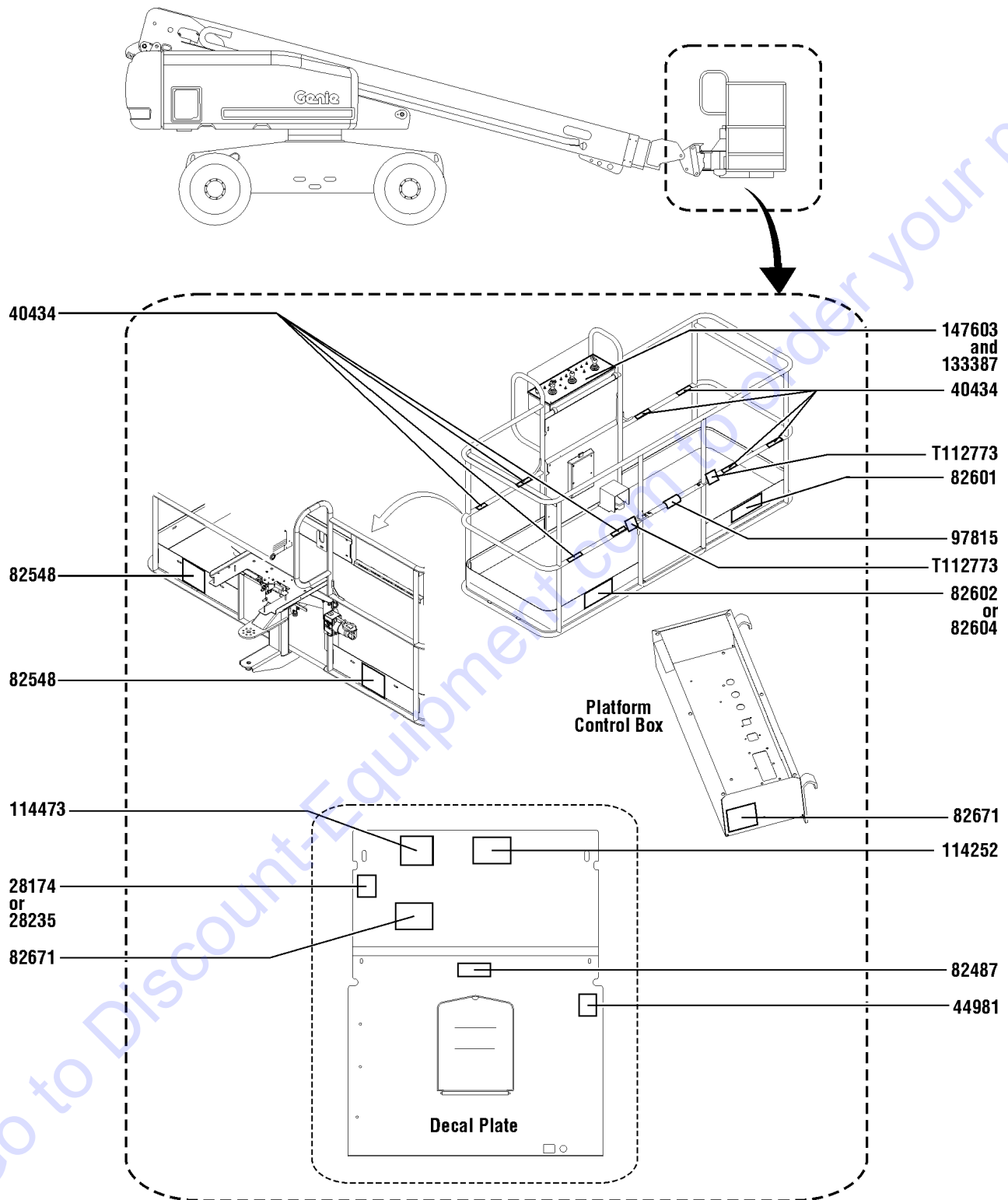


115.1 S-65 Decals with Symbol, Boom (ANSI & CE)

Item	Part No.	Description	Qty.
1	62078GT	DECAL,COSMETIC,GENIE S65.....	1
2	82472GT	DECAL,WARNING,CRUSHING HAZARD.....	2
3	114247GT	DECAL,LABEL,FALL HAZARD***.....	1
4	114252GT	DECAL,LABEL,TIP OVER LMT SWTCH.....	3

Go to Discount-Equipment.com to order your parts

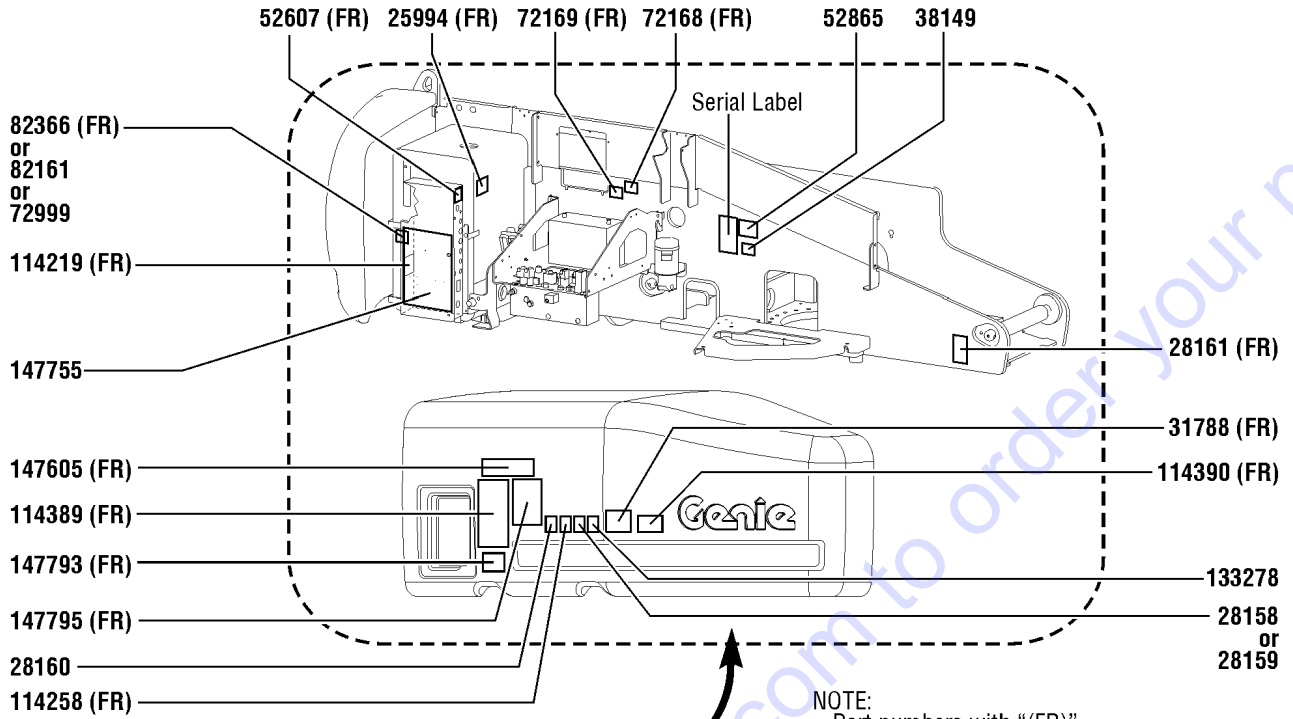
116.1 S-65 Decals with Symbol, Platform (ANSI & CE)



116.1 S-65 Decals with Symbol, Platform (ANSI & CE)

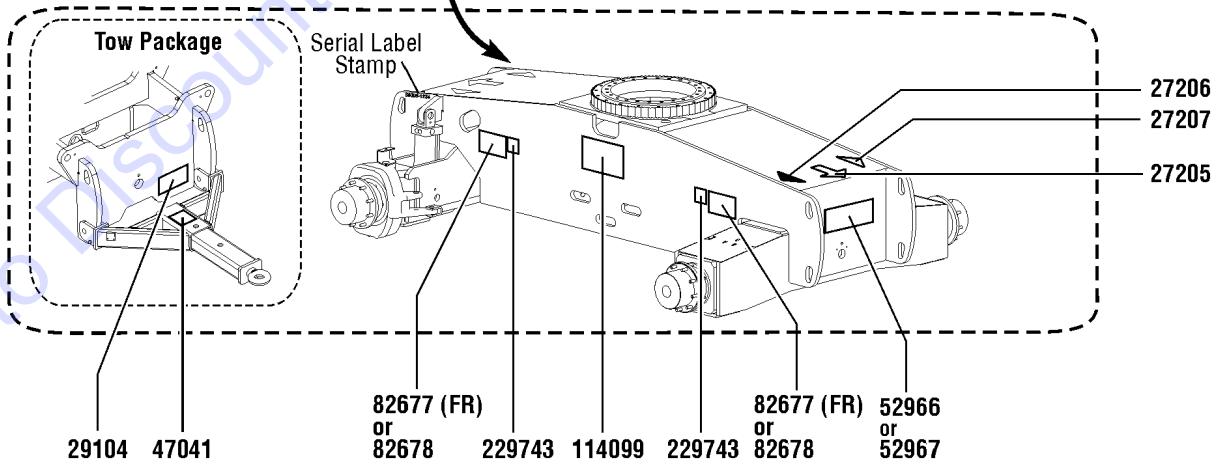
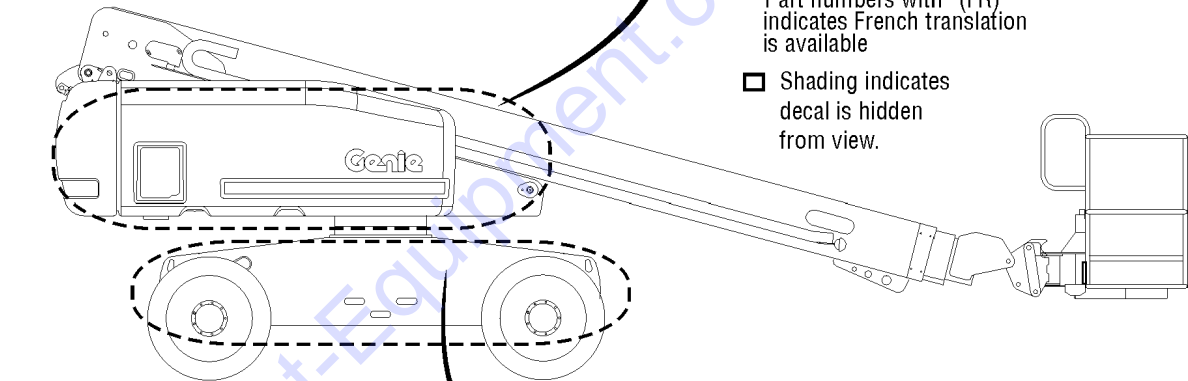
Item	Part No.	Description	Qty.
1	28174GT	DECAL, POWER TO PLATFORM 230V**.....	1
2	28235GT	DECAL,POWER TO PLATFORM 115V...1	1
3	40434GT	DECAL,LANYARD ANCHORAGE POINT.....	8
4	44981GT	DECAL,LABEL, AIR LINE 110 PSI.....1 <i>Option, airline to plat</i>	1
5	82487GT	DECAL, SYMBOL - READ THE MANUAL.....	1
6	82548GT	DECAL,WARN,CRUSH HAZARD PLAT.....	2
7	82601GT	DECAL,LABEL,MAX CAPACITY***.....1	1
8	82602GT	DECAL,DANGER,MAX SIDE FRC,667N.....1 <i>ANSI only</i>	1
9	82604GT	DECAL,DANGER,SIDE FRC 400N.....1 <i>CE only</i>	1
10	82671GT	DECAL,LABEL,WELD LINE INST,SYM...2 <i>Option, weld cable line</i>	2
11	97815GT	DECAL,LABEL,LOWER MIDRAIL.....1	1
12	114252GT	DECAL,LABEL,TIP OVER LMT SWTCH.....	1
13	114473GT	DECAL,DANGER,TIPOVER,TILT,SYM...1	1
14	133387GT	DECAL,DRIVE ENABLE PATCH.....1	1
15	147603GT	DECAL, PLAT CNTL PNL.....1	1
16	T112773GT	TAPE, PROTECTIVE MASK.....	2

117.1 S-60X Decals with Word, Hydraulic Tank Side (ANSI)



NOTE:
Part numbers with "(FR)"
indicates French translation
is available

☐ Shading indicates
decal is hidden
from view.

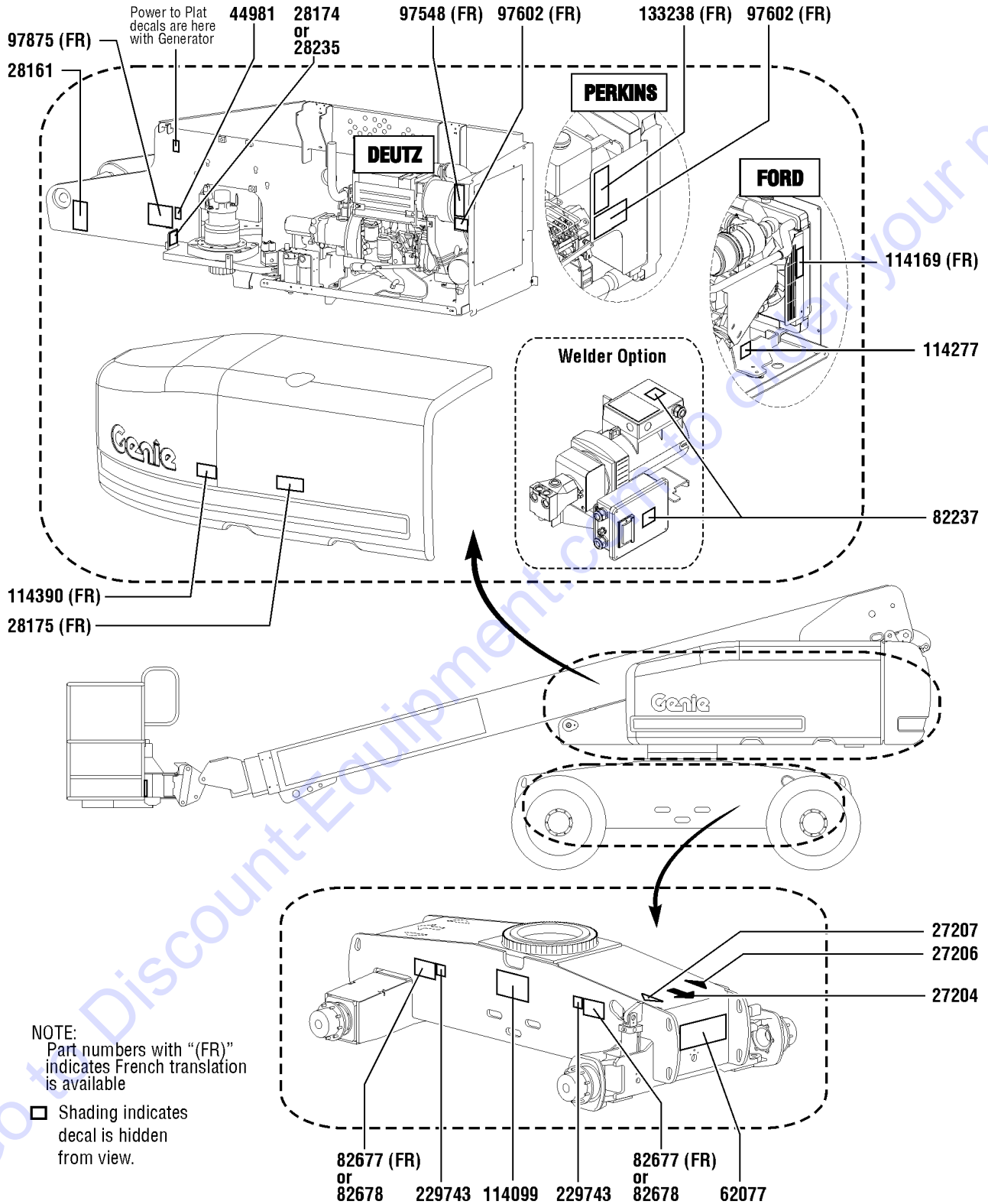


117.1 S-60X Decals with Word, Hydraulic Tank Side (ANSI)

Item	Part No.	Description	Qty.	Item	Part No.	Description	Qty.
--	162023GT	DECAL KIT,S60X,COMPWRD,ANSI S-60X from SN 21001		34	229743GT	DECAL,LABEL,WHEEL LOAD S60/60X.....	2
1	25994GT	DECAL,NOTICE,SHUTOFF VALVES.....	1				
2	27205GT	DECAL,ARROW YELLOW LRG 9".....	1				
3	27206GT	DECAL,TRIANGLE,BLUE.....	1				
4	27207GT	DECAL,TRIANGLE,YELLOW.....	1				
5	28158GT	DECAL,LABEL,UNLEADED GAS ONLY.....	1				
6	28159GT	DECAL,DIESEL.....	1				
7	28160GT	DECAL,LABEL,LIQUID PROPANE..... <i>Option, LPG tank</i>	1				
8	28161GT	DECAL,WARN,CRUSH HAZARD HAND.....	1				
9	29104GT	DECAL,TOWING INSTRUCTIONS..... <i>Option, tow package</i>	1				
10	31788GT	DECAL,DANGER,BATTERY SAFETY***.....	1				
11	38149GT	DECAL,LABEL,PATENTS.....	1				
12	47041GT	DECAL,CAUTION,TOWING SPEED..... <i>Option, tow package</i>	1				
13	52607GT	DECAL,LABEL,TEST***..... <i>Ford only</i>	1				
14	52865GT	DECAL,ANNUAL INSP***.....	1				
15	52966GT	DECAL,COSMETIC,4 X 2.....	1				
16	52967GT	DECAL,COSMETIC,4 X 4.....	1				
17	72168GT	DECAL,LABEL,STARTER BATTERY.....	1				
18	72169GT	DECAL,LABEL,CONTROLS BATTERY...1					
19	72999GT	DECAL,LABEL,PETRO CANADA***.....	1				
20	82161GT	DECAL,LABEL,UCON HYDROLUBE.....	1				
21	82366GT	DECAL,CHEVRON RANDO HD.....	1				
22	82677GT	DECAL,DANGER/LABEL,TIRE SPECS.....	2				
23	82678GT	DECAL,DANGER,HI-FLOAT TIRE..... <i>Option, hi-floatation tires</i>	2				
24	114099GT	DECAL,LABEL,TRANSPORT DIAGRAM.....	1				
25	114219GT	DECAL,LABEL,RELAYS,S60&65.....	1				
26	114258GT	DECAL,DANGER,NO SMOKING.....	1				
27	114389GT	DECAL,DANGER,GENERAL SAFETY....1					
28	114390GT	DECAL,DANGER,ELECT HAZARD***....1					
29	133278GT	DECAL,LOW/ULTRA LOW SULFR FUEL..... <i>Diesel models only</i>	1				
30	147605GT	DECAL,INST PLAT CAP 60X.....	1				
31	147755GT	DECAL,GR CNTL PNL 60X 80X.....	1				
32	147793GT	DECAL,DANGER,TIPOVR,MAX CAP....1					
33	147795GT	DECAL, OPER INST 6080X GRD.....	1				



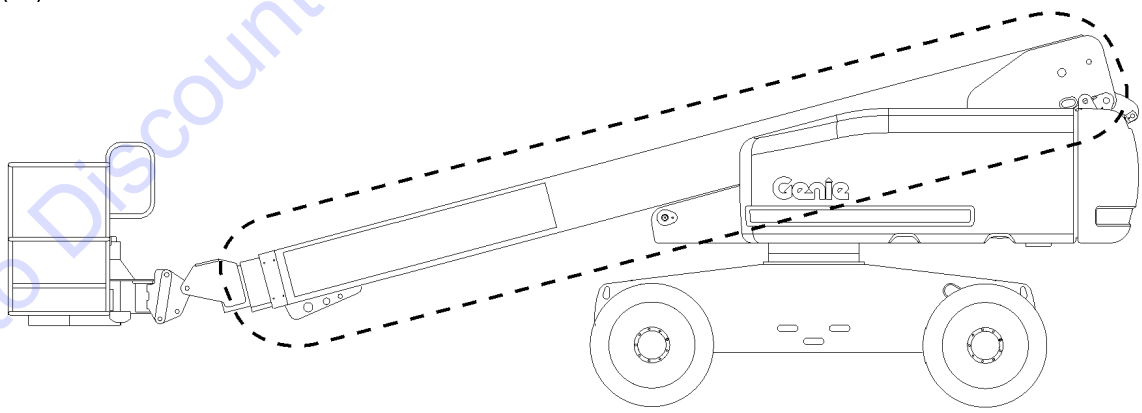
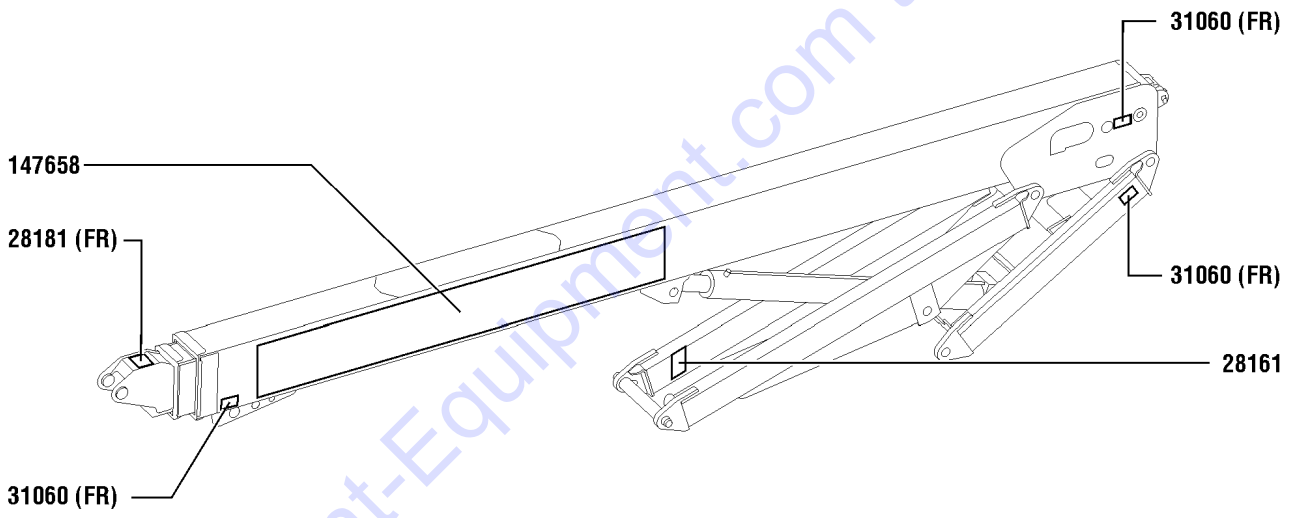
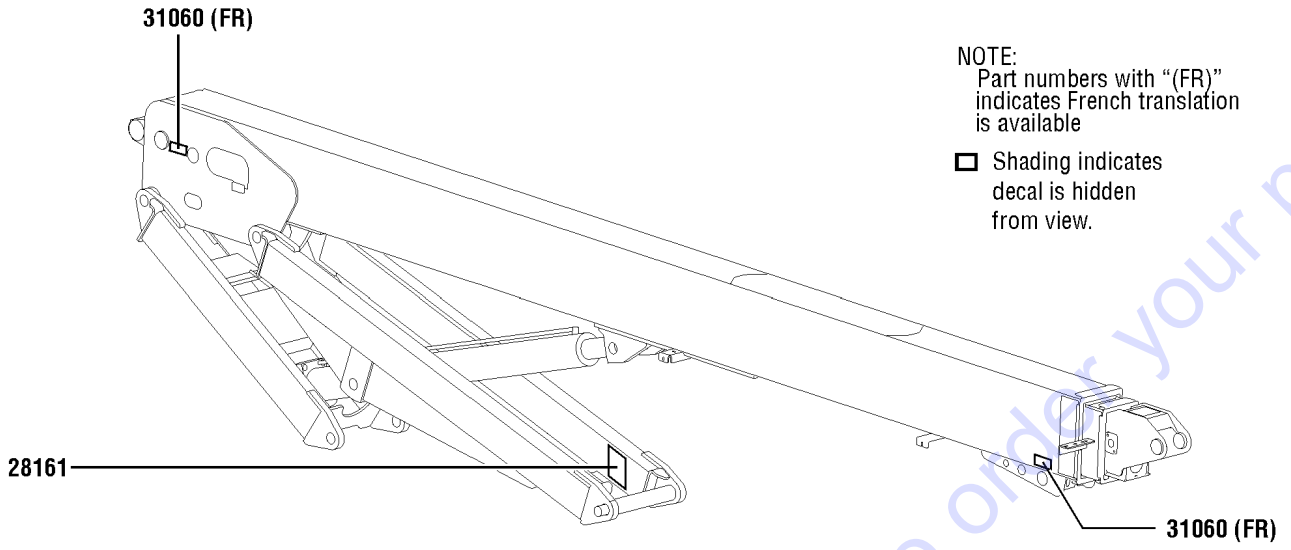
118.1 S-60X Decals with Word, Engine Side (ANSI)



118.1 S-60X Decals with Word, Engine Side (ANSI)

Item	Part No.	Description	Qty.
1	27204GT	DECAL,ARROW BLUE.....	1
2	27206GT	DECAL,TRIANGLE,BLUE.....	1
3	27207GT	DECAL,TRIANGLE,YELLOW.....	1
4	28161GT	DECAL,WARN,CRUSH HAZARD HAND.....	1
5	28174GT	DECAL, POWER TO PLATFORM 230V**.....	1
6	28175GT	DECAL,WARNING-COMPART ACCESS.....	1
7	28235GT	DECAL,POWER TO PLATFORM 115V...1	
8	44981GT	DECAL,LABEL, AIR LINE 110 PSI.....1 <i>Option, airline to plat</i>	
9	62077GT	DECAL,COSMETIC,S60.....	1
10	82237GT	DECAL,DANGER,HIGH VOLTAGE.....2 <i>Option, welder</i>	
11	82677GT	DECAL,DANGER/LABEL,TIRE SPECS.....	2
12	82678GT	DECAL,DANGER,HI-FLOAT TIRE.....2 <i>Option, hi-floatation tires</i>	
13	97548GT	DECAL,ENGINE SPEC,DEUTZ 2011.....1	
14	97602GT	DECAL,EXPLOSION HAZARD.....	1
15	97875GT	DECAL,WARN.WELD LINE INST.WORD.....	1
		<i>Option, weld cable line</i>	
16	114099GT	DECAL,LABEL,TRANSPORT DIAGRAM.....	1
17	114169GT	DECAL,FORD ENGINE SPEC DSG423.....	1
18	114277GT	DECAL,LABEL,BELT ROUTING DSG....1	
19	114390GT	DECAL,DANGER,ELECT HAZARD***1	
20	133238GT	DECAL,ENGINE SPEC,PERKINS***1	
21	229743GT	DECAL,LABEL,WHEEL LOAD S60/60X.....	2

119.1 S-60X Decals with Word, Boom (ANSI)

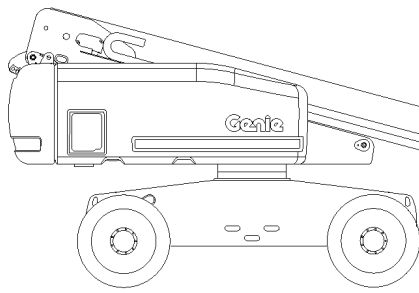


119.1 S-60X Decals with Word, Boom (ANSI)

Item	Part No.	Description	Qty.
1	28161GT	DECAL,WARN,CRUSH HAZARD HAND.....	2
2	28181GT	DECAL,WARN,FALL HAZARD.....	1
3	31060GT	DECAL,DANGER DO NOT ALTER SWTC.....	5
4	147658GT	DECAL,COSM GENIE S60X.....	1

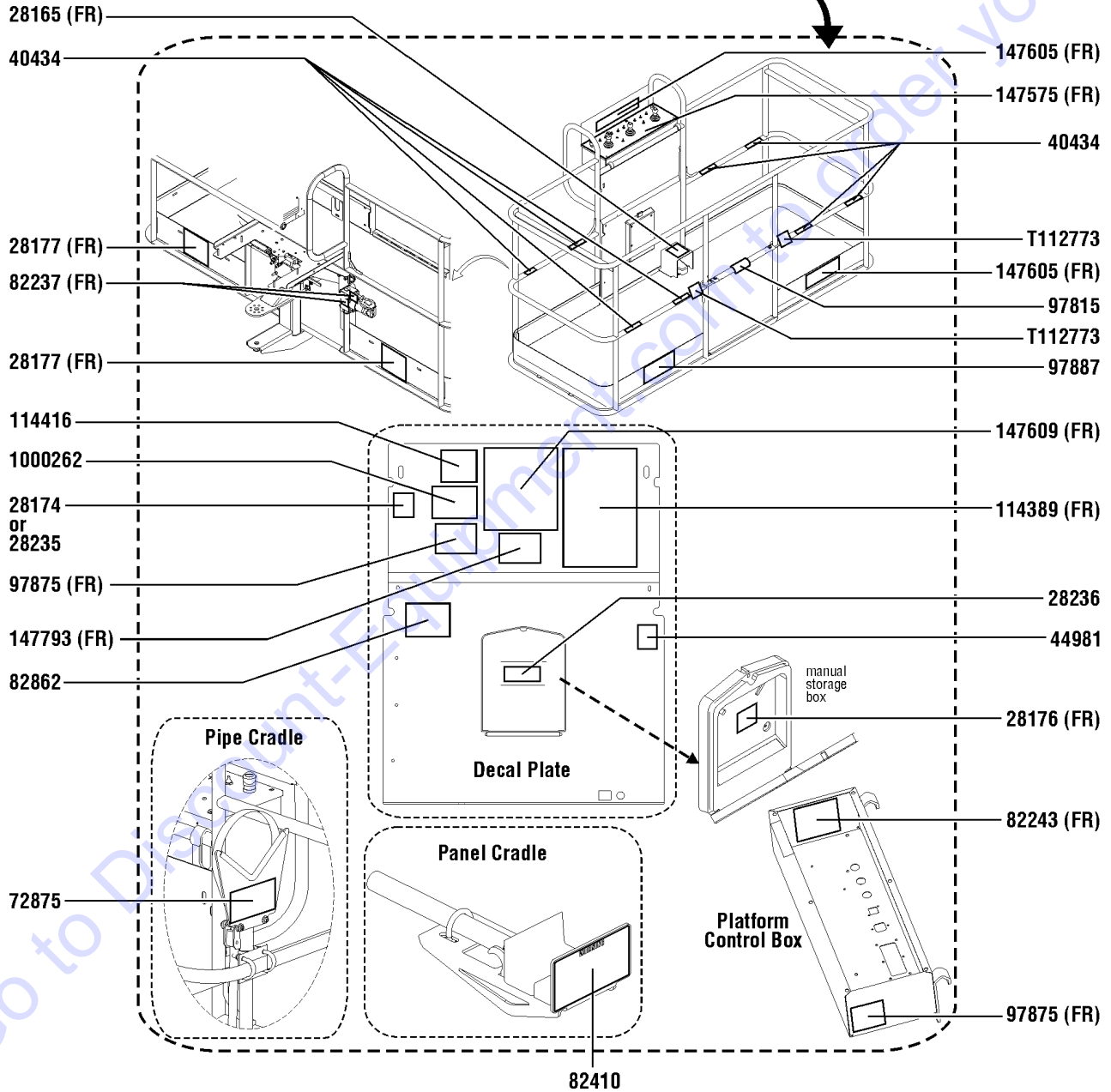
Go to Discount-Equipment.com to order your parts

120.1 S-60X Decals with Word, Platform (ANSI)



NOTE:
Part numbers with "(FR)" indicates French translation is available

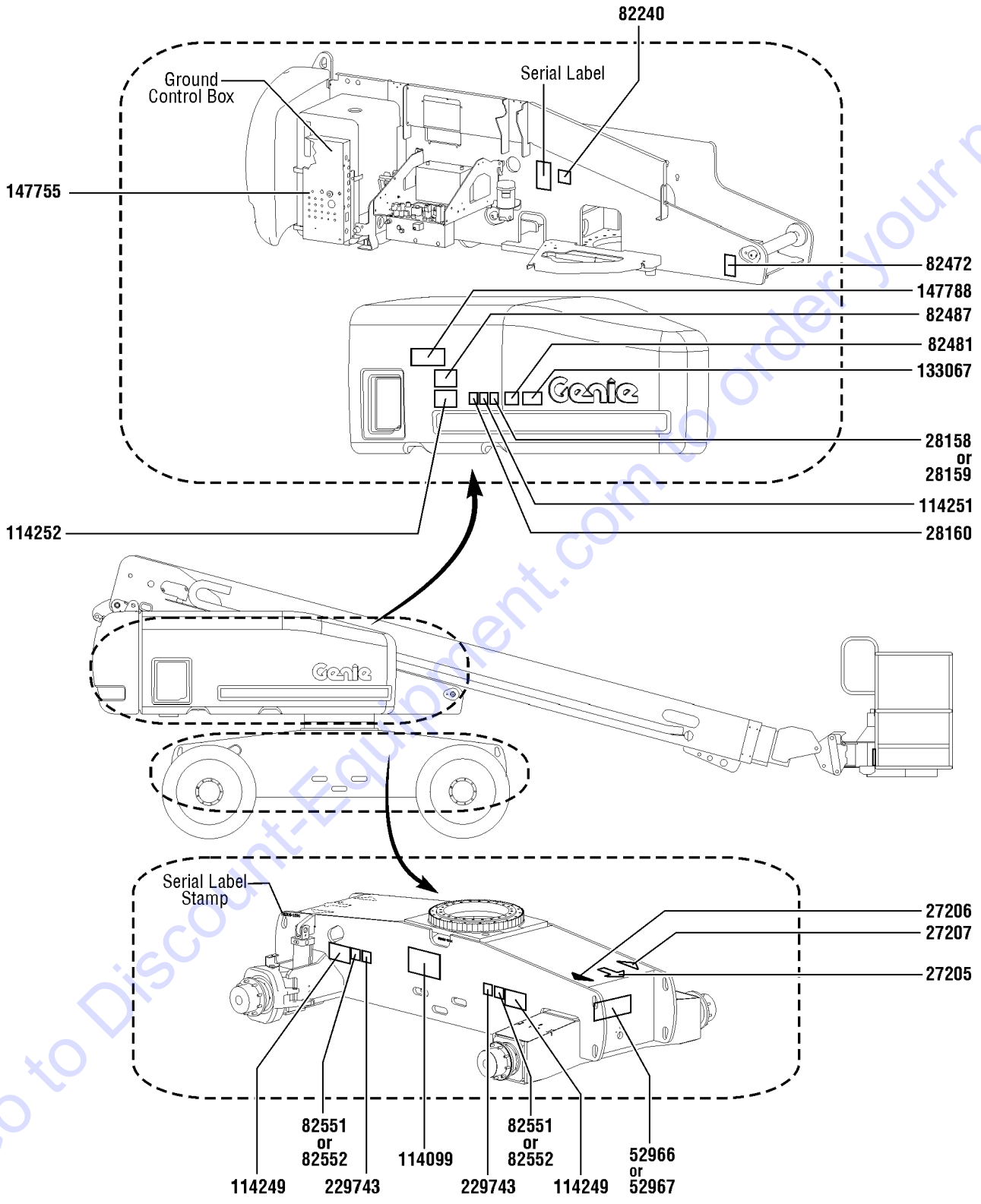
☐ Shading indicates decal is hidden from view.



120.1 S-60X Decals with Word, Platform (ANSI)

Item	Part No.	Description	Qty.
--	162022GT	DECAL KIT,S60X,PLAT,WRD,ANSI	
1	28165GT	DECAL,INSTRUCT,FOOTSWITCH OPER.....	1
2	28174GT	DECAL, POWER TO PLATFORM 230V**.....	1
3	28176GT	DECAL,LABEL,MANUAL NOT HERE.....	1
4	28177GT	DECAL,WARN,CRUSH HAZARD PLAT.....	2
5	28235GT	DECAL,POWER TO PLATFORM 115V...1	
6	28236GT	DECAL,WARN,IMPROPER OPERATION.....	1
7	40434GT	DECAL,LANYARD ANCHORAGE POINT.....	8
8	44981GT	DECAL,LABEL, AIR LINE 110 PSI.....1 <i>Option, airline to plat</i>	
9	72875GT	DECAL,WARNING,PIPE CRADLE,BOOM.....2 <i>Option, pipe cradle</i>	
10	82237GT	DECAL,DANGER,HIGH VOLTAGE.....2 <i>Option, welder</i>	
11	82243GT	DECAL FAULT CODE.....1	
12	82410GT	DECAL,WARNING,PANEL CRADLE.....2 <i>Option, panel cradle</i>	
13	82862GT	DECAL,FIRE EXTINGUISHER.....1 <i>Option, welder</i>	
14	97815GT	DECAL,LABEL,LOWER MIDRAIL.....1	
15	97875GT	DECAL,WARN.WELD LINE INST.WORD.....2 <i>Option, weld cable line</i>	
16	97887GT	DECAL,INSTR,MAX SIDE FRC,ANSI.....1	
17	114389GT	DECAL,DANGER,GENERAL SAFETY....1	
18	114416GT	DECAL,DANGER,TIPOVER,TILT.....1	
19	147575GT	DECAL, PLAT CNTL PNL 60X 80X.....1	
20	147605GT	DECAL,INST PLAT CAP 60X.....2	
21	147609GT	DECAL, INST, OPER INST 60X PLT.....1	
22	147793GT	DECAL,DANGER,TIPOVR,MAX CAP....1	
23	1000262GT	DECAL,DANGER,TIP OVER,PLAT.....1	
24	T112773GT	TAPE, PROTECTIVE MASK.....2	

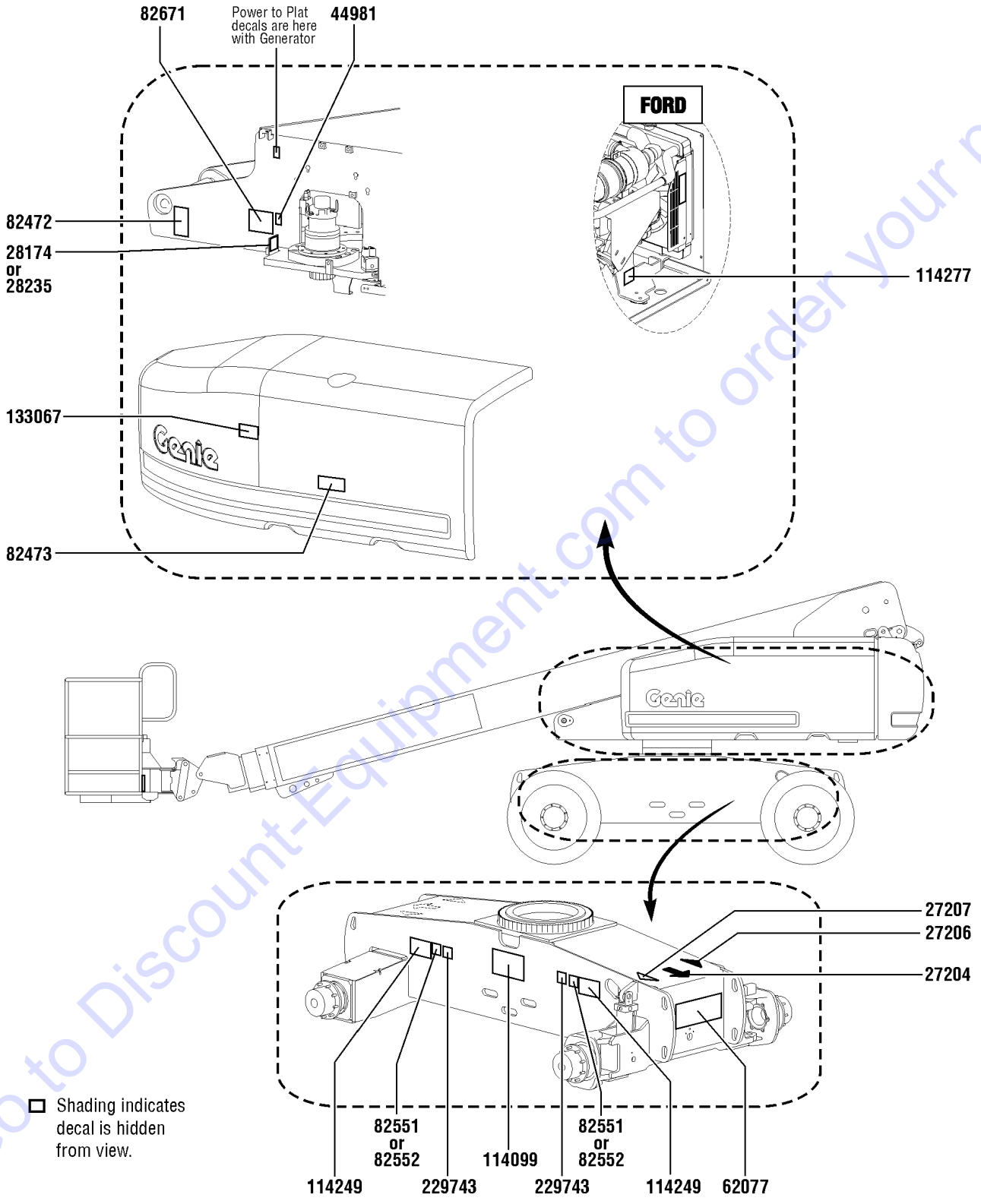
121.1 S-60X Decals with Symbol, Hydraulic Tank Side (ANSI)



121.1 S-60X Decals with Symbol, Hydraulic Tank Side (ANSI)

Item	Part No.	Description	Qty.
1	27205GT	DECAL,ARROW YELLOW LRG 9".....1	1
2	27206GT	DECAL,TRIANGLE,BLUE.....1	1
3	27207GT	DECAL,TRIANGLE,YELLOW.....1	1
4	28158GT	DECAL,LABEL,UNLEADED GAS ONLY.....1	1
5	28159GT	DECAL,DIESEL.....1	1
6	28160GT	DECAL,LABEL,LIQUID PROPANE.....1 <i>Option, LPG tank</i>	1
7	52966GT	DECAL,COSMETIC,4 X 2.....1	1
8	52967GT	DECAL,COSMETIC,4 X 4.....1	1
9	82240GT	DECAL,LABEL,105 DB.....1	1
10	82472GT	DECAL,WARNING,CRUSHING HAZARD.....1	1
11	82481GT	DECAL,SYMBOL-BATTERY SAFETY.....1	1
12	82551GT	DECAL,LABEL,TIRE PRESSURE.....2	2
13	82552GT	DECAL,LABEL,TIRE PRESS HF.....2 <i>Option, hi-floatation tires</i>	2
14	114099GT	DECAL,LABEL,TRANSPORT DIAGRAM.....1	1
15	114249GT	DECAL,LABEL,TIPOVER,TIRES,SYMB.2	2
16	114251GT	DECAL,LABEL,NO SMOKING,SYMB.....1	1
17	114252GT	DECAL,LABEL,TIP OVER LMT SWTCH.....1	1
18	133067GT	DECAL,DANGER,ELEC.HAZ.STAY CLR.....1	1
19	147755GT	DECAL,GR CNTL PNL 60X 80X.....1	1
20	147788GT	DECAL,INST PLAT CAPACITY,SYM.....1	1
21	229743GT	DECAL,LABEL,WHEEL LOAD S60/60X.....2	2

122.1 S-60X Decals with Symbol, Engine Side (ANSI)



PARTS FINDER

**Search Website
by Part Number**



**Search Manual
Library For Parts
Manual & Lookup Part
Numbers – Purchase
or Request Quote**

Search Manuals

Enter your information to help us find the right parts manual for your machine.

* Brand:

* Model:

* Serial:

* Part Number:

SEARCH

**Can't Find Part or
Manual? Request Help
by Manufacturer,
Model & Description**

Parts Order Form

Please fill in the following information to help us find the right part for your machine.

Manufacturer:	<input type="text"/>
Model:	<input type="text"/>
Description:	<input type="text"/>
Part Number:	<input type="text"/>
Quantity:	<input type="text"/>
Notes:	<input type="text"/>

Discount-Equipment.com is your online resource for quality parts & equipment.

Florida: **561-964-4949** Outside Florida TOLL FREE: **877-690-3101**

Need parts?

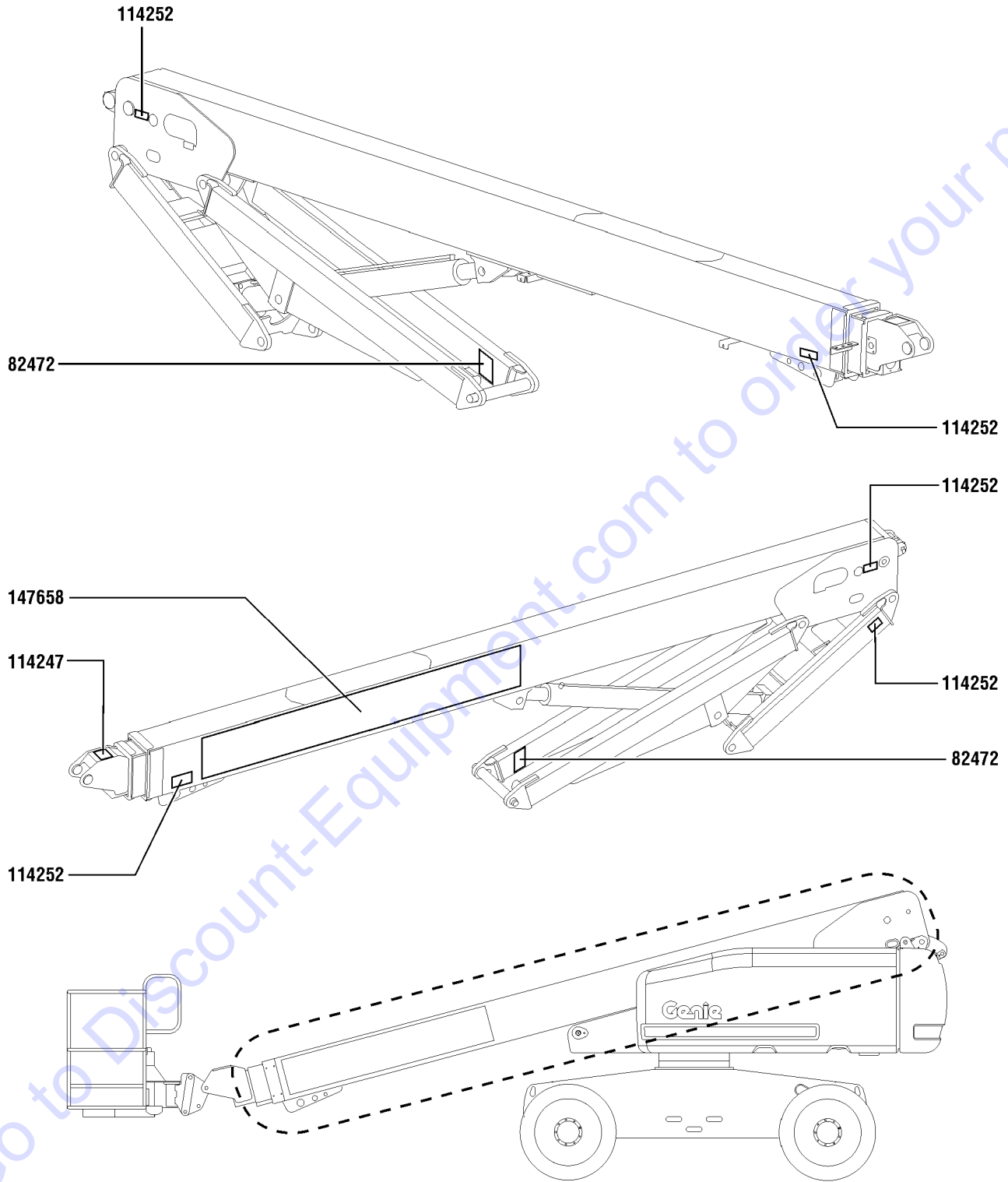
Click on this link: <http://www.discount-equipment.com/category/5443-parts/> and choose one of the options to help get the right parts and equipment you are looking for. Please have the machine model and serial number available in order to help us get you the correct parts. If you don't find the part on the website or on one of the online manuals, please fill out the request form and one of our experienced staff members will get back to you with a quote for the right part that your machine needs.

We sell worldwide for the brands: Genie, Terex, JLG, MultiQuip, Mikasa, Essick, Whiteman, Mayco, Toro Stone, Diamond Products, Generac Magnum, Airman, Haulotte, Barreto, Power Blanket, Nifty Lift, Atlas Copco, Chicago Pneumatic, Allmand, Miller Curber, Skyjack, Lull, Skytrak, Tsurumi, Husquvarna Target, Stow, Wacker, Sakai, Mi-T-M, Sullair, Basic, Dynapac, MBW, Weber, Bartell, Bennar Newman, Haulotte, Ditch Runner, Menegotti, Morrison, Contec, Buddy, Crown, Edco, Wyco, Bomag, Laymor, EZ Trench, Bil-Jax, F.S. Curtis, Gehl Pavers, Heli, Honda, ICS/PowerGrit, IHI, Partner, Imer, Clipper, MMD, Koshin, Rice, CH&E, General Equipment, Amida, Coleman, NAC, Gradall, Square Shooter, Kent, Stanley, Tamco, Toku, Hatz, Kohler, Robin, Wisconsin, Northrock, Oztec, Toker TK, Rol-Air, APT, Wylie, Ingersoll Rand / Doosan, Innovatech, Con X, Ammann, Mecalac, Makinex, Smith Surface Prep, Small Line, Wanco, Yanmar

122.1 S-60X Decals with Symbol, Engine Side (ANSI)

Item	Part No.	Description	Qty.
1	25235GT	WELDMENT, NON-OSCILLATING AXLE.....	1
2	27204GT	DECAL, ARROW BLUE.....	1
3	27206GT	DECAL, TRIANGLE, BLUE.....	1
4	27207GT	DECAL, TRIANGLE, YELLOW.....	1
5	28174GT	DECAL, POWER TO PLATFORM 230V**.....	1
6	44981GT	DECAL, LABEL, AIR LINE 110 PSI..... <i>Option, airline to plat</i>	1
7	62077GT	DECAL, COSMETIC, S60.....	1
8	82472GT	DECAL, WARNING, CRUSHING HAZARD.....	1
9	82473GT	DECAL, SYMBOL-COMP ACCESS.....	1
10	82551GT	DECAL, LABEL, TIRE PRESSURE.....	2
11	82552GT	DECAL, LABEL, TIRE PRESS HF..... <i>Option, hi-floatation tires</i>	2
12	82671GT	DECAL, LABEL, WELD LINE INST, SYM... <i>Option, weld cable line</i>	1
13	114099GT	DECAL, LABEL, TRANSPORT DIAGRAM.....	1
14	114249GT	DECAL, LABEL, TIPOVER, TIRES, SYMB.2	2
15	114277GT	DECAL, LABEL, BELT ROUTING DSG.....	1
16	133067GT	DECAL, DANGER, ELEC. HAZ. STAY CLR.....	1
17	229743GT	DECAL, LABEL, WHEEL LOAD S60/60X.....	2

123.1 S-60X Decals with Symbol, Boom (ANSI)

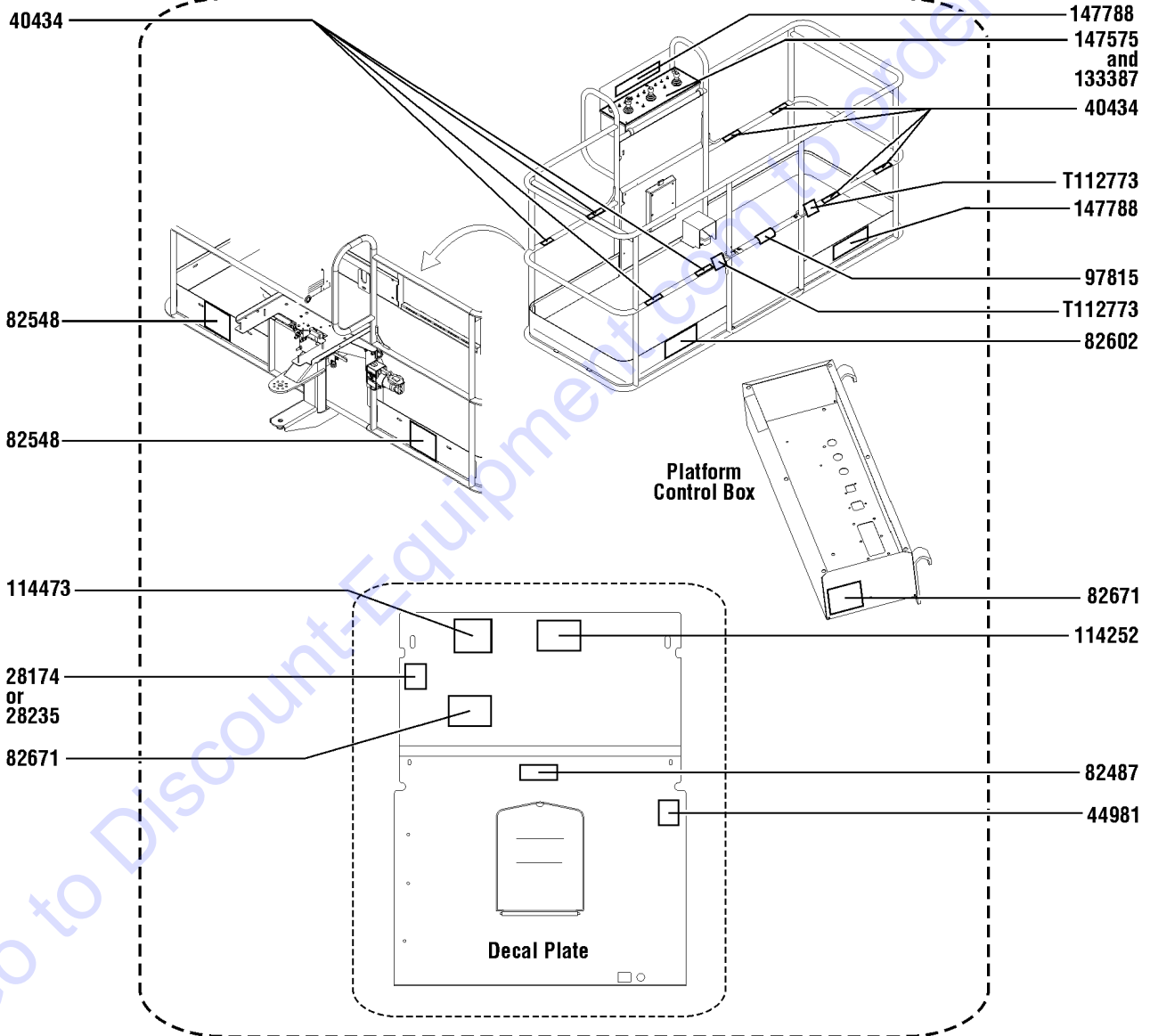
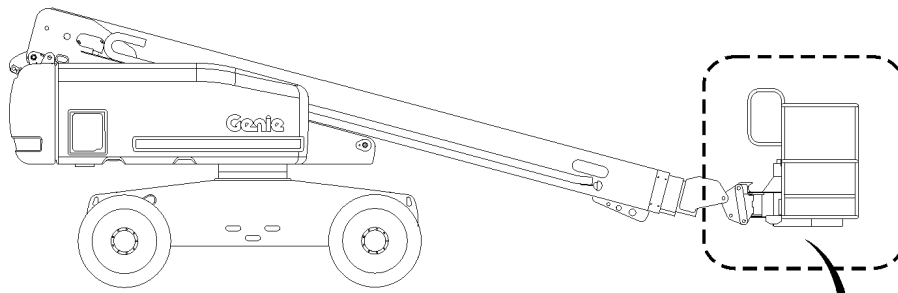


123.1 S-60X Decals with Symbol, Boom (ANSI)

Item	Part No.	Description	Qty.
1	82472GT	DECAL,WARNING,CRUSHING HAZARD.....	2
2	114247GT	DECAL,LABEL,FALL HAZARD***.....	1
3	114252GT	DECAL,LABEL,TIP OVER LMT SWTCH.....	5
4	147658GT	DECAL,COSM GENIE S60X.....	1

Go to Discount-Equipment.com to order your parts

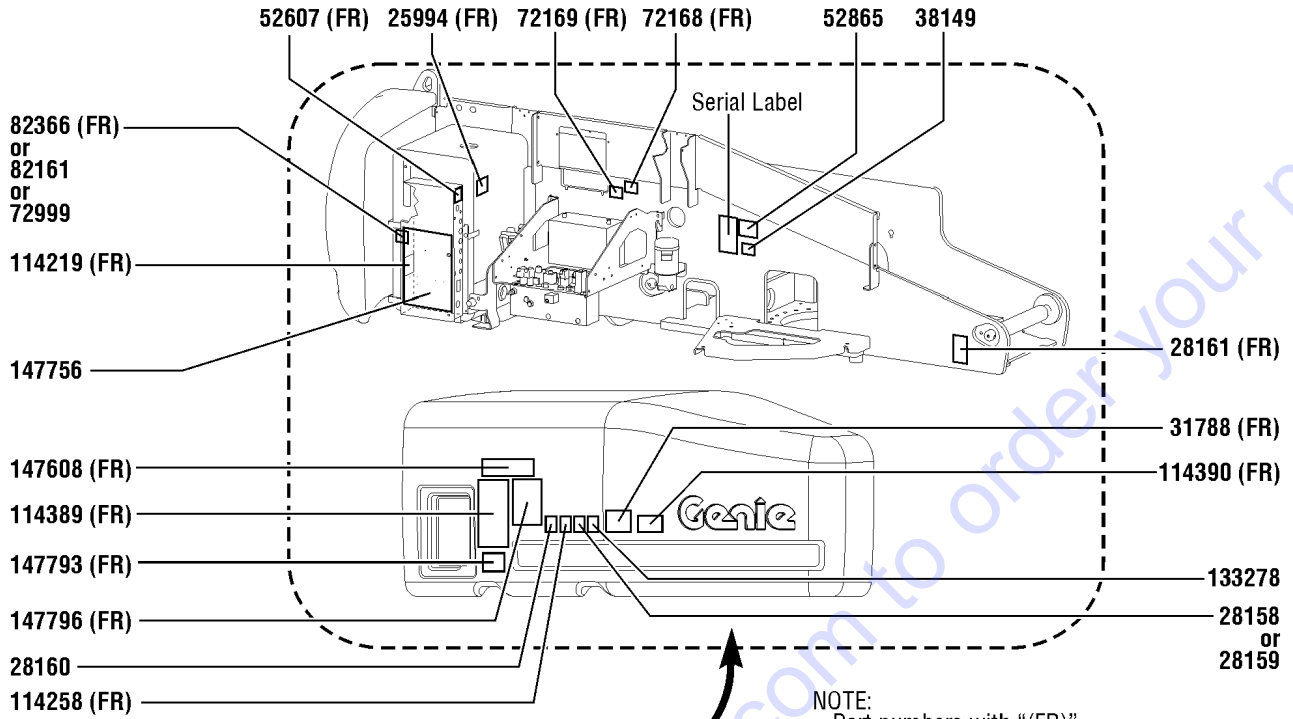
124.1 S-60X Decals with Symbol, Platform (ANSI)



124.1 S-60X Decals with Symbol, Platform (ANSI)

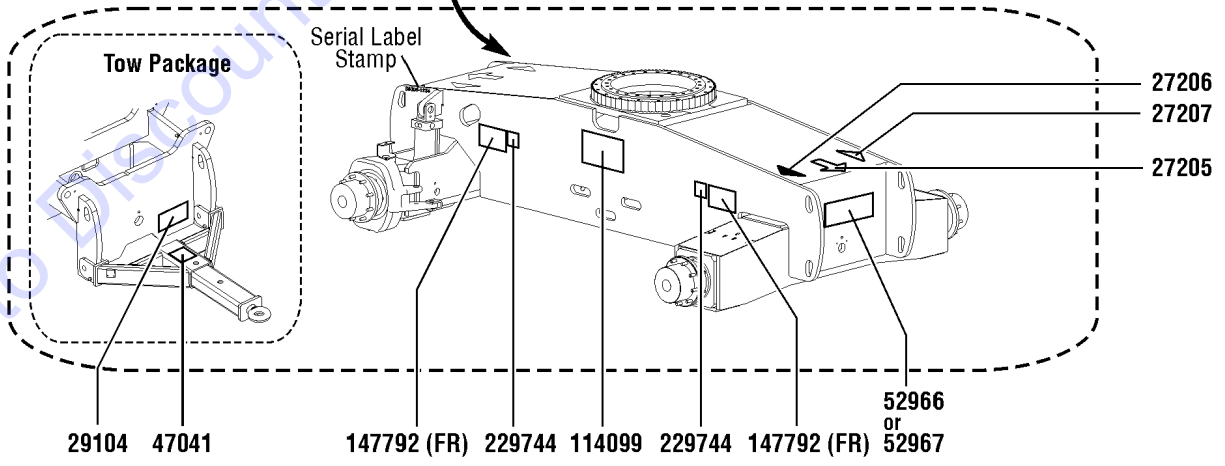
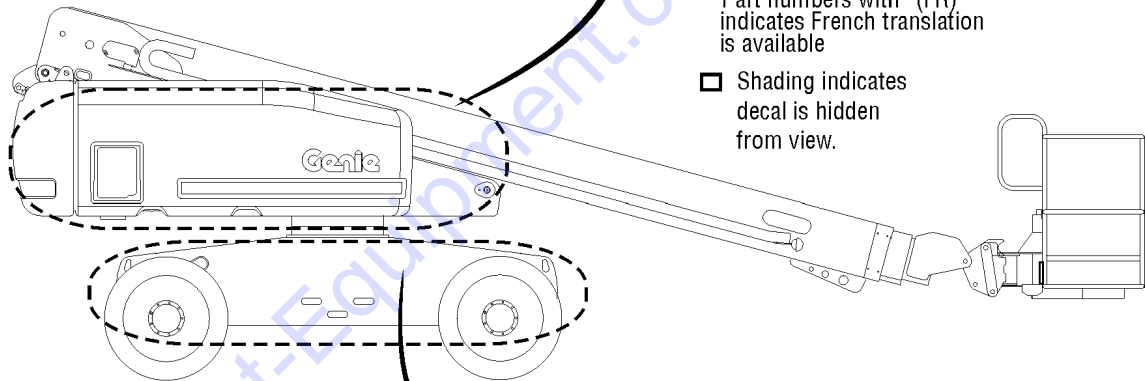
Item	Part No.	Description	Qty.
1	28174GT	DECAL, POWER TO PLATFORM 230V**.....	1
2	28235GT	DECAL,POWER TO PLATFORM 115V...1	1
3	40434GT	DECAL,LANYARD ANCHORAGE POINT.....	8
4	44981GT	DECAL,LABEL, AIR LINE 110 PSI.....1 <i>Option, airline to plat</i>	1
5	82487GT	DECAL, SYMBOL - READ THE MANUAL.....	1
6	82548GT	DECAL,WARN,CRUSH HAZARD PLAT.....	2
7	82602GT	DECAL,DANGER,MAX SIDE FRC,667N.....	1
8	82671GT	DECAL,LABEL,WELD LINE INST,SYM...2 <i>Option, weld cable line</i>	2
9	97815GT	DECAL,LABEL,LOWER MIDRAIL.....	1
10	114252GT	DECAL,LABEL,TIP OVER LMT SWTCH.....	1
11	114473GT	DECAL,DANGER,TIPOVER,TILT,SYM....	1
12	133387GT	DECAL,DRIVE ENABLE PATCH.....	1
13	147575GT	DECAL, PLAT CNTL PNL 60X 80X.....	1
14	147788GT	DECAL,INST PLAT CAPACITY,SYM.....	2
15	T112773GT	TAPE, PROTECTIVE MASK.....	2

125.1 S-60XC Decals with Word, Hydraulic Tank Side (ANSI)



NOTE:
Part numbers with "(FR)" indicates French translation is available

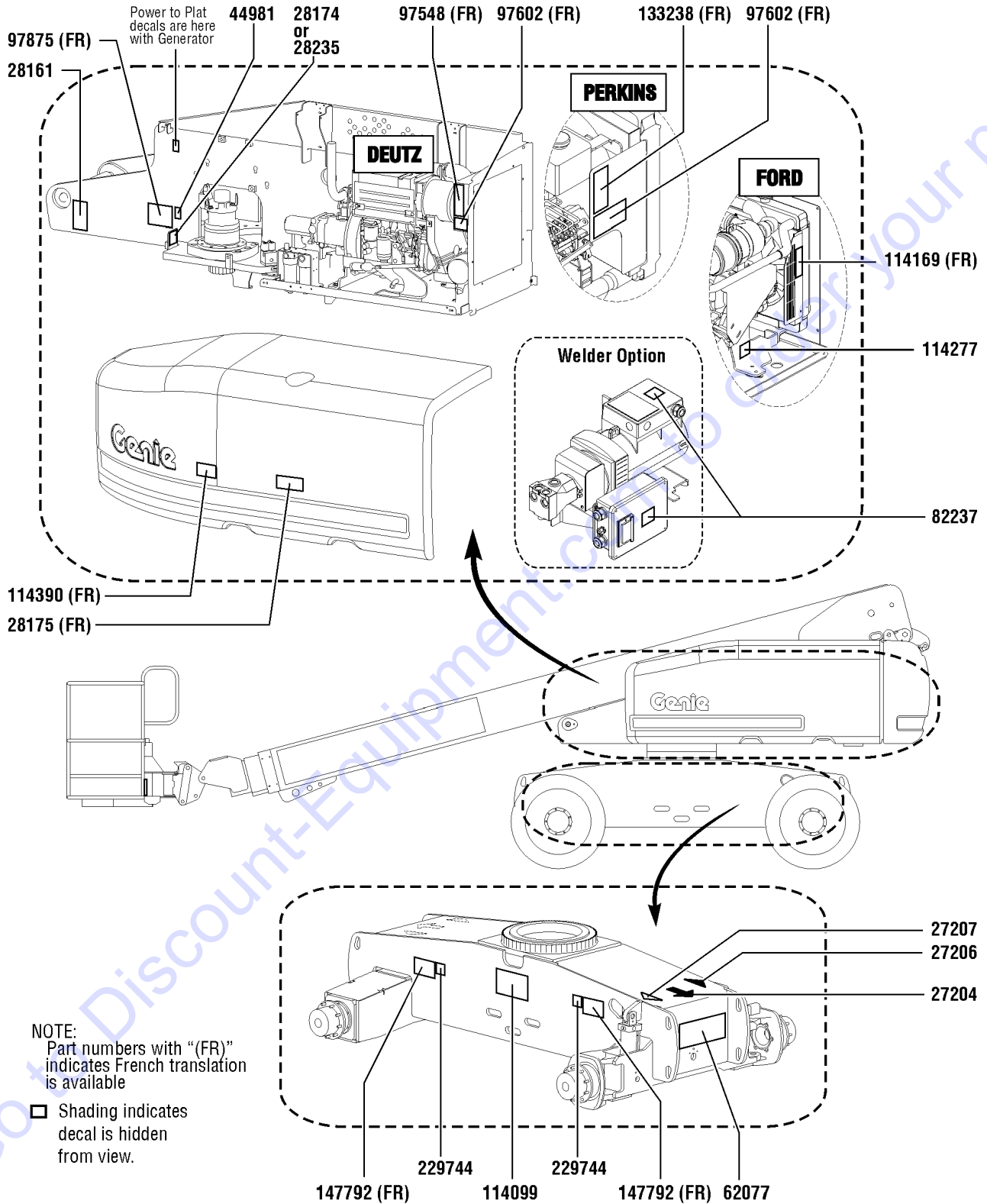
☐ Shading indicates decal is hidden from view.



125.1 S-60XC Decals with Word, Hydraulic Tank Side (ANSI)

Item	Part No.	Description	Qty.
1	25994GT	DECAL,NOTICE,SHUTOFF VALVES.....1	
2	27205GT	DECAL,ARROW YELLOW LRG 9".....1	
3	27206GT	DECAL,TRIANGLE,BLUE.....1	
4	27207GT	DECAL,TRIANGLE,YELLOW.....1	
5	28158GT	DECAL,LABEL,UNLEADED GAS ONLY.....1	
6	28159GT	DECAL,DIESEL.....1	
7	28160GT	DECAL,LABEL,LIQUID PROPANE.....1 <i>Option, LPG tank</i>	
8	28161GT	DECAL,WARN,CRUSH HAZARD HAND.....1	
9	29104GT	DECAL,TOWING INSTRUCTIONS.....1 <i>Option, tow package</i>	
10	31788GT	DECAL,DANGER,BATTERY SAFETY***.....1	
11	38149GT	DECAL,LABEL,PATENTS.....1	
12	47041GT	DECAL,CAUTION,TOWING SPEED.....1 <i>Option, tow package</i>	
13	52607GT	DECAL,LABEL,TEST***.....1 <i>Ford only</i>	
14	52865GT	DECAL,ANNUAL INSP***.....1	
15	52966GT	DECAL,COSMETIC,4 X 2.....1	
16	52967GT	DECAL,COSMETIC,4 X 4.....1	
17	72168GT	DECAL,LABEL,STARTER BATTERY.....1	
18	72169GT	DECAL,LABEL,CONTROLS BATTERY...1	
19	72999GT	DECAL,LABEL,PETRO CANADA***.....1	
20	82161GT	DECAL,LABEL,UCON HYDROLUBE....1	
21	82366GT	DECAL,CHEVRON RANDO HD.....1	
22	114099GT	DECAL,LABEL,TRANSPORT DIAGRAM.....1	
23	114219GT	DECAL,LABEL,RELAYS,S60&65.....1	
24	114258GT	DECAL,DANGER,NO SMOKING.....1	
25	114389GT	DECAL,DANGER,GENERAL SAFETY...1	
26	114390GT	DECAL,DANGER,ELECT HAZARD***...1	
27	133278GT	DECAL,LOW/ULTRA LOW SULFR FUEL.....1 <i>Diesel models only</i>	
28	147608GT	DECAL,INST PLAT CAP 60XC.....1	
29	147756GT	DECAL,GR CNTL PNL 60XC.....1	
30	147792GT	DANGER,TIPOVR,TIRES FF ONLY.....2	
31	147793GT	DECAL,DANGER,TIPOVR,MAX CAP....1	
32	147796GT	DECAL, OPER INST 60XC GRD.....1	
33	229744GT	DECAL,LABEL,WHEEL LOAD S60H/XC.....2	

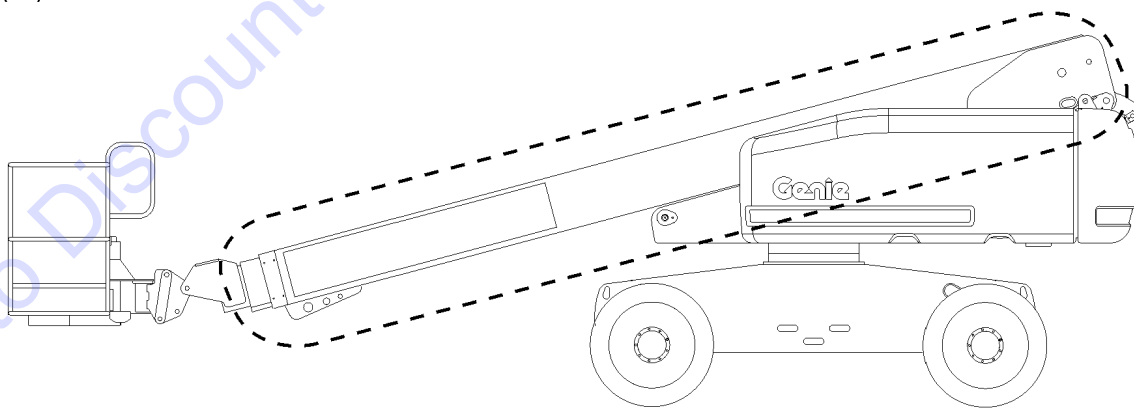
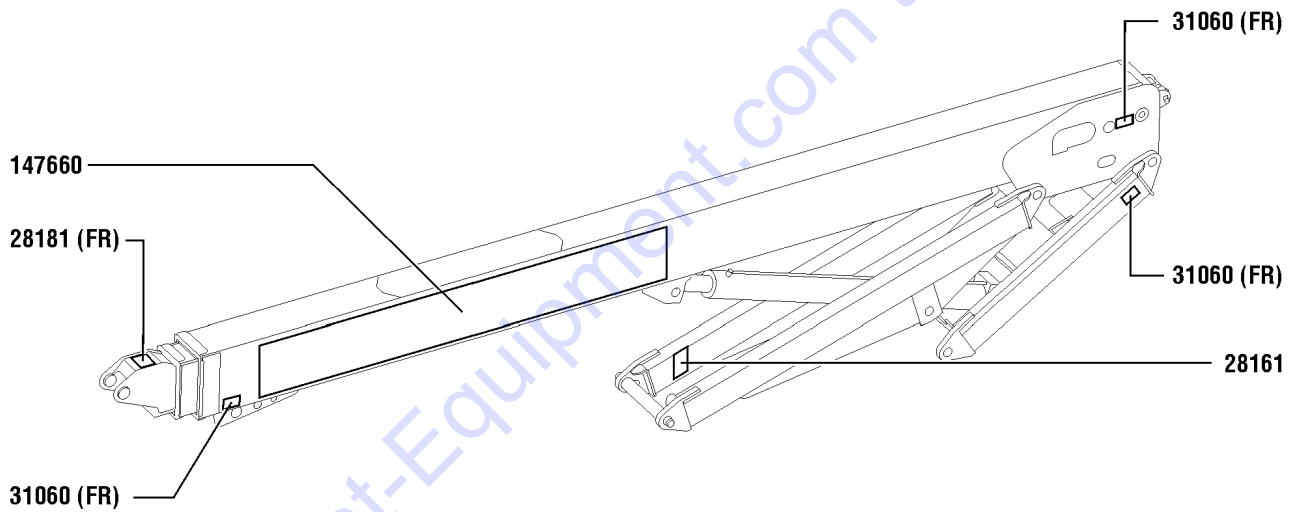
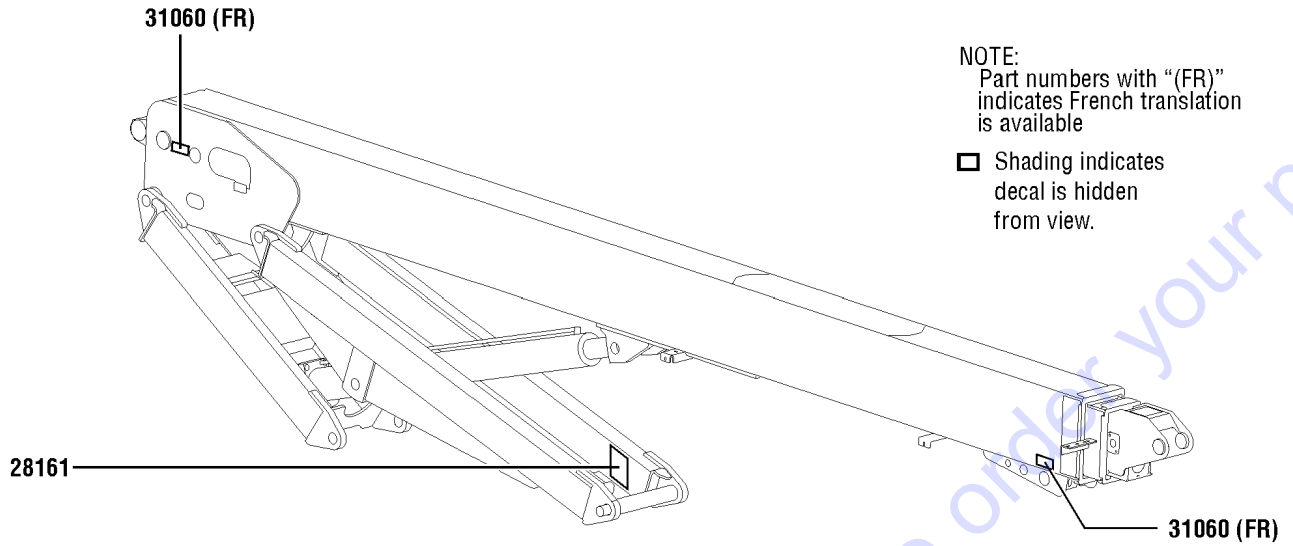
126.1 S-60XC Decals with Word, Engine Side (ANSI)



126.1 S-60XC Decals with Word, Engine Side (ANSI)

Item	Part No.	Description	Qty.
1	27204GT	DECAL,ARROW BLUE.....	1
2	27206GT	DECAL,TRIANGLE,BLUE.....	1
3	27207GT	DECAL,TRIANGLE,YELLOW.....	1
4	28161GT	DECAL,WARN,CRUSH HAZARD HAND.....	1
5	28174GT	DECAL, POWER TO PLATFORM 230V**.....	1
6	28175GT	DECAL,WARNING-COMPART ACCESS.....	1
7	28235GT	DECAL,POWER TO PLATFORM 115V...1	
8	44981GT	DECAL,LABEL, AIR LINE 110 PSI.....1 <i>Option, airline to plat</i>	
9	62077GT	DECAL,COSMETIC,S60.....	1
10	82237GT	DECAL,DANGER,HIGH VOLTAGE.....2 <i>Option, welder</i>	
11	97548GT	DECAL,ENGINE SPEC,DEUTZ 2011.....1	
12	97602GT	DECAL,EXPLOSION HAZARD.....1	
13	97875GT	DECAL,WARN.WELD LINE INST.WORD.....1 <i>Option, weld cable line</i>	
14	114099GT	DECAL,LABEL,TRANSPORT DIAGRAM.....	1
15	114169GT	DECAL,FORD ENGINE SPEC DSG423.....	1
16	114277GT	DECAL,LABEL,BELT ROUTING DSG....1	
17	114390GT	DECAL,DANGER,ELECT HAZARD***....1	
18	133238GT	DECAL,ENGINE SPEC,PERKINS***.....1	
19	147792GT	DANGER,TIPOVR,TIRES FF ONLY.....2	
20	229744GT	DECAL,LABEL,WHEEL LOAD S60H/XC.....	2

127.1 S-60XC Decals with Word, Boom (ANSI)

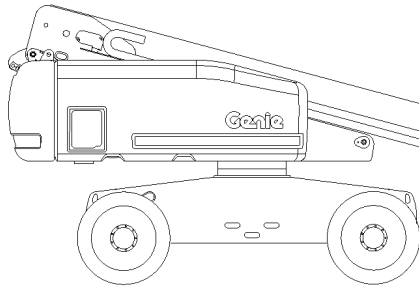


127.1 S-60XC Decals with Word, Boom (ANSI)

Item	Part No.	Description	Qty.
1	28161GT	DECAL,WARN,CRUSH HAZARD HAND.....	2
2	28181GT	DECAL,WARN,FALL HAZARD.....	1
3	31060GT	DECAL,DANGER DO NOT ALTER SWTC.....	5
4	147660GT	DECAL,COSM GENIE S60XC.....	1

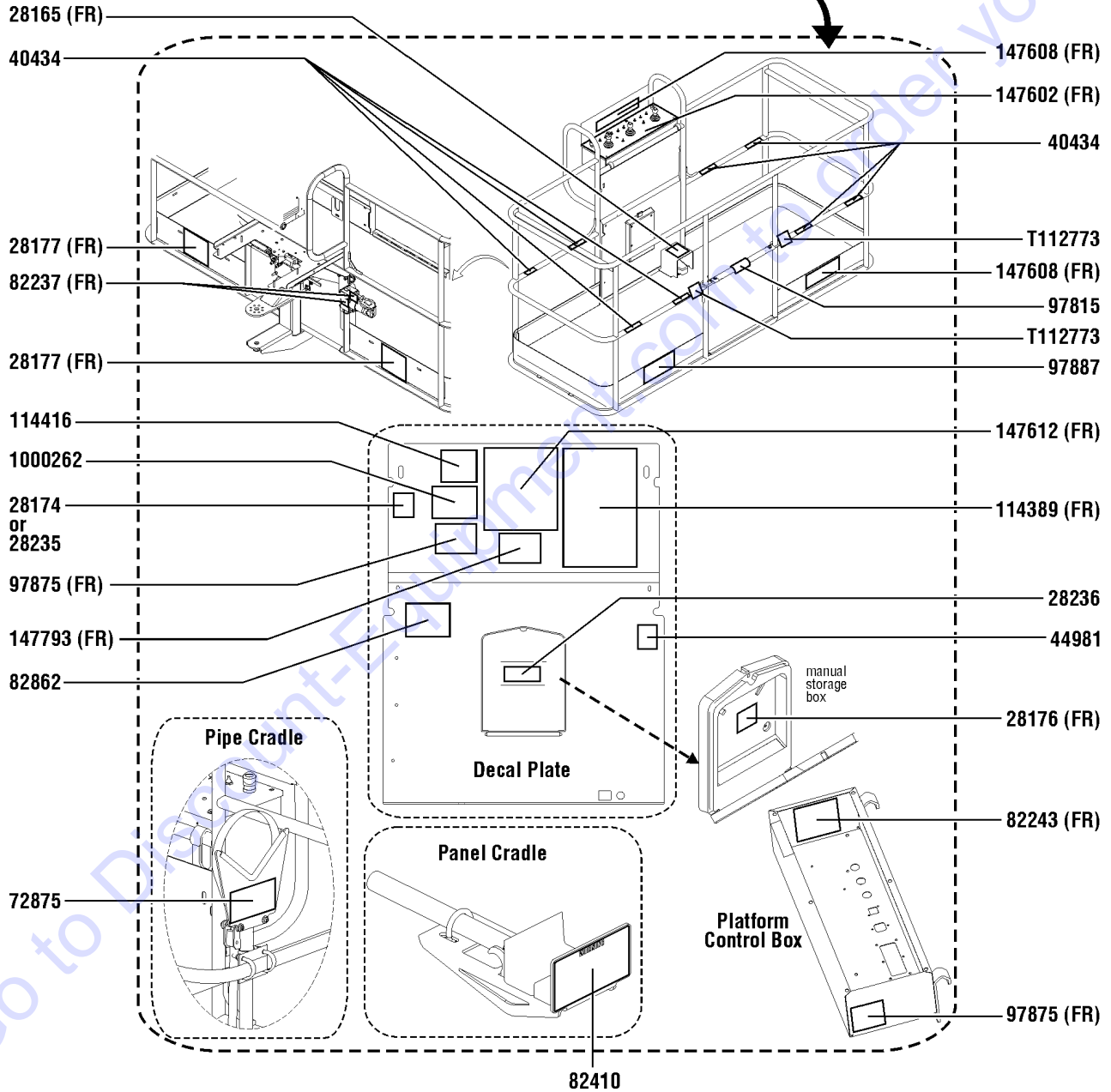
Go to Discount-Equipment.com to order your parts

128.1 S-60XC Decals with Word, Platform (ANSI)



NOTE:
Part numbers with "(FR)" indicates French translation is available

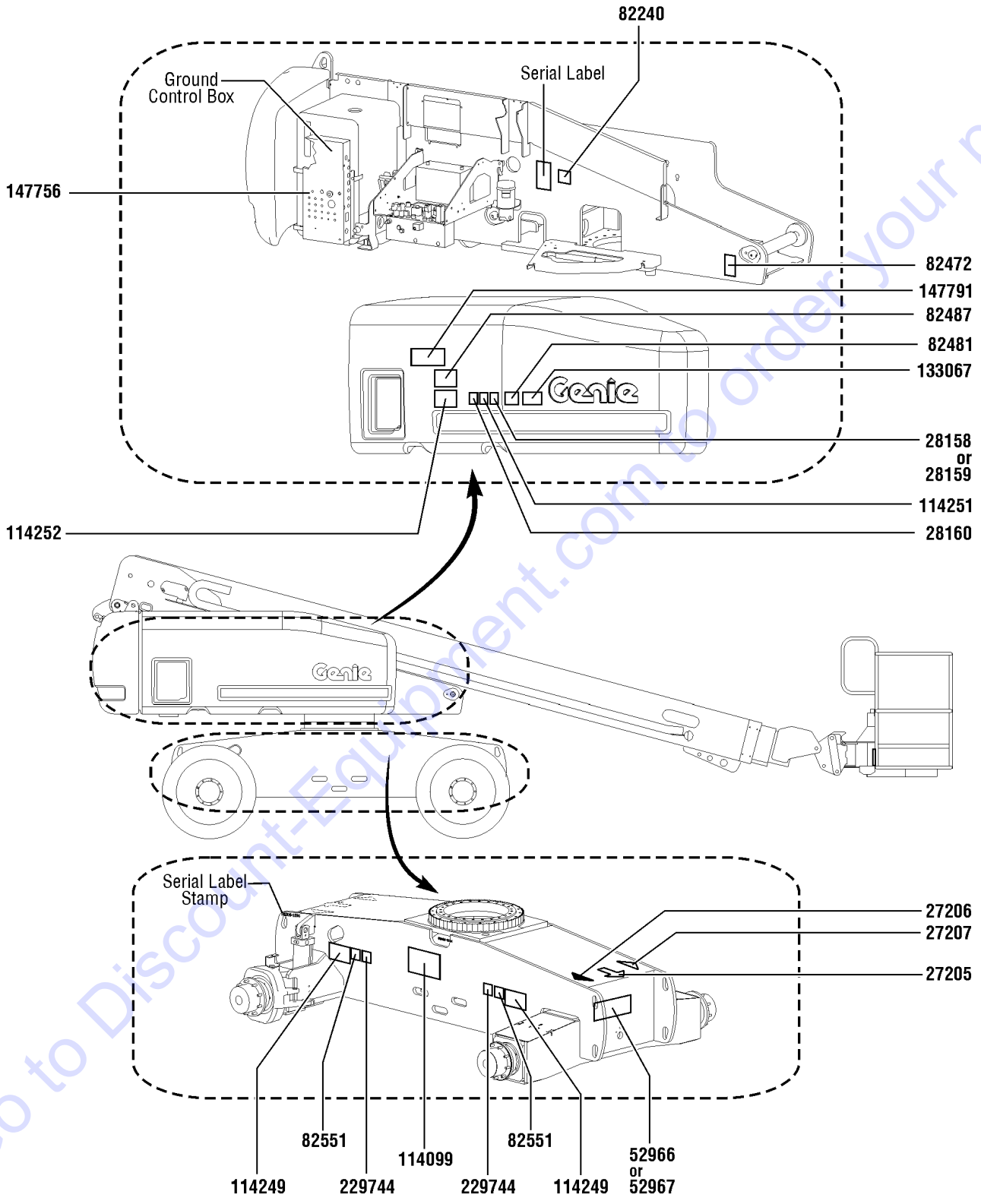
☐ Shading indicates decal is hidden from view.



128.1 S-60XC Decals with Word, Platform (ANSI)

Item	Part No.	Description	Qty.
1	28165GT	DECAL,INSTRUCT,FOOTSWITCH OPER.....	1
2	28174GT	DECAL, POWER TO PLATFORM 230V**.....	1
3	28176GT	DECAL,LABEL,MANUAL NOT HERE.....	1
4	28177GT	DECAL,WARN,CRUSH HAZARD PLAT.....	2
5	28235GT	DECAL,POWER TO PLATFORM 115V...1	1
6	28236GT	DECAL,WARN,IMPROPER OPERATION.....	1
7	40434GT	DECAL,LANYARD ANCHORAGE POINT.....	8
8	44981GT	DECAL,LABEL, AIR LINE 110 PSI.....1 <i>Option, airline to plat</i>	1
9	72875GT	DECAL,WARNING,PIPE CRADLE,BOOM.....2 <i>Option, pipe cradle</i>	2
10	82237GT	DECAL,DANGER,HIGH VOLTAGE.....2 <i>Option, welder</i>	2
11	82243GT	DECAL FAULT CODE.....	1
12	82410GT	DECAL,WARNING,PANEL CRADLE.....2 <i>Option, panel cradle</i>	2
13	82862GT	DECAL,FIRE EXTINGUISHER.....1 <i>Option, welder</i>	1
14	97815GT	DECAL,LABEL,LOWER MIDRAIL.....	1
15	97875GT	DECAL,WARN.WELD LINE INST.WORD.....2 <i>Option, weld cable line</i>	2
16	97887GT	DECAL,INSTR,MAX SIDE FRC,ANSI.....	1
17	114389GT	DECAL,DANGER,GENERAL SAFETY....	1
18	114416GT	DECAL,DANGER,TIPOVER,TILT.....	1
19	147602GT	DECAL, PLAT CNTL PNL 60XC.....	1
20	147608GT	DECAL,INST PLAT CAP 60XC.....	2
21	147612GT	DECAL,INST OPER INST 60XC.....	1
22	147793GT	DECAL,DANGER,TIPOVR,MAX CAP....	1
23	1000262GT	DECAL,DANGER,TIP OVER,PLAT.....	1
24	T112773GT	TAPE, PROTECTIVE MASK.....	2

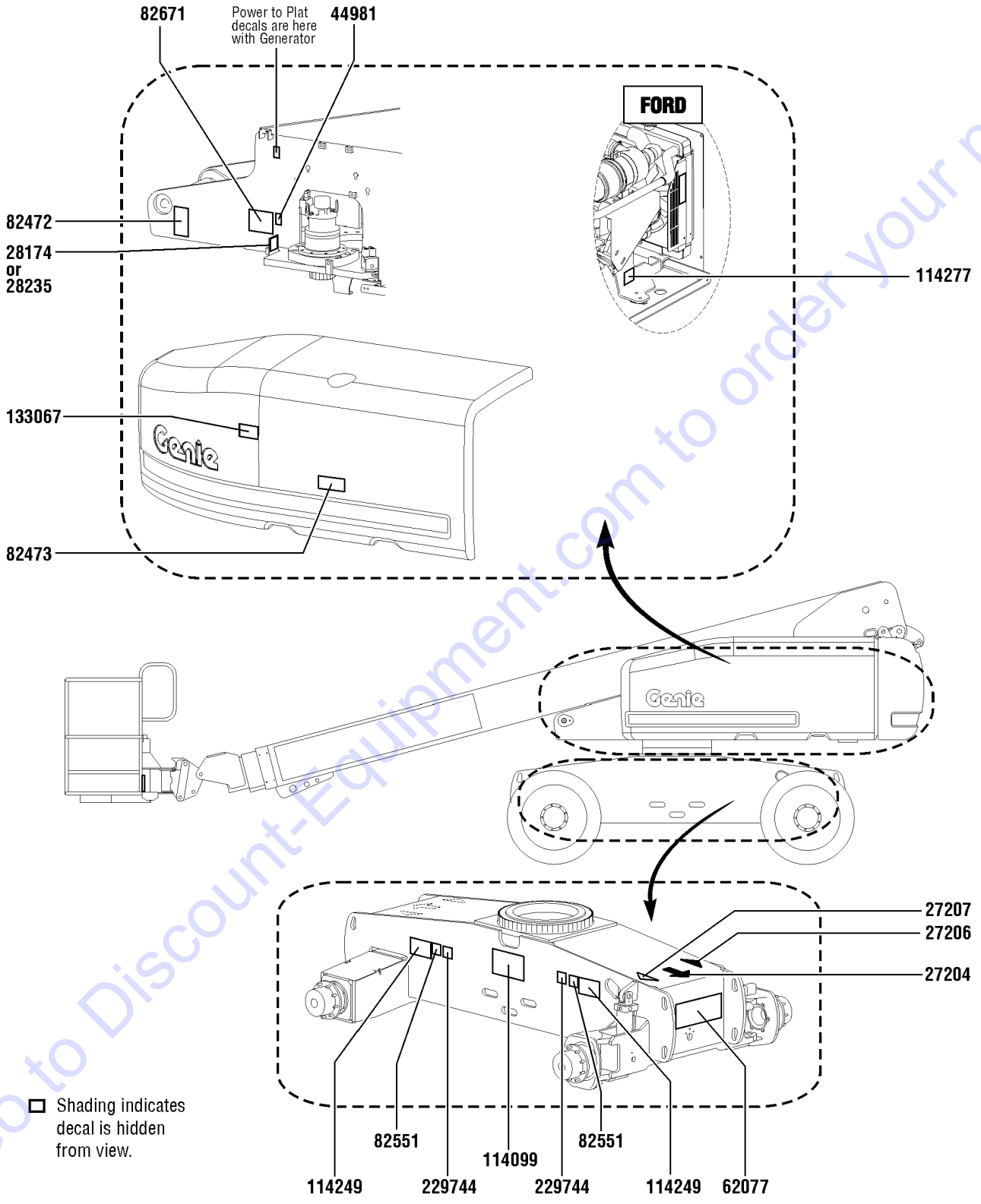
129.1 S-60XC Decals with Symbol, Hydraulic Tank Side (ANSI)



129.1 S-60XC Decals with Symbol, Hydraulic Tank Side (ANSI)

Item	Part No.	Description	Qty.
1	27205GT	DECAL,ARROW YELLOW LRG 9".....1	1
2	27206GT	DECAL,TRIANGLE,BLUE.....1	1
3	27207GT	DECAL,TRIANGLE,YELLOW.....1	1
4	28158GT	DECAL,LABEL,UNLEADED GAS ONLY.....1	1
5	28159GT	DECAL,DIESEL.....1	1
6	28160GT	DECAL,LABEL,LIQUID PROPANE.....1 <i>Option, LPG tank</i>	1
7	52966GT	DECAL,COSMETIC,4 X 2.....1	1
8	52967GT	DECAL,COSMETIC,4 X 4.....1	1
9	82240GT	DECAL,LABEL,105 DB.....1	1
10	82472GT	DECAL,WARNING,CRUSHING HAZARD.....1	1
11	82481GT	DECAL,SYMBOL-BATTERY SAFETY.....1	1
12	82487GT	DECAL,SYMBOL-READ THE MANUAL.....1	1
13	82551GT	DECAL,LABEL,TIRE PRESSURE.....2	2
14	114099GT	DECAL,LABEL,TRANSPORT DIAGRAM.....1	1
15	114249GT	DECAL,LABEL,TIPOVER,TIRES,SYMB.1	1
16	114251GT	DECAL,LABEL,NO SMOKING,SYMB.....1	1
17	114252GT	DECAL,LABEL,TIP OVER LMT SWTCH.....1	1
18	114349GT	OPT,COSM DECAL,NES S105.....1	1
19	133067GT	DECAL,DANGER,ELEC.HAZ.STAY CLR.....1	1
20	147756GT	DECAL,GR CNTL PNL 60XC.....1	1
21	147791GT	DECAL,INST PLAT CAP 60XC SYM.....1	1
22	229744GT	DECAL,LABEL,WHEEL LOAD S60H/XC.....2	2

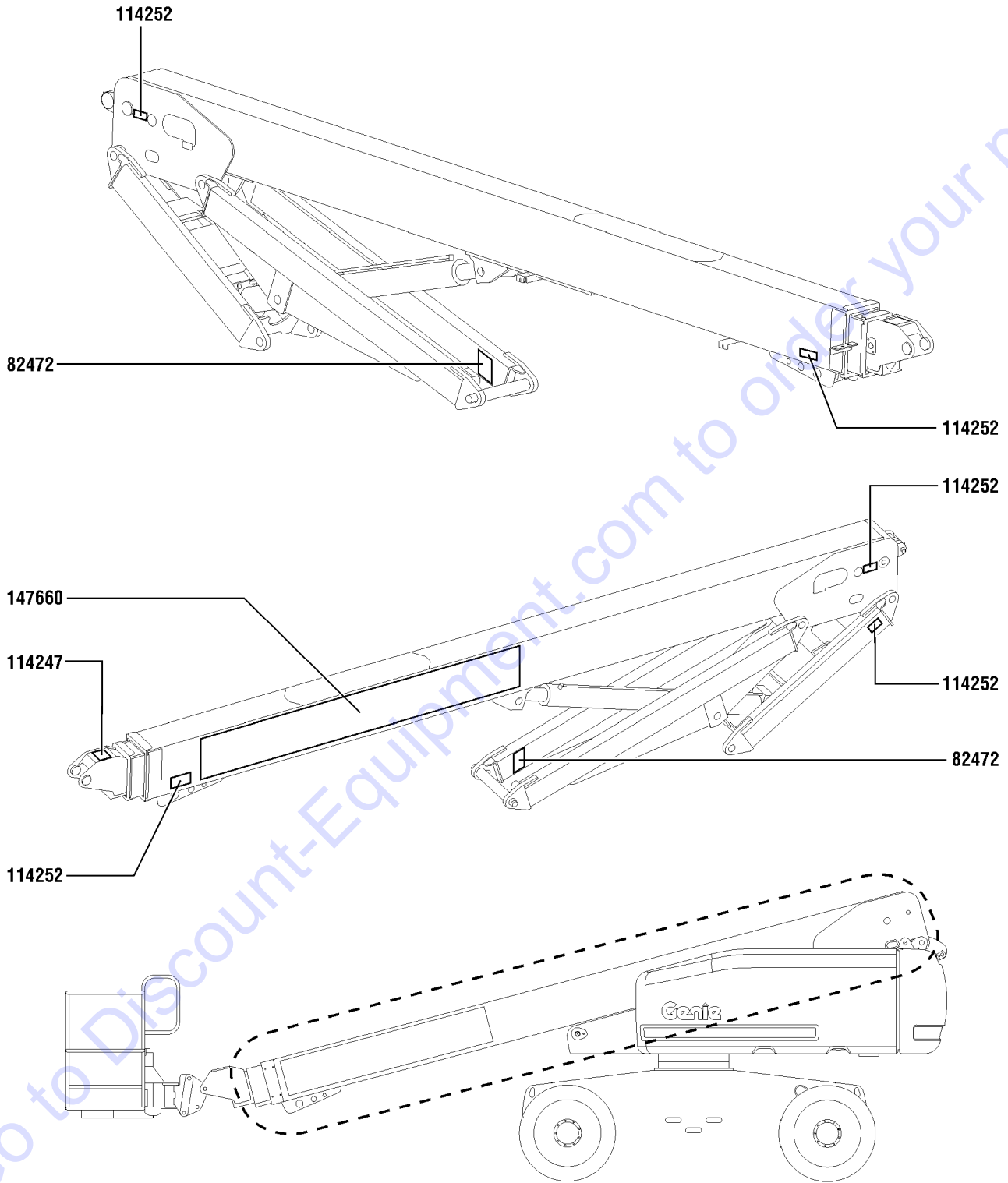
130.1 S-60XC Decals with Symbol, Engine Side (ANSI)



130.1 S-60XC Decals with Symbol, Engine Side (ANSI)

Item	Part No.	Description	Qty.
1	27204GT	DECAL,ARROW BLUE.....	1
2	27206GT	DECAL,TRIANGLE,BLUE.....	1
3	27207GT	DECAL,TRIANGLE,YELLOW.....	1
4	28174GT	DECAL, POWER TO PLATFORM 230V**.....	1
5	28235GT	DECAL,POWER TO PLATFORM 115V...1	1
6	44981GT	DECAL,LABEL, AIR LINE 110 PSI.....1 <i>Option, airline to plat</i>	1
7	62077GT	DECAL,COSMETIC,S60.....	1
8	82472GT	DECAL,WARNING,CRUSHING HAZARD.....	1
9	82473GT	DECAL,SYMBOL-COMP ACCESS.....	1
10	82551GT	DECAL,LABEL,TIRE PRESSURE.....	2
11	82671GT	DECAL,LABEL,WELD LINE INST,SYM...1 <i>Option, weld cable line</i>	1
12	114099GT	DECAL,LABEL,TRANSPORT DIAGRAM.....	1
13	114219GT	DECAL,LABEL,RELAYS,S60&65.....	1
14	114249GT	DECAL,LABEL,TIPOVER,TIRES,SYMB.1	1
15	114277GT	DECAL,LABEL,BELT ROUTING DSG.....	1
16	133067GT	DECAL,DANGER,ELEC.HAZ.STAY CLR.....	1
17	229744GT	DECAL,LABEL,WHEEL LOAD S60H/XC.....	2

131.1 S-60XC Decals with Symbol, Boom (ANSI)

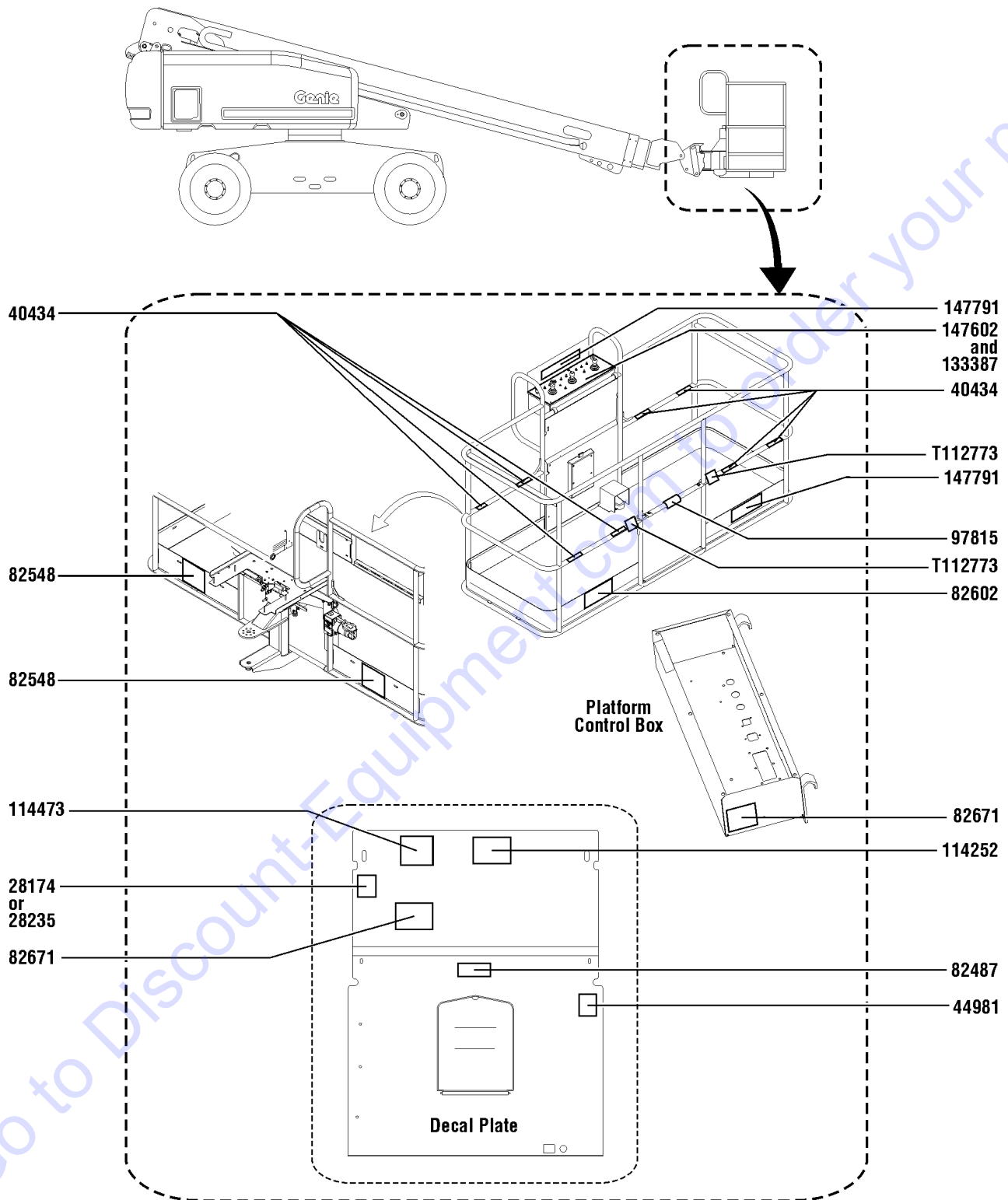


131.1 S-60XC Decals with Symbol, Boom (ANSI)

Item	Part No.	Description	Qty.
1	82472GT	DECAL,WARNING,CRUSHING HAZARD.....	2
2	114247GT	DECAL,LABEL,FALL HAZARD***.....	1
3	114252GT	DECAL,LABEL,TIP OVER LMT SWTCH.....	5
4	147660GT	DECAL,COSM GENIE S60XC.....	1

Go to Discount-Equipment.com to order your parts

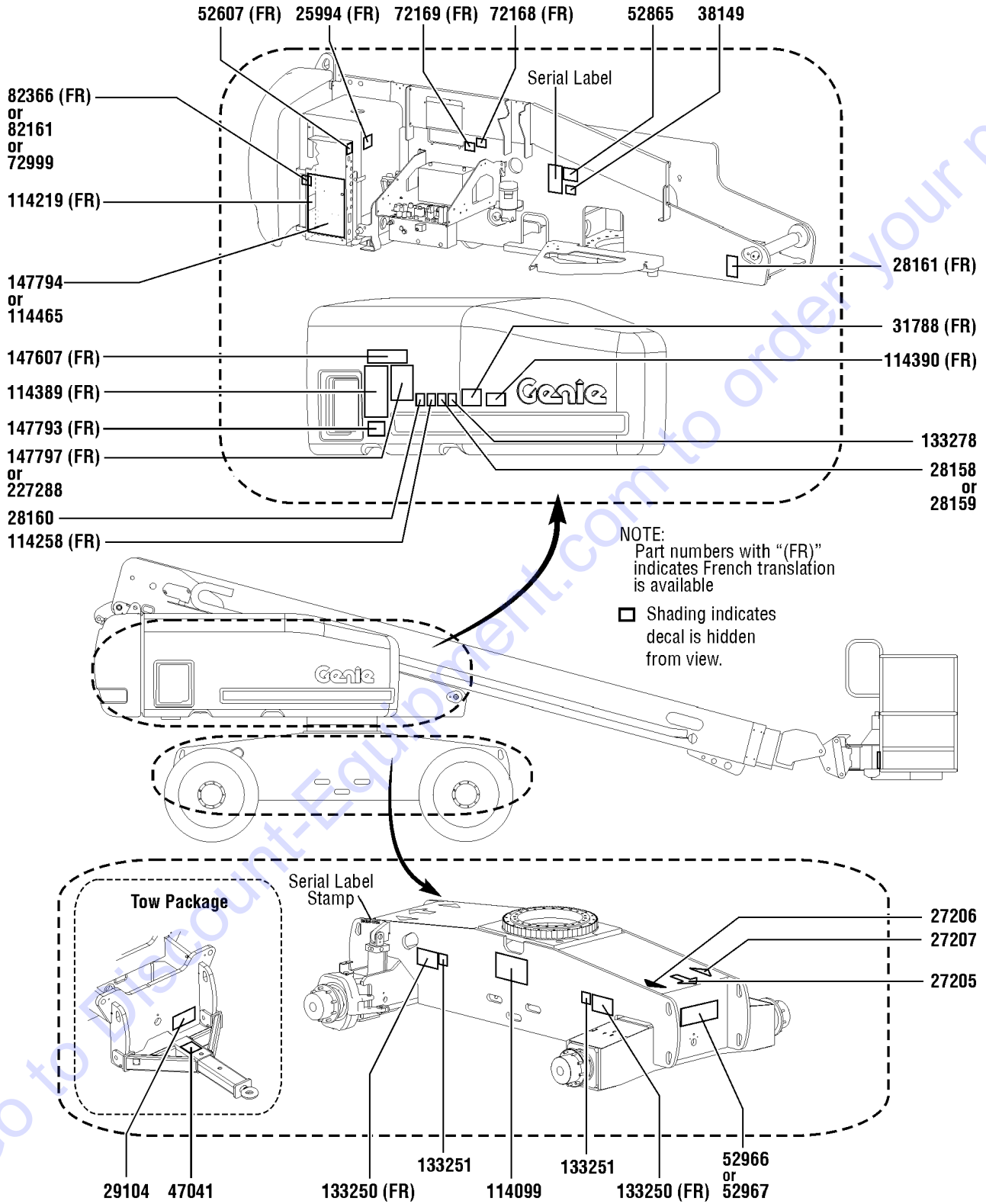
132.1 S-60XC Decals with Symbol, Platform (ANSI)



132.1 S-60XC Decals with Symbol, Platform (ANSI)

Item	Part No.	Description	Qty.
1	28174GT	DECAL, POWER TO PLATFORM 230V**.....	1
2	28235GT	DECAL,POWER TO PLATFORM 115V...1	1
3	40434GT	DECAL,LANYARD ANCHORAGE POINT.....	8
4	44981GT	DECAL,LABEL, AIR LINE 110 PSI.....1 <i>Option, airline to plat</i>	1
5	82487GT	DECAL, SYMBOL - READ THE MANUAL.....	1
6	82548GT	DECAL,WARN,CRUSH HAZARD PLAT.....	2
7	82602GT	DECAL,DANGER,MAX SIDE FRC,667N.....	1
8	82671GT	DECAL,LABEL,WELD LINE INST,SYM...2 <i>Option, weld cable line</i>	2
9	97815GT	DECAL,LABEL,LOWER MIDRAIL.....1	1
10	114252GT	DECAL,LABEL,TIP OVER LMT SWTCH.....	1
11	114473GT	DECAL,DANGER,TIPOVER,TILT,SYM...1	1
12	133387GT	DECAL,DRIVE ENABLE PATCH.....1	1
13	147602GT	DECAL, PLAT CNTL PNL 60XC.....1	1
14	147791GT	DECAL,INST PLAT CAP 60XC SYM.....2	2
15	T112773GT	TAPE, PROTECTIVE MASK.....	2

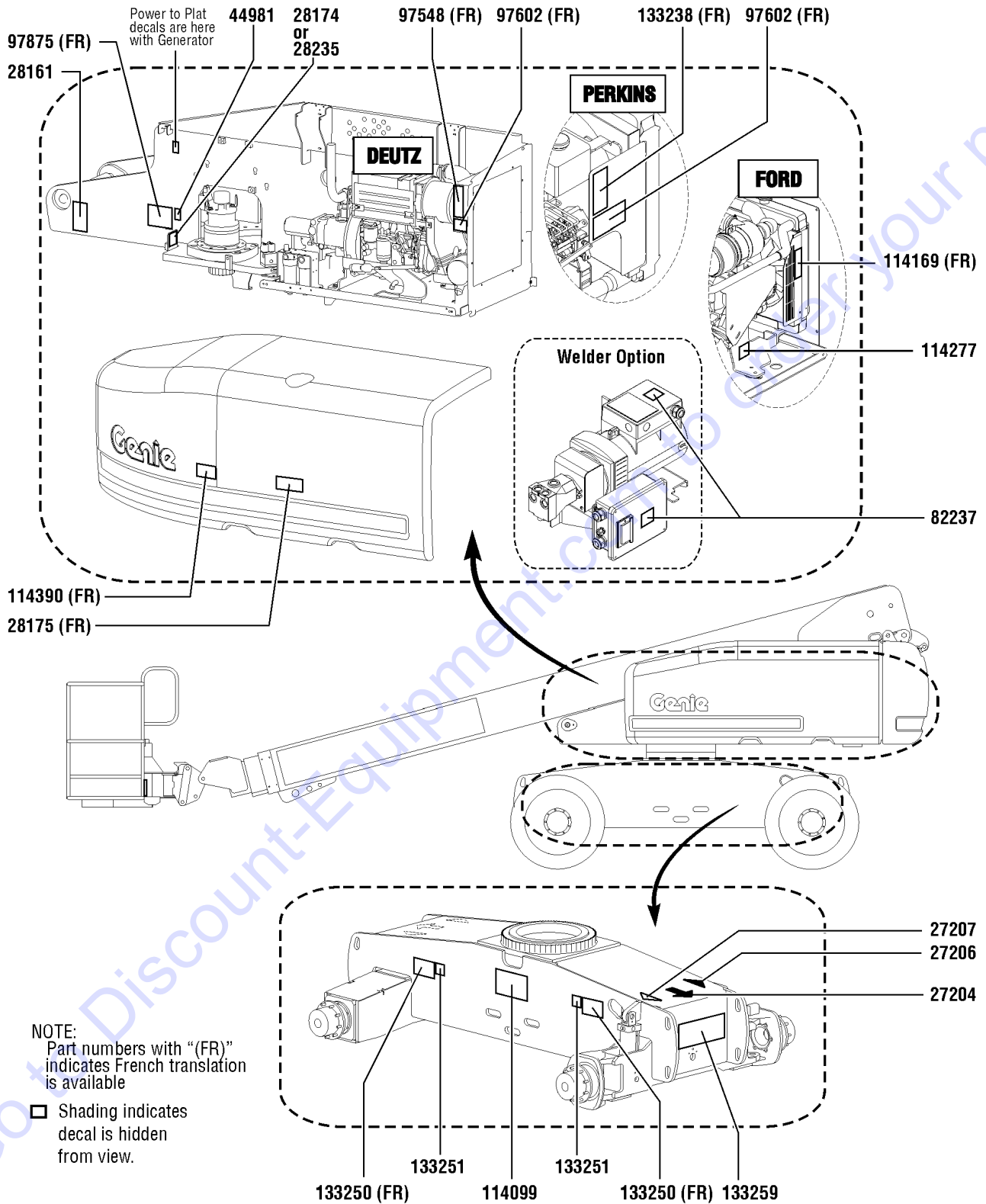
133.1 S-60TX Decals with Word, Hydraulic Tank Side (ANSI & Australia)



133.1 S-60TX Decals with Word, Hydraulic Tank Side (ANSI & Australia)

Item	Part No.	Description	Qty.	Item	Part No.	Description	Qty.
1	25994GT	DECAL,NOTICE,SHUTOFF VALVES.....1		34	147797GT	DECAL, OPER INST 60TRX GRD.....1 <i>ANSI only</i>	
2	27205GT	DECAL,ARROW YELLOW LRG 9".....1		35	227288GT	DECAL, OPERATING INSTRUCTIONS.....1 <i>AUS only</i>	
3	27206GT	DECAL,TRIANGLE,BLUE.....1					
4	27207GT	DECAL,TRIANGLE,YELLOW.....1					
5	28158GT	DECAL,LABEL,UNLEADED GAS ONLY.....1					
6	28159GT	DECAL,DIESEL.....1					
7	28160GT	DECAL,LABEL,LIQUID PROPANE.....1 <i>Option, LPG tank</i>					
8	28161GT	DECAL,WARN,CRUSH HAZARD HAND.....1					
9	29104GT	DECAL,TOWING INSTRUCTIONS.....1 <i>Option, tow package</i>					
10	31788GT	DECAL,DANGER,BATTERY SAFETY***.....1					
11	38149GT	DECAL,LABEL,PATENTS.....1 <i>US only</i>					
12	47041GT	DECAL,CAUTION,TOWING SPEED.....1 <i>Option, tow package</i>					
13	52607GT	DECAL,LABEL,TEST***.....1 <i>Ford only</i>					
14	52865GT	DECAL,ANNUAL INSP***.....1 <i>ANSI only</i>					
15	52966GT	DECAL,COSMETIC,4 X 2.....1					
16	52967GT	DECAL,COSMETIC,4 X 4.....1					
17	72168GT	DECAL,LABEL,STARTER BATTERY.....1					
18	72169GT	DECAL,LABEL,CONTROLS BATTERY...1					
19	72999GT	DECAL,LABEL,PETRO CANADA***.....1					
20	82161GT	DECAL,LABEL,UCON HYDROLUBE.....1					
21	82366GT	DECAL,CHEVRON RANDO HD.....1					
22	114099GT	DECAL,LABEL,TRANSPORT DIAGRAM.....1					
23	114219GT	DECAL,LABEL,RELAYS,S60&65.....1					
24	114258GT	DECAL,DANGER,NO SMOKING.....1					
25	114389GT	DECAL,DANGER,GENERAL SAFETY....1					
26	114390GT	DECAL,DANGER,ELECT HAZARD***....1					
27	114465GT	DECAL GROUND CONTROL BOX.....1 <i>AUS only</i>					
28	133250GT	DECAL,DANGER TIP OVER TRAX.....2					
29	133251GT	DECAL, WHEEL LOAD S60TRAX.....2					
30	133278GT	DECAL,LOW/ULTRA LOW SULFR FUEL.....1 <i>Diesel models only</i>					
31	147607GT	DECAL,INST PLAT CAP 60TRAX.....1					
32	147793GT	DECAL,DANGER,TIPOVR,MAX CAP.....1 <i>ANSI only</i>					
33	147794GT	DECAL,GR CNTL PNL 60TX.....1 <i>ANSI only</i>					

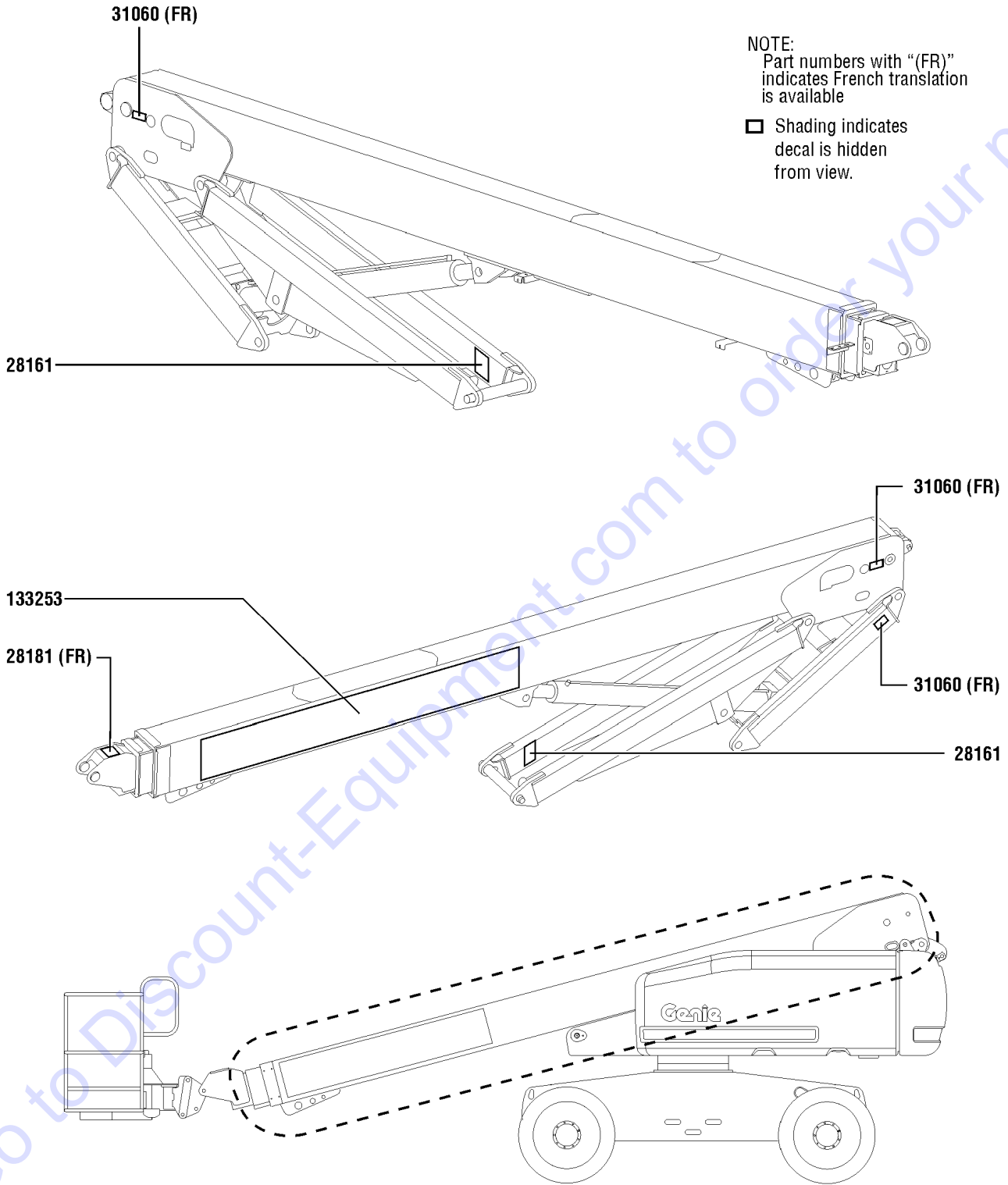
134.1 S-60TX Decals with Word, Engine Side (ANSI & Australia)



134.1 S-60TX Decals with Word, Engine Side (ANSI & Australia)

Item	Part No.	Description	Qty.
1	27204GT	DECAL,ARROW BLUE.....	1
2	27206GT	DECAL,TRIANGLE,BLUE.....	1
3	27207GT	DECAL,TRIANGLE,YELLOW.....	1
4	28161GT	DECAL,WARN,CRUSH HAZARD HAND.....	1
5	28174GT	DECAL, POWER TO PLATFORM 230V**.....	1
6	28175GT	DECAL,WARNING-COMPART ACCESS.....	1
7	28235GT	DECAL,POWER TO PLATFORM 115V...1	
8	44981GT	DECAL,LABEL, AIR LINE 110 PSI.....1 <i>Option, airline to plat</i>	
9	82237GT	DECAL,DANGER,HIGH VOLTAGE.....2 <i>Option, welder</i>	
10	97548GT	DECAL,ENGINE SPEC,DEUTZ 2011.....1	
11	97602GT	DECAL,EXPLOSION HAZARD.....1	
12	97875GT	DECAL,WARN.WELD LINE INST.WORD.....1 <i>Option, weld cable line</i>	
13	114099GT	DECAL,LABEL,TRANSPORT DIAGRAM.....1	
14	114169GT	DECAL,FORD ENGINE SPEC DSG423.....1	
15	114277GT	DECAL,LABEL,BELT ROUTING DSG.....1	
16	114390GT	DECAL,DANGER,ELECT HAZARD***.....1	
17	133238GT	DECAL,ENGINE SPEC,PERKINS***.....1	
18	133250GT	DECAL,DANGER TIP OVER TRAX.....2	
19	133251GT	DECAL, WHEEL LOAD S60TRAX.....2	
20	133259GT	DECAL,COSM, S60 TRAX.....1	

135.1 S-60TX Decals with Word, Boom (ANSI & Australia)

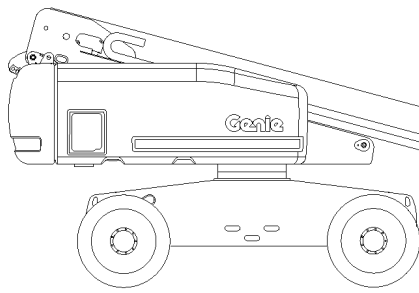


135.1 S-60TX Decals with Word, Boom (ANSI & Australia)

Item	Part No.	Description	Qty.
1	28161GT	DECAL,WARN,CRUSH HAZARD HAND.....	2
2	28181GT	DECAL,WARN,FALL HAZARD.....	1
3	31060GT	DECAL,DANGER DO NOT ALTER SWTC.....	3
4	133253GT	DECAL,COSM,GENIE S60 TRAX.....	1

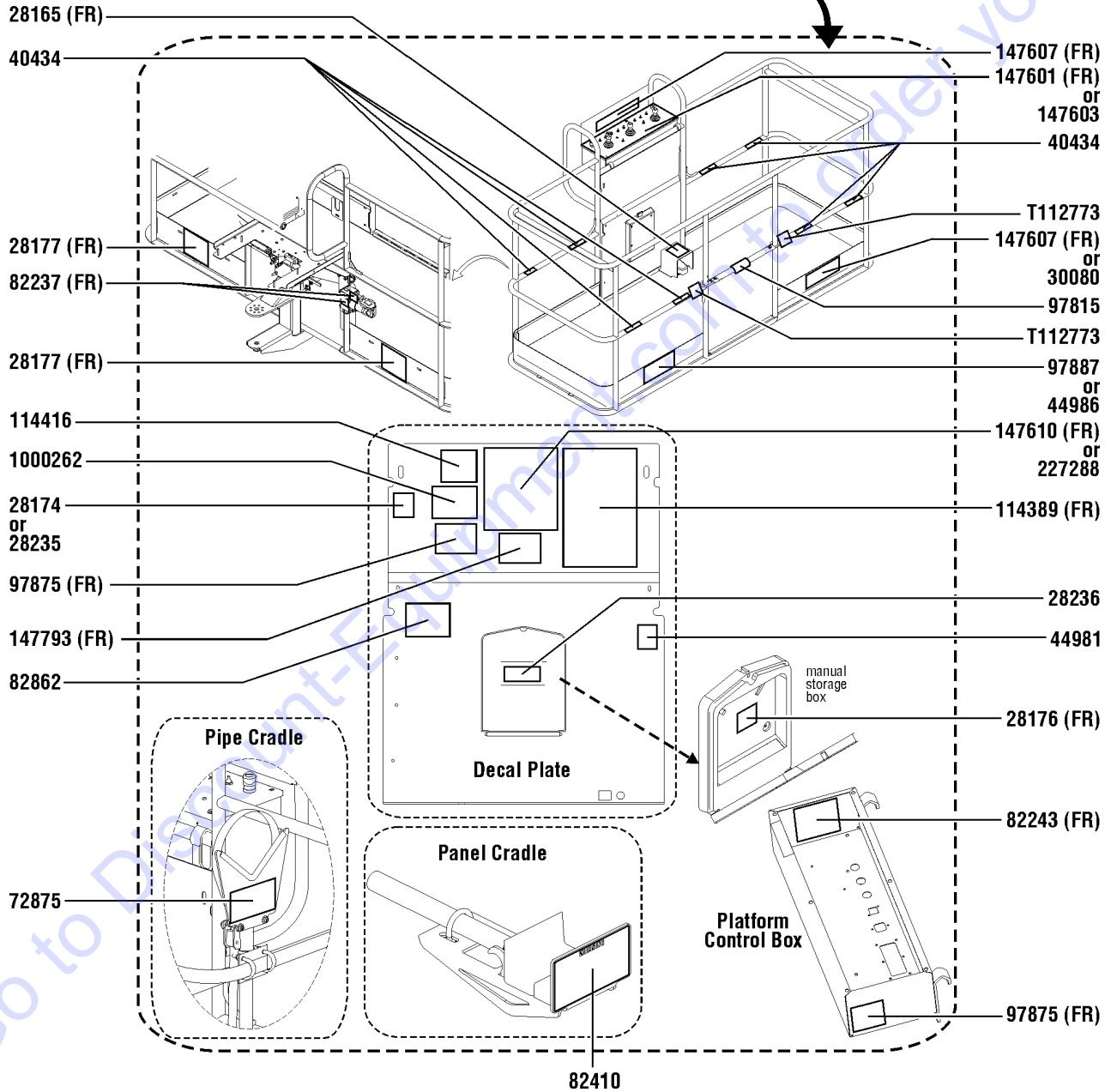
Go to Discount-Equipment.com to order your parts

136.1 S-60TX Decals with Word, Platform (ANSI & Australia)



NOTE:
Part numbers with "(FR)" indicates French translation is available

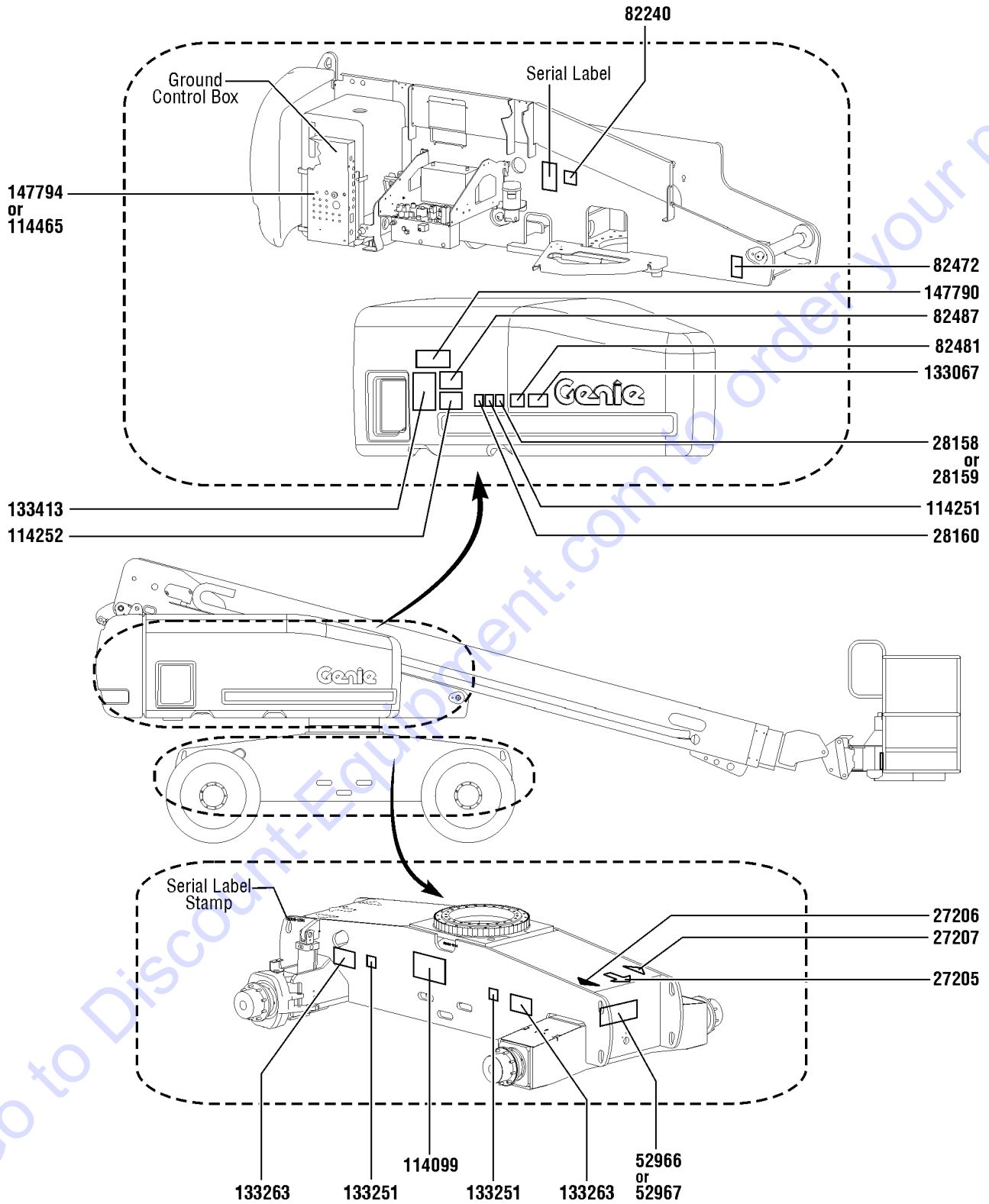
☐ Shading indicates decal is hidden from view.



136.1 S-60TX Decals with Word, Platform (ANSI & Australia)

Item	Part No.	Description	Qty.	Item	Part No.	Description	Qty.
1	28165GT	DECAL,INSTRUCT,FOOTSWITCH OPER.....	1	28	T112773GT	TAPE, PROTECTIVE MASK.....	2
2	28174GT	DECAL, POWER TO PLATFORM 230V**.....	1				
3	28176GT	DECAL,LABEL,MANUAL NOT HERE.....	1				
4	28177GT	DECAL,WARN,CRUSH HAZARD PLAT.....	2				
5	28235GT	DECAL,POWER TO PLATFORM 115V.....	1				
6	28236GT	DECAL,WARN,IMPROPER OPERATION.....	1				
7	30080GT	DECAL,NOTICE,MAX LOAD 500 LBS..... <i>AUS only</i>	1				
8	40434GT	DECAL,LANYARD ANCHORAGE POINT.....	8				
9	44981GT	DECAL,LABEL, AIR LINE 110 PSI..... <i>Option, airline to plat</i>	1				
10	44986GT	DECAL,INSTR,SIDE FRC/WIND,AUS..... <i>AUS only</i>	1				
11	72875GT	DECAL,WARNING,PIPE CRADLE,BOOM..... <i>Option, pipe cradle</i>	2				
12	82237GT	DECAL,DANGER,HIGH VOLTAGE..... <i>Option, welder</i>	2				
13	82243GT	DECAL FAULT CODE.....	1				
14	82410GT	DECAL,WARNING,PANEL CRADLE..... <i>Option, panel cradle</i>	2				
15	82862GT	DECAL,FIRE EXTINGUISHER..... <i>Option, welder</i>	1				
16	97815GT	DECAL,LABEL,LOWER MIDRAIL.....	1				
17	97875GT	DECAL,WARN.WELD LINE INST.WORD..... <i>Option, weld cable line</i>	2				
18	97887GT	DECAL,INSTR,MAX SIDE FRC,ANSI..... <i>ANSI only</i>	1				
19	114389GT	DECAL,DANGER,GENERAL SAFETY.....	1				
20	114416GT	DECAL,DANGER,TIPOVER,TILT.....	1				
21	147601GT	DECAL, PLAT CNTL PNL 60TX..... <i>ANSI only</i>	1				
22	147603GT	DECAL, PLAT CNTL PNL..... <i>AUS only</i>	1				
23	147607GT	DECAL,INST PLAT CAP 60TRAX..... <i>ANSI only</i>	2				
24	147610GT	DECAL,INST,OPER INST 60TRAX..... <i>ANSI only</i>	1				
25	147793GT	DECAL,DANGER,TIPOVR,MAX CAP..... <i>ANSI only</i>	1				
26	227288GT	DECAL, OPERATING INSTRUCTIONS..... <i>AUS only</i>	1				
27	1000262GT	DECAL,DANGER,TIP OVER,PLAT.....	1				

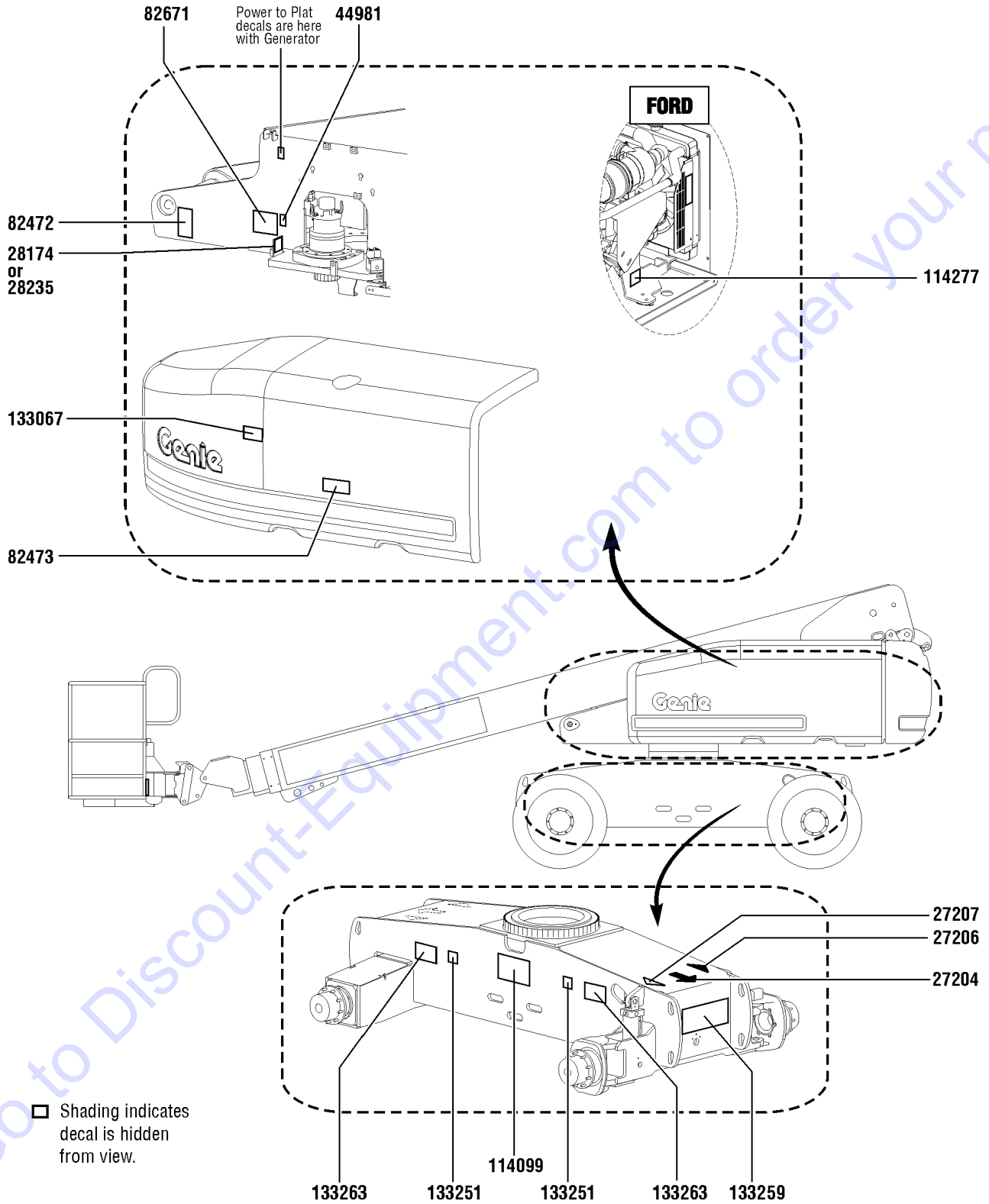
137.1 S-60TX Decals with Symbol, Hydraulic Tank Side (ANSI & CE)



137.1 S-60TX Decals with Symbol, Hydraulic Tank Side (ANSI & CE)

Item	Part No.	Description	Qty.
1	27205GT	DECAL,ARROW YELLOW LRG 9".....1	1
2	27206GT	DECAL,TRIANGLE,BLUE.....1	1
3	27207GT	DECAL,TRIANGLE,YELLOW.....1	1
4	28158GT	DECAL,LABEL,UNLEADED GAS ONLY.....1	1
5	28159GT	DECAL,DIESEL.....1	1
6	28160GT	DECAL,LABEL,LIQUID PROPANE.....1 <i>Option, LPG tank</i>	1
7	52966GT	DECAL,COSMETIC,4 X 2.....1	1
8	52967GT	DECAL,COSMETIC,4 X 4.....1	1
9	82240GT	DECAL,LABEL,105 DB.....1	1
10	82472GT	DECAL,WARNING,CRUSHING HAZARD.....1	1
11	82481GT	DECAL,SYMBOL-BATTERY SAFETY.....1	1
12	82487GT	DECAL,SYMBOL-READ THE MANUAL.....1	1
13	114099GT	DECAL,LABEL,TRANSPORT DIAGRAM.....1	1
14	114251GT	DECAL,LABEL,NO SMOKING,SYMB.....1	1
15	114252GT	DECAL,LABEL,TIP OVER LMT SWTCH.....1	1
16	114465GT	DECAL GROUND CONTROL BOX.....1 <i>CE only</i>	1
17	133067GT	DECAL,DANGER,ELEC.HAZ.STAY CLR.....1	1
18	133251GT	DECAL, WHEEL LOAD S60TRAX.....2	2
19	133263GT	DECAL,LABEL,TIPOVER,TRAX,SYMB.2	2
20	133413GT	DECAL,EMERGENCY LOWERING.....1 <i>CE only</i>	1
21	147790GT	DECAL,INST PLAT CAP 60TRAX SYM.....1 <i>ANSI only</i>	1
22	147794GT	DECAL,GR CNTL PNL 60TX.....1 <i>ANSI only</i>	1

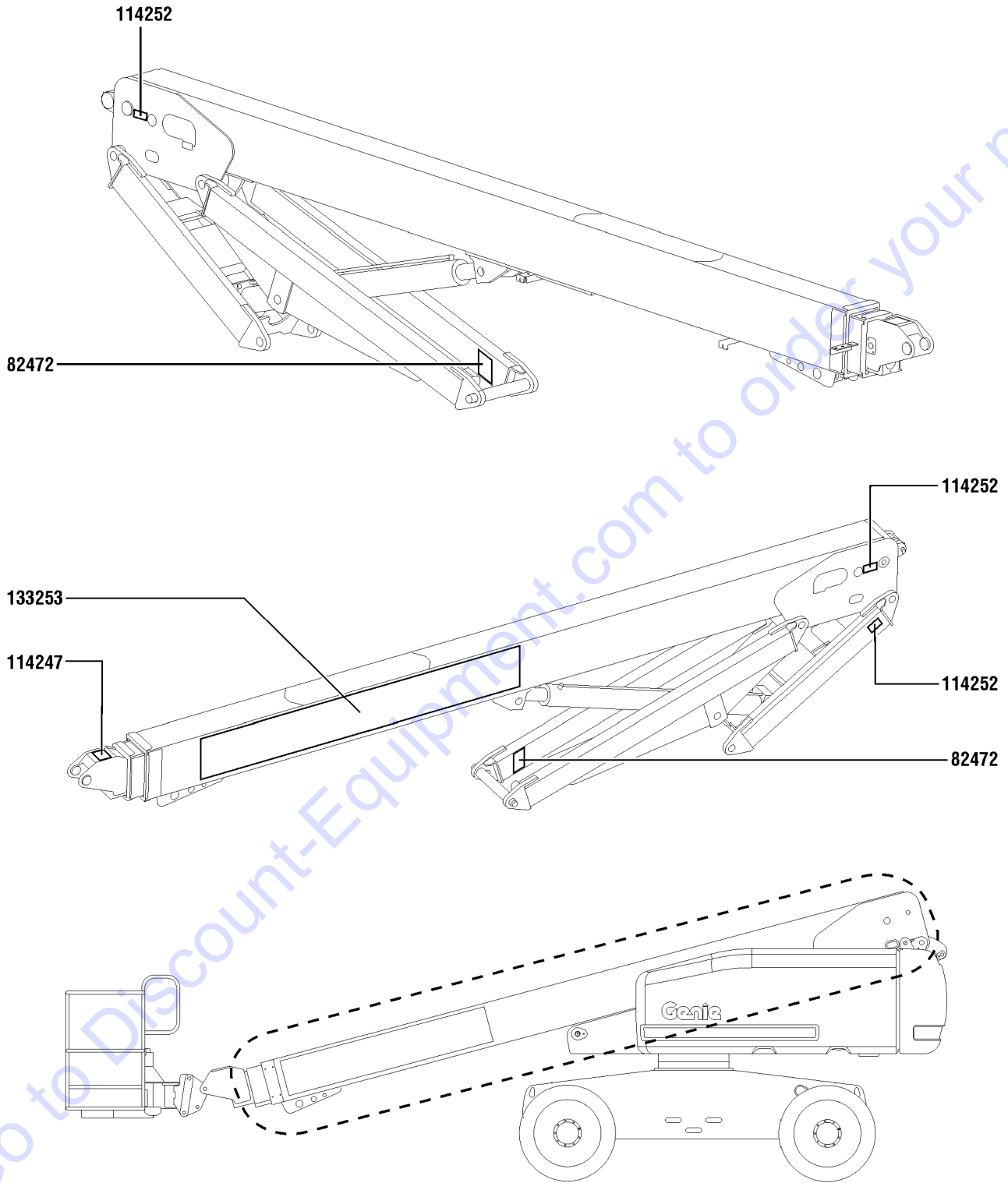
138.1 S-60TX Decals with Symbol, Engine Side (ANSI & CE)



138.1 S-60TX Decals with Symbol, Engine Side (ANSI & CE)

Item	Part No.	Description	Qty.
1	27204GT	DECAL,ARROW BLUE.....	1
2	27206GT	DECAL,TRIANGLE,BLUE.....	1
3	27207GT	DECAL,TRIANGLE,YELLOW.....	1
4	28174GT	DECAL, POWER TO PLATFORM 230V**.....	1
5	28235GT	DECAL,POWER TO PLATFORM 115V...1	1
6	44981GT	DECAL,LABEL, AIR LINE 110 PSI.....1 <i>Option, airline to plat</i>	1
7	82472GT	DECAL,WARNING,CRUSHING HAZARD.....	1
8	82473GT	DECAL,SYMBOL-COMP ACCESS.....1	1
9	82671GT	DECAL,LABEL,WELD LINE INST,SYM...1 <i>Option, weld cable line</i>	1
10	114099GT	DECAL,LABEL,TRANSPORT DIAGRAM.....	1
11	114277GT	DECAL,LABEL,BELT ROUTING DSG....1	1
12	133067GT	DECAL,DANGER,ELEC.HAZ.STAY CLR.....	1
13	133251GT	DECAL, WHEEL LOAD S60TRAX.....2	2
14	133259GT	DECAL,COSM, S60 TRAX.....1	1
15	133263GT	DECAL,LABEL,TIPOVER,TRAX,SYMB..2	2

139.1 S-60TX Decals with Symbol, Boom (ANSI & CE)

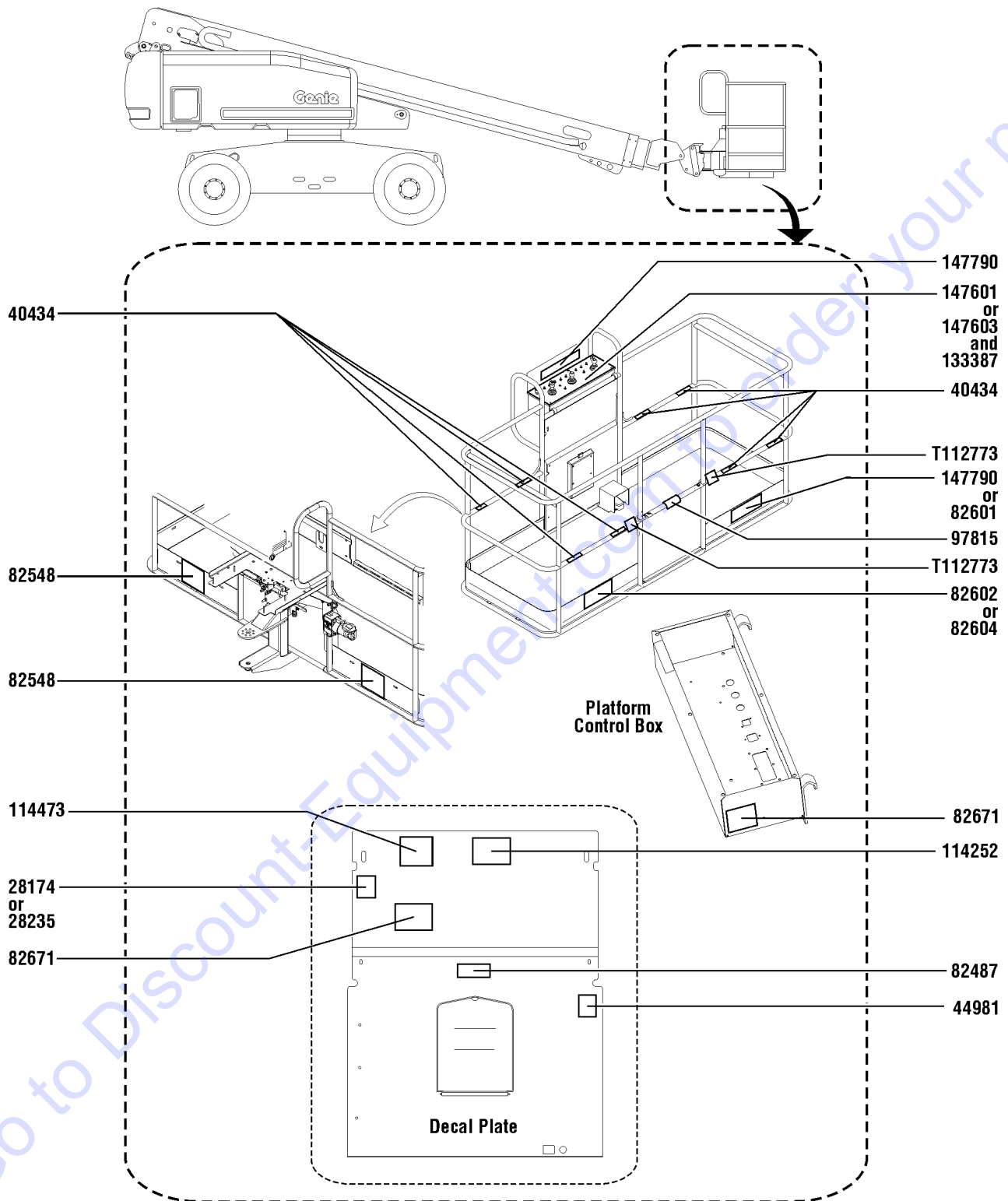


139.1 S-60TX Decals with Symbol, Boom (ANSI & CE)

Item	Part No.	Description	Qty.
1	82472GT	DECAL,WARNING,CRUSHING HAZARD.....	2
2	114247GT	DECAL,LABEL,FALL HAZARD***.....	1
3	114252GT	DECAL,LABEL,TIP OVER LMT SWTCH.....	3
4	133253GT	DECAL,COSM,GENIE S60 TRAX.....	1

Go to Discount-Equipment.com to order your parts

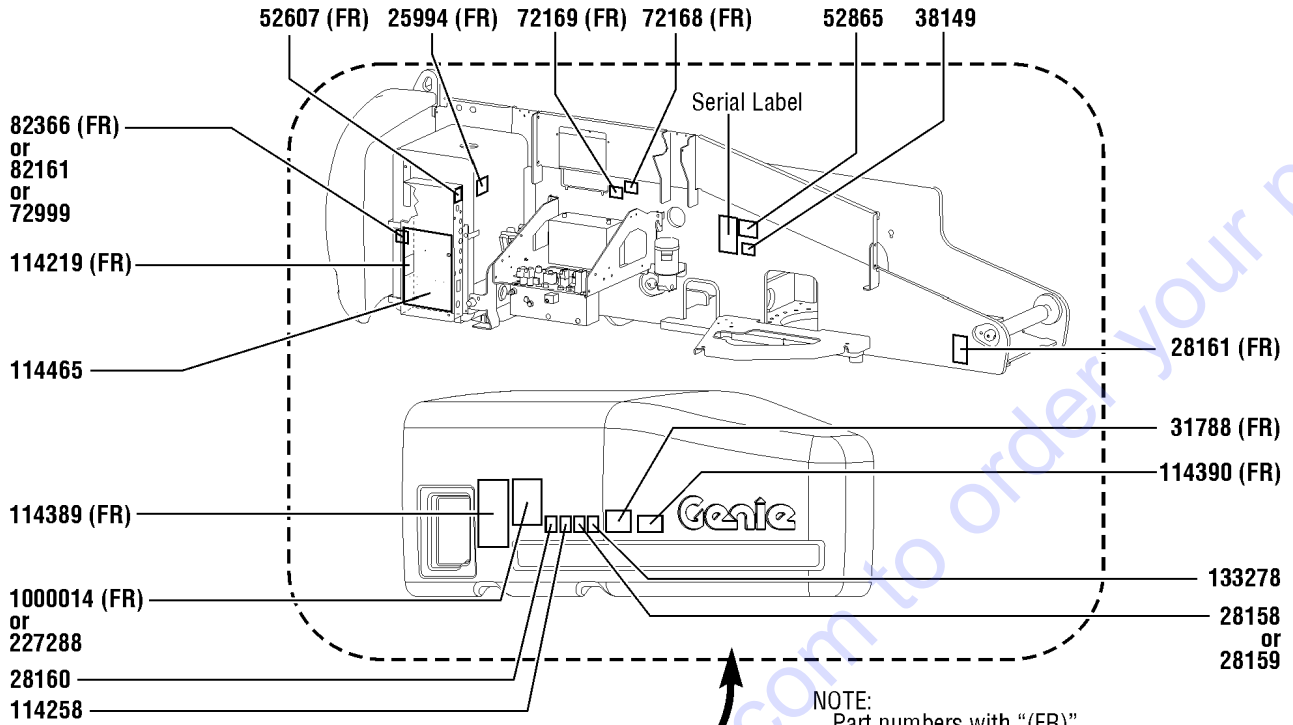
140.1 S-60TX Decals with Symbol, Platform (ANSI & CE)



140.1 S-60TX Decals with Symbol, Platform (ANSI & CE)

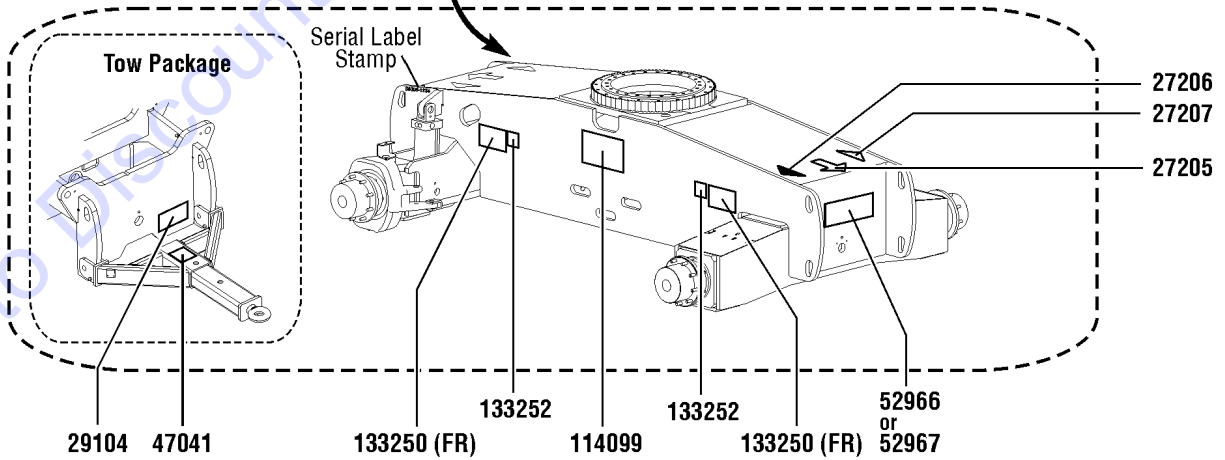
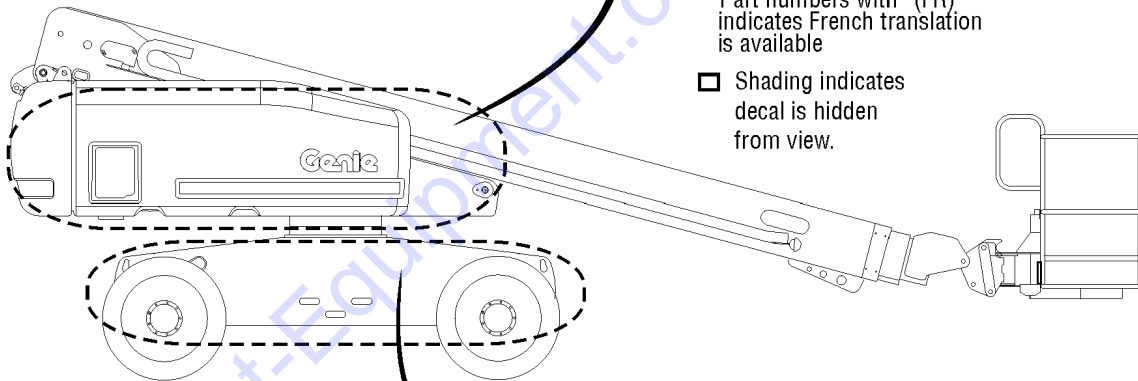
Item	Part No.	Description	Qty.
1	28174GT	DECAL, POWER TO PLATFORM 230V**.....	1
2	28235GT	DECAL,POWER TO PLATFORM 115V...	1
3	40434GT	DECAL,LANYARD ANCHORAGE POINT.....	8
4	44981GT	DECAL,LABEL, AIR LINE 110 PSI..... <i>Option, airline to plat</i>	1
5	82487GT	DECAL, SYMBOL - READ THE MANUAL.....	1
6	82548GT	DECAL,WARN,CRUSH HAZARD PLAT.....	2
7	82601GT	DECAL,LABEL,MAX CAPACITY*** <i>CE only</i>	1
8	82602GT	DECAL,DANGER,MAX SIDE FRC,667N.....	1
9	82604GT	DECAL,DANGER,SIDE FRC 400N.....	1
10	82671GT	DECAL,LABEL,WELD LINE INST,SYM... <i>Option, weld cable line</i>	2
11	97815GT	DECAL,LABEL,LOWER MIDRAIL.....	1
12	114252GT	DECAL,LABEL,TIP OVER LMT SWTCH.....	1
13	114473GT	DECAL,DANGER,TIPOVER,TILT,SYM...	1
14	133387GT	DECAL,DRIVE ENABLE PATCH.....	1
15	147601GT	DECAL, PLAT CNTL PNL 60TX..... <i>ANSI only</i>	1
16	147603GT	DECAL, PLAT CNTL PNL..... <i>CE only</i>	1
17	147790GT	DECAL,INST PLAT CAP 60TRAX SYM..... <i>ANSI only</i>	2
18	T112773GT	TAPE, PROTECTIVE MASK.....	2

141.1 S-65TX Decals with Word, Hydraulic Tank Side (ANSI & Australia)



NOTE:
Part numbers with "(FR)"
indicates French translation
is available

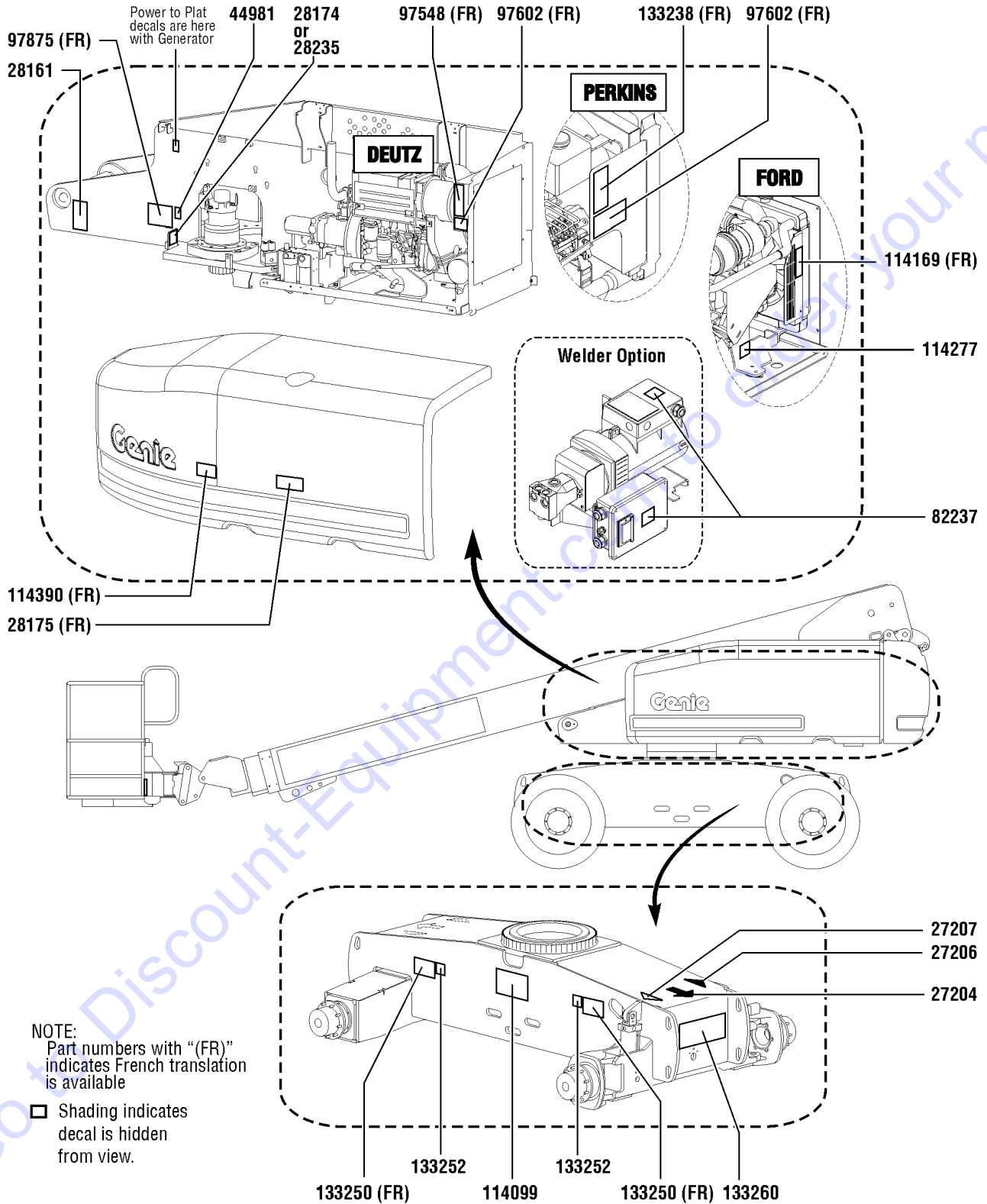
☐ Shading indicates
decals hidden
from view.



141.1 S-65TX Decals with Word, Hydraulic Tank Side (ANSI & Australia)

Item	Part No.	Description	Qty.
1	25994GT	DECAL,NOTICE,SHUTOFF VALVES.....1	1
2	27205GT	DECAL,ARROW YELLOW LRG 9".....1	1
3	27206GT	DECAL,TRIANGLE,BLUE.....1	1
4	27207GT	DECAL,TRIANGLE,YELLOW.....1	1
5	28158GT	DECAL,LABEL,UNLEADED GAS ONLY.....1	1
6	28159GT	DECAL,DIESEL.....1	1
7	28160GT	DECAL,LABEL,LIQUID PROPANE.....1 <i>Option, LPG tank</i>	1
8	28161GT	DECAL,WARN,CRUSH HAZARD HAND.....1	1
9	29104GT	DECAL,TOWING INSTRUCTIONS.....1 <i>Option, tow package</i>	1
10	31788GT	DECAL,DANGER,BATTERY SAFETY***.....1	1
11	38149GT	DECAL,LABEL,PATENTS.....1 <i>US only</i>	1
12	47041GT	DECAL,CAUTION,TOWING SPEED.....1 <i>Option, tow package</i>	1
13	52607GT	DECAL,LABEL,TEST***.....1 <i>Ford only</i>	1
14	52865GT	DECAL,ANNUAL INSP***.....1 <i>ANSI only</i>	1
15	52966GT	DECAL,COSMETIC,4 X 2.....1	1
16	52967GT	DECAL,COSMETIC,4 X 4.....1	1
17	72168GT	DECAL,LABEL,STARTER BATTERY.....1	1
18	72169GT	DECAL,LABEL,CONTROLS BATTERY...1	1
19	72999GT	DECAL,LABEL,PETRO CANADA***.....1	1
20	82161GT	DECAL,LABEL,UCON HYDROLUBE.....1	1
21	82366GT	DECAL,CHEVRON RANDO HD.....1	1
22	114099GT	DECAL,LABEL,TRANSPORT DIAGRAM.....1	1
23	114219GT	DECAL,LABEL,RELAYS,S60&65.....1	1
24	114258GT	DECAL,DANGER,NO SMOKING.....1	1
25	114389GT	DECAL,DANGER,GENERAL SAFETY....1	1
26	114390GT	DECAL,DANGER,ELECT HAZARD***....1	1
27	114465GT	DECAL GROUND CONTROL BOX.....1	1
28	133250GT	DECAL,DANGER TIP OVER TRAX.....2	2
29	133252GT	DECAL, WHEEL LOAD S65 TRAX.....2	2
30	133278GT	DECAL,LOW/ULTRA LOW SULFR FUEL.....1 <i>Diesel models only</i>	1
31	227288GT	DECAL, OPERATING INSTRUCTIONS.....1	1
32	1000014GT	DECAL,NOTICE,OPER INST.S60.....1	1

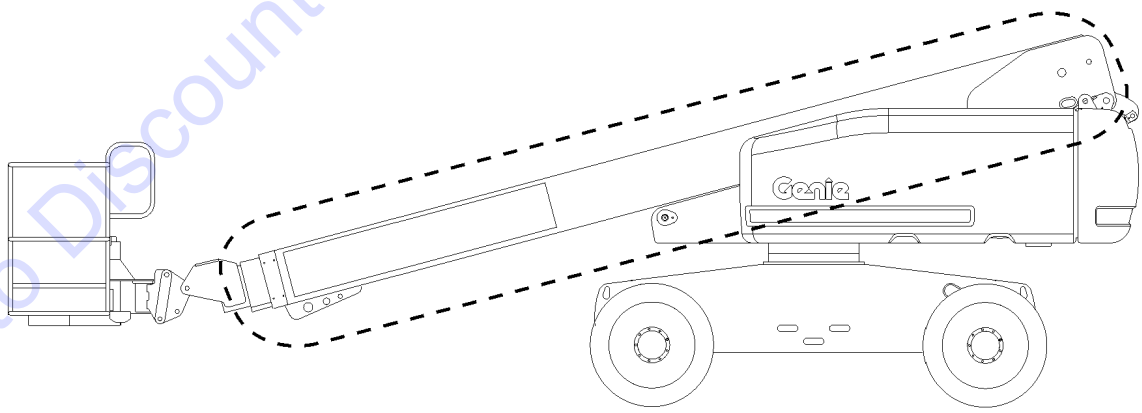
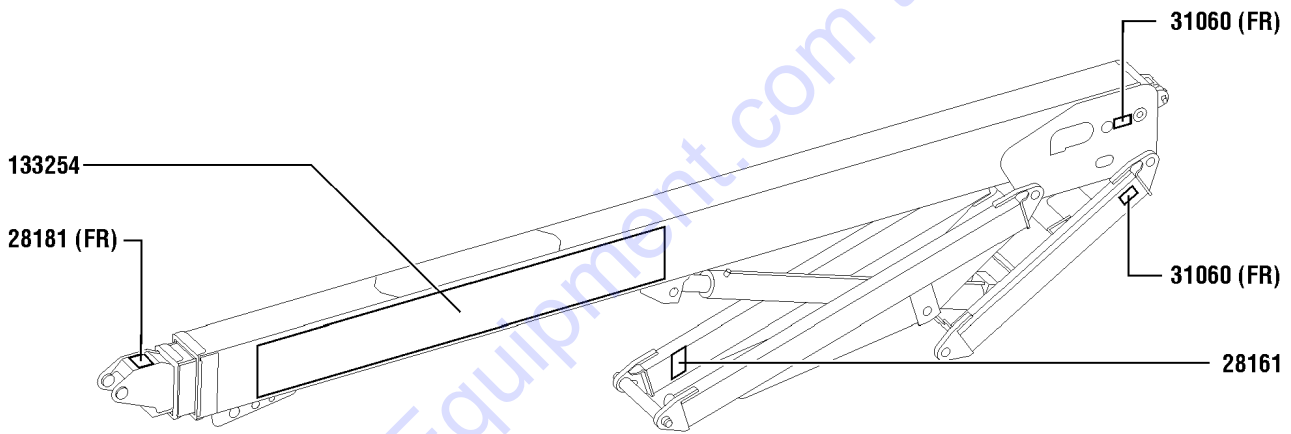
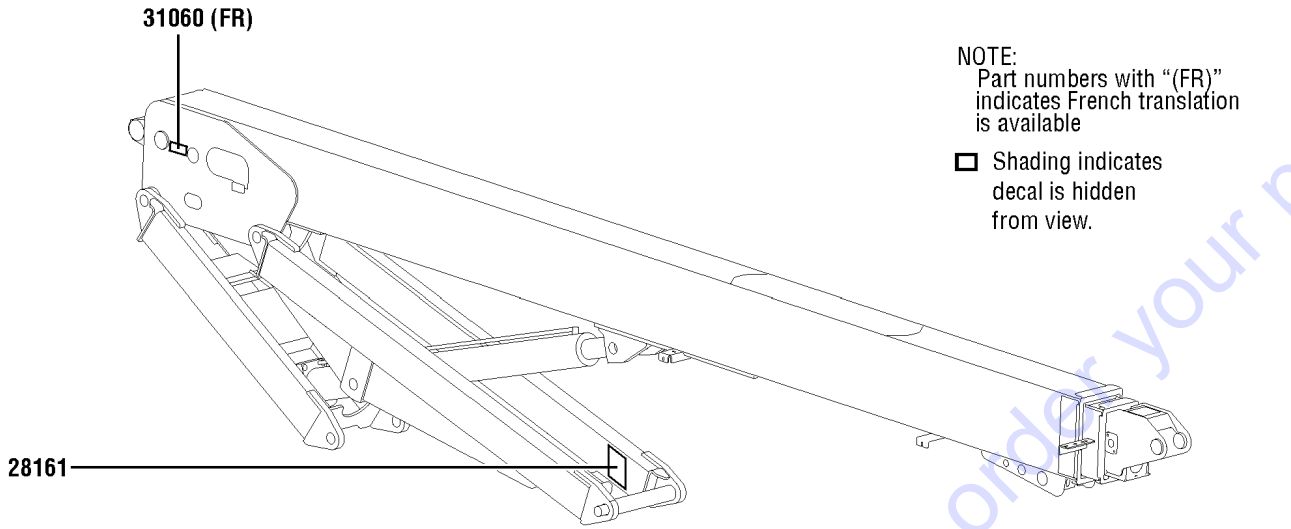
142.1 S-65TX Decals with Word, Engine Side (ANSI & Australia)



142.1 S-65TX Decals with Word, Engine Side (ANSI & Australia)

Item	Part No.	Description	Qty.
1	27204GT	DECAL,ARROW BLUE.....	1
2	27206GT	DECAL,TRIANGLE,BLUE.....	1
3	27207GT	DECAL,TRIANGLE,YELLOW.....	1
4	28161GT	DECAL,WARN,CRUSH HAZARD HAND.....	1
5	28174GT	DECAL, POWER TO PLATFORM 230V**.....	1
6	28175GT	DECAL,WARNING-COMPART ACCESS.....	1
7	28235GT	DECAL,POWER TO PLATFORM 115V...1	
8	44981GT	DECAL,LABEL, AIR LINE 110 PSI.....1 <i>Option, airline to plat</i>	
9	82237GT	DECAL,DANGER,HIGH VOLTAGE.....2 <i>Option, welder</i>	
10	97548GT	DECAL,ENGINE SPEC,DEUTZ 2011.....1	
11	97602GT	DECAL,EXPLOSION HAZARD.....1	
12	97875GT	DECAL,WARN.WELD LINE INST.WORD.....1 <i>Option, weld cable line</i>	
13	114099GT	DECAL,LABEL,TRANSPORT DIAGRAM.....1	
14	114169GT	DECAL,FORD ENGINE SPEC DSG423.....1	
15	114277GT	DECAL,LABEL,BELT ROUTING DSG.....1	
16	114390GT	DECAL,DANGER,ELECT HAZARD***.....1	
17	133238GT	DECAL,ENGINE SPEC,PERKINS***.....1	
18	133250GT	DECAL,DANGER TIP OVER TRAX.....2	
19	133252GT	DECAL, WHEEL LOAD S65 TRAX.....2	
20	133260GT	DECAL,COSM, S65 TRAX.....1	

143.1 S-65TX Decals with Word, Boom (ANSI & Australia)

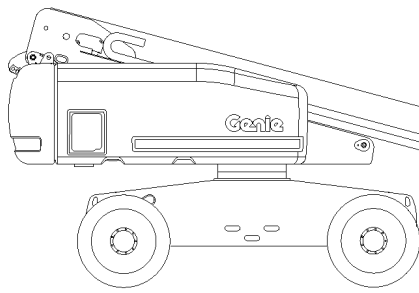


143.1 S-65TX Decals with Word, Boom (ANSI & Australia)

Item	Part No.	Description	Qty.
1	28161GT	DECAL,WARN,CRUSH HAZARD HAND.....	2
2	28181GT	DECAL,WARN,FALL HAZARD.....	1
3	31060GT	DECAL,DANGER DO NOT ALTER SWTC.....	3
4	133254GT	DECAL, COSM,GENIE S65 TRAX.....	1

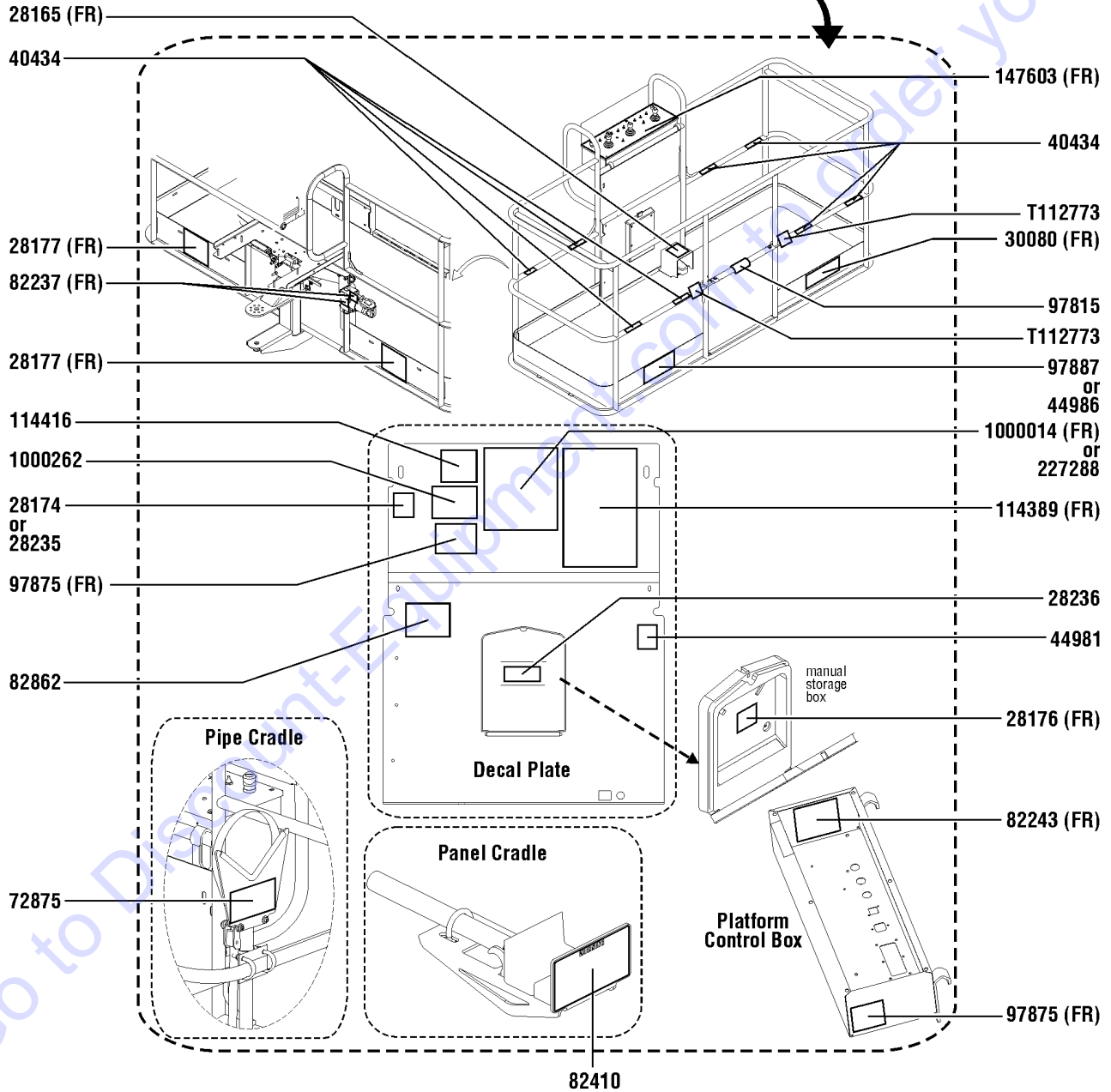
Go to Discount-Equipment.com to order your parts

144.1 S-65TX Decals with Word, Platform (ANSI & Australia)



NOTE:
Part numbers with "(FR)" indicates French translation is available

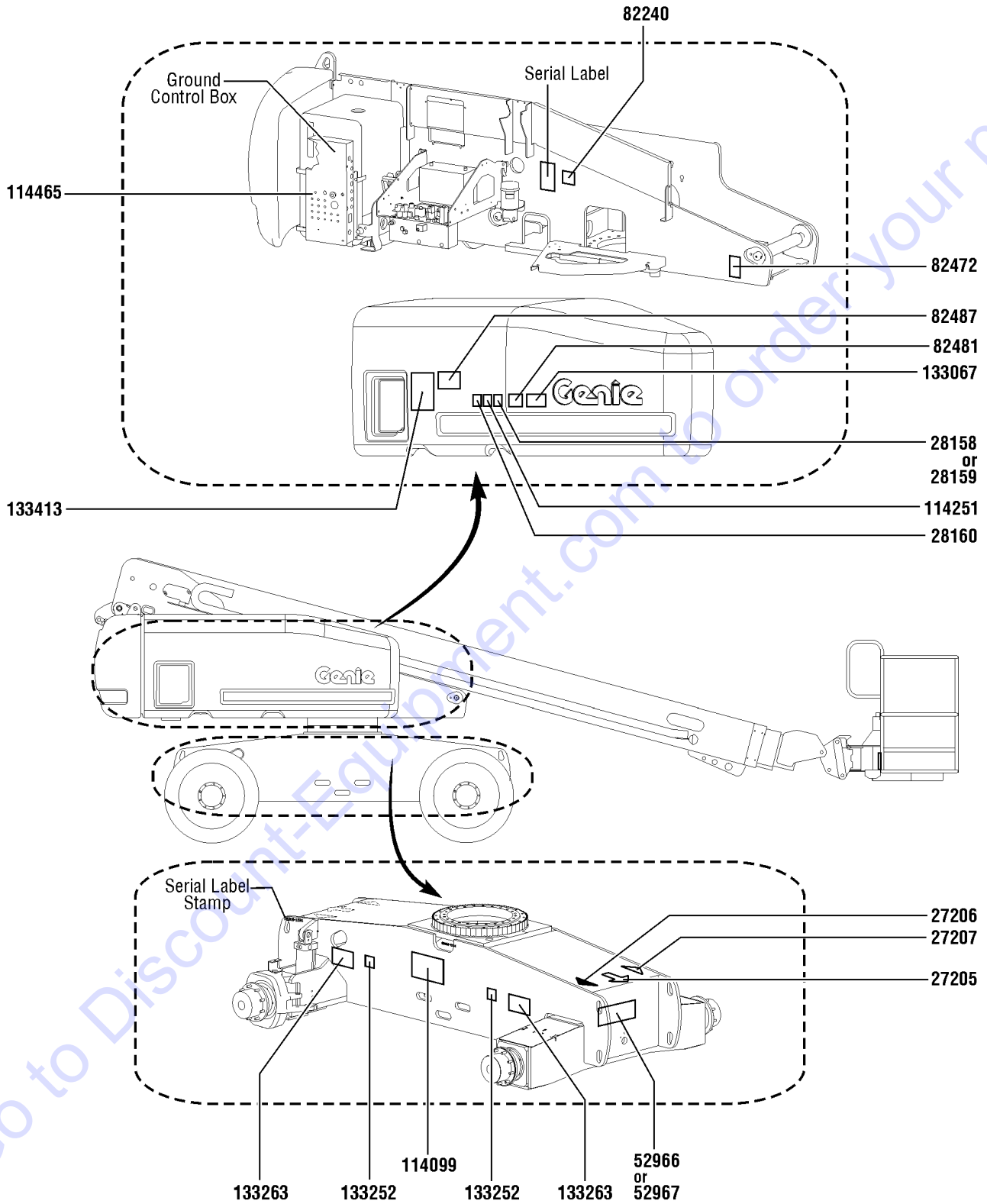
☐ Shading indicates decal is hidden from view.



144.1 S-65TX Decals with Word, Platform (ANSI & Australia)

Item	Part No.	Description	Qty.
1	28165GT	DECAL,INSTRUCT,FOOTSWITCH OPER.....	1
2	28174GT	DECAL, POWER TO PLATFORM 230V**.....	1
3	28176GT	DECAL,LABEL,MANUAL NOT HERE.....	1
4	28177GT	DECAL,WARN,CRUSH HAZARD PLAT.....	2
5	28235GT	DECAL,POWER TO PLATFORM 115V.....	1
6	28236GT	DECAL,WARN,IMPROPER OPERATION.....	1
7	30080GT	DECAL,NOTICE,MAX LOAD 500 LBS.....	1
8	40434GT	DECAL,LANYARD ANCHORAGE POINT.....	8
9	44981GT	DECAL,LABEL, AIR LINE 110 PSI..... <i>Option, airline to plat</i>	1
10	44986GT	DECAL,INSTR,SIDE FRC/WIND,AUS..... <i>AUS only</i>	1
11	72875GT	DECAL,WARNING,PIPE CRADLE,BOOM..... <i>Option, pipe cradle</i>	2
12	82237GT	DECAL,DANGER,HIGH VOLTAGE..... <i>Option, welder</i>	2
13	82243GT	DECAL FAULT CODE.....	1
14	82410GT	DECAL,WARNING,PANEL CRADLE..... <i>Option, panel cradle</i>	2
15	82862GT	DECAL,FIRE EXTINGUISHER..... <i>Option, welder</i>	1
16	97815GT	DECAL,LABEL,LOWER MIDRAIL.....	1
17	97875GT	DECAL,WARN.WELD LINE INST.WORD..... <i>Option, weld cable line</i>	2
18	97887GT	DECAL,INSTR,MAX SIDE FRC,ANSI..... <i>ANSI only</i>	1
19	114389GT	DECAL,DANGER,GENERAL SAFETY.....	1
20	114416GT	DECAL,DANGER,TIPOVER,TILT.....	1
21	147603GT	DECAL, PLAT CNTL PNL.....	1
22	227288GT	DECAL, OPERATING INSTRUCTIONS..... <i>AUS only</i>	1
23	1000014GT	DECAL,NOTICE,OPER INST.S60..... <i>ANSI only</i>	1
24	1000262GT	DECAL,DANGER,TIP OVER,PLAT.....	1
25	T112773GT	TAPE, PROTECTIVE MASK.....	2

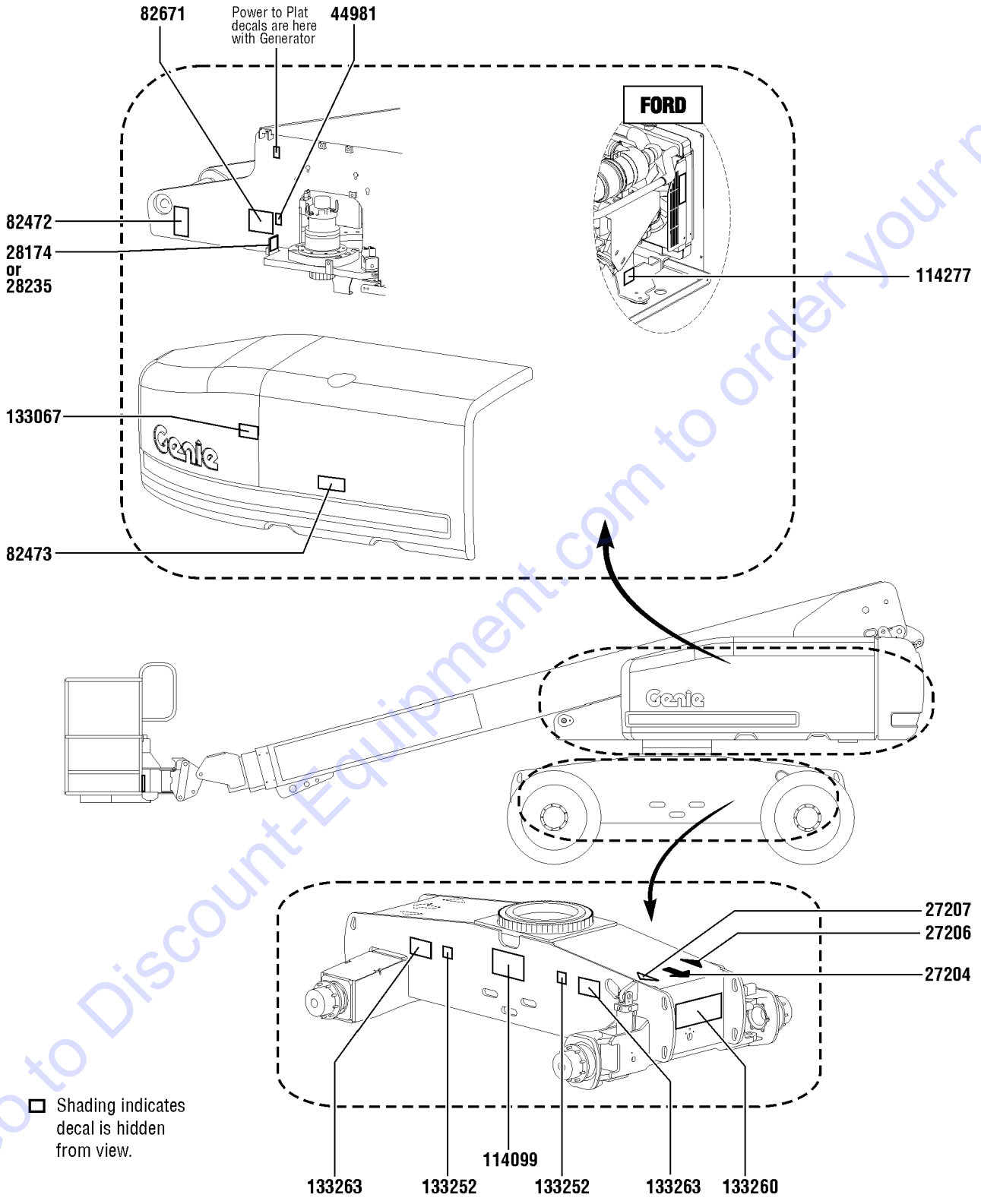
145.1 S-65TX Decals with Symbol, Hydraulic Tank Side (ANSI & CE)



145.1 S-65TX Decals with Symbol, Hydraulic Tank Side (ANSI & CE)

Item	Part No.	Description	Qty.
1	27205GT	DECAL,ARROW YELLOW LRG 9".....1	1
2	27206GT	DECAL,TRIANGLE,BLUE.....1	1
3	27207GT	DECAL,TRIANGLE,YELLOW.....1	1
4	28158GT	DECAL,LABEL,UNLEADED GAS ONLY.....1	1
5	28159GT	DECAL,DIESEL.....1	1
6	28160GT	DECAL,LABEL,LIQUID PROPANE.....1	1
7	52966GT	DECAL,COSMETIC,4 X 2.....1	1
8	52967GT	DECAL,COSMETIC,4 X 4.....1	1
9	82240GT	DECAL,LABEL,105 DB.....1	1
10	82472GT	DECAL,WARNING,CRUSHING HAZARD.....1	1
11	82481GT	DECAL,SYMBOL-BATTERY SAFETY.....1	1
12	82487GT	DECAL,SYMBOL-READ THE MANUAL.....1	1
13	114099GT	DECAL,LABEL,TRANSPORT DIAGRAM.....1	1
14	114251GT	DECAL,LABEL,NO SMOKING,SYMB.....1	1
15	114465GT	DECAL GROUND CONTROL BOX.....1	1
16	133067GT	DECAL,DANGER,ELEC.HAZ.STAY CLR.....1	1
17	133252GT	DECAL, WHEEL LOAD S65 TRAX.....2	2
18	133263GT	DECAL,LABEL,TIPOVER,TRAX,SYMB..2	2
19	133413GT	DECAL,EMERGENCY LOWERING.....1	1

146.1 S-65TX Decals with Symbol, Engine Side (ANSI & CE)



146.1 S-65TX Decals with Symbol, Engine Side (ANSI & CE)

Item	Part No.	Description	Qty.
1	27204GT	DECAL,ARROW BLUE.....	1
2	27206GT	DECAL,TRIANGLE,BLUE.....	1
3	27207GT	DECAL,TRIANGLE,YELLOW.....	1
4	28174GT	DECAL, POWER TO PLATFORM 230V**.....	1
5	28235GT	DECAL,POWER TO PLATFORM 115V...1	1
6	44981GT	DECAL,LABEL, AIR LINE 110 PSI.....1 <i>Option, airline to plat</i>	1
7	82472GT	DECAL,WARNING,CRUSHING HAZARD.....	1
8	82473GT	DECAL,SYMBOL-COMP ACCESS.....1	1
9	82671GT	DECAL,LABEL,WELD LINE INST,SYM...1 <i>Option, weld cable line</i>	1
10	114099GT	DECAL,LABEL,TRANSPORT DIAGRAM.....	1
11	114277GT	DECAL,LABEL,BELT ROUTING DSG....1	1
12	133067GT	DECAL,DANGER,ELEC.HAZ.STAY CLR.....	1
13	133252GT	DECAL, WHEEL LOAD S65 TRAX.....2	2
14	133260GT	DECAL,COSM, S65 TRAX.....1	1
15	133263GT	DECAL,LABEL,TIPOVER,TRAX,SYMB..2	2

PARTS FINDER

**Search Website
by Part Number**



**Search Manual
Library For Parts
Manual & Lookup Part
Numbers – Purchase
or Request Quote**

Search Manuals

Enter your information to help us find the right parts manual for your machine.

* Brand:

* Model:

* Serial:

* Part Number:

SEARCH

**Can't Find Part or
Manual? Request Help
by Manufacturer,
Model & Description**

Parts Order Form

Please fill in the following information to help us find the right part for your machine.

Manufacturer:	<input type="text"/>
Model:	<input type="text"/>
Description:	<input type="text"/>
Part Number:	<input type="text"/>
Quantity:	<input type="text"/>
Notes:	<input type="text"/>

REQUEST HELP

Discount-Equipment.com is your online resource for quality parts & equipment.

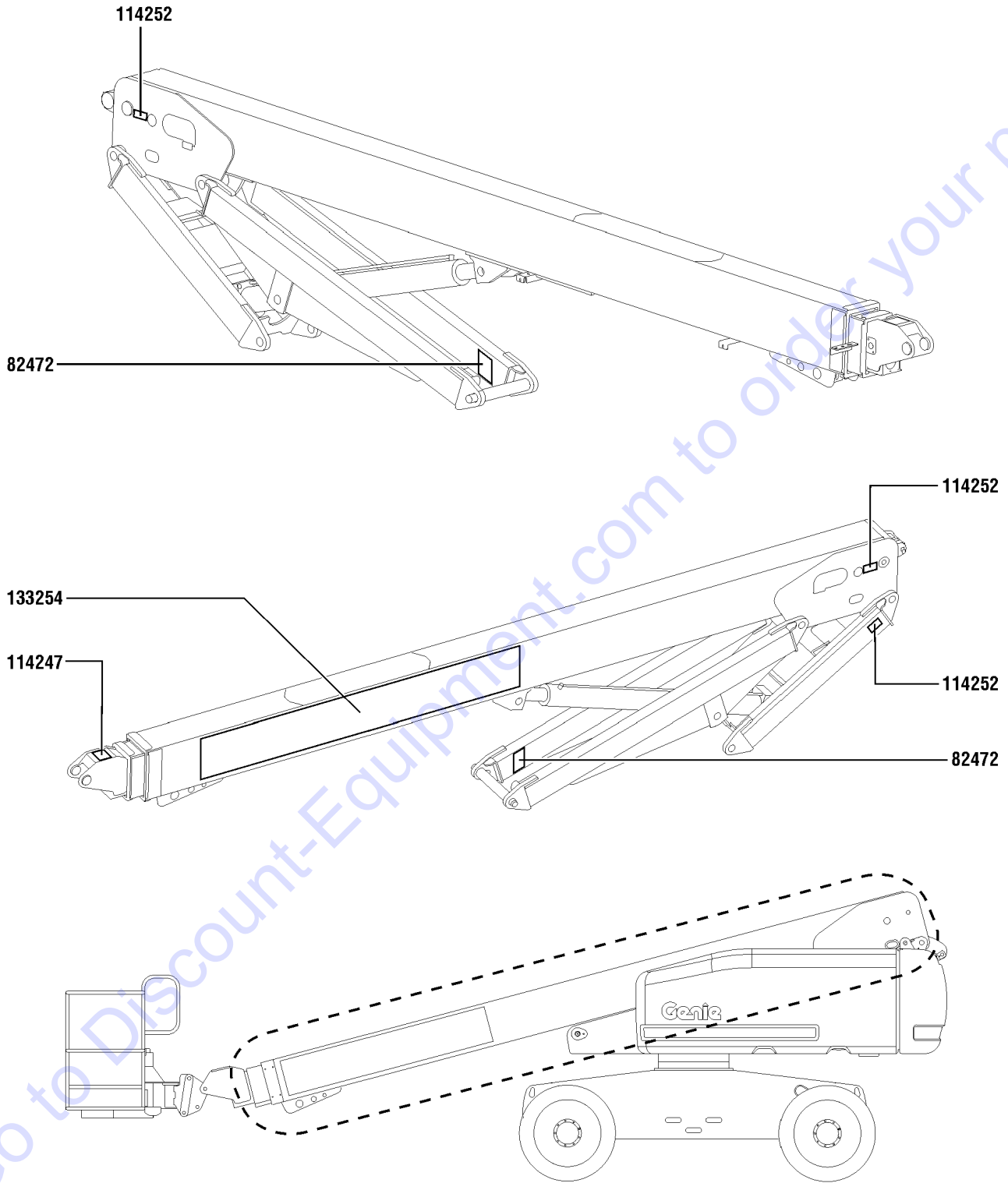
Florida: **561-964-4949** Outside Florida TOLL FREE: **877-690-3101**

Need parts?

Click on this link: <http://www.discount-equipment.com/category/5443-parts/> and choose one of the options to help get the right parts and equipment you are looking for. Please have the machine model and serial number available in order to help us get you the correct parts. If you don't find the part on the website or on one of the online manuals, please fill out the request form and one of our experienced staff members will get back to you with a quote for the right part that your machine needs.

We sell worldwide for the brands: Genie, Terex, JLG, MultiQuip, Mikasa, Essick, Whiteman, Mayco, Toro Stone, Diamond Products, Generac Magnum, Airman, Haulotte, Barreto, Power Blanket, Nifty Lift, Atlas Copco, Chicago Pneumatic, Allmand, Miller Curber, Skyjack, Lull, Skytrak, Tsurumi, Husquvarna Target, Stow, Wacker, Sakai, Mi-T-M, Sullair, Basic, Dynapac, MBW, Weber, Bartell, Bennar Newman, Haulotte, Ditch Runner, Menegotti, Morrison, Contec, Buddy, Crown, Edco, Wyco, Bomag, Laymor, EZ Trench, Bil-Jax, F.S. Curtis, Gehl Pavers, Heli, Honda, ICS/PowerGrit, IHI, Partner, Imer, Clipper, MMD, Koshin, Rice, CH&E, General Equipment, Amida, Coleman, NAC, Gradall, Square Shooter, Kent, Stanley, Tamco, Toku, Hatz, Kohler, Robin, Wisconsin, Northrock, Oztec, Toker TK, Rol-Air, APT, Wylie, Ingersoll Rand / Doosan, Innovatech, Con X, Ammann, Mecalac, Makinex, Smith Surface Prep, Small Line, Wanco, Yanmar

147.1 S-65TX Decals with Symbol, Boom (ANSI & CE)

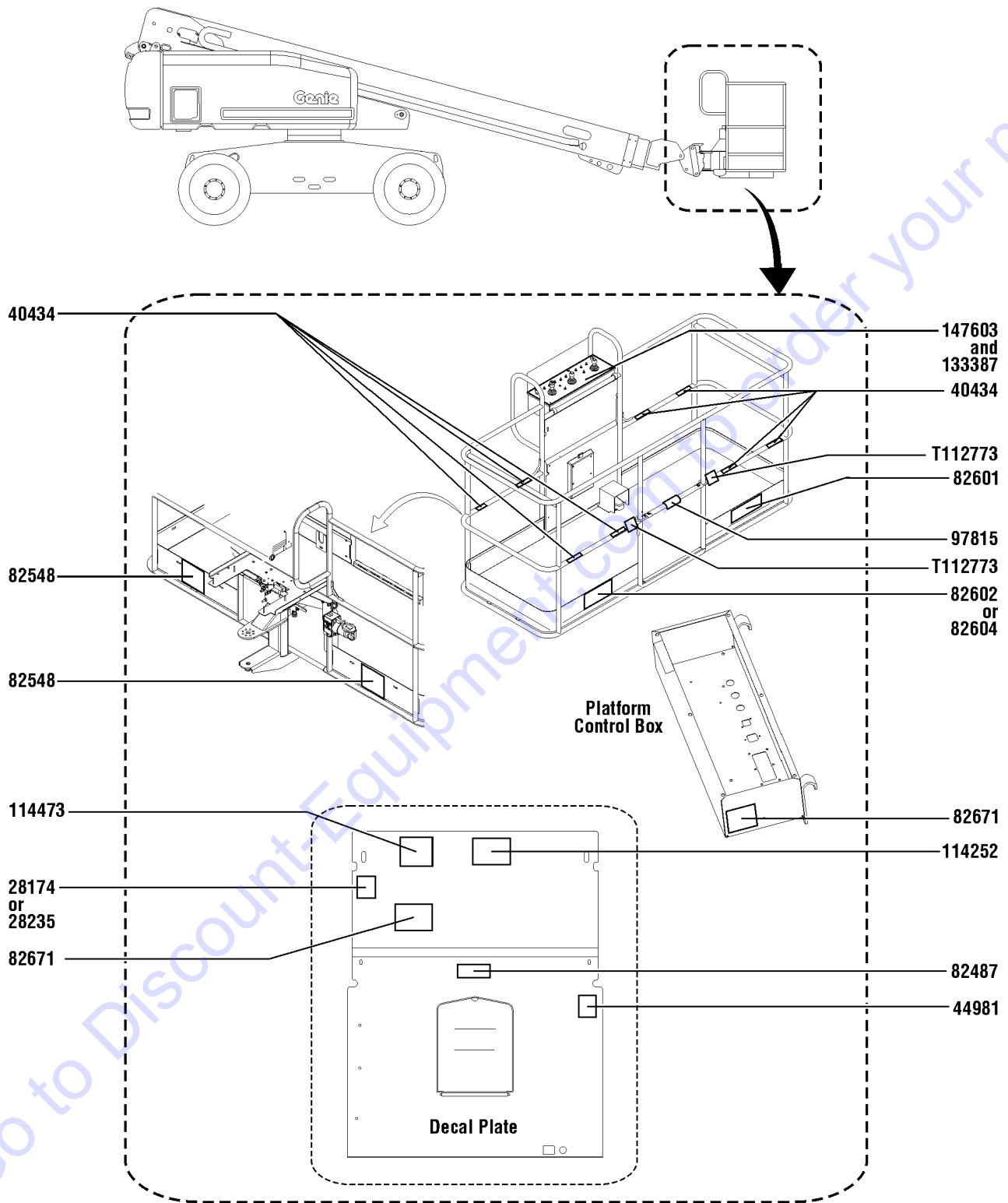


147.1 S-65TX Decals with Symbol, Boom (ANSI & CE)

Item	Part No.	Description	Qty.
1	82472GT	DECAL,WARNING,CRUSHING HAZARD.....	2
2	114247GT	DECAL,LABEL,FALL HAZARD***.....	1
3	114252GT	DECAL,LABEL,TIP OVER LMT SWTCH.....	3
4	133254GT	DECAL, COSM,GENIE S65 TRAX.....	1

Go to Discount-Equipment.com to order your parts

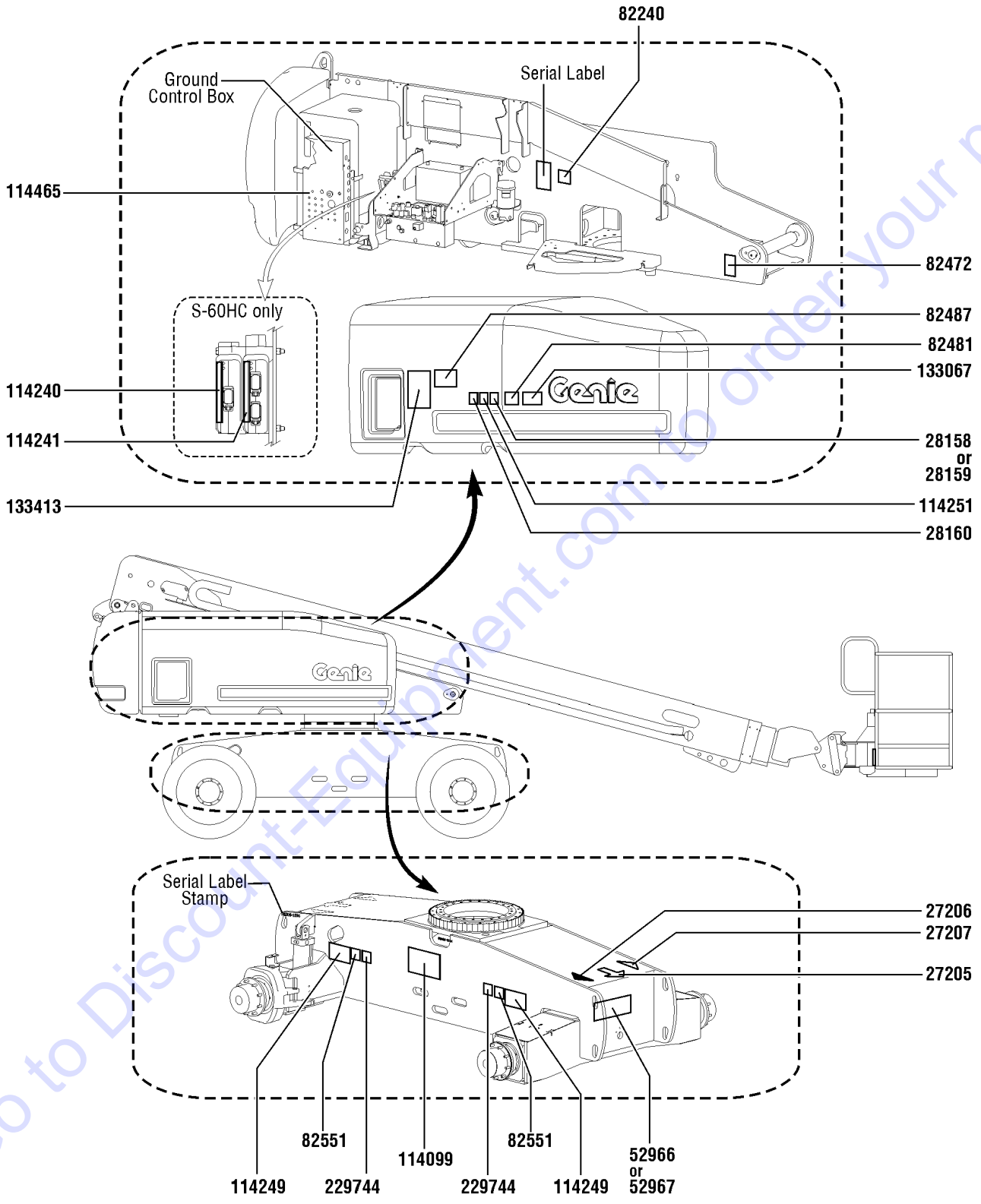
148.1 S-65TX Decals with Symbol, Platform (ANSI & CE)



148.1 S-65TX Decals with Symbol, Platform (ANSI & CE)

Item	Part No.	Description	Qty.
1	28174GT	DECAL, POWER TO PLATFORM 230V**.....	1
2	28235GT	DECAL,POWER TO PLATFORM 115V...1	1
3	40434GT	DECAL,LANYARD ANCHORAGE POINT.....	8
4	44981GT	DECAL,LABEL, AIR LINE 110 PSI.....1 <i>Option, airline to plat</i>	1
5	82487GT	DECAL, SYMBOL - READ THE MANUAL.....	1
6	82548GT	DECAL,WARN,CRUSH HAZARD PLAT.....	2
7	82601GT	DECAL,LABEL,MAX CAPACITY***.....1	1
8	82602GT	DECAL,DANGER,MAX SIDE FRC,667N.....1 <i>ANSI only</i>	1
9	82604GT	DECAL,DANGER,SIDE FRC 400N.....1 <i>CE only</i>	1
10	82671GT	DECAL,LABEL,WELD LINE INST,SYM...2 <i>Option, weld cable line</i>	2
11	97815GT	DECAL,LABEL,LOWER MIDRAIL.....1	1
12	114252GT	DECAL,LABEL,TIP OVER LMT SWTCH.....	1
13	114473GT	DECAL,DANGER,TIPOVER,TILT,SYM...1	1
14	133387GT	DECAL,DRIVE ENABLE PATCH.....1	1
15	147603GT	DECAL, PLAT CNTL PNL.....1	1
16	T112773GT	TAPE, PROTECTIVE MASK.....	2

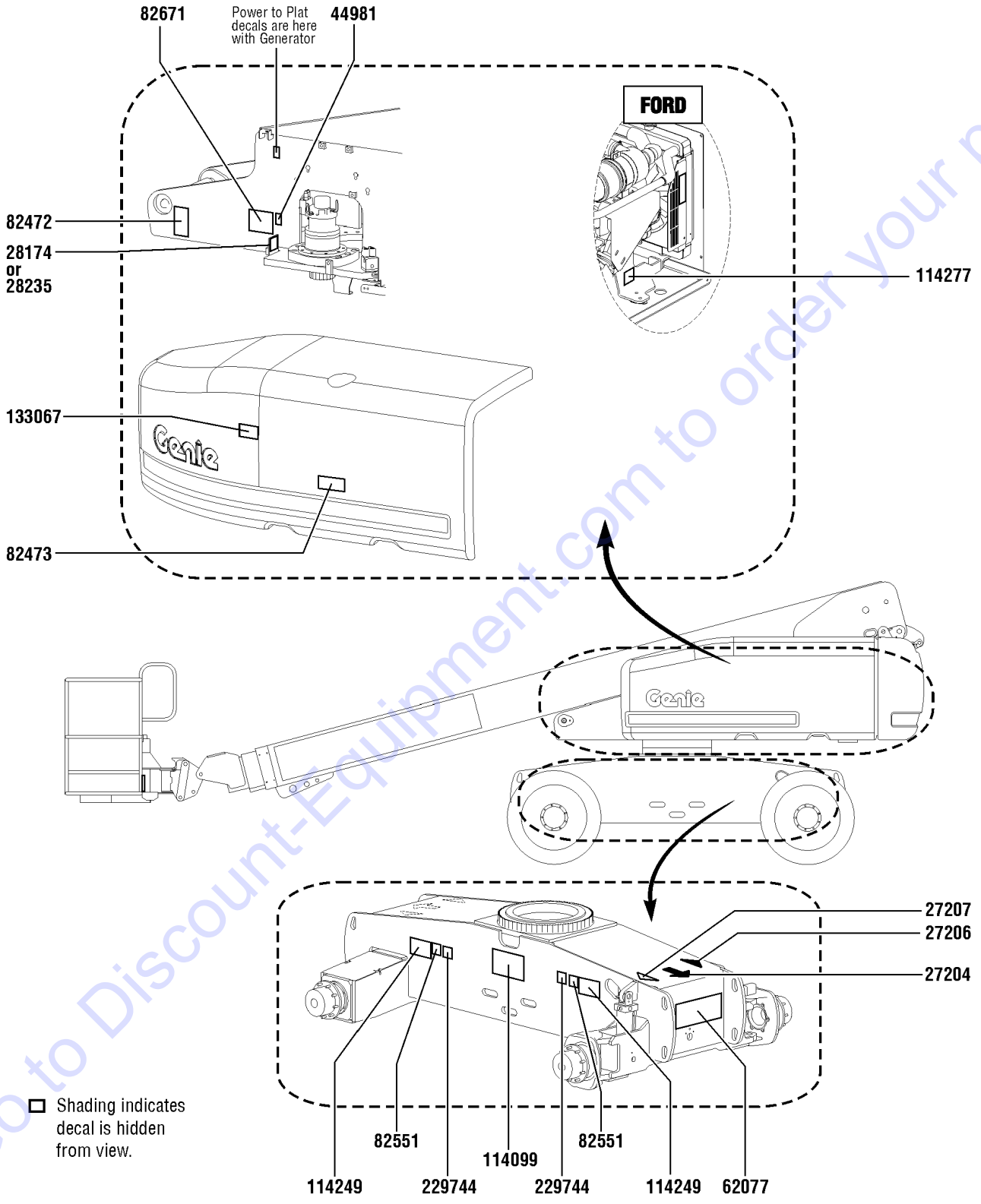
149.1S-60HC Decals with Symbol, Hydraulic Tank Side (CE)



149.1S-60HC Decals with Symbol, Hydraulic Tank Side (CE)

Item	Part No.	Description	Qty.
1	27205GT	DECAL,ARROW YELLOW LRG 9".....1	1
2	27206GT	DECAL,TRIANGLE,BLUE.....1	1
3	27207GT	DECAL,TRIANGLE,YELLOW.....1	1
4	28158GT	DECAL,LABEL,UNLEADED GAS ONLY.....1	1
5	28159GT	DECAL,DIESEL.....1	1
6	28160GT	DECAL,LABEL,LIQUID PROPANE.....1 <i>Option, LPG tank</i>	1
7	52966GT	DECAL,COSMETIC,4 X 2.....1	1
8	52967GT	DECAL,COSMETIC,4 X 4.....1	1
9	82240GT	DECAL,LABEL,105 DB.....1	1
10	82472GT	DECAL,WARNING,CRUSHING HAZARD.....1	1
11	82481GT	DECAL,SYMBOL-BATTERY SAFETY.....1	1
12	82487GT	DECAL,SYMBOL-READ THE MANUAL.....1	1
13	82551GT	DECAL,LABEL,TIRE PRESSURE.....2	2
14	114099GT	DECAL,LABEL,TRANSPORT DIAGRAM.....1	1
15	114240GT	LABEL,TCON SOFTWARE,S60HC.....1	1
16	114241GT	LABEL,SCON SOFTWARE,S60HC.....1	1
17	114249GT	DECAL,LABEL,TIPOVER,TIRES,SYMB.2	2
18	114251GT	DECAL,LABEL,NO SMOKING,SYMB.....1	1
19	114465GT	DECAL GROUND CONTROL BOX.....1	1
20	133067GT	DECAL,DANGER,ELEC.HAZ.STAY CLR.....1	1
21	133413GT	DECAL,EMERGENCY LOWERING.....1	1
22	229744GT	DECAL,LABEL,WHEEL LOAD S60H/XC.....2	2

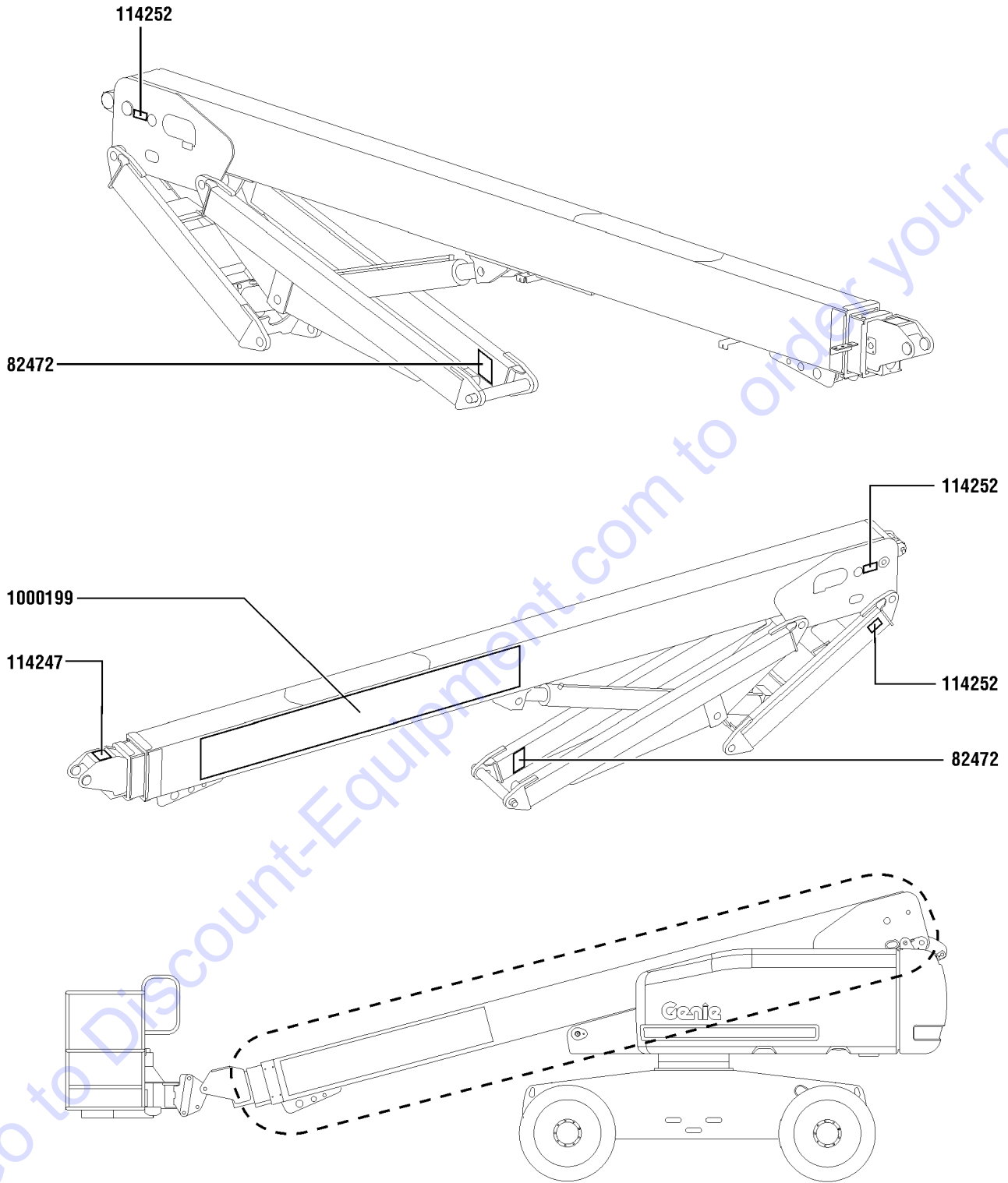
150.1 S-60HC Decals with Symbol, Engine Side (CE)



150.1 S-60HC Decals with Symbol, Engine Side (CE)

Item	Part No.	Description	Qty.
1	27204GT	DECAL,ARROW BLUE.....	1
2	27206GT	DECAL,TRIANGLE,BLUE.....	1
3	27207GT	DECAL,TRIANGLE,YELLOW.....	1
4	28174GT	DECAL, POWER TO PLATFORM 230V**.....	1
5	28235GT	DECAL,POWER TO PLATFORM 115V...1	1
6	44981GT	DECAL,LABEL, AIR LINE 110 PSI.....1 <i>Option, airline to plat</i>	1
7	62077GT	DECAL,COSMETIC,S60.....	1
8	82472GT	DECAL,WARNING,CRUSHING HAZARD.....	1
9	82473GT	DECAL,SYMBOL-COMP ACCESS.....	1
10	82551GT	DECAL,LABEL,TIRE PRESSURE.....	2
11	82671GT	DECAL,LABEL,WELD LINE INST,SYM...1 <i>Option, weld cable line</i>	1
12	114099GT	DECAL,LABEL,TRANSPORT DIAGRAM.....	1
13	114249GT	DECAL,LABEL,TIPOVER,TIRES,SYMB.2	2
14	114277GT	DECAL,LABEL,BELT ROUTING DSG.....	1
15	133067GT	DECAL,DANGER,ELEC.HAZ.STAY CLR.....	1
16	229744GT	DECAL,LABEL,WHEEL LOAD S60H/XC.....	1

151.1 S-60HC Decals with Symbol, Boom (CE)

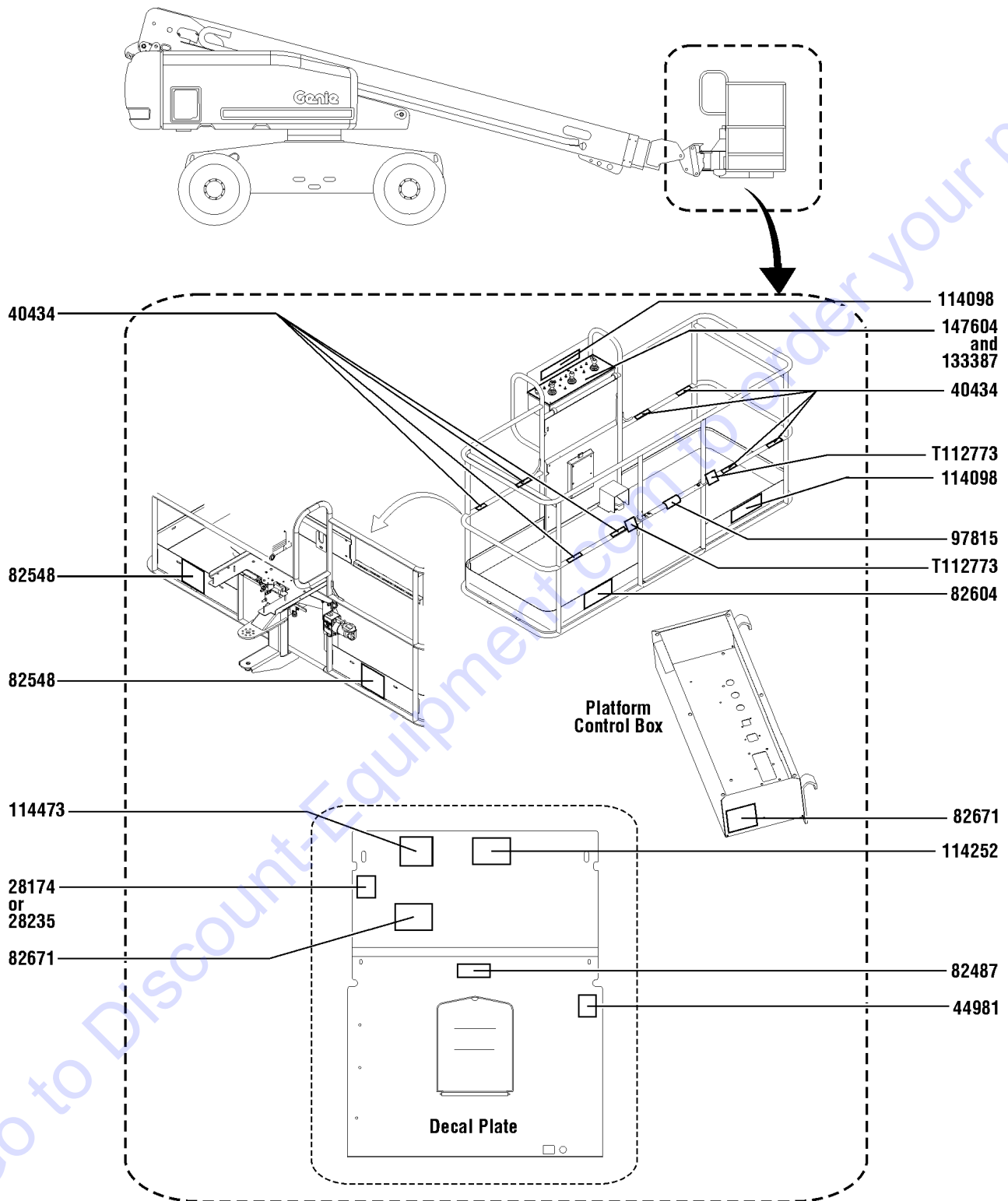


151.1 S-60HC Decals with Symbol, Boom (CE)

Item	Part No.	Description	Qty.
1	82472GT	DECAL,WARNING,CRUSHING HAZARD.....	2
2	114247GT	DECAL,LABEL,FALL HAZARD***.....	1
3	114252GT	DECAL,LABEL,TIP OVER LMT SWTCH.....	3
4	1000199GT	DECAL,COSMETIC,GENIE S-60HC.....	1

Go to Discount-Equipment.com to order your parts

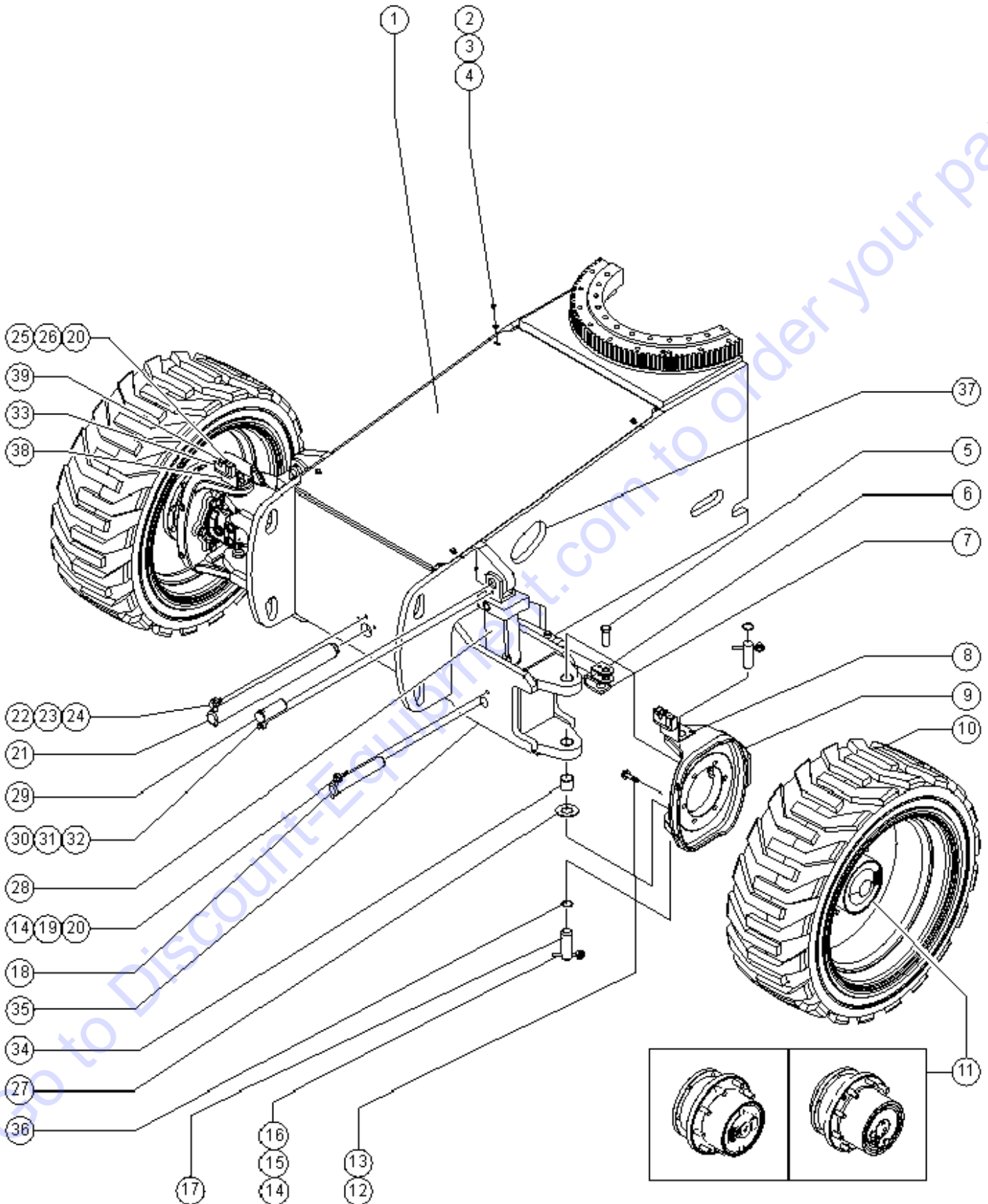
152.1 S-60HC Decals with Symbol, Platform (CE)



152.1 S-60HC Decals with Symbol, Platform (CE)

Item	Part No.	Description	Qty.
1	28174GT	DECAL, POWER TO PLATFORM 230V**.....	1
2	28235GT	DECAL,POWER TO PLATFORM 115V...1	1
3	40434GT	DECAL,LANYARD ANCHORAGE POINT.....	8
4	44981GT	DECAL,LABEL, AIR LINE 110 PSI.....1 <i>Option, airline to plat</i>	1
5	82487GT	DECAL, SYMBOL - READ THE MANUAL.....	1
6	82548GT	DECAL,WARN,CRUSH HAZARD PLAT.....	2
7	82604GT	DECAL,DANGER,SIDE FRC 400N.....1	1
8	82671GT	DECAL,LABEL,WELD LINE INST,SYM...2 <i>Option, weld cable line</i>	2
9	97815GT	DECAL,LABEL,LOWER MIDRAIL.....1	1
10	114098GT	DECAL,DANGER,MAX LOAD S60HCSYM.....	2
11	114252GT	DECAL,LABEL,TIP OVER LMT SWTCH.....	1
12	114473GT	DECAL,DANGER,TIPOVER,TILT,SYM...1	1
13	133387GT	DECAL,DRIVE ENABLE PATCH.....1	1
14	147604GT	DECAL, PLAT CNTL PNL 60HC.....1	1
15	T112773GT	TAPE, PROTECTIVE MASK.....	2

201.1 Steer End (to SN 26295)



201.1 Steer End (to SN 26295)

Item	Part No.	Description	Qty.	Item	Part No.	Description	Qty.
--		<i>4WD models (to SN S6012-23571) Visually identify which hub before ordering parts. ID tag is on end cover cap. Hubs are not interchangeable, internal components are different for each type. All four hubs must be the same to avoid damage.</i>		--	94536GT	TIRE,355/55D625,14 PLY,NM for 94534 & 94535	
1	94507GT	COVER, WITH DECALS, STEER END*		10E	106647GT	TIRE & WHEEL ASSY,RH,FOAM,NM.....2 <i>RT, Foam-filled, Non-marking, right (S-60,S-65,S-60X,S-60XC, S-60HC; overall diameter: 37 inches)</i>	
2	7339GT	SCREW,HHC,1/4-20 X .5		10E	106648GT	TIRE & WHEEL ASSY,LH,FOAM,NM.....2 <i>RT, Foam-filled, Non-marking, left (S-60,S-65,S-60X,S-60XC, S-60HC; overall diameter: 37 inches)</i>	
3	6638GT	WASHER,FLAT,USS,1/4"Y		10F	110727GT	TIRE/WHEEL ASSY,LP RT W/SEALAN.....2	
4	56912GT	SPRING CLIP,1/4-20,.025-.15X.54,ZAG				<i>RT, Air-filled, with sealant, left (S-60,S-65,S-60X)</i>	
5	19440GT	PIN,CLEVIS,1 X 2.5 LG.....6		10F	110728GT	TIRE/WHEEL ASSY,LP RT W/SEALAN.....2	
--	74389GT	RUE RING,1.00				<i>RT, Air-filled, with sealant, right (S-60,S-65,S-60X)</i>	
6	59460GT	CYLINDER,STEERING***.....2		10G	110730GT	TIRE/WHEEL ASSY,LP NM W/SEALAN.....2	
--	89294GT	SEAL KIT CYLINDER (59460)				<i>RT, Air-filled, Non-marking, with sealant, right (S-60,S-65,S-60X)</i>	
7	77643GT	TIE ROD WELDMENT,S60.....1		10G	110731GT	TIRE/WHEEL ASSY,LP NM W/SEALAN.....2	
8	107615PGT	BRACKET,HOSE ROUTING,LH,PTD.....1				<i>RT, Air-filled, Non-marking, with sealant, left (S-60,S-65,S-60X)</i>	
9	77725GT	YOKE ASSEMBLY W/BEARINGS,RH		10G	110733GT	TIRE/WHEEL ASSY,LF W/SEALANT.....4 <i>Turf, Air-filled, with sealant (S-60,S-65)</i>	
9	77726GT	YOKE ASSEMBLY W/BEARINGS,LH		11A	88884GT	MOTOR,PISTON,30CC,4WD***.....2 <i>4WD models</i>	
--	25817GT	BEARING,1.00IDX1.25ODX1.00L		--	102155GT	BEARING,BALL DRIVE SHAFT for 88884	
--	77725GT	YOKE ASSEMBLY W/BEARINGS,RH		--	102158GT	O-RING,.103 X 4.737,VITON, 75D for 88884	
10A	88729GT	TIRE & WHEEL ASSY,AIR,RH***.....2 <i>RT, Air-filled, right (S-60,S-65)</i>		--	102159GT	SHAFT,15 TOOTH for 88884	
10A	88730GT	TIRE & WHEEL ASSY,AIR,LH.....2 <i>RT, Air-filled, left (S-60,S-65)</i>		--	106098GT	SEAL KIT,MOTOR,LC/KC*** for 88884	
--	88727GT	WHEEL, 24.5X11.75, 9 X 9 BCD for 88730 & 88729		--	27067GT	SEAL,SHAFT-SUNDSTRAND*** for 88884	
--	88728GT	TIRE,355/55D625 for 88730 & 88729		--	72290GT	SNAP RING(M46 UNITS)* for 88884	
10B	77790GT	TIRE & WHEEL ASSY RH,FF.....2 <i>RT, Foam-filled, right (S-60,S-65,S-60X,S-60XC, S-60HC; overall diameter: 37 inches)</i>		11B	88887GT	WHEEL DRIVE 56:1 2WD.....2 <i>TYPE: RR. 4WD models (to SN S6012-23571) Visually identify which hub before ordering parts. ID tag is on end cover cap. Hubs are not interchangeable, internal components are different for each type.</i>	
10B	77791GT	TIRE & WHEEL ASSY,LH FF***.....2 <i>RT, Foam-filled, left (S-60,S-65,S-60X,S-60XC, S-60HC; overall diameter: 37 inches)</i>		--	102126GT	SEAL KIT,DRIVE HUB (88887) for 88886. Lip seal comes in seal kit, not available individually.	
10C	94332GT	TIRE & WHEEL ASSY,TURF SPEC***4 <i>Turf, Air-filled (S-60,S-65)</i>		--	102131GT	DISCONNECT KIT (88887) for 88886. Comes with disconnect rod, cover, and mounting screws.	
--	81164GT	TIRE,41/18LL X 22.5,14PR,TURF* for 94332					
--	94333GT	WHEEL,22.5X14.00*** for 94332					
10D	94534GT	WHEEL & TIRE ASSY,RH,NM AIR.....2 <i>RT, Air-filled, Non-marking, right (S-60,S-65,S-60X)</i>					
10D	94535GT	WHEEL & TIRE ASSY,LH NM AIR.....2 <i>RT, Air-filled, Non-marking, left (S-60,S-65,S-60X)</i>					
--	88727GT	WHEEL, 24.5X11.75, 9 X 9 BCD for 94534 & 94535					

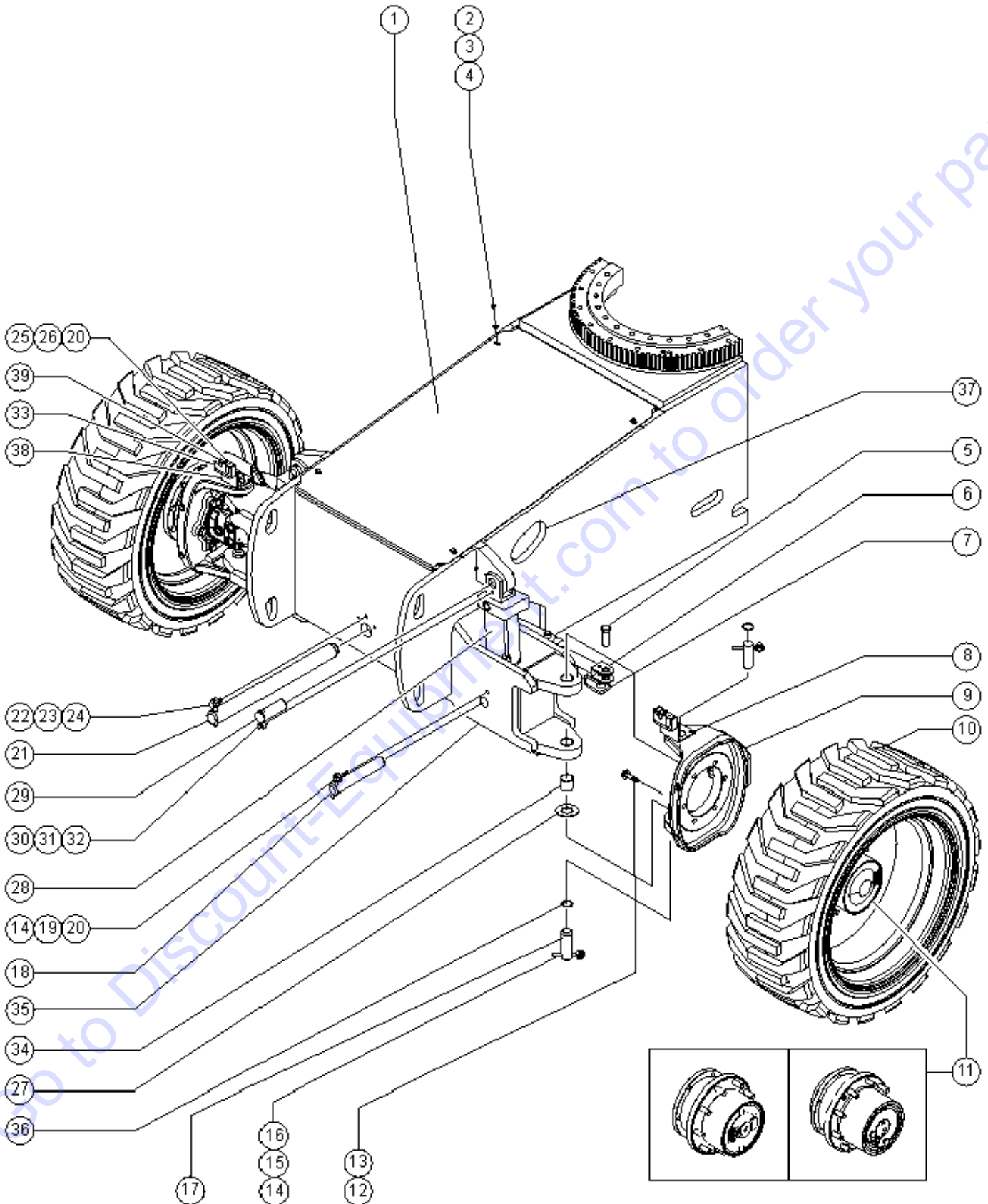
201.1 Steer End (to SN 26295)
(continued)

Item	Part No.	Description	Qty.	Item	Part No.	Description	Qty.
--	102157GT	O-RING,.070 X .239,VITON 75D <i>for 88886</i>		12	73455GT	SCREW,HHC,5/8-11 X 2.25 GR8.....	12
--	102162GT	LUG,STUD/WHEEL (88887) <i>for 88886. Clipped style head.</i>		13	13064GT	WASHER,FLAT,.625 HARDENED.....	12
--	102163GT	RING,RETAINING*** <i>for 88886</i>		14	825019GT	ROD END,.375X3.69,ZAG	
--	102164GT	COVER,END,KIT (88887) <i>for 88886. Includes disconnect cover and drain plug o-ring; order 102864 drain plugs separately.</i>		15	8255GT	SCREW,HHC,3/8-16 X .75	
--	102166GT	VALVE,CHECK,30 PSI <i>for 88886</i>		16	6021GT	WASHER,LOCK,.375	
--	102167GT	SHAFT,INPUT DRIVE HUB <i>for 88886</i>		17	110221GT	PIN,GROOVE/HOLE,1.50 DIA X4.475....	4
--	102516GT	RING,RETAINING,INTERNAL <i>for 88886</i>		18	77880GT	PIN,1.50DIA X9.38LG,1HOLE.....	2
--	102684GT	PLUG,DRAIN,RR TRANS.DRIVE HUBS <i>for 88886. Plug comes with o-ring; o-ring not available separately.</i>		19	5224GT	SCREW,HHC,3/8-16 X 2	
--	1274613GT	HUB SCREW <i>for 88887</i>		20	4828GT	NUT,NYLOCK,3/8-16	
--	215340GT	LOCKRING, RR*** <i>for 88886</i>		21	77610GT	PIN,2.00DIA X23.13LG,CHAMFER.....	1
--	215642GT	BRAKE KIT (88886)*** <i>for 88886</i>		22	1256267GT	ROD END,.5 X 3.75,ZAG	
11C	229702GT	WHEEL DRIVE 57.5:1 4WD.....2 TYPE: OMNI. 4WD models (from SN S6012-23572) Visually identify which hub before ordering parts. ID tag is on end cover cap. Hubs are not interchangeable, internal components are different for each type.	2	23	8177GT	SCREW,HHC,1/2-13 X 1.5	
--	1260084GT	END CAP, WHEEL DRIVE <i>for 229702</i>		24	6033GT	WASHER,LOCK,0.5"	
--	139965GT	WHEEL STUD,5/8-18,OMNI*** <i>for 229702</i>		25	6326GT	SCREW,HHC,3/8-16 X 3	
--	139966GT	ROD,DISCONNECT,OMNI*** <i>for 229702</i>		26	6097GT	WASHER,FLAT,USS,3/8",Y	
--	139967GT	CAP,DISENGAGE,OMNI*** <i>for 229702</i>		27	45074GT	WASHER,THRUST,1.5 X 3.5 X .187.....	2
--	139968GT	O-RING,END COVER,OMNI*** <i>for 229702</i>		28	110578GT	CYLINDER,OSCILLATE,S60.....	2
--	139969GT	LINING KIT,BRAKE,OMNI*** <i>for 229702</i>		--	101255GT	SEAL KIT (89675)	
--	139970GT	SEAL KIT,BRAKE,OMNI*** <i>for 229702</i>		--	33428GT	VALVE,COUNTERBALANCE	
--	139971GT	BEARING KIT,OMNI*** <i>for 229702</i>		29	94221GT	PIN,1.50DIA X3.75LG,1HOLE.....	2
--	139972GT	SEAL KIT,GEARBOX,OMNI*** <i>for 229702</i>		30	1255452GT	ROD END,.375 X 2.25,ZAG	
--	147033GT	O-RING,PIPE PLUG KIT,OMNI*** <i>for 229702</i>		31	6021GT	WASHER,LOCK,.375	
--	147034GT	PIPE PLUG KIT,OMNI*** <i>for 229702</i>		32	6175GT	SCREW,HHC,3/8-16 X 1	
				33	106516GT	CLAMP,HOSE,2X4,1X6,2X8***.....	2
				34	45071GT	BEARING,1.5IDX1.75ODX1.5L <i>included with 119145GT</i>	
				35	119146GT	AXLE ASSEMBLY,S60 FRONT..... <i>Includes item 34</i>	1
				--	42014GT	BEARING,2.00IDX2.25ODX2.00L..... <i>not included with 119145GT; order seperately</i>	2
				36	825796GT	SNAP RING,EXTERNAL,1.50,ZAG	
				37	53386GT	GUARD, HOSE PROTECTOR.....	1
				38	107616PGT	BRACKET,HOSE ROUTING,RH,PNTD...1	
				39	106517PGT	CLAMP TOP,HOSE ROUTING PAINTED.....	2

This Page Intentionally Left Blank

Go to Discount-Equipment.com to order your parts

201.2 Steer End (from SN 26296)



201.2 Steer End (from SN 26296)

Item	Part No.	Description	Qty.	Item	Part No.	Description	Qty.
--		4WD models (to SN S6012-23571) Visually identify which hub before ordering parts. ID tag is on end cover cap. Hubs are not interchangeable, internal components are different for each type. All four hubs must be the same to avoid damage.		--	94536GT	TIRE,355/55D625,14 PLY,NM for 94534 & 94535	
1	94507GT	COVER, WITH DECALS, STEER END*		10E	106647GT	TIRE & WHEEL ASSY,RH,FOAM,NM.....2 RT, Foam-filled, Non-marking, right (S-60,S-65,S-60X,S-60XC,S-60HC; overall diameter: 37 inches)	
2	7339GT	SCREW,HHC,1/4-20 X .5		10E	106648GT	TIRE & WHEEL ASSY,LH,FOAM,NM.....2 RT, Foam-filled, Non-marking, left (S-60,S-65,S-60X,S-60XC,S-60HC; overall diameter: 37 inches)	
3	6638GT	WASHER,FLAT,USS,1/4"Y		10F	110727GT	TIRE/WHEEL ASSY,LP RT W/SEALAN.....2	
4	56912GT	SPRING CLIP,1/4-20,.025-.15X.54,ZAG				RT, Air-filled, with sealant, left (S-60,S-65,S-60X)	
5	19440GT	PIN,CLEVIS,1 X 2.5 LG.....6		10F	110728GT	TIRE/WHEEL ASSY,LP RT W/SEALAN.....2	
--	74389GT	RUE RING,1.00				RT, Air-filled, with sealant, right (S-60,S-65,S-60X)	
6	59460GT	CYLINDER,STEERING***.....2		10G	110730GT	TIRE/WHEEL ASSY,LP NM W/SEALAN.....2	
--	89294GT	SEAL KIT CYLINDER (59460)				RT, Air-filled, Non-marking, with sealant, right (S-60,S-65,S-60X)	
7	77643GT	TIE ROD WELDMENT,S60.....1		10G	110731GT	TIRE/WHEEL ASSY,LP NM W/SEALAN.....2	
8	107615PGT	BRACKET,HOSE ROUTING,LH,PTD.....1				RT, Air-filled, Non-marking, with sealant, left (S-60,S-65,S-60X)	
9	77725GT	YOKE ASSEMBLY W/BEARINGS,RH		10H	110733GT	TIRE/WHEEL ASSY,HF W/SEALANT....4 Turf, Air-filled, with sealant (S-60,S-65,S-60X)	
9	77726GT	YOKE ASSEMBLY W/BEARINGS,LH		--	81164GT	TIRE,41/18LL X 22.5,14PR,TURF*	
--	25817GT	BEARING,1.00IDX1.25ODX1.00L		--	94333GT	WHEEL,22.5X14.00***	
--	77725GT	YOKE ASSEMBLY W/BEARINGS,RH		10J	228768GT	TIRE/WH ASSY,RH,FF,REPNEU***.....2 RT, Foam-filled, oil based (S-60,S-65,S-60X,S-60XC,S-60HC)	
10A	88729GT	TIRE & WHEEL ASSY,AIR,RH***.....2 RT, Air-filled, right (S-60,S-65,S-60X)		10J	228769GT	TIRE/WH ASSY,LH,FF,REPNEU***.....2 RT, Foam-filled, oil based (S-60,S-65,S-60X,S-60XC,S-60HC)	
10A	88730GT	TIRE & WHEEL ASSY,AIR,LH.....2 RT, Air-filled, left (S-60,S-65,S-60X)		11A	88884GT	MOTOR,PISTON,30CC,4WD***.....2 4WD models	
--	88727GT	WHEEL, 24.5X11.75, 9 X 9 BCD for 88730 & 88729		--	102155GT	BEARING,BALL DRIVE SHAFT for 88884	
--	88728GT	TIRE,355/55D625 for 88730 & 88729		--	102158GT	O-RING,.103 X 4.737,VITON, 75D for 88884	
10B	77790GT	TIRE & WHEEL ASSY RH,FF.....2 RT, Foam-filled, right (S-60,S-65,S-60X,S-60XC,S-60HC; overall diameter: 37 inches)		--	102159GT	SHAFT,15 TOOTH for 88884	
10B	77791GT	TIRE & WHEEL ASSY,LH FF***.....2 RT, Foam-filled, left (S-60,S-65,S-60X,S-60XC,S-60HC; overall diameter: 37 inches)		--	106098GT	SEAL KIT,MOTOR,LC/KC*** for 88884	
10C	94332GT	TIRE & WHEEL ASSY,TURF SPEC***4 Turf, Air-filled (S-60,S-65,S-60X)		--	27067GT	SEAL,SHAFT-SUNDSTRAND*** for 88884	
--	81164GT	TIRE,41/18LL X 22.5,14PR,TURF* for 94332		--	72290GT	SNAP RING(M46 UNITS)* for 88884	
--	94333GT	WHEEL,22.5X14.00*** for 94332					
10D	94534GT	WHEEL & TIRE ASSY,RH,NM AIR.....2 RT, Air-filled, Non-marking, right (S-60,S-65,S-60X)					
10D	94535GT	WHEEL & TIRE ASSY,LH NM AIR.....2 RT, Air-filled, Non-marking, left (S-60,S-65,S-60X)					
--	88727GT	WHEEL, 24.5X11.75, 9 X 9 BCD for 94534 & 94535					

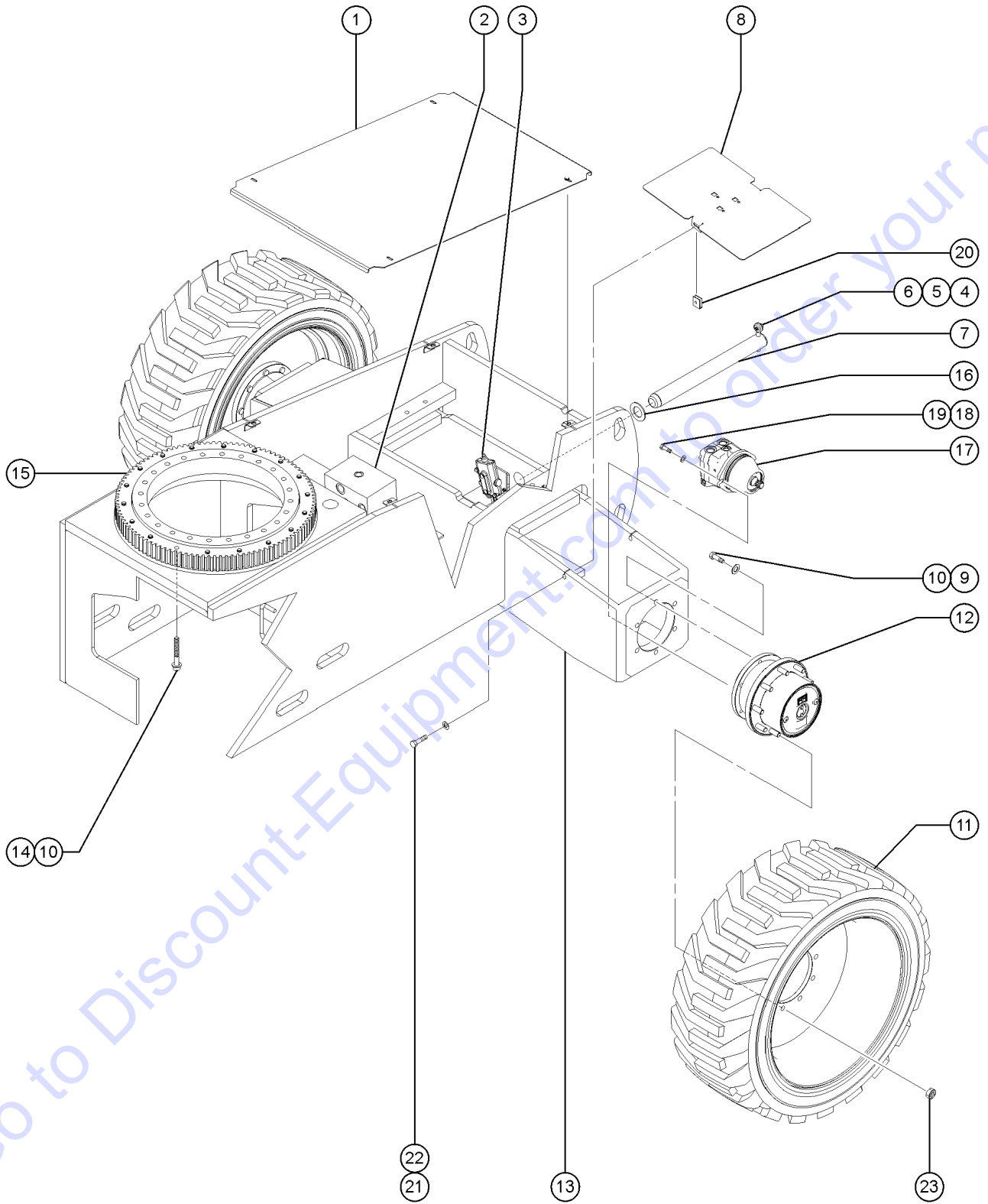
201.2 Steer End (from SN 26296)
(continued)

Item	Part No.	Description	Qty.	Item	Part No.	Description	Qty.
11B	88887GT	WHEEL DRIVE 56:1 2WD.....2 TYPE: RR. 4WD models (to SN S6012-23571) Visually identify which hub before ordering parts. ID tag is on end cover cap. Hubs are not interchangeable, internal components are different for each type.	2	--	139969GT	LINING KIT,BRAKE,OMNI*** for 229702	
--	102126GT	SEAL KIT,DRIVE HUB (88887) for 88886. Lip seal comes in seal kit, not available individually.		--	139970GT	SEAL KIT,BRAKE,OMNI*** for 229702	
--	102131GT	DISCONNECT KIT (88887) for 88886. Comes with disconnect rod, cover, and mounting screws.		--	139971GT	BEARING KIT,OMNI*** for 229702	
--	102157GT	O-RING,.070 X .239,VITON 75D for 88886		--	139972GT	SEAL KIT,GEARBOX,OMNI*** for 229702	
--	102162GT	LUG,STUD/WHEEL (88887) for 88886. Clipped style head.		--	147033GT	O-RING,PIPE PLUG KIT,OMNI*** for 229702	
--	102163GT	RING,RETAINING*** for 88886		--	147034GT	PIPE PLUG KIT,OMNI*** for 229702	
--	102164GT	COVER,END,KIT (88887) for 88886. Includes disconnect cover and drain plug o-ring; order 102864 drain plugs separately.		11D	229817GT	WHEEL DRIVE 56:1.....1 (Trax, from SN S6012-23891)	1
--	102166GT	VALVE,CHECK,30 PSI for 88886		--	102131GT	DISCONNECT KIT (88887)	
--	102167GT	SHAFT,INPUT DRIVE HUB for 88886		--	102162GT	LUG,STUD/WHEEL (88887)	
--	102516GT	RING,RETAINING,INTERNAL for 88886		--	102516GT	RING,RETAINING,INTERNAL	
--	102684GT	PLUG,DRAIN,RR TRANS.DRIVE HUBS for 88886. Plug comes with o-ring; o-ring not available separately.		--	215340GT	LOCKRING, RR*** replaced 102165	
--	1274613GT	HUB SCREW for 88887		--	215642GT	BRAKE KIT (88886)*** replaced 102168	
--	215340GT	LOCKRING, RR*** for 88886		--	229818GT	SEAL KIT, DRIVE HUB	
--	215642GT	BRAKE KIT (88886)*** for 88886		--	229931GT	SEAL,LIP	
11C	229702GT	WHEEL DRIVE 57.5:1 4WD.....2 TYPE: OMNI. 4WD models (from SN S6012-23572) Visually identify which hub before ordering parts. ID tag is on end cover cap. Hubs are not interchangeable, internal components are different for each type.	2	12	73455GT	SCREW,HHC,5/8-11 X 2.25 GR8.....12	12
--	1260084GT	END CAP, WHEEL DRIVE for 229702		13	13064GT	WASHER,FLAT,.625 HARDENED.....12	12
--	139965GT	WHEEL STUD,5/8-18,OMNI*** for 229702		14	825019GT	ROD END,.375X3.69,ZAG	
--	139966GT	ROD,DISCONNECT,OMNI*** for 229702		15	8255GT	SCREW,HHC,3/8-16 X .75	
--	139967GT	CAP,DISENGAGE,OMNI*** for 229702		16	6021GT	WASHER,LOCK,.375	
--	139968GT	O-RING,END COVER,OMNI*** for 229702		17	110221GT	PIN,GROOVE/HOLE,1.50 DIA X4.475.....4	
				18	77880GT	PIN,1.50DIA X9.38LG,1HOLE.....2	
				19	5224GT	SCREW,HHC,3/8-16 X 2	
				20	4828GT	NUT,NYLOCK,3/8-16	
				21	77610GT	PIN,2.00DIA X23.13LG,CHAMFER.....1	
				22	1256267GT	ROD END,.5 X 3.75,ZAG	
				23	8177GT	SCREW,HHC,1/2-13 X 1.5	
				24	6033GT	WASHER,LOCK,0.5"	
				25	6326GT	SCREW,HHC,3/8-16 X 3	
				26	6097GT	WASHER,FLAT,USS,3/8",Y	
				27	45074GT	WASHER,THRUST,1.5 X 3.5 X .187.....2	
				28	110578GT	CYLINDER,OSCILLATE,S60.....2	
				--	101255GT	SEAL KIT (89675)	
				--	33428GT	VALVE,COUNTERBALANCE	
				29	94221GT	PIN,1.50DIA X3.75LG,1HOLE.....2	
				30	1255452GT	ROD END,.375 X 2.25,ZAG	
				31	6021GT	WASHER,LOCK,.375	
				32	6175GT	SCREW,HHC,3/8-16 X 1	

201.2 Steer End (from SN 26296)
(continued)

Item	Part No.	Description	Qty.
33	106516GT	CLAMP,HOSE,2X4,1X6,2X8***.....	2
34	45071GT	BEARING,1.5IDX1.75ODX1.5L <i>included with 119145GT</i>	
35	119146GT	AXLE ASSEMBLY,S60 FRONT..... <i>Includes item 34</i>	1
--	42014GT	BEARING,2.00IDX2.25ODX2.00L..... <i>not included with 119145GT; order seperately</i>	2
36	825796GT	SNAP RING,EXTERNAL,1.50,ZAG	
37	53386GT	GUARD, HOSE PROTECTOR.....	1
38	107616PGT	BRACKET,HOSE ROUTING,RH,PNTD...1	
39	106517PGT	CLAMP TOP,HOSE ROUTING PAINTED.....	2

202.1 Non-steer End



202.1 Non-steer End

Item	Part No.	Description	Qty.	Item	Part No.	Description	Qty.
1	94508GT	COVER, W/DECALS, NONSTEER END*		--	102163GT	RING,RETAINING*** <i>for 88886 and 88887</i>	
2		Ref. Traction Manifold <i>(refer to 402.1 & 402.2)</i>		--	102167GT	SHAFT,INPUT DRIVE HUB <i>for 88886 and 88887</i>	
3		Ref. Oscillate Valve <i>(refer to 203.1)</i>		--	102516GT	RING,RETAINING,INTERNAL <i>for 88886 and 88887</i>	
4	1256267GT	ROD END,.5 X 3.75,ZAG		--	1274613GT	HUB SCREW <i>for 88887</i>	
5	6175GT	SCREW,HHC,3/8-16 X 1		--	215340GT	LOCKRING, RR*** <i>for 88886 and 88887</i>	
6	6021GT	WASHER,LOCK,.375		--	215642GT	BRAKE KIT (88886)*** <i>for 88886 and 88887</i>	
7	77950GT	PIN,2.00DIA X 20.88LG,CHAMFER		12C	1260084GT	END CAP, WHEEL DRIVE <i>for 229702</i>	
8	77623PGT	COVER,REAR AXLE		12C	229702GT	WHEEL DRIVE 57.5:1 4WD TYPE: OMNI. 4WD Models (from SN S6012-23572) Visually identify which hub before ordering parts. ID tag is on end cover cap. Internal components are different for each type.	
9	73455GT	SCREW,HHC,5/8-11 X 2.25 GR8		--	1260084GT	END CAP, WHEEL DRIVE <i>for 229702</i>	
10	13064GT	WASHER,FLAT,.625 HARDENED		--	139965GT	WHEEL STUD,5/8-18,OMNI*** <i>for 229702</i>	
11		REF. WHEEL AND TIRE ASSEMBLY <i>refer to 201.1</i>		--	139966GT	ROD,DISCONNECT,OMNI*** <i>for 229702</i>	
12A	88887GT	WHEEL DRIVE 56:1 2WD.....1 TYPE: RR. 4WD Models (to SN S6012-23572) Visually identify which hub before ordering parts. ID tag is on end cover cap. Internal components are different for each type.		--	139967GT	CAP,DISENGAGE,OMNI*** <i>for 229702</i>	
--	102126GT	SEAL KIT,DRIVE HUB (88887) <i>for 88886 and 88887</i>		--	139968GT	O-RING,END COVER,OMNI*** <i>for 229702</i>	
--	102131GT	DISCONNECT KIT (88887) <i>for 88886 and 88887</i>		--	139969GT	LINING KIT,BRAKE,OMNI*** <i>for 229702</i>	
--	102162GT	LUG,STUD/WHEEL (88887) <i>for 88886 and 88887</i>		--	139970GT	SEAL KIT,BRAKE,OMNI*** <i>for 229702</i>	
--	102163GT	RING,RETAINING*** <i>for 88886 and 88887</i>		--	139971GT	BEARING KIT,OMNI*** <i>for 229702</i>	
--	102164GT	COVER,END,KIT (88887) <i>for 88886. Includes disconnect cover and drain plug o-ring; order 102864 drain plugs separately.</i>		--	139972GT	SEAL KIT,GEARBOX,OMNI*** <i>for 229702</i>	
--	102167GT	SHAFT,INPUT DRIVE HUB <i>for 88886 and 88887</i>		--	147033GT	O-RING,PIPE PLUG KIT,OMNI*** <i>for 229702</i>	
--	102516GT	RING,RETAINING,INTERNAL <i>for 88886 and 88887</i>		--	147034GT	PIPE PLUG KIT,OMNI*** <i>for 229702</i>	
--	102684GT	PLUG,DRAIN,RR TRANS.DRIVE HUBS <i>for 88886. Plug comes with o-ring; o-ring not available separately.</i>		12D	229817GT	WHEEL DRIVE 56:1.....2 <i>(trax, from SN S6012-23891)</i>	
--	215340GT	LOCKRING, RR*** <i>for 88886 and 88887</i>		--	102131GT	DISCONNECT KIT (88887) <i>(trax, from SN S6012-23891)</i>	
--	215642GT	BRAKE KIT (88886)*** <i>for 88886 and 88887</i>		--	102157GT	O-RING,.070 X .239,VITON 75D <i>(trax, from SN S6012-23891)</i>	
12B	88887GT	WHEEL DRIVE 56:1 2WD.....1 2WD models; not shown		--	102158GT	O-RING,.103 X 4.737,VITON, 75D <i>(trax, from SN S6012-23891)</i>	
--	102126GT	SEAL KIT,DRIVE HUB (88887) <i>for 88886 and 88887</i>		--	102162GT	LUG,STUD/WHEEL (88887) <i>(trax, from SN S6012-23891)</i>	
--	102131GT	DISCONNECT KIT (88887) <i>for 88886 and 88887</i>					
--	102162GT	LUG,STUD/WHEEL (88887) <i>for 88886 and 88887</i>					



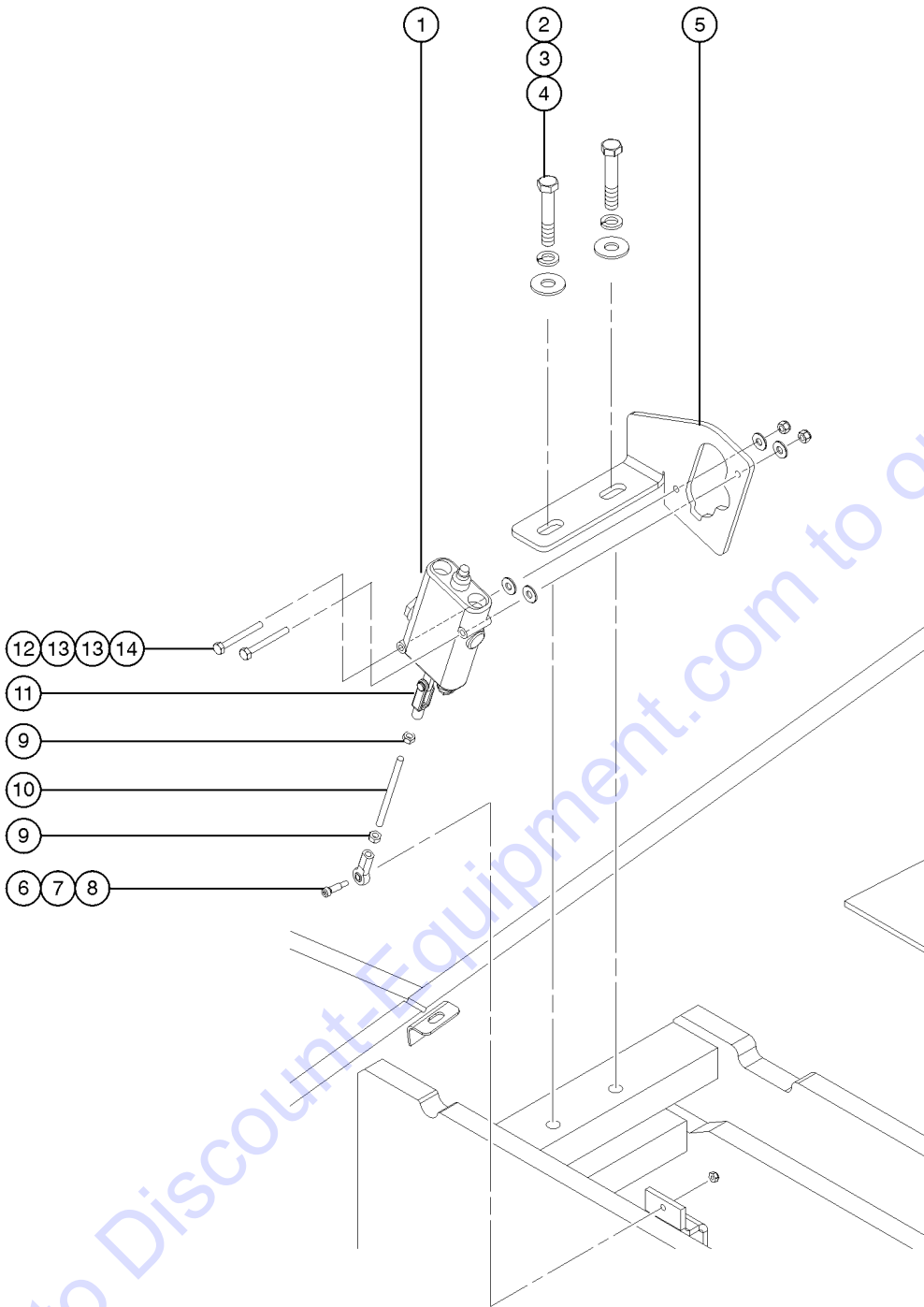
202.1 Non-steer End
(continued)

Item	Part No.	Description	Qty.	Item	Part No.	Description	Qty.
--	102166GT	VALVE,CHECK,30 PSI <i>(trax, from SN S6012-23891)</i>		--	106117GT	O-RING,2-010,VITON <i>for 88885 (Mating O-ring for Brake Port)(Extremely small)</i>	
--	102167GT	SHAFT,INPUT DRIVE HUB <i>(trax, from SN S6012-23891)</i>		--	27067GT	SEAL,SHAFT-SUNDSTRAND*** <i>for 88885</i>	
--	102516GT	RING,RETAINING,INTERNAL <i>(trax, from SN S6012-23891)</i>		--	72290GT	SNAP RING(M46 UNITS)* <i>for 88885</i>	
--	106098GT	SEAL KIT,MOTOR,LC/KC*** <i>(trax, from SN S6012-23891)</i>		18	88296GT	SCREW,HHC,7/16-14 X 1.25.....4	
--	215340GT	LOCKRING, RR*** <i>(trax, from SN S6012-23891); replaced 102165</i>		19	119988GT	WASHER,.469 X .781,HRD.....4	
--	215642GT	BRAKE KIT (88886)*** <i>(trax, from SN S6012-23891); replaced 102168</i>		20	56912GT	SPRING CLIP,1/4-20,.025-.15X.54,ZAG	
--	229818GT	SEAL KIT, DRIVE HUB <i>(trax, from SN S6012-23891)</i>		21	6090GT	SCREW,HHC,1/4-20 X .75	
--	229931GT	SEAL,LIP <i>(trax, from SN S6012-23891)</i>		22	6638GT	WASHER,FLAT,USS,1/4"Y	
--	27067GT	SEAL,SHAFT-SUNDSTRAND*** <i>(trax, from SN S6012-23891)</i>		23	77674GT	NUT,HEX,FLANGE 5/8-18,GRD 8 ZI.....18	
--	77674GT	NUT,HEX,FLANGE 5/8-18,GRD 8 ZI <i>(trax, from SN S6012-23891)</i>					
--	88884GT	MOTOR,PISTON,30CC,4WD*** <i>(trax, from SN S6012-23891)</i>					
13	94746GT	NON-STEER AXLE ASSEMBLY**1 <i>for 88885</i>					
--	42014GT	BEARING,2.00IDX2.25ODX2.00L <i>for 88885</i>					
14	139865GT	SCREW,HHC,5/8-11 X 4.00 GR8 BO....18 <i>for 88885</i>					
15	63468GT	BEARING,TURNTABLE ROTATION <i>for 88885</i>					
16	18730GT	WASHER,FLAT,2.01 X 3.5 X .06					
17A	88884GT	MOTOR,PISTON,30CC,4WD***					
--	102155GT	BEARING,BALL DRIVE SHAFT					
--	102158GT	O-RING,.103 X 4.737,VITON, 75D <i>for 88884</i>					
--	102159GT	SHAFT,15 TOOTH					
--	106098GT	SEAL KIT,MOTOR,LC/KC*** <i>for 88884</i>					
--	27067GT	SEAL,SHAFT-SUNDSTRAND***					
--	72290GT	SNAP RING(M46 UNITS)*					
17B	88885GT	MOTOR,PISTON,35CC,2WD***2 <i>2WD models, not shown</i>					
--	102155GT	BEARING,BALL DRIVE SHAFT <i>for 88885</i>					
--	102158GT	O-RING,.103 X 4.737,VITON, 75D <i>for 88885</i>					
--	102159GT	SHAFT,15 TOOTH <i>for 88885</i>					
--	106098GT	SEAL KIT,MOTOR,LC/KC*** <i>for 88885</i>					

This Page Intentionally Left Blank

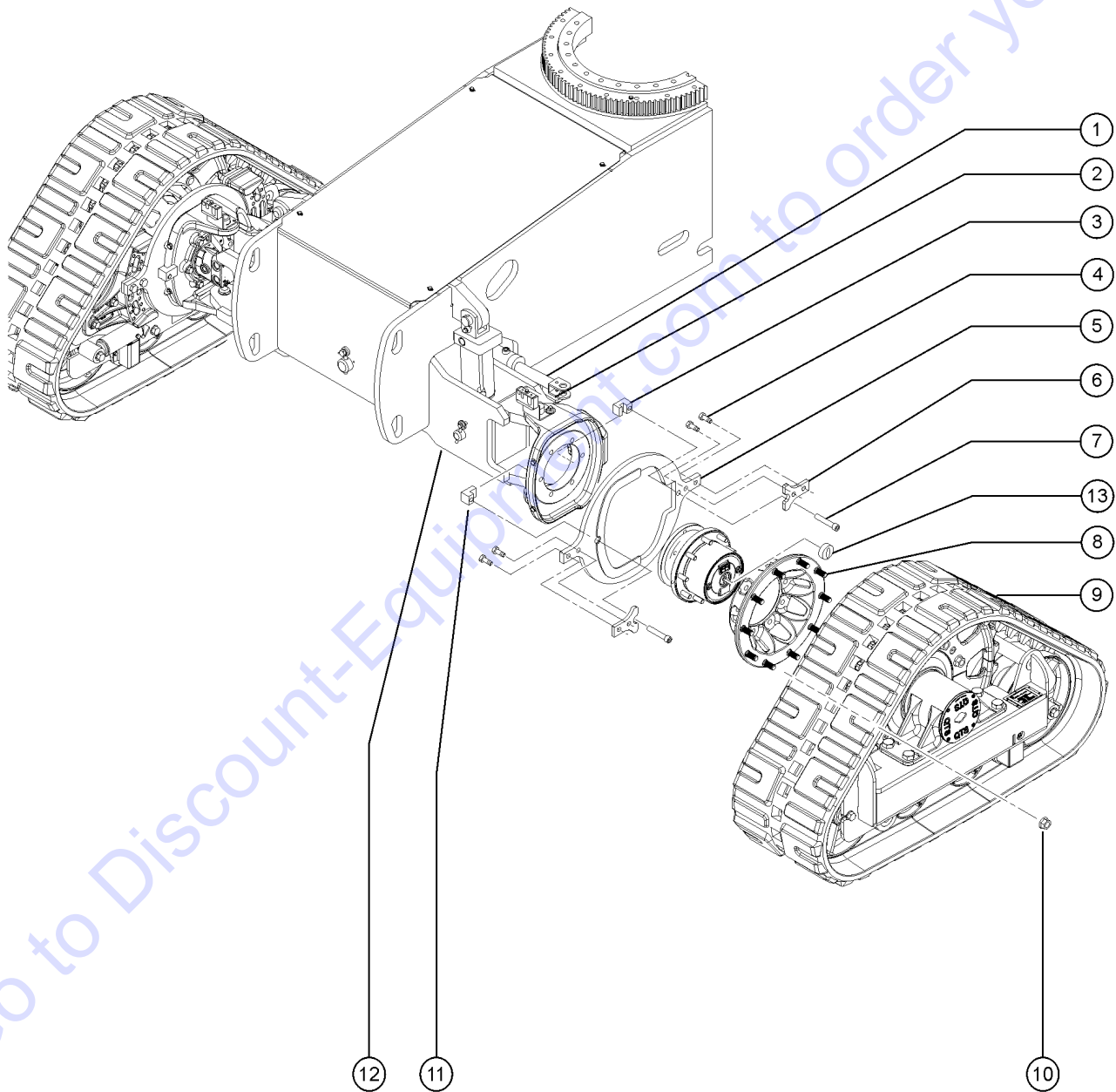
Go to Discount-Equipment.com to order your parts

203.1 Oscillate Valve



Item	Part No.	Description	Qty.
1	81552GT	VALVE,MANUAL,W/RELIEF VALVE***.....1	
--	32681GT	SEAL KIT,CONTROL VALVE for 81552	
2	39479GT	SCREW,HHC,1/2-13 X 2.75.....2	
3	6033GT	WASHER,LOCK,0.5".....2	
4	6095GT	WASHER,FLAT,USS,1/2",Y.....2	
5	139578GT	BRACKET, OSCILLATE VALVE.....1	
6	6584GT	SCREW,SHS,10-24 X .625.....1	
7	81691GT	ROD END,BALL JOINT 1/4-28.....1	
8	5365GT	NUT,NYLOCK,10-24.....1	
9	21496GT	NUT,HEX,1/4-28.....2	
10	30785-400GT	THREADED ROD,1/4-28 X 4 IN***.....1	
11	21130GT	CLEVIS YOKE-1/4-28,PLTD W/PIN.....1	
12	8179GT	SCREW,HHC,1/4-20 X 2.25.....2	
13	6638GT	WASHER,FLAT,USS,1/4"Y.....4	
14	6091GT	NUT,NYLOCK,1/4-20.....2	

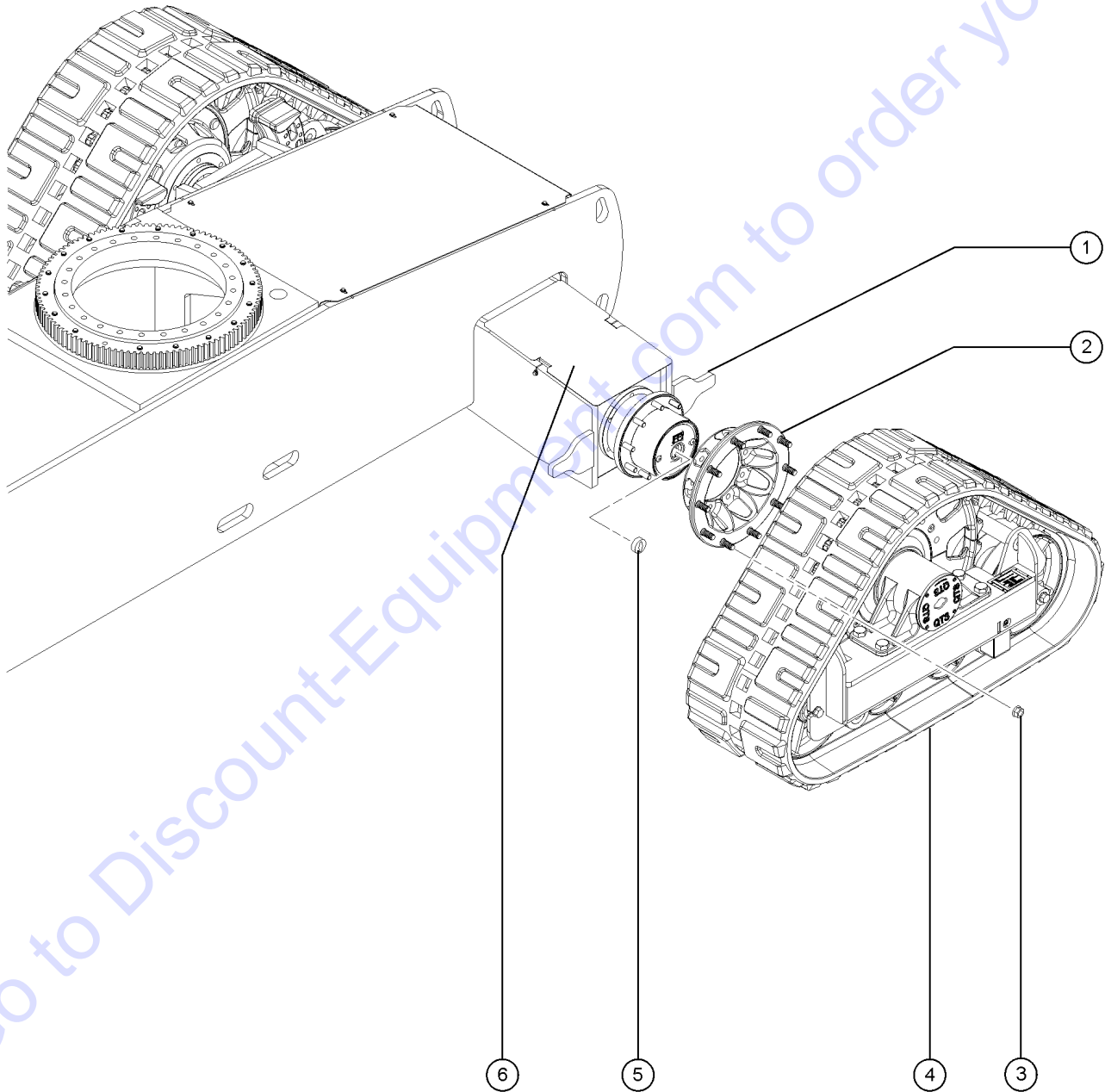
204.1 TraX Option Steer End



204.1 TraX Option Steer End

Item	Part No.	Description	Qty.
1	125865GT	CYLINDER, STEER.....	1
--	89294GT	SEAL KIT CYLINDER (59460)	
2	125864GT	WELDMENT, TIE ROD.....	1
3	139122GT	MACH. MOUNTING BLOCK.....	1
4	94439GT	SCREW,HHC,3/4-10 X 1.5.....	4
5	139000GT	ROTATIONAL LIMITER FRONT RIGHT.....	1
		<i>includes items 1,2,4,5 and 9</i>	
--	139001GT	ROTATIONAL LIMITER FRONT LEFT.....	1
		<i>includes items 1,2,4,5 and 9</i>	
6	139121GT	PLATE, HAMMER SHIM 1/2.....	2
7	1260511GT	SCREW,SHC,5/8-11X1.5,A574,ZAG.....	2
7	1284569GT	SCREW,SHC,5/8-11X1.50,GR5,PLN.....	2
8	139002GT	SPACER.....	2
--	139140GT	STUD, 3/4-16 UNF X 2-1/2 LG <i>for 139002</i>	
9A	139120GT	ASSEMBLY, TRAX UNIT, RIGHT.....	1
		<i>refer to 206.1 for TRAX System service components</i>	
9B	147149GT	ASSEMBLY, TRAX UNIT, LEFT.....	1
		<i>refer to 206.1 for TRAX System service components</i>	
10	139135GT	NUT, FLANGE, 3/4-16 UNF GR8.....	10
11	139125GT	MACH. MOUNTING BLOCK.....	1
12	139224GT	STEER AXLE ASSEMBLY.....	1
--	45071GT	BEARING,1.5IDX1.75ODX1.5L	
13	139179GT	SEAL,TRAX HUBS.....	1

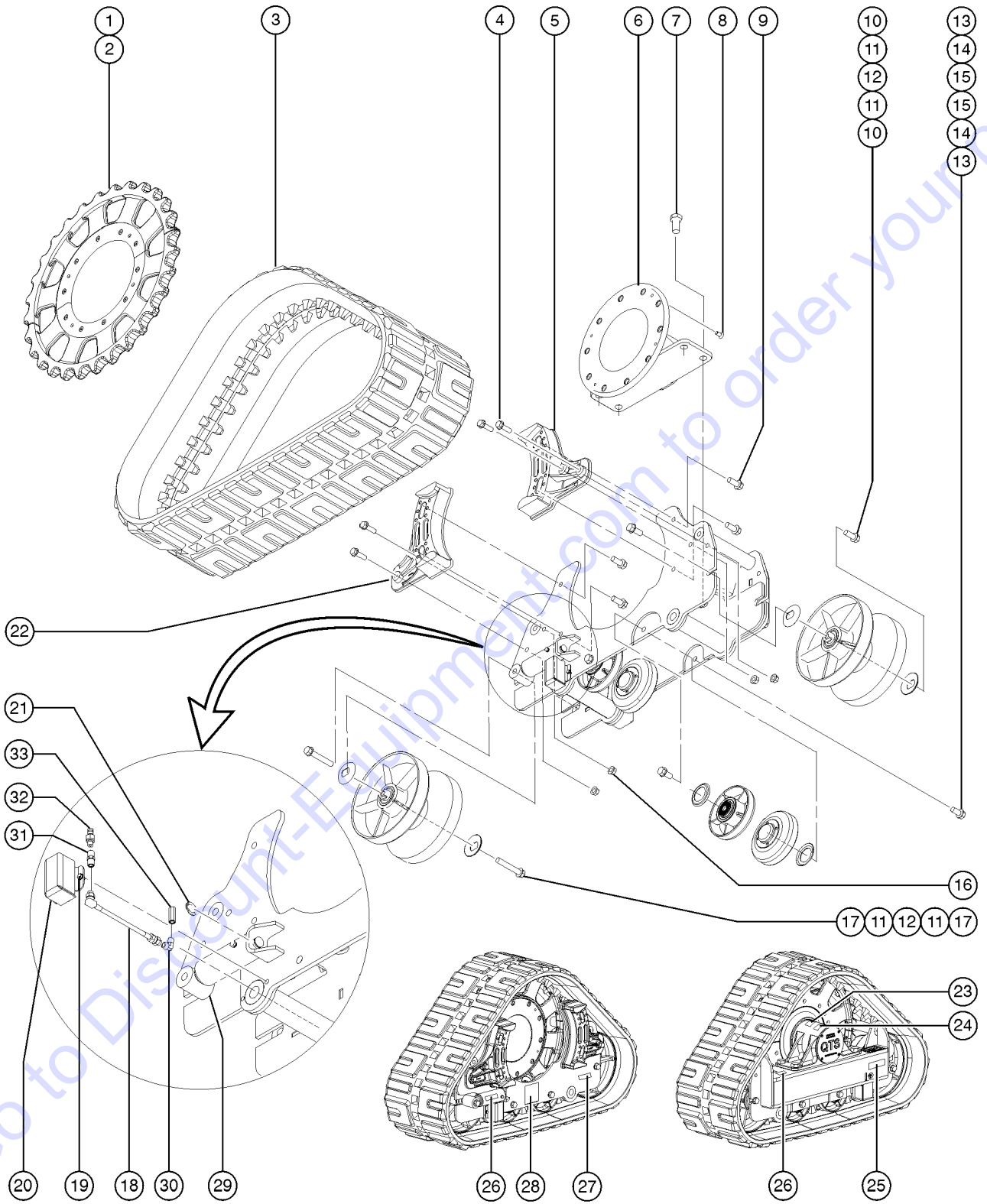
205.1 TraX Option Non-Steer End



Item	Part No.	Description	Qty.
1	139175GT	NON-STEER AXLE ASSEMBLY.....	2
--	42014GT	BEARING,2.00IDX2.25ODX2.00L	
2	139002GT	SPACER.....	2
--	139140GT	STUD, 3/4-16 UNF X 2-1/2 LG for 139002	
3	139135GT	NUT, FLANGE, 3/4-16 UNF GR8.....	10
4A		Ref., TRAX UNIT, RIGHT.....	1
		refer to 206.1	
4B		Ref., TRAX UNIT, LEFT.....	1
		refer to 206.1	
5	139179GT	SEAL,TRAX HUBS.....	2
6	125866GT	COVER, REAR AXLE.....	2

Go to Discount-Equipment.com to order your parts

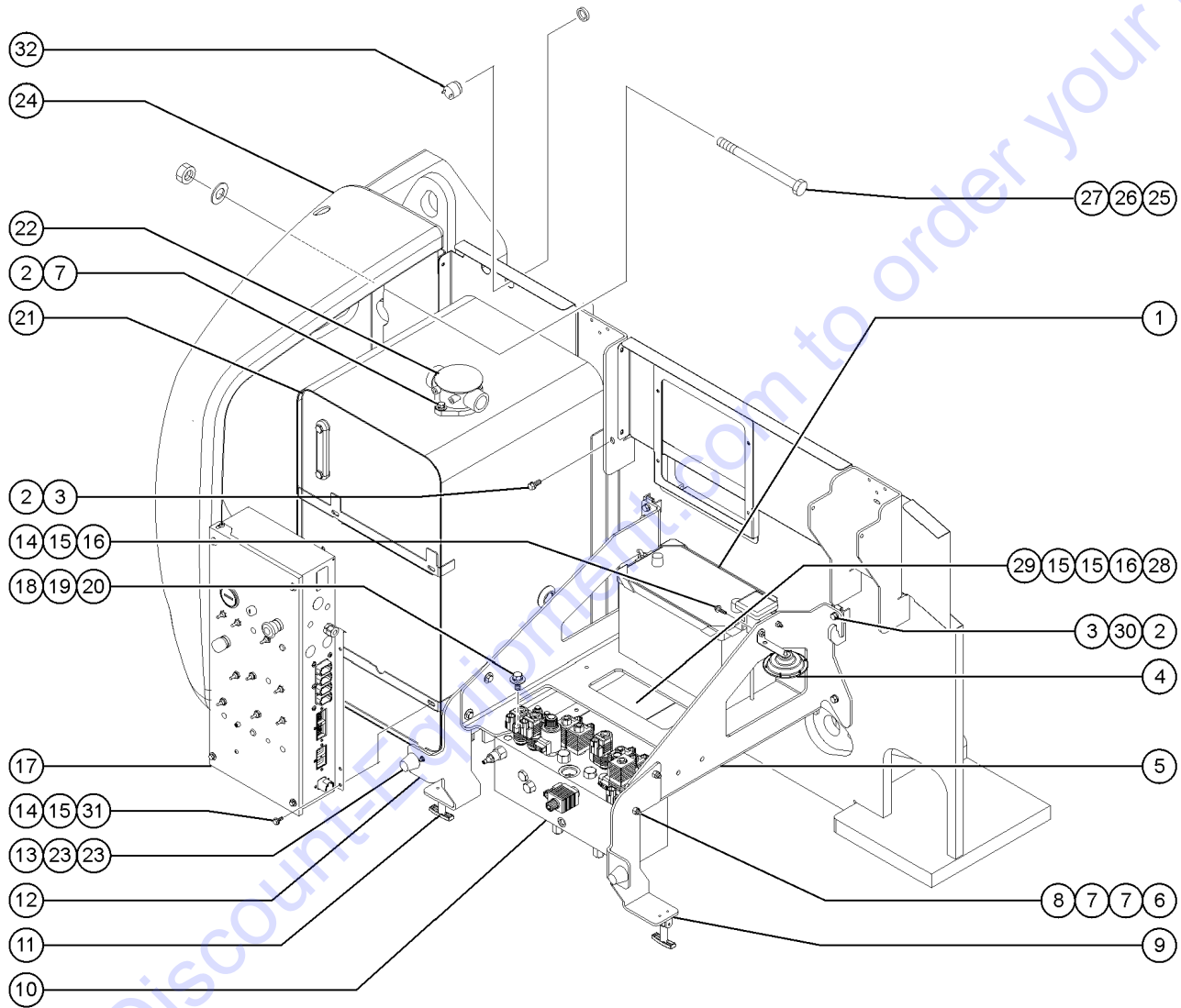
206.1 TraX Option Components



206.1 TraX Option Components

Item	Part No.	Description	Qty.	Item	Part No.	Description	Qty.
A	139262GT	KIT,TRAX,9-BOLT,S60 W/RR HUBS		26	226943GT	DECAL,CAUTION,READ INST.....1	1
--	139179GT	SEAL,TRAX HUBS		27	226945GT	DECAL,WARN,CRUSH HAZ.....1	1
B	217979GT	KIT,TRAX,9-BOLT,S60 W/OMNI HUB		28A	226941GT	DECAL,LABEL,ASSY INSTALL,R.....1	1
--	139179GT	SEAL,TRAX HUBS		28B	226942GT	DECAL,LABEL,ASSY INSTALL,I SUPPLIER P/N 401905	1
C	139000GT	ROTATIONAL LIMITER FRONT RIGHT		29	215423GT	TENSIONER, TRAX	
D	139001GT	ROTATIONAL LIMITER FRONT LEFT		30	1261392GT	ELBOW,90,1/4-18NPT,FEMALE	
E	147155GT	ROTATIONAL LIMITER REAR		31	1261390GT	COUPLING - 1/4 NPT	
1	128922GT	SPROCKET, MACH. HALF RIGHT.....1	1	32	1261389GT	NIPPLE,STEEL PIPE,1/4NPTX1 LG	
2	128923GT	SPROCKET, MACH. HALF LEFT.....1	1	33	1261391GT	NIPPLE,STEEL PIPE,1/4NPTX2.5LG	
3	128926GT	TRACK, RUBBER.....1	1				
4	111155GT	SCREW,FLANGE,HHC,5/8-11X2,GR8....4	4				
5	128925GT	CAST, LIMITER STOP BRKT R.....1	1				
6	128928GT	HUB ASSEMBLY.....1	1				
--	1287812GT	SEAL,RUBBER BRAKE RELEASE,RUBBER TRACK (139120)					
--	1287813GT	O-RING,RUBBER TRACK (139120)					
7	128913GT	BOLT,HHC,1-14X2.0"GR8 PLT.....4	4				
8	128914GT	SCREW, FHSC, 1/2-13X1.00.....4	4				
9	128912GT	BOLT,FLANGE,5/8-11X1.5"GR8 PLT.....4	4				
10	128910GT	BOLT,FLANGE,3/4-10X1.75GR8 PLT.....2	2				
11	128920GT	COVER, DUST.....4	4				
12	128917GT	END BOGEY.....2	2				
13	128909GT	BOLT,FLANGE,3/4-10X1.5"GR8 PLT.....4	4				
14	128921GT	GUARD, SEAL.....4	4				
15A	128918GT	SPLIT BOGEY.....4	4				
--	215424GT	BEARING, SPL BOGEY (128918) <i>for 128918</i>					
--	215425GT	SEAL, BEARING (128918) <i>for 215424</i>					
--	215426GT	SHAFT, RAISED BOSS (128918) <i>internal shaft with raised boss on end</i>					
--	215427GT	SHAFT, KNURLED (128918) <i>internal shaft with knurled end</i>					
16	128916GT	LOCKNUT,FLANGE,5/8-11,GR8.....4	4				
17	128911GT	BOLT,FLANGE,3/4-10X4.5"GR8 PLT.....2	2				
18	128927GT	HYD. HOSE ASSEMBLY 3000 PSI.....1	1				
19	128955GT	BOLT,FLANGE,5/16-18X.50 GR5.....4	4				
20A	1261393GT	ASSEMBLY, OUTSIDE HOSE GUARD <i>shown for reference only</i>					
20B	1261394GT	ASSEMBLY, INSIDE HOSE GUARD					
21	128919GT	SNAP RING.....2	2				
22	128924GT	CAST, LIMITER STOP BRKT L.....1	1				
23	226940GT	DECAL,LABEL,TORQUE.....1	1				
24	226944GT	DECAL,WARN,AVOID INJURY.....1	1				
25	226946GT	DECAL,WARN,HIGH PRESS.....1	1				

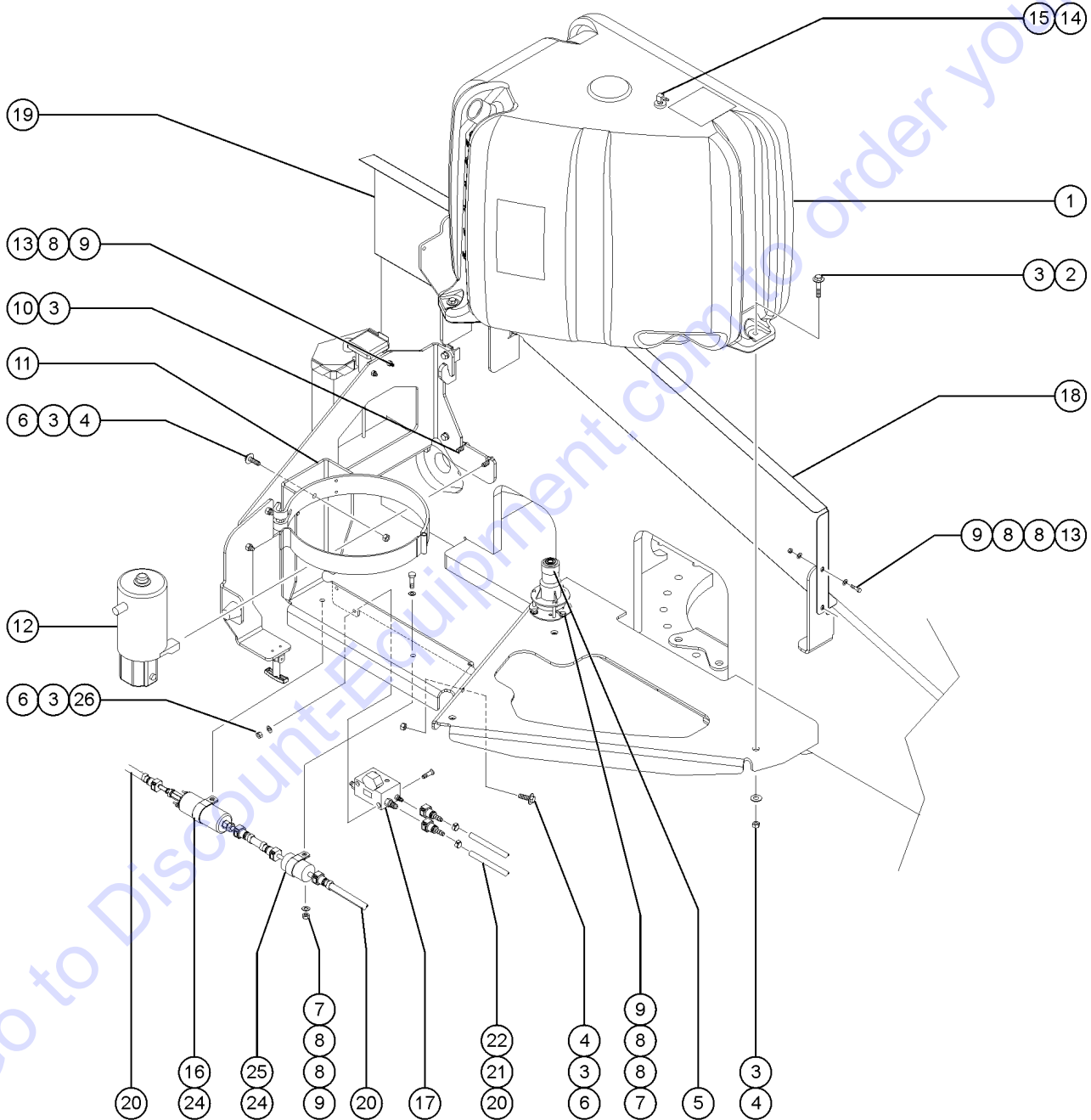
301.1 Tank Side - View 1



301.1 Tank Side - View 1

Item	Part No.	Description	Qty.	Item	Part No.	Description	Qty.
1	30143GT	BATTERY,12V,1000 CCA GRP 31.....1		--	77354GT	FILTER LID,RFM165	
--	30144GT	BATTERY HOLD DOWN,GROUP 31		--	77365GT	BREATHER CAP,RFM165	
--	45708GT	HOOK,BATT HOLD DOWN,10"		--	88917GT	FILTER,ELEMENT,BETA(10)=200	
--	8170GT	NUT,WING,1/4-20		--	94526GT	GASKET,RETURN FILTER-77353	
1A	237068GT	SEPARATOR,DUAL BATTERY,100A.....1 <i>for dual-battery option</i>		23	18503GT	NUT,LOCKING-LG.FLANGE,5/16-18.....4	
1A	30143GT	BATTERY,12V,1000 CCA GRP 31.....1		24A	88888GT	COUNTERWEIGHT,S60 4350LBS.....1 <i>S-60X, S-60, and S-60TraX</i>	
--	30144GT	BATTERY HOLD DOWN,GROUP 31		24B	88889GT	COUNTERWEIGHT,S60/65 5500LBS**.....1 <i>S-60X, S-60 and-S60 TraX with 750 lb capacity; S-60XC, S-60HC, S-65 & S-65TraX</i>	
--	45708GT	HOOK,BATT HOLD DOWN,10"		25	73928GT	SCREW,HHC,1-8 X 11,GRD 5***.....1	
1B	67325GT	BATTERY,12V 1000CCA,5/16STUD W...1 <i>for dual-battery option</i>		26	38859GT	WASHER,FLAT,USS,1",Y	
1C	237068GT	SEPARATOR,DUAL BATTERY,100A.....1 <i>for dual-battery option</i>		27	29764GT	NUT,NYLOCK,1-8	
2	6175GT	SCREW,HHC,3/8-16 X 1		28	T107829GT	FORMING,HARNESS SUPPORT,S60/65.....1	
3	29868GT	SPRING CLIP,3/8-16,.05-.20X.73,ZAG		29	6888GT	SCREW,HHC,1/4-20 X 1	
4	81578GT	HORN,12VDC,SPADE TERMINALS***.....1		30	5397GT	WASHER,FLAT,USS,5/16",Y	
5	T108403GT	WELDMENT,BAT/MANIF TRAY,S60/65.....1		31	56912GT	SPRING CLIP,1/4-20,.025-.15X.54,ZAG	
6	4828GT	NUT,NYLOCK,3/8-16		32	230392GT	ALARM,DESCENT.....1 <i>72326 nut not included, order separately</i>	
7	6097GT	WASHER,FLAT,USS,3/8",Y		32	72326GT	NUT - PLASTIC,RING FOR ALARMS.....1	
8	6019GT	SCREW,HHC,3/8-16 X 1.25 GRD 5					
9	77646PGT	FORMING,COVER STOP,PAINTED.....1					
10		Ref. Function Manifold (refer to 401.1)					
11	45363GT	LATCH,FLEXIBLE DRAW W/O KEEPER.....4					
--	54322GT	SCREW,10-32 X.625,SF.TAP.PHIL					
--	6146GT	WASHER,FLAT,MS,#10,Y					
--	6178GT	NUT,NYLOCK,10-32					
12	77645PGT	FORMING,COVER STOP,PAINTED.....1					
13	30973GT	BUMPER,RUBBER-1 X 1.25.....2					
14	6090GT	SCREW,HHC,1/4-20 X .75					
15	6638GT	WASHER,FLAT,USS,1/4"Y					
16	6091GT	NUT,NYLOCK,1/4-20					
17		Ref. Ground Controls (refer to 305.1 or 306.1)					
18	10597GT	SCREW,HHC,1/2-13 X 1.25 GR5					
19	6033GT	WASHER,LOCK,0.5"					
20	6095GT	WASHER,FLAT,USS,1/2",Y					
21	T108331GT	HYDRAULIC TANK ASSEMBLY.....1 <i>includes item 22 with fasteners</i>					
--	1285235GT	PLUG,HYD.TANK,SAE-8 (147831)					
--	21141GT	GAUGE-SIGHT,LHA-LGTB***					
22A	110345GT	FILTER ASSY,INTANK.....1 <i>includes item 22B</i>					
--	147223GT	SEAL,FILTER LID					
22B	77353GT	KIT,ELEMENT**					

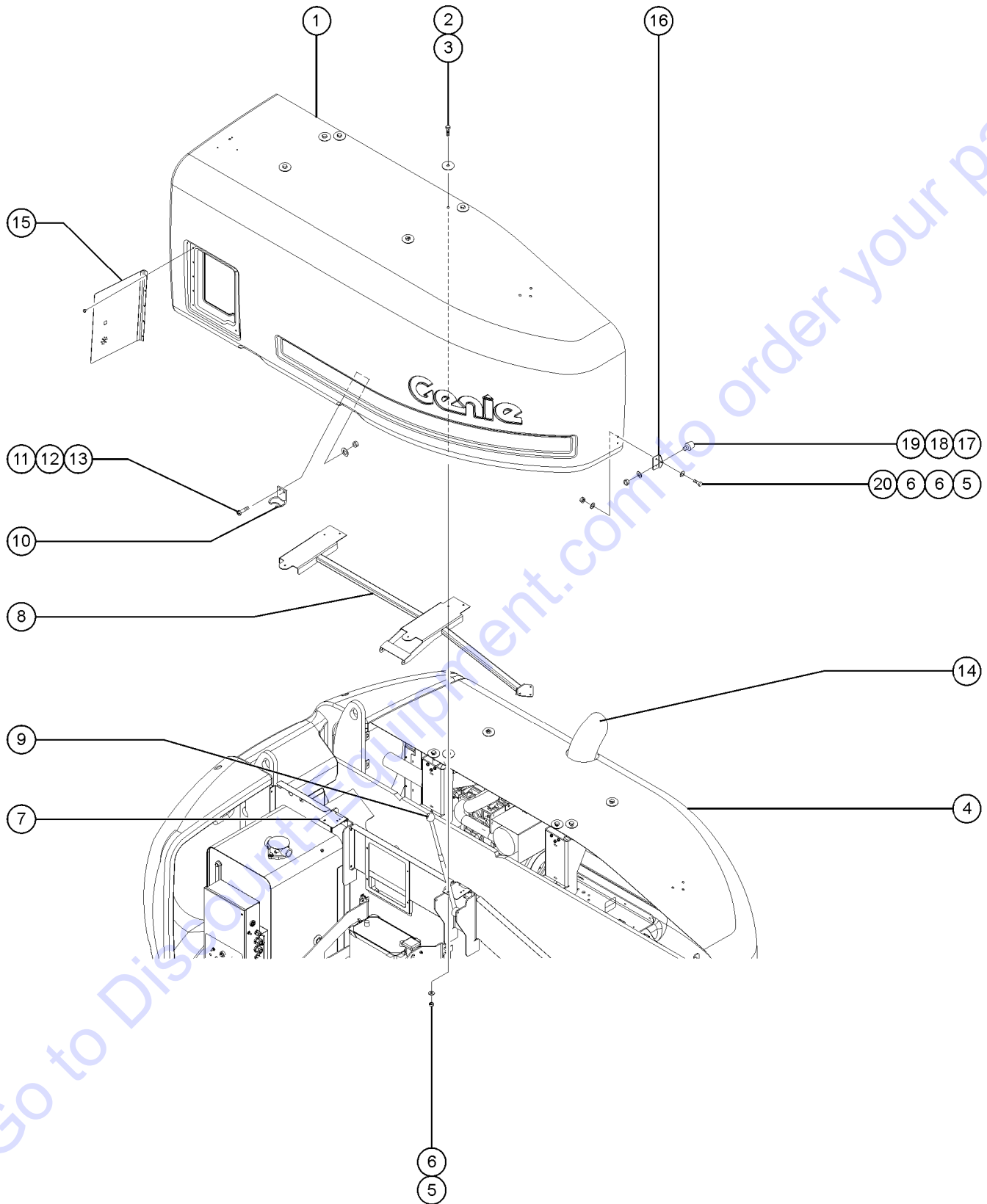
302.1 Tank Side - View 2



302.1 Tank Side - View 2

Item	Part No.	Description	Qty.	Item	Part No.	Description	Qty.
1A	101726GT	CAP,FUEL,DIESEL,1/8"VENT(GRN).....1 <i>Diesel models</i>	1	12	89617GT	POWER UNIT,AUX PUMP 12VDC.....1	1
1A	22348GT	ELBOW,130339-6-6 <i>for 88684 (bottom of tank)</i>		--	147289GT	SEAL KIT, APU	
1A	54124GT	HOSE END,BARB,3/8 MNPT X 5/16 <i>for 88684 (bottom of tank)</i>		--	147290GT	SHAFT SEAL, APU	
1A	88684GT	TANK,FUEL 35 GAL PLASTIC,S60.....1 <i>Diesel models</i>	1	--	58489GT	PUMP ASSY,AUX.POWER UNIT 89617	
1B	111818GT	FITTING,1/4 NPT X SAE J2044 <i>for T109267 (bottom of tank)</i>		--	77069GT	MOTOR,12VDC,77066	
1B	119918GT	CAP,FUEL,GASOLINE 3.5PSI <i>Gasoline/LPG models</i>		--	77071GT	SOLENOID,77066	
1B	128081GT	ELBOW,90D,1/4FPTX3/8MPT <i>for T109267 (bottom of tank)</i>		13	6888GT	SCREW,HHC,1/4-20 X 1	
1B	146413GT	GAUGE, FUEL LEVEL, 20/30 GAL <i>Gasoline/LPG models</i>		14	61234GT	FUEL RETURN,DAPCO 18.75 <i>Diesel models</i>	
1B	146417GT	ASSY, FUEL PICKUP TUBE <i>Gasoline/LPG models</i>		14	70387GT	FUEL RETURN,DAPCO 3/8" <i>Gasoline/LPG models</i>	
1B	146551GT	GASKET, FUEL LEVEL SENDER, Z80 <i>Gasoline/LPG models</i>		14A	30490GT	HOSE,1/4 FUEL LINE,SAE 30R7.....126-inches <i>fuel return (diesel models)</i>	
1B	146552GT	PLATE, COVER, FUEL LEVEL SNDR <i>Gasoline/LPG models</i>		15	61240GT	BUSHING,FUEL TANK FITTING (SM).....1	
1B	T109267GT	TANK ASSY, GAS, 30 GAL., SERV.....1 <i>Gasoline/LPG models (steel, from SN 21159))</i>	1	16	77219GT	PUMP, FUEL, LRG425, WALBRO.....1 <i>Gasoline/LPG models</i>	
1C	119841GT	TANK ASSY,GAS,30 GAL,PLASTIC <i>Gasoline/LPG models (to SN 21158)</i>		17	119170GT	FUEL SENSOR ASSY.....1	
1D	27089GT	HOSE,5/16 FUEL,SAE 30R7...114-inches <i>Deutz models</i>		18	77681GT	FORMING,BULKHEAD,LEFT REAR.....1	
1E	27089GT	HOSE,5/16 FUEL,SAE 30R7.....64-inches <i>Perkins models (tank to handpump)</i>		19	77680GT	FORMING,BULKHEAD,LEFT FRONT.....1	
2	5224GT	SCREW,HHC,3/8-16 X 2		20A	229201GT	HOSE,FUEL,5/16HIGH PRES 127 IN <i>Gasoline/LPG models</i>	
3	6097GT	WASHER,FLAT,USS,3/8",Y		20B	229202GT	HOSE,FUEL,5/16 HIGH PRES 35 IN <i>Gasoline/LPG models</i>	
4	4828GT	NUT,NYLOCK,3/8-16		20C	229203GT	HOSE,FUEL,5/16 HIGH PRES 3 IN <i>Gasoline/LPG models</i>	
5A	94077GT	SENSOR,LEVEL,4.5 DEG.....1 <i>S-65, S-60XC, S-60X, S-60, S-60 TraX and S-65 TraX; ANSI models. PN 1261449 may be required, see below</i>	1	20D	229204GT	HOSE,FUEL,5/16HIGH PRS 43.5 IN <i>Gasoline/LPG models to SN 23408</i>	
5B	110382GT	LEVEL SENSOR,LS60,YL,2.5X4.5 <i>S-65,S-60 HC, S-60, S-60 TraX and S-65 TraX; European models</i>		20E	236911GT	HOSE,FUEL,5/16HIGH PRS 40 IN <i>Gasoline/LPG models from SN 23409</i>	
5C	1264947GT	KIT, LEVEL SENSOR, 6 PIN CONN. <i>For ANSI/CSA models with 6-pin wire harness connector, includes instructions</i>		20F	229205GT	HOSE,FUEL,5/16HIGH PRS 53.5 IN <i>Gasoline/LPG models to SN 23408</i>	
6	6019GT	SCREW,HHC,3/8-16 X 1.25 GRD 5		20G	236912GT	HOSE,FUEL,5/16HIGH PRS 60 IN <i>Gasoline/LPG models from SN 23409</i>	
7	8915GT	SCREW,HHC,1/4-20 X 1.25		21	65887GT	CLAMP,HOSE,1 EAR,1/2	
8	6638GT	WASHER,FLAT,USS,1/4"Y		22	111819GT	FITTING,SAE J2044F X5/16 BARB	
9	6091GT	NUT,NYLOCK,1/4-20		23	6090GT	SCREW,HHC,1/4-20 X .75	
10	6175GT	SCREW,HHC,3/8-16 X 1		24	27497GT	CLAMP,RUBBER CUSHIONED-2 5/32	
11	77679GT	WELDMENT,LP MOUNT.....1	1	25	1272019GT	FILTER, FUEL <i>Gasoline/LPG models</i>	
				26	4266GT	SCREW,HHC,1/4-20 X 2	

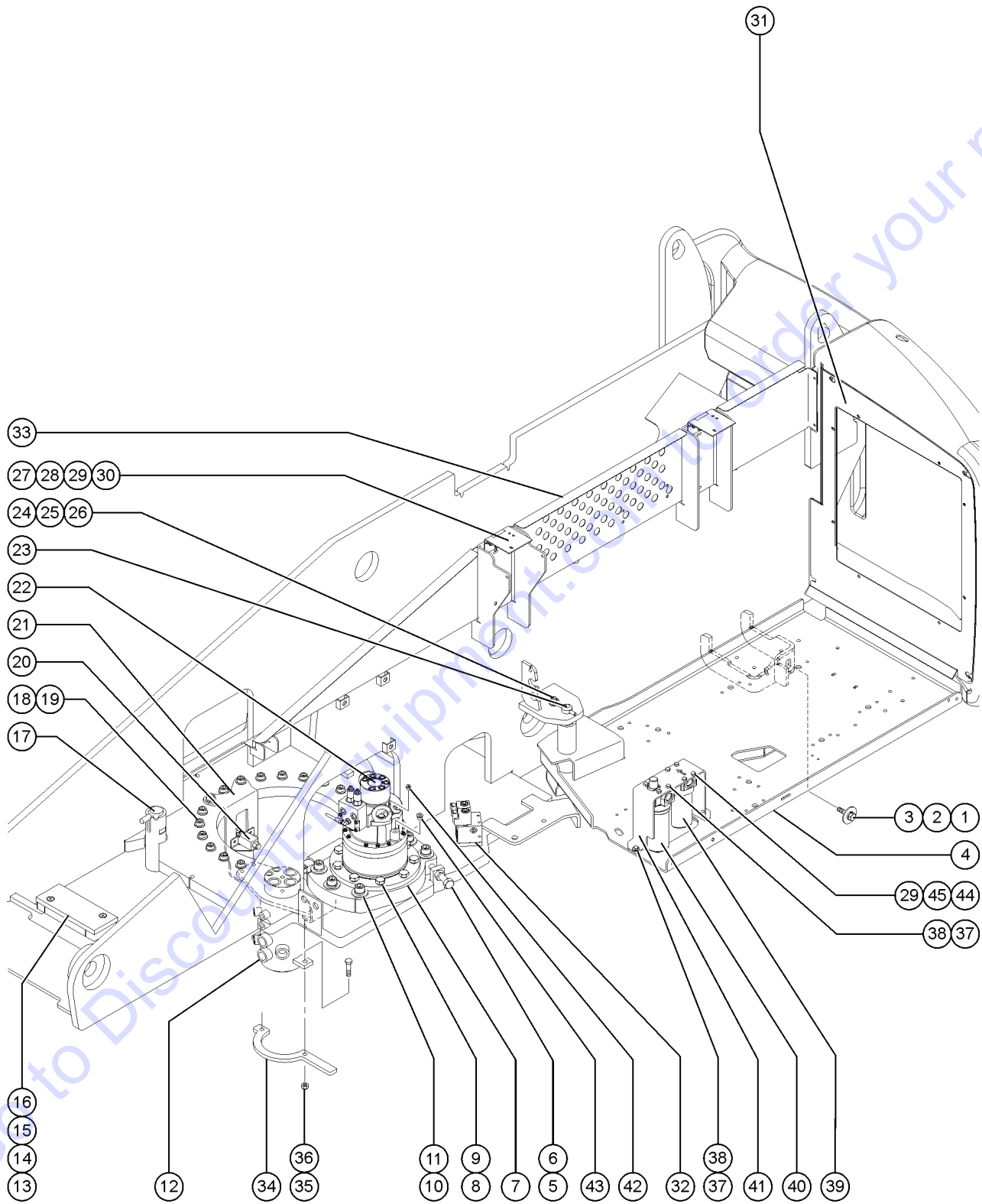
303.1 Turntable Covers



303.1 Turntable Covers

Item	Part No.	Description	Qty.	Item	Part No.	Description	Qty.
1	T108332GT	COVER ASSY.W/WORD DECALS LH.....1 <i>S-60X, Diesel models (N. America)</i>		--	27377GT	RETAINER,GAS SPRING***	
1	T108342GT	COVER ASSY.W/WORD DECALS LH.....1 <i>S-65 (N. America), S-60 & S-65 (Australia), Gasoline/LPG</i>		--	33555GT	BALL STUD**	
--	T108333GT	COVER ASSY.W/SYMBOL DECALS LH <i>S-60X, Diesel models (S. America/Asia)</i>		10	75076GT	KEEPER,LATCH (45363)	
--	T108334GT	COVER ASSY.W/WORD DECALS LH <i>S-60X, Gasoline/LPG (N. America)</i>		11	49816GT	SCREW,PHILLIPS,PHM,10-32 X .75	
--	T108335GT	COVER ASSY W/ SYMBOL DECALS LH <i>S-60X, Gasoline/LPG models (S. America/Asia)</i>		12	6146GT	WASHER,FLAT,MS,#10,Y	
--	T108336GT	COVER ASSY.W/WORD DECALS LH <i>S-60XC, Diesel models (N. America)</i>		13	6178GT	NUT,NYLOCK,10-32	
--	T108337GT	COVER ASSY W/ SYMBOL DECALS LH <i>S-60XC, Diesel models (S. America/Asia)</i>		14	101964GT	WELDMENT,EXHAUST TUBE.....1	
--	T108338GT	COVER ASSY.W/WORD DECALS LH <i>S-60XC, Gasoline/LPG (N. America)</i>		15		Ref. COVER,GRND.CTRL.BOX,PAINTED (refer to 909.1)	
--	T108339GT	COVER ASSY W/ SYMBOL DECALS LH <i>S-60XC, Gasoline/LPG models (S. America/Asia)</i>		16	88106PGT	FORMING,COVER STOP,PAINT	
--	T108340GT	COVER ASSY.W/WORD DECALS LH <i>S-60 TraX, Diesel models (N. America)</i>		17	30973GT	BUMPER,RUBBER-1 X 1.25	
--	T108341GT	COVER ASSY W/ SYMBOL DECALS LH <i>S-60 TraX, Diesel models (S. America/Asia)</i>		18	5397GT	WASHER,FLAT,USS,5/16",Y	
--	T108342GT	COVER ASSY.W/WORD DECALS LH <i>S-65 (N. America), S-60 & S-65 (Australia), Gasoline/LPG</i>		19	6782GT	NUT,NYLOCK,5/16-18	
--	T108343GT	COVER ASSY W/ SYMBOL DECALS LH <i>S-65 (S. America/Asia), S-60 HC (Europe) & S-60/65 (Europe), Gasoline/LPG</i>		20	6090GT	SCREW,HHC,1/4-20 X .75	
--	T108344GT	COVER ASSY.W/WORD DECALS LH <i>S-65 (N. America), S-60 (AUS), S-60 & S-65 TraX (Australia), Diesel models</i>					
--	T108345GT	COVER ASSY W/ SYMBOL DECALS LH <i>S-65 (S. America/Asia), S-65 TraX (S.America/Asia) S-60 HC (Europe), S-60 & S-65 TraX (Europe), Diesel models</i>					
2	6888GT	SCREW,HHC,1/4-20 X 1					
3	12906GT	WASHER,FENDER,.25 X 1.25 X.062					
4	139902GT	COVER ASSY W/ WORD DECALS RH...1					
--	139900GT	COVER ASSY W/ SYMBOL DECALS RH					
5	6091GT	NUT,NYLOCK,1/4-20					
6	6638GT	WASHER,FLAT,USS,1/4"Y					
7	75073GT	HINGE,..375X.120THK.,SLOTTED.....1					
--	77778GT	PLATE,HINGE SUPPORT					
8	81874GT	WELDMENT,LEFT COVER SUPPORT...1					
--	81876GT	WELDMENT,RIGHT COVER SUPPORT					
9	28301GT	GAS STRUT,250 LBS FORCE***					

304.1 Engine Side



304.1 Engine Side

Item	Part No.	Description	Qty.	Item	Part No.	Description	Qty.
1	73455GT	SCREW,HHC,5/8-11 X 2.25 GR8.....	1	--	1255769GT	SEAL KIT, SWING BRAKE (Used on swing drive 1255768)	
2	6036GT	WASHER,LOCK,.625 PLTD		--	1255770GT	KIT, FRICTION DISC (Used on swing drive 1255768)	
3	33418GT	WASHER,FLAT,.625 X 2.25 X.15		--	1255771GT	KIT, BRAKE SPRING (Used on swing drive 1255768)	
4A	101540GT	ENGINE TRAY ASSY W/BEARINGS.....1 all models to SN 24509	1	--	1255772GT	KIT, SWING BRAKE REBUILD (Used on swing drive 1255768)	
--	35675GT	BEARING,FL,1.25IDX1.5ODX1.25L.....	2	--	1255773GT	BRAKE TUBING (Used on swing drive 1255768)	
4B	161613GT	ASSY,ENGINE TRAY,W/BEARINGS.....1 models with Ford engine from SN 24510 to SN 26027	1	--	139308GT	SWING MOTOR COMPLETE*** (Used on swing drive 1255768)	
--	35675GT	BEARING,FL,1.25IDX1.5ODX1.25L.....	2	--	139309GT	CBV ASSEMBLY*** (Used on swing drive 1255768)	
4C	101540GT	ENGINE TRAY ASSY W/BEARINGS.....1 models with Deutz and Perkins engines from 24510 to SN 26027	1	--	139315GT	O-RING,MOTOR/BRAKE*** (Used on swing drive 1255768)	
--	35675GT	BEARING,FL,1.25IDX1.5ODX1.25L.....	2	--	139323GT	VALVE,COUNTERBAL,CBCA-LIN*** (Used on swing drive 1255768)	
4D	161613GT	ASSY,ENGINE TRAY,W/BEARINGS.....1 all models from SN 26028	1	--	58304GT	SHAFT,OUTPUT (Used on swing drive 1255768)	
--	35675GT	BEARING,FL,1.25IDX1.5ODX1.25L.....	2	22B	Ref. SWING DRIVE ASSEMBLY Previous SWING DRIVE ASSEMBLY 139189 is no longer available, order complete assembly 1255768 for first time replacement		
5	61128GT	SCREW,HHC,3/4-10 X 4 FULL THRD		--	139308GT	SWING MOTOR COMPLETE*** (Used on swing drive 139189)	
6	6126GT	NUT,HEX,JAM,3/4-10		--	139309GT	CBV ASSEMBLY*** (Used on swing drive 139189)	
7	77671GT	PLATE,BACKLASH ADJUSTMENT MACH.....	1	--	139310GT	BRAKE TUBING*** (Used on swing drive 139189)	
8	94747GT	SCREW,HHC,1/2-13 X 1.75 GRD 8.....	9	--	139311GT	KIT,FRICTION DISC*** (Used on swing drive 139189)	
9	13066GT	WASHER,FLAT,.5 HARDENED.....	9	--	139312GT	KIT,BRAKE SPRING*** (Used on swing drive 139189)	
10	88212GT	SCREW,SHC,3/4-10 X 3.00,A574.....	6	--	139313GT	SEAL KIT,SWING BRAKE*** (Used on swing drive 139189)	
11	33278GT	WASHER,FLAT,.75 HARDENED.....	6	--	139314GT	KIT,SWING BRAKE REBUILD*** (Used on swing drive 139189)	
12	89571GT	SWIVEL,HYD 8 PORT***.....	1	--	139315GT	O-RING,MOTOR/BRAKE*** (Used on swing drive 139189)	
--	94937GT	SEAL KIT,8-PORT SWIVEL		--	139323GT	VALVE,COUNTERBAL,CBCA-LIN*** (Used on swing drive 139189)	
--	T106954GT	SEAL, O-RING LIP		--	58304GT	SHAFT,OUTPUT (Used on swing drive 139189)	
--	T106955GT	SEAL, POLY, CHAMFER		--	58596GT	BEARING KIT,OUTER (88921) (Used on swing drive 139189)	
--	T106957GT	SEAL, CAP, NOTCHED		--	58597GT	BEARING KIT,INNER (88921) (Used on swing drive 139189)	
--	T106961GT	SEAL, O-RING ENERGIZER		--	94620GT	SEAL KIT,SWING TORQ HUB*** (Used on swing drive 139189)	
--	T106962GT	SEAL, CAP, NOTCHED					
13	77676GT	WEARPAD,BOOM REST.....	1				
14	6610GT	SCREW,FHS,3/8-16 X 2 GRD.8.....	2				
15	6097GT	WASHER,FLAT,USS,3/8",Y.....	2				
16	4828GT	NUT,NYLOCK,3/8-16.....	2				
17	81834GT	WELDMENT,TRANSPORT LOCK					
18	139865GT	SCREW,HHC,5/8-11 X 4.00 GR8 BO....	24				
19	13064GT	WASHER,FLAT,.625 HARDENED.....	24				
20	88356-13103GT	SWITCH,LIMIT,W/RLLR ARM,NO/NC.....	1				
--	77666PGT	FORMING,DRIVE ENABLE LIMIT SW					
21	77665PGT	FORMING,HYD SWIVEL BRACKET.....	2				
22A	1255768GT	SWING DRIVE ASSEMBLY Previous SWING DRIVE ASSEMBLY 139189 is no longer available, order complete assembly 1255768 for first time replacement					

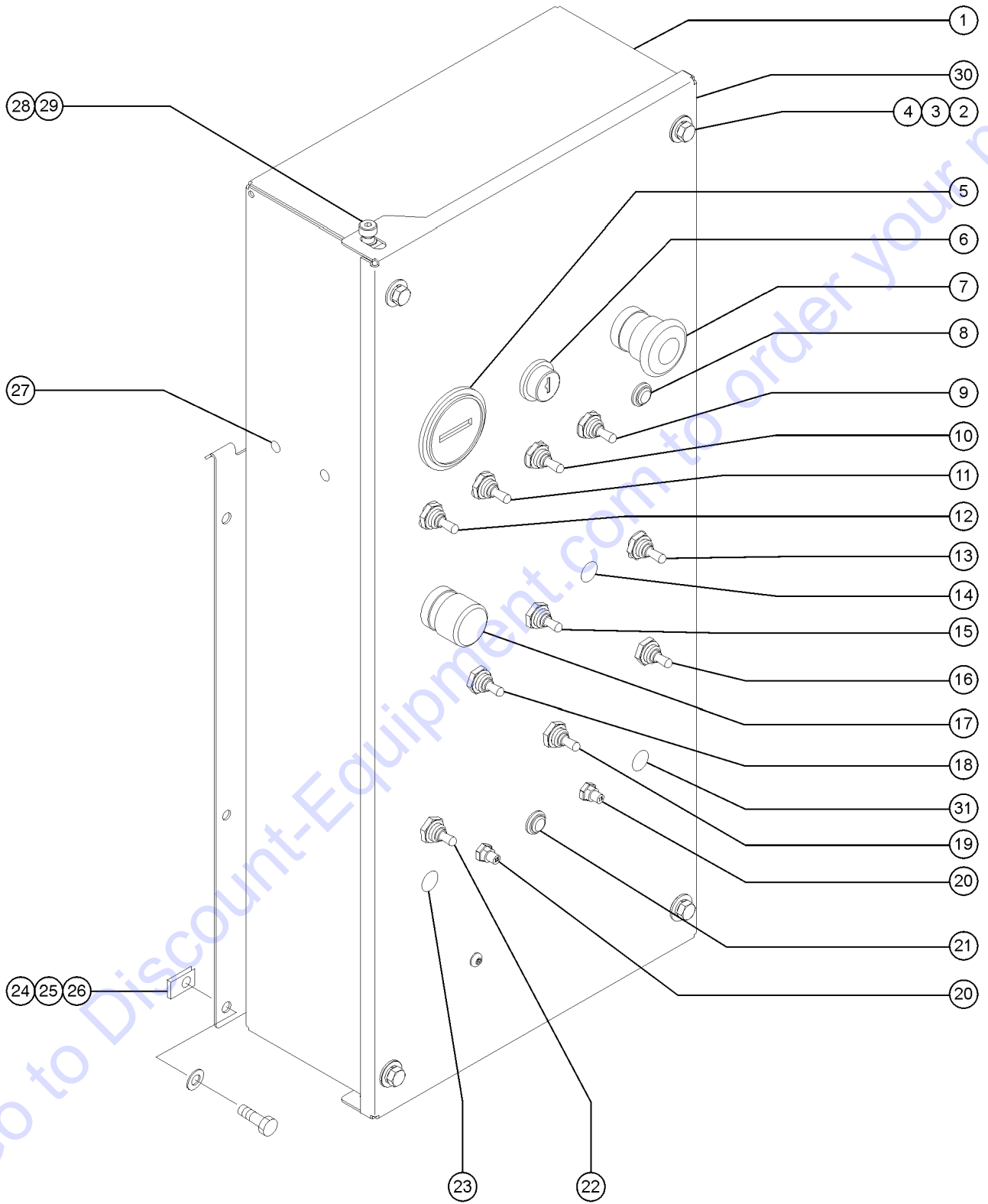
304.1 Engine Side (continued)

Item	Part No.	Description	Qty.
23	81724GT	PIN,1.25 X 13.25 IN,CHAMFER.....1	1
24	825019GT	ROD END,.375X3.69,ZAG.....1	1
25	8516GT	SCREW, HCC, 3/8-16 X 1.50	
26	6021GT	WASHER,LOCK,.375	
27	75073GT	HINGE,.375X.120THK.,SLOTTED	
28	6888GT	SCREW,HHC,1/4-20 X 1	
29	6638GT	WASHER,FLAT,USS,1/4"Y	
30	6091GT	NUT,NYLOCK,1/4-20	
31	106172PGT	BAFFLE,AIR INTAKE,PAINTED***1 <i>Diesel models only</i>	1
--	110996PGT	BAFFLE,AIR INTAKE,FORD PNTD <i>Ford models only</i>	
32		REF: Brake and 2 Speed Manifold.....1 <i>(refer to 406.1 or 406.2)</i>	1
33	T106425GT	FORMING, BULKHEAD,RIGHT,S60/65.....1	1
34	77803GT	PLATE,SWIVEL ROTATION STOP	
35	6198GT	NUT,NYLOCK,1/2-13	
36	6096GT	SCREW,HHC,1/2-13 X 2 GR5	
37	8255GT	SCREW,HHC,3/8-16 X .75	
38	5397GT	WASHER,FLAT,USS,5/16",Y	
39		FILTER ASSY,M PRESS,SAE8,WIND* (77139) <i>component no longer available</i>	
--	60857GT	FILTER,ELEMENT,BETA(5)=1000 <i>for 77139</i>	
39A	1267807GT	ASSY, MED. PRESS. FILTER, SAE8	
--	1268229GT	ELEMENT-5 MIC, PAPER, W/ BYPASS <i>for 1267807</i>	
40	60334GT	FILTER ASSY,HIGH PRESS SAE-12*	
--	1279465GT	BACKUP RING,71.60X67.20X1.40PTFE(60334)	
--	1279466GT	O-RING,67.95X2.62-NBR-70SH(HF2P)(60334)	
--	58380GT	FILTER INDICATOR-(60334)	
--	60857GT	FILTER,ELEMENT,BETA(5)=1000	
41	81005GT	BRACKET,FILTER MOUNT	
42	39882GT	PLUG,HEX SOCKET,090109B-4.....1	1
43	109802GT	PLUG,ORB #6.....1	1
44	6090GT	SCREW,HHC,1/4-20 X .75	
45	6356GT	WASHER,LOCK,.25	

This Page Intentionally Left Blank

Go to Discount-Equipment.com to order your parts

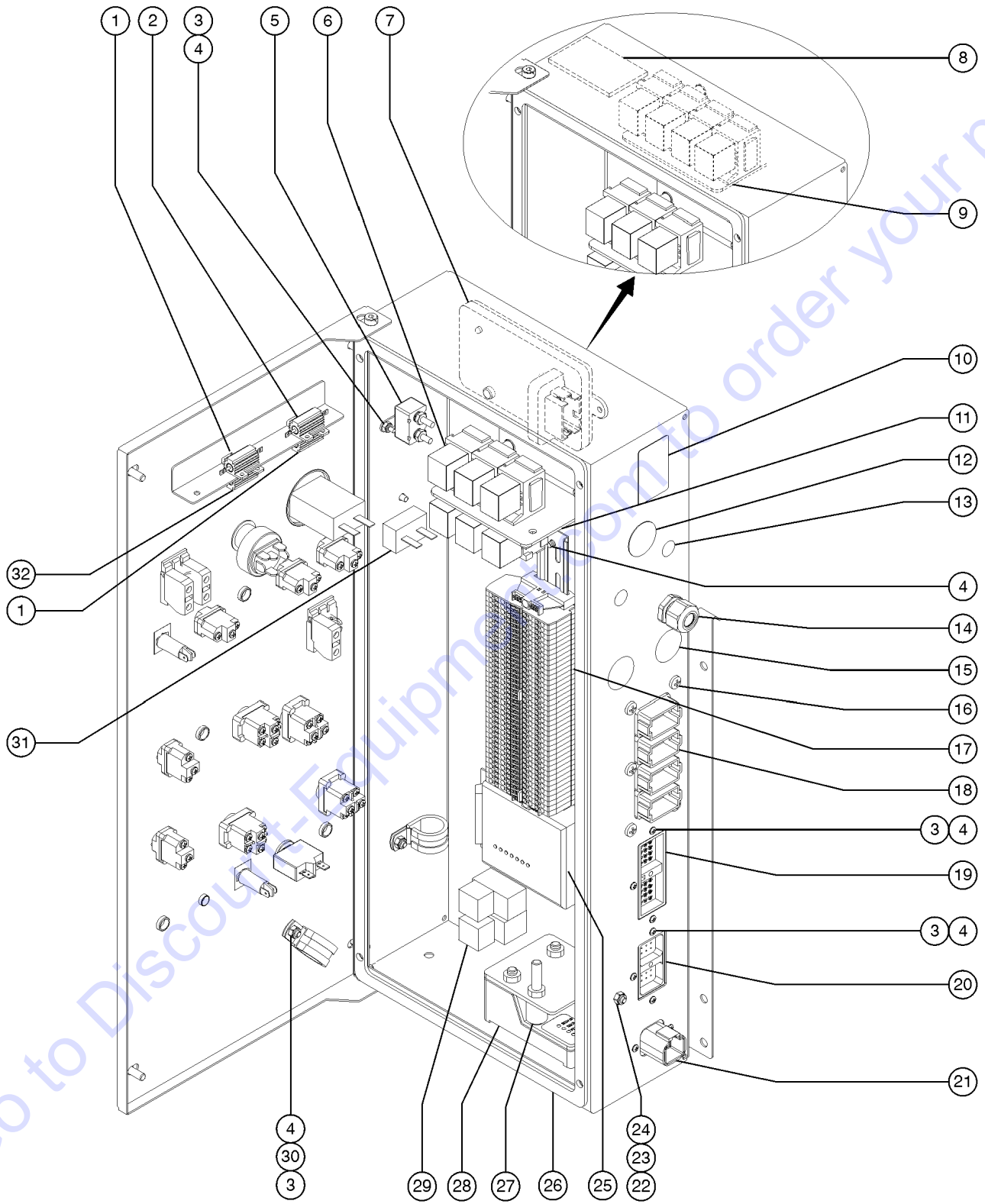
305.1 Ground Control Box - View 1



305.1 Ground Control Box - View 1

Item	Part No.	Description	Qty.	Item	Part No.	Description	Qty.
1	T108350GT	GROUND CONTROL BOX WITH DECAL.....1 <i>models with word decals (Gas/LPG models)</i>	1	15	128202GT	SWITCH TOGGLE ASSY DPDT 3P MOM.....1 <i>(Boom extend/retract)</i>	1
--	147840GT	WELDMENT, GROUND BOX, S60/65 <i>models with symbol decals (Diesel and Gas/LPG models)</i>		16	128202GT	SWITCH TOGGLE ASSY DPDT 3P MOM.....1 <i>(Platform rotate)</i>	1
--	T108346GT	GROUND CONTROL BOX WITH DECAL <i>models with word decals (Diesel models)</i>		17A	66813GT	BUTTON,PUSH,BLACK W/SEAL***.....1 <i>(Function enable)(single capacity models)</i>	1
2	6090GT	SCREW,HHC,1/4-20 X .75		--	T107725GT	BASE, W/2 NO CONTACTS	
3	6356GT	WASHER,LOCK,.25		17B	80716GT	SWITCH,SELECTOR,BLACK <i>(dual capacity models)</i>	
4	6638GT	WASHER,FLAT,USS,1/4"Y		--	T107725GT	BASE, W/2 NO CONTACTS	
5	19506GT	HOUR METER,10-80 VOLTS***.....1	1	18	128202GT	SWITCH TOGGLE ASSY DPDT 3P MOM.....1 <i>(Boom up/down)</i>	1
6	96008-SGT	KEYSWITCH,3 POS. W/KEYS***.....1	1	19	128202GT	SWITCH TOGGLE ASSY DPDT 3P MOM.....1 <i>(Turntable rotate)</i>	1
--	88827GT	GASKET,KEYSWITCH,PLASTIC***		20	147094GT	ASSY, CIRCUIT BREAKER 15A.....2 <i>(Controls)</i>	2
7	66812GT	BUTTON,PUSH,RED MUSHROOM HEAD.....1	1	21	824879GT	LIGHT,LED IND. RED 12V NH.....1	1
--	58627GT	NUT.....1	1	22	128201GT	SWITCH TOGGLE ASSY DPDT 2P MOM.....1 <i>(Auxiliary pump)</i>	1
--	73805GT	BASE,W/2 NC CONTACTS***.....1	1	23A	45384GT	PLUG,NYLON .50 BLACK DOMED	
8A	824879GT	LIGHT,LED IND. RED 12V NH.....1 <i>(Diesel models)</i>	1	23B	824879GT	LIGHT,LED IND. RED 12V NH <i>(Load sense) (CE models)</i>	
8B	824882GT	LT.LAMP IND. AMBER 12V ENG.NH.....1 <i>(Gas/LPG models)</i>	1	24	56912GT	SPRING CLIP,1/4-20,.025-.15X.54,ZAG	
9	128204GT	SWITCH TOGGLE ASSY SPDT 2P MNT.....1 <i>(Engine speed select)</i>	1	25	6638GT	WASHER,FLAT,USS,1/4"Y	
10	128204GT	SWITCH TOGGLE ASSY SPDT 2P MNT.....1 <i>(Gas/LPG select)</i>	1	26	6090GT	SCREW,HHC,1/4-20 X .75	
--	229567GT	PLUG,SANTOPRENE .5 BLACK DOME.....1 <i>(Diesel models)</i>	1	27	42288GT	PLUG,NYLON .188 BLACK DOMED	
11	128200GT	SWITCH TOGGLE ASSY SPDT 3P MOM.....1 <i>(Start assist, glow plug) (diesel models)</i>	1	28	228463GT	SCREW,SHS,1/4-20 X .375 ZINC.....2	2
--	229567GT	PLUG,SANTOPRENE .5 BLACK DOME.....1 <i>(Gas/LPG models)</i>	1	29	T107520GT	NUTSERT,LP KNURLED,1/4-20X.165.....2	2
12	128200GT	SWITCH TOGGLE ASSY SPDT 3P MOM.....1 <i>(Starter)</i>	1	30	T108351GT	GROUND CONTROL BOX LID WITH DECAL.....1 <i>S-60/65 (Australia & Europe), S-60/65 TraX (Australia & Europe), S-65 (N. America & S. America/Asia), S-65 TraX (N. America & S. America/Asia), S-60HC (Europe) Models with word decals</i>	1
--	229567GT	PLUG,SANTOPRENE .5 BLACK DOME.....1	1	--	T108347GT	GROUND CONTROL BOX LID WITH DECAL <i>S-60 TraX (N. America, S. America/Asia)</i>	
13	128200GT	SWITCH TOGGLE ASSY SPDT 3P MOM.....1 <i>(Platform level)</i>	1	--	T108348GT	GROUND CONTROL BOX LID WITH DECAL <i>S-60X (N. America, S. America/Asia)</i>	
14A	229567GT	PLUG,SANTOPRENE .5 BLACK DOME.....2 <i>(S-60)</i>	2	--	T108349GT	GROUND CONTROL BOX LID WITH DECAL <i>S-60XC (N. America, S. America/Asia)</i>	
14B	229567GT	PLUG,SANTOPRENE .5 BLACK DOME.....2 <i>(Jib up/down) (S-65)</i>	2	31A	21858GT	PLUG,NYLON .38 BLACK DOMED	
				31B	147094GT	ASSY, CIRCUIT BREAKER 15A <i>(models with worklight or oil cooler option)</i>	

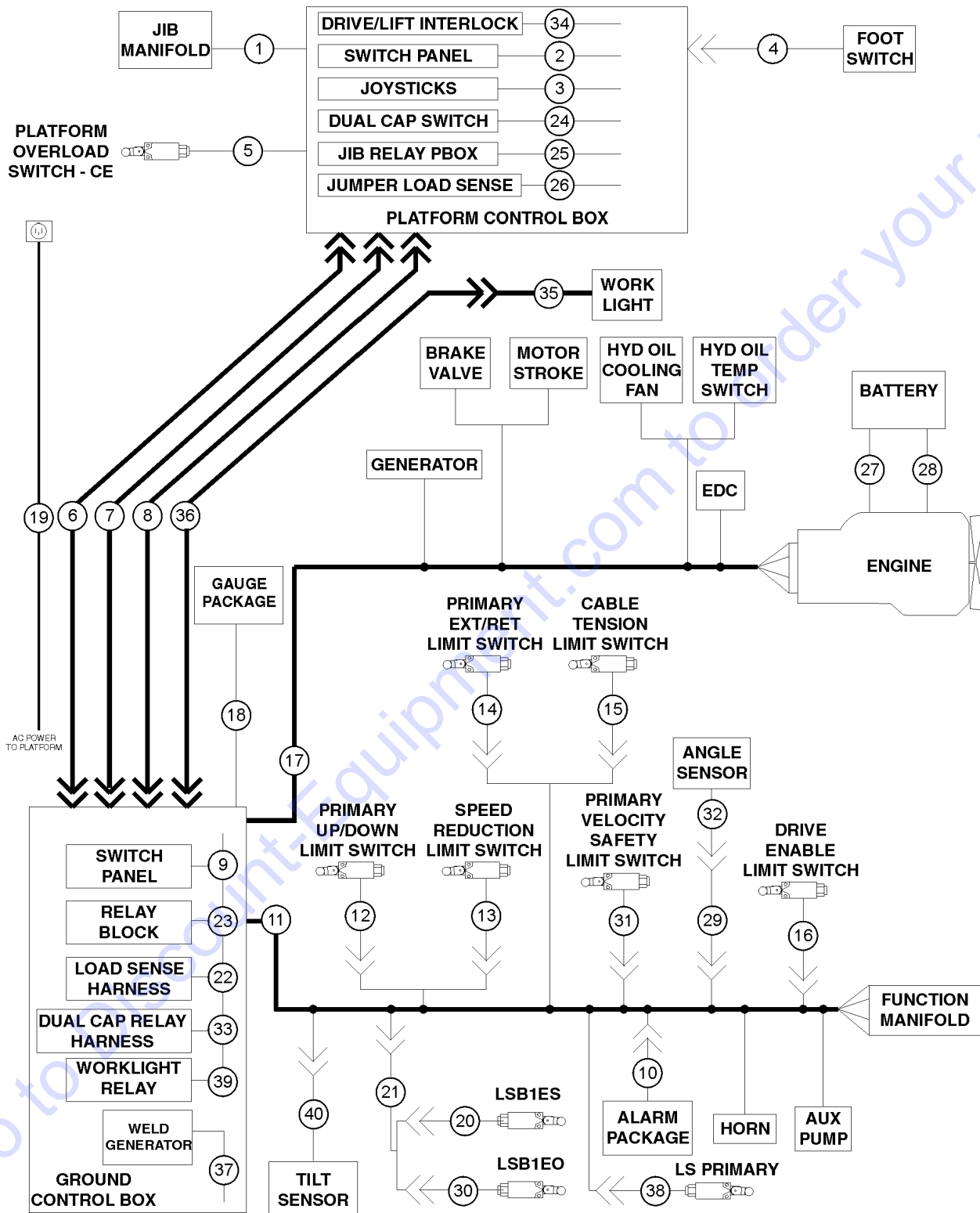
306.1 Ground Control Box - View 2



306.1 Ground Control Box - View 2

Item	Part No.	Description	Qty.	Item	Part No.	Description	Qty.
--	121846GT	RELAY,TIME DELAY,2 SEC,10A <i>models with load sense</i>		21	73717GT	CONN,RECEP 4 WAY,12-14GA FL***.....1	
--	61225GT	RELAY,12VDC,70AMP,SEALED <i>(glow plug)</i>		22	6091GT	NUT,NYLOCK,1/4-20	
1	89575GT	RESISTOR,7.5 OHM,25 WATT,1PCNT.....2		23	25926GT	WASHER,FLAT,M6 PLTD.	
2	40614GT	RESISTOR,5 OHM,25W***.....1		24	6888GT	SCREW,HHC,1/4-20 X 1	
3	6178GT	NUT,NYLOCK,10-32		25	56057GT	MODULE,IGNITION/START,12/24V.....1 <i>diesel models only</i>	
4	54365GT	SCREW,PHIL,PHM,10-32 X .5,SSTL		26	121599GT	GASKET,GBOX,S80/85 2008.....1	
5	128935GT	CIRCUIT BKR 10A TYPE 2 METAL.....1		27A	102357GT	POTENTIOMETER ASSY, WELDER.....1 <i>models with welder option</i>	
6A	34052GT	RELAY,SPDT,12V(AUTO) PLUG IN**.....6 <i>Diesel models</i>		27B	106140PGT	BRACKET,1K OHM 10-TURN POT,PNT.....1 <i>models with welder option</i>	
6B	34052GT	RELAY,SPDT,12V(AUTO) PLUG IN**.....4 <i>Gas/LPG models</i>		28	106657GT	MODULE,CONTROL,HI AMP.....1 <i>models with welder option</i>	
--	34053GT	ASSY,RELAY SOCKET, AUTO <i>individual parts no longer available</i>		29A	147455GT	HARNESS, OMRON RELAY, CR66 <i>models with welder option</i>	
--	54365GT	SCREW,PHIL,PHM,10-32 X .5,SSTL.....2		29B	33607GT	RELAY,OMRON,DPDT,12V.....2 <i>models with welder option</i>	
--	6178GT	NUT,NYLOCK,10-32.....2		29C	33608GT	RELAY,SOCKET,OMRON.....2 <i>models with welder option</i>	
7	128045GT	MODULE,LOAD SENSE 2007.....1 <i>CE models only</i>		30	13268GT	CLAMP,0.75,#12 X 1/4,RUB CUSH	
--	54365GT	SCREW,PHIL,PHM,10-32 X .5,SSTL.....2		31	106637GT	MODULE,TIME DELAY ON BREAK 4S...1 <i>models with welder option</i>	
--	6178GT	NUT,NYLOCK,10-32.....2		32A	27287GT	RESISTOR,10 OHM,25 WATT.....1 <i>dual capacity models</i>	
8	30997GT	CORROSION INHIBITOR,FOAM.....1		32B	40614GT	RESISTOR,5 OHM,25W*** S-60, S-65, S-60HC, S-60TX, S-65TX	
9	T107130GT	HARNESS,GBOX,DUAL CAP RELAY.....1					
10	110280GT	PLUG,NYLON .94X1.65 BLK DOMED....1					
11	54534GT	ANGLE,RELAY MNT,W/NUTSERTS,PNT.....1					
--	23404GT	NUTSERT,1/4-20,STEEL CAD PLTD					
--	6638GT	WASHER,FLAT,USS,1/4"Y					
--	7339GT	SCREW,HHC,1/4-20 X .5					
12	45385GT	PLUG,NYLON 1.12 BLACK DOMED.....1					
13	45384GT	PLUG,NYLON .50 BLACK DOMED.....1					
14	7057GT	CONN. SQZ,1/2NPT .39-.56 MED.					
15	15243GT	PLUG,NYLON .875 BLACK DOMED.....2					
16	73803GT	SCREW,SHM,PHP, #12 X .75.....6					
17	217043GT	ASSY, TERMINAL RAIL.....1					
--	217044GT	TERMINAL BLOCK, WIELAND.....43					
--	217045GT	TERMINAL BLOCK, END PLATE.....1					
--	217046GT	KIT, TERMINAL BLOCK					
--	33422GT	DIN RAIL,17".....1					
--	74913GT	END STOP, DIN RAIL,SCREW CLAMP.....2					
--	74917GT	JUMPER COMB, 2-WAY,WIELAND.....4					
--	74918GT	JUMPER COMB, 3-WAY,WIELAND.....1					
18	73736GT	CONN,RECEP 48 WAY,4 X 12.....1					
19	73754GT	CONN,RECEP 40 WAY,W/FLANGE.....1					
20	73753GT	CONN,RECEP 24 WAY,W/FLANGE.....1					

307.1 Wire Harness Diagram



307.1 Wire Harness Diagram

Item	Part No.	Description	Qty.	Item	Part No.	Description	Qty.
--	101191GT	WIRE LOOM,1"DIA.SLIT,HI TEMP		10	147300GT	HARNESS, ALARM PACKAGE.....	1
--	110803GT	HARNESS PROGRAM CAN PLUS1 S-60HC		11	147650GT	HARN,FUNCT MANIFOLD,S60/65.....	1
--	110987GT	SOFTWARE,S60HC,TCON,+1 S-60HC		12	139832GT	HARNESS, LS, OP, PRI ANGLE.....	1
--	110988GT	SOFTWARE,S60HC,SCON,+1 S-60HC		13	139835GT	HARNESS, LS, OP, PRI, VELOCITY.....	1
--	119607GT	SOFTWARE,S60HC,DIAGNOSTIC,+1 S-60HC		14	139836GT	HARNESS, LS, OP, PRIMARY.....	1
--	49219GT	SLEEVE,NYLON,2.19 ID,BULK <i>near platform; 48 inches required</i>		15	139833GT	HARNESS, LS, OP, CABLE TENSION....	1
A	58253GT	KIT,REPAIR,DEUTSCH PLUG,W/TUBE <i>small kit</i>		16	139834GT	HARNESS,LS,DRIVE ENABLE.....	1
B	83129GT	KIT,REPAIR,DEUTSH CONNECTORS** <i>large kit</i>		17	88810GT	HARNESS,DEUTZ ENGINE.....	1
C	61794GT	CRIMPER,DEUTSCH,LIGHT DUTY*** <i>tool</i>		--	110268GT	HARNESS PERKINS ENGINE S60 ALT.....	1
D	101191GT	WIRE LOOM,1"DIA.SLIT,HI TEMP		--	119483GT	FUEL JUMPER HARNESS <i>Ford modes; from SN 19677</i>	
E	49219GT	SLEEVE,NYLON,2.19 ID,BULK.....48-inches <i>near platform; 48 inches required</i>		--	119777GT	HARNESS,FORD DSG423,S60.....	1
F	110390GT	HARNESS,BOOM CABLE HIGH CAP. S-60HC		--	122053GT	HARNESS,S60 TURBO DEUTZ SPEC...1	
G	1264822GT	KIT, TRC RETROFIT, STNDRD <i>Telematics (includes 1264834)</i>		--	147428GT	HARNESS, FORD STARTER.....1 <i>Ford models; from SN 21009)</i>	
--	1264834GT	INSTRN, TRC RETROFIT, STNDRD		18	107552GT	HARNESS,GAUGE OPT.,S60 DEUTZ....1	
1	101080GT	HARNESS,JIB SELECT MANIFOLD.....1 S-65		--	T108415GT	HARNESS,ENGINE GAUGE.....1	
2	147642GT	HARNESS,PBOX,S60/65.....1		19A	139731GT	HARNESS, AC POWER TO PLAT JIB.....1 (S-65)	
3	147643GT	HARN,PBOX,JOYSTICK,S60/65.....1		--	228323GT	ASSY,CABLE,12.5KW WELDER.....936-inches (S-65 Welder Option)	
4		REF: Foot Switch Assembly <i>(refer to 701.1)</i>		19B	139732GT	HARNESS, AC POWER TO PLAT NJ.....1 S-60	
5	121848GT	ASSY,LS,LOAD SENSE,38.5 IN.....1		--	228322GT	ASSY,CABLE,12.5KW WELDER.....1008-inches	
6A	139737GT	HARNESS, 18/22, CABLE JIB.....1 S-65 (Green, Brown plugs)		20	T108321GT	HARN,LS SAFETY,PRI.DUAL CAP.....1	
6B	139738GT	HARNESS, 18/22, CABLE NJ.....1 S-60 (green/brown)		21	147654GT	HARN,LS CABLE,S60 DUAL CAP.....1 S-60X, S-60XC and S-60 TraX	
7A	139735GT	HARNESS, 18/19, CABLE JIB.....1 S-65, to SN 26286 (Grey, Black plugs)		--	43181GT	CAPACITOR,TIME DELAY	
7B	823917GT	HARNESS,18/22,CABLE2 JIB.....1 S-65, from SN 26287 (Black, Grey plugs)		22	139741GT	HARNESS, LOAD SENSE, GBOX.....1	
7C	139736GT	HARNESS, 18/19, CABLE NJ.....1 S-60, to SN 26286 (grey/black)		--	147255GT	HARNESS, JUMPER, LOAD SENSE.....1	
7D	823918GT	HARNESS,18/22,CABLE2 NJ.....1 S-60, from SN 26287		23	147646GT	HARN,GBOX & RELAY WIRES,DIESEL.....1	
8A	139733GT	HARNESS, 12/3 12V TO PLAT JIB.....1 S-65		--	147647GT	HARN, GBOX & RELAY WIRES, FORD.....1	
8B	139734GT	HARNESS, 12/3 12V TO PLAT NJ.....1		24	T108886GT	HARN,PBOX,DUAL CAP.....1	
9	147652GT	HARNESS,GBOX WIRING.....1		25	147657GT	HARNESS,JIB,PBOX,S65.....1	
				26	147031GT	HARNESS, LOAD SENSE.....1	
				27	88801GT	BATTERY CABLE,POSITIVE,RED.....1	
				28	88802GT	BATTERY CABLE,NEGATIVE,BLACK.....1	
				29	T106600GT	HARN,ANGLE,SNSR.CONN. CABLE.....1	
				30	T108322GT	HARN, LS OP PRI.DUAL CAP.....1	
				31	T106741GT	HARN,LS,SAFETY,PRI,VELOCITY.....1	
				32	94980GT	SENSOR,DUAL OUTPUT,ANGLE***.....1	
				33	T107130GT	HARNESS,GBOX,DUAL CAP RELAY.....1	

307.1 Wire Harness Diagram
(continued)

Item	Part No.	Description	Qty.
34	T108416GT	HARNESS,DRIVE/LIFT INTERLOCK.....1	
35	T114627GT	HARNESS,12V WORK LIGHTS.....1	
36A	T114625GT	CABLE,S60 12VDC WORK LIGHT.....1 S-60	
36B	T114626GT	CABLE,S65 12VDC WORK LIGHT.....1 S-65	
37	147396GT	HARNESS,GENERATOR POWER.....1	
38	T106741GT	HARN,LS,SAFETY,PRI,VELOCITY.....1	
39	T114624GT	HARN,12V WORK LIGHT RELAY.....1	
40	1260218GT	HARNESS,TILT ALARM,12V.....1 <i>CSA only</i>	
40	1264947GT	KIT, LEVEL SENSOR, 6 PIN CONN. <i>For ANSI/CSA models with 6-pin wire harness connector, includes instructions</i>	

Go to Discount-Equipment.com to order your parts

PARTS FINDER

**Search Website
by Part Number**



**Search Manual
Library For Parts
Manual & Lookup Part
Numbers – Purchase
or Request Quote**

Search Manuals

Enter your information to help us find the right parts manual for your machine.

* Brand:

* Model:

* Serial:

* Part Number:

SEARCH

**Can't Find Part or
Manual? Request Help
by Manufacturer,
Model & Description**

Parts Order Form

Please fill in the following information to help us find the right part for your machine.

Manufacturer:	<input type="text"/>
Model:	<input type="text"/>
Description:	<input type="text"/>
Part Number:	<input type="text"/>
Quantity:	<input type="text"/>
Notes:	<input type="text"/>

REQUEST HELP

Discount-Equipment.com is your online resource for quality parts & equipment.

Florida: **561-964-4949** Outside Florida TOLL FREE: **877-690-3101**

Need parts?

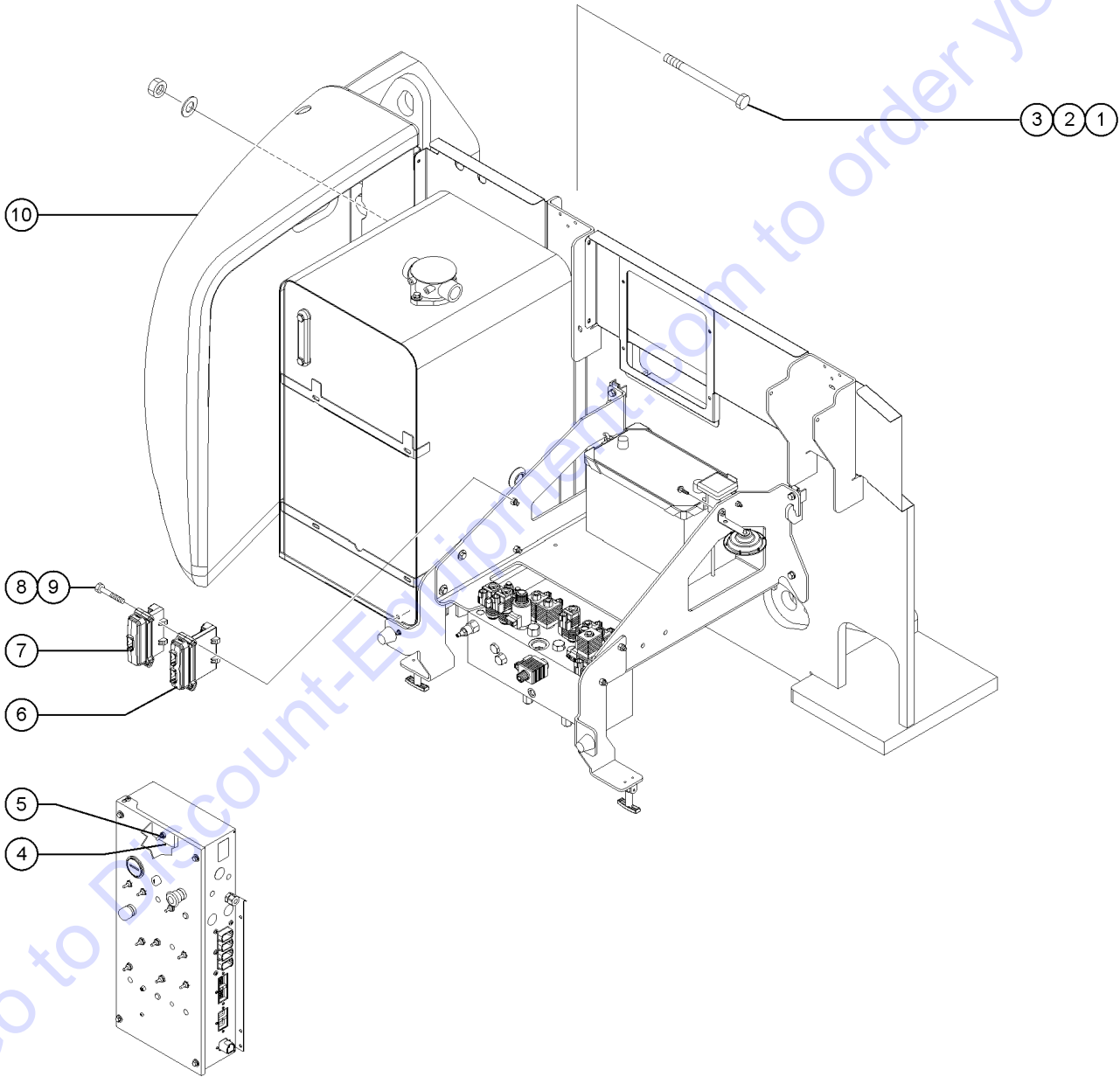
Click on this link: <http://www.discount-equipment.com/category/5443-parts/> and choose one of the options to help get the right parts and equipment you are looking for. Please have the machine model and serial number available in order to help us get you the correct parts. If you don't find the part on the website or on one of the online manuals, please fill out the request form and one of our experienced staff members will get back to you with a quote for the right part that your machine needs.

We sell worldwide for the brands: Genie, Terex, JLG, MultiQuip, Mikasa, Essick, Whiteman, Mayco, Toro Stone, Diamond Products, Generac Magnum, Airman, Haulotte, Barreto, Power Blanket, Nifty Lift, Atlas Copco, Chicago Pneumatic, Allmand, Miller Curber, Skyjack, Lull, Skytrak, Tsurumi, Husquvarna Target, Stow, Wacker, Sakai, Mi-T-M, Sullair, Basic, Dynapac, MBW, Weber, Bartell, Bennar Newman, Haulotte, Ditch Runner, Menegotti, Morrison, Contec, Buddy, Crown, Edco, Wyco, Bomag, Laymor, EZ Trench, Bil-Jax, F.S. Curtis, Gehl Pavers, Heli, Honda, ICS/PowerGrit, IHI, Partner, Imer, Clipper, MMD, Koshin, Rice, CH&E, General Equipment, Amida, Coleman, NAC, Gradall, Square Shooter, Kent, Stanley, Tamco, Toku, Hatz, Kohler, Robin, Wisconsin, Northrock, Oztec, Toker TK, Rol-Air, APT, Wylie, Ingersoll Rand / Doosan, Innovatech, Con X, Ammann, Mecalac, Makinex, Smith Surface Prep, Small Line, Wanco, Yanmar

This Page Intentionally Left Blank

Go to Discount-Equipment.com to order your parts

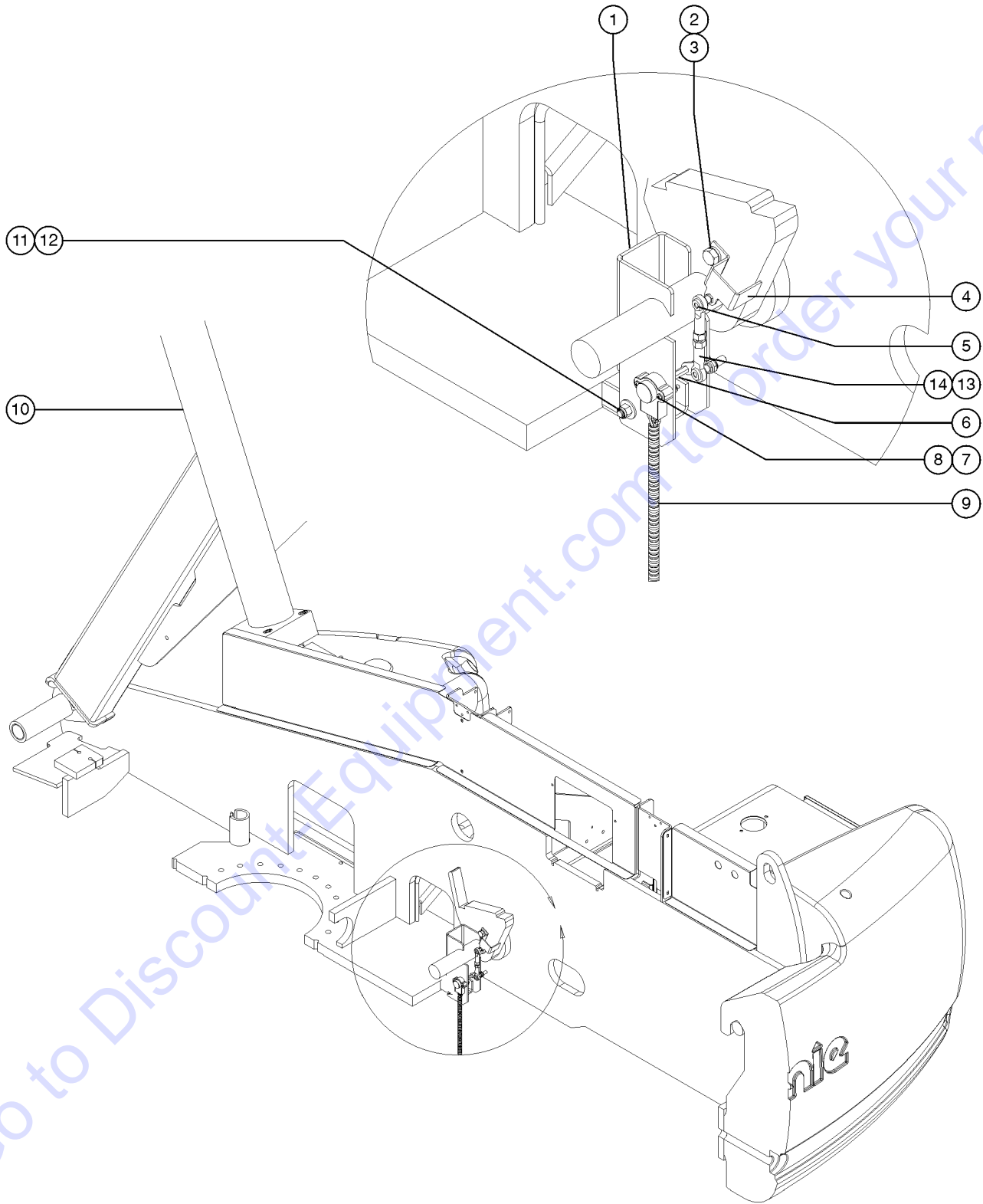
308.1 S-60 HC Turntable - View 1



Item	Part No.	Description	Qty.
1	73928GT	SCREW,HHC,1-8 X 11,GRD 5***.....1	1
2	38859GT	WASHER,FLAT,USS,1",Y	
3	29764GT	NUT,NYLOCK,1-8	
4	119246GT	FORMING,CAL TOGGLE SWITCH.....1	1
5	13480-SGT	SWITCH,TOGGLE,DPDT,2POS MOMEN.....1	1
6	110991GT	CONTROLLER ASSY TCON S60HC.....1	1
7	110992GT	CONTROLLER ASSY SCON S60HC.....1	1
8	74254GT	SCREW,HHC,1/4-20 X 4.5	
9	6091GT	NUT,NYLOCK,1/4-20	
10	88889GT	COUNTERWEIGHT,S60/65 5500LBS**1 <i>S-60X, S-60 and-S60 TraX with 750 lb capacity; S-65 & S-65 TraX</i>	1

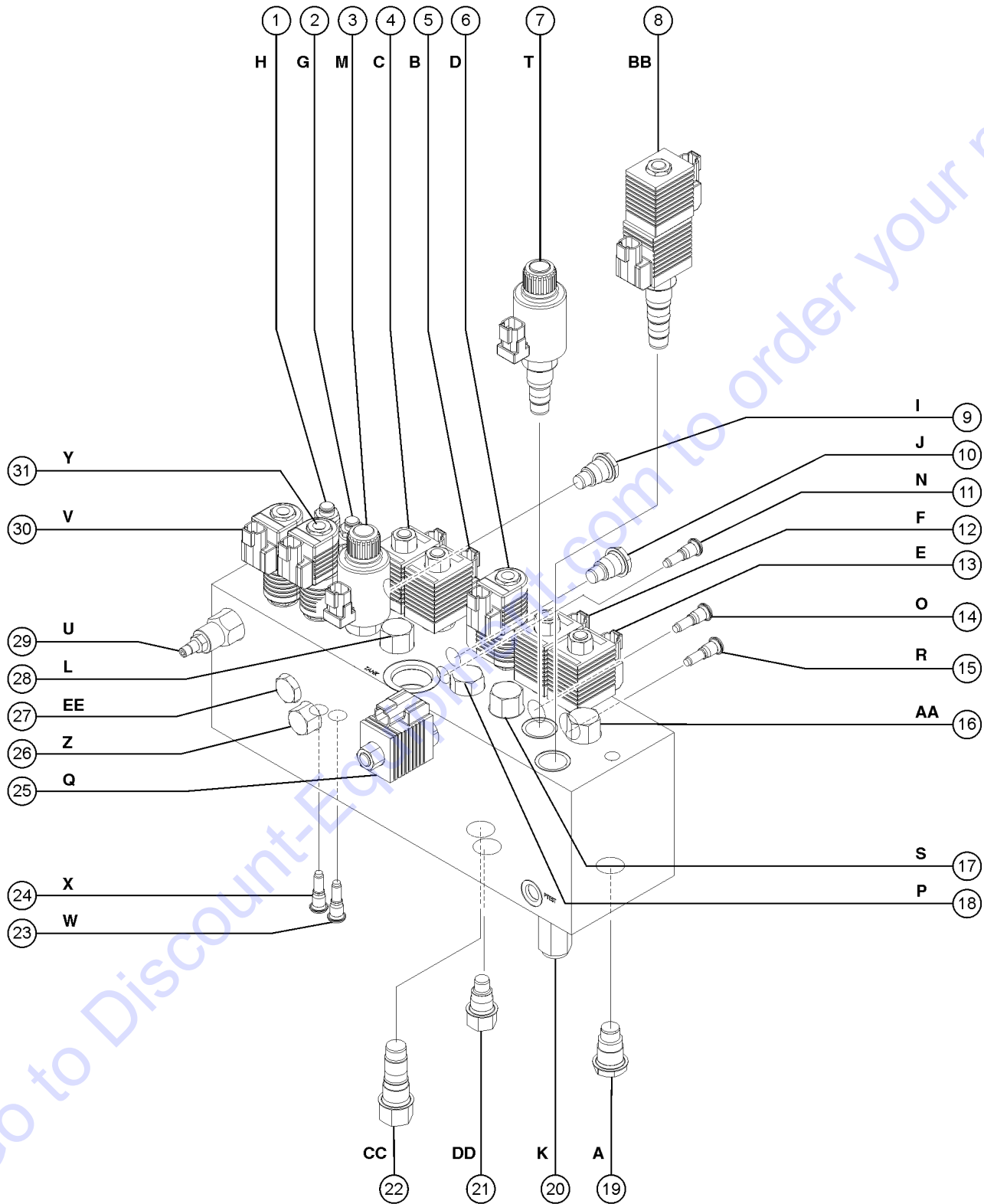
Go to Discount-Equipment.com to order your parts

309.1 S-60 HC Turntable - View 2



Item	Part No.	Description	Qty.
1	106883PGT	FORMING,SENSOR BRACKET(PTD)....1	
2	10597GT	SCREW,HHC,1/2-13 X 1.25 GR5.....1	
3	6033GT	WASHER,LOCK,0.5".....1	
4	119044GT	FORMING,ANGLE LINKAGE BRACKET.....1	
5	110329GT	BALL JOINT, 3/8-24 FEMALE.....1 <i>qty (1)</i>	
--	110755GT	NUT,HEX,JAM,3/8-24	
--	5408GT	NUT,LP NYLOCK,3/8-24	
6	106884GT	WELDMENT, ROTATOR ARM.....1	
7	6179GT	SCREW,RHM,10-32 X 1.25.....2	
8	6178GT	NUT,NYLOCK,10-32.....2	
9	94980GT	SENSOR,DUAL OUTPUT,ANGLE***.....1 <i>(calibration required after replacement)</i>	
--	119068GT	CONN,RECEP 6 WAY ENDCAP DT	
--	20973-1700GT	WIRE LOOM,3/8 POLY SLIT	
--	60445GT	LOCK,RECEP 6 WAY,14-18GA	
--	60455GT	TERM,GOLD PIN,18-16GA REEL	
10	107825GT	CYLINDER, LIFT, S60HC.....1	
--	101252GT	SEAL KIT (88653)	
--	1262331GT	KIT, GLAND NUT, S60 LIFT CYL. <i>for 107825</i>	
--	128464GT	VALVE,COUNTERBAL,CWCK-LHN@3500	
--	60984GT	VALVE COUNTERBAL.CBBB-LJN@5000	
11	6175GT	SCREW,HHC,3/8-16 X 1.....2	
12	4828GT	NUT,NYLOCK,3/8-16.....2	
13	139440GT	BALL JOINT, 3/8-24 LEFT HAND.....1	
--	139441GT	NUT,HEX,JAM,3/8-24, LEFT HAND	
--	5408GT	NUT,LP NYLOCK,3/8-24	
14	139366GT	ADJ ROD, LH/RH, 3/8-24.....1	

401.1 Function Manifold



401.1 Function Manifold

Item	Part No.	Description	Qty.	Item	Part No.	Description	Qty.
--	139963GT	MANIFOLD,FUNCTION		--	74902GT	SEAL KIT	
--	94499GT	ACCUMULATOR,10CC,1000PSI,#6SAE (not shown)		11	27807GT	VALVE,CHECK***.....1 Differential sensing circuit, boom extend/retract	
1	62256GT	VALVE,CB 3:1 3500 PSI.....1 Platform level down		--	110200GT	SEAL KIT, VALVE, #4	
--	110202GT	SEAL KIT, VALVE, #10		12	89309GT	VALVE - SOLENOID 2POSITION 3WA...1 Boom down	
2	62256GT	VALVE,CB 3:1 3500 PSI.....1 Platform level up		--	45912GT	NUT,SOLENOID VALVE 2P3W	
--	110202GT	SEAL KIT, VALVE, #10		--	62275GT	COIL,10V	
3	107753GT	VALVE,PROPORTIONAL.....1 Boom extend/retract		--	89310GT	SEAL KIT, SOLENOID VALVE	
--	45921GT	RETAINER-N.C.PROPOR.SOLENOID		13	89309GT	VALVE - SOLENOID 2POSITION 3WA...1 Boom up/down circuit	
--	58303GT	COIL,VALVE,PROPORTIONAL***		--	45912GT	NUT,SOLENOID VALVE 2P3W	
--	89310GT	SEAL KIT, SOLENOID VALVE		--	62275GT	COIL,10V	
4	89309GT	VALVE - SOLENOID 2POSITION 3WA...1 Boom retract		--	89310GT	SEAL KIT, SOLENOID VALVE	
--	45912GT	NUT,SOLENOID VALVE 2P3W		14	27807GT	VALVE,CHECK***.....1 Differential sensing circuit, turntable rotate	
--	62275GT	COIL,10V		--	110200GT	SEAL KIT, VALVE, #4	
--	89310GT	SEAL KIT, SOLENOID VALVE		15	27807GT	VALVE,CHECK***.....1 Differential sensing circuit, boom up/down	
5	89309GT	VALVE - SOLENOID 2POSITION 3WA...1 Boom extend		--	110200GT	SEAL KIT, VALVE, #4	
--	45912GT	NUT,SOLENOID VALVE 2P3W		16	111705GT	VALVE,FLOW REGULATOR 3.5 GPM**.....1 Steer left/right circuit	
--	62275GT	COIL,10V		--	110202GT	SEAL KIT, VALVE, #10	
--	89310GT	SEAL KIT, SOLENOID VALVE		17	94599GT	VALVE,DIFFERENTIAL SENSING,110...1 Boom up/down circuit	
6	89307GT	VALVE,SOLENOID 3POS 4WAY*1 Turntable rotate		--	110197GT	SEAL KIT, VALVE, #10	
--	52943GT	NUT,SOLENOID VALVE COIL		18	27802GT	VALVE,DIFFERENTIAL SENSING***1 Turntable rotate circuit	
--	62273GT	COIL,GREEN W/ 2 PIN CONNECTOR*		--	110197GT	SEAL KIT, VALVE, #10	
--	72047GT	SEAL KIT, SOLENOID VALVE		19	27836GT	VALVE,CHECK,5 PSI.....1 Blocks flow from auxiliary pump to function pump	
--	89311GT	SPACER, DUAL COIL SIZE #8		--	110194GT	SEAL KIT, VALVE, #10	
7	107753GT	VALVE,PROPORTIONAL Boom up/down circuit		20	45489GT	VALVE,RELIEF 3000 PSI***1 System relief	
--	45921GT	RETAINER-N.C.PROPOR.SOLENOID		--	110194GT	SEAL KIT, VALVE, #10	
--	58303GT	COIL,VALVE,PROPORTIONAL***		21	32975GT	VALVE,FLOW REGULATOR 0.1 GPM.....1 Bleeds off differential sensing valves to tank	
--	89310GT	SEAL KIT, SOLENOID VALVE		--	74902GT	SEAL KIT	
8	62260GT	VALVE,SOLENOID 3 POS,4WAY***1 Steer left/right		22	27804GT	VALVE,DIFFERENTIAL SENSING***1 Differential sensing circuit, meters flow to functions	
--	110196GT	SEAL KIT, VALVE, #10		--	110201GT	SEAL KIT, VALVE, #10	
--	52943GT	NUT,SOLENOID VALVE COIL		23	27807GT	VALVE,CHECK***.....1 Differential sensing circuit, platform level up	
--	89861GT	COIL, 10V DC (D10, 20 WATT)		--	110200GT	SEAL KIT, VALVE, #4	
9	62257GT	VALVE,CHECK, 30 PSI.....1 Differential sensing circuit, platform rotate left and jib boom up (S-65, S-65 Trax)					
--	74902GT	SEAL KIT					
10	62257GT	VALVE,CHECK, 30 PSI.....1 Differential sensing circuit, platform rotate right and jib boom down (S-65, S-65 Trax)					

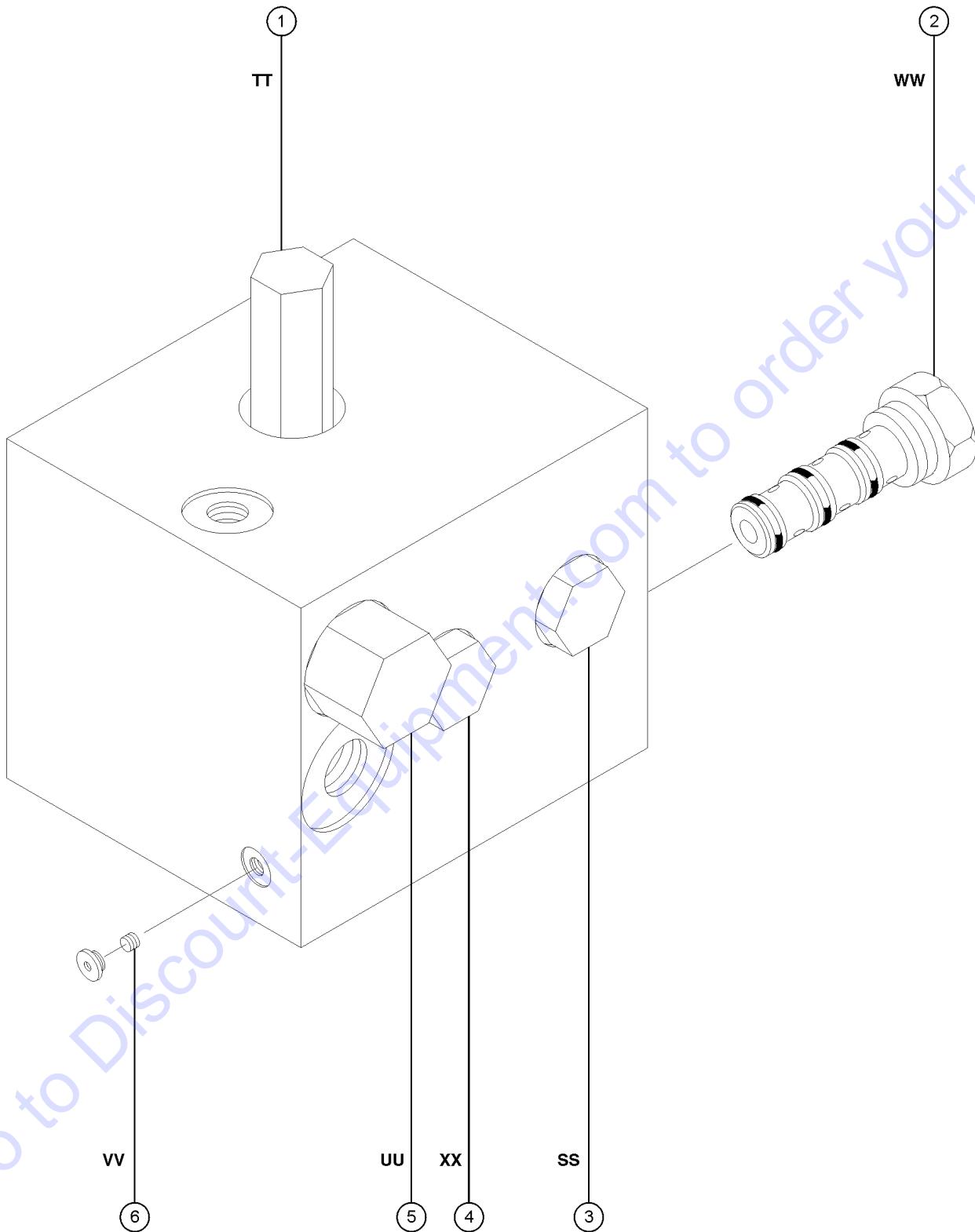
401.1 Function Manifold (continued)

Item	Part No.	Description	Qty.
24	27807GT	VALVE,CHECK***1 <i>Differential sensing circuit, platform level down</i>	
--	110200GT	SEAL KIT, VALVE, #4	
25	94598GT	VALVE,PROPORTIONAL ***1 <i>Turntable rotate left/right</i>	
--	62274GT	COIL,12V	
--	62276GT	NUT, SOLENOID VALVE COIL	
--	89736GT	SEAL KIT, PROPORTIONAL VALVE	
26	31100GT	VALVE,FLOW REGULATOR 0.6GPM....1 <i>Platform rotate and jib boom (S-65, S-65 TraX)</i>	
--	74902GT	SEAL KIT	
27	62257GT	VALVE,CHECK, 30 PSI.....1 <i>Platform rotate and jib boom circuit (S-65, S-65 TraX) (prevents hydraulic hoses from draining back to tank)</i>	
--	74902GT	SEAL KIT	
28	94599GT	VALVE,DIFFERENTIAL SENSING,110...1 <i>Boom extend/retract circuit</i>	
--	110197GT	SEAL KIT, VALVE, #10	
29	62258GT	VALVE,NEEDLE***1 <i>Platform level circuit</i>	
--	110194GT	SEAL KIT, VALVE, #10	
30	89307GT	VALVE,SOLENOID 3POS 4WAY*1 <i>Platform level up/down</i>	
--	52943GT	NUT,SOLENOID VALVE COIL	
--	62273GT	COIL,GREEN W/ 2 PIN CONNECTOR*	
--	72047GT	SEAL KIT, SOLENOID VALVE	
--	89311GT	SPACER, DUAL COIL SIZE #8	
31	89307GT	VALVE,SOLENOID 3POS 4WAY*1 <i>Platform rotate and jib boom up/down (S-65, S-65 TraX)</i>	
--	52943GT	NUT,SOLENOID VALVE COIL	
--	62273GT	COIL,GREEN W/ 2 PIN CONNECTOR*	
--	72047GT	SEAL KIT, SOLENOID VALVE	
--	89311GT	SPACER, DUAL COIL SIZE #8	

This Page Intentionally Left Blank

Go to Discount-Equipment.com to order your parts

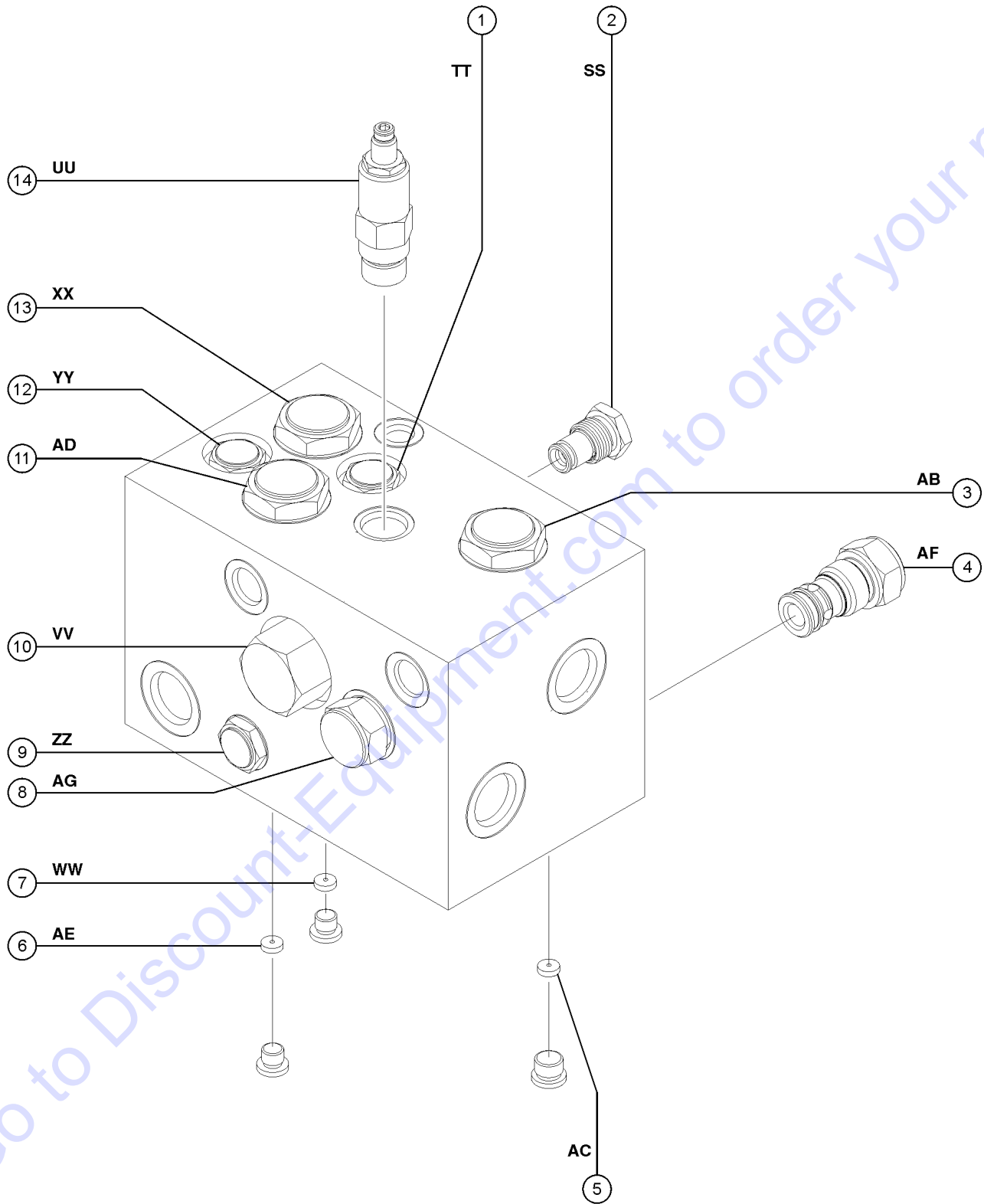
402.1 Traction Manifold, 2WD



402.1 Traction Manifold, 2WD

Item	Part No.	Description	Qty.
--	88783GT	MANIFOLD, TRACTION, 2WD	
1	94758GT	VALVE, RELIEF, 280 PSI.....1 <i>Charge Pressure circuit</i>	1
--	110194GT	SEAL KIT, VALVE, #10	
2	52726GT	VALVE, FLOW DIVIDER/COMBINER.....1 <i>Controls flow to drive motors in forward and reverse</i>	1
--	84135GT	SEAL KIT, VALVE	
3	27836GT	VALVE, CHECK, 5 PSI.....1 <i>Drive circuit</i>	1
--	110194GT	SEAL KIT, VALVE, #10	
4	27836GT	VALVE, CHECK, 5 PSI.....1 <i>Drive circuit</i>	1
--	110194GT	SEAL KIT, VALVE, #10	
5	27761GT	VALVE, SHUTTLE.....1 <i>Charge Pressure circuit that directs hot oil out of low pressure side of drive pump</i>	1
--	84134GT	SEAL KIT, VALVE	
6	101440GT	ORIFICE PLUG, 0.070".....1 <i>Drive motor circuit</i>	1

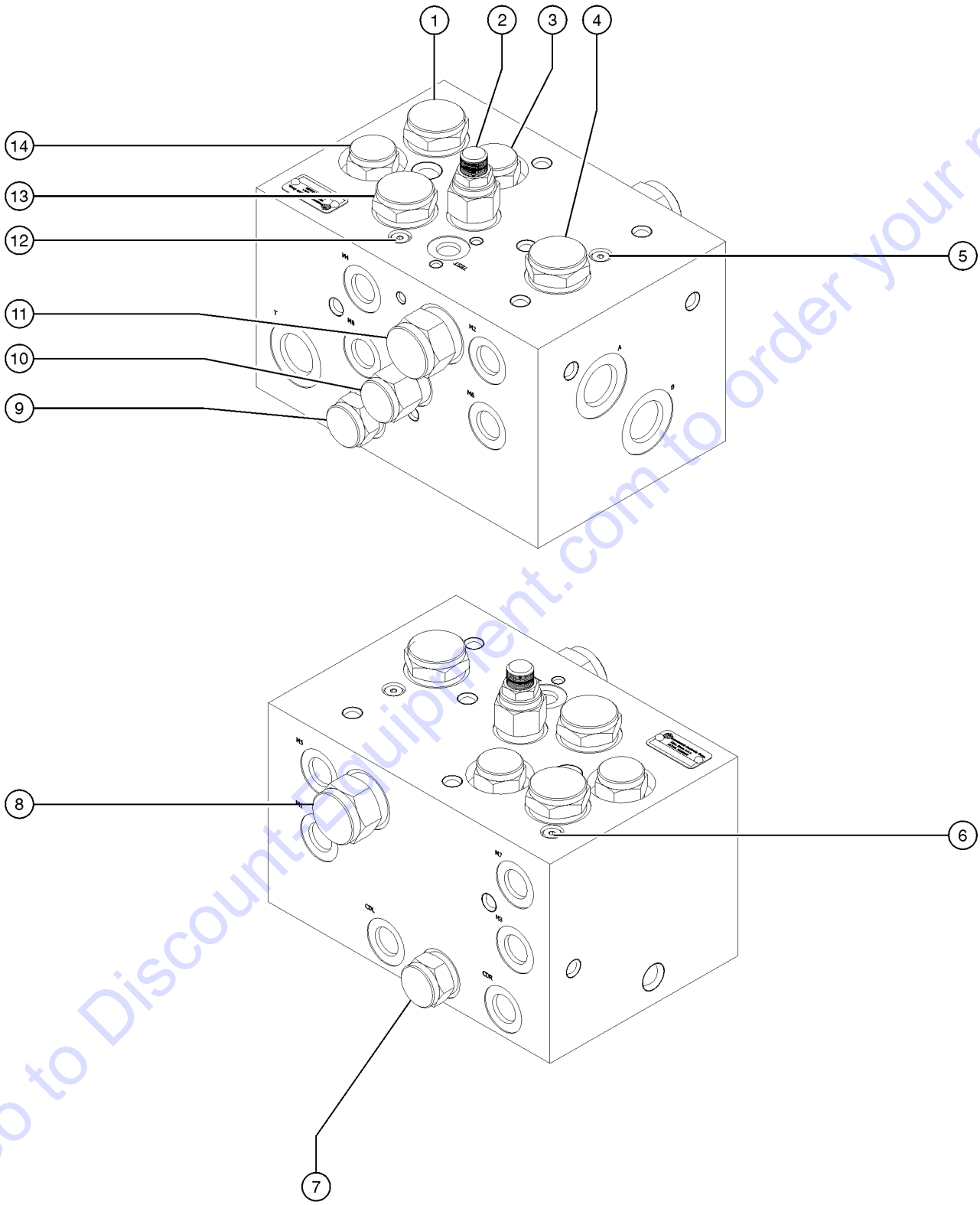
403.1 Traction Manifold, 4WD (to serial number 21231)



403.1 Traction Manifold, 4WD (to serial number 21231)

Item	Part No.	Description	Qty.
--		Ref. MANIFOLD,TRACTION,4WD*** <i>4WD traction manifold part 88784 is no longer available; for its complete replacement customer must order part 139712. (refer to 403.2)</i>	
1	94757GT	VALVE,CHECK,3 PSI***.....1 <i>Steer End Drive motor circuit (88784)</i>	1
--	128416GT	SEAL KIT	
2	94757GT	VALVE,CHECK,3 PSI***.....1 <i>Non-steer End Drive motor circuit (88784)</i>	1
--	128416GT	SEAL KIT	
3	94754GT	VALVE,FLOW DIVIDER/COMBINER.....1 <i>Controls flow to flow divider/combiner valves (88784)</i>	1
--	128417GT	SEAL KIT	
4	94756GT	VALVE,CHECK, 2.5 PSI.....1 <i>Non-steer End Drive motor circuit (88784)</i>	1
--	128418GT	SEAL KIT	
5	94751GT	ORIFICE,0.040".....1 <i>Equalizes pressure on both sides of flow divider/combiner valve 3</i>	1
6	94751GT	ORIFICE,0.040".....1 <i>Equalizes pressure on both sides of flow divider/combiner valve 11</i>	1
7	94751GT	ORIFICE,0.040".....1 <i>Steer End Drive motor circuit (88784)</i>	1
8	94756GT	VALVE,CHECK, 2.5 PSI.....1 <i>Steer End Drive motor circuit (88784)</i>	1
--	128418GT	SEAL KIT	
9	94757GT	VALVE,CHECK,3 PSI***.....1 <i>Steer End Drive motor circuit (88784)</i>	1
--	128416GT	SEAL KIT	
10	94753GT	VALVE,SHUTTLE,40 PSI.....1 <i>Charge pressure circuit that directs hot oil out of low pressure side of drive pump (88784)</i>	1
--	128417GT	SEAL KIT	
11	94752GT	VALVE FLOW DIVIDER/COMBINER.....1 <i>Controls flow to steer end drive motors in forward and reverse (88784)</i>	1
--	128417GT	SEAL KIT	
12	94757GT	VALVE,CHECK,3 PSI***.....1 <i>Non-steer End Drive motor circuit (88784)</i>	1
--	128416GT	SEAL KIT	
13	94752GT	VALVE FLOW DIVIDER/COMBINER.....1 <i>Controls flow to steer end drive motors in forward and reverse (88784)</i>	1
--	128417GT	SEAL KIT	
14	101446GT	VALVE,RELIEF 280 PSI.....1 <i>Charge pressure circuit (88784)</i>	1
--	128416GT	SEAL KIT	

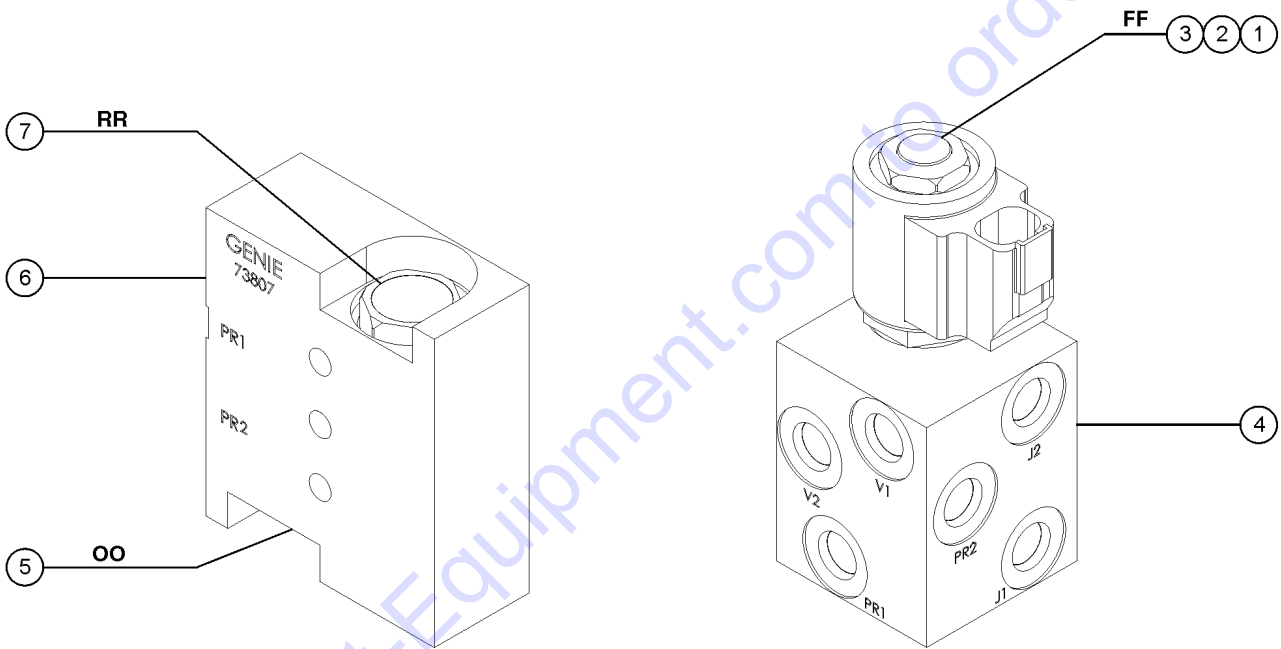
403.2 Traction Manifold, 4WD (from serial number 21232)



403.2 Traction Manifold, 4WD (from serial number 21232)

Item	Part No.	Description	Qty.
--	139712GT	MANIFOLD, TRACTION, 4WD*** (replaced 88784 at SN 21232)	
1	139717GT	VALVE, FLOW DIVIDE/COMB, 24GPM...1 (controls flow to non-steer end drive motors in forward and reverse)	
--	139512GT	SEAL KIT, VALVE	
2	139718GT	VALVE, RELIEF, 280PSI.....1 (charge pressure circuit)	
--	139528GT	SEAL KIT, VALVE	
3	139527GT	VALVE, CHECK, 5PSI.....1 (steer end drive motor circuit)	
4	139508GT	VALVE, FLOW DIVIDE/COMBINE 1:1.....1 (controls flow to flow divider/combiner valves 1 and 13)	
5	139719GT	ORIFICE, 0.040".....1 (equalizes pressure on both sides of flow divider/combiner valve)	
--	1287434GT	PLUG, SAE #03 (139712)	
6	139719GT	ORIFICE, 0.040".....1 (equalizes pressure on both sides of flow divider/combiner valve)	
--	1287434GT	PLUG, SAE #03 (139712)	
7	139527GT	VALVE, CHECK, 5PSI.....1 (non-steer end drive motor circuit)	
8	139716GT	VALVE, CHECK.....1 (non-steer end drive motor circuit)	
--	139727GT	SEAL KIT, VALVE	
9	139527GT	VALVE, CHECK, 5PSI.....1 (steer end drive motor circuit)	
10	139715GT	VALVE, SHUTTLE, FIXED.....1 (steer end drive motor circuit)	
--	139512GT	SEAL KIT, VALVE	
11	139716GT	VALVE, CHECK.....1 (charge pressure circuit that directs hot oil out of low pressure side of drive pump)	
12	139719GT	ORIFICE, 0.040".....1 (equalizes pressure on both sides of flow divider/combiner valve)	
--	1287434GT	PLUG, SAE #03 (139712)	
13	139717GT	VALVE, FLOW DIVIDE/COMB, 24GPM...1 (controls flow to steer end drive motors in forward and reverse)	
--	139512GT	SEAL KIT, VALVE	
14	139527GT	VALVE, CHECK, 5PSI.....1 (non-steer end drive motor circuit)	

404.1 Platform Rotate and Jib Boom/Platform Rotate Manifold

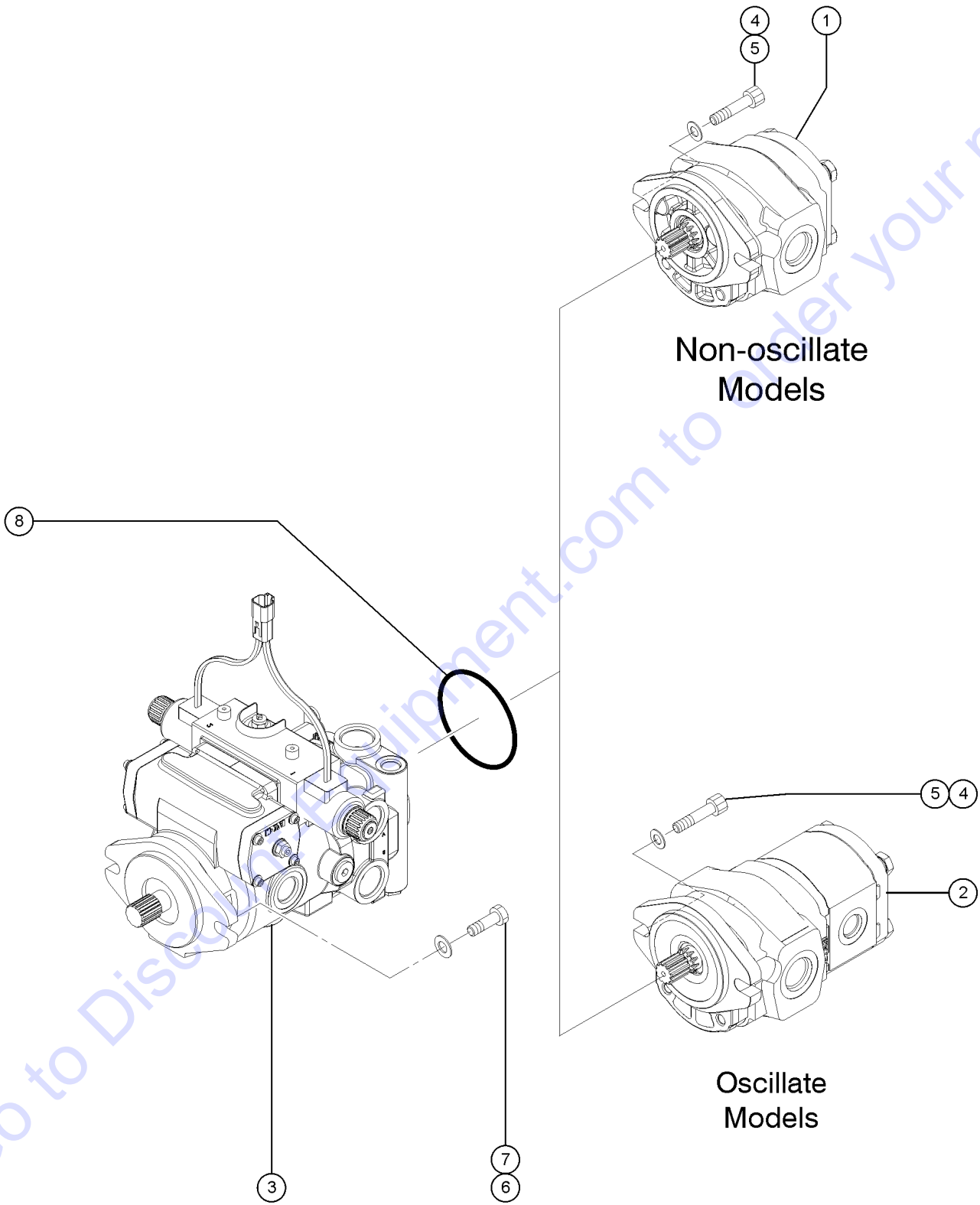


Go to Discount-Equipment.com to order your parts

404.1 Platform Rotate and Jib Boom/Platform Rotate Manifold

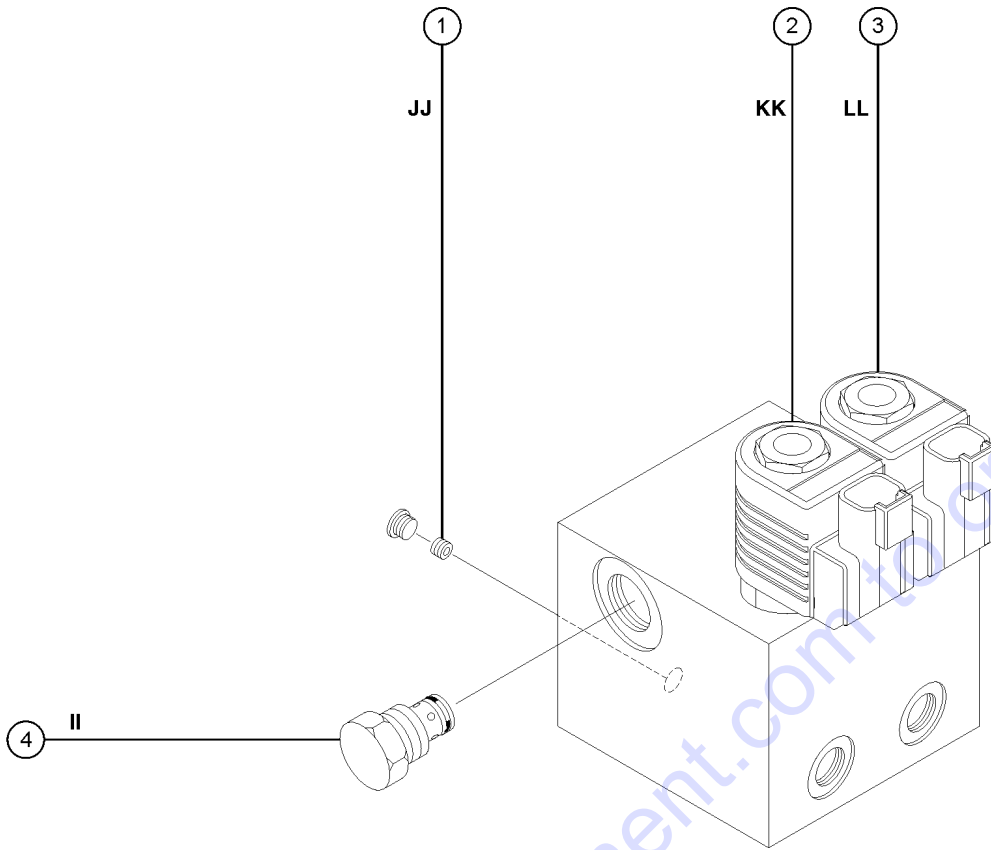
Item	Part No.	Description	Qty.
1	44174GT	NUT-COIL SHORT.....	1
2	52897GT	VALVE,SOLENOID, 2POS/3WAY***.....	1
--	52371GT	SEAL KIT, VALVE.....	1
3	104759GT	COIL,12VDC #8 DTSCH IP69 ECOIL.....	1
4A	1256670GT	MANIFOLD,JIB SELECT W/QD PLUG.... <i>includes items 1-3</i>	1
4B		MANIFOLD,JIB SELECT W/QD PLUG* (88786)..... <i>replaced by 1256670</i>	1
--	89862GT	VALVE-SOLENOID,2POS 3WAY,JIB** <i>Platform rotate/Jib boom select</i>	1
--	89864GT	SEAL KIT,SOLENOID VALVE, SV07 <i>for 89862</i>	
5	62506GT	VALVE - COUNTERBALANCE**..... <i>Platform rotate left</i>	1
--	43018GT	SEAL KIT (39345)	
6	73807GT	MANIFOLD,ROTATOR,CB***.....	1
--	62507GT	O-RING, ROTATOR MANIFOLD	
7	62506GT	VALVE - COUNTERBALANCE**..... <i>Platform rotate right</i>	1
--	43018GT	SEAL KIT (39345)	

405.1 Pumps



Item	Part No.	Description	Qty.
1	139799GT	PUMP,LIFT,1 SECTION.....1	1
--	147550GT	KIT, SEAL, PUMP, 1 SECTION	
2	139801GT	PUMP,LIFT,2 SECTION***.....1	1
--	147549GT	KIT, SEAL, PUMP, 2 SECTION	
3	77788GT	PUMP,PISTON,49CC***.....1	1
--	101294GT	KIT,CHARGE PUMP	
--	106835GT	CONTROLLER W/O COILS (77788) <i>(first time replacement requires 1285505GT)</i>	
--	106836GT	O-RING,STEM,EATON	
--	106837GT	NUT,STEM,EATON***	
--	107813GT	SPACER,EATON PUMP SHAFT SEAL** <i>check pump date code, for pumps after 031505</i>	
--	107814GT	SEAL,SHAFT,EATON PUMP***	
--	107815GT	SNAP RING,PUMP SHAFT SEAL***	
--	107842GT	KIT,PUMP SHAFT SEAL W/INST*** <i>includes PNs 107813, 107814, 107815</i>	
--	128423GT	KIT,CHARGE PUMP HOUSING	
--	1285505GT	KIT,SOLENOID CONTROL SERVICE	
--	1285506GT	SEAL RING,SOLENOID CONTROL <i>(for 1285505GT)</i>	
--	43683GT	O-RING,2-042 N674-70***	
--	58431GT	SEAL KIT,PUMP SHAFT (EATON)*** <i>check pump date code, if after 031505, must also order 107813 qty 1</i>	
--	82431GT	HOSE ASM-JCAF310-06-41	
4	33988GT	SCREW,SHC,3/8-16 X 1	
5	5397GT	WASHER,FLAT,USS,5/16",Y	
6	8177GT	SCREW,HHC,1/2-13 X 1.5	
7	13066GT	WASHER,FLAT,.5 HARDENED	
8	43683GT	O-RING,2-042 N674-70***.....1	1

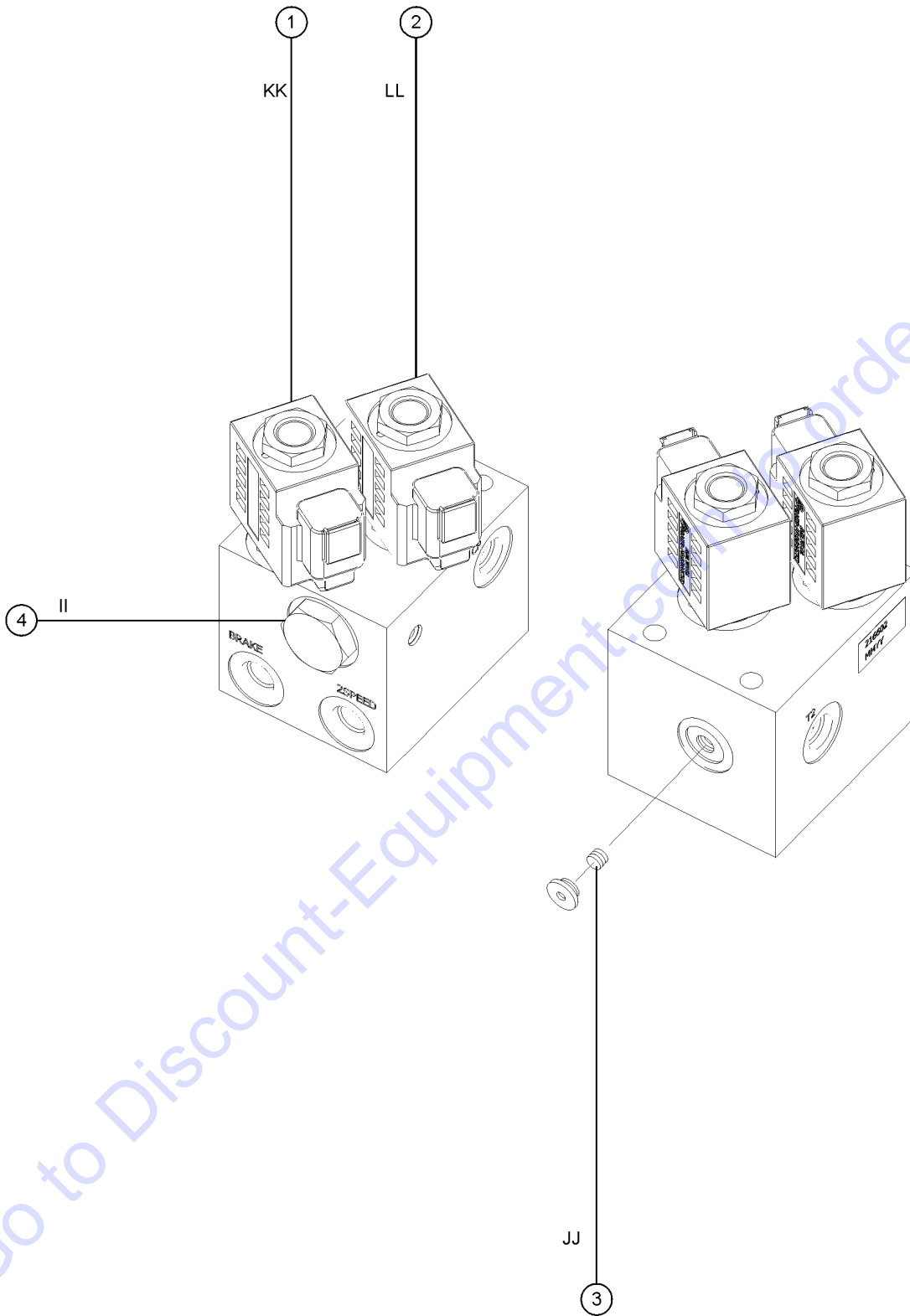
406.1 Brake and 2 Speed Manifold (to SN 25201)



406.1 Brake and 2 Speed Manifold (to SN 25201)

Item	Part No.	Description	Qty.
--	88785GT	MANIFOLD,BRAKE/2 SPD W/QD PLG*	
1	94764GT	ORIFICE,0.025".....1 <i>Turntable rotation brake release</i>	1
2	94760GT	VALVE,SOLENOID,10V,W/OUT COIL*....1 <i>Brake release</i>	1
--	128419GT	SEAL KIT	
--	94759GT	NUT,SOLENOID	
--	94765GT	COIL-10V DC***	
3	94760GT	VALVE,SOLENOID,10V,W/OUT COIL*....1 <i>Two-speed motor shift</i>	1
--	128419GT	SEAL KIT	
--	94759GT	NUT,SOLENOID	
--	94765GT	COIL-10V DC***	
4	94761GT	VALVE,CHECK.....1 <i>Brake release circuit</i>	1
--	128420GT	SEAL KIT	

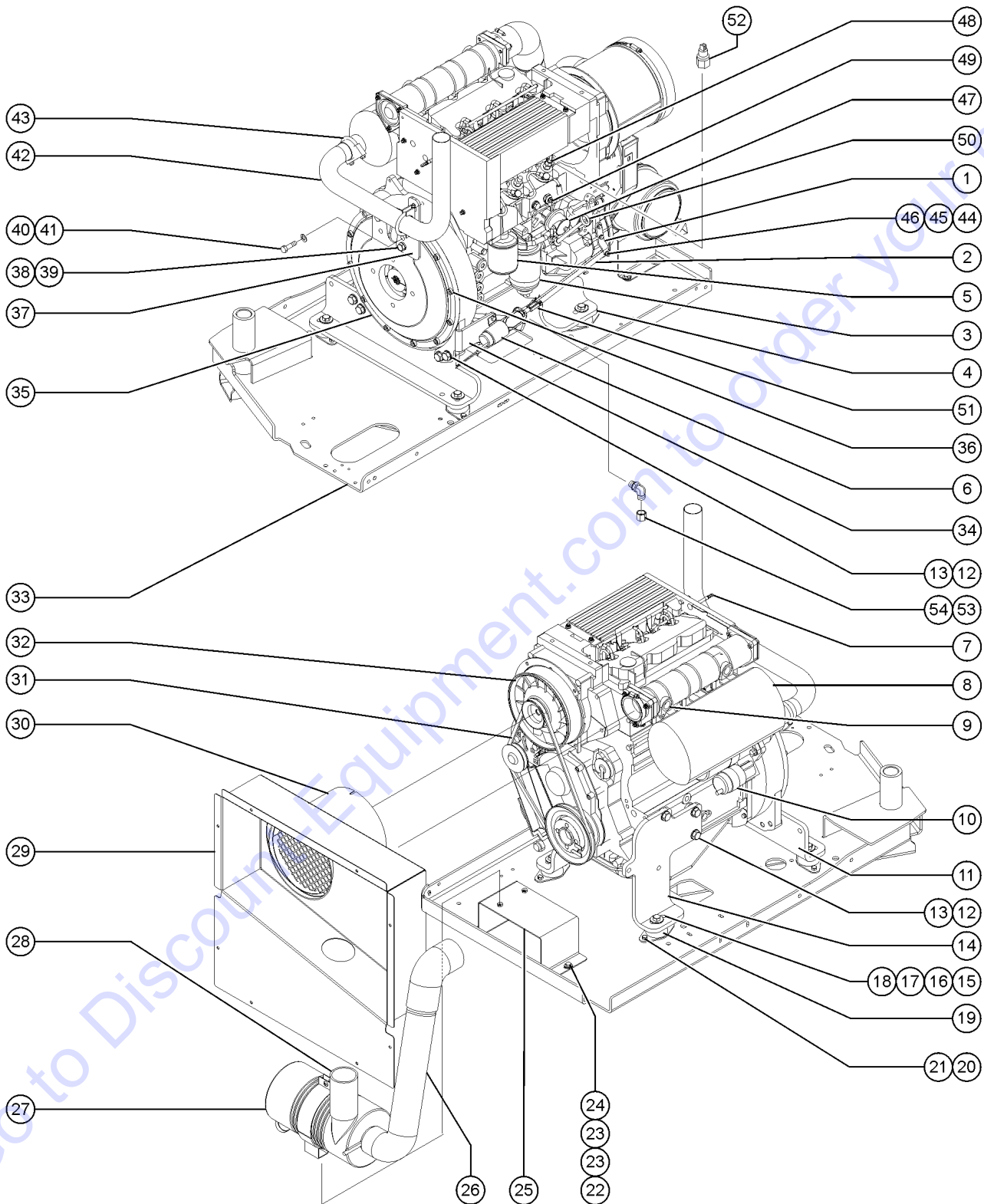
406.2 Brake and 2 Speed Manifold (from SN 25202)



406.2 Brake and 2 Speed Manifold (from SN 25202)

Item	Part No.	Description	Qty.
--	216602GT	MANIFOLD,BRAKE,2-SPEED.....	1
1	219243GT	COIL, SOLENOID VALVE, 10V..... <i>Brake Release</i>	1
--	161144GT	SEAL KIT,SOLENOID VALVE 219247	
--	219247GT	VALVE, SOLENOID	
--	94759GT	NUT,SOLENOID	
2	219243GT	COIL, SOLENOID VALVE, 10V..... <i>Two Speed Motor Shift</i>	1
--	161144GT	SEAL KIT,SOLENOID VALVE 219247	
--	219247GT	VALVE, SOLENOID	
--	94759GT	NUT,SOLENOID	
3	219245GT	ORIFICE PLUG .025 DIA..... <i>Turntable Rotation Brake Release</i>	1
4	35726GT	VALVE,HYDRAULIC CHECK..... <i>Brake Release Circuit</i>	1
--	161145GT	SEAL KIT,CHECK VALVE 219246	

501.1 Deutz D2011L03i



501.1 Deutz D2011L03i

Item	Part No.	Description	Qty.	Item	Part No.	Description	Qty.
--	139622GT	HEAT SHIELD,DEUTZ STARTER		11	70459PGT	FORMING,REAR ENGINE MOUNT PNT*.....	1
--	70453GT	ENGINE,DEUTZ D2011L03i F3L1011 AND F3L1011F Engines only		12	22558GT	SCREW,HHC,M14 X 40MM,GR 8.8	
--	T114678GT	SHUTDOWN SOLENOID,12V,DEUTZ....1 (must order cable assembly, 58256, if replacing 32752) (includes o-ring)		13	49411GT	WASHER,FLAT,M14	
--	58256GT	SOLENOID CABLE ASSY***		14	70461PGT	FORMING,ENGINE MOUNT,FL PAINT*.....	1
--	72255GT	CONNECTOR, DEUTZ FUEL SHUTOFF* (does not include diode, 45782)		15	10598GT	SCREW,HHC,1/2-13 X 3	
--	45782GT	DIODE,6 AMP,200 PIV,BULK		16	6095GT	WASHER,FLAT,USS,1/2",Y	
1	50787-SGT	LEVER, GOVERNOR ACTUATOR.....	1	17	24040GT	WASHER, 1/2 PLATE (1/2 X 2.25 X 3/16)	
2	94485GT	THROTTLE LINKAGE,DIESEL ***.....	1	18	6198GT	NUT,NYLOCK,1/2-13	
3	29560GT	FILTER,FUEL/WTR SEP, DTZ 1008.....1 Genie Genuine Part. See PN 1254826 for compatible aftermarket replacement.	1	19	70452GT	ISOLATOR,ENGINE VIBRATION***.....	4
--	1254826GT	FUEL FILTER W/SEP,DEUTZ,1008 Genie Aftermarket Part. Filter for Deutz F3L 1011F Engine.		20	6175GT	SCREW,HHC,3/8-16 X 1	
--	236946GT	PLASTIC FILTER HEAD verify before ordering		21	6097GT	WASHER,FLAT,USS,3/8",Y	
--	58566GT	FILTER HEAD (29560) aluminum - verify before ordering		22	13002GT	SCREW,HHC,5/16-18 X 1 GR5	
4	70460PGT	FORMING,ENGINE MOUNT,FR PAINT*.....	1	23	5397GT	WASHER,FLAT,USS,5/16",Y	
5	49924GT	FILTER,OIL,DEUTZ F4L1011F.....1 Genie Genuine Part. See PN 1255653 for compatible aftermarket replacement.	1	24	6782GT	NUT,NYLOCK,5/16-18	
--	1255653GT	FILTER,OIL,DEUTZ,REPLACEMENT....1 Genie Aftermarket Part. Compatible with Genie Genuine Part 49924.	1	25	70351PGT	FORMING,AIR CLEANER MOUNT PNTD.....	1
6	77402GT	SOLENOID,THROTTLE ACTUATOR DSL.....	1	26	70375GT	HOSE,AIR CLEANER.....	1
7	147525GT	FITTING,BARBED,STRT,FUEL LINE.....1	1	27	63463GT	AIR CLEANER,NELSON***.....	1
--	147526GT	FITTING,BARBED,TEE,FUEL LINE (not shown)		--	52866GT	EVACUATOR VALVE-AIR CLEANER	
--	30490GT	HOSE,1/4 FUEL LINE,SAE 30R7.....	127-inches	--	53952GT	BRKT,AIR CLEANER ORIENTATION**	
8A	32695GT	MUFFLER,DEUTZ.....	1	--	62420GT	FILTER,AIR***	
8B	119117GT	MUFFLER,CAT/SPARK,DEUTZ spark arrest option		28	101006GT	TUBE,AIR CLEANER INLET.....	1
8C	29559GT	GASKET,EXHAUST.....3 for 119117, 3 required	3	--	30971GT	CLAMP,HOSE,3.00".....	2
9	31408GT	GLOW PLUG,L1011.....	1	29	70494PGT	FORMING,DEUTZ AIR INTAKE BAF P...1	1
10	139709GT	STARTER, 12V.....	1	30	101140P-SGT	AIR INTAKE TUBE ASSY.....	1
--	139621GT	KIT, HEAT GUARD, DEUTZ STARTER (includes 139622 and 139623)		--	31523GT	CLAMP,HOSE,8.50 DIA***	
--	139622GT	HEAT SHIELD,DEUTZ STARTER (from SN 21069)		--	33239GT	SHEET,RUBBER,AIR INTAKE	
--	139623GT	BOLT, GUARD, DEUTZ STARTER (from SN 21069)		31	32698GT	BELT,V, DEUTZ DIESEL ENGINE.....	1
				32	35586GT	ALTERNATOR, DEUTZ F3L10/F4L10*....1	1
				33	101540GT	ENGINE TRAY ASSY W/BEARINGS.....	1
				--	35675GT	BEARING,FL,1.25IDX1.5ODX1.25L.....	1
				34	101129PGT	BRACKET,SOLENOID MOUNT PAINT....1	1
				--	77245PGT	BRACKET,SOLEN.MOUNT BRACE,PNTD.....	1
						(not shown) (very small)	
				35	70381GT	COVER,FLYWHEEL CASTING.....	1
				--	128023GT	KIT,FBA STYLE COUPLER,SAE8	
				36	44064GT	SCREW,HHC,M10 X 30MM,	
				37	70472PGT	FORMING,SOLENOID MOUNT PAINT...1	
				38	10597GT	SCREW,HHC,1/2-13 X 1.25 GR5	
				39	6033GT	WASHER,LOCK,0.5"	
				40	85053GT	SCREW,HHC,M10 X 1.5 X70,GR 8.8.....	2
				41	22699GT	WASHER,FLAT,M10,ZINC PLTD.	

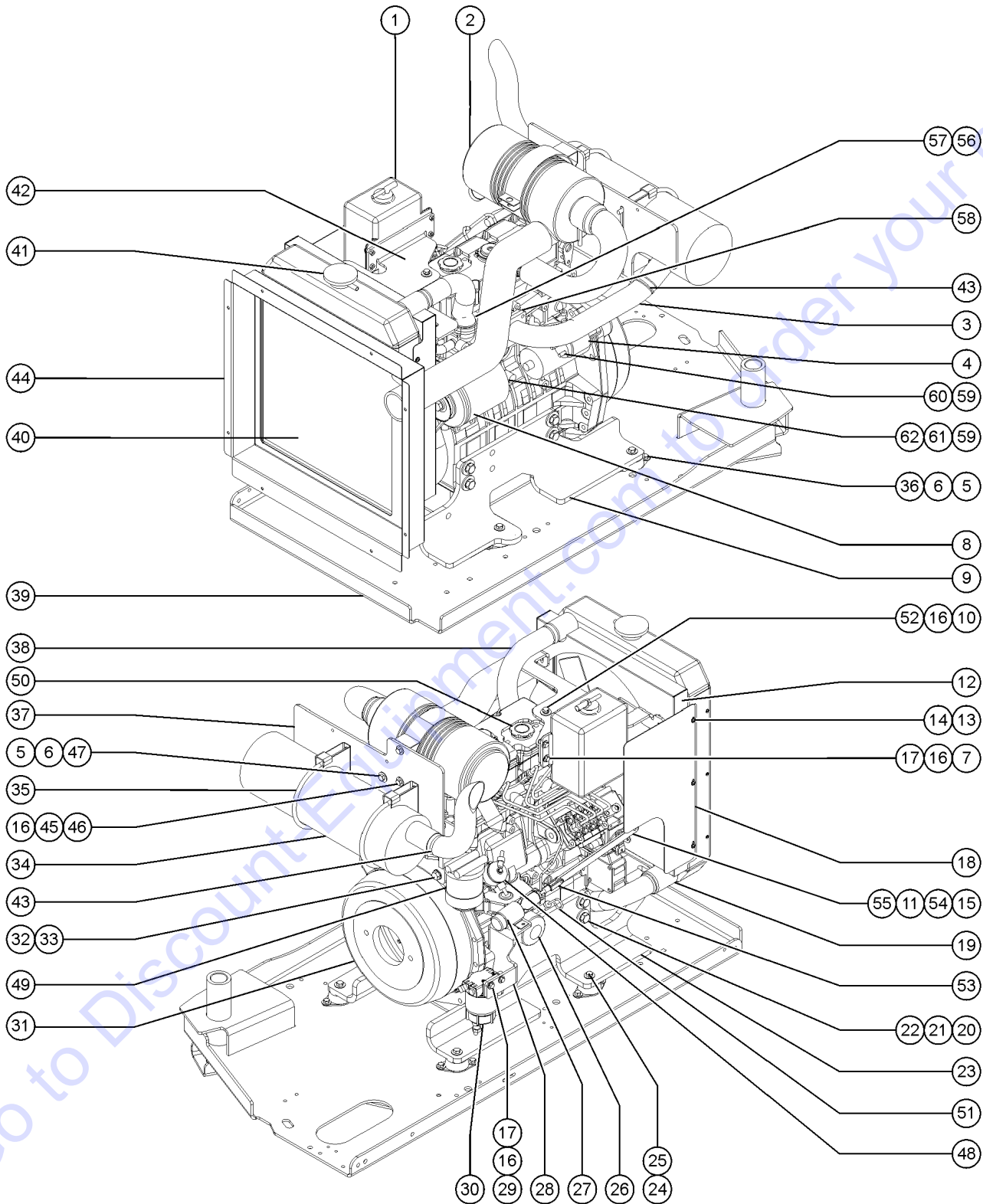
501.1 Deutz D2011L03i
(continued)

Item	Part No.	Description	Qty.
42	70499GT	EXHAUST PIPE,DEUTZ.....	1
43	70385GT	CLAMP,EXHAUST,2.00 PLATED.....	2
44	6584GT	SCREW,SHS,10-24 X .625	
45	85054GT	WASHER,FLAT,M10	
46	25625GT	NUT,HEX,10-24	
47	111668GT	PUMP,FUEL 2011 DEUTZ ***.....	1
--	119344GT	KIT,PRIMER BULB	
--	27089GT	HOSE,5/16 FUEL,SAE 30R7...116-inches	
48	89792GT	INJECTOR, FUEL(DEUTZ F3L2011F)....	2
--	1288561GT	O-RING,FUEL INJECTOR,DEUTZ (89792) for 89792	
49	139624GT	SWITCH, OIL PRESSURE 1.5 BAR.....	1
--	139666GT	KIT,OP SWITCH,DEUTZ (oil pressure kit for models with ALC-500 control system. replaces 65765. includes item 139624 and instructions)	
50	147243GT	DIPSTICK, OIL, D2011.....	1
51	21130GT	CLEVIS YOKE-1/4-28,PLTD W/PIN.....	1
52	111445GT	SENDING UNIT,OIL TEMP SWCH,DTZ.....	1
53	54428GT	FITTING,HYDRAULIC,90DEG,O-RING...1	
54	69775GT	CAP,520112-8.....	1

This Page Intentionally Left Blank

Go to Discount-Equipment.com to order your parts

502.1 Perkins 404-22



502.1 Perkins 404-22

Item	Part No.	Description	Qty.	Item	Part No.	Description	Qty.
--		<i>For internal engine parts, contact engine dealer</i>		--	88846GT	HOSE,AIR INLET	
A	128831GT	ENGINE,PERKINS,DIESEL 404D-22 <i>Tier III Engine</i>		--	88847GT	HOSE,AIR CLEANER TO INTAKE	
--	106663GT	SOLENOID,SHUT DOWN PERKIN40422 <i>(for 128831 engine)</i>		3	110899GT	WELDMENT,EXHAUST PIPE.....1	
--	119809GT	SWITCH, OIL PRESSURE <i>Old switch design was used with an adaptor; New switch screws directly into engine block. With older engine, remove adaptor and install new switch directly into engine block</i>		--	62845GT	NUT-FLANGE, 8MM (62849) <i>sold separately</i>	
--	128987GT	WATER PUMP <i>(for 128831 engine)</i>		--	72343GT	GASKET,EXH FLANGE-FORD/PERKINS.....1 <i>sold separately</i>	
--	58354GT	GASKET,WATER PUMP <i>(for 128831 engine)</i>		--	72344GT	BOLT,EXHAUST,PERKINS(54555)** <i>sold separately</i>	
--	65538GT	FLYWHEEL (PERKINS KR70481U)** <i>(for 128831 engine)</i>		--	94711GT	FLANGE,EXHAUST <i>sold separately</i>	
--	72348GT	PUMP,LIFT(FUEL) PERKINS(54555) <i>(for 128831 engine)</i>		--	94888GT	EXHAUST MANIFOLD <i>sold separately</i>	
--	77736GT	GLOW PLUG (PERKINS 404-22) <i>(for 128831 engine)</i>		4	228457GT	STARTER, PERKINS, 404D.....1	
--	85155GT	PUMP,PRIMER,PERKINS*** <i>(for 128831 engine)</i>		5	6175GT	SCREW,HHC,3/8-16 X 1	
--	94887GT	INTAKE MANIFOLD <i>(for 128831 engine)</i>		6	5397GT	WASHER,FLAT,USS,5/16",Y	
--	94890GT	MANUAL,OPERATORS PERKINS 404 <i>(for 128831 engine)</i>		7	6888GT	SCREW,HHC,1/4-20 X 1	
--	97473GT	SENSOR,WATER TEMPERATURE <i>(for 128831 engine)</i>		8	111029GT	ALTERNATOR,65 AMP,PERKINS 404.....1	
B	147350GT	GASKET-CYLINDER HEAD <i>(for Perkins 404 engine)</i>		9	161611GT	FORMING, ENGINE MOUNT, PERKINS.....1	
C	147348GT	SEAL-VALVE SYSTEM (A) <i>(for Perkins 404 engine)</i>		10	23057GT	SCREW,HHC,M8 X 20MM	
D	147349GT	SEAL-VALVE SYSTEM (B) <i>(for Perkins 404 engine)</i>		11	33277GT	WASHER,FLAT,M8, YELLOW ZINC	
E	147351GT	SEAL-ROCKER BOX <i>(for Perkins 404 engine)</i>		12	88990PGT	SHROUD,FAN PAINTED.....1	
F	147352GT	SEAL-INJECTOR <i>(for Perkins 404 engine)</i>		13	21019GT	SCREW,PHIL,PHM,10-24 X.5,SEMS	
G	147353GT	SEAL-INJECTOR <i>(for Perkins 404 engine)</i>		14	6146GT	WASHER,FLAT,MS,#10,Y	
1	70367GT	BOTTLE,COOLANT RECOVERY,3.7***1		15	89953GT	FLATBAR,ALUM,THROTTLE LINKAGE.....1	
--	1062264000GT	TUBING, VINYL, 1/2" CLEAR		16	6638GT	WASHER,FLAT,USS,1/4"Y	
--	115431GT	CAP ASSY, COOLANT BOTTLE		17	6091GT	NUT,NYLOCK,1/4-20	
2	63463GT	AIR CLEANER,NELSON***1		18	54487PGT	GUARD,FAN,FORD/PERKINS,PAINTED.1	
--	52866GT	EVACUATOR VALVE-AIR CLEANER		19	54579GT	HOSE,LOWER,RADIATOR,PERKINS.....1	
--	53952GT	BRKT,AIR CLEANER ORIENTATION**		--	22672GT	CLAMP,HOSE,1.75	
--	62420GT	FILTER,AIR***		20	54687GT	SCREW,HHC,M14 X 1.5X40MM,GR8.8	
				21	37505GT	WASHER,LOCK,M14	
				22	49411GT	WASHER,FLAT,M14	
				23	88988PGT	FORMING,ENGINE MOUNT RH PAINTE.....1	
				24	10598GT	SCREW,HHC,1/2-13 X 3	
				25	6095GT	WASHER,FLAT,USS,1/2",Y	
				26	94762GT	OIL FILTER - PERKINS.....1	
				27	77402GT	SOLENOID,THROTTLE ACTUATOR DSL.....1	
				--	21130GT	CLEVIS YOKE-1/4-28,PLTD W/PIN	
				--	89953GT	FLATBAR,ALUM,THROTTLE LINKAGE	
				28	128588GT	FORMING,SOLENOID MOUNT.....1	

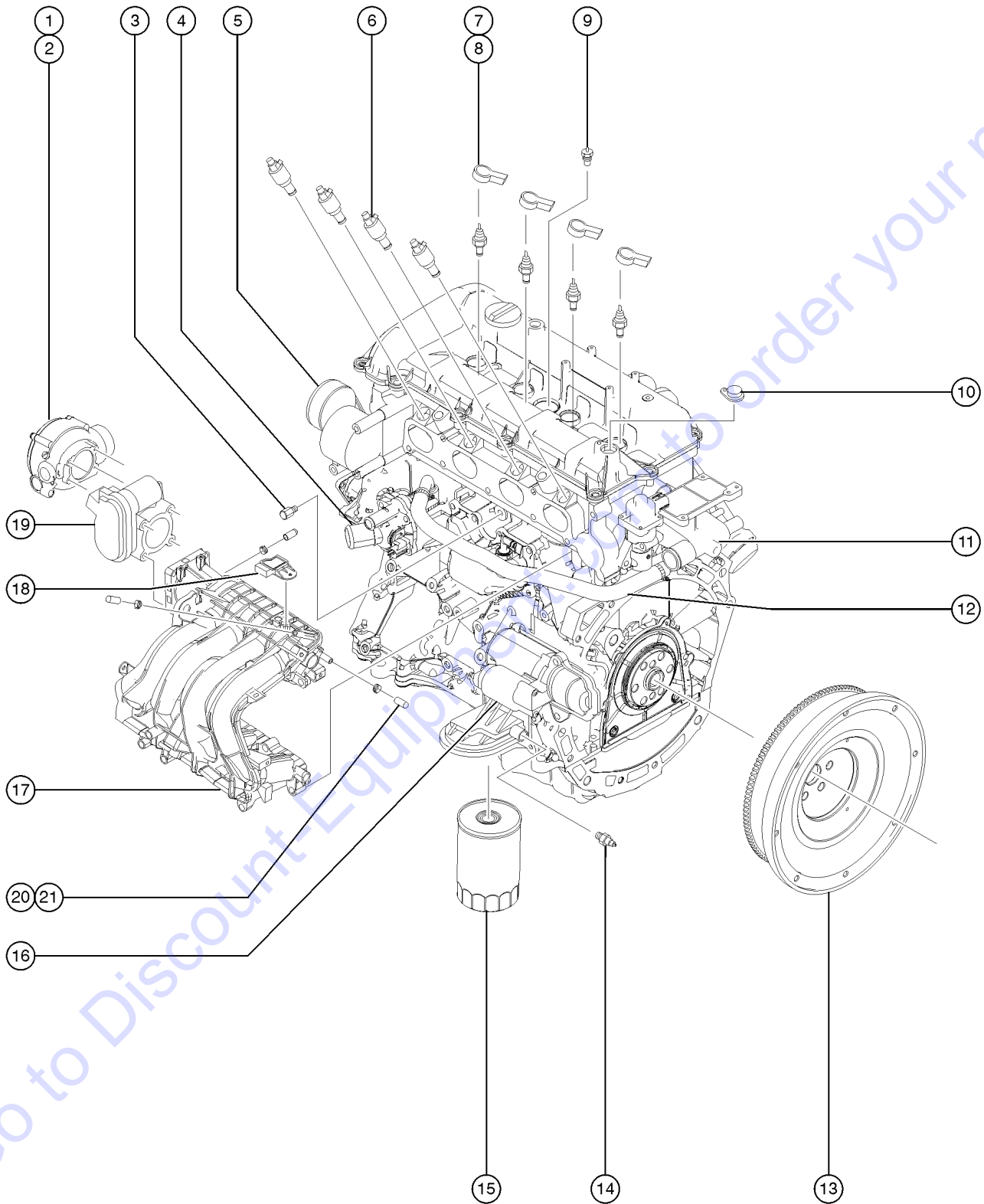
502.1 Perkins 404-22
(continued)

Item	Part No.	Description	Qty.	Item	Part No.	Description	Qty.
29	8915GT	SCREW,HHC,1/4-20 X 1.25		46	13002GT	SCREW,HHC,5/16-18 X 1 GR5	
30	147826GT	SEPRTR/FLTR,FUEL DSL,15GPH,.30....1 <i>(replaced 75020, the filter is the same for both assemblies)</i>		47	7713GT	NUT, LP NYLOCK, 3/8-16	
--	54205GT	HOSE END,BARB,1/4 MNPTX5/16,90 <i>(included with filter assembly)</i>		48	72348GT	PUMP,LIFT(FUEL) PERKINS(54555).....1	
--	54437GT	HOSE END,BARB,1/4 MNPTX5/16,ST <i>(included with filter assembly)</i>		--	77990GT	KIT,SEAL,3CC PUMP***	
--	62433GT	FILTER,ELEMENT,30 MIC,75020		49	94889GT	FUEL FILTER ASSEMBLY.....1	
31	89771GT	HOUSING,PUMP MOUNT (54573).....1		--	62421GT	FILTER,FUEL,PERKINS.....1	
--	128003GT	COUPLER,15 TOOTH,FBA,PERKINS**1 <i>includes grease</i>		50	65636GT	CAP, OIL FILLER.....1	
--	128022GT	KIT,FBA STYLE COUPLER,PERKINS <i>includes 15-tooth coupler (128003), fastener kit (1263209) and grease</i>		--	65638GT	SEAL, OIL FILLER CAP.....1	
--	128024GT	SCREW, HHC, M8 X 1.25 X 12.....6		51	128984GT	DIPSTICK, STRAIGHT SHORT.....1	
--	128025GT	GREASE,SERVICE PACKET.....1		--	128985GT	DIPSTICK TUBE, STRAIGHT SHORT....1	
32	60868GT	SCREW,HHC,M12 X 45		52	60585GT	ISOLATOR,VIBRATION,M8 MALE/FEM.....1	
33	49410GT	WASHER,FLAT,M12		53	21130GT	CLEVIS YOKE-1/4-28,PLTD W/PIN.....1	
34A	88841GT	MUFFLER,6".....1		54	119866GT	SCREW,SHS,M6X12MM,8MM	
34B	70298GT	MUFFLER,SPARK ARRESTOR.....1 <i>spark arrestor option</i>		55	49364GT	NUT,NYLOCK,M6X1.00	
34C	70357GT	MUFFLER,CATALYTIC.....1 <i>scrubber muffler option</i>		56	128986GT	WATER OUTLET, VERTICAL.....1	
34D	822515GT	TAILPIPE, PERKINS, 404D.....1		57	128991GT	THERMOSTAT.....1	
35	88993GT	CLAMP,MUFFLER.....2		--	147355GT	GASKET-THERMOSTAT HSG.....1 <i>for 128991</i>	
36	4828GT	NUT,NYLOCK,3/8-16		58	72343GT	GASKET,EXH FLANGE-FORD/PERKINS.....1	
37	88991PGT	FORMING,MUFFLER MOUNT PAINTED.....1		59	231513GT	NUT,TL FLG,M6-1.0,DIN6927,10,ZAB	
38	54578GT	HOSE,UPPER RADIATOR,PERKINS....1		60	237832GT	NUT,TL FLG,M8-1.25,DIN6927,10,ZAB	
--	22672GT	CLAMP,HOSE,1.75		61	826215GT	WASHER,FLAT,M5,DIN125,ZAB	
39		Ref. Engine Tray Assembly <i>(refer to 310.1)</i>		62	826214GT	NUT,TL,M5-0.8,DIN980,10,ZAB	
40	110304GT	RADIATOR,FORD/PERKINS***1					
--	1252943GT	SPACER,FAN,PERKINS 404F.....1 <i>sold separately</i>					
--	24038GT	SHOCK MOUNT,SMALL.....4 <i>sold separately</i>					
--	77482GT	PULLEY, WATER PUMP.....1 <i>sold separately</i>					
--	77483GT	FAN, ENGINE (104-22)(404-22)*.....1 <i>sold separately</i>					
41	65473GT	CAP,RADIATOR,PERKINS/FORD.....1					
42	88989PGT	FORMING,UPPER RAD SUPPORT PNTD.....1					
43	70385GT	CLAMP,EXHAUST,2.00 PLATED.....2					
44	106003PGT	BAFFLE,PERKINS ENGINE PAINTED....1					
45	6782GT	NUT,NYLOCK,5/16-18					

This Page Intentionally Left Blank

Go to Discount-Equipment.com to order your parts

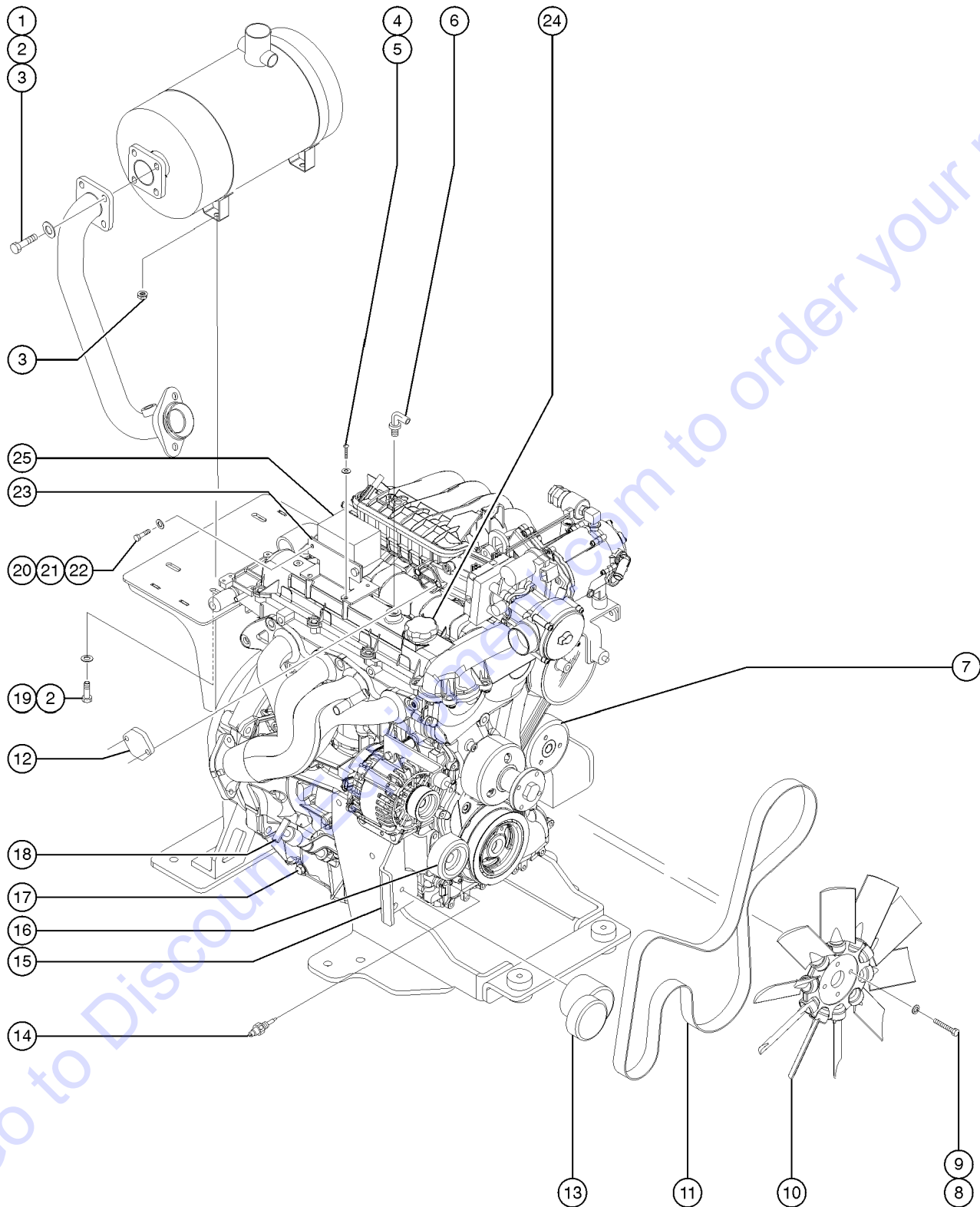
503.1 Ford DSG-423 Engine - View 1 (to SN 24508)



503.1 Ford DSG-423 Engine - View 1 (to SN 24508)

Item	Part No.	Description	Qty.	Item	Part No.	Description	Qty.
--		<i>The Ford DSG-423 is not available for the S-60TX and the S-65TX</i>		14	119481GT	SWITCH,OIL PRESSURE.....	1
--	119472GT	HARNES,ENGINE FORD DSG-423		15	119139GT	OIL FILTER,DSG-423.....	1
--	128165GT	RELAY,PWR/FUEL,FORD DSG423		16	119137GT	STARTER,DSG-423.....	1
--	128166GT	RELAY,STARTER,FORD DSG/MSG		--		Ref. Harness, Ford Starter (refer to 307.1) <i>Ford models (from serial number 21009)</i>	
1	119135GT	MIXER,LPG,DSG-423.....	1	--	1259057GT	STARTER, DSG-423RING <i>Genie aftermarket</i>	
--	119500GT	GASKET,MIXER, FORD DSG423		17	119545GT	MANIFOLD,INTAKE FORD DSG-423.....	1
--	119547GT	O-RING,MIXER,SMOOTHED,DSG-423		--	147016GT	CAP,EPDM,5/16".....	2
--	119548GT	O-RING,MIXER,RIBBED,DSG-423		18	119475GT	MAP SENSOR, DSG-423.....	1
2	119142GT	ADAPTER,MIXER/THROTTLE BODY.....	1	19	88451GT	THROTTLE ACTUATOR*(BOSCH).....	1
--	119466GT	GASKET,ACTUATOR PLATE		--	88452GT	GASKET,THROTTLE ACTUATOR***	
3	119498GT	SENSOR,KNOCK DSG-423 FORD.....	1	20	147016GT	CAP,EPDM,5/16".....	3
4	119551GT	THERMOSTAT,FORD DSG423.....	1	21	119568GT	CLAMP,SPRING,1/2".....	3
5	215298GT	UPPER IDLER PULLEY, MSG425.....	1				
6	119479GT	FUEL INJECTOR FORD DSG423,YL.....	4				
--	233365GT	FUEL INJECTOR FORD DSG423, BK <i>black injector</i>					
7	119478GT	COIL ASSEMBLY.....	4				
8	119495GT	SPARK PLUG, FORD DSG-423.....	4				
9	234005GT	SENSOR KIT, TEMPERATURE.....	1				
--	233437GT	SENSOR, FORD TEMPERATURE <i>from SN 21073</i>					
--	234006GT	WIRE HARNESS, SENSOR, TEMP <i>from SN 21073</i>					
10	119497GT	SENSOR,CAM POSITION DSG-423.....	1				
11	214803GT	KIT, DSG423 COOLANT OUTLET.....	1				
--	214796GT	WATER OUTLET, FORD DSG423.....	1				
--	214798GT	HOSE, COOLANT BYPASS, DSG423.....	1				
12	214803GT	KIT, DSG423 COOLANT OUTLET.....	1				
13	119465GT	FLYWHEEL ASSEMBLY,DSG-423 FORD.....	1				

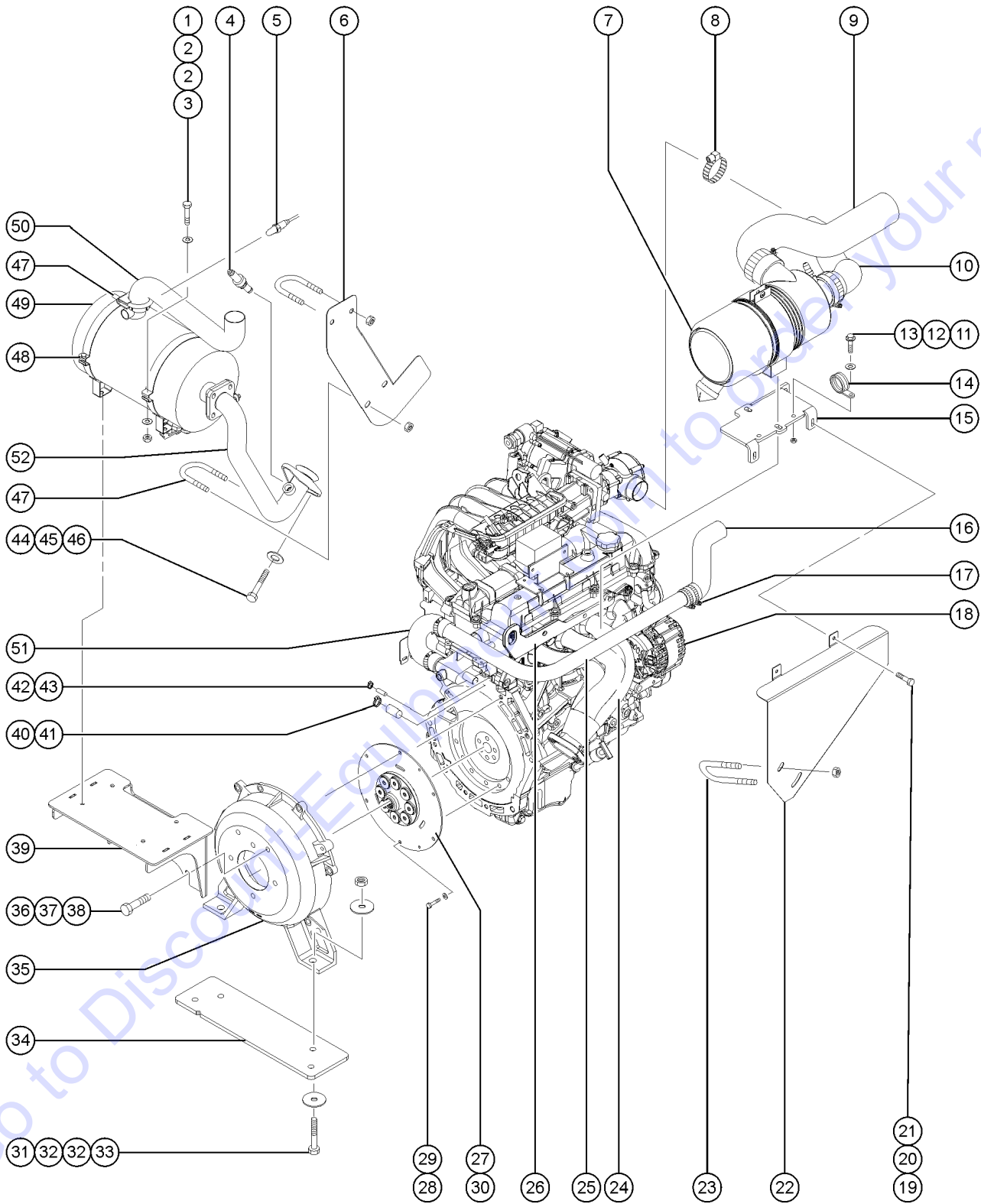
504.1 Ford DSG-423 Engine - View 2 (to SN 24508)



504.1 Ford DSG-423 Engine - View 2 (to SN 24508)

Item	Part No.	Description	Qty.
--		<i>The Ford DSG-423 is not available for the S-60TX and the S-65TX</i>	
1	13000GT	SCREW,HHC,5/16-18 X 1.25	
2	5397GT	WASHER,FLAT,USS,5/16",Y	
3	18503GT	NUT,LOCKING-LG.FLANGE,5/16-18	
4	54365GT	SCREW,PHIL,PHM,10-32 X .5,SSTL	
5	25926GT	WASHER,FLAT,M6 PLTD.	
6	119474GT	VALVE,PCV FORD DSG-423.....1	
--	75631GT	HOSE,AIR 3/8	
7	119468GT	WATER PUMP W/GASKET.....1	
8	32309GT	SCREW,HHC,M8 X 60MM X 1.25	
9	49408GT	WASHER,LOCK,M8	
10	119153GT	FAN (FORD TIER 3).....1	
11	119138GT	BELT,SERPENTINE,DSG-423.....1	
12	119964GT	PLATE,BLANKING,FORD DSG423.....1	
13	119469GT	PULLEY AND TENSIONER,DSG423.....1	
14	119496GT	SENSOR,CRANK POSITION DSG-423.....1	
15	119471GT	BRACKET,TENSIONER.....1	
16	119544GT	LOWER IDLER FORD DSG-423.....1	
17	119588GT	OIL DRAIN PLUG,FORD DSG423.....1	
18	119473GT	DIPSTICK, FORD DSG 423.....1	
19	13002GT	SCREW,HHC,5/16-18 X 1 GR5	
20	6090GT	SCREW,HHC,1/4-20 X .75	
21	6638GT	WASHER,FLAT,USS,1/4"Y	
22	6091GT	NUT,NYLOCK,1/4-20	
23	110768GT	BRACKET,RELAY BLOCK MOUNT.....1	
24	58632GT	CAP,OIL FILLER,FORD DSG 423.....1	
25A	237856GT	FUSE BOX COVER.....1 <i>decal not included</i>	
25B	237857GT	FUSE BOX RELAY STICKER.....1 <i>(not shown) not included with 237856, order seperately</i>	
25C	237858GT	FUSE BOX MOUNTING,LEFT.....1 <i>(not shown) not included with 237856, order seperately</i>	
25D	237859GT	FUSE BOX MOUNTING,RIGHT.....1 <i>(not shown) not included with 237856, order seperately</i>	

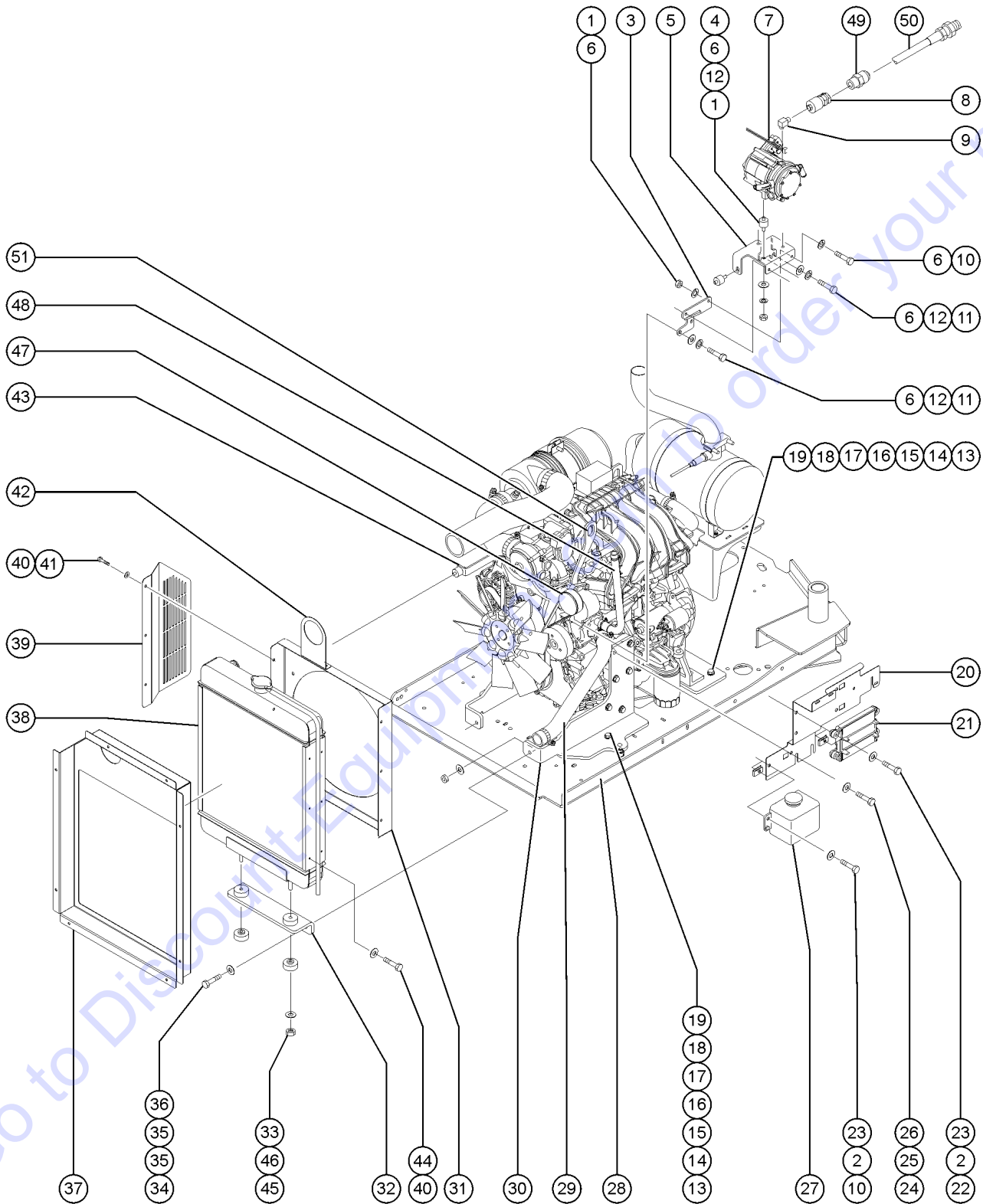
505.1 Ford DSG-423 Engine - View 3 (to SN 24508)



505.1 Ford DSG-423 Engine - View 3 (to SN 24508)

Item	Part No.	Description	Qty.	Item	Part No.	Description	Qty.
--		<i>The Ford DSG-423 is not available for the S-60TX and the S-65TX</i>		30	128002GT	COUPLER,15 TOOTH,FBA,FORD***.....1	1
1	14033GT	SCREW,HHC,3/8-16 X 2.75		31	6096GT	SCREW,HHC,1/2-13 X 2 GR5	
2	22692GT	WASHER,WAVE SPRG,1X.635X.015		32	6095GT	WASHER,FLAT,USS,1/2",Y	
3	4828GT	NUT,NYLOCK,3/8-16		33	6198GT	NUT,NYLOCK,1/2-13	
4	88450GT	SENSOR,OXYGEN LRG425EFI.....1	1	34	119223GT	PLATE,REAR ENGINE SUPPORT.....1	1
5	139610GT	SENSOR,AIR,CAT MONITOR.....1	1	35	119052GT	PUMP MOUNT,FORD DSG423.....1	1
6	119238GT	FORMING,HEAT SHIELD.....1	1	36	10597GT	SCREW,HHC,1/2-13 X 1.25 GR5	
7	111634GT	AIR CLEANER,FORD,T3.....1	1	37	13066GT	WASHER,FLAT,.5 HARDENED	
--	1277991GT	CLIP,AIR CLEANER COVER (58247) for 58247		38	6033GT	WASHER,LOCK,0.5"	
--	227988GT	VACUATOR VALVE		39	110480GT	WELDMENT,CAT MOUNT.....1	1
--	38922GT	ELBOW,90DEG.1/8MPT-5/16 BARB		40	119484GT	CAP,COOLANT 3/4.....1	1
--	53952GT	BRKT,AIR CLEANER ORIENTATION** sold separately		41	46131GT	CLAMP,HOSE,.63" - 1.0" X .5".....1	1
--	58247GT	AIR CLEANER CAP/ FORD/NOLFF***		42	147016GT	CAP,EPDM,5/16".....1	1
--	77295GT	FILTER ELEMENT,AIR,NOLFF LPG		43	147015GT	CLAMP,SPRING,7/16".....1	1
8	45435GT	CLAMP,HOSE,2.50****.....2	2	44	25548GT	SCREW,HHC,M10 X 40MM,GRD8	
9	110421GT	HOSE,AIR INTAKE.....1	1	45	22699GT	WASHER,FLAT,M10,ZINC PLTD.	
--	45435GT	CLAMP,HOSE,2.50****		46	22700GT	WASHER,LOCK,M10	
10	110422GT	HOSE,AIR,MIXER.....1	1	47	102121GT	CLAMP,MUFFLER,1-7/8 IN.....3	3
11	13000GT	SCREW,HHC,5/16-18 X 1.25.....1	1	48	119051GT	MOUNTING BAND,MUFFLER,8.0".....2	2
12	5397GT	WASHER,FLAT,USS,5/16",Y		49	111666GT	WELDMENT,MUFFLER,DSG423.....1	1
13	18503GT	NUT,LOCKING-LG.FLANGE,5/16-18		50	119234GT	TAILPIPE,FORD DSG423.....1	1
14	45454GT	CLAMP,RUB CUSH,0.75,#12 X 3/8*.....3	3	51	110424GT	HOSE,RETURN,ENGINE.....1	1
15	111614GT	FORMING,AIR CLEANER MOUNT.....1	1	52	110407GT	WELDMENT,HEADER PIPE.....1	1
16	110758GT	HOSE,UPPER RADIATOR.....1	1	--	72343GT	GASKET,EXH FLANGE-FORD/PERKINS	
17	119053GT	CLAMP,HOSE,1.50.....2	2				
18	119140GT	ALTERNATOR,FORD DSG423,MSG425.....1 <i>heat shield not included</i>	1				
18A	227309GT	HEAT SHIELD,ALTERNATOR,FORD <i>not included, must order separately</i>					
19	6888GT	SCREW,HHC,1/4-20 X 1					
20	6638GT	WASHER,FLAT,USS,1/4"Y					
21	6091GT	NUT,NYLOCK,1/4-20					
22	111615GT	FORMING,HEAT SHLD,HEADER PIPE.....1	1				
23	71911GT	CLAMP,MUFFLER, 2.50 INCH.....1	1				
24	119463GT	MANIFOLD,EXHAUST TURBO.....1	1				
25	112285GT	PIPE,COOLANT RETURN,FORD 2.3L...1	1				
26	110777GT	PLATE,REAR LIFTING EYE.....1	1				
27	128021GT	KIT,FBA STYLE COUPLER,FORD.....1	1				
28	49378GT	SCREW,HHC,M8 X 16					
29	6021GT	WASHER,LOCK,.375					

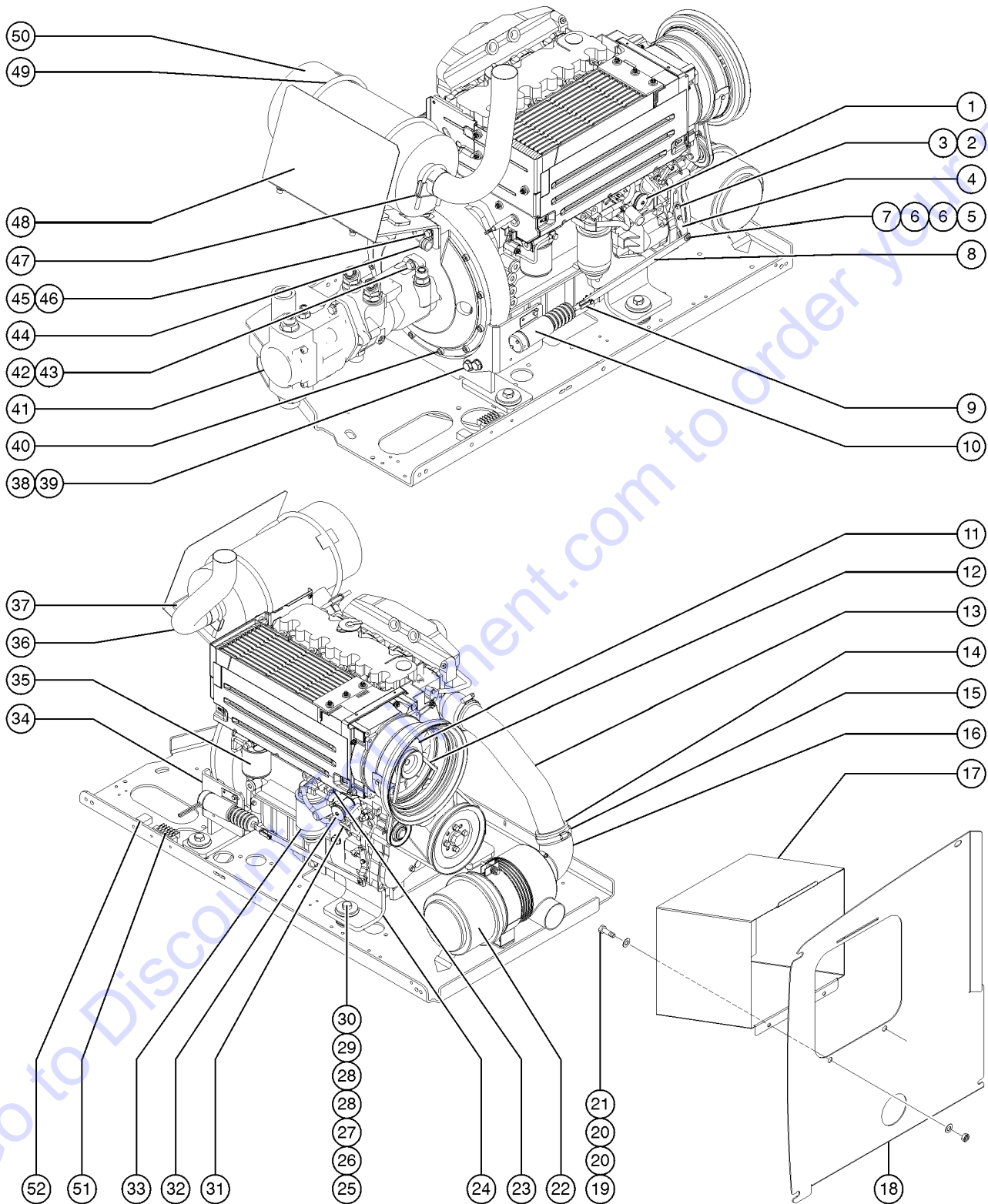
506.1 Ford DSG-423 Engine - View 4 (to SN 24508)



506.1 Ford DSG-423 Engine - View 4 (to SN 24508)

Item	Part No.	Description	Qty.	Item	Part No.	Description	Qty.
--		<i>The Ford DSG-423 is not available for the S-60TX and the S-65TX</i>		30	110416GT	FORMING,LEFT ENGINE SUPPORT.....1	
1	25368GT	NUT,NYLOCK,M8X1.25		--	110414GT	FORMING,RIGHT ENGINE SUPPORT	
2	6638GT	WASHER,FLAT,USS,1/4"Y		31	110413GT	FORMING,FAN SHROUD.....1	
3	110892PGT	BRACKET,REGULATOR SUPPORT,PNTD.....1		32	110417PGT	FORMING,RADIATOR SUPPORT,PNTD.....1	
4	110919GT	ISOLATOR,VIBRATION,M8 M/M.....4		33	24038GT	SHOCK MOUNT,SMALL.....4	
5	110890PGT	FORMING,REGULATOR MOUNT,PTD...1		34	8516GT	SCREW, HCC, 3/8-16 X 1.50	
6	33277GT	WASHER,FLAT,M8,YELLOW ZINC		35	6097GT	WASHER,FLAT,USS,3/8",Y	
7	119826GT	REGULATOR,LPG,DSG-423.....1		36	4828GT	NUT,NYLOCK,3/8-16	
--	119546GT	KIT,FITTING,REGULATOR DSG-423		37	110997GT	BAFFLE,RADIATOR,FORD.....1	
7A	102119GT	HOSE,3/4,LP.....8-inches from regulator to mixer		38A	110406GT	RADIATOR,FORD DSG423 & MSG425.....1	
8	119232GT	LOCKOFF,LP,FORD DSG/MSG.....1		38B	131589GT	HOSE,OVERFLOW,RADIATOR.....1	
9	19363GT	ELBOW,130239-4-4.....1		38C	65473GT	CAP,RADIATOR,PERKINS/FORD	
10	75159GT	SCREW,HHC,M8X1.25X 25MM,GR8.8		39	111341GT	FORD TIII FAN GUARD W/DECALS.....1	
11	49386GT	SCREW,HHC,M8 X 40		40	21019GT	SCREW,PHIL,PHM,10-24 X.5,SEMS	
12	49408GT	WASHER,LOCK,M8		41	6146GT	WASHER,FLAT,MS,#10,Y	
13	10598GT	SCREW,HHC,1/2-13 X 3		42	110995GT	GUIDE,HOSE,FORD.....1	
14	6095GT	WASHER,FLAT,USS,1/2",Y		43	110419GT	FORMING,RADIATOR BRACE LEFT.....1	
15	70452GT	ISOLATOR,ENGINE VIBRATION***.....4		--	18503GT	NUT,LOCKING-LG.FLANGE,5/16-18	
16	101730GT	SPACER,ENGINE MOUNT.....4		--	219437GT	ISOLATOR, VIBRATION	
17	101729GT	WASHER,VIBRATION ISOLATING.....4		44	25926GT	WASHER,FLAT,M6 PLTD.	
18	24040GT	WASHER, 1/2 PLATE (1/2 X 2.25 X 3/16)		45	48425GT	NUT,FLG-LRG,3/8-16,YZ	
19	6198GT	NUT,NYLOCK,1/2-13		46	15086GT	WASHER,FLAT,.375 X 1.5 X .125	
20	112283GT	FORMING,FORD GCP MOUNT.....1		47	215298GT	UPPER IDLER PULLEY, MSG425	
21A	119169GT	CONTROL MODULE,DSG-423.....1 to SN 21072 (models with YELLOW fuel injectors)		--	119477GT	IDLER BRACKET	
21B	T112018GT	CONTROL MODULE,DSG-423 from SN 21073 (models with BLACK fuel injectors)		48	119073GT	HOSE,COOLANT,REG INTAKE.....1	
22	6145GT	SCREW,HHC,1/4-20 X 1.5		--	119053GT	CLAMP,HOSE,1.50	
23	56912GT	SPRING CLIP,1/4-20,.025-.15X.54,ZAG		49	19358GT	CONNECTOR,010102-6-4	
24	25927GT	SCREW,HHC,M10 X 55MM,GRD 8.8		50	119055GT	HOSE ASSY,LP GAS	
25	22700GT	WASHER,LOCK,M10		51	112400GT	PLATE,FRONT LIFTING EYE.....1	
26	22699GT	WASHER,FLAT,M10,ZINC PLTD.					
27	70367GT	BOTTLE,COOLANT RECOVERY,3.7***.....1					
--	1062264000GT	TUBING, VINYL, 1/2" CLEAR					
--	115431GT	CAP ASSY, COOLANT BOTTLE					
--	21465GT	CLAMP,HOSE,.25" - .63" X .3125					
28	101540GT	ENGINE TRAY ASSY W/BEARINGS.....1					
--	35675GT	BEARING,FL,1.25IDX1.5ODX1.25L					
29	110423GT	HOSE,LOWER RADIATOR.....1					
--	119053GT	CLAMP,HOSE,1.50.....2					

507.1 Deutz TD2011-L04i Engine - View 1



507.1 Deutz TD2011-L04i Engine - View 1

Item	Part No.	Description	Qty.	Item	Part No.	Description	Qty.
--	T114678GT	SHUTDOWN SOLENOID,12V, DEUTZ....1 <i>(must order cable assembly, 58256, if replacing 32752) (includes o-ring)</i>	1	--	81468GT	MOUNTING BAND,AIR CLEANER	
--	58256GT	SOLENOID CABLE ASSY***		23	111445GT	SENDING UNIT,OIL TEMP SWCH,DTZ.....1	1
--	72255GT	CONNECTOR, DEUTZ FUEL SHUTOFF* <i>(does not include diode, 45782)</i>		24	70455GT	FORMING,ENGINE MOUNT	
--	45782GT	DIODE,6 AMP,200 PIV,BULK		25	13003GT	SCREW,HHC,5/8-11 X 3.5 GRD.8	
1	111668GT	PUMP,FUEL 2011 DEUTZ ***1	1	26	33418GT	WASHER,FLAT,.625 X 2.25 X.15	
--	111402GT	O-RING, FUEL LIFT PUMP		27	102045GT	ISOLATOR,ENGINE VIBRATION	
--	27089GT	HOSE,5/16 FUEL,SAE 30R7		28	18596GT	WASHER,FLAT,1.56 X 2.5 X .061	
--	30490GT	HOSE,1/4 FUEL LINE,SAE 30R7		29	13064GT	WASHER,FLAT,.625 HARDENED	
2	22578GT	SCREW,HHC,M6 X 20MM,GR8.8		30	6024GT	NUT,NYLOCK,5/8-11	
3	49407GT	WASHER,LOCK,M6		31	52352GT	DIPSTICK-F3L1011F (DEUTZ).....1	
4	50787-SGT	LEVER, GOVERNOR ACTUATOR.....1	1	32	58299GT	SENDING UNIT,OIL PRESS.,DEUTZ*1	
5	6584GT	SCREW,SHS,10-24 X .625.....1	1	33	29560GT	FILTER,FUEL/WTR SEP, DTZ 1008.....1 <i>Genie Genuine Part. See PN 1254826 for compatible aftermarket replacement.</i>	
6	6638GT	WASHER,FLAT,USS,1/4"Y.....2	2	--	1254826GT	FUEL FILTER W/SEP,DEUTZ,1008.....1 <i>Genie Aftermarket Part. Filter for Deutz F3L 1011F Engine.</i>	1
7	5365GT	NUT,NYLOCK,10-24.....1	1	34	139321GT	FORMING, SOLENOID MOUNT***1	
8	139322GT	THROTTLE LINKAGE, DSL.....1	1	35	49924GT	FILTER,OIL,DEUTZ F4L1011F.....1 <i>Genie Genuine Part. See PN 1255653 for compatible aftermarket replacement.</i>	
9	21130GT	CLEVIS YOKE-1/4-28,PLTD W/PIN.....1 <i>includes clevis pin and cotter pin</i>	1	--	1255653GT	FILTER,OIL,DEUTZ,REPLACEMENT....1 <i>Genie Aftermarket Part. Compatible with Genie Genuine Part 49924</i>	1
10	121615GT	THROTTLE SOLENOID ASSY, TROMB.....1	1	36	70465GT	TAILPIPE,DEUTZ BF4L2011.....1	
--	128829GT	CIRCUIT BRKR 15A TYPE 2 METAL		37	70448PGT	FORMING,MUFFLER MOUNT.....1	
11	58249GT	ALTERNATOR, DEUTZ,BF4L2011***1	1	38	22558GT	SCREW,HHC,M14 X 40MM,GR 8.8	
--	1280590GT	PULLEY,ALTERNATOR,DEUTZ BF4L2011 <i>for 58249</i>		39	49411GT	WASHER,FLAT,M14	
--	1280591GT	SPACER,ALT PULLEY,DEUTZ BF4L2011 <i>for 58249</i>		40	61110GT	SCREW,SHC,M10X1.5X30 GR 12.9	
12	58630GT	V-BELT, DEUTZ TD2011LOAI.....1	1	41		Ref: Pumps <i>refer to section 405.1</i>	
13	102227GT	TUBE,AIR INTAKE.....1	1	42	8177GT	SCREW,HHC,1/2-13 X 1.5	
14	88064GT	REDUCER,3" TO 2.75".....1	1	43	13066GT	WASHER,FLAT,5 HARDENED	
15	30489GT	CLAMP,HOSE,3.50.....4	4	44	60838GT	CLAMP,1.00,#16 X 7/16,RUB CUSH.....1	
16	139455GT	ELBOW,AIR INTAKE,RUBBER		45	85053GT	SCREW,HHC,M10 X 1.5 X70,GR 8.8	
17	128896GT	WELDMENT, AIR INTAKE BOX.....1	1	46	22699GT	WASHER,FLAT,M10,ZINC PLTD.	
18	110183PGT	BAFFLE,AIR INTAKE S60 PAINTED.....1	1	47	71911GT	CLAMP,MUFFLER, 2.50 INCH.....2	
19	6175GT	SCREW,HHC,3/8-16 X 1		48	102237GT	FORMING,HEAT SHIELD,MUFFLER***1	
20	5397GT	WASHER,FLAT,USS,5/16",Y		49	70449GT	U-BOLT,1/2-13 X 8.5.....2	
21	4828GT	NUT,NYLOCK,3/8-16		50A	70444GT	MUFFLER,2.5"INLET/OUTLET.....1	
22	81467GT	AIR CLEANER,NELSON.....1	1	50B	119117GT	MUFFLER,CAT/SPARK,DEUTZ <i>spark arrest option</i>	
--	52866GT	EVACUATOR VALVE-AIR CLEANER <i>for 81467</i>		50C	29559GT	GASKET,EXHAUST.....3 <i>for 119117, 3 required</i>	3
--	62425GT	FILTER,AIR CLEANER,SUPERBOOM <i>for 81467</i>		51	89997GT	RELAY MODULE(89996,89998).....1	1
--	75450GT	AIR CLEANER CLIPS, SUPERBOOM <i>for 81467</i>					
--	75451GT	AIR CLEANER COVER, SUPERBOOM* <i>for 81467</i>					

507.1 Deutz TD2011-L04i Engine - View 1
(continued)

Item	Part No.	Description	Qty.
52	128829GT	CIRCUIT BRKR 15A TYPE 2 METAL.....1	

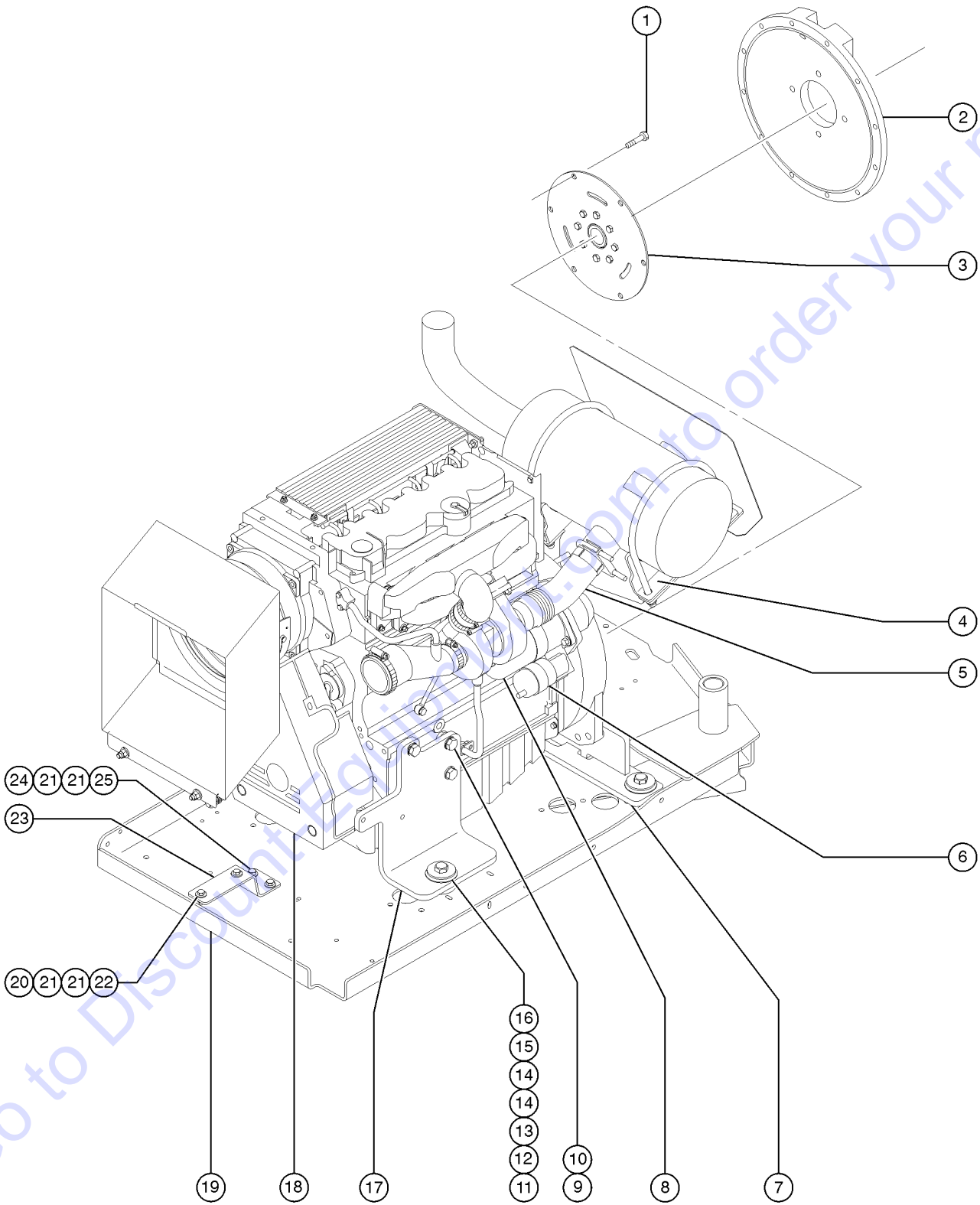
Go to Discount-Equipment.com to order your parts



This Page Intentionally Left Blank

Go to Discount-Equipment.com to order your parts

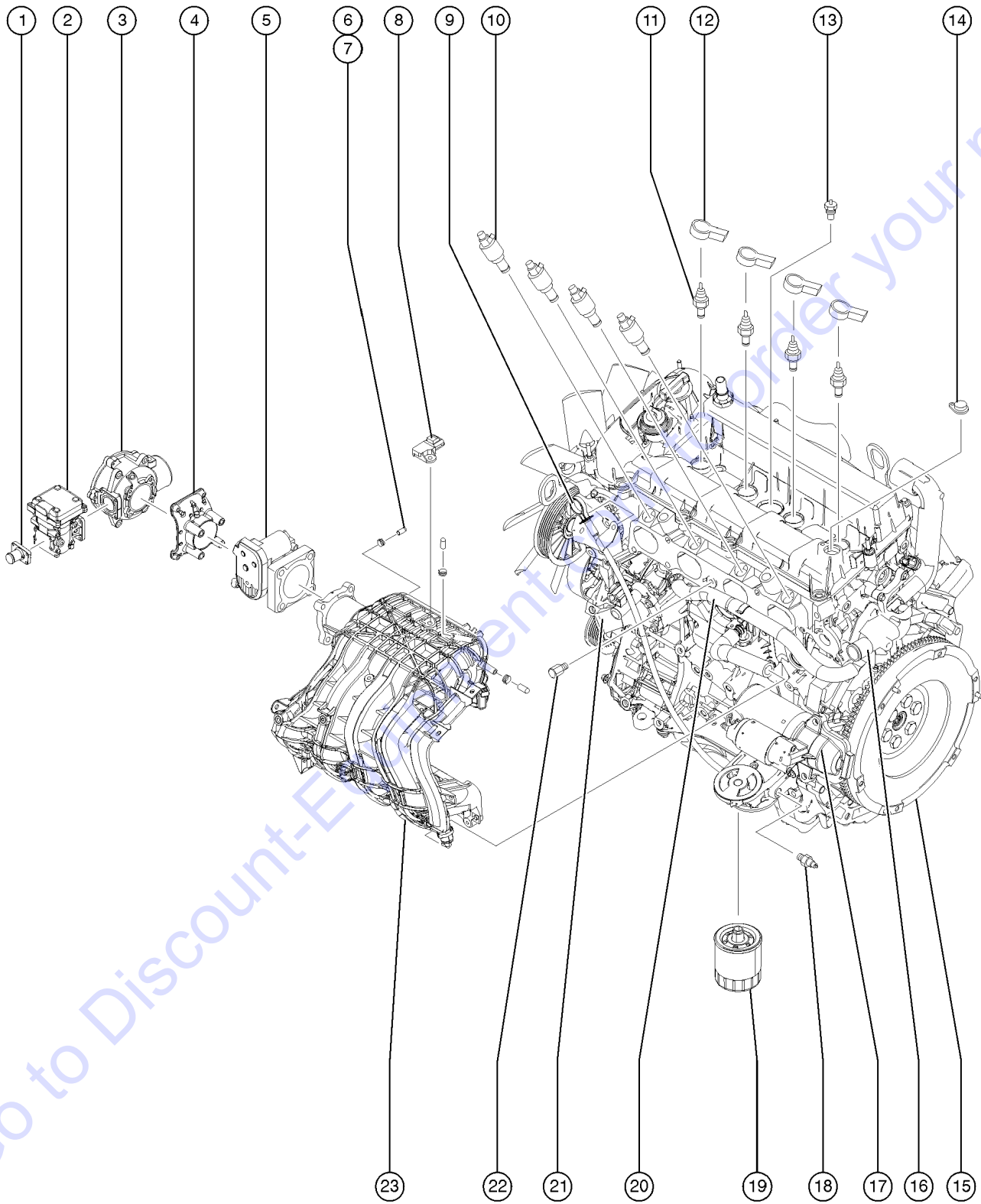
508.1 Deutz TD2011-L04i Engine - View 2



508.1 Deutz TD2011-L04i Engine - View 2

Item	Part No.	Description	Qty.
--	102581GT	PUMP,FUEL INJ,DEUTZ BF4L20 <i>class A injection pump; provide SN of engine to service to get correct injection pump (A, B, C, D)</i>	
--	T108732GT	PUMP,FUEL INJ,DEUTZ BF4L20 <i>class B injection pump; provide SN of engine to service to get correct injection pump (A, B, C, D)</i>	
--	T108733GT	PUMP,FUEL INJ,DEUTZ BF4L20 <i>class C injection pump; provide SN of engine to service to get correct injection pump (A, B, C, D)</i>	
--	T108734GT	PUMP,FUEL INJ,DEUTZ BF4L20 <i>class D injection pump; provide SN of engine to service to get correct injection pump (A, B, C, D)</i>	
1	62476GT	SCREW,SHC,M10X1.5X20MM (75090)	
2	70381GT	COVER,FLYWHEEL CASTING.....1	
3	128004GT	COUPLER,15 TOOTH,FBA,SAE8***	
4	70483GT	FORMING,8.5' MUFFLER MOUNT.....1	
5	70445GT	FLEX PIPE,EXHAUST,2.5" DIA.....1	
5B	139983GT	EXHAUST PIPE GASKET	
5B	71911GT	CLAMP,MUFFLER, 2.50 INCH	
6	49915GT	SOLENOID-STARTER DEUTZF4L1011F*.....1	
7	70456GT	WELDMENT,REAR ENGINE MOUNT.....1	
8	139709GT	STARTER, 12V.....1	
9	22558GT	SCREW,HHC,M14 X 40MM,GR 8.8	
10	49411GT	WASHER,FLAT,M14	
11	13003GT	SCREW,HHC,5/8-11 X 3.5 GRD.8.....4	
12	33418GT	WASHER,FLAT,.625 X 2.25 X.15	
13	102045GT	ISOLATOR,ENGINE VIBRATION.....4	
14	18596GT	WASHER,FLAT,1.56 X 2.5 X .061	
15	13064GT	WASHER,FLAT,.625 HARDENED.....4	
16	6024GT	NUT,NYLOCK,5/8-11	
17	70454PGT	FORMING,ENGINE MOUNT PAINTED...1	
18	146061GT	V-BELT GUARD, DEUTZ 2011.....1	
19		Ref: Engine Tray with Bearing <i>refer to section 304.1</i>	
20	13002GT	SCREW,HHC,5/16-18 X 1 GR5	
21	5397GT	WASHER,FLAT,USS,5/16",Y	
22	6782GT	NUT,NYLOCK,5/16-18	
23	102209PGT	FORMING,AIR CLEANER MOUNT PNTD.....1	
24	6019GT	SCREW,HHC,3/8-16 X 1.25 GRD 5	
25	4828GT	NUT,NYLOCK,3/8-16	

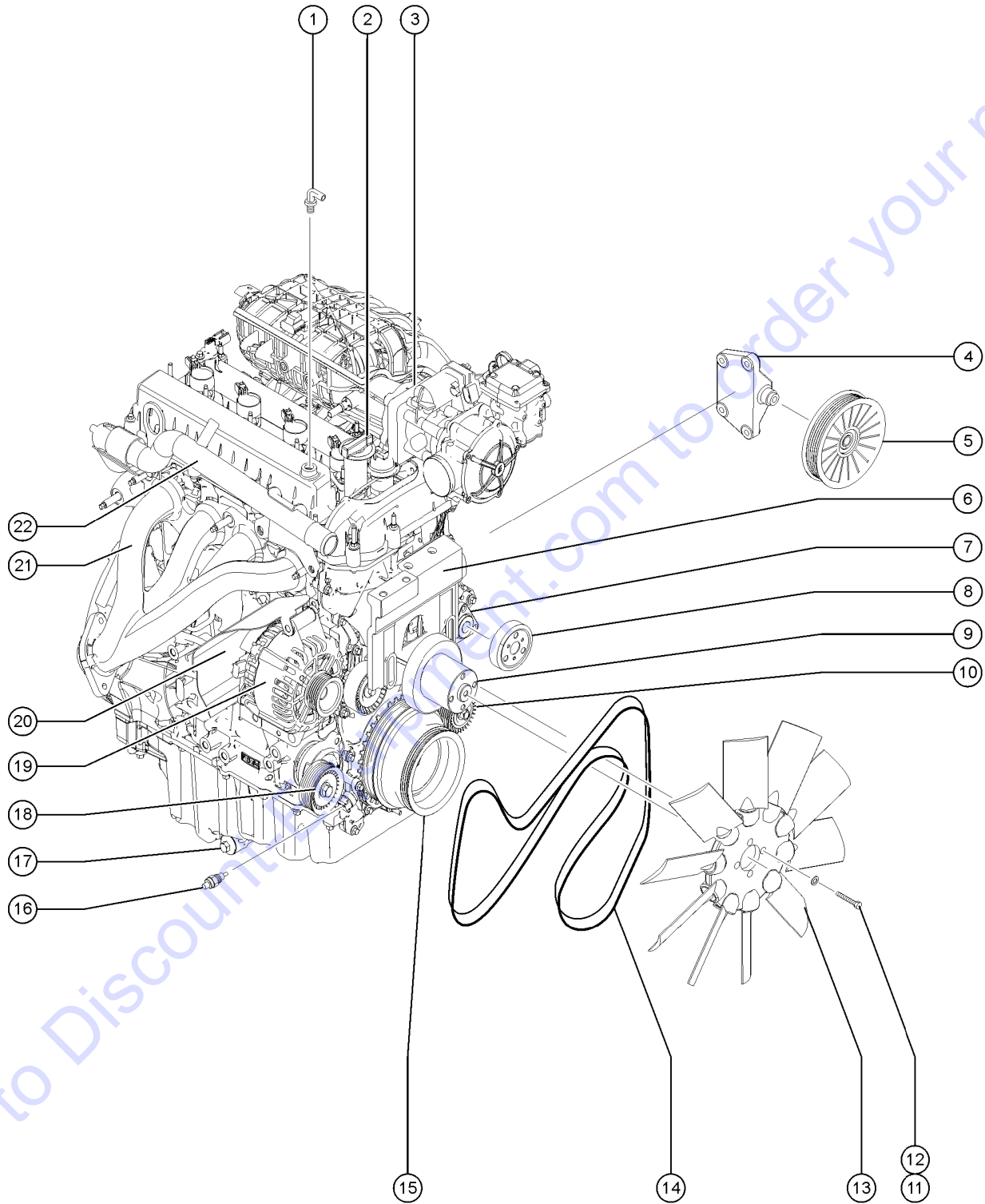
509.1 Ford MSG-425 EFI Engine - View 1 (from SN 24509)



509.1 Ford MSG-425 EFI Engine - View 1 (from SN 24509)

Item	Part No.	Description	Qty.	Item	Part No.	Description	Qty.
--	128165GT	RELAY,PWR/FUEL,FORD DSG423		16	215275GT	ADAPTER, WATER CONN, MSG425.....1	1
--	128166GT	RELAY,STARTER,FORD DSG/MSG		17A	1264894GT	KIT, HD STARTER INSTALL, MSG-4.....1	1
--	215294GT	ENGINE HARNESS, MSG425.....1	1	17B	128166GT	RELAY,STARTER,FORD DSG/MSG for 215293	
--	215295GT	SOLENOID, VAR. TIM, MSG425		17C	217823GT	STARTER PLUG SEAL, MSG425 for 215293	
1	215285GT	FITTING, DEPR LP, MSG425.....1 (sold seperately) (for 215284)	1	18	215301GT	SWITCH, OIL PRES, MSG425.....1	1
2	215284GT	REGULATOR,LP PRESSURE,MSG425.....1	1	19	119139GT	OIL FILTER,DSG-423.....1	1
--	215286GT	FITTING, DEPR COOLANT, MSG425 (sold seperately) (for 215284)		19A	1277968GT	SEPERATOR ASSY,OIL,FORD MSG.....1	1
3	215280GT	MIXER, MSG425.....1	1	20	215302GT	HOSE, COOLANT BYPASS, MSG425....1	1
--	119546GT	KIT,FITTING,REGULATOR DSG-423 for 215280		21	215310GT	THERMOSTAT W/HOUSING, MSG425.....1	1
--	215281GT	O-RING, SMOOTH, MSG425		22	215309GT	SENSOR, KNOCK, MSG425.....1	1
--	215282GT	O-RING, RIBBED, MSG425		23	215305GT	INTAKE MANIFOLD, MSG425.....1	1
4	215283GT	ADAPTER, MIXER/THRO, MSG425.....1	1	23A	1277969GT	GASKET,INTAKE MANIFOLD,MSG 425.....1 for 215305	1
5	88451GT	THROTTLE ACTUATOR*(BOSCH).....1	1				
--	88452GT	GASKET,THROTTLE ACTUATOR***					
6	217820GT	CAP, INT. MFLD. VAC, MSG425.....2	2				
7	119568GT	CLAMP,SPRING, 1/2".....3	3				
8	119475GT	MAP SENSOR, DSG-423.....1	1				
--	119965GT	COVER,DUST,IDLER,FORD DSG423					
9A		Ref. OIL INDICATOR, MSG425.....1 Previous dipstick part 215297 is no longer available; customers before SN 13-25377 must order kit 220229 for first time replacement	1				
9B	220229GT	KIT, DIPSTICK, MSG425 to SN 13-25376					
9C	220230GT	DIPSTICK, MSG425 from SN 13-25377					
--	18506GT	SCREW 5/16-18 X .75 LG.FLG.LCK. (not shown, use to mount dipstck part 220230)					
--	220231GT	O-RING,DIPSTICK,MSG425 (not shown, use with dipstck part 220230)					
--	6002GT	NUT,LP NYLOCK,5/16-18 (not shown, use to mount dipstck part 220230)					
--	6638GT	WASHER,FLAT,USS,1/4"Y (not shown, use to mount dipstck part 220230)					
10	215299GT	INJECTOR, FUEL, MSG425.....4	4				
11	215287GT	SPARK PLUG, MSG425.....4	4				
12	215314GT	COIL ASSY, MSG425.....4	4				
13	215300GT	SENSOR, CYL. HEAD TEMP, MSG425.....1	1				
14	215308GT	SENSOR, CAM POS, MSG425.....1	1				
15	215278GT	FLYWHEEL ASSY, MSG425.....1	1				

510.1 Ford MSG-425 EFI Engine - View 2 (from SN 24509)



510.1 Ford MSG-425 EFI Engine - View 2 (from SN 24509)

Item	Part No.	Description	Qty.
1	119474GT	VALVE,PCV FORD DSG-423.....	1
--	75631GT	HOSE,AIR 3/8	
2	58632GT	CAP,OIL FILLER,FORD DSG 423.....	1
3	215279GT	PLATE, INT. MFLD ADAP, MSG425	
4	119477GT	IDLER BRACKET.....	1
5	215298GT	UPPER IDLER PULLEY, MSG425.....	1
6	1283575GT	KIT,FAN SUPPORT RETRO,FORD MSG.....	1
		<i>For first time replacement</i>	
--	1283571GT	BRACKET,FAN,FORD MSG.....	1
		<i>included in kit 1283575GT</i>	
--	1283572GT	BRACKET,IDLER,FORD MSG.....	1
		<i>included in kit 1283575GT</i>	
--	1283573GT	BOLT, BRACKET, SUPPORT,FORD MSG.....	2
		<i>included in kit 1283575GT</i>	
--	1283574GT	SCREW,HHC,M8X1.25.80.....	1
		<i>included in kit 1283575GT</i>	
7	215288GT	WATER PUMP, MSG425.....	1
8	215289GT	WATER PUMP PULLEY, MSG425.....	1
9	215271GT	FAN PULLEY, MSG425.....	1
--	215270GT	FAN SPACER, MSG425.....	1
10	215313GT	LOWER IDLER PULLEY, MSG425.....	1
11	32309GT	SCREW,HHC,M8 X 60MM X 1.25	
12	49408GT	WASHER,LOCK,M8	
13	215269GT	FAN, MSG425.....	1
14	215291GT	BELT, FEAD, MSG425.....	1
		<i>(shown)</i>	
--	215274GT	FAN DRIVE BELT, MSG425 <i>Fan belt (not shown)</i>	
15	215273GT	CRANK PULLEY, EXT, MSG425.....	1
16	215307GT	SENSOR, CRANK POS, MSG425.....	1
17	215311GT	PLUG, OIL DRAIN, MSG425.....	1
18	215290GT	PULLEY/TENSIONER, MSG425.....	1
19	119140GT	ALTERNATOR,FORD DSG423,MSG425.....	1
--	217824GT	CHARGE WIRE, MSG425	
20	227309GT	HEAT SHIELD,ALTERNATOR,FORD.....	1
21	215276GT	EXHAUST MANIFOLD, MSG425.....	1
--	215277GT	GASKET, MSG425	
--	217822GT	NUT, EXH. MANIFOLD, MSG425	
--	823816GT	GASKET,EXHAUST,FORD MSG	
22	236373GT	PIPE,COOLANT RETURN, MSG425.....	1

PARTS FINDER

**Search Website
by Part Number**



**Search Manual
Library For Parts
Manual & Lookup Part
Numbers – Purchase
or Request Quote**

Search Manuals

Enter your information to help us find the right parts manual for your machine.

* Brand:

* Model:

* Serial:

* Part Number:

SEARCH

**Can't Find Part or
Manual? Request Help
by Manufacturer,
Model & Description**

Parts Order Form

Please fill in the following information to help us find the right part for your machine.

Manufacturer:	<input type="text"/>
Model:	<input type="text"/>
Description:	<input type="text"/>
Part Number:	<input type="text"/>
Quantity:	<input type="text"/>
Notes:	<input type="text"/>

Discount-Equipment.com is your online resource for quality parts & equipment.

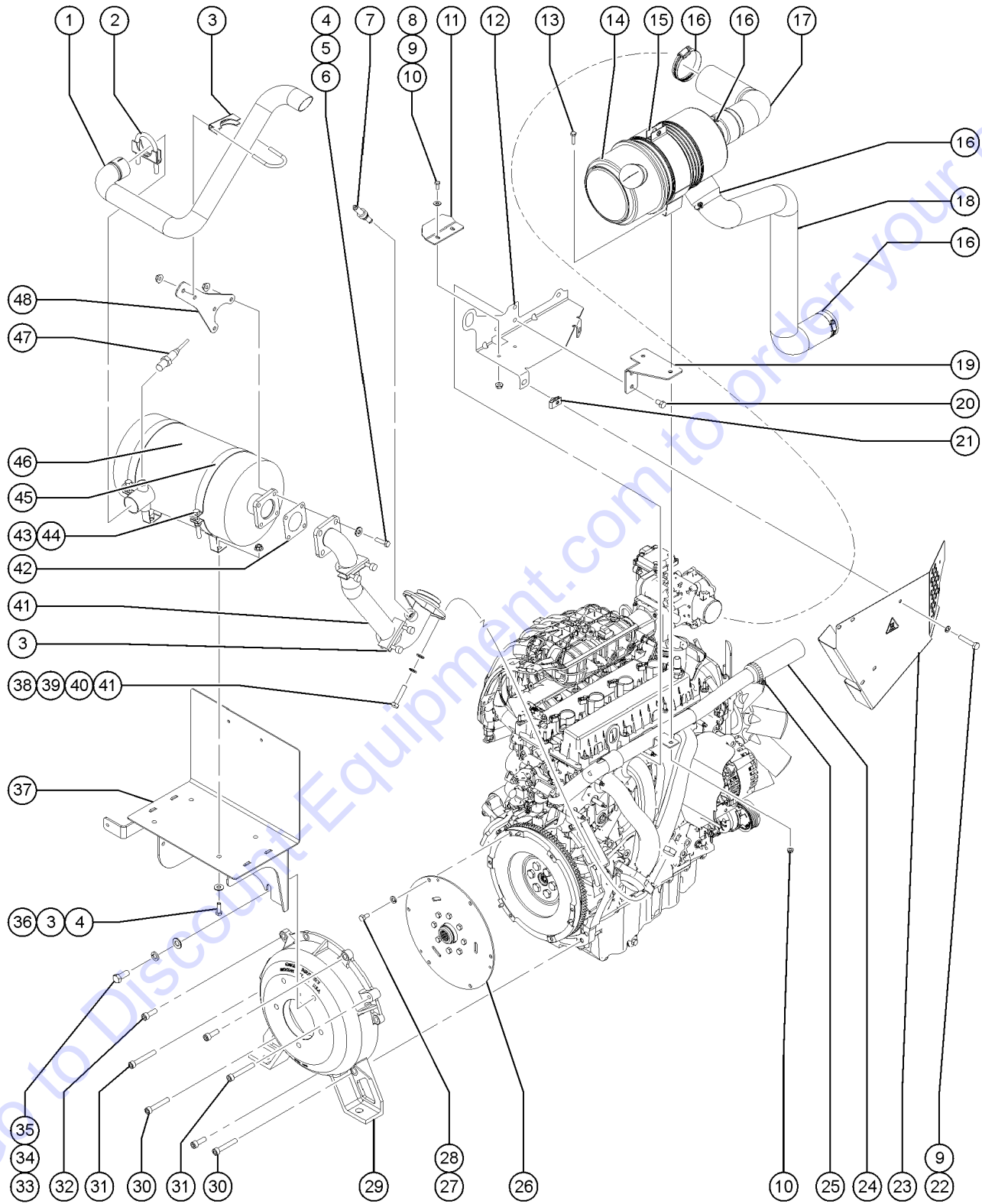
Florida: **561-964-4949** Outside Florida TOLL FREE: **877-690-3101**

Need parts?

Click on this link: <http://www.discount-equipment.com/category/5443-parts/> and choose one of the options to help get the right parts and equipment you are looking for. Please have the machine model and serial number available in order to help us get you the correct parts. If you don't find the part on the website or on one of the online manuals, please fill out the request form and one of our experienced staff members will get back to you with a quote for the right part that your machine needs.

We sell worldwide for the brands: Genie, Terex, JLG, MultiQuip, Mikasa, Essick, Whiteman, Mayco, Toro Stone, Diamond Products, Generac Magnum, Airman, Haulotte, Barreto, Power Blanket, Nifty Lift, Atlas Copco, Chicago Pneumatic, Allmand, Miller Curber, Skyjack, Lull, Skytrak, Tsurumi, Husquvarna Target, Stow, Wacker, Sakai, Mi-T-M, Sullair, Basic, Dynapac, MBW, Weber, Bartell, Bennar Newman, Haulotte, Ditch Runner, Menegotti, Morrison, Contec, Buddy, Crown, Edco, Wyco, Bomag, Laymor, EZ Trench, Bil-Jax, F.S. Curtis, Gehl Pavers, Heli, Honda, ICS/PowerGrit, IHI, Partner, Imer, Clipper, MMD, Koshin, Rice, CH&E, General Equipment, Amida, Coleman, NAC, Gradall, Square Shooter, Kent, Stanley, Tamco, Toku, Hatz, Kohler, Robin, Wisconsin, Northrock, Oztec, Toker TK, Rol-Air, APT, Wylie, Ingersoll Rand / Doosan, Innovatech, Con X, Ammann, Mecalac, Makinex, Smith Surface Prep, Small Line, Wanco, Yanmar

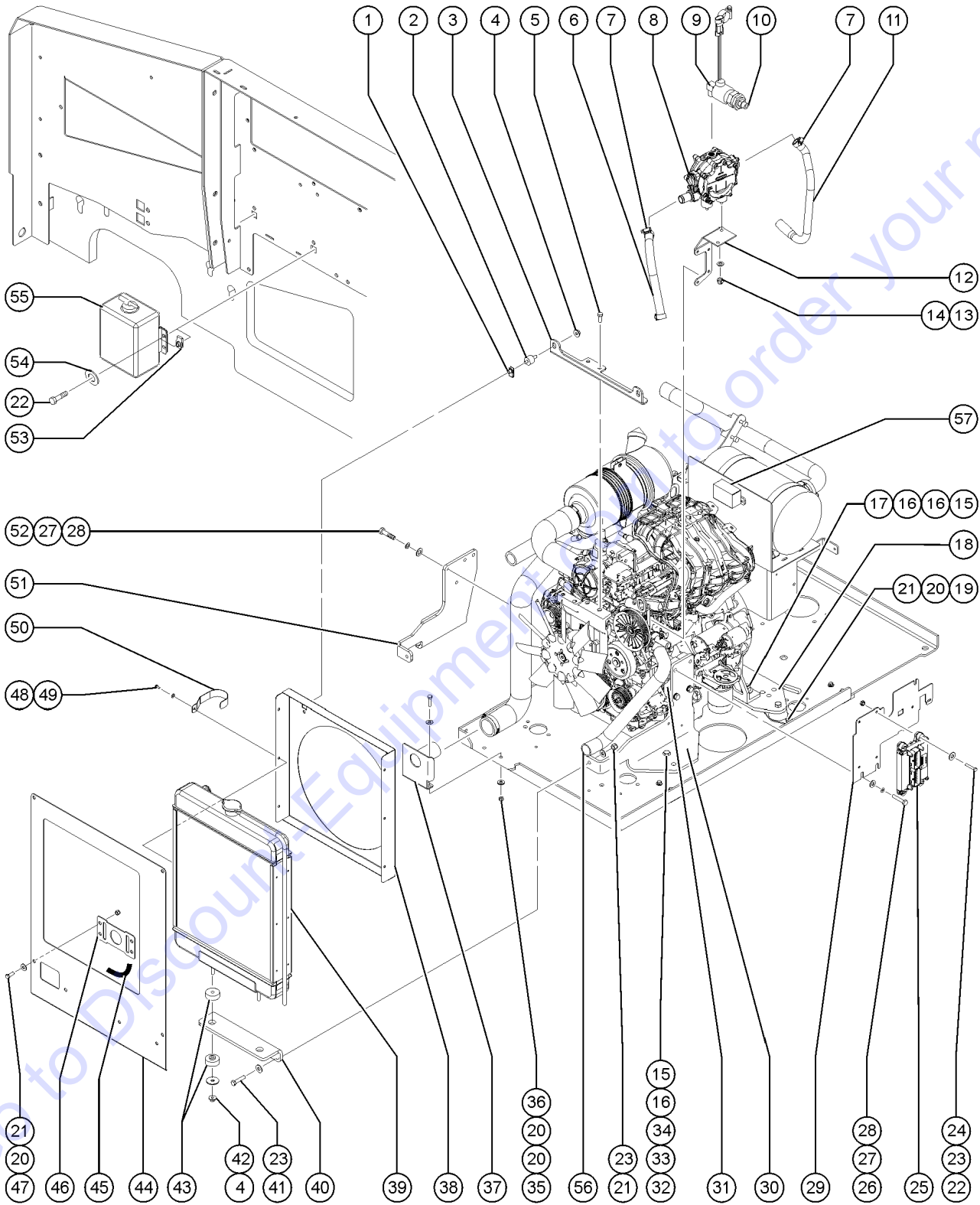
511.1 Ford MSG-425 EFI Engine - View 3 (from SN 24509)



511.1 Ford MSG-425 EFI Engine - View 3 (from SN 24509)

Item	Part No.	Description	Qty.	Item	Part No.	Description	Qty.
1	237251GT	TAILPIPE, S60 MSG425.....	1	31	215544GT	SHCS, M10-1.5X70MM, CL12.9.....	2
2	102121GT	CLAMP,MUFFLER,1-7/8 IN.....	1	32	61110GT	SCREW,SHC,M10X1.5X30 GR 12.9.....	3
3	32064GT	CLAMP,MUFFLER,1.75 INCH.....	3	33	10597GT	SCREW,HHC,1/2-13 X 1.25 GR5	
4	18503GT	NUT,LOCKING-LG.FLANGE,5/16-18		34	6033GT	WASHER,LOCK,0.5"	
5	5397GT	WASHER,FLAT,USS,5/16",Y		35	13066GT	WASHER,FLAT,.5 HARDENED	
6	13000GT	SCREW,HHC,5/16-18 X 1.25		36	13002GT	SCREW,HHC,5/16-18 X 1 GR5	
7	215320GT	SENSOR, O2, MSG425.....	1	37	215709GT	WELDMENT,CAT MOUNT,MSG425.....	1
8	6090GT	SCREW,HHC,1/4-20 X .75		38	128061GT	SCREW, HHC, M10 X 1.5 X 50	
9	6638GT	WASHER,FLAT,USS,1/4"Y		39	22700GT	WASHER,LOCK,M10	
10	18504GT	NUT,LOCKING-LG.FLANGE,1/4-20		40	22699GT	WASHER,FLAT,M10,ZINC PLTD.	
11	218742GT	FORMING,MFLD GUARD,MSG425..... <i>from SN 25543</i>	1	41A	110407GT	WELDMENT,HEADER PIPE..... <i>to SN 25542</i>	1
12A	216368GT	FORMING,HEAT SHIELD MOUNT..... <i>to SN 25542</i>	1	41B	218576GT	WDMT,HEADER PIPE,MSG425 <i>from SN 17959</i>	
12B	218668GT	FORMING, HEAT SHIELD MOUNT..... <i>from SN 25543</i>	1	42	72343GT	GASKET,EXH FLANGE-FORD/PERKINS.....	1
13	6888GT	SCREW,HHC,1/4-20 X 1		43	14033GT	SCREW,HHC,3/8-16 X 2.75.....	2
14	111634GT	AIR CLEANER,FORD,T3.....	1	44	4828GT	NUT,NYLOCK,3/8-16	
--	111634GT	AIR CLEANER,FORD,T3		45	119051GT	MOUNTING BAND,MUFFLER,8.0".....	2
--	1277991GT	CLIP,AIR CLEANER COVER (58247) <i>for 58247</i>		46	215528GT	WDMT, CAT. MUFFLER, MSG425.....	1
--	227988GT	VACUATOR VALVE		47	139610GT	SENSOR,AIR,CAT MONITOR.....	1
--	38922GT	ELBOW,90DEG.1/8MPT-5/16 BARB		48	236832GT	TAILPIPE MOUNT , S40 MSG425.....	1
--	58247GT	AIR CLEANER CAP/ FORD/NOLFF***					
--	77295GT	FILTER ELEMENT,AIR,NOLFF LPG					
15	53952GT	BRKT,AIR CLEANER ORIENTATION**.....	1				
16	45435GT	CLAMP,HOSE,2.50"***.....	4				
17	237146GT	HOSE, CLEAN AIR, MSG425.....	1				
18	235659GT	HOSE, RAW AIR, MSG425.....	1				
19	216367GT	FORMING ,AIR CLEANER MOUNT.....	1				
20	33681GT	SCREW,HHC,3/8-16 X .625					
21	56912GT	SPRING CLIP,1/4-20,.025-.15X.54,ZAG					
22	7339GT	SCREW,HHC,1/4-20 X .5					
23A	236341GT	HEAT SHIELD, MSG425..... <i>to SN 25542</i>	1				
23B	160541GT	WDMT, HEAT SHIELD, MSG425 <i>from SN 17959</i>					
24	236338GT	HOSE,UPPER RADIATOR,MSG425					
25	36208GT	CLAMP,HOSE,1.25***.....	2				
26	214446GT	COUPLER,15T,FBA,SAE 8,MSG425.....	1				
27	49378GT	SCREW,HHC,M8 X 16					
28	6021GT	WASHER,LOCK,.375					
29	119052GT	PUMP MOUNT,FORD DSG423.....	1				
30	111748GT	SCREW,SHC,M10X1.5 X 60 GR8.8.....	2				

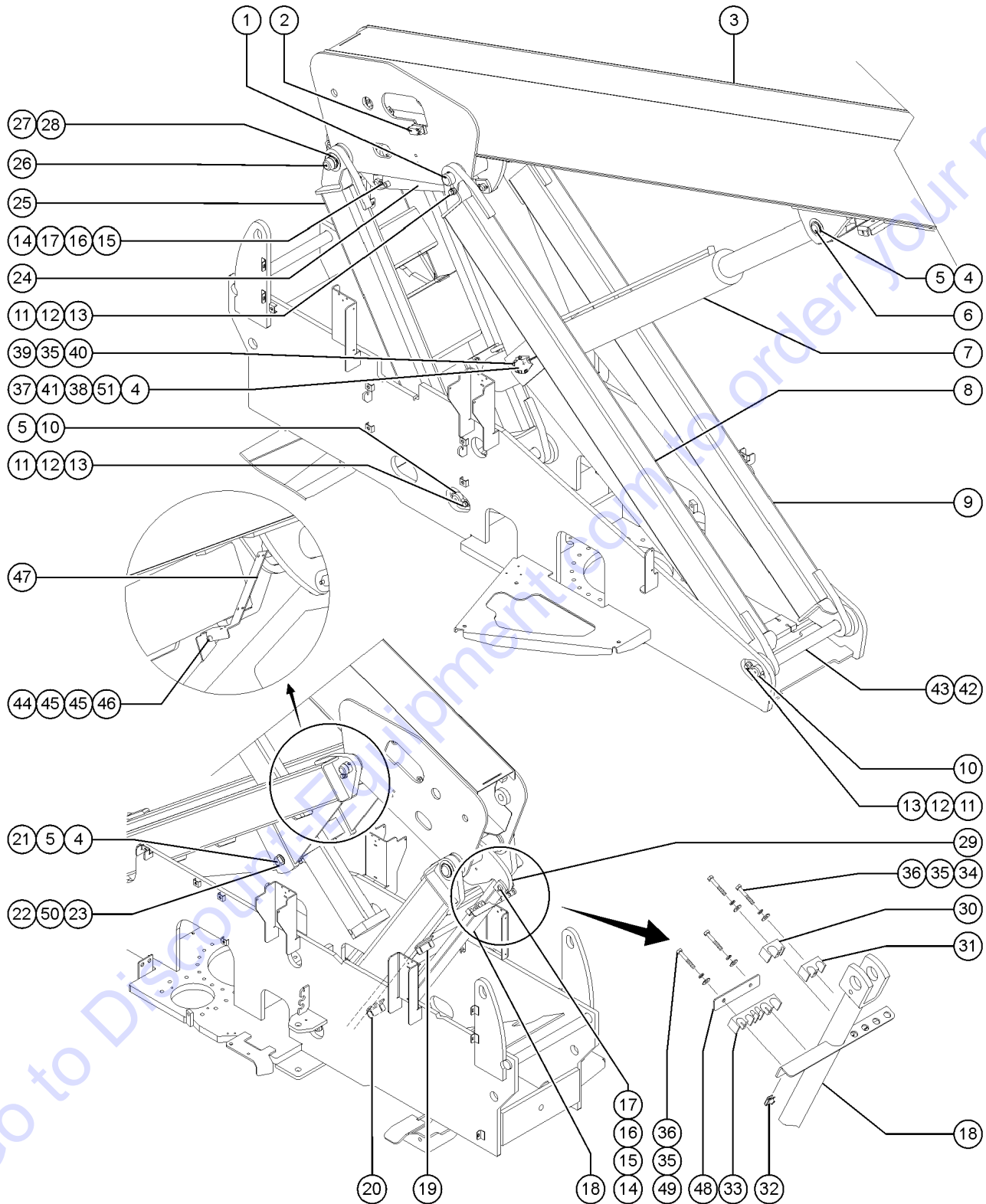
512.1 Ford MSG-425 EFI Engine - View 4 (from SN 24509)



512.1 Ford MSG-425 EFI Engine - View 4 (from SN 24509)

Item	Part No.	Description	Qty.	Item	Part No.	Description	Qty.
1	36456GT	SPRING CLIP,5/16-18,.025-.15X.....	2	39A	110406GT	RADIATOR,FORD DSG423 & MSG425.....	1
2	219437GT	ISOLATOR, VIBRATION.....	2	39B	119484GT	CAP,COOLANT 3/4	
3	237780GT	FORMING, RAD SUPPORT, MSG425....	1	40	110417PGT	FORMING,RADIATOR SUPPORT,PNTD.....	1
4	48425GT	NUT,FLG-LRG,3/8-16,YZ		41	13918GT	SCREW,HHC,3/8-16 X 1.75,GRD.8	
5	49381GT	SCREW,HHC,M12 X 30		42	15086GT	WASHER,FLAT,.375 X 1.5 X .125	
6	1702GT	HOSE-HEATER,5/8 ID-BLACK.....	1	43	24038GT	SHOCK MOUNT,SMALL.....	4
7	46131GT	CLAMP,HOSE,.63" - 1.0" X .5".....	4	44	237379GT	BAFFLE, CNTRWT, S60 MSG425.....	1
8	215316GT	REGULATOR, LP, MSG425.....	1	45	119218GT	TRIM,EDGE,1/8X3/4 SIDE BULB.....	.8-inches
--	119055GT	HOSE ASSY,LP GAS <i>Attach LPG hose (119055GT) to LPG Locoff Valave, other end to LP tank</i>		46	238234GT	PLATE, INT. SHRD SEAL, MSG425.....	1
--	219477GT	ISOLATOR, DEPR		47	8255GT	SCREW,HHC,3/8-16 X .75	
--	73599GT	CAP,PROT.,RED,1.38ID X .75 DP <i>for 1276926</i>		48	21019GT	SCREW,PHIL,PHM,10-24 X.5,SEMS	
9	119232GT	LOCKOFF,LP,FORD DSG/MSG.....	1	49	6146GT	WASHER,FLAT,MS,#10,Y	
10	19358GT	CONNECTOR,010102-6-4.....	10	50	237385GT	HOSE HANGER, MSG425.....	2
11	236340GT	HOSE, COOLANT, VAP, MSG425.....	1	51	236421GT	ENGINE MOUNT, RIGHT, MSG425.....	1
12	236423GT	FORMING, LP REG MOUNT, MSG425....	1	52	44064GT	SCREW,HHC,M10 X 30MM,.....	4
13	25368GT	NUT,NYLOCK,M8X1.25		53	56912GT	SPRING CLIP,1/4-20,.025-.15X.54,ZAG	
14	33277GT	WASHER,FLAT,M8,YELLOW ZINC		54	6638GT	WASHER,FLAT,USS,1/4"Y	
15	6198GT	NUT,NYLOCK,1/2-13		55	70367GT	BOTTLE,COOLANT RECOVERY,3.7***.....	1 <i>includes cap</i>
16	6095GT	WASHER,FLAT,USS,1/2",Y		--	106226GT	TUBING,VINYL,1/2" CLEAR	
17	22788GT	SCREW,HHC,1/2-13 X 1.75		--	21465GT	CLAMP,HOSE,.25" - .63" X .3125 <i>(not shown) not included with 70367, must order seperately</i>	
18	236422GT	ENGINE MOUNT, REAR, MSG425.....	1	--	6833GT	CLAMP,0.50,#8 X 1/4,RUB CUSH <i>(not shown) not included with 70367, must order seperately</i>	
19	6019GT	SCREW,HHC,3/8-16 X 1.25 GRD 5		--	72327GT	CAP, COOLANT RET SYS(54071)	
20	5397GT	WASHER,FLAT,USS,5/16",Y		56	236339GT	HOSE, LOWER RADIATOR, MSG425....	1
21	4828GT	NUT,NYLOCK,3/8-16		57A	237856GT	FUSE BOX COVER.....	1
22	6145GT	SCREW,HHC,1/4-20 X 1.5		57B	237857GT	FUSE BOX RELAY STICKER..... <i>(not shown) not included with 237856, order seperately</i>	1
23	6097GT	WASHER,FLAT,USS,3/8",Y		57C	237858GT	FUSE BOX MOUNTING,LEFT..... <i>(not shown)</i>	1
24	6091GT	NUT,NYLOCK,1/4-20		57D	237859GT	FUSE BOX MOUNTING,RIGHT..... <i>(not shown)</i>	1
25	215317GT	CONTROL MODULE, MSG425.....	1				
26	25927GT	SCREW,HHC,M10 X 55MM,GRD 8.8....	4				
27	22700GT	WASHER,LOCK,M10.....	8				
28	22699GT	WASHER,FLAT,M10,ZINC PLTD.....	8				
29	236425GT	FORMING, ECU MOUNT, MSG425.....	1				
30	236420GT	ENGINE MOUNT, LEFT, MSG425.....	1				
31	110477GT	PLATE,ENGINE SUPPORT SPACER....	1				
32	39479GT	SCREW,HHC,1/2-13 X 2.75					
33	70452GT	ISOLATOR,ENGINE VIBRATION***.....	4				
34	102066GT	CASTING,WASHER,REBOUND					
35	6782GT	NUT,NYLOCK,5/16-18					
36	13000GT	SCREW,HHC,5/16-18 X 1.25					
37	216019GT	WDMT, SHROUD INT, S60 MSG425.....	1				
38	236364GT	FAN SHROUD, MSG425.....	1				

601.1 Linkage Assembly



601.1 Linkage Assembly

Item	Part No.	Description	Qty.	Item	Part No.	Description	Qty.
1	88665GT	PIN,2.25DIA X 19.25LG,CHAMFER.....1	1	16	6021GT	WASHER,LOCK,.375	
2		HARNESS,LS,OP,PRIMARY EXT/RET...1 <i>refer to section 307.1</i>	1	17	6175GT	SCREW,HHC,3/8-16 X 1	
3		ASSEMBLY,BOOM TUBE #1 S60/65.....1 <i>refer to section 602.1</i>	1	18	88675GT	WELDMNT,MASTER LINK.....1	1
4	18716GT	SNAP RING,EXTERNAL,2.00 DIA.....2	2	19		HARNESS,LS,OP,PRIMARY ANGLE.....1 <i>refer to section 307.1</i>	1
5	18730GT	WASHER,FLAT,2.01 X 3.5 X .06.....9	9	--	119056GT	CONN,PLUG 2 WAY,14-18GA	
6	88872GT	PIN,2.00DIA X 11.18LG,2RING.....1	1	--	19491GT	CONTACTOR,LIMIT SWITCH	
7A	88653GT	CYLINDER,LIFT,S60***.....1 <i>for all S-60 and S-65 models except S-60 HC</i>	1	--	43960GT	WIRE CABLE,16/4 CON.TPE JKT.....86-inches	
--	101252GT	SEAL KIT (88653) <i>for 88653</i>		--	54260GT	TERM,NI SOC,14-16GA,BULK	
--	1262331GT	KIT, GLAND NUT, S60 LIFT CYL. <i>for 88653</i>		--	60425GT	LOCK, PLUG 2WAY, 14-18GA	
--	1268376GT	NUT, PISTON, LIFT CYLINDER <i>for 88653</i>		--	73814GT	CONN,DSCH,BOOT,DT2S-BT	
--	1268377GT	SET SCREW, LIFT CYLINDER <i>for 88653</i>		--	88356-11103GT	SWITCH,LIMIT,W/RLR ARM,NO/NC**	
--	18720GT	BEARING,2.0IDX2.25ODX1.50L <i>for 88653</i>		--	97128GT	ROLLER ARM,LIMIT SWITCH***	
--	61602GT	VALVE,COUNTERBAL.CBBB-LHN@3500 <i>for 88653</i>		20		HARNESS,LS,OP,PRIMARY VELOCITY.....1 <i>refer to section 307.1</i>	1
7B	107825GT	CYLINDER, LIFT, S60HC.....1 <i>FOR S-60 HC</i>	1	--	119058GT	CONN PLUG 4 WAY ENDCAP DT	
--	101252GT	SEAL KIT (88653).....1 <i>for 107825</i>	1	--	19491GT	CONTACTOR,LIMIT SWITCH	
--	1262331GT	KIT, GLAND NUT, S60 LIFT CYL. <i>for 107825</i>		--	43960GT	WIRE CABLE,16/4 CON.TPE JKT.....61-inches	
--	128464GT	VALVE,COUNTERBAL,CWCK-LHN@3500.1 <i>for 107825</i>	1	--	54260GT	TERM,NI SOC,14-16GA,BULK	
--	18720GT	BEARING,2.0IDX2.25ODX1.50L <i>for 107825</i>		--	60429GT	LOCK,PLUG 4 WAY,14-18GA	
--	60984GT	VALVE COUNTERBAL.CBBB-LJN@5000.....2 <i>for 107825</i>	2	--	73739GT	BOOT,PLUG 4 WAY	
8	139601GT	ASSY, LONG LINK LT W/BEARINGS.....1	1	--	88356-11103GT	SWITCH,LIMIT,W/RLR ARM,NO/NC**	
--	18722GT	BEARING,2.25IDX2.50ODX1.50L***		--	97128GT	ROLLER ARM,LIMIT SWITCH***	
--	88920GT	BEARING,FL,2.00IDX2.25ODX1.50L		21	88666GT	PIN,2 X 5.75 LG.....1	1
9	139602GT	ASSY, LONG LINK RT W/BEARINGS.....1	1	22	13854GT	SCREW,HHC,1/2-13 X 4.5,GRD.8.....2	2
--	18722GT	BEARING,2.25IDX2.50ODX1.50L***		23	6198GT	NUT,NYLOCK,1/2-13	
--	88920GT	BEARING,FL,2.00IDX2.25ODX1.50L		24	88668GT	CYLINDER,MASTER,S60,S65.....1 <i>component no longer available</i>	1
10	88676GT	PIN,2.00DIA X 24.00LG,CHAMFER***.....2	2	--	101253GT	SEAL KIT (88668) <i>for 88668; to SN 23218</i>	
11	8177GT	SCREW,HHC,1/2-13 X 1.5		--	75470GT	SEAL KIT,CYL,S45 MASTER(81694) <i>for 81694; from SN 23219</i>	
12	6033GT	WASHER,LOCK,0.5"		--	81694GT	CYLINDER,MASTER <i>from SN 23219</i>	
13	1256267GT	ROD END,.5 X 3.75,ZAG.....2	2	25	T106508GT	SHORT LINK W/BEARINGS, SERVICE.....1 <i>(includes items 26-28)</i>	1
14	34276GT	PIN,1.25DIA X 3.37LG,1HOLE.....1	1	--	18720GT	BEARING,2.0IDX2.25ODX1.50L	
15	1255452GT	ROD END,.375 X 2.25,ZAG.....2	2	--	18722GT	BEARING,2.25IDX2.50ODX1.50L***	
				--	T106413GT	WELDMNT, SHORT LINK, S60/65	
				26	119990GT	PIN,2.25DIA X 18.75LG,CHAMFER.....1	1
				27	18731GT	WASHER,FLAT,2.27 X 3.5 X .06.....6	6
				28	18717GT	SNAP RING,EXTERNAL,2.25 DIA.....2	2
				29	77672GT	WELDMNT,TIMING LINK CAM.....1	1

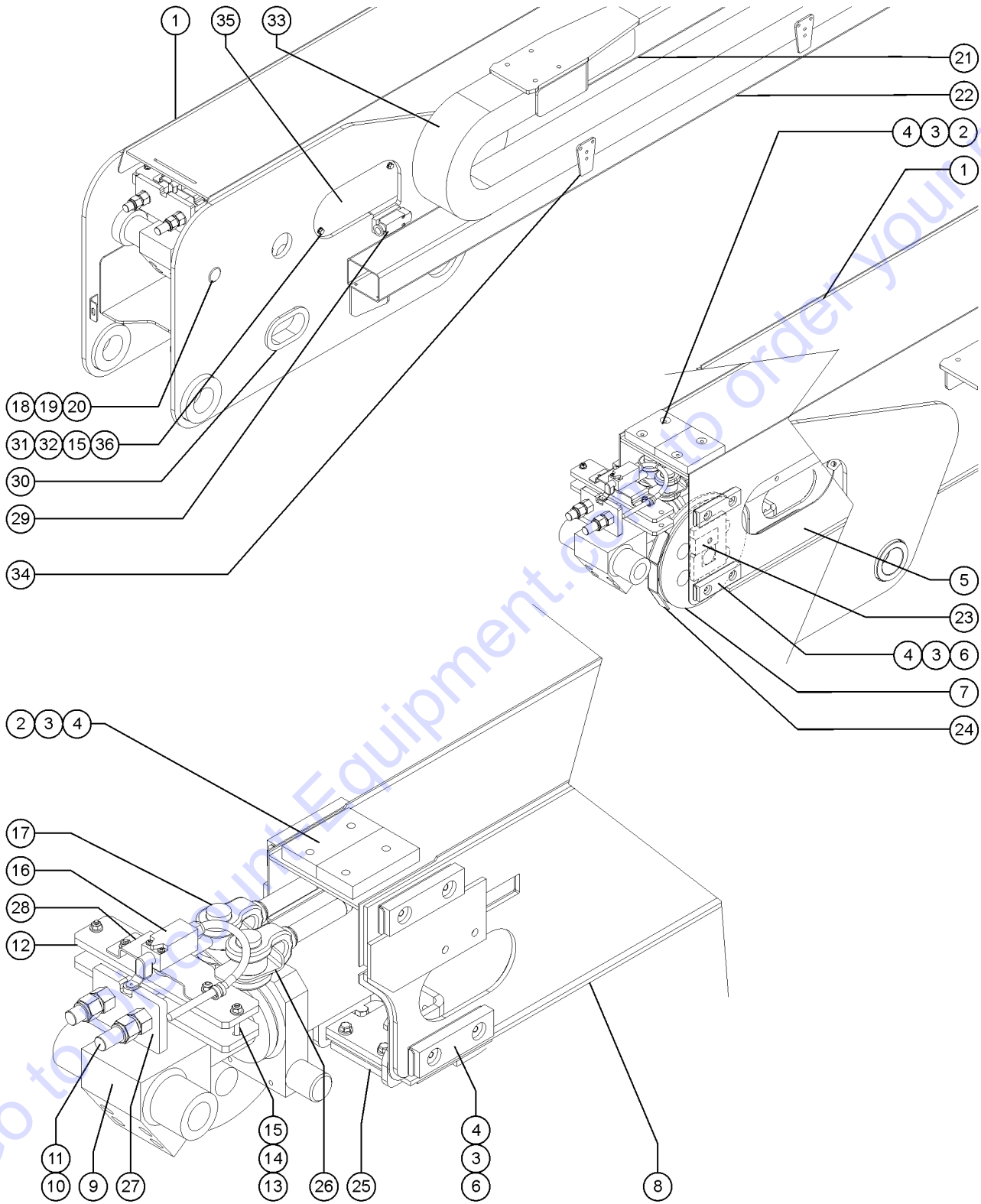
601.1 Linkage Assembly
(continued)

Item	Part No.	Description	Qty.	Item	Part No.	Description	Qty.
--	30370GT	BEARING,1.25IDX1.5ODX1.00L		50	13066GT	WASHER,FLAT,.5 HARDENED.....2	
--	88919GT	BEARING,FL,2.25IDX2.50ODX1.63L		51	T107751GT	WASHER,FLAT,2.01X2.25X.06,PLTD.....1	
30A	70290GT	CLAMP,LINK,LH.....1 <i>(shown) to SN 22585</i>					
30B	824550GT	CLAMP, TIMING LINK, LH <i>(not shown) replaces both items 30 & 31, from SN 22586</i>					
31A	70289GT	CLAMP,LINK,LH WELD WIRE.....1 <i>to SN 22585</i>					
31B	824550GT	CLAMP, TIMING LINK, LH <i>(not shown) replaces both items 30 & 31, from SN 22586</i>					
32	25969GT	CLIP,SPRING,1/4-20 BLACK.....4					
33A	139793GT	CLAMP, TIMING LINK.....1 <i>(shown) to SN 22585</i>					
33B	T115605GT	CLAMP, TIMING LINK <i>(not shown) from SN 22586 to 26286</i>					
33C	824546GT	CLAMP, TIMING LINK, RH <i>(not shown) from SN 26287</i>					
34	6637GT	SCREW,HHC,1/4-20 X 1.75.....2					
35	6356GT	WASHER,LOCK,.25.....4					
36	6638GT	WASHER,FLAT,USS,1/4"Y.....4					
37	147834GT	ASSY, ANGLE SENSOR AND COVER...1 <i>all models except S-60HC</i>					
--	110452GT	COVER,STEERING SENSOR					
--	60746GT	BUSHING, STRAIN RELIEF, 1"					
--	6607GT	WASHER,LOCK,#10 PLTD					
--	75041GT	SCREW,PHILLIPS,PHM,10-32 X 1					
--	94980GT	SENSOR,DUAL OUTPUT,ANGLE***					
38	147842GT	PIN, LIFT CYL, HEX END.....1					
39	6090GT	SCREW,HHC,1/4-20 X .75					
40	6638GT	WASHER,FLAT,USS,1/4"Y					
41	147571GT	KEY, HEX, 5/16" X 2.50"LG,SS.....1					
42	110908GT	WELDMENT, LONG LINK SPACER.....1					
43	10597GT	SCREW,HHC,1/2-13 X 1.25 GR5.....1					
44	815852GT	SCREW,HHC,7/16-14 X 1.75 <i>from SN 22987</i>					
45	106134GT	WASHER,FLAT,HARDENED 7/16 <i>from SN 22987</i>					
46	11210GT	NUT,NYLOCK,7/16-14 <i>from SN 22987</i>					
47	230497GT	FORMING,ANGLE SENSOR CABLE.....1 <i>from SN 22987</i>					
48	227125GT	BAR, CLAMP, TIMING LINK.....1 <i>from SN 22586</i>					
49A	6637GT	SCREW,HHC,1/4-20 X 1.75.....2 <i>to SN 22585</i>					
49B	36294GT	SCREW,HHC,1/4-20 X 2.75.....2 <i>from SN 22586</i>					

This Page Intentionally Left Blank

Go to Discount-Equipment.com to order your parts

602.1 Boom Components - View 1



602.1 Boom Components - View 1

Item	Part No.	Description	Qty.	Item	Part No.	Description	Qty.
1	T108890GT	#1 BOOM TUBE ASSY,W/WORD DECAL.....1 <i>USA, Canada and Australia models</i>	1	--	97128GT	ROLLER ARM,LIMIT SWITCH***	
--	18720GT	BEARING,2.0IDX2.25ODX1.50L.....2	2	17	19440GT	PIN,CLEVIS,1 X 2.5 LG.....2	2
--	30370GT	BEARING,1.25IDX1.5ODX1.00L.....1	1	18	81856GT	PIN,1.50DIAX13.43LG,2RING.....1	1
--	88919GT	BEARING,FL,2.25IDX2.50ODX1.63L.....4	4	19	825796GT	SNAP RING,EXTERNAL,1.50,ZAG.....2	2
--	T108891GT	#1 BOOM TUBE ASSY,W/SYM DECAL <i>South America, Asia and Europe models</i>		20	18596GT	WASHER,FLAT,1.56 X 2.5 X .061	
2	34124GT	WEAR PAD,5 X 3 X .625 W/NUTS.....4	4	21		WELDMENT,CABLE TRACK TUBE.....1 <i>refer to 611.1 or 611.2</i>	1
--	34344GT	SHIM,SIDE PAD 16GA. 3 X 5		22		WELDMENT,CABLE TRACK TRAY.....1 <i>refer to 611.1 or 611.2</i>	1
3	6021GT	WASHER,LOCK,.375		23	88795PGT	CAP,EXTENSION,PAINTED.....1	1
4	28487GT	SCREW,BHHS,3/8-16 X 1		--	6021GT	WASHER,LOCK,.375	
5A	147617GT	WELDMENT, BOOM SECTION #2.....1 <i>S-60X and S-60XC models</i>	1	--	6097GT	WASHER,FLAT,USS,3/8",Y	
5B	63078GT	WELDMENT,BOOM SECTION #2*** <i>S-60, S-60HX, S-60TRAX models</i>		--	6175GT	SCREW,HHC,3/8-16 X 1	
5C	63078GT	WELDMENT,BOOM SECTION #2*** <i>S-65 and S-65TRAX models</i>		24	107665PGT	COVER,RETRACT SHEAVE,PAINTED.....1	1
6	30138GT	WEAR PAD,5 X 1.5 X .625 W/NUTS		25	77718GT	WEAR PAD,5 X 3 X .75.....1	1
7	88568GT	SHEAVE,RETRACT CABLE(SMALLER).....2	2	--	34344GT	SHIM,SIDE PAD 16GA. 3 X 5	
8	94692GT	ASSEMBLY,BOOM TUBE #3 S60/65**.....1 <i>USA, Canada and Australia models</i>	1	--	38621GT	SHIM,PAD,5 X 3	
--	119567GT	ASSEM,BOOM TUBE #3 S60/65,CE** <i>South America, Asia and Europe models</i>		--	6019GT	SCREW,HHC,3/8-16 X 1.25 GRD 5	
--	34245GT	BEARING,1.25IDX1.50X1.25L.....2	2	--	6021GT	WASHER,LOCK,.375	
9	88571GT	CYLINDER,BOOM EXTENSION.....1	1	26	77618PGT	PLATE,ANTIROTATION.....1	1
--	101251GT	SEAL KIT (88571)		27	77795GT	MACHINED PIVOT PLATE WELDMENT.....1	1
--	74872GT	VALVE,COUNTERBALANCE 3000 PSI*.....1	1	28	77653PGT	FORMING,LIMIT SWITCH BRACKET.....1	1
--	88667GT	VALVE,CB.CBCA-LHN@1500PSI***.....1	1	--	6091GT	NUT,NYLOCK,1/4-20	
10	77656GT	ROD END,CABLE		--	6638GT	WASHER,FLAT,USS,1/4"Y	
11	77051GT	NUT,NYLOCK,3/4-10,GRD.8		--	6888GT	SCREW,HHC,1/4-20 X 1	
12	77654PGT	PLATE,ROCKER.....2	2	29		HARNESS,LS,OP,PRIMARY EXT/RET...1 <i>refer to 307.1</i>	1
13	8179GT	SCREW,HHC,1/4-20 X 2.25		--	119065GT	CONN,RECEP 2 WAY ENDCAP DT	
14	6091GT	NUT,NYLOCK,1/4-20		--	19491GT	CONTACTOR,LIMIT SWITCH	
15	6638GT	WASHER,FLAT,USS,1/4"Y		--	43960GT	WIRE CABLE,16/4 CON.TPE JKT.....23-inches	
16		HARNESS,LS,OP,CABLE TENSION.....1 <i>refer to 307.1</i>	1	--	60439GT	LOCK,RECEP 2 WAY, 14-18GA	
--	119067GT	CONN,RECEP 4 WAY ENDCAP DT		--	73713GT	TERM,NI PIN,S&F,16-18GA,REEL	
--	19491GT	CONTACTOR,LIMIT SWITCH		--	73811GT	CONN,DSCH,BOOT,DT2P-BT	
--	43960GT	WIRE CABLE,16/4 CON.TPE JKT.....15-inches		--	88356-14963GT	SWITCH,LIMIT,W/RLLR ARM,NO/NC	
--	60443GT	LOCK,RECEP 4 WAY,14-18GA		30	71768GT	GROMMET,4.00 GRV. X .75 THK.....1	1
--	73713GT	TERM,NI PIN,S&F,16-18GA,REEL		31	6090GT	SCREW,HHC,1/4-20 X .75	
--	73725GT	BOOT,DTSCH,DTP4-BT		32	6356GT	WASHER,LOCK,.25	
--	88356-13103GT	SWITCH,LIMIT,W/RLLR ARM,NO/NC		33		CABLE TRACK,STEEL 49 LINKS.....1 <i>refer to 611.1</i>	1
				34		CABLE TRACK GUIDE TRIANGLE.....10 <i>refer to 611.1</i>	10
				35	77882PGT	COVER,RH,BOOM SECTION #1.....1	1
				--	147403GT	COVER,LH,BOOM SECTION #1	

602.1 Boom Components - View 1
(continued)

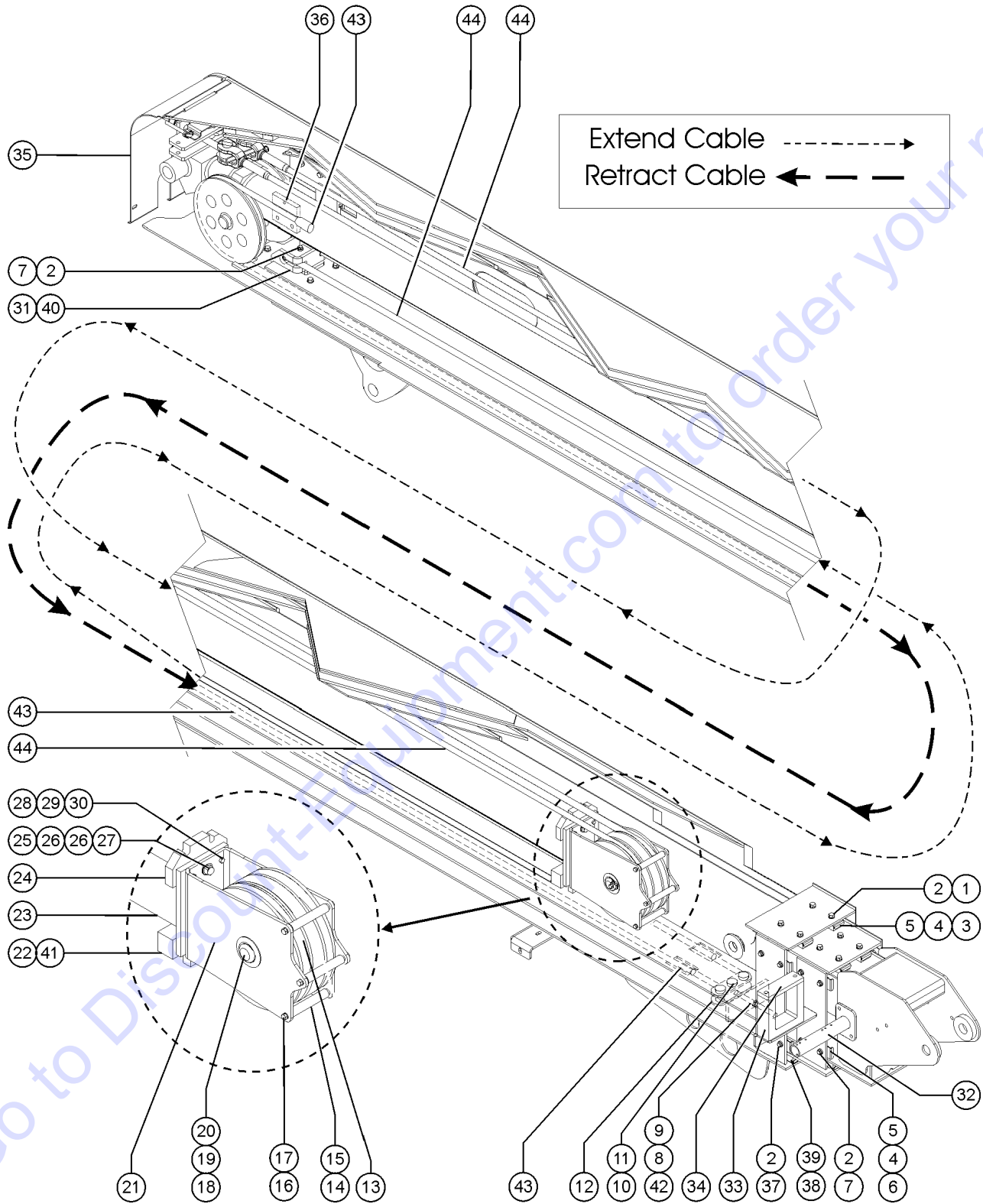
Item	Part No.	Description	Qty.
36	56912GT	SPRING CLIP,1/4-20,.025-.15X.54,ZAG	

Go to Discount-Equipment.com to order your parts

This Page Intentionally Left Blank

Go to Discount-Equipment.com to order your parts

603.1 Boom Components - View 2



603.1 Boom Components - View 2

Item	Part No.	Description	Qty.	Item	Part No.	Description	Qty.
A	214690GT	KIT,EXTEND/RETRACT CABLE,S60 (includes items 43 & 44) (for easier installation, suggest ordering 94510, below)		34		WEAR PAD,5.5 X 1.75 X .5.....1 (refer to 611.1)	1
B	94510GT	TOOL,CABLE GRIP, 7/16" for installation of 214690		35	101066PGT	COVER,PRIMARY BOOM,PAINTED.....1	1
C	74389GT	RUE RING,1.00		36	77616PGT	PLATE,BOTTOM BLOCK,PAINTED.....1	1
1	6175GT	SCREW,HHC,3/8-16 X 1		37	57072GT	SCREW,BHHS,3/8-16 X 1.25	
2	6021GT	WASHER,LOCK,.375		38	34344GT	SHIM,SIDE PAD 16GA. 3 X 5.....4	4
3	30138GT	WEAR PAD,5 X 1.5 X .625 W/NUTS.....8	8	39	77718GT	WEAR PAD,5 X 3 X .75.....4	4
4	38620GT	SHIM,WEAR PAD,5 X 1.5,14GA.....16	16	40	77713PGT	PLATE,TAP BLOCK.....1	1
5	29080GT	SHIM,WEAR PAD,5X 1.5 16GA.....16	16	41	6605GT	SCREW,HHC,3/8-16 X 3.5,GR5.....2	2
6	34125GT	WEAR PAD,5 X 1.5 X .75 W/NUTS.....8	8	42	33278GT	WASHER,FLAT,.75 HARDENED	
7	6019GT	SCREW,HHC,3/8-16 X 1.25 GRD 5		43	110340GT	CABLE ASSY, RETRACT SET (PAIR).....1 (one end mounts at the base, the other end mounts at the top of the mast)	1
8	77656GT	ROD END,CABLE		44	110339GT	CABLE ASSY, EXTEND SET(PAIR).....1 (both ends mount at the base of the mast)	1
9	77051GT	NUT,NYLOCK,3/4-10,GRD.8					
10	826379GT	PIN,CLEVIS,1X2.250,ZAG.....4	4				
11	13635-10GT	PIN,COTTER,.156 X 1.75.....4	4				
12	88796GT	PLATE,RETRACTION CABLE EQUALIZ.....2	2				
13	88567GT	SHEAVE,EXTENSION CABLE(LARGER).....1	1				
14	77648GT	ROLLER,1/2" PVC.....1	1				
15	77649GT	ROLLER,1/2" ALUMINUM.....1	1				
16	6090GT	SCREW,HHC,1/4-20 X .75					
17	6356GT	WASHER,LOCK,.25					
18	88793GT	PIN,1.5 X 5.50 LG.....1	1				
19	825796GT	SNAP RING,EXTERNAL,1.50,ZAG.....2	2				
20	18596GT	WASHER,FLAT,1.56 X 2.5 X .061					
21	139384GT	BRACKET, EXTEND SHEAVE.....1	1				
22	139288GT	GUIDE, EXT. CABLE, BOTTOM.....1	1				
23		Ref. Extension Cylinder (refer to 602.1) (refer to 602.1)					
24	139385GT	GUIDE, EXT CABLE, TOP.....1	1				
25	54177GT	SCREW,HHC,1/2-13 X 1.5 GRD 8.....2	2				
26	49411GT	WASHER,FLAT,M14					
27	6198GT	NUT,NYLOCK,1/2-13					
28	4266GT	SCREW,HHC,1/4-20 X 2					
29	6638GT	WASHER,FLAT,USS,1/4"Y					
30	6091GT	NUT,NYLOCK,1/4-20					
31	77688GT	WELDMENT,EXTENSION BRACKET.....1	1				
32		WELDMENT,TRACK PULL TUBE PIVOT.....1 (refer to 611.1)	1				
33		WEAR PAD,CABLE TRACK PULL TUBE.....1 (refer to 611.1)	1				

604.1 Boom Limit Switch - S-60X, S-60XC and S-60 TraX (ANSI)

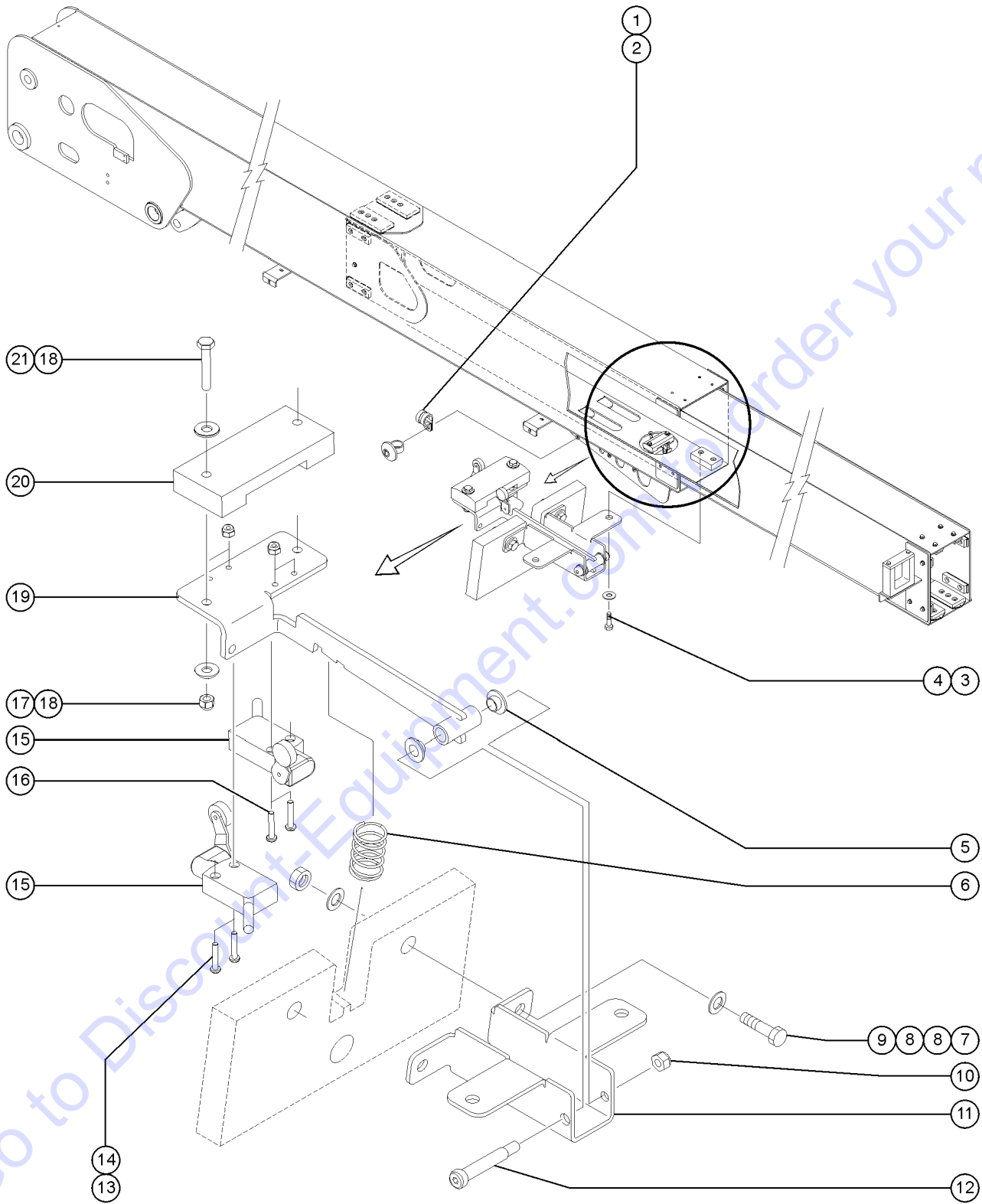


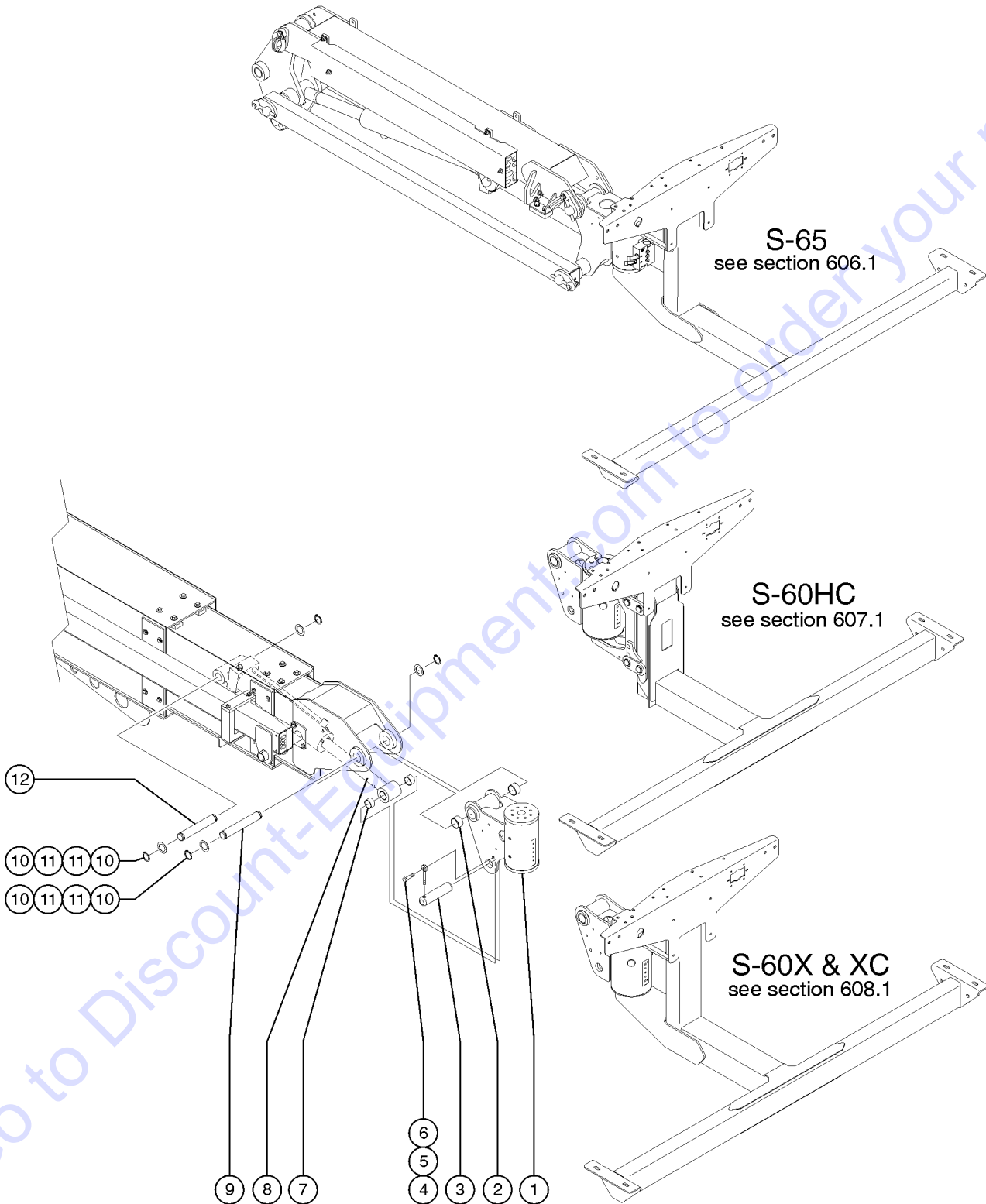
Figure 604.1
Boom #1 Limit Switch



604.1 Boom Limit Switch - S-60X, S-60XC and S-60 TraX (ANSI)

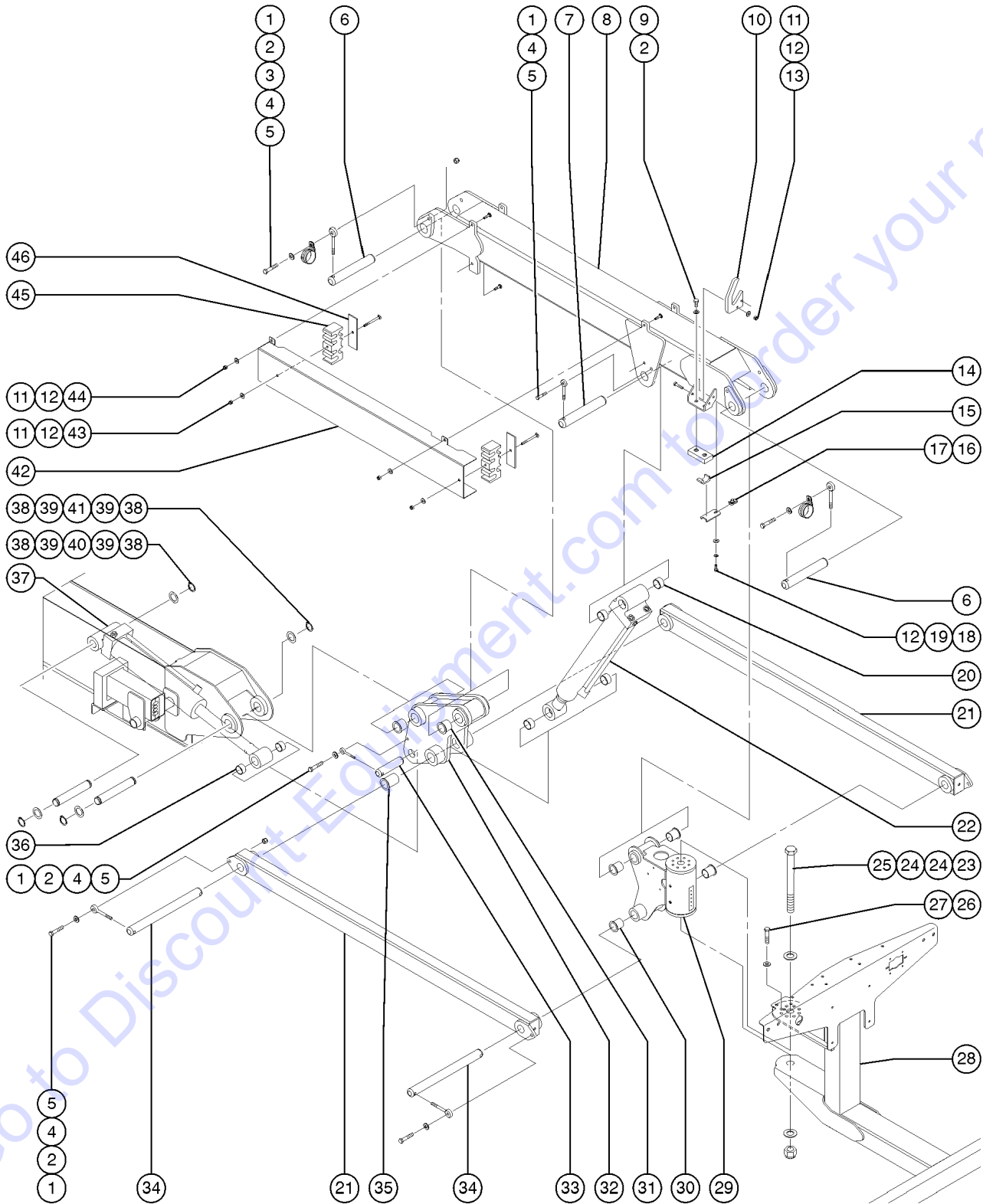
Item	Part No.	Description	Qty.
1	45470GT	CLAMP,0.31,#5 X 1/4,RUB CUSH.....1	1
2	56361GT	CABLE TIE,BUTTON,BLACK,14.75LG...3	3
3	6019GT	SCREW,HHC,3/8-16 X 1.25 GRD 5.....2	2
4	6021GT	WASHER,LOCK, .375.....2	2
5	47222GT	WASHER,SHOULDER,NYLON.....2	2
6	T112459GT	SPRING,0.984"OD X 1.50"LG.....1	1
7	13918GT	SCREW,HHC,3/8-16 X 1.75,GRD.8.....2	2
8	5397GT	WASHER,FLAT,USS,5/16",Y.....4	4
9	4828GT	NUT,NYLOCK,3/8-16.....2	2
10	6782GT	NUT,NYLOCK,5/16-18.....1	1
11	147504GT	COVER, LIMIT SWITCH ARM MOUNT...1	1
12	147578GT	SCREW,SHC,3/8 X 1.75 SHOULDER....1	1
13	T106385GT	SCREW,PHILLIPS,PHM,8-32 X 1.00.....4	4
14	18605GT	NUT,NYLOCK,8-32.....4	4
15	1364414B61GT	LIMIT SWITCH,BLUE,MICRO.....2 <i>LSB1ES and LSB1EO, refer to 307.1 for wire harnesses</i>	2
16	T106385GT	SCREW,PHILLIPS,PHM,8-32 X 1.00.....2	2
17	6091GT	NUT,NYLOCK,1/4-20.....2	2
18	6638GT	WASHER,FLAT,USS,1/4"Y	
19A	230072GT	KIT, LIMIT SWITCH ARM.....1 <i>to SN 22586 (upgrade) (includes new items 14, 16 to 21)</i>	1
19B	230329GT	WELDMENT, LIMIT SWITCH ARM.....1 <i>from SN 22587</i>	1
20A	230072GT	KIT, LIMIT SWITCH ARM.....1 <i>to SN 22586 (upgrade) (includes new items 14, 16 to 21)</i>	1
20B	230331GT	WEARPAD, LIMIT SWITCH GUIDE.....1 <i>from SN 22587</i>	1
21	6145GT	SCREW,HHC,1/4-20 X 1.5.....2	2

605.1 Boom End Components



Item	Part No.	Description	Qty.
--	122944GT	SEAL KIT,8K ROTATOR***	
--	88516GT	SCREW,BLEEDER,M5X0.8	
1A	88576GT	ROTATOR,NON-JIB.....1 <i>Includes item 2; S-60 CE only</i>	
2	30370GT	BEARING,1.25IDX1.5ODX1.00L.....4	
3	T108075GT	PIN,1.25DIA X5.25LG,1HOLE.....1	
4	825019GT	ROD END,.375X3.69,ZAG	
5	6175GT	SCREW,HHC,3/8-16 X 1	
6	4828GT	NUT,NYLOCK,3/8-16	
7	25683GT	BEARING,POLYGON,20DU12.....4	
8	63566GT	CYLINDER,PLATFORM LEVEL***1 <i>Includes item 7</i>	
--	101254GT	SEAL KIT (63566)	
--	77303GT	VALVE, CNTRBAL 3500 PSI, ATM VEN	
9	T111124GT	PIN,1.25DIA X8.42LG,2RING.....1 <i>(replaced 88345 at 21174)</i>	
10	30217GT	SNAP RING,EXTERNAL,1.25 DIA.**4	
11	30255GT	WASHER,SHIM,1.27 X 2.13 X .062.....as-needed	
12	88870GT	PIN,1.25DIA X7.47LG,2RING.....1	

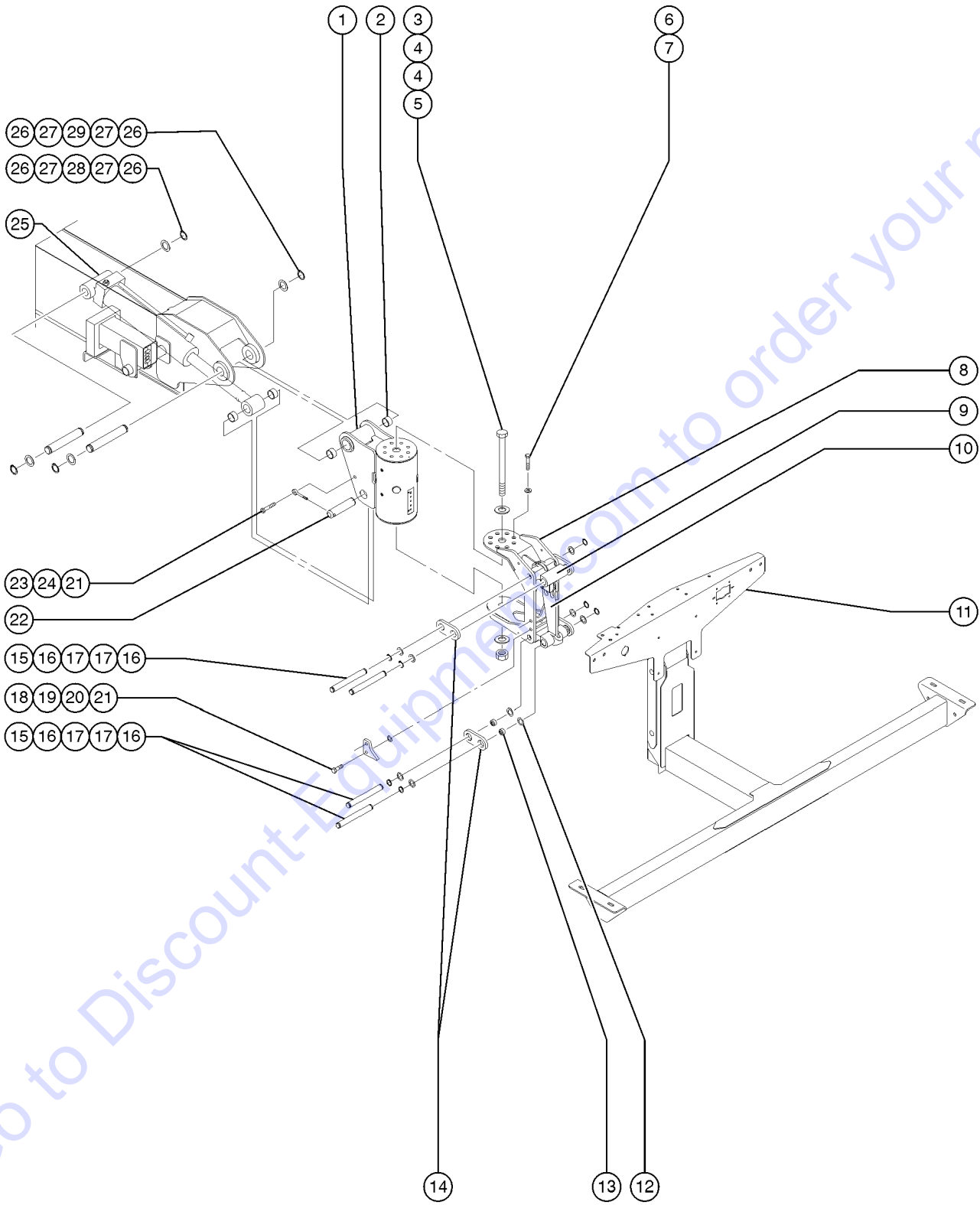
606.1 Boom End Components - S-65



606.1 Boom End Components - S-65

Item	Part No.	Description	Qty.	Item	Part No.	Description	Qty.
1	6175GT	SCREW,HHC,3/8-16 X 1		30	30222GT	BEARING,FL,1.25IDX1.41ODX1.50L.....4	4
2	6021GT	WASHER,LOCK,.375		31	35675GT	BEARING,FL,1.25IDX1.5ODX1.25L.....4	4
3	77181GT	CLAMP,1.63,#26 X 3/8,RUB CUSH.....2	2	32	101244GT	BELLCRANK W/BEARINGS.....1 <i>includes bearings item 31 and 35</i>	1
4	825019GT	ROD END,.375X3.69,ZAG		33	T108075GT	PIN,1.25DIAX5.25LG,1HOLE.....1	1
5	4828GT	NUT,NYLOCK,3/8-16		34	81175GT	PIN,1.25DIAX14.45LG,2HOLE.....2	2
6	T108076GT	PIN,1.25DIAX7.88LG,1HOLE.....2	2	35	128268GT	BEARING,FL, 1.25X1.5X2.13.....2	2
7	T108077GT	PIN,1.25DIAX7.00LG,1HOLE.....1	1	36	25683GT	BEARING,POLYGON,20DU12.....4	4
8B	128534GT	JIB BOOM ASSY W/WORD DECAL.....1 <i>USA, Canada and Australia models, includes item 8A</i>	1	37	63566GT	CYLINDER,PLATFORM LEVEL***.....1 <i>Includes item 7</i>	1
8C	T108892GT	JIB BOOM ASSY W/SYMBOL DECAL <i>South America, Asia and Europe models, includes item 8A</i>		--	101254GT	SEAL KIT (63566)	
9	8255GT	SCREW,HHC,3/8-16 X .75		--	77303GT	VALVE, CNTRBAL 3500 PSI, ATM VEN	
10	128482GT	HOSE GUIDE, JIB.....1 <i>to SN S6015A-29311</i>	1	38	30217GT	SNAP RING,EXTERNAL,1.25 DIA.**.....4	4
11	6091GT	NUT,NYLOCK,1/4-20		39	30255GT	WASHER,SHIM,1.27 X 2.13 X .062.....as-needed	
12	6638GT	WASHER,FLAT,USS,1/4"Y		40	88870GT	PIN,1.25DIAX7.47LG,2RING.....1	1
13	8915GT	SCREW,HHC,1/4-20 X 1.25		41	T111124GT	PIN,1.25DIAX8.42LG,2RING.....1	1
14	81640GT	WEAR PAD,3 X 1.5 X.625 W/NUTS		42	128454PGT	COVER, JIB HOSES/CABLES.....1	1
15	119542GT	CLAMP,TWO HOSE.....1	1	43	128724GT	BOLT,CARRIAGE,1/4-20 X 2.75,G2.....2	2
16	56912GT	SPRING CLIP,1/4-20,.025-.15X.54,ZAG.....1	1	44	79456GT	BOLT,CARRIAGE,1/4-20 X 1.00,G2.....4	4
17	119536PGT	BRACKET,HOSE CLAMP,PAINTED.....1	1	45	824551GT	CLAMP,HOSE/CABLE,JIB.....2	2
18	6090GT	SCREW,HHC,1/4-20 X .75		46	128483GT	BACKING PLATE, HOSE BLOCK, JIB....2	2
19	6356GT	WASHER,LOCK,.25					
20	25683GT	BEARING,POLYGON,20DU12.....4	4				
21	61306-SGT	COMPR.LINK,MACHINED,GND CONTR*.....2	2				
22	63213GT	CYLINDER,JIB (STICK BOOMS).....1 <i>includes item 20</i>	1				
--	33428GT	VALVE,COUNTERBALANCE					
--	63353GT	SEAL KIT,CYL,S65 (63213)					
23	73928GT	SCREW,HHC,1-8 X 11,GRD 5***.....1	1				
24	122079GT	WASHER,FLAT,1.000,HARDENED.....2	2				
25	29764GT	NUT,NYLOCK,1-8.....1	1				
26	77692GT	SCREW,HHC,3/8-16 X 1 GRD 8.....8	8				
27	6097GT	WASHER,FLAT,USS,3/8",Y.....8	8				
28	60370-SGT	PLATFORM SUPPORT WELDMNT-SERV*.....1	1				
29	94397GT	ROTATOR,PLAT JIB,160 DEG***.....1 <i>includes bearing item 30</i>	1				
--	122944GT	SEAL KIT,8K ROTATOR*** <i>for 94397</i>					
--	75395GT	BEARING KIT,PLAT ROTATOR,SUPER <i>for 94397</i>					
--	88516GT	SCREW,BLEEDER,M5X0.8 <i>for 94397</i>					

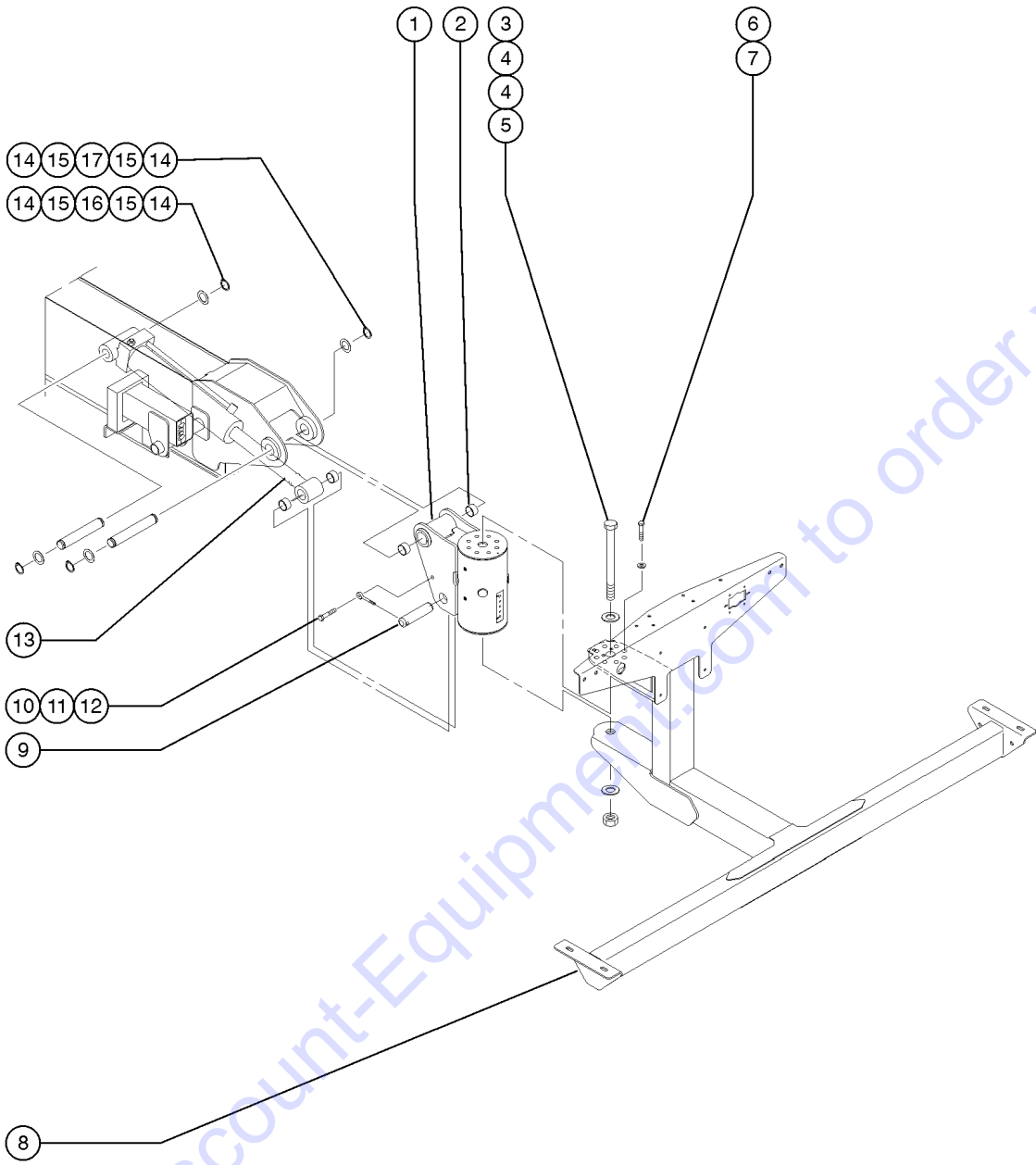
607.1 Boom End Components - S-60 HC



607.1 Boom End Components - S-60 HC

Item	Part No.	Description	Qty.
1	226541GT	ROTATOR,PLATFORM,15K.....1 <i>includes item 2</i>	1
--	147370GT	SEAL KIT,15K ROTATOR <i>for 107836; to SN 21918</i>	
--	226542GT	SEAL KIT, 15K ROTATOR <i>for 226541; from SN 21919</i>	
2	30370GT	BEARING,1.25IDX1.5ODX1.00L.....2	2
3	824075GT	SCREW,HHC,1-8X12.75,5,ZAG	
4	122079GT	WASHER,FLAT,1.000,HARDENED.....2	2
5	123143GT	NUT,NYLOCK,1-8,GR8.....1	1
6	123663GT	SCREW,HHC,1/2-13X1.25,GR8,Y.....8	8
7	13066GT	WASHER,FLAT,.5 HARDENED.....8	8
8	107564GT	WELDMENT,ROTATOR MOUNT.....1	1
9	119230GT	MACH,PLATE,LOAD SUPPORT.....1	1
10	106766GT	LOAD CELL FLEXURE.....2	2
11	106399GT	WELDMENT,PLATFORM SUPPORT.....1	1
12	110789GT	WASHER,SHIM .0151 THK.....as-needed	
13	25685GT	BEARING,GARLOCK,12FDU12.....8	8
14	110784GT	MACHINED,LOAD CELL LINK.....1	1
--	45748GT	ROD END,.250 X 2.75 LG	
15	110785GT	PIN,.75DIA X 6.38 LG,2RING.....4	4
16	10262GT	SNAP RING,EXTERNAL,.75 DIA.....8	8
17	6563GT	WASHER,SHIM,.75 X 1.125 X.030.....as-needed	
18	8516GT	SCREW, HCC, 3/8-16 X 1.50.....2	2
19	139248GT	MACH.,PLATE,STOP.....2	2
20	7268GT	WASHER,SHIM,.375 X.625X.033 ST....4	4
21	4828GT	NUT,NYLOCK,3/8-16.....2	2
22	T108075GT	PIN,1.25DIA X 5.25LG,1HOLE.....1	1
23	6175GT	SCREW,HHC,3/8-16 X 1.....1	1
24	825019GT	ROD END,.375X3.69,ZAG.....1	1
25	63566GT	CYLINDER,PLATFORM LEVEL ***.....1	1
--	101254GT	SEAL KIT (63566)	
--	25683GT	BEARING,POLYGON,20DU12.....4	4
--	77303GT	VALVE, CNTRBAL 3500 PSI, ATM VEN	
26	30217GT	SNAP RING,EXTERNAL,1.25 DIA.**.....4	4
27	30255GT	WASHER,SHIM,1.27 X 2.13 X .062.....as-needed	
28	88870GT	PIN,1.25DIA X 7.47LG,2RING.....1	1
29	T111124GT	PIN,1.25DIA X 8.42LG,2RING.....1	1

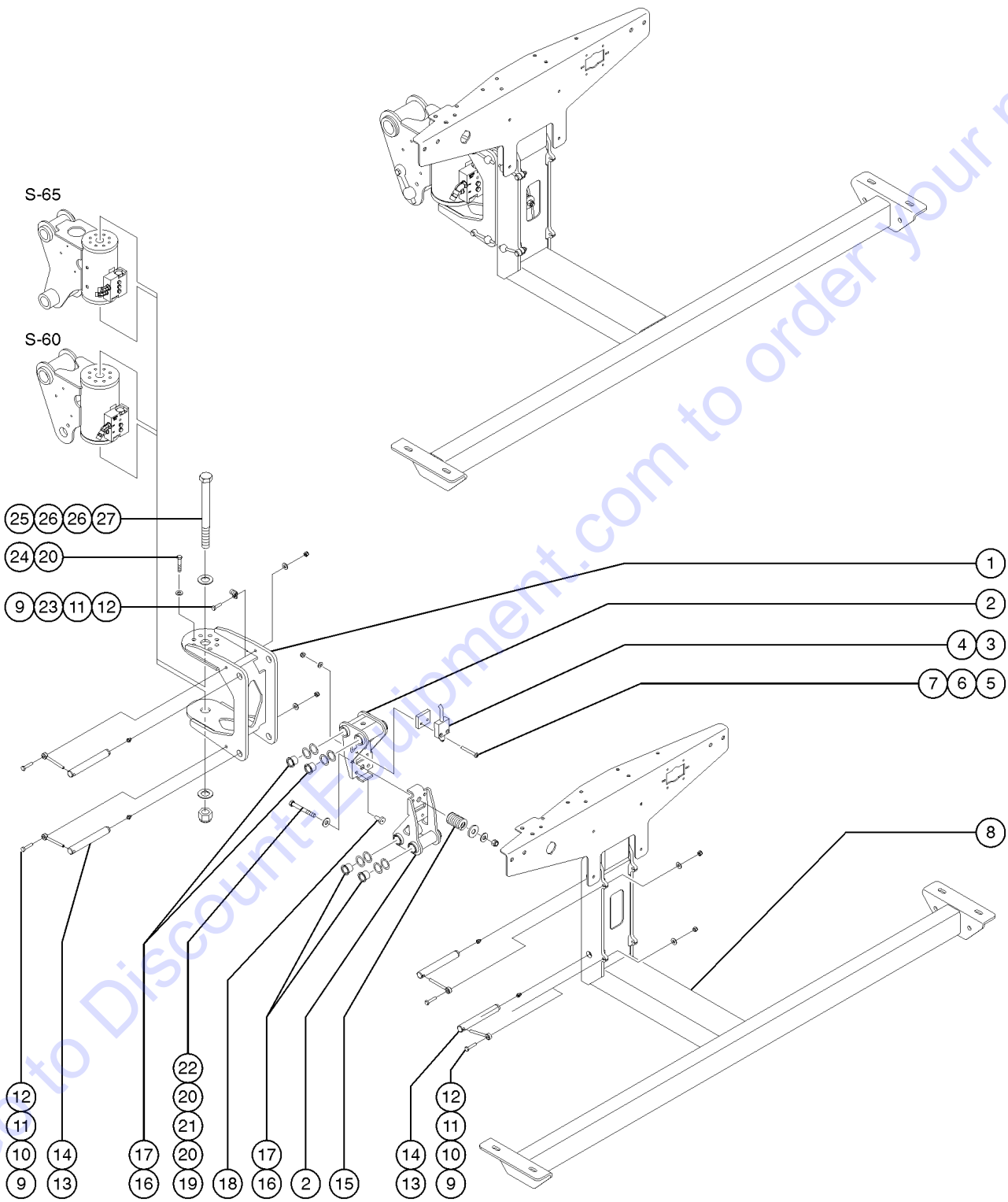
608.1 Boom End Components - S-60X and S-60XC



608.1 Boom End Components - S-60X and S-60XC

Item	Part No.	Description	Qty.
1	226541GT	ROTATOR,PLATFORM,15K.....1 <i>includes item 2</i>	1
--	226542GT	SEAL KIT, 15K ROTATOR <i>for 226541</i>	
2	30370GT	BEARING,1.25IDX1.5ODX1.00L.....2	2
3	824075GT	SCREW,HHC,1-8X12.75,5,ZAG	
4	122079GT	WASHER,FLAT,1.000,HARDENED.....2	2
5	123143GT	NUT,NYLOCK,1-8,GR8.....1	1
6	123663GT	SCREW,HHC,1/2-13X1.25,GR8,Y.....8	8
7	13066GT	WASHER,FLAT,.5 HARDENED.....8	8
8A	147347GT	WELDMENT, PLAT SUPPORT.....1 <i>6ft and 8ft platforms</i>	1
8B	234242GT	WDMT,4FT/5FT PLAT. SUPPORT,15K....1 <i>4ft and 5FT Platforms</i>	1
9	T108075GT	PIN,1.25DIA X 5.25LG,1HOLE.....1	1
10	8516GT	SCREW, HCC, 3/8-16 X 1.50.....1	1
11	825019GT	ROD END,.375X3.69,ZAG.....1	1
12	4828GT	NUT,NYLOCK,3/8-16.....1	1
13	63566GT	CYLINDER,PLATFORM LEVEL***.....1	1
--	101254GT	SEAL KIT (63566)	
--	25683GT	BEARING,POLYGON,20DU12.....4	4
--	77303GT	VALVE, CNTRBAL 3500 PSI, ATM VEN	
14	30217GT	SNAP RING,EXTERNAL,1.25 DIA.**.....4	4
15	30255GT	WASHER,SHIM,1.27 X 2.13 X .062.....as-needed	
16	88870GT	PIN,1.25DIA X 7.47LG,2RING.....1	1
17	T111124GT	PIN,1.25DIA X 8.42LG,2RING.....1	1

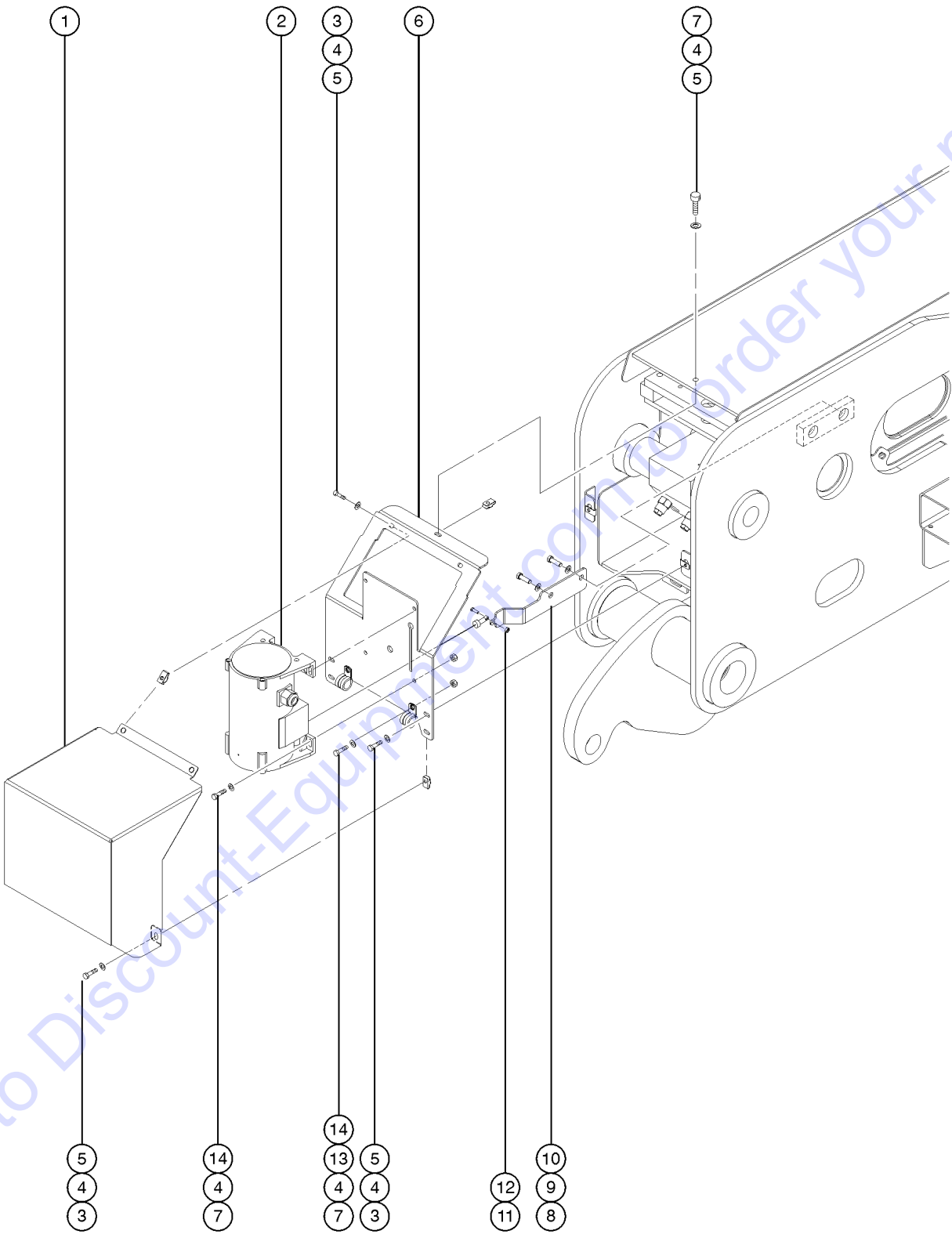
609.1 Boom End Components - S-60 and S-65 CE Load Sense



609.1 Boom End Components - S-60 and S-65 CE Load Sense

Item	Part No.	Description	Qty.
1	101845GT	ROTATOR MOUNT KIT.....	1
--	61804GT	WELDMENT,ROTATOR SUPPORT	
2	89755GT	LOAD SUPPORT W/BEARINGS.....	2
3	121848GT	ASSY,LS,LOAD SENSE,38.5 IN.....	1
4	61972GT	MOUNT,SWITCH.....	1
5	73634GT	SCREW,PHIL,PHM,10-24X1.5 ZINC.....	2
6	6146GT	WASHER,FLAT,MS,#10,Y.....	2
7	5365GT	NUT,NYLOCK,10-24.....	2
8A	60370-SGT	PLATFORM SUPPORT WELDMNT-SERV*..... <i>ANSI models</i>	1
8B	61997GT	WELDMENT,PLATFORM SUPPORT,CE..... <i>CE models</i>	1
8C	94326GT	WELDMENT,4/5FT PLATFORM SUPPOR..... <i>4 ft. & 5 ft. platforms only</i>	1
9	6888GT	SCREW,HHC,1/4-20 X 1	
10	45748GT	ROD END,.250 X 2.75 LG	
11	6638GT	WASHER,FLAT,USS,1/4*Y	
12	6091GT	NUT,NYLOCK,1/4-20	
13	61726GT	PIN,0.75DIA X 5.75LG,CHAMFER.....	4
14	28646GT	ZERK,GREASE,1/8 NPT.....	4
15	61974GT	SPRING,COMP,1" OD,232 LB/IN.....	1
16	25685GT	BEARING,GARLOCK,12FDU12.....	8
17	110789GT	WASHER,SHIM .0151 THK..... <i>as-needed</i>	
18	34619GT	BUMPER,RUBBER***.....	2
19	21604GT	SCREW,HHC,3/8-16 X 3.25	
20	6097GT	WASHER,FLAT,USS,3/8",Y	
21	61975GT	RETAINER,SPRING,1.21 X .375.....	1
22	4828GT	NUT,NYLOCK,3/8-16	
23	45470GT	CLAMP,0.31,#5 X 1/4,RUB CUSH.....	1
24	77692GT	SCREW,HHC,3/8-16 X 1 GRD 8.....	8
25	73928GT	SCREW,HHC,1-8 X 11,GRD 5***.....	1
26	122079GT	WASHER,FLAT,1.000,HARDENED.....	2
27	29764GT	NUT,NYLOCK,1-8.....	1

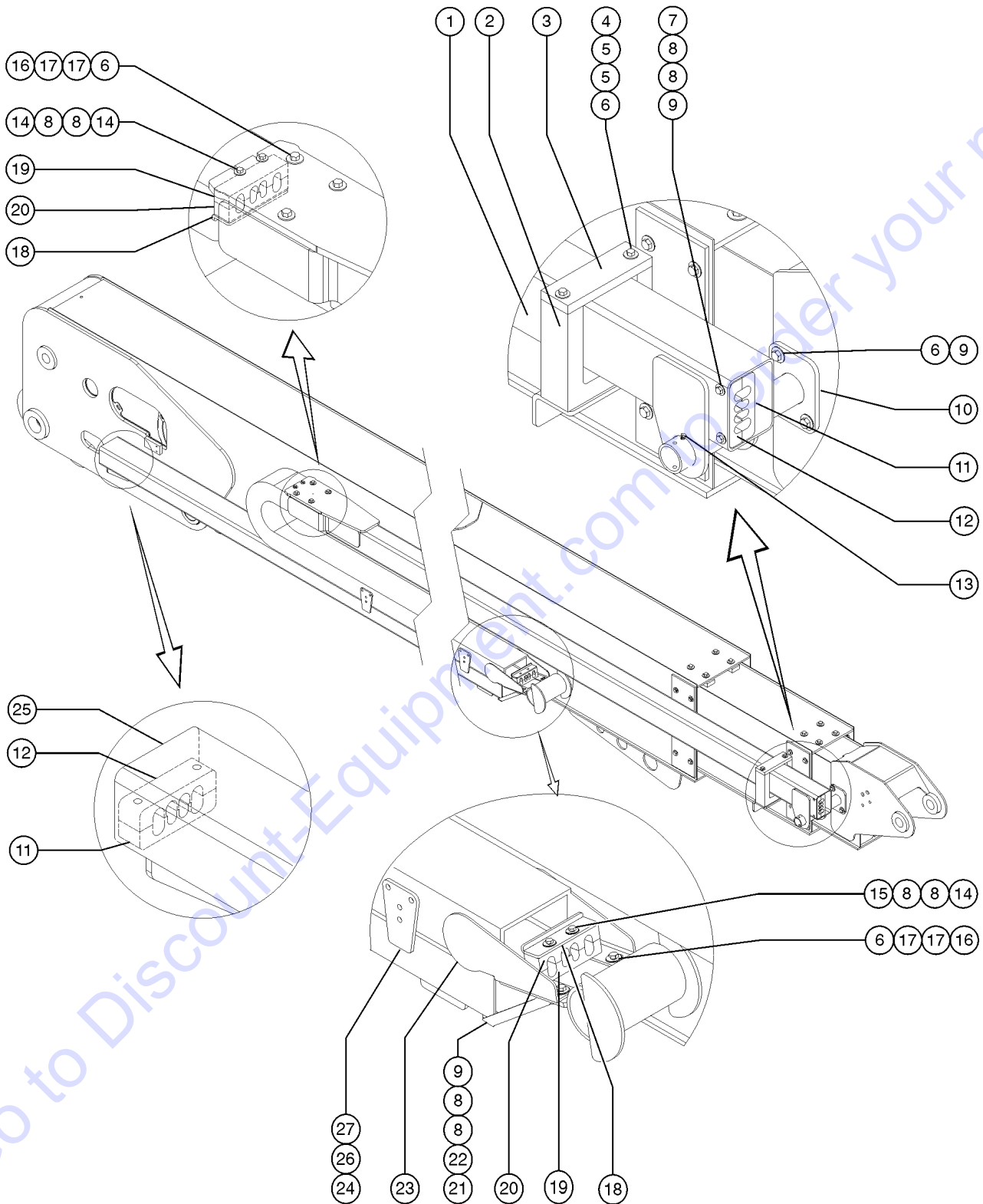
610.1 S-60 HC Primary Boom Components



610.1 S-60 HC Primary Boom Components

Item	Part No.	Description	Qty.
1	119537GT	COVER, STRING POT, S60HC***.....1	1
2	139293GT	POSITION TRANSDUCER,LINEAR,2CH.....1	1
3	6090GT	SCREW,HHC,1/4-20 X .75	
4	6638GT	WASHER,FLAT,USS,1/4"Y	
5	56912GT	SPRING CLIP,1/4-20,.025-.15X.54,ZAG.....4	4
6	119535GT	MOUNT, STRING POT, S60HC.....1	1
7	6888GT	SCREW,HHC,1/4-20 X 1	
8	139307GT	FORMING, CABLE ANCHOR.....1	1
9	6021GT	WASHER,LOCK,.375	
10	6019GT	SCREW,HHC,3/8-16 X 1.25 GRD 5	
11	49826GT	SCREW,PHILLIPS,PHM,10-32 X.625	
12	6178GT	NUT,NYLOCK,10-32	
13	45454GT	CLAMP,RUB CUSH,0.75,#12 X 3/8*2	2
14	6091GT	NUT,NYLOCK,1/4-20	

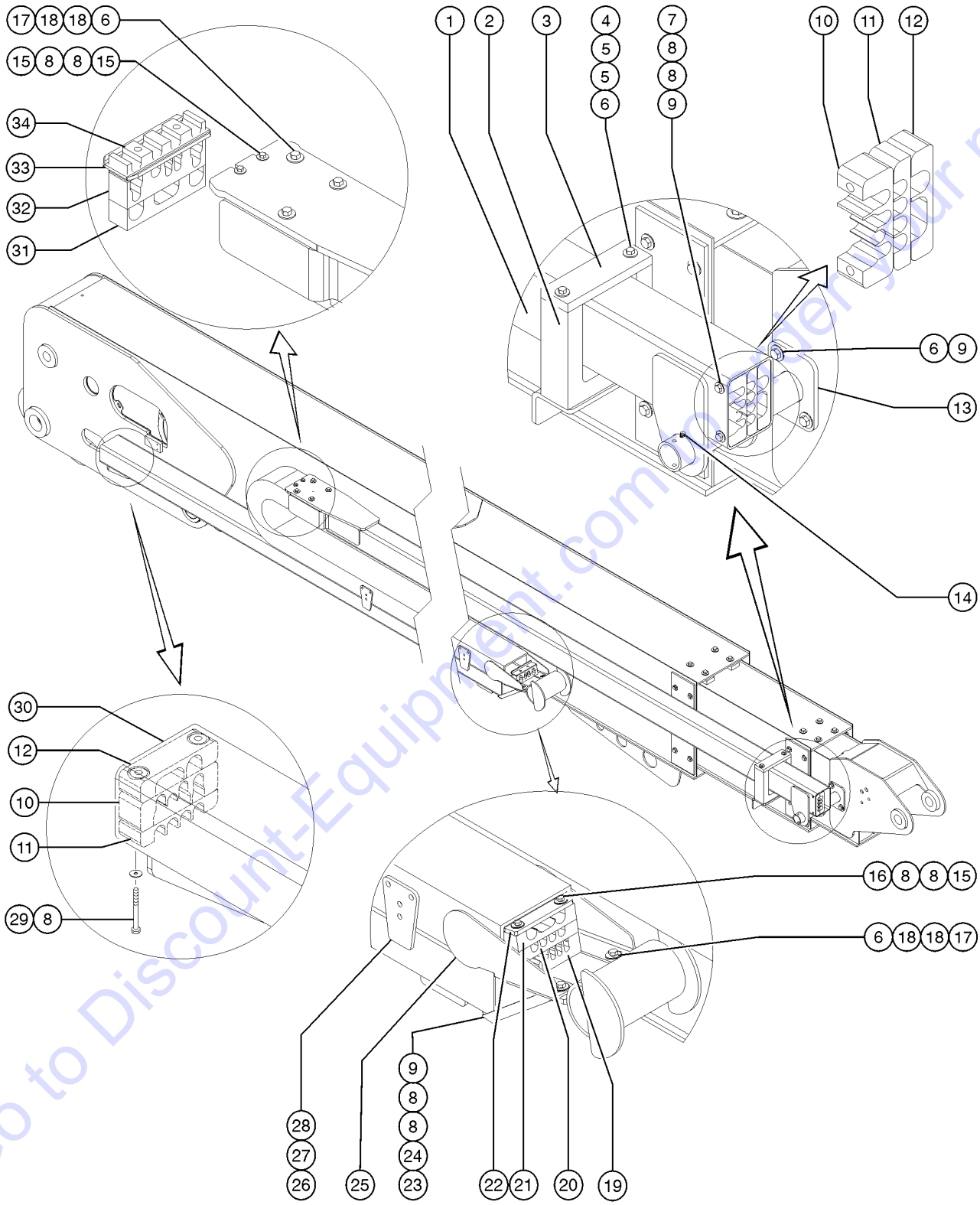
611.1 Cable Track (to SN 22585)



611.1 Cable Track (to SN 22585)

Item	Part No.	Description	Qty.	Item	Part No.	Description	Qty.
1	88859GT	WELDMENT,CABLE TRACK TUBE***.....1		24	70264GT	CABLE TRACK GUIDE TRIANGLE.....10	
2	81341GT	WEAR PAD,CABLE TRACK PULL TUBE.....1		--	58310GT	SCREW,10-24 X.5 TORX PAN HD*** for 70264	
3	81342GT	WEAR PAD,5.5 X 1.75 X .5.....1		25	88858GT	WELDMENT,CABLE TRACK TRAY***.....1	
4	81777GT	SCREW,HHC,3/8-16 X 7		26	39317GT	STOP PLATFORM ROLLER	
5	6097GT	WASHER,FLAT,USS,3/8",Y		27	87085GT	RIVET,ALUM,P,.188 X .25	
6	4828GT	NUT,NYLOCK,3/8-16					
7	8179GT	SCREW,HHC,1/4-20 X 2.25					
8	6638GT	WASHER,FLAT,USS,1/4"Y					
9	6091GT	NUT,NYLOCK,1/4-20					
10	81347GT	WELDMENT,TRACK PULL TUBE PIVOT.....1					
11	139790GT	CLAMP, PULL TUBE					
12	88514GT	CABLE STAY, TOP***.....2					
13	13635-10GT	PIN,COTTER,.156 X 1.75.....1					
14	6884GT	SCREW,HHC,1/4-20 X 2.5					
15	6889GT	NUT,LP NYLOCK,1/4-20					
16	6019GT	SCREW,HHC,3/8-16 X 1.25 GRD 5					
17	6097GT	WASHER,FLAT,USS,3/8",Y					
18	107868PGT	PLATE,REINF.CLAMP STACK,PTD.....1					
19	119838GT	CLAMP, HOSE, PRIM.....2					
20	139791GT	CLAMP, CABLE TRACK, SUPPORT					
21	1264257GT	FORMING, TRACK BRACE, RH <i>inboard bracket; closest to boom tube</i>					
21	1264258GT	FORMING, TRACK BRACE, LH.....1 <i>outboard bracket; furthest from boom tube (shown)</i>					
22	6090GT	SCREW,HHC,1/4-20 X .75					
23A	88705GT	CABLE TRACK,STEEL 49 LINKS***.....1 <i>no longer available, use kit 226327</i>					
--	102215GT	BRACKET,CABLE TRACK,FIXED END* <i>for 88705</i>					
--	102216GT	BRACKET,CABLE TRACK,MOVING END <i>for 88705</i>					
--	106154GT	KIT,PIN & RING*** <i>for 88705</i>					
--	231653GT	KIT,CABLE TRAK FLAT BAR <i>for 88705</i>					
--	58308GT	ROLLER,ALUM TUBE,ST.TRK*** <i>for 58309</i>					
--	58309GT	ROLLER,POLY,STEEL TRACK*** <i>for 88705</i>					
--	58310GT	SCREW,10-24 X.5 TORX PAN HD*** <i>for 58308</i>					
--	77896GT	ASSY,FOUR LINK CABLE TRACK*** <i>FOR 88705</i>					
23B	226327GT	KIT, CABLE TRACK, S60/65 <i>(use for replacement of 88705) to SN 22585</i>					

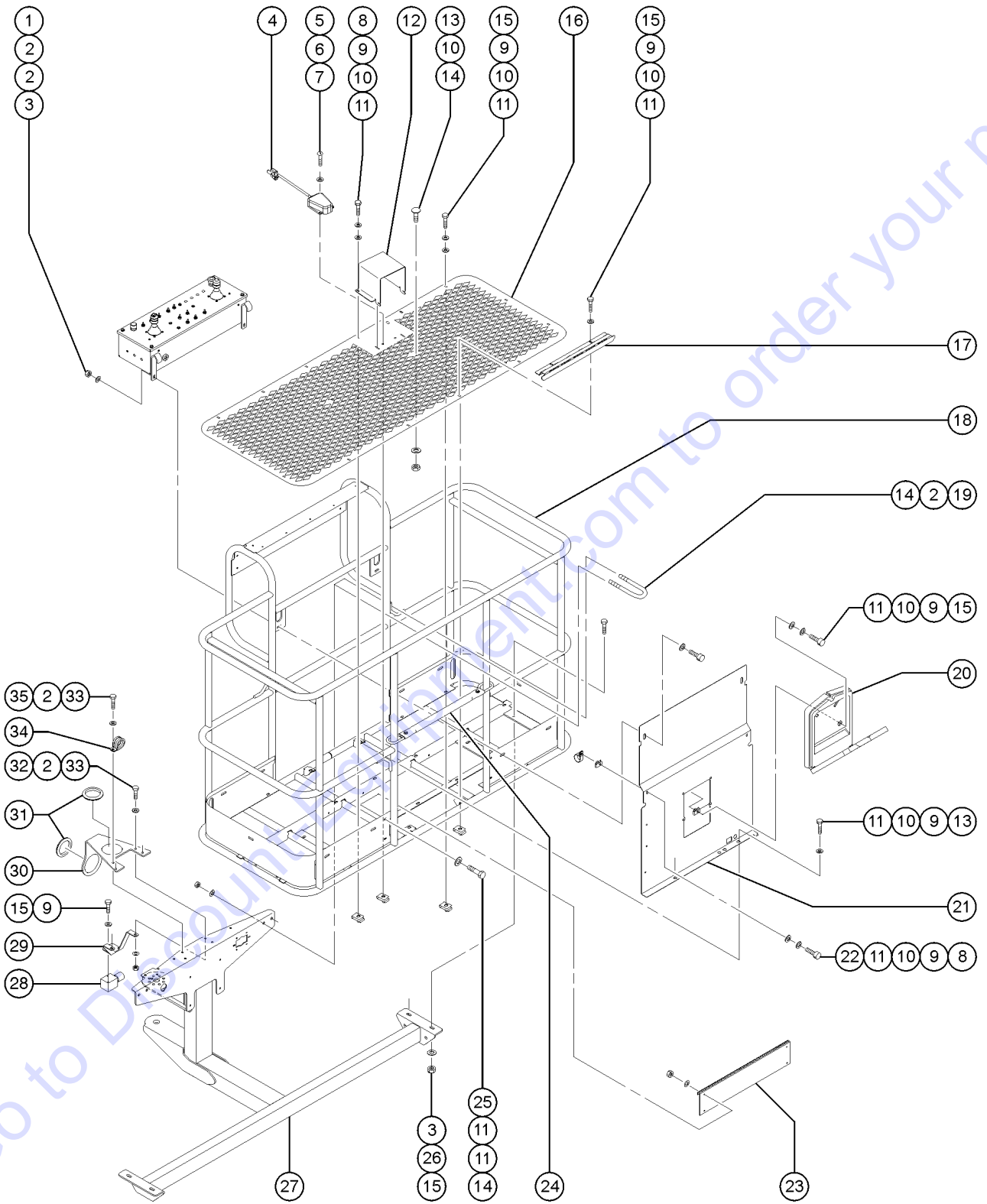
611.2 Cable Track (from SN 22586)



611.2 Cable Track (from SN 22586)

Item	Part No.	Description	Qty.	Item	Part No.	Description	Qty.
1	88859GT	WELDMENT,CABLE TRACK TUBE***.....1		--	122668GT	GUIDE FINGER,PLASTIC for T114223	
2	81341GT	WEAR PAD,CABLE TRACK PULL TUBE.....1		--	218448GT	FINGER,GUIDE,CABLE TRACK for T114223	
3	81342GT	WEAR PAD,5.5 X 1.75 X .5.....1		--	229169GT	FLATBAR, CLAMPS, CABLE TRACK for T114223	
4	81777GT	SCREW,HHC,3/8-16 X 7		26	218448GT	FINGER,GUIDE,CABLE TRACK.....12	
5	6097GT	WASHER,FLAT,USS,3/8",Y		--	58310GT	SCREW,10-24 X.5 TORX PAN HD*** for 70264	
6	4828GT	NUT,NYLOCK,3/8-16		27	39317GT	STOP PLATFORM ROLLER	
7	8179GT	SCREW,HHC,1/4-20 X 2.25		28	87085GT	RIVET,ALUM,P,188 X .25	
8	6638GT	WASHER,FLAT,USS,1/4"Y		29	12343GT	SCREW,HHC,1/4-20 X 3	
9	6091GT	NUT,NYLOCK,1/4-20		30	88858GT	WELDMENT,CABLE TRACK TRAY***1	
10A	227307GT	CLAMP, CABLES.....2 to SN 26286		31	228969GT	CLAMP, OPTIONS, CABLE TRACK.....1 (weld cable option)	
10B	824547GT	CLAMP, CABLES.....2 from SN 26287		32	824549GT	CLAMP, CABLES.....1	
11	227308GT	CLAMP, HOSES.....2		33	121065GT	FORMING,CLAMP,TOP,CABLE TRACK.....1	
12	227306GT	CLAMP ASSY,OPTIONS BLOCK W/NUT.....2 (weld cable option)		34	228967GT	CLAMP, CABLE.....1	
13	81347GT	WELDMENT,TRACK PULL TUBE PIVOT.....1					
14	13635-10GT	PIN,COTTER,.156 X 1.75.....1					
15	6884GT	SCREW,HHC,1/4-20 X 2.5					
16	6889GT	NUT,LP NYLOCK,1/4-20					
17	6019GT	SCREW,HHC,3/8-16 X 1.25 GRD 5					
18	6097GT	WASHER,FLAT,USS,3/8",Y					
19A	226325GT	CLAMP, HOSES.....1 to SN 26286					
19B	824548GT	CLAMP, CABLES.....1 from SN 26287					
20	226325GT	CLAMP, HOSES.....1					
21	228796GT	CLAMP, OPTIONS, CABLE TRACK.....1 (weld cable option)					
22	228797GT	BAR, CLAMP, CABLE TRACK.....1					
23A	1264258GT	FORMING, TRACK BRACE, LH.....1 outboard bracket; furthest from boom tube (shown)					
23B	1264257GT	FORMING, TRACK BRACE, RH.....1 inboard bracket; closest to boom tube					
24	6090GT	SCREW,HHC,1/4-20 X .75					
25	T114223GT	CABLE TRACK, SX, 49 LINK.....1					
--	121035GT	PIN,1.250 X 9.25, 2 RINGS for T114223					
--	122661GT	REPAIR KIT,4 LINK,W/GUIDE for T114223					
--	122662GT	END BRACKET,MOVING END for T114223					
--	122663GT	END BRACKET,FIXED END for T114223					

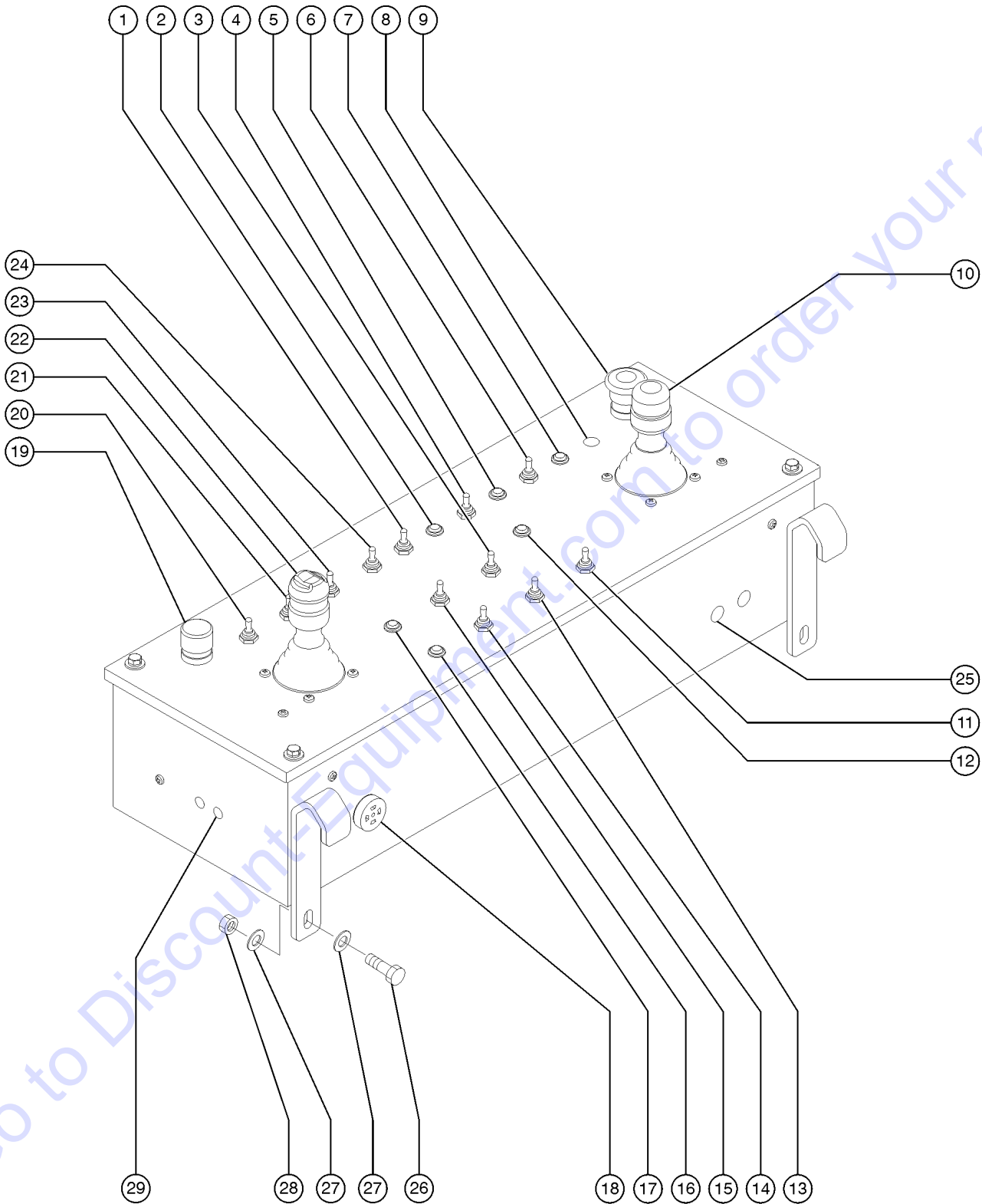
701.1 Platform Installation



701.1 Platform Installation

Item	Part No.	Description	Qty.	Item	Part No.	Description	Qty.
1	7713GT	NUT, LP NYLOCK, 3/8-16		19	122755GT	UBOLT, FLATTENED, 1.5 DIA X 3/8 UNC	
2	5397GT	WASHER, FLAT, USS, 5/16", Y		20A	44743GT	MANUAL BOX W/DECALS***.....1 <i>USA/Canada/Australia</i>	1
3	6019GT	SCREW, HHC, 3/8-16 X 1.25 GRD 5		20B	24514GT	BOX, INSTRUCTION STORAGE <i>Europe/Asia/South America (decals not included; refer to Section 100)</i>	
4A	73233GT	ASSEMBLY, FOOT SWITCH***.....1 <i>(to SN 22415)</i>	1	21A	73574-SGT	DECAL PLATE ASSEMBLY <i>decals not included, refer to section 100</i>	
--	119058GT	CONN PLUG 4 WAY ENDCAP DT <i>for PN 73233</i>		22	56424GT	CLAMP, 1.25X.5 RUBBER-CUSHION	
--	13482GT	FOOT SWITCH*** <i>for PN 73233</i>		23	94745PGT	TOEBOARD, ENTRY EUROPEAN PNTD**.....1	1
--	20262GT	MICROSWITCH, 13482 FOOTSWITCH <i>for PN 73233</i>		24	102992GT	SLIDING MIDRAIL KIT, PTD.....1	1
--	43960GT	WIRE CABLE, 16/4 CON.TPE JKT.....66-inches <i>for PN 73233</i>		25	6091GT	NUT, NYLOCK, 1/4-20	
--	73739GT	BOOT, PLUG 4 WAY <i>for PN 73233</i>		26	6097GT	WASHER, FLAT, USS, 3/8", Y	
4B	1257422GT	KIT, FOOTSWITCH, S60.....1 <i>upgrade kit</i>	1	27		Ref: Platform Support <i>refer to section 600 for platform support part information</i>	
--	1254874GT	ASSEMBLY, FOOT SWITCH, S60 <i>for PN 1257422</i>		28		Ref: Jib Manifold <i>refer to section 404.1</i>	
4C	1254874GT	ASSEMBLY, FOOT SWITCH, S60.....1 <i>(from SN 22416)</i>	1	29	110671GT	PLATE, JIB, ROTATE MANIFOLD.....1	1
5	73587GT	SCREW, PHIL, 10-24 X .75		30	106163GT	FORMING, CABLE GUIDE.....1 <i>order 55067 grommet separately</i>	1
6	6607GT	WASHER, LOCK, #10 PLTD		31	55067GT	GROMMET, RUBBER 3 X .19 X 3.5.....2	2
7	73575GT	SPRING CLIP, 10-24, .025-.125X.468, ZAG		32	13002GT	SCREW, HHC, 5/16-18 X 1 GR5	
8	6888GT	SCREW, HHC, 1/4-20 X 1		33	6782GT	NUT, NYLOCK, 5/16-18	
9	6356GT	WASHER, LOCK, .25		34	77180GT	CLAMP, 1.31, #21 X 3/8, RUB CUSH.....1	1
10	6638GT	WASHER, FLAT, USS, 1/4" Y		35	13000GT	SCREW, HHC, 5/16-18 X 1.25	
11	56912GT	SPRING CLIP, 1/4-20, .025-.15X.54, ZAG					
12	147121GT	COVER, FOOT SWITCH, LARGE.....1 <i>decals not included, refer to section 100</i>	1				
13	54274GT	SCREW, STEP BOLT, 1/4-20 X .75					
14	4828GT	NUT, NYLOCK, 3/8-16					
15	6090GT	SCREW, HHC, 1/4-20 X .75					
16A	60160PGT	FLOORING, 4 FT PLATFORM, PAINTED.....1	1				
16B	54247-SGT	PLAT. FLOOR, 5FT, PAINTED.....1	1				
16C	73477PGT	FLOORING, 6' FT PLATFORM.....1	1				
16D	73478PGT	FLOORING, 8 FT PLATFORM**.....1	1				
17	73610PGT	STEP PLATFORM ENTRY PAINTED***.....1	1				
18A	161541GT	ASSY, 4FT PLATFORM, NO DECALS.....1 <i>decals not included, refer to section 100</i>	1				
18B	161542GT	ASSY, 5FT PLATFORM, NO DECALS.....1 <i>decals not included, refer to section 100</i>	1				
18C	160809GT	ASSY, 6FT PLATFORM, NO DECALS.....1 <i>decals not included, refer to section 100</i>	1				
18D	160804GT	ASSY, 8FT PLATFORM, NO DECALS.....1 <i>decals not included, refer to section 100</i>	1				

702.1 Platform Control Box - View 1



702.1 Platform Control Box - View 1

Item	Part No.	Description	Qty.	Item	Part No.	Description	Qty.
--	128578GT	SCREW T-SWITCH PH/PH 6-32X1/4 <i>(included in each toggle switch assembly)</i>		9	66812GT	BUTTON,PUSH,RED MUSHROOM HEAD.....	1
--	27246GT	BOOT,TOGGLE SWITCH,SHORT* <i>(included in each toggle switch assembly)</i>		--	146478GT	BOOT(BELLOWS),E-STOP,BLACK <i>(from SN 21191)</i>	
1	128201GT	SWITCH TOGGLE ASSY DPDT 2P MOM.....	1	--	66818GT	CONTACT, N.C.	
		<i>(Auxiliary Power; includes boot and hardware)</i>		--	94506GT	BASE,W/3 NC CONTACTS	
--	128581-SGT	SWITCH TOGGLE DPDT 2P MOM SHDR		10		Ref. JOYSTICK.....	1
2A	824879GT	LIGHT,LED IND. RED 12V NH.....	1			<i>refer to section 704.1</i>	
		<i>(Machine not level indicator) (option)</i>		10	139338GT	SCREW PH M5-0.8X20 DIN 7500CE.....	4
2B	229567GT	PLUG,SANTOPRENE .5 BLACK DOME.....	1	11	128200GT	SWITCH TOGGLE ASSY SPDT 3P MOM.....	1
		<i>(without option)</i>				<i>(Drive enable; includes boot and hardware)</i>	
3A	128200GT	SWITCH TOGGLE ASSY SPDT 3P MOM.....	1	--	128580GT	SWITCH TOGGLE SPDT 3P MOM SHDR	
		<i>(Glow Plug; diesel models; includes boot and hardware)</i>		12	824879GT	LIGHT,LED IND. RED 12V NH.....	1
--	128580GT	SWITCH TOGGLE SPDT 3P MOM SHDR				<i>(Drive enable indicator light)</i>	
3B	229567GT	PLUG,SANTOPRENE .5 BLACK DOME.....	1	--	56848GT	WASHER,LOCK,IND,LAMP RETAINER	
		<i>(Gas/LPG models)</i>		13	128204GT	SWITCH TOGGLE ASSY SPDT 2P MNT.....	1
4A	128204GT	SWITCH TOGGLE ASSY SPDT 2P MNT.....	1			<i>(Engine idle select; includes boot and hardware)</i>	
		<i>(Generator) (option)</i>		--	128584-SGT	SWITCH TOGGLE SPDT 2P MNT SHDR	
--	128584-SGT	SWITCH TOGGLE SPDT 2P MNT SHDR		14A	128204GT	SWITCH TOGGLE ASSY SPDT 2P MNT.....	1
4B	229567GT	PLUG,SANTOPRENE .5 BLACK DOME.....	1			<i>(Fuel select; includes boot and hardware)</i>	
		<i>(without option)</i>		--	128584-SGT	SWITCH TOGGLE SPDT 2P MNT SHDR	
5A	824880GT	LIGHT,LED IND. AMBER 12V NH.....	1	14B	45384GT	PLUG,NYLON .50 BLACK DOMED <i>(Diesel models)</i>	
		<i>(upper capacity range) (S-60X, S-60TX, S-60XC)</i>		15	128200GT	SWITCH TOGGLE ASSY SPDT 3P MOM.....	1
--	56848GT	WASHER,LOCK,IND,LAMP RETAINER				<i>(Engine start; includes boot and hardware)</i>	
5B	229567GT	PLUG,SANTOPRENE .5 BLACK DOME.....	1	--	128580GT	SWITCH TOGGLE SPDT 3P MOM SHDR	
		<i>(S-60, S-65)</i>		16A	824879GT	LIGHT,LED IND. RED 12V NH.....	1
6A	128200GT	SWITCH TOGGLE ASSY SPDT 3P MOM.....	1			<i>(Platform overload indicator)</i>	
		<i>(Capacity range select) (S-60X, S-60TX, S-60XC, S-60HC)</i>		--	56848GT	WASHER,LOCK,IND,LAMP RETAINER	
--	128580GT	SWITCH TOGGLE SPDT 3P MOM SHDR		16B	45384GT	PLUG,NYLON .50 BLACK DOMED <i>(models without platform overload)</i>	
6B	229567GT	PLUG,SANTOPRENE .5 BLACK DOME.....	1	17	824879GT	LIGHT,LED IND. RED 12V NH.....	1
		<i>(S-60, S-65)</i>				<i>(Machine malfunction indicator)</i>	
7A	824880GT	LIGHT,LED IND. AMBER 12V NH.....	1	--	56848GT	WASHER,LOCK,IND,LAMP RETAINER	
		<i>(lower capacity range) (S-60X, S-60TX, S-60XC, S-60HC)</i>		18	45383GT	ALARM,WARBLE TONE 5-30 VDC***.....	1
--	56848GT	WASHER,LOCK,IND,LAMP RETAINER				<i>(retaining nut 72326 sold separately)</i>	
7B	229567GT	PLUG,SANTOPRENE .5 BLACK DOME.....	1	--	72326GT	NUT - PLASTIC,RING FOR ALARMS	
		<i>(S-60, S-65)</i>		19	66813GT	BUTTON,PUSH,BLACK W/SEAL***.....	1
8	229567GT	PLUG,SANTOPRENE .5 BLACK DOME.....	1			<i>(retaining nut 72326 sold separately)</i>	
		<i>(used for optional equipment)</i>		--	66815GT	BASE, W/1 N.O. CONTACTS***	
				--	66816GT	CONTACT,N.O.***	
				20	128200GT	SWITCH TOGGLE ASSY SPDT 3P MOM.....	1
						<i>(Platform level; includes boot and hardware)</i>	

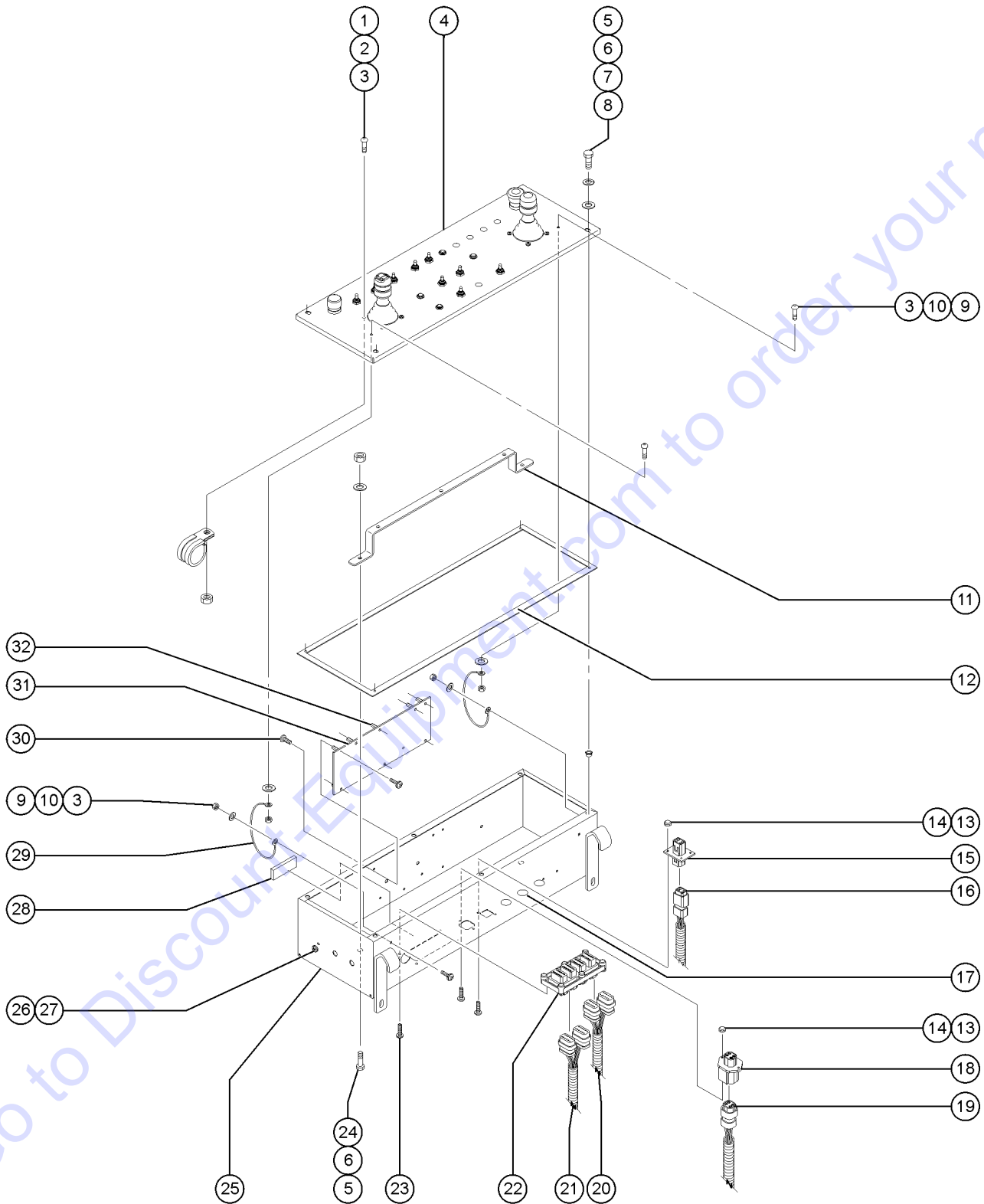
702.1 Platform Control Box - View 1 (continued)

Item	Part No.	Description	Qty.
--	128580GT	SWITCH TOGGLE SPDT 3P MOM SHDR	
21	128202GT	SWITCH TOGGLE ASSY DPDT 3P MOM.....1 <i>(Platform rotate; includes boot and hardware)</i>	
--	128582-SGT	SWITCH TOGGLE DPDT 3P MOM SHDR	
22		Ref. JOYSTICK.....1 <i>refer to section 704.1</i>	
22	139338GT	SCREW PH M5-0.8X20 DIN 7500CE....4	
23A	128200GT	SWITCH TOGGLE ASSY SPDT 3P MOM.....1 <i>(Jib boom up/down; includes boot and hardware)</i>	
--	128580GT	SWITCH TOGGLE SPDT 3P MOM SHDR	
23B	824880GT	LIGHT,LED IND. AMBER 12V NH.....1	
--	56848GT	WASHER,LOCK,IND,LAMP RETAINER	
24	128204GT	SWITCH TOGGLE ASSY SPDT 2P MNT.....1 <i>(Drive speed; includes boot and hardware)</i>	
--	128584-SGT	SWITCH TOGGLE SPDT 2P MNT SHDR	
25	42288GT	PLUG,NYLON .188 BLACK DOMED.....2	
26	8516GT	SCREW, HCC, 3/8-16 X 1.50.....2	
27	5397GT	WASHER,FLAT,USS,5/16",Y.....4	
28	4828GT	NUT,NYLOCK,3/8-16.....2	
29	45384GT	PLUG,NYLON .50 BLACK DOMED.....2	

This Page Intentionally Left Blank

Go to Discount-Equipment.com to order your parts

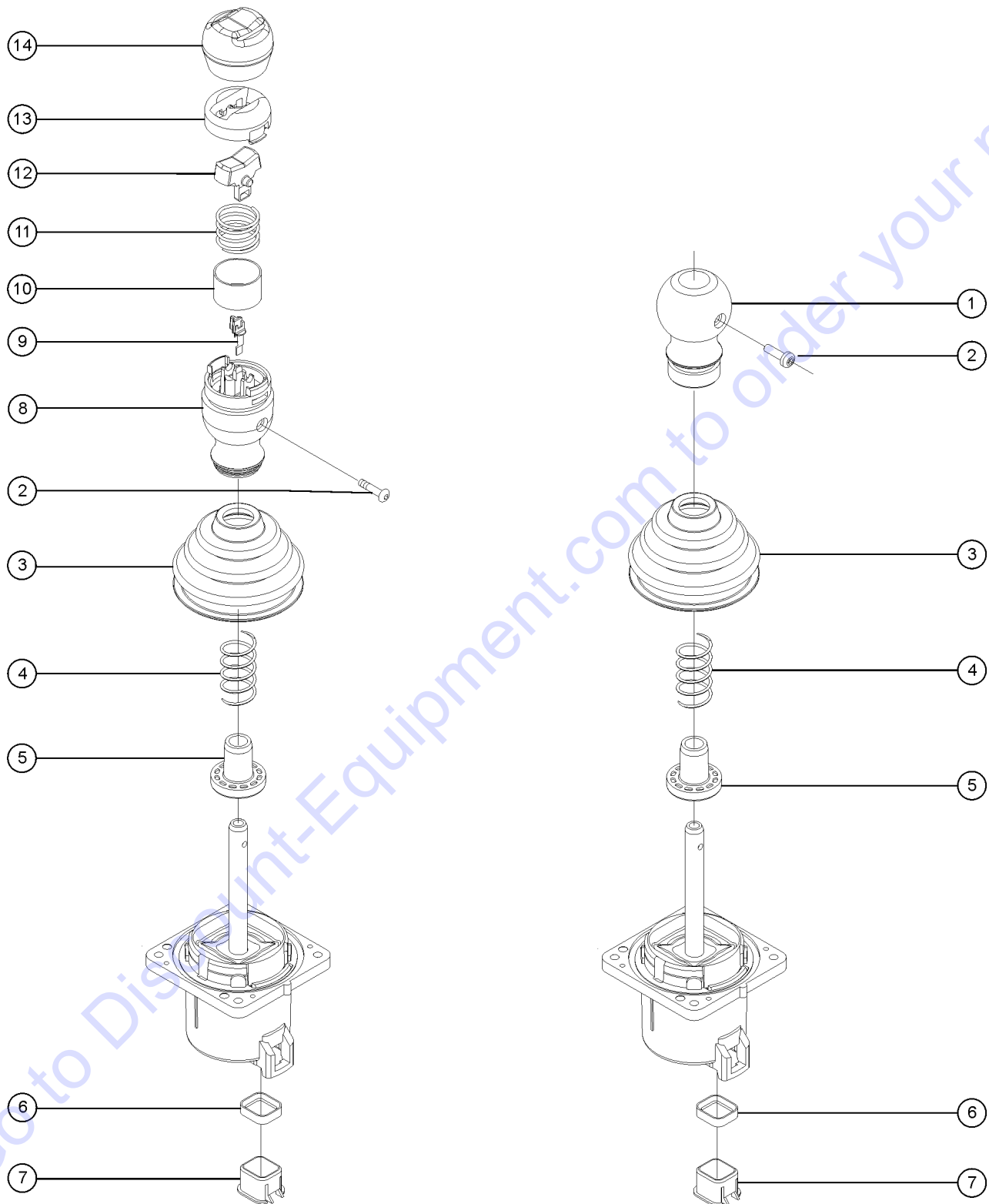
703.1 Platform Control Box - View 2



703.1 Platform Control Box - View 2

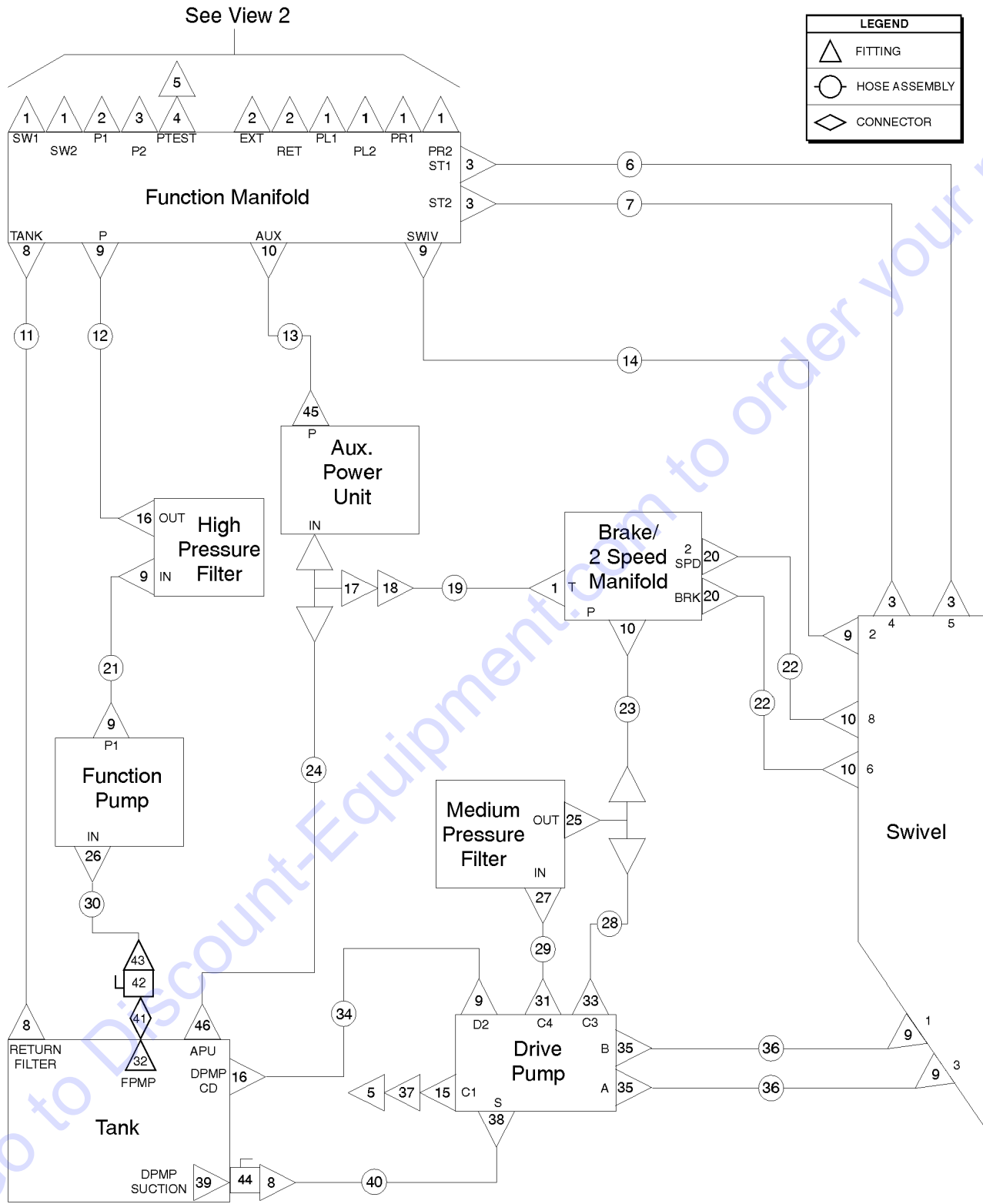
Item	Part No.	Description	Qty.	Item	Part No.	Description	Qty.
--		Ref. PLATFORM BOX HARNESS (refer to section 307.1)		20		Ref. HARNESS,18/22 BOOM 2 (refer to section 307.1)	
--	111413GT	JOYSTICK CONNECTOR ASSEM,DEUT		21		Ref. HARNESS BOOM CABLE 1 (refer to section 307.1)	
--	111420GT	OPTION,ROCKER STEER		22	73736GT	CONN,RECEP 48 WAY,4 X 12.....1	
--	121847GT	RELAY,TIME DELAY,2 SEC,30A <i>models with load sense</i>		23	73803GT	SCREW,SHM,PHP, #12 X .75	
1	139338GT	SCREW PH M5-0.8X20 DIN 7500CE.....8		24	6889GT	NUT,LP NYLOCK,1/4-20	
2	18666GT	CLAMP,1.00,#16 X 1/4,RUB CUSH.....1		25	T109350GT	PLATFORM CONTROL BOX W/DECAL <i>N. America, Canada and Australia models</i>	
3	104030GT	NUT HEX M5-0.8 CLASS 8 ZINC		--	81487PGT	PLATFORM CONTROL BOX,PAINTED.....1 <i>Europe, S. America and Asia models</i>	
4	T109341GT	PLAT BOX LID W/WRD DEC,S60/65.....1 <i>S-60/65 and S-65TX (Australia models), S-65/65TX (N. America and Canada models)</i>		26	54365GT	SCREW,PHIL,PHM,10-32 X .5,SSTL	
--	T109342GT	PLAT BOX LID W/WRD DEC,S60TX <i>S-60TX (N. America, Canada and Australia models)</i>		27	6178GT	NUT,NYLOCK,10-32	
--	T109343GT	PLAT BOX LID W/WRD DEC,S60HC <i>S-60HC (Europe models)</i>		28	30997GT	CORROSION INHIBITOR,FOAM.....1	
--	T109344GT	PLAT BOX LID W/WRD DEC,S60X <i>S-60X (N. America and Canada models)</i>		29	77351GT	LANYARD,PLATFORM CONTROL BOX.....2	
--	T109345GT	PLAT BOX LID W/WRD DEC,S60XC <i>S-60XC (N. America and Canada models)</i>		30	81551GT	SCREW,PHIL,PHM,6-32 X 1/4 SS	
--	T109346GT	PLAT BOX LID W/SYM DEC,S60/65 <i>S-60/65 and S-65TX (Europe models), S-65/65TX (S. America and Asia models)</i>		31A	235323GT	ASSY,PCB,ALC500-2 S60 V204 <i>for S-60 HC from SN 21001 to 21287; Machine model and serial number required when ordering. Contact Discount- equipment for assistance.</i>	
--	T109347GT	PLAT BOX LID W/SYM DEC,S60TX <i>S-60TX (S. America and Asia models)</i>		31A	235411GT	ASSY,PCB ALC500 S60 LEG V202 <i>for S-60 HC from SN 21288; Machine model and serial number required when ordering. Contact Discount-equipment for assistance.</i>	
--	T109348GT	PLAT BOX LID W/SYM DEC,S60X <i>S-60X (S. America and Asia models)</i>		31B	235323GT	ASSY,PCB,ALC500-2 S60 V204 <i>for all S-60/65 models except S-60HC from SN 21001; Machine model and serial number required when ordering. Contact Discount-equipment for assistance.</i>	
--	T109349GT	PLAT BOX LID W/SYM DEC,S60XC <i>S-60XC (S. America and Asia models)</i>		31C	119560GT	WIRING KIT,CONTROL BOX HEATER	
5	6090GT	SCREW,HHC,1/4-20 X .75		31C	119641GT	SWITCH,THERMOSTAT 85F OPEN	
6	6356GT	WASHER,LOCK,.25		31C	128204GT	SWITCH TOGGLE ASSY SPDT 2P MNT	
7	6638GT	WASHER,FLAT,USS,1/4"Y		31C	27287GT	RESISTOR,10 OHM,25 WATT.....2 <i>for 119560</i>	
8	23404GT	NUTSERT,1/4-20,STEEL CAD PLTD.....4		31C	T115352GT	DECAL,OPTION CONTROL BOX HEATR.....1	
9	49819GT	SCREW,PHILLIPS,PHM,10-32 X .5		32	81550GT	STANDOFF,6-32 X 3/8L X 1/4 HEX.....10	
10	6146GT	WASHER,FLAT,MS,#10,Y					
11	119644GT	BRACKET,PBOX WIRE SUPPORT.....1					
12	81488GT	GASKET,PLATFORM CONTROL BOX....1					
13	49820GT	SCREW,PHILLIPS,PHM,6-32 X .5					
14	12344GT	NUT,NYLOCK,6-32					
15	73723GT	CONN RECEP,FLANGED.....1					
16		Ref. FOOT SWITCH WIRE HARNESS ASSEMBLY (refer to section 307.1)					
17	15243GT	PLUG,NYLON .875 BLACK DOMED.....3					
18	73717GT	CONN,RECEP 4 WAY,12-14GA FL***.....1					
19		Ref. HARNESS,12V TO PLAT (refer to section 307.1)					

704.1 Joysticks



Item	Part No.	Description	Qty.
--	101173GT	JOYSTICK,2 AXIS,ROCKER,DEUTSCH <i>(calibration required after replacement), OEM joystick</i>	
--	101173HGT	JOYSTICK,DUAL AXIS W/STEER <i>(calibration required after replacement), aftermarket joystick</i>	
--	101174GT	JOYSTICK,2 AXIS,DEUTSCH <i>(calibration required after replacement), OEM joystick</i>	
--	101174HGT	JOYSTICK,DUAL AXIS W/KNOB <i>(calibration required after replacement), aftermarket joystick</i>	
--	101005GT	JOYSTICK,1 AXIS ROCKER,DEUTSCH <i>(calibration required after replacement), OEM joystick</i>	
--	58253GT	KIT,REPAIR,DEUTSCH PLUG,W/TUBE <i>small kit</i>	
--	101005HGT	JOYSTICK,SINGLE AXIS W/STEER <i>(calibration required after replacement), aftermarket joystick</i>	
--	83129GT	KIT,REPAIR,DEUTSH CONNECTORS** <i>large kit</i>	
--	1269500GT	KIT, ISOLATION, 2 JOYSTICK	
--	61794GT	CRIMPER,DEUTSCH,LIGHT DUTY*** <i>tool</i>	
--	119613GT	HARN JOYSTICK ADAPTOR JS100 <i>6-pin to 7-pin adapter (for 101174, 101175, 101005)</i>	
Z	1269500GT	KIT, ISOLATION, 2 JOYSTICK	
1	62392GT	KNOB,JOYSTICK, 62390/62391.....	1
2	T112626GT	SCREW, PHM, #6-32 X .625 ZINC.....	1
3	139598GT	BOOT,JOYSTICK.....	1
4		SPRING,JOYSTK CENTR,62390/91..... <i>no longer available from supplier</i>	1
5	119915GT	COLLAR,JOYSTICK,CENTER.....	1
6	128000GT	SEAL, CONNECTOR (DT JOYSTICKS).....	1
7	128001GT	SLEEVE,CONNECTOR,DT JOYSTICKS.....	1
8	75449GT	KNOB,ROCKER JOYSTICK 75565.....	1
9	75448GT	SUPPORT,SENSOR,JOYSTICK.....	1
10	75447GT	SWITCH SHIELD,ROCK JOYSTK75565.....	1
11	75446GT	SPRING,SWITCH CENTERING,75565...1	
12	75445GT	ROCKER ASSY.,MAGNETIC 75565.....	1
13	75444GT	ROCKER,RETAINER, 75565.....	1
14	75443GT	BOOT, ROCKER JOYSTICK 75565.....	1

801.1 Function Manifold - View 1



801.1
S60/65

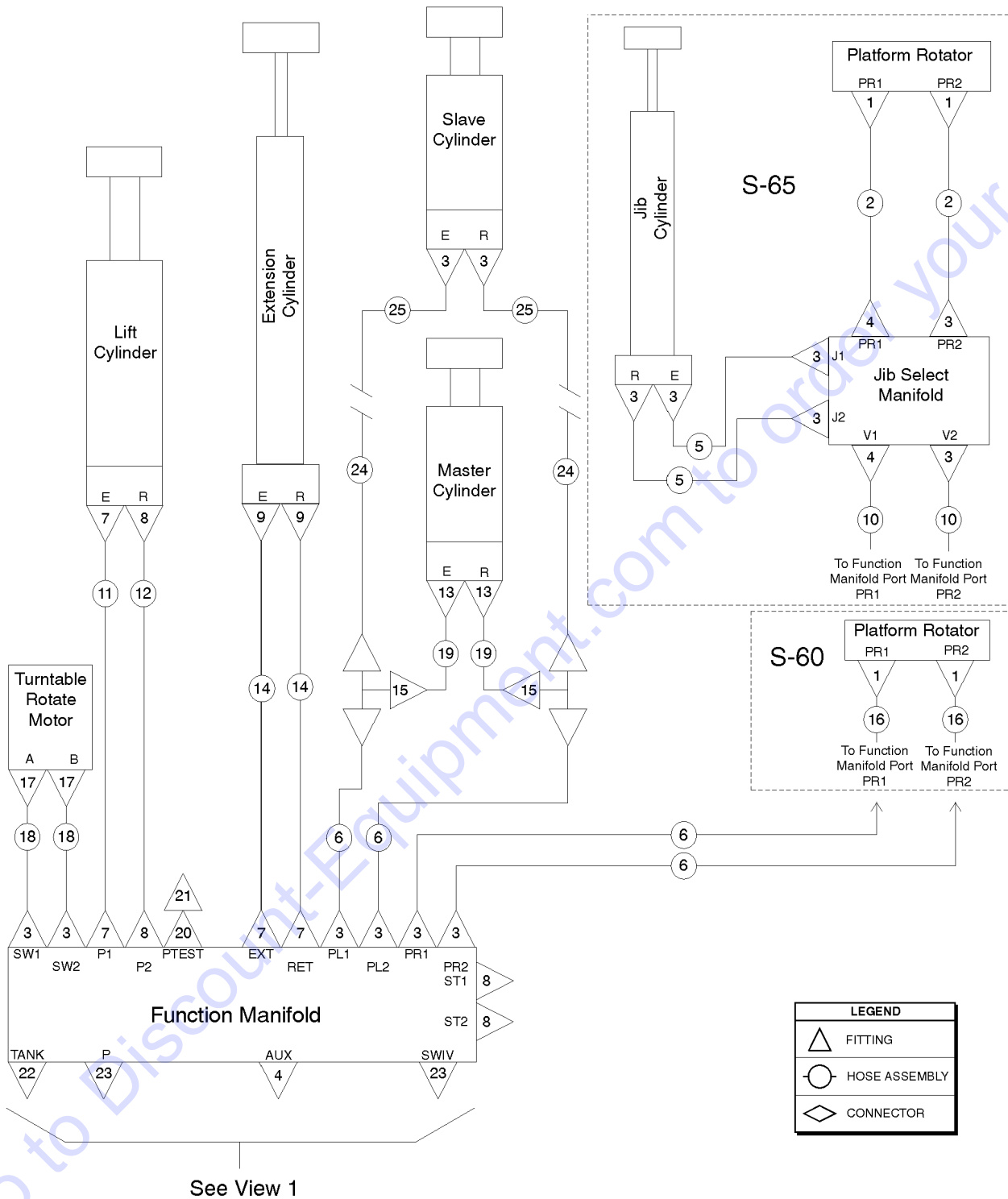


801.1 Function Manifold - View 1

Item	Part No.	Description	Qty.	Item	Part No.	Description	Qty.
--		<i>The hose lengths below reflect the length of the hose only. Refer to the 'Fittings Cross Reference' to match Genie part numbers to Parker part numbers.</i>		24	94465-3650GT	HOSE ASSY,1/2".....1 <i>Components: Genie part numbers 48808, 48808 and 39888 @ 35 inches</i>	1
1	48905GT	CONN,520120-4***.....7		25	48936GT	TEE,BRANCH,520429-8.....1	1
2	48933GT	CONN,520120-8***.....3		26	88936GT	CONN,520120-20-16.....1	1
3	48916GT	CONN, 520120-6.....5		27	48932GT	FITTING,ELBOW,90D,520220-8***.....1	1
4	48998GT	NIPPLE,DIAGNOSTIC,#6 PORT***.....1		28	49143-3429GT	HOSE ASSY,1/2,90 FEM,STR FEM.....1 <i>Components: Genie part numbers 48822, 48827 and 48756 @ 32 inches</i>	1
5	48880GT	CAP,DIAGNOSTIC NIPPLE.....1		29	49143-3629GT	HOSE ASSY,1/2,90 FEM,STR FEM.....1 <i>Components: Genie part numbers 48822, 48827 and 48756 @ 34 inches</i>	1
6	49130-5782GT	HOSE ASSY 3/8, STR FEM,STR FEM....1 <i>Components: Genie part numbers 48812, 48812 and 48753 @ 56 inches</i>		30	88943-7636GT	HOSE ASSY,1.25",90 FEM,STR FEM....1 <i>Components: Genie part numbers 88474, 88477, 88944 and 88478 @ 72.5 inches</i>	1
7	49130-5582GT	HOSE ASSY 3/8, STR FEM,STR FEM....1 <i>Components: Genie part numbers 48812, 48812 and 48753 @ 54 inches</i>		31	48949GT	CONN,520120-8-16.....1	1
8	48984GT	CONN,520120-16.....2		32	101491GT	STRAINER,20 SAE F/24 SAE M***	1
9	48960GT	FITTING,CONN,520120-12***.....6		33	48946GT	CONN,520120-8-10.....1	1
10	48904GT	ELBOW,90D,520220-4-4.....4		34	49150-9130GT	HOSE ASSY,3/4,90 FEM,STR FEM.....1 <i>Components: Genie part numbers 48841, 48846 and 48761 @ 88 inches</i>	1
11	88949-3828GT	HOSE ASSY 1",STR FEM,STR FEM....1 <i>Components: Genie part numbers 88938, 88941 and 88940 @ 36 inches</i>		35	48977GT	CONN,520120-12-16.....2	2
12	61074-7572GT	HOSE ASSEMBLY 3/4" STR-STR.....1 <i>Components: Genie part numbers 48841, 48841 and 48762 @ 72 inches (from SN 21001 to 21204)</i>		36	94374-6030GT	HOSE ASSY,3/4,90 FEM,STR FEM.....2 <i>Components: Genie part numbers 48841, 48846 and 84358 @ 57 inches</i>	2
--	61074-7272GT	HOSE ASSEMBLY 3/4"STR-STR <i>Components: Genie part numbers 48841, 48841 and 48762 @ 70 inches (from SN 21205)</i>		37	49207GT	NIPPLE,DIAGNOSTIC,ORFS,FM,SWIV..1	1
13	49117-2491GT	HOSE ASSY,1/4,90 FEM,STR FEM.....1 <i>Components: Genie part numbers 48802, 48800 and 48751 @ 23 inches</i>		38	48985GT	ELBOW,45D,520320-16.....1	1
14	49151-6248GT	HOSE ASSY,3/4,STR FEM,STR FEM....1 <i>Components: Genie part numbers 48841, 48841 and 48761 @ 60 inches</i>		39	147419GT	KIT,STRAINER REPLACEMENT.....1	1
15	48914GT	CONN,520120-4-8.....1		40	88942-8354GT	HOSE ASSY,1",90 FEM,STR FEM.....1 <i>Components: Genie part numbers 88938, 88941, 88939 and 88940 @ 80 inches</i>	1
16	48963GT	FITTING,ELBOW,45D,520320-12***.....1		41	61263GT	UNION,STR.THREAD 20.....1	1
17	48936GT	TEE,BRANCH,520429-8.....1		42	101494GT	VALVE,BALL,FSAE-20,FSAE-20.....1	1
18	48941GT	REDUCER,520123-8-4.....2		43	75654GT	CONN,520120-20.....1	1
19	49117-4691GT	HOSE ASSY,1/4,90 FEM,STR FEM.....1 <i>Components: Genie part numbers 48800, 48802 and 48751 @ 45 inches</i>		44	48996GT	VALVE,BALL,16 MSAE-16 FSAE***.....1	1
20	48907GT	ELBOW,45D,520320-4.....2		45	48912GT	CONN,520120-4-6***.....1	1
21	61073-3930GT	HOSE ASSY.,3/4",90,FEM,STR FEM....1 <i>Components: Genie part numbers 48846, 48841 and 48762 @ 36 inches</i>		46	48943GT	CONN, 520120-8-6.....1	1
22	49119-2878GT	HOSE ASSY,1/4,STR FEM,STR FEM*....2 <i>Components: Genie part numbers 48800, 48800 and 48751 @ 27 inches</i>					
23	49117-3391GT	HOSE ASSY,1/4,90 FEM,STR FEM.....1 <i>Components: Genie part numbers 48800, 48802 and 48751 @ 32 inches</i>					



802.1 Function Manifold - View 2



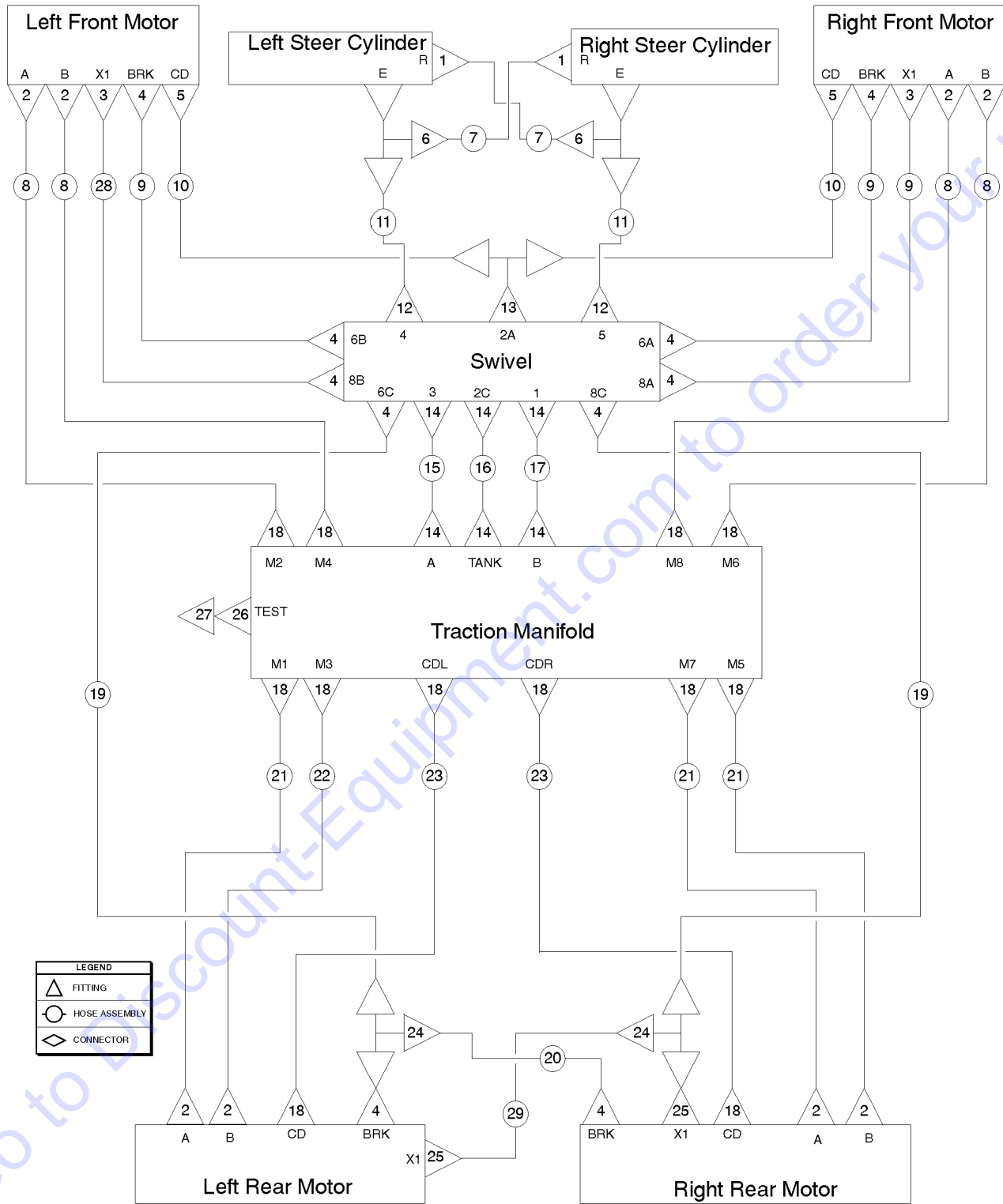
802.1 Rev B
S60/65



802.1 Function Manifold - View 2

Item	Part No.	Description	Qty.	Item	Part No.	Description	Qty.
--		<i>The hose lengths below reflect the length of the hose only. Refer to the 'Fittings Cross Reference' to match Genie part numbers to Parker part numbers.</i>		17	49418GT	FITTING,ELBOW,45D,520320-4-6**.....2	2
--	48767GT	SLEEVE,NYLON,1.42 ID.....23-inches protective hose sleeve, 1.42" diameter (near platform rotator)		18	49119-7478GT	HOSE ASSY,1/4,STR FEM,STR FEM.....2 Components: Genie part numbers 48800, 48800 and 48751 @ 73 inches	2
--	49219GT	SLEEVE,NYLON,2.19 ID,BULK.....46-inches protective hose sleeve, 2.19" diameter (near platform rotator)		19A	49117-3791GT	HOSE ASSY,1/4,90 FEM,STR FEM**.....2 Components: Genie part numbers 48800, 48802 and 48751 @ 36 inches; to SN 21459	2
1	48907GT	ELBOW,45D,520320-4.....2		19B	49117-3791GT	HOSE ASSY,1/4,90 FEM,STR FEM**.....1 Components: Genie part numbers 48800, 48802 and 48751 @ 36 inches; from SN 21460	1
2	49119-2878GT	HOSE ASSY,1/4,STR FEM,STR FEM*.....2 Components: Genie part numbers 48800, 48800 and 48751 @ 27 inches		--	227347GT	HOSE ASSY,1/4", 38.00.....1 Components: Genie part numbers 48800, 48802 and 48751 @ 38 inches; from SN 21460	1
3	48905GT	CONN,520120-4***.....11		20	48998GT	NIPPLE,DIAGNOSTIC,#6 PORT***.....1	1
4	48904GT	ELBOW,90D,520220-4-4.....2		21	48880GT	CAP,DIAGNOSTIC NIPPLE.....1	1
5	49119-4278GT	HOSE ASSY,1/4,STR FEM,STR FEM*.....2 Components: Genie part numbers 48800, 48800 and 48751 @ 41 inches		22	48984GT	CONN,520120-16.....1	1
6	88636-11973GT	HOSE ASSY 1/4,STR FEM,STR BULK...4 Components: Genie part numbers 48800, 75628 and 48751 @ 117 inches		23	48960GT	FITTING,CONN,520120-12***.....1	1
7	48933GT	CONN,520120-8***.....4		24A	49119-70978GT	HOSE ASSY,1/4,STR FEM,STR FEM Components: Genie part numbers 48800, 48800 and 48751 @ 708 inches; to SN 24756	1
8	48916GT	CONN, 520120-6.....3		24B	161523GT	HOSE ASSY,1/4,693" Components: Genie part numbers 48800, 48800 and 48751 @ 691 inches; from SN 24757	1
9	48937GT	ELBOW,45D,520320-8.....2		25	88636-2573GT	HOSE ASSY 1/4,STR FEM,STR BULK...2 Components: Genie part numbers 48800, 75628 and 48751 @ 23 inches	2
10	49119-79678GT	HOSE ASSY,1/4,STR FEM,STR FEM Components: Genie part numbers 48800, 48800 and 48751 @ 795 inches		--	75574GT	NUT,BULKHEAD,520118-4 (item sold seperately)	
11A	49143-13829GT	HOSE ASSY,1/2,90 FEM,STR FEM.....1 Components: Genie part numbers 48822, 48827 and 48756 @ 136 inches; to SN 21234					
11B	49143-12329GT	HOSE ASSY,1/2,90 FEM,STR FEM.....1 Components: Genie part numbers 48822, 48827, and 48756 @ 121 inches; from SN 21235					
12A	49128-13809GT	HOSE ASSY 3/8,STR FEM,90D.....1 Components: Genie part numbers 48812, 48816 and 48753 @ 136 inches; to SN 21234					
12B	49128-12309GT	HOSE ASSY,3/8,STR FEM,STR,90D....1 Components: Genie part numbers 48812, 48816, and 48753 @ 121 inches; from SN 21235					
13	48911GT	ELBOW,90D,520220-4-6***.....2					
14	49183-13492GT	HOSE ASSY,1/2,STR FEM,STR FEM.....2 Components: Genie part numbers 48822, 48822 and 48756 @ 133 inches					
15	48908GT	FITTING,TEE,RUN,SWIVEL520432-4.....2					
16	49119-72078GT	HOSE ASSY,1/4,STR FEM,STR FEM Components: Genie part numbers 48800, 48800 and 48751 @ 719 inches					

803.1 4WD Traction Manifold

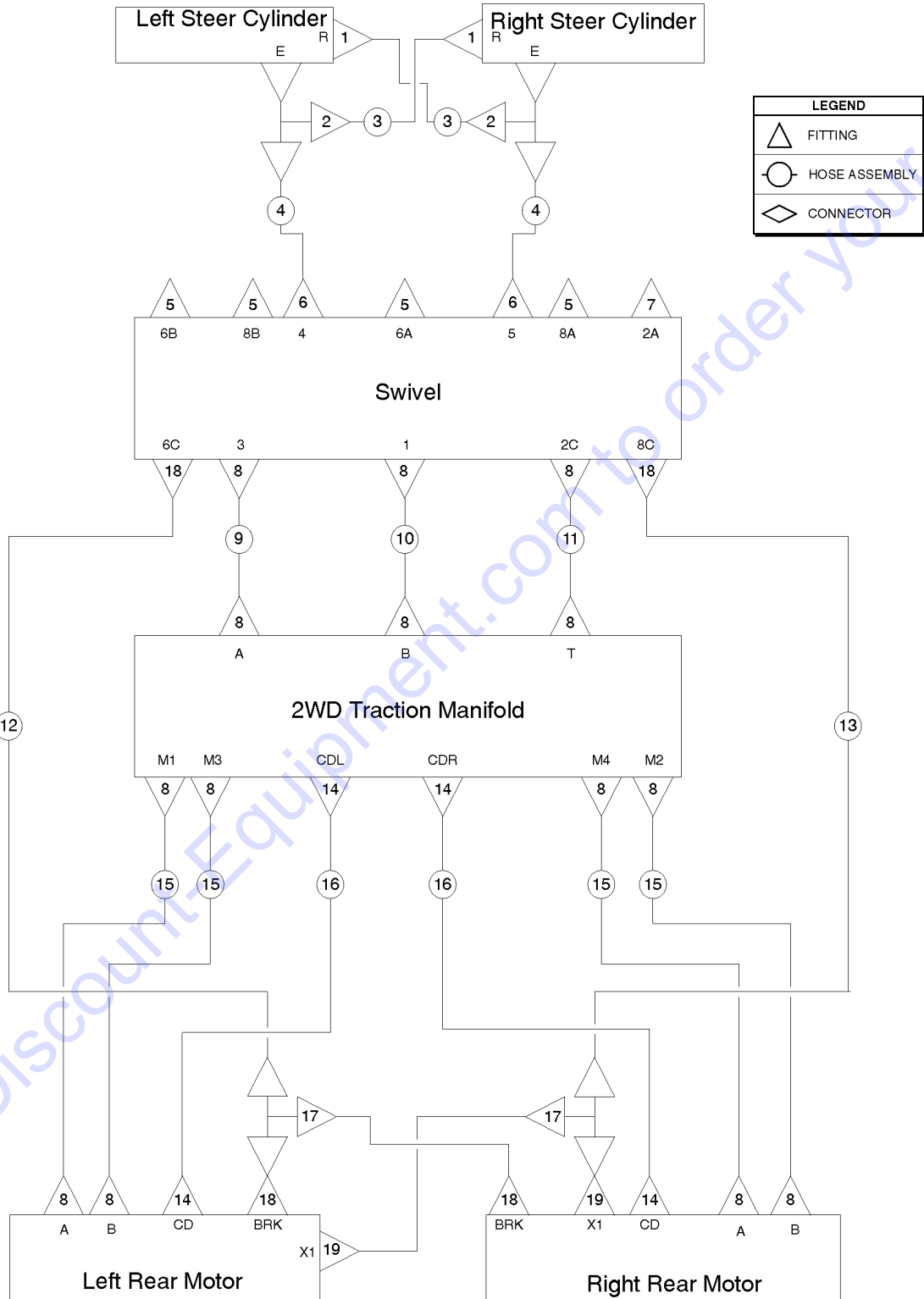


803.1 4WD Traction Manifold

Item	Part No.	Description	Qty.	Item	Part No.	Description	Qty.
--		<i>The hose lengths below reflect the length of the hose only. Refer to the 'Fittings Cross Reference' to match Genie part numbers to Parker part numbers.</i>		20	49117-6291GT	HOSE ASSY,1/4,90 FEM,STR FEM.....1 <i>Components: Genie part numbers 48800, 48802 and 48751 @ 61 inches</i>	1
1	48915GT	ELBOW,90D,520220-6.....2	2	21	75278-5029GT	HOSE ASSY,1/2,90 FEM,STR FEM.....3 <i>Components: Genie part numbers 48822, 48827 and 56777 @ 48 inches</i>	3
2	48948GT	CONN,520120-8-12.....8	8	22	75278-5129GT	HOSE ASSY,1/2,90 FEM,STR FEM**.....1 <i>Components: Genie part numbers 48822, 48827 and 56777 @ 49 inches</i>	1
3	48912GT	CONN,520120-4-6***.....2	2	23	94464-4986GT	HOSE ASSY,1/2"***.....2 <i>Components: Genie part numbers 48808, 77703 and 39888 @ 48 inches</i>	2
4	48905GT	CONN,520120-4***.....10	10	24	48908GT	FITTING,TEE,RUN,SWIVEL520432-4.....2	2
5	48930GT	CONN,520120-6-8.....2	2	25	48911GT	ELBOW,90D,520220-4-6***.....2	2
6	48918GT	TEE,RUN,520428-6.....2	2	26	48998GT	NIPPLE,DIAGNOSTIC,#6 PORT***.....1	1
7	49130-2482GT	HOSE ASSY 3/8, STR FEM,STR FEM.....2 <i>Components: Genie part numbers 48812, 48812 and 48753 @ 23 inches</i>	2	27	48880GT	CAP,DIAGNOSTIC NIPPLE.....1	1
--	101795-2482GT	HOSE ASSY,3/8,STR FEM,STR FEM <i>Components: Genie part numbers 48812, 48812 and 101697 @ 23 inches (arctic option)</i>		28	49117-10691GT	HOSE ASSY 1/4,90 FEM STR FEM.....1 <i>Components: Genie part numbers 48800, 48802 and 48751 @ 105 inches</i>	1
8	81812-13292GT	HOSE ASSY,1/2".....4 <i>Components: Genie part numbers 48822, 48822 and 56777 @ 131 inches</i>	4	--	101790-10691GT	HOSE ASSY,1/4,90 FEM,STR FEM <i>Components: Genie part numbers 48800, 48802 and 48751 @ 105 inches (arctic option)</i>	
9	49117-10091GT	HOSE ASSY 1/4.90 FEM STR FEM.....3 <i>Components: Genie part numbers 48800, 48802 and 48751 @ 99 inches</i>	3	29	49117-6091GT	HOSE ASSY,1/4,90 FEM,STR FEM**.....1 <i>Components: Genie part numbers 48800, 48802 and 48751 @ 59 inches</i>	1
--	101790-10091GT	HOSE ASSY,1/4,90 FEM,STR FEM <i>Components: Genie part numbers 48800, 48802 and 101697 @ 99 inches (arctic option)</i>					
10	49131-9603GT	HOSE ASSEMBLY 3/8".....2 <i>Components: Genie part numbers 48812, 48819 and 48753 @ 94 inches</i>	2				
--	102230-9589GT	HOSE ASSY,3/8,STR FEM,STR FEM <i>Components: Genie part numbers 48812, 48819 and 101698 @ 94 inches (arctic option)</i>					
11	49130-4782GT	HOSE ASSY,3/8,STR FEM,STR FEM.....2 <i>Components: Genie part numbers 48812, 48812 and 48753 @ 46 inches</i>	2				
12	48916GT	CONN, 520120-6.....2	2				
13	48936GT	TEE,BRANCH,520429-8.....1	1				
14	48960GT	FITTING,CONN,520120-12***.....6	6				
15	94374-2430GT	HOSE ASSY,3/4,90 FEM,STR FEM.....1 <i>Components: Genie part numbers 48841, 48846 and 94358 @ 21 inches</i>	1				
16	94466-2336GT	HOSE ASSY,3/4".....1 <i>Components: Genie part numbers 48809, 48809 and 39889 @ 21 inches</i>	1				
17	94374-2630GT	HOSE ASSY,3/4,90 FEM,STR FEM**.....1 <i>Components: Genie part numbers 48841, 48846 and 94358 @ 23 inches</i>	1				
18	48933GT	CONN,520120-8***.....12	12				
19	49119-7578GT	HOSE ASSY,1/4 STR FEM,STR FEM.....2 <i>Components: Genie part numbers 48800, 48800 and 48751 @ 74 inches</i>	2				



804.1 2WD Traction Manifold



PARTS FINDER

**Search Website
by Part Number**



**Search Manual
Library For Parts
Manual & Lookup Part
Numbers – Purchase
or Request Quote**

Search Manuals

Enter your information to help us find the right parts manual for your equipment.

* Brand:

* Model:

* Serial:

* Part Number:

SEARCH

**Can't Find Part or
Manual? Request Help
by Manufacturer,
Model & Description**

Parts Order Form

Please fill in the following information to help us find the right part for your equipment.

Manufacturer:	<input type="text"/>
Model:	<input type="text"/>
Description:	<input type="text"/>
Part Number:	<input type="text"/>
Quantity:	<input type="text"/>
Notes:	<input type="text"/>

Submit

Discount-Equipment.com is your online resource for quality parts & equipment.

Florida: **561-964-4949** Outside Florida TOLL FREE: **877-690-3101**

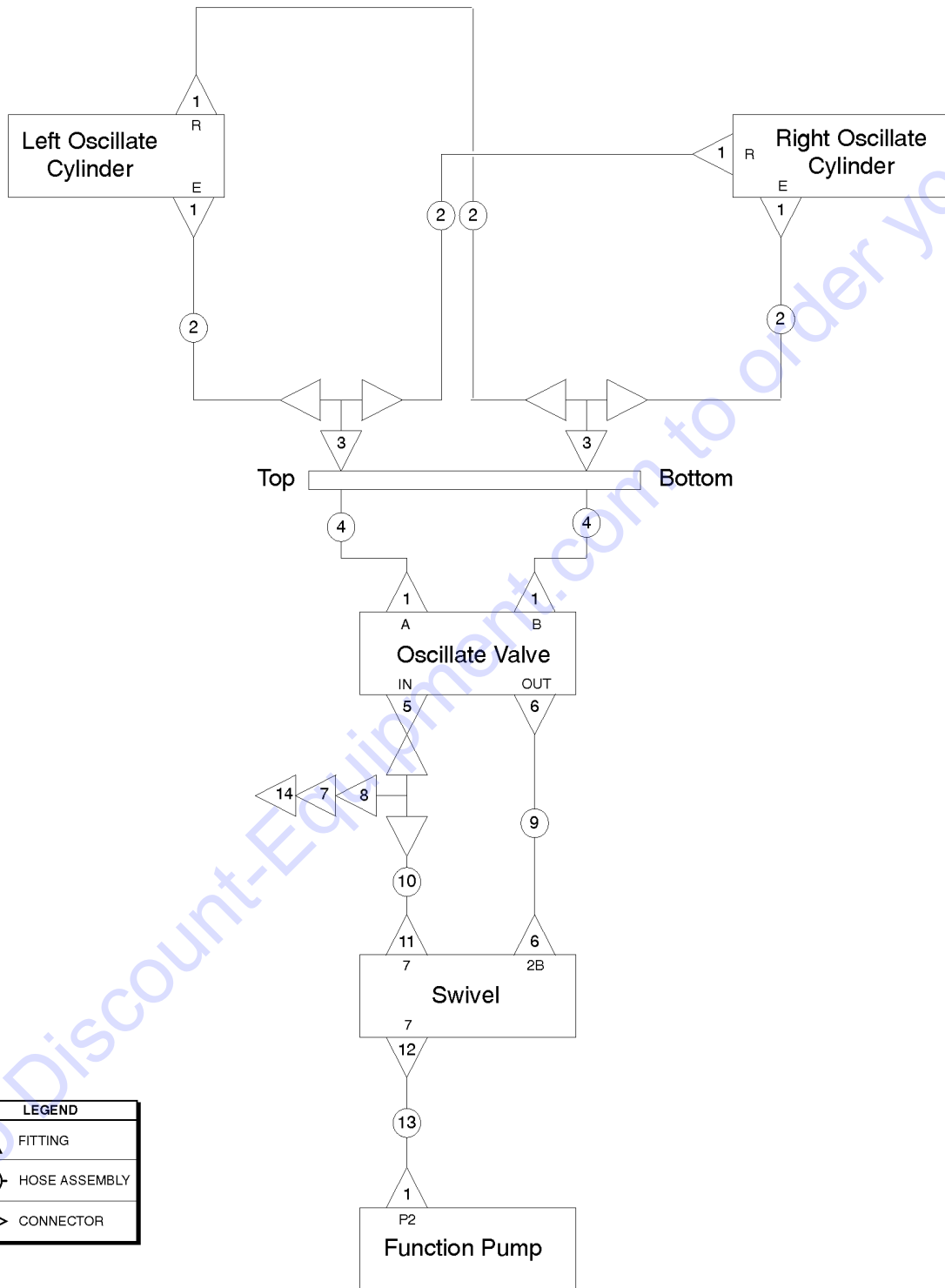
Need parts?

Click on this link: <http://www.discount-equipment.com/category/5443-parts/> and choose one of the options to help get the right parts and equipment you are looking for. Please have the machine model and serial number available in order to help us get you the correct parts. If you don't find the part on the website or on one of the online manuals, please fill out the request form and one of our experienced staff members will get back to you with a quote for the right part that your machine needs.

We sell worldwide for the brands: Genie, Terex, JLG, MultiQuip, Mikasa, Essick, Whiteman, Mayco, Toro Stone, Diamond Products, Generac Magnum, Airman, Haulotte, Barreto, Power Blanket, Nifty Lift, Atlas Copco, Chicago Pneumatic, Allmand, Miller Curber, Skyjack, Lull, Skytrak, Tsurumi, Husquvarna Target, Stow, Wacker, Sakai, Mi-T-M, Sullair, Basic, Dynapac, MBW, Weber, Bartell, Bennar Newman, Haulotte, Ditch Runner, Menegotti, Morrison, Contec, Buddy, Crown, Edco, Wyco, Bomag, Laymor, EZ Trench, Bil-Jax, F.S. Curtis, Gehl Pavers, Heli, Honda, ICS/PowerGrit, IHI, Partner, Imer, Clipper, MMD, Koshin, Rice, CH&E, General Equipment, Amida, Coleman, NAC, Gradall, Square Shooter, Kent, Stanley, Tamco, Toku, Hatz, Kohler, Robin, Wisconsin, Northrock, Oztec, Toker TK, Rol-Air, APT, Wylie, Ingersoll Rand / Doosan, Innovatech, Con X, Ammann, Mecalac, Makinex, Smith Surface Prep, Small Line, Wanco, Yanmar



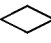
Item	Part No.	Description	Qty.
--		<i>The hose lengths below reflect the length of the hose only. Refer to the 'Fittings Cross Reference' to match Genie part numbers to Parker part numbers.</i>	
1	48915GT	ELBOW,90D,520220-6.....	2
2	48918GT	TEE,RUN,520428-6.....	2
3	49130-2482GT	HOSE ASSY 3/8, STR FEM,STR FEM.... <i>Components: Genie part numbers 48812, 48812 and 48753 @ 23 inches</i>	2
4	49130-4782GT	HOSE ASSY,3/8,STR FEM,STR FEM.... <i>Components: Genie part numbers 48812, 48812 and 48753 @ 46 inches</i>	2
--	101795-4782GT	HOSE ASSY,3/8,STR FEM,STR FEM <i>Components: Genie part numbers 48812, 48812 and 101698 @ 46 inches (arctic option)</i>	
5	49859GT	PLUG,HEX,090109A-4.....	4
6	48916GT	CONN, 520120-6.....	2
7	48883GT	PLUG,HEX,090109A-8***.....	1
8	48960GT	FITTING,CONN,520120-12***.....	14
9	94374-2330GT	HOSE ASSY,3/4,90 FEM,STR FEM..... <i>Components: Genie part numbers 48841, 48846 and 94358 @ 20 inches</i>	1
10	94374-2530GT	HOSE ASSY,3/4,90 FEM,STR FEM..... <i>Components: Genie part numbers 48841, 48846 and 94358 @ 22 inches</i>	1
11	94466-2336GT	HOSE ASSY,3/4".....	1
12	49119-7578GT	HOSE ASSY,1/4 STR FEM,STR FEM..... <i>Components: Genie part numbers 48800, 48800 and 48751 @ 74 inches</i>	1
13	49119-7578GT	HOSE ASSY,1/4 STR FEM,STR FEM..... <i>Components: Genie part numbers 48800, 48800 and 48751 @ 74 inches</i>	1
14	48933GT	CONN,520120-8***.....	4
15	94374-4730GT	HOSE ASSY,3/4,90 FEM,STR FEM..... <i>Components: Genie part numbers 48841, 48846 and 94358 @ 44 inches</i>	4
16	94464-4986GT	HOSE ASSY,1/2****..... <i>Components: Genie part numbers 48808, 77703 and 39888 @ 48 inches</i>	4
17	48908GT	FITTING,TEE,RUN,SWIVEL520432-4.....	2
18	48905GT	CONN,520120-4***.....	2
19	48911GT	ELBOW,90D,520220-4-6***.....	1

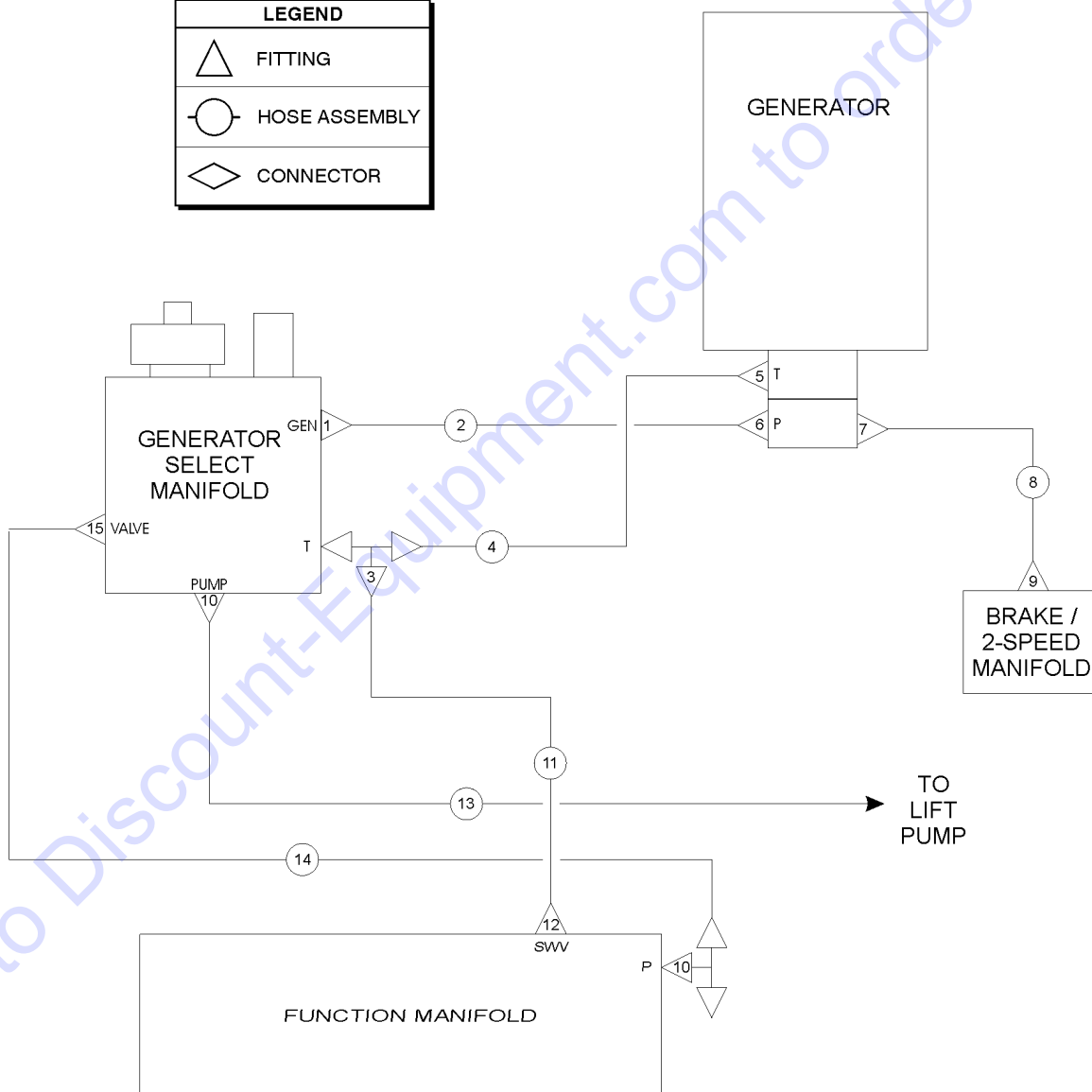
805.1 Oscillate Option



Item	Part No.	Description	Qty.
--		<i>The hose lengths below reflect the length of the hose only. Refer to the 'Fittings Cross Reference' to match Genie part numbers to Parker part numbers.</i>	
1	48912GT	CONN,520120-4-6***.....	7
2	49117-3291GT	HOSE ASSY,1/4,90 FEM,STR FEM**..... <i>Components: Genie part numbers 48800, 48802 and 48751 @ 31 inches</i>	4
3	48891GT	FITTING,TEE,BRANCH,520433-4.....	2
4	88636-8573GT	HOSE ASSY 1/4,STR FEM,STR BULK... <i>Components: Genie part numbers 48800, 75628 and 48751 @ 83 inches</i>	2
5	48914GT	CONN,520120-4-8.....	1
6	48933GT	CONN,520120-8***.....	2
7	49207GT	NIPPLE,DIAGNOSTIC,ORFS,FM,SWIV..	1
8	48908GT	FITTING,TEE,RUN,SWIVEL520432-4.....	1
9	94464-4186GT	HOSE ASSY,1/2"..... <i>Components: Genie part numbers 48808, 77703 and 39888 @ 40 inches</i>	1
10	49117-4691GT	HOSE ASSY,1/4,90 FEM,STR FEM..... <i>Components: Genie part numbers 48800, 48802 and 48751 @ 45 inches</i>	1
11	48905GT	CONN,520120-4***.....	1
--	49859GT	PLUG,HEX,090109A-4..... <i>models without oscillate</i>	1
12	48904GT	ELBOW,90D,520220-4-4.....	1
13	49117-5191GT	HOSE ASSY,1/4,90 FEM,STR FEM**..... <i>Components: Genie part numbers 48800, 48802 and 48751 @ 50 inches</i>	1
14	48880GT	CAP,DIAGNOSTIC NIPPLE.....	1

806.1 Hydraulic Generator Option (to SN 21396)

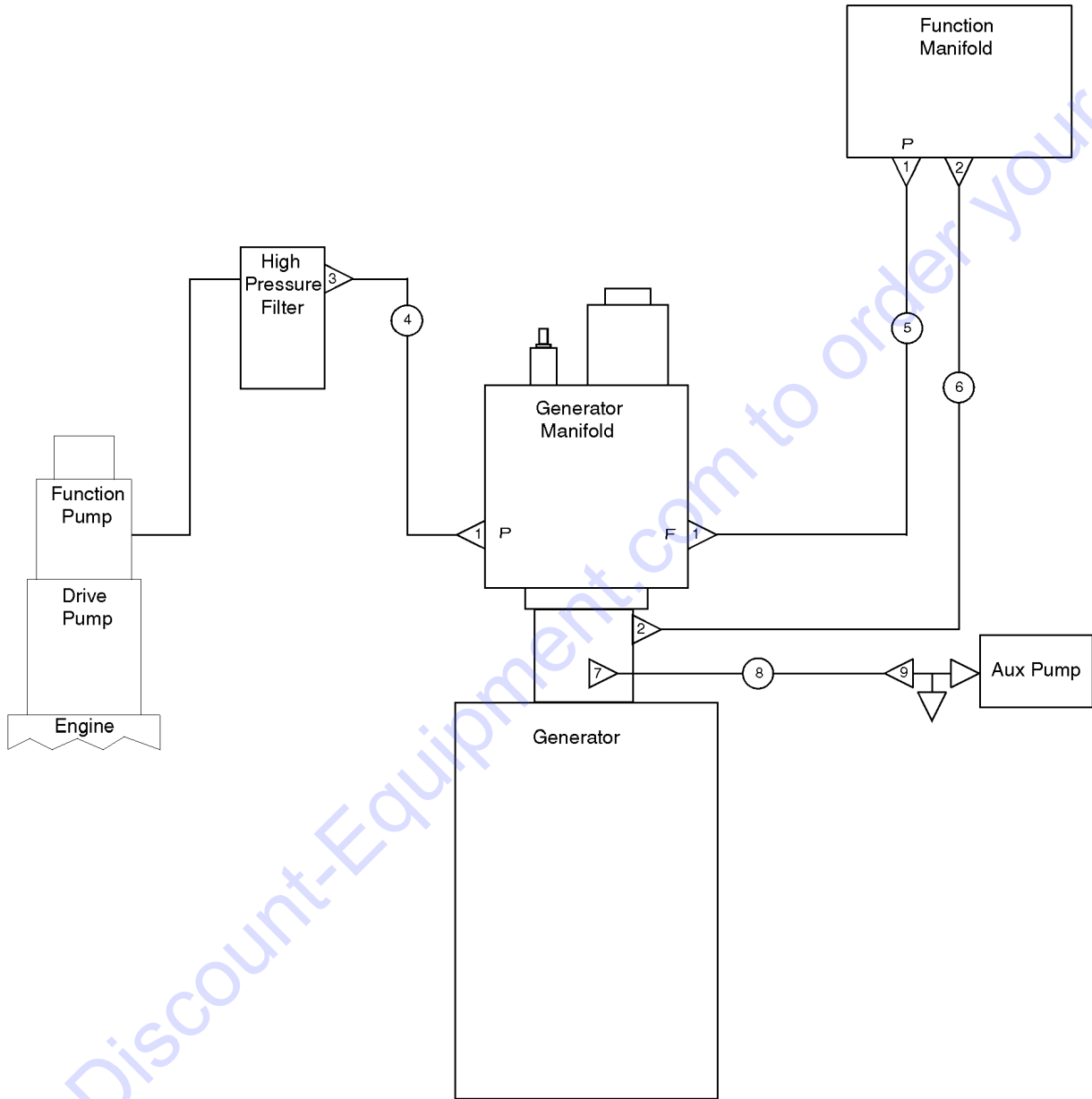
LEGEND	
	FITTING
	HOSE ASSEMBLY
	CONNECTOR



806.1 Hydraulic Generator Option (to SN 21396)

Item	Part No.	Description	Qty.
--		<i>The hose lengths below reflect the length of the hose only. Refer to the 'Fittings Cross Reference' to match Genie part numbers to Parker part numbers.</i>	
1	48933GT	CONN,520120-8***.....1	1
2	49143-3179GT	HOSE ASSY,1/2,90 FEM,STR FEM.....1 <i>Components: Genie part numbers 48822, 48827 and 48756 @ 29.5 inches</i>	1
3	48935GT	TEE,RUN,520428-8.....1	1
4	49143-2979GT	HOSE ASSY,1/2,90 FEM,STR FEM.....1 <i>Components: Genie part numbers 48822, 48827 and 48756 @ 27.5 inches</i>	1
5	42790GT	ELBOW,45D,520320-8-10.....1	1
6	48937GT	ELBOW,45D,520320-8.....1	1
7	48905GT	CONN,520120-4***.....1	1
8	49117-3691GT	HOSE ASSY,1/4,90 FEM,STR FEM.....1 <i>Components: Genie part numbers 48800, 48802 and 48751 @ 35 inches</i>	1
9	48908GT	FITTING,TEE,RUN,SWIVEL520432-4.....1	1
10	48960GT	FITTING,CONN,520120-12***.....1	1
11	49142-7112GT	HOSE ASSEMBLY,1/2,90FEM,STR FEM.....1 <i>Components: Genie part numbers 48822, 48839 and 48756 @ 68.5 inches</i>	1
12	48964GT	FITTING,TEE,RUN,SWIVEL52043212....1	1
13	61073-2830GT	HOSE ASSY,3/4",90 FEM, STR FEM.....1 <i>Components: Genie part numbers 48841, 48846 and 48762 @ 25 inches</i>	1
14	61074-6222GT	HOSE ASSEMBLY 3/4" STR-STR.....1 <i>Components: Genie part numbers 48841, 48841 and 48762 @ 59.9 inches</i>	1
15	48963GT	FITTING,ELBOW,45D,520320-12***.....1	1

806.2 Hydraulic Generator Option (from SN 21397)






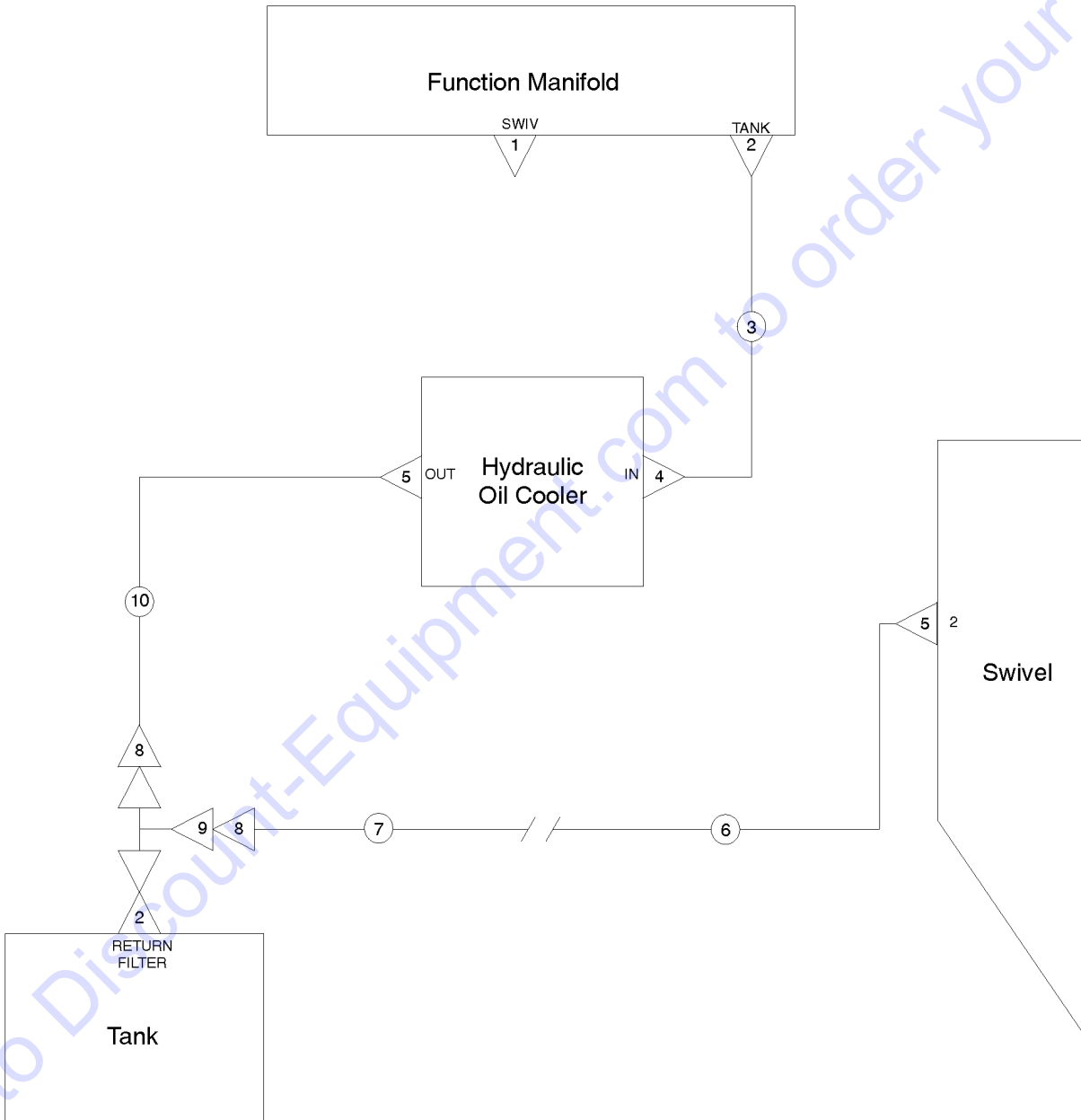
LEGEND	
	ADAPTER
	HOSE ASSEMBLY
	UNION

806.2 Hydraulic Generator Option (from SN 21397)

Item	Part No.	Description	Qty.
1	48960GT	FITTING,CONN,520120-12*** <i>(includes 45° and reducer)</i>	3
2	48933GT	CONN,520120-8***	2
3	48963GT	FITTING,ELBOW,45D,520320-12***	1
4	61073-3330GT	HOSE ASSY,3/4,90 FEM,STR FEM <i>(components: 48841, 48846, and 48762 @ 29 inches)</i>	1
5	61073-7330GT	HOSE ASSY,3/4,90 FEM,STR FEM <i>(components: 48841, 48846, and 48762 @ 70 inches)</i>	1
6	49183-7592GT	HOSE ASSEMBLY,1/2,STR FEM <i>(components: 48822, 48822, and 48756 @ 74 inches)</i>	1
7	49861GT	CONN,LONG,520122-4	1
8	49117-6119GT	HOSE ASSY,1/4,90 FEM,STR FEM** <i>(components: 48800, 48802, and 48751 @ 60 inches)</i>	1
9	48908GT	FITTING,TEE,RUN,SWIVEL520432-4	1

807.1 Hydraulic Oil Cooler Option

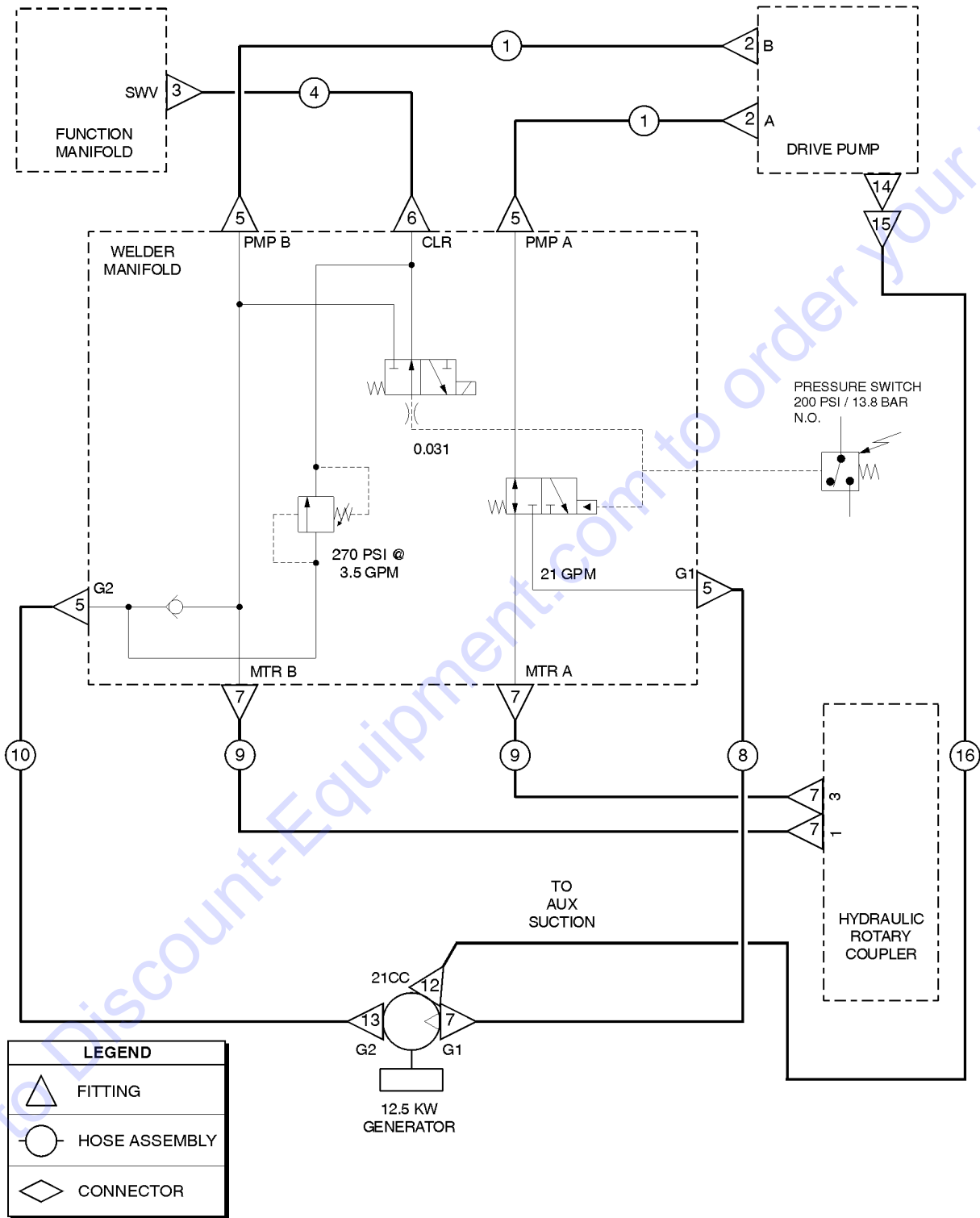
LEGEND	
	FITTING
	HOSE ASSEMBLY
	CONNECTOR



Item	Part No.	Description	Qty.
1	87172GT	PLUG,HEX SOCKET,090109B-12.....	1
2	48984GT	CONN,520120-16.....	2
3	88949-3828GT	HOSE ASSY 1",STR FEM,STR FEM.....	1
4	48878GT	ELBOW,90D,520220-16-12.....	1
5	48960GT	FITTING,CONN,520120-12***.....	2
6	49151-6248GT	HOSE ASSY,3/4,STR FEM,STR FEM.....	1
7	94205-3164GT	HOSE ASSY,3/4,45 FEM,STR MALE.....	1
8	101293GT	REDUCER,520123-16-12.....	2
9	42787GT	TEE,RUN,SWIVEL,520432-16.....	1
10	1259905GT	HOSE ASSY, 3/4", 28.55".....	1

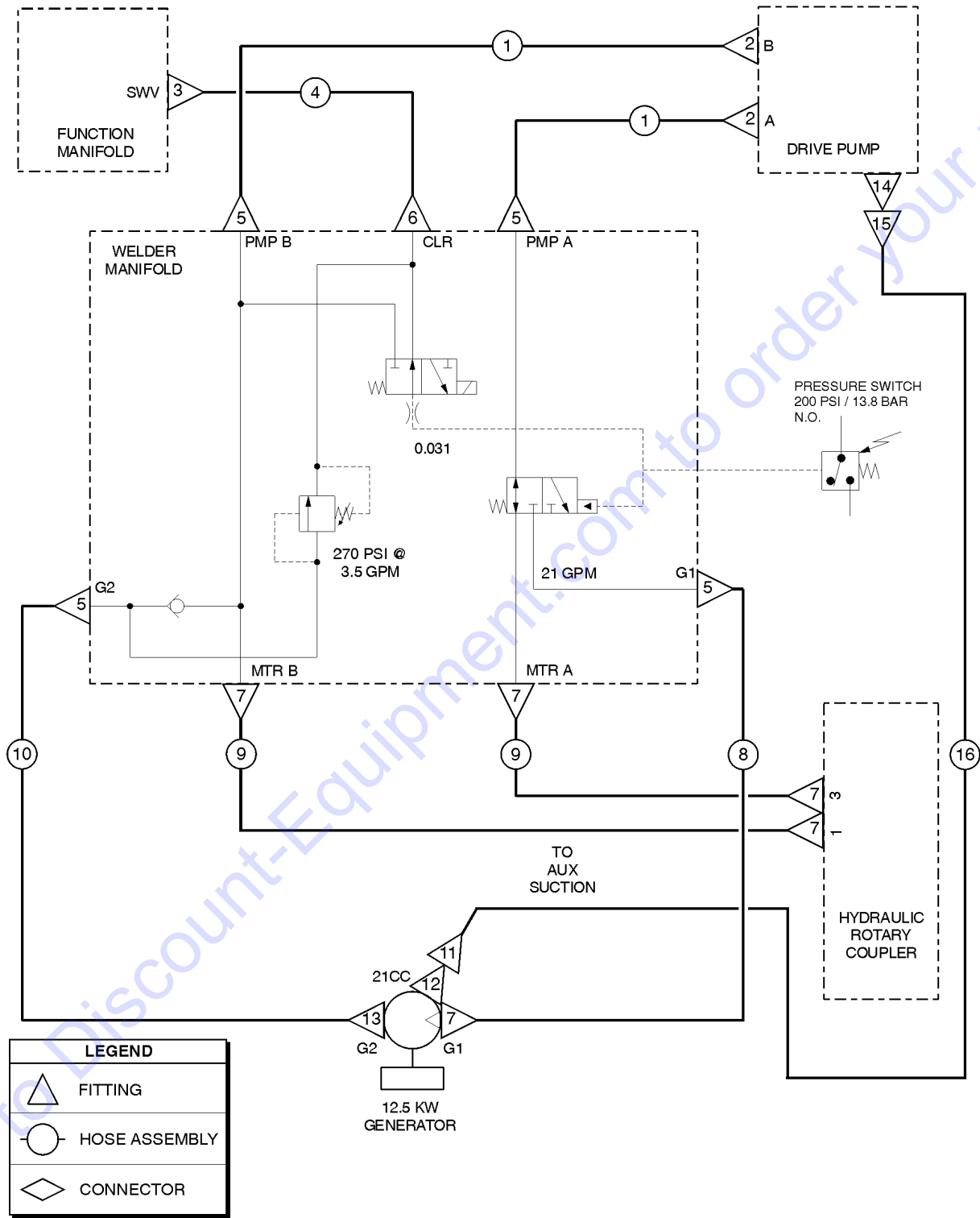
Go to Discount-Equipment.com to order your parts

808.1 Welder Option (to SN 26173)



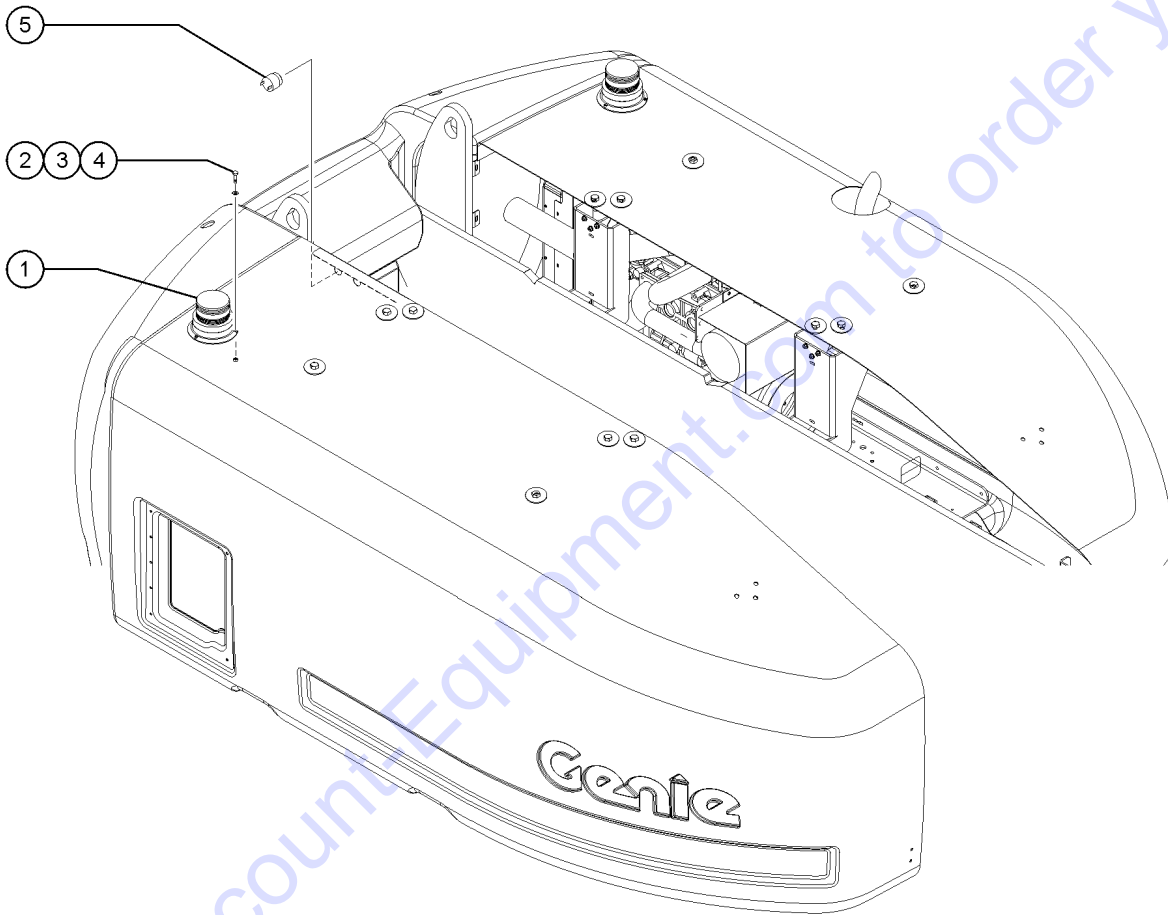
Item	Part No.	Description	Qty.
1	102313-3326GT	HOSE ASSY,3/4",45F,STR F.....2 (components: 48841, 48845, and 94358 @ 30 inches)	
2	48978GT	ELBOW,45D,520320-12-16.....1	
3	48948GT	CONN,520120-8-12.....1	
4	49183-8492GT	HOSE ASSY,1/2,STR FEM,STR FEM*....1 (components: 48822, 48822, and 48756 @ 83 inches)	
5	48963GT	FITTING,ELBOW,45D,520320-12***.....4	
6	48933GT	CONN,520120-8***.....1	
7	48960GT	FITTING,CONN,520120-12***.....5	
8	61072-2443GT	HOSE ASSY,3/4,45 FEM,STR FEM**....1 (components: 48841, 48845, and 48762 @ 21 inches)	
9	94374-6030GT	HOSE ASSY,3/4,90 FEM,STR FEM.....2 (components: 48841, 48846, and 94358 @ 57 inches)	
10	61072-2543GT	HOSE ASSY,3/4,45 FEM,STR FEM**....1 (components: 48841, 48845, and 48762 @ 22 inches)	
11	48941GT	REDUCER,520123-8-4	
12	48932GT	FITTING,ELBOW,90D,520220-8***.....1	
13	61610GT	CONN,LONG,520122-12***.....1	
14	48961GT	TEE,RUN,520428-12.....1	
15	51580GT	FITTING,REDUCER,520123-12-8***.....1	
16	218751GT	HOSE ASSY,1/2,90 FEM,STR FEM.....1 (components: 48822, 48827, and 48756 @ 60 inches)	

808.2 Welder Option (from SN 26174)



Item	Part No.	Description	Qty.
1	162164GT	HOSE ASSY,3/4,STR FEM,STR FEM.....2 (components: 48841, 48841, and 94358 @ 38 inches)	
2	48978GT	ELBOW,45D,520320-12-16.....1	
3	48948GT	CONN,520120-8-12.....1	
4	1251842GT	HOSE ASSY,1/2,STR FEM,STR FEM.....1 (components: 48822, 48822, and 48756 @ 83 inches)	
5	48963GT	FITTING,ELBOW,45D,520320-12***.....4	
6	48933GT	CONN,520120-8***.....1	
7	48960GT	FITTING,CONN,520120-12***.....5	
8	162162GT	HOSE ASSY,3/4,45 FEM,STR FEM.....1 (components: 48841, 48845, and 48762 @ 21 inches)	
9	94374-6030GT	HOSE ASSY,3/4,90 FEM,STR FEM.....2 (components: 48841, 48846, and 94358 @ 57 inches)	
10	162163GT	HOSE ASSY,3/4,45 FEM,STR FEM.....1 (components: 48841, 48845, and 48762 @ 22 inches)	
11	48941GT	REDUCER,520123-8-4	
12	48932GT	FITTING,ELBOW,90D,520220-8***.....1	
13	61610GT	CONN,LONG,520122-12***.....1	
14	48961GT	TEE,RUN,520428-12.....1	
15	51580GT	FITTING,REDUCER,520123-12-8***.....1	
16	218751GT	HOSE ASSY,1/2,90 FEM,STR FEM.....1 (components: 48822, 48827, and 48756 @ 60 inches)	

901.1 Alarm and Beacon Package



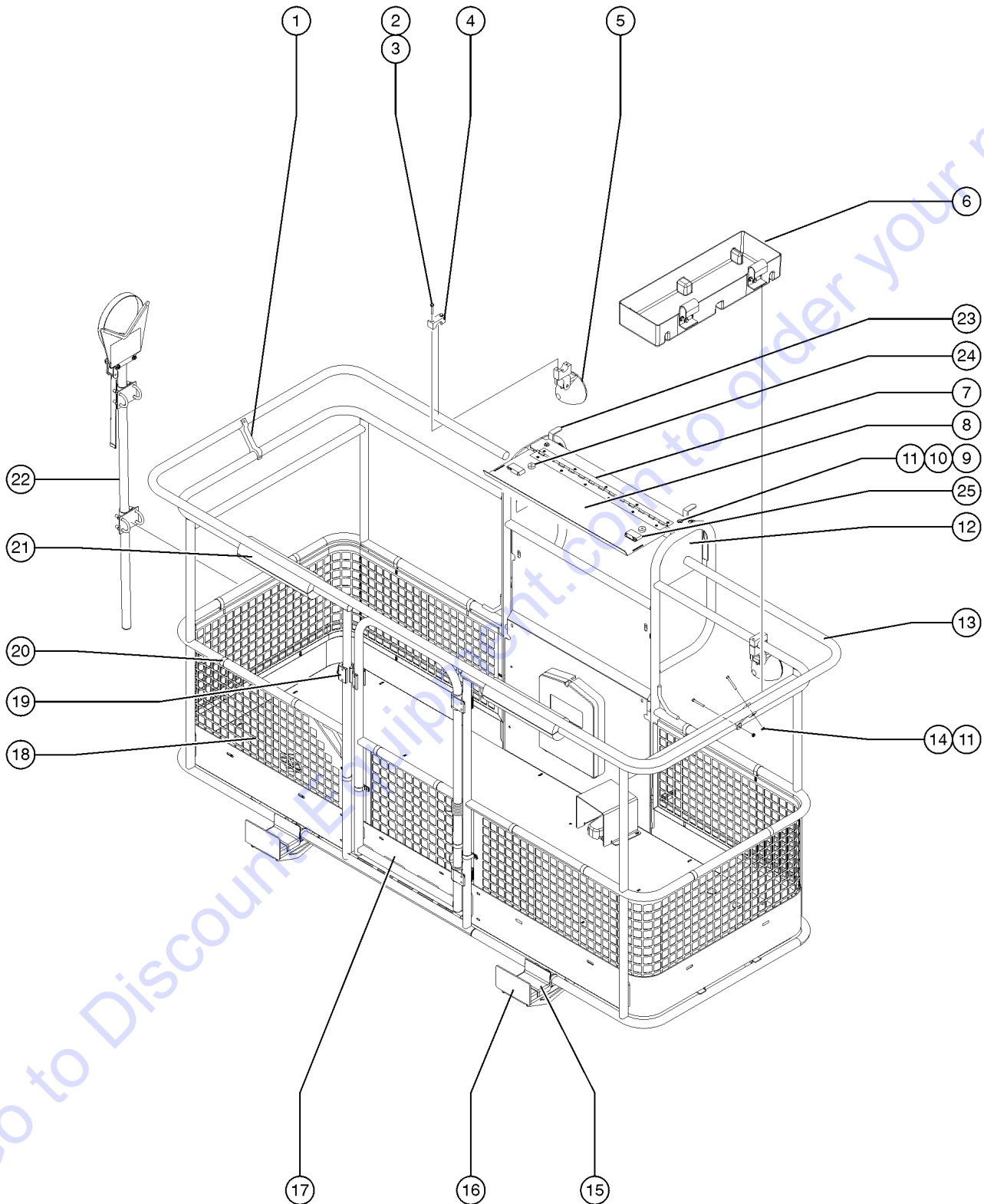
Go to DiscountEquipment.com to order your parts

901.1 Alarm and Beacon Package

Item	Part No.	Description	Qty.
A	T109268GT	ACC, BEACON, TRVL ALARM,SERV	
1	56704GT	STROBE,FIREBOLT,12-80VDC,AMB**...2	
--	122019GT	FLASHTUBE,U SHAPED,360DEG,BULB	
--	226393GT	FLASHTUBE,STRAIGHT,360DEG,BULB	
--	72282GT	LENS,AMBER,STROBE,FIREBOLT	
2	6147GT	SCREW,RHM,10-32 X 1.....6	
3	6146GT	WASHER,FLAT,MS,#10,Y.....6	
4	6178GT	NUT,NYLOCK,10-32.....6	
5	18963GT	ALARM,INTERMITTENT TONE 6-30V*...1 <i>72326 nut not included, order separately</i>	
5	72326GT	NUT - PLASTIC,RING FOR ALARMS.....1	

Go to Discount-Equipment.com to order your parts

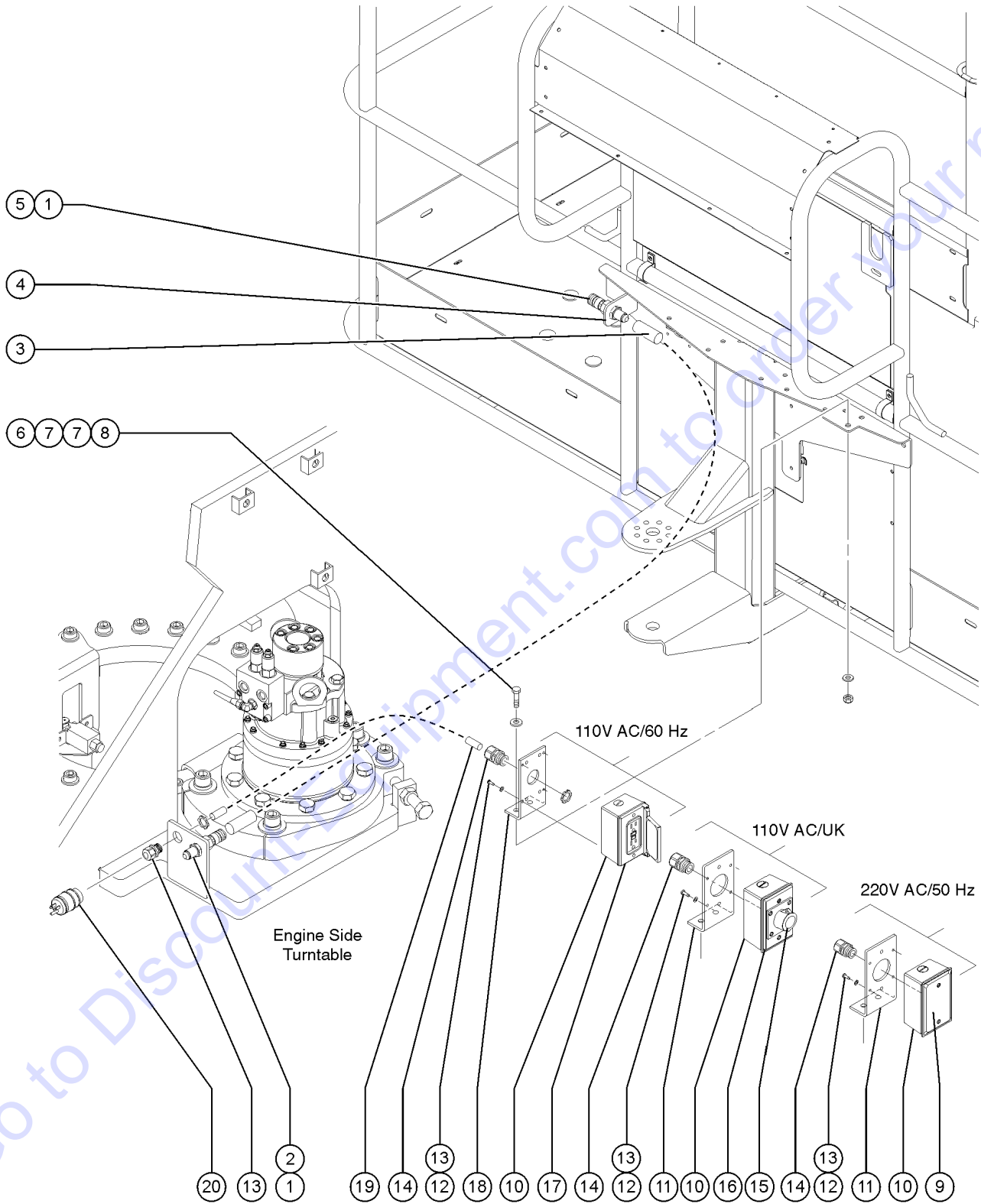
902.1 Platform Accessories



902.1 Platform Accessories

Item	Part No.	Description	Qty.	Item	Part No.	Description	Qty.
A	53808-SGT	AUX TOP RAIL,6'(1.25")SERVICE		16		Ref., Bracket <i>refer to 917.1</i>	
B	53807-SGT	AUX TOP RAIL,8'(1.25")SERVICE <i>includes items 1, 11 and 13-14</i>		17	128368GT	KIT,SWING GATE W/SPRING.....1	
C	122278GT	AUX TOP RAIL,6',SWG GT, SRV		--	9596GT	HINGE CASTING <i>Special welding requirements for installation of this component. Strongly suggest ordering 128368 OR contact Discount-equipment for welding requirements.</i>	
D	122279GT	AUX TOP RAIL,8',SWG GT, SRV		18A	73501GT	HALF MESH,8'PLATFORM,LH.....1	
E	T109328GT	ACC,PLAT CONTROL COVER, SERV <i>includes items 7-12 and 23-25</i>		18B	73500GT	HALF MESH,8'PLATFORM,RH***	
F	119950GT	KIT,FIELD INSTALL,SWING GATE <i>includes 128368, 1487, 1488, and 33674</i>		18C	54457GT	MESH,HALF,SWING GATE***	
1	139958GT	KIT, AUX TOP RAIL SUPPORT.....10		19	1487GT	GATE LATCH CASTING--DRILLED.....1	
--	122073GT	SUPPORT, RAILING		--	63311GT	SNAP PIN	
2	6145GT	SCREW,HHC,1/4-20 X 1.5		20	56424GT	CLAMP,1.25X.5 RUBBER-CUSHION....14	
3	6356GT	WASHER,LOCK,.25		21		Ref., FOAM PAD <i>refer to 917.1</i>	
4	35956GT	BRACKET,WORK LIGHT MOUNT 5/16".....2		22	85300GT	PIPE CRADLE ASSY. SERV (ONE)**.....2	
5		Ref. Worklight, 12V.....2 <i>refer to 918.1</i>		--	72875GT	DECAL,WARNING,PIPE CRADLE,BOOM	
6	9599-SGT	TOOL TRAY ACCESSORY***.....1		23	102786PGT	FORMING,LATCH,CTRL BOX LID PTD	
--	7746GT	BRACKET-TOOL TRAY MOUNTING.....2		24	43392GT	BUMPER,BATTERY BOX & RAILS	
7	111526GT	HINGE,PLAT CONTROL BOX COVER...1		25	30468GT	LATCH,SLIDE, FLUSH MOUNT STYLE	
--	54486GT	RIVET,ALUM,ALUM,3/16BUTTONHEAD <i>(not included - sold seperately)</i>					
8	102785PGT	CONTROL BOX COVER,LID,PTD.....1					
--	88606PGT	COVER,CONTROL BOX RIGHT SIDE**.....1 <i>(not included - sold seperately)</i>					
--	88607PGT	COVER,CONTROL BOX LEFT SIDE***.....1 <i>(not included - sold seperately)</i>					
9	6090GT	SCREW,HHC,1/4-20 X .75					
10	6638GT	WASHER,FLAT,USS,1/4"Y					
11	6889GT	NUT,LP NYLOCK,1/4-20					
12A	88606PGT	COVER,CONTROL BOX RIGHT SIDE**.....1					
12B	88607PGT	COVER,CONTROL BOX LEFT SIDE***					
--	31120GT	PLUG,NYLON 1.187 BLACK DOMED					
13A	1259704GT	PINCH GUARD RAIL,6' PLATFORM.....1 <i>includes 55753 bumpers</i>					
--	55753GT	BUMPER, PLASTIC, 1.25 O.D.....2 <i>not included, order seperately</i>					
13B	52661GT	PINCH GUARD RAIL,8' PLATFORM**....1					
--	55753GT	BUMPER, PLASTIC, 1.25 O.D.....2					
13C	111485PGT	AUX TOP RAIL,6FT,PTD.....2 <i>for use with swing gate</i>					
13D	111486PGT	AUX TOP RAIL,8FT,PTD.....2 <i>for use with swing gate</i>					
14	4266GT	SCREW,HHC,1/4-20 X 2					
15		Ref., Rest Pad <i>refer to 917.1</i>					

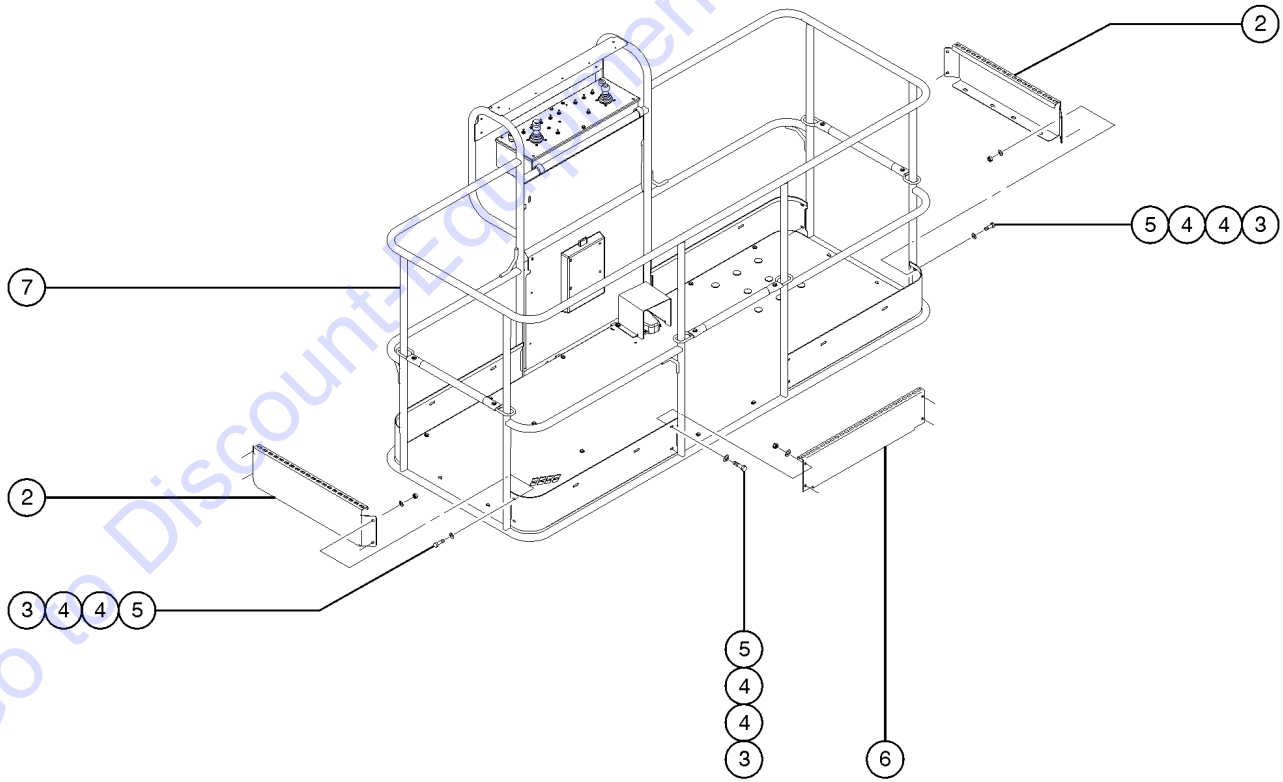
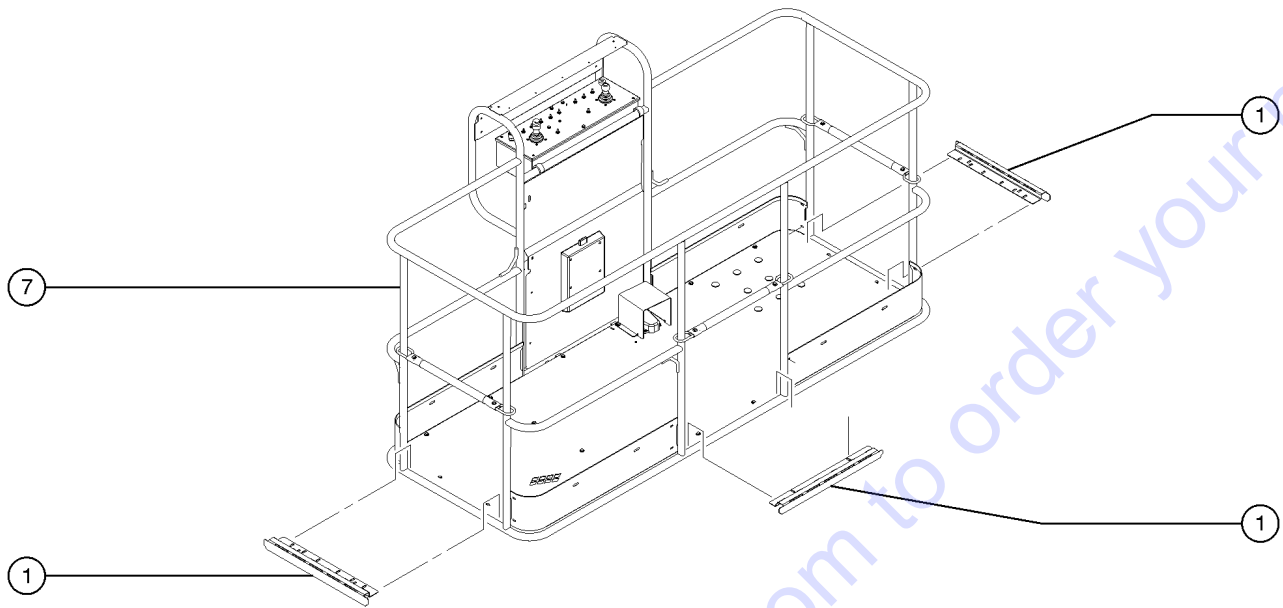
903.1 Air Line and Power to Platform



903.1 Air Line and Power to Platform

Item	Part No.	Description	Qty.
--	T109331GT	ACC,AIRLINE TO PLAT,S60 ,SERV	
--	119845GT	CLAMP, HYD WELD, AIR, OPT.....1	
1	49212GT	FEMALE BULKHEAD CONNECTOR-8...2	
2	49214GT	MALE PIPE THD,1/4" SER,3/8"X18	
3A	49177-108894GT	HOSE ASSEMBLY,1/2"***.....1 S-60	
3B	49177-108894GT	HOSE ASSEMBLY,1/2"*** S-65	
4	60886PGT	BRACKET,AIRLINE TO PLATFORM.....1	
5	49215GT	MPT,CPLR,1/4"SER,3/8"X18	
6	6019GT	SCREW,HHC,3/8-16 X 1.25 GRD 5.....2	
7	5397GT	WASHER,FLAT,USS,5/16",Y.....4	
8	4828GT	NUT,NYLOCK,3/8-16.....2	
9	10777GT	COVER,BLANK.....1	
--	33724GT	KIT,GASKET,UK POWER TO PLAT.	
--	81458GT	GASKET, UK POWER TO PLAT	
10	10775GT	T-BOX,2.75 X 4.5 X 2.0.....1	
11	81096GT	BRACKET,POWER TO PLAT, DOM.....1	
11	81570GT	BRACKET,POWER TO PLAT, UK.....1	
12	57075GT	SCREW,PHIL,8-32X.50,SELF TAP.....4	
13	35461GT	WASHER,FLAT,MS,#8,Y.....4	
14	7056GT	CONN,SQUEEZE,1/2NPT .38-.50,SM...2	
--	6935GT	LOCKNUT,ELEC,1/2"	
15A	T112563GT	SVC KIT,UK RECEPT.REPLACEMENT.....1 to SN 43389	
--	63375GT	SCREW,FHM,6-32 X .75.....2 for 33629	
--	74052GT	GASKET,COVER,GFCI,WEATHERPROOF	
--	T112560GT	RECEPTACLE,UK,110V	
--	T112561GT	PLATE,UK,POWER TO PLAT	
15B	T112560GT	RECEPTACLE,UK,110V.....1 from SN 43390	
16	T112561GT	PLATE,UK,POWER TO PLAT.....1	
17	13585GT	OUTLET, 110V.....1	
--	74006GT	COVER,GFCI,HORIZONTAL,WEATHER	
18	81096GT	BRACKET,POWER TO PLAT, DOM.....1	
19		Ref: Harness, Power to Platform.....1 refer to section 307.1	
20A	119403GT	CONN,PLUG 120 AC/15A DOMESTIC...1	
20B	119404GT	CONN,RECEP 120AC/15A DOMESTIC	
20C	144161GT	PLUG,PWR,UK,16AMP,3PIN,BLK	
20D	25388GT	PLUG,FUSED,250V,13AMP,U.K.**	
20E	1280665GT	PLUG, TYPE F, 230A, 50HZ, 16A, IP44	

904.1 Tri-Entry Platform Option

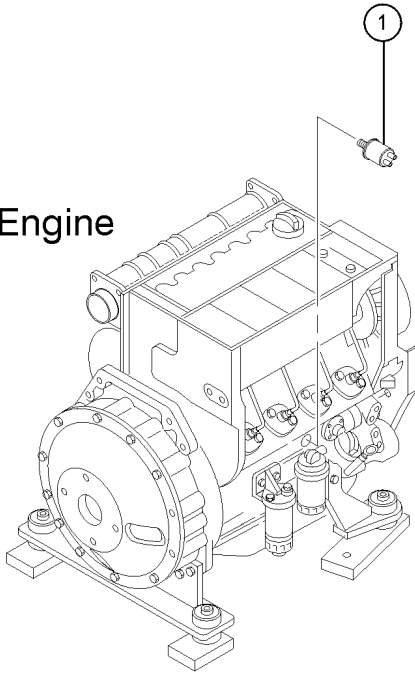


904.1 Tri-Entry Platform Option

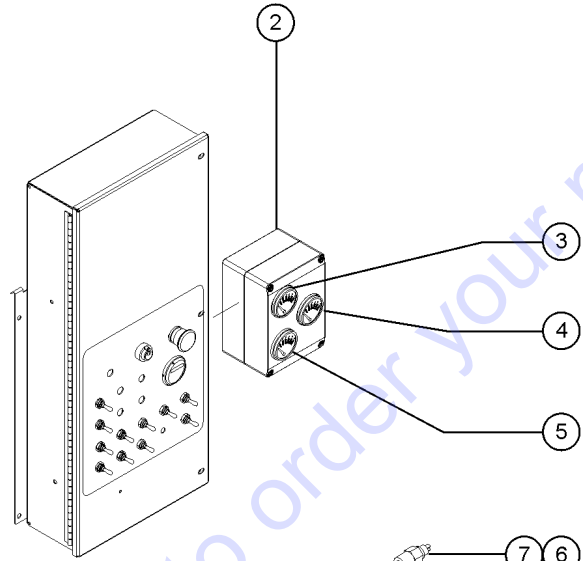
Item	Part No.	Description	Qty.
A		Note: For half mesh components refer to 902.1	
1	73610PGT	STEP PLATFORM ENTRY PAINTED***.....	3
2A	139438GT	TOEBOARD, TRI ENTRY 6', EURO.....	2
2B	102721PGT	TOEBOARD,8'TRI ENTRY	
3	6090GT	SCREW,HHC,1/4-20 X .75	
4	6638GT	WASHER,FLAT,USS,1/4"Y	
5	6889GT	NUT,LP NYLOCK,1/4-20	
6	94745PGT	TOEBOARD,ENTRY EUROPEAN PNTD**.....	1
7A	215747GT	PLAT ASSY,TRI ENT,S60/65,6'..... <i>decals not included, must order with platform decal kit, refer to section 100</i>	1
--	101973GT	WELDMENT,6 FT TRI ENTRY PLAT <i>decals not included, must order with platform decal kit, refer to section 100</i>	
7B	215748GT	PLAT ASSY,TRI ENT,8' <i>decals not included, must order with platform decal kit, refer to section 100</i>	
--	94869GT	WELDMENT,8FT TRI ENTRY PLAT <i>decals not included, must order with platform decal kit, refer to section 100</i>	

905.1 Gauge Option

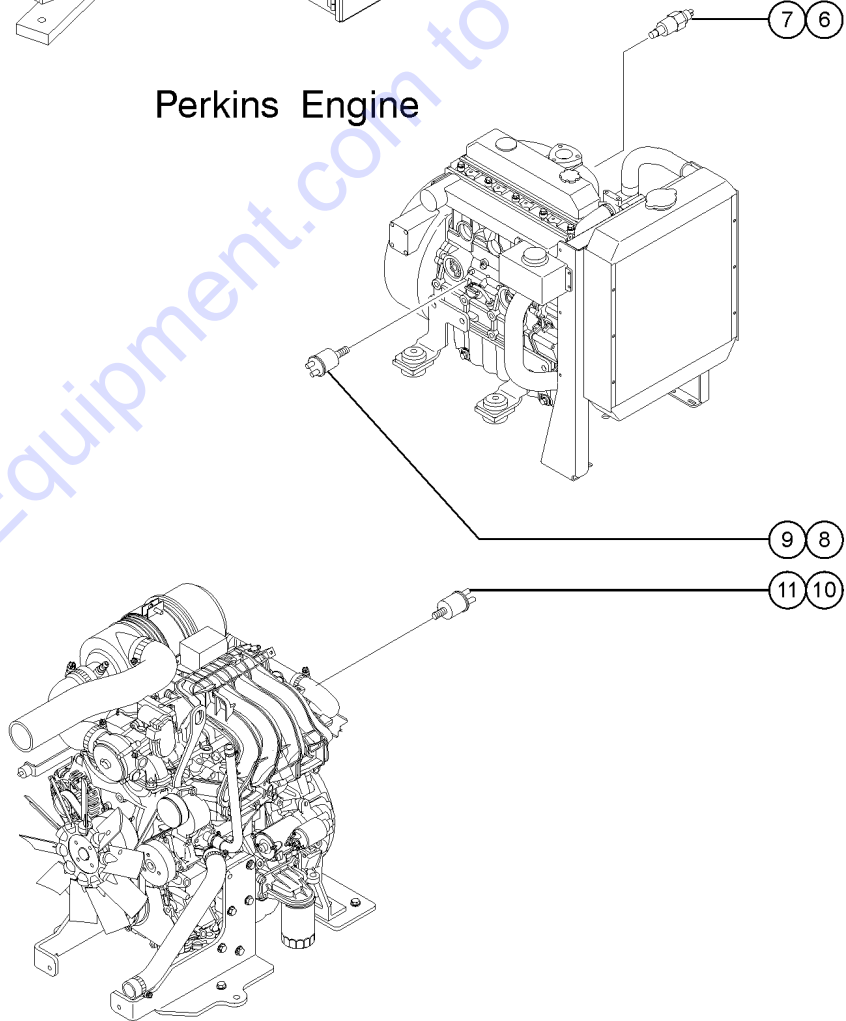
Deutz Engine



Perkins Engine

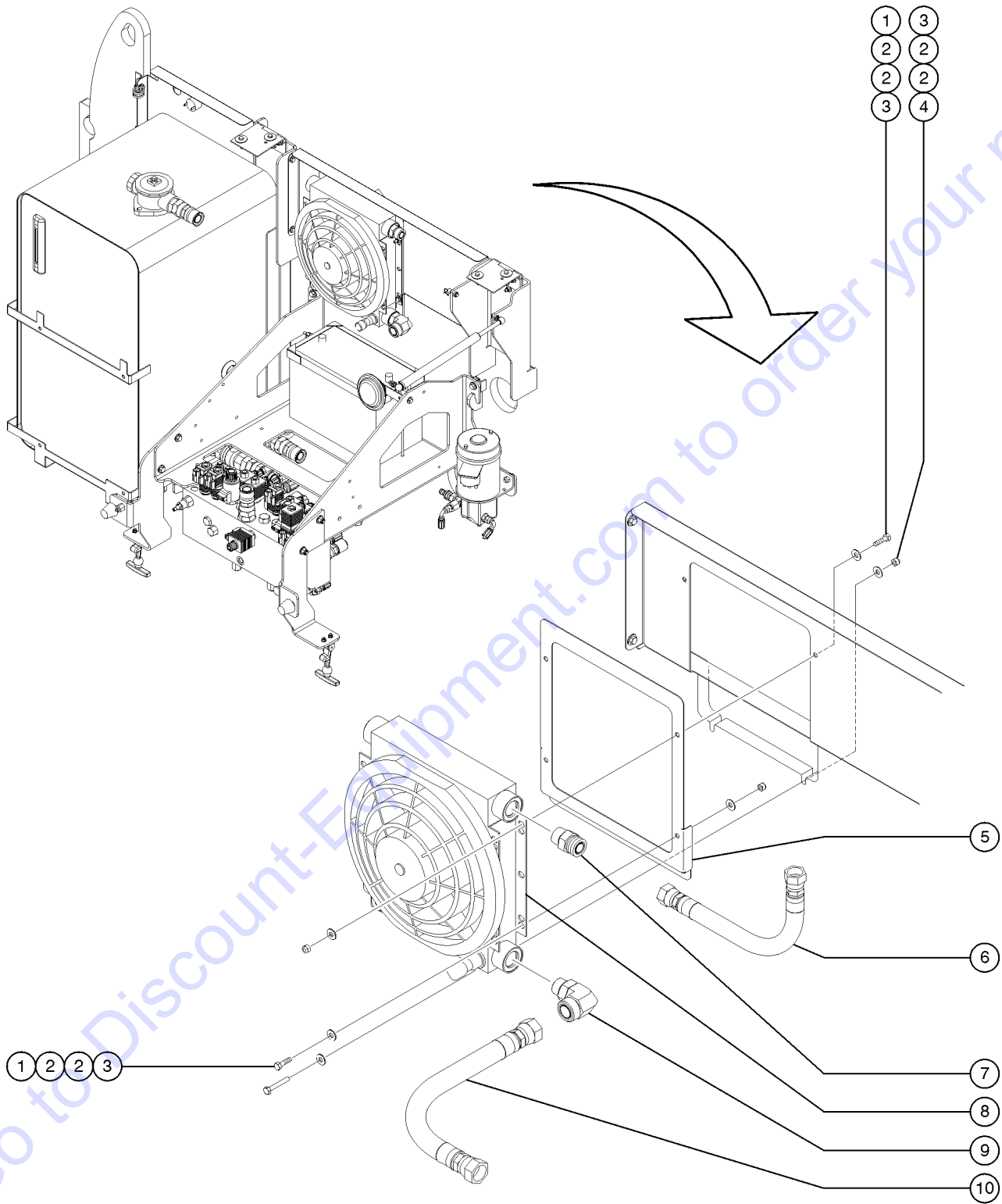


Ford Engine



Item	Part No.	Description	Qty.
A	T109334GT	ACC,FULL GAUGE,FORD DSG423,SV	
B	T109333GT	ACC,FULL GAUGE,DEUTZ,SERV	
C	T109332GT	ACC,FULL GAUGE,PERKINS,SERV	
1	106033GT	ADAPTER,NPT 6-4	
2	101232GT	ENCLOSURE BOX,GAUGE OPT,DRILLD.....1 <i>bracket not included</i>	
--	139878GT	FORMING, GAUGE OPTION BRACKET.....1 <i>not included with 101232, must order separately</i>	
3	53761-SGT	GAUGE,VOLTAGE.....1	
4	53758-SGT	GAUGE,OIL PRESSURE W/O SENDER.....1	
5	53759-SGT	GAUGE,WATER TEMP.....1 <i>Perkins and Ford models only</i>	
6	34058GT	SENDING UNIT,TMP,FRD,GM,PRK704.....1	
7	28607GT	ADAPTER,140139-8-6.....1	
8	30810GT	SENDING UNIT,OIL PRESSURE***1 <i>dual-terminal sender</i>	
9	71038GT	ADAPTER, 1/8 X 1/4 F3H6-S.....1	
10	119418GT	ADAPTER,140130-4-4.....1	
11	119417GT	TEE,RUN,1/4" PIPE.....1	

906.1 Hydraulic Oil Cooler Option

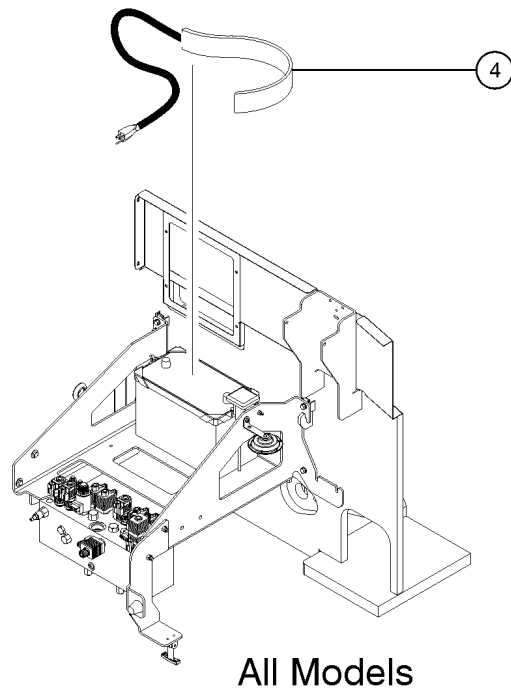
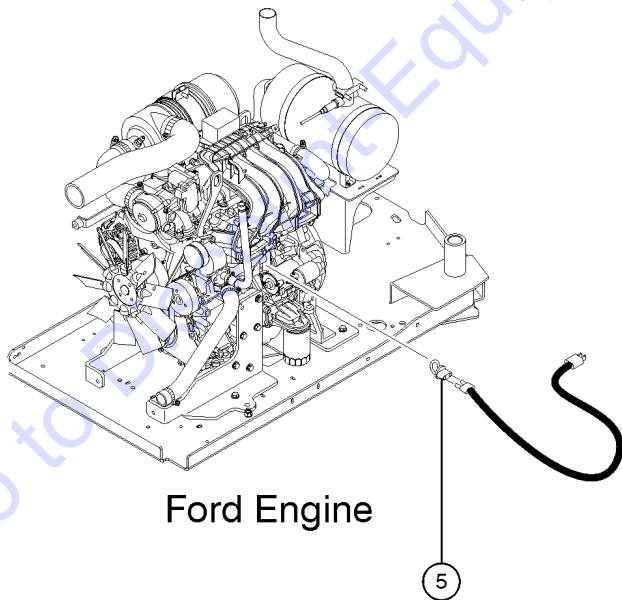
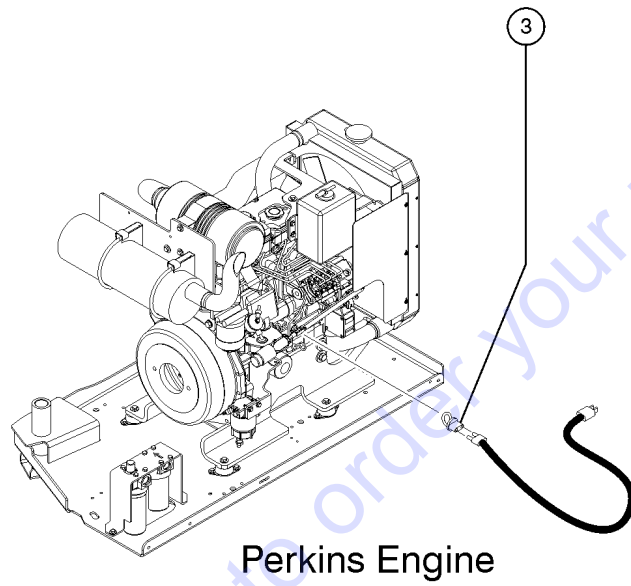
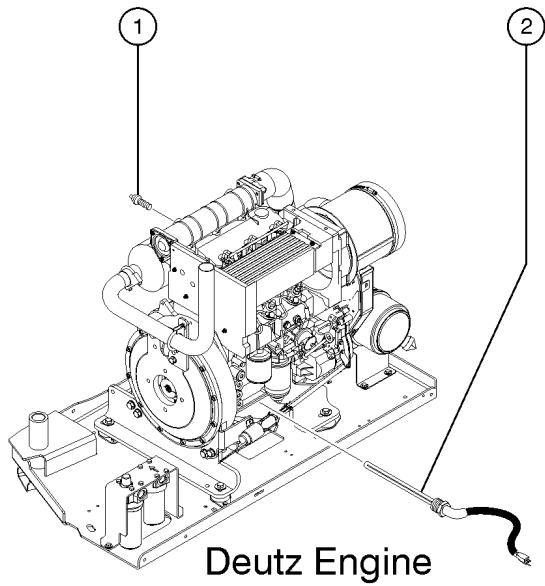


906.1 Hydraulic Oil Cooler Option

Item	Part No.	Description	Qty.
A	T109335GT	ACC, OIL COOLER,S60, SERV	
1	6888GT	SCREW,HHC,1/4-20 X 1.....	4
2	6638GT	WASHER,FLAT,USS,1/4"Y.....	12
3	6091GT	NUT,NYLOCK,1/4-20.....	6
4	6637GT	SCREW,HHC,1/4-20 X 1.75.....	2
5	77693GT	FORMING,OIL COOLER MOUNT.....	1
6	1259905GT	HOSE ASSY, 3/4", 28.55".....	1
7	48960GT	FITTING,CONN,520120-12***.....	1
8	71259GT	OIL COOLER W/FAN, 12VDC.....	1
9	48878GT	ELBOW,90D,520220-16-12.....	1
10	94205-3164GT	HOSE ASSY,3/4,45 FEM,STR MALE.....	1

Go to Discount-Equipment.com to order your parts

907.1 Cold Start Package (to SN 23597)

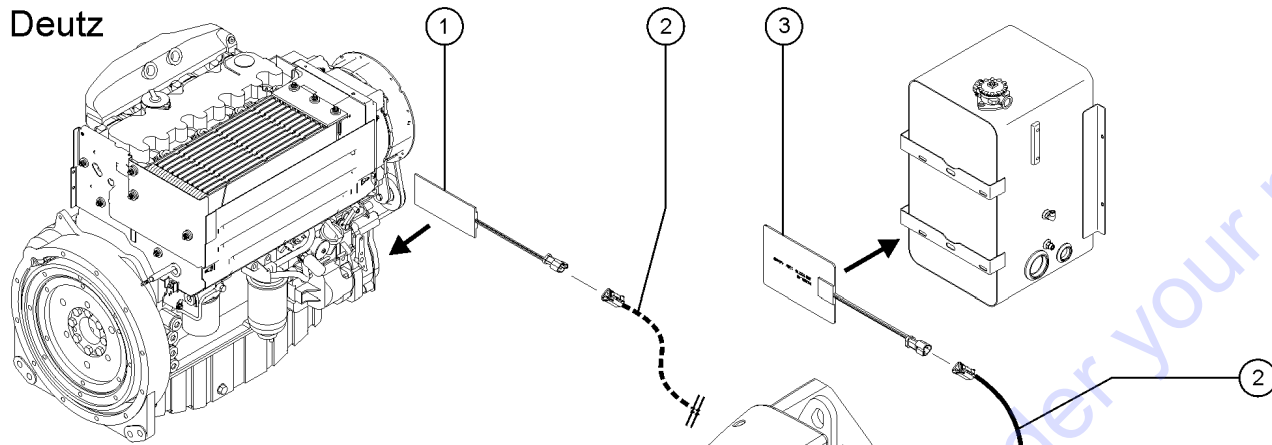


907.1 Cold Start Package (to SN 23597)

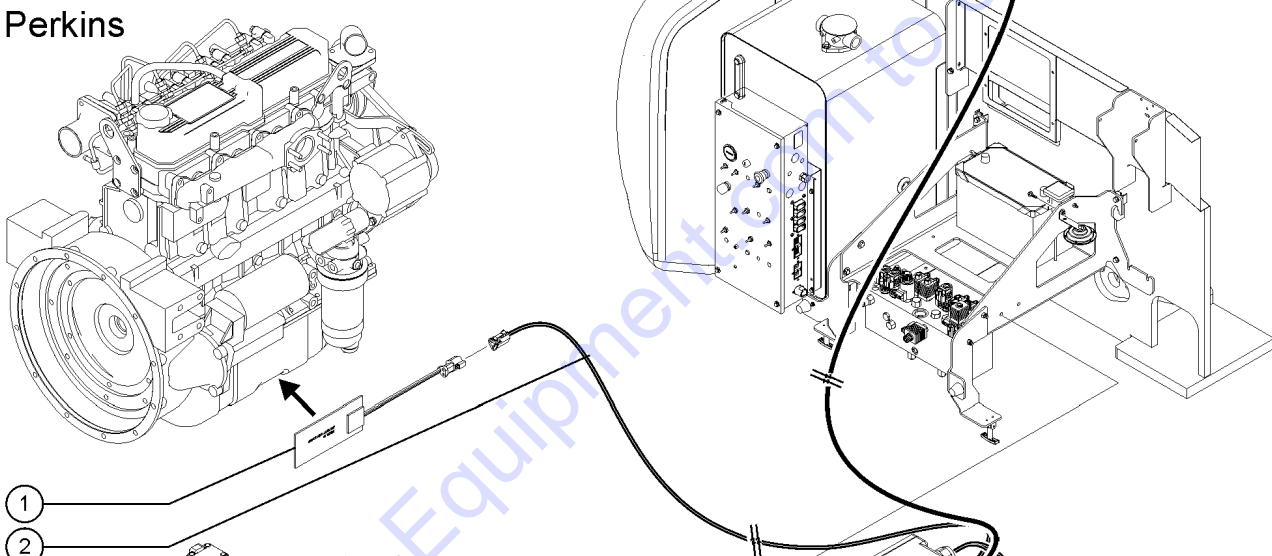
Item	Part No.	Description	Qty.
--	128146GT	OIL,ENG 5W-40 SYN***.....12-quarts <i>Deutz & Perkins Models</i>	
1A	31408GT	GLOW PLUG,L1011.....1	
1B	128365GT	HARNES,SECOND GLOW PLUG.....1	
--	55747GT	FUSE HOLDER,INLINE,GS <i>for 128365</i>	
--	61225GT	RELAY,12VDC,70AMP,SEALED <i>for 128365</i>	
2	128274GT	OIL PAN HEATER,DEUTZ,120V,150W....1 <i>Deutz models</i>	
3	77382GT	HEATER,FREEZE PLUG,PRKINS40422.....1 <i>Perkins models</i>	
4	28853GT	BLANKET,BATTERY.....1 <i>all models</i>	
5	119231GT	BLOCK HEATER,FORD DSG-423.....1 <i>Ford models</i>	
--	35610GT	HEATER,FREEZE PLUG,FORD LRG423.....1 <i>Ford Models</i>	

907.2 Cold Start Package (from SN 23598)

Deutz

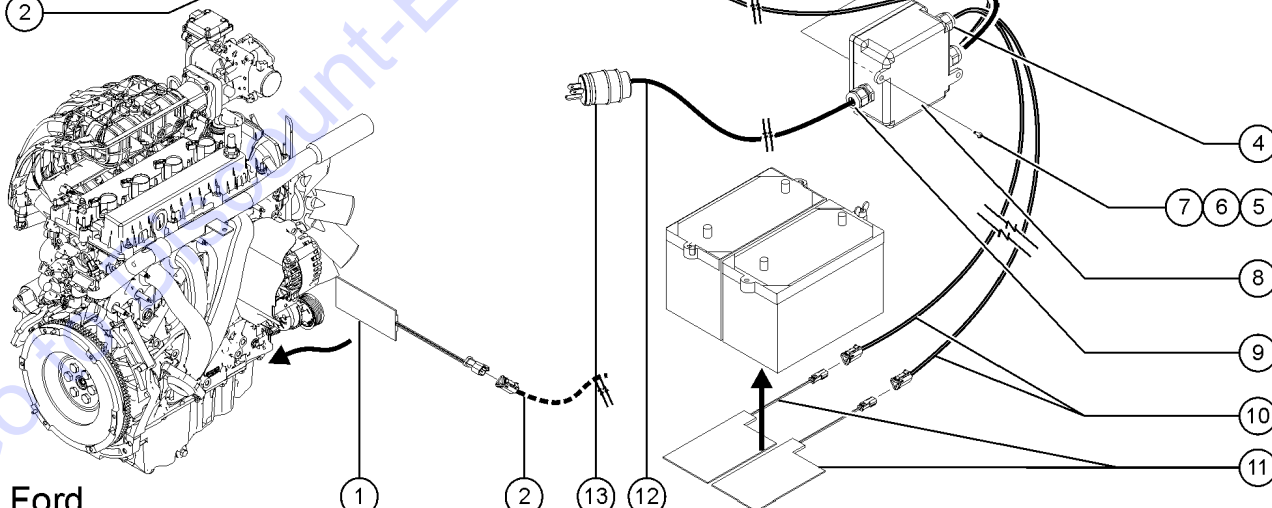


Perkins



1

2



Ford

1

2

13

12

4

7

6

5

8

9

10

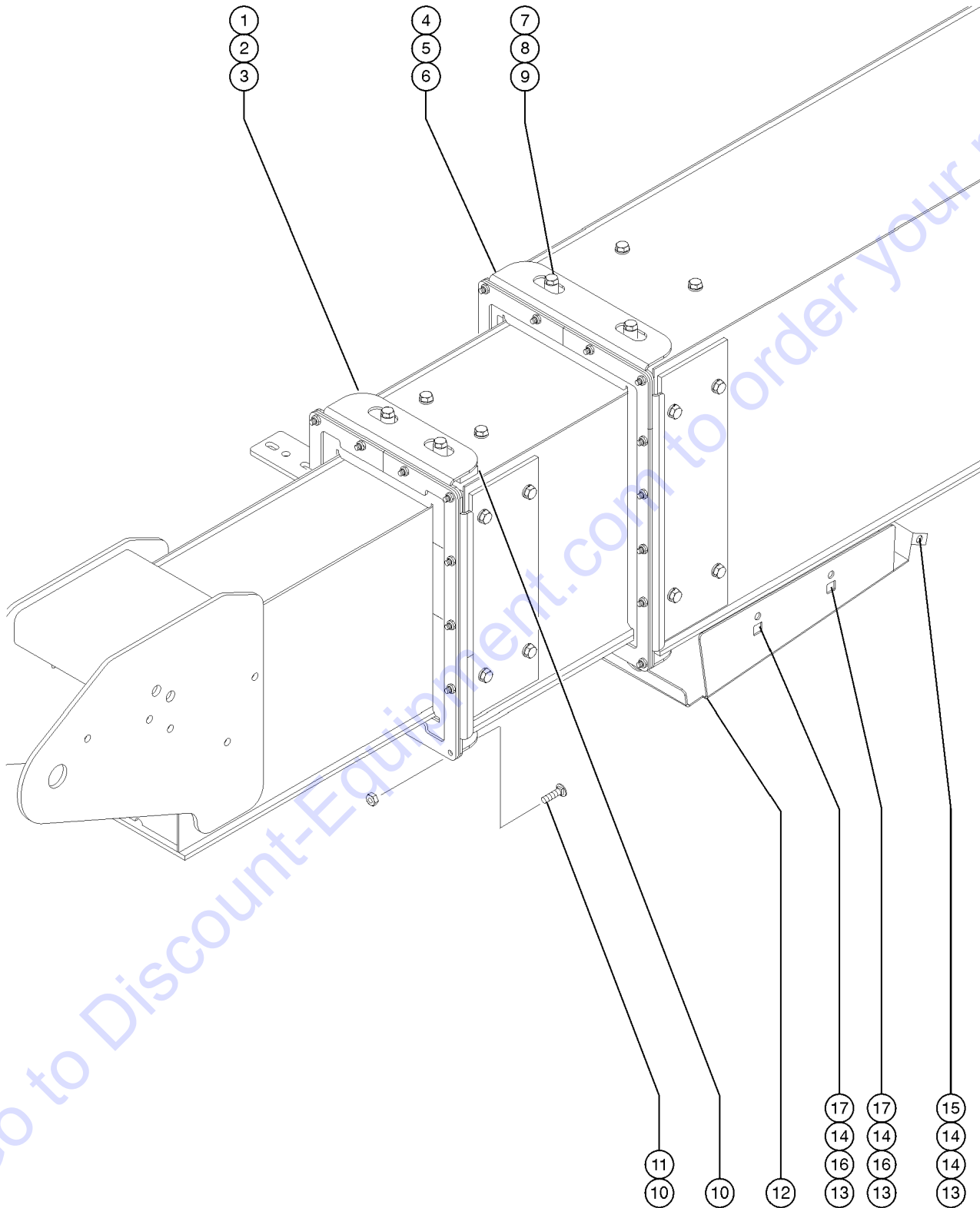
11



907.2 Cold Start Package (from SN 23598)

Item	Part No.	Description	Qty.	Item	Part No.	Description	Qty.
--	NOTE:GT	Plugs were added to the harnesses on SN 24976		9	214536GT	SQUEEZE CONN W/NUT, 2WIRE, 4MM.....1 <i>included in harness</i>	1
1A	231015GT	HEATER, ADHESIVE, 2.1 AMP,120V.....1 <i>120v models (to SN 24975) (no plug)</i>		10A	216655GT	HARNESS,BATT CABLE,120V <i>120v models (from SN 24976)</i>	
1B	231014GT	HEATER, ADHESIVE, 1 AMP, 240V.....1 <i>240v models (to SN 24975) (no plug)</i>		--	101199-200GT	SHRINK TUBE,BLACK,RHW,1/2,3:1	
1C	216615GT	ASSY HEATER, MODEL 18, 120V.....1 <i>120v models (from SN 24976)</i>		--	119056GT	CONN,PLUG 2 WAY,14-18GA	
--	119066GT	CONN,RECEP 3 WAY ENDCAP DT		--	60425GT	LOCK, PLUG 2WAY, 14-18GA	
--	60441GT	LOCK,RECEP 3 WAY,14-18GA		10B	216676GT	HARNESS,BATT CABLE,240V <i>240v models (from SN 24976)</i>	
1D	216616GT	ASSY HEATER,MODEL 18,240V.....1 <i>240v models (from SN 24976)</i>		--	101199-200GT	SHRINK TUBE,BLACK,RHW,1/2,3:1	
--	119066GT	CONN,RECEP 3 WAY ENDCAP DT		--	119056GT	CONN,PLUG 2 WAY,14-18GA	
--	60441GT	LOCK,RECEP 3 WAY,14-18GA		--	60425GT	LOCK, PLUG 2WAY, 14-18GA	
2A	216662GT	HARNESS,ENG/HYD HEATER,120V.....1 <i>120v models (from SN 24976)</i>		11A	231013GT	HEATER,120V BATTERY <i>120v models (to SN 24975) (no plug)</i>	
--	101199-200GT	SHRINK TUBE,BLACK,RHW,1/2,3:1		11B	231012GT	HEATER,240V,BATTERY <i>240v models (to SN 24975) (no plug)</i>	
--	119057GT	CONN PLUG 3 WAY ENDCAP DT		11C	216617GT	ASSY, BATTERY HEATER, 120V <i>120v models (from SN 24976)</i>	
--	60427GT	LOCK,PLUG 3 WAY,14-18GA		--	119065GT	CONN,RECEP 2 WAY ENDCAP DT	
2B	216683GT	HARNESS,ENG/HYD HEATER,240V.....1 <i>240v models (from SN 24976)</i>		--	60439GT	LOCK,RECEP 2 WAY, 14-18GA	
--	101199-200GT	SHRINK TUBE,BLACK,RHW,1/2,3:1		11D	216618GT	ASSY BATTERY HEATER,240V <i>240v models (from SN 24976)</i>	
--	119057GT	CONN PLUG 3 WAY ENDCAP DT		--	119065GT	CONN,RECEP 2 WAY ENDCAP DT	
--	60427GT	LOCK,PLUG 3 WAY,14-18GA		--	60439GT	LOCK,RECEP 2 WAY, 14-18GA	
3A	236475GT	HEATER, ADHESIVE, 4.6AMP, 120V.....1 <i>120v models (to SN 24975) (no plug)</i>		12A	214410GT	COLD PKG PIGGY TAIL, 120V ASSY.....1 <i>120v models (to SN 24975)</i>	
3B	236474GT	HEATER, ADHESIVE, 2.3AMP, 240V.....1 <i>240v models (to SN 24975) (no plug)</i>		12B	214411GT	COLD PKG PIGGY TAIL, 240V ASSY.....1 <i>240v models (to SN 24975)</i>	
3C	216612GT	ASSY,120V HEATER, HYD TANK.....1 <i>120v models (from SN 24976)</i>		12C	216606GT	HARNESS, 120V POWER CORD, 24".....1 <i>120v models (from SN 24976) includes plug and hubble</i>	
--	119066GT	CONN,RECEP 3 WAY ENDCAP DT		--	101199-200GT	SHRINK TUBE,BLACK,RHW,1/2,3:1	
--	60441GT	LOCK,RECEP 3 WAY,14-18GA		--	45845GT	TERMINAL, RING, #10 YELLOW	
3D	216611GT	ASSY,240V HEATER, HYD TANK.....1 <i>240v models (from SN 24976)</i>		12D	216607GT	HARNESS, 240V POWER CORD, 24".....1 <i>240v models (from SN 24976) includes hubble</i>	
--	119066GT	CONN,RECEP 3 WAY ENDCAP DT		--	101199-200GT	SHRINK TUBE,BLACK,RHW,1/2,3:1	
--	60441GT	LOCK,RECEP 3 WAY,14-18GA		--	45845GT	TERMINAL, RING, #10 YELLOW	
4	99778GT	SQUEEZE CONNECTOR, 4 WIRE.....2 <i>included in harness</i>		13	119403GT	CONN,PLUG 120 AC/15A DOMESTIC...1 <i>120v models</i>	
--	238123GT	HUBBLE NUT, PG11					
5	75041GT	SCREW,PHILLIPS,PHM,10-32 X 1					
6	6146GT	WASHER,FLAT,MS,#10,Y					
7	14392GT	NUT,LP NYLOCK,10-32					
8	214249GT	COLD WEATHER 120V J BOX ASSY.....1					
--	13597GT	TERMINAL,#10 RING,BLUE.....4					
--	215347GT	COLD PKG GROUND, JUMPER ASSY.....1					
--	69776GT	TERMINAL,STRIP,4-POLE,600V***1					

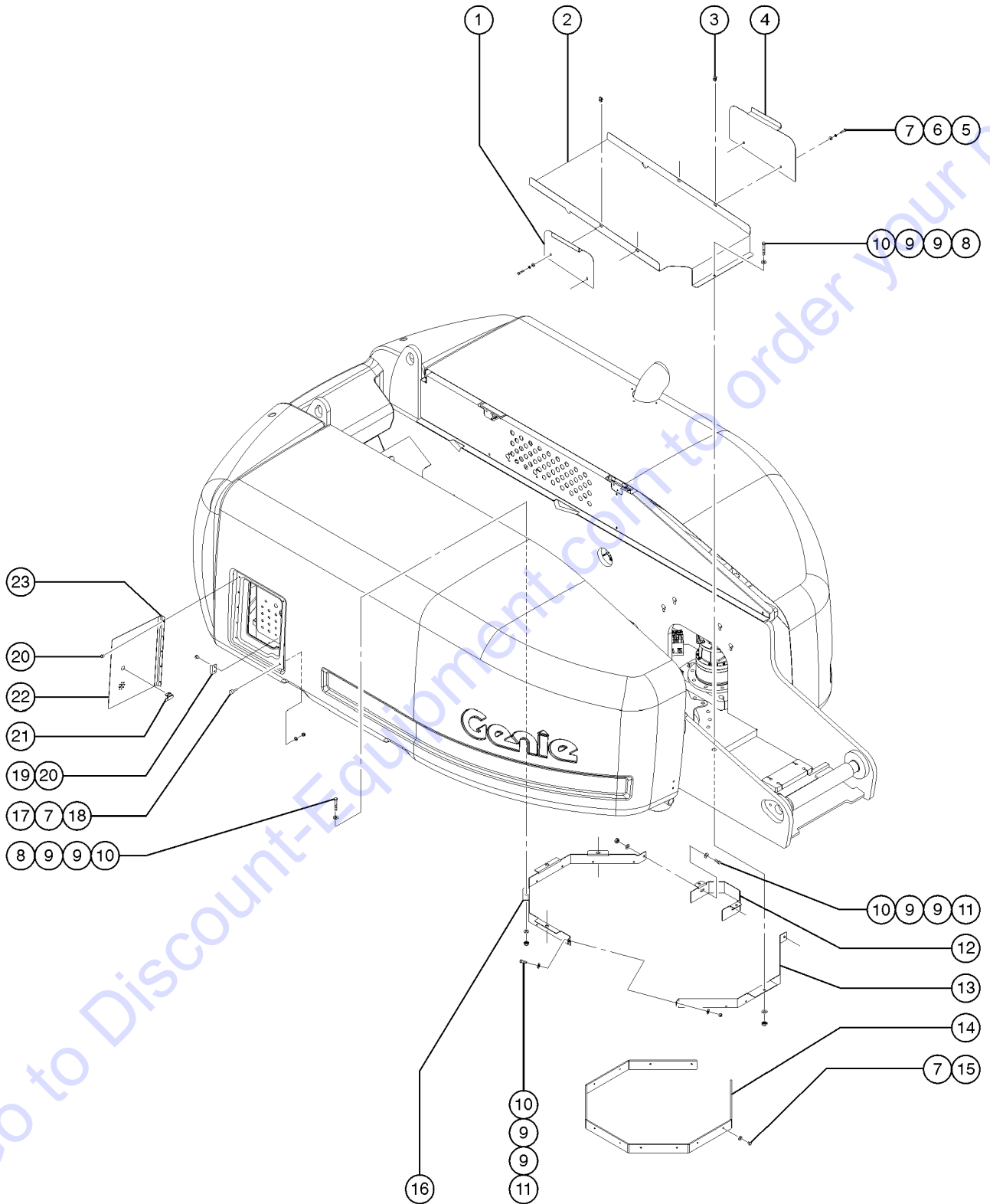
908.1 Hostile Environment Package, Boom Wipers



908.1 Hostile Environment Package, Boom Wipers

Item	Part No.	Description	Qty.
1	119087GT	FORMING BRKT, WIPER 2 TO 3.....	2
2	119089GT	WIPER RUBBER, 2 TO 3.....	1
3	119088GT	PLATE BACKING, WIPER 2 TO 3.....	2
4	119084GT	FORMING BRKT, WIPER 1 TO 2.....	2
5	119086GT	WIPER RUBBER, 1 TO 2.....	1
6	119085GT	PLATE BACKING, WIPER 1 TO 2.....	2
7	5224GT	SCREW,HHC,3/8-16 X 2.....	8
8	101932GT	TUBE,RD,STL,DOM,.75X.38X.78.....	8
9	119090GT	SPACER, BOOM TOP.....	2
10	6878GT	BOLT,CARRIAGE,1/4-20 X .75,G2	
11	6889GT	NUT,LP NYLOCK,1/4-20	
12	147783GT	COVER,LIMIT SWITCH ASSY,S60.....	1
12A	6833GT	CLAMP,0.50,#8 X 1/4,RUB CUSH.....	3
13	6888GT	SCREW,HHC,1/4-20 X 1.....	6
14	6638GT	WASHER,FLAT,USS,1/4"Y.....	8
15	6091GT	NUT,NYLOCK,1/4-20.....	2
16	6356GT	WASHER,LOCK,.25.....	4
17	56912GT	SPRING CLIP,1/4-20,.025-.15X.54,ZAG.....	4

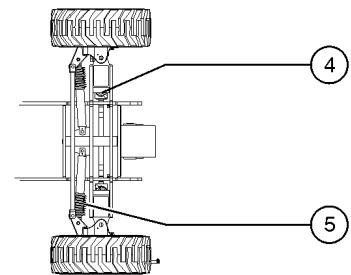
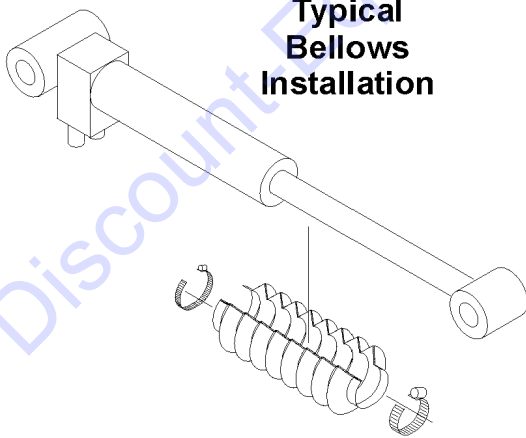
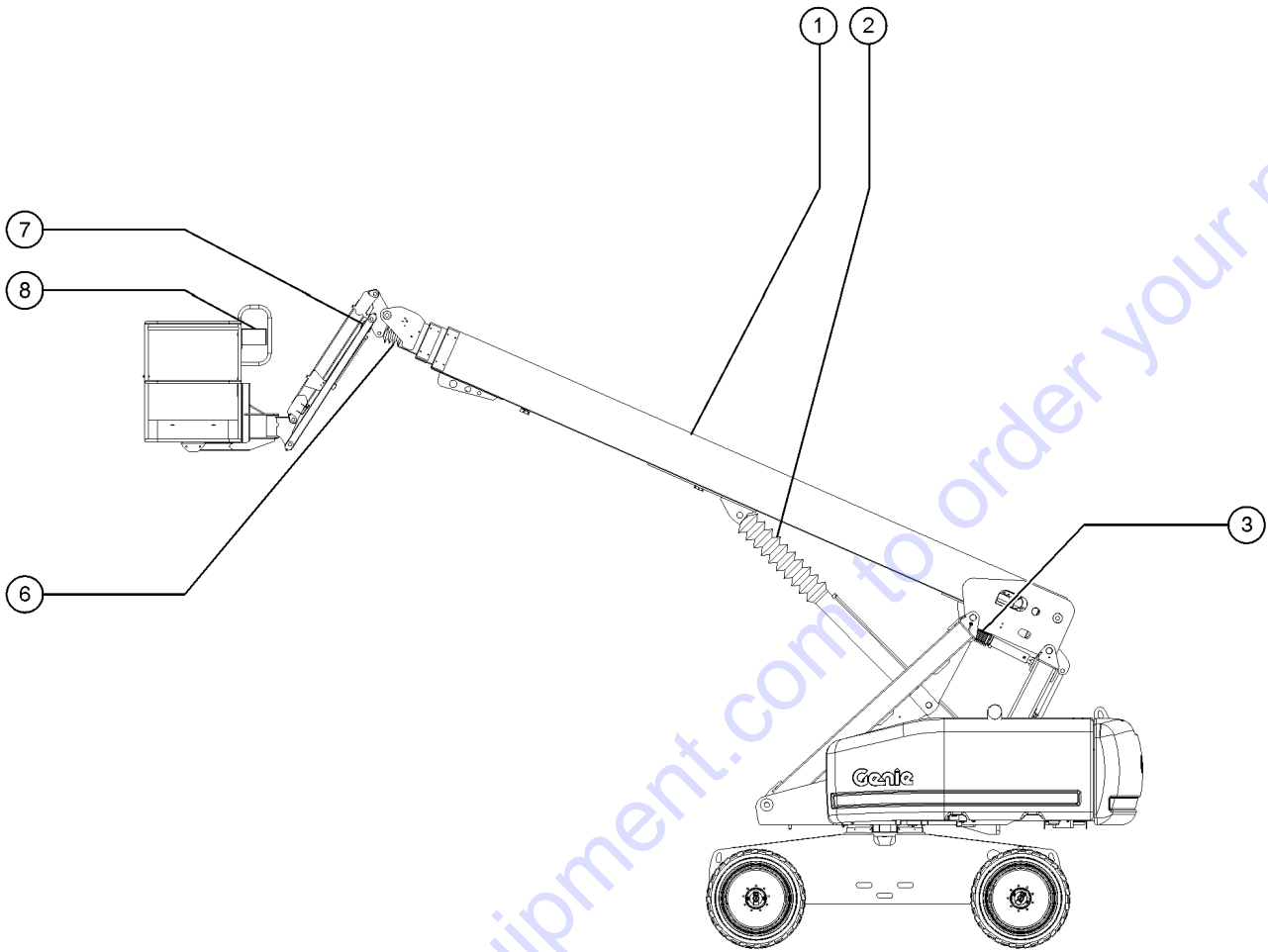
909.1 Hostile Environment Package, Turntable Components



909.1 Hostile Environment Package, Turntable Components

Item	Part No.	Description	Qty.
1	77997PGT	FORMING,TT LH SIDE COVER PAINT...1	
2	77996PGT	TURNTABLE CENTER COVER PAINTED.....1	
3	56912GT	SPRING CLIP,1/4-20,.025-.15X.54,ZAG.....4	
4	77998PGT	FORMING,TT RH SIDE COVER PAINT.....1	
5	8915GT	SCREW,HHC,1/4-20 X 1.25	
6	6356GT	WASHER,LOCK,.25	
7	6638GT	WASHER,FLAT,USS,1/4"Y	
8	8178GT	SCREW,HHC,3/8-16 X 2.5	
9	6097GT	WASHER,FLAT,USS,3/8",Y	
10	4828GT	NUT,NYLOCK,3/8-16	
11	6175GT	SCREW,HHC,3/8-16 X 1	
12	77879PGT	FORMING,PINION GUARD PAINTED.....1	
13	70318PGT	FORMING,WIPER GUARD RT.....1 <i>models with Deluxe Hostile Option</i>	
14	70319GT	WIPER,RING GEAR GUARD.....1 <i>models with Deluxe Hostile Option</i>	
15	81167GT	RIVET,ALUM,P,.25X.625.....14	
16	70317PGT	FORMING,WIPER GUARD LT.....1 <i>models with Deluxe Hostile Option</i>	
17	36388GT	BUMPER,RUBBER,.75 X .50H,STUD.....2	
18	6889GT	NUT,LP NYLOCK,1/4-20	
19	63772GT	CATCH,GRND.CTRL.BOX COVER.....1	
20	53189GT	RIVET,ALUM,ALUM,P,.25X.375.....12	
21	63773GT	LATCH,GRND.CTRL.BOX COVER.....1	
22	147644GT	COVER,GRND.CTRL.BOX,PAINTED.....1	
23	121831GT	HINGE,GROUND BOX COVER.....1	

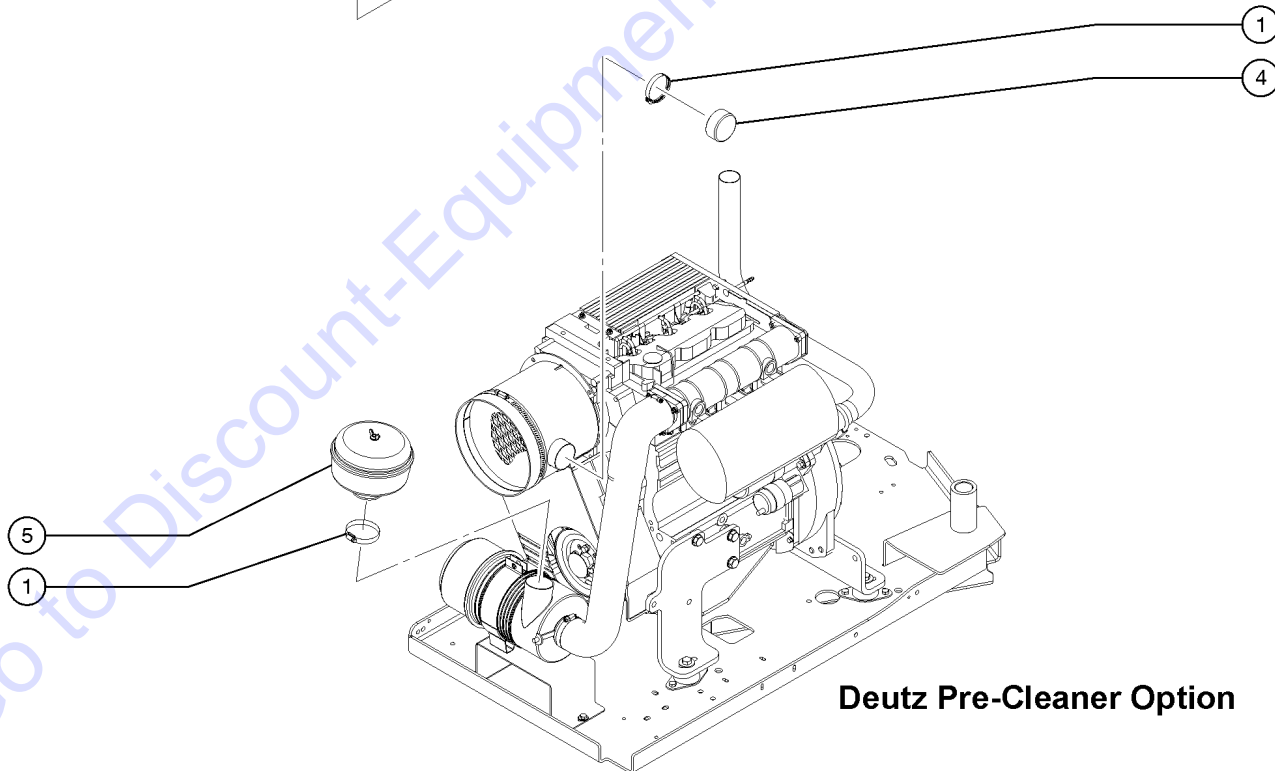
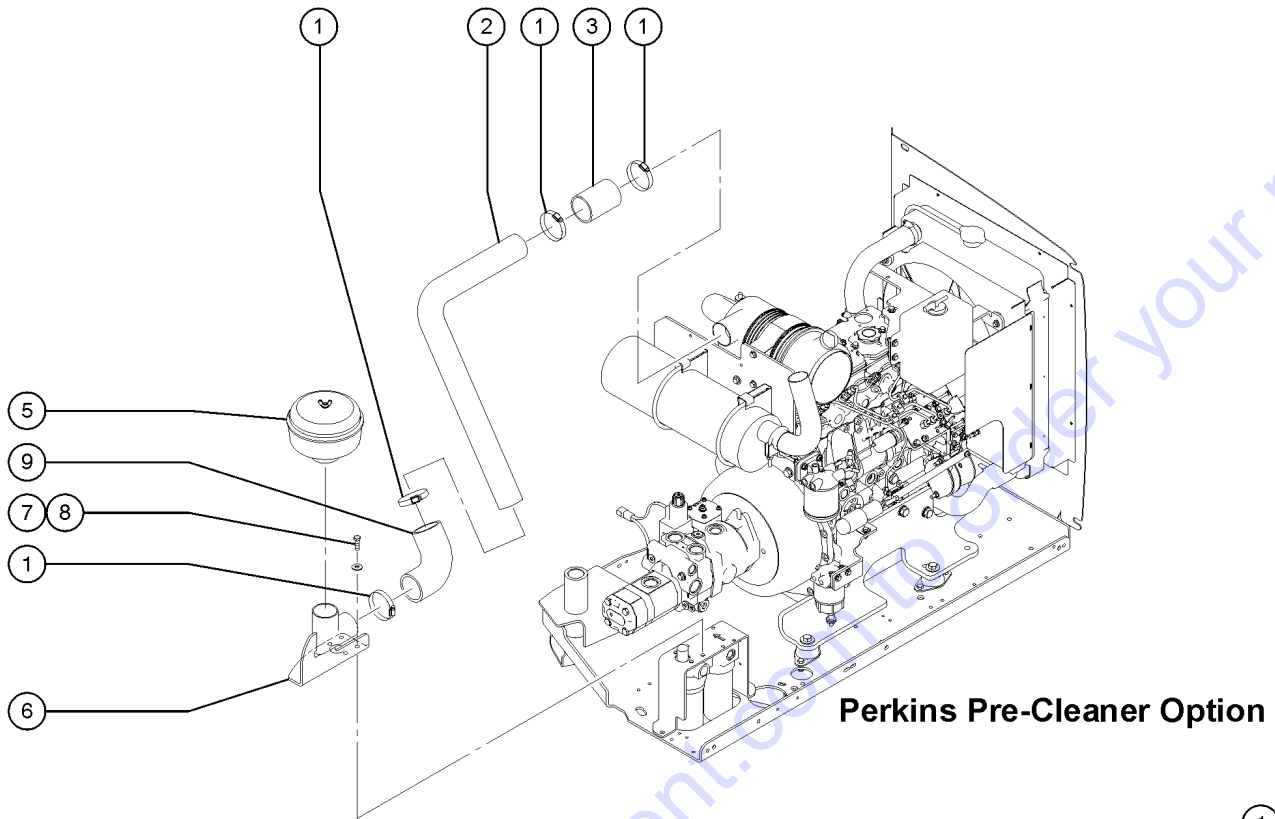
910.1 Hostile Environment Package, Cylinder Bellows and Cable Track Protection



910.1 Hostile Environment Package, Cylinder Bellows and Cable Track Protection

Item	Part No.	Description	Qty.
1	106099GT	COVER,CABLE TRACK.....1 <i>(not shown) models with Deluxe Hostile Option</i>	1
1	6091GT	NUT,NYLOCK,1/4-20.....4	4
1	6638GT	WASHER,FLAT,USS,1/4"Y.....8	8
1	6888GT	SCREW,HHC,1/4-20 X 1.....4	4
2	94479GT	BELLOWS,CYLINDER LIFT.....1	1
--	34955GT	CLAMP,HOSE,5.00	
--	35432GT	CLAMP,HOSE,6.50	
3	94463GT	BELLOWS,MASTER CYLINDER.....1	1
--	22672GT	CLAMP,HOSE,1.75	
--	34955GT	CLAMP,HOSE,5.00	
4	63727GT	COVER, PROTECTIVE, OSCILLATE.....2 <i>Oscillate Only</i>	2
--	22672GT	CLAMP,HOSE,1.75 <i>Oscillate Only</i>	
--	34955GT	CLAMP,HOSE,5.00 <i>Oscillate Only</i>	
5	34922GT	COVER,PROTECTIVE,STEERING.....2	2
--	22672GT	CLAMP,HOSE,1.75	
--	34955GT	CLAMP,HOSE,5.00	
6	94537GT	BELLOWS,CYLINDER,PLAT LEVEL.....1	1
--	22672GT	CLAMP,HOSE,1.75	
--	23405GT	NUTSERT,10-32 STEEL CAD PLTD	
--	49824GT	SCREW,PHILLIPS,FHM,10-32X1.00	
--	6146GT	WASHER,FLAT,MS,#10,Y	
--	94533GT	PLATE,BACKING BELLOWS	
7	34505GT	COVER,PROTECTIVE,JIB CYLINDER...1 <i>S-65 Only</i>	1
--	30971GT	CLAMP,HOSE,3.00" <i>S-65 Only</i>	
--	36208GT	CLAMP,HOSE,1.25*** <i>S-65 Only</i>	
8	T107895GT	DECAL,PROTECTOR,CLEAR.....1	1

911.1 Hostile Environment Package, Engine Air Pre-Cleaners

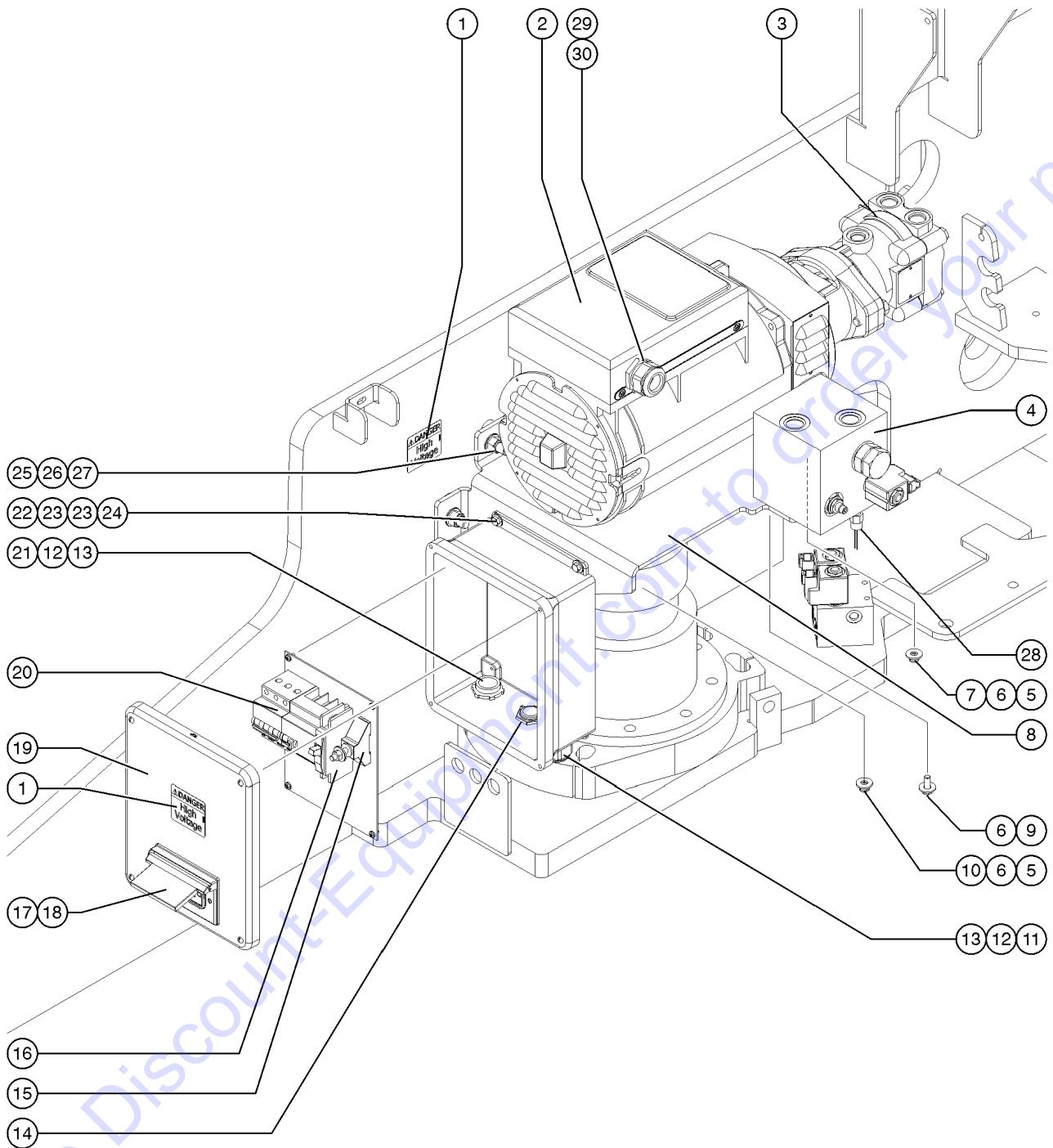


911.1 Hostile Environment Package, Engine Air Pre-Cleaners

Item	Part No.	Description	Qty.
A	T109339GT	ACC,AIR PRE-CLEANER,DEUTZ	
B	T109340GT	ACC,AIR PRE-CLEANER,PERKINS T2	
1	45435GT	CLAMP,HOSE,2.50"***4 <i>Deutz and Perkins Models</i>	
2	77891GT	TUBE,AIR INTAKE.....1	
3	34162-0400GT	HOSE,AIR INTAKE 2.5" I.D.....1	
4	70529GT	CAP,PLASTIC,2.5 ID.....1	
5	34959GT	PRECLEANER,AIR INTAKE***.....1	
6	77887GT	WELDMENT,PRECLEANER BRACKET.....1	
7	6019GT	SCREW,HHC,3/8-16 X 1.25 GRD 5	
8	6097GT	WASHER,FLAT,USS,3/8",Y	
9	34164GT	ELBOW,90 DEGR,RUBBER,2.5" I.D.*.....1	

Go to Discount-Equipment.com to order your parts

912.1 Welder Option - Chassis Components (to SN S6013-26173)



912.1 Welder Option - Chassis Components (to SN S6013-26173)

Item	Part No.	Description	Qty.	Item	Part No.	Description	Qty.
A	119846GT	CLAMP, WELD LEADS, AIR, OPT.....1		--	106394GT	ORIFICE DISC,.030,CONE	
--	106520GT	GROUNDING CABLE ASSEMBLY,18"....1		--	122302GT	RELIEF,VALVE 270 PSI	
B	128050GT	CLAMP, HYD, WELD, AIR, OPT.....1		--	128416GT	SEAL KIT	
C	106520GT	GROUNDING CABLE ASSEMBLY,18"....1		--	128419GT	SEAL KIT	
D	1276694GT	KIT, RETROFIT, WELDGEN, MAG BREAKER S-60, S-65 from SN S6004-9708		--	146284GT	SWITCH,PRESS,#4NPT,200PSIF	
E	1276694GT	KIT, RETROFIT, WELDGEN, MAG BREAKER S-60X from SN S60X10-21002		--	146285GT	CONN, SAE#4-1/4" NPT for 146284	
F	1276694GT	KIT, RETROFIT, WELDGEN, MAG BREAKER S-60XC from SN S60XC10-21099		--	94757GT	VALVE,CHECK,3 PSI***	
G	1276694GT	KIT, RETROFIT, WELDGEN, MAG BREAKER S-60 TraX from SN S60TX08-17768		--	94759GT	NUT,SOLENOID	
H	1276694GT	KIT, RETROFIT, WELDGEN, MAG BREAKER S-65 TraX from SN S65TX10-20410		--	94760GT	VALVE,SOLENOID,10V,W/OUT COIL*	
1	82237GT	DECAL,DANGER,HIGH VOLTAGE.....2		--	94765GT	COIL-10V DC***	
2A	139367GT	GENERATOR,HYDRA,25CC,208V***1 Harrison Generator; includes item 3; Consult Discount-equipment prior to ordering		5	6037GT	NUT,HEX,5/16-18,GR5	
--	1273323GT	ALTERNATOR for 139367		6	5397GT	WASHER,FLAT,USS,5/16",Y	
--	139919GT	FITTING,ORIFICE,.047 for 139367		7	13000GT	SCREW,HHC,5/16-18 X 1.25	
--	58631GT	COUPLER,INSERT for 139367		8	106114GT	BRACKET,GENERATOR12.5 KW,PNTD*.....1	
2B	106113GT	GENERATOR,HYDRO-12KEP-21-3 Fabco Generator; includes item 2; Consult Discount-equipment prior to ordering		9	10107GT	SCREW,HHC,5/16-18 X .75	
--	T113655GT	COUPLING, 28MM (106113) for 106113		10	13002GT	SCREW,HHC,5/16-18 X 1 GR5	
--	T114022GT	SPIDER (106113) for 106113		11	20776GT	CABLE SQUEEZE CONN.....1	
--	T114023GT	COUPLING (106113) for 106113		12	18665GT	LOCKNUT,ELECTRIC,1" NPT.....2	
3	33432GT	MOTOR,HYD,25CC FIXED***.....1 Sauer Motor for Harrison Generator; Consult Discount-equipment		13	106104GT	O-RING,SEAL RING,1" NPT (PKG OF 10).....1	
--	106184GT	MOTOR,HYD 12.5KW GEN,21CC*** Fabco Motor; Consult Discount-equipment		14	106495GT	PLUG,1/2" HUBBLE.....1	
--	147418GT	ASSY,BLEED LINE (139367) for 139367		15	106108GT	TERMINAL,STUD BOLT,250 V.....1	
--	162006GT	SEAL KIT,HYD MOTOR(106184) for 106184		--	5397GT	WASHER,FLAT,USS,5/16",Y	
--	32675GT	SEAL KIT,SUNSTRAND for 33432		--	6037GT	NUT,HEX,5/16-18,GR5	
4	101516GT	MANIFOLD,DRIVE OIL DIVERTER.....1		16	106073GT	CIRCUIT BREAKER,20A,SINGLE PH.....1	
--	102746GT	VALVE,PILOT OPER DIRECTIONAL		17	74006GT	COVER,GFCI,HORIZONTAL,WEATHER.1	
				18	80543GT	RECEPTACLE, 120VAC, 20A, GFCI.....1	
				19A	101947GT	J-BOX ASSEMBLY,8X10.....1 to SN 22404	
				19B	227532GT	J-BOX ASSEMBLY,8X10 from SN 22405	
				20A	106477GT	GFI/CIRCUIT BREAKER ASSEMBLY.....1 to SN 22404	
				--	106374GT	CIRCUIT BREAKER,50A,3P for 106477	
				--	106375GT	GFCI,50A, 3PH for 106477	
				20B	227426GT	ASSEMBLY,GFCI/CIRCUIT BREAKER from SN 22405	
				--	227424GT	CIRCUIT BREAKER,GFCI 30mA 3PH for 227426	
				--	227425GT	CIRCUIT BREAKER, 35A 3PH for 227426	
				21	106077GT	CABLE SQUEEZE CONN .63-.75.....1	
				22	6888GT	SCREW,HHC,1/4-20 X 1	

912.1 Welder Option - Chassis Components (to SN S6013-26173)
 (continued)

Item	Part No.	Description	Qty.
23	6638GT	WASHER,FLAT,USS,1/4"Y	
24	6091GT	NUT,NYLOCK,1/4-20	
25	9145GT	SCREW,HHC,1/2-13 X 2.5,GR5	
26	6198GT	NUT,NYLOCK,1/2-13	
27	13066GT	WASHER,FLAT,.5 HARDENED	
28A	146284GT	SWITCH,PRESS,#4NPT,200PSIF.....1 <i>for first time replacement, order service kit 1271398GT.</i>	
28B	1271398GT	KIT,GEN. PRESSURE SWITCH <i>includes pressure switch, hose, fittings and installation instructions</i>	
29	18665GT	LOCKNUT,ELECTRIC,1" NPT.....1	
30	20776GT	CABLE SQUEEZE CONN.....1	

Go to Discount-Equipment.com to order your parts

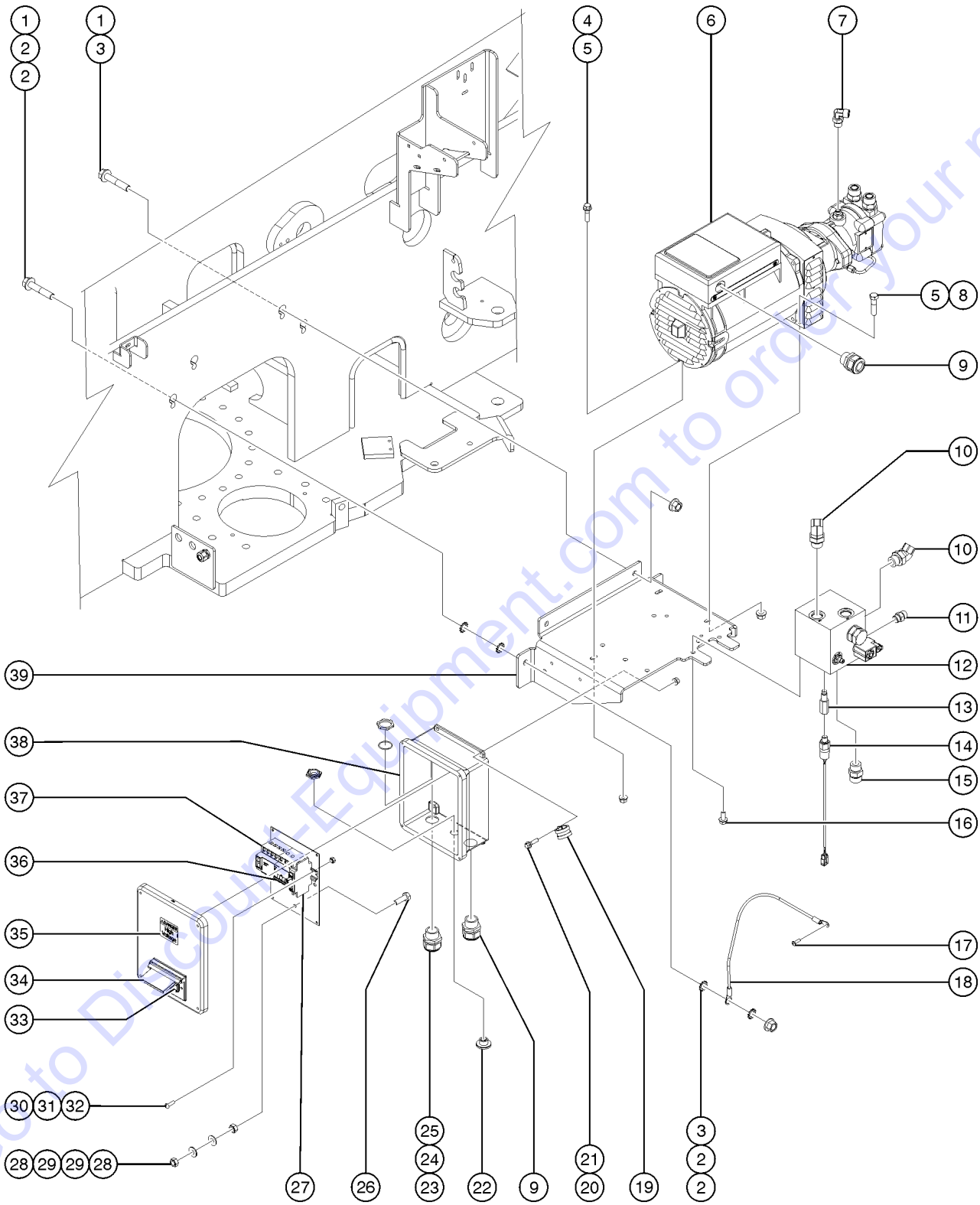


912.1 Welder Option - Chassis Components (to SN S6013-26173)
(continued)

This Page Intentionally Left Blank

Go to Discount-Equipment.com to order your parts

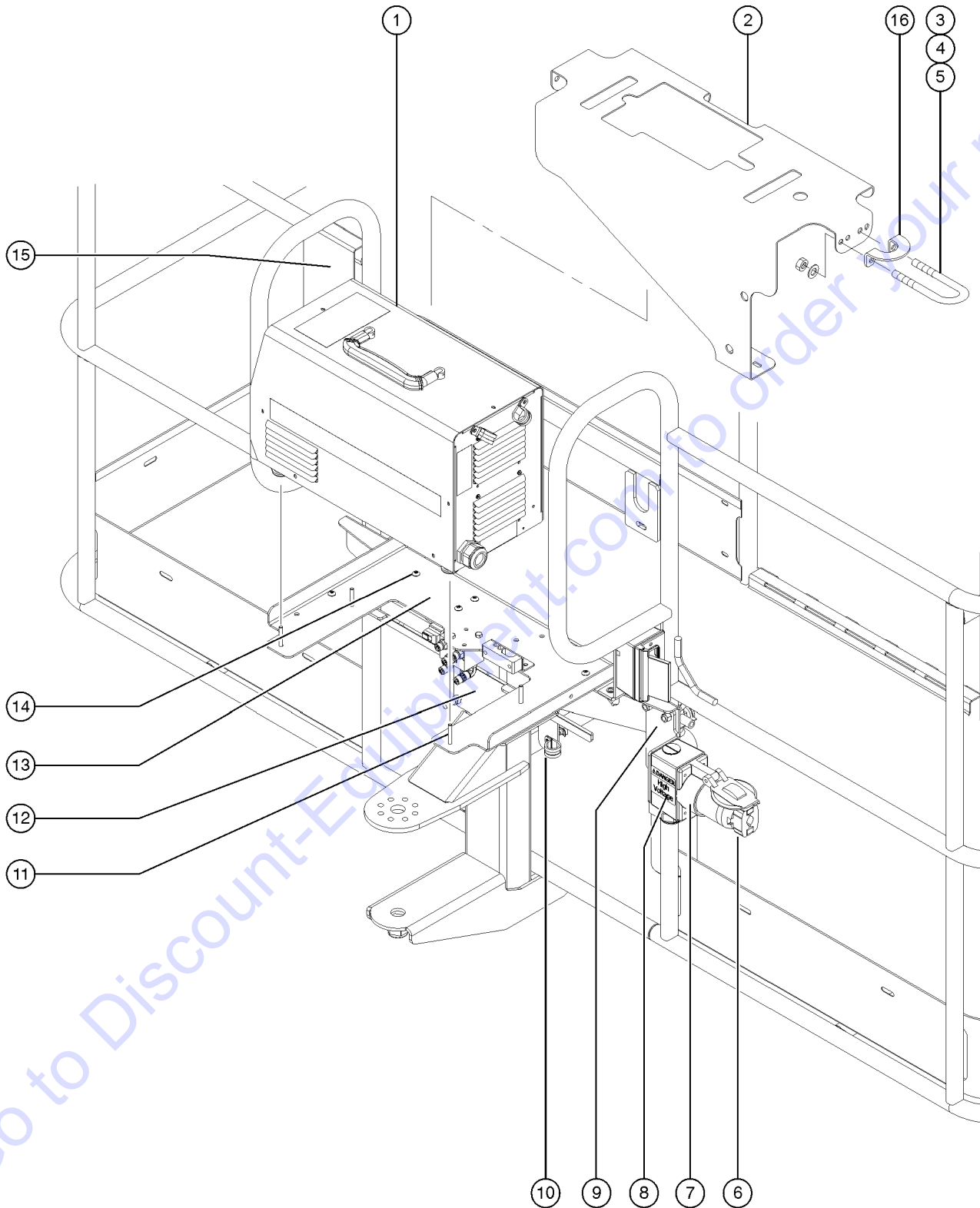
912.2 Welder Option - Chassis Components (from SN S6013-26174)



912.2 Welder Option - Chassis Components (from SN S6013-26174)

Item	Part No.	Description	Qty.	Item	Part No.	Description	Qty.
--	217439GT	ASSEMBLY,WELDER,TURNTABLE,S60/1		8	824087GT	SCREW,HHF,5/16-18X1.25,8,ZAG.....	2
--	227532GT	J-BOX ASSEMBLY,8X10.....	1	9	20776GT	CABLE SQUEEZE CONN.....	1
--	228320GT	KIT,WIRE,12.5KW WELDER.....	1	--	18665GT	LOCKNUT,ELECTRIC,1" NPT.....	1
--	162162GT	HOSE ASSY,3/4,45 FEM,STR FEM.....	1	10	48963GT	FITTING,ELBOW,45D,520320-12***.....	4
--	162163GT	HOSE ASSY,3/4,45 FEM,STR FEM.....	1	11	48933GT	CONN,520120-8***.....	1
--	162164GT	HOSE ASSY,3/4,STR FEM,STR FEM.....	2	12	101516GT	MANIFOLD,DRIVE OIL DIVERTER.....	1
--	218751GT	HOSE ASSY,1/2,90 FEM,STR FEM.....	1	--	102746GT	VALVE,PILOT OPER DIRECTIONAL	
--	106203GT	CLAMP,LINK,WELD CABLE/HOSE		--	106394GT	ORIFICE DISC,.030,CONE	
--	106272GT	BIT,3/16,HEX SOCKET,SECURITY		--	146284GT	SWITCH,PRESS,#4NPT,200PSIF	
--	106521GT	GROUNDING CABLE ASSEMBLY,165"		--	94760GT	VALVE,SOLENOID,10V,W/OUT COIL*	
--	106522GT	GROUNDING CABLE ASSEMBLY,16"		--	94765GT	COIL-10V DC***	
--	106523GT	GROUNDING CABLE ASSEMBLY,36***		13	146285GT	CONN, SAE#4-1/4" NPT.....	1
--	106607GT	HARNESS,LINCOLN WELDER***		14A	146284GT	SWITCH,PRESS,#4NPT,200PSIF..... <i>for first time replacement, order service kit 1271398GT.</i>	1
--	119056GT	CONN,PLUG 2 WAY,14-18GA		14B	1271398GT	KIT,GEN. PRESSURE SWITCH <i>includes pressure switch, hose, fittings and installation instructions</i>	
--	128050GT	CLAMP, HYD, WELD, AIR, OPT		15	48960GT	FITTING,CONN,520120-12***.....	2
--	1276694GT	KIT, RETROFIT, WELDGEN, MAG BREAKER <i>S-60, S-65 from SN S6004-9708</i>		16	824085GT	SCREW,HHF,5/16-18X.75,8,ZAG.....	2
--	1276694GT	KIT, RETROFIT, WELDGEN, MAG BREAKER <i>S-60X from SN S60X10-21002</i>		17	1257227GT	SCREW,PHPM,10-32X.625,ZAG.....	1
--	1276694GT	KIT, RETROFIT, WELDGEN, MAG BREAKER <i>S-60XC from SN S60XC10-21099</i>		18	106520GT	GROUNDING CABLE ASSEMBLY,18".....	1
--	1276694GT	KIT, RETROFIT, WELDGEN, MAG BREAKER <i>S-60 TraX from SN S60TX08-17768</i>		19	18666GT	CLAMP,1.00,#16 X 1/4,RUB CUSH.....	1
--	1276694GT	KIT, RETROFIT, WELDGEN, MAG BREAKER <i>S-65 TraX from SN S65TX10-20410</i>		20	824079GT	SCREW,HHF,1/4-20X1.8,ZAG.....	2
1	1255802GT	SCREW,HHF,1/2-13X2.5,8,ZAG.....	4	21	824027GT	NUT,TL FLG,1/4-20,G,ZAG.....	2
2	8887GT	WASHER,STAR,EXTERNAL,.5.....	4	22	106495GT	PLUG,1/2" HUBBLE.....	1
3	1251997GT	NUT,TL FLG,1/2-13,G,ZAG.....	4	23	106077GT	CABLE SQUEEZE CONN .63-.75.....	1
4	824066GT	SCREW,HHF,5/16-18X1.5,8,ZAG.....	1	24	106104GT	O-RING,SEAL RING,1" NPT (PKG OF 10).....	2
5	824028GT	NUT,TL FLG,5/16-18,G,ZAG.....	3	25	18665GT	LOCKNUT,ELECTRIC,1" NPT.....	2
6	139367GT	GENERATOR,HYDRA,25CC,208V***.....	1	26	49379GT	SCREW,HHC,M8 X 1.25 X 25.....	1
--	1273323GT	ALTERNATOR <i>for 139367</i>		27	106073GT	CIRCUIT BREAKER,20A,SINGLE PH.....	1
--	139919GT	FITTING,ORIFICE,.047		28	22571GT	NUT,HEX,M8 X 1.25.....	2
--	147404GT	DRIVE COUPLING,KEYED		29	6638GT	WASHER,FLAT,USS,1/4"Y.....	2
--	147405GT	DRIVE COUPLING, 13 TOOTH		30	54365GT	SCREW,PHIL,PHM,10-32 X .5,SSTL.....	2
--	32675GT	SEAL KIT,SUNSTRAND		31	228332GT	DIN RAIL, 6.50".....	1
--	33432GT	MOTOR,HYD,25CC FIXED*** <i>"Sauer Motor for Harrison Generator; Consult Discount-equipment"</i>		32	6178GT	NUT,NYLOCK,10-32.....	2
--	58631GT	COUPLER,INSERT		33	80543GT	RECEPTACLE, 120VAC, 20A, GFCI.....	1
7	48932GT	FITTING,ELBOW,90D,520220-8***.....	1	34	74006GT	COVER,GFCI,HORIZONTAL,WEATHER.1	
				35	82237GT	DECAL,DANGER,HIGH VOLTAGE.....	1
				36	227425GT	CIRCUIT BREAKER, 35A 3PH.....	1
				37	227424GT	CIRCUIT BREAKER,GFCI 30mA 3PH.....	1
				38	106206GT	J-BOX,CIRCUIT BREAKERS,8X10***.....	1
				39	106114pGT	BRACKET,GENERATOR 12.5 KW,PNTD.....	1

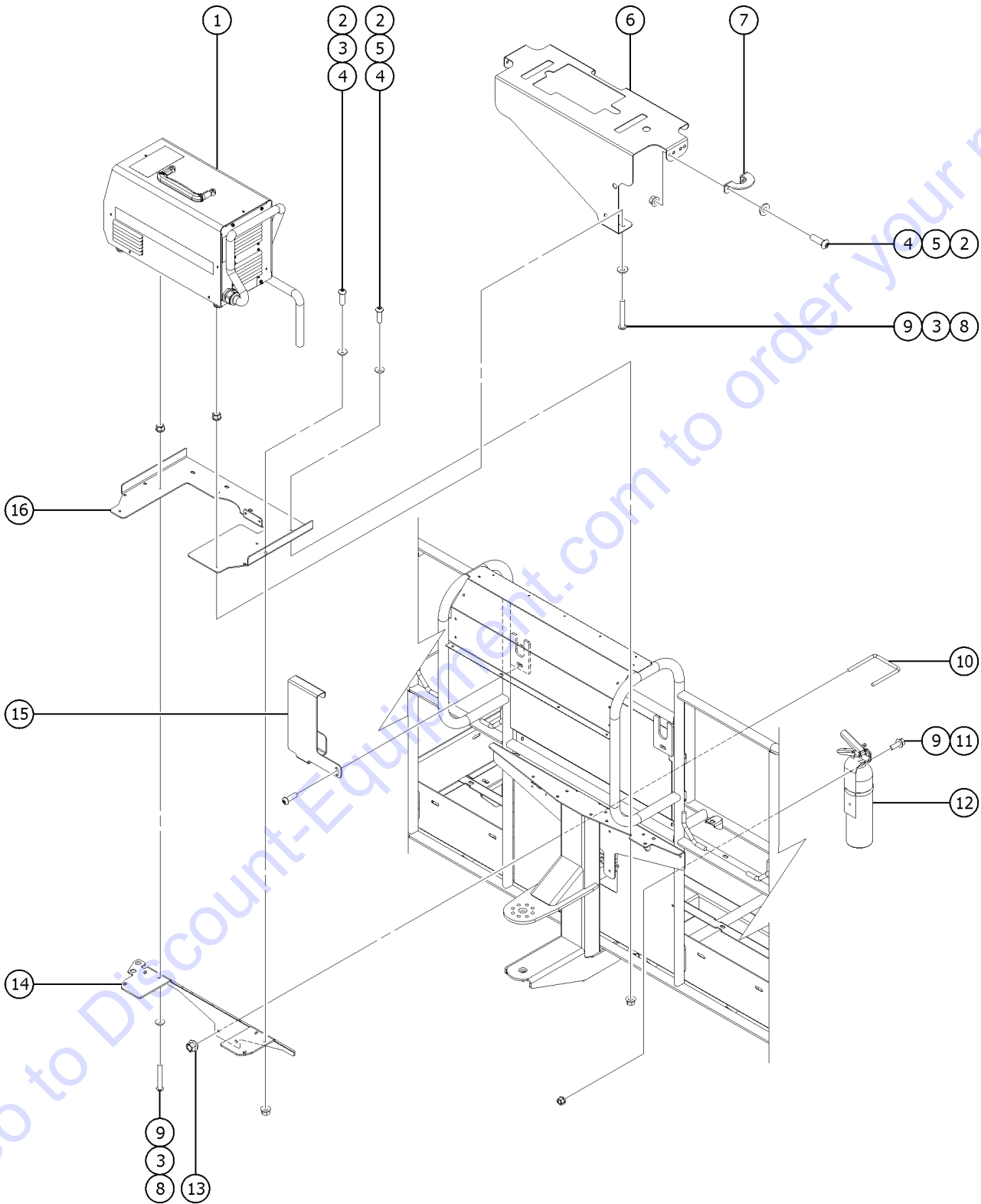
913.1 Welder Option - Platform Components (to SN S6013-26173)



913.1 Welder Option - Platform Components (to SN S6013-26173)

Item	Part No.	Description	Qty.	Item	Part No.	Description	Qty.
--		WELD CABLE TO PLAT,S65 <i>Part is no longer available</i>		--	6782GT	NUT,NYLOCK,5/16-18	
--	10611593600GT	WIRE CABLE 8/4 CON.SO <i>WELD CABLE TO PLAT,S60</i>		14	128322GT	SCREW,5/16-18X1.00,SECURITY TO	
--	228320GT	KIT,WIRE,12.5KW WELDER <i>63" heavy cable assy</i>		--	128323GT	BIT,TORX SOCKET,SECURITY <i>tool for 128322</i>	
--	228321GT	KIT,WIRE,12.5KW WELDER <i>light wire assy</i>		15	106204PGT	BRACKET,V275S WELD LEADS	
--	51147GT	BOOT,CABLE TERMINAL,LG,RED,2/0 <i>from SN 21037</i>		16	217366GT	BRACKET,WELDER TOP.....2 <i>from SN 24925</i>	
--	77685GT	BOOT,CABLE TERM,MED.BLACK,4/0 <i>to SN 21036</i>		--	128322GT	SCREW,5/16-18X1.00,SECURITY TO	
--	88406GT	FIRE EXTINGUISHER <i>includes mounting strap</i>		--	6782GT	NUT,NYLOCK,5/16-18	
--	8910GT	BOOT,CABLE TERM,MED.RED,4/0 <i>to SN 21036</i>					
--	89977GT	BOOT,CABLE TERMINAL,BLACK,2/0 <i>from SN 21037</i>					
--	T113129GT	ASSEMBLY, WELD CABLE, S60 <i>S60 models (from SN 22586)</i>					
--	T114145GT	ASSEMBLY, WELD CABLE, S65 <i>S65 models (from SN 22586)</i>					
1A	101525GT	WELDER,INVERTEC V275-S.....1					
--	106183GT	FUSE,.6AMP,250V,WELDER,V275S					
--	106275GT	KIT,WELD LEADS ASSY,V275S					
2	101547PGT	BRACKET,WELDER SUPPORT,PNT.....1					
3	122755GT	UBOLT,FLATTENED,1.5DIA X 3/8 UNC....2 <i>to SN 24925</i>					
4	5397GT	WASHER,FLAT,USS,5/16",Y					
5	4828GT	NUT,NYLOCK,3/8-16 <i>to SN 24925</i>					
6	106112GT	PLUG,4-WIRE,3-PHASE,50A,MALE.....1					
7	106111GT	RECEPTCL,LOCK 3-PH,50A,4 WIRE.....1					
--	101732GT	COVER,WEATHERPROOF 3-PHASE					
--	106110GT	T-BOX,2.75X4.5X2.63,3PH					
8	82237GT	DECAL,DANGER,HIGH VOLTAGE.....2					
9	101731PGT	BRACKET,POWER TO PLAT TBOX,PNT.....1					
--	106044GT	U-BOLT,3/8-16X4X4.63X3.00					
--	4828GT	NUT,NYLOCK,3/8-16					
--	5397GT	WASHER,FLAT,USS,5/16",Y					
10	18666GT	CLAMP,1.00,#16 X 1/4,RUB CUSH					
11	106141GT	SCREW,SECURITY,1/4-20 X 1.75LG					
12	101701GT	BRACKET,WELDER MOUNT SUPPORT.....1					
13	106109PGT	BRACKET,WELDER COVER,PNTD.....1					
--	4828GT	NUT,NYLOCK,3/8-16					
--	5397GT	WASHER,FLAT,USS,5/16",Y					

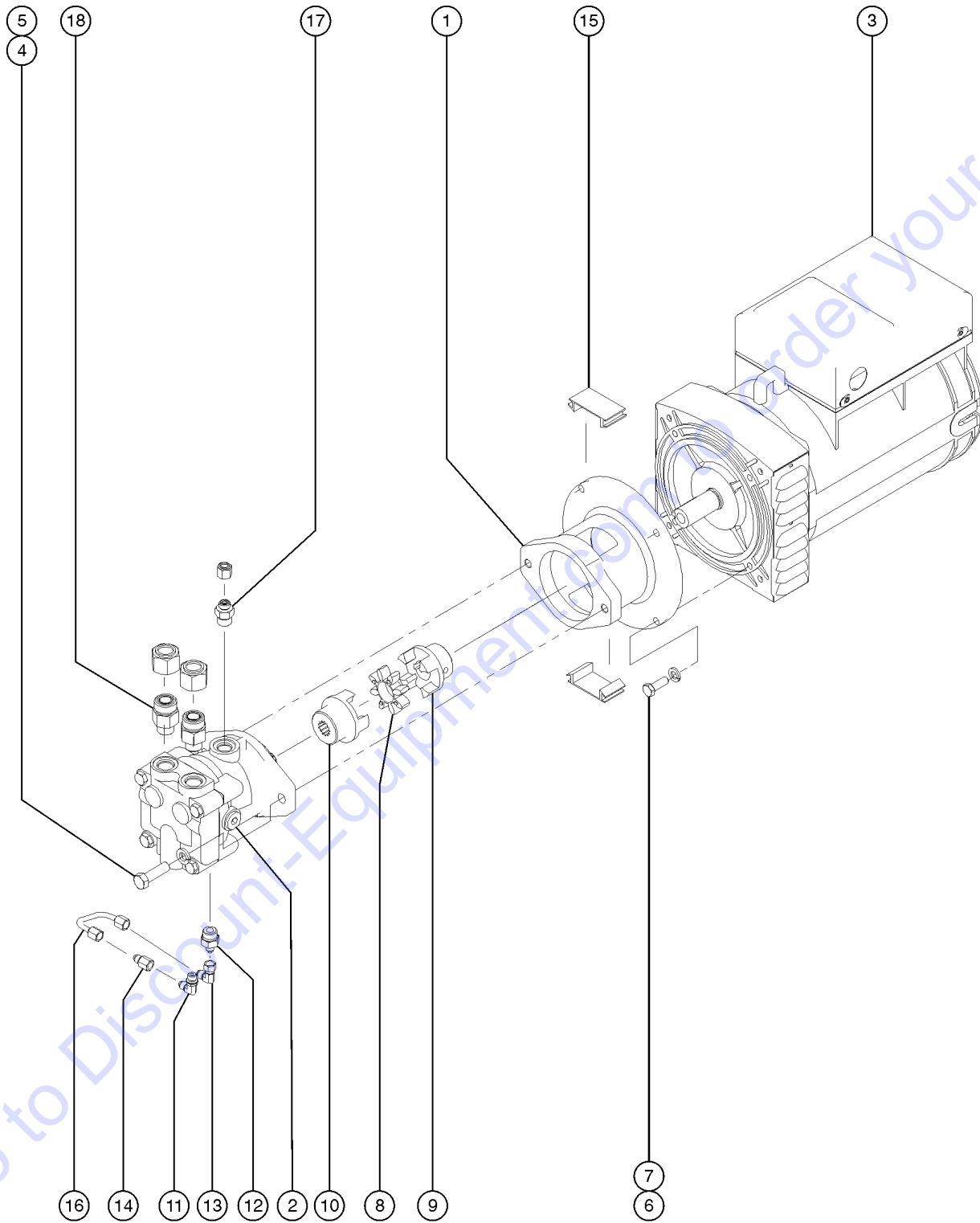
913.2 Welder Option - Platform Components (from SN S6013-26174)



913.2 Welder Option - Platform Components (from SN S6013-26174)

Item	Part No.	Description	Qty.
--	217440GT	ASSEMBLY,WELDER,PLATFORM,S60/6.1	
--	228320GT	KIT,WIRE,12.5KW WELDER	
--	228321GT	KIT,WIRE,12.5KW WELDER	
--	106273GT	BIT,T-27,TORX SOCKET,SECURITY.....1	
--	214620GT	SOCKET,3P,30A,4 WIRE, FEM.....1	
--	214621GT	SOCKET, BOOT, 3P, 30A, 4 WIRE.....1	
--	214622GT	PLUG, BOOT, 3P, 30A, 4 WIRE.....1	
--	106607GT	HARNES, LINCOLN WELDER***	
--	110276-1600GT	FIRE SLEEVE, 1.25"	
--	110276-2300GT	FIRE SLEEVE, 1.25"	
--	110276-2800GT	FIRE SLEEVE, 1.25"	
1A	101525GT	WELDER, INVERTEC V275-S.....1	
--	106183GT	FUSE, .6AMP, 250V, WELDER, V275S	
--	106275GT	KIT, WELD LEADS ASSY, V275S	
--	214623GT	PLUG, 3P, 30A, 4 WIRE, MALE,	
1B	214619GT	WELDER, MILLER, CST 280.....1	
2	128322GT	SCREW, 5/16-18X1.00, SECURITY TO.....10	
--	128323GT	BIT, TORX SOCKET, SECURITY	
3	824113GT	WASHER, FLAT, USS, 1/4, ZAG.....5	
4	824028GT	NUT, TL FLG, 5/16-18, G, ZAG.....10	
5	825358GT	WASHER, FLAT, 5/16, USS, ZAG.....9	
6	101547PGT	BRACKET, WELDER SUPPORT, PNT.....1	
7	217366GT	BRACKET, WELDER TOP.....2	
8	1253408GT	SCREW, BHTC-PIN, 1/4-20X1.75, ZAG.....4	
9	824027GT	NUT, TL FLG, 1/4-20, G, ZAG.....6	
10	106044GT	U-BOLT, 3/8-16X4X4.63X3.00.....1	
11	824078GT	SCREW, HHF, 1/4-20X.75, 8, ZAG.....2	
12	88406GT	FIRE EXTINGUISHER.....1 <i>includes mounting strap</i>	
13	824029GT	NUT, TL FLG, 3/8-16, G, ZAG.....2	
14	101701PGT	BRACKET, WELDER MNT SUPPORT, PNT.....1	
15	106204PGT	BRACKET, V275S WELD LEADS.....1	
16	106109PGT	BRACKET, WELDER COVER, PNTD.....1	

914.1 Welder Option - Generator Components



914.1 Welder Option - Generator Components

Item	Part No.	Description	Qty.
--		GENERATOR, HYDRA, 25CC, 208V.....1 <i>refer to section 912.1</i>	1
1		MOTOR MOUNT.....1 <i>consult Discount-equipment</i>	1
2		MOTOR, HYD, 25CC FIXED***.....1 <i>refer to section 912.1</i>	1
3		ALTERNATOR.....1 <i>refer to section 912.1</i>	1
4	6036GT	WASHER, LOCK, .625 PLTD.....2	2
5	22788GT	SCREW, HHC, 1/2-13 X 1.75.....2	2
6	44064GT	SCREW, HHC, M10 X 30MM.....4	4
7	22700GT	WASHER, LOCK, M10.....4	4
8	58631GT	COUPLER, INSERT.....1	1
9	147404GT	DRIVE COUPLING, KEYED.....1	1
10	147405GT	DRIVE COUPLING, 13 TOOTH.....1	1
11	13921GT	ELBOW, 070220-4-4.....1	1
12	39879GT	CONNECTOR, 070120-4-8.....1	1
13	87246GT	ELBOW, SWIVEL NUT 90DEG, -4.....1	1
14	139919GT	FITTING, ORIFICE, .047.....1	1
15		MOUNT COVER.....2 <i>consult Discount-equipment</i>	2
16	147418GT	ASSY, BLEED LINE (139367).....1	1
17	48914GT	CONN, 520120-4-8.....1	1
18	48975GT	CONN, 520120-12-10.....2	2

PARTS FINDER

**Search Website
by Part Number**



**Search Manual
Library For Parts
Manual & Lookup Part
Numbers – Purchase
or Request Quote**

Search Manuals

Enter your information to help us find the right parts manual for your machine.

* Brand:

* Model:

* Serial:

* Part Number:

SEARCH

**Can't Find Part or
Manual? Request Help
by Manufacturer,
Model & Description**

Parts Order Form

Please fill in the following information to help us find the right part for your machine.

MANUFACTURER:

MODEL:

DESCRIPTION:

SEARCH

Discount-Equipment.com is your online resource for quality parts & equipment.

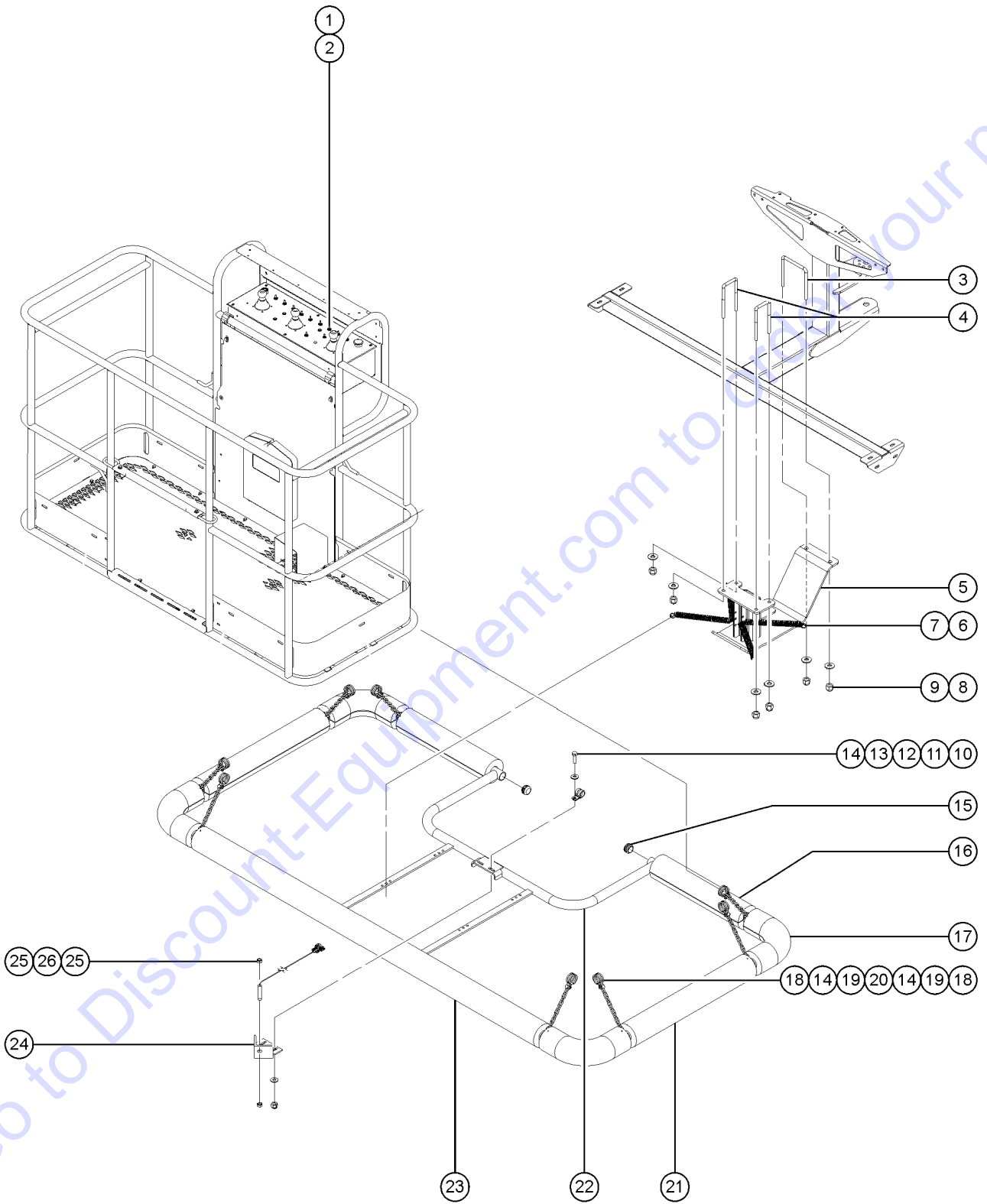
Florida: **561-964-4949** Outside Florida TOLL FREE: **877-690-3101**

Need parts?

Click on this link: <http://www.discount-equipment.com/category/5443-parts/> and choose one of the options to help get the right parts and equipment you are looking for. Please have the machine model and serial number available in order to help us get you the correct parts. If you don't find the part on the website or on one of the online manuals, please fill out the request form and one of our experienced staff members will get back to you with a quote for the right part that your machine needs.

We sell worldwide for the brands: Genie, Terex, JLG, MultiQuip, Mikasa, Essick, Whiteman, Mayco, Toro Stone, Diamond Products, Generac Magnum, Airman, Haulotte, Barreto, Power Blanket, Nifty Lift, Atlas Copco, Chicago Pneumatic, Allmand, Miller Curber, Skyjack, Lull, Skytrak, Tsurumi, Husquvarna Target, Stow, Wacker, Sakai, Mi-T-M, Sullair, Basic, Dynapac, MBW, Weber, Bartell, Bennar Newman, Haulotte, Ditch Runner, Menegotti, Morrison, Contec, Buddy, Crown, Edco, Wyco, Bomag, Laymor, EZ Trench, Bil-Jax, F.S. Curtis, Gehl Pavers, Heli, Honda, ICS/PowerGrit, IHI, Partner, Imer, Clipper, MMD, Koshin, Rice, CH&E, General Equipment, Amida, Coleman, NAC, Gradall, Square Shooter, Kent, Stanley, Tamco, Toku, Hatz, Kohler, Robin, Wisconsin, Northrock, Oztec, Toker TK, Rol-Air, APT, Wylie, Ingersoll Rand / Doosan, Innovatech, Con X, Ammann, Mecalac, Makinex, Smith Surface Prep, Small Line, Wanco, Yanmar

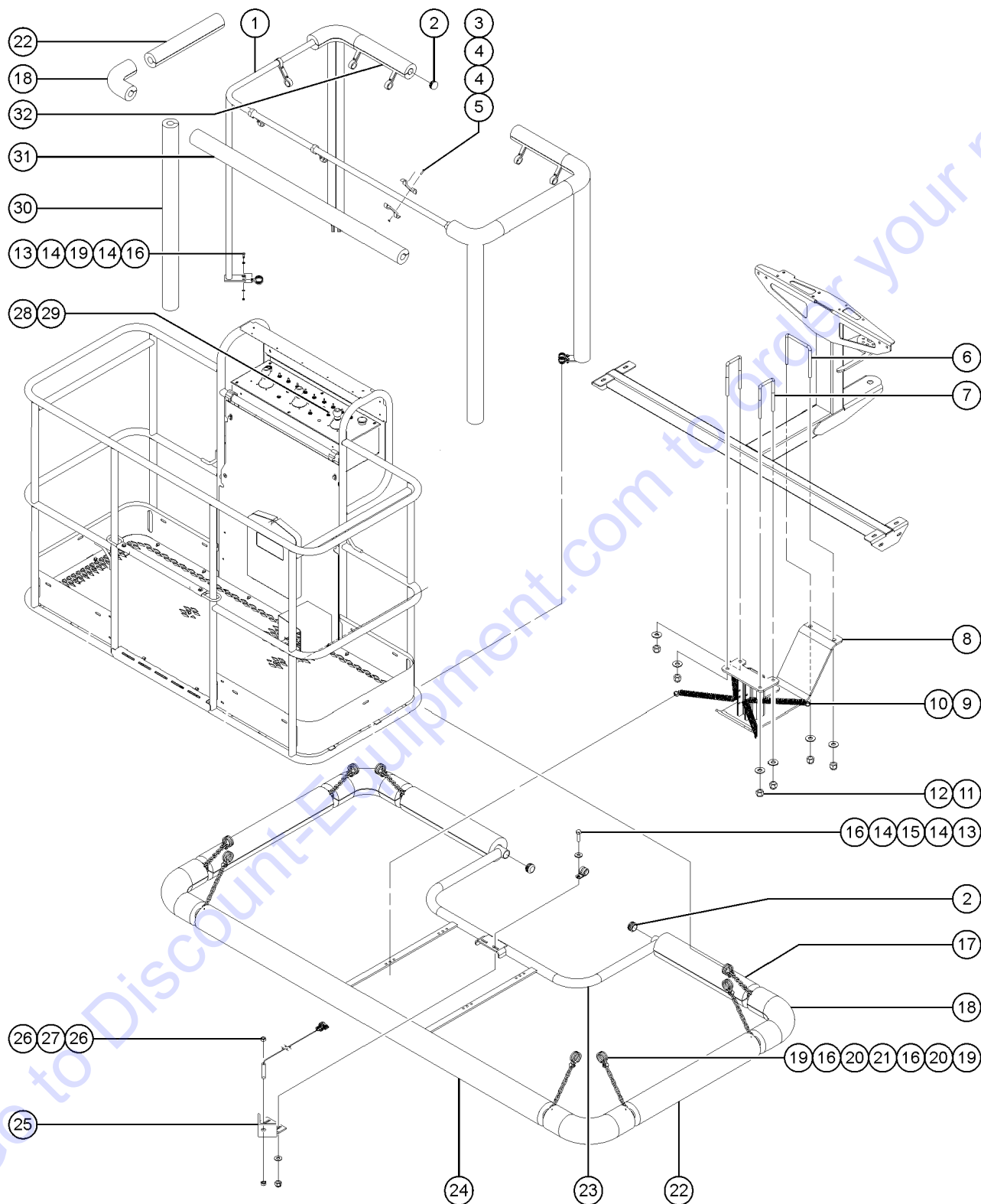
915.1 Aircraft Protection Package, S-65 and S-65 TraX



915.1 Aircraft Protection Package, S-65 and S-65 TraX

Item	Part No.	Description	Qty.
1	128203GT	SWITCH TOGGLE ASSY SPDT 2P MOM.....	1
--	139882GT	HARN, AC PROTECTION BYPASS.....	1
2	27246GT	BOOT,TOGGLE SWITCH,SHORT*.....	1
3	106044GT	U-BOLT,3/8-16X4X4.63X3.00.....	1
4	66472GT	U-BOLT, SQR, 3/8-16X2X5, PLTD.....	2
5	139904GT	WELDMENT, SKIDPLATE**.....	1
6	88384GT	SPRING, SS, 3/4-EO750-69-4500.....	4
7	88385GT	SPRING, SS, 1/2-EO500-49-4500.....	4
8	4828GT	NUT,NYLOCK,3/8-16	
9	5397GT	WASHER,FLAT,USS,5/16",Y	
10	6888GT	SCREW,HHC,1/4-20 X 1	
11	6638GT	WASHER,FLAT,USS,1/4"Y	
12	6833GT	CLAMP,0.50,#8 X 1/4,RUB CUSH.....	1
13	6638GT	WASHER,FLAT,USS,1/4"Y	
14	6091GT	NUT,NYLOCK,1/4-20	
15	55753GT	BUMPER, PLASTIC, 1.25 O.D.....	2
16	75617-1675GT	PADDING,FOAM 3.5"OD X 1.50"ID.....	2
17	75636GT	PADDING,FOAM,3.0"X1.50ID 90DEG....	4
18	21618GT	CLAMP,1.13,#18 X 1/4,RUB CUSH.....	16
19	6090GT	SCREW,HHC,1/4-20 X .75	
20	56426-700GT	CHAIN,NO.2 (11 LINKS).....	8
21	75617-2275GT	PADDING,FOAM 3.5"OD X 1.50"ID.....	2
22	139181GT	WELDMENT,AIRCRAFT SENSOR BUMPR.....	1
23	75617-6475GT	PADDING,FOAM 3.5"OD X 1.50"ID.....	1
24	77797GT	WELDMENT, SENSOR MOUNT.....	1
25	88390GT	NUT,HEX,M8,PLASTIC	
26	81532GT	HARNES,PROX.KILL..... <i>(includes PN 27391 for Proximity Sensor)</i>	1
--	27391GT	PROXIMITY SENSOR***	

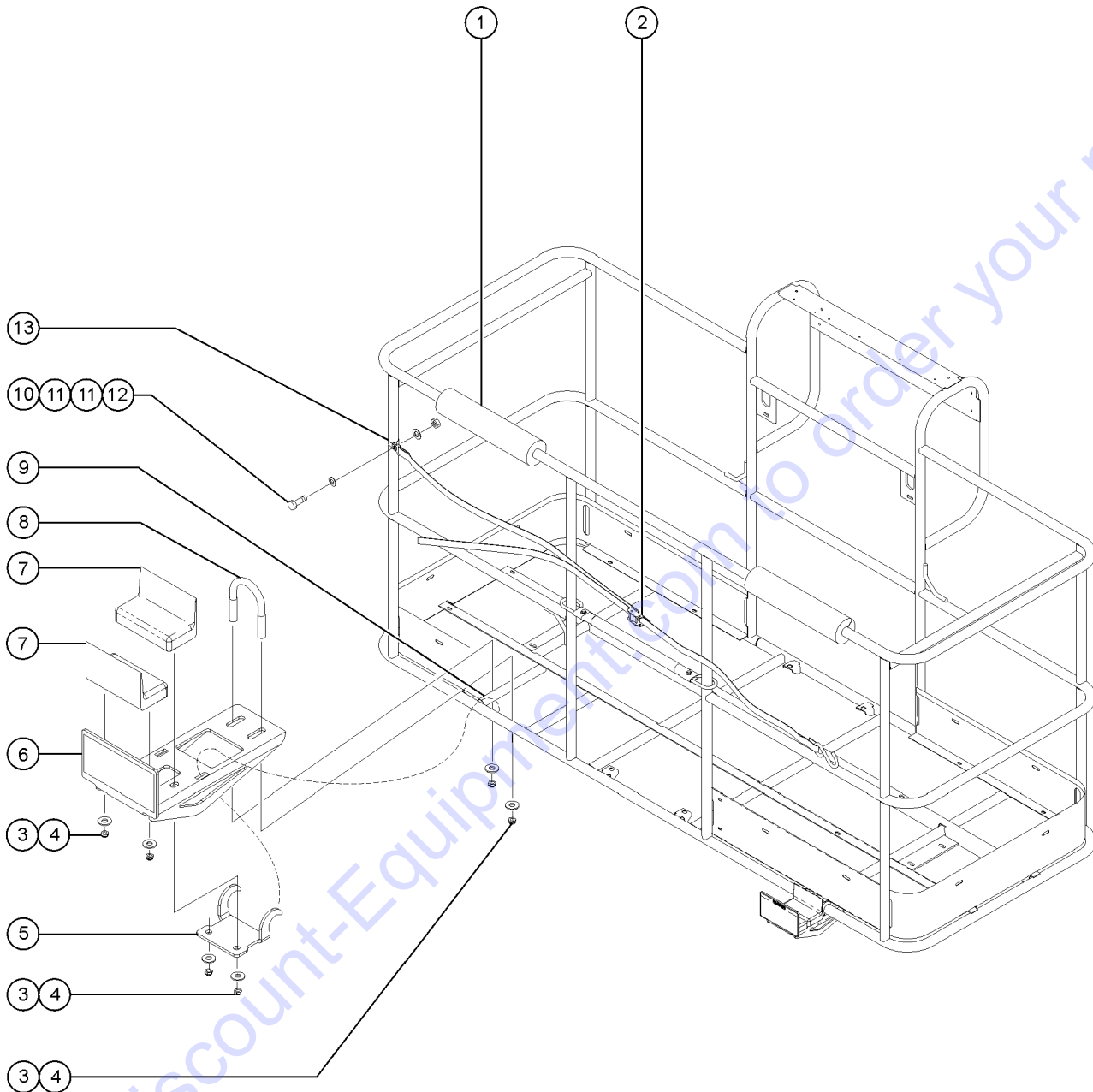
916.1 Aircraft Protection Package, Deluxe, S-65 and S-65 TraX



916.1 Aircraft Protection Package, Deluxe, S-65 and S-65 TraX

Item	Part No.	Description	Qty.
A	228448GT	HARNESS,PROX.KILL.....	1
1	46188GT	WELDMENT, AIRCRAFT TOP BUMPER.....	1
2	55753GT	BUMPER, PLASTIC, 1.25 O.D.....	4
3	122231GT	SCREW,BHSC,1/4-20 X 1	
4	122073GT	SUPPORT, RAILING.....	20
5	6889GT	NUT,LP NYLOCK,1/4-20	
6	106044GT	U-BOLT,3/8-16X4X4.63X3.00.....	1
7	66472GT	U-BOLT, SQR, 3/8-16X2X5, PLTD.....	2
8	139904GT	WELDMENT, SKIDPLATE**.....	1
9	88384GT	SPRING, SS, 3/4-EO750-69-4500.....	4
10	88385GT	SPRING, SS, 1/2-EO500-49-4500.....	4
11	4828GT	NUT,NYLOCK,3/8-16	
12	5397GT	WASHER,FLAT,USS,5/16",Y	
13	6888GT	SCREW,HHC,1/4-20 X 1	
14	6638GT	WASHER,FLAT,USS,1/4"Y	
15	6833GT	CLAMP,0.50,#8 X 1/4,RUB CUSH.....	1
16	6091GT	NUT,NYLOCK,1/4-20	
17	75617-1675GT	PADDING,FOAM 3.5"OD X 1.50"ID.....	2
18	75636GT	PADDING,FOAM,3.0"X1.50ID 90DEG.....	8
19	21618GT	CLAMP,1.13,#18 X 1/4,RUB CUSH.....	16
20	6090GT	SCREW,HHC,1/4-20 X .75	
21	56426-700GT	CHAIN,NO.2 (11 LINKS).....	8
22	75617-2275GT	PADDING,FOAM 3.5"OD X 1.50"ID.....	4
23	139181GT	WELDMENT,AIRCRAFT SENSOR BUMPR.....	1
24	75617-6475GT	PADDING,FOAM 3.5"OD X 1.50"ID.....	1
25	77797GT	WELDMENT, SENSOR MOUNT.....	1
26	88390GT	NUT,HEX,M8,PLASTIC	
27	228448GT	HARNESS,PROX.KILL.....	1
28	128203GT	SWITCH TOGGLE ASSY SPDT 2P MOM.....	1
--	139882GT	HARN, AC PROTECTION BYPASS.....	1
29	27246GT	BOOT,TOGGLE SWITCH,SHORT*.....	1
30	75617-4788GT	PADDING,FOAM 3.5"OD X 1.50"ID.....	4
31	75617-6275GT	PADDING,FOAM 3.5"OD X 1.50"ID.....	1
32	75617-1538GT	PADDING,FOAM 3.5"OD X 1.50"ID.....	2

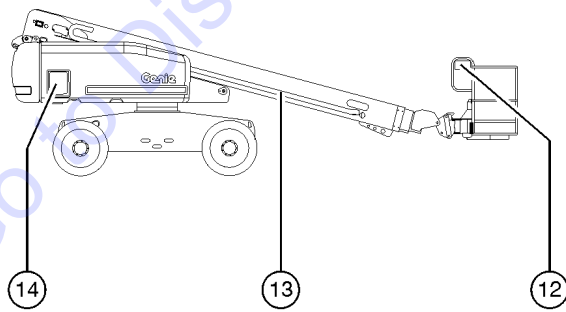
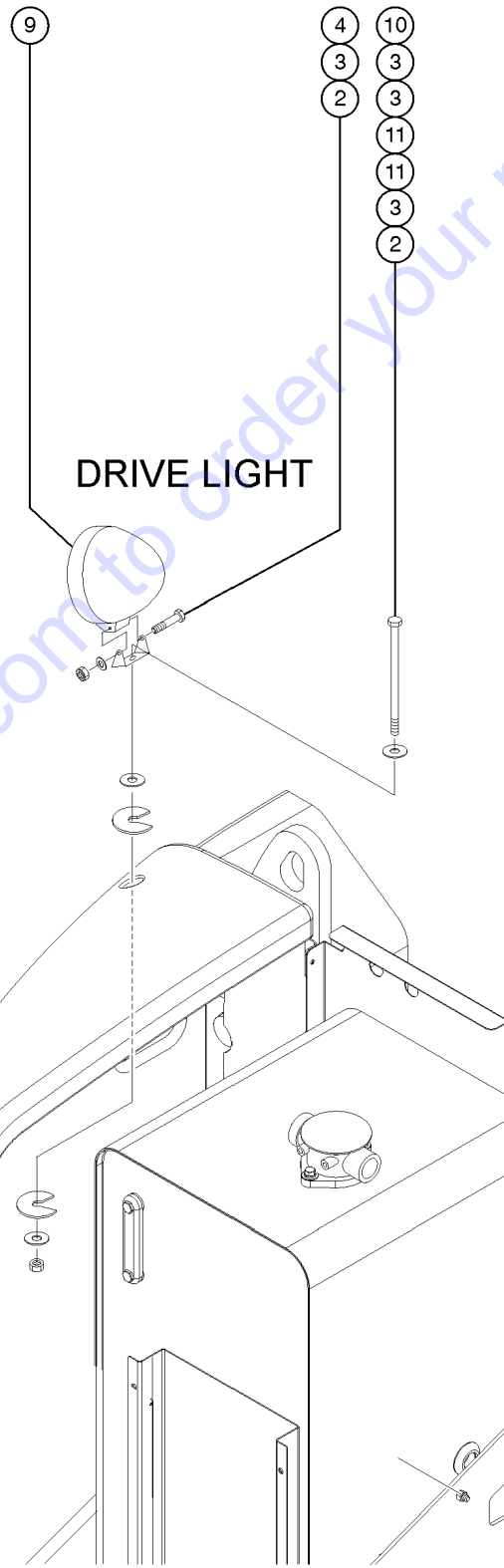
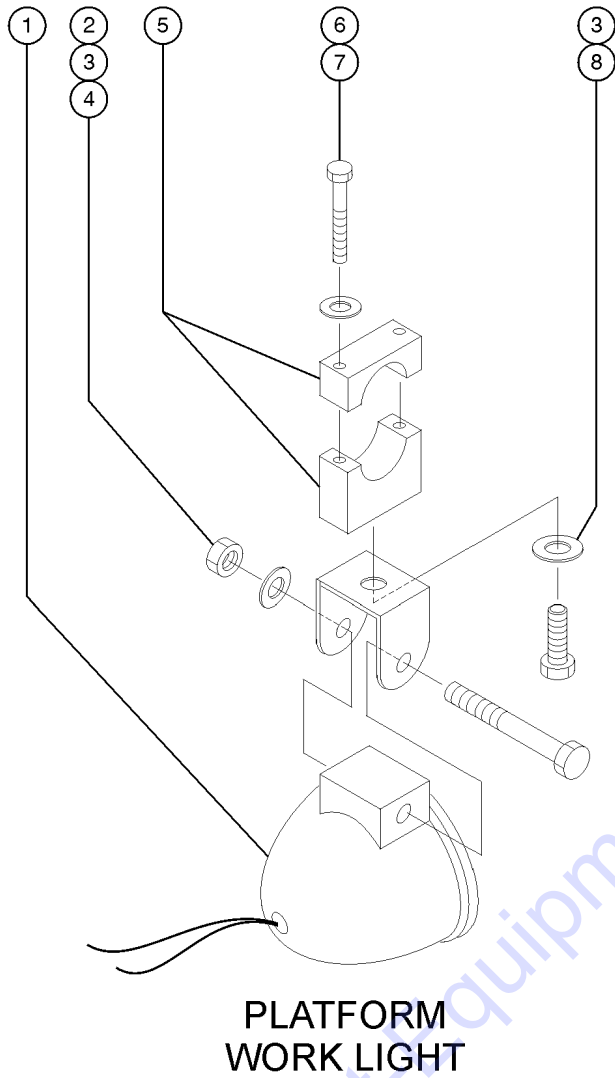
917.1 Panel Cradle Option



917.1 Panel Cradle Option

Item	Part No.	Description	Qty.
--	77683GT	ACCESSORY,PANEL CRADLE,ANSI (ANSI models)	
--	94493-SGT	KIT,PANEL CRADLE,CE (CE models)	
1	88377-1400GT	FOAM PAD, 3" OD X 1.25" ID X 14 IN.....2	
2	77664GT	ADJUSTABLE STRAP ASSY.....1	
3	1274322GT	NUT,NYLOCK FLG,3/8-16,F,ZAG.....8	
4	5397GT	WASHER,FLAT,USS,5/16",Y for machines before 2010	
5	228849GT	FORMING,SECONDARY SUPPORT.....2 77576P is no longer available. For machines before 2010, must install Qty 2 service kit 233992 (ANSI) or 233993 (CE) for initial replacement.	
6	228848GT	FORMING PANEL CRADLE.....2 89724 is no longer available. For machines before 2010, must install Qty 2 service kit 233992 (ANSI) or 233993 (CE) for initial replacement.	
--	233992GT	KIT,PANEL CRADLE BRACKET,WORD.....1 (ANSI models) (includes hook, panel support bracket and installation instructions)	
--	233993GT	KIT,PANEL CRADLE BRACKET,SYMBL.....1 (CE models) (includes hook, panel support bracket and installation instructions)	
7	56934GT	PAD,REST,1"THICK,FLANGED.....4	
7A	824038GT	NUT, TL JAM, 3/8-16, A, ZAG.....4 for 56934	
8	1251600GT	U-BOLT, FLATTENED, 1.5 X 3/8 UNC,ZAG.....2	
9	73463-1175GT	TUBE, RD, ALUM, 1.25 X .083 X 11.75...2	
10	1256855GT	SCREW,HHF,1/4-20X.625,8,ZAG.....1	
11	6638GT	WASHER,FLAT,USS,1/4"Y for machines before 2010	
12	1277924GT	NUT,NYLOCK FLG,1/4-20,F,ZAG.....1	
13	56424GT	CLAMP,1.25X.5 RUBBER-CUSHION.....1	

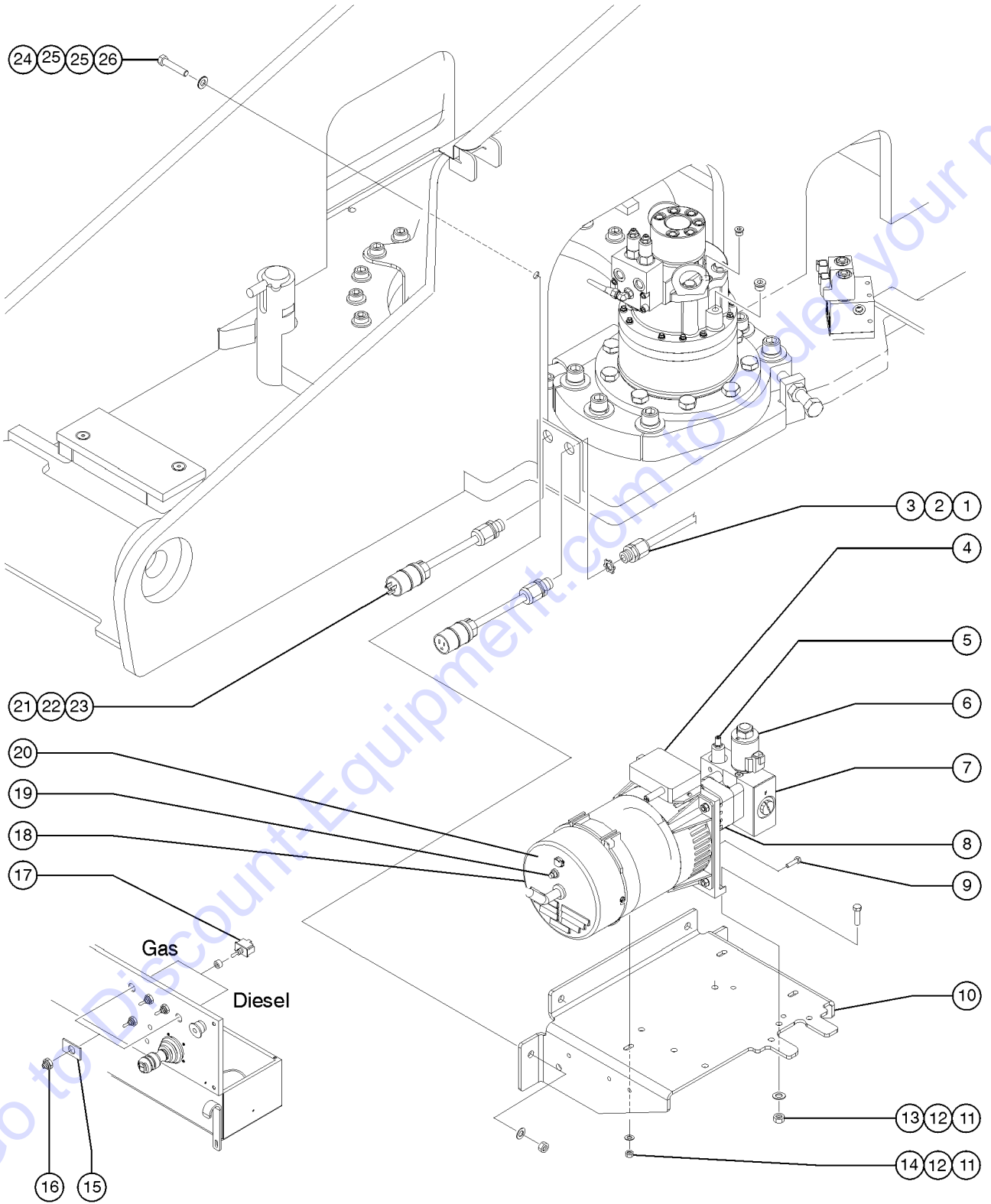
918.1 Work Lights / Drive Lights



918.1 Work Lights / Drive Lights

Item	Part No.	Description	Qty.
1	71498GT	WORKLIGHT, 12V, DEUTSCH RECEPT.....2 <i>includes mount (not available separately)</i>	
2	4828GT	NUT,NYLOCK,3/8-16	
3	5397GT	WASHER,FLAT,USS,5/16",Y	
4	8178GT	SCREW,HHC,3/8-16 X 2.5	
5	35956GT	BRACKET,WORK LIGHT MOUNT 5/16"	
6	6145GT	SCREW,HHC,1/4-20 X 1.5	
7	6356GT	WASHER,LOCK,,.25	
8	10107GT	SCREW,HHC,5/16-18 X .75	
9	107857GT	LIGHT, 12 VOLT.....2 <i>includes mount (not available separately)</i>	
--	119065GT	CONN,RECEP 2 WAY ENDCAP DT	
--	56051GT	WIRE CABLE,16/2,WHT/BLK,SJEOW	
--	60439GT	LOCK,RECEP 2 WAY, 14-18GA	
--	73713GT	TERM,NI PIN,S&F,16-18GA,REEL	
10	8177GT	SCREW,HHC,1/2-13 X 1.5	
11	101661GT	WASHER,SPACER,NOTCHED	
12	T114627GT	HARNESS,12V WORK LIGHTS <i>Work Light Wiring - from Platform box to Worklights</i>	
13A	T114625GT	CABLE,S60 12VDC WORK LIGHT <i>Work Light Wiring, S-60 - from Ground Ctrl box to Platform</i>	
13B	T114626GT	CABLE,S65 12VDC WORK LIGHT <i>Work Light Wiring, S-65 - from Gr Ctrl box to Platform</i>	
14	T114624GT	HARN,12V WORK LIGHT RELAY <i>Work Light Wiring - Ground control box</i>	

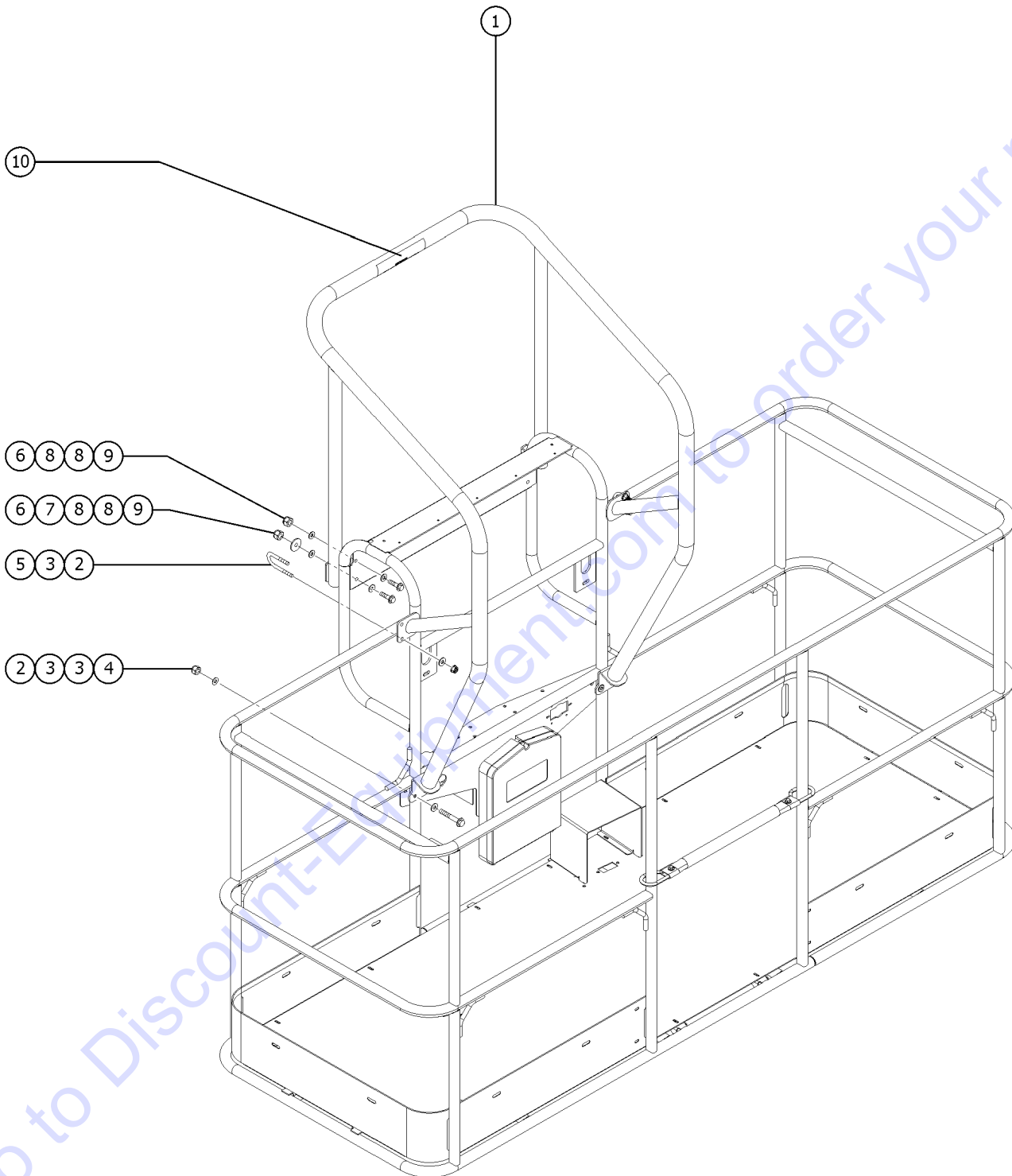
919.1 Generator Option



919.1 Generator Option

Item	Part No.	Description	Qty.	Item	Part No.	Description	Qty.
A	236923GT	FIELD KIT,MTE, 120V-50HZ, S60 <i>only for European machines already equipped with an oil cooler</i>		--	119067GT	CONN,RECEP 4 WAY ENDCAP DT	
B	216178GT	KIT,MTE&OIL COOL,120V50HZ,S60 <i>only for European machines without an oil cooler</i>		--	147240GT	CAPACITOR 16 F, GEN	
C	236924GT	FIELD KIT,MTE, 240V-50HZ, S60 <i>only for European machines already equipped with an oil cooler</i>		--	147242GT	SCREW, GEN ROTOR	
D	216181GT	KIT,MTE&OIL COOL,240V50HZ,S60 <i>only for European machines without an oil cooler</i>		18C	139954GT	GENERATOR,3kW,240V/50Hz.....1 <i>(complete, includes items 4-9 and 19-20)</i>	1
E	1271398GT	KIT,GEN. PRESSURE SWITCH		18D	822687GT	FIELD KIT,MTE 120V-60HZ, S60.....1 <i>for units with oil cooler already installed</i>	1
1	14041GT	LOCKNUT,ELECTRIC,3/4".....1 <i>to SN 24244</i>	1	18E	822688GT	KIT,MTE&OIL COOL,120V60HZ,S60.....1 <i>for units that do not already have an oil cooler installed</i>	1
1A	6935GT	LOCKNUT,ELEC,1/2" <i>from SN 24245</i>		19	147239GT	BREAKER, 25 AMP, GEN.....1 <i>(part of generators 139952 and 139953)</i>	1
2	12960GT	CABLE SQUEEZE CONN.,XTRA LRG...1 <i>to SN 24244</i>	1	--	147258GT	BREAKER,15 AMP,GEN <i>(part of generator 139954)</i>	
2A	7057GT	CONN. SQZ,1/2NPT .39-.56 MED. <i>from SN 24245</i>		20	147241GT	COVER, END, GEN, 120V.....1 <i>(part of generators 139952 and 139953)</i>	1
3	119404GT	CONN,RECEP 120AC/15A DOMESTIC.....1	1	--	147262GT	COVER, END, GENERATOR, 240V <i>(part of generator 139954)</i>	
4	1269693GT	CONTROL BOX,2KW,120/240V,50HZ.....1 <i>(part of generators 139952 and 139954)</i>	1	21	119403GT	CONN,PLUG 120 AC/15A DOMESTIC...1	1
--	147228GT	CONTROLLER BOX, 120/240V, 60H <i>(part of generator 139953)</i>		22	61278GT	CONN. SQZ,1/2NPT .56-.63.....1	1
5	147233GT	VALVE, RELIEF, GEN, 3.0KW.....1	1	23	6935GT	LOCKNUT,ELEC,1/2".....1	1
6	147232GT	12VDC PROPORTIONAL VALVE.....1	1	24	9145GT	SCREW,HHC,1/2-13 X 2.5,GR5.....4	4
7	147229GT	MANIFOLD ASSEMBLY, GEN.....1 <i>(complete, includes items 5 and 6)</i>	1	25	13066GT	WASHER,FLAT,5 HARDENED.....8	8
8	147230GT	207 HYD MOTOR ASSY, GEN.....1	1	26	6198GT	NUT,NYLOCK,1/2-13.....4	4
--	147231GT	SEAL KIT, HYD MOTOR, GEN					
9	147242GT	SCREW, GEN ROTOR.....4	4				
10	106114GT	BRACKET,GENERATOR12.5 KW,PNTD*.....1	1				
--	56361GT	CABLE TIE,BUTTON,BLACK,14.75LG...1	1				
11	6782GT	NUT,NYLOCK,5/16-18.....3	3				
12	5397GT	WASHER,FLAT,USS,5/16",Y.....3	3				
13	13000GT	SCREW,HHC,5/16-18 X 1.25.....2	2				
14	13002GT	SCREW,HHC,5/16-18 X 1 GR5.....1	1				
15	133518GT	DECAL, PATCH, GEN,ALC-500.....1	1				
16	27246GT	BOOT,TOGGLE SWITCH,SHORT*.....1	1				
17	128204GT	SWITCH TOGGLE ASSY SPDT 2P MNT.....1	1				
18A	139952GT	GENERATOR,3kW,120V/50Hz.....1 <i>(complete, includes items 4-9 and 19-20)</i>	1				
18B	139953GT	GENERATOR, 3kW, 120V/60Hz.....1 <i>(complete, includes items 4-9 and 19-20)</i>	1				

920.1 Operator Protective Structure

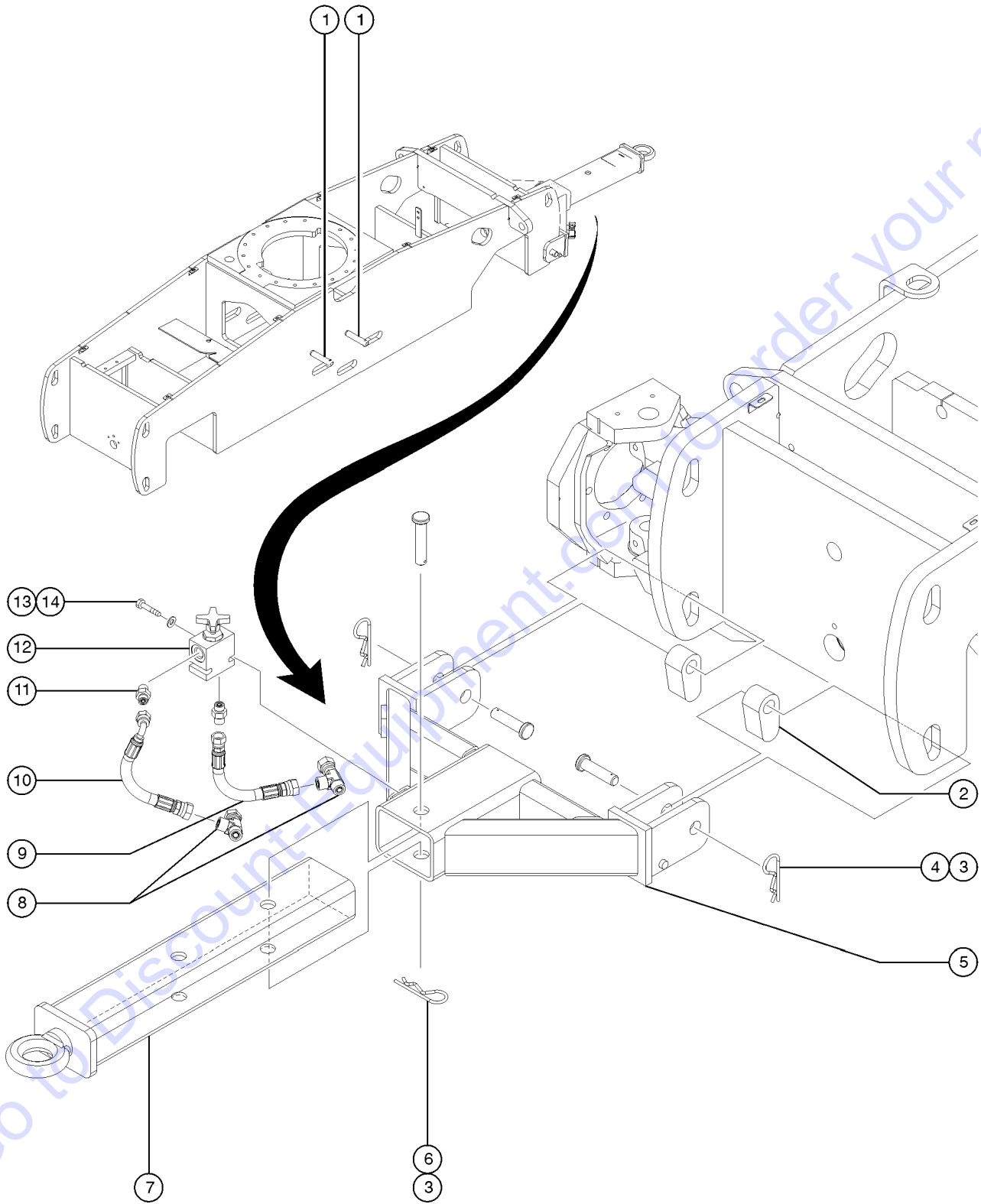


920.1 Operator Protective Structure

Item	Part No.	Description	Qty.
1	219158GT	ACCESSORY,OPERATOR PROT STRUCT.....1 <i>(Complete) includes all fasteners</i>	1
2	8178GT	SCREW,HHC,3/8-16 X 2.5.....4	4
3	6097GT	WASHER,FLAT,USS,3/8",Y.....12	12
4	4828GT	NUT,NYLOCK,3/8-16.....8	8
5	122755GT	UBOLT,FLATTENED,1.5DIA X 3/8 UNC...2	2
6	6888GT	SCREW,HHC,1/4-20 X 1.....4	4
7	15086GT	WASHER,FLAT,.375 X 1.5 X .125.....2 <i>Use only with the platform control box cover option</i>	2
8	6638GT	WASHER,FLAT,USS,1/4"Y.....8	8
9	6091GT	NUT,NYLOCK,1/4-20.....4	4

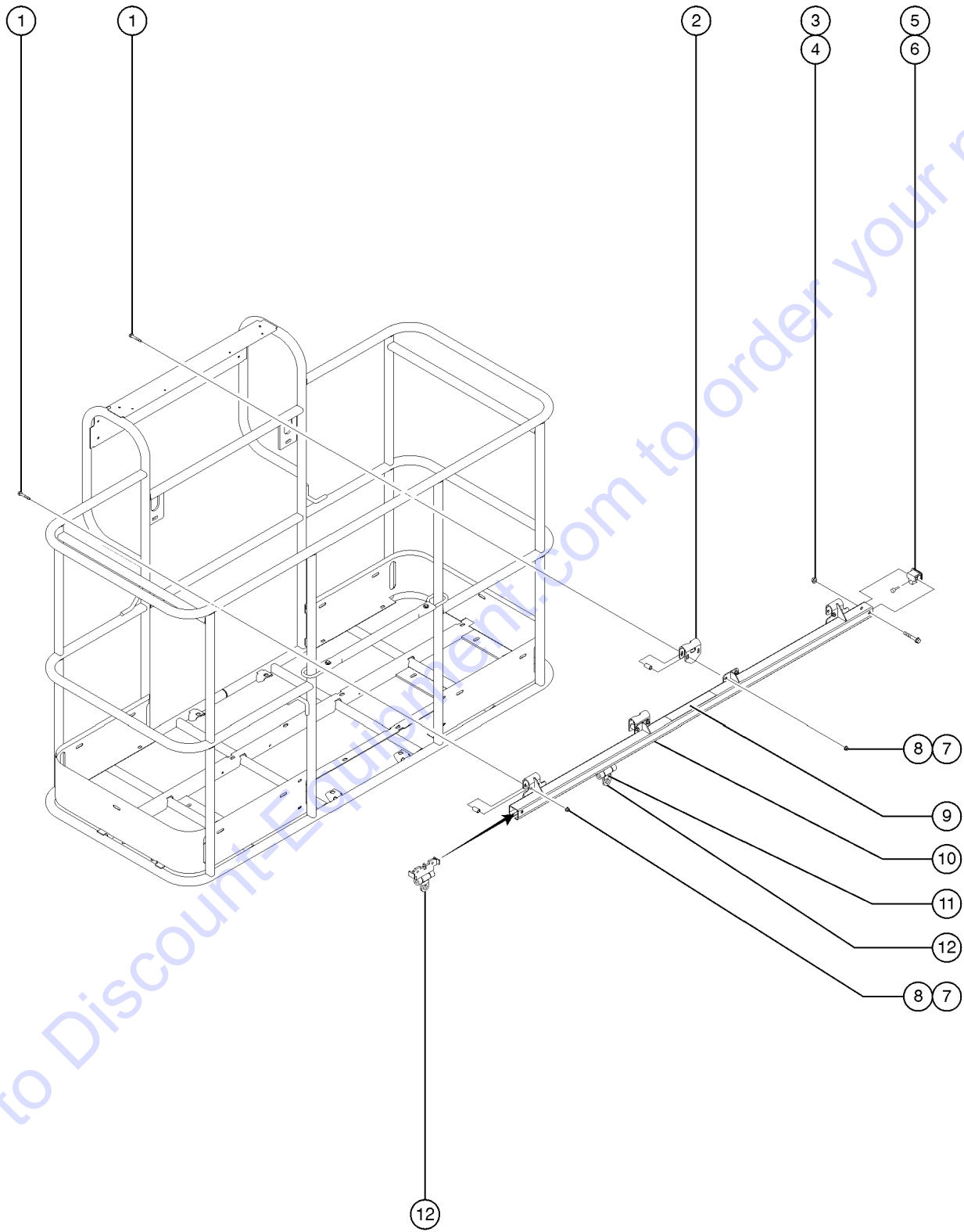
Go to Discount-Equipment.com to order your parts

921.1 Tow Package



Item	Part No.	Description	Qty.
--	77756GT	S60 TOW PACKAGE	
1	47025GT	PIN,STORAGE,TOW PACKAGE.....2 <i>used to store 94420 WELDMENT,PULL BAR</i>	
2	81975PGT	PLATE,CHASSIS ATTACHMENT	
3	42111GT	CLIP,HAIR PIN .243 X 5.25.....3	
4	42113GT	PIN,CLEVIS,1.25 X 5.0,ZINC.....2	
5	77870GT	WELDMENT,TOW BAR.....1	
6	42112GT	PIN,CLEVIS,1.25 X 6.0,ZINC.....1	
7	94420GT	WELDMENT,PULL BAR.....1	
8	48875GT	TEE,RUN,SWIVEL,520432-6.....2	
9	49120-7131GT	HOSE ASSEMBLY,1/4".....1 <i>attach to right front steer cylinder</i>	
10	49163-7144GT	HOSE ASSEMBLY,1/4".....1 <i>includes 90-degree elbow fitting; attach to left steer cylinder</i>	
11	48912GT	CONN,520120-4-6***.....2	
12	25282GT	VALVE,NEEDLE,BRAKE RELEASE.....1	
13	824063GT	SCREW,HHC,1/4-20X1.75,8,ZAG.....2	
14	824113GT	WASHER,FLAT,USS,1/4,ZAG.....2	

922.1 Fall Arrest Bar



922.1 Fall Arrest Bar

Item	Part No.	Description	Qty.
1	1256856GT	SCREW,HHF,3/8-16X2.5,8,ZAG.....	4
2	1256389GT	FORMING,INNER HANGER.....	2
3	1251997GT	NUT,TL FLG,1/2-13,G,ZAG.....	2
4	1256851GT	SCREW,HHF,1/2-13X3.5,8,ZAG.....	2
5	1260892GT	END STOP,TRACK,FALL ARREST BAR.....	2
6	36388GT	BUMPER,RUBBER,.75 X .50H,STUD....	2
7	1274322GT	NUT,NYLOCK FLG,3/8-16,F,ZAG.....	8
8	1256481GT	SPACER, HANGER BRACKET.....	8
9A	1256400GT	DECAL,TRACK,FALL ARREST BAR,WORD.....	1
9B	1260910GT	DECAL,TRACK,FALL ARREST BAR,SYMBOL.....	1
9C	1256400FRGT	DECAL,TRACK,FALL ARREST BAR,WORD FR.....	1
10A	1256377GT	ACC,FALL ARREST BAR,8FT WORD....	1
--	1256379GT	ASSY,TRACK,FALL ARREST BAR,8FT WORD <i>includes decals</i>	
10B	1261022GT	ACC,FALL ARREST BAR,8FT SYM.....	1
--	1261024GT	ASSY,TRACK,FALL ARREST BAR,8FT SYM <i>includes decals</i>	
10C	1261018GT	ACC,FALL ARREST BAR,8FT FR.....	1
--	1261020GT	ASSY,TRACK,FALL ARREST BAR,8FT FR <i>includes decals</i>	
10D	1256378GT	ACC,FALL ARREST BAR,6FT WORD....	1
--	1256380GT	ASSY,TRACK,FALL ARREST BAR,6FT WORD <i>includes decals</i>	
10E	1261023GT	ACC,FALL ARREST BAR,6FT SYM.....	1
--	1261025GT	ASSY,TRACK,FALL ARREST BAR,6FT SYM <i>includes decals</i>	
10F	1261019GT	ACC,FALL ARREST BAR,6FT FR.....	1
--	1261021GT	ASSY,TRACK,FALL ARREST BAR,6FT FR <i>includes decals</i>	
11	40434GT	DECAL,LANYARD ANCHORAGE POINT.....	1
12	1256439GT	TROLLEY, TRACK, FALL ARREST BAR.....	1

Part Number Index

The Part Number Index is a numeric index of all part numbers included in this manual. The index shows what page(s) the part is used on.

Part Number	Page	Part Number	Page	Part Number	Page	Part Number	Page
1000014GT	29, 35, 93, 99	102164GT	118, 122–123,	106517PGT	118, 123	110728GT	117–118, 121–
1000199GT	113		125–126	106520GT	289–290, 293		123
1000262GT	19, 35, 51, 67,	102166GT	118, 122–123,	106521GT	293	110730GT	117–118, 121–
	83, 99		126	106522GT	293		123
101005GT	243	102167GT	118, 122–123,	106523GT	293	110731GT	117–118, 121–
101005HGT	243		125–126	106607GT	293, 297		123
101006GT	177–178	102209PGT	197	106637GT	149	110733GT	117–118, 121–
101066PGT	215	102215GT	231	106647GT	117–118, 121–		123
10107GT	289–290, 307	102216GT	231		123	110755GT	157
101080GT	151–152	102227GT	193–194	106648GT	117–118, 121–	110758GT	189
101129PGT	177–178	102230-9589GT	249		123	110768GT	187
101140P-SGT	177–178	102237GT	193–194	106657GT	149	110777GT	189
101173GT	243	102313-3326GT	261	106663GT	181–182	110784GT	223
101173HGT	243	102357GT	149	106766GT	223	110785GT	223
101174GT	243	102516GT	118, 122–123,	106835GT	171	110789GT	223, 227
101174HGT	243		125–126	106836GT	171	110803GT	151–152
101191GT	151–152	102581GT	197	106837GT	171	110890PGT	191
101199-200GT	279	10262GT	223	106883PGT	157	110892PGT	191
101232GT	273	102684GT	118, 122–123,	106884GT	157	110899GT	181–182
101244GT	221		125–126	107552GT	151–152	110908GT	208
101251GT	211–212	102721PGT	271	107564GT	223	110919GT	191
101252GT	157, 207–208	102746GT	289–290, 293	107615PGT	117–118, 121–	110987GT	151–152
101253GT	207–208	102785PGT	267		123	110988GT	151–152
101254GT	219, 221, 223,	102786PGT	267	107616PGT	118, 123	110991GT	155
	225	102992GT	235	107665PGT	211–212	110992GT	155
101255GT	118, 122–123	104030GT	241	107753GT	159–160	110995GT	191
101293GT	259	104759GT	169	10775GT	269	110996PGT	144
101294GT	171	10597GT	137, 157, 177–	10777GT	269	110997GT	191
101440GT	163		178, 189, 203,	107813GT	171	111029GT	181–182
101446GT	165		208	107814GT	171	111155GT	135
101491GT	245	10598GT	177–178, 181–	107815GT	171	111341GT	191
101494GT	245		182, 191	107825GT	157, 207–208	111402GT	193–194
101516GT	289–290, 293	106003PGT	182	107842GT	171	111413GT	241
101525GT	295, 297	106033GT	273	107857GT	307	111420GT	241
101540GT	143–144, 177–	106044GT	295, 297, 301,	107868PGT	231	111445GT	178, 193–194
	178, 191		303	109802GT	144	111485PGT	267
101547PGT	295, 297	106073GT	289–290, 293	110183PGT	193–194	111486PGT	267
101661GT	307	106077GT	289–290, 293	110194GT	159–160, 163	111526GT	267
101701GT	295	106098GT	117–118, 121–	110196GT	159–160	111614GT	189
101701PGT	297		123, 126	110197GT	159–160	111615GT	189
101726GT	139	106099GT	285	110200GT	159–160	111634GT	189, 203
101729GT	191	106104GT	289–290, 293	110201GT	159–160	111666GT	189
101730GT	191	106108GT	289–290	110202GT	159–160	111668GT	178, 193–194
101731PGT	295	106109PGT	295, 297	110221GT	118, 122–123	111705GT	159–160
101732GT	295	106110GT	295	110268GT	151–152	111748GT	203
101790-10091GT	249	106111GT	295	110276-1600GT	297	111818GT	139
101790-10691GT	249	106112GT	295	110276-2300GT	297	111819GT	139
101795-2482GT	249	106113GT	289–290	110276-2800GT	297	11210GT	208
101795-4782GT	251	106114GT	289–290, 309	110280GT	149	112283GT	191
101845GT	227	106114pGT	293	110304GT	182	112285GT	189
101932GT	281	106115-93600GT	295	110329GT	157	112400GT	191
101947GT	289–290	106117GT	126	110339GT	215	114098GT	115
101964GT	141	106134GT	208	110340GT	215	114099GT	13, 15, 21, 23,
101973GT	271	106140PGT	149	110345GT	137		29, 31, 37, 39,
102045GT	193–194, 197	106141GT	295	110382GT	139		45, 47, 53, 55,
102066GT	205	106154GT	231	110390GT	151–152		61, 63, 69, 71,
102119GT	191	106163GT	235	110406GT	191, 205		77, 79, 85, 87,
102121GT	189, 203	106172PGT	144	110407GT	189, 203		93, 95, 101, 103,
102126GT	117–118, 122–	106183GT	295, 297	110413GT	191		109, 111
	123, 125–126	106184GT	289–290	110414GT	191	114169GT	15, 31, 47, 63,
102131GT	117–118, 122–	106203GT	293	110416GT	191		79, 95
	123, 125–126	106204PGT	295, 297	110417PGT	191, 205	114219GT	13, 29, 45, 61,
102155GT	117–118, 121–	106206GT	293	110419GT	191		71, 77, 93
	123, 126	106226-4000GT	181–182, 191	110421GT	189	114240GT	109
102157GT	118, 122–123,	106226GT	205	110422GT	189	114241GT	109
	125–126	106272GT	293	110423GT	191	114247GT	25, 41, 57, 73,
102158GT	117–118, 121–	106273GT	297	110424GT	189		89, 105, 113
	123, 125–126	106275GT	295, 297	110452GT	208	114249GT	21, 23, 37, 39,
102159GT	117–118, 121–	106374GT	289–290	110477GT	205		53, 55, 69, 71,
	123, 126	106375GT	289–290	110480GT	189		109, 111
102162GT	118, 122–123,	106394GT	289–290, 293	110578GT	118, 122–123	114251GT	21, 37, 53, 69,
	125–126	106399GT	223	110671GT	235		85, 101, 109
102163GT	118, 122–123,	106477GT	289–290	110727GT	117–118, 121–	114252GT	25, 27, 41, 43,
	125–126	106495GT	289–290, 293		123		53, 57, 59, 69,
		106516GT	118, 123				73, 75, 85, 89,

Part Number	Page	Part Number	Page	Part Number	Page	Part Number	Page
	91, 105, 107, 113, 115	119472GT	185	1251842GT	263	1272019GT	139
114258GT	13, 29, 45, 61, 77, 93	119473GT	187	1251997GT	293, 315	1273323GT	289–290, 293
114277GT	15, 23, 31, 39, 47, 55, 63, 71, 79, 87, 95, 103, 111	119474GT	187, 201	1252943GT	182	1274322GT	305, 315
114349GT	69	119475GT	185, 199	1253408GT	297	1274613GT	118, 122–123, 125–126
114389GT	13, 19, 29, 35, 45, 51, 61, 67, 77, 83, 93, 99	119477GT	191, 201	1254826GT	177–178, 193– 194	1276694GT	289–290, 293
114390GT	13, 15, 29, 31, 45, 47, 61, 63, 77, 79, 93, 95	119478GT	185	1254874GT	235	1277924GT	305
114416GT	19, 35, 51, 67, 83, 99	119479GT	185	1255452GT	118, 122–123, 207–208	1277968GT	199
114465GT	13, 21, 29, 37, 77, 85, 93, 101, 109	119481GT	185	1255653GT	177–178, 193– 194	1277969GT	199
114473GT	27, 43, 59, 75, 91, 107, 115	119483GT	151–152	1255773GT	143–144	1279991GT	189, 203
115431GT	181–182, 191	119484GT	189, 205	1255771GT	143–144	1279465GT	144
119044GT	157	119495GT	185	1255772GT	143–144	1279466GT	144
119051GT	189, 203	119496GT	187	1255770GT	143–144	128000GT	243
119052GT	189, 203	119497GT	185	1255771GT	143–144	128001GT	243
119053GT	189, 191	119498GT	185	1255772GT	143–144	128002GT	189
119055GT	191, 205	119500GT	185	1255773GT	143–144	128003GT	182
119056GT	207–208, 279, 293	119535GT	229	1255802GT	293	128004GT	197
119057GT	279	119536PGT	221	1256267GT	118, 122–123, 125–126, 207– 208	128021GT	189
119058GT	207–208, 235	119537GT	229	1256377GT	315	128022GT	182
119065GT	211–212, 279, 307	119542GT	221	1256378GT	315	128023GT	177–178
119066GT	279	119544GT	187	1256379GT	315	128024GT	182
119067GT	211–212, 309	119545GT	185	1256380GT	315	128025GT	182
119068GT	157	119546GT	191, 199	1256389GT	315	128045GT	149
119073GT	191	119547GT	185	1256400FRGT	315	128050GT	289–290, 293
119084GT	281	119548GT	185	1256400GT	315	1280590GT	193–194
119085GT	281	119551GT	185	1256439GT	315	1280591GT	193–194
119086GT	281	119560GT	241	1256481GT	315	128061GT	203
119087GT	281	119567GT	211–212	1256670GT	169	1280665GT	269
119088GT	281	119568GT	185, 199	1256671GT	169	128081GT	139
119089GT	281	119588GT	187	1256851GT	315	128146GT	277
119090GT	281	119607GT	151–152	1256855GT	305	128165GT	185, 199
119117GT	177–178, 193– 194	119613GT	243	1256856GT	315	128166GT	185, 199
119135GT	185	119641GT	241	1257227GT	293	128200GT	147, 237–238
119137GT	185	119644GT	241	1257422GT	235	128201GT	147, 237–238
119138GT	187	119777GT	151–152	125864GT	131	128202GT	147, 238
119139GT	185, 199	119809GT	181–182	125864GT	131	128203GT	301, 303
119140GT	189, 201	119826GT	191	125865GT	131	128204GT	147, 237–238, 241, 309
119142GT	185	119838GT	231	125866GT	133	128268GT	221
119146GT	118, 123	119841GT	139	1259057GT	185	128274GT	277
119153GT	187	119845GT	269	1259704GT	267	128322GT	295, 297
119169GT	191	119846GT	289–290	1259905GT	259, 275	128323GT	295, 297
119170GT	139	119866GT	182	1260084GT	118, 122–123, 125–126	1283571GT	201
119218GT	205	119915GT	243	1260218GT	152	1283572GT	201
119223GT	189	119918GT	139	1260511GT	131	1283573GT	201
119230GT	223	119950GT	267	1260892GT	315	1283574GT	201
119231GT	277	119964GT	187	1260910GT	315	1283575GT	201
119232GT	191, 205	119965GT	199	1261018GT	315	128365GT	277
119234GT	189	119988GT	126	1261019GT	315	128368GT	267
119238GT	189	119990GT	207–208	1261020GT	315	128416GT	165, 289–290
119246GT	155	121035GT	233	1261021GT	315	128417GT	165
119344GT	178	121065GT	233	1261022GT	315	128418GT	165
119403GT	269, 279, 309	121599GT	149	1261023GT	315	128419GT	173, 289–290
119404GT	269, 309	121615GT	193–194	1261024GT	315	128420GT	173
119417GT	273	121831GT	283	1261025GT	315	128423GT	171
119418GT	273	121846GT	149	1261389GT	135	128454PGT	221
119463GT	189	121847GT	241	1261390GT	135	1284569GT	131
119465GT	185	121848GT	151–152, 227	1261391GT	135	128464GT	157, 207–208
119466GT	185	122019GT	265	1261392GT	135	128482GT	221
119468GT	187	122053GT	151–152	1261393GT	135	128483GT	221
119469GT	187	122073GT	267, 303	1261394GT	135	1285235GT	137
119471GT	187	122079GT	221, 223, 225, 227	1262331GT	157, 207–208	128534GT	221
		122231GT	303	1264257GT	231, 233	1285505GT	171
		122278GT	267	1264258GT	231, 233	128578GT	237–238
		122279GT	267	1264822GT	151–152	128580GT	237–238
		122302GT	289–290	1264834GT	151–152	128581-SGT	237–238
		122661GT	233	1264894GT	199	128582-SGT	238
		122662GT	233	1264947GT	139, 152	128584-SGT	237–238
		122663GT	233	1267807GT	144	128588GT	181–182
		122668GT	233	1268229GT	144	128724GT	221
		122755GT	235, 295, 311	1268376GT	207–208	1287434GT	167
		122944GT	219, 221	1268377GT	207–208	1287812GT	135
		123143GT	223, 225	1269500GT	243	1287813GT	135
		12343GT	233	1269693GT	309	128829GT	193–194
		12344GT	241	1271398GT	290, 293, 309	128831GT	181–182
		123663GT	223, 225				
		1251600GT	305				

Part Number Index (continued)

Part Number	Page	Part Number	Page	Part Number	Page	Part Number	Page
1288561GT	178	139001GT	131, 135	139832GT	151-152	147347GT	225
128896GT	193-194	139002GT	131, 133	139833GT	151-152	147348GT	181-182
128909GT	135	139120GT	131	139834GT	151-152	147349GT	181-182
128910GT	135	139121GT	131	139835GT	151-152	147350GT	181-182
128911GT	135	139122GT	131	139836GT	151-152	147351GT	181-182
128912GT	135	139125GT	131	139865GT	126, 143-144	147352GT	181-182
128913GT	135	139135GT	131, 133	139878GT	273	147353GT	181-182
128914GT	135	139140GT	131, 133	139882GT	301, 303	147355GT	182
128916GT	135	139175GT	133	139900GT	141	147370GT	223
128917GT	135	139179GT	131, 133, 135	139902GT	141	147396GT	152
128918GT	135	139181GT	301, 303	139904GT	301, 303	147403GT	211-212
128919GT	135	13918GT	205, 217	139919GT	289-290, 293, 299	147404GT	293, 299
128920GT	135	13921GT	299			147405GT	293, 299
128921GT	135	139224GT	131	139952GT	309	147418GT	289-290, 299
128922GT	135	139248GT	223	139953GT	309	147419GT	245
128923GT	135	139262GT	135	139954GT	309	147428GT	151-152
128924GT	135	139288GT	215	139958GT	267	147455GT	149
128925GT	135	139293GT	229	139963GT	159-160	147504GT	217
128926GT	135	139307GT	229	139965GT	118, 122-123, 125-126	147525GT	177-178
128927GT	135	139308GT	143-144			147526GT	177-178
128928GT	135	139309GT	143-144	139966GT	118, 122-123, 125-126	147549GT	171
128935GT	149	139310GT	143-144			147550GT	171
128955GT	135	139311GT	143-144	139967GT	118, 122-123, 125-126	147571GT	208
128984GT	182	139312GT	143-144			147575GT	51, 59
128985GT	182	139313GT	143-144	139968GT	118, 122-123, 125-126	147578GT	217
128986GT	182	139314GT	143-144			147601GT	83, 91
128987GT	181-182	139315GT	143-144	139969GT	118, 122-123, 125-126	147602GT	67, 75
128991GT	182	139321GT	193-194			147603GT	19, 27, 35, 43, 83, 91, 99, 107
12906GT	141	139322GT	193-194	139970GT	118, 122-123, 125-126		
12960GT	309	139323GT	143-144			147604GT	115
13000GT	187, 189, 203, 205, 235, 289-290, 309	139338GT	237-238, 241	139971GT	118, 122-123, 125-126	147605GT	45, 51
		139366GT	157			147607GT	77, 83
13002GT	177-178, 182, 187, 197, 203, 235, 289-290, 309	139367GT	289-290, 293	139972GT	118, 122-123, 125-126	147608GT	61, 67
		139384GT	215			147609GT	51
13003GT	193-194, 197	139385GT	215	139983GT	197	147610GT	83
13064GT	118, 122-123, 125-126, 143-144, 193-194, 197	139438GT	271	14033GT	189, 203	147612GT	67
		139440GT	157	14041GT	309	147617GT	211-212
13066GT	143-144, 171, 189, 193-194, 203, 208, 223, 225, 290, 309	139441GT	157	14392GT	279	147642GT	151-152
		139455GT	193-194	144161GT	269	147643GT	151-152
131589GT	191	139508GT	167	146061GT	197	147644GT	283
13268GT	149	139512GT	167	146284GT	289-290, 293	147646GT	151-152
133067GT	21, 23, 37, 39, 53, 55, 69, 71, 85, 87, 101, 103, 109, 111	139527GT	167	146285GT	289-290, 293	147647GT	151-152
		139528GT	167	146413GT	139	147650GT	151-152
133238GT	15, 31, 47, 63, 79, 95	139578GT	129	146417GT	139	147652GT	151-152
		139598GT	243	146478GT	237-238	147654GT	151-152
133250GT	77, 79, 93, 95	139601GT	207-208	146551GT	139	147657GT	151-152
133251GT	77, 79, 85, 87	139602GT	207-208	146552GT	139	147658GT	49, 57
133252GT	93, 95, 101, 103	139610GT	189, 203	147015GT	189	147660GT	65, 73
133253GT	81, 89	139621GT	177-178	147016GT	185, 189	147755GT	45, 53
133254GT	97, 105	139622GT	177-178	147031GT	151-152	147756GT	61, 69
133255GT	79, 87	139623GT	177-178	147033GT	118, 122-123, 125-126	147783GT	281
133260GT	95, 103	139624GT	178			147788GT	53, 59
133263GT	85, 87, 101, 103	139644-14B61GT	217	147034GT	118, 122-123, 125-126	147790GT	85, 91
133278GT	13, 29, 45, 61, 77, 93	139666GT	178			147791GT	69, 75
		139709GT	177-178, 197	147094GT	147	147792GT	13, 15, 29, 31, 61, 63
133387GT	27, 43, 59, 75, 91, 107, 115	139712GT	167	147121GT	235		
133413GT	21, 37, 85, 101, 109	139715GT	167	147149GT	131	147793GT	45, 51, 61, 67, 77, 83
		139716GT	167	147155GT	135		
133518GT	309	139717GT	167	147223GT	137	147794GT	77, 85
13480-SGT	155	139718GT	167	147228GT	309	147795GT	45
13482GT	235	139719GT	167	147229GT	309	147796GT	61
13585GT	269	139727GT	167	147230GT	309	147797GT	77
13597GT	279	139731GT	151-152	147231GT	309	147826GT	182
13635-10GT	215, 231, 233	139732GT	151-152	147232GT	309	147834GT	208
13854GT	207-208	139733GT	151-152	147233GT	309	147840GT	147
139000GT	131, 135	139734GT	151-152	147239GT	309	147842GT	208
		139735GT	151-152	147240GT	309	1487GT	267
		139736GT	151-152	147241GT	309	15086GT	191, 205, 311
		139737GT	151-152	147242GT	309	15243GT	149, 241
		139738GT	151-152	147243GT	178	160541GT	203
		139741GT	151-152	147255GT	151-152	160804GT	235
		139790GT	231	147258GT	309	160809GT	235
		139791GT	231	147262GT	309	161144GT	175
		139793GT	208	147289GT	139	161145GT	175
		139799GT	171	147290GT	139	161523GT	247
		139801GT	171	147300GT	151-152	161541GT	235

Part Number	Page	Part Number	Page	Part Number	Page	Part Number	Page
161542GT	235	215288GT	201	219243GT	175	229817GT	122-123, 125-126
161611GT	181-182	215289GT	201	219245GT	175		
161613GT	143-144	215290GT	201	219247GT	175	229818GT	122-123, 126
162006GT	289-290	215291GT	201	219437GT	191, 205	229931GT	122-123, 126
162022GT	51	215294GT	199	219477GT	205	230072GT	217
162023GT	45	215295GT	199	220229GT	199	230329GT	217
162162GT	263, 293	215298GT	185, 191, 201	220230GT	199	230331GT	217
162163GT	263, 293	215299GT	199	220231GT	199	230392GT	137
162164GT	263, 293	215300GT	199	22348GT	139	230497GT	208
1702GT	205	215301GT	199	22558GT	177-178, 193-194, 197	23057GT	181-182
18503GT	137, 187, 189, 191, 203	215302GT	199			231012GT	279
		215305GT	199	22571GT	293	231013GT	279
18504GT	203	215307GT	201	22578GT	193-194	231014GT	279
18506GT	199	215308GT	199	226325GT	233	231015GT	279
18596GT	193-194, 197, 211-212, 215	215309GT	199	226327GT	231	231513GT	182
		215310GT	199	226393GT	265	231653GT	231
18605GT	217	215311GT	201	226541GT	223, 225	233365GT	185
18665GT	289-290, 293	215313GT	201	226542GT	223, 225	233437GT	185
18666GT	241, 293, 295	215314GT	199	22672GT	181-182, 285	233992GT	305
18716GT	207-208	215316GT	205	22692GT	189	233993GT	305
18717GT	207-208	215317GT	205	226940GT	135	234005GT	185
18720GT	207-208, 211-212	215320GT	203	226941GT	135	234006GT	185
		215340GT	118, 122-123, 125-126	226942GT	135	23404GT	149, 241
18722GT	207-208			226943GT	135	23405GT	285
18730GT	126, 207-208	215347GT	279	226944GT	135	234242GT	225
18731GT	207-208	215423GT	135	226945GT	135	235323GT	241
18963GT	265	215424GT	135	226946GT	135	235372GT	29, 31, 37, 39
19358GT	191, 205	215425GT	135	22699GT	177-178, 189, 191, 193-194, 203, 205	235411GT	241
19363GT	191	215426GT	135			235659GT	203
19440GT	117-118, 121-123, 211-212	215427GT	135	22700GT	189, 191, 203, 205, 299	235659GT	203
19491GT	207-208, 211-212	215528GT	203			236338GT	203
		215544GT	203	227125GT	208	236339GT	205
19506GT	147	215642GT	118, 122-123, 125-126	227125GT	208	236340GT	205
20262GT	235			227288GT	13, 19, 29, 35, 77, 83, 93, 99	236341GT	203
20776GT	289-290, 293	215709GT	203			236344GT	205
20973-1700GT	157	215747GT	271	227306GT	233	236373GT	201
21019GT	181-182, 191, 205	215748GT	271	227307GT	233	236420GT	205
		216019GT	205	227308GT	233	236421GT	205
21130GT	129, 178, 181-182, 193-194	21604GT	227	227309GT	189, 201	236422GT	205
		216178GT	309	227347GT	247	236423GT	205
21141GT	137	216181GT	309	227424GT	289-290, 293	236425GT	205
214249GT	279	21618GT	301, 303	227425GT	289-290, 293	236474GT	279
214410GT	279	216367GT	203	227426GT	289-290	236475GT	279
214411GT	279	216368GT	203	227532GT	289-290, 293	236832GT	203
214446GT	203	216602GT	175	22788GT	205, 299	236911GT	139
214536GT	279	216606GT	279	227988GT	189, 203	236912GT	139
214619GT	297	216607GT	279	228320GT	293, 295, 297	236923GT	309
214620GT	297	216611GT	279	228321GT	295, 297	236924GT	309
214621GT	297	216612GT	279	228322GT	151-152	236946GT	177-178
214622GT	297	216615GT	279	228323GT	151-152	237068GT	137
214623GT	297	216616GT	279	228332GT	293	237146GT	203
21465GT	191, 205	216617GT	279	228448GT	303	237251GT	203
214690GT	215	216618GT	279	228457GT	181-182	237379GT	205
214796GT	185	216655GT	279	228463GT	147	237385GT	205
214798GT	185	216662GT	279	228768GT	121-123	237780GT	205
214803GT	185	216676GT	279	228769GT	121-123	237832GT	182
21496GT	129	216683GT	279	228796GT	233	237856GT	187, 205
215269GT	201	217043GT	149	228797GT	233	237857GT	187, 205
215270GT	201	217044GT	149	228797GT	233	237858GT	187, 205
215271GT	201	217045GT	149	228848GT	305	237859GT	187, 205
215273GT	201	217046GT	149	228849GT	305	238123GT	279
215274GT	201	217366GT	295, 297	228967GT	233	238234GT	205
215275GT	199	217439GT	293	228969GT	233	24038GT	182, 191, 205
215276GT	201	217440GT	297	229169GT	233	24040GT	177-178, 191
215277GT	201	217820GT	199	229201GT	139	24514GT	235
215278GT	199	217822GT	201	229202GT	139	25235GT	55
215279GT	201	217823GT	199	229203GT	139	25282GT	313
215280GT	199	217824GT	201	229204GT	139	25368GT	191, 205
215281GT	199	217979GT	135	229205GT	139	25388GT	269
215282GT	199	218448GT	233	229567GT	147, 237-238	25548GT	189
215283GT	199	218576GT	203	229702GT	118, 122-123, 125-126	25625GT	178
215284GT	199	21858GT	147			25683GT	219, 221, 223, 225
215285GT	199	218668GT	203	229743GT	13, 15, 21, 23, 45, 47, 53, 55	25685GT	223, 227
215286GT	199	218742GT	203			25817GT	117-118, 121-123
215287GT	199	218751GT	261, 263, 293	229744GT	61, 63, 69, 71, 109, 111		
		219158GT	311			25926GT	149, 187, 191

Part Number Index (continued)

Part Number	Page	Part Number	Page	Part Number	Page	Part Number	Page
25927GT	191, 205	28235GT	15, 19, 23, 27,	34053GT	149	45454GT	189, 229
25969GT	208		31, 35, 39, 43,	34058GT	273	45470GT	217, 227
25994GT	13, 29, 45, 61,		47, 51, 59, 63,	34124GT	211-212	45489GT	159-160
	77, 93		67, 71, 75, 79,	34125GT	215	45708GT	137
27067GT	117-118, 121-		83, 87, 91, 95,	34162-0400GT	287	45748GT	223, 227
	123, 126		99, 103, 107,	34164GT	287	45782GT	177-178, 193-
27089GT	139, 178, 193-		111, 115	34245GT	211-212		194
	194	28236GT	19, 35, 51, 67,	34276GT	207-208	45845GT	279
27204GT	15, 23, 31, 39,		83, 99	34344GT	211-212, 215	45912GT	159-160
	47, 55, 63, 71,	28301GT	141	34505GT	285	45921GT	159-160
	79, 87, 95, 103,	28487GT	211-212	34619GT	227	46131GT	189, 205
	111	28607GT	273	34922GT	285	46188GT	303
27205GT	13, 21, 29, 37,	28646GT	227	34955GT	285	47025GT	313
	45, 53, 61, 69,	28853GT	277	34959GT	287	47041GT	13, 29, 45, 61,
	77, 85, 93, 101,	29080GT	215	35432GT	285		77, 93
	109	29104GT	13, 29, 45, 61,	35461GT	269	47222GT	217
27206GT	13, 15, 21, 23,		77, 93	35586GT	177-178	4828GT	118, 122-123,
	29, 31, 37, 39,	29559GT	177-178, 193-	35610GT	277		137, 139, 143-
	45, 47, 53, 55,		194	35675GT	143-144, 177-		144, 157, 182,
	61, 63, 69, 71,	29560GT	177-178, 193-		178, 191, 221		189, 191, 193-
	77, 79, 85, 87,		194	35726GT	175		194, 197, 203,
	93, 95, 101, 103,	29764GT	137, 155, 221,	35956GT	267, 307		205, 217, 219,
	109, 111		227	36208GT	203, 285		221, 223, 225,
27207GT	13, 15, 21, 23,	29868GT	137	36294GT	208		227, 231, 233,
	29, 31, 37, 39,	30080GT	19, 35, 83, 99	36388GT	283, 315		235, 238, 269,
	45, 47, 53, 55,	30138GT	211-212, 215	36456GT	205		283, 295, 301,
	61, 63, 69, 71,	30143GT	137	37505GT	181-182		303, 307, 311
	77, 79, 85, 87,	30144GT	137	38149GT	29, 45, 61, 77, 93	48425GT	191, 205
	93, 95, 101, 103,	30217GT	219, 221, 223,	38620GT	215	48767GT	247
	109, 111		225	38621GT	211-212	48875GT	313
27246GT	237-238, 301,	30222GT	221	38859GT	137, 155	48878GT	259, 275
	303, 309	30255GT	219, 221, 223,	38922GT	189, 203	48880GT	245, 247, 249,
27287GT	149, 241		225	39317GT	231, 233		253
27377GT	141	30370GT	208, 211-212,	39479GT	129, 205	48883GT	251
27391GT	301		219, 223, 225	39879GT	299	48891GT	253
27497GT	139	30468GT	267	39882GT	144	48904GT	245, 247, 253
27761GT	163	30489GT	193-194	40434GT	19, 27, 35, 43,	48905GT	245, 247, 249,
27802GT	159-160	30490GT	139, 177-178,		51, 59, 67, 75,		251, 253, 255
27804GT	159-160		193-194		83, 91, 99, 107,	48907GT	245, 247
27807GT	159-160	30785-400GT	129		115, 315	48908GT	247, 249, 251,
27836GT	159-160, 163	30810GT	273	40614GT	149		253, 255, 257
28158GT	13, 21, 29, 37,	30971GT	177-178, 285	42014GT	118, 123, 126,	48911GT	247, 249, 251
	45, 53, 61, 69,	30973GT	137, 141		133	48912GT	245, 249, 253,
	77, 85, 93, 101,	30997GT	149, 241	42111GT	313		313
	109	31060GT	17, 33, 49, 65,	42112GT	313	48914GT	245, 253, 299
28159GT	13, 21, 29, 37,		81, 97	42113GT	313	48915GT	249, 251
	45, 53, 61, 69,	31100GT	160	42288GT	147, 238	48916GT	245, 247, 249,
	77, 85, 93, 101,	31120GT	267	4266GT	139, 215, 267		251
	109	31408GT	177-178, 277	42787GT	259	48918GT	249, 251
28160GT	13, 21, 29, 37,	31523GT	177-178	42790GT	255	48930GT	249
	45, 53, 61, 69,	31788GT	13, 29, 45, 61,	43018GT	169	48932GT	245, 261, 263,
	77, 85, 93, 101,		77, 93	43181GT	151-152		293
	109	32064GT	203	43392GT	267	48933GT	245, 247, 249,
28161GT	13, 15, 17, 29,	32309GT	187, 201	43683GT	171		251, 253, 255,
	31, 33, 45, 47,	32675GT	289-290, 293	43960GT	207-208, 211-		257, 261, 263,
	49, 61, 63, 65,	32681GT	129		212, 235		293
	77, 79, 81, 93,	32695GT	177-178	44064GT	177-178, 205,	48935GT	255
	95, 97	32698GT	177-178		299	48936GT	245, 249
28165GT	19, 35, 51, 67,	32975GT	159-160	44174GT	169	48937GT	247, 255
	83, 99	33239GT	177-178	44743GT	235	48941GT	245, 261, 263
28174GT	15, 19, 23, 27,	33277GT	181-182, 191,	44981GT	15, 19, 23, 27,	48943GT	245
	31, 35, 39, 43,		205		31, 35, 39, 43,	48946GT	245
	47, 51, 55, 59,	33278GT	143-144, 215		47, 51, 55, 59,	48948GT	249, 261, 263
	63, 67, 71, 75,	33418GT	143-144, 193-		63, 67, 71, 75,	48949GT	245
	79, 83, 87, 91,		194, 197		79, 83, 87, 91,	48960GT	245, 247, 249,
	95, 99, 103, 107,	33422GT	149		95, 99, 103, 107,		251, 255, 257,
	111, 115	33428GT	118, 122-123,		111, 115		259, 261, 263,
28175GT	15, 31, 47, 63,		221	44986GT	19, 35, 83, 99		275, 293
	79, 95	33432GT	289-290, 293	45071GT	118, 123, 131	48961GT	261, 263
28176GT	19, 35, 51, 67,	33555GT	141	45074GT	118, 122-123	48963GT	245, 255, 257,
	83, 99	33607GT	149	45363GT	137		261, 263, 293
28177GT	19, 35, 51, 67,	33608GT	149	45383GT	237-238	48964GT	255
	83, 99	33681GT	203	45384GT	147, 149, 237-	48975GT	299
28181GT	17, 33, 49, 65,	33724GT	269		238	48977GT	245
	81, 97	33988GT	171	45385GT	149	48978GT	261, 263
		34052GT	149	45435GT	189, 203, 287	48984GT	245, 247, 259

Part Number Index (continued)

Part Number	Page	Part Number	Page	Part Number	Page	Part Number	Page
48985GT	245	5224GT	118, 122-123,	57072GT	215		211-212, 215,
48996GT	245		139, 281	57075GT	269		217, 221, 227,
48998GT	245, 247, 249	52352GT	193-194	58247GT	189, 203		229, 231, 233,
49117-10091GT	249	52371GT	169	58249GT	193-194		235, 275, 281,
49117-10691GT	249	52607GT	13, 29, 45, 61,	58253GT	151-152, 243		285, 290, 301,
49117-2491GT	245		77, 93	58256GT	177-178, 193-		303, 311
49117-3291GT	253	52661GT	267		194	6095GT	129, 137, 177-
49117-3391GT	245	52726GT	163	58299GT	193-194		178, 181-182,
49117-3691GT	255	52865GT	29, 45, 61, 77, 93	58303GT	159-160		189, 191, 205
49117-3791GT	247	52866GT	177-178, 181-	58304GT	143-144	6096GT	144, 189
49117-4691GT	245, 253		182, 193-194	58308GT	231	6097GT	118, 122-123,
49117-5191GT	253	52897GT	169	58309GT	231		137, 139, 143-
49117-6091GT	249	52943GT	159-160	58310GT	231, 233		144, 177-178,
49117-6119GT	257	52966GT	13, 21, 29, 37,	58354GT	181-182		191, 205, 211-
49117-6291GT	249		45, 53, 61, 69,	58380GT	144		212, 221, 227,
49119-2878GT	245, 247		77, 85, 93, 101,	58431GT	171		231, 233, 235,
49119-4278GT	247		109	58489GT	139		283, 287, 311
49119-70978GT	247	52967GT	13, 29, 37, 45,	58566GT	177-178	60984GT	157, 207-208
49119-72078GT	247		53, 61, 69, 77,	58596GT	143-144	61072-2443GT	261
49119-7478GT	247		85, 93, 101, 109	58597GT	143-144	61072-2543GT	261
49119-7578GT	249, 251	53189GT	283	58627GT	147	61073-2830GT	255
49119-79678GT	247	53386GT	118, 123	58630GT	193-194	61073-3330GT	257
49120-7131GT	313	5365GT	129, 193-194,	58631GT	289-290, 293,	61073-3930GT	245
49128-12309GT	247		227		299	61073-7330GT	257
49128-13809GT	247	53758-SGT	273	58632GT	187, 201	61074-6222GT	255
49130-2482GT	249, 251	53759-SGT	273	59460GT	117-118, 121-	61074-7272GT	245
49130-4782GT	249, 251	53761-SGT	273		123	61074-7572GT	245
49130-5582GT	245	53807-SGT	267	6002GT	199	61110GT	193-194, 203
49130-5782GT	245	53808-SGT	267	60160PGT	235	61128GT	143-144
49131-9603GT	249	53952GT	177-178, 181-	6019GT	137, 139, 197,	61225GT	149, 277
49142-7112GT	255		182, 189, 203		205, 211-212,	61234GT	139
49143-12329GT	247	5397GT	137, 141, 144,		215, 217, 229,	61240GT	139
49143-13829GT	247		171, 177-178,		231, 233, 235,	61263GT	245
49143-2979GT	255		181-182, 187,		269, 287	6126GT	143-144
49143-3179GT	255		189, 193-194,	6021GT	118, 122-123,	61278GT	309
49143-3429GT	245		197, 203, 205,		125-126, 144,	61306-SGT	221
49143-3629GT	245		217, 235, 238,		189, 203, 207-	6145GT	191, 205, 217,
49150-9130GT	245		269, 289-290,		208, 211-212,		267, 307
49151-6248GT	245, 259		295, 301, 303,		215, 217, 221,	6146GT	137, 141, 181-
49163-7144GT	313		305, 307, 309		229		182, 191, 205,
49177-102894GT	269	5408GT	157	6024GT	193-194, 197		227, 241, 265,
49177-108894GT	269	54124GT	139	60334GT	144		279, 285
49183-13492GT	247	54177GT	215	6033GT	118, 122-123,	6147GT	265
49183-7592GT	257	54205GT	182		129, 137, 157,	61602GT	207-208
49183-8492GT	261	54247-SGT	235		177-178, 189,	61610GT	261, 263
49207GT	245, 253	54260GT	207-208		203, 207-208	61726GT	227
49212GT	269	54274GT	235	6036GT	143-144, 299	6175GT	118, 122-123,
49214GT	269	54322GT	137	60370-SGT	221, 227		125-126, 137,
49215GT	269	54365GT	149, 187, 241,	6037GT	289-290		139, 157, 177-
49219GT	151-152, 247		293	60425GT	207-208, 279		178, 181-182,
49364GT	182	54428GT	178	60427GT	279		193-194, 207-
49378GT	189, 203	54437GT	182	60429GT	207-208		208, 211-212,
49379GT	293	54457GT	267	60439GT	211-212, 279,		215, 219, 221,
49381GT	205	54486GT	267		307		223, 283
49386GT	191	54487PGT	181-182	60441GT	279	6178GT	137, 141, 149,
49407GT	193-194	54534GT	149	60443GT	211-212		157, 229, 241,
49408GT	187, 191, 201	54578GT	182	60445GT	157		265, 293
49410GT	182	54579GT	181-182	60455GT	157	61794GT	151-152, 243
49411GT	177-178, 181-	54687GT	181-182	60585GT	182	6179GT	157
	197, 215	55067GT	235	60746GT	208	61804GT	227
		55747GT	277	60838GT	193-194	61972GT	227
49418GT	247	55753GT	267, 301, 303	60857GT	144	61974GT	227
49816GT	141	56051GT	307	60868GT	182	61975GT	227
49819GT	241	56057GT	149	60886PGT	269	6198GT	144, 177-178,
49820GT	241	56361GT	217, 309	6090GT	126, 137, 139,		189, 191, 205,
49824GT	285	56424GT	235, 267, 305		141, 144, 147,		207-208, 215,
49826GT	229	56426-700GT	301, 303		187, 203, 208,		290, 309
49859GT	251, 253	56704GT	265		211-212, 215,	61997GT	227
49861GT	257	56848GT	237-238		221, 229, 231,	62076GT	17, 25
49915GT	197	56912GT	117-118, 121-		233, 235, 241,	62077GT	15, 23, 47, 55,
49924GT	177-178, 193-		123, 126, 137,		267, 271, 301,		63, 71, 111
	194		147, 191, 203,		303	62078GT	33, 41
50787-SGT	177-178, 193-		205, 212, 221,	6091GT	129, 137, 139,	62079GT	31, 39
	194		229, 235, 281,		141, 144, 149,	62256GT	159-160
51147GT	295		283		155, 181-182,	62257GT	159-160
51580GT	261, 263	56934GT	305		187, 189, 205,	62258GT	160

Part Number Index (continued)

Part Number	Page	Part Number	Page	Part Number	Page	Part Number	Page
62260GT	159-160	6884GT	231, 233	72875GT	19, 35, 51, 67,	77071GT	139
62273GT	159-160	6888GT	137, 139, 141,		83, 99, 267	7713GT	182, 235
62274GT	160		144, 149, 181-	72999GT	13, 29, 45, 61,	77180GT	235
62275GT	159-160		182, 189, 203,		77, 93	77181GT	221
62276GT	160		211-212, 227,	73233GT	235	77219GT	139
62392GT	243		229, 235, 275,	7339GT	117-118, 121-	77245PGT	177-178
62420GT	177-178, 181-		281, 285, 289-		123, 149, 203	77295GT	189, 203
	182		290, 301, 303,	73455GT	118, 122-123,	77303GT	219, 221, 223,
62421GT	182		311		125-126, 143-		225
62425GT	193-194	6889GT	231, 233, 241,		144	77351GT	241
62433GT	182		267, 271, 281,	73463-1175GT	305	77353GT	137
62476GT	197		283, 303	73477PGT	235	77354GT	137
62506GT	169	6935GT	269, 309	73478PGT	235	77365GT	137
62507GT	169	69775GT	178	73500GT	267	77382GT	277
62845GT	181-182	69776GT	279	73501GT	267	77402GT	177-178, 181-
63078GT	211-212	70264GT	231	73574-SGT	235		182
63213GT	221	70289GT	208	73575GT	235	7746GT	267
6326GT	118, 122-123	70290GT	208	73587GT	235	77482GT	182
63311GT	267	70298GT	182	73599GT	205	77483GT	182
63353GT	221	70317PGT	283	73610PGT	235, 271	77610GT	118, 122-123
63375GT	269	70318PGT	283	73634GT	227	77616PGT	215
63463GT	177-178, 181-	70319GT	283	73713GT	211-212, 307	77618PGT	211-212
	182	70351PGT	177-178	73717GT	149, 241	77623PGT	125-126
63468GT	126	70357GT	182	73723GT	241	77643GT	117-118, 121-
63566GT	219, 221, 223,	70367GT	181-182, 191,	73725GT	211-212		123
	225		205	73736GT	149, 241	77645PGT	137
6356GT	144, 147, 208,	70375GT	177-178	73739GT	207-208, 235	77646PGT	137
	211-212, 215,	70381GT	177-178, 197	73753GT	149	77648GT	215
	221, 235, 241,	70385GT	178, 182	73754GT	149	77649GT	215
	267, 281, 283,	70387GT	139	73803GT	149, 241	77653PGT	211-212
	307	70444GT	193-194	73805GT	147	77654PGT	211-212
63727GT	285	70445GT	197	73807GT	169	77656GT	211-212, 215
63772GT	283	70448PGT	193-194	73811GT	211-212	77664GT	305
63773GT	283	70449GT	193-194	73814GT	207-208	77665PGT	143-144
65473GT	182, 191	70452GT	177-178, 191,	73928GT	137, 155, 221,	77666PGT	143-144
65538GT	181-182		205		227	77671GT	143-144
65636GT	182	70453GT	177-178	74006GT	269, 289-290,	77672GT	207-208
65638GT	182	70454PGT	197		293	77674GT	126
6563GT	223	70455GT	193-194	74052GT	269	77676GT	143-144
6584GT	129, 178, 193-	70456GT	197	74254GT	155	77679GT	139
	194	70459PGT	177-178	74389GT	117-118, 121-	77680GT	139
65887GT	139	70460PGT	177-178		123, 215	77681GT	139
6605GT	215	70461PGT	177-178	74872GT	211-212	77683GT	305
6607GT	208, 235	70465GT	193-194	74902GT	159-160	77685GT	295
6610GT	143-144	70472PGT	177-178	74913GT	149	77688GT	215
6637GT	208, 275	70483GT	197	74917GT	149	77692GT	221, 227
6638GT	117-118, 121-	70494PGT	177-178	74918GT	149	77693GT	275
	123, 126, 129,	70499GT	178	75041GT	208, 279	77713PGT	215
	137, 139, 141,	70529GT	287	75073GT	141, 144	77718GT	211-212, 215
	144, 147, 149,	7056GT	269	75076GT	141	77725GT	117-118, 121-
	181-182, 187,	7057GT	149, 309	75159GT	191		123
	189, 191, 193-	71038GT	273	75278-5029GT	249	77726GT	117-118, 121-
	194, 199, 203,	71259GT	275	75278-5129GT	249		123
	205, 208, 211-	71498GT	307	75395GT	221	77736GT	181-182
	212, 215, 217,	71768GT	211-212	75443GT	243	77756GT	313
	221, 227, 229,	71911GT	189, 193-194,	75444GT	243	77778GT	141
	231, 233, 235,		197	75445GT	243	77788GT	171
	241, 267, 271,	72047GT	159-160	75446GT	243	77790GT	117-118, 121-
	275, 281, 283,	72168GT	13, 29, 45, 61,	75447GT	243		123
	285, 290, 293,		77, 93	75448GT	243	77791GT	117-118, 121-
	301, 303, 305,	72169GT	13, 29, 45, 61,	75449GT	243		123
	311		77, 93	75450GT	193-194	77795GT	211-212
66472GT	301, 303	72255GT	177-178, 193-	75451GT	193-194	77797GT	301, 303
66812GT	147, 237-238		194	75470GT	207-208	77803GT	144
66813GT	147, 237-238	72282GT	265	75574GT	247	77870GT	313
66815GT	237-238	72290GT	117-118, 121-	75617-1538GT	303	77879PGT	283
66816GT	237-238		123, 126	75617-1675GT	301, 303	77880GT	118, 122-123
66818GT	237-238	72326GT	137, 237-238,	75617-2275GT	301, 303	77882PGT	211-212
67325GT	137		265	75617-4788GT	303	77887GT	287
6782GT	141, 177-178,	72327GT	205	75617-6275GT	303	77891GT	287
	182, 197, 205,	72343GT	181-182, 189,	75617-6475GT	301, 303	77896GT	231
	217, 235, 295,		203	75631GT	187, 201	77950GT	125-126
	309	72344GT	181-182	75636GT	301, 303	77990GT	182
6833GT	205, 281, 301,	72348GT	181-182	75654GT	245	77996PGT	283
	303	7268GT	223	77051GT	211-212, 215	77997PGT	283
6878GT	281			77069GT	139	77998PGT	283

Part Number	Page	Part Number	Page	Part Number	Page	Part Number	Page
79456GT	221	824546GT	208	88377-1400GT	305	89294GT	117-118, 121-123, 131
80543GT	289-290, 293	824547GT	233	88384GT	301, 303	89307GT	159-160
80716GT	147	824548GT	233	88385GT	301, 303	89309GT	159-160
81005GT	144	824549GT	233	88390GT	301, 303	89310GT	159-160
81096GT	269	824550GT	208	88406GT	295, 297	89311GT	159-160
81164GT	117-118, 121-123	824551GT	221	88450GT	189	89571GT	143-144
81167GT	283	82472GT	21, 23, 25, 37, 39, 41, 53, 55, 57, 69, 71, 73, 85, 87, 89, 101, 103, 105, 109, 111, 113	88451GT	185, 199	89575GT	149
81175GT	221			88452GT	185, 199	89617GT	139
81341GT	231, 233			88514GT	231	89736GT	160
81342GT	231, 233			88516GT	219, 221	89755GT	227
81347GT	231, 233			88567GT	215	89771GT	182
81458GT	269	82473GT	23, 39, 55, 71, 87, 103, 111	88568GT	211-212	89792GT	178
81467GT	193-194			88571GT	211-212	89861GT	159-160
81468GT	193-194	82481GT	21, 37, 53, 69, 85, 101, 109	88576GT	219	89862GT	169
81487PGT	241			88606PGT	267	89864GT	169
81488GT	241	824879GT	147, 237-238	88607PGT	267	89953GT	181-182
81532GT	301	82487GT	21, 27, 37, 43, 59, 69, 75, 85, 91, 101, 107, 109, 115	88636-11973GT	247	89977GT	295
81550GT	241			88636-2573GT	247	89997GT	193-194
81551GT	241			88653GT	207-208	9145GT	290, 309
81552GT	129			88665GT	207-208	94077GT	139
81570GT	269	824880GT	237-238	88666GT	207-208	94205-3164GT	259, 275
81578GT	137	824882GT	147	88667GT	211-212	94221GT	118, 122-123
815852GT	208	825019GT	118, 122-123, 144, 219, 221, 223, 225	88668GT	207-208	94326GT	227
81640GT	221			88675GT	207-208	94332GT	117-118, 121-123
81691GT	129	825358GT	297	88676GT	207-208		
81694GT	207-208	82548GT	27, 43, 59, 75, 91, 107, 115	88684GT	139	94333GT	117-118, 121-123
8170GT	137			88705GT	231		
81724GT	144	82551GT	21, 23, 37, 39, 53, 55, 69, 71, 109, 111	88727GT	117-118, 121-123	94374-2330GT	251
81777GT	231, 233					94374-2430GT	249
8177GT	118, 122-123, 171, 193-194, 207-208, 307	82552GT	21, 23, 37, 39, 53, 55	88728GT	117-118, 121-123	94374-2530GT	251
8178GT	283, 307, 311			88729GT	117-118, 121-123	94374-2630GT	249
8179GT	129, 211-212, 231, 233	8255GT	118, 122-123, 144, 205, 221			94374-4730GT	251
				88730GT	117-118, 121-123	94374-6030GT	245, 261, 263
81812-13292GT	249	825796GT	118, 123, 211-212, 215			94397GT	221
81834GT	143-144			88783GT	163	94420GT	313
81856GT	211-212	82601GT	27, 43, 91, 107	88785GT	173	94439GT	131
81874GT	141	82602GT	43, 59, 75, 91, 107	88793GT	215	94463GT	285
81876GT	141			88795PGT	211-212	94464-4186GT	253
81975PGT	313	82604GT	27, 43, 91, 107, 115	88796GT	215	94464-4986GT	249, 251
82161GT	13, 29, 45, 61, 77, 93			88799GT	215	94465-3650GT	245
82237GT	15, 19, 31, 35, 47, 51, 63, 67, 79, 83, 95, 99, 289-290, 293, 295	826214GT	182	88801GT	151-152	94466-2336GT	249, 251
		826215GT	182	88802GT	151-152	94479GT	285
82240GT	21, 37, 53, 69, 85, 101, 109	826379GT	215	88810GT	151-152	94485GT	177-178
82243GT	19, 35, 51, 67, 83, 99	82671GT	23, 27, 39, 43, 55, 59, 71, 75, 87, 91, 103, 107, 111, 115	88827GT	147	94493-SGT	305
				88841GT	182	94499GT	159-160
822515GT	182	82677GT	29, 31, 45, 47	88846GT	181-182	94506GT	237-238
822687GT	309	82678GT	29, 31, 45, 47	88847GT	181-182	94507GT	117-118, 121-123
822688GT	309	82862GT	19, 35, 51, 67, 83, 99	88858GT	231, 233		
82366GT	13, 29, 45, 61, 77, 93			88859GT	231, 233	94508GT	125-126
823816GT	201	82967GT	21	88870GT	219, 221, 223, 225	94510GT	215
823917GT	151-152	83129GT	151-152, 243	88872GT	207-208	94526GT	137
823918GT	151-152	84134GT	163	8887GT	293	94533GT	285
824027GT	293, 297	84135GT	163	88884GT	117-118, 121-123, 126	94534GT	117-118, 121-123
824028GT	293, 297	85053GT	177-178, 193-194			94535GT	117-118, 121-123
824029GT	297			88885GT	126		
824038GT	305	85054GT	178	88888GT	137	94537GT	285
824063GT	313	85155GT	181-182	88889GT	137, 155	94598GT	160
824066GT	293	8516GT	144, 191, 223, 225, 238	88917GT	137	94599GT	159-160
824075GT	223, 225			88919GT	208, 211-212	94620GT	143-144
824078GT	297	85300GT	267	88920GT	207-208	94692GT	211-212
824079GT	293	87085GT	231, 233	88936GT	245	94711GT	181-182
824085GT	293	87172GT	259	88942-8354GT	245	94745PGT	235, 271
824087GT	293	87246GT	299	88943-7636GT	245	94746GT	126
82410GT	19, 35, 51, 67, 83, 99	88064GT	193-194	88949-3828GT	245, 259	94747GT	143-144
		88106PGT	141	88988PGT	181-182	94751GT	165
824113GT	297, 313	88212GT	143-144	88989PGT	182	94752GT	165
82431GT	171	88296GT	126	88990PGT	181-182	94753GT	165
		88356-11103GT	207-208	88991PGT	182	94754GT	165
		88356-13103GT	143-144, 211-212	88993GT	182	94756GT	165
				8910GT	295	94757GT	165, 289-290
		88356-14963GT	211-212	8915GT	139, 182, 221, 283	94758GT	163

Part Number Index (continued)

Part Number	Page	Part Number	Page
94759GT	173, 175, 289–290	T108346GT	147
94760GT	173, 289–290, 293	T108347GT	147
94761GT	173	T108348GT	147
94762GT	181–182	T108349GT	147
94764GT	173	T108350GT	147
94765GT	173, 289–290, 293	T108351GT	147
94869GT	271	T108403GT	137
94887GT	181–182	T108415GT	151–152
94888GT	181–182	T108416GT	152
94889GT	182	T108732GT	197
94890GT	181–182	T108733GT	197
94937GT	143–144	T108734GT	197
94980GT	151–152, 157, 208	T108886GT	151–152
9596GT	267	T108890GT	211–212
9599-SGT	267	T108891GT	211–212
96008-SGT	147	T108892GT	221
97128GT	207–208, 211–212	T109267GT	139
97473GT	181–182	T109268GT	265
97548GT	15, 31, 47, 63, 79, 95	T109328GT	267
97579GT	19, 35	T109331GT	269
97602GT	15, 31, 47, 63, 79, 95	T109332GT	273
97815GT	19, 27, 35, 43, 51, 59, 67, 75, 83, 91, 99, 107, 115	T109333GT	273
97875GT	15, 19, 31, 35, 47, 51, 63, 67, 79, 83, 95, 99	T109334GT	273
97887GT	35, 51, 67, 83, 99	T109335GT	275
99778GT	279	T109339GT	287
NOTE:GT	279	T109340GT	287
T106385GT	217	T109341GT	241
T106413GT	207–208	T109342GT	241
T106425GT	144	T109343GT	241
T106508GT	207–208	T109344GT	241
T106600GT	151–152	T109345GT	241
T106741GT	151–152	T109346GT	241
T106954GT	143–144	T109347GT	241
T106955GT	143–144	T109348GT	241
T106957GT	143–144	T109349GT	241
T106961GT	143–144	T109350GT	241
T106962GT	143–144	T111124GT	219, 221, 223, 225
T107130GT	149, 151–152	T112018GT	191
T107520GT	147	T112459GT	217
T107725GT	147	T112560GT	269
T107751GT	208	T112561GT	269
T107829GT	137	T112563GT	269
T107895GT	285	T112626GT	243
T108075GT	219, 221, 223, 225	T112773GT	19, 27, 35, 43, 51, 59, 67, 75, 83, 91, 99, 107, 115
T108076GT	221	T113129GT	295
T108077GT	221	T113655GT	289–290
T108321GT	151–152	T114022GT	289–290
T108322GT	151–152	T114023GT	289–290
T108331GT	137	T114145GT	295
T108332GT	141	T114223GT	233
T108333GT	141	T114624GT	152, 307
T108334GT	141	T114625GT	152, 307
T108335GT	141	T114626GT	152, 307
T108336GT	141	T114627GT	152, 307
T108337GT	141	T114678GT	177–178, 193–194
T108338GT	141	T115352GT	241
T108339GT	141	T115605GT	208
T108340GT	141		
T108341GT	141		
T108342GT	141		
T108343GT	141		
T108344GT	141		
T108345GT	141		

The Part Description Index is an alphabetical index of all part descriptions included in this manual. The index shows what page(s) the part is used on.

#	A L T E R N A T O R , F O R D	AUX TOP RAIL,8FT,PTD.....267
#1 BOOM TUBE ASSY,W/SYM DECAL.....211-212	DSG423,MSG425.....189, 201	AXLE ASSEMBLY,S60 FRONT.....118, 123
#1 BOOM TUBE ASSY,W/WORD DECAL.....211-212	ANGLE,RELAY MNT,W/NUTSERTS,PNT...149	
1	ASSEM,BOOM TUBE #3 S60/65,CE**.....211-212	B
12VDC PROPORTIONAL VALVE.....309	ASSEMBLY, INSIDE HOSE GUARD.....135	BACKING PLATE, HOSE BLOCK, JIB.....221
2	ASSEMBLY, OUTSIDE HOSE GUARD.....135	B A C K U P
207 HYD MOTOR ASSY, GEN.....309	ASSEMBLY, TRAX UNIT, LEFT.....131	RING,71.60X67.20X1.40PTFE(60334).....144
A	ASSEMBLY, TRAX UNIT, RIGHT.....131	BAFFLE, CNTRWT, S60 MSG425.....205
ACC, BEACON, TRVL ALARM,SERV.....265	ASSEMBLY, WELD CABLE, S60.....295	BAFFLE,AIR INTAKE S60 PAINTED.....193-194
ACC, OIL COOLER,S60, SERV.....275	ASSEMBLY, WELD CABLE, S65.....295	BAFFLE,AIR INTAKE,FORD PNTD.....144
ACC,AIR PRE-CLEANER,DEUTZ.....287	ASSEMBLY,BOOM TUBE #1 S60/65.....207-208	BAFFLE,AIR INTAKE,PAINTED***.....144
ACC,AIR PRE-CLEANER,PERKINS T2.....287	ASSEMBLY,BOOM TUBE #3 S60/65**.....211-212	BAFFLE,PERKINS ENGINE PAINTED.....182
ACC,AIRLINE TO PLAT,S60 ,SERV.....269	ASSEMBLY,FOOT SWITCH***.....235	BAFFLE,RADIATOR,FORD.....191
ACC,FALL ARREST BAR,6FT FR.....315	ASSEMBLY,FOOT SWITCH, S60.....235	BALL JOINT, 3/8-24 FEMALE.....157
ACC,FALL ARREST BAR,6FT SYM.....315	ASSEMBLY,GFCI/CIRCUIT BREAKER.....289-290	BALL JOINT, 3/8-24 LEFT HAND.....157
ACC,FALL ARREST BAR,6FT WORD.....315	ASSEMBLY,WELDER,PLATFORM,S60/6.....297	BALL STUD**.....141
ACC,FALL ARREST BAR,8FT FR.....315	ASSEMBLY,WELDER,TURNTABLE,S60/.....293	BAR, CLAMP, CABLE TRACK.....233
ACC,FALL ARREST BAR,8FT SYM.....315	ASSY BATTERY HEATER,240V.....279	BAR, CLAMP, TIMING LINK.....208
ACC,FALL ARREST BAR,8FT WORD.....315	ASSY HEATER, MODEL 18, 120V.....279	BASE, W/1 N.O. CONTACTS***.....237-238
ACC,FULL GAUGE,DEUTZ, SERV.....273	ASSY HEATER,MODEL 18,240V.....279	BASE, W/2 NO CONTACTS.....147
ACC,FULL GAUGE,FORD DSG423,SV.....273	ASSY, ANGLE SENSOR AND COVER.....208	BASE,W/2 NC CONTACTS***.....147
ACC,FULL GAUGE,PERKINS, SERV.....273	ASSY, BATTERY HEATER, 120V.....279	BASE,W/3 NC CONTACTS.....237-238
ACC,PLAT CONTROL COVER, SERV.....267	ASSY, CIRCUIT BREAKER 15A.....147	BATTERY CABLE,NEGATIVE,BLACK.....151-152
ACCESSORY,OPERATOR PROT STRUCT.....311	ASSY, FUEL PICKUP TUBE.....139	BATTERY CABLE,POSITIVE,RED.....151-152
ACCESSORY,PANEL CRADLE,ANSI.....305	ASSY, LONG LINK LT W/BEARINGS.....207-208	BATTERY HOLD DOWN,GROUP 31.....137
ACCUMULATOR,10CC,1000PSI,#6SAE...159-160	ASSY, LONG LINK RT W/BEARINGS.....207-208	BATTERY,12V 1000CCA,5/16STUD W.....137
ADAPTER, 1/8 X 1/4 F3H6-S.....273	ASSY, MED. PRESS. FILTER, SAE8.....144	BATTERY,12V,1000 CCA GRP 31.....137
ADAPTER, MIXER/THRO, MSG425.....199	ASSY, TERMINAL RAIL.....149	BEARING KIT,INNER (88921).....143-144
ADAPTER, WATER CONN, MSG425.....199	ASSY,120V HEATER, HYD TANK.....279	BEARING KIT,OMNI***.....118, 122-123, 125-126
ADAPTER,140130-4-4.....273	ASSY,240V HEATER, HYD TANK.....279	BEARING KIT,OUTER (88921).....143-144
ADAPTER,140139-8-6.....273	ASSY,4FT PLATFORM, NO DECALS.....235	BEARING KIT,PLAT ROTATOR,SUPER.....221
ADAPTER,MIXER/THROTTLE BODY.....185	ASSY,5FT PLATFORM, NO DECALS.....235	BEARING, SPL BOGEY (128918).....135
ADAPTER,NPT 6-4.....273	ASSY,6FT PLATFORM,NO DECALS.....235	BEARING, 1.00IDX1.25ODX1.00L.....117-118, 121-123
ADJ ROD, LH/RH, 3/8-24.....157	ASSY,8FT PLATFORM,NO DECALS.....235	BEARING, 1.25IDX1.50X1.25L.....211-212
ADJUSTABLE STRAP ASSY.....305	ASSY,BLEED LINE (139367).....289-290, 299	BEARING, 1.25IDX1.50DX1.00L.....208, 211-212, 219, 223, 225
AIR CLEANER CAP/ FORD/NOLFF***.....189, 203	ASSY,CABLE,12.5KW WELDER.....151-152	BEARING, 1.5IDX1.75ODX1.5L...118, 123, 131
AIR CLEANER CLIPS, SUPERBOOM.....193-194	ASSY,ENGINE TRAY,W/BEARINGS.....143-144	BEARING, 2.00IDX2.25ODX2.00L.....118, 123, 126, 133
AIR CLEANER COVER, SUPERBOOM*..193-194	ASSY,FOUR LINK CABLE TRACK***.....231	BEARING, 2.0IDX2.25ODX1.50L.....207-208, 211-212
AIR CLEANER,FORD,T3.....189, 203	ASSY,LS,LOAD SENSE,38.5 IN.....151-152, 227	BEARING, 2.25IDX2.50ODX1.50L***...207-208
AIR CLEANER,NELSON.....193-194	ASSY,PCB ALC500 S60 LEG V202.....241	BEARING,BALL DRIVE SHAFT.....117-118, 121-123, 126
AIR CLEANER,NELSON***.....177-178, 181-182	ASSY,PCB,ALC500-2 S60 V204.....241	BEARING,FL, 1.25X1.5X2.13.....221
AIR INTAKE TUBE ASSY.....177-178	ASSY,RELAY SOCKET, AUTO.....149	BEARING,FL,1.25IDX1.41ODX1.50L.....221
ALARM,DESCENT.....137	ASSY,TRACK,FALL ARREST BAR,6FT FR.....315	BEARING,FL,1.25IDX1.50DX1.25L.....143-144, 177-178, 191, 221
ALARM,INTERMITTENT TONE 6-30V*.....265	ASSY,TRACK,FALL ARREST BAR,6FT SYM.....315	BEARING,FL,2.00IDX2.25ODX1.50L.....207-208
ALARM,WARBLE TONE 5-30 VDC***.....237-238	ASSY,TRACK,FALL ARREST BAR,6FT WORD.....315	BEARING,FL,2.25IDX2.50ODX1.63L.....208, 211-212
ALTERNATOR.....289-290, 293, 299	ASSY,TRACK,FALL ARREST BAR,8FT FR.....315	BEARING,GARLOCK,12FDU12.....223, 227
ALTERNATOR, DEUTZ F3L10/F4L10*.....177-178	ASSY,TRACK,FALL ARREST BAR,8FT SYM.....315	BEARING,POLYGON,20DU12.....219, 221, 223, 225
ALTERNATOR, DEUTZ,BF4L2011***.....193-194	ASSY,TRACK,FALL ARREST BAR,8FT WORD.....315	BEARING,TURNTABLE ROTATION.....126
ALTERNATOR,65 AMP,PERKINS 404.....181-182	AUX TOP RAIL,6'(1.25")SERVICE.....267	BELLCRANK W/BEARINGS.....221
	AUX TOP RAIL,6',SWG GT, SRV.....267	BELLOWS,CYLINDER LIFT.....285
	AUX TOP RAIL,6FT,PTD.....267	BELLOWS,CYLINDER,PLAT LEVEL.....285
	AUX TOP RAIL,8'(1.25")SERVICE.....267	BELLOWS,MASTER CYLINDER.....285
	AUX TOP RAIL,8',SWG GT, SRV.....267	BELT, FEAD, MSG425.....201
		BELT,SERPENTINE,DSG-423.....187

Part Description Index (continued)

- BELT,V, DEUTZ DIESEL ENGINE.....177-178
 BIT,3/16,HEX SOCKET,SECURITY.....293
 BIT,T-27,TORX SOCKET,SECURITY.....297
 BIT,TORX SOCKET,SECURITY.....295, 297
 BLANKET,BATTERY.....277
 BLOCK HEATER,FORD DSG-423.....277
 BOLT, BRACKET, SUPPORT,FORD MSG.....201
 BOLT, GUARD, DEUTZ STARTER.....177-178
 BOLT,CARRIAGE,1/4-20 X .75,G2.....281
 BOLT,CARRIAGE,1/4-20 X 1.00,G2.....221
 BOLT,CARRIAGE,1/4-20 X 2.75,G2.....221
 BOLT,EXHAUST,PERKINS(54555)**.....181-182
 BOLT,FLANGE,3/4-10X1.5"GR8 PLT.....135
 BOLT,FLANGE,3/4-10X1.75GR8 PLT.....135
 BOLT,FLANGE,3/4-10X4.5"GR8 PLT.....135
 BOLT,FLANGE,5/16-18X.50 GR5.....135
 BOLT,FLANGE,5/8-11X1.5"GR8 PLT.....135
 BOLT,HHC,1-14X2.0"GR8 PLT.....135
 BOOT(BELLOWS),E-STOP,BLACK.....237-238
 BOOT,ROCKER JOYSTICK 75565.....243
 BOOT,CABLE TERM,MED.BLACK,4/0.....295
 BOOT,CABLE TERM,MED.RED,4/0.....295
 BOOT,CABLE TERMINAL,BLACK,2/0.....295
 BOOT,CABLE TERMINAL,LG,RED,2/0.....295
 BOOT,DTSCH,DTP4-BT.....211-212
 BOOT,JOYSTICK.....243
 BOOT,PLUG 4 WAY.....207-208, 235
 BOOT,TOGGLE SWITCH,SHORT*.....237-238, 301, 303, 309
 BOTTLE,COOLANT RECOVERY,3.7***181-182, 191, 205
 BOX,INSTRUCTION STORAGE.....235
 BRACKET, EXTEND SHEAVE.....215
 BRACKET, OSCILLATE VALVE.....129
 BRACKET,1K OHM 10-TURN POT,PNT.....149
 BRACKET,AIRLINE TO PLATFORM.....269
 BRACKET,CABLE TRACK,FIXED END*.....231
 BRACKET,CABLE TRACK,MOVING END.....231
 BRACKET,FAN,FORD MSG.....201
 BRACKET,FILTER MOUNT.....144
 BRACKET,GENERATOR 12.5 KW,PNTD.....293
 B R A C K E T , G E N E R A T O R 1 2 . 5 KW,PNTD*.....289-290, 309
 BRACKET,HOSE CLAMP,PAINTED.....221
 BRACKET,HOSE ROUTING,LH,PTD.....117-118, 121-123
 BRACKET,HOSE ROUTING,RH,PNTD.....118, 123
 BRACKET,IDLER,FORD MSG.....201
 BRACKET,PBOX WIRE SUPPORT.....241
 BRACKET,POWER TO PLAT TBOX,PNT.....295
 BRACKET,POWER TO PLAT, DOM.....269
 BRACKET,POWER TO PLAT, UK.....269
 B R A C K E T , R E G U L A T O R SUPPORT,PNTD.....191
 BRACKET,RELAY BLOCK MOUNT.....187
 B R A C K E T , S O L E N . M O U N T
 BRACE,PNTD.....177-178
 BRACKET,SOLENOID MOUNT PAINT.....177-178
 BRACKET,TENSIONER.....187
 BRACKET,V275S WELD LEADS.....295, 297
 BRACKET,WELDER COVER,PNTD.....295, 297
 B R A C K E T , W E L D E R M N T SUPPORT,PNT.....297
 BRACKET,WELDER MOUNT SUPPORT.....295
 BRACKET,WELDER SUPPORT,PNT.....295, 297
 BRACKET,WELDER TOP.....295, 297
 BRACKET,WORK LIGHT MOUNT 5/16".....267, 307
 BRACKET-TOOL TRAY MOUNTING.....267
 BRAKE KIT (88886)***.....118, 122-123, 125-126
 BRAKE TUBING.....143-144
 BRAKE TUBING***.....143-144
 BREAKER, 25 AMP, GEN.....309
 BREAKER, 15 AMP,GEN.....309
 BREATHER CAP,RFM165.....137
 BRKT,AIR CLEANER ORIENTATION*.....177-178, 181-182, 189, 203
 BUMPER, PLASTIC, 1.25 O.D.....267, 301, 303
 BUMPER,BATTERY BOX & RAILS.....267
 BUMPER,RUBBER***.....227
 BUMPER,RUBBER,.75 X .50H,STUD.....283, 315
 BUMPER,RUBBER-1 X 1.25.....137, 141
 BUSHING, STRAIN RELIEF, 1".....208
 BUSHING,FUEL TANK FITTING (SM).....139
 BUTTON,PUSH,BLACK W/SEAL***.....147, 237-238
 BUTTON,PUSH,RED MUSHROOM HEAD.....147, 237-238
- C**
- CABLE ASSY, EXTEND SET(PAIR).....215
 CABLE ASSY, RETRACT SET (PAIR).....215
 CABLE SQUEEZE CONN .63-.75.....289-290, 293
 CABLE SQUEEZE CONN.....289-290, 293
 CABLE SQUEEZE CONN.,XTRA LRG.....309
 CABLE STAY,TOP***.....231
 CABLE TIE,BUTTON,BLACK,14.75LG.....217, 309
 CABLE TRACK GUIDE TRIANGLE...211-212, 231
 CABLE TRACK, SX, 49 LINK.....233
 CABLE TRACK,STEEL 49 LINKS.....211-212
 CABLE TRACK,STEEL 49 LINKS***.....231
 CABLE,S60 12VDC WORK LIGHT.....152, 307
 CABLE,S65 12VDC WORK LIGHT.....152, 307
 CAP ASSY, COOLANT BOTTLE.....181-182, 191
 CAP, COOLANT RET SYS(54071).....205
 CAP, INT. MFLD. VAC, MSG425.....199
 CAP, OIL FILLER.....182
 CAP,520112-8.....178
 CAP,COOLANT 3/4.....189, 205
 CAP,DIAGNOSTIC NIPPLE.....245, 247, 249, 253
 CAP,DISENGAGE,OMNI***.....118, 122-123, 125-126
 CAP,EPDM,5/16".....185, 189
 CAP,EXTENSION,PAINTED.....211-212
 CAP,FUEL,DIESEL,1/8"VENT(GRN).....139
 CAP,FUEL,GASOLINE 3.5PSI.....139
 CAP,OIL FILLER,FORD DSG 423.....187, 201
 CAP,PLASTIC,2.5 ID.....287
 CAP,PROT.,RED,1.38ID X .75 DP.....205
 CAP,RADIATOR,PERKINS/FORD.....182, 191
 CAPACITOR 16 F, GEN.....309
 CAPACITOR, TIME DELAY.....151-152
 CAST, LIMITER STOP BRKT L.....135
 CAST, LIMITER STOP BRKT R.....135
 CASTING,WASHER,REBOUND.....205
 CATCH,GRND.CTRL.BOX COVER.....283
 CBV ASSEMBLY***.....143-144
 CHAIN,NO.2 (11 LINKS).....301, 303
 CHARGE WIRE, MSG425.....201
 CIRCUIT BKR 10A TYPE 2 METAL.....149
 CIRCUIT BREAKER, 35A 3PH.....289-290, 293
 CIRCUIT BREAKER,20A,SINGLE PH.....289-290, 293
 CIRCUIT BREAKER,50A,3P.....289-290
 CIRCUIT BREAKER,GFCI 30mA 3PH.....289-290, 293
 CIRCUIT BRKR 15A TYPE 2 METAL.....193-194
 CLAMP ASSY,OPTIONS BLOCK W/NUT...233
 CLAMP TOP,HOSE ROUTING PAINTED.....118, 123
 CLAMP, CABLE.....233
 CLAMP, CABLE TRACK, SUPPORT.....231
 CLAMP, CABLES.....233
 CLAMP, HOSE, PRIM.....231
 CLAMP, HOSES.....233
 CLAMP, HYD WELD, AIR, OPT.....269
 CLAMP, HYD, WELD, AIR, OPT.....289-290, 293
 CLAMP, OPTIONS, CABLE TRACK.....233
 CLAMP, PULL TUBE.....231
 CLAMP, TIMING LINK.....208
 CLAMP, TIMING LINK, LH.....208
 CLAMP, TIMING LINK, RH.....208
 CLAMP, WELD LEADS, AIR, OPT.....289-290
 CLAMP,0.31,#5 X 1/4,RUB CUSH.....217, 227
 CLAMP,0.50,#8 X 1/4,RUB CUSH.....205, 281, 301, 303
 CLAMP,0.75,#12 X 1/4,RUB CUSH.....149
 CLAMP,1.00,#16 X 1/4,RUB CUSH...241, 293, 295
 CLAMP,1.00,#16 X 7/16,RUB CUSH.....193-194
 CLAMP,1.13,#18 X 1/4,RUB CUSH.....301, 303
 CLAMP,1.25X.5 RUBBER-CUSHION.....235, 267, 305
 CLAMP,1.31,#21 X 3/8,RUB CUSH.....235
 CLAMP,1.63,#26 X 3/8,RUB CUSH.....221
 CLAMP,EXHAUST,2.00 PLATED.....178, 182
 CLAMP,HOSE,.25" - .63" X .3125.....191, 205
 CLAMP,HOSE,.63" - 1.0" X .5".....189, 205
 CLAMP,HOSE,1 EAR,1/2.....139
 CLAMP,HOSE,1.25***.....203, 285
 CLAMP,HOSE,1.50.....189, 191
 CLAMP,HOSE,1.75.....181-182, 285
 CLAMP,HOSE,2.50****.....189, 203, 287
 CLAMP,HOSE,2X4,1X6,2X8***.....118, 123
 CLAMP,HOSE,3.00".....177-178, 285
 CLAMP,HOSE,3.50.....193-194
 CLAMP,HOSE,5.00.....285
 CLAMP,HOSE,6.50.....285
 CLAMP,HOSE,8.50 DIA***.....177-178
 CLAMP,HOSE/CABLE,JIB.....221
 CLAMP,LINK,LH.....208
 CLAMP,LINK,LH WELD WIRE.....208
 CLAMP,LINK,WELD CABLE/HOSE.....293
 CLAMP,MUFFLER.....182
 CLAMP,MUFFLER, 2.50 INCH.....189, 193-194, 197
 CLAMP,MUFFLER,1-7/8 IN.....189, 203
 CLAMP,MUFFLER,1.75 INCH.....203
 CLAMP,RUB CUSH,0.75,#12 X 3/8*.....189, 229
 CLAMP,RUBBER CUSHIONED-2 5/32.....139
 CLAMP,SPRING,1/2".....185, 199

CLAMP,SPRING,7/16".....189	CONN. SQZ,1/2NPT .39-.56 MED.....149, 309	COVER,WEATHERPROOF 3-PHASE.....295
CLAMP,TWO HOSE.....221	CONN. SQZ,1/2NPT .56-.63.....309	CRANK PULLEY, EXT, MSG425.....201
CLEVIS YOKE-1/4-28,PLTD W/PIN...129, 178, 181-182, 193-194	CONNECTOR, DEUTZ FUEL SHUTOFF*.....177-178, 193-194	CRIMPER,DEUTSCH,LIGHT DUTY***.....151- 152, 243
CLIP,AIR CLEANER COVER (58247).....189, 203	CONNECTOR,010102-6-4.....191, 205	CYLINDER, LIFT, S60HC.....157, 207-208
CLIP,HAIR PIN .243 X 5.25.....313	CONNECTOR,070120-4-8.....299	CYLINDER, STEER.....131
CLIP,SPRING,1/4-20 BLACK.....208	CONTACT, N.C.....237-238	CYLINDER,BOOM EXTENSION.....211-212
COIL ASSEMBLY.....185	CONTACT,N.O.***.....237-238	CYLINDER,JIB (STICK BOOMS).....221
COIL ASSY,MSG425.....199	CONTACTOR,LIMIT SWITCH...207-208, 211- 212	CYLINDER,LIFT,S60***.....207-208
COIL, 10V DC (D10, 20 WATT).....159-160	CONTROL BOX COVER,LID,PTD.....267	CYLINDER,MASTER.....207-208
COIL, SOLENOID VALVE, 10V.....175	CONTROL BOX,2KW,120/240V,50HZ.....309	CYLINDER,MASTER,S60,S65.....207-208
COIL,10V.....159-160	CONTROL MODULE, MSG425.....205	CYLINDER,OSCILLATE,S60.....118, 122-123
COIL,12V.....160	CONTROL MODULE,DSG-423.....191	CYLINDER,PLATFORM LEVEL***.....219, 221, 223, 225
COIL,12VDC #8 DTSCH IP69 ECOIL.....169	CONTROLLER ASSY SCON S60HC.....155	CYLINDER,STEERING***.....117-118, 121-123
COIL,GREEN W/ 2 PIN CONNECTOR*.....159- 160	CONTROLLER ASSY TCON S60HC.....155	
COIL,VALVE,PROPORTIONAL***.....159-160	CONTROLLER BOX, 120/240V, 60H.....309	D
COIL-10V DC***.....173, 289-290, 293	CONTROLLER W/O COILS (77788).....171	DANGER,TIPOVR,TIRES FF ONLY.....13, 15, 29, 31, 61, 63
COLD PKG GROUND, JUMPER ASSY.....279	CORROSION INHIBITOR,FOAM.....149, 241	DECAL FAULT CODE.....19, 35, 51, 67, 83, 99
COLD PKG PIGGY TAIL, 120V ASSY.....279	COUNTERWEIGHT,S60 4350LBS.....137	DECAL GROUND CONTROL BOX.....13, 21, 29, 37, 77, 85, 93, 101, 109
COLD PKG PIGGY TAIL, 240V ASSY.....279	COUNTERWEIGHT,S60/65 5500LBS***.....137, 155	DECAL KIT,S60X,COMP,WRD,ANSI.....45
COLD WEATHER 120V J BOX ASSY.....279	COUPLER,15 TOOTH,FBA,FORD***.....189	DECAL KIT,S60X,PLAT,WRD,ANSI.....51
COLLAR,JOYSTICK,CENTER.....243	COUPLER,15 TOOTH,FBA,PERKINS**.....182	DECAL KIT,SYMBOLS,Z34IC.....21
COMPR.LINK,MACHINED,GND CONTR*..221	COUPLER,15 TOOTH,FBA,SAE8***.....197	DECAL PLATE ASSEMBLY.....235
CONN PLUG 3 WAY ENDCAP DT.....279	COUPLER,15T,FBA,SAE 8,MSG425.....203	DECAL, COSM,GENIE S65 TRAX.....97, 105
CONN PLUG 4 WAY ENDCAP DT....207-208, 235	COUPLER,INSERT.....289-290, 293, 299	DECAL, INST, OPER INST 60X PLT.....51
CONN RECEP,FLANGED.....241	COUPLING (106113).....289-290	DECAL, OPER INST 6080X GRD.....45
CONN, 520120-6.....245, 247, 249, 251	COUPLING - 1/4 NPT.....135	DECAL, OPER INST 60TRX GRD.....77
CONN, 520120-8-6.....245	COUPLING, 28MM (106113).....289-290	DECAL, OPER INST 60XC GRD.....61
CONN, SAE#4-1/4" NPT.....289-290, 293	COVER ASSY W/ SYMBOL DECALS LH...141	DECAL, OPERATING INSTRUCTIONS.....13, 19, 29, 35, 77, 83, 93, 99
CONN,520120-12-10.....299	COVER ASSY W/ SYMBOL DECALS RH...141	DECAL, PATCH, GEN,ALC-500.....309
CONN,520120-12-16.....245	COVER ASSY W/ WORD DECALS RH.....141	DECAL, PLAT CNTL PNL.....19, 27, 35, 43, 83, 91, 99, 107
CONN,520120-16.....245, 247, 259	COVER ASSY.W/SYMBOL DECALS LH.....141	DECAL, PLAT CNTL PNL 60HC.....115
CONN,520120-20.....245	COVER ASSY.W/WORD DECALS LH.....141	DECAL, PLAT CNTL PNL 60TX.....83, 91
CONN,520120-20-16.....245	COVER, DUST.....135	DECAL, PLAT CNTL PNL 60X 80X.....51, 59
CONN,520120-4***.....245, 247, 249, 251, 253, 255	COVER, END, GEN, 120V.....309	DECAL, PLAT CNTL PNL 60XC.....67, 75
CONN,520120-4-6***.....245, 249, 253, 313	COVER, END, GENERATOR, 240V.....309	DECAL, POWER TO PLATFORM 230V**...15, 19, 23, 27, 31, 35, 39, 43, 47, 51, 55, 59, 63, 67, 71, 75, 79, 83, 87, 91, 95, 99, 103, 107, 111, 115
CONN,520120-4-8.....245, 253, 299	COVER, FOOT SWITCH, LARGE.....235	DECAL, SYMBOL - READ THE MANUAL...21, 27, 37, 43, 59, 69, 75, 85, 91, 101, 107, 109, 115
CONN,520120-6-8.....249	COVER, JIB HOSES/CABLES.....221	DECAL, WHEEL LOAD S60TRAX.....77, 79, 85, 87
CONN,520120-8***.....245, 247, 249, 251, 253, 255, 257, 261, 263, 293	COVER, LIMIT SWITCH ARM MOUNT.....217	DECAL, WHEEL LOAD S65 TRAX.....93, 95, 101, 103
CONN,520120-8-10.....245	COVER, PROTECTIVE, OSCILLATE.....285	DECAL,ANNUAL INSP***.....29, 45, 61, 77, 93
CONN,520120-8-12.....249, 261, 263	COVER, REAR AXLE.....133	DECAL,ARROW BLUE.....15, 23, 31, 39, 47, 55, 63, 71, 79, 87, 95, 103, 111
CONN,520120-8-16.....245	COVER, STRING POT, S60HC***.....229	DECAL,ARROW YELLOW LRG 9".....13, 21, 29, 37, 45, 53, 61, 69, 77, 85, 93, 101, 109
CONN,DSCH,BOOT,DT2P-BT.....211-212	COVER, W/DECALS, NONSTEER END*.....125-126	DECAL,CAUTION,READ INST.....135
CONN,DSCH,BOOT,DT2S-BT.....207-208	COVER, WITH DECALS, STEER END*.....117- 118, 121-123	DECAL,CAUTION,TOWING SPEED.....13, 29, 45, 61, 77, 93
CONN,LONG,520122-12***.....261, 263	COVER,BLANK.....269	DECAL,CHEVRON RANDO HD.....13, 29, 45, 61, 77, 93
CONN,LONG,520122-4.....257	COVER,CABLE TRACK.....285	DECAL,COSM GENIE S60X.....49, 57
CONN,PLUG 120 AC/15A DOMESTIC.....269, 279, 309	COVER,CONTROL BOX LEFT SIDE***.....267	DECAL,COSM GENIE S60XC.....65, 73
CONN,PLUG 2 WAY,14-18GA...207-208, 279, 293	COVER,CONTROL BOX RIGHT SIDE**.....267	DECAL,COSM, S60 TRAX.....79, 87
CONN,RECEP 120AC/15A DOMESTIC.....269, 309	COVER,DUST,IDLER,FORD DSG423.....199	DECAL,COSM, S65 TRAX.....95, 103
CONN,RECEP 2 WAY ENDCAP DT.....211- 212, 279, 307	COVER,END,KIT (88887).....118, 122-123, 125-126	DECAL,COSM,GENIE S60 TRAX.....81, 89
CONN,RECEP 24 WAY,W/FLANGE.....149	COVER,FLYWHEEL CASTING...177-178, 197	DECAL,COSMETIC,4 X 2.....13, 21, 29, 37, 45, 53, 61, 69, 77, 85, 93, 101, 109
CONN,RECEP 3 WAY ENDCAP DT.....279	COVER,GFCI,HORIZONTAL,WEATHER..269, 289-290, 293	
CONN,RECEP 4 WAY ENDCAP DT.....211- 212, 309	COVER,GRND.CTRL.BOX,PAINTED.....283	
CONN,RECEP 4 WAY,12-14GA FL***.....149, 241	COVER,LH,BOOM SECTION #1.....211-212	
CONN,RECEP 40 WAY,W/FLANGE.....149	COVER,LIMIT SWITCH ASSY,S60.....281	
CONN,RECEP 48 WAY,4 X 12.....149, 241	COVER,PRIMARY BOOM,PAINTED.....215	
CONN,RECEP 6 WAY ENDCAP DT.....157	COVER,PROTECTIVE,JIB CYLINDER.....285	
CONN,SQUEEZE,1/2NPT .38-.50,SM.....269	COVER,PROTECTIVE,STEERING.....285	
	COVER,REAR AXLE.....125-126	
	COVER,RETRACT SHEAVE,PAINTED.....211- 212	
	COVER,RH,BOOM SECTION #1.....211-212	
	COVER,STEERING SENSOR.....208	

Part Description Index (continued)

DECAL,COSMETIC,4 X 4.....13, 29, 37, 45, 53, 61, 69, 77, 85, 93, 101, 109	DECAL,INST PLAT CAP 60X.....45, 51	DECAL,LABEL,WHEEL LOAD S60H/XC....61, 63, 69, 71, 109, 111
DECAL,COSMETIC,GENIE S-60.....17, 25	DECAL,INST PLAT CAP 60XC.....61, 67	DECAL,LABEL,WHEEL LOAD S65.....29, 31, 37, 39
DECAL,COSMETIC,GENIE S-60HC.....113	DECAL,INST PLAT CAP 60XC SYM.....69, 75	DECAL,LANYARD ANCHORAGE POINT...19, 27, 35, 43, 51, 59, 67, 75, 83, 91, 99, 107, 115, 315
DECAL,COSMETIC,GENIE S65.....33, 41	DECAL,INST,OPER INST 60TRAX.....83	DECAL,LOW/ULTRA LOW SULFR FUEL...13, 29, 45, 61, 77, 93
DECAL,COSMETIC,S60.....15, 23, 47, 55, 63, 71, 111	DECAL,INSTR,MAX SIDE FRC,ANSI...35, 51, 67, 83, 99	DECAL,NOTICE,MAX LOAD 500 LBS.....19, 35, 83, 99
DECAL,COSMETIC,S65.....31, 39	DECAL,INSTR,SIDE FRC/WIND,AUS.....19, 35, 83, 99	DECAL,NOTICE,OPER INST.S60.....29, 35, 93, 99
DECAL,DANGER DO NOT ALTER SWTC.....17, 33, 49, 65, 81, 97	DECAL,INSTR,FOOT SWITCH OPER.....19, 35, 51, 67, 83, 99	DECAL,NOTICE,SHUTOFF VALVES....13, 29, 45, 61, 77, 93
DECAL,DANGER TIP OVER TRAX.....77, 79, 93, 95	DECAL,LABEL, AIR LINE 110 PSI.....15, 19, 23, 27, 31, 35, 39, 43, 47, 51, 55, 59, 63, 67, 71, 75, 79, 83, 87, 91, 95, 99, 103, 107, 111, 115	DECAL,OPTION CONTROL BOX HEATR.....241
DECAL,DANGER,BATTERY SAFETY***....13, 29, 45, 61, 77, 93	DECAL,LABEL,105 DB.....21, 37, 53, 69, 85, 101, 109	DECAL,POWER TO PLATFORM 115V.....15, 19, 23, 27, 31, 35, 39, 43, 47, 51, 59, 63, 67, 71, 75, 79, 83, 87, 91, 95, 99, 103, 107, 111, 115
DECAL,DANGER,ELEC.HAZ.STAY CLR....21, 23, 37, 39, 53, 55, 69, 71, 85, 87, 101, 103, 109, 111	DECAL,LABEL,ASSY INSTALL,L.....135	DECAL,PROTECTOR,CLEAR.....285
DECAL,DANGER,ELECT HAZARD***.....13, 15, 29, 31, 45, 47, 61, 63, 77, 79, 93, 95	DECAL,LABEL,ASSY INSTALL,R.....135	DECAL,SYMBOL-BATTERY SAFETY.....13, 37, 53, 69, 85, 101, 109
DECAL,DANGER,GENERAL SAFETY.....13, 19, 29, 35, 45, 51, 61, 67, 77, 83, 93, 99	DECAL,LABEL,BELT ROUTING DSG.....15, 23, 31, 39, 47, 55, 63, 71, 79, 87, 95, 103, 111	DECAL,SYMBOL-COMP ACCESS.....23, 39, 55, 71, 87, 103, 111
DECAL,DANGER,HI-FLOAT TIRE.....29, 31, 45, 47	DECAL,LABEL,CONTROLS BATTERY.....13, 29, 45, 61, 77, 93	DECAL,TOWING INSTRUCTIONS.....13, 29, 45, 61, 77, 93
DECAL,DANGER,HIGH VOLTAGE.....15, 19, 31, 35, 47, 51, 63, 67, 79, 83, 95, 99, 289-290, 293, 295	DECAL,LABEL,FALL HAZARD***...25, 41, 57, 73, 89, 105, 113	DECAL,TRACK,FALL ARREST BAR,SYMBOL.....315
DECAL,DANGER,MAX LOAD S60HCSYM.....115	DECAL,LABEL,LIQUID PROPANE.....13, 21, 29, 37, 45, 53, 61, 69, 77, 85, 93, 101, 109	DECAL,TRACK,FALL ARREST BAR,WORD.....315
DECAL,DANGER,MAX SIDE FRC,667N....43, 59, 75, 91, 107	DECAL,LABEL,LOWER MIDRAIL...19, 27, 35, 43, 51, 59, 67, 75, 83, 91, 99, 107, 115	DECAL,TRACK,FALL ARREST BAR,WORD FR.....315
DECAL,DANGER,NO SMOKING....13, 29, 45, 61, 77, 93	DECAL,LABEL,MANUAL NOT HERE...19, 35, 51, 67, 83, 99	DECAL,TRIANGLE,BLUE...13, 15, 21, 23, 29, 31, 37, 39, 45, 47, 53, 55, 61, 63, 69, 71, 77, 79, 85, 87, 93, 95, 101, 103, 109, 111
DECAL,DANGER,SIDE FRC 400N.....27, 43, 91, 107, 115	DECAL,LABEL,MAX CAPACITY***.....27, 43, 91, 107	DECAL,TRIANGLE,YELLOW....13, 15, 21, 23, 29, 31, 37, 39, 45, 47, 53, 55, 61, 63, 69, 71, 77, 79, 85, 87, 93, 95, 101, 103, 109, 111
DECAL,DANGER,TIP OVER,PLAT.....19, 35, 51, 67, 83, 99	DECAL,LABEL,NO SMOKING,SYMB...21, 37, 53, 69, 85, 101, 109	DECAL,WARN,AVOID INJURY.....135
DECAL,DANGER,TIP-OVER,WELDER**....19, 35	DECAL,LABEL,PATENTS.....29, 45, 61, 77, 93	DECAL,WARN,CRUSH HAZ.....135
DECAL,DANGER,TIPOVER,TILT....19, 35, 51, 67, 83, 99	DECAL,LABEL,PETRO CANADA***.....13, 29, 45, 61, 77, 93	DECAL,WARN,CRUSH HAZARD HAND....13, 15, 17, 29, 31, 33, 45, 47, 49, 61, 63, 65, 77, 79, 81, 93, 95, 97
DECAL,DANGER,TIPOVER,TILT,SYM.....27, 43, 59, 75, 91, 107, 115	DECAL,LABEL,RELAYS,S60&65....13, 29, 45, 61, 71, 77, 93	DECAL,WARN,CRUSH HAZARD PLAT....19, 27, 35, 43, 51, 59, 67, 75, 83, 91, 99, 107, 115
DECAL,DANGER,TIPOVR,MAX CAP...45, 51, 61, 67, 77, 83	DECAL,LABEL,STARTER BATTERY....13, 29, 45, 61, 77, 93	DECAL,WARN,FALL HAZARD.....17, 33, 49, 65, 81, 97
DECAL,DANGER/LABEL,TIRE SPECS.....29, 31, 45, 47	DECAL,LABEL,TEST***.....13, 29, 45, 61, 77, 93	DECAL,WARN,HIGH PRESS.....135
DECAL,DIESEL.....13, 21, 29, 37, 45, 53, 61, 69, 77, 85, 93, 101, 109	DECAL,LABEL,TIP OVER LMT SWTCH....25, 27, 41, 43, 53, 57, 59, 69, 73, 75, 85, 89, 91, 105, 107, 113, 115	DECAL,WARN,IMPROPER OPERATION...19, 35, 51, 67, 83, 99
DECAL,DRIVE ENABLE PATCH.....27, 43, 59, 75, 91, 107, 115	DECAL,LABEL,TIPOVER,TIRES,SYMB.....21, 23, 37, 39, 53, 55, 69, 71, 109, 111	DECAL,WARN,WELD LINE INST.WORD....15, 19, 31, 35, 47, 51, 63, 67, 79, 83, 95, 99
DECAL,EMERGENCY LOWERING.....21, 37, 85, 101, 109	DECAL,LABEL,TIPOVER,TRAX,SYMB....85, 87, 101, 103	DECAL,WARNING,CRUSHING HAZARD...21, 23, 25, 37, 39, 41, 53, 55, 57, 69, 71, 73, 85, 87, 89, 101, 103, 105, 109, 111, 113
DECAL,ENGINE SPEC,DEUTZ 2011...15, 31, 47, 63, 79, 95	DECAL,LABEL,TIRE PRESS HF....21, 23, 37, 39, 53, 55	DECAL,WARNING,PANEL CRADLE.....19, 35, 51, 67, 83, 99
DECAL,ENGINE SPEC,PERKINS***.....15, 31, 47, 63, 79, 95	DECAL,LABEL,TIRE PRESSURE...21, 23, 37, 39, 53, 55, 69, 71, 109, 111	D E C A L , W A R N I N G , P I P E CRADLE,BOOM....19, 35, 51, 67, 83, 99, 267
DECAL,EXPLOSION HAZARD.....15, 31, 47, 63, 79, 95	DECAL,LABEL,TORQUE.....135	DECAL,WARNING-COMPART ACCESS....15, 31, 47, 63, 79, 95
DECAL,FIRE EXTINGUISHER.....19, 35, 51, 67, 83, 99	DECAL,LABEL,TRANSPORT DIAGRAM....13, 15, 21, 23, 29, 31, 37, 39, 45, 47, 53, 55, 61, 63, 69, 71, 77, 79, 85, 87, 93, 95, 101, 103, 109, 111	DIN RAIL, 6.50".....293
DECAL,FORD ENGINE SPEC DSG423....15, 31, 47, 63, 79, 95	DECAL,LABEL,UCON HYDROLUBE....13, 29, 45, 61, 77, 93	DIN RAIL,17".....149
DECAL,GR CNTL PNL 60TX.....77, 85	DECAL,LABEL,UNLEADED GAS ONLY....13, 21, 29, 37, 45, 53, 61, 69, 77, 85, 93, 101, 109	DIODE,6 AMP,200 PIV,BULK.....177-178, 193-194
DECAL,GR CNTL PNL 60X 80X.....45, 53	DECAL,LABEL,WELD LINE INST,SYM.....23, 27, 39, 43, 55, 59, 71, 75, 87, 91, 103, 107, 111, 115	DIPSTICK TUBE, STRAIGHT SHORT....182
DECAL,GR CNTL PNL 60XC.....61, 69	DECAL,LABEL,WHEEL LOAD S60/60X....13, 15, 21, 23, 45, 47, 53, 55	DIPSTICK, FORD DSG 423....187
DECAL,INST OPER INST 60XC.....67		
DECAL,INST PLAT CAP 60TRAX.....77, 83		
DECAL,INST PLAT CAP 60TRAX SYM.....85, 91		

DIPSTICK, MSG425.....199
DIPSTICK, OIL, D2011.....178
DIPSTICK, STRAIGHT SHORT.....182
DIPSTICK-F3L1011F (DEUTZ).....193-194
DISCONNECT KIT (88887).....117-118, 122-123, 125-126
DRIVE COUPLING, 13 TOOTH.....293, 299
DRIVE COUPLING,KEYED.....293, 299

E

ELBOW,070220-4-4.....299
ELBOW,130239-4-4.....191
ELBOW,130339-6-6.....139
ELBOW,45D,520320-12-16.....261, 263
ELBOW,45D,520320-16.....245
ELBOW,45D,520320-4.....245, 247
ELBOW,45D,520320-8.....247, 255
ELBOW,45D,520320-8-10.....255
ELBOW,90 DEGR,RUBBER,2.5" I.D.*.....287
ELBOW,90,1/4-18NPT,FEMALE.....135
ELBOW,90D,1/4FPTX3/8MPT.....139
ELBOW,90D,520220-16-12.....259, 275
ELBOW,90D,520220-4-4.....245, 247, 253
ELBOW,90D,520220-4-6***.....247, 249, 251
ELBOW,90D,520220-6.....249, 251
ELBOW,90DEG.1/8MPT-5/16 BARB.....189, 203
ELBOW,AIR INTAKE,RUBBER.....193-194
ELBOW,SWIVEL NUT 90DEG,-4.....299
ELEMENT-5 MIC, PAPER, W/ BYPASS.....144
ENCLOSURE BOX, GAUGE OPT,DRILLD.....273
END BOGEY.....135
END BRACKET,FIXED END.....233
END BRACKET,MOVING END.....233
END CAP, WHEEL DRIVE.....118, 122-123, 125-126
END STOP, DIN RAIL,SCREW CLAMP.....149
END STOP,TRACK,FALL ARREST BAR.....315
ENGINE HARNESS, MSG425.....199
ENGINE MOUNT, LEFT, MSG425.....205
ENGINE MOUNT, REAR, MSG425.....205
ENGINE MOUNT, RIGHT, MSG425.....205
ENGINE TRAY ASSY W/BEARINGS.....143-144, 177-178, 191
ENGINE,DEUTZ D2011L03L.....177-178
ENGINE,PERKINS,DIESEL 404D-22.....181-182
EVACUATOR VALVE-AIR CLEANER.....177-178, 181-182, 193-194
EXHAUST MANIFOLD.....181-182
EXHAUST MANIFOLD, MSG425.....201
EXHAUST PIPE GASKET.....197
EXHAUST PIPE,DEUTZ.....178

F

FAN (FORD TIER 3).....187
FAN DRIVE BELT, MSG425.....201
FAN PULLEY, MSG425.....201
FAN SHROUD, MSG425.....205
FAN SPACER, MSG425.....201
FAN, ENGINE (104-22)(404-22)*.....182
FAN, MSG425.....201
FEMALE BULKHEAD CONNECTOR-8.....269
FIELD KIT,MTE 120V-60HZ, S60.....309
FIELD KIT,MTE, 120V-50HZ, S60.....309
FIELD KIT,MTE, 240V-50HZ, S60.....309
FILTER ASSY,HIGH PRESS SAE-12*.....144

FILTER ASSY,INTANK.....137
FILTER ASY,M PRESS,SAE8,WOIND* (77139).....144
FILTER ELEMENT,AIR,NOLFF LPG.....189, 203
FILTER HEAD (29560).....177-178
FILTER INDICATOR-(60334).....144
FILTER LID,RFM165.....137
FILTER, FUEL.....139
FILTER,AIR CLEANER,SUPERBOOM.....193-194
FILTER,AIR***.....177-178, 181-182
FILTER,ELEMENT,30 MIC,75020.....182
FILTER,ELEMENT,BETA(10)=200.....137
FILTER,ELEMENT,BETA(5)=1000.....144
FILTER,FUEL,PERKINS.....182
FILTER,FUEL/WTR SEP, DTZ 1008.....177-178, 193-194
FILTER,OIL,DEUTZ F4L1011F.....177-178, 193-194
FILTER,OIL,DEUTZ,REPLACEMENT.....177-178, 193-194
FINGER,GUIDE,CABLE TRACK.....233
FIRE EXTINGUISHER.....295, 297
FIRE SLEEVE, 1.25".....297
FITTING, DEPR COOLANT, MSG425.....199
FITTING, DEPR LP, MSG425.....199
FITTING,1/4 NPT X SAE J2044.....139
FITTING,BARBED,STR,T,FUEL LINE.....177-178
FITTING,BARBED,TEE,FUEL LINE.....177-178
FITTING,CONN,520120-12***.....245, 247, 249, 251, 255, 257, 259, 261, 263, 275, 293
FITTING,ELBOW,45D,520320-12***.....245, 255, 257, 261, 263, 293
FITTING,ELBOW,45D,520320-4-6**.....247
FITTING,ELBOW,90D,520220-8***.....245, 261, 263, 293
FITTING,HYDRAULIC,90DEG,O-RING.....178
FITTING,ORIFICE,.047.....289-290, 293, 299
FITTING,REDUCER,520123-12-8***.....261, 263
FITTING,SAE J2044F X5/16 BARB.....139
FITTING,TEE,BRANCH,520433-4.....253
FITTING,TEE,RUN,SWIVEL520432-4.....247, 249, 251, 253, 255, 257
FITTING,TEE,RUN,SWIVEL52043212.....255
FLANGE,EXHAUST.....181-182
FLASHTUBE,STRAIGHT,360DEG,BULB.....265
FLASHTUBE,U SHAPED,360DEG,BULB.....265
FLATBAR, CLAMPS, CABLE TRACK.....233
FLATBAR,ALUM,THROTTLE LINKAGE.....181-182
FLEX PIPE,EXHAUST,2.5" DIA.....197
FLOORING, 6'FT PLATFORM.....235
FLOORING, 4 FT PLATFORM,PAINTED.....235
FLOORING,8 FT PLATFORM**.....235
FLYWHEEL (PERKINS KR70481U)**.....181-182
FLYWHEEL ASSEMBLY,DSG-423 FORD...185
FLYWHEEL ASSY, MSG425.....199
FOAM PAD, 3" OD X 1.25" ID X 14 IN.....305
FOOT SWITCH***.....235
FORD TIII FAN GUARD W/DECALS.....191
FORMING ,AIR CLEANER MOUNT.....203
FORMING BRKT, WIPER 1 TO 2.....281
FORMING BRKT, WIPER 2 TO 3.....281
FORMING PANEL CRADLE.....305
FORMING, BULKHEAD,RIGHT,S60/65.....144

FORMING, CABLE ANCHOR.....229
FORMING, ECU MOUNT, MSG425.....205
FORMING, ENGINE MOUNT, PERKINS...181-182
FORMING, GAUGE OPTION BRACKET...273
FORMING, HEAT SHIELD MOUNT.....203
FORMING, LP REG MOUNT, MSG425.....205
FORMING, RAD SUPPORT, MSG425.....205
FORMING, SOLENOID MOUNT***.....193-194
FORMING, TRACK BRACE, LH.....231, 233
FORMING, TRACK BRACE, RH.....231, 233
FORMING,8.5' MUFFLER MOUNT.....197
FORMING,AIR CLEANER MOUNT.....189
FORMING,AIR CLEANER MOUNT PNTD.....177-178, 197
FORMING,ANGLE LINKAGE BRACKET....157
FORMING,ANGLE SENSOR CABLE.....208
FORMING,BULKHEAD,LEFT FRONT.....139
FORMING,BULKHEAD,LEFT REAR.....139
FORMING,CABLE GUIDE.....235
FORMING,CAL TOGGLE SWITCH.....155
FORMING,CLAMP,TOP,CABLE TRACK.....233
FORMING,COVER STOP,PAINT.....141
FORMING,COVER STOP,PAINTED.....137
FORMING,DEUTZ AIR INTAKE BAF P.....177-178
FORMING,DRIVE ENABLE LIMIT SW.....143-144
FORMING,ENGINE MOUNT.....193-194
FORMING,ENGINE MOUNT PAINTED.....197
FORMING,ENGINE MOUNT RH PAINTE.....181-182
FORMING,ENGINE MOUNT,FL PAINT*.....177-178
FORMING,ENGINE MOUNT,FR PAINT*....177-178
FORMING,FAN SHROUD.....191
FORMING,FORD GCP MOUNT.....191
FORMING,HARNESS SUPPORT,S60/65...137
FORMING,HEAT SHIELD.....189
FORMING,HEAT SHIELD MOUNT.....203
FORMING,HEAT SHIELD,MUFFLER***.....193-194
FORMING,HEAT SHLD,HEADER PIPE.....189
FORMING,HYD SWIVEL BRACKET...143-144
FORMING,INNER HANGER.....315
FORMING,LATCH,CTRL BOX LID PTD.....267
FORMING,LEFT ENGINE SUPPORT.....191
FORMING,LIMIT SWITCH BRACKET.....211-212
FORMING,MFLD GUARD,MSG425.....203
FORMING,MUFFLER MOUNT.....193-194
FORMING,MUFFLER MOUNT PAINTED....182
FORMING,OIL COOLER MOUNT.....275
FORMING,PINION GUARD PAINTED.....283
FORMING,RADIATOR BRACE LEFT.....191
FORMING,LATCH,CTRL BOX LID PTD.....267
FORMING,LEFT ENGINE SUPPORT.....191
FORMING,LIMIT SWITCH BRACKET.....211-212
FORMING,MFLD GUARD,MSG425.....203
FORMING,MUFFLER MOUNT.....193-194
FORMING,MUFFLER MOUNT PAINTED....182
FORMING,OIL COOLER MOUNT.....275
FORMING,PINION GUARD PAINTED.....283
FORMING,RADIATOR BRACE LEFT.....191
FORMING,RIGHT ENGINE SUPPORT.....191
FORMING,SECONDARY SUPPORT.....305
FORMING,SENSOR BRACKET(PTD).....157
FORMING,SOLENOID MOUNT.....181-182
FORMING,SOLENOID MOUNT PAINT.....177-178
FORMING,TT LH SIDE COVER PAINT.....283
FORMING,TT RH SIDE COVER PAINT.....283

Part Description Index (continued)

FORMING, UPPER RAD SUPPORT PNTD.....182	GROUNDING CABLE ASSEMBLY, 165".....293	HARNESS, ENG/HYD HEATER, 120V.....279
FORMING, WIPER GUARD LT.....283	GROUNDING CABLE ASSEMBLY, 18".....289- 290, 293	HARNESS, ENG/HYD HEATER, 240V.....279
FORMING, WIPER GUARD RT.....283	GROUNDING CABLE ASSEMBLY, 36"***.....293	HARNESS, ENGINE FORD DSG-423.....185
FUEL FILTER ASSEMBLY.....182	GUARD, HOSE PROTECTOR.....118, 123	HARNESS, ENGINE GAUGE.....151-152
FUEL FILTER W/SEP, DEUTZ, 1008.....177- 178, 193-194	GUARD, SEAL.....135	HARNESS, FORD DSG423, S60.....151-152
FUEL INJECTOR FORD DSG423, BK.....185	GUARD, FAN, FORD/PERKINS, PAINTED..181- 182	HARNESS, GAUGE OPT., S60 DEUTZ.....151- 152
FUEL INJECTOR FORD DSG423, YL.....185	GUIDE FINGER, PLASTIC.....233	HARNESS, GBOX WIRING.....151-152
FUEL JUMPER HARNESS.....151-152	GUIDE, EXT CABLE, TOP.....215	HARNESS, GBOX, DUAL CAP RELAY.....149, 151-152
FUEL RETURN, DAPCO 18.75.....139	GUIDE, EXT. CABLE, BOTTOM.....215	HARNESS, GENERATOR POWER.....152
FUEL RETURN, DAPCO 3/8".....139	GUIDE, HOSE, FORD.....191	HARNESS, JIB SELECT MANIFOLD...151-152
FUEL SENSOR ASSY.....139		HARNESS, JIB, PBOX, S65.....151-152
FUSE BOX COVER.....187, 205		HARNESS, LINCOLN WELDER***.....293, 297
FUSE BOX MOUNTING, LEFT.....187, 205		HARNESS, LS, DRIVE ENABLE.....151-152
FUSE BOX MOUNTING, RIGHT.....187, 205		HARNESS, LS, OP, CABLE TENSION.....211- 212
FUSE BOX RELAY STICKER.....187, 205		HARNESS, LS, OP, PRIMARY ANGLE.....207- 208
FUSE HOLDER, INLINE, GS.....277		HARNESS, LS, OP, PRIMARY EXT/RET.....207- 208, 211-212
FUSE, .6AMP, 250V, WELDER, V275S.....295, 297		H A R N E S S , L S , O P , P R I M A R Y VELOCITY.....207-208
		HARNESS, PBOX, S60/65.....151-152
		HARNESS, PROX.KILL.....301, 303
		HARNESS, S60 TURBO DEUTZ SPEC.....151- 152
		HARNESS, SECOND GLOW PLUG.....277
		HARNESS, TILT ALARM, 12V.....152
		HEAT SHIELD, MSG425.....203
		HEAT SHIELD, ALTERNATOR, FORD.....189, 201
		HEAT SHIELD, DEUTZ STARTER.....177-178
		HEATER, ADHESIVE, 1 AMP, 240V.....279
		HEATER, ADHESIVE, 2.1 AMP, 120V.....279
		HEATER, ADHESIVE, 2.3AMP, 240V.....279
		HEATER, ADHESIVE, 4.6AMP, 120V.....279
		HEATER, 120V BATTERY.....279
		HEATER, 240V, BATTERY.....279
		HEATER, FREEZE PLUG, FORD LRG423...277
		HEATER, FREEZE PLUG, PRKINS40422.....277
		HINGE CASTING.....267
		HINGE, .375X.120THK., SLOTTED.....141, 144
		HINGE, GROUND BOX COVER.....283
		HINGE, PLAT CONTROL BOX COVER.....267
		HOOK, BATT HOLD DOWN, 10".....137
		HORN, 12VDC, SPADE TERMINALS***.....137
		HOSE ASM-JCAF310-06-41.....171
		HOSE ASSEMBLY 3/4" STR-STR.....245, 255
		HOSE ASSEMBLY 3/4" STR-STR.....245
		HOSE ASSEMBLY 3/8".....249
		HOSE ASSEMBLY, 1/2"***.....269
		HOSE ASSEMBLY, 1/2, STR FEM.....257
		HOSE ASSEMBLY, 1/4".....313
		HOSE ASSEMBLY, 1/2, 90FEM, STR FEM.....255
		HOSE ASSY 1", STR FEM, STR FEM.....245, 259
		HOSE ASSY 1/4, 90 FEM STR FEM.....249
		HOSE ASSY 1/4, STR FEM, STR BULK.....247, 253
		HOSE ASSY 1/4.90 FEM STR FEM.....249
		HOSE ASSY 3/8, STR FEM, STR FEM.....245, 249, 251
		HOSE ASSY 3/8, STR FEM, 90D.....247
		HOSE ASSY, 3/4", 28.55".....259, 275
		HOSE ASSY, 1", 90 FEM, STR FEM.....245
		HOSE ASSY, 1.25", 90 FEM, STR FEM.....245
		HOSE ASSY, 1/2".....245, 249, 253
		HOSE ASSY, 1/2"***.....249, 251
H		
	HALF MESH, 8" PLATFORM, LH.....267	
	HALF MESH, 8" PLATFORM, RH***.....267	
	HARN JOYSTICK ADAPTOR JS100.....243	
	HARN, AC PROTECTION BYPASS.....301, 303	
	HARN, GBOX & RELAY WIRES, FORD.....151- 152	
	HARN, LS OP PRI. DUAL CAP.....151-152	
	HARN, 12V WORK LIGHT RELAY.....152, 307	
	HARN, ANGLE, SNSR.CONN. CABLE.....151- 152	
	HARN, FUNCT MANIFOLD, S60/65.....151-152	
	HARN, GBOX & RELAY WIRES, DIESEL...151- 152	
	HARN, LS CABLE, S60 DUAL CAP.....151-152	
	HARN, LS SAFETY, PRI. DUAL CAP.....151-152	
	HARN, LS, SAFETY, PRI, VELOCITY.....151-152	
	HARN, PBOX, DUAL CAP.....151-152	
	HARN, PBOX, JOYSTICK, S60/65.....151-152	
	HARNESS PERKINS ENGINE S60 ALT...151- 152	
	HARNESS PROGRAM CAN PLUS1...151-152	
	HARNESS, 12/3 12V TO PLAT JIB.....151-152	
	HARNESS, 12/3 12V TO PLAT NJ.....151-152	
	HARNESS, 120V POWER CORD, 24".....279	
	HARNESS, 18/19, CABLE JIB.....151-152	
	HARNESS, 18/19, CABLE NJ.....151-152	
	HARNESS, 18/22, CABLE JIB.....151-152	
	HARNESS, 18/22, CABLE NJ.....151-152	
	HARNESS, 240V POWER CORD, 24".....279	
	HARNESS, AC POWER TO PLAT JIB.....151- 152	
	HARNESS, AC POWER TO PLAT NJ.....151- 152	
	HARNESS, ALARM PACKAGE.....151-152	
	HARNESS, FORD STARTER.....151-152	
	HARNESS, JUMPER, LOAD SENSE.....151- 152	
	HARNESS, LOAD SENSE.....151-152	
	HARNESS, LOAD SENSE, GBOX.....151-152	
	HARNESS, LS, OP, CABLE TENSION.....151- 152	
	HARNESS, LS, OP, PRI ANGLE.....151-152	
	HARNESS, LS, OP, PRI, VELOCITY.....151- 152	
	HARNESS, LS, OP, PRIMARY.....151-152	
	HARNESS, OMRON RELAY, CR66.....149	
	HARNESS, 12V WORK LIGHTS.....152, 307	
	HARNESS, 18/22, CABLE2 JIB.....151-152	
	HARNESS, 18/22, CABLE2 NJ.....151-152	
	HARNESS, BATT CABLE, 120V.....279	
	HARNESS, BATT CABLE, 240V.....279	
	HARNESS, BOOM CABLE HIGH CAP.....151- 152	
	HARNESS, DEUTZ ENGINE.....151-152	
	HARNESS, DRIVE/LIFT INTERLOCK.....152	
G		
GAS STRUT, 250 LBS FORCE***.....141		
GASKET, FUEL LEVEL SENDER, Z80.....139		
GASKET, MSG425.....201		
GASKET, UK POWER TO PLAT.....269		
GASKET, ACTUATOR PLATE.....185		
GASKET, COVER, GFCI, WEATHERPROOF. 269		
G A S K E T , E X H FLANGE-FORD/PERKINS.....181-182, 189, 203		
GASKET, EXHAUST.....177-178, 193-194		
GASKET, EXHAUST, FORD MSG.....201		
GASKET, GBOX, S80/85 2008.....149		
GASKET, INTAKE MANIFOLD, MSG 425.....199		
GASKET, KEYSWITCH, PLASTIC***.....147		
GASKET, MIXER, FORD DSG423.....185		
GASKET, PLATFORM CONTROL BOX.....241		
GASKET, RETURN FILTER-77353.....137		
GASKET, THROTTLE ACTUATOR***.....185, 199		
GASKET, WATER PUMP.....181-182		
GASKET-CYLINDER HEAD.....181-182		
GASKET-THERMOSTAT HSG.....182		
GATE LATCH CASTING--DRILLED.....267		
GAUGE, FUEL LEVEL, 20/30 GAL.....139		
GAUGE, OIL PRESSURE W/O SENDER.....273		
GAUGE, VOLTAGE.....273		
GAUGE, WATER TEMP.....273		
GAUGE-SIGHT, LHA-LGTB***.....137		
GENERATOR, 3kW, 120V/60Hz.....309		
GENERATOR, 3kW, 120V/50Hz.....309		
GENERATOR, 3kW, 240V/50Hz.....309		
GENERATOR, HYDRA, 25CC, 208V.....299		
GENERATOR, HYDRA, 25CC, 208V***.....289- 290, 293		
GENERATOR, HYDRO-12KEP-21-3.....289-290		
GFCI, 50A, 3PH.....289-290		
GFI/CIRCUIT BREAKER ASSEMBLY.....289- 290		
GLOW PLUG (PERKINS 404-22).....181-182		
GLOW PLUG, L1011.....177-178, 277		
GREASE, SERVICE PACKET.....182		
GROMMET, 4.00 GRV. X .75 THK.....211-212		
GROMMET, RUBBER 3 X .19 X 3.5.....235		
GROUND CONTROL BOX LID WITH DECAL.....147		
GROUND CONTROL BOX WITH DECAL...147		
GROUNDING CABLE ASSEMBLY, 16".....293		

- HOSE ASSY,1/2,90 FEM,STR FEM.....245,
247, 249, 255, 261, 263, 293
HOSE ASSY,1/2,90 FEM,STR FEM**.....249
HOSE ASSY,1/2,STR FEM,STR FEM.....247,
263
HOSE ASSY,1/2,STR FEM,STR FEM*.....261
HOSE ASSY,1/4 STR FEM,STR FEM.....249,
251
HOSE ASSY,1/4", 38.00.....247
HOSE ASSY,1/4,693".....247
HOSE ASSY,1/4,90 FEM,STR FEM.....245,
249, 253, 255
HOSE ASSY,1/4,90 FEM,STR FEM**.....247,
249, 253, 257
HOSE ASSY,1/4,STR FEM,STR FEM.....247
HOSE ASSY,1/4,STR FEM,STR FEM*.....245,
247
HOSE ASSY,3/4".....249, 251
HOSE ASSY,3/4",45F,STR F.....261
HOSE ASSY,3/4",90 FEM, STR FEM.....255
HOSE ASSY,3/4,45 FEM,STR FEM.....263, 293
HOSE ASSY,3/4,45 FEM,STR FEM**.....261
HOSE ASSY,3/4,45 FEM,STR MALE.....259,
275
HOSE ASSY,3/4,90 FEM,STR FEM.....245,
249, 251, 257, 261, 263
HOSE ASSY,3/4,90 FEM,STR FEM**.....249
HOSE ASSY,3/4,STR FEM,STR FEM.....245,
259, 263, 293
HOSE ASSY,3/8,STR FEM,STR FEM.....249,
251
HOSE ASSY,3/8,STR FEM,STR,90D.....247
HOSE ASSY,LP GAS.....191, 205
HOSE ASSY,3/4",90,FEM,STR FEM.....245
HOSE END,BARB,1/4 MNPTX5/16,90.....182
HOSE END,BARB,1/4 MNPTX5/16,ST.....182
HOSE END,BARB,3/8 MNPT X 5/16.....139
HOSE GUIDE, JIB.....221
HOSE HANGER, MSG425.....205
HOSE, CLEAN AIR, MSG425.....203
HOSE, COOLANT BYPASS, DSG423.....185
HOSE, COOLANT BYPASS, MSG425.....199
HOSE, COOLANT, VAP, MSG425.....205
HOSE, LOWER RADIATOR, MSG425.....205
HOSE, RAW AIR, MSG425.....203
HOSE,1/4 FUEL LINE,SAE 30R7.....139, 177-
178, 193-194
HOSE,3/4,LP.....191
HOSE,5/16 FUEL,SAE 30R7.....139, 178, 193-
194
HOSE,AIR 3/8.....187, 201
HOSE,AIR CLEANER.....177-178
HOSE,AIR CLEANER TO INTAKE.....181-182
HOSE,AIR INLET.....181-182
HOSE,AIR INTAKE.....189
HOSE,AIR INTAKE 2.5" I.D.....287
HOSE,AIR,MIXER.....189
HOSE,COOLANT,REG INTAKE.....191
HOSE,FUEL,5/16 HIGH PRES 3 IN.....139
HOSE,FUEL,5/16 HIGH PRES 35 IN.....139
HOSE,FUEL,5/16HIGH PRES 127 IN.....139
HOSE,FUEL,5/16HIGH PRS 40 IN.....139
HOSE,FUEL,5/16HIGH PRS 43.5 IN.....139
HOSE,FUEL,5/16HIGH PRS 53.5 IN.....139
HOSE,FUEL,5/16HIGH PRS 60 IN.....139
HOSE,LOWER RADIATOR.....191
HOSE,LOWER,RADIATOR,PERKINS.....181-
182
HOSE,OVERFLOW,RADIATOR.....191
HOSE,RETURN,ENGINE.....189
HOSE,UPPER RADIATOR.....189
HOSE,UPPER RADIATOR,MSG425.....203
HOSE,UPPER RADIATOR,PERKINS.....182
HOSE-HEATER,5/8 ID-BLACK.....205
HOUR METER,10-80 VOLTS***.....147
HOUSING,PUMP MOUNT (54573).....182
HUB ASSEMBLY.....135
HUB SCREW.....118, 122-123, 125-126
HUBBLE NUT, PG11.....279
HYD. HOSE ASSEMBLY 3000 PSI.....135
HYDRAULIC TANK ASSEMBLY.....137
- I**
- IDLER BRACKET.....191, 201
INJECTOR, FUEL(DEUTZ F3L2011F).....178
INJECTOR, FUEL, MSG425.....199
INSTRN, TRC RETROFIT, STNDRD.....151-
152
INTAKE MANIFOLD.....181-182
INTAKE MANIFOLD, MSG425.....199
ISOLATOR, DEPR.....205
ISOLATOR, VIBRATION.....191, 205
ISOLATOR,ENGINE VIBRATION.....193-194,
197
ISOLATOR,ENGINE VIBRATION***.....177-
178, 191, 205
ISOLATOR,VIBRATION,M8 M/M.....191
ISOLATOR,VIBRATION,M8 MALE/FEM.....182
- J**
- J-BOX ASSEMBLY,8X10.....289-290, 293
J-BOX,CIRCUIT BREAKERS,8X10***.....293
JIB BOOM ASSY W/SYMBOL DECAL.....221
JIB BOOM ASSY W/WORD DECAL.....221
JOYSTICK CONNECTOR ASSEM,DEUT.....241
JOYSTICK,1 AXIS ROCKER,DEUTSCH.....243
JOYSTICK,2 AXIS,DEUTSCH.....243
JOYSTICK,2 AXIS,ROCKER,DEUTSCH.....243
JOYSTICK,DUAL AXIS W/KNOB.....243
JOYSTICK,DUAL AXIS W/STEER.....243
JOYSTICK,SINGLE AXIS W/STEER.....243
JUMPER COMB, 2-WAY,WIELAND.....149
JUMPER COMB, 3-WAY,WIELAND.....149
- K**
- KEEPER,LATCH (45363).....141
KEY, HEX, 5/16" X 2.50"LG,SS.....208
KEYSWITCH,3 POS. W/KEYS***.....147
KIT, AUX TOP RAIL SUPPORT.....267
KIT, BRAKE SPRING.....143-144
KIT, CABLE TRACK, S60/65.....231
KIT, DIPSTICK, MSG425.....199
KIT, DSG423 COOLANT OUTLET.....185
KIT, FOOTSWITCH, S60.....235
KIT, FRICTION DISC.....143-144
KIT, GLAND NUT, S60 LIFT CYL.....157, 207-
208
KIT, HD STARTER INSTALL, MSG-4.....199
KIT, HEAT GUARD, DEUTZ STARTER.....177-
178
KIT, ISOLATION, 2 JOYSTICK.....243
KIT, LEVEL SENSOR, 6 PIN CONN.....139,
152
KIT, LIMIT SWITCH ARM.....217
KIT, RETROFIT, WELDGEN, MAG
BREAKER.....289-290, 293
KIT, SEAL, PUMP, 1 SECTION.....171
KIT, SEAL, PUMP, 2 SECTION.....171
KIT, SWING BRAKE REBUILD.....143-144
KIT, TERMINAL BLOCK.....149
KIT, TRC RETROFIT, STNDRD.....151-152
KIT,BRAKE SPRING***.....143-144
KIT,CABLE TRAK FLAT BAR.....231
KIT,CHARGE PUMP.....171
KIT,CHARGE PUMP HOUSING.....171
KIT,ELEMENT**.....137
KIT,EXTEND/RETRACT CABLE,S60.....215
KIT,FAN SUPPORT RETRO,FORD MSG.....201
KIT,FBA STYLE COUPLER,FORD.....189
KIT,FBA STYLE COUPLER,PERKINS.....182
KIT,FBA STYLE COUPLER,SAE8.....177-178
KIT,FIELD INSTALL,SWING GATE.....267
KIT,FITTING,REGULATOR DSG-423.....191,
199
KIT,FRICTION DISC***.....143-144
KIT,GASKET,UK POWER TO PLAT.....269
KIT,GEN. PRESSURE SWITCH.....290, 293,
309
KIT,MTE&OIL COOL,120V50HZ,S60.....309
KIT,MTE&OIL COOL,120V60HZ,S60.....309
KIT,MTE&OIL COOL,240V50HZ,S60.....309
KIT,OP SWITCH,DEUTZ.....178
KIT,PANEL CRADLE BRACKET,SYMBL.....305
KIT,PANEL CRADLE BRACKET,WORD.....305
KIT,PANEL CRADLE,CE.....305
KIT,PIN & RING***.....231
KIT,PRIMER BULB.....178
KIT,PUMP SHAFT SEAL W/INST***.....171
KIT,REPAIR,DEUTSCH PLUG,W/TUBE.....151-
152, 243
K I T , R E P A I R , D E U T S H
CONNECTORS**.....151-152, 243
KIT,SEAL,3CC PUMP***.....182
KIT,SOLENOID CONTROL SERVICE.....171
KIT,STRAINER REPLACEMENT.....245
KIT,SWING BRAKE REBUILD***.....143-144
KIT,SWING GATE W/SPRING.....267
KIT,TRAX,9-BOLT,S60 W/OMNI HUB.....135
KIT,TRAX,9-BOLT,S60 W/RR HUBS.....135
KIT,WELD LEADS ASSY,V275S.....295, 297
KIT,WIRE,12.5KW WELDER.....293, 295, 297
KNOB,JOYSTICK, 62390/62391.....243
KNOB,ROCKER JOYSTICK 75565.....243
- L**
- LABEL,SCON SOFTWARE,S60HC.....109
LABEL,TCON SOFTWARE,S60HC.....109
LANYARD,PLATFORM CONTROL BOX.....241
LATCH,FLEXIBLE DRAW W/O KEEPER.....137
LATCH,GRND.CTRL.BOX COVER.....283
LATCH,SLIDE, FLUSH MOUNT STYLE.....267
LENS,AMBER,STROBE,FIREBOLT.....265
LEVEL SENSOR,LS60,YL,2.5X4.5.....139
LEVER, GOVERNOR ACTUATOR.....177-178,
193-194
LIGHT, 12 VOLT.....307
LIGHT,LED IND. AMBER 12V NH.....237-238
LIGHT,LED IND. RED 12V NH.....147, 237-238
LIMIT SWITCH,BLUE,MICRO.....217
LINING KIT,BRAKE,OMNI***.....118, 122-123,
125-126
LOAD CELL FLEXURE.....223
LOAD SUPPORT W/BEARINGS.....227
LOCK, PLUG 2WAY, 14-18GA.....207-208, 279
LOCK,PLUG 3 WAY,14-18GA.....279
LOCK,PLUG 4 WAY,14-18GA.....207-208

Part Description Index (continued)

LOCK,RECEP 2 WAY, 14-18GA.....211-212,
279, 307
LOCK,RECEP 3 WAY,14-18GA.....279
LOCK,RECEP 4 WAY,14-18GA.....211-212
LOCK,RECEP 6 WAY,14-18GA.....157
LOCKNUT,ELEC,1/2".....269, 309
LOCKNUT,ELECTRIC,1" NPT.....289-290, 293
LOCKNUT,ELECTRIC,3/4".....309
LOCKNUT,FLANGE,5/8-11,GR8.....135
LOCKOFF,LP,FORD DSG/MSG.....191, 205
LOCKRING, RR***.....118, 122-123, 125-126
LOWER IDLER FORD DSG-423.....187
LOWER IDLER PULLEY, MSG425.....201
LT.LAMP IND. AMBER 12V ENG.NH.....147
LUG,STUD/WHEEL (88887).....118, 122-123,
125-126

M

MACH,PLATE,LOAD SUPPORT.....223
MACH. MOUNTING BLOCK.....131
MACH.,PLATE,STOP.....223
MACHINED PIVOT PLATE WELDMENT...211-
212
MACHINED,LOAD CELL LINK.....223
MALE PIPE THD,1/4" SER,3/8"X18.....269
MANIFOLD ASSEMBLY, GEN.....309
MANIFOLD,BRAKE,2-SPEED.....175
MANIFOLD,BRAKE/2 SPD W/QD PLG*.....173
MANIFOLD,DRIVE OIL DIVERTER...289-290,
293
MANIFOLD,EXHAUST TURBO.....189
MANIFOLD,FUNCTION.....159-160
MANIFOLD,INTAKE FORD DSG-423.....185
MANIFOLD,JIB SELECT W/QD PLUG.....169
MANIFOLD,JIB SELECT W/QD PLUG*
(88786).....169
MANIFOLD,ROTATOR,CB***.....169
MANIFOLD,TRACTION,2WD.....163
MANIFOLD,TRACTION,4WD***.....167
MANUAL BOX W/DECALS***.....235
MANUAL,OPERATORS PERKINS 404.....181-
182
MAP SENSOR, DSG-423.....185, 199
MESH,HALF,SWING GATE***.....267
MICROSWITCH,13482 FOOTSWITCH.....235
MIXER, MSG425.....199
MIXER,LPG,DSG-423.....185
MODULE,CONTROL,HI AMP.....149
MODULE,IGNITION/START,12/24V.....149
MODULE,LOAD SENSE 2007.....149
MODULE,TIME DELAY ON BREAK 4S.....149
MOTOR MOUNT.....299
MOTOR,12VDC,77066.....139
MOTOR,HYD 12.5KW GEN,21CC***.....289-
290
MOTOR,HYD,25CC FIXED***...289-290, 293,
299
MOTOR,PISTON,30CC,4WD***.....117-118,
121-123, 126
MOTOR,PISTON,35CC,2WD***.....126
MOUNT COVER.....299
MOUNT, STRING POT, S60HC.....229
MOUNT,SWITCH.....227
MOUNTING BAND,AIR CLEANER.....193-194
MOUNTING BAND,MUFFLER,8.0".....189, 203
MPT,CPLR,1/4"SER,3/8"X18.....269
MUFFLER,2.5"INLET/OUTLET.....193-194
MUFFLER,6".....182

MUFFLER,CAT/SPARK,DEUTZ.....177-178,
193-194
MUFFLER,CATALYTIC.....182
MUFFLER,DEUTZ.....177-178
MUFFLER,SPARK ARRESTOR.....182

N

NIPPLE,DIAGNOSTIC,#6 PORT***...245, 247,
249
NIPPLE,DIAGNOSTIC,ORFS,FM,SWIV....245,
253
NIPPLE,STEEL PIPE,1/4NPTX1 LG.....135
NIPPLE,STEEL PIPE,1/4NPTX2.5LG.....135
NON-STEER AXLE ASSEMBLY.....133
NON-STEER AXLE ASSEMBLY**.....126
Note: For half mesh components refer to
902.1.....271
NUT.....147
NUT - PLASTIC,RING FOR ALARMS.....137,
237-238, 265
NUT HEX M5-0.8 CLASS 8 ZINC.....241
NUT, EXH. MANIFOLD, MSG425.....201
NUT, FLANGE, 3/4-16 UNF GR8.....131, 133
NUT, LP NYLOCK, 3/8-16.....182, 235
NUT, PISTON, LIFT CYLINDER.....207-208
NUT, SOLENOID VALVE COIL.....160
NUT, TL JAM, 3/8-16, A, ZAG.....305
NUT,BULKHEAD,520118-4.....247
NUT,FLG-LRG,3/8-16,YZ.....191, 205
NUT,HEX,1/4-28.....129
NUT,HEX,10-24.....178
NUT,HEX,5/16-18,GR5.....289-290
NUT,HEX,FLANGE 5/8-18,GRD 8 ZI.....126
NUT,HEX,JAM,3/4-10.....143-144
NUT,HEX,JAM,3/8-24.....157
NUT,HEX,JAM,3/8-24, LEFT HAND.....157
NUT,HEX,M8 X 1.25.....293
NUT,HEX,M8,PLASTIC.....301, 303
NUT,LOCKING-LG.FLANGE,1/4-20.....203
NUT,LOCKING-LG.FLANGE,5/16-18.....137,
187, 189, 191, 203
NUT,LP NYLOCK,1/4-20...231, 233, 241, 267,
271, 281, 283, 303
NUT,LP NYLOCK,10-32.....279
NUT,LP NYLOCK,3/8-24.....157
NUT,LP NYLOCK,5/16-18.....199
NUT,NYLOCK FLG,1/4-20,F,ZAG.....305
NUT,NYLOCK FLG,3/8-16,F,ZAG.....305, 315
NUT,NYLOCK,1-8.....137, 155, 221, 227
NUT,NYLOCK,1-8,GR8.....223, 225
NUT,NYLOCK,1/2-13.....144, 177-178, 189,
191, 205, 207-208, 215, 290, 309
NUT,NYLOCK,1/4-20.....129, 137, 139, 141,
144, 149, 155, 181-182, 187, 189, 205, 211-
212, 215, 217, 221, 227, 229, 231, 233, 235,
275, 281, 285, 290, 301, 303, 311
NUT,NYLOCK,10-24.....129, 193-194, 227
NUT,NYLOCK,10-32.....137, 141, 149, 157,
229, 241, 265, 293
NUT,NYLOCK,3/4-10,GRD.8.....211-212, 215
NUT,NYLOCK,3/8-16.....118, 122-123, 137,
139, 143-144, 157, 182, 189, 191, 193-194,
197, 203, 205, 217, 191, 221, 223, 225, 227,
231, 233, 235, 238, 269, 283, 295, 301, 303,
307, 311
NUT,NYLOCK,5/16-18.....141, 177-178, 182,
197, 205, 217, 235, 295, 309
NUT,NYLOCK,5/8-11.....193-194, 197
NUT,NYLOCK,6-32.....241

NUT,NYLOCK,7/16-14.....208
NUT,NYLOCK,8-32.....217
NUT,NYLOCK,M6X1.00.....182
NUT,NYLOCK,M8X1.25.....191, 205
NUT,SOLENOID.....173, 175, 289-290
NUT,SOLENOID VALVE 2P3W.....159-160
NUT,SOLENOID VALVE COIL.....159-160
NUT,STEM,EATON***.....171
NUT,TL FLG,1/2-13,G,ZAG.....293, 315
NUT,TL FLG,1/4-20,G,ZAG.....293, 297
NUT,TL FLG,3/8-16,G,ZAG.....297
NUT,TL FLG,5/16-18,G,ZAG.....293, 297
NUT,TL FLG,M6-1.0,DIN6927,10,ZAB.....182
NUT,TL FLG,M8-1.25,DIN6927,10,ZAB.....182
NUT,TL,M5-0.8,DIN980,10,ZAB.....182
NUT,WING,1/4-20.....137
NUT-COIL SHORT.....169
NUT-FLANGE, 8MM (62849).....181-182
NUTSERT,1/4-20,STEEL CAD PLTD.....149,
241
NUTSERT,10-32 STEEL CAD PLTD.....285
NUTSERT,LP KNURLED,1/4-20X.165.....147

O

O-RING, FUEL LIFT PUMP.....193-194
O-RING, RIBBED, MSG425.....199
O-RING, ROTATOR MANIFOLD.....169
O-RING, SMOOTH, MSG425.....199
O-RING,.070 X .239,VITON 75D.....118, 122-
123, 125-126
O-RING,.103 X 4.737,VITON, 75D.....117-118,
121-123, 125-126
O-RING,2-010,VITON.....126
O-RING,2-042 N674-70***.....171
O-RING,67.95X2.62-NBR-70SH(HF2P)(60334).144
O-RING,DIPSTICK,MSG425.....199
O-RING,END COVER,OMNI***.....118, 122-
123, 125-126
O-RING,FUEL INJECTOR,DEUTZ
(89792).....178
O-RING,MIXER,RIBBED,DSG-423.....185
O-RING,MIXER,SMOOTHED,DSG-423.....185
O-RING,MOTOR/BRAKE***.....143-144
O-RING,PIPE PLUG KIT,OMNI***.....118, 122-
123, 125-126
O-RING,RUBBER TRACK (139120).....135
O-RING,SEAL RING,1" NPT (PKG OF
10).....289-290, 293
O-RING,STEM,EATON.....171
OIL COOLER W/FAN, 12VDC.....275
OIL DRAIN PLUG,FORD DSG423.....187
OIL FILTER - PERKINS.....181-182
OIL FILTER,DSG-423.....185, 199
OIL PAN HEATER,DEUTZ,120V,150W.....277
OIL,ENG 5W-40 SYN***.....277
OPT,COSM DECAL,NES S105.....69
OPTION,ROCKER STEER.....241
ORIFICE DISC,.030,CONE.....289-290, 293
ORIFICE PLUG .025 DIA.....175
ORIFICE PLUG, 0.070".....163
ORIFICE, 0.040".....167
ORIFICE,0.025".....173
ORIFICE,0.040".....165
OUTLET, 110V.....269

P

PAD,REST,1"THICK,FLANGED.....305
PADDING,FOAM 3.5"OD X 1.50"ID.....301, 303

PADDING,FOAM,3.0"X1.50ID 90DEG.....301, 303	PLATE,BLANKING,FORD DSG423.....187	PUMP,PISTON,49CC***.....171
PIN, LIFT CYL, HEX END.....208	PLATE,BOTTOM BLOCK,PAINTED.....215	PUMP,PRIMER,PERKINS***.....181-182
PIN,.75DIA X 6.38 LG,2RING.....223	PLATE,CHASSIS ATTACHMENT.....313	
PIN,0.75DIA X 5.75LG,CHAMFER.....227	PLATE,ENGINE SUPPORT SPACER.....205	R
PIN,1.25 X 13.25 IN,CHAMFER.....144	PLATE,FRONT LIFTING EYE.....191	RADIATOR,FORD DSG423 & MSG425.....191, 205
PIN,1.250 X 9.25, 2 RINGS.....233	PLATE,HINGE SUPPORT.....141	RADIATOR,FORD/PERKINS***.....182
PIN,1.25DIA X 14.45LG,2HOLE.....221	PLATE,JIB,ROTATE MANIFOLD.....235	RECEPTACLE, 120VAC, 20A, GFCI.....289- 290, 293
PIN,1.25DIA X 3.37LG,1HOLE.....207-208	PLATE,REAR ENGINE SUPPORT.....189	RECEPTACLE,UK,110V.....269
PIN,1.25DIA X 5.25LG,1HOLE.....219, 221, 223, 225	PLATE,REAR LIFTING EYE.....189	RECEPTCL,LOCK 3-PH,50A,4 WIRE.....295
PIN,1.25DIA X 7.00LG,1HOLE.....221	PLATE,REINF.CLAMP STACK,PTD.....231	REDUCER,3" TO 2.75".....193-194
PIN,1.25DIA X 7.47LG,2RING.....219, 221, 223, 225	PLATE,RETRACTION CABLE EQUALIZ.....215	REDUCER,520123-16-12.....259
PIN,1.25DIA X 7.88LG,1HOLE.....221	PLATE,ROCKER.....211-212	REDUCER,520123-8-4.....245, 261, 263
PIN,1.25DIA X 8.42LG,2RING.....219, 221, 223, 225	PLATE,SWIVEL ROTATION STOP.....144	REF. WHEEL AND TIRE ASSEMBLY.....125- 126
PIN,1.5 X 5.50 LG.....215	PLATE,TAP BLOCK.....215	REF: Brake and 2 Speed Manifold.....144
PIN,1.50DIA X 13.43LG,2RING.....211-212	PLATE,UK,POWER TO PLAT.....269	Ref: Engine Tray with Bearing.....197
PIN,1.50DIA X 3.75LG,1HOLE.....118, 122-123	PLATFORM CONTROL BOX W/DECAL.....241	REF: Foot Switch Assembly.....151-152
PIN,1.50DIA X 9.38LG,1HOLE.....118, 122-123	PLATFORM CONTROL BOX,PAINTED.....241	Ref: Harness, Power to Platform.....269
PIN,2 X 5.75 LG.....207-208	P L A T F O R M S U P P O R T	Ref: Jib Manifold.....235
PIN,2.00DIA X 11.18LG,2RING.....207-208	WELDMNT-SERV*.....221, 227	Ref: Platform Support.....235
PIN,2.00DIA X 20.88LG,CHAMFER.....125-126	PLUG, 3P,30A, 4 WIRE, MALE.....297	Ref: Pumps.....193-194
PIN,2.00DIA X 23.13LG,CHAMFER.....118, 122- 123	PLUG, BOOT, 3P, 30A, 4 WIRE.....297	REGULATOR, LP, MSG425.....205
PIN,2.00DIA X 24.00LG,CHAMFER***.....207- 208	PLUG, OIL DRAIN, MSG425.....201	REGULATOR,LP PRESSURE,MSG425.....199
PIN,2.25DIA X 18.75LG,CHAMFER.....207-208	PLUG, TYPE F, 230A, 50HZ, 16A, IP44.....269	REGULATOR,LPG,DSG-423.....191
PIN,2.25DIA X 19.25LG,CHAMFER.....207-208	PLUG, 1/2" HUBBLE.....289-290, 293	RELAY MODULE(89996,89998).....193-194
PIN,CLEVIS,1 X 2.5 LG.....117-118, 121-123, 211-212	PLUG, 4-WIRE,3-PHASE,50A,MALE.....295	RELAY,12VDC,70AMP,SEALED.....149, 277
PIN,CLEVIS,1.25 X 5.0,ZINC.....313	PLUG,DRAIN,RR TRANS.DRIVE HUBS...118, 122-123, 125-126	RELAY,OMRON,DPDT,12V.....149
PIN,CLEVIS,1.25 X 6.0,ZINC.....313	PLUG,FUSED,250V,13AMP,U.K.**.....269	RELAY,PWR/FUEL,FORD DSG423....185, 199
PIN,CLEVIS,1X2.250,ZAG.....215	PLUG,HEX SOCKET,090109B-12.....259	RELAY,SOCKET,OMRON.....149
PIN,COTTER, .156 X 1.75.....215, 231, 233	PLUG,HEX SOCKET,090109B-4.....144	RELAY,SPDT,12V(AUTO) PLUG IN**.....149
PIN,GROOVE/HOLE,1.50 DIA X 4.475.....118, 122-123	PLUG,HEX,090109A-4.....251, 253	RELAY,STARTER,FORD DSG/MSG.....185, 199
PIN,STORAGE,TOW PACKAGE.....313	PLUG,HEX,090109A-B***.....251	RELAY,TIME DELAY,2 SEC,10A.....149
PINCH GUARD RAIL,6' PLATFORM.....267	PLUG,HYD.TANK,SAE-8 (147831).....137	RELAY,TIME DELAY,2 SEC,30A.....241
PINCH GUARD RAIL,8' PLATFORM**.....267	PLUG,NYLON .188 BLACK DOMED.....147, 238	RELIEF,VALVE 270 PSI.....289-290
PIPE CRADLE ASSY. SERV (ONE)**.....267	PLUG,NYLON .38 BLACK DOMED.....147	REPAIR KIT,4 LINK,W/GUIDE.....233
PIPE PLUG KIT,OMNI***.....118, 122-123, 125- 126	PLUG,NYLON .50 BLACK DOMED...147, 149, 237-238	RESISTOR,10 OHM,25 WATT.....149, 241
PIPE,COOLANT RETURN, MSG425.....201	PLUG,NYLON .875 BLACK DOMED.....149, 241	RESISTOR,5 OHM,25W***.....149
PIPE,COOLANT RETURN,FORD 2.3L.....189	PLUG,NYLON 1.12 BLACK DOMED.....149	RESISTOR,7.5 OHM,25 WATT,1PCNT.....149
PLASTIC FILTER HEAD.....177-178	PLUG,NYLON 1.187 BLACK DOMED.....267	RETAINER,GAS SPRING***.....141
PLAT ASSY,TRI ENT,8'.....271	PLUG,NYLON, .94X1.65 BLK DOMED.....149	RETAINER,SPRING,1.21 X .375.....227
PLAT ASSY,TRI ENT,S60/65,6'.....271	PLUG,ORB #6.....144	RETAINER-N.C.PROPOR.SOLENOID.....159- 160
PLAT BOX LID W/SYM DEC,S60/65.....241	PLUG,PWR,UK,16AMP,3PIN,BLK.....269	RING,RETAINING***...118, 122-123, 125-126
PLAT BOX LID W/SYM DEC,S60TX.....241	PLUG,SAE #03 (139712).....167	RING,RETAINING,INTERNAL...118, 122-123, 125-126
PLAT BOX LID W/SYM DEC,S60XC.....241	PLUG,SANTOPRENE .5 BLACK DOME...147, 237-238	RIVET,ALUM,ALUM,3/16BUTTONHEAD.....267
PLAT BOX LID W/WRD DEC,S60/65.....241	Plugs were added to the harnesses on SN 24976.....279	RIVET,ALUM,ALUM,P, .25X.375.....283
PLAT BOX LID W/WRD DEC,S60HC.....241	POSITION TRANSDUCER,LINEAR,2CH.....229	RIVET,ALUM,P,.188 X .25.....231, 233
PLAT BOX LID W/WRD DEC,S60TX.....241	POTENTIOMETER ASSY, WELDER.....149	RIVET,ALUM,P,.25X.625.....283
PLAT BOX LID W/WRD DEC,S60X.....241	POWER UNIT,AUX PUMP 12VDC.....139	ROCKER ASSY,MAGNETIC 75565.....243
PLAT BOX LID W/WRD DEC,S60XC.....241	PRECLEANER,AIR INTAKE***.....287	ROCKER,RETAINER, 75565.....243
PLAT FLOOR, 5FT, PAINTED.....235	PROXIMITY SENSOR***.....301	ROD END, .250 X 2.75 LG.....223, 227
PLATE BACKING, WIPER 1 TO 2.....281	PULLEY AND TENSIONER,DSG423.....187	ROD END,.375 X 2.25,ZAG.....118, 122-123, 207-208
PLATE BACKING, WIPER 2 TO 3.....281	PULLEY, WATER PUMP.....182	ROD END,.375X3.69,ZAG.....118, 122-123, 144, 219, 221, 223, 225
PLATE, COVER, FUEL LEVEL SNDR.....139	P U L L E Y , A L T E R N A T O R , D E U T Z BF4L2011.....193-194	ROD END,.5 X 3.75,ZAG...118, 122-123, 125- 126, 207-208
PLATE, HAMMER SHIM 1/2.....131	PULLEY/TENSIONER, MSG425.....201	ROD END,CABLE.....211-212, 215
PLATE, INT. MFLD ADAP, MSG425.....201	PUMP ASSY,AUX.POWER UNIT 89617.....139	ROD,DISCONNECT,OMNI***.....118, 122-123, 125-126
PLATE, INT. SHRD SEAL, MSG425.....205	PUMP MOUNT,FORD DSG423.....189, 203	ROLLER ARM,LIMIT SWITCH***.....207-208, 211-212
PLATE,ANTIROTATION.....211-212	PUMP,FUEL, LRG425, WALBRO.....139	ROLLER,1/2" ALUMINUM.....215
PLATE,BACKING BELLOWS.....285	PUMP,FUEL 2011 DEUTZ ***.....178, 193-194	ROLLER,1/2" PVC.....215
PLATE,BACKLASH ADJUSTMENT MACH.....143-144	PUMP,FUEL INJ,DEUTZ BF4L20.....197	
	PUMP,LIFT(FUEL) PERKINS(54555).....181- 182	
	PUMP,LIFT,1 SECTION.....171	
	PUMP,LIFT,2 SECTION***.....171	

Part Description Index (continued)

ROLLER,ALUM TUBE,ST.TRK***.....231	SCREW,HHC,1/4-20 X 1.5.....191, 205, 217, 267, 307	SCREW,HHF,1/2-13X3.5,8,ZAG.....315
ROLLER,POLY,STEEL TRACK***.....231	SCREW,HHC,1/4-20 X 1.75.....208, 275	SCREW,HHF,1/4-20X.625,8,ZAG.....305
ROTATIONAL LIMITER FRONT LEFT.....131, 135	SCREW,HHC,1/4-20 X 2.....139, 215, 267	SCREW,HHF,1/4-20X.75,8,ZAG.....297
ROTATIONAL LIMITER FRONT RIGHT....131, 135	SCREW,HHC,1/4-20 X 2.25.....129, 211-212, 231, 233	SCREW,HHF,1/4-20X1.8,ZAG.....293
ROTATIONAL LIMITER REAR.....135	SCREW,HHC,1/4-20 X 2.5.....231, 233	SCREW,HHF,3/8-16X2.5,8,ZAG.....315
ROTATOR MOUNT KIT.....227	SCREW,HHC,1/4-20 X 2.75.....208	SCREW,HHF,5/16-18X.75,8,ZAG.....293
ROTATOR,NON-JIB.....219	SCREW,HHC,1/4-20 X 3.....233	SCREW,HHF,5/16-18X1.25,8,ZAG.....293
ROTATOR,PLAT JIB,160 DEG***.....221	SCREW,HHC,1/4-20 X 4.5.....155	SCREW,HHF,5/16-18X1.5,8,ZAG.....293
ROTATOR,PLATFORM,15K.....223, 225	SCREW,HHC,1/4-20X1.75,8,ZAG.....313	SCREW,PHIL,10-24 X .75.....235
RUE RING,1.00.....117-118, 121-123, 215	SCREW,HHC,3/4-10 X 1.5.....131	SCREW,PHIL,8-32X.50,SELF TAP.....269
	SCREW,HHC,3/4-10 X 4 FULL THRD.....143-144	SCREW,PHIL,PHM,10-24 X.5,SEMS.....181-182, 191, 205
	SCREW,HHC,3/8-16 X .625.....203	SCREW,PHIL,PHM,10-24X1.5 ZINC.....227
	SCREW,HHC,3/8-16 X .75.....118, 122-123, 144, 205, 221	SCREW,PHIL,PHM,10-32 X .5,SSTL.....149, 187, 241, 293
	SCREW,HHC,3/8-16 X 1.....118, 122-123, 125-126, 137, 139, 157, 177-178, 181-182, 193-194, 207-208, 211-212, 215, 219, 221, 223, 283	SCREW,PHIL,PHM,6-32 X 1/4 SS.....241
	SCREW,HHC,3/8-16 X 1 GRD 8.....221, 227	SCREW,PHILLIPS,FHM,10-32X1.00.....285
	SCREW,HHC,3/8-16 X 1.25 GRD 5.....137, 139, 197, 205, 211-212, 215, 217, 229, 231, 233, 235, 269, 287	SCREW,PHILLIPS,PHM,10-32 X .5.....241
	SCREW,HHC,3/8-16 X 1.75,GRD.8.....205, 217	SCREW,PHILLIPS,PHM,10-32 X .75.....141
	SCREW,HHC,3/8-16 X 2.....118, 122-123, 139, 281	SCREW,PHILLIPS,PHM,10-32 X 1.....208, 279
	SCREW,HHC,3/8-16 X 2.5.....283, 307, 311	SCREW,PHILLIPS,PHM,10-32 X.625.....229
	SCREW,HHC,3/8-16 X 2.75.....189, 203	SCREW,PHILLIPS,PHM,6-32 X .5.....241
	SCREW,HHC,3/8-16 X 3.....118, 122-123	SCREW,PHILLIPS,PHM,8-32 X 1.00.....217
	SCREW,HHC,3/8-16 X 3.25.....227	SCREW,PHPM,10-32X.625,ZAG.....293
	SCREW,HHC,3/8-16 X 3.5,GR5.....215	SCREW,RHM,10-32 X 1.....265
	SCREW,HHC,3/8-16 X 7.....231, 233	SCREW,RHM,10-32 X 1.25.....157
	SCREW,HHC,5/16-18 X .75.....289-290, 307	SCREW,SECURITY,1/4-20 X 1.75LG.....295
	SCREW,HHC,5/16-18 X 1 GR5.....177-178, 182, 187, 197, 203, 235, 289-290, 309	SCREW,SHC,3/4-10 X 3.00,A574.....143-144
	SCREW,HHC,5/16-18 X 1.25.....187, 189, 203, 205, 235, 289-290, 309	SCREW,SHC,3/8 X 1.75 SHOULDER.....217
	SCREW,HHC,5/8-11 X 2.25 GR8.....118, 122-123, 125-126, 143-144	SCREW,SHC,3/8-16 X 1.....171
	SCREW,HHC,5/8-11 X 3.5 GRD.8.....193-194, 197	SCREW,SHC,5/8-11X1.5,A574,ZAG.....131
	SCREW,HHC,5/8-11 X 4.00 GR8 BO.....126, 143-144	SCREW,SHC,5/8-11X1.50,GR5,PLN.....131
	SCREW,HHC,7/16-14 X 1.25.....126	SCREW,SHC,M10X1.5 X 60 GR8.8.....203
	SCREW,HHC,7/16-14 X 1.75.....208	SCREW,SHC,M10X1.5X20MM (75090).....197
	SCREW,HHC,M10 X 1.5 X70,GR 8.8.....177-178, 193-194	SCREW,SHC,M10X1.5X30 GR 12.9.....193-194, 203
	SCREW,HHC,M10 X 30MM,.....177-178, 205, 299	SCREW,SHM,PHP, #12 X .75.....149, 241
	SCREW,HHC,M10 X 40MM,GRD8.....189	SCREW,SHS,1/4-20 X .375 ZINC.....147
	SCREW,HHC,M10 X 55MM,GRD 8.8.....191, 205	SCREW,SHS,10-24 X .625.....129, 178, 193-194
	SCREW,HHC,M12 X 30.....205	SCREW,SHS,M6X12MM,8MM.....182
	SCREW,HHC,M12 X 45.....182	SCREW,STEP BOLT,1/4-20 X .75.....235
	SCREW,HHC,M14 X 1.5X40MM,GR8.8.....181-182	SEAL KIT.....159-160, 165, 173, 289-290
	SCREW,HHC,M14 X 40MM,GR 8.8..177-178, 193-194, 197	SEAL KIT (39345).....169
	SCREW,HHC,M6 X 20MM,GR8.8.....193-194	SEAL KIT (63566).....219, 221, 223, 225
	SCREW,HHC,M8 X 1.25 X 25.....293	SEAL KIT (88571).....211-212
	SCREW,HHC,M8 X 16.....189, 203	SEAL KIT (88653).....157, 207-208
	SCREW,HHC,M8 X 20MM.....181-182	SEAL KIT (88668).....207-208
	SCREW,HHC,M8 X 40.....191	SEAL KIT (89675).....118, 122-123
	SCREW,HHC,M8 X 60MM X 1.25.....187, 201	SEAL KIT (99460)..117-118, 121-123, 131
	SCREW,HHC,M8X1.25.80.....201	SEAL KIT, 15K ROTATOR.....223, 225
	SCREW,HHC,M8X1.25X 25MM,GR8.8.....191	SEAL KIT, APU.....139
	SCREW,HHF,1/2-13X2.5,8,ZAG.....293	SEAL KIT, DRIVE HUB.....122-123, 126
		SEAL KIT, HYD MOTOR, GEN.....309
		SEAL KIT, PROPORTIONAL VALVE.....160
		SEAL KIT, SOLENOID VALVE.....159-160
		SEAL KIT, SWING BRAKE.....143-144
		SEAL KIT, VALVE.....163, 167, 169
		SEAL KIT, VALVE, #10.....159-160, 163
		SEAL KIT, VALVE, #4.....159-160
		SEAL KIT,15K ROTATOR.....223
		SEAL KIT,8-PORT SWIVEL.....143-144
		SEAL KIT,8K ROTATOR***.....219, 221
		SEAL KIT,BRAKE,OMNI***.....118, 122-123, 125-126
		SEAL KIT,CHECK VALVE 219246.....175
		SEAL KIT,CONTROL VALVE.....129

SEAL KIT,CYL,S45 MASTER(81694).....207-208	SHCS, M10-1.5X70MM, CL12.9.....203	SPRING,0.984"OD X 1.50"LG.....217
SEAL KIT,CYL,S65 (63213).....221	SHEAVE,EXTENSION CABLE(LARGER).....215	SPRING,COMP,1" OD,232 LB/IN.....227
SEAL KIT,DRIVE HUB (88887).....117-118, 122-123, 125-126	SHEAVE,RETRACT CABLE(SMALLER).....211-212	SPRING,JOYSTK CENTR,62390/91.....243
SEAL KIT,GEARBOX,OMNI***.....118, 122-123, 125-126	SHEET,RUBBER,AIR INTAKE.....177-178	SPRING,SWITCH CENTERING,75565.....243
SEAL KIT,HYD MOTOR(106184).....289-290	SHIM,PAD,5 X 3.....211-212	SPROCKET, MACH. HALF LEFT.....135
SEAL KIT,MOTOR,LC/KC***.....117-118, 121-123, 126	SHIM,SIDE PAD 16GA. 3 X 5.....211-212, 215	SPROCKET, MACH. HALF RIGHT.....135
SEAL KIT,PUMP SHAFT (EATON)***.....171	SHIM,WEAR PAD,5 X 1.5,14GA.....215	SQUEEZE CONN W/NUT, 2WIRE, 4MM.....279
SEAL KIT,SOLENOID VALVE 219247.....175	SHIM,WEAR PAD,5X 1.5 16GA.....215	SQUEEZE CONNECTOR, 4 WIRE.....279
SEAL KIT,SOLENOID VALVE, SV07.....169	SHOCK MOUNT,SMALL.....182, 191, 205	STANDOFF,6-32 X 3/8L X 1/4 HEX.....241
SEAL KIT,SUNSTRAND.....289-290, 293	SHORT LINK W/BEARINGS, SERVICE.....207-208	STARTER FLUG SEAL, MSG425.....199
SEAL KIT,SWING BRAKE***.....143-144	SHRINK TUBE,BLACK,RHW,1/2,3:1.....279	STARTER, 12V.....177-178, 197
SEAL KIT,SWING TORQ HUB***.....143-144	SHROUD,FAN PAINTED.....181-182	STARTER, DSG-423RING.....185
SEAL RING,SOLENOID CONTROL.....171	SHUTDOWN SOLENOID,12V, DEUTZ.....177-178, 193-194	STARTER, PERKINS, 404D.....181-182
SEAL, BEARING (128918).....135	SLEEVE,CONNECTOR,DT JOYSTICKS.....243	STARTER,DSG-423.....185
SEAL, CAP, NOTCHED.....143-144	SLEEVE,NYLON,1.42 ID.....247	STEER AXLE ASSEMBLY.....131
SEAL, CONNECTOR (DT JOYSTICKS).....243	SLEEVE,NYLON,2.19 ID,BULK.....151-152, 247	STEP PLATFORM ENTRY PAINTED***.....235, 271
SEAL, O-RING ENERGIZER.....143-144	SLIDING MIDRAIL KIT,PTD.....235	STOP PLATFORM ROLLER.....231, 233
SEAL, O-RING LIP.....143-144	SNAP PIN.....267	STRAINER,20 SAE F/24 SAE M***.....245
SEAL, OIL FILLER CAP.....182	SNAP RING.....135	STROBE,FIREBOLT,12-80VDC,AMB**.....265
SEAL, POLY, CHAMFER.....143-144	SNAP RING(M46 UNITS)*.....117-118, 121-123, 126	STUD, 3/4-16 UNF X 2-1/2 LG.....131, 133
SEAL,FILTER LID.....137	SNAP RING,EXTERNAL,.75 DIA.....223	SUPPORT, RAILING.....267, 303
SEAL,LIP.....122-123, 126	SNAP RING,EXTERNAL,1.25 DIA.**.....219, 221, 223, 225	SUPPORT,SENSOR,JOYSTICK.....243
SEAL,RUBBER BRAKE RELEASE,RUBBER TRACK (139120).....135	SNAP RING,EXTERNAL,1.50,ZAG...118, 123, 211-212, 215	SVC KIT,UK RECEPT.REPLACEMENT.....269
SEAL,SHAFT,EATON PUMP***.....171	SNAP RING,EXTERNAL,2.00 DIA.....207-208	SWING DRIVE ASSEMBLY.....143-144
SEAL,SHAFT-SUNDSTRAND***.....117-118, 121-123, 126	SNAP RING,EXTERNAL,2.25 DIA.....207-208	SWING MOTOR COMPLETE***.....143-144
SEAL,TRAX HUBS.....131, 133, 135	SNAP RING,PUMP SHAFT SEAL***.....171	SWITCH SHIELD,ROCK JOYSTK75565.....243
SEAL-INJECTOR.....181-182	SOCKET, BOOT, 3P, 30A, 4 WIRE.....297	SWITCH TOGGLE ASSY DPDT 2P MOM.....147, 237-238
SEAL-ROCKER BOX.....181-182	SOCKET,3P,30A,4 WIRE, FEM.....297	SWITCH TOGGLE ASSY DPDT 3P MOM.....147, 238
SEAL-VALVE SYSTEM (A).....181-182	SOFTWARE,S60HC,DIAGNOSTIC,+1.....151-152	SWITCH TOGGLE ASSY SPDT 2P MNT.....147, 237-238, 241, 309
SEAL-VALVE SYSTEM (B).....181-182	SOFTWARE,S60HC,SCON,+1.....151-152	SWITCH TOGGLE ASSY SPDT 2P MOM.....301, 303
SENDING UNIT,OIL PRESS.,DEUTZ*.....193-194	SOFTWARE,S60HC,TCON,+1.....151-152	SWITCH TOGGLE ASSY SPDT 3P MOM.....147, 237-238
SENDING UNIT,OIL PRESSURE***.....273	SOLENOID CABLE ASSY***.....177-178, 193-194	SWITCH TOGGLE DPDT 2P MOM SHDR.....237-238
SENDING UNIT,OIL TEMP SWCH,DTZ.....178, 193-194	SOLENOID, VAR. TIM, MSG425.....199	SWITCH TOGGLE DPDT 3P MOM SHDR.....238
SENDING UNIT,TMP,FRD,GM,PRK704.....273	SOLENOID,77066.....139	SWITCH TOGGLE SPDT 2P MNT SHDR.....237-238
SENSOR KIT, TEMPERATURE.....185	SOLENOID,SHUT DOWN PERKIN40422.....181-182	SWITCH TOGGLE SPDT 3P MOM SHDR.....237-238
SENSOR, CAM POS, MSG425.....199	SOLENOID,THROTTLE ACTUATOR DSL.....177-178, 181-182	SWITCH, OIL PRES, MSG425.....199
SENSOR, CRANK POS, MSG425.....201	SOLENOID-STARTR DEUTZF4L1011F*.....197	SWITCH, OIL PRESSURE.....181-182
SENSOR, CYL. HEAD TEMP, MSG425.....199	SPACER.....131, 133	SWITCH, OIL PRESSURE 1.5 BAR.....178
SENSOR, FORD TEMPERATURE.....185	SPACER, BOOM TOP.....281	SWITCH,LIMIT,W/RLLR ARM,NO/NC.....143-144, 211-212
SENSOR, KNOCK, MSG425.....199	SPACER, DUAL COIL SIZE #8.....159-160	SWITCH,LIMIT,W/RLR ARM,NO/NC**.....207-208
SENSOR, O2, MSG425.....203	SPACER, HANGER BRACKET.....315	SWITCH,OIL PRESSURE.....185
SENSOR,AIR,CAT MONITOR.....189, 203	SPACER,ALT PULLEY,DEUTZ BF4L2011.....193-194	SWITCH,PRESS,#4NPT,200PSIF.....289-290, 293
SENSOR,CAM POSITION DSG-423.....185	SPACER,EATON PUMP SHAFT SEAL**.....171	SWITCH,SELECTOR,BLACK.....147
SENSOR,CRANK POSITION DSG-423.....187	SPACER,ENGINE MOUNT.....191	SWITCH,THERMOSTAT 85F OPEN.....241
SENSOR,DUAL OUTPUT,ANGLE***.....151-152, 157, 208	SPACER,FAN,PERKINS 404F.....182	SWITCH,TOGGLE,DPDT,2POS MOMEN...155
SENSOR,KNOCK DSG-423 FORD.....185	SPARK PLUG, FORD DSG-423.....185	SWIVEL,HYD 8 PORT***.....143-144
SENSOR,LEVEL,4.5 DEG.....139	SPARK PLUG, MSG425.....199	
SENSOR,OXYGEN LRG425EFI.....189	SPIDER (106113).....289-290	
SENSOR,WATER TEMPERATURE.....181-182	SPLIT BOGEY.....135	
SEPARATOR,DUAL BATTERY,100A.....137	SPRING CLIP,1/4-20,.025-.15X.54,ZAG.....117-118, 121-123, 126, 137, 147, 191, 203, 205, 212, 221, 229, 235, 281, 283	
SEPERATOR ASSY,OIL,FORD MSG.....199	SPRING CLIP,10-24,.025-.125X.468,ZAG...235	
SEPRTR/FLTR,FUEL DSL,15GPH,.30.....182	SPRING CLIP,3/8-16,.05-.20X.73,ZAG.....137	
SET SCREW, LIFT CYLINDER.....207-208	SPRING CLIP,5/16-18,.025-.15X.....205	
SHAFT SEAL, APU.....139	SPRING, SS, 1/2-EO500-49-4500.....301, 303	
SHAFT, KNURLED (128918).....135	SPRING, SS, 3/4-EO750-69-4500.....301, 303	
SHAFT, RAISED BOSS (128918).....135		
SHAFT,15 TOOTH.....117-118, 121-123, 126		
SHAFT,INPUT DRIVE HUB.....118, 122-123, 125-126		
SHAFT,OUTPUT.....143-144		

T

T-BOX,2.75 X 4.5 X 2.0.....269
T-BOX,2.75X4.5X2.63,3PH.....295
TAILPIPE MOUNT , S40 MSG425.....203
TAILPIPE, PERKINS, 404D.....182
TAILPIPE, S60 MSG425.....203
TAILPIPE,DEUTZ BF4L2011.....193-194
TAILPIPE,FORD DSG423.....189
TANK ASSY, GAS, 30 GAL., SERV.....139

Part Description Index (continued)

TANK ASSY,GAS,30 GAL,PLASTIC.....139	TUBE, RD, ALUM, 1.25 X .083 X 11.75.....305	VALVE,DIFFERENTIAL SENSING,110.....159-160
TANK,FUEL 35 GAL PLASTIC,S60.....139	TUBE,AIR CLEANER INLET.....177-178	VALVE,FLOW DIVIDER/COMBINER.....163,165
TAPE, PROTECTIVE MASK.....19, 27, 35, 43, 51, 59, 67, 75, 83, 91, 99, 107, 115	TUBE,AIR INTAKE.....193-194, 287	VALVE,FLOW REGULATOR 0.1 GPM.....159-160
TEE,BRANCH,520429-8.....245, 249	TUBE,RD,STL,DOM,.75X.38X.78.....281	VALVE,FLOW REGULATOR 0.6GPM.....160
TEE,RUN,1/4" PIPE.....273	TUBING, VINYL, 1/2" CLEAR.....181-182, 191	VALVE,FLOW REGULATOR 3.5 GPM**.....159-160
TEE,RUN,520428-12.....261, 263	TUBING,VINYL,1/2" CLEAR.....205	VALVE,HYDRAULIC CHECK.....175
TEE,RUN,520428-6.....249, 251	TURNTABLE CENTER COVER PAINTED.....283	VALVE,MANUAL,W/RELIEF VALVE***.....129
TEE,RUN,520428-8.....255		VALVE,NEEDLE***.....160
TEE,RUN,SWIVEL,520432-16.....259	U	VALVE,NEEDLE,BRAKE RELEASE.....313
TEE,RUN,SWIVEL,520432-6.....313	U-BOLT, FLATTENED, 1.5 X 3/8 UNC,ZAG.....305	VALVE,PCV FORD DSG-423.....187, 201
TENSIONER, TRAX.....135	U-BOLT, SQR, 3/8-16X2X5, PLTD.....301, 303	VALVE,PILOT OPER DIRECTIONAL.....289-290, 293
TERM,GOLD PIN,18-16GA REEL.....157	U-BOLT,1/2-13 X 8.5.....193-194	VALVE,PROPORTIONAL.....159-160
TERM,NI PIN,S&F,16-18GA,REEL.....211-212, 307	U-BOLT,3/8-16X4X4.63X3.00.....295, 297, 301, 303	VALVE,PROPORTIONAL***.....160
TERM,NI SOC,14-16GA,BULK.....207-208	UBOLT,FLATTENED,1.5DIAX3/8 UNC.....235, 295, 311	VALVE,RELIEF 280 PSI.....165
TERMINAL BLOCK, END PLATE.....149	UNION,STR.THREAD 20.....245	VALVE,RELIEF 3000 PSI***.....159-160
TERMINAL BLOCK, WIELAND.....149	UPPER IDLER PULLEY, MSG425.....185, 191, 201	VALVE,RELIEF,280PSI.....163
TERMINAL, RING, #10 YELLOW.....279		VALVE,SHUTTLE.....163
TERMINAL,#10 RING,BLUE.....279	V	VALVE,SHUTTLE,40 PSI.....165
TERMINAL,STRIP,4-POLE,600V***.....279	V-BELT GUARD, DEUTZ 2011.....197	VALVE,SOLENOID 3 POS,4WAY***.....159-160
TERMINAL,STUD BOLT,250 V.....289-290	V-BELT, DEUTZ TD2011LOAI.....193-194	VALVE,SOLENOID 3POS 4WAY*.....159-160
THERMOSTAT.....182	VACUATOR VALVE.....189, 203	VALVE,SOLENOID, 2POS/3WAY***.....169
THERMOSTAT W/HOUSING, MSG425.....199	VALVE - COUNTERBALANCE**.....169	VALVE,SOLENOID,10V,W/OUT COIL*.....173, 289-290, 293
THERMOSTAT,FORD DSG423.....185	VALVE - SOLENOID 2POSITION 3WA.....159-160	VALVE-SOLENOID,2POS 3WAY,JIB**.....169
THREADED ROD,1/4-28 X 4 IN***.....129		
THROTTLE ACTUATOR*(BOSCH).....185, 199	V A L V E	W
THROTTLE LINKAGE, DSL.....193-194	COUNTERBAL.CBBB-LJN@5000.....157, 207-208	WASHER, 1/2 PLATE (1/2 X 2.25 X 3/16).....177-178, 191
THROTTLE LINKAGE,DIESEL***.....177-178	VALVE FLOW DIVIDER/COMBINER.....165	WASHER,.469 X .781,HRD.....126
THROTTLE SOLENOID ASSY, TROMB.....193-194	VALVE, CHECK.....167	WASHER,FENDER,.25 X 1.25 X.062.....141
TIE ROD WELDMENT,S60.....117-118, 121-123	VALVE, CHECK, 5PSI.....167	WASHER,FLAT,.375 X 1.5 X .125.....191, 205, 311
TIRE & WHEEL ASSY RH,FF...117-118, 121-123	VALVE, CNTRBAL 3500 PSI, ATM VEN.....219, 221, 223, 225	WASHER,FLAT,5 HARDENED.....143-144, 171, 189, 193-194, 203, 208, 223, 225, 290, 309
TIRE & WHEEL ASSY,AIR,LH...117-118, 121-123	VALVE, FLOW DIVIDE/COMB,24GPM.....167	WASHER,FLAT,625 HARDENED.....118, 122-123, 125-126, 143-144, 193-194, 197
TIRE & WHEEL ASSY,AIR,RH***.....117-118, 121-123	VALVE, FLOW DIVIDE/COMBINE 1:1.....167	WASHER,FLAT,625 X 2.25 X.15.....143-144, 193-194, 197
TIRE & WHEEL ASSY,LH FF***.....117-118, 121-123	VALVE, RELIEF, 280PSI.....167	WASHER,FLAT,75 HARDENED.....143-144, 215
TIRE & WHEEL ASSY,LH,FOAM,NM.....117-118, 121-123	VALVE, RELIEF, GEN, 3.0kW.....309	WASHER,FLAT,1.000,HARDENED...221, 223, 225, 227
TIRE & WHEEL ASSY,RH,FOAM,NM.....117-118, 121-123	VALVE, SHUTTLE, FIXED.....167	WASHER,FLAT,1.56 X 2.5 X .061.....193-194, 197, 211-212, 215
TIRE & WHEEL ASSY,TURF SPEC***.....117-118, 121-123	VALVE, SOLENOID.....175	WASHER,FLAT,2.01 X 3.5 X .06.....126, 207-208
TIRE,355/55D625.....117-118, 121-123	VALVE,BALL,16 MSAE-16 FSAE***.....245	WASHER,FLAT,2.01X2.25X.06,PLTD.....208
TIRE,355/55D625,14 PLY,NM.....117-118, 121-123	VALVE,BALL,FSAE-20,FSAE-20.....245	WASHER,FLAT,2.27 X 3.5 X .06.....207-208
TIRE,41/18LL X 22.5,14PR,TURF*...117-118, 121-123	VALVE,CB 3:1 3500 PSI.....159-160	WASHER,FLAT,5/16,USS,ZAG.....297
TIRE/WH ASSY,LH,FF,REPNEU***.....121-123	VALVE,CB,CBCA-LHN@1500PSI***.....211-212	WASHER,FLAT,HARDENED 7/16.....208
TIRE/WH ASSY,RH,FF,REPNEU***.....121-123	VALVE,CHECK.....173	WASHER,FLAT,M10.....178
TIRE/WHEEL ASSY,HF W/SEALANT.....117-118, 121-123	VALVE,CHECK***.....159-160	WASHER,FLAT,M10,ZINC PLTD.....177-178, 189, 191, 193-194, 203, 205
TIRE/WHEEL ASSY,LP NM W/SEALAN...117-118, 121-123	VALVE,CHECK, 2.5 PSI.....165	WASHER,FLAT,M12.....182
TIRE/WHEEL ASSY,LP RT W/SEALAN....117-118, 121-123	VALVE,CHECK, 30 PSI.....159-160	WASHER,FLAT,M14.....177-178, 181-182, 193-194, 197, 215
TOEBOARD, TRI ENTRY 6', EURO.....271	VALVE,CHECK,3 PSI***.....165, 289-290	WASHER,FLAT,M5,DIN125,ZAB.....182
TOEBOARD,8'TRI ENTRY.....271	VALVE,CHECK,30 PSI.....118, 122-123, 126	WASHER,FLAT,M6 PLTD.....149, 187, 191
TOEBOARD,ENTRY EUROPEAN PNTD**.....235, 271	VALVE,CHECK,5 PSI.....159-160, 163	WASHER,FLAT,M8,YELLOW ZINC...181-182, 191, 205
TOOL TRAY ACCESSORY***.....267	VALVE,COUNTERBAL,CBCA-LIN***.....143-144	WASHER,FLAT,MS,#10,Y.....137, 141, 181-182, 191, 205, 227, 241, 265, 279, 285
TOOL,CABLE GRIP, 7/16".....215	VALVE,COUNTERBAL,CWCK-LHN@3500.157, 207-208	WASHER,FLAT,MS,#8,Y.....269
TRACK, RUBBER.....135	VALVE,COUNTERBAL.CBBB-LHN@3500.207-208	
TRIM,EDGE,1/8X3/4 SIDE BULB.....205	VALVE,COUNTERBALANCE....118, 122-123, 221	
TROLLEY, TRACK, FALL ARREST BAR.....315	VALVE,COUNTERBALANCE 3000 PSI*...211-212	
	VALVE,DIFFERENTIAL SENSING***.....159-160	

WASHER,FLAT,USS,1",Y.....137, 155	WELDER,INVERTEC V275-S.....295, 297	WIRE CABLE 8/4 CON.SO.....295
WASHER,FLAT,USS,1/2",Y.....129, 137, 177-178, 181-182, 189, 191, 205	WELDMENT, AIR INTAKE BOX.....193-194	WIRE CABLE,16/2,WHT/BLK,SJEOW.....307
WASHER,FLAT,USS,1/4"Y.....117-118, 121-123, 126, 129, 137, 139, 141, 144, 147, 149, 181-182, 187, 189, 191, 193-194, 199, 203, 205, 208, 211-212, 215, 217, 221, 227, 229, 231, 233, 235, 241, 267, 271, 275, 281, 283, 285, 290, 293, 301, 303, 305, 311	WELDMENT, AIRCRAFT TOP BUMPER.....303	WIRE CABLE,16/4 CON.TPE JKT.....207-208, 211-212, 235
WASHER,FLAT,USS,1/4,ZAG.....297, 313	WELDMENT, BOOM SECTION #2.....211-212	WIRE HARNESS, SENSOR, TEMP.....185
WASHER,FLAT,USS,3/8",Y.....118, 122-123, 137, 139, 143-144, 177-178, 191, 205, 211-212, 221, 227, 231, 233, 235, 283, 287, 311	WELDMENT, GROUND BOX, S60/65.....147	WIRE LOOM,1"DIA.SLIT,HI TEMP.....151-152
WASHER,FLAT,USS,5/16",Y.....137, 141, 144, 171, 177-178, 181-182, 187, 189, 193-194, 197, 203, 205, 217, 235, 238, 269, 289-290, 295, 301, 303, 305, 307, 309	WELDMENT, LIMIT SWITCH ARM.....217	WIRE LOOM,3/8 POLY SLIT.....157
WASHER,LOCK,#10 PLTD.....208, 235	WELDMENT, LONG LINK SPACER.....208	WIRING KIT,CONTROL BOX HEATER.....241
WASHER,LOCK,.25..144, 147, 208, 211-212, 215, 221, 235, 241, 267, 281, 283, 307	WELDMENT, PLAT SUPPORT.....225	WORKLIGHT, 12V, DEUTSCH RECEPT.....307
WASHER,LOCK,.375.....118, 122-123, 125-126, 144, 189, 203, 207-208, 211-212, 215, 217, 221, 229	WELDMENT, ROTATOR ARM.....157	
WASHER,LOCK,.625 PLTD.....143-144, 299	WELDMENT, SENSOR MOUNT.....301, 303	
WASHER,LOCK,0.5".....118, 122-123, 129, 137, 157, 177-178, 189, 203, 207-208	WELDMENT, SHORT LINK, S60/65.....207-208	
WASHER,LOCK,IND,LAMP RETAINER....237-238	WELDMENT, SKIDPLATE**.....301, 303	
WASHER,LOCK,M10.....189, 191, 203, 205, 299	WELDMENT, TIE ROD.....131	
WASHER,LOCK,M14.....181-182	WELDMENT,4/5FT PLATFORM SUPPOR.....227	
WASHER,LOCK,M6.....193-194	WELDMENT,6 FT TRI ENTRY PLAT.....271	
WASHER,LOCK,M8.....187, 191, 201	WELDMENT,8FT TRI ENTRY PLAT.....271	
WASHER,SHIM .0151 THK.....223, 227	WELDMENT,AIRCRAFT SENSOR BUMPR.....301, 303	
WASHER,SHIM,.375 X.625X.033 ST.....223	WELDMENT,BAT/MANIF TRAY,S60/65.....137	
WASHER,SHIM,.75 X 1.125 X.030.....223	WELDMENT,BOOM SECTION #2***.....211-212	
WASHER,SHIM,1.27 X 2.13 X .062..219, 221, 223, 225	WELDMENT,CABLE TRACK TRAY.....211-212	
WASHER,SHOULDER,NYLON.....217	WELDMENT,CABLE TRACK TRAY***.....231, 233	
WASHER,SPACER,NOTCHED.....307	WELDMENT,CABLE TRACK TUBE.....211-212	
WASHER,STAR,EXTERNAL,.5.....293	WELDMENT,CABLE TRACK TUBE***.....231, 233	
WASHER,THRUST,1.5 X 3.5 X .187.....118, 122-123	WELDMENT,CAT MOUNT.....189	
WASHER,VIBRATION ISOLATING.....191	WELDMENT,CAT MOUNT,MSG425.....203	
WASHER,WAVE SPRG,1X.635X.015.....189	WELDMENT,EXHAUST PIPE.....181-182	
WATER OUTLET, FORD DSG423.....185	WELDMENT,EXHAUST TUBE.....141	
WATER OUTLET, VERTICAL.....182	WELDMENT,EXTENSION BRACKET.....215	
WATER PUMP.....181-182	WELDMENT,HEADER PIPE.....189, 203	
WATER PUMP PULLEY, MSG425.....201	WELDMENT,LEFT COVER SUPPORT.....141	
WATER PUMP W/GASKET.....187	WELDMENT,LP MOUNT.....139	
WATER PUMP, MSG425.....201	WELDMENT,MASTER LINK.....207-208	
WDMT, CAT. MUFFLER, MSG425.....203	WELDMENT,MUFFLER,DSG423.....189	
WDMT, HEAT SHIELD, MSG425.....203	WELDMENT,NON-OSCILLATING AXLE.....55	
WDMT, SHROUD INT, S60 MSG425.....205	WELDMENT,PLATFORM SUPPORT.....223	
WDMT,4FT/5FT PLAT. SUPPORT,15K.....225	WELDMENT,PLATFORM SUPPORT,CE.....227	
WDMT,HEADER PIPE,MSG425.....203	WELDMENT,PRECLEANER BRACKET.....287	
WEAR PAD,3 X 1.5 X.625 W/NUTS.....221	WELDMENT,PULL BAR.....313	
WEAR PAD,5 X 1.5 X .625 W/NUTS.....211-212, 215	WELDMENT,REAR ENGINE MOUNT.....197	
WEAR PAD,5 X 1.5 X .75 W/NUTS.....215	WELDMENT,RIGHT COVER SUPPORT.....141	
WEAR PAD,5 X 3 X .625 W/NUTS.....211-212	WELDMENT,ROTATOR MOUNT.....223	
WEAR PAD,5 X 3 X .75.....211-212, 215	WELDMENT,ROTATOR SUPPORT.....227	
WEAR PAD,5.5 X 1.75 X .5.....215, 231, 233	WELDMENT,TIMING LINK CAM.....207-208	
WEAR PAD,CABLE TRACK PULL TUBE.....215, 231, 233	WELDMENT,TOW BAR.....313	
WEARPAD, LIMIT SWITCH GUIDE.....217	WELDMENT,TRACK PULL TUBE PIVOT.....215, 231, 233	
WEARPAD,BOOM REST.....143-144	WELDMENT,TRANSPORT LOCK.....143-144	
WELD CABLE TO PLAT,S65.....295	WHEEL & TIRE ASSY,LH NM AIR.....117-118, 121-123	
WELDER, MILLER, CST 280.....297	WHEEL & TIRE ASSY,RH,NM AIR.....117-118, 121-123	
	WHEEL DRIVE 56:1.....122-123, 125-126	
	WHEEL DRIVE 56:1 2WD.....117-118, 122-123, 125-126	
	WHEEL DRIVE 57.5:1 4WD.....118, 122-123, 125-126	
	WHEEL STUD,5/8-18,OMNI***.....118, 122-123, 125-126	
	WHEEL, 24.5X11.75, 9 X 9 BCD.....117-118, 121-123	
	WHEEL,22.5X14.00***.....117-118, 121-123	
	WIPER RUBBER, 1 TO 2.....281	
	WIPER RUBBER, 2 TO 3.....281	
	WIPER,RING GEAR GUARD.....283	

Y

YOKE ASSEMBLY W/BEARINGS,LH.....117-118, 121-123
YOKE ASSEMBLY W/BEARINGS,RH.....117-118, 121-123

Z

ZERK,GREASE,1/8 NPT.....227

Fitting Cross References

Genie PN	Parker PN	Description	Genie PN	Parker PN	Description
12342	6-4 F5OX-S	CONNECTOR,STRAIGHT THREAD TO FLARE TUBE	42794	1 CR-S	ELBOW,90°,MALE PIPE
13757	4 R6X-S	RUN TEE,SWIVEL NUT,ORFS	42795	BV-0839	BALL VALVE
19685	12-10 C5OX-S	ELBOW,90°,STRAIGHT THREAD TO FLARE TUBE	42796	BV-0838	BALL VALVE
22664	12-10 C5OX	ELBOW,90°,STRAIGHT THREAD TO FLARE TUBE	42874	6-8 CLO-S	ELBOW,90°,MALE PIPE TO ORFS
27431	8-12 F5OX-S	CONNECTOR,STRAIGHT THREAD TO FLARE TUBE	42912	13943-6-4	HOSE END,90° FEMALE SWIVEL,JIC
28678	AS-B-33	SLEEVE,NYLON,1.81" ID	42920	BV-0840	BALL VALVE,90°
39871	6 WETX-WLN-S	UNION,90° BULKHEAD W/NUT,FLARE TUBE	42932	AS-B-17	SLEEVE,NYLON,1.22" ID
39872	4 R5OX-S	RUN TEE,STRAIGHT THREAD	42936	10243-2-4	HOSE END,FEMALE PIPE
39873	6 C5OX-S	ELBOW,90°,STRAIGHT THREAD TO FLARE TUBE	42953	1/2 DD-S	ELBOW,90°,FEMALE PIPE
39874	8-6 C5OX-S	ELBOW,90°,STRAIGHT THREAD TO FLARE TUBE	42956	6 WELO-WLNL-S	UNION,90° BULKHEAD W/NUT,ORFS
39875	4-6 C5OX-S	ELBOW,90°,STRAIGHT THREAD TO FLARE TUBE	45349	8 V5OX-S	ELBOW,45°,STRAIGHT THREAD TO FLARE TUBE
39876	6-8 C5OX-S	ELBOW,90°,STRAIGHT THREAD TO FLARE TUBE	45351	4 V5OX-S	ELBOW,45°,STRAIGHT THREAD TO FLARE TUBE
39877	4 F5OX-S	CONNECTOR,STRAIGHT THREAD TO FLARE TUBE	47223	10343-6-6	HOSE END,MALE,JIC
39878	6 F5OX-S	CONNECTOR,STRAIGHT THREAD TO FLARE TUBE	47419	PS690503-6-6	SWIVEL,90°,STRAIGHT THREAD TO 37° FLARE
39879	4-8 F5OX-S	CONNECTOR,STRAIGHT THREAD TO FLARE TUBE	48750	421-4	HOSE,1/4 INCH ID
39880	6-10 F5OX-S	CONNECTOR,STRAIGHT THREAD TO FLARE TUBE	48751	481TC-4	HOSE,1/4 INCH ID
39881	4-6 F5OX-S	CONNECTOR,STRAIGHT THREAD TO FLARE TUBE	48752	482TC-4	HOSE,1/4 INCH ID
39882	4-HP5ON-S	PLUG,STRAIGHT THREAD	48753	451TC-6	HOSE,3/8 INCH ID
39883	8-8 FTX-S	CONNECTOR,MALE PIPE TO FLARE TUBE	48754	482TC-6	HOSE,3/8 INCH ID
39885	269HB 12-12	ELBOW,90°,BEADED HOSE BARB TO MALE PIPE	48755	381-6	HOSE,3/8 INCH ID
39886	431-6	HOSE,3/8 INCH ID	48756	451TC-8	HOSE,1/2 INCH ID
39887	540N-2	HOSE,1/8 INCH ID	48757	482TC-8	HOSE,1/2 INCH ID
39888	801-8	HOSE,1/2 INCH ID	48758	381-8	HOSE,1/2 INCH ID
39889	801-12	HOSE,3/4 INCH ID	48759	381-10	HOSE,5/8 INCH ID
39890	10643-6-6	HOSE END,FEMALE SWIVEL,JIC	48760	451TC-10	HOSE,5/8 INCH ID
39891	13943-6-6	HOSE END,90° FEMALE SWIVEL,JIC	48761	482TC-12	HOSE,3/4 INCH ID
39892	13743-6-6	HOSE END,45° FEMALE SWIVEL,JIC	48762	451TC-12	HOSE,3/4 INCH ID
39894	30682-8-8	HOSE END,FEMALE SWIVEL,JIC	48763	772-12	HOSE,3/4 INCH ID
39895	30682-10-12	HOSE END,FEMALE SWIVEL,JIC	48764	881-16	HOSE,1 INCH ID
42286	8-8 CTX-S	ELBOW,90°,MALE PIPE TO FLARE TUBE	48765	772-16	HOSE,1 INCH ID
42756	8-12 CLO-S	ELBOW,90,MALE PIPE TO ORFS	48766	AS-B-15	SLEEVE,NYLON,1.06" ID
42757	8-12 FLO-S	CONNECTOR,MALE PIPE TO ORFS	48767	AS-B-22	SLEEVE,NYLON,1.42" ID
42758	4 JLO-S	UNION TEE,ORFS	48770	881-8	HOSE,1/2 INCH ID
42759	4-4 FLO-S	CONNECTOR,MALE PIPE TO ORFS			
42760	6-8 FLO-S	CONNECTOR,MALE PIPE TO ORFS			
42761	1J143-6-4	HOSE END,90° FEMALE SWIVEL,SEAL LOK			
42762	1J743-6-4	HOSE END,45° FEMALE SWIVEL,SEAL LOK			
42768	1JO43-4-4	HOSE END,MALE,SEAL LOK			
42776	801-8	HOSE,1/2 INCH ID			
42777	1J743-16-16	HOSE END,45° FEMALE SWIVEL,SEAL LOK			
42786	16 CLO-S	ELBOW,90°,MALE PIPE TO ORFS			
42787	16 R6LO-S	RUN TEE,SWIVEL NUT,ORFS			
42788	16-8 TRLO-BL-S	REDUCER,TUBE END TO SWIVEL,ORFS			
42789	6-6 CLO-S	ELBOW,90°,MALE PIPE TO ORFS			
42790	8-10 V5OLO-S	ELBOW,45°,STRAIGHT THREAD TO ORFS			
42791	3/4 CD-S	ELBOW,90°,MALE TO FEMALE PIPE			
42792	3/4 X 1/2 PTR-S	REDUCER,MALE TO FEMALE PIPE			
42793	1/2 CR-S	ELBOW,90°,MALE PIPE			

Fitting Cross References (Continued)

Genie PN	Parker PN	Description	Genie PN	Parker PN	Description
48771	881-10	HOSE,5/8 INCH ID	48847	13943-12-12	HOSE END,90° FEMALE SWIVEL,JIC
48772	381-4	HOSE,1/4 INCH ID	48848	10543-12-12	HOSE END,MALE,STRAIGHT THREAD
48773	AS-B-13	SLEEVE,NYLON,.86" ID	48849	1JC71-12-12	HOSE END,FEMALE SWIVEL,SEAL LOK
48800	1JC43-4-4	HOSE END,FEMALE SWIVEL,SEAL LOK	48850	1JS71-12-12	HOSE END,FEMALE SWIVEL,SEAL LOK
48801	1J743-4-4	HOSE END,45° FEMALE SWIVEL,SEAL LOK	48851	1J171-12-12	HOSE END,90° FEMALE SWIVEL,SEAL LOK
48802	1J943-4-4	HOSE END,90° FEMALE SWIVEL,SEAL LOK	48852	1J771-12-12	HOSE END,45° FEMALE SWIVEL,SEAL LOK
48804	1JM43-4-4	HOSE END,MALE,SEAL LOK, NO O-RING	48853	1J971-12-12	HOSE END,90° FEMALE SWIVEL,SEAL LOK
48805	10643-4-4	HOSE END,FEMALE SWIVEL,JIC	48854	1JC43-16-16	HOSE END,FEMALE SWIVEL,SEAL LOK
48806	13943-4-4	HOSE END,90° FEMALE SWIVEL,JIC	48855	1J943-16-16	HOSE END,90° FEMALE SWIVEL,SEAL LOK
48807	1JS43-4-4	HOSE END,FEMALE SWIVEL,SEAL LOK	48856	1J171-16-16	HOSE END,90° FEMALE SWIVEL,SEAL LOK
48808	3JC82-8-8	HOSE END,FEMALE SWIVEL,SEAL LOK	48857	1J971-16-16	HOSE END,90° FEMALE SWIVEL,SEAL LOK
48809	3JC82-12-12	HOSE END,FEMALE SWIVEL,SEAL LOK	48859	1JS43-8-4	HOSE END,FEMALE SWIVEL,SEAL LOK
48810	1JC43-6-4	HOSE END,FEMALE SWIVEL,SEAL LOK	48867	PD36BTL	DIAGNOSTIC NIPPLE,SEAL-LOK SWIVEL
48811	1J943-6-4	HOSE END,90° FEMALE SWIVEL,SEAL LOK	48873	6 PNLO-S	PLUG,TUBE END,ORFS
48812	1JC43-6-6	HOSE END,FEMALE SWIVEL,SEAL LOK	48874	6 PNTX-S	PLUG,FLARE TUBE
48813	1J143-6-6	HOSE END,90° FEMALE SWIVEL,SEAL LOK	48875	6 R6LO-S	RUN TEE,SWIVEL NUT,ORFS
48814	1J543-6-6	HOSE END,90° FEMALE SWIVEL,SEAL LOK	48877	4 F5OLO-SW/.025	CONNECTOR,STRAIGHT THREAD TO ORFS, W/.025 ORI
48815	1J743-6-6	HOSE END,45° FEMALE SWIVEL,SEAL LOK	48878	16-12 C5OLO-S	ELBOW,90°,STRAIGHT THREAD TO ORFS
48816	1J943-6-6	HOSE END,90° FEMALE SWIVEL,SEAL LOK	48879	8 C8LO-S	ELBOW,90°,SWIVEL NUT ORFS
48817	1JS43-6-8	HOSE END,FEMALE SWIVEL,SEAL LOK	48880	PD6-285	CAP,DIAGNOSTIC NIPPLE
48818	1J943-8-4	HOSE END,90° FEMALE SWIVEL,SEAL LOK	48881	6 HLO-S	UNION,ORFS
48819	1JC43-8-6	HOSE END,FEMALE SWIVEL,SEAL LOK	48883	8 P5ON-S	PLUG,STRAIGHT THREAD
48820	1J743-8-6	HOSE END,45° FEMALE SWIVEL,SEAL LOK	48884	8M18F87OMLO-S	CONNECTOR,METRIC,STRAIGHT THREAD TO ORFS
48821	1J943-8-6	HOSE END,90° FEMALE SWIVEL,SEAL LOK	48885	4 WGTX-WLN-S	CONNECTOR,BULKHEAD,FEMALE PIPE TO FLARE TUBE
48822	1JC43-8-8	HOSE END,FEMALE SWIVEL,SEAL LOK	48886	4 F5OLO-SW/2MM	CONNECTOR,MACHINED STRAIGHT THREAD TO ORFS
48823	1JS43-8-8	HOSE END,FEMALE SWIVEL,SEAL LOK	48887	4 CTX-S	ELBOW,90°,MALE PIPE TO FLARE TUBE
48824	1J143-8-8	HOSE END,90° FEMALE SWIVEL,SEAL LOK	48888	10-12 V5OLO-S	ELBOW,45°,STRAIGHT THREAD TO ORFS
48825	1J543-8-8	HOSE END,90° FEMALE SWIVEL,SEAL LOK	48890	4 S5OLO-S	BRANCH TEE,STRAIGHT THREAD TO ORFS
48826	1J743-8-8	HOSE END,45° FEMALE SWIVEL,SEAL LOK	48891	4 S8LO-S	BRANCH TEE,SWIVEL NUT TO ORFS
48827	1J943-8-8	HOSE END,90° FEMALE SWIVEL,SEAL LOK			
48828	1JC43-10-8	HOSE END,FEMALE SWIVEL,SEAL LOK			
48829	1JS43-10-8	HOSE END,FEMALE SWIVEL,SEAL LOK			
48830	1J743-10-8	HOSE END,45° FEMALE SWIVEL,SEAL LOK			
48831	1J943-10-8	HOSE END,90° FEMALE SWIVEL,SEAL LOK			
48833	1JC43-10-10	HOSE END,FEMALE SWIVEL,SEAL LOK			
48834	1J943-10-10	HOSE END,90° FEMALE SWIVEL,SEAL LOK			
48835	1JS43-10-12	HOSE END,FEMALE SWIVEL,SEAL LOK			
48836	1JC43-12-8	HOSE END,FEMALE SWIVEL,SEAL LOK			
48837	1JS43-12-8	HOSE END,FEMALE SWIVEL,SEAL LOK			
48838	1J743-12-8	HOSE END,45° FEMALE SWIVEL,SEAL LOK			
48839	1J943-12-8	HOSE END,90° FEMALE SWIVEL,SEAL LOK			
48840	1J943-12-10	HOSE END,90° FEMALE SWIVEL,SEAL LOK			
48841	1JC43-12-12	HOSE END,FEMALE SWIVEL,SEAL LOK			
48842	1JO43-12-12	HOSE END,MALE,SEAL LOK			
48843	1J143-12-12	HOSE END,90° FEMALE SWIVEL,SEAL LOK			
48844	1J543-12-12	HOSE END,90° FEMALE SWIVEL,SEAL LOK			
48845	1J743-12-12	HOSE END,45° FEMALE SWIVEL,SEAL LOK			
48846	1J943-12-12	HOSE END,90° FEMALE SWIVEL,SEAL LOK			

Fitting Cross References (Continued)

Genie PN	Parker PN	Description	Genie PN	Parker PN	Description
48892	6 C6LO-S	ELBOW,90°,SWIVEL NUT ORFS	48938	8 R6LO-S	RUN TEE,SWIVEL NUT,ORFS
48893	6 F5OHAO-S	UNION,STRAIGHT THREAD	48939	8 S6LO-S	BRANCH TEE,SWIVEL NUT TO ORFS
48894	8 WLO-WLNL-S	UNION,BULKHEAD,ORFS	48940	8 WJLO-WLNL-S	RUN TEE, BULKHEAD,ORFS
48895	DT-370-MSMO-5	VALVE,CHECK	48941	8-4 TRLO-S	REDUCER,TUBE END TO SWIVEL,ORFS
48896	6 JLO-S	UNION,TEE,ORFS	48942	8-6 C5OLO-S	ELBOW,90°,STRAIGHT THREAD TO ORFS
48897	DT-750-MSMS-5	VALVE,CHECK	48943	8-6 F5OLO-S	CONNECTOR,STRAIGHT THREAD TO ORFS
48898	DT-750-MOMS-5	VALVE,CHECK	48944	8-8 FLO-S	CONNECTOR,MALE PIPE TO ORFS
48899	DT-620-MOMS-5	VALVE,CHECK	48945	8 FTX-S	CONNECTOR,MALE PIPE TO FLARE TUBE
48900	4-6 F5OLO-SW/.035	CONNECTOR,STRAIGHT THREAD TO ORFS, W/.035 ORI	48946	8-10 F5OLO-S	CONNECTOR,STRAIGHT THREAD TO ORFS
48902	16-1 AOE4G-S	ELBOW,90° LONG,FEMALE PIPE TO STRAIGHT THREAD	48947	8-12 C5OLO-S	ELBOW,90°,STRAIGHT THREAD TO ORFS
48903	1 FF-S	NIPPLE,PIPE	48948	8-12 F5OLO-S	CONNECTOR,STRAIGHT THREAD TO ORFS
48904	4 C5OLO-S	ELBOW,90°,STRAIGHT THREAD TO ORFS	48949	8-16 F5OLO-S	CONNECTOR,STRAIGHT THREAD TO ORFS
48905	4 F5OLO-S	CONNECTOR,STRAIGHT THREAD TO ORFS	48950	10 C5OLO-S	ELBOW,90°,STRAIGHT THREAD TO ORFS
48906	4 R5OLO-S	RUN TEE,STRAIGHT THREAD	48951	10 CC5OLO-S	ELBOW,90° LONG,STRAIGHT THREAD TO ORFS
48907	4 V5OLO-S	ELBOW,45°,STRAIGHT THREAD TO ORFS	48952	10 F5OLO-S	CONNECTOR,STRAIGHT THREAD TO ORFS
48908	4 R6LO-S	RUN TEE,SWIVEL NUT,ORFS	48953	10 R5OLO-S	RUN TEE,STRAIGHT THREAD
48909	4 WJLO-WLNL-S	RUN TEE, BULKHEAD,ORFS	48954	10 S5OLO-S	BRANCH TEE,STRAIGHT THREAD TO ORFS
48910	4 GTX-S W/.030	CONNECTOR,FEMALE PIPE TO FLARE TUBE	48955	10 R6LO-S	RUN TEE,SWIVEL NUT,ORFS
48911	4-6 C5OLO-S	ELBOW,90°,STRAIGHT THREAD TO ORFS	48956	10-4 TRLO-BL-S	REDUCER,TUBE END TO SWIVEL,ORFS
48912	4-6 F5OLO-S	CONNECTOR,STRAIGHT THREAD TO ORFS	48957	10-6 TRLO-BL-S	REDUCER,TUBE END TO SWIVEL,ORFS
48913	4-6 F5OLO-SW/.030	CONNECTOR,STRAIGHT THREAD TO ORFS, W/.030 ORI	48958	10-12 F5OLO-S	CONNECTOR,STRAIGHT THREAD TO ORFS
48914	4-8 F5OLO-S	CONNECTOR,STRAIGHT THREAD TO ORFS	48959	12 C5OLO-S	ELBOW,90°,STRAIGHT THREAD TO ORFS
48915	6 C5OLO-S	ELBOW,90°,STRAIGHT THREAD TO ORFS	48960	12 F5OLO-S	CONNECTOR,STRAIGHT THREAD TO ORFS
48916	6 F5OLO-S	CONNECTOR,STRAIGHT THREAD TO ORFS	48961	12 R5OLO-S	RUN TEE,STRAIGHT THREAD
48917	6 FF5OLO-S	CONNECTOR,LONG,STRAIGHT THREAD TO ORFS	48962	12 S5OLO-S	BRANCH TEE,STRAIGHT THREAD TO ORFS
48918	6 R5OLO-S	RUN TEE,STRAIGHT THREAD	48963	12 V5OLO-S	ELBOW,45°,STRAIGHT THREAD TO ORFS
48919	6 S5OLO-S	BRANCH TEE,STRAIGHT THREAD TO ORFS	48964	12 R6LO-S	RUN TEE,SWIVEL NUT,ORFS
48920	6 V5OLO-S	ELBOW,45°,STRAIGHT THREAD TO ORFS	48965	12 CLO-S	ELBOW,90°,MALE PIPE TO ORFS
48921	6 FLO-S	CONNECTOR,MALE PIPE TO ORFS	48966	12 FLO-S	CONNECTOR,MALE PIPE TO ORFS
48922	6-6 FLO-S	CONNECTOR,MALE PIPE TO ORFS	48967	12 JLO-S	UNION TEE,ORFS
48923	6 P5ON-S	PLUG,STRAIGHT THREAD	48968	12 WLO-WLNL-S	UNION,BULKHEAD,ORFS
48925	6 WELO-S	UNION,90° BULKHEAD,ORFS	48969	12 WJLO-WLNL-S	RUN TEE, BULKHEAD,ORFS
48926	6-4 C5OLO-S	ELBOW,90°,STRAIGHT THREAD TO ORFS	48970	12 WELO-WLNL-S	UNION,90° BULKHEAD W/NUT,ORFS
48927	6-4 F5OLO-S	CONNECTOR,STRAIGHT THREAD TO ORFS			
48928	6-4 V5OLO-S	ELBOW,45°,STRAIGHT THREAD TO ORFS			
48929	6-8 C5OLO-S	ELBOW,90°,STRAIGHT THREAD TO ORFS			
48930	6-8 F5OLO-S	CONNECTOR,STRAIGHT THREAD TO ORFS			
48931	6-10 F5OLO-S	CONNECTOR,STRAIGHT THREAD TO ORFS			
48932	8 C5OLO-S	ELBOW,90°,STRAIGHT THREAD TO ORFS			
48933	8 F5OLO-S	CONNECTOR,STRAIGHT THREAD TO ORFS			
48934	8 FF5OLO-S	CONNECTOR,LONG,STRAIGHT THREAD TO ORFS			
48935	8 R5OLO-S	RUN TEE,STRAIGHT THREAD			
48936	8 S5OLO-S	BRANCH TEE,STRAIGHT THREAD TO ORFS			
48937	8 V5OLO-S	ELBOW,45°,STRAIGHT THREAD TO ORFS			

Fitting Cross References (Continued)

Genie PN	Parker PN	Description	Genie PN	Parker PN	Description
48971	12 G5G5JG5-S	TEE,FEMALE STRAIGHT THREAD	49612	PKT02586	O-RING KIT (ORFS FITTINGS)
48972	12 XHL6-S	ADAPTER, 37° MALE TO SWIVEL ORFS	49613	PKT06276	PLUG AND CAP KIT-SERVICE,ORFS
48973	12-1/2 F5OG-S	ADAPTER,FEMALE PIPE TO STRAIGHT THREAD	49728	10143-12-12	HOSE END, MALE PIPE
48974	12-10 C5OLO-S	ELBOW,90°,STRAIGHT THREAD TO ORFS	49729	16-1 F5OG-S	ADAPTER,FEMALE PIPE TO STRAIGHT THREAD
48975	12-10 F5OLO-S	CONNECTOR,STRAIGHT THREAD TO ORFS	49814	12-8 FLO-S	CONNECTOR,MALE PIPE TO ORFS
48976	12-16 C5OLO-S	ELBOW,90°,STRAIGHT THREAD TO ORFS	49829	DT-500-MOMF-5	VALVE,CHECK
48977	12-16 F5OLO-S	CONNECTOR,STRAIGHT THREAD TO ORFS	49831	881-12	HOSE,3/4 INCH ID
48978	12-16 V5OLO-S	ELBOW,45°,STRAIGHT THREAD TO ORFS	49834	16 JLO-S	UNION TEE,ORFS
48980	12-16 FLO-S	CONNECTOR,MALE PIPE TO ORFS	49838	12-8 TRLO-BL-S	REDUCER,TUBE END TO SWIVEL,ORFS
48983	16 C5OLO-S	ELBOW,90°,STRAIGHT THREAD TO ORFS	49840	8 JLO-S	UNION TEE,ORFS
48984	16 F5OLO-S	CONNECTOR,STRAIGHT THREAD TO ORFS	49844	10-8 TRLO-BL-S	REDUCER,TUBE END TO SWIVEL,ORFS
48985	16 V5OLO-S	ELBOW,45°,STRAIGHT THREAD TO ORFS	49854	8 P5ON-S	PLUG,STRAIGHT THREAD
48986	16 FLO-S	CONNECTOR,MALE PIPE TO ORFS	49855	1JC43-16-12	HOSE END,FEMALE SWIVEL,SEAL LOK
48988	16 CD45-S	ELBOW,45°,MALE TO FEMALE PIPE	49859	4 P5ON-S	PLUG,STRAIGHT THREAD
48989	12 CD45-S	ELBOW,45°,MALE TO FEMALE PIPE	49861	4 FF5OLO-S	CONNECTOR, LONG, STRAIGHT THREAD TO ORFS
48990	8 CD45-S	ELBOW,45°,MALE TO FEMALE PIPE	49867	12-3/4 F5OG-S	ADAPTER, FEMALE PIPE TO STRAIGHT THREAD
48991	16-12 FLO-S	CONNECTOR,MALE PIPE TO ORFS	51152	6 R6X-S	RUN TEE,SWIVEL NUT,ORFS
48992	16-12 V5OLO-S	ELBOW,45°,STRAIGHT THREAD TO ORFS	51153	6-4 TRTX-S	REDUCER,TUBE END TO SWIVEL,ORFS
48993	XV501-12	BALL VALVE	51154	4-4 GTX	CONNECTOR,FEMALE PIPE TO FLARE TUBE
48994	XV501-16	BALL VALVE	51264	881-12	HOSE,3/4 INCH ID
48995	XV510P-12	BALL VALVE	51265	8 JLO-S	UNION TEE,ORFS
48996	XV510P-16	BALL VALVE	51508	6 BTX-S	NUT,FLARE TUBE
48997	PD341	DIAGNOSTIC NIPPLE, STRAIGHT THREAD	51580	12-8 TRLO-BL-S	TUBE END REDUCER,ORFS
48998	PD 361	DIAGNOSTIC NIPPLE, STRAIGHT THREAD	51628	6 R6X-S	RUN TEE,SWIVEL NUT,ORFS
48999	DT-500-MOMS-5	VALVE,CHECK	51735	3/8 HHP	PLUG,PIPE THREAD
49201	10 V5OLO-S	ELBOW,45°,STRAIGHT THREAD TO ORFS	51803	1J943-6-8	HOSE END,90° FEMALE SWIVEL,SEAL LOK
49202	1JC43-12-10	HOSE END,FEMALE SWIVEL,SEAL LOK	53023	125HBL-5-4	FITTING,HOSE BARB TO MALE PIPE
49203	10-8 V5OLO-S	ELBOW,45°,STRAIGHT THREAD TO ORFS	53497	PKT02585	O-RING KIT
49205	6 F5OHAO-S	UNION,STRAIGHT THREAD	53499	1JC71-16-16	HOSE END,FEMALE SWIVEL,SEAL LOK
49207	PD34BTL	DIAGNOSTIC NIPPLE,SEAL-LOK SWIVEL	53500	3-904	O-RING,STRAIGHT THREAD,-4
49209	8M18F870MX-S	CONNECTOR,METRIC,STRAIGHT THREAD TO FLARE TUBE	53501	3-906	O-RING,STRAIGHT THREAD,-6
49212	8 WGTX-WLN-S	CONNECTOR,BULKHEAD,FEMALE PIPE TO FLARE TUBE	53502	3-908	O-RING,STRAIGHT THREAD,-8
49213	30682-8-8	HOSE END,FEMALE SWIVEL,JIC	53503	3-910	O-RING,STRAIGHT THREAD,-10
49216	831-8	HOSE,1/2 INCH ID			
49217	33982-8-8	HOSE END,90° FEMALE SWIVEL,JIC			
49219	PS-B-35	SLEEVE,NYLON,2.19" ID			
49418	4-6 V5OLO-S	ELBOW,45°,STRAIGHT THREAD TO ORFS			
49511	DT370-MOMS-5	VALVE,CHECK			
49512	1 DD-S	ELBOW,90°,FEMALE PIPE			
49513	1 FF-S	NIPPLE,PIPE			
49514	10 HP5ON-S	PLUG,STRAIGHT THREAD			
49515	12-16 CLO-S	ELBOW,90°,MALE PIPE TO ORFS			
49517	6 HP5ON-S	PLUG,STRAIGHT THREAD			
49519	16-12 F5OLO-S	CONNECTOR,STRAIGHT THREAD TO ORFS			
49520	4 VTX-S	ELBOW,45°,MALE PIPE TO FLARE TUBE			
49530	16 C6LO-S	ELBOW,90°,SWIVEL NUT ORFS			

Fitting Cross References (Continued)

Genie PN	Parker PN	Description	Genie PN	Parker PN	Description
53535	3-912	O-RING,STRAIGHT THREAD,-12	61083	24 F5OLO-S	CONNECTOR,STRAIGHT THREAD TO ORFS
53536	4-PNLO-S	PLUG,TUBE END,ORFS	61086	20 R5OLO-S	RUN TEE,STRAIGHT THREAD
53537	6 PNLO-S	PLUG,TUBE END,ORFS	61090	24-20 F5OLO-S	CONNECTOR,STRAIGHT THREAD TO ORFS
53538	8 PNLO-S	PLUG,TUBE END,ORFS	61091	1J943 24-24	HOSE END,90° FEMALE SWIVEL,SEAL LOK
53539	10 PNLO-S	PLUG,TUBE END,ORFS	61093	1J978-12-12	HOSE END,90° FEMALE SWIVEL,JIC
53540	12 PNLO-S	PLUG,TUBE END,ORFS	61095	1JS43-20-16	HOSE END,FEMALE SWIVEL,SEAL LOK
53946	129HB-5-4	FITTING,90° HOSE BARB TO MALE PIPE	61100	811-24	HOSE,11/2 INCH ID
53951	8-1/4F50G-S	ADAPTER,FEMALE PIPE TO STRAIGHT THREAD	61130	1JS43-24-24	HOSE END,FEMALE SWIVEL,SEAL LOK
53980	6 S6LO-S	BRANCH TEE,SWIVEL NUT TO ORFS	61131	1JS78 12-12	HOSE END,FEMALE SWIVEL,SEAL LOK
54132	4 C6LO-S	ELBOW,90°,SWIVEL NUT ORFS	61132	1J778-12-12	HOSE END,45° FEMALE SWIVEL,JIC
54135	11343-16-16	HOSE END,MALE SWIVEL,PIPE	61152	139HB-6-4	ELBOW,45°,BARB TO MALE PIPE
54283	8-10 C5OLO-S	ELBOW,90°,STRAIGHT THREAD TO ORFS	61251	BV-0750	BALL VALVE
54428	8M18C870MLO-S	ELBOW, 90° METRIC, STRAIGHT THREAD TO ORFS	61259	4 CC5OLO-S	ELBOW,90° LONG,STRAIGHT THREAD TO ORFS
54803	FS-F-16-10	SLEEVE,FIRE,.96" ID	61260	20-12 TRLO-BL	REDUCER,TUBE END TO SWIVEL,ORFS
54954	10143-2-4	HOSE END, MALE PIPE	61262	12 C6LO-S	ELBOW,90°,SWIVEL NUT ORFS
55190	3/8 HP-S	PLUG,PIPE THREAD	61263	20 F5OHAO-S	UNION,STRAIGHT THREAD
55448	8 HLO-S	UNION,ORFS	61264	6-10 C5OLO-S	ELBOW,90°,STRAIGHT THREAD TO ORFS
55839	6 F65OX-S	CONNECTOR,STRAIGHT THREAD TO 37° SWIVEL	61265	6 WNLO-WLNL-S	UNION,BULKHEAD 45°,ORFS
55968	10 C5OX-S	ELBOW,90°,STRAIGHT THREAD TO FLARE TUBE	61268	4 WNLO-WLNL-S	UNION,BULKHEAD 45°,ORFS
56003	6 CC5OLO-S	ELBOW,90° LONG,STRAIGHT THREAD TO ORFS	61269	4 WLO-WLNL-S	UNION,BULKHEAD,ORFS
56166	BV-0837	BALL VALVE,90°	61272	12 AOEL6	ELBOW,90°,STRAIGHT THREAD TO ORFS SWIVEL
56188	10143-8-6	HOSE END, MALE PIPE	61316	482TC-16	HOSE,1 INCH ID
56233	2-011	O-RING,ORFS,-4	61321	6 JLO-S	UNION TEE,ORFS
56234	2-012	O-RING,ORFS,-6	61327	782-12	HOSE,3/4 INCH ID
56235	2-014	O-RING,ORFS,-8	61328	881-24	HOSE,11/2 INCH ID
56236	2-016	O-RING,ORFS,-10	61336	11943-20-24	HOSE END,90° FLANGE HEAD
56237	2-018	O-RING,ORFS,-12	61345	12 WJLO-WLNL-S	RUN TEE, BULKHEAD,ORFS
56238	2-021	O-RING,ORFS,-16	61346	8 WNLO-WLNL-S 4	UNION,BULKHEAD 45°,ORFS
56352	6 WLNL-S	LOCKNUT,BULKHEAD	61569	33782-8-8	HOSE END,45° FEMALE SWIVEL,JIC
56353	3J782-12-12	HOSE END,45° FEMALE SWIVEL,SEAL LOK	61610	12 FF5OLO-S	CONNECTOR,LONG,STRAIGHT THREAD TO ORFS
56354	3J982-12-12	HOSE END,90° FEMALE SWIVEL,SEAL LOK	61742	1/8 X 1.5 FFF	NIPPLE,PIPE
56604	10-8 F5OLO-S	CONNECTOR,STRAIGHT THREAD TO ORFS	63426	8 PNTX-S	PLUG,FLARE TUBE
56639	3JC82-10-10	HOSE END,FEMALE SWIVEL,SEAL LOK			
56640	3J982-10-10	HOSE END,90° FEMALE SWIVEL,SEAL LOK			
56655	3JC82-8-10	HOSE END,FEMALE SWIVEL,SEAL LOK			
56676	10-8 C5OLO-S	ELBOW,90°,STRAIGHT THREAD TO ORFS			
56776	471TC-6	HOSE,3/8 INCH ID			
56777	471TC-8	HOSE,1/2 INCH ID			
56789	811-16	HOSE,1 INCH ID			
57884	3/8 FF	NIPPLE,PIPE			
59335	6 FNL-S	CAP, TUBE END			
59342	4 FNL-S	CAP, TUBE END			
59371	8 HP50N-S	PLUG,STRAIGHT THREAD			
60653	BV-0751	BALL VALVE			
60806	125HB-3-4	FITTING,HOSE BARB TO MALE PIPE			
61064	5-1/4 F50G-S	ADAPTER,FEMALE PIPE TO STRAIGHT THREAD			
61079	4 WELO-WLNL-S	UNION,90° BULKHEAD W/NUT,ORFS			
61080	6 WLO-WLNL-S	UNION,BULKHEAD,ORFS			

Fitting Cross References (Continued)

Genie PN	Parker PN	Description	Genie PN	Parker PN	Description
64271	4 WLO-WLNL-S	UNION,BULKHEAD,ORFS	75631	801-6	HOSE,3/8 INCH ID
64272	6 WLO-WLNL-S	UNION,BULKHEAD,ORFS	75654	20 F5OLO-S	CONNECTOR,STRAIGHT THREAD TO ORFS
65776	8 F65OL-S	CONNECTOR,STRAIGHT THREAD TO ORFS SWIVEL	75655	1J943-20-20	HOSE END,90° FEMALE SWIVEL,SEAL LOK
65880	6001012	O-RING KIT	75656	881-20	HOSE,1-1/4 INCH ID
66154	6 WTX-WLNS	UNION,BULKHEAD,FLARE TUBE	75971	8 F5OHAO-S	UNION,STRAIGHT THREAD
66155	6 WETX-S	UNION,BULKHEAD 90°,FLARE TUBE	77307	1JB43-8-8	HOSE END,BULKHEAD,SEAL LOK
66156	6 WLN-S	BULKHEAD LOCKNUT	77309	8 WLNL-S	BULKHEAD LOCKNUT
66389	6-8 F5OX-S	CONNECTOR,STRAIGHT THREAD TO FLARE TUBE	77379	8M18C87OMX-S	ELBOW,90° METRIC,STRAIGHT THREAD TO FLARE TUBE
66392	6 R5OX-S	RUN TEE,STRAIGHT THREAD	77703	3J982-8-8	HOSE END,90° FEMALE SWIVEL,SEAL LOK
66396	811-12	HOSE,3/4 INCH ID	77711	801-10	HOSE,5/8 INCH ID
66829	H3174PP	CLAMP,TUBE	77758	12 WNLO-WLNL-S	UNION,BULKHEAD 45°,ORFS
67217	4 KLO-S	UNION,CROSS,ORFS	78091	6 C6X-S	ELBOW,90°,SWIVEL NUT TO FLARE TUBE
67339	10-6 F5OX-S	CONNECTOR,STRAIGHT THREAD TO FLARE TUBE	78684	30582-8-8B	HOSE END,PUSH LOK,MALE
67357	13943-8-6	HOSE END,90° FEMALE SWIVEL,JIC	78852	549-2	HOSE,1/8 INCH ID
67358	10 HP5ON-S	PLUG,STRAIGHT THREAD	78855	10657-4-2	HOSE END,FEMALE SWIVEL,JIC
67371	12 S6LO-S	BRANCH TEE,SWIVEL NUT TO ORFS	79138	PS-B-37	SLEEVE,NYLON,2.38" ID
67498	4 FNL-S	CAP, TUBE END	79476	1JS43-6-8	HOSE END,FEMALE SWIVEL,SEAL LOK
67906	DC-370-F0F0-5	VALVE,CHECK	79847	12-3/4 A0EG-S	ELBOW,90°,STRAIGHT THREAD TO FEMALE PIPE
69316	8 FLO-S	CONNECTOR,MALE PIPE TO ORFS	80044	8 CLO-S	ELBOW,90°,MALE PIPE TO ORFS
69333	H3174PP	CLAMP,HYDRAULIC HOSE	80502	8 F5OX-S	CONNECTOR,STRAIGHT THREAD TO FLARE TUBE
69503	4 F65OX-S	CONNECTOR,STRAIGHT THREAD TO 37° SWIVEL	80503	8 C5OX-S	ELBOW,90°,STRAIGHT THREAD TO FLARE TUBE
69775	8 FNL-S	CAP, TUBE END	81010	AS-B-27	SLEEVE,NYLON,1.63" ID
71038	1/4X1/4F3HG-S	ADAPTER,CONVERSION	83052	821-6	HOSE,3/8 INCH ID
71196	12-8 F5OLO-S	CONNECTOR,STRAIGHT THREAD TO ORFS	83053	821-8	HOSE,1/2 INCH ID
71383	1/4 CD45-S	ELBOW,45°,MALE TO FEMALE PIPE	83054	821-12	HOSE,3/4 INCH ID
72270	12FNL-S	CAP, TUBE END	83055	30682-6-6	HOSE END,FEMALE SWIVEL,JIC
73436	60C-4	SLEEVE,COMPRESSION	83056	30682-12-12	HOSE END,FEMALE SWIVEL,JIC
73437	61C-4	NUT,COMPRESSION	83057	33782-6-6	HOSE END,45° FEMALE SWIVEL,JIC
73438	33482-4-4B	HOSE END,PUSH LOK,MALE	83058	33982-6-6	HOSE END,90° FEMALE SWIVEL,JIC
73767	1CD-S	ELBOW,90°,MALE TO FEMALE PIPE	83060	33982-12-12	HOSE END,90° FEMALE SWIVEL,JIC
73768	20-16-F5OG5-S	ADAPTER,FEMALE PIPE TO STRAIGHT THREAD	83063	13743-4-4	HOSE END,45° FEMALE SWIVEL,JIC
73769	16-20 F5OLO-S	CONNECTOR,STRAIGHT THREAD TO ORFS			
74660	6-8 F42EDMLO-S	CONNECTOR,MALE BSPP TO ORFS			
74661	8-8 F42EDMLO-S	CONNECTOR,MALE BSPP TO ORFS			
75007	4 FLO-S	CONNECTOR,MALE PIPE TO ORFS			
75008	1/8 HP-S	PLUG,PIPE THREAD			
75014	1/2 HP-S	PLUG,PIPE THREAD			
75042	8 WELO-WLNL-S	UNION,90° BULKHEAD W/NUT,ORFS			
75043	3/4 FF-S	NIPPLE,PIPE			
75254	24 F5OHAO-S	UNION,STRAIGHT THREAD			
75255	12 F5OHAO-S	UNION,STRAIGHT THREAD			
75256	XV506P-24	BALL VALVE			
75574	4 WLNL-S	BULKHEAD LOCKNUT			
75612	8 WJLO-WLNL-S	RUN TEE, BULKHEAD,ORFS			
75613	12-8 F5OG5-S	ADAPTER,FEMALE PIPE TO STRAIGHT THREAD			
75614	8 CC5OLO-S	ELBOW,90° LONG,STRAIGHT THREAD TO ORFS			
75628	1JB43-4-4	HOSE END,BULKHEAD,SEAL LOK			

Fitting Cross References (Continued)

Genie PN	Parker PN	Description	Genie PN	Parker PN	Description
83064	13743-8-8	HOSE END,45° FEMALE SWIVEL,JIC	89449	6 WJLO-WLNL-S	RUN TEE, BULKHEAD,ORFS
83065	13743-12-12	HOSE END,45° FEMALE SWIVEL,JIC	89489	4 WJMLO-S	BRANCH TEE,BULKHEAD,ORFS
83066	13943-8-8	HOSE END,90° FEMALE SWIVEL,JIC	89551	1JB43-6-6	HOSE END,BULKHEAD,SEAL LOK
83067	14143-6-6	HOSE END,90° FEMALE SWIVEL,JIC	89552	1JB43-8-8	HOSE END,BULKHEAD,SEAL LOK
83068	14143-8-8	HOSE END,90° FEMALE SWIVEL,JIC	89593	20 C5OLO-S	ELBOW,90°,STRAIGHT THREAD TO ORFS
83069	14143-12-12	HOSE END,90° FEMALE SWIVEL,JIC	94161	8-8 CLO-S	ELBOW,90°,MALE PIPE TO ORFS
83070	772-8	HOSE,1/2 INCH ID	94358	351TC-12	HOSE,3/4 INCH ID
83071	10671-8-8	HOSE END,FEMALE SWIVEL,JIC	94418	20 FLO-S	CONNECTOR,MALE PIPE TO ORFS
83072	10671-12-12	HOSE END,FEMALE SWIVEL,JIC	96358	12 TX-S	SLEEVE,FLARE TUBE
83073	13771-8-8	HOSE END,45° FEMALE SWIVEL,JIC	96359	12 BTX-S	NUT,FLARE TUBE
83074	13771-12-12	HOSE END,45° FEMALE SWIVEL,JIC	96397	8 F5OX-S	CONNECTOR,STRAIGHT THREAD TO FLARE TUBE
83075	13971-8-8	HOSE END,90° FEMALE SWIVEL,JIC	96398	12-8 F5OX-S	CONNECTOR,STRAIGHT THREAD TO FLARE TUBE
83076	13971-12-12	HOSE END,90° FEMALE SWIVEL,JIC	96402	10343-6-6	HOSE END,MALE,JIC
83077	14171-8-8	HOSE END,90° FEMALE SWIVEL,JIC	96407	30382-6-6B	HOSE END,MALE,JIC
83078	14171-12-12	HOSE END,90° FEMALE SWIVEL,JIC			
83080	13943-16-16	HOSE END,90° FEMALE SWIVEL,JIC			
83103	10671-16-12	HOSE END,FEMALE SWIVEL,JIC			
83104	10671-10-12	HOSE END,FEMALE SWIVEL,JIC			
83112	1JC71-8-8	HOSE END,FEMALE SWIVEL,SEAL LOK			
83113	1JS71-16-12	HOSE END,FEMALE SWIVEL,SEAL LOK			
83114	1JS71-10-12	HOSE END,FEMALE SWIVEL,SEAL LOK			
83115	1J971-8-8	HOSE END,90° FEMALE SWIVEL,SEAL LOK			
83116	1J171-8-8	HOSE END,90° FEMALE SWIVEL,SEAL LOK			
83117	1J771-8-8	HOSE END,45° FEMALE SWIVEL,SEAL LOK			
83127	1J543-6-8	HOSE END,90° FEMALE SWIVEL,JIC			
83128	1JC43-6-8	HOSE END,FEMALE SWIVEL,SEAL LOK			
87033	12-6 TRLO-S	REDUCER,TUBE END TO SWIVEL,ORFS			
87034	3J782-8-8	HOSE END,45° FEMALE SWIVEL,SEAL LOK			
87172	12 HP5ON-S	PLUG,STRAIGHT THREAD			
87185	8 WNLO-WLNL-S	UNION,BULKHEAD 45°,ORFS			
87246	4 C6X-S	ELBOW,90°,SWIVEL NUT TO FLARE TUBE			
87679	6 LHP-S	FLANGE SEAL FITTING, MALE			
87681	6PLS N0702	BONDED SEAL			
88100	SR88100	ADAPTER,OIL DRAIN,GM 3.0L			
88311	1JS43-20-20	HOSE END,FEMALE SWIVEL,SEAL LOK			
88353	20 V5OLO-S	ELBOW,45°,STRAIGHT THREAD TO ORFS			
88474	10081-20	Crimp Shell, 1.25"			
88475	1988-20-24	HOSE END,90° FLANGE HEAD			
88476	JS88-24-24	HOSE END,FEMALE SWIVEL,SEAL LOK			
88477	1JC88-20-20	HOSE END,FEMALE SWIVEL,SEAL LOK			
88478	811-20	HOSE,11/4 INCH ID			
88936	20-16 F5OLO-S	CONNECTOR,STRAIGHT THREAD TO ORFS			
88937	20-16 FLO-S	CONNECTOR,MALE PIPE TO ORFS			
88938	1JC88-16-16	HOSE END,FEMALE SWIVEL,SEAL LOK			
88939	1J988-16-16	HOSE END,90° FEMALE SWIVEL,ORFS			
88940	811-16	HOSE,1 INCH ID			
88944	1J988-20-20	HOSE END,90° FEMALE SWIVEL,ORFS			
89403	16 VLO-S	ELBOW,45°,MALE PIPE TO ORFS			

California Proposition 65



Operating, servicing and maintaining this equipment can expose you to chemicals including engine exhaust, carbon monoxide, phthalates, and lead, which are known to the State of California to cause cancer and birth defects or other reproductive harm. These chemicals can be emitted from or contained in other various parts and systems, fluids and some component wear by-products. To minimize exposure, avoid breathing exhaust, do not idle the engine except as necessary, service your equipment and vehicle in a well-ventilated area and wear gloves or wash your hands frequently when servicing your equipment or vehicle and after operation. For more information go to www.P65Warnings.ca.gov/passenger-vehicle.

Breathing diesel engine exhaust exposes you to chemicals known to the State of California to cause cancer and birth defects or other reproductive harm.

- Always start and operate the engine in a well-ventilated area.
- If in an enclosed area, vent the exhaust to the outside.
- Do not modify or tamper with the exhaust system.
- Do not idle the engine except as necessary.

For more information go to www.P65warnings.ca.gov/diesel.

Distributed By:

to order your parts

PARTS FINDER

**Search Website
by Part Number**



**Search Manual
Library For Parts
Manual & Lookup Part
Numbers – Purchase
or Request Quote**

Search Manuals

Enter your information to search for a manual or to purchase a manual or parts.

* Brand:

* Model:

* Serial:

* Part Number:

SEARCH

**Can't Find Part or
Manual? Request Help
by Manufacturer,
Model & Description**

Parts Order Form

Please fill in the following information:

Manufacturer:

Model:

Description:

Quantity:

Part Number:

Part Name:

Part Description:

Part Category:

Part Location:

Part Status:

Part Condition:

Part Material:

Part Color:

Part Weight:

Part Dimensions:

Part Price:

Part Notes:

Submit

Discount-Equipment.com is your online resource for quality parts & equipment.

Florida: **561-964-4949** Outside Florida TOLL FREE: **877-690-3101**

Need parts?

Click on this link: <http://www.discount-equipment.com/category/5443-parts/> and choose one of the options to help get the right parts and equipment you are looking for. Please have the machine model and serial number available in order to help us get you the correct parts. If you don't find the part on the website or on one of the online manuals, please fill out the request form and one of our experienced staff members will get back to you with a quote for the right part that your machine needs.

We sell worldwide for the brands: Genie, Terex, JLG, MultiQuip, Mikasa, Essick, Whiteman, Mayco, Toro Stone, Diamond Products, Generac Magnum, Airman, Haulotte, Barreto, Power Blanket, Nifty Lift, Atlas Copco, Chicago Pneumatic, Allmand, Miller Curber, Skyjack, Lull, Skytrak, Tsurumi, Husquvarna Target, Stow, Wacker, Sakai, Mi-T-M, Sullair, Basic, Dynapac, MBW, Weber, Bartell, Bennar Newman, Haulotte, Ditch Runner, Menegotti, Morrison, Contec, Buddy, Crown, Edco, Wyco, Bomag, Laymor, EZ Trench, Bil-Jax, F.S. Curtis, Gehl Pavers, Heli, Honda, ICS/PowerGrit, IHI, Partner, Imer, Clipper, MMD, Koshin, Rice, CH&E, General Equipment, Amida, Coleman, NAC, Gradall, Square Shooter, Kent, Stanley, Tamco, Toku, Hatz, Kohler, Robin, Wisconsin, Northrock, Oztec, Toker TK, Rol-Air, APT, Wylie, Ingersoll Rand / Doosan, Innovatech, Con X, Ammann, Mecalac, Makinex, Smith Surface Prep, Small Line, Wanco, Yanmar