



[www.Discount-Equipment.com](http://www.Discount-Equipment.com)



Husqvarna®



# Operator's manual Manuel d'utilisation Manual del operador Soff-Cut 2000

Please read the operator's manual carefully and make sure you understand the instructions before using the machine.  
Lire attentivement le manuel d'utilisation et veiller à bien comprendre les instructions avant d'utiliser la scie.  
Lea atentamente el manual del usuario y asegúrese de que entiende las instrucciones antes de utilizar la máquina.



**US ES FR**

**TO PURCHASE THIS PRODUCT PLEASE CONTACT US**



**Equipment Financing and  
Extended Warranties Available**



**Discount-Equipment.com is your online resource for  
commercial and industrial quality parts and equipment sales.**

**561-964-4949**

**visit us on line @ [www.discount-equipment.com](http://www.discount-equipment.com)**

Select an option below to find your Equipment

**Search by Manufacturer**

**Search by Product Type**

**Request a Quote**

We sell worldwide for the brands: Genie, Terex, JLG, MultiQuip, Mikasa, Essick, Whiteman, Mayco, Toro Stone, Diamond Products, Generac Magnum, Airman, Haulotte, Barreto, Power Blanket, Nifty Lift, Atlas Copco, Chicago Pneumatic, Allmand, Miller Curber, Skyjack, Lull, Skytrak, Tsurumi, Husquvarna Target, Stow, Wacker, Sakai, Mi-T-M, Sullair, Basic, Dynapac, MBW, Weber, Bartell, Bennar Newman, Haulotte, Ditch Runner, Menegotti, Morrison, Contec, Buddy, Crown, Edco, Wyco, Bomag, Laymor, EZ Trench, Bil-Jax, F.S. Curtis, Gehl Pavers, Heli, Honda, ICS/PowerGrit, IHI, Partner, Imer, Clipper, MMD, Koshin, Rice, CH&E, General Equipment, Amida, Coleman, NAC, Gradall, Square Shooter, Kent, Stanley, Tamco, Toku, Hatz, Kohler, Robin, Wisconsin, Northrock, Oztec, Toker TK, Rol-Air, APT, Wylie, Ingersoll Rand / Doosan, Innovatech, Con X, Ammann, Mecalac, Makinex, Smith Surface Prep, Small Line, Wanco, Yanmar

# CONTENTS

Content	Page
Table of contents .....	2
Unpacking .....	2
Transporting .....	2
Introduction, personal safety .....	3
General safety message .....	4
Safety warnings .....	5
Excel series blades .....	6
Blade and skid plate installation .....	6
What is what? .....	7
Operating instructions .....	8
Fuel and fuel safety warnings .....	9
Recommended fuels .....	9
Recommended oils .....	9
Engine and transmission maintenance .....	10
Other maintenance .....	11
Sawing contraction joints .....	12
Maximizing the Soff-Cut system .....	13
Troubleshooting .....	14
Technical specifications .....	15
Conformity certificates .....	15
Warranty .....	16

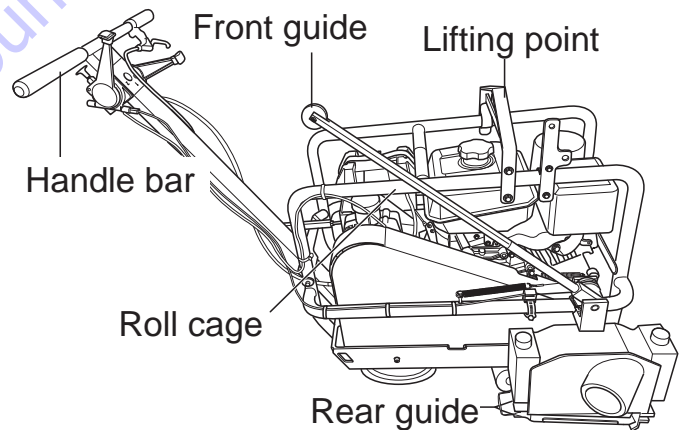
# UNPACKING

Your 2000 saw has been shipped from the factory thoroughly inspected. Only minimal assembly is required to start using the saw. Remove the saw from the container using proper lifting techniques. Discard or recycle the packing material per your regional laws. In your container will be the 2000 saw, blade shaft wrench, spark plug wrench, an owner's manual, an engine owner's manual, a part list, a warranty card, a joint protector sample pack and a ramp for unloading the saw. Raise the saw to its full height by pressing down on the handle bar. Place the unloading ramp at the edge of the container and roll the saw out of the container. Lower the saw by pressing down on the handle bar and squeezing the lever on the handle bar.

**NOTE: No diamond cutting blade or skid plate is included with the saw. Purchase the appropriate Husqvarna Excel Series 9 or 10 inch blade from your local Husqvarna Construction Product dealer.**

# TRANSPORTING

The 2000 saw weights approximately 342 pounds (155 kilograms) when ready to use. Use safe lifting practices when handling the saw. Always remove the diamond blade when transporting the saw. Always transport the saw with a skid plate installed. Fold the guide arm back. The saw can be lifted from the center hook on the roll cage. Always store and transport the saw in a completely lowered position and secured from moving.



## CAUTION

Only use the center hook on the roll cage when lifting the 2000.

---

# INTRODUCTION

---

The 2000 is designed as a medium to heavy duty commercial, industrial, and paving Ultra Early Entry concrete saw. The patented Soff-Cut Ultra Early Entry dry cutting system controls random cracking of concrete through the early timing of the saw cutting usually within one to two hours after finishing process is completed. The patented low noise and low dust blade block and skid plate technology in conjunction with the Husqvarna blades allows for Ultra Early Entry sawing the same day while minimizing chipping and spalling. The saw is a self-propelled style with manual controls for most functions.

## Common sense:

The focus of this manual is HOW to operate and service the equipment safely.

It is not possible to cover every conceivable situation you can face when using this equipment. Therefore use this product only in a manner described in this manual. Operation or handling the machine in any other manner can lead to serious injury or death.

If a situation is not described in this manual it should be considered dangerous - and not be done.

If you are unfamiliar with this product make sure that you carefully understand how it functions and practice all operations and handling before putting the machine to use. Familiarize yourself in the presence of an experienced operator. Avoid all situations that are beyond your capability.

If you still feel uncertain about the operating procedures after reading these instructions DO NOT operate the machine until you have consulted an experienced operator.

If you have further questions you can contact the closest Husqvarna Construction Products location by writing or calling, see information below. You can also find the closest location by searching the internet at; **www.husqvarnacp.com**. Husqvarna Construction Products will willingly be of service and provide you with advice as well as help you to use your product both efficiently and safely.

Additional manuals are available at NO CHARGE and can also be obtained on the internet site.

Husqvarna Construction  
Products North America Inc.  
17400 W 119th Street  
Olathe, Kansas 66061  
USA

Internet Site: **www.husqvarnacp.com**

---

## PERSONAL SAFETY EQUIPMENT

---

When working and operating the saw the following approved personal safety items should be used:



Head  
Protection



Hearing  
Protection



Eye  
Protection




Safety  
Shoes




Protective  
Gloves

# SAFETY DEFINITIONS

In this manual a Safety Alert Symbol  followed by the signal words WARNING and CAUTION are used to identify safety information about hazards which can result in death, serious injury and/or property damage.

These signal words mean:

 **WARNING** indicates a hazard which, if not avoided, **could result in death or serious injury.**

 **CAUTION** indicates a hazard which, if not avoided, **might result in minor or moderate injury.**




**NOTICE** indicates a message not related to personal injury.

## SAFETY HAZARDS

### **WARNING**

#### DO NOT MODIFY THE PRODUCT

Under no circumstances may the design of the machine be modified without the permission of the manufacturer. Always use genuine accessories. Unauthorized modifications and/or accessories can result in serious personal injury or the death of the operator or others. Your warranty may not cover damage or liability caused by the use of unauthorized accessories or replacement parts.

 <b>WARNING</b>	 <b>WARNING</b>	 <b>CAUTION</b>
<p style="text-align: center;"><b>ASPHYXIATION HAZARD</b></p> <p>Running an engine in a confined or badly ventilated area can result in injury or death due to asphyxiation or carbon monoxide poisoning.</p>	<p style="text-align: center;"><b>CALIFORNIA PROP 65</b></p> <p>Use of this product can expose you to materials known to the State of California to cause cancer and/or birth defects or other reproductive harm.</p>	<p style="text-align: center;"><b>HEARING HAZARD</b></p> <p>During the normal use of this machine, operator may be exposed to a noise level equal to or higher than 85 dB(A). Use hearing protection.</p>

## SAFETY WARNING

### NOTICE

Read the operator's manual supplied by the engine manufacturer.

# SAFETY WARNINGS



## WARNING

Failure to comply with the following warnings could result in serious bodily injury or death!

### PERSONAL SAFETY

- Read and understand instructions before operating saw.
- Always wear safety approved hearing, eye, head and respiratory protection.
- Wear boots with non-slip soles to provide proper footing. Steel-toed safety boots are recommended.
- Wear rubber work gloves to avoid contact with wet concrete which can cause serious skin irritation.
- Know how to stop the saw quickly in case of emergency.
- Keep all parts of your body away from blade and other moving parts. Do not wear loose clothing or jewelry which can be caught in moving parts. Wear protective hair covering to contain long hair.
- Use caution when loading and unloading saw.
- Stay alert. Maintain awareness of saw operation. Use common sense. Do not operate saw when tired or after consumption of any substance that would impair physical function or rational judgment.
- Do not over reach. Keep proper footing and balance.

### WORK AREA SAFETY

- Never operate the saw in any application or job where you are not trained or supervised.
- Keep visitors, children and animals out of the work area.
- Observe all safety regulations for the safe handling of fuel. Gasoline is extremely flammable and its vapors can explode if ignited. Do not refuel indoors or in poorly ventilated areas. Handle fuel in safety containers. Shut off the engine and allow it to cool before refueling. Wipe the saw dry if fuel is spilled on it. Always move away from the fueling area before starting the engine. Do not smoke while refueling.
- Do not operate the saw while smoking or near an open flame.
- Do not operate the saw in areas of combustible material or fumes. Sparks may occur from the saw that could cause a fire or explosion.
- Operate only in well ventilated areas. Engine exhaust contain carbon monoxide which can cause loss of consciousness and possible death.
- The muffler and engine become very hot during operation. Keep all body parts and foreign material away from the engine while running.
- Avoid dangerous environments. Do not expose saw to rain. Keep work area well lit and clean.

### SAW SAFETY

- Do not leave saw unattended while the engine is running.
- Do not alter the saw. Any alteration or modification is misuse and may result in a dangerous condition.
- All safety guards must be in place before starting the engine.
- Only operate the saw from behind the machine with both hands on the handle.
- Do not use damaged equipment, blades, guards or personal protection equipment. Do not disable safety equipment or kill switches.
- Do not operate the saw if there is a fuel leak.
- Use extreme caution when maneuvering the saw on ramps or loading and unloading from trucks or trailers.
- Use only Husqvarna Construction Products replacement parts. Use of unauthorized parts may create a danger.
- Do not use the saw as vehicle for transporting personnel or equipment.
- Remove the ignition cable from the spark plug before performing saw maintenance or changing blades to prevent accidental engine starting.
- Remove all wrenches from the saw before starting.
- Never stand on the saw.
- When the saw is not in use or transporting, remove the blade and lower the saw completely. Properly secure the saw to prevent accidental movement.

### BLADE SAFETY

- Examine cutting blades before each use. Do not use any blades that has cracks, nicks, or flaws. Tri-arbor hole should be undamaged. Use only dry cut, steel centered, tri-arbor diamond blades made for cutting green concrete.
- Husqvarna Excel Series diamond blades are designed to only cut green concrete. Cutting any other material may result in blade failure or a dangerous condition.
- Inspect blade flanges for damage, excessive wear and cleanliness before mounting the blade. The blade should fit snugly on clean, undamaged, tri-arbor shaft.
- Use only Husqvarna Excel Series blades or blades marked with a maximum operating speed greater than 3300 rpm.
- Never operate the saw without the blade block assembly securely in place including blade cover, lexan shields and skid plate installed in working order. A damaged blade block assembly must be replaced to protect the operator.
- Make sure the blade does not make contact with the ground or any other surface when maneuvering the saw.
- Avoid getting in direct line with the blade or contacting the blade while it is rotating.

# BLADES

Always use Husqvarna specific Soff-cut blades for best performance.

## BLADE AND SKID PLATE INSTALLATION

### Step 1

With the saw turned off and using both hands, push down on the handle bar and raise the saw to its full height and locked position.

### Step 2

Remove the blade block cover (A) by turning the two locking knobs counter-clockwise. Insert the blade wrench supplied with the saw on the blade shaft bolt (B) on the end of the blade shaft in the blade block (C). Rotate the blade shaft counter-clockwise with the wrench on the blade shaft bolt (B) while pushing in on the blade shaft locking pin (D) located on the top of the saw frame in front of the engine. The locking pin will drop down in the blade shaft and prevent the shaft from rotating.

### Step 3

Remove the blade shaft bolt by continuing to turn the bolt counter-clockwise. Remove the outer arbor washer or flange (E).

### Step 4

Match the blade tri-arbor to the blade shaft arbor (F) and install the blade firmly against the rear flange (F). Insure the blade is installed on the tri-arbor correctly. Match the female tri-arbor of the outer washer or flange with the blade shaft and install the blade shaft bolt turning clockwise while holding the locking pin down. Be sure the outer flange is fully seated and firmly holding the diamond blade in position.

### Step 5

Install a new skid plate (G) by hooking the front on the front blade block shaft pin. Connect the rear blade block shaft and the rear of the skid plate by using the clip-on feature.

### Step 6

Install the blade cover by turning the two knobs and tighten until fully seated against the blade block. Lift the front and rear of the skid plate to insure the blade slides through the skid plate freely.

### Step 7

When replacing a worn blade, thoroughly clean the concrete from blade block and blade cover before installing the new blade. Discard the old skid plate and replace it with a new skid plate.

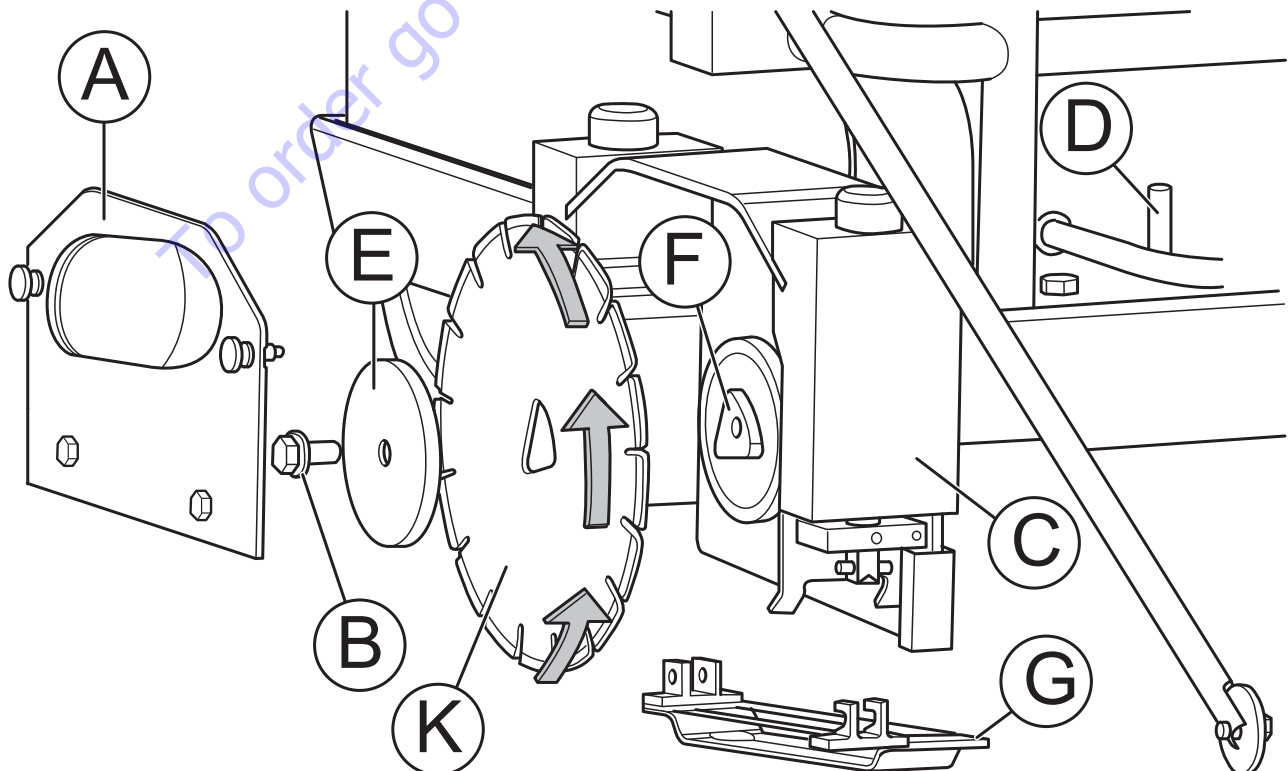
### NOTE:

The patented skid plate is the most important part of the Soff-Cut Ultra Early Entry system. If it is bent, twisted or damaged, spalling and raveling of a cut may result. Store skid plates carefully and install them properly. Install a new skid plate with each new blade. Never re-use skid plates.

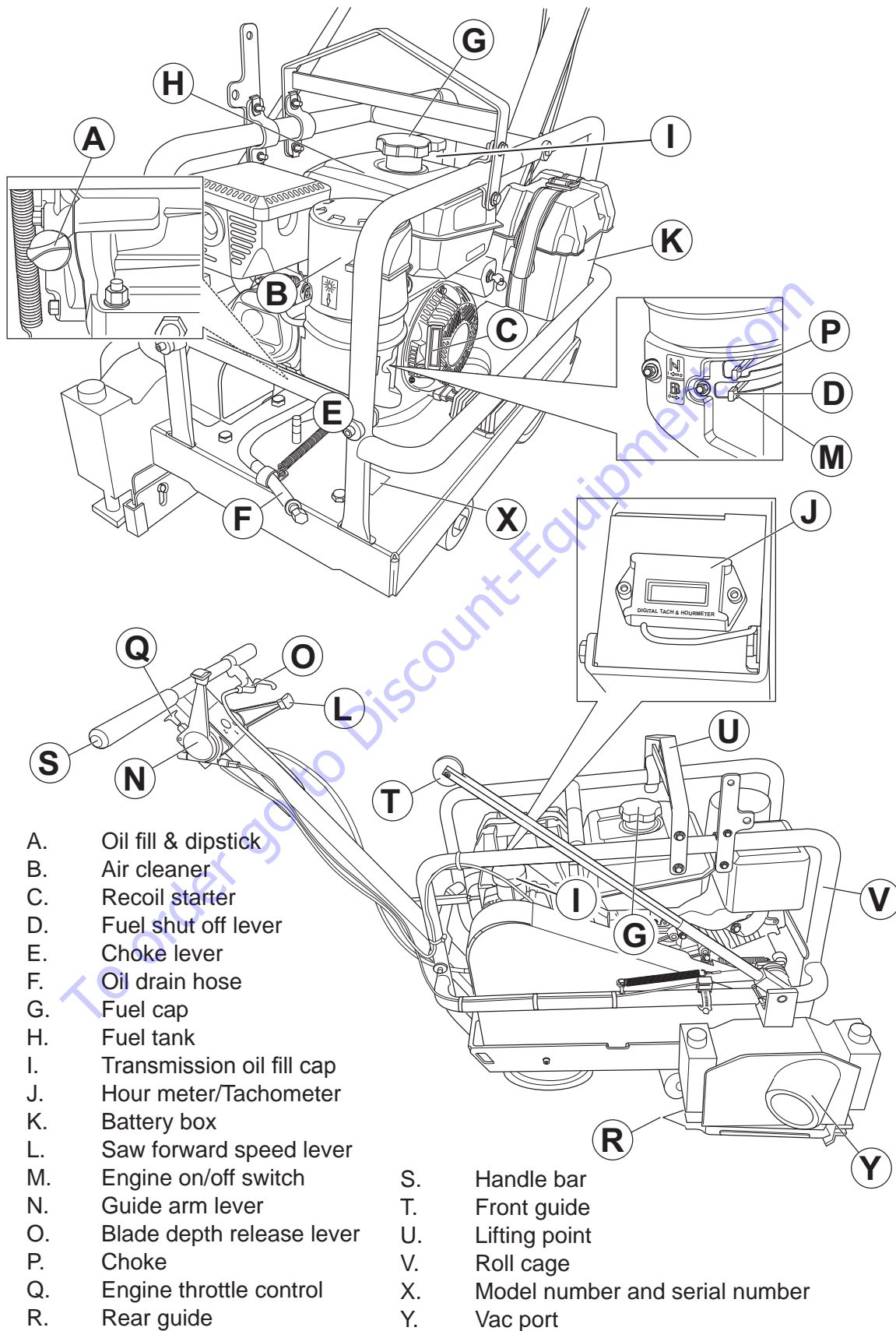


### WARNING

Inspect the blade (K) for any damage. Do not use any blade that has cracks, nicks, flaws or a damaged arbor. Make sure the blade is marked with a maximum operating speed greater than 3300 rpm.



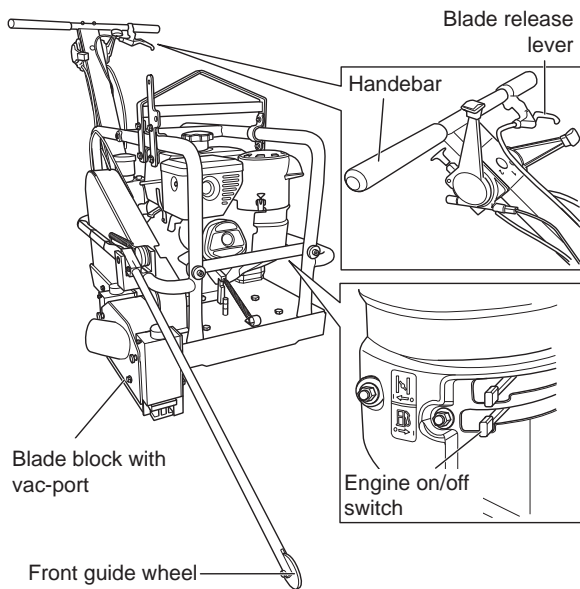
# WHAT IS WHAT



- |    |                           |    |                                |
|----|---------------------------|----|--------------------------------|
| A. | Oil fill & dipstick       | S. | Handle bar                     |
| B. | Air cleaner               | T. | Front guide                    |
| C. | Recoil starter            | U. | Lifting point                  |
| D. | Fuel shut off lever       | V. | Roll cage                      |
| E. | Choke lever               | X. | Model number and serial number |
| F. | Oil drain hose            | Y. | Vac port                       |
| G. | Fuel cap                  |    |                                |
| H. | Fuel tank                 |    |                                |
| I. | Transmission oil fill cap |    |                                |
| J. | Hour meter/Tachometer     |    |                                |
| K. | Battery box               |    |                                |
| L. | Saw forward speed lever   |    |                                |
| M. | Engine on/off switch      |    |                                |
| N. | Guide arm lever           |    |                                |
| O. | Blade depth release lever |    |                                |
| P. | Choke                     |    |                                |
| Q. | Engine throttle control   |    |                                |
| R. | Rear guide                |    |                                |



# OPERATING INSTRUCTIONS



Experience is very important when running the 2000 saw. A skilled worker is highly recommended. Always do an inspection of the saw before starting the engine. Check the fuel (H) and oil level (A) per the enclosed engine manual. SAE 10W/30 oil and unleaded gasoline with an 87 or higher octane should be used. The hydrostatic transmission use Mobil DTE 26 hydraulic oil or equivalent (20W with viscosity of 68). **Observe all safety regulations for the safe handling of fuel. Always check the engine oil with the saw turned off, completely lowered and the engine level!** Check that all controls are in good working order. Check for loose bolts or nuts. Check for fuel or oil leaks.

## **! WARNING**

**Do not operate saw if there is a fuel leak!**

Insure all guards are secure, undamaged and properly installed.

## **! WARNING**

**Do not operate the saw unless all guards, safety equipment and the engine kill switch are in place and operational!**

Check the air filter (B) and clean or replace if necessary. Check for proper specification of blade and that the skid plate operates properly. Check that the blade and skid plate are in good condition. Make sure the work site is clean, well lit and hazard free.

To start the engine, turn the fuel valve (D) on by the carburetor on the side of the engine. Raise the saw by pushing down on the handle with both hands to the full locked position. Move the engine throttle lever (Q) 1/3 of the way to the open position. Close the engine choke (P) by pulling up on the knob. The closed choke position enriches the fuel mixture for starting a cold engine. The open choke position provides the correct fuel mixture for operation after the engine starts and for restarting a warm engine. Start the engine by turning the key switch (M) to "START" or "2" position and release once the engine starts. Slowly open the choke (P) by pushing down on the knob. Allow the engine to warm for a few minutes.

## **! WARNING**

**ASPHYXIATION HAZARD**  
**Running an engine in a confined or badly ventilated area can result in injury or death due to asphyxiation or carbon monoxide poisoning.**

Open the engine throttle lever to full open position for maximum engine speed by pulling the throttle knob (Q) at the handle. Lower the front guide to the full down position by pushing the control handle (N) on the right forward.

Line up the saw with the cut line using the front guide wheel and the triangle pointer (R) on the back of the blade block. Pull the control lever (L) on the left back towards you to a full stop position.

Push down on the saw handle and pull the blade release lever (O) to lower the blade in the concrete slowly. Move the saw forward by slowly pushing the control lever (L) on the left forward until the desired cutting speed is reached.

Pulling the handle back slows the forward speed. Pulling the handle to the full back position stops the saw. Keep the front guide wheel on the cut line to insure straight cuts. Make small adjustments by applying side pressure on the handle to keep the saw straight.

Move the saw at about half speed for the first 100 feet to allow the blade to develop good diamond exposure or open up and promote blade life. Increase the forward speed of the saw until the blade and the engine are working at maximum efficiency.

Increase the forward speed if the saw is pulling left. Decrease the forward speed if the saw is pulling right. **Do not force the saw.** When approaching a wall, raise the front guide and use the triangle guide at the back of the blade block to cut the last few feet.

**Do not hit the blade block assembly against any object.** Damage may result. Slow the forward speed by pulling the control handle lever back until the saw stops. Push down on the back of the handle bar to raise the saw out of the cut to the full and locked position.

The self propel function of the saw will not operate with the unit raised. Move the engine throttle lever to the full closed position. Turn the engine kill switch to the "OFF" or "0" position.

## **! WARNING**

**Do not leave the saw unattended while the engine is running! Always secure the saw from movement while unattended.**

Always clean the blade block assembly thoroughly before storing the saw. Always close fuel valve before transporting.

## **! WARNING**

**Before each use, carefully inspect the 2000 for any damage to any of its parts and components. Pay careful attention to any leakage of gasoline or oil. Under no circumstance should the 2000 or any of its attachments be operated if you find damage or are suspicious that something appears to be damaged.**

## FUEL HANDLING



### WARNING

Taking the following precautions will lessen the risk of injury and property damage:

- Use extreme care in handling gasoline. It is extremely flammable and the vapors are explosive.
- Extinguish all cigarettes, cigars, pipes, and other sources of ignition.
- Use only approved gasoline containers.
- Never remove gas cap or add fuel with the engine running. Allow engine to cool a minimum of 3 minutes before refueling.
- Never fuel the machine indoors.
- Never store the machine or fuel container where there is an open flame, spark, or pilot light such as on a water heater or other appliances.
- Never fill containers inside a vehicle or on a truck or trailer bed with a plastic liner. Always place containers on the ground away from your vehicle when filling.
- Remove the 2000 from the truck or trailer and refuel it on the ground. If this is not possible, then refuel the equipment with a portable container, rather than from a gasoline dispenser nozzle.
- Keep the nozzle in contact with the rim of the fuel tank or container opening at all times until fueling is complete. Do not use a nozzle lock-open device.
- If fuel is spilled on clothing, change clothing immediately.
- Never overfill fuel tank. Always wipe off any spilled fuel or oil. Replace fuel cap and tighten

## PROPER FUEL

The Robin engine is certified to operate on automotive unleaded gasoline with a pump octane rating (M+R) of 87 or higher.

Refuel in a well-ventilated area with the engine **stopped**.

You may use regular unleaded gasoline containing no more than 10% ethanol (E10). Do not use gasoline containing methanol.

Use of fuels with an ethanol content of more than 10% (E10) may cause starting and/or performance problems. It may also damage metal, rubber, and plastic parts of the fuel system, as well as posing a fire hazard.

Do not use fuel that is older than 30 days. Old fuel can cause running problems as well as fuel system damage.

**The engine will not operate on gasoline marketed as E-85 (85% ethanol)**

## OIL HANDLING

### NOTICE

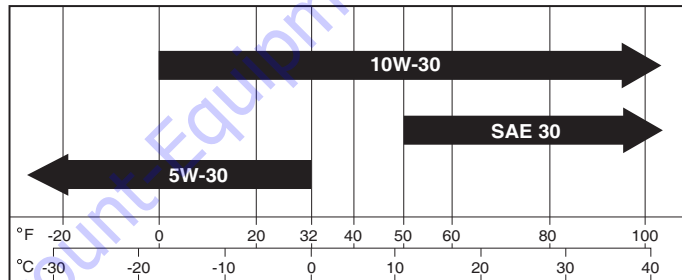
Used oil is a hazardous waste product. Dispose of used oil properly. Do not discard with household waste. Check with your local authorities, service center, or dealer for safe disposal/recycling facility.

## ENGINE OIL

### Oil Recommendation

The engine holds approximately 1.4 quart (1.3 liter) when changing oil.

We recommend use of Kohler oils for best performance. Other highquality detergent oils (including synthetic) of API (American Petroleum Institute) service class SJ or higher are acceptable. Select viscosity based on air temperature at time of operation as shown in table below.



## HYDROSTATIC TRANS OIL

**Mobil DTE 26** hydraulic oil or equivalent (20W with viscosity of 68)

## MANAGING DUST

This machine is fitted with a vac-port which offers connections to an external dust extractor for dust management. See recommendations by Husqvarna for appropriate specifications of a suitable external dust extractor.

# ENGINE AND TRANSMISSION MAINTENANCE

## Engine Oil

### Checking, Adding and Changing Oil

Check the engine oil level (B) daily with saw fully lowered and the engine level. See the enclosed Kohler manual for more details.

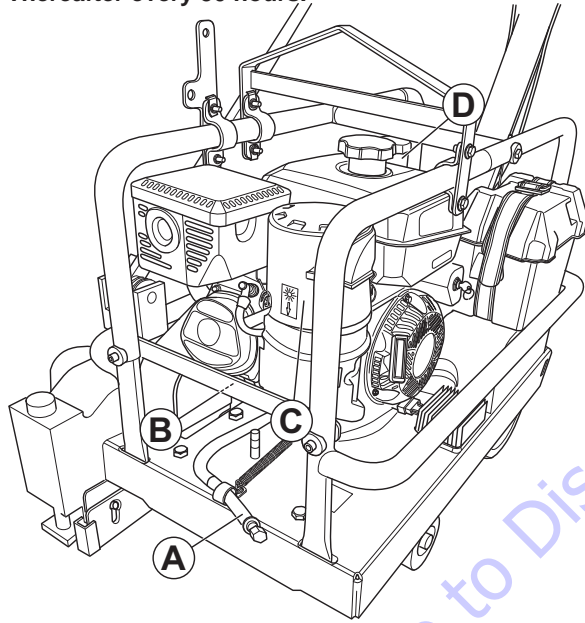
Use SAE 10W-30 viscosity detergent automotive type with API service class SE or higher grade oil.

**Note:** Engine holds approximately 1.4 quart (1.3 liter) when changing.

### Changing the Oil

Change oil after the first 5 to 8 hours of use.

Thereafter every 50 hours.



The oil drain hose (A) is located at the front of the saw.

1. With the engine OFF but still warm, remove the brass cap and drain the oil in a pan.
2. Replace the brass cap on the oil drain hose.
3. Fill the engine at the oil fill cap (B) with 1.4 quart (1.3 liter) of oil. When full, the oil level should be at the high level mark on the dipstick or to the top of the threads on the engine fill hole. The engine is equipped with an oil alert system that will stop the engine if the oil level is low.

## NOTICE

Used oil is a hazardous waste product. Dispose of used oil properly. Do not discard with household waste. Check with your local authorities, service center, or dealer for safe disposal/recycling facility.

### Air filter

The air cleaner assembly (C) is a cyclone type on the engine at the front of the saw. The air cleaner element should be replaced every 50 hours. Refer to the supplied engine manual and the "Cyclone Dual-Filter-Element Type" for additional information.

### ADDITIONAL ENGINE INFORMATION

Please see the Kohler Operator's Manual for additional information about servicing the engine.

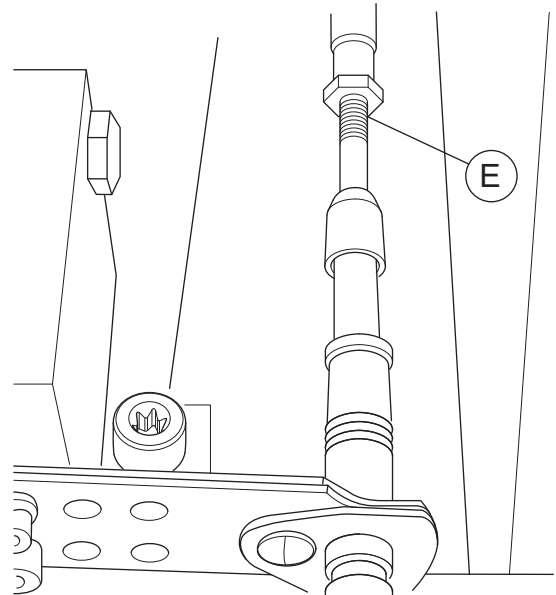
The manual also has specific information about specifications, tune-up parts, engine warranty, emission compliance, etc.

### Transmission oil

Check the transmission oil level daily. The transmission is accessible from the rear of the saw. The oil reservoir (D) located on the top of the transmission has an oil level line 1/8" (3 mm) from the bottom of the reservoir to indicate the proper fluid level when cold. Use hydraulic oil 20W with viscosity of 68 Mobil DTE 26 or equivalent.

### Transmission neutral

With the saw control lever pulled back towards the operator, the saw should fully stop and not creep or move. To adjust the transmission neutral position, loosen the lock nut on the cable end (E) at the transmission. Pull the spring sleeve back and adjust the swivel until the saw fully stops moving. Tighten the lock nut.



# OTHER MAINTENANCE

## Battery

The battery is maintenance free. If the battery ever requires charging, use only a voltage regulated taper current charger designed specifically for the battery.



### WARNING

- Connecting and disconnecting a battery can cause sparks and short circuits. Do not short battery terminals by allowing a wrench or any other object to contact both terminals at the same time.
- A spark or flame can cause a lead acid battery to explode.
- Before connecting a battery, remove metal bracelets, wristwatch bands, rings, etc. Use gloves and protective glasses or face shield when working with a battery.



Eye Protection



Protective Gloves



Explosion Danger

## Guards

Check all guards for damage and proper function daily especially the blade block. Blade block and cover should be secure to the saw and not damaged. Lexan side covers on the blade block should move freely up and down.

## Diamond blade

Inspect diamond blades daily for damage, cracks, secure fit to the arbor, loss of segments, warping or overheating. **If any blade shows any of these problems, discard the blade and never use.**

## Skid plate

Inspect the skid plate daily for damage, excessive wear in the blade slot, burrs on the concrete surface side, twisting and free movement up and down when installed on the blade block. Replace the skid plate with each new diamond blade. Never reuse the skid plates or spalling and raveling may result.

## Saw controls

Inspect all controls for proper function daily. **Check all the interlocks for operation especially the engine on/off switch for proper operation.**

## Belts

Inspect the blade drive belt and transmission belt for cracks or signs of wear. The belt tension is controlled by belt tensioner and does not require adjustment. Inspect the belt tensioner for free movement up and down. Insure the belt tensioner bearings roll freely.

## Blade shaft bearings

Lubricate the blade shaft bearings with 3 pumps of Lithium 12 based grease every 50 hours.

## Cleaning

Clean the blade block of any excess concrete build up after each use. Keep the handle bars and controls clean and dry. Immediately clean any spilled fuel from the saw. Keep all openings and slot on the engine shrouding on the saw clean open so air flows freely through the engine to insure proper cooling.

## MAINTENANCE SCHEDULE

Check guarding, diamond blade, skid plate, lexan covers, controls and oil levels.	Daily
Clean blade block assembly and saw.	Daily
Replace air cleaner.	Every 50 hours
Replace engine oil.	Every 50 hours
Grease blade shaft bearings.	Every 50 hours
Check blade drive belt, the transmission drive belt and belt tensioner.	Every 50 hours



### WARNING

**Do not modify the saw! Use only Husqvarna Construction Products replacement parts. Use of unauthorized parts may create a danger or damage the engine.**

# SAWING CONTRACTION JOINTS

As concrete hydrates or cures and begins to set, it develops internal stresses which may cause random cracks. Random cracks cast doubt on the quality and workmanship of the concrete. Contraction joints are cut in concrete to relieve these stresses before they seek their own relief in the form of random crack. The Soff-Cut Ultra Early Entry system controls random cracking through the early timing of a saw cut at predetermined locations to create weakened planes in the concrete that subsequently crack at the bottom of the cut to relieve stress. Husqvarna sawed contraction joints should be a minimum of 1/8th the concrete depth and a minimum of 1" (25mm) deep. Contraction joints should be sawn as soon as the concrete will support the weight of the saw and the operator without marking or damaging the concrete. There are many possibilities for joint layout. Joint layout should be provided, the saw contractor should submit a detailed joint layout for approval prior to cutting. Several factors affect joint spacing including:

- Concrete thickness
- Type, amount and location of reinforcement
- Shrinkage potential of concrete-cement (type, quantity), aggregate (size, quantity, quality), water to cement ratio, admixtures, concrete temperature
- Base friction
- Slab restraints
- Layout of foundations, racks, pits, equipment pad, trenches, etc.
- Environmental factors - temperature, wind, humidity
- Methods and quality of concrete curing.

Generally, contraction joint patterns should divide slabs into approximate square panels per the recommended spacing shown.

<b>RECOMMENDED CONTRACTION JOINT SPACING</b>	
<b><u>Concrete thickness, in. (mm)</u></b>	<b>Maximum spacing, ft. (m)</b>
3.5 (90)	8 (2.4)
4, 4.5 (100, 114)	10 (3.0)
5, 5.5 (125, 140)	12 (3.6)
6 (150) or greater	15 (4.5)

At all intersecting cross cuts, install Husqvarna joint protectors at each joint to prevent joint damage. Install an additional joint protector where the right wheel will cross the joint to prevent concrete damage.

# MAXIMIZING THE SOFF-CUT SYSTEM

**“The timing of concrete operations - especially finishing and jointing - is critical”**, states a quote from the foreword of the American Concrete Institute (ACI) 302.1 R-96. It goes on to say that “Failure to address this issue can contribute to undesirable characteristics in the wearing surface as cracking...” (It mentions other problems).

The patented Soff-Cut Ultra Early Entry system has revolutionized the method used to control random cracking. While Soff-Cut is being specified more today than ever, sometimes the ultra early-entry spec is not always followed on the job site. In order for the Soff-Cut system and an experienced Husqvarna contractor to do a satisfactory job, four components must exist to meet the “specification”:

1. A Soff-Cut Ultra Early Entry dry up-cut saw
2. A Husqvarna Excel Series dry-cutting diamond blade
3. A Husqvarna anti-ravel skid plate installed with every new diamond blade
4. An operator skilled in using the Soff-Cut Ultra Early Entry cutting system.

Without this, joints can not be cut clearly enough to control random cracking before it starts, which is what the building owner is paying for.

The ACI Spec 302.1R-96 says it best:

“Early-entry dry-cut saws use diamond-impregnated blades and a skid plate that helps prevent spalling. Timely changing of skid plates is necessary to effectively control spalling. It is best to change skid plates in accordance with manufacturer’s recommendations...The goal of sawcutting is to create a weakened plane as soon as the joint can be cut...The timing of the early-entry process allows joints to be in place prior to development of significant tensile stress in the concrete...”

The Portland Cement Association (PCA) engineering bulletin, Concrete Floors on the ground, also states:

“Proper jointing can eliminate unsightly random cracks. Aspects of jointing that lead to a good job are choosing the correct type of joint for each location, establishing a good joint pattern and layout, and installing the joint at the correct time... **Timing of joint sawing is critical...** Lightweight, high-speed, early-cut saws have been developed to permit the joint sawing very soon after floor finishing, sometimes within 0 to 2 hours... if the cut is sawn within a few hours after the final finishing, random cracking can be controlled...”

Husqvarna has the only Ultra Early Entry dry-cutting system (Soff-Cut) which controls random cracking through the early timing of the cut. With the patented Soff-Cut method, control joints are usually cut within 0 to 2 hours after the finishing process. Joint cutting should begin as soon as the concrete will support the weight of the saw and the operator at each joint location and before final set. If the joints are not being cut within this time frame then the Soff-Cut Ultra Early Entry method is not being followed and building owners are not getting what they are paying for or the finished product that they expect.

We hope this information is beneficial to building owners, general contractors, concrete finishers, saw operators and the entire industry.

# TROUBLESHOOTING

## SAW IS SPALLING AND RAVELLING CUT

- Check to see if the diamond blade is worn out, glazed, warped or damaged.
- Insure skid plate moves freely up and down the entire shaft length without contacting the diamond blade.
- Check skid plate for excessive wear or gap around the diamond blade.
- Check skid plate for tension or loose mounts. Skid plates are preset at the factory.
- Check bottom of skid plate for metal burrs or irregularities.
- Insure skid plate is not twisted or bent.
- Check lexan covers for free movement up and down.
- Insure there is spring down pressure at each end of the skid plate.
- Do not twist or move the saw sideways while cutting.
- Check that the engine is running properly and at full throttle.
- Check belt and belt idler for proper tension.
- Insure the diamond blade is properly mounted and secured with clean flanges.
- Insure that the diamond blade is the correct specification for your area.
- Insure the slab is in clean with no debris that could raise the skid plate or saw while cutting.
- Use Husqvarna joint protectors at all cut intersections.
- Clean excess concrete debris from the blade block assembly.
- Check that the scrapers in the blade block are not bent or binding.
- Insure that the blade block shafts are not bent or damaged.
- Check that the front diverter in the blade block is not bent and the diverter legs are not contacting the concrete.

## ENGINE RUNS ROUGH, BACK FIRES OR CAN NOT REACH FULL SPEED

- Check if there is fuel in the tank and it is the correct fuel. Make sure there is no water in the fuel.
- Check that the spark plugs are clean and properly gapped.
- Check that choke is in the "off" position after engine is warm.
- Check that air filter is not dirty or plugged.
- Check that the throttle lever is properly set.
- Check for correct oil level. Engine oil alert system may function intermittently if oil level is not within the correct range.

## ENGINE WILL NOT START

- Check if the fuel valve is turned to the "on" position.
- Check if there is fuel in the tank and it is the correct fuel. Make sure there is no water in the fuel.
- Check that the spark plug wires are connected to the spark plugs.
- Engine is flooded. Adjust the choke per the engine owner's manual.
- Check that the air filter is not dirty or plugged.
- Check the choke is in the "on" position for cold starts. Adjust the choke per the engine owner's manual.
- Check that the blade shaft rotates freely and no concrete has built up in the blade block.
- Check if the kill switch is in the "ON" position.
- Oil level is too low. Engine is equipped with an oil alert system that will not let the engine start unless the engine oil level is within the correct range.

## SAW PULLS TO ONE SIDE WHILE SAWING

- Check front and rear guide is properly aligned with the center of the diamond blade.
- Check to see if diamond blade is worn out, glazed, warped or damaged.
- Do not twist or move the saw sideways while cutting. Make gradual changes in pressure on the handle bar to control the saw in the cut.
- Insure that all wheels rolls freely and smoothly.
- Do not force the saw. Allow the diamond blade to cut at its own rate of speed.
- Check the skid plate for damage or burrs.
- Insure both driver tubes are contacting the rear wheels, driver tubes are clean and rear wheels are not damaged. Check that the smaller diameter driver tube is on the left wheel (battery side) and the larger diameter driver tube is on the right side (blade side).

# TECHNICAL SPECIFICATIONS

Engine	
Model	Kohler
Max engine output hp/kW (see note 1)	9.1/6.8
Engine oil volume, quarts/liters	1.4/1.3
Gasoline tank volume, gal/liters	1.8/7.0
Type	Air cooled, 4-cycle, single slant cylinder, gasoline engine
Air filter	Cyclonic type
Oil system	Oil alert with auto shut down sensor

Weight and Dimensions Engine	
Weight – dry, lbs/kg	260/118
Weight with gasoline and oil full, lbs/kg	272/124
Length, inch/mm	57/1440
Width, inch/mm	25/630
Height, inch/mm	37/940

Blade	
Material cut	Green concrete only
Blade type	10.0" (254 mm) or 9.0" (229 mm) dry cut with tri-arbor
Blade rotation	Counter clockwise, upcutting
Blade shaft speed, rpm	3300
Cutting depth	1 to 1 1/2 inch (25 to 38 mm) depending on amount of blade wear
Cutting distance from wall, inch/mm	3 1/2 / 89

Average cutting rate - Estimate only. Speed will vary with job conditions and concrete mixes.	
Soft aggregates, ft/min / m/min	18/5.5
Medium aggregates, ft/min / m/min	13/4.0
Hard aggregates, ft/min / m/min	7/2.1

Blades are available in 10.0 inch (254 mm) and 9.0 inch (229 mm) diameters and in 0.100 inch (2.5 mm), 0.250 inch (6.4 mm), 0.380 inch (9.7 mm), and 0.500 inch (12.7 mm) widths.

Vibration levels, $a_{hv}$ (see note 2)	
Handle right, $m/s^2$	3.1
Handle left, $m/s^2$	3.1

**Note 1:** As specified by engine manufacturer. The power rating of the engines indicated is the average net power output (at specified rpm) of a typical production engine for the model measure to ISO3046. Mass production engines may differ from this value. Actual power output for the engine installed in the final machine will depend on the operating speed, environmental conditions and other variables.

**Note 2:** Vibration level according to EN 13862. Reported data for vibration level has a typical statistical dispersion (standard deviation) of 1  $m/s^2$ .

## TECHNICAL DATA

**CALIFORNIA AIR RESOURCES BOARD (CARB):** This machine is considered a preempt Off-Road Application as relating to CARB standards. Under construction equipment, and in particular, as a Saws : concrete, masonry, cutoff, with engine power less than 19KW (25hp), CARB standards do not apply to this machine.



---

# WARRANTY

---

## HUSQVARNA EQUIPMENT WARRANTY

New 2000 sold by Husqvarna Construction Products are warranted to be free from manufacturing defects in normal service for a period of six (6) months for labor and up to one (1) year on parts from date of purchase by the original consumer purchaser or date of introduction into rental company fleet.

Our obligation under this warranty is expressly limited to the replacement or repair at Husqvarna Construction Products, or at a service facility designated by us, of such part or parts if inspection shall disclose it to have been defective.

This warranty does not apply to defects caused by damage, unreasonable use, faulty repairs made by others (or defects caused by failure to provide reasonable maintenance, while in the possession of the consumer). Further, the warranty is void if the product, or any of its components, are altered or modified by the consumer purchaser, or if the product is used in an inappropriate manner not recommended by the manufacturer.

The use of any other blade except Husqvarna Construction Products blades and skid plates will void the warranty and could cause internal damage to the motor.

In no event shall Husqvarna Construction Products be liable for any indirect, incidental or consequential damages from the sale or use of the product. This disclaimer applies both during and after the term of this warranty.

This warranty gives you specific legal rights and other possible rights, which may vary from state to state. Some states do not allow the exclusion or limitation of incidental or consequential damages so the above limitation or exclusion may not apply to you. Some states do not allow limitations on how long an implied warranty lasts so the above limitation may not apply to you.

## WARRANTY ON ENGINE

Husqvarna Construction Products does not perform warranty repairs or reimburse for warranty repairs on engines. Engine warranties are provided by the engine manufacturer.

To obtain warranty repair: Take your engine along with your proof of purchase to any general purpose dealer or distributor nearest you.

If you are unable to obtain warranty service or are dissatisfied with the warranty service you received, contact the owner of the dealership involved. Normally, this should resolve your problem. For further assistance, contact your local dealer.

## WARRANTY ON REPLACEMENT PARTS

There is a three (3) months warranty from date of purchase on all replacement parts.

## COPYRIGHT 2009 HUSQVARNA CONSTRUCTION PRODUCTS

Covered by one or more of the following U.S. Patents

4769201, 4889675, 4928662, 4938201, 5056499, 5086750, 5184597, 5303688, 5305729, 5373834, 5441033, 5505189, 5507273, 5570677, 5575271, 5579754, 5582899, 5603310, 5660161, 5664553, 5666939, 5689072, 58030371, 6892719, 6990972, 7073495, 7163010, 7258115.

Other U.S. and foreign patents pending.

**TO PURCHASE THIS PRODUCT PLEASE CONTACT US**



**Equipment Financing and  
Extended Warranties Available**



**Discount-Equipment.com is your online resource for  
commercial and industrial quality parts and equipment sales.**

**561-964-4949**

**visit us on line @ [www.discount-equipment.com](http://www.discount-equipment.com)**

Select an option below to find your Equipment

**Search by Manufacturer**

**Search by Product Type**

**Request a Quote**

We sell worldwide for the brands: Genie, Terex, JLG, MultiQuip, Mikasa, Essick, Whiteman, Mayco, Toro Stone, Diamond Products, Generac Magnum, Airman, Haulotte, Barreto, Power Blanket, Nifty Lift, Atlas Copco, Chicago Pneumatic, Allmand, Miller Curber, Skyjack, Lull, Skytrak, Tsurumi, Husquvarna Target, Stow, Wacker, Sakai, Mi-T-M, Sullair, Basic, Dynapac, MBW, Weber, Bartell, Bennar Newman, Haulotte, Ditch Runner, Menegotti, Morrison, Contec, Buddy, Crown, Edco, Wyco, Bomag, Laymor, EZ Trench, Bil-Jax, F.S. Curtis, Gehl Pavers, Heli, Honda, ICS/PowerGrit, IHI, Partner, Imer, Clipper, MMD, Koshin, Rice, CH&E, General Equipment, Amida, Coleman, NAC, Gradall, Square Shooter, Kent, Stanley, Tamco, Toku, Hatz, Kohler, Robin, Wisconsin, Northrock, Oztec, Toker TK, Rol-Air, APT, Wylie, Ingersoll Rand / Doosan, Innovatech, Con X, Ammann, Mecalac, Makinex, Smith Surface Prep, Small Line, Wanco, Yanmar

## CONTENU

Table des matières	Page
Table des matières .....	17
Déballage .....	17
Transport .....	17
Introduction, sécurité personnelle .....	18
Message de sécurité générale .....	19
Avertissements de sécurité .....	20
Lames de série Excel .....	21
Installation de la lame et de la plaque de protection .....	21
Identification des composants .....	22
Instructions d'utilisation .....	23
Carburant et avertissements de sécurité ...	24
Carburants recommandés .....	24
Huiles recommandées .....	24
Maintenance du moteur et de la transmission .....	25
Autres opérations de maintenance .....	26
Sciage des joints de retrait .....	27
Optimisation du système Soff-Cut .....	28
Dépannage .....	29
Spécifications techniques .....	30
Certificats de conformité .....	30
Garantie .....	31

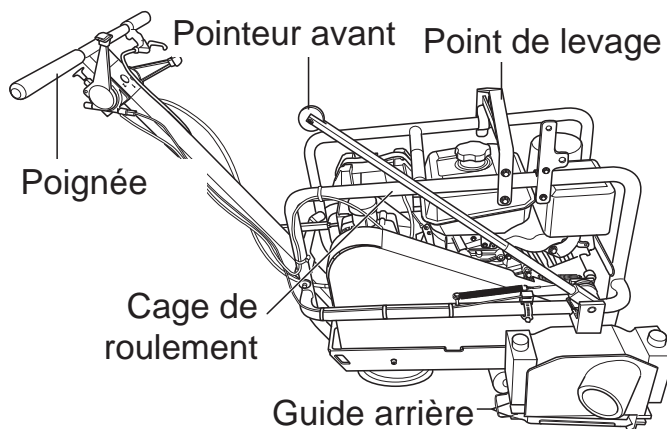
## DÉBALLAGE

Votre scie 2000 a été expédiée de l'usine rigoureusement inspectée. Seul un minimum d'assemblage est nécessaire pour commencer à utiliser la scie. Retirez la scie de son contenant en utilisant les techniques de levage appropriées. Mettez au rebut ou recyclez le matériau d'emballage, conformément aux réglementations locales en vigueur. Dans le contenant, vous trouverez la scie 2000, une clé d'axe de lame, une clé à bougie, un manuel d'utilisation, un manuel d'utilisation du moteur, une liste de pièces, une carte de garantie, un paquet d'échantillons de protecteurs de joints et une rampe de déchargement de la scie. Relevez la scie jusqu'à sa hauteur maximale en poussant la poignée vers le bas. Placez la rampe de déchargement sur le bord du contenant et faites rouler la scie hors du contenant. Abaissez la scie en poussant la poignée vers le bas et en serrant le levier situé sur la poignée.

**REMARQUE : Aucune lame de coupe diamantée ni plaque de protection n'est fournie avec la scie. Procurez-vous la lame de série Excel de 9 po ou de 10 po de Husqvarna qui convient chez le concessionnaire de produits de construction Husqvarna de votre région.**

## TRANSPORT

La scie 2000 prête pour l'utilisation pèse environ 342 livres (155 kg). Suivez les consignes de levage sécuritaire lors de la manipulation de la scie. Retirez toujours la lame de diamant lors du transport de la scie. Transportez toujours la scie avec une plaque de protection installée. Repliez le bras de guidage. La scie peut être soulevée à partir du crochet central sur la cage de roulement. Transportez et rangez toujours la scie en position complètement abaissée et immobilisée.



### MISE EN GARDE

Utilisez uniquement le crochet central sur la cage de roulement pour soulever la scie 2000.

---

# INTRODUCTION

---

La scie 2000 est une scie à béton Ultra Early Entry pour pavage et utilisations commerciale et industrielle de gamme moyenne à service intensif. Le système de coupe à sec breveté Soff-Cut Ultra Early Entry contrôle le risque de fissures dans le béton grâce à une coupe rapide, généralement dans un délai d'une à deux heures après le processus de finition. La technologie brevetée de plaque de protection et de bloc de lame à faible bruit et à faible émission de poussière, de pair avec les lames Husqvarna, permet de scier le béton frais le jour même, tout en réduisant la fragmentation et l'éclatement. La scie est automotrice et dotée de commandes manuelles pour la plupart des fonctions.

## Le bon sens :

Essentiellement, ce manuel explique COMMENT utiliser et entretenir l'équipement en toute sécurité.

Il n'est pas possible de couvrir toutes les situations imaginables auxquelles vous pourriez faire face quand vous utilisez l'équipement. Par conséquent, veillez à utiliser ce produit uniquement de la manière décrite dans le manuel. Toute utilisation ou manipulation de la machine d'une autre manière peut entraîner de graves blessures, voire la mort.

Si une situation n'est pas décrite dans ce manuel, elle doit être considérée comme dangereuse, et être évitée.

Si vous connaissez mal ce produit, assurez-vous de bien comprendre comment il fonctionne et de vous exercer avec précaution à toutes les opérations et à la manipulation avant d'utiliser la machine. Familiarisez-vous en présence d'un opérateur expérimenté. Évitez toutes les situations qui dépassent vos capacités.

Si vous avez toujours des doutes sur les procédures d'utilisation après avoir lu ces instructions, ne faites PAS fonctionner la machine avant d'avoir consulté un opérateur expérimenté.

Si vous avez d'autres questions, vous pouvez communiquer avec le centre de Husqvarna Construction Products le plus proche, par écrit ou en téléphonant. Vous trouverez les coordonnées ci-dessous. Vous pouvez également trouver l'emplacement le plus proche en cherchant sur Internet à l'adresse [www.husqvarnacp.com](http://www.husqvarnacp.com). Husqvarna Construction Products est à votre disposition et vous fournira des conseils et de l'aide sur l'utilisation efficace et sécuritaire de votre produit.

Des manuels supplémentaires sont offerts GRATUITEMENT et peuvent aussi être obtenus sur le site Internet.

Husqvarna Construction  
Products North America Inc.  
17400 W 119th Street  
Olathe, Kansas 66061  
États-Unis

Site Internet : [www.husqvarnacp.com](http://www.husqvarnacp.com)

---

## ÉQUIPEMENT DE SÉCURITÉ PERSONNELLE

---

Lorsque vous travaillez avec la scie ou utilisez la scie, vous devez utiliser l'équipement de sécurité personnelle homologué ci-dessous :



Protection pour la tête



Protecteurs d'oreilles



Lunettes de protection




Chaussures de sécurité





Gants de protection

# DÉFINITIONS RELATIVES À LA SÉCURITÉ

Dans ce manuel, on utilise le symbole d'alerte de sécurité  suivi des mots AVERTISSEMENT et MISE EN GARDE pour indiquer des renseignements en matière de sécurité à propos de risques qui pourraient entraîner la mort, des blessures graves ou des dommages matériels.

Ces mots signaux signifient :

 **AVERTISSEMENT** indique un risque qui, s'il n'est pas évité, **pourrait entraîner la mort ou des blessures graves.**

 **MISE EN GARDE** indique un risque qui, s'il n'est pas évité, **pourrait entraîner des blessures mineures ou modérées.**




**AVIS** indique un message qui ne concerne pas des blessures corporelles.

## RISQUES POUR LA SÉCURITÉ

### AVERTISSEMENT

#### NE MODIFIEZ PAS LE PRODUIT

La conception de la machine ne peut en aucun cas être modifiée sans l'autorisation du fabricant. Toujours utiliser des accessoires d'origine. Les modifications ou accessoires non autorisés peuvent entraîner des blessures graves ou la mort de l'opérateur ou d'autres personnes. Votre garantie peut ne pas couvrir les dommages ou la responsabilité découlant de l'utilisation d'accessoires ou de pièces de rechange non autorisés.

 AVERTISSEMENT	 AVERTISSEMENT	 MISE EN GARDE
<b>RISQUE D'ASPHYXIE</b> Le fonctionnement d'un moteur dans un endroit clos ou mal ventilé peut entraîner des blessures ou la mort par asphyxie ou intoxication au monoxyde de carbone.	<b>PROPOSITION 65 DE LA CALIFORNIE</b> L'utilisation de ce produit peut vous exposer à des matériaux que l'État de Californie considère comme étant la cause de cancers, de malformations congénitales ou d'autres problèmes liés à la reproduction.	<b>DANGER POUR L'OUÏE</b> Au cours de l'utilisation normale de cette machine, l'opérateur peut être exposé à un niveau de bruit égal ou supérieur à 85 dB(A). Utilisez un dispositif de protection pour les oreilles.

## AVERTISSEMENT DE SÉCURITÉ

### AVIS

Lisez le manuel d'utilisation fourni par le fabricant du moteur.

# AVERTISSEMENTS DE SÉCURITÉ



## AVERTISSEMENT

**Le non-respect des avertissements ci-dessous peut entraîner de très graves blessures, voire la mort!**

### SÉCURITÉ PERSONNELLE

- Lisez et comprenez les instructions avant d'utiliser la scie.
- Portez toujours des dispositifs de protection des oreilles, des yeux, de la tête et des voies respiratoires homologués.
- Portez des bottes munies de semelles antidérapantes pour avoir un bon appui. Les bottes de sécurité à embouts d'acier sont recommandées.
- Portez des gants de travail en caoutchouc pour éviter tout contact avec du béton humide qui pourrait causer de graves irritations de la peau.
- Sachez comment arrêter rapidement la scie en cas d'urgence.
- Gardez toutes les parties du corps éloignées de la lame et de toutes les autres pièces mobiles. • Ne portez pas de vêtements amples ou de bijoux pouvant se prendre dans les pièces en mouvement. Le cas échéant, portez un couvre-chef pour couvrir les cheveux longs.
- Faites preuve de prudence lors du chargement et du déchargement de la scie.
- Restez vigilant. Soyez toujours conscient du fonctionnement de la scie. Faire preuve de bon sens N'utilisez pas la scie si vous êtes fatigué ou après avoir consommé une quelconque substance pouvant porter atteinte à vos capacités physiques ou à votre jugement rationnel.
- Évitez toute extension excessive. Gardez l'équilibre et un bon appui sur le sol.

### SÉCURITÉ DE L'AIRE DE TRAVAIL

- Ne faites jamais fonctionner la scie dans le cadre d'une utilisation ou d'un travail pour lequel vous n'êtes pas formé ou supervisé.
- Gardez les visiteurs, les enfants et les animaux hors de la zone de travail.
- Respectez toutes les consignes de sécurité relatives à la manipulation sécuritaire du carburant. L'essence est extrêmement inflammable et ses vapeurs peuvent exploser si elles s'enflamment. Ne faites pas le ravitaillement en carburant à l'intérieur ou dans des endroits mal ventilés. Manipulez le carburant dans des bidons de sécurité. Arrêtez le moteur et laissez-le refroidir avant de faire le ravitaillement en carburant. En cas de déversement de carburant sur la scie, essuyez la scie pour qu'elle soit bien sèche. Écartez-vous toujours de la zone de ravitaillement en carburant avant de démarrer le moteur. Ne fumez pas pendant le ravitaillement en carburant.
- Ne faites pas fonctionner la scie lorsque vous fumez ou à proximité d'une flamme nue.
- Ne faites pas fonctionner la scie dans des endroits qui contiennent des matériaux ou des vapeurs combustibles. La scie peut produire des étincelles qui pourraient causer un incendie ou une explosion.
- Utilisez la scie uniquement dans des endroits bien ventilés. Les gaz d'échappement du moteur contiennent du monoxyde de carbone, qui peut causer une perte de conscience, voire la mort.
- Le silencieux et le moteur deviennent très chauds pendant le fonctionnement. Gardez toutes les parties du corps et les objets étrangers à l'écart du moteur pendant qu'il fonctionne.
- Évitez les environnements dangereux. N'exposez pas la scie à la pluie. Maintenez la zone de travail propre et bien éclairée.

### SÉCURITÉ DE LA SCIE

- Ne laissez pas la scie sans surveillance lorsque le moteur tourne.
- Ne modifiez pas la scie. Toute altération ou modification constitue une utilisation abusive et peut créer une situation dangereuse.
- Toutes les protections de sécurité doivent être en place avant le démarrage du moteur.
- Ne faites fonctionner la scie qu'en étant positionné derrière la machine, les deux mains sur la poignée.
- N'utilisez pas l'équipement, les lames, les dispositifs de protection ou l'équipement de protection personnelle s'ils sont endommagés. Ne désactivez pas de l'équipement de sécurité ou des coupe-circuit.
- Ne faites pas fonctionner la scie s'il y a une fuite de carburant.
- Faites preuve d'une extrême prudence lorsque vous manœuvrez la scie sur des rampes, que vous la chargez sur un camion ou une remorque ou que vous la déchargez d'un camion ou d'une remorque.
- Utilisez uniquement les pièces de rechange de Husqvarna Construction Products. L'utilisation de pièces non autorisées peut créer un danger.
- N'utilisez pas la scie comme véhicule pour transporter des personnes ou de l'équipement.
- Retirez le câble d'allumage de la bougie d'allumage avant d'effectuer l'entretien de la scie ou de remplacer des lames, afin d'éviter tout démarrage accidentel du moteur.
- Retirez toutes les clés de la scie avant le démarrage.
- Ne vous tenez jamais sur la scie.
- Lorsque vous n'utilisez pas la scie ou lorsque vous la transportez, retirez la lame et abaissez complètement la scie. Immobilisez correctement la scie pour empêcher tout mouvement accidentel.

### SÉCURITÉ DE LA LAME

- Examinez les lames de coupe avant chaque utilisation. N'utilisez pas de lames qui présentent des fissures, des entailles ou des défauts. Le trou de l'axe triangulaire doit être en parfait état. Utilisez uniquement des lames de diamant à axe triangulaire et à centre d'acier pour coupe à sec, faites pour couper du béton frais.
- Les lames de diamant de série Excel de Husqvarna sont conçues pour couper uniquement du béton frais. La coupe de tout autre matériau peut entraîner la défaillance de la lame ou créer une situation dangereuse.
- Avant l'installation de la lame, inspectez les brides de lame et vérifiez qu'elles ne présentent ni dommage ni usure excessive et qu'elles sont propres. La lame doit s'ajuster parfaitement sur un axe triangulaire propre et non endommagé.
- Utilisez uniquement des lames de Husqvarna de série Excel ou marquées pour un régime de fonctionnement maximal supérieur à 3 300 tr/min.
- Ne faites jamais fonctionner la scie sans le bloc de lame bien en place, ni le protège-lame, les protecteurs en Lexan et la plaque de protection installés et en parfait état d'utilisation. Pour la sécurité de l'opérateur, vous devez remplacer tout bloc de lame qui est endommagé.
- Assurez-vous que la lame n'entre pas en contact avec le sol ou avec toute autre surface lors de la manœuvre de la scie.
- Évitez de vous placer directement dans l'axe de la lame ou de toucher la lame pendant qu'elle tourne.

# LAMES

Pour un fonctionnement optimal, utilisez toujours les lames Soff-Cut propres à Husqvarna.

## INSTALLATION DE LA LAME ET DE LA PLAQUE DE PROTECTION

### Étape 1

Pendant que la scie est hors tension et en utilisant les deux mains, poussez la poignée vers le bas et relevez la scie jusqu'à sa hauteur maximale, en position verrouillée.

### Étape 2

Retirez le couvercle du bloc de lame (A) en tournant les deux boutons de verrouillage dans le sens inverse des aiguilles d'une montre. Insérez la clé d'axe de lame fournie avec la scie sur le boulon d'axe de lame (B) à l'extrémité de l'axe de lame dans le bloc de lame (C). Faites tourner l'axe de lame dans le sens inverse des aiguilles d'une montre avec la clé sur le boulon d'axe de lame (B) tout en poussant sur la goupille de blocage de l'axe de lame (D) située sur le dessus du cadre de blocage à l'avant du moteur. La goupille de blocage entrera dans l'axe de lame et l'empêchera de tourner.

### Étape 3

Retirez le boulon d'axe de lame en continuant de le tourner dans le sens inverse des aiguilles d'une montre. Retirez la bride ou rondelle d'arbre extérieure (E).



### AVERTISSEMENT

Inspectez la lame (K) pour vérifier qu'elle ne présente pas de dommages. N'utilisez pas de lame qui présente des fissures, des entailles ou des défauts, ou un arbre endommagé. Assurez-vous que la lame est marquée pour un régime de fonctionnement maximal supérieur à 3 300 tr/min.

### Étape 4

Faites correspondre l'axe triangulaire de lame avec l'arbre d'axe de lame (F) et installez fermement la lame contre la bride arrière (F). Assurez-vous que la lame est installée correcte-

ment sur l'axe triangulaire. Faites correspondre l'axe triangulaire femelle de la bride ou rondelle extérieure avec l'axe de lame et installez le boulon d'axe de lame en tournant dans le sens des aiguilles d'une montre et en maintenant la goupille de blocage insérée. Assurez-vous que la bride extérieure est bien installée et qu'elle tient fermement en place la lame de diamant.

### Étape 5

Installez une nouvelle plaque de protection (G) en accrochant l'avant sur la goupille d'axe du bloc de lame avant. Reliez l'axe du bloc de lame arrière et l'arrière de la plaque de protection à l'aide du dispositif d'attache.

### Étape 6

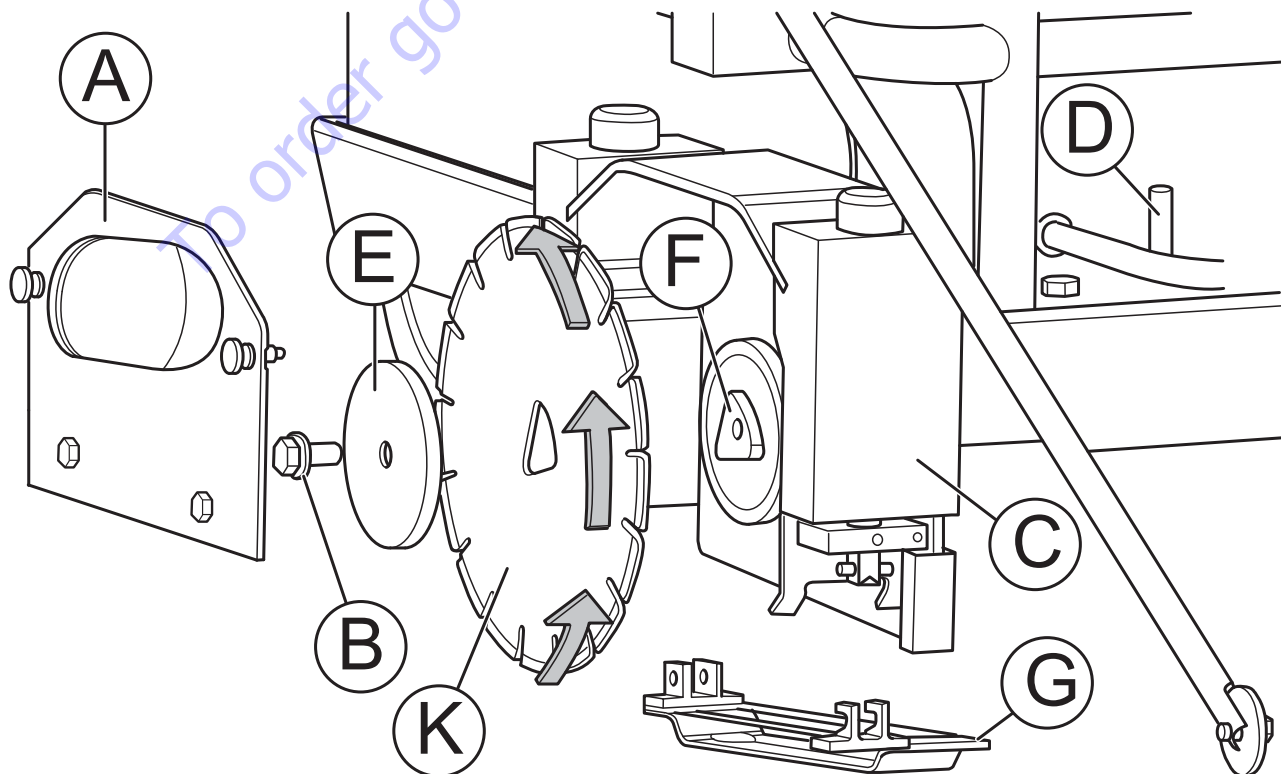
Installez le protège-lame en tournant les deux boutons et serrez jusqu'à ce qu'il soit parfaitement positionné contre le bloc de lame. Soulevez l'avant et l'arrière de la plaque de protection pour vérifier que la lame glisse librement dans la plaque de protection.

### Étape 7

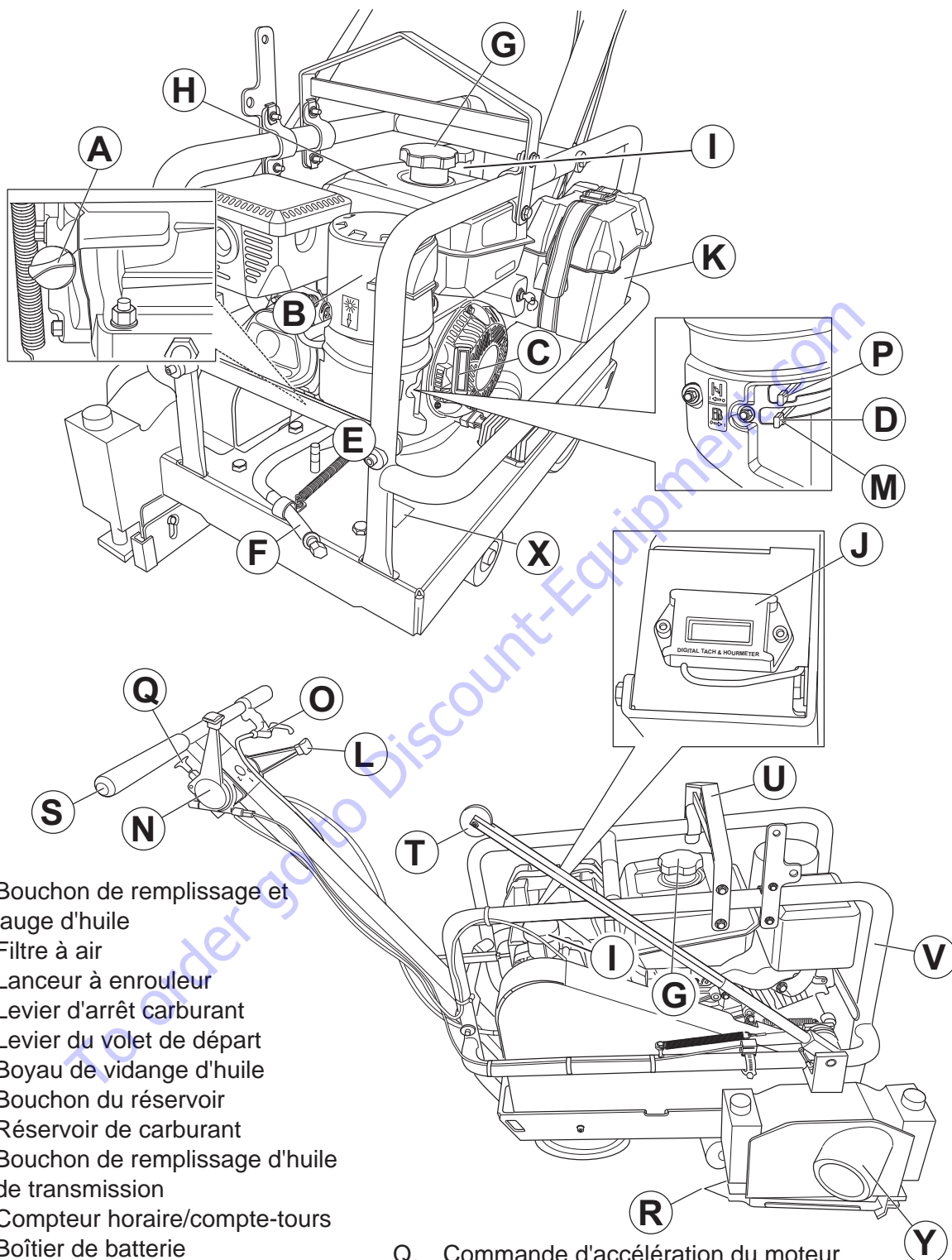
Lors du remplacement d'une lame usée, enlevez soigneusement le béton du bloc de lame et du protège-lame avant d'installer la nouvelle lame. Mettez au rebut l'ancienne plaque de protection et remplacez-la par une plaque de protection neuve.

### REMARQUE :

La plaque de protection brevetée est la partie la plus importante du système Soff-Cut Ultra Early Entry. Si elle est courbée, tordue ou endommagée, il peut se produire un éclatement ou un effilochage lors de la coupe. Rangez les plaques de protection avec précaution et installez-les correctement. Installez une nouvelle plaque de protection avec chaque nouvelle lame. Ne réutilisez jamais une plaque de protection.



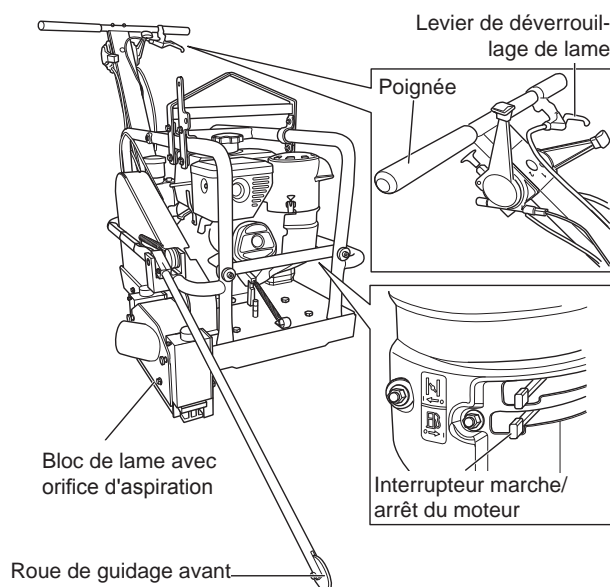
# IDENTIFICATION DES COMPOSANTS



- A. Bouchon de remplissage et jauge d'huile
- B. Filtre à air
- C. Lanceur à enrouleur
- D. Levier d'arrêt carburant
- E. Levier du volet de départ
- F. Boyau de vidange d'huile
- G. Bouchon du réservoir
- H. Réservoir de carburant
- I. Bouchon de remplissage d'huile de transmission
- J. Compteur horaire/compte-tours
- K. Boîtier de batterie
- L. Levier d'avance de la scie
- M. Interrupteur marche/arrêt du moteur
- N. Levier du bras de guidage
- O. Levier de déverrouillage de profondeur de lame
- P. Volet de départ
- Q. Commande d'accélération du moteur
- R. Guide arrière
- S. Poignée
- T. Pointeur avant
- U. Point de levage
- V. Cage de roulement
- X. Numéro de modèle et numéro de série
- Y. Orifice d'aspiration



# INSTRUCTIONS D'UTILISATION



L'expérience est très importante lors de l'utilisation de la scie 2000. Une personne qualifiée est fortement recommandée. Effectuez toujours une inspection de la scie avant de démarrer le moteur. Vérifiez le niveau de carburant (H) et le niveau d'huile (A) conformément au manuel d'utilisation du moteur qui est fourni. Vous devez utiliser de l'huile SAE 10W/30 et de l'essence sans plomb à indice d'octane de 87 ou plus. La transmission hydrostatique utilise de l'huile hydraulique Mobil DTE 26 ou l'équivalent (20W avec viscosité de 68). **Respectez toutes les consignes de sécurité relatives à la manipulation sécuritaire du carburant. Vérifiez toujours l'huile moteur pendant que la scie est hors tension et complètement abaissée et que le moteur est de niveau!** Vérifiez que toutes les commandes sont en bon état de fonctionnement. Vérifiez qu'il n'y a pas de boulons ou d'écrous desserrés. Vérifiez qu'il n'y a pas de fuites de carburant ou d'huile.



## AVERTISSEMENT

**Ne faites pas fonctionner la scie s'il y a une fuite de carburant!**

Assurez-vous que toutes les protections sont bien fixées, en bon état et correctement installées.



## AVERTISSEMENT

**Ne faites pas fonctionner la scie si tous les protecteurs, l'équipement de sécurité et le coupe-circuit moteur ne sont pas en place et en bon état de fonctionnement!**

Vérifiez le filtre à air (B) et nettoyez-le ou remplacez-le si nécessaire. Vérifiez que la lame est de la bonne spécification et que la plaque de protection fonctionne correctement. Vérifiez que la lame et la plaque de protection sont en bon état. Assurez-vous que le site de travail est propre, bien éclairé et sans danger. Pour démarrer le moteur, ouvrez le robinet de carburant (D) par le carburateur sur le côté du moteur. Relevez la scie en poussant la poignée vers le bas avec les deux mains pour la mettre en position verrouillée. Déplacez le levier d'accélération du moteur (Q) sur un tiers de sa course vers la position ouverte. Fermez le volet de départ du moteur (P) en tirant sur le bouton. La position fermée du volet de départ enrichit le mélange de carburant pour le démarrage du moteur froid. La position ouverte du volet de départ fournit le bon mélange de carburant pour le fonctionnement après que le moteur a démarré et pour un redémarrage du moteur chaud. Démarrez le moteur en tournant la clé de contact (M) à la position « START » ou « 2 », puis relâchez une fois que le moteur démarre. Ouvrez lentement le volet de départ (P) en appuyant sur le bouton. Laissez le moteur se réchauffer pendant quelques minutes.



## AVERTISSEMENT

### RISQUE D'ASPHYXIE

**Le fonctionnement d'un moteur dans un endroit clos ou mal ventilé peut entraîner des blessures ou la mort par asphyxie ou intoxication au monoxyde de carbone.**

Ouvrez le levier d'accélération du moteur jusqu'à la position entièrement ouverte pour obtenir le régime maximal du moteur en tirant sur le bouton d'accélération (Q) à la poignée. Abaissez le pointeur avant à la position la plus basse en poussant le levier de guidage (N) de droite vers l'avant.

Alignez la scie sur la ligne de coupe à l'aide de la roue de guidage avant et du pointeur triangulaire (R) à l'arrière du bloc de lame. Tirez le levier de commande (L) de gauche vers l'arrière pour le ramener vers vous jusqu'à la position d'arrêt total.

Poussez la poignée de la scie vers le bas et tirez sur le levier de déverrouillage de lame (O) pour descendre doucement la lame dans le béton. Déplacez la scie vers l'avant en poussant lentement le levier de commande (L) de gauche vers l'avant jusqu'à ce que la vitesse de coupe souhaitée soit atteinte.

En ramenant la poignée vers l'arrière, vous diminuez la vitesse d'avance. En ramenant la poignée complètement vers l'arrière, vous arrêtez la scie. Maintenez la roue de guidage avant sur la ligne de coupe pour vous assurer de faire des coupes droites. Effectuez de petits réglages en exerçant une pression latérale sur la poignée pour maintenir la scie bien droite.

Déplacez la scie à environ mi-vitesse sur les 100 premiers pieds, pour permettre à la lame de donner une bonne exposition du diamant ou de s'ouvrir et de favoriser une bonne durée de vie. Augmentez la vitesse d'avance de la scie jusqu'à ce que la lame et le moteur fonctionnent à leur rendement maximal.

Augmentez la vitesse d'avance si la scie tire vers la gauche. Diminuez la vitesse d'avance si la scie tire vers la droite. **Ne forcez pas la scie.** Lorsque vous vous approchez d'un mur, levez le pointeur avant et utilisez le guide triangulaire à l'arrière du bloc de lame pour couper les derniers pieds.

**Veillez à ne pas heurter le bloc de lame contre un quelconque objet.** Vous pourriez l'endommager. Diminuez la vitesse d'avance en tirant le levier de guidage vers l'arrière jusqu'à ce que la scie s'arrête. Poussez la poignée vers le bas pour soulever la scie hors du sillon de coupe et la mettre en position verrouillée.

La fonction automotrice ne fonctionnera pas lorsque la scie est relevée. Déplacez le levier d'accélération du moteur à la position complètement fermée. Tournez le coupe-circuit moteur à la position « OFF » ou « 0 ».



## AVERTISSEMENT

**Ne laissez pas la scie sans surveillance lorsque le moteur tourne! Immobilisez toujours bien la scie pour l'empêcher de bouger lorsqu'elle est sans surveillance.**

Nettoyez toujours soigneusement le bloc de lame avant de ranger la scie. Fermez toujours le robinet de carburant avant le transport.



## AVERTISSEMENT

**Avant chaque utilisation, inspectez soigneusement la scie 2000 pour vérifier que ses pièces et composants ne sont pas endommagés. Faites particulièrement attention à toute fuite d'essence ou d'huile. En aucun cas, vous ne devez faire fonctionner la scie 2000 ou l'un de ses accessoires si vous constatez des dommages ou si vous soupçonnez qu'il peut y avoir des dommages.**

## MANIPULATION DU CARBURANT



### AVERTISSEMENT

Les précautions ci-dessous permettent de réduire le risque de blessures et de dommages matériels :

- Faites extrêmement attention lors de la manipulation de l'essence. L'essence est extrêmement inflammable et ses vapeurs sont explosives.
- Éteignez les cigarettes, cigares, pipes et autres sources d'allumage.
- Utilisez uniquement des bidons d'essence homologués.
- Ne retirez jamais le bouchon et n'ajoutez jamais de carburant lorsque le moteur est en marche. Laissez le moteur refroidir pendant au moins 3 minutes avant de faire le ravitaillement.
- N'ajoutez jamais de carburant lorsque la machine se trouve à l'intérieur.
- Ne rangez jamais la machine ou un bidon d'essence dans un endroit où l'on retrouve une flamme nue, des étincelles, ou un brûleur de veilleuse comme celui d'un chauffe-eau ou d'autres appareils.
- Ne remplissez jamais des bidons de carburant à l'intérieur d'un véhicule ou sur la plateforme d'un camion ou d'une remorque à revêtement en plastique. Toujours placer les bacs sur le sol loin d'un véhicule lors du remplissage.
- Retirez la scie 2000 du camion ou de la remorque, puis faites le remplissage sur le sol. Si cela n'est pas possible, faites le remplissage de l'équipement avec un bidon portable plutôt qu'avec un pistolet distributeur d'essence.
- Maintenez le pistolet en contact avec le bord du réservoir de carburant ou de l'ouverture du bidon en tout temps jusqu'à ce que le ravitaillement soit terminé. Ne pas utiliser de dispositif à ouverture bloquée du pistolet distributeur.
- En cas de déversement de carburant sur les vêtements, changez immédiatement de vêtements.
- Ne remplissez jamais trop le réservoir de carburant. Essayez toujours l'huile ou le carburant déversé. Remettez en place le bouchon de carburant et serrez-le.

## CARBURANT APPROPRIÉ

Le moteur Robin est certifié pour le fonctionnement avec de l'essence automobile sans plomb à indice d'octane à la pompe (M+R) de **87** ou plus.

Faites le ravitaillement en carburant dans un endroit bien ventilé pendant que le moteur est **arrêté**.

Vous pouvez utiliser de l'essence sans plomb ordinaire ne contenant pas plus de 10 % d'éthanol (E10). N'utilisez pas d'essence contenant du méthanol.

L'utilisation de carburants contenant plus de 10 % d'éthanol (E10) peut causer des problèmes de démarrage ou de performance. Cela peut aussi endommager les pièces du système de carburant qui sont en métal, en caoutchouc et en plastique, ainsi que présenter un risque d'incendie.

N'utilisez pas de carburant âgé de plus de 30 jours. Le vieux carburant peut causer des problèmes de fonctionnement et endommager le système de carburant.

**Le moteur ne fonctionnera pas avec l'essence mise en marché sous l'appellation E-85 (teneur en éthanol de 85 %).**

## MANIPULATION DE L'HUILE

### AVIS

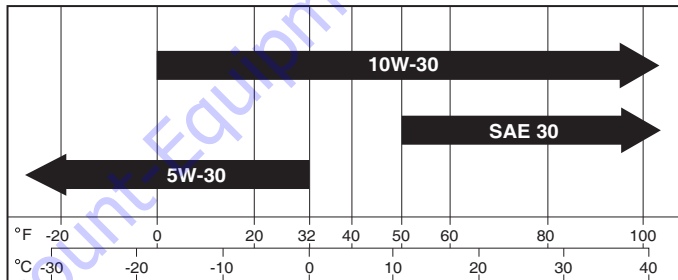
L'huile usagée est un déchet dangereux. Éliminez correctement l'huile usagée. Ne la jetez pas avec les ordures ménagères. Consultez les autorités locales, un centre de service ou un concessionnaire pour trouver des installations d'élimination ou de recyclage en toute sécurité.

## HUILE MOTEUR

### Recommandations relatives à l'huile

Le moteur contient environ 1,4 pinte (1,3 litre) lors de la vidange d'huile.

Nous recommandons l'utilisation des huiles Kohler pour une performance optimale. D'autres huiles détergentes de grande qualité (y compris les huiles synthétiques) de classe de service SJ ou supérieure de l'API (American Petroleum Institute) sont acceptables. Sélectionnez la viscosité en fonction de la température de l'air au moment de l'utilisation, conformément au tableau ci-dessous.



## HUILE DE TRANSMISSION HYDROSTATIQUE

Huile hydraulique Mobil DTE 26 ou l'équivalent (20W avec viscosité de 68)

## GESTION DE LA POUSSIÈRE

Pour permettre la gestion de la poussière, cette machine est équipée d'un orifice d'aspiration qui dispose de raccords pour un extracteur de poussière externe. Consultez les recommandations de Husqvarna pour connaître les spécifications d'un extracteur de poussière externe adéquat.

# MAINTENANCE DU MOTEUR ET DE LA TRANSMISSION

## Huile de moteur

### Vérification, ajout et vidange de l'huile moteur

Vérifiez le niveau d'huile du moteur (B) chaque jour pendant que la scie est complètement abaissée et que le moteur est de niveau. Consultez le manuel de Kohler fourni pour obtenir plus de renseignements.

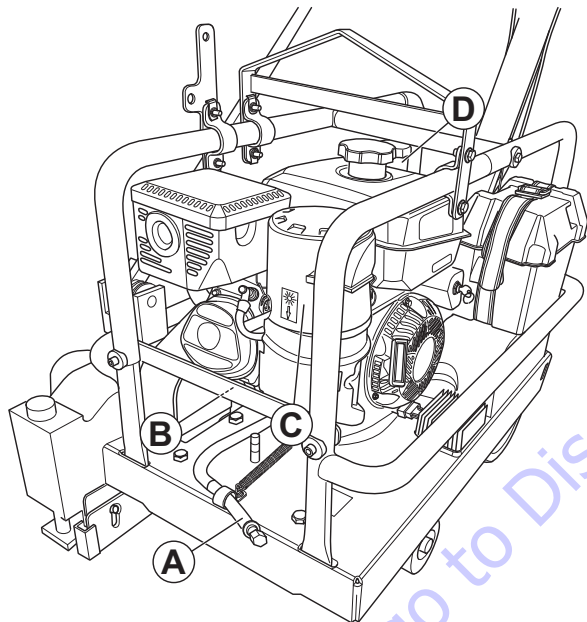
Utilisez une huile détergente de type automobile de viscosité SAE 10W-30 de classe de service SE ou supérieure de l'API.

**Remarque :** Le moteur contient environ 1,4 pinte (1,3 litre) lors de la vidange d'huile.

### Vidange de l'huile

Vidangez l'huile après les 5 à 8 premières heures d'utilisation.

Par la suite, faites-le toutes les 50 heures.



Le boyau de vidange d'huile (A) est situé à l'avant de la scie.

1. Pendant que le moteur est arrêté, mais encore chaud, retirez le bouchon en laiton et vidangez l'huile dans un récipient.

2. Remettez le bouchon en laiton sur le boyau de vidange d'huile.

3. Remplissez le moteur au niveau du bouchon de remplissage d'huile (B) avec 1,4 pinte (1,3 litre) d'huile. Lorsque le réservoir est plein, le niveau d'huile doit se situer au repère de niveau haut sur la jauge ou au haut des filets sur l'orifice de remplissage du moteur. Le moteur est équipé d'un système d'alerte de niveau d'huile qui arrête le moteur si le niveau d'huile est trop bas.

## AVIS

**L'huile usagée est un déchet dangereux. Éliminez correctement l'huile usagée. Ne la jetez pas avec les ordures ménagères. Consultez les autorités locales, un centre de service ou un concessionnaire pour trouver des installations d'élimination ou de recyclage en toute sécurité.**

### Filtre à air

Le filtre à air (C) est de type cyclone et situé sur le moteur à l'avant de la scie. L'élément du filtre à air doit être remplacé toutes les 50 heures. Pour obtenir plus de renseignements, consultez le manuel d'utilisation du moteur fourni et l'information sur le filtre à deux éléments de type cyclone.

## AUTRES RENSEIGNEMENTS SUR LE MOTEUR

Consultez le manuel d'utilisation de Kohler pour obtenir plus de renseignements sur l'entretien du moteur.

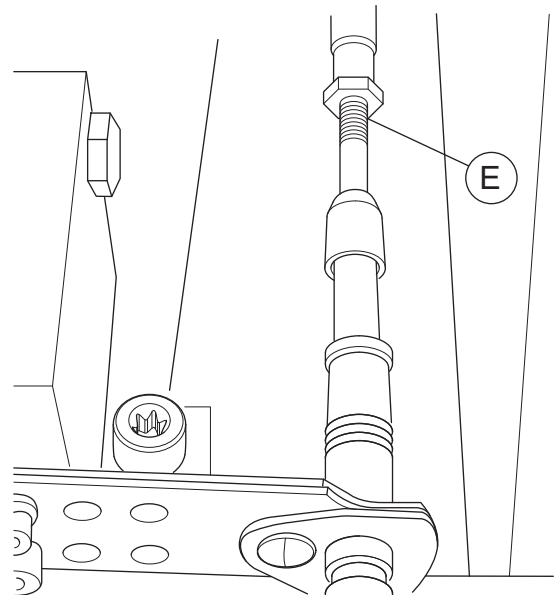
Le manuel fournit également des données précises sur les spécifications, la mise au point des pièces, la garantie moteur, le respect des normes en matière d'émissions, etc.

## Huile de transmission

Vérifiez le niveau de l'huile de transmission chaque jour. La transmission est accessible à partir de l'arrière de la scie. Le réservoir d'huile (D) situé sur le dessus de la transmission comporte une ligne repère de niveau d'huile à 1/8 po (3 mm) du bas du réservoir, qui indique le bon niveau d'huile à froid. Utilisez une huile hydraulique 20W de viscosité 68 Mobil DTE 26 ou l'équivalent.

## Position neutre de la transmission

Lorsque le levier de commande de la scie est ramené à l'arrière vers l'opérateur, la scie doit s'arrêter complètement et ne pas avancer ni se déplacer aucunement. Pour régler la position neutre de la transmission, desserrez le contre-écrou sur l'extrémité du câble (E) à la transmission. Tirez le manchon à ressort vers l'arrière et réglez le pivot jusqu'à ce que la scie arrête complètement de bouger. Serrez le contre-écrou.



# AUTRES OPÉRATIONS DE MAINTENANCE

## Batterie

La batterie ne nécessite aucun entretien. Si jamais il faut recharger la batterie, utilisez uniquement un chargeur à courant diminuant et à tension régulée, conçu spécialement pour la batterie.



## AVERTISSEMENT

- Le fait de brancher et de débrancher une batterie peut provoquer des étincelles et des courts-circuits. Ne court-circuitez pas les bornes de la batterie en laissant une clé ou un autre objet entrer en contact avec les deux bornes en même temps.
- Une étincelle ou une flamme peut provoquer l'explosion d'une batterie au plomb.
- Avant de brancher une batterie, retirez vos bracelets, montres, bagues et autres objets en métal. Portez des gants et des lunettes de protection ou un masque facial lorsque vous travaillez avec une batterie.



Lunettes de protection



Gants de protection



Risque d'explosion

## Dispositifs de protection

Vérifiez tous les dispositifs de protection, surtout le bloc de lame, chaque jour, pour vous assurer qu'ils ne sont pas endommagés et qu'ils fonctionnent correctement. Le bloc de lame et son couvercle doivent être fixés à la scie et ne pas être endommagés. Les couvercles latéraux en Lexan sur le bloc de lame doivent se déplacer librement vers le haut et vers le bas.

## Lame de diamant

Inspectez les lames de diamant chaque jour pour vérifier qu'elles ne présentent pas de dommages, de fissures, de déformation ou de surchauffe, qu'elles sont bien ajustées sur l'arbre et qu'elles n'ont pas perdu de segments. **Si une lame présente l'un de ces problèmes, ne l'utilisez jamais et mettez-la au rebut.**

## Plaque de protection

Inspectez la plaque de protection chaque jour pour vérifier qu'elle ne présente pas de dommages, pas d'usure excessive dans la rainure de lame, pas de bavures sur la surface du côté béton, qu'elle n'est pas tordue et qu'elle se déplace librement vers le haut et vers le bas quand elle est montée sur le bloc de lame. Remplacez la plaque de protection avec chaque lame de diamant neuve. Ne réutilisez jamais les plaques de protection, car il pourrait se produire un éclatement ou un effilochage.

## Commandes de la scie

Inspectez toutes les commandes chaque jour pour en vérifier le bon fonctionnement. **Vérifiez que tous les dispositifs de verrouillage fonctionnent, en s'assurant tout particulièrement de la bonne marche de l'interrupteur marche/arrêt du moteur.**

## Courroies

Inspectez la courroie d'entraînement de la lame et la courroie de transmission pour vérifier qu'elles ne présentent pas de fissures ni de signes d'usure. La tension de la courroie est contrôlée par le tendeur de courroie et ne nécessite aucun réglage. Inspectez le tendeur de courroie pour vérifier qu'il se déplace librement vers le haut et vers le bas. Assurez-vous que les paliers du tendeur de courroie tournent librement.

## Paliers d'axe de lame

Lubrifiez les paliers d'axe de lame avec trois doses de pompe de graisse à base de lithium 12 toutes les 50 heures.

## Nettoyage

Nettoyez le bloc de lame pour enlever toute accumulation de béton après chaque utilisation. Gardez les barres de la poignée et les commandes propres et sèches. Nettoyez immédiatement tout carburant déversé sur la scie. Maintenez toutes les ouvertures et la fente de carénage du moteur sur la scie propres et ouvertes de façon à ce que l'air circule librement dans le moteur pour assurer un bon refroidissement.

## CALENDRIER D'ENTRETIEN

Vérifiez les protecteurs, la lame de diamant, la plaque de protection, les couvercles en Lexan, les commandes et les niveaux d'huile.	Quotidien
Nettoyez le bloc de lame et la scie.	Quotidien
Remplacez le filtre à air.	Toutes les 50 heures
Vidangez l'huile moteur.	Toutes les 50 heures
Graissez les paliers d'axe de lame.	Toutes les 50 heures
Vérifiez la courroie d'entraînement de la lame, la courroie de transmission et le tendeur de courroie.	Toutes les 50 heures



## AVERTISSEMENT

**Ne modifiez pas la scie! Utilisez uniquement les pièces de rechange de Husqvarna Construction Products. L'utilisation de pièces non autorisées peut créer une situation dangereuse ou endommager le moteur.**

# SCIAGE DES JOINTS DE RETRAIT

Lorsque le béton s'hydrate ou durcit et commence à prendre, il se produit à l'intérieur de celui-ci des contraintes qui peuvent causer des fissures aléatoires. Ces fissures aléatoires créent un doute quant à la qualité du béton et de l'exécution du travail. La coupe de joints de retrait dans le béton a pour but de soulager ces contraintes avant qu'elles ne forment des fissures. Le système Soff-Cut Ultra Early Entry permet de contrôler la fissuration aléatoire en effectuant des coupes précoces à des endroits prédéterminés dans le béton pour créer des plans de moindre résistance, qui se fissurent ensuite au bas du sillon de coupe pour libérer les contraintes. Les joints de retrait effectués avec la scie Husqvarna doivent être d'au moins un huitième de la profondeur du béton et d'au moins 1 po (25 mm) de profondeur. Les joints de retrait doivent être sciés dès que le béton peut supporter le poids de la scie et de l'opérateur sans que l'activité marque ou endommage le béton. Il existe de nombreuses possibilités de disposition des joints. La disposition des joints doit être fournie. L'opérateur de la scie doit soumettre un plan détaillé de la disposition des joints avant le début de la coupe. Plusieurs facteurs influencent l'espacement des joints, notamment :

- l'épaisseur du béton
- le type, la quantité et l'emplacement des armatures
- la capacité de retrait du ciment-béton (type, quantité), l'agrégat (taille, quantité, qualité), le rapport eau/ciment, les adjuvants, la température du béton
- la friction à la base
- la retenue de la dalle
- l'aménagement des fondations, crémaillères, fosses, blocs d'équipement, tranchées, etc.
- les facteurs environnementaux : température, vent, humidité
- les méthodes et la qualité du durcissement du béton.

Généralement, les modèles de joints de retrait doivent diviser les dalles en panneaux de forme plus ou moins carrée, conformément à l'espacement recommandé indiqué.

## ESPACEMENT RECOMMANDÉ DES JOINTS DE RETRAIT

<u>Épaisseur du béton, po (mm)</u>	<u>Espacement maximal, pi (m)</u>
3,5 (90)	8 (2,4)
4, 4,5 (100, 114)	10 (3,0)
5, 5,5 (125, 140)	12 (3,6)
6 (150) ou plus	15 (4,5)

À toutes les intersections de coupe, installez des protecteurs de joints Husqvarna sur chaque joint pour prévenir les dommages. Installez un protecteur de joint supplémentaire à l'endroit où la roue droite croise le joint, pour ne pas endommager le béton.

# OPTIMISATION DU SYSTÈME SOFF-CUT

« **Quand il est question de béton, la planification des opérations est cruciale, particulièrement la finition et le jointage** », selon l'avant-propos de la spécification 302.1R-96 de l'American Concrete Institute (ACI). La spécification indique ensuite que « le non-respect de cette question peut contribuer à la production de caractéristiques indésirables de la couche de surface, notamment des fissures... » (on mentionne aussi d'autres problèmes).

Le système breveté Soff-Cut Ultra Early Entry a révolutionné le contrôle de la fissuration aléatoire. Bien que la technologie Soff-Cut soit spécifiée plus que jamais auparavant, on constate que la méthode de coupe très précoce du béton n'est pas toujours suivie sur le chantier. Pour que la combinaison du système Soff-Cut et d'un entrepreneur Husqvarna expérimenté mène à un travail satisfaisant qui respecte la « spécification », quatre éléments doivent être réunis :

1. Une scie à coupe vers le haut à sec Soff-Cut Ultra Early Entry
2. Une lame de diamant pour coupe à sec Husqvarna de série Excel
3. Une plaque de protection anti-effilochage Husqvarna installée avec chaque lame de diamant neuve
4. Un opérateur qualifié pour l'utilisation du système de coupe Soff-Cut Ultra Early Entry.

Sans ces éléments, il n'est pas possible de couper les joints de façon assez précise pour contrôler les fissures aléatoires avant leur apparition, et donc de fournir au propriétaire du bâtiment ce pour quoi il paie.

La spécification 302.1R-96 de l'ACI l'explique bien :

« Les scies de coupe à sec de béton frais utilisent des lames imprégnées de diamant et une plaque de protection qui aide à prévenir les éclatements. Il est nécessaire de remplacer à temps les plaques de protection pour contrôler efficacement les éclatements. Il est préférable de remplacer les plaques de protection conformément aux recommandations du fabricant... L'objectif de la coupe à la scie est de créer un plan de moindre résistance dès que le joint peut être coupé... La planification du processus de coupe précoce du béton permet de mettre des joints en place avant le développement de contraintes de traction importantes dans le béton... »

Le bulletin technique de la Portland Cement Association (PCA), Concrete Floors on the ground, indique également :

« Un jointage effectué correctement permet d'éliminer les fissures disgracieuses. Pour réaliser un bon jointage, il faut choisir le type de joint adéquat pour chaque endroit, déterminer le bon modèle et la bonne disposition des joints, puis faire le joint au bon moment... **La planification du sciage des joints est cruciale...** Les scies pour béton frais légères et rapides ont été mises au point pour permettre le sciage des joints très vite après la finition du sol, parfois en moins de deux heures... si le sillon de coupe a été fait dans les heures qui suivent la finition, il est possible de contrôler la fissuration aléatoire... »

Husqvarna propose le seul système de coupe à sec Ultra Early Entry (Soff-Cut) qui permet de contrôler la fissuration aléatoire grâce à une coupe précoce. Avec la méthode brevetée Soff-Cut, les joints de contrôle sont généralement coupés dans les deux heures qui suivent le processus de finition. La coupe des joints doit commencer dès que le béton peut supporter le poids de la scie et de l'opérateur à chaque emplacement de joint et avant sa prise finale. Si la coupe des joints ne se fait pas dans ce laps de temps, la méthode Soff-Cut Ultra Early Entry n'est pas respectée et les propriétaires de bâtiments n'obtiennent pas ce pour quoi ils paient ou le produit fini auquel ils s'attendent.

Nous espérons que ces renseignements seront utiles aux propriétaires de bâtiments, aux entrepreneurs généraux, aux finisseurs de béton, aux opérateurs de scie et à l'ensemble de l'industrie. Pour de plus amples renseignements, consultez notre site Web [www.husqvarnacp.com](http://www.husqvarnacp.com).

# DÉPANNAGE

## LA SCIE PRODUIT UNE COUPE ÉCLATÉE ET EFFILOCHÉE

- Vérifiez que la lame de diamant n'est pas usée, glacée, déformée ou endommagée.
- Assurez-vous que la plaque de protection se déplace librement vers le haut et vers le bas, tout le long de l'axe, sans toucher la lame de diamant.
- Vérifiez qu'il n'y a pas d'usure excessive de la plaque de protection ou un écartement autour de la lame de diamant.
- Vérifiez la tension de la plaque de protection et assurez-vous qu'il n'y a pas de fixations manquantes. Les plaques de protection sont préréglées en usine.
- Vérifiez que le dessous de la plaque de protection ne présente pas de bavures métalliques ni d'irrégularités.
- Assurez-vous que la plaque de protection n'est ni tordue ni courbée.
- Vérifiez que les couvercles en Lexan se déplacent librement vers le haut et vers le bas.
- Vérifiez la pression de ressort vers le bas à chaque extrémité de la plaque de protection.
- Ne faites pas de torsion ni de mouvement latéral de la scie pendant la coupe.
- Vérifiez que le moteur tourne correctement et à plein régime.
- Contrôlez la tension du tendeur de courroie et de la courroie.
- Assurez-vous que la lame de diamant est montée correctement et bien fixée avec des brides propres.
- Assurez-vous que la lame de diamant est de la bonne spécification pour votre secteur.
- Assurez-vous que la dalle est propre et exempte de débris qui pourraient soulever la plaque de protection ou la scie pendant la coupe.
- Utilisez des protecteurs de joints Husqvarna à toutes les intersections de coupe.
- Nettoyez le bloc de lame pour enlever les débris de béton.
- Vérifiez que les grattoirs dans le bloc de lame ne sont pas tordus ou coincés.
- Assurez-vous que les axes de bloc de lame ne sont pas tordus ou endommagés.
- Vérifiez que le déflecteur avant dans le bloc de lame n'est pas tordu et que les pattes du déflecteur ne touchent pas le béton.

## LE MOTEUR TOURNE DIFFICILEMENT, PRODUIT UN RETOUR DE FLAMME OU N'ATTEINT PAS LE PLEIN RÉGIME

- Vérifiez qu'il y a du carburant dans le réservoir et qu'il s'agit du bon type de carburant. Assurez-vous qu'il n'y a pas d'eau dans le carburant.
- Vérifiez que les bougies d'allumage sont propres et que leur écartement est correct.
- Vérifiez que le volet de départ est en position fermée une fois que le moteur est chaud.
- Vérifiez que le filtre à air n'est pas sale ou colmaté.
- Vérifiez que le levier d'accélération est réglé correctement.
- Vérifiez que le niveau d'huile est correct. Le système d'alerte de niveau d'huile moteur peut fonctionner par intermittence si le niveau d'huile n'est pas dans la plage correcte.

## LE MOTEUR NE DÉMARRE PAS

- Vérifiez que le robinet de carburant est tourné à la position de marche.
- Vérifiez qu'il y a du carburant dans le réservoir et qu'il s'agit du bon type de carburant. Assurez-vous qu'il n'y a pas d'eau dans le carburant.
- Vérifiez que les câbles des bougies d'allumage sont raccordés aux bougies.
- Le moteur est noyé. Réglez le volet de départ conformément au manuel d'utilisation du moteur.
- Vérifiez que le filtre à air n'est pas sale ou colmaté.
- Vérifiez que le volet de départ est en position ouverte lors des démarrages à froid. Réglez le volet de départ conformément au manuel d'utilisation du moteur.
- Vérifiez que l'axe de lame tourne librement et que du béton ne s'est pas accumulé dans le bloc de lame.
- Vérifiez que le coupe-circuit est à la position « ON ».
- Le niveau d'huile est trop bas. Le moteur est équipé d'un système d'alerte de niveau d'huile qui l'empêche de démarrer si le niveau d'huile moteur n'est pas dans la plage correcte.

## LA SCIE TIRE D'UN CÔTÉ PENDANT LA COUPE

- Vérifiez que le pointeur avant et le guide arrière sont correctement alignés sur le centre de la lame de diamant.
- Vérifiez que la lame de diamant n'est pas usée, glacée, déformée ou endommagée.
- Ne faites pas de torsion ni de mouvement latéral de la scie pendant la coupe. Changez progressivement la pression sur la poignée pour contrôler la scie dans l'entaille.
- Assurez-vous que toutes les roues tournent librement et sans à-coups.
- Ne forcez pas la scie. Laissez la lame de diamant couper à sa propre vitesse.
- Vérifiez que la plaque de protection ne présente ni dommages ni bavures.
- Assurez-vous que les deux tubes d'entraînement sont en contact avec les roues arrière, que les tubes d'entraînement sont propres et que les roues arrière ne sont pas endommagées. Vérifiez que le tube d'entraînement de plus petit diamètre se trouve à gauche (côté batterie) et que le tube d'entraînement de plus grand diamètre se trouve à droite (côté lame).

# SPÉCIFICATIONS TECHNIQUES

Moteur	
Modèle	Kohler
Puissance max. du moteur, hp/kW (voir remarque 1)	9,1/6,8
Volume d'huile moteur, pintes/litres	1,4/1,3
Volume du réservoir d'essence, gal/litres	1,8/7,0
Type	Moteur à essence, cylindre incliné unique, quatre temps, refroidi à l'air
Filtre à air	Type cyclone
Circuit d'huile	Alerte de niveau d'huile avec détecteur automatique commandant l'arrêt

Poids et dimensions du moteur	
Poids à sec, lb/kg	260/118
Poids après plein d'essence et d'huile, lb/kg	272/124
Longueur, po/mm	57/1440
Largeur, po/mm	25/630
Hauteur, po/mm	37/940

Lame	
Matériau coupé	Béton frais seulement
Type de lame	10,0 po (254 mm) ou 9,0 po (229 mm) pour coupe à sec avec axe triangulaire
Rotation de la lame	Dans le sens des aiguilles d'une montre, coupe vers le haut
Vitesse de l'axe de lame, tr/min	3 300
Profondeur de coupe	De 1 à 1 1/2 po (25 à 38 mm) selon l'usure de la lame
Distance de coupe à partir du mur, po/mm	3 1/2 / 89

Taux de coupe moyen – Estimation seulement. La vitesse varie selon les conditions de travail et les mélanges de béton.	
Agrégats meubles, pi/min / m/min	18/5,5
Agrégats moyens, pi/min / m/min	13/4,0
Agrégats durs, pi/min / m/min	7/2,1

Les lames sont offertes en diamètres de 10,0 po (254 mm) et de 9,0 po (229 mm) et en largeurs de 0,100 po (2,5 mm), de 0,250 po (6,4 mm), de 0,380 po (9,7 mm) et de 0,500 po (12,7 mm).

Niveaux de vibrations, a <sub>hv</sub> (voir remarque 2)	
Poignée droite, m/s <sup>2</sup>	3,1
Poignée gauche, m/s <sup>2</sup>	3,1

**Remarque 1 :** Tel que spécifié par le fabricant du moteur. La puissance des moteurs indiquée est la puissance de sortie moyenne nette (au régime spécifié en tr/min) d'un moteur de production type pour le modèle, mesurée selon la norme ISO3046. Les moteurs de production en série peuvent varier de cette valeur. La puissance de sortie réelle du moteur installé dans la machine finale dépend de la vitesse de fonctionnement, des conditions environnementales et d'autres variables.

**Remarque 2 :** Niveau de vibration selon la directive EN 13862. Les données signalées pour le niveau de vibration présentent une distribution statistique type (écart type) de 1 m/s<sup>2</sup>.

## DONNÉES TECHNIQUES

CALIFORNIA AIR RESOURCES BOARD (CARB) : Cette machine est considérée comme une application hors route exemptée des normes CARB. Parce que cette machine est considérée comme de l'équipement de construction, en particulier comme une scie pour béton, maçonnerie et découpe d'une puissance moteur inférieure à 19 kW (25 hp), les normes CARB ne s'appliquent pas à cette machine.



---

# GARANTIE

---

## GARANTIE SUR L'ÉQUIPEMENT HUSQVARNA

Les produits 2000 neufs vendus par Husqvarna Construction Products sont garantis exempts de tout défaut de fabrication en fonctionnement normal pendant une période de six (6) mois pour la main-d'œuvre et jusqu'à un (1) an pour les pièces à compter de la date d'achat par le consommateur acheteur original ou de la date d'introduction dans le parc de l'entreprise de location.

En vertu de cette garantie, notre obligation est expressément limitée au remplacement ou à la réparation chez Husqvarna Construction Products, ou à un atelier d'entretien désigné par nos soins, des pièces jugées défectueuses lors de l'inspection.

Cette garantie ne s'applique pas aux défauts occasionnés par des dommages, une utilisation abusive, des réparations inadéquates effectuées ailleurs (ou aux défauts causés par l'absence d'un entretien raisonnable, pendant que le consommateur est en possession du produit). Par ailleurs, la garantie est nulle si le produit, ou l'un de ses composants, est modifié par le consommateur acheteur ou si le produit est utilisé d'une façon inappropriée non recommandée par le fabricant.

L'utilisation de toute autre lame à l'exception des lames et plaques de protection de Husqvarna Construction Products annulera la garantie et pourrait causer des dommages internes au moteur.

Husqvarna Construction Products ne saurait en aucun cas être tenue pour responsable des dommages directs, indirects ou consécutifs résultant de la vente ou de l'utilisation du produit. Cet avertissement s'applique pendant et après la durée de la présente garantie.

Cette garantie vous donne des droits précis en vertu de la loi et d'autres droits éventuels, qui peuvent varier d'un état à l'autre. Comme certains états ne permettent pas les exclusions ou limitations relatives aux dommages indirects ou consécutifs, les limitations ou exclusions ci-dessus peuvent ne pas s'appliquer à vous. Comme certains états ne permettent pas les limitations de la durée d'une garantie implicite, les limitations ci-dessus peuvent ne pas s'appliquer à vous.

## GARANTIE SUR LE MOTEUR

Husqvarna Construction Products ne fait pas de réparations sous garantie ni de remboursement de réparations au titre de la garantie sur les moteurs.

Les garanties sur les moteurs sont fournies par le fabricant du moteur.

Pour faire effectuer une réparation au titre de la garantie, apportez votre moteur ainsi que votre preuve d'achat au concessionnaire général ou au distributeur le plus proche.

Si vous n'arrivez pas à obtenir le service au titre de la garantie ou si vous n'êtes pas satisfait du service que vous avez reçu au titre de la garantie, communiquez avec le propriétaire de la concession visée. Normalement, cela devrait suffire pour régler votre problème. Pour obtenir une aide supplémentaire, communiquez avec votre concessionnaire local.

## GARANTIE SUR LES PIÈCES DE RECHANGE

Toutes les pièces de rechange sont couvertes par une garantie de trois (3) mois à compter de la date d'achat.

## COPYRIGHT 2009 HUSQVARNA CONSTRUCTION PRODUCTS

En vertu d'un ou de plusieurs des brevets suivants aux États-Unis :

4769201, 4889675, 4928662, 4938201, 5056499, 5086750, 5184597, 5303688, 5305729, 5373834, 5441033, 5505189, 5507273, 5570677, 5575271, 5579754, 5582899, 5603310, 5660161, 5664553, 5666939, 5689072, 58030371, 6892719, 6990972, 7073495, 7163010, 7258115.

Autres brevets en instance aux États-Unis et à l'étranger.

**TO PURCHASE THIS PRODUCT PLEASE CONTACT US**



**Equipment Financing and  
Extended Warranties Available**



**Discount-Equipment.com is your online resource for  
commercial and industrial quality parts and equipment sales.**

**561-964-4949**

**visit us on line @ [www.discount-equipment.com](http://www.discount-equipment.com)**

Select an option below to find your Equipment

**Search by Manufacturer**

**Search by Product Type**

**Request a Quote**

We sell worldwide for the brands: Genie, Terex, JLG, MultiQuip, Mikasa, Essick, Whiteman, Mayco, Toro Stone, Diamond Products, Generac Magnum, Airman, Haulotte, Barreto, Power Blanket, Nifty Lift, Atlas Copco, Chicago Pneumatic, Allmand, Miller Curber, Skyjack, Lull, Skytrak, Tsurumi, Husquvarna Target, Stow, Wacker, Sakai, Mi-T-M, Sullair, Basic, Dynapac, MBW, Weber, Bartell, Bennar Newman, Haulotte, Ditch Runner, Menegotti, Morrison, Contec, Buddy, Crown, Edco, Wyco, Bomag, Laymor, EZ Trench, Bil-Jax, F.S. Curtis, Gehl Pavers, Heli, Honda, ICS/PowerGrit, IHI, Partner, Imer, Clipper, MMD, Koshin, Rice, CH&E, General Equipment, Amida, Coleman, NAC, Gradall, Square Shooter, Kent, Stanley, Tamco, Toku, Hatz, Kohler, Robin, Wisconsin, Northrock, Oztec, Toker TK, Rol-Air, APT, Wylie, Ingersoll Rand / Doosan, Innovatech, Con X, Ammann, Mecalac, Makinex, Smith Surface Prep, Small Line, Wanco, Yanmar

## CONTENIDO

Contenido	Página
Contenido .....	32
Desembalaje .....	32
Transporte .....	32
Introducción, seguridad personal .....	33
Instrucciones generales de seguridad .....	34
Advertencias de seguridad .....	35
Cuchillas serie Excel .....	36
Instalación de la cuchilla y de la plancha protectora .....	36
¿Qué es qué? .....	37
Instrucciones de funcionamiento .....	38
Combustible y advertencias de seguridad del combustible .....	39
Combustibles recomendados .....	39
Aceites recomendados .....	39
Mantenimiento del motor y de la transmisión .....	40
Otras tareas de mantenimiento .....	41
Serrado de las juntas de contracción .....	42
Cómo aprovechar al máximo el sistema Soff-Cut .....	43
Resolución de problemas .....	44
Especificaciones técnicas .....	45
Certificados de conformidad .....	45
Garantía .....	46

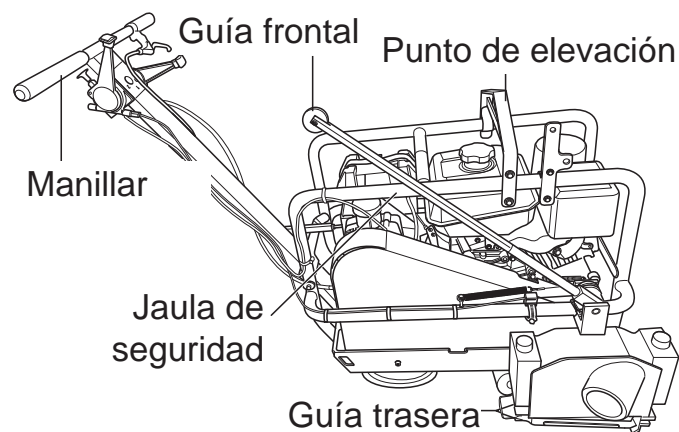
## DESEMBALAJE

Su sierra 2000 se ha enviado desde la fábrica y ha sido cuidadosamente inspeccionada. Se requiere solo un montaje básico para poder comenzar a utilizarla. Extraiga la sierra de la caja utilizando técnicas de elevación correctas. Deseche o recicle el material de embalaje según sus leyes regionales. La caja contiene la sierra 2000, la llave del eje de la hoja, la llave de la bujía, un manual del usuario, un manual instrucciones del motor, un listado de piezas, una tarjeta de garantía, un paquete de muestra de protectores de juntas y una rampa para descargar la sierra. Levante la sierra a su altura completa presionando el manillar. Coloque la rampa de descarga en el borde del contenedor y deslice la sierra fuera de este. Baje la sierra presionando el manillar y apretando la palanca de este.

**NOTA: Con la sierra no se incluye ningún disco de corte ni plancha protectora. Compre la cuchilla adecuada de 9 o 10 pulgadas de la serie Excel de Husqvarna en su distribuidor local Husqvarna Construction Products.**

## TRANSPORTE

La sierra 2000 pesa aproximadamente 155 kilogramos (342 libras) cuando está lista para su uso. Utilice técnicas de levantamiento seguras al manipular la sierra. Siempre quite la hoja de diamante al transportar la sierra. Siempre transporte la sierra con una plancha protectora instalada. Doble el brazo guía hacia atrás. Se debe levantar la sierra tomándola por el mango central de la jaula de seguridad. Siempre guarde y transporte la sierra en una posición totalmente descendida y que impida su movimiento.



### PRECAUCIÓN

Utilice únicamente el mango central de la jaula de seguridad al levantar la sierra 2000.

---

# INTRODUCCIÓN

---

La sierra 2000 está diseñada con el sistema Ultra Early Entry para el corte de intensidad media a alta de hormigón comercial, industrial y de pavimento. El sistema patentado de corte seco Soff-Cut Ultra Early Entry controla las grietas aleatorias del hormigón mediante la sincronización temprana del corte de la sierra, normalmente entre una y dos horas después de que el proceso de acabado esté terminado. La tecnología patentada silenciosa y antipolvo del bloque de la cuchilla y la plancha protectora permite realizar, junto con las cuchillas de Husqvarna, el serrado Ultra Early Entry el mismo día, reduciendo al mínimo el desgaste y el descascaramiento. La sierra es de autopropulsión y posee controles manuales para la mayoría de las funciones.

## Sentido común:

El enfoque de este manual es CÓMO hacer funcionar y mantener del equipo de forma segura.

No es posible abordar todas las situaciones posibles que puede afrontar cuando usa el equipo. Por lo tanto, use este producto solo en la forma descrita en este manual. Si el funcionamiento o la manipulación de la máquina se realizan de cualquier otra forma, pueden producirse daños graves o la muerte.

Cualquier situación no descrita en este manual debe considerarse peligrosa y, por lo tanto, no debe realizarse.

Si no está familiarizado con este producto, asegúrese de haber entendido completamente su funcionamiento y primero practique todas las operaciones y manipulaciones antes de hacer uso de esta máquina. Familiarícese en presencia de un usuario experimentado. Evite todas las situaciones que están más allá de sus capacidades.

Si todavía se siente inseguro acerca de los procedimientos operativos después de leer estas instrucciones, NO haga funcionar la máquina hasta haber consultado a un usuario experimentado.

Si tiene alguna duda, puede comunicarse con el distribuidor de Husqvarna Construction Products más cercano; para ello, vea la información de contacto más abajo. También puede encontrar la ubicación más cercana en internet, en [www.husqvarnacp.com](http://www.husqvarnacp.com). En Husqvarna Construction Products estaremos encantados de brindarle consejos y asesoría, además de prestarle ayuda con el uso de su producto de forma eficiente y segura.

Si necesita manuales adicionales, puede recibirlos SIN COSTO, y también obtenerlos de internet.

Husqvarna Construction  
Products North America Inc.  
17400 W 119th Street  
Olathe, Kansas 66061  
EE. UU.

Sitio web: [www.husqvarnacp.com](http://www.husqvarnacp.com)

---

## EQUIPO DE PROTECCIÓN PERSONAL

---

Cada vez que trabaje y haga funcionar la sierra, debe utilizar los siguientes elementos de protección personal certificados:



Protección para la cabeza



Protectores auriculares



Protección ocular




Calzado de seguridad





Guantes protectores

## DEFINICIONES DE SEGURIDAD

En este manual, se utiliza el símbolo de alerta de seguridad  seguido por las palabras clave ADVERTENCIA y PRECAUCIÓN para identificar la información relacionada con peligros que pueden causar la muerte, daños graves a la persona o a la propiedad.

Estas palabras clave significan:

 **ADVERTENCIA** significa que hay un peligro que, si no se evita, **puede causar la muerte o daños graves.**

 **PRECAUCIÓN** significa que hay un peligro que, si no se evita, **podría causar la muerte o daños graves.**




**AVISO** significa que hay un mensaje que no está relacionado con daños personales.

## PELIGROS DE SEGURIDAD

### ADVERTENCIA

#### NO MODIFIQUE EL PRODUCTO

Bajo ninguna circunstancia podrá modificar el diseño de la máquina sin el permiso del fabricante. Utilice siempre accesorios originales. Las modificaciones o accesorios no autorizados pueden provocar daños personales o la muerte del operador u otras personas. Es posible que su garantía no cubra daños o responsabilidades causadas por el uso de accesorios o piezas de repuesto no autorizados.

 ADVERTENCIA	 ADVERTENCIA	 PRECAUCIÓN
<b>PELIGRO DE ASFIXIA</b> Hacer funcionar un motor en un área confinada o mal ventilada puede producir daños o la muerte por asfixia o intoxicación por monóxido de carbono.	<b>PROPOSICIÓN 65 DE CALIFORNIA</b> El uso de este producto puede exponerlo a usted a materiales que, según el Estado de California, causan cáncer o defectos de nacimiento u otros daños reproductivos.	<b>PELIGROS PARA LA AUDICIÓN</b> Mientras esta máquina esté en normal funcionamiento, el operador puede estar expuesto a un nivel de ruido igual o superior a 85 dB(A). Use protectores auriculares.

## ADVERTENCIA DE SEGURIDAD

### AVISO

Lea el manual de instrucciones del fabricante.

# ADVERTENCIAS DE SEGURIDAD



## ADVERTENCIA

¡El incumplimiento de las siguientes advertencias podría causar daños corporales graves o la muerte!

### SEGURIDAD PERSONAL

- Lea y comprenda las instrucciones antes de utilizar la sierra.
- Utilice siempre protectores auriculares, oculares, respiratorios y de la cabeza certificados.
- Use botas con suela antideslizante para una posición correcta. Se recomiendan las botas con puntera de acero.
- Lleve guantes de goma para evitar el contacto con el hormigón húmedo, lo que puede causar graves irritaciones en la piel.
- Sepa cómo detener la sierra rápidamente en caso de emergencia.
- Mantenga siempre todas las partes del cuerpo alejadas de la cuchilla y de todas las demás partes móviles. No utilice ropa suelta o joyas que puedan quedar atrapadas en las piezas móviles. Use un gorro protector para contener el pelo largo.
- Tenga especial cuidado cuando cargue y descargue la sierra.
- Manténgase alerta. Sea consciente del funcionamiento de la sierra. Utilice el sentido común. No opere la sierra si está cansado o tras el consumo de alguna sustancia que pueda afectar la función física o el juicio racional.
- No se estire demasiado. Manténgase en una posición correcta y equilibrada.

### SEGURIDAD EN EL ÁREA DE TRABAJO

- Nunca utilice la sierra en ninguna aplicación o trabajo para el que no esté capacitado o en el que no esté bajo supervisión.
- Mantenga los visitantes, niños y animales fuera de la zona de trabajo.
- Respete todas las reglas de seguridad para el manejo seguro de combustible. La gasolina es extremadamente inflamable y sus vapores pueden explotar si se enciende. No cargue combustible en interiores o en áreas mal ventiladas. Manipule el combustible en recipientes de seguridad. Apague el motor y deje que se enfríe antes de cargar combustible. Seque la sierra si el combustible se derrama sobre esta. Siempre aléjese de la zona de carga de combustible antes de arrancar el motor. No fume mientras está cargando combustible.
- No haga funcionar la sierra mientras esté fumando o cerca de una llama abierta.
- No haga funcionar la sierra en áreas con materiales o vapores combustibles. La sierra puede producir chispas que pueden causar un incendio o una explosión.
- Opere la sierra solo en áreas bien ventiladas. Los gases de escape del motor contienen monóxido de carbono que puede causar pérdida de conocimiento e incluso la muerte.
- El silenciador y el motor alcanzan temperaturas muy elevadas durante el funcionamiento. Mantenga todas las partes del cuerpo y todo material extraño lejos del motor mientras está en funcionamiento.
- Evite entornos peligrosos. No exponga la sierra a la lluvia. Mantenga la zona de trabajo bien iluminada y limpia.

### SEGURIDAD DE LA SIERRA

- No deje la máquina sin supervisión mientras el motor esté funcionando.
- No altere la sierra. Cualquier alteración o modificación es uso indebido y podría convertirse en una situación peligrosa.
- Todas las protecciones deben estar en su lugar antes de arrancar el motor.
- Al utilizar la sierra, sitúese siempre detrás de la máquina con las dos manos en el mango.
- No utilice un equipo, cuchillas, protecciones ni equipos de protección personal que se encuentre defectuoso. No desactive el equipo de seguridad o los interruptores de corte.
- No haga funcionar la sierra si se produce una fuga de combustible.
- Extreme las precauciones al manipular la sierra en rampas o al cargarla o descargarla de camiones o remolques.
- Utilice únicamente piezas de repuesto de Husqvarna Construction Products. El uso de repuestos no autorizados puede crear un peligro.
- No utilice la sierra como vehículo de transporte de personal o equipos.
- Retire el cable de encendido de la bujía antes de realizar operaciones de mantenimiento de la sierra o cambiar las cuchillas para evitar el arranque accidental del motor.
- Retire todas las llaves de la sierra antes de comenzar.
- Nunca se suba encima de la sierra.
- Cuando la sierra no está en uso o siendo transportada, quite la cuchilla y baje la sierra por completo. Asegure correctamente la sierra para evitar movimientos accidentales.

### SEGURIDAD DEL DISCO

- Examine los discos de corte antes de cada uso. No utilice discos que tengan grietas, cortes o defectos. El orificio de triple mandril no debe presentar daños. Utilice solamente hojas de diamante de centro de acero y para corte seco, fabricadas para cortar hormigón fresco.
- Las hojas de diamante serie Excel de Husqvarna están diseñadas para cortar únicamente hormigón fresco. Si corta algún otro material, la hoja puede resultar dañada o pueden producirse situaciones de peligro.
- Revise si la hoja no presenta daños, suciedad ni desgaste excesivo antes de montarla. La hoja debería encajar fácilmente en un eje de triple mandril limpio y sin daños.
- Utilice únicamente hojas serie Excel de Husqvarna u hojas marcadas con un régimen de funcionamiento máximo superior a 3300 rpm.
- Nunca utilice la sierra sin el bloque de la hoja firmemente en su lugar, incluidas la cubierta de la hoja, las protecciones de lexan y la plancha protectora instaladas en el orden de trabajo. Si el bloque de la hoja resulta dañado, deberá reemplazarlo para proteger al operario.
- Asegúrese de que la hoja no entre en contacto con el suelo ni con ninguna otra superficie al manipular la sierra.
- Evite quedar en línea directa con la cuchilla o entrar en contacto con la cuchilla mientras gira.

# CUCHILLAS

Utilice siempre cuchillas Soff-Cut específicas de Husqvarna para obtener un mejor rendimiento.

## INSTALACIÓN DE LA CUCHILLA Y DE LA PLANCHA PROTECTORA

### Paso 1

Con la sierra apagada y con ambas manos, empuje hacia abajo el manillar y levante la sierra a su máxima altura y a la posición de bloqueo.

### Paso 2

Retire la cubierta del bloque de la cuchilla (A) girando las dos perillas de bloqueo en sentido contrario a las agujas del reloj. Introduzca la llave de la cuchilla suministrada con la sierra en el perno del eje de la hoja (B) en el extremo del eje de la hoja en el bloque de la cuchilla (C). Gire el eje de la hoja en sentido contrario a las agujas del reloj con la llave en el perno del eje de la hoja (B) mientras presiona sobre el pasador de bloqueo del eje de la hoja (D) situado en la parte superior del bastidor de la sierra en la parte frontal del motor. El pasador de bloqueo bajará en el eje de la hoja y evitará que el eje gire.

### Paso 3

Retire el perno del eje de la hoja girándolo en el sentido contrario de las agujas del reloj. Retire la arandela del eje giratorio exterior o la brida exterior (E).



### ADVERTENCIA

Inspeccione las cuchillas (K) en busca de daños. No utilice ninguna cuchilla que tenga grietas, fisuras, fallas o el eje giratorio dañado. Asegúrese de que la cuchilla esté marcada con un régimen de funcionamiento máximo superior a 3300 rpm.

### Paso 4

Haga coincidir el triple mandril de la cuchilla con el eje giratorio del eje de la hoja (F) e instale la cuchilla firmemente contra la brida trasera (F). Asegúrese de que la cuchilla esté instala-

da correctamente en el triple mandril. Haga coincidir el triple mandril hembra de la arandela o la brida exterior con el eje de la hoja e instale el perno del eje de la hoja girando en sentido horario mientras sujeta el pasador de bloqueo hacia abajo. Asegúrese de que la brida exterior se asiente por completo y sostenga firmemente la hoja de diamante en su posición.

### Paso 5

Instale una nueva plancha protectora (G) enganchando la parte delantera en el pasador frontal del eje del bloque de la cuchilla. Conecte el eje trasero del bloque de la cuchilla y la parte trasera de la plancha protectora usando la característica de enganche.

### Paso 6

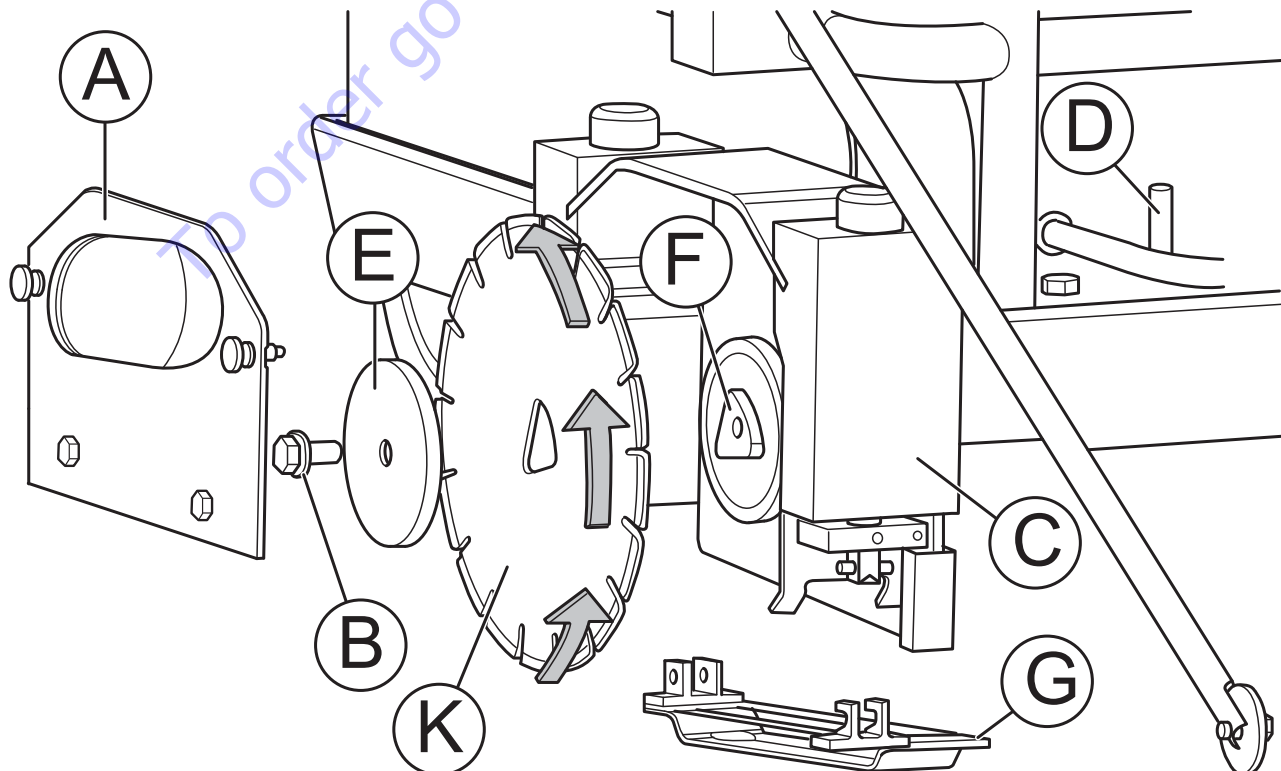
Instale la cubierta de la cuchilla girando las dos perillas y apriete hasta asentarla completamente contra el bloque de la cuchilla. Levante la parte delantera y trasera de la plancha protectora para asegurarse de que la cuchilla se deslice a través de la plancha libremente.

### Paso 7

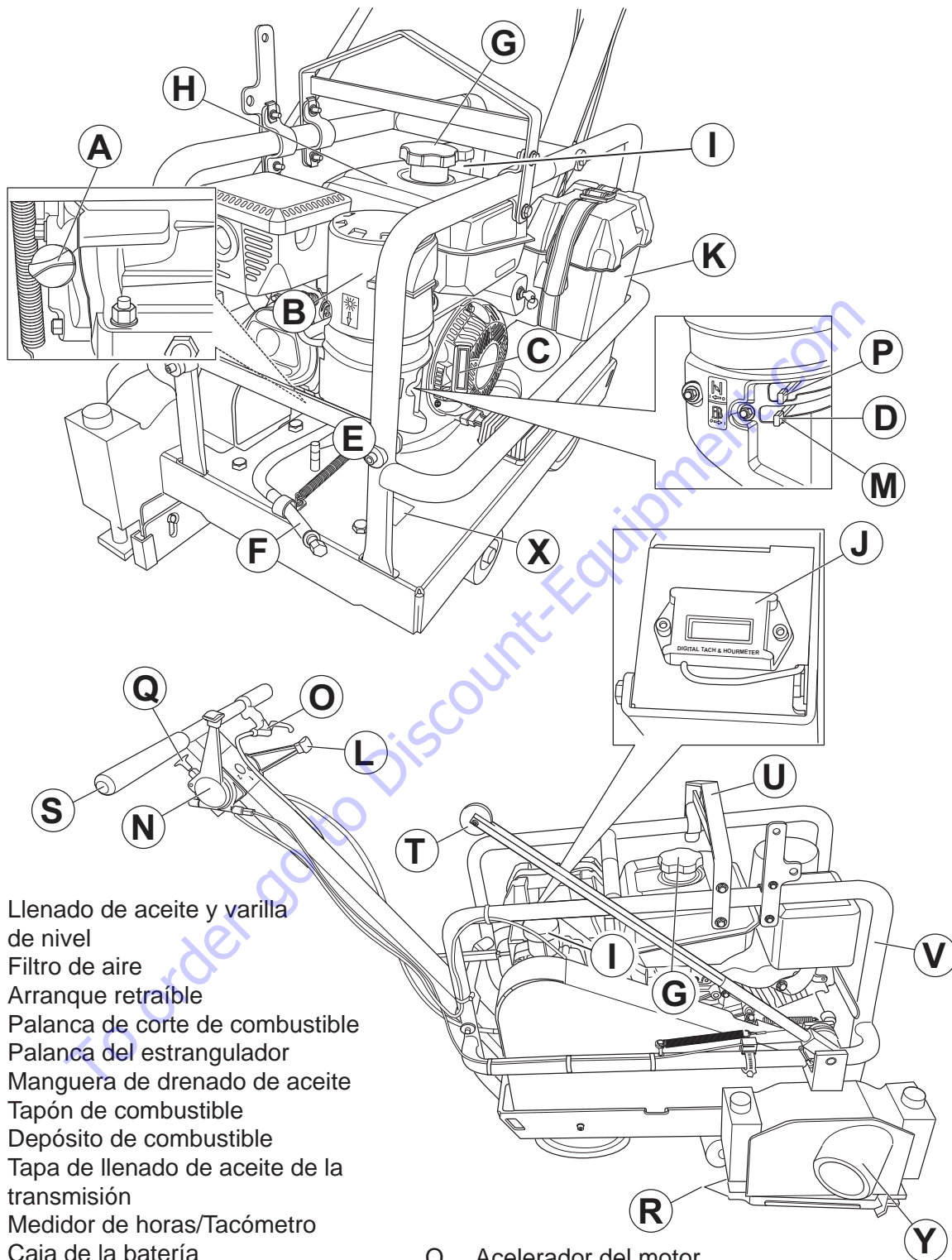
Al sustituir una cuchilla gastada, limpie bien los restos de hormigón del bloque y de la cubierta de la cuchilla antes de instalar la nueva cuchilla. Elimine la plancha protectora vieja y sustitúyala por una nueva.

### NOTA:

La plancha protectora patentada es la pieza más importante del sistema Soff-Cut Ultra Early Entry. Si se dobla, se tuerce o se daña, es posible que se produzcan descascamientos o irregularidad en la línea de corte. Guarde las planchas protectoras e instélaslas correctamente. Instale una nueva plancha protectora por cada cuchilla nueva. Nunca reutilice las planchas protectoras.



# ¿QUÉ ES QUÉ?

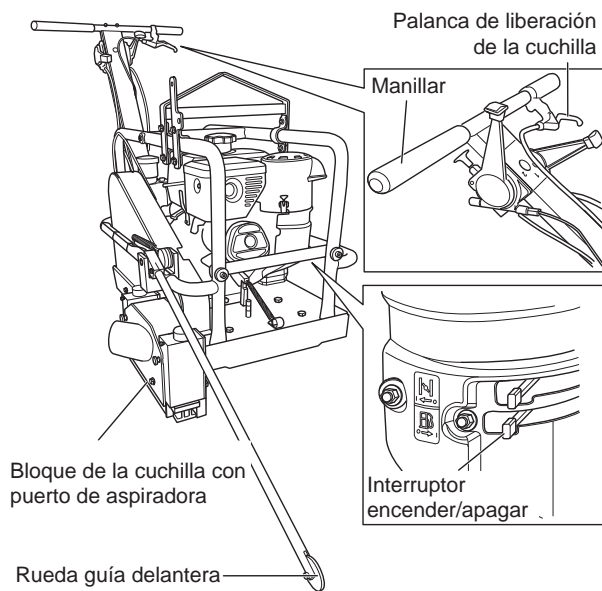


- A. Llenado de aceite y varilla de nivel
- B. Filtro de aire
- C. Arranque retraíble
- D. Palanca de corte de combustible
- E. Palanca del estrangulador
- F. Manguera de drenado de aceite
- G. Tapón de combustible
- H. Depósito de combustible
- I. Tapa de llenado de aceite de la transmisión
- J. Medidor de horas/Tacómetro
- K. Caja de la batería
- L. Palanca de velocidad de avance de la sierra
- M. Interruptor encender/apagar
- N. Palanca del brazo guía
- O. Palanca de liberación de la profundidad de la cuchilla
- P. Estrangulador

- Q. Acelerador del motor
- R. Guía trasera
- S. Manillar
- T. Guía frontal
- U. Punto de elevación
- V. Jaula de seguridad
- X. Número de modelo y número de serie
- Y. Puerto de la aspiradora



# INSTRUCCIONES DE FUNCIONAMIENTO



Es muy importante tener experiencia al hacer funcionar la sierra 2000. Se recomienda un trabajador calificado. Siempre realice una inspección de la sierra antes de arrancar el motor. Revise el combustible (H) y el nivel de aceite (A) según el manual del motor. Se debe utilizar aceite SAE 10W/30 y gasolina sin plomo de 87 octanos o más. La transmisión hidrostática utiliza aceite hidráulico Mobil DTE 26 o uno equivalente (20W, con una viscosidad de 68). **Respete todas las reglas de seguridad para el manejo seguro de combustible. Siempre revise el aceite del motor con la sierra apagada, completamente rebajada, y también el nivel del motor.** Compruebe que todos los controles estén en buen orden de trabajo. Revise si hay pernos o tuercas sueltas. Revise si hay filtraciones de combustible o aceite.



## ADVERTENCIA

**No opere la sierra si se produce una fuga de combustible.**

Asegúrese de que todas las protecciones estén seguras, no presentan daños y se hayan instalado correctamente.



## ADVERTENCIA

**No haga funcionar la sierra a menos que todas las protecciones, el equipo de seguridad y el interruptor de corte del motor estén en su lugar y en funcionamiento.**

Revise el filtro de aire (B) y límpielo o reemplácelo si es necesario. Compruebe que las especificaciones de la cuchilla sean las correctas y que la plancha protectora funcione correctamente. Compruebe que la cuchilla y la plancha protectora estén en buen estado. Asegúrese de que el lugar de trabajo esté limpio, bien iluminado y sin peligros.

Para arrancar el motor, encienda el paso de combustible (D) por el carburador en el lado del motor. Levante la sierra empujando el mango hacia abajo con ambas manos hasta la posición de bloqueo. Mueva la palanca del acelerador del motor (Q) un 1/3 del recorrido de la posición abierta. Cierre el estrangulador del motor (P) tirando de la perilla. La posición de estrangulamiento cerrada enriquece la mezcla de combustible para arrancar un motor frío. La posición de estrangulamiento abierta proporciona la mezcla de combustible adecuada para el funcionamiento una vez arrancado el motor y para volver a arrancar un motor caliente. Arranque el motor girando el interruptor de llave (M) a "START" (Arrancar) o a la posición "2" y suelte una vez arrancado el motor. Abra lentamente el estrangulador (P) empujando hacia abajo en la perilla. Deje que el motor se caliente durante unos minutos. Abra la palanca del acelerador del motor a la posición abierta completa para obtener el máximo régimen del motor tirando la



## ADVERTENCIA

### PELIGRO DE ASFIXIA

**Hacer funcionar un motor en un área confinada o mal ventilada puede producir daños o la muerte por asfixia o intoxicación por monóxido de carbono.**

perilla del acelerador (Q) en el mango. Baje la guía delantera completamente empujando el mango de control (N) en el lado derecho hacia delante.

Alinee la sierra con la línea de corte utilizando la rueda guía delantera y el indicador triangular (R) en la parte posterior del bloque de la cuchilla. Tire de la palanca de control (L) en el lado izquierdo de la parte de atrás hacia usted hasta alcanzar una posición completa de detención.

Presione hacia abajo el mango de la sierra y tire de la palanca de liberación de la cuchilla (O) para bajar la cuchilla lentamente sobre el hormigón. Mueva la sierra hacia delante empujando lentamente la palanca de control (L) en el lado izquierdo hacia delante hasta alcanzar la velocidad de corte deseada.

Tirando de la palanca hacia atrás se ralentiza la velocidad de avance. Tirando del mango hacia la posición trasera completa se detiene la sierra. Mantenga la rueda guía delantera sobre la línea de corte para asegurar cortes rectos. Efectúe pequeños ajustes aplicando presión lateral en el mango para mantener la sierra en línea recta.

Durante los primeros 30 metros (100 pies), empuje la sierra a media velocidad aproximadamente; de esta forma, la cuchilla desarrollará una buena exposición de diamante y prolongará su vida útil. Aumente la velocidad de avance de la sierra hasta que la cuchilla y el motor funcionen a la máxima eficacia.

Aumente la velocidad de avance si la sierra está tirando hacia la izquierda. Disminuya la velocidad de avance si la sierra está tirando hacia la derecha. **No fuerce la sierra.** Cuando se acerque a una pared, levante la guía frontal y utilice la guía triangular de la parte trasera del bloque de la cuchilla para cortar los últimos metros.

**No golpee el conjunto del bloque de la cuchilla contra ningún objeto.** Podría dañarlo. Reduzca la velocidad de avance tirando de la palanca del mango de control hacia atrás hasta que la sierra se detenga. Empuje hacia abajo en la parte posterior del manillar para elevar y retirar la sierra de la línea de corte por completo hasta la posición de bloqueo.

La función de autopropulsión de la sierra no funcionará si esta está elevada. Mueva la palanca del acelerador del motor hasta la posición completa de cierre. Gire el interruptor de corte del motor a la posición "OFF" (Apagado) o "0".



## ADVERTENCIA

**No deje la máquina sin supervisión mientras el motor esté funcionando. Siempre asegure la sierra para evitar que se mueva sin supervisión.**

Siempre limpie el conjunto del bloque de la cuchilla completamente antes de guardar la sierra. Siempre cierre el paso de combustible antes de transportar la sierra.



## ADVERTENCIA

**Antes de cada uso, inspeccione cuidadosamente la sierra 2000 para determinar si hay daños en cualquiera de sus piezas y componentes. Preste mucha atención a las fugas de gasolina o aceite. Bajo ninguna circunstancia se debe hacer funcionar la sierra 2000 o cualquiera de sus accesorios si detecta daños o sospecha que algo puede estar dañado.**

## MANEJO DEL COMBUSTIBLE



### ADVERTENCIA

Las siguientes medidas preventivas reducen el riesgo de lesiones y daños a la propiedad:

- Tenga mucho cuidado al manipular gasolina. Es extremadamente inflamable y los vapores son explosivos.
- Apague los cigarrillos, habanos, pipas y otras fuentes de ignición.
- Use solo recipientes de gasolina aprobados.
- Nunca retire el tapón de la gasolina ni agregue combustible con el motor en funcionamiento. Deje que el motor se enfríe por al menos 3 minutos antes de cargar combustible.
- Nunca cargue combustible en la máquina en interiores.
- Nunca guarde la máquina ni el recipiente de combustible donde haya una llama abierta, chispas o una llama de encendido como en un calentador de agua u otros aparatos.
- Nunca llene los recipientes dentro de un vehículo, en un camión o sobre la plataforma de un remolque con revestimiento plástico. Coloque siempre los recipientes en el suelo y lejos de su vehículo durante el llenado.
- Retire la sierra 2000 del camión o remolque y cárguela con combustible en el suelo. Si esto no es posible, entonces rellene este equipo con un recipiente portátil en lugar de hacerlo directamente con la boquilla del dispensador de gasolina.
- Mantenga la boquilla en contacto con el borde del estanque o recipiente de combustible y manténgala abierta en todo momento hasta que esté completamente lleno. No use un dispositivo que mantenga abierto el seguro de la boquilla.
- Si el combustible se derrama sobre la ropa, cámbiesela de inmediato.
- Nunca llene en exceso el depósito de combustible. Siempre limpie cualquier derrame de aceite o combustible. Vuelva a colocar el tapón de combustible y apriete.

## COMBUSTIBLE ADECUADO

El motor Robin está certificado para funcionar con gasolina automotriz sin plomo con un octanaje (M+R) de **87** o superior. Cargue combustible en un área bien ventilada con el motor **apagado**.

Puede utilizar gasolina sin plomo regular que contenga no más de 10 % de etanol (E10). No use gasolina que contenga metanol.

El uso de combustibles con un contenido de etanol superior al 10 % (E10) puede causar problemas de arranque o problemas de rendimiento. También puede dañar las piezas de metal, de goma y de plástico del sistema de combustible, además de causar riesgos de incendios.

No utilice combustible que tenga más de 30 días. El combustible viejo puede causar problemas de funcionamiento y en el sistema de combustible.

**El motor no funciona con gasolina comercializada como E-85 (85 % de etanol)**

## MANEJO DEL ACEITE

### AVISO

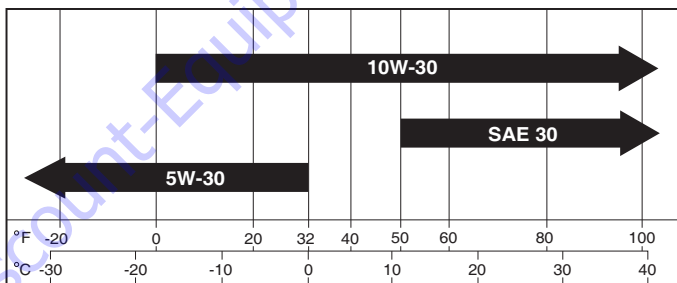
El aceite usado es un residuo peligroso. Deseche el aceite usado adecuadamente. No lo deseche con la basura doméstica. Consulte con las autoridades locales, el centro de servicio o el distribuidor si existe alguna instalación segura de desecho o reciclaje.

## ACEITE DEL MOTOR

### Recomendación de aceite

El motor retiene aproximadamente 1,3 litros (1,4 cuartos de galón) al cambiar el aceite.

Recomendamos el uso de aceites Kohler para lograr un rendimiento óptimo. Se consideran aceptables otros aceites detergentes de alta calidad (incluidos los sintéticos) que posean la clasificación de servicio SJ o superior del Instituto Americano del Petrleo (API). Seleccione la viscosidad en función de la temperatura del aire en el momento del funcionamiento, como se indica en la siguiente tabla:



## ACEITE PARA LA TRANSMISIÓN HIDROSTÁTICA

Aceite hidráulico **Mobil DTE 26** o equivalente (20W con una viscosidad de 68).

## CONTROL DEL POLVO

Esta máquina está equipada con un puerto de aspiradora que posee conexiones para un extractor externo de polvo para el control del polvo. Consulte las especificaciones apropiadas que recomienda Husqvarna para un extractor externo de polvo adecuado.

# MANTENIMIENTO DEL MOTOR Y DE LA TRANSMISIÓN

## Aceite del motor

### Revisión, carga y cambio de aceite

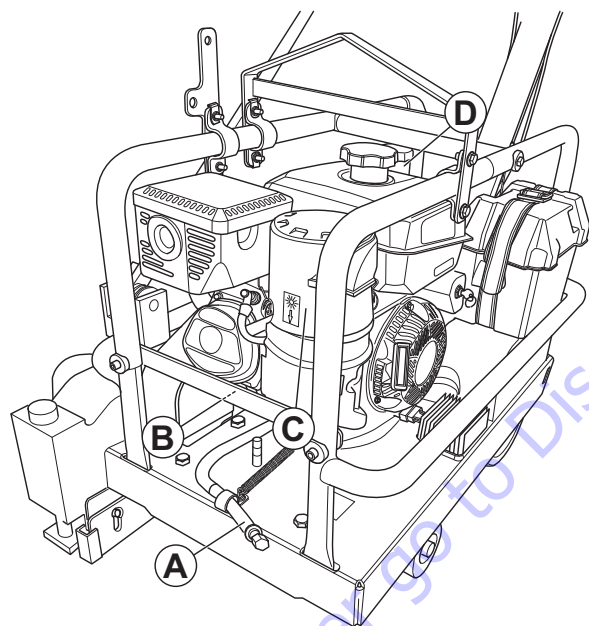
Revise el nivel de aceite del motor (B) diariamente con la sierra totalmente rebajada y también el nivel del motor. Para obtener más información, consulte el manual Kohler adjunto. Use aceite detergente automotor con viscosidad SAE 10W-30 con clasificación de servicio SE de API o de graduación superior.

**Nota:** El motor tiene una capacidad aproximada de 1,3 litros (1,4 cuartos de galón) al cambiar el aceite.

### Cambio de aceite del motor

**Cambie el aceite después de las primeras 5 a 8 horas de uso.**

**Posteriormente, hágalo cada 50 horas.**



La manguera de drenaje del aceite (A) se encuentra en la parte delantera de la sierra.

1. Con el motor apagado, pero aún caliente, retire la tapa de latón y vacíe el aceite en una bandeja colectora.
2. Vuelva a poner el tapón de latón en la manguera de drenaje del aceite.
3. Llene el motor por el tapón de llenado (B) con 1,3 litros de aceite (1,4 cuartos de galón). Cuando esté lleno, el nivel de aceite debería llegar a la marca superior de la varilla de nivel o a la parte superior de las roscas del orificio de llenado del motor. El motor está equipado con sistema de aviso de aceite que detiene el motor cuando el nivel de aceite es bajo.

## AVISO

**El aceite usado es un residuo peligroso. Deseche el aceite usado adecuadamente. No lo deseche con la basura doméstica. Consulte con las autoridades locales, el centro de servicio o el distribuidor si existe alguna instalación segura de desecho o reciclaje.**

### Filtro de aire

El conjunto del purificador de aire (C) es de tipo ciclónico en el motor en la parte delantera de la sierra. El elemento purificador de aire debe cambiarse cada 50 horas. Consulte el manual del motor suministrado y el apartado "Elemento filtrante dual de tipo ciclónico" para obtener información adicional.

### INFORMACIÓN ADICIONAL SOBRE EL MOTOR

Consulte el manual del usuario Kohler para obtener más información sobre el mantenimiento del motor.

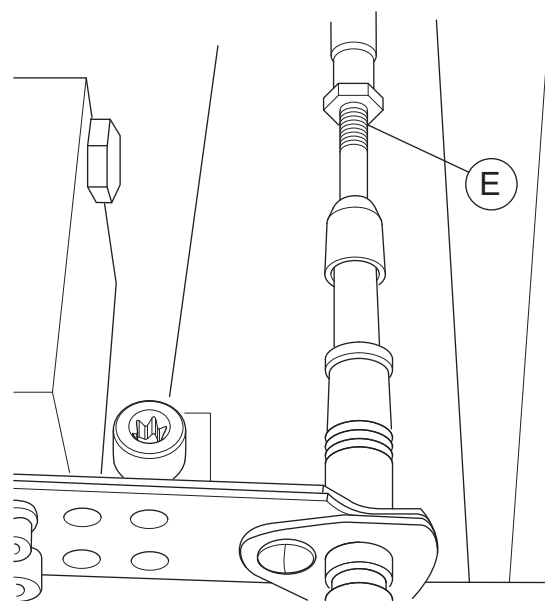
Este manual también contiene información concreta sobre las especificaciones, las piezas de puesta a punto, la garantía del motor, la normativa sobre emisiones, etc.

### Aceite de la transmisión

Revise diariamente el nivel de aceite. La transmisión es accesible desde la parte trasera de la sierra. El depósito de aceite (D), situado en la parte superior de la transmisión, tiene una línea de nivel de aceite de 3 mm (1/8") desde la parte inferior del depósito que indica el nivel correcto de líquido en frío. Utilice aceite hidráulico Mobil DTE 26 20W con una viscosidad de 68 o equivalente.

### Posición neutra de transmisión

Con la palanca de control de la sierra tirada hacia atrás, hacia el operador, la sierra se detiene completamente y deja de desplazarse o moverse. Para ajustar la posición neutra de transmisión, afloje la tuerca de fijación en el extremo del cable (E) en la transmisión. Tire del manguito del muelle hacia atrás y ajuste el pivote hasta que la sierra deje de moverse por completo. Apriete la tuerca de fijación.



# OTRAS TAREAS DE MANTENIMIENTO

## Batería

La batería no requiere mantenimiento. Si la batería requiere carga alguna vez, use solo un cargador de corriente cónica con voltaje regulado diseñado específicamente para la batería.



## ADVERTENCIA

- Conectar y desconectar una batería puede causar chispas o cortocircuitos. No produzca un corto en las terminales de la batería al permitir que una llave o cualquier otro objeto entre en contacto con ambas terminales al mismo tiempo.
- Una chispa o llama puede causar la explosión de una batería de plomo-ácido.
- Antes de conectar una batería, quítese las pulseras metálicas, relojes, anillos, etc. Utilice guantes y gafas protectoras o una pantalla facial cuando trabaje con una batería.



Protección ocular



Guantes protectores



Peligro de explosión

## Protección

Revise diariamente que todas las protecciones no estén dañadas y que funcionen correctamente, especialmente el bloque de la cuchilla. El bloque y la cubierta de la cuchilla deben fijarse a la sierra y estar en buenas condiciones. Las cubiertas lexan laterales del bloque de la cuchilla deben moverse libremente hacia arriba y hacia abajo.

## Hoja de diamante

Inspeccione las hojas de diamante diariamente en busca de daños y grietas, y asegúrese de que se encuentra fija al eje giratorio y de que no presenta pérdida de segmentos, deformaciones o sobrecalentamiento. **Si alguna cuchilla presenta alguno de estos problemas, deséchela y no la utilice nunca.**

## Plancha protectora

Inspeccione la plancha protectora diariamente para determinar si hay daños, desgaste excesivo en la ranura de la hoja, rebabas en la superficie del lado del hormigón, torsión, y asegúrese de que se mueva libremente hacia arriba y hacia abajo cuando esté instalada en el bloque de la cuchilla. Vuelva a colocar la plancha protectora con cada hoja de diamante nueva. Nunca reutilice planchas protectoras; se pueden producir descascaramientos e irregularidades en la línea de corte.

## Controles de la sierra

Inspeccione diariamente todos los controles para un correcto funcionamiento. **Compruebe que todos los enclavamientos estén funcionando, especialmente el interruptor encender/apagar del motor, para un correcto funcionamiento.**

## Correas

Inspeccione la correa de transmisión de la cuchilla y la correa de transmisión para detectar posibles grietas o signos de desgaste. La tensión de la correa se controla con un tensor de correa y no necesita ajustes. Inspeccione que el tensor de correa se mueva libremente hacia arriba y hacia abajo. Asegúrese de que los cojinetes del tensor de correa giren libremente.

## Rodamientos del eje de la cuchilla

Lubrique cada 50 horas los rodamientos del eje de la cuchilla con 3 bombas de litio 12 a base de grasa.

## Limpieza

Limpie el bloque de la cuchilla de cualquier resto de hormigón acumulado después de cada uso. Mantenga los manillares y los controles limpios y secos. Limpie inmediatamente el combustible derramado de la sierra. Mantenga limpias todas las aberturas y ranuras situadas en el cárter del motor de la sierra, de manera que el aire circule libremente por el motor para asegurar un enfriamiento adecuado.

## PROGRAMA DE MANTENIMIENTO

Revise protecciones, hoja de diamante, plancha protectora, cubiertas de lexan, controles y niveles de aceite.	<b>A diario</b>
Limpie el conjunto del bloque de la cuchilla y la sierra.	<b>A diario</b>
Reemplace el purificador de aire.	<b>Cada 50 horas</b>
Cambie el aceite del motor.	<b>Cada 50 horas</b>
Engrase los rodamientos del eje de la cuchilla.	<b>Cada 50 horas</b>
Revise la correa de transmisión de la cuchilla, la correa de transmisión y el tensor de correa.	<b>Cada 50 horas</b>



## ADVERTENCIA

**No modifique la sierra. Utilice solo piezas de repuesto de Husqvarna Construction Products. El uso de piezas no autorizadas puede generar peligro o dañar el motor.**

# SERRADO DE LAS JUNTAS DE CONTRACCIÓN

El hormigón, al hidratarse o curarse y empezar a endurecerse, sufre una dilatación interna que puede ocasionar grietas aleatorias. Este tipo de grietas genera dudas sobre la calidad del trabajo y de la mano de obra del hormigón. Para aliviar esta dilatación, se cortan en el hormigón juntas de contracción que buscan su propio alivio en forma de grietas aleatorias. El sistema Soff-Cut Ultra Early Entry controla las grietas aleatorias a través de la sincronización temprana de un corte de sierra en puntos predeterminados; de esta forma, crea planos debilitados en el hormigón que, con el tiempo, se agrietan en la parte inferior del corte para liberar la presión. Las juntas de contracción serradas de Husqvarna deberían llegar, como mínimo, a 1/8 de la profundidad del hormigón y tener una profundidad mínima de 25 mm (1"). Las juntas de contracción deberían practicarse en cuanto el hormigón sea capaz de soportar el peso de la sierra y del operario sin dañarlo y sin que queden marcas. Existen muchas posibilidades para diseñar las juntas. El diseño de las juntas debería facilitarse: el contratista de la sierra debería entregar un plano con el diseño de las juntas para su aprobación con anterioridad al corte. Existen varios factores que determinan la distancia entre las juntas:

- El grosor del hormigón
- El tipo, la cantidad y la ubicación del refuerzo
- El potencial de contracción del hormigón-cemento (tipo, cantidad), el aglomerado (tamaño, cantidad, calidad), la proporción agua-cemento, los aditivos y la temperatura del hormigón
- La fricción en la base
- Las restricciones de la losa
- La distribución de los cimientos, las cremalleras, los pozos, las almohadillas de los equipos, los fosos, etc.
- Factores medioambientales, como la temperatura, el viento o la humedad.
- Los métodos y la calidad del curado del hormigón.

En general, los patrones de las juntas de contracción deberían dividir las losas en paneles casi cuadrados en función de la separación recomendada que se indica.

## ESPACIADO RECOMENDADO DE LAS JUNTAS DE CONTRACCIÓN

<b>Grosor del hormigón, en mm (pulg.)</b>	<b>Separación máxima, en m (pies)</b>
90 (3,5)	2,4 (8)
100; 114 (4; 4,5)	3,0 (10)
125; 140 (5; 5,5)	3,6 (12)
150 (6) o más	4,5 (15)

En todos los cortes transversales de intersección, instale protectores Husqvarna en cada junta para evitar dañarlas. Instale un protector de juntas adicional donde la rueda derecha atraviese la junta para evitar dañar el hormigón.

# CÓMO APROVECHAR AL MÁXIMO EL SISTEMA SOFF-CUT

“La sincronización de las operaciones de hormigón (especialmente el acabado y las juntas) es fundamental”, señala un prólogo del American Concrete Institute (ACI) 302.1 R-96. Y continúa: “De lo contrario, aparecerán en la superficie de desgaste características indeseables, por ejemplo, grietas...” (Se mencionan otros problemas).

El sistema patentado Soff-Cut Ultra Early Entry ha revolucionado el método de control de las grietas aleatorias. Si bien es cierto que Soff-Cut se especifica hoy más que nunca, la especificación Ultra Early-Entry no siempre se sigue en el lugar de la obra. Para que el sistema Soff-Cut y el contratista experimentado de Husqvarna puedan hacer un trabajo satisfactorio, es preciso que existan los siguientes cuatro componentes para cumplir con la “especificación”:

1. Una sierra de corte seco Soff-Cut Ultra Early Entry.
2. Una hoja de diamante de corte seco serie Excel de Husqvarna.
3. Una plancha protectora que evita irregularidades en el corte de Husqvarna, instalada con todas las hojas de diamantes nuevas.
4. Un operario cualificado en el uso del sistema de corte Soff-Cut Ultra Early Entry.

Sin todos estos componentes, es posible que las juntas no se corten con la suficiente definición como para controlar las grietas aleatorias antes de que aparezcan, que es por lo que paga el propietario del edificio.

En este fragmento de la especificación del ACI 302.1R-96 se expresa perfectamente:

“Las sierras early-entry de corte seco utilizan cuchillas bañadas en diamante y planchas protectoras que impiden el descascamiento. Para controlar eficazmente el descascamiento, es necesario cambiar las planchas protectoras oportunamente. Lo más conveniente es cambiar las planchas protectoras cuando lo recomienda el fabricante... El objetivo del corte de sierra es crear un plano debilitado tan pronto como la junta pueda cortarse... La sincronización del proceso de early-entry permite practicar las juntas antes de que aparezcan tensiones importantes en el hormigón...”

En el boletín de ingeniería “Concrete Floors on the ground” de la PCA (Portland Cement Association, Asociación de Cemento de Portland) se afirma también que:

“Unas juntas adecuadas pueden evitar las antiestéticas grietas aleatorias. Algunos aspectos de las juntas que contribuyen a lograr un buen trabajo son: la elección del tipo de junta correcto para cada ubicación, establecer un buen patrón y disposición de las juntas y aplicar la junta en el momento correcto... **La sincronización del serrado de las juntas es vital.** Existen en el mercado sierras ligeras, de corte temprano y alta velocidad que permiten el serrado de la junta poco después de terminar el suelo, a veces, entre 0 y 2 horas después... Si se practica el corte pocas horas después de acabar el trabajo, es posible evitar la aparición de grietas aleatorias...”

Husqvarna tiene un solo sistema de corte seco Ultra Early Entry (Soff-Cut), que evita la aparición de grietas aleatorias mediante el cronometraje temprano del corte. Con el método Soff-Cut patentado, las juntas de control se practican menos de dos horas después del proceso de acabado. El corte de las juntas debería practicarse en cuanto el hormigón soporte el peso de la sierra y del operario en cada punto de la junta y antes del endurecimiento final. Si las juntas no se cortan en este período, el método Soff-Cut Ultra Early Entry no se estará siguiendo y los propietarios del edificio no obtendrán el resultado por el que están pagando ni el producto final que desean.

Esperamos que esta información sea beneficiosa para propietarios de edificios, contratistas generales, albañiles de hormigón, operarios de sierras y toda la industria.

# RESOLUCIÓN DE PROBLEMAS

## LA SIERRA REALIZA UN CORTE CON DESCASCARAMIENTO E IRREGULARIDAD EN LA LÍNEA DE CORTE

- Compruebe si la hoja de diamante está gastada, arañada, combada o dañada.
- Asegúrese de que la plancha protectora se mueva libremente hacia arriba y hacia abajo a lo largo del eje, sin entrar en contacto con la hoja de diamante.
- Compruebe que la plancha protectora no esté excesivamente gastada y que no haya demasiado espacio alrededor de la hoja de diamante.
- Compruebe que los montajes de la plancha protectora no estén tensados ni aflojados. Las planchas protectoras están ajustadas de fábrica.
- Compruebe que la parte inferior de la plancha protectora no presente rebabas de metal ni irregularidades.
- Asegúrese de que la plancha protectora no esté torcida ni doblada.
- Compruebe que las cubiertas de lexan se muevan libremente hacia arriba y hacia abajo.
- Compruebe que hay suficiente presión hacia abajo en cada extremo de la plancha protectora.
- No tuerza ni mueva la sierra hacia un lado mientras corta.
- Compruebe que el motor funcione correctamente y con una aceleración máxima.
- Compruebe que la tensión sea correcta examinando la correa y el tensor de correa.
- Asegúrese de que la hoja de diamante está bien instalada y fijada, y que sus bordes estén limpios.
- Asegúrese de que la especificación de la hoja de diamante sea la correcta para su región.
- Compruebe que la losa esté limpia y no presente restos que puedan levantar la plancha protectora o la sierra al cortar.
- Utilice protectores de junta de Husqvarna en todas las intersecciones de corte.
- Limpie cualquier resto de hormigón del conjunto del bloque de la cuchilla.
- Asegúrese de que los raspadores del bloque de la cuchilla no estén doblados ni atascados.
- Compruebe que los ejes del bloque de la cuchilla no estén doblados ni dañados.
- Compruebe que el desviador frontal en el bloque de la cuchilla no esté doblado y que las patas del desviador no toquen el concreto.

## EL MOTOR FUNCIONA CON TOSQUEDAD, HAY EXPLOSIONES DEL CARBURADOR O NO PUEDE ALCANZAR LA VELOCIDAD MÁXIMA

- Compruebe que haya combustible en el depósito y que sea del tipo correcto. Asegúrese de que no haya agua en el combustible.
- Compruebe que las bujías estén limpias y bien centradas.
- Compruebe que el estrangulador esté en posición "Off" (Apagado) después de que el motor está caliente.

- Compruebe que el filtro de aire no esté sucio ni obstruido.
- Revise que la palanca del acelerador se haya instalado correctamente.
- Compruebe que el nivel de aceite sea correcto. El sistema de aviso de aceite del motor puede funcionar de forma intermitente hasta que el nivel de aceite alcance el rango correcto.

## EL MOTOR NO ARRANCA

- Compruebe que el paso de combustible se encuentre en la posición "on" (encendido).
- Compruebe que haya combustible en el depósito y que sea del tipo correcto. Asegúrese de que no haya agua en el combustible.
- Asegúrese de que el cable de la bujía esté conectado a la bujía.
- El motor está ahogado. Ajuste el estrangulador tal y como se indica en el manual de instrucciones del motor.
- Compruebe que el filtro de aire no esté sucio ni obstruido.
- Compruebe que el estrangulador se encuentre en la posición "on" (encendido) para arranque en frío. Ajuste el estrangulador tal y como se indica en el manual de instrucciones del motor.
- Compruebe que el eje de la hoja gira libremente y que no haya cemento acumulado en el bloque de la cuchilla.
- Compruebe que el interruptor de corte se encuentre en la posición "ON" (Encendido).
- El nivel de aceite es demasiado bajo. El motor está equipado con un sistema de aviso de aceite que no permite arrancar el motor hasta que el nivel de aceite alcance el rango correcto.

## LA SIERRA EMPUJA HACIA UN LADO MIENTRAS TRABAJA

- Compruebe que las guías frontal y trasera estén bien alineadas con el centro de la hoja de diamante.
- Compruebe si la hoja de diamante está gastada, arañada, combada o dañada.
- No tuerza ni mueva la sierra hacia un lado mientras corta. Para controlar la sierra en el corte, haga cambios graduales de presión en el manillar.
- Asegúrese de que todas las ruedas giren suave y libremente.
- No fuerce la sierra. Deje que la hoja de diamante corte a su propio ritmo.
- Compruebe que la plancha protectora no presente daños ni rebabas.
- Asegúrese de que ambos tubos conductores estén en contacto con las ruedas traseras, se encuentren limpios, y de que las ruedas traseras no estén dañadas. Compruebe que el tubo conductor de menor diámetro está en la rueda izquierda (del lado de la batería) y que el tubo conductor de mayor diámetro está en el lado derecho (del lado de la cuchilla).

# ESPECIFICACIONES TÉCNICAS

Motor	
Modelo	Kohler
Productividad máxima del motor, kW (CV) (consulte la nota 1)	6,8 (9,1)
Volumen del aceite del motor, litros (cuartos de galón)	1,3 (1,4)
Volumen del depósito de gasolina, litros (galones)	7,0 (1,8)
Tipo	Motor de gasolina con un cilindro inclinado de cuatro ciclos y refrigerado por aire.
Filtro de aire	Tipo ciclónico
Sistema de aceite	Aviso de aceite con sensor de apagado automático.

Peso y dimensiones del motor	
Peso - seco, kg (lb)	118 (260)
Peso con gasolina y aceite lleno, kg (lb)	124 (272)
Longitud, mm (pulg.)	1440 (57)
Anchura, mm (pulg.)	630 (25)
Altura, mm (pulg.)	940 (37)

Hoja	
Material	Solo hormigón fresco
Tipo de cuchilla	254 mm (10,0") o 229 mm (9,0"), corte seco con triple mandril
Rotación de la cuchilla	En sentido contrario a las agujas del reloj, corte ascendente
Velocidad del eje de la hoja, rpm	3300
Profundidad de corte	De 25 a 38 mm (de 1 a 1,5 pulg.) según la cantidad de desgaste de la hoja
Distancia de corte desde la pared, mm (pulg.)	89 (3,5)

Velocidad media de corte: es solo una estimación. La velocidad varía en función de las condiciones de trabajo y las mezclas de hormigón.	
Aglomerados blandos, m/min (ft/min)	5,5 (18)
Aglomerados medios, m/min (ft/min)	4,0 (13)
Aglomerados duros, m/min (ft/min)	2,1 (7)

Las cuchillas están disponibles en diámetros de 254 mm (10,0 pulgadas) y 229 mm (9,0 pulgadas), y en anchos de 2,5 mm (0,100 pulgadas), 6,4 mm (0,250 pulgadas), 9,7 mm (0,380 pulgadas) y 12,7 mm (0,500 pulgadas).

Niveles de vibración, $a_{hw}$ (consulte la nota 2)	
Manilla derecha, $m/s^2$	3,1
Manilla izquierda, $m/s^2$	3,1

**Nota 1:** Como lo especifica el fabricante del motor. La calificación indicada de potencia de los motores corresponde a la salida de potencia neta promedio (en la rpm especificada) de un motor de producción típico para el modelo medido según ISO3046. Los motores de producción masiva podrían diferir de este valor. La salida de potencia real para el motor instalado en la máquina final dependerá de la velocidad de funcionamiento, las condiciones medioambientales y otras variables.

**Nota 2:** Nivel de vibración según EN 13862. Los datos informados en cuanto al nivel de vibración tienen una dispersión estadística típica (desviación estándar) de 1  $m/s^2$

## DATOS TÉCNICOS

CONSEJO DE RECURSOS DEL AIRE DE CALIFORNIA (CARB): Esta máquina se considera un adelanto en cuanto a aplicaciones todo terreno en relación con los estándares del CARB. Las normas CARB no son aplicables a esta máquina en equipos de construcción, y en particular, en sierras de hormigón, de albañilería y de corte, con una potencia del motor de menos de 19 kW (25 CV).



---

# GARANTÍA

---

## GARANTÍA DE LOS EQUIPOS HUSQVARNA

La nueva sierra 2000 que comercializa Husqvarna Construction Products está garantizada ante defectos de fabricación en condiciones normales de uso durante un período de seis (6) meses de trabajo y hasta un (1) año para los componentes desde la fecha de compra por parte del comprador original o desde la fecha de introducción en la empresa de alquiler de flota.

Nuestra obligación conforme a esta garantía se limita expresamente al reemplazo o reparación en Husqvarna Construction Products, o en una instalación de servicio designada por nosotros, de dicha pieza o piezas que según la inspección deberán catalogarse como defectuosas.

Esta garantía no se aplica a los defectos causados por daños, uso no razonable o reparaciones defectuosas realizadas por otras personas (o defectos causados por no haber realizado un mantenimiento razonable mientras se encontraba en posesión del consumidor). Además, la garantía será nula si el producto o cualquiera de sus componentes se encuentran alterados o modificados por el comprador o si el producto se utiliza de una manera inadecuada no recomendada por el fabricante.

El uso de cualquier otra cuchilla que no sean cuchillas y planchas protectoras de Husqvarna Construction Products anulará la garantía y podría causar daños internos en el motor.

En ningún caso, Husqvarna Construction Products será responsable por daños indirectos, incidentales o derivados de la venta o el uso del producto. Este descargo de responsabilidad se aplica durante y después del término de esta garantía.

Esta garantía le otorga derechos legales específicos y otros posibles derechos, que pueden variar de un estado a otro. Algunos estados no permiten la exclusión de daños directos o derivados, o limitaciones sobre ellos, de modo que las limitaciones anteriores pueden no aplicarse en su caso. Algunos estados no permiten limitaciones de la duración de una garantía implícita, de modo que las limitaciones anteriores pueden no aplicarse en su caso.

## GARANTÍA DEL MOTOR

Husqvarna Construction Products no realiza reparaciones de garantía ni reembolsos por reparaciones de garantía en los motores.

La garantía del motor es proporcionada por el fabricante del motor.

Para obtener una reparación de garantía: lleve su motor junto con el comprobante de compra a cualquier concesionario o distribuidor general más cercano.

Si no logra obtener el servicio de garantía o no está satisfecho con el servicio de garantía que haya recibido, póngase en contacto con el propietario del concesionario relacionado. Normalmente, esto debería solucionar el problema. Para obtener más información, póngase en contacto con su distribuidor local.

## GARANTÍA DE PIEZAS DE REPUESTO

Todas las piezas de repuesto tienen tres (3) meses de garantía desde la fecha de compra.

## COPYRIGHT 2009 HUSQVARNA CONSTRUCTION PRODUCTS

Cubierto por una o más de las siguientes patentes estadounidenses:

4769201, 4889675, 4928662, 4938201, 5056499, 5086750, 5184597, 5303688, 5305729, 5373834, 5441033, 5505189, 5507273, 5570677, 5575271, 5579754, 5582899, 5603310, 5660161, 5664553, 5666939, 5689072, 58030371, 6892719, 6990972, 7073495, 7163010, 7258115.

Están pendientes otras patentes estadounidenses y extranjeras.

**TO PURCHASE THIS PRODUCT PLEASE CONTACT US**



**Equipment Financing and  
Extended Warranties Available**



**Discount-Equipment.com is your online resource for  
commercial and industrial quality parts and equipment sales.**

**561-964-4949**

**visit us on line @ [www.discount-equipment.com](http://www.discount-equipment.com)**

Select an option below to find your Equipment

**Search by Manufacturer**

**Search by Product Type**

**Request a Quote**

We sell worldwide for the brands: Genie, Terex, JLG, MultiQuip, Mikasa, Essick, Whiteman, Mayco, Toro Stone, Diamond Products, Generac Magnum, Airman, Haulotte, Barreto, Power Blanket, Nifty Lift, Atlas Copco, Chicago Pneumatic, Allmand, Miller Curber, Skyjack, Lull, Skytrak, Tsurumi, Husquvarna Target, Stow, Wacker, Sakai, Mi-T-M, Sullair, Basic, Dynapac, MBW, Weber, Bartell, Bennar Newman, Haulotte, Ditch Runner, Menegotti, Morrison, Contec, Buddy, Crown, Edco, Wyco, Bomag, Laymor, EZ Trench, Bil-Jax, F.S. Curtis, Gehl Pavers, Heli, Honda, ICS/PowerGrit, IHI, Partner, Imer, Clipper, MMD, Koshin, Rice, CH&E, General Equipment, Amida, Coleman, NAC, Gradall, Square Shooter, Kent, Stanley, Tamco, Toku, Hatz, Kohler, Robin, Wisconsin, Northrock, Oztec, Toker TK, Rol-Air, APT, Wylie, Ingersoll Rand / Doosan, Innovatech, Con X, Ammann, Mecalac, Makinex, Smith Surface Prep, Small Line, Wanco, Yanmar



[www.Discount-Equipment.com](http://www.Discount-Equipment.com)

 **Husqvarna**<sup>®</sup>

US - Original instructions

CA - Instructions d'origine

UE - Instrucciones originales

1159818-49



2018-02-11