



**Discount
Equipment**

www.Discount-Equipment.com



Husqvarna®



**Operator's manual
Manuel d'utilisaton
Manual de instrucciones
FS400 LV**



US CA UE

Please read the operator's manual carefully and make sure you understand the instructions before using the machine.

Lire attentivement et bien assimiler le manuel d'utilisation avant d'utiliser la machine.
Lea detenidamente el manual de instrucciones y asegúrese de entender su contenido antes de utilizar la máquina.

TO PURCHASE THIS PRODUCT PLEASE CONTACT US



**Equipment Financing and
Extended Warranties Available**



**Discount-Equipment.com is your online resource for
commercial and industrial quality parts and equipment sales.**

561-964-4949

visit us on line @ www.discount-equipment.com

Select an option below to find your Equipment

Search by Manufacturer

Search by Product Type

Request a Quote

We sell worldwide for the brands: Genie, Terex, JLG, MultiQuip, Mikasa, Essick, Whiteman, Mayco, Toro Stone, Diamond Products, Generac Magnum, Airman, Haulotte, Barreto, Power Blanket, Nifty Lift, Atlas Copco, Chicago Pneumatic, Allmand, Miller Curber, Skyjack, Lull, Skytrak, Tsurumi, Husquvarna Target, Stow, Wacker, Sakai, Mi-T-M, Sullair, Basic, Dynapac, MBW, Weber, Bartell, Bennar Newman, Haulotte, Ditch Runner, Menegotti, Morrison, Contec, Buddy, Crown, Edco, Wyco, Bomag, Laymor, EZ Trench, Bil-Jax, F.S. Curtis, Gehl Pavers, Heli, Honda, ICS/PowerGrit, IHI, Partner, Imer, Clipper, MMD, Koshin, Rice, CH&E, General Equipment, Amida, Coleman, NAC, Gradall, Square Shooter, Kent, Stanley, Tamco, Toku, Hatz, Kohler, Robin, Wisconsin, Northrock, Oztec, Toker TK, Rol-Air, APT, Wylie, Ingersoll Rand / Doosan, Innovatech, Con X, Ammann, Mecalac, Makinex, Smith Surface Prep, Small Line, Wanco, Yanmar

KEY TO SYMBOLS

Symbols on the machine:

WARNING! The machine can be a dangerous tool if used incorrectly or carelessly, which can cause serious or fatal injury to the operator or others.



Please read the operator's manual carefully and make sure you understand the instructions before using the machine.



Wear personal protective equipment. See instructions under the heading "Personal protective equipment".



All displacement of the machine outside the cutting area shall be carried out with the tool not in rotation.



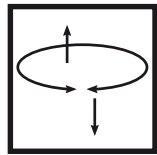
Remove the blade prior to hoisting, loading, unloading and transporting the machine.



Arrow on tool guard indicating the direction of tool rotation.



Up and down plunging



The guards should always be fitted on the machine. Never allow blade exposure to exceed 180°.



Check the cutting attachment. Never use blunt, cracked or damaged equipment.



The blades should be marked with the same or a higher speed than that stated on the machine's rating plate. A cutting blade running at a too high speed can break or cause serious damage.



Do not use the machine near ignitable substances or gases.



WARNING! Dust forms when cutting, this can cause injuries if inhaled. Use an approved breathing mask. Avoid inhaling exhaust fumes. Always provide for good ventilation.



Hot surface.



Machinery hazard! Always keep all parts of your body away from blade and all other moving parts.



Risk of cuts. Keep all body parts away from the cutting equipment.



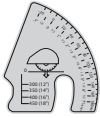
Transmission stop



Parking brake Activated / Deactivated



Cutting depth indicator



Fill tank only with water



Keep saw leveled, without blade, when checking oil level.



Always use the machine mounted lifting eye when lifting.



This product is in accordance with applicable CE directives. If marked on the machine.



Noise emission to the environment according to the European Community's Directive. The machine's emission is specified in the Technical data chapter and on the label.



FS400 LV

Husqvarna
FS 400 LV

Type plate

A: Brand

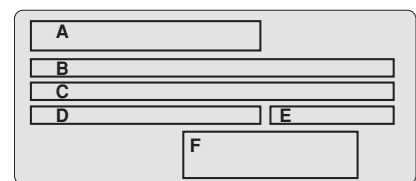
B: Product No.

C: Model

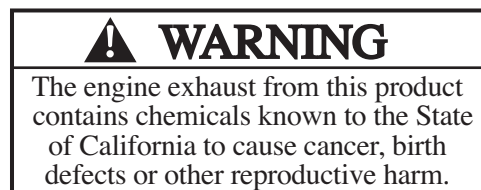
D: Serial number

E: Manufacturing date, year, week

F: Manufacturer, address, phone number



Other symbols/decals on the machine refer to special certification requirements for certain markets.



KEY TO SYMBOLS

NOTICE! CALIFORNIA AIR RESOURCES BOARD (CARB): This machine is considered a preempt Off-Road Applicatoin as relating to CARB standards. The U.S. EPA has sole authority to establish emission standards for preempt construction equipment. For more information see www.arb.ca.gov/msprog/offroad/preempt.htm

Explanation of warning levels

The warnings are graded in three levels.

WARNING!



WARNING! Used if there is a risk of serious injury or death for the operator or damage to the surroundings if the instructions in the manual are not followed.

CAUTION!



CAUTION! Used if there is a risk of injury to the operator or damage to the surroundings if the instructions in the manual are not followed.

NOTICE!

NOTICE! Used if there is a risk of damage to materials or the machine if the instructions in the manual are not followed.

Note the following before starting:



WARNING! Cutting, especially when DRY cutting, generates dust that comes from the material being cut, which frequently contains silica. Silica is a basic component of sand, quartz, brick clay, granite and numerous other minerals and rocks. Exposure to excessive amount of such dust can cause:

Respiratory disease (affecting your ability to breath), including chronic bronchitis, silicosis and pulmonary fibrosis from exposure to silica. These diseases may be fatal;

Skin irritation and rash.

Cancer according to NTP* and IARC* */ National Toxicology Program, International Agency for Research on Cancer

Take precautionary steps:

Avoid inhalation of and skin contact with dust, mist and fumes.

Wear and ensure that all bystanders wear appropriate respiratory protection such as dust masks designed to filter out microscopic particles. (See OSHA 29 CFR Part 1910.1200)

Wet cut when feasible, to minimize dust.

CONTENTS

Contents

KEY TO SYMBOLS

Symbols on the machine:	2
Explanation of warning levels	3
Note the following before starting:	3

CONTENTS

Contents	4
----------------	---

PRESENTATION

Dear customer!	5
Features	5

PRESENTATION

What is what on the machine?	6
------------------------------------	---

MACHINE'S SAFETY EQUIPMENT

General	7
---------------	---

ASSEMBLING AND ADJUSTMENTS

General	8
Fitting the blade	8
Handle height	8
Cutting depth indicator	8
Parking brake	8

BLADES

General	9
Water cooling	9
Diamond blades for different materials	9
Checking the blade	9
Transport and storage	9

FUEL HANDLING

General	10
Fuel	10
Fueling	10

OPERATING

Protective equipment	11
General safety precautions	11
Transport and storage	12

STARTING AND STOPPING

Before starting	13
Starting	13
Stopping	13

MAINTENANCE

General	14
Maintenance schedule	14
Cleaning	14
Functional inspection	15
Greasing	15
Worn product	15

TECHNICAL DATA

Technical data	16
----------------------	----

US WARRANTY STATEMENT

WARRANTY POLICY	17
EQUIPMENT	17

PRESENTATION

Dear customer!

Thank you for choosing a Husqvarna product!

It is our wish that you will be satisfied with your product and that it will be your companion for a long time. A purchase of one of our products gives you access to professional help with repairs and services. If the retailer who sells your machine is not one of our authorised dealers, ask him for the address of your nearest service workshop.

This operator's manual is a valuable document. Make sure it is always at hand at the work place. By following its content (operating, service, maintenance etc.) the life span and the second-hand value of the machine can be extended. If you ever lend or sell this machine, make sure that the borrower or buyer gets the operator's manual, so they will also know how to properly maintain and use it.

More than 300 years of innovation

Husqvarna AB is a Swedish company based on a tradition that dates back to 1689, when the Swedish King Karl XI ordered the construction of a factory for production of muskets. At that time, the foundation was already laid for the engineering skills behind the development of some of the world's leading products in areas such as hunting weapons, bicycles, motorcycles, domestic appliances, sewing machines and outdoor products.

Husqvarna is the global leader in outdoor power products for forestry, park maintenance and lawn and garden care, as well as cutting equipment and diamond tools for the construction and stone industries.

User responsibility

It is the owner's/employer's responsibility that the operator has sufficient knowledge about how to use the machine safely. Supervisors and operators must have read and understood the Operator's Manual. They must be aware of:

- The machine's safety instructions.
- The machine's range of applications and limitations.
- How the machine is to be used and maintained.

Local regulations could restrict the use of this machine. Find out what regulations are applicable where you work before you start using the machine.

The manufacturer's reservation

All information and all data in the Operator's Manual were applicable at the time the Operator's Manual was sent to print.

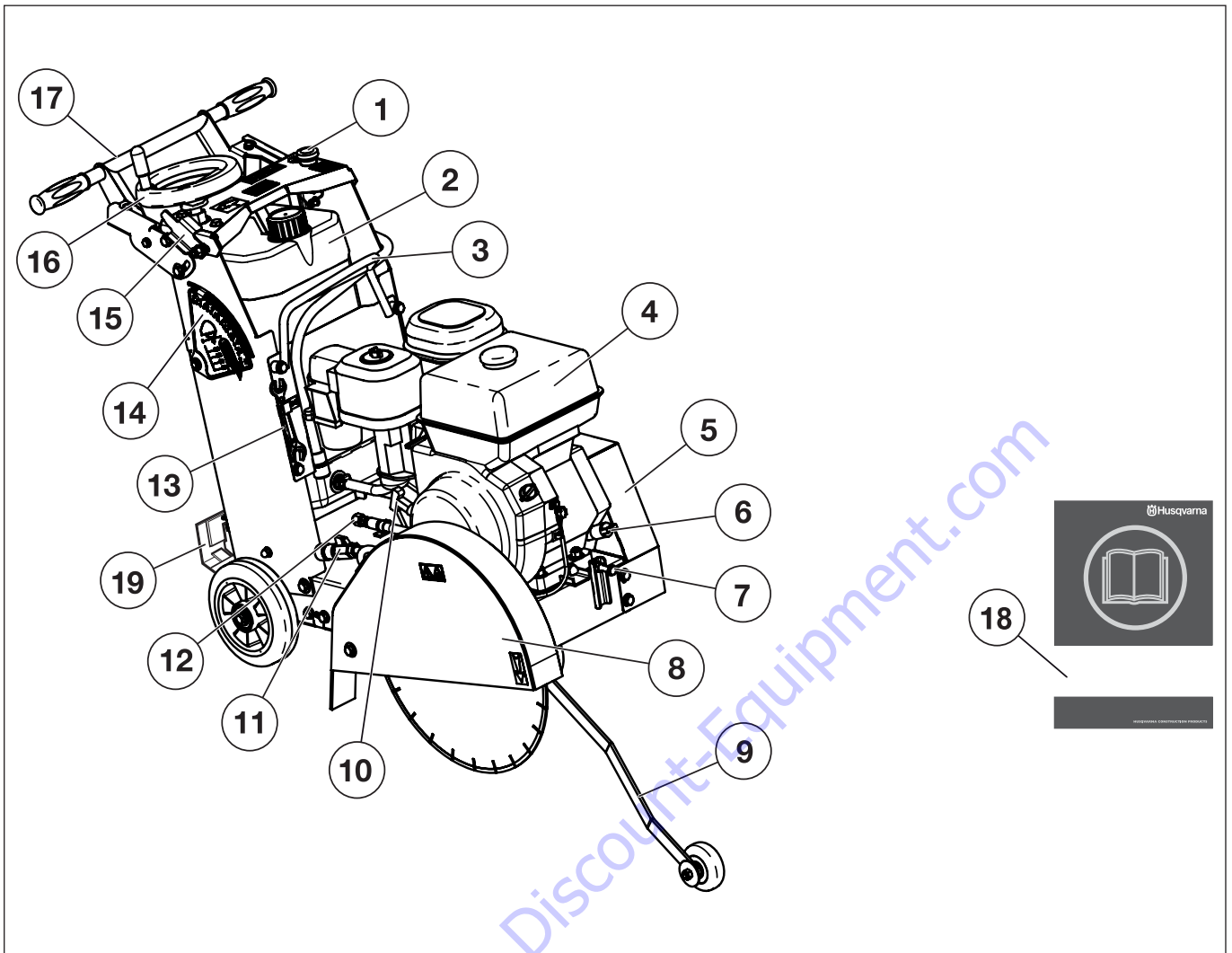
Husqvarna AB has a policy of continuous product development and therefore reserves the right to modify the design and appearance of products without prior notice.

For customer information and assistance, contact us at our website: www.husqvarna.com

Features

Values such as high performance, reliability, innovative technology, advanced technical solutions and environmental considerations distinguish Husqvarna's products.

PRESENTATION



What is what on the machine?

- | | |
|---------------------------------|---------------------------------|
| 1 Machine stop | 11 Water tap |
| 2 Water tank | 12 Draining, engine oil |
| 3 Lifting eye | 13 Service spanner |
| 4 Fuel tank | 14 Cutting depth indicator |
| 5 Protective cover - drive belt | 15 Locking lever, cutting depth |
| 6 Engine oil fill | 16 Feeding wheel, cutting depth |
| 7 Tension screw, drive belt | 17 Handle |
| 8 Blade Guard | 18 Operator's manual |
| 9 Front guide | 19 Parking brake |
| 10 Starter handle | |

MACHINE'S SAFETY EQUIPMENT

General



WARNING! Never use a machine that has faulty safety equipment! If your machine fails any checks contact your service agent to get it repaired.

The engine should be switched off, and the stop switch in STOP position.

This section describes the machine's safety equipment, its purpose, and how checks and maintenance should be carried out to ensure that it operates correctly.

Machine stop

The machine stop is used to quickly switch off the engine and all electrical functions except lights.

Testing the machine stop

- Press the machine stop and check that the engine stops.
- Disengage machine stop button (twist clockwise).

Blade Guard



WARNING! Always check that the blade guard is fitted correctly before starting the machine.

The blade guard is designed to prevent parts of the blade or cutting fragments from being thrown towards the user.

Checking the blade guard

Check that the blade guard is not damaged or cracked. Replace the blade guard if it is exposed to impact or is cracked.

Always check that the guard is correctly fitted before starting the machine. Also check that the blade is fitted correctly and is not damaged in any way. A damaged blade can cause personal injuries.

Muffler



WARNING! Never use a machine without a muffler, or with a faulty muffler. A damaged muffler may substantially increase the noise level and the fire hazard. Keep fire fighting equipment handy.

The muffler gets very hot during and after use. This also applies during idling. Be aware of the fire hazard, especially when working near flammable substances and/or vapours.

The muffler is designed to keep noise levels to a minimum and to direct exhaust fumes away from the user.

Inspecting the muffler

Check regularly that the muffler is complete and secured correctly.

ASSEMBLING AND ADJUSTMENTS

General

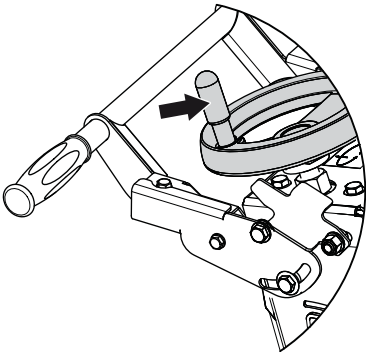


WARNING! Switch off the engine before carrying out any checks or maintenance.

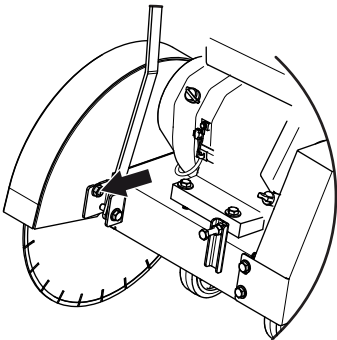
Check that the blade and the blade guard are correctly fitted before starting the machine.

Fitting the blade

- Wind up the cutting depth feeding wheel.

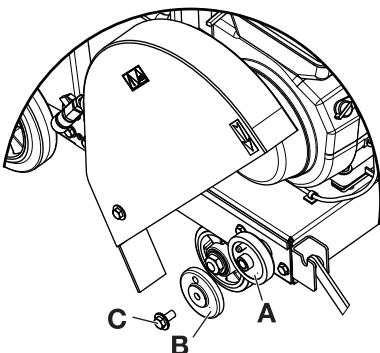


- Switch off the water tap. Disconnect the water hose from the blade guard.
- Loosen the front nut and tilt the blade guard to service position.



WARNING! Check that the blade, blade flange and blade shaft are **undamaged**. Clean the contact surfaces of the blade and the blade flange. Make sure the blade and the flanges are clean and free of dirt and debris before mounting the blade on the machine.

- Check the blade's direction of rotation. The arrow on the blade indicates the direction of rotation.
- Fit the blade on the blade shaft (A). Fit the blade flange (B) over the blade. Make sure that locking pin on flange (A) passes through the blade and into the flange (B). Tighten the screw (C) properly using the supplied spanner.

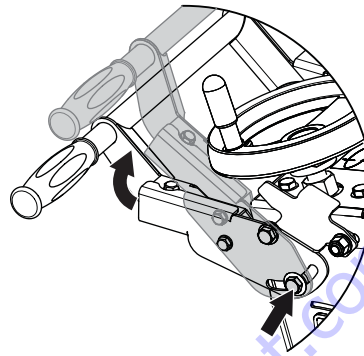


- Refit the blade guard and water hose in reverse order as set out for dismantling.

Handle height

The height of the lever can be adjusted in height.

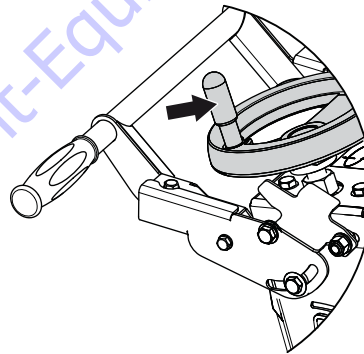
- Loosen the screw. Set handle to most comfortable working height. Tighten the screw.



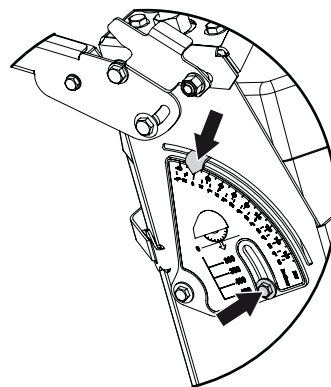
Cutting depth indicator

The indicator must be calibrated before it is taken into use.

- Wind down the blade so that it barely touches the ground.

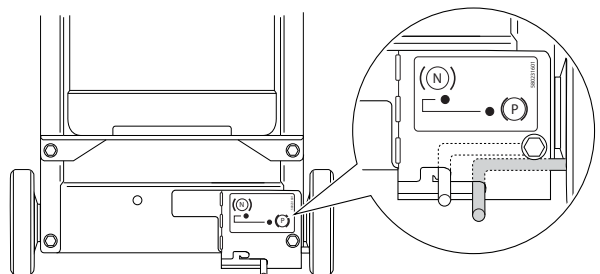


- Loosen the screw. Position the indicator arrow to "0". Tighten the screw.



Parking brake

Apply the parking brake.



BLADES

General

- Diamond blades consist of a steel core provided with segments that contain industrial diamonds.
- Always use a sharp diamond blade.
- The blades should be marked with the same or a higher speed than that stated on the machine's rating plate.
- Never use blades other than original blades designed for the machine.

Water cooling

Water cooling must always be used. This cools the blades and increases their life and prevents dust build-up.

Diamond blades for different materials



WARNING! Never use a blade for any other materials than that it was intended for.

Husqvarna has a wide range of wet cutting blades for floor and wall cutting, including blades for everything from fresh to hardened concrete in different hardness classes as well as a comprehensive range of asphalt blades. Check with your Husqvarna dealer to see which blades are best suited for your usage.

Checking the blade

- Check that the blade and the blade guard is not damaged or cracked. Replace the blade or the blade guard if it has been exposed to impact or is cracked. Never use a damaged or worn blade.
- Check that the right amount of water reaches the blade.

Transport and storage

- Inspect new blades for transport or storage damage.
- The blade should be removed from the machine after use and stored well. Store the blade dry.

FUEL HANDLING

General



WARNING! Running an engine in a confined or badly ventilated area can result in death due to asphyxiation or carbon monoxide poisoning.

Fuel and fuel fumes are highly flammable and can cause serious injury when inhaled or allowed to come in contact with the skin. For this reason observe caution when handling fuel and make sure there is adequate ventilation.

The exhaust fumes from the engine are hot and may contain sparks which can start a fire. **Never start the machine indoors or near combustible material!**

Do not smoke and do not place any hot objects in the vicinity of fuel.

Fuel

NOTICE! The machine is equipped with a four-stroke engine. Make sure there is always sufficient oil in the engine.

Gasoline

- Use good quality unleaded gasoline.
- The lowest recommended octane grade is 87 ((RON+MON)/2). If you run the engine on a lower octane grade than 87 so-called knocking can occur. This gives rise to a high engine temperature and increased bearing load, which can result in serious engine damage.

Engine oil

- Check the oil level before starting the machine. A too low oil level can cause serious damage to the engine. See instructions in the section "Maintenance".
- Never use oil intended for two-stroke engines.

Fueling



WARNING! Always stop the engine and let it cool for a few minutes before refueling.

When refuelling, open the fuel cap slowly so that any excess pressure is released gently.

Clean the area around the fuel cap.

Tighten the fuel cap carefully after refueling.

Move the machine at least 10 ft (3 m) from the refuelling point before starting it.

Never start the machine:

- If you have spilled fuel or engine oil on the machine, wipe off the spillage and allow remaining fuel to evaporate.
- If you have spilled fuel on yourself or your clothes, change your clothes. Wash any part of your body that has come in contact with fuel. Use soap and water.
- If the machine is leaking fuel. Check regularly for leaks from the fuel cap and fuel lines.

Transport and storage

- Store and transport the machine and fuel so that there is no risk of any leakage or fumes coming into contact with sparks or open flames, for example, from electrical machinery, electric motors, electrical relays/switches or boilers.
- When storing and transporting fuel always use approved containers intended for this purpose.

Long-term storage

- When storing the machine for long periods the fuel tank must be emptied. Contact your local gas station to find out where to dispose of excess fuel.

OPERATING

Protective equipment

General

- Do not use the machine unless you are able to call for help in the event of an accident.

Personal protective equipment

You must use approved personal protective equipment whenever you use the machine. Personal protective equipment cannot eliminate the risk of injury but it will reduce the degree of injury if an accident does happen. Ask your dealer for help in choosing the right equipment.



WARNING! The use of products such as cutters, grinders, drills, that sand or form material can generate dust and vapors which may contain hazardous chemicals. Check the nature of the material you intend to process and use an appropriate breathing mask.

Long-term exposure to noise can result in permanent hearing impairment. So always use approved hearing protection. Listen out for warning signals or shouts when you are wearing hearing protection. Always remove your hearing protection as soon as the engine stops.

Always wear:

- Approved protective helmet.
- Approved hearing protection.
- Protective goggles or a visor.
- Breathing mask.
- Tight-fitting, heavy-duty and comfortable clothing that permits full freedom of movement.
- Boots with steel toe-caps and non-slip sole

Other protective equipment

IMPORTANT! Sparks may appear and start a fire when you work with the machine. Always keep fire fighting equipment handy.

- Fire Extinguisher.
- Always have a first aid kit nearby.

General safety precautions

This section describes basic safety directions for using the machine. This information is never a substitute for professional skills and experience.

- Please read the operator's manual carefully and make sure you understand the instructions before using the machine.
- Keep in mind that the operator is responsible for accidents or hazards occurring to other people or their property.
- The machine must be kept clean. Signs and stickers must be fully legible.

Always use common sense

It is not possible to cover every conceivable situation you can face. Always exercise care and use your common sense. If you get into a situation where you feel unsafe, stop and seek expert advice. Contact your dealer, service agent or an experienced user. Do not attempt any task that you feel unsure of!



WARNING! The machine can be a dangerous tool if used incorrectly or carelessly, which can cause serious or fatal injury to the operator or others.

Never allow children or other persons not trained in the use of the machine to use or service it.

Never allow anyone else to use the machine without first ensuring that they have read and understood the contents of the operator's manual.

Never use the machine if you are fatigued, while under the influence of alcohol or drugs, medication or anything that could affect your vision, alertness, coordination or judgement.



WARNING! Unauthorized modifications and/or accessories may lead to serious injury or death to the user or others. Under no circumstances may the design of the machine be modified without the permission of the manufacturer.

Do not modify this product or use it if it appears to have been modified by others.

Never use a machine that is faulty. Carry out the safety checks, maintenance and service instructions described in this manual. Some maintenance and service measures must be carried out by trained and qualified specialists. See instructions under the heading Maintenance.

Always use genuine accessories.

Your warranty may not cover damage or liability caused by the use of non-authorized accessories or replacement parts.



WARNING! This machine produces an electromagnetic field during operation. This field may under some circumstances interfere with active or passive medical implants. To reduce the risk of serious or fatal injury, we recommend persons with medical implants consult their physician and the medical implant manufacturer before operating this machine.

OPERATING

Work area safety

- Observe your surroundings to ensure that nothing can affect your control of the machine.
- Ensure that no one/nothing can come into contact with the cutting equipment or be hit by parts if the blade breaks.
- Do not use the machine in bad weather, such as dense fog, heavy rain, strong wind, intense cold, etc. Working in bad weather is tiring and can lead to dangerous conditions, e.g. slippery surfaces.
- Never start to work with the machine before the working area is clear and you have a firm foothold. Look out for any obstacles with unexpected movement. Ensure when cutting that no material can become loose and fall, causing injury to the operator. Take great care when working on sloping ground.
- Ensure that the working area is sufficiently illuminated to create a safe working environment.
- Make sure that no pipes or electrical cables are routed in the working area or in the material to be cut.
- Make sure that electrical cables within the working area are not live.

Basic working techniques



WARNING! The bladeshaft rotates when the engine is cranked or started.

- This machine is designed and intended for cutting of fresh and hardened concrete in different hardness classes and of asphalt. Use in any other way is considered as contrary to the intended use.
- Always saw in a manner that permits easy access to the machine stop.
- Check that no tools or other objects have been left lying on the machine.
- Never leave the machine unsupervised with the motor running.
- Always check that the blade guard is fitted correctly before starting the machine. Never cut without using the blade guard.
- Clearly mark out all cuts to be made before you start sawing, plan these so they can be carried out without danger to persons or the machine.
- Do not turn, rotate or move the machine sideways while the blade is rotating.
- Firmly secure or anchor concrete blocks before cutting. The heavy weight of cut material can cause both extensive damage to the machine and serious personal injury if it cannot be moved under controlled conditions.
- Make sure that there is always another person close at hand when you use the machines, so that you can call for help if an accident should occur.

Transport and storage

- The machine is equipped with transportation wheels, and can easily be transported without the engine running. Make sure that the blade is in the top position before moving the machine.
- Remove the blade before transportation or storage of the machine.
- Observe care when lifting. You are handling heavy parts, which imply the risk of pinch injuries or other injuries.
- Always use the machine mounted lifting eye when lifting.
- Secure the equipment during transportation in order to avoid transport damage and accidents.
- For transport and storage of fuel, see the section "Fuel handling".
- For transport and storage of Blades, see the section "Blades".
- Store the equipment in a lockable area so that it is out of reach of children and unauthorized persons.
- If there is a risk of freezing, the machine must be drained of any remaining water.

STARTING AND STOPPING

Before starting

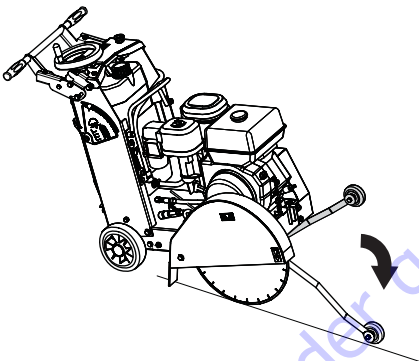


WARNING! Please read the operator's manual carefully and make sure you understand the instructions before using the machine.

Wear personal protective equipment. See instructions under the heading "Personal protective equipment".

Make sure no unauthorised persons are in the working area, otherwise there is a risk of serious personal injury.

- Perform daily maintenance. See instructions in the section "Maintenance".
- Fill the water tank or connect the machine to a water supply.
- Mark the cuts to be made.
- Front pointer must be checked for alignment with blade.
- Lay a straight edge along inner flange. Align the front pointer to the straight edge. If required, adjust the front pointer by loosening the nuts that hold the guide wheel in place. Align the guide wheel to the straight edge and retighten the nuts.
- Lower the front guide and align the machine with the marking.



Starting

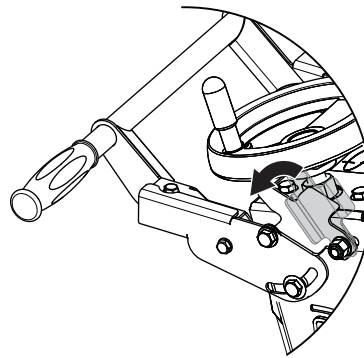
Start the engine

- Read the operator's manual supplied by the engine manufacturer.

Start the cutting

- Open the water tap.
- Check that the water tubing in the blade guard is open and that each side of the blade has an adequate supply of water.
- Test the water supply for pressure and quantity (flow) before starting the saw.
- Run the engine on full throttle.

- Lower the wheel locking control for setting of cutting depth.



- Saw only as deep as the job specifications require. Sawing deeper than required will add excessive wear to the blade and machine.
- Make a guiding cut, approx 20-30mm (1inch) deep.
- Cut increments of 50mm (2inches) deep until cutting depth specification is reached. This is known as "step cutting".
- Raise the wheel locking control for setting of the cutting depth.
- Saw only in a straight line. Mark cutting line clearly so that the saw operator can follow cutting line without difficulty.
- Slowly push the machine forwards. Make sure that the front guide and the blade do not deviate from the marking.

NOTICE! Saw should NOT be twisted from side to side to force blade back on line.

Stopping

Stop the cutting

- Lower the wheel locking control for setting of cutting depth. Unwind the blade from the groove.
- Raise the wheel locking control for setting of the cutting depth.
- Switch off the water tap.

Stop the engine

- Read the operator's manual supplied by the engine manufacturer.
- Press the machine stop and check that the engine stops.

MAINTENANCE

General



WARNING! The user must only carry out the maintenance and service work described in this manual. More extensive work must be carried out by an authorized service workshop.

Switch off the engine before carrying out any checks or maintenance.

Wear personal protective equipment. See instructions under the heading "Personal protective equipment".

The life span of the machine can be reduced and the risk of accidents can increase if machine maintenance is not carried out correctly and if service and/or repairs are not carried out professionally. If you need further information please contact your nearest servicing dealer.

- Let your Husqvarna dealer regularly check the machine and make essential adjustments and repairs.

Maintenance schedule

In the maintenance schedule you can see which parts of your machine that require maintenance, and with which intervals it should take place. The intervals are calculated based on daily use of the machine, and may differ depending on the rate of usage.

Daily Maintenance
Cleaning
External cleaning
Air filter
Sediment cup
Functional inspection
General inspection
Engine oil
Drive belt
Machine stop*
Blade guards*
Muffler*
Blade**
Lubrication
Blade shaft, daily
Grease nipple for depth adjustment system daily

*See instructions in the section "Machine's safety equipment".

** See instructions in the section "Blades" and "Assembly and settings".

Cleaning

External cleaning

- Check that all couplings, connections and cables are intact and free from dirt.
- The blade is cooled by water being sprayed through small holes in the blade guard. Make sure that these small holes are unblocked so that the blade is properly cooled.

Air filter

For cleaning and change of air filter, read the operator's manual supplied by the engine manufacturer.

- The air filter may need cleaning 2-3 times per day in extremely dusty environments.
- A damaged air filter must always be replaced.



CAUTION! The filter must not be cleaned with compressed air, this will damage the filter. Filters can be vacuumed out for cleaning but avoid hitting or dragging items across the surface as this will damage the filter.

Paper filters are to be disposed of correctly and replaced.

A polyester filter can be cleaned via vacuuming or low pressure washing.

Do not use high pressure washing, this will damage the filter.

A damaged air filter must always be replaced.

A washed filter must be 100% dry before being placed back onto the equipment.

Spark plug

- If the machine is low on power, difficult to start or runs poorly at idle speed: always check the spark plug first before taking other steps.
- Ensure that the spark plug cap and ignition lead are undamaged to avoid the risk of electric shock.
- If the spark plug is dirty, clean it and at the same time check the electrode gap. Replace if necessary. See the supplied instruction manual for the engine.

CAUTION! Always use the recommended spark plug type! Use of the wrong spark plug can damage the piston/cylinder.

These factors cause deposits on the spark plug electrodes, which may result in operating problems and starting difficulties.

- An incorrect fuel mixture (too much or incorrect type of oil).
- A dirty air filter.

MAINTENANCE

Functional inspection

General inspection

- Check that nuts and screws are tightened.

Engine oil

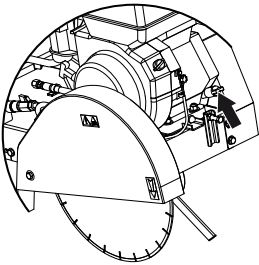


CAUTION! Remember that oil can pose a hazard to health and the environment. Follow local regulations for disposal and recycling.

For change of engine oil, read the operator's manual supplied by the engine manufacturer.

Checking the engine's oil level.

- The engine must be placed in a horizontal position when checking the oil level. Dismantle the blade or take other measures to be able to tilt the machine so that the engine is placed in a horizontal position.
- Check oil level and top up if necessary. The oil level must never be below the lower mark on dipstick, see engine manual.



- For the best result and function use HUSQVARNA engine oil.
- When HUSQVARNA engine oil is not available another high grade engine oil can be used. Use engine oil of quality SAE 10W-30, class API, MS, SD, SE or higher.
- Never use oil intended for two-stroke engines.

Drive belt

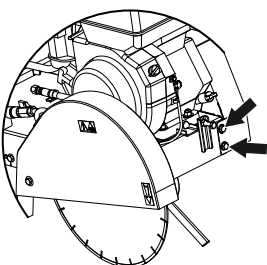
NOTICE! Do not over-tension the drive belt.

- Check that drive belt is not damaged and is not visibly defective.

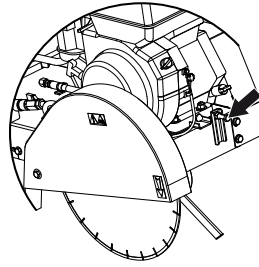
Tensioning the drive belt

The tension of a new drive belt must be readjusted after one or two tanks of fuel have been used.

- Loosen the beltguard screws. Remove the cover.



- Loosen the screws holding the engine in place.
- Turn the tension screw a quarter turn. the engine will be pushed towards the rear, and the belt is tensioned.



- Make sure that the belt pulleys are parallel and aligned with each other. Tighten the screws holding the engine and then unscrew the tension screw 2 turns to prevent it coming into contact with the engine block. Refit the belt guard and tighten the screws holding the belt guard in place.

Fuel system

General

- Check that the fuel cap and its seal are not damaged.
- Check the fuel hose. Replace if necessary.

Greasing

Blade shaft

- Grease the blade shaft daily. Connect the grease gun and pump 3-5 strokes or until grease can be seen at the edges. Only use DIN 51825 grease classification K2K-30 or K3K-30.

Grease nipple for depth adjustment system

Lubricate the grease nipples for setting of the cutting depth daily.

Nut for feeding of cutting depth

Grease the feeding screw a couple of cm above and below the nut and adjust the saw up and down a couple of times to spread the grease.

Worn product

This machine has the prerequisites to last for many years. This minimizes the machine's environmental impact. Perform service and maintenance according to the instructions in this manual. This way the engine will last longer and the hazardous emissions are minimized.

When the machine is worn out it should be disposed of for recycling or scrapping. Follow local regulations for disposal and recycling.

Main materials

Engine

Aluminium (AL), Steel (AC), Copper (CU), Polyamide (PA)

Machine

Steel (AC), Fonte (FT), Aluminium (AL).

TECHNICAL DATA

Technical data

FS 400 LV

	18/450	20/500
Blade size - max, inch/mm	18/450	20/500
Cutting depth - max, inch/mm	6.5/162	7.5/187
The rotation speed of the spindle (at engine speed 3700 rpm), rpm	3000	
Arbor size, inch/mm	1/25.4	
Blade flange diameter, inch/mm	3.5/89	
Engine oil	SAE 10W-30, class API, MS, SD, SE or higher.	
Weight		
Machine with empty tanks, lb/kg	229/104	236/107
Operating weight, lb/kg	298/135	320/145
Dimensions (LxWxH), inch/mm	42.9x24.2x39.0/ 1090x615x990	44.1x24.2x39.0/ 1120x615x990

Noise emissions (see note 1)	
Sound power level, measured dB(A)	109
Sound power level, guaranteed L_{WA} dB(A)	112
Sound levels (see note 2)	
Sound pressure level at the operators ear, dB(A)	90
Vibration levels, a_{HV} (see note 3)	
Handle right, m/s^2	2.5
Handle left, m/s^2	3.2

Note 1: Noise emissions in the environment measured as sound power (L_{WA}) in conformity with EC directive 2000/14/EC.

Note 2: Noise pressure level according to EN 13862. Reported data for noise pressure level has a typical statistical dispersion (standard deviation) of 4.0 dB(A).

Note 3: Vibration level according to EN 13862. Reported data for vibration level has a typical statistical dispersion (standard deviation) of 1.5 m/s^2 .

TO PURCHASE THIS PRODUCT PLEASE CONTACT US



**Equipment Financing and
Extended Warranties Available**



**Discount-Equipment.com is your online resource for
commercial and industrial quality parts and equipment sales.**

561-964-4949

visit us on line @ www.discount-equipment.com

Select an option below to find your Equipment

Search by Manufacturer

Search by Product Type

Request a Quote

We sell worldwide for the brands: Genie, Terex, JLG, MultiQuip, Mikasa, Essick, Whiteman, Mayco, Toro Stone, Diamond Products, Generac Magnum, Airman, Haulotte, Barreto, Power Blanket, Nifty Lift, Atlas Copco, Chicago Pneumatic, Allmand, Miller Curber, Skyjack, Lull, Skytrak, Tsurumi, Husquvarna Target, Stow, Wacker, Sakai, Mi-T-M, Sullair, Basic, Dynapac, MBW, Weber, Bartell, Bennar Newman, Haulotte, Ditch Runner, Menegotti, Morrison, Contec, Buddy, Crown, Edco, Wyco, Bomag, Laymor, EZ Trench, Bil-Jax, F.S. Curtis, Gehl Pavers, Heli, Honda, ICS/PowerGrit, IHI, Partner, Imer, Clipper, MMD, Koshin, Rice, CH&E, General Equipment, Amida, Coleman, NAC, Gradall, Square Shooter, Kent, Stanley, Tamco, Toku, Hatz, Kohler, Robin, Wisconsin, Northrock, Oztec, Toker TK, Rol-Air, APT, Wylie, Ingersoll Rand / Doosan, Innovatech, Con X, Ammann, Mecalac, Makinex, Smith Surface Prep, Small Line, Wanco, Yanmar

EXPLICATION DES SYMBOLES

Symboles sur la machine:

AVERTISSEMENT! La machine utilisée de manière imprudente ou inadéquate peut devenir un outil dangereux, pouvant causer des blessures graves voire mortelles à l'utilisateur et aux autres personnes présentes.



Lire attentivement et bien assimiler le manuel d'utilisation avant d'utiliser la machine.



Utiliser les équipements de protection personnelle. Voir au chapitre "Équipement de protection personnelle".



Tout déplacement de la machine hors de la zone de coupe doit être effectué lorsque l'outil n'est pas en rotation.



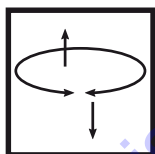
Retirez la lame avant de procéder au levage, au chargement, au déchargement et au transport de la machine.



Flèche sur la protection de l'outil indiquant le sens de rotation de l'outil.



Coupe en plongée, de haut en bas



Les protections doivent toujours être montées sur la machine. Les lames ne doivent pas être exposées plus de 180°.



Vérifier l'équipement de coupe. Ne jamais utiliser un équipement émoussé, fissuré ou endommagé.



Les lames doivent être marquées d'un régime similaire ou supérieur à celui indiqué sur la plaque signalétique de la machine. Un disque découpeur qui tourne à grande vitesse risque de se briser ou d'entraîner des blessures graves.



N'utilisez pas la machine près de gaz ou de substances inflammables.



AVERTISSEMENT! Au cours de la découpe, la poussière générée peut occasionner des blessures si elle est aspirée. Utiliser une protection respiratoire approuvée. Éviter d'inhaler des vapeurs d'essences et des gaz d'échappement. Veiller à disposer d'une bonne ventilation.



Surface chaude.



Risques associés à l'équipement! Gardez toujours toutes les parties du corps éloignées de la lame et de toutes les autres pièces mobiles.



Risque de coupure. Tenir le matériel de coupe éloigné de toute partie du corps.



Arrêt de la transmission



Frein de stationnement Activé / Désactivé



Indicateur de profondeur de coupe



Remplissez le réservoir avec de l'eau uniquement



Maintenez la scie de niveau, sans la lame, lorsque vous vérifiez le niveau d'huile.



Pour soulever la machine, toujours utiliser l'œilleton de levage dont elle est munie. Si ce symbole est indiqué sur la machine.



Émissions sonores dans l'environnement selon la directive de la Communauté européenne. Les émissions de la machine sont indiquées au chapitre Caractéristiques techniques et sur les autocollants.



FS400 LV

Husqvarna
FS 400 LV

Plaque signalétique

A	
B	
C	
D	E
F	

A: Marque

B: N° de produit

C: Modèle

D: Numéro de série

E: Date de fabrication, année, semaine

F: Fabricant, adresse, numéro de téléphone

EXPLICATION DES SYMBOLES

Les autres symboles/autocollants présents sur la machine concernent des exigences de certification spécifiques à certains marchés.



ATTENTION!

Les émissions du moteur de cet outil contiennent des produits chimiques qui, d'après l'État de Californie, peuvent causer le cancer, des malformations congénitales ou autre danger pour la reproduction.

ATTENTION ! CALIFORNIA AIR RESOURCES BOARD (CARB) : Cette machine est considérée comme une application hors route exemptée des normes CARB. L'EPA, aux États-Unis, est la seule habilitée à instaurer des normes antipollution visant l'équipement de construction exempté. Pour obtenir de plus amples renseignements, visitez le site www.arb.ca.gov/msprog/offroad/preempt.htm

Explication des niveaux d'avertissement

Il existe trois niveaux d'avertissement.

AVERTISSEMENT!



AVERTISSEMENT! Symbole utilisé en cas de risque de blessures très graves ou de mort pour l'utilisateur ou de dommages pour les environs si les instructions du manuel ne sont pas suivies.

REMARQUE !



REMARQUE ! Symbole utilisé en cas de risque de blessures pour l'utilisateur ou de dommages pour les environs si les instructions du manuel ne sont pas suivies.

ATTENTION !

ATTENTION ! Symbole utilisé en cas de risque de dommages pour les matériaux ou la machine si les instructions du manuel ne sont pas suivies.

Contrôler les points suivants avant la mise en marche:



AVERTISSEMENT! La découpe, particulièrement la découpe à SEC soulève la poussière générée par le matériau coupé qui contient souvent de la silice. La silice est composée de sable, de quarts d'argile, de granit et de nombreuses autres substances minérales et rocheuses. L'exposition à une quantité excessive d'une telle poussière peut causer:

Des maladies respiratoires (altérant les facultés respiratoires), y compris bronchites chroniques, silicose et fibrose pulmonaire dues à une exposition à la silice. Ces maladies peuvent être fatales;

Irritation cutanée et démangeaisons.

Des cancers selon NTP* et IARC* */ National Toxicology Program, International Agency for Research on Cancer

Prendre des mesures préventives:

Éviter l'inhalation et le contact avec la peau de la poussière, des vapeurs et des fumées.

L'utilisateur et les personnes présentes sur le site doivent porter des protections respiratoires appropriées telles que des masques spécialement prévus pour filtrer les particules microscopiques. (Voir OSHA 29 CFR Partie 1910.1200)

Couper si possible en utilisant le jet d'eau afin de réduire la poussière dispersée.

SOMMAIRE

Sommaire

EXPLICATION DES SYMBOLES

Symboles sur la machine:	18
Explication des niveaux d'avertissement	19
Contrôler les points suivants avant la mise en marche:	19

SOMMAIRE

Sommaire	20
----------------	----

PRÉSENTATION

Cher client,	21
Fonctions	21

PRÉSENTATION

Quels sont les composants de la machine ?	22
---	----

ÉQUIPEMENT DE SÉCURITÉ DE LA MACHINE

Généralités	23
-------------------	----

MONTAGE ET RÉGLAGES

Généralités	24
Montage de la lame	24
Hauteur de la poignée.	24
Indicateur de profondeur de coupe	24
Frein de stationnement	25

LAMES

Généralités	26
Refroidissement par eau	26
Lames diamant pour matériaux divers	26
Contrôle de la lame	26
Transport et rangement	26

MANIPULATION DU CARBURANT

Généralités	27
Carburant	27
Remplissage de carburant	27

COMMANDE

Équipement de protection	28
Instructions générales de sécurité	28
Transport et rangement	29

DÉMARRAGE ET ARRÊT

Avant le démarrage	30
Démarrage	30
Arrêt	30

ENTRETIEN

Généralités	31
Schéma d'entretien	31
Nettoyage	31
Contrôle fonctionnel	32
Graissage	32
Produit usé	33

CARACTÉRISTIQUES TECHNIQUES

Caractéristiques techniques	34
-----------------------------------	----

DECLARATION DE GARANTIE ETATS-UNIS

POLITIQUE DE GARANTIE	35
EQUIPEMENT	35

PRÉSENTATION

Cher client,

Nous vous remercions d'avoir choisi un produit Husqvarna !

Nous espérons que cette machine vous donnera toute satisfaction et qu'elle vous accompagnera pendant de longues années. L'achat de l'un des nos produits garantit une assistance professionnelle pour l'entretien et les réparations. Si la machine n'a pas été achetée chez l'un de nos revendeurs autorisés, demandez l'adresse de l'atelier d'entretien le plus proche.

Ce mode d'emploi est précieux. Veillez à ce qu'il soit toujours à portée de main sur le lieu de travail. En suivant les instructions qu'il contient (utilisation, révision, entretien etc.), il est possible d'allonger considérablement la durée de vie de la machine et d'augmenter sa valeur sur le marché de l'occasion. En cas de vente de la machine, ne pas oublier de remettre le manuel d'utilisation au nouveau propriétaire.

Plus de 300 ans d'innovation

Husqvarna AB est une entreprise suédoise qui a vu le jour en 1689 lorsque le roi Karl XI décida de construire un arsenal pour la fabrication des mousquets. À l'époque, les compétences en ingénierie à la base du développement de certains des produits leaders du marché mondial dans des domaines tels que les armes de chasse, les vélos, les motos, l'électroménager, les machines à coudre et les produits d'extérieur, étaient déjà solides.

Husqvarna est le premier fournisseur mondial de produits motorisés pour utilisation en extérieur dans la foresterie, l'entretien de parcs, de pelouses et de jardins, ainsi que d'équipements de coupe et d'outils diamant destinés aux industries de la construction et de la pierre.

Responsabilité de l'utilisateur

Il est de la responsabilité du propriétaire/de l'employeur de s'assurer que l'utilisateur possède les connaissances nécessaires pour manipuler la machine en toute sécurité. Les responsables et les utilisateurs doivent avoir lu et compris le Manuel d'utilisation. Ils doivent avoir conscience :

- Des instructions de sécurité de la machine.
- Des diverses applications de la machine et de ses limites.
- De la façon dont la machine doit être utilisée et entretenue.

Les législations locales peuvent limiter l'utilisation de cette machine. Recherchez les législations applicables pour le lieu où vous travaillez avant d'utiliser la machine.

Droit de réserve du fabricant

Toutes les informations et toutes les données indiquées dans ce manuel d'utilisation étaient valables à la date à laquelle ce manuel a été porté à l'impression.

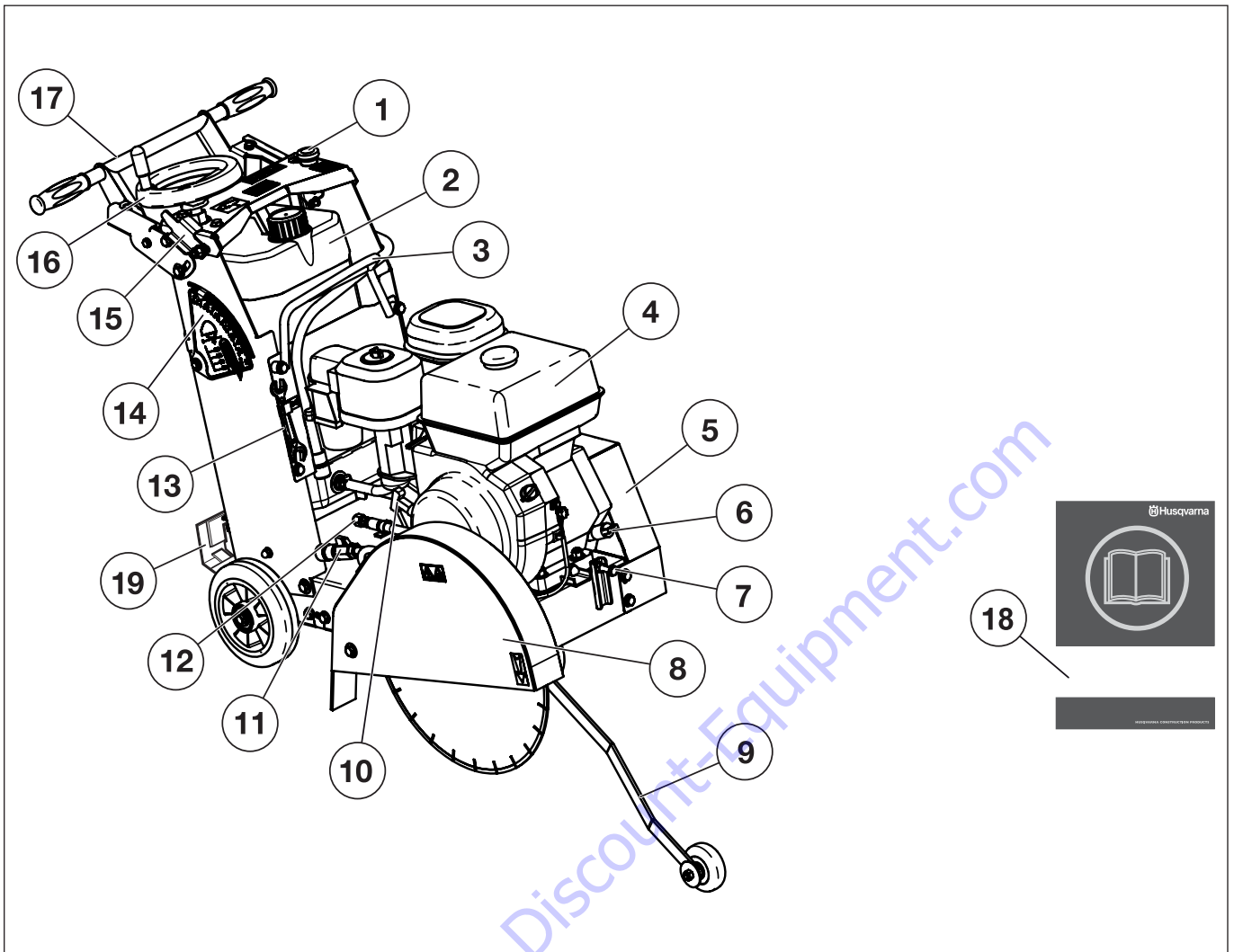
Husqvarna AB travaille continuellement au développement de ses produits et se réserve le droit d'en modifier, entre autres, la conception et l'aspect sans préavis.

Fonctions

Les produits Husqvarna se distinguent par des valeurs telles que la haute performance, la fiabilité, la technologie innovante, les solutions techniques de pointe et les considérations environnementales.

Certaines des caractéristiques uniques de votre produit sont décrites ci-dessous.

PRÉSENTATION



Quels sont les composants de la machine ?

- | | |
|---|--|
| 1 Arrêt de la machine | 11 Robinet d'eau |
| 2 Réservoir d'eau | 12 Vidange, huile moteur |
| 3 Œillet de levage | 13 Clé d'entretien |
| 4 Réservoir d'essence | 14 Indicateur de profondeur de coupe |
| 5 Couvercle de protection - courroie d'entraînement | 15 Levier de verrouillage, profondeur de coupe |
| 6 Remplissage d'huile | 16 Roue d'alimentation, profondeur de coupe |
| 7 Vis de tension, courroie d'entraînement | 17 Poignée |
| 8 Protège-lame | 18 Manuel d'utilisation |
| 9 Guide avant | 19 Frein de stationnement |
| 10 Poignée de lanceur | |

ÉQUIPEMENT DE SÉCURITÉ DE LA MACHINE

Généralités



AVERTISSEMENT! Ne jamais utiliser une machine dont les équipements de sécurité sont défectueux. Si les contrôles ne donnent pas de résultat positif, confier la machine à un atelier spécialisé.

Le moteur doit être éteint et le bouton d'arrêt en position STOP.

Ce chapitre présente les équipements de sécurité de la machine, leur fonction, comment les utiliser et les maintenir en bon état.

Arrêt de la machine

Le bouton d'arrêt de la machine est utilisé pour couper le moteur et toutes les fonctions électriques sauf les témoins.

Vérification de la fonction d'arrêt de la machine à l'aide du bouton

- Appuyez sur le bouton d'arrêt de la machine et vérifiez que le moteur s'arrête.
- Désengagez le bouton d'arrêt de la machine (tournez dans le sens des aiguilles d'une montre).

Protège-lame



AVERTISSEMENT! Toujours contrôler que le protège-lame est monté correctement avant de démarrer la machine.

Le protège-lame a pour fonction d'empêcher que des éclats du disque ou du matériau découpé ne soient projetés en direction de l'utilisateur.

Contrôle du protège-lame

Contrôler le protège-lame afin de détecter d'éventuels dommages ou fissures. Remplacer le protège-lame s'il a subi des dommages ou s'il présente des fissures.

Toujours contrôler que la protection est montée correctement avant de démarrer la machine. Contrôler aussi que la lame est correctement montée et n'est pas abîmée. Une lame abîmée peut engendrer des blessures.

Silencieux



AVERTISSEMENT! N'utilisez jamais une machine sans silencieux ou avec un silencieux défectueux. Si le silencieux est défectueux, le niveau sonore et le risque d'incendie augmentent considérablement. Veillez à disposer des outils nécessaires à l'extinction d'un feu.

Un silencieux devient très chaud en cours d'utilisation et le reste après l'arrêt. Cela est également vrai pour le régime au ralenti. Soyez très attentif aux risques d'incendie, surtout quand vous manipulez des gaz et/ou des substances inflammables.

Le silencieux est conçu pour réduire au maximum le niveau sonore et détourner les gaz d'échappement loin de l'utilisateur.

Contrôle du silencieux

Contrôler régulièrement que le silencieux est entier et qu'il est attaché correctement.

MONTAGE ET RÉGLAGES

Généralités

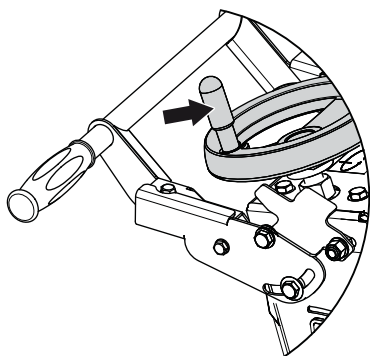


AVERTISSEMENT! Tout contrôle et/ou entretien doit être effectué avec le moteur à l'arrêt.

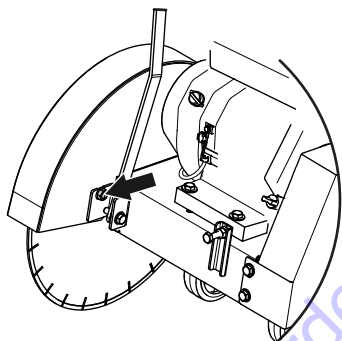
Vérifier que la lame et le protège-lame sont montés correctement avant de démarrer la machine.

Montage de la lame

- Remonter la roue d'alimentation de profondeur de coupe.



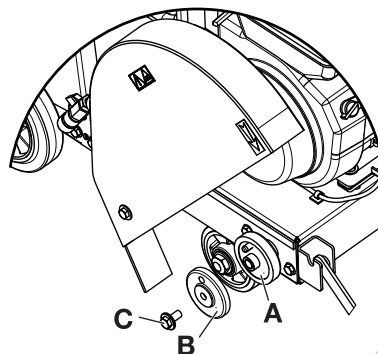
- Fermer le robinet d'eau. Débranchez le flexible d'eau du protège-lame.
- Desserrez l'écrou avant et inclinez le protège-lame en position d'entretien.



AVERTISSEMENT! Vérifier que la lame, la bride de lame et l'axe de la lame ne sont pas endommagés. Nettoyer les surfaces de contact de la lame et de la bride de lame. Assurez-vous que la lame et les flasques sont propres et qu'ils sont exempts de saletés et de débris avant l'installation de la lame sur la machine.

- Contrôlez le sens de rotation de la lame. La flèche présente sur la lame indique le sens de rotation.

- Poser la lame sur l'axe de lame (A). Poser la bride de lame (B) sur la lame. Assurez-vous que goupille de blocage de la bride (A) passe par la lame et dans la bride (B). Serrer la vis (C) correctement à l'aide de la clé fournie.

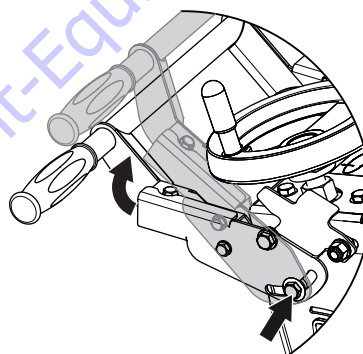


- Reposez le protège-lame et la conduite d'eau dans l'ordre inverse du démontage.

Hauteur de la poignée.

La hauteur du levier peut être réglée en hauteur.

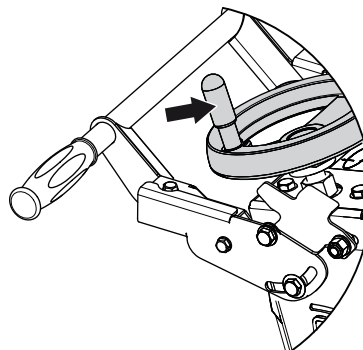
- Dévissez la vis. Placer la poignée à la hauteur de travail la plus confortable. Serrer la vis.



Indicateur de profondeur de coupe

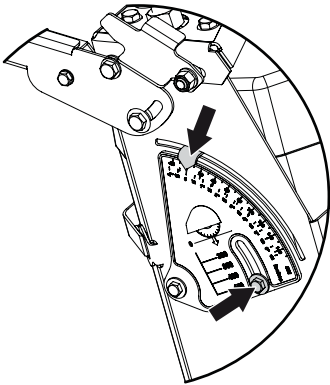
L'indicateur doit être étalonné avant utilisation.

- Abaisser la lame de façon à ce qu'elle touche à peine le sol.



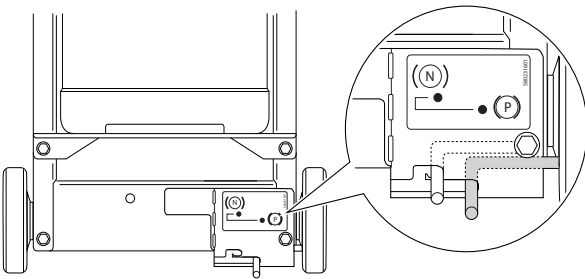
MONTAGE ET RÉGLAGES

- Dévissez la vis. Placer la flèche de l'indicateur sur « 0 ». Serrer la vis.



Frein de stationnement

Mettre en place le frein de stationnement.



To order go to Discount-Equipment.com

Généralités

- Les disques diamant se composent d'une structure en acier et de segments contenant des diamants industriels.
- Toujours utiliser une lame diamant acérée.
- Les lames doivent être marquées d'un régime similaire ou supérieur à celui indiqué sur la plaque signalétique de la machine.
- Ne jamais utiliser des lames autres que les lames d'origine destinées à la machine.

Refroidissement par eau

Toujours utiliser le refroidissement par eau. Ceci permet de refroidir les lames, d'augmenter leur durée de vie et de réduire la formation de poussière.

Lames diamant pour matériaux divers



AVERTISSEMENT! N'utilisez jamais une lame pour tout autre matériau que celui pour lequel elle est destinée.

Husqvarna propose une large gamme de lames de découpe à l'eau pour la découpe des planchers et des murs, dont des lames destinées à tous les matériaux, allant du béton frais au béton renforcé, dans différentes classes de dureté, ainsi qu'une gamme complète de lames pour asphalte. Demander à votre revendeur Husqvarna quelle est la lame la plus appropriée pour votre utilisation.

Contrôle de la lame

- Vérifiez la lame et le protège-lame afin de détecter d'éventuels dommages ou fissures. Remplacez la lame ou le protège-lame s'ils ont subi des coups ou s'ils présentent des fissures. N'utilisez jamais une lame endommagée ou usée.
- Contrôler que la quantité correcte d'eau atteint la lame.

Transport et rangement

- Inspecter les nouvelles lames pour détecter tout dommage dû au transport ou à l'entreposage.
- La lame doit être retirée de la machine après utilisation et être rangée dans un endroit sûr. Conserver la lame dans un endroit sec.

MANIPULATION DU CARBURANT

Généralités



AVERTISSEMENT! Faire tourner un moteur dans un local fermé ou mal aéré peut causer la mort par asphyxie ou empoisonnement au monoxyde de carbone.

Le carburant et les vapeurs de carburant sont très inflammables et peuvent causer des blessures graves en cas d'inhalation ou de contact avec la peau. Il convient donc d'observer la plus grande prudence lors de la manipulation du carburant et de veiller à disposer d'une bonne aération.

Les gaz d'échappement du moteur sont très chauds et peuvent contenir des étincelles pouvant provoquer un incendie. Par conséquent, ne jamais démarrer la machine dans un local clos ou à proximité de matériaux inflammables!

Ne fumez jamais ni ne placez d'objet chaud à proximité du carburant.

Carburant

ATTENTION! La machine est équipée d'un moteur à quatre temps. Veiller à ce que le moteur contienne toujours suffisamment d'huile.

Essence

- Utiliser une essence de qualité, sans plomb.
- Le taux d'octane minimum recommandé est de 87 ((RON+MON)/2). Si l'on fait tourner le moteur avec une essence d'un taux d'octane inférieur à 87, des cognements peuvent se produire. Ceci entraîne une augmentation de la température du moteur et ainsi le risque d'avaries graves du moteur.

Huile moteur

- Contrôler le niveau d'huile avec de démarrer la machine. Un niveau d'huile trop bas risque d'endommager gravement le moteur. Voir les instructions au chapitre « Entretien ».
- Ne jamais utiliser d'huile pour moteurs à deux temps.

Remplissage de carburant



AVERTISSEMENT! Arrêter le moteur et le laisser refroidir pendant quelques minutes avant de faire le plein.

Ouvrir le bouchon du réservoir lentement pour laisser baisser la surpression pouvant régner dans le réservoir.

Nettoyez le pourtour du bouchon de réservoir.

Serrer soigneusement le bouchon du réservoir après le remplissage.

Avant de mettre la machine en marche, la déplacer à au moins 3 mètres de l'endroit où a été fait le plein.

Ne jamais démarrer la machine:

- Si du carburant ou de l'huile moteur ont été répandus sur la machine. Essuyer soigneusement toutes les éclaboussures et laisser les restes d'essence s'évaporer.
- Si vous avez renversé du carburant sur vous ou sur vos vêtements, changez de vêtements. Lavez les parties du corps qui ont été en contact avec le carburant. Utilisez de l'eau et du savon.
- S'il y a fuite de carburant. Vérifier régulièrement que le bouchon du réservoir et la conduite de carburant ne fuient pas.

Transport et rangement

- Transporter et ranger la machine et le carburant de façon à éviter que toute fuite ou émanation éventuelle entre en contact avec une flamme vive ou une étincelle: machine électrique, moteur électrique, contact/interrupteur électrique ou chaudière.
- Lors du stockage et du transport de carburant, toujours utiliser un récipient homologué et conçu à cet effet.

Remisage prolongé

- Lors des remisages de la machine, vider le réservoir de carburant. S'informer auprès d'une station-service comment se débarrasser du carburant résiduel.

Équipement de protection

Généralités

- Ne jamais utiliser une machine s'il n'est pas possible d'appeler au secours en cas d'accident.

Équipement de protection personnelle

Un équipement de protection personnelle homologué doit impérativement être utilisé lors de tout travail avec la machine. L'équipement de protection personnelle n'élimine pas les risques mais réduit la gravité des blessures en cas d'accident. Demander conseil au concessionnaire afin de choisir un équipement adéquat.



AVERTISSEMENT! L'utilisation de produits tels que des ciseaux, des disques, des forets, des disques fins ou des formes peut générer de la poussière et des vapeurs pouvant contenir des substances chimiques toxiques. Vérifiez la composition du matériel avec lequel vous travaillez et portez un masque respiratoire adapté.

Une exposition prolongée au bruit risque de causer des lésions auditives permanentes. Toujours utiliser des protecteurs d'oreille agréés. Soyez toujours attentifs aux signaux d'alerte ou aux appels en portant des protège-oreilles. Enlevez-les sitôt le moteur arrêté.

Toujours utiliser:

- Casque de protection homologué.
- Protecteurs d'oreilles homologués.
- Lunettes protectrices ou visière.
- Masque respiratoire.
- Vêtements confortables, robustes et serrés qui permettent une liberté totale de mouvement.
- Bottes avec coquille en acier et semelle antidérapante

Autre équipement de protection

IMPORTANT! Lorsque vous travaillez avec la machine, des étincelles peuvent se former et mettre le feu. Gardez toujours à portée de main les outils nécessaires à l'extinction d'un feu.

- Extincteur.
- Une trousse de premiers secours doit toujours être disponible.

Instructions générales de sécurité

Le présent chapitre décrit les consignes de sécurité de base relatives à l'utilisation de la machine. Aucune de ces informations ne peut remplacer l'expérience et le savoir-faire d'un professionnel.

- Lire attentivement et bien assimiler le manuel d'utilisation avant d'utiliser la machine.
- N'oubliez pas que l'opérateur est responsable des accidents ou dangers aux tiers et à leurs biens.
- La machine doit rester propre. Les signes et autocollants doivent être parfaitement lisibles.

Utilisez toujours votre bon sens

Il est impossible de mentionner toutes les situations auxquelles vous pouvez être confronté. Soyez toujours vigilant et utilisez l'appareil avec bon sens. Si vous êtes confronté à une situation où vous pensez ne pas être en sécurité, arrêtez immédiatement et consultez un spécialiste. Veuillez contacter votre revendeur, votre atelier de réparation ou un utilisateur expérimenté. Il convient d'éviter tous les travaux pour lesquels vous ne vous sentez pas suffisamment qualifié !



AVERTISSEMENT! La machine utilisée de manière imprudente ou inadéquate peut devenir un outil dangereux, pouvant causer des blessures graves voire mortelles à l'utilisateur et aux autres personnes présentes.

Ne jamais permettre à des enfants ou à des personnes ne possédant pas la formation nécessaire d'utiliser ou d'entretenir la machine.

Ne jamais laisser d'autres personnes utiliser la machine sans s'être assuré au préalable que ces personnes ont bien compris le contenu du mode d'emploi.

N'utilisez jamais la machine si vous êtes fatigué, avez bu de l'alcool ou pris des médicaments susceptibles d'affecter votre vue, votre jugement ou la maîtrise de votre corps.



AVERTISSEMENT! Toute modification non autorisée et/ou tout emploi d'accessoires non homologués peuvent provoquer des accidents graves voire mortels pour l'utilisateur et les autres. Ne jamais modifier sous aucun prétexte la machine sans l'autorisation du fabricant.

Ne modifiez jamais cette machine de façon à ce qu'elle ne soit plus conforme au modèle d'origine et n'utilisez jamais une machine qui semble avoir été modifiée.

Ne jamais utiliser une machine qui n'est pas en parfait état de marche. Appliquer les instructions de maintenance et d'entretien ainsi que les contrôles de sécurité indiqués dans ce manuel d'utilisation. Certaines mesures de maintenance et d'entretien doivent être confiées à un spécialiste dûment formé et qualifié. Voir les instructions à la section Maintenance.

N'utiliser que des accessoires et des pièces d'origine.

Votre garantie ne couvre ni les dommages ni la responsabilité qu'entraîne l'utilisation de pièces ou d'accessoires non autorisés.

COMMANDE



AVERTISSEMENT! Cette machine génère un champ électromagnétique en fonctionnement. Ce champ peut dans certaines circonstances perturber le fonctionnement d'implants médicaux actifs ou passifs. Pour réduire le risque de blessures graves ou mortelles, les personnes portant des implants médicaux doivent consulter leur médecin et le fabricant de leur implant avant d'utiliser cette machine.

Sécurité dans l'espace de travail

- Observez la zone environnante et assurez-vous qu'aucun facteur ne risque d'affecter votre contrôle de la machine.
- Assurez-vous que personne/rien ne peut se trouver en contact avec l'équipement de coupe ou être touché par des pièces projetées par la lame.
- Ne pas travailler par mauvais temps: brouillard épais, pluie diluvienne, vent violent, grand froid, etc. Travailler par mauvais temps est fatiguant et peut créer des conditions de travail dangereuses telles que le verglas.
- Ne jamais commencer à travailler avec la machine sans avoir le champ libre et les pieds bien d'aplomb. Identifier les obstacles éventuels dans le cas de déplacement inattendu. S'assurer qu'aucun matériau ne risque de tomber et de provoquer des blessures ou des dommages lors de travail avec la machine. Redoubler de prudence en cas de travail dans un terrain en pente.
- S'assurer que l'éclairage de la zone de travail est suffisant pour que l'environnement de travail soit de toute sécurité.
- Assurez-vous qu'aucun tuyau ou câble électrique ne passe par la zone de travail ou dans le matériau à découper.
- Contrôlez que les câbles électriques présents dans la zone de travail ne sont pas sous tension.

Techniques de travail de base



AVERTISSEMENT! La lame tourne lorsque le moteur démarre ou a démarré.

- Cette machine est conçue pour la découpe du béton frais et renforcé dans différentes classes de dureté, et de l'asphalte. Toute autre utilisation est considérée comme contraire à l'utilisation prévue.
- Sciez toujours dans une position qui facilite l'accès au bouton d'arrêt de la machine.
- Vérifiez qu'aucun outil ou autre objet n'a été posé sur la machine.
- Ne laissez jamais la machine sans surveillance avec le moteur en marche.
- Toujours contrôler que le protège-lame est monté correctement avant de démarrer la machine. Ne procédez jamais à une découpe sans utiliser le protège-lame.

- Avant le sciage, toutes les entailles doivent être marquées clairement et planifiées de manière à pouvoir être effectuées sans danger pour les personnes ou la machine.
- Ne pas tourner, faire pivoter ou déplacer la machine sur le côté lorsque la lame tourne.
- Immobilisez ou ancrez solidement les blocs de béton avant de scier. En raison de son poids, le matériau coupé peut causer des dommages importants à la machine et blesser gravement des personnes si son déplacement n'est pas fait dans des conditions contrôlées.
- Lors de l'utilisation des machines, prévoyez toujours une personne à proximité afin de pouvoir obtenir de l'aide en cas d'accident.

Transport et rangement

- La machine est équipée de roues de transport et peut être facilement transportée sans que le moteur tourne. S'assurer que la lame est en position supérieure avant de déplacer la machine.
- Démontez la lame avant de transporter ou de remiser la machine.
- Faites preuve de prudence en cas de levage. Le maniement de pièces lourdes implique un risque de coincage ou autre blessure.
- Pour soulever la machine, toujours utiliser l'œilleton de levage dont elle est munie.
- Sécurisez l'équipement lors du transport afin d'éviter tout dommage ou accident.
- Pour le transport et le remisage du carburant, voir la rubrique « Manipulation du carburant ».
- Pour le transport et le rangement des lames, voir la rubrique « Lames ».
- Stockez l'équipement dans un endroit verrouillé afin de le maintenir hors de portée des enfants et de toute personne incompétente.
- S'il y a un risque de gel, la machine doit être vidangée de toute eau restante.

DÉMARRAGE ET ARRÊT

Avant le démarrage

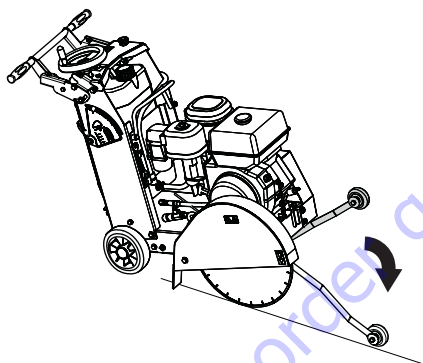


AVERTISSEMENT! Lire attentivement et bien assimiler le manuel d'utilisation avant d'utiliser la machine.

Utiliser les équipements de protection personnelle. Voir au chapitre "Équipement de protection personnelle".

Veiller à ce qu'aucune personne non autorisée ne se trouve dans la zone de travail pour éviter le risque de blessures graves.

- Effectuez un entretien quotidien. Voir les instructions au chapitre « Entretien ».
- Remplir le réservoir d'eau ou raccorder la machine à une alimentation en eau.
- Marquer les coupures à réaliser.
- Vérifiez le pointeur avant pour qu'il soit aligné avec la lame.
- Posez un régllet d'ajusteur sur la bride intérieure. Alignez le pointeur avant avec le régllet d'ajusteur. Si nécessaire, réglez le pointeur avant en desserrant les écrous qui maintiennent la roue de guidage en place. Alignez la roue de guidage avec le régllet d'ajusteur et resserrez les écrous.
- Abaisser le guide avant et aligner la machine avec le marquage.



Démarrage

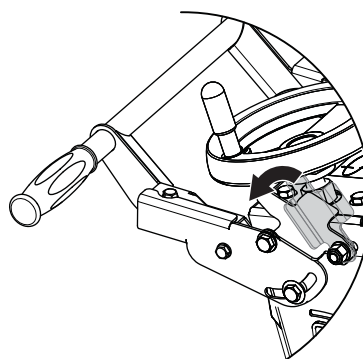
Démarrer le moteur

- Lire le manuel de l'opérateur fourni par le fabricant du moteur.

Commencer la découpe

- Ouvrir le robinet d'eau.
- Vérifiez que le circuit d'eau dans le protège-lame est ouvert et que chaque côté de la lame est suffisamment approvisionné en eau.
- Testez l'approvisionnement en eau pour la pression et la quantité (débit) avant de démarrer la scie.
- Faire tourner le moteur à plein régime.

- Abaisser la commande de verrouillage de la roue de réglage de la profondeur de coupe.



- La profondeur de coupe doit correspondre aux spécifications particulières requises. Si la coupe est plus profonde que nécessaire, la lame et la machine vont s'user prématurément.
- Faire une découpe guide, environ 20 à 30 mm (1 pouce) de profondeur.
- Coupez par incréments de 50 mm (2 pouces) de profondeur jusqu'à ce que la profondeur indiquée dans les spécifications particulières soit atteinte. C'est ce qu'on appelle « la coupe par étapes ».
- Relever la commande de verrouillage de la roue de réglage de la profondeur de coupe.
- Sciez uniquement en ligne droite. Marquez clairement la ligne de coupe pour que l'opérateur de la scie puisse la suivre sans difficulté.
- Pousser lentement la machine vers l'avant. S'assurer que le guide avant et la lame ne dévient pas du marquage.

ATTENTION ! Vous ne devez pas faire pivoter la scie de force pour rejoindre la ligne de coupe.

Arrêt

Arrêter la coupe.

- Abaisser la commande de verrouillage de la roue de réglage de la profondeur de coupe. Retirer la lame de la rainure.
- Relever la commande de verrouillage de la roue de réglage de la profondeur de coupe.
- Fermer le robinet d'eau.

Arrêt du moteur

- Lire le manuel de l'opérateur fourni par le fabricant du moteur.
- Appuyez sur le bouton d'arrêt de la machine et vérifiez que le moteur s'arrête.

Généralités



AVERTISSEMENT! L'utilisateur ne peut effectuer que les travaux d'entretien et de révision décrits dans ce manuel d'utilisation. Les mesures plus importantes doivent être effectuées dans un atelier d'entretien agréé.

Tout contrôle et/ou entretien doit être effectué avec le moteur à l'arrêt.

Utiliser les équipements de protection personnelle. Voir au chapitre "Équipement de protection personnelle".

La durée de vie de la machine risque d'être écourtée et le risque d'accidents accru si la maintenance de la machine n'est pas effectuée correctement et si les mesures d'entretien et/ou de réparation ne sont pas effectuées de manière professionnelle. Pour obtenir de plus amples informations, contacter l'atelier de réparation le plus proche.

- Faites régulièrement contrôler la machine par votre revendeur Husqvarna afin qu'il procède aux installations et réparations adéquates.

Schéma d'entretien

Le calendrier de maintenance vous indique quelles pièces de la machine nécessitent un entretien et à quelle fréquence cet entretien doit avoir lieu. La fréquence est calculée en fonction de l'utilisation quotidienne de la machine, et peut varier en fonction du degré d'utilisation.

Entretien Quotidien
Nettoyage
Nettoyage extérieur
Filtre à air
Coupelle à sédiments
Contrôle fonctionnel
Inspection générale
Huile moteur
Courroie d'entraînement
Arrêt de la machine*
Protège-lame*
Silencieux*
Lame**
Graissage
Axe de lame, tous les jours
Raccord de graissage du système de réglage de la profondeur, tous les jours

*Voir instructions à la rubrique « Équipement de sécurité de la machine ».

** Voir instructions aux rubriques « Lames » et « Montage et réglages ».

Nettoyage

Nettoyage extérieur

- Vérifiez que tous les couplages, raccordements et câbles sont intacts et qu'ils sont propres.
- La lame est refroidie par de l'eau pulvérisée via de petits orifices situés sur le protège-lame. S'assurer que ces orifices ne sont pas bloqués, afin d'assurer le refroidissement correct de la lame.

Filtre à air

Pour le nettoyage et le remplacement du filtre à air, lire le manuel d'utilisation fourni par le fabricant du moteur.

- Le filtre à air peut nécessiter 2 à 3 nettoyages par jour dans les environnements très poussiéreux.
- Tout filtre endommagé doit être remplacé immédiatement.



REMARQUE! Le filtre ne doit pas être nettoyé à l'air comprimé, cela risquerait de l'endommager. Les filtres peuvent être nettoyés par aspiration, mais évitez d'entrer en contact avec ou d'aspirer des éléments au travers de sa surface, cela risquerait de l'endommager.

Les filtres en papier doivent être correctement mis au rebut et remplacés.

Un filtre en polyester peut être nettoyé par aspiration ou par lavage à basse pression.

N'utilisez pas le lavage à haute pression, cela risquerait d'endommager le filtre.

Tout filtre endommagé doit être remplacé immédiatement.

Un filtre nettoyé doit être 100% sec avant d'être replacé sur la machine.

Bougie

- Si la puissance de la machine est faible, si la machine est difficile à mettre en marche ou si le ralenti est irrégulier, toujours commencer par contrôler l'état de la bougie avant de prendre d'autres mesures.
- Vérifier que le chapeau de bougie et le câble d'allumage ne sont pas endommagés afin d'éviter tout risque de choc électrique.
- Si la bougie est encrassée, la nettoyer et vérifier l'écartement des électrodes par la même occasion. Remplacez-les si nécessaire. Consulter le manuel d'utilisation fourni pour le moteur.

REMARQUE! Toujours utiliser le type de bougie recommandé! Une bougie incorrecte peut endommager le piston/le cylindre.

Ces facteurs peuvent concourir à l'apparition de calamine sur les électrodes, ce qui à son tour entraîne un mauvais fonctionnement du moteur et des démarrages difficiles.

- Mauvais mélange de l'huile dans le carburant (trop d'huile ou huile inappropriée).
- La propreté du filtre à air.

ENTRETIEN

Contrôle fonctionnel

Inspection générale

- Assurez-vous que toutes les vis et tous les écrous sont serrés.

Huile moteur

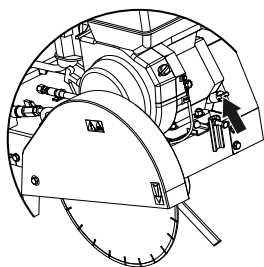


REMARQUE ! L'huile peut être dangereuse pour la santé et pour l'environnement. Respecter la réglementation locale en termes de mise au rebut et de recyclage.

Pour le remplacement de l'huile moteur, lire le manuel d'utilisation fourni par le fabricant du moteur.

Contrôle du niveau d'huile du moteur

- Le moteur doit être placé à l'horizontale lors du contrôle du niveau d'huile. Démontez la lame ou prenez les mesures appropriées pour incliner la machine afin que le moteur soit placé à l'horizontale.
- Vérifier le niveau d'huile et compléter au besoin. Le niveau d'huile ne doit jamais être inférieur à la marque la plus basse de la jauge, voir le manuel du moteur.



- Pour un fonctionnement et des résultats optimaux, utiliser l'huile moteur HUSQVARNA.
- Si de l'huile moteur HUSQVARNA n'est pas disponible, utiliser une autre huile moteur de haute qualité. Utiliser de l'huile moteur de qualité SAE 10W-30, classe API, MS, SD, SE ou supérieure.
- Ne jamais utiliser d'huile pour moteurs à deux temps.

Courroie d'entraînement

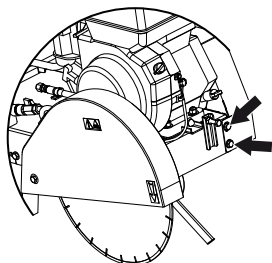
ATTENTION ! Ne pas tendre excessivement la courroie d'entraînement.

- Contrôler que la courroie d'entraînement est intacte et ne présente pas de défauts.

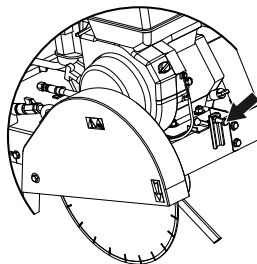
Tension de la courroie d'entraînement

Une courroie d'entraînement neuve doit être tendue une fois après un ou deux pleins de carburant.

- Desserrez les vis du protège-courroie. Déposer le capot.



- Desserrez les vis maintenant le moteur en place.
- Serrer la vis de tension d'un quart de tour. Le moteur est repoussé vers l'arrière et la courroie est tendue.



- S'assurer que les poulies de courroie sont parallèles et alignées l'une par rapport à l'autre. Serrer les vis maintenant le moteur, puis desserrer la vis de tension de deux tours afin d'éviter qu'elle entre en contact avec le bloc-moteur. Remettre le carter de la courroie en place et serrer les vis maintenant le carter de la courroie.

Système de carburant

Généralités

- Contrôler que le bouchon du réservoir et son joint sont intacts.
- Vérifier le tuyau à carburant. Le remplacer si nécessaire.

Graissage

Axe de lame

- Graisser l'axe de lame tous les jours. Branchez le pistolet à graisse et pompez 3 à 5 coups ou jusqu'à ce que de la graisse soit visible sur les bords. Utiliser uniquement la graisse DIN 51825 de classe K2K-30 ou K3K-30.

Graisseur du système de réglage de la profondeur

Lubrifier quotidiennement les raccords de graissage de réglage de la profondeur de coupe.

Écrou d'alimentation de la profondeur de coupe

Graisser la vis d'alimentation environ 2 cm au-dessus et en dessous de l'écrou et régler la scie vers le haut et vers le bas pour répartir la graisse.

Produit utilisé

Cette machine remplit les conditions nécessaires pour atteindre une longue durée de vie. Ceci minimise l'impact de la machine sur l'environnement. Effectuez les réparations et l'entretien conformément aux instructions de ce manuel. Ainsi, le moteur fonctionnera plus longtemps et les émissions dangereuses seront réduites au minimum.

Lorsque la machine est hors d'usage, elle doit être mise au rebut de façon à être recyclée ou détruite. Respecter la réglementation locale en termes de mise au rebut et de recyclage.

Matériaux principaux

Moteur

Aluminium (AL), acier (AC), cuivre (CU), polyamide (PA).

Machine

Acier (AC), fonte (FT), aluminium (AL).

To order go to Discount-Equipment.com

CARACTÉRISTIQUES TECHNIQUES

Caractéristiques techniques

FS 400 LV

	18/450	20/500
Dimension max. de lame, pouces/mm	18/450	20/500
Profondeur max. de la scie, pouces/mm	6.5/162	7.5/187
Vitesse de rotation de la tige (au régime du moteur 3 700 tr/min), tr/min	3000	
Taille de l'arbre, po/mm	1/25.4	
Diamètre du flasque de lame, pouces/mm	3.5/89	
Huile moteur	SAE 10W-30, classe API, MS, SD, SE ou supérieure.	
Poids		
Machine avec réservoirs vides, en lb/kg	229/104	236/107
Poids, lb/kg	298/135	320/145
Dimensions (L x l x H), pouces/mm	42.9x24.2x39.0/ 1090x615x990	44.1x24.2x39.0/ 1120x615x990

Émissions sonores (voir remarque 1)	
Niveau de puissance sonore mesuré dB(A)	109
Niveau de puissance sonore garanti L_{WA} dB(A)	112
Niveaux sonores (voir remarque 2)	
Niveau de pression acoustique au niveau des oreilles de l'utilisateur, dB(A)	90
Niveaux de vibrations, a_{hv} (voir remarque 3)	
Poignée droite, m/s^2	2.5
Poignée gauche, m/s^2	3.2

Remarque 1: Émission sonore dans l'environnement mesurée comme puissance acoustique (L_{WA}) selon la directive UE 2000/14/CE.

Remarque 2: Niveau de pression sonore conformément à EN 13862. Les données reportées pour le niveau de pression sonore montrent une dispersion statistique typique (déviations standard) de 4,0 dB (A).

Remarque 3: Niveau de vibrations conformément à EN 13862. Les données reportées pour le niveau de vibrations montrent une dispersion statistique typique (déviations standard) de 1,5 m/s^2 .

TO PURCHASE THIS PRODUCT PLEASE CONTACT US



**Equipment Financing and
Extended Warranties Available**



**Discount-Equipment.com is your online resource for
commercial and industrial quality parts and equipment sales.**

561-964-4949

visit us on line @ www.discount-equipment.com

Select an option below to find your Equipment

Search by Manufacturer

Search by Product Type

Request a Quote

We sell worldwide for the brands: Genie, Terex, JLG, MultiQuip, Mikasa, Essick, Whiteman, Mayco, Toro Stone, Diamond Products, Generac Magnum, Airman, Haulotte, Barreto, Power Blanket, Nifty Lift, Atlas Copco, Chicago Pneumatic, Allmand, Miller Curber, Skyjack, Lull, Skytrak, Tsurumi, Husquvarna Target, Stow, Wacker, Sakai, Mi-T-M, Sullair, Basic, Dynapac, MBW, Weber, Bartell, Bennar Newman, Haulotte, Ditch Runner, Menegotti, Morrison, Contec, Buddy, Crown, Edco, Wyco, Bomag, Laymor, EZ Trench, Bil-Jax, F.S. Curtis, Gehl Pavers, Heli, Honda, ICS/PowerGrit, IHI, Partner, Imer, Clipper, MMD, Koshin, Rice, CH&E, General Equipment, Amida, Coleman, NAC, Gradall, Square Shooter, Kent, Stanley, Tamco, Toku, Hatz, Kohler, Robin, Wisconsin, Northrock, Oztec, Toker TK, Rol-Air, APT, Wylie, Ingersoll Rand / Doosan, Innovatech, Con X, Ammann, Mecalac, Makinex, Smith Surface Prep, Small Line, Wanco, Yanmar

ACLARACION DE LOS SIMBOLOS

Símbolos en la máquina:

¡ATENCIÓN! La máquina, si se utiliza de forma errónea o descuidada, puede ser una herramienta peligrosa que puede causar daños graves e incluso la muerte al usuario y a otras personas.



Lea detenidamente el manual de instrucciones y asegúrese de entender su contenido antes de utilizar la máquina.



Utilice el equipo de protección personal. Vea las instrucciones bajo el título "Equipo de protección personal".



Todo desplazamiento de la máquina fuera del área de corte debe realizarse sin rotación de la herramienta.



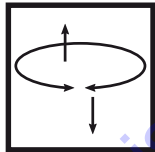
Retire la cuchilla antes de elevar, cargar, descargar o transportar la máquina.



La flecha en el protector de la herramienta indica la dirección de la rotación.



Hundimiento hacia arriba y hacia abajo



Las protecciones siempre deben estar instaladas en la máquina. Nunca permita que el disco se exponga en un ángulo superior a 180°.



Controle el equipo de corte. Nunca utilice un equipo roto, agrietado o dañado.



Los discos de corte deben estar marcados con la misma velocidad que se indica en la placa de características de la máquina, o una velocidad superior. Si el disco de corte funciona a demasiada velocidad, puede romperse o causar graves daños.



No utilice la máquina cerca de sustancias o gases inflamables.



¡ATENCIÓN! Cuando se realizan cortes se acumula polvo, que puede causar lesiones si se inhala. Utilice una máscara respiratoria aprobada. Evite inhalar los gases de escape. Proporcione siempre una buena ventilación.



Superficie caliente.



Riesgos de la maquinaria. Mantenga siempre todas las partes de su cuerpo alejadas del disco y de todas las demás partes móviles.



Riesgo de corte. Mantenga todas las partes del cuerpo lejos del equipo de corte.



Detención de la transmisión



Freno de estacionamiento Activado / Desactivado



Indicador de la profundidad de corte



Llene el depósito solo con agua



Mantenga la sierra nivelada, sin el disco, cuando verifique el nivel de aceite.



Utilice siempre la argolla de izada montada en la máquina para levantarla.



Este producto cumple con la directiva CE vigente. Si la marca está presente en la máquina.



Las emisiones sonoras en el entorno según la directiva de la Comunidad Europea. Las emisiones de la máquina se indican en el capítulo Datos técnicos y en la etiqueta.



FS400 LV

Husqvarna
FS 400 LV

D: Fecha de fabricación, año, semana
Número de serie

E: Número del producto
Peso
Tamaño máx. del disco, pulgadas/mm

H: Velocidad, hoja, rpm

I: Potencia máxima de entrada (kW)

Placa de características

A	
B	
C	
D	E
F	

A: Marca

B: N.º de producto

C: Model

D: Número de serie

E: Fecha de fabricación, año, semana

ACLARACION DE LOS SIMBOLOS

F: Fabricante, dirección, número

Los demás símbolos/etiquetas que aparecen en la máquina corresponden a requisitos de homologación específicos en determinados mercados.



ATTENTION!

Los gases de escape del motor de este producto contienen sustancias químicas conocidas en el Estado de California como causantes de cáncer, defectos congénitos y otros daños reproductivos.

AVISO JUNTA DE RECURSOS DEL AIRE DE CALIFORNIA (CARB): Esta máquina está considerada una aplicación de prevención según las normativas de la CARB. La EPA de EE. UU. es la única autoridad facultada para establecer normativas sobre emisiones para equipos de construcción de prevención. Si desea más información, consulte www.arb.ca.gov/msprog/offroad/preempt.htm

Explicación de los niveles de advertencia

Las advertencias se clasifican en tres niveles.

¡ATENCIÓN!



¡ATENCIÓN! Indica un riesgo de daños graves para el usuario o incluso muerte, o bien daños al entorno, si no se siguen las instrucciones del manual.

¡NOTA!



¡NOTA! Indica un riesgo de lesiones para el usuario o daños al entorno si no se siguen las instrucciones del manual.

AVISO

AVISO Indica un riesgo de daños en los materiales o en la máquina si no se siguen las instrucciones del manual.

Antes de arrancar, observe lo siguiente:



¡ATENCIÓN! El material que se corta a menudo contiene sílice y, al cortarlo en SECO particularmente, desprende polvo. La sílice es un componente básico de la arena, la arcilla para ladrillos, del cuarzo, del granito, y de varios otros minerales y rocas. La exposición a una cantidad excesiva de polvo de sílice puede causar:

Enfermedades respiratorias (que afectan su habilidad para respirar) como bronquitis crónicas, silicosis y fibrosis pulmonares por exposición a la sílice. Estas enfermedades pueden ser mortales.

Irritación y erupción de la piel.

Cáncer, según el Programa Nacional de Toxicología (NTP) y el Centro Internacional de Investigaciones sobre el Cáncer (IARC).

Tome medidas de precaución:

Evite el contacto de la piel con el polvo, vapor y humo, y su inhalación.

Use, y asegúrese de que quienes lo rodean usen, indumentaria de protección del aparato respiratorio como las mascarillas antipolvo diseñadas para filtrar partículas microscópicas. (Consulte las normas de la OSHA: 29 CFR Parte 1910.1200.)

Corte en húmedo, en la medida de lo posible, para minimizar la cantidad de polvo.

Índice

ACLARACION DE LOS SIMBOLOS

Símbolos en la máquina:	36
Explicación de los niveles de advertencia	37
Antes de arrancar, observe lo siguiente:	37

INDICE

Índice	38
--------------	----

PRESENTACIÓN

Apreciado cliente:	39
Características	39

PRESENTACIÓN

¿Qué es qué en la máquina?	40
----------------------------------	----

EQUIPO DE SEGURIDAD DE LA MÁQUINA

Generalidades	41
---------------------	----

MONTAJE Y AJUSTES

Generalidades	42
Montaje del disco	42
Regule la altura	42
Indicador de la profundidad de corte	42
Freno de estacionamiento	43

DISCOS

Generalidades	44
Refrigeración por agua	44
Hojas de diamante para diversos materiales	44
Control de la cuchilla	44
Transporte y almacenamiento	44

MANIPULACION DEL COMBUSTIBLE

Generalidades	45
Carburante	45
Repostaje	45

FUNCIONAMIENTO

Equipo de protección	46
Instrucciones generales de seguridad	46
Transporte y almacenamiento	47

ARRANQUE Y PARADA

Antes del arranque	48
Arranque	48
Parada	48

MANTENIMIENTO

Generalidades	49
Programa de mantenimiento	49
Limpieza	49
Inspección funcional	50
Engrasado	50
Producto desgastado	51

DATOS TECNICOS

Datos técnicos	52
----------------------	----

DECLARACIÓN DE GARANTÍA PARA EE. UU.

POLÍTICA DE GARANTÍA	53
EQUIPO	53

PRESENTACIÓN

Apreciado cliente:

Gracias por elegir un producto Husqvarna.

Esperamos que su máquina le proporcione plena satisfacción y le sirva de ayuda por mucho tiempo en adelante. La adquisición de alguno de nuestros productos da acceso a asistencia profesional con reparaciones y servicio. Si la máquina no fue adquirida en un distribuidor oficial, preguntar en la tienda de compra la dirección del taller de servicio más cercano.

Este manual de instrucciones es un documento importante. Procure tenerlo siempre a mano en el lugar de trabajo. Siguiendo sus instrucciones (de uso, servicio, mantenimiento etcétera) puede alargar considerablemente la vida útil de la máquina e incrementar su valor de reventa. Si vende su máquina, entregue el manual de instrucciones al nuevo propietario.

Más de 300 años de innovación

La fundación de la empresa sueca Husqvarna AB data del año 1689, cuando el Rey Karl XI encargó la construcción de una fábrica para la fabricación de mosquetes. En ese momento se establecieron los cimientos de la experiencia tecnológica en la que se basan muchos de los productos punteros en el mundo en el sector de las armas de caza, bicicletas, motocicletas, electrodomésticos, máquinas de coser y productos para exteriores.

Husqvarna es líder internacional en productos motorizados para exteriores destinados a la silvicultura, el mantenimiento de parques y el cuidado del césped y del jardín, así como equipos de corte y herramientas de diamante para el sector de la construcción y la piedra.

Responsabilidad del usuario

El propietario / empresario es el responsable de asegurarse de que el usuario tiene los conocimientos necesarios para utilizar la máquina con seguridad. Los supervisores y los usuarios deben haber leído y entendido el manual de instrucciones. Deben tener conocimiento de lo siguiente:

- Las instrucciones de seguridad de la máquina.
- Las aplicaciones y las limitaciones de la máquina.
- El modo de uso y de mantenimiento de la máquina.

La utilización de esta máquina podría estar restringida por regulaciones locales. Infórmese sobre las regulaciones vigentes en el lugar donde trabaja antes de empezar a utilizar la máquina.

Los derechos que se reserva el fabricante.

Toda la información y todos los datos contenidos en este manual de instrucciones son vigentes en la fecha de impresión del manual.

Husqvarna AB trabaja constantemente para perfeccionar sus productos y se reserva, por lo tanto, el derecho a introducir modificaciones en la construcción y el diseño sin previo aviso.

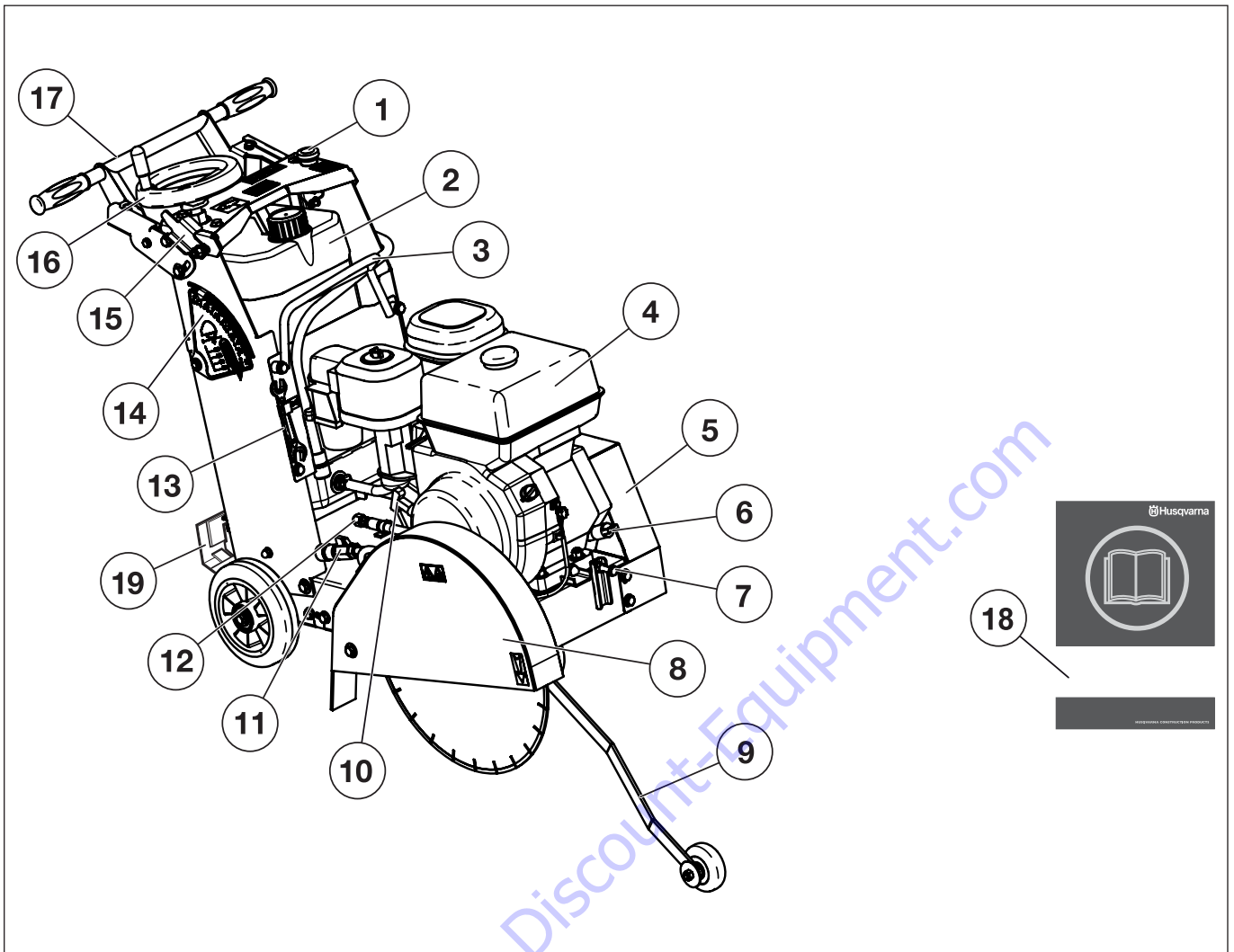
Para recibir información y atención como cliente, póngase en contacto con nosotros a través de nuestro sitio web: www.husqvarna.com

Características

El alto rendimiento, la fiabilidad, la tecnología innovadora, las soluciones técnicas avanzadas y el respeto medioambiental son los valores que caracterizan a los productos de Husqvarna.

A continuación se describen algunas de las características únicas de su producto.

PRESENTACIÓN



¿Qué es qué en la máquina?

- | | |
|---|--|
| 1 Parada de la máquina | 11 Grifo de agua |
| 2 Depósito de agua | 12 Drenaje, aceite del motor |
| 3 Cáncamo de elevación | 13 Llave de mantenimiento |
| 4 Depósito de combustible | 14 Indicador de la profundidad de corte |
| 5 Tapa protectora - correa de transmisión | 15 Palanca de cierre, profundidad de corte |
| 6 Llenado de aceite | 16 Rueda de alimentación, profundidad de corte |
| 7 Tornillo tensor, correa de transmisión | 17 Mango |
| 8 Protección de la hoja | 18 Manual de instrucciones |
| 9 Guía frontal | 19 Freno de estacionamiento |
| 10 Empuñadura de arranque | |

EQUIPO DE SEGURIDAD DE LA MÁQUINA

Generalidades



¡ATENCIÓN! Nunca utilice una máquina con componentes de seguridad defectuosos. Si su máquina no pasa todos los controles, entréguela a un taller de servicio para su reparación.

El motor debe apagarse y el botón de parada debe colocarse en la posición de parada.

En este capítulo se describen los componentes de seguridad de la máquina, su función y el modo de efectuar el control y el mantenimiento para garantizar un funcionamiento óptimo.

Parada de la máquina

Para apagar rápidamente el motor y todas las funciones eléctricas, salvo las luces, se utiliza el botón de parada de la máquina.

Comprobación de la parada de la máquina

- Presione la detención de la máquina y compruebe que el motor se detiene.
- Desconecte el botón de parada de la máquina (girar a la derecha).

Protección de la hoja



¡ATENCIÓN! Siempre verifique que la cubierta de la cuchilla esté ajustada correctamente antes de encender la máquina.

La protección del disco está diseñada para impedir que partes del disco o material cortado salgan disparadas contra el usuario.

Control de la protección del disco de corte

Controle que la protección de la hoja no esté dañada ni presente grietas. Cambie la protección de la hoja si ha recibido golpes o está agrietada.

Siempre verifique que la cubierta esté ajustada correctamente antes de encender la máquina. También verifique que la cuchilla esté correctamente ajustada y que no esté dañada. Una cuchilla dañada puede ocasionar heridas.

Silenciador



¡ATENCIÓN! No utilice nunca una máquina que no tenga silenciador o que lo tenga defectuoso. Un silenciador defectuoso puede incrementar considerablemente el nivel de ruido y el riesgo de incendio. Tenga a mano herramientas para la extinción de incendios.

El silenciador está muy caliente durante el funcionamiento y después de parar. Esto también es aplicable al funcionamiento en ralentí. Preste atención al riesgo de incendio, especialmente al emplear la máquina cerca de sustancias y/o gases inflamables.

El silenciador está diseñado para reducir al máximo posible el nivel sonoro y para apartar los gases de escape del usuario.

Revisión del silenciador

Revise regularmente el silenciador para comprobar que está intacto y bien fijo.

MONTAJE Y AJUSTES

Generalidades

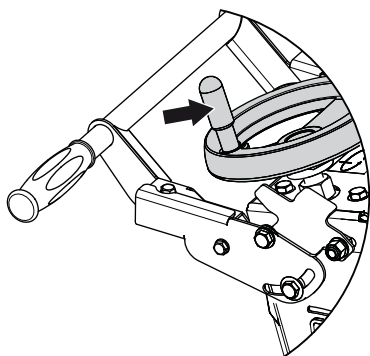


¡ATENCIÓN! Los trabajos de control y/o mantenimiento deben efectuarse con el motor desconectado.

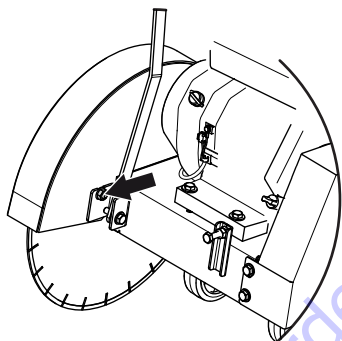
Compruebe que la cuchilla y su protección están correctamente montadas antes de arrancar la máquina.

Montaje del disco

- Enrolle la rueda de alimentación de profundidad de corte.



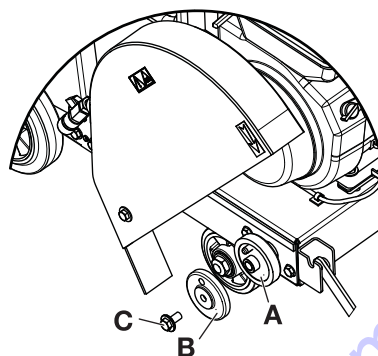
- Cierre el grifo del agua. Desconecte la manguera de agua de la protección de la hoja.
- Afloje la tuerca frontal e incline el protector de la hoja a la posición de servicio.



¡ATENCIÓN! Compruebe que la hoja, la brida de acoplamiento de hojas y el eje de la hoja no están dañados. Limpie las superficies de contacto de la hoja y de la brida de acoplamiento de hojas. Asegúrese de que el disco y las bridas estén limpios y libres de suciedad o residuos antes de montar el disco en la máquina.

- Compruebe el sentido de rotación del disco. La flecha de la hoja indica la dirección de giro.

- Coloque la hoja en el eje (A). Monte la brida de acoplamiento (B) sobre la hoja. Asegúrese de que el pasador de bloqueo en la brida (A) pase por la hoja y hacia la otra brida (B). Apriete el tornillo (C) con la llave suministrada.

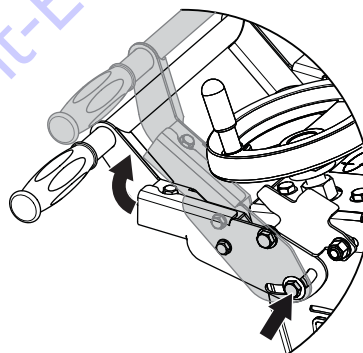


- Vuelva a montar la protección de la hoja y la manguera en orden inverso del desmantelamiento.

Regule la altura

El alto de la palanca puede ajustarse de acuerdo a la altura deseada.

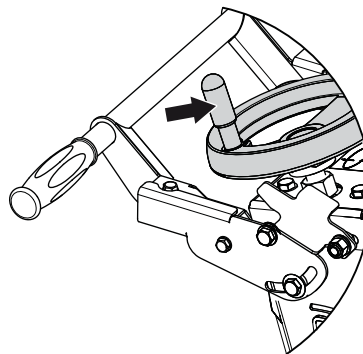
- Aflojar el tornillo. Coloque el manillar a la altura que le resulte más cómoda para trabajar. Apriete el tornillo.



Indicador de la profundidad de corte

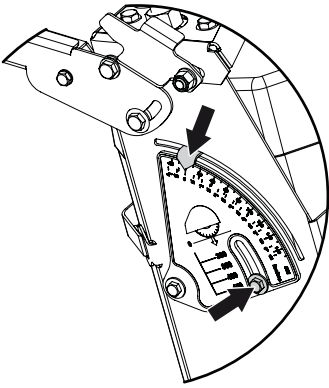
Es necesario calibrar el indicador antes de utilizarlo.

- Suelte la cuchilla hasta que toque ligeramente el suelo.



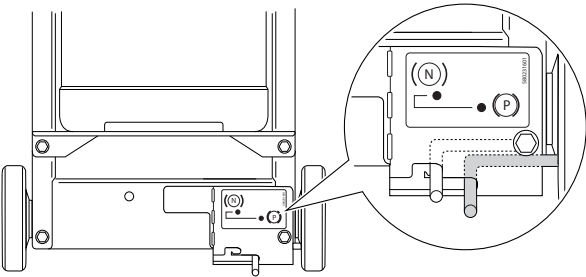
MONTAJE Y AJUSTES

- Aflojar el tornillo. Coloque la flecha del indicador en «0». Apriete el tornillo.



Freno de estacionamiento

Aplique el freno de estacionamiento.



To order go to Discount-Equipment.com

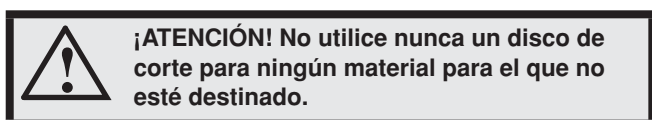
Generalidades

- Las hojas de diamante están compuestas por un armazón de acero provisto de segmentos conteniendo diamantes industriales.
- Use siempre una hoja de diamante afilada.
- Los discos de corte deben estar marcados con la misma velocidad que se indica en la placa de características de la máquina, o una velocidad superior.
- Nunca utilice discos de corte distintos a los discos originales destinados a la máquina.

Refrigeración por agua

Debe emplearse siempre refrigeración por agua. Así se enfrían los discos de corte, se aumenta su durabilidad y se reduce la formación de polvo.

Hojas de diamante para diversos materiales



Husqvarna dispone de una amplia gama de discos de corte húmedo para corte de suelos y muros, como cuchillas para todo tipo de hormigón, desde fresco hasta endurecido, de diferentes tipos de dureza, así como una amplia gama de discos para asfalto. Consulte con su distribuidor de Husqvarna acerca del disco más adecuado para su aplicación.

Control de la cuchilla

- Asegúrese de que ni el disco ni el protector estén dañados o agrietados. Sustituya el disco o el protector si han sufrido golpes o están agrietados. No utilice nunca un disco de corte dañado o gastado.
- Verifique que llegue a la cuchilla la cantidad correcta de agua.

Transporte y almacenamiento

- Revise los discos de corte nuevos para comprobar si presentan daños de transporte o almacenaje.
- La cuchilla debe quitarse de la máquina después de su uso y guardarse correctamente. Guarde la cuchilla en un lugar seco.

MANIPULACION DEL COMBUSTIBLE

Generalidades



¡ATENCIÓN! Si se hace funcionar el motor en un local cerrado o mal ventilado, se corre riesgo de muerte por asfixia o intoxicación con monóxido de carbono.

El combustible y los vapores de combustible son muy inflamables y pueden causar daños graves por inhalación y contacto con la piel. Por consiguiente, al manipular combustible proceda con cuidado y procure que haya buena ventilación.

Los gases de escape del motor están calientes y pueden contener chispas que pueden provocar incendio. Por esa razón, ¡nunca arranque la máquina en interiores o cerca de material inflamable!

No fume ni ponga objetos calientes cerca del combustible.

Carburante

AVISO La máquina tiene motor de cuatro tiempos. Compruebe que siempre haya suficiente aceite en el motor.

Gasolina

- Utilice gasolina sin plomo o gasolina con plomo de alta calidad.
- El octanaje mínimo recomendado es 90 (RON). Si se hace funcionar el motor con gasolina de octanaje inferior a 90, puede producirse clavazón. Esto aumenta la temperatura del motor, con el consiguiente riesgo de averías.

Aceite de motor

- Controlar el nivel de aceite antes de arrancar la máquina. Un nivel de aceite demasiado bajo puede causar averías graves del motor. Consulte las instrucciones bajo el título «Mantenimiento».
- No utilice nunca aceite para motores de dos tiempos.

Repostaje



¡ATENCIÓN! Apague el motor y deje que se enfríe unos minutos antes de repostar.

Para repostar, abra despacio la tapa del depósito de combustible para evacuar lentamente la eventual sobrepresión.

Limpie alrededor del tapón de combustible.

Después de repostar, apriete bien la tapa del depósito de combustible.

Antes de arrancar, aparte la máquina a 3 m como mínimo del lugar de repostaje.

Nunca arranque la máquina:

- Si ha derramado combustible o aceite de motor en la máquina. Limpie todos los derrames y deje evaporar los restos de gasolina.
- Si se salpicó el cuerpo o las ropas, cambie de ropas. Lave las partes del cuerpo que han entrado en contacto con el combustible. Use agua y jabón.
- Si hay fugas de combustible en la máquina. Compruebe regularmente si hay fugas en la tapa del depósito o en los conductos de combustible.

Transporte y almacenamiento

- Almacene y transporte la máquina y el combustible de manera que eventuales fugas o vapores no puedan entrar en contacto con chispas o llamas, por ejemplo, máquinas eléctricas, motores eléctricos, contactos eléctricos/ interruptores de corriente o calderas.
- Para almacenar y transportar combustible se deben utilizar recipientes diseñados y homologados para tal efecto.

Almacenamiento prolongado

- Si la máquina se va a almacenar por un período largo, se debe vaciar el depósito de combustible. Pregunte en la estación de servicio más cercana qué hacer con el combustible sobrante.

FUNCIONAMIENTO

Equipo de protección

Generalidades

- No use nunca una máquina si no tiene posibilidad de pedir auxilio si se produce un accidente.

Equipo de protección personal

Para trabajar con la máquina debe utilizarse un equipo de protección personal homologado. El equipo de protección personal no elimina el riesgo de lesiones, pero reduce su efecto en caso de accidente. Pida a su distribuidor que le asesore en la elección del equipo.



¡ATENCIÓN! El uso de productos que cortan, pulen, taladran, alisan o forman materiales puede generar polvo y vapores que pueden contener sustancias químicas dañinas. Averiguar la composición del material con que se trabaja y usar una máscara respiratoria adecuada.

La exposición prolongada al ruido puede causar daños crónicos en el oído, Por consiguiente, use siempre protectores auriculares homologados. Cuando use protección auditiva preste siempre atención a las señales o llamados de advertencia. Sáquese siempre la protección auditiva inmediatamente después de parar el motor.

Utilice siempre:

- Casco protector homologado.
- Protectores auriculares homologados.
- Gafas protectoras o visor.
- Máscara respiratoria.
- Prendas de vestir ceñidas, resistentes y cómodas que permitan una libertad de movimientos total.
- Botas con puntera de acero y suela antideslizante.

Otros equipos de protección

¡IMPORTANTE! Mientras trabaja con la máquina, pueden producirse chispas que podrían ocasionar un incendio. Tenga siempre a mano herramientas para la extinción de incendios.

- Extintor de incendios.
- Tenga siempre a mano el equipo de primeros auxilios.

Instrucciones generales de seguridad

Este apartado trata las normas de seguridad básicas para trabajar con el dispositivo. Esta información no sustituye en ningún caso los conocimientos y la experiencia de un profesional.

- Lea detenidamente el manual de instrucciones y asegúrese de entender su contenido antes de utilizar la máquina.

- Debe tenerse en cuenta que el operador es responsable de los accidentes o riesgos que ocurran a otras personas o a su propiedad.
- La máquina debe mantenerse limpia. Los letreros y las pegatinas deben ser legibles en su totalidad.

Emplee siempre el sentido común

Es imposible abarcar todas las situaciones imaginables que se pueden producir al utilizar una taladradora. Proceder siempre con cuidado y emplear el sentido común. Si se encuentra en alguna situación que le haga sentirse inseguro, deténgase y consulte con un experto. Consulte a su distribuidor, al taller de servicio técnico o a un usuario experimentado. No emplee la máquina en aplicaciones para las que no se considere plenamente cualificado.



¡ATENCIÓN! La máquina, si se utiliza de forma errónea o descuidada, puede ser una herramienta peligrosa que puede causar daños graves e incluso la muerte al usuario y a otras personas.

No permita bajo ningún concepto el empleo o mantenimiento de la máquina por los niños u otras personas no instruidas en el manejo de la misma.

Nunca deje que terceros utilicen la máquina sin asegurarse primero de que hayan entendido el contenido de este manual de instrucciones.

Nunca utilice la máquina si está cansado, si ha ingerido alcohol o si toma medicamentos que puedan afectarle la vista, su capacidad de discernimiento o el control del cuerpo.



¡ATENCIÓN! Las modificaciones y/o el uso de accesorios no autorizados comportan riesgo de daños personales graves y peligro de muerte para el usuario y otras personas. Bajo ninguna circunstancia debe modificarse la configuración original de la máquina sin autorización del fabricante.

No modifique nunca esta máquina de forma que se desvíe de la versión original, y no la utilice si parece haber sido modificada por otras personas.

No utilice nunca una máquina defectuosa. Lleve a cabo las comprobaciones de seguridad y siga las instrucciones de mantenimiento y servicio de este manual. Algunas medidas de mantenimiento y servicio deben ser efectuadas por especialistas formados y cualificados. Consulte las instrucciones del apartado Mantenimiento.

Utilizar siempre recambios originales.

Su garantía podría no abarcar daños o responsabilidades causados por el uso de accesorios o piezas de repuesto no autorizados.

FUNCIONAMIENTO



¡ATENCIÓN! Esta máquina genera un campo electromagnético durante el funcionamiento. Este campo magnético puede, en determinadas circunstancias, interferir con implantes médicos activos o pasivos. Para reducir el riesgo de lesiones graves o letales, las personas que utilizan implantes médicos deben consultar a su médico y al fabricante del implante antes de emplear esta máquina.

Seguridad en el área de trabajo

- Compruebe el entorno para asegurarse de que nada pueda influir en su control de la máquina.
- Asegúrese de que ningún objeto ni ninguna persona puede entrar en contacto con el equipo de corte o recibir el impacto de piezas lanzadas por el disco.
- No trabaje en condiciones atmosféricas desfavorables como niebla, lluvia intensa, tempestad, frío intenso, etc. Trabajar con mal tiempo es cansador y puede crear condiciones peligrosas, por ejemplo suelo resbaladizo.
- Nunca comience a trabajar con la cortadora eléctrica si el área de trabajo no está limpia y carece de un punto de apoyo. Preste atención a los obstáculos que puedan moverse inesperadamente. Al realizar un corte asegúrese de que ningún material se afloje y caiga, causando una herida. Tenga mucho cuidado al trabajar sobre suelos inclinados.
- Controle que la zona de trabajo esté bien iluminada para lograr un entorno seguro.
- Asegúrese de que no haya tuberías o cables eléctricos en la zona de trabajo o en el material que vaya a cortar.
- Compruebe que los cables eléctricos que haya en el área de trabajo no tengan tensión.

Técnica básica de trabajo



¡ATENCIÓN! El eje de disco gira cuando se arranca el motor.

- Esta máquina ha sido diseñada para cortar hormigón fresco y endurecido de diferentes tipos de dureza o asfalto. Cualquier otro uso será considerado como no específico de la máquina.
- Siempre realice cortes de una manera que permita un fácil acceso al dispositivo de detención de la máquina.
- Compruebe que no ha dejado ninguna herramienta u otro objeto sobre la máquina.
- No abandonar nunca la máquina sin vigilar, con el motor en marcha.
- Siempre verifique que la cubierta de la cuchilla esté ajustada correctamente antes de encender la máquina. No corte nunca sin utilizar el protector.
- Antes de empezar a cortar, todos los cortes que se van a hacer deben marcarse con claridad y planificarse para que se puedan hacer sin riesgo de dañar a personas o la máquina.

- Mientras la cuchilla está girando, no puede girar, rotar ni mover la máquina lateralmente.
- Asegure o ancle con firmeza los bloques de hormigón antes de cortar. El gran peso del material cortado puede ocasionar graves daños en la máquina y las personas si no se mueven en condiciones controladas.
- Al trabajar con las máquinas, procure siempre que haya alguien cerca, que pueda prestar ayuda en caso de accidente.

Transporte y almacenamiento

- La máquina dispone de ruedas de transporte para poder desplazarla con el motor apagado. Compruebe que la cuchilla está en la posición más elevada antes de mover la máquina.
- Desmonte la cuchilla antes de transportar y almacenar la máquina.
- Proceda con cuidado en las elevaciones. Las piezas son pesadas, por lo que hay riesgo de daños por apriete y daños personales de otro tipo.
- Utilice siempre la argolla de izada montada en la máquina para levantarla.
- Sujete bien el equipo durante el transporte para evitar daños y accidentes.
- Para obtener más detalles sobre el transporte y el almacenamiento del combustible, consulte el apartado «Manipulación del combustible».
- Para obtener más detalles sobre el transporte y el almacenamiento de los discos, consulte el apartado «Discos».
- Almacene la cortadora en lugar seguro fuera del alcance de los niños y personas no calificadas para su uso.
- Si existe riesgo de congelación, drene el agua restante de la máquina.

ARRANQUE Y PARADA

Antes del arranque

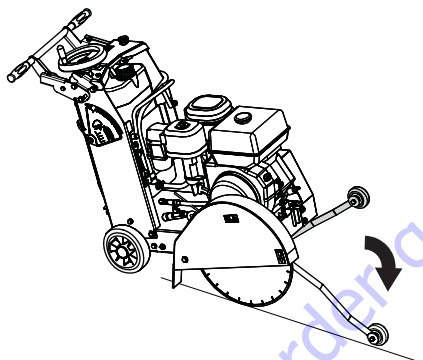


¡ATENCIÓN! Lea detenidamente el manual de instrucciones y asegúrese de entender su contenido antes de utilizar la máquina.

Utilice el equipo de protección personal. Vea las instrucciones bajo el título "Equipo de protección personal".

Asegúrese de que no haya personas desautorizadas en la zona de trabajo, de lo contrario, se corre el riesgo de ocasionar graves daños personales.

- Realice el mantenimiento diario. Consulte las instrucciones bajo el título «Mantenimiento».
- Llene el depósito de agua o conecte la máquina al suministro de agua.
- Marque los cortes que desea realizar.
- El puntero frontal se debe verificar para la alineación con la hoja.
- Extienda una línea recta con la brida interior. Alinee el puntero derecho conforme a la línea recta. Si es necesario, ajuste el puntero derecho aflojando las tuercas que mantienen a la rueda de guía en posición. Alinee la rueda de guía conforme a la línea recta y vuelva a ajustar las tuercas.
- Baje la guía frontal y alinee la máquina con las marcas.



Arranque

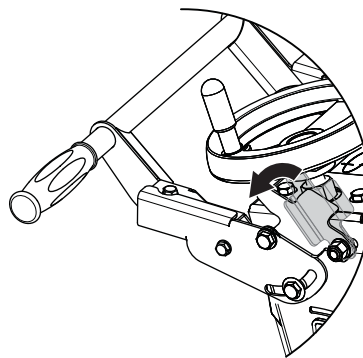
Arranque el motor

- Lea el manual de instrucciones del fabricante.

Empiece a cortar

- Abra el grifo de agua.
- Verifique que las tuberías acuáticas en la protección de la hoja estén abiertas y que cada lado de la hoja tiene el suministro de agua adecuado.
- Pruebe el suministro de agua para comprobar la presión y cantidad (flujo) antes de encender la sierra.
- Arranque el motor con aceleración máxima.

- Baje el control de cierre de la rueda para ajustar la profundidad de corte.



- Corte solo conforme a la profundidad que las especificaciones del trabajo indican. De lo contrario, la hoja y la máquina se gastarán en exceso.
- Haga un corte para guiarse de aproximadamente 20 a 30 mm (1 pulg.) de profundidad.
- Aumente la cantidad a 50 mm (2 pulgadas) hasta que la especificación de la profundidad de corte se alcance. Esto se conoce como "corte por pasos".
- Eleve el control de cierre de la rueda para fijar la profundidad de corte.
- Corte con la sierra solo en línea recta. Marque la unión de corte claramente para que el operador de la sierra pueda seguir la línea de corte sin dificultad.
- Empuje lentamente la máquina hacia adelante. Compruebe que la guía frontal y la cuchilla no se desvían de las marcas.

AVISO La sierra NO se debería torcer de lado a lado para hacer que la hoja vuelva a su posición.

Parada

Detenga el corte

- Baje el control de cierre de la rueda para ajustar la profundidad de corte. Suelte la cuchilla de la ranura.
- Eleve el control de cierre de la rueda para fijar la profundidad de corte.
- Cierre el grifo del agua.

Detenga el motor

- Lea el manual de instrucciones del fabricante.
- Presione la detención de la máquina y compruebe que el motor se detiene.

MANTENIMIENTO

Generalidades



¡ATENCIÓN! El usuario sólo puede efectuar los trabajos de mantenimiento y servicio descritos en este manual. Los trabajos de mayor envergadura debe efectuarlos un taller de servicio oficial.

Los trabajos de control y/o mantenimiento deben efectuarse con el motor desconectado.

Utilice el equipo de protección personal. Vea las instrucciones bajo el título "Equipo de protección personal".

La vida útil de la máquina puede acortarse y el riesgo de accidentes puede aumentar si el mantenimiento de la máquina no se hace de forma adecuada y si los trabajos de servicio y/o reparación no se efectúan de forma profesional. Para más información, consulte con el taller de servicio oficial más cercano.

- Encargue al distribuidor de Husqvarna la revisión regular de la cortadora y los ajustes y reparaciones necesarios.

Programa de mantenimiento

En el programa de mantenimiento podrá ver qué piezas de la máquina requieren mantenimiento y cada cuánto tiempo deberá realizarse. Los intervalos se calculan en función del uso diario de la máquina y pueden depender de la velocidad de uso.

Mantenimiento Diario
Limpieza
Limpieza externa
Filtro de aire
Cazoleta de sedimentos
Inspección funcional
Inspección general
Aceite de motor
Correa de transmisión
Parada de la máquina*
Protección del disco de corte*
Silenciador*
Hoja**
Lubricación
Eje de la hoja, diariamente.
Use las boquillas de engrase diariamente para ajustar la profundidad

* Consulte las instrucciones bajo el título «Equipo de seguridad de la máquina».

** Consulte las instrucciones bajo el título «Discos de corte» y «Montaje y ajustes».

Limpieza

Limpieza externa

- Compruebe que todas las juntas, conexiones y cables están intactos y limpios.
- La cuchilla se enfría con el agua pulverizada a través de orificios pequeños de la protección de la hoja. Compruebe que estos orificios no estén bloqueados para que la cuchilla se enfríe correctamente.

Filtro de aire

Para limpiar y cambiar el filtro del aire, lea el manual de instrucciones suministrado por el fabricante del motor.

- La limpieza recomendada del filtro de aire es de 2-3 veces al día en entornos muy polvorientos.
- Un filtro de aire averiado debe cambiarse.



¡NOTA! El filtro no se debería limpiar con el aire comprimido; esto dañará el filtro. Los filtros se pueden aspirar en caso de que se deban limpiar, pero evite golpearlos o arrastrar objetos en la superficie, ya que dañará el filtro.

Los filtros de papel se deben desechar correctamente y se deben reemplazar.

Un filtro de poliéster se puede limpiar con una aspiradora o con un lavado a baja presión.

No utilice un lavado de alta presión, ya que dañará el filtro.

Un filtro de aire averiado debe cambiarse.

Debe asegurarse de que el filtro lavado esté completamente seco antes de volver a colocarlo en el equipo.

Bujía

- Si la máquina no tiene la potencia suficiente, cuesta encender o funciona lentamente: siempre verifique la bujía de encendido antes de tomar otras medidas.
- Compruebe que el capuchón y el cable de encendido estén intactos para evitar sacudidas eléctricas.
- Si la bujía está sucia, límpiela y compruebe la distancia entre los electrodos. Cámbielas si es necesario. Consulte el manual de instrucciones del motor.

¡NOTA! ¡Utilice siempre el tipo de bujía recomendado! Una bujía incorrecta puede arruinar el pistón y el cilindro.

Estos factores producen revestimientos en los electrodos de la bujía que pueden ocasionar perturbaciones del funcionamiento y dificultades de arranque.

- Mezcla de aceite inadecuada en el combustible (demasiado aceite o aceite inadecuado).
- Filtro de aire sucio.

MANTENIMIENTO

Inspección funcional

Inspección general

- Verifique que las tuercas y los tornillos estén apretados.

Aceite de motor

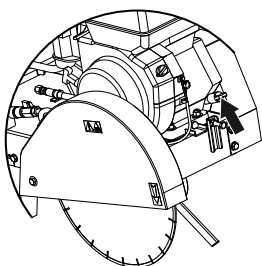


¡NOTA! Tener en cuenta que el aceite puede ser dañino para la salud y el medio ambiente. Cumpla la normativa local de reciclaje y eliminación.

Para cambiar el aceite del motor, lea el manual de instrucciones suministrado por el fabricante del motor.

Verificación del nivel de aceite del motor.

- El motor debe estar en posición horizontal para comprobar el nivel de aceite. Desmonte la cuchilla o tome otras medidas para poder inclinar la máquina y colocar el motor en posición horizontal.
- Compruebe el nivel de aceite y rellénelo si fuera necesario. El nivel de aceite nunca debe estar bajo la marca en la varilla de aceite. Consulte el manual del motor.



- Para un resultado óptimo, use aceite para motor HUSQVARNA
- Si no se dispone de aceite para motor HUSQVARNA, se puede usar otro aceite para motor de buena calidad. Utilice aceite de motor de calidad SAE 10W-30, clase API, MS, SD, SE o superior.
- No utilice nunca aceite para motores de dos tiempos.

Correa de transmisión

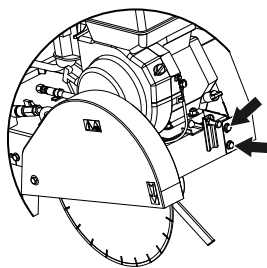
AVISO No ejerza tensión excesiva en la correa de transmisión.

- Compruebe que la correa de transmisión está intacta y no presenta defectos visibles.

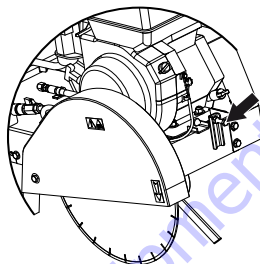
Tensado de la correa de transmisión

La tensión de una nueva correa de transmisión debe volver a ajustarse después de haber utilizado uno o dos tanques de combustible.

- Suelte los tornillos de la protección de la correa. Quite la cubierta.



- Afloje los tornillos que sujetan el motor en su sitio.
- Al girar el tornillo tensor un cuarto de vuelta, el motor caerá hacia atrás y la correa se tensará.



- Compruebe que las poleas de correa están en paralelo y alineadas entre ellas. Apriete los tornillos que sujetan el motor y desatornille 2 vueltas el tornillo tensor para impedir que entre en contacto con el bloque del motor. Vuelva a colocar la protección de la correa y apriete los tornillos que la mantienen en su sitio.

Sistema de combustible

Generalidades

- Verifique que la tapa del combustible y su sello no estén dañados.
- Verifique la manguera de combustible. Cámbiela si fuera necesario.

Engrasado

Eje de la hoja

- Engrase el eje de la hoja diariamente. Conecte la pistola de engrase y bombee con 3-5 disparos o hasta que pueda ver la grasa en los bordes. Utilice únicamente las grasas K2K-30 o K3K-30 de la clasificación DIN 51825.

Boquillas de engrase para el sistema de ajuste de profundidad

Lubrique las boquillas de engrase para ajustar la profundidad de corte cada día.

Tuerca de alimentación de la profundidad de corte

Engrase el tornillo de alimentación un par de centímetros por encima y por debajo de la tuerca y ajuste la sierra arriba y abajo un par de veces para extender la grasa.

Producto desgastado

Esta máquina cumple los requisitos previos para durar muchos años. De esta forma, se minimiza el impacto medioambiental de la máquina. Realice las tareas de reparación y mantenimiento siguiendo las instrucciones de este manual. De esta forma, la máquina durará más tiempo y se minimizarán las emisiones peligrosas.

Cuando la máquina esté desgastada, deberá desecharse para su reciclado o desguace. Cumpla la normativa local de reciclaje y eliminación.

Materiales principales

Motor

Aluminio (AL), acero (AC), cobre (CU), poliamida (PA).

Máquina

Acero (AC), hierro fundido (FT), aluminio (AL).

To order go to Discount-Equipment.com

DATOS TECNICOS

Datos técnicos

FS400 LV

	18/450	20/500
Tamaño máx. del disco, pulgadas/mm	18/450	20/500
Profundidad máxima de la sierra, pulgadas/mm	6.5/162	7.5/187
Velocidad de rotación del eje (a una velocidad de 3700 r/min), r/min	3000	
Tamaño del eje giratorio, pulgadas/milímetros	1/25.4	
Diámetro de la brida del disco, pulg/mm	3.5/89	
Aceite de motor	SAE 10W-30, clase API, MS, SD, SE o superior.	
Peso		
Máquina con tanques vacíos, libras/kilos	229/104	236/107
Peso operativo, lb/kg	298/135	320/145
Dimensiones (LxAxAI), in/mm	42.9x24.2x39.0/ 1090x615x990	44.1x24.2x39.0/ 1120x615x990

Emisiones de ruido (vea la nota 1)	
Nivel de potencia acústica medido dB(A)	109
Nivel de potencia acústica garantizado L_{WA} dB(A)	112
Niveles acústicos (vea la nota 2)	
Nivel de presión acústica en el oído del usuario, dB(A)	90
Niveles de vibraciones, a_{hv} (vea la nota 3)	
Empuñadura derecha, m/s^2	2.5
Empuñadura izquierda, m/s^2	3.2

Nota 1: Emisiones sonoras en el entorno medidas como potencia acústica (L_{WA}) según la directiva CE 2000/14/CE.

Nota 2: Nivel de presión sonora conforme a EN 13862. Los datos referidos del nivel de presión sonora tienen una dispersión estadística habitual (desviación estándar) de 4,0 dB(A).

Nota 3: Nivel de vibración conforme a EN 13862. Los datos referidos del nivel de vibración poseen una dispersión estadística habitual (desviación típica) de 1,5 m/s^2 .



www.Discount-Equipment.com



US - Original instructions, CA - Instructions d'origine, UE - Instrucciones originales

1156786-49



2019-03-26 rev4