



Parts Manual

Serial Number Range

S-40

from S4015-21541 to
S4016-21932

S-45

from S4016H-21933 to
S4016H-23499
and from S40H-23500

Part No. 1263382

Rev A8

November 2018

Go to Discount-Equipment.com to order your parts

PARTS FINDER

**Search Website
by Part Number**



**Search Manual
Library For Parts
Manual & Lookup Part
Numbers – Purchase
or Request Quote**

Search Manuals

Enter your information to help us find the right parts manual for your machine.

* Brand:

* Model:

* Serial:

* Part Number:

SEARCH

**Can't Find Part or
Manual? Request Help
by Manufacturer,
Model & Description**

Parts Order Form

Please fill in the following information to help us find the right part for your machine.

Manufacturer:	<input type="text"/>
Model:	<input type="text"/>
Description:	<input type="text"/>
Part Number:	<input type="text"/>
Quantity:	<input type="text"/>
Notes:	<input type="text"/>

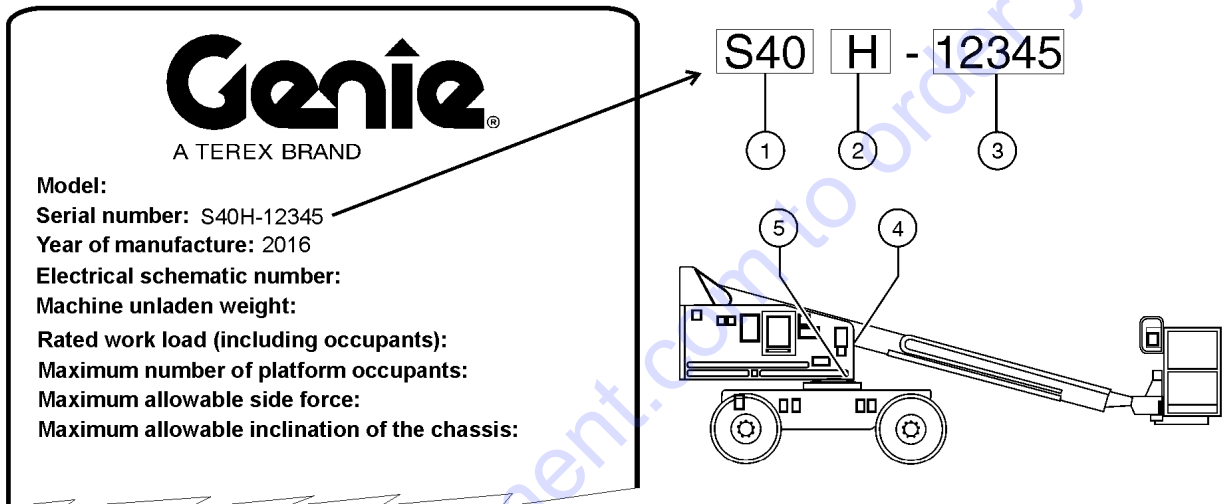
Discount-Equipment.com is your online resource for quality parts & equipment.

Florida: **561-964-4949** Outside Florida TOLL FREE: **877-690-3101**

Need parts?

Click on this link: <http://www.discount-equipment.com/category/5443-parts/> and choose one of the options to help get the right parts and equipment you are looking for. Please have the machine model and serial number available in order to help us get you the correct parts. If you don't find the part on the website or on one of the online manuals, please fill out the request form and one of our experienced staff members will get back to you with a quote for the right part that your machine needs.

We sell worldwide for the brands: Genie, Terex, JLG, MultiQuip, Mikasa, Essick, Whiteman, Mayco, Toro Stone, Diamond Products, Generac Magnum, Airman, Haulotte, Barreto, Power Blanket, Nifty Lift, Atlas Copco, Chicago Pneumatic, Allmand, Miller Curber, Skyjack, Lull, Skytrak, Tsurumi, Husquvarna Target, Stow, Wacker, Sakai, Mi-T-M, Sullair, Basic, Dynapac, MBW, Weber, Bartell, Bennar Newman, Haulotte, Ditch Runner, Menegotti, Morrison, Contec, Buddy, Crown, Edco, Wyco, Bomag, Laymor, EZ Trench, Bil-Jax, F.S. Curtis, Gehl Pavers, Heli, Honda, ICS/PowerGrit, IHI, Partner, Imer, Clipper, MMD, Koshin, Rice, CH&E, General Equipment, Amida, Coleman, NAC, Gradall, Square Shooter, Kent, Stanley, Tamco, Toku, Hatz, Kohler, Robin, Wisconsin, Northrock, Oztec, Toker TK, Rol-Air, APT, Wylie, Ingersoll Rand / Doosan, Innovatech, Con X, Ammann, Mecalac, Makinex, Smith Surface Prep, Small Line, Wanco, Yanmar



- 1 Model
- 2 Facility code
- 3 Sequence number
- 4 Serial label (located under cover)
- 5 Serial number (stamped on chassis)

Table of Contents

This manual is updated frequently. For the most up-to-date parts information, visit www.discount-equipment.com

How to Read Your Serial Number.....	3
Parts Stocking List.....	7

Electronic Version

Click on any page number to view the figure.

001 Parts Stocking List

001.1 Parts Stocking List.....	10
--------------------------------	----

100 Decals

101.1 Decals with Words, Hydraulic Tank Side.....	12
102.1 Decals with Words, Engine Side.....	14
103.1 Decals with Words, Boom.....	16
104.1 Decals with Words, Platform.....	18
105.1 Decals with Symbols, Hydraulic Tank Side.....	20
106.1 Decals with Symbol, Engine Side.....	22
107.1 Decals with Symbol, Boom.....	24
108.1 Decals with Symbol, Platform.....	26

200 Drive Chassis Components

201.1 2WD Steer Axle Linkage, Oscillating Models.....	28
202.1 2WD Steer Axle Linkage, Non-oscillating Models.....	30
203.1 2WD Steer Axle, Wheels and Hubs.....	32
204.1 2WD Non-steer Axle.....	34
205.1 4WD Steer Axle Linkage.....	36
206.1 4WD Steer Axle - Wheels and Hubs.....	38
207.1 4WD Non-steer Axle.....	42
208.1 Oscillation Control Valve.....	44
209.1 Trax Option Steer End.....	46
210.1 Trax Option Non-Steer End.....	48
211.1 Trax Option Idler Assembly.....	50

300 Turntable Components

301.1 Hydraulic and Fuel Tanks - Gasoline/LPG.....	52
302.1 Hydraulic and Fuel Tanks - Diesel.....	54
303.1 Function Manifold, Plug to Platform and Auxiliary Power Unit.....	56

304.1 Turntable Rotator and Hydraulic Rotary Coupler Installation.....	58
305.1 Turntable Rotation Drive Hub.....	60
306.1 Ground Control Box.....	62
307.1 Ground Control Box - Deutz D2.9L4 and Perkins 404F-22.....	66
308.1 Turntable Covers - View 1 (Tank Side).....	70
309.1 Turntable Covers - View 2 (Engine Side).....	72
310.1 Turntable Covers, S-40 - View 3.....	74
310.2 Turntable Covers, S-45 - View 3.....	76
311.1 Wire Harness and Power Cable Assemblies.....	78

400 Engine Components

401.1 Perkins 404D-22 Engine - View 1.....	82
402.1 Perkins 404D-22 Engine - View 2.....	84
403.1 Perkins 404D-22 Engine - View 3.....	86
404.1 Deutz F3L 2011/ D2011L03i Engine - View 1.....	88
405.1 Deutz F3L 2011/ D2011L03i Engine - View 2.....	90
406.1 Ford MSG-425 EFI Engine - View 1.....	94
407.1 Ford MSG-425 EFI Engine - View 2.....	96
408.1 Ford MSG-425 EFI Engine - View 3.....	98
409.1 Ford MSG-425 EFI Engine - View 4.....	100
410.1 Deutz D2.9L4 Engine, View 1.....	102
411.1 Deutz D2.9L4 Engine, View 2.....	104
412.1 Deutz D2.9L4 Engine, View 3.....	106
413.1 Deutz D2.9L4 Engine, View 4.....	108
414.1 Deutz D2.9L4 Engine, View 5.....	110
415.1 Perkins 404F-22 Engine, View 1.....	112
416.1 Perkins 404F-22 Engine, View 2.....	114
417.1 Perkins 404F-22 Engine, View 3.....	116
418.1 Perkins 404F-22 Engine, View 4.....	118
419.1 Engine Tray, Battery and Filter Installation.....	120

500 Boom Components

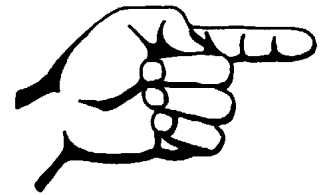
501.1 Boom Lift and Master Leveling Cylinder Installation.....	122
502.1 Boom Assembly, S-40.....	124
503.1 Boom Assembly, S-45.....	126
504.1 Cable Track Installation.....	128
505.1 Slave Cylinder and Platform Rotator, S-40 model.....	130
506.1 Jib Boom and Platform Rotator, S-45 model.....	132

600 Platform Components

601.1 Platform Installation - View 1 (to serial number S4016H-22549 and S4516H-22548).....	134
601.2 Platform Installation - View 1 (from serial number S4016H-22550 and S4516H-22549).....	136
602.1 Platform Installation - View 2.....	138
603.1 Platform Control Box.....	140

604.1 Joysticks (to SN 23802).....	144	821.1 Second LPG Carrier Option.....	218
605.1 Joysticks (from SN 23803).....	146	822.1 Tow Package.....	220
700 Hydraulic Components			
701.1 Function Manifold.....	148	823.1 Aircraft Protection Package.....	222
702.1 Traction Manifold.....	152	824.1 Operator Protection Structure.....	224
703.1 Two-Speed/Brake Manifold.....	154	825.1 Operators Protection Alarm (to January 2017).....	226
704.1 Jib Select, Platform Rotate and Generator Manifolds.....	156	825.2 Lift Guard Contact Alarm Option (from January 2017).....	228
705.1 Oil Diverter Manifold (welder option).....	158	826.1 Fall Arrest Bar.....	230
706.1 Hydraulic Pumps.....	160	827.1 Telematics Option.....	232
707.1 Hydraulic Hoses and Fittings - 2WD Drive and Steer System.....	162	Indices	
708.1 Hydraulic Hoses and Fittings - 4WD Drive and Steer System.....	164	Part Number Index.....	234
709.1 Hydraulic Hoses and Fittings - Oscillate System.....	166	Part Description Index.....	242
710.1 Hydraulic Hoses and Fittings - Turntable.....	168	Cross References	
711.1 Hydraulic Hoses and Fittings - Boom Components (S-40).....	170	Fittings Cross Reference.....	256
712.1 Hydraulic Hoses and Fittings - Boom Components (S-45).....	172		
800 Accessories			
801.1 Alarm and Beacon Package, Drive Light Option.....	174		
802.1 Platform Options (to serial number S4016H-22549 and S4516H-22548).....	176		
802.2 Platform Options (from serial number S4016H-22550 and S4516H-22549).....	178		
803.1 Ground and Platform Control Box Covers Options...	180		
804.1 Platform Overload - European Models.....	182		
805.1 Platform Half-Mesh and Pipe Cradle.....	184		
806.1 Air Line to Platform.....	186		
807.1 Cold Start Package.....	188		
808.1 Hydraulic Generator Option (MTE) - View 1.....	190		
809.1 Hydraulic Generator Option (MTE) - View 2.....	192		
810.1 Welder Option, Chassis Components - View 1 (to serial number S40H-24399 and S45H-24343).....	194		
810.2 Welder Option, Chassis Components - View 1 (from serial number S40H-24344 and S45H-24345).....	196		
811.1 Welder Option, Platform Components - View 2.....	198		
812.1 Hoses and Fittings - Welder.....	200		
813.1 Hydraulic Oil Cooler Option.....	202		
814.1 Hostile Environment Package - View 1.....	204		
815.1 Hostile Environment Package - View 2.....	206		
816.1 Hostile Environment Package - View 3.....	208		
817.1 Hostile Environment Package - View 4.....	210		
818.1 Hostile Environment Package - View 5.....	212		
819.1 Gauge Option.....	214		
820.1 Panel Cradle Option.....	216		

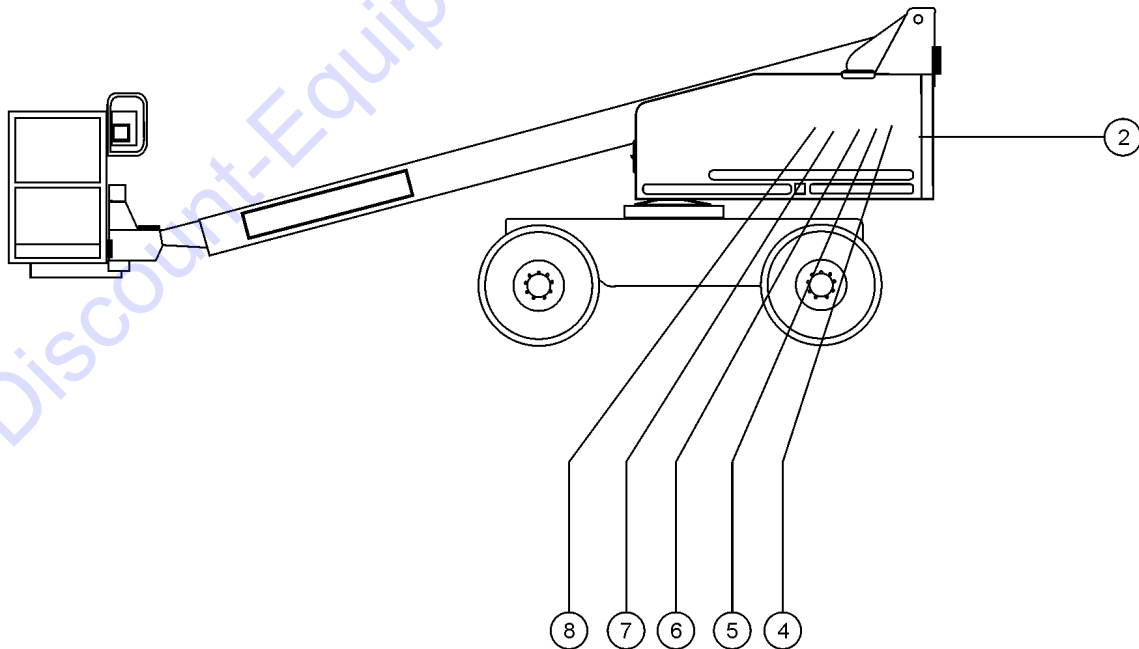
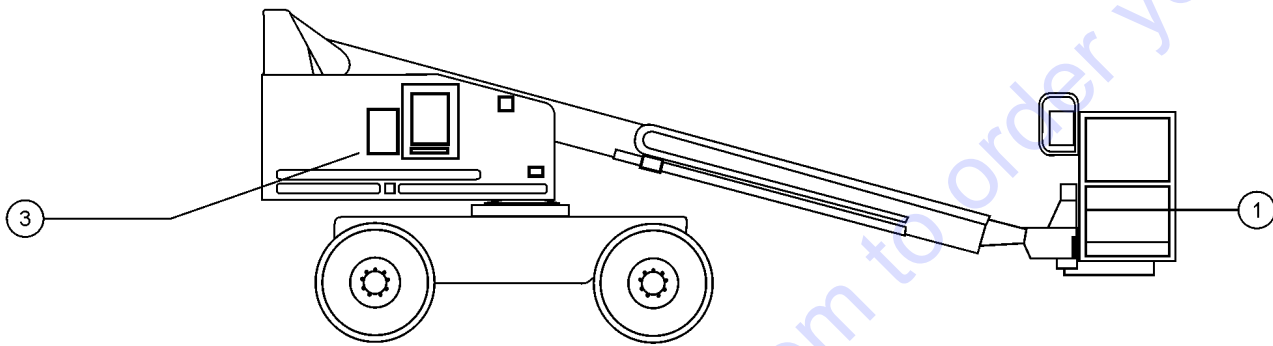
Please refer to section 001 for the Recommended Spare Parts List.



This page intentionally left blank.

Go to Discount-Equipment.com to order your parts

001.1 Parts Stocking List

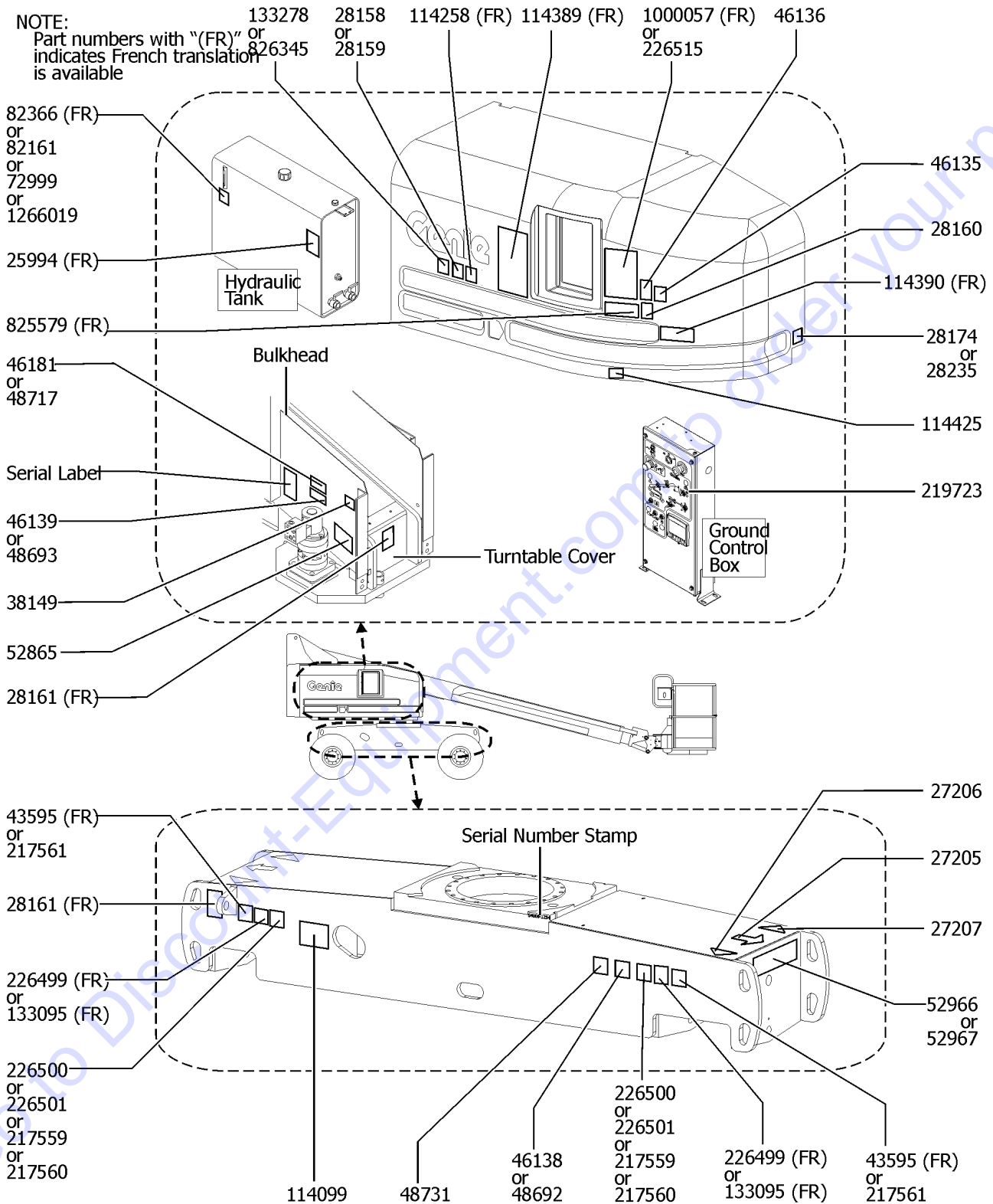


001.1 Parts Stocking List

Item	Part No.	Description	Qty.	Item	Part No.	Description	Qty.
A		— INSPECTION SERVICE KITS —		5		—Perkins 404F-22 Models—	
--	1278708GT	KIT,ENGINE SERVICE,250 HOUR,DEUTZ D2.9,,Z45/S40/S60/Z62/RT90 <i>Deutz D2.9L4 Models, (includes 49924, 62420, 214228 and 236260)</i>		--	1262487GT	BELT,AIR PUMP,PERKINS 404F-22T <i>(refer to 418.1)</i>	
--	1278709GT	KIT,ENGINE SERVICE,250 HOUR,FDMSG425,Z45/S40/S60/Z62/RT90 <i>Ford MSG425 Models, (includes 77295, 119984, and 215292)</i>		--	62420GT	FILTER,AIR*** <i>(refer to 416.1)</i>	
--	1278710GT	KIT,ANNUAL INSPECTION,S40/45 <i>(includes 46014, 60857,and 89616)</i>		--	62421GT	FILTER,FUEL,PERKINS <i>(refer to 415.1)</i>	
B		— GENERAL SERVICE PARTS —		--	62433GT	FILTER,ELEMENT,30 MIC,75020 <i>(refer to 416.1)</i>	
B	1258567GT	PAINT, AEROSOL, TRAFFIC BLACK <i>12-ounce spray paint</i>		--	89765GT	BELT, V (PERKINS 404) <i>(refer to 418.1)</i>	
B	66399GT	GREASE,DIELECTRIC 4 OZ**		--	94762GT	OIL FILTER - PERKINS <i>(refer to 415.1)</i>	
--	1257733GT	PAINT,WET,TRAFFIC BLACK (1 GL)** <i>1-gallon</i>		--	94889GT	FUEL FILTER ASSEMBLY <i>(refer to 416.1)</i>	
--	1268GT	PAINT,AEROSOL,GENIE GRAY*** <i>12-ounce spray paint</i>		6		—Deutz F3L-2011/Deutz D2011L03i Models—	
--	1283776GT	SEAL MARKER,CROSS CHECK,BLUE,TUBE		--	29560GT	FILTER,FUEL/WTR SEP, DTZ 1008 <i>(refer to 405.1)</i>	
--	28750GT	O-RING KIT,FIELD SVC,ALL PROD* <i>O-ring kit, SAE</i>		--	32698GT	BELT,V, DEUTZ DIESEL ENGINE <i>(refer to 405.1)</i>	
--	32150GT	PAINT,WET,GENIE BLUE (1 GL)** <i>1-gallon</i>		--	49924GT	FILTER,OIL,DEUTZ F4L1011F <i>(refer to 405.1)</i>	
--	32151GT	PAINT,WET,GENIE GRAY (1 GL)** <i>1-gallon</i>		--	62420GT	FILTER,AIR*** <i>(refer to 405.1)</i>	
--	33994GT	PLUG AND CAP KIT-SERVICE,37 ** <i>Plug and cap kit, SAE</i>		--	70496GT	STRAINER,FUEL 40 MICRON <i>(refer to 405.1)</i>	
--	49612GT	O-RING KIT (ORFS FITTINGS) <i>O-ring kit, Parker</i>		7		—Deutz D2.9L4 Models — <i>(from SN 18351)</i>	
--	93500GT	PARKER DIGITAL PRESSURE GAUGE		--	1262487GT	BELT,AIR PUMP,PERKINS 404F-22T <i>(refer to 413.1)</i>	
1		— MANUALS —		--	1262866GT	FAN BELT, ALTERNATOR <i>(refer to 413.1)</i>	
--	27581GT	MANUAL,AEM SAFETY		--	214228GT	FILTER, DEUTZ 2.9, FUEL <i>(refer to 412.1)</i>	
--	31779GT	MANUAL,RESPON,A92.5 BOOM		--	236260GT	PRE-FILTER,FUEL,DEUTZ TCD3.6 <i>(refer to 414.1)</i>	
2		— HYD FILTERS —		--	49924GT	FILTER,OIL,DEUTZ F4L1011F <i>(refer to 411.1)</i>	
--	60857GT	FILTER,ELEMENT,BETA(5)=1000 <i>(refer to figure 436.1)</i>		--	62420GT	FILTER,AIR***	
3	89616GT	FILTER ELEMENT,3 MICRON*** <i>(refer to figure 301.1)</i>		8		—Ford MSG-425 Models—	
4		—Perkins 404D-22 Models—		--	119139GT	OIL FILTER,DSG-423 <i>(refer to 406.1)</i>	
--	62420GT	FILTER,AIR*** <i>(refer to 401.1)</i>		--	119474GT	VALVE,PCV FORD DSG-423 <i>(refer to 407.1)</i>	
--	62421GT	FILTER,FUEL,PERKINS <i>(refer to 401.1)</i>		--	215287GT	SPARK PLUG, MSG425 <i>(refer to 406.1)</i>	
--	62433GT	FILTER,ELEMENT,30 MIC,75020 <i>(refer to 405.1)</i>		--	215291GT	BELT, FEAD, MSG425 <i>(refer to 407.1)</i>	
--	89765GT	BELT, V (PERKINS 404) <i>(refer to 403.1)</i>		--	77295GT	FILTER ELEMENT,AIR,NOLFF LPG <i>(refer to 408.1)</i>	
--	94762GT	OIL FILTER - PERKINS <i>(refer to 401.1)</i>					

101.1 Decals with Words, Hydraulic Tank Side

NOTE:
Part numbers with "(FR)" or
indicates French translation
is available

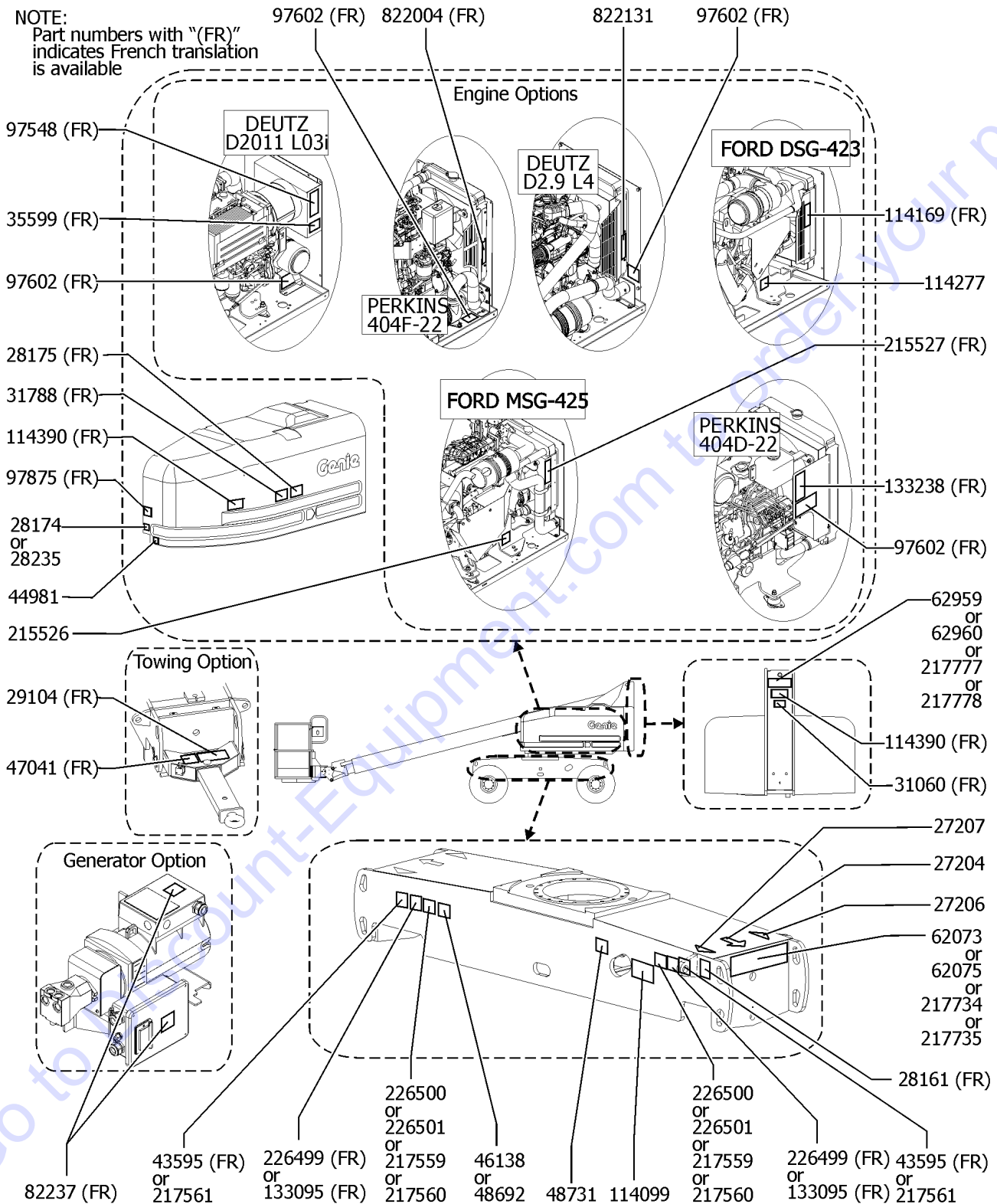


101.1 Decals with Words, Hydraulic Tank Side

Item	Part No.	Description	Qty.	Item	Part No.	Description	Qty.
1	25994GT	DECAL,NOTICE,SHUTOFF VALVES.....1		28	114099GT	DECAL,LABEL,TRANSPORT DIAGRAM.....1	
2	27205GT	DECAL,ARROW YELLOW LRG 9".....1		29	114258GT	DECAL,DANGER,NO SMOKING.....1	
3	27206GT	DECAL,TRIANGLE,BLUE.....1		30	114389GT	DECAL,DANGER,GENERAL SAFETY....1	
4	27207GT	DECAL,TRIANGLE,YELLOW.....1		31	114390GT	DECAL,DANGER,ELECT HAZARD***....1	
5	28158GT	DECAL,LABEL,UNLEADED GAS ONLY.....1 <i>Option, fuel</i>		32	114425GT	DECAL,BATTERY DISCONNECT.....1 <i>Option, FMRC</i>	
6	28159GT	DECAL,DIESEL.....1 <i>Option, fuel</i>		33	133095GT	DECAL,NOTICE,HI FLOAT TIRES.....2 <i>(Hi-floatation)</i>	
7	28160GT	DECAL,LABEL,LIQUID PROPANE.....1 <i>Option, LPG</i>		34	133278GT	DECAL,LOW/ULTRA LOW SULFR FUEL.....1 <i>(Deutz D2011L03i and Perkins 404D-22)</i>	
8	28161GT	DECAL,WARN,CRUSH HAZARD HAND.....2		35	217559GT	DECAL, MAX TRACK LOAD, S40, TR.....2 <i>(S-40 Trax)</i>	
9	28174GT	DECAL, POWER TO PLATFORM 230V**.....1		36	217560GT	DECAL, MAX TRACK LOAD, S45, TR.....2 <i>(S-45 Trax)</i>	
10	28235GT	DECAL,POWER TO PLATFORM 115V...1		37	217561GT	DECAL, DANGER, TIP OVER, TRAX.....2 <i>S-40 Trax and S-45 Trax Only</i>	
11	38149GT	DECAL,LABEL,PATENTS.....1 <i>US Only</i>		38	219723GT	DECAL,GROUND BOX,TIER IV.....1	
12	43595GT	DECAL,DANGER,TIP-OVER,TIRES***...2 <i>(AUS Only)</i>		39	226499GT	DECAL,NOTICE,TIRE PRESSURE.....2 <i>(Air filled or foam filled)</i>	
13	46135GT	DECAL NOTICE,GASOLINE TANK.....1 <i>Option, FMRC</i>		40	226500GT	DECAL,LABEL,WHEEL LOAD S-40.....2 <i>(S-40)</i>	
14	46136GT	DECAL,WARNING,EXPLOSION HAZARD.....1 <i>Option, FMRC</i>		41	226501GT	DECAL,LABEL,WHEEL LOAD S-45.....2 <i>(S-45)</i>	
15	46138GT	DECAL,GS/LPS (4"X4").....1 <i>Option, FMRC</i>		42	226515GT	DECAL,INSTRUCTIONS S40/45 AUS.....1 <i>(AUS)</i>	
16	46139GT	L,NAMEPLT,USE UNDERWRITE LAB...1 <i>Option, FMRC</i>		43	825579GT	DECAL, LCD, TIER 4.....1 <i>(Deutz D2.9 L4 and Perkins 404F-22)</i>	
17	46181GT	DECAL,FMRC APPROVAL,PLATE,LPS.....1 <i>Option, FMRC</i>		44	826345GT	DECAL,ULS DIESEL ONLY,TIER 4.....1 <i>(Deutz D2.9 L4 and Perkins 404F-22)</i>	
18	48692GT	DECAL,DS (4"X4").....1 <i>Option, FMRC</i>		45	1000057GT	DECAL,NOTICE,OPER INST.IC.....1 <i>(ANSI & CSA)</i>	
19	48693GT	DCL,NAMEPLT,USE UNDERWRITE LAB.....1 <i>Option, FMRC</i>		46	1266019GT	DECAL, LABEL, SHELL TELLUS.....1 <i>Option, hydraulic oil</i>	
20	48717GT	DECAL,FMRC APPROVAL, PLATE,DS.....1 <i>Option, FMRC</i>					
22	52865GT	DECAL,ANNUAL INSP***.....1 <i>US Only</i>					
23	52966GT	DECAL,COSMETIC,4 X 2.....1 <i>Option, drive</i>					
24	52967GT	DECAL,COSMETIC,4 X 4.....1 <i>Option, drive</i>					
25	72999GT	DECAL,LABEL,PETRO CANADA***.....1 <i>Option, hydraulic oil</i>					
26	82161GT	DECAL,LABEL,UCON HYDROLUBE.....1 <i>Option, hydraulic oil</i>					
27	82366GT	DECAL,CHEVRON RANDO HD.....1 <i>Option, hydraulic oil</i>					

102.1 Decals with Words, Engine Side

NOTE:
Part numbers with "(FR)" indicates French translation is available

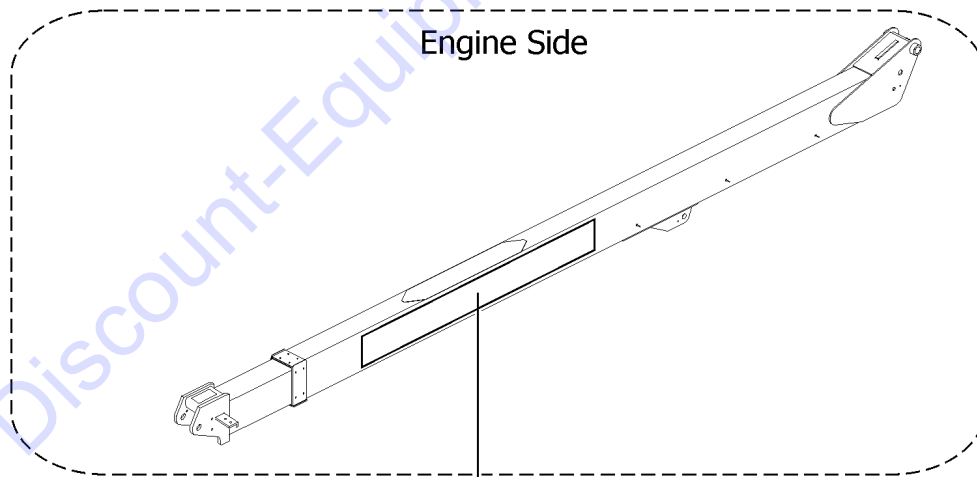
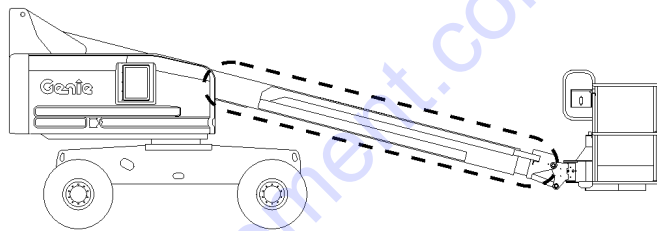
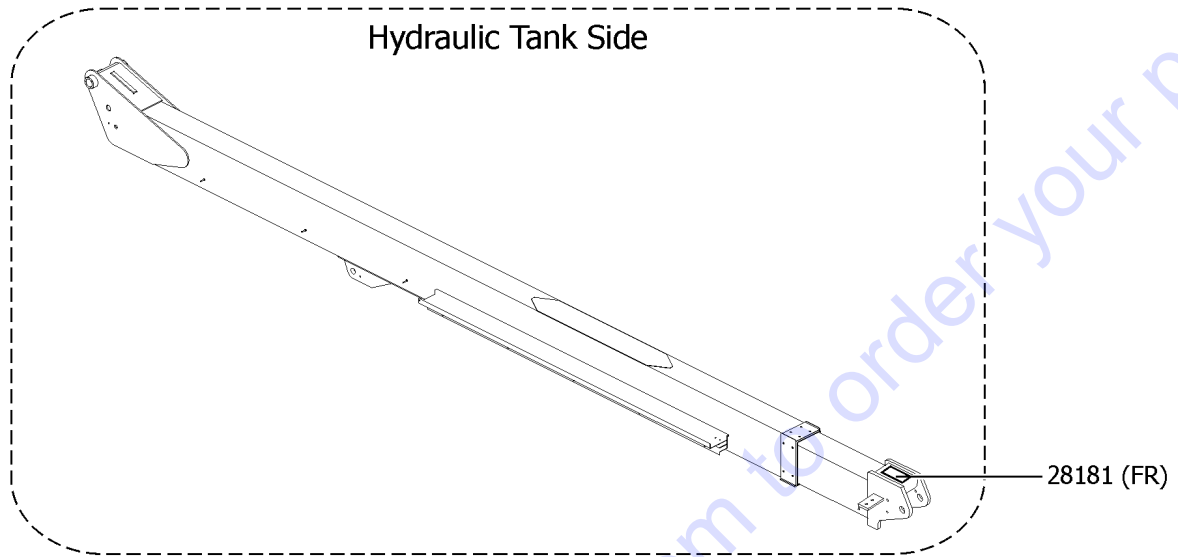


102.1 Decals with Words, Engine Side

Item	Part No.	Description	Qty.	Item	Part No.	Description	Qty.
1	27204GT	DECAL,ARROW BLUE.....	1	28	114277GT	DECAL,LABEL,BELT ROUTING DSG..... <i>Ford DSG-423 Only</i>	1
2	27206GT	DECAL,TRIANGLE,BLUE.....	1	29	114390GT	DECAL,DANGER,ELECT HAZARD***.....	2
3	27207GT	DECAL,TRIANGLE,YELLOW.....	1	30	133095GT	DECAL,NOTICE,HI FLOAT TIRES..... <i>(Hi-floatation)</i>	2
4	28161GT	DECAL,WARN,CRUSH HAZARD HAND.....	1	31	133238GT	DECAL,ENGINE SPEC,PERKINS***..... <i>Perkins 404D-22 Only</i>	1
5	28174GT	DECAL, POWER TO PLATFORM 230V**..... <i>Option, welder or generator</i>	1	32	215526GT	DECAL,LABEL,BELT,MSG425.....	1
6	28175GT	DECAL,WARNING-COMPART ACCESS.....	1	33	215527GT	DECAL,FORD ENGINE SPEC MSG425..... <i>Ford MSG-425 Only</i>	1
7	28235GT	DECAL,POWER TO PLATFORM 115V... <i>Option, welder or generator</i>	1	34	217559GT	DECAL, MAX TRACK LOAD, S40, TR..... <i>(S-40 Trax)</i>	2
8	29104GT	DECAL,TOWING INSTRUCTIONS..... <i>Option, tow package</i>	1	35	217560GT	DECAL, MAX TRACK LOAD, S45, TR..... <i>(S-45 Trax)</i>	2
9	31060GT	DECAL,DANGER DO NOT ALTER SWTC.....	1	36	217561GT	DECAL, DANGER, TIP OVER, TRAX..... <i>S-40 Trax and S-45 Trax Only</i>	2
10	31788GT	DECAL,DANGER,BATTERY SAFETY***.....	1	37	217734GT	DECAL, COSMETIC, DRIVE, S40 TR..... <i>(S-40 Trax)</i>	1
11	35599GT	DECAL,NOTICE,AIR INLET***..... <i>Deutz D2011L03i Only</i>	1	38	217735GT	DECAL, COSMETIC, DRIVE, S45 TR..... <i>(S-45 Trax)</i>	1
12	43595GT	DECAL,DANGER,TIP-OVER,TIRES***... <i>(AUS Only)</i>	2	39	217777GT	DECAL, COSMETIC, SWING, S40 TR.... <i>(S-40 Trax)</i>	1
13	44981GT	DECAL,LABEL, AIR LINE 110 PSI..... <i>Option, airline to platform</i>	1	40	217778GT	DECAL, COSMETIC, SWING, S45 TR.... <i>(S-45 Trax)</i>	1
14	46138GT	DECAL,GS/LPS (4"X4")..... <i>Option, FMRC</i>	1	41	226499GT	DECAL,NOTICE,TIRE PRESSURE..... <i>(Air filled or foam filled)</i>	2
15	47041GT	DECAL,CAUTION,TOWING SPEED..... <i>Option, tow package</i>	1	42	226500GT	DECAL,LABEL,WHEEL LOAD S-40..... <i>(S-40)</i>	2
16	48692GT	DECAL,DS (4"X4")..... <i>Option, FMRC</i>	1	43	226501GT	DECAL,LABEL,WHEEL LOAD S-45..... <i>(S-45)</i>	2
18	62073GT	DECAL,COSMETIC,S40.....	1	44	822004GT	DECAL, ENGINE SPEC, 404F-22..... <i>Perkins 404F-22 Only</i>	1
19	62075GT	DECAL,COSMETIC,S-45.....	1	45	822131GT	DECAL, ENGINE SPEC, D2.9..... <i>Deutz D2.9 L4 Only</i>	1
20	62959GT	DECAL,COSMETIC,S40,10".....	1				
21	62960GT	DECAL,COSMETIC,S45,10".....	1				
22	82237GT	DECAL,DANGER,HIGH VOLTAGE..... <i>Option, welder</i>	2				
23	97548GT	DECAL,ENGINE SPEC,DEUTZ 2011..... <i>Deutz D2011L03i Only</i>	1				
24	97602GT	DECAL,EXPLOSION HAZARD..... <i>Diesel engines Only</i>	1				
25	97875GT	DECAL,WARN.WELD LINE INST.WORD..... <i>Option, weld cable</i>	1				
26	114099GT	DECAL,LABEL,TRANSPORT DIAGRAM.....	1				
27	114169GT	DECAL,FORD ENGINE SPEC DSG423..... <i>Ford DSG-423 Only</i>	1				

103.1 Decals with Words, Boom

NOTE:
Part numbers with "(FR)"
indicates French translation
is available



62072
or
62074
or
217557
or
217558

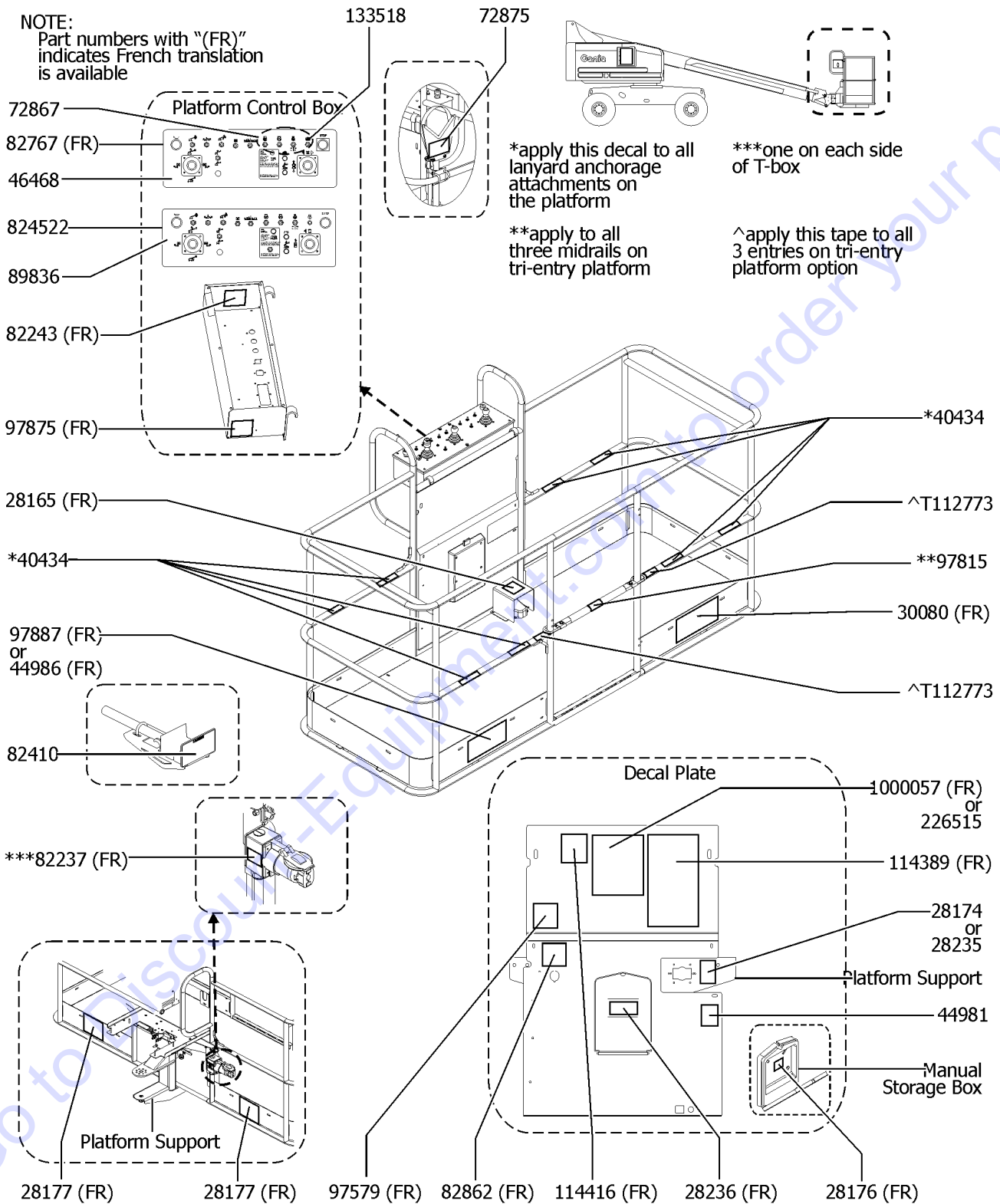
103.1 Decals with Words, Boom

Item	Part No.	Description	Qty.
1	28181GT	DECAL,WARN,FALL HAZARD.....1	
2	62072GT	DECAL,COSMETIC,GENIE S-40***.....1 (S-40)	
3	62074GT	DECAL,COSMETIC,GENIE S-45***.....1 (S-45)	
4	217557GT	DECAL, COSMETIC, BOOM, S40, TR....1 (S-40 Trax)	
5	217558GT	DECAL, COSMETIC, BOOM, S45, TR....1 (S-45 Trax)	

Go to Discount-Equipment.com to order your parts

104.1 Decals with Words, Platform

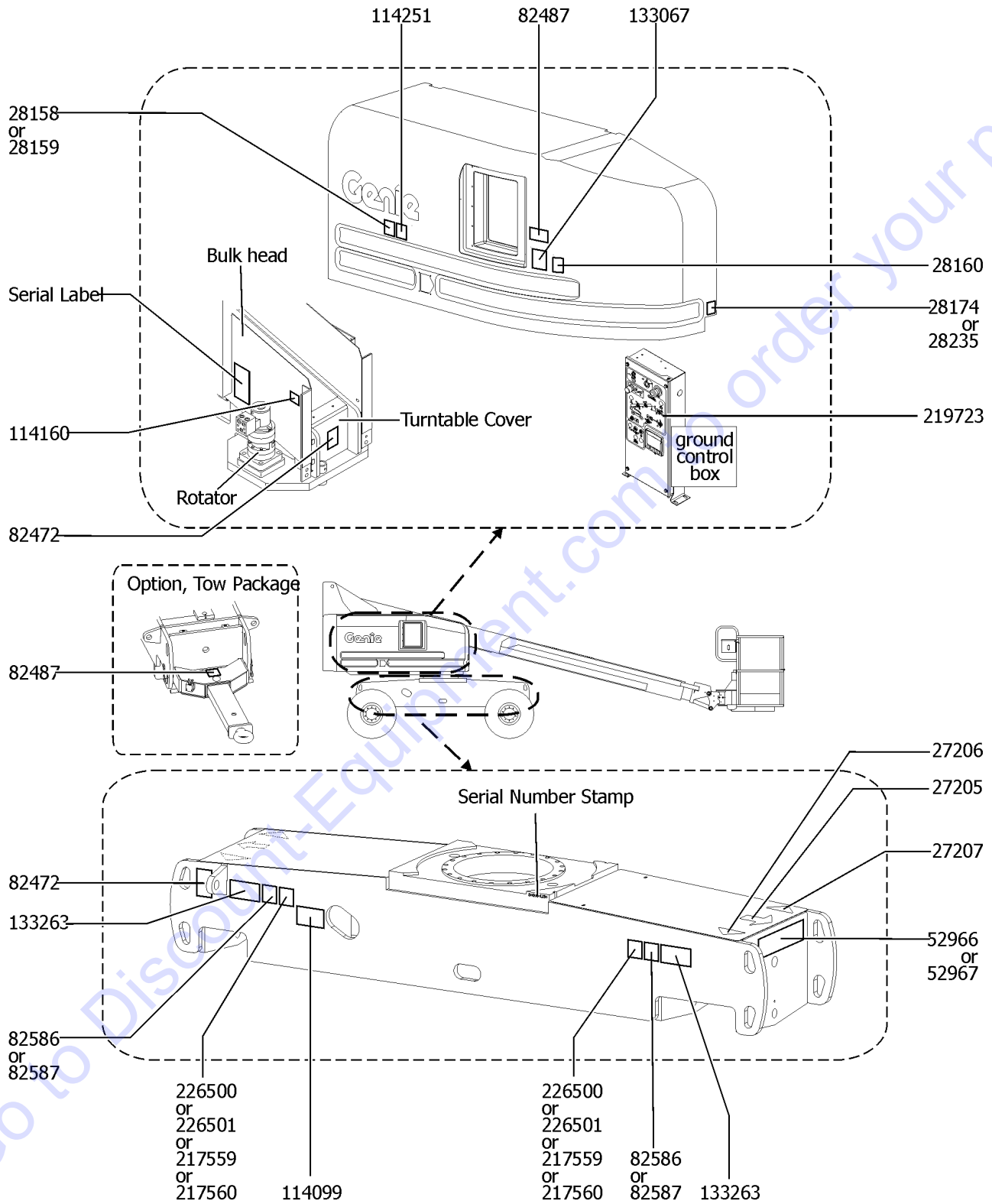
NOTE:
Part numbers with "(FR)" indicates French translation is available



104.1 Decals with Words, Platform

Item	Part No.	Description	Qty.	Item	Part No.	Description	Qty.
1	28165GT	DECAL,INSTRUCT,FOOTSWITCH OPER.....	1	29	1000057GT	DECAL,NOTICE,OPER INST.IC..... (ANSI & CSA)	1
2	28174GT	DECAL, POWER TO PLATFORM 230V**.....	1	30	T112773GT	TAPE, PROTECTIVE MASK.....	2
3	28176GT	DECAL,LABEL,MANUAL NOT HERE.....	1				
4	28177GT	DECAL,WARN,CRUSH HAZARD PLAT.....	2				
5	28235GT	DECAL,POWER TO PLATFORM 115V...1	1				
6	28236GT	DECAL,WARN,IMPROPER OPERATION.....	1				
7	30080GT	DECAL,NOTICE,MAX LOAD 500 LBS...1	1				
8	40434GT	DECAL,LANYARD ANCHORAGE POINT.....	8				
9	44981GT	DECAL,LABEL, AIR LINE 110 PSI..... <i>Option, airline to platform</i>	1				
10	44986GT	DECAL,INSTR,SIDE FRC/WIND,AUS..... (AUS)	1				
11	46468GT	DECAL,FUNCTION OVERRIDE..... <i>Option, aircraft protection</i>	1				
12	72867GT	DECAL,LABEL,LIGHTS***..... <i>Option, worklights</i>	1				
13	72875GT	DECAL,WARNING,PIPE CRADLE,BOOM..... <i>Option, pipe cradle</i>	2				
14	82237GT	DECAL,DANGER,HIGH VOLTAGE..... <i>Option, welder</i>	2				
15	82243GT	DECAL FAULT CODE.....	1				
16	82410GT	DECAL,WARNING,PANEL CRADLE..... <i>Option, panel cradle</i>	2				
17	82767GT	DECAL,PLATFORM CONTROL PANEL**..... (Deutz D2011L03i and Perkins 404D-22)	1				
18	82862GT	DECAL,FIRE EXTINGUISHER..... <i>Option, welder</i>	1				
19	89836GT	DECAL,PROTCTR,CLEAR,PLATE*.....	1				
20	97579GT	DECAL,DANGER,TIP-OVER,WELDER**..1 <i>Option, welder</i>	1				
21	97815GT	DECAL,LABEL,LOWER MIDRAIL.....	1				
22	97875GT	DECAL,WARN.WELD LINE INST.WORD..... <i>Option, weld cable line</i>	1				
23	97887GT	DECAL,INSTR,MAX SIDE FRC,ANSI..... (ANSI or CSA)	1				
24	114389GT	DECAL,DANGER,GENERAL SAFETY....1	1				
25	114416GT	DECAL,DANGER,TIPOVER,TILT.....	1				
26	133518GT	DECAL, PATCH, GEN,ALC-500..... <i>Option, generator or welder</i>	1				
27	226515GT	DECAL,INSTRUCTIONS S40/45 AUS..... (AUS)	1				
28	824522GT	DECAL, S40 TIER IV PBOX..... (Deutz D2.9 L4 and Perkins 404F-22)	1				

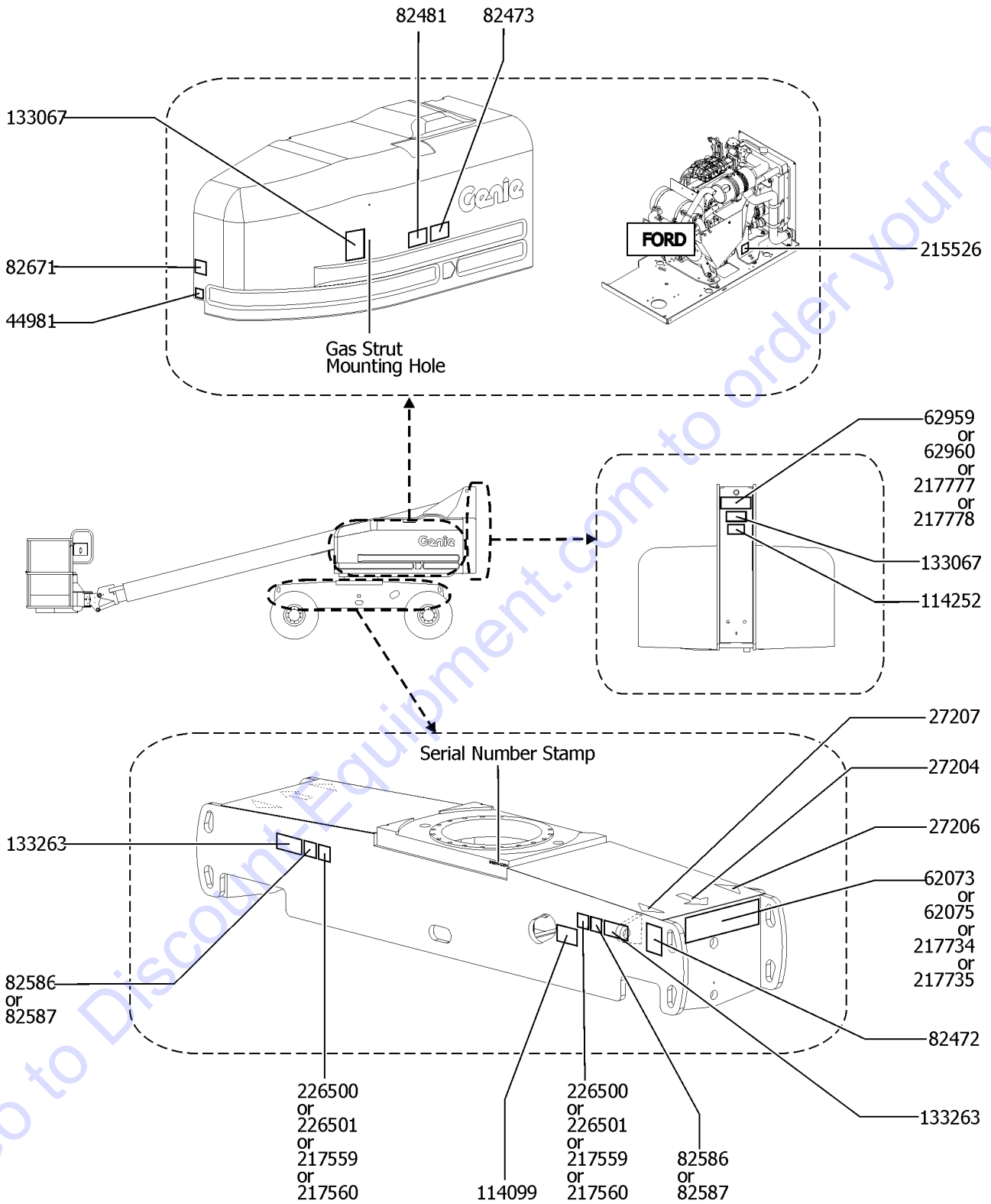
105.1 Decals with Symbols, Hydraulic Tank Side



105.1 Decals with Symbols, Hydraulic Tank Side

Item	Part No.	Description	Qty.
1	27205GT	DECAL,ARROW YELLOW LRG 9".....1	1
2	27206GT	DECAL,TRIANGLE,BLUE.....1	1
3	27207GT	DECAL,TRIANGLE,YELLOW.....1	1
4	28158GT	DECAL,LABEL,UNLEADED GAS ONLY.....1 <i>Option, fuel</i>	1
5	28159GT	DECAL,DIESEL.....1 <i>Option, fuel</i>	1
6	28160GT	DECAL,LABEL,LIQUID PROPANE.....1 <i>Option, LPG</i>	1
7	28174GT	DECAL, POWER TO PLATFORM 230V**.....1	1
8	28235GT	DECAL,POWER TO PLATFORM 115V...1	1
9	52966GT	DECAL,COSMETIC,4 X 2.....1 <i>Option, drive</i>	1
10	52967GT	DECAL,COSMETIC,4 X 4.....1 <i>Option, drive</i>	1
11	82472GT	DECAL,WARNING,CRUSHING HAZARD.....2	2
12	82487GT	DECAL, SYMBOL - READ THE MANUAL.....1	1
13	82586GT	DECAL,LABEL,TIRE PRESS,S40/45....2 <i>(Air filled or foam filled)</i>	2
14	82587GT	DECAL,HIFLOT TIRE PRESS,S40/45....2 <i>(Hi-floatation)</i>	2
15	114099GT	DECAL,LABEL,TRANSPORT DIAGRAM.....1	1
16	114160GT	DECAL,LABEL,DECIBEL 102***.....1 <i>(CE Only)</i>	1
17	114251GT	DECAL,LABEL,NO SMOKING,SYMB....1	1
18	133067GT	DECAL,DANGER,ELEC.HAZ.STAY CLR.....1	1
19	133263GT	DECAL,LABEL,TIPOVER,TRAX,SYMB..2 <i>(S-40 Trax and S-45 Trax)</i>	2
20	217559GT	DECAL, MAX TRACK LOAD, S40, TR....2 <i>(S-40 Trax)</i>	2
21	217560GT	DECAL, MAX TRACK LOAD, S45, TR....2 <i>(S-45 Trax)</i>	2
22	219723GT	DECAL,GROUND BOX,TIER IV.....1	1
23	226500GT	DECAL,LABEL,WHEEL LOAD S-40.....2 <i>(S-40)</i>	2
24	226501GT	DECAL,LABEL,WHEEL LOAD S-45.....2 <i>(S-45)</i>	2

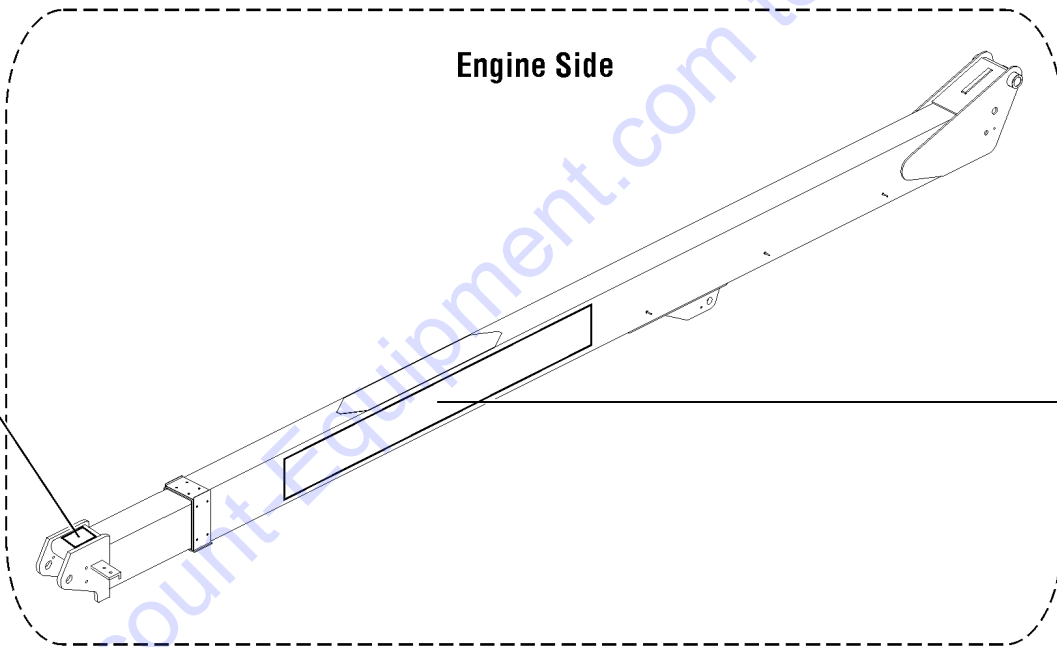
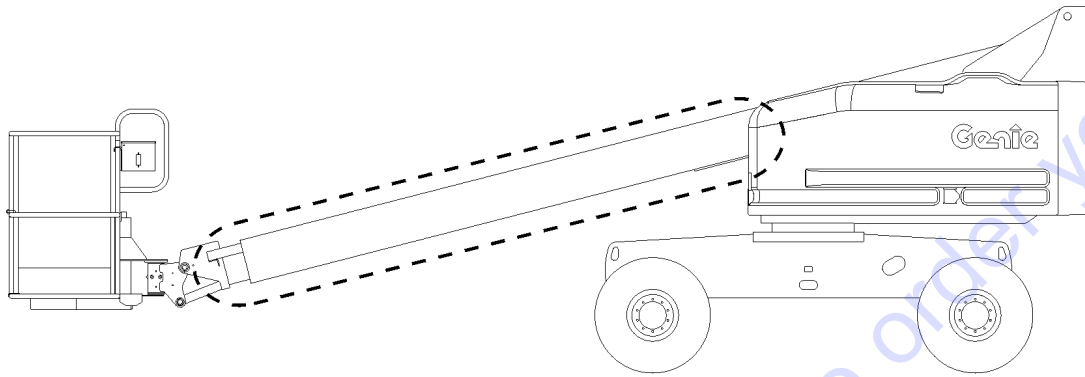
106.1 Decals with Symbol, Engine Side



106.1 Decals with Symbol, Engine Side

Item	Part No.	Description	Qty.
1	27204GT	DECAL,ARROW BLUE.....	1
2	27206GT	DECAL,TRIANGLE,BLUE.....	1
3	27207GT	DECAL,TRIANGLE,YELLOW.....	1
4	44981GT	DECAL,LABEL, AIR LINE 110 PSI..... <i>Option, airline to platform</i>	1
5	62073GT	DECAL,COSMETIC,S40..... <i>(S-40)</i>	1
6	62075GT	DECAL,COSMETIC,S-45..... <i>(S-45)</i>	1
7	62959GT	DECAL,COSMETIC,S40,10"..... <i>(S-40)</i>	1
8	62960GT	DECAL,COSMETIC,S45,10"..... <i>(S-45)</i>	1
9	82472GT	DECAL,WARNING,CRUSHING HAZARD.....	1
10	82473GT	DECAL,SYMBOL-COMP ACCESS.....	1
11	82481GT	DECAL,SYMBOL-BATTERY SAFETY.....	1
12	82586GT	DECAL,LABEL,TIRE PRESS,S40/45..... <i>(Air filled or foam filled)</i>	2
13	82587GT	DECAL,HIFLOT TIRE PRESS,S40/45..... <i>(Hi-floatation)</i>	2
14	82671GT	DECAL,LABEL,WELD LINE INST,SYM... <i>Option,Weld Cable</i>	1
15	114099GT	DECAL,LABEL,TRANSPORT DIAGRAM.....	1
16	114252GT	DECAL,LABEL,TIP OVER LMT SWTCH.....	1
17	133067GT	DECAL,DANGER,ELEC.HAZ.STAY CLR.....	2
18	133263GT	DECAL,LABEL,TIPOVER,TRAX,SYMB.2 <i>(S-40 Trax and S-45 Trax Only)</i>	2
19	215526GT	DECAL,LABEL,BELT,MSG425.....	1
20	217559GT	DECAL, MAX TRACK LOAD, S40, TR..... <i>(S-40 Trax)</i>	2
21	217560GT	DECAL, MAX TRACK LOAD, S45, TR..... <i>(S-45 Trax)</i>	2
22	217734GT	DECAL, COSMETIC, DRIVE, S40 TR..... <i>(S-40 Trax)</i>	1
23	217735GT	DECAL, COSMETIC, DRIVE, S45 TR..... <i>(S-45 Trax)</i>	1
24	217777GT	DECAL, COSMETIC, SWING, S40 TR.... <i>(S-40 Trax)</i>	1
25	217778GT	DECAL, COSMETIC, SWING, S45 TR.... <i>(S-45 Trax)</i>	1
26	226500GT	DECAL,LABEL,WHEEL LOAD S-40..... <i>(S-40)</i>	2
27	226501GT	DECAL,LABEL,WHEEL LOAD S-45..... <i>(S-45)</i>	2

107.1 Decals with Symbol, Boom



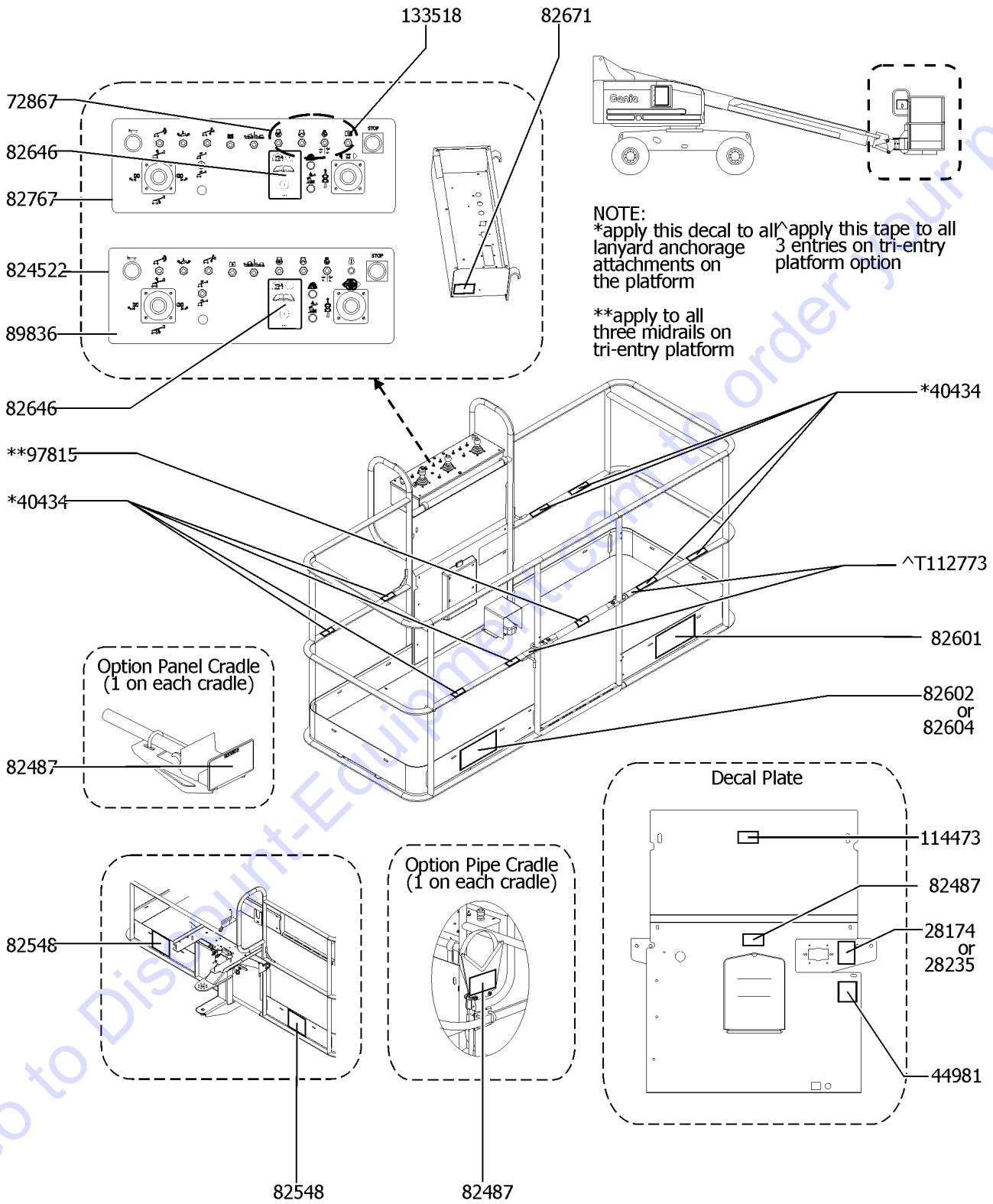
Go to Discount Equipment.com to order your parts

107.1 Decals with Symbol, Boom

Item	Part No.	Description	Qty.
1	62072GT	DECAL,COSMETIC,GENIE S-40***.....1 (S-40)	
2	62074GT	DECAL,COSMETIC,GENIE S-45***.....1 (S-45)	
3	114247GT	DECAL,LABEL,FALL HAZARD***.....1	
4	217557GT	DECAL, COSMETIC, BOOM, S40, TR....1 (S-40 Trax)	
5	217558GT	DECAL, COSMETIC, BOOM, S45, TR....1 (S-45 Trax)	

Go to Discount-Equipment.com to order your parts

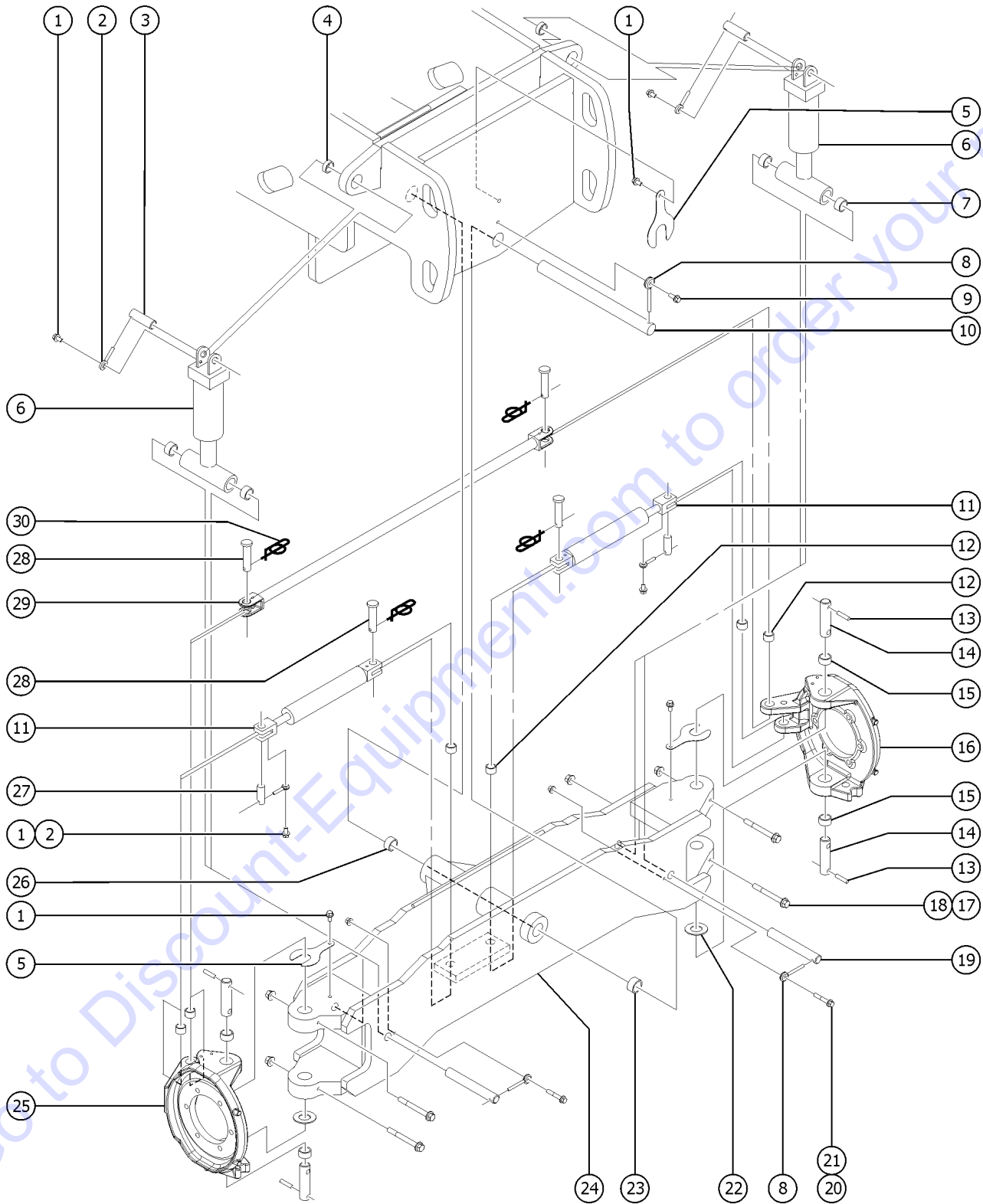
108.1 Decals with Symbol, Platform



108.1 Decals with Symbol, Platform

Item	Part No.	Description	Qty.
1	28174GT	DECAL, POWER TO PLATFORM 230V**.....	1
2	28235GT	DECAL,POWER TO PLATFORM 115V...1	1
3	40434GT	DECAL,LANYARD ANCHORAGE POINT.....	8
4	44981GT	DECAL,LABEL, AIR LINE 110 PSI.....1 <i>Option, airline to platform</i>	1
5	72867GT	DECAL,LABEL,LIGHTS***.....1 <i>Option, worklights</i>	1
6	82487GT	DECAL, SYMBOL - READ THE MANUAL.....	1
7	82548GT	DECAL,WARN,CRUSH HAZARD PLAT.....	2
8	82601GT	DECAL,LABEL,MAX CAPACITY***.....1	1
9	82602GT	DECAL,DANGER,MAX SIDE FRC,667N.....	1
10	82604GT	DECAL,DANGER,SIDE FRC 400N.....1 <i>(CE)</i>	1
11	82646GT	DECAL,DRIVE ENABLE PATCH.....1	1
12	82671GT	DECAL,LABEL,WELD LINE INST,SYM...1 <i>Option, weld cable</i>	1
13	82767GT	DECAL,PLATFORM CONTROL PANEL**.....	1
14	89836GT	DECAL,PROTCTR,CLEAR,PLATE*.....1	1
15	97815GT	DECAL,LABEL,LOWER MIDRAIL.....1	1
16	114473GT	DECAL,DANGER,TIPOVER,TILT,SYM...1	1
17	133518GT	DECAL, PATCH, GEN,ALC-500.....1 <i>Option, generator or welder</i>	1
18	824522GT	DECAL, S40 TIER IV PBOX.....1 <i>(tier 4)</i>	1
19	T112773GT	TAPE, PROTECTIVE MASK.....	2

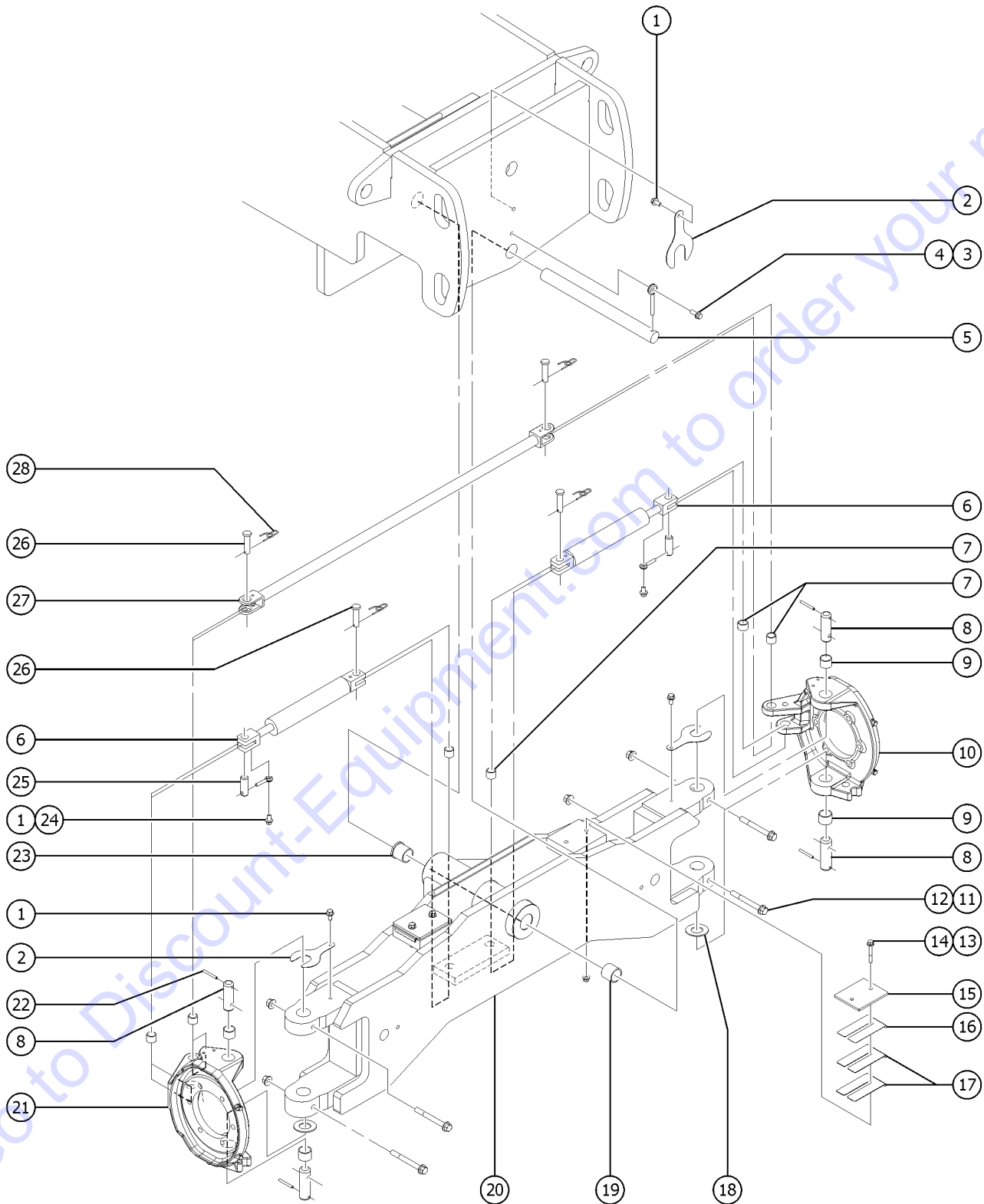
201.1 2WD Steer Axle Linkage, Oscillating Models



201.1 2WD Steer Axle Linkage, Oscillating Models

Item	Part No.	Description	Qty.
1	824089GT	SCREW,HHF,3/8-16X.75,8,ZAG.....	7
2	1255452GT	ROD END,.375 X 2.25,ZAG.....	4
3	30737GT	PIN,1.25DIA X 3.00LG,1HOLE.....	2
4	30370GT	BEARING,1.25ID X 1.5OD X 1.00L.....	2
5	122850GT	SHIM, AXLE, 1.56 X 4.75.....	5
6	89099GT	CYLINDER,OSCILLATE S40/45..... <i>includes item 7</i>	2
--	31106GT	VALVE,CNTERBAL,CBBB-LHN@3000**	
--	89100GT	SEAL KIT,OSC.CYL.	
7	59266GT	BEARING, POLYGON P2055 (59105)....	4
8	825019GT	ROD END,.375X3.69,ZAG.....	3
9	824090GT	SCREW,HHF,3/8-16X1.8,ZAG.....	1
10	30735GT	PIN, 1.50DIA X 17.50LG, CHAMFER.....	1
11	89065GT	CYLINDER,STEER***.....	2
--	89066GT	SEAL KIT,STEER CYL (89065)	
12	25817GT	BEARING,1.00ID X 1.25OD X 1.00L.....	6
13	14815GT	PIN,ROLL,SST,.25 X 2.25.....	4
14	53081GT	PIN,1.50DIA X 4.76LG,2HOLE.....	4
15	110876GT	BEARING,1.5"ID X 1.75OD X 1.25L.....	4
16	1258040GT	ASSY,YOKE,LH,W/BUSHINGS..... <i>includes item 12 and 15</i>	1
--	111465GT	YOKE,CASTING,LH MACHINED	
17	1255392GT	SCREW,HHF,1/2-13X4.5,8,ZAG.....	4
18	1251997GT	NUT,TL FLG,1/2-13,G,ZAG.....	4
19	30190GT	PIN,1.25DIA X 7.25LG,1HOLE.....	2
20	1256693GT	SCREW,HHF,3/8-16X2.25,8,ZAG.....	2
21	824029GT	NUT,TL FLG,3/8-16,G,ZAG.....	2
22	45074GT	WASHER,THRUST,1.5 X 3.5 X .187.....	2
23	119619GT	BEARING,1.5ID X 1.75OD X 1.5L,PTFE....	1
24	102192-SGT	WELDMENT,FRT AXLE OSC,ASSY.....	1
25	1258041GT	ASSY,YOKE,RH,W/BUSHINGS..... <i>includes item 12 and 15</i>	1
--	111464GT	YOKE,CASTING,RH,MACHINED	
26	122316GT	BEARING,FL 1.5ID X 1.75OD X 1.7.....	1
27	30734GT	PIN,1.00DIA X 2.88LG,1HOLE.....	2
28	19440GT	PIN,CLEVIS,1 X 2.5 LG.....	4
29	63155GT	WELDMENT,TIE ROD.....	1
30	74389GT	RUE RING,1.00.....	4

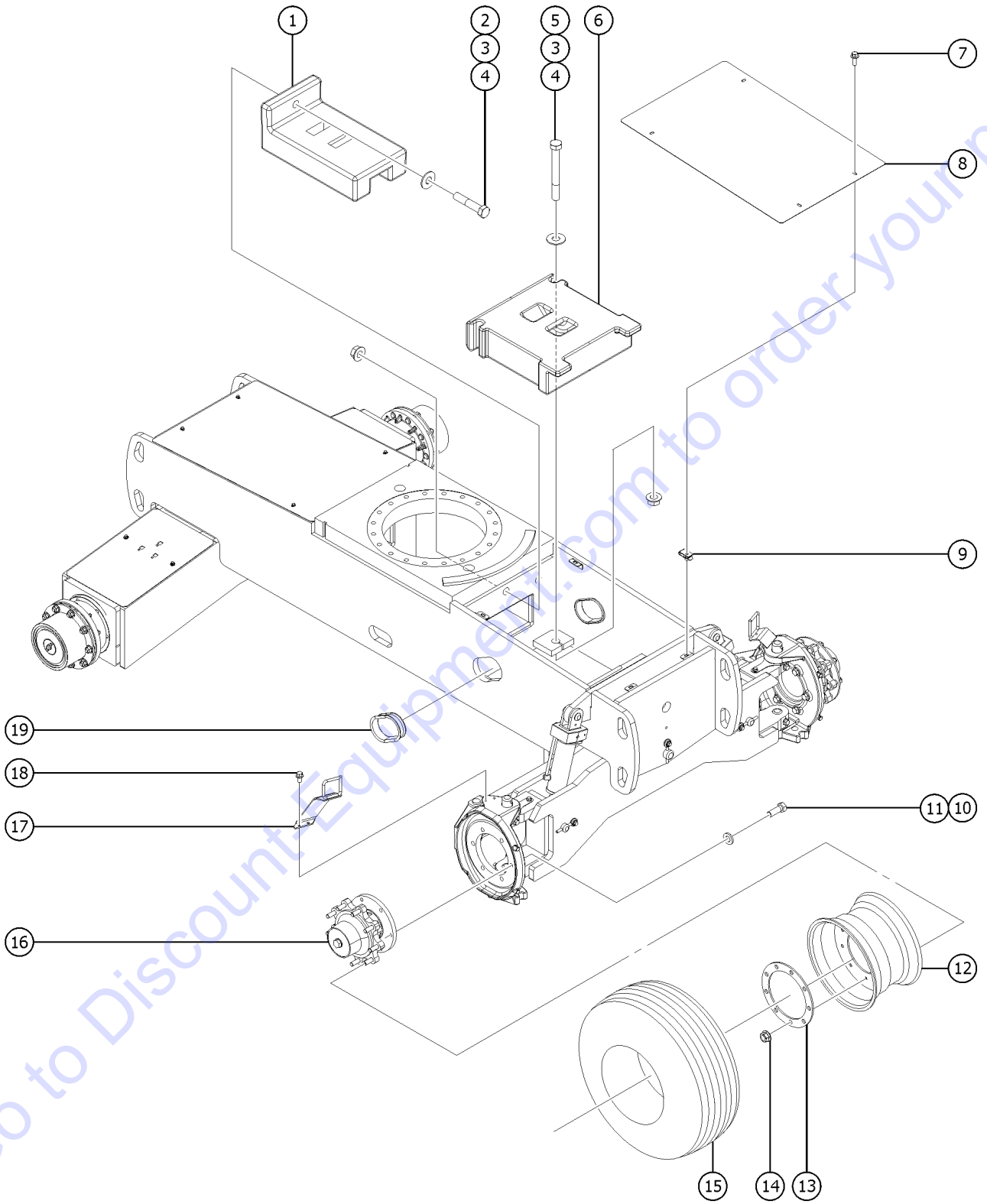
202.1 2WD Steer Axle Linkage, Non-oscillating Models



202.1 2WD Steer Axle Linkage, Non-oscillating Models

Item	Part No.	Description	Qty.
1	824089GT	SCREW,HHF,3/8-16X.75,8,ZAG.....	5
2	122850GT	SHIM, AXLE, 1.56 X 4.75.....	5
3	824090GT	SCREW,HHF,3/8-16X1,8,ZAG.....	1
4	825019GT	ROD END,.375X3.69,ZAG.....	1
5	30735GT	PIN, 1.50DIAX17.50LG, CHAMFER.....	1
6	89065GT	CYLINDER,STEER***.....	2
--	89066GT	SEAL KIT,STEER CYL (89065)	
7	25817GT	BEARING,1.00IDX1.25ODX1.00L.....	6
8	53081GT	PIN,1.50DIAX4.76LG,2HOLE.....	4
9	110876GT	BEARING,1.5"ID X 1.75OD X1.25L.....	4
10	1258040GT	ASSY,YOKE,LH,W/BUSHINGS..... <i>includes items 7 and 9</i>	1
--	111465GT	YOKE,CASTING,LH MACHINED	
11	1255392GT	SCREW,HHF,1/2-13X4.5,8,ZAG.....	4
12	1251997GT	NUT,TL FLG,1/2-13,G,ZAG.....	4
13	1256856GT	SCREW,HHF,3/8-16X2.5,8,ZAG.....	4
14	824029GT	NUT,TL FLG,3/8-16,G,ZAG.....	4
15	1258594GT	PLATE, SHIM COVER,NON-OSCILLAT.....	2
16	1258592GT	SHIM, 22GA, 3WD X 5LNG.....	2
17	34344GT	SHIM,SIDE PAD 16GA. 3 X 5.....	4
18	45074GT	WASHER,THRUST,1.5 X 3.5 X .187.....	2
19	119619GT	BEARING,1.5IDX1.75ODX1.5L,PTFE.....	1
20	1258038GT	ASSY,S40/45,FRONT AXLE,NON-OSC..... <i>includes items 19 and 23</i>	1
--	1258591GT	WELDMENT, AXLE, FRONT, NON-OSC	
21	1258041GT	ASSY,YOKE,RH,W/BUSHINGS..... <i>includes items 7 and 9</i>	1
--	111464GT	YOKE,CASTING,RH,MACHINED	
22	14815GT	PIN,ROLL,SST,.25 X 2.25.....	4
23	122316GT	BEARING,FL 1.5ID X 1.75OF X1.7.....	1
24	1255452GT	ROD END,.375 X 2.25,ZAG.....	2
25	30734GT	PIN,1.00DIAX2.88LG,1HOLE.....	2
26	19440GT	PIN,CLEVIS,1 X 2.5 LG.....	4
27	63155GT	WELDMENT,TIE ROD.....	1
28	74389GT	RUE RING,1.00.....	4

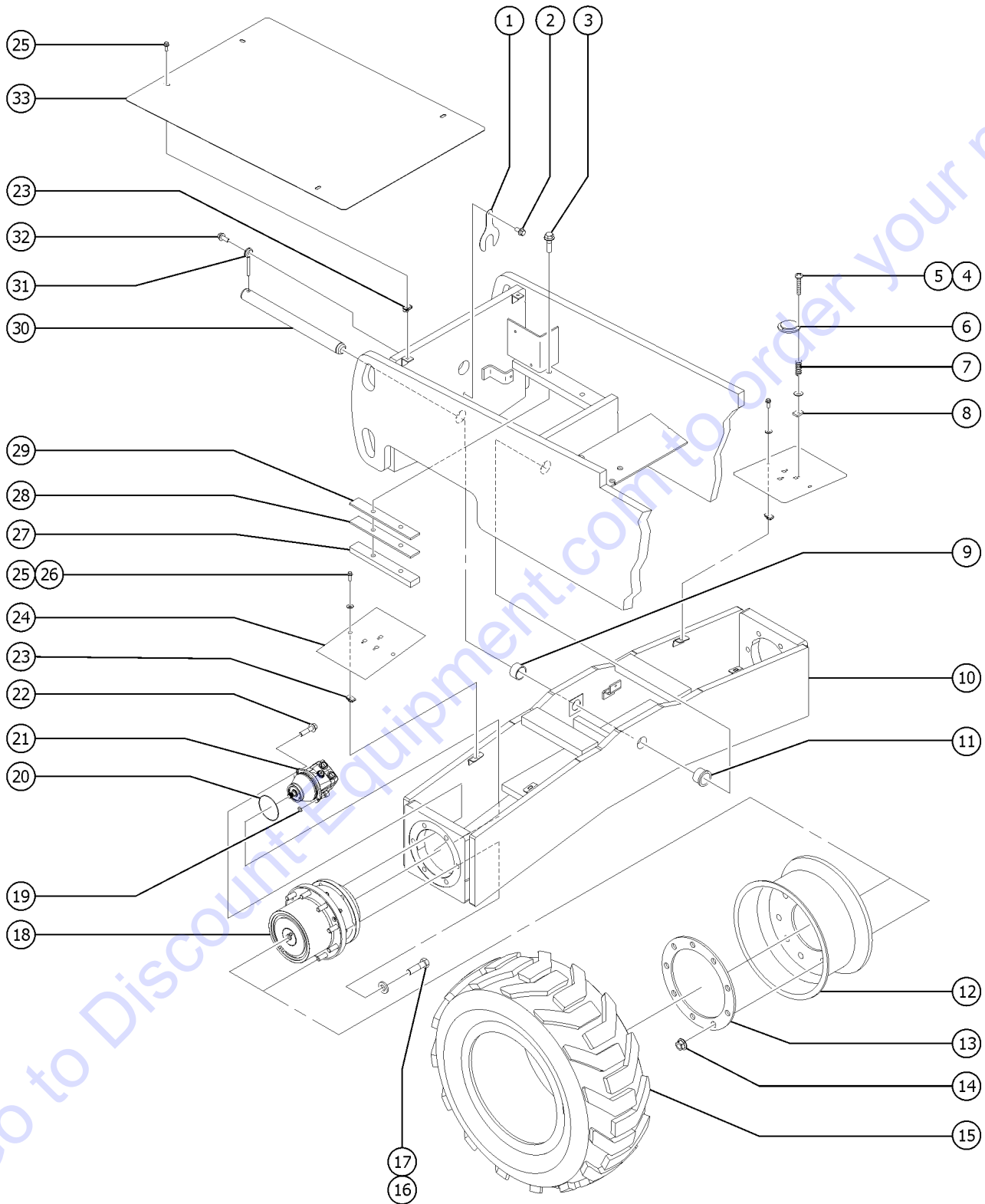
203.1 2WD Steer Axle, Wheels and Hubs



203.1 2WD Steer Axle, Wheels and Hubs

Item	Part No.	Description	Qty.
1	146207GT	CNTWT,CAST,S40/45 2WD DRV CHAS.....	1
2	237731GT	SCREW,HHC,1-8X5.5,ZAG.....	1
3	1256469GT	WASHER,FLAT,1.0,USS,ZAG.....	3
4	824031GT	NUT,TL FLG,1-8,G,ZAG.....	3
5	1258778GT	SCREW,HHC,1-8X8.5,5,ZAG.....	2
6	46958GT	COUNTERWEIGHT,DRIVE CHASSIS **.....	1
7	824078GT	SCREW,HHF,1/4-20X.75,8,ZAG.....	4
8	53610GT	COVER, DRIVE CHASSIS, S40.....	1
9	56912GT	SPRING CLIP,1/4-20,.025-.15X.54,ZAG.....	4
10	1260372GT	SCREW,HHC,5/8-11X1.75,8,ZAG.....	12
11	1256182GT	WASHER,FLAT,5/8,F436,HRD,ZAG.....	12
12		Ref. WHEEL..... (refer to 604.1)	2
13	122313GT	WHEEL RING WASHER.....	2
14	77674GT	NUT,HEX,FLANGE 5/8-18,GRD 8 ZI.....	18
15		Ref. Tire assemblies..... (refer to 604.1)	2
16	88883GT	HUB,2WD,FRONT***.....	2
17	122281PGT	HOSE HANGER,DRIVE CHASSIS,PTD.....	2
18	824089GT	SCREW,HHF,3/8-16X.75,8,ZAG.....	4
19A	53386GT	GUARD, HOSE PROTECTOR..... S-40 & S-40 Trax	2
19B	53387GT	GUARD, HOSE PROTECTOR..... S-45 & S-45 Trax	2

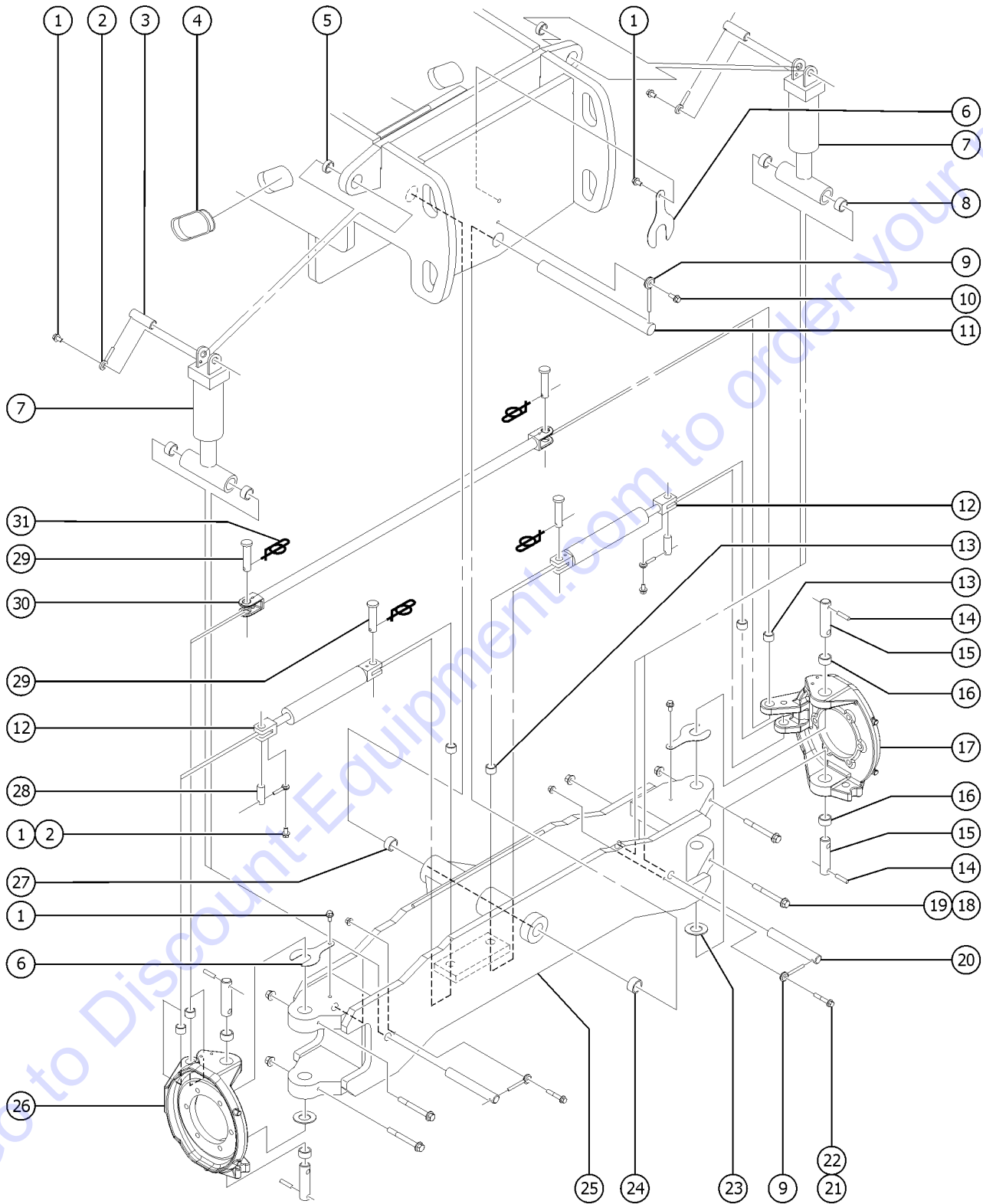
204.1 2WD Non-steer Axle



204.1 2WD Non-steer Axle

Item	Part No.	Description	Qty.	Item	Part No.	Description	Qty.
1	122850GT	SHIM, AXLE, 1.56 X 4.75.....	3	--	9990184GT	RETAINING RING, INTERNAL, #180 (COMPONENT OF 139330GT) for 139330	
2	824089GT	SCREW,HHF,3/8-16X.75,8,ZAG.....	1	19	106117GT	O-RING,2-010,VITON.....	2
3A	1256172GT	SCREW,HHF,1/2-13X 2,8,ZAG to SN S4016-21890 and S4516-21891		20	106118GT	O-RING,2-157,VITON***.....	2
3B	826171GT	SCREW,HHF,1/2-13X1.75,ZAG.....	4	21	101587GT	MOTOR,PISTON,LC30,10 DEG,13T.....	2
		from SN S4016-21891 and S4516-21892		--	106098GT	SEAL KIT,MOTOR,LC/KC***	
4	73634GT	SCREW,PHIL,PHM,10-24X1.5 ZINC		22	1256765GT	SCREW,HHF,7/16-14X1.75,8,ZAG.....	4
5	6146GT	WASHER,FLAT,MS,#10,Y		23	56912GT	SPRING CLIP,1/4-20,.025-.15X.54,ZAG.....	8
6	77026GT	LEVEL,BUBBLE,2 DEGREE *.....	1	24	30802P-SGT	COVER,NON-STEER AXLE "BLUE".....	2
		European models		25	824078GT	SCREW,HHF,1/4-20X.75,8,ZAG.....	8
7	77027GT	SPRING,1X.31 ODX.040WIRE,SS.....	3	26	824113GT	WASHER,FLAT,USS,1/4,ZAG.....	4
8	73575GT	SPRING CLIP,10-24,.025-.125X.468,ZAG.....	3			from SN S4016-21891 and S4516-21892	
9	18396GT	BEARING,1.5IDX1.75ODX1.0L.....	1	27	30690GT	BAR,AXLE ROTATION STOP,OSC. **.....	2
10	1258039GT	ASSY,S40/45,REAR AXLE.....	1			oscillating models	
		includes items 9 and 11		28	30808GT	SHIM,AXLE ROTATION STOP.....	2
--	89372GT	REAR AXLE WELDMENT,S40		29	30809GT	SHIM,AXLE ROTATION STOP,22 GA.....	2
11	122483GT	BEARING,FL 1.50IDX1.75ODX1.20L.....	1	30	30735GT	PIN, 1.50DIAX17.50LG, CHAMFER.....	1
12		Ref. WHEEL.....	2	31	825019GT	ROD END,375X3.69,ZAG.....	1
		(refer to 604.1)		32	824090GT	SCREW,HHF,3/8-16X1,8,ZAG.....	1
13	122313GT	WHEEL RING WASHER.....	2	33	53610GT	COVER, DRIVE CHASSIS, S40.....	1
14	77674GT	NUT,HEX,FLANGE 5/8-18,GRD 8 ZI.....	18				
15		Ref. Tire assemblies.....	2				
		(refer to 604.1)					
16	1255385GT	SCREW,HHC,5/8-11X2.25,8,ZAG.....	12				
17	1256182GT	WASHER,FLAT,5/8,F436,HRD,ZAG.....	12				
18	139330GT	WHEEL DRIVE W/ BRAKE,57:1***.....	2				
		(interchangeable with 101584 as a set only, do not mix)					
--	139966GT	ROD,DISCONNECT,OMNI*** for 139330					
--	139967GT	CAP,DISENGAGE,OMNI*** for 139330					
--	139968GT	O-RING,END COVER,OMNI*** for 139330					
--	139969GT	LINING KIT,BRAKE,OMNI*** for 139330					
--	139970GT	SEAL KIT,BRAKE,OMNI*** for 139330					
--	139971GT	BEARING KIT,OMNI*** for 139330					
--	139972GT	SEAL KIT,GEARBOX,OMNI*** for 139330					
--	147033GT	O-RING,PIPE PLUG KIT,OMNI*** for 139330					
--	147034GT	PIPE PLUG KIT,OMNI*** for 139330					
--	230849GT	WHEEL STUD,5/8-18X67MM for 139330					

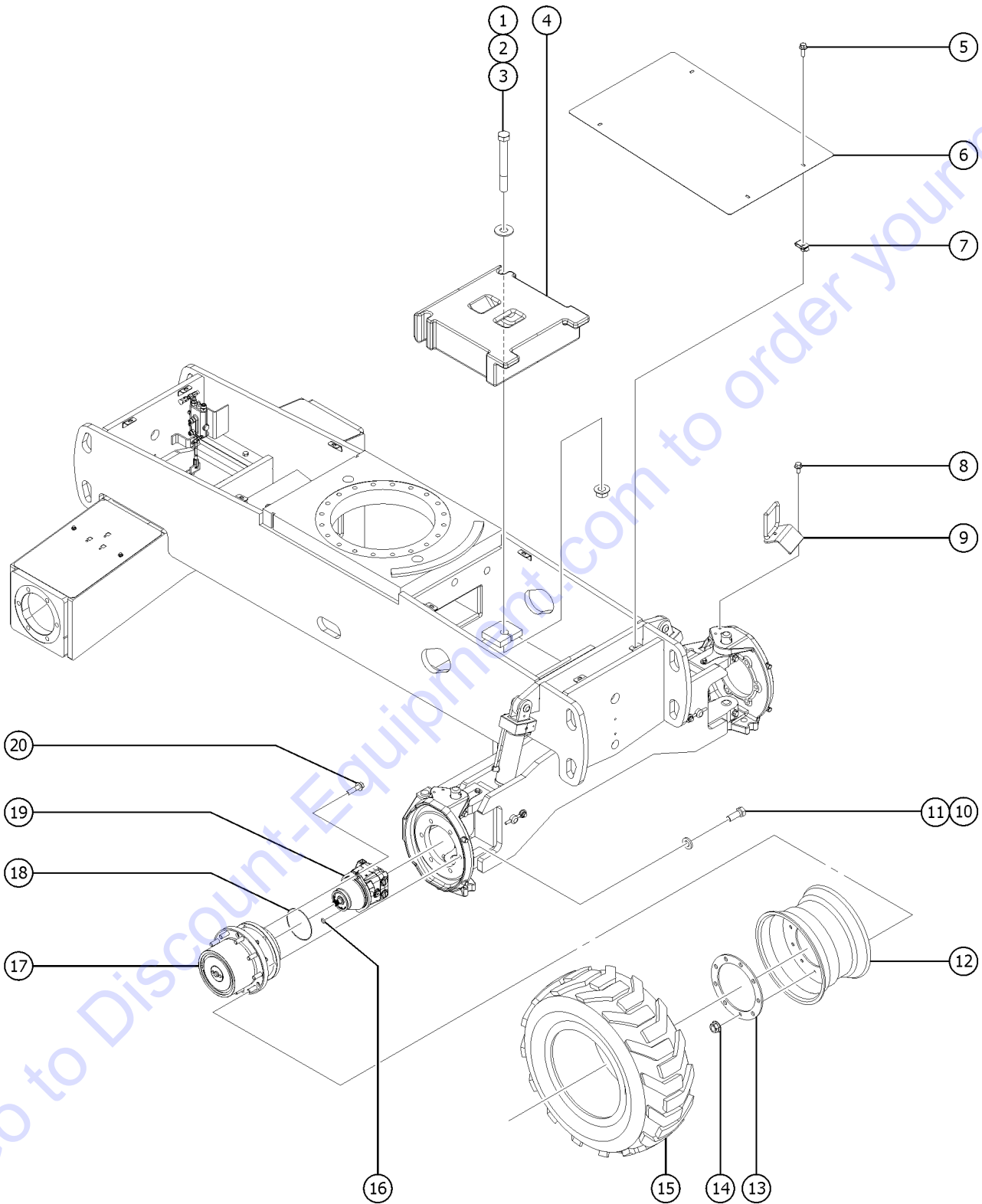
205.1 4WD Steer Axle Linkage



205.1 4WD Steer Axle Linkage

Item	Part No.	Description	Qty.
1	824089GT	SCREW,HHF,3/8-16X.75,8,ZAG.....	7
2	1255452GT	ROD END,.375 X 2.25,ZAG.....	4
3	30737GT	PIN,1.25DIAX3.00LG,1HOLE.....	2
4A	53386GT	GUARD, HOSE PROTECTOR..... <i>S-40 & S-40 Trax</i>	2
4B	53387GT	GUARD, HOSE PROTECTOR..... <i>S-45 & S-45 Trax</i>	2
5	30370GT	BEARING, 1.25IDX1.5ODX1.00L.....	2
6	122850GT	SHIM, AXLE, 1.56 X 4.75.....	5
7	89099GT	CYLINDER,OSCILLATE S40/45..... <i>includes item 8</i>	2
--	31106GT	VALVE,CNTERBAL,CBBB-LHN@3000**	
--	89100GT	SEAL KIT,OSC.CYL.	
8	59266GT	BEARING, POLYGON P2055 (59105)....	4
9	825019GT	ROD END,.375X3.69,ZAG.....	3
10	824090GT	SCREW,HHF,3/8-16X1.8,ZAG.....	1
11	30735GT	PIN, 1.50DIAX17.50LG, CHAMFER.....	1
12	89065GT	CYLINDER,STEER***	2
--	89066GT	SEAL KIT,STEER CYL (89065)	
13	25817GT	BEARING,1.00IDX1.25ODX1.00L.....	6
14	14815GT	PIN,ROLL,SST,.25 X 2.25.....	4
15	53081GT	PIN,1.50DIAX4.76LG,2HOLE.....	4
16	110876GT	BEARING,1.5"ID X 1.75OD X1.25L.....	4
17	1258040GT	ASSY,YOKE,LH,W/BUSHINGS..... <i>includes item 13 and 16</i>	1
--	111465GT	YOKE,CASTING,LH MACHINED	
18	1255392GT	SCREW,HHF,1/2-13X4.5,8,ZAG.....	4
19	1251997GT	NUT,TL FLG,1/2-13,G,ZAG.....	4
20	30190GT	PIN,1.25DIAX7.25LG,1HOLE.....	2
21	1256693GT	SCREW,HHF,3/8-16X2.25,8,ZAG.....	2
22	824029GT	NUT,TL FLG,3/8-16,G,ZAG.....	2
23	45074GT	WASHER,THRUST,1.5 X 3.5 X .187.....	2
24	119619GT	BEARING,1.5IDX1.75ODX1.5L,PTFE.....	1
25	102192-SGT	WELDMENT,FRT AXLE OSC,ASSY.....	1
26	1258041GT	ASSY,YOKE,RH,W/BUSHINGS..... <i>includes item 13 and 16</i>	1
--	111464GT	YOKE,CASTING,RH,MACHINED	
27	122316GT	BEARING,FL 1.5ID X 1.75OF X1.7.....	1
28	30734GT	PIN,1.00DIAX2.88LG,1HOLE.....	2
29	19440GT	PIN,CLEVIS,1 X 2.5 LG.....	4
30	63155GT	WELDMENT,TIE ROD.....	1
31	74389GT	RUE RING,1.00.....	4

206.1 4WD Steer Axle - Wheels and Hubs



206.1 4WD Steer Axle - Wheels and Hubs

Item	Part No.	Description	Qty.	Item	Part No.	Description	Qty.
1	1258778GT	SCREW,HHC,1-8X8.5,5,ZAG.....	2	--	1271443GT	TIRE/WHEEL ASSY,RH,12-16.5/10PR,SEAL.....	1
2	1256469GT	WASHER,FLAT,1.0,USS,ZAG.....	2			<i>RT AIR W/ SEAL TIRES</i>	
3	824031GT	NUT,TL FLG,1-8,G,ZAG.....	2	15F	111453GT	ASSY,TIRE/WHEEL,RH,RT,NM,W/SEA..	1
4	46958GT	COUNTERWEIGHT,DRIVE CHASSIS **	1			<i>RT NON-MARKING W/ SEAL</i>	
5	824078GT	SCREW,HHF,1/4-20X.75,8,ZAG.....	4	--	111454GT	ASSY,TIRE/WHEEL,LH,RT,NM,W/SEA..	1
6	53610GT	COVER, DRIVE CHASSIS, S40.....	1			<i>RT NON-MARKING W/ SEAL</i>	
7	56912GT	SPRING CLIP,1/4-20,.025-.15X.54,ZAG.....	4	15G	1271444GT	TIRE/WHEEL ASSY,LH,12-16.5/10PR,RNU.....	1
8	824089GT	SCREW,HHF,3/8-16X.75,8,ZAG.....	4			<i>RT FOAM TIRES RNU</i>	
9	122281PGT	HOSE HANGER,DRIVE CHASSIS,PTD.....	2	--	1271445GT	TIRE/WHEEL ASSY,RH,12-16.5/10PR,RNU.....	1
10	1260372GT	SCREW,HHC,5/8-11X1.75,8,ZAG.....	12			<i>RT FOAM TIRES RNU</i>	
11	1256182GT	WASHER,FLAT,5/8,F436,HRD,ZAG.....	12	15H	227802GT	TIRE & WHEEL ASSY,S40***.....	1
12A	122348GT	WHEEL, 16.5 X 9.75 S40.....	1			<i>RT NON-MARKING FOAM RNU</i>	
		<i>(Wheel only) Part of Tire/Wheel Assy 1271440, 1271441, 1271438, 1271439, 73204, 73205, 1271442, 1271443, 111453, 111454, 1271444, 1271445, 227802, 227803</i>		--	227803GT	TIRE & WHEEL ASSY,S40***.....	1
12B	73268GT	WHEEL, 16.5X9.75 S40.....	1			<i>RT NON-MARKING FOAM RNU</i>	
		<i>(Wheel only) Part of Tire/Wheel Assy 102804, 102805</i>		15I	73923GT	TIRE & WHEEL ASSY.,FLOTATION.....	1
12C	122350GT	WHEEL, 19.5X14.00.....	1			<i>(4WD only); HF SAND AIR TIRES</i>	
		<i>(Wheel only) Part of Tire/Wheel Assy 73923, 110725</i>		--	110725GT	TIRE/WHEEL ASSY,HF W/SEALANT.....	1
13	122313GT	WHEEL RING WASHER.....	2			<i>(4WD only); HF SAND AIR TIRES W/SEALNT</i>	
14	77674GT	NUT,HEX,FLANGE 5/8-18,GRD 8 ZI.....	18	15J	1271437GT	TIRE,12-16.5/10PR S40 HAULER.....	1
15A	1271440GT	TIRE/WHEEL ASSY,LH,12-16.5/10PR,FOAM.....	1			<i>(Tire only) Part of Tire/Wheel Assy 1271440, 1271441, 1271438, 1271439,1271442, 1271443, 1271444, 1271445</i>	
	--	1271441GT	TIRE/WHEEL ASSY,RH,12-16.5/10PR,FOAM.....	15K	73212GT	TIRE,12-16.5, 12PR,NON-MARKING.....	1
			<i>RT, Foam-filled, Right</i>			<i>(Tire only) Part of Tire/Wheel Assy 102804, 102805, 73204, 73205, 111453, 111454, 227802, 227803</i>	
15B	1271438GT	TIRE/WHEEL ASSY,LH,12-16.5/10PR,AIR.....	1	15L	73925GT	TIRE,33/16LL500,10PLY LITEFOOT.....	1
	--	1271439GT	TIRE/WHEEL ASSY,RH,12-16.5/10PR,AIR.....			<i>(4WD only / Tire only) Part of Tire/Wheel Assy 73923, 110725</i>	
			<i>RT, Air-filled, Right</i>	16	106117GT	O-RING,2-010,VITON.....	2
15C	102804GT	TIRE/WHEEL ASSY.....	1	17	139330GT	WHEEL DRIVE W/ BRAKE,57:1***.....	2
	--	102805GT	TIRE/WHEEL ASSY.....			<i>(interchangeable with 101584 as a set only, do not mix)</i>	
			<i>RT NON-MARKING FOAM TIRES</i>	--	139966GT	ROD,DISCONNECT,OMNI***	
15D	73204GT	TIRE & WHEEL ASSY,RH.....	1			<i>for 139330</i>	
	--	73205GT	TIRE & WHEEL ASSY,LH.....	--	139967GT	CAP,DISENGAGE,OMNI***	
			<i>RT NON-MARKING TIRES</i>			<i>for 139330</i>	
15E	1271442GT	TIRE/WHEEL ASSY,LH,12-16.5/10PR,SEAL.....	1	--	139968GT	O-RING,END COVER,OMNI***	
			<i>RT AIR W/ SEAL TIRES</i>			<i>for 139330</i>	
				--	139969GT	LINING KIT,BRAKE,OMNI***	
						<i>for 139330</i>	
				--	139970GT	SEAL KIT,BRAKE,OMNI***	
						<i>for 139330</i>	
				--	139971GT	BEARING KIT,OMNI***	
						<i>for 139330</i>	
				--	139972GT	SEAL KIT,GEARBOX,OMNI***	
						<i>for 139330</i>	

206.1 4WD Steer Axle - Wheels and Hubs
(continued)

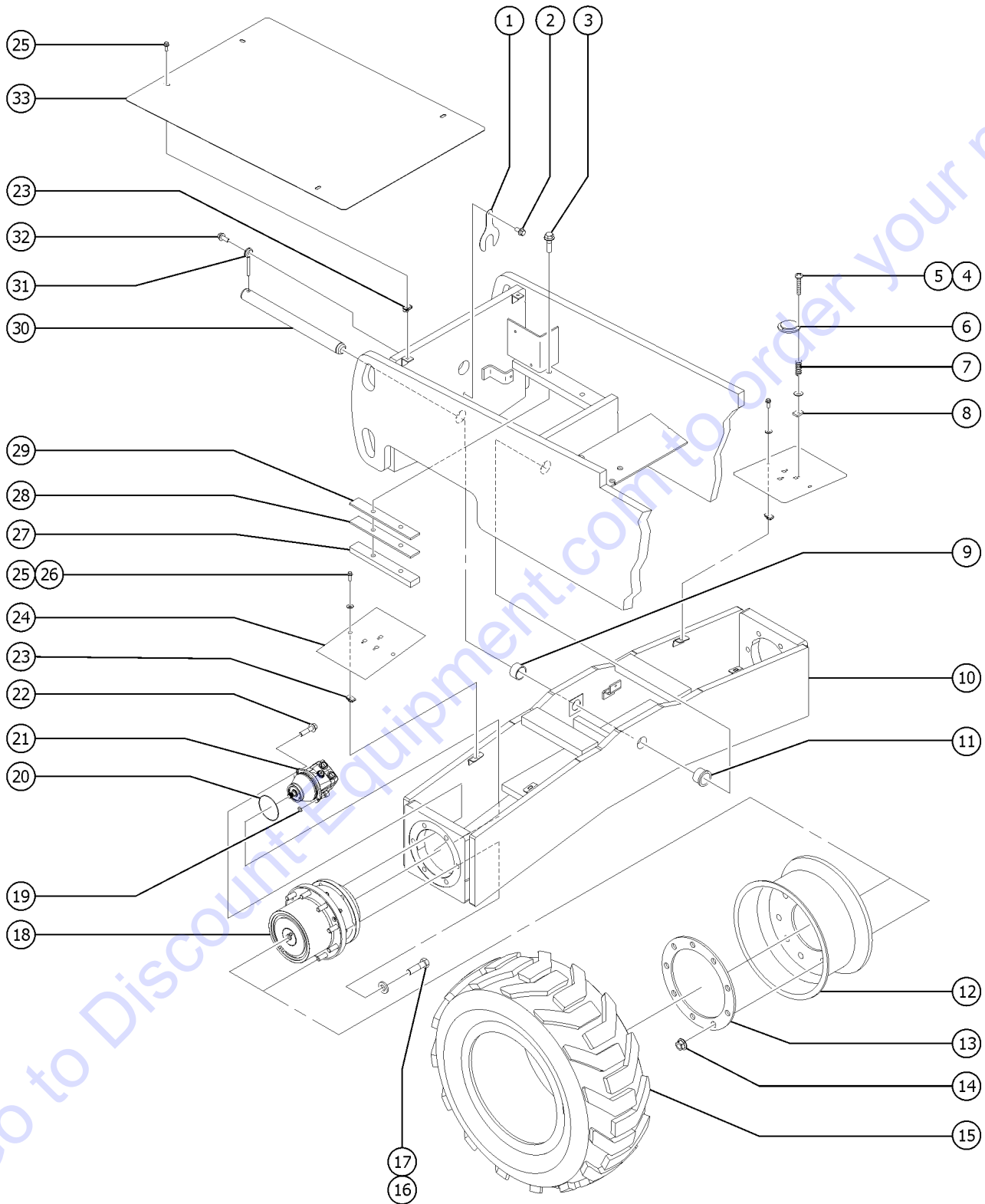
Item	Part No.	Description	Qty.
--	147033GT	O-RING,PIPE PLUG KIT,OMNI*** <i>for 139330</i>	
--	147034GT	PIPE PLUG KIT,OMNI*** <i>for 139330</i>	
--	230849GT	WHEEL STUD,5/8-18X67MM <i>for 139330</i>	
--	9990184GT	RETAINING RING, INTERNAL, #180 (COMPONENT OF 139330GT) <i>for 139330</i>	
18	106118GT	O-RING,2-157,VITON***.....	2
19	101586GT	MOTOR,PISTON,LC25,6.5 DEG,13T.....	2
--	106098GT	SEAL KIT,MOTOR,LC/KC***	
20	1256765GT	SCREW,HHF,7/16-14X1.75,8,ZAG.....	4

Go to Discount-Equipment.com to order your parts

This Page Intentionally Left Blank

Go to Discount-Equipment.com to order your parts

207.1 4WD Non-steer Axle



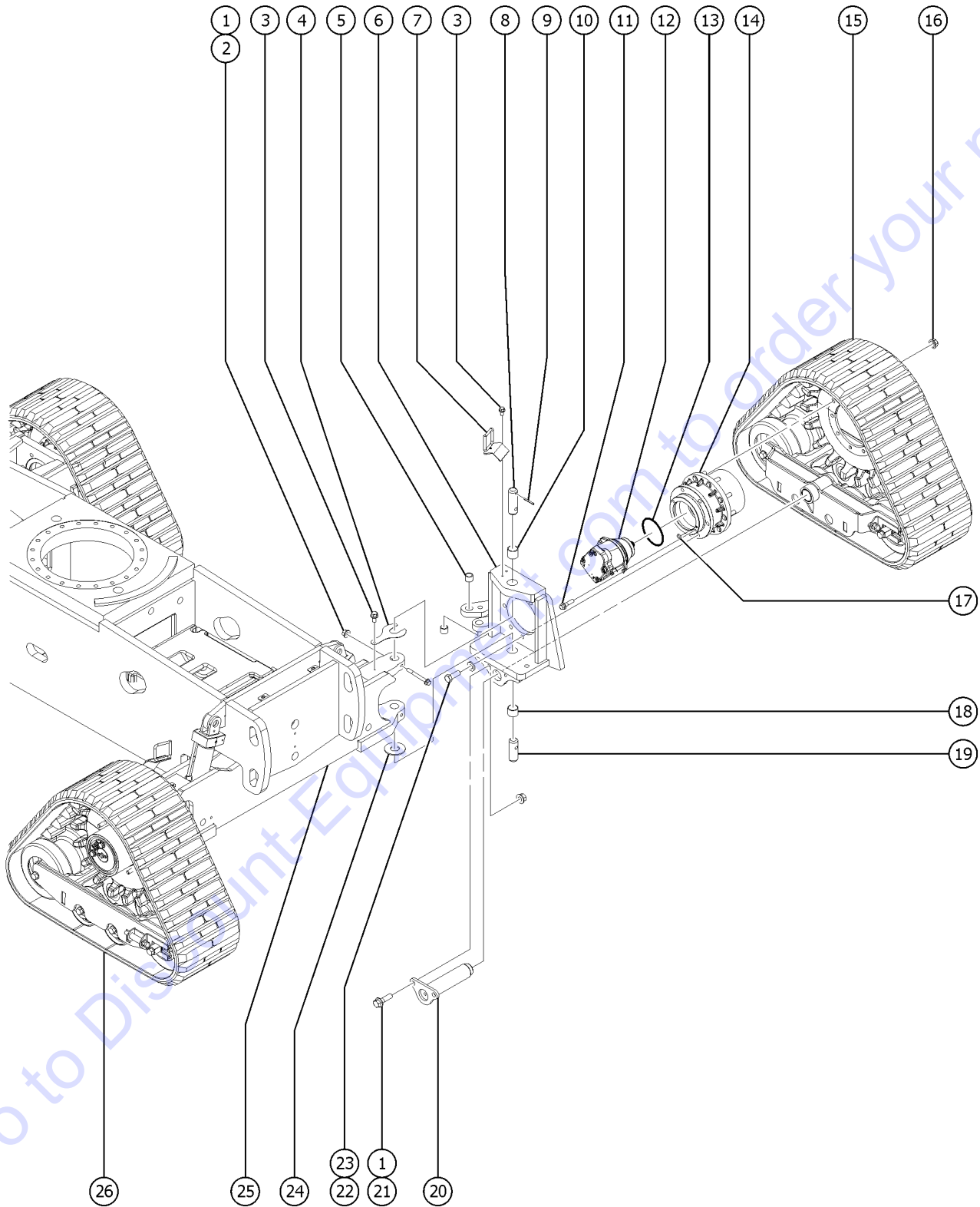
207.1 4WD Non-steer Axle

Item	Part No.	Description	Qty.	Item	Part No.	Description	Qty.
1	122850GT	SHIM, AXLE, 1.56 X 4.75.....	3	--	147033GT	O-RING,PIPE PLUG KIT,OMNI*** for 139330	
2	824089GT	SCREW,HHF,3/8-16X.75,8,ZAG.....	1	--	147034GT	PIPE PLUG KIT,OMNI*** for 139330	
3A	1256172GT	SCREW,HHF,1/2-13X 2,8,ZAG.....	4	--	230849GT	WHEEL STUD,5/8-18X67MM for 139330	
		<i>to SN S4016-21890 and S4516-21891</i>		--	9990184GT	RETAINING RING, INTERNAL, #180 (COMPONENT OF 139330GT) for 139330	
3B	826171GT	SCREW,HHF,1/2-13X1.75,ZAG.....	4	19	106117GT	O-RING,2-010,VITON.....	2
		<i>from SN S4016-21891 and S4516-21892</i>		20	106118GT	O-RING,2-157,VITON***.....	2
4	73634GT	SCREW,PHIL,PHM,10-24X1.5 ZINC		21	101586GT	MOTOR,PISTON,LC25,6.5 DEG,13T.....	2
5	6146GT	WASHER,FLAT,MS,#10,Y		--	106098GT	SEAL KIT,MOTOR,LC/KC***	
6	77026GT	LEVEL,BUBBLE,2 DEGREE *.....	1	22	1256765GT	SCREW,HHF,7/16-14X1.75,8,ZAG.....	4
		<i>European models</i>		23	56912GT	SPRING CLIP,1/4-20,.025-.125X.468,ZAG.....	8
7	77027GT	SPRING,1X.31 ODX.040WIRE,SS.....	3	24	30802P-SGT	COVER,NON-STEER AXLE "BLUE".....	2
8	73575GT	SPRING CLIP,10-24,.025-.125X.468,ZAG.....	3	25	824078GT	SCREW,HHF,1/4-20X.75,8,ZAG.....	8
9	18396GT	BEARING,1.5IDX1.75ODX1.0L.....	1	26	824113GT	WASHER,FLAT,USS,1/4,ZAG.....	4
10	1258039GT	ASSY,S40/45,REAR AXLE.....	1			<i>from SN S4016-21891 and S4516-21892</i>	
		<i>includes items 9 and 11</i>		27A	30690GT	BAR,AXLE ROTATION STOP,OSC. **.....	2
--	89372GT	REAR AXLE WELDMENT,S40				<i>oscillating models</i>	
11	122483GT	BEARING,FL 1.50IDX1.75ODX1.20L.....	1	27B	30691GT	BAR,AXLE ROTATION STOP,NON-OSC.....	2
12A	122348GT	WHEEL, 16.5 X 9.75 S40.....	2			<i>non-oscillating models</i>	
		<i>(for 1271437 and 73212)</i>		28	30808GT	SHIM,AXLE ROTATION STOP.....	2
12B	73924GT	WHEEL, 19.5X14.00.....	2	29	30809GT	SHIM,AXLE ROTATION STOP,22 GA.....	2
		<i>(for 73925)</i>		30	30735GT	PIN, 1.50DIAX17.50LG, CHAMFER.....	1
12C	73268GT	WHEEL, 16.5X9.75 S40.....	2	31	825019GT	ROD END,.375X3.69,ZAG.....	1
		<i>(for 73212)</i>		32	824090GT	SCREW,HHF,3/8-16X1,8,ZAG.....	1
13	122313GT	WHEEL RING WASHER.....	2	33	53610GT	COVER, DRIVE CHASSIS, S40.....	1
14	77674GT	NUT,HEX,FLANGE 5/8-18,GRD 8 ZI.....	18				
15A	1271437GT	TIRE,12-16.5/10PR S40 HAULER.....	2				
15B	73925GT	TIRE,33/16LL500,10PLY LITEFOOT.....	2				
15C	73212GT	TIRE,12-16.5, 12PR,NON-MARKING.....	2				
16	1255385GT	SCREW,HHC,5/8-11X2.25,8,ZAG.....	12				
17	1256182GT	WASHER,FLAT,5/8,F436,HRD,ZAG.....	12				
18	139330GT	WHEEL DRIVE W/ BRAKE,57:1***.....	2				
		<i>(interchangeable with 101584 as a set only, do not mix)</i>					
--	139966GT	ROD,DISCONNECT,OMNI*** for 139330					
--	139967GT	CAP,DISENGAGE,OMNI*** for 139330					
--	139968GT	O-RING,END COVER,OMNI*** for 139330					
--	139969GT	LINING KIT,BRAKE,OMNI*** for 139330					
--	139970GT	SEAL KIT,BRAKE,OMNI*** for 139330					
--	139971GT	BEARING KIT,OMNI*** for 139330					
--	139972GT	SEAL KIT,GEARBOX,OMNI*** for 139330					

208.1 Oscillation Control Valve

Item	Part No.	Description	Qty.
A	1258605GT	ASSY,S40/45,OSC. VALVE SYSTEM.....1	
1	48880GT	CAP,DIAGNOSTIC NIPPLE.....1	
2	49207GT	NIPPLE,DIAGNOSTIC,ORFS,FM,SWIV..1	
3	48891GT	FITTING,TEE,BRANCH,520433-4.....1	
4	48914GT	CONN,520120-4-8.....1	
5	81691GT	ROD END,BALL JOINT 1/4-28.....1	
6	20980GT	WASHER,NYLON,.434 X.263X.049.....4	
7	30884GT	OSCILLATE VALVE LINKAGE.....2	
8	1257076GT	BOLT,SHS,1/4-28X4,ZAG.....2	
9A	1256467GT	NUT,TL FLG,10-24,F,ZAG.....2 <i>to SN S4016-21890 and S4516-21891</i>	
9B	5365GT	NUT,NYLOCK,10-24.....2 <i>from SN S4016-21891 and S4516-21892</i>	
10	824041GT	NUT,1/4-28,8,ZAG.....2	
11	21130GT	CLEVIS YOKE-1/4-28,PLTD W/PIN.....1 <i>includes clevis pin and cotter pin</i>	
12	1260210GT	ROD,THREADED,1/7-28X2.75,ZAG.....1	
13	1253485GT	SCREW,HHF,1/4-20X2,8,ZAG.....2	
14	824027GT	NUT,TL FLG,1/4-20,G,ZAG.....2	
15	81552GT	VALVE,MANUAL,W/RELIEF VALVE***....1	
--	32681GT	SEAL KIT,CONTROL VALVE	

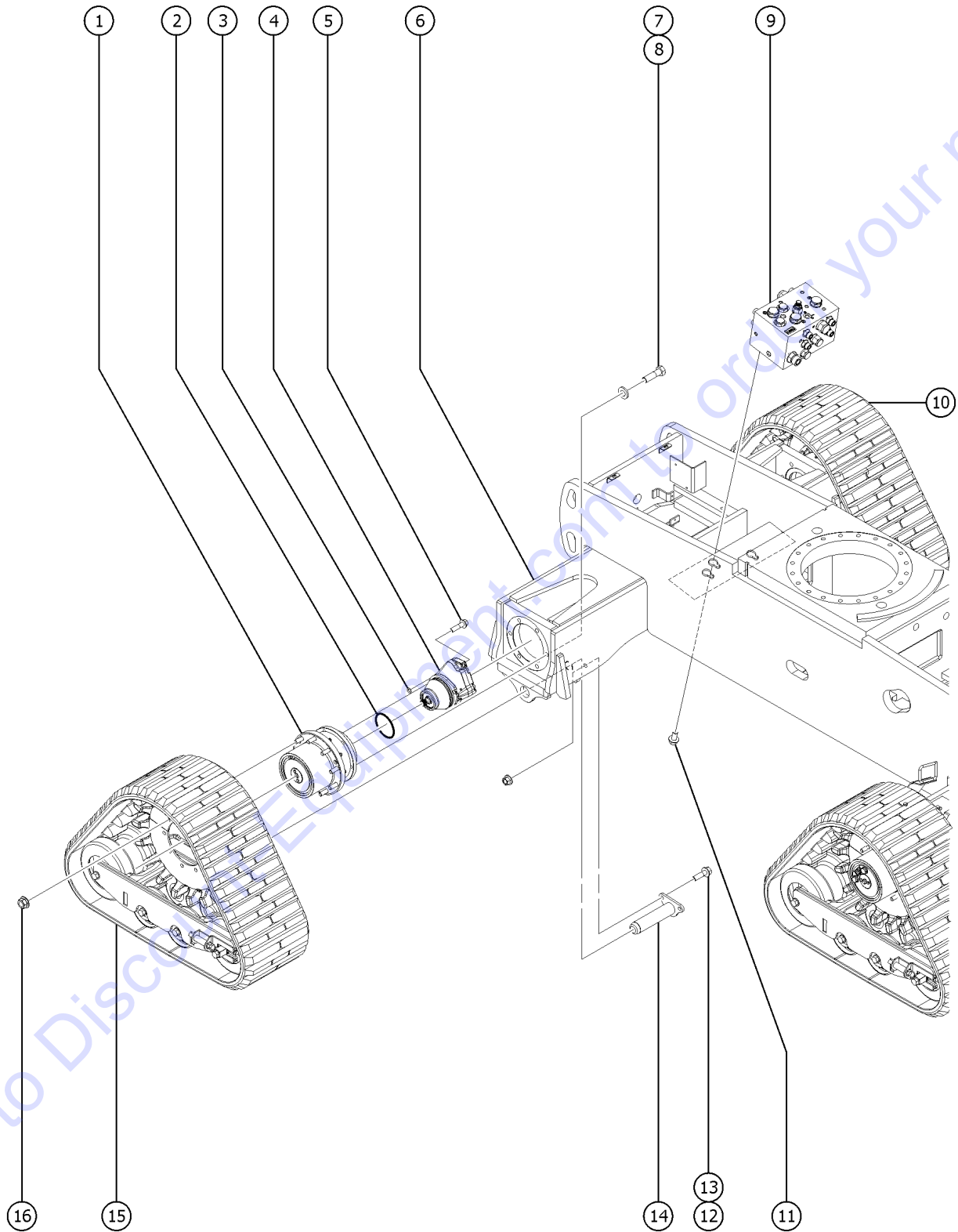
209.1 Trax Option Steer End



209.1 Trax Option Steer End

Item	Part No.	Description	Qty.	Item	Part No.	Description	Qty.
1	1251997GT	NUT,TL FLG,1/2-13,G,ZAG.....	8	20	237477GT	WELDMENT, PIVOT PIN, W/LOCK.....	2
2	1255392GT	SCREW,HHF,1/2-13X4.5,8,ZAG.....	4	21	826171GT	SCREW,HHF,1/2-13X1.75,ZAG.....	4
3	824089GT	SCREW,HHF,3/8-16X.75,8,ZAG.....	6	22	1260372GT	SCREW,HHC,5/8-11X1.75,8,ZAG.....	12
4	122850GT	SHIM, AXLE, 1.56 X 4.75.....	2	23	1256182GT	WASHER,FLAT,5/8,F436,HRD,ZAG.....	12
5	25817GT	BEARING,1.00IDX1.25ODX1.00L.....	4	24	45074GT	WASHER,THRUST,1.5 X 3.5 X .187.....	2
6	T107851GT	ASSY, YOKE, LH, TRAX, W/BUSH..... <i>(shown) includes items 5, 10 and 18</i>	1	25	T107842GT	ASSY.,FRONT AXLE TRAX,W/BUSH.....	1
--	T107861GT	ASSY, YOKE, RH, TRAX, W/BUSH <i>includes items 5, 10 and 18</i>		26	216202GT	ASSY, QTS TRAX, S40/45, RH..... <i>(refer to 211.1)</i>	1
7	122281PGT	HOSE HANGER,DRIVE CHASSIS,PTD.....	2				
8	53081GT	PIN,1.50DIAX4.76LG,2HOLE.....	2				
9	14815GT	PIN,ROLL,SST,.25 X 2.25.....	2				
10	119619GT	BEARING,1.5IDX1.75ODX1.5L,PTFE.....	2				
11	1256765GT	SCREW,HHF,7/16-14X1.75,8,ZAG.....	4				
12	216277GT	MOTOR, LC30, 6.5 DEG, 13T.....	2				
13	106118GT	O-RING,2-157,VITON***.....	2				
14	139330GT	WHEEL DRIVE W/ BRAKE,57:1*** <i>(interchangeable with 101584 as a set only, do not mix)</i>	2				
--	139966GT	ROD,DISCONNECT,OMNI*** <i>for 139330</i>					
--	139967GT	CAP,DISENGAGE,OMNI*** <i>for 139330</i>					
--	139968GT	O-RING,END COVER,OMNI*** <i>for 139330</i>					
--	139969GT	LINING KIT,BRAKE,OMNI*** <i>for 139330</i>					
--	139970GT	SEAL KIT,BRAKE,OMNI*** <i>for 139330</i>					
--	139971GT	BEARING KIT,OMNI*** <i>for 139330</i>					
--	139972GT	SEAL KIT,GEARBOX,OMNI*** <i>for 139330</i>					
--	147033GT	O-RING,PIPE PLUG KIT,OMNI*** <i>for 139330</i>					
--	147034GT	PIPE PLUG KIT,OMNI*** <i>for 139330</i>					
--	230849GT	WHEEL STUD,5/8-18X67MM <i>for 139330</i>					
--	9990184GT	RETAINING RING, INTERNAL, #180 <i>(COMPONENT OF 139330GT) for 139330</i>					
15	216201GT	ASSY, QTS TRAX, S40/45, LH..... <i>(refer to 211.1)</i>	1				
16	77674GT	NUT,HEX,FLANGE 5/8-18,GRD 8 ZI.....	18				
17	106117GT	O-RING,2-010,VITON.....	2				
18	110876GT	BEARING,1.5"ID X 1.75OD X1.25L.....	2				
19	237478GT	PIN,1.50DIAX4.125LG, 1HOLE.....	2				

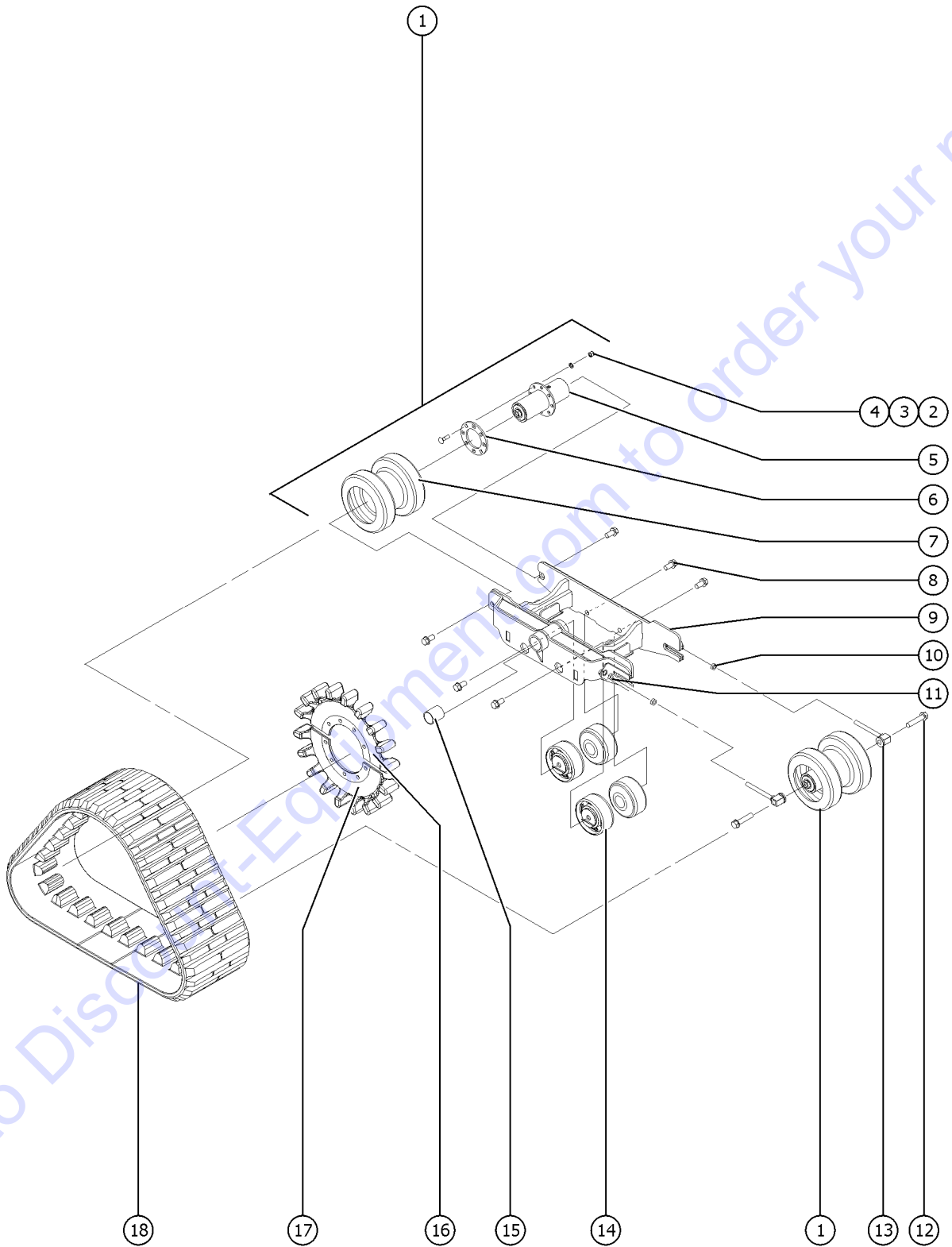
210.1 Trax Option Non-Steer End



210.1 Trax Option Non-Steer End

Item	Part No.	Description	Qty.
1	139330GT	WHEEL DRIVE W/ BRAKE,57.1***2 <i>(interchangeable with 101584 as a set only, do not mix)</i>	
--	139966GT	ROD,DISCONNECT,OMNI*** <i>for 139330</i>	
--	139967GT	CAP,DISENGAGE,OMNI*** <i>for 139330</i>	
--	139968GT	O-RING,END COVER,OMNI*** <i>for 139330</i>	
--	139969GT	LINING KIT,BRAKE,OMNI*** <i>for 139330</i>	
--	139970GT	SEAL KIT,BRAKE,OMNI*** <i>for 139330</i>	
--	139971GT	BEARING KIT,OMNI*** <i>for 139330</i>	
--	139972GT	SEAL KIT,GEARBOX,OMNI*** <i>for 139330</i>	
--	147033GT	O-RING,PIPE PLUG KIT,OMNI*** <i>for 139330</i>	
--	147034GT	PIPE PLUG KIT,OMNI*** <i>for 139330</i>	
--	230849GT	WHEEL STUD,5/8-18X67MM <i>for 139330</i>	
--	9990184GT	RETAINING RING, INTERNAL, #180 (COMPONENT OF 139330GT) <i>for 139330</i>	
2	106118GT	O-RING,2-157,VITON***2	
3	106117GT	O-RING,2-010,VITON2	
4	216277GT	MOTOR, LC30, 6.5 DEG, 13T2	
5	1256765GT	SCREW,HHF,7/16-14X1.75,8,ZAG4	
6	T107843GT	ASSY.,REAR AXLE TRAX,W/BUSH1	
7	1255385GT	SCREW,HHC,5/8-11X2.25,8,ZAG12	
8	1256182GT	WASHER,FLAT,5/8,F436,HRD,ZAG12	
9		Ref. MANIFOLD,TRACTION,4WD <i>(refer to 702.1)</i>	
10	216201GT	ASSY, QTS TRAX, S40/45, LH1 <i>(refer to 211.1)</i>	
11	237830GT	SCREW,HHF,1/2-13X1,8,ZAG2	
12	826171GT	SCREW,HHF,1/2-13X1.75,ZAG4	
13	1251997GT	NUT,TL FLG,1/2-13,G,ZAG4	
14	237477GT	WELDMENT, PIVOT PIN, W/LOCK2	
15	216202GT	ASSY, QTS TRAX, S40/45, RH1 <i>(refer to 211.1)</i>	
16	77674GT	NUT,HEX,FLANGE 5/8-18,GRD 8 ZI18	

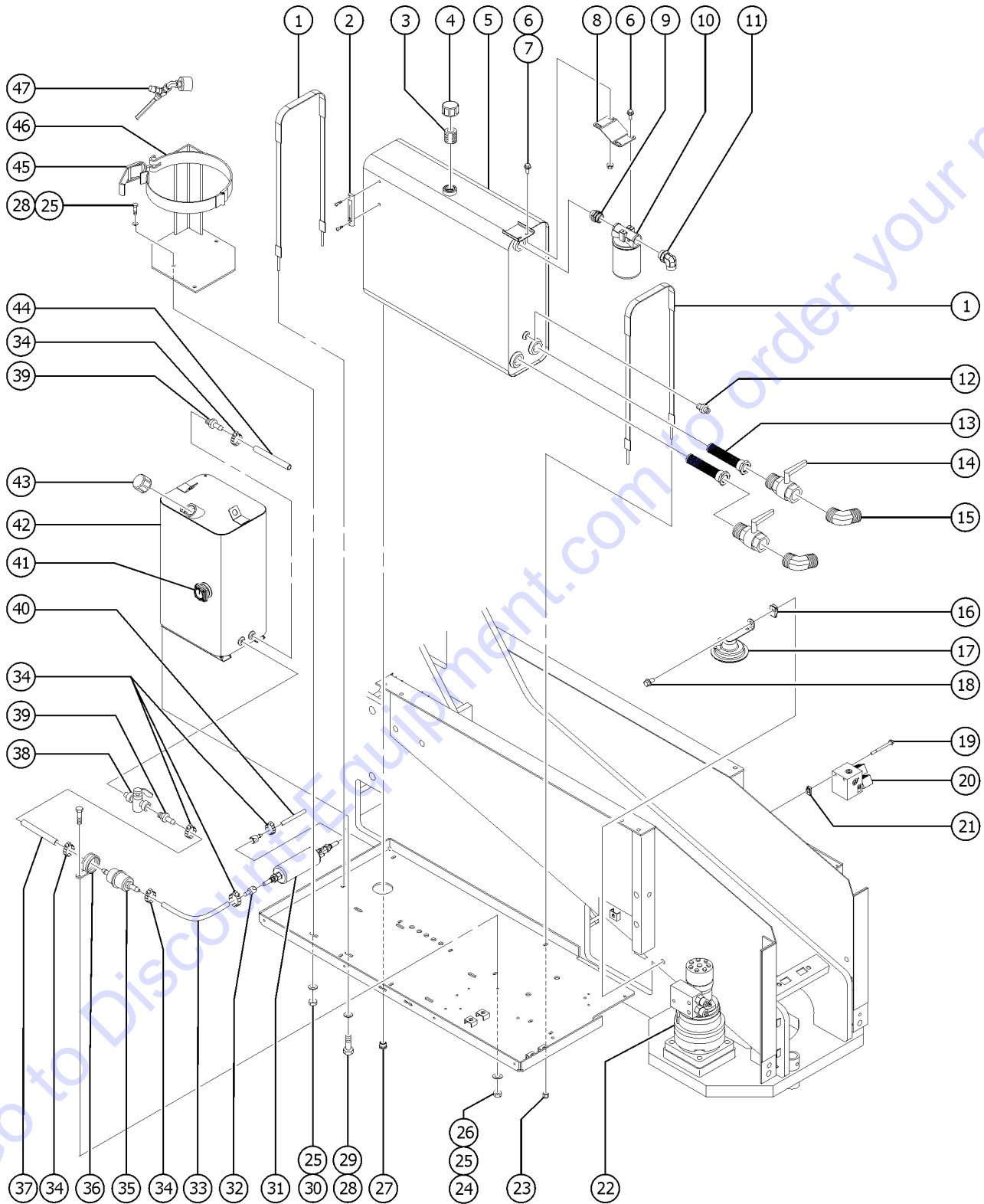
211.1 Trax Option Idler Assembly



211.1 Trax Option Idler Assembly

Item	Part No.	Description	Qty.
1	219981GT	ASSEMBLY IDLER W/HUB.....2 <i>(complete) includes items 2 to 7</i>	
2	220000GT	NUT,HEX,NYLOCK,1/2-13 UNC,ZN.....16	
3	219999GT	WASHER WROUGHT .531 x .886 x 0118 HARD ZN.....16	
4	219998GT	BOLT, CARRIAGE, 1/2-13 X 1.75.....16	
5	219995GT	Assembly, IDLER HUB.....2	
6	219997GT	Plate, Wheel.....2	
7	219996GT	IDLER, COMPLETE Ø10.3 OD MINI TELE.....2	
8	219983GT	ASTM Flange Bolt, 3/4"-10NC X 1.50", Gr. 8 Plated.....6	
9	219979GT	Weldment, S45 QTS Chassis L <i>(shown)</i>	
--	220005GT	Weldment, S45 QTS Chassis R	
10	219986GT	Jam Nut, 5/8" Plated.....2	
11	219987GT	ASTM Flange nut, 5/8"-11, Gr. 8 Plated...2	
12	1259683GT	SCEW,HHF,3/4-10X3.25,8,ZAG.....4	
13	219982GT	Weldment, Tensioner.....2	
14	219980GT	SPLIT BOGEY.....4	
15	219985GT	BUSHING, PWM 505860 Ø50 I.D. X Ø58 O.D. X 60 - FIL WND.....2 <i>one bushing at each end</i>	
16	219990GT	HALF SPROCKET, 9 TOOTH.....1	
17	219988GT	HALF SPROCKET, 10 TOOTH.....1	
18	219989GT	TRACK, 28 LINK MINI TELEHANDLER.....1	

301.1 Hydraulic and Fuel Tanks - Gasoline/LPG



301.1 Hydraulic and Fuel Tanks - Gasoline/LPG

Item	Part No.	Description	Qty.	Item	Part No.	Description	Qty.
1	31524GT	STRAP ASSY,TANK, 66 INCH.....	2	--	77181GT	CLAMP,1.63,#26 X 3/8,RUB CUSH	
--	31658-SGT	EXTRUSION,RUBBER BUMPER STRIP		32	65892GT	CONN. ASSY,7.9 TUBE X6.35 HOSE.....	2
2	21141GT	GAUGE-SIGHT,LHA-LGTB***..... <i>includes mounting fasteners</i>	1	33	111817-725GT	HOSE ASSY,SAE J2260/J2044.....	12
3	31506GT	STRAINER,FILLER NECK.....	1	34	21465GT	CLAMP,HOSE,.25" - .63" X .3125.....	6
4	53527GT	CAP,FILLER BREATHER,3 MICRON**.....	1	35	1272019GT	FILTER, FUEL.....	1
5	111606GT	TANK,HYD,45 GAL.,S40/S45,ASSY.....	1	36	45455GT	CLAMP,2.75,#44 X 1/4,RUB CUSH*.....	1
--	111607GT	TANK,HYD,45 GAL.,S40/S45		37	111817-675GT	HOSE ASSY,SAE J2260/J2044.....	1
6	824085GT	SCREW,HHF,5/16-18X.75,8,ZAG.....	4	38	19487GT	VALVE, FUEL LOCK.....	1
7	824028GT	NUT,TL FLG,5/16-18,G,ZAG.....	2	39	111818GT	FITTING,1/4 NPT X SAE J2044.....	2
8	60936PGT	BRACKET,RETURN FILTER.....	1	40	111817-2775GT	HOSE ASSY,SAE J2260/J2044	
9	61263GT	UNION,STR.THREAD 20		41	146413GT	GAUGE, FUEL LEVEL, 20/30 GAL <i>part of fuel tank 146416, 214221</i>	
10	60508GT	FILTER,RETURN,ASSY 10 MICRON.....	1	--	146550GT	GASKET, FUEL LEVEL GAUGE, GAS	
--	52768GT	GAUGE,MED.PRESSUR FILTER,50530		42	214221GT	TANK ASSY, GAS, 20 GAL.....	1
--	61326GT	FILTER ELEMENT,10 MICRON,60508 <i>option</i>		43	119918GT	CAP,FUEL,GASOLINE 3.5PSI.....	1
--	89616GT	FILTER ELEMENT,3 MICRON*** <i>standard</i>		44	111817-4800GT	HOSE ASSY,SAE J2260/J2044	
11	89593GT	ELBOW,90D,520220-20		45	49000GT	L.P.TANK LATCH.....	1
12	48922GT	CONN,520102-6-6.....	1	46	102342GT	WELDMENT,LP BOTTLE MOUNT.....	1
13	147419GT	KIT,STRAINER REPLACEMENT.....	2	47	64066GT	HOSE ASSEMBLY,LP GAS 174" LONG.....	1
14	48996GT	VALVE,BALL,16 MSAE-16 FSAE***.....	2				
15	48985GT	ELBOW,45D,520320-16.....	2				
16	29868GT	SPRING CLIP,3/8-16,.05-.20X.73,ZAG....	1				
17	81578GT	HORN,12VDC,SPADE TERMINALS***.....	1				
18	824089GT	SCREW,HHF,3/8-16X.75,8,ZAG.....	1				
19	824084GT	SCREW,HHF,1/4-20X3,8,ZAG.....	2				
20		Ref. MANIFOLD, BRAKE 2-SPEED..... <i>(refer to 703.1)</i>	1				
21	56912GT	SPRING CLIP,1/4-20,.025-.15X.54,ZAG.....	2				
22		Ref. TURNTABLE ROTATOR <i>(refer to 304.1 and 305.1)</i>					
23A	824029GT	NUT,TL FLG,3/8-16,G,ZAG..... <i>to SN S4016-21890 and S4516-21891</i>	4				
23B	4828GT	NUT,NYLOCK,3/8-16..... <i>from SN S4016-21891 and S4516-21892</i>	4				
24	6002GT	NUT,LP NYLOCK,5/16-18					
25	6097GT	WASHER,FLAT,USS,3/8",Y					
26	13002GT	SCREW,HHC,5/16-18 X 1 GR5					
27	94612GT	PLUG,MAGNETIC,SAE-6***.....	1				
28	6019GT	SCREW,HHC,3/8-16 X 1.25 GRD 5					
29	6021GT	WASHER,LOCK,.375					
30	7713GT	NUT, LP NYLOCK, 3/8-16					
31	119168GT	FUEL PUMP,DSG-423 AND MSG-425....	1				
--	119487GT	CLAMP,FUEL PUMP					

PARTS FINDER

**Search Website
by Part Number**



**Search Manual
Library For Parts
Manual & Lookup Part
Numbers – Purchase
or Request Quote**

Search Manuals

Enter your information to help us find the right parts manual for your equipment.

* Brand:

* Model:

* Serial:

* Part Number:

SEARCH

**Can't Find Part or
Manual? Request Help
by Manufacturer,
Model & Description**

Parts Order Form

Please fill in the following information to help us find the right part for your equipment.

MANUFACTURER:

MODEL:

DESCRIPTION:

DATE:

TIME:

PHONE:

EMAIL:

ADDRESS:

CITY:

STATE:

ZIP:

COUNTRY:

SEARCH

Discount-Equipment.com is your online resource for quality parts & equipment.

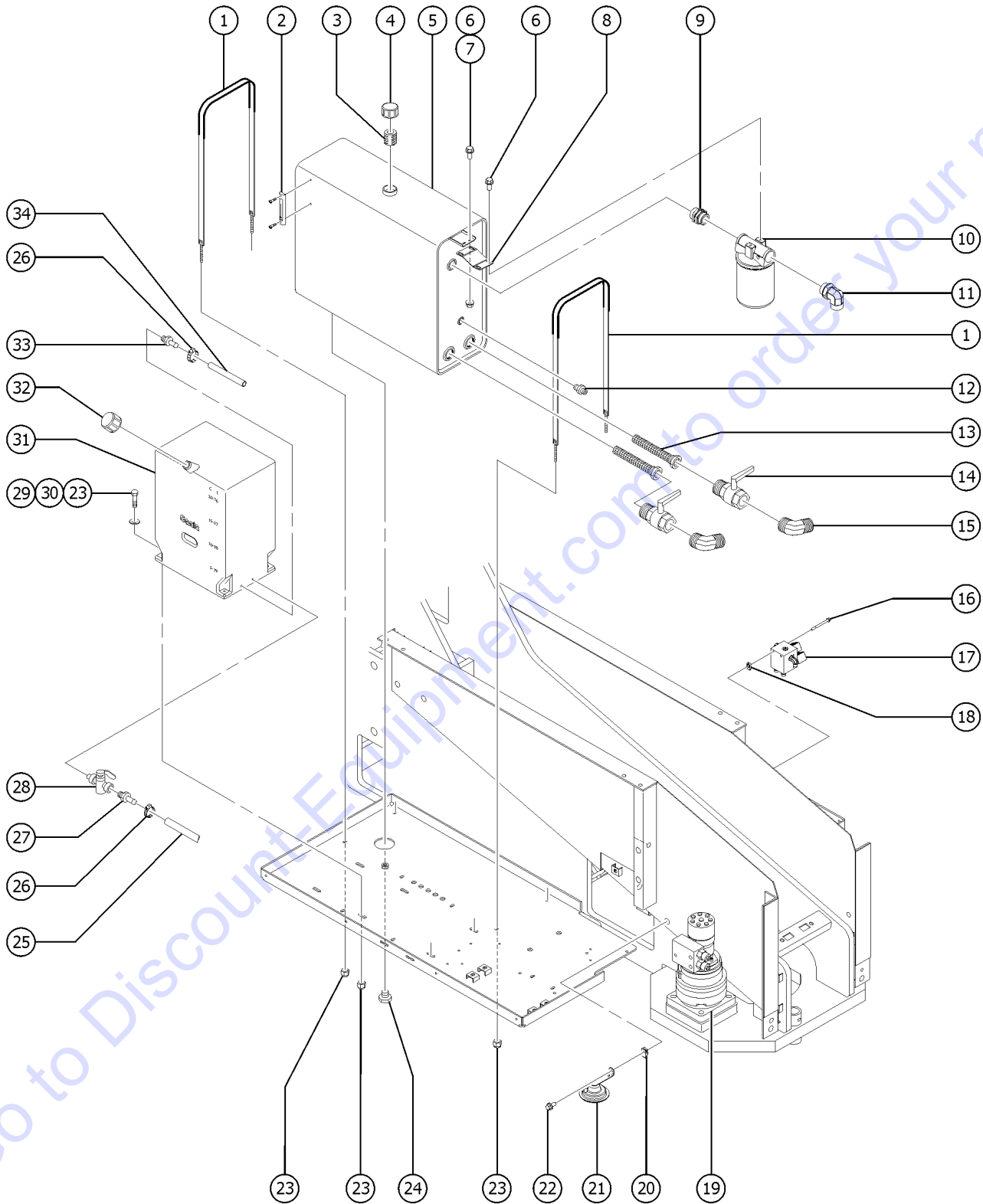
Florida: **561-964-4949** Outside Florida TOLL FREE: **877-690-3101**

Need parts?

Click on this link: <http://www.discount-equipment.com/category/5443-parts/> and choose one of the options to help get the right parts and equipment you are looking for. Please have the machine model and serial number available in order to help us get you the correct parts. If you don't find the part on the website or on one of the online manuals, please fill out the request form and one of our experienced staff members will get back to you with a quote for the right part that your machine needs.

We sell worldwide for the brands: Genie, Terex, JLG, MultiQuip, Mikasa, Essick, Whiteman, Mayco, Toro Stone, Diamond Products, Generac Magnum, Airman, Haulotte, Barreto, Power Blanket, Nifty Lift, Atlas Copco, Chicago Pneumatic, Allmand, Miller Curber, Skyjack, Lull, Skytrak, Tsurumi, Husquvarna Target, Stow, Wacker, Sakai, Mi-T-M, Sullair, Basic, Dynapac, MBW, Weber, Bartell, Bennar Newman, Haulotte, Ditch Runner, Menegotti, Morrison, Contec, Buddy, Crown, Edco, Wyco, Bomag, Laymor, EZ Trench, Bil-Jax, F.S. Curtis, Gehl Pavers, Heli, Honda, ICS/PowerGrit, IHI, Partner, Imer, Clipper, MMD, Koshin, Rice, CH&E, General Equipment, Amida, Coleman, NAC, Gradall, Square Shooter, Kent, Stanley, Tamco, Toku, Hatz, Kohler, Robin, Wisconsin, Northrock, Oztec, Toker TK, Rol-Air, APT, Wylie, Ingersoll Rand / Doosan, Innovatech, Con X, Ammann, Mecalac, Makinex, Smith Surface Prep, Small Line, Wanco, Yanmar

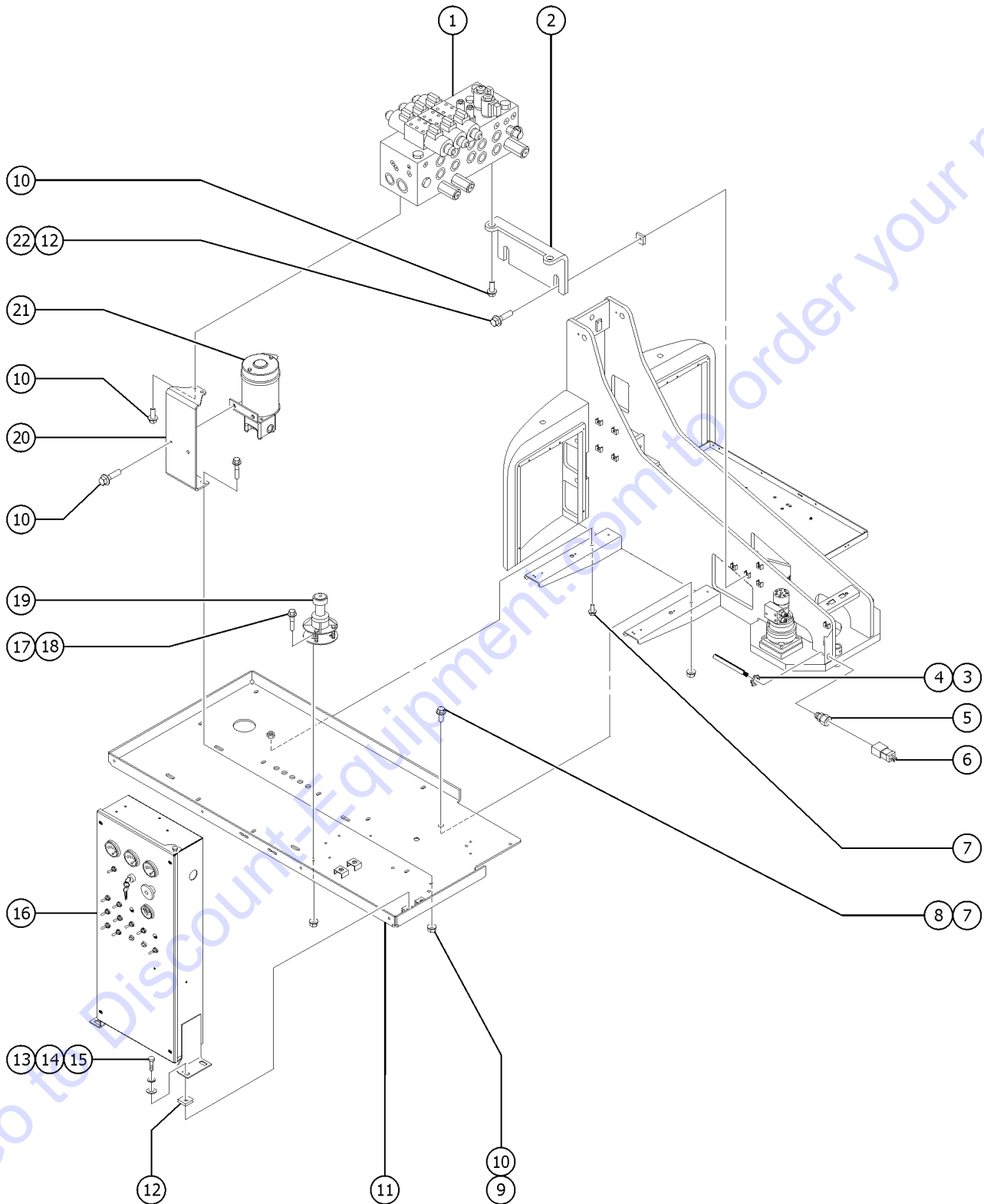
302.1 Hydraulic and Fuel Tanks - Diesel



302.1 Hydraulic and Fuel Tanks - Diesel

Item	Part No.	Description	Qty.	Item	Part No.	Description	Qty.
1	31524GT	STRAP ASSY,TANK, 66 INCH.....	2	33	29137GT	HOSE END,MALE.25 X .25 MPT***.....	1
--	31658-SGT	EXTRUSION,RUBBER BUMPER STRIP		34	30490GT	HOSE,1/4 FUEL LINE,SAE 30R7.....	53-inches
2	21141GT	GAUGE-SIGHT,LHA-LGTB***.....	1			<i>Deutz Models</i>	
3	31506GT	STRAINER,FILLER NECK.....	1	--	35418GT	HOSE,FUEL,3/16,SAE 30R7.....	88-inches
4	53527GT	CAP,FILLER BREATHER,3 MICRON**.....	1			<i>Perkins 404-22 Models</i>	
5	111606GT	TANK,HYD,45 GAL.,S40/S45,ASSY.....	1				
--	111607GT	TANK,HYD,45 GAL.,S40/S45					
6	824085GT	SCREW,HHF,5/16-18X.75,8,ZAG.....	4				
7	824028GT	NUT,TL FLG,5/16-18,G,ZAG.....	2				
8	60936PGT	BRACKET,RETURN FILTER.....	1				
9	61263GT	UNION,STR.THREAD 20.....	1				
10	60508GT	FILTER,RETURN,ASSY 10 MICRON.....	1				
--	52768GT	GAUGE,MED.PRESSUR FILTER,50530					
--	61326GT	FILTER ELEMENT,10 MICRON,60508 <i>option</i>					
--	89616GT	FILTER ELEMENT,3 MICRON*** <i>standard</i>					
11	89593GT	ELBOW,90D,520220-20.....	1				
12	48922GT	CONN,520102-6-6.....	1				
13	147419GT	KIT,STRAINER REPLACEMENT.....	2				
14	48996GT	VALVE,BALL,16 MSAE-16 FSAE***.....	2				
15	48985GT	ELBOW,45D,520320-16.....	2				
16	824084GT	SCREW,HHF,1/4-20X3,8,ZAG.....	2				
17		Ref. MANIFOLD, BRAKE 2-SPEED..... <i>Ref 703.1</i>	1				
18	56912GT	SPRING CLIP,1/4-20,.025-.15X.54,ZAG.....	2				
19		Ref. Turntable Rotator <i>(refer to 304.1 and 305.1)</i>					
20	29868GT	SPRING CLIP,3/8-16,.05-.20X.73,ZAG....	1				
21	81578GT	HORN,12VDC,SPADE TERMINALS***.....	1				
22	824089GT	SCREW,HHF,3/8-16X.75,8,ZAG.....	1				
23A	824029GT	NUT,TL FLG,3/8-16,G,ZAG..... <i>to SN S4016-21890 and S4516-21891</i>	4				
23B	4828GT	NUT,NYLOCK,3/8-16..... <i>from SN S4016-21891 and S4516-21892</i>	4				
24	94612GT	PLUG,MAGNETIC,SAE-6***.....	1				
25	27089GT	HOSE,5/16 FUEL,SAE 30R7.....	81-inches				
26	21465GT	CLAMP,HOSE,.25" - .63" X .3125.....	2				
27	53023GT	FITTING,1/4 MPT 5/16 BARB.....	1				
28	19487GT	VALVE, FUEL LOCK.....	1				
29	8178GT	SCREW,HHC,3/8-16 X 2.5					
30	5397GT	WASHER,FLAT,USS,5/16",Y					
31	65611-SGT	FUEL TANK ASSY W/CAP, 20 GAL**..... <i>includes tank cap 101726</i>	1				
32	101726GT	CAP,FUEL,DIESEL,1/8"VENT(GRN).....	1				

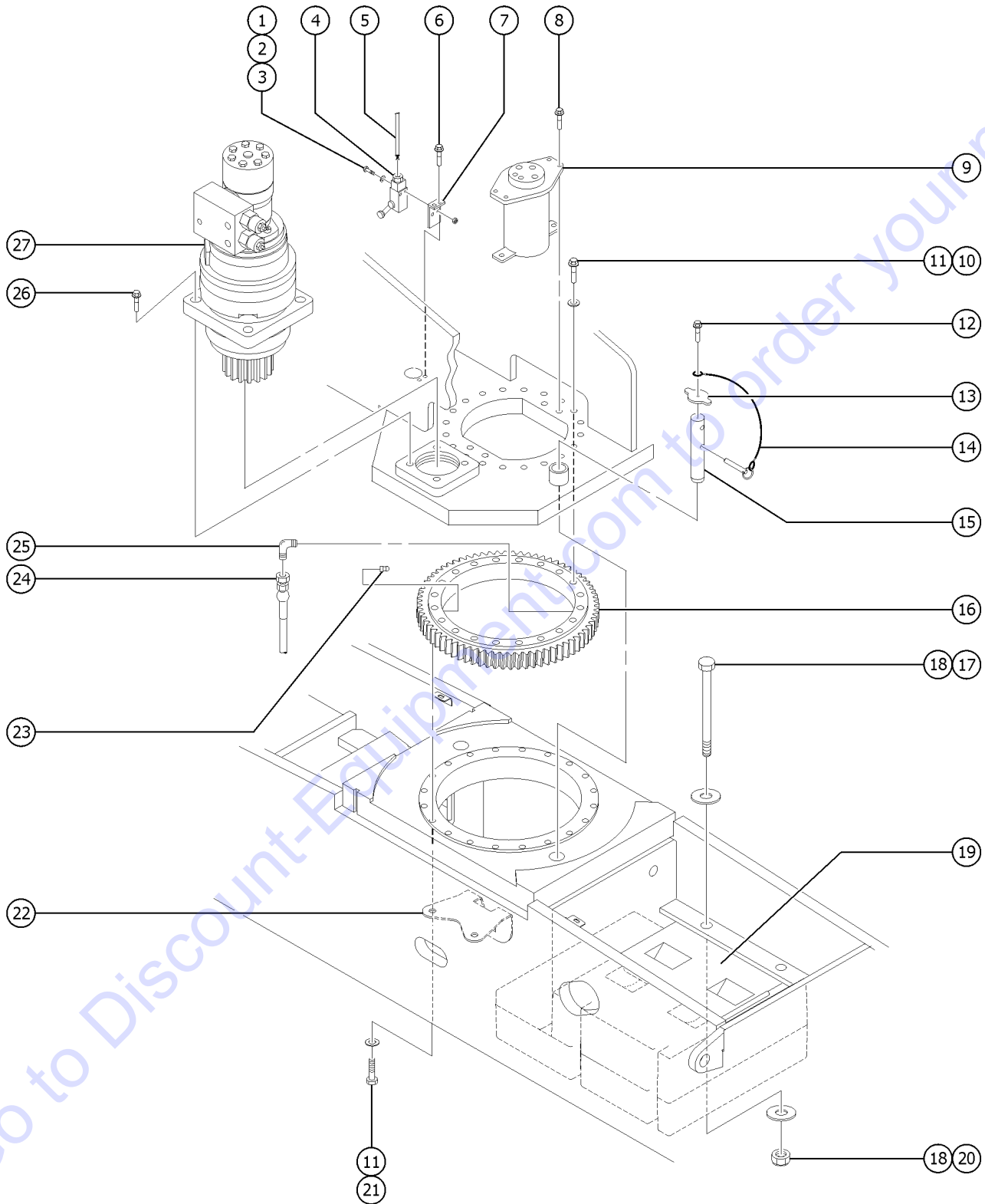
303.1 Function Manifold, Plug to Platform and Auxiliary Power Unit



303.1 Function Manifold, Plug to Platform and Auxiliary Power Unit

Item	Part No.	Description	Qty.	Item	Part No.	Description	Qty.
A		Verify Engine Make and Model Before Ordering		22	824089GT	SCREW,HHF,3/8-16X.75,8,ZAG.....	2
1		Ref. Function Manifold (refer to 701.1)					
2	89074GT	FORMING,MANIFOLD MOUNT.....	1				
3	6935GT	LOCKNUT,ELEC,1/2".....	1				
4	43956GT	WIRE CABLE,14/3 CON.TPE JKT*.....	720-inches				
5	7056GT	CONN,SQUEEZE,1/2NPT .38-.50,SM....	1				
6	6595GT	PLUG,ELECTRICAL,DOMESTIC FUSE,13 AMP,220V PLUG (component no longer available) refer to BS1362 BUSS TDC180-13A					
--	1280665GT	PLUG, TYPE F, 230A, 50HZ, 16A, IP44					
--	144161GT	PLUG,PWR,UK,16AMP,3PIN,BLK					
--	25388GT	PLUG,FUSED,250V,13AMP,U.K.**					
7	1253208GT	SCREW,HHF,5/8-11X1.5,8,ZAG.....	3				
8	1253319GT	NUT,TL,FLG,5/8-11,G,ZAG.....	2				
9	824029GT	NUT,TL FLG,3/8-16,G,ZAG.....	2				
10	824090GT	SCREW,HHF,3/8-16X1,8,ZAG.....	8				
11	30677GT	WELDMENT,HYD TANK MODULE.....	1				
12	29868GT	SPRING CLIP,3/8-16,.05-.20X.73,ZAG....	6				
13	6175GT	SCREW,HHC,3/8-16 X 1					
14	6021GT	WASHER,LOCK,.375					
15	6097GT	WASHER,FLAT,USS,3/8",Y					
16		Ref. Ground Controls refer to 306.1 to 307.1					
17	824078GT	SCREW,HHF,1/4-20X.75,8,ZAG.....	3				
18	824027GT	NUT,TL FLG,1/4-20,G,ZAG.....	3				
19A	94077GT	SENSOR,LEVEL,4.5 DEG..... USA/Canada/ Australia models	1				
--	1261984GT	SENSOR, LEVEL, 4.5 X 4.5 DEG..... from S4015-21681	1				
19B	110382GT	LEVEL SENSOR,LS60,YL,2.5X4.5 European models					
--	1263187GT	SENSOR, LEVEL,2.5 X 4.5 DEG from S4015-21681					
20	89439GT	FORMING,APU MOUNT.....	1				
21	89617GT	POWER UNIT,AUX PUMP 12VDC.....	1				
--		Ref. Wire Harness, Battery to APU Solenoid refer to 311.1					
--	1264969GT	MOTOR, 12VDC, I-TERMINAL					
--	147289GT	SEAL KIT, APU					
--	147290GT	SHAFT SEAL, APU					
--	58489GT	PUMP ASSY,AUX.POWER UNIT 89617					
--	77071GT	SOLENOID,77066					

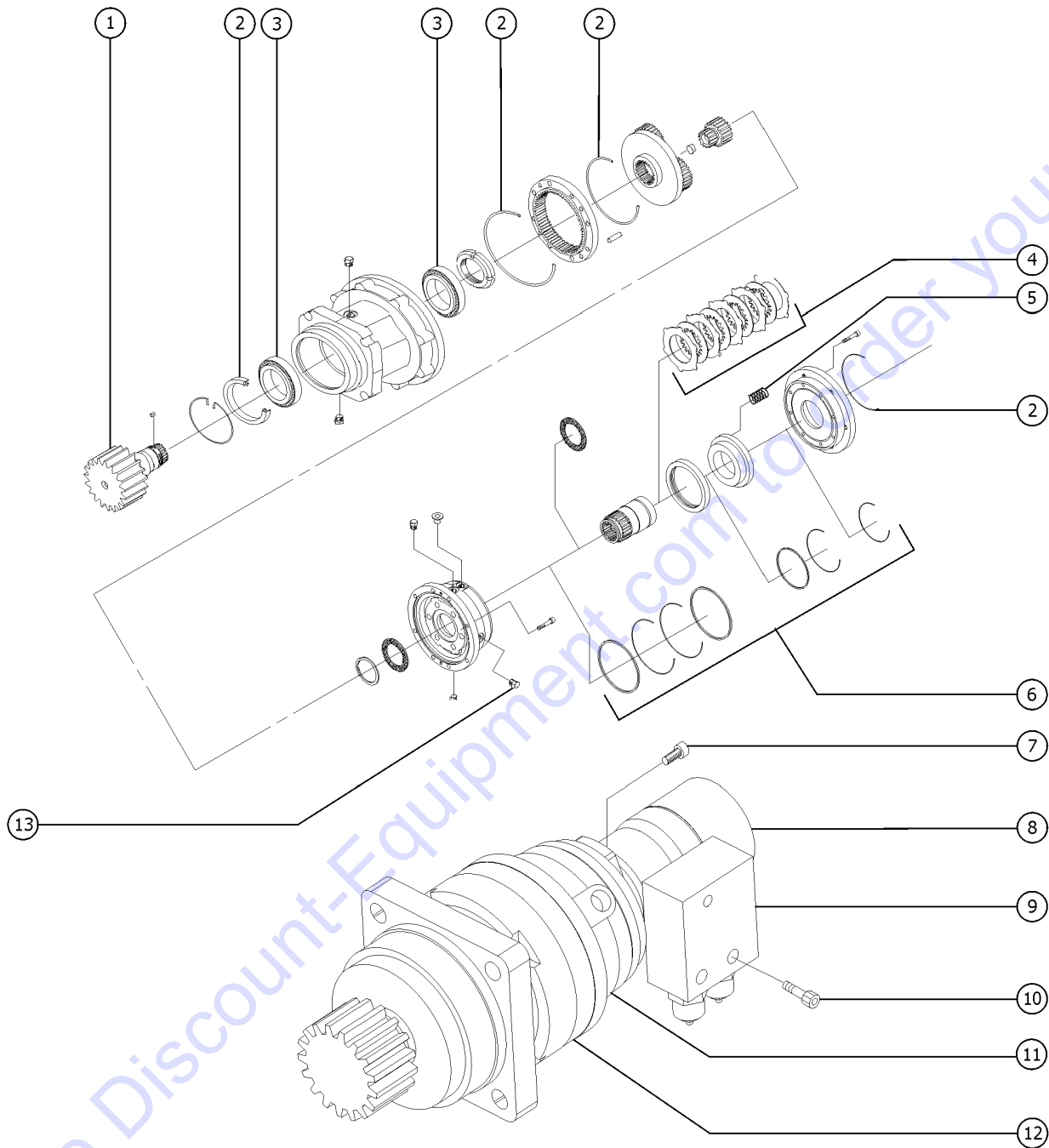
304.1 Turntable Rotator and Hydraulic Rotary Coupler Installation



304.1 Turntable Rotator and Hydraulic Rotary Coupler Installation

Item	Part No.	Description	Qty.
A		Ref. Harness, Drive Enable Switch (refer to 311.1) Includes item 4 and 5	
1	22541GT	SCREW,RHM,10-32 X 1.5	
2	6607GT	WASHER,LOCK,#10 PLTD	
3	6178GT	NUT,NYLOCK,10-32	
4	88356-11205GT	SWITCH,LIMIT,W/RLLR ARM NO/NC.....1	
--	19491GT	CONTACTOR,LIMIT SWITCH	
--	97128GT	ROLLER ARM,LIMIT SWITCH***	
5	1505GT	WIRE CABLE,16/2 SJO,BULK...40-inches	
6	824078GT	SCREW,HHF,1/4-20X.75,8,ZAG.....2	
7	30783GT	LIMIT SWITCH BRKT,DRIVE ENABLE...1	
8	824091GT	SCREW,HHF,3/8-16X1.25,8,ZAG.....4	
9	89571GT	SWIVEL,HYD 8 PORT***1 (complete)	
--	94937GT	SEAL KIT,8-PORT SWIVEL	
--	T106954GT	SEAL, O-RING LIP	
--	T106955GT	SEAL, POLY, CHAMFER	
--	T106957GT	SEAL, CAP, NOTCHED	
--	T106961GT	SEAL, O-RING ENERGIZER	
--	T106962GT	SEAL, CAP, NOTCHED	
10	1256169GT	SCREW,HHC,5/8-11X3.5,8,ZAG.....20	
11	1256182GT	WASHER,FLAT,5/8,F436,HRD,ZAG.....40	
12	824090GT	SCREW,HHF,3/8-16X1,8,ZAG.....1	
13	89064GT	PLATE,PIN RETAINER.....1	
14	11636GT	PIN,BALL RET.-.5 X 4.0.....1	
15	32731GT	PIN ASSEMBLY,TURNTBLE ROTATION.....1	
16	111648GT	BEARING,SERIES 3000.....1	
17	826792GT	SCREW,HHC,1-8X11,5,ZAG.....4	
18	1256469GT	WASHER,FLAT,1.0,USS,ZAG.....8	
19	122491GT	COUNTERWEIGHT, S45 DRV CHASSIS.....1 (S-45)	
20	826794GT	NUT,TL,1-8,C,ZAG.....4	
21	1259933GT	SCREW,HHC,5/8-11X3.75,8,ZAG.....20	
22	81137GT	BRACKET,SWIVEL STOP.....2	
23	28646GT	ZERK,GREASE,1/8 NPT.....1	
24	49189-4638GT	HOSE ASSY,1/4",STR FEM,STR FEM...1	
25	48887GT	ELBOW,90D, 070202-4.....1	
26	1256126GT	SCREW,HHF,5/8-11X2,8,ZAG.....4	
27		"Ref. Turntable Rotation Drive Motor and Brake Assembly" (refer to 305.1)	

305.1 Turntable Rotation Drive Hub

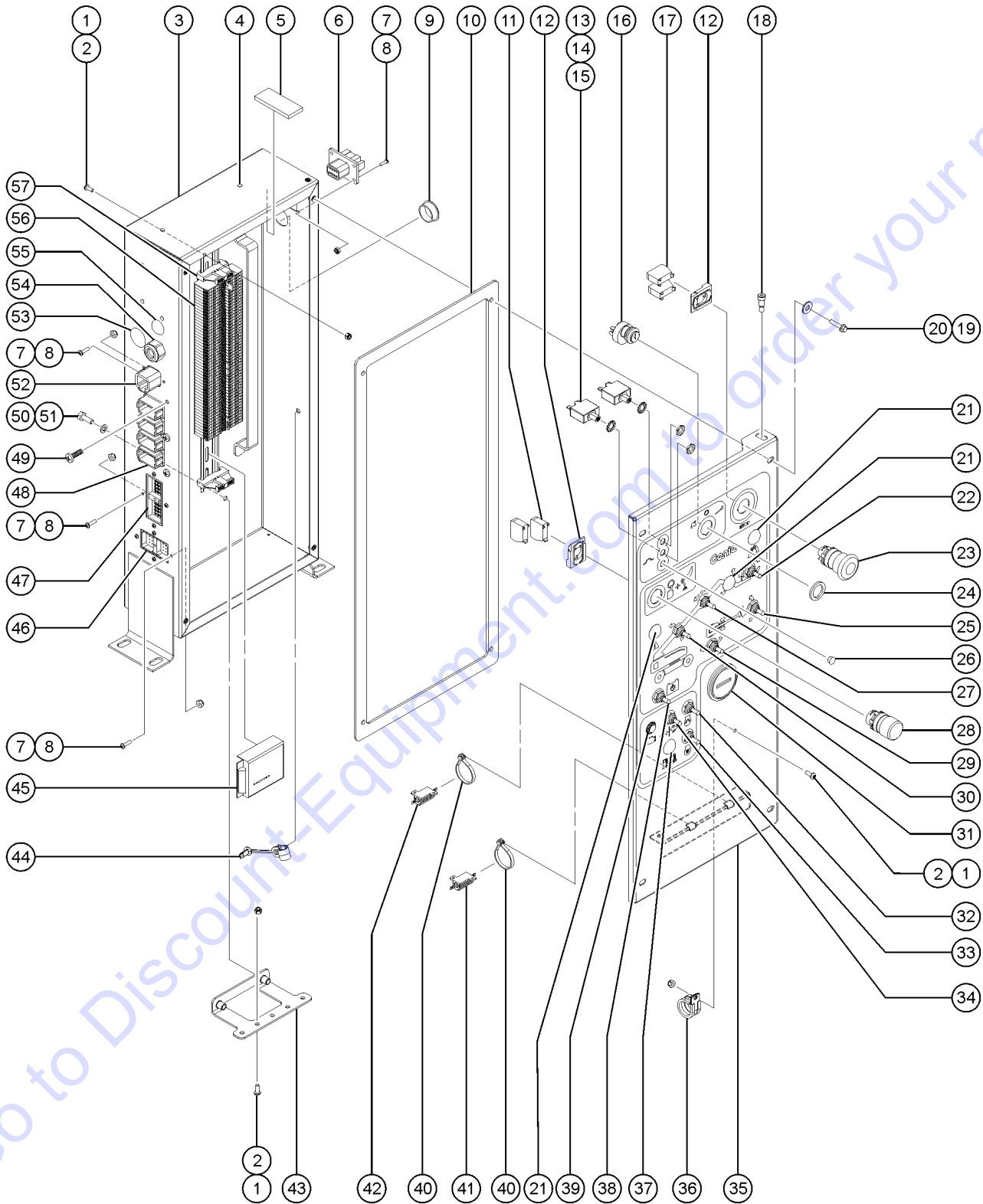


305.1 Turntable Rotation Drive Hub

Item	Part No.	Description	Qty.
1	75677GT	SHAFT,OUTPUT,PINION,TURNTABLE...1	
2	75678GT	SEAL KIT,REDUCER DRIVE TURNTAB.....1	
3	75681GT	BEARING KIT DRIVE TURN AND HUB.....2	
4	75682GT	DISC KIT DRIVE TURNTABLE Z-60*....1	
5	75683GT	SPRING,DRIVE TURNTABLE***.....12	
6	62466GT	SEAL KIT,BRAKE,TURNTABLE ROT**...1	
7	56843GT	SCREW,SHC,1/2-13 X 1.50,A574.....2	
8	75684GT	MOTOR,TURNTABLE ROTATION***.....1	
--	75685GT	SEAL KIT,MOTOR TURNTABLE***	
9	89800GT	MANIFOLD,TURNTABLE ROTATION***.....1	
--	75119GT	SEAL KIT,CB VALVE MANIFOLD***	
10	41489GT	SCREW,SHC,5/16-18 X 2,PLATED	
11	75686GT	BRAKE ASSEMBLY,TURNTABLE ROT**	
12	89885GT	SWING DRIVE ASSEMBLY,S40/Z60**....1	
13	146055GT	SIGHT GLASS (89885).....1	

Go to Discount-Equipment.com to order your parts

306.1 Ground Control Box



306.1 Ground Control Box

Item	Part No.	Description	Qty.	Item	Part No.	Description	Qty.
A	1256062GT	ASSY,GBOX,DEUTZ,T3,S40/45.....	1	20	824113GT	WASHER,FLAT,USS,1/4,ZAG.....	4
B	1265470GT	ASSEMBLY, GBOX, DEUTZ2011, S40....	1			<i>replaced 6638 from SN S4516-22514</i>	
		<i>from SN S4015-21681</i>		21	229567GT	PLUG,SANTOPRENE .5 BLACK	
C	1265469GT	ASSEMBLY, GBOX, DEUTZ 2.9, S40....	1			DOME.....	3
		<i>from SN S4015-21681</i>		22	128202GT	SWITCH TOGGLE ASSY DPDT 3P	
D	1256063GT	ASSY,GBOX,PERKINS,T3,S40/45.....	1			MOM.....	1
D	1256065GT	ASSY,GBOX BASE,S40/45.....	1	23	66812GT	BUTTON,PUSH,RED MUSHROOM	
		<i>(includes items 3, 10, 18-20 and 35)</i>				HEAD.....	1
E		Ref. HARNESS,GBOX,DEUTZ,S40/45....	1	--	146478GT	BOOT(BELLOWS),E-STOP,BLACK	
		<i>(refer topic 311.1)</i>		--	58627GT	NUT	
E	1265471GT	ASSEMBLY, GBOX, PERKINS 404F,	1	--	73805GT	BASE,W/2 NC CONTACTS***	
		S40.....		24	88827GT	GASKET,KEYSWITCH,PLASTIC***	1
		<i>from SN S4015-21681</i>		25	128202GT	SWITCH TOGGLE ASSY DPDT 3P	
F		Ref.				MOM.....	1
		HARNESS,GBOX,PERKINS,S40/45.....	1	26	21858GT	PLUG,NYLON .38 BLACK DOMED.....	1
		<i>(refer topic 311.1)</i>		27	128200GT	SWITCH TOGGLE ASSY SPDT 3P	
F	1256064GT	ASSY,GBOX,FORD,S40/45.....	1			MOM.....	1
G		Ref. HARNESS,GBOX,FORD,S40/45....	1	28	66813GT	BUTTON,PUSH,BLACK W/SEAL ***	1
		<i>(refer topic 311.1)</i>		--	146478GT	BOOT(BELLOWS),E-STOP,BLACK	
G	1265473GT	ASSEMBLY, GBOX, FORD, S40.....	1	--	66814GT	BASE,WITH 2 N.O. CONTACTS***	
		<i>from SN S4015-21681</i>		29	128202GT	SWITCH TOGGLE ASSY DPDT 3P	
H	1256741GT	ASSEMBLY,TERMINAL RAIL,S40/45....	1			MOM.....	1
		<i>(includes items 56 and 57)</i>		30	128202GT	SWITCH TOGGLE ASSY DPDT 3P	
I	60452GT	CONN,RECEP 3 WAY SAE J1939				MOM.....	1
1	54365GT	SCREW,PHIL,PHM,10-32 X .5,SSTL....	5	31	19506GT	HOUR METER,10-80 VOLTS***	1
2	6178GT	NUT,NYLOCK,10-32.....	5	32	128200GT	SWITCH TOGGLE ASSY SPDT 3P	
3	1256056GT	WELDMNT,CONTROL				MOM.....	1
		BOX,GROUND.....	1	33A	128200GT	SWITCH TOGGLE ASSY SPDT 3P	
4	42288GT	PLUG,NYLON .188 BLACK DOMED.....	5			MOM.....	1
5	30997GT	CORROSION INHIBITOR,FOAM.....	1			<i>(deutz and perkins)</i>	
6	87755GT	CONN,RECEP 8 WAY 14-18GA,FL.....	1	33B	229567GT	PLUG,SANTOPRENE .5 BLACK	
7	49820GT	SCREW,PHILLIPS,PHM,6-32 X .5.....	14			DOME.....	1
8	12344GT	NUT,NYLOCK,6-32.....	14			<i>(ford)</i>	
9	45385GT	PLUG,NYLON 1.12 BLACK DOMED.....	1	34	128204GT	SWITCH TOGGLE ASSY SPDT 2P	
10	121599GT	GASKET,GBOX,S80/85 2008.....	1			MNT.....	1
11	66816GT	CONTACT,N.O.***	2	35	1256066GT	WELDMNT,LID 2014,TIER III.....	1
12	66821GT	BASE,WITHOUT CONTACTS.....	2	36	13268GT	CLAMP,0.75,#12 X 1/4,RUB CUSH.....	1
13	147090GT	CIRCUIT BREAKER, 15A.....	2	37A	229567GT	PLUG,SANTOPRENE .5 BLACK	
14	6700GT	WASHER,STAR,EXTERNAL,.375.....	2			DOME.....	1
15	122994GT	NICKEL PLATED JAM NUT.....	2			<i>(deutz and perkins)</i>	
16	96008-SGT	KEYSWITCH,3 POS. W/KEYS***	1	37B	128204GT	SWITCH TOGGLE ASSY SPDT 2P	
--	83093GT	KEY SINGLE***				MNT.....	1
--	85239GT	NUT,RETAINER (96008)				<i>(ford)</i>	
--	96010GT	SCREW,PHILLIPS,PHM,8-32 X.25**		38	128201GT	SWITCH TOGGLE ASSY DPDT 2P	
17	66818GT	CONTACT, N.C.....	2			MOM.....	1
18	228463GT	SCREW,SHS,1/4-20 X .375 ZINC.....	2	39A	824879GT	LIGHT,LED IND. RED 12V NH.....	1
19	824078GT	SCREW,HHF,1/4-20X.75,8,ZAG.....	4			<i>(deutz and perkins)</i>	
		<i>replaced 6090 from SN S4516-22514</i>		39B	824882GT	LT.LAMP IND. AMBER 12V ENG.NH.....	1
						<i>(ford)</i>	

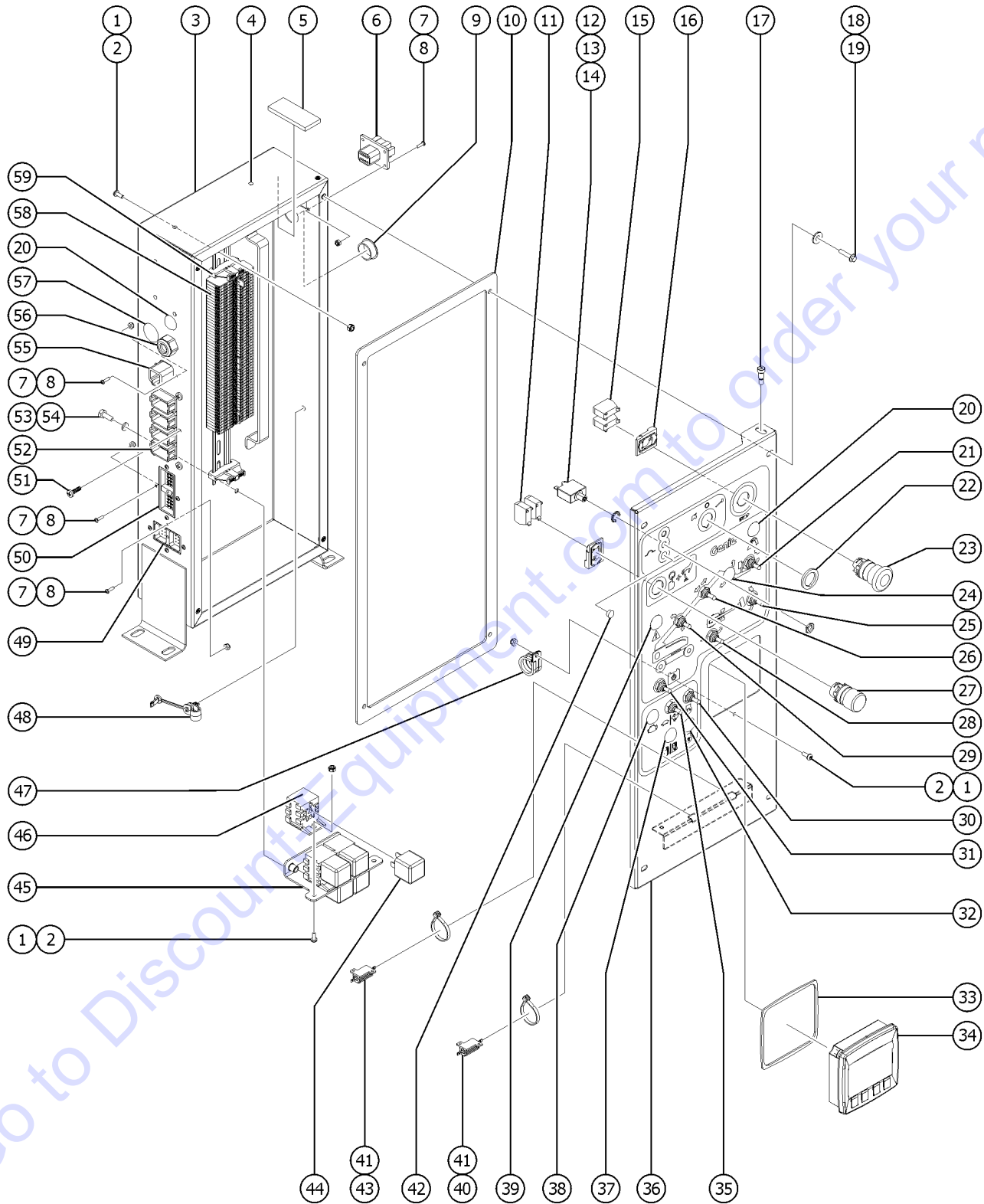
306.1 Ground Control Box
(continued)

Item	Part No.	Description	Qty.
40	6578GT	CABLE TIE,7 3/8".....	2
41	89575GT	RESISTOR,7.5 OHM,25 WATT,1PCNT....	1
42	40614GT	RESISTOR,5 OHM,25W***	1
43A	1253409GT	ANGLE, RELAY MOUNTING..... <i>to SN S4015-21680</i>	1
43B	1261725GT	BRACKET, RELAY MOUNT W/INSERTS..... <i>from SN S4015-21681</i>	1
44	219508GT	CLAMP,FIXED DIA, NYLON, 3/8".....	1
45	56057GT	MODULE,IGNITION/START,12/24V..... <i>(deutz and perkins only)</i>	1
46	73753GT	CONN,RECEP 24 WAY,W/FLANGE.....	1
47	73754GT	CONN,RECEP 40 WAY,W/FLANGE.....	1
48	73736GT	CONN,RECEP 48 WAY,4 X 12.....	1
49	73803GT	SCREW,SHM,PHP, #12 X .75.....	1
50	6090GT	SCREW,HHC,1/4-20 X .75.....	2
51	6356GT	WASHER,LOCK,.25.....	2
52	73717GT	CONN,RECEP 4 WAY,12-14GA FL***	1
53	15243GT	PLUG,NYLON .875 BLACK DOMED.....	1
54	7057GT	CONN. SQZ,1/2NPT .39-.56 MED.....	1
--	6935GT	LOCKNUT,ELEC,1/2"	
55A	229567GT	PLUG,SANTOPRENE .5 BLACK DOME..... <i>(deutz and perkins)</i>	1
55B	128200GT	SWITCH TOGGLE ASSY SPDT 3P MOM..... <i>(ford)</i>	1
56	216791GT	TERMINAL BLOCK,WIELAND.....	1
--	216793GT	TERMINAL BLOCK END PLATE	
--	33422GT	DIN RAIL,17"	
--	74920GT	MARKING TAGS,# 1-10,WIELAND	
--	74921GT	MARKING TAGS,# 11-20,WIELAND	
--	74922GT	MARKING TAGS,# 21-30,WIELAND	
--	74923GT	MARKING TAGS,# 31-40,WIELAND	
--	74924GT	MARKING TAGS,# 41-50,WIELAND**	
57	74913GT	END STOP, DIN RAIL,SCREW CLAMP.....	2

This Page Intentionally Left Blank

Go to Discount-Equipment.com to order your parts

307.1 Ground Control Box - Deutz D2.9L4 and Perkins 404F-22



307.1 Ground Control Box - Deutz D2.9L4 and Perkins 404F-22

Item	Part No.	Description	Qty.	Item	Part No.	Description	Qty.
A	1256827GT	ASSY,GBOX,DEUTZ T4,S40/45.....	1	25	128202GT	SWITCH TOGGLE ASSY DPDT 3P MOM.....	1
B	1256829GT	ASSY,GBOX,PERKINS T4,S40/45.....	1			<i>Platform rotate switch</i>	
C	1256741GT	ASSEMBLY,TERMINAL RAIL,S40/45.....	1	26	128200GT	SWITCH TOGGLE ASSY SPDT 3P MOM.....	1
		<i>includes items 56 and 57</i>				<i>Boom extend/retract switch</i>	
D	60452GT	CONN,RECEP 3 WAY SAE J1939		27	66813GT	BUTTON,PUSH,BLACK W/SEAL***.....	1
1	54365GT	SCREW,PHIL,PHM,10-32 X .5,SSTL.....	5	28	128202GT	SWITCH TOGGLE ASSY DPDT 3P MOM.....	1
2	6178GT	NUT,NYLOCK,10-32.....	5			<i>Turntable rotate switch</i>	
3	1256056GT	WELDMENT,CONTROL BOX,GROUND.....	1	29	128202GT	SWITCH TOGGLE ASSY DPDT 3P MOM.....	1
4	42288GT	PLUG,NYLON .188 BLACK DOMED.....	5			<i>Boom up/down switch</i>	
5	30997GT	CORROSION INHIBITOR,FOAM.....	1	30	128200GT	SWITCH TOGGLE ASSY SPDT 3P MOM.....	1
6	87755GT	CONN,RECEP 8 WAY 14-18GA,FL.....	1			<i>Engine start switch</i>	
7	49820GT	SCREW,PHILLIPS,PHM,6-32 X .5.....	14	31	128201GT	SWITCH TOGGLE ASSY DPDT 2P MOM.....	1
8	12344GT	NUT,NYLOCK,6-32.....	14			<i>Emergency power switch</i>	
9	45385GT	PLUG,NYLON 1.12 BLACK DOMED.....	1	32	229567GT	PLUG,SANTOPRENE .5 BLACK DOME.....	1
10	121599GT	GASKET,GBOX,S80/85 2008.....	1	33	1252685GT	GASKET,DP200 BLACK PANEL SEAL....	1
11	66814GT	BASE,WITH 2 N.O. CONTACTS***.....	1			<i>"part of assemblies 1251984 and 1251985"</i>	
--	66816GT	CONTACT,N.O.***.....	2	34A	1251984GT	ASSY,DISPLAY,DP200 DEUTZ T4.....	1
--	66821GT	BASE,WITHOUT CONTACTS				<i>including bracket part 219718, gasket part 1252685 and screws part 1252684</i>	
12	147090GT	CIRCUIT BREAKER, 15A.....	2	34B	1251985GT	ASSY,DISPLAY,DP200 PERKINS T4.....	1
13	6700GT	WASHER,STAR,EXTERNAL,.375.....	2			<i>including bracket part 219718, gasket part 1252685 and screws part 1252684</i>	
14	122994GT	NICKEL PLATED JAM NUT.....	2	35	128204GT	SWITCH TOGGLE ASSY SPDT 2P MNT.....	1
15	66818GT	CONTACT, N.C.....	2			<i>Function enable switch</i>	
16	66821GT	BASE,WITHOUT CONTACTS.....	1	36	160380GT	WELDMENT, S40 GBOX LID.....	1
17	228463GT	SCREW,SHS,1/4-20 X .375 ZINC.....	2	37	229567GT	PLUG,SANTOPRENE .5 BLACK DOME.....	1
18	824078GT	SCREW,HHF,1/4-20X.75,8,ZAG.....	4			<i>"Gasoline/LPG models - Fuel select switch"</i>	
		<i>replaced 6090 from SN S4516-22514</i>		38	229567GT	PLUG,SANTOPRENE .5 BLACK DOME.....	1
19	824113GT	WASHER,FLAT,USS,1/4,ZAG.....	4			<i>Check engine light</i>	
		<i>replaced 6638 from SN S4516-22514</i>		39	229567GT	PLUG,SANTOPRENE .5 BLACK DOME.....	1
20	229567GT	PLUG,SANTOPRENE .5 BLACK DOME.....	2			<i>Machine malfunction indicator light</i>	
21	128202GT	SWITCH TOGGLE ASSY DPDT 3P MOM.....	1	40	89575GT	RESISTOR,7.5 OHM,25 WATT,1PCNT....	1
		<i>Platform level switch</i>		41	6578GT	CABLE TIE,7 3/8".....	2
22	88827GT	GASKET,KEYSWITCH,PLASTIC***.....	1	42	21858GT	PLUG,NYLON .38 BLACK DOMED.....	1
23	66812GT	BUTTON,PUSH,RED MUSHROOM HEAD.....	1	43	40614GT	RESISTOR,5 OHM,25W***.....	1
		<i>Red emergency stop button</i>		44	34052GT	RELAY,SPDT,12V(AUTO) PLUG IN**	
--	146478GT	BOOT(BELLOWS),E-STOP,BLACK		45	1253409GT	ANGLE, RELAY MOUNTING.....	1
--	58627GT	NUT		46	34053GT	ASSY,RELAY SOCKET, AUTO	
--	73805GT	BASE,W/2 NC CONTACTS*** <i>includes 2 each N.C. contacts</i>		47	13268GT	CLAMP,0.75,#12 X 1/4,RUB CUSH.....	1
24A	229567GT	PLUG,SANTOPRENE .5 BLACK DOME.....	1	48	219508GT	CLAMP,FIXED DIA, NYLON, 3/8".....	1
		<i>(S-40 models)</i>					
24B	128200GT	SWITCH TOGGLE ASSY SPDT 3P MOM.....	1				
		<i>(S-45 models) Jib boom up/down</i>					

307.1 Ground Control Box - Deutz D2.9L4 and Perkins 404F-22
(continued)

Item	Part No.	Description	Qty.
49	73753GT	CONN,RECEP 24 WAY,W/FLANGE.....1	
50	73754GT	CONN,RECEP 40 WAY,W/FLANGE.....1	
51	73803GT	SCREW,SHM,PHP, #12 X .75.....6	
52	73736GT	CONN,RECEP 48 WAY,4 X 12.....1	
53	6090GT	SCREW,HHC,1/4-20 X .75.....2	
54	6356GT	WASHER,LOCK,.25.....2	
55	73717GT	CONN,RECEP 4 WAY,12-14GA FL***1	
56	7057GT	CONN. SQZ,1/2NPT .39-.56 MED.....1	
--	6935GT	LOCKNUT,ELEC,1/2"	
57	15243GT	PLUG,NYLON .875 BLACK DOMED.....1	
58	216791GT	TERMINAL BLOCK,WIELAND.....1	
--	216793GT	TERMINAL BLOCK END PLATE	
--	33422GT	DIN RAIL,17"	
--	74920GT	MARKING TAGS,# 1-10,WIELAND	
--	74921GT	MARKING TAGS,# 11-20,WIELAND	
--	74922GT	MARKING TAGS,# 21-30,WIELAND	
--	74923GT	MARKING TAGS,# 31-40,WIELAND	
--	74924GT	MARKING TAGS,# 41-50,WIELAND**	
59	74913GT	END STOP, DIN RAIL,SCREW CLAMP.....1	

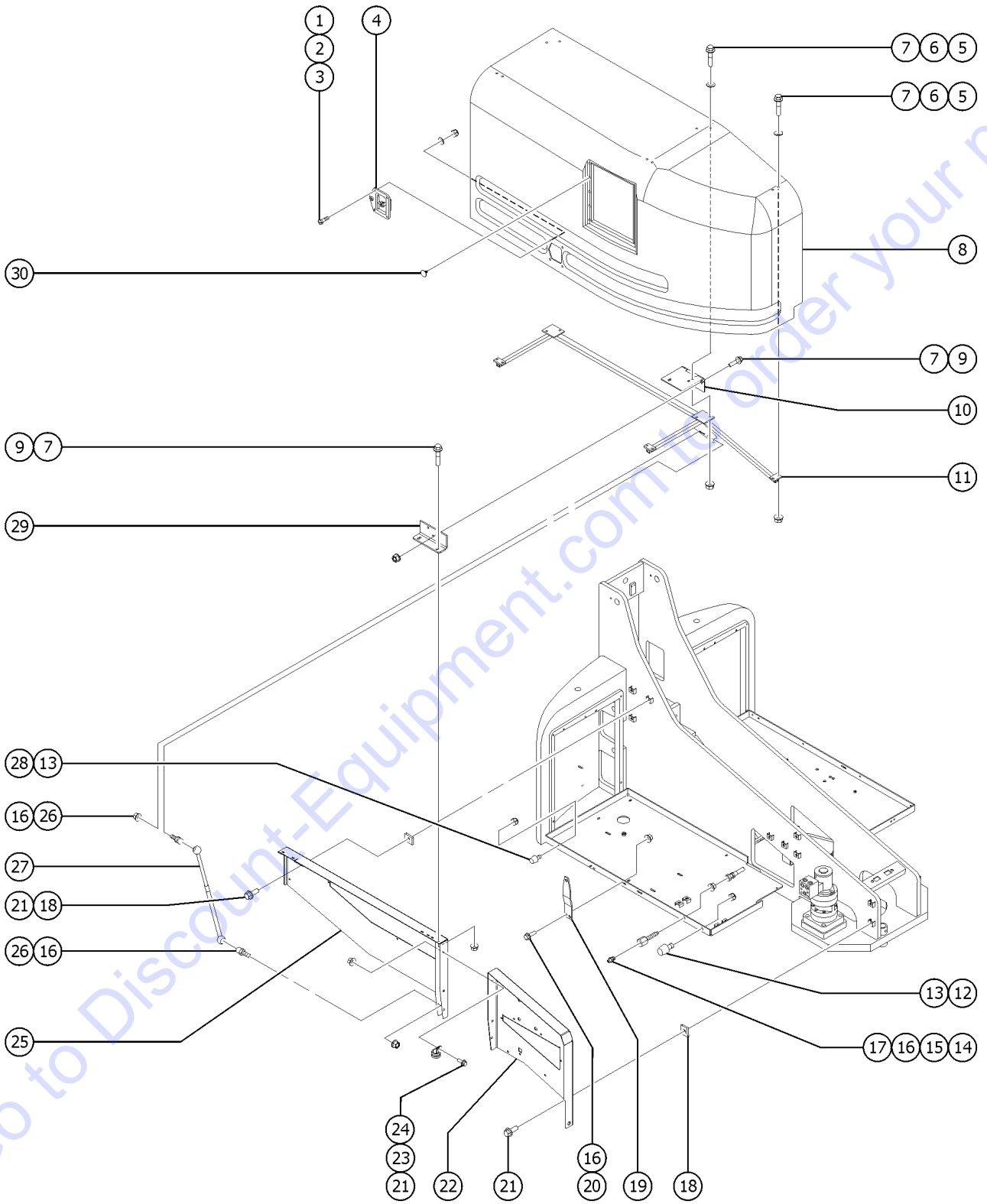
Go to Discount-Equipment.com to order your parts

307.1 Ground Control Box - Deutz D2.9L4 and Perkins 404F-22
(continued)

This Page Intentionally Left Blank

Go to Discount-Equipment.com to order your parts

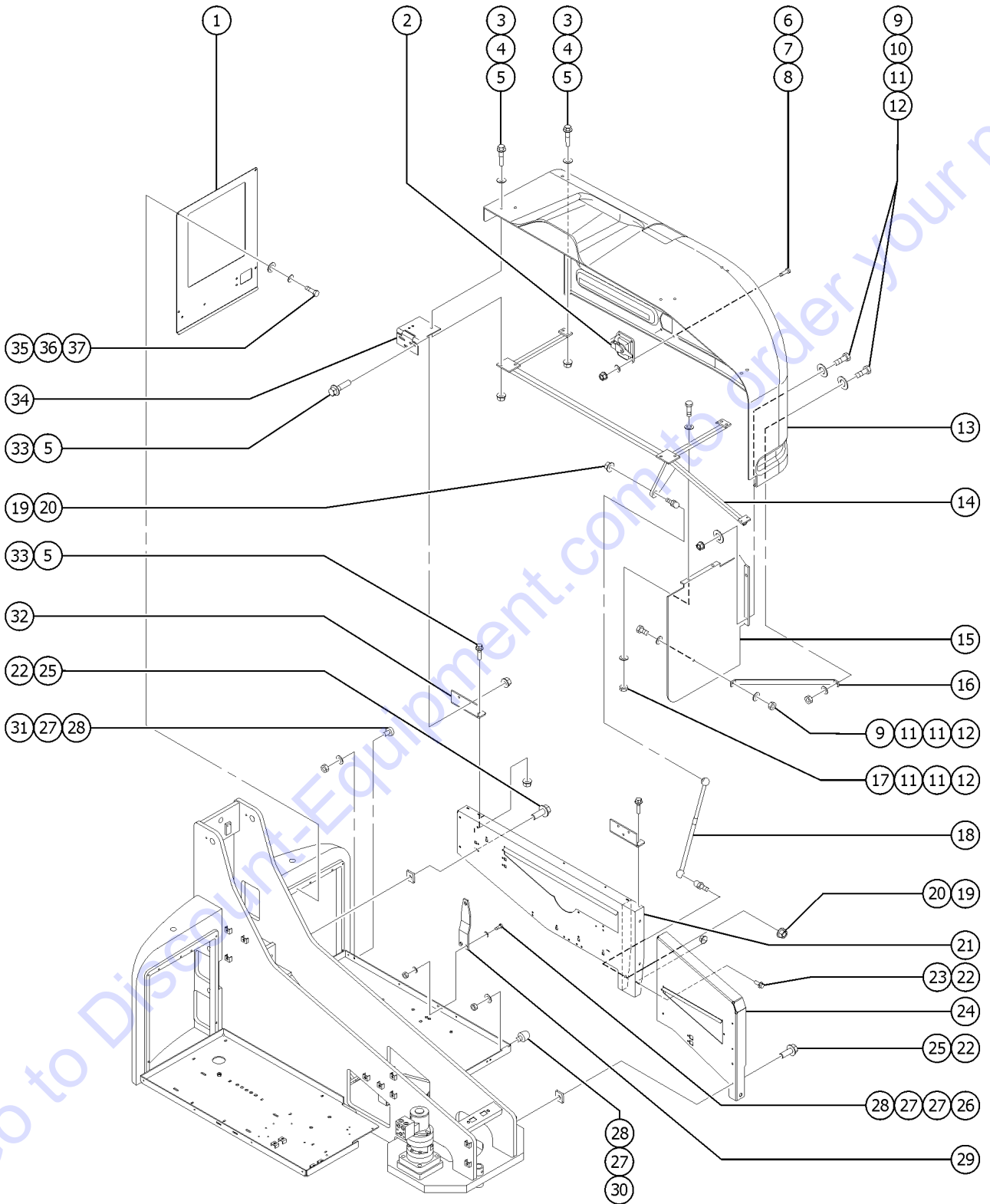
308.1 Turntable Covers - View 1 (Tank Side)



308.1 Turntable Covers - View 1 (Tank Side)

Item	Part No.	Description	Qty.
1	824215GT	SCREW,PHPM,10-32X.75,ZAG.....	4
2	1253185GT	WASHER,FLAT,#10,USS,ZAG.....	4
3A	824032GT	NUT,TL FLG,10-32,F,ZAG.....	4
3B	6178GT	NUT,NYLOCK,10-32.....	4
4	53903GT	LATCH,T-HANDLE,5 SIDED W/KEYS*....	1
--	29314GT	KEY,LATCH, 1 PAIR (28125)	
5	824080GT	SCREW,HHF,1/4-20X1.25,8,ZAG.....	10
6	824119GT	WASHER,FLAT,.25X1.25X.062,ZAG.....	10
7	824027GT	NUT,TL FLG,1/4-20,G,ZAG.....	20
8	53827GT	COVER, LH, TANK SIDE.....	1
9	824079GT	SCREW,HHF,1/4-20X1,8,ZAG.....	10
10	75073GT	HINGE,.375X.120THK.,SLOTTED.....	2
11	49532-SGT	COVER,SUPPORT WELDMENT,LH.....	1
12	111580GT	BUMPER,RUBBER,1.19DX1.5X.31-18...1	
13	6782GT	NUT,NYLOCK,5/16-18.....	2
14	28646GT	ZERK,GREASE,1/8 NPT.....	1
15	48885GT	CONNECTOR,BULKHEAD,FEMALE-4...1	
16	824028GT	NUT,TL FLG,5/16-18,G,ZAG.....	5
17	49189-4638GT	HOSE ASSY,1/4",STR FEM,STR FEM....1	
18	29868GT	SPRING CLIP,3/8-16,.05-.20X.73,ZAG...8	
19	49535PGT	PLATE,LATCH,BLUE,PAINTED ***.....1	
20	824086GT	SCREW,HHF,5/16-18X1,8,ZAG.....	2
21	824090GT	SCREW,HHF,3/8-16X1,8,ZAG.....	11
22	89411GT	WELDMENT,BULKHEAD,TANKSIDE,REA.1	
23	60838GT	CLAMP,1.00,#16 X 7/16,RUB CUSH.....1	
24	824029GT	NUT,TL FLG,3/8-16,G,ZAG.....	3
25	89408GT	WELDMENT,BULKHEAD,TANKSIDE,FRN.1	
26	33555GT	BALL STUD**.....	2
27	28301GT	GAS STRUT,250 LBS FORCE***.....	1
--	27377GT	RETAINER,GAS SPRING***	
28	111663GT	BUMPER,RUB,1.00DX.75X31-18X1.2...1	
29	74496GT	FORMING,HINGE SUPPORT***.....	2
30	54723GT	PLUG,1/4 X .400",BLK.....	8

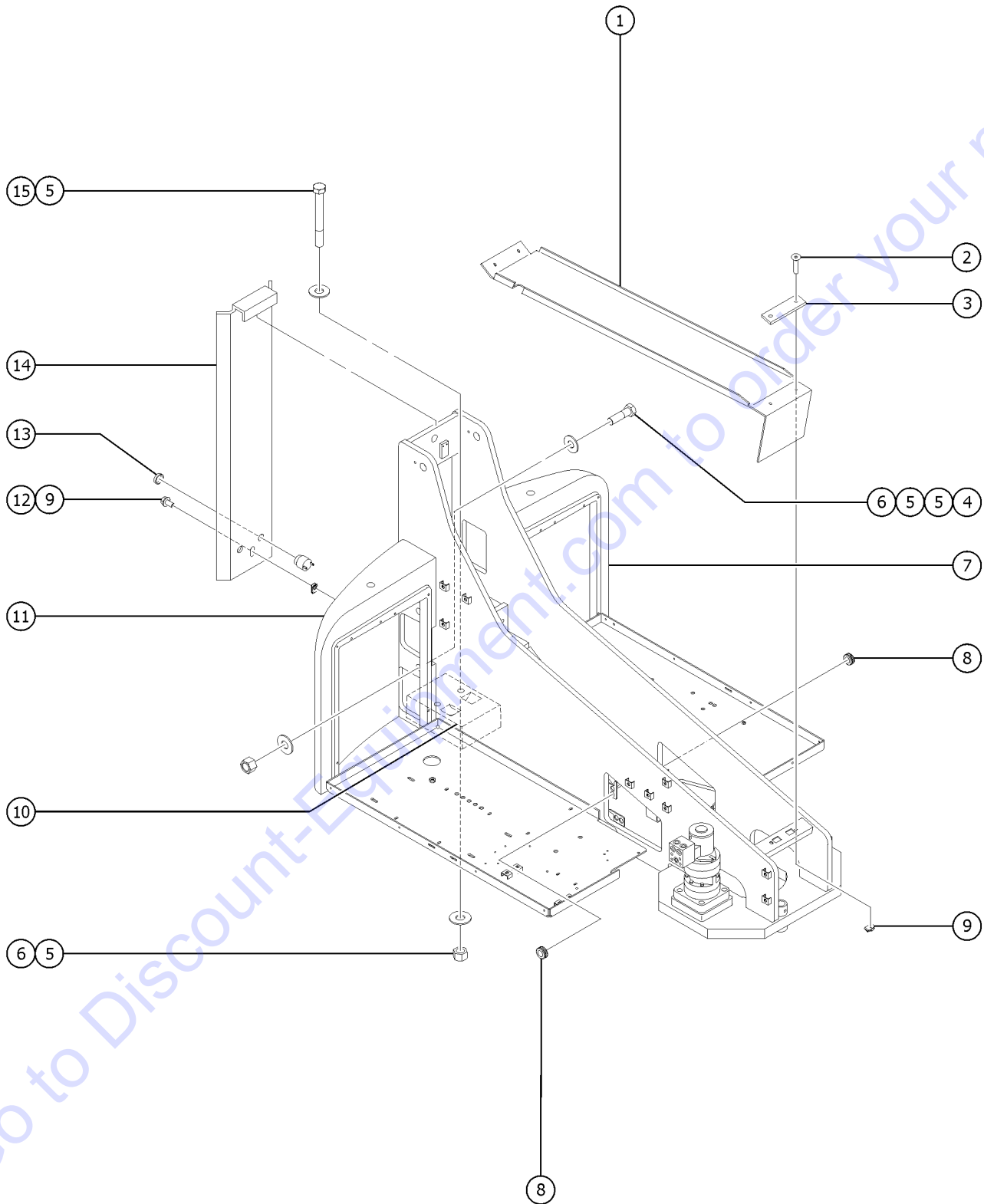
309.1 Turntable Covers - View 2 (Engine Side)



309.1 Turntable Covers - View 2 (Engine Side)

Item	Part No.	Description	Qty.	Item	Part No.	Description	Qty.
1A	216035GT	FORMING, S40 ENGINE, PERKINS <i>Perkins 404F-22 only</i>		30	111580GT	BUMPER,RUBBER,1.19DX1.5X.31-18...2	
1B	89912GT	FORMING, ENGINE BAFFLE <i>Deutz models</i>		31	111663GT	BUMPER,RUB,1.00DX.75X31-18X1.2...2	
1C	215339GT	FORMING,ENGINE BAFFLE,DEUTZ <i>Deutz D2.9L4 only</i>		32	74496GT	FORMING,HINGE SUPPORT***.....2	
1D	89913GT	FORMING,ENGINE BAFFLE,FORD*** <i>Ford models</i>		33	824079GT	SCREW,HHF,1/4-20X1.8,ZAG.....10	
1E	89929GT	FORMING,ENGINE BAFFLE,PERKINS <i>Perkins models</i>		34	75073GT	HINGE,..375X.120THK.,SLOTTED.....2	
2	53903GT	LATCH,T-HANDLE,5 SIDED W/KEYS*....1		35	8255GT	SCREW,HHC,3/8-16 X .75	
--	29314GT	KEY,LATCH, 1 PAIR (28125)		36	6021GT	WASHER,LOCK,..375	
3	824080GT	SCREW,HHF,1/4-20X1.25,8,ZAG.....10		37	6097GT	WASHER,FLAT,USS,3/8",Y	
4	824119GT	WASHER,FLAT,.25X1.25X.062,ZAG....10					
5	824027GT	NUT,TL FLG,1/4-20,G,ZAG.....20					
6	824215GT	SCREW,PHPM,10-32X.75,ZAG.....4					
7	1253185GT	WASHER,FLAT,#10,USS,ZAG.....4 <i>from SN S4016-21891 and S4516-21892</i>					
8A	824032GT	NUT,TL FLG,10-32,F,ZAG.....4 <i>to SN S4016-21890 and S4516-21891</i>					
8B	6178GT	NUT,NYLOCK,10-32.....4 <i>from SN S4016-21891 and S4516-21892</i>					
9	8915GT	SCREW,HHC,1/4-20 X 1.25					
10	12906GT	WASHER,FENDER,.25 X 1.25 X.062					
11	6638GT	WASHER,FLAT,USS,1/4"Y					
12	6091GT	NUT,NYLOCK,1/4-20					
13	53828GT	COVER,RH,ENGINE SIDE.....1					
14	102740GT	WELDMENT,TT COVER SUPPORT,RH.....1					
15	49537GT	SHROUD,LP TANK.....1 <i>Gasoline/LPG models</i>					
16	30894GT	SHROUD SUPPORT.....1 <i>Gasoline/LPG models</i>					
17	6637GT	SCREW,HHC,1/4-20 X 1.75					
18	28301GT	GAS STRUT,250 LBS FORCE***.....1					
--	27377GT	RETAINER,GAS SPRING***					
19	824028GT	NUT,TL FLG,5/16-18,G,ZAG.....2					
20	33555GT	BALL STUD**.....2					
21	111750GT	WELDMENT,BULKHEAD,ENGINESIDE,F.1					
22	824090GT	SCREW,HHF,3/8-16X1.8,ZAG.....11					
23	824029GT	NUT,TL FLG,3/8-16,G,ZAG.....3					
24	89415GT	WELDMENT,BULKHEAD,ENGINESIDE,R.1					
25	29868GT	SPRING CLIP,3/8-16,.05-.20X.73,ZAG...8					
26	13002GT	SCREW,HHC,5/16-18 X 1 GR5					
27	5397GT	WASHER,FLAT,USS,5/16",Y					
28	6782GT	NUT,NYLOCK,5/16-18					
29	49535GT	PLATE, LATCH.....1					

310.1 Turntable Covers, S-40 - View 3

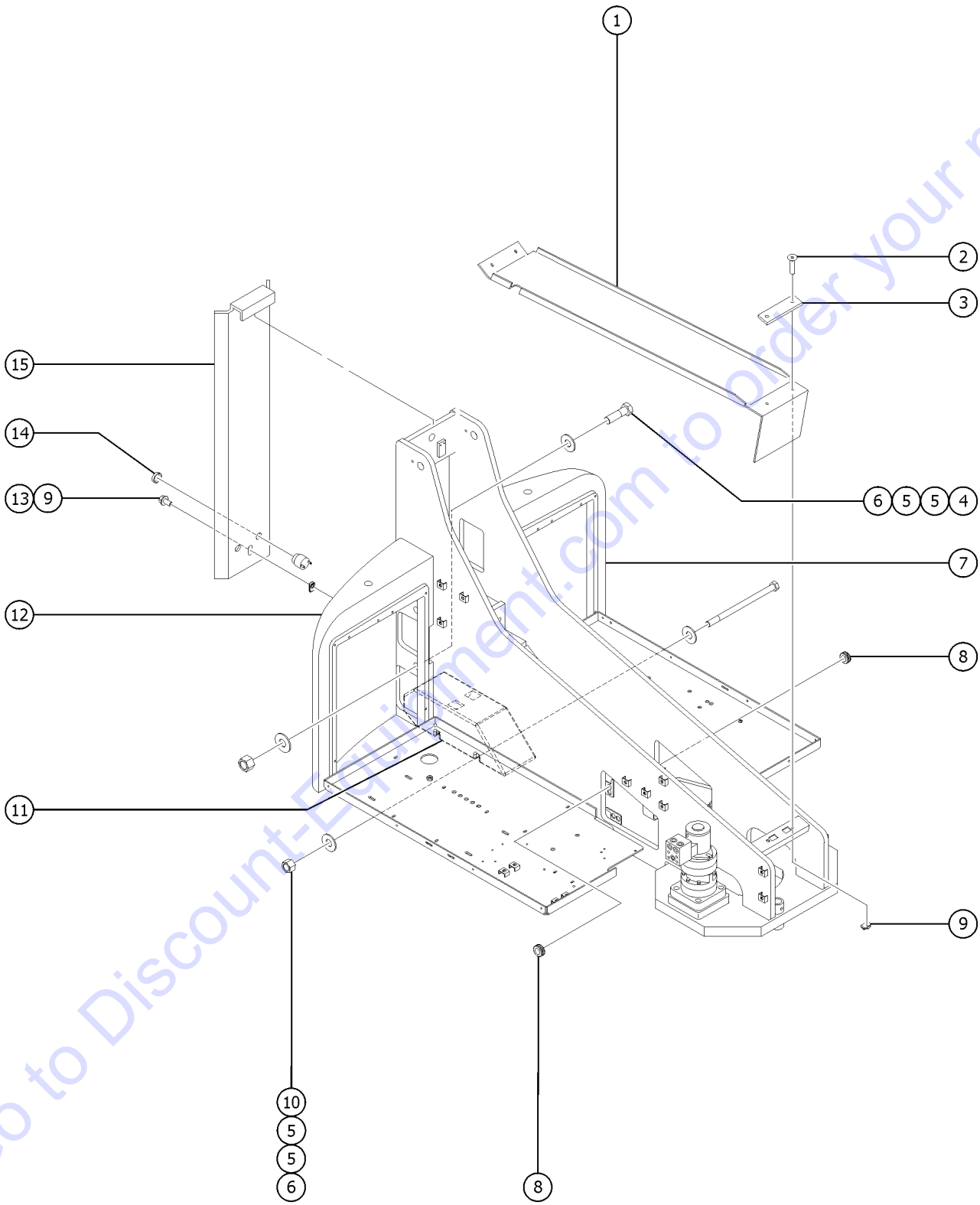


310.1 Turntable Covers, S-40 - View 3

Item	Part No.	Description	Qty.
1	34358PGT	PLATE, SWING COVER, S40/S45 **.....1	1
2	1259857GT	SCREW,FHS,3/8-16X1.75,F835,ZAG.....2	2
3	34370GT	REST PAD,S40,BOOM REST.....1	1
4	1259909GT	SCREW,HHC,1-8X3.5,5,ZAG.....4	4
5	1256469GT	WASHER,FLAT,1.0,USS,ZAG.....12	12
6	826794GT	NUT,TL,1-8,C,ZAG.....6	6
7	46768GT	CTWT,CAST,400 LBS,RH.....1	1
8	60584GT	GROMMET,RUBBER .75 X .19 X 1**.....4	4
9	29868GT	SPRING CLIP,3/8-16,.05-.20X.73,ZAG...3	3
10	53553GT	CNTWT,S40 SWING CHASSIS.....1	1
11	46769GT	CTWT,CAST,400 LBS,LH.....1	1
12	824089GT	SCREW,HHC,3/8-16X.75,8,ZAG.....1	1
13	45462GT	ALARM,CHIME TONE 5-25VDC***1	1
--	72326GT	NUT - PLASTIC,RING FOR ALARMS	
14	102141GT	TT FRNT COVR ASSY,WRD DEC, S40.....1	1
15	1258778GT	SCREW,HHC,1-8X8.5,5,ZAG.....2	2

Go to Discount-Equipment.com to order your parts

310.2 Turntable Covers, S-45 - View 3

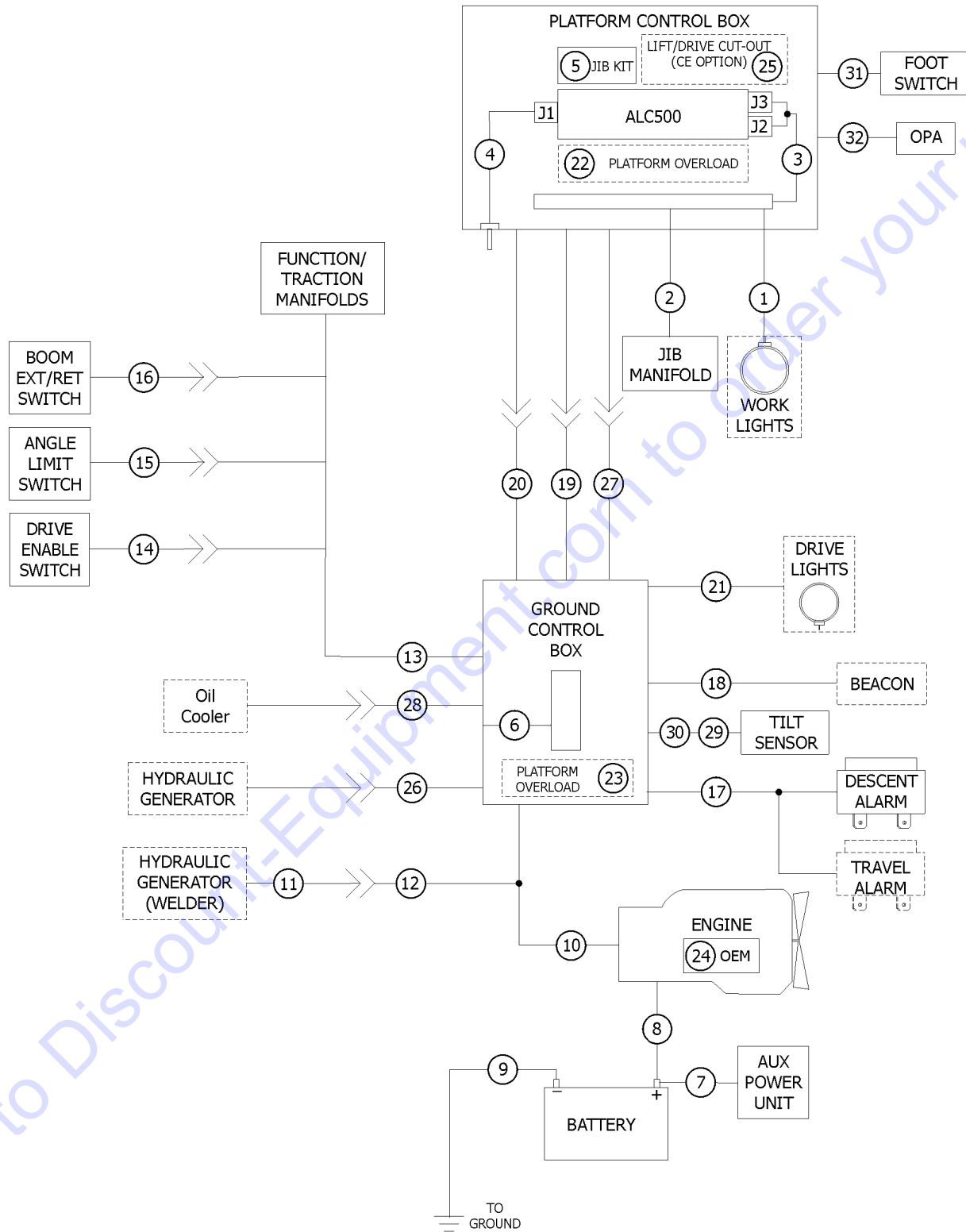


Go to Discount-Equipment.com to order your parts

Item	Part No.	Description	Qty.
1	34358GT	PLATE, SWING COVER, S40/S45.....1	1
2	1259857GT	SCREW,FHS,3/8-16X1.75,F835,ZAG.....2	2
3	34370GT	REST PAD,S40,BOOM REST.....1	1
4	1259909GT	SCREW,HHC,1-8X3.5,5,ZAG.....4	4
5	1256469GT	WASHER,FLAT,1.0,USS,ZAG.....12	12
6	826794GT	NUT,TL,1-8,C,ZAG.....6	6
7	146210GT	CTWT,CAST,515 LBS,RH.....1	1
8	60584GT	GROMMET,RUBBER .75 X .19 X 1**.....4	4
9	29868GT	SPRING CLIP,3/8-16,.05-.20X.73,ZAG...3	3
10	1259912GT	SCREW,HHC,1-8X16,2,ZAG.....2	2
11	146206GT	CNTWT,CAST,S45 SWING CHASSIS.....1	1
12	146211GT	CTWT,CAST,515 LBS,LH.....1	1
13	824089GT	SCREW,HHF,3/8-16X.75,8,ZAG.....1	1
14	45462GT	ALARM,CHIME TONE 5-25VDC***1	1
--	72326GT	NUT - PLASTIC,RING FOR ALARMS	
15	102142GT	TT FRNT COVR ASSY,WRD DEC, S45.....1	1

Go to Discount-Equipment.com to order your parts

311.1 Wire Harness and Power Cable Assemblies



311.1 Wire Harness and Power Cable Assemblies

Item	Part No.	Description	Qty.	Item	Part No.	Description	Qty.
1A	1262179GT	HARNESS,WORK LIGHTS,S-40/45		9A	122057GT	BATTERY CABLE,1/0 GA,BLK 48".....1 <i>Perkins models</i>	1
1B	229348GT	HARNESS,12V WORK LIGHTS,S40.....1 <i>(S-40)</i>		9B	122058GT	BATTERY CABLE,1/0 GA,BLK 30".....1 <i>Ford models and Deutz models</i>	1
1C	229349GT	HARNESS,12V WORK LIGHTS,S45.....1 <i>(S-45)</i>		10A	215294GT	ENGINE HARNESS, MSG425.....1 <i>Ford models; (part of the engine)</i>	1
1D	1256739GT	HARNESS,WORK LIGHTS,S45.....1		10B	214904GT	HARNESS,ENG,PERKINS,404-22 ALT...1	
2	102033GT	HARNESS,JIB BOOM.....1 <i>(S-45)</i>		--	61225GT	RELAY,12VDC,70AMP,SEALED.....1 <i>Perkins engine harness 214904</i>	1
3A	215870GT	HARNESS,PBOX,S40,S45,Z60.....1		--	61226GT	RELAY SOCKET,70AMP.....1 <i>Perkins engine harness 214904</i>	1
3B	823797GT	HARNESS, S40/45 PBOX, T4 DEUTZ....1 <i>for models with Deutz D2.9L4</i>		10C	823706GT	HARNESS, ENG T4 PERKINS,S40/45....1 <i>Perkins 404F- 22</i>	1
3C	825106GT	HARN, PBOX, T4 PERKINS, S40.....1 <i>for models with Perkins 404F- 22</i>		10D	1253893GT	HARN, PERKINS 404F, 6WAY, S40.....1 <i>Perkins 404F- 22</i>	1
3D	122216GT	HARNESS,SERVICE,PBOX J2.....1		10E	826710GT	HARNESS, EXTENSION, 404F-22.....1 <i>Perkins 404F- 22</i>	1
3E	122217GT	HARNESS,SERVICE,PBOX J3.....1		--	1271124GT	CONNECT BOX, PERK T4 EXT HARN <i>Perkins models</i>	
3F	128125GT	SERVICE KIT JIB TIME DLY IC.....1 <i>(S-45)</i>		10F	214902GT	HARNESS,DEUTZ ENGINE (F3L2011)..1 <i>Deutz models</i>	1
3G	119867GT	WIRING KIT,JIB TIME DELAY IC.....1 <i>(S-45)</i>		--	128365GT	HARNESS,SECOND GLOW PLUG.....1 <i>Deutz F3L2011 (option)</i>	1
3H	19274GT	RELAY,SPDT,12V(AUTO)**1 <i>(S-45)</i>		--	88151GT	FUSE,70 AMP.....1 <i>Deutz F3L2011</i>	1
3I	43181GT	CAPACITOR,TIME DELAY.....1 <i>(S-45)</i>		10G	823700GT	HARN, S40 DEUTZ TIER IV ENGINE....1 <i>Deutz D2.9L4</i>	1
3J	1256764GT	HARNESS,PBOX,S40/45.....1		10H	1256069GT	HARNESS,ENG,FORD,S40/45.....1 <i>Ford models</i>	1
4	122215GT	HARNESS,SERVICE,PBOX J1.....1		10J	1256067GT	HARNESS,ENG,DEUTZ,S40/45.....1 <i>Deutz models</i>	1
5	1259217GT	DECAL LABEL,ALC500-II, S80.....1		10K	1256068GT	HARNESS,ENG,PERK,S40/45.....1 <i>Perkins models</i>	1
6A	1256826GT	HARNESS,GBOX,DEUTZ T4,S40/45....1		11	226503GT	HARNESS,WELD GEN ENCLOSURE....1	
6B	1265464GT	HARNESS, GBOX, DEUTZ 2.9, S40.....1 <i>from SN 21681</i>		12	226504GT	HARNESS,HYD GENERATOR.....1	
6C	1256060GT	HARNESS,GBOX,PERKINS,S40/45 <i>Perkins 404D models</i>		13A	89674GT	HARNESS,GBOX,FUNCTN.MNFLD.S40.1	
6D	1265467GT	HARNESS, GBOX, PERKINS404D, S40 <i>from SN 21681</i>		13B	1264386GT	HARNESS, MANIFOLD, FUNCTION, S40.....1 <i>from SN 21681</i>	1
6E	1256828GT	HARNESS,GBOX,PERKINS,S40/45.....1		14	89665GT	HARNESS,DRIVE ENABLE,S40/S45....1	
6F	1265466GT	HARNESS, GBOX, PERKINS404F, S40.....1 <i>from SN 21681</i>		15	111495GT	HARNESS,ANGLE LIMIT,S40/S45.....1	
6G	1256059GT	HARNESS,GBOX,DEUTZ,S40/45.....1 <i>Deutz 2011</i>		16	89663GT	HARNESS,EXT/RET LIMIT,S40/S45....1	
6H	1265465GT	HARNESS, GBOX, DEUTZ2011, S40....1 <i>from SN 21681</i>		17	122087GT	HARNESS,ALARM,S40/45.....1	
6J	1256061GT	HARNESS,GBOX,FORD,S40/45.....1 <i>Ford models</i>		18	122229GT	HARNESS,BEACON,S40.....1	
6K	1265468GT	HARNESS, GBOX, FORD, S40.....1 <i>from SN 21681</i>		19A	89655GT	HARNESS,18/19,BOOM CABLE 1,S45..1 <i>(S-45); color [Green / Brown]</i>	1
7	122754GT	CABLE,#4GA,POS.AUX,RED,108".....1		19B	89658GT	HARNESS,18/19,BOOM CABLE 1,S40..1 <i>(S-40); color [Green / Brown]</i>	1
8A	122056GT	BATTERY CABLE,1/0 GA,RED 45".....1		20A	89656GT	HARNESS,18/19,BOOM CABLE 2,S45..1 <i>(S-45); color [Grey / Black]</i>	1
8B	823798GT	BATT CABLE, S40 T4 DEUTZ, RD.....1 <i>for models with Deutz D2.9L4</i>					

311.1 Wire Harness and Power Cable Assemblies (continued)

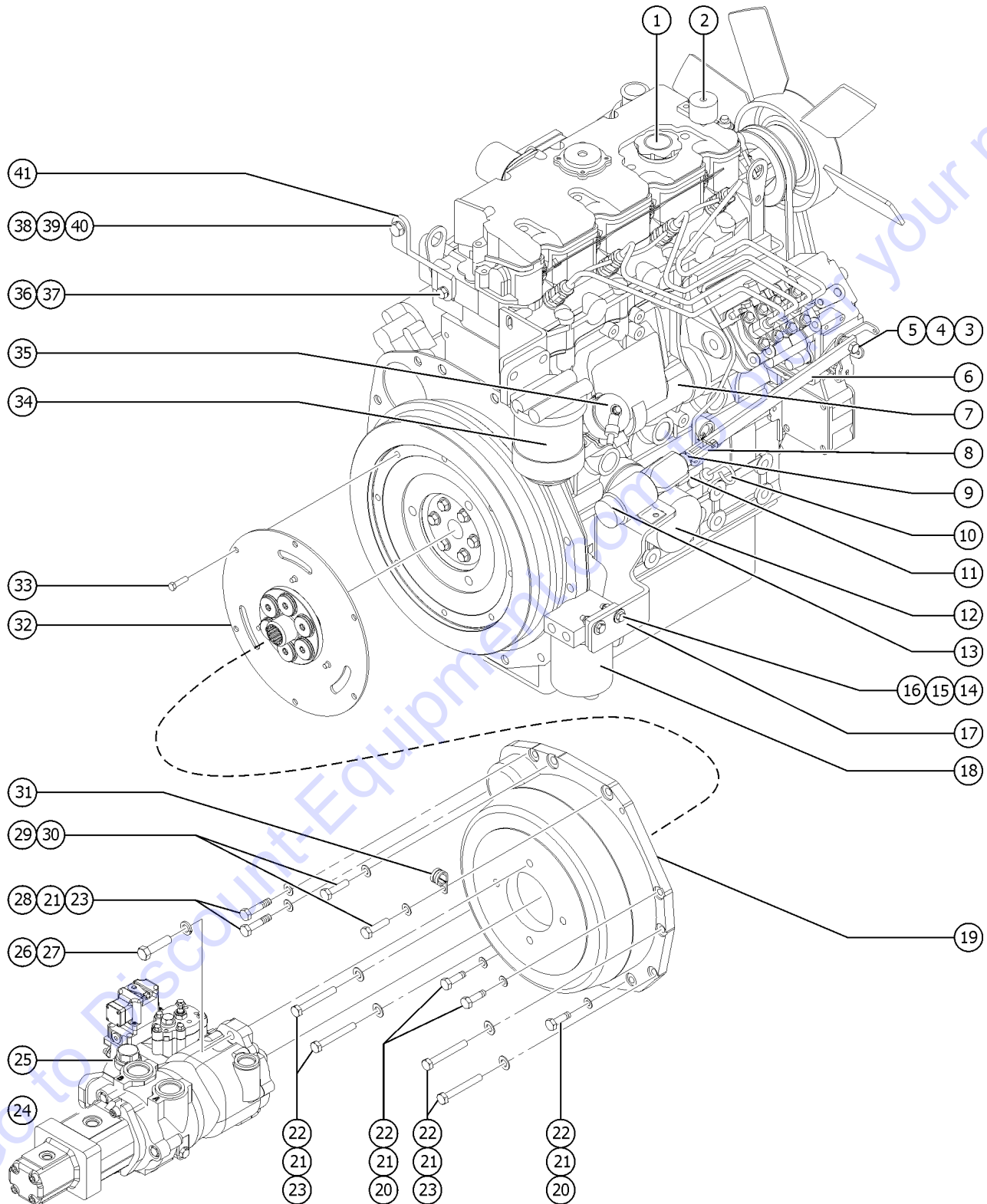
Item	Part No.	Description	Qty.
20B	89659GT	HARNESS,18/19,BOOM CABLE 2,S40..1 (S-40); color [Grey / Black]	
21	1256735GT	HARNESS,DRIVE LIGHTS,S40/45.....1	
22	89925GT	HARNESS,PBOX,LOAD SENSE.....1	
23A	111152GT	HARNESS,LOAD SENSE OPT,Z60.....1	
23B	1256737GT	HARNESS,LOAD SENSE REC,S40/45...1	
24	119472GT	HARNESS,ENGINE FORD DSG-423.....1	
25	122098GT	HARNESS,LIFT/DRIVE CUT-OUT.....1 <i>European models</i>	
--	1259216GT	HARNESS,CE OPTION,S40/45.....1	
--	19274GT	RELAY,SPDT,12V(AUTO)**	
26	122236GT	HARNESS,HYD GEN.....1	
--	34052GT	RELAY,SPDT,12V(AUTO) PLUG IN**	
27A	89654GT	HARNESS,12/3,12V-PLAT,JIB,S45.....1 (S-45)	
27B	89657GT	HARNESS,12/3,12V-PLAT,NJ,S40.....1 (S-40)	
28	1256270GT	HARNESS,OIL COOLER,S40/45.....1	
29	1261449GT	ASSY,RECEP,12V,CSA TILT.....1 <i>for CSA models only</i>	
--	1258102GT	HARNESS,PLATFORM CUTOUT,S40/45	
30	1260218GT	HARNESS,TILT ALARM,12V.....1 <i>for CSA models only</i>	
--	1285689GT	INSTRUCTIONS,INSTALL (LEVEL SENSOR ALARM) <i>for kit 1285811</i>	
--	1285811GT	KIT,TILT ALARM,IC MODELS	
31	227516GT	ASSEMBLY,FOOT SWITCH	
--	33576GT	CONN,SQZ,BLK,1/2NPT,.38-.50,SM	
32A	1255555GT	HARN,PBOX,OPA,HW,12V.....1	
32B	1255030GT	PLUG,BLANKING	

311.1 Wire Harness and Power Cable Assemblies
(continued)

This Page Intentionally Left Blank

Go to Discount-Equipment.com to order your parts

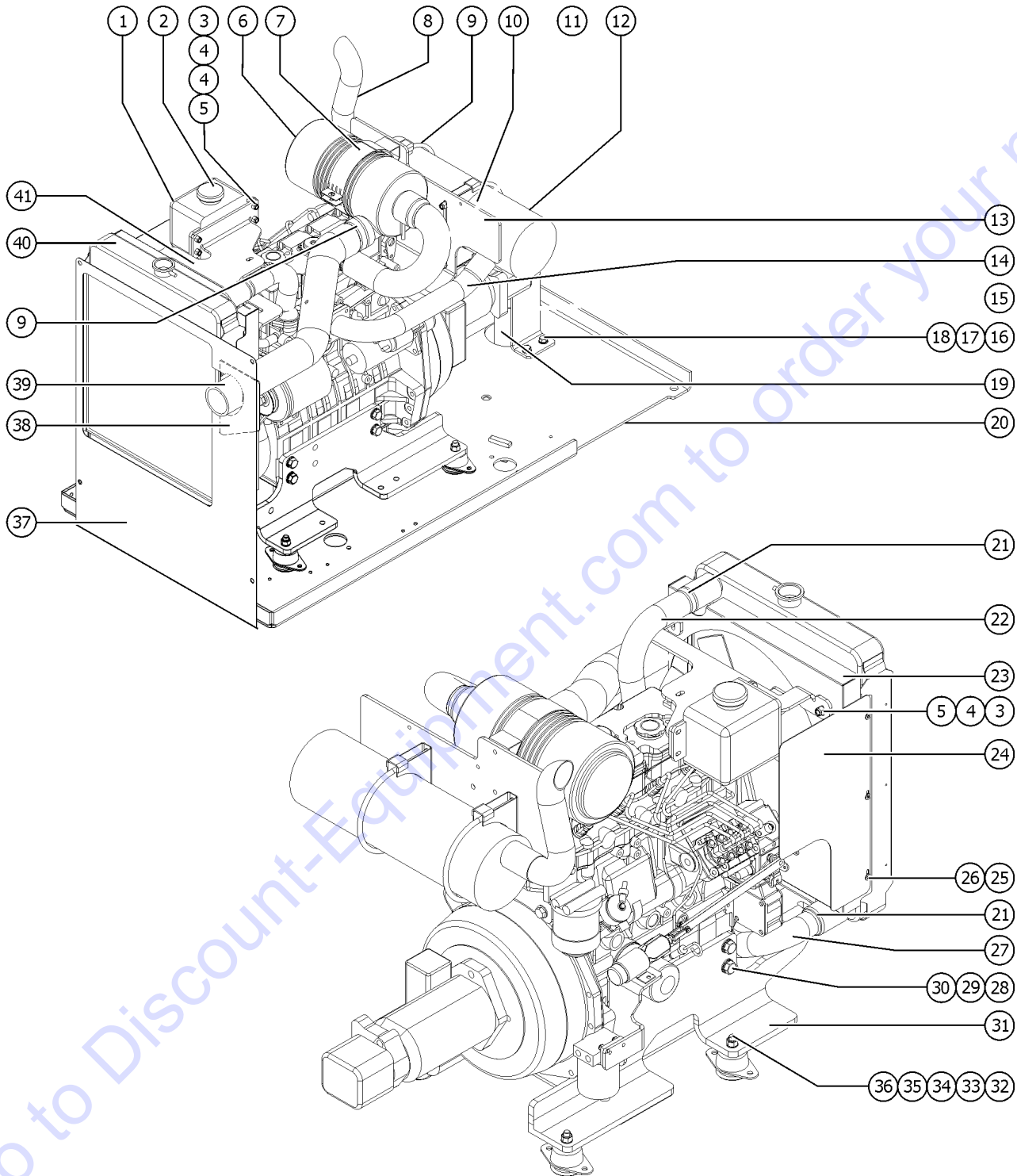
401.1 Perkins 404D-22 Engine - View 1



401.1 Perkins 404D-22 Engine - View 1

Item	Part No.	Description	Qty.	Item	Part No.	Description	Qty.
A	77736GT	GLOW PLUG (PERKINS 404-22)		26	6096GT	SCREW,HHC,1/2-13 X 2 GR5	
B	94890GT	MANUAL,OPERATORS PERKINS 404		27	6033GT	WASHER,LOCK,0.5"	
C		Ref. Engine Harness (refer to 311.1)		28	128061GT	SCREW, HHC, M10 X 1.5 X 50.....2	
D	128935GT	CIRCUIT BKR 10A TYPE 2 METAL		29	60868GT	SCREW,HHC,M12 X 45.....2	
E	85155GT	PUMP,PRIMER,PERKINS***		30	49410GT	WASHER,FLAT,M12.....2	
1	65636GT	CAP, OIL FILLER.....1		31	61109GT	CLAMP,1.25,#20 X 7/16,RUB CSH.....1	
--	65638GT	SEAL, OIL FILLER CAP		32	54573GT	PUMP MOUNT KIT,PERKINS DSL (complete) includes kit 128022 and housing pump 89771	
2	60585GT	ISOLATOR,VIBRATION,M8 MALE/FEM.....1		--	128003GT	COUPLER,15 TOOTH,FBA,PERKINS** includes grease	
3	13002GT	SCREW,HHC,5/16-18 X 1 GR5		--	128022GT	KIT,FBA STYLE COUPLER,PERKINS includes 15-tooth coupler (128003), fastener kit (1263209) and grease	
4	5397GT	WASHER,FLAT,USS,5/16",Y		--	89773GT	KIT, HARDWARE (54573)	
5	6002GT	NUT,LP NYLOCK,5/16-18		33	128024GT	SCREW, HHC, M8 X 1.25 X 12 included in kit 128022	
6	89953GT	FLATBAR,ALUM,THROTTLE LINKAGE		34	94889GT	FUEL FILTER ASSEMBLY.....1	
7	106663GT	SOLENOID,SHUT DOWN PERKIN40422.....1 404D-22		--	62421GT	FILTER,FUEL,PERKINS	
8	21130GT	CLEVIS YOKE-1/4-28,PLTD W/PIN.....1		35	72348GT	PUMP,LIFT(FUEL) PERKINS(54555) 404D-22:	
9	21496GT	NUT,HEX,1/4-28		--	77990GT	KIT,SEAL,3CC PUMP***	
10A	128984GT	DIPSTICK, STRAIGHT SHORT.....1 404D-22		36	23057GT	SCREW,HHC,M8 X 20MM	
10B	128985GT	DIPSTICK TUBE, STRAIGHT SHORT....1 404D-22		37	49408GT	WASHER,LOCK,M8	
11	119809GT	SWITCH, OIL PRESSURE.....1 Old switch design was used with an adaptor; New switch screws directly into engine block. With older engine, remove adaptor and install new switch directly into engine block		38	6019GT	SCREW,HHC,3/8-16 X 1.25 GRD 5	
12	94762GT	OIL FILTER - PERKINS.....1		39	6097GT	WASHER,FLAT,USS,3/8",Y	
13	77402GT	SOLENOID,THROTTLE ACTUATOR DSL.....1		40	4828GT	NUT,NYLOCK,3/8-16	
14	8915GT	SCREW,HHC,1/4-20 X 1.25		41	88992PGT	FORMING,MUFFLER SUPPORT PAINTE.....1	
15	6638GT	WASHER,FLAT,USS,1/4"Y					
16	6091GT	NUT,NYLOCK,1/4-20					
17	128588GT	FORMING,SOLENOID MOUNT.....1					
18	75020GT	SEPRTR/FLTR,FUEL DSL,15GPH,.30....1					
--	62433GT	FILTER,ELEMENT,30 MIC,75020					
19	89771GT	HOUSING,PUMP MOUNT (54573)					
20	85059GT	SCREW,HHC,M10 X 1.5 X 35.....3					
21	22699GT	WASHER,FLAT,M10,ZINC PLTD.....9					
22	22736GT	NUT,NYLOCK,M10X1.50.....9					
23	85053GT	SCREW,HHC,M10 X 1.5 X70,GR 8.8....4					
24		Ref. Function Pump (refer to 706.1)					
25		Ref. Drive Pump (refer to 706.1)					

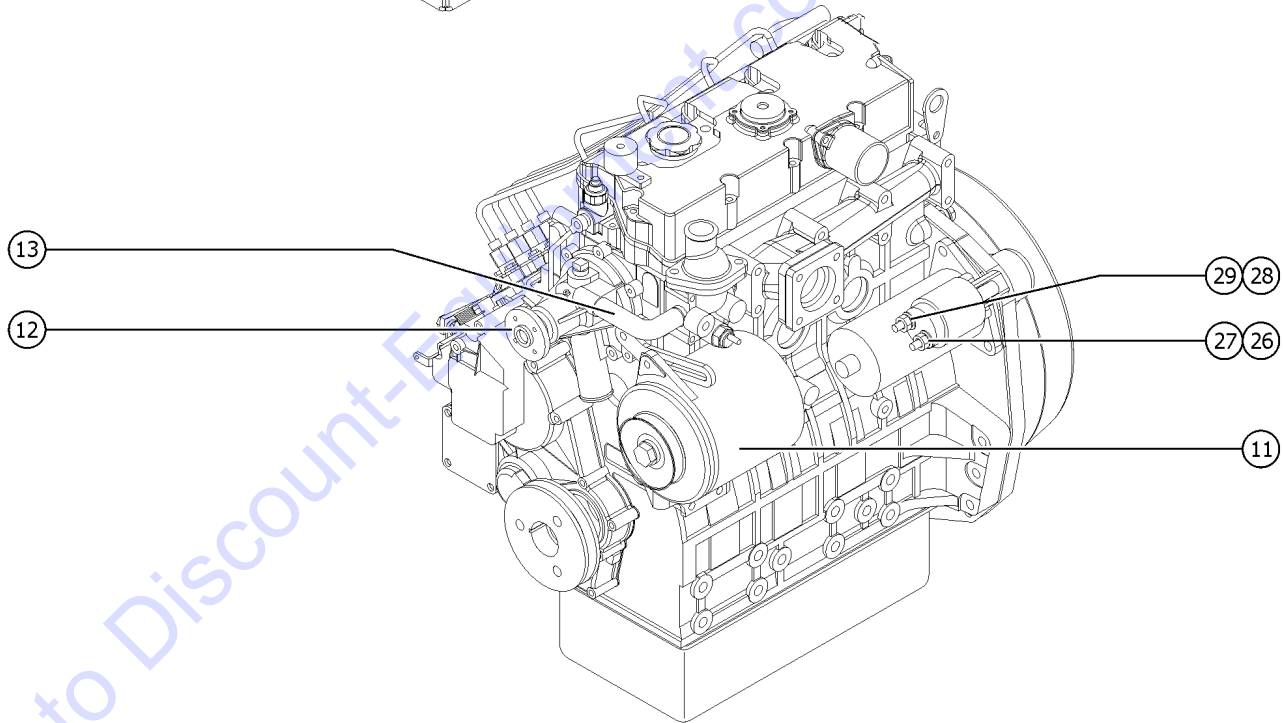
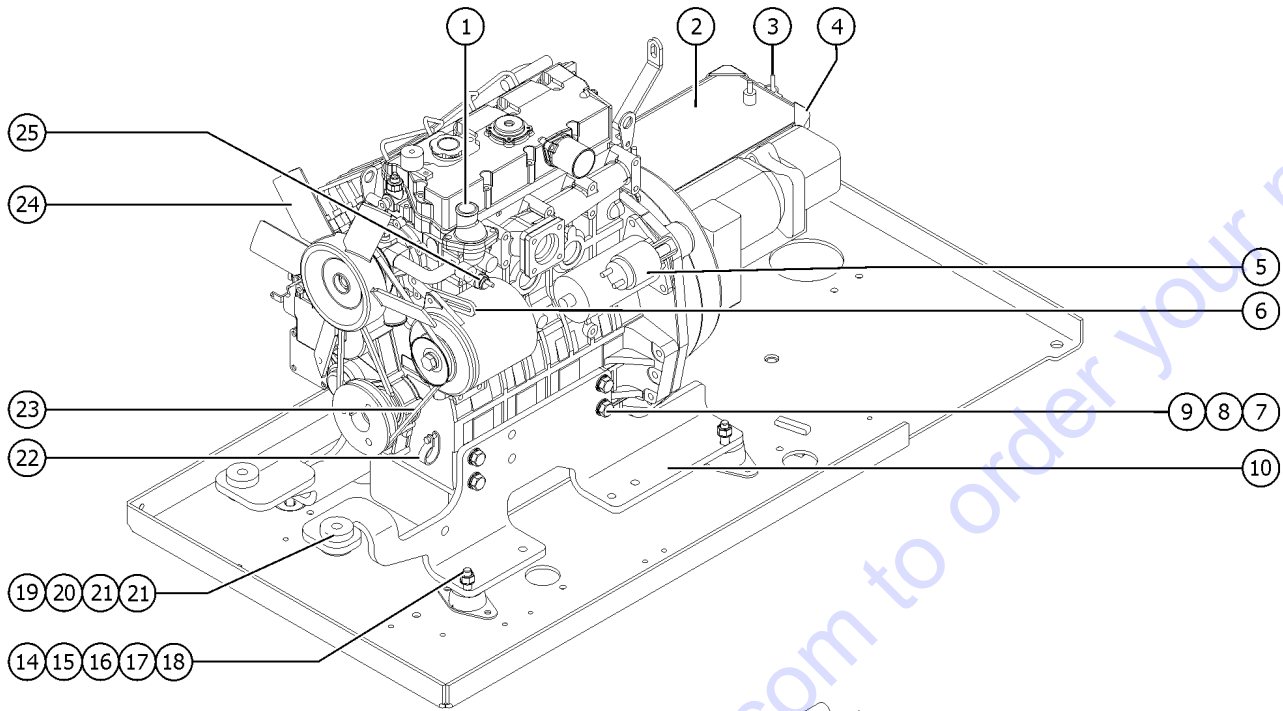
402.1 Perkins 404D-22 Engine - View 2



402.1 Perkins 404D-22 Engine - View 2

Item	Part No.	Description	Qty.	Item	Part No.	Description	Qty.
A	160551GT	KIT, 500 HR, PERKINS 404 <i>every 500 hr service kit</i>		--	60857GT	FILTER,ELEMENT,BETA(5)=1000 <i>to SN 22376</i>	
1	1279268GT	BOTTLE, COOLANT RECOVERY, 2QT.....1 <i>to SN S45H-25582</i>	1	20		Ref. Engine Tray <i>(refer to 419.1)</i>	
--	1279268GT	BOTTLE, COOLANT RECOVERY, 2QT <i>from SN S45H-25583</i>		21	13014GT	CLAMP,HOSE,2.25" DIA.....3	3
--	6833GT	CLAMP,0.50,#8 X 1/4,RUB CUSH		22	54578GT	HOSE,UPPER RADIATOR,PERKINS.....1	1
2	72327GT	CAP, COOLANT RET SYS(54071).....1	1	23	88990PGT	SHROUD,FAN PAINTED.....1	1
3	6888GT	SCREW,HHC,1/4-20 X 1		24	54487PGT	GUARD,FAN,FORD/PERKINS,PAINTED.1	1
4	6638GT	WASHER,FLAT,USS,1/4"Y		25	21019GT	SCREW,PHIL,PHM,10-24 X.5,SEMS	
5	6091GT	NUT,NYLOCK,1/4-20		26	6146GT	WASHER,FLAT,MS,#10,Y	
6	63463GT	AIR CLEANER,NELSON***.....1	1	27	54579GT	HOSE,LOWER,RADIATOR,PERKINS	
--	52866GT	EVACUATOR VALVE-AIR CLEANER		28	54687GT	SCREW,HHC,M14 X 1.5X40MM,GR8.8	
--	5397GT	WASHER,FLAT,USS,5/16",Y		29	37505GT	WASHER,LOCK,M14	
--	58415GT	CLIP,AIR CLEANER END CAP***		30	49411GT	WASHER,FLAT,M14	
--	62420GT	FILTER,AIR***		31	102749GT	FORMING,ENGINE MOUNT,RH,PERK.....1	1
--	65810GT	BAFFLE, AIR CLEANER (27915)**		32	6198GT	NUT,NYLOCK,1/2-13	
--	6782GT	NUT,NYLOCK,5/16-18		33	39479GT	SCREW,HHC,1/2-13 X 2.75	
--	6888GT	SCREW,HHC,1/4-20 X 1		34	70452GT	ISOLATOR,ENGINE VIBRATION***4	4
7	53952GT	BRKT,AIR CLEANER ORIENTATION**1	1	35	80150GT	WASHER-FLAT, 1/2" (80056)	
8	89901GT	TAILPIPE,EXHAUST.....1	1	36	102066PGT	CASTING,WASHER,REBOUND,PAINTED	
9	88993GT	CLAMP,MUFFLER.....2	2	37	89929PGT	FORMING,ENGINE BAFFLE,PERKINS.....1	1
10	45435GT	CLAMP,HOSE,2.50"***3	3	38	89900PGT	FORMING,INTAKE HOSE SUPPORT.....1	1
11	88847GT	HOSE,AIR CLEANER TO INTAKE.....1	1	--	21019GT	SCREW,PHIL,PHM,10-24 X.5,SEMS	
12	88841GT	MUFFLER,6"1	1	--	6146GT	WASHER,FLAT,MS,#10,Y	
--	111418GT	SCRUBBER,SPARK ARRESTER,PERKIN		--	6607GT	WASHER,LOCK,#10 PLTD	
--	70385GT	CLAMP,EXHAUST,2.00 PLATED		39	88846GT	HOSE,AIR INLET.....1	1
13	88991PGT	FORMING,MUFFLER MOUNT PAINTED.....1	1	40	110304GT	RADIATOR,FORD/PERKINS***1	1
14	111390GT	WELDMENT,EXHAUST PIPE.....1	1	--	65473GT	CAP,RADIATOR,PERKINS/FORD	
--	62845GT	NUT-FLANGE, 8MM (62849)		41	88989PGT	FORMING,UPPER RAD SUPPORT PNTD.....1	1
--	72343GT	GASKET,EXH FLANGE-FORD/PERKINS					
--	72344GT	BOLT,EXHAUST,PERKINS(54555)**					
--	88844GT	FLANGE,EXHAUST PIPE					
--	94888GT	EXHAUST MANIFOLD					
15	89596PGT	FORMING,FILTER MOUNT,PAINTED.....1	1				
16	6019GT	SCREW,HHC,3/8-16 X 1.25 GRD 5					
17	5397GT	WASHER,FLAT,USS,5/16",Y					
18	4828GT	NUT,NYLOCK,3/8-16					
19	1267807GT	ASSY, MED. PRESS. FILTER, SAE8.....1 <i>to SN 22376</i>	1				
--	1267807GT	ASSY, MED. PRESS. FILTER, SAE8 <i>from SN 22377</i>					
--	1268229GT	ELEMENT-5 MIC, PAPER, W/ BYPASS <i>from SN 22377</i>					

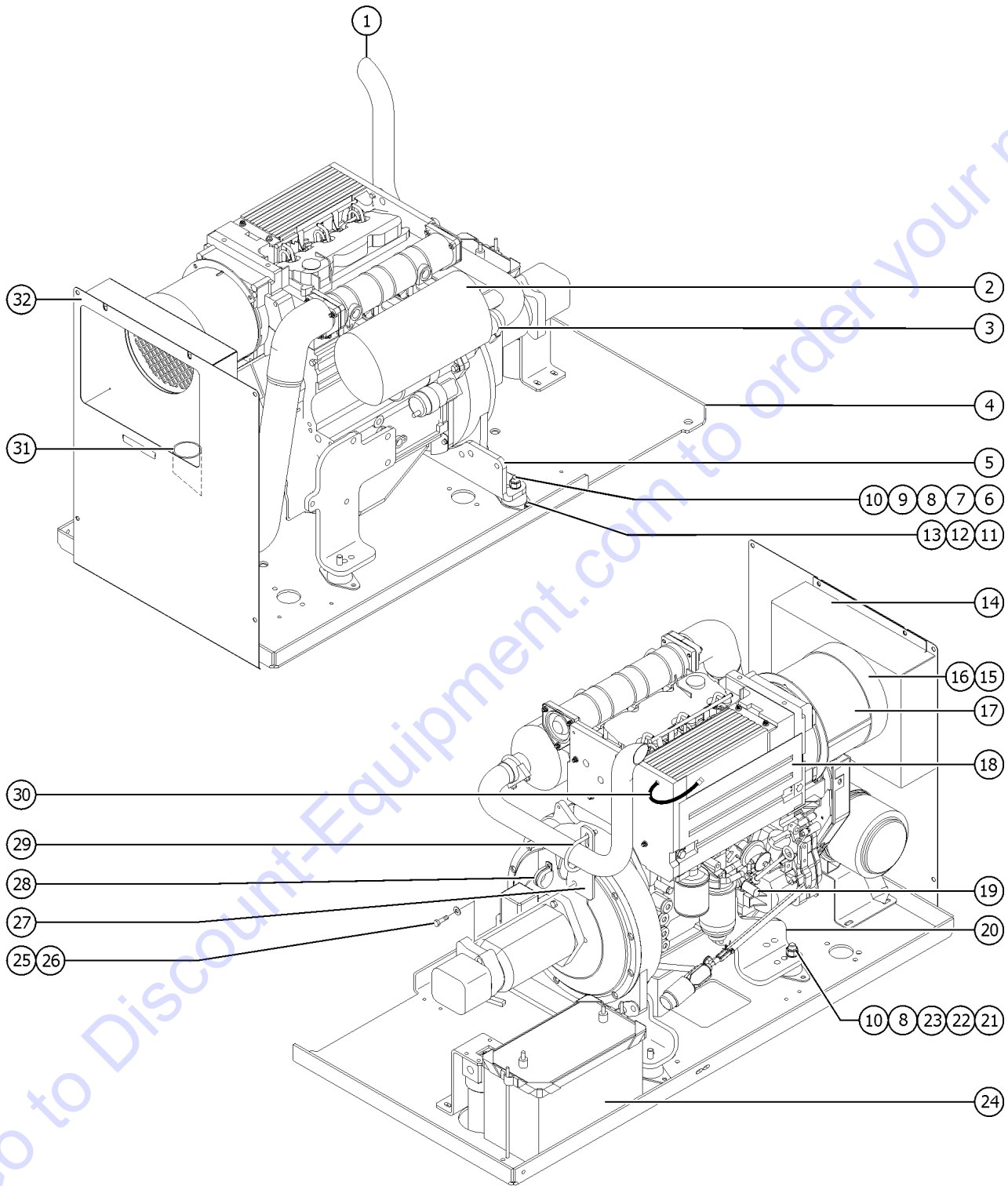
403.1 Perkins 404D-22 Engine - View 3



403.1 Perkins 404D-22 Engine - View 3

Item	Part No.	Description	Qty.
--	1283021GT	NUT,NYLOCK,M6-1.0,DIN985,10,ZAB	
--	1283022GT	NUT,NYLOCK,M8-1.25,DIN985,10,ZAB	
--	824144GT	WASHER,FLAT,M8,DIN125,ZAB	
--	825355GT	WASHER,FLAT,M6,DIN125,ZAB	
1	128986GT	WATER OUTLET, VERTICAL.....1 404D-22	
--	128991GT	THERMOSTAT 404D-22	
--	147355GT	GASKET-THERMOSTAT HSG for 128991	
2		Ref. Battery (refer to 419.1)	
3	8170GT	NUT,WING,1/4-20.....2	
--	45704GT	TEE,BRANCH,070433-6-6	
--	6638GT	WASHER,FLAT,USS,1/4"Y	
4	30144GT	BATTERY HOLD DOWN,GROUP 31.....1	
5	228457GT	STARTER, PERKINS, 404D.....1 (comes with integrated solenoid)	
6	89762GT	LEVER, ALTERNATOR (PERKINS 404.....1	
7	54687GT	SCREW,HHC,M14 X 1.5X40MM,GR8.8	
8	37505GT	WASHER,LOCK,M14	
9	49411GT	WASHER,FLAT,M14	
10	102748GT	FORMING,ENGINE MOUNT,LH,PERK...1	
11	111029GT	ALTERNATOR,65 AMP,PERKINS 404.....1	
12	128987GT	WATER PUMP.....1 404D-22	
--	58354GT	GASKET,WATER PUMP	
--	77482GT	PULLEY, WATER PUMP	
13	89764GT	HOSE, WATER PUMP (PERKINS 404)...1	
14	6198GT	NUT,NYLOCK,1/2-13	
15	39479GT	SCREW,HHC,1/2-13 X 2.75	
16	70452GT	ISOLATOR,ENGINE VIBRATION***.....4	
17	80150GT	WASHER-FLAT, 1/2" (80056)	
18	102066PGT	CASTING,WASHER,REBOUND,PAINTED	
19	6097GT	WASHER,FLAT,USS,3/8",Y	
20	4828GT	NUT,NYLOCK,3/8-16	
21	24038GT	SHOCK MOUNT,SMALL.....4	
22	6653GT	CLAMP,1.88,#30 X 1/4,RUB CUSH.....1	
23	89765GT	BELT, V (PERKINS 404).....1	
24	77483GT	FAN, ENGINE (104-22)(404-22)*.....1	
--	94886GT	FAN SPACER	
25	97473GT	SENSOR,WATER TEMPERATURE	

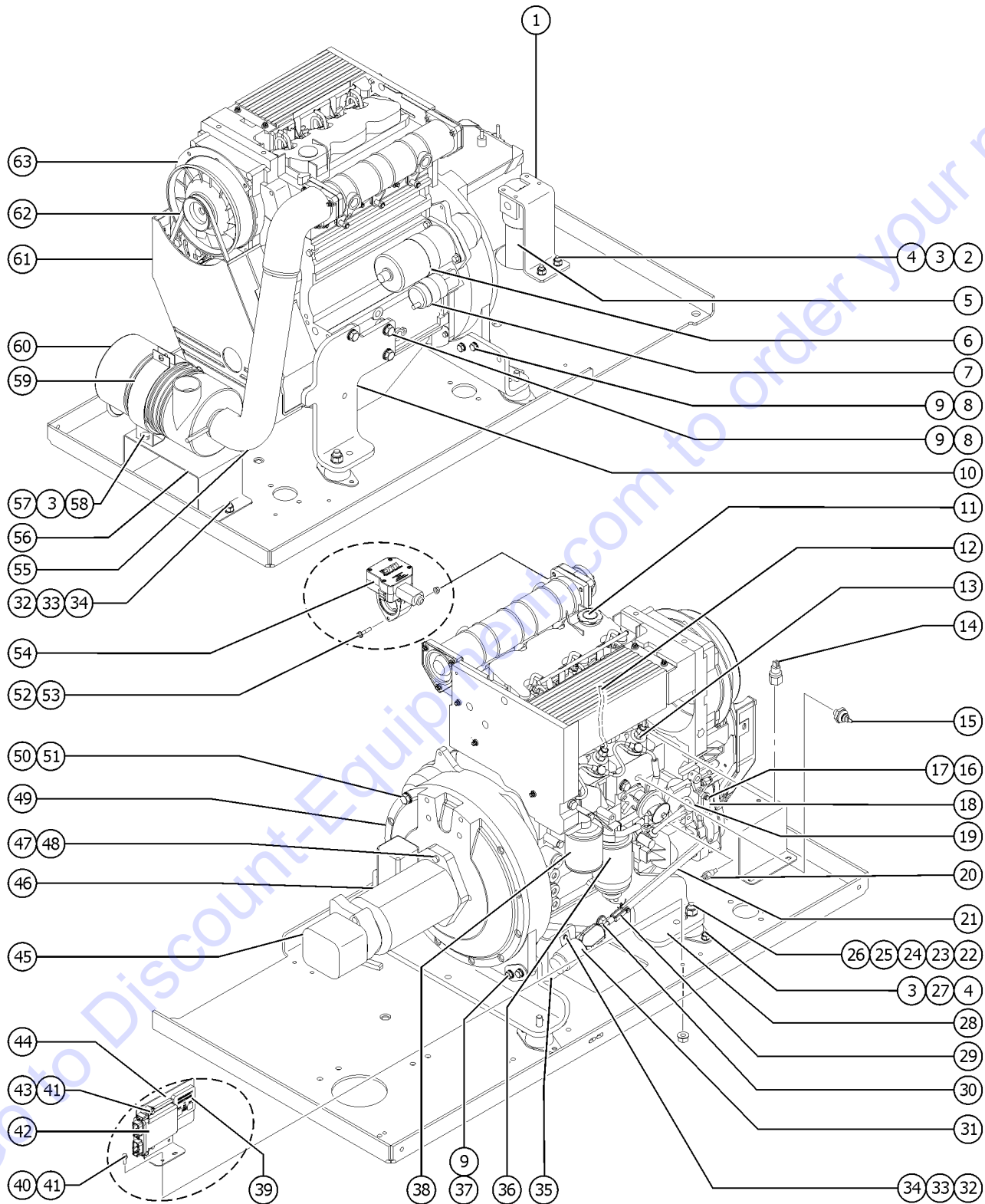
404.1 Deutz F3L 2011/ D2011L03i Engine - View 1



404.1 Deutz F3L 2011/ D2011L03i Engine - View 1

Item	Part No.	Description	Qty.	Item	Part No.	Description	Qty.
A		Ref. Engine Harness (refer to 311.1)		27	102091PGT	FORMING,EXHAUST PIPE MOUNT.....1	
B	31408GT	GLOW PLUG,L1011		--	22700GT	WASHER,LOCK,M10	
C	128935GT	CIRCUIT BKR 10A TYPE 2 METAL		--	85053GT	SCREW,HHC,M10 X 1.5 X70,GR 8.8	
D	1264938GT	REMAN DEUTZ ENGINE D2011L03I <i>Engine part 70453 is no longer available, order remanufactured engine part 1264938</i>		28	61109GT	CLAMP,1.25,#20 X 7/16,RUB CSH.....2	
E	70453GT	ENGINE,DEUTZ D2011L03I <i>F3L1011 AND F3L1011F Engines only</i>		29	16584GT	U-BOLT, KIT 5/16-18 X 2.5 ***.....2	
1	102092GT	EXHAUST PIPE,DEUTZ F3L2011.....1		30	147525GT	FITTING,BARBED,STRT,FUEL LINE	
2	32695GT	MUFFLER,DEUTZ.....1		--	147526GT	FITTING,BARBED,TEE,FUEL LINE	
--	119117GT	MUFFLER,CAT/SPARK,DEUTZ		31	34162-475GT	HOSE,AIR INTAKE 2.5" I.D.....1	
3	89775GT	CLAMP, MUFFLER.....1		32	89912PGT	FORMING, ENGINE BAFFLE,PAINTED.....1	
4		Ref. Engine Tray (refer to 419.1)					
5	70459PGT	FORMING,REAR ENGINE MOUNT PNT*.....1					
6	6198GT	NUT,NYLOCK,1/2-13					
7	39479GT	SCREW,HHC,1/2-13 X 2.75					
8	70452GT	ISOLATOR,ENGINE VIBRATION***4					
9	6095GT	WASHER,FLAT,USS,1/2",Y					
10	102066PGT	CASTING,WASHER,REBOUND,PAINTED					
11	4828GT	NUT,NYLOCK,3/8-16					
12	6175GT	SCREW,HHC,3/8-16 X 1					
13	5397GT	WASHER,FLAT,USS,5/16",Y					
14	89911PGT	FORMING,COLD AIR INTAKE,PAINTD.....1					
15	33239GT	SHEET,RUBBER,AIR INTAKE.....1					
16	31523GT	CLAMP,HOSE,8.50 DIA***1					
17	111344GT	T2 DEUTZ BAFFLE.....1					
--	50579PGT	WELDMENT,AIR INTAKE TUBE,PAINT					
18	89776GT	COVER, ENGINE, DEUTZ F3L 2011F....1 <i>includes mounting fasteners</i>					
19	111668GT	PUMP,FUEL 2011 DEUTZ ***					
--	111402GT	O-RING, FUEL LIFT PUMP					
20	70460PGT	FORMING,ENGINE MOUNT,FR PAINT*.....1					
--	22558GT	SCREW,HHC,M14 X 40MM,GR 8.8					
--	37505GT	WASHER,LOCK,M14					
21	6782GT	NUT,NYLOCK,5/16-18					
22	6019GT	SCREW,HHC,3/8-16 X 1.25 GRD 5					
23	6021GT	WASHER,LOCK,.375					
24		Ref. Battery (refer to 419.1)					
25	33987GT	SCREW,HHC,1/2-13 X 1, GR 5					
26	6033GT	WASHER,LOCK,0.5"					

405.1 Deutz F3L 2011/ D2011L03i Engine - View 2



405.1 Deutz F3L 2011/ D2011L03i Engine - View 2

Item	Part No.	Description	Qty.	Item	Part No.	Description	Qty.
1	89596PGT	FORMING,FILTER MOUNT,PAINTED.....1		21	94485GT	THROTTLE LINKAGE,DIESEL***.....1	
2	6019GT	SCREW,HHC,3/8-16 X 1.25 GRD 5		22	6198GT	NUT,NYLOCK,1/2-13	
3	5397GT	WASHER,FLAT,USS,5/16",Y		23	39479GT	SCREW,HHC,1/2-13 X 2.75	
4	4828GT	NUT,NYLOCK,3/8-16		24	70452GT	ISOLATOR,ENGINE VIBRATION***.....4	
5	1267807GT	ASSY, MED. PRESS. FILTER, SAE8.....1 to SN 22376		25	80150GT	WASHER-FLAT, 1/2" (80056)	
--	1267807GT	ASSY, MED. PRESS. FILTER, SAE8 from SN 22377		26	102066PGT	CASTING,WASHER,REBOUND,PAINTED	
--	1268229GT	ELEMENT-5 MIC, PAPER, W/ BYPASS from SN 22377		27	6175GT	SCREW,HHC,3/8-16 X 1	
--	60857GT	FILTER,ELEMENT,BETA(5)=1000 to SN 22376		28	70460PGT	FORMING,ENGINE MOUNT,FR PAINT*.....1	
6	139709GT	STARTER, 12V.....1		29	21130GT	CLEVIS YOKE-1/4-28,PLTD W/PIN.....1	
--	139621GT	KIT, HEAT GUARD, DEUTZ STARTER		30	21496GT	NUT,HEX,1/4-28	
--	139622GT	HEAT SHIELD,DEUTZ STARTER		31	77402GT	SOLENOID,THROTTLE ACTUATOR DSL.....1	
7	49915GT	SOLENOID-STARTR DEUTZF4L1011F*.....1		32	6888GT	SCREW,HHC,1/4-20 X 1	
8	22558GT	SCREW,HHC,M14 X 40MM,GR 8.8.....3		33	6638GT	WASHER,FLAT,USS,1/4"Y	
9	37505GT	WASHER,LOCK,M14		34	6091GT	NUT,NYLOCK,1/4-20	
10	70461PGT	FORMING,ENGINE MOUNT,FL PAINT*.....1		35	102067PGT	BRACKET,SOLENOID MOUNT,PAINTED.....1	
11	29557GT	CAP,OIL FILLER,DEUTZ,DIESEL ***.....1		36	29560GT	FILTER,FUEL/WTR SEP, DTZ 1008.....1 Genie Genuine Part. See PN 1254826 for compatible aftermarket replacement.	
12	89780GT	FUEL LINE, DEUTZ F3L 2011F,1 METER LG.....3		--	1254826GT	FUEL FILTER W/SEP,DEUTZ,1008.....1 Genie Aftermarket Part. Filter for Deutz F3L 1011F Engine.	
13	52352GT	DIPSTICK-F3L1011F (DEUTZ).....1 verify letter code (A, B, C or D) before ordering		37	89259GT	SCREW HHC, M14x50	
--	1288561GT	O-RING,FUEL INJECTOR,DEUTZ (89792) for 89792		38	49924GT	FILTER,OIL,DEUTZ F4L1011F.....1 Genie Genuine Part. See PN 1255653 for compatible aftermarket replacement.	
--	89792GT	INJECTOR, FUEL(DEUTZ F3L2011F)		--	1255653GT	FILTER,OIL,DEUTZ,REPLACEMENT Genie Aftermarket Part. Compatible with Genie Genuine Part 49924	
14	111445GT	SENDING UNIT,OIL TEMP SWCH,DTZ.....1		39	1264499GT	CONTROLLER, DASH, BASIC PLUS (part of the Air Shutoff option for Deutz 2011L03i)	
15	139624GT	SWITCH, OIL PRESSURE 1.5 BAR.....1 (replaced 65765)		40	824078GT	SCREW,HHF,1/4-20X.75,8,ZAG (part of the Air Shutoff option for Deutz 2011L03i)	
--	139666GT	KIT,OP SWITCH,DEUTZ (oil pressure kit for models with ALC-500 control system. replaces 65765. includes item 139624 and instructions)		41	824027GT	NUT,TL FLG,1/4-20,G,ZAG (part of the Air Shutoff option for Deutz 2011L03i)	
16	22578GT	SCREW,HHC,M6 X 20MM,GR8.8		42	1264498GT	CONTROLLER, VCU, DEUTZ L03I (part of the Air Shutoff option for Deutz 2011L03i)	
17	6356GT	WASHER,LOCK,.25		43	824080GT	SCREW,HHF,1/4-20X1.25,8,ZAG (part of the Air Shutoff option for Deutz 2011L03i)	
18	50787-SGT	LEVER, GOVERNOR ACTUATOR.....1		44	1264229GT	BRACKET, POSITIVE AIR SHUTOFF (part of the Air Shutoff option for Deutz 2011L03i)	
19	147243GT	DIPSTICK, OIL, D2011		45		Ref. Function Pump (refer to 706.1)	
20	T114678GT	SHUTDOWN SOLENOID,12V, DEUTZ....1 (must order cable assembly, 58256, if replacing 32752) (includes o-ring)					
--	45782GT	DIODE,6 AMP,200 PIV,BULK					
--	58256GT	SOLENOID CABLE ASSY***					
--	72255GT	CONNECTOR, DEUTZ FUEL SHUTOFF* (does not include diode, 45782)					

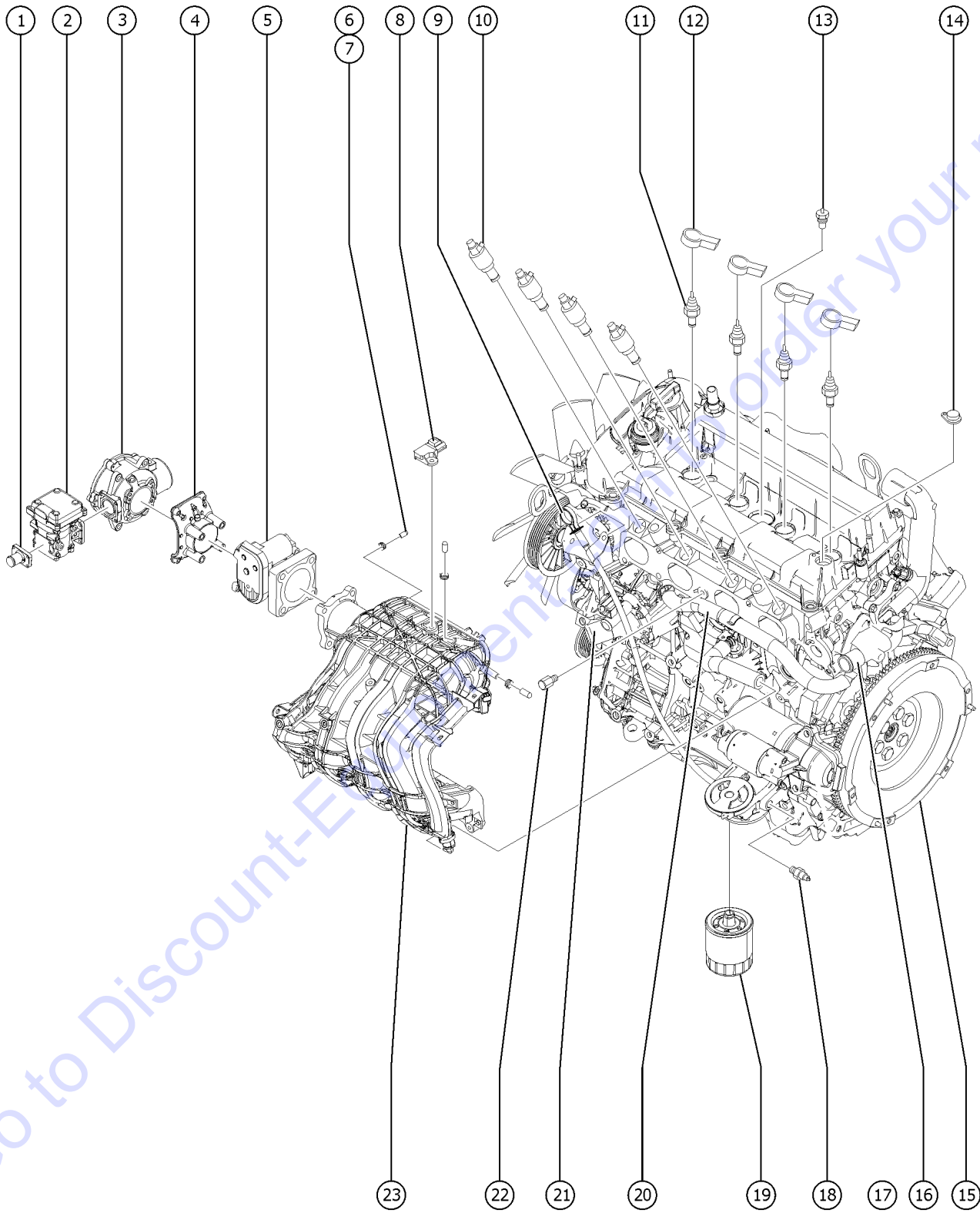
405.1 Deutz F3L 2011/ D2011L03i Engine - View 2
(continued)

Item	Part No.	Description	Qty.	Item	Part No.	Description	Qty.
46		Ref. Drive Pump <i>(refer to 706.1)</i>		--	89788GT	WASHER,9MM I.D.	
47	6096GT	SCREW,HHC,1/2-13 X 2 GR5		62	32698GT	BELT,V, DEUTZ DIESEL ENGINE.....1	
48	6033GT	WASHER,LOCK,0.5"		63	35586GT	ALTERNATOR, DEUTZ F3L10/F4L10*....1	
49	70381GT	COVER,FLYWHEEL CASTING.....1					
--	128004GT	COUPLER,15 TOOTH,FBA,SAE8***					
--	128023GT	KIT,FBA STYLE COUPLER,SAE8					
--	22700GT	WASHER,LOCK,M10					
--	33729GT	RING GEAR,DEUTZ F3 & F4L1011* <i>(please verify ring gear thickness) 0.365 inches</i>					
--	44064GT	SCREW,HHC,M10 X 30MM,					
--	49917GT	RING GEAR,DEUTZ F3 & F4L1011F* <i>(please verify ring gear thickness) 0.46 inches</i>					
--	62476GT	SCREW,SHC,M10X1.5X20MM (75090) <i>(use for part 128004)</i>					
--	89785GT	RING GEAR,DEUTZ F3L2011F <i>(please verify ring gear thickness) 0.6 inches"</i>					
50	61110GT	SCREW,SHC,M10X1.5X30 GR 12.9.....10					
51	22700GT	WASHER,LOCK,M10					
52	1255763GT	SCREW,HHF,5/16-18X1.5,8,ZAG <i>(part of the Air Shutoff option for Deutz 2011L03i)</i>					
53	824028GT	NUT,TL FLG,5/16-18,G,ZAG <i>(part of the Air Shutoff option for Deutz 2011L03i)</i>					
54	1264497GT	VALVE, PAS, DEUTZ L03I <i>(part of the Air Shutoff option for Deutz 2011L03i)</i>					
--	128079GT	GASKET, DEUTZ 2011 INTAKE <i>(part of the Air Shutoff option for Deutz 2011L03i)</i>					
55	70375GT	HOSE,AIR CLEANER.....1					
--	30971GT	CLAMP,HOSE,3.00"					
56	70351PGT	FORMING,AIR CLEANER MOUNT PNTD.....1					
57	10107GT	SCREW,HHC,5/16-18 X .75					
58	6782GT	NUT,NYLOCK,5/16-18					
59	53952GT	BRKT,AIR CLEANER ORIENTATION**.....1					
60	63463GT	AIR CLEANER,NELSON***					
--	52866GT	EVACUATOR VALVE-AIR CLEANER					
--	58415GT	CLIP,AIR CLEANER END CAP***					
--	62420GT	FILTER,AIR***					
--	65810GT	BAFFLE, AIR CLEANER (27915)**					
61	89786GT	COVER, PULLEY (DEUTZ F3L 2011).....1					
--	89787GT	SCREW,M8X20-8.8					

This Page Intentionally Left Blank

Go to Discount-Equipment.com to order your parts

406.1 Ford MSG-425 EFI Engine - View 1

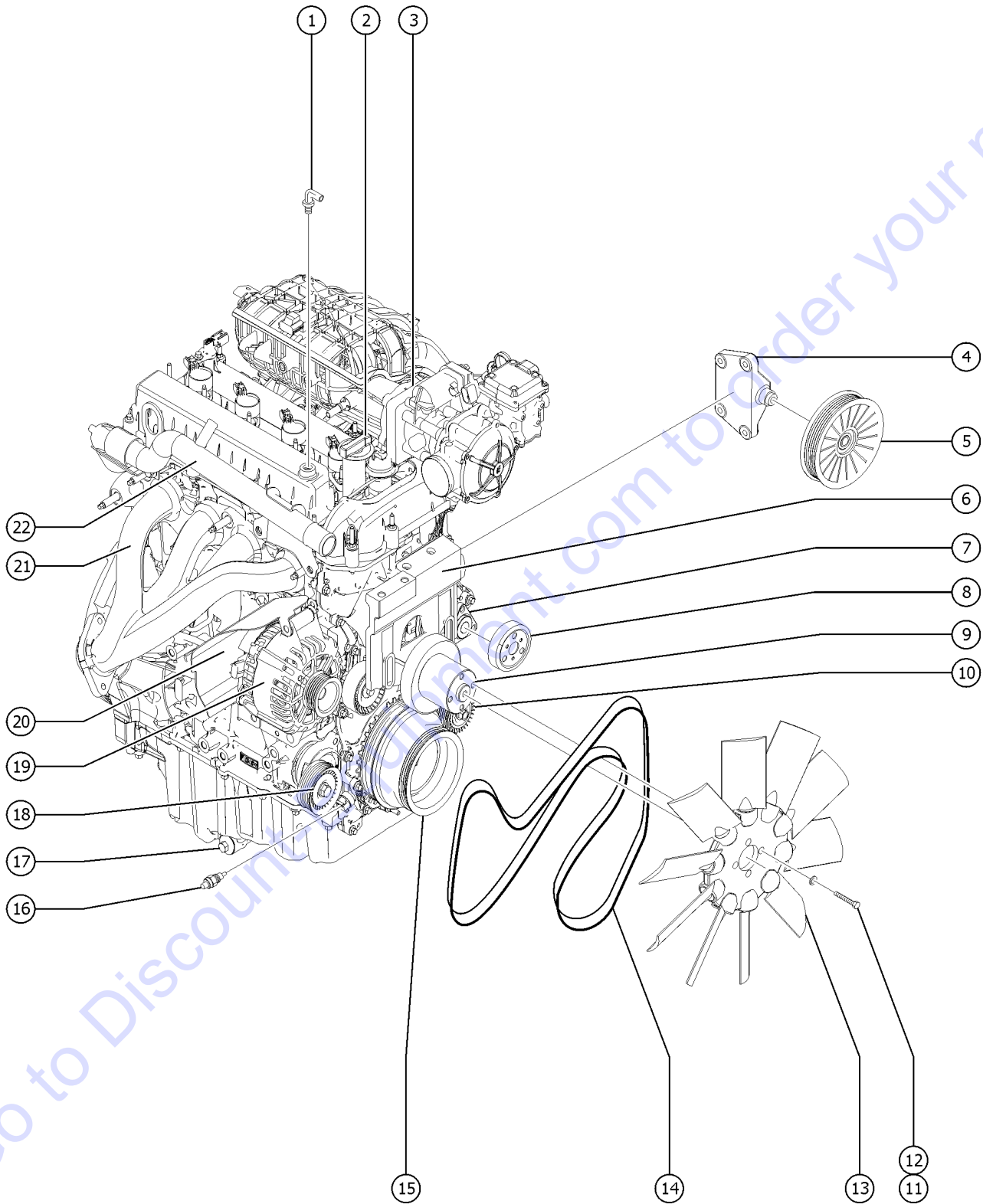


Go to Discount-Engine.com to order your parts

406.1 Ford MSG-425 EFI Engine - View 1

Item	Part No.	Description	Qty.	Item	Part No.	Description	Qty.
A	128165GT	RELAY,PWR/FUEL,FORD DSG423		21	215310GT	THERMOSTAT W/HOUSING, MSG425.....	1
B	128166GT	RELAY,STARTER,FORD DSG/MSG		22	215309GT	SENSOR, KNOCK, MSG425.....	1
1	215285GT	FITTING, DEPR LP, MSG425..... <i>(sold seperately) (for 215284)</i>	1	23	215305GT	INTAKE MANIFOLD, MSG425.....	1
2	215284GT	REGULATOR,LP PRESSURE,MSG425.....	1	23A	1277969GT	GASKET,INTAKE MANIFOLD,MSG 425..... <i>for 215305</i>	1
--	215286GT	FITTING, DEPR COOLANT, MSG425 <i>(sold seperately) (for 215284)</i>					
3	215280GT	MIXER, MSG425.....	1				
--	119546GT	KIT,FITTING,REGULATOR DSG-423 <i>for 215280</i>					
--	215281GT	O-RING, SMOOTH, MSG425					
--	215282GT	O-RING, RIBBED, MSG425					
4	215283GT	ADAPTER, MIXER/THRO, MSG425.....	1				
5	88451GT	THROTTLE ACTUATOR*(BOSCH).....	1				
--	88452GT	GASKET,THROTTLE ACTUATOR***					
6	217820GT	CAP, INT. MFLD. VAC, MSG425.....	2				
7	119568GT	CLAMP,SPRING,1/2".....	3				
8	119475GT	MAP SENSOR, DSG-423.....	1				
9		OIL INDICATOR, MSG425.....	1				
--	18506GT	SCREW 5/16-18 X .75 LG.FLG.LCK. <i>(not shown, use to mount dipstick part 220230)</i>					
--	220230GT	DIPSTICK, MSG425					
--	220231GT	O-RING,DIPSTICK,MSG425 <i>(not shown, use with dipstick part 220230)</i>					
--	6002GT	NUT,LP NYLOCK,5/16-18 <i>(not shown, use to mount dipstick part 220230)</i>					
--	6638GT	WASHER,FLAT,USS,1/4"Y <i>(not shown, use to mount dipstick part 220230)</i>					
10	215299GT	INJECTOR, FUEL, MSG425.....	4				
11	215287GT	SPARK PLUG, MSG425.....	4				
12	215314GT	COIL ASSY, MSG425.....	4				
13	215300GT	SENSOR, CYL. HEAD TEMP, MSG425.....	1				
14	215308GT	SENSOR, CAM POS, MSG425.....	1				
15	215278GT	FLYWHEEL ASSY, MSG425.....	1				
16	215275GT	ADAPTER, WATER CONN, MSG425.....	1				
17	1264894GT	KIT, HD STARTER INSTALL, MSG-4.....	1				
--	128166GT	RELAY,STARTER,FORD DSG/MSG					
--	217823GT	STARTER PLUG SEAL, MSG425					
18	215301GT	SWITCH, OIL PRES, MSG425.....	1				
19	119139GT	OIL FILTER,DSG-423.....	1				
19A	1277968GT	SEPERATOR ASSY,OIL,FORD MSG.....	1				
20	215302GT	HOSE, COOLANT BYPASS, MSG425....	1				

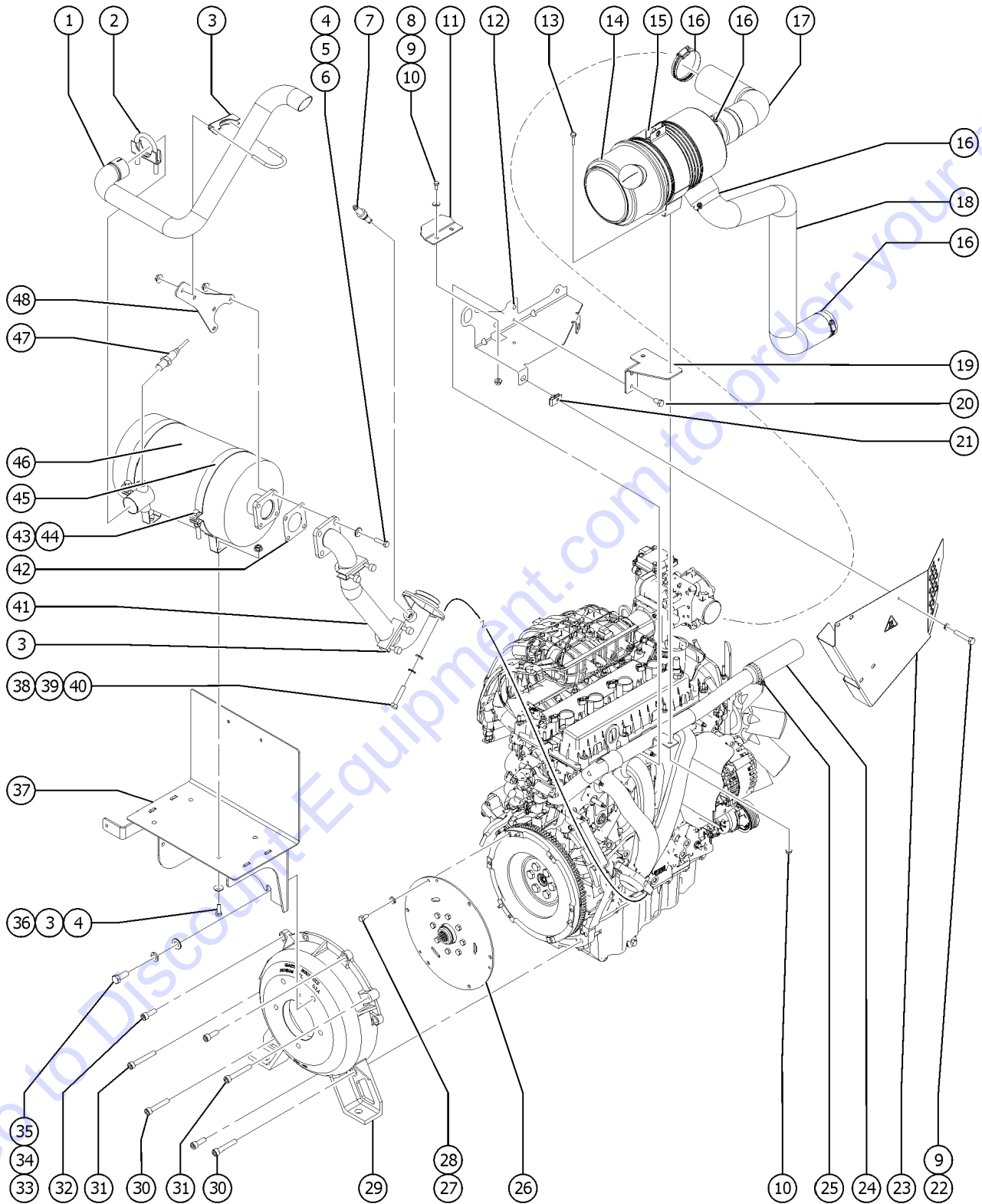
407.1 Ford MSG-425 EFI Engine - View 2



407.1 Ford MSG-425 EFI Engine - View 2

Item	Part No.	Description	Qty.
1	119474GT	VALVE,PCV FORD DSG-423.....	1
--	75631GT	HOSE,AIR 3/8	
2	58632GT	CAP,OIL FILLER,FORD DSG 423.....	1
3	215279GT	PLATE, INT. MFLD ADAP, MSG425	
4	119477GT	IDLER BRACKET.....	1
5	215298GT	UPPER IDLER PULLEY, MSG425.....	1
6	1283575GT	KIT,FAN SUPPORT RETRO,FORD MSG.....	1
		<i>For first time replacement</i>	
--	1283571GT	BRACKET,FAN,FORD MSG.....	1
		<i>included in kit 1283575GT</i>	
--	1283572GT	BRACKET,IDLER,FORD MSG.....	1
		<i>included in kit 1283575GT</i>	
--	1283573GT	BOLT, BRACKET, SUPPORT,FORD MSG.....	2
		<i>included in kit 1283575GT</i>	
--	1283574GT	SCREW,HHC,M8X1.25.80.....	1
		<i>included in kit 1283575GT</i>	
7	215288GT	WATER PUMP, MSG425.....	1
8	215289GT	WATER PUMP PULLEY, MSG425.....	1
9	215271GT	FAN PULLEY, MSG425.....	1
--	215270GT	FAN SPACER, MSG425	
10	215313GT	LOWER IDLER PULLEY, MSG425.....	1
11	32309GT	SCREW,HHC,M8 X 60MM X 1.25.....	1
12	49408GT	WASHER,LOCK,M8.....	1
13	215269GT	FAN, MSG425.....	1
14	215291GT	BELT, FEAD, MSG425.....	1
		<i>(shown)</i>	
--	215274GT	FAN DRIVE BELT, MSG425 <i>Fan belt (not shown)</i>	
15	215273GT	CRANK PULLEY, EXT, MSG425.....	1
16	215307GT	SENSOR, CRANK POS, MSG425.....	1
17	215311GT	PLUG, OIL DRAIN, MSG425.....	1
18	215290GT	PULLEY/TENSIONER, MSG425.....	1
19	119140GT	ALTERNATOR,FORD DSG423,MSG425.....	1
--	217824GT	CHARGE WIRE, MSG425	
20	227309GT	HEAT SHIELD,ALTERNATOR,FORD.....	1
21	119463GT	MANIFOLD,EXHAUST TURBO.....	1
--	215277GT	GASKET, MSG425	
--	217822GT	NUT, EXH. MANIFOLD, MSG425	
--	823816GT	GASKET,EXHAUST,FORD MSG	
22	236373GT	PIPE,COOLANT RETURN, MSG425	

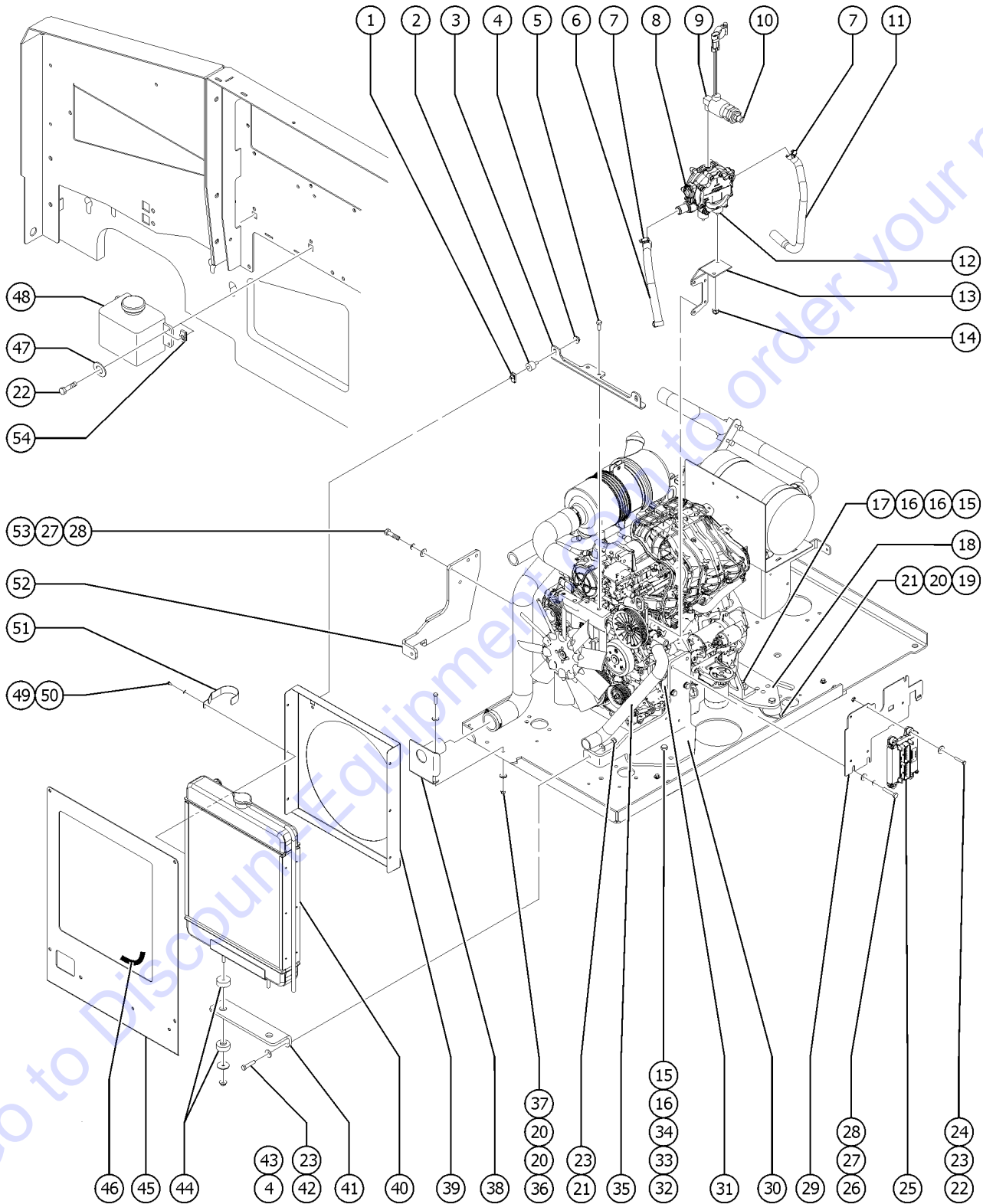
408.1 Ford MSG-425 EFI Engine - View 3



408.1 Ford MSG-425 EFI Engine - View 3

Item	Part No.	Description	Qty.	Item	Part No.	Description	Qty.
1	236811GT	EXHAUST PIPE, S40 MSG425		38	128061GT	SCREW, HHC, M10 X 1.5 X 50	
2	102121GT	CLAMP,MUFFLER,1-7/8 IN.....1	1	39	22700GT	WASHER,LOCK,M10	
3	32064GT	CLAMP,MUFFLER,1.75 INCH.....3	3	40	22699GT	WASHER,FLAT,M10,ZINC PLTD.	
4	18503GT	NUT,LOCKING-LG.FLANGE,5/16-18		41	218576GT	WDMT,HEADER PIPE,MSG425.....1	1
5	5397GT	WASHER,FLAT,USS,5/16",Y		42	72343GT	GASKET,EXH FLANGE-FORD/PERKINS.....1	1
6	13000GT	SCREW,HHC,5/16-18 X 1.25		43	14033GT	SCREW,HHC,3/8-16 X 2.75.....2	2
7	215320GT	SENSOR, O2, MSG425.....1	1	44	4828GT	NUT,NYLOCK,3/8-16	
8	6099GT	CABLE ASSEMBLY SL 408"		45	119051GT	MOUNTING BAND,MUFFLER,8.0".....2	2
9	6638GT	WASHER,FLAT,USS,1/4"Y		46	215528GT	WDMT, CAT. MUFFLER, MSG425.....1	1
10	18504GT	NUT,LOCKING-LG.FLANGE,1/4-20		47	139610GT	SENSOR,AIR,CAT MONITOR.....1	1
11	218742GT	FORMING,MFLD GUARD,MSG425		48	236832GT	TAILPIPE MOUNT , S40 MSG425.....1	1
12	218668GT	FORMING, HEAT SHIELD MOUNT.....1	1				
13	6888GT	SCREW,HHC,1/4-20 X 1					
14	111634GT	AIR CLEANER,FORD,T3.....1	1				
--	1277991GT	CLIP,AIR CLEANER COVER (58247) for 58247					
--	227988GT	VACUATOR VALVE					
--	38922GT	ELBOW,90DEG.1/8MPT-5/16 BARB					
--	58247GT	AIR CLEANER CAP/ FORD/NOLFF***					
--	77295GT	FILTER ELEMENT,AIR,NOLFF LPG					
15	53952GT	BRKT,AIR CLEANER ORIENTATION**.....1	1				
16	45435GT	CLAMP,HOSE,2.50"***.....4	4				
17	237146GT	HOSE, CLEAN AIR, MSG425.....1	1				
18	235659GT	HOSE, RAW AIR, MSG425.....1	1				
19	216367GT	FORMING ,AIR CLEANER MOUNT.....1	1				
20	33681GT	SCREW,HHC,3/8-16 X .625					
21	56912GT	SPRING CLIP,1/4-20,.025-.15X.54,ZAG					
22	7339GT	SCREW,HHC,1/4-20 X .5					
23	160541GT	WDMT, HEAT SHIELD, MSG425.....1	1				
24	236338GT	HOSE,UPPER RADIATOR,MSG425					
25	36208GT	CLAMP,HOSE,1.25***.....2	2				
26	214446GT	COUPLER,15T,FBA,SAE 8,MSG425.....1	1				
27	49378GT	SCREW,HHC,M8 X 16					
28	6021GT	WASHER,LOCK,.375					
29	119052GT	PUMP MOUNT,FORD DSG423.....1	1				
30	111748GT	SCREW,SHC,M10X1.5 X 60 GR8.8.....2	2				
31	215544GT	SHCS, M10-1.5X70MM, CL12.9.....2	2				
32	61110GT	SCREW,SHC,M10X1.5X30 GR 12.9.....3	3				
33	10597GT	SCREW,HHC,1/2-13 X 1.25 GR5					
34	6033GT	WASHER,LOCK,0.5"					
35	13066GT	WASHER,FLAT,.5 HARDENED					
36	13002GT	SCREW,HHC,5/16-18 X 1 GR5					
37	215709GT	WELDMENT,CAT MOUNT,MSG425.....1	1				

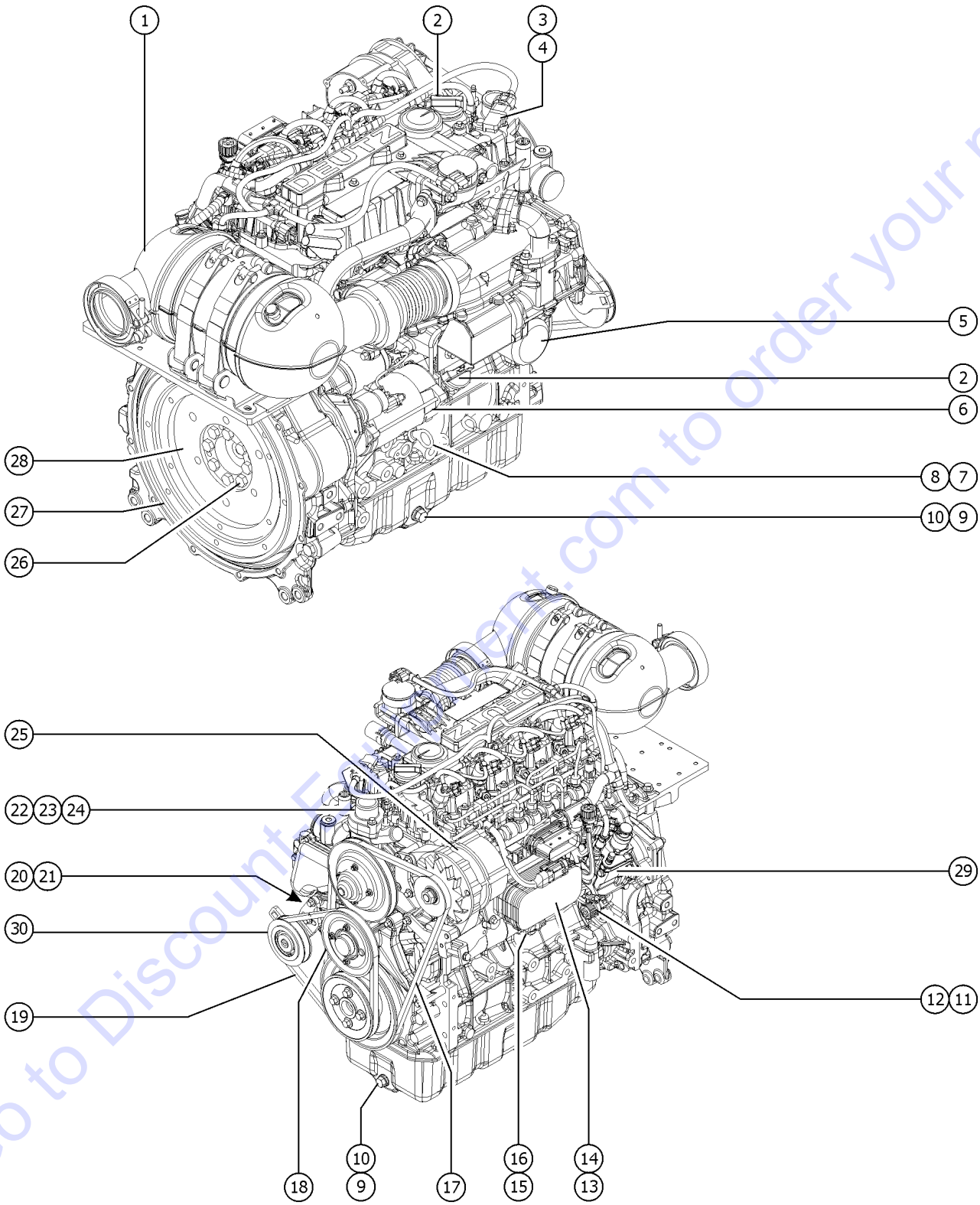
409.1 Ford MSG-425 EFI Engine - View 4



409.1 Ford MSG-425 EFI Engine - View 4

Item	Part No.	Description	Qty.	Item	Part No.	Description	Qty.
1	36456GT	SPRING CLIP,5/16-18,.025-.15X.....	2	41	110417PGT	FORMING,RADIATOR SUPPORT,PNTD.....	1
2	48498GT	ISOLATOR,AIR FILTER MOUNT.....	2	42	13918GT	SCREW,HHC,3/8-16 X 1.75,GRD.8	
3	237780GT	FORMING, RAD SUPPORT, MSG425....	1	43	15086GT	WASHER,FLAT,.375 X 1.5 X .125	
4	48425GT	NUT,FLG-LRG,3/8-16,YZ		44	24038GT	SHOCK MOUNT,SMALL.....	4
5	49381GT	SCREW,HHC,M12 X 30		45	237474GT	RADIATOR SHROUD, S40 MSG425.....	1
6	1702GT	HOSE-HEATER,5/8 ID-BLACK.....	1	46	119218GT	TRIM,EDGE,1/8X3/4 SIDE BULB.....	8-inches
7	46131GT	CLAMP,HOSE,.63" - 1.0" X .5".....	4	47	6638GT	WASHER,FLAT,USS,1/4"Y	
8	215316GT	REGULATOR, LP, MSG425.....	1	48	1279268GT	BOTTLE, COOLANT RECOVERY, 2QT.....	1
--	219477GT	ISOLATOR, DEPR				<i>to SN S45H-25582</i>	
9	119232GT	LOCKOFF,LP,FORD DSG/MSG.....	1	--	106226GT	TUBING,VINYL,1/2" CLEAR	
10	19358GT	CONNECTOR,010102-6-4.....	10	--	1279268GT	BOTTLE, COOLANT RECOVERY, 2QT	
11	236340GT	HOSE, COOLANT, VAP, MSG425.....	1			<i>from SN S45H-25583</i>	
12	219477GT	ISOLATOR, DEPR.....	12	--	21465GT	CLAMP,HOSE,.25" - .63" X .3125	
13	236423GT	FORMING, LP REG MOUNT, MSG425...1		--	6833GT	CLAMP,0.50,#8 X 1/4,RUB CUSH	
14	219478GT	FLANGE NUT, MSG425		--	72327GT	CAP, COOLANT RET SYS(54071)	
15	6198GT	NUT,NYLOCK,1/2-13		49	21019GT	SCREW,PHIL,PHM,10-24 X.5,SEMS	
16	6095GT	WASHER,FLAT,USS,1/2",Y		50	6146GT	WASHER,FLAT,MS,#10,Y	
17	22788GT	SCREW,HHC,1/2-13 X 1.75		51	237385GT	HOSE HANGER, MSG425.....	2
18	236422GT	ENGINE MOUNT, REAR, MSG425		52	236421GT	ENGINE MOUNT, RIGHT, MSG425.....	1
19	6019GT	SCREW,HHC,3/8-16 X 1.25 GRD 5		53	44064GT	SCREW,HHC,M10 X 30MM,.....	4
20	5397GT	WASHER,FLAT,USS,5/16",Y		54	56912GT	SPRING CLIP,1/4-20,.025-.15X.54,ZAG	
21	4828GT	NUT,NYLOCK,3/8-16					
22	6145GT	SCREW,HHC,1/4-20 X 1.5					
23	6097GT	WASHER,FLAT,USS,3/8",Y					
24	6091GT	NUT,NYLOCK,1/4-20					
25	215317GT	CONTROL MODULE, MSG425.....	1				
26	25927GT	SCREW,HHC,M10 X 55MM,GRD 8.8....	4				
27	22700GT	WASHER,LOCK,M10.....	8				
28	22699GT	WASHER,FLAT,M10,ZINC PLTD.....	8				
29	236425GT	FORMING, ECU MOUNT, MSG425.....	1				
30	236420GT	ENGINE MOUNT, LEFT, MSG425.....	1				
31	110477GT	PLATE,ENGINE SUPPORT SPACER....	1				
32	39479GT	SCREW,HHC,1/2-13 X 2.75					
33	70452GT	ISOLATOR,ENGINE VIBRATION***	4				
34	102066GT	CASTING,WASHER,REBOUND					
35	236339GT	HOSE, LOWER RADIATOR, MSG425....	1				
36	6782GT	NUT,NYLOCK,5/16-18					
37	13000GT	SCREW,HHC,5/16-18 X 1.25					
38	237793GT	TUBE, INTAKE ADAPTER, MSG425.....	1				
39	236364GT	FAN SHROUD, MSG425.....	1				
40A	110406GT	RADIATOR,FORD DSG423 & MSG425.....	1				
40B	119484GT	CAP,COOLANT 3/4					

410.1 Deutz D2.9L4 Engine, View 1



PARTS FINDER

**Search Website
by Part Number**



**Search Manual
Library For Parts
Manual & Lookup Part
Numbers – Purchase
or Request Quote**

Search Manuals

Enter your information to help us find the right parts manual for your machine.

* Brand:

* Model:

* Serial:

* Part Number:

SEARCH

**Can't Find Part or
Manual? Request Help
by Manufacturer,
Model & Description**

Parts Order Form

Please fill in the following information to help us find the right part for your machine.

Manufacturer:	<input type="text"/>
Model:	<input type="text"/>
Description:	<input type="text"/>
Part Number:	<input type="text"/>
Quantity:	<input type="text"/>
Notes:	<input type="text"/>

Submit

Discount-Equipment.com is your online resource for quality parts & equipment.

Florida: **561-964-4949** Outside Florida TOLL FREE: **877-690-3101**

Need parts?

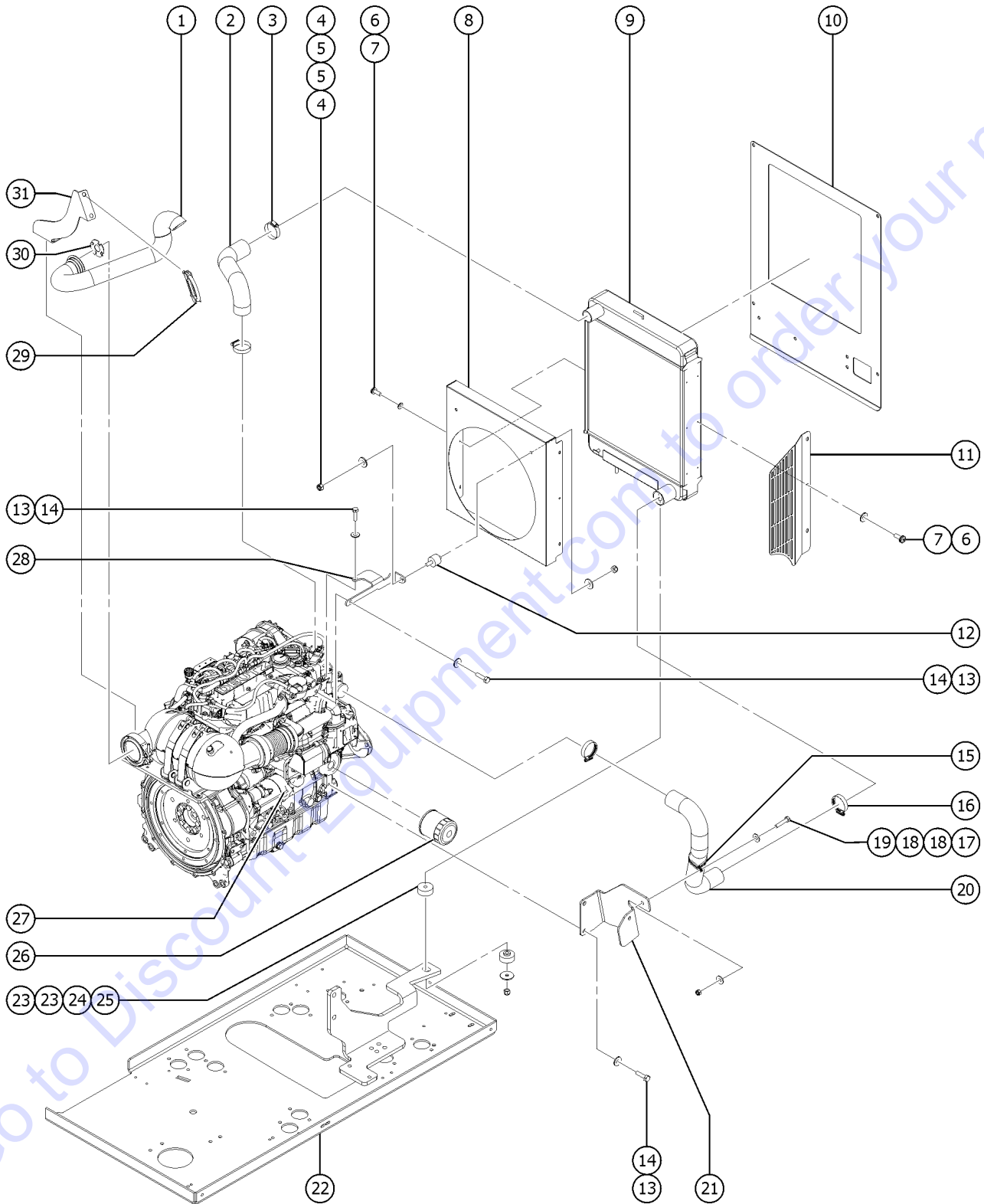
Click on this link: <http://www.discount-equipment.com/category/5443-parts/> and choose one of the options to help get the right parts and equipment you are looking for. Please have the machine model and serial number available in order to help us get you the correct parts. If you don't find the part on the website or on one of the online manuals, please fill out the request form and one of our experienced staff members will get back to you with a quote for the right part that your machine needs.

We sell worldwide for the brands: Genie, Terex, JLG, MultiQuip, Mikasa, Essick, Whiteman, Mayco, Toro Stone, Diamond Products, Generac Magnum, Airman, Haulotte, Barreto, Power Blanket, Nifty Lift, Atlas Copco, Chicago Pneumatic, Allmand, Miller Curber, Skyjack, Lull, Skytrak, Tsurumi, Husquvarna Target, Stow, Wacker, Sakai, Mi-T-M, Sullair, Basic, Dynapac, MBW, Weber, Bartell, Bennar Newman, Haulotte, Ditch Runner, Menegotti, Morrison, Contec, Buddy, Crown, Edco, Wyco, Bomag, Laymor, EZ Trench, Bil-Jax, F.S. Curtis, Gehl Pavers, Heli, Honda, ICS/PowerGrit, IHI, Partner, Imer, Clipper, MMD, Koshin, Rice, CH&E, General Equipment, Amida, Coleman, NAC, Gradall, Square Shooter, Kent, Stanley, Tamco, Toku, Hatz, Kohler, Robin, Wisconsin, Northrock, Oztec, Toker TK, Rol-Air, APT, Wylie, Ingersoll Rand / Doosan, Innovatech, Con X, Ammann, Mecalac, Makinex, Smith Surface Prep, Small Line, Wanco, Yanmar

410.1 Deutz D2.9L4 Engine, View 1

Item	Part No.	Description	Qty.	Item	Part No.	Description	Qty.
--	237188GT	ENGINE KIT, DEUTZ D2.9L4 <i>Due to Tier 4 regulations, many engine replacement parts require the engine serial number at time of order placement. When ordering engine parts please have both machine and engine serial numbers available. For internal engine parts, contact engine dealer</i>		12	1262895GT	O-RING, CRANKSHAFT POSITION SENSOR.....	1
--	1259717GT	MANUAL, DEUTZ D2.9 ENGINE.....	1	13	1260357GT	OIL COOLER,TD2.9.....	1
--	1262870GT	GLOW PLUG, DEUTZ.....	4	14	1262883GT	GASKET, OIL COOLER, DEUTZ.....	1
--	1262871GT	SEAL, FRONT ENGINE,DEUTZ.....	1	15	824673GT	SENSOR,LOW PRESSURE,DEUTZ 2.9L.....	1
--	1262872GT	SEAL, REAR ENGINE,DEUTZ.....	1	16	1262893GT	O-RING, OIL PRESSURE SENSOR.....	1
--	1272624GT	KIT,WATER PUMP 2.9 L4..... <i>includes fasteners and 1262874 pump</i>	1	17	1262866GT	FAN BELT, ALTERNATOR.....	1
--	1262875GT	O-RING, WATER PUMP.....	1	18	236248GT	PULLEY ASSEMBLY,ALTERNATOR,TCD.....	1
--	1259654GT	INTAKE BREATHER.....	1	19	1262867GT	V-BELT, DEUTZ.....	1
--	1277974GT	PINS,CONNECTOR,INJ HARNESS,D2.9		20	1262894GT	SENSOR,CAM/CRANKSHAFT POSITION..... <i>hidden from view (camshaft)</i>	1
--	1285110GT	KIT,HOSE ASSY RAD VENT		21	1262899GT	O-RING, CAMSHAFT POSITION SENSOR..... <i>hidden from view</i>	1
--	1285349GT	KIT,THERMOSTAT CONVERSION		22	1262877GT	THERMOSTAT HOUSING.....	1
--	1285111GT	INSTRUCTIONS ORIFICE VENT ASSEMBLY <i>For kits 1285110 and 1285349</i>		23	1262876GT	THERMOSTAT,DEUTZ.....	1
1		Ref. OXIDATION CATALYST,DEUTZ..... <i>Due to Tier 4 regulations, many engine replacement parts require the engine serial number at time of order placement. When ordering engine parts please have both machine and engine serial numbers available. For internal engine parts, contact engine dealer</i>	1	24	1262878GT	GASKET, THERMOSTAT HOUSING.....	1
--	234962GT	CLAMP,EXHAUST,2.5" <i>clamp between DOC and tailpipe</i>		25	236251GT	ALTERNATOR,95 AMP,DEUTZ.....	1
--	825015GT	CLAMP, 50MM V <i>clamp between DOC and flex pipe</i>		26	1262873GT	BOLT, DEUTZ FLYWHEEL.....	8
2	29557GT	CAP,OIL FILLER,DEUTZ,DIESEL ***.....	2	27	89785GT	RING GEAR,DEUTZ F3L2011F.....	1
3	1262896GT	SENSOR,INTAKE AIR PRESSURE.....	1	28	1259660GT	FLYWHEEL, SAE 8/10..... <i>order with item #26, PN 1262873, qty 8</i>	1
4	1262897GT	O-RING, INTAKE AIR PRESSURE SENSOR.....	1	29	1279653GT	PUMP,FUEL,HI PRESS,DEUTZ TD2.9....	1
5	49924GT	FILTER,OIL,DEUTZ F4L1011F.....	1	30	1279631GT	PULLEY,BELT TENSIONER,D2.9L4.....	1
6	1254594GT	STARTER,3.2KW,DEUTZ D2.9.....	1				
--	1262868GT	BOLT, DEUTZ STARTER <i>not included sold seperately</i>					
7	825708GT	DIPSTICK,TD2.9.....	1				
8	1262881GT	ORING, OIL DIP STICK.....	1				
9	102587GT	PLUG,ENGINE OIL,DEUTZ F4L2011.....	2				
10	108538GT	RING / SEALING.....	2				
11	1262894GT	SENSOR,CAM/CRANKSHAFT POSITION..... <i>(crankshaft)</i>	1				

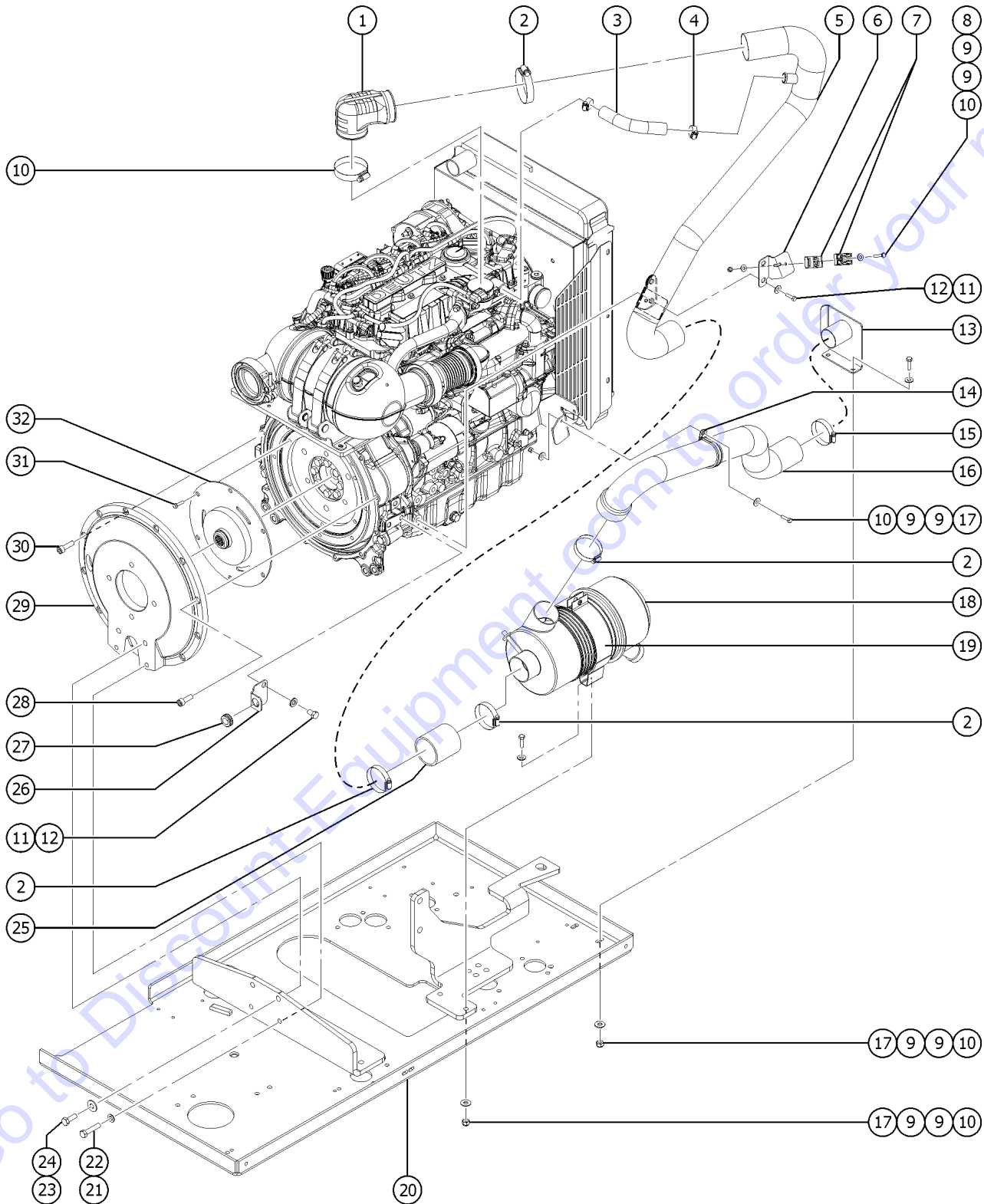
411.1 Deutz D2.9L4 Engine, View 2



411.1 Deutz D2.9L4 Engine, View 2

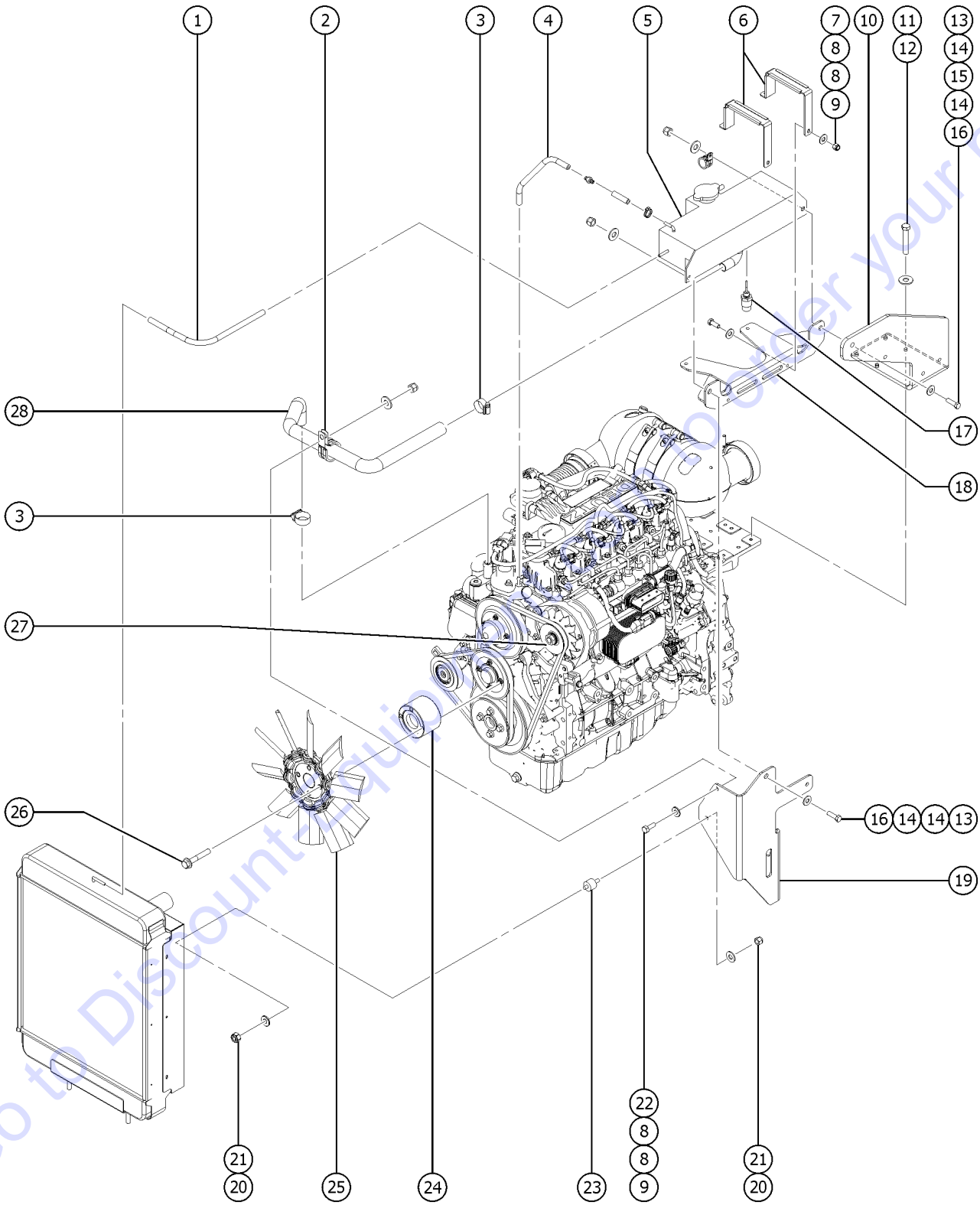
Item	Part No.	Description	Qty.	Item	Part No.	Description	Qty.
A		<i>Due to Tier 4 regulations, many engine replacement parts require the engine serial number at time of order placement. When ordering engine parts please have both machine and engine serial numbers available. For internal engine parts, contact engine dealer</i>		30	1260373GT	FORMING, EXHAUST RESTRICTOR, S.....1 <i>included in tail pipe kit 1263120</i>	1
B	1257838GT	HARNES,INJECTOR,DEUTZ D2.9		31	1260175GT	FORMING, EXHAUST SUPPORT, S40, DEUTZ.....1 <i>included in tail pipe kit 1263120 (refer to 413.1 for fasteners)</i>	1
1	1263120GT	KIT,TAILPIPE,DEUTZ D2.9L,S-40/45 <i>Includes tail pipe 1260208 and items 29-31</i>					
2	237193GT	HOSE,UPPER RADIATOR,DEUTZ D2.9.....1	1				
3	22672GT	CLAMP,HOSE,1.75.....2	2				
4	6782GT	NUT,NYLOCK,5/16-18					
5	5397GT	WASHER,FLAT,USS,5/16",Y					
6	21019GT	SCREW,PHIL,PHM,10-24 X.5,SEMS					
7	6146GT	WASHER,FLAT,MS,#10,Y					
8	237192GT	FAN SHROUD,DEUTZ D2.9.....1	1				
9	214685GT	RADIATOR, CAPLESS, DEUTZ D 2.9.....1	1				
10		Ref. BAFFLE, DEUTZ D2.9 ENGINE.....1 <i>(refer to 309.1)</i>	1				
11	215476GT	FORMING,FAN GUARD, DEUTZ D2.9.....1	1				
12	48498GT	ISOLATOR,AIR FILTER MOUNT.....1	1				
13	49378GT	SCREW,HHC,M8 X 16					
14	33277GT	WASHER,FLAT,M8,YELLOW ZINC					
15	87188GT	CLAMP,2.38,#38 X 3/8 RUB CUSH.....1	1				
16	35434GT	CLAMP,HOSE,2.00***.....2	2				
17	6888GT	SCREW,HHC,1/4-20 X 1					
18	6638GT	WASHER,FLAT,USS,1/4"Y					
19	6091GT	NUT,NYLOCK,1/4-20					
20	237194GT	HOSE,LOWER RADIATOR,DEUTZ D2.9.....1	1				
21	215442GT	FORMING,HOSE BRACKET.....1	1				
22		Ref. Engine Tray <i>(refer to 419.1)</i>					
23	24038GT	SHOCK MOUNT,SMALL.....2	2				
24	15086GT	WASHER,FLAT,.375 X 1.5 X .125.....2	2				
25	48425GT	NUT,FLG-LRG,3/8-16,YZ.....2	2				
26	49924GT	FILTER,OIL,DEUTZ F4L1011F.....1 <i>Genie Genuine Part. See PN 1255653 for compatible aftermarket replacement.</i>	1				
--	1255653GT	FILTER,OIL,DEUTZ,REPLACEMENT <i>Genie Aftermarket Part. Compatible with Genie Genuine Part 49924.</i>					
27	1254594GT	STARTER,3.2KW,DEUTZ D2.9.....1	1				
28	214237GT	FORMING,RAD BRACE,DEUTZ D2.9.....1	1				
29	71911GT	CLAMP,MUFFLER, 2.50 INCH.....1 <i>included in tail pipe kit 1263120</i>	1				

412.1 Deutz D2.9L4 Engine, View 3



Item	Part No.	Description	Qty.
A		<i>Due to Tier 4 regulations, many engine replacement parts require the engine serial number at time of order placement. When ordering engine parts please have both machine and engine serial numbers available. For internal engine parts, contact engine dealer</i>	
1	214686GT	AIR INTAKE ELBOW,90 DEGREE.....1	1
2	45435GT	CLAMP,HOSE,2.50"***4	4
3	823525GT	HOSE,PCV,DEUTZ.....1	1
4	30348GT	CLAMP,HOSE,1.00.....2	2
5	214640GT	WELDMENT,AIR PIPE.....1	1
6	825939GT	FORMING, CLAMP, BATTERY CABLE...1	1
7	78736GT	CLAMP,2 HOSE,PLASTIC,5/8.....2	2
8	6145GT	SCREW,HHC,1/4-20 X 1.5	
9	6638GT	WASHER,FLAT,USS,1/4"Y	
10	6091GT	NUT,NYLOCK,1/4-20	
11	27585GT	SCREW,HHC,M12 X 20MM	
12	49410GT	WASHER,FLAT,M12	
13	237794GT	WDMT, INTAKE ADAPTER, MSG425.....1	1
14	101626GT	CLAMP,2.5,#40 X 1/4,RUB CUSH.....1	1
15	35434GT	CLAMP,HOSE,2.00***2	2
16	237195GT	HOSE, RAW AIR, DEUTZ D2.9.....1	1
17	6888GT	SCREW,HHC,1/4-20 X 1	
18	63463GT	AIR CLEANER,NELSON***.....1	1
--	52866GT	EVACUATOR VALVE-AIR CLEANER	
--	58415GT	CLIP,AIR CLEANER END CAP***	
--	62420GT	FILTER,AIR***	
--	65810GT	BAFFLE, AIR CLEANER (27915)**	
19	53952GT	BRKT,AIR CLEANER ORIENTATION**1	1
20		Ref. Engine Tray (refer to 419.1)	
21	67631GT	SCREW,HHC,M10 X 80 GR 8.8.....2	2
22	22699GT	WASHER,FLAT,M10,ZINC PLTD.....2	2
23	54177GT	SCREW,HHC,1/2-13 X 1.5 GRD 8.....2	2
24	6095GT	WASHER,FLAT,USS,1/2",Y	
25	34162-300GT	HOSE,AIR INTAKE 2.50" ID.....1	1
26	824680GT	FORMING, BRACKET, BATTERY CABLE.....1	1
27	60584GT	GROMMET,RUBBER .75 X .19 X 1**	
28	61110GT	SCREW,SHC,M10X1.5X30 GR 12.9.....9	9
29	70381GT	COVER,FLYWHEEL CASTING.....1	1
30	1251588GT	SCREW,SHC,M10X1.5X35 GR 12.9.....1	1
31	49388GT	SCREW,HHC,M10 X 1.5 X 16.....1	1
32	128004GT	COUPLER,15 TOOTH,FBA,SAE8***.....1	1

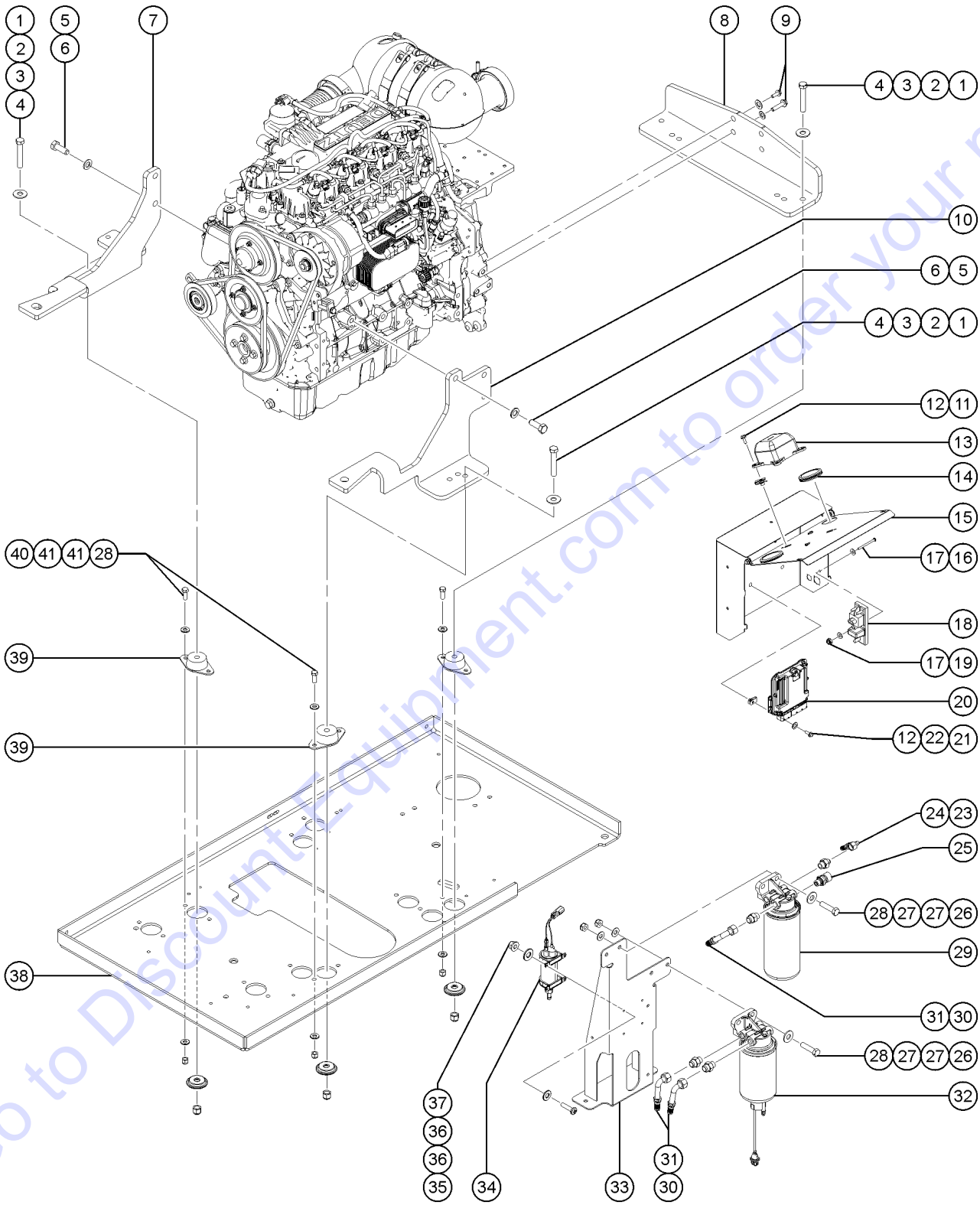
413.1 Deutz D2.9L4 Engine, View 4



413.1 Deutz D2.9L4 Engine, View 4

Item	Part No.	Description	Qty.	Item	Part No.	Description	Qty.
A		<i>Due to Tier 4 regulations, many engine replacement parts require the engine serial number at time of order placement. When ordering engine parts please have both machine and engine serial numbers available. For internal engine parts, contact engine dealer</i>		21	5397GT	WASHER,FLAT,USS,5/16",Y	
B	1253750GT	BELT,AIR PUMP,PERKINS 404F		22	6091GT	NUT,NYLOCK,1/4-20	
C	1262866GT	FAN BELT, ALTERNATOR		23	48498GT	ISOLATOR,AIR FILTER MOUNT.....1	
D	237188GT	ENGINE KIT, DEUTZ D2.9L4.....1		24	1256599GT	SPACER, FAN, DEUTZ, 29.5MM LNG....1	
1	823523GT	HOSE,RADIATOR VENT,DEUTZ D2.9....1		25	214682GT	FAN, 10 BLADE, 15".....1	
2	119394GT	CLAMP,1.38,#212X3/8,RUB CUSH.....1		26	1257231GT	SCREW,HHF,M8-1.25X50,DIN6921,10.9,ZAB.4	
3	30348GT	CLAMP,HOSE,1.00.....2		27	236251GT	ALTERNATOR,95 AMP,DEUTZ.....1	
4A	823524GT	HOSE,ENGINE VENT,DEUTZ D2.9.....1 (to SN S45H-24804)		28	1251731GT	HOSE,EXPANSION TANK,D2.9.....1	
4B	1283995GT	HEATER HOSE,1/4".....8-inches (from SN S45H-24805)					
--	1282119GT	2MM ORIFICE UNION, 1/4" HOSE (from SN S45H-24805)					
--	1283995GT	HEATER HOSE,1/4".....4-inches (from SN S45H-24805)					
--	21465GT	CLAMP,HOSE,.25" - .63" X .3125.....4					
5	161938GT	EXPANSION TANK,METAL,D2.9.....1					
5B	1254823GT	CAP,RADIATOR,PERKINS(94232) for 161938					
5B	1274900GT	SIGHT GLASS for 161938					
6	1253922GT	FORMING,EXP TANK BAND,D2.9.....2 (included in kit 1254704)					
--	1254452GT	EXTRUSION,RUBBER STRIP,LG,D2.9					
--	1254453GT	EXTRUSION,RUBBER STRIP,SM,D2.9					
7	6889GT	NUT,LP NYLOCK,1/4-20					
8	6638GT	WASHER,FLAT,USS,1/4"Y					
9	6090GT	SCREW,HHC,1/4-20 X .75					
10	1255692GT	FORMING,EXPANSION TANK SUPT.....1 (included in kit 1254704)					
11	49378GT	SCREW,HHC,M8 X 16					
12	33277GT	WASHER,FLAT,M8,YELLOW ZINC					
13	8516GT	SCREW, HCC, 3/8-16 X 1.50					
14	6097GT	WASHER,FLAT,USS,3/8",Y					
15	112043GT	CLAMP,0.63,#10 X 3/8,RUB CUSH					
16	4828GT	NUT,NYLOCK,3/8-16					
17	218715GT	SENSOR,COOLANT LEVEL, DEUTZ.....1 (replaced 162210)					
18	1254267GT	WDMT,EXPANSION TANK SUPT.....1 (included in kit 1254704)					
19	214934GT	FORMING,RAD EXPSN TANK SUPT.....1					
20	6782GT	NUT,NYLOCK,5/16-18					

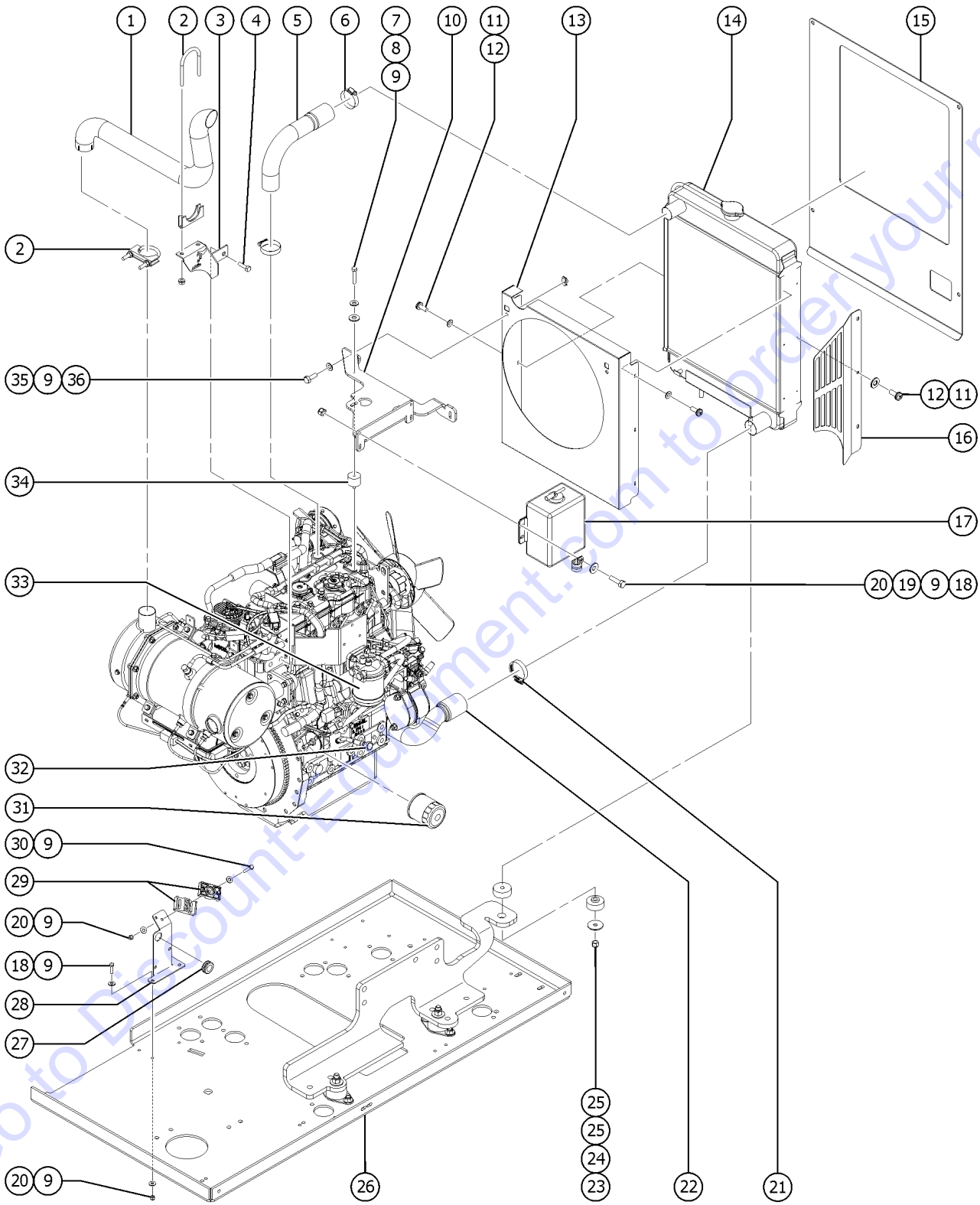
414.1 Deutz D2.9L4 Engine, View 5



414.1 Deutz D2.9L4 Engine, View 5

Item	Part No.	Description	Qty.	Item	Part No.	Description	Qty.
--		<i>Due to Tier 4 regulations, many engine replacement parts require the engine serial number at time of order placement. When ordering engine parts please have both machine and engine serial numbers available. For internal engine parts, contact engine dealer</i>		25	824673GT	SENSOR,LOW PRESSURE,DEUTZ 2.9L.....	1
1	10598GT	SCREW,HHC,1/2-13 X 3		26	8516GT	SCREW, HCC, 3/8-16 X 1.50	
2	6095GT	WASHER,FLAT,USS,1/2",Y		27	6097GT	WASHER,FLAT,USS,3/8",Y	
3	102066GT	CASTING,WASHER,REBOUND.....	4	28	4828GT	NUT,NYLOCK,3/8-16	
4	6198GT	NUT,NYLOCK,1/2-13		29	214228GT	FILTER, DEUTZ 2.9, FUEL.....	1
5	22558GT	SCREW,HHC,M14 X 40MM,GR 8.8.....	5	30	162207GT	FITTING,ELBOW,8GS-8FJX90S.....	3
6	49411GT	WASHER,FLAT,M14		31	162209GT	FITTING,CONN,16MM-8MJ.....	3
7	237190GT	FORMING, RIGHT ENGINE MOUNT.....	1	32	1261239GT	ASSY,FUEL PREFILTER,DEUTZ 2.9.....	1
8	237191GT	FORMING, REAR ENGINE MOUNT.....	1	--	074501.0291GT	SENSOR	
9		Ref. HHC SCREW AND WASHER (refer to 429.1)		--	236260GT	PRE-FILTER,FUEL,DEUTZ TCD3.6 (replaced 214229 for service parts)	
10	237189GT	FORMING, LEFT ENGINE MOUNT.....	1	33	824328GT	WELDMENT, FUEL FILTER MOUNT.....	1
11	121419GT	SCREW,HHF,1/4-20 X .75		34	236259GT	LIFT PUMP,FUEL,DEUTZ..... (replaced 214691)	2
12	56912GT	SPRING CLIP,1/4-20,.025-.15X.54,ZAG		35	6178GT	NUT,NYLOCK,10-32	
13	822781GT	MODULE,FUSE&RELAY,DEUTZ 2.9.....	1	36	6146GT	WASHER,FLAT,MS,#10,Y	
--	1251499GT	FUSE, ATM, 15AMP.....	1	37	49816GT	SCREW,PHILLIPS,PHM,10-32 X .75	
--	1251500GT	FUSE, ATM, 20AMP.....	1	38		Ref. Engine Tray..... (refer to 419.1)	1
--	1251501GT	FUSE, ATM, 30AMP.....	1	39	70452GT	ISOLATOR,ENGINE VIBRATION***	4
--	1251502GT	FUSE, ATM, 10AMP.....	1	40	6019GT	SCREW,HHC,3/8-16 X 1.25 GRD 5	
--	1251503GT	RELAY, 12V MICRO, 35AMP.....	6	41	6097GT	WASHER,FLAT,USS,3/8",Y	
--	1251504GT	DIODE, 6A 22903-6V.....	1				
--	1251505GT	TOOL, FUSE PULLER, ATM.....	1				
--	1251510GT	CIRCUIT BREAKER,20AMP MINI.....	1				
14	824588GT	GROMMET, 1.75ID X 1.9375 X .0625.....	2				
15	824331GT	ASSEMBLY, ECM COVER..... <i>includes grommet part 824588 and fasteners only</i>	1				
16	1251575GT	SCREW,PHILLIPS,RHM,10-32 X 2.25					
17	6146GT	WASHER,FLAT,MS,#10,Y					
18	824023GT	RELAY, POWER & FUSE MODULE.....	1				
19	14392GT	NUT,LP NYLOCK,10-32					
20		Ref. ECU..... <i>models with Deutz D2.9 engines (This part is serialized, contact Discount-equipment with full model and SN of both the unit and engine)</i>	1				
21	8915GT	SCREW,HHC,1/4-20 X 1.25					
22	6638GT	WASHER,FLAT,USS,1/4"Y					
23	162206GT	FITTING,ELBOW,6GS-6FJX90S.....	1				
24	162208GT	FITTING,CONN,16MM-6MJ.....	1				

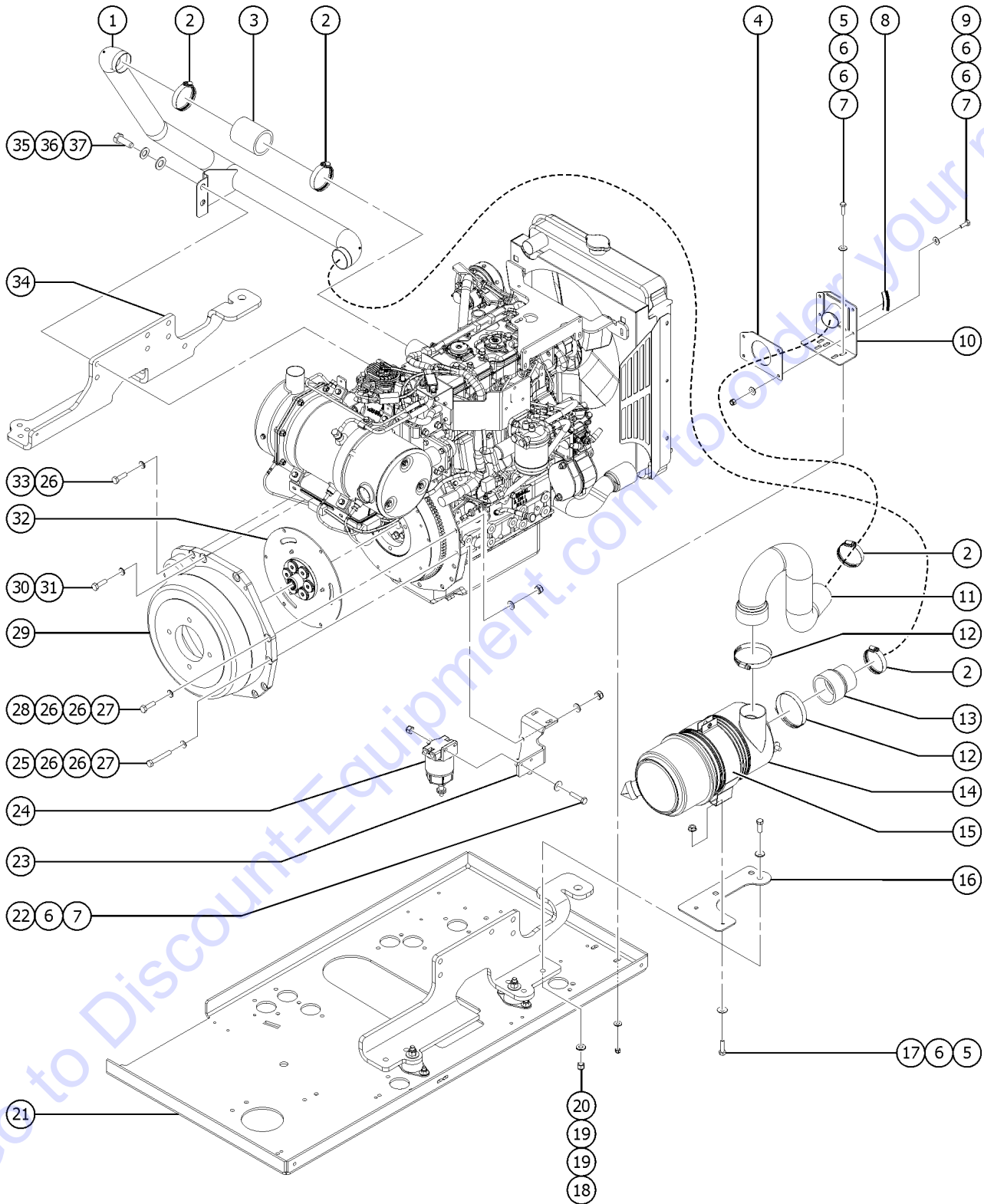
415.1 Perkins 404F-22 Engine, View 1



415.1 Perkins 404F-22 Engine, View 1

Item	Part No.	Description	Qty.	Item	Part No.	Description	Qty.
--		<i>Due to Tier 4 regulations, many engine replacement parts require the engine serial number at time of order placement. When ordering engine parts please have both machine and engine serial numbers available. For internal engine parts, contact engine dealer</i>		--	65636GT	CAP, OIL FILLER	
--	1257825GT	HARDWARE KIT,PERKINS 404F BELL		--	65638GT	SEAL, OIL FILLER CAP	
1	216751GT	TAIL PIPE,S40 404F-22.....	1	32	128984GT	DIPSTICK, STRAIGHT SHORT.....	1
2	70385GT	CLAMP,EXHAUST,2.00 PLATED.....	2	--	128985GT	DIPSTICK TUBE, STRAIGHT SHORT....	1
3	825907GT	WELDMNT, EXHAUST SUPPORT.....	1	33	94889GT	FUEL FILTER ASSEMBLY.....	1
4	6096GT	SCREW,HHC,1/2-13 X 2 GR5		--	62421GT	FILTER,FUEL,PERKINS.....	1
5	54578GT	HOSE,UPPER RADIATOR,PERKINS....	1	34	60585GT	ISOLATOR,VIBRATION,M8 MALE/FEM.....	1
6	22672GT	CLAMP,HOSE,1.75.....	2	35	6090GT	SCREW,HHC,1/4-20 X .75	
7	23057GT	SCREW,HHC,M8 X 20MM		36	56912GT	SPRING CLIP,1/4-20,.025-.15X.54,ZAG.....	2
8	6886GT	WASHER,LOCK,.313				<i>replaced 73871</i>	
9	6638GT	WASHER,FLAT,USS,1/4"Y					
10	88989PGT	FORMING,UPPER RAD SUPPORT PNTD.....	1				
11	21019GT	SCREW,PHIL,PHM,10-24 X.5,SEMS					
12	6146GT	WASHER,FLAT,MS,#10,Y					
13	88990PGT	SHROUD,FAN PAINTED.....	1				
14	110304GT	RADIATOR,FORD/PERKINS***.....	1				
--	65473GT	CAP,RADIATOR,PERKINS/FORD					
15		Ref. BAFFLE, Perkins 404F-22 Engine.... <i>(refer to 309.1)</i>	1				
16	215917GT	FORMING, FAN GUARD,PERKINS 404.....	1				
17	70367GT	BOTTLE,COOLANT RECOVERY,3.7***.....	1				
--	115431GT	CAP ASSY, COOLANT BOTTLE					
17B	131581GT	HOSE,RAD.OVERFLOW,KD-1105,50"					
18	6888GT	SCREW,HHC,1/4-20 X 1					
19	6833GT	CLAMP,0.50,#8 X 1/4,RUB CUSH.....	1				
20	6091GT	NUT,NYLOCK,1/4-20					
21	13014GT	CLAMP,HOSE,2.25" DIA.....	2				
22	54579GT	HOSE,LOWER,RADIATOR,PERKINS....	1				
23	48425GT	NUT,FLG-LRG,3/8-16,YZ					
24	15086GT	WASHER,FLAT,.375 X 1.5 X .125					
25	24038GT	SHOCK MOUNT,SMALL.....	4				
26		Ref. Engine Tray <i>(refer to 419.1)</i>					
27	60584GT	GROMMET,RUBBER .75 X .19 X 1**.....	1				
28	219284GT	FORMING,FUEL PRES,REG MNT.....	1				
29	78736GT	CLAMP,2 HOSE,PLASTIC,5/8.....	2				
30	6145GT	SCREW,HHC,1/4-20 X 1.5					
31	94762GT	OIL FILTER - PERKINS.....	1				

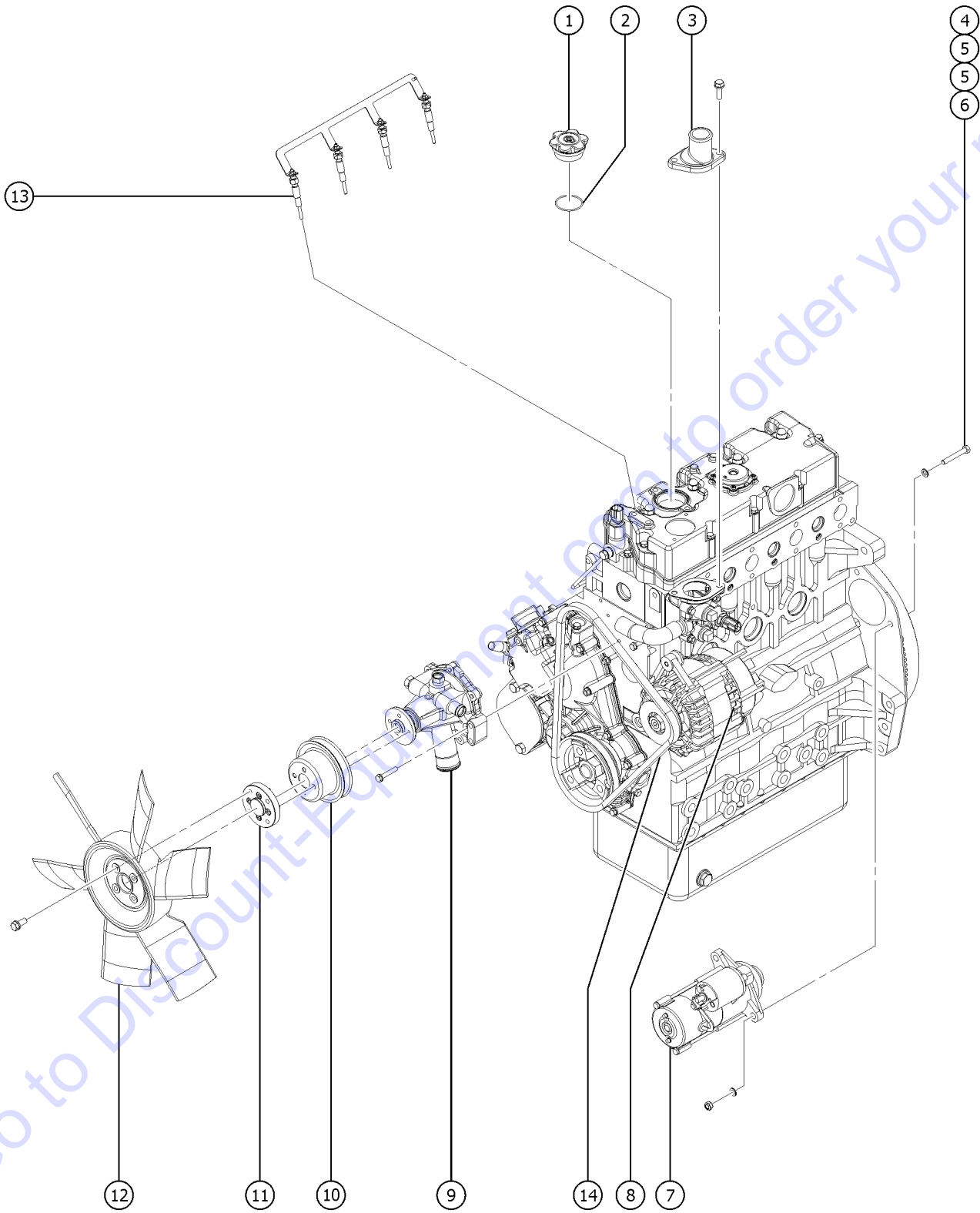
416.1 Perkins 404F-22 Engine, View 2



416.1 Perkins 404F-22 Engine, View 2

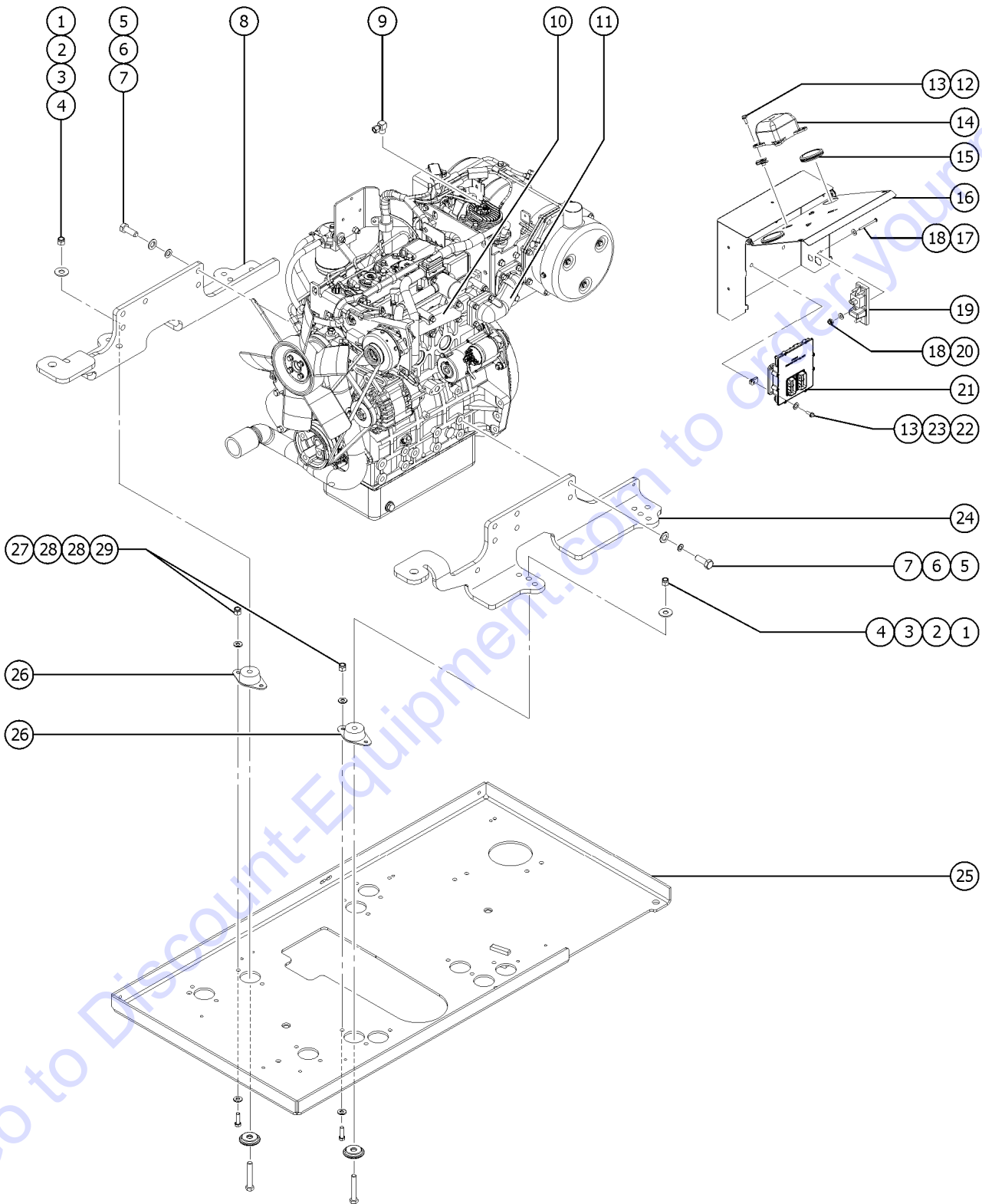
Item	Part No.	Description	Qty.	Item	Part No.	Description	Qty.
--		<i>Due to Tier 4 regulations, many engine replacement parts require the engine serial number at time of order placement. When ordering engine parts please have both machine and engine serial numbers available. For internal engine parts, contact engine dealer</i>		31	49410GT	WASHER,FLAT,M12.....	1
1	217703GT	WDMT, PERKINS INTAKE AIR HOSE.....	4	32	128003GT	COUPLER,15 TOOTH,FBA,PERKINS** includes grease	
2	45435GT	CLAMP,HOSE,2.50"***.....	1	33	128061GT	SCREW, HHC, M10 X 1.5 X 50.....	2
3	217187GT	HOSE, INTAKE, 2"ID X 3".....	1	34		Ref. FORMING, ENGINE MOUNT, LH (refer to 418.1)	
4	1252528GT	SHEET,AIR SEAL BACKING.....	1	35	54687GT	SCREW,HHC,M14 X 1.5X40MM,GR8.8.....	2
5	6888GT	SCREW,HHC,1/4-20 X 1		36	37505GT	WASHER,LOCK,M14	
6	6638GT	WASHER,FLAT,USS,1/4"Y		37	49411GT	WASHER,FLAT,M14	
7	6091GT	NUT,NYLOCK,1/4-20					
8	119218GT	TRIM,EDGE,1/8X3/4 SIDE BULB.....	8-inches				
9	6090GT	SCREW,HHC,1/4-20 X .75.....	1				
10	1252527GT	WDMT, 20 DEG INTAKE ADAPTER.....	1				
11	215912GT	COLD AIR HOSE, PERK 404F-22.....	2				
12	30971GT	CLAMP,HOSE,3.00".....	1				
13	216150GT	ADAPTER,AIR HOSE,PERK 404F.....	1				
14	63463GT	AIR CLEANER,NELSON***.....	1				
--	52866GT	EVACUATOR VALVE-AIR CLEANER					
--	58415GT	CLIP,AIR CLEANER END CAP***					
--	62420GT	FILTER,AIR*** <i>end cap not available separately</i>					
--	65810GT	BAFFLE, AIR CLEANER (27915)**					
15	53952GT	BRKT,AIR CLEANER ORIENTATION**.....	1				
16	826205GT	PLATE, AIR CLEANER, 404F-22					
17	18504GT	NUT,LOCKING-LG.FLANGE,1/4-20					
18	6198GT	NUT,NYLOCK,1/2-13					
19	6095GT	WASHER,FLAT,USS,1/2",Y					
20	8177GT	SCREW,HHC,1/2-13 X 1.5					
21		Ref. Engine Tray (refer to 419.1)					
22	8915GT	SCREW,HHC,1/4-20 X 1.25.....	1				
23	128588GT	FORMING,SOLENOID MOUNT.....	1				
24	75020GT	SEPRTR/FLTR,FUEL DSL,15GPH,.30....	1				
--	62433GT	FILTER,ELEMENT,30 MIC,75020					
25	85053GT	SCREW,HHC,M10 X 1.5 X70,GR 8.8					
26	22699GT	WASHER,FLAT,M10,ZINC PLTD.					
27	22736GT	NUT,NYLOCK,M10X1.50					
28	85059GT	SCREW,HHC,M10 X 1.5 X 35.....	1				
29	824507GT	PUMP MOUNT,PERKINS 404F-22					
30	27584GT	SCREW,HHC,M12 X 35MM					

417.1 Perkins 404F-22 Engine, View 3



Item	Part No.	Description	Qty.
--		<i>Due to Tier 4 regulations, many engine replacement parts require the engine serial number at time of order placement. When ordering engine parts please have both machine and engine serial numbers available. For internal engine parts, contact engine dealer</i>	
--	1252941GT	SWITCH,OIL PRESS,PERKINS 404F	
--	97473GT	SENSOR,WATER TEMPERATURE	
--	85155GT	PUMP,PRIMER,PERKINS***	
--	128991GT	THERMOSTAT	
--	147355GT	GASKET-THERMOSTAT HSG for 128991	
--	1252944GT	PUMP,FUEL LIFT,PERKINS 404F	
1	65636GT	CAP, OIL FILLER.....	1
2	65638GT	SEAL, OIL FILLER CAP.....	1
3	128986GT	WATER OUTLET, VERTICAL.....	1
4	128061GT	SCREW, HHC, M10 X 1.5 X 50	
5	22699GT	WASHER,FLAT,M10,ZINC PLTD.	
6	22736GT	NUT,NYLOCK,M10X1.50	
7	1252940GT	STARTER,PERKINS 404F.....	1
8	1251814GT	ALTERNATOR - 85 AMP, INT REGULATED.....	1
9	1252942GT	PUMP,WATER,PERKINS 404F.....	1
10	77482GT	PULLEY, WATER PUMP.....	1
11	1252943GT	SPACER,FAN,PERKINS 404F.....	1
12	77483GT	FAN, ENGINE (104-22)(404-22)*.....	1
13	77736GT	GLOW PLUG (PERKINS 404-22).....	4
14	89765GT	BELT, V (PERKINS 404).....	1

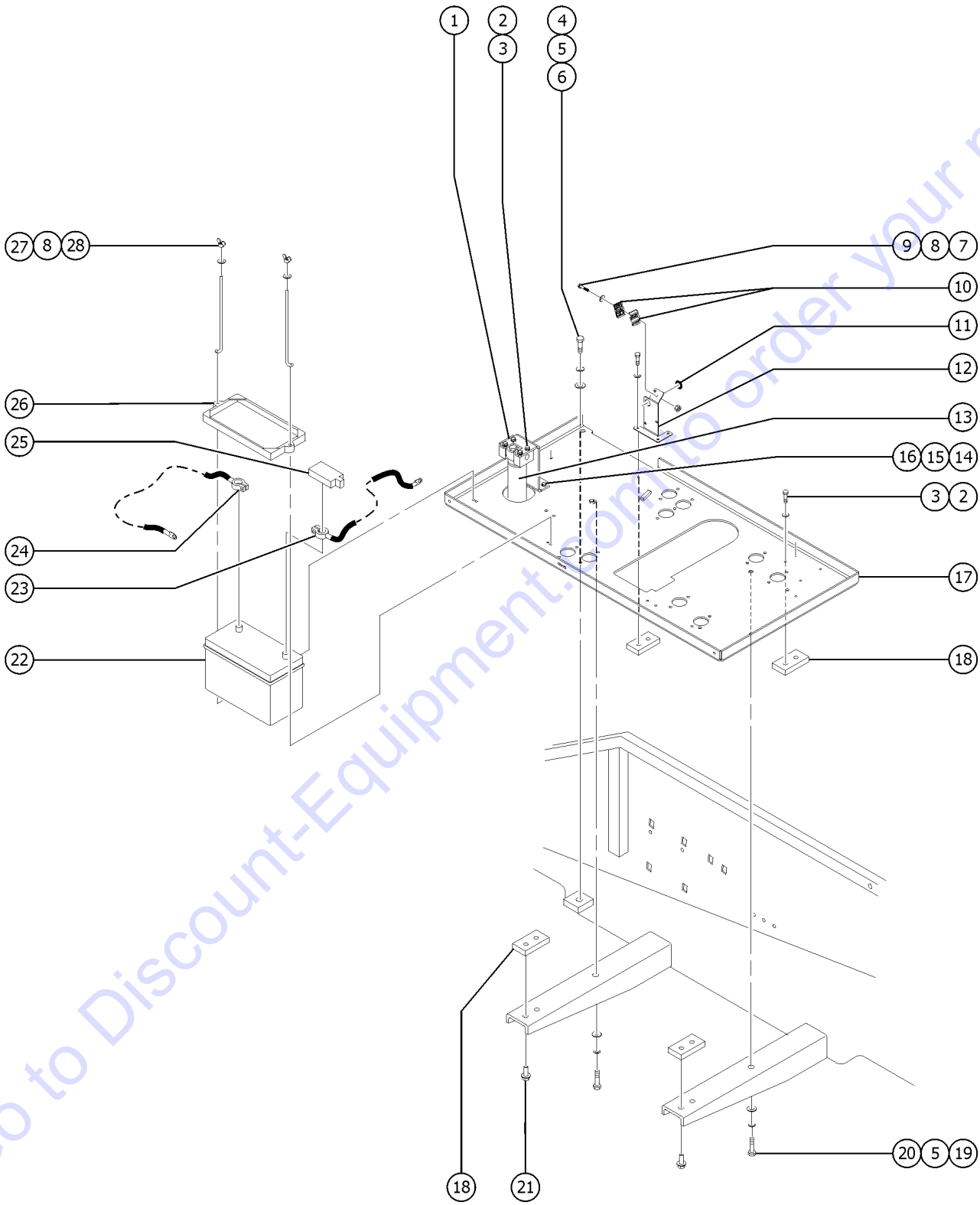
418.1 Perkins 404F-22 Engine, View 4



418.1 Perkins 404F-22 Engine, View 4

Item	Part No.	Description	Qty.	Item	Part No.	Description	Qty.
--		<i>Due to Tier 4 regulations, many engine replacement parts require the engine serial number at time of order placement. When ordering engine parts please have both machine and engine serial numbers available. For internal engine parts, contact engine dealer</i>		21		Ref. ECU.....1 <i>Models with Perkins 404F-22 engines (This part is serialized, contact Discount-equipment with full model and SN of both the unit and engine)</i>	1
--	1262487GT	BELT,AIR PUMP,PERKINS 404F-22T		22	8915GT	SCREW,HHC,1/4-20 X 1.25	
--	89765GT	BELT, V (PERKINS 404)		23	6638GT	WASHER,FLAT,USS,1/4"Y	
1	6198GT	NUT,NYLOCK,1/2-13		24	102749GT	FORMING,ENGINE MOUNT,RH,PERK	
2	6095GT	WASHER,FLAT,USS,1/2",Y		25		Ref. Engine Tray.....1 <i>(refer to 419.1)</i>	1
3	102066GT	CASTING,WASHER,REBOUND		26	70452GT	ISOLATOR,ENGINE VIBRATION***4	4
4	10598GT	SCREW,HHC,1/2-13 X 3		27	4828GT	NUT,NYLOCK,3/8-16	
5	54687GT	SCREW,HHC,M14 X 1.5X40MM,GR8.8		28	6097GT	WASHER,FLAT,USS,3/8",Y	
6	37505GT	WASHER,LOCK,M14		29	6019GT	SCREW,HHC,3/8-16 X 1.25 GRD 5	
7	49411GT	WASHER,FLAT,M14					
8	102749GT	FORMING,ENGINE MOUNT,RH,PERK.....1	1				
9	826856GT	FITTING, 90 DEG, #4FJX-#4FP					
10	1251815GT	MANIFOLD,EXHAUST,PERKINS 404F...1	1				
--	1251819GT	GASKET,EXHAUST MANIFOLD,PERK					
--	1251995GT	STUD,EXHAUST,PERKINS 404F					
--	1251996GT	NUT,EXHAUST,PERKINS 404F					
11	1251816GT	FLANGE,EXHAUST,PERKINS 404F.....1	1				
--	1251818GT	GASKET,EXHAUST ELBOW,PERKINS					
12	121419GT	SCREW,HHF,1/4-20 X .75					
13	56912GT	SPRING CLIP,1/4-20,.025-.15X.54,ZAG					
14	822793GT	MODULE,FUSE&RELAY,PERKINS 404F.....1	1				
--	1251499GT	FUSE, ATM, 15AMP.....4	4				
--	1251500GT	FUSE, ATM, 20AMP.....2	2				
--	1251502GT	FUSE, ATM, 10AMP.....1	1				
--	1251503GT	RELAY, 12V MICRO, 35AMP.....6	6				
--	1251504GT	DIODE, 6A 22903-6V.....1	1				
--	1251505GT	TOOL, FUSE PULLER, ATM.....1	1				
--	1251506GT	FUSE, ATM, 5AMP.....1	1				
--	1251507GT	FUSE, ATM, 7.5AMP.....2	2				
15	824588GT	GROMMET, 1.75ID X 1.9375 X .0625.....2	2				
16	824331GT	ASSEMBLY, ECM COVER.....1 <i>includes grommet part 824588 and fasteners only</i>	1				
17	1251575GT	SCREW,PHILLIPS,RHM,10-32 X 2.25					
18	6146GT	WASHER,FLAT,MS,#10,Y					
19	824023GT	RELAY, POWER & FUSE MODULE.....1	1				
20	14392GT	NUT,LP NYLOCK,10-32					

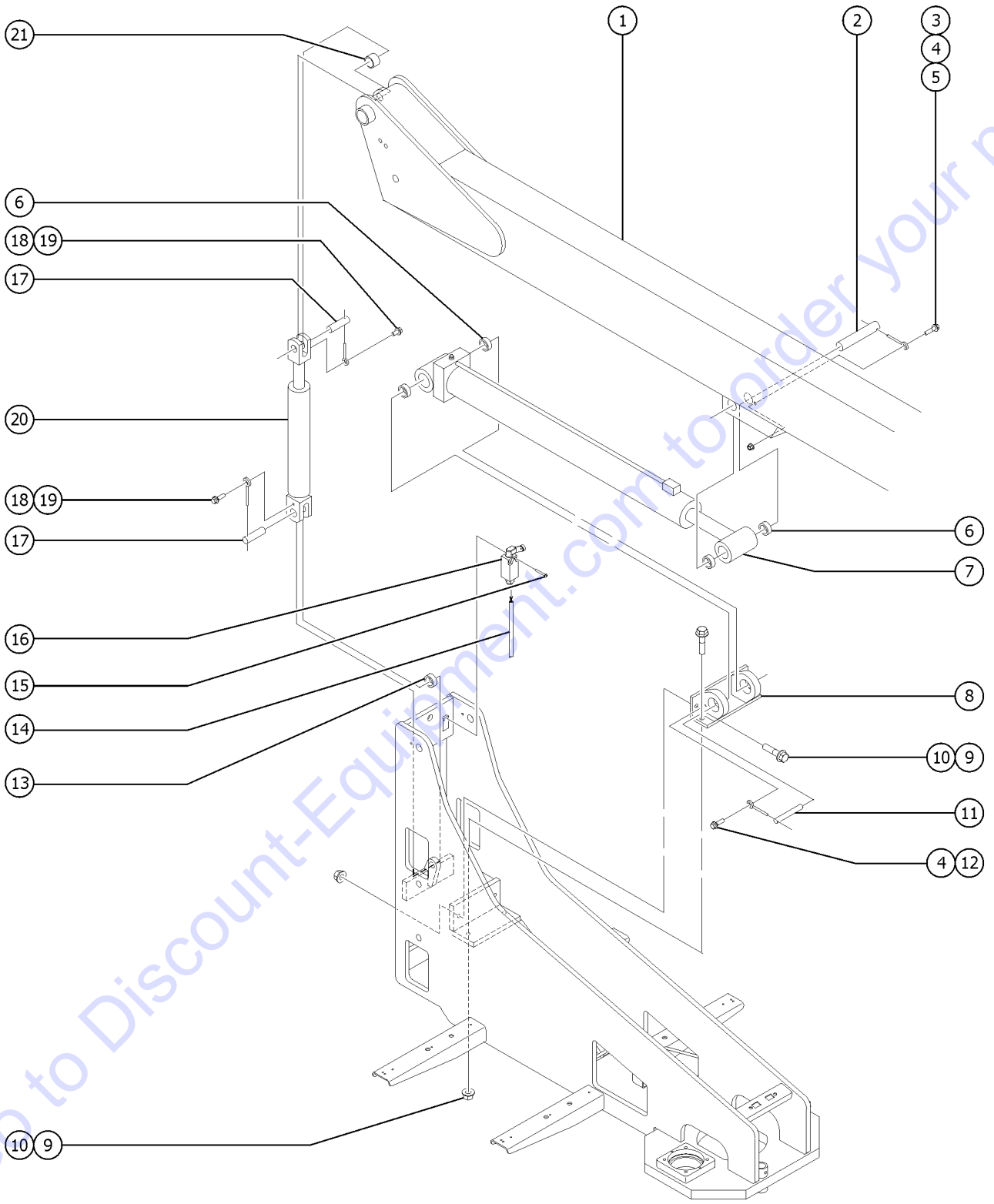
419.1 Engine Tray, Battery and Filter Installation



419.1 Engine Tray, Battery and Filter Installation

Item	Part No.	Description	Qty.
1	89596PGT	FORMING,FILTER MOUNT,PAINTED.....1	
2	6090GT	SCREW,HHC,1/4-20 X .75	
3	6356GT	WASHER,LOCK,.25	
4	29883GT	SCREW,HHC,5/8-11 X 1.75 GRD.8.....1	
5	6036GT	WASHER,LOCK,.625 PLTD	
6	13064GT	WASHER,FLAT,.625 HARDENED	
7	6145GT	SCREW,HHC,1/4-20 X 1.5	
8	6638GT	WASHER,FLAT,USS,1/4"Y	
9	6091GT	NUT,NYLOCK,1/4-20	
10	78736GT	CLAMP,2 HOSE,PLASTIC,5/8.....2	
11	60584GT	GROMMET,RUBBER .75 X .19 X 1**.....1	
12	219284GT	FORMING,FUEL PRES,REG MNT.....1	
13	1267807GT	ASSY, MED. PRESS. FILTER, SAE8.....1 <i>to SN 22376</i>	
--	1267807GT	ASSY, MED. PRESS. FILTER, SAE8 <i>from SN 22377</i>	
--	1268229GT	ELEMENT-5 MIC, PAPER, W/ BYPASS <i>from SN 22377</i>	
--	60857GT	FILTER,ELEMENT,BETA(5)=1000 <i>from SN 21541 to 22376</i>	
14	6019GT	SCREW,HHC,3/8-16 X 1.25 GRD 5	
15	5397GT	WASHER,FLAT,USS,5/16",Y	
16	4828GT	NUT,NYLOCK,3/8-16	
17	102062GT	WELDMENT,ENGINE TRAY.....1 <i>Perkins models</i>	
18	45209GT	WEAR PAD,4X2X.5 W/INSERT***.....4	
--	81851GT	SHIM,PAD 2.0 X 4.0 X .06 THK	
19	21175GT	SCREW,SHC,5/8-11 X 4,A574	
20	33418GT	WASHER,FLAT,.625 X 2.25 X.15	
21	1256855GT	SCREW,HHF,1/4-20X.625,8,ZAG.....4	
22	30143GT	BATTERY,12V,1000 CCA GRP 31.....1	
--	49869GT	CORROSION INHIBITOR COATING	
23		Ref. Positive Battery Cable <i>(refer to 311.1)</i>	
24		Ref. Negative Battery Cable <i>(refer to 311.1)</i>	
25	57162GT	BATTERY TERMINAL PROTECTORS...2	
26	30144GT	BATTERY HOLD DOWN,GROUP 31.....1	
27	8170GT	NUT,WING,1/4-20.....2	
28	45708GT	HOOK,BATT HOLD DOWN,10".....2	

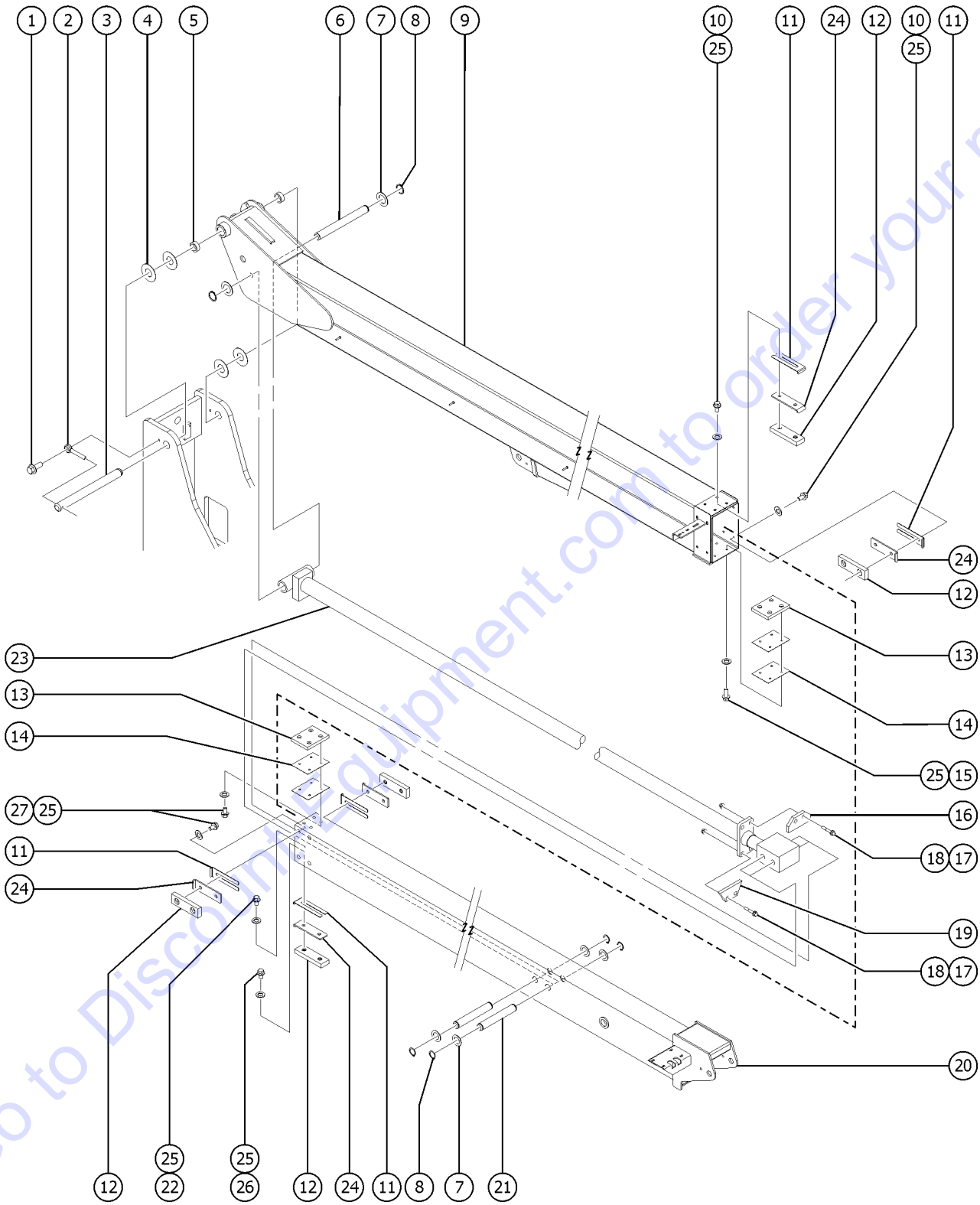
501.1 Boom Lift and Master Leveling Cylinder Installation



501.1 Boom Lift and Master Leveling Cylinder Installation

Item	Part No.	Description	Qty.
A		Ref. Harness, Angle Limit Switch (refer to 311.1)	
1		Ref. Primary Boom Tube Assembly (refer to 502.1 or 503.1)	
2	5-2041-8GT	PIN,1.50 DIA X 5.63 LG,1 HOLE.....1	
3A	824089GT	SCREW,HHF,3/8-16X.75,8,ZAG.....1 to SN S4016-21890 and S4516-21891	
3B	824092GT	SCREW,HHF,3/8-16X1.5,8,ZAG.....1 from SN S4016-21891 and S4516-21892	
4	825019GT	ROD END,.375X3.69,ZAG.....2	
5	824029GT	NUT,TL FLG,3/8-16,G,ZAG.....1 from SN S4016- 21891 and S4516-21892	
6	1262634GT	BUSHING,POLYGON,BM5121.....4	
7	63206GT	CYLINDER,LIFT,S40.....1 includes item 6	
--	63346GT	SEAL KIT CYL,S40 (63206)	
--	73806GT	VALVE,CNTERBALANCE-SUN@3000**	
8	30662-SGT	WELDMNT, CYLINDER MOUNTING....1	
9	1259896GT	SCREW,HHF,5/8-11X2.5,8,ZAG.....4	
10	1253319GT	NUT,TL,FLG,5/8-11,G,ZAG.....4	
11	30733GT	PIN,1.50DIA X 7.75LG,1HOLE.....1	
12A	1253478GT	SCREW,HHF,3/8-16X2,8,ZAG.....1 to SN S4016-21890 and S4516-21891	
12B	824091GT	SCREW,HHF,3/8-16X1.25,8,ZAG.....1 from SN S4016-21891 and S4516-21892	
13	30370GT	BEARING,1.25IDX1.5ODX1.00L.....1	
14	1505GT	WIRE CABLE,16/2 SJO,BULK.....108-inches	
15	824216GT	SCREW,PHPM,10-32X1.5,ZAG.....2	
16	88356-12145GT	SWITCH,LIMIT,W/ROLLER.....1	
--	97128GT	ROLLER ARM,LIMIT SWITCH***	
17A	30734GT	PIN,1.00DIA X 2.88LG,1HOLE.....2 S-40	
17B	34276GT	PIN,1.25DIA X 3.37LG,1HOLE.....2 S-45	
18	824089GT	SCREW,HHF,3/8-16X.75,8,ZAG.....2	
19	1255452GT	ROD END,.375 X 2.25,ZAG.....2	
20A	81692GT	CYLINDER,MASTER,S40***1 S-40	
--	75468GT	SEAL KIT,CYL,S40 MASTER(81692)	
20B	81694GT	CYLINDER,MASTER.....1 S-45	
--	75470GT	SEAL KIT,CYL,S45 MASTER(81694)	
21A	53452GT	BEARING,1.00IDX1.50ODX1.00L.....1 S-40	
21B	30370GT	BEARING,1.25IDX1.5ODX1.00L.....1 S-45	

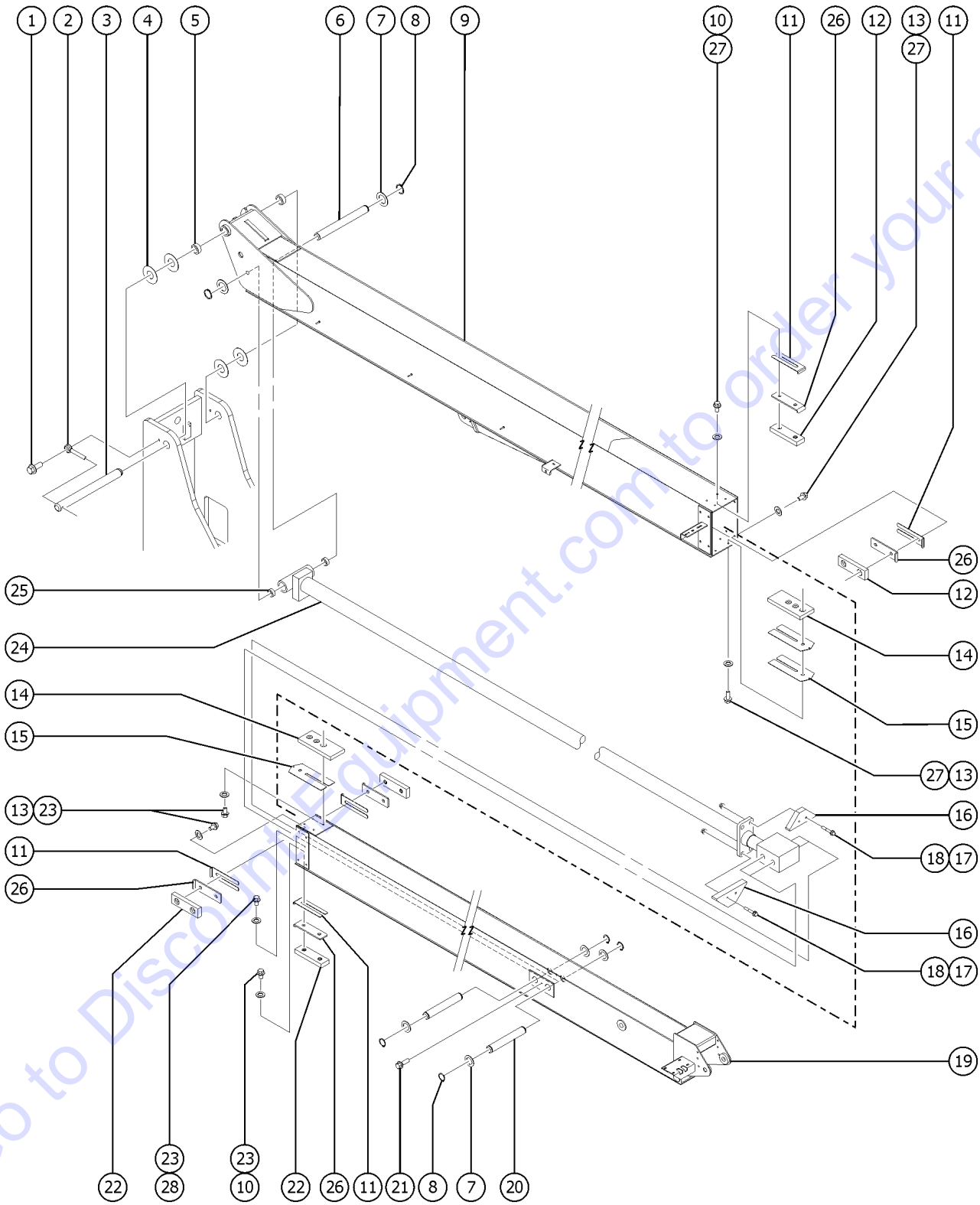
502.1 Boom Assembly, S-40



502.1 Boom Assembly, S-40

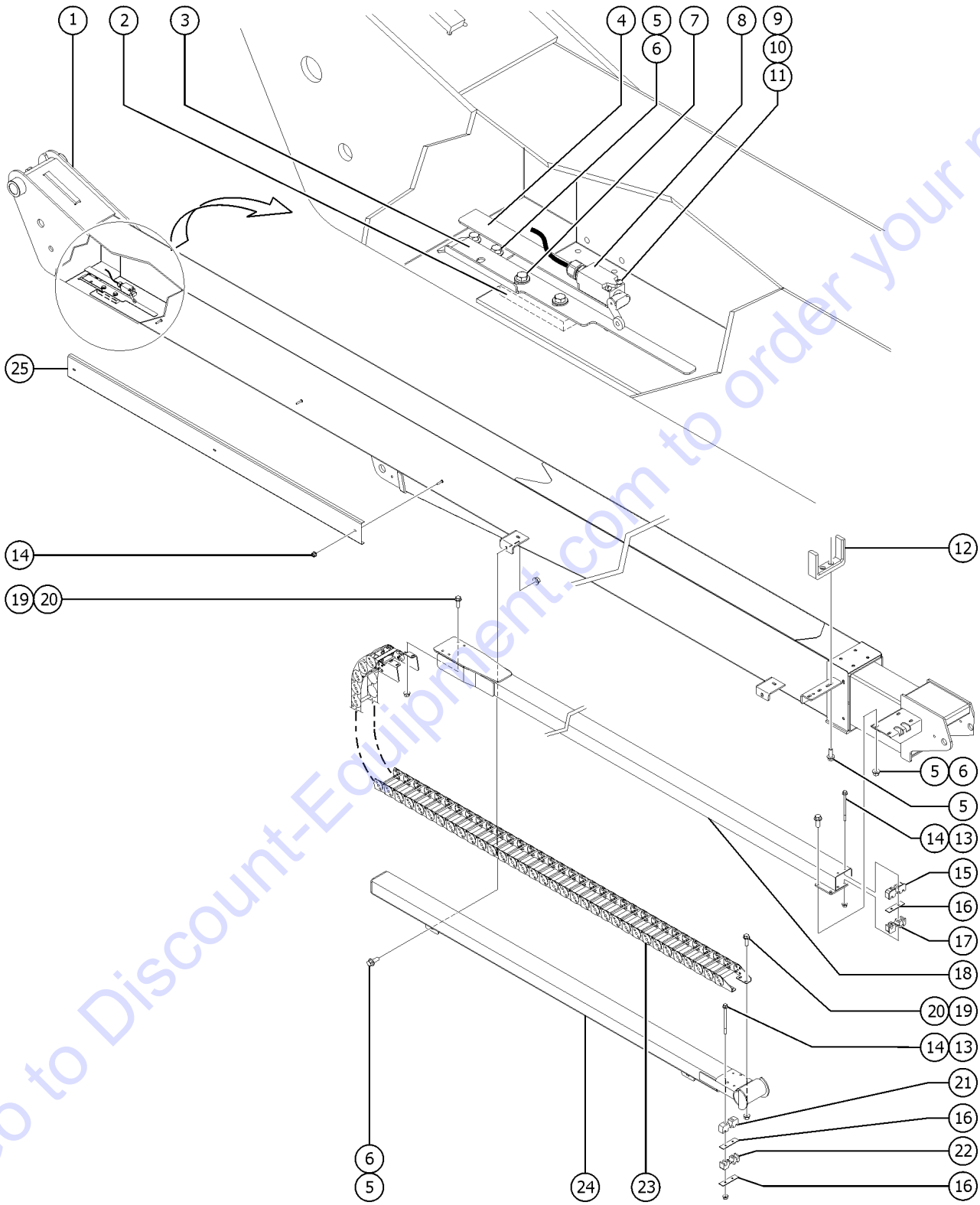
Item	Part No.	Description	Qty.	Item	Part No.	Description	Qty.
1	1255469GT	SCREW,HHF,1/2-13X1.25,8,ZAG.....	1	27	1256857GT	SCREW,HHF,3/8-16X.625,8,ZAG to SN S45H-25401	
2	1256267GT	ROD END,.5 X 3.75,ZAG.....	1	--	826791GT	SCREW,HHC,3/8-16X.875,8,ZAG from SN S45H-25402	
3	30731GT	PIN,PRIM.BOOM,16.0 X 1.5 INCH.....	1				
4	1256117GT	WASHER,SHIM,1.56X3.5X.061,ZAG....	4				
5	30738GT	BEARING,1.50IDX2.00ODX1.50LG.....	2				
6	30730GT	PIN,1.00DIA X 9.46LG,2RING.....	1				
7	1256119GT	WASHER,SHIM,1.01X1.63X.062,ZAG....	6				
8	1253843GT	SNAP RING,EXTERNAL,1.00,ZAG.....	6				
9	826971GT	WELDMENT,S40 BOOM SECT.#1.....	1				
10	824089GT	SCREW,HHF,3/8-16X.75,8,ZAG.....	8				
--	826791GT	SCREW,HHC,3/8-16X.875,8,ZAG from SN S45H-25402					
11	29080GT	SHIM,WEAR PAD,5X 1.5 16GA.....	18				
12	30138GT	WEAR PAD,5 X 1.5 X .625 W/NUTS.....	12				
13	30741GT	WEAR PAD,6.5 X 5 X .75 W/NUTS.....	2				
14	30472GT	SHIM,PRIMARY BOOM,.064 THK.....	3				
15	824090GT	SCREW,HHF,3/8-16X1,8,ZAG.....	8				
--	824068GT	SCREW,HHC,3/8-16X1.25,8,ZAG from SN S45H-25402					
16	30581GT	PAD,EXTENSION CYLINDER, TOP.....	1				
17	824082GT	SCREW,HHF,1/4-20X1.75,8,ZAG.....	4				
18	824027GT	NUT,TL FLG,1/4-20,G,ZAG.....	4				
19	30582GT	PAD,EXTENSION CYLINDER,BOTTOM.....	1				
20	826972GT	WELDMENT,S40 SECONDARY BOOM***.....	1				
21	30729GT	PIN,1.00DIA X 6.67LG,2RING.....	2				
22	1256857GT	SCREW,HHF,3/8-16X.625,8,ZAG.....	14				
--	1256109GT	SCREW,HHC,3/8-16X.75,8,ZAG from SN S45H-25402					
23	63202GT	CYLINDER,EXT.2.5" X 163.5".....	1				
--	33428GT	VALVE,COUNTERBALANCE (extend)					
--	63342GT	SEAL KIT,CYL,S40 (63202)					
--	89872GT	VALVE,COUNTERBALANCE*** (retract)					
24	38620GT	SHIM,WEAR PAD,5 X 1.5,14GA from SN S45H-25402					
25	826793GT	WASHER,FLAT,3/8,SAE,HRD,ZAG from SN S45H-25402					
26	824089GT	SCREW,HHF,3/8-16X.75,8,ZAG to SN S45H-25401					
--	826791GT	SCREW,HHC,3/8-16X.875,8,ZAG from SN S45H-25402					

503.1 Boom Assembly, S-45



Item	Part No.	Description	Qty.
1	1255469GT	SCREW,HHF,1/2-13X1.25,8,ZAG.....1	1
2	1256267GT	ROD END,.5 X 3.75,ZAG.....1	1
3	30731GT	PIN,PRIM.Boom,16.0 X 1.5 INCH.....1	1
4	1256117GT	WASHER,SHIM,1.56X3.5X.061,ZAG....4	4
5	30738GT	BEARING,1.50IDX2.00ODX1.50LG.....2	2
6	53219GT	PIN,1.00DIA X 11.05LG,2RING.....1	1
7	1256119GT	WASHER,SHIM,1.01X1.63X.062,ZAG....6	6
8	1253843GT	SNAP RING,EXTERNAL,1.00,ZAG.....6	6
9	826973GT	WELDMENT,S45 BOOM SEC.1.....1	1
10	824089GT	SCREW,HHF,3/8-16X.75,8,ZAG.....14 to SN S45H-25401	14
--	824067GT	SCREW,HHC,3/8-16X1,8,ZAG from SN S45H-25402	
11	29080GT	SHIM,WEAR PAD,5X 1.5 16GA.....18	18
12	34125GT	WEAR PAD,5 X 1.5 X .75 W/NUTS.....6	6
13	824090GT	SCREW,HHF,3/8-16X1,8,ZAG.....16 to SN S45H-25401	16
--	824067GT	SCREW,HHC,3/8-16X1,8,ZAG from SN S45H-25402	
14	88648GT	WEAR PAD,7X3X.625 W/NUTS.....4	4
15	60840GT	SHIM,WEAR PAD,7 X 3,16GA.....6	6
16	53197GT	WEAR PAD,EXTENSION CYLINDER.....2	2
17	824082GT	SCREW,HHF,1/4-20X1.75,8,ZAG.....4	4
18	824027GT	NUT,TL FLG,1/4-20,G,ZAG.....4	4
19	826974GT	WELDMENT,S45 BOOM SEC.2.....1	1
20	53200GT	PIN,1.00DIA X 8.38LG,2RING.....2	2
21	824091GT	SCREW,HHF,3/8-16X1.25,8,ZAG.....2	2
22	30138GT	WEAR PAD,5 X 1.5 X .625 W/NUTS.....6	6
23	1255758GT	WASHER,FLAT,3/8,USS,ZAG.....6 to SN S45H-25401	6
--	826793GT	WASHER,FLAT,3/8,SAE,HRD,ZAG from SN S45H-25402	
24	63202GT	CYLINDER,EXT.2.5" X 163.5".....1	1
--	33428GT	VALVE,COUNTERBALANCE (extend)	
--	63342GT	SEAL KIT,CYL,S40 (63202)	
--	89872GT	VALVE,COUNTERBALANCE*** (retract)	
25	53421GT	SPACER, EXT. CYL.....2	2
26	38620GT	SHIM,WEAR PAD,5 X 1.5,14GA from SN S45H-25402	
27	826793GT	WASHER,FLAT,3/8,SAE,HRD,ZAG from SN S45H-25402	
28	1256109GT	SCREW,HHC,3/8-16X.75,8,ZAG from SN S45H-25402	

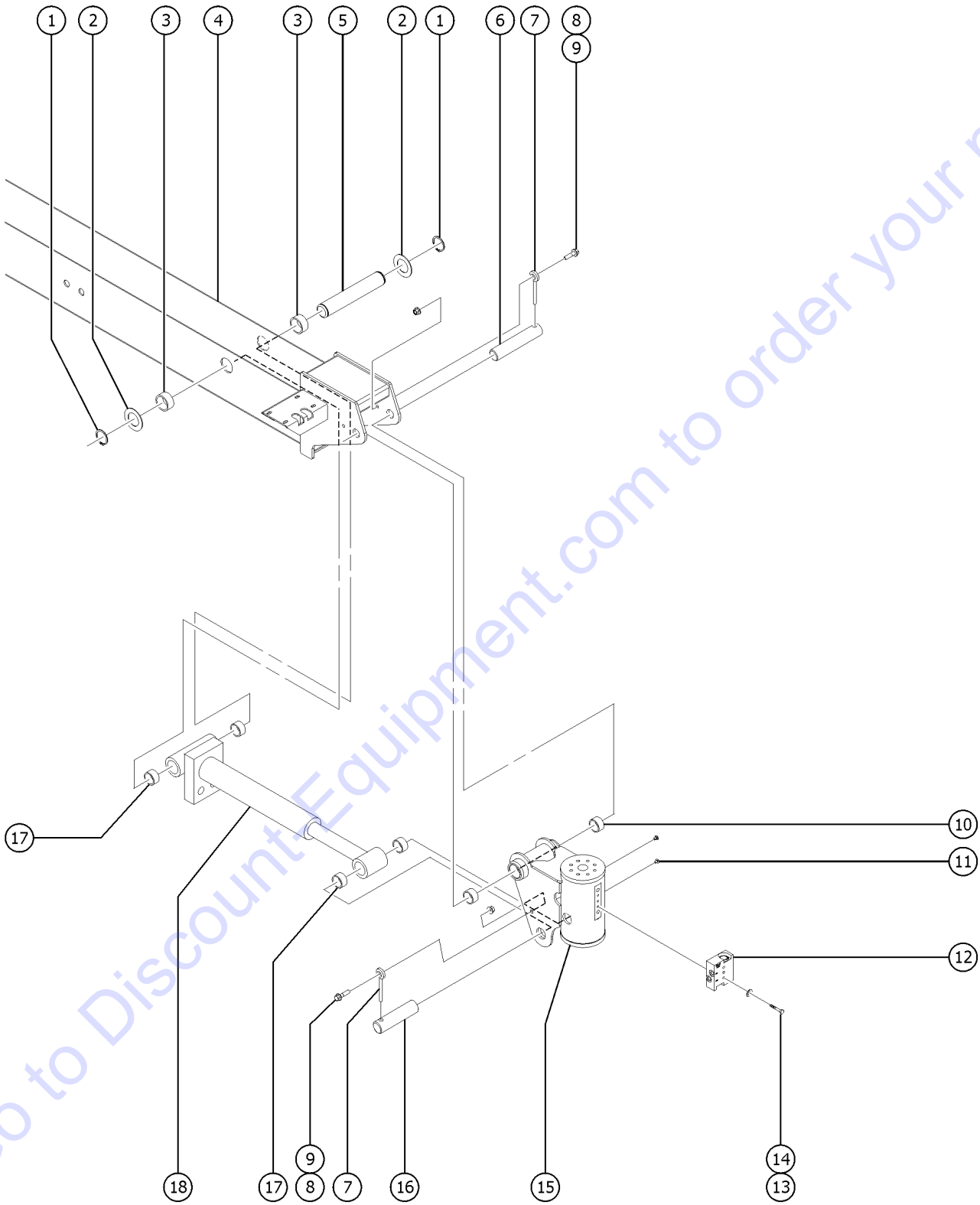
504.1 Cable Track Installation



504.1 Cable Track Installation

Item	Part No.	Description	Qty.	Item	Part No.	Description	Qty.
1		Ref. Boom Assembly (Refer to 502.1 or 503.1)		25	25072GT	HOSE COVER,LOWER CABLE TRACK**.....	1
2		Ref. WEAR PAD,5 X 1.5 X .625 W/NUTS.....1 (Refer to 502.1 or 503.1)	1				
3	227809GT	FORMING LIMIT SWITCH RAIL.....	1				
4	227808GT	LIMIT SWITCH BRACKET S40/45.....	1				
5	824090GT	SCREW,HHF,3/8-16X1,8,ZAG.....	12				
6	824029GT	NUT,TL FLG,3/8-16,G,ZAG.....	10				
7	824089GT	SCREW,HHF,3/8-16X.75,8,ZAG.....	2				
8	161880GT	HARNESS,EXT/RET LIMIT,S40/S45.....	1				
--	119065GT	CONN,RECEP 2 WAY ENDCAP DT					
--	88356-12BU5GT	SWITCH,LIMIT,W/RLLR ARM,NO/NC*					
9	16487GT	SCREW,RHM,10-32 X 1.5					
10	6607GT	WASHER,LOCK,#10 PLTD					
11	6178GT	NUT,NYLOCK,10-32					
12	228813GT	WEAR PAD ASSEMBLY,CABLE TRACK.....	1				
13	1257867GT	SCREW,HHF,1/4-20X3.5,8,ZAG.....	4				
14	824027GT	NUT,TL FLG,1/4-20,G,ZAG.....	7				
15	228854GT	CLMP,PLSTC,CBLE TRCK S40/45T.....	1				
16	228856GT	CLAMP PLATE S40/45.....	3				
17	228855GT	CLMP,PLSTC,CBLE TRCK S40/45B.....	1				
18	228807GT	WELDMENT, LNG GUID TUBE S40/45.....	1				
19	824086GT	SCREW,HHF,5/16-18X1,8,ZAG.....	8				
20	824028GT	NUT,TL FLG,5/16-18,G,ZAG.....	8				
21	216000GT	CLMP,PLSTC,CBLE TRAY S40/45T.....	1				
22	216001GT	CLMP,PLSTC,CBLE TRAY S40/45B.....	1				
23A	228860GT	CABLE TRACK S40/45.....1 to SN S45H-23650	1				
--	1259461GT	KIT, 4 LINK REPAIR SECTION for 228860					
--	1259462GT	KIT, REPAIR, FIXED END for 228860					
--	1259463GT	KIT, REPAIR, MOVING END for 228860					
--	1282959GT	ROLLER KIT, POLY for 228860 (includes 9990116)					
23B	1278041GT	CABLE TRACK, MA, S40/45 from SN S45H-23651					
--	1275075GT	KIT, 4 LINK REPAIR SECTION for 1278041					
--	1275077GT	KIT, ROUND BAR AND ROLLER for 1278041, includes hardware.					
24	228843GT	WELDMENT,CABLE TRACK TRAY.....	1				

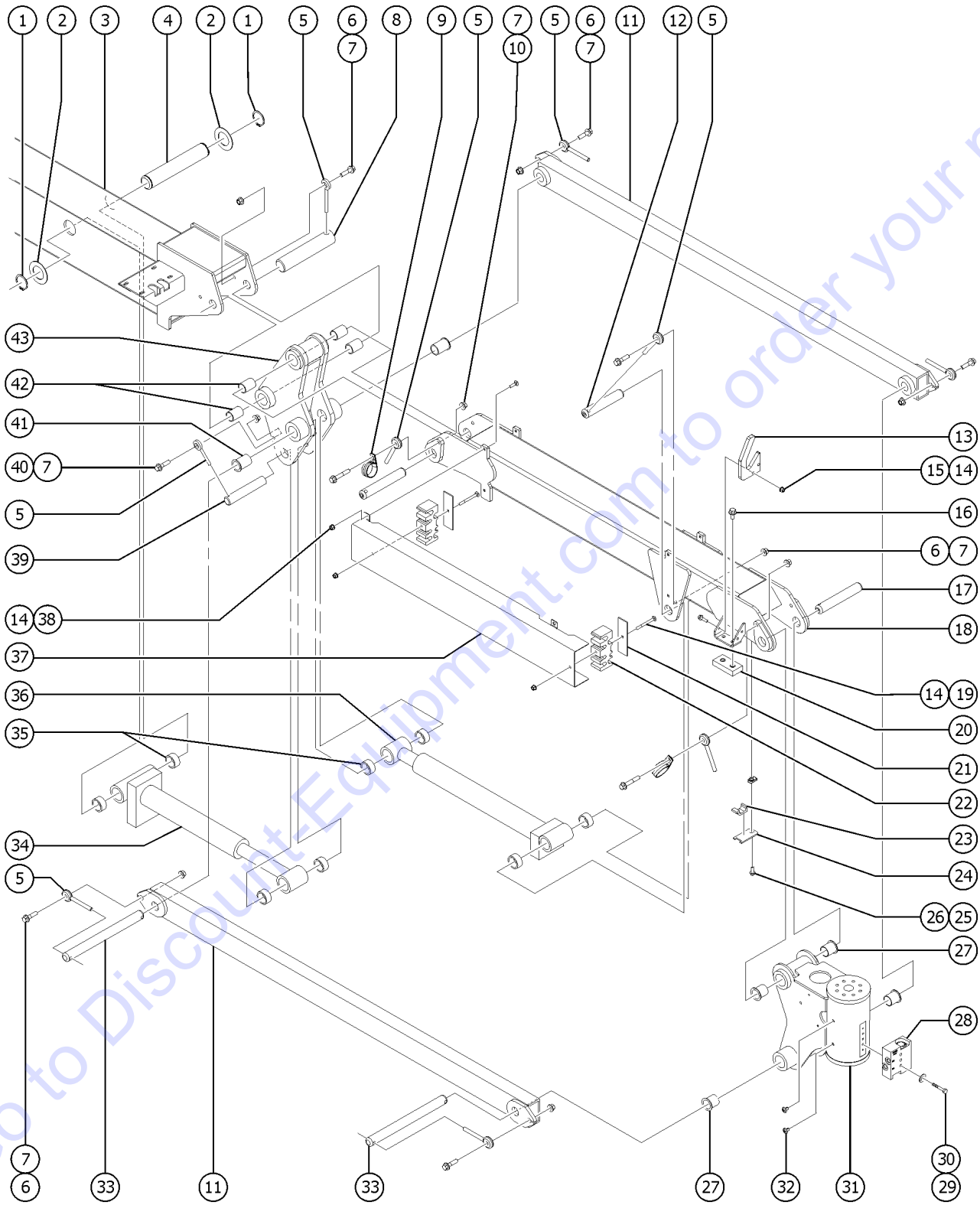
505.1 Slave Cylinder and Platform Rotator, S-40 model



505.1 Slave Cylinder and Platform Rotator, S-40 model

Item	Part No.	Description	Qty.
1	824164GT	SNAP RING,EXTERNAL,1.25,ZAG.....2	
2	824151GT	WASHER,SHIM,1.270X2.130X.062,Z.....2	
3	30220GT	BEARING,1.25ID X 1.5OD X 0.69L.....2	
4		Ref. Boom Assembly (refer to 502.1)	
5	30728GT	PIN,1.25DIAX7.17LG,2RING.....1	
6	T108076GT	PIN,1.25DIAX7.88LG,1HOLE.....1	
7	825019GT	ROD END,.375X3.69,ZAG.....2	
8	824092GT	SCREW,HHF,3/8-16X1.5,8,ZAG.....2	
9	824029GT	NUT,TL FLG,3/8-16,G,ZAG.....2	
10	30370GT	BEARING,1.25ID X 1.5OD X 1.00L.....2	
11	88516GT	SCREW,BLEEDER,M5X0.8.....2	
12		Ref. Rotator Manifold (refer to 704.1)	
13	6145GT	SCREW,HHC,1/4-20 X 1.5	
14	6638GT	WASHER,FLAT,USS,1/4"Y	
15	94398GT	ROTATOR,PLAT,NON-JIB.....1 <i>includes items 10 and 11</i>	
--	122944GT	SEAL KIT,8K ROTATOR***	
16	T108075GT	PIN,1.25DIAX5.25LG,1HOLE.....1	
17	25683GT	BEARING,POLYGON,20DU12.....4	
18	81693GT	CYLINDER,SLAVE,S40/45.....1 <i>includes item 17</i>	
--	75469GT	SEAL KIT,CYL,S40 SLAVE (81693)	
--	77303GT	VALVE,CNTRBAL 3500 PSI, ATM VEN	

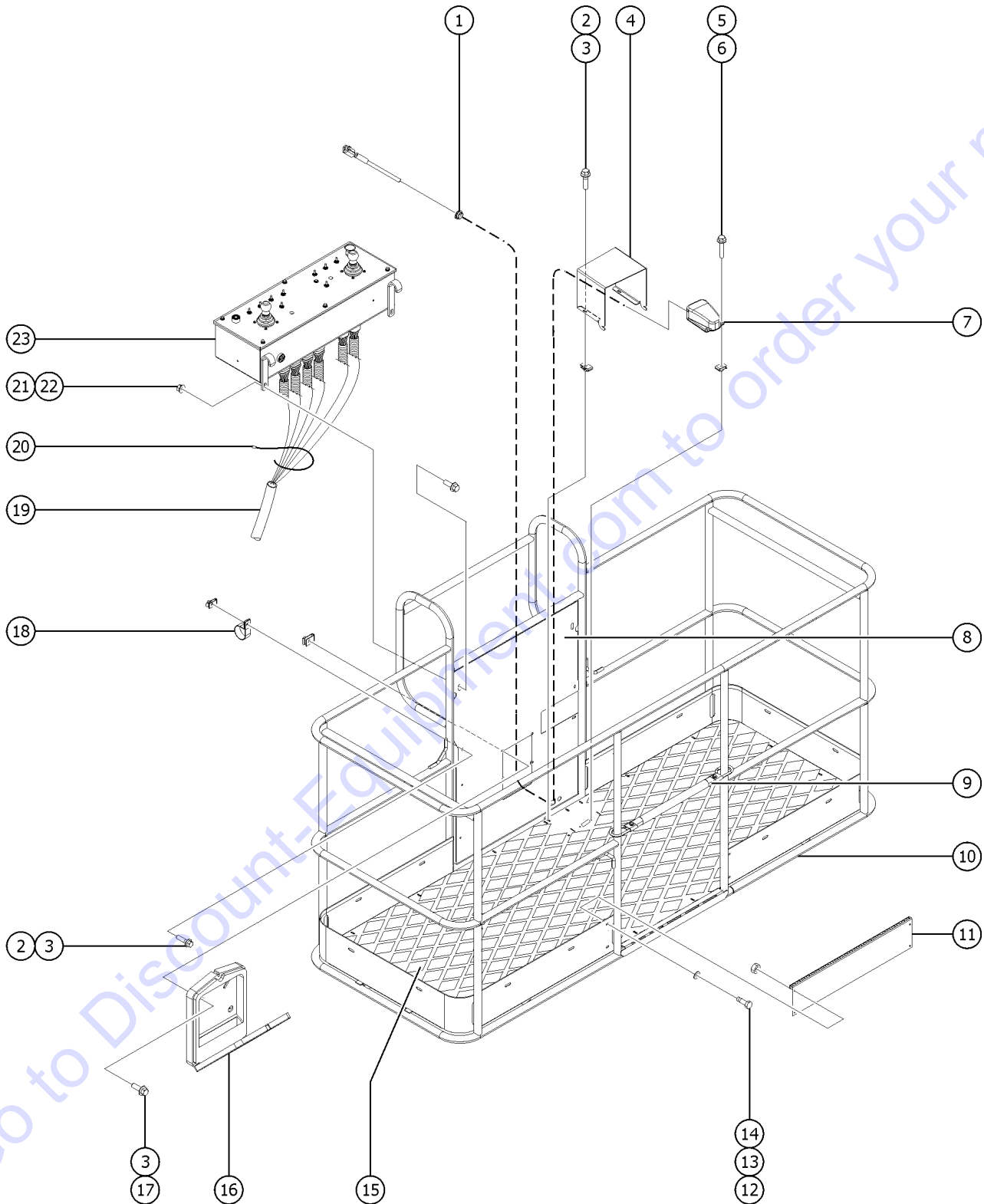
506.1 Jib Boom and Platform Rotator, S-45 model



506.1 Jib Boom and Platform Rotator, S-45 model

Item	Part No.	Description	Qty.	Item	Part No.	Description	Qty.
A	128172GT	KIT,SLAVE CYL PIN <i>includes item 1 and 4</i>		34	63210GT	CYLINDER,SLAVE,3 X 11.38*** <i>includes item 35</i>	1
1	824164GT	SNAP RING,EXTERNAL,1.25,ZAG.....	2	--	63350GT	SEAL KIT,CYL (63210)	
2	824151GT	WASHER,SHIM,1.270X2.130X.062,Z.....	2	--	77303GT	VALVE, CNTRBAL 3500 PSI, ATM VEN	
3		Ref. Boom Assembly..... <i>(refer to 502.1 or 503.1)</i>	1	35	1262634GT	BUSHING,POLYGON,BM5121.....	8
4	T108079GT	PIN,1.25DIAX8.30LG,2RING.....	1	36	63213GT	CYLINDER,JIB (STICK BOOMS)..... <i>includes item 35</i>	1
5	825019GT	ROD END,.375X3.69,ZAG.....	9	--	33428GT	VALVE,COUNTERBALANCE	
6	824092GT	SCREW,HHF,3/8-16X1.5,8,ZAG.....	6	--	43018GT	SEAL KIT (39345)	
7	824029GT	NUT,TL FLG,3/8-16,G,ZAG.....	9	--	63353GT	SEAL KIT,CYL,S65 (63213)	
8	T108078GT	PIN,1.25DIAX9.50LG,1HOLE.....	1	37	128454GT	COVER, JIB HOSES/CABLES**.....	1
9	77181GT	CLAMP,1.63,#26 X 3/8,RUB CUSH.....	2	38	1256127GT	BOLT,CARRIAGE,1/4-20X1.5,ZAG.....	4
10	1256693GT	SCREW,HHF,3/8-16X2.25,8,ZAG.....	2	39	T108075GT	PIN,1.25DIAX5.25LG,1HOLE.....	1
11	61306-SGT	COMPR.LINK,MACHINED,GND CONTR*..... <i>To SN S45H-26457</i>	2	40	824093GT	SCREW,HHF,3/8-16X1.75,8,ZAG.....	1
--	1274511GT	MACHINING, COMPRESSION LINK <i>From SN S45H-26458</i>		41	128268GT	BEARING,FL, 1.25X1.5X2.13.....	2
12	T108077GT	PIN,1.25DIAX7.00LG,1HOLE.....	1	42	75627GT	BEARING,1.25 X 1.5 X 2.....	4
13	128482GT	HOSE GUIDE, JIB.....	1	43	53342GT	BELLCRANK MACHINED,JIB.....	1
14	824027GT	NUT,TL FLG,1/4-20,G,ZAG.....	8	--	35683GT	BELLCRANK WELDMENT,JIB	
15	824079GT	SCREW,HHF,1/4-20X1,8,ZAG.....	2				
16	824089GT	SCREW,HHF,3/8-16X.75,8,ZAG.....	4				
17	T108076GT	PIN,1.25DIAX7.88LG,1HOLE.....	2				
18	128534GT	JIB BOOM ASSY W/WORD DECAL.....	1				
19	1256180GT	BOLT,CARRIAGE,1/4-20X2.75,5,ZAG....	2				
20	81640GT	WEAR PAD,3 X 1.5 X .625 W/NUTS.....	2				
21	128483GT	BACKING PLATE, HOSE BLOCK, JIB....	2				
22A	128501GT	CLAMP,JIB HOSE/CABLE.....	2				
22B	128519GT	CLAMP,JIB HOSE/CABLE,ARCTIC..... <i>(part of the Arctic hose option)</i>	2				
23	119542GT	CLAMP,TWO HOSE.....	1				
24	119536PGT	BRACKET,HOSE CLAMP,PAINTED.....	1				
25	824078GT	SCREW,HHF,1/4-20X.75,8,ZAG.....	1				
26	56912GT	SPRING CLIP,1/4-20,.025-.15X.54,ZAG.....	1				
27	30222GT	BEARING,FL,1.25IDX1.41ODX1.50L....	4				
28		Ref. Rotator Manifold <i>(refer to 704.1)</i>					
29	6145GT	SCREW,HHC,1/4-20 X 1.5					
30	6638GT	WASHER,FLAT,USS,1/4"Y					
31	94397GT	ROTATOR,PLAT JIB,160 DEG***..... <i>include item 27 and 32</i>	1				
--	122944GT	SEAL KIT,8K ROTATOR***					
32	88516GT	SCREW,BLEEDER,M5X0.8.....	2				
33	81175GT	PIN,1.25DIAX14.45LG,2HOLE.....	2				

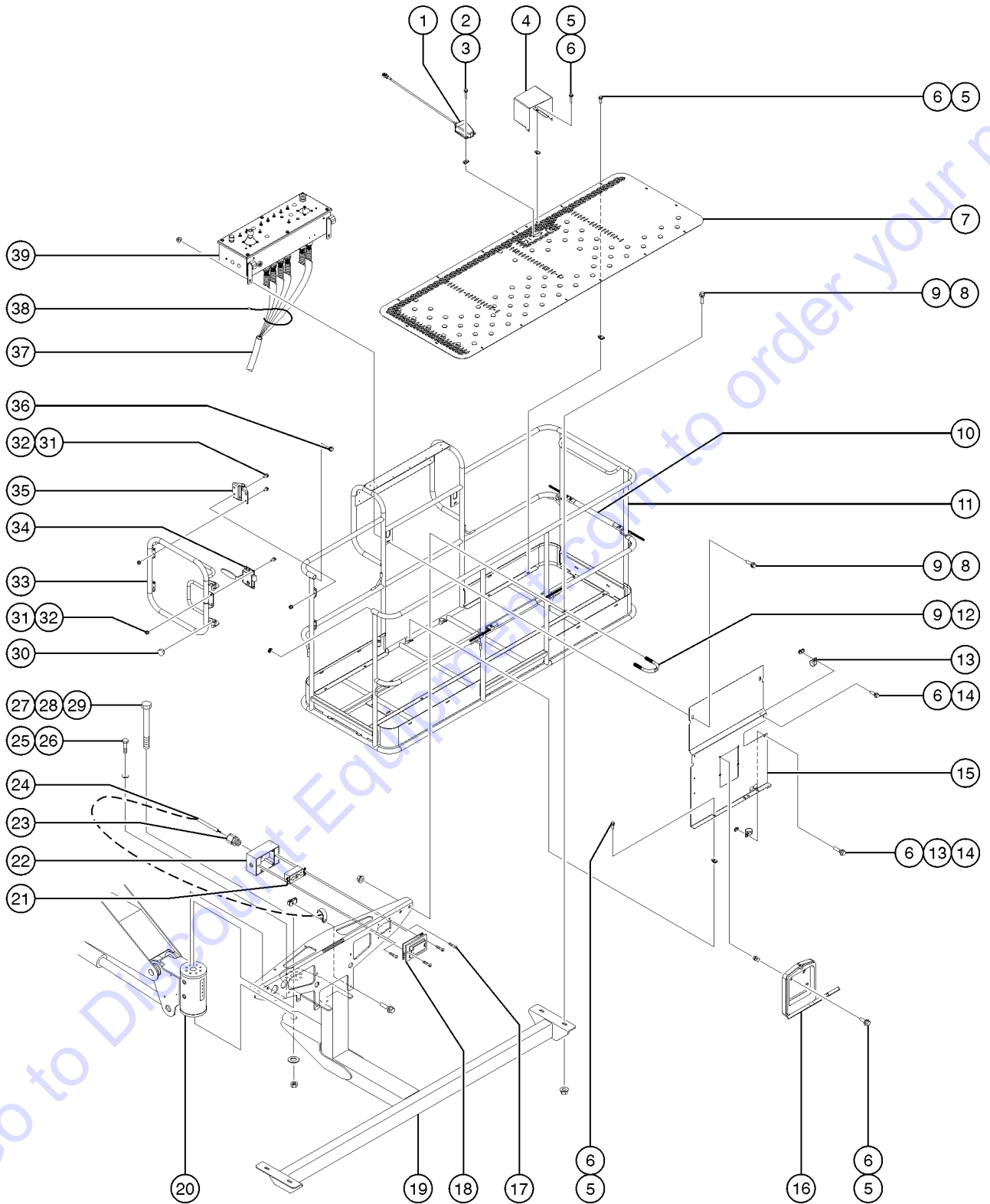
601.1 Platform Installation - View 1 (to serial number S4016H-22549 and S4516H-22548)



601.1 Platform Installation - View 1 (to serial number S4016H-22549 and S4516H-22548)

Item	Part No.	Description	Qty.	Item	Part No.	Description	Qty.
A		(USA and Canadian models)		15		Ref. Platform Flooring (refer to 602.1)	
--	111234GT	PLATFORM ASSY 4FT W/DECALS ANS		16A	44743GT	MANUAL BOX W/DECALS*** USA, Canada, Australia	
--	111235GT	PLATFORM ASSY 5FT W/DECALS ANS		16B	24514GT	BOX,INSTRUCTION STORAGE.....1 Europe, Asia, South America	
--	111236GT	PLATFORM ASSY 6FT W/DECALS ANS		17	824078GT	SCREW,HHF,1/4-20X.75,8,ZAG.....4	
--	111237GT	PLATFORM ASSY 8FT W/DECALS ANS		18	56424GT	CLAMP,1.25X.5 RUBBER-CUSHION.....2	
B		(Australian models)		19	79138GT	SLEEVE,NYLON,2.38 ID,BULK 100' (order this part by the inch)	
--	111238GT	PLATFORM ASSY 4FT W/DECALS AUS		20	28443GT	CABLE TIE,11.5" BLACK.....3	
--	111239GT	PLATFORM ASSY 5FT W/DECALS AUS		21	824029GT	NUT,TL FLG,3/8-16,G,ZAG.....2	
--	111240GT	PLATFORM ASSY 6FT W/DECALS AUS		22	824091GT	SCREW,HHF,3/8-16X1.25,8,ZAG.....2	
--	111241GT	PLATFORM ASSY 8FT W/DECALS AUS		23		Ref. Platform Control Box Assembly (refer to 603.1)	
C		(European models)					
--	89336GT	PLATFORM ASSY 6FT W/DECALS EUR					
--	89338GT	PLATFORM ASSY 8FT W/DECALS EUR					
--	89744GT	PLATFORM ASSY 4FT W/DECALS EUR					
--	89745GT	PLATFORM ASSY 5FT W/DECALS EUR					
D		(Asian and South American models)					
--	89750GT	PLATFORM ASSY 4FT W/DECAL A/SO					
--	89751GT	PLATFORM ASSY 5FT W/DECALS ASA					
--	89752GT	PLATFORM ASSY 6FT W/DECALS ASA					
--	89753GT	PLATFORM ASSY 8FT W/DECALS ASA					
1	229768GT	GROMMET,RUBBER,1.0X0.094X1.375..2					
2	824079GT	SCREW,HHF,1/4-20X1,8,ZAG.....4					
3	56912GT	SPRING CLIP,1/4-20,.025-.15X.54,ZAG.....8					
4	147121GT	COVER, FOOT SWITCH, LARGE.....1 Europe, Asia, South America					
5	1269641GT	SCREW,HHF-S,10-24X1,5,ZAG.....2					
6	73575GT	SPRING CLIP,10-24,.025-.125X.468,ZAG.....2					
7		Ref. ASSEMBLY,FOOT SWITCH.....1 (refer to 311.1)					
8		Ref. Decal Plate.....1 (refer to 602.1)					
9	102992GT	SLIDING MIDRAIL KIT,PTD.....1					
--	12443GT	MIDRAIL GUIDE (HOOK)					
--	139451GT	TUBE,SLIDING MIDRAIL,PAINTED					
--	20973GT	WIRE LOOM,3/8 POLY SLIT					
--	21121GT	CABLE TIE,4" BLK,HEAT RESISTNT					
10	73610PGT	STEP PLATFORM ENTRY PAINTED***.....1					
11	94745PGT	TOEBOARD,ENTRY EUROPEAN PNTD**.....1					
12	6090GT	SCREW,HHC,1/4-20 X .75.....4					
13	6638GT	WASHER,FLAT,USS,1/4"Y.....4					
14	6091GT	NUT,NYLOCK,1/4-20.....4					

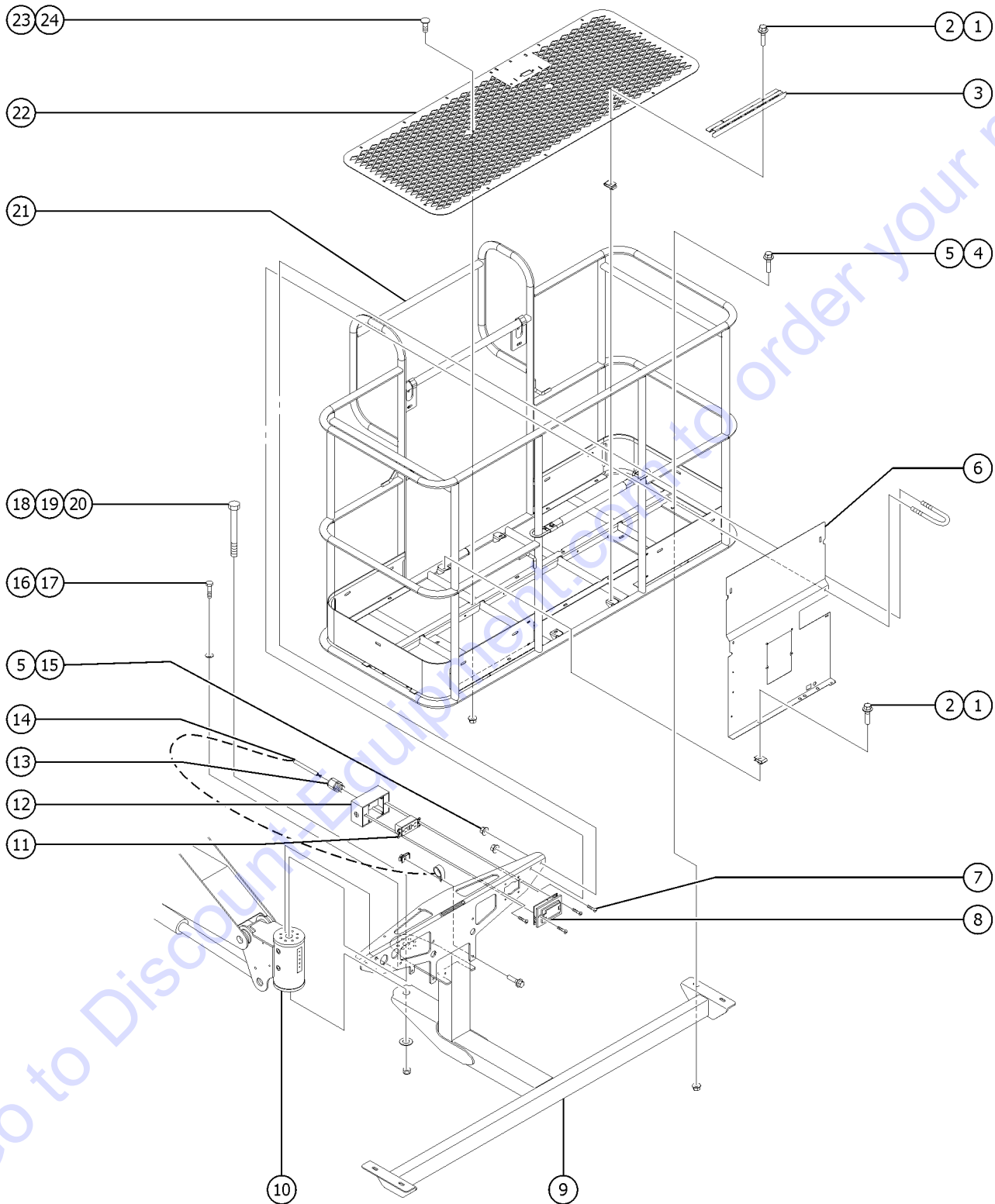
601.2 Platform Installation - View 1 (from serial number S4016H-22550 and S4516H-22549)



601.2 Platform Installation - View 1 (from serial number S4016H-22550 and S4516H-22549)

Item	Part No.	Description	Qty.	Item	Part No.	Description	Qty.
A	1272304GT	ASSY,8FT PLAT TRI LG,BLANK W/SIDE SWING GATE <i>Complete 8' platform assembly; Order decals separately. refer to Seciton 100.</i>		--	33724GT	KIT,GASKET,UK POWER TO PLAT.	
B	1272303GT	ASSY,6FT PLAT DUAL LG,BLANK W/SIDE SWING GATE <i>Complete 6' platform assembly; Order decals separately. refer to Seciton 100.</i>		--	T112563GT	SVC KIT,UK RECEPT.REPLACEMENT	
1	227516GT	ASSEMBLY,FOOT SWITCH.....	1	22	10775GT	T-BOX,2.75 X 4.5 X 2.0.....	1
2	1269641GT	SCREW,HHF-S,10-24X1,5,ZAG.....	2	23	7056GT	CONN,SQUEEZE,1/2NPT .38-.50,SM....	1
3	73575GT	SPRING CLIP,10-24,.025-.125X.468,ZAG.....	2	24A	43956GT	WIRE CABLE,14/3 CON.TPE JKT*.....	.828-inches (S-40)
4	147121GT	COVER, FOOT SWITCH, LARGE.....	1	24B	43956GT	WIRE CABLE,14/3 CON.TPE JKT*.....	.888-inches (S-45)
5	824078GT	SCREW,HHF,1/4-20X.75,8,ZAG.....	27	25	826791GT	SCREW,HHC,3/8-16X.875,8,ZAG.....	8
6	56912GT	SPRING CLIP,1/4-20,.025-.15X.54,ZAG.....	30	26	826793GT	WASHER,FLAT,3/8,SAE,HRD,ZAG.....	8
7A	73478GT	FLOORING, 8 FT PLATFORM*** <i>for 8' platform</i>	1	27	826792GT	SCREW,HHC,1-8X11,5,ZAG.....	1
7B	1267746GT	FLOORING, 6FT PLAT,SIDE..... <i>for 6' platform</i>	1	28	824116GT	WASHER, FLAT, F436, 1.0, ZAG.....	1
8	824091GT	SCREW,HHF,3/8-16X1.25,8,ZAG.....	6	29	826794GT	NUT,TL,1-8,C,ZAG.....	1
9	824029GT	NUT,TL FLG,3/8-16,G,ZAG.....	10	30	43392GT	BUMPER,BATTERY BOX & RAILS.....	2
10A	102992GT	SLIDING MIDRAIL KIT,PTD..... <i>for 8' platform</i>	2	31	824027GT	NUT,TL FLG,1/4-20,G,ZAG.....	12
10B	102992GT	SLIDING MIDRAIL KIT,PTD..... <i>for 6' platform</i>	1	32	1256855GT	SCREW,HHF,1/4-20X.625,8,ZAG.....	12
11A	1274859GT	ASSY,8' PLAT WELDMNT W/SIDE GATE <i>for 8' platform (includes item 10) (order floor separately)</i>		33	1272307GT	ASSY,SIDE SWING GATE..... <i>Complete side swing gate assembly (includes items 30-35)</i>	1
11B	1274858GT	ASSY,6' PLAT WELDMNT W/SIDE GATE <i>for 6' platform (includes item 10)</i>		--	1265397GT	WELDMNT, SWING GATE	
12	1251600GT	U-BOLT, FLATTENED, 1.5 X 3/8 UNC,ZAG.....	2	34	1267747GT	LATCH, SWING GATE.....	1
13	56424GT	CLAMP,1.25X.5 RUBBER-CUSHION....	3	35	104804GT	HINGE, SPRING, LONG LEG.....	1
14	824079GT	SCREW,HHF,1/4-20X1,8,ZAG.....	3	36	55753GT	BUMPER, PLASTIC, 1.25 O.D.....	2
15	89377GT	PLATE,DOCUMENT BOX MOUNT.....	1	37	79138GT	SLEEVE,NYLON,2.38 ID,BULK 100' <i>(order this part by the inch)</i>	
16	24514GT	BOX,INSTRUCTION STORAGE.....	1	38	28443GT	CABLE TIE,11.5" BLACK	
17	75067GT	SCREW,6-32 X 7/8 PPMS ZINC		39		REF. PLATFORM CONTROL BOX ASSEMBLY <i>(refer to 603.1)</i>	
18	74006GT	COVER,GFCI,HORIZONTAL,WEATHER.1 <i>includes mounting fasteners</i>					
19A	94390-SGT	OPTION,PLAT SUPPORT,STD,LRG BM..... <i>ANSI models</i>	1				
19B		Ref.WELDMNT,PLATFORM SUPPORT,CE <i>CE models (refer to 804.1)</i>					
20		REF. PLATFORM ROTATOR <i>(refer to 505.1 or 506.1)</i>					
21	13585GT	OUTLET, 110V.....	1				
--	33629GT	PLATE,UK POWER TO PLATFORM					

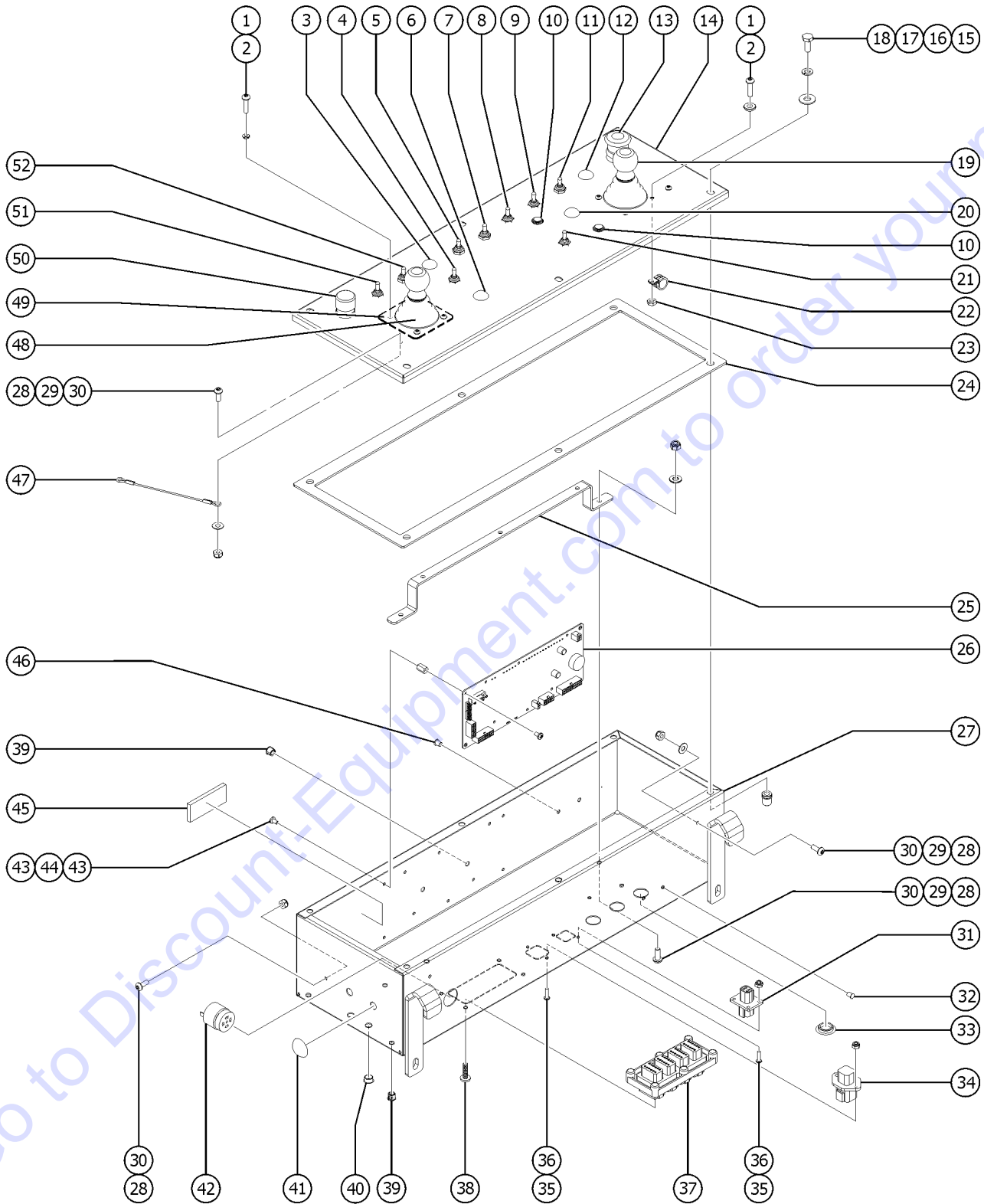
602.1 Platform Installation - View 2



602.1 Platform Installation - View 2

Item	Part No.	Description	Qty.	Item	Part No.	Description	Qty.
1A	824078GT	SCREW,HHF,1/4-20X.75,8,ZAG.....13 (6 ft platform)	13	21B	101380GT	PLAT RAIL ASSY,6FT,AUSTRALIA** (Australian models)	
1B	824078GT	SCREW,HHF,1/4-20X.75,8,ZAG.....15 (8 ft platform)	15	--	101383GT	PLAT RAIL ASSY,8FT,AUSTRALIA** (Australian models)	
2A	56912GT	SPRING CLIP,1/4-20,.025-.15X.54,ZAG.....14 (6 ft platform)	14	21C	101379GT	PLATFORM RAIL ASSY,6FT,CE/UK (European models)	
2B	56912GT	SPRING CLIP,1/4-20,.025-.15X.54,ZAG.....16 (8 ft platform)	16	--	101382GT	PLATFORM RAIL ASSY,8FT,CE/UK (European models)	
3	73610PGT	STEP PLATFORM ENTRY PAINTED***	1	21D	101381GT	PLAT ASSEMBLY,6FT,ASIA/S AM (Asian and South American models)	
4	824091GT	SCREW,HHF,3/8-16X1.25,8,ZAG.....4	4	--	101384GT	PLAT ASSEMBLY,8FT,ASIA/S AM (Asian and South American models)	
5	824029GT	NUT,TL FLG,3/8-16,G,ZAG.....8	8	22A	73477PGT	FLOORING, 6'FT PLATFORM.....1	1
6	89377GT	PLATE,DOCUMENT BOX MOUNT.....1	1	22B	73478PGT	FLOORING,8 FT PLATFORM**.....1	1
7	75067GT	SCREW,6-32 X 7/8 PPMZ ZINC		23A	824124GT	BOLT,CARRIAGE,1/4-20X.75,5,ZAG.....2 (6 ft platform)	2
8	74006GT	COVER,GFCI,HORIZONTAL,WEATHER.1 includes mounting fasteners	1	23B	824124GT	BOLT,CARRIAGE,1/4-20X.75,5,ZAG.....5 (8 ft platform)	5
9	94390-SGT	OPTION,PLAT SUPPORT,STD,LRG BM.....1 ANSI models	1	24A	824027GT	NUT,TL FLG,1/4-20,G,ZAG.....2 (6 ft platform)	2
--		Ref.WELDMENT,PLATFORM SUPPORT,CE CE models (refer to 804.1)		24B	824027GT	NUT,TL FLG,1/4-20,G,ZAG.....5 (8 ft platform)	5
10		Ref. Platform Rotator (refer to 505.1 or 506.1)					
11	13585GT	OUTLET, 110V.....1	1				
--	33629GT	PLATE,UK POWER TO PLATFORM					
--	33724GT	KIT,GASKET,UK POWER TO PLAT.					
--	T112563GT	SVC KIT,UK RECEPT.REPLACEMENT					
12	10775GT	T-BOX,2.75 X 4.5 X 2.0.....1	1				
13	7056GT	CONN,SQUEEZE,1/2NPT .38-.50,SM....1	1				
14A	43956GT	WIRE CABLE,14/3 CON.TPE JKT*.....828-inches (S-40)	828				
14B	43956GT	WIRE CABLE,14/3 CON.TPE JKT*.....888-inches (S-45)	888				
15	1251600GT	U-BOLT, FLATTENED, 1.5 X 3/8 UNC,ZAG.....2	2				
16	826791GT	SCREW,HHC,3/8-16X.875,8,ZAG.....8	8				
17	826793GT	WASHER,FLAT,3/8,SAE,HRD,ZAG.....8	8				
18	826792GT	SCREW,HHC,1-8X11,5,ZAG.....1	1				
19	824116GT	WASHER, FLAT, F436, 1.0, ZAG.....1	1				
20	826794GT	NUT,TL,1-8,C,ZAG.....1	1				
21A	111252GT	PLAT RAILW/DECALS 6FT 500LB AN (USA and Canadian models)					
--	111253GT	PLAT RAILW/DECALS 8FT 500 ANSI (USA and Canadian models)					

603.1 Platform Control Box



603.1 Platform Control Box

Item	Part No.	Description	Qty.	Item	Part No.	Description	Qty.
C		Ref. HARNESS,PBOX,S40/45 (Refer to 311.1)		21	128200GT	SWITCH TOGGLE ASSY SPDT 3P MOM.....	1
D	122020GT	HARNESS,PBOX,JOYSTICKS		22	18666GT	CLAMP,1.00,#16 X 1/4,RUB CUSH.....	1
1	139338GT	SCREW PH M5-0.8X20 DIN 7500CE.....	8	23	104030GT	NUT HEX M5-0.8 CLASS 8 ZINC.....	3
2	1269498GT	SHOULDER WASHER, NYLON..... (Included in Joystick isolation kit 1269497GT, refer to 604.1); from SN S45H-23803	8	24	81488GT	GASKET,PLATFORM CONTROL BOX....	1
3	229567GT	PLUG,SANTOPRENE .5 BLACK DOME.....	1	25	119644GT	BRACKET,PBOX WIRE SUPPORT..... Machine model and serial number required when ordering. Please contact Discount- equipment for assistance	1
4	128200GT	SWITCH TOGGLE ASSY SPDT 3P MOM.....	1	26	1260209GT	ASSY,PCB,ALC500-II,S40.....	1
5	128201GT	SWITCH TOGGLE ASSY DPDT 2P MOM.....	1	27	824891GT	WELDMENT, PLATFORM CONTROL BOX.....	1
6	229567GT	PLUG,SANTOPRENE .5 BLACK DOME.....	1	28	54365GT	SCREW,PHIL,PHM,10-32 X .5,SSTL.....	7
7	128204GT	SWITCH TOGGLE ASSY SPDT 2P MNT.....	1	29	6146GT	WASHER,FLAT,MS,#10,Y.....	6
8	128200GT	SWITCH TOGGLE ASSY SPDT 3P MOM.....	1	30	6178GT	NUT,NYLOCK,10-32.....	7
9	128200GT	SWITCH TOGGLE ASSY SPDT 3P MOM.....	1	31	73723GT	CONN RECEP,FLANGED.....	1
10	218165GT	LIGHT,INDICATOR,RED 12V H-BRI.....	2	--	60443GT	LOCK,RECEP 4 WAY,14-18GA	
11	128204GT	SWITCH TOGGLE ASSY SPDT 2P MNT.....	1	32	42288GT	PLUG,NYLON .188 BLACK DOMED.....	3
12	229567GT	PLUG,SANTOPRENE .5 BLACK DOME.....	1	33	15243GT	PLUG,NYLON .875 BLACK DOMED.....	3
13	66812GT	BUTTON,PUSH,RED MUSHROOM HEAD.....	1	34	73717GT	CONN,RECEP 4 WAY,12-14GA FL***.....	1
--	146478GT	BOOT(BELLOWS),E-STOP,BLACK		--	60526GT	LOCK,RECEP 4 WAY,12-14GA	
--	66818GT	CONTACT, N.C.		--	73711GT	TERM,DEUTSCH, PIN #12-14	
--	94506GT	BASE,W/3 NC CONTACTS includes N.C. contacts		35	49820GT	SCREW,PHILLIPS,PHM,6-32 X .5.....	4
14	1270243GT	PLATFORM CONTROL BOX, LID.....	1	36	12344GT	NUT,NYLOCK,6-32.....	4
15A	8914GT	SCREW,HHC,1/4-20 X .625..... to SN S45H16-22513	6	37	73736GT	CONN,RECEP 48 WAY,4 X 12.....	4
15B	824078GT	SCREW,HHF,1/4-20X.75,8,ZAG..... from SN S45H16-22514	6	--	54255GT	LOCK,RECEP 12 WAY, 14-18GA	
16	6356GT	WASHER,LOCK,.25..... to SN S45H16-22513	6	--	73713GT	TERM,NI PIN,S&F,16-18GA,REEL	
17A	6638GT	WASHER,FLAT,USS,1/4"Y..... to SN S45H16-22513	6	38	73803GT	SCREW,SHM,PHP, #12 X .75.....	4
17B	824113GT	WASHER,FLAT,USS,1/4,ZAG..... from SN S45H16-22514	6	39	30996GT	PLUG,NYLON .313 BLACK DOMED.....	5
18	23404GT	NUTSERT,1/4-20,STEEL CAD PLTD.....	6	40	21858GT	PLUG,NYLON .38 BLACK DOMED.....	2
19		Ref. JOYSTICK..... (Refer to 604.1 and 605.1)	1	41	229567GT	PLUG,SANTOPRENE .5 BLACK DOME.....	2
20	229567GT	PLUG,SANTOPRENE .5 BLACK DOME.....	1	42	45383GT	ALARM,WARBLE TONE 5-30 VDC***.....	1
				43	81551GT	SCREW,PHIL,PHM,6-32 X 1/4 SS.....	20
				44	81550GT	STANDOFF,6-32 X 3/8L X 1/4 HEX.....	10
				45	30997GT	CORROSION INHIBITOR,FOAM.....	1
				46	42781GT	PLUG, NYLON .250 BLACK DOMED.....	4
				47	77351GT	LANYARD,PLATFORM CONTROL BOX.....	2
				48		Ref. JOYSTICK..... (Refer to 604.1 and 605.1)	1
				49		GASKET, ISOLATION, JOYSTICK For replacement please order kit 1269500GT (refer to 604.1); from SN S45H-23803	1
				--	1269500GT	KIT, ISOLATION, 2 JOYSTICK.....	1
				50	66813GT	BUTTON,PUSH,BLACK W/SEAL***.....	1

603.1 Platform Control Box
(continued)

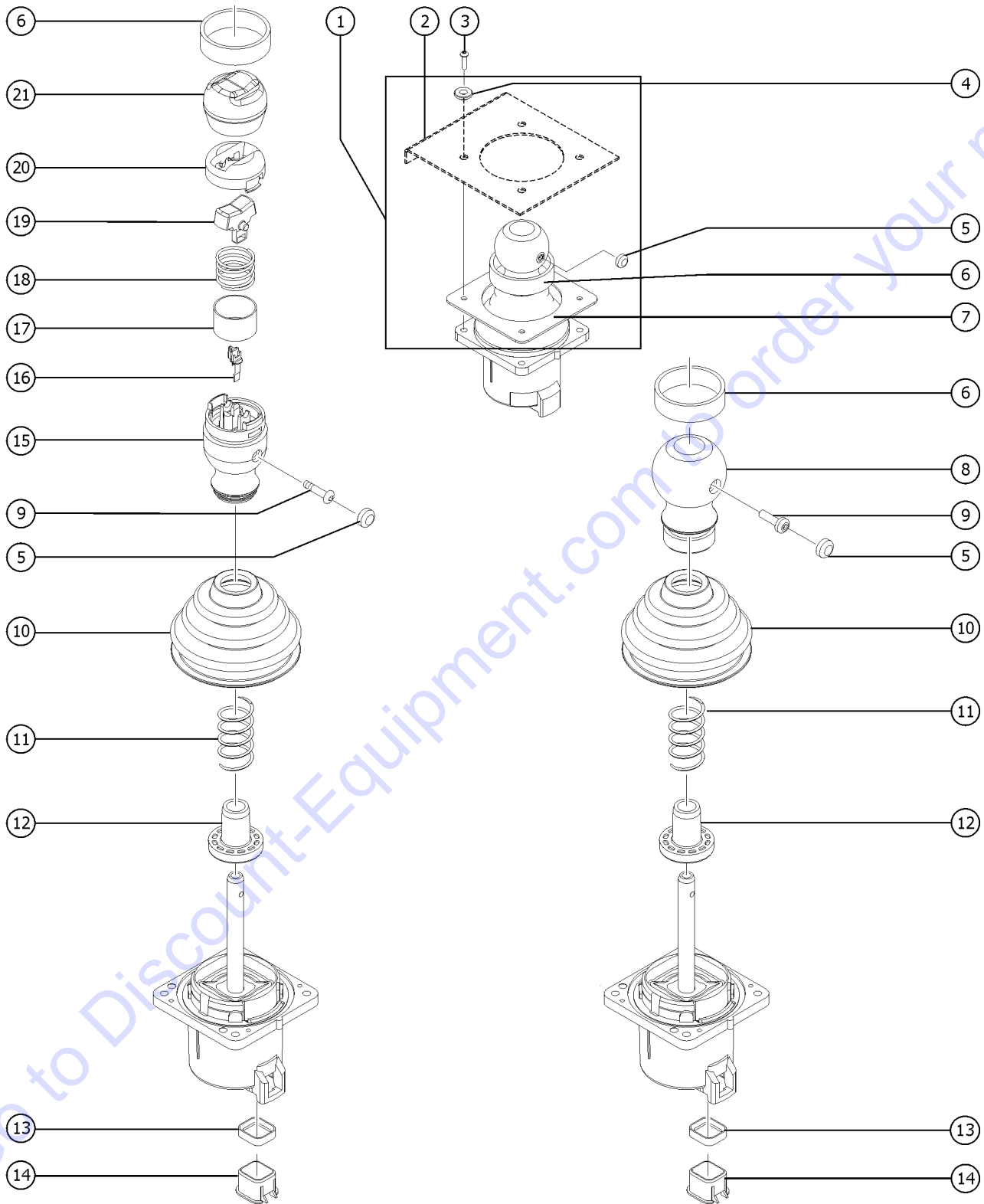
Item	Part No.	Description	Qty.
--	66815GT	BASE, W/1 N.O. CONTACTS***.....	1
51	128200GT	SWITCH TOGGLE ASSY SPDT 3P MOM.....	1
52	128202GT	SWITCH TOGGLE ASSY DPDT 3P MOM.....	1

Go to Discount-Equipment.com to order your parts

This Page Intentionally Left Blank

Go to Discount-Equipment.com to order your parts

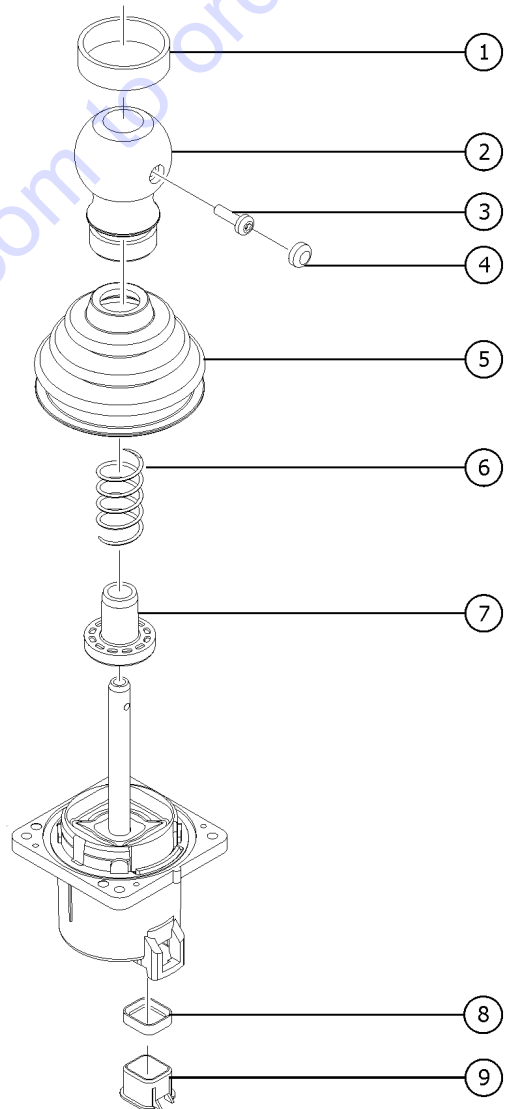
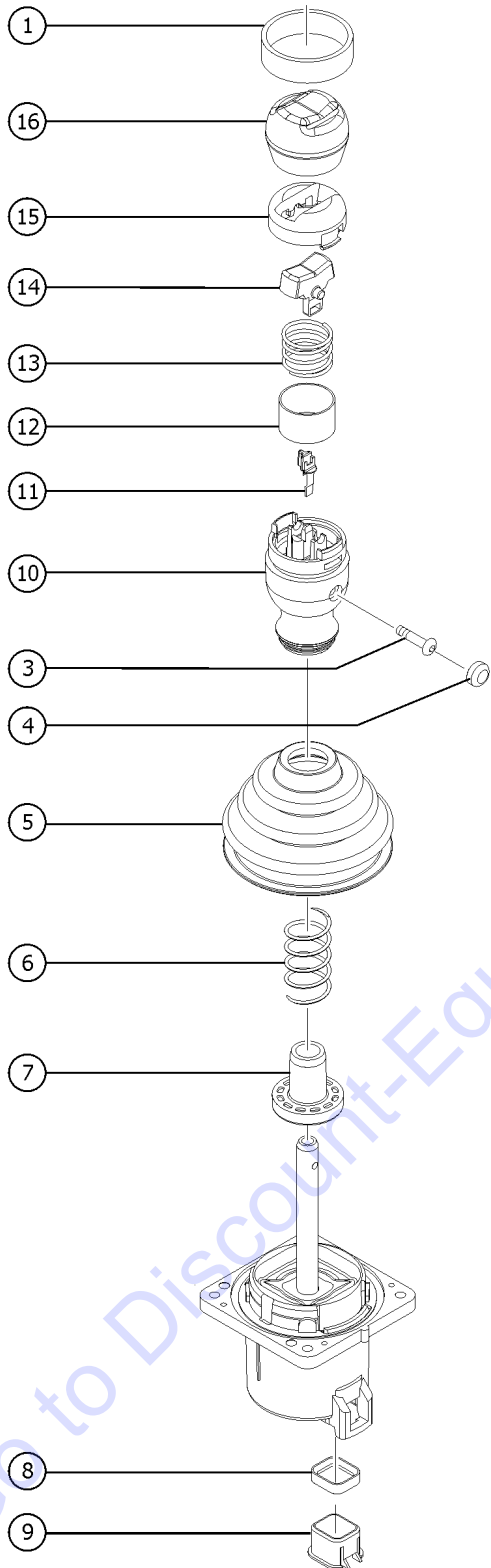
604.1 Joysticks (to SN 23802)



604.1 Joysticks (to SN 23802)

Item	Part No.	Description	Qty.	Item	Part No.	Description	Qty.
--		<i>If joystick handle is marked with blue band it is "isolated" and must be replaced with isolated joystick</i>		17	75447GT	SWITCH SHIELD,ROCK JOYSTK75565.....	1
--	101174GT	JOYSTICK,2 AXIS,DEUTSCH <i>OEM joystick (calibration required after replacement)</i>		18	75446GT	SPRING,SWITCH CENTERING,75565...	1
--	101174HGT	JOYSTICK,DUAL AXIS W/KNOB <i>aftermarket joystick (calibration required after replacement)</i>		19	75445GT	ROCKER ASSY.,MAGNETIC 75565.....	1
--	101175GT	JOYSTICK,1 AXIS,DEUTSCH <i>OEM joystick (calibration required after replacement)</i>		20	75444GT	ROCKER,RETAINER, 75565.....	1
--	101175HGT	JOYSTICK,SINGLE AXIS W/KNOB <i>aftermarket joystick (calibration required after replacement)</i>		21	75443GT	BOOT, ROCKER JOYSTICK 75565.....	1
--	101005GT	JOYSTICK,1 AXIS ROCKER,DEUTSCH <i>OEM joystick (calibration required after replacement)</i>					
--	101005HGT	JOYSTICK,SINGLE AXIS W/STEER <i>aftermarket joystick (calibration required after replacement)</i>					
--	83098GT	TERM,AMP MTE,SOC,22-26 GA BULK					
--	119613GT	HARN JOYSTICK ADAPTOR JS100 <i>6-pin to 7-pin adapter (for 101174, 101175, 101005)</i>					
1	1269500GT	KIT, ISOLATION, 2 JOYSTICK.....	1				
		<i>(Includes items 4 - 7)</i>					
2		Ref. (EXISTING PLATFORM LID) <i>(Refer to 603.1)</i>					
3		Ref. (EXISTING SCREW PH M5-0.8X20) <i>(Refer to 603.1)</i>					
4	1269498GT	SHOULDER WASHER, NYLON.....	8				
		<i>(Included in kit 1269500GT)</i>					
5	1269499GT	PLUG, JOYSTICK HANDLE.....	2				
		<i>(Included in kit 1269500GT)</i>					
6	1271713GT	SHRINK TUBE,BLU,3:1,40MM.....	2				
		<i>(Included in kit 1269500GT)</i>					
7	1269497GT	GASKET, ISOLATION, JOYSTICK.....	2				
		<i>(Included in kit 1269500GT)</i>					
8	62392GT	KNOB,JOYSTICK, 62390/62391.....	1				
9	T112626GT	SCREW, PHM, #6-32 X .625 ZINC.....	1				
10	139598GT	BOOT,JOYSTICK.....	1				
11		SPRING,JOYSTK CENTR,62390/91 <i>no longer available from supplier</i>					
12	119915GT	COLLAR,JOYSTICK,CENTER.....	1				
13	128000GT	SEAL, CONNECTOR (DT JOYSTICKS).....	1				
14	128001GT	SLEEVE,CONNECTOR,DT JOYSTICKS.....	1				
15	75449GT	KNOB,ROCKER JOYSTICK 75565.....	1				
16	75448GT	SUPPORT,SENSOR,JOYSTICK.....	1				

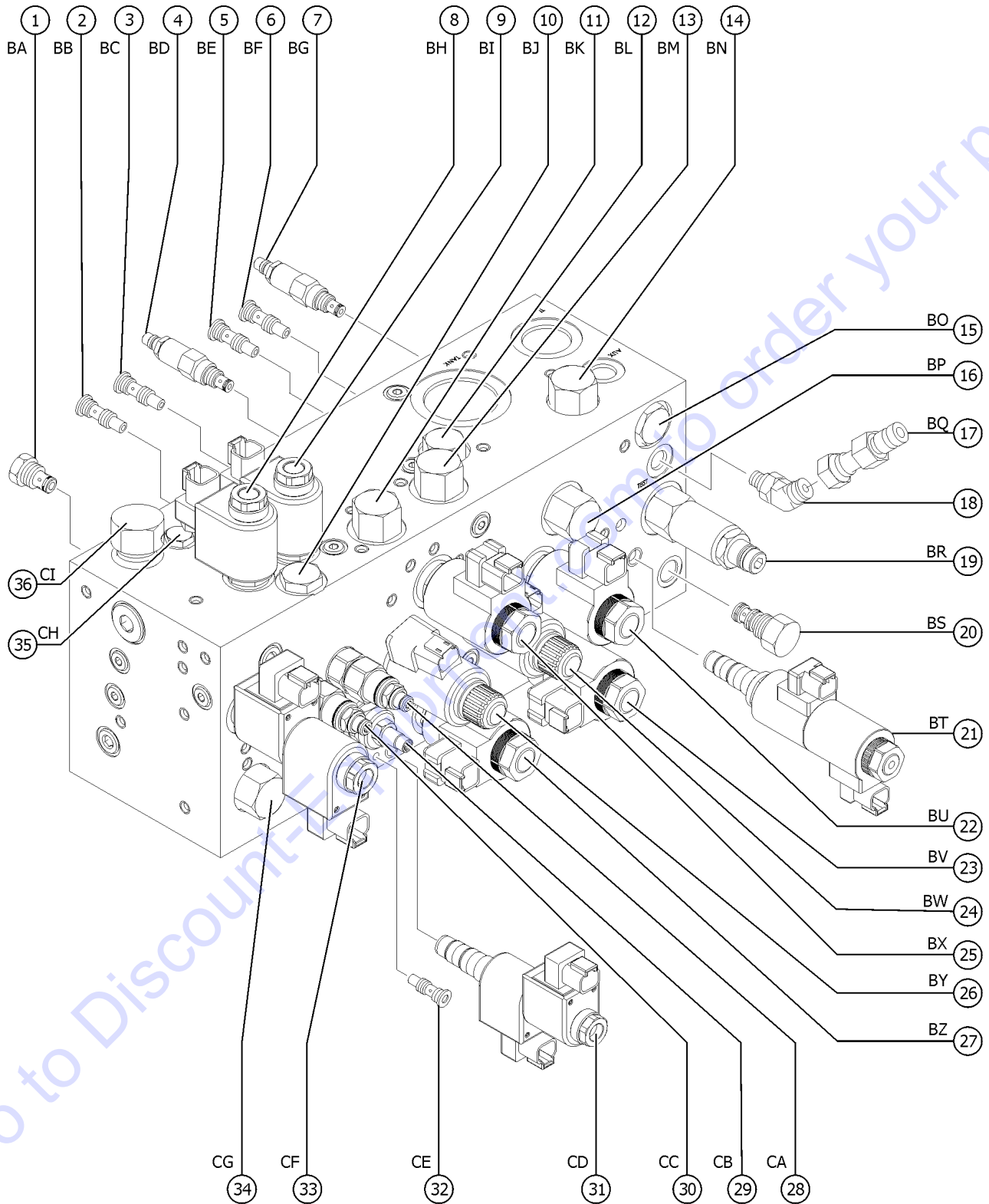
605.1 Joysticks (from SN 23803)



605.1 Joysticks (from SN 23803)

Item	Part No.	Description	Qty.
--		<i>If joystick handle is marked with blue band it is "isolated" and must be replaced with isolated joystick</i>	
--	1275248GT	JOYSTICK, ISOLATED, 2 AXIS <i>OEM joystick (calibration required after replacement); includes Gasket part 1269497 and Shoulder Washer part 1269498 (refer to 603.1)</i>	
--	1275260GT	JOYSTICK, ISOLATED, 1 AXIS <i>OEM joystick (calibration required after replacement); includes Gasket part 1269497 and Shoulder Washer part 1269498 (refer to 603.1)</i>	
--	1275258GT	JOYSTICK, ISOLATED, 1 AXIS ROCKER <i>OEM joystick (calibration required after replacement); includes Gasket part 1269497 and Shoulder Washer part 1269498 (refer to 603.1)</i>	
--	83098GT	TERM,AMP MTE,SOC,22-26 GA BULK	
1	1271713GT	SHRINK TUBE,BLU,3:1,40MM.....	2
2	62392GT	KNOB,JOYSTICK, 62390/62391.....	1
3	T112626GT	SCREW, PHM, #6-32 X .625 ZINC.....	1
4	1269499GT	PLUG, JOYSTICK HANDLE.....	2
5	139598GT	BOOT,JOYSTICK.....	1
6		SPRING,JOYSTK CENTR,62390/91 <i>no longer available from supplier</i>	
7	119915GT	COLLAR,JOYSTICK,CENTER.....	1
8	128000GT	SEAL, CONNECTOR (DT JOYSTICKS).....	1
9	128001GT	SLEEVE,CONNECTOR,DT JOYSTICKS.....	1
10	75449GT	KNOB,ROCKER JOYSTICK 75565.....	1
11	75448GT	SUPPORT,SENSOR,JOYSTICK.....	1
12	75447GT	SWITCH SHIELD,ROCK JOYSTK75565.....	1
13	75446GT	SPRING,SWITCH CENTERING,75565...1	
14	75445GT	ROCKER ASSY.,MAGNETIC 75565.....1	
15	75444GT	ROCKER,RETAINER, 75565.....1	
16	75443GT	BOOT, ROCKER JOYSTICK 75565.....1	

701.1 Function Manifold



701.1 Function Manifold

Item	Part No.	Description	Qty.	Item	Part No.	Description	Qty.
--	230972GT	MANIFOLD,MULTI-FUNCTION,S40 <i>(complete)</i>		--	74902GT	SEAL KIT	
--	230973GT	MANIFOLD,MULTI-FUNCTION,S45 <i>(complete)</i>		11	27802GT	VALVE,DIFFERENTIAL SENSING*** <i>BK, Turntable rotate circuit</i>	
--	28750GT	O-RING KIT,FIELD SVC,ALL PROD*		--	110196GT	SEAL KIT, VALVE, #10	
--	49612GT	O-RING KIT (ORFS FITTINGS)		12	32975GT	VALVE,FLOW REGULATOR 0.1 GPM <i>BL, Bleeds off differential sensing valves to tank</i>	
--	33994GT	PLUG AND CAP KIT-SERVICE,37 **		--	74902GT	SEAL KIT	
--	49613GT	PLUG AND CAP KIT-SERVICE,ORFS*		13	27802GT	VALVE,DIFFERENTIAL SENSING*** <i>BM, Boom up / down circuit</i>	
--		Ref. Harness, Gearbox, Function Manifold <i>(refer to 311.1)</i>		--	110196GT	SEAL KIT, VALVE, #10	
1	231038GT	CHECK VALVE,BALL TYPE,NORMAL <i>BA, Platform rotate circuit prevents hydraulic fluid from draining back to tank</i>		14	111704GT	VALVE,FLOW REGULATOR 2.0 GPM <i>BN, Steer left / right circuit</i>	
--	74902GT	SEAL KIT		--	110202GT	SEAL KIT, VALVE, #10	
2	27807GT	VALVE,CHECK*** <i>BB, Differential sensing circuit, Platform rotate right and jib boom down, (S-45)</i>		15	231037GT	CHECK VALVE,BALL TYPE,NORMAL <i>BO, Platform level up</i>	
--	110200GT	SEAL KIT, VALVE, #4		--	74902GT	SEAL KIT	
3	27807GT	VALVE,CHECK*** <i>BC, Differential sensing circuit, Platform level up</i>		16	27764GT	VALVE,FLOW REGULATOR <i>BP, Bleeds off differential sensing valves to tank</i>	
--	110200GT	SEAL KIT, VALVE, #4		--	110194GT	SEAL KIT, VALVE, #10	
4	102615GT	VALVE,RELIEF 2200 PSI <i>BD, Boom down relief</i>		17	49207GT	NIPPLE,DIAGNOSTIC,ORFS,FM,SWIV <i>BQ, Testing</i>	
--	74902GT	SEAL KIT		--	20224GT	DIAGNOSTIC FEMALE Q-DSCNT	
5	27807GT	VALVE,CHECK*** <i>BE, Differential sensing circuit, Boom up / down</i>		--	48880GT	CAP,DIAGNOSTIC NIPPLE	
--	110200GT	SEAL KIT, VALVE, #4		18	48907GT	ELBOW,45D,520320-4	
6	27807GT	VALVE,CHECK*** <i>BF, Differential sensing circuit, boom extend / retract</i>		19A	102617GT	VALVE,RELIEF 2600 PSI <i>BR, System relief, (S-40)</i>	
--	110200GT	SEAL KIT, VALVE, #4		--	110194GT	SEAL KIT, VALVE, #10	
7	102614GT	VALVE,RELIEF,1950 PSI <i>BG, Extend cylinder relief</i>		19B	102616GT	VALVE,RELIEF 2900 PSI <i>BR, System relief, (S-45)</i>	
--	74902GT	SEAL KIT		--	110194GT	SEAL KIT, VALVE, #10	
8	231036GT	SOLENOID VALVE,3-WAY,2-POS <i>BH, Platform level up/down</i>		20	27836GT	VALVE,CHECK,5 PSI <i>BS, Blocks flow from auxiliary pump to function pump</i>	
--	237235GT	NUT KIT W/COIL ORINGS		--	110194GT	SEAL KIT, VALVE, #10	
--	237236GT	SEAL KIT,VALVE		21	111703GT	VALVE,SOLENOID 3 POS,4 WAY*** <i>BT, Steer left / right</i>	
--	89733GT	COIL,SOLENOID VALVE***		--	110196GT	SEAL KIT, VALVE, #10	
9	231036GT	SOLENOID VALVE,3-WAY,2-POS <i>BI, Platform level up/down</i>		--	111778GT	COIL,10V DC(D10,26 WATT)	
--	237235GT	NUT KIT W/COIL ORINGS		--	111779GT	SEAL KIT,VALVE,#10	
--	237236GT	SEAL KIT,VALVE		--	52943GT	NUT,SOLENOID VALVE COIL	
--	89733GT	COIL,SOLENOID VALVE***		--	89854GT	SPACER,SOLENOID VALVE COIL	
10	231038GT	CHECK VALVE,BALL TYPE,NORMAL <i>BJ, Platform rotate circuit prevents hydraulic fluid from draining back to tank</i>		--	89861GT	COIL, 10V DC (D10, 20 WATT)	
				22	231034GT	SOLENOID VALVE,3-WAY,2-POS <i>BU, Boom extend</i>	
				--	111778GT	COIL,10V DC(D10,26 WATT)	
				--	119116GT	NUT,COIL (107745)	

701.1 Function Manifold
(continued)

Item	Part No.	Description	Qty.	Item	Part No.	Description	Qty.
--	237234GT	SEAL KIT,VALVE		--	102940GT	NUT,SOLENOID VALVE	
23	231034GT	SOLENOID VALVE,3-WAY,2-POS <i>BV, Boom retract</i>		--	122120GT	SEAL KIT,SOLENOID VALVE	
--	111778GT	COIL,10V DC(D10,26 WATT)		--	89733GT	COIL,SOLENOID VALVE***	
--	119116GT	NUT,COIL (107745)		34	27804GT	VALVE,DIFFERENTIAL SENSING*** <i>CG, Differential sensing circuit, meters flow to functions</i>	
--	237234GT	SEAL KIT,VALVE		--	110201GT	SEAL KIT, VALVE, #10	
24	102527GT	VALVE,PROPORTIONAL <i>BW, Boom up / down circuit</i>		35	231038GT	CHECK VALVE,BALL TYPE,NORMAL <i>CH, Platform rotate circuit prevents hydraulic fluid from draining back to tank</i>	
--	102526GT	O-RING, PROPORTIONAL VALVE		--	74902GT	SEAL KIT	
--	89312GT	SEAL KIT, SOLENOID VALVE		36A	231035GT	FLOW CONTROL,ADJUSTABLE <i>CI, Platform rotate, (S-40)</i>	
--	89737GT	COIL,PROPORTIONAL VALVE***		--	74902GT	SEAL KIT	
--	89738GT	NUT, PROPORTIONAL VALVE		36B	31100GT	VALVE,FLOW REGULATOR 0.6GPM <i>CJ, Platform rotate and jib boom, (S-45)</i>	
25	231034GT	SOLENOID VALVE,3-WAY,2-POS <i>BX, Boom up</i>		--	74902GT	SEAL KIT	
--	111778GT	COIL,10V DC(D10,26 WATT)					
--	119116GT	NUT,COIL (107745)					
--	237234GT	SEAL KIT,VALVE					
26	102527GT	VALVE,PROPORTIONAL <i>BY, Turntable rotate left / right</i>					
--	102526GT	O-RING, PROPORTIONAL VALVE					
--	89312GT	SEAL KIT, SOLENOID VALVE					
--	89737GT	COIL,PROPORTIONAL VALVE***					
--	89738GT	NUT, PROPORTIONAL VALVE					
27	231034GT	SOLENOID VALVE,3-WAY,2-POS <i>BZ, Boom down</i>					
--	111778GT	COIL,10V DC(D10,26 WATT)					
--	119116GT	NUT,COIL (107745)					
--	237234GT	SEAL KIT,VALVE					
28	54839GT	VALVE,COUNTERBALANCE,3500 PSI <i>CA, Platform level up</i>					
--	43018GT	SEAL KIT (39345)					
29	231039GT	REGULATOR,PRESSURE-COMP. <i>CB, Platform level circuit</i>					
--	110199GT	SEAL KIT, VALVE, #10					
30	54839GT	VALVE,COUNTERBALANCE,3500 PSI <i>CC, Platform level down</i>					
--	43018GT	SEAL KIT (39345)					
31	122645GT	SOLENOID VALVE,SPOOL TYPE <i>CD, Turntable rotate left / right</i>					
--	102940GT	NUT,SOLENOID VALVE					
--	122120GT	SEAL KIT,SOLENOID VALVE					
--	89733GT	COIL,SOLENOID VALVE***					
32	27807GT	VALVE,CHECK*** <i>CE, Platform level down</i>					
--	110200GT	SEAL KIT, VALVE, #4					
33	122645GT	SOLENOID VALVE,SPOOL TYPE <i>CF, Platform rotate and jib boom up / down</i>					

This Page Intentionally Left Blank

Go to Discount-Equipment.com to order your parts

PARTS FINDER

**Search Website
by Part Number**



**Search Manual
Library For Parts
Manual & Lookup Part
Numbers – Purchase
or Request Quote**

Search Manuals

Enter your information to help us find the right parts manual for your machine.

* Brand:

* Model:

* Serial:

* Part Number:

SEARCH

**Can't Find Part or
Manual? Request Help
by Manufacturer,
Model & Description**

Parts Order Form

Please fill in the following information to help us find the right part for your machine.

Manufacturer:	<input type="text"/>
Model:	<input type="text"/>
Description:	<input type="text"/>
Part Number:	<input type="text"/>
Quantity:	<input type="text"/>
Notes:	<input type="text"/>

Submit

Discount-Equipment.com is your online resource for quality parts & equipment.

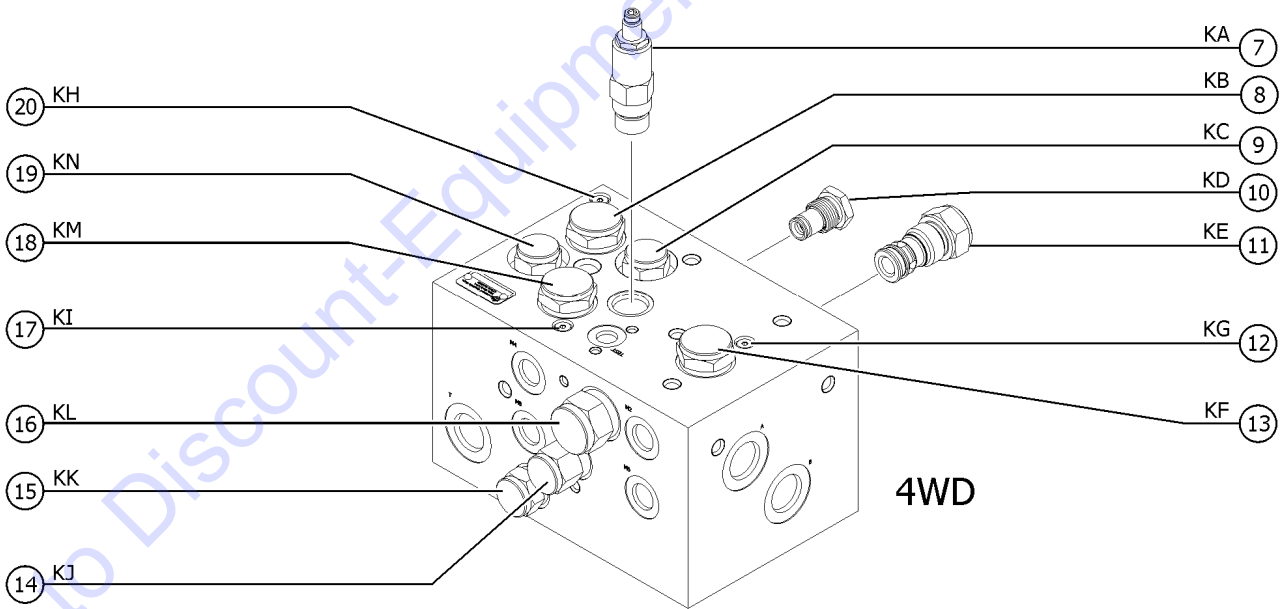
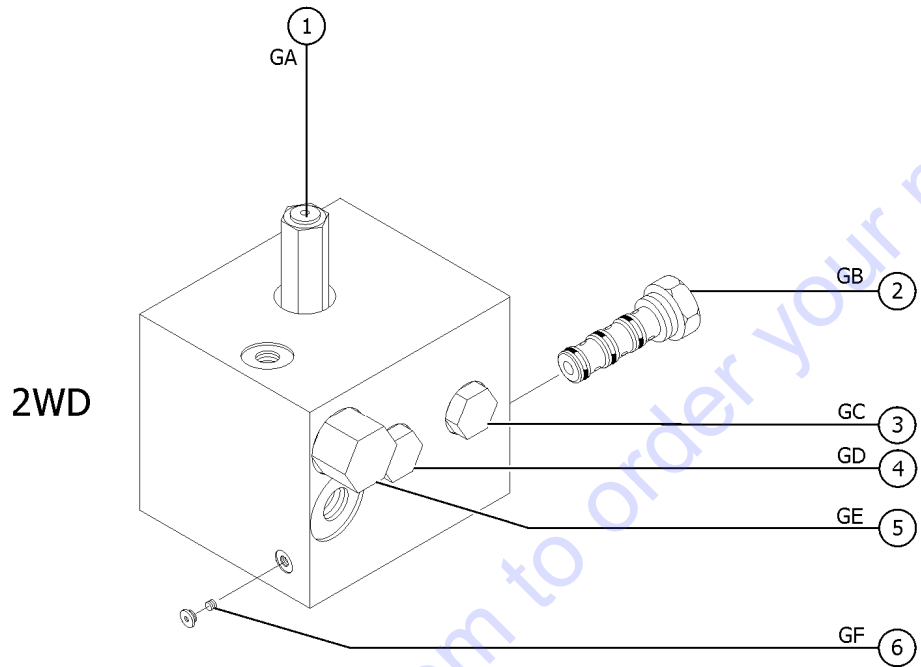
Florida: **561-964-4949** Outside Florida TOLL FREE: **877-690-3101**

Need parts?

Click on this link: <http://www.discount-equipment.com/category/5443-parts/> and choose one of the options to help get the right parts and equipment you are looking for. Please have the machine model and serial number available in order to help us get you the correct parts. If you don't find the part on the website or on one of the online manuals, please fill out the request form and one of our experienced staff members will get back to you with a quote for the right part that your machine needs.

We sell worldwide for the brands: Genie, Terex, JLG, MultiQuip, Mikasa, Essick, Whiteman, Mayco, Toro Stone, Diamond Products, Generac Magnum, Airman, Haulotte, Barreto, Power Blanket, Nifty Lift, Atlas Copco, Chicago Pneumatic, Allmand, Miller Curber, Skyjack, Lull, Skytrak, Tsurumi, Husquvarna Target, Stow, Wacker, Sakai, Mi-T-M, Sullair, Basic, Dynapac, MBW, Weber, Bartell, Bennar Newman, Haulotte, Ditch Runner, Menegotti, Morrison, Contec, Buddy, Crown, Edco, Wyco, Bomag, Laymor, EZ Trench, Bil-Jax, F.S. Curtis, Gehl Pavers, Heli, Honda, ICS/PowerGrit, IHI, Partner, Imer, Clipper, MMD, Koshin, Rice, CH&E, General Equipment, Amida, Coleman, NAC, Gradall, Square Shooter, Kent, Stanley, Tamco, Toku, Hatz, Kohler, Robin, Wisconsin, Northrock, Oztec, Toker TK, Rol-Air, APT, Wylie, Ingersoll Rand / Doosan, Innovatech, Con X, Ammann, Mecalac, Makinex, Smith Surface Prep, Small Line, Wanco, Yanmar

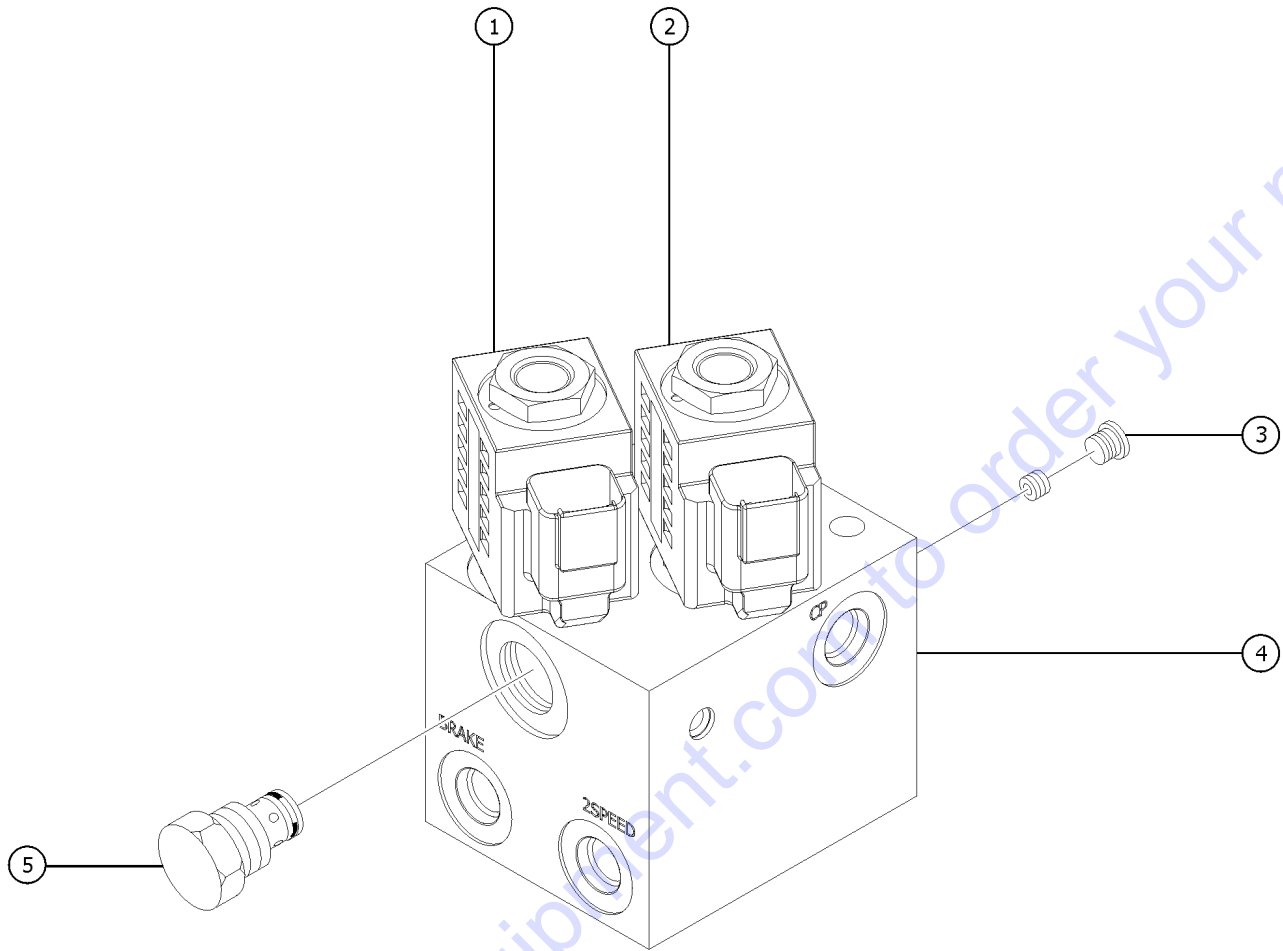
702.1 Traction Manifold



702.1 Traction Manifold

Item	Part No.	Description	Qty.	Item	Part No.	Description	Qty.
--	88783GT	MANIFOLD,TRACTION,2WD (complete)		13	139508GT	VALVE, FLOW DIVIDE/COMBINE 1:1 KF, Controls flow to flow divider/combiner valves 8 and 18	
--	139712GT	MANIFOLD,TRACTION,4WD*** (complete)		--	139512GT	SEAL KIT, VALVE	
--	28750GT	O-RING KIT,FIELD SVC,ALL PROD*		14	139715GT	VALVE, SHUTTLE, FIXED KJ, Steer end drive motor circuit	
--	49612GT	O-RING KIT (ORFS FITTINGS)		--	139512GT	SEAL KIT, VALVE	
--	33994GT	PLUG AND CAP KIT-SERVICE,37 **		15	139527GT	VALVE, CHECK, 5PSI KK, Steer end drive motor circuit	
--	49613GT	PLUG AND CAP KIT-SERVICE,ORFS*		--	139528GT	SEAL KIT, VALVE	
1	94758GT	VALVE,RELIEF,280PSI GA, Charge pressure circuit		16	139716GT	VALVE, CHECK KL, Charge pressure circuit that directs hot oil out of low pressure side of drive pump	
--	110194GT	SEAL KIT, VALVE, #10		--	139727GT	SEAL KIT, VALVE	
2	52726GT	VALVE,FLOW DIVIDER/COMBINER GB, Controls flow to drive motors in forward and reverse		17	139719GT	ORIFICE, 0.040" KI, Equalizes pressure on both sides of flow divider/combiner valve 18	
--	84135GT	SEAL KIT, VALVE		--	1287434GT	PLUG,SAE #03 (139712)	
3	27836GT	VALVE,CHECK,5 PSI GC, Drive circuit		18	139717GT	VALVE, FLOW DIVIDE/COMB,24GPM KM, Controls flow to steer end drive motors in forward and reverse	
--	110194GT	SEAL KIT, VALVE, #10		--	139512GT	SEAL KIT, VALVE	
4	27836GT	VALVE,CHECK,5 PSI GD, Drive circuit		19	139527GT	VALVE, CHECK, 5PSI KN, Non-steer end drive motor circuit	
--	110194GT	SEAL KIT, VALVE, #10		--	139528GT	SEAL KIT, VALVE	
5	27761GT	VALVE,SHUTTLE GE, Controls flow to drive motors in forward and reverse		20	139719GT	ORIFICE, 0.040" KH, Equalizes pressure on both sides of flow divider/combiner valve 8	
--	84134GT	SEAL KIT, VALVE					
6	101440GT	ORIFICE PLUG, 0.070" GE, Equalizes flow across flow divider combiner valve 2					
7	139718GT	VALVE, RELIEF, 280PSI KA, Charge pressure circuit					
--	139512GT	SEAL KIT, VALVE					
8	139717GT	VALVE, FLOW DIVIDE/COMB,24GPM KB, Controls flow to non-steer end drive motors in forward and reverse					
--	139512GT	SEAL KIT, VALVE					
9	139527GT	VALVE, CHECK, 5PSI KC, Steer end drive motor circuit					
--	139528GT	SEAL KIT, VALVE					
10	139527GT	VALVE, CHECK, 5PSI KD, Non-steer end drive motor circuit					
--	139528GT	SEAL KIT, VALVE					
11	139716GT	VALVE, CHECK KE, Non-steer end drive motor circuit					
--	139727GT	SEAL KIT, VALVE					
12	139719GT	ORIFICE, 0.040" KG, Equalizes pressure on both sides of flow divider/combiner valve 13					
--	1287434GT	PLUG,SAE #03 (139712)					

703.1 Two-Speed/Brake Manifold

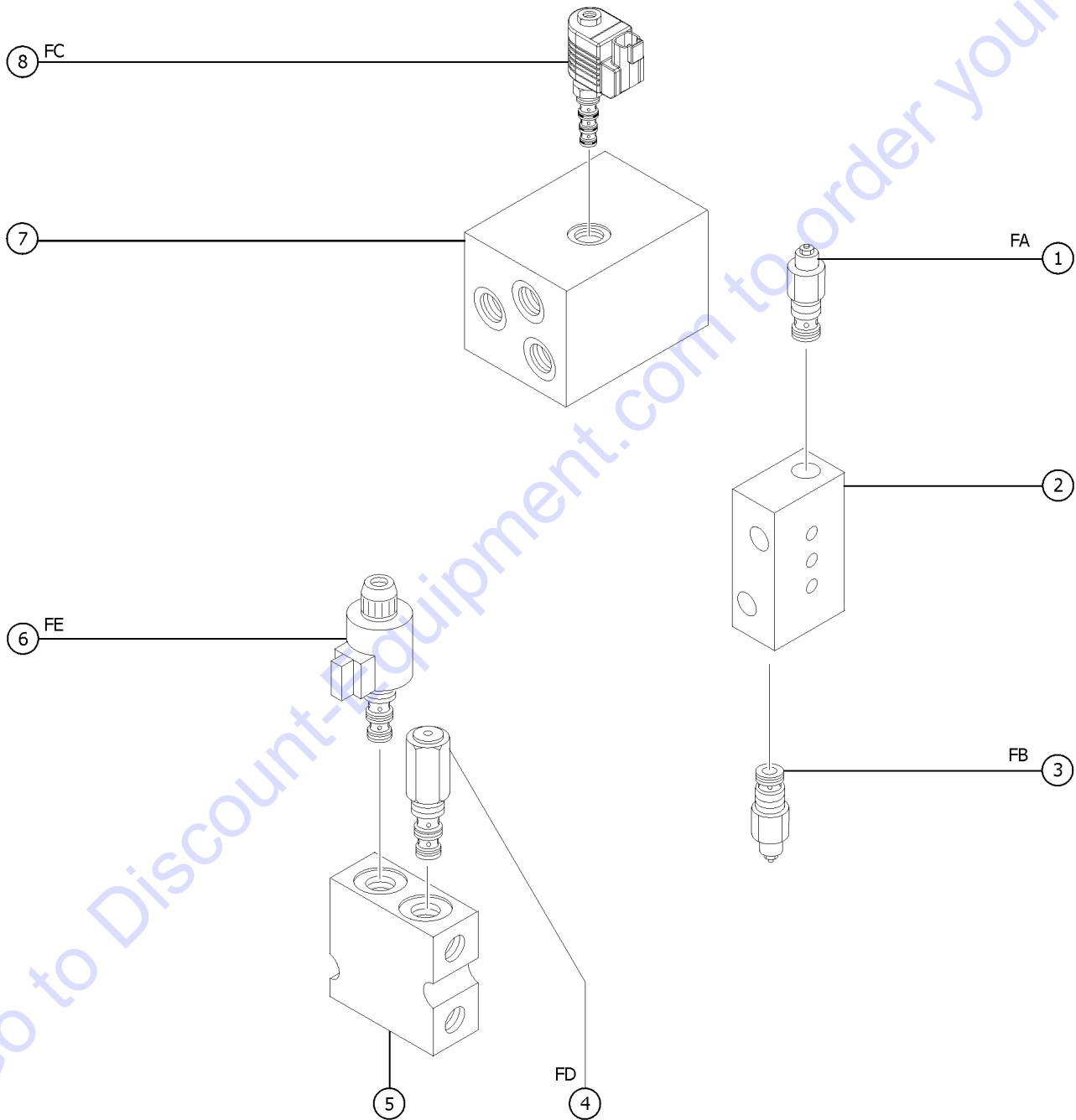


703.1 Two-Speed/Brake Manifold

Item	Part No.	Description	Qty.
1	219243GT	COIL, SOLENOID VALVE, 10V <i>EJ, Brake release</i>	
--	161144GT	SEAL KIT,SOLENOID VALVE 219247	
--	219247GT	VALVE, SOLENOID	
--	94759GT	NUT,SOLENOID	
2	219243GT	COIL, SOLENOID VALVE, 10V <i>EK, Two speed motor shift</i>	
--	161144GT	SEAL KIT,SOLENOID VALVE 219247	
--	219247GT	VALVE, SOLENOID	
--	94759GT	NUT,SOLENOID	
3	219245GT	ORIFICE PLUG .025 DIA. <i>EH, Turntable rotation brake release</i>	
4	216602GT	MANIFOLD,BRAKE,2-SPEED	
5	35726GT	VALVE,HYDRAULIC CHECK <i>EG, Brake release circuit</i>	
--	161145GT	SEAL KIT,CHECK VALVE 219246	

Go to Discount-Equipment.com to order your parts

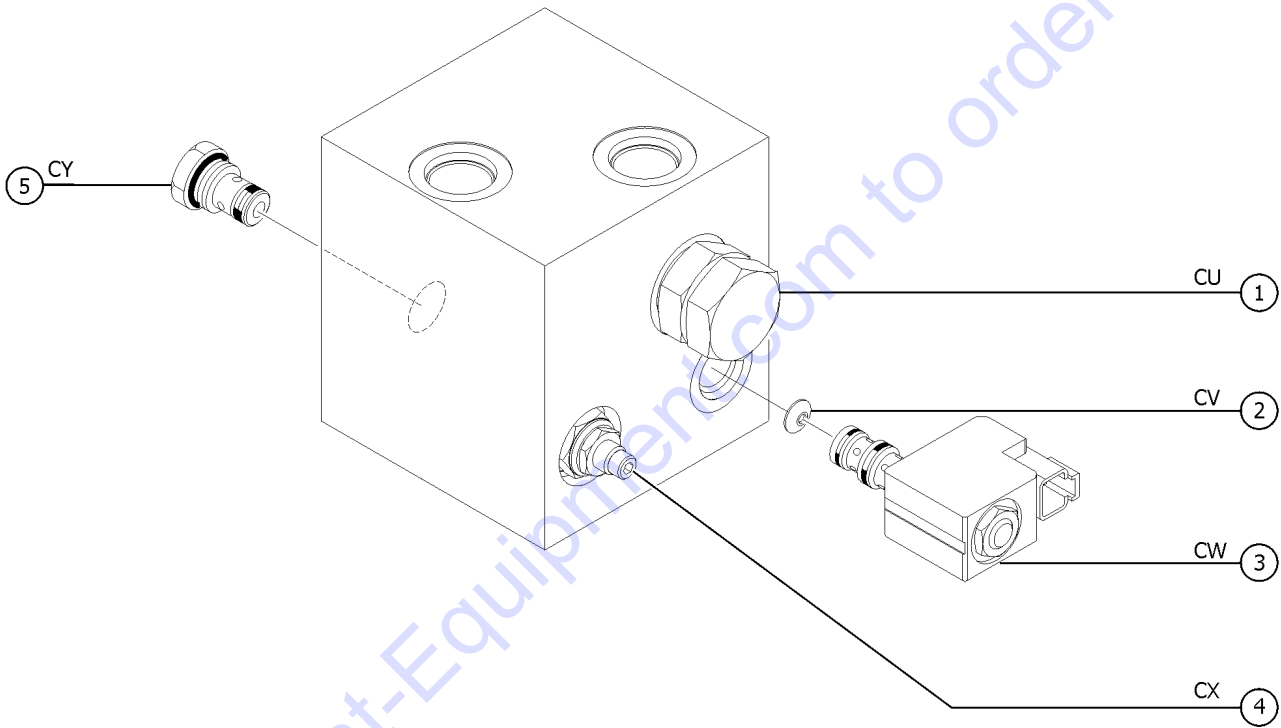
704.1 Jib Select, Platform Rotate and Generator Manifolds



704.1 Jib Select, Platform Rotate and Generator Manifolds

Item	Part No.	Description	Qty.
1	62506GT	VALVE - COUNTERBALANCE** <i>FA, Platform rotate right</i>	
--	43018GT	SEAL KIT (39345)	
2	73807GT	MANIFOLD,ROTATOR,CB***	
--	62507GT	O-RING, ROTATOR MANIFOLD	
3	62506GT	VALVE - COUNTERBALANCE** <i>FB, Platform rotate left</i>	
--	43018GT	SEAL KIT (39345)	
4	31529GT	VALVE,RELIEF 2400 PSI*** <i>FD, Generator overload relief</i>	
5	53976GT	MANIFOLD,GENERATOR	
6	19969GT	VALVE,SOLENOID (18660)*** <i>FE, Controls generator on / off</i>	
--	110198GT	SEAL KIT, VALVE, #12	
--	27535GT	COIL,12V.DO1 VALVE	
--	33568GT	NUT, CP521-1 VALVE	
--	45782GT	DIODE,6 AMP,200 PIV,BULK	
--	45914GT	O-RING, DO1 VALVE	
7	1256670GT	MANIFOLD,JIB SELECT W/QD PLUG	
8	52897GT	VALVE,SOLENOID, 2POS/3WAY*** <i>"FC, Platform rotate / jib boom select (used only on jib manifold 1256670)"</i>	
--	104759GT	COIL,12VDC #8 DTSCH IP69 ECOIL	
--	44174GT	NUT-COIL SHORT	
--	52371GT	SEAL KIT, VALVE <i>Used with valve part 52897</i>	

705.1 Oil Diverter Manifold (welder option)



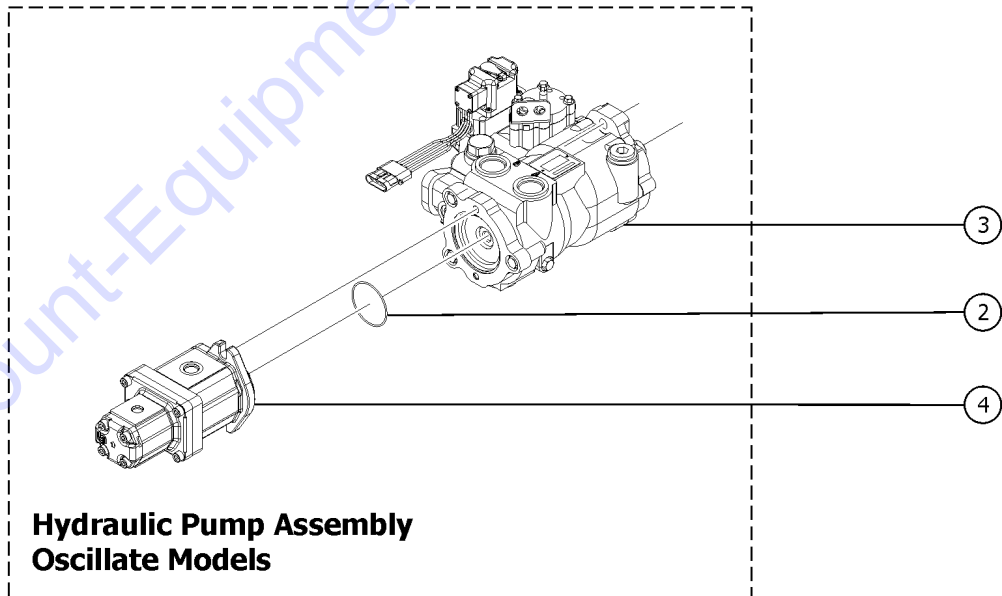
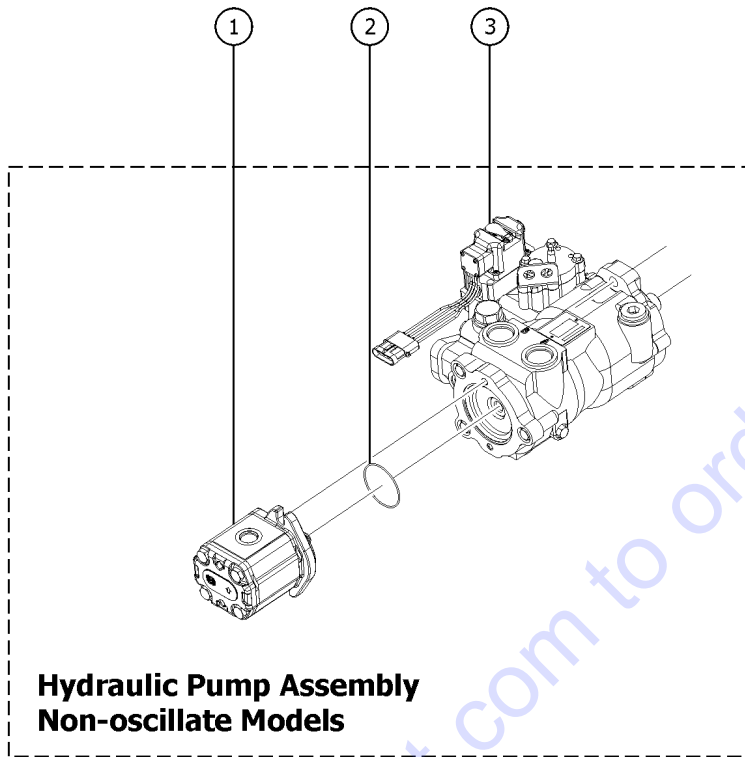
Go to Discount-Equipment.com to order your parts

705.1 Oil Diverter Manifold (welder option)

Item	Part No.	Description	Qty.
--	101516GT	MANIFOLD,DRIVE OIL DIVERTER	
1	102746GT	VALVE,PILOT OPER DIRECTIONAL <i>CU, Diverter valve</i>	
2	106394GT	ORIFICE DISC,.030,CONE <i>CV, Delays shift to drive</i>	
3	94760GT	VALVE,SOLENOID,10V,W/OUT COIL* <i>CW, Pilot valve to diverter</i>	
--	128419GT	SEAL KIT	
--	94759GT	NUT,SOLENOID	
--	94765GT	COIL-10V DC***	
4	122302GT	RELIEF,VALVE 270 PSI <i>CX, Charge pressure circuit</i>	
--	128416GT	SEAL KIT	
5	94757GT	VALVE,CHECK,3 PSI*** <i>CY, Prevents oil flow to generator</i>	
--	128416GT	SEAL KIT	

Go to Discount-Equipment.com to order your parts

706.1 Hydraulic Pumps

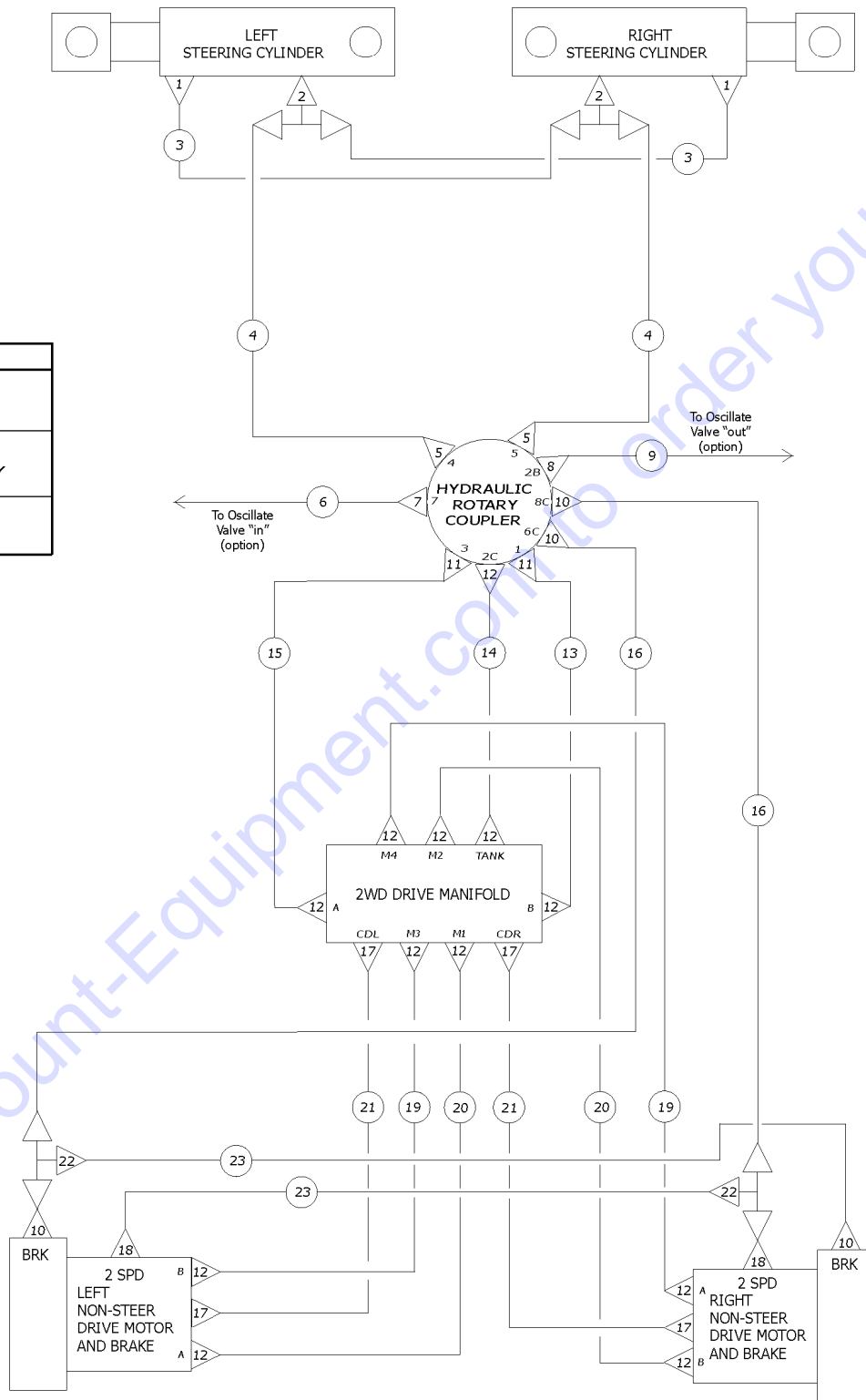


Go to Discount-Equipment.com to order your parts

Item	Part No.	Description	Qty.
A	89933GT	PUMP ASSY,M46 + 17CC***.....1 <i>Non-oscillate models (includes items 1 to 3)</i>	1
B	89932GT	PUMP ASSY,M46+17CC+6CC.....1 <i>Oscillate models (includes items 2 to 4)</i>	1
C	48911GT	ELBOW,90D,520220-4-6*** <i>(Only on Deutz D2.9L4)</i>	
D	49207GT	NIPPLE,DIAGNOSTIC,ORFS,FM,SWIV <i>(Only on Deutz D2.9L4)</i>	
E	48880GT	CAP,DIAGNOSTIC NIPPLE <i>(Only on Deutz D2.9L4)</i>	
1	53961GT	PUMP,LIFT 1.025 C.I.***.....1	1
--	77990GT	KIT,SEAL,3CC PUMP***	
2	83141GT	O-RING,.103X3.237,NBR/NTRL,90D.....1	1
3	89934GT	PUMP M46 VAR PISTON 2.8 CIU***.....1	1
--	128164GT	KIT,PUMP SHIM,SAUER M46	
--	77819GT	EDC ASSY,SAUER M46***	
4	89858GT	FUNCTION GEAR PUMP,OSCILLATE**.....1	1
--	89859GT	SEAL KIT,GEAR PUMP (89858)	

707.1 Hydraulic Hoses and Fittings - 2WD Drive and Steer System

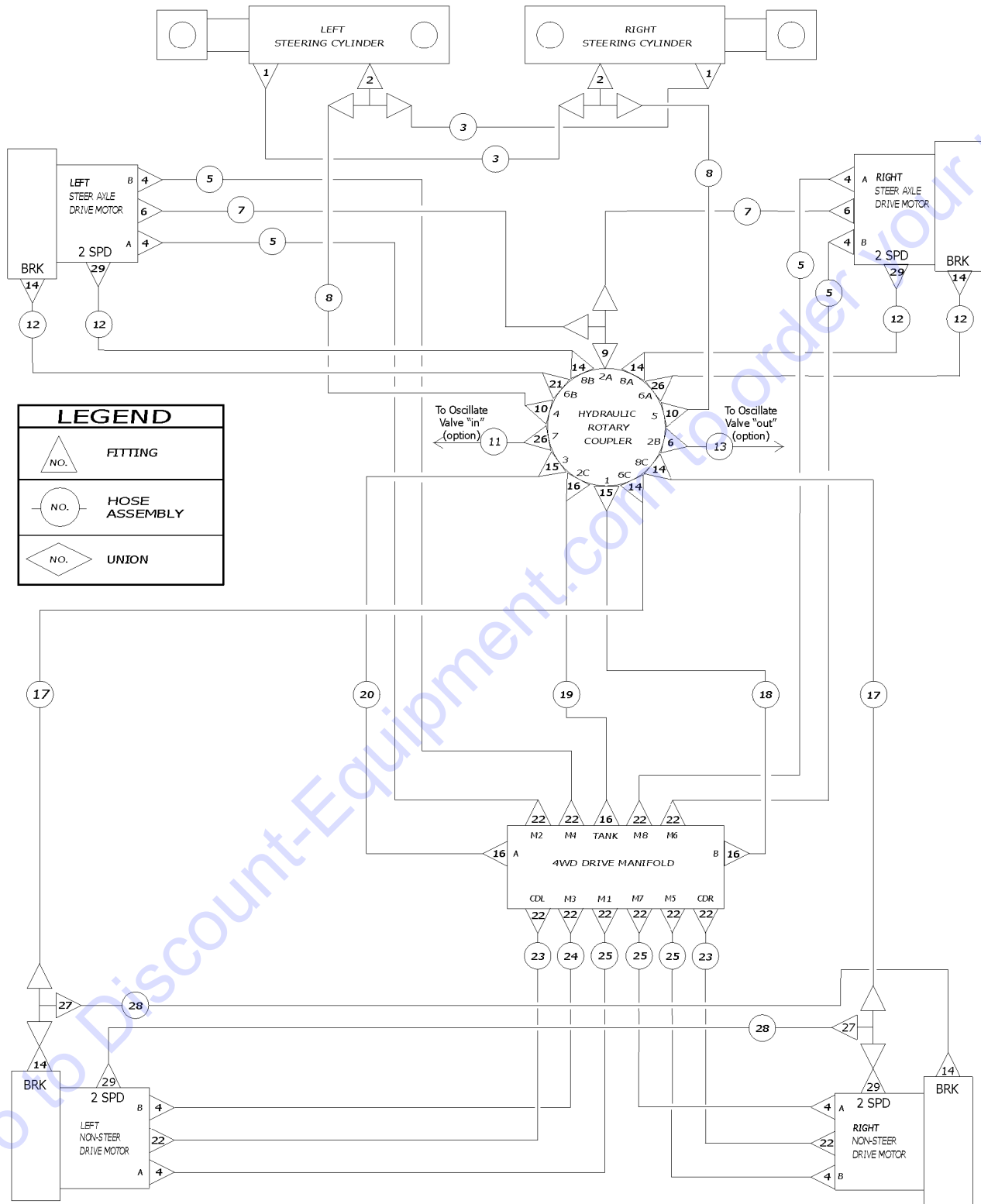
LEGEND	
	FITTING
	HOSE ASSEMBLY
	UNION



707.1 Hydraulic Hoses and Fittings - 2WD Drive and Steer System

Item	Part No.	Description	Qty.
1	48915GT	ELBOW,90D,520220-6.....	2
2	48919GT	TEE,BRANCH,520429-6.....	2
3	49130-2132GT	HOSE ASSEMBLY,3/8".....	2
4	49128-5909GT	HOSE ASSEMBLY,3/8".....	2
5	48920GT	ELBOW,45D,520320-6.....	2
6	49117-5191GT	HOSE ASSY,1/4,90 FEM,STR FEM**.....	1
7	48904GT	ELBOW,90D,520220-4-4.....	2
8	48937GT	ELBOW,45D,520320-8.....	1
9	49143-4629GT	HOSE ASSY,1/2,90 FEM,STR FEMM.....	1
10	48905GT	CONN,520120-4***.....	4
11	48963GT	FITTING,ELBOW,45D,520320-12***.....	2
12	48960GT	FITTING,CONN,520120-12***.....	12
13	94374-2380GT	HOSE ASSY,3/4,90 FEM,STR FEM.....	1
14	49149-2126GT	HOSE ASSY,3/4,45 FEM,STR FEM.....	1
15	94374-2530GT	HOSE ASSY,3/4,90 FEM,STR FEM.....	1
16	49117-7641GT	HOSE ASSY,1/4,90 FEM,STR FEM.....	2
17	48933GT	CONN,520120-8***.....	4
18	48911GT	ELBOW,90D,520220-4-6***.....	2
19	94374-4230GT	HOSE ASSY,3/4,90 FEM,STR FEM.....	2
20	94374-3930GT	HOSE ASSY,3/4,90 FEM,STR FEM.....	2
21	49143-4229GT	HOSE ASSY,1/2,90 FEM,STR FEM.....	2
22	48908GT	FITTING,TEE,RUN,SWIVEL520432-4.....	2
23	49117-5591GT	HOSE ASSY,1/4,90 FEM,STR FEM**.....	2

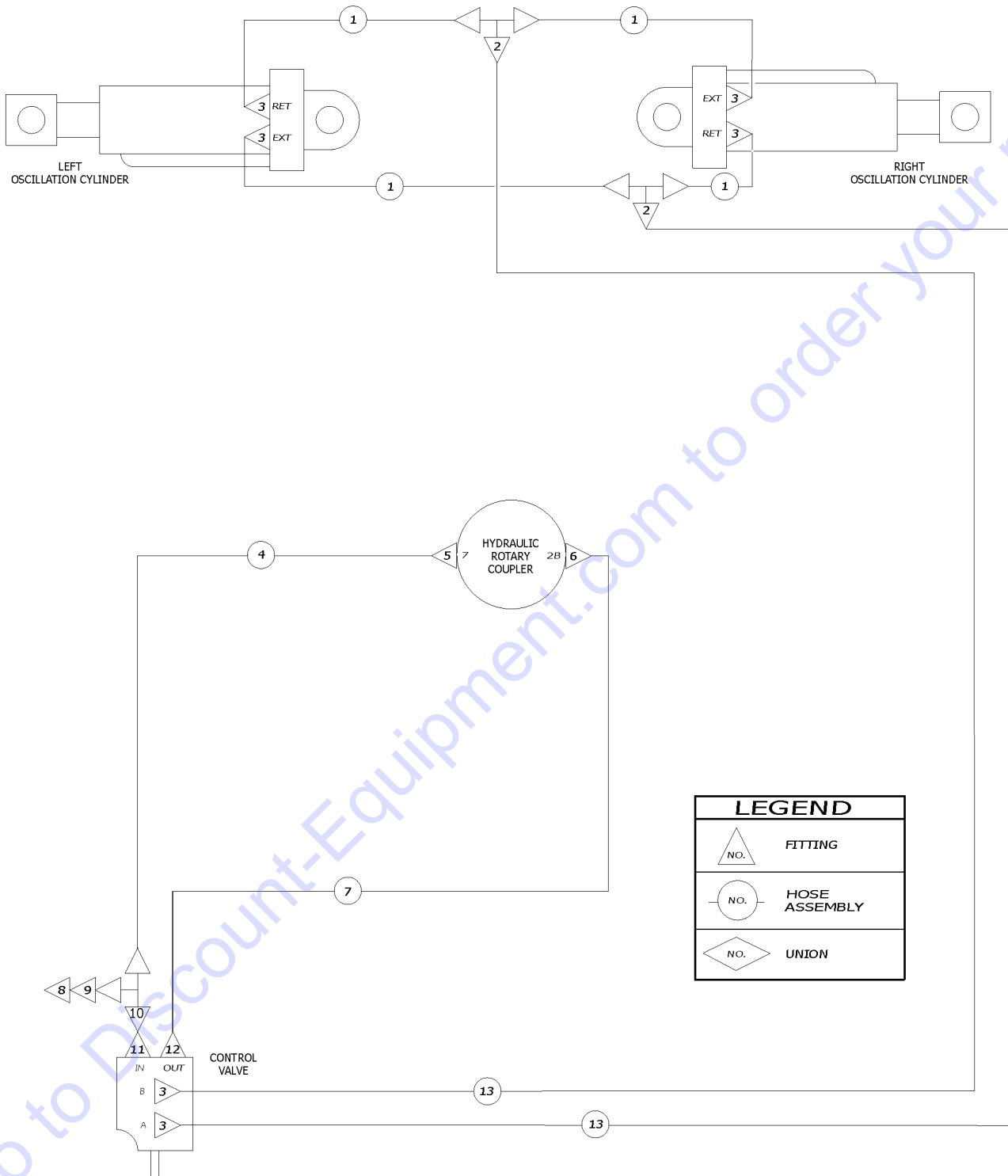
708.1 Hydraulic Hoses and Fittings - 4WD Drive and Steer System



708.1 Hydraulic Hoses and Fittings - 4WD Drive and Steer System

Item	Part No.	Description	Qty.
1	48915GT	ELBOW,90D,520220-6.....	2
2	48919GT	TEE,BRANCH,520429-6.....	2
3	49130-2132GT	HOSE ASSEMBLY,3/8".....	2
4	48948GT	CONN,520120-8-12.....	8
5	49107-10213GT	HOSE ASSEMBLY,1/2".....	4
6	48937GT	ELBOW,45D,520320-8.....	3
7	49141-7513GT	HOSE ASSY,1/2,45 FEM,STR FEM..... <i>Components: Genie part numbers 48822, 48826 and 48756 @ 72.5 inches</i>	2
8	49128-5909GT	HOSE ASSEMBLY,3/8".....	2
9	48935GT	TEE,RUN,520428-8.....	1
10	48920GT	ELBOW,45D,520320-6.....	2
11	49117-5191GT	HOSE ASSY,1/4,90 FEM,STR FEM**.....	1
12	49117-8491GT	HOSE ASSY,1/4,90 FEM,STR FEM.....	4
--	101790-8491GT	HOSE ASSY,1/4,90 FEM,STR FEM <i>part of the Arctic option</i>	
13	49143-4629GT	HOSE ASSY,1/2,90 FEM,STR FEMM.....	1
14	48905GT	CONN,520120-4***.....	9
15	48963GT	FITTING,ELBOW,45D,520320-12***.....	2
16	48960GT	FITTING,CONN,520120-12***.....	4
17	49117-7641GT	HOSE ASSY,1/4,90 FEM,STR FEM.....	2
18	94374-2380GT	HOSE ASSY,3/4,90 FEM,STR FEM.....	1
19	49149-2126GT	HOSE ASSY,3/4,45 FEM,STR FEM.....	1
20	94374-2530GT	HOSE ASSY,3/4,90 FEM,STR FEM.....	1
21	48907GT	ELBOW,45D,520320-4.....	1
22	48933GT	CONN,520120-8***.....	12
23	49143-4229GT	HOSE ASSY,1/2,90 FEM,STR FEM.....	2
24	49109-4729GT	HOSE ASSY,1/2,90 FEM,STR FEM.....	1
25	49109-4229GT	HOSE ASSY,1/2,90 FEM,STR FEM**.....	3
26	48904GT	ELBOW,90D,520220-4-4.....	1
27	48908GT	FITTING,TEE,RUN,SWIVEL520432-4.....	2
28	49117-5591GT	HOSE ASSY,1/4,90 FEM,STR FEM**.....	2
29	48911GT	ELBOW,90D,520220-4-6***.....	4

709.1 Hydraulic Hoses and Fittings - Oscillate System



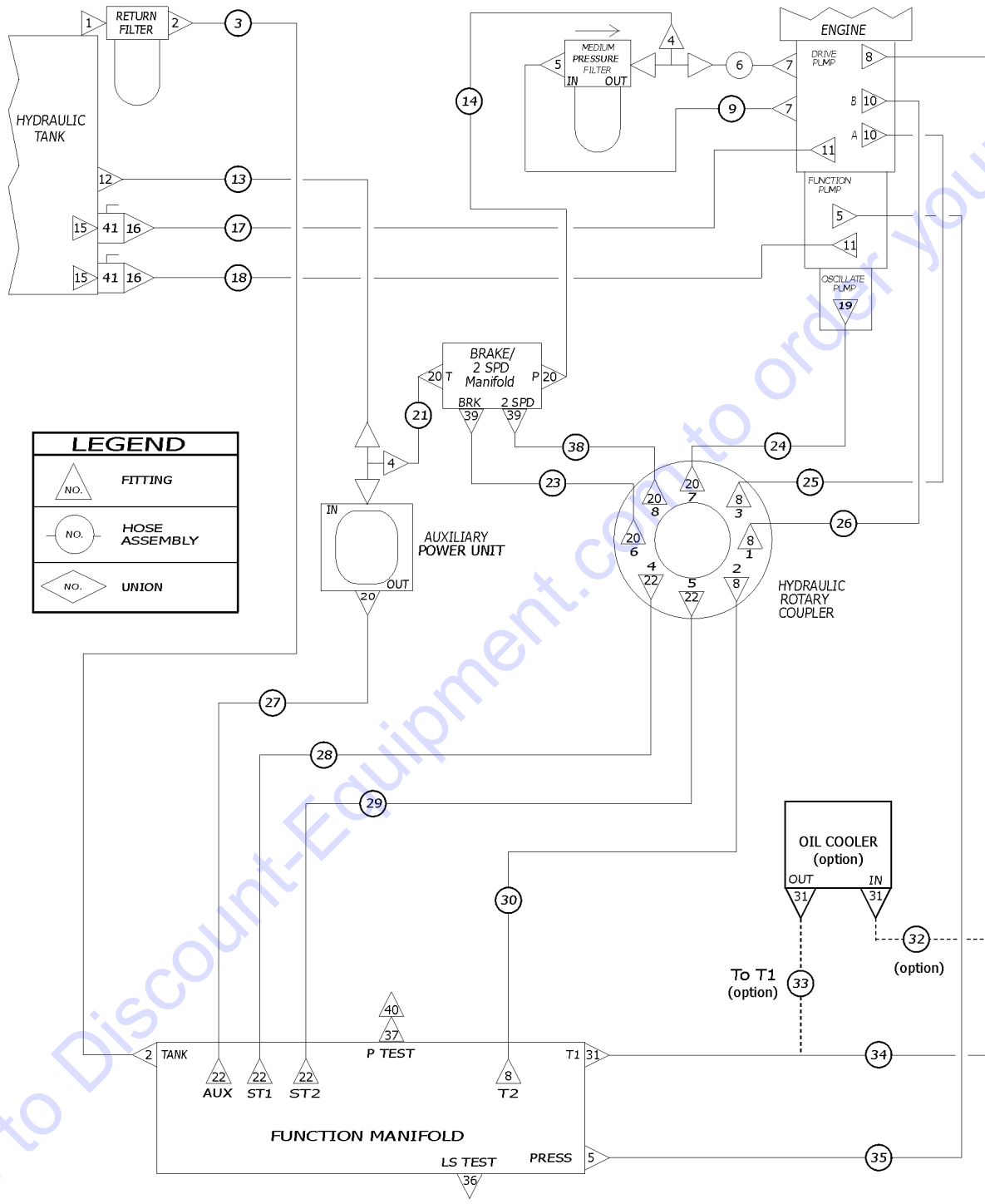
LEGEND	
	FITTING
	HOSE ASSEMBLY
	UNION

709.1 Hydraulic Hoses and Fittings - Oscillate System

Item	Part No.	Description	Qty.
1	49130-2432GT	HOSE ASSY,3/8 FEM-FEM.....	4
2	48896GT	CONN,TEE,UNION,520401-6,ORFS.....	2
3	48916GT	CONN, 520120-6.....	6
4	49117-5191GT	HOSE ASSY,1/4,90 FEM,STR FEM**.....	1
5	48904GT	ELBOW,90D,520220-4-4.....	1
6	48937GT	ELBOW,45D,520320-8.....	1
7	49143-4629GT	HOSE ASSY,1/2,90 FEM,STR FEMM.....	1
8	48880GT	CAP,DIAGNOSTIC NIPPLE.....	1
9	20224GT	DIAGNOSTIC FEMALE Q-DSCNT	
9	49207GT	NIPPLE,DIAGNOSTIC,ORFS,FM,SWIV..	1
10	48891GT	FITTING,TEE,BRANCH,520433-4.....	1
11	48914GT	CONN,520120-4-8.....	1
12	48933GT	CONN,520120-8***.....	1
13	49128-10809GT	HOSE ASSY,3/8,90 FEM,STR FEM/8.....	2

Go to Discount-Equipment.com to order your parts

710.1 Hydraulic Hoses and Fittings - Turntable



LEGEND	
	FITTING
	HOSE ASSEMBLY
	UNION

710.1 Hydraulic Hoses and Fittings - Turntable

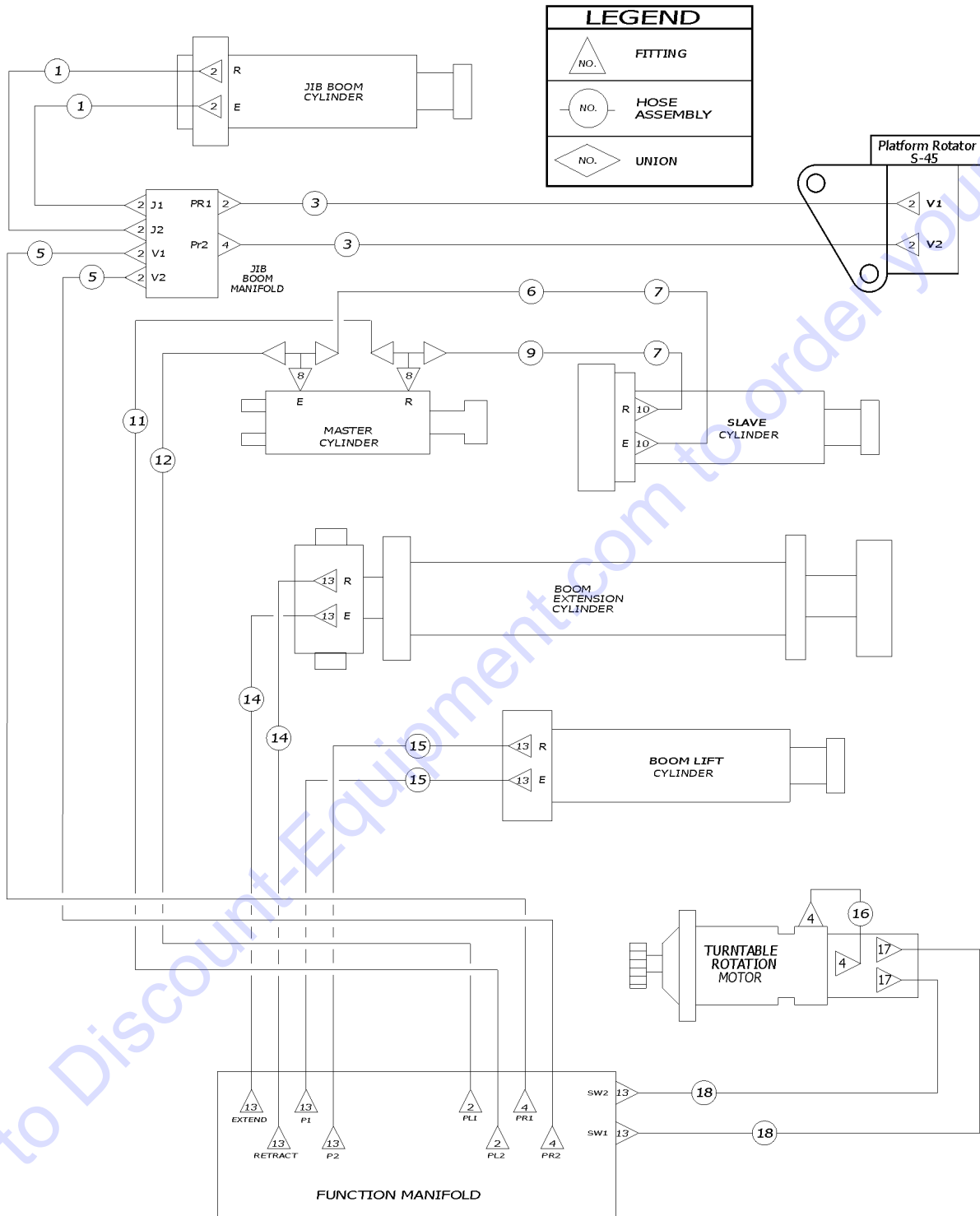
Item	Part No.	Description	Qty.	Item	Part No.	Description	Qty.
A	78736GT	CLAMP,2 HOSE,PLASTIC,5/8.....	4	29	49130-4282GT	HOSE ASSY,3/8"STR FEM,STR FEM*....	1
1	61263GT	UNION,STR.THREAD 20.....	1	30	49151-4148GT	HOSE ASSY,3/4,STR FEM,STR FEM.....	1
2	89593GT	ELBOW,90D,520220-20.....	2	31	48959GT	FITTING,ELBOW,90D,520220-12.....	3
3	88441-1090GT	HOSE ASSY,1 1/4"STR FEM,STR FE.....	1	32	49152-4869GT	HOSE ASSY,3/4 100R1.....	1
4	48935GT	TEE,RUN,520428-8.....	2	33	49151-9248GT	HOSE ASSY,3/4 STR FEM.....	1
5	48933GT	CONN,520120-8***.....	3	34	49150-5230GT	HOSE ASSY,3/4,90 FEM,STR FEM**.....	1
--	48932GT	FITTING,ELBOW,90D,520220-8*** from SN S45H-25507		35	49109-4129GT	HOSE ASSY,1/2,90 FEM,STR FEM** to SN S45H-25507	
6	49143-2029GT	HOSE ASSY,1/2,90 FEM,STR FEMM*....	1	--	49110-4129	HOSE ASSEMBLY - 1/2" 100R2 from SN S45H-25508	
--	49143-2229GT	HOSE ASSY,1/2,90 FEM,STR FEM**		36	48997GT	NIPPLE,DIAGNOSTIC,#4.....	1
7	48946GT	CONN,520120-8-10.....	2	37	48907GT	ELBOW,45D,520320-4.....	1
8	48960GT	FITTING,CONN,520120-12***.....	5	38	49119-4778GT	HOSE ASSY,1/4,STR FEM,STR FEM.....	1
9	49143-2229GT	HOSE ASSY,1/2,90 FEM,STR FEM**.....	1	39	48905GT	CONN,520120-4***.....	2
10	48977GT	CONN,520120-12-16.....	2	40	49207GT	NIPPLE,DIAGNOSTIC,ORFS,FM,SWIV..	1
11	48984GT	CONN,520120-16.....	2	41	48996GT	VALVE,BALL,16 MSAE-16 FSAE***.....	2
12	48922GT	CONN,520102-6-6.....	1				
13	49133-1990GT	HOSE ASSY,3/8,45? FEM,STR FEM.....	1				
14	49164-3043GT	HOSE ASSY,1/4,90 FEM,STR FEM**.....	1				
15	147419GT	KIT,STRAINER REPLACEMENT.....	2				
16	48985GT	ELBOW,45D,520320-16.....	2				
17	49159-3643GT	HOSE ASSEMBLY, 1**** Ford models, Perkins models, Deutz F3L 2011/ D2011L03i models	1				
--	49159-4043GT	HOSE ASSEMBLY, 1****					
--	49159-4268GT	HOSE ASSEMBLY, 1****					
18	49159-4043GT	HOSE ASSEMBLY, 1**** Ford models, Perkins models, Deutz F3L 2011/ D2011L03i models	1				
--	49159-4268GT	HOSE ASSEMBLY, 1****					
--	49159-4618GT	HOSE ASSEMBLY, 1"					
19	48912GT	CONN,520120-4-6***.....	1				
20	48904GT	ELBOW,90D,520220-4-4.....	5				
21	49164-5643GT	HOSE ASSY,1/4",90 F,STR FEM***.....	2				
22	48916GT	CONN, 520120-6.....	5				
23	49119-4378GT	HOSE ASSY,1/4",STR FEM,STR FEM....	1				
24	49117-4891GT	HOSE ASSY,1/4,90 FEM,STR FEM.....	1				
25	94374-5530GT	HOSE ASSY,3/4,90 FEM,STR FEM**.....	1				
--	94374-5930GT	HOSE ASSY,3/4,90 FEM,STR FEM** Ford models					
26	94374-5230GT	HOSE ASSY,3/4,90 FEM,STR FEM**.....	1				
--	94374-5530GT	HOSE ASSY,3/4,90 FEM,STR FEM** Ford models					
27	49124-2228GT	HOSE ASSY,3/8,90,FEMLG,STR FEM...1					
28	49130-4482GT	HOSE ASSY,3/8"STR FEM, STR FEM...1					

711.1 Hydraulic Hoses and Fittings - Boom Components (S-40)

Item	Part No.	Description	Qty.
1	49119-58678GT	HOSE ASSY,1/4,STR FEM,STR FEM.....2	
2	48907GT	ELBOW,45D,520320-4.....2	
3	49120-49781GT	HOSE ASSY,1/4" STR FEM STR FEM....1	
4	49121-4313GT	HOSE ASSEMBLY,1/4".....2	
5	49120-50781GT	HOSE ASSY,1/4" STR FEM STR FEM....1	
6	48919GT	TEE,BRANCH,520429-6.....2	
7	48912GT	CONN,520120-4-6***.....2	
8	49181-10440GT	HOSE ASSY.1/4",45,FEM STR FEM.....1	
9	49181-9240GT	HOSE ASSY.1/4",45,FEM STR FEM.....1	
--	102267-9240GT	HOSE ASSY,1/4,45 FEM,STR FEM	
10	48916GT	CONN, 520120-6.....10	
11	49126-11233GT	HOSE ASSY,3/8,45 FEM,STR FEM.....2	
12	49128-10509GT	HOSE ASSY,3/8,90 FEM,STR FEMM....2	
13	48904GT	ELBOW,90D,520220-4-4.....4	
14	49117-1191GT	HOSE ASSY,1/4,90 FEM,STR FEMM....1	
15	48915GT	ELBOW,90D,520220-6.....2	
16	49130-1982GT	HOSE ASSY,3/8"STR FEM, STR FEM....2	
17	48905GT	CONN,520120-4***.....2	

Go to Discount-Equipment.com to order your parts

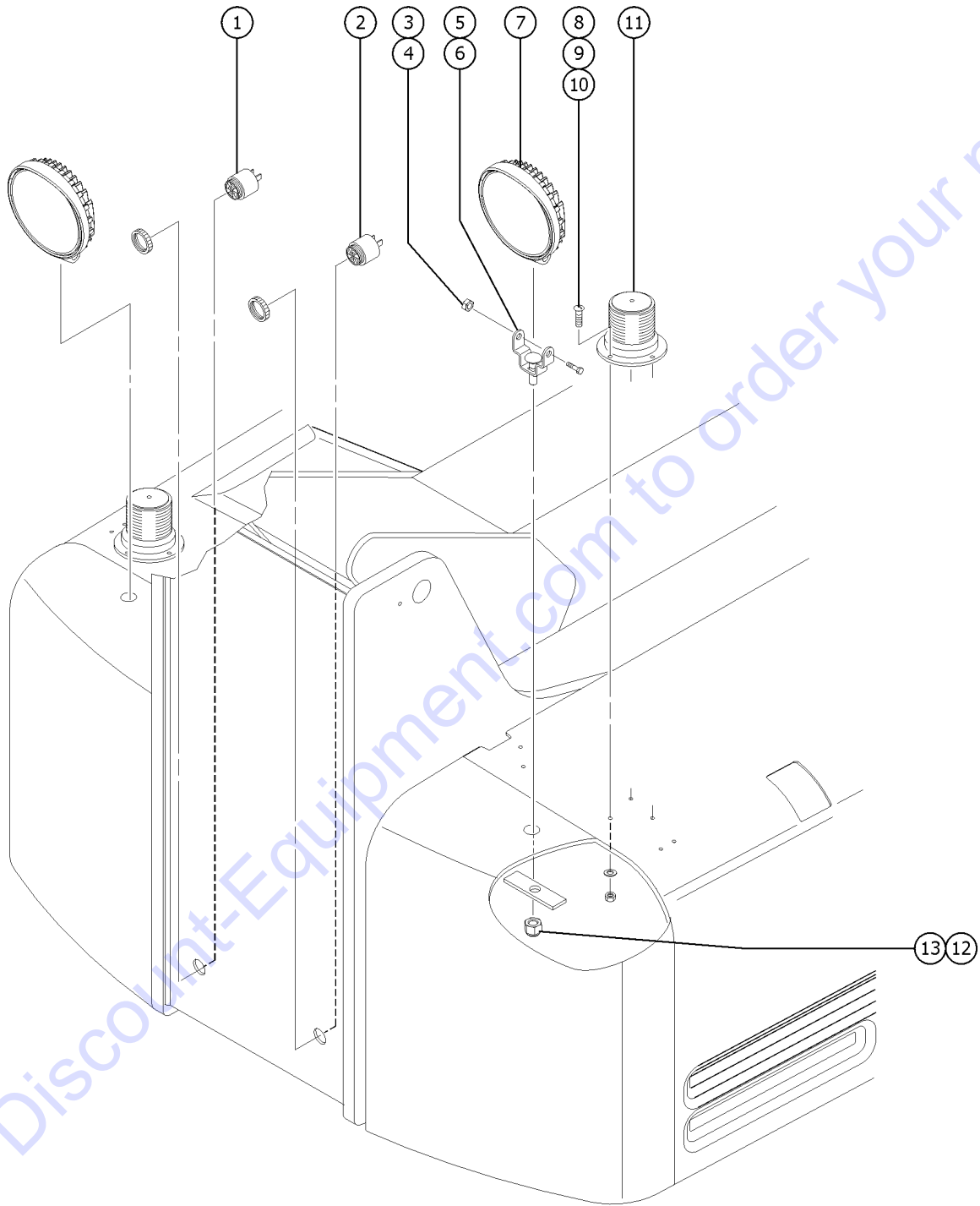
712.1 Hydraulic Hoses and Fittings - Boom Components (S-45)



712.1 Hydraulic Hoses and Fittings - Boom Components (S-45)

Item	Part No.	Description	Qty.
1	49117-5791GT	HOSE ASSY,1/4,90 FEM,STR FEMM.....2	
2	48905GT	CONN,520120-4***.....11	
3	49119-3278GT	HOSE ASSY,1/4,STR FEM,STR FEM.....2	
4	48904GT	ELBOW,90D,520220-4-4.....5	
5	49119-68278GT	HOSE ASSY,1/4,STR FEM,STR FEM.....2	
6	49120-49781GT	HOSE ASSY,1/4" STR FEM STR FEM	
7	49184-3001GT	HOSE ASSEMBLY,1/4".....2	
8	48919GT	TEE,BRANCH,520429-6.....2	
9	49120-50781GT	HOSE ASSY,1/4" STR FEM STR FEM....1	
10	48912GT	CONN,520120-4-6***.....2	
11	49181-10440GT	HOSE ASSY.1/4",45,FEM STR FEM.....1	
12	49181-9240GT	HOSE ASSY.1/4",45,FEM STR FEM.....1	
13	48916GT	CONN, 520120-6.....10	
14	49126-11233GT	HOSE ASSY,3/8,45 FEM,STR FEM.....2	
15	49128-10509GT	HOSE ASSY,3/8,90 FEM,STR FEMM.....2	
16	49117-1191GT	HOSE ASSY,1/4,90 FEM,STR FEMM.....1	
17	48915GT	ELBOW,90D,520220-6.....2	
18	49130-1982GT	HOSE ASSY,3/8"STR FEM, STR FEM....2	

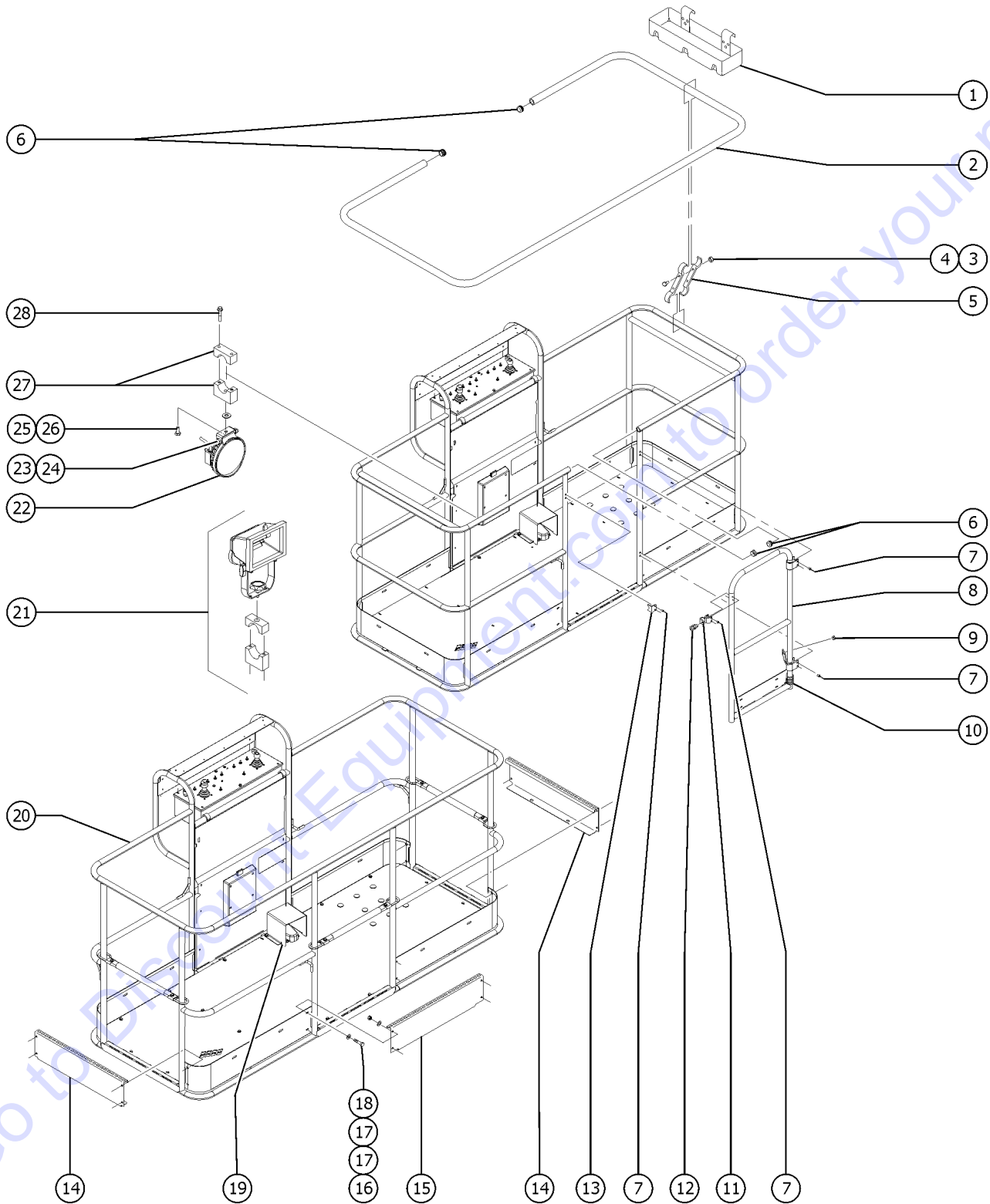
801.1 Alarm and Beacon Package, Drive Light Option



801.1 Alarm and Beacon Package, Drive Light Option

Item	Part No.	Description	Qty.
A	122276GT	BEACON TRAVEL ALARM /SRV S4045	
B		Ref. Alarm and Beacon Package Harnesses <i>(refer to 311.1)</i>	
C	89691GT	OPTION,DRIVE LIGHTS <i>includes item 2</i>	
D		Ref. Drive Lights Harness <i>(refer to 311.1)</i>	
1		Ref. Alarm - Chime Tone (descent).....1 <i>(refer to 310.1)</i>	
--	72326GT	NUT - PLASTIC,RING FOR ALARMS	
2	18963GT	ALARM,INTERMITTENT TONE 6-30V*...1 <i>Does not include 72326 nut</i>	
--	72326GT	NUT - PLASTIC,RING FOR ALARMS	
3	1260688GT	NUT,NYLOCK,M8-1.25,DIN985,A270	
4		Ref.bolt included with led light assy	
5	1260632GT	BRACKET,MOUNT,LIGHT OPT,S40.....2	
6	1260706GT	BOLT,CARRIAGE,3/8-16X1.5,18-8	
7	215481GT	LIGHT, LED WHITE 12V.....2	
8	6147GT	SCREW,RHM,10-32 X 1	
9	6146GT	WASHER,FLAT,MS,#10,Y	
10	6178GT	NUT,NYLOCK,10-32	
11	56704GT	STROBE,FIREBOLT,12-80VDC,AMB**...2 <i>(replaced 20189)</i>	
--	122019GT	FLASHTUBE,U SHAPED,360DEG,BULB	
--	226393GT	FLASHTUBE,STRAIGHT,360DEG,BULB	
--	72282GT	LENS,AMBER,STROBE,FIREBOLT	
12	1260707GT	NUT,NYLOCK,3/8-16,18-8	
13	1260708GT	WASHER,RECTANGLE,5/8X2.5,3/8	

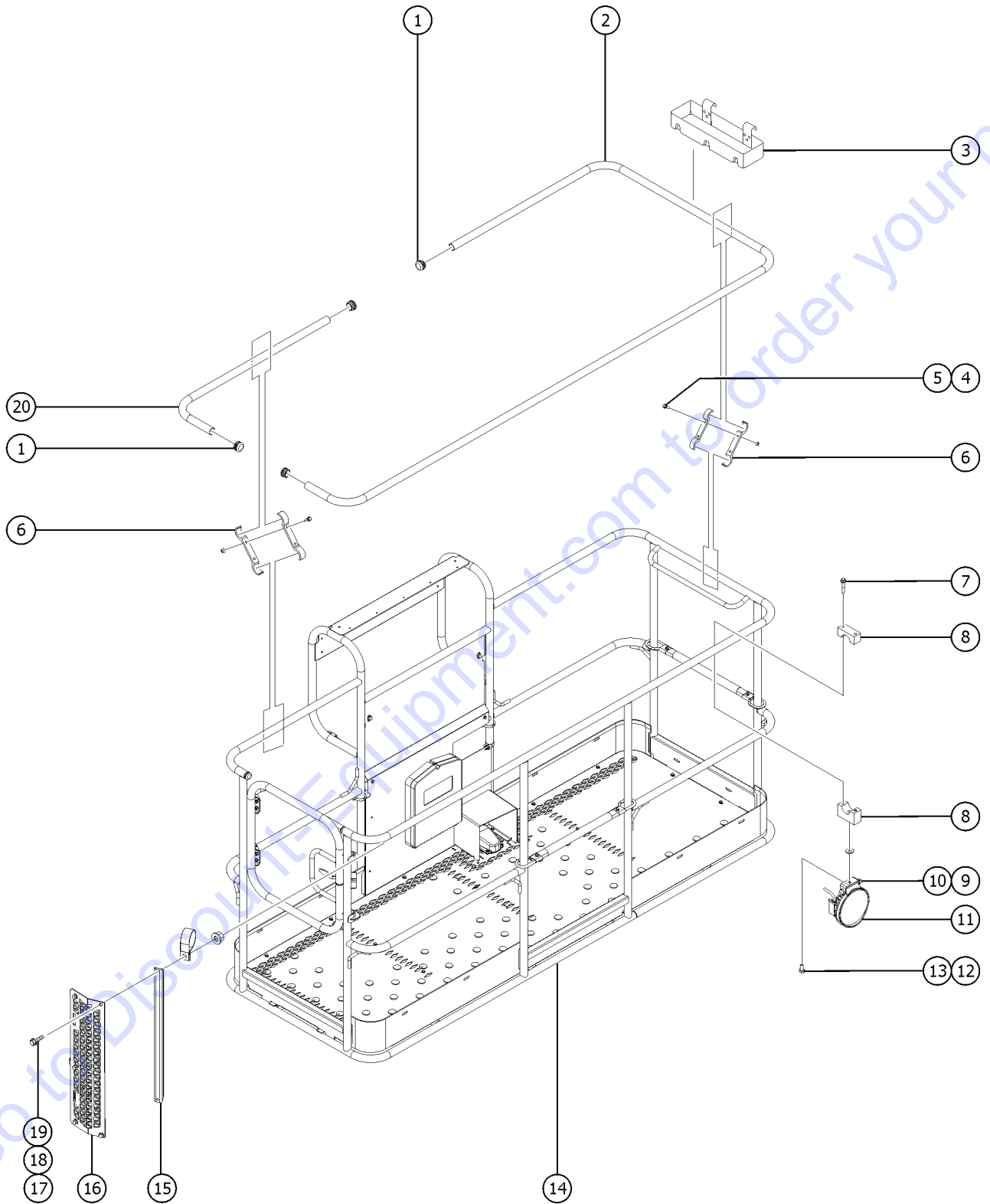
802.1 Platform Options (to serial number S4016H-22549 and S4516H-22548)



802.1 Platform Options (to serial number S4016H-22549 and S4516H-22548)

Item	Part No.	Description	Qty.	Item	Part No.	Description	Qty.
A	53808-SGT	AUX TOP RAIL,6'(1.25")SERVICE		12	33674GT	PIN,LOCK,SHORT***.....	1
B	122278GT	AUX TOP RAIL,6',SWG GT, SRV		13	1488GT	RAILING CATCH CASTING--DRILLED...	1
C	53807-SGT	AUX TOP RAIL,8'(1.25")SERVICE		14	102721PGT	TOEBOARD,8'TRI ENTRY.....	2
D	122279GT	AUX TOP RAIL,8',SWG GT, SRV		--	139438GT	TOEBOARD, TRI ENTRY 6', EURO	
E	102721PGT	TOEBOARD,8'TRI ENTRY <i>includes items 14-18</i>		15	94745PGT	TOEBOARD,ENTRY EUROPEAN PNTD**.....	1
G	111302GT	8' TRI-ENT ASSY W/DECALS ANSI <i>USA and Canada models</i>		16	6090GT	SCREW,HHC,1/4-20 X .75	
H	102439GT	8' TRI-ENT ASSY W/DECALS CE <i>European models</i>		17	6638GT	WASHER,FLAT,USS,1/4"Y	
I	111304GT	6' TRI-ENT ASSY W/DECALS AUSTR <i>Australian models</i>		18	6091GT	NUT,NYLOCK,1/4-20	
J	111305GT	8' TRI-ENT ASSY W/DECALS AUSTR <i>Australian models</i>		19	128429GT	LARGE FOOT SWITCH COVER <i>part of the Arctic hose option</i>	
K	102436GT	6' TRI-ENT ASSY W/DECALS A/SOA <i>Asia and South American models</i>		20	111319GT	6' TRI-ENT RAIL W/DECALS ANSI <i>USA and Canada models</i>	
L	102440GT	8' TRI-ENT ASSY W/DECALS A/SOA <i>Asia and South American models</i>		--	107706GT	8' TRI-ENT RAIL W/DECALS CE/UK <i>European models</i>	
M	228874GT	OPTION,12V WORK LIGHTS,S40		--	107707GT	6' TRI-ENT RAIL W/DECALS AUSTR <i>Australian models</i>	
N	217152GT	TWIN WELD LEAD TO PLAT, S40		--	107708GT	8' TRI-ENT RAIL W/DECALS AUSTR <i>Australian models</i>	
P		Ref.Work Light Wire Harness <i>(refer to 311.1)</i>		--	107709GT	6' TRI-ENT RAIL W/DECALS A/SOA <i>Asia and South American models</i>	
Q	217153GT	TWIN WELD LEAD TO PLAT, S45		--	107710GT	8' TRI-ENT RAIL W/DECALS A/SOA <i>Asia and South American models</i>	
1	9599-SGT	TOOL TRAY ACCESSORY***.....	1	--	111320GT	8' TRI-ENT RAIL W/DECALS ANSI <i>USA and Canada models</i>	
2	1259704GT	PINCH GUARD RAIL,6' PLATFORM..... <i>includes 55753 bumpers</i>	1	21	1284764GT	WORKLIGHT,110V,250WATT,HALOGEN.2	
--	111485PGT	AUX TOP RAIL,6FT,PTD..... <i>for use with swing gate</i>	2	--	75519GT	CLAMP,WORKLIGHT	
--	111486PGT	AUX TOP RAIL,8FT,PTD..... <i>for use with swing gate</i>	2	22	1282993GT	ASSY,WORK LIGHT,12V LED.....	2
--	52661GT	PINCH GUARD RAIL,8' PLATFORM**		23	75185GT	SCREW,HHC,M8X1.25X 70MM,GR8.8	
3	6889GT	NUT,LP NYLOCK,1/4-20		24	1260688GT	NUT,NYLOCK,M8-1.25,DIN985,A270	
4	122231GT	SCREW,BHSC,1/4-20 X 1		25	1256464GT	SCREW,HHC,5/16-18X.75,8,ZAG	
5	122073GT	SUPPORT, RAILING.....	20	26	825358GT	WASHER,FLAT,5/16,USS,ZAG	
6	55753GT	BUMPER, PLASTIC, 1.25 O.D.....	2	27	35956GT	BRACKET,WORK LIGHT MOUNT 5/16".....	2
7	7265GT	RIVET,STEEL,P .25 X .375.....	14	28	824081GT	SCREW,HHF,1/4-20X1.5,8,ZAG	
8	119950GT	KIT,FIELD INSTALL,SWING GATE..... <i>(complete) includes 128368, 1487, 1488, and 33674</i>	1				
--	128368GT	KIT,SWING GATE W/SPRING <i>Swing gate and hinge only</i>					
--	9596GT	HINGE CASTING <i>Special welding requirements for installation of this component. Strongly suggest ordering 128368 OR contact Discount-equipment for welding requirements.</i>					
9	43392GT	BUMPER,BATTERY BOX & RAILS.....	1				
10	42104GT	SPRING,SHORT PLATFORM GATE					
11	1487GT	GATE LATCH CASTING--DRILLED.....	1				

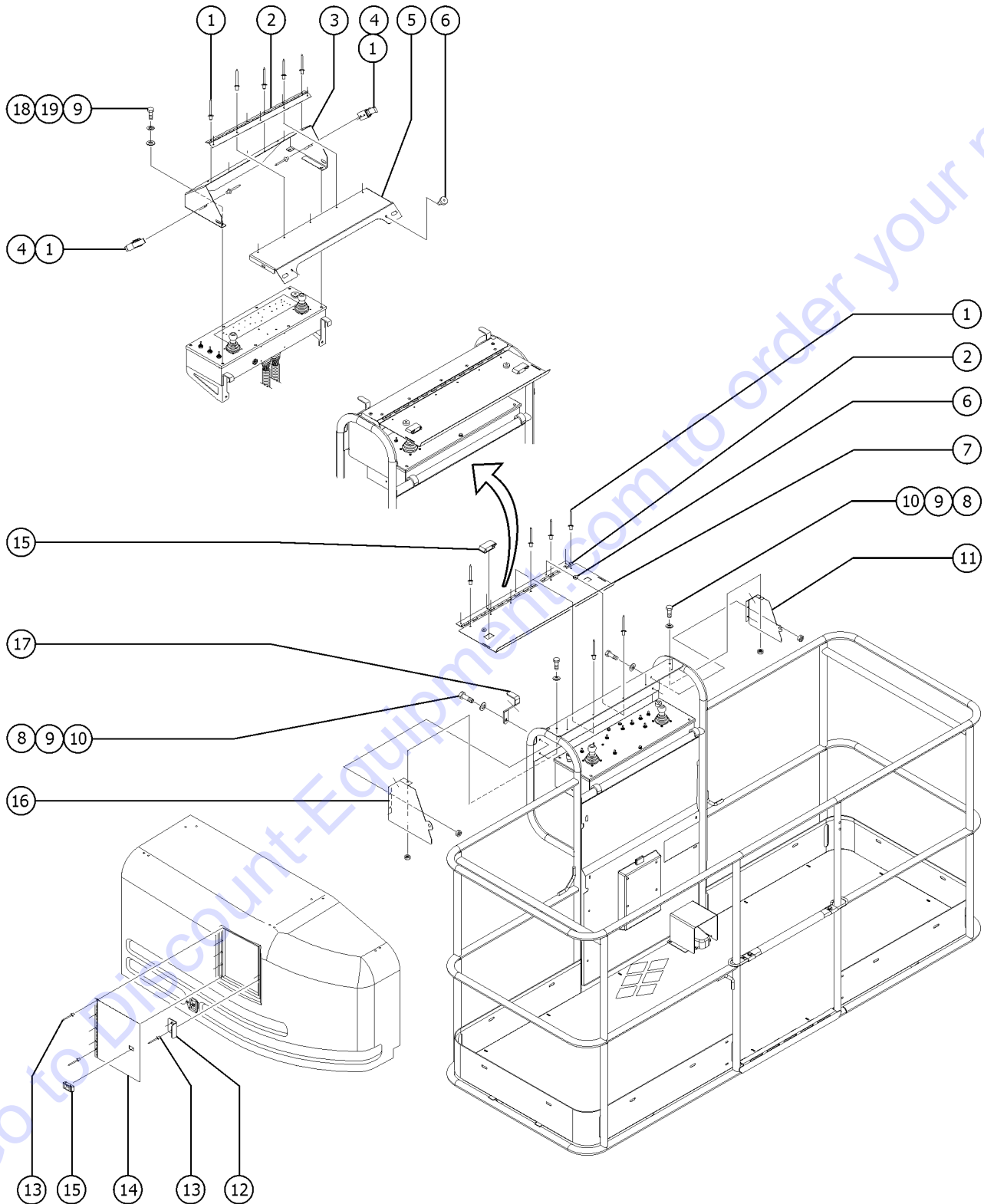
802.2 Platform Options (from serial number S4016H-22550 and S4516H-22549)



802.2 Platform Options (from serial number S4016H-22550 and S4516H-22549)

Item	Part No.	Description	Qty.
A	228874GT	OPTION,12V WORK LIGHTS,S40.....1 (S-40)	1
B	228875GT	OPTION,12V WORK LIGHTS,S45.....1 (S-45)	1
C	1279765GT	KIT,LATCH GUARD.....1	1
1	55753GT	BUMPER, PLASTIC, 1.25 O.D.....4	4
2A	1271077GT	AUX RAIL, 8' PLAT, TRI-ENTRY.....1 (8 foot Platform)	1
2B	1270570GT	AUX RAIL, 6' PLAT, SIDE ENTRY.....1 (6 foot Platform)	1
3	9599-SGT	TOOL TRAY ACCESSORY***.....1	1
4A	824079GT	SCREW,HHF,1/4-20X1,8,ZAG.....26 (8 foot Platform)	26
4B	824079GT	SCREW,HHF,1/4-20X1,8,ZAG.....22 (6 foot Platform)	22
5A	824027GT	NUT,TL FLG,1/4-20,G,ZAG.....26 (8 foot Platform)	26
5B	824027GT	NUT,TL FLG,1/4-20,G,ZAG.....22 (6 foot Platform)	22
6A	122073GT	SUPPORT, RAILING.....26 (8 foot Platform)	26
6B	122073GT	SUPPORT, RAILING.....22 (6 foot Platform)	22
7	824081GT	SCREW,HHF,1/4-20X1.5,8,ZAG.....4	4
8	35956GT	BRACKET,WORK LIGHT MOUNT 5/16".....2	2
9	75185GT	SCREW,HHC,M8X1.25X 70MM,GR8.8...2	2
10	1260688GT	NUT,NYLOCK,M8-1.25,DIN985,A270....2	2
11	1282993GT	ASSY,WORK LIGHT,12V LED.....2 <i>includes item 9</i>	2
12	1256464GT	SCREW,HHC,5/16-18X.75,8,ZAG.....2	2
13	825358GT	WASHER,FLAT,5/16,USS,ZAG.....2	2
14		Ref.WELDMENT, PLATFORM.....1 (refer to 601.2)	1
15	1277966GT	TUBE,SQ,STL, 1.00 x 1.00 x .120.....1	1
16	1277952GT	GUARD, SWING GATE.....1	1
17	824086GT	SCREW,HHF,5/16-18X1,8,ZAG.....5	5
18	56424GT	CLAMP,1.25X.5 RUBBER-CUSHION....5	5
19	824028GT	NUT,TL FLG,5/16-18,G,ZAG.....5	5
20A	1271078GT	AUX RAIL, 8' PLAT, TRI-ENTRY.....1 (8 foot Platform)	1
20B	1270571GT	AUX RAIL, 6' PLAT, SIDE ENTRY.....1 (6 foot Platform)	1

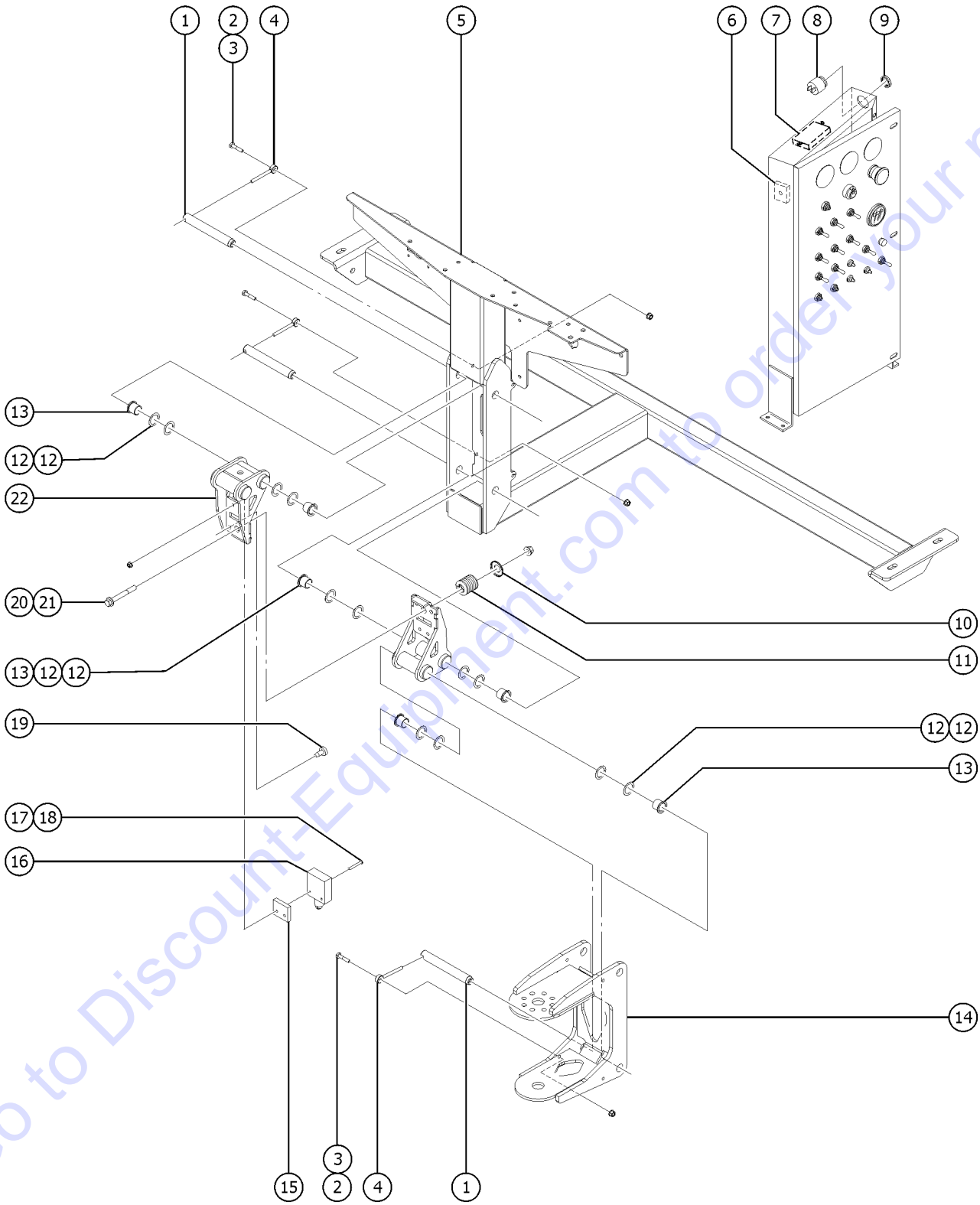
803.1 Ground and Platform Control Box Covers Options



803.1 Ground and Platform Control Box Covers Options

Item	Part No.	Description	Qty.
A	825277GT	BASE & PLAT CONTROL COVERS	
B	119795GT	KIT,CONTROL BOX COVER (cover assembly without latch) (includes 7A, 11A, 16 A and fasteners)	
C	T109328GT	ACC,PLAT CONTROL COVER, SERV (cover assembly with latch) (includes items 7B, 11B, 16B and fasteners)	
1	54486GT	RIVET,ALUM,ALUM,3/16BUTTONHEAD	
2	111526GT	HINGE,PLAT CONTROL BOX COVER...1	
3	60467-SGT	PLAT.CONTROL BOX GUARD,FORMING.....1	
4	61625GT	LATCH,DRAW.....2	
5	60468-SGT	FORMING,PLAT.CONTROL BOX COVER.....1	
6	43392GT	BUMPER,BATTERY BOX & RAILS.....2	
7A	89915PGT	COVER,CONTROL BOX LID.....1 (without latch)	
7B	102676GT	LID ASSY,CONTROL BOX COVER PLT.....1 (lid assembly with latch) (includes items 1, 6, 15 and 17)	
8	6888GT	SCREW,HHC,1/4-20 X 1	
9	6638GT	WASHER,FLAT,USS,1/4"Y	
10	6889GT	NUT,LP NYLOCK,1/4-20	
11A	119797PGT	CONTROL BOX COVER,RT SIDE,PTD.....1 (without latch)	
11B	88606PGT	COVER,CONTROL BOX RIGHT SIDE**.....1 (with latch)	
12	49534GT	DOOR LATCH,BASE CONTROL BOX...1	
13	53189GT	RIVET,ALUM,ALUM,P,.25X.375.....8	
14	825162GT	ASSY, GBOX COVERING.....1	
15	30468GT	LATCH,SLIDE, FLUSH MOUNT STYLE.....3	
16A	119796PGT	CONTROL BOX COVER,LFT SIDE,PTD.....1 (without latch)	
16B	88607PGT	COVER,CONTROL BOX LEFT SIDE***.....1 (with latch)	
17	102786PGT	FORMING,LATCH,CTRL BOX LID PTD.....2	
18	8914GT	SCREW,HHC,1/4-20 X .625	
19	6356GT	WASHER,LOCK,.25	

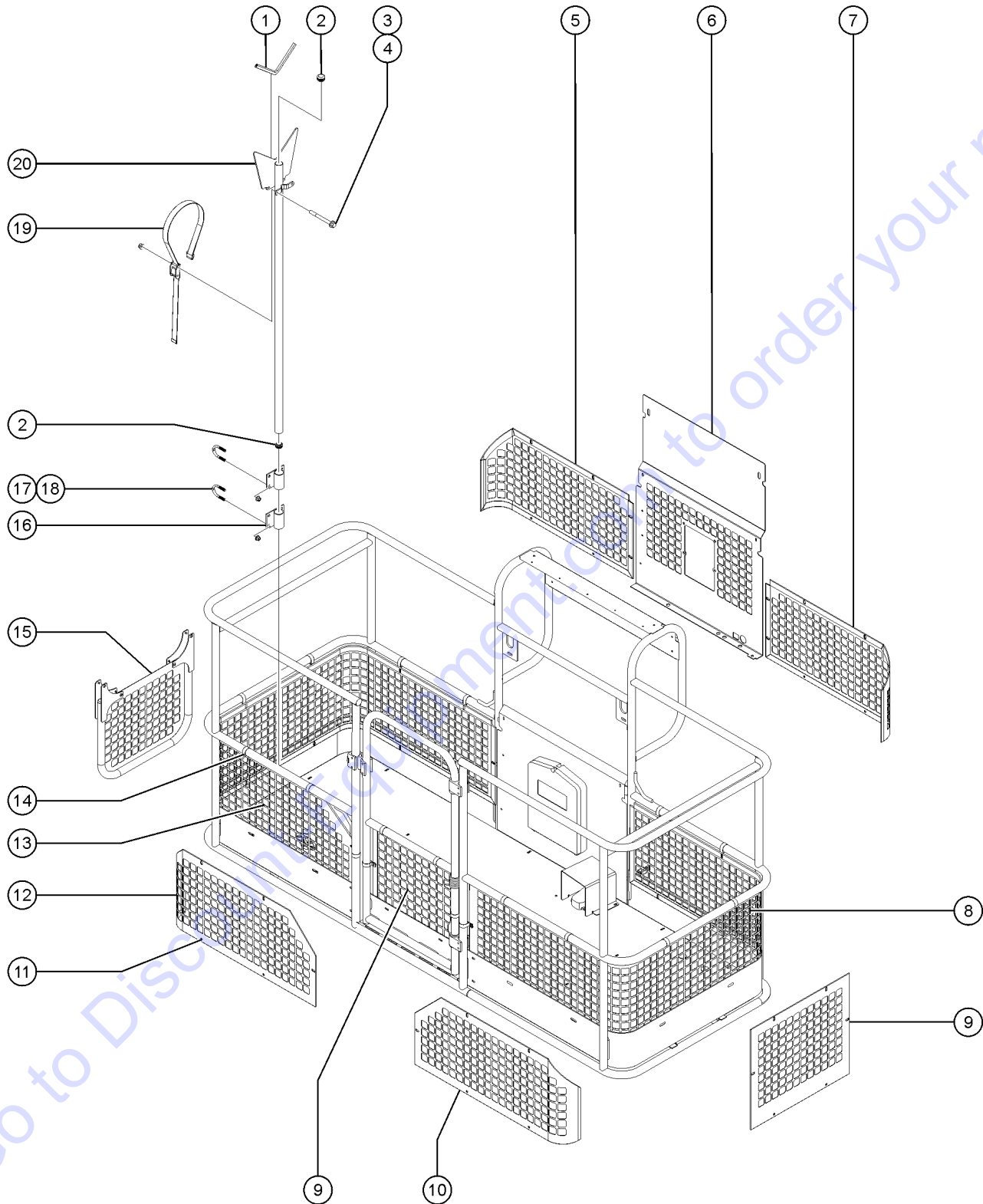
804.1 Platform Overload - European Models



804.1 Platform Overload - European Models

Item	Part No.	Description	Qty.
A	102069GT	KIT,LOADSENSE,UPGRD,S40/S45	
B	146033GT	OPT,PLAT LOAD SENSE,S40/45008	
C	121847GT	RELAY,TIME DELAY,2 SEC,30A <i>(Part of Load Sense with Recovery option); installed inside Platform Box</i>	
1	61726GT	PIN,0.75DIA X 5.75LG,CHAMFER.....	4
2	824061GT	SCREW,HHC,1/4-20 X 1.25,8,ZAG.....	4
3	824027GT	NUT,TL FLG,1/4-20,G,ZAG.....	4
4	825020GT	ROD END, .25 X 2.75, ZAG.....	4
5	61997GT	WELDMENT,PLATFORM SUPPORT,CE.....	1
		<i>CE models</i>	
6	121846GT	RELAY,TIME DELAY,2 SEC,10A	
7	128045GT	MODULE,LOAD SENSE 2007.....	1
8	45383GT	ALARM,WARBLE TONE 5-30 VDC***.....	1
		<i>Does not include 72326 nut</i>	
9	72326GT	NUT - PLASTIC,RING FOR ALARMS.....	1
10	61975GT	RETAINER,SPRING,1.21 X .375.....	1
11	61974GT	SPRING,COMP,1" OD,232 LB/IN.....	1
12	110789GT	WASHER,SHIM .0151 THK.....	16
13	25685GT	BEARING,GARLOCK,12FDU12.....	8
14	61804GT	WELDMENT,ROTATOR SUPPORT.....	1
15	61972GT	MOUNT,SWITCH.....	1
16	121848GT	ASSY,LS,LOAD SENSE,38.5 IN.....	1
17	1257264GT	SCREW,BHC,10-32 X 1.5,F835,ZAG.....	2
18	824032GT	NUT,TL FLG,10-32,F,ZAG.....	2
19	34619GT	BUMPER,RUBBER***.....	2
20	824095GT	SCREW,HHF,3/8-16 X 3,8,ZAG.....	1
21	824029GT	NUT,TL FLG,3/8-16,G,ZAG.....	1
22	61809GT	WELDMENT,LOAD SUPPORT.....	2

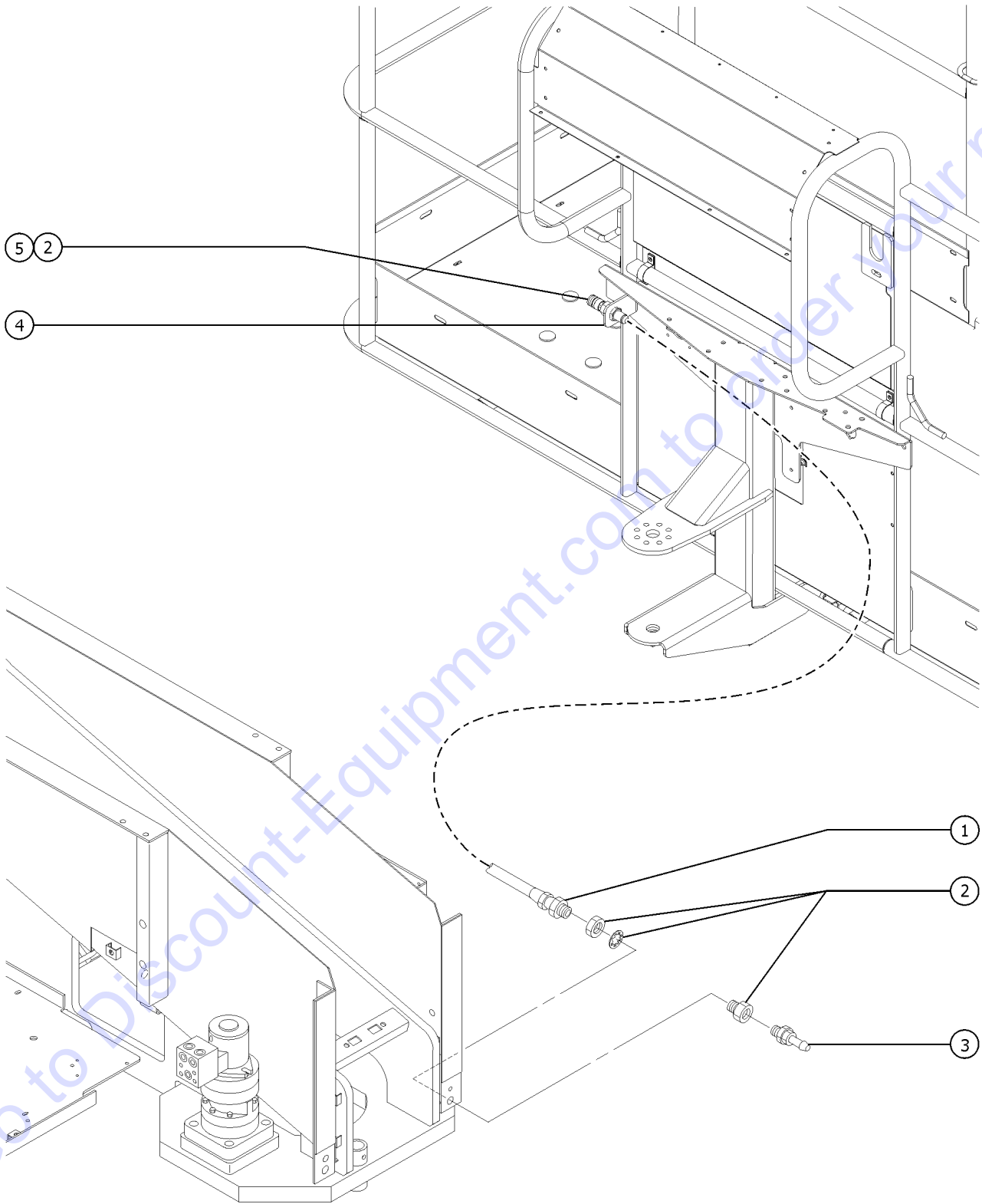
805.1 Platform Half-Mesh and Pipe Cradle



805.1 Platform Half-Mesh and Pipe Cradle

Item	Part No.	Description	Qty.	Item	Part No.	Description	Qty.
A	85300GT	PIPE CRADLE ASSY. SERV (ONE)** (ANSI & CE only) (This is a single assembly. Qty 2 of 85300GT required to complete a set)		20	56525GT	WELDMENT, PIPE CRADLE.....	2
--	65630GT	INSTRUCTIONS-PIPE CRADLE,BOOMS					
B	72875GT	DECAL,WARNING,PIPE CRADLE,BOOM					
C		Ref. Swing Gate Option, Complete (refer to 802.1)					
1	19018-1100GT	TRIMLOCK,BLACK,5/32".....	2				
2	55753GT	BUMPER, PLASTIC, 1.25 O.D.....	4				
3	824083GT	SCREW,HHF,1/4-20X2.5,8,ZAG.....	4				
4	1277924GT	NUT,NYLOCK FLG,1/4-20,F,ZAG.....	4				
5A	1270994GT	PANEL, HALF MESH.....	1				
5B	1270314GT	PANEL, HALF MESH.....	1				
6	73901GT	DECAL PLATE,MESH.....	1				
7	1271019GT	PANEL, HALF MESH..... (used on 6' and 8' side entry platforms) (from SN S40H-23529 and S45H-23516)	1				
8A	73500GT	HALF MESH,8'PLATFORM,RH***.....	1				
8B	54465GT	MESH,HALF,RH,6'PLATFORM.....	1				
9A	54457GT	MESH,HALF,SWING GATE***.....	1				
9B	1271061GT	PANEL, HALF MESH..... (used on 6' and 8' side entry platforms) (from SN S40H-23529 and S45H-23516)	1				
10	1271018GT	PANEL, HALF MESH..... (used on 6' and 8' side entry platforms) (from SN S40H-23529 and S45H-23516)	1				
11	824085GT	SCREW,HHF,5/16-18X.75,8,ZAG					
--	824028GT	NUT,TL FLG,5/16-18,G,ZAG					
12A	1271040GT	PANEL, HALF MESH.....	1				
12B	1270316GT	PANEL, HALF MESH.....	1				
13A	73501GT	HALF MESH,8'PLATFORM,LH.....	1				
13B	54458GT	MESH,HALF,LH,6'PLATFORM.....	1				
14	56424GT	CLAMP,1.25X.5 RUBBER-CUSHION....	14				
--	1264101GT	SCREW,HHC,5/16-18X1,8,ZAG					
--	6638GT	WASHER,FLAT,USS,1/4"Y					
--	824028GT	NUT,TL FLG,5/16-18,G,ZAG					
15	1285700GT	WELDMENT,SWING GATE PANEL (used on 6' and 8' side entry platforms) (models from SN 24952 to 25308 required to order Swing Gate Weldment, refer to 601.2)					
--	55753GT	BUMPER, PLASTIC, 1.25 O.D.....	2				
16	81368GT	WELDMENT,PIPE CRADLE MOUNT....	4				
17	1251600GT	U-BOLT, FLATTENED, 1.5 X 3/8 UNC,ZAG.....	8				
18	1274322GT	NUT,NYLOCK FLG,3/8-16,F,ZAG.....	16				
19	56570GT	STRAP, CONDUIT HOLDER 60****.....	2				

806.1 Air Line to Platform



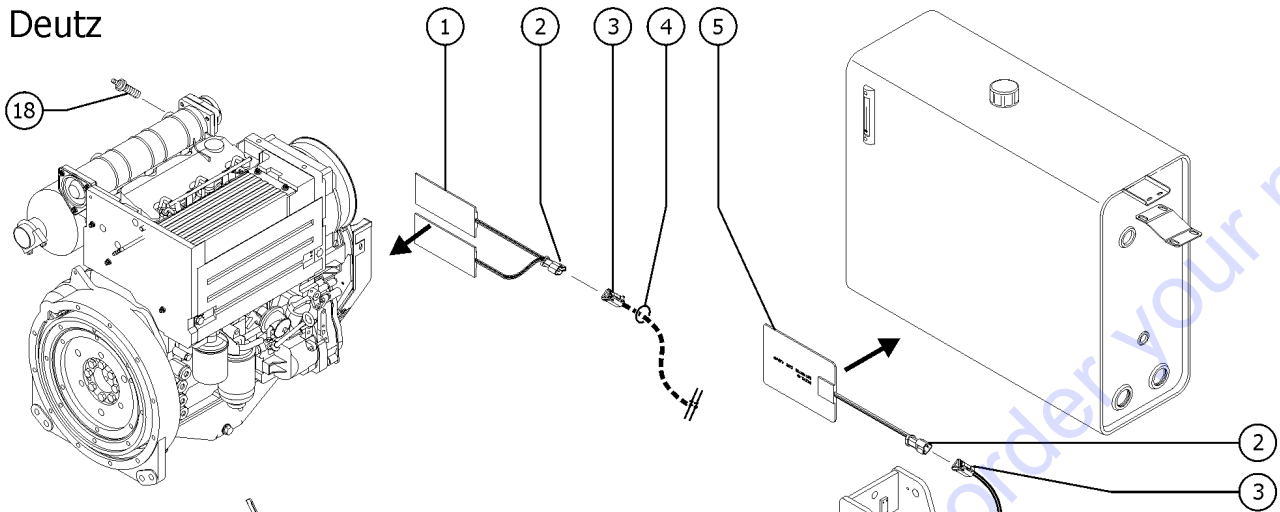
806.1 Air Line to Platform

Item	Part No.	Description	Qty.
A	30620-SGT	S40 AIRLINE TO PLATFORM	
B	44981GT	DECAL,LABEL, AIR LINE 110 PSI	
1	49177-71294GT	HOSE ASSEMBLY,1/2".....1	1
2	49212GT	FEMALE BULKHEAD CONNECTOR-8...2	2
3	49214GT	MALE PIPE THD,1/4" SER,3/8"X18.....1	1
4	60886PGT	BRACKET,AIRLINE TO PLATFORM.....1	1
5	49215GT	MPT,CPLR,1/4"SER,3/8"X18.....1	1

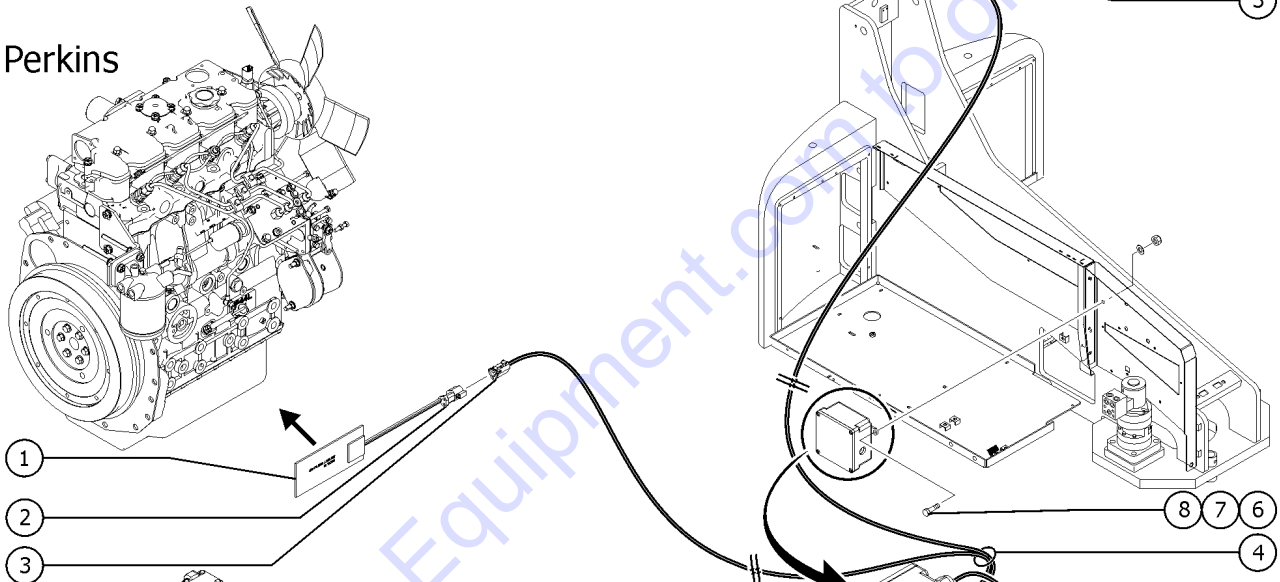
Go to Discount-Equipment.com to order your parts

807.1 Cold Start Package

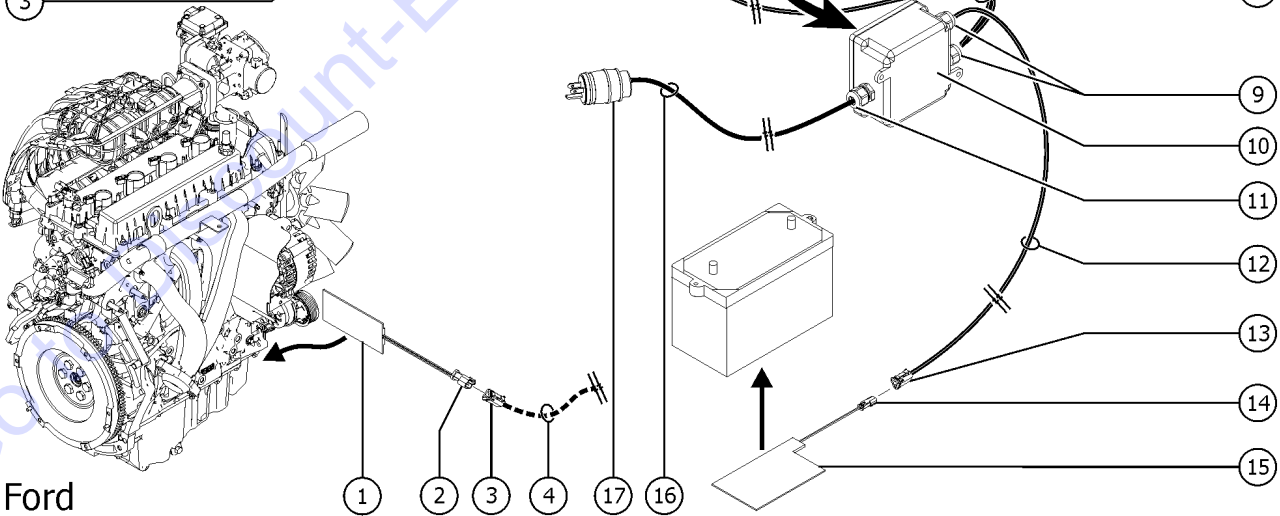
Deutz



Perkins



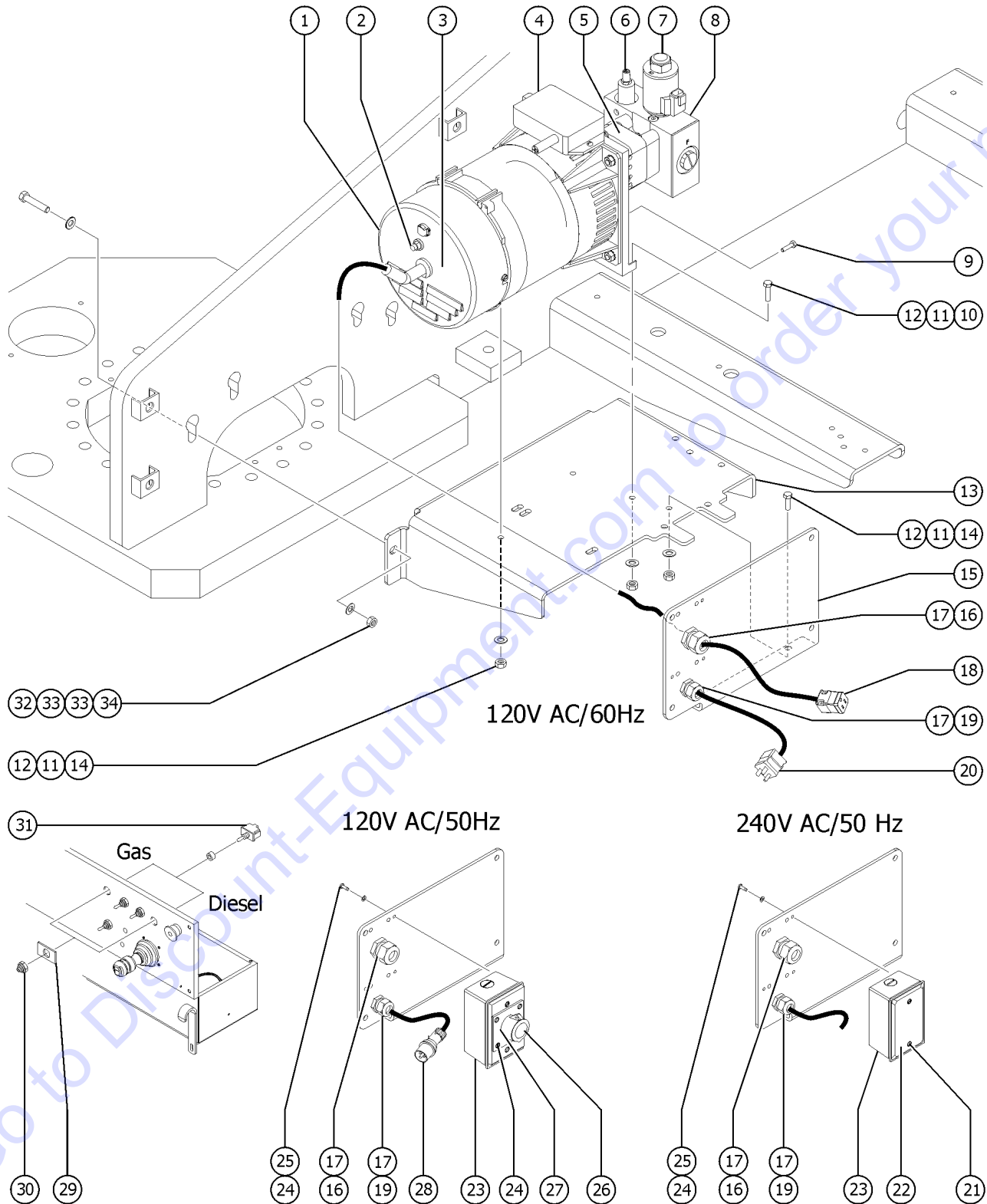
Ford



807.1 Cold Start Package

Item	Part No.	Description	Qty.	Item	Part No.	Description	Qty.
1A	1259661GT	ASSY,ENGINE HEATER,120V (120V) Deutz TD 2.9L4 models require two adhesive pads; use only one pad for other engines		17	119403GT	CONN,PLUG 120 AC/15A DOMESTIC...1 Part of wire harness	1
1B	216615GT	ASSY HEATER, MODEL 18, 120V.....1 (120V)		18	31408GT	GLOW PLUG,L1011.....1	1
1C	1259708GT	ASSY,ENGINE HEATER,240V (240V) Deutz TD 2.9L4 models require two adhesive pads; use only one pad for other engines		--	128365GT	HARNESS,SECOND GLOW PLUG.....1	1
1D	216616GT	ASSY HEATER,MODEL 18,240V (240V)					
2	119066GT	CONN,RECEP 3 WAY ENDCAP DT.....2 Part of heater assembly					
3	119057GT	CONN PLUG 3 WAY ENDCAP DT.....2 Part of wire harness					
4	216662GT	HARNESS,ENG/HYD HEATER,120V.....1 (120V)					
--	216683GT	HARNESS,ENG/HYD HEATER,240V (240V)					
5	216612GT	ASSY,120V HEATER, HYD TANK.....1 (120V)					
--	216611GT	ASSY,240V HEATER, HYD TANK (240V)					
6	14392GT	NUT,LP NYLOCK,10-32.....1					
7	6146GT	WASHER,FLAT,MS,#10,Y.....1					
8	75041GT	SCREW,PHILLIPS,PHM,10-32 X 1.....1					
9	99778GT	SQUEEZE CONNECTOR, 4 WIRE.....2 Part of wire harness					
--	238123GT	HUBBLE NUT, PG11					
10	214249GT	COLD WEATHER 120V J BOX ASSY.....1 (120V)					
--	237711GT	COLD WEATHER 240V J BOX ASSY (240V)					
11	214536GT	SQUEEZE CONN W/NUT, 2WIRE, 4MM.....1 Part of wire harness					
12	216657GT	HARNESS, 120V BATT CABLE, 98".....1 (120V)					
--	216678GT	HARNESS, 240V BATT CABLE, 98" (240V)					
13	119056GT	CONN,PLUG 2 WAY,14-18GA.....1					
14	119065GT	CONN,RECEP 2 WAY ENDCAP DT.....1					
15	216617GT	ASSY, BATTERY HEATER, 120V.....1 (120V)					
--	216618GT	ASSY BATTERY HEATER,240V (240V)					
16	216606GT	HARNESS, 120V POWER CORD, 24"....1 (120V) includes items 11 and 17					
--	216607GT	HARNESS, 240V POWER CORD, 24" (240V) includes item 11 only					

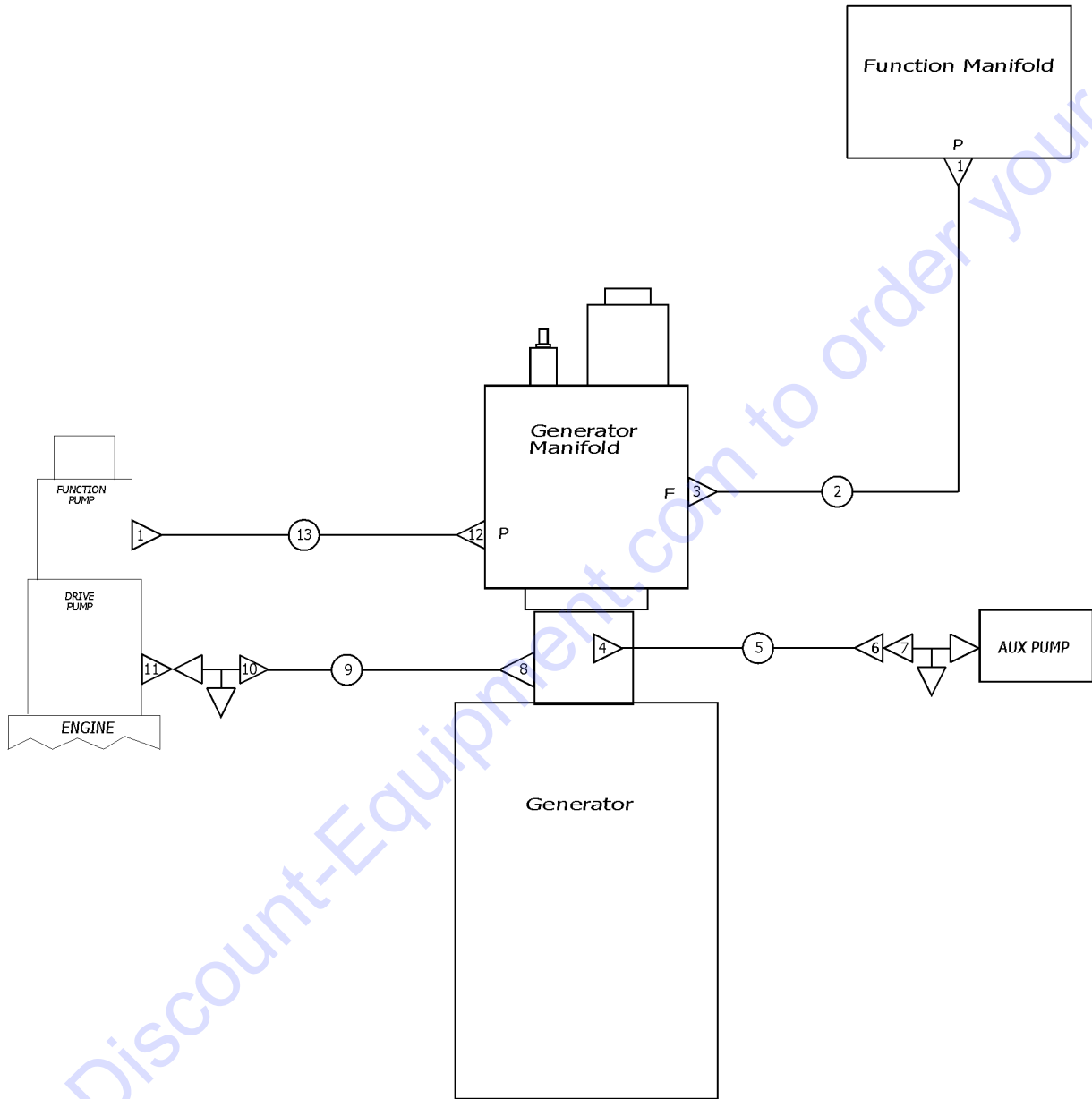
808.1 Hydraulic Generator Option (MTE) - View 1



808.1 Hydraulic Generator Option (MTE) - View 1

Item	Part No.	Description	Qty.	Item	Part No.	Description	Qty.
A	226476GT	S40/45 MTE GEN JUMPER HARNESS		25	35461GT	WASHER,FLAT,MS,#8,Y	
B	147240GT	CAPACITOR 16 F, GEN		26	T112560GT	RECEPTACLE,UK,110V.....1	1
1A	139952GT	GENERATOR,3kW,120V/50Hz.....1 <i>(complete) includes items 2-9</i>	1	27	T112561GT	PLATE,UK,POWER TO PLAT.....1	1
1B	139953GT	GENERATOR, 3kW, 120V/60Hz <i>(complete) includes items 2-9</i>		28	144161GT	PLUG,PWR,UK,16AMP,3PIN,BLK.....1	1
--	147239GT	BREAKER, 25 AMP, GEN 60hz		29	133518GT	DECAL, PATCH, GEN,ALC-500	
1C	139954GT	GENERATOR,3kW,240V/50Hz <i>(complete) includes items 2-9</i>		30	27246GT	BOOT,TOGGLE SWITCH,SHORT*	
--	147258GT	BREAKER,15 AMP,GEN 50hz		31	128205GT	SWITCH TOGGLE ASSY DPDT 2P MNT	
2	147239GT	BREAKER, 25 AMP, GEN.....1 <i>part of generators 139952 and 139953</i>	1	32	6198GT	NUT,NYLOCK,1/2-13	
--	147258GT	BREAKER,15 AMP,GEN <i>part of generator 139954</i>		33	13066GT	WASHER,FLAT,5 HARDENED	
3	147241GT	COVER, END, GEN, 120V.....1 <i>part of generators 139952 and 139953</i>	1	34	9145GT	SCREW,HHC,1/2-13 X 2.5,GR5	
--	147262GT	COVER, END, GENERATOR, 240V <i>part of generator 139954</i>					
4	1269693GT	CONTROL BOX,2KW,120/240V,50HZ.....1 <i>part of generators 139952 and 139954</i>	1				
--	147228GT	CONTROLLER BOX, 120/240V, 60H <i>part of generator 139953</i>					
5	147230GT	207 HYD MOTOR ASSY, GEN.....1	1				
--	147231GT	SEAL KIT, HYD MOTOR, GEN					
6	147233GT	VALVE, RELIEF, GEN, 3.0kW.....1	1				
7	147232GT	12VDC PROPORTIONAL VALVE.....1	1				
8	147229GT	MANIFOLD ASSEMBLY, GEN.....1 <i>(complete) includes items 6 and 7</i>	1				
9	147242GT	SCREW, GEN ROTOR.....4	4				
10	13000GT	SCREW,HHC,5/16-18 X 1.25					
11	5397GT	WASHER,FLAT,USS,5/16",Y					
12	6782GT	NUT,NYLOCK,5/16-18					
13	102340GT	BRACKET,GENERATOR,12KW,PAINTED.1	1				
14	13002GT	SCREW,HHC,5/16-18 X 1 GR5					
15	111576GT	FORMING,CONTROLBOX MT,WELD GEN					
16	7057GT	CONN. SQZ,1/2NPT .39-.56 MED.....1	1				
17	6935GT	LOCKNUT,ELEC,1/2".....2	2				
18	6595GT	PLUG,ELECTRICAL,DOMESTIC.....1	1				
19	7056GT	CONN,SQUEEZE,1/2NPT .38-.50,SM....1	1				
20	19020GT	CONNECTOR,FEMALE,RECPTCLE,110V.1	1				
21	75067GT	SCREW,6-32 X 7/8 PPMS ZINC					
22	10777GT	COVER,BLANK.....1	1				
23	10775GT	T-BOX,2.75 X 4.5 X 2.0					
--	74052GT	GASKET,COVER,GFCI,WEATHERPROOF					
24	57075GT	SCREW,PHIL,8-32X.50,SELF TAP					

809.1 Hydraulic Generator Option (MTE) - View 2



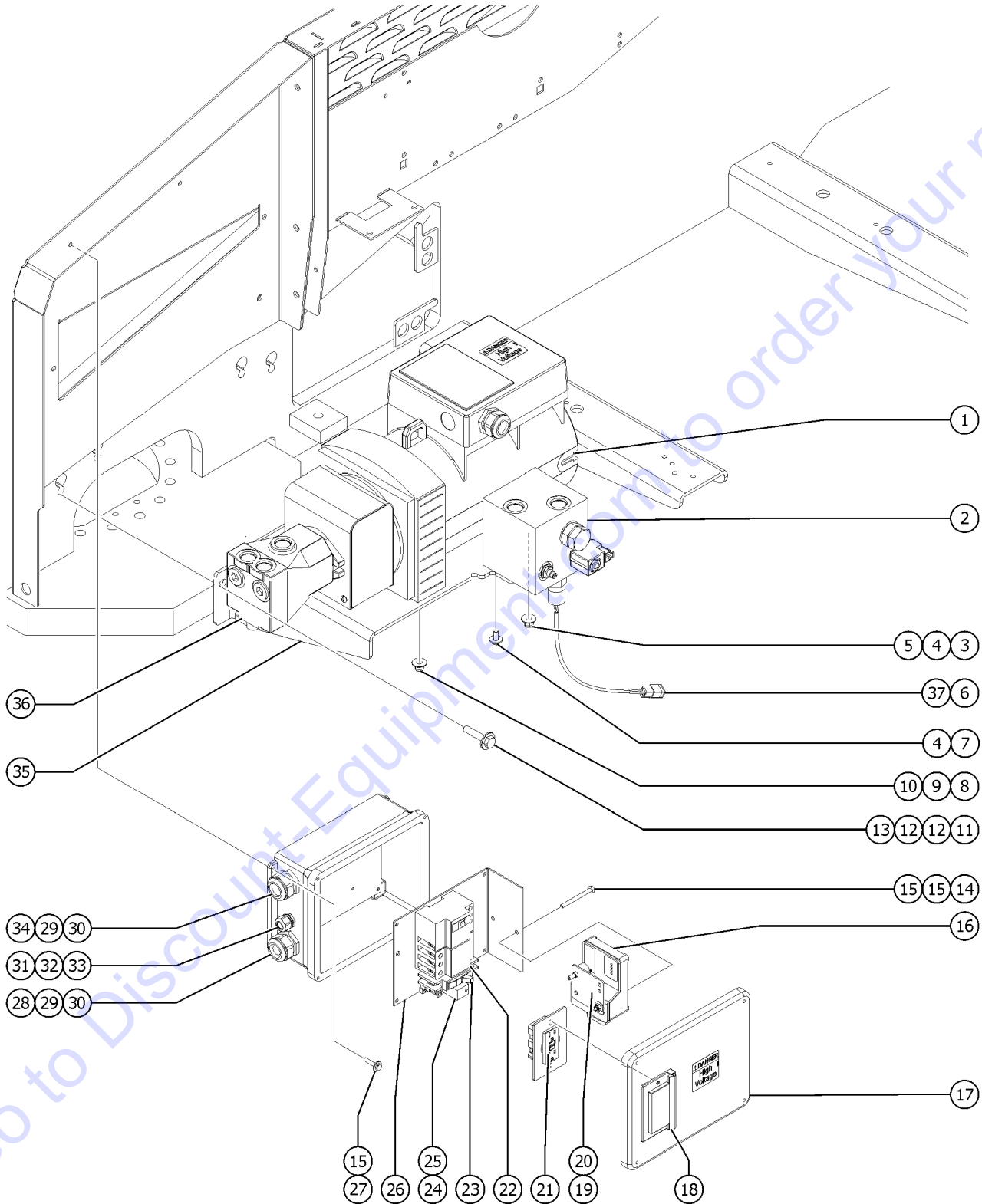
LEGEND	
	ADAPTER
	HOSE ASSEMBLY
	UNION

809.1 Hydraulic Generator Option (MTE) - View 2

Item	Part No.	Description	Qty.
1	48933GT	CONN,520120-8***	
2	49109-4129GT	HOSE ASSY,1/2,90 FEM,STR FEM**	
3	48948GT	CONN,520120-8-12	
4	49861GT	CONN,LONG,520122-4	
5	49117-4491GT	HOSE ASSY,1/4,90 FEM,STR FEM	
6	48941GT	REDUCER,520123-8-4	
7	48938GT	FITTING,TEE,RUN,SWIVEL520432-8	
8	48934GT	CONN,LONG,520122-8	
9	61070-3200GT	HOSE ASSY, 1/2", 90 FEM, STR F	
10	48964GT	FITTING,TEE,RUN,SWIVEL52043212	
11	48959GT	FITTING,ELBOW,90D,520220-12	
12	48947GT	ELBOW,90D,520220-8-12	
13	49141-2163SGT	HOSE ASSY,1/2,45 FEM,STR FEM	

Go to Discount-Equipment.com to order your parts

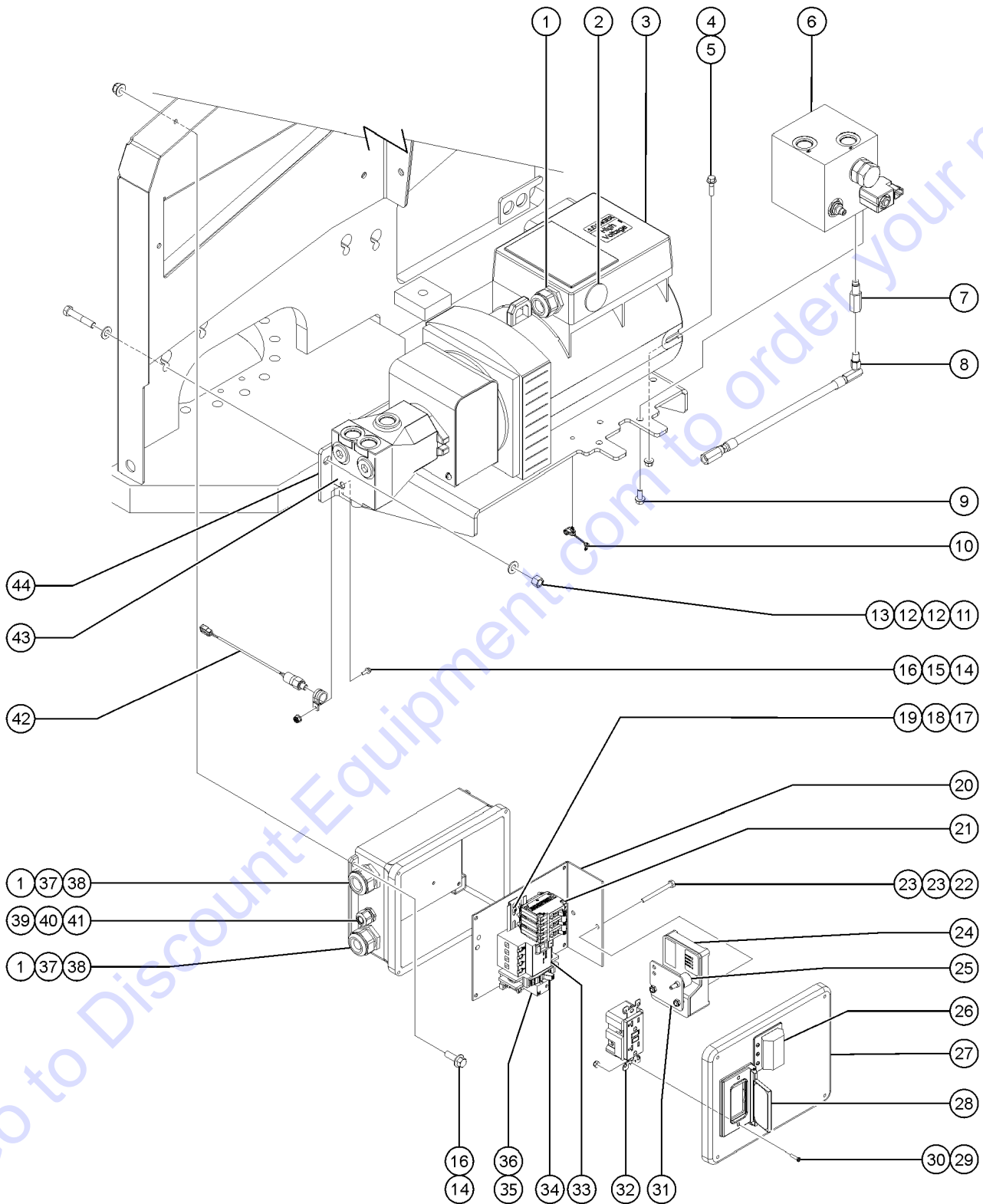
810.1 Welder Option, Chassis Components - View 1 (to serial number S40H-24399 and S45H-24343)



810.1 Welder Option, Chassis Components - View 1 (to serial number S40H-24399 and S45H-24343)

Item	Part No.	Description	Qty.	Item	Part No.	Description	Qty.
A	106115GT	WIRE CABLE 8/4 CON.SO		21	80543GT	RECEPTACLE, 120VAC, 20A, GFCI.....1	
B	226503GT	HARNESS,WELD GEN ENCLOSURE		22	106477GT	GFI/CIRCUIT BREAKER ASSEMBLY.....1	
C	82237GT	DECAL,DANGER,HIGH VOLTAGE		--	106375GT	GFCI,50A, 3PH	
D	122300GT	COVER,WELDER GENERATOR		--	227425GT	CIRCUIT BREAKER, 35A 3PH	
1	106113GT	GENERATOR,HYDRO-12KEP-21-3 <i>includes item 36</i>		23	106073GT	CIRCUIT BREAKER,20A,SINGLE PH.....1	
--	106184GT	MOTOR,HYD 12.5KW GEN,21CC*** <i>part of gen. 106113</i>		24	33607GT	RELAY,OMRON,DPDT,12V.....1	
--	110344GT	BRUSH BOX,ASSY,GEN*** <i>part of gen. 106113</i>		25	33608GT	RELAY,SOCKET,OMRON.....1	
--	162006GT	SEAL KIT,HYD MOTOR(106184) <i>part for motor 106184</i>		26	102314GT	PANEL, ENCLOSURE, LINCO WELDER.....1	
--	T113655GT	COUPLING, 28MM (106113) <i>part of gen. 106113</i>		27	6090GT	SCREW,HHC,1/4-20 X .75	
--	T114022GT	SPIDER (106113) <i>part of gen. 106113</i>		28	106077GT	CABLE SQUEEZE CONN .63-.75.....1	
--	T114023GT	COUPLING (106113) <i>part of gen. 106113</i>		29	18665GT	LOCKNUT,ELECTRIC,1" NPT.....2	
2		Ref. Oil Diverter Manifold <i>(refer to 705.1)</i>		30	106104GT	O-RING,SEAL RING,1" NPT (PKG OF 10).....2	
3	6782GT	NUT,NYLOCK,5/16-18		31	7056GT	CONN,SQUEEZE,1/2NPT .38-.50,SM....1	
4	5397GT	WASHER,FLAT,USS,5/16",Y		32	6935GT	LOCKNUT,ELEC,1/2".....1	
5	13002GT	SCREW,HHC,5/16-18 X 1 GR5		33	56237GT	O-RING,ORFS,-12.....1	
6	146284GT	SWITCH,PRESS,#4NPT,200PSIF.....1 <i>for first time replacement, order service kit 1271398GT.</i>		34	20776GT	CABLE SQUEEZE CONN.....1	
6B	1271398GT	KIT,GEN. PRESSURE SWITCH <i>includes pressure switch, hose, fittings and installation instructions</i>		35	102340GT	BRACKET,GENERATOR,12KW,PAINTED	
7	10107GT	SCREW,HHC,5/16-18 X .75		36	106184GT	MOTOR,HYD 12.5KW GEN,21CC***1 <i>part of gen. 106113</i>	
8	4828GT	NUT,NYLOCK,3/8-16		--	162006GT	SEAL KIT,HYD MOTOR(106184) <i>for 106184</i>	
9	6097GT	WASHER,FLAT,USS,3/8",Y		37	146285GT	CONN, SAE#4-1/4" NPT.....1	
10	8516GT	SCREW, HCC, 3/8-16 X 1.50					
11	9145GT	SCREW,HHC,1/2-13 X 2.5,GR5					
12	13066GT	WASHER,FLAT,.5 HARDENED.....2					
13	6198GT	NUT,NYLOCK,1/2-13					
14	36294GT	SCREW,HHC,1/4-20 X 2.75					
15	6889GT	NUT,LP NYLOCK,1/4-20					
16	106658GT	MODULE,SX CONTROLLER,LOW AMP.....1					
17	229346GT	ASSY,ENCLOSURE,WELDER,GEN.....1 <i>includes items 13-16, 18-26 and 29-35</i>					
18	74006GT	COVER,GFCI,HORIZONTAL,WEATHER <i>includes mounting hardware</i>					
19	106140PGT	BRACKET,1K OHM 10-TURN POT,PNT.....1					
20	102357GT	POTENTIOMETER ASSY, WELDER.....1					

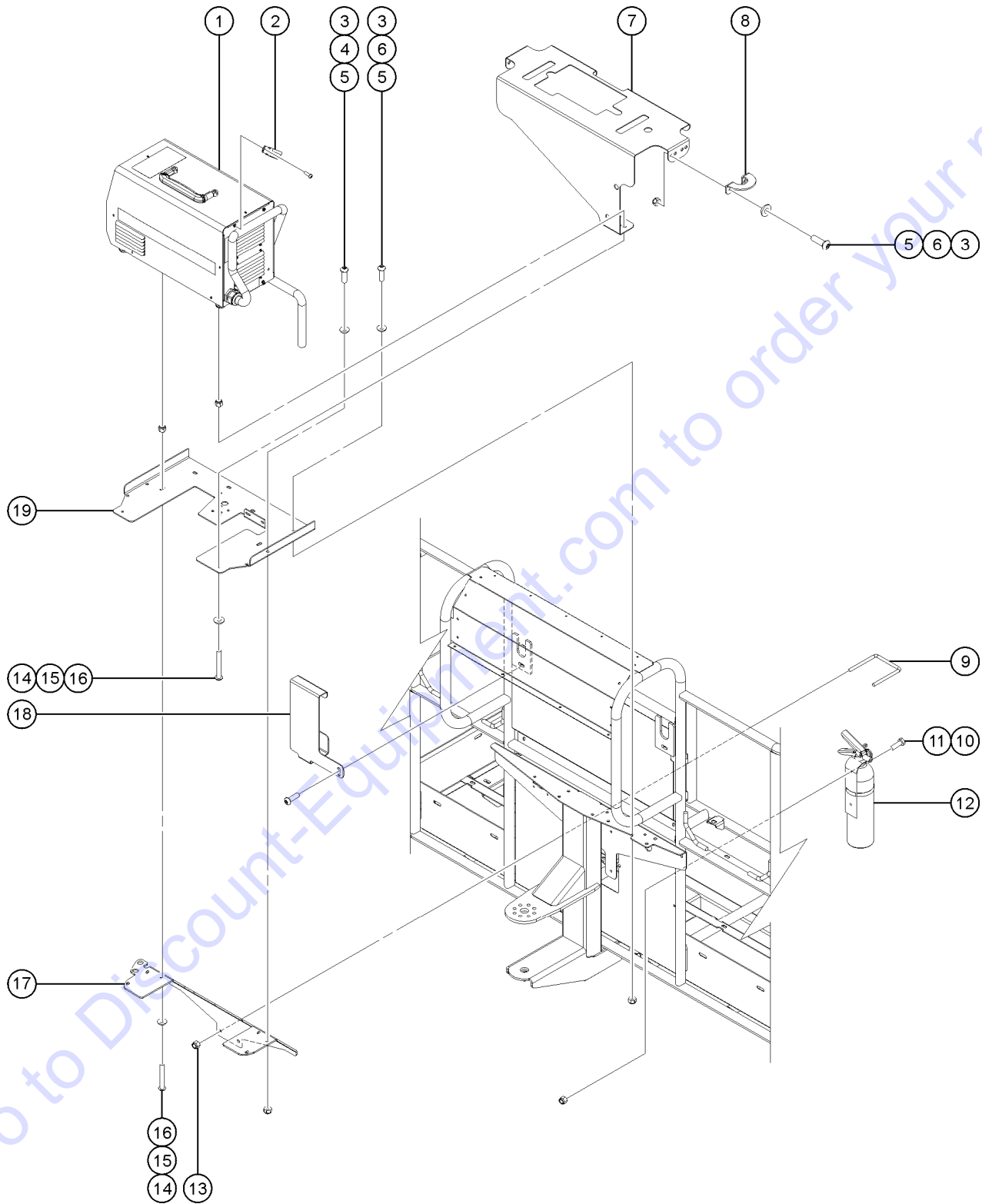
810.2 Welder Option, Chassis Components - View 1 (from serial number S40H-24344 and S45H-24345)



810.2 Welder Option, Chassis Components - View 1 (from serial number S40H-24344 and S45H-24345)

Item	Part No.	Description	Qty.	Item	Part No.	Description	Qty.
A	1278577GT	KIT, WIRING, 12.5KW WELDGEN, MAGBREAKER.....	1	24	106658GT	MODULE,SX CONTROLLER,LOW AMP.....	1
1	20776GT	CABLE SQUEEZE CONN.....	3	25	101995GT	RESISTOR,POT,1K OHM,2-WATT.....	1
2	146294GT	ASSY,WELDER,OMRON RELAY,GBOX.....	1	26	1276672GT	BOOT, ENVIRO, 3PH CIRCUIT BREAKER.....	1
3	106113GT	GENERATOR,HYDRO-12KEP-21-3.....	1	27	1278672GT	ASSY, ENCLOSURE, WELDER GENERATOR.....	1
--	106184GTGT	MOTOR,HYD 12.5KW GEN,21CC*** <i>part of gen. 106113</i>		--	1278673GT	ASSY, JBOX, 8X10	
--	110344GTGT	BRUSH BOX,ASSY,GEN*** <i>part of gen. 106113</i>		28	74006GT	COVER,GFCI,HORIZONTAL,WEATHER.	1
--	162006GT	SEAL KIT,HYD MOTOR(106184) <i>part for motor 106184</i>		29	63375GT	SCREW,FHM,6-32 X .75.....	2
--	6606GT	SCREW,RHM,10-32 X .75		30	12344GT	NUT,NYLOCK,6-32.....	2
--	T113655GT	COUPLING, 28MM (106113) <i>part of gen. 106113</i>		31	106140GT	BRACKET,1K OHM 10-TURN POT**.....	1
--	T114022GTGT	SPIDER (106113) <i>part of gen. 106113</i>		32	80543GT	RECEPTACLE, 120VAC, 20A, GFCI.....	1
--	T114023GTGT	COUPLING (106113) <i>part of gen. 106113</i>		33	824617GT	CIRCUIT BREAKER,GFCI,3PH,63A,3....	1
4	824087GT	SCREW,HHF,5/16-18X1.25,8,ZAG.....	3	34	106073GT	CIRCUIT BREAKER,20A,SINGLE PH.....	1
5	1274167GT	NUT,NYLOCK FLG,5/16-18,F,ZAG.....	3	35	33607GT	RELAY,OMRON,DPDT,12V.....	1
6		Ref. Oil Diverter Manifold..... <i>(refer to 705.1)</i>	1	36	33608GT	RELAY,SOCKET,OMRON.....	1
7	146285GT	CONN, SAE#4-1/4" NPT.....	1	37	106104GT	O-RING,SEAL RING,1" NPT (PKG OF 10).....	2
8	1273915GT	HOSE, ASSEMBLY, 1/4", 3250PSI.....	1	38	18665GT	LOCKNUT,ELECTRIC,1" NPT.....	2
9	824085GT	SCREW,HHF,5/16-18X.75,8,ZAG.....	2	39	61278GT	CONN. SQZ,1/2NPT .56-.63.....	1
10	219508GT	CLAMP,FIXED DIA, NYLON, 3/8".....	1	40	56237GT	O-RING,ORFS,-12.....	1
11	1256106GT	NUT,TL,1/2-13,C,ZAG.....	4	41	6935GT	LOCKNUT,ELEC,1/2".....	1
12	825353GT	WASHER,FLAT,1/2,SAE,HRD,ZAG.....	8	42	146284GT	SWITCH,PRESS,#4NPT,200PSIF.....	1
13	1257805GT	SCREW,HHC,1/2-13X2.75,8,ZAG.....	4	43	106184GTGT	MOTOR,HYD 12.5KW GEN,21CC*** <i>part of gen. 106113</i>	1
14	824078GT	SCREW,HHF,1/4-20X.75,8,ZAG.....	4	--	162006GT	SEAL KIT,HYD MOTOR(106184) <i>for 106184</i>	
15	18666GT	CLAMP,1.00,#16 X 1/4,RUB CUSH.....	1	44	102340GT	BRACKET,GENERATOR,12KW,PAINTED.	1
16	1277924GT	NUT,NYLOCK FLG,1/4-20,F,ZAG.....	4				
17	54365GT	SCREW,PHIL,PHM,10-32 X .5,SSTL.....	2				
18	42315GT	DIN RAIL,6.38".....	1				
19	6178GT	NUT,NYLOCK,10-32.....	2				
20	102314GT	PANEL, ENCLOSURE, LINCO WELDER.....	1				
--	13000GT	SCREW,HHC,5/16-18 X 1.25					
--	5397GT	WASHER,FLAT,USS,5/16",Y					
--	6037GT	NUT,HEX,5/16-18,GR5					
--	6886GT	WASHER,LOCK,.313					
21	1276986GT	CIRCUIT BREAKER,MAGTRIP,3PH,40A.....	1				
22	36294GT	SCREW,HHC,1/4-20 X 2.75.....	2				
23	6889GT	NUT,LP NYLOCK,1/4-20.....	4				

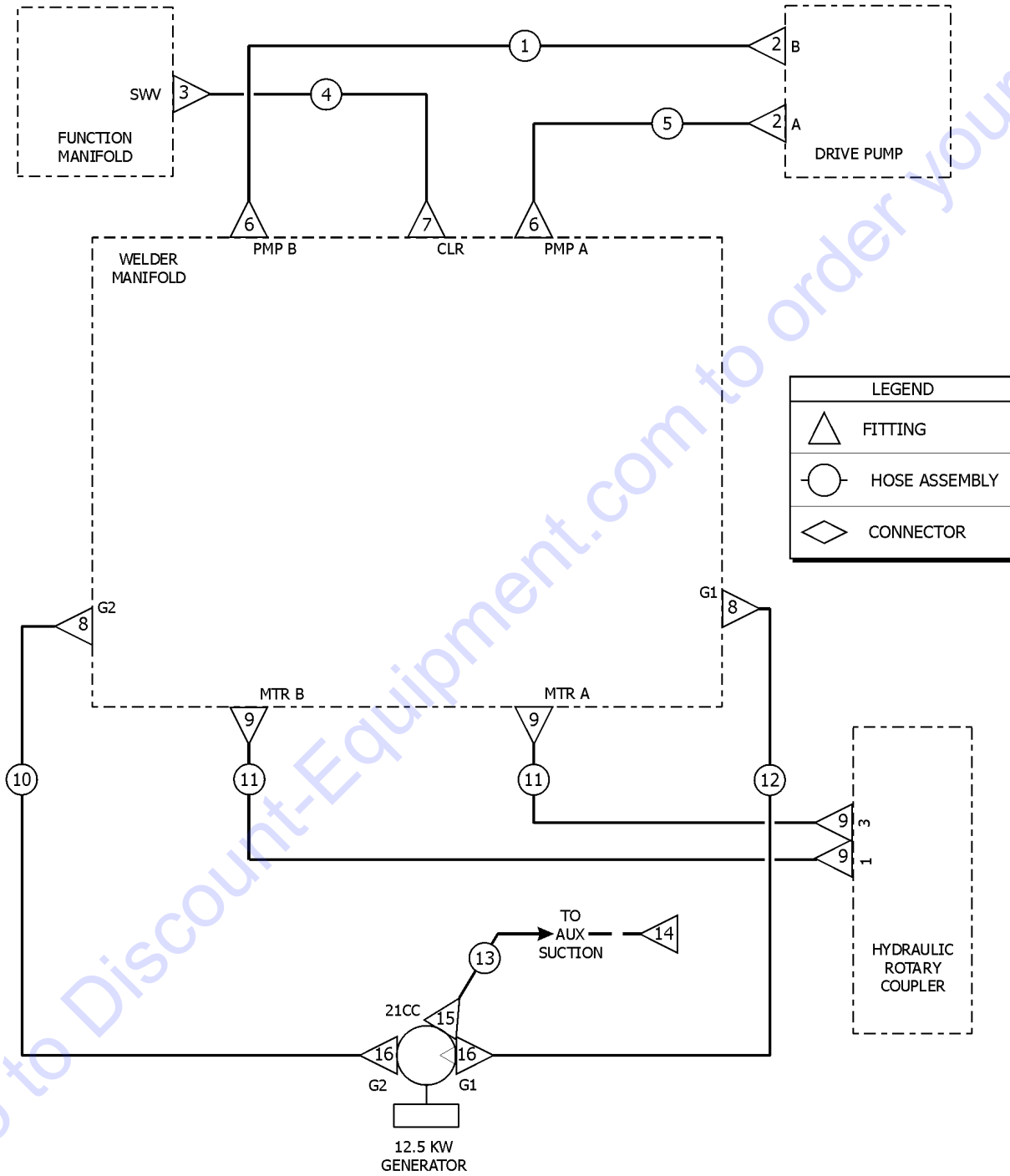
811.1 Welder Option, Platform Components - View 2



811.1 Welder Option, Platform Components - View 2

Item	Part No.	Description	Qty.	Item	Part No.	Description	Qty.
A	28443GT	CABLE TIE,11.5" BLACK		11B	1277924GT	NUT,NYLOCK FLG,1/4-20,F,ZAG.....2 (from SN S40H-24344, S45H-24345)	2
B	110276-1600GT	FIRE SLEEVE, 1.25" (S-45)		12	88406GT	FIRE EXTINGUISHER.....	1
C	110276-2200GT	FIRE SLEEVE, 1.25" (S-40)		13A	4828GT	NUT,NYLOCK,3/8-16.....2 (to SN S40H-24399, S45H-24343)	2
D	110276-2300GT	FIRE SLEEVE, 1.25" (S-45)		13B	1274322GT	NUT,NYLOCK FLG,3/8-16,F,ZAG.....2 (from SN S40H-24344, S45H-24345)	2
E	110276-3200GT	FIRE SLEEVE, 1.25" (S-45)		14A	106141GT	SCREW,SECURITY,1/4-20 X 1.75LG.....4 (to SN S40H-24399, S45H-24343)	4
F	110276-5000GT	FIRE SLEEVE, 1.25" (S-45)		14B	1253408GT	SCREW,BHTC-PIN,1/4-20X1.75,ZAG.....4 (from SN S40H-24344, S45H-24345)	4
G	214620GT	SOCKET,3P,30A,4 WIRE, FEM		15A	6638GT	WASHER,FLAT,USS,1/4"Y.....4 (to SN S40H-24399, S45H-24343)	4
H	214621GT	SOCKET, BOOT, 3P, 30A, 4 WIRE		15B	824113GT	WASHER,FLAT,USS,1/4,ZAG.....4 (from SN S40H-24344, S45H-24345)	4
I	214622GT	PLUG, BOOT, 3P, 30A, 4 WIRE		16	6091GT	NUT,NYLOCK,1/4-20.....4 (to SN S40H-24399, S45H-24343)	4
J	1257216GT	HARNESS,WELD GEN GBOX,S40/45		17	102409PGT	BRACKET,WELDER MNT SUPPORT,PNT.....	1
K	106183GT	FUSE,.6AMP,250V,WELDER,V275S		18	106204PGT	BRACKET,V275S WELD LEADS.....	1
L	106275GT	KIT,WELD LEADS ASSY,V275S		19	102408PGT	BRACKET,LINCOLN WELDER,PNTD.....	1
M	214623GT	PLUG, 3P,30A, 4 WIRE, MALE,					
1A	101525GT	WELDER,INVERTEC V275-S.....	1				
1B	214619GT	WELDER, MILLER, CST 280.....	1				
--	18666GT	CLAMP,1.00,#16 X 1/4,RUB CUSH					
2	18666GT	CLAMP,1.00,#16 X 1/4,RUB CUSH.....	2				
3A	106043GT	SCREW,SECURITY,5/16-18X1.00.....	10				
		(to SN S40H-24399, S45H-24343)					
3B	128322GT	SCREW,5/16-18X1.00,SECURITY TO.....	15				
		(from SN S40H-24344, S45H-24345)					
4A	6638GT	WASHER,FLAT,USS,1/4"Y.....	5				
		(to SN S40H-24399, S45H-24343)					
4B	825358GT	WASHER,FLAT,5/16,USS,ZAG.....	15				
		(from SN S40H-24344, S45H-24345)					
5A	6782GT	NUT,NYLOCK,5/16-18.....	10				
		(to SN S40H-24399, S45H-24343)					
5B	1274167GT	NUT,NYLOCK FLG,5/16-18,F,ZAG.....	15				
		(from SN S40H-24344, S45H-24345)					
6A	5397GT	WASHER,FLAT,USS,5/16",Y.....	9				
		(to SN S40H-24399, S45H-24343)					
6B	825358GT	WASHER,FLAT,5/16,USS,ZAG.....	15				
		(from SN S40H-24344, S45H-24345)					
7	101547PGT	BRACKET,WELDER SUPPORT,PNT.....	1				
8	217366GT	BRACKET,WELDER TOP.....	2				
9	106044GT	U-BOLT,3/8-16X4X4.63X3.00.....	1				
10A	6090GT	SCREW,HHC,1/4-20 X .75.....	2				
		(to SN S40H-24399, S45H-24343)					
10B	1256124GT	SCREW,BHC,1/4-20X.75,F835,ZAG.....	2				
		(from SN S40H-24344, S45H-24345)					
11A	6091GT	NUT,NYLOCK,1/4-20.....	2				
		(to SN S40H-24399, S45H-24343)					

812.1 Hoses and Fittings - Welder



PARTS FINDER

**Search Website
by Part Number**



**Search Manual
Library For Parts
Manual & Lookup Part
Numbers – Purchase
or Request Quote**

Search Manuals

Enter your information to help us find the right parts manual for your machine.

* Brand:

* Model:

* Serial:

* Part Number:

SEARCH

**Can't Find Part or
Manual? Request Help
by Manufacturer,
Model & Description**

Parts Order Form

Please fill in the following information to help us find the right part for your machine.

Manufacturer:	<input type="text"/>
Model:	<input type="text"/>
Description:	<input type="text"/>
Part Number:	<input type="text"/>
Quantity:	<input type="text"/>
Notes:	<input type="text"/>

Submit

Discount-Equipment.com is your online resource for quality parts & equipment.

Florida: **561-964-4949** Outside Florida TOLL FREE: **877-690-3101**

Need parts?

Click on this link: <http://www.discount-equipment.com/category/5443-parts/> and choose one of the options to help get the right parts and equipment you are looking for. Please have the machine model and serial number available in order to help us get you the correct parts. If you don't find the part on the website or on one of the online manuals, please fill out the request form and one of our experienced staff members will get back to you with a quote for the right part that your machine needs.

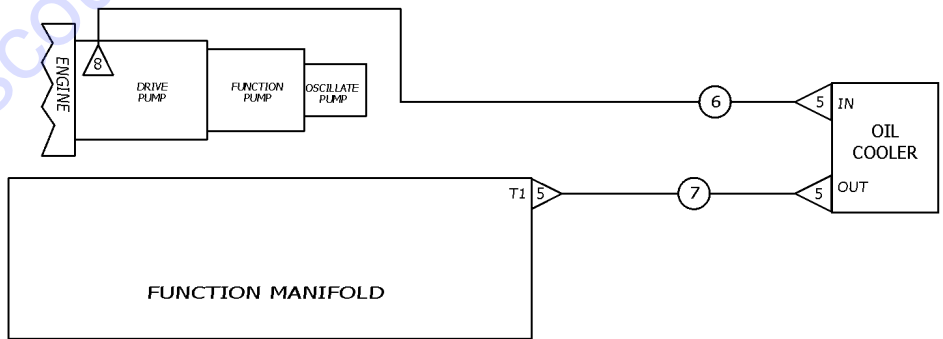
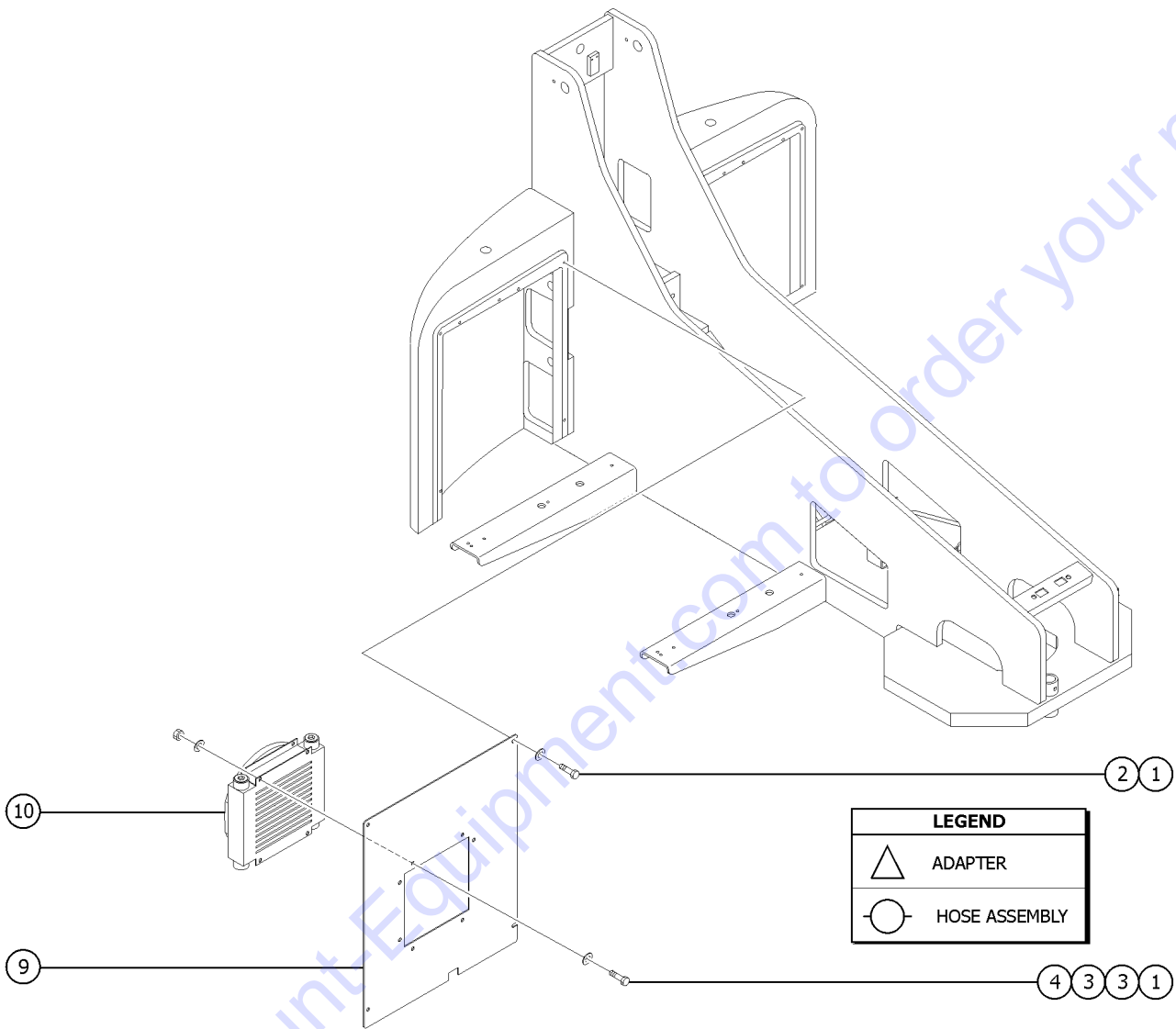
We sell worldwide for the brands: Genie, Terex, JLG, MultiQuip, Mikasa, Essick, Whiteman, Mayco, Toro Stone, Diamond Products, Generac Magnum, Airman, Haulotte, Barreto, Power Blanket, Nifty Lift, Atlas Copco, Chicago Pneumatic, Allmand, Miller Curber, Skyjack, Lull, Skytrak, Tsurumi, Husquvarna Target, Stow, Wacker, Sakai, Mi-T-M, Sullair, Basic, Dynapac, MBW, Weber, Bartell, Bennar Newman, Haulotte, Ditch Runner, Menegotti, Morrison, Contec, Buddy, Crown, Edco, Wyco, Bomag, Laymor, EZ Trench, Bil-Jax, F.S. Curtis, Gehl Pavers, Heli, Honda, ICS/PowerGrit, IHI, Partner, Imer, Clipper, MMD, Koshin, Rice, CH&E, General Equipment, Amida, Coleman, NAC, Gradall, Square Shooter, Kent, Stanley, Tamco, Toku, Hatz, Kohler, Robin, Wisconsin, Northrock, Oztec, Toker TK, Rol-Air, APT, Wylie, Ingersoll Rand / Doosan, Innovatech, Con X, Ammann, Mecalac, Makinex, Smith Surface Prep, Small Line, Wanco, Yanmar

812.1 Hoses and Fittings - Welder

Item	Part No.	Description	Qty.
1	102313-2726	HOSE ASSY,3/4',45F,STR F.....	1
2	48977GT	CONN,520120-12-16.....	2
3	67371GT	TEE,BRANCH,520433-12.....	1
4	61070-3750	HOSE ASSY,1/2,90 FEM,STR FEM.....	1
5	102313-2926	HOSE ASSY,3/4',45F,STR F.....	1
6	48959GT	FITTING,ELBOW,90D,520220-12.....	2
7	48933GT	CONN,520120-8***.....	1
8	48963GT	FITTING,ELBOW,45D,520320-12***.....	2
9	48960GT	FITTING,CONN,520120-12***.....	4
10	102312-2088	HOSE ASSEMBLY,3/4",-10-12 90F,.....	1
11	94374-5130	HOSE ASSY,3/4",90F,STR F.....	2
12	102312-2388	HOSE ASSY,3/4",10-12 90 F,ST F.....	1
13	49143-7529	HOSE ASSY,1/2",90F,STR F.....	1
14	48938GT	FITTING,TEE,RUN,SWIVEL520432-8.....	1
15	48948GT	CONN,520120-8-12.....	1
16	48958GT	CONN,520120-10-12.....	2

Go to Discount-Equipment.com to order your parts

813.1 Hydraulic Oil Cooler Option



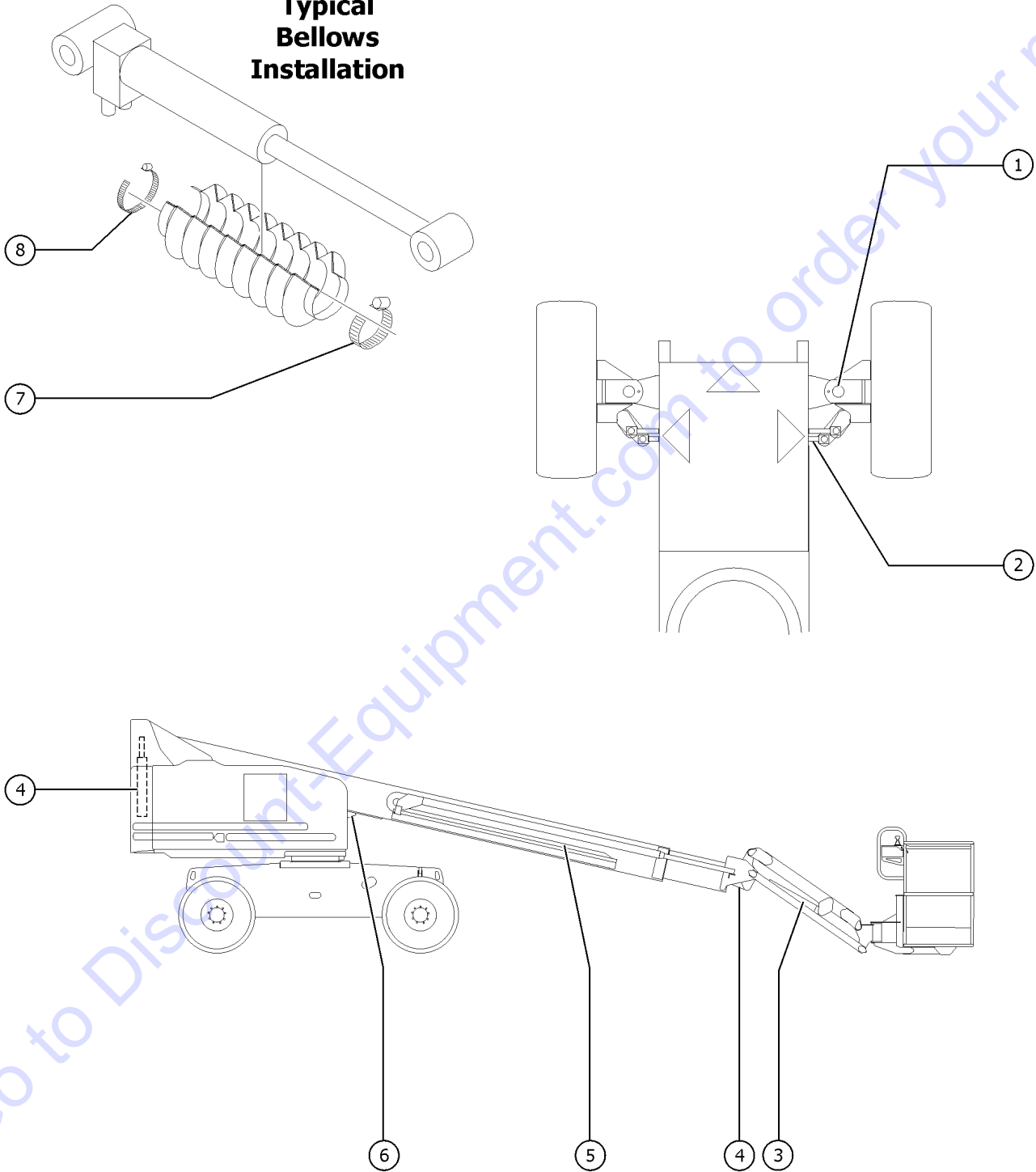
813.1 Hydraulic Oil Cooler Option

Item	Part No.	Description	Qty.
A	111351GT	OPTION,OIL COOLER SERV	
1	6175GT	SCREW,HHC,3/8-16 X 1	
2	6021GT	WASHER,LOCK,.375	
3	6097GT	WASHER,FLAT,USS,3/8",Y	
4	4828GT	NUT,NYLOCK,3/8-16	
5	48959GT	FITTING,ELBOW,90D,520220-12.....	3
6	49152-4869GT	HOSE ASSY,3/4 100R1.....	1
7	49151-9248GT	HOSE ASSY,3/4 STR FEM.....	1
8	48960GT	FITTING,CONN,520120-12***.....	1
9	89533GT	PLATE,BULKHEAD,S40 OIL COOLER....	1
10	71259GT	OIL COOLER W/FAN, 12VDC.....	1
--	75854GT	FAN - VENTED	
--	75855GT	THERMOSTAT -OIL COOLER (71259)	

Go to Discount-Equipment.com to order your parts

814.1 Hostile Environment Package - View 1

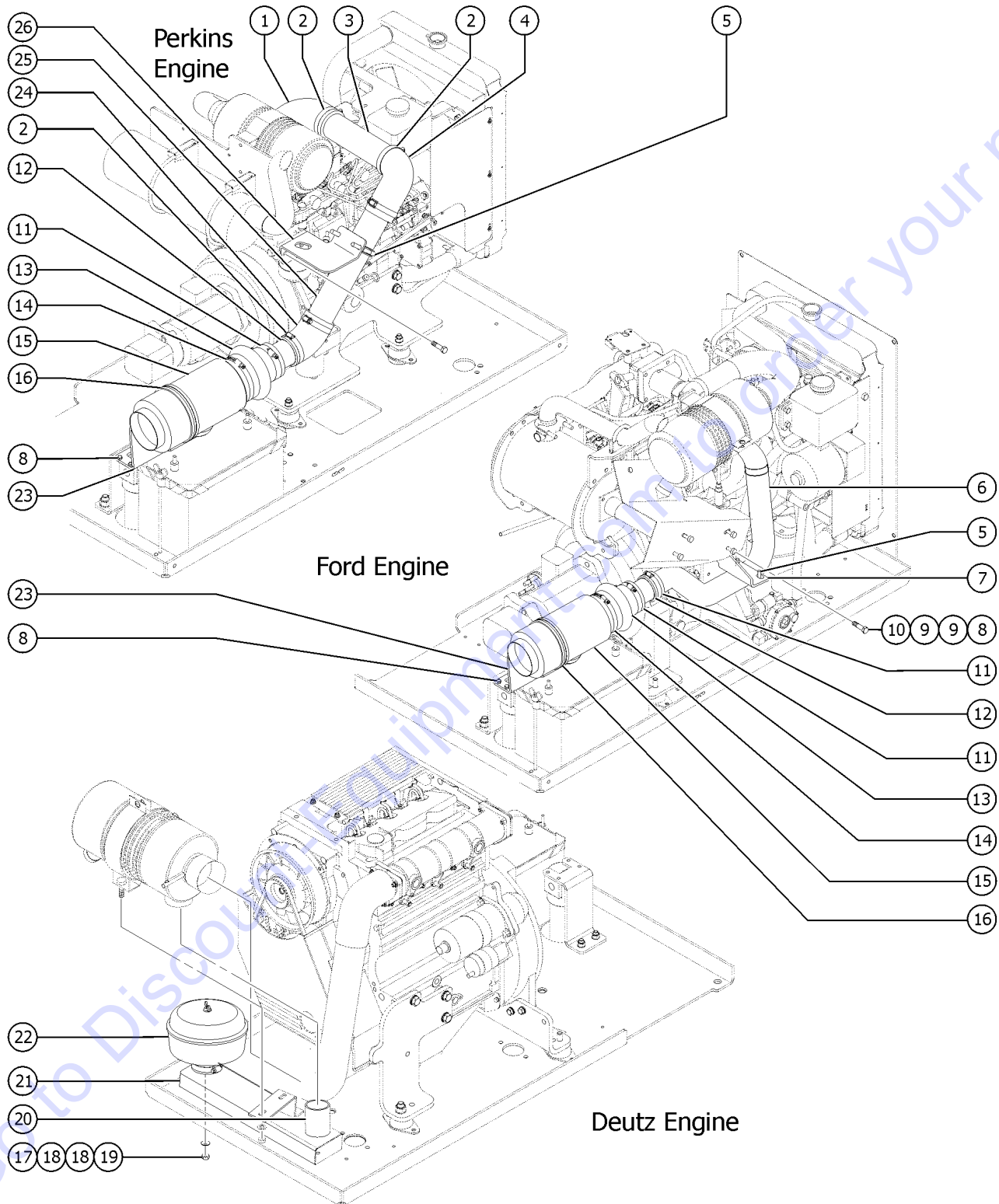
**Typical
Bellows
Installation**



814.1 Hostile Environment Package - View 1

Item	Part No.	Description	Qty.
1	73842GT	COVER,PROTECTIVE,STEER CYLINDR.....	2
2	30580GT	COVER,PROTECTIVE,OSCILLATE CYL..... <i>includes items 6 and 7</i>	2
3	34505GT	COVER,PROTECTIVE,JIB CYLINDER... <i>includes items 6 and 7</i>	1
4	34503GT	COVER,PROTECTIVE,SLAVE W/JIB <i>includes items 6 and 7</i>	
5	216296GT	COVER, HOSE & CABLE, HOSTILE	
6	34506GT	COVER,PROTECTIVE,LIFT CYLINDR*.....	1
7	36208GT	CLAMP,HOSE,1.25***.....	1
--	19273GT	CLAMP,HOSE,,75 **	
--	45435GT	CLAMP,HOSE,2.50****	
8	30971GT	CLAMP,HOSE,3.00".....	1
--	34955GT	CLAMP,HOSE,5.00	
--	45435GT	CLAMP,HOSE,2.50****	

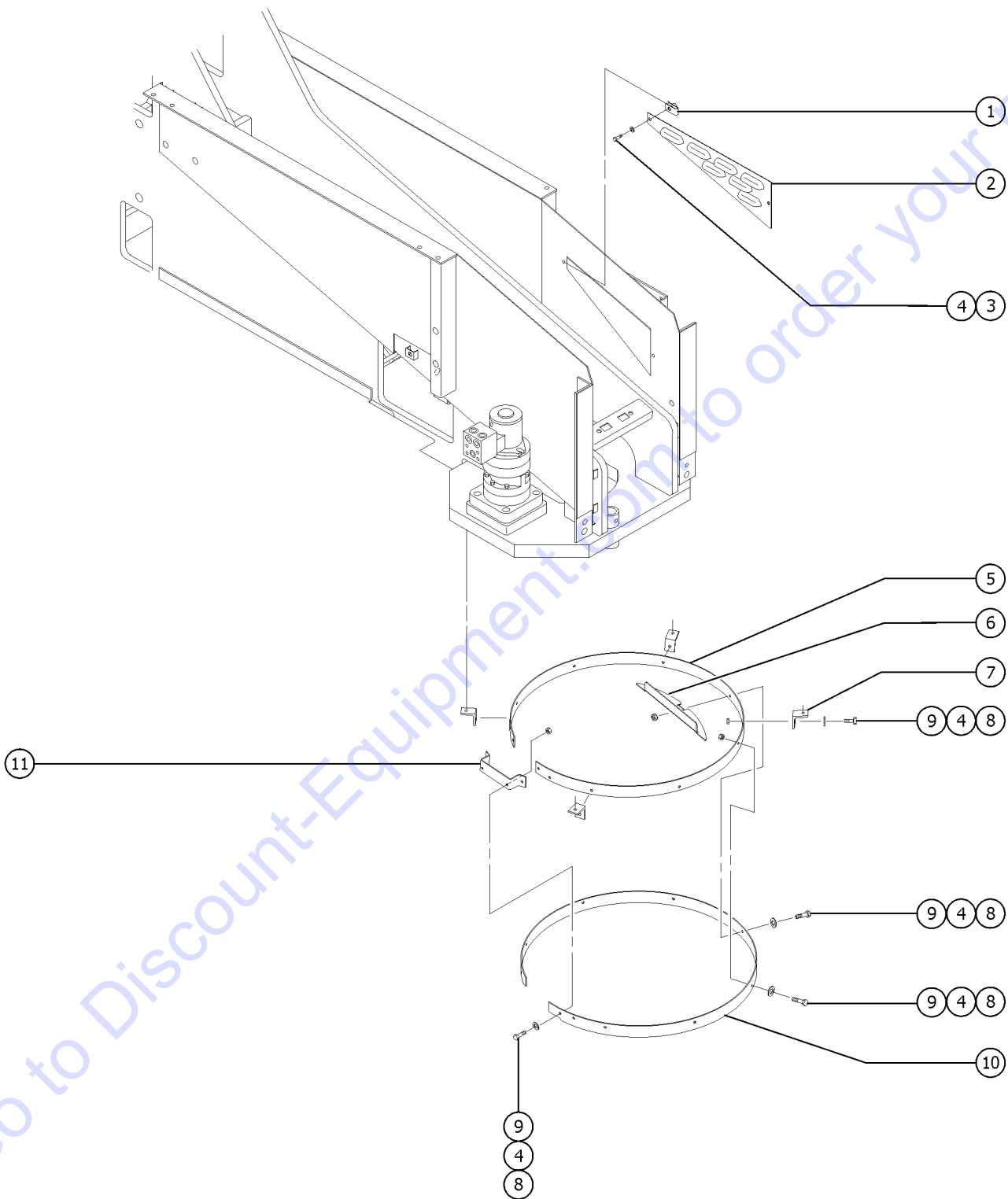
815.1 Hostile Environment Package - View 2



815.1 Hostile Environment Package - View 2

Item	Part No.	Description	Qty.
A	102007GT	OPT,PRECLEANER,PERKINS,S40	
B	89991GT	OPT,PRECLEANER,DEUTZ,S40	
C	102003PGT	FORMING,BAFFLE PLATE COVER <i>Perkins and Ford models</i>	
D	89989PGT	PLATE,PRE-CLEANER,PAINTED <i>Deutz models</i>	
1	34163GT	ELBOW,90 DEGR,RUBBER,MODIFIED*.....1	1
2	45435GT	CLAMP,HOSE,2.50"****	
3	94324-950GT	TUBE,RD,STL,ALUMIZD,2.5X.065.....1	1
4	50941GT	HOSE,90DEG 2.5" AIR INTAKE.....1	1
5	71911GT	CLAMP,MUFFLER, 2.50 INCH	
6	102372GT	TUBE,INTAKE,PRECLEANER,FORD	
7	102373PGT	FORMING,INTAKE TUBE SUPPORT,PT.....1	1
8	6888GT	SCREW,HHC,1/4-20 X 1	
9	6638GT	WASHER,FLAT,USS,1/4"Y	
10	6091GT	NUT,NYLOCK,1/4-20	
11	30971GT	CLAMP,HOSE,3.00"	
12	101640GT	REDUCER,RUBBER 3.0 - 2.5.....1	1
13	88492GT	HOSE,HUMP 3" TO 4".....1	1
14	34955GT	CLAMP,HOSE,5.00	
15	88493GT	PRECLEANER,AIR INTAKE.....1	1
16	101639GT	CLAMP,5.38,#86 X 3/8,RUB CUSH	
17	4828GT	NUT,NYLOCK,3/8-16	
18	6097GT	WASHER,FLAT,USS,3/8",Y	
19	6175GT	SCREW,HHC,3/8-16 X 1	
20	34162-350GT	HOSE,AIR INTAKE 2.5" I.D.....1	1
21	89985GT	WELDMENT,TUBE,PRE-CLEANR,DEUTZ.1	
22	34959GT	PRECLEANER,AIR INTAKE***.....1	1
23	102374PGT	FORMING,PRECLEANER MOUNT,PTD.....1	1
24	33361GT	ELBOW,45 DEGR,RUBBER,2.5" I.D.....1	1
25	94324-1400GT	TUBE, RD, STL, ALUMIZD 2.5 X .065 X 14.00.....1	1
26	102005PGT	FORMING,MOUNT,PRECLEANER TUBE.....1	1

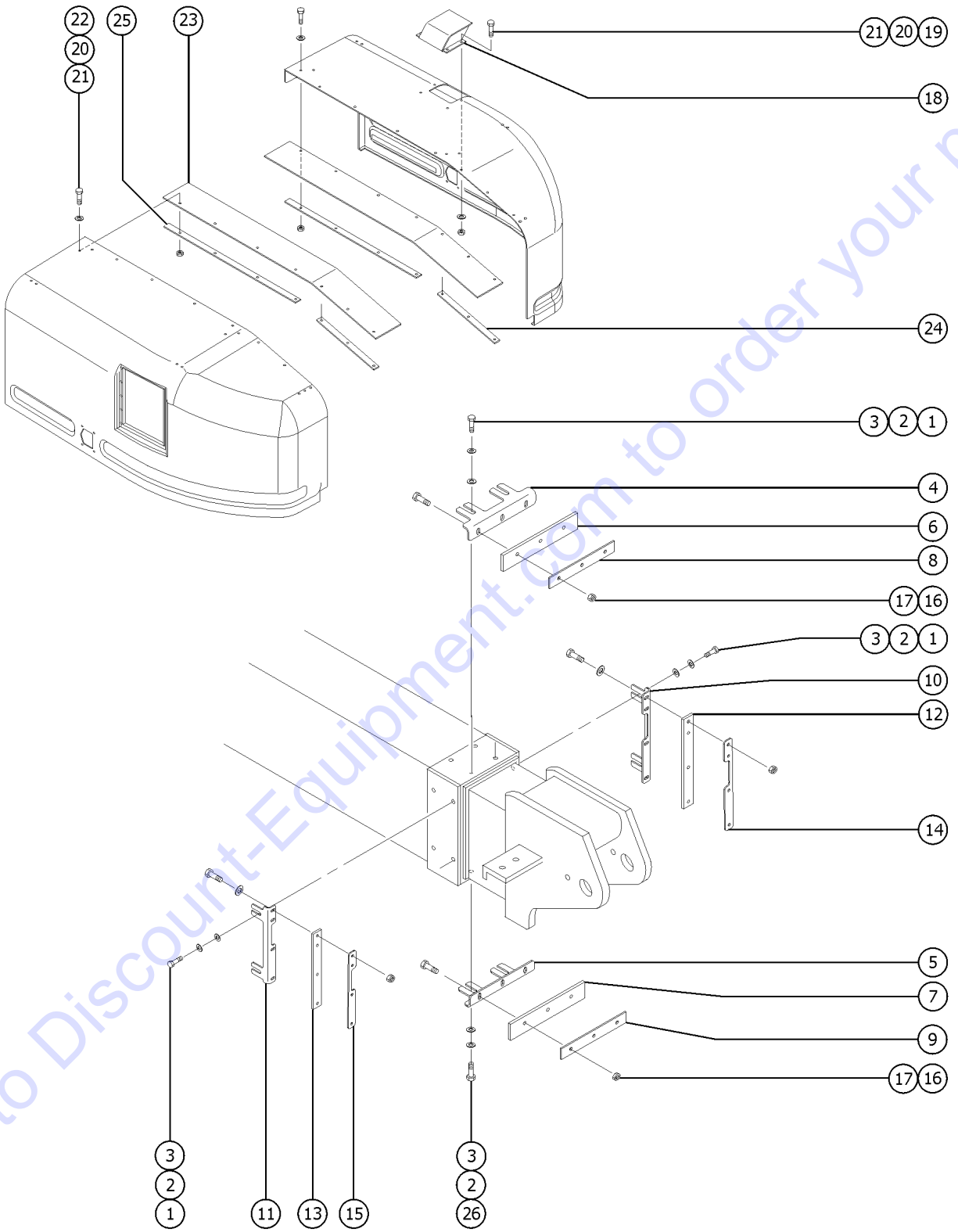
816.1 Hostile Environment Package - View 3



816.1 Hostile Environment Package - View 3

Item	Part No.	Description	Qty.
1	56912GT	SPRING CLIP,1/4-20,.025-.15X.54,ZAG	
2	89647GT	PANEL,LOUVER,REAR,RIGHT.....1	
--	102747PGT	PANEL,LOUVER,FRONT,RIGHT,PTD <i>Perkins models</i>	
--	102784PGT	LOUVER PNL BK RT,PERKINS,PTD <i>Perkins models</i>	
--	89644GT	PANEL,LOUVER,FRONT,LEFT	
--	89645GT	PANEL,LOUVER,REAR,LEFT	
--	89646GT	PANEL,LOUVER,FRONT,RIGHT*** <i>Ford models</i>	
--	89992PGT	PANEL,LOUVER,FRONT,RIGHT,TIER2 <i>Deutz models</i>	
3	6090GT	SCREW,HHC,1/4-20 X .75	
4	6638GT	WASHER,FLAT,USS,1/4"Y	
5	34949GT	BRACKET,RING GEAR S40/45.....1	
6	146368GT	FORMING,HOSTILE RING BRACKET....1	
7	81062GT	ANGLE, RING GUARD.....4	
8	6888GT	SCREW,HHC,1/4-20 X 1	
9	6889GT	NUT,LP NYLOCK,1/4-20	
10	34952GT	WIPER,RING GEAR S40/45.....1	
11	34855GT	BRACKET,PIN GER GUARD S40/45.....1	

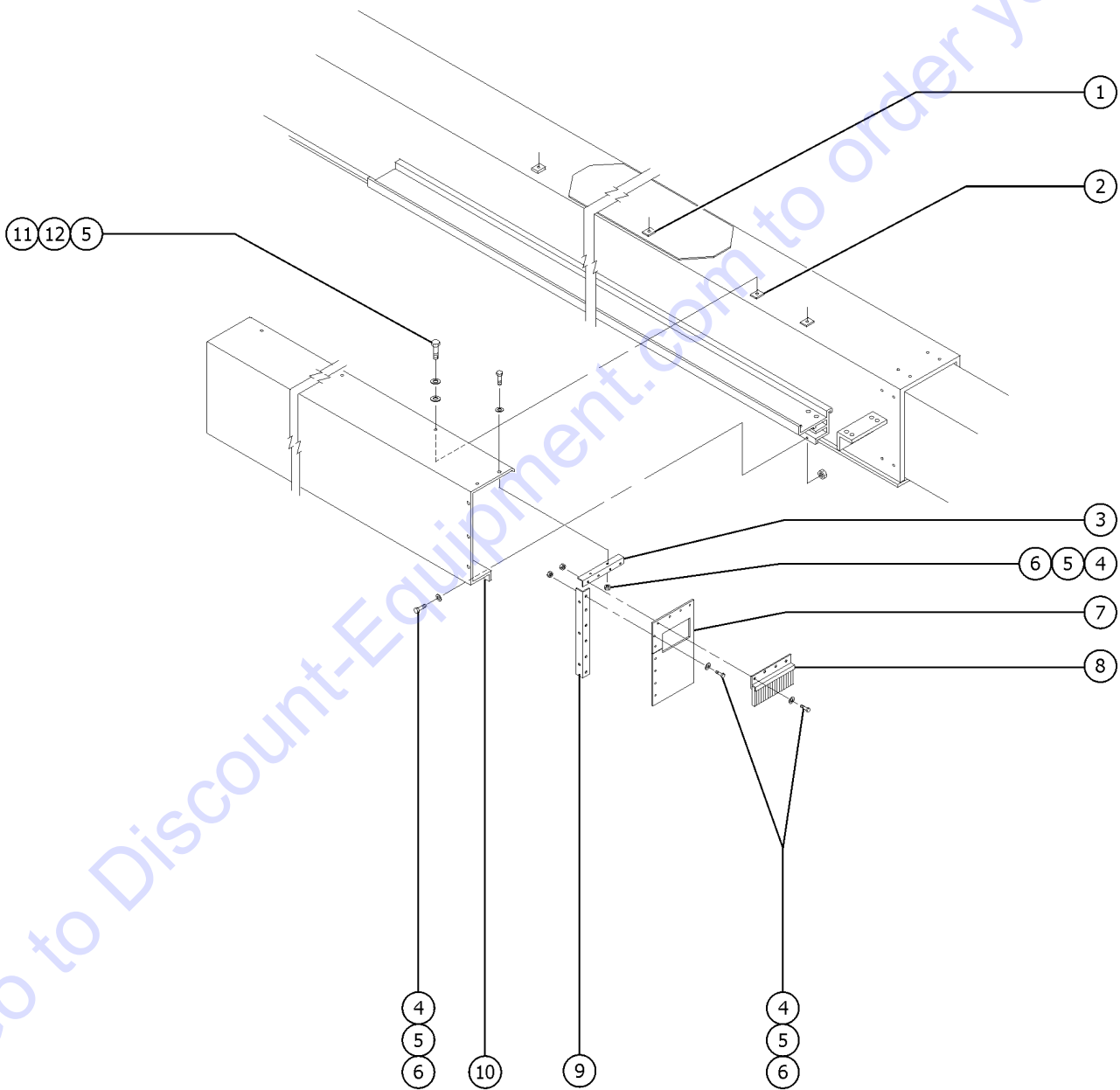
817.1 Hostile Environment Package - View 4



817.1 Hostile Environment Package - View 4

Item	Part No.	Description	Qty.
1	6019GT	SCREW,HHC,3/8-16 X 1.25 GRD 5	
2	6021GT	WASHER,LOCK,.375	
3	5397GT	WASHER,FLAT,USS,5/16",Y	
4	63135PGT	WIPER BRACKET, PNTD S-45	
5	63177PGT	WIPER BRACKET, PNTD S-45	
6	63174GT	WIPER S-45	
7	63136GT	WIPER S-45	
8	63168PGT	BACKING PLATE, PAINTED S-45	
9	63175PGT	BACKING PLATE, PNTD S-45	
10	63137PGT	WIPER BRACKET, PNTD S-45	
11	63176PGT	WIPER BRACKET, PNTD S-45	
12	63138GT	WIPER S-45	
13	63138GT	WIPER S-45	
14	63167PGT	BACKING PLATE, PNTD S-45	
15	63167PGT	BACKING PLATE, PNTD S-45	
16	6889GT	NUT,LP NYLOCK,1/4-20	
17	6878GT	BOLT,CARRIAGE,1/4-20 X .75,G2	
18	73060PGT	EXHAUST HOOD, TOP *PAINTED.....1	
--	73058PGT	EXHAUST HOOD, RH *PAINTED	
--	73059PGT	EXHAUST HOOD, LH *PAINTED	
19	6090GT	SCREW,HHC,1/4-20 X .75	
20	6638GT	WASHER,FLAT,USS,1/4"Y	
21	6091GT	NUT,NYLOCK,1/4-20	
22	6888GT	SCREW,HHC,1/4-20 X 1	
23	34381GT	FLAP,SWING CHASSIS COVER.....2	
24	34389PGT	BAR,FLAP REINFORCING 23" BLUE.....2	
25	34388PGT	BAR,FLAP REINFORCING 37.5 BLUE...2	
26	8516GT	SCREW, HCC, 3/8-16 X 1.50.....2	

818.1 Hostile Environment Package - View 5



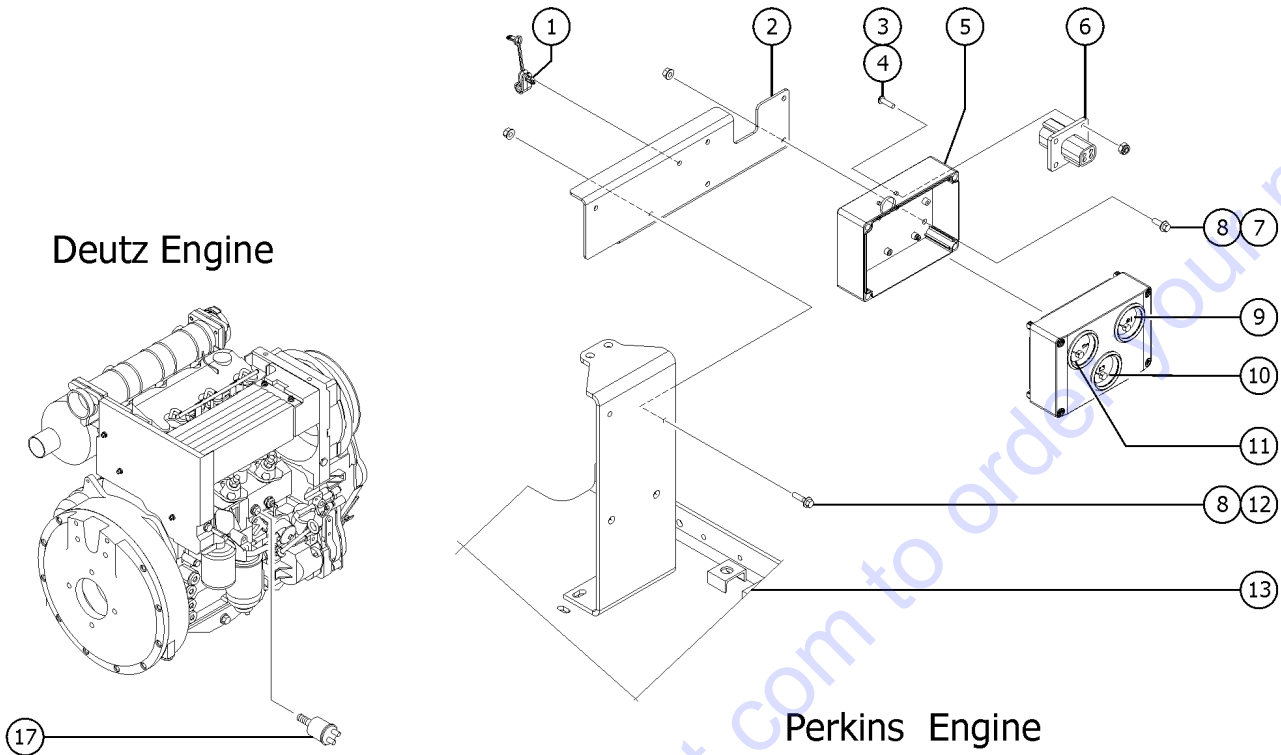
818.1 Hostile Environment Package - View 5

Item	Part No.	Description	Qty.
1	49626GT	BOLT PAD,CBL.TRK.CVR.,.50**.....1	1
2	49625GT	BOLT PAD,CBL.TRK.CVR.,.75**.....2	2
3	53460GT	BRKT.,CBL.TRK.GASKET.....1	1
4	6889GT	NUT,LP NYLOCK,1/4-20	
5	6638GT	WASHER,FLAT,USS,1/4"Y	
6	6090GT	SCREW,HHC,1/4-20 X .75	
7	53626GT	GASKET, CABLE TRACK S-45	
8	53629GT	BRUSH, CABLE TRACK COVER,6.75" S-45	
9	53143GT	BRACKET, CABLE TRACK GASKET.....1	1
10	53623GT	CABLE TRACK COVER S-45	
11	8914GT	SCREW,HHC,1/4-20 X .625	
12	6356GT	WASHER,LOCK,.25	

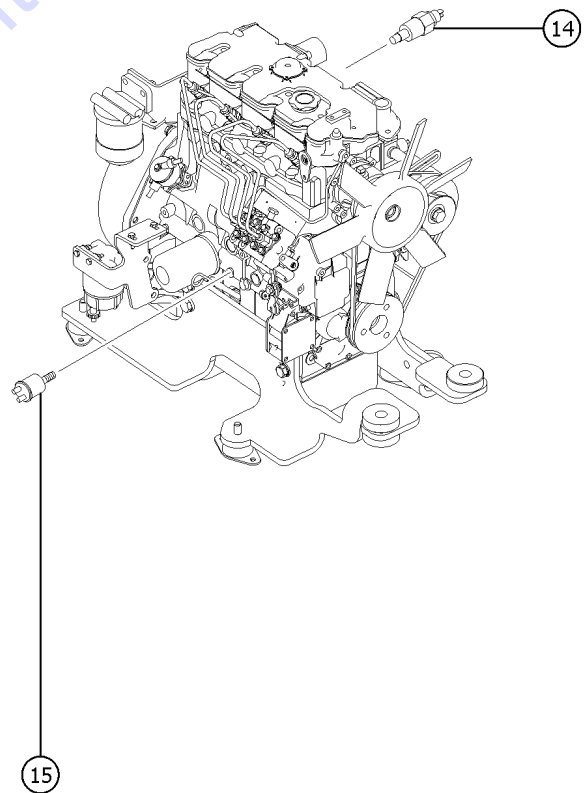
Go to Discount-Equipment.com to order your parts

819.1 Gauge Option

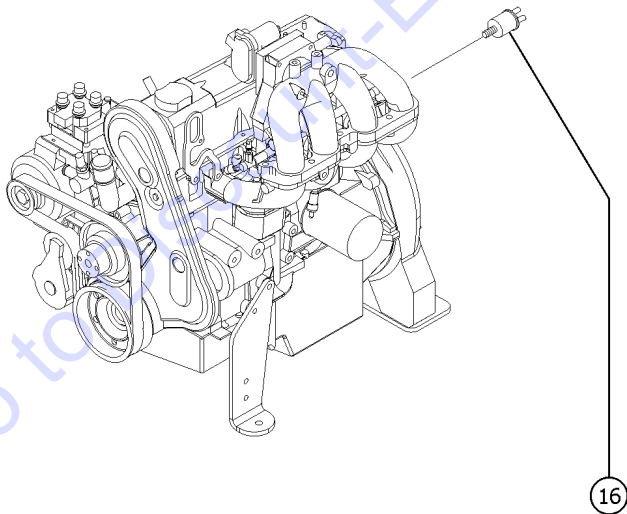
Deutz Engine



Perkins Engine

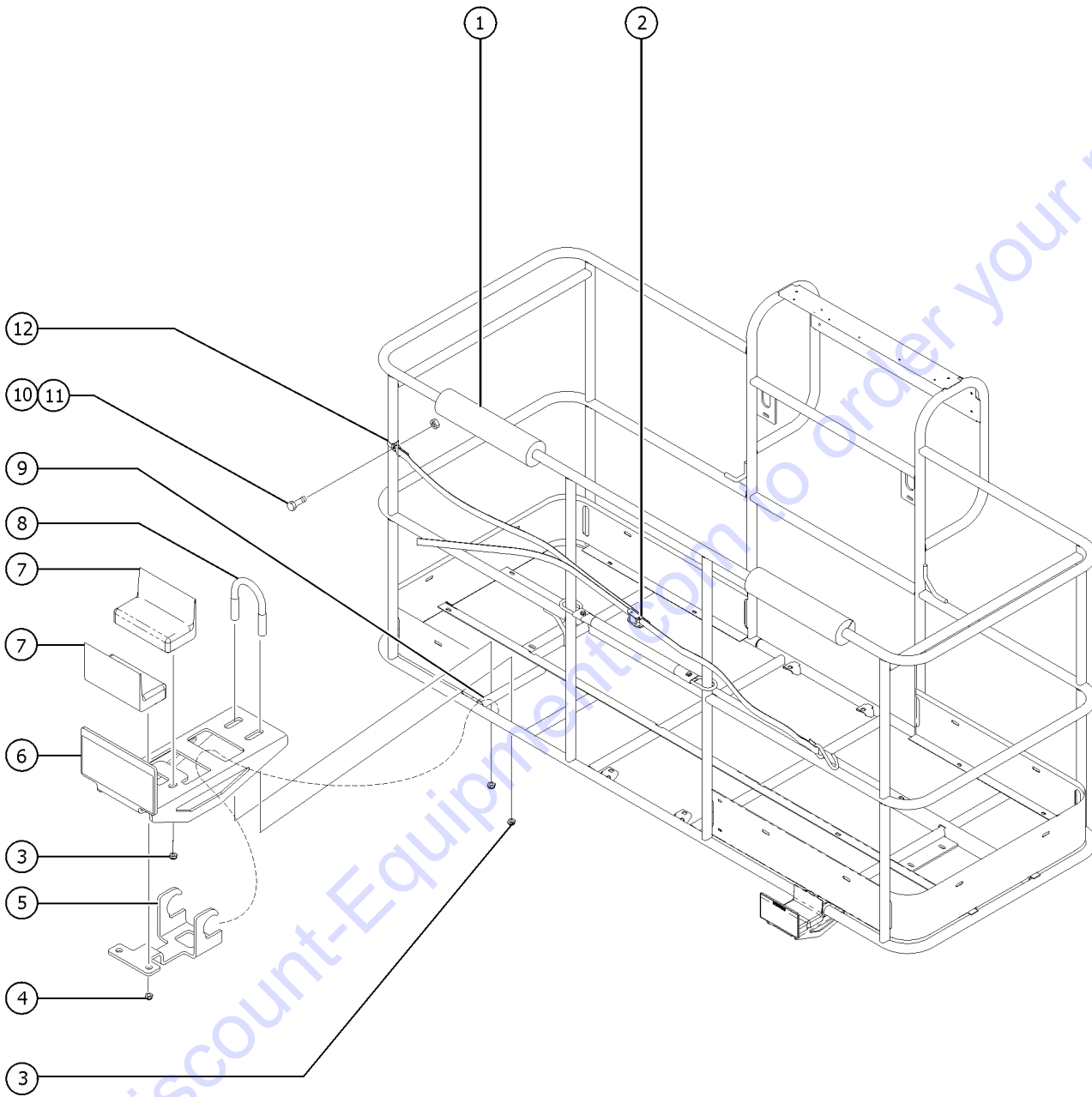


Ford Engine



Item	Part No.	Description	Qty.
A	1257798GT	OPTION,FULL GAUGE,PERKINS404	
B	1257799GT	OPTION,GAUGE,DEUTZ FULL	
C	1257800GT	OPTION,GAUGE,FORD,DSG423	
D	121482GT	ASSY,GAUGE OPT. OIL COOLED <i>for Deutz models (includes items 3-11)</i>	
E	121490GT	ASSY,GAUGE OPT.WATER COOLED <i>for Perkins and Ford models (includes items 3-11)</i>	
F	121492GT	HARNESS,GAUGE OPT. S80/85	
1	219508GT	CLAMP,FIXED DIA, NYLON, 3/8".....1	
2	1257773GT	FORMING,GAUGE PACKAGE, S40/45...1	
3	49820GT	SCREW,PHILLIPS,PHM,6-32 X .5.....4	
4	12344GT	NUT,NYLOCK,6-32.....4	
5	121491GT	ENCLOSURE BOX, GAUGE OPT.....1	
6	73723GT	CONN RECEP,FLANGED.....1	
7	824078GT	SCREW,HHF,1/4-20X.75,8,ZAG.....4	
8	824027GT	NUT,TL FLG,1/4-20,G,ZAG.....6	
9A	53759GT	GAUGE,WATER TEMP***1 <i>for Perkins and Ford models</i>	
9B	53760GT	GAUGE, OIL TEMP.....1 <i>for Deutz models</i>	
10	53761GT	GAUGE,VOLTAGE***1	
11	53758-SGT	GAUGE,OIL PRESSURE W/O SENDER.....1	
12	824079GT	SCREW,HHF,1/4-20X1,8,ZAG.....2	
13		Ref. WELDMENT,HYD TANK <i>refer to 303.1</i>	
14	34058GT	SENDING UNIT,TMP,FRD,GM,PRK704.....1 <i>for Perkins models</i>	
--	28607GT	ADAPTER,140139-8-6	
15	30810GT	SENDING UNIT,OIL PRESSURE***1 <i>for Perkins models</i>	
--	71038GT	ADAPTER, 1/8 X 1/4 F3H6-S	
16	30810GT	SENDING UNIT,OIL PRESSURE***1 <i>for Ford models</i>	
--	119418GT	ADAPTER,140130-4-4	
--	19360GT	NIPPLE,HEX,130137-4-4	
--	70486GT	TEE,UNION,1/4"	
17	37033GT	SENDING UNIT,OIL PRESS.,DEUTZ*....1 <i>for Deutz models</i>	

820.1 Panel Cradle Option

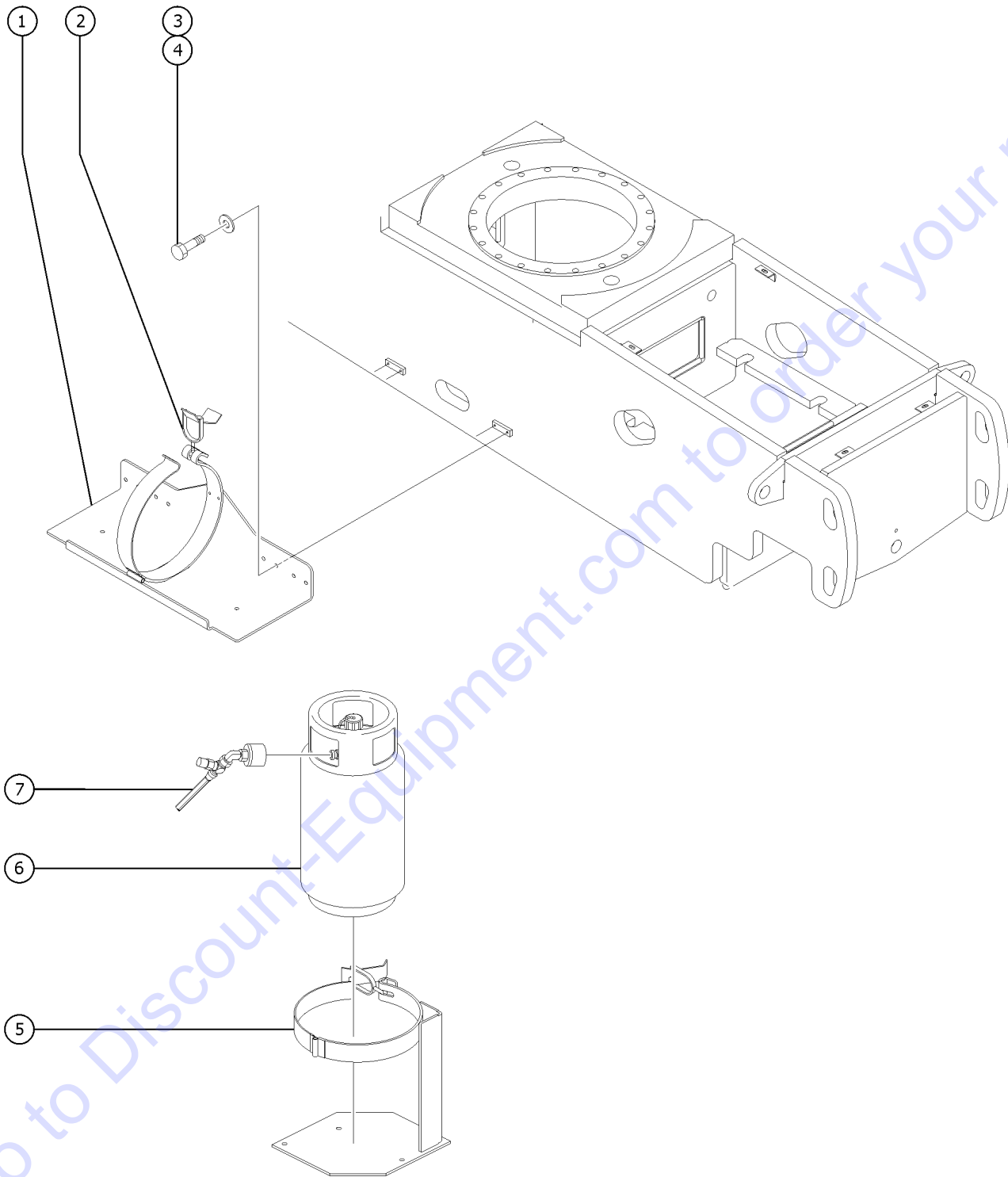


Go to Discount-Equipment.com to order your parts

820.1 Panel Cradle Option

Item	Part No.	Description	Qty.
--	77683GT	ACCESSORY,PANEL CRADLE,ANSI (ANSI/CSA models)	
--	94493-SGT	KIT,PANEL CRADLE,CE (CE/AUS models)	
1	88377-1400GT	FOAM PAD, 3" OD X 1.25" ID X 14 IN.....2	
2	77664GT	ADJUSTABLE STRAP ASSY.....1	
3	1274322GT	NUT,NYLOCK FLG,3/8-16,F,ZAG.....8	
4	5397GT	WASHER,FLAT,USS,5/16",Y for machines before 2010	
5	228849GT	FORMING,SECONDARY SUPPORT.....2 77576P is no longer available. For machines before 2010, must install Qty 2 service kit 233992 (ANSI) or 233993 (CE) for initial replacement.	
6	228848GT	FORMING PANEL CRADLE.....2 89724 is no longer available. For machines before 2010, must install Qty 2 service kit 233992 (ANSI) or 233993 (CE) for initial replacement.	
--	233992GT	KIT,PANEL CRADLE BRACKET,WORD.....1 (ANSI/CSA models) (includes hook, panel support bracket and installation instructions)	
--	233993GT	KIT,PANEL CRADLE BRACKET,SYMBL.....1 (CE/AUS models) (includes hook, panel support bracket and installation instructions)	
7	56934GT	PAD,REST,1"THICK,FLANGED.....4	
7A	824038GT	NUT, TL JAM, 3/8-16, A, ZAG.....4 for 56934	
8	1251600GT	U-BOLT, FLATTENED, 1.5 X 3/8 UNC,ZAG.....2	
9	73463-1175GT	TUBE, RD, ALUM, 1.25 X .083 X 11.75...2	
10	1256855GT	SCREW,HHF,1/4-20X.625,8,ZAG.....1	
11	6638GT	WASHER,FLAT,USS,1/4"Y for machines before 2010	
12	1277924GT	NUT,NYLOCK FLG,1/4-20,F,ZAG.....1	

821.1 Second LPG Carrier Option

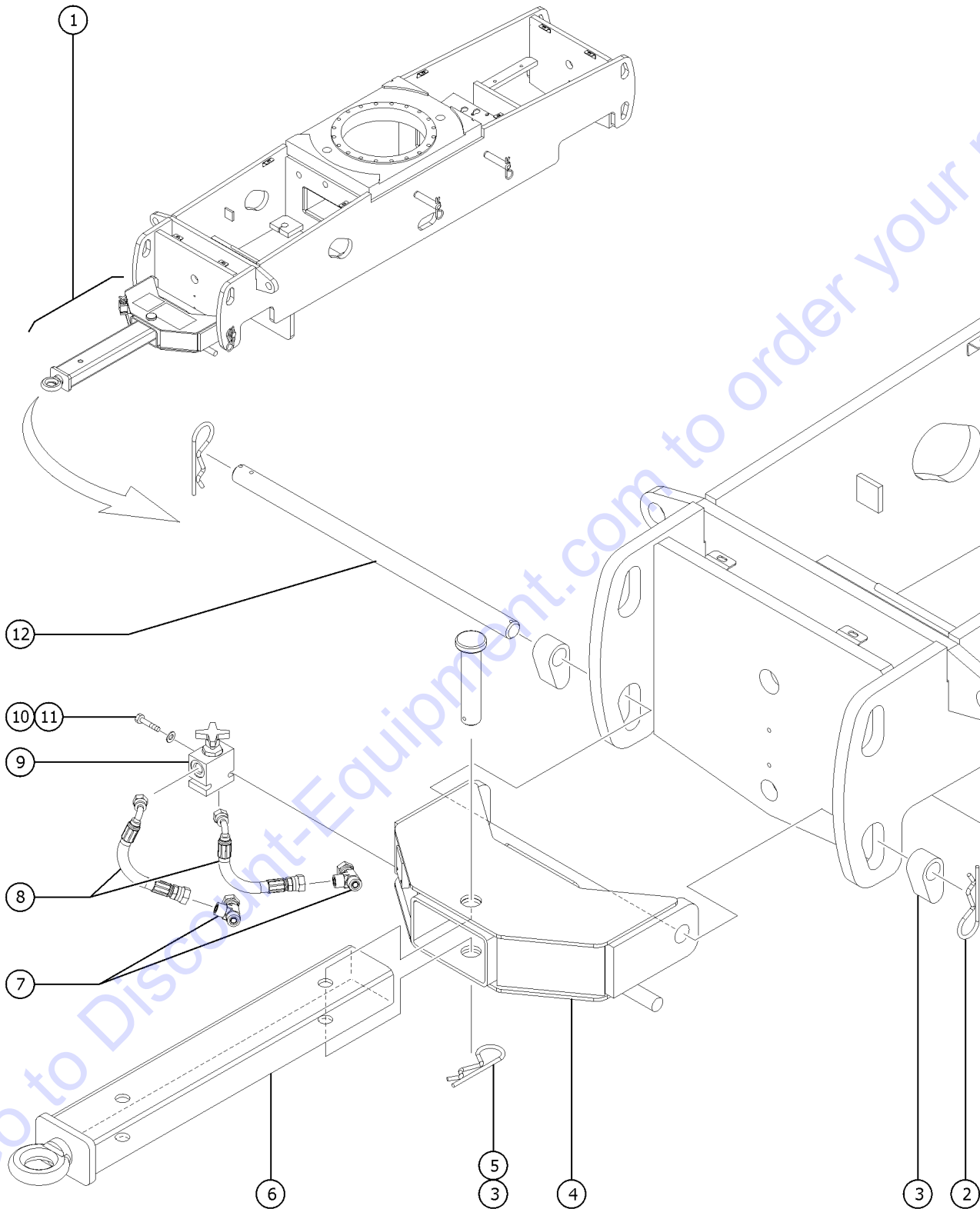


821.1 Second LPG Carrier Option

Item	Part No.	Description	Qty.
A	73963GT	LPG TANK,OPTION	
B	102347GT	2ND LP CARRIER W/TANK,S40 <i>includes item 6</i>	
1	60143-SGT	WELD, LPG TANK MOUNT.....	1
2	49000GT	L.P.TANK LATCH.....	1
3	8255GT	SCREW,HHC,3/8-16 X .75	
4	6021GT	WASHER,LOCK, .375	
5		Ref. LPG Tank Mount <i>(refer to 301.1)</i>	
6	53605GT	TANK, 7 GAL/33.5 POUND, LP.....	1
7		Ref. LPG Hose Assembly <i>(refer to 301.1)</i>	

Go to Discount-Equipment.com to order your parts

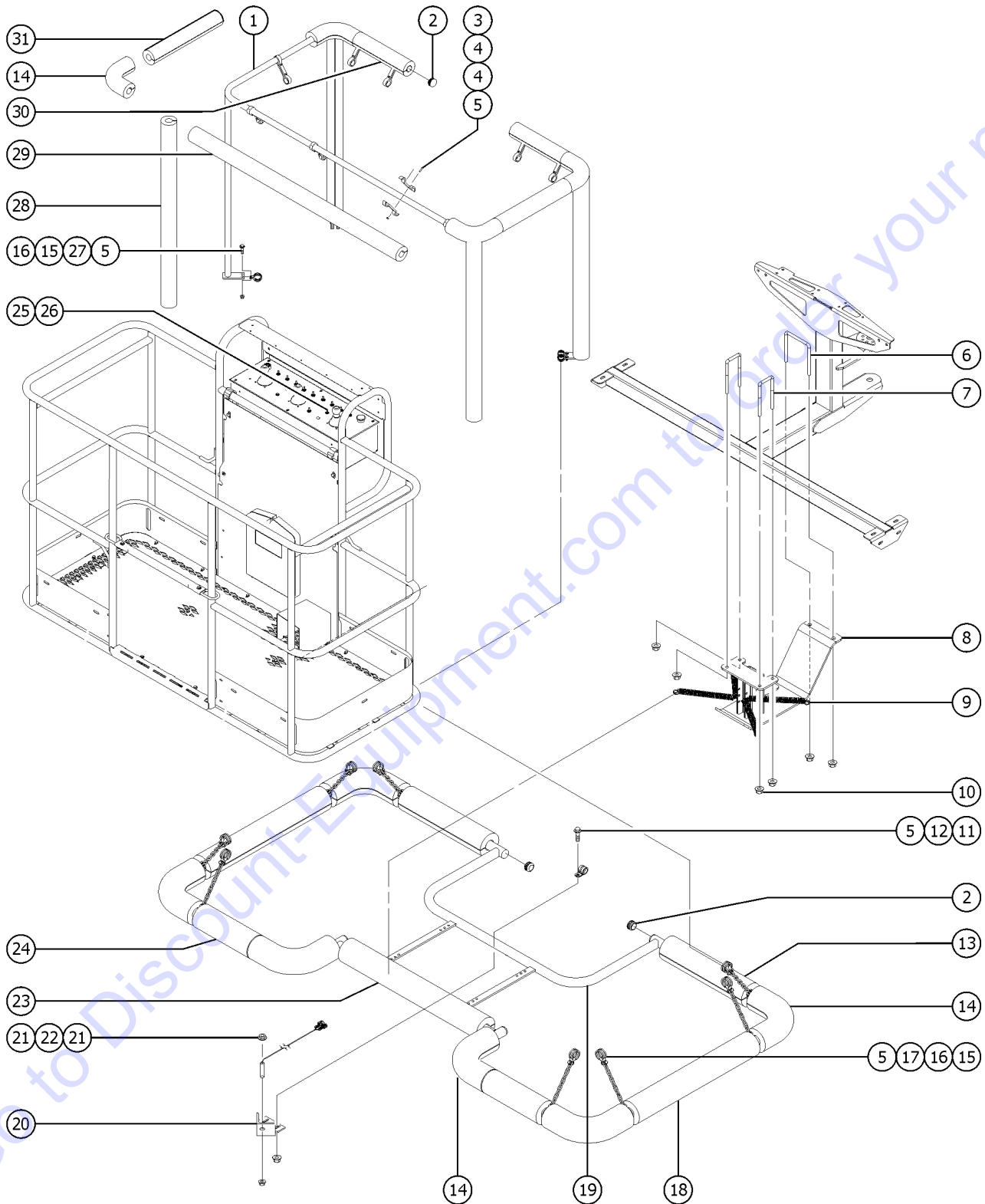
822.1 Tow Package



Item	Part No.	Description	Qty.
1	89975GT	S40 TOW PACKAGE OPTION*** (complete)	
2	42111GT	CLIP,HAIR PIN .243 X 5.25.....	3
3	81975GT	PLATE,CHASSIS ATTACHMENT.....	2
4	47022GT	WELDMENT,TOW BAR ATTACHMENT.....	1
5	42112GT	PIN,CLEVIS,1.25 X 6.0,ZINC.....	1
6	47023GT	WELDMENT,TOW BAR.....	1
7	48875GT	TEE,RUN,SWIVEL,520432-6.....	2
8	49128-8309GT	HOSE ASSEMBLY, 3/8"..... components: 48812, 48816 and 48753 @ 81 inches	2
9	25282GT	VALVE,NEEDLE,BRAKE RELEASE.....	1
10	6637GT	SCREW,HHC,1/4-20 X 1.75	
11	6638GT	WASHER,FLAT,USS,1/4"Y	
12	47024GT	PIN,TOW PACKAGE.....	1

Go to Discount-Equipment.com to order your parts

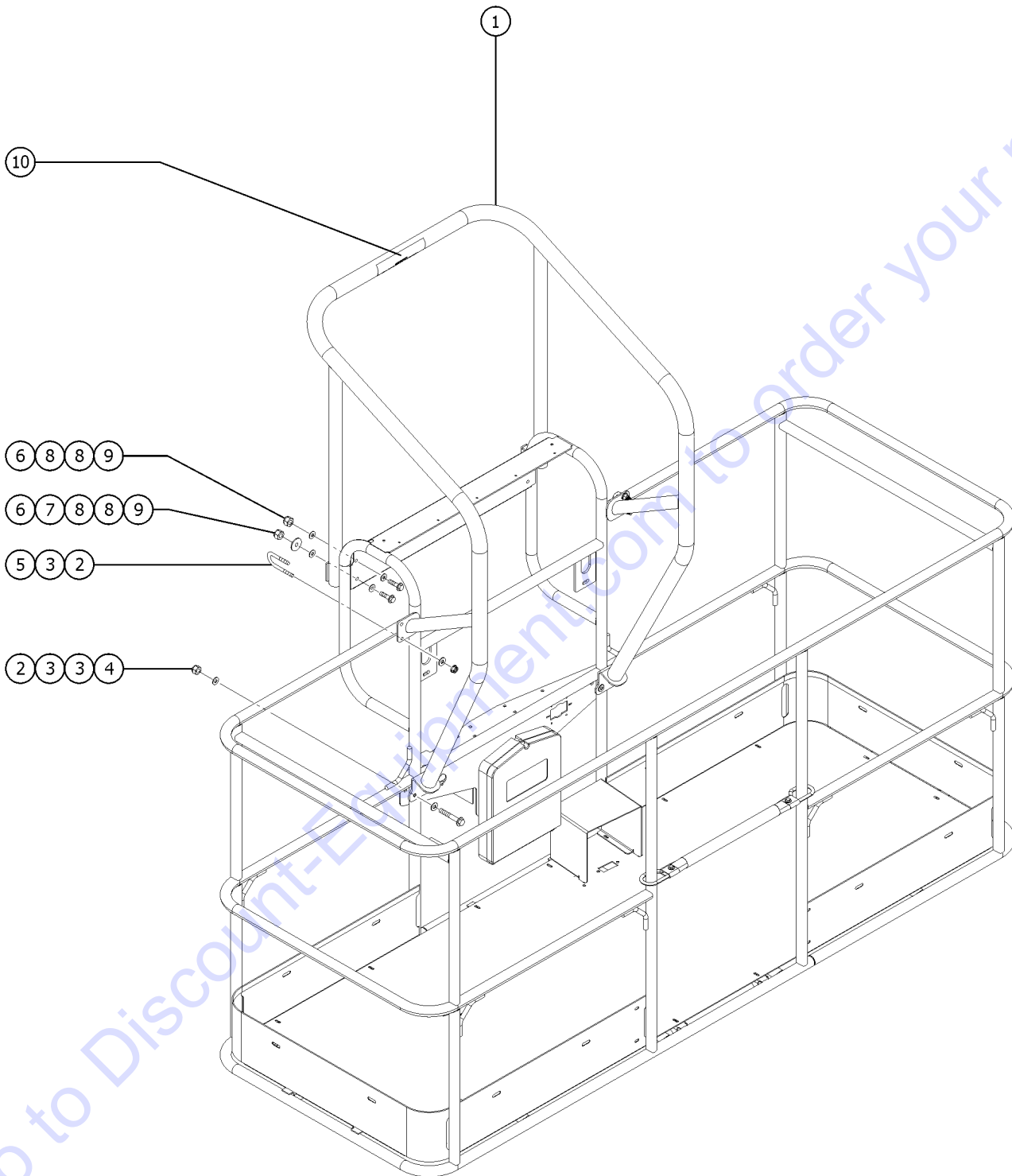
823.1 Aircraft Protection Package



823.1 Aircraft Protection Package

Item	Part No.	Description	Qty.
1	46188GT	WELDMENT, AIRCRAFT TOP BUMPER.....	1
2	55753GT	BUMPER, PLASTIC, 1.25 O.D.	
3	824227GT	SCREW, BHC, 1/4-20 X 1, ZAG	
4	122073GT	SUPPORT, RAILING.....	20
5	824027GT	NUT, TL FLG, 1/4-20, G, ZAG	
6	106044GT	U-BOLT, 3/8-16X4X4.63X3.00.....	1
7	66472GT	U-BOLT, SQR, 3/8-16X2X5, PLTD.....	2
8	822764GT	WDMT, SKID PLATE.....	1
9	822769GT	SPRING, EXTENSION, 1.92LB/IN.....	4
10	824029GT	NUT, TL FLG, 3/8-16, G, ZAG	
11	824079GT	SCREW, HHF, 1/4-20X1, 8, ZAG	
12	6833GT	CLAMP, 0.50, #8 X 1/4, RUB CUSH.....	1
13	75617-1550GT	PADDING, FOAM 3.5"OD X 1.50"ID.....	2
14	75636GT	PADDING, FOAM, 3.0"X1.50ID 90DEG.....	10
15	21618GT	CLAMP, 1.13, #18 X 1/4, RUB CUSH.....	24
16	824078GT	SCREW, HHF, 1/4-20X.75, 8, ZAG	
17	56426-700GT	CHAIN, NO.2 (11 LINKS).....	8
18	75617-2275GT	PADDING, FOAM 3.5"OD X 1.50"ID.....	2
19	822759GT	WDMT, AIRCRAFT SENSOR BUMPER.....	1
20	77797GT	WELDMENT, SENSOR MOUNT.....	1
21	88390GT	NUT, HEX, M8, PLASTIC	
22	81532GT	HARNES, PROX. KILL..... <i>includes 27391 proximity sensor</i>	1
--	27391GT	PROXIMITY SENSOR***.....	1
23	822768GT	FOAM, AIRCRAFT PROTECTION.....	1
24	75617-1025GT	PADDING, FOAM 3.5"OD X 1.50"ID.....	2
25	128200GT	SWITCH TOGGLE ASSY SPDT 3P MOM	
--	27246GT	BOOT, TOGGLE SWITCH, SHORT*.....	1
26	139882GT	HARN, AC PROTECTION BYPASS.....	1
27	81802GT	PLATE, AIRCRAFT PROTECTION OPT.....	4
28	1259329GT	PADDING, FOAM, 46.5".....	4
29	75617-6275GT	PADDING, FOAM 3.5"OD X 1.50"ID.....	1
30	1259328GT	PADDING, FOAM, 15.5".....	2
31	75617-2075GT	PADDING, FOAM 3.5"OD X 1.50"ID.....	2

824.1 Operator Protection Structure

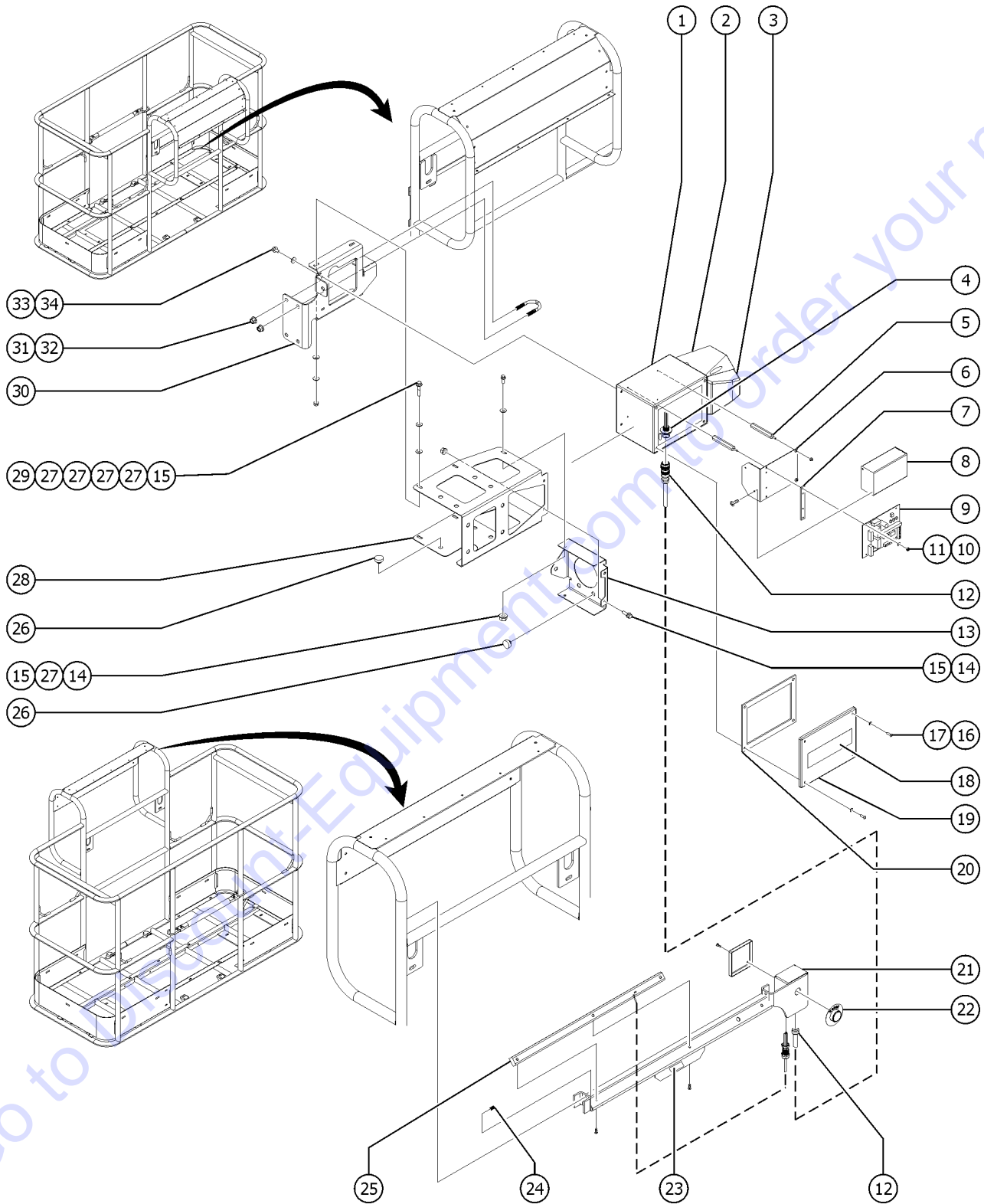


824.1 Operator Protection Structure

Item	Part No.	Description	Qty.
--		<i>Fits all 6' and 8' Platforms</i>	
1	219158GT	ACCESSORY, OPERATOR PROT STRUCT.....1 <i>(Complete) includes all fasteners</i>	1
2	1256468GT	NUT, 3/8-16, 8, ZAG.....8	8
3	1255758GT	WASHER, FLAT, 3/8, USS, ZAG.....12	12
4	824069GT	SCREW, HHC, 3/8-16X2.5, 8, ZAG.....4	4
5	1251600GT	U-BOLT, FLATTENED, 1.5 X 3/8 UNC, ZAG.....4	4
6	1261184GT	NUT, 1/4-20, 8, ZAG.....4	4
7	824120GT	WASHER, FLAT, .375X1.50X.125, ZAG.....2 <i>Use only with the platform control box cover option</i>	2
8	824113GT	WASHER, FLAT, USS, 1/4, ZAG.....6	6
9	824060GT	SCREW, HHC, 1/4-20X1, 8, ZAG.....4	4
10		Ref. DECAL, INSTRUCTION, OPS.....1 <i>refer to Section 100</i>	1

Go to Discount-Equipment.com to order your parts

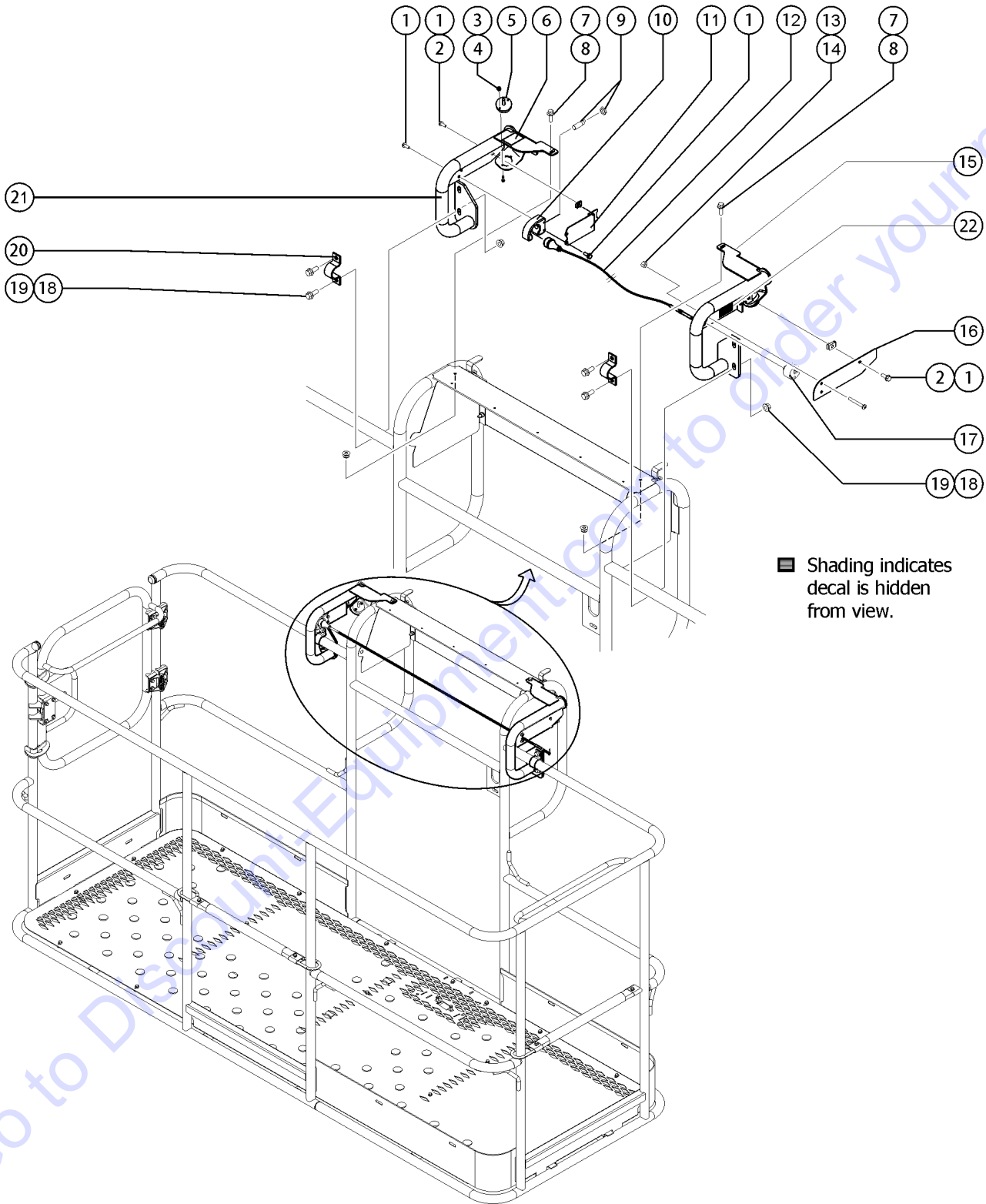
825.1 Operators Protection Alarm (to January 2017)



825.1 Operators Protection Alarm (to January 2017)

Item	Part No.	Description	Qty.	Item	Part No.	Description	Qty.
A	1255034GT	ASSEMBLY,MAIN CABLE,OPA.....	1	32	1251600GT	U-BOLT, FLATTENED, 1.5 X 3/8 UNC,ZAG.....	2
B	1275537GT	ASSEMBLY, OPA PROTECTION CAGE.....	1	33	237238GT	SCREW,HHF,M6-1.0X12,DIN6921,10.....	2
1	1255018GT	BASE ENCLOSURE,RED,OPA.....	1	34	1257389GT	WASHER, FLAT, M6X18X1.6,DIN9021,ZAB.....	2
2	1255021GT	SOUNDER,MIDI,OPA.....	1				
3A	1255037GT	SOUNDER LENS, OPA, BLUE..... <i>(standard lens fitted to OPA)</i>	1				
3B	1270116GT	SOUNDER LENS, OPA, RED.....	1				
3C	1270117GT	SOUNDER LENS, OPA, AMBER.....	1				
3D	1270118GT	SOUNDER LENS, OPA, CLEAR.....	1				
4	1255033GT	HARN,PIGTAIL,TAPESWITCH,OPA.....	1				
5	1255028GT	STAND OFF,CONTROL UNIT.....	4				
6	1255024GT	BRACKET,CONTROL UNIT.....	1				
7	1255025GT	SPACER,HEAT SINK.....	1				
8	1255023GT	ASSY,MODULE,CONTROL UNIT,OPA....	1				
9	1255022GT	MODULE,CONTROL UNIT,PCB,OPA....	1				
10	1255067GT	NUT,M4 NYLOCK.....	4				
11	1255066GT	WASHER,M4 NYLON.....	4				
12	1255035GT	ASSEMBLY,CABLE,TAPESWITCH.....	1				
13	1275539GT	FORMING, OPA CAP.....	1				
14	824078GT	SCREW,HHF,1/4-20X.75,8,ZAG.....	5				
15	824027GT	NUT,TL FLG,1/4-20,G,ZAG.....	9				
16	1255038GT	SCREW,M5X16 BHD.....	4				
17	1255027GT	WASHER,M5 NYLON.....	4				
18	1255890GT	DECAL,COSMETIC,GENIE.....	1				
19	1255020GT	LID ENCLOSURE,RED,OPA.....	1				
20	1255019GT	GASKET,ENCLOSURE.....	1				
21	1255029GT	ASSEMBLY,TAPESWITCH..... <i>"(6/8' platforms) (includes j-box and fasteners)"</i>	1				
22	1255036GT	ASSEMBLY RESET SWITCH.....	1				
23	1255889GT	DECAL,SYMBOL-READ THE MANUAL.....	1				
24	1255068GT	SCREW,M6X8.....	2				
25	1255047GT	SENSOR,RUBBER EDGE..... <i>(6/8' platforms)</i>	1				
26	43392GT	BUMPER,BATTERY BOX & RAILS.....	17				
27	824113GT	WASHER,FLAT,USS,1/4,ZAG.....	19				
28	1275538GT	FORMING, OPA CAGE.....	1				
29	824080GT	SCREW,HHF,1/4-20X1.25,8,ZAG.....	4				
30	1275540GT	FORMING, OPA, BRACKET.....	1				
--	1271945GT	KIT, OPA WELDER BRACKET <i>Complete assembly bracket with fasteners and U-Bolt 1251600; from SN 22368</i>					
31	824029GT	NUT,TL FLG,3/8-16,G,ZAG.....	4				

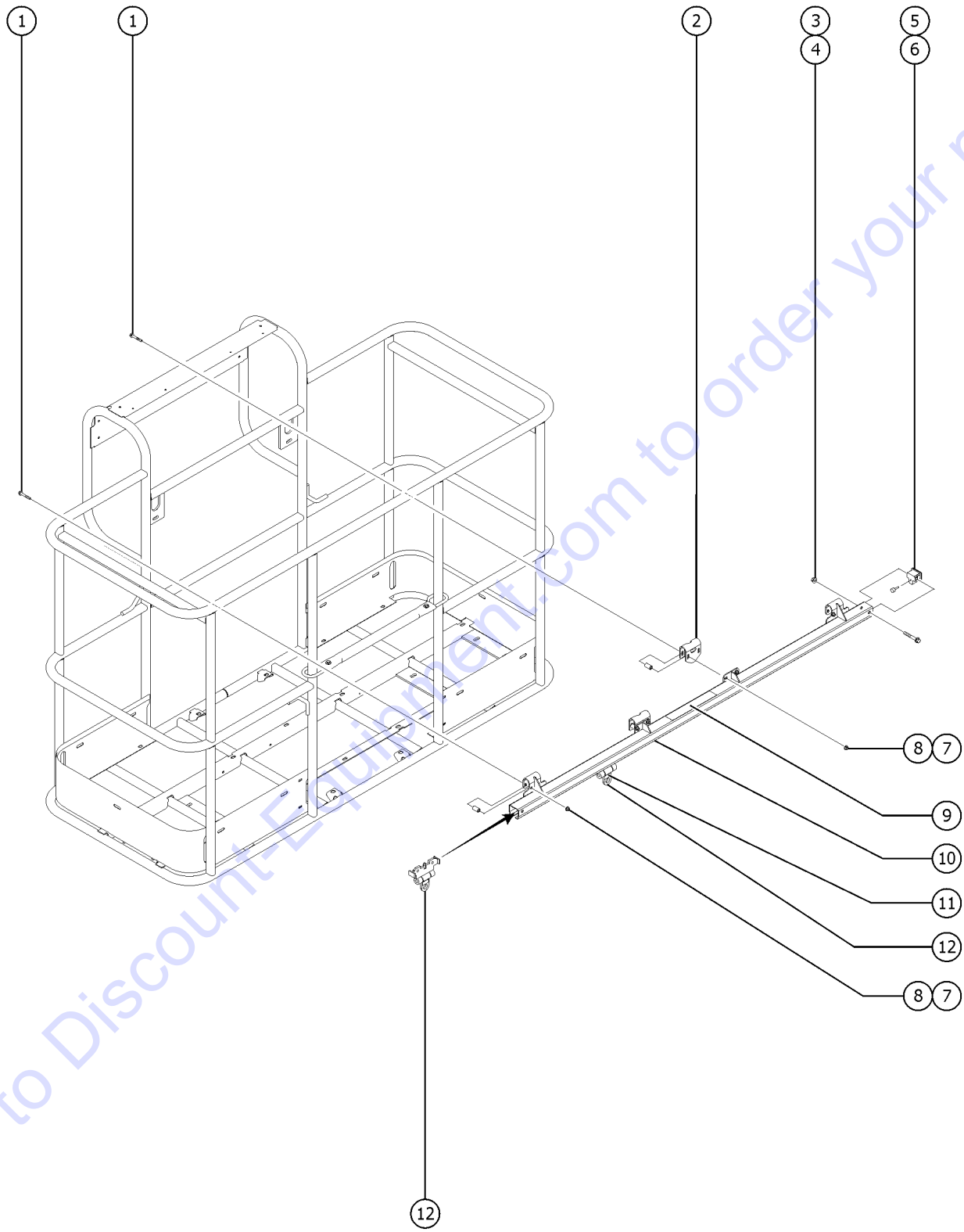
825.2 Lift Guard Contact Alarm Option (from January 2017)



825.2 Lift Guard Contact Alarm Option (from January 2017)

Item	Part No.	Description	Qty.	Item	Part No.	Description	Qty.
--		<i>From January 2017, this option became a standard installation on all models unless the customer specifically request not to have it installed.</i>		22	1278982GT	DECAL, INSTRUCTION, ACTUATOR SWITCH SOCKET.....	1
--	1279135GT	KIT, LIFT GUARD CONTACT ALARM,6'-8' PLATFORM,NON-ALC1000					
--	1278108GT	HARNESS, CONTACT ALARM, S40,S60,S80					
--	19274GT	RELAY,SPDT,12V(AUTO)**					
--	1278121GT	MODULE, PLUS+1, CONTACT ALARM located inside the Platform Control Box					
1	1264934GT	SCREW,HHF,10-24X.5					
2	73575GT	SPRING CLIP,10-24,.025-.125X.468,ZAG					
3	12344GT	NUT,NYLOCK,6-32					
4	1256859GT	SCREW,PHPM,6-32X.875,ZAG					
5	1278111GT	ASSEMBLY, LIGHT, CONTACT ALARM.....	2				
6	1278542GT	DECAL, INSTRUCTION, CONTACT ALARM					
7	824078GT	SCREW,HHF,1/4-20X.75,8,ZAG					
8	1277924GT	NUT,NYLOCK FLG,1/4-20,F,ZAG					
9	1278119GT	ASSEMBLY, SENSOR, PROX, CONTACT ALARM.....	1				
10	1278433GT	ASSY, SENSOR W/HOUSING (Includes holder item 1277877 and sensor part 1278119)					
--	1277877GT	HOLDER, SENSOR.....	1				
11	1277873GT	FORMING, SENSOR HOLDER.....	1				
12	1278416GT	ASSEMBLY,CONTACT ALARM CABLE, LARGE.....	1				
--	1261184GT	NUT,1/4-20,8,ZAG Part of assembly 1278416					
--	1278124GT	MAGNET, 1/4-20, 15 LB. Part of assembly 1278416					
--	1278368GT	GRIP, CABLE Part of assembly 1278416					
--	1278458GT	CONTACT ALARM WIRE ASSY, LARGE Part of assembly 1278416					
13	1274168GT	NUT,NYLOCK,10-32,A,ZAG					
14	824216GT	SCREW,PHPM,10-32X1.5,ZAG					
15	1278138GT	WELDMENT, RIGHT CONTACT ALARM, LARGE.....	1				
16	1277875GT	PLATE, CABLE AND WIRE COVER.....	1				
17	1277876GT	GUIDE, CABLE.....	1				
18	1274322GT	NUT,NYLOCK FLG,3/8-16,F,ZAG					
19	824090GT	SCREW,HHF,3/8-16X1,8,ZAG					
20	1278363GT	CLAMP, 1.25 INCH TUBE.....	2				
21	1278144GT	WELDMENT, LEFT CONTACT ALARM, LARGE.....	1				

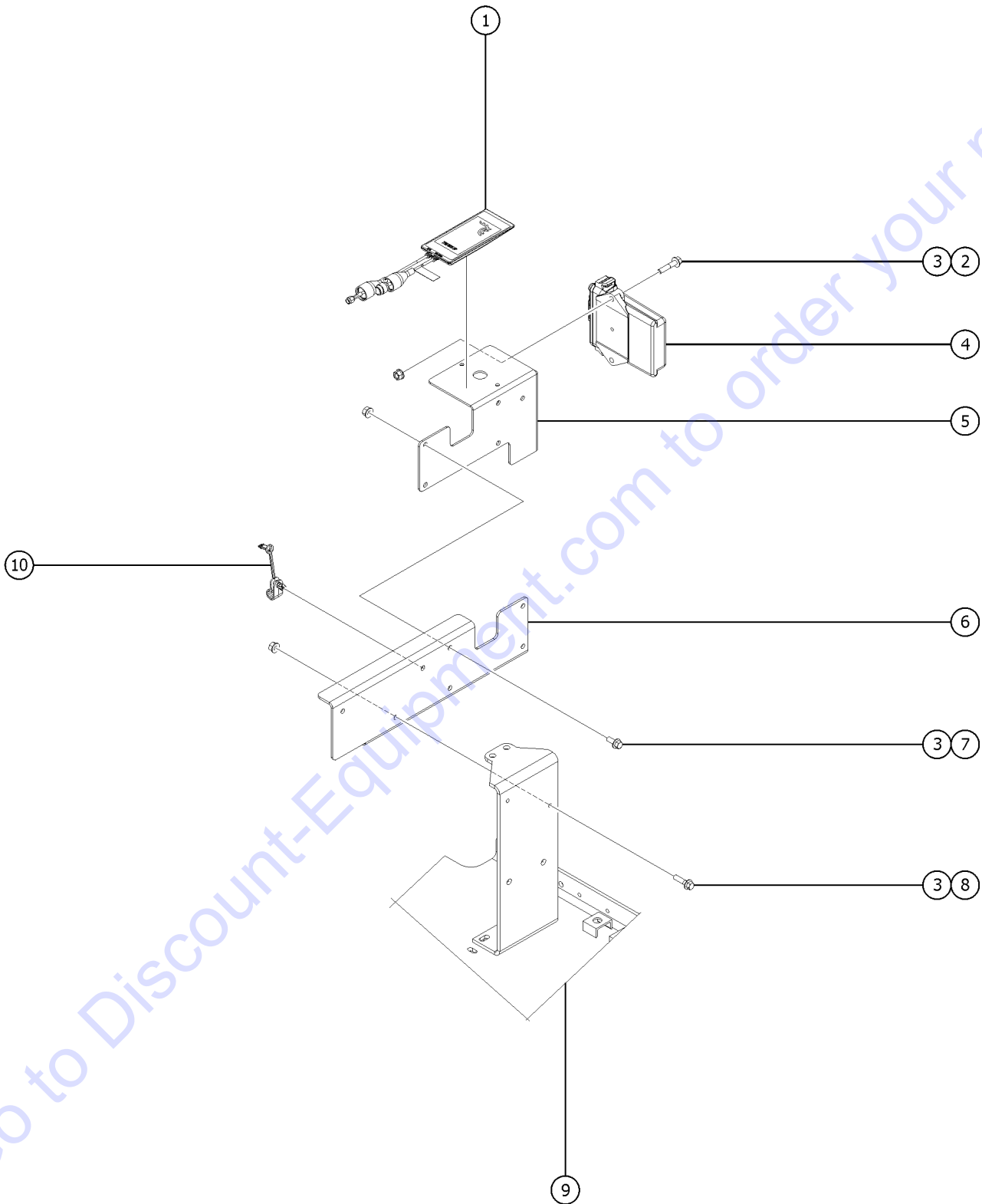
826.1 Fall Arrest Bar



Go to Discount-Equipment.com to order your parts

Item	Part No.	Description	Qty.
1	1256856GT	SCREW,HHF,3/8-16X2.5,8,ZAG.....	4
2	1256389GT	FORMING,INNER HANGER.....	2
3	1251997GT	NUT,TL FLG,1/2-13,G,ZAG.....	2
4	1256851GT	SCREW,HHF,1/2-13X3.5,8,ZAG.....	2
5	1260892GT	END STOP,TRACK,FALL ARREST BAR.....	2
6	36388GT	BUMPER,RUBBER,.75 X .50H,STUD....	2
7	1274322GT	NUT,NYLOCK FLG,3/8-16,F,ZAG.....	8
8	1256481GT	SPACER, HANGER BRACKET.....	8
9A	1256400GT	DECAL,TRACK,FALL ARREST BAR,WORD.....	1
9B	1260910GT	DECAL,TRACK,FALL ARREST BAR,SYMBOL.....	1
9C	1256400FRGT	DECAL,TRACK,FALL ARREST BAR,WORD FR.....	1
10A	1256377GT	ACC,FALL ARREST BAR,8FT WORD....	1
--	1256379GT	ASSY,TRACK,FALL ARREST BAR,8FT WORD <i>includes decals</i>	
10B	1261022GT	ACC,FALL ARREST BAR,8FT SYM.....	1
--	1261024GT	ASSY,TRACK,FALL ARREST BAR,8FT SYM <i>includes decals</i>	
10C	1261018GT	ACC,FALL ARREST BAR,8FT FR.....	1
--	1261020GT	ASSY,TRACK,FALL ARREST BAR,8FT FR <i>includes decals</i>	
10D	1256378GT	ACC,FALL ARREST BAR,6FT WORD....	1
--	1256380GT	ASSY,TRACK,FALL ARREST BAR,6FT WORD <i>includes decals</i>	
10E	1261023GT	ACC,FALL ARREST BAR,6FT SYM.....	1
--	1261025GT	ASSY,TRACK,FALL ARREST BAR,6FT SYM <i>includes decals</i>	
10F	1261019GT	ACC,FALL ARREST BAR,6FT FR.....	1
--	1261021GT	ASSY,TRACK,FALL ARREST BAR,6FT FR <i>includes decals</i>	
11	40434GT	DECAL,LANYARD ANCHORAGE POINT.....	1
12	1256439GT	TROLLEY, TRACK, FALL ARREST BAR.....	1

827.1 Telematics Option



Go to Discount-Equipment.com to order your parts

827.1 Telematics Option

Item	Part No.	Description	Qty.
A	1260526GT	HARNES,TELEMATICS,TOPCON,36IN.1	
1	1259954GT	ANTENNA,TELEMATICS,TOPCON, STAN.....1	1
2	824080GT	SCREW,HHF,1/4-20X1.25,8,ZAG.....2	2
3	824027GT	NUT,TL FLG,1/4-20,G,ZAG.....8	8
4	1260249GT	MODULE,TELEMATICS,TOPCON,AM53.1	
5	1260679GT	FORMING,TELEMATICS,TOPCON,S40.1	
6	1257773GT	FORMING,GAUGE PACKAGE, S40/45...1	1
7	1256855GT	SCREW,HHF,1/4-20X.625,8,ZAG.....4	4
8	824079GT	SCREW,HHF,1/4-20X1,8,ZAG.....2	2
9		Ref.WELDMENT,HYD TANK (refer to 303.1)	
10	219508GT	CLAMP,FIXED DIA, NYLON, 3/8".....2	2

Go to Discount-Equipment.com to order your parts

Part Number Index

The Part Number Index is a numeric index of all part numbers included in this manual. The index shows what page(s) the part is used on.

Part Number	Page	Part Number	Page	Part Number	Page	Part Number	Page
07.4501.0291GT111	102786PGT181	111252GT139	119475GT95
1000057GT13, 19	102804GT39-40	111253GT139	119477GT97
101005GT145	102805GT39-40	111302GT177	119484GT101
101005HGT145	102940GT150	111304GT177	119487GT53
10107GT92, 195	102992GT135, 137	111305GT177	119536PGT133
101174GT145	104030GT141-142	111319GT177	119542GT133
101174HGT145	104759GT157	111320GT177	119546GT95
101175GT145	104804GT137	111344GT89	119568GT95
101175HGT145	10597GT99	111351GT203	119613GT145
101379GT139	10598GT111, 119	111390GT85	119619GT29, 31, 37, 47
101380GT139	106043GT199	111402GT89	119644GT141-142
101381GT139	106044GT199, 223	111418GT85	119795GT181
101382GT139	106073GT195, 197	111445GT91-92	119796PGT181
101383GT139	106077GT195	111453GT39-40	119797PGT181
101384GT139	106098GT35, 40, 43	111454GT39-40	119809GT83
101440GT153	106104GT195, 197	111464GT29, 31, 37	119867GT79-80
101516GT159	106113GT195, 197	111465GT29, 31, 37	119915GT145, 147
101525GT199	106115GT195	111485PGT177	119918GT53
101547PGT199	106117GT35, 39-40, 43, 47, 49	111486PGT177	119950GT177
101586GT40, 43			111495GT79-80	121419GT111, 119
101587GT35	106118GT35, 40, 43, 47, 49	111526GT181	121482GT215
101626GT107	106140GT197	111576GT191	121490GT215
101639GT207	106140PGT195	111580GT71, 73	121491GT215
101640GT207	106141GT199	111606GT53, 55	121492GT215
101726GT55	106183GT199	111607GT53, 55	121599GT63-64, 67-68
101790-8491GT165	106184GT195	111634GT99	121846GT183
101995GT197	106184GTGT197	111648GT59	121847GT183
102003PGT207	106204PGT199	111663GT71, 73	121848GT183
102005PGT207	106226GT101	111668GT89	122019GT175
102007GT207	106275GT199	111703GT149-150	122020GT141-142
102033GT79-80	106375GT195	111704GT149-150	122056GT79-80
102062GT121	106394GT159	111748GT99	122057GT79-80
102066GT101, 111, 119	106477GT195	111750GT73	122058GT79-80
102066PGT85, 87, 89, 91-92	106658GT195, 197	111778GT149-150	122073GT177, 179, 223
102067PGT91-92	106663GT83	111779GT149-150	122087GT79-80
102069GT183	107706GT177	111817-2775GT53	122098GT80
102091PGT89	107707GT177	111817-4800GT53	122120GT150
102092GT89	107708GT177	111817-675GT53	122215GT79-80
102121GT99	107709GT177	111817-725GT53	122216GT79-80
102141GT75	107710GT177	111818GT53	122217GT79-80
102142GT77	10775GT137, 139, 191	112043GT109	122229GT79-80
102192-SGT29, 37	10777GT191	114099GT13, 15, 21, 23	122231GT177
102267-9240GT171	108538GT103	114160GT21	122236GT80
102312-2088201	110194GT149-150, 153	114169GT15	122276GT175
102312-2388201	110196GT149-150	114247GT25	122278GT177
102313-2726201	110198GT157	114251GT21	122279GT177
102313-2926201	110199GT150	114252GT23	122281PGT33, 39-40, 47
102314GT195, 197	110200GT149-150	114258GT13	122300GT195
102340GT191, 195, 197	110201GT150	114277GT15	122302GT159
102342GT53	110202GT149-150	114389GT13, 19	122313GT33, 35, 39-40, 43
102347GT219	110276-1600GT199	114390GT13, 15	122316GT29, 31, 37
102357GT195	110276-2200GT199	114416GT19	122348GT39-40, 43
102372GT207	110276-2300GT199	114425GT13	122350GT39-40
102373PGT207	110276-3200GT199	114473GT27	122483GT35, 43
102374PGT207	110276-5000GT199	115431GT113	122491GT59
102408PGT199	110304GT85, 113	11636GT59	122645GT150
102409PGT199	110344GT195	119051GT99	122754GT79-80
102436GT177	110344GTGT197	119052GT99	122850GT29, 31, 35, 37, 43, 47
102439GT177	110382GT57	119056GT189		
102440GT177	110406GT101	119057GT189	122944GT131, 133
102526GT150	110417PGT101	119065GT129, 189	122994GT63-64, 67-68
102527GT150	110477GT101	119066GT189	12344GT63-64, 67-68, 141-142, 197, 215, 229
102587GT103	110725GT39-40	119116GT149-150		
102614GT149-150	110789GT183	119117GT89		
102615GT149-150	110876GT29, 31, 37, 47	119139GT11, 95	12443GT135
102616GT149-150	111029GT87	119140GT97	1251499GT111, 119
102617GT149-150	111152GT80	119168GT53	1251500GT111, 119
102676GT181	111234GT135	119218GT101, 115	1251501GT111
102721PGT177	111235GT135	119232GT101	1251502GT111, 119
102740GT73	111236GT135	119394GT109	1251503GT111, 119
102746GT159	111237GT135	119403GT189	1251504GT111, 119
102747PGT209	111238GT135	119418GT215	1251505GT111, 119
102748GT87	111239GT135	119463GT97	1251506GT119
102749GT85, 119	111240GT135	119472GT80	1251507GT119
102784PGT209	111241GT135	119474GT11, 97	1251510GT111

Part Number	Page	Part Number	Page	Part Number	Page	Part Number	Page
1251575GT	111, 119	1256060GT	79-80	1258567GT	11	1262897GT	103
1251588GT	107	1256061GT	79-80	1258591GT	31	1262899GT	103
1251600GT	137, 139, 185, 217, 225, 227	1256062GT	63-64	1258592GT	31	1263120GT	105
1251731GT	109	1256063GT	63-64	1258594GT	31	1263187GT	57
1251814GT	117	1256064GT	63-64	1258605GT	45	1264101GT	185
1251815GT	119	1256065GT	63-64	1258778GT	33, 39-40, 75	1264229GT	91-92
1251816GT	119	1256066GT	63-64	1259216GT	80	1264386GT	79-80
1251818GT	119	1256067GT	79-80	1259217GT	79-80	1264497GT	92
1251819GT	119	1256068GT	79-80	1259328GT	223	1264498GT	91-92
1251984GT	67-68	1256069GT	79-80	1259329GT	223	1264499GT	91-92
1251985GT	67-68	1256106GT	197	1259461GT	129	1264894GT	95
1251986GT	67-68	1256109GT	125, 127	1259462GT	129	1264934GT	229
1251995GT	119	1256117GT	125, 127	1259463GT	129	1264938GT	89
1251996GT	119	1256119GT	125, 127	1259654GT	103	1264969GT	57
1251997GT	29, 31, 37, 47, 49, 231	1256124GT	199	1259660GT	103	1265397GT	137
1252527GT	115	1256126GT	59	1259661GT	189	1265464GT	79-80
1252528GT	115	1256127GT	133	1259683GT	51	1265465GT	79-80
1252685GT	67-68	1256169GT	59	1259704GT	177	1265466GT	79-80
1252940GT	117	1256172GT	35, 43	1259708GT	189	1265467GT	79-80
1252941GT	117	1256180GT	133	1259717GT	103	1265468GT	79-80
1252942GT	117	1256182GT	33, 35, 39-40, 43, 47, 49, 59	1259857GT	75, 77	1265469GT	63-64
1252943GT	117	1256267GT	125, 127	1259896GT	123	1265470GT	63-64
1252944GT	117	1256270GT	80	1259909GT	75, 77	1265471GT	63-64
1253185GT	71, 73	1256277GT	231	1259912GT	77	1265473GT	63-64
1253208GT	57	1256377GT	231	1259933GT	59	1266019GT	13
1253319GT	57, 123	1256378GT	231	1259954GT	233	1267746GT	137
1253408GT	199	1256379GT	231	1260175GT	105	1267747GT	137
1253409GT	64, 67-68	1256380GT	231	1260209GT	141-142	1267807GT	85, 91-92, 121
1253478GT	123	1256389GT	231	1260210GT	45	1268229GT	85, 91-92, 121
1253485GT	45	1256400FRGT	231	1260218GT	80	1268GT	11
1253750GT	109	1256400GT	231	1260249GT	233	1269497GT	145
1253843GT	125, 127	1256439GT	231	1260357GT	103	1269498GT	141-142, 145
1253893GT	79-80	1256464GT	177, 179	1260372GT	33, 39-40, 47	1269499GT	145, 147
1253922GT	109	1256467GT	45	1260373GT	105	1269500GT	141-142, 145
1254267GT	109	1256468GT	225	1260526GT	233	1269641GT	135, 137
1254452GT	109	1256469GT	33, 39-40, 59, 75, 77	1260632GT	175	1269693GT	191
1254453GT	109	1256481GT	231	1260679GT	233	1270116GT	227
1254594GT	103, 105	1256599GT	109	1260688GT	175, 177, 179	1270117GT	227
1254823GT	109	1256670GT	157	1260706GT	175	1270118GT	227
1254826GT	91-92	1256693GT	29, 37, 133	1260707GT	175	1270243GT	141-142
1255018GT	227	1256735GT	80	1260708GT	175	1270314GT	185
1255019GT	227	1256737GT	80	1260892GT	231	1270316GT	185
1255020GT	227	1256739GT	79-80	1260910GT	231	1270570GT	179
1255021GT	227	1256741GT	63-64, 67-68	1261018GT	231	1270571GT	179
1255022GT	227	1256764GT	79-80	1261019GT	231	1270994GT	185
1255023GT	227	1256765GT	35, 40, 43, 47, 49	1261020GT	231	1271018GT	185
1255024GT	227	1256826GT	79-80	1261021GT	231	1271019GT	185
1255025GT	227	1256827GT	67-68	1261022GT	231	1271040GT	185
1255027GT	227	1256828GT	79-80	1261023GT	231	1271061GT	185
1255028GT	227	1256829GT	67-68	1261024GT	231	1271077GT	179
1255029GT	227	1256851GT	231	1261025GT	231	1271078GT	179
1255030GT	80	1256855GT	121, 137, 217, 233	1261184GT	225, 229	1271124GT	79-80
1255033GT	227	1256856GT	31, 231	1261239GT	111	1271398GT	195
1255034GT	227	1256857GT	125	1261449GT	80	1271437GT	39-40, 43
1255035GT	227	1256859GT	229	1261725GT	64	1271438GT	39-40
1255036GT	227	1257076GT	45	1261984GT	57	1271439GT	39-40
1255037GT	227	1257216GT	199	1262179GT	79-80	1271440GT	39-40
1255038GT	227	1257231GT	109	1262487GT	11, 119	1271441GT	39-40
1255047GT	227	1257264GT	183	1262634GT	123, 133	1271442GT	39-40
1255066GT	227	1257389GT	227	1262866GT	11, 103, 109	1271443GT	39-40
1255067GT	227	1257733GT	11	1262867GT	103	1271444GT	39-40
1255068GT	227	1257773GT	215, 233	1262868GT	103	1271445GT	39-40
1255385GT	35, 43, 49	1257798GT	215	1262870GT	103	1271713GT	145, 147
1255392GT	29, 31, 37, 47	1257799GT	215	1262871GT	103	1271945GT	227
1255452GT	29, 31, 37, 123	1257800GT	215	1262872GT	103	1272019GT	53
1255469GT	125, 127	1257805GT	197	1262873GT	103	1272303GT	137
1255555GT	80	1257825GT	113	1262875GT	103	1272304GT	137
1255653GT	91-92, 105	1257838GT	105	1262876GT	103	1272307GT	137
1255692GT	109	1257867GT	129	1262877GT	103	1272624GT	103
1255758GT	127, 225	1258038GT	31	1262878GT	103	1273915GT	197
1255763GT	92	1258039GT	35, 43	1262881GT	103	1274167GT	197, 199
1255889GT	227	1258040GT	29, 31, 37	1262883GT	103	1274168GT	229
1255890GT	227	1258041GT	29, 31, 37	1262893GT	103	1274322GT	185, 199, 217, 229, 231
1256056GT	63-64, 67-68	1258102GT	80	1262894GT	103	1274511GT	133
1256059GT	79-80			1262895GT	103	1274858GT	137
				1262896GT	103		

Part Number Index (continued)

Part Number	Page	Part Number	Page	Part Number	Page	Part Number	Page
1274859GT	137	1282119GT	109	139716GT	153	162006GT	195, 197
1274900GT	109	128268GT	133	139717GT	153	162206GT	111
1275075GT	129	1282959GT	129	139718GT	153	162207GT	111
1275077GT	129	1282993GT	177, 179	139719GT	153	162208GT	111
1275248GT	147	1283021GT	87	139727GT	153	162209GT	111
1275258GT	147	1283022GT	87	139882GT	223	16487GT	129
1275260GT	147	128322GT	199	139952GT	191	16584GT	89
1275537GT	227	1283571GT	97	139953GT	191	1702GT	101
1275538GT	227	1283572GT	97	139954GT	191	18396GT	35, 43
1275539GT	227	1283573GT	97	139966GT	35, 39-40, 43, 47, 49	18503GT	99
1275540GT	227	1283574GT	97	139967GT	35, 39-40, 43, 47, 49	18504GT	99, 115
1276672GT	197	1283575GT	97	139968GT	35, 39-40, 43, 47, 49	18506GT	95
1276986GT	197	128365GT	79-80, 189	139969GT	35, 39-40, 43, 47, 49	18665GT	195, 197
1277873GT	229	128368GT	177	139970GT	35, 39-40, 43, 47, 49	18666GT	141-142, 197, 199
1277875GT	229	1283776GT	11	139971GT	35, 39-40, 43, 47, 49	18963GT	175
1277876GT	229	1283995GT	109	139972GT	35, 39-40, 43, 47, 49	19018-1100GT	185
1277877GT	229	128416GT	159	14033GT	99	19020GT	191
1277924GT	185, 197, 199, 217, 229	128419GT	159	14392GT	111, 119, 189	19273GT	205
1277952GT	179	128429GT	177	144161GT	57, 191	19274GT	79-80, 229
1277966GT	179	128454GT	133	146033GT	183	19358GT	101
1277968GT	95	1284764GT	177	146055GT	61	19360GT	215
1277969GT	95	128482GT	133	146206GT	77	19400GT	29, 31, 37
1277974GT	103	128483GT	133	146207GT	33	19487GT	53, 55
1277991GT	99	128501GT	133	146210GT	77	19491GT	59
1278041GT	129	1285110GT	103	146211GT	77	19506GT	63-64
1278108GT	229	1285111GT	103	146212GT	135, 137	19969GT	157
1278111GT	229	128519GT	133	146228GT	191	20224GT	149-150, 167
1278119GT	229	1285349GT	103	146229GT	191	20776GT	195, 197
1278121GT	229	128534GT	133	146413GT	53	20973GT	135
1278124GT	229	1285689GT	80	146478GT	63-64, 67-68, 141-142	20980GT	45
1278138GT	229	1285700GT	185	146550GT	53	21019GT	85, 101, 105, 113
1278144GT	229	1285811GT	80	147033GT	35, 40, 43, 47, 49	21121GT	135
1278363GT	229	128588GT	83, 115	147034GT	35, 40, 43, 47, 49	21130GT	45, 83, 91-92
1278368GT	229	1287434GT	153	147090GT	63-64, 67-68	21141GT	53, 55
1278416GT	229	1288561GT	91-92	147121GT	135, 137	21175GT	121
1278433GT	229	128935GT	83, 89	147228GT	191	214221GT	53
1278458GT	229	128984GT	83, 113	147229GT	191	214228GT	11, 111
1278542GT	229	128985GT	83, 113	147230GT	191	214237GT	105
1278577GT	197	128986GT	87, 117	147231GT	191	214249GT	189
1278672GT	197	128987GT	87	147232GT	191	214446GT	99
1278673GT	197	128991GT	87, 117	147233GT	191	214536GT	189
1278708GT	11	12906GT	73	147239GT	191	214619GT	199
1278709GT	11	13000GT	99, 101, 191, 197	147240GT	191	214620GT	199
1278710GT	11	13002GT	53, 73, 83, 99, 191, 195	147241GT	191	214621GT	199
1278982GT	229	13014GT	85, 113	147242GT	191	214622GT	199
1279135GT	229	13064GT	121	147243GT	91-92	214623GT	199
1279268GT	85, 101	13066GT	99, 191, 195	147258GT	191	214640GT	107
1279631GT	103	131581GT	113	147262GT	191	21465GT	53, 55, 101, 109
1279653GT	103	13268GT	63-64, 67-68	147289GT	57	214682GT	109
1279765GT	179	133067GT	21, 23	147290GT	57	214685GT	105
128000GT	145, 147	133095GT	13, 15	147355GT	87, 117	214686GT	107
128001GT	145, 147	133238GT	15	147355GT	87, 117	214688GT	107
128003GT	83, 115	133239GT	15	147419GT	53, 55, 169	214902GT	79-80
128004GT	92, 107	133263GT	21, 23	147525GT	89	214904GT	79-80
128022GT	83	133278GT	13	147526GT	89	214934GT	109
128023GT	92	133518GT	19, 27, 191	14815GT	29, 31, 37, 47	21496GT	83, 91-92
128024GT	83	13585GT	137, 139	1487GT	177	215269GT	97
128045GT	183	13918GT	101	1488GT	177	215270GT	97
128061GT	83, 99, 115, 117	139330GT	35, 39-40, 43, 47, 49	1505GT	59, 123	215271GT	97
1280665GT	57	139338GT	141-142	15086GT	101, 105, 113	215273GT	97
128079GT	92	139438GT	177	15243GT	64, 68, 141-142	215277GT	97
128125GT	79-80	139451GT	135	160380GT	67-68	215279GT	97
128164GT	161	139508GT	153	160541GT	99	215280GT	95
128165GT	95	139512GT	153	160551GT	85	215281GT	95
128166GT	95	139527GT	153	161144GT	155	215282GT	95
128172GT	133	139528GT	153	161145GT	155	215283GT	95
128200GT	63-64, 67-68, 141-142, 223	139598GT	145, 147	161880GT	129	215284GT	95
128201GT	63-64, 67-68, 141-142	139610GT	99	161938GT	109	215285GT	95
128202GT	63-64, 67-68, 142	139621GT	91-92			215286GT	95
128204GT	63-64, 67-68, 141-142	139622GT	91-92			215287GT	11, 95
128205GT	191	139624GT	91-92			215288GT	97
		139666GT	91-92			215289GT	97
		139709GT	91-92			215290GT	97
		139712GT	153				
		139715GT	153				

Part Number	Page	Part Number	Page	Part Number	Page	Part Number	Page
215291GT	11, 97	21858GT	63-64, 67-68, 141-142	229567GT	63-64, 67-68, 141-142	27535GT	157
215294GT	79-80	218668GT	99	229768GT	135	27581GT	11
215298GT	97	218715GT	109	23057GT	83, 113	27584GT	115
215299GT	95	218742GT	99	230849GT	35, 40, 43, 47, 49	27585GT	107
215300GT	95	219158GT	225	230972GT	149-150	27761GT	153
215301GT	95	219243GT	155	230973GT	149-150	27764GT	149-150
215302GT	95	219245GT	155	231034GT	149-150	27802GT	149-150
215305GT	95	219247GT	155	231035GT	150	27804GT	150
215307GT	97	219284GT	113, 121	231036GT	149-150	27807GT	149-150
215308GT	95	219477GT	101	231037GT	149-150	27836GT	149-150, 153
215309GT	95	219478GT	101	231038GT	149-150	28158GT	13, 21
215310GT	95	219508GT	64, 67-68, 197, 215, 233	231039GT	150	28159GT	13, 21
215311GT	97	219723GT	13, 21	233992GT	217	28160GT	13, 21
215313GT	97	219979GT	51	233993GT	217	28161GT	13, 15
215314GT	95	219980GT	51	23404GT	141-142	28165GT	19
215316GT	101	219981GT	51	234962GT	103	28174GT	13, 15, 19, 21, 27
215317GT	101	219982GT	51	235659GT	99	28175GT	15
215320GT	99	219983GT	51	236248GT	103	28176GT	19
215339GT	73	219985GT	51	236251GT	103, 109	28177GT	19
215442GT	105	219986GT	51	236259GT	111	28181GT	17
215476GT	105	219987GT	51	236260GT	11, 111	28235GT	13, 15, 19, 21, 27
215481GT	175	219988GT	51	236338GT	99	28236GT	19
215526GT	15, 23	219989GT	51	236339GT	101	28301GT	71, 73
215527GT	15	219990GT	51	236340GT	101	28433GT	135, 137, 199
215528GT	99	219991GT	51	236364GT	101	28607GT	215
215544GT	99	219992GT	51	236373GT	97	28646GT	59, 71
215709GT	99	219993GT	51	236420GT	101	28750GT	11, 149-150, 153
215870GT	79-80	219994GT	51	236421GT	101	29080GT	125, 127
215912GT	115	219995GT	51	236422GT	101	29104GT	15
215917GT	113	219996GT	51	236423GT	101	29137GT	55
216000GT	129	219997GT	51	236425GT	101	29314GT	71, 73
216001GT	129	220000GT	51	236811GT	99	29557GT	91-92, 103
216035GT	73	220005GT	51	236832GT	99	29560GT	11, 91-92
216150GT	115	220230GT	95	237146GT	99	29868GT	53, 55, 57, 71, 73, 75, 77
21618GT	223	220231GT	95	237188GT	103, 109	29883GT	121
216201GT	47, 49	22541GT	59	237189GT	111	30080GT	19
216202GT	47, 49	22558GT	89, 91-92, 111	237190GT	111	30138GT	125, 127
216277GT	47, 49	22578GT	91-92	237191GT	111	30143GT	121
216296GT	205	226393GT	175	237192GT	105	30144GT	87, 121
216367GT	99	226476GT	191	237193GT	105	30190GT	29, 37
216602GT	155	226499GT	13, 15	237194GT	105	30220GT	131
216606GT	189	226500GT	13, 15, 21, 23	237195GT	107	30222GT	133
216607GT	189	226501GT	13, 15, 21, 23	237234GT	150	30348GT	107, 109
216611GT	189	226503GT	79-80, 195	237235GT	149-150	30370GT	29, 37, 123, 131
216612GT	189	226504GT	79-80	237236GT	149-150	30468GT	181
216615GT	189	226515GT	13, 19	237238GT	227	30472GT	125
216616GT	189	22672GT	105, 113	237385GT	101	30490GT	55
216617GT	189	22699GT	83, 99, 101, 107, 115, 117	237474GT	101	30580GT	205
216618GT	189	22700GT	89, 92, 99, 101	237477GT	47, 49	30581GT	125
216657GT	189	227309GT	97	237478GT	47	30582GT	125
216662GT	189	22736GT	83, 115, 117	237711GT	189	30620-SGT	187
216678GT	189	227425GT	195	237731GT	33	30662-SGT	123
216683GT	189	227516GT	80, 137	237780GT	101	30677GT	57
216751GT	113	227802GT	39-40	237793GT	101	30690GT	35, 43
216791GT	64, 68	227803GT	39-40	237794GT	107	30691GT	43
216793GT	64, 68	227808GT	129	237830GT	49	30728GT	131
217152GT	177	227809GT	129	238123GT	189	30729GT	125
217153GT	177	22788GT	101	24038GT	87, 101, 105, 113	30730GT	125
217187GT	115	227988GT	99	24514GT	135, 137	30731GT	125, 127
217366GT	199	228457GT	87	25072GT	129	30733GT	123
217557GT	17, 25	228463GT	63-64, 67-68	25282GT	221	30734GT	29, 31, 37, 123
217558GT	17, 25	228807GT	129	25388GT	57	30735GT	29, 31, 35, 37, 43
217559GT	13, 15, 21, 23	228813GT	129	25683GT	131	30737GT	29, 37
217560GT	13, 15, 21, 23	228843GT	129	25685GT	183	30738GT	125, 127
217561GT	13, 15	228848GT	217	25817GT	29, 31, 37, 47	30741GT	125
217703GT	115	228849GT	217	25927GT	101	30783GT	59
217734GT	15, 23	228854GT	129	25994GT	13	30802P-SGT	35, 43
217735GT	15, 23	228855GT	129	27089GT	55	30808GT	35, 43
217777GT	15, 23	228856GT	129	27204GT	15, 23	30809GT	35, 43
217778GT	15, 23	228860GT	129	27205GT	13, 21	30810GT	215
217820GT	95	228874GT	177, 179	27206GT	13, 15, 21, 23	30884GT	45
217822GT	97	228875GT	179	27207GT	13, 15, 21, 23	30894GT	73
217823GT	95	229346GT	195	27246GT	191, 223	30971GT	92, 115, 205, 207
217824GT	97	229348GT	79-80	27377GT	71, 73	30996GT	141-142
218165GT	141-142	229349GT	79-80	27391GT	223		
218576GT	99						

Part Number Index (continued)

Part Number	Page	Part Number	Page	Part Number	Page	Part Number	Page
30997GT	63-64, 67-68, 141-142	36456GT	101	48904GT	163, 165, 167, 169, 171, 173	49141-7513GT	165
31060GT	15	37033GT	215	48905GT	163, 165, 169, 171, 173	49143-2029GT	169
31100GT	150	37505GT	85, 87, 89, 91-92, 115, 119	48907GT	149-150, 165, 169, 171	49143-2229GT	169
31106GT	29, 37	38149GT	13	48908GT	163, 165	49143-4229GT	163, 165
31408GT	89, 189	38620GT	125, 127	48911GT	161, 163, 165	49143-4629GT	163, 165, 167
31506GT	53, 55	38922GT	99	48912GT	169, 171, 173	49143-7529	201
31523GT	89	39479GT	85, 87, 89, 91-92, 101	48914GT	45, 167	49149-2126GT	163, 165
31524GT	53, 55	40434GT	19, 27, 231	48915GT	163, 165, 171, 173	49150-5230GT	169
31529GT	157	40614GT	64, 67-68	48916GT	167, 169, 171, 173	49151-4148GT	169
31658-SGT	53, 55	41489GT	61	48919GT	163, 165, 171, 173	49151-9248GT	169, 203
31779GT	11	42104GT	177	48920GT	163, 165	49152-4869GT	169, 203
31788GT	15	42111GT	221	48922GT	53, 55, 169	49159-3643GT	169
32064GT	99	42112GT	221	48932GT	169	49159-4043GT	169
32150GT	11	42288GT	63-64, 67-68, 141-142	48933GT	163, 165, 167, 169, 193, 201	49159-4268GT	169
32151GT	11	42315GT	197	48934GT	193	49159-4618GT	169
32309GT	97	42781GT	141-142	48935GT	165, 169	49164-3043GT	169
32681GT	45	43018GT	133, 150, 157	48937GT	163, 165, 167	49164-5643GT	169
32695GT	89	43181GT	79-80	48938GT	193, 201	49177-71294GT	187
32698GT	11, 92	43392GT	137, 177, 181, 227	48941GT	193	49181-10440GT	171, 173
32731GT	59	43595GT	13, 15	48946GT	169	49181-9240GT	171, 173
32975GT	149-150	43956GT	57, 137, 139	48947GT	193	49184-3001GT	173
33239GT	89	44064GT	92, 101	48948GT	165, 193, 201	49189-4638GT	59, 71
33277GT	105, 109	44174GT	157	48958GT	201	49207GT	45, 149-150, 161, 167, 169
33361GT	207	44743GT	135	48959GT	169, 193, 201, 203	49212GT	187
33418GT	121	44981GT	15, 19, 23, 27, 187	48960GT	163, 165, 169, 201, 203	49214GT	187
33422GT	64, 68	44986GT	19	48963GT	163, 165, 201	49215GT	187
33428GT	125, 127, 133	45074GT	29, 31, 37, 47	48964GT	193	49378GT	99, 105, 109
33555GT	71, 73	45209GT	121	48977GT	169, 201	49381GT	101
33568GT	157	45383GT	141-142, 183	48984GT	169	49388GT	107
33576GT	80	45385GT	63-64, 67-68	48985GT	53, 55, 169	49408GT	83, 97
33607GT	195, 197	45435GT	85, 99, 107, 115, 205, 207	48986GT	53, 55, 169	49410GT	83, 107, 115
33608GT	195, 197	45455GT	53	48988GT	53, 55, 169	49411GT	85, 87, 111, 115, 119
33629GT	137, 139	45462GT	75, 77	48996GT	53, 55, 169	49532-SGT	71
33674GT	177	45704GT	87	48997GT	169	49534GT	181
33681GT	99	45708GT	121	49000GT	53, 219	49535GT	73
33724GT	137, 139	45782GT	91-92, 157	49107-10213GT	165	49535PGT	71
33729GT	92	45914GT	157	49109-4129GT	169, 193	49537GT	73
33987GT	89	46131GT	101	49109-4229GT	165	49612GT	11, 149-150, 153
33994GT	11, 149-150, 153	46135GT	13	49109-4729GT	165	49613GT	149-150, 153
34052GT	67-68, 80	46136GT	13	49110-4129	169	49625GT	213
34053GT	67-68	46138GT	13, 15	49117-1191GT	171, 173	49626GT	213
34058GT	215	46139GT	13	49117-4491GT	193	49816GT	111
34125GT	127	46181GT	13	49117-4891GT	169	49820GT	63-64, 67-68, 141-142, 215
34162-300GT	107	46188GT	223	49117-5191GT	163, 165, 167	49861GT	193
34162-350GT	207	46468GT	19	49117-5591GT	163, 165	49869GT	121
34162-475GT	89	46768GT	75	49117-5791GT	173	49915GT	91-92
34163GT	207	46769GT	75	49117-7641GT	163, 165	49917GT	92
34276GT	123	46958GT	33, 39-40	49117-8491GT	165	49924GT	11, 91-92, 103, 105
34344GT	31	47022GT	221	49119-3278GT	173	5-2041-8GT	123
34358GT	77	47023GT	221	49119-4378GT	169	50579PGT	89
34358PGT	75	47024GT	221	49119-4778GT	169	50787-SGT	91-92
34370GT	75, 77	47041GT	15	49119-58678GT	171	50941GT	207
34381GT	211	4828GT	53, 55, 83, 85, 87, 89, 91-92, 99, 101, 109, 111, 119, 121, 195, 199, 203, 207	49119-68278GT	173	52352GT	91-92
34388PGT	211	48425GT	101, 105, 113	49120-49781GT	171, 173	52371GT	157
34389PGT	211	48498GT	101, 105, 109	49120-50781GT	171, 173	52661GT	177
34503GT	205	48692GT	13, 15	49121-4313GT	171	52726GT	153
34505GT	205	48693GT	13	49122-2228GT	169	52768GT	53, 55
34506GT	205	48717GT	13	49126-11233GT	171, 173	52865GT	13
34619GT	183	48755GT	221	49128-10509GT	171, 173	52866GT	85, 92, 107, 115
34855GT	209	48875GT	45, 149-150, 161, 167	49128-10809GT	167	52897GT	157
34949GT	209	48880GT	45, 149-150, 161, 167	49128-5909GT	163, 165	52943GT	149-150
34952GT	209	48885GT	71	49128-8309GT	221	52966GT	13, 21
34955GT	205, 207	48887GT	59	49130-1982GT	171, 173	52967GT	13, 21
34959GT	207	48891GT	45, 167	49130-2132GT	163, 165	53023GT	55
35418GT	55	48896GT	167	49130-2432GT	167	53081GT	29, 31, 37, 47
35434GT	105, 107	48925GT	101, 105, 109	49130-4282GT	169	53143GT	213
35461GT	191	48933GT	163, 165, 167, 169, 193, 201	49130-4482GT	169	53189GT	181
35586GT	92	48934GT	193	49133-1990GT	169	53197GT	127
35599GT	15	48935GT	165, 169	49141-2163-SGT	193	53200GT	127
35683GT	133	48937GT	163, 165, 167			53219GT	127
35726GT	155	48938GT	193, 201			53342GT	133
35956GT	177, 179	48939GT	193			53386GT	33, 37
36208GT	99, 205	48940GT	163, 165, 167, 169, 171, 173				
36294GT	195, 197	48941GT	193				
36388GT	231	48942GT	169, 171, 173				
		48943GT	169				
		48944GT	163, 165, 167, 169, 171, 173				
		48945GT	163, 165, 167, 169, 171, 173				
		48946GT	169				
		48947GT	193				
		48948GT	165, 193, 201				
		48949GT	169, 193, 201, 203				
		48950GT	169, 193, 201, 203				
		48951GT	169, 193, 201, 203				
		48952GT	169, 193, 201, 203				
		48953GT	169, 193, 201, 203				
		48954GT	169, 193, 201, 203				
		48955GT	169, 193, 201, 203				
		48956GT	169, 193, 201, 203				
		48957GT	169, 193, 201, 203				
		48958GT	201				
		48959GT	169, 193, 201, 203				
		48960GT	163, 165, 169, 201, 203				
		48961GT	163, 165, 201				
		48962GT	193				
		48963GT	163, 165, 201				
		48964GT	193				
		48965GT	169, 201				
		48966GT	169				
		48967GT	169				
		48968GT	169				
		48969GT	169				
		48970GT	169				
		48971GT	169				
		48972GT	169				
		48973GT	169				
		48974GT	169				
		48975GT	169				
		48976GT	169				
		48977GT	169, 201				
		48978GT	169				
		48979GT	169				
		48980GT	169				
		48981GT	169				
		48982GT	169				
		48983GT	169				
		48984GT	169				
		48985GT	53, 55, 169				
		48986GT	53, 55, 169				
		48987GT	53, 55, 169				
		48988GT	53, 55, 169				
		48989GT	53, 55, 169				
		48990GT	53, 55, 169				
		48991GT	53, 55, 169				
		48992GT	53, 55, 169				
		48993GT	53, 55, 169				
		48994GT	53, 55, 169				
		48995GT	53, 55, 169				
		48996GT	53, 55, 169				
		48997GT	53, 55, 169				
		48998GT	53, 55, 169				
		48999GT	53, 55, 169				

Part Number Index (continued)

Part Number	Page	Part Number	Page	Part Number	Page	Part Number	Page
53387GT	33, 37	6019GT	53, 83, 85, 89, 91-92, 101, 111, 119, 121, 211	61997GT	183	66821GT	63-64, 67-68
53421GT	127			62072GT	17, 25	6700GT	63-64, 67-68
53452GT	123			62073GT	15, 23	67371GT	201
53460GT	213	6021GT	53, 57, 73, 89, 99, 203, 211, 219	62074GT	17, 25	67631GT	107
53527GT	53, 55			62075GT	15, 23	6782GT	71, 73, 85, 89, 92, 101, 105, 109, 191, 195, 199
53553GT	75	6033GT	83, 89, 92, 99	62392GT	145, 147		
53605GT	219	6036GT	121	62420GT	11, 85, 92, 107, 115		
53610GT	33, 35, 39-40, 43	6037GT	197			6833GT	85, 101, 113, 223
53623GT	213	60443GT	141-142	62421GT	11, 83, 113	6878GT	211
53626GT	213	60452GT	63-64, 67-68	62433GT	11, 83, 115	6886GT	113, 197
53629GT	213	60467-SGT	181	62466GT	61	6888GT	85, 91-92, 99, 105, 107, 113, 115, 181, 207, 209, 211
5365GT	45	60468-SGT	181	62476GT	92		
53758-SGT	215	60508GT	53, 55	62506GT	157		
53759GT	215	60526GT	141-142	62507GT	157		
53760GT	215	60584GT	75, 77, 107, 113, 121	62845GT	85		
53761GT	215			62959GT	15, 23	6889GT	109, 177, 181, 195, 197, 209, 211, 213
53807-SGT	177	60585GT	83, 113	62960GT	15, 23		
53808-SGT	177	60838GT	71	63135PGT	211	6935GT	57, 64, 68, 191, 195, 197
53827GT	71	60840GT	127	63136GT	211		
53828GT	73	60857GT	11, 85, 91-92, 121	63137PGT	211		
53903GT	71, 73			63138GT	211	70351PGT	92
53952GT	85, 92, 99, 107, 115	60868GT	83	63155GT	29, 31, 37	70367GT	113
		60886PGT	187	63167PGT	211	70375GT	92
53961GT	161	6090GT	64, 68, 109, 113, 115, 121, 135, 177, 195, 199, 209, 211, 213	63168PGT	211	70381GT	92, 107
53976GT	157			63174GT	211	70385GT	85, 113
5397GT	55, 73, 83, 85, 89, 91-92, 99, 101, 105, 109, 121, 191, 195, 197, 199, 211, 217	6091GT	73, 83, 85, 91-92, 101, 105, 107, 109, 113, 115, 121, 135, 177, 199, 207, 211	63175PGT	211	70452GT	85, 87, 89, 91-92, 101, 111, 119
				63176PGT	211		
54177GT	107			63177PGT	211	70453GT	89
54255GT	141-142			63202GT	125, 127	70459PGT	89
54365GT	63-64, 67-68, 141-142, 197	60936PGT	53, 55	63206GT	123	70460PGT	89, 91-92
		6095GT	89, 101, 107, 111, 115, 119	63210GT	133	70461PGT	91-92
54457GT	185			63213GT	133	70486GT	215
54458GT	185	6096GT	83, 92, 113	63342GT	125, 127	70496GT	11
54465GT	185	6097GT	53, 57, 73, 83, 87, 101, 109, 111, 119, 195, 203, 207	63346GT	123	7056GT	57, 137, 139, 191, 195
54486GT	181			63350GT	133		
54487PGT	85			63353GT	133	7057GT	64, 68, 191
54573GT	83	6099GT	99	63375GT	197	71038GT	215
54578GT	85, 113	61070-3200GT	193	63463GT	85, 92, 107, 115	71259GT	203
54579GT	85, 113	61070-3750	201	6356GT	64, 68, 91-92, 121, 141-142, 181, 213	71911GT	105, 207
54687GT	85, 87, 115, 119	61109GT	83, 89			72255GT	91-92
54723GT	71	61110GT	92, 99, 107	64066GT	53	72282GT	175
54839GT	150	61225GT	79-80	65473GT	85, 113	72326GT	75, 77, 175, 183
55753GT	137, 177, 179, 185, 223	61226GT	79-80	65611-SGT	55	72327GT	85, 101
		61263GT	53, 55, 169	65630GT	185	72343GT	85, 99
56057GT	64	61278GT	197	65636GT	83, 113, 117	72344GT	85
56237GT	195, 197	61306-SGT	133	65638GT	83, 113, 117	72348GT	83
56424GT	135, 137, 179, 185	61326GT	53, 55	6578GT	64, 67-68	7265GT	177
		6145GT	101, 107, 113, 121, 131, 133	65810GT	85, 92, 107, 115	72867GT	19, 27
56426-700GT	223			65810GT	85, 92, 107, 115	72875GT	19, 185
56525GT	185	6146GT	35, 43, 85, 101, 105, 111, 113, 119, 141-142, 175, 189	65892GT	53	72999GT	13
56570GT	185			6595GT	57, 191	73058PGT	211
56704GT	175			6606GT	197	73059PGT	211
56843GT	61	6147GT	175	6607GT	59, 85, 129	73060PGT	211
56912GT	33, 35, 39-40, 43, 53, 55, 99, 101, 111, 113, 119, 133, 135, 137, 139, 209	61625GT	181	6637GT	73, 221	73204GT	39-40
		61726GT	183	6638GT	73, 83, 85, 87, 91-92, 95, 99, 101, 105, 107, 109, 111, 113, 115, 119, 121, 131, 133, 135, 141-142, 177, 181, 185, 199, 207, 209, 211, 213, 217, 221	73205GT	39-40
56934GT	217	6175GT	57, 89, 91-92, 203, 207			73212GT	39-40, 43
57075GT	191			66399GT	11	73268GT	39-40, 43
57162GT	121	6178GT	59, 63-64, 67-68, 71, 73, 111, 129, 141-142, 175, 197	66472GT	223	7339GT	99
58247GT	99			6653GT	87	73463-1175GT	217
58256GT	91-92			66812GT	63-64, 67-68, 141-142	73477PGT	139
58354GT	87	61804GT	183			73478GT	137
58415GT	85, 92, 107, 115	61809GT	183	66813GT	63-64, 67-68, 141-142	73478PGT	139
58489GT	57	61972GT	183			73500GT	185
58627GT	63-64, 67-68	61974GT	183			73501GT	185
58632GT	97	61975GT	183			73575GT	35, 43, 135, 137, 229
59266GT	29, 37	6198GT	85, 87, 89, 91-92, 101, 111, 115, 119, 191, 195	66814GT	63-64, 67-68		
6002GT	53, 83, 95			66815GT	142		
60143-SGT	219			66816GT	63-64, 67-68		
				66818GT	63-64, 67-68, 141-142		

Part Number Index (continued)

Part Number	Page	Part Number	Page	Part Number	Page	Part Number	Page
73805GT	63-64, 67-68	78736GT	107, 113, 121,		142, 197, 215,	82602GT	27
73806GT	123		169		223, 227, 229	82604GT	27
73807GT	157	79138GT	135, 137	824079GT	71, 73, 133, 135,	826171GT	35, 43, 47, 49
73842GT	205	80150GT	85, 87, 91-92		137, 179, 215,	826205GT	115
73901GT	185	80543GT	195, 197		223, 233	826345GT	13
73923GT	39-40	81062GT	209	824080GT	71, 73, 91-92,	82646GT	27
73924GT	43	81137GT	59		227, 233	826710GT	79-80
73925GT	39-40, 43	81175GT	133	824081GT	177, 179	82671GT	23, 27
73963GT	219	81368GT	185	824082GT	125, 127	826791GT	125, 137, 139
74006GT	137, 139, 195,	81488GT	141-142	824083GT	185	826792GT	59, 137, 139
	197	81532GT	223	824084GT	53, 55	826793GT	125, 127, 137,
74052GT	191	81550GT	141-142	824085GT	53, 55, 185, 197		139
74389GT	29, 31, 37	81551GT	141-142	824086GT	71, 129, 179	826794GT	59, 75, 77, 137,
74496GT	71, 73	81552GT	45	824087GT	197		139
74902GT	149-150	81578GT	53, 55	824089GT	29, 31, 33, 35,	826856GT	119
74913GT	64, 68	81640GT	133		37, 39-40, 43,	826971GT	125
74920GT	64, 68	81691GT	45		47, 53, 55, 57,	826972GT	125
74921GT	64, 68	81692GT	123		75, 77, 123, 125,	826973GT	127
74922GT	64, 68	81693GT	131		127, 129, 133	826974GT	127
74923GT	64, 68	81694GT	123	824090GT	29, 31, 35, 37,	82767GT	19, 27
74924GT	64, 68	8170GT	87, 121		43, 57, 59, 71,	82862GT	19
75020GT	83, 115	8177GT	115		73, 125, 127,	83093GT	63-64
75041GT	189	8178GT	55		129, 229	83098GT	145, 147
75067GT	137, 139, 191	81802GT	223	824091GT	59, 123, 127,	83141GT	161
75073GT	71, 73	81851GT	121		135, 137, 139	84134GT	153
75119GT	61	81975GT	221	824092GT	123, 131, 133	84135GT	153
75185GT	177, 179	82161GT	13	824093GT	133	85053GT	83, 89, 115
75443GT	145, 147	822004GT	15	824095GT	183	85059GT	83, 115
75444GT	145, 147	822131GT	15	82410GT	19	85155GT	83, 117
75445GT	145, 147	82237GT	15, 19, 195	824113GT	35, 43, 63-64,	8516GT	109, 111, 195,
75446GT	145, 147	82243GT	19		67-68, 141-142,		211
75447GT	145, 147	822759GT	223		199, 225, 227	85239GT	63-64
75448GT	145, 147	822764GT	223	824116GT	137, 139	85300GT	185
75449GT	145, 147	822768GT	223	824119GT	71, 73	87188GT	105
75468GT	123	822769GT	223	824120GT	225	87755GT	63-64, 67-68
75469GT	131	822781GT	111	824124GT	139	88151GT	79-80
75470GT	123	822793GT	119	824144GT	87	88356-11205GT	59
75519GT	177	823523GT	109	824151GT	131, 133	88356-12145GT	123
75617-1025GT	223	823524GT	109	824164GT	131, 133	88356-12BJ5GT	129
75617-1550GT	223	823525GT	107	824215GT	71, 73	88377-1400GT	217
75617-2075GT	223	82366GT	13	824216GT	123, 229	88390GT	223
75617-2275GT	223	823700GT	79-80	824227GT	223	88406GT	199
75617-6275GT	223	823706GT	79-80	824328GT	111	88441-1090GT	169
75627GT	133	823797GT	79-80	824331GT	111, 119	88451GT	95
75631GT	97	823798GT	79-80	824507GT	115	88452GT	95
75636GT	223	823816GT	97	824522GT	19, 27	88492GT	207
75677GT	61	824023GT	111, 119	824588GT	111, 119	88493GT	207
75678GT	61	824027GT	45, 57, 71, 73,	824617GT	197	88516GT	131, 133
75681GT	61		91-92, 125, 127,	824673GT	103, 111	88606PGT	181
75682GT	61		129, 133, 137,	824680GT	107	88607PGT	181
75683GT	61		139, 179, 183,	82472GT	21, 23	88648GT	127
75684GT	61		215, 223, 227,	82473GT	23	88783GT	153
75685GT	61		233	82481GT	23	88827GT	63-64, 67-68
75686GT	61	824028GT	53, 55, 71, 73,	824879GT	63-64	88841GT	85
75854GT	203		92, 129, 179, 185	82487GT	21, 27	88844GT	85
75855GT	203	824029GT	29, 31, 37, 53,	824882GT	63-64	88846GT	85
77026GT	35, 43		55, 57, 71, 73,	824891GT	141-142	88847GT	85
77027GT	35, 43		123, 129, 131,	825015GT	103	88883GT	33
77071GT	57		133, 135, 137,	825019GT	29, 31, 35, 37,	88989PGT	85, 113
7713GT	53		139, 183, 223,		43, 123, 131, 133	88990PGT	85, 113
77181GT	53, 133		227	825020GT	183	88991PGT	85
77295GT	11, 99	824031GT	33, 39-40	825106GT	79-80	88992PGT	83
77303GT	131, 133	824032GT	71, 73, 183	825162GT	181	88993GT	85
77351GT	141-142	824038GT	217	825277GT	181	89064GT	59
77402GT	83, 91-92	824041GT	45	825353GT	197	89065GT	29, 31, 37
77482GT	87, 117	824060GT	225	825355GT	87	89066GT	29, 31, 37
77483GT	87, 117	824061GT	183	825358GT	177, 179, 199	89074GT	57
77664GT	217	824067GT	127	82548GT	27	89099GT	29, 37
77674GT	33, 35, 39-40,	824068GT	125	825579GT	13	89100GT	29, 37
	43, 47, 49	824069GT	225	8255GT	73, 219	8914GT	141-142, 181,
77683GT	217	824078GT	33, 35, 39-40,	825708GT	103		213
77736GT	83, 117		43, 57, 59, 63-	82586GT	21, 23	8915GT	73, 83, 111, 115,
77797GT	223		64, 67-68, 91-	82587GT	21, 23		119
77819GT	161		92, 133, 135,	825907GT	113	89259GT	91-92
77990GT	83, 161		137, 139, 141-	825939GT	107	89312GT	150
				82601GT	27	89336GT	135

Part Number	Page	Part Number	Page
89338GT	135	89992PGT	209
89372GT	35, 43	9*4324-1400GT	207
89377GT	137, 139	9145GT	191, 195
89408GT	71	93500GT	11
89411GT	71	94077GT	57
89415GT	73	94324-950GT	207
89439GT	57	94374-2380GT	163, 165
89533GT	203	94374-2530GT	163, 165
89571GT	59	94374-3930GT	163
89575GT	64, 67-68	94374-4230GT	163
89593GT	53, 55, 169	94374-5130	201
89596PGT	85, 91-92, 121	94374-5230GT	169
89616GT	11, 53, 55	94374-5530GT	169
89617GT	57	94374-5930GT	169
89644GT	209	94390-SGT	137, 139
89645GT	209	94397GT	133
89646GT	209	94398GT	131
89647GT	209	94485GT	91-92
89654GT	80	94493-SGT	217
89655GT	79-80	94506GT	141-142
89656GT	79-80	94612GT	53, 55
89657GT	80	94745PGT	135, 177
89658GT	79-80	94757GT	159
89659GT	80	94758GT	153
89663GT	79-80	94759GT	155, 159
89665GT	79-80	94760GT	159
89674GT	79-80	94762GT	11, 83, 113
89691GT	175	94765GT	159
89733GT	149-150	94886GT	87
89737GT	150	94888GT	85
89738GT	150	94889GT	11, 83, 113
89744GT	135	94890GT	83
89745GT	135	94937GT	59
89750GT	135	9596GT	177
89751GT	135	9599-SGT	177, 179
89752GT	135	96008-SGT	63-64
89753GT	135	96010GT	63-64
89762GT	87	97128GT	59, 123
89764GT	87	97473GT	87, 117
89765GT	11, 87, 117, 119	97548GT	15
89771GT	83	97579GT	19
89773GT	83	97602GT	15
89775GT	89	97815GT	19, 27
89776GT	89	97875GT	15, 19
89780GT	91-92	97887GT	19
89785GT	92, 103	99778GT	189
89786GT	92	9990184GT	35, 40, 43, 47, 49
89787GT	92	T106954GT	59
89788GT	92	T106955GT	59
89792GT	91-92	T106957GT	59
89800GT	61	T106961GT	59
89836GT	19, 27	T106962GT	59
89854GT	149-150	T107842GT	47
89858GT	161	T107843GT	49
89859GT	161	T107851GT	47
89861GT	149-150	T107861GT	47
89872GT	125, 127	T108075GT	131, 133
89885GT	61	T108076GT	131, 133
89900PGT	85	T108077GT	133
89901GT	85	T108078GT	133
89911PGT	89	T108079GT	133
89912GT	73	T109328GT	181
89912PGT	89	T112560GT	191
89913GT	73	T112561GT	191
89915PGT	181	T112563GT	137, 139
89925GT	80	T112626GT	145, 147
89929GT	73	T112773GT	19, 27
89929PGT	85	T113655GT	195, 197
89932GT	161	T114022GT	195
89933GT	161	T114022GTGT	197
89934GT	161	T114023GT	195
89953GT	83	T114023GTGT	197
89975GT	221	T114678GT	91-92
89985GT	207		
89989PGT	207		
89991GT	207		

Part Description Index

The Part Description Index is an alphabetical index of all part descriptions included in this manual. The index shows what page(s) the part is used on.

- "
"Ref. Turntable Rotation Drive Motor and Brake Assembly".....59
- (
(Asian and South American models).....135
(Australian models).....135
(European models).....135
(USA and Canadian models).....135
- 1**
12VDC PROPORTIONAL VALVE.....191
- 2**
207 HYD MOTOR ASSY, GEN.....191
2MM ORIFICE UNION, 1/4" HOSE.....109
2ND LP CARRIER W/TANK,S40.....219
- 6**
6' TRI-ENT ASSY W/DECALS A/SOA.....177
6' TRI-ENT ASSY W/DECALS AUSTR.....177
6' TRI-ENT RAIL W/DECALS A/SOA.....177
6' TRI-ENT RAIL W/DECALS ANSI.....177
6' TRI-ENT RAIL W/DECALS AUSTR.....177
- 8**
8' TRI-ENT ASSY W/DECALS A/SOA.....177
8' TRI-ENT ASSY W/DECALS ANSI.....177
8' TRI-ENT ASSY W/DECALS AUSTR.....177
8' TRI-ENT ASSY W/DECALS CE.....177
8' TRI-ENT RAIL W/DECALS A/SOA.....177
8' TRI-ENT RAIL W/DECALS ANSI.....177
8' TRI-ENT RAIL W/DECALS AUSTR.....177
8' TRI-ENT RAIL W/DECALS CE/UK.....177
- A**
ACC,FALL ARREST BAR,6FT FR.....231
ACC,FALL ARREST BAR,6FT SYM.....231
ACC,FALL ARREST BAR,6FT WORD.....231
ACC,FALL ARREST BAR,8FT FR.....231
ACC,FALL ARREST BAR,8FT SYM.....231
ACC,FALL ARREST BAR,8FT WORD.....231
ACC,PLAT CONTROL COVER, SERV.....181
ACCESSORY,OPERATOR PROT STRUCT.....225
ACCESSORY,PANEL CRADLE,ANSI.....217
ADAPTER, 1/8 X 1/4 F3H6-S.....215
ADAPTER, MIXER/THRO, MSG425.....95
ADAPTER, WATER CONN, MSG425.....95
ADAPTER,140130-4-4.....215
ADAPTER,140139-8-6.....215
ADAPTER,AIR HOSE,PERK 404F.....115
ADJUSTABLE STRAP ASSY.....217
AIR CLEANER CAP/ FORD/NOLFF***.....99
AIR CLEANER,FORD,T3.....99
AIR CLEANER,NELSON***.....85, 92, 107, 115
AIR INTAKE ELBOW,90 DEGREE.....107
ALARM,CHIME TONE 5-25VDC***.....75, 77
ALARM,INTERMITTENT TONE 6-30V*.....175
ALARM,WARBLE TONE 5-30 VDC***.....141-142, 183
- ALTERNATOR - 85 AMP, INT REGULATED.....117
ALTERNATOR, DEUTZ F3L10/F4L10*.....92
ALTERNATOR,65 AMP,PERKINS 404.....87
ALTERNATOR,95 AMP,DEUTZ.....103, 109
ALTERNATOR,FORD DSG423,MSG425.....97
ANGLE, RELAY MOUNTING.....64, 67-68
ANGLE, RING GUARD.....209
ANTENNA,TELEMATICS, TOPCON, STAN.....233
ASSEMBLY IDLER W/HUB.....51
ASSEMBLY RESET SWITCH.....227
ASSEMBLY, ECM COVER.....111, 119
ASSEMBLY, GBOX, DEUTZ 2.9, S40.....63-64
ASSEMBLY, GBOX, DEUTZ2011, S40.....63-64
ASSEMBLY, GBOX, FORD, S40.....63-64
ASSEMBLY, GBOX, PERKINS 404F, S40.....63-64
Assembly, IDLER HUB.....51
ASSEMBLY, LIGHT, CONTACT ALARM.....229
ASSEMBLY, OPA PROTECTION CAGE.....227
ASSEMBLY, SENSOR, PROX, CONTACT ALARM.....229
ASSEMBLY,CABLE,TAPESWITCH.....227
ASSEMBLY,CONTACT ALARM CABLE, LARGE.....229
ASSEMBLY,FOOT SWITCH.....80, 137
ASSEMBLY,MAIN CABLE,OPA.....227
ASSEMBLY,TAPESWITCH.....227
ASSEMBLY,TERMINAL RAIL,S40/45.....63-64, 67-68
ASSY BATTERY HEATER,240V.....189
ASSY HEATER, MODEL 18, 120V.....189
ASSY HEATER,MODEL 18,240V.....189
ASSY, GBOX COVERING.....181
ASSY, BATTERY HEATER, 120V.....189
ASSY, ENCLOSURE, WELDER GENERATOR.....197
ASSY, JBOX, 8X10.....197
ASSY, MED. PRESS. FILTER, SAE8.....85, 91-92, 121
ASSY, QTS TRAX, S40/45, LH.....47, 49
ASSY, QTS TRAX, S40/45, RH.....47, 49
ASSY, SENSOR W/HOUSING.....229
ASSY, YOKE, LH, TRAX, W/BUSH.....47
ASSY, YOKE, RH, TRAX, W/BUSH.....47
ASSY,120V HEATER, HYD TANK.....189
ASSY,240V HEATER, HYD TANK.....189
ASSY,6' PLAT WELDMENT W/SIDE GATE.....137
ASSY,6FT PLAT DUAL LG,BLANK W/SIDE SWING GATE.....137
ASSY,8' PLAT WELDMENT W/SIDE GATE.....137
ASSY,8FT PLAT TRI LG,BLANK W/SIDE SWING GATE.....137
ASSY,DISPLAY,DP200 DEUTZ T4.....67-68
ASSY,DISPLAY,DP200 PERKINS T4.....67-68
ASSY,ENCLOSURE,WELDER,GEN.....195
ASSY,ENGINE HEATER,120V.....189
ASSY,ENGINE HEATER,240V.....189
ASSY,FUEL PREFILTER,DEUTZ 2.9.....111
ASSY,GAUGE OPT. OIL COOLED.....215
ASSY,GAUGE OPT.WATER COOLED.....215
ASSY,GBOX BASE,S40/45.....63-64
ASSY,GBOX,DEUTZ T4,S40/45.....67-68
ASSY,GBOX,DEUTZ,T3,S40/45.....63-64
ASSY,GBOX,FORD,S40/45.....63-64
ASSY,GBOX,PERKINS T4,S40/45.....67-68
ASSY,GBOX,PERKINS T3,S40/45.....63-64
ASSY,LS,LOAD SENSE,38.5 IN.....183
ASSY,MODULE,CONTROL UNIT,OPA.....227
ASSY,PCB,ALC500-II,S40.....141-142
ASSY,RECEP,12V,CSA TILT.....80
ASSY,RELAY SOCKET, AUTO.....67-68
ASSY,S40/45,FRONT AXLE,NON-OSC.....31
ASSY,S40/45,OSC. VALVE SYSTEM.....45
ASSY,S40/45,REAR AXLE.....35, 43
ASSY,SIDE SWING GATE.....137
ASSY,TIRE/WHEEL,LH,RT,NM,W/SEA.....39-40
ASSY,TIRE/WHEEL,RH,RT,NM,W/SEA.....39-40
ASSY,TRACK,FALL ARREST BAR,6FT FR.....231
ASSY,TRACK,FALL ARREST BAR,6FT SYM.....231
ASSY,TRACK,FALL ARREST BAR,6FT WORD.....231
ASSY,TRACK,FALL ARREST BAR,8FT FR.....231
ASSY,TRACK,FALL ARREST BAR,8FT SYM.....231
ASSY,TRACK,FALL ARREST BAR,8FT WORD.....231
ASSY,WELDER,OMRON RELAY,GBOX.....197
ASSY,WORK LIGHT,12V LED.....177, 179
ASSY,YOKE,LH,W/BUSHINGS.....29, 31, 37
ASSY,YOKE,RH,W/BUSHINGS.....29, 31, 37
ASSY,FRONT AXLE TRAX,W/BUSH.....47
ASSY,REAR AXLE TRAX,W/BUSH.....49
ASTM Flange Bolt, 3/4"-10NC X 1.50", Gr. 8 Plated.....51
ASTM Flange nut, 5/8"-11, Gr. 8 Plated.....51
AUX RAIL, 6' PLAT, SIDE ENTRY.....179
AUX RAIL, 8' PLAT, TRI-ENTRY.....179
AUX TOP RAIL,6'(1.25")SERVICE.....177
AUX TOP RAIL,6',SWG GT, SRV.....177
AUX TOP RAIL,6FT,PTD.....177
AUX TOP RAIL,8'(1.25")SERVICE.....177
AUX TOP RAIL,8',SWG GT, SRV.....177
AUX TOP RAIL,8FT,PTD.....177
- B**
BACKING PLATE, HOSE BLOCK, JIB.....133
BACKING PLATE, PAINTED.....211
BACKING PLATE, PNTD.....211
BAFFLE, AIR CLEANER (27915)**.....85, 92, 107, 115
BALL STUD*.....71, 73
BAR,AXLE ROTATION STOP,NON-OSC.....43
BAR,AXLE ROTATION STOP,OSC. **.....35, 43
BAR,FLAP REINFORCING 23" BLUE.....211
BAR,FLAP REINFORCING 37.5 BLUE.....211
BASE & PLAT CONTROL COVERS.....181
BASE ENCLOSURE,RED,OPA.....227
BASE, W/1 N.O. CONTACTS***.....142
BASE,W/2 NC CONTACTS***.....63-64, 67-68
BASE,W/3 NC CONTACTS.....141-142
BASE,WITH 2 N.O. CONTACTS***.....63-64, 67-68

Part Description Index (continued)

CLAMP,HOSE,2.50"****.....85, 99, 107, 115, 205, 207	CONN,RECEP 48 WAY,4 X 12.....64, 68, 141-142	CTWT,CAST,400 LBS,LH.....75
CLAMP,HOSE,3.00".....92, 115, 205, 207	CONN,RECEP 8 WAY 14-18GA,FL.....63-64, 67-68	CTWT,CAST,400 LBS,RH.....75
CLAMP,HOSE,5.00".....205, 207	CONN,SQUEEZE,1/2NPT .38-.50,SM.....57, 137, 139, 191, 195	CTWT,CAST,515 LBS,LH.....77
CLAMP,HOSE,8.50 DIA****.....89	CONN,SQZ,BLK,1/2NPT,.38-.50,SM.....80	CTWT,CAST,515 LBS,RH.....77
CLAMP,JIB HOSE/CABLE.....133	CONN,TEE,UNION,520401-6,ORFS.....167	CYLINDER,EXT 2.5" X 163.5".....125, 127
CLAMP,JIB HOSE/CABLE,ARCTIC.....133	CONN. ASSY,7.9 TUBE X6.35 HOSE.....53	CYLINDER,JIB (STICK BOOMS).....133
CLAMP,MUFFLER.....85	CONN. SQZ,1/2NPT .39-.56 MED.....64, 68, 191	CYLINDER,LIFT,S40.....123
CLAMP,MUFFLER, 2.50 INCH.....105, 207	CONN. SQZ,1/2NPT .56-.63.....197	CYLINDER,MASTER.....123
CLAMP,MUFFLER, 1-7/8 IN.....99	CONNECT BOX, PERK T4 EXT HARN.....79-80	CYLINDER,MASTER,S40***.....123
CLAMP,MUFFLER, 1.75 INCH.....99	CONNECTOR, DEUTZ FUEL SHUTOFF*..91-92	CYLINDER,OSCILLATE S40/45.....29, 37
CLAMP,SPRING,1/2".....95	CONNECTOR,010102-6-4.....101	CYLINDER,SLAVE,3 X 11.38***.....133
CLAMP,TWO HOSE.....133	CONNECTOR,BULKHEAD,FEMALE-4.....71	CYLINDER,SLAVE,S40/45.....131
CLAMP,WORKLIGHT.....177	CONNECTOR,FEMALE,RECPTCLE,110V.191	CYLINDER,STEER***.....29, 31, 37
CLEVIS YOKE-1/4-28,PLTD W/PIN.....45, 83, 91-92	CONTACT ALARM WIRE ASSY,LARGE.....229	
CLIP,AIR CLEANER COVER (58247).....99	CONTACT, N.C.....63-64, 67-68, 141-142	
CLIP,AIR CLEANER END CAP***.....85, 92, 107, 115	CONTACT,N.O.***.....63-64, 67-68	
CLIP,HAIR PIN .243 X 5.25.....221	CONTACTOR,LIMIT SWITCH.....59	
CLMP,PLSTC,CBLE TRAY S40/45B.....129	CONTROL BOX COVER,LFT SIDE,PTD.....181	
CLMP,PLSTC,CBLE TRAY S40/45T.....129	CONTROL BOX COVER,RT SIDE,PTD.....181	
CLMP,PLSTC,CBLE TRCK S40/45B.....129	CONTROL BOX,2KW,120/240V,50HZ.....191	
CLMP,PLSTC,CBLE TRCK S40/45T.....129	CONTROL MODULE, MSG425.....101	
CNTWT,CAST,S40/45 2WD DRV CHAS.....33	CONTROLLER BOX, 120/240V, 60H.....191	
CNTWT,CAST,S45 SWING CHASSIS.....77	CONTROLLER, DASH, BASIC PLUS.....91-92	
CNTWT,S40 SWING CHASSIS.....75	CONTROLLER, VCU, DEUTZ L03I.....91-92	
COIL ASSY, MSG425.....95	CORROSION INHIBITOR COATING.....121	
COIL, 10V DC (D10, 20 WATT).....149-150	CORROSION INHIBITOR,FOAM.....63-64, 67-68, 141-142	
COIL, SOLENOID VALVE, 10V.....155	COUNTERWEIGHT, S45 DRV CHASSIS.....59	
COIL,10V DC(D10,26 WATT).....149-150	COUNTERWEIGHT,DRIVE CHASSIS **.....33, 39-40	
COIL,12V,DO1 VALVE.....157	COUPLER, 15 TOOTH,FBA,PERKINS**.....83, 115	
COIL,12VDC #8 DTSCH IP69 ECOIL.....157	COUPLER,15 TOOTH,FBA,SAE8***.....92, 107	
COIL,PROPORTIONAL VALVE***.....150	COUPLER,15T,FBA,SAE 8,MSG425.....99	
COIL,SOLENOID VALVE***.....149-150	COUPLING (106113).....195, 197	
COIL-10V DC***.....159	COUPLING, 28MM (106113).....195, 197	
COLD AIR HOSE, PERK 404F-22.....115	COVER, DRIVE CHASSIS, S40.....33, 35, 39-40, 43	
COLD WEATHER 120V J BOX ASSY.....189	COVER, END, GEN, 120V.....191	
COLD WEATHER 240V J BOX ASSY.....189	COVER, END, GENERATOR, 240V.....191	
COLLAR,JOYSTICK,CENTER.....145, 147	COVER, ENGINE, DEUTZ F3L 2011F.....89	
COMPR.LINK,MACHINED,GND CONTR*..133	COVER, FOOT SWITCH, LARGE.....135, 137	
CONN PLUG 3 WAY ENDCAP DT.....189	COVER, HOSE & CABLE, HOSTILE.....205	
CONN RECEP,FLANGED.....141-142, 215	COVER, JIB HOSES/CABLES***.....133	
CONN, 520120-6.....167, 169, 171, 173	COVER, LH, TANK SIDE.....71	
CONN, SAE#4-1/4" NPT.....195, 197	COVER, PULLEY (DEUTZ F3L 2011).....92	
CONN,520102-6-6.....53, 55, 169	COVER,BLANK.....191	
CONN,520120-10-12.....201	COVER,CONTROL BOX LEFT SIDE***.....181	
CONN,520120-12-16.....169, 201	COVER,CONTROL BOX LID.....181	
CONN,520120-16.....169	COVER,CONTROL BOX RIGHT SIDE**.....181	
CONN,520120-4***.....163, 165, 169, 171, 173	COVER,FLYWHEEL CASTING.....92, 107	
CONN,520120-4-6***.....169, 171, 173	COVER,GFCI,HORIZONTAL,WEATHER.....137, 139, 195, 197	
CONN,520120-4-8.....45, 167	COVER,NON-STEER AXLE "BLUE".....35, 43	
CONN,520120-8***.....163, 165, 167, 169, 193, 201	COVER,PROTECTIVE,JIB CYLINDER.....205	
CONN,520120-8-10.....169	COVER,PROTECTIVE,LIFT CYLINDR*.....205	
CONN,520120-8-12.....165, 193, 201	COVER,PROTECTIVE,OSCILLATE CYL.....205	
CONN,LONG,520122-4.....193	COVER,PROTECTIVE,SLAVE W/JIB.....205	
CONN,LONG,520122-8.....193	COVER,PROTECTIVE,STEER CYLINDR.....205	
CONN,PLUG 120 AC/15A DOMESTIC.....189	COVER,RH,ENGINE SIDE.....73	
CONN,PLUG 2 WAY,14-18GA.....189	COVER,SUPPORT WELDMNT,LH.....71	
CONN,RECEP 2 WAY ENDCAP DT.....129, 189	COVER,WELDER GENERATOR.....195	
CONN,RECEP 24 WAY,W/FLANGE.....64, 68	CRANK PULLEY, EXT, MSG425.....97	
CONN,RECEP 3 WAY ENDCAP DT.....189		
CONN,RECEP 3 WAY SAE J1939.....63-64, 67-68		
CONN,RECEP 4 WAY,12-14GA FL***.....64, 68, 141-142		
CONN,RECEP 40 WAY,W/FLANGE.....64, 68		

D

DCL,NAMEPLT,USE UNDERWRITE LAB.....13
DECAL FAULT CODE.....19
DECAL LABEL,ALC500-II, S80.....79-80
DECAL NOTICE,GASOLINE TANK.....13
DECAL PLATE,MESH.....185
DECAL, COSMETIC, BOOM, S40, TR.....17, 25
DECAL, COSMETIC, BOOM, S45, TR.....17, 25
DECAL, COSMETIC, DRIVE, S40 TR.....15, 23
DECAL, COSMETIC, DRIVE, S45 TR.....15, 23
DECAL, COSMETIC, SWING, S40 TR.....15, 23
DECAL, COSMETIC, SWING, S45 TR.....15, 23
DECAL, DANGER, TIP OVER, TRAX.....13, 15
DECAL, ENGINE SPEC, 404F-22.....15
DECAL, ENGINE SPEC, D2.9.....15
DECAL, INSTRUCTION, ACTUATOR SWITCH SOCKET.....229
DECAL, INSTRUCTION, CONTACT ALARM.....229
DECAL, LABEL, SHELL TELLUS.....13
DECAL, LCD, TIER 4.....13
DECAL, MAX TRACK LOAD, S40, TR.....13, 15, 21, 23
DECAL, MAX TRACK LOAD, S45, TR.....13, 15, 21, 23
DECAL, PATCH, GEN,ALC-500.....19, 27, 191
DECAL, POWER TO PLATFORM 230V**.....13, 15, 19, 21, 27
DECAL, S40 TIER IV PBOX.....19, 27
DECAL, SYMBOL - READ THE MANUAL...21, 27
DECAL,ANNUAL INSP***.....13
DECAL,ARROW BLUE.....15, 23
DECAL,ARROW YELLOW LRG 9".....13, 21
DECAL,BATTERY DISCONNECT.....13
DECAL,CAUTION,TOWING SPEED.....15
DECAL,CHEVRON RANDO HD.....13
DECAL,COSMETIC,4 X 2.....13, 21
DECAL,COSMETIC,4 X 4.....13, 21
DECAL,COSMETIC,GENIE.....227
DECAL,COSMETIC,GENIE S-40***.....17, 25
DECAL,COSMETIC,GENIE S-45***.....17, 25
DECAL,COSMETIC,S-45.....15, 23
DECAL,COSMETIC,S40.....15, 23
DECAL,COSMETIC,S40,10".....15, 23
DECAL,COSMETIC,S45,10".....15, 23
DECAL,DANGER DO NOT ALTER SWTC.....15
DECAL,DANGER,BATTERY SAFETY***.....15
DECAL,DANGER,ELEC.HAZ.STAY CLR.....21, 23
DECAL,DANGER,ELECT HAZARD***.....13, 15
DECAL,DANGER,GENERAL SAFETY.....13, 19

- DECAL,DANGER,HIGH VOLTAGE.....15, 19, 195
 DECAL,DANGER,MAX SIDE FRC,667N.....27
 DECAL,DANGER,NO SMOKING.....13
 DECAL,DANGER,SIDE FRC 400N.....27
 DECAL,DANGER,TIP-OVER,TIRES***.....13, 15
 DECAL,DANGER,TIP-OVER,WELDER**.....19
 DECAL,DANGER,TIPOVER,TILT.....19
 DECAL,DANGER,TIPOVER,TILT,SYM.....27
 DECAL,DIESEL.....13, 21
 DECAL,DRIVE ENABLE PATCH.....27
 DECAL,DS (4"X4").....13, 15
 DECAL,ENGINE SPEC,DEUTZ 2011.....15
 DECAL,ENGINE SPEC,PERKINS***.....15
 DECAL,EXPLOSION HAZARD.....15
 DECAL,FIRE EXTINGUISHER.....19
 DECAL,FMRC APPROVAL, PLATE,DS.....13
 DECAL,FMRC APPROVAL,PLATE,LPS.....13
 DECAL,FORD ENGINE SPEC DSG423.....15
 DECAL,FORD ENGINE SPEC MSG425.....15
 DECAL,FUNCTION OVERRIDE.....19
 DECAL,GROUND BOX,TIER IV.....13, 21
 DECAL,GS/LPS (4"X4").....13, 15
 DECAL,HIFLOT TIRE PRESS,S40/45.....21, 23
 DECAL,INSTR,MAX SIDE FRC,ANSI.....19
 DECAL,INSTR,SIDE FRC/WIND,AUS.....19
 DECAL,INSTRUCT,FOOTSWITCH OPER.....19
 DECAL,INSTRUCTIONS S40/45 AUS.....13, 19
 DECAL,LABEL, AIR LINE 110 PSI.....15, 19, 23, 27, 187
 DECAL,LABEL,BELT ROUTING DSG.....15
 DECAL,LABEL,BELT,MSG425.....15, 23
 DECAL,LABEL,DECIBEL 102***.....21
 DECAL,LABEL,FALL HAZARD***.....25
 DECAL,LABEL,LIGHTS***.....19, 27
 DECAL,LABEL,LIQUID PROPANE.....13, 21
 DECAL,LABEL,LOWER MIDRAIL.....19, 27
 DECAL,LABEL,MANUAL NOT HERE.....19
 DECAL,LABEL,MAX CAPACITY***.....27
 DECAL,LABEL,NO SMOKING,SYMB.....21
 DECAL,LABEL,PATENTS.....13
 DECAL,LABEL,PETRO CANADA***.....13
 DECAL,LABEL,TIP OVER LMT SWTCH.....23
 DECAL,LABEL,TIPOVER,TRAX,SYMB.....21, 23
 DECAL,LABEL,TIRE PRESS,S40/45.....21, 23
 DECAL,LABEL,TRANSPORT DIAGRAM.....13, 15, 21, 23
 DECAL,LABEL,UCON HYDROLUBE.....13
 DECAL,LABEL,UNLEADED GAS ONLY.....13, 21
 DECAL,LABEL,WELD LINE INST,SYM.....23, 27
 DECAL,LABEL,WHEEL LOAD S-40.....13, 15, 21, 23
 DECAL,LABEL,WHEEL LOAD S-45.....13, 15, 21, 23
 DECAL,LANYARD ANCHORAGE POINT...19, 27, 231
 DECAL,LOW/ULTRA LOW SULFR FUEL.....13
 DECAL,NOTICE,AIR INLET***.....15
 DECAL,NOTICE,HI FLOAT TIRES.....13, 15
 DECAL,NOTICE,MAX LOAD 500 LBS.....19
 DECAL,NOTICE,OPER INST.IC.....13, 19
 DECAL,NOTICE,SHUTOFF VALVES.....13
 DECAL,NOTICE,TIRE PRESSURE.....13, 15
 DECAL,PLATFORM CONTROL PANEL**...19, 27
 DECAL,POWER TO PLATFORM 115V.....13, 15, 19, 21, 27
 DECAL,PROTCTR,CLEAR,PLATE*.....19, 27
 DECAL,SYMBOL-BATTERY SAFETY.....23
 DECAL,SYMBOL-COMP ACCESS.....23
 DECAL,SYMBOL-READ THE MANUAL.....227
 DECAL,TOWING INSTRUCTIONS.....15
 DECAL,TRACK,FALL ARREST BAR,SYMBOL.....231
 DECAL,TRACK,FALL ARREST BAR,WORD.....231
 DECAL,TRACK,FALL ARREST BAR,WORD FR.....231
 DECAL,TRIANGLE,BLUE.....13, 15, 21, 23
 DECAL,TRIANGLE,YELLOW.....13, 15, 21, 23
 DECAL,ULS DIESEL ONLY,TIER 4.....13
 DECAL,WARN,CRUSH HAZARD HAND....13, 15
 DECAL,WARN,CRUSH HAZARD PLAT.....19, 27
 DECAL,WARN,FALL HAZARD.....17
 DECAL,WARN,IMPROPER OPERATION.....19
 DECAL,WARN.WELD LINE INST.WORD.....15, 19
 DECAL,WARNING,CRUSHING HAZARD...21, 23
 DECAL,WARNING,EXPLOSION HAZARD...13
 DECAL,WARNING,PANEL CRADLE.....19
 D E C A L , W A R N I N G , P I P E CRADLE,BOOM.....19, 185
 DECAL,WARNING-COMPART ACCESS.....15
 DIAGNOSTIC FEMALE Q-DSCNT....149-150, 167
 DIN RAIL,17".....64, 68
 DIN RAIL,6.38".....197
 DIODE, 6A 22903-6V.....111, 119
 DIODE,6 AMP,200 PIV,BULK.....91-92, 157
 DIPSTICK TUBE, STRAIGHT SHORT.....83, 113
 DIPSTICK, MSG425.....95
 DIPSTICK, OIL, D2011.....91-92
 DIPSTICK, STRAIGHT SHORT.....83, 113
 DIPSTICK,TD2.9.....103
 DIPSTICK-F3L1011F (DEUTZ).....91-92
 DISC KIT DRIVE TURNTABLE Z-60*.....61
 DOOR LATCH,BASE CONTROL BOX.....181
- E**
- EDC ASSY,SAUER M46***.....161
 ELBOW,45 DEGR,RUBBER,2.5"i.D.....207
 ELBOW,45D,520320-16.....53, 55, 169
 ELBOW,45D,520320-4.....149-150, 165, 169, 171
 ELBOW,45D,520320-6.....163, 165
 ELBOW,45D,520320-8.....163, 165, 167
 ELBOW,90 DEGR,RUBBER,MODIFIED*...207
 ELBOW,90D, 070202-4.....59
 ELBOW,90D,520220-20.....53, 55, 169
 ELBOW,90D,520220-4-4.....163, 165, 167, 169, 171, 173
 ELBOW,90D,520220-4-6***.....161, 163, 165
 ELBOW,90D,520220-6.....163, 165, 171, 173
 ELBOW,90D,520220-8-12.....193
 ELBOW,90DEG.1/8MPT-5/16 BARB.....99
 ELEMENT-5 MIC, PAPER, W/ BYPASS.....85, 91-92, 121
 ENCLOSURE BOX, GAUGE OPT.....215
 END STOP, DIN RAIL,SCREW CLAMP.....64, 68
 END STOP,TRACK,FALL ARREST BAR.....231
 ENGINE HARNESS, MSG425.....79-80
 ENGINE KIT, DEUTZ D2.9L4.....103, 109
 ENGINE MOUNT, LEFT, MSG425.....101
 ENGINE MOUNT, REAR, MSG425.....101
 ENGINE MOUNT, RIGHT, MSG425.....101
 ENGINE,DEUTZ D2011L03I.....89
 EVACUATOR VALVE-AIR CLEANER.....85, 92, 107, 115
 EXHAUST HOOD, LH *PAINTED.....211
 EXHAUST HOOD, RH *PAINTED.....211
 EXHAUST HOOD,TOP *PAINTED.....211
 EXHAUST MANIFOLD.....85
 EXHAUST PIPE, S40 MSG425.....99
 EXHAUST PIPE,DEUTZ F3L2011.....89
 EXPANSION TANK,METAL,D2.9.....109
 EXTRUSION,RUBBER BUMPER STRIP...53, 55
 EXTRUSION,RUBBER STRIP,LG,D2.9.....109
 EXTRUSION,RUBBER STRIP,SM,D2.9.....109
- F**
- FAN - VENTED.....203
 FAN BELT, ALTERNATOR.....11, 103, 109
 FAN DRIVE BELT, MSG425.....97
 FAN PULLEY, MSG425.....97
 FAN SHROUD, MSG425.....101
 FAN SHROUD,DEUTZ D2.9.....105
 FAN SPACER.....87
 FAN SPACER, MSG425.....97
 FAN, 10 BLADE, 15".....109
 FAN, ENGINE (104-22)(404-22)*.....87, 117
 FAN, MSG425.....97
 FEMALE BULKHEAD CONNECTOR-8.....187
 FILTER ELEMENT,10 MICRON,60508.....53, 55
 FILTER ELEMENT,3 MICRON***.....11, 53, 55
 FILTER ELEMENT,AIR,NOLFF LPG.....11, 99
 FILTER, DEUTZ 2.9, FUEL.....11, 111
 FILTER, FUEL.....53
 FILTER,AIR***.....11, 85, 92, 107, 115
 FILTER,ELEMENT,30 MIC,75020.....11, 83, 115
 FILTER,ELEMENT,BETA(5)=1000.....11, 85, 91-92, 121
 FILTER,FUEL,PERKINS.....11, 83, 113
 FILTER,FUEL/WTR SEP, DTZ 1008.....11, 91-92
 FILTER,OIL,DEUTZ F4L1011F.....11, 91-92, 103, 105
 FILTER,OIL,DEUTZ,REPLACEMENT...91-92, 105
 FILTER,RETURN,ASSY 10 MICRON.....53, 55
 FIRE EXTINGUISHER.....199
 FIRE SLEEVE, 1.25".....199
 FITTING, 90 DEG, #4FJX-#4FP.....119
 FITTING, DEPR COOLANT, MSG425.....95
 FITTING, DEPR LP, MSG425.....95
 FITTING, 1/4 MPT 5/16 BARB.....55
 FITTING, 1/4 NPT X SAE J2044.....53
 FITTING,BARBED,STRT,FUEL LINE.....89
 FITTING,BARBED,TEE,FUEL LINE.....89
 FITTING,CONN,16MM-6MJ.....111
 FITTING,CONN,16MM-8MJ.....111
 FITTING,CONN,520120-12***...163, 165, 169, 201, 203
 FITTING,ELBOW,45D,520320-12***.....163, 165, 201
 FITTING,ELBOW,6GS-6FJX90S.....111
 FITTING,ELBOW,8GS-8FJX90S.....111

Part Description Index (continued)

- FITTING, ELBOW, 90D, 520220-12..... 169, 193, 201, 203
 FITTING, ELBOW, 90D, 520220-8***..... 169
 FITTING, TEE, BRANCH, 520433-4..... 45, 167
 FITTING, TEE, RUN, SWIVEL 520432-4..... 163, 165
 FITTING, TEE, RUN, SWIVEL 520432-8..... 193, 201
 FITTING, TEE, RUN, SWIVEL 52043212..... 193
 FLANGE NUT, MSG425..... 101
 FLANGE, EXHAUST PIPE..... 85
 FLANGE, EXHAUST, PERKINS 404F..... 119
 FLAP, SWING CHASSIS COVER..... 211
 FLASHTUBE, STRAIGHT, 360DEG, BULB..... 175
 FLASHTUBE, U SHAPED, 360DEG, BULB..... 175
 FLATBAR, ALUM, THROTTLE LINKAGE..... 83
 FLOORING, 6' FT PLATFORM..... 139
 FLOORING, 6 FT PLAT, SIDE..... 137
 FLOORING, 8 FT PLATFORM***..... 137
 FLOORING, 8 FT PLATFORM**..... 139
 FLOW CONTROL, ADJUSTABLE..... 150
 FLYWHEEL ASSY, MSG425..... 95
 FLYWHEEL, SAE 8/10..... 103
 FOAM PAD, 3" OD X 1.25" ID X 14 IN..... 217
 FOAM, AIRCRAFT PROTECTION..... 223
 FORMING ,AIR CLEANER MOUNT..... 99
 FORMING LIMIT SWITCH RAIL..... 129
 FORMING PANEL CRADLE..... 217
 FORMING, BRACKET, BATTERY CABLE..... 107
 FORMING, CLAMP, BATTERY CABLE..... 107
 FORMING, ECU MOUNT, MSG425..... 101
 FORMING, ENGINE BAFFLE..... 73
 FORMING, ENGINE BAFFLE, PAINTED..... 89
 FORMING, EXHAUST RESTRICTOR, S..... 105
 FORMING, EXHAUST SUPPORT, S40, DEUTZ..... 105
 FORMING, FAN GUARD, PERKINS 404..... 113
 FORMING, HEAT SHIELD MOUNT..... 99
 FORMING, LEFT ENGINE MOUNT..... 111
 FORMING, LP REG MOUNT, MSG425..... 101
 FORMING, OPA CAGE..... 227
 FORMING, OPA CAP..... 227
 FORMING, OPA, BRACKET..... 227
 FORMING, RAD SUPPORT, MSG425..... 101
 FORMING, REAR ENGINE MOUNT..... 111
 FORMING, RIGHT ENGINE MOUNT..... 111
 FORMING, S40 ENGINE, PERKINS..... 73
 FORMING, SENSOR HOLDER..... 229
 FORMING, AIR CLEANER MOUNT PNTD..... 92
 FORMING, APU MOUNT..... 57
 FORMING, BAFFLE PLATE COVER..... 207
 FORMING, COLD AIR INTAKE, PAINTD..... 89
 FORMING, CONTROLBOX MT, WELD GEN..... 191
 FORMING, ENGINE BAFFLE, DEUTZ..... 73
 FORMING, ENGINE BAFFLE, FORD***..... 73
 FORMING, ENGINE BAFFLE, PERKINS..... 73, 85
 FORMING, ENGINE MOUNT, FL PAINT*..... 91-92
 FORMING, ENGINE MOUNT, FR PAINT*..... 89, 91-92
 FORMING, ENGINE MOUNT, LH, PERK..... 87
 FORMING, ENGINE MOUNT, RH, PERK..... 85, 119
 FORMING, EXHAUST PIPE MOUNT..... 89
 FORMING, EXP TANK BAND, D2.9..... 109
 FORMING, EXPANSION TANK SUPT..... 109
 FORMING, FAN GUARD, DEUTZ D2.9..... 105
 FORMING, FILTER MOUNT, PAINTED..... 85, 91-92, 121
 FORMING, FUEL PRES, REG MNT..... 113, 121
 FORMING, GAUGE PACKAGE, S40/45..... 215, 233
 FORMING, HINGE SUPPORT***..... 71, 73
 FORMING, HOSE BRACKET..... 105
 FORMING, HOSTILE RING BRACKET..... 209
 FORMING, INNER HANGER..... 231
 FORMING, INTAKE HOSE SUPPORT..... 85
 FORMING, INTAKE TUBE SUPPORT, PT..... 207
 FORMING, LATCH, CTRL BOX LID PTD..... 181
 FORMING, MANIFOLD MOUNT..... 57
 FORMING, MFLD GUARD, MSG425..... 99
 FORMING, MOUNT, PRECLEANER TUBE..... 207
 FORMING, MUFFLER MOUNT PAINTED..... 85
 FORMING, MUFFLER SUPPORT PAINTED..... 83
 FORMING, PLAT. CONTROL BOX COVER..... 181
 FORMING, PRECLEANER MOUNT, PTD..... 207
 FORMING, RAD BRACE, DEUTZ D2.9..... 105
 FORMING, RAD EXPSN TANK SUPT..... 109
 FORMING, RADIATOR SUPPORT, PNTD..... 101
 FORMING, REAR ENGINE MOUNT PNT*..... 89
 FORMING, SECONDARY SUPPORT..... 217
 FORMING, SOLENOID MOUNT..... 83, 115
 FORMING, TELEMATICS, TOPCON, S40..... 233
 FORMING, UPPER RAD SUPPORT PNTD..... 85, 113
 FUEL FILTER ASSEMBLY..... 11, 83, 113
 FUEL FILTER W/SEP, DEUTZ, 1008..... 91-92
 FUEL LINE, DEUTZ F3L 2011F, 1 METER LG..... 91-92
 FUEL PUMP, DSG-423 AND MSG-425..... 53
 FUEL TANK ASSY W/CAP, 20 GAL**..... 55
 FUNCTION GEAR PUMP, OSCILLATE**..... 161
 FUSE, ATM, 10AMP..... 111, 119
 FUSE, ATM, 15AMP..... 111, 119
 FUSE, ATM, 20AMP..... 111, 119
 FUSE, ATM, 30AMP..... 111
 FUSE, ATM, 5AMP..... 119
 FUSE, ATM, 7.5AMP..... 119
 FUSE, 6AMP, 250V, WELDER, V275S..... 199
 FUSE, 13 AMP, 220V PLUG..... 57
 FUSE, 70 AMP..... 79-80
- G**
- GAS STRUT, 250 LBS FORCE***..... 71, 73
 GASKET, CABLE TRACK..... 213
 GASKET, DEUTZ 2011 INTAKE..... 92
 GASKET, FUEL LEVEL GAUGE, GAS..... 53
 GASKET, ISOLATION, JOYSTICK..... 141-142, 145
 GASKET, MSG425..... 97
 GASKET, OIL COOLER, DEUTZ..... 103
 GASKET, THERMOSTAT HOUSING..... 103
 GASKET, COVER, GFCI, WEATHERPROOF. 191
 GASKET, DP200 BLACK PANEL SEAL..... 67-68
 GASKET, ENCLOSURE..... 227
 GASKET, EXH FLANGE- FORD/PERKINS... 85, 99
 GASKET, EXHAUST ELBOW, PERKINS..... 119
 GASKET, EXHAUST MANIFOLD, PERK..... 119
 GASKET, EXHAUST, FORD MSG..... 97
 GASKET, GBOX, S80/85 2008..... 63-64, 67-68
 GASKET, INTAKE MANIFOLD, MSG 425..... 95
 GASKET, KEYSWITCH, PLASTIC***..... 63-64, 67-68
 GASKET, PLATFORM CONTROL BOX..... 141-142
 GASKET, THROTTLE ACTUATOR***..... 95
 GASKET, WATER PUMP..... 87
 GASKET-THERMOSTAT HSG..... 87, 117
 GATE LATCH CASTING--DRILLED..... 177
 GAUGE, FUEL LEVEL, 20/30 GAL..... 53
 GAUGE, OIL TEMP..... 215
 GAUGE, MED. PRESSUR FILTER, 50530..... 53, 55
 GAUGE, OIL PRESSURE W/O SENDER..... 215
 GAUGE, VOLTAGE***..... 215
 GAUGE, WATER TEMP***..... 215
 GAUGE-SIGHT, LHA-LGTB***..... 53, 55
 GENERATOR, 3kW, 120V/60Hz..... 191
 GENERATOR, 3kW, 120V/50Hz..... 191
 GENERATOR, 3kW, 240V/50Hz..... 191
 GENERATOR, HYDRO-12KEP-21-3..... 195, 197
 GFCI, 50A, 3PH..... 195
 GFI/CIRCUIT BREAKER ASSEMBLY..... 195
 GLOW PLUG (PERKINS 404-22)..... 83, 117
 GLOW PLUG, DEUTZ..... 103
 GLOW PLUG, L1011..... 89, 189
 GREASE, DIELECTRIC 4 OZ**..... 11
 GRIP, CABLE..... 229
 GROMMET, 1.75ID X 1.9375 X .0625..... 111, 119
 GROMMET, RUBBER .75 X .19 X 1**..... 75, 77, 107, 113, 121
 GROMMET, RUBBER, 1.0X0.094X1.375..... 135
 GUARD, HOSE PROTECTOR..... 33, 37
 GUARD, SWING GATE..... 179
 GUARD, FAN, FORD/PERKINS, PAINTED..... 85
 GUIDE, CABLE..... 229
- H**
- HALF MESH, 8' PLATFORM, LH..... 185
 HALF MESH, 8' PLATFORM, RH***..... 185
 HALF SPROCKET, 10 TOOTH..... 51
 HALF SPROCKET, 9 TOOTH..... 51
 HARDWARE KIT, PERKINS 404F BELL..... 113
 HARN JOYSTICK ADAPTOR JS100..... 145
 HARN, AC PROTECTION BYPASS..... 223
 HARN, PBOX, T4 PERKINS, S40..... 79-80
 HARN, PERKINS 404F, 6WAY, S40..... 79-80
 HARN, S40 DEUTZ TIER IV ENGINE..... 79-80
 HARN, PBOX, OPA, HW, 12V..... 80
 HARN, PIGTAIL, TAPESWITCH, OPA..... 227
 HARNESS, 120V BATT CABLE, 98"..... 189
 HARNESS, 120V POWER CORD, 24"..... 189
 HARNESS, 240V BATT CABLE, 98"..... 189
 HARNESS, 240V POWER CORD, 24"..... 189
 HARNESS, CONTACT ALARM, S40, S60, S80..... 229
 HARNESS, ENG T4 PERKINS, S40/45..... 79-80
 HARNESS, EXTENSION, 404F-22..... 79-80
 HARNESS, GBOX, DEUTZ 2.9, S40..... 79-80
 HARNESS, GBOX, DEUTZ2011, S40..... 79-80
 HARNESS, GBOX, FORD, S40..... 79-80
 HARNESS, GBOX, PERKINS404D, S40..... 79-80
 HARNESS, GBOX, PERKINS404F, S40..... 79-80
 HARNESS, MANIFOLD, FUNCTION, S40.. 79-80
 HARNESS, S40/45 PBOX, T4 DEUTZ.... 79-80

HARNESS,12/3,12V-PLAT,JIB,S45.....80	HOLDER, SENSOR.....229	HOSE, COOLANT BYPASS, MSG425.....95
HARNESS,12/3,12V-PLAT,NJ,S40.....80	HOOK,BATT HOLD DOWN,10".....121	HOSE, COOLANT, VAP, MSG425.....101
HARNESS,12V WORK LIGHTS,S40.....79-80	HORN,12VDC,SPADE TERMINALS***.....53, 55	HOSE, INTAKE, 2"ID X 3".....115
HARNESS,12V WORK LIGHTS,S45.....79-80	HOSE ASSEMBLY - 1/2" 100R2.....169	HOSE, LOWER RADIATOR, MSG425.....101
HARNESS,18/19,BOOM CABLE 1,S40.....79-80	HOSE ASSEMBLY, 1".....169	HOSE, RAW AIR, DEUTZ D2.9.....107
HARNESS,18/19,BOOM CABLE 1,S45.....79-80	HOSE ASSEMBLY, 1****.....169	HOSE, RAW AIR, MSG425.....99
HARNESS,18/19,BOOM CABLE 2,S40.....80	HOSE ASSEMBLY, 3/8".....221	HOSE, WATER PUMP (PERKINS 404).....87
HARNESS,18/19,BOOM CABLE 2,S45.....79-80	HOSE ASSEMBLY,1****.....169	HOSE,1/4 FUEL LINE,SAE 30R7.....55
HARNESS,ALARM,S40/45.....79-80	HOSE ASSEMBLY,1/2".....165, 187	HOSE,5/16 FUEL,SAE 30R7.....55
HARNESS,ANGLE LIMIT,S40/S45.....79-80	HOSE ASSEMBLY,1/4".....171, 173	HOSE,90DEG 2.5" AIR INTAKE.....207
HARNESS,BEACON,S40.....79-80	HOSE ASSEMBLY,3/4",-10-12 90F.....201	HOSE,AIR 3/8.....97
HARNESS,CE OPTION,S40/45.....80	HOSE ASSEMBLY,3/8".....163, 165	HOSE,AIR CLEANER.....92
HARNESS,DEUTZ ENGINE (F3L2011).....79-80	HOSE ASSEMBLY,LP GAS 174" LONG.....53	HOSE,AIR CLEANER TO INTAKE.....85
HARNESS,DRIVE ENABLE,S40/S45.....79-80	HOSE ASSY, 1/2", 90 FEM, STR F.....193	HOSE,AIR INLET.....85
HARNESS,DRIVE LIGHTS,S40/45.....80	HOSE ASSY,1 1/4"STR FEM,STR FE.....169	HOSE,AIR INTAKE 2.5" I.D.....89, 207
HARNESS,ENG,DEUTZ,S40/45.....79-80	HOSE ASSY,1/2",90F,STR F.....201	HOSE,AIR INTAKE 2.50" ID.....107
HARNESS,ENG,FORD,S40/45.....79-80	HOSE ASSY,1/2,45 FEM,STR FEM.....165, 193	HOSE,ENGINE VENT,DEUTZ D2.9.....109
HARNESS,ENG,PERK,S40/45.....79-80	HOSE ASSY,1/2,90 FEM,STR FEM.....163, 165, 201	HOSE,EXPANSION TANK,D2.9.....109
HARNESS,ENG,PERKINS,404-22 ALT.....79-80	HOSE ASSY,1/2,90 FEM,STR FEM**.....165, 169, 193	HOSE,FUEL,3/16,SAE 30R7.....55
HARNESS,ENG/HYD HEATER,120V.....189	HOSE ASSY,1/2,90 FEM,STR FEMM.....163, 165, 167	HOSE,HUMP 3" TO 4".....207
HARNESS,ENG/HYD HEATER,240V.....189	HOSE ASSY,1/2,90 FEM,STR FEMM*.....169	HOSE,LOWER RADIATOR,DEUTZ D2.9....105
HARNESS,ENGINE FORD DSG-423.....80	HOSE ASSY,1/4" STR FEM STR FEM.....171, 173	HOSE,LOWER,RADIATOR,PERKINS.....85, 113
HARNESS,EXT/RET LIMIT,S40/S45.....79-80, 129	HOSE ASSY,1/4",90 F,STR FEM***.....169	HOSE,PCV,DEUTZ.....107
HARNESS,GAUGE OPT. S80/85.....215	HOSE ASSY,1/4",STR FEM,STR FEM.....59, 71, 169	HOSE,RAD.OVERFLOW,KD-1105,50".....113
HARNESS,GBOX,DEUTZ T4,S40/45.....79-80	HOSE ASSY,1/4,45 FEM,STR FEM.....171	HOSE,RADIATOR VENT,DEUTZ D2.9.....109
HARNESS,GBOX,DEUTZ,S40/45.....79-80	HOSE ASSY,1/4,90 FEM,STR FEM.....163, 165, 169, 193	HOSE,UPPER RADIATOR,DEUTZ D2.9.....105
HARNESS,GBOX,FORD,S40/45.....79-80	HOSE ASSY,1/4,90 FEM,STR FEM**.....163, 165, 167, 169	HOSE,UPPER RADIATOR,MSG425.....99
HARNESS,GBOX,FUNCTN.MNFLD.S40.....79-80	HOSE ASSY,1/4,90 FEM,STR FEMM.....171, 173	HOSE,UPPER RADIATOR,PERKINS..85, 113
HARNESS,GBOX,PERKINS,S40/45.....79-80	HOSE ASSY,1/4,STR FEM,STR FEM.....169, 171, 173	HOSE-HEATER,5/8 ID-BLACK.....101
HARNESS,HYD GEN.....80	HOSE ASSY,3/4 100R1.....169, 203	HOUR METER,10-80 VOLTS***.....63-64
HARNESS,HYD GENERATOR.....79-80	HOSE ASSY,3/4 STR FEM.....169, 203	HOUSING,PUMP MOUNT (54573).....83
HARNESS,INJECTOR,DEUTZ D2.9.....105	HOSE ASSY,3/4",10-12 90 F,ST F.....201	HUB,2WD,FRONT***.....33
HARNESS,JIB BOOM.....79-80	HOSE ASSY,3/4",90F,STR F.....201	HUBBLE NUT, PG11.....189
HARNESS,LIFT/DRIVE CUT-OUT.....80	HOSE ASSY,3/4,45F,STR F.....201	
HARNESS,LOAD SENSE OPT,Z60.....80	HOSE ASSY,3/4,45 FEM,STR FEM.....163, 165	I
HARNESS,LOAD SENSE REC,S40/45.....80	HOSE ASSY,3/4,90 FEM,STR FEM**.....169	IDLER BRACKET.....97
HARNESS,OIL COOLER,S40/45.....80	HOSE ASSY,3/4,STR FEM,STR FEM.....169, 171, 173	IDLER, COMPLETE Ø10.3 OD MINI TELE...51
HARNESS,PBOX,JOYSTICKS.....141-142	HOSE ASSY,3/8"STR FEM,STR FEM*.....169	INJECTOR, FUEL(DEUTZ F3L2011F).....91-92
HARNESS,PBOX,LOAD SENSE.....80	HOSE ASSY,3/8,45 FEM,STR FEM.....171, 173	INJECTOR, FUEL, MSG425.....95
HARNESS,PBOX,S40,S45,Z60.....79-80	HOSE ASSY,3/8,45? FEM,STR FEM.....169	INSTRUCTIONS ORIFICE VENT ASSEMBLY.....103
HARNESS,PBOX,S40/45.....79-80	HOSE ASSY,3/8,90 FEM,STR FEM/8.....167	INSTRUCTIONS,INSTALL (LEVEL SENSOR ALARM).....80
HARNESS,PLATFORM CUTOUT,S40/45.....80	HOSE ASSY,3/8,90 FEM,STR FEMM.....171, 173	INSTRUCTIONS-PIPE CRADLE,BOOMS...185
HARNESS,PROX.KILL.....223	HOSE ASSY,3/8,90,FEMLG,STR FEM.....169	INTAKE BREATHER.....103
HARNESS,SECOND GLOW PLUG.....79-80, 189	HOSE ASSY,SAE J2260/J2044.....53	INTAKE MANIFOLD, MSG425.....95
HARNESS,SERVICE,PBOX J1.....79-80	HOSE ASSY,1/4",45,FEM STR FEM.....171, 173	ISOLATOR, DEPR.....101
HARNESS,SERVICE,PBOX J2.....79-80	HOSE COVER,LOWER CABLE TRACK**..129	ISOLATOR,AIR FILTER MOUNT.....101, 105, 109
HARNESS,SERVICE,PBOX J3.....79-80	HOSE END,MALE.25 X .25 MPT***.....55	ISOLATOR,ENGINE VIBRATION***.....85, 87, 89, 91-92, 101, 111, 119
HARNESS,TELEMATICS,TOPCON,36IN....233	HOSE GUIDE, JIB.....133	ISOLATOR,VIBRATION,M8 MALE/FEM.....83, 113
HARNESS,TILT ALARM,12V.....80	HOSE HANGER, MSG425.....101	
HARNESS,WELD GEN ENCLOSURE.....79-80, 195	HOSE HANGER,DRIVE CHASSIS,PTD.....33, 39-40, 47	J
HARNESS,WELD GEN GBOX,S40/45.....199	HOSE, ASSEMBLY, 1/4", 3250PSI.....197	Jam Nut, 5/8" Plated.....51
HARNESS,WORK LIGHTS,S-40/45.....79-80	HOSE, CLEAN AIR, MSG425.....99	JIB BOOM ASSY W/WORD DECAL.....133
HARNESS,WORK LIGHTS,S45.....79-80		JOYSTICK, ISOLATED, 1 AXIS.....147
HEAT SHIELD,ALTERNATOR,FORD.....97		JOYSTICK, ISOLATED, 1 AXIS ROCKER...147
HEAT SHIELD,DEUTZ STARTER.....91-92		JOYSTICK, ISOLATED, 2 AXIS.....147
HEATER HOSE,1/4".....109		JOYSTICK,1 AXIS ROCKER,DEUTSCH.....145
HINGE CASTING.....177		JOYSTICK,1 AXIS,DEUTSCH.....145
HINGE, SPRING, LONG LEG.....137		JOYSTICK,2 AXIS,DEUTSCH.....145
HINGE,.375X.120THK.,SLOTTED.....71, 73		JOYSTICK,DUAL AXIS W/KNOB.....145
HINGE,PLAT CONTROL BOX COVER.....181		JOYSTICK,SINGLE AXIS W/KNOB.....145

Part Description Index (continued)

K

KEY SINGLE***.....63-64
 KEY,LATCH, 1 PAIR (28125).....71, 73
 KEYSWITCH,3 POS. W/KEYS***.....63-64
 KIT, 4 LINK REPAIR SECTION.....129
 KIT, 500 HR, PERKINS 404.....85
 KIT, HARDWARE (54573).....83
 KIT, HD STARTER INSTALL, MSG-4.....95
 KIT, HEAT GUARD, DEUTZ STARTER.....91-92
 KIT, ISOLATION, 2 JOYSTICK.....141-142, 145
 KIT, LIFT GUARD CONTACT ALARM,6'-8' PLATFORM,NON-ALC1000.....229
 KIT, OPA WELDER BRACKET.....227
 KIT, REPAIR, FIXED END.....129
 KIT, REPAIR, MOVING END.....129
 KIT, ROUND BAR AND ROLLER.....129
 KIT, WIRING, 12.5KW WELDGEN, MAGBREAKER.....197
 KIT,ANNUAL INSPECTION,S40/45.....11
 KIT,CONTROL BOX COVER.....181
 KIT,ENGINE SERVICE,250 HOUR,DEUTZ D2.9,,Z45/S40/S60/Z62/RT90.....11
 KIT,ENGINE SERVICE,250 HOUR,FDMSG425,Z45/S40/S60/Z62/RT90.11
 KIT,FAN SUPPORT RETRO,FORD MSG.....97
 KIT,FBA STYLE COUPLER,PERKINS.....83
 KIT,FBA STYLE COUPLER,SAE8.....92
 KIT,FIELD INSTALL,SWING GATE.....177
 KIT,FITTING,REGULATOR DSG-423.....95
 KIT,GASKET,UK POWER TO PLAT.....137, 139
 KIT,GEN. PRESSURE SWITCH.....195
 KIT,HOSE ASSY RAD VENT.....103
 KIT,LATCH GUARD.....179
 KIT,LOADSENSE,UPGRD,S40/S45.....183
 KIT,OP SWITCH,DEUTZ.....91-92
 KIT,PANEL CRADLE BRACKET,SYMBL.....217
 KIT,PANEL CRADLE BRACKET,WORD.....217
 KIT,PANEL CRADLE,CE.....217
 KIT,PUMP SHIM,SAUER M46.....161
 KIT,SEAL,3CC PUMP***.....83, 161
 KIT,SLAVE CYL PIN.....133
 KIT,STRAINER REPLACEMENT.....53, 55, 169
 KIT,SWING GATE W/SPRING.....177
 KIT,TAILPIPE,DEUTZ D2.9L,S-40/45.....105
 KIT,THERMOSTAT CONVERSION.....103
 KIT,TILT ALARM,IC MODELS.....80
 KIT,WATER PUMP 2.9 L4.....103
 KIT,WELD LEADS ASSY,V275S.....199
 KNOB,JOYSTICK, 62390/62391.....145, 147
 KNOB,ROCKER JOYSTICK 75565.....145, 147

L

L,NAMEPLT,USE UNDERWRITE LAB.....13
 L.P.TANK LATCH.....53, 219
 LANYARD,PLATFORM CONTROL BOX...141-142
 LARGE FOOT SWITCH COVER.....177
 LATCH, SWING GATE.....137
 LATCH,DRAW.....181
 LATCH,SLIDE, FLUSH MOUNT STYLE.....181
 LATCH,T-HANDLE,5 SIDED W/KEYS*.....71, 73
 LENS,AMBER,STROBE,FIREBOLT.....175
 LEVEL SENSOR,LS60,YL,2.5X4.5.....57
 LEVEL,BUBBLE,2 DEGREE *.....35, 43
 LEVER, ALTERNATOR (PERKINS 404.....87

LEVER, GOVERNOR ACTUATOR.....91-92
 LID ASSY,CONTROL BOX COVER PLT.....181
 LID ENCLOSURE,RED,OPA.....227
 LIFT PUMP,FUEL,DEUTZ.....111
 LIGHT, LED WHITE 12V.....175
 LIGHT,INDICATOR,RED 12V H-BRI.....141-142
 LIGHT,LED IND. RED 12V NH.....63-64
 LIMIT SWITCH BRACKET S40/45.....129
 LIMIT SWITCH BRKT,DRIVE ENABLE.....59
 LINING KIT,BRAKE,OMNI***.....35, 39-40, 43, 47, 49
 LOCK,RECEP 12 WAY, 14-18GA.....141-142
 LOCK,RECEP 4 WAY,12-14GA.....141-142
 LOCK,RECEP 4 WAY,14-18GA.....141-142
 LOCKNUT,ELEC,1/2".....57, 64, 68, 191, 195, 197
 LOCKNUT,ELECTRIC,1" NPT.....195, 197
 LOCKOFF,LP,FORD DSG/MSG.....101
 LOUVER PNL BK RT,PERKINS,PTD.....209
 LOWER IDLER PULLEY,MSG425.....97
 LPG TANK,OPTION.....219
 LT.LAMP IND. AMBER 12V ENG.NH.....63-64

M

MACHINING, COMPRESSION LINK.....133
 MAGNET, 1/4-20, 15 LB.....229
 MALE PIPE THD,1/4" SER,3/8"X18.....187
 MANIFOLD ASSEMBLY, GEN.....191
 MANIFOLD,BRAKE,2-SPEED.....155
 MANIFOLD,DRIVE OIL DIVERTER.....159
 MANIFOLD,EXHAUST TURBO.....97
 MANIFOLD,EXHAUST,PERKINS 404F.....119
 MANIFOLD,GENERATOR.....157
 MANIFOLD,JIB SELECT W/QD PLUG.....157
 MANIFOLD,MULTI-FUNCTION,S40.....149-150
 MANIFOLD,MULTI-FUNCTION,S45.....149-150
 MANIFOLD,ROTATOR,CB***.....157
 MANIFOLD,TRACTION,2WD.....153
 MANIFOLD,TRACTION,4WD***.....153
 MANIFOLD,TURNTABLE ROTATION***.....61
 MANUAL BOX W/DECALS***.....135
 MANUAL, DEUTZ D2.9 ENGINE.....103
 MANUAL,AEM SAFETY.....11
 MANUAL,OPERATORS PERKINS 404.....83
 MANUAL,RESPON,A92.5 BOOM.....11
 MAP SENSOR, DSG-423.....95
 MARKING TAGS,# 1-10,WIELAND.....64, 68
 MARKING TAGS,# 11-20,WIELAND.....64, 68
 MARKING TAGS,# 21-30,WIELAND.....64, 68
 MARKING TAGS,# 31-40,WIELAND.....64, 68
 MARKING TAGS,# 41-50,WIELAND**.....64, 68
 MESH,HALF,LH,6'PLATFORM.....185
 MESH,HALF,RH,6'PLATFORM.....185
 MESH,HALF,SWING GATE***.....185
 MIDRAIL GUIDE (HOOK).....135
 MIXER, MSG425.....95
 MODULE, PLUS+1, CONTACT ALARM.....229
 MODULE,CONTROL UNIT,PCB,OPA.....227
 MODULE,FUSE&RELAY,DEUTZ 2.9.....111
 MODULE,FUSE&RELAY,PERKINS 404F.....119
 MODULE,IGNITION/START,12/24V.....64
 MODULE,LOAD SENSE 2007.....183
 MODULE,SX CONTROLLER,LOW AMP..195, 197
 MODULE,TELEMATICS,TOPCON,AM53...233
 MOTOR, 12VDC, I-TERMINAL.....57
 MOTOR, LC30, 6.5 DEG, 13T.....47, 49
 MOTOR,HYD 12.5KW GEN,21CC***.....195, 197

MOTOR,PISTON,LC25,6.5 DEG,13T.....40, 43
 MOTOR,PISTON,LC30,10 DEG,13T.....35
 MOTOR,TURNTABLE ROTATION***.....61
 MOUNT,SWITCH.....183
 MOUNTING BAND,MUFFLER,8.0".....99
 MPT,CPLR,1/4"SER,3/8"X18.....187
 MUFFLER,6".....85
 MUFFLER,CAT/SPARK,DEUTZ.....89
 MUFFLER,DEUTZ.....89

N

NICKEL PLATED JAM NUT.....63-64, 67-68
 NIPPLE,DIAGNOSTIC,#4.....169
 NIPPLE,DIAGNOSTIC,ORFS,FM,SWIV.....45, 149-150, 161, 167, 169
 NIPPLE,HEX,130137-4-4.....215
 NUT.....63-64, 67-68
 NUT - PLASTIC,RING FOR ALARMS...75, 77, 175, 183
 NUT HEX M5-0.8 CLASS 8 ZINC.....141-142
 NUT KIT W/COIL ORINGS.....149-150
 NUT, CP521-1 VALVE.....157
 NUT, EXH. MANIFOLD, MSG425.....97
 NUT, LP NYLOCK, 3/8-16.....53
 NUT, PROPORTIONAL VALVE.....150
 NUT, TL JAM, 3/8-16, A, ZAG.....217
 NUT,1/4-20,8,ZAG.....225, 229
 NUT,1/4-28,8,ZAG.....45
 NUT,3/8-16,8,ZAG.....225
 NUT,COIL (107745).....149-150
 NUT,EXHAUST,PERKINS 404F.....119
 NUT,FLG-LRG,3/8-16,YZ.....101, 105, 113
 NUT,HEX,1/4-28.....83, 91-92
 NUT,HEX,5/16-18,GR5.....197
 NUT,HEX,FLANGE 5/8-18,GRD 8 ZI.....33, 35, 39-40, 43, 47, 49
 NUT,HEX,M8,PLASTIC.....223
 NUT,HEX,NYLOCK,1/2-13 UNC,ZN.....51
 NUT,LOCKING-LG.FLANGE,1/4-20.....99, 115
 NUT,LOCKING-LG.FLANGE,5/16-18.....99
 NUT,LP NYLOCK,1/4-20...109, 177, 181, 195, 197, 209, 211, 213
 NUT,LP NYLOCK,10-32.....111, 119, 189
 NUT,LP NYLOCK,5/16-18.....53, 83, 95
 NUT,M4 NYLOCK.....227
 NUT,NYLOCK FLG,1/4-20,F,ZAG.....185, 197, 199, 217, 229
 NUT,NYLOCK FLG,3/8-16,F,ZAG.....185, 199, 217, 229, 231
 NUT,NYLOCK FLG,5/16-18,F,ZAG.....197, 199
 NUT,NYLOCK,1/2-13.....85, 87, 89, 91-92, 101, 111, 115, 119, 191, 195
 NUT,NYLOCK,1/4-20...73, 83, 85, 91-92, 101, 105, 107, 109, 113, 115, 121, 135, 177, 199, 207, 211
 NUT,NYLOCK,10-24.....45
 NUT,NYLOCK,10-32.....59, 63-64, 67-68, 71, 73, 111, 129, 141-142, 175, 197
 NUT,NYLOCK,10-32,A,ZAG.....229
 NUT,NYLOCK,3/8-16.....53, 55, 83, 85, 87, 89, 91-92, 99, 101, 109, 111, 119, 121, 195, 199, 203, 207
 NUT,NYLOCK,3/8-16,18-8.....175
 NUT,NYLOCK,5/16-18.....71, 73, 85, 89, 92, 101, 105, 109, 191, 195, 199
 NUT,NYLOCK,6-32...63-64, 67-68, 141-142, 197, 215, 229
 NUT,NYLOCK,M10X1.50.....83, 115, 117
 NUT,NYLOCK,M6-1.0,DIN985,10,ZAB.....87

PARTS FINDER

**Search Website
by Part Number**



**Search Manual
Library For Parts
Manual & Lookup Part
Numbers – Purchase
or Request Quote**

Search Manuals

Enter your information to help us find the right parts manual for your machine.

* Brand:

* Model:

* Serial:

* Part Number:

SEARCH

**Can't Find Part or
Manual? Request Help
by Manufacturer,
Model & Description**

Parts Order Form

Please fill in the following information to help us find the right part for your machine.

Manufacturer:	<input type="text"/>
Model:	<input type="text"/>
Description:	<input type="text"/>
Part Number:	<input type="text"/>
Quantity:	<input type="text"/>
Notes:	<input type="text"/>

Discount-Equipment.com is your online resource for quality parts & equipment.

Florida: **561-964-4949** Outside Florida TOLL FREE: **877-690-3101**

Need parts?

Click on this link: <http://www.discount-equipment.com/category/5443-parts/> and choose one of the options to help get the right parts and equipment you are looking for. Please have the machine model and serial number available in order to help us get you the correct parts. If you don't find the part on the website or on one of the online manuals, please fill out the request form and one of our experienced staff members will get back to you with a quote for the right part that your machine needs.

We sell worldwide for the brands: Genie, Terex, JLG, MultiQuip, Mikasa, Essick, Whiteman, Mayco, Toro Stone, Diamond Products, Generac Magnum, Airman, Haulotte, Barreto, Power Blanket, Nifty Lift, Atlas Copco, Chicago Pneumatic, Allmand, Miller Curber, Skyjack, Lull, Skytrak, Tsurumi, Husquvarna Target, Stow, Wacker, Sakai, Mi-T-M, Sullair, Basic, Dynapac, MBW, Weber, Bartell, Bennar Newman, Haulotte, Ditch Runner, Menegotti, Morrison, Contec, Buddy, Crown, Edco, Wyco, Bomag, Laymor, EZ Trench, Bil-Jax, F.S. Curtis, Gehl Pavers, Heli, Honda, ICS/PowerGrit, IHI, Partner, Imer, Clipper, MMD, Koshin, Rice, CH&E, General Equipment, Amida, Coleman, NAC, Gradall, Square Shooter, Kent, Stanley, Tamco, Toku, Hatz, Kohler, Robin, Wisconsin, Northrock, Oztec, Toker TK, Rol-Air, APT, Wylie, Ingersoll Rand / Doosan, Innovatech, Con X, Ammann, Mecalac, Makinex, Smith Surface Prep, Small Line, Wanco, Yanmar

Part Description Index (continued)

- PLUG,MAGNETIC,SAE-6***.....53, 55
 PLUG,NYLON .188 BLACK DOMED.....63-64,
 67-68, 141-142
 PLUG,NYLON .313 BLACK DOMED.....141-
 142
 PLUG,NYLON .38 BLACK DOMED.....63-64,
 67-68, 141-142
 PLUG,NYLON .875 BLACK DOMED.....64, 68,
 141-142
 PLUG,NYLON 1.12 BLACK DOMED.....63-64,
 67-68
 PLUG,PWR,UK,16AMP,3PIN,BLK.....57, 191
 PLUG,SAE #03 (139712).....153
 PLUG,SANTOPRENE .5 BLACK DOME.....63-
 64, 67-68, 141-142
 POTENTIOMETER ASSY, WELDER.....195
 POWER UNIT,AUX PUMP 12VDC.....57
 PRE-FILTER,FUEL,DEUTZ TCD3.6.....11, 111
 PRECLEANER,AIR INTAKE.....207
 PRECLEANER,AIR INTAKE***.....207
 PROXIMITY SENSOR***.....223
P U L L E Y
 ASSEMBLY,ALTERNATOR,TCD.....103
 PULLEY, WATER PUMP.....87, 117
 PULLEY,BELT TENSIONER,D2.9L4.....103
 PULLEY/TENSIONER, MSG425.....97
 PUMP ASSY,AUX.POWER UNIT 89617.....57
 PUMP ASSY,M46 + 17CC***.....161
 PUMP ASSY,M46+17CC+6CC.....161
 PUMP M46 VAR PISTON 2.8 CIU***.....161
 PUMP MOUNT KIT,PERKINS DSL.....83
 PUMP MOUNT,FORD DSG423.....99
 PUMP MOUNT,PERKINS 404F-22.....115
 PUMP,FUEL 2011 DEUTZ ***.....89
 PUMP,FUEL LIFT,PERKINS 404F.....117
 PUMP,FUEL,HI PRESS,DEUTZ TD2.9.....103
 PUMP,LIFT 1.025 C.I.***.....161
 PUMP,LIFT(FUEL) PERKINS(54555).....83
 PUMP,PRIMER,PERKINS***.....83, 117
 PUMP,WATER,PERKINS 404F.....117
- R**
 RADIATOR SHROUD, S40 MSG425.....101
 RADIATOR, CAPLESS, DEUTZ D 2.9.....105
 RADIATOR,FORD DSG423 & MSG425.....101
 RADIATOR,FORD/PERKINS***.....85, 113
 RAILING CATCH CASTING--DRILLED.....177
 REAR AXLE WELDMENT,S40.....35, 43
 RECEPTACLE, 120VAC, 20A, GFCI.....195,
 197
 RECEPTACLE,UK,110V.....191
 REDUCER,520123-8-4.....193
 REDUCER,RUBBER 3.0 - 2.5.....207
 REF. PLATFORM CONTROL BOX
 ASSEMBLY.....137
 REF. PLATFORM ROTATOR.....137
 REGULATOR, LP, MSG425.....101
 REGULATOR,LP PRESSURE,MSG425.....95
 REGULATOR,PRESSURE-COMP.....150
 RELAY SOCKET,70AMP.....79-80
 RELAY, 12V MICRO, 35AMP.....111, 119
 RELAY, POWER & FUSE MODULE.....111, 119
 RELAY,12VDC,70AMP,SEALED.....79-80
 RELAY,OMRON,DPDT,12V.....195, 197
 RELAY,PWR/FUEL,FORD DSG423.....95
 RELAY,SOCKET,OMRON.....195, 197
 RELAY,SPDT,12V(AUTO) PLUG IN**.....67-
 68, 80
 RELAY,SPDT,12V(AUTO)**.....79-80, 229
- RELAY,STARTER,FORD DSG/MSG.....95
 RELAY,TIME DELAY,2 SEC,10A.....183
 RELAY,TIME DELAY,2 SEC,30A.....183
 RELIEF,VALVE 270 PSI.....159
 REMAN DEUTZ ENGINE D2011L03L.....89
 RESISTOR,5 OHM,25W***.....64, 67-68
 RESISTOR,7.5 OHM,25 WATT,1PCNT.....64,
 67-68
 RESISTOR,POT,1K OHM,2-WATT.....197
 REST PAD,S40,BOOM REST.....75, 77
 RETAINER,GAS SPRING***.....71, 73
 RETAINER,SPRING,1.21 X .375.....183
 RETAINING RING, INTERNAL, #180
 (COMPONENT OF 139330GT).....35, 40, 43,
 47, 49
 RING / SEALING.....103
 RING GEAR,DEUTZ F3 & F4L1011*.....92
 RING GEAR,DEUTZ F3 & F4L1011F*.....92
 RING GEAR,DEUTZ F3L2011F.....92, 103
 RIVET,ALUM,ALUM,3/16BUTTONHEAD.....181
 RIVET,ALUM,ALUM,P.25X.375.....181
 RIVET,STEEL,P. .25 X .375.....177
 ROCKER ASSY.,MAGNETIC 75565.....145, 147
 ROCKER,RETAINER, 75565.....145, 147
 ROD END, .25 X 2.75, ZAG.....183
 ROD END,.375 X 2.25,ZAG.....29, 31, 37, 123
 ROD END,.375X3.69,ZAG.....29, 31, 35, 37,
 43, 123, 131, 133
 ROD END,.5 X 3.75,ZAG.....125, 127
 ROD END,BALL JOINT 1/4-28.....45
 ROD,DISCONNECT,OMNI***.....35, 39-40, 43,
 47, 49
 ROD,THREADED,1/7-28X2.75,ZAG.....45
 ROLLER ARM,LIMIT SWITCH***.....59, 123
 ROLLER KIT, POLY.....129
 ROTATOR,PLAT JIB,160 DEG***.....133
 ROTATOR,PLAT,NON-JIB.....131
 RUE RING,1.00.....29, 31, 37
- S**
 S40 AIRLINE TO PLATFORM.....187
 S40 TOW PACKAGE OPTION***.....221
 S40/45 MTE GEN JUMPER HARNESS.....191
 SCEW,HHF,3/4-10X3.25,8,ZAG.....51
 SCREW 5/16-18 X .75 LG.FLG.LCK.....95
 SCREW HHC, M14x50.....91-92
 SCREW PH M5-0.8X20 DIN 7500CE.....141-
 142
 SCREW, BHC, 1/4-20 X 1, ZAG.....223
 SCREW, GEN ROTOR.....191
 SCREW, HCC, 3/8-16 X 1.50.....109, 111, 195,
 211
 SCREW, HHC, M10 X 1.5 X 50.....83, 99, 115,
 117
 SCREW, HHC, M8 X 1.25 X 12.....83
 SCREW, PHM, #6-32 X .625 ZINC.....145, 147
 SCREW,5/16-18X1.00,SECURITY TO.....199
 SCREW,6-32 X 7/8 PPMZ ZINC.....137, 139,
 191
 SCREW,BHC,1/4-20X.75,F835,ZAG.....199
 SCREW,BHC,10-32X1.5,F835,ZAG.....183
 SCREW,BHSC,1/4-20 X 1.....177
 SCREW,BHTC-PIN,1/4-20X1.75,ZAG.....199
 SCREW,BLEEDER,M5X0.8.....131, 133
 SCREW,FHM,6-32 X .75.....197
 SCREW,FHS,3/8-16X1.75,F835,ZAG.....75, 77
 SCREW,HHC,1-8X11.5,ZAG.....59, 137, 139
 SCREW,HHC,1-8X16.2,ZAG.....77
 SCREW,HHC,1-8X3.5,5,ZAG.....75, 77
- SCREW,HHC,1-8X5.5,ZAG.....33
 SCREW,HHC,1-8X8.5,5,ZAG.....33, 39-40, 75
 SCREW,HHC,1/2-13 X 1, GR 5.....89
 SCREW,HHC,1/2-13 X 1.25 GR5.....99
 SCREW,HHC,1/2-13 X 1.5.....115
 SCREW,HHC,1/2-13 X 1.5 GRD 8.....107
 SCREW,HHC,1/2-13 X 1.75.....101
 SCREW,HHC,1/2-13 X 2 GR5.....83, 92, 113
 SCREW,HHC,1/2-13 X 2.5,GR5.....191, 195
 SCREW,HHC,1/2-13 X 2.75.....85, 87, 89, 91-
 92, 101
 SCREW,HHC,1/2-13 X 3.....111, 119
 SCREW,HHC,1/2-13X2.75,8,ZAG.....197
 SCREW,HHC,1/4-20 X .5.....99
 SCREW,HHC,1/4-20 X .625.....141-142, 181,
 213
 SCREW,HHC,1/4-20 X .75.....64, 68, 109, 113,
 115, 121, 135, 177, 195, 199, 209, 211, 213
 SCREW,HHC,1/4-20 X 1.....85, 91-92, 99, 105,
 107, 113, 115, 181, 207, 209, 211
 SCREW,HHC,1/4-20 X 1.25..73, 83, 111, 115,
 119
 SCREW,HHC,1/4-20 X 1.5.....101, 107, 113,
 121, 131, 133
 SCREW,HHC,1/4-20 X 1.75.....73, 221
 SCREW,HHC,1/4-20 X 2.75.....195, 197
 SCREW,HHC,1/4-20X1.8,ZAG.....225
 SCREW,HHC,1/4-20X1.25,8,ZAG.....183
 SCREW,HHC,3/8-16 X .625.....99
 SCREW,HHC,3/8-16 X .75.....73, 219
 SCREW,HHC,3/8-16 X 1.....57, 89, 91-92, 203,
 207
 SCREW,HHC,3/8-16 X 1.25 GRD 5.....53, 83,
 85, 89, 91-92, 101, 111, 119, 121, 211
 SCREW,HHC,3/8-16 X 1.75,GRD.8.....101
 SCREW,HHC,3/8-16 X 2.5.....55
 SCREW,HHC,3/8-16 X 2.75.....99
 SCREW,HHC,3/8-16X.75,8,ZAG.....125, 127
 SCREW,HHC,3/8-16X.875,8,ZAG.....125, 137,
 139
 SCREW,HHC,3/8-16X1.8,ZAG.....127
 SCREW,HHC,3/8-16X1.25,8,ZAG.....125
 SCREW,HHC,3/8-16X2.5,8,ZAG.....225
 SCREW,HHC,5/16-18 X .75.....92, 195
 SCREW,HHC,5/16-18 X 1 GR5.....53, 73, 83,
 99, 191, 195
 SCREW,HHC,5/16-18 X 1.25.....99, 101, 191,
 197
 SCREW,HHC,5/16-18X.75,8,ZAG.....177, 179
 SCREW,HHC,5/16-18X1.8,ZAG.....185
 SCREW,HHC,5/8-11 X 1.75 GRD.8.....121
 SCREW,HHC,5/8-11X1.75,8,ZAG...33, 39-40,
 47
 SCREW,HHC,5/8-11X2.25,8,ZAG.....35, 43, 49
 SCREW,HHC,5/8-11X3.5,8,ZAG.....59
 SCREW,HHC,5/8-11X3.75,8,ZAG.....59
 SCREW,HHC,M10 X 1.5 X 16.....107
 SCREW,HHC,M10 X 1.5 X 35.....83, 115
 SCREW,HHC,M10 X 1.5 X70,GR 8.8.....83, 89,
 115
 SCREW,HHC,M10 X 30MM.....92, 101
 SCREW,HHC,M10 X 55MM,GRD 8.8.....101
 SCREW,HHC,M10 X 80 GR 8.8.....107
 SCREW,HHC,M12 X 20MM.....107
 SCREW,HHC,M12 X 30.....101
 SCREW,HHC,M12 X 35MM.....115
 SCREW,HHC,M12 X 45.....83
 SCREW,HHC,M14 X 1.5X40MM,GR8.8.....85,
 87, 115, 119

SCREW,HHC,M14 X 40MM,GR 8.8.....89, 91-92, 111	SCREW,PHIL,PHM,10-32 X .5,SSTL.....63-64, 67-68, 141-142, 197	SEAL MARKER, CROSS CHECK,BLUE,TUBE.....11
SCREW,HHC,M6 X 20MM,GR8.8.....91-92	SCREW,PHIL,PHM,6-32 X 1/4 SS.....141-142	SEAL, CAP, NOTCHED.....59
SCREW,HHC,M8 X 16.....99, 105, 109	SCREW,PHILLIPS,PHM,10-32 X .75.....111	SEAL, CONNECTOR (DT JOYSTICKS)....145, 147
SCREW,HHC,M8 X 20MM.....83, 113	SCREW,PHILLIPS,PHM,10-32 X 1.....189	SEAL, FRONT ENGINE,DEUTZ.....103
SCREW,HHC,M8 X 60MM X 1.25.....97	SCREW,PHILLIPS,PHM,6-32 X .5.....63-64, 67-68, 141-142, 215	SEAL, O-RING ENERGIZER.....59
SCREW,HHC,M8X1.25.80.....97	SCREW,PHILLIPS,PHM,8-32 X.25**.....63-64	SEAL, O-RING LIP.....59
SCREW,HHC,M8X1.25X 70MM,GR8.8.....177, 179	SCREW,PHILLIPS,RHM,10-32 X 2.25.....111, 119	SEAL, OIL FILLER CAP.....83, 113, 117
SCREW,HHF,1/2-13X 2.8,ZAG.....35, 43	SCREW,PHPM,10-32X.75,ZAG.....71, 73	SEAL, POLY, CHAMFER.....59
SCREW,HHF,1/2-13X1.8,ZAG.....49	SCREW,PHPM,10-32X1.5,ZAG.....123, 229	SEAL, REAR ENGINE,DEUTZ.....103
SCREW,HHF,1/2-13X1.25.8,ZAG.....125, 127	SCREW,PHPM,6-32X.875,ZAG.....229	SENDING UNIT,OIL PRESS.,DEUTZ*.....215
SCREW,HHF,1/2-13X1.75,ZAG.....35, 43, 47, 49	SCREW,RHM,10-32 X .75.....197	SENDING UNIT,OIL PRESSURE***.....215
SCREW,HHF,1/2-13X3.5.8,ZAG.....231	SCREW,RHM,10-32 X 1.....175	SENDING UNIT,OIL TEMP SWCH,DTZ.....91-92
SCREW,HHF,1/2-13X4.5.8,ZAG.....29, 31, 37, 47	SCREW,RHM,10-32 X 1.5.....59, 129	SENDING UNIT,TMP,FRD,GM,PRK704.....215
SCREW,HHF,1/4-20 X .75.....111, 119	SCREW,SECURITY,1/4-20 X 1.75LG.....199	SENSOR.....111
SCREW,HHF,1/4-20X.625.8,ZAG.....121, 137, 217, 233	SCREW,SECURITY,5/16-18X1.00.....199	SENSOR, CAM POS, MSG425.....95
SCREW,HHF,1/4-20X.75.8,ZAG.....33, 35, 39-40, 43, 57, 59, 63-64, 67-68, 91-92, 133, 135, 137, 139, 141-142, 197, 215, 223, 227, 229	SCREW,SHC,1/2-13 X 1.50,A574.....61	SENSOR, CRANK POS, MSG425.....97
SCREW,HHF,1/4-20X1.8,ZAG.....71, 73, 133, 135, 137, 179, 215, 223, 233	SCREW,SHC,5/16-18 X 2,PLATED.....61	SENSOR, CYL. HEAD TEMP,MSG425.....95
SCREW,HHF,1/4-20X1.25.8,ZAG.....71, 73, 91-92, 227, 233	SCREW,SHC,5/8-11 X 4,A574.....121	SENSOR, KNOCK, MSG425.....95
SCREW,HHF,1/4-20X1.5.8,ZAG.....177, 179	SCREW,SHC,M10X1.5 X 60 GR8.8.....99	SENSOR, LEVEL, 4.5 X 4.5 DEG.....57
SCREW,HHF,1/4-20X1.75.8,ZAG.....125, 127	SCREW,SHC,M10X1.5X20MM (75090).....92	SENSOR, LEVEL,2.5 X 4.5 DEG.....57
SCREW,HHF,1/4-20X2.8,ZAG.....45	SCREW,SHC,M10X1.5X30 GR 12.9.....92, 99, 107	SENSOR, O2, MSG425.....99
SCREW,HHF,1/4-20X2.5.8,ZAG.....185	SCREW,SHC,M10X1.5X35 GR 12.9.....107	SENSOR, AIR,CAT MONITOR.....99
SCREW,HHF,1/4-20X3.8,ZAG.....53, 55	SCREW,SHM,PHP, #12 X .75.....64, 68, 141-142	SENSOR, C A M / C R A N K S H A F T POSITION.....103
SCREW,HHF,1/4-20X3.5.8,ZAG.....129	SCREW,SHS,1/4-20 X .375 ZINC...63-64, 67-68	SENSOR,COOLANT LEVEL, DEUTZ.....109
SCREW,HHF,10-24X.5.....229	SCRUBBER,SPARK ARRESTER,PERKIN...85	SENSOR,INTAKE AIR PRESSURE.....103
SCREW,HHF,3/8-16X.625.8,ZAG.....125	SEAL KIT.....149-150, 159	SENSOR,LEVEL,4.5 DEG.....57
SCREW,HHF,3/8-16X.75.8,ZAG.....29, 31, 33, 35, 37, 39-40, 43, 47, 53, 55, 57, 75, 77, 123, 125, 127, 129, 133	SEAL KIT (39345).....133, 150, 157	SENSOR,LOW PRESSURE,DEUTZ 2.9L.....103, 111
SCREW,HHF,3/8-16X1.8,ZAG.....29, 31, 35, 37, 43, 57, 59, 71, 73, 125, 127, 129, 229	SEAL KIT CYL,S40 (63206).....123	SENSOR,RUBBER EDGE.....227
SCREW,HHF,3/8-16X1.25.8,ZAG.....59, 123, 127, 135, 137, 139	SEAL KIT, APU.....57	SENSOR,WATER TEMPERATURE.....87, 117
SCREW,HHF,3/8-16X1.5.8,ZAG.....123, 131, 133	SEAL KIT, HYD MOTOR, GEN.....191	SEPERATOR ASSY,OIL,FORD MSG.....95
SCREW,HHF,3/8-16X1.75.8,ZAG.....133	SEAL KIT, SOLENOID VALVE.....150	SEPRTR/FLTR,FUEL DSL,15GPH,.30.....83, 115
SCREW,HHF,3/8-16X2.8,ZAG.....123	SEAL KIT, VALVE.....153, 157	SERVICE KIT JIB TIME DLY IC.....79-80
SCREW,HHF,3/8-16X2.25.8,ZAG.....29, 37, 133	SEAL KIT, VALVE, #10.....149-150, 153	SHAFT SEAL, APU.....57
SCREW,HHF,3/8-16X2.5.8,ZAG.....31, 231	SEAL KIT, VALVE, #12.....157	SHAFT,OUTPUT,PINION,TURNTABLE.....61
SCREW,HHF,3/8-16X3.8,ZAG.....183	SEAL KIT, VALVE, #4.....149-150	SHCS, M10-1.5X70MM, CL12.9.....99
SCREW,HHF,5/16-18X.75.8,ZAG.....53, 55, 185, 197	SEAL KIT,8-PORT SWIVEL.....59	SHEET,AIR SEAL BACKING.....115
SCREW,HHF,5/16-18X1.8,ZAG.....71, 129, 179	SEAL KIT,8K ROTATOR***.....131, 133	SHEET,RUBBER,AIR INTAKE.....89
SCREW,HHF,5/16-18X1.25.8,ZAG.....197	SEAL KIT,BRAKE,OMNI***.....35, 39-40, 43, 47, 49	SHIM, 22GA, 3WD X 5LNG.....31
SCREW,HHF,5/16-18X1.5.8,ZAG.....92	SEAL KIT,BRAKE,TURNTABLE ROT**.....61	SHIM, AXLE, 1.56 X 4.75.....29, 31, 35, 37, 43, 47
SCREW,HHF,5/8-11X1.5.8,ZAG.....57	SEAL KIT,CB VALVE MANIFOLD***.....61	SHIM,AXLE ROTATION STOP.....35, 43
SCREW,HHF,5/8-11X2.8,ZAG.....59	SEAL KIT,CHECK VALVE 219246.....155	SHIM,AXLE ROTATION STOP,22 GA.....35, 43
SCREW,HHF,5/8-11X2.5.8,ZAG.....123	SEAL KIT,CONTROL VALVE.....45	SHIM,PAD 2.0 X 4.0 X .06 THK.....121
SCREW,HHF,7/16-14X1.75.8,ZAG.....35, 40, 43, 47, 49	SEAL KIT,CYL (63210).....133	SHIM,PRIMARY BOOM,.064 THK.....125
SCREW,HHF,M6-1.0X12,DIN6921,10.....227	SEAL KIT,CYL,S40 (63202).....125, 127	SHIM,SIDE PAD 16GA. 3 X 5.....31
SCREW,HHF,M8-1.25X50,DIN6921,10.9,ZAB.109	SEAL KIT,CYL,S40 MASTER(81692).....123	SHIM,WEAR PAD,5 X 1.5,14GA.....125, 127
SCREW,HHF-S,10-24X1.5,ZAG.....135, 137	SEAL KIT,CYL,S40 SLAVE (81693).....131	SHIM,WEAR PAD,5X 1.5 16GA.....125, 127
SCREW,M5X16 BHD.....227	SEAL KIT,CYL,S45 MASTER(81694).....123	SHIM,WEAR PAD,7 X 3,16GA.....127
SCREW,M6X8.....227	SEAL KIT,CYL,S65 (63213).....133	SHOCK MOUNT,SMALL.....87, 101, 105, 113
SCREW,M8X20-8.8.....92	SEAL KIT,GEAR PUMP (89858).....161	SHOULDER WASHER, NYLON.....141-142, 145
SCREW,PHIL,8-32X.50,SELF TAP.....191	SEAL KIT,GEARBOX,OMNI***.....35, 39-40, 43, 47, 49	SHRINK TUBE,BLU,3:1,40MM.....145, 147
SCREW,PHIL,PHM,10-24 X.5,SEMS.....85, 101, 105, 113	SEAL KIT,HYD MOTOR(106184).....195, 197	SHROUD SUPPORT.....73
SCREW,PHIL,PHM,10-24X1.5 ZINC.....35, 43	SEAL KIT,MOTOR TURNTABLE***.....61	SHROUD,FAN PAINTED.....85, 113
	SEAL KIT,MOTOR,LC/KC***.....35, 40, 43	SHROUD,LP TANK.....73
	SEAL KIT,OSC.CYL.....29, 37	SHUTDOWN SOLENOID,12V, DEUTZ.....91-92
	SEAL KIT,REDUCER DRIVE TURNTAB.....61	SIGHT GLASS.....109
	SEAL KIT,SOLENOID VALVE.....150	SIGHT GLASS (89885).....61
	SEAL KIT,SOLENOID VALVE 219247.....155	SLEEVE,CONNECTOR,DT JOYSTICKS..145, 147
	SEAL KIT,STEER CYL (89065).....29, 31, 37	SLEEVE,NYLON,2.38 ID,BULK 100'...135, 137
	SEAL KIT,VALVE.....149-150	
	SEAL KIT,VALVE,#10.....149-150	

Part Description Index (continued)

- GENERAL SERVICE PARTS —.....11
- HYD FILTERS —.....11
- INSPECTION SERVICE KITS —.....11
- MANUALS —.....11
- Deutz D2.9L4 Models —.....11
- Deutz F3L-2011/Deutz D2011L03i
Models—.....11
- Ford MSG-425 Models—.....11
- Perkins 404D-22 Models—.....11
- Perkins 404F-22 Models—.....11

Go to Discount-Equipment.com to order your parts

This Page Intentionally Left Blank

Go to Discount-Equipment.com to order your parts

Fitting Cross References

Genie PN	Parker PN	Description	Genie PN	Parker PN	Description
12342	6-4 F5OX-S	CONNECTOR,STRAIGHT THREAD TO FLARE TUBE	42794	1 CR-S	ELBOW,90°,MALE PIPE
13757	4 R6X-S	RUN TEE,SWIVEL NUT,ORFS	42795	BV-0839	BALL VALVE
19685	12-10 C5OX-S	ELBOW,90°,STRAIGHT THREAD TO FLARE TUBE	42796	BV-0838	BALL VALVE
22664	12-10 C5OX	ELBOW,90°,STRAIGHT THREAD TO FLARE TUBE	42874	6-8 CLO-S	ELBOW,90°,MALE PIPE TO ORFS
27431	8-12 F5OX-S	CONNECTOR,STRAIGHT THREAD TO FLARE TUBE	42912	13943-6-4	HOSE END,90° FEMALE SWIVEL,JIC
28678	AS-B-33	SLEEVE,NYLON,1.81" ID	42920	BV-0840	BALL VALVE,90°
39871	6 WETX-WLN-S	UNION,90° BULKHEAD W/NUT,FLARE TUBE	42932	AS-B-17	SLEEVE,NYLON,1.22" ID
39872	4 R5OX-S	RUN TEE,STRAIGHT THREAD	42936	10243-2-4	HOSE END,FEMALE PIPE
39873	6 C5OX-S	ELBOW,90°,STRAIGHT THREAD TO FLARE TUBE	42953	1/2 DD-S	ELBOW,90°,FEMALE PIPE
39874	8-6 C5OX-S	ELBOW,90°,STRAIGHT THREAD TO FLARE TUBE	42956	6 WELO-WLNL-S	UNION,90° BULKHEAD W/NUT,ORFS
39875	4-6 C5OX-S	ELBOW,90°,STRAIGHT THREAD TO FLARE TUBE	45349	8 V5OX-S	ELBOW,45°,STRAIGHT THREAD TO FLARE TUBE
39876	6-8 C5OX-S	ELBOW,90°,STRAIGHT THREAD TO FLARE TUBE	45351	4 V5OX-S	ELBOW,45°,STRAIGHT THREAD TO FLARE TUBE
39877	4 F5OX-S	CONNECTOR,STRAIGHT THREAD TO FLARE TUBE	47223	10343-6-6	HOSE END,MALE,JIC
39878	6 F5OX-S	CONNECTOR,STRAIGHT THREAD TO FLARE TUBE	47419	PS690503-6-6	SWIVEL,90°,STRAIGHT THREAD TO 37° FLARE
39879	4-8 F5OX-S	CONNECTOR,STRAIGHT THREAD TO FLARE TUBE	48750	421-4	HOSE,1/4 INCH ID
39880	6-10 F5OX-S	CONNECTOR,STRAIGHT THREAD TO FLARE TUBE	48751	481TC-4	HOSE,1/4 INCH ID
39881	4-6 F5OX-S	CONNECTOR,STRAIGHT THREAD TO FLARE TUBE	48752	482TC-4	HOSE,1/4 INCH ID
39882	4-HP5ON-S	PLUG,STRAIGHT THREAD	48753	451TC-6	HOSE,3/8 INCH ID
39883	8-8 FTX-S	CONNECTOR,MALE PIPE TO FLARE TUBE	48754	482TC-6	HOSE,3/8 INCH ID
39885	269HB 12-12	ELBOW,90°,BEADED HOSE BARB TO MALE PIPE	48755	381-6	HOSE,3/8 INCH ID
39886	431-6	HOSE,3/8 INCH ID	48756	451TC-8	HOSE,1/2 INCH ID
39887	540N-2	HOSE,1/8 INCH ID	48757	482TC-8	HOSE,1/2 INCH ID
39888	801-8	HOSE,1/2 INCH ID	48758	381-8	HOSE,1/2 INCH ID
39889	801-12	HOSE,3/4 INCH ID	48759	381-10	HOSE,5/8 INCH ID
39890	10643-6-6	HOSE END,FEMALE SWIVEL,JIC	48760	451TC-10	HOSE,5/8 INCH ID
39891	13943-6-6	HOSE END,90° FEMALE SWIVEL,JIC	48761	482TC-12	HOSE,3/4 INCH ID
39892	13743-6-6	HOSE END,45° FEMALE SWIVEL,JIC	48762	451TC-12	HOSE,3/4 INCH ID
39894	30682-8-8	HOSE END,FEMALE SWIVEL,JIC	48763	772-12	HOSE,3/4 INCH ID
39895	30682-10-12	HOSE END,FEMALE SWIVEL,JIC	48764	881-16	HOSE,1 INCH ID
42286	8-8 CTX-S	ELBOW,90°,MALE PIPE TO FLARE TUBE	48765	772-16	HOSE,1 INCH ID
42756	8-12 CLO-S	ELBOW,90,MALE PIPE TO ORFS	48766	AS-B-15	SLEEVE,NYLON,1.06" ID
42757	8-12 FLO-S	CONNECTOR,MALE PIPE TO ORFS	48767	AS-B-22	SLEEVE,NYLON,1.42" ID
42758	4 JLO-S	UNION TEE,ORFS	48770	881-8	HOSE,1/2 INCH ID
42759	4-4 FLO-S	CONNECTOR,MALE PIPE TO ORFS			
42760	6-8 FLO-S	CONNECTOR,MALE PIPE TO ORFS			
42761	1J143-6-4	HOSE END,90° FEMALE SWIVEL,SEAL LOK			
42762	1J743-6-4	HOSE END,45° FEMALE SWIVEL,SEAL LOK			
42768	1JO43-4-4	HOSE END,MALE,SEAL LOK			
42776	801-8	HOSE,1/2 INCH ID			
42777	1J743-16-16	HOSE END,45° FEMALE SWIVEL,SEAL LOK			
42786	16 CLO-S	ELBOW,90°,MALE PIPE TO ORFS			
42787	16 R8LO-S	RUN TEE,SWIVEL NUT,ORFS			
42788	16-8 TRLO-BL-S	REDUCER,TUBE END TO SWIVEL,ORFS			
42789	6-6 CLO-S	ELBOW,90°,MALE PIPE TO ORFS			
42790	8-10 V5OLO-S	ELBOW,45°,STRAIGHT THREAD TO ORFS			
42791	3/4 CD-S	ELBOW,90°,MALE TO FEMALE PIPE			
42792	3/4 X 1/2 PTR-S	REDUCER,MALE TO FEMALE PIPE			
42793	1/2 CR-S	ELBOW,90°,MALE PIPE			

Fitting Cross References (Continued)

Genie PN	Parker PN	Description	Genie PN	Parker PN	Description
48771	881-10	HOSE,5/8 INCH ID	48847	13943-12-12	HOSE END,90° FEMALE SWIVEL,JIC
48772	381-4	HOSE,1/4 INCH ID	48848	10543-12-12	HOSE END,MALE,STRAIGHT THREAD
48773	AS-B-13	SLEEVE,NYLON,.86" ID	48849	1JC71-12-12	HOSE END,FEMALE SWIVEL,SEAL LOK
48800	1JC43-4-4	HOSE END,FEMALE SWIVEL,SEAL LOK	48850	1JS71-12-12	HOSE END,FEMALE SWIVEL,SEAL LOK
48801	1J743-4-4	HOSE END,45° FEMALE SWIVEL,SEAL LOK	48851	1J171-12-12	HOSE END,90° FEMALE SWIVEL,SEAL LOK
48802	1J943-4-4	HOSE END,90° FEMALE SWIVEL,SEAL LOK	48852	1J771-12-12	HOSE END,45° FEMALE SWIVEL,SEAL LOK
48804	1JM43-4-4	HOSE END,MALE,SEAL LOK, NO O-RING	48853	1J971-12-12	HOSE END,90° FEMALE SWIVEL,SEAL LOK
48805	10643-4-4	HOSE END,FEMALE SWIVEL,JIC	48854	1JC43-16-16	HOSE END,FEMALE SWIVEL,SEAL LOK
48806	13943-4-4	HOSE END,90° FEMALE SWIVEL,JIC	48855	1J943-16-16	HOSE END,90° FEMALE SWIVEL,SEAL LOK
48807	1JS43-4-4	HOSE END,FEMALE SWIVEL,SEAL LOK	48856	1J171-16-16	HOSE END,90° FEMALE SWIVEL,SEAL LOK
48808	3JC82-8-8	HOSE END,FEMALE SWIVEL,SEAL LOK	48857	1J971-16-16	HOSE END,90° FEMALE SWIVEL,SEAL LOK
48809	3JC82-12-12	HOSE END,FEMALE SWIVEL,SEAL LOK	48859	1JS43-8-4	HOSE END,FEMALE SWIVEL,SEAL LOK
48810	1JC43-6-4	HOSE END,FEMALE SWIVEL,SEAL LOK	48867	PD36BTL	DIAGNOSTIC NIPPLE,SEAL-LOK SWIVEL
48811	1J943-6-4	HOSE END,90° FEMALE SWIVEL,SEAL LOK	48873	6 PNLO-S	PLUG,TUBE END,ORFS
48812	1JC43-6-6	HOSE END,FEMALE SWIVEL,SEAL LOK	48874	6 PNTX-S	PLUG,FLARE TUBE
48813	1J143-6-6	HOSE END,90° FEMALE SWIVEL,SEAL LOK	48875	6 R6LO-S	RUN TEE,SWIVEL NUT,ORFS
48814	1J543-6-6	HOSE END,90° FEMALE SWIVEL,SEAL LOK	48877	4 F5OLO-SW/.025	CONNECTOR,STRAIGHT THREAD TO ORFS, W/.025 ORI
48815	1J743-6-6	HOSE END,45° FEMALE SWIVEL,SEAL LOK	48878	16-12 C5OLO-S	ELBOW,90°,STRAIGHT THREAD TO ORFS
48816	1J943-6-6	HOSE END,90° FEMALE SWIVEL,SEAL LOK	48879	8 C8LO-S	ELBOW,90°,SWIVEL NUT ORFS
48817	1JS43-6-8	HOSE END,FEMALE SWIVEL,SEAL LOK	48880	PD6-285	CAP,DIAGNOSTIC NIPPLE
48818	1J943-8-4	HOSE END,90° FEMALE SWIVEL,SEAL LOK	48881	6 HLO-S	UNION,ORFS
48819	1JC43-8-6	HOSE END,FEMALE SWIVEL,SEAL LOK	48883	8 P5ON-S	PLUG,STRAIGHT THREAD
48820	1J743-8-6	HOSE END,45° FEMALE SWIVEL,SEAL LOK	48884	8M18F87OMLO-S	CONNECTOR,METRIC,STRAIGHT THREAD TO ORFS
48821	1J943-8-6	HOSE END,90° FEMALE SWIVEL,SEAL LOK	48885	4 WGTX-WLN-S	CONNECTOR,BULKHEAD,FEMALE PIPE TO FLARE TUBE
48822	1JC43-8-8	HOSE END,FEMALE SWIVEL,SEAL LOK	48886	4 F5OLO-SW/2MM	CONNECTOR,MACHINED STRAIGHT THREAD TO ORFS
48823	1JS43-8-8	HOSE END,FEMALE SWIVEL,SEAL LOK	48887	4 CTX-S	ELBOW,90°,MALE PIPE TO FLARE TUBE
48824	1J143-8-8	HOSE END,90° FEMALE SWIVEL,SEAL LOK	48888	10-12 V5OLO-S	ELBOW,45°,STRAIGHT THREAD TO ORFS
48825	1J543-8-8	HOSE END,90° FEMALE SWIVEL,SEAL LOK	48890	4 S5OLO-S	BRANCH TEE,STRAIGHT THREAD TO ORFS
48826	1J743-8-8	HOSE END,45° FEMALE SWIVEL,SEAL LOK	48891	4 S8LO-S	BRANCH TEE,SWIVEL NUT TO ORFS
48827	1J943-8-8	HOSE END,90° FEMALE SWIVEL,SEAL LOK			
48828	1JC43-10-8	HOSE END,FEMALE SWIVEL,SEAL LOK			
48829	1JS43-10-8	HOSE END,FEMALE SWIVEL,SEAL LOK			
48830	1J743-10-8	HOSE END,45° FEMALE SWIVEL,SEAL LOK			
48831	1J943-10-8	HOSE END,90° FEMALE SWIVEL,SEAL LOK			
48833	1JC43-10-10	HOSE END,FEMALE SWIVEL,SEAL LOK			
48834	1J943-10-10	HOSE END,90° FEMALE SWIVEL,SEAL LOK			
48835	1JS43-10-12	HOSE END,FEMALE SWIVEL,SEAL LOK			
48836	1JC43-12-8	HOSE END,FEMALE SWIVEL,SEAL LOK			
48837	1JS43-12-8	HOSE END,FEMALE SWIVEL,SEAL LOK			
48838	1J743-12-8	HOSE END,45° FEMALE SWIVEL,SEAL LOK			
48839	1J943-12-8	HOSE END,90° FEMALE SWIVEL,SEAL LOK			
48840	1J943-12-10	HOSE END,90° FEMALE SWIVEL,SEAL LOK			
48841	1JC43-12-12	HOSE END,FEMALE SWIVEL,SEAL LOK			
48842	1JO43-12-12	HOSE END,MALE,SEAL LOK			
48843	1J143-12-12	HOSE END,90° FEMALE SWIVEL,SEAL LOK			
48844	1J543-12-12	HOSE END,90° FEMALE SWIVEL,SEAL LOK			
48845	1J743-12-12	HOSE END,45° FEMALE SWIVEL,SEAL LOK			
48846	1J943-12-12	HOSE END,90° FEMALE SWIVEL,SEAL LOK			

Fitting Cross References (Continued)

Genie PN	Parker PN	Description	Genie PN	Parker PN	Description
48892	6 C6LO-S	ELBOW,90°,SWIVEL NUT ORFS	48938	8 R6LO-S	RUN TEE,SWIVEL NUT,ORFS
48893	6 F5OHAO-S	UNION,STRAIGHT THREAD	48939	8 S6LO-S	BRANCH TEE,SWIVEL NUT TO ORFS
48894	8 WLO-WLNL-S	UNION,BULKHEAD,ORFS	48940	8 WJLO-WLNL-S	RUN TEE, BULKHEAD,ORFS
48895	DT-370-MSMO-5	VALVE,CHECK	48941	8-4 TRLO-S	REDUCER,TUBE END TO SWIVEL,ORFS
48896	6 JLO-S	UNION,TEE,ORFS	48942	8-6 C5OLO-S	ELBOW,90°,STRAIGHT THREAD TO ORFS
48897	DT-750-MSMS-5	VALVE,CHECK	48943	8-6 F5OLO-S	CONNECTOR,STRAIGHT THREAD TO ORFS
48898	DT-750-MOMS-5	VALVE,CHECK	48944	8-8 FLO-S	CONNECTOR,MALE PIPE TO ORFS
48899	DT-620-MOMS-5	VALVE,CHECK	48945	8 FTX-S	CONNECTOR,MALE PIPE TO FLARE TUBE
48900	4-6 F5OLO-SW/.035	CONNECTOR,STRAIGHT THREAD TO ORFS, W/.035 ORI	48946	8-10 F5OLO-S	CONNECTOR,STRAIGHT THREAD TO ORFS
48902	16-1 AOE4G-S	ELBOW,90° LONG,FEMALE PIPE TO STRAIGHT THREAD	48947	8-12 C5OLO-S	ELBOW,90°,STRAIGHT THREAD TO ORFS
48903	1 FF-S	NIPPLE,PIPE	48948	8-12 F5OLO-S	CONNECTOR,STRAIGHT THREAD TO ORFS
48904	4 C5OLO-S	ELBOW,90°,STRAIGHT THREAD TO ORFS	48949	8-16 F5OLO-S	CONNECTOR,STRAIGHT THREAD TO ORFS
48905	4 F5OLO-S	CONNECTOR,STRAIGHT THREAD TO ORFS	48950	10 C5OLO-S	ELBOW,90°,STRAIGHT THREAD TO ORFS
48906	4 R5OLO-S	RUN TEE,STRAIGHT THREAD	48951	10 CC5OLO-S	ELBOW,90° LONG,STRAIGHT THREAD TO ORFS
48907	4 V5OLO-S	ELBOW,45°,STRAIGHT THREAD TO ORFS	48952	10 F5OLO-S	CONNECTOR,STRAIGHT THREAD TO ORFS
48908	4 R6LO-S	RUN TEE,SWIVEL NUT,ORFS	48953	10 R5OLO-S	RUN TEE,STRAIGHT THREAD
48909	4 WJLO-WLNL-S	RUN TEE, BULKHEAD,ORFS	48954	10 S5OLO-S	BRANCH TEE,STRAIGHT THREAD TO ORFS
48910	4 GTX-S W/.030	CONNECTOR,FEMALE PIPE TO FLARE TUBE	48955	10 R6LO-S	RUN TEE,SWIVEL NUT,ORFS
48911	4-6 C5OLO-S	ELBOW,90°,STRAIGHT THREAD TO ORFS	48956	10-4 TRLO-BL-S	REDUCER,TUBE END TO SWIVEL,ORFS
48912	4-6 F5OLO-S	CONNECTOR,STRAIGHT THREAD TO ORFS	48957	10-6 TRLO-BL-S	REDUCER,TUBE END TO SWIVEL,ORFS
48913	4-6 F5OLO-SW/.030	CONNECTOR,STRAIGHT THREAD TO ORFS, W/.030 ORI	48958	10-12 F5OLO-S	CONNECTOR,STRAIGHT THREAD TO ORFS
48914	4-8 F5OLO-S	CONNECTOR,STRAIGHT THREAD TO ORFS	48959	12 C5OLO-S	ELBOW,90°,STRAIGHT THREAD TO ORFS
48915	6 C5OLO-S	ELBOW,90°,STRAIGHT THREAD TO ORFS	48960	12 F5OLO-S	CONNECTOR,STRAIGHT THREAD TO ORFS
48916	6 F5OLO-S	CONNECTOR,STRAIGHT THREAD TO ORFS	48961	12 R5OLO-S	RUN TEE,STRAIGHT THREAD
48917	6 FF5OLO-S	CONNECTOR,LONG,STRAIGHT THREAD TO ORFS	48962	12 S5OLO-S	BRANCH TEE,STRAIGHT THREAD TO ORFS
48918	6 R5OLO-S	RUN TEE,STRAIGHT THREAD	48963	12 V5OLO-S	ELBOW,45°,STRAIGHT THREAD TO ORFS
48919	6 S5OLO-S	BRANCH TEE,STRAIGHT THREAD TO ORFS	48964	12 R6LO-S	RUN TEE,SWIVEL NUT,ORFS
48920	6 V5OLO-S	ELBOW,45°,STRAIGHT THREAD TO ORFS	48965	12 CLO-S	ELBOW,90°,MALE PIPE TO ORFS
48921	6 FLO-S	CONNECTOR,MALE PIPE TO ORFS	48966	12 FLO-S	CONNECTOR,MALE PIPE TO ORFS
48922	6-6 FLO-S	CONNECTOR,MALE PIPE TO ORFS	48967	12 JLO-S	UNION TEE,ORFS
48923	6 P5ON-S	PLUG,STRAIGHT THREAD	48968	12 WLO-WLNL-S	UNION,BULKHEAD,ORFS
48925	6 WELO-S	UNION,90° BULKHEAD,ORFS	48969	12 WJLO-WLNL-S	RUN TEE, BULKHEAD,ORFS
48926	6-4 C5OLO-S	ELBOW,90°,STRAIGHT THREAD TO ORFS	48970	12 WELO-WLNL-S	UNION,90° BULKHEAD W/NUT,ORFS
48927	6-4 F5OLO-S	CONNECTOR,STRAIGHT THREAD TO ORFS			
48928	6-4 V5OLO-S	ELBOW,45°,STRAIGHT THREAD TO ORFS			
48929	6-8 C5OLO-S	ELBOW,90°,STRAIGHT THREAD TO ORFS			
48930	6-8 F5OLO-S	CONNECTOR,STRAIGHT THREAD TO ORFS			
48931	6-10 F5OLO-S	CONNECTOR,STRAIGHT THREAD TO ORFS			
48932	8 C5OLO-S	ELBOW,90°,STRAIGHT THREAD TO ORFS			
48933	8 F5OLO-S	CONNECTOR,STRAIGHT THREAD TO ORFS			
48934	8 FF5OLO-S	CONNECTOR,LONG,STRAIGHT THREAD TO ORFS			
48935	8 R5OLO-S	RUN TEE,STRAIGHT THREAD			
48936	8 S5OLO-S	BRANCH TEE,STRAIGHT THREAD TO ORFS			
48937	8 V5OLO-S	ELBOW,45°,STRAIGHT THREAD TO ORFS			

Fitting Cross References (Continued)

Genie PN	Parker PN	Description	Genie PN	Parker PN	Description
48971	12 G5G5JG5-S	TEE,FEMALE STRAIGHT THREAD	49612	PKT02586	O-RING KIT (ORFS FITTINGS)
48972	12 XHL6-S	ADAPTER, 37° MALE TO SWIVEL ORFS	49613	PKT06276	PLUG AND CAP KIT-SERVICE,ORFS
48973	12-1/2 F5OG-S	ADAPTER,FEMALE PIPE TO STRAIGHT THREAD	49728	10143-12-12	HOSE END, MALE PIPE
48974	12-10 C5OLO-S	ELBOW,90°,STRAIGHT THREAD TO ORFS	49729	16-1 F5OG-S	ADAPTER,FEMALE PIPE TO STRAIGHT THREAD
48975	12-10 F5OLO-S	CONNECTOR,STRAIGHT THREAD TO ORFS	49814	12-8 FLO-S	CONNECTOR,MALE PIPE TO ORFS
48976	12-16 C5OLO-S	ELBOW,90°,STRAIGHT THREAD TO ORFS	49829	DT-500-MOMF-5	VALVE,CHECK
48977	12-16 F5OLO-S	CONNECTOR,STRAIGHT THREAD TO ORFS	49831	881-12	HOSE,3/4 INCH ID
48978	12-16 V5OLO-S	ELBOW,45°,STRAIGHT THREAD TO ORFS	49834	16 JLO-S	UNION TEE,ORFS
48980	12-16 FLO-S	CONNECTOR,MALE PIPE TO ORFS	49838	12-8 TRLO-BL-S	REDUCER,TUBE END TO SWIVEL,ORFS
48983	16 C5OLO-S	ELBOW,90°,STRAIGHT THREAD TO ORFS	49840	8 JLO-S	UNION TEE,ORFS
48984	16 F5OLO-S	CONNECTOR,STRAIGHT THREAD TO ORFS	49844	10-8 TRLO-BL-S	REDUCER,TUBE END TO SWIVEL,ORFS
48985	16 V5OLO-S	ELBOW,45°,STRAIGHT THREAD TO ORFS	49854	8 P5ON-S	PLUG,STRAIGHT THREAD
48986	16 FLO-S	CONNECTOR,MALE PIPE TO ORFS	49855	1JC43-16-12	HOSE END,FEMALE SWIVEL,SEAL LOK
48988	16 CD45-S	ELBOW,45°,MALE TO FEMALE PIPE	49859	4 P5ON-S	PLUG,STRAIGHT THREAD
48989	12 CD45-S	ELBOW,45°,MALE TO FEMALE PIPE	49861	4 FF5OLO-S	CONNECTOR, LONG, STRAIGHT THREAD TO ORFS
48990	8 CD45-S	ELBOW,45°,MALE TO FEMALE PIPE	49867	12-3/4 F5OG-S	ADAPTER, FEMALE PIPE TO STRAIGHT THREAD
48991	16-12 FLO-S	CONNECTOR,MALE PIPE TO ORFS	51152	6 R6X-S	RUN TEE,SWIVEL NUT,ORFS
48992	16-12 V5OLO-S	ELBOW,45°,STRAIGHT THREAD TO ORFS	51153	6-4 TRTX-S	REDUCER,TUBE END TO SWIVEL,ORFS
48993	XV501-12	BALL VALVE	51154	4-4 GTX	CONNECTOR,FEMALE PIPE TO FLARE TUBE
48994	XV501-16	BALL VALVE	51264	881-12	HOSE,3/4 INCH ID
48995	XV510P-12	BALL VALVE	51265	8 JLO-S	UNION TEE,ORFS
48996	XV510P-16	BALL VALVE	51508	6 BTX-S	NUT,FLARE TUBE
48997	PD341	DIAGNOSTIC NIPPLE, STRAIGHT THREAD	51580	12-8 TRLO-BL-S	TUBE END REDUCER,ORFS
48998	PD 361	DIAGNOSTIC NIPPLE, STRAIGHT THREAD	51628	6 R6X-S	RUN TEE,SWIVEL NUT,ORFS
48999	DT-500-MOMS-5	VALVE,CHECK	51735	3/8 HHP	PLUG,PIPE THREAD
49201	10 V5OLO-S	ELBOW,45°,STRAIGHT THREAD TO ORFS	51803	1J943-6-8	HOSE END,90° FEMALE SWIVEL,SEAL LOK
49202	1JC43-12-10	HOSE END,FEMALE SWIVEL,SEAL LOK	53023	125HBL-5-4	FITTING,HOSE BARB TO MALE PIPE
49203	10-8 V5OLO-S	ELBOW,45°,STRAIGHT THREAD TO ORFS	53497	PKT02585	O-RING KIT
49205	6 F5OHAO-S	UNION,STRAIGHT THREAD	53499	1JC71-16-16	HOSE END,FEMALE SWIVEL,SEAL LOK
49207	PD34BTL	DIAGNOSTIC NIPPLE,SEAL-LOK SWIVEL	53500	3-904	O-RING,STRAIGHT THREAD,-4
49209	8M18F870MX-S	CONNECTOR,METRIC,STRAIGHT THREAD TO FLARE TUBE	53501	3-906	O-RING,STRAIGHT THREAD,-6
49212	8 WGTX-WLN-S	CONNECTOR,BULKHEAD,FEMALE PIPE TO FLARE TUBE	53502	3-908	O-RING,STRAIGHT THREAD,-8
49213	30682-8-8	HOSE END,FEMALE SWIVEL,JIC	53503	3-910	O-RING,STRAIGHT THREAD,-10
49216	831-8	HOSE,1/2 INCH ID			
49217	33982-8-8	HOSE END,90° FEMALE SWIVEL,JIC			
49219	PS-B-35	SLEEVE,NYLON,2.19" ID			
49418	4-6 V5OLO-S	ELBOW,45°,STRAIGHT THREAD TO ORFS			
49511	DT370-MOMS-5	VALVE,CHECK			
49512	1 DD-S	ELBOW,90°,FEMALE PIPE			
49513	1 FF-S	NIPPLE,PIPE			
49514	10 HP5ON-S	PLUG,STRAIGHT THREAD			
49515	12-16 CLO-S	ELBOW,90°,MALE PIPE TO ORFS			
49517	6 HP5ON-S	PLUG,STRAIGHT THREAD			
49519	16-12 F5OLO-S	CONNECTOR,STRAIGHT THREAD TO ORFS			
49520	4 VTX-S	ELBOW,45°,MALE PIPE TO FLARE TUBE			
49530	16 C6LO-S	ELBOW,90°,SWIVEL NUT ORFS			

Fitting Cross References (Continued)

Genie PN	Parker PN	Description	Genie PN	Parker PN	Description
53535	3-912	O-RING,STRAIGHT THREAD,-12	61083	24 F5OLO-S	CONNECTOR,STRAIGHT THREAD TO ORFS
53536	4-PNLO-S	PLUG,TUBE END,ORFS	61086	20 R5OLO-S	RUN TEE,STRAIGHT THREAD
53537	6 PNLO-S	PLUG,TUBE END,ORFS	61090	24-20 F5OLO-S	CONNECTOR,STRAIGHT THREAD TO ORFS
53538	8 PNLO-S	PLUG,TUBE END,ORFS	61091	1J943 24-24	HOSE END,90° FEMALE SWIVEL,SEAL LOK
53539	10 PNLO-S	PLUG,TUBE END,ORFS	61093	1J978-12-12	HOSE END,90° FEMALE SWIVEL,JIC
53540	12 PNLO-S	PLUG,TUBE END,ORFS	61095	1JS43-20-16	HOSE END,FEMALE SWIVEL,SEAL LOK
53946	129HB-5-4	FITTING,90° HOSE BARB TO MALE PIPE	61100	811-24	HOSE,11/2 INCH ID
53951	8-1/4F5OG-S	ADAPTER,FEMALE PIPE TO STRAIGHT THREAD	61130	1JS43-24-24	HOSE END,FEMALE SWIVEL,SEAL LOK
53980	6 S6LO-S	BRANCH TEE,SWIVEL NUT TO ORFS	61131	1JS78 12-12	HOSE END,FEMALE SWIVEL,SEAL LOK
54132	4 C6LO-S	ELBOW,90°,SWIVEL NUT ORFS	61132	1J778-12-12	HOSE END,45° FEMALE SWIVEL,JIC
54135	11343-16-16	HOSE END,MALE SWIVEL,PIPE	61152	139HB-6-4	ELBOW,45°,BARB TO MALE PIPE
54283	8-10 C5OLO-S	ELBOW,90°,STRAIGHT THREAD TO ORFS	61251	BV-0750	BALL VALVE
54428	8M18C870MLO-S	ELBOW, 90° METRIC, STRAIGHT THREAD TO ORFS	61259	4 CC5OLO-S	ELBOW,90° LONG,STRAIGHT THREAD TO ORFS
54803	FS-F-16-10	SLEEVE,FIRE,.96" ID	61260	20-12 TRLO-BL	REDUCER,TUBE END TO SWIVEL,ORFS
54954	10143-2-4	HOSE END, MALE PIPE	61262	12 C6LO-S	ELBOW,90°,SWIVEL NUT ORFS
55190	3/8 HP-S	PLUG,PIPE THREAD	61263	20 F5OHAO-S	UNION,STRAIGHT THREAD
55448	8 HLO-S	UNION,ORFS	61264	6-10 C5OLO-S	ELBOW,90°,STRAIGHT THREAD TO ORFS
55839	6 F65OX-S	CONNECTOR,STRAIGHT THREAD TO 37° SWIVEL	61265	6 WNLO-WLNL-S	UNION,BULKHEAD 45°,ORFS
55968	10 C5OX-S	ELBOW,90°,STRAIGHT THREAD TO FLARE TUBE	61268	4 WNLO-WLNL-S	UNION,BULKHEAD 45°,ORFS
56003	6 CC5OLO-S	ELBOW,90° LONG,STRAIGHT THREAD TO ORFS	61269	4 WLO-WLNL-S	UNION,BULKHEAD,ORFS
56166	BV-0837	BALL VALVE,90°	61272	12 AOEL6	ELBOW,90°,STRAIGHT THREAD TO ORFS SWIVEL
56188	10143-8-6	HOSE END, MALE PIPE	61316	482TC-16	HOSE,1 INCH ID
56233	2-011	O-RING,ORFS,-4	61321	6 JLO-S	UNION TEE,ORFS
56234	2-012	O-RING,ORFS,-6	61327	782-12	HOSE,3/4 INCH ID
56235	2-014	O-RING,ORFS,-8	61328	881-24	HOSE,11/2 INCH ID
56236	2-016	O-RING,ORFS,-10	61336	11943-20-24	HOSE END,90° FLANGE HEAD
56237	2-018	O-RING,ORFS,-12	61345	12 WJLO-WLNL-S	RUN TEE, BULKHEAD,ORFS
56238	2-021	O-RING,ORFS,-16	61346	8 WNLO-WLNL-S 4	UNION,BULKHEAD 45°,ORFS
56352	6 WLNL-S	LOCKNUT,BULKHEAD	61569	33782-8-8	HOSE END,45° FEMALE SWIVEL,JIC
56353	3J782-12-12	HOSE END,45° FEMALE SWIVEL,SEAL LOK	61610	12 FF5OLO-S	CONNECTOR,LONG,STRAIGHT THREAD TO ORFS
56354	3J982-12-12	HOSE END,90° FEMALE SWIVEL,SEAL LOK	61742	1/8 X 1.5 FFF	NIPPLE,PIPE
56604	10-8 F5OLO-S	CONNECTOR,STRAIGHT THREAD TO ORFS	63426	8 PNTX-S	PLUG,FLARE TUBE
56639	3JC82-10-10	HOSE END,FEMALE SWIVEL,SEAL LOK			
56640	3J982-10-10	HOSE END,90° FEMALE SWIVEL,SEAL LOK			
56655	3JC82-8-10	HOSE END,FEMALE SWIVEL,SEAL LOK			
56676	10-8 C5OLO-S	ELBOW,90°,STRAIGHT THREAD TO ORFS			
56776	471TC-6	HOSE,3/8 INCH ID			
56777	471TC-8	HOSE,1/2 INCH ID			
56789	811-16	HOSE,1 INCH ID			
57884	3/8 FF	NIPPLE,PIPE			
59335	6 FNL-S	CAP,TUBE END			
59342	4 FNL-S	CAP,TUBE END			
59371	8 HP5ON-S	PLUG,STRAIGHT THREAD			
60653	BV-0751	BALL VALVE			
60806	125HB-3-4	FITTING,HOSE BARB TO MALE PIPE			
61064	5-1/4 F5OG-S	ADAPTER,FEMALE PIPE TO STRAIGHT THREAD			
61079	4 WELO-WLNL-S	UNION,90° BULKHEAD W/NUT,ORFS			
61080	6 WLO-WLNL-S	UNION,BULKHEAD,ORFS			

Fitting Cross References (Continued)

Genie PN	Parker PN	Description	Genie PN	Parker PN	Description
64271	4 WLO-WLNL-S	UNION,BULKHEAD,ORFS	75631	801-6	HOSE,3/8 INCH ID
64272	6 WLO-WLNL-S	UNION,BULKHEAD,ORFS	75654	20 F5OLO-S	CONNECTOR,STRAIGHT THREAD TO ORFS
65776	8 F65OL-S	CONNECTOR,STRAIGHT THREAD TO ORFS SWIVEL	75655	1J943-20-20	HOSE END,90° FEMALE SWIVEL,SEAL LOK
65880	6001012	O-RING KIT	75656	881-20	HOSE,1-1/4 INCH ID
66154	6 WTX-WLNS	UNION,BULKHEAD,FLARE TUBE	75971	8 F5OHAO-S	UNION,STRAIGHT THREAD
66155	6 WETX-S	UNION,BULKHEAD 90°,FLARE TUBE	77307	1JB43-8-8	HOSE END,BULKHEAD,SEAL LOK
66156	6 WLN-S	BULKHEAD LOCKNUT	77309	8 WLNL-S	BULKHEAD LOCKNUT
66389	6-8 F5OX-S	CONNECTOR,STRAIGHT THREAD TO FLARE TUBE	77379	8M18C87OMX-S	ELBOW,90° METRIC,STRAIGHT THREAD TO FLARE TUBE
66392	6 R5OX-S	RUN TEE,STRAIGHT THREAD	77703	3J982-8-8	HOSE END,90° FEMALE SWIVEL,SEAL LOK
66396	811-12	HOSE,3/4 INCH ID	77711	801-10	HOSE,5/8 INCH ID
66829	H3174PP	CLAMP,TUBE	77758	12 WNLO-WLNL-S	UNION,BULKHEAD 45°,ORFS
67217	4 KLO-S	UNION,CROSS,ORFS	78091	6 C6X-S	ELBOW,90°,SWIVEL NUT TO FLARE TUBE
67339	10-6 F5OX-S	CONNECTOR,STRAIGHT THREAD TO FLARE TUBE	78684	30582-8-8B	HOSE END,PUSH LOK,MALE
67357	13943-8-6	HOSE END,90° FEMALE SWIVEL,JIC	78852	549-2	HOSE,1/8 INCH ID
67358	10 HP5ON-S	PLUG,STRAIGHT THREAD	78855	10657-4-2	HOSE END,FEMALE SWIVEL,JIC
67371	12 S6LO-S	BRANCH TEE,SWIVEL NUT TO ORFS	79138	PS-B-37	SLEEVE,NYLON,2.38" ID
67498	4 FNL-S	CAP, TUBE END	79476	1JS43-6-8	HOSE END,FEMALE SWIVEL,SEAL LOK
67906	DC-370-F0F0-5	VALVE,CHECK	79847	12-3/4 A0EG-S	ELBOW,90°,STRAIGHT THREAD TO FEMALE PIPE
69316	8 FLO-S	CONNECTOR,MALE PIPE TO ORFS	80044	8 CLO-S	ELBOW,90°,MALE PIPE TO ORFS
69333	H3174PP	CLAMP,HYDRAULIC HOSE	80502	8 F5OX-S	CONNECTOR,STRAIGHT THREAD TO FLARE TUBE
69503	4 F65OX-S	CONNECTOR,STRAIGHT THREAD TO 37° SWIVEL	80503	8 C5OX-S	ELBOW,90°,STRAIGHT THREAD TO FLARE TUBE
69775	8 FNL-S	CAP, TUBE END	81010	AS-B-27	SLEEVE,NYLON,1.63" ID
71038	1/4X1/4F3HG-S	ADAPTER,CONVERSION	83052	821-6	HOSE,3/8 INCH ID
71196	12-8 F5OLO-S	CONNECTOR,STRAIGHT THREAD TO ORFS	83053	821-8	HOSE,1/2 INCH ID
71383	1/4 CD45-S	ELBOW,45°,MALE TO FEMALE PIPE	83054	821-12	HOSE,3/4 INCH ID
72270	12FNL-S	CAP, TUBE END	83055	30682-6-6	HOSE END,FEMALE SWIVEL,JIC
73436	60C-4	SLEEVE,COMPRESSION	83056	30682-12-12	HOSE END,FEMALE SWIVEL,JIC
73437	61C-4	NUT,COMPRESSION	83057	33782-6-6	HOSE END,45° FEMALE SWIVEL,JIC
73438	33482-4-4B	HOSE END,PUSH LOK,MALE	83058	33982-6-6	HOSE END,90° FEMALE SWIVEL,JIC
73767	1CD-S	ELBOW,90°,MALE TO FEMALE PIPE	83060	33982-12-12	HOSE END,90° FEMALE SWIVEL,JIC
73768	20-16-F5OG5-S	ADAPTER,FEMALE PIPE TO STRAIGHT THREAD	83063	13743-4-4	HOSE END,45° FEMALE SWIVEL,JIC
73769	16-20 F5OLO-S	CONNECTOR,STRAIGHT THREAD TO ORFS			
74660	6-8 F42EDMLO-S	CONNECTOR,MALE BSPP TO ORFS			
74661	8-8 F42EDMLO-S	CONNECTOR,MALE BSPP TO ORFS			
75007	4 FLO-S	CONNECTOR,MALE PIPE TO ORFS			
75008	1/8 HP-S	PLUG,PIPE THREAD			
75014	1/2 HP-S	PLUG,PIPE THREAD			
75042	8 WELO-WLNL-S	UNION,90° BULKHEAD W/NUT,ORFS			
75043	3/4 FF-S	NIPPLE,PIPE			
75254	24 F5OHAO-S	UNION,STRAIGHT THREAD			
75255	12 F5OHAO-S	UNION,STRAIGHT THREAD			
75256	XV506P-24	BALL VALVE			
75574	4 WLNL-S	BULKHEAD LOCKNUT			
75612	8 WJLO-WLNL-S	RUN TEE, BULKHEAD,ORFS			
75613	12-8 F5OG5-S	ADAPTER,FEMALE PIPE TO STRAIGHT THREAD			
75614	8 CC5OLO-S	ELBOW,90° LONG,STRAIGHT THREAD TO ORFS			
75628	1JB43-4-4	HOSE END,BULKHEAD,SEAL LOK			

Fitting Cross References (Continued)

Genie PN	Parker PN	Description	Genie PN	Parker PN	Description
83064	13743-8-8	HOSE END,45° FEMALE SWIVEL,JIC	89449	6 WJLO-WLNL-S	RUN TEE, BULKHEAD,ORFS
83065	13743-12-12	HOSE END,45° FEMALE SWIVEL,JIC	89489	4 WJMLO-S	BRANCH TEE,BULKHEAD,ORFS
83066	13943-8-8	HOSE END,90° FEMALE SWIVEL,JIC	89551	1JB43-6-6	HOSE END,BULKHEAD,SEAL LOK
83067	14143-6-6	HOSE END,90° FEMALE SWIVEL,JIC	89552	1JB43-8-8	HOSE END,BULKHEAD,SEAL LOK
83068	14143-8-8	HOSE END,90° FEMALE SWIVEL,JIC	89593	20 C5OLO-S	ELBOW,90°,STRAIGHT THREAD TO ORFS
83069	14143-12-12	HOSE END,90° FEMALE SWIVEL,JIC	94161	8-8 CLO-S	ELBOW,90°,MALE PIPE TO ORFS
83070	772-8	HOSE,1/2 INCH ID	94358	351TC-12	HOSE,3/4 INCH ID
83071	10671-8-8	HOSE END,FEMALE SWIVEL,JIC	94418	20 FLO-S	CONNECTOR,MALE PIPE TO ORFS
83072	10671-12-12	HOSE END,FEMALE SWIVEL,JIC	96358	12 TX-S	SLEEVE,FLARE TUBE
83073	13771-8-8	HOSE END,45° FEMALE SWIVEL,JIC	96359	12 BTX-S	NUT,FLARE TUBE
83074	13771-12-12	HOSE END,45° FEMALE SWIVEL,JIC	96397	8 F5OX-S	CONNECTOR,STRAIGHT THREAD TO FLARE TUBE
83075	13971-8-8	HOSE END,90° FEMALE SWIVEL,JIC	96398	12-8 F5OX-S	CONNECTOR,STRAIGHT THREAD TO FLARE TUBE
83076	13971-12-12	HOSE END,90° FEMALE SWIVEL,JIC	96402	10343-6-6	HOSE END,MALE,JIC
83077	14171-8-8	HOSE END,90° FEMALE SWIVEL,JIC	96407	30382-6-6B	HOSE END,MALE,JIC
83078	14171-12-12	HOSE END,90° FEMALE SWIVEL,JIC			
83080	13943-16-16	HOSE END,90° FEMALE SWIVEL,JIC			
83103	10671-16-12	HOSE END,FEMALE SWIVEL,JIC			
83104	10671-10-12	HOSE END,FEMALE SWIVEL,JIC			
83112	1JC71-8-8	HOSE END,FEMALE SWIVEL,SEAL LOK			
83113	1JS71-16-12	HOSE END,FEMALE SWIVEL,SEAL LOK			
83114	1JS71-10-12	HOSE END,FEMALE SWIVEL,SEAL LOK			
83115	1J971-8-8	HOSE END,90° FEMALE SWIVEL,SEAL LOK			
83116	1J171-8-8	HOSE END,90° FEMALE SWIVEL,SEAL LOK			
83117	1J771-8-8	HOSE END,45° FEMALE SWIVEL,SEAL LOK			
83127	1J543-6-8	HOSE END,90° FEMALE SWIVEL,JIC			
83128	1JC43-6-8	HOSE END,FEMALE SWIVEL,SEAL LOK			
87033	12-6 TRLO-S	REDUCER,TUBE END TO SWIVEL,ORFS			
87034	3J782-8-8	HOSE END,45° FEMALE SWIVEL,SEAL LOK			
87172	12 HP5ON-S	PLUG,STRAIGHT THREAD			
87185	8 WNLO-WLNL-S	UNION,BULKHEAD 45°,ORFS			
87246	4 C6X-S	ELBOW,90°,SWIVEL NUT TO FLARE TUBE			
87679	6 LHP-S	FLANGE SEAL FITTING, MALE			
87681	6PLS N0702	BONDED SEAL			
88100	SR88100	ADAPTER,OIL DRAIN,GM 3.0L			
88311	1JS43-20-20	HOSE END,FEMALE SWIVEL,SEAL LOK			
88353	20 V5OLO-S	ELBOW,45°,STRAIGHT THREAD TO ORFS			
88474	10081-20	Crimp Shell, 1.25"			
88475	1988-20-24	HOSE END,90° FLANGE HEAD			
88476	JS88-24-24	HOSE END,FEMALE SWIVEL,SEAL LOK			
88477	1JC88-20-20	HOSE END,FEMALE SWIVEL,SEAL LOK			
88478	811-20	HOSE,11/4 INCH ID			
88936	20-16 F5OLO-S	CONNECTOR,STRAIGHT THREAD TO ORFS			
88937	20-16 FLO-S	CONNECTOR,MALE PIPE TO ORFS			
88938	1JC88-16-16	HOSE END,FEMALE SWIVEL,SEAL LOK			
88939	1J988-16-16	HOSE END,90° FEMALE SWIVEL,ORFS			
88940	811-16	HOSE,1 INCH ID			
88944	1J988-20-20	HOSE END,90° FEMALE SWIVEL,ORFS			
89403	16 VLO-S	ELBOW,45°,MALE PIPE TO ORFS			

California Proposition 65



WARNING

Operating, servicing and maintaining this equipment can expose you to chemicals including engine exhaust, carbon monoxide, phthalates, and lead, which are known to the State of California to cause cancer and birth defects or other reproductive harm. These chemicals can be emitted from or contained in other various parts and systems, fluids and some component wear by-products. To minimize exposure, avoid breathing exhaust, do not idle the engine except as necessary, service your equipment and vehicle in a well-ventilated area and wear gloves or wash your hands frequently when servicing your equipment or vehicle and after operation. For more information go to www.P65Warnings.ca.gov/passenger-vehicle.

Breathing diesel engine exhaust exposes you to chemicals known to the State of California to cause cancer and birth defects or other reproductive harm.

- Always start and operate the engine in a well-ventilated area.
- If in an enclosed area, vent the exhaust to the outside.
- Do not modify or tamper with the exhaust system.
- Do not idle the engine except as necessary.

For more information go to www.P65warnings.ca.gov/diesel.

Distributed By:

www.Steak-Equipment.com to order your parts

PARTS FINDER

**Search Website
by Part Number**



**Search Manual
Library For Parts
Manual & Lookup Part
Numbers – Purchase
or Request Quote**

Search Manuals

Enter your information to search for a manual or to purchase a manual or parts.

* Brand:

* Model:

* Serial:

* Part Number:

SEARCH

**Can't Find Part or
Manual? Request Help
by Manufacturer,
Model & Description**

Parts Order Form

Please fill in the following information to request help finding a part or manual.

Manufacturer:

Model:

Description:

Quantity:

Part Number:

Part Name:

Part Description:

Part Category:

Part Location:

Part Status:

Part Condition:

Part Material:

Part Color:

Part Weight:

Part Dimensions:

Part Price:

Part Availability:

Part Lead Time:

Part Notes:

Submit

Discount-Equipment.com is your online resource for quality parts & equipment.

Florida: **561-964-4949** Outside Florida TOLL FREE: **877-690-3101**

Need parts?

Click on this link: <http://www.discount-equipment.com/category/5443-parts/> and choose one of the options to help get the right parts and equipment you are looking for. Please have the machine model and serial number available in order to help us get you the correct parts. If you don't find the part on the website or on one of the online manuals, please fill out the request form and one of our experienced staff members will get back to you with a quote for the right part that your machine needs.

We sell worldwide for the brands: Genie, Terex, JLG, MultiQuip, Mikasa, Essick, Whiteman, Mayco, Toro Stone, Diamond Products, Generac Magnum, Airman, Haulotte, Barreto, Power Blanket, Nifty Lift, Atlas Copco, Chicago Pneumatic, Allmand, Miller Curber, Skyjack, Lull, Skytrak, Tsurumi, Husquvarna Target, Stow, Wacker, Sakai, Mi-T-M, Sullair, Basic, Dynapac, MBW, Weber, Bartell, Bennar Newman, Haulotte, Ditch Runner, Menegotti, Morrison, Contec, Buddy, Crown, Edco, Wyco, Bomag, Laymor, EZ Trench, Bil-Jax, F.S. Curtis, Gehl Pavers, Heli, Honda, ICS/PowerGrit, IHI, Partner, Imer, Clipper, MMD, Koshin, Rice, CH&E, General Equipment, Amida, Coleman, NAC, Gradall, Square Shooter, Kent, Stanley, Tamco, Toku, Hatz, Kohler, Robin, Wisconsin, Northrock, Oztec, Toker TK, Rol-Air, APT, Wylie, Ingersoll Rand / Doosan, Innovatech, Con X, Ammann, Mecalac, Makinex, Smith Surface Prep, Small Line, Wanco, Yanmar